

**SUMMARY OF MAJOR SECTIONS - INDICE DELLE SEZIONI PRINCIPALI - INDEX DES SECTIONS PRINCIPALES
INHALT DER HAUPTABSCHNITTE - INDICE DE LOS CAPITULOS PRINCIPALES**

A	ENGINE • MOTORE • MOTEUR • MOTOR • MOTOR
B	MECHANICAL TRANSMISSION • CLUTCH • TRANSMISSION • TRANSMISSION SHAFT • AXLES TRASMISSIONE MECCANICA • FRIZIONE • CAMBIO • ALBERO DI TRASMISSIONE • PONTI TRANSMISSION MECANIQUE • EMBRAYAGE • BOITE DE VITESSES • ARBRE DE TRANSMISSION • PONTS MECHANISCHE KRAFTÜBERTRAGUNG • KUPPLUNG • GETRIEBE • GELENKWELLE • ACHSEN TRANSMISSION MECANICA • EMBRAGUE • CAMBIO • ARBOL DE TRANSMISSION • PUENTES
C	BRAKES (MECHANICAL OR HYDRAULIC) • FRENI (MECCANICI O IDRAULICI) • FREINS (MECANIQUES OU HYDRAULIQUES) • BREMSEN (MECHANISCHE ODER HYDRAULISCHE) • FRENOS (MECANICOS O HYDRAULICOS)
D	FRAME • STEERING • SUSPENSIONS • WHEELS • UNDERCARRIAGE • HYDRAULIC TRANSMISSION TELAIO • STERZO • SOSPENSIONI • RUOTE • CINGOLATURA • TRASMISSIONE IDRAULICA CADRE • DIRECTION • SUSPENSIONS • ROUES • TRAIN DE ROULEMENT • TRANSMISSION HYDRAULIQUE RAHMEN • LENKUNG • AUFHÄNGUNGEN • RÄDER • KETTENLAUFWERK • HYDRAULISCHER ANTRIEB BASTIDOR • DIRECCIÓN • SUSPENSIÓN • RUEDAS • TREN DE RODAJE • TRANSMISSION HYDRAULICA
E	AUXILIARY ATTACHMENT (AND EQUIPMENT) • ORGANI SUSSIDIARI (E ATTREZZI) • ORGANES AUXILIAIRES (ET EQUIPEMENT) • NEBENAGGREGATE (UND GERÄTE) • GRUPOS AUXILIARES (Y EQUIPO)
F	ELECTRICAL SYSTEM • IMPIANTO ELETTRICO • SYSTEME ELECTRIQUE • ELEKTRISCHE ANLAGE • SISTEMA ELETTRICO
G	AIR SYSTEM • IMPIANTO PNEUMATICO • SYSTEME PNEUMATIQUE • DRUCKLUFTANLAGE • SISTEMA NEUMATICO
H	TOOLS • ATTREZZI • OUTILLAGES • WERKZEUGE • UTILES
L	BODY • CARROZZERIA • CARROSSERIE • AUFBAU • CARROCCERIA
M	DRIVER S SEAT • SEDILE CONDUTTORE • SIEGE DE CONDUCTEUR • FAHRERSITZ • BUTACA DE CONDUCTOR
X	LIST OF CANCELLED PARTS IN THIS UPDATING • ELENCO PARTICOLARI SOPPRESSI NEL PRESENTE AGGIORNAMENTO • LISTE DES PIECES ANNULEES DANS CETTE MISE A JOUR • LISTE DER ANNULLIERTEN TEILE AUF DER GEGENWÄRTIGEN ABÄNDERUNG • LISTA DE LAS PIECAS CANCELADAS EN LA PRESENTE REVISION
Y	LIST OF NEW PARTS ADDED IN THIS UPDATING • ELENCO PARTICOLARI NUOVI AGGIUNTI NEL PRESENTE AGGIORNAMENTO • LISTE DES NOUVELLES PIECES AJOUTEES DANS CETTE MISE A JOUR • LISTE DER NEUEN HINZUGEFUGTEN TEILE AUF DER GEGENWÄRTIGEN ABÄNDERUNG • LISTA DE LAS PIECAS NUEVAS ANADIDAS EN LA PRESENTE REVISION
W	SUMMARY OF MODIFIED PARTS • RIEPILOGO PARTICOLARI MODIFICATI • RECAPITULATIF DES PIECES MODIFIEES • ZUSAMMEN- FASSUNG DER VERÄNDERTEN TEILE • RECAPITULACION DE LAS PIECAS MODIFICADAS

GENERAL INDEX

	Grid
Main section index	1-A1
Subgroups research index on the fiches	1-A2
Alphabetical Index	1-A8
Additional descriptions translated from English or Italian into French, German Spanish	1-A18
Basis descriptions in English, Italian, French, German, Spanish, by sequential alphanumeric order	1-B20
Use of the catalogue	1-B7
Ordering parts	1-C4
Version list	1-C9
Optional equipment list	1-C11
Part numerical index	1-D16
Hoses	—
Kit index	1-E16
Illustrations and spare part list (by subgroup alphanumeric order)	1-G17
"MODIFICATIONS" Tables	2-T8

INDICE GENERALE

Indice delle sezioni principali	1-A1
Indice di ricerca dei sottogruppi sulle fiches,..	1-A3
Indice alfabetico	1-A12
Denominazioni aggiuntive tradotte dall'Inglese o Italiano in Francese, Tedesco, Spagnolo..	1-A18
Denominazioni base in Inglese, Italiano, Francese, Tedesco, Spagnolo, in ordine alfanumerico progressivo	1-B20
Avvertenze per la consultazione del catalogo	1-B5
Istruzioni per ordinare i ricambi	1-C5
Elenco delle versioni	1-C9
Elenco delle varianti	1-C11
Indice numerico delle parti di ricambio	1-D16
Tubi flessibili	—
Indice del kit	1-E16
Illustrazioni ed elenchi delle parti di ricambio (in ordine alfanumerico di sottogruppo)...	1-G17
TABELLE "MODIFICHE"	2-T8

TABLES DES MATIERES

	Grid
Liste des sections principales	1-A1
Index de recherche des sousgroupes sur les fiches	1-A3
Liste alphabétique	1-A16
Désignations supplémentaires traduites de l'anglais ou de l'italien en français, allemand espagnol	1-A18
Désignations base en Anglais, Italien, Français Allemand, Espagnol par ordre alpha-numérique progressif	1-B20
Règles pour la consultation du catalogue	1-B3
Comment passer commande de pièces détachées	1-C6
Liste des versions	1-C9
Liste des variantes	1-C11
Liste numérique des pièces de rechange	1-D16
Tuyaux flexibles	—
Liste des kits	1-E16
Illustrations et listes de pièces de rechange (par ordre alpha-numérique de sous-groupe).....	1-G17
TABLEAUX "MODIFICATION"	2-T8

ALLGEMEINES VERZEICHNIS

Verzeichnis der Hauptabschnitte.....	1-A1
Suchindex der Untergruppen auf Karte	1-A3
Alphabetisches Verzeichnis	1-B15
Übersetzung der zusätzlichen Angaben aus dem Englischen bzw. italienischen in französische, deutsche und spanische Sprache ..	1-A18
Grundbezeichnungen in englischer, italienischer französischer, deutscher und spanischer Sprache in alphanumerischer Reihenfolge.....	1-B20
Hinweise zum Gebrauch des Katalogs.....	1-B1
Hinweise für die Ersatzteilbestellung.....	1-C7
Liste der Ausführungen.....	1-C9
Liste der Varianten.....	1-C11
Numerisches Ersatzteilverzeichnis	1-D16
Schläuche	—
Verzeichnis der Ersatzteilsätze	1-E16

Bildtafeln und Ersatzteillisten (nach der alphanumerischen Reihenfolge der Untergruppen).....	1-G17
TABELLEN "ÄNDERUNGEN"	2-T8

INDICE GENERAL

Indice de las principales partes	1-A1
Indice de localización de los subgrupos en las fichas	1-A3
Indice alfabético	1-B11
Denominaciones adicionales traducidas del inglés o italiano al francés, alemán y español....	1-A18
Denominaciones base en inglés, italiano, francés, alemán y español, por orden alfanumerico progresivo.....	1-B20
Cómo se maneja el catálogo	1-C2
Cómo se encargan las piezas de repuesto	1-C8
Lista de versiones	1-C9
Lista de variantes	1-C11
Indice numérico de las piezas de repuesto.....	1-D16
Tubos flexibles	—
Indice de fornitureas	1-E16
Laminas y listas de las piezas de repuesto (por orden alfanumerico de subgrupo).....	1-G17
TABLAS "MODIFICACIONES"	2-T8

SUBGROUPS RESEARCH INDEX ON THE FICHES - INDICE DI RICERCA DEI SOTTOGRUPPI SULLE FICHES
INDEX DE RECHERCHE DES SOUS-GROUPES SUR LES FICHES - SUCHINDEX DER UNTERGRUPPEN AUF KARTE
INDICE DE LOCALIZACION DE LOS SUBGRUPOS EN LAS FICHAS

SGR.	TAV.	PAG.	GRID	SGR.	TAV.	PAG.	GRID	SGR.	TAV.	PAG.	GRID
A0.00	1	1	1-G17	A1.07/ A	1	1	1-H16	A2.24	4	1	1-L14
A0.02	1	1	1-G16	A1.07/ A	1	2	1-H17	A2.24/ A	1	1	1-L15
A1.01	1	1	1-G15	A1.08	1	1	1-I17	A2.24/ A	1	2	1-L16
A1.01	1	2	1-G14	A1.15	1	1	1-I16	A2.24/ A	2	1	1-L17
A1.01/ A	1	1	1-G13	A1.16	1	1	1-I15	A2.24/ A	3	1	1-M17
A1.01/ A	1	2	1-G12	A1.16/ A	1	1	1-I14	A2.25	1	1	1-M16
A1.02	1	1	1-G11	A1.25	1	1	1-I13	A2.25/ A	1	1	1-M15
A1.02	1	2	1-G10	A2.01	1	1	1-I12	A2.26	1	1	1-M14
A1.02	2	1	1-G9	A2.01	1	2	1-I11	A2.26/ A	1	1	1-M13
A1.02	2	2	1-G8	A2.01/ A	1	1	1-I10	A2.26/ 1A	1	1	1-M12
A1.02/ A	1	1	1-G7	A2.01/ A	1	2	1-I9	A2.27	1	1	1-M11
A1.02/ A	2	1	1-G6	A2.21	1	1	1-I8	A2.27	1	2	1-M10
A1.02/ A	2	2	1-G5	A2.21	1	2	1-I7	A2.27	2	1	1-M9
A1.02/ A	3	1	1-G4	A2.21	1A	1	1-I6	A2.27	2	2	1-M8
A1.03	1	1	1-G3	A2.21	1A	2	1-I5	A2.27/ A	1	1	1-M7
A1.03	1	2	1-G2	A2.21	2	1	1-I4	A2.27/ A	2	1	1-M6
A1.03/ A	1	1	1-H2	A2.21	3	1	1-I3	A2.27/ A	3	1	1-M5
A1.03/ A	1	2	1-H3	A2.22	1	1	1-I2	A2.27/ A	4	1	1-M4
A1.04	1	1	1-H4	A2.22	1	2	1-L2	A2.27/ A	5	1	1-M3
A1.04	2	1	1-H5	A2.22/ A	1	1	1-L3	A2.28	1	1	1-M2
A1.04	2A	1	1-H6	A2.22/ 1	1	1	1-L4	A2.28	2	1	1-N2
A1.04	2A	2	1-H7	A2.22/ 2	1	1	1-L5	A2.28	2	2	1-N3
A1.05	1	1	1-H8	A2.22/ 3	1	1	1-L6	A2.28	3	1	1-N4
A1.05	1	2	1-H9	A2.23	1	1	1-L7	A2.33	1	1	1-N5
A1.05/ A	1	1	1-H10	A2.23/ A	1	1	1-L8	A2.35	1	1	1-N6
A1.05/ A	1	2	1-H11	A2.23/ 1	1	1	1-L9	A2.35/ A	1	1	1-N7
A1.06	1	1	1-H12	A2.23/ 2	1	1	1-L10	A2.35/ 1	1	1	1-N8
A1.06/ A	1	1	1-H13	A2.24	1	1	1-L11	A2.35/ 1A	1	1	1-N9
A1.07	1	1	1-H14	A2.24	2	1	1-L12	A2.35/ 2	1	1	1-N10
A1.07	1	2	1-H15	A2.24	3	1	1-L13	A2.35/ 2A	1	1	1-N11

SGR.	TAV.	PAG.	GRID	SGR.	TAV.	PAG.	GRID	SGR.	TAV.	PAG.	GRID
A2.35/ 3	1	1	1-N12	B2.01	6	2	1-P10	B2.01/ 1	4	2	1-R8
A2.37	1	1	1-N13	B2.01	7	1	1-P11	B2.01/ 1	5	1	1-R9
A2.37	1	2	1-N14	B2.01	8	1	1-P12	B2.01/ 1	5	2	1-R10
A2.54	1	1	1-N15	B2.01	9	1	1-P13	B2.01/ 1	6	1	1-R11
A2.54/ A	1	1	1-N16	B2.01	9	2	1-P14	B2.01/ 1	7	1	1-R12
A2.56	1	1	1-N17	B2.01	10	1	1-P15	B2.01/ 1	8	1	1-R13
A3.01	1	1	1-O17	B2.01	11	1	1-P16	B2.01/ 1	9	1	1-R14
A3.01	1	2	1-O16	B2.01	11	2	1-P17	B2.01/ 1	9	2	1-R15
A3.02	1	1	1-O15	B2.01/ A	1	1	1-Q17	B2.01/ 1	10	1	1-R16
A4.01	1	1	1-O14	B2.01/ A	2	1	1-Q16	B2.01/ 1	11	1	1-R17
A4.01	2	1	1-O13	B2.01/ A	2	2	1-Q15	B2.01/ 1	11	2	1-S17
A4.02	1	1	1-O12	B2.01/ A	3	1	1-Q14	B2.06	1	1	1-S16
A4.02	1	2	1-O11	B2.01/ A	4	1	1-Q13	B2.06	2	1	1-S15
A4.02	2	1	1-O10	B2.01/ A	4	2	1-Q12	B2.06	2A	1	1-S14
A4.02	2	2	1-O9	B2.01/ A	5	1	1-Q11	B2.07	1	1	1-S13
A4.03	1	1	1-O8	B2.01/ A	5	2	1-Q10	B2.10	1	1	1-S12
A4.09	1	1	1-O7	B2.01/ A	6	1	1-Q9	B2.10	2	1	1-S11
A4.09	1	2	1-O6	B2.01/ A	6	2	1-Q8	B2.10	2	2	1-S10
B2.00	1	1	1-O5	B2.01/ A	7	1	1-Q7	B2.18	1	1	1-S9
B2.00	2	1	1-O4	B2.01/ A	8	1	1-Q6	B2.21	1	1	1-S8
B2.00	2	2	1-O3	B2.01/ A	9	1	1-Q5	B2.33	1	1	1-S7
B2.01	1	1	1-O2	B2.01/ A	9	2	1-Q4	B2.34	1	1	1-S6
B2.01	2	1	1-P2	B2.01/ A	10	1	1-Q3	B2.38	1	1	1-S5
B2.01	2	2	1-P3	B2.01/ A	11	1	1-Q2	B3.01	1	1	1-S4
B2.01	3	1	1-P4	B2.01/ A	11	2	1-R2	B3.16	1	1	1-S3
B2.01	4	1	1-P5	B2.01/ 1	1	1	1-R3	B4.04	1	1	1-S2
B2.01	4	2	1-P6	B2.01/ 1	2	1	1-R4	B4.04	1	2	1-T2
B2.01	5	1	1-P7	B2.01/ 1	2	2	1-R5	B4.08	1	1	1-T3
B2.01	5	2	1-P8	B2.01/ 1	3	1	1-R6	B4.08	1	2	1-T4
B2.01	6	1	1-P9	B2.01/ 1	4	1	1-R7	B4.08	2	1	1-T5

FIATALLIS FL5

NTR. 163 30.05.89 60401077.03

SGR.	TAV.	PAG.	GRID	SGR.	TAV.	PAG.	GRID	SGR.	TAV.	PAG.	GRID
B4.11	1	1	1-T6	D3.40	1	1	2-H4	E3.02/ 2	5	1	2-L2
B4.12	1	1	1-T7	D3.40/ A	1	1	2-H5	E3.02/ 2	6	1	2-L3
C1.01	1	1	1-T8	D3.40/ A	2	1	2-H6	E3.02/ 2	7	1	2-L4
C1.01	2	1	1-T9	E1.02	1	1	2-H7	E3.05	1	1	2-L5
C1.01	2	2	1-T10	E2.16	1	1	2-H8	E3.05/ 1	1	1	2-L6
C1.35	1	1	1-T11	E3.02	1	1	2-H9	E3.05/ 1	1	2	2-L7
D1.01	1	1	1-T12	E3.02	1	2	2-H10	E3.05/ 1	2	1	2-L8
D1.03	1	1	1-T13	E3.02	2	1	2-H11	E3.10	1	1	2-L9
D2.20	1	1	1-T14	E3.02	2	2	2-H12	E3.10	1	2	2-L10
D2.20	2	1	1-T15	E3.02	3	1	2-H13	E3.10/ 1	1	1	2-L11
D2.22	1	1	1-T16	E3.02	3	2	2-H14	E3.10/ 2	1	1	2-L12
D2.23	1	1	1-T17	E3.02	4	1	2-H15	E3.10/ 2	2	1	2-L13
D2.23	1	2	2-G17	E3.02	4A	1	2-H16	E3.14	1	1	2-L14
D2.23	2	1	2-G16	E3.02	5	1	2-H17	E3.14	2	1	2-L15
D2.23	2	2	2-G15	E3.02	5	2	2-I17	E3.14/ 1	1	1	2-L16
D2.23	3	1	2-G14	E3.02	5A	1	2-I16	E3.14/ 2	1	1	2-L17
D2.23	3	2	2-G13	E3.02	6	1	2-I15	E3.14/ 3	1	1	2-M17
D2.24	1	1	2-G12	E3.02	6	2	2-I14	E3.15	1	1	2-M16
D2.27	1	1	2-G11	E3.02	6A	1	2-I13	E3.22	1	1	2-M15
D2.27/ A	1	1	2-G10	E3.02	7	1	2-I12	E3.22	1	2	2-M14
D2.29	1	1	2-G9	E3.02	8	1	2-I11	E3.25	1	1	2-M13
D2.29	2	1	2-G8	E3.02	9	1	2-I10	E3.25	1	2	2-M12
D3.30	1	1	2-G7	E3.02/ 1	1	1	2-I9	E3.25	2	1	2-M11
D3.33	1	1	2-G6	E3.02/ 1	1	2	2-I8	E3.26	1	1	2-M10
D3.34	1	1	2-G5	E3.02/ 2	1	1	2-I7	E3.26	1	2	2-M9
D3.34	1	2	2-G4	E3.02/ 2	2	1	2-I6	E3.27	1	1	2-M8
D3.34	2	1	2-G3	E3.02/ 2	2	2	2-I5	E3.27	1	2	2-M7
D3.34	2	2	2-G2	E3.02/ 2	3	1	2-I4	E3.28	1	1	2-M6
D3.37	1	1	2-H2	E3.02/ 2	3	2	2-I3	E3.28/ A	1	1	2-M5
D3.38	1	1	2-H3	E3.02/ 2	4	1	2-I2	E3.28/ A	1	2	2-M4

1/ 2

A5

SGR.	TAV.	PAG.	GRID	SGR.	TAV.	PAG.	GRID	SGR.	TAV.	PAG.	GRID
E3.29	1	1	2-M3	F3.01	2	1	2-O5	H1.04	2	1	2-Q7
E3.29/ 1	1	1	2-M2	F3.01	2A	1	2-O4	H1.04	2A	1	2-Q6
E3.29/ 2	1	1	2-N2	F3.03	1	1	2-O3	L1.01	1	1	2-Q5
E3.31	1	1	2-N3	F3.03	1	2	2-O2	L1.01	2	1	2-Q4
E3.31	1	2	2-N4	F3.03/ A	1	1	2-P2	L1.01	2	2	2-Q3
E3.31	2	1	2-N5	F4.01	1	1	2-P3	L1.01	3	1	2-Q2
E3.31	2	2	2-N6	F4.01	2	1	2-P4	L1.03	1	1	2-R2
E3.31/ 1	1	1	2-N7	F4.01	2	2	2-P5	L1.03/ 1	1	1	2-R3
E3.31/ 2	1	1	2-N8	F4.01	3	1	2-P6	L1.04	1	1	2-R4
E3.31/ 2	1	2	2-N9	F4.01	4	1	2-P7	L1.04	1	2	2-R5
E3.31/ 2	2	1	2-N10	F4.01	4	2	2-P8	L1.04	2	1	2-R6
E3.32	1	1	2-N11	F4.01/ A	1	1	2-P9	L1.04	3	1	2-R7
E3.32	1	2	2-N12	F4.01/ A	2	1	2-P10	L1.04	3	2	2-R8
E3.32/ 1	1	1	2-N13	F4.01/ A	3	1	2-P11	L1.04	4	1	2-R9
E3.32/ 2	1	1	2-N14	F4.01/ A	4	1	2-P12	L1.04	5	1	2-R10
E3.32/ 2	1	2	2-N15	F4.01/ A	5	1	2-P13	L1.04	6	1	2-R11
E3.32/ 3	1	1	2-N16	F4.01/ 1	1	1	2-P14	L1.04	7	1	2-R12
E3.32/ 4	1	1	2-N17	F4.01/ 1A	1	1	2-P15	L1.25	1	1	2-R13
E3.32/ 5	1	1	2-O17	F4.01/ 2	1	1	2-P16	L1.25/ 1	1	1	2-R14
E3.32/ 6	1	1	2-O16	F4.05	1	1	2-P17	L1.30	1	1	2-R15
E3.33	1	1	2-O15	F5.01	1	1	2-Q17	L1.30/ A	1	1	2-R16
E3.33/ 1	1	1	2-O14	F5.01/ 1	1	1	2-Q16	L3.04	1	1	2-R17
F2.01	1	1	2-O13	F5.01/ 1A	1	1	2-Q15	L3.04	1	2	2-S17
F2.05	1	1	2-O12	F5.10	1	1	2-Q14	L3.04	2	1	2-S16
F2.05	1	2	2-O11	F5.10/ A	1	1	2-Q13	L3.04	3	1	2-S15
F2.05/ A	1	1	2-O10	H1.01	1	1	2-Q12	L3.04/ 1	1	1	2-S14
F2.05/ 1	1	1	2-O9	H1.01	2	1	2-Q11	L3.08	1	1	2-S13
F2.05/ 1	1	2	2-O8	H1.01/ 1	1	1	2-Q10	L3.10	1	1	2-S12
F2.05/ 1	1	3	2-O7	H1.01/ 1	2	1	2-Q9	L3.10	1	2	2-S11
F3.01	1	1	2-O6	H1.04	1	1	2-Q8	L3.10	2	1	2-S10

SGR.	TAV.	PAG.	GRID	SGR.	TAV.	PAG.	GRID	SGR.	TAV.	PAG.	GRID
L3.10	2	2	2-S9								
L3.10	3	1	2-S8								
L3.10	4	1	2-S7								
L3.10	4	2	2-S6								
L3.11	1	1	2-S5								
L3.11	1	2	2-S4								
L3.12	1	1	2-S3								
L4.10	1	1	2-S2								
L6.01	1	1	2-T2								
L6.01/ 1	1	1	2-T3								
L6.01/ 2	1	1	2-T4								
L6.01/ 3	1	1	2-T5								
L6.04	1	1	2-T6								
L6.04/ 1	1	1	2-T7								

ALPHABETICAL INDEX

DESCRIPTION	SGR.	TAV.	PAG.	GRID	DESCRIPTION	SGR.	TAV.	PAG.	GRID
ACCESSORIES	H1.04		1/1/1	2-08 /2-07 /2-06	CONTROLS, GEARSHIFT OUTER	B2.07		1	1-S13
ADVANCE DEVICE	A2.24	1	1	1-L11	COOLING, PIPING	A4.02	1	1/2	1-012/1-011
AIR CLEANER AND DUCTS	A2.22/ A		1	1-L3	CRANKCASE	A1.01	1	1/2	1-G15/1-G14
AIR CLEANER AND DUCTS	A2.22/ 1	1	1	1-L4	CRANKCASE AND CYLINDER HEAD	A1.01/ A		1/2	1-G13/1-G12
AIR CLEANER AND DUCTS	A2.22/ 2		1	1-L5	CRANKCASE, FRONT COVER	A1.02	2	1/2	1-G9 /1-G8
AIR CLEANER AND DUCTS	A2.22/ 3		1	1-L6	CRANKSHAFT	A1.03	1	1/2	1-G3 /1-G2
AIR CLEANER CLOGGING INDICATOR	F5.10	1	1	2-Q14	CRANKSHAFT AND FLYWHEEL	A1.03/ A		1/2	1-H2 /1-H3
AIR CLEANER, ENGINE	A2.22	1	1/2	1-12 /1-12	CRANKSHAFT, BEARINGS	A1.03	1	1/2	1-G3 /1-G2
ALTERNATOR	F3.01	2	1	2-05	CYLINDER HEAD, COVERS	A1.01	1	1/2	1-G15/1-G14
ARM, LIFT	E3.10/ 2		1/1	2-L12/2-L13	CYLINDER SLEEVE	A1.01	1	1/2	1-G15/1-G14
ARMS, LOADER LIFT	E3.10		1/2	2-L9 /2-L10	CYLINDER, BUCKET	E3.02	6	1/2	2-115/2-114
ARMS, RIPPER LIFT	E3.10/ 1		1	2-L11	CYLINDER, BUCKET	E3.02/ 2	2	1/2	2-16 /2-15
AUXILIARY ARRANGEMENTS	L1.30		1	2-R15	CYLINDER, IDLER WHEEL	D3.34	1	1/2	2-G5 /2-G4
AUXILIARY ARRANGEMENTS	L1.30/ A		1	2-R16	CYLINDER, LIFT	E3.02	5	1/2	2-H17/2-H17
BALLASTS, REAR	B4.09	1	1/2	1-T3 /1-T4	CYLINDER, LIFT	E3.02/ 2	1	1	2-17
BATTERIES	F3.01	1	1	2-06	CYLINDER, RIPPER	E3.02/ 1	1	1/2	2-19 /2-16
BELTS, FAN	A4.09	1	1/2	1-07 /1-06	CYLINDER, STABILIZER ARM	E3.02/ 2	5	1	2-12
BRAKE, BAND	C1.01	2	1/2	1-T9 /1-T10	CYLINDER, STICK	E3.02/ 2	2	1/2	2-16 /2-15
BRAKE, PEDALS	C1.01	1	1	1-T5	DAMPER WEIGHTS	A1.04		1/1/1	1-H4 /1-H5 /1-H6
BP AND LOGO	L4.10		1	2-32				2	1-H7
BUCKET, AUTOMATIC POSITIONING DEVICE	E3.27		1/2	2-M9 /2-M7	DIPSTICK, TRANSMISSION OIL	E2.06	2	1	1-S15
BUCKET, LOADER	E3.14		1/1	2-L14/2-L15	DIPSTICK, ENGINE OIL	A3.01	1	1/2	1-017/1-016
CAB	L1.03/ 1		1	2-R3	DRIVE GEARS, CENTRAL	B4.04		1/2	1-S2 /1-T2
CAB AND MOUNTINGS	L1.03		1	2-R2	DRIVES, AUXILIARY	A1.15		1	1-H6
CAMSHAFT	A1.07	1	1/2	1-H14/1-H15	ENGINE	A0.00		1	1-G17
CAMSHAFT DRIVE	A1.06		1	1-H12	ENGINE STARTING EQUIPMENT	F2.01		1	2-013
CAMSHAFT DRIVE	A1.06/ A		1	1-H13	ENGINE, AIR PRE-CLEANER	A2.22	1	1/2	1-2 /1-L2
CLUTCHES, STEERING	D2.20		1/1	1-T14/1-T15	ENGINE, AIR PRE-CLEANER	A2.22/ 1	1	1	1-L4
CONNECTING RODS	A1.05	1	1/2	1-H8 /1-H9	ENGINE, BREATHER	A1.25	1	1	1-H3
CONNECTING RODS AND PISTONS	A1.05/ A		1/2	1-H10/1-H11	ENGINE, BREATHER PIPING	A1.25	1	1	1-H3
CONTROL, IMPLEMENT	E3.25		1/2/1	2-M13/2-M12/2-M11	ENGINE, LUBE PIPING	A3.01	1	1/2	1-G17/1-G16
CONTROLS, GEARSHIFT INNER	B2.10		1/1/2	1-S12/1-S11/1-S10	ENGINE, SUSPENSIONS	A0.02		1	1-G16

DESCRIPTION	SGR.	TAV.	PAG.	GRID	DESCRIPTION	SGR.	TAV.	PAG.	GRID
EXHAUST, PIPE	A2.55	1		1-N17	HYDRAULIC SYSTEM	E3.02	1/2	1	2-H9 /2-H10/2-H11
FAN	A4.09	1	1/2	1-O7 /1-O6			2/1	2	2-H12/2-H13/2-H14
FAN, DRIVE	A4.09	1	1/2	1-O7 /1-O6			1/1	1	2-H15/2-H16/2-H17
FAN, TIGHTENER	A4.09	1	1/2	1-O7 /1-O6			2/1	1	2-H17/2-H18/2-H15
FILTER, OIL TANK	E3.28	1	1	2-M6			2/1	1	2-H14/2-H13/2-H12
FILTERS, FUEL	A2.24	3	1	1-L13			1/1	1	2-H11/2-H10
FINAL DRIVE, GEARS	B4.12		1	1-T7	HYDRAULIC SYSTEM	E3.02/ 2	1/1	2	2-17 /2-16 /2-15
FINAL DRIVE, HOUSINGS	B4.11		1	1-T6			1/2	1	2-14 /2-13 /2-12
FLYWHEEL	A1.03	1	1/2	1-G3 /1-G2			1/1	1	2-L2 /2-L3 /2-L4
FLYWHEEL HOUSING	A1.02	1	1/2	1-G11/1-G10	IDLER WHEEL	D3.34	2	1/2	2-G3 /2-G2
FOOT BRAKE CONTROL	C1.01		1/1/2	1-T8 /1-T9 /1-T10	IDLER WHEEL, SUPPORTS	D3.34	2	1/2	2-G3 /2-G2
FOOTBOARDS	L3.04	2	1	2-S16	IMPLEMENT, MOUNTS	E3.05/ 1	1/2	1	2-L6 /2-L7 /2-L8
FRAME	D1.01		1	1-T12	INDICATORS, OPERATION	F5.10/ A		1	2-O13
FUEL INJECTION SYSTEM	A2.24/ A		1/2/1	1-L15/1-L16/1-L17	INJECTION PUMP, DRIVE	A1.16		1	1-I15
			1	1-M17	INJECTION PUMP, DRIVE	A1.16/ A		1	1-I14
FUEL LINES	A2.24	2	1	1-L12	INTAKE, PIPING	A2.22	1	1/2	1-I2 /1-L2
GAUGE, ENGINE OIL TEMPERATURE	F5.10	1	1	2-Q14	INTAKE, PIPING	A2.22/ 1	1	1	1-L4
GAUGE, LEVEL	F5.10	1	1	2-Q14	LAMP, DASH	F4.01	1	1	2-P3
GAUGE, OIL PRESSURE (ENGINE)	F5.10	1	1	2-Q14	LAMP, REAR FLOOD	F4.01/ A	1/1	1	2-P9 /2-P10/2-P11
GAUGE, OIL PRESSURE (TRANSMISSION)	F5.10	1	1	2-Q14			1/1	1	2-P12/2-P13
GAUGE, TRANSMISSION OIL TEMPERATURE	F5.10	1	1	2-Q14	LIGHT, INDICATORS TEST BUTTON	F5.10	1	1	2-Q14
GENERATING SYSTEM	F3.01		1/1/1	2-O6 /2-O5 /2-O4	LIGHTING SYSTEM	F4.01	1/2	1	2-P3 /2-P4 /2-P5
GOVERNOR, SPEED	A2.24	1	1	1-L11			1/1	2	2-P6 /2-P7 /2-P8
GUARDS, BOTTOM	L3.12		1	2-S3	LIGHTING SYSTEM	F4.01/ 1		1	2-P14
HAND BRAKE CONTROL	C1.35		1	1-T11	LIGHTING SYSTEM	F4.01/ 1A		1	2-P15
HEAD, CYLINDER	A1.01	1	1/2	1-G15/1-G14	LIGHTING SYSTEM	F4.01/ 2		1	2-P16
HEADLAMP	F4.01	1	1	2-P3	LIGHTS, INDICATOR	F5.10	1	1	2-Q14
HEAT EXCHANGER, CONVERTER	B2.18		1	1-S9	LINKAGE, THROTTLE CONTROL	A2.21	1/2	1	1-I8 /1-I7 /1-I6
HEATER	E1.02		1	2-H7			2/1	1	1-I5 /1-I4 /1-I3
HOOD, ASSY	L1.01		1/1/2	2-Q5 /2-Q4 /2-Q3	MANIFOLD, EXHAUST	A2.54	1	1	1-N15
			1	2-Q2	MANIFOLD, INTAKE	A2.54	1	1	1-N15
HOURLY METER	F5.10	1	1	2-Q14	MANIFOLDS, INTAKE AND EXHAUST	A2.54/ A		1	1-N16

DESCRIPTION	SGR.	TAV.	PAG.	GRID	DESCRIPTION	SGR.	TAV.	PAG.	GRID
MUDGUARDS	L3.04	1	1/2	2-R17/2-S17	SHOVEL, DIGGING	E3.14/ 3	1		2-M17
MUDGUARDS AND FOOTBOARDS	L3.04/ 1			2-S14	SIGNALLING DEVICES	F5.01	1		2-Q17
NOZZLE	A2.24	3	1	1-L13	SIGNALLING DEVICES	F5.01/ 1	1		2-Q16
NOZZLE, HOLDER	A2.24	4	1	1-L14	SIGNALLING DEVICES	F5.01/ 1A	1		2-Q15
PISTONS	A1.05	1	1/2	1-H8 /1-H9	SPROCKET	D3.33	1		2-G6
PLATES, TYPE	L1.25		1	2-R13	STARTER	F2.01	1	1	2-O13
PLATES, TYPE	L1.25/ 1		1	2-R14	STEERING CLUTCH, CONTROL VALVE	D2.23	1	1/2	1-T17/2-G17
POSITIONER BOOM	E3.26		1/2	2-M10/2-M9	STEERING CLUTCH, LINKAGE	D2.22	1	1	1-T16
POWER TAKE-OFF	E2.16		1	2-H6	STEERING CLUTCH, LUBRICATION SYSTEM	D2.24	1	1	2-G12
PROPELLER SHAFT, TRANSMISSION-TO-AXLE	E3.01		1	1-G4	STEERING CLUTCH, PEDALS	D2.22	1	1	1-T16
PUMP, COOLANT	A4.02	2	1/2	1-O10/1-O9	STEERING CLUTCH, PIPING	D2.23	2	1/2	2-G16/2-G15
PUMP, ENGINE OIL	A3.01	1	1/2	1-O17/1-O16	SUMP AND CRANKCASE, COVERS	A1.02/ A		1/1/2	1-G7 /1-G6 /1-G5
PUMP, FUEL	A2.24	1	1	1-L11			1		1-G4
PUMP, HYDRAULIC SYSTEM	E3.02	3	1/2	2-H13/2-H14	SUMP, ENGINE OIL	A1.02	1	1/2	1-G11/1-G10
PUMP, INJECTION	A2.24	1	1	1-L11	TANK (FUEL) AND PIPING	A2.01/ A		1/2	1-I10/1-I9
PUMP, STEERING CLUTCHES	D2.23	3	1/2	2-G14/2-G13	TANK (FUEL), LINES	A2.01	1	1/2	1-I12/1-I11
RADIATOR	A4.01		1/1	1-O14/1-O13	TANK, FUEL	A2.01		1/2	1-I12/1-I11
RADIATOR, SHROUD	A4.01	2	1	1-O13	TANK, OIL	E3.28	1		2-M6
REDUCTION UNIT, SWING	E3.02/ 2	4	1	2-I2	TANK, OIL	E3.28/ A		1/2	2-M5 /2-M4
ROCKER ARMS	A1.07	1	1/2	1-H14/1-H15	THERMOSTAT	A4.02	1	1/2	1-Q12/1-Q11
ROPS CANOPY	L3.08		1	2-S13	TOOLS	H1.01		1/1	2-Q12/2-Q11
SCARIFIER, MOUNTS	E3.05		1	2-L5	TOOLS	H1.01/ 1		1/1	2-Q10/2-Q9
SCARIFIER, TEE	E3.15		1	2-M16	TOWING DEVICE	D1.03		1	1-I13
SEAT, PANELS	L3.10		1/2/1	2-S12/2-S11/2-S10	TRACK	D3.40		1	2-H4
			2/1/1	2-S9 /2-S8 /2-S7	TRACK	D3.40/ A		1/1	2-H5 /2-H6
			2	2-S6	TRACK FRAME, BODY	D3.30		1	2-G7
SEAT, DRIVER'S	L6.01		1	2-T2	TRACK ROLLER	D3.37		1	2-H2
SEAT, DRIVER'S	L6.01/ 1		1	2-T3	TRACK ROLLER, CARRIER	D3.38		1	2-H3
SEAT, DRIVER'S	L6.01/ 2		1	2-T4	TRACK, GUARDS	L3.11		1/2	2-S5 /2-S4
SEAT, DRIVER'S	L6.01/ 3		1	2-T5	TRACK, LINKS	D3.40	1	1	2-H4
SHOVEL, DIGGING	E3.14/ 1		1	2-L16	TRACK, SHOES	D3.40	1	1	2-H4
SHOVEL, DIGGING	E3.14/ 2		1	2-L17	TRANSMISSION	B2.00		1/1/2	1-O5 /1-O4 /1-O3

DESCRIPTION	SGR.	TAV.	PAG.	GRID	DESCRIPTION	SGR.	TAV.	PAG.	GRID
TRANSMISSION (REAR), HOUSING	B4.08	1	1/2	1-T3 /1-T4					
TRANSMISSION (REAR), HOUSING	B4.08	1	1/2	1-T3 /1-T4					
TRANSMISSION REAR, COVERS	B4.08	1	1/2	1-T3 /1-T4					
TRANSMISSION, LOCK-UP DEVICE	B2.35		1	1-S5					
TRANSMISSION, LUBRICATION SYSTEM	B2.06		1/1/1	1-S16/1-S17/1-S14					
VALVE GEAR	A1.07/ A		1/2	1-H16/1-H17					
VALVE, BACKHOE ATTACHMENT CONTROL	E3.02/ 2	5	1	2-L2					
VALVE, CONTROL	B2.33		1	1-S7					
VALVE, MAIN CONTROL	E3.02	1	1/2	2-H9 /2-H10					
VALVE, MODULATING	B2.34		1	1-S6					
VALVE, RIPPER DIVERTOR	E3.02	1	1/2	2-H9 /2-H10					
VALVES, ENGINE	A1.C7	1	1/2	1-H14/1-H15					

INDICE ALFABETICO

DENOMINAZIONE	SGR.	TAV.	PAG.	GRID	DENOMINAZIONE	SGR.	TAV.	PAG.	GRID
ACCESSORI	H1.04		1 / 1	2-08 / 2-07 / 2-06	CILINDRO RIPPER	E3.02/ 1	1	1 / 2	2-19 / 2-18
ALBERO A CAMME	A1.07	1	1 / 2	1-H14/1-H15	CILINDRO SOLLEVAMENTO	E3.02	5	1 / 2	2-H17/2-17
ALBERO E VOLANO MOTORE	A1.03 A		1 / 2	1-H2 / 1-H3	CILINDRO SOLLEVAMENTO	E3.02/ 2	1	1	2-7
ALBERO MOTORE	A1.07	1	1 / 2	1-G3 / 1-G2	CILINDRO STABILIZZATORE	E3.02/ 2	5	1	2-12
ALIMENTAZIONE AD INIEZIONE	A2.2 A		1 / 2 / 1	1-L15/1-L16/1-L17	CILINDRO TENDICINGOLO	D3.34	1	1 / 2	2-G5 / 2-G4
			1	1-M17	CINGHIE VENTILATORE	A4.09	1	1 / 2	1-07 / 1-05
ALTERNATORE	F3.01	2	1	2-05	CINGOLO	D3.40		1	2-H4
ASTA LIVELLO OLIO CAMBIO	B2.06	2	1	1-S15	CINGOLO	D3.40/ A		1 / 1	2-H5 / 2-H6
ASTA LIVELLO OLIO MOTORE	A3.01	1	1 / 2	1-O17/1-O16	COFANATURA	L1.01		1 / 1 / 2	2-05 / 2-Q4 / 2-Q3
ATTREZZI	H1.01		1 / 1	2-Q12/2-Q11				1	2-Q2
ATTREZZI	H1.01/ 1		1 / 1	2-Q10/2-Q9	COLLETTORE ASPIRAZIONE	A2.54	1	1	1-N15
AVVIAMENTO MOTORE	F2.01		1	2-O13	COLLETTORE SCARICO	A2.54	1	1	1-N15
BASAMENTO E TESTA CILINDRI	A1.01/ A		1 / 2	1-G13/1-G12	COMANDI ACCELERATORE	A2.21		1 / 2 / 1	1-8 / 1-17 / 1-16
BASAMENTO MOTORE	A1.01	1	1 / 2	1-G15/1-G14				2 / 1 / 1	1-5 / 1-14 / 1-13
BATTERIE	F3.01	1	1	2-06	COMANDI ESTERNI CAMBIO DI VELOCITA'	B2.07		1	1-S13
BENNA CARICATORE	E3.14		1 / 1	2-L14/2-L15	COMANDI INTERNI CAMBIO DI VELOCITA'	B2.10		1 / 1 / 2	1-S12/1-S11/1-S10
BENNA ESCAVATORE	E3.14/ 1		1	2-L16	COMANDI VARI	A1.15		1	1-H6
BENNA ESCAVATORE	E3.14/ 2		1	2-L17	COMANDO A MANO FRENI	C1.35		1	1-T11
BENNA ESCAVATORE	E3.14/ 3		1	2-M17	COMANDO A PEDALE FRENI	C1.01		1 / 1 / 2	1-T8 / 1-T9 / 1-T10
BIELLE	A1.05	1	1 / 2	1-H8 / 1-H9	COMANDO ATTREZZO	E3.25		1 / 2 / 1	2-M13/2-M12/2-M11
BIELLE E STANTUFFI	A1.05/ A		1 / 2	1-H10/1-H11	COMANDO DISTRIBUZIONE	A1.03		1	1-H12
BILANCIERI VALVOLE	A1.07	1	1 / 2	1-H14/1-H15	COMANDO DISTRIBUZIONE	A1.06/ A		1	1-H13
BRACCI SOLLEVAMENTO CARICATORE	E3.10		1 / 2	2-L9 / 2-L10	COMANDO POMPA INIEZIONE	A1.16		1	1-H5
BRACCI SOLLEVAMENTO SCARIFICATORE	E3.10/ 1		1	2-L11	COMANDO POMPA INIEZIONE	A1.16/ A		1	1-H4
BRACCIO SOLLEVAMENTO	E3.10/ 2		1 / 1	2-L12/2-L13	COMANDO VENTILATORE	A4.09	1	1 / 2	1-07 / 1-06
CABINA	L1.03/ 1		1	2-R3	CONDOTTI ASPIRAZIONE E SCARIC	A2.54/ A		1	1-N16
CABINA E SUPPORTI	L1.03		1	2-R2	CONTAORE	F5.10	1	1	2-Q14
CAMBIO DI VELOCITA'	B2.00		1 / 1 / 2	1-O5 / 1-04 / 1-03	CONVOGLIATORE RADIATORE	A4.01	2	1	1-O13
CANNA CILINDRI	A1.01	1	1 / 2	1-G15/1-G14	COPERCHI TESTA CILINDRI	A1.01	1	1 / 2	1-G15/1-G14
CILINDRO BENNA	E3.02	6	1 / 2	2-H5/2-H4	COPERCHI TRASMISSIONE POSTERIORE	B4.08	1	1 / 2	1-T3 / 1-T4
CILINDRO BENNA	E3.02/ 2	2	1 / 2	2-H5 / 2-H5	COPERCHIO ANTERIORE BASAMENTO	A1.02	2	1 / 2	1-G9 / 1-G8
CILINDRO PENETRAZIONE	E3.02/ 2	2	1 / 2	2-H5 / 2-H5	COPPA E COPERCHI BASAMENTO	A1.02/ A		1 / 1 / 2	1-G7 / 1-G6 / 1-G5

DENOMINAZIONE	SGR.	TAV.	PAG.	GRID	DENOMINAZIONE	SGR.	TAV.	PAG.	GRID
COPPA E COPECHI BASAMENTO	A1.02/ A	1		1-G4	IMPIANTO IDRAULICO	E3.02	1/ 1/ 1		2-H15/2-H16/2-H17
COPPA MOTORE	A1.02	1	1/ 2	1-G11/1-G10			2/ 1/ 1		2-H17/2-H16/2-H15
CORPO CARRELLO CINGOLO	D3.30	1		2-G7			2/ 1/ 1		2-H14/2-H13/2-H12
CORPO TRASMISSIONE POSTERIORE	B4.08	1	1/ 2	1-T3 /1-T4			1/ 1		2-H11/2-H10
CUSCINETTI ALBERO MOTORE	A1.03	1	1/ 2	1-G3 /1-G2	IMPIANTO IDRAULICO	E3.02/ 2	1/ 1/ 2		2-7 /2-16 /2-15
DENTI SCARIFICATORE	E3.15	1		2-M16			1/ 2/ 1		2-4 /2-13 /2-12
DEVIATORE RIPPER	E3.02	1	1/ 2	2-H9 /2-H10			1/ 1/ 1		2-L2 /2-L3 /2-L4
DISPOSITIVO BLOCCAGGIO CAMBIO	B2.38	1		1-S5	INDICATORE DI LIVELLO	F5.10	1	1	2-Q14
DISPOSITIVO MASSE ADDIZIONALI	A1.04	1/ 1/ 1		1-H4 /1-H5 /1-H6	INDICATORI OTTICI	F5.10	1	1	2-Q14
			2	1-H7	INTELLAIATURE PER SISTEMAZIONI VARIE	L1.30	1		2-R15
DISTRIBUTORE	B2.33	1		1-S7	INTELLAIATURE PER SISTEMAZIONI VARIE	L1.30/ A	1		2-R16
DISTRIBUTORE FRIZIONI DI STERZO	D2.23	1	1/ 2	1-T17/2-G17	LUBRIFICAZIONE CAMBIO	B2.06	1/ 1/ 1		1-S16/1-S15/1-S14
DISTRIBUTORE PRINCIPALE	E3.02	1	1/ 2	2-H9 /2-H10	LUBRIFICAZIONE FRIZIONI DI STERZO	D2.24	1		2-G12
DISTRIBUTORE RETROSCAVATORE	E3.02/ 2	5	1	2-L2	MAGLIE CINGOLO	D3.40	1	1	2-H4
DISTRIBUZIONE	A1.07/ A	1/ 2		1-H16/1-H17	MANOMETRO OLIO CAMBIO	F5.10	1	1	2-Q14
FANALE CRUSCOTTO	F4.01	1		2-P3	MANOMETRO OLIO MOTORE	F5.10	1	1	2-Q14
FILTRI COMBUSTIBILE	A2.24	3	1	1-L13	MOTORE	A0.00	1		1-G17
FILTRO ARIA E TUBAZIONI	A2.22/ A	1		1-L3	MOTORINO DI AVVIAMENTO	F2.01	1	1	2-O13
FILTRO ARIA E TUBAZIONI	A2.22/ 1	1		1-L4	NASTRO DEL FRENO	C1.0	2	1/ 2	1-T9 /1-T10
FILTRO ARIA E TUBAZIONI	A2.22/ 2	1		1-L5	ORGANO DI TRAINO	D1.03	1		1-T13
FILTRO ARIA E TUBAZIONI	A2.22/ 3	1		1-L6	PARAFANGHI	L3.04	1	1/ 2	2-R17/2-S17
FILTRO ARIA MOTORE	A2.22	1	1/ 2	1-2 /1-L2	PARAFANGHI E PEDANE	L3.04/ 1	1		2-S14
FILTRO SERBATOIO OLIO	E3.28	1	1	2-M6	PEDALI FRENI	C1.01	1	1	1-T9
FRIZIONI DI STERZO	D2.20	1/ 1		1-T14/1-T15	PEDALI FRIZIONI DI STERZO	D2.22	1	1	1-T16
GENERAZIONE DI CORRENTE	F3.01	1/ 1/ 1		2-O6 /2-O5 /2-O4	PEDANE	L3.04	2	1	2-S16
ILLUMINAZIONE	F4.01	1/ 1/ 2		2-P3 /2-P4 /2-P5	POLVERIZZATORE	A2.24	3	1	1-L13
		1/ 1/ 2		2-P6 /2-P7 /2-P8	POMPA ACQUA	A4.02	2	1/ 2	1-O10/1-O9
ILLUMINAZIONE	F4.01/ 1	1		2-P14	POMPA ALIMENTAZIONE	A2.24	1	1	1-L11
ILLUMINAZIONE	F4.01/ 1A	1		2-P15	POMPA FRIZIONI DI STERZO	D2.23	3	1/ 2	2-G14/2-G13
ILLUMINAZIONE	F4.01/ 2	1		2-P16	POMPA IMPIANTO IDRAULICO	E3.02	3	1/ 2	2-H13/2-H14
IMPIANTO IDRAULICO	E3.02	1/ 2/ 1		2-H9 /2-H10/2-H11	POMPA INIEZIONE	A2.24	1	1	1-L11
		2/ 1/ 2		2-H12/2-H13/2-H14	POMPA OLIO LUBRIFICAZIONE MOTORE	A3.01	1	1/ 2	1-O17/1-O16

DENOMINAZIONE	SGR.	TAV.	PAG.	GRID	DENOMINAZIONE	SGR.	TAV.	PAG.	GRID
PORTAPOLVERIZZATORI	A2.24	4	1	1-L14	SEDILE CONDUTTORE	L6.01/ 3		1	2-T5
POSIZIONATORE AUTOMATICO BENNA	E3.27		1/ 2	2-M8 /2-1A7	SEGNALATORE INTASAMENTO FILTRO	F5.10	1	1	2-Q14
POSIZIONATORE BRACCI SOLLEVAMENTO	E3.26		1/ 2	2-M10/2-3A3	SEGNALAZIONI DI AVVISO	F5.01		1	2-Q17
PREFILTRO ARIA MOTORE	A2.22	1	1/ 2	1-12 /1-L2	SEGNALAZIONI DI AVVISO	F5.01/ 1		1	2-Q16
PREFILTRO ARIA MOTORE	A2.22/ 1	1	1	1-L4	SEGNALAZIONI DI AVVISO	F5.01/ 1A		1	2-Q15
PRESA DI FORZA	E2.16		1	2-H8	SEGNALAZIONI DI FUNZIONAMENTO	F5.10/ A		1	2-Q13
PROIETTORE ANTERIORE	F4.01	1	1	2-P3	SERBATOIO COMBUSTIBILE	A2.01		1/ 2	1-112/1-111
PROIETTORE POSTERIORE	F4.01/ A		1/ 1/ 1	2-P9 /2-P10/2-P11	SERBATOIO COMBUSTIBILE E TUBAZIONI	A2.01/ A		1/ 2	1-110/1-19
			1/ 1	2-P12/2-P13	SERBATOIO OLIO	E3.28		1	2-M6
PULSANTE PROVA SPIE	F5.10	1	1	2-Q14	SERBATOIO OLIO	E3.28/ A		1/ 2	2-M5 /2-M4
RADIATORE	A4.01		1/ 1	1-Q14/1-O13	SFIATATOIO MOTORE	A1.25	1	1	1-113
REGOLATORE DI VELOCITA'	A2.24	1	1	1-L11	SIGLE MODELLI	L1.25		1	2-R13
RIDUTTORE DI ROTAZIONE	E3.02/ 2	4	1	2-I2	SIGLE MODELLI	L1.25/ 1		1	2-R14
RIPARI CINGOLI	L3.11		1/ 2	2-S5 /2-S4	SOSPENSIONI MOTORE	A0.02		1	1-G16
RIPARI INFERIORI	L3.12		1	2-S3	STANTUFFI	A1.05	1	1/ 2	1-H8 /1-H9
RIPARI SEDILE	L3.10		1/ 2/ 1	2-S12/2-S11/2-S10	STRUTTURA DI PROTEZIONE ROPS	L3.08		1	2-S13
			2/ 1/ 1	2-S9 /2-S8 /2-S7	SUOLE	D3.40	1	1	2-H4
			2	2-S6	SUPPORTI ATTREZZI	E3.05/ 1		1/ 2/ 1	2-L6 /2-L7 /2-L8
RISCALDATORE	E1.02		1	2-H7	SUPPORTI RUOTA TENDICINGOLO	D3.34	2	1/ 2	2-G3 /2-G2
RULLO CARRELLO CINGOLO	D3.37		1	2-H2	SUPPORTO SCARIFICATORE	E3.05		1	2-L5
RULLO SOSTEGNO CINGOLO	D3.38		1	2-H3	TARGHE	L4.10		1	2-S2
RUOTA MOTRICE	D3.33		1	2-G6	TELAIO	D1.01		1	1-T12
RUOTA TENDICINGOLO	D3.34	2	1/ 2	2-G3 /2-G2	TENDICINGHIA VENTILATORE	A4.09	1	1/ 2	1-O7 /1-O6
RUOTISMI RIDUTTORI LATERALI	B4.12		1	1-T7	TERMOMETRO OLIO CAMBIO	F5.10	1	1	2-Q14
RUOTISMI RIDUZIONE CENTRALE	B4.04		1/ 2	1-S2 /1-T2	TERMOMETRO OLIO MOTORE	F5.10	1	1	2-Q14
SCAMBIATORE DI CALORE CONVERTITORE	B2.18		1	1-S9	TERMOSTATO	A4.02	1	1/ 2	1-O12/1-O11
SCATOLA TRASMISSIONE POSTERIORE	B4.08	1	1/ 2	1-T3 /1-T4	TESTA CILINDRI	A1.01	1	1/ 2	1-G15/1-G14
SCATOLA VOLANO	A1.02	1	1/ 2	1-G11/1-G10	TIRANTERIA FRIZIONI DI STERZO	D2.22	1	1	1-T16
SCATOLE RIDUTTORI LATERALI	B4.11		1	1-T6	TRASMISSIONE TRA CAMBIO E PONTE	B3.01		1	1-S4
SEDILE CONDUTTORE	L6.01		1	2-T2	TUBAZIONE DI SCARICO	A2.56		1	1-N17
SEDILE CONDUTTORE	L6.01/ 1		1	2-T3	TUBAZIONI ASPIRAZIONE	A2.22	1	1/ 2	1-12 /1-L2,
SEDILE CONDUTTORE	L6.01/ 2		1	2-T4	TUBAZIONI ASPIRAZIONE	A2.22/ 1	1	1	1-L4

DENOMINAZIONE	SGR.	TAV.	PAG.	GRID	DEIOMINAZIONE	SGR.	TAV.	PAG.	GRID
TUBAZIONI COMBUSTIBILE	A2.24	2	1	1-L12					
TUBAZIONI DAL SERBATOIO COMBUSTIBILE	A2.01	1	1/2	1-I12/1-I11					
TUBAZIONI FRIZIONI DI STERZO	D2.23	2	1/2	2-G16/2-G15					
TUBAZIONI LUBRIFICAZIONE MOTORE	A3.01	1	1/2	1-O17/1-O16					
TUBAZIONI PER AERAZIONE MOTORE	A1.25		1	1-I13					
TUBAZIONI RAFFREDDAMENTO	A4.02	1	1/2	1-O12/1-O11					
VALVOLA MODERATRICE	B2.34		1	1-S6					
VALVOLE DISTRIBUZIONE	A1.07	1	1/2	1-H14/1-H15					
VARIATORE DI ANTICIPO	A2.24	1	1	1-L11					
VENTILATORE	A4.09	1	1/2	1-O7 /1-O6					
VOLANO MOTORE	A1.03	1	1/2	1-G3 /1-G2					
ZAVORRE POSTERIORI	B4.08	1	1/2	1-T3 /1-T4					

LISTE ALPHABETIQUE

DESIGNATION	SGR.	TAV.	PAG.	GRID	DESIGNATION	SGR.	TAV.	PAG.	GRID
ACCESSOIRES	H1.04		1/ 1/ 1	2-Q8 /2-Q7 /2-Q6	CARTER DE TRANSMISSION ARRIERE	B4.08	1	1/ 2	1-T3 /1-T4
AILES	L3.04	1	1/ 2	2-R17/2-S17	CARTER DE VOLANT	A1.02	1	1/ 2	1-G11/1-G10
AILES ET MARCHEPIEDS	L3.04/ 1		1	2-S14	CARTERS DE REDUCTERUS LATERAUX	B4.11		1	1-T6
ALIMENTATION PAR INJECTION	A2.24/ A		1/ 2/ 1	1-L15/1-L16/1-L17	CHASSIS	D1.01		1	1-T12
			1	1-M17	CHASSIS DE CHARIOT DE CHENILLE	D3.30		1	2-G7
ALTERNATEUR	F3.01	2	1	2-O5	CHEMISE DE CYLINDRE	A1.01	1	1/ 2	1-G15/1-G14
AMENAGEMENTS DIVERS	L1.30		1	2-R15	CHENILLE	D3.40		1	2-H4
AMENAGEMENTS DIVERS	L1.30/ A		1	2-R16	CHENILLE	D3.40/ A		1/ 1	2-H5 /2-H6
ARBRE A CAMES	A1.07	1	1/ 2	1-H14/1-H15	COLLECTEUR D'ADMISSION	A2.54	1	1	1-N15
AVERTISSEURS	F5.01		1	2-Q17	COLLECTEUR D'ECHAPPEMENT	A2.54	1	1	1-N15
AVERTISSEURS	F5.01/ 1		1	2-Q16	COMMANDE AU PIED DE FREINS	C1.01		1/ 1/ 2	1-T8 /1-T9 /1-T10
AVERTISSEURS	F5.01/ 1A		1	2-Q15	COMMANDE DE DISTRIBUTION	A1.06		1	1-H12
BATI ET CULASSE	A1.01/ A		1/ 2	1-G13/1-G12	COMMANDE DE DISTRIBUTION	A1.06/ A		1	1-H13
BATTERIES	F3.01	1	1	2-O6	COMMANDE DE FREINS A MAIN	C1.35		1	1-T11
BIELLES	A1.05	1	1/ 2	1-H8 /1-H9	COMMANDE DE L'OUTIL	E3.25		1/ 2/ 1	2-M13/2-M12/2-M11
BIELLES ET PISTONS	A1.05/ A		1/ 2	1-H10/1-H11	COMMANDE DE POMPE D'INJECTION	A1.16		1	1-H15
BLOC-CYLINDRES	A1.01	1	1/ 2	1-G15/1-G14	COMMANDE DE POMPE D'INJECTION	A1.16/ A		1	1-H14
BORBOTIN MOTEUR	D3.33		1	2-G6	COMMANDE DE VENTILATEUR	A4.09	1	1/ 2	1-O7 /1-O6
BOTTE DE VITESSES	B2.00		1/ 1/ 2	1-O5 /1-O4 /1-O3	COMMANDES D'ACCELERATEUR	A2.21		1/ 2/ 1	1-B8 /1-17 /1-16
BRAS DE LEVAGE	E3.10/ 2		1/ 1	2-L12/2-L13				2/ 1/ 1	1-15 /1-14 /1-13
BRAS DE LEVAGE DE GODET	E3.10		1/ 2	2-L9 /2-L10	COMMANDES DIVERSES	A1.15		1	1-H16
BRAS DE LEVAGE DE SCARIFICATEUR	E3.10/ 1		1	2-L11	COMMANDES EXTERIEURES DE BOTTE DE VITESSES	B2.07		1	1-S13
BUSE D'AIR DE RADIATEUR	A4.01	2	1	1-O13	COMMANDES INTERNES DE BOTTE DE VITESSES	B2.10		1/ 1/ 2	1-S12/1-S11/1-S10
CABINE	L1.03/ 1		1	2-R3	CORRECTEUR D'AVANCE	A2.24	1	1	1-L11
CABINE ET SUPPORTS	L1.03		1	2-R2	COURROIES DE VENTILATEUR	A4.09	1	1/ 2	1-O7 /1-O6
CANALISATION D'ECHAPPEMENT	A2.56		1	1-N17	COUSSINETS DE VILEBREQUIN	A1.03	1	1/ 2	1-G3 /1-G2
CAPOTAGE	L1.01		1/ 1/ 2	2-Q5 /2-Q4 /2-Q3	COUVERCLE AVANT DE BLOC-CYLINDRES	A1.02	2	1/ 2	1-G9 /1-G8
			1	2-Q2	COUVERCLE DE CULBUTEURS	A1.01	1	1/ 2	1-G15/1-G14
CARTER D'HUILE	A1.02	1	1/ 2	1-G11/1-G10	COUVERCLES DE TRANSMISSION ARRIERE	B4.08	1	1/ 2	1-T3 /1-T4
CARTER D'HUILE ET COUVERCLES DE BATI	A1.02/ A		1/ 1/ 2	1-G7 /1-G6 /1-G5	CULASSE	A1.01	1	1/ 2	1-G15/1-G14
			1	1-G4	CULBUTEURS DE SOUPAPES	A1.07	1	1/ 2	1-H14/1-H15
CARTER DE TRANSMISSION ARRIERE	B4.08	1	1/ 2	1-T3 /1-T4	DEMARREUR	F2.01	1	1	2-O13

DESIGNATION	SGR.	TAV.	PAG.	GRID	DESIGNATION	SGR.	TAV.	PAG.	GRID
DENTS DE SCARIFICATEUR	E3.15		1	2-M16	GRAISSAGE DE B.V.	B2.06		1/ 1/ 1	1-S16/1-S15/1-S14
DEVIATEUR DE RIPPER	E3.02	1	1/ 2	2-H9 /2-H10	GRAISSAGE DES EMBRAYAGES DE DIRECTION	D2.24		1	2-G12
DISPOSITIF A MASSELOTES ADDITIONNELLES	A1.04		1/ 1/ 1	1-H4 /1-H5 /1-H6	GROUPE GENERATEUR DE COURANT	F3.01		1/ 1/ 1	2-O6 /2-O5 /2-O4
			2	1-H7	HOROMETRE	F5.10	1	1	2-Q14
DISPOSITIF DE BLOCAGE DE BOITE DE VITESSES	B2.38		1	1-S5	INJECTEUR	A2.24	3	1	1-L13
DISTRIBUTEUR	B2.33		1	1-S7	JAUGE D'HUILE DE BOITE DE VITESSES	B2.06	2	1	1-S15
DISTRIBUTEUR D'EMBAYAGES DE DIRECTION	D2.23	1	1/ 2	1-T17/2-G17	JAUGE D'HUILE MOTEUR	A3.01	1	1/ 2	1-O17/1-O16
DISTRIBUTEUR DE PELLE RETRO	E3.02/ 2	5	1	2-L2	JAUGE DE NIVEAU	F5.10	1	1	2-Q14
DISTRIBUTEUR PRINCIPAL	E3.02	1	1/ 2	2-H9 /2-H10	LAMPE DE TABLEAU DE BORD	F4.01	1	1	2-P3
DISTRIBUTION	A1.07/ A		1/ 2	1-H16/1-H17	LAMPES TEMOINS	F5.10	1	1	2-Q14
ECHANGEUR DE TEMPERATURE DU CONVERTISSEUR	B2.18		1	1-S9	LANCEMENT DU MOTEUR	F2.01		1	2-O13
ECLAIRAGE	F4.01		1/ 1/ 2	2-P3 /2-P4 /2-P5	MAILLONS	D3.40	1	1	2-H4
			1/ 1/ 2	2-P6 /2-P7 /2-P8	MANOMETRE D'HUILE DE BOITE DE VITESSES	F5.10	1	1	2-Q14
ECLAIRAGE	F4.01/ 1		1	2-P14	MANOMETRE D'HUILE MOTEUR	F5.10	1	1	2-Q14
ECLAIRAGE	F4.01/ 1A		1	2-P15	MARCHEPIEDS	L3.04	2	1	2-S16
ECLAIRAGE	F4.01/ 2		1	2-P16	MASSES D'ALOURDISSEMENT ARRIERE	B4.08	1	1/ 2	1-T3 /1-T4
EMBAYAGES DE DIRECTION	D2.20		1/ 1	1-T14/1-T15	MOTEUR	A0.00		1	1-G17
ENGRENAGES DE REDUCTEURS LATERAUX	B4.12		1	1-T7	MOTIFS	L1.25		1	2-R13
ENGRENAGES DE REDUCTION CENTRALE	B4.04		1/ 2	1-S2 /1-T2	MOTIFS	L1.25/ 1		1	2-R14
FILTRE A AIR DE MOTEUR	A2.22	1	1/ 2	1-I2 /1-L2	MOTIFS	L4.10		1	2-S2
FILTRE A AIR ET CANALISATIONS	A2.22/ A		1	1-L3	ORGANE D'ATTELAGE	D1.03		1	1-T13
FILTRE A AIR ET CANALISATIONS	A2.22/ 1	1	1	1-L4	OUTILS	H1.01		1/ 1	2-Q12/2-Q11
FILTRE A AIR ET CANALISATIONS	A2.22/ 2		1	1-L5	OUTILS	H1.01/ 1		1/ 1	2-Q10/2-Q9
FILTRE A AIR ET CANALISATIONS	A2.22/ 3		1	1-L6	PEDALES D'EMBAYAGES DE DIRECTION	D2.22	1	1	1-T16
FILTRE DE RESERVOIR D'HUILE	E3.28	1	1	2-M6	PEDALES DE FREINS	C1.01	1	1	1-T8
FILTRES A COMBUSTIBLE	A2.24	3	1	1-L13	PISTONS	A1.05	1	1/ 2	1-H8 /1-H9
GALET DE RETOUR DE CHENILLE	D3.38		1	2-H3	POMPE A EAU	A4.02	2	1/ 2	1-O10/1-O9
GALET PORTEUR DE CHENILLE	D3.37		1	2-H2	POMPE A HUILE DE GRAISSAGE MOTEUR	A3.01	1	1/ 2	1-O17/1-O16
GODET	E3.14/ 1		1	2-L16	POMPE D'ALIMENTATION	A2.24	1	1	1-L11
GODET	E3.14/ 2		1	2-L17	POMPE D'EMBAYES DE DIRECTION	D2.23	3	1/ 2	2-G14/2-G13
GODET	E3.14/ 3		1	2-M17	POMPE D'INJECTION	A2.24	1	1	1-L11
GODET CHARGEUR	E3.14		1/ 1	2-L14/2-L15	POMPE D'INSTALLATION HYDRAULIQUE	E3.02	3	1/ 2	2-H13/2-H14

**DENOMINAZIONI AGGIUNTIVE - DESIGNATIONS SUPPLEMENTAIRES
ZUSAETZLICHE BEZEICHNUNGEN - DENOMINACIONES ADICIONALES**

ANTERIORE
COMPLETO
CORRIGE
DA SALDARE
DESTRO
ELIMINATO
ERRATA
ESTERNO
IN ALTERNATIVA
INFERIORE
INTERNO
LATERALE
POSTERIORE
SEMILAVORATO
SINISTRO
SPESSORE
SUPERIORE
VEDERE SGR.

AVANT
COMPLET
CORRIGEZ
A SOUDER
DROIT
ELIMINE'
ERRATA
EXTERIEUR
EN ALTERNATIVE
INFERIEUR
INTERIEUR
LATERAL
ARRIERE
MI-OUVRE'
GAUCHE
EPAISSEUR
SUPERIEUR
VOIR SGR.

VORN
KOMPLETT
RICHTIG
ANZUSCHWEISSEN
RECHTS
ENTFALLEN
FALSCH
AUSSEN
ALS ALTERNATIVE
UNTEN
INNEN
SEITLICH
HINTEN
HALBZEUG
LINKS
DICKE
OBEN
SIEHE UTGR.

ANTERIOR
COMPLETO
LEASE
SOLDAR
DERECHO
ELIMINADO
DONDE DICE
EXTERIOR
ALTERNATIVO
INFERIOR
INTERIOR
LATERAL
POSTERIOR
SEMIELABORADO
IZQUIERDO
GRUESO
SUPERIOR
VEASE SGR.

ADDITIONAL DESCRIPTIONS - DESIGNATIONS SUPPLEMENTAIRES
ZUSÄTZLICHE BEZEICHNUNGEN - DENOMINACIONES ADICIONALES

ASSEMBLY
CORRECT
DELATED
FRONT
IN ALTERNATIVE
INNER
LEFT
LOWER
OUTER
REAR
RIGHT
SEE SGR.
SEMIFINISHED
SIDE
THICKNESS
TO BE WELDED
UPPER
WRONG

COMPLET
CORRIGEZ
ELIMINE'
AVANT
EN ALTERNATIVE
INTERIEUR
GAUCHE
INFERIEUR
EXTERIEUR
ARRIERE
DROIT
VOIR SGR.
MI-OUVRE'
LATERAL
EPAISSEUR
A SOUDER
SUPERIEUR
ERRATA

KOMPLETT
RICHTIG
ENTFALLEN
VORN
ALS ALTERNATIVE
INNEN
LINKS
UNTEN
AUSSEN
HINTEN
RECHTS
SIEHE SGR.
HALBZEUG
SEITLICH
DICKE
ANZUCHWEISSEN
OBEN
FALSCH

COMPLETO
LEASE
ELIMINADO
ANTERIOR
ALTERNATIVO
INTERIOR
IZQUIERDO
INFERIOR
EXTERIOR
POSTERIOR
DERECHO
VEASE SGR.
SEMIELABORADO
LATERAL
GRUESO
SOLDAR
SUPERIOR
DONDE DICE

A19

HINWEISE ZUM GEBRAUCH DES KATALOGS

Beim **Aufsuchen der benötigten Ersatzteile** ist wie folgt zu verfahren:

- In der **Liste der Ausführungen**, Seite 4, nachschlagen, um die evtl. Kodenummer der betreffenden Ausführung zu finden; s. Abschnitt 1, Punkt (6).
- In den **Bildtafeln**, den zugehörigen **Ersatzteillisten** und in der **Änderungstabelle** nachschlagen, wie im Abschnitt 1, 2 und 3 angegeben.
- Bei Typen mit Varianten, in der **Liste der Varianten**, Seite 5, nachschlagen, wo auch die entsprechende fortlaufende Kodenummer und das Verzeichnis der betreffenden Untergruppen zu finden sind.

1. Bildtafeln (s. Beispiel auf Seite 2/7)

Darin sind die für jede Untergruppe der Maschine vorgesehenen Ersatzteile abgebildet. Jedes Ersatzteil ist mit einer **Bezugsnummer** (ITEM) gekennzeichnet, evtl. mit zusätzlichen Angaben. An Stelle der Bezugsnummer kann eine andere Angabe vorhanden sein, z.B.:

E3.06: das Teil ist nur in Utgr. **E3.06** abgebildet.

In jeder Bildtafel ist ausserdem folgendes angegeben:

Kode der Untergruppe (1) — Blattnummer (2), falls die Untergruppe mehrere Bildtafeln umfasst — **Änderungsindex (3)**, z.B.: Der der Druckschrift-Nr. **604.01.046**, angehängte Index **06**, bedeutet, dass die Untergruppe mit dem 6. Nachtrag zum Katalog vom **23. Februar 1985** geändert wurde. Ist kein Index (3) vorhanden, bedeutet dies, dass keine Änderung eingeführt wurde. **Angabe des evtl. Nachtrags (4) — Bezeichnung der Untergruppe (5) — Ausführungskode (6)** entsprechend obigem Punkt (a).

Ist kein Unterscheidungskode angeführt, dann gilt die jeweilige Bildtafel für alle Ausführungen des Typs, auf den sich der Katalog bezieht — **Hinweis auf die Verfügbarkeit von Ersatzteilsätzen (7)**, mit zugehörigen Bezugsnummern (Zusammensetzung dieser Sätze s. Seite 9).

(8) Gültigkeit (ausser der Gültigkeit für die Version nach Kode 6):

C 935 → tel. n. **076204** bedeutet, dass die Abbildung, infolge der Änderung 935, bis zur Maschine mit Rahmen-Nr. 076204 gilt.

D 935 tel. 076205 → bedeutet, dass die Abbildung, infolge der Änderung 935, ab der Maschine mit Rahmen-Nr. 076205 gilt.

Weitere Angaben über die Änderungen siehe Änderungstabelle unter Beachtung des nachfolgenden Punkts 3.

2. Ersatzteillisten (s. Beispiel auf Seite 2/7)

Sie umfassen die in den betreffenden Bildtafeln abgebildeten Ersatzteile einer jeden Untergruppe; für jedes Teil ist folgendes angegeben:

(9) ITEM: Bild-Nr., auf die sich die jeweilige «part number» bezieht.

(10) PART NUMBER: Bestellnummer des Ersatzteils.

(11) Q.TY: Gesamtstückzahl mit Bezug auf die Bildtafel. An Stelle der Stückzahl kann eine folgender Angaben vorhanden sein:

L: nach Länge geliefert, **K**: Satz, in der jeweils gewünschten Menge zu bestellen.

(12) TRANS. CODE: Kode der Übersetzung der Teilbezeichnung in französischer, deutscher, spanischer Sprache (vgl. Verzeichnis der Grundbezeichnungen am Ende des Katalogs, oder Heft 60401105).

(13) DESCRIPTION/DENOMINAZIONE: Bezeichnung in englischer und italienischer Sprache.

Bei Einführung von Änderungen wird die Bezeichnung mit Angaben nachfolgender Art ergänzt:

(14) 4606783

☉ 951 = Teil vor Änderung Nr. 951

(15) 79021573

☽ 951 = Teil nach Änderung Nr. 951.

Hinweise auf die Einführung und etwaige Ersatzteilverordnungen siehe Änderungstabelle unter Beachtung des nachfolgenden Punkts 3.

Weitere nützliche Angaben **(16)** können in der Spalte **DESCRIPTION/DENOMINAZIONE** nach dem Zeichen — eingetragen werden (Übersetzung dieser Angaben aus dem Englischen bzw. Italienischen in französische, deutsche und spanische Sprache s. Verzeichnis der zusätzlichen Angaben vor dem Verzeichnis der Grundbezeichnungen am Ende des Katalogs oder am Anfang des Heftes 604.01.105). Die Angaben **RIGHT/RECHTS** und **LEFT/LINKS** beziehen sich stets auf die normale Fahrtrichtung der Maschine.

Erscheint neben einer Bezeichnung das Wort **WRONG/FALSCH** ohne eine nachfolgende Zeile mit **CORRECT/RICHTIG**, bedeutet dies, dass das Teil irrtümlich erwähnt worden war.

(17) Untergruppe, Bildtafelnr. (falls die Untergruppe mehrere Bildtafeln umfasst), Seitennr. (falls die Ersatzteilliste für eine Bildtafel mehrere Seiten umfasst).

(18) Kodenummer der Variante: die aufgezeichneten und mit (*) gekennzeichneten Teile gehören zu einer bestimmten Variante. Wenn dagegen die Kodenummer nur auf der Bildtafel angegeben ist, so bedeutet das, dass alle Teile der Untergruppe zu der angegebenen Variante gehören (s. obigen Punkt c).

(19) Abmessungen von Normteilen.

3. Tabellen «ÄNDERUNGEN» (s. Blätter M am Ende des Katalogs)

In diesen Tabellen sind sämtliche während der Maschinenfertigung vorgenommene Änderungen unter Angabe ihrer Einführung und etwaiger Ersatzteilverordnungen aufgeführt.

Angaben und Abkürzungen

C 851 → tel. n. **004652** = Teile vor der Änderung 851, in die Maschinen bis Rahmen-Nr. 004652 eingebaut.

D 851 tel. n. 004653 → = Teile nach der Änderung 851, in die Maschinen ab Rahmen-Nr. 004653 eingebaut.

In den Spalten «Betreffende Sgr. und Ersatzteilhinweise» sind die von der jeweiligen Änderung betroffenen Untergruppen sowie etwaige Ersatzteilhinweise aufgeführt.

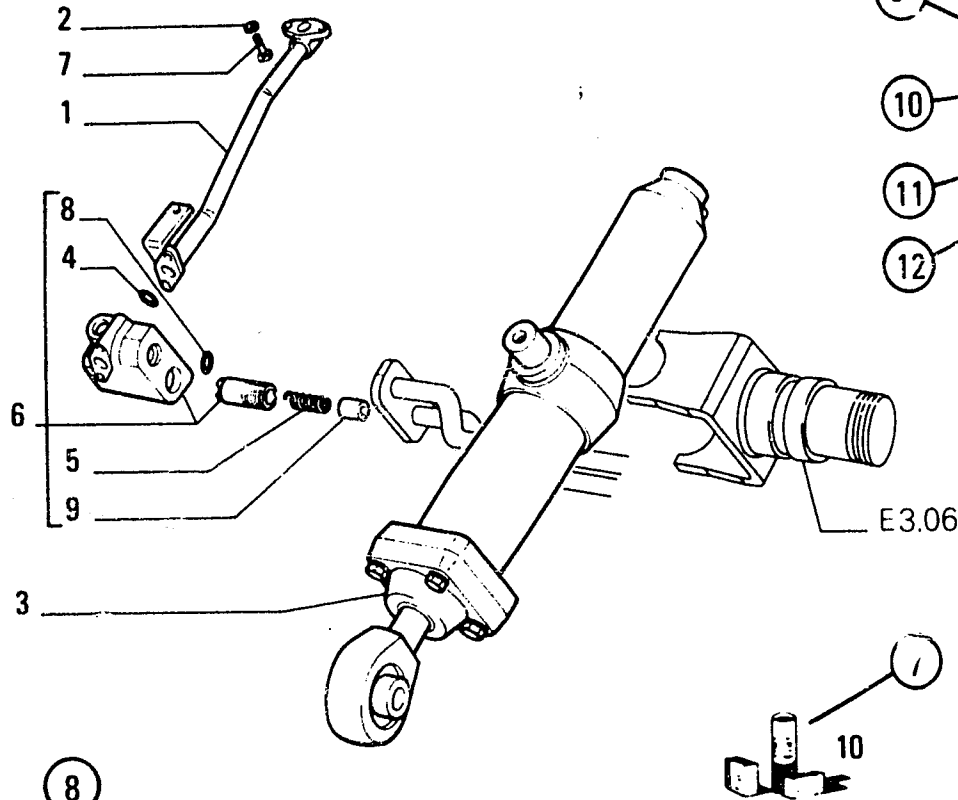
Beispiel eines Ersatzteilhinweises:

4606783 = 79021573: nach Aufbrauch der Lagerbestände des Teils 4606783 ist das Teil 79021573 einzubauen.

4606787 = 79021574 + 79021576: nach Aufbrauch der Lagerbestände des Teils 4606787 ist das Teil 79021574 plus Teil 79021576 einzubauen.

4606792 = 79021576 - 4606794: nach Aufbrauch der Lagerbestände des Teils 4606792 ist das Teil 79021576 einzubauen, wobei das Teil 4606794 entfällt.

Ist kein Ersatzteilhinweis aufgeführt, dann bedeutet dies, dass das alte Teil weiter zu liefern ist, da es mit dem neuen Teil nicht austauschbar ist.



C 935 → tel.n. 076204

Optional Variante 30.1070.06.1

ITEM	PART NUMBER	QTY	TRANS CODE	DESCRIPTION	DESCRIZIONE			
9	4318965	1	193T	PIPE - RIGHT	TUBO - DESTRO			
	4513436	1	193T	PIPE - RIGHT (*)	TUBO - DESTRO (*)			
10	4606783	1	193T	PIPE - LEFT	TUBO - SINISTRO			
			C 951		C 951			
11	79021573	1	193T	PIPE - LEFT	TUBO - SINISTRO			
			D 951		D 951			
12	2	12638601	2	131R WASHER 10x18	ROSETTA 10x18			
	3	4606786	1	164C CYLINDER - RIGHT ASSEMBLY SEE SGR. E3.32	CILINDRO - DESTRO COMPLETO VEDERE SGR. E3.32			
				4606787	1	164C CYLINDER - LEFT ASSEMBLY SEE SGR. E3.32	CILINDRO - SINISTRO COMPLETO VEDERE SGR. E3.32	
						C 951	C 951	
				79021574	1	164C CYLINDER - LEFT ASSEMBLY D 951	CILINDRO - SINISTRO COMPLETO D 951	
				4	4606788	1	55A SEAL - WRONG	ANELLO DI TENUTA - ERRATA
					4606789	1	55A SEAL - CORRECT	ANELLO DI TENUTA - CORRIGI
				5	4606790	1	100M SPRING	MOLLA
				6	4606791	1	10V VALVE - RIGHT ASSEMBLY	VALVOLA - DESTRO COMPLETO
					4606792	1	10V VALVE - LEFT ASSEMBLY	VALVOLA - SINISTRO COMPLETO
							C 951	C 951
				79021576	1	10V VALVE - LEFT ASSEMBLY D 951	VALVOLA - SINISTRO COMPLETO D 951	
				7	11307021	2	40V SCREW 10x1,25x40	VITE 10x1,25x40
				8	14453381	1	55A SEAL 1,78x15,60	ANELLO DI TENUTA 1,78x15,60
				9	4606795	1	50T PLUG	TAPPO
				10	79021577	K	1K KIT SEE PAGE 9	CORREDO VEDERE PAGINA 9
							469P FOR OPTIONAL 30.1070.06.1	PER VARIANTE 30.1070.06.1

HYDRAULIC SYSTEM - IMPIANTO IDRAULICO - SYSTEME HYDRAULIQUE - HYDRAULIKANLAGE

E3.02

N.T.R. 63 - 23/2/1985

604.01.046.06

REGLES POUR LA CONSULTATION DU CATALOGUE

En vue d'une recherche correcte des pièces de rechange, il est nécessaire de:

- Consulter la liste des versions à page 4, pour repérer le code numérique éventuel de la version concernée; voir paragraphe 1, point (6) ci-après.
- Consulter les planches illustrées, leurs listes de pièces de rechange et le tableau des modifications comme indiqué aux paragraphes 1, 2 et 3.
- Pour les modèles comportant des variantes, consulter la liste des variantes à page 5, où il est reporté le numéro code correspondant, par ordre progressif, et la liste des sous-groupes concernés.

1. Illustrations (voir exemple page 2/5)

Elles représentent les pièces de rechange de chaque groupe dans lesquels la machine est divisée.

Les pièces de rechange représentées sont repérées par le numéro de référence (ITEM). Le numéro de référence peut être remplacé par d'autres indications, par exemple:

E3.06: pièce illustrée exclusivement au Sgr. E3.06.

Chaque illustration reportée en outre:

Code de sous-groupe (1) — **numéro de feuille (2)**, utilisé lorsque ce même sous-groupe comporte plusieurs planches — **indications de mise à jour (3)**, par exemple:

Le suffixe **06**, ajouté au numéro d'imprimé **604.01.046**, indique que le sous-groupe a été modifié avec la 6^{ème} mise à jour du catalogue, parue en date **23 février 1985**. Le manque de l'indication (3), signifie qu'aucune modification n'a été apportée. Indication de la parution d'une mise à jour éventuelle (4); — **désignation du sous-groupe (5)** — **code de la version (6)**, avec référence au point (a) précédent. L'absence de codes veut dire que la planche est valable pour toutes les versions du modèle auquel se rapporte le catalogue — **Indication de l'existence de kits de rechange (7)**, avec les numéros de référence correspondants (pour la composition des trousseaux voir page 9).

(8) **Validité** (en plus de la validité pour la version, faisant l'objet du code 6): **C 935** → tel. n° **076204** veut dire que l'illustration est valable jusqu'à la machine avec châssis n° 076204, à la suite de la modification 935.

D 935 tel. 076205 → veut dire que l'illustration est valable à partir de la modification, avec châssis n° 076205, à la suite de la modification n° 935.

Pour des renseignements ultérieurs sur la modification, voir le tableau des modifications cité au para. 3 suivant.

2. Listes des pièces de rechange (voir exemple page 2/5)

Ces listes énumèrent les pièces de rechange de chaque groupe, contenues dans les illustrations correspondantes, et elles reportent pour chaque pièce:

(9) **ITEM:** numéro d'appareillage de la pièce représentée avec son "part number".

(10) **PART NUMBER:** numéro de commande de la pièce de rechange.

(11) **Q.TY:** quantité totale de la pièce, rapportée à la planche. La quantité peut être remplacée par les indications suivantes:

L: livré par longueur, **K:** kit à demander dans les quantités désirées.

(12) **TRANS. CODE:** code pour la recherche de la traduction en français, allemand, espagnol de la description (consulter la liste des désignations base au fond du catalogue, ou la brochure 604.01.105).

(13) **DESCRIPTION/DENOMINAZIONE:** description de la pièce en anglais et en italien.

En cas de modification, la désignation est complétée par une indication du type suivant:

(14) **4606783**

C 951 = pièce antérieure à la modification n° 951

(15) **79021573**

D 951 = pièce postérieure à la modification n° 951.

Pour l'indication de l'effectuation et les consignes de rechange éventuelles, voir le tableau des modifications cité au para. 3 ci-après.

D'autres indications utiles (16) peuvent figurer dans la colonne **DESCRIPTION/DENOMINAZIONE**, après le signe — (pour la traduction de ces termes de l'anglais ou de l'italien en français, allemand et espagnol voir la liste des désignations supplémentaires au début de la liste des désignations de base, au fond du catalogue ou au début de la brochure 604.01.105. Les termes **RIGHT/DROIT** et **LEFT/GAUCHE** se rapportent à la direction de roulement avant du tracteur. Si le terme **WRONG/ERRATA** figure à côté de la désignation sans le terme correspondant **CORRECT/CORRIGEZ** à la ligne suivante, cela veut dire que cette pièce avait été incluse par erreur.

(17) **Sous-groupe, numéro de planche** (si le sous-groupe comporte plusieurs illustrations), **numéro de page** (si la liste des pièces de rechange d'une illustration occupe plus d'une page).

(18) **Numéro-code de la variante:** indique que les pièces énumérées et repérées par (*) concernent la variante indiquée; si par contre le code ne figure que dans l'illustration, cela signifie que toutes les pièces du sous-groupe appartiennent à la variante indiquée (voir point c précédent).

(19) **Dimensions des pièces normalisées.**

3. Tableaux "MODIFICATIONS" (réportés sur les feuilles M à la fin du catalogue).

Énumération de toutes les modifications apportées aux machines à la fabrication, leurs effectuations et les consignes éventuelles pour les recharges.

Indications et abréviations:

C 851 → tel. n° **004652** = pièces antérieures à la modification n° 851, montées sur des machines avec n° de châssis jusqu'à 004652.

D 851 tel. n° 004653 → = pièces postérieures à la modification n° 851, montées sur des machines avec n° de châssis à partir de 004653.

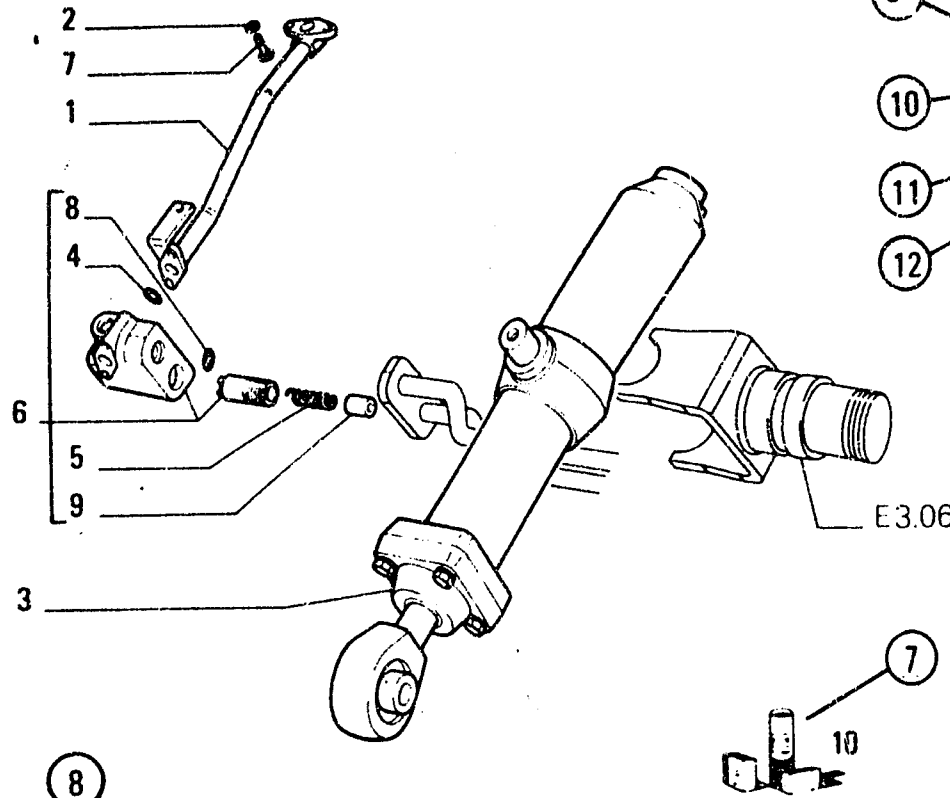
Aux colonnes "Sgr. concernés et consignes de rechange" sont énumérés les sous-groupes concernés par les différentes modifications et les consignes de rechange éventuelles. Exemple de consignes de rechange:

4606783 = 79021573: dès l'épuisement des stocks de la pièce 4606783, monter la pièce 79021573.

4606787 = 79021574 + 79021576: dès l'épuisement des stocks de la pièce 4606787, monter la pièce 79021574 plus la pièce 79021576;

4606792 = 79021576 - 4606794: dès l'épuisement des stocks de la pièce 4606792, monter la pièce 79021576 en éliminant la pièce 4606794.

Si aucune consigne de rechange n'est reportée, cela veut dire que la pièce de l'ancien montage doit être toujours livrée de rechange, n'étant pas interchangeable avec celle du nouveau montage.



8 C 935 → tel.n. 076204

Optional Variante 30.1070.06.1

ITEM	PART NUMBER	QTY	TRANS CODE	DESCRIPTION	DESCRIZIONE
9	4318965	1	193T	PIPE - RIGHT	TUBO - DESTRO
	4513436	1	193T	PIPE - RIGHT (*)	TUBO - DESTRO (*)
10	4606783	1	193T	PIPE - LEFT	TUBO - SINISTRO
			C 951		C 951
11	79021573	1	193T	PIPE - LEFT	TUBO - SINISTRO
12			D 951		D 951
2	12638601	2	131R	WASHER 10x18	ROSETTA 10x18
3	4606785	1	164C	CYLINDER - RIGHT ASSEMBLY SEE SGR. E3.32	CILINDRO - DESTRO COMPLETO VEDERE SGR. E3.32
	4606787	1	164C	CYLINDER - LEFT ASSEMBLY SEE SGR. E3.32	CILINDRO - SINISTRO COMPLETO VEDERE SGR. E3.32
			C 951		C 951
	79021574	1	164C	CYLINDER - LEFT ASSEMBLY	CILINDRO - SINISTRO COMPLETO
			D 951		D 951
4	4606788	1	55A	SEAL - WRONG	ANELLO DI TENUTA - ERRATA
	4606789	1	55A	SEAL - CORRECT	ANELLO DI TENUTA - CORRIGGE
5	4606790	1	100M	SPRING	MOLLA
6	4606791	1	10V	VALVE - RIGHT ASSEMBLY	VALVOLA - DESTRO COMPLETO
	4606792	1	10V	VALVE - LEFT ASSEMBLY	VALVOLA - SINISTRO COMPLETO
			C 951		C 951
	79021576	1	10V	VALVE - LEFT ASSEMBLY	VALVOLA - SINISTRO COMPLETO
			D 951		D 951
7	11307021	2	40V	SCREW 10x1,25x40	VITE 10x1,25x40
8	14453381	1	55A	SEAL 1,78x15,60	ANELLO DI TENUTA 1,78x15,60
9	4606795	1	50T	PLUG	TAPPO
10	79021577	K	1K	KIT SEE PAGE 9	CORREDO VEDERE PAGINA 9
			(*)	REF. FOR OPTIONAL 30.1070.06.1	PER VARIANTE 30.1070.06.1

HYDRAULIC SYSTEM - IMPIANTO IDRAULICO - SYSTEME HYDRAULIQUE - HYDRAULIKANLAGE - E3.02

Q1 Q2

N.T.R. 63 23/21/1985
604.01.046.06

AVVERTENZE PER LA CONSULTAZIONE DEL CATALOGO

Per una corretta ricerca delle parti di ricambio, è necessario:

a) Consultare l'elenco delle versioni a pag. 4, per individuare l'eventuale codice numerico della versione che interessa; vedere seguente paragrafo 1, punto (6).

b) Consultare le illustrazioni ed i relativi elenchi delle parti di ricambio, come indicato ai paragrafi 1 e 2.

c) Per i modelli comprendenti varianti, consultare l'elenco varianti a pag. 5, dove viene riportato anche il numero di codice corrispondente, per ordine progressivo e l'elenco dei sottogruppi interessati.

1. Illustrazioni (vedere esempio a pag. 2/3)

Illustrano le parti di ricambio di ciascun sottogruppo in cui è divisa la macchina.

Le parti di ricambio illustrate sono contraddistinte dal numero di riferimento (ITEM). Il numero di riferimento può essere sostituito da altre indicazioni; ad esempio:

E3.06: parte illustrata unicamente nel Sgr. E3.06

Ogni illustrazione riporta inoltre:

Codice del sottogruppo (1) — numero di foglio (2), utilizzato quando il medesimo sottogruppo comprende più tavole — **Indicazione di aggiornamento (3)**; esempio:

Il suffisso **06**, aggiunto al numero di stampato **604.01.046**, indica che il sottogruppo è stato modificato con il 6° aggiornamento del catalogo, diramato in data **23 febbraio 1981**. La mancanza dell'indicazione (3), significa che non vi sono state modifiche. **Indicazione dell'eventuale pubblicazione di aggiornamento (4)** — **denominazione del sottogruppo (5)** — **codice della versione (6)**, con riferimento al precedente punto (a). In mancanza di codici, si intende che la tavola è valida per tutte le versioni del modello cui si riferisce il catalogo — **Indicazione dell'esistenza di corredi di ricambio (7)**, con relativi numeri di riferimento (per la composizione dei corredi, vedere pag. 9).

2. Elenchi delle parti di ricambio (vedere esempio a pag. 2/3)

Elencano le parti di ricambio di ciascun sottogruppo, contenute nelle illustrazioni corrispondenti, e riportano per ogni parte:

(8) **ITEM:** numero di abbinamento del particolare illustrato col relativo "part. number".

(9) **PART NUMBER:** numero di ordinazione del particolare di ricambio.

(10) **Q.TY:** quantità complessiva del particolare, riferita alla tavola. La quantità può essere sostituita dalle seguenti indicazioni:

L: fornito a lunghezza, K: corredo (Kit) da ordinarsi nei quantitativi desiderati.

(11) **TRANS. CODE:** codice per la ricerca della traduzione in francese, tedesco, spagnolo della descrizione (consultare l'elenco delle denominazioni base in fondo al catalogo, pag. A1).

(12) **DESCRIPTION/DENOMINAZIONE:** descrizione del particolare in inglese e italiano. In caso di modifica, la denominazione è completata DALL'INDICAZIONE DELL'ATTUAZIONE e dalle eventuali **NORME DI RICAMBIO**.

Esempio di indicazione di attuazione di modifica:

fino al telaio n° 004652 (13): montato sulle macchine con numero di telaio fino al 004652;

dal telaio n° 004653 (14): montato sulle macchine con numero di telaio dal 004653.

Esempio di norme di ricambio:

4606783 = 79021573 (15): ad esaurimento scorte del particolare 4606783, montare il 79021573;

4606787 = 79021574 + 79021576 (16): ad esaurimento scorte del particolare 4606787, montare il 79021574 più il 79021576;

4606792 = 79021576 - 4606794 (17): ad esaurimento scorte del particolare 4606792, montare il 79021576 eliminando il 4606794.

Se, sotto l'indicazione di attuazione, non vengono riportate norme di ricambio, ciò significa che il particolare premodifica deve sempre venire fornito di ricambio, non essendo intercambiabile con quello post modifica. Altre indicazioni utili (18) possono venire inserite nella colonna **DESCRIPTION/DENOMINAZIONE**, dopo il segno — (per la traduzione dall'Inglese o Italiano, in Francese, Tedesco e Spagnolo di queste voci, vedere l'elenco delle denominazioni aggiuntive all'inizio dell'elenco denominazioni base, pag. A0). I termini **RIGHT/DESTRO** e **LEFT/SINISTRO** sono riferiti alla direzione di marcia avanti della macchina.

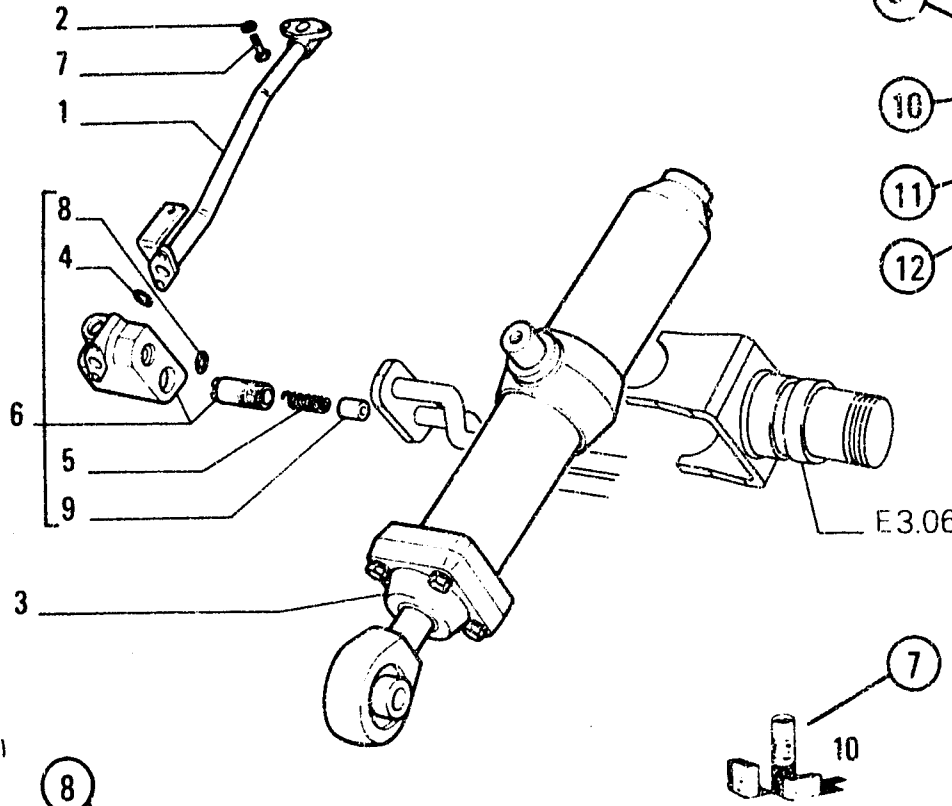
Se di fianco ad una denominazione compare il termine **ERRATA** senza il corrispondente **CORRIGE** sulla riga successiva, ciò significa che il particolare era stato inserito erroneamente.

(19) Sigla di riferimento per rintracciare la tavola sulla fiche e modello.

(20) Sottogruppo, numero di tavola (se il sottogruppo comprende illustrazioni diverse), numero di pagina (se per una stessa illustrazione l'elenco delle parti di ricambio occupa più di una pagina).

(21) Numero di codice della variante: indica che le parti elencate e contraddistinte da (*) sono pertinenti a quella data variante, se invece il codice compare solo sull'illustrazione ciò significa che tutte le parti di quel sottogruppo appartengono a quella variante (vedere precedente punto c).

(22) Dimensioni dei particolari normalizzati.



9

10

11

12

7

10

ITEM	PART NUMBER	QTY	TRANS CODE	DESCRIPTION	DESCRIZIONE
	4318965	1	193T	PIPE - RIGHT	TUBO - DESTRO
	4513436	1	193T	PIPE - RIGHT (*)	TUBO - DESTRO (*)
	4606783	1	193T	PIPE - LEFT	TUBO - SINISTRO
			C 951		C 951
	79021573	1	193T	PIPE - LEFT	TUBO - SINISTRO
			D 951		D 951
2	12638601	2	131R	WASHER 10x18	ROSETTA 10x18
3	4606786	1	164C	CYLINDER - RIGHT ASSEMBLY SEE SGR. E3.32	CILINDRO - DESTRO COMPLETO VEDERE SGR. E3.32
	4606787	1	164C	CYLINDER - LEFT ASSEMBLY SEE SGR. E3.32	CILINDRO - SINISTRO COMPLETO VEDERE SGR. E3.32
			C 951		C 951
	79021574	1	164C	CYLINDER - LEFT ASSEMBLY D 951	CILINDRO - SINISTRO COMPLETO D 951
4	4606788	1	55A	SEAL - WRONG	ANELLO DI TENUTA - ERRATO
	4606789	1	55A	SEAL - CORRECT	ANELLO DI TENUTA - CORRETTO
5	4606790	1	100M	SPRING	MOLLA
6	4606791	1	10V	VALVE - RIGHT ASSEMBLY	VALVOLA - DESTRO COMPLETO
	4606792	1	10V	VALVE - LEFT ASSEMBLY	VALVOLA - SINISTRO COMPLETO
			C 951		C 951
	79021576	1	10V	VALVE - LEFT ASSEMBLY D 951	VALVOLA - SINISTRO COMPLETO D 951
7	11307021	2	40V	SCREW 10x1,25x40	VITE 10x1,25x40
8	14453381	1	55A	SEAL 1,76x15,60	ANELLO DI TENUTA 1,76x15,60
9	4600795	1	50T	PLUG	TAPPO
10	79021577	K	1K	KIT SEE PAGE 9	CORREDO VEDERE PAGINA 9
			(*)	468P FOR OPTIONAL 30.1070.06.1	PER VARIANTE 30.1070.06.1

13

14

15

16

19

18

C 935 → tel.n. 076204

Optional Variante 30.1070.06.1

HYDRAULIC SYSTEM - IMPIANTO IDRAULICO - SYSTEME HYDRAULIQUE - HYDRAULIKANLAGE

E3.02

N.T.R. 63 23/2/1985
604.01.046.06

01 02

6

5

1

2

4

3

2/1

B6

USE OF THE CATALOG

To locate the parts correctly, proceed as follows:

- a) Consult the version list on page 4 to find the code number of the version required; see following para 1 (6).
- b) Consult the illustrations, the associated parts lists and the "Modifications" tables as directed below in 1, 2 and 3.
- c) To identify the component of the possible special equipment of the machine, consult the optional equipment list on page 5 to find the code number and subgroup.

1. Illustrations (see example on page 2/1)

Illustrations show the parts of each subgroup. The parts illustrated are identified by a reference number (ITEM). This number may be replaced by other indications, for example:

E3.06: Part shown only in subgroup **E3.06**

Moreover, each illustration shows:

— Subgroup number (1) — Sheet number (2) used when one subgroup covers several sheets, and — Updating indication (3), for example:

Suffix **06**, to print no. **604.01.046**, indicates that subgroup modification is shown in 6th updating of the catalog dated 23-2-85. When code (3) is missing, no changes were introduced. Updating publication description, if any (4); subgroup title (5) — version code (6) which reference to previous point (a).

In lack of said codes, the illustration applies to all model versions covered by the catalog.

— Indication of part kit (7), with associated part numbers and part kit symbol. (See page 9 for kit composition).

— (8) Applicability (besides the version code 6): **C 935** → tel. n. **976204** which means that the illustration is valid up to machine S/N **976204**, as a consequence of modification **935**.

D 851 tel. **076205** → which means that the illustration is valid from machine S/N **076205**, as a consequence of modification **935**.

For further information on the modification, see the "Modifications" tables as per point 3.

2. Part list (see example on page 2/1)

They list the parts of each subgroup contained in the corresponding illustrations. The following is shown for each part:

(9) ITEM: number associating the part shown with the respective "part number".

(10) PART NUMBER: part order number

(11) Q.TY: total quantity of the part. The quantity may be replaced by the following indications:

L = supplied by length, **K** = kit to be ordered in the desired quantity.

(12) TRANS. CODE: for retrieval of the French, German, Spanish translations of the part names (consult the basic part names in last section of Catalog, or form 604.01.105).

(13) DESCRIPTION/DENOMINAZIONE: Description of the part in English and Italian.

In case of modification, the description is completed with this kind of indication:

(14) **4006783**

C 951 which means that the part is valid before the modification **951**.

(15) **78021573**

D 951 which means that the part is valid after the modification **951**.

For the effectiveness and the directions for replacement, see the "Modifications" tables as per following point 3.

Other useful indications (16) may be provided under DESCRIPTION/DENOMINAZIONE after sign — (for French, German, Spanish equivalents, see additional list heading the basic part name list, at the end of catalog or at the beginning of booklet 604.01.105. Terms RIGHT/DESTRO and LEFT/SINISTRO refer to the direction of machine forward travel.

Should the word **WRONG** appear next to a part name without the corresponding **CORRECT** on the line immediately below it means that the associated part was erroneously included at an earlier stage.

(17) Subgroup, Illustration number (when the subgroup includes more than one illustration), page number (when the listing for one illustration takes more than one page).

(18) Optional equipment code: this number indicates that parts listed and marked (*) belong to that given equipment. If on the contrary the code appears on the illustration only, it means that all parts of the subgroup belong to the special equipment in question (See para (c) above).

(19) Standard part dimensional data.

3. "MODIFICATIONS" tables (on pages M at the end of the catalog).

They list all modifications introduced on the machines during their production, their effectiveness and the directions for replacement if any.

Indications and codes:

C 851 → tel. n. **004652** which means part valid before modification **851**, installed on machines with S/N up to **004652**

D 851 tel. n. **004653** → which means part valid after modification **851**, installed on machines with S/N from **004653**.

The last column is reserved to the summary of the involved subgroups and the directions for replacement if any.

Examples of direction for replacement:

4606783 = 79021573: on exhaustion of stocks of part **4606783** fit part **79021573**.

4606787 = 79021574 + 79021576: on exhaustion of stocks of part **4606787** fit part **79021574** plus **79021576**.

4606792 = 79021576 - 3606794: on exhaustion of stocks of part **4606792** fit **79021576** and discard **4606794**.

If no directions for replacement are given, this means that the old and new parts are not interchangeable and, hence, the former must be supplied as spare.

DENOMINACIONES	SGR.	TAV.	PAG.	GRID	DENOMINACIONES	SGR.	TAV.	PAG.	GRID
TUBERIAS DE REFRIGERACION	A4.02	1	1/2	1-012/1-011					
TUBERIAS DE VENTILACION DEL MOTOR	A1.25	1		1-113					
TUBERIAS DEL DEPOSITO DE COMBUSTIBLE	A2.01	1	1/2	1-112/1-111					
VALVULA MODERADORA	B2.34	1		1-S6					
VALVULAS DE DISTRIBUCION	A1.07	1	1/2	1-H14/1-H15					
VARIADOR DE AVANCE	A2.24	1	1	1-L11					
VARILLA DE NIVEL DEL ACEITE	A3.01	1	1/2	1-017/1-016					
VARILLA DE NIVEL DEL ACEITE DEL CAMBIO	B2.06	2	1	1-S15					
VARILLAJE DEL CAMBIO DE VELOCIDADES	B2.07	1		1-S13					
VENTILADOR	A4.09	1	1/2	1-07 /1-06					
VOLANTE DEL CIGUENAL	A1.03	1	1/2	1-G3 /1-G2					
ZAPATAS	D3.40	1	1	2-H4					

DENOMINACIONES	SGR.	TAV.	PAG.	GRID	DENOMINACIONES	SGR.	TAV.	PAG.	GRID
PEDALES DE FRENO	C1.01	1	1	1-T8	SISTEMA HIDRAULICO	E3.02	2/ 1/ 2		2-H12/2-H13/2-H14
PINONES DE LA DISTRIBUCION	A1.06		1	1-H12			1/ 1/ 1		2-H15/2-H16/2-H17
PINONES DE LA DISTRIBUCION	A1.06/ A		1	1-H13			2/ 1/ 1		2-H17/2-H16/2-H15
PISO	L3.04	2	1	2-S16			2/ 1/ 1		2-H14/2-H13/2-H12
POSICIONADOR AUTOMATICO DE PALA	E3.27		1/ 2	2-M8 /2-M7			1/ 1		2-H11/2-H10
POSICIONADOR DE BRAZOS DE ELEVACION	E3.26		1/ 2	2-M10/2-M9	SISTEMA HIDRAULICO	E3.02/ 2	1/ 1/ 2		2-I7 /2-I6 /2-I5
PREFILTRO DE AIRE DEL MOTOR	A2.22	1	1/ 2	1-I2 /1-L2			1/ 2/ 1		2-I4 /2-I3 /2-I2
PREFILTRO DE AIRE DEL MOTOR	A2.22/ 1	1	1	1-L4			1/ 1/ 1		2-L2 /2-L3 /2-L4
PROTECCIONES DEL ASIENTO	L3.10		1/ 2/ 1	2-S12/2-S11/2-S10	SOPORTE DEL ESCARIFICADOR	E3.05		1	2-L5
			2/ 1/ 1	2-S9 /2-S8 /2-S7	SOPORTES DE RUEDA GUIADORA	D3.34	2	1/ 2	2-G3 /2-G2
			2	2-S6	SOPORTES DE UTILES	E3.05/ 1	1/ 2/ 1		2-L6 /2-L7 /2-L8
PROYECTOR ANTERIOR	F4.01	1	1	2-P3	SOPORTES VARIOS	L1.30		1	2-R15
PROYECTOR POSTERIOR	F4.01/ A		1/ 1/ 1	2-P9 /2-P10/2-P11	SOPORTES VARIOS	L1.30/ A		1	2-R16
			1/ 1	2-P12/2-P13	TAPA ANTERIOR DEL B. QUE	A1.02	2	1/ 2	1-G9 /1-G8
PULVERIZADOR	A2.24	3	1	1-L13	TAPA DE CULATA	A1.01	1	1/ 2	1-G15/1-G14
RADIADOR	A4.01		1/ 1	1-O14/1-O13	TAPAS DE TRANSMISION POSTERIOR	B4.08	1	1/ 2	1-T3 /1-T4
REDUCTOR DE VELOCIDAD DE ROTACION	E3.02/ 2	4	1	2-I2	SENSOR DE LA CORREA DEL VENTILADOR	A4.09	1	1/ 2	1-O7 /1-O6
REGULADOR DE VELOCIDAD	A2.24	1	1	1-L11	TERMOMETRO DEL ACEITE DEL CAMBIO	F5.10	1	1	2-Q14
RESPIRADERO DEL MOTOR	A1.25	1	1	1-H13	TERMOMETRO DEL ACEITE DEL MOTOR	F5.10	1	1	2-Q14
RODILLO DE APOYO DE LA ORUGA	D3.37		1	2-H2	TERMOSTATO	A4.02	1	1/ 2	1-O12/1-O11
RODILLO DE SOPORTE DE LA ORUGA	D3.38		1	2-H3	TESTIGO DE OBSTRUCCION FILTRO	F5.10	1	1	2-Q14
RUEDA GUIADORA	D3.34	2	1/ 2	2-G3 /2-G2	TESTIGOS	F5.10	1	1	2-Q14
RUEDA MOTRIZ	D3.33		1	2-G6	TESTIGOS DE FUNCIONAMIENTO	F5.10/ A		1	2-Q13
SENAIZACION DE AVISO	F5.01		1	2-Q17	TIMONERIA DE EMBRAGUE DE LA DIRECCION	D2.22	1	1	1-T16
SENAIZACION DE AVISO	F5.01/ 1		1	2-Q16	TOLDO ROPS	L3.08		1	2-S13
SENAIZACION DE AVISO	F5.01/ 1A		1	2-Q15	TOMA DE FUERZA	E2.16		1	2-H8
SISTEMA DE ALUMBRADO	F4.01		1/ 1/ 2	2-P3 /2-P4 /2-P5	TUBERIA DE ESCAPE	A2.56		1	1-N17
			1/ 1/ 2	2-P6 /2-P7 /2-P8	TUBERIAS DE ADMISION	A2.22	1	1/ 2	1-I2 /1-L2
SISTEMA DE ALUMBRADO	F4.01/ 1		1	2-P14	TUBERIAS DE ADMISION	A2.22/ 1	1	1	1-L4
SISTEMA DE ALUMBRADO	F4.01/ 1A		1	2-P15	TUBERIAS DE COMBUSTIBLE	A2.24	2	1	1-L12
SISTEMA DE ALUMBRADO	F4.01/ 2		1	2-P16	TUBERIAS DE EMBRAGUES DE DIRECCION	D2.23	2	1/ 2	2-G16/2-G15
SISTEMA HIDRAULICO	E3.02		1/ 2/ 1	2-H9 /2-H10/2-H11	TUBERIAS DE ENGRASE DEL MOTOR	A3.01	1	1/ 2	1-O17/1-O16

DENOMINACIONES	SGR.	TAV.	PAG.	GRID
CUERPO DE TRANSMISION POSTERIOR	B4.08	1	1/2	1-T3 /1-T4
CULATA	A1.01	1	1/2	1-G15/1-G14
DEFLECTOR DEL RADIADOR	A4.01	2	1	1-O13
DEPOSITO DE ACEITE	E3.28		1	2-M6
DEPOSITO DE ACEITE	E3.28/ A		1/2	2-M5 /2-M4
DEPOSITO DE COMBUSTIBLE	A2.01		1/2	1-I12/1-I11
DEPOSITO DE COMBUSTIBLE Y TUBERIAS	A2.01/ A		1/2	1-I19-1-I9
DESVIADOR DEL ESCARIFICADOR	E3.02	1	1/2	2-H9 /2-H10
DIENTES DE ESCARIFICADOR	E3.15		1	2-M16
DISTRIBUCION	A1.07/ A		1/2	1-H16/1-H17
DISTRIBUIDOR	B2.33		1	1-S7
DISTRIBUIDOR DE EMBRAGUE DE LA DIRECCION	D2.23	1	1/2	1-T17/2-G17
DISTRIBUIDOR DE LA RETROEXCAVADORA	E3.02/ 2	5	1	2-L2
DISTRIBUIDOR PRINCIPAL	E3.02	1	1/2	2-H9 /2-H10
EMBLEMAS	L1.25		1	2-R13
EMBLEMAS	L1.25/ 1		1	2-R14
EMBLEMAS	L4.10		1	2-S2
EMBOLOS	A1.05	1	1/2	1-H8 /1-H9
EMBRAGUES DE DIRECCION	D2.20		1/1	1-T14/1-T15
ENCLAVAMIENTO DEL CAMBIO	B2.38		1	1-S5
ENGRANAJES DE REDUCCION CENTRAL	B4.04		1/2	1-S2 /1-T2
ENGRANAJES DE REDUCTORES LATERALES	B4.12		1	1-T7
ENGRASE DE EMBRAGUES DE DIRECCION	D2.24		1	2-G12
ENGRASE DEL CAMBIO	B2.06		1/1/1	1-S16/1-S15/1-S14
ESLABONES	D3.40	1	1	2-H4
FILTRO DE AIRE DE MOTOR	A2.22	1	1/2	1-I2 /1-L2
FILTRO DE AIRE Y TUBERIAS	A2.22/ A		1	1-L3
FILTRO DE AIRE Y TUBERIAS	A2.22/ 1	1	1	1-L4
FILTRO DE AIRE Y TUBERIAS	A2.22/ 2		1	1-L5
FILTRO DE AIRE Y TUBERIAS	A2.22/ 3		1	1-L6
FILTRO DEL DEPOSITO DE ACEITE	E3.28	1	1	2-M6
FILTROS DE COMBUSTIBLE	A2.24	3	1	1-L13

DENOMINACIONES	SGR.	TAV.	PAG.	GRID
FRENO DE MANO	C1.35		1	1-T11
GATO DE CUCHARA	E3.2	6	1/2	2-H15/2-I14
GATO DE CUCHARA	E3.02/ 2	2	1/2	2-I6 /2-I5
GATO DE ELEVACION	E3.02	5	1/2	2-H17/2-I17
GATO DE ELEVACION	E3.02/ 2	1	1	2-I7
GATO DE PENETRACION	E3.02/ 2	2	1/2	2-I6 /2-I5
GATO DEL ESCARIFICADOR	E3.02/ 1	1	1/2	2-I9 /2-I8
GATO ESTABILIZADOR	E3.02/ 2	5	1	2-L2
GENERADOR DE CORRIENTE	F3.01		1/1/1	2-O6 /2-O5 /2-O4
GUARDABARROS	L3.04	1	1/2	2-R17/2-S17
GUARDABARROS Y PISO	L3.04/ 1		1	2-S14
HERRAMIENTAS	H1.01		1/1	2-Q12/2-Q11
HERRAMIENTAS	H1.01/ 1		1	2-Q10/2-Q9
HOROMETRO	F5.10	1	1	2-Q14
INDICADOR DE NIVEL	F5.10	1	1	2-Q14
INTERRUPTOR DE ENSAYO TESTIGOS	F5.10	1	1	2-Q14
INYECTOR	A2.24	4	1	1-L14
LASTRE POSTERIOR	B4.08	1	1/2	1-T3 /1-T4
LUZ DEL TABLERO	F4.01	1	1	2-P3
MANDO DEL FRENO DE PIE	C1.01		1/1/2	1-T8 /1-T9 /1-T10
MANDO DEL VENTILADOR	A4.09	1	1/2	1-O7 /1-O6
MANDOS DEL ACELERADOR	A2.21		1/2/1	1-I8 /1-I7 /1-I6
			2/1/1	1-I5 /1-I4 /1-I3
MANDOS VARIOS	A1.15		1	1-I16
MANOMETRO DEL ACEITE DEL CAMBIO	F5.10	1	1	2-Q14
MANOMETRO DEL ACEITE DEL MOTOR	F5.10	1	1	2-Q14
MOTOR	A0.00		1	1-G17
MOTOR DE ARRANQUE	F2.01	1	1	2-O13
ORUGA	D3.40		1	2-H4
ORUGA	D3.40/ A		1/1	2-H5 /2-H6
PALETA ABRETROCHAS	E3.14		1/1	2-L14/2-L15
PEDALES DE EMBRAGUE DE LA DIRECCION	D2.22	1	1	1-T16

INDICE ALFABETICO

DENOMINACIONES	SGR.	TAV.	PAG.	GRID	DENOMINACIONES	SGR.	TAV.	PAG.	GRID
ACCESORIOS	H1.04	1/ 1/ 1		2-Q8 /2-Q7 /2-Q6	BOMBA DE EMBRAGUE DE LA DIRECCION	D2.23	3	1/ 2	2-G14/2-G13
ACCIONAMIENTO DEL UTIL	E3.25	1/ 2/ 1		2-M13/2-M12/2-M11	BOMBA DE INYECCION	A2.24	1	1	1-L11
ALIMENTACION POR INYECCION	A2.24/ A	1/ 2/ 1		1-L15/1-L16/1-L17	BOMBA DEL SISTEMA HIDRAULICO	E3.02	3	1/ 2	2-H13/2-H14
		1		1-M17	BRAZO DE ELEVACION	E3.10/ 2		1/ 1	2-L12/2-L13
ALTERNADOR	F3.01	2	1	2-Q5	BRAZOS DE ELEVACION DE LA PALA	E3.10		1/ 2	2-L9 /2-L10
ANCLAJES MOTOR	A0.02		1	1-G16	BRAZOS DE ELEVACION DEL ESCARICADOR	E3.10/ 1		1	2-L11
ANTI/VIBRADOR DE CONTRAPESOS ADICIONALES	A1.04	1/ 1/ 1		1-H1 /1-H5 /1-H6	CABINA	L1.03/ 1		1	2-R3
		2		1-H7	CARINA Y APOYOS	L1.03		1	2-R2
ARBOL DE LEVAS	A1.07	1	1/ 2	1-H14/1-H15	CAJA DE TRANSMISION POSTERIOR	B4.08	1	1/ 2	1-T3 /1-T4
ARBOL DE TRANSMISION DEL CAMBIO AL PUENTE	B3.01		1	1-S4	CAJA DEL VOLANTE	A1.02	1	1/ 2	1-G11/1-G10
ARMAZON DE CADENA	D3.30		1	2-G7	CAJAS DE REDUCTORES LATERALES	B4.11		1	1-T6
ARRANQUE DEL MOTOR	F2.01		1	2-Q13	CALORIFERO	E1.02		1	2-H7
ARRASTRE DE LA BOMBA DE INYECCION	A1.16		1	1-H15	CAMBIADOR DE CALOR DEL CONVERTIDOR	B2.18		1	1-S9
ARRASTRE DE LA BOMBA DE INYECCION	A1.16/ A		1	1-H14	CARREO DE VELOCIDADES	B2.00		1/ 1/ 2	1-Q5 /1-Q4 /1-Q3
ASIENTO DEL CONDUCTOR	L6.01		1	2-T2	CAMISA DE CILINDRO	A1.01	1	1/ 2	1-G15/1-G14
ASIENTO DEL CONDUCTOR	L6.01/ 1		1	2-T3	CAPOT	L1.01		1/ 1/ 2	2-Q5 /2-Q4 /2-Q3
ASIENTO DEL CONDUCTOR	L6.01/ 2		1	2-T4				1	2-Q2
ASIENTO DEL CONDUCTOR	L6.01/ 3		1	2-T5	CARTER DE ACEITE	A1.02	1	1/ 2	1-G11/1-G10
BALANCIENES	A1.07	1	1/ 2	1-H14/1-H15	CARTER DE ACEITE Y TAPAS DEL BLOQUE	A1.02/ A		1/ 1/ 2	1-G7 /1-G6 /1-G5
BARRA DE APRESTRE	D1.03		1	1-T13				1	1-G4
BARRAS DEL CAMBIO DE VELOCIDADES	B2.10	1/ 1/ 2		1-S12/1-S11/1-S10	CIGUENAL	A1.03	1	1/ 2	1-G3 /1-G2
BASTIDOR	D1.01		1	1-T12	CIGUENAL Y VOLANTE	A1.03/ A		1/ 2	1-H2 /1-H3
BATERIAS	F3.01	1	1	2-Q6	CILINDRO DE RUEDA GUIADORA	D3.34	1	1/ 2	2-G5 /2-G4
BIELAS	A1.05	1	1/ 2	1-H8 /1-H9	CINTA DE FRIENO	C1.01	2	1/ 2	1-T9 /1-T10
BIELAS Y ENBOLOS	A1.05/ A		1/ 2	1-H10/1-H11	COJINETES DEL CIGUENAL	A1.03	1	1/ 2	1-G3 /1-G2
BLINDAJE DE CADENAS	L3.11		1/ 2	2-S5 /2-S4	COLECTOR DE ADMISION	A2.54	1	1	1-N15
BLINDAJE INFERIOR	L3.12		1	2-S3	COLECTOR DE ESCAPE	A2.54	1	1	1-N15
BLOQUE DE CILINDROS	A1.01	1	1/ 2	1-G15/1-G14	COLECTORES DE ADMISION Y ESCAPE	A2.54/ A		1	1-N16
BLOQUE DE CILINDROS Y CULATA	A1.01/ A		1/ 2	1-G13/1-G12	CORREAS DEL VENTILADOR	A4.09	1	1/ 2	1-Q7 /1-Q6
BOMBA DE ACEITE DEL MOTOR	A3.01	1	1/ 2	1-O17/1-O16	CUCHARA EXCAVADORA	E3.14/ 1		1	2-L16
BOMBA DE AGUA	A4.02	2	1/ 2	1-O10/1-O9	CUCHARA EXCAVADORA	E3.14/ 2		1	2-L17
BOMBA DE ALIMENTACION	A2.24	1	1	1-L11	CUCHARA EXCAVADORA	E3.14/ 3		1	2-M17

BENENNUNG	SGR.	TAV.	PAQ.	GRID	BENENNUNG	SGR.	TAV.	PAQ.	GRID
WAERMETAUSSCHER FUER DREHMOMENTWANDLER	B2.18		1	1-S9					
WASSERPUMPE	A1.02	2	1/2	1-0101-09					
WECHSELGETRIEBE	B2.00		1/ 1/ 2	1-05 /1-04 /1-03					
WERKZEUGE	H1.01		1/1	2-Q122-Q11					
WERKZEUGE	H1.01/ 1		1/1	2-Q102-09					
ZAHNRADER DER ENDANTRIEBE	B4.12		1	1-T7					
ZAHNRADER F.MITTELACHS/UAETERSETZUNG	B4.04		1/2	1-S2 /1-T2					
ZAPFWELLE	E2.16		1	2+8					
ZUGENOEER	H1.04		1/ 1/ 1	2-08 /2-07 /2-06					
ZYLINDERKOPF	A1.01	1	1/2	1-G151-G14					
ZYLINDERKOPFDECKEL	A1.01	1	1/2	1-G151-G14					
ZYLINDERLAUFBUECHSE	A1.01	1	1/2	1-G151-G14					

BENENNUNG	SGR.	TAV.	PAG.	GRID	BENENNUNG	SGR.	TAV.	PAG.	GRID
MOTOR SCHWUNGRAD	A1.03	1	1/2	1-G3 /1-G2	SCHWINGUNGSDAEMPFER MIT UMLAUFENDEN MASSES	A1.04		2	1-H7
MOTORVENTILE	A1.07	1	1/2	1-H14/1-H15	SCHWUNGRADGEHAEUSE	A1.02	1	1/2	1-G11/1-G10
NOCKENWELLE	A1.07	1	1/2	1-H14/1-H15	SIGNALISIERVORRICHTUNGEN	F5.01		1	2-Q17
OELBEHAELTER	E3.28		1	2-M6	SIGNALISIERVORRICHTUNGEN	F5.01/ 1		1	2-Q16
OELBEHAELTER	E3.28/ A		1/2	2-M5 /2-M4	SIGNALISIERVORRICHTUNGEN	F5.01/ 1A		1	2-Q15
OELDRUCKMESSER,MOTOR	F5.10	1	1	2-Q14	SITZSCHUETZER	L3.10		1/2/ 1	2-S12/2-S11/2-S10
OELDRUCKMESSER,GETRIEBE	F5.10	1	1	2-Q14				2/ 1/ 1	2-S9 /2-S8 /2-S7
OELMESSTAB, GETRIEBE	B2.06	2	1	1-S15				2	2-S6
OELMESSTAB, MOTOR	A3.01	1	1/2	1-O17/1-O16	SPRITZZEITVERSTELLER	A2.24	1	1	1-L11
OELWANNE UND DECKEL DES KURBELGEHAEUSES	A1.02/ A		1/ 1/ 2	1-G7 /1-G6 /1-G5	STABILISATORZYLINDER	E3.02/ 2	5	1	2-L2
			1	1-G4	STANDANZEIGER	F5.10	1	1	2-Q14
			1	1-T16	STELLVORRICHTUNG F. HUMBARME	E3.26		1/2	2-M10/2-M9
PEDALE DER LENKKUPPLUNGEN	D2.22	1	1	1-T16	STEUERGERAET	B2.33		1	1-S7
PLEUELSTANGEN	A1.05	1	1/2	1-H8 /1-H9	STEUERUNG	A1.07/ A		1/2	1-H16/1-H17
PLEUELSTANGEN UND KOLBEN	A1.05/ A		1/2	1-H10/1-H11	STEUERUNGSANTRIEB	A1.06		1	1-H12
PUMPE DER LENKKUPPLUNGEN	D2.23	3	1/2	2-G14/2-G13	STEUERUNGSANTRIEB	A1.06/ A		1	1-H13
RAHMEN	D1.01		1	1-T12	STEUERVENTIL DER LENKKUPPLUNGEN	D2.23	1	1/2	1-T17/2-G17
RAUPENFAHRWERKRAHMEN	D3.50		1	2-G7	STEUERVENTIL FUER HECKLADER	E3.02/ 2	5	1	2-L2
HAUPENKETTE	D3.40		1	2-H4	STROMERZEUGUNG	F3.01		1/ 1/ 1	2-O6 /2-O5 /2-O4
RAUPENKETTE	D3.40/ A		1/1	2-H5 /2-H6	STUETZROLLE DER RAUPENKETTE	D3.38		1	2-H3
RAUPENKETTENSCHUETZER	L3.11		1/2	2-S5 /2-S4	THERMOSTAT	A4.02	1	1/2	1-O12/1-O11
KEISSZAEHNE	E3.15		1	2-M16	TRIEBRAD	D3.33		1	2-G6
FOHRLEITUNGEN DER LENKKUPPLUNGEN	D2.23	2	1/2	2-G16/2-G15	TRITTBRETT	L3.04	2	1	2-S16
ROPS-DACH	L3.08		1	2-S13	UEBERTRAGUNG ZWISCHEN GETRIEBE UND HINTERACHSE	B3.01		1	1-S4
SAUGKUEHMER	A2.54	1	1	1-N15	UMSCHALTVENTIL FUER AUFREISSER	E3.02	1	1/2	2-H9 /2-H10
SAUGLEITUNGEN	A2.22	1	1/2	1-I2 /1-L2	UNTERE SCHUTZBLECHE	L3.12		1	2-S3
SAUGLEITUNGEN	A2.22/ 1	1	1	1-L4	UNTERSETZUNGSGETRIEBE	E3.02/ 2	4	1	2-I2
SAUGROHR UND AUSPUFFKUEHMER	A2.54/ A		1	1-N16	VERSCHIEDENE ANTRIEBE	A1.15		1	1-H6
SCHALTBRETTLEUCHE	F4.01	1	1	2-P3	VERSCHIEDENE GESTELLRAHMEN	L1.30		1	2-R15
SCHMERZLEITUNGEN,MOTOR	A3.01	1	1/2	1-O17/1-O16	VERSCHIEDENE GESTELLRAHMEN	L1.30/ A		1	2-R16
SCHMERZLEITUNGEN,MOTOR	A3.01	1	1/2	1-O17/1-O16	VORD.KURBELGEHAEUSEDECKEL	A1.02	2	1/2	1-G9 /1-G8
SCHMERZLEITUNGEN DER LENKREIBKUPPLUNGEN	D2.24		1	2-G12	VORD.SCHEINWERFER	F4.01	1	1	2-P3
SCHWINGUNGSDAEMPFER MIT UMLAUFENDEN MASSES	A1.04		1/ 1/ 1	1-H4 /1-H5 /1-H6					

BENENNUNG	SGR.	TAV.	PAG.	GRID	BENENNUNG	SGR.	TAV.	PAG.	GRID
HINTERES FAHRWERKGEHÄUSE	B4.08	1	1/2	1-T3 /1-T4	KUEHLROHRE	A4.02	1	1/2	1-012/1-011
HUBARM	E3.10/ 2		1/1	2-L12/2-L13	KURBELGEHÄUSE	A1.01	1	1/2	1-G15/1-G14
HUBARME FUER AUFREISSER	E3.10/ 1		1	2-L11	KURBELGEHÄUSE UND ZYLINDERKOPF	A1.01/ A		1/2	1-G13/1-G12
HUBARME FUER LADESCHAUFEL	E3.10		1/2	2-L9 /2-L10	KURBELWELLE	A1.03	1	1/2	1-G3 /1-G2
HUBZYLINDER	E3.02	5	1/2	2-H17/2-H17	KURBELWELLE UND SCHWUNGRAD	A1.03/ A		1/2	1-H2 /1-H3
HUBZYLINDER	E3.02/ 2	1	1	2-I7	KURBELWELLENLAGER	A1.03	1	1/2	1-G3 /1-G2
HYDRAULIKANLAGE	E3.02		1/2/1	2-H9 /2-H10/2-H11	LADESCHAUFEL	E3.14		1/1	2-L14/2-L15
			2/1/2	2-H12/2-H13/2-H14	LAUFROLLE DER RAUPENKETTE	D3.37		1	2-H2
			1/1/1	2-H15/2-H16/2-H17	LEITRAD	D3.34	2	1/2	2-G3 /2-G2
			2/1/1	2-H17/2-H16/2-H15	LEITRADLAGER	D3.34	2	1/2	2-G3 /2-G2
			2/1/1	2-H14/2-H13/2-H12	LENKREIBKUPPLUNGEN	D2.20		1/1	1-T14/1-T15
			1/1	2-H11/2-H10	LOEFFELKIPPZYLINDER	E3.02	6	1/2	2-H5/2-H4
HYDRAULIKANLAGE	E3.02/ 2		1/1/2	2-I7 /2-I6 /2-I5	LOEFFELKIPPZYLINDER	E3.02/ 2	2	1/2	2-I6 /2-I5
			1/2/1	2-I4 /2-I3 /2-I2	LOEFFELSTIELZYLINDER	E3.02/ 2	2	1/2	2-I5 /2-I5
			1/1/1	2-L2 /2-L3 /2-L4	LUEFTER	A4.09	1	1/2	1-G7 /1-G6
HYDRAULIKPUMPE	E3.02	3	1/2	2-H13/2-H14	LUEFTERANTRIEB	A4.09	1	1/2	1-G7 /1-G6
INNERE GETRIEBESCHALTUNG	B2.10		1/1/2	1-S12/1-S11/1-S10	LUEFTERRIEMEN	A4.09	1	1/2	1-G7 /1-G6
KENNZEICHEN	L4.10		1	2-S2	LUEFTERRIEMENSPANNER	A4.09	1	1/2	1-G7 /1-G6
KETTENGLIEDER	D3.40	1	1	2-H4	LUFTFILTER UND LEITUNGEN	A2.22/ A		1	1-L3
KETTENSPIANNZYLINDER	D3.34	1	1/2	2-G5 /2-G4	LUFTFILTER UND LEITUNGEN	A2.22/ 1	1	1	1-L4
KIPPHEBEL	A1.07	1	1/2	1-H14/1-H15	LUFTFILTER UND LEITUNGEN	A2.22/ 2		1	1-L5
KOLBEN	A1.05	1	1/2	1-H8 /1-H9	LUFTFILTER UND LEITUNGEN	A2.22/ 3		1	1-L6
KOTFLUEGEL	L3.04	1	1/2	2-R17/2-S17	MODELLZEICHEN	L1.25		1	2-R13
KOTFLUEGEL UND TRITTBRETTER	L3.04/ 1		1	2-S14	MODELLZEICHEN	L1.25/ 1		1	2-R14
KRAFTSTOFFFILTER	A2.24	3	1	1-L13	MOTOR	A0.00		1	1-G17
KRAFTSTOFFLEITUNGEN	A2.24	2	1	1-L12	MOTOR LUFTFILTER	A2.22	1	1/2	1-I2 /1-L2
KRAFTSTOFFLEITUNGEN VOM TANK	A2.01	1	1/2	1-I12/1-I11	MOTOR LUFTVORREINIGER	A2.22	1	1/2	1-I2 /1-L2
KRAFTSTOFFPUMPE	A2.24	1	1	1-L11	MOTOR LUFTVORREINIGER	A2.22/ 1	1	1	1-L4
KRAFTSTOFFTANK	A2.01		1/2	1-I12/1-I11	MOTORAUFGAENGUNG	A0.02		1	1-G16
KRAFTSTOFFTANK UND LEITUNGEN	A2.01/ A		1/2	1-I10/1-I9	MOTORENTLUEFTER	A1.25	1	1	1-I13
KUEHLER	A4.01		1/1	1-O14/1-O13	MOTOROELTHERMOMETER	F5.10	1	1	2-Q14
KUEHLERLUFTLEITBLECH	A4.01	2	1	1-O13	MOTOROELWANNE	A1.02	1	1/2	1-G11/1-G10

ALPHABETISCHES VERZEICHNIS

BENENNUNG	SGR.	TAV.	PAG.	GRID	BENENNUNG	SGR.	TAV.	PAG.	GRID
AUSSERE GETRIEBESCHALTUNG	B2.07		1	1-S13	EINSPRITZPUMPENANTRIEB	A1.16/ A		1	1-I14
ANHAENGERKUPPLUNG	D1.03		1	1-T13	ERDSCHAUFFEL	E3.14/ 1		1	2-L16
ANLASSEN DES MOTORS	F2.01		1	2-O13	ERDSCHAUFFEL	E3.14/ 2		1	2-L17
ANLASSER	F2.01	1	1	2-O13	ERDSCHAUFFEL	E3.14/ 3		1	2-M17
ANZEIGELEUCHTEN	F5.10	1	1	2-Q14	FAHRERHAUS	L1.03/ 1		1	2-F3
AUFREISSERZYLINDER	E3.02/ 1	1	1/ 2	2-I9 /2-I8	FAHRERHAUS UND LAGER	L1.03		1	2-F2
AUSPUFFKRUEMMER	A2.54	1	1	1-N15	FAHRERSITZ	L6.01		1	2-T2
AUSPUFFROHR	A2.56		1	1-N17	FAHRERSITZ	L6.01/ 1		1	2-T3
AUTOMATISCHE STELLVORRICHTUNG F.LADESCHAUFEL	E3.27		1/ 2	2-M8 /2-M7	FAHRERSITZ	L6.01/ 2		1	2-T4
BATTERIEN	F3.01	1	1	2-O6	FAHRERSITZ	L6.01/ 3		1	2-T5
BELEUCHTUNG	F4.01		1/ 1/ 2	2-P3 /2-P4 /2-P5	FILTER IM OELBEHAELTER	E3.28	1	1	2-M6
			1/ 1/ 2	2-P6 /2-P7 /2-P8	FILTERWARTUNGSANZEIGER	F5.10	1	1	2-Q14
BELEUCHTUNG	F4.01/ 1		1	2-P14	GASREGULIERUNG	A2.21		1/ 2/ 1	1-I8 /1-I7 /1-I6
BELEUCHTUNG	F4.01/ 1A		1	2-P15				2/ 1/ 1	1-I5 /1-I4 /1-I3
BELEUCHTUNG	F4.01/ 2		1	2-P16	GEHAUESE DER ENDANTRIEBE	B4.11		1	1-T6
BELUEFTUNGSLEITUNGEN FUER MOTOR	A1.25		1	1-I13	GERAETEBETAETIGUNG	E3.25		1/ 2/ 1	2-M13/2-M12/2-M11
BETRIEBSSIGNALISIERUNG	F5.10/ A		1	2-Q13	GESTAENGE DER LENKKUPPLUNGEN	D2.22	1	1	1-T16
BETRIEBSTUNDENZAEHLER	F5.10	1	1	2-Q14	GETRIEBEOELTHERMOMETER	F5.10	1	1	2-Q14
BODENPLATTEN	D3.40		1	2-H4	GETRIEBESCHMIERUNG	B2.06		1/ 1/ 1	1-S16/1-S15/1-S14
BREMSBAND	C1.01	2	1/ 2	1-T9 /1-T10	GETRIEBESPERRER	B2.38		1	1-S5
BREMSFUSSHEBEL	C1.01		1/ 1/ 2	1-T8 /1-T9 /1-T10	HALTERUNG F.ARBEITSGERAETE	E3.05/ 1		1/ 2/ 1	2-L6 /2-L7 /2-L8
BREMSPEDALE	C1.01	1	1	1-T8	HALTERUNG F.AUFREISSERS	E3.05		1	2-I5
DECKEL DES HINTEREN FAHRWERKS	B4.08	1	1/ 2	1-T3 /1-T4	HANDBREMSBETAETIGUNG	C1.35		1	1-T11
DREHSTROMLICHTMASCHINE	F3.01	2	1	2-O5	HAUBE	L1.01		1/ 1/ 2	2-O5 /2-O4 /2-O3
DREHZAHLEGLER	A2.24	1	1	1-L11				1	2-O2
DRUCKSCHALTER F.LEUCHTENFUNKTIONSKONTROLLE	F5.10	1	1	2-Q14	HAUPTSTEUERVENTIL	E3.02	1	1/ 2	2-H9 /2-H10
DUESE	A2.24	3	1	1-L13	HEIZGERAET	E1.02		1	2-H7
DUESENHALTER	A2.24	4	1	1-L14	HEMMVENTIL	B2.34		1	1-S6
EINSPRITZAUSRUESTUNG	A2.24/ A		1/ 2/ 1	1-L15/1-L16/1-L17	HINT.SCHEINWERFER	F4.01/ A		1/ 1/ 1	2-P9 /2-P10/2-P11
			1	1-M17				1/ 1	2-P12/2-P13
EINSPRITZPUMPE	A2.24	1	1	1-L11	HINTERE ZUSATZGEWICHTE	B4.08	1	1/ 2	1-T3 /1-T4
EINSPRITZPUMPENANTRIEB	A1.16		1	1-I15	HINTERES FAHRWERK	B4.08	1	1/ 2	1-T3 /1-T4

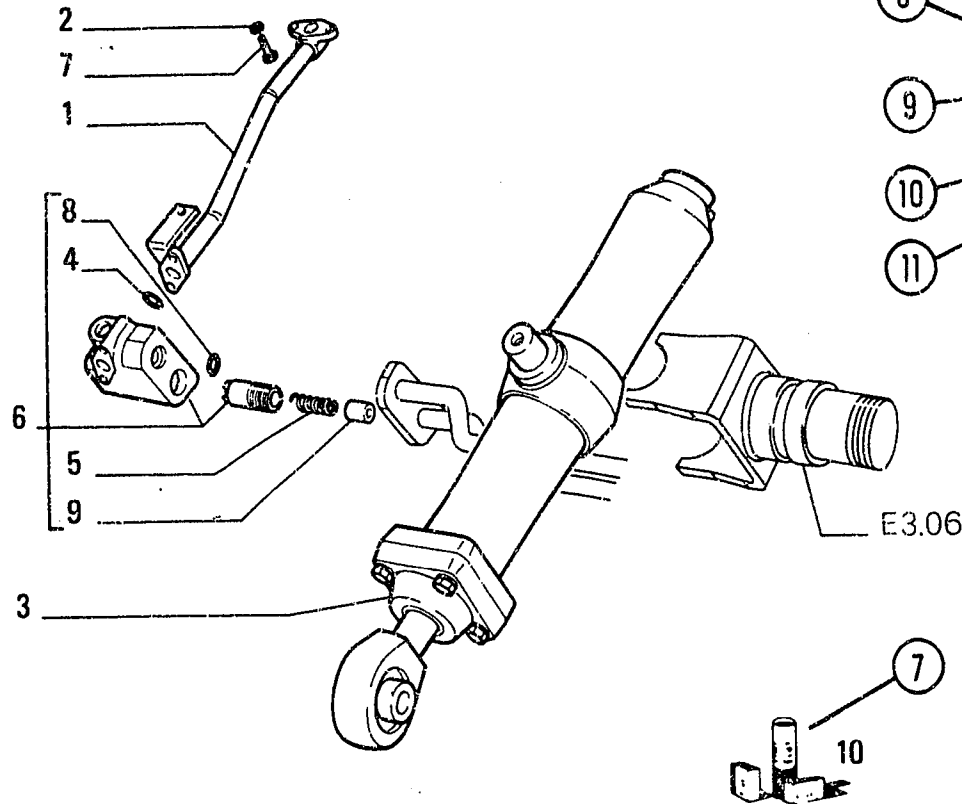
DESIGNATION	SGR.	TAV.	PAG.	GRID	DESIGNATION	SGR.	TAV.	PAG.	GRID
VERIN D'ENFONCEMENT	E3.02/ 2	2	1/ 2	2-16 /2-15					
VERIN DE GODET	E3.02	6	1/ 2	2-1152-114					
VERIN DE GODET	E3.02/ 2	2	1/ 2	2-16 /2-15					
VERIN DE RELEVAGE	E3.02	5	1/ 2	2-H172-117					
VERIN DE RELEVAGE	E3.02/ 2	1	1	2-17					
VERIN DE RIPPER	E3.02/ 1	1	1/ 2	2-19 /2-18					
VERIN DE STABILISATEUR	E3.02/ 2	5	1	2-12					
VERIN DE TENDEUR DE CHENILLE	D3.34	1	1/ 2	2-G5 /2-G4					
VILEBREQUIN	A1.03	1	1/ 2	1-G3 /1-G2					
VILEBREQUIN ET VOLANT MOTEUR	A1.03/ A		1/ 2	1-H2 /1-H3					
VOLANT MOTEUR	A1.03	1	1/ 2	1-G3 /1-G2					
VOYANT D'ENGORGEMENT DE FILTRE	F5.10	1	1	2-Q14					

DESIGNATION	SGR.	TAV.	PAG.	GRID	DESIGNATION	SGR.	TAV.	PAG.	GRID	
PORTE-INJECTEURS	A2.24	4	1	1-L14	SUPPORT DE ROUE TENDEUSE	D3.34	2	1/2	2-G3 /2-G2	
POSITIONNEUR AUTOMATIQUE DU GODET	E3.27		1/2	2-M6 /2-M7	SUPPORT DE SCARIFICATEUR	E3.05		1	2-L5	
POSITIONNEUR DE BRAS DE LEVAGE	E3.26		1/2	2-M10/2-M9	SUPPORTS DES OUTILS	E3.05/ 1		1/2/ 1	2-L6 /2-L7 /2-L8	
POUSOIR D'ESSAI DES LAMPES TEMOINS	F5.10		1	2-Q14	SUSPENSIONS DU MOTEUR	A0.02		1	1-G16	
PREFILTRE A AIR DE MOTEUR	A2.22		1	1-I2 /1-L2	SYSTEME HYDRAULIQUE	E3.02		1/2/ 1	2-H9 /2-H10/2-H11	
PREFILTRE A AIR DE MOTEUR	A2.22/ 1		1	1-L4				2/ 1/ 2	2-H12/2-H13/2-H14	
PRISE DE FORCE	E2.16		1	2-H8				1/ 1/ 1	2-H15/2-H16/2-H17	
PROJECTEUR ARRIERE	F4.01/ A		1/ 1/ 1	2-P9 /2-P10/2-P11				2/ 1/ 1	2-H17/2-H18/2-H15	
			1/ 1	2-P12/2-P13				2/ 1/ 1	2-H14/2-H13/2-H12	
PROJECTEUR AVANT	F4.01		1	2-P3				1/ 1	2-H11/2-H10	
PROTECTIONS DE CHENILLES	L3.11		1/2	2-S5 /2-S4	SYSTEME HYDRAULIQUE	E3.02/ 2		1/ 1/ 2	2-I7 /2-I6 /2-I5	
PROTECTIONS DE SIEGE	L3.10		1/2/ 1	2-S12/2-S11/2-S10				1/2/ 1	2-I4 /2-I3 /2-I2	
			2/ 1/ 1	2-S9 /2-S8 /2-S7				1/ 1/ 1	2-I2 /2-I3 /2-L4	
			2	2-S6	TEMOINS DE FONCTIONNEMENT	F5.10/ A		1	2-O13	
PROTECTIONS INFESIEUPES	L3.12		1	2-S3	TENDEUR DE COUVRIOLE DE VENTILATEUR	A4.09		1	1-07 /1-06	
RADIATEUR	A4.01		1/ 1	1-O14/1-O13	THERMOMETRE D'HUILE DE BOITE DE VITESSES	F5.10		1	2-Q14	
RECHAUFFEUR	E1.02		1	2-H7	THERMOMETRE D'HUILE MOTEUR	F5.10		1	2-Q14	
REDUCTEUR DE VITESSE DE ROTATION	E3.02/ 2		4	2-I2	THERMOSTAT	A4.02		1	1-O12/1-O11	
REGULATEUR DE VITESSE	A2.24		1	1-L11	TRANSMISSION ENTRE B.V. ET PONT	B3.01		1	1-S4	
RENFLARD DU MOTEUR	A1.25		1	1-I13	TRINGLERIE DE COMMANDE EMBRAYAGES DE DIRECTION	D2.22		1	1-T16	
RESERVOIR A COMBUSTIBLE	A2.01		1/2	1-I12/1-I11	TUBULURES D'ADMISSION ET D'ECHAPPEMENT	A2.54/ A		1	1-N16	
RESERVOIR D'HUILE	E3.28		1	2-M6	TUILES	D3.40		1	2-H4	
RESERVOIR D'HUILE	E3.28/ A		1/2	2-M5 /2-M4	TUYAUTERIES A COMBUSTIBLE	A2.24		2	1	1-L12
RESERVOIR ET CANALISATIONS COMBUSTIBLE	A2.01/ A		1/2	1-I10/1-I9	TUYAUTERIES D'ASPIRATION	A2.22		1	1/2	1-I2 /1-L2
ROUE TENDEUSE	D3.34		2	2-G3 /2-G2	TUYAUTERIES D'ASPIRATION	A2.22/ 1		1	1	1-L4
SANGLE DE FREIN	C1.01		2	1-T9 /1-T10	TUYAUTERIES D'EMBAYAGES DE DIRECTION	D2.23		2	1/2	2-G16/2-G15
SIEGE DE CONDUCTEUR	L6.01		1	2-T2	TUYAUTERIES DE GRAISSAGE DU MOTEUR	A3.01		1	1/2	1-O17/1-O16
SIEGE DE CONDUCTEUR	L6.01/ 1		1	2-T3	TUYAUTERIES DE REFROIDISSEMENT	A4.02		1	1/2	1-O12/1-O11
SIEGE DE CONDUCTEUR	L6.01/ 2		1	2-T4	TUYAUTERIES DE VENTILATION DU MOTEUR	A1.25		1	1-I13	
SIEGE DE CONDUCTEUR	L6.01/ 3		1	2-T5	TUYAUTERIES SUR RESERVOIRS A COMBUSTIBLE	A2.01		1	1/2	1-I12/1-I11
SOUPAPES DE DISTRIBUTION	A1.97		1	1-H14/1-H15	VALVE MODERATRICE	B2.34		1	1-S6	
STRUCTURE DE PROTECTION ROPS	L3.03		1	2-S13	VENTILATEUR	A4.09		1	1/2	1-07 /1-06

DESIGNAZIONE BASE	BASIC DESIGNATION	DESIGNATIONS-BASES	GRUNDBEZEICHNUNGEN	DENOMINACIONES BASE
11L LAMA ANGLEDOZER	ANGLE MOLDBOARD	LAME BIASE	SCHWENKENSCHILD	HOJA ANGULABLE
11V VALVOLA DI PROTEZIONE	PROTECTION VALVE	SOUPAPE DE PROTECTION	SICHERHEITSVENTIL	VALVULA DE PROTECCION
11V				
113 RIPARO TUBAZ CILINDRI	CYLINDERS PIPING GUARD	PROTECTION TUYANTERIES CYLINDR	LEITUNGEN ZYLINDER SHUTZ	
12A ALBERO PRIMARIO	MAIN SHAFT	ARBRE PRIMAIRE	HAUPTWELLE	ARBOL PRIMARIO
12B BARRA DI TORSIONE	TORSION BAR	BARRE DE TORSION	DREHSTAB	BARRA DE TORSION
12F FANALE DEL CRUSCOTTO	INSTRUMENT LAMP	LAMPE DE TABLIER	SCHALTBRETTLEUCHTE	LUZ DEL TABLERO
12L LAMA BULLDOZER	DOZER MOLDBOARD	LAME DROITE	GERADEM SCHILD	HOJA RECTA
12M MAGNETE	MAGNETO	MAGNETO	MAGNET	MAGNETO
12O OCCHIELLO	EYELET	OEILET	OESE	OJAL
12V VALVOLA ELETTROPNEUMATICA	ELECTROPNEUMATIC VALVE	SOUPAPE ELECTRO-PNEUMATIQUE	ELEKTROPNEUMATISCHES VENTIL	VALVULA ELECTRO-NEUMATICA
12V				
13A ALBERO SECONDARIO	COUNTERSHAFT	ARBRE SECONDAIRE	VORGELEGEWELLE	ARBOL SECUNDARIO
13B BARRA DI TRAINO	DRAWBAR	BARRE D'ATTelage	ZUGSTANGE	BARRA DE REMOLQUE
14B BANDELLA	STRAP	BANDE	BAND	LARGUERO
14F FANALE DELLA TARGA	NUMBER PLATE LAMP	FEU DE PLAQUE	NUMMERNENSCHILD-LEUCHTE	LUZ DE MATRICULA
14F				
14O OGIVA	OGIVE	CONE	DICHTKEGEL	EMPALME CONICO
14V VANO	COMPARATMENT	NACELLE	NISCHE	CAVIDAD
15C CALANDRA DEL RADIATORE	RADIATOR GUARD	CALANDRE DE RADIATEUR	KUEHLERHAUBE	CALANDRA DE RADIA-DOR
15C				
15F FANALE RETROMARCIA	BACK-UP LAMP	FEU DE REcul	RUECKFAHRLEUCHTE	LUZ DE MARCHIA ATRAS
15G GABBIA	CAGE	CAGE	LAGERKAEFIG	JAULA
15L LAMELLA ELASTICA	REED	LAMELLE ELASTIQUE	LAMELLE	LAMINILLA ELASTICA
15M MANCORRENTE	HAND-RAIL	MAIN COULANTE	HALTEGRIFF	BARANCILLA
15N NASELLO	DOG	CROCHET	KEILNASE	TOPE
15O OLIAIORE	LUBE FITTING	BIJRETTE	SCHMIERKANNE	ACEITERA
15R RALLENTATORE IDRAULICO	HYDRAULIC DECELERATOR	RALENTISSEUR	HYDRAULISCHE DREHZAHLMINDERER	RETARDADOR HIDRAULICO
15R				
15T TACHIGRAFO	TACHOGRAPH	TACHYGRAPHE	FAHRTSCHREIBER	TACOMETRO REGIS-TRADOR
15T				
15V VALVOLA A SPILLO	NEEDLE VALVE	POINTEAU	SCHWIMMERNADEL-VENTIL	VALVULA DE AGUJA
15V				
15O SILENZIATORE CON PARAFIAMMA	SPARK ARRESTING MUFFLER	SILENZIEUX PARAFLAMME	AUSPUFFTOPF MIT FUNKENSCHUTZ	
15I COPERCHIETTO PARAPIOGGIA	RAIN CAP	COUVERCLE PAREPLUIE	AUSPUFFKLAPPE	
16A ALBERO	SHAFT	ARBRE	WELLE	ARBOL
16F FANALE POSTERIORE E TARGA	TAIL AND NUMBER PLATE LAMP	LANTERNE AR ET DE PLAQUE	SCHLUSS- U. NUMMERNENSCHILDLEUCHTE	LUZ POSTERIOR Y DE MATRICULA
16F				
16G GABBIA A SFERE	BALL CAGE	CAGE A BILLES	KUGELKAEFIG	PORTABOLAS
16R RACCORDO A 3 VIE	TEE	RACCORD A 3 VOIES	HOSENROHR	RACOR DE 3 BOCAS

DESIGNAZIONE BASE	BASIC DESIGNATION	DESIGNATIONS-BASES	GRUNDBEZEICHNUNGEN	DENOMINACIONES BASE
5D	DAL CILINDRO...	FROM TO CYLINDER...	A PARTIR DU CYLINDRE...	A PARTIR DEL CILINDRO...
5F	FINO AL CILINDRO...	UP TO CYLINDER...	JUSQU'AU CYLINDRE...	HASTA EL CILINDRO...
59	SCAVO LATERALE	OFFSET BOOM		
6V	VALVOLA AMMORTIZZATRICE	DAMPING VALVE	SOUPAPE AMORTISEUSE	VALVULA AMORTIGUADORA
60	RETROSCAVATORE	BACKHOE	PELLE RETRO	RETROEXCAVADORA
7A	AD ESAURIMENTO	UP TO EXHAUSTION	A EPUISEMENT	HASTA AGOTARSE
7B	MOLLA PRINCIPALE	MAIN SPRING	RESSORT PRINCIPAL	RESORTE PRINCIPAL
7V	VALVOLA SOVRAPRESSIONE	OVERPRESSURE VALVE	SOUPAPE DE SURPRESSION	VALVULA DE SOBREPRESION
70	MARTELLO DEMOLITORE		MATEAU DE DEMOLITION	
71	TAGLIENTE BENNA	BUCKET CUTTING EDGE	COTEAU DU GODET	
72	RIPARO SUPERIORE BENNA	BUCKET SPILL PLATE		
88	MOLLA A BALESTRA	LEAF SPRING	RESSORT A LAMES	MUELLE DE BALLESTA
8C	CABINA	CAB	CABINE	CABINA
8D	DECALCOMANIA	DECAL	DECALCOMANIE	CALCOMANIA
85	DENTE CON PUNTA RIPORTATA	SHANK WITH REPLACEABLE TOOTH	DENT AVEC POINTE AMOVIBLE	DIENTE CON PUNTA REEMPLAZABLE
87	DENTI CON PUNTA RINFORZATA	TOOTH WITH REINFORCED TIP	DENT AVEC POINTE RENFORCEE	
88	DENTI C/PUNTA RIPORTATA (SALD)	TOOTH WITH WELDED TIP	DENT AVEC POINTE SOUDEE	
89	BRACCIO GRU	CRANE BOOM	BRAS DE GRUE	
9F	FANALE	LIGHT	FEU	FAROL
9R	RACCOGLITORE	TRAY	CLASSEUR	CARTER
9V	VALVOLA SICUREZZA	SAFETY VALVE	SOUPAPE DE SURETE	VALVULA DE SEGURIDAD
91	PROTEZIONE DENTI BENNA	BUCKET TOOTH GUARD	PROTECTION DENTS DE GODET	PROTECCION DIENTE DE CUCHARA
92	CORPO DENTE	BUCKET TOOTH SHANK	CORPS DE DENT	
1G0	COMPLESSIVI	ASSEMBLY DRAWINGS	ENSEMBLES	GESAMTZEICHNUNGEN
1G9	COMPLESSIVI PER PRODUZIONE	ASSY DWGS FOR MANUFACTURING	ENSEMBLES POUR PRODUCTION	FERTIGUNGSZEICHNUNGEN
10A	AERATORE	VENT	AERATEUR	LUEFTER
10C	CACCIAVITE	SCREWDRIVER	TOURNEVIS	SCHRAUBENZIEHER
10D	DADO	NUT	ECROU	MUTTER
10E	ECCENTRICO	ECCENTRIC	EXCENTRIQUE	EXZENTRISCH
10I	IDROGUIDA	HYDRAULIC DRIVE	DIRECTION HYDRAULIQUE	HYDROSTATISCHE LENKUNG
10L	LAMA	MOLDBOARD	LAME	SCHILD
10M	MAGLIA	LINK	CHAINON	GLIED
10Q	QUADRO SEGNALAZIONI OTTICHE	INDICATOR PANEL	TABEAU DE TEMOINS	ANZEIGENTAFEL
10Q				
10R	RACCOGLIOLIO	OIL COLLECTOR	COLLECTEUR D'HUILE	OELFAENGER
10V	VALVOLA	VALVE	SOUPAPE	VENTIL
10Z	ZAVORRA	COUNTERWEIGHT	LEST	KONTERGEWICHT
103	PESATURA ELETTRONICA	WEIGHING SYSTEM		
11A	ALBERINO	SPINDLE	ARBRE	WELLE
11B	BARRA STABILIZZATRICE	STABILIZER BAR	BARRE STABILISATRICE	STABILISATOR
				ARBOL
				BARRA ESTABILIZADORA

DESIGNAZIONE BASE	BASIC DESIGNATION	DESIGNATIONS-BASES	GRUNDBEZEICHNUNGEN	DENOMINACIONES BASE
C	COMPL	ASSY	KOMPLETT	COMPLETO
1	MOTORE SOVRALIMENTATO	TURBOCHARGED ENGINE	MOTOR MIT TURBOLADER	
3	RISCALDATORE IMP RAFFR MOTORE	ENGINE COOLANT HEATER	HEIZUNG FUER MOTORKUEHLANLAGE	CALEFACCION AGUA MOTOR
G5	ELENCO VARIANTI - TRATTORE	SPEC.EQUIPMENT LIST - TRACTOR	LISTE-ZUSATZAUSRUESTUNG-MASCHI	
G6	ELENCO VARIANTI - ATTREZZO	SPEC.EQUIPM.LIST - IMPLEMENT	LISTE-ZUSATZAUSRUESTUNG-GERAET	
G7	ELENCO VARIANTI-ALLIED EQUIP.	ALLIED EQUIPMENT LIST		
1A				
1K	KIT VED. PAG.9	KIT SEE PAGE 9	SATZ SIEHE SEITE 9	JUEGO VEASE PAG 9
1M	MICROFICHES SERVICE	MICROFICHES SERVICE	MICROFICHES SERVICE	MICROFICHES SERVICE
1N	NASTRO MAGNETICO	MAGNETIC TAPE	MAGNETBAND	BANDA MAGNETICA
2C	CATALOGO PARTI RICAMBIO	PARTS CATALOG	ERSATZTEILKATALOG	CATALOGO PIEZAS REPUESTO
2D	DATI CARATT PER RIPARAZIONI	SERVICE SPECIFICATIONS	REPARATURDATEN	DATOS CARACT.PARA REPARACIONES
2E	ELENCO GENERALE RICAMBI	MASTER NUMERICAL INDEX	ALLGEMEINE ERSATZTEILLISTE	LISTA GENERAL PIEZAS REPUESTO
2F	FINO AL MOTORE...	UP TO ENGINE...	BIS MOTOR...	HASTA EL MOTOR...
2K	KIT	KIT	SATZ	JUEGO
2L	LISTINO PREZZI RICAMBI	PARTS PRICE LIST	ERSATZTEIL-PREISLISTE	LISTA DE PRECIOS DE REPUESTOS
2M	MANUALE PER LE RIPARAZIONI	SERVICE MANUAL	WERKSTATT HANDBUCH	MANUAL DE SERVICIO
2N	NOTIZIARIO TECNICO RICAMBI	PARTS BULLETIN	ERSATZTEILMITTEILUNGSBLATT	NOTICARIO PIEZAS DE REPUESTO
2T	TABELLE TARATURA APP.INIEZIONE	INJECT.SYST.CALIBRATION CHARTS	EINSPRITZANLAGE EINSTELLDATEN	TABLAS TARADO APAR.INYECCION
2Q	INSONORIZZAZIONE POSTO GUIDA	CAB SOUND SUPPRESSION	SCHALLDAEMMUNG FUER FAHRERSTAN	INSONORIZACION PUESTO-CONDUCC.
21	WINTERIZZAZIONE	WINTERIZATION	WINTERAUSRUESTUNG	
22	INSONORIZZAZIONE ESTERNA	BYSTANDER SOUND SUPPRESSION	AUSSENSCHALLDAEMMUNG	INSONORIZACION EXTERNA
24	TRASFORM CIRCOL SU STRADA (FG)	ROAD TRAFFIC PREPARATION (FG)	STRASSENFAHRT AUSRUESTUNG (FG)	
26	PREDISPOSIZIONE TUV	TUV VERSION	TUV-ZULASSUNG	
29	BADILE	SHOVEL	SCHAUFEL	PALA
3C	CATALOGO ATTREZZATURE ASSIST	SERVICE TOOL CATALOG	WERZEUGKATALOG	CATALOGO UTILAJE SERVICIO
3D	DAL MOTORE...	FROM THE ENGINE...	AB MOTOR...	A PARTIR DEL MOTOR...
3F	FINO AL CAMBIO...	UP TO TRANSMISSION...	BIS WECHSELGETRIEBE...	HASTA EL CAMBIO...
3M	MANUALE ISTR.USO MANUTENZIONE	OPERAT.MAINTEN.INSTR.MANUAL	BETRIEBS-UND WARTUNGSANLEITUNG	MANUAL INSTR.MANEYO Y MANTENIM
3T	TARIFFARIO DELLE RIPARAZIONI	REPAIR TIME MANUAL	REPARATURRICHTZEITEN HANDBUECH	MANUAL TIEMPOS REPARACIONES
3O	OMOLOGAZIONE ITALIA	ITALIAN ROAD TRAFFIC APPROVAL	HOMOLOGATION ITALIEN	HOMOLOGACION ITALIA
31	ALLESTIMENTO NEW YORK	NEW YORK VERSION		
35	OMOLOGABILE AGRICOLO	FARM PROVISION	LANDWIRTSCHAFTSZULASSUNG	
4D	DAL TELAI0	FROM SERIAL NO.	AB FAHRGESTELL	A PARTIR DEL CHASIS
4F	FINO ALLA CABINA...	UP TO CAB...	BIS FAHRERHAUS...	HASTA LA CABINA...
4M	MANUALE ADDESTR.ASSISTENZIALE	SERVICE TRAINING MANUAL	BETRIEBSANWEISUNGEN	MANUAL DE FORMACION TECNICA
4T	TAVOLA MURALE	WALL CHART	WANDTAFEL	LAMINAS DIDACTICAS
45	RIPARO SERBATOIO COMBUSTIBILE	FUEL TANK GUARD	SCHUTZ FUER KRAFTSTOFFTANK	
46	RIPARO INF SERBATOIO COMBUST	FUEL TANK LOWER GUARD	PANZERWANNE FUER KRAFTSTOFFTAN	
5A	ACCENDISIGARI	CIGARETTE LIGHTER	ZIGARRENANZUENDER	ENCENDEDOR



Optional Variante 30.1070.06.1

ITEM	PART NUMBER	QTY	TRANS CODE	DESCRIPTION	DESCRIZIONE
8	4318965	1	193T	PIPE - RIGHT	TUBO - DESTRO
9	4513436	1	193T	PIPE - RIGHT (*)	TUBO - DESTRO (*)
	4606783	1	193T	PIPE - LEFT	TUBO - SINISTRO
	53F			PRIOR TO S/N 004652	FINO AL TELAIO 004652
10	4606783			= 79021573	4606783 = 79021573
	79021573	1	193T	PIPE - LEFT	TUBO - SINISTRO
11	12638601	2	4D	S/N 004653 AND UP	DAL TELAIO 004653
			131R	WASHER 10x18	ROSETTA 10x18
3	4606786	1	164C	CYLINDER - RIGHT ASSEMBLY	CILINDRO - DESTRO COMPLETO
				SEE SGR. E3.32	VEDERE SGR. E3.32
4	4606787	1	164C	CYLINDER - LEFT ASSEMBLY	CILINDRO - SINISTRO COMPLETO
				SEE SGR. E3.32	VEDERE SGR. E3.32
5	4606788	1	53F	PRIOR TO S/N 004652	FINO AL TELAIO 004652
			4606787	= 79021574 + 79021576	4606787 = 79021574 + 79021576
6	4606789	1	164C	CYLINDER - LEFT ASSEMBLY	CILINDRO - SINISTRO COMPLETO
			4D	S/N 004653 AND UP	DAL TELAIO 004653
7	4606790	1	55A	SEAL - WRONG	ANELLO DI TENUTA - ERRATA
			55A	SEAL - CORRECT	ANELLO DI TENUTA - CORRIGI
8	4606791	1	100M	SPRING	MOLLA
			10V	VALVE - RIGHT ASSEMBLY	VALVOLA - DESTRO COMPLETO
9	4606792	1	10V	VALVE - LEFT ASSEMBLY	VALVOLA - SINISTRO COMPLETO
			53F	PRIOR TO S/N 004652	FINO AL TELAIO 004652
10	79021576	1	4606792	= 79021576 - 4606794	4606792 = 79021576 - 4606794
			10V	VALVE - LEFT ASSEMBLY	VALVOLA - SINISTRO COMPLETO
11	11307021	2	4D	S/N 004653 AND UP	DAL TELAIO 004653
			43V	SCREW 10x1,25x40	VITE 10x1,25x40
12	14453381	1	55A	SEAL 1,78x15,60	ANELLO DI TENUTA 1,78x15,60
			50T	PLUG	TAPPO
13	4606795	1	1K	KIT SEE PAGE 9	CORREDO VEDERE PAGINA 9
			489P	FOR OPTIONAL 30.1070.06.1	PER VARIANTE 30.1070.06.1

HYDRAULIC SYSTEM - IMPIANTO IDRAULICO - SYSTEME HYDRAULIQUE - HYDRAULIKANLAGE

E3.02

N.T.R. 63 23/2/1981
604.01.046.06

Q1 - 02

CÓMO SE MANEJA EL CATÁLOGO

Para buscar correctamente las piezas de repuesto, es preciso:

- a) Consultar la lista de versiones, pág. 4, para identificar, en su caso, el código numérico de la versión que interesa; véase el siguiente párrafo 1, punto (6).
- b) Consultar las láminas y las respectivas listas de piezas de repuesto, conforme se explica en los párrafos 1 y 2.
- c) Para los modelos que comprenden variantes, consultar la lista de variantes, pág. 5, donde se indica incluso el correspondiente número de código por orden progresivo, y la lista de los subgrupos afectados.

1. Láminas (véase el ejemplo, pág. 2/9)

Representan las piezas de repuesto de cada subgrupo en que se divide la máquina. Las piezas de repuesto representadas se designan mediante un número de referencia (ITEM), el cual puede ir sustituido por otras indicaciones; ejemplo:

E3.06: pieza ilustrada únicamente en el Sgr. **E3.06**.

Además, en cada lámina figuran:

El código del subgrupo (1) — el número de la hoja (2), cuando el mismo subgrupo comprende más de una lámina — la indicación de su revisión (3); ejemplo: el sufijo **06**, que se agrega al número de la publicación **604.01.046**, significa que el subgrupo ha sido modificado en la 6ª revisión del catálogo, editado en fecha de **23 de febrero de 1981**; de carecer la indicación (3), significa que no ha habido modificaciones; — la indicación, en su caso, de la publicación de la revisión (4) — la denominación del subgrupo (5) — el código de la versión (6), con referencia al punto (a) que antecede; de faltar ese código, se entiende que la lámina es aplicable a todas las versiones del modelo de que se trata en el catálogo; — la indicación de la existencia de fomituras de recambios (7), con los respectivos números de referencia (véase en la pág. 9 la composición de las fomituras).

2. Listas de las piezas de repuesto (véase el ejemplo en la pág. 2/9)

En ellas se reseñan las piezas de repuesto de cada subgrupo representadas en las láminas correspondientes, indicando para cada pieza:

(8) **ITEM:** el número de cada pieza representada que se acompaña a su « part number ».

(9) **PART NUMBER:** número de catálogo de cada pieza de repuesto.

(10) **Q.TY:** número total de la pieza representada en la lámina; este número puede reemplazarse con las indicaciones siguientes: **L** = se entrega en trozos de suficiente longitud; **K** = fomitura que debe encargarse en la cantidad deseada.

(11) **TRANS. CODE:** código para buscar la traducción al francés, alemán y español de la denominación (consúltese la lista de las denominaciones base al final del catálogo, pág. A1).

(12) **DESCRIPTION/DENOMINAZIONE:** denominación de la pieza en inglés e italiano. En caso de modificaciones, la denominación viene integrada por la INDICACIONES DE SU APLICACIÓN y, en su caso, por las **NORMAS DE RECAMBIO**.

Ejemplo de indicación de aplicación de la modificación:

hasta el chasis nº **004852 (13)**: incorporada a las máquinas con chasis hasta el número **004652**;

a partir del chasis nº **004653 (14)**: incorporada a las máquinas a partir del chasis con número **004653**.

Ejemplo de normas de recambio:

4606783 = 79021573 (15): al agotarse las reservas en almacén de la pieza **4606783**, aplíquese la **79021573**;

4606787 = 79021574 + 79021576 (16): al agotarse las reservas en almacén de la pieza **4606787**, aplíquese la **79021574** más la **79021576**;

4606792 = 79021576 - 4606794 (17): al agotarse las reservas en almacén de la pieza **4606792**, aplíquese la **79021576** eliminando la **4606794**.

Suponiendo que a la indicación de incorporación no se acompañen normas de recambio, ello significa que siempre tiene que entregarse el recambio de la pieza ante-modificación, por no ser intercambiable con aquella post-modificación.

Otras indicaciones útiles (18) pueden consignarse en la columna **DESCRIPTION/DENOMINAZIONE**, después del signo — (la traducción de estas voces del inglés o italiano al francés, alemán y español, figura en la lista de voces suplementarias que precede a la lista de denominaciones base (pág. A0). Las voces **RIGHT/DERECHO** y **LEFT/IZQUIERDO** se refieren al sentido de marcha de la máquina.

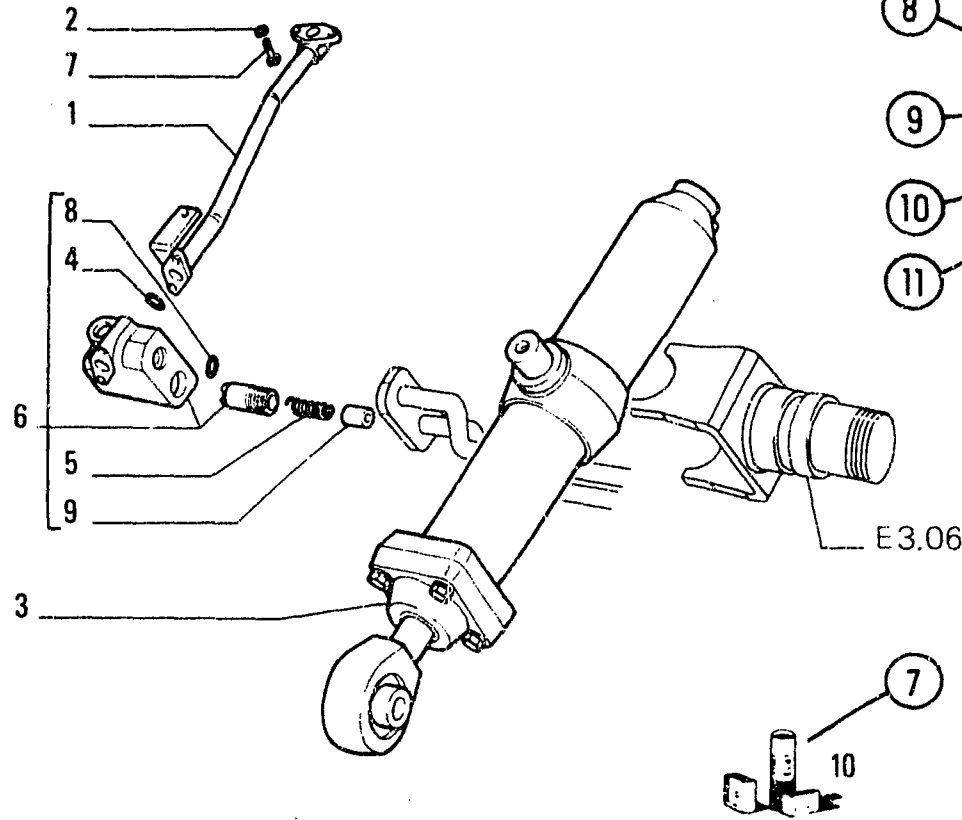
Suponiendo que a una denominación se acompañe la palabra **WRONG/DONDE DICE**, y en el renglón siguiente no aparezca la correspondiente **CORRECT/LEASE**, significa que la pieza sobra, por un error.

(19) Ideograma para localizar la lámina en la ficha y modelo.

(20) Subgrupo, número de la lámina (si acaso el subgrupo comprende grabados diversos), número de la página (si acaso la lista de piezas de repuesto de una misma lámina ocupa más páginas).

(21) Número de código de la variante: indica que las piezas reseñadas y contraseñadas con (*) pertenecen a aquella misma variante. En cambio, si el código aparece tan sólo en la lámina, significa que todas las piezas de ese subgrupo pertenecen a esa variante (véase el punto c) que antecede.

(22) Dimensiones de las piezas normalizadas.



Optional Variante 30.1070.06.1

ITEM	PART NUMBER	QTY	TRANS CODE	DESCRIPTION	DESCRIZIONE	
8	4318965	1	193T	PIPE - RIGHT	TUBO - DESTRO	
9	4513436	1	193T	PIPE - RIGHT (*)	TUBO - DESTRO (*)	
	4606783	1	193T	PIPE - LEFT	TUBO - SINISTRO	
	53F			PRIOR TO S/N 004652	FINO AL TELAIO 004652	
10	4606783			4606783 = 79021573	4606783 = 79021573	
	79021573	1	193T	PIPE - LEFT	TUBO - SINISTRO	
11	4D			S/N 004653 AND UP	DAL TELAIO 004653	
	2	12638601	2	131R	WASHER 10x18	ROSETTA 10x18
3	4606786	1	164C	CYLINDER - RIGHT ASSEMBLY SEE SGR. E3.32	CILINDRO - DESTRO COMPLETO VEDERE SGR. E3.32	
	4606787	1	164C	CYLINDER - LEFT ASSEMBLY SEE SGR. E3.32	CILINDRO - SINISTRO COMPLETO VEDERE SGR. E3.32	
16	53F			PRIOR TO S/N 004652	FINO AL TELAIO 004652	
	4606787			4606787 = 79021574 + 79021576	4606787 = 79021574 + 79021576	
4	79021574	1	164C	CYLINDER - LEFT ASSEMBLY	CILINDRO - SINISTRO COMPLETO	
	4D			S/N 004653 AND UP	DAL TELAIO 004653	
5	4606786	1	55A	SEAL - WRONG	ANELLO DI TENUTA - ERRATA	
	4606789	1	55A	SEAL - CORRECT	ANELLO DI TENUTA - CORRIGI	
6	4606790	1	100M	SPRING	MOLLA	
17	4606791	1	10V	VALVE - RIGHT ASSEMBLY	VALVOLA - DESTRO COMPLETO	
	4606792	1	10V	VALVE - LEFT ASSEMBLY	VALVOLA - SINISTRO COMPLETO	
18	53F			PRIOR TO S/N 004652	FINO AL TELAIO 004652	
	4606792			4606792 = 79021576 - 4606794	4606792 = 79021576 - 4606794	
19	79021576	1	10V	VALVE - LEFT ASSEMBLY	VALVOLA - SINISTRO COMPLETO	
	4D			S/N 004653 AN UP	DAL TELAIO 004653	
20	11307021	2	40V	SCREW 10x1,25x40	VITE 10x1,25x40	
21	8	14453381	1	55A	SEAL 1,78x15,60	ANELLO DI TENUTA 1,78x15,60
	9	4606795	1	50?	PLUG	TAPPO
22	10	79021577	K	1K	KIT SEE PAGE 9	CORREDO VEDERE PAGINA 9
	(*)	469P			FOR OPTIONAL 30.1070.06.1	PER VARIANTE 30.1070.06.1

Q1 - 02

HYDRAULIC SYSTEM - IMPIANTO IDRAULICO - SYSTEME HYDRAULIQUE - HYDRAULIKANLAGE

E3.02

N.T.R. 63 - 23/2/1981

604.01.046.06

NOTICE

The right is reserved to change the construction or material of any parts where it seems desirable to do so without incurring the obligation of installing such changes on units already delivered.

Additional publications pertaining to this model and to all other products are available through the dealers. Publications are generally available in several languages.

Refer to Service Publications Index form 504.07.040 for all such publications; the index is available from the dealers.

INSTRUCTIONS FOR ORDERING PARTS

At the time this parts catalog was published the listed part numbers were current. It is our policy to constantly improve our machines and therefore, part numbers and design may change.

When ordering parts, verify part numbers through your dealer's microfiche and master numerical index which are up to date with all the latest part numbers.

ORDER PARTS FROM THE DEALER COVERING THE LOCAL TERRITORY

Orders for spare parts must include the following data (see page 4):

- Model, Serial Number, Engine model, Engine serial number, marked on engine block.
- Specify the part number (shown on Spare Parts Catalog list), possibly completed by its description. If parts refer to an assembly which has a model or serial number, also include this information.
- Give post office address, town, county and state where parts are to be shipped.
- Also specify whether material is to be shipped by freight, express or parcel post.
- Confirm all telephone or telegraph orders in writing.

Parts can only be returned to/through the dealer from whom the parts were purchased and **must have prior written authorisation**. Each return will be treated individually.

Unless claims for shortages or errors are made immediately upon receipt of goods, they will not be considered.

When broken goods are received, a full description of the damage should be made by the carrier agent on the freight bill.

The Factory responsibility is limited, and ceases upon completion of sale conditions provided for each delivery.

AVVERTENZA

La Fabbrica si riserva di modificare la costruzione o il materiale di qualsiasi parte, qualora ciò risulti desiderabile, senza obbligo di apportare tali modifiche sulle unità già consegnate.

Altre pubblicazioni relative a questo modello e a tutti gli altri modelli sono disponibili presso i Concessionari. Le pubblicazioni sono generalmente disponibili in diverse lingue.

Per individuare queste pubblicazioni, fare riferimento all'indice delle pubblicazioni tecniche 604.07.040. Copie dell'indice sono disponibili presso i Concessionari.

ISTRUZIONI PER ORDINARE I RICAMBI

I numeri di ordinazione riportati su questo catalogo sono aggiornati alla data di uscita della pubblicazione. È nostra politica migliorare costantemente le macchine e quindi i numeri di ordinazione e le illustrazioni possono non essere più attuali.

Al momento di ordinare i ricambi, verificare i numeri di ordinazione presso il Vostro Concessionario, che dispone delle microfiches e dell'elenco generale dei ricambi aggiornati.

ORDINARE I RICAMBI PRESSO IL CONCESSIONARIO DELLA VOSTRA ZONA

Le ordinazioni di parti di ricambio devono essere corredate delle seguenti indicazioni (vedere pag. 4):

- Modello della macchina, Numero del telaio, Tipo del motore, Numero del motore, stampigliato sul basamento del motore.
- Indicare il numero di ordinazione della parte che si richiede (riportato sugli elenchi del catalogo), possibilmente completato dalla relativa denominazione. Se i ricambi si riferiscono a un complessivo che ha un proprio numero di modello o di serie, precisare anche questi dati.
- Precisare nell'indirizzo l'ufficio postale, la città, la regione e lo stato dove i ricambi devono essere spediti.
- Precisare inoltre le modalità di spedizione del materiale (via mare, via terra, espresso o pacco postale).
- Confermare per iscritto tutti gli ordini anticipati per telefono o telegrafo.

Eventuali restituzioni di parti potranno essere effettuate solamente a/o tramite il Concessionario dal quale le parti furono acquistate e dovranno venire autorizzate in precedenza per iscritto. Ogni restituzione verrà presa in considerazione singolarmente.

I reclami per mancanze e difetti, se non effettuati immediatamente al ricevimento della merce, non verranno presi in considerazione.

In caso di ricevimento di merce danneggiata, una completa descrizione del danno dovrà venire effettuata dall'agente del Corriere trasportatore sul documento di spedizione.

La responsabilità della Fabbrica è limitata e cessa al compimento delle condizioni di vendita previste per ogni singola fornitura.

ATTENTION

FIATALLIS se réserve le droit de modifier la construction ou le matériau de toute pièce, si cela se révèle nécessaire, sans devoir apporter ces modifications sur les pièces déjà livrées.

D'autres publications concernant ce modèle et tous les autres modèles FIATALLIS sont disponibles près au des Concessionnaires. En général, ces publications sont disponibles en plusieurs langues.

Pour trouver ces publications, se référer au catalogue des publications techniques 604.07.040. Des exemplaires du catalogue sont disponibles près au des Concessionnaires FIATALLIS.

INSTRUCTIONS POUR LA COMMANDE DES PIÈCES DE RECHANGE

Les numéros de commande indiqués sur ce catalogue sont mis à jour à la date de sortie de la publication. Nous nous efforçons constamment d'améliorer les machines et, par conséquent, les numéros de commande et les illustrations peuvent ne plus être à jour. Au moment de passer commande des pièces de rechange, contrôler les numéros de commande près au de Votre Concessionnaire, qui dispose des microfiches et de la liste générale des pièces de rechange.

PASSER COMMANDE DE PIÈCES DE RECHANGE CHEZ LE CONCESSIONNAIRE DE VOTRE ZONE

Les commandes de pièces de rechange doivent comporter les indications suivantes (voir page 4):

- Modèle de la machine, Numéro du châssis, Type du moteur, Numéro du moteur estampillé sur le bâti moteur.
- Indiquer le numéro de commande de la pièce désirée (indiquée sur les listes du catalogue), accompagné si possible de sa désignation. Si les pièces se rapportent à un groupe possédant son propre numéro de modèle ou de série, indiquer aussi ce dernier.
- Indiquer dans l'adresse, le bureau de poste, la ville, la région et le pays où les pièces de rechange doivent être envoyées.
- Indiquer de plus les modalités d'expédition du matériel (par mer, par terre, exprès ou colis postal).
- Confirmer par écrit toutes les commandes anticipées par téléphone ou télégraphe.

En cas de renvois de pièces, ils pourront être effectués seulement à/ou par l'intermédiaire du Concessionnaire chez lequel les pièces ont été achetées et ils **devront être autorisés au préalable par écrit**. Tout renvoi sera examiné à la fois. Les réclamations pour manques et défauts, qui ne seront pas présentées immédiatement à la réception de la marchandise, seront rejetées. En cas de réception de marchandise endommagée, une description complète doit être présentée par l'agent transporteur sur le bordereau d'expédition.

La responsabilité de FIATALLIS se limite et cesse au moment de l'exécution des conditions de vente prévues pour chaque fourniture.

HINWEIS

FIATALLIS behält sich vor, die Fertigung oder das Material jedes beliebigen Teils abzuändern, falls sie es für wünschenswert hält, ohne dazu verpflichtet zu sein, bereits gelieferte Einheiten entsprechend abzuändern.

Weitere Unterlagen über dieses und sämtliche anderen FIATALLIS-Modelle stehen bei den Händlern zur Verfügung. Die Unterlagen sind in der Regel auf verschiedenen Sprachen gedruckt.

Zur Suche der erforderlichen Unterlagen ist im Verzeichnis der technischen Veröffentlichungen 604.07.040 nachzuschlagen. Exemplare des Verzeichnisses stehen bei den Händlern zur Verfügung.

ANWEISUNG ZUR BESTELLUNG VON ERSATZTEILEN

Die Bestellnummern des Katalogs werden bei jeder Herausgabe auf den letzten Stand gebracht. Unsere Politik ist eine ständige Verbesserung der Maschinen, so dass Bestellnummern und Abbildungen nicht mehr aktuell sein können.

Bei der Bestellung von Ersatzteilen prüfen Sie daher bitte die Bestellnummern bei Ihrem Händler, der über die Mikrokarten und über die allgemeine Liste der Ersatzteile samt Änderungen verfügt.

BESTELLEN SIE DIE ERSATZTEILE BEIM HANDLER IHRES GEBIETES

Bei der **Bestellung von Ersatzteilen** geben sie bitte folgendes an (siehe Seite 4):

- Modell der Maschine, Fahrgestellnummer, Motorbauart, Motornummer, am Kurbelgehäuse eingeschlagen.
- Bestellnummer des gewünschten Teils (nach den Kataloglisten) angeben, möglichst mit der entsprechenden Bezeichnung. Beziehen sich die Ersatzteile auf eine Gruppe mit eigener Modell oder Baureihennummer, so sind auch diese Daten anzugeben.
- In der Adresse sind Postamt, Stadt, Region und Land, nach dem die Ersatzteile zu schicken sind.
- Ausserdem ist die Versandart des Materials anzugeben (See, Land, Express, Postpaket).
- Sämtliche formündlich oder telegraphisch erteilten Bestellungen sind schriftlich zu bestätigen.

Eventuelle Rückgaben von Teilen können ausschliesslich an oder durch den Händler erfolgen, bei dem die betreffenden Teile gekauft wurden, und **müssen vorher schriftlich genehmigt werden**. Jede Rückgabe wird einzeln in Betracht gezogen.

Beanstandungen wegen Mängel oder Fehler werden nur berücksichtigt, wenn sie sofort bei Erhalt der Ware gemacht werden.

Bei Erhalt von beschädigter Ware sollte der Mann des Spediteurs eine vollständige Beschreibung des Schadens in die Versandpapiere eintragen.

Die Haftung von FIATALLIS ist beschränkt und hört nach Erfüllung der für jede einzelne Lieferung vorgesehenen Verkaufsbedingungen auf.

ADVERTENCIA

La Fábrica se reserva el derecho de modificar la construcción o el material de cualquier pieza, si ello resultase procedente, pero sin obligarse a aplicar tales modificaciones a las unidades ya en servicio.

Otras publicaciones referentes a este modelo, lo mismo que a todos los restantes modelos, son disponibles en los Concesionarios. Tales publicaciones, por lo general, son disponibles en diversas lenguas.

Para conocer tales publicaciones consúltese el catálogo de las publicaciones técnicas 604.07.040. Ejemplares de este catálogo obran en los Concesionarios.

COMO SE ENCARGAN LOS RECAMBIOS

Los números de catálogo de las piezas reseñadas en esta publicación están al día hasta la fecha de salida a luz de la misma. Nuestra política estriba en el afán de mejorar constantemente las máquinas, y por lo tanto, los números de catálogo y los grabados a veces puede no sean más efectivos. Con motivo, pues, de ir a encargar piezas de repuesto, verifique los números de catálogo con su Concesionario, el cual dispone de las microfichas y de la lista general de los recambios puesta al día.

ENCARGUENSE LOS RECAMBIOS AL CONCESIONARIO DE SU ZONA

Los encargos de piezas de repuesto tienen que incluir los datos siguientes (véase página 4):

- Modelo de la máquina, Número de fabricación del chasis, Modelo del motor, Número de fabricación del motor, punzonado en el bloque de cilindros.

- Indicar el número de catálogo de cada pieza encargada - tal cual figura en las listas del catálogo - posiblemente acompañado de la denominación que corresponde.

Si los recambios pertenecen a un conjunto que posee su propio número de modelo o de serie, indíquense incluso tales datos.

- En la dirección indíquense la oficina de correos, la ciudad, provincia y nación a donde han de remitirse los recambios.

- Además, indíquense las modalidades de expedición del material: transporte marítimo, terrestre, expreso, o paquete postal.

- Confirmar por escrito todos los encargos anunciados por teléfono y por cable.

Eventuales devoluciones de piezas podrán hacerse tan sólo al/o por conducto del Concesionario al cual se han comprado las piezas, y **deberán ser previamente autorizadas por escrito**. Cada devolución se tomará en cuenta según se merece.

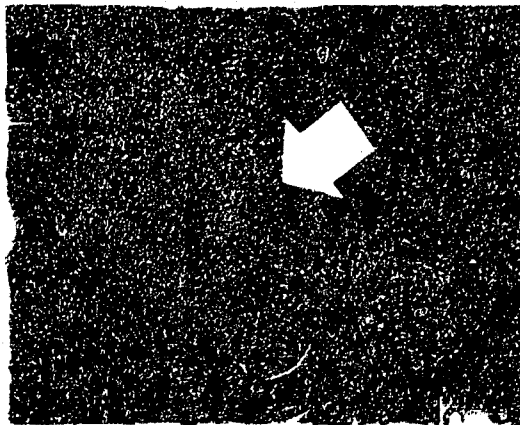
Las reclamaciones por faltas o defectos no se tomarán en cuenta, a no ser que vengan efectuadas inmediatamente después de recibir la mercancía.

En caso de que se reciba mercancía que ha sufrido daños, una completa descripción del daño debería ser efectuada por el agente del transportista en el mismo documento de expedición.

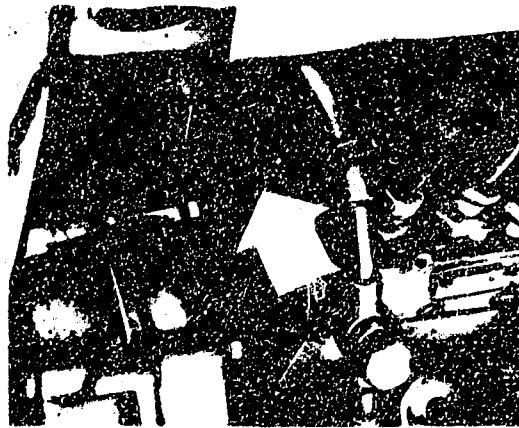
la responsabilidad de la Fábrica es limitada y cesa al cumplirse las condiciones de venta provistas para cada aprovisionamiento.

IDENTIFICATION AND VERSION LIST – IDENTIFICAZIONE ED ELENCO DELLE VERSIONI – IDENTIFICATION ET LISTE DES VERSIONS – KENNZEICHEN UND VERZEICHNIS DER VERSIONEN – IDENTIFICACION Y LISTA DE VERSIONES

MODELS MODELLI MODELES MODELLE MODELOS	ENGINEERING CODE DENOMINAZIONE TECNICA DESIGNATION TECHNIQUE TECHNISCHE BEZEICHNUNG DESIGNACION TECNICA	MODEL SERIAL NUMBER NUMERO DI MATRICOLA DEL MODELLO NUMERO DE SERIE DU MODELE MODELL-SERIENNUMMER NUMERO DE SERIE DEL MODELO			ENGINE MODEL MODELLO MOTORE MODELE DU MOTEUR MOTORBAUMUSTER MODELO DEL MOTOR	NUMERICAL CODE CODICE NUMERICO CODE NUMERIQUE KENNUMMER CODIGO NUMERICO
		Product code Codice prodotto Code de production Produkt kodex Codigo del producto	Unit N. Telsio N. Numero de l'unite Einheits-Nr. Num. de unidad			
			FROM S/N DAL TEL. N.	UP TO S/N FINO AL TEL. N.		
FL5	2601.100.00.1	L5A – 1T	000102	201360	8045.04.189	01
			201361		8045.05.389	



Machine serial number location
Posizione del numero di matricola della macchina
Emplacement du numéro de série de la machine
Ort der Seriennummer der Maschine
Ubicación del número de serie de la máquina



Engine serial number location
Posizione del numero di matricola del motore
Emplacement du numéro de série du moteur
Ort der Seriennummer des Motors
Ubicación del número de serie del motor

RECORD YOUR SERIAL NUMBERS BELOW
REGISTRARE I VOSTRI NUMERI DI MATRICOLA QUI SOTTO
ENREGISTREZ VOS NUMEROS DE SERIE CI-DESSOUS
UNTEN SERIENNUMMER VERMERKEN
ANOTE AQUI LOS NUMEROS DE SERIE

MACHINE SERIAL NUMBER - MATRICOLA DELLA MACCHINA
NUMERO DE SERIE DE LA MACHINE - SERIENNUMMER DER MASCHINE
NUMERO DE SERIE DE LA MAQUINA

ENGINE SERIAL NUMBER - MATRICOLA MOTORE
NUMERO DE SERIE DU MOTEUR - SERIENNUMMER DES MOTORS
NUMERO DE SERIE DEL MOTOR

Availability of optional equipments and terms for their delivery should be checked with your Dealer .

La disponibilità delle varianti e relativi tempi di consegna devono essere richiesti al concessionario di zona .

Pour connaître si les variantes sont disponibles et les termes de livraison s'adresser au concessionnaire de votre zone .

Verfügbarkeit der Varianten und Liefertermine werden mitgeteilt von Ihrem Werkshändler .

Pida a su concesionario de zona si las variantes son disponibles y cuáles son los plazos de entrega .

OPTIONAL EQUIPMENT - ELENCO DELLE VARIANTI
LISTE DES VARIANTES - LISTE DER VARIATEN - LISTA DE VARIANTES

CODE - CODICE - CODE KENNUMMER - CODICO	SGR.	DESCRIPTION - DENOMINAZIONE DESIGNATION - BENENNUNG - DENOMINACIONES
30.0020.13.1	E3.26 - L3.04 - L3.10	OPERATOR COMPARTMENT SOUND INSULATION - INSONORIZZAZIONE POSTO GUIDA - INSONORIZATION DU POSTE DE CONDUITE - INNERSCHALLDAEMPEUNG FUER FAHRERSTAND - INSONORIZACION DEL PUESTO DE CONDUCCION
30.0022.22.1	A4.09 - A2.22 - L1.01	OUTSIDESOUND ABATMENT - INSONORIZZAZIONE ESTERNA - INSONORISATION EXTERIEURE - AUSSERE SCHALLDAEMPUNG - INSONORIZACION EXTERNA
30.0060.04.1	E3.02/2 - E3.05/1 - E3.10/2 - E3.22 - E3.31/2 - E3.32/3 - E3.32/4 - E3.32/5 - E3.32/6 - E3.33 - E3.33/1 - L1.25/1 - L3.04/1	BACKHOE - RETROSCAVATORE - PELLE RETRO - HECKBAGGER - RETRO-EXCAVADORA
30.0060.05.1	E3.02 - E3.02/2 - E3.05/1 - E3.10/2 - E3.22 - E3.31/2 - E3.32/4 - E3.32/5 - E3.32/6 - E3.32/7 - E3.33 - E3.33/1 - L1.25/1 - L3.04/1	BACKHOE - RETROSCAVATORE - PELLE RETRO - HECKBAGGER - RETRO-EXCAVADORA
30.0073.08.1	E3.14	BUCKET MOUNTINGS - FISSAGGIO BENNA - FIXATIONS POUR GODET - BEFESTIGUNGSELEMENTE FUER SCHAUFEL - ANCLAJES PARA CUCHARA

30.0074.10.1	E3.14	STANDARD BUCKET - BENNA NORMALE - GODET STANDARD - LADE-SHAUFEL NORMAL - PALA NORMAL
30.0084.08.1	E3.14	ONE-PIECE TEETH - DENTI BENNA MONOBLOCCO - DENTS MONOBLOC - REISSZAEHNE EITEILIG - DIENTES ENTERIOZOS
30.0085.06.1	E3.14	TEETH WITH STANDARD POINT - DENTI CON PUNTA STANDARD - DENTS AVEC POINTE STANDARD - ZAEHNE MIT STANDARD SPITZE - DIENTES CON PUA ESTANDAR
30.0087.02.1	E3.14	TEETH WITH REINFORCED POINT - DENTI CON PUNTA RINFORZATA - DENTS AVEC POINTE RENFORCEE - ZAEHNE MIT VERRSTAERRTE SPITZE - DIENTES CON PUA RENFORZADA
30.0090.09.1	E3.02 - E3.25 - E3.31/1	MAIN CONTROL VALVE FOURTH SECTION SWITCH - DEVIATORE PER 4° COMANDO - DEVIATEUR DE 4ME COMMAND - WECHSELSCHALTVENTIL FUER 4 STEUERVERTIL - SELECTOR PARA IV MANDO
30.0191.19.1	A2.22/1 - A2.23/1 - A2.23/2	OIL BATH AIR FILTER - FILTRO ARIA A BAGNO D'OLIO - FILTRE A AIR A BAIN D'HUILE-OELBAD - LUFTFILTER - FILTRO DE AIRA EN BANO DE ACEITE
30.0192.13.1	A2.22/3	AIR CLEANER EXTENSION - PROLUNGA FILTRO ARIA - RALLONGE DE FILTRE A AIR - LUFTFILTER VERLAENGERUNG - EXTENCION DEL FILTRO DE AIRE
30.0193.04.1	A2.22/2	AIR CLEANER EXTENSION - PROLUNGA FILTRO ARIA - RALLONGE DE FILTRE A AIR - LUFTFILTER VERLAENGERUNG - EXTENCION DEL FILTRO DE AIRE

30.0254.01.1	E3.14/1	DIGGING SHOVEL mm 390 - BENNA ESCAVATORE mm 390 - GODET mm 390 - ERDSCHAUFEL mm 390 - CUCHARA mm 390
30.0255.01.1	E3.14/2	DIGGING SHOVEL mm 640 - BENNA ESCAVATORE mm 640 - GODET mm 640 - ERDSCHAUFEL mm 640 - CUCHARA mm 640
30.0256.01.1	E3.14/3	DIGGING SHOVEL mm 740 - BENNA ESCAVATORE mm 740 - GODET mm 740 - ERDSCHAUFEL mm 740 - CUCHARA mm 740
30.0289.01.1	B2.00 - B2.01 - B2.01/1	TRANSMISSION - CAMBIO DI VELOCITA' - BOITE DE VITESSES - WECHSELGETRIEBE - CAMBIO DE VELOCIDADES
30.0505.13.1	D3.40/A	LUBRICADET TRACK CHAIN - CATENARIA LUBRIFICATA - CHAINE ASSEMBLEE LUBRIFICE - GESCHMIERTE - CADENA ENGRASADA
30.0563.15.1	L3.11	TRACK FRAME ROLLERGUARD - RIPARI RUOTE CARRELLO - CARTER DE ROUES DE CHARIOT - ABDEK-KUNGEN FUER KETTENROLLEN - PROTECCIONES RUEDA DEL CARRO
30.0570.16.1	E1.02 - L1.03 - L1.04	CAB - CABINA - CABINE - FAHRERHAUS - CABINA
30.0571.02.1	L1.03/1	CAB WITH LAMINATED FRONT GLASS - CABINA DI SICUREZZA CON VETRO STRATIFICATO - CABINE DE SECURITE AVEC GLACE AVANT FEUILLETEE - KABINE MIT FRONTSCHIEBEN AUS VERBUNDGLASS - CABINA ANTIVUELCO CON ANTERIOR ESTRATIFICADO

30.0748.08.1	F3.01	BATTERY HAVY DUTY DRY-CHARGE - BATTERIA MAGGIORATA C/CARICA SECCA - BATTERIE SURDIMENSIONEE AVEC RECHARGE A SEC - BATTERIE GROESE - AUSFUHRUNG TROC KENGELADEN - BATTERIA MAS POTENTE DE CARGO EN SECO
30.0758.01.1	F4.01/1	REAR SPOT LAMP - PROIETTORE POSTERIORE - PHARE ARRIERE - HINTERER SCHEINWERFER - FARO POSTERIOR
30.0758.07.1	F4.01/1A	REAR SPOT LAMP - PROIETTORE POSTERIORE - PHARE ARRIERE - HINTERER SCHEINWERFER - FARO POSTERIOR
30.0759.10.1	F5.01/1 - F5.01/1A	BACK UP ALARM PROVISION - PREDISPOSIZIONE BACK UP ALARM - BACK UP ALARM SANS AVVERTISSEU - WARN. RUECK WAERTS OHNE HUPE - BACK UP ALARM SIN BOCINA
30.0760.10.1	F5.01/1 - F5.01/1A	BACK UP ALARM - AVVISATORE ACUSTICO DI R.M. - BACK UP ALARM - WARNEINRICHTUNG RUECKWAERTS - BACK UP ALARM
30.0765.01.1	F4.01 - L3.08	HEAD LAMPS FOR ROPS STRUCTURE - PROIETTORI PER STRUTTURA ROPS - PROJEC-TEURS POUR LA STRUCTURE DE PROTECTION ROPS - SCHEINWERFERS FUER ROPS DACH - PROYECTORES PARA ESTRUCTURA ROPS
30.0765.04.1	F4.01/2	HEAD LAMPS FOR ROPS STRUCTURE - PROIETTORI PER STRUTTURA ROPS - PROJEC-TEURS POUR LA STRUCTURE DE PROTECTION ROPS - SCHEINWERFERS FUER ROPS DACH - PROYECTORES PARA ESTRUCTURA ROPS
30.0805.07.1	E2.16	PTO SHAFT - ALBERO PRESA DI FORZA - ARBRE DE PRISE DE FORCE - ANTRIEB-SWELLE FUER ZAPFWELLE - EJE DE LA TOMA FUERZA

30.0843.07.1	L1.01	INSTRUMENT PANEL SAFETY COVER -- COPERCHI CRUSCOTTO ANTIVANDALO -- CAPOT DE SECURITE POUR TABLEAU DE BORD -- SICHERMEITSDECKEL FUER SCHALT- BRETT -- TAPAS ANTIVANDALISMOS DE TABLERO
30.0843.09.1	L1.01	INSTRUMENT PANEL SAFETY COVER -- COPERCHI CRUSCOTTO ANTIVANDALO -- CAPOT DE SECURITE POUR TABLEAU DE BORD -- SICHERMEITSDECKEL FUER SCHALT- BRETT -- TAPAS ANTIVANDALISMOS DE TABLERO
30.0850.02.1	L3.10 - L6.01/2	RECLINING SEAT -- SEDILE RIBALTABILE -- SIEGE BASCULABLE -- OMKLAPEBARER SITZ -- ASIENIO ABATIBL
30.0852.05.1	L3.10 - L6.01/1	SUSPENSION SEAT -- SEDILE CON SOSPENSIONE ELASTICA -- SIEGE SUR SUSPENSIONS GEFERDERDER SITZ -- ASIENIO DE SUSPENSION ELASTICA
30.0853.01.1	L3.10 - L6.01/3	SUSPENSION SEAT -- SEDILE MOLLEGGIATO -- SIEGE SUR SUSPENSIONS -- GEFERDER- DER SITZ -- ASIENIO DE SUSPENSION ELASTICA
30.0876.18.1	L3.08	ROPS CANOPY -- STRUTTURA ROPS -- STRUCTURE DE PROTECTION ROPS -- ROPS DACH -- TOLDO ROPS
30.0940.12.1	E3.02/1 - E3.05 - E3.10/1 - E3.32/3	RIPPER -- SCARIFICATORE -- CARIFICATEUR -- AUFREISSER -- RIPPER
30.0945.02.1	E3.15	TOOTH -- UTENSILE -- DENT -- REISSZAHN -- DIENTE
30.0978.21.1	L4.10	DECALS IN ITALIAN -- TARGHE IN LINGUA ITALIANA -- DECALCOMANIES EN ITALIEN- ABZIEHBILDER IN ITALIAN -- CALCOMANIAS EN ITALIANO

30.0980.40.1	L4.10	DECALS IN ENGLISH - TARGHE IN LINGUA INGLESE - DECALCOMANIES EN ENGLISH - ABZIEHBILDER IN ENGLISH - CALCOMANIAS EN INGLES
30.0981.19.1	L4.10	DECALS IN GERMAN - TARGHE IN LINGUA TEDESCA - DECALCOMANIES EN ALLEMANDE - ABZIEHBILDER IN DEUTSCHER SPRACHE - CALCOMANIAS EN ALEMAN
30.0982.18.1	L4.10	DECALS IN FRENCH - TARGHE IN LINGUA FRANCESE - DECALCOMANIES EN FRANCAIS - ABZIEHBILDER IN FRANZOESISCH - CALCOMANIAS EN FRANCES
30.0986.16.1	L4.10	DECALS IN PORTOGUESE - TARGHE IN LINGUA PORTOGHESE - DECALCOMANIES EN PORTUGAIS - ABZIEHBILDER IN PORTUGIESISCHER - CALCOMANIAS EN PORTUGUES
30.0987.16.1	L4.10	DECALS IN SPANISH - TARGHE IN LINGUA SPAGNOLA - DECALCOMANIES EN ESPAGNOL - ABZIEHBILDER IN SPANISCHER - CALCOMANIAS EN ESPANOL
30.0993.02.1	H1.04	FUEL TRANSFER PUMP - POMPA TRAVASO COMBUSTIBILE - POMPE DE TRANSVASEMENT DE COMBUSTIBLE - UMGIESSPUMPE FUER KRAFTSTOFF - BOMBA DE REPOSTADO DE COMBUSTIBLE
30.0995.09.1	H1.01	TOOLS - ATTREZZI - OUTILS - WERKZEUGE - HERRAMIENTAS
30.0995.12.1	H1.01/1	TOOLS - ATTREZZI - OUTILS - WERKZEUGE - HERRAMIENTAS
30.1078.09.1	E3.02 - E3.25	REAR EQUIPMENT CONTROL AND LINE - COMANDO E TUBAZIONI ATTREZZO POSTERIORE - COMMANDE ET TUYAU FERIE D'OUTIL POSTERIEUR - BETAETIGUNG UND LEITUNGEN FUER HECKAUSCRUESTUNG - MANDO Y TUBERIA DEL UTIL POSTERIOR

DESIGNAZIONE BASE	BASIC DESIGNATION	DESIGNATIONS-BASES	GRUNDBEZEICHNUNGEN	DENOMINACIONES BASE
16T	TACHIMETRO	SPEEDOMETER	TACHOMETER	VELOCIMETRO
16V	VARIATORE DI ANTICIPO	ADVANCE VARIATOR	SPRITZZEITVERSTELLER	VARIADOR DE ADELANTO
166	IMPIANTO SPECIALE RAFFREDDAM	SPECIAL COOLING SYSTEM	SONDERKUEHLSYSTEM	
167	PURIFICATORE CATALITICO			
17A	ALBERO AD ECCENTRICI	CAMSHAFT	EXZENTERWELLE	ARBOL DE LEVAS
17I	INCASTELLATURA	FRAME	GERUEST	BASTIDOR
17R	RACCORDO A 4 VIE	FOUR-WAY FITTING	ROHRKREUZSTUECK	RACOR DE 4 BOCAS
17V	VALVOLA PER FRENO	BRAKE VALVE	VENTIL FUER BREMSE	VALVULA PARA FRENO
173	REGOLATORE RAFFRED.RADIATORE	RADIATOR SHUTTER		
174	GRIGLIA ANTISABBIA	SAND SCREEN	SANDSCHUTZGITTER	
176	VENTILATORE ASPIRANTE	SUCTION FAN	SAUGLUEFTER	
178	VENTILATORE A PALE REVERSIBILI	REVERSIBLE FAN	LUEFTER/VERSTELLBAREN FLUEGELN	VENTILADOR DE ASPAS REVERSIBLE
18A	ALBERO MOTORE	CRANKSHAFT	KURBELWELLE	CIGUENAL
18L	LAMIERINO DI MASSA	GROUND PLATE	MASSESCHLUSS	FLEJE DE MASA
18T	TAGLIENTE	CUTTING EDGE	SCHNEIDMESSER	CUCHILLO
187	EIETTORE POLVERE FILTRO ARIA	EXHAUST ASPIRATED AIR CLEANER	LUFTFILTER MIT STAUBABZUG	
19A	ALBERO SNODATO	ARTICULATED SHAFT	GELENKWELLE	ARBOL ARTICULADO
19T	TAGLIENTE LATERALE	END BIT	ECKMESSER	CUCHILLO LATERAL
19V	VASCHETTA	PAN	GEFASS	CUBA
190	FILTRO ARIA A SECCO	DRY AIR CLEANER	TROCKENLUFTFILTER	
192	PROLUNGA FILTRO ARIA	PRECLEANER EXTENSION	FILTER VERLANGERUNG	
20B	BASAMENTO MOTORE	CRANKCASE	KURBELGEHAUSE	BLOQUE CILINDROS
20C	CALOTTA	CAP	KAPPE	CASQUETE
20D	DEFLETTORE	DEFLECTOR	LEITBLECH	DEFLECTOR
20E	ELEMENTO FILTRANTE	FILTERING ELEMENT	FILTREINSATZ	FILTRO
20G	GALLEGGIANTE	FLOAT	SCHWIMMER	FLOTANTE
20I	IMBUTO	FUNNEL	TRICHTER	EMBUDO
20L	LAMIERINO PARAOLIO	OIL SHIELD	OELFANGSCHEIBE	RETENEDOR DE
20M	MANIGLIA	HANDLE	GRIFF	ACEITE
20N	NASTRO	BAND	BAND	MANIJA
20P	PADIGLIONE	ROOF PANEL	KABINENDACH	CINTA
20R	RACCORDO	FITTING	STUTZEN	TECHO
20S	SATELLITE	PLANETARY GEAR	PLANETENRAD	RACOR
20T	TAMBURO	DRUM	TROMMEL	PINON SATELITE
20U	UGELLO	JET	DUESE	TAMBOR
204	AVVIAMENTO A FREDDO	COLD WEATHER STARTING AID	KALTSTART-EINRICHTUNG	INYEKTOR
21A	ALETTA RADIATORE	RADIATOR FIN	KUEHLERRIPPE	DISPOSITIVO TERMOSTARTER
21C	CALOTTA SFERICA	SPHERICAL CAP	KUGELKAPPE	ALETTA RADIADOR
21G	GAMBA DI APPOGGIO	SUPPORT LEG	STUETZBEIN	TAPA SFERICA
				PATA DE APOYO

DESIGNAZIONE BASE	BASIC DESIGNATION	DESIGNATIONS-BASES	GRUNDBEZEICHNUNGEN	DENOMINACIONES BASE
21N	NASTRO DI GOMMA	RUBBER TAPE	GUMMIBAND	CINTA DE CAUCHO
21R	RACCORDO ORIENTABILE	BANJO UNION	RINGSTUTZEN	RACOR ORIENTABLE
21T	TAMBURO DI REAZIONE	REACTION DRUM	REAKTIONSTROMMEL	PLANETA DE REAC- CION
21T				TORNO
21V	VERRICELLO	WINCH	SEILWINDE	CONTRAPESO ANTERIOR
215	ZAVORRA ANTERIORE	FRONT COUNTERWEIGHT	KONTERGEWICHT VORNE	
218	ZAVORRA SUPPLEMENTARE	ADDITIONAL COUNTERWEIGHT	ZUSATZKONTERGEWICHT	VASTAGO
22G	GAMBO	STEM	SCHAFT	TIRA DE FIJACION
22N	NASTRO DI FISSAGGIO	SECURING STRAP	SPANNBAND	ESCALERILLA
22S	SCALETTA	LADDER	LEITER	
221	ZAVORRA POSTERIORE	REAR COUNTERWEIGHT	KONTERGEWICHT HINTER	
222	ZAVORRA E GANCIO TRAINO	COUNTERWEIGHT AND DRAWBAR	KONTERGEWICHT UND ZUGHAKEN	ARBOL DE TRANSMISION
23A	ALBERO TRASMISSIONE	DRIVE SHAFT	UEBERTRAGUNGSWELLE	HOJA DE PUERTA
23B	BATTENTE DELLA PORTA	DOOR PANEL	TUERFLUEGEL	VASTAGO DE PEDAL
23G	GAMBO DEL PEDALE	PEDAL STEM	FUSSHEBELSCHAFT	ASA
23M	MANIGLIA DI APPICLIO	GRAB HANDLE	HALTEGRIFF	ASPA
23P	PALETTA VENTILATORE	BLADE FAN	LUEFTERFLUEGEL	RANGUA
23R	RALLA DI SPINTA	THRUST PLATE	DRUCKSCHEIBE	CORTAFRIOS
23S	SCALPELLO	CHISEL	MEISSEL	PLACA DE EMPALME
24B	BASETTA	JUNCTION BLOCK	SOCKEL	EMBUTIDO
24I	IMBOTTITURA	PADDING	POLSTERUNG	CINTA DE FRENO
24N	NASTRO FRENO	BRAKE BAND	BREMSBAND	RELOJ
24O	OROLOGIO	CLOCK	UHR	ALTERNADOR
25A	ALTERNATORE	ALTERNATOR	UREHSTROMLICHTMASCHINE	BATERIA
25B	BATTERIA	BATTERY	BATTERIE	CALZO DE RUEDA
25C	CALZATOIA	CHOCK	HEMMSCHUH	DIENTE DE RIPPER
25D	DENTE RIPPER	RIPPER SHANK	AI'FREISSERZAHN	MARIPOSA
25F	FARFALLA	THROTTLE	DROSSELKLAPPE	PINZA DE FRENS
25G	GANASCIA FRENI	BRAKE SHOE	BREMSBACKE	EMPUNADURA
25I	IMPUGNATURA	HANDGRIP	GRIFF	CINTA ADHESIVA
25N	NASTRO ADESIVO	ADHESIVE TAPE	KLEBEBAND	PANEL
25P	PANNELLO	PANEL	VERKLEIDUNG	RADIATOR
25R	RADIATORE	RADIATOR	KUEHLER	CAMBIADOR DE CALOR
25S	SCAMBIATORE DI CALORE	HEAT EXCHANGER	WAERMETAUSCHER	TOPE DE GOMA
25T	TAMPONE DI GOMMA	RUBBER PAD	GUMMIPUFFER	VEASE...
25V	VED.	SEE...	SIEHE...	
251	BENNA SCAVO FOSSI	DITCH DIGGING BUCKET	GRABENLOEFFEL	CUCHARA LIMPIA DE FLIVIOS
252	BENNA PULIZIA FOSSI	DITCH CLEANING BUCKET	GRABENRAEUMLOEFFEL	ELEVADOR DE
26A	ALZACRISTALLO	WINDOW REGULATOR	KURBELAPPARAT	CRISTAL
26A				

DESIGNAZIONE BASE	BASIC DESIGNATION	DESIGNATIONS-BASES	GRUNDBEZEICHNUNGEN	DENOMINACIONES BASE
26D	DEPRESSORE	VACUUM PUMP	DEPRESSEUR	BOMBA DE VACIO
26G	GANASCIA	JAW	MACHOIRE	TENAZA
26N	NERVATURA	RIB	NERVURE	NERVIO
26T	TAMPONE	WICK	TAMPON	TOPE DE GOMA
26V	VED.TABELLA	SEE TABLE...	VOIR TABLEAU...	VEASE LA TABLA...
266	SPAZZOLATRICE			
27D	DEVIATORE	DIVERTER VALVE	DEVIATEUR	VALVULA DE DESVIO
27P	PARALUCE	LIGHT SCREEN	ECRAN ANTI-LUMIERE	PANTALLA
28N	NIPPLIO	NIPPLE	RACCORD	NIPLE
28O	OSSATURA	STRUCTURE	OSSATURE	ARMAZON
28P	PARABOLA	REFLECTOR	REFLECTEUR	REFLECTOR
28R	REGOLATORE DI VELOCITÀ	SPEED GOVERNOR	REGULATEUR DE VITESSE	REGULADOR DE VELOCIDAD
28R				
281	RUOTISMI PER TRATTORE LENTO	GEARS FOR SLOW TRACTOR	PIGNONS POUR TRACTEUR LENT	LANGSAMGANG ANTRIEBSRAEDER
284	RUOTISMI PER I E II VELOCE	I AND II FAST SPEED GEARS	PIGNONS DE I ET II VITESSE	I-II GANG ANTRIEBSRAEDER
285	RUOTISMI PER VELOCITÀ COMPATTE	NARROW INCREMENT SPEED GEARS	PIGNONS POUR VITESSE COMPACTES	KRIECHGANG ANTRIEBSRAEDER
286	RUOTISMI PER TRATTORE VELOCE	GEARS FOR FAST TRACTOR	PIGNONS POUR TRACTEUR RAPIDE	SCHNELLGANG ANTRIEBSRAEDER
29F	FASCIA	BAND	BANDE	ITALTEBAND
29i	INDICATORE DI DIREZIONE	DIRECTION INDICATOR	INDICATEUR DE DIRECTION	RICHTUNGSANZEIGER
29i				
29P	PARASASSI	STONEGUARD	CHASSE-PIERRES	STEINSCHLAG-SCHUETZER
29P				
29R	REGOLATORE DI FREQUENZA	FREQUENCY REGULATOR	REGULATEUR DE FREQUENCE	FREQUENZREGLER
29R				
294	RITARDATORE IDRAULICO	RETARDER AND CONTROL		
30A	ACCUMULATORE PER FRENI	BRAKE ACCUMULATOR	ACCUMULATEUR DE FREINS	BREMSSPEICHER
30A				
30C	CAMBIO VELOCITÀ	TRANSMISSION	BOITE DE VITESSE	WECHSELGETRIEBE
30D	DEVIOGUIDASSANCIO E DEVIOLUCI	SWITCH UNIT	COMBINA TEUR AU VOLANT	LENKSTOCK-UMSCHALTER
30D				
30E	ELETTROMAGNETE	SOLENOID	SOLENOIDE	ELEKTROMAGNET
30G	GANCIO	HOOK	CROCHET	HAKEN
30i	COMANDO INDICATORE LIVELLO	LEVEL INDICATOR SENDING UNIT	COMMANDE DE JAUGE DE NIVEAU	STANDGEBER
30i				
30L	LAMPADA	LAMP	LAMPE	GLUEHBIRNE
30M	MANICOTTO	SLEEVE	MANCHON	MUFFE
30P	PARACOLPI DI GOMMA	RUBBER BUFFER	PARE-CHOCS	GUMMIPUFFER
30P				
30R	REGOLATORE CENTRIFUGO	GOVERNOR	REGULATEUR CENTRIFUGE	FLIEHKRAFTREGLER
30R				

ITEM	PART N.	GRID	ITEM	PART N.	GRID	ITEM	PART N.	GRID	ITEM	PART N.	GRID	ITEM	PART N.	GRID
20	15987921	1-07	5	16043321	1-I16	12	16043631	2-H3	12	16044131	2-I17	38	16100811	1-G14
5	15988437	2-L5	25	16043321	1-O16	4	16043631	2-I2	12	16044131	2-I16	25	16100811	1-G9
6	15988531	2-L8	19	16043331	2-M10	5	16043631	2-O17	7	16044131	2-I15	41	16100811	1-H15
9	15988737	1-T12	1	16043411	2-O10	9	16043631	2-S14	7	16044131	2-I13	41	16100811	1-H17
10	15989337	1-T12	35	16043421	1-G10	15	16043631	2-S10	14	16044131	2-I6	24	16100811	1-I15
10	15989337	2-R17	17	16043421	1-G7	4	16043631	2-T2	9	16044131	2-M11	31	16100811	1-L16
5	15991437	1-T13	17	16043421	1-G6	3	16043631	2-T4	21	16044221	1-G9	14	16100811	1-L17
7	16038540	2-Q7	33	16043421	1-G4	3	16043631	2-T5	18	16044221	1-G6	26	16100811	1-N5
8	16038540	2-O6	9	16043421	1-H4	16	16043821	1-G6	16	16044221	1-O15	28	16100811	1-O16
10	16041631	2-G3	39	16043421	1-H15	14	16043821	1-N15	12	16044221	2-O4	7	16100821	1-G16
9	16043021	2-R4	39	16043421	1-H17	17	16043821	2-G13	9	16044231	2-H13	14	16100821	1-I8
15	16043031	1-I10	10	16043421	1-N16	13	16043831	1-I8	8	16044231	2-I15	13	16100821	1-L14
7	16043031	2-L8	26	16043421	1-O16	10	16043831	1-I6	8	16044231	2-I13	9	16100821	1-M17
10	16043031	2-P4	20	16043421	1-O9	7	16043831	2-H16	19	16044321	1-G6	10	16100821	2-M11
3	16043031	2-P10	11	16043421	1-O8	19	16043831	2-S12	9	16044331	2-I15	34	16100821	2-N4
8	16043031	2-P12	12	16043421	2-R7	36	16043921	1-G10	9	16044331	2-I13	15	16100821	2-P6
5	16043031	2-P13	25	16043430	2-Q3	18	16043921	1-G6	23	16044331	2-M8	6	16100821	2-Q17
13	16043131	1-I17	16	16043431	1-O14	34	16043921	1-G4	18	16044421	1-G6	12	16100821	2-Q5
7	16043131	1-S5	5	16043431	1-O13	15	16043921	1-N15	28	16044521	1-H7	20	16100821	2-S12
18	16043131	2-G8	19	16043431	2-G8	15	16043921	1-O15	40	16044521	1-H15	11	16101511	2-O5
8	16043131	2-S14	4	16043431	2-I4	18	16043921	2-G13	40	16044521	1-H17	13	16101511	2-O4
31	16043221	1-G4	11	16043431	2-O5	20	16043931	2-G8	19	16044521	2-G13	8	16101521	1-G16
24	16043221	1-O16	11	16043431	2-R15	10	16043931	2-I17	22	16044621	1-G9	8	16101521	1-N17
12	16043231	1-I8	11	16043431	2-R17	10	16043931	2-I16	20	16044621	1-G6	18	16102311	1-I4
9	16043231	1-I6	16	16043521	1-G6	12	16043931	2-I6	27	16044731	2-N5	15	16102321	1-I8
14	16043231	1-S2	6	16043531	1-O13	2	16043931	2-L4	20	16044921	1-G6	11	16102321	1-I6
14	16043231	2-H9	20	16043621	1-G9	22	16043931	2-M13	5	16044921	1-I13	23	16102321	2-M13
8	16043231	2-I7	24	16043621	1-H5	16	16044021	1-N15	32	16044931	2-N4	10	16102321	2-Q4
11	16043231	2-O6	24	16043621	1-H6	25	16044030	1-N5	28	16044931	2-N6	4	16102321	2-Q2
14	16043231	2-P6	14	16043621	1-I17	1	16044031	2-G16	23	16045021	1-G9	39	16104111	1-G14
10	16043231	2-P7	27	16043621	1-O16	11	16044031	2-I17	17	16045021	1-N15	44	16104111	1-G12
7	16043231	2-P12	16	16043621	1-O12	11	16044031	2-I16	4	16045031	2-L2	14	16104111	2-R7
50	16043321	1-G12	4	16043621	2-T3	13	16044031	2-I6	33	16045131	2-N4	15	16104121	2-I6
34	16043321	1-G10	20	16043631	1-O9	10	16044121	2-O5	24	16045221	1-G9	5	16104121	2-L2
32	16043321	1-G4	7	16043631	1-T8	13	16044121	2-R7	6	16045621	1-I13	3	16104121	2-L3

ITEM	PART N.	GRID	ITEM	PART N.	GRID	ITEM	PART N.	GRID	ITEM	PART N.	GRID	ITEM	PART N.	GRID
7	14457780	2-H13	7	14463280	2-I7	22	14466889	1-I12	13	14570280	2-P6	32	15896211	1-M10
6	14457780	2-I7	11	14463280	2-I6	22	14466889	1-I9	5	14582790	2-Q10	38	15896211	1-N3
3	14457780	2-I2	17	14463281	1-O9	11	14467080	2-M15	8	14601270	2-M11	36	15896211	1-N14
18	14457780	2-M10	4	14463480	2-G12	16	14467080	2-M6	2	14603470	1-P13	6	15896211	2-O9
6	14457781	1-S16	17	14463480	2-H11	16	14467080	2-M5	2	14607570	2-H4	5	15896211	2-Q16
9	14457781	1-S15	18	14463780	2-H11	14	14467180	1-T3	4	14613770	2-M16	5	15896211	2-Q15
9	14457781	1-S14	10	14463780	2-M15	10	14467180	1-T6	4	14620170	2-M16	5	15896211	2-Q8
3	14457880	2-I11	29	14463880	1-G4	12	14467180	2-M15	2	14625979	2-Q10	10	15896218	2-O6
8	14458180	2-H13	26	14463880	1-P14	4	14467781	1-T15	9	14626090	2-Q10	27	15896221	1-S14
21	14458180	2-M8	25	14463880	1-Q5	13	14467980	2-M15	9	14626290	2-Q10	7	15903801	2-R10
6	14458580	1-P2	47	14463880	1-R2	13	14470980	1-S2	4	14626671	2-Q10	37	15970521	1-G14
6	14458580	1-Q16	33	14463880	1-R15	1	14471480	2-Q13	2	14638079	2-Q10	43	15970521	1-G12
6	14458580	1-R4	7	14464080	2-G3	7	14473280	2-N17	2	14638179	2-Q10	15	15970531	1-T3
28	14453680	1-L16	3	14464080	2-H2	33	14483080	1-G10	2	15201011	2-O10	6	15970531	2-G12
12	14458780	1-T3	13	14464280	1-T3	30	14483080	1-G4	15	15211621	2-P2	21	15970531	2-G5
16	14459080	1-T17	19	14464380	2-H11	42	14489121	2-N4	6	15215031	2-S16	29	15970721	1-L16
17	14459180	1-T17	4	14464880	2-N16	17	14496201	2-P2	33	15540431	1-T10	14	15970721	1-O12
6	14460080	2-L12	10	14465180	2-H3	13	14496401	2-O10	23	15540521	1-H5	8	15970721	2-R4
7	14460280	2-L13	8	14465380	2-G3	14	14496421	1-M13	7	15540631	1-N17	7	15970731	2-S8
9	14460280	2-M15	4	14465380	2-H2	10	14496501	1-O12	9	15541131	2-G3	23	15970921	1-H6
32	14460380	1-G10	13	14465480	2-N13	22	14496501	2-G15	5	15541331	1-G16	19	15970921	1-O9
20	14460380	2-G11	9	14465780	1-T6	31	14496521	2-N4	18	15541431	1-T17	13	15970921	1-S8
20	14460380	2-G10	14	14465780	2-N13	11	14499401	2-O10	10	15541821	2-O4	11	15970921	2-O4
3	14460880	2-N16	9	14465880	2-N11	1	14522421	2-Q10	6	15541931	1-G16	9	15970931	1-O4
12	14462880	2-H9	9	14465880	2-O16	1	14525021	2-Q10	1	15612001	2-R14	11	15970931	1-S11
10	14462880	2-I6	10	14466080	2-N11	22	14538670	2-M8	3	15663101	2-T2	16	15970931	1-T3
17	14462881	1-O9	10	14466080	2-N14	8	14549270	1-T11	3	15663101	2-T3	11	15970931	1-T6
12	14462980	1-P9	8	14466080	2-O17	1	14549579	2-Q10	20	15840537	2-G5	15	15971621	1-O12
12	14462980	1-Q9	10	14466080	2-O16	1	14549879	2-Q10	11	15862131	2-H3	19	15971821	1-G9
12	14462980	1-R11	11	14466380	2-N14	1	14550079	2-Q10	18	15888721	1-O9	17	15971931	1-O7
6	14463080	2-I9	9	14466380	2-O17	6	14567080	1-S5	3	15888721	1-S3	5	15972321	1-S9
32	14463180	1-T10	12	14466880	1-S2	10	14569480	2-P6	18	15888731	1-O7	9	15977931	2-R17
13	14463280	2-H9	5	14466880	2-H8	9	14569480	2-P11	5	15888731	2-G12	10	15981621	2-R2
5	14463280	2-H15	15	14466880	2-M6	11	14569880	2-P6	15	15888821	1-G6	8	15984437	1-T12
5	14463280	2-H16	15	14466880	2-M5	12	14570180	2-P6	25	15896211	1-I5	7	15984531	2-L15

ITEM	PART N.	GRID	ITEM	PART N.	GRID	ITEM	PART N.	GRID	ITEM	PART N.	GRID	ITEM	PART N.	GRID
15	13449521	1-G9	9	14142690	2-P7	9	14238130	2-H3	26	14325611	1-G4	15	14452980	1-T17
25	13449521	1-G5	4	14142690	2-P14	4	14238131	2-G3	30	14326050	1-G10	25	14452980	2-N5
25	13449821	1-G5	16	14157470	2-G8	1	14238131	2-H2	15	14326050	1-G7	31	14453180	1-T10
36	13516221	1-H15	35	14159670	1-N14	11	14254930	1-S2	5	14326213	1-S16	40	14453981	1-G12
36	13516221	1-H17	9	14161770	2-Q5	6	14274430	1-T14	16	14327101	2-G13	19	14453981	1-L12
27	13516920	1-L16	12	14161970	1-N4	3	14274430	1-T15	27	14328101	1-G3	6	14456081	2-M2
12	13517311	1-I17	27	14161970	2-N4	4	14274631	1-G16	22	14328101	1-H3	6	14456081	2-N2
10	13517530	1-M17	24	14161970	2-N5	5	14274631	2-G3	8	14328101	1-H4	16	14456980	2-G9
12	13517630	1-L14	18	14162170	2-S12	32	14282170	1-G13	11	14328101	1-H12	16	14456980	2-M10
16	13517720	1-G9	7	14162270	2-M11	29	14282370	1-G14	38	14328301	1-H15	18	14456981	1-G9
30	13517821	1-G13	10	14163170	2-Q5	30	14282410	1-G14	38	14328301	1-H17	14	14456981	1-G6
28	13543321	1-G14	11	14163270	1-I8	33	14282470	1-G13	35	14328501	1-G14	5	14457080	1-S12
4	13543621	1-L15	8	14163270	1-I6	31	14282770	1-G14	38	14328501	1-G12	9	14457080	1-S11
17	13543721	1-G9	21	14163270	2-M13	34	14282770	1-G13	31	14328801	1-G10	6	14457080	2-G3
11	13547520	1-S8	35	14163370	1-N3	32	14282970	1-G14	16	14328801	1-G7	2	14457080	2-H2
12	13550401	1-S8	23	14163470	2-P8	35	14282970	1-G13	11	14329701	1-T3	12	14457180	1-P7
17	13550421	1-L13	6	14163470	2-P13	5	14305430	2-I8	36	14329901	1-G14	13	14457180	1-P9
8	13555530	1-T3	14	14164070	2-N7	3	14306220	2-I4	39	14329901	1-G12	12	14457180	1-O11
2	13605711	2-T3	36	14164170	1-N3	8	14306530	2-I6	8	14330260	1-O4	13	14457180	1-O9
2	13605711	2-T4	6	14164370	1-S13	7	14311030	2-M15	8	14330260	1-S15	12	14457180	1-R9
2	13605711	2-T5	14	14164770	2-S10	33	14323911	1-G14	8	14330260	1-S14	13	14457180	1-R11
29	13709410	1-G8	22	14165470	1-I15	36	14323911	1-G13	15	14330260	2-G9	7	14457180	2-G16
9	13748610	1-O8	9	14167770	1-T3	7	14323911	1-H4	5	14330260	2-I9	7	14457280	1-S13
34	13824611	1-N3	7	14168070	1-T11	22	14323911	1-H5	28	14330260	2-N4	6	14457280	1-S12
11	13866050	2-H9	21	14171170	1-H5	22	14323911	1-H6	5	14420220	2-M2	10	14457280	1-S11
4	13868150	1-O13	21	14171170	1-H6	34	14324211	1-G14	5	14420220	2-N2	17	14457280	2-G8
15	13868350	1-O14	37	14196670	1-H15	37	14324211	1-G13	5	14420231	2-I7	9	14457280	2-I17
30	13879640	1-T10	37	14196670	1-H17	12	14324811	2-G9	9	14420231	2-I6	9	14457280	2-I16
2	13974330	1-T5	21	14233030	2-G5	13	14324911	2-G9	8	14429730	2-M15	6	14457280	2-I15
9	14054511	2-R9	15	14233221	1-I14	10	14325011	1-O8	31	14437985	1-I9	6	14457280	2-I13
26	14054911	2-N4	19	14233430	2-G5	14	14325011	2-G9	31	14437985	2-M4	29	14457280	2-N4
4	14085811	2-H8	10	14233630	1-S2	14	14325101	1-O15	32	14438185	2-M4	8	14457480	2-G16
8	14142490	2-P3	10	14233630	1-T3	13	14325201	1-O12	30	14438385	1-T4	17	14457480	2-M10
1	14142490	2-Q14	15	14237930	2-N7	13	14325211	1-O12	18	14438385	1-T6	30	14457580	2-N4
9	14142690	2-P3	23	14238021	1-I15	29	14325611	1-G10	37	14452890	1-N3	26	14457680	2-N5

ITEM	PART N.	GRID	ITEM	PART N.	GRID	ITEM	PART N.	GRID	ITEM	PART N.	GRID	ITEM	PART N.	GRID
3	11703227	2-M17	16	12174790	1-O9	7	12638601	1-S11	10	12646721	1-I8	12	13268018	2-P2
27	11797720	1-G10	15	12174790	2-H11	7	12638601	2-R2	12	12646721	1-O14	20	13272111	1-I12
6	11902017	1-O4	6	12174790	2-H13	8	12638621	1-I8	3	12646721	1-O13	4	13275811	2-P9
6	11902017	1-S15	7	12174890	1-I2	6	12638621	1-I6	12	12646721	2-S10	9	13275911	2-P6
21	11902111	1-O16	7	12174890	1-L3	13	12638621	2-M6	6	12646801	2-M11	11	13275917	2-Q2
13	11903011	1-N15	6	12174890	1-L4	13	12638621	2-M5	9	12646801	2-Q4	21	13276111	1-I12
42	11903171	1-G10	8	12174990	1-I2	9	12638621	2-R15	8	12646801	2-Q5	36	13276801	1-M8
22	11903211	2-N5	8	12174990	1-L3	10	12638621	2-S10	8	12646801	2-Q4	8	13277411	2-R9
7	11903717	1-O4	18	12179490	1-I12	14	12638660	1-T17	11	12646821	1-L5	17	13279217	2-S12
7	11903717	1-S15	18	12179490	1-I10	15	12639701	1-I4	11	12646821	1-L6	17	13279611	1-I4
7	11903717	1-S14	18	12179490	1-L12	33	12639701	1-N3	13	12646821	1-O14	2	13297317	2-Q2
22	11903817	1-O16	8	12179590	2-R7	27	12642001	2-Q3	6	12646821	1-T12	9	13301717	2-Q4
15	11903817	2-M10	26	12574211	1-I5	11	12642001	2-R7	16	12646821	2-H11	3	13301717	2-Q2
20	11903817	2-M8	14	12574211	2-O10	8	12642021	2-R17	4	12646821	2-H15	8	13305111	2-O10
9	11945008	2-O6	7	12574211	2-R4	14	12642401	2-Q4	6	12646821	2-H16	7	13314111	2-R9
27	11997821	1-G13	9	12574211	2-R7	9	12642701	1-I8	33	12646821	2-L10	15	13398376	2-G13
28	12164011	1-G10	6	12574211	2-R10	7	12642701	1-I6	5	12646821	2-P16	27	13400575	1-G14
25	12164011	1-G4	2	12574221	2-L3	16	12642701	1-I4	10	12646821	2-R15	11	13400575	1-I17
8	12164021	1-T6	1	12574511	1-S3	14	12643721	2-S12	5	12646821	2-R16	20	13400575	1-S14
8	12164021	2-H3	6	12574511	2-R2	7	12644301	2-Q4	8	12646821	2-S16	6	13401176	1-T11
10	12164127	2-S5	3	12577221	2-M16	11	12644321	2-S10	7	12646821	2-S13	3	13401176	2-G12
6	12164221	2-L15	5	12577511	2-L13	5	12644401	1-M12	15	12646821	2-S12	21	13401675	1-I15
1	12164327	1-T5	6	12577521	2-L6	11	12644401	1-O14	13	12646821	2-S10	2	13407211	1-S3
32	12164711	1-L16	4	12577521	2-L12	2	12644401	1-O13	5	12646821	2-S8	18	13407211	2-G5
19	12164711	1-O7	13	12598371	2-S12	25	12644421	2-P2	6	12646821	2-S7	3	13407211	2-H8
10	12164711	1-S8	9	12601278	2-P2	8	12644901	2-R2	11	12646821	2-S5	4	13407211	2-L5
8	12164711	2-O4	6	12601671	2-P2	19	12644921	1-I12	14	12646921	1-O14	7	13407211	2-L6
5	12164721	1-N17	10	12604471	2-R7	19	12644921	1-I10	7	12646921	1-T12	34	13407211	2-L10
5	12164721	2-G10	23	12605671	2-N5	2	12644921	2-H8	16	12646921	2-S12	5	13407211	2-L11
4	12173890	2-Q8	17	12638101	2-G5	14	12644921	2-M6	7	12646921	2-S7	5	13407211	2-L12
13	12173990	1-T17	13	12638601	1-G6	14	12644921	2-M5	4	12646921	2-S3	6	13407211	2-L13
6	12173990	2-G16	14	12638601	1-I4	7	12646221	2-Q5	8	12647001	1-S2	15	13407211	2-L14
15	12174090	1-O10	9	12638601	1-I2	27	12646601	1-I5	15	12647001	2-G8	6	13407211	2-N17
14	12174090	2-H11	9	12638601	1-L3	23	12646701	1-O16	9	12948810	1-S2	7	13407211	2-O17
12	12174790	1-O12	6	12638601	1-N17	8	12646701	1-S11	11	13265111	2-P2	8	13407211	2-O16

ITEM	PART N.	GRID	ITEM	PART N.	GRID	ITEM	PART N.	GRID	ITEM	PART N.	GRID	ITEM	PART N.	GRID
3	11106631	2-I9	4	11115531	2-L11	33	11198371	1-L16	2	11306931	2-G12	24	11194071	1-N5
18	11106631	2-M8	16	11115631	1-I12	11	11198371	1-O12	9	11306931	2-O5	14	11194171	1-I14
5	11106831	2-G16	12	11115631	2-M6	14	11198371	1-O10	25	11307021	1-G11	17	11195371	1-I12
9	11106831	2-H9	7	11115631	2-R17	16	11198371	1-O7	14	11307021	1-G7	17	11195470	1-L12
3	11106831	2-H15	16	11115831	1-I10	3	11198371	1-S9	16	11307021	1-L13	22	11195470	1-L15
3	11106831	2-H16	5	11115831	2-L6	7	11198371	2-O5	9	11307021	1-S8	32	11195470	1-N3
19	11106831	2-M13	12	11115831	2-M5	26	11198379	1-G15	5	11307031	1-O4	16	11195471	2-G5
3	11107031	2-I10	5	11116831	2-N17	21	11198571	1-H2	7	11307031	1-T3	5	11195471	2-O9
4	11107031	2-I9	6	11118531	2-M15	6	11198671	1-H4	5	11376237	2-G6	7	11195471	2-R7
5	11107231	2-I12	13	11122237	2-L14	8	11198671	2-O5	29	11394331	1-T10	3	11195479	2-O10
19	11107231	2-M8	2	11122237	2-L16	7	11198671	2-O4	26	11408321	1-G11	20	11197771	1-G11
8	11107231	2-R15	2	11122237	2-L17	23	11200171	1-G11	24	11408321	1-G4	13	11197771	1-G9
3	11107431	2-I10	2	11122237	2-M17	21	11200171	1-G4	7	11408331	2-O13	12	11197771	1-G6
9	11107531	2-H11	11	11190571	1-O12	15	11234721	1-L13	5	11408331	2-R2	13	11197771	1-L13
5	11107531	2-H13	26	11190579	1-L16	30	11234721	1-L16	20	11690921	2-M13	13	11197771	2-G13
4	11107531	2-I10	5	11190579	2-O13	4	11234721	1-S9	6	11701711	1-I2	21	11198071	1-G11
2	11107831	2-M16	6	11190579	2-O4	7	11234731	1-T6	32	11701721	1-I5	19	11198071	1-G7
10	11108031	2-H11	25	11193871	1-G15	9	11239111	1-T17	6	11701721	1-I2	20	11198071	1-H5
6	11108231	2-I12	51	11193871	1-G12	7	11255931	2-H3	6	11701721	1-L3	35	11198071	1-H15
10	11108431	2-H9	19	11193871	1-G11	8	11255931	2-S5	9	11701721	1-L5	35	11198071	1-H17
7	11112135	2-S14	12	11193871	1-G9	10	11262011	1-T17	9	11701721	1-L6	10	11198071	1-I17
5	11112231	1-T12	18	11193871	1-G4	11	11265511	1-T17	4	11701721	1-S12	20	11198071	1-I15
32	11112231	2-L10	6	11193871	1-H4	5	11270050	1-M13	13	11701721	2-H11	11	11198071	1-L14
12	11112231	2-S12	20	11193871	1-H6	9	11270050	1-M12	5	11701721	2-I10	25	11198071	1-L15
5	11112231	2-S7	35	11193871	1-H17	3	11270250	1-M13	7	11701721	2-P7	12	11198071	1-N15
3	11112431	1-N17	4	11193871	1-I16	17	11288021	1-O7	6	11701721	2-S13	20	11198071	1-O16
2	11112431	2-S3	13	11193871	1-L17	24	11306921	1-G11	9	11701721	2-S10	13	11198071	1-O15
7	11112631	2-S16	11	11193871	1-N15	13	11306921	1-G7	4	11702921	1-N17	14	11198071	2-G13
3	11112831	2-S3	9	11193871	1-N16	22	11306921	1-G4	10	11702921	1-O14	25	11198371	1-G13
11	11113031	2-H11	19	11193871	1-O16	18	11306921	1-O7	7	11702921	2-P3	22	11198371	1-G11
12	11113531	2-H11	10	11193871	1-O12	7	11306921	2-O13	8	11702921	2-P7	14	11198371	1-G9
9	11113731	1-O14	13	11193871	1-O10	4	11306921	2-R2	3	11702921	2-P14	12	11198371	1-G7
4	11114231	2-L6	8	11193871	1-O8	5	11306931	1-I2	14	11703227	2-L14	20	11198371	1-G4
3	11114431	2-L12	6	11193871	2-O5	6	11306931	1-T3	3	11703227	2-L16	25	11198371	1-H6
4	11114431	2-L13	5	11193871	2-O4	12	11306931	1-T17	3	11703227	2-L17	14	11198371	1-L13

7/11 D5

ITEM	PART N.	GRID	ITEM	PART N.	GRID	ITEM	PART N.	GRID	ITEM	PART N.	GRID	ITEM	PART N.	GRID
3	10730321	2-I7	13	10796301	1-I4	16	10902621	2-M8	5	11066276	1-S5	2	11106231	2-P14
4	10730521	2-I6	3	10796301	2-S8	3	10902621	2-Q8	28	11066376	1-T10	2	11106231	2-P15
5	10730721	2-S14	7	10796401	1-I8	11	10902821	1-G9	34	11066675	1-H15	4	11106231	2-Q16
25	10733601	1-T10	5	10796401	1-I6	28	10902821	1-I5	34	11066675	1-H17	4	11106231	2-Q15
6	10733601	1-T16	5	10796401	1-T11	12	10902821	2-G13	4	11067376	2-L8	5	11106231	2-Q5
12	10733601	2-L14	10	10796401	2-M6	3	10902821	2-Q16	19	11069375	1-I15	5	11106231	2-Q4
24	10734101	1-M2	10	10796401	2-M5	13	10903431	2-G16	6	11087876	2-R9	5	11106231	2-S16
40	10734101	1-N3	3	10796401	2-Q4	13	10903631	2-G16	5	11087876	2-R10	10	11106231	2-S12
5	10734201	1-I8	6	10796401	2-R15	12	10903634	1-M13	43	11087976	2-N4	5	11106231	2-S8
4	10734201	1-I6	5	10796401	2-R17	4	10903721	1-M12	3	11088076	1-S13	3	11106231	2-S7
12	10734201	1-I4	7	10796401	2-S10	6	10977821	2-R7	3	11088076	1-S12	5	11106231	2-S5
2	10734201	1-I3	8	10797101	2-S10	15	10978021	1-L12	5	11088076	1-S11	6	11106331	2-Q4
3	10734201	1-S11	12	10839510	1-Q15	21	10978221	1-L15	4	11103031	1-S13	4	11106421	2-M2
26	10734201	1-T10	1	10839510	2-H8	5	10979231	2-I6	15	11106031	1-I12	4	11106424	2-N2
24	10734201	2-N4	24	10839610	1-G15	7	10979231	2-R15	11	11106031	1-I10	31	11106431	1-I5
7	10734201	2-S12	24	10839610	1-G13	4	10979231	2-R16	6	11106031	2-I6	7	11106431	1-L5
6	10734201	2-S10	10	10839610	1-G9	6	10979331	2-O13	5	11106031	2-M11	7	11106431	1-L6
35	10734301	1-M8	9	10839610	1-G6	6	10979331	2-P7	11	11106031	2-M6	2	11106431	2-H15
29	10734401	1-N3	17	10839710	1-G11	3	10979331	2-P16	11	11106031	2-M5	4	11106431	2-H16
2	10734401	1-S12	17	10839710	1-G4	5	10979421	1-S15	13	11106031	2-P11	4	11106431	2-I12
30	10734401	2-L10	1	10858090	2-R11	6	10979440	2-Q7	4	11106031	2-Q17	7	11106431	2-I6
5	10734601	1-T8	2	10863190	2-R11	3	10979440	2-Q6	4	11106031	2-Q4	31	11106431	2-L10
27	10734601	1-T10	8	10902021	2-H9	6	11052090	2-P3	9	11106031	2-S12	18	11106431	2-M13
7	10788711	2-O10	5	10902021	2-R9	3	11052090	2-P9	4	11106031	2-S8	14	11106431	2-M10
17	10788721	2-M13	3	10902031	2-L2	31	11059375	1-H9	4	11106131	2-Q5	17	11106431	2-M8
4	10788721	2-R9	25	10902131	1-S14	16	11059575	2-M3	23	11106231	1-I2	4	11106431	2-P16
4	10788721	2-S16	18	10902221	1-G11	25	11059776	2-N4	23	11106231	1-L3	6	11106431	2-Q5
30	10788811	1-N3	12	10902221	1-L13	5	11060076	2-M15	5	11106231	1-L4	6	11106431	2-R17
4	10791221	1-S11	6	10902231	2-S14	3	11060076	2-M2	6	11106231	1-L5	6	11106431	2-S16
7	10791221	1-T16	11	10902311	1-N4	3	11060076	2-N2	6	11106231	1-L6	5	11106431	2-S13
8	10791311	2-P2	8	10902321	2-S12	3	11060676	1-G16	8	11106231	1-O14	34	11106431	2-S9
6	10791321	1-T8	10	10902421	1-G6	15	11061576	1-O7	5	11106231	1-S11	8	11106631	1-L5
21	10791411	2-N5	3	10902421	2-Q15	6	11062976	1-T6	4	11106231	1-T12	8	11106631	1-L6
5	10794040	2-Q7	6	10902421	2-R4	31	11065876	1-N3	18	11106231	2-I8	5	11106631	1-S13
6	10795001	1-I8	4	10902421	2-R10	8	11065976	1-T17	9	11106231	2-P4	8	11106631	2-H11

ITEM	PART N.	GRID	ITEM	PART N.	GRID	ITEM	PART N.	GRID	ITEM	PART N.	GRID	ITEM	PART N.	GRID
5	10516871	2-S12	3	10517171	2-R17	2	10520001	1-N17	1	10571571	2-S14	1	10571871	1-S12
2	10516871	2-S10	3	10517171	2-S5	4	10520021	1-T11	21	10571579	2-G15	2	10571871	1-S11
1	10516871	2-S8	4	10517271	2-G6	5	10520021	1-T16	11	10571770	1-G6	3	10571871	1-T12
1	10516871	2-S7	15	10517271	2-G5	3	10520021	2-S16	9	10571771	1-I17	19	10571871	2-I8
1	10516871	2-S5	5	10517271	2-S5	4	10520021	2-S10	12	10571771	1-I10	3	10571871	2-I6
30	10516879	1-I5	2	10517471	1-G16	4	10520101	1-S5	4	10571771	1-I8	1	10571871	2-M2
3	10516879	1-Q13	2	10517471	1-T12	4	10520101	1-T8	3	10571771	1-I6	1	10571871	2-N2
1	10516879	1-Q11	4	10517471	1-T13	24	10520101	1-T9	2	10571771	2-I4	12	10571871	2-P11
3	10516879	1-Q9	3	10517471	2-L5	3	10520121	1-I8	2	10571771	2-I2	2	10571871	2-P16
3	10516879	1-R7	4	10517471	2-R17	2	10520121	1-I6	1	10571771	2-L4	2	10571871	2-Q16
1	10516879	1-R9	3	10517471	2-S13	5	10520121	2-O13	2	10571771	2-L8	2	10571871	2-Q15
6	10516879	2-O10	2	10517870	2-I12	1	10520201	2-R2	2	10571771	2-P10	3	10571871	2-Q5
34	10517070	1-M8	6	10519201	2-H9	5	10520221	2-S10	5	10571771	2-P12	5	10571871	2-R4
1	10517071	1-N17	2	10519221	1-I8	18	10534400	1-I15	4	10571771	2-P13	3	10571871	2-R9
7	10517071	1-O14	4	10519301	2-O10	3	10547100	2-G3	2	10571771	2-Q5	5	10571871	2-R15
1	10517071	1-T12	4	10519301	2-P2	2	10547300	2-G7	26	10571771	2-Q3	3	10571871	2-R16
7	10517071	1-T17	2	10519301	2-R7	1	10569271	2-L8	1	10571771	2-Q2	2	10571879	2-H16
2	10517071	2-G3	8	10519401	2-P6	1	10569371	2-I4	4	10571771	2-R4	3	10571971	2-S14
7	10517071	2-H11	1	10519401	2-R4	3	10569371	2-R15	5	10571771	2-R7	1	10571971	2-S3
29	10517071	2-L10	3	10519401	2-R7	2	10569373	2-I6	4	10571771	2-R15	3	10572071	2-L6
1	10517071	2-P14	1	10519401	2-R10	2	10569473	2-I7	2	10571771	2-S14	2	10572071	2-R2
1	10517071	2-P15	11	10519601	1-G6	1	10569473	2-I6	4	10571773	2-I7	4	10572171	2-M15
2	10517071	2-S16	10	10519601	1-N15	2	10569571	2-M15	30	10571779	1-P8	3	10572171	2-R2
6	10517071	2-S12	23	10519601	1-T9	3	10569971	2-M15	5	10571779	1-P11	3	10572371	2-L6
2	10517071	2-S7	2	10519601	2-R4	2	10571471	2-R10	30	10571779	1-Q10	7	10615473	2-P2
13	10517171	1-I12	4	10519601	2-R7	14	10571571	1-I12	5	10571779	1-Q7	2	10615771	2-M2
13	10517171	1-I10	8	10519621	1-N16	26	10571571	1-S14	30	10571779	1-R9	2	10615771	2-N2
4	10517171	1-O4	13	10519621	1-O10	2	10571571	2-L2	5	10571779	1-R12	7	10725911	2-H9
5	10517171	1-T6	2	10519621	2-R15	2	10571571	2-P9	3	10571870	2-I12	3	10725911	2-Q7
22	10517171	1-T9	2	10519621	2-R16	1	10571571	2-Q16	4	10571870	2-P7	10	10725911	2-Q6
6	10517171	2-H3	3	10519621	2-S10	1	10571571	2-Q15	4	10571871	1-I2	5	10725918	2-P2
3	10517171	2-L11	2	10519621	2-S8	10	10571571	2-Q2	4	10571871	1-L4	4	10725940	2-Q7
9	10517171	2-M6	2	10519621	2-T2	3	10571571	2-R4	10	10571871	1-L5	12	10725940	2-Q6
9	10517171	2-M5	23	10519660	1-G15	2	10571571	2-R9	10	10571871	1-L6	1	10730121	2-L3
4	10517171	2-N17	23	10519660	1-G13	3	10571571	2-R10	2	10571871	1-S13	4	10730121	2-S14

ITEM	PART N.	GRID	ITEM	PART N.	GRID	ITEM	PART N.	GRID	ITEM	PART N.	GRID	ITEM	PART N.	GRID
9	10269850	1-N15	29	10296685	1-I9	17	10450090	1-O17	7	10516671	1-S2	12	10516871	1-I12
2	10273011	1-T6	9	10296685	1-O10	2	10450090	2-P6	3	10516671	1-T8	26	10516871	1-I9
34	10273101	1-M10	6	10296685	2-M6	1	10450090	2-P10	3	10516671	2-G16	3	10516871	1-I2
3	10273111	2-G6	28	10296685	2-M4	1	10450090	2-P13	14	10516671	2-G8	3	10516871	1-L3
21	10273111	2-N3	4	10297080	1-T3	3	10450290	2-P6	5	10516671	2-H3	6	10516871	1-O14
4	10278311	2-M6	3	10297080	1-T6	2	10450290	2-P13	3	10516671	2-H9	3	10516871	1-O4
29	10278311	2-M4	2	10297760	1-N11	18	10450390	1-O17	3	10516671	2-H13	5	10516871	1-T3
16	10278311	2-N5	41	10298360	1-G10	5	10450490	2-O6	8	10516671	2-I17	4	10516871	1-T6
15	10278660	1-O17	16	10298360	1-O17	4	10450590	2-P6	9	10516671	2-I16	6	10516871	1-T17
11	10279560	2-P11	6	10298360	2-P4	2	10450590	2-P12	5	10516671	2-I15	4	10516871	2-G16
22	10279561	1-G15	2	10300511	1-O4	5	10450690	2-P6	5	10516671	2-I13	1	10516871	2-G12
5	10279980	1-T17	10	10300711	1-O10	1	10450790	1-I10	16	10516671	2-M13	6	10516871	2-G10
10	10279985	1-I12	7	10300711	1-S8	6	10450790	2-O6	17	10516671	2-M11	14	10516871	2-G5
10	10279985	1-I10	7	10300711	2-M6	1	10450790	2-P7	12	10516671	2-M10	5	10516871	2-H9
11	10280060	1-L13	27	10300711	2-M4	4	10450790	2-P12	14	10516671	2-M8	6	10516871	2-H11
19	10280060	1-L15	19	10300711	2-N5	3	10450790	2-P13	23	10516671	2-N4	4	10516871	2-H13
12	10280060	2-M8	16	10305171	1-G11	7	10450890	2-O6	20	10516671	2-N5	1	10516871	2-H15
13	10280060	2-N7	11	10305171	1-G7	3	10450890	2-P12	4	10516671	2-O9	1	10516871	2-H16
7	10284460	2-G10	11	10305271	1-O10	21	10489510	1-T9	8	10516671	2-O6	2	10516871	2-I10
22	10284460	2-N3	27	10329910	1-H6	31	10516470	1-M10	5	10516671	2-P3	2	10516871	2-I9
6	10287380	2-O11	33	10329910	1-H15	23	10516470	1-M2	17	10516671	2-P5	28	10516871	2-L10
4	10287380	2-O9	1	10352442	2-O7	2	10516470	2-O8	7	10516671	2-P6	4	10516871	2-M11
20	10296160	1-L15	28	10376611	1-N2	13	10516470	2-O6	2	10516671	2-P7	13	10516871	2-M10
1	10296160	1-O4	29	10376711	1-M10	16	10516471	1-S15	6	10516671	2-P12	15	10516871	2-M8
4	10296160	1-S14	21	10376711	1-M2	2	10516471	2-H9	2	10516671	2-Q17	8	10516871	2-M6
5	10296160	2-H11	30	10377611	1-M10	13	10516471	2-M8	1	10516671	2-O4	8	10516871	2-M5
17	10296160	2-N5	22	10378811	1-M2	3	10516471	2-O9	1	10516671	2-R17	4	10516871	2-O13
5	10296160	2-P4	13	10389511	2-G5	6	10516471	2-P6	4	10516671	2-S12	8	10516871	2-P4
3	10296260	1-S16	1	10397680	2-R7	2	10516471	2-O7	35	10516671	2-S9	3	10516871	2-P7
3	10296260	1-S15	1	10399480	1-I3	3	10516471	2-S12	1	10516671	2-T2	1	10516871	2-P16
3	10296260	1-S14	7	10405485	2-P4	3	10516479	2-P2	1	10516671	2-T3	3	10516871	2-Q17
18	10296260	2-N5	10	10405485	2-P11	1	10516671	1-G16	1	10516671	2-T4	2	10516871	2-O4
5	10296585	2-M6	4	10440990	1-S15	11	10516671	1-I4	1	10516671	2-T5	2	10516871	2-R17
30	10296585	2-M4	1	10441690	2-P9	5	10516671	1-O14	10	10516679	2-O10	1	10516871	2-S16
11	10296685	1-I12	1	10441990	2-P6	1	10516671	1-O13	8	10516870	1-S8	2	10516871	2-S13

ITEM	PART N.	GRID	ITEM	PART N.	GRID	ITEM	PART N.	GRID	ITEM	PART N.	GRID	ITEM	PART N.	GRID
6	8297066	2-N13	1	8299123	2-I15	1	9924318	1-M12	8	10007309	1-I12	29	10231240	1-T4
7	8297068	2-N13	1	8299126	2-I15	2	9924319	1-M12	9	10050811	1-I4	17	10231240	1-T6
8	8297070	2-N13	3	8299128	2-I15	1	9924369	1-M15	4	10119040	2-M5	10	10248271	1-I4
9	8297072	2-N13	3	8299129	2-I15	1	9926025	2-H7	19	10119140	1-T6	4	10248471	1-T16
12	8297075	2-N13	2	8299333	2-L15	2	9926027	2-H7	30	10119440	1-I9	2	10253900	2-S12
4	8297233	2-H17	3	8299334	2-L15	3	9926031	2-H7	7	10119440	2-M5	6	10257050	1-S8
5	8297235	2-H17	4	8299335	2-L15	4	9926033	2-H7	24	10124411	1-I5	20	10257060	1-O11
6	8297238	2-H17	3	8299337	2-L15	19	9927788	2-O10	23	10124876	1-I5	6	10257060	1-S14
5	8297239	2-H17	5	8299338	2-L15	20	9927795	2-O10	9	10138386	1-O12	15	10257060	2-N5
7	8297739	2-M13	5	8299339	2-L15	1	9928366	1-N8	14	10160401	1-O7	3	10257060	2-P4
8	8297742	2-M13	7	8299658	2-M8	2	9928367	1-N8	20	10160701	1-G15	7	10257060	2-P11
9	8297743	2-M13	5	8299740	2-O16	3	9928369	1-N8	21	10160701	1-G13	8	10257385	1-O10
10	8297744	2-M13	7	8299752	2-N14	4	9928370	1-N8	2	10168790	1-I2	4	10257460	1-T17
11	8297751	2-M13	6	8299754	2-O16	5	9928371	1-N8	35	10181711	1-L16	10	10257460	2-G9
12	8297752	2-M13	7	8299755	2-O16	6	9928373	1-N8	3	10181717	2-H11	4	10257460	2-P4
13	8297753	2-M13	8	8299765	2-M8	7	9928374	1-N8	2	10182617	1-T17	8	10257460	2-P11
1	8297867	2-I10	3	8299832	2-L13	8	9928375	1-N8	2	10183217	1-S14	19	10259960	2-N3
4	8298052	2-N14	2	8322103	1-L9	9	9928376	1-N8	2	10183717	1-S16	4	10260060	1-I13
5	8298052	2-O17	3	8322104	1-L9	1	9928391	1-N6	2	10183717	1-S15	4	10260060	2-H3
5	8298055	2-N14	3	8323076	1-L4	2	9928392	1-N6	10	10184311	1-L13	4	10260060	2-H11
6	8298055	2-O17	5	832159	2-M5	10	9928396	1-N6	17	10184311	1-L15	12	10260060	2-N7
2	8298118	2-M8	2	9009403	1-N10	3	9930019	1-N6	9	10184317	1-I12	18	10260160	1-L15
3	8298119	2-M8	3	9009406	1-N10	4	9930021	1-N6	9	10184317	1-I10	8	10260160	1-N15
4	8298121	2-M8	1	9009583	2-O9	5	9930022	1-N6	3	10184317	1-T17	11	10260160	2-M10
5	8298127	2-M8	6	9917954	1-M6	6	9930023	1-N6	9	10184317	2-M8	11	10260160	2-M8
6	8298129	2-M8	1	9917955	1-M6	7	9930024	1-N6	27	10205610	1-N2	15	10263460	1-G11
7	8298159	2-M10	3	9917964	1-M7	8	9930025	1-N6	10	10205720	2-M8	10	10263460	1-G7
8	8298160	2-M10	3	9917979	1-M5	9	9930026	1-N6	15	10205820	1-L17	2	10263460	2-G16
9	8298518	2-M10	6	9918111	1-M13	10	9930027	1-N6	10	10205910	1-H12	3	10263460	2-M6
2	8298615	2-L6	7	9918123	1-M13	4	9930868	1-N10	10	10205910	1-H13	3	10263460	2-M5
2	8298615	2-L12	8	9918124	1-M13	5	9930870	1-N10	15	10205920	2-M13	2	10264080	2-G6
2	8298615	2-L13	13	9918386	1-M13	6	9930871	1-N10	3	10205920	2-M11	20	10264560	2-N3
14	8298969	2-M13	10	9919164	1-M13	11	9931247	1-N6	32	10206220	1-M8	21	10265460	1-G15
10	8298997	2-M10	5	9923132	1-L8	21	9933228	2-O10	2	10206220	2-P2	26	10265460	1-G13
2	8299095	2-M11	2	9923751	2-O9	3	10005010	1-T16	6	10212210	1-S2	11	10269450	2-G9

ITEM	PART N.	GRID	ITEM	PART N.	GRID	ITEM	PART N.	GRID	ITEM	PART N.	GRID	ITEM	PART N.	GRID
3	8273911	2-G11	2	8281824	2-N14	2	8289822	2-N13	4	8291846	2-O17	5	8296667	2-N7
3	8273911	2-G10	1	8281824	2-O17	1	8288830	2-N11	3	8292259	2-N17	6	8296669	2-N7
4	8273912	2-G11	1	8281895	2-L9	14	8288830	2-N14	2	8292266	2-N16	7	8296670	2-N7
5	8273915	2-G11	1	8281896	2-L9	2	8288831	2-N11	3	8292689	2-N7	8	8296672	2-N7
26	8273916	1-G3	1	8283007	2-L5	1	8288832	2-L6	4	8293387	2-N3	9	8296676	2-N7
3	8273916	1-P5	1	8283007	2-N14	9	8288832	2-L9	4	8293970	2-N7	10	8296677	2-N7
1	8273916	1-P7	1	8283107	2-I11	1	8288832	2-L12	3	8294287	2-M13	11	8296678	2-N7
3	8273916	1-P9	2	8283108	2-I11	1	8288832	2-L13	5	8295865	2-N3	10	8296758	2-L14
1	8273916	1-S16	1	8283138	2-I12	3	8288832	2-N11	6	8295960	2-N5	11	8296782	2-L14
6	8273916	2-G11	19	8283478	2-G11	16	8288832	2-N15	6	8295964	2-N3	16	8296747	2-L9
7	8273917	2-G11	10	8283933	2-M3	1	8288832	2-N17	7	8295966	2-N3	17	8296963	2-L9
8	8273918	2-G11	1	8283949	2-M10	2	8288832	2-O17	7	8295967	2-N5	18	8296964	2-L9
8	8273918	2-G10	3	8284487	2-L9	1	8288832	2-O16	8	8295969	2-N3	19	8296965	2-L9
9	8273919	2-G11	2	8284487	2-L14	10	8289423	2-L9	8	8295970	2-N5	20	8296966	2-L9
9	8273919	2-G10	3	8284488	2-L9	11	8289424	2-L9	9	8295971	2-N5	21	8296969	2-L9
10	8273920	2-G11	2	8284488	2-L14	12	8289425	2-L9	10	8295973	2-N5	22	8296970	2-L9
10	8273920	2-G10	2	8286805	2-M10	13	8289428	2-L9	9	8295975	2-N3	23	8296971	2-L10
11	8273940	2-G11	3	8286806	2-M10	14	8289437	2-L9	10	8295976	2-N3	24	8296972	2-L10
11	8273940	2-G10	4	8286807	2-M10	4	8289483	2-L14	11	8295977	2-N3	25	8296973	2-L10
12	8273968	2-G11	5	8286808	2-M10	5	8289501	2-L14	12	8295978	2-N3	26	8296975	2-L10
13	8273969	2-G11	6	8286810	2-M10	1	8289502	2-L16	11	8295981	2-N5	2	8296983	2-H13
14	8274234	2-G11	2	8287007	2-L5	1	8289502	2-L17	12	8295982	2-N5	11	8296986	2-M3
14	8274234	2-G10	2	8287007	2-L11	1	8289502	2-M17	13	8295983	2-N5	12	8296988	2-M3
7	8274885	2-M3	3	8287304	2-N5	7	8289503	2-L14	13	8295984	2-N3	13	8296989	2-M3
15	8280168	2-G11	4	8287305	2-N5	8	8289504	2-L14	14	8295985	2-N3	14	8296992	2-M3
15	8280168	2-G10	1	8288029	2-H17	1	8289504	2-L15	15	8295989	2-N3	15	8296993	2-M3
16	8280169	2-G11	1	8288029	2-I16	8	8289505	2-L14	16	8295990	2-N3	5	8297047	2-N11
2	8280745	2-N7	2	8288030	2-H17	1	8289505	2-L15	17	8295991	2-N3	6	8297051	2-N11
17	8281201	2-G11	2	8288030	2-I16	1	8291504	2-M15	18	8295992	2-N3	3	8297051	2-O16
17	8281201	2-G10	5	8288163	2-N5	3	8291505	2-N14	14	8295995	2-N5	7	8297052	2-N11
8	8281224	2-M3	1	8288178	2-L9	3	8291505	2-O17	4	8296250	2-M13	5	8297052	2-N13
9	8281225	2-M3	1	8288179	2-L9	4	8291552	2-N11	15	8296398	2-L9	4	8297052	2-O16
2	8281253	2-N5	7	8288821	2-L9	2	8291552	2-O16	5	8296430	2-M13	27	8297056	2-L10
18	8281576	2-G11	1	8288821	2-N13	4	8291561	2-N13	6	8296431	2-M13	5	8297063	2-N11
18	8281576	2-G10	8	8288822	2-L9	2	8291846	2-N17	1	8296665	2-H9	3	8297064	2-H17

ITEM	PART N.	GRID	ITEM	PART N.	GRID	ITEM	PART N.	GRID	ITEM	PART N.	GRID	ITEM	PART N.	GRID
5	4785167	1-N16	3	4802395	1-M17	3	4966618	1-I10	5	4977118	1-I10	3	4985332	1-T11
4	4785501	1-O17	1	4804219	1-G6	1	4966734	1-S15	6	4977122	1-I12	1	4987751	1-L9
3	4786023	2-O13	1	4805328	1-G17	1	4966734	1-S14	6	4977122	1-I10	2	4989258	2-N3
8	4786512	1-G6	20	4805683	1-H2	11	4966833	1-T9	1	4979226	2-P4	3	4989261	2-N3
3	4786913	2-O4	3	4806010	1-I16	12	4966912	1-T9	4	4980622	2-Q11	7	4989488	1-I4
1	4786924	1-I16	4	4806133	2-O4	13	4966917	1-T9	2	4980622	2-Q9	8	4989767	1-I4
14	4787154	1-G11	13	4807266	1-L15	14	4966918	1-T9	2	4981678	1-L4	24	4990173	2-M4
14	4787154	1-G4	15	4807268	1-L15	15	4966929	1-T9	2	4981680	1-L10	23	4990407	1-S14
5	4788084	2-G14	2	4807391	1-L17	2	4967079	1-T15	3	4981681	1-L10	1	4991019	2-Q5
3	4788086	2-G14	12	4812091	1-O7	2	4967197	2-M6	4	4981682	1-L10	1	4991458	2-R15
4	4788666	1-H4	2	4813566	1-N16	2	4967197	2-M5	5	4981746	2-Q11	1	4991458	2-R16
14	4788804	1-O17	3	4950259	2-O6	16	4967633	1-T9	3	4981746	2-Q9	12	4998770	2-P4
26	4789294	1-H6	11	4951759	2-G8	1	4967635	1-I8	1	4982020	2-R9	8	4998870	1-I17
10	4789316	1-H6	4	4952553	2-P3	1	4967635	1-I6	1	4982514	2-I7	1	5110478	2-G11
2	4789410	1-H6	5	4952553	2-P11	2	4967635	1-T16	1	4982514	2-I2	1	5110478	2-G10
24	4790861	1-L15	1	4952633	1-S2	2	4967707	1-S2	1	4982514	2-L2	19	5120204	2-G10
6	4790882	1-O12	4	4954336	2-O6	2	4967708	1-S2	1	4982514	2-M8	16	5120206	2-G10
4	4791124	1-M17	3	4955390	2-Q9	2	4967709	1-S2	7	4982644	1-I12	4	5120207	2-G10
8	4791474	1-H10	1	4955605	2-G7	2	4967710	1-S2	7	4982644	1-I10	1	5120481	2-G14
8	4791477	1-H10	11	4955605	2-G5	1	4967724	1-S11	19	4982768	1-T9	12	5120484	2-G10
8	4791479	1-H10	1	4955740	1-L4	2	4967724	2-H11	1	4983237	2-Q9	11	7311819	1-S7
2	4792111	1-H4	2	4957531	2-P4	2	4967729	1-T3	3	4983464	1-T3	15	7902438	1-S14
15	4792169	1-G13	6	4957531	2-P11	12	4968219	2-G8	20	4983613	1-T9	3	8268534	1-T13
7	4793337	1-G7	7	4958134	1-T9	17	4968342	1-T9	13	4983643	2-G8	1	8270126	2-L11
9	4793794	1-H2	8	4958138	1-T9	5	4968968	1-T14	3	4984517	1-I4	1	8270700	2-L14
11	4794193	1-H2	9	4958139	1-T9	12	4969074	2-G5	4	4984525	1-I4	1	8272209	2-M3
5	4796318	1-O12	10	4958144	1-T9	1	4969925	2-G16	5	4984549	1-I4	2	8272785	2-M3
8	4796320	1-O12	4	4959324	1-O14	18	4970225	1-T9	6	4984550	1-I4	3	8272787	2-M3
4	4796457	1-G13	3	4959339	2-H3	2	4970504	1-I4	1	4984562	1-T11	4	8272788	2-M3
14	4797348	1-L15	4	4964322	1-M14	1	4970504	1-S13	1	4984652	2-S12	5	8272789	2-M3
1	4797522	1-L17	4	4965705	1-T14	4	4971843	1-I12	2	4984830	1-S5	1	8273278	2-M16
5	4800030	1-M17	1	4965705	1-T15	4	4971843	1-I10	2	4985147	1-T11	6	8273346	2-M3
16	4800456	1-L15	1	4965705	2-G6	2	4976140	1-T13	2	4985147	2-M13	1	8273439	2-N5
20	4802386	1-G13	1	4966230	1-T13	1	4977072	1-S5	1	4985147	2-M11	2	8273909	2-G11
2	4802392	1-M17	3	4966618	1-I12	5	4977118	1-I12	3	4985332	1-S5	2	8273909	2-G10

ITEM	PART N.	GRID	ITEM	PART N.	GRID	ITEM	PART N.	GRID	ITEM	PART N.	GRID	ITEM	PART N.	GRID
4	4723150	1-N15	3	4744741	2-O5	19	4760284	1-G15	3	4770449	1-H10	2	4779122	1-G3
3	4723150	1-N16	4	4744845	2-O5	13	4760284	1-G13	10	4770452	1-H10	2	4779122	1-H2
7	4724015	1-L13	12	4745364	1-G11	11	4760285	1-L12	4	4770453	1-H10	1	4780612	1-M17
1	4726708	1-G17	7	4747162	1-O7	8	4760286	1-L13	16	4770454	1-H16	9	4780624	1-H10
10	4727177	1-G11	8	4747163	1-O7	9	4760288	1-L13	6	4770614	1-O8	7	4780627	1-H10
2	4727177	1-G7	9	4747164	1-O7	12	4760339	1-L12	8	4770623	1-G13	6	4780628	1-H10
5	4727180	1-N15	9	4747175	1-G9	13	4760340	1-L12	8	4770624	1-G13	6	4780954	1-H10
4	4727180	1-N16	7	4747185	1-L11	14	4760341	1-L12	4	4770627	1-H10	6	4780955	1-H10
1	4727185	1-S8	9	4748800	1-H12	15	4760342	1-L12	4	4770629	1-H10	6	4780956	1-H10
1	4727186	1-S9	12	4748875	1-O17	3	4760486	1-H16	2	4770632	1-H10	6	4780957	1-H10
5	4727190	1-O12	13	4751018	1-G11	19	4762000	1-H8	2	4770634	1-H10	6	4780958	1-H10
11	4727835	1-G11	28	4751018	1-G8	7	4763271	1-N15	3	4770637	1-H10	24	4781579	1-G5
3	4727847	1-S8	16	4751088	1-H4	1	4763919	1-H8	3	4770639	1-H10	5	4781580	1-G6
4	4727848	1-S8	25	4751972	1-G3	8	4765837	1-G9	1	4770651	1-H10	3	4782453	1-O17
5	4727849	1-S8	10	4752262	1-O7	5	4766403	1-H10	7	4770680	1-H4	8	4782787	1-G7
6	4727975	1-O12	13	4752693	1-O17	13	4767428	1-G4	47	4770859	1-G12	9	4782788	1-G7
25	4731165	1-H8	14	4752724	1-O17	3	4769412	1-H13	1	4771240	1-H2	6	4782836	1-G13
25	4731186	1-H9	6	4753563	1-N15	6	4769413	1-H13	2	4771242	2-G14	6	4782853	1-G6
25	4731187	1-H9	14	4754028	1-G11	4	4769414	1-H13	13	4771247	1-H2	10	4782859	1-G13
25	4731188	1-H9	13	4754062	1-H2	9	4769416	1-H13	13	4771248	1-H2	23	4783048	1-G6
25	4731189	1-H9	3	4754064	1-H2	1	4769417	1-H13	13	4771249	1-H2	3	4783049	1-G6
25	4731190	1-H9	2	4754401	1-H10	12	4769417	1-H4	13	4771250	1-H2	3	4784008	1-O8
11	4733738	1-O17	1	4754871	1-H6	7	4769419	1-H13	13	4771251	1-H2	6	4784011	1-H4
8	4737754	2-O13	8	4755896	1-O12	11	4769419	1-H4	3	4771257	1-H2	5	4784011	1-L15
19	4738345	1-G3	17	4756569	1-G15	2	4769420	1-H13	3	4771258	1-H2	4	4784054	1-H4
19	4738346	1-G3	11	4756569	1-G13	1	4769420	1-H4	3	4771259	1-H2	5	4784055	1-H4
19	4738347	1-G3	5	4756657	2-O5	14	4769442	1-G13	3	4771260	1-H2	7	4784078	1-O8
19	4738348	1-G3	18	4756768	1-G15	11	4769590	2-G14	3	4771261	1-H2	7	4784454	1-O10
19	4738349	1-G3	12	4757883	1-L15	7	4769749	1-G6	4	4772995	1-O10	15	4784888	1-H16
19	4738350	1-G3	11	4758239	1-O7	14	4770054	1-H6	6	4773140	1-N16	21	4784889	1-H16
2	4738998	1-S9	2	4758240	1-H6	13	4770055	1-H4	7	4773141	1-N16	11	4784948	1-H16
10	4739148	1-L12	12	4758241	1-O7	3	4770056	1-H4	5	4774405	1-O10	3	4784968	1-L15
30	4741439	1-G2	13	4758242	1-O7	15	4770244	1-H6	1	4776544	1-N16	12	4785053	1-H12
19	4741955	1-O11	8	4759087	1-L11	7	4770265	1-O12	10	4777224	1-L17	1	4785103	1-G3
2	4744740	2-O5	49	4759659	1-G12	6	4770435	1-O10	5	4778867	1-H4	1	4785104	1-G3

ITEM	PART N.	GRID	ITEM	PART N.	GRID	ITEM	PART N.	GRID	ITEM	PART N.	GRID	ITEM	PART N.	GRID
16	4622850	1-H14	1	4659221	1-L15	3	4679226	1-H8	28	4690506	1-H16	9	4705833	1-O15
3	4624515	1-I13	2	4659222	1-L15	4	4679227	1-H8	28	4690507	1-H15	10	4705834	1-O15
17	4625173	1-H14	8	4659288	1-L15	7	4679242	1-O10	28	4690507	1-H17	10	4705835	1-O17
17	4625173	1-H16	2	4661543	1-O12	5	4679272	1-H8	28	4690508	1-H15	5	4706879	1-O8
6	4625547	1-O17	3	4663081	1-N15	6	4680071	1-H12	28	4690508	1-H17	4	4706880	1-O8
1	4626467	1-M14	6	4665029	1-G15	2	4680251	2-O6	10	4695922	1-G15	11	4707153	1-O15
2	4626468	1-M14	15	4665029	1-G13	9	4681245	1-G15	11	4695923	1-G15	19	4707674	1-H5
9	4630543	2-G14	16	4667450	1-H5	23	4681251	1-H14	12	4695923	1-G13	19	4707674	1-H6
5	4639096	1-O8	16	4667450	1-H6	23	4681251	1-H16	18	4696722	1-H8	5	4707725	1-H8
6	4639097	1-O8	7	4667450	1-H12	1	4682232	1-G3	36	4698677	1-H9	5	4707726	1-H8
4	4639661	1-H14	17	4667451	1-H5	24	4682860	1-H14	36	4698678	1-H9	5	4707727	1-H8
4	4639661	1-H16	17	4667451	1-H6	24	4682860	1-H16	36	4698679	1-H9	5	4707728	1-H8
14	4640558	1-I15	8	4667451	1-H12	25	4682937	1-H14	36	4698680	1-H9	5	4707729	1-H8
3	4640764	1-M14	8	4667452	1-H13	25	4682937	1-H16	36	4698681	1-H9	9	4707775	1-H2
8	4641647	1-G9	10	4667452	1-I14	26	4684422	1-H14	36	4698682	1-H9	9	4707776	1-H2
3	4641875	1-L12	10	4667452	2-G14	8	4684824	1-O17	9	4698683	1-G3	11	4707779	1-H2
4	4641876	1-L12	15	4667497	1-I15	6	4689110	1-L12	9	4698684	1-G3	11	4707780	1-H2
1	4643544	2-O5	16	4667498	1-I15	7	4689111	1-L12	9	4698685	1-G3	9	4708063	1-H2
5	4647657	1-L12	7	4667612	1-O17	27	4689554	1-H15	9	4698686	1-G3	9	4708064	1-H2
19	4648421	1-H14	18	4668200	1-H5	2	4690226	1-G3	9	4698687	1-G3	11	4708069	1-H2
19	4648421	1-H16	18	4668200	1-H6	28	4690352	1-H15	9	4698688	1-G3	11	4708070	1-H2
19	4648422	1-H14	5	4668595	1-G7	28	4690352	1-H16	8	4699153	1-L12	12	4708956	1-G15
19	4648422	1-H16	8	4669555	1-L15	2	4690489	1-H8	3	4699155	1-O12	13	4710517	1-G15
7	4653282	1-G11	21	4673608	1-H14	2	4690490	1-H8	32	4699783	1-H15	14	4710518	1-G15
5	4653282	1-G4	22	4673610	1-H14	3	4690496	1-H8	32	4699783	1-H17	9	4712738	1-G11
8	4653283	1-G11	22	4673610	1-H16	3	4690497	1-H8	15	4699805	1-G3	6	4712738	1-G7
6	4653283	1-G4	6	4673692	1-O15	3	4690498	1-H8	15	4699806	1-G3	6	4717026	1-I16
5	4654363	1-G15	5	4673807	1-O10	3	4690499	1-H8	17	4699807	1-G3	21	4717607	1-S14
7	4655011	1-O8	6	4673810	1-O10	3	4690500	1-H8	17	4699808	1-G3	9	4717654	1-L12
5	4655844	1-H12	11	4673811	2-G14	4	4690501	1-H8	19	4700829	1-H8	15	4717677	1-G15
5	4655844	1-H13	17	4678406	1-I15	4	4690502	1-H8	4	4703088	1-O12	6	4717677	1-I17
5	4655844	1-O7	7	4679201	1-G15	4	4690503	1-H8	19	4704106	1-H2	16	4717707	1-G15
6	4655846	1-H12	7	4679202	1-G15	4	4690504	1-H8	9	4705827	1-O17	7	4717707	1-I17
6	4655847	1-O7	1	4679221	1-H8	4	4690505	1-H8	7	4705829	1-O15	19	4717707	1-S14
37	4659220	1-L16	2	4679224	1-H8	28	4690506	1-H15	8	4705831	1-O15	10	4718740	1-G4

ITEM	PART N.	GRID	ITEM	PART N.	GRID	ITEM	PART N.	GRID	ITEM	PART N.	GRID	ITEM	PART N.	GRID
11	1930188	1-H11	4	4570798	1-H14	2	4600361	1-H4	2	4602299	1-G11	2	4607646	1-H4
11	1930190	1-H11	4	4570798	1-H16	2	4600365	1-H5	1	4602299	1-G7	9	4607647	1-H4
11	1930191	1-H11	4	4570799	1-H14	3	4600367	1-H5	39	4602316	1-G10	6	4607651	1-H15
11	1930193	1-H11	4	4570799	1-H16	3	4600367	1-H6	40	4602317	1-G10	7	4607655	1-H15
11	1930195	1-H11	6	4578175	1-H14	3	4600375	1-H4	11	4603154	1-H14	4	4607670	1-O17
4	4002890	1-L13	6	4578175	1-H16	4	4600376	1-H5	12	4603449	1-H14	8	4607722	1-H14
1	4031577	1-G9	27	4578950	1-H16	4	4600376	1-H6	12	4603449	1-H16	4	4607743	1-H12
2	4031577	1-G6	42	4578951	1-H17	5	4600377	1-H5	13	4603450	1-H14	14	4607772	1-H5
3	4057844	2-Q11	2	4585990	1-G15	5	4600377	1-H6	13	4603450	1-H16	15	4607773	1-H5
2	4073976	2-O13	1	4585990	1-H4	4	4600380	1-H4	14	4603451	1-H14	48	4607786	1-G12
3	4073977	2-O13	5	4586020	2-M5	6	4600381	1-H5	14	4603451	1-H16	4	4607786	1-G11
1	4094290	2-P11	1	4587730	1-O15	6	4600381	1-H6	3	4603862	1-O8	3	4607786	1-G4
1	4135523	2-P3	2	4587731	1-O15	7	4600384	1-H5	4	4603870	1-O8	5	4607792	1-O17
1	4135523	2-P12	1	4589429	1-I17	7	4600384	1-H6	5	4604832	1-I15	5	4607933	1-G11
1	4151244	2-P4	2	4592280	1-L12	8	4600385	1-H5	4	4604941	1-O15	3	4607933	1-G7
2	4151244	2-P11	7	4599398	1-H14	8	4600385	1-H6	4	4605220	1-G9	6	4607934	1-G11
1	4177981	2-N7	7	4599398	1-H16	9	4600386	1-H5	34	4605220	1-O16	6	4609538	2-G14
2	4182461	2-P3	1	4599557	1-O8	9	4600386	1-H6	3	4605293	1-I17	8	4611342	1-H15
3	4182461	2-P11	2	4599560	1-O8	10	4600389	1-H5	5	4605293	1-O15	7	4611382	1-G9
1	4182461	2-O8	2	4599561	1-O10	11	4600391	1-H5	3	4605564	1-G11	9	4611639	1-J15
3	4182462	2-P3	3	4599562	1-O10	11	4600391	1-H6	2	4605564	1-G4	10	4611640	1-H15
4	4182462	2-P11	3	4599607	1-G15	5	4600631	1-L17	12	4605610	1-H5	11	4611641	1-H15
2	4231247	1-H14	3	4599607	1-G13	1	4600753	1-G11	12	4605610	1-H6	12	4611643	1-H15
1	4232606	1-G15	1	4599630	1-I15	1	4600893	1-I13	13	4605612	1-H5	13	4611644	1-H15
1	4232606	1-G13	2	4599726	1-I17	4	4601061	1-G15	13	4605612	1-H6	4	4613297	1-I17
2	4232606	1-O17	3	4599726	1-O15	5	4601061	1-H4	2	4605853	2-O4	2	4614608	1-I13
1	4238805	2-Q17	1	4599807	1-H12	8	4601295	1-H14	3	4607511	1-H12	4	4615459	1-O10
3	4262887	1-O17	1	4599809	1-O12	8	4601295	1-H16	2	4607582	2-G14	5	4617226	1-I17
2	4318965	1-O7	1	4600128	2-O4	9	4601296	1-H14	3	4607586	2-G14	7	4617972	1-L15
3	4338920	1-H14	3	4600189	1-O7	9	4601296	1-H16	5	4607590	1-G9	1	4617973	1-M13
3	4338920	1-H16	4	4600190	1-O7	10	4601302	1-H14	4	4607590	1-G6	6	4618309	1-L13
2	4360198	2-O6	1	4600329	1-H5	1	4601827	1-N15	4	4607590	2-G14	7	4619405	2-G14
1	4543282	1-L12	1	4600329	1-H6	3	4601833	1-I15	5	4607593	2-G14	8	4621358	2-G14
5	4551493	1-L13	2	4600329	1-H12	4	4601834	1-I15	6	4607627	1-L17	15	4621511	1-H14
3	4564844	1-L17	2	4600329	1-I15	2	4601981	1-N15	6	4607642	1-G9	2	4621740	1-M13

ITEM	PART N.	GRID	ITEM	PART N.	GRID	ITEM	PART N.	GRID	ITEM	PART N.	GRID	ITEM	PART N.	GRID
15	760513	1-M11	13	765256	1-N4	9	767110	1-N12	8	771326	1-M17	23	773241	1-N5
8	760666	1-M2	22	765290	1-N13	10	767112	1-N12	18	771434	1-M2	1	775013	1-N7
20	760862	1-M9	23	765291	1-N13	12	767314	1-M2	9	771435	1-N4	1	775014	1-N7
7	760925	1-N2	10	765342	1-M2	13	767315	1-M2	39	771463	1-N3	1	775015	1-N7
8	760926	1-N2	29	765461	1-M8	11	767451	1-N12	21	771464	1-N2	1	775016	1-N7
3	763150	1-L11	12	765503	1-N2	33	767962	1-N14	22	771468	1-N2	1	775017	1-N7
16	763152	1-M16	13	765504	1-N2	17	767977	1-N2	23	771469	1-N2	1	775018	1-N7
17	763153	1-M16	14	765505	1-N2	18	767980	1-N2	24	771470	1-N2	1	775019	1-N7
18	763178	1-M16	15	765633	1-N2	19	767981	1-N2	25	771471	1-N2	1	775025	1-N7
5	763187	1-N4	1	765640	1-L14	20	767982	1-N2	10	771612	1-N4	1	775026	1-N7
9	763235	1-N2	18	765758	1-M11	23	768043	1-M11	20	771613	1-M2	1	775027	1-N7
10	763236	1-N2	30	766074	1-M8	14	768043	1-M2	2	772051	1-N7	1	775028	1-N7
11	763432	1-N2	11	766075	1-M2	34	768069	1-N14	2	772051	1-N9	1	775029	1-N7
9	763440	1-M2	6	766093	1-N13	12	768378	1-N12	1	773102	1-N5	1	775030	1-N7
18	763714	1-N13	6	766094	1-N13	24	768482	1-M11	2	773119	1-N5	1	775031	1-N7
19	763715	1-N13	6	766095	1-N13	7	768757	1-N4	3	773120	1-N5	1	775032	1-N7
20	763754	1-N13	6	766096	1-N13	25	769235	1-M11	4	773126	1-N5	1	775116	1-N7
19	764120	1-M16	5	766193	1-N12	15	769357	1-M2	5	773129	1-N5	1	775146	1-N7
16	764155	1-M11	19	766250	1-M11	16	769378	1-M2	6	773131	1-N5	1	1347211	2-N16
6	764582	1-N4	28	766298	1-N14	17	769542	1-M2	6	773132	1-N5	1	1392183	1-O7
20	764956	1-M16	29	766299	1-N14	4	770286	1-L11	6	773133	1-N5	24	1901385	1-H3
21	764957	1-M16	30	766300	1-N14	4	770287	1-L11	9	773139	1-N5	24	1901386	1-H3
22	764958	1-M16	20	766313	1-M11	4	770288	1-L11	10	773140	1-N5	24	1901387	1-H3
17	764995	1-M11	21	766314	1-M11	3	770578	1-L14	11	773143	1-N5	24	1901388	1-H3
21	765057	1-M9	22	766315	1-M11	26	770783	1-M11	11	773144	1-N5	24	1930176	1-H3
22	765064	1-M9	31	766419	1-M8	27	770784	1-M11	11	773145	1-N5	24	1930177	1-H3
23	765065	1-M9	16	766432	1-N2	38	770785	1-M8	11	773146	1-N5	24	1930178	1-H3
24	765066	1-M9	31	766642	1-N14	4	770899	1-L14	11	773147	1-N5	24	1930179	1-H3
24	765067	1-M9	32	766645	1-N14	5	770902	1-L14	11	773148	1-N5	24	1930180	1-H3
24	765068	1-M9	6	766837	1-N12	6	770958	1-L14	11	773149	1-N5	11	1930181	1-H10
24	765069	1-M9	7	766838	1-N12	7	770959	1-L14	11	773150	1-N5	11	1930182	1-H10
24	765070	1-M8	8	766839	1-N12	8	771043	1-N4	11	773151	1-N5	11	1930183	1-H10
24	765071	1-M8	23	766875	1-M16	8	771065	1-L14	11	773152	1-N5	11	1930184	1-H10
4	765103	1-N12	24	766903	1-M16	9	771066	1-L14	11	773235	1-N5	11	1930185	1-H11
21	765175	1-N13	2	767107	1-L14	10	771326	1-L14	22	773240	1-N5	11	1930186	1-H11

ITEM	PART N.	GRID	ITEM	PART N.	GRID	ITEM	PART N.	GRID	ITEM	PART N.	GRID	ITEM	PART N.	GRID
1	1	1-L11	1	586707	1-T9	9	595582	2-L5	4	723857	1-N13	13	753762	1-M16
2	2	1-L11	2	586750	1-T14	9	595736	2-G8	4	726380	1-M11	12	754799	1-M9
1	14687	1-T14	2	587138	2-G8	9	595878	2-G9	5	726381	1-M11	13	755708	1-M9
17	15480	1-T11	3	587141	2-G8	10	596096	2-G5	1	726381	1-M2	14	755860	1-M9
2	549537	2-O9	4	587142	2-G8	1	596152	1-O10	3	726381	1-N12	15	756190	1-M9
1	552699	2-O6	4	587158	2-G9	3	597258	1-T14	1	739124	1-T3	16	756191	1-M9
1	555486	2-O11	2	587271	2-G5	4	597768	1-T9	1	739124	1-T6	11	756200	1-M11
1	555486	2-O9	3	587272	2-G5	2	597869	2-H3	1	741569	1-O14	12	756201	1-M11
1	560273	1-H2	4	587273	2-G5	5	599305	1-T9	2	741570	1-O14	13	756203	1-M11
1	561293	1-O17	1	587468	1-I4	6	599307	1-T9	3	741571	1-O14	5	757354	1-M2
1	561353	1-L13	2	589320	1-T9	10	599820	2-G8	8	746152	1-M16	2	757357	1-N4
1	562515	1-L10	3	590523	1-T9	2	607942	1-L13	6	746152	1-M11	14	758065	1-M11
1	563024	2-G3	1	590523	2-M13	1	656829	1-N10	9	746153	1-M16	6	758880	1-N13
1	563652	1-H14	5	591105	2-G9	1	656829	1-N12	10	746189	1-M16	6	758881	1-N13
1	563652	1-H16	5	591107	2-G8	1	705603	1-M16	11	746214	1-M16	6	758882	1-N13
1	575874	2-G9	6	591108	2-G9	2	705631	1-M16	7	746366	1-M11	6	758883	1-N13
1	575888	2-G8	7	591112	2-G9	3	705633	1-M16	2	746368	1-M9	6	758884	1-N13
11	575937	1-O10	6	591115	2-G8	4	705636	1-M16	3	746370	1-M9	6	758885	1-N13
2	578668	2-L5	7	591121	2-G8	5	705637	1-M16	4	746371	1-M9	6	758886	1-N13
1	581492	1-T17	8	591123	2-G8	6	705639	1-M16	5	746373	1-M9	6	758887	1-N13
1	581492	2-M6	8	591247	2-G9	1	705726	1-N13	6	746374	1-M9	6	758888	1-N13
1	581492	2-M5	2	591420	1-T8	1	705736	1-M11	7	746379	1-M9	6	759016	1-N2
1	581610	2-G14	1	591420	1-T16	7	705737	1-M16	8	746380	1-M9	3	759041	1-N4
2	581658	2-G9	1	591420	2-S10	2	705737	1-M11	9	746399	1-M9	4	759046	1-N4
1	581658	2-H3	2	591693	2-O11	3	705785	1-M11	8	746993	1-M11	15	759073	1-N13
1	581658	2-H11	5	592437	2-O9	1	705816	1-M9	2	747210	1-M2	16	759074	1-N13
1	581658	2-I9	2	593121	1-H12	1	706197	1-N4	9	747568	1-M11	41	759146	1-N3
1	581658	2-N3	2	593121	1-H10	2	706210	1-N13	10	748670	1-M9	3	759850	1-L13
3	581967	2-G9	5	594633	2-G5	25	722023	1-M2	12	751032	1-M16	17	760157	1-N13
3	582081	2-O9	6	594634	2-G5	1	722023	1-N2	11	751627	1-M9	7	760203	1-M2
1	582611	2-G5	7	594637	2-G5	2	722027	1-N12	5	752758	1-N13	14	760239	1-M16
2	583713	1-T16	8	594638	2-G5	2	722282	1-N2	10	753177	1-M11	15	760241	1-M16
1	584009	1-T8	9	594640	2-G5	3	722283	1-N2	3	753177	1-M2	17	760356	1-M9
4	584747	1-O4	1	594993	1-I2	3	722353	1-N13	5	753177	1-N2	18	760463	1-M9
1	584747	2-H13	1	595208	2-O13	4	723838	1-N2	4	753195	1-M2	19	760489	1-M9

30.1279.07.1	E3.02 - E3.25	4 IN 1 BUCKET LINES AND CONTROL - TUBAZIONI E COMANDO PER BENNA 4 IN 1 -- TUYAUTERIE ET COMMANDE DE GODET A USAGES MULTIPLES - LEIFUNGEN UN BETAETIGUNG FUER 4 IN 1 SCHAUFEL - TUBERIA Y MANDO DE CUCHARA POLI-VALENTE
30.1280.06.1	E3.02	PIPING FROM DIVERTER VALVE TO REAR EQUIPEMENT - TUBAZIONI DAL DEVIATORE ALL'ATTREZZO POSTERIORE - TUYAUTERIE DU DEVIATEUR A L'OUTILARRIERE - LEITUNGEN AUSWECHSELSCHALTVENTIL ZUMHINTERENGERAET - TUBERIA DEL SELECTOR A L'UTIL POSTERIOR
30.9208.01.1	B4.08	REAR COUNTERWEIGHT - ZAVORRA POSTERIORE - LEST ARRIERE - KONTERGEWICHT HINTER - LASTRE POSTERIOR

DESIGNAZIONE BASE	BASIC DESIGNATION	DESIGNATIONS-BASES	GRUNDBEZEICHNUNGEN	DENOMINACIONES BASE
41M	MANOMETRO ARIA	AIR PRESSURE GAUGE	LUFTDRUCKMESSER	MANOMETRO DE AIRE
42A	ANELLO RASCHIAFANGO	MUDSCRAPER RING	SCHLAMMKRATZRING	RETENDOR DE BARRO
42A				
42F	FENDINEBBIA	FOG LAMP	NEBELSCHEINWERFER	PROYECTOR ANTINEBLA
42M	MANOMETRO OLIO	OIL PRESSURE GAUGE	OELDRUCKMESSER	MANOMETRO ACEITE
42P	PASTIGLIA FRENO	BRAKE LINING	BREMSBELAG	PASTILLA DE FRENO
42R	RADIO	RADIO	RUNDFUNK	RADIO
42V	VITE SENZA FINE	WORM SCREW	SCHNECKE	TORNILLO SIN FIN
43R	RETICELLA DEL FILTRO	FILTER STRAINER	FILTER SIEB	REDECILLA
44D	DIFFUSORE ARIA ORIENTABILE	ADJUSTABLE AIR OUTLET	VERSTELLBARE LUFTDUESE	BOQUILLA ORIENTABLE
44D				
44R	RETE	NET	NETZ	REJILLA
44V	VITE CON ROSETTA	SCREW AND WASHER ASSY	SCHRAUBE MIT SCHEIBE	TORNILLO CON ARANDELA
44V				
443	DIFFERENZIALE AUTOBLOCCANTE	SELF-LOCKING DIFFERENTIAL	DIFFERENTIAL (NO-SPIN)	DIFERENCIAL (NO-SPIN)
445	DISP.DISINNESTO ASSALE POST	REAR AXLE DISCONNECT	HINTERACHSABSCHLTUNG	DISPOSITIVO DESACOPLO EJE POSTARO
45A	ANELLO	RING	RING	ARO
45C	CAMPANA	BELL HOUSING	GEHAUSE	CAMPANA
45D	DIFFUSORE	DIFFUSER	LUFTDUESE	DIFUSOR
45F	FERMAGLIO	CLIP	KLEMMSTUECK	SUJETADOR
45L	LEVA	LEVER	HEBEL	PALANCA
45M	MANOVELLA PER RUOTE	SPEED HANDLE FOR WHEELS	RADBOLZEN-SCHLUESSEL	BERBIQUI PARA RUEDAS
45M				
45P	PATTINO	PAD	GLEITBLOCK	PATIN
46A	ANELLO REGGISPINTA	THRUST RING	DRUCKSCHEIBE	ANILLO DE APOYO
46D	DIFFUSORE VENTURI	CHOKE	ANSAUGTRICHTER	DIFUSOR VENTURI
46E	ESPANSIONE POLARE	POLE SHOE	POLSCHUH	PIEZA POLAR
47A	ANELLO FRIZIONE	FRICTION RING	KUPPLUNGSBELAG	FORRO
47V	VOLANO	FLYWHEEL	SCHWUNGMASSE	VOLANTE
48A	ANELLO DI GOMMA	RUBBER RING	GUMMIRING	GUARNICION DE CAUCHO
48A				
48V	VOLANO	FLYWHEEL	SCHWUNGRAD	VOLANTE MOTOR
49A	ANELLO ISOLANTE	INSULATING RING	ISOLIERRING	ANILLO AISLADOR
49D	DISP.GONFLAGGIO PNEUM.	TYRE INFLATOR	REIFENFUELLANLAGE	ACESORIO PARA INFLAR NEUMATICOS
50A	ANELLO RASCHIAOLIO	OILSCRAPER RING	OELABSTREIFRING	ARO DE ENGRASE
50B	BIELLA	LINK	PLEUELSTANGE	BIELA
50C	CANALE	CHANNEL	SCHIENE	CANAL
50D	DINAMO	GENERATOR	LICHTMASCHINE	DINAMO
50E	ESTENDIBLOC	ESTENDIBLOC	ESTENDIBLOC	ESTENDIBLOC
50F	FIANCATA	SIDE FRAME	SEITENWAND	COSTADO

DESIGNAZIONE BASE	BASIC DESIGNATION	DESIGNATIONS-BASES	GRUNDBEZEICHNUNGEN	DENOMINACIONES BASE
34S	SEMISCATOLA	HALF CASE	DEMI-CARTER	SEMICAJA
35B	BENNA	BUCKET	GODET	CUCHARA
35C	CAMICIA	CYLINDER	CHEMISE	CAMISA
35C				
35D	DIAPRAMMA	DIAPHRAGM	DIAPHRAGME	DIAPFRAGMA
35G	GENERATORE DI CORRENTE	CURRENT GENERATOR	GENERA TEUR DE COURANT	GENERADOR DE CORRIENTE
35I	INDICATORE	INDICATOR	INDICATEUR	INDICADOR
35L	LAMPEGGIATORE	FLASHER	CLIGNOTANT	RELAMPAGUEANTE
35R	REOSTATO	RHEOSTAT	RHEOSTAT	REOSTATO
35S	SCATOLA	CASE	CARTER	CAJA
36A	AMMORTIZZATORE	SHOCK ABSORBER	AMORTISSEUR	AMORTIGUADOR
38I	INDICATORE DI TENSIONE	TENSION INDICATOR	INDICATEUR DE TENSION	INDICADOR DE TENSION
38I				
36P	PARAURTI	BUMPER	PARF-CHOCS	PARACHOQUES
36R	RECIPIENTE	CAN	RESERVOIR	DEPOSITO
38S	SCATOLA GUIDA	STEERING HOUSING	BOITIER DE DIRECTION	CAJA DE DIRECCION
36V	VENTOLA	BLOWER	SOUFFLERIE	AVENTADOR
37A	ADATTATORE	ADAPTER GEAR	ADAPTEUR	ARENVIO DE REGULACION
37A				
37R	REGOLATORE DI TEMPERATURA	TEMPERATURE CONTROL	REGULATEUR DE TEMPERATURE	REGULADOR DE TEMPERATURA
37R				
37D	COMANDO COMBINATO FRENI-FRIZ	COMBINED STEERING-BRAKE CONTROL	COMMANDE COMBINEE FREINS-EMBR.	BETAETIGUNG LENKKUPPLUNG/BREMS
38A	AMPEROMETRO	AMMETER	AMPEREMETRE	AMPEREMETER
38L	LAVACRISTALLI	WINDSHIELD WASHER	ESSUI-GLACE	SCHEIBENWASCHANLAGE
38R	REFRIGERATORE	COOLER	REFRIGERATEUR	KUEHLER
38V	VETRO	PANEL OF GLASS	VITRE	GLAS
39A	ALTOPARLANTE	LOUDSPEAKER	HAUT-PARLEUR	LAUTSPRECHER
39P	PARATIA	BULKHEAD	CLOISON	SCHTZ
39R	RESISTORE	RESISTOR	RESISTEUR	WIDERSTAND
39S	SCATOLA DEL CUSCINETTO	BEARING CASE	CLUVETTE DE ROULEMENT	LAGERGEHAUSE
39S				
40A	ANCORA	ANCHOR	ANCRE	ANKER
40C	CAMMA	CAM	CAME	NOCKEN
40D	DIFFERENZIALE	DIFFERENTIAL	DIFFERENTIEL	DIFFERENTIAL
40G	GETTO	JET	GICLEUR	DUESE
40I	INDOTTO	ARMATURE	INDUIT	ANKER
40M	MANOMETRO ACQUA	WATER PRESSURE GAUGE	MANOMETRE EAU	MANOMETER, WASSER
40P	PASSARUOTA	WHEELDOX	PASSE-ROUE	RADKASTENBLECH
40R	RESISTENZA	RESISTANCE	RESISTANCE	WIDERSTAND
40V	VITE	SCREW	VIS	SCHRAUBE
40V				

DESIGNAZIONE BASE	BASIC DESIGNATION	DESIGNATIONS-BASES	GRUNDBEZEICHNUNGEN	DENOMINACIONES BASE
30S	SCARIFICATORE	SCARIFIER	SCARIFICATEUR	ESCARIFICADOR
30T	TAPPETO	MAT	MAT	ALFOMBRA
30V	VENTILATORE	FAN	VENTILATEUR	VENTILADOR
31A	ACCUMULATORE PRINCIPALE	MAIN ACCUMULATOR	ACCUMULATEUR PRINCIPAL	ACUMULADOR PRINCIPAL
31A				
31C	CAMBIO E DIFFERENZIALE	TRANSMISSION AND DIFFERENTIAL UNIT	BOITE ET DIFFERENTIAL	CAMBIO Y DIFERENCIAL
31C				
31D	DAL CAMBIO...	FROM TO TRANSMISSION	A PARTIR DE LA TRANSMISSION	A PARTIR DEL CAMBIO.
31E	ELETTROPOMPA	ELECTROPUMP	POMPE ELECTRIQUE	ELECTROBOMBA
31F	FASCETTA	CLAMP	COLLIER	ABRAZADERA
31G	GANCIO APPENDIABILI	HANGER	PORTE-MANTEAU	PERCHA
31I	INDICATORE LIVELLO	LEVEL GAUGE	INDICAT DE NIVEAU	INDICADOR DE NIVEL
31L	LAMPADA TRASPORTABILE	INSPECTION LAMP	LAMPE BALADEUSE	LAMPARA DE INSPECCION
31L				
31O	OLIO	OIL	HUILE	ACEITE
31P	PARAFANGO	FENDER	AILE	GUARDABARROS
31R	REGOLATORE DI TENSIONE	VOLTAGE REGULATOR	REGULATEUR DE TENSION	REGULADOR DE TENSION
31R				
32C	CAMBIO E RIDUTTORE	TRANSMISSION AND RED GEAR UNIT	BOITE DE VITESSES ET REDUCTEUR	CAMBIO Y REDUCTOR
32C				
32E	ELETTROVALVOLA	ELECTRIC VALVE	ELECTRO-VANNE	ELETTROVALVOLA
32G	GANCIO DI TRAINO	TOW HOOK	CROCHET D'ATTELAGE	ENGANCHE DE REMOLQUE
32I	INDICATORE ELETTRONICO	ELECTRONIC INDICATOR	INDICATEUR ELECTRONIQUE	INDICADOR ELECTRONICO
32I				
32M	MANICOTTO DI REGOLAZIONE	ADJUSTMENT SLEEVE	MANCHON DE REGLAGE	TUERCA DE REGLAJE
32P	PARETE DIVISORIA	PARTITION PANEL	CLOISON	TABIQUE
32R	RADDRIZZATORE	RECTIFIER	REDRESSEUR	RECTIFICADOR
33A	ACCUMULATORE IDRAULICO	HYDRAULIC ACCUMULATOR	ACCUMULATEUR IDRAULIQUE	ACUMULADOR HIDRAULICO
33C	CAMERA D'ARIA	INNER TUBE	CHAMBRE A AIR	CAMARA DE AIRE
33D	DALLA CABINA...	FROM THE CAB	A PARTIR DE LA CABINE	A PARTIR DE LA CABINA...
33E	ELETTROVENTILATORE	ELECTROFAN	VENTILATEUR ELECTRIQUE	ELECTROVENTILADOR
33I	INDICATORE	INDICATOR	INDICATEUR	INDICADOR
33M	MANICOTTO DI TRASCINAMENTO	DRAG SLEEVE	MANCHON	MANGUITO
33P	PARETE	WALL	PARI	PARED
33V	ELETTROVENTILATORE	ELECTROFAN	VENTILATEUR ELECTRIQUE	ELECTROVENTILADOR
33V				
34C	CAMERA DI TURBOLENZA	SWIRL CHAMBER	CHAMBRE DE TURBULENCE	CAMARA DE TURBULENCIA
34C				
34R	REGOLATORE DI PRESSIONE	PRESSURE REGULATOR	REGULATEUR DE PRESSION	REGULADOR DE PRESSION
34R				

ITEM	PART N.	GRID	ITEM	PART N.	GRID	ITEM	PART N.	GRID	ITEM	PART N.	GRID	ITEM	PART N.	GRID
10	16104121	2-S14	8	45482314	2-Q7	2	70910123	1-P9	6	70919131	2-L2	9	70927536	1-P7
6	16104421	2-R16	5	45482314	2-Q6	2	70910123	1-Q9	1	70919134	1-S7	9	70927536	1-Q11
7	16105621	1-S12	23	60024509	1-I12	3	70910287	1-P5	9	70919267	2-I7	9	70927536	1-R9
6	16160131	2-S16	23	60024509	1-I9	1	70910287	1-P7	16	70919267	2-I6	11	70927583	1-P9
9	16164237	2-S13	1	70059946	1-P5	3	70910287	1-P9	2	70919347	1-P13	11	70927583	1-Q9
10	16164337	2-S13	1	70059946	1-Q13	2	70910986	1-P7	10	70919624	2-I7	11	70927583	1-R11
12	16321021	1-H13	1	70059946	1-R7	4	70910986	1-P9	3	70919625	2-L4	10	70927612	1-P7
10	16322921	2-L5	1	70189001	2-Q3	2	70910986	1-Q11	8	70921013	2-I4	1	70927612	1-P11
3	17669001	2-R11	2	70189002	2-Q3	4	70910986	1-Q9	7	70921013	2-L2	10	70927612	1-Q11
8	17674201	2-S7	1	70239517	1-L7	2	70910986	1-R9	4	70921076	1-P5	1	70927612	1-Q7
17	20063000	2-G9	1	70649665	2-Q12	4	70910986	1-R11	4	70921076	1-Q13	10	70927612	1-R9
7	20063000	2-I12	2	70673856	1-P5	5	70911331	1-P9	4	70921076	1-R7	1	70927612	1-R12
29	20063440	2-N6	2	70673856	1-Q13	5	70911331	1-Q9	9	70921297	2-I4	3	70927696	1-P2
22	20063460	2-G5	2	70673856	1-R7	5	70911331	1-R11	5	70921364	2-I2	3	70927726	2-Q12
23	20063470	2-G5	1	70673860	1-P9	6	70912433	1-P9	10	70921569	1-P9	4	70927747	1-P2
16	20063470	2-N7	1	70673860	1-Q9	6	70912433	1-Q9	7	70921569	1-Q11	4	70927747	1-Q16
20	20063500	2-M10	9	70673860	1-R11	6	70912433	1-R11	10	70921569	1-Q9	4	70927747	1-R4
1	20147000	1-T7	1	70673871	1-P13	3	70914678	1-P7	10	70921569	1-R11	11	70928527	1-P7
33	20419310	1-M10	1	70673871	1-P16	7	70914678	1-P9	17	70922186	2-I6	11	70928527	1-Q11
2	24941640	1-T7	1	70673871	1-Q5	3	70914678	1-Q11	5	70922763	1-P5	11	70928527	1-R9
3	26796990	1-T7	1	70673871	1-Q2	7	70914678	1-Q9	5	70922763	1-Q13	5	70928720	1-P2
37	26799910	1-M8	1	70673871	1-R14	3	70914678	1-R9	5	70922763	1-R7	5	70928720	1-Q16
15	26800390	1-S2	32	70673881	1-Q4	7	70914678	1-R11	7	70924290	1-P7	5	70928720	1-R4
16	28102470	1-S2	25	70673881	1-R14	2	70916965	2-Q12	2	70924290	1-S7	6	70929166	1-P5
17	38824001	1-Q12	1	70673970	1-P2	4	70917673	1-P7	8	70925821	1-P7	6	70929166	1-Q13
26	40000010	1-G9	1	70673970	1-Q16	8	70917673	1-P9	8	70925821	1-Q11	6	70929166	1-R7
22	40000010	1-G6	1	70673970	1-R4	8	70917673	1-Q9	8	70925821	1-R9	12	70929217	1-P9
17	40000150	1-T3	2	70684057	1-L7	5	70917970	1-P7	3	70926000	1-P13	4	70933816	2-Q12
17	40000520	1-S2	6	70699053	2-Q16	5	70917970	1-Q11	2	70926000	1-P16	12	70933875	1-P7
6	40001070	2-H8	1	70738582	2-R12	5	70917970	1-R9	3	70926000	1-Q5	13	70933875	1-P9
37	40002810	1-G10	15	70738674	2-R7	6	70918850	1-P7	2	70926000	1-Q2	6	70933876	1-P2
37	40003800	1-G10	4	70738688	2-R12	9	70918850	1-P9	3	70926000	1-R14	3	70935974	1-P2
35	40003800	1-G4	31	70905360	1-P8	5	70919065	2-I4	2	70926000	1-R17	3	70935974	1-R4
33	45018672	2-I3	31	70905360	1-Q10	6	70919087	2-I4	9	70927177	2-P12	3	71004777	1-P16
7	45481995	2-I9	31	70905360	1-R10	7	70919131	2-I4	2	70927211	1-P2	27	71004795	1-Q16

ITEM	PART N.	GRID	ITEM	PART N.	GRID	ITEM	PART N.	GRID	ITEM	PART N.	GRID	ITEM	PART N.	GRID
26	71004795	1-R4	4	71304375	2-Q6	8	73116836	2-O12	34	73116983	2-O11	34	73117750	2-O2
26	71004797	1-Q16	13	71304376	2-Q7	9	73116847	2-O12	35	73116986	2-O11	35	73117751	2-O2
30	71004797	1-R5	14	71304377	2-Q7	10	73116848	2-O12	3	73117031	2-O3	36	73117752	2-O2
2	71004820	1-P11	10	71304377	2-Q6	11	73116849	2-O12	4	73117032	2-O3	37	73117754	2-O2
2	71004820	1-Q7	15	71304378	2-Q7	12	73116851	2-O12	5	73117036	2-O3	16	73117875	1-P7
2	71004820	1-R12	11	71304378	2-Q6	13	73116853	2-O12	6	73117038	2-O3	4	73117875	1-S7
7	71004835	1-P2	16	71304379	2-Q7	14	73116854	2-O12	7	73117044	2-O3	8	73117963	1-P2
7	71004835	1-Q16	15	71304379	2-Q6	15	73116868	2-O12	8	73117056	2-O3	10	73117963	1-Q16
7	71004835	1-R4	17	71304380	2-Q7	16	73116869	2-O12	9	73117058	2-O3	8	73117963	1-R4
14	71004838	1-P9	16	71304380	2-Q6	17	73116876	2-O12	10	73117073	2-O3	17	73118039	1-P7
14	71004838	1-Q9	18	71304381	2-Q7	18	73116880	2-O12	15	73117074	1-P7	17	73118039	1-Q11
14	71004838	1-R11	17	71304381	2-Q5	19	73116888	2-O12	11	73117087	2-O3	17	73118039	1-R9
13	71004848	1-P7	19	71304385	2-Q7	20	73116890	2-O12	12	73117088	2-O3	16	73118040	1-P9
13	71004848	1-Q11	19	71304385	2-Q6	21	73116893	2-O12	13	73117096	2-O3	16	73118040	1-Q9
13	71004848	1-R9	20	71304386	2-Q7	22	73116912	2-O12	14	73117103	2-O3	16	73118040	1-R11
14	71004849	1-P7	21	71304387	2-Q7	23	73116948	2-O12	15	73117110	2-O3	3	73118043	1-P11
14	71004849	1-Q11	22	71304388	2-Q7	24	73116955	2-O12	16	73117119	2-O3	3	73118043	1-Q7
14	71004849	1-R9	20	71304388	2-Q6	7	73116957	1-P5	17	73117126	2-O3	3	73118043	1-R12
4	71004926	1-P16	23	71304389	2-Q7	7	73116957	1-Q13	36	73117147	2-Q11	4	73118044	1-P11
4	71004926	1-Q2	2	71304389	2-Q6	7	73116957	1-R7	18	73117724	2-O3	4	73118044	1-Q7
4	71004926	1-R17	3	71304923	2-Q10	8	73116959	1-P5	19	73117731	2-O3	4	73118044	1-R12
5	71004961	1-P16	1	71309808	2-R13	8	73116959	1-Q13	20	73117732	2-O3	18	73118053	1-P7
5	71004961	1-Q2	3	7309808	2-R14	8	73116959	1-R7	21	73117733	2-O3	18	73118053	1-Q11
5	71004961	1-R17	15	73166768	1-P9	25	73116961	2-O12	22	73117734	2-O3	18	73118053	1-R9
6	71004962	1-P16	15	73166768	1-Q9	26	73116966	2-O12	23	73117735	2-O3	19	73118054	1-P7
6	71004962	1-Q2	15	73166768	1-R11	27	73116967	2-O12	24	73117737	2-O3	19	73118054	1-Q11
6	71004962	1-R17	4	7319871	1-P13	28	73116968	2-O11	25	73117739	2-O3	19	73118054	1-R9
2	71300269	2-R14	7	73109871	1-P16	29	73116969	2-O11	26	73117740	2-O3	10	73118056	1-P5
9	71304372	2-Q7	4	73109871	1-Q5	9	73116971	1-P5	27	73117741	2-O2	11	73118057	1-P5
1	71304372	2-Q6	7	73109871	1-Q2	9	73116971	1-Q13	28	73117742	2-O2	11	73118057	1-Q13
10	71304373	2-Q7	4	73109871	1-R14	9	73116971	1-R7	29	73117744	2-O2	11	73118057	1-R7
6	71304373	2-Q6	8	73114442	2-O13	30	73116973	2-O11	30	73117745	2-O2	12	73118058	1-P5
11	71304374	2-Q7	5	73116822	2-O12	31	73116976	2-O11	31	73117746	2-O2	8	73118058	1-P16
7	71304374	2-Q6	6	73116823	2-O12	32	73116979	2-O11	32	73117747	2-O2	12	73118058	1-Q13
12	71304375	2-Q7	7	73116834	2-O12	33	73116981	2-O11	33	73117748	2-O2	8	73118058	1-Q2

ITEM	PART N.	GRID	ITEM	PART N.	GRID	ITEM	PART N.	GRID	ITEM	PART N.	GRID	ITEM	PART N.	GRID
12	73118058	1-R7	16	73118073	1-R4	12	73118088	1-P16	14	73118094	1-P13	23	73118110	1-Q2
8	73118058	1-R17	17	73118074	1-P2	8	73118088	1-Q5	18	73118094	1-P16	23	73118110	1-R17
13	73118059	1-P5	20	73118074	1-Q16	12	73118088	1-Q2	14	73118094	1-Q5	24	73118111	1-P16
13	73118059	1-Q13	17	73118074	1-R4	8	73118088	1-R14	18	73118094	1-Q2	24	73118111	1-Q2
13	73118059	1-R7	17	73118080	1-P5	12	73118088	1-R17	14	73118094	1-R14	24	73118111	1-R17
14	73118060	1-P5	17	73118080	1-Q13	9	73118089	1-P13	18	73118094	1-R17	7	73118115	1-S7
15	73118061	1-P5	17	73118080	1-R7	13	73118089	1-P16	15	73118096	1-P13	8	73118116	1-S7
15	73118061	1-Q13	18	73118081	1-P5	9	73118089	1-Q5	15	73118096	1-Q5	9	73118117	1-S7
15	73118061	1-R7	18	73118081	1-Q13	13	73118089	1-Q2	15	73118096	1-R14	20	73118118	1-P7
16	73118062	1-P5	18	73118081	1-R7	9	73118089	1-R14	16	73118097	1-P13	10	73118118	1-S7
16	73118062	1-Q13	19	73118082	1-P5	13	73118089	1-R17	16	73118097	1-Q5	21	73118119	1-P7
16	73118062	1-R7	19	73118082	1-Q13	10	73118090	1-P13	16	73118097	1-R14	22	73118121	1-P7
9	73118063	1-P2	19	73118082	1-R7	14	73118090	1-P16	17	73118098	1-P13	22	73118121	1-Q11
11	73118063	1-Q16	20	73118083	1-P5	10	73118090	1-Q5	17	73118098	1-Q5	22	73118121	1-R9
9	73118063	1-R4	20	73118083	1-Q13	14	73118090	1-Q2	17	73118098	1-R14	23	73118122	1-P7
10	73118064	1-P2	20	73118083	1-R7	10	73118090	1-R14	18	73118106	1-P13	23	73118122	1-Q11
12	73118064	1-Q16	5	73118085	1-P13	14	73118090	1-R17	19	73118106	1-P16	23	73118122	1-R9
10	73118064	1-R4	9	73118085	1-P16	11	73118091	1-P13	18	73118106	1-Q5	24	73118123	1-P7
11	73118065	1-P2	5	73118085	1-Q5	15	73118091	1-P16	19	73118106	1-Q2	25	73118124	1-P8
13	73118065	1-Q16	9	73118085	1-Q2	11	73118091	1-Q5	18	73118106	1-R14	25	73118124	1-Q11
11	73118065	1-R4	5	73118085	1-R14	15	73118091	1-Q2	19	73118106	1-R17	25	73118124	1-R9
12	73118066	1-P2	9	73118085	1-R17	11	73118091	1-R14	19	73118107	1-P13	1	73118128	1-S6
14	73118066	1-Q16	6	73118086	1-P13	15	73118091	1-R17	20	73118107	1-P16	25	73118133	1-P16
12	73118066	1-R4	10	73118086	1-P16	12	73118092	1-P13	19	73118107	1-Q5	25	73118133	1-Q2
13	73118067	1-P2	6	73118086	1-Q5	16	73118092	1-P16	20	73118107	1-Q2	25	73118133	1-R17
15	73118067	1-Q16	10	73118086	1-Q2	12	73118092	1-Q5	19	73118107	1-R14	26	73118134	1-P16
13	73118067	1-R4	6	73118086	1-R14	16	73118092	1-Q2	20	73118107	1-R17	26	73118134	1-Q2
14	73118068	1-P2	10	73118086	1-R17	12	73118092	1-R14	20	73118108	1-P13	26	73118134	1-R17
16	73118068	1-Q16	7	73118087	1-P13	16	73118092	1-R17	21	73118108	1-P16	27	73118135	1-P17
14	73118068	1-R4	11	73118087	1-P16	13	73118093	1-P13	20	73118108	1-Q5	27	73118135	1-Q2
15	73118072	1-P2	7	73118087	1-Q5	17	73118093	1-P16	21	73118108	1-Q2	27	73118135	1-R17
18	73118072	1-Q16	11	73118087	1-Q2	13	73118093	1-Q5	20	73118108	1-R14	21	73118136	1-P13
15	73118072	1-R4	7	73118087	1-R14	17	73118093	1-Q2	21	73118108	1-R17	28	73118136	1-P17
16	73118073	1-P2	11	73118087	1-R17	13	73118093	1-R14	22	73118109	1-P16	21	73118136	1-Q5
19	73118073	1-Q16	8	73118088	1-P13	17	73118093	1-R17	23	73118110	1-P16	28	73118136	1-R2

ITEM	PART N.	GRID	ITEM	PART N.	GRID	ITEM	PART N.	GRID	ITEM	PART N.	GRID	ITEM	PART N.	GRID
21	73118136	1-R14	21	73118262	1-P5	11	76000905	2-P7	1	76012110	2-R3	9	76015987	2-H5
28	73118136	1-R17	21	73118262	1-Q13	5	76000905	2-P14	23	76012151	1-H3	22	76016328	1-S11
29	73118137	1-P17	21	73118262	1-R7	19	76001632	1-I4	17	76012320	1-I6	15	76016773	1-T8
29	73118137	1-R2	22	73118320	1-P5	34	76001883	1-T10	16	76012366	1-I6	16	76016774	1-T8
29	73118137	1-R17	22	73118320	1-Q13	35	76001884	1-T10	17	76012442	1-I17	1	76016782	1-T8
30	73118138	1-P17	22	73118320	1-R7	36	76001885	1-T10	14	76012703	2-G16	20	76016817	1-I6
30	73118138	1-R2	2	73118329	1-S6	37	76001887	1-T10	9	76012946	2-R16	11	76016952	1-T8
30	73118138	1-S17	22	73118369	1-P13	12	76002365	1-O4	21	76013039	1-O7	12	76016955	1-T8
31	73118139	1-P17	12	73119134	2-O5	5	76002402	2-T3	4	76013891	2-P10	10	76016960	2-S16
31	73118139	1-R2	38	73119570	2-O2	4	76002601	1-S3	5	76013892	2-P10	20	79001971	2-H11
31	73118139	1-S17	39	73119636	2-O2	11	76003067	2-P3	3	76013894	2-P15	19	79002004	1-T17
26	73118166	1-P8	40	73119637	2-O2	11	76003794	2-O4	6	76013894	2-P16	24	79002121	2-G4
26	73118166	1-Q11	4	73131677	1-Q11	1	76004839	1-T11	4	76013898	2-P15	1	79002868	2-S15
26	73118166	1-R9	4	73131677	1-R9	24	76005945	2-M8	7	76013904	2-P16	18	79002971	2-G9
27	73118167	1-P8	8	73131677	1-R11	5	76006907	2-O2	7	76013905	2-P16	30	79003603	2-N6
27	73118167	1-Q11	41	73131960	2-O2	8	76008353	2-H4	17	76014544	1-I10	8	79003622	1-T8
27	73118167	1-R9	6	73131968	2-Q15	8	76008353	2-H5	14	76014545	1-I10	21	79003679	2-G8
28	73118170	1-P8	3	73132784	1-P16	9	76008354	2-H4	17	76014890	1-I10	22	79003686	2-G8
28	73118170	1-Q11	3	73132784	1-Q2	10	76008354	2-H5	1	76014937	1-O10	23	79004433	2-G8
28	73118170	1-R9	3	73132784	1-R17	8	76009211	2-H16	9	76015201	2-H5	9	79004903	1-T6
29	73118171	1-P8	10	73132932	1-P5	7	76009588	2-Q15	30	76015371	2-G17	8	79004903	1-T16
29	73118171	1-Q11	10	73132932	1-Q13	2	76010239	2-R3	17	76015371	2-G15	13	79005238	2-S5
29	73118171	1-R9	10	73132932	1-R7	11	76010366	1-O13	24	76015372	2-H11	11	79005239	1-T12
18	73118173	1-P2	20	73133823	2-O3	8	76010381	1-O13	16	76015372	2-H14	9	79005242	1-G16
22	73118173	1-Q16	30	74052780	1-P8	9	76010384	1-O13	25	76015373	2-H12	3	79005243	1-T5
18	73118173	1-R4	5	74052780	1-P11	16	76010392	1-L3	18	76015379	1-O12	8	79005594	1-S13
19	73118174	1-P2	31	74055100	1-P8	5	76010396	2-P9	22	76015380	1-O9	9	79005596	1-S13
23	73118174	1-Q16	10	76000174	1-I2	17	76010397	2-P11	16	76015382	1-L3	8	79005596	1-S12
19	73118174	1-R4	10	76000174	1-L3	9	76010482	1-L4	9	76015383	1-L4	12	79005596	1-S11
20	73118175	1-P2	11	76000175	1-I2	29	76010533	2-M7	21	76015466	2-M5	10	79005597	1-S13
24	73118175	1-Q16	11	76000175	1-L3	30	76010534	2-M7	13	76015671	2-H5	13	79005597	1-S11
20	73118175	1-R4	18	76000589	1-T3	23	76010535	2-M9	16	76015840	1-I6	11	79005598	1-S13
32	73118236	1-P17	19	76000591	1-T3	22	76010536	2-M10	22	76015844	1-I4	12	79005599	1-S13
32	73118236	1-R2	19	76000598	1-T9	7	76011184	2-R16	29	76015903	1-I5	9	79005599	1-S12
32	73118236	1-S17	10	76000905	2-P3	8	76011194	2-R16	14	76015917	1-I6	14	79005599	1-S11

ITEM	PART N.	GRID	ITEM	PART N.	GRID	ITEM	PART N.	GRID	ITEM	PART N.	GRID	ITEM	PART N.	GRID
10	79005601	1-S12	19	79010367	2-M5	4	79012256	1-T7	40	79012426	1-T10	8	79013422	1-I10
15	79005601	1-S11	2	79010389	2-Q14	5	79012258	1-T7	10	79012429	1-T11	20	79013422	2-G15
16	79005602	1-S11	16	79010401	2-S10	18	79012293	1-S2	11	79012435	1-T11	13	79013422	2-O6
13	79005607	1-S13	31	79010455	2-N6	19	79012294	1-S2	12	79012446	1-T11	10	79013422	2-P12
14	79005610	1-S13	20	79010771	1-T17	21	79012295	1-T3	13	79012449	1-T11	8	79013422	2-P16
12	79005934	2-R15	21	79010772	1-T17	20	79012296	1-S2	11	79012466	1-T8	8	79013422	2-Q16
9	79005965	1-T11	13	79010932	2-H3	21	79012300	1-S2	12	79012467	1-T8	9	79013422	2-Q15
17	79006212	2-M6	12	79011407	2-P7	21	79012301	1-S2	6	79012583	2-T3	6	79013586	2-Q8
17	79006212	2-M5	14	79011493	1-I2	21	79012302	1-S2	7	79012600	2-Q16	24	79013599	2-Q7
15	79006339	1-S13	14	79011493	1-L3	22	79012303	1-T3	8	79012600	2-Q15	22	79013599	2-O6
18	79006358	2-M6	13	79011531	2-O4	23	79012304	1-T3	4	79012623	2-R14	7	79013600	2-Q8
18	79006358	2-M5	14	79011533	2-O4	24	79012305	1-T3	27	79012662	2-G4	8	79013601	2-Q8
12	79006370	2-P3	38	79011575	1-T10	24	79012313	1-S2	27	79012663	2-G4	17	79013628	1-S11
7	79006370	2-P9	39	79011576	1-T10	25	79012314	1-S2	29	79012664	2-G4	18	79013631	1-S11
12	79006806	2-O4	13	79011643	2-P3	26	79012316	1-S2	30	79012665	2-G4	11	79013633	1-S12
24	79007135	1-I12	8	79011643	2-P9	5	79012317	1-T15	11	79012672	2-G3	19	79013637	1-S11
28	79007135	1-I9	14	79011645	2-P3	6	79012318	1-T15	12	79012675	2-G3	20	79013638	1-S11
6	79007456	2-G6	9	79011645	2-P9	7	79012319	1-T15	31	79012676	2-G4	7	79013659	2-H8
12	79007569	1-I2	4	79011645	2-R11	8	79012324	1-T15	32	79012677	2-G4	21	79013702	1-S11
12	79007569	1-L3	15	79011647	2-P3	7	79012325	1-T14	33	79012678	2-G4	5	79013732	2-S3
13	79007570	1-I2	10	79011647	2-P9	8	79012326	1-T14	34	79012680	2-G4	7	79013754	1-O13
13	79007570	1-L3	16	79011649	2-P3	9	79012327	1-T14	35	79012681	2-G4	17	79013858	1-O14
20	79007711	1-T3	11	79011649	2-P9	10	79012328	1-T14	36	79012682	2-G4	18	79013859	1-O14
19	79007717	2-G9	32	79011775	2-N6	7	79012338	2-G12	3	79012771	2-G7	10	79013994	1-G16
12	79008406	2-O6	15	79011939	2-O4	22	79012341	1-T17	14	79013164	1-T11	11	79013999	1-G16
13	79009016	2-O5	11	79012014	2-P4	23	79012344	1-T17	14	79013171	2-S5	12	79014000	1-G16
21	79009016	2-S12	26	79012075	1-I12	24	79012349	2-G17	28	79013302	1-G2	13	79014002	1-G16
8	79009025	2-I12	14	79012075	1-I10	10	79012399	1-T8	7	79013310	1-S16	14	79014006	1-G16
9	79009581	2-G5	20	79012207	2-M6	3	79012409	2-H4	8	79013324	1-S16	8	79014134	2-H8
9	79009582	2-G5	20	79012207	2-M5	4	79012410	2-H4	10	79013325	2-H13	9	79014136	2-H8
3	79009877	2-H3	21	79012208	2-M6	5	79012413	2-H4	11	79013326	2-H13	10	79014138	2-H8
25	79010217	1-I12	21	79012208	2-M5	6	79012414	2-H4	20	79013412	2-P3	11	79014182	2-H8
25	79010217	1-I9	12	79012249	1-T6	7	79012415	2-H4	22	79013412	2-P8	21	79014438	2-H11
13	79010350	2-R15	13	79012251	1-T6	8	79012420	2-H4	8	79013412	2-P14	22	79014439	2-H11
19	79010367	2-M6	7	79012255	2-G6	9	79012421	2-H4	15	79013422	1-I17	9	79014524	1-N17

ITEM	PART N.	GRID	ITEM	PART N.	GRID	ITEM	PART N.	GRID	ITEM	PART N.	GRID	ITEM	PART N.	GRID
10	79014536	1-N17	22	79019062	2-M6	17	79020844	2-R7	4	79021971	1-T5	22	79022760	1-S11
15	79014634	2-H9	22	79019062	2-M4	5	79020845	2-R11	17	79022012	2-M3	23	79022764	1-S11
10	79014681	1-O4	23	79019065	2-M6	19	79020859	2-G15	15	79022024	1-I2	24	79022768	1-S11
29	79014682	1-O16	23	79019065	2-M4	21	79020901	1-I10	3	79022025	1-L7	5	79022774	2-Q14
30	79014683	1-O16	13	79019318	2-G3	6	79020934	2-R11	4	79022026	1-L7	16	79022777	1-S13
7	79014684	2-Q17	5	79019318	2-H2	18	79020938	2-R7	9	79022084	1-S16	8	79022803	1-S5
16	79014712	2-H9	14	79019406	2-G3	19	79020952	2-R7	4	79022089	2-G7	9	79022804	1-S5
10	79014718	1-S15	15	79019407	2-G3	7	79020961	2-Q11	4	79022092	2-G7	27	79022816	1-T2
31	79014720	1-O16	37	79019444	2-G4	14	79021009	2-O5	10	79022153	1-S16	33	79022822	2-N6
11	79014722	1-S15	38	79019445	2-G4	17	79021065	2-G3	11	79022154	1-S16	35	79022824	2-N4
16	79014919	2-P2	9	79019490	2-O13	3	79021424	2-Q14	12	79022167	1-S16	36	79022825	2-N4
18	79014921	2-P2	39	79019551	2-G4	4	79021426	2-Q14	15	79022233	2-S5	37	79022826	2-N4
21	79014927	2-P2	13	79019707	2-G16	10	79021573	2-R4	15	79022234	2-S5	38	79022827	2-N4
27	79014933	2-P2	6	79019870	2-S3	18	79021584	2-G3	17	79022240	2-S5	10	79022837	1-M12
27	79015259	1-I11	23	79019873	2-H11	19	79021590	2-G3	21	79022242	1-O9	19	79022851	1-O14
17	79015259	1-I10	11	79020334	1-O4	19	79021592	2-G3	36	79022247	2-L10	20	79022853	1-O14
9	79015440	2-G16	12	79020335	1-O4	15	79021810	2-H3	24	79022250	2-M13	8	79022952	1-O13
10	79015450	2-G16	13	79020337	1-O4	16	79021814	2-H3	25	79022251	2-M13	9	79022953	1-O13
11	79015882	2-G16	10	79020354	2-O13	17	79021815	2-H3	26	79022254	2-M12	21	79023023	1-O14
12	79016206	2-G16	9	79020511	2-P16	18	79021817	2-H3	18	79022263	2-S5	22	79023024	1-O9
25	79016503	2-G17	14	79020577	2-G16	19	79021818	2-H3	19	79022272	2-S5	18	79023025	1-O11
13	79016766	1-T8	25	79020605	1-T3	20	79021819	2-H3	20	79022273	2-S5	10	79023026	1-O13
11	79016799	1-T16	26	79020628	1-T3	12	79021891	2-H2	21	79022274	2-S5	11	79023027	1-O13
12	79016800	1-T16	27	79020629	1-T4	13	79021892	2-H2	22	79022275	2-S5	5	79023080	2-T2
13	79017173	2-P7	8	79020632	2-G12	11	79021911	2-N11	24	79022276	2-S5	7	79023080	2-T3
11	79017469	1-T14	28	79020645	1-T4	11	79021911	2-O16	26	79022277	2-S4	21	79023131	2-G3
12	79017470	1-T14	6	79020682	2-H2	35	79021926	2-L10	17	79022291	2-N7	14	79023131	2-H2
13	79017471	1-T14	7	79020683	2-H2	10	79021952	2-I15	15	79022535	1-G16	8	79023153	2-N17
10	79017741	2-R9	8	79020686	2-H2	10	79021953	2-I15	16	79022536	1-G16	9	79023158	2-N17
11	79017742	2-R9	9	79020689	2-H2	12	79021954	2-N11	17	79022537	1-G16	10	79023159	2-N17
12	79018505	1-S12	10	79020690	2-H2	13	79021956	2-N11	18	79022540	1-G16	10	79023159	2-O17
13	79018751	2-I17	16	79020691	2-G3	14	79021957	2-N12	32	79022678	1-O16	11	79023160	2-N17
14	79018752	2-I17	11	79020691	2-H2	15	79021958	2-N12	7	79022746	1-N10	12	79023161	2-N17
15	79018753	2-I17	14	79020694	2-H3	16	79021959	2-N12	8	79022747	1-N10	13	79023162	2-N17
5	79018926	1-S3	16	79020842	2-R7	14	79021962	1-O4	9	79022748	1-N10	11	79023162	2-O17

ITEM	PART N.	GRID	ITEM	PART N.	GRID	ITEM	PART N.	GRID	ITEM	PART N.	GRID	ITEM	PART N.	GRID
1	79023173	2-S2	6	79024229	2-G7	24	79025170	2-G8	26	79025474	2-S12	18	79026467	2-Q4
1	79023174	2-S2	6	79024350	2-T2	25	79025172	2-G8	17	79025482	2-S8	20	79026468	2-Q4
1	79023175	2-S2	24	79024449	2-M6	8	79025214	2-G6	23	79025508	2-S10	20	79026471	2-Q4
1	79023176	2-S2	24	79024449	2-M4	6	79025216	1-T7	18	79025524	2-H9	1	79026566	2-T6
1	79023177	2-S2	17	79024480	2-Q5	8	79025224	2-S8	19	79025525	2-H9	14	79026828	2-H4
1	79023178	2-S2	12	79024575	2-H8	9	79025225	2-S8	20	79025526	2-H9	15	79026829	2-H4
5	79023396	1-L7	13	79024586	1-T8	10	79025228	2-S8	21	79025527	2-H9	6	79026829	2-H5
6	79023480	2-L5	7	79024644	2-T2	22	79025238	2-S12	22	79025528	2-H9	34	79027076	2-N6
6	79023493	2-L11	18	79024651	2-Q5	23	79025239	2-S12	24	79025548	2-S10	35	79027077	2-N6
7	79023504	2-L11	14	79024687	2-R17	9	79025241	2-S7	27	79025574	2-S12	36	79027078	2-N6
5	79023505	2-M16	15	79024695	2-R17	14	79025247	2-R15	11	79025760	2-S13	37	79027079	2-N6
8	79023510	2-I9	16	79024700	2-R17	15	79025250	2-R15	11	79025801	2-H4	38	79027080	2-N6
9	79023515	2-I9	17	79024701	2-R17	23	79025268	2-G3	12	79025802	2-H4	15	79027105	1-T11
10	79023516	2-I9	9	79024712	2-S16	16	79025273	2-R15	13	79025804	2-H4	11	79027131	2-O13
10	79023516	2-I4	10	79024714	2-S16	17	79025274	2-R15	11	79025853	1-N17	12	79027260	1-T12
11	79023529	2-I9	18	79024716	2-R17	18	79025276	2-R15	12	79025920	2-S13	39	79027268	2-N6
12	79023531	2-N14	19	79024719	2-R17	41	79025347	1-T10	13	79025961	2-S13	23	79027335	2-H9
13	79023535	2-N14	12	79024728	1-S15	25	79025361	1-S11	13	79025962	2-S13	20	79027338	2-R17
13	79023634	1-S12	12	79024728	1-S14	24	79025371	2-S12	9	79026103	2-G12	29	79027428	2-S9
15	79023774	2-O10	13	79024729	1-S16	10	79025381	2-S7	10	79026104	2-G12	1	79027495	1-S4
2	79023808	1-M15	13	79024729	1-S15	11	79025384	2-S7	11	79026105	2-G12	28	79027497	1-T2
7	79023812	2-L5	14	79024733	1-S15	11	79025396	2-S8	20	79026121	1-I4	29	79027498	1-T2
10	79023843	2-H4	14	79024733	1-S14	12	79025399	2-S8	21	79026124	1-I4	13	79027688	2-H8
10	79023949	1-N10	15	79024738	1-S15	17	79025428	2-S10	14	79026134	1-T8	6	79027718	1-S3
13	79023949	1-N12	15	79024798	1-O4	25	79025439	2-S12	18	79026136	2-S8	22	79027724	2-Q4
22	79023955	2-G3	19	79024802	2-Q5	6	79025440	2-P14	25	79026148	2-S10	22	79027800	2-Q4
15	79023984	2-Q5	20	79024826	2-Q5	18	79025444	2-S10	26	79026149	2-S10	15	79027916	1-T8
16	79023986	2-Q5	21	79024833	2-Q5	19	79025447	2-S10	27	79026153	2-S10	14	79027925	1-S12
28	79023996	2-P2	16	79024886	2-Q4	20	79025453	2-S10	28	79026154	2-S9	15	79027926	1-S12
6	79023998	2-I10	16	79024889	2-Q4	21	79025458	2-S10	12	79026197	1-N17	16	79027927	1-S12
12	79024000	2-R17	27	79025103	2-G17	13	79025462	2-S8	8	79026297	2-T2	17	79027928	1-S12
13	79024019	2-R17	9	79025105	1-T16	14	79025468	2-S8	9	79026298	2-T2	26	79027929	1-S11
7	79024030	2-I10	10	79025106	1-T16	15	79025469	2-S8	16	79026392	2-O10	27	79027930	1-S10
7	79024036	2-I10	11	79025109	1-T16	22	79025470	2-S10	9	79026411	2-O10	28	79027931	1-S10
17	79024045	2-H9	12	79025111	1-T16	16	79025470	2-S8	18	79026466	2-Q4	29	79027932	1-S10

ITEM	PART N.	GRID	ITEM	PART N.	GRID	ITEM	PART N.	GRID	ITEM	PART N.	GRID	ITEM	PART N.	GRID
30	79027933	1-S10	5	79028810	2-Q12	17	79029124	2-H2	20	79030216	1-Q9	32	79030232	1-P15
16	79027938	1-T8	6	79028811	2-Q12	18	79029125	2-H2	20	79030216	1-R11	39	79030233	1-P17
14	79028146	1-S16	7	79028812	2-Q12	26	79029126	2-G3	21	79030217	1-P9	39	79030233	1-R2
11	79028262	2-M11	7	79028813	2-Q12	26	79029127	2-G3	21	79030217	1-Q9	40	79030234	1-P17
12	79028263	2-M11	7	79028814	2-Q12	21	79029698	2-M10	21	79030217	1-R11	40	79030234	1-R2
30	79028272	2-S9	7	79028815	2-Q12	9	79029812	2-G6	33	79030218	1-P17	40	79030234	1-S17
6	79028289	2-Q14	11	79028816	2-Q12	14	79029857	1-T6	33	79030218	1-R2	41	79030235	1-P17
25	79028299	2-M6	12	79028817	2-Q12	14	79029858	1-T6	34	79030219	1-P17	42	79030236	1-P17
25	79028299	2-M4	12	79028818	2-Q12	16	79029859	1-T6	34	79030219	1-R2	42	79030236	1-R2
16	79028319	1-T11	12	79028819	2-Q12	24	79030015	2-M7	22	79030220	1-P10	42	79030236	1-S17
19	79028339	2-S8	15	79028820	2-Q12	25	79030016	2-M7	22	79030220	1-Q9	42	79030237	1-P17
31	79028347	2-S9	16	79028821	2-Q12	26	79030017	2-M7	23	79030221	1-P10	42	79030237	1-R2
28	79028362	2-S11	16	79028822	2-Q12	27	79030018	2-M7	23	79030221	1-Q9	42	79030237	1-S17
29	79028367	2-S11	18	79028823	2-Q12	28	79030084	2-M7	35	79030222	1-P17	42	79030238	1-P17
30	79028371	2-S11	19	79028824	2-Q12	40	79030099	1-G14	35	79030222	1-R2	42	79030238	1-R2
13	79028391	1-T12	19	79028825	2-Q12	18	79030099	2-P11	36	79030223	1-P17	42	79030238	1-S17
21	79028430	2-R17	19	79028826	2-Q12	13	79030132	1-N17	36	79030223	1-R2	42	79030239	1-P17
20	79028435	2-S8	19	79028827	2-Q12	9	79030200	2-Q11	24	79030224	1-P10	42	79030239	1-R2
23	79028440	2-Q3	19	79028828	2-Q12	3	79030200	2-Q9	27	79030225	1-P14	42	79030239	1-S17
7	79028449	2-Q9	19	79028829	2-Q12	23	79030209	1-P13	26	79030225	1-Q5	42	79030240	1-P17
22	79028451	2-Q5	19	79028830	2-Q12	23	79030209	1-Q5	27	79030225	1-R14	42	79030240	1-R2
8	79028455	2-I10	19	79028831	2-Q12	23	79030209	1-R14	28	79030226	1-P14	42	79030240	1-S17
31	79028457	2-S11	12	79028840	1-M12	24	79030210	1-P13	27	79030226	1-Q5	25	79030241	1-P10
12	79028458	2-S7	10	79028862	1-G7	24	79030210	1-Q5	28	79030226	1-R14	25	79030241	1-Q9
9	79028462	2-I10	6	79028977	2-Q10	24	79030210	1-R14	29	79030227	1-P14	25	79030241	1-R11
12	79028547	1-O13	6	79028978	2-Q10	17	79030211	1-P9	37	79030228	1-P17	23	79030242	1-P5
4	79028732	2-I11	8	79028979	2-Q11	17	79030211	1-Q9	37	79030228	1-R2	23	79030242	1-Q13
5	79028734	2-I11	6	79028979	2-Q10	17	79030211	1-R11	37	79030228	1-S17	23	79030242	1-R7
9	79028737	2-I12	6	79028980	2-Q10	18	79030212	1-P9	38	79030229	1-P17	21	79030244	1-P2
10	79028740	2-I12	7	79028981	2-Q10	25	79030213	1-P13	30	79030230	1-P14	22	79030245	1-P2
11	79028742	2-I12	15	79028983	1-S16	25	79030214	1-P14	29	79030230	1-Q4	17	79030245	1-Q16
1	79028806	2-Q12	24	79029122	2-G3	19	79030215	1-P9	30	79030230	1-R15	22	79030245	1-R4
2	79028807	2-Q12	15	79029122	2-H2	19	79030215	1-Q9	31	79030231	1-P14	24	79030246	1-P5
3	79028808	2-Q12	25	79029123	2-G3	19	79030215	1-R11	32	79030232	1-P14	25	79030247	1-P5
4	79028809	2-Q12	16	79029123	2-H2	20	79030216	1-P9	31	79030232	1-Q4	25	79030247	1-Q13

ITEM	PART N.	GRID	ITEM	PART N.	GRID	ITEM	PART N.	GRID	ITEM	PART N.	GRID	ITEM	PART N.	GRID
25	79030247	1-R7	33	79030263	1-Q10	13	79030896	2-H14	8	79031657	1-T7	18	79032728	1-I2
26	79030248	1-P6	33	79030263	1-R10	14	79030898	2-H14	24	79031722	2-H10	19	79032729	1-I2
26	79030248	1-Q13	34	79030264	1-P8	6	79030899	2-H15	40	79031724	2-N4	27	79032746	2-M6
26	79030248	1-R7	6	79030265	1-P11	7	79030900	2-H15	32	79031744	2-S11	14	79032747	2-P4
27	79030249	1-P6	26	79030266	1-P10	8	79030901	2-L5	12	79031813	2-R9	18	79032748	2-P8
27	79030249	1-Q12	26	79030266	1-O9	8	79030994	2-L11	13	79031814	2-R9	19	79032749	2-P3
27	79030249	1-R8	26	79030266	1-R11	35	79030999	1-P8	14	79031815	2-R9	14	79032752	2-O6
28	79030250	1-P6	27	79030267	1-P10	35	79030999	1-Q10	15	79031816	2-R9	8	79032754	2-M2
26	79030250	1-Q12	27	79030267	1-O9	35	79030999	1-R10	30	79032010	2-G17	9	79032755	2-M2
28	79030250	1-R8	7	79030268	1-P11	36	79031000	1-P8	17	79032010	2-G15	10	79032757	2-M2
29	79030251	1-P6	7	79030268	1-Q7	36	79031000	1-Q10	24	79032011	2-H11	11	79032760	2-M2
29	79030251	1-Q12	7	79030268	1-R12	36	79031000	1-R10	16	79032011	2-H14	12	79032761	2-M2
29	79030251	1-R8	8	79030269	1-P11	28	79031001	1-P10	25	79032012	2-H12	13	79032764	2-M2
30	79030252	1-P6	8	79030269	1-Q7	28	79031001	1-Q8	13	79032019	2-P4	20	79032766	1-I2
30	79030252	1-Q12	8	79030269	1-R12	28	79031001	1-R11	26	79032088	2-M6	20	79032766	1-L3
30	79030252	1-R8	9	79030270	1-P11	29	79031002	1-P10	26	79032088	2-M4	14	79032804	2-M2
31	79030253	1-P6	9	79030270	1-Q7	29	79031002	1-Q8	22	79032199	1-Q14	15	79032835	2-M2
31	79030253	1-Q12	9	79030270	1-R12	29	79031002	1-R11	14	79032209	1-N17	16	79032836	2-M2
31	79030253	1-R8	10	79030271	1-P11	37	79031003	1-P8	15	79032280	2-P7	17	79032837	2-M2
23	79030254	1-P3	10	79030271	1-Q7	37	79031003	1-Q10	22	79032321	1-I4	18	79032838	2-M2
24	79030255	1-P3	10	79030271	1-R12	37	79031003	1-R10	16	79032388	2-P7	13	79032851	2-S7
25	79030256	1-P3	11	79030277	1-P11	47	79031008	1-P17	7	79032393	2-Q14	12	79032918	2-I12
26	79030257	1-P3	11	79030277	1-Q7	28	79031088	1-I11	8	79032394	2-Q14	1	79032967	1-L5
27	79030258	1-P3	11	79030277	1-R12	29	79031103	1-I11	9	79032395	2-Q14	2	79032970	1-L5
8	79030258	1-Q16	13	79030400	2-P4	15	79031114	2-I8	17	79032396	2-P3	3	79032971	1-L5
27	79030258	1-R4	12	79030401	2-P4	2	79031141	2-H13	17	79032396	2-P8	4	79032973	1-L5
28	79030259	1-P3	1	79030434	2-Q9	33	79031181	1-Q16	7	79032396	2-P14	5	79032973	1-L6
29	79030260	1-P3	12	79030703	2-I9	14	79031355	2-P7	18	79032398	2-P3	7	79032977	1-L4
9	79030260	1-Q16	13	79030705	2-I9	15	79031362	2-G16	12	79032398	2-P9	8	79032980	1-L4
29	79030260	1-R5	14	79030706	2-I9	16	79031363	2-G16	9	79032446	2-G9	9	79032983	1-L4
32	79030261	1-P6	14	79030811	1-T12	28	79031365	2-G17	16	79032554	2-H4	1	79032985	1-L6
32	79030261	1-Q12	15	79030813	1-T12	29	79031368	2-G17	30	79032565	1-I11	3	79032988	1-L6
32	79030261	1-R8	16	79030814	1-T12	39	79031624	2-N4	7	79032711	2-M2	2	79032989	1-L6
32	79030262	1-P8	24	79030814	2-Q3	13	79031633	2-M11	16	79032726	1-I2	13	79033030	2-I12
33	79030263	1-P8	12	79030891	2-H13	7	79031656	1-T7	17	79032727	1-I2	23	79033109	2-O5

ITEM	PART N.	GRID	ITEM	PART N.	GRID	ITEM	PART N.	GRID	ITEM	PART N.	GRID	ITEM	PART N.	GRID
7	79033115	2-S3	18	79034391	2-G15	5	79035790	2-S15	10	79036109	2-L6	15	79036214	2-M15
15	79033172	2-P4	16	79034392	1-S16	6	79035791	2-S15	9	79036110	2-L12	16	79036215	2-M15
19	79033245	2-P8	29	79034393	2-M7	7	79035792	2-S15	11	79036111	2-L13	17	79036216	2-M15
14	79033661	2-M11	22	79034394	2-M10	16	79035794	2-S7	11	79036112	2-L6	18	79036217	2-M15
15	79033672	2-M11	23	79034395	2-M9	17	79035795	2-S7	10	79036113	2-L12	19	79036213	2-M15
16	79033674	2-M11	30	79034396	2-M7	8	79035796	2-S15	12	79036114	2-L13	20	79036219	2-M15
28	79033719	2-G2	31	79034397	2-M7	9	79035797	2-S15	13	79036115	2-L13	21	79036220	2-M15
19	79033719	2-H2	20	79034444	2-P2	10	79035842	2-S15	11	79036116	2-L12	21	79036221	2-M15
19	79033907	2-R15	41	79034477	2-N4	18	79035975	2-S7	14	79036117	2-L13	21	79036222	2-M15
16	79034236	1-I8	11	79034483	2-S16	18	79035976	2-S7	15	79036118	2-L13	22	79036223	2-M15
12	79034236	1-I6	25	79034908	2-H10	24	79035993	2-M9	16	79036119	2-L13	23	79036224	2-M15
17	79034241	1-I8	26	79034909	2-H10	20	79036026	2-S7	8	79036120	2-L8	24	79036225	2-M15
13	79034241	1-I6	27	79034910	2-H10	18	79036076	2-I6	12	79036121	2-L12	25	79036226	2-M15
18	79034242	1-I8	26	79034988	1-I8	12	79036077	2-O16	17	79036121	2-L13	26	79036227	2-M14
14	79034242	1-I6	27	79034989	1-I8	8	79036079	2-L6	13	79036122	2-L12	27	79036228	2-M14
19	79034246	1-I8	23	79035017	1-O14	7	79036079	2-L12	13	79036123	2-L12	18	79036234	2-L13
15	79034246	1-I6	28	79035034	1-I7	14	79036079	2-N17	9	79036124	2-L8	12	79036235	2-L8
20	79034251	1-I8	22	79035034	1-I6	15	79036079	2-O17	10	79036125	2-L8	11	79036274	2-S14
21	79034254	1-I8	3	79035096	1-M15	13	79036079	2-O16	11	79036126	2-L8	4	79036285	2-L3
22	79034255	1-I8	4	79035097	1-M15	14	79036080	2-O16	8	79036146	2-L2	11	79036287	2-I4
18	79034255	1-I6	21	79035168	2-S8	15	79036081	2-O16	5	79036147	2-N16	7	79036292	2-I2
23	79034256	1-I8	10	79035351	2-Q14	19	79036082	2-I6	6	79036148	2-N16	12	79036293	2-I7
19	79034256	1-I6	16	79035418	2-P4	12	79036083	2-O17	9	79036149	2-L2	16	79036294	2-L12
24	79034258	1-I8	16	79035418	2-P11	13	79036084	2-O17	6	79036150	2-N16	12	79036295	2-S14
20	79034258	1-I6	21	79035667	1-I2	14	79036085	2-O17	7	79036152	2-N16	5	79036296	2-L3
25	79034259	1-I8	21	79035667	1-L3	16	79036088	2-O17	8	79036158	2-N16	12	79036297	2-I4
21	79034259	1-I6	20	79035712	2-R15	8	79036091	2-L13	10	79036162	2-L2	8	79036298	2-I2
16	79034377	2-I8	21	79035737	1-O7	16	79036091	2-O16	11	79036163	2-L2	13	79036299	2-L8
16	79034379	2-I17	22	79035740	1-O6	11	79036095	2-I7	17	79036196	2-O16	4	79036303	2-L4
17	79034381	2-I17	2	79035784	2-S15	15	79036096	2-N17	17	79036198	2-O17	5	79036304	2-L4
17	79034382	2-H14	3	79035785	2-S15	16	79036097	2-N17	17	79036199	2-N17	14	79036305	2-L8
12	79034384	2-I14	14	79035786	2-S7	9	79036105	2-L6	9	79036200	2-N16	15	79036313	2-L8
13	79034385	2-I14	15	79035787	2-S7	8	79036106	2-L12	15	79036205	2-L12	20	79036543	2-S7
8	79034386	2-H15	32	79035788	2-S9	9	79036107	2-L13	6	79036212	2-I2	9	79036600	2-G12
9	79034387	2-H15	4	79035789	2-S15	10	79036108	2-L13	14	79036213	2-M15	6	79036618	2-M16

ITEM	PART N.	GRID	ITEM	PART N.	GRID	ITEM	PART N.	GRID	ITEM	PART N.	GRID	ITEM	PART N.	GRID
8	79036622	2-M16	32	79037501	1-H9	16	79038690	2-I7	33	79039021	2-I5	33	79039093	2-I3
5	79036685	2-O10	16	79037537	1-S2	17	79038691	2-I7	34	79039023	2-I5	34	79039094	2-I3
11	79036686	1-O7	5	79037810	2-Q13	18	79038693	2-I7	35	79039025	2-I5	17	79039097	2-L12
23	79036687	1-O6	3	79037996	2-T6	20	79038693	2-I6	36	79039028	2-I5	17	79039235	1-S16
4	79036696	2-T5	7	79038227	2-N13	19	79038694	2-I7	37	79039030	2-I5	18	79039236	1-S16
14	79036837	2-H8	2	79038338	2-R12	20	79038698	2-I7	28	79039037	2-L7	19	79039237	1-S16
15	79036838	2-H8	10	79038358	2-Q16	21	79038700	2-I7	29	79039038	2-L7	20	79039238	1-S16
2	79036898	2-T6	9	79038360	2-Q16	16	79038703	2-L8	30	79039039	2-L7	3	79039355	2-H17
4	79036930	2-T4	12	79038365	2-N11	17	79038705	2-L8	7	79039044	2-L4	10	79039361	2-I14
4	79036933	2-L16	6	79038366	2-N11	22	79038707	2-I7	10	79039050	2-I2	10	79039362	2-I14
4	79036935	2-L17	11	79038372	2-P12	21	79038707	2-I6	11	79039052	2-I2	11	79039378	2-I9
4	79036937	2-M17	12	79038514	2-L6	25	79038708	2-L6	12	79039053	2-I2	1	79039407	2-I15
33	79036971	2-S9	13	79038515	2-L6	26	79038710	2-L7	8	79039056	2-L4	1	79039409	2-I15
27	79037005	1-I9	14	79038516	2-L6	22	79038711	2-I6	9	79039058	2-L4	4	79039411	2-H17
26	79037015	2-H12	15	79038517	2-L6	23	79038712	2-I6	13	79039060	2-I4	6	79039414	2-H17
27	79037018	2-H12	16	79038518	2-L6	24	79038713	2-I6	14	79039062	2-I4	5	79039505	2-N11
10	79037228	2-N16	17	79038519	2-L6	25	79038714	2-I6	15	79039064	2-I4	5	79039506	2-N11
11	79037229	2-N16	18	79038520	2-L6	7	79038723	2-N14	16	79039066	2-I4	13	79039509	2-N12
12	79037231	2-N16	19	79038521	2-L6	4	79038724	2-N14	17	79039068	2-I4	8	79039514	2-N13
13	79037232	2-N16	20	79038523	2-L6	20	79038734	2-P8	18	79039070	2-I4	12	79039519	2-N14
14	79037233	2-N16	21	79038524	2-L6	7	79038734	2-P13	19	79039072	2-I4	13	79039520	2-N14
15	79037234	2-N16	22	79038525	2-L6	21	79038735	2-P8	20	79039074	2-I4	6	79039536	2-N13
16	79037235	2-N16	19	79038560	2-L13	8	79038735	2-P13	21	79039076	2-I4	15	79039542	2-I8
13	79037299	2-P9	20	79038561	2-L13	10	79038749	2-Q14	22	79039078	2-I4	17	79039685	2-I8
41	79037379	1-G14	28	79038671	2-M14	26	79039001	2-I5	23	79039080	2-I4	5	79039698	1-L7
29	79037393	1-G2	29	79038672	2-M14	27	79039003	2-I5	24	79039082	2-I4	12	79039699	2-I9
32	79037397	1-H9	30	79038673	2-M14	27	79039004	2-L7	25	79039084	2-I4	8	79039700	2-I9
32	79037401	1-H9	31	79038674	2-M14	28	79039005	2-I5	25	79039085	2-I4	11	79039833	2-P4
32	79037418	1-H9	32	79038675	2-M14	29	79039006	2-I5	27	79039086	2-I4	6	79040042	2-L3
29	79037431	1-G2	23	79038676	2-L6	30	79039007	2-I5	28	79039087	2-I3	7	79040043	2-L3
38	79037447	1-G10	23	79038677	2-L6	23	79039010	2-I7	29	79039088	2-I3	1	79040044	2-N8
27	79037447	1-G9	13	79038683	2-I7	9	79039010	2-I2	30	79039089	2-I3	2	79040047	2-N8
7	79037447	1-I13	33	79038684	2-M14	6	79039012	2-L4	12	79039089	2-L2	3	79040049	2-N8
29	79037478	1-G2	14	79038685	2-I7	31	79039015	2-I5	31	79039090	2-I3	4	79040050	2-N8
32	79037489	1-H9	15	79038689	2-I7	32	79039019	2-I5	32	79039091	2-I3	1	79040052	2-N10

ITEM	PART N.	GRID	ITEM	PART N.	GRID	ITEM	PART N.	GRID	ITEM	PART N.	GRID	ITEM	PART N.	GRID
2	79040053	2-N10	15	79040120	2-N10	11	79041395	2-L3	25	79043279	2-M7	20	79043328	2-R4
3	79040054	2-N10	16	79040122	2-N10	12	79041396	2-L3	28	79043280	2-M7	21	79043329	2-R4
4	79040055	2-N10	17	79040123	2-N10	13	79041397	2-L3	26	79043286	2-M7	26	79043330	2-R7
5	79040056	2-N10	18	79040124	2-N10	13	79041400	2-S14	11	79043292	2-R4	16	79043331	2-R10
5	79040057	2-N8	19	79040125	2-N10	16	79041402	2-L2	8	79043293	2-R10	17	79043332	2-R10
6	79040059	2-N8	24	79040127	2-N8	31	79041403	2-N9	9	79043294	2-R10	18	79043333	2-R10
7	79040060	2-N8	25	79040128	2-N8	20	79041403	2-N10	20	79043295	2-R7	19	79043334	2-R10
8	79040061	2-N8	26	79040129	2-N8	32	79041404	2-N9	18	79043296	2-R9	20	79043335	2-R10
9	79040062	2-N8	27	79040130	2-N8	33	79041405	2-N9	10	79043297	2-R10	22	79043336	2-R4
10	79040063	2-N8	28	79040131	2-N9	19	79041575	1-J2	7	79043298	2-R11	23	79043337	2-R4
11	79040065	2-N8	29	79040133	2-N9	19	79041771	1-O14	21	79043299	2-R7	27	79043338	2-R7
13	79040070	2-L2	30	79040134	2-N9	20	79041773	1-O14	19	79043300	2-R9	21	79043339	2-R10
12	79040071	2-N6	37	79040203	2-G4	11	79041774	1-O13	22	79043301	2-R7	28	79043340	2-R8
13	79040072	2-N8	40	79040204	2-G4	7	79041777	1-O13	20	79043302	2-R9	11	79043341	2-R2
14	79040073	2-L2	34	79040206	2-G4	12	79041953	1-G16	9	79043303	2-R2	29	79043342	2-R8
15	79040074	2-L2	24	79040766	2-H10	6	79042185	2-Q2	21	79043304	2-R9	16	79043343	2-R9
14	79040076	2-N8	38	79040769	2-N6	7	79042186	2-Q2	11	79043305	2-R10	17	79043344	2-R9
15	79040077	2-N8	40	79040775	2-N4	4	79042633	2-O13	12	79043306	2-R10	30	79043345	2-R8
16	79040078	2-N8	9	79040777	2-N3	14	79042811	2-P9	22	79043307	2-R9	1	79043346	2-R8
17	79040079	2-N8	7	79040784	2-N3	24	79042823	2-P3	12	79043308	2-R4	22	79043347	2-R10
18	79040081	2-N8	29	79040915	2-G4	12	79042886	2-O4	13	79043309	2-R4	1	79043348	2-R6
19	79040084	2-N8	6	79040939	2-L5	18	79042890	1-S14	14	79043310	2-R4	12	79043349	2-R2
20	79040085	2-N8	2	79041020	2-R13	24	79042891	1-S14	15	79043311	2-R4	24	79043350	2-R4
21	79040086	2-N8	3	79041021	2-R13	16	79042905	2-L9	23	79043312	2-R7	9	79043351	2-R11
22	79040087	2-N6	4	79041022	2-R13	12	79042910	2-L9	16	79043313	2-R4	23	79043352	2-R10
23	79040089	2-N8	15	79041038	2-O6	25	79042911	2-L10	24	79043314	2-R7	32	79043354	2-R8
6	79040101	2-N10	18	79041040	2-P5	10	79042912	2-L9	25	79043315	2-R7	2	79043355	2-R6
7	79040105	2-N10	20	79041045	1-H10	5	79042913	2-L14	23	79043316	2-R9	3	79043356	2-R6
8	79040106	2-N10	6	79041052	2-M5	5	79042984	2-R14	13	79043317	2-R10	24	79043357	2-R10
9	79040108	2-N10	5	79041164	2-R13	6	79042985	2-R14	8	79043318	2-R11	25	79043358	2-R10
10	79040109	2-N10	22	79041290	2-R17	7	79042986	2-R14	14	79043319	2-R10	25	79043359	2-R4
11	79040110	2-N10	8	79041391	2-L3	5	79043100	2-Q2	15	79043320	2-R10	25	79043360	2-R5
12	79040111	2-N10	9	79041392	2-L3	40	79043273	2-N6	17	79043325	2-R4	26	79043361	2-R10
13	79040112	2-N10	1	79041392	2-O14	13	79043274	2-P3	18	79043326	2-R4	3	79043363	1-I3
14	79040113	2-N10	10	79041393	2-L3	15	79043274	2-P9	19	79043327	2-R4	4	79043364	1-I3

ITEM	PART N.	GRID	ITEM	PART N.	GRID	ITEM	PART N.	GRID	ITEM	PART N.	GRID	ITEM	PART N.	GRID
12	79043372	2-R17	9	79046381	2-H16	22	79050031	1-L2	23	79051689	1-R4	37	79052262	2-O8
24	79043376	2-S17	14	79046492	2-I16	22	79050031	1-L3	21	79051690	1-Q16	38	79052263	2-O8
25	79043379	2-S17	10	79046493	2-H16	3	79050331	2-R12	3	79051691	1-Q16	39	79052264	2-O8
26	79043380	2-S17	13	79046493	2-I16	17	79050355	1-I17	8	79051920	2-O14	40	79052265	2-O8
18	79043436	2-G15	11	79046554	2-H16	1	79050413	2-I11	15	79052006	1-S16	41	79052266	2-O8
31	79043441	2-G17	12	79046558	2-H16	5	79050414	2-I11	11	79052011	1-S16	42	79052267	2-O8
10	79043442	2-G16	13	79046559	2-H16	4	79050415	2-I11	14	79052017	2-G16	43	79052268	2-O8
21	79043444	1-S16	14	79046560	2-H16	17	79050424	2-N12	9	79052233	2-O9	44	79052269	2-O8
17	79043444	1-S15	15	79046561	2-H16	15	79050425	2-N13	10	79052234	2-O9	45	79052270	2-O8
17	79043444	1-S14	16	79046562	2-H16	20	79050429	1-I17	11	79052235	2-O9	46	79052271	2-O8
13	79043462	2-R2	17	79046563	2-H16	22	79050429	1-S14	12	79052237	2-O9	47	79052272	2-O8
27	79043463	2-R5	18	79046564	2-H16	21	79050458	1-I17	13	79052238	2-O9	48	79052273	2-O8
28	79043520	2-S11	19	79046565	2-H16	18	79050459	1-I17	14	79052239	2-O9	49	79052274	2-O8
26	79043524	2-S12	20	79046566	2-H16	19	79050460	1-I17	15	79052240	2-O9	50	79052275	2-O8
29	79043525	2-S11	16	79046567	2-I16	22	79050693	2-H16	16	79052241	2-O9	51	79052276	2-O8
24	79043580	2-R9	12	79046568	2-I13	9	79051014	2-P3	17	79052242	2-O9	52	79052277	2-O8
15	79043633	2-N14	4	79046570	2-I16	9	79051014	2-P7	18	79052243	2-O9	53	79052278	2-O8
7	79043879	1-I10	5	79046571	2-I16	4	79051014	2-P14	19	79052244	2-O9	54	79052279	2-O8
25	79044358	2-R9	6	79046573	2-I16	16	79051015	2-F9	20	79052245	2-O9	55	79052280	2-O7
1	79044438	2-T7	5	79046574	2-I16	6	79051077	1-Q11	21	79052246	2-O9	56	79052281	2-O7
2	79044457	2-T7	1	79046575	2-I13	9	79051077	1-Q9	22	79052247	2-O9	24	79052635	1-Q13
3	79044458	2-T7	1	79046576	2-I13	6	79051077	1-R9	23	79052248	2-O9	24	79052635	1-R7
4	79044469	2-T7	3	79046577	2-I13	1	79051077	1-R11	24	79052249	2-O9	22	79052636	1-Q2
5	79044498	2-T4	3	79046578	2-I13	28	79051089	1-Q15	24	79052250	2-O9	22	79052636	1-R17
33	79044551	2-R8	7	79047724	2-N13	21	79051089	1-R4	24	79052251	2-O9	10	79053320	1-S14
30	79044617	1-O16	12	79047728	2-N11	22	79051090	1-O5	27	79052252	2-O8	5	79053321	1-S14
14	79044734	2-P4	7	79047729	2-N14	22	79051090	1-R14	28	79052253	2-O8	27	79053435	1-R11
18	79044735	2-P8	10	79047893	2-I13	11	79051192	1-S14	29	79052254	2-O8	5	79054137	2-Q13
10	79044735	2-P13	10	79047894	2-I13	2	79051194	2-Q13	30	79052255	2-O8	4	79054144	2-Q13
9	79045510	2-Q2	3	79047895	2-I16	3	79051200	2-Q13	31	79052256	2-O8	2	79054158	2-H13
10	79045519	2-P16	11	79047896	2-I9	2	79051207	1-Q16	32	79052257	2-O8	6	79054631	2-Q2
10	79045846	2-Q16	14	79048326	2-P7	2	79051207	1-R4	7	79052258	2-O9	7	79054634	2-Q2
10	79045846	2-Q15	16	79048629	1-I17	25	79051688	1-Q16	34	79052259	2-O8	8	79054635	2-Q2
16	79045951	2-N3	21	79048701	2-H16	24	79051688	1-R4	35	79052260	2-O8	16	79054725	2-L6
44	79045952	2-N4	17	79048802	2-I16	29	79051689	1-O15	36	79052261	2-O8	29	79054726	2-L7

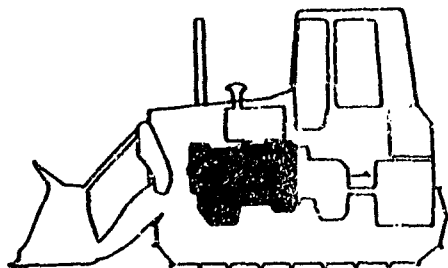
ITEM	PART N.	GRID	ITEM	PART N.	GRID	ITEM	PART N.	GRID	ITEM	PART N.	GRID	ITEM	PART N.	GRID
1	79055093	2-015	38	79055159	1-R10	8	79058083	2-G6	2	79062701	1-L8	7	79069896	2-P10
12	79055093	2-014	31	79055159	1-R11	5	79058684	1-T7	3	79062702	1-L8	7	79069896	2-P15
2	79055094	2-015	31	79055160	1-Q15	14	79059927	1-Q13	1	79062723	2-G14	12	79069896	2-P16
3	79055095	2-015	34	79055160	1-Q12	14	79059927	1-R7	8	79062734	2-Q10	1	79070045	1-M5
9	79055095	2-014	39	79055160	1-Q10	3	79060003	1-S6	2	79063942	1-O5	1	79070060	1-M4
4	79055096	2-015	30	79055160	1-Q6	24	79060004	1-Q9	2	79063942	1-R14	2	79070064	1-M4
5	79055097	2-015	12	79055160	1-Q7	28	79060005	1-Q4	30	79064245	1-Q4	3	79070065	1-M4
4	79055097	2-014	33	79055160	1-Q4	29	79060005	1-R15	31	79064245	1-R15	1	79070069	1-M3
6	79055098	2-015	48	79055160	1-R2	38	79060006	1-R2	10	79064308	2-R16	2	79070070	1-M3
5	79055098	2-014	31	79055160	1-R5	38	79060006	1-S17	35	79064449	1-Q12	3	79070071	1-M3
7	79055099	2-015	33	79055160	1-R8	41	79060008	1-R2	43	79064449	1-R2	8	79070076	1-M3
8	79055100	2-015	38	79055160	1-R10	41	79060008	1-S17	15	79064451	1-Q13	9	79070084	1-M3
6	79055100	2-014	31	79055160	1-R11	31	79060009	1-Q8	15	79064451	1-R7	6	79070087	1-M3
9	79055101	2-015	12	79055160	1-R12	30	79060009	1-R11	21	79064661	2-Q6	7	79070088	1-M3
10	79055102	2-015	34	79055160	1-R15	24	79060010	1-Q11	18	79065193	1-P9	4	79070109	1-M5
14	79055102	2-014	43	79055160	1-S17	24	79060010	1-R9	18	79065193	1-Q9	2	79070114	1-M5
11	79055103	2-015	7	79055215	2-L14	32	79060012	1-Q10	18	79065193	1-R11	4	79070115	1-M3
10	79055103	2-014	13	79055218	2-L14	32	79060012	1-R10	39	79065194	1-S17	7	79070121	1-M6
13	79055104	2-015	14	79055219	2-L14	3	79060013	1-S7	10	79065560	2-N13	8	79070122	1-M6
14	79055105	2-015	16	79055238	2-O14	5	79060014	1-S7	11	79065561	2-N13	5	79070136	1-M6
11	79055105	2-014	14	79056358	1-O4	6	79060015	1-S7	3	79065562	2-N13	4	79070137	1-M6
15	79055106	2-015	34	79056361	1-Q10	4	79060016	1-S6	8	79065566	2-N14	3	79070140	1-M6
16	79055107	2-015	34	79056361	1-R10	5	79060017	1-S6	9	79065567	2-N14	2	79070143	1-M6
17	79055108	2-015	6	79056362	1-Q7	28	79060028	1-R4	6	79065568	2-N14	1	79070149	1-M7
19	79055109	2-015	6	79056362	1-R12	5	79060061	2-T7	13	79066478	2-P4	2	79070150	1-M7
20	79055110	2-015	19	79056706	2-M2	26	79060727	2-P2	14	79066478	2-P11	4	79070151	1-M7
2	79055119	2-014	7	79056706	2-N2	9	79060809	1-M13	20	79066594	2-G13	5	79070159	1-M7
7	79055120	2-014	29	79056717	2-P2	10	79061720	2-L6	1	79067856	1-N9	7	79070168	1-M7
13	79055121	2-014	19	79056718	2-P2	19	79062223	1-T9	5	79069460	2-P17	6	79070172	1-M7
15	79055122	2-014	1	79056873	2-Q17	12	79062460	2-O10	6	79069718	1-M17	8	79070321	2-P10
30	79055159	1-Q15	12	79057500	2-O13	2	79062581	2-O6	7	79069734	1-M17	8	79070321	2-P15
33	79055159	1-Q12	13	79057502	2-O13	2	79062584	2-O6	1	79069735	1-N11	13	79070321	2-P16
38	79055159	1-Q10	14	79057723	1-O4	30	79062590	2-L7	6	79069895	2-P10	16	79071319	2-N13
31	79055159	1-R5	8	79057809	2-O9	15	79062699	1-L3	5	79069895	2-P15	17	79071464	2-N15
33	79055159	1-R8	13	79058644	2-P4	1	79062700	1-L8	11	79069895	2-P16	5	79071795	1-M3





ITEM	PART N.	GRID	ITEM	PART N.	GRID	ITEM	PART N.	GRID	ITEM	PART N.	GRID	ITEM	PART N.	GRID
8	79071796	1-M7	6	79083848	1-L4									
9	79071796	1-M6	8	79083849	1-L3									
5	79071796	1-M5	18	79084753	1-I10									
4	79071796	1-M4	23	79086375	1-O11									
11	79071796	1-M3	23	79086375	1-R9									
16	79072543	2-P5	52	79086661	1-G12									
16	79072543	2-P11	11	79086662	1-N16									
3	79072795	1-L8	15	79086662	1-N17									
5	79072796	1-L8	21	79086662	1-O11									
14	79073031	2-P7	23	79086662	1-O9									
11	79073031	2-P13	20	79086663	1-G7									
15	79073033	2-P7	26	79086663	1-G5									
9	79073033	2-P13	36	79086663	1-G4									
9	79073816	2-P10	7	79086663	1-I13									
5	79073816	2-P15	6	79086891	2-H6									
14	79073816	2-P16	2	79086894	2-H5									
1	79073822	2-P17	1	79086895	2-H5									
2	79073823	2-P17	3	79086896	2-H5									
3	79073824	2-P17	4	79086897	2-H5									
4	79073825	2-P17	2	79086898	2-H6									
10	79074016	1-M3	3	79086899	2-H6									
15	79076344	2-P4	4	79086900	2-H6									
15	79076344	2-P11	5	79086901	2-H6									
16	79077026	1-I17	1	79086902	2-H6									
3	79077633	1-T14	9	79087038	2-G6									
6	79080111	2-P17	11	79089080	2-H5									
13	79083844	1-T17	5	79089109	2-H5									
6	79083844	2-G16	12	79089110	2-H5									
15	79083845	1-O10	24	79094062	2-G17									
14	79083845	2-H11	3	79094063	1-T17									
6	79083845	2-H13	5	79094770	1-T15									
12	79083846	1-O12	19	79094771	1-T17									
16	79083846	1-O9	9	79094911	2-O6									
15	79083846	2-H11	14	79094912	2-O6									
7	79083848	1-L3												

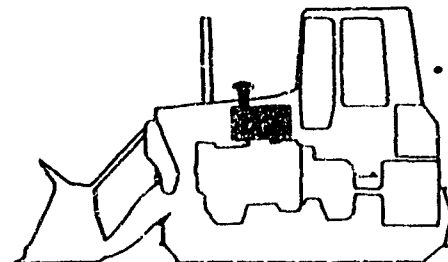
FL 5



PARTS FOR CURRENT MAINTENANCE (500 Hr KIT)
 RICAMBI PER MANUTENZIONE ORDINARIA (KIT 500 ORE)

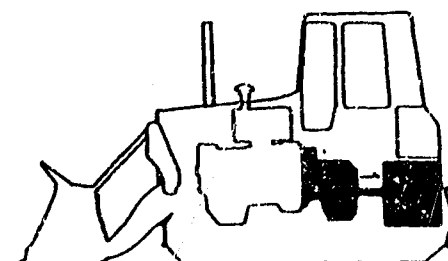
P/N 77903534 *









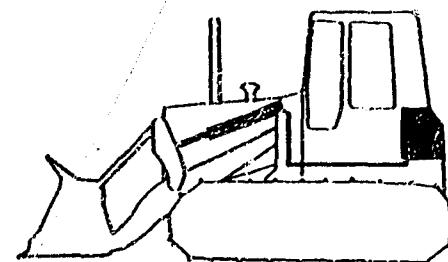
		SGR.A2.26/A Tav. 1 Item 2			
		SGR. A3.01 Tav. 1 Item 6			






		SGR. A2.23 Tav. 1 Item 3			
---	---	--------------------------	--	--	--



		SGR. B2.01 Tav. 3 Item 29		OR	SGR. D2.23 Tav. 1 Item 16
		SGR. B2.01 Tav. 3 Item 13			
		SGR. D2.24 Tav. 1 Item 10			



	OR	SGR. E3.28 Tav. 1 Item 16			
		SGR. E3.28 Tav. 1 Item 26			

* FROM SERIAL NO. 201361 AND UP
 DAL TELAIO N. 201361

KIT INDEX - INDICE DEI KITS - LISTE DES KITS - VERZEICHNIS DER ERSATZTEILSETZE - INDICE DE FORNITURAS

PART NUMBER	ITEM	KIT COMP. PART. N.	QTY	SGR.	TAV.	PAG.	GRID POS.	TRANS CODE	DESCRIPTION	DENOMINAZIONE
1901385	9	4707775	2	A1.03/ A	1	1	1-H2	90S	HALF RING	SEMIANELLO
	11	4707779	2	A1.03/ A	1	1	1-H2	90S	HALF RING	SEMIANELLO
1901386	9	4707776	2	A1.03/ A	1	1	1-H2	90S	HALF RING	SEMIANELLO
	11	4707780	2	A1.03/ A	1	1	1-H2	90S	HALF RING	SEMIANELLO
1901387	9	4708063	2	A1.03/ A	1	1	1-H2	90S	HALF RING	SEMIANELLO
	11	4708069	2	A1.03/ A	1	1	1-H2	90S	HALF RING	SEMIANELLO
1901388	9	4708064	2	A1.03/ A	1	1	1-H2	90S	HALF RING	SEMIANELLO
	11	4708070	2	A1.03/ A	1	1	1-H2	90S	HALF RING	SEMIANELLO
1930176	13	4754062	1	A1.03/ A	1	1	1-H2	103S	HALF BEARING	SEMICUSCINETTO
	3	4754064	1	A1.03/ A	1	1	1-H2	103S	HALF BEARING	SEMICUSCINETTO
1930177	13	4771248	1	A1.03/ A	1	1	1-H2	103S	HALF BEARING	SEMICUSCINETTO
	3	4771258	1	A1.03/ A	1	1	1-H2	103S	HALF BEARING	SEMICUSCINETTO
1930178	13	4771249	1	A1.03/ A	1	1	1-H2	103S	HALF BEARING	SEMICUSCINETTO
	3	4771259	1	A1.03/ A	1	1	1-H2	103S	HALF BEARING	SEMICUSCINETTO
1930179	13	4771250	1	A1.03/ A	1	1	1-H2	103S	HALF BEARING	SEMICUSCINETTO

DESIGNAZIONE BASE	BASIC DESIGNATION	DESIGNATIONS-BASES	GRUNDBEZEICHNUNGEN	DENOMINACIONES BASE
50G	GHIERA	RING NUT	FRETTE	VIROLA
50I	INGRANAGGIO	GEAR	PIGNON	PINON
50N	NOTTOLINO	PAWL	CLIQUET	SEGURO
50P	PAVIMENTO	FLOOR	PLANCHER	PISO
50S	SCHIENALE	SEAT BACK	DOSSIER	RESPALDO
50T	TAPPO	PLUG	BOUCHON	TAPON
50V	VOLANTE	STEERING WHEEL	VOLENT DE DIRECTION	VOLANTE DE DIRECCION
505	CATENARIA LUBRIFICATA	SALT TRACK CHAIN	CHEVILLE LUBRIFIEE	
51A	ANELLO DI SICUREZZA	LOCKRING	ARRETOIR	ANILLO DE FRENO
51B	BIELLA MOTORE	CONNECTING ROD	BIELLE	BIELA PISTON
51G	GHIERA FILETTATA	THREADED RING	ECROU	TUERCA
51M	MARTELLLO	HAMMER	MARTEAU	MARTILLO
516	SUOLE (3 COSTOLE)	SHOES (3 GROUSERS)	PATINS (3 COTES)	
517	SUOLE (2 COSTOLE)	SHOES (2 GROUSERS)	PATINS (2 COTES)	
52A	ANELLO SPINGIDISCO	PRESSURE PLATE	PLATEAU DE PRES- SION	PLATO DE EMPUJE
52A			TABLIER	CHAPA
52F	FIANCHETTO	SIDE PANEL	VOLTMETRE	VOLTIMETRO
52V	VOLTMETRO	VOLTMETER	SEGMENT	ARO DE EMBOLO
53A	ANELLO STANTUFFO	PISTON RING	CHEMISE	CAMISA DE CILINDRO
53C	CANNA CILINDRO	TUBE	DIODE	DIODO
53D	DIODO	DIODE	JUSQU'AU CHASSIS	HASTA EL CHASSIS
53F	FINO AL TELAIO	UP TO SERIAL NO.	BOUCHON AVEC JAUGE	TAPON CON VARILLA
53T	TAPPO DI INTRODUZIONE OLIO CON	DIPSTICK W/CAP	D'HUILE	DE NIVEL DE ACEITE
53T	ASTA LIVELLO		LAME VERSOIR	REJA
53V	VERSOIO	PUSH PLATE	PATIN (1 COTE)	
530	SUOLE (1 COSTOLA)	SHOES (1 GROUSER)	PATINS AUTONETTOYANTS	
531	SUOLE AUTOPULENTI	SELF CLEANING SHOES	PATINS RENFORCES	
534	SUOLE H.D.	SHOES H.D.	SEGMENTS	
54A	ANELLI STANTUFFO	PISTON RINGS	TIGE MAGNETIQUE	
54C	CANDELA MAGNETICA	MAGNETIC ROD	INSERT	
54D	INSERTO FILETTATO	INSERT	REDUCTEUR DE VI- TESSE DE ROTATION	
54R	REDUTTORE DI ROTAZIONE	SWING REDUCTION UNIT	BOUCHON DE REMPLISSAGE	
54R			DEMI-JEU PATINS DE ROUTE	
54T	TAPPO INTRODUZIONE	FILLER CAP	JOINT D'ETANCHEITE	
549	MEZZA SERIE SOPRASUOLE	STREET PLATES-HALF SERIES	CULBUTEUR	
55A	ANELLO TENUTA	JUNK RING	EXTINCTEUR	
55B	BILANCIERE	ROCKER	BOUCLE	
55E	ESTINTORE	FIRE EXTINGUISHER	LIME	
55F	FIBBIA	BUCKLE		
55L	LIMA	FILE		

DESIGNAZIONE BASE	BASIC DESIGNATION	DESIGNATIONS-BASES	GRUNDBEZEICHNUNGEN	DENOMINACIONES BASE
55M	MARTINELLO	JACK	CRIC	GATO
55R	RIBATTINO	RIVET	RIVET	REMACHE
55T	TAPPO DI RIDUZIONE	ADAPTER	BOUCHON DE REDUC-TION	TAPON DE REDUCCION
55T				
56A	ANELLO DI RITEGNO	RETAINING RING	ARRETOIR	RETENEDOR
56C	CANDELA PHERISCALDO	GLOW PLUG	BOUGIE PRECHAUFFAGE	BUJIA DE CALENTAMIENTO
56L	LIMITATORE	TRAVEL LIMITER	LIMITEUR	TOPE
56T	TAPPO DI SCARICO	DRAIN PLUG	BOUCHON DE VIDANGE	TAPON DE DESCARGA
561	RIPARI GUIDA CATENA	TRACK CHAIN GUIDING GUARD	PROTECTION GUIDE CHENILLE	
563	RIPARI RUOTE CARRELLO	TRACK ROLLER GUARD	PROTECTIONS ROUES CHARRIOT	
565	GUIDE PER ARCONE	C-FRAME GUIDES	GUIDES POUR ETRIER	
57C	CANTONALE	GUSSET	MOUCHOIR	ANGULAR
57D	DISAERATORE	DEAERATOR	DESAERATEUR	DESAIREADOR
57R	RIDUTTORE DI PRESSIONE	PRESSURE REDUCER	REDUCTEUR DE PRES-SION	REDUCTOR DE PRE-SION
57R				
57T	TAPPO MAGNETICO	MAGNETIC PLUG	BOUCHON MAGNETIQUE	TAPON IMANADO
572	ELETTORISCALDATORE		RECHAUFFEUR ELECTRIQUE	
58A	ANELLO A DOPPIO CONO	BALL SLEEVE	BI-CONE	ANILLO BICONICO
58C	CALAMITA	MAGNET	AIMANT	IMAN
58R	RIDUTTORE	REDUCTION GEAR	REDUCTEUR	REDUCTOR
580	TETTuccio PARASOLE	SUN CANOPY		
581	CABINA SICUREZZA (C/CONDIZION)	ROPS CAB (W/CONDITIONER)	CABINE DE SECURITE(CONDITION.)	SICHERHEITSKABINE MIT KLIMAANL
582	CABINA SICUREZZA-SPECIAL	ROPS CAB-SPECIAL	CABINE DE SECURITE-SPECIAL	SICHERHEITSKABINE SONDERAUSFUN
59A	ANELLO TRASCINAMENTO	DRIVING RING	CRABOTAGE	MITNEHMER
59D	DISCO PORTAFRENO	BRAKE BACK PLATE	DISQUE PORTE-FREIN	BREMSTRAEGER
59R	RIDUTTORE CAMBIO	TRANSMISSION REDUCTION GEAR	REDUCTEUR DE B V.	UNTERSETZUNGSGETRI
60A	ANGOLARE	ANGLE	CORNIERE	WINKELEISEN
60B	BISCOTTINO	SHACKLE	JUMELLE	LASCHE
60C	CAPOCORDA	WIRE TERMINAL	COSSE	KABELSCHUH
60D	DISCO	DISC	DISQUE	SCHEIBE
60E	ESTRATTORE	PULLER	EXTRACTEUR	ABZIEHER
60F	FILO	WIRE	FIL	DRAHT
60G	GIRANTE	IMPELLER	ROTOR	PUMPENRAD
60I	INGRASSATORE	GREASE FITTING	GRAISSEUR	SCHMIERNIPPEL
60L	LINGUETTA	KEY	CLAVETTE	KEIL
60N	NUCLEO	CORE	NOYAU	ANKER
60P	PEDALE	PEDAL	PEDALE	PEDAL
60R	RINFORZO	REINFORCEMENT	RENFORT	VERSTAERKUNG
60S	SCODELLINO	CUP	CUVETTE	TELLERSCHEIBE
60T	TASSELLO	BLOCK	TAMPON	BLOCK

DESIGNAZIONE BASE	BASIC DESIGNATION	DESIGNATIONS-BASES	GRUNDBEZEICHNUNGEN	DENOMINACIONES BASE
604	CONDIZIONAMENTO CABINA	AIR CONDITIONING		
607	VISIERA PARASOLE	SUN VISOR		
61C	CONTRAPPESO	COUNTERWEIGHT	CONTREPOIDS	CONTRAPESO
61E	ESTREMITÀ	END	EXTREMITE	EXTREMO
61F	FILO ACCIAIO	STEEL WIRE	FIL D'ACIER	ALAMBRE DE ACERO
61L	LINGUETTA A DISCO	WOODRUF KEY	CLAVETTE A DISQUE	CHAVETA A DISCO
61T	TASSELLO ELASTICO	CUSHION PAD	TAMPON ELASTIQUE	ALMOHADILLA
612	SPECCHIO RETROVISORE INTERNO	INSIDE REAR VIEW MIRROR	RETROVISEURS INTERIEUR	ESPEJOS RETROVISORES INTERIOR
613	SPECCHIO RETROVISORE ESTERNO	OUTSIDE REAR VIEW MIRROR	RETROVISEUR EXTERIEUR	ESPEJOS RETROVISORES EXTERIOR
614	VETRI P/OMOLOGAZIONE EUROPEA			
619	LAMPADA ROTANTE	ROTATING BEACON	LAMPE CLIGNOTANTE A ROTATION	
62C	CAPOTE	FOLDING TOP	CAPOTE	CAPOTA
62E	ESTREMITÀ DEL TIRANTE	TIEROD HEAD	EXTREMITE DU TIRANT	EXTREMO DEL PERNO
62E			MASSELOTTE	
62T	CONTRAPPESO	COUNTERWEIGHT	AVANCE AUTOMATIQUE	CONTRAPESO
63A	ANTICIPO AUTOMATICO	AUTOMATIC ADVANCE		AVANCE AUTOMATICO
63A			ZUENDVERSTELLUNG	
63C	CAPPELLETTO VALVOLA RUOTA	WHEEL VALVE CAP	CHAPEAU	CAPUCHON
63F	FILTRO A BARRETTA	ROD FILTER	FILTRE A BARRETTE	FILTRO DE BARRETTA
63R	RINVIO	BELL CRANCK	RENOVI A LEVIER	REENVIO DE PALANCA
630	EMERGENZA STERZATURA	EMERGENCY STEERING	SYSTEME DE DIRECTION SECOURS	SISTEMA DIRECCION EMERGENCIA
633	FRENATURA DIFFERENZIATA	INDEPENDENT BRAKING DEVICE		
634	IMPIANTO FRENO TUV-ITALIA	BRAKE SYSTEM TUV-ITALY		
64C	CAPPELLO	CAP	CHAPEAU	SOMBREIRO
64D	DISCO FRENO	BRAKE DISC	DISQUE DE FREIN	DISCO DE FRENO
64E	EVAPORATORE	EVAPORATOR	EVAPORATEUR	EVAPORADOR
64F	FILTRO COMBUSTIBILE	FUEL FILTER	FILTRE COMBUSTIBLE	FILTRO COMBUSTIBILE
64I	INNESTO ELETTROMAGNETICO	ELECTROMAGNETIC COUPLING	ENCLenchEMENT ELECTRO-MAGNETIQUE	ACOPLO ELECTROMAGNETICO
64I			PLANCHER	ESTRIBO
64P	PEDANA	FLOOR PLATE		
64R	RINVIO ANGOLARE	MITER GEARING	RENOVI D'ANGLE	REENVIO ANGULAR
65A	ANTICONGELANTE	ANTIFREEZE	ANTIGIVREUR	DESCONGELADOR
65C	CAPPUCCIO	BOOT	CAPUCHON	CAPUCHON
65D	DISCO FRIZIONE	CLUTCH DISC	DISQUE D'EMBRAYAGE	DISCO DE EMBRAGUE
65F	FILTRO	FILTER	FILTRE	FILTRO
65G	GIUNTO CARDANICO	UNIVERSAL JOINT	JOINT DE CARDAN	JUNTA UNIVERSAL
65I	INNESTO	DRIVE	ENCLenchEMENT	ACOPLAMIENTO
65L	LIVELLATORE	LEVELLING DEVICE	EQUILIBREUR	DISP.EQUILIBRADOR
65M	MASSA ANTICIPO	FLYWEIGHT	MASSELOTTE	CONTRAPESO
65T	TARGA	DECAL	DECALCOMANIE	CALCOMANIA

FIATALLIS FL5

NTR. 163

30.05.89 60401077.03

PART NUMBER	ITEM	KIT COMP. PART. N.	QTY	SGR.	TAV.	PAG.	GRID POS.	TRANS CODE	DESCRIPTION	DENOMINAZIONE
79086661										
	14	4769442	1	A1.01/ A	1	1	1-G13	122G	SEAL	GUARNIZIONE
	6	4782836	1	A1.01/ A	1	1	1-G13	122G	SEAL	GUARNIZIONE
79086662										
	1	4599809	1	A4.02	1	1	1-O12	123G	SEAL ASSY	GUARNIZIONE TENUTA FRONTALE
	7	4770265	1	A4.02	1	1	1-O12	123G	SEAL ASSY	GUARNIZIONE TENUTA FRONTALE
	1	4776544	2	A2.54/ A	1	1	1-N16	120G	GASKET	GUARNIZIONE PIANA
	2	4813566	4	A2.54/ A	1	1	1-N16	120G	GASKET	GUARNIZIONE PIANA
	17	14463281	1	A4.02	2	2	1-O9	158G	O-RING	GUARNIZIONE O-R
	17	38824001	2	A4.02	1	1	1-O12	123G	SEAL ASSY	GUARNIZIONE TENUTA FRONTALE
	14	79032209	1	A2.56	1	1	1-N17	123G	SEAL ASSY	GUARNIZIONE TENUTA FRONTALE
79086663										
	2	4031577	1	A1.02/ A	2	1	1-G6	122G	SEAL	GUARNIZIONE
	1	4600893	1	A1.25	1	1	1-I13	123G	SEAL ASSY	GUARNIZIONE TENUTA FRONTALE
	1	4602299	1	A1.02/ A	1	1	1-G7	122G	SEAL	GUARNIZIONE
	2	4605564	1	A1.02/ A	3	1	1-G4	122G	SEAL	GUARNIZIONE
	4	4607590	1	A1.02/ A	2	1	1-G6	122G	SEAL	GUARNIZIONE
	6	4653283	1	A1.02/ A	3	1	1-G4	122G	SEAL	GUARNIZIONE
	24	4781579	1	A1.02/ A	2	2	1-G5	122G	SEAL	GUARNIZIONE
	5	4781580	1	A1.02/ A	2	1	1-G6	122G	SEAL	GUARNIZIONE
	8	4782787	1	A1.02/ A	1	1	1-G7	122G	SEAL	GUARNIZIONE
	9	4782788	1	A1.02/ A	1	1	1-G7	122G	SEAL	GUARNIZIONE
	6	4782853	1	A1.02/ A	2	1	1-G6	122G	SEAL	GUARNIZIONE
	29	14463880	1	A1.02/ A	3	1	1-G4	158G	O-RING	GUARNIZIONE O-R
	30	14483080	1	A1.02/ A	3	1	1-G4	158G	O-RING	GUARNIZIONE O-R

PART NUMBER	ITEM	KIT COMP. PART. N.	QTY	SGR.	TAV.	PAG.	GRID POS.	TRANS CODE	DESCRIPTION	DEMINAZIONE
79056706	7	79056706	1	E3.29/	2	1	2-N2	2K	KIT	KIT
79066594	20	79066594	1	D2.23	3	2	2-G13	2K	KIT	KIT
79071319	10	79065560	1	E3.32/	1	1	2-N13	158G	O-RING	GUARNIZIONE O-R
	11	79065561	1	E3.32/	1	1	2-N13	133R	SEAL	ROSETTA DI TENUTA
	3	79065562	1	E3.32/	1	1	2-N13	158G	O-RING	GUARNIZIONE O-R
79071464	8	79065566	1	E3.32/	2	1	2-N14	158G	O-RING	GUARNIZIONE O-R
	9	79065567	1	E3.32/	2	1	2-N14	45A	RING	ANELLO
	6	79065568	1	E3.32/	2	1	2-N14	42A	MUDSCRAPER RING	ANELLO RASCHIAFANGO
79071795	5	79071795	1	A2.27/	A	5	1-M3	2K	KIT	KIT
79071796	8	79071796	1	A2.27/	A	1	1-M7	2K	KIT	KIT
79071796	9	79071796	1	A2.27/	A	2	1-M6	2K	KIT	KIT
79071796	5	79071796	1	A2.27/	A	3	1-M5	2K	KIT	KIT
79071796	4	79071796	1	A2.27/	A	4	1-M4	2K	KIT	KIT
79071796	11	79071796	1	A2.27/	A	5	1-M3	2K	KIT	KIT

PART NUMBER	ITEM	KIT COMP. PART. N.	QTY	SGR.	TAV.	PAG.	GRID POS.	TRANS CODE	DESCRIPTION	DENOMINAZIONE	
79055160											
	33	14463880	2	B2.01/	1	9	2	1-R15	158G	O-RING	GUARNIZIONE O-R
	13	71004848	1	B2.01/	1	5	1	1-R9	123G	SEAL ASSY	GUARNIZIONE TENUTA FRONTALE
	16	73118040	1	B2.01/	1	6	1	1-R11	123G	SEAL ASSY	GUARNIZIONE TENUTA FRONTALE
	13	73118059	1	B2.01/	1	4	1	1-R7	45A	RING	ANELLO
	10	73118064	1	B2.01/	1	2	1	1-R4	123G	SEAL ASSY	GUARNIZIONE TENUTA FRONTALE
	13	73118067	1	B2.01/	1	2	1	1-R4	158G	O-RING	GUARNIZIONE O-R
	10	73118086	3	B2.01/	1	11	1	1-R17	123G	SEAL ASSY	GUARNIZIONE TENUTA FRONTALE
	6	73118086	2	B2.01/	1	9	1	1-R14	123G	SEAL ASSY	GUARNIZIONE TENUTA FRONTALE
	11	73118087	3	B2.01/	1	11	1	1-R17	123G	SEAL ASSY	GUARNIZIONE TENUTA FRONTALE
	7	73118087	2	B2.01/	1	9	1	1-R14	123G	SEAL ASSY	GUARNIZIONE TENUTA FRONTALE
	15	73118096	4	B2.01/	1	9	1	1-R14	45A	RING	ANELLO
	23	73118122	1	B2.01/	1	5	1	1-R9	122G	SEAL	GUARNIZIONE
	25	73118124	1	B2.01/	1	5	1	1-R9	123G	SEAL ASSY	GUARNIZIONE TENUTA FRONTALE
	21	73118133	1	B2.01/	1	9	1	1-R14	45A	RING	ANELLO
	28	73118136	1	B2.01/	1	11	1	1-R17	45A	RING	ANELLO
	27	73118167	1	B2.01/	1	5	1	1-R9	123G	SEAL ASSY	GUARNIZIONE TENUTA FRONTALE
	24	79030210	1	B2.01/	1	9	1	1-R14	123G	SEAL ASSY	GUARNIZIONE TENUTA FRONTALE
	17	79030211	1	B2.01/	1	6	1	1-R11	123G	SEAL ASSY	GUARNIZIONE TENUTA FRONTALE
	19	79030215	1	B2.01/	1	6	1	1-R11	158G	O-RING	GUARNIZIONE O-R
	21	79030217	1	B2.01/	1	6	1	1-R11	158G	O-RING	GUARNIZIONE O-R
	26	79030266	1	B2.01/	1	6	1	1-R11	123G	SEAL ASSY	GUARNIZIONE TENUTA FRONTALE
	7	79030268	2	B2.01/	1	7	1	1-R12	123G	SEAL ASSY	GUARNIZIONE TENUTA FRONTALE
	9	79030270	1	B2.01/	1	7	1	1-R12	158G	O-RING	GUARNIZIONE O-R
79056706											
	6	14456081	2	E3.29/	1	1	1	2-M2	45A	RING	ANELLO
	11	79032760	2	E3.29/	1	1	1	2-M2	45A	RING	ANELLO
	12	79032761	2	E3.29/	1	1	1	2-M2	158G	O-RING	GUARNIZIONE O-R
	13	79032764	2	E3.29/	1	1	1	2-M2	158G	O-RING	GUARNIZIONE O-R
	17	79032837	2	E3.29/	1	1	1	2-M2	158G	O-RING	GUARNIZIONE O-R

PART NUMBER	ITEM	KIT COMP. PART. N.	QTY	SGR.	TAV.	PAG.	GRID POS.	TRANS CODE	DESCRIPTION	DENOMINAZIONE
79055160										
	6	14458580	1	B2.01/	A	2	1-Q16	158G	O-RING	GUARNIZIONE O-R
	12	14462980	3	B2.01/	A	6	1-Q9	158G	O-RING	GUARNIZIONE O-R
	25	14463880	2	B2.01/	A	9	1-Q5	158G	O-RING	GUARNIZIONE O-R
	13	71004848	1	B2.01/	A	5	1-Q11	122G	SEAL	GUARNIZIONE
	16	73118040	1	B2.01/	A	6	1-Q9	122G	SEAL	GUARNIZIONE
	13	73118059	1	B2.01/	A	4	1-Q13	45A	RING	ANELLO
	12	73118064	1	B2.01/	A	2	1-Q16	122G	SEAL	GUARNIZIONE
	15	73118067	1	B2.01/	A	2	1-Q16	158G	O-RING	GUARNIZIONE O-R
	6	73118086	5	B2.01/	A	9	1-Q5	122G	SEAL	GUARNIZIONE
	10	73118086	3	B2.01/	A	11	1-Q2	122G	SEAL	GUARNIZIONE
	7	73118087	5	B2.01/	A	9	1-Q5	122G	SEAL	GUARNIZIONE
	11	73118087	3	B2.01/	A	11	1-Q2	122G	SEAL	GUARNIZIONE
	15	73118096	4	B2.01/	A	9	1-Q5	45A	RING	ANELLO
	25	73118124	1	B2.01/	A	5	1-Q11	122G	SEAL	GUARNIZIONE
	21	73118136	2	B2.01/	A	9	1-Q5	45A	RING	ANELLO
	28	73118136	1	B2.01/	A	11	1-R2	45A	RING	ANELLO
	27	73118167	1	B2.01/	A	5	1-Q11	122G	SEAL	GUARNIZIONE
	24	79030210	1	B2.01/	A	9	1-Q5	122G	SEAL	GUARNIZIONE
	17	79030211	1	B2.01/	A	6	1-Q9	122G	SEAL	GUARNIZIONE
	19	79030215	1	B2.01/	A	6	1-Q9	158G	O-RING	GUARNIZIONE O-R
	21	79030217	1	B2.01/	A	6	1-Q9	158G	O-RING	GUARNIZIONE O-R
	26	79030266	1	B2.01/	A	6	1-Q9	122G	SEAL	GUARNIZIONE
	7	79030268	2	B2.01/	A	7	1-Q7	123G	SEAL ASSY	GUARNIZIONE TENUTA FRONTALE
	9	79030270	1	B2.01/	A	7	1-Q7	158G	O-RING	GUARNIZIONE O-R
	23	79086375	1	B2.01/	A	5	1-Q11	122G	SEAL	GUARNIZIONE
79055160										
	13	14457180	2	B2.01/	1	6	1-R11	158G	O-RING	GUARNIZIONE O-R
	6	14458580	1	B2.01/	1	2	1-R4	158G	O-RING	GUARNIZIONE O-R
	12	14462980	3	B2.01/	1	6	1-R11	158G	O-RING	GUARNIZIONE O-R

FIATALLIS FL5

NTR. 163

30.05.89 60401077.03

PART NUMBER	ITEM	KIT COMP. PART. N.	QTY	SGR.	TAV.	PAG.	GRID POS.	TRANS CODE	DESCRIPTION	DENOMINAZIONE
79050425	5	8297052	1	E3.32/	1	1	2-N13	10D	NUT	DADO
	9	8297072	1	E3.32/	1	1	2-N13	235S	PISTON	STANTUFFO
	8	79030514	1	E3.32/	1	1	2-N13	274S	ROD	STELO
	10	79065560	1	E3.32/	1	1	2-N13	158G	O-RING	GUARNIZIONE O-R
	11	79065561	1	E3.32/	1	1	2-N13	133R	SEAL	ROSETTA DI TENUTA
	3	79065562	1	E3.32/	1	1	2-N13	158G	O-RING	GUARNIZIONE O-R
79055159	12	14457180	1	B2.01/	A	5	1-Q11	158G	O-RING	GUARNIZIONE O-R
	6	14458580	1	B2.01/	A	2	1-Q16	158G	O-RING	GUARNIZIONE O-R
	13	73118059	1	B2.01/	A	4	1-Q13	45A	RING	ANELLO
	16	73118062	1	B2.01/	A	4	1-Q13	100M	SPRING	MOLLA
	12	73118064	1	B2.01/	A	2	1-Q16	122G	SEAL	GUARNIZIONE
	15	73118067	1	B2.01/	A	2	1-Q16	158G	O-RING	GUARNIZIONE O-R
	27	73118167	1	B2.01/	A	5	1-Q11	122G	SEAL	GUARNIZIONE
	8	79030258	1	B2.01/	A	2	1-Q16	158G	O-RING	GUARNIZIONE O-R
	15	79064451	1	B2.01/	A	4	1-Q13	45A	RING	ANELLO
79055159	13	14457180	1	B2.01/	1	6	1-R11	158G	O-RING	GUARNIZIONE O-R
	6	14458580	1	B2.01/	1	2	1-R4	158G	O-RING	GUARNIZIONE O-R
	13	73118059	1	B2.01/	1	4	1-R7	45A	RING	ANELLO
	15	73118061	1	B2.01/	1	4	1-R7	45A	RING	ANELLO
	16	73118062	1	B2.01/	1	4	1-R7	100M	SPRING	MOLLA
	10	73118064	1	B2.01/	1	2	1-R4	123G	SEAL ASSY	GUARNIZIONE TENUTA FRONTALE
	13	73118067	1	B2.01/	1	2	1-R4	158G	O-RING	GUARNIZIONE O-R
	27	73118167	1	B2.01/	1	5	1-R9	123G	SEAL ASSY	GUARNIZIONE TENUTA FRONTALE
	27	79030258	1	B2.01/	1	2	1-R4	158G	O-RING	GUARNIZIONE O-R
79055160	13	14457180	2	B2.01/	A	6	1-Q9	158G	O-RING	GUARNIZIONE O-R

PART NUMBER	ITEM	KIT COMP. PART. N.	QTY	SGR.	TAV.	PAG.	GRID POS.	TRANS CODE	DESCRIPTION	DENOMINAZIONE
79037501										
	3	4679226	1	A1.05	1	1	1-H8	50A	OILSCRAPER RING	ANELLO RASCHIAOLIO
	4	4679227	1	A1.05	1	1	1-H8	50A	OILSCRAPER RING	ANELLO RASCHIAOLIO
	5	4679272	1	A1.05	1	1	1-H8	53A	PISTON RING	ANELLO STANTUFFO
	25	4731185	1	A1.05	1	1	1-H8	235S	PISTON	STANTUFFO
	31	11059375	2	A1.05	1	2	1-H9	51A	LOCKRING	ANELLO DI SICUREZZA
79038684										
	1	8291504	2	E3.22	1	1	2-M15	120G	GASKET	GUARNIZIONE PIANA
	9	14460280	1	E3.22	1	1	2-M15	133R	SEAL	ROSETTA DI TENUTA
	10	14463780	2	E3.22	1	1	2-M15	133R	SEAL	ROSETTA DI TENUTA
	11	14467080	1	E3.22	1	1	2-M15	133R	SEAL	ROSETTA DI TENUTA
	12	14467180	2	E3.22	1	1	2-M15	133R	SEAL	ROSETTA DI TENUTA
	13	14467980	1	E3.22	1	1	2-M15	133R	SEAL	ROSETTA DI TENUTA
	31	79038674	1	E3.22	1	2	2-M14	120G	GASKET	GUARNIZIONE PIANA
	32	79038675	2	E3.22	1	2	2-M14	45A	RING	ANELLO
79050424										
	3	8288832	4	E3.32	1	1	2-N11	158G	O-RING	GUARNIZIONE O-R
	4	8291552	1	E3.32	1	1	2-N11	158G	O-RING	GUARNIZIONE O-R
	7	8297052	1	E3.32	1	1	2-N11	10D	NUT	DADO
	9	14465880	1	E3.32	1	1	2-N11	158G	O-RING	GUARNIZIONE O-R
	10	14466080	1	E3.32	1	1	2-N11	158G	O-RING	GUARNIZIONE O-R
	11	79021911	1	E3.32	1	1	2-N11	45A	RING	ANELLO
	14	79021957	1	E3.32	1	2	2-N12	42A	MUDSCRAPER RING	ANELLO RASCHIAFANGO
	15	79021958	1	E3.32	1	2	2-N12	158G	O-RING	GUARNIZIONE O-R
	16	79021959	1	E3.32	1	2	2-N12	133R	SEAL	ROSETTA DI TENUTA
79050425										
	2	8288822	4	E3.32/	1	1	2-N13	158G	O-RING	GUARNIZIONE O-R
	4	8291561	1	E3.32/	1	1	2-N13	158G	O-RING	GUARNIZIONE O-R

PART NUMBER	ITEM	KIT COMP. PART. N.	QTY	SGR.	TAV.	PAG.	GRID POS.	TRANS CODE	DESCRIPTION	DENOMINAZIONE
79037431	19	4738348	5	A1.03	1	1	1-G3	103S	HALF BEARING	SEMICUSCINETTO
79037447	1	4031577	1	A1.02	2	1	1-G9	123G	SEAL ASSY	GUARNIZIONE TENUTA FRONTALE
	1	4600753	1	A1.02	1	1	1-G11	123G	SEAL ASSY	GUARNIZIONE TENUTA FRONTALE
	1	4600893	1	A1.25	1	1	1-I13	123G	SEAL ASSY	GUARNIZIONE TENUTA FRONTALE
	2	4602299	1	A1.02	1	1	1-G11	123G	SEAL ASSY	GUARNIZIONE TENUTA FRONTALE
	39	4602316	1	A1.02	1	2	1-G10	123G	SEAL ASSY	GUARNIZIONE TENUTA FRONTALE
	40	4602317	1	A1.02	1	2	1-G10	123G	SEAL ASSY	GUARNIZIONE TENUTA FRONTALE
	3	4605564	1	A1.02	1	1	1-G11	123G	SEAL ASSY	GUARNIZIONE TENUTA FRONTALE
	5	4607590	1	A1.02	2	1	1-G9	123G	SEAL ASSY	GUARNIZIONE TENUTA FRONTALE
	6	4607642	1	A1.02	2	1	1-G9	123G	SEAL ASSY	GUARNIZIONE TENUTA FRONTALE
	7	4611382	1	A1.02	2	1	1-G9	123G	SEAL ASSY	GUARNIZIONE TENUTA FRONTALE
	8	4653283	1	A1.02	1	1	1-G11	123G	SEAL ASSY	GUARNIZIONE TENUTA FRONTALE
	18	14456981	1	A1.02	2	1	1-G9	158G	O-RING	GUARNIZIONE O-R
	32	14460380	1	A1.02	1	2	1-G10	158G	O-RING	GUARNIZIONE O-R
	33	14483080	1	A1.02	1	2	1-G10	158G	O-RING	GUARNIZIONE O-R
	26	40000010	1	A1.02	2	1	1-G9	158G	O-RING	GUARNIZIONE O-R
	37	40002810	1	A1.02	1	2	1-G10	158G	O-RING	GUARNIZIONE O-R
79037478	9	4698685	5	A1.03	1	1	1-G3	103S	HALF BEARING	SEMICUSCINETTO
	19	4738347	5	A1.03	1	1	1-G3	103S	HALF BEARING	SEMICUSCINETTO
79037489	3	4679226	4	A1.05	1	1	1-H8	50A	OILSCRAPER RING	ANELLO RASCHIAOLIO
	4	4679227	4	A1.05	1	1	1-H8	50A	OILSCRAPER RING	ANELLO RASCHIAOLIO
	5	4679272	4	A1.05	1	1	1-H8	53A	PISTON RING	ANELLO STANTUFFO
79037501	2	4679224	1	A1.05	1	1	1-H8	80P	PIN	PERNO

PART NUMBER	ITEM	KIT COMP. PART. N.	QTY	SGR.	TAV.	PAG.	GRID POS.	TRANS CODE	DESCRIPTION	DENOMINAZIONE
79036200										
	4	14464880	1	E3.32/ 3	1	1	2-N16	133R	SEAL	ROSETTA DI TENUTA
	11	79037229	1	E3.32/ 3	1	1	2-N16	120G	GASKET	GUARNIZIONE PIANA
	13	79037232	1	E3.32/ 3	1	1	2-N16	120G	GASKET	GUARNIZIONE PIANA
	14	79037233	1	E3.32/ 3	1	1	2-N16	120G	GASKET	GUARNIZIONE PIANA
	15	79037234	1	E3.32/ 3	1	1	2-N16	120G	GASKET	GUARNIZIONE PIANA
	16	79037235	1	E3.32/ 3	1	1	2-N16	45A	RING	ANELLO
79037379										
	5	4654363	1	A1.01	1	1	1-G15	123G	SEAL ASSY	GUARNIZIONE TENUTA FRONTALE
	12	4708956	1	A1.01	1	1	1-G15	123G	SEAL ASSY	GUARNIZIONE TENUTA FRONTALE
79037393										
	9	4698683	5	A1.03	1	1	1-G3	103S	HALF BEARING	SEMICUSCINETTO
	19	4736345	5	A1.03	1	1	1-G3	103S	HALF BEARING	SEMICUSCINETTO
79037397										
	3	4690498	4	A1.05	1	1	1-H8	50A	OILSCRAPER RING	ANELLO RASCHIAOLIO
	4	4690503	4	A1.05	1	1	1-H8	50A	OILSCRAPER RING	ANELLO RASCHIAOLIO
	5	4707727	4	A1.05	1	1	1-H8	53A	PISTON RING	ANELLO STANTUFFO
79037401										
	3	4690497	4	A1.05	1	1	1-H8	50A	OILSCRAPER RING	ANELLO RASCHIAOLIO
	4	4690502	4	A1.05	1	1	1-H8	50A	OILSCRAPER RING	ANELLO RASCHIAOLIO
	5	4707726	4	A1.05	1	1	1-H8	53A	PISTON RING	ANELLO STANTUFFO
79037418										
	36	4698677	8	A1.05	1	2	1-H9	103S	HALF BEARING	SEMICUSCINETTO
79037431										
	9	4698686	5	A1.03	1	1	1-G3	103S	HALF BEARING	SEMICUSCINETTO

PART NUMBER	ITEM	KIT COMP. PART. N.	QTY	SGR.	TAV.	PAG.	GRID POS.	TRANS CODE	DESCRIPTION	DENOMINAZIONE
79023178	1	79023178	1	L4.10	1	1	2-S2	2K	KIT	KIT
79036196	2	8291552	1	E3.32/ 6	1	1	2-O16	120G	GASKET	GUARNIZIONE PIANA
	5	8299740	1	E3.32/ 6	1	1	2-O16	120G	GASKET	GUARNIZIONE PIANA
	6	8299754	1	E3.32/ 6	1	1	2-O16	120G	GASKET	GUARNIZIONE PIANA
	7	8299755	1	E3.32/ 6	1	1	2-O16	133R	SEAL	ROSETTA DI TENUTA
	9	14465880	1	E3.32/ 6	1	1	2-O16	133R	SEAL	ROSETTA DI TENUTA
	10	14466080	1	E3.32/ 6	1	1	2-O16	133R	SEAL	ROSETTA DI TENUTA
	11	79021911	1	E3.32/ 6	1	1	2-O16	45A	RING	ANELLO
79036198	3	8291505	1	E3.32/ 5	1	1	2-O17	120G	GASKET	GUARNIZIONE PIANA
	4	8291846	1	E3.32/ 5	1	1	2-O17	120G	GASKET	GUARNIZIONE PIANA
	6	8298055	1	E3.32/ 5	1	1	2-O17	45A	RING	ANELLO
	8	14466080	1	E3.32/ 5	1	1	2-O17	133R	SEAL	ROSETTA DI TENUTA
	9	14466380	1	E3.32/ 5	1	1	2-O17	133R	SEAL	ROSETTA DI TENUTA
	10	79023159	1	E3.32/ 5	1	1	2-O17	120G	GASKET	GUARNIZIONE PIANA
	11	79023162	1	E3.32/ 5	1	1	2-O17	133R	SEAL	ROSETTA DI TENUTA
79036199	2	8291846	1	E3.32/ 4	1	1	2-N17	120G	GASKET	GUARNIZIONE PIANA
	7	14473280	1	E3.32/ 4	1	1	2-N17	133R	SEAL	ROSETTA DI TENUTA
	10	79023159	1	E3.32/ 4	1	1	2-N17	120G	GASKET	GUARNIZIONE PIANA
	11	79023160	1	E3.32/ 4	1	1	2-N17	120G	GASKET	GUARNIZIONE PIANA
	12	79023161	1	E3.32/ 4	1	1	2-N17	45A	RING	ANELLO
	13	79023162	1	E3.32/ 4	1	1	2-N17	120G	GASKET	GUARNIZIONE PIANA
79036200	3	14460880	1	E3.32/ 3	1	1	2-N16	133R	SEAL	ROSETTA DI TENUTA

FIATALLIS FL5

NTR. 163

30.05.89 60401077.03

PART NUMBER	ITEM	KIT COMP. PART. N.	QTY	SGR.	TAV.	PAG.	GRID POS.	TRANS CODE	DESCRIPTION	DENOMINAZIONE
8281225	2	8272785	2	E3.29	1	1	2-M3	158G	O-RING	GUARNIZIONE O-R
	3	8272787	2	E3.29	1	1	2-M3	158G	O-RING	GUARNIZIONE O-R
	7	8274885	2	E3.29	1	1	2-M3	158G	O-RING	GUARNIZIONE O-R
	8	8281224	2	E3.29	1	1	2-M3	45A	RING	ANELLO
8281576	1	5110478	2	D2.27	1	1	2-G11	123G	SEAL ASSY	GUARNIZIONE TENUTA FRONTALE
	2	8273909	2	D2.27	1	1	2-G11	158G	O-RING	GUARNIZIONE O-R
	20	14460380	2	D2.27	1	1	2-G11	158G	O-RING	GUARNIZIONE O-R
8281576	1	5110478	2	D2.27/ A	1	1	2-G10	122G	SEAL	GUARNIZIONE
	2	8273909	2	D2.27/ A	1	1	2-G10	158G	O-RING	GUARNIZIONE O-R
	20	14460380	2	D2.27/ A	1	1	2-G10	158G	O-RING	GUARNIZIONE O-R
9924318	1	9924318	1	A2.26/1A	1	1	1-M12	2K	KIT	KIT
79023173	1	79023173	1	L4.10	1	1	2-S2	2K	KIT	KIT
79023174	1	79023174	1	L4.10	1	1	2-S2	2K	KIT	KIT
79023175	1	79023175	1	L4.10	1	1	2-S2	2K	KIT	KIT
79023176	1	79023176	1	L4.10	1	1	2-S2	2K	KIT	KIT
79023177	1	79023177	1	L4.10	1	1	2-S2	2K	KIT	KIT

FIATALLIS FL5

NTR. 163

30.05.89 80401077.03

PART NUMBER	ITEM	KIT COMP. PART. N.	QTY	SGR.	TAV.	PAG.	GRID POS.	TRANS CODE	DESCRIPTION	DENOMINAZIONE
1930188										
	4	4770627	2	A1.05/	A	1	1-H10	45A	RING	ANELLO
	2	4770632	2	A1.05/	A	1	1-H10	45A	RING	ANELLO
	3	4770637	2	A1.05/	A	1	1-H10	45A	RING	ANELLO
	1	4770651	2	A1.05/	A	1	1-H10	80P	PIN	PERNO
	8	4791477	2	A1.05/	A	1	1-H10	235S	PISTON	STANTUFFO
1930190										
	10	4770452	2	A1.05/	A	1	1-H10	187A	SNAP RING	ANELLO ELASTICO
	4	4770629	1	A1.05/	A	1	1-H10	45A	RING	ANELLO
	2	4770634	1	A1.05/	A	1	1-H10	45A	RING	ANELLO
	3	4770639	1	A1.05/	A	1	1-H10	45A	RING	ANELLO
	1	4770651	1	A1.05/	A	1	1-H10	80P	PIN	PERNO
	8	4791479	2	A1.05/	A	1	1-H10	235S	PISTON	STANTUFFO
1930191										
	2	4754401	1	A1.05/	A	1	1-H10	45A	RING	ANELLO
	3	4770449	1	A1.05/	A	1	1-H10	45A	RING	ANELLO
	4	4770453	1	A1.05/	A	1	1-H10	45A	RING	ANELLO
1930193										
	4	4770627	1	A1.05/	A	1	1-H10	45A	RING	ANELLO
	2	4770632	1	A1.05/	A	1	1-H10	45A	RING	ANELLO
	3	4770637	1	A1.05/	A	1	1-H10	45A	RING	ANELLO
1930195										
	4	4770629	1	A1.05/	A	1	1-H10	45A	RING	ANELLO
	2	4770634	1	A1.05/	A	1	1-H10	45A	RING	ANELLO
	3	4770639	1	A1.05/	A	1	1-H10	45A	RING	ANELLO
4621740										
	2	4621740	1	A2.26/	A	1	1-M13	2K	KIT	KIT

PART NUMBER	ITEM	KIT COMP. PART. N.	QTY	SGR.	TAV.	PAG.	GRID POS.	TRANS CODE	DESCRIPTION	DENOMINAZIONE
1930179	3	4771260	1	A1.03/	A	1	1-H2	103S	HALF BEARING	SEMICUSCINETTO
1930180	13	4771251	1	A1.03/	A	1	1-H2	103S	HALF BEARING	SEMICUSCINETTO
	3	4771261	1	A1.03/	A	1	1-H2	103S	HALF BEARING	SEMICUSCINETTO
1930181	6	4780628	2	A1.05/	A	1	1-H10	103S	HALF BEARING	SEMICUSCINETTO
1930182	6	4780955	2	A1.05/	A	1	1-H10	103S	HALF BEARING	SEMICUSCINETTO
1930183	6	4780956	2	A1.05/	A	1	1-H10	103S	HALF BEARING	SEMICUSCINETTO
1930184	6	4780957	2	A1.05/	A	1	1-H10	103S	HALF BEARING	SEMICUSCINETTO
1930185	6	4780958	2	A1.05/	A	1	1-H10	103S	HALF BEARING	SEMICUSCINETTO
1930186	2	4754401	1	A1.05/	A	1	1-H10	45A	RING	ANELLO
	3	4770449	1	A1.05/	A	1	1-H10	45A	RING	ANELLO
	10	4770452	2	A1.05/	A	1	1-H10	187A	SNAP RING	ANELLO ELASTICO
	4	4770453	1	A1.05/	A	1	1-H10	45A	RING	ANELLO
	1	4770651	1	A1.05/	A	1	1-H10	80P	PIN	PERNO
	8	4791474	1	A1.05/	A	1	1-H10	235S	PISTON	STANTUFFO
1930188	10	4770452	2	A1.05/	A	1	1-H10	187A	SNAP RING	ANELLO ELASTICO

DESIGNAZIONE BASE	BASIC DESIGNATION	DESIGNATIONS-BASES	GRUNDBEZEICHNUNGEN	DENOMINACIONES BASE
78F	FODERA	LINING	HOUSSE	FORRO
78I	INVERSOR	REVERSER	INVERSEUR	INVERSOR
78P	PER	FOR ...	POUH ...	PARA ...
78Q	DIAGNOSTICA CENTRALIZZATA	DIAGNOSTIC		
79A	ARRESTO ELASTICO	ELASTIC STOP	BUTEE DE TIGE	TOPE ELASTICO
79B	BLOCCETTO A SNODO	SWIVEL	TAQUET OSCILLANT	DADO OSCILANTE
79D	DISTRIBUTORE FRENO MOTORE	COASTER BRAKE CONTROL VALVE	DISTRIBUTEUR DE FREIN SUR ECHAP- PEMENT	DISTRIBUIDOR DEL FRENO MOTOR
79D				
79I	HYPERBLOC	HYPERBLOC	HYPERBLOC	HYPERBLOC
79L	LUNETTA	REST	LUNETTE	SOMBRERETE
80A	ARRESTO	STOP	BUTEE	TOPE
80D	DISTRIBUTORE DI ACCIONE	IGNITION DISTRIBUTOR	ALLUMEUR	DISTRIBUIDOR DE ENCENDIDO
80D				
80E	FONDELLO	BOTTOM PLATE	BOUT	TAPA
80G	GOCCIOLATOIO	TROUGH	GOUTTIERE	GOTERA
80L	LUCE ROTANTE	ROTARY BEACON	FEU TOURNANT	LAMPARA GIRATORIA
80M	MENSOLA	BRACKET	CONSOLE	MENSULA
80P	PERNO	PIN	AXE	PERNIO
80R	RIPARO SOLE	SUN VISOR	PARE-SOLEIL	PARASOL
80S	SEDILE	SEAT	SIEGE	ASIENTO
80T	TEMPORIZZATORE	TIMER	TEMPORISATEUR	TEMPORIZATOR
807	ALBERO PRESA DI FORZA	POWER TAKE OFF SHAFT	ARBRE PRISE DE FORCE	ARBOL TOMA DE FUERZA
81A	ARCON	C-FRAME	ETRIER	ARCON
81D	DISTRIBUTORE ROTANTE	ROTATING DISTRIBUTOR	DISTRIBUTEUR TOURNANT	DISTRIBUIDOR GIRATORIO
81L	LUCCHETTO	PADLOCK	CADENAS	CANDADO
81P	PERNO DI FISSAGGIO	SECURING PIN	CHEVILLE	FASADOR
815	IMP.IDR.COM.DISTANZA-3CASSETTI	REMOTE HYDR.SYST.-3 SPOOLS	SYST.HYDR.A DIST.-3 TIROIRS	SISTEMA HYDR.PARA MANDO DIST.
816	IMP.IDR.COM.DISTANZA-4 CASS.	REMOTE HYDR.SYST.-4 SPOOLS	SYST.HYDR.A DIST.- 4 TIROIRS	
819	SENZA IMPIANTO IDRAULICO	HYDRAULIC SYSTEM DEDUCTION	SANS SYSTEME HYDRAULIQUE	SIN SISTEMA HIDRAULICO
82B	BLOCCETTO SERRATURA	LOCK CYLINDER	BARILLETS DE SERRURE	BLOQUETE CERRADURA
82D	DISTRIBUTORE TRIPLEX	TRIPLEX DISTRIBUTOR	DISTRIBUTEUR TRIPLEX	DISTRIBUIDOR. TRIPLEX
82D				
82L	LAMA ALL-HYDRAULIC	ALL-HYDRAULIC MOLDBOARD	LAME ALL-HYDRAULIC	HOJA ALL-HYDRAULIC
824	DISTRIBUTORE 3 CASSETTI	3 SPOOL VALVE	DISTRIBUTEUR A 3 TIROIRS	DISTRIBUIDOR DE 3 CARRETES
829	RIPARO CUFFIA RINFORZATO	RADIATOR GUARD H.D	PROTECTION RENFORCEE RADIATEUR	
83A	ARPIONE	RATCHET	CLIQUET	ARPON
83B	BOBINA	COIL	BOBINE	BOBINA
83C	CARRUCOLA	SHEAVE	POULIE	POLEA
83D	DISTRIBUTORE	CONTROL VALVE	DISTRIBUTEUR	DISTRIBUIDOR

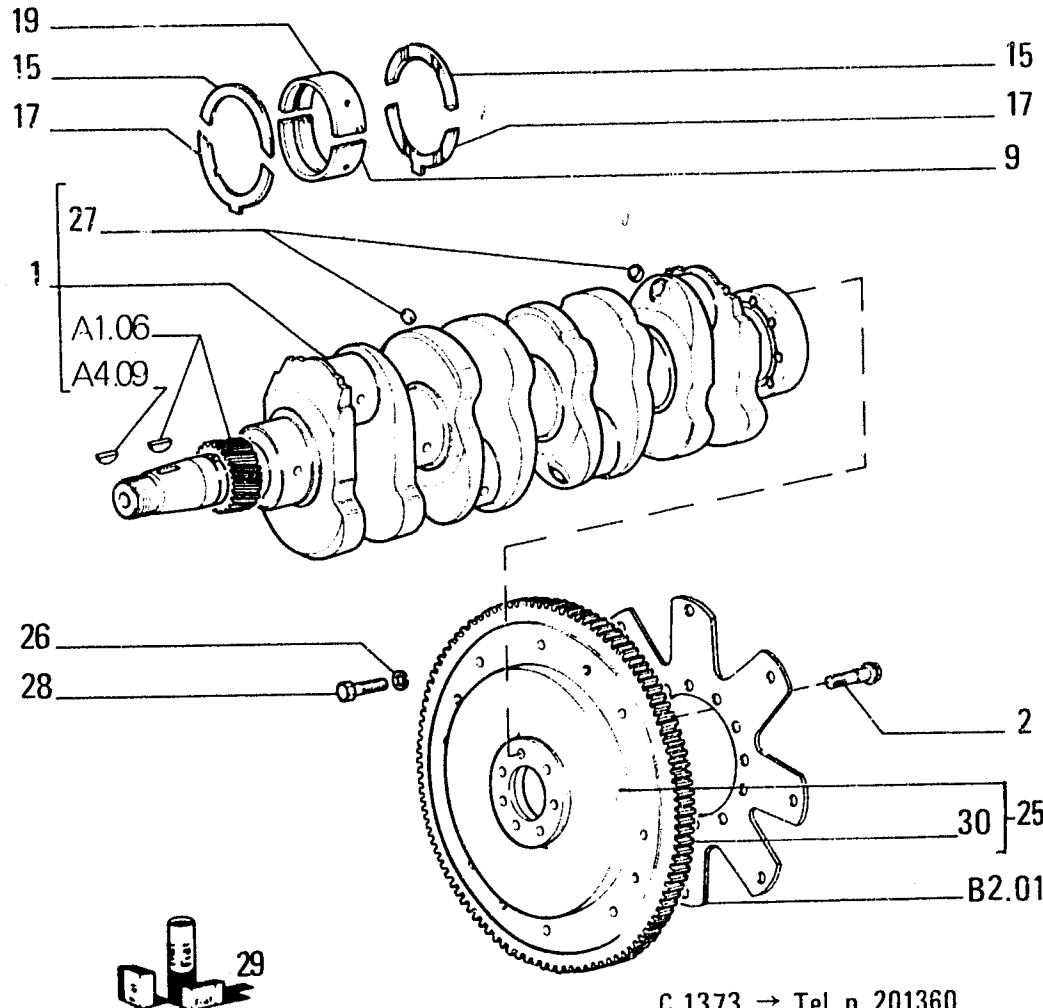
DESIGNAZIONE BASE	BASIC DESIGNATION	DESIGNATIONS-BASES	GRUNDBEZEICHNUNGEN	DEHOMINACIONES BASE
73I	INTELAIAURA DEL TETTO	ROOF FRAME	CHASSIS DE TOIT	BASTIDOR DEL TECHO
73S	SEDE DELLA FUNE	EQUALIZER	EQUILIBREUR	BALANCIN
736	PREDISPOSIZIONE BATTERIE SAE	SAE BATTERIES PROVISION	PREDISP BATTERIES SAE	ANCLAJES PARA BATERIAS SAE
74A	APPOGGIABRACCIA	ARMREST	ACCOUDOIR	APOYABRAZOS
74B	BLOCCHETTO	BLOCK	TAQUET	BLOQUETE
74I	INTERRUTTORE TERMOMETRICO	THERMOSTATIC SENDING UNIT	THERMO-CONTACT	INTERRUPTOR TERMO-STATICO
74I				
74S	SEDE DELLA VALVOLA	VALVE SEAT	SIEGE DE SOUPE	VENTILSITZ
74Z	SENZA BATTERIE	BATTERIES DEDUCTION	SANS BATTERIES	OHNE BATTERIE
743	ATTIVAZIONE BATTERIE	BATTERIES ACTIVATION	ACTIVATION BATTERIE	BATTERIEFUELLUNG
748	BATTERIE MAGGIORATE	HIGH CAPACITY BATTERIES	BATTERIES A HAUTE CAPACITE	HOCHLEISTUNGSBATTERIEN
749	LUCI PER CIRCOLAZIONE STRADALE	ROAD TRAFFIC LIGHTS		
75B	BLOCCHETTO CONNESSIONE	CONNECTOR	PLAQUE DE JONCTION	VERBINDUNGSPLATTE
75D	DISTANZIALE	SPACER	ENTRETOISE	DISTANZSTUECK
75F	FLOTTANTE	CARRIER	FLOTTEUR	VENTILTRAEGER
75G	GLIFO	LINK	COULISSE	KULISSE
75I	INTERRUTTORE	SWITCH	INTERRUPTEUR	SCHALTER
75M	MEMBRANA	DIAPHRAGM	MEMBRANE	MEMBRANE
75P	PENNELLO	PAINTBRUSH	PINCEAU	PINSEL
75S	SEDE SFERICA	BALL SOCKET	EMPLACEMENT SPHERIQUE	KUGELPFANNE
75T	TELA	FABRIC	TISSU	BEZUG
755	SENZA PROIETTORE	LIGHT DEDUCTION	SANS PROJECTEUR	OHNE SCHEINWERFER
758	PROIETTORI POSTERIORI	REAR FLOODLIGHT	PROJECTEURARRIER	SCHEINWERFER HINTER
759	PREDISPOSIZIONE BACK-ALARM	BACK UP ALARM PROVISION	BACK UP ALARM SANS AVVERTISSEU	WARN RUECKWAERTS OHNE HUPE
76B	BLOCCHETTO ISOLANTE	INSULATING BLOCK	BLOC ISOLANT	ISOLIERPLATTE
76T	TELONE	TARPAULIN	BACHE	PLANE
760	AVVISATORE ACUSTICO DI R.M.	BACK UP ALARM	BACK UP ALARM	WARNEINRICHTUNG RUECKWAERTS.
762	LUCI DI INGOMBRO	OVERALL SIZE LIGHTS		
765	PROIETTORI PER ROPS	ROPS FLOODLIGHTS	PROJECTEUR POUR ROPS	SCHEINWERFER FUER ROPS
766	PROIETTORI ANTERIORI	FRONT FLOODLIGHT	PROJECTEURS AVANT	FRONTSCHEINWERFER
767	PROIETTORI PER CABINA	CAB FLOODLIGHTS	PROJECTEURS POUR KABINE	SCHEINWERFER FUER KABINE
768	CATADIOTTRI E DISCO VELOCITA	REFLECT AND SPEED LIMIT DECAL	CATADIOPTRE ET DISQUE VITESSE	RUECKSTRAHLER MIT TACHOSCHEIBE
769	FANALI DIREZIONE LATERALE	TURN SIGNAL LIGHTS	CLIGNOTANTS DE DIRECTION	BLINKLICHT
77B	BLOCCHETTO SERRAFILO	TERMINAL BLOCK	SERRE-FILS	NIPPEL
77T	TELAIO TRATTORE	MAIN FRAME	CHASSIS TRACTEUR	RAHMEN
78A	APPOGGIAPIEDE	FOOTREST	REPOSE-PIEDS	FUSSRAST
78B	BLOCCHETTO DI FISSAGGIO	FASTENING BLOCK	TAQUET DE FIXATION	SPANNSTUECK
78B				
78D	DISTRIBUTORE FRENI	BRAKE CONTROL VALVE	DISTRIBUTEUR DE FREINS	BRÄNNEVENTIL
78D				

DESIGNAZIONE BASE	BASIC DESIGNATION	DESIGNATIONS-BASES	GRUNDBEZEICHNUNGEN	DENOMINACIONES BASE
66C	CAPPUCCIO PARAPOLVERE	DUST CAP	CAPUCHON CACHE- POUSSIÈRE	CAPUCHON GUARDA- POLVO
66C				
66F	FILTRO ARIA	AIR CLEANER	FILTRE A AIR	FILTRO DE AIRE
66G	GIUNTO OMOCINETICO	CONSTANT VELOCITY UNIV. JOINT	JOINT HOMOCINETIQUE	JUNTA HOMOCINETICA
67F	FILTRO OLIO	OIL FILTER	FILTRE A HUILE	FILTRO DE ACEITE
67G	GIUNTO	COUPLING	COUPLER	ACOPLAMIENTO
67M	MASSA CENTRIFUGA	FLYWEIGHT	MASSELOTTE	CONTRAPESO
67S	SEDE DENTE BENNA	BUCKET TOOTH SEAT	EMPLACEMENT DENT DE GODET	ASIENTO DIENTE CUCHARA
68F	FILTRI OLIO E SCAMBIATORI CA- LORE	OIL FILTER AND HEAT EXCHANGERS	FILTRES HUILE ET ECHANG. DE TEMP.	FILTROS DE ACEITE Y CAMBIADORES DE CALOR
68F				
68G	GIUNTO ELASTICO	FLEXIBLE JOINT	JOINT ELASTIQUE	JUNTA ELASTICA
68S	SEDE DENTE RIPPER	RIPPER SHANK SEAT	EMPLACEMENT DENT SCARIFICATEUR	ASIENTO DIENTE RIPPER
68O	DISPOS ELIMINAZIONE UMIDITÀ	MOISTURE EJECTOR	DISP. ELIMINATION D'HUMIDITÉ	
684	INIETTORE ALCOOL	ALCOHOL INJECTOR	INJECTEUR D'ALCOOL	INYECTOR DE ALCHOL
69F	FINESTRA	WINDOW	BAIE	VENTANA
69G	GIUNTO FLESSIBILE	DEFLECTING JOINT	JOINT ELASTIQUE	JUNTA FLEXIBLE
69I	INTERRUPTORE ELETTROMAGNETICO	ELECTROMAGNETIC SWITCH	INTERRUPTEUR ELEC- TROMAGNETIQUE	INTERRUPTOR ELEC- TROMAGNETICO
69I				
69S	SEDE	SEAT	EMPLACEMENT	ASIENTO
70F	FLANGIA	FLANGE	BRIDE	BRIDA
70G	GIUNTO SFERICO	BALL JOINT	JOINT A ROTULE	ARTICULACION
70L	LONGHERONA	SIDE RAIL	LONGRINE	VARILLA
70R	RIPARO	GUARD	PROTECTION	DEFENSA
70S	SEDE DELLA BATTERIA	BATTERY SEAT	SIEGE DE BATTERIE	SOPORTE DE BATERIA
70T	TEGOLO	PROTECTIVE PANEL	DESSUS	TEJA
70O	DISP SEGNALATORE PIBALTIMENTO	TILTING SAFETY DEVICE	DISP. SIGNEUR BASCULAGE	
71A	ASSE	AXLE	AXE	EJE
71B	BLOCCHETTI DI CHIUSURA	LOCK CYLINDERS	BARILLETS DE SER- RURE	CILINDROS DE CER- RADURA
71B				
71F	FILTRO ARIA BAGNO OLIO	OIL BATH AIR CLEANER	FILTRE A AIR A BAIN D'HUILE	FILTRO DE AIRE EN BANO ACEITE
71G	GIUNTO BIPOLARE	2-POLE CONNECTOR	JOINT A 2 POLES	EMPALME DE 2 POLOS
71G				
71L	LONGHERONE	SIDE MEMBER	LONGERON	LARGUERO
72D	DISPOSITIVO DI REGOLAZIONE	GVERNOR REGULATING ASSY	DISPOSITIF DE REGLAGE	DISPOSITIVO DE REGULACION
72D				
72F	FLESSIBILE	FLEXIBLE SHAFT	TRANSMISSION FLEXIBLE	ARBOL FLEXIBLE
72G	GIUNTO IDRAULICO	FLUID DRIVE	COUPLEUR HYDR.	ACOPLAMIENTO HIDR.
72I	INTELLAIATURA	FRAME	CHASSIS	BASTIDOR
73G	GIUNTO MULTIPOLARE	MULTIPOLE CONNECTOR	JOINT MULTIPOLAIRE	EMPALME MULTIPOLAR
73G				

A

ENGINE • MOTORE • MOTEUR • MOTOR • MOTOR

G1

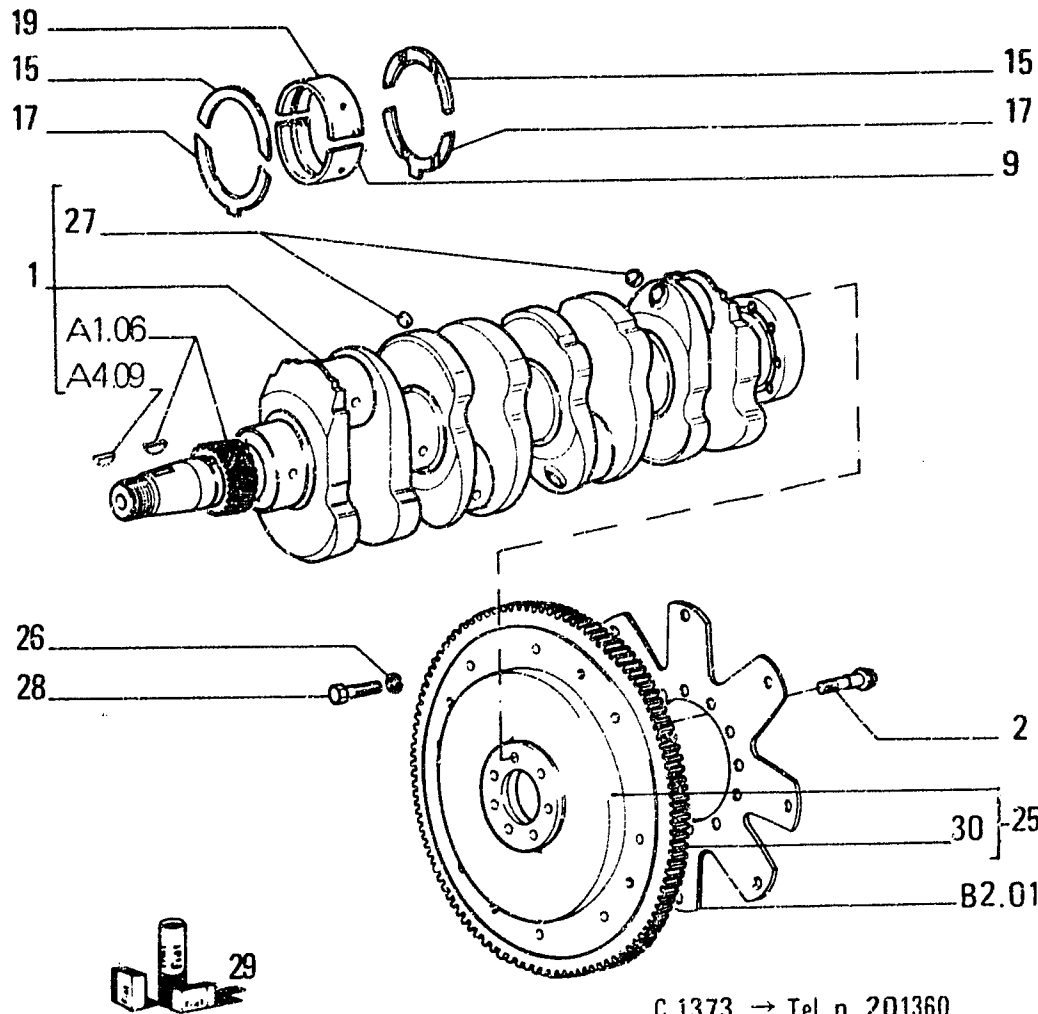


C 1373 → Tel. n. 201360

I T E M	PART NUMBER	Q T Y	TRANS CODE	DESCRIPTION	DESCRIZIONE
28	79013302	8	40V	SCREW	VITE
29	79037393	1	1K	KIT SEE PAGE 9	KIT VED. PAG.9
	79037431	1	1K	KIT SEE PAGE 9	KIT VED. PAG.9
	79037478	1	1K	KIT SEE PAGE 9	KIT VED. PAG.9
30	4741439	1	197C	THROTTLE CONTROL	COMANDO ACCELERATORE

CRANKSHAFT AND FLYWHEEL - ALBERO E VOLANO MOTORE - VILEBREQUIN ET VOLANT MOTEUR -
 KURBELWELLE UND SCHWUNGRAD - CIGUEÑAL Y VOLANTE

A1.03
 N.T.R. 163 - 30.05.1989
 604.01.077.03



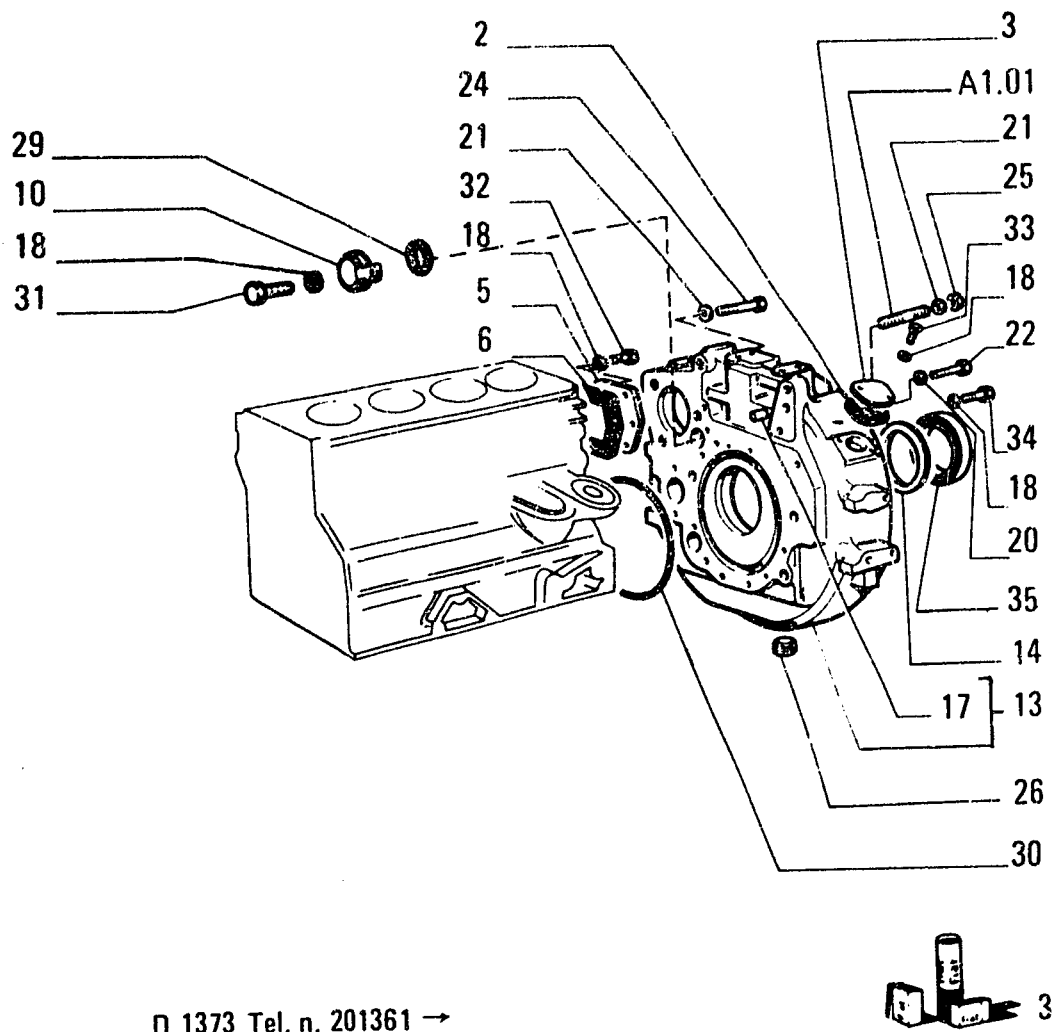
C 1373 → Tel. n. 201360

ITEM	PART NUMBER	QTY	TRANS CODE	DESCRIPTION	DESCRIZIONE
1	4682232	1	18A	CRANKSHAFT - ASSEMBLY C2528	ALBERO MOTORE - COMPLETO C2528
	4785103	1	18A	CRANKSHAFT - ASSEMBLY IN ALTERNATIVE D2528	ALBERO MOTORE - COMPLETO IN ALTERNATIVA D2528
	4785104	1	18A	CRANKSHAFT - ASSEMBLY IN ALTERNATIVE D2528	ALBERO MOTORE - COMPLETO IN ALTERNATIVA D2528
2	4690226	7	40V	SCREW C2528	VITE C2528
	4779122	7	40V	SCREW D2528	VITE D2528
9	4698683	5	103S	HALF BEARING 0,000	SEMICUSCINETTO 0,000
	4698684	5	103S	HALF BEARING 0,102	SEMICUSCINETTO 0,102
	4698685	5	103S	HALF BEARING 0,254	SEMICUSCINETTO 0,254
	4698686	5	103S	HALF BEARING 0,508	SEMICUSCINETTO 0,508
	4698687	5	103S	HALF BEARING 0,762	SEMICUSCINETTO 0,762
	4698688	5	103S	HALF BEARING 1,016	SEMICUSCINETTO 1,016
15	4699805	2	90S	HALF RING - UPPER	SEMIANELLO - SUPERIORE
	4699806	2	90S	HALF RING +0,127	SEMIANELLO +0,127
17	4699807	2	90S	HALF RING - LOWER	SEMIANELLO - INFERIORE
	4699808	2	90S	HALF RING +0,127	SEMIANELLO +0,127
19	4738345	5	103S	HALF BEARING 0,000	SEMICUSCINETTO 0,000
	4738346	5	103S	HALF BEARING 0,102	SEMICUSCINETTO 0,102
	4738347	5	103S	HALF BEARING 0,254	SEMICUSCINETTO 0,254
	4738348	5	103S	HALF BEARING 0,508	SEMICUSCINETTO 0,508
	4738349	5	103S	HALF BEARING 0,762	SEMICUSCINETTO 0,762
	4738350	5	103S	HALF BEARING 1,016	SEMICUSCINETTO 1,016
25	4751972	1	48V	FLYWHEEL	VOLANO
26	8273916	8	132R	LOCKWASHER	ROSETTA DI SICUREZZA
27	14328101	4	50T	PLUG 8x4	TAPPO 8x4

CRANKSHAFT AND FLYWHEEL - ALBERO E VOLANO MOTORE - VILEBREQUIN ET VOLANT MOTEUR -
 KURBELWELLE UND SCHWUNGRAD - CIGÜENAL Y VOLANTE

G3

A1.03
 N.T.R. 163 - 30.05.1989
 604.01.077.03



D 1373 Tel. n. 201361 →

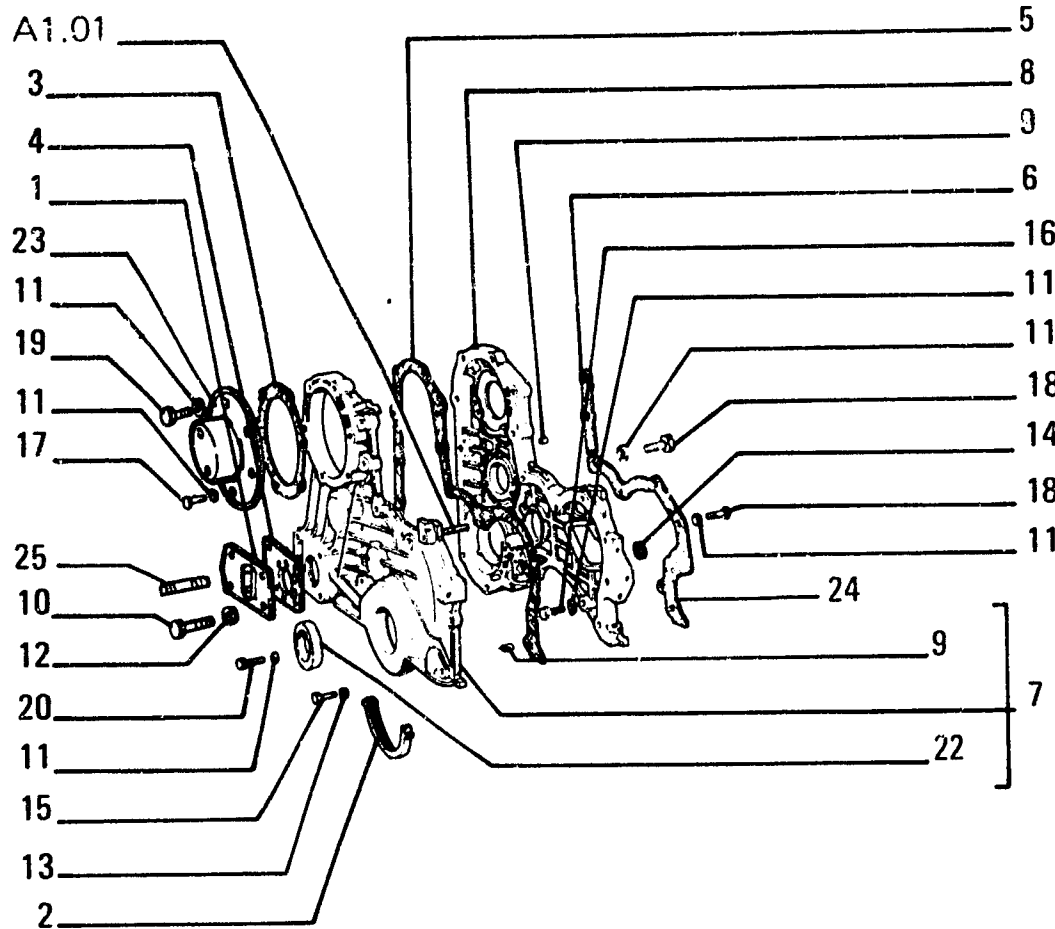
FIATALLIS FL5

ITEM	PART NUMBER	QTY	TRANS CODE	DESCRIPTION	DESCRIZIONE
2	4605564	1	122G	SEAL	GUARNIZIONE
3	4607786	1	265C	COVER	COPERCHIO
5	4653282	1	265C	COVER - REAR	COPERCHIO - POSTERIORE
6	4653283	1	122G	SEAL	GUARNIZIONE
10	4718740	1	50T	PLUG	TAPPO
13	4767428	1	300S	SUPPORT - ASSEMBLY	SUPPORTO - COMPLETO
14	4787154	1	75D	SPACER	DISTANZIALE
17	10839710	2	90G	DOWEL 10x15	GRAND 10x15
18	11193871	11	131R	WASHER 8,4x16	ROSETTA 8,4x16
20	11198371	4	131R	WASHER 10,5x20	ROSETTA 10,5x20
21	11200171	4	131R	WASHER 15x32	ROSETTA 15x32
22	11306921	4	40V	SCREW 10x1,25x30	VITE 10x1,25x30
24	11408321	2	40V	SCREW 14x1,5x35	VITE 14x1,5x35
25	12164011	2	10D	NUT 14x1,5x11	DADO 14x1,5x11
26	14325611	1	50T	PLUG 35x1,5x14	TAPPO 35x1,5x14
29	14463880	1	158G	O-RING 3,53x34,52	GUARNIZIONE O-R 3,53x34,52
30	14483080	1	158G	O-RING 3,53x196,2	GUARNIZIONE O-R 3,53x196,2
31	16043221	1	40V	SCREW 8x1,25x16	VITE 8x1,25x16
32	16043321	6	40V	SCREW 8x1,25x18	VITE 8x1,25x18
33	16043421	2	40V	SCREW 8x1,25x20	VITE 8x1,25x20
34	16043921	2	40V	SCREW 8x1,25x35	VITE 8x1,25x35
35	40003900	1	158G	O-RING 35x55	GUARNIZIONE O-R 35x55
36	79086663	1	1K	KIT SEE PAGE 9	KIT VED. PAG.9

OIL SUMP AND CRANKCASE COVERS - COPPA E COPERCHI BASAMENTO - CARTER D'HUILE ET
 COUVERCLES DE BATI - OELWANNE UND DECKEL DES KURBELGEHAEUSES - CARTER DE ACEITE
 Y.TAPAS DEL BLOQUE

A1.02/A 3
 N.T.R. 163 - 30.05.1989
 604.01.077.03

FIATALLIS FL5



ITEM	PART NUMBER	QTY	TRANS CODE	DESCRIPTION	DESCRIZIONE
24	4781579	1	122G	SEAL - LOWER	GUARNIZIONE - INFERIORE
25	13449521	2	210P	STUD 10x1,25x40 C2349	PRIGIONIERO 10x1,25x40 C2349
	13449821	2	210P	STUD 10x1,25x50 D2349	PRIGIONIERO 10x1,25x50 D2349
26	79086663	1	1K	KIT SEE PAGE 9	KIT VED. PAG.9

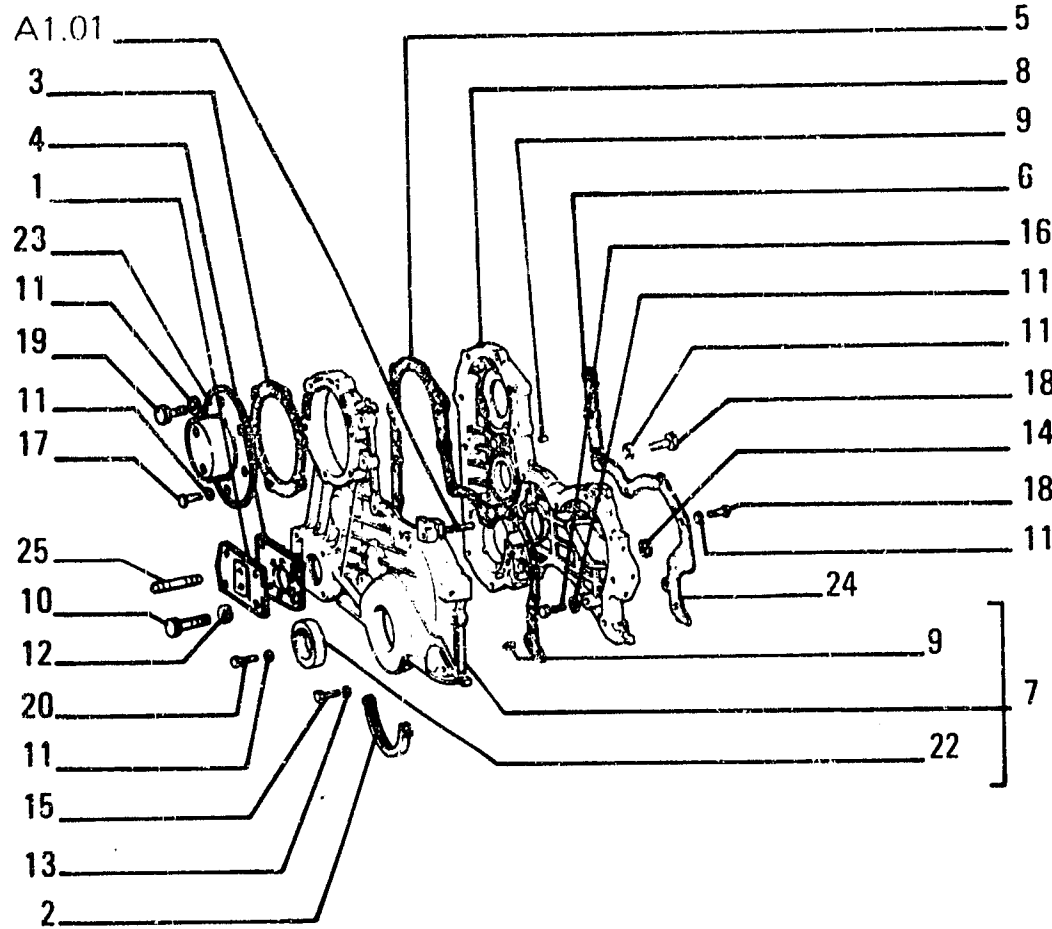


D 1373 Tel. n. 201361 →

OIL SUMP AND CRANKCASE COVERS - COPPA E COPERCHI BASAMENTO - CARTER D'HUILE ET COUVERCLES DE BATI - OELWANNE UND DECKEL DES KURBELGEHAEUSES - CARTER DE ACEITE Y TAPAS DEL BLOQUE

A1.02/A	2
N.T.R. 163 - 30.05.1989	
604.01.077.03	

G5



ITEM	PART NUMBER	QTY	TRANS CODE	DESCRIPTION	DESCRIZIONE
1	4804219	1	265C	COVER	COPERCHIO
2	4031577	1	122G	SEAL	GUARNIZIONE
3	4783049	1	122G	SEAL	GUARNIZIONE
4	4607590	1	122G	SEAL	GUARNIZIONE
5	4781580	1	122G	SEAL	GUARNIZIONE
6	4782853	1	122G	SEAL - UPPER	GUARNIZIONE - SUPERIORE
7	4769749	1	265C	COVER - ASSEMBLY	COPERCHIO - COMPLETO
8	4786512	1	35S	CASE	SCATOLA
9	10839610	2	90G	DOWEL 8x12	GRANO 8x12
10	10902421	4	40V	SCREW 6x1x20	VITE 6x1x20
11	10519601	19	131R	WASHER 8,15x17	ROSETTA 8,15x17
	10571770	6	131R	WASHER 8,1x2	ROSETTA 8,1x2
12	11197771	4	131R	WASHER 6,4x12	ROSETTA 6,4x12
13	12638601	1	131R	WASHER 10,2x18	ROSETTA 10,2x18
14	14456981	1	158G	O-RING 2,62x10,77	GUARNIZIONE O-R 2,62x10,77
15	15888821	1	40V	SCREW 10x1,25x70	VITE 10x1,25x70
16	16043521	2	40V	SCREW 8x1,25x22	VITE 8x1,25x22
	16043821	1	40V	SCREW 8x1,25x30	VITE 8x1,25x30
17	16043421	2	40V	SCREW 8x1,25x20	VITE 8x1,25x20
18	16043921	1	40V	SCREW 8x1,25x35	VITE 8x1,25x35
	16044221	4	40V	SCREW 8x1,25x50	VITE 8x1,25x50
	16044421	4	40V	SCREW 8x1,25x60	VITE 8x1,25x60
19	16044321	4	40V	SCREW 8x1,25x55	VITE 8x1,25x55
20	16044621	3	40V	SCREW 8x1,25x70	VITE 8x1,25x70
	16044921	3	40V	SCREW 8x1,25x85	VITE 8x1,25x85
22	40000010	1	159G	O-RING 42x65	GUARNIZIONE O-R 42x65
23	4783048	1	265C	COVER	COPERCHIO

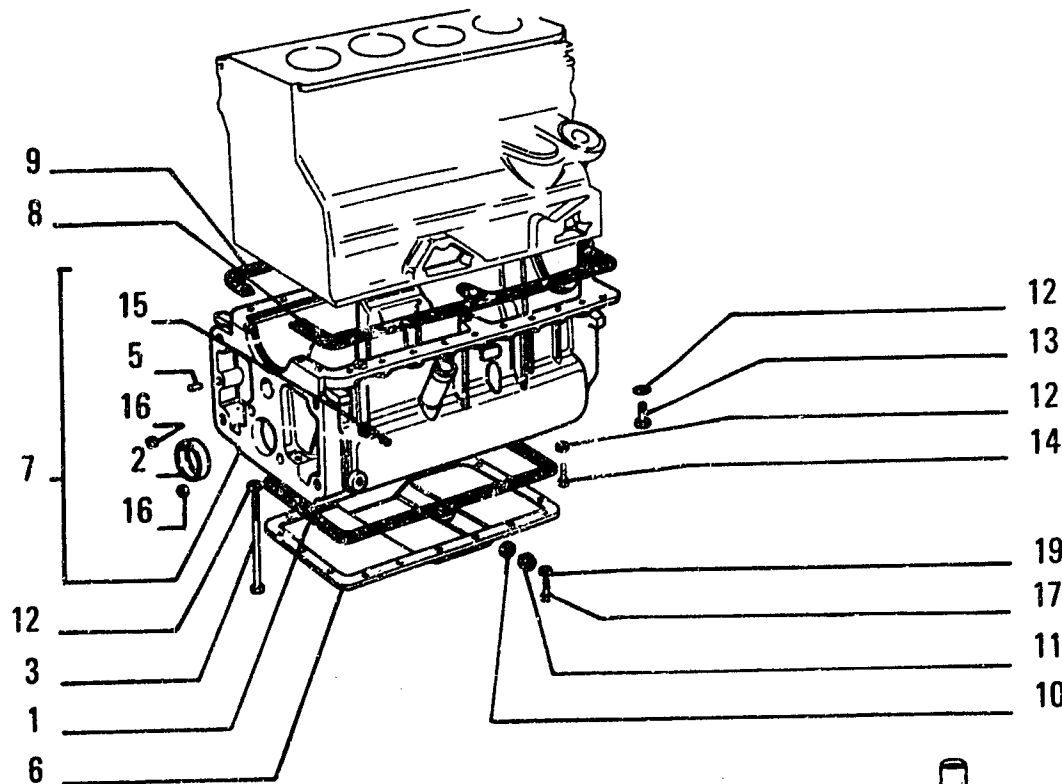


26

D 1373 Tel. n. 201361 →

OIL SUMP AND CRANKCASE COVERS - COPPA E COPERCHI BASAMENTO - CARTER D'HUILE ET COUVERCLES DE BATI - OELWANNE UND DECKEL DES KURBELGEHAEUSES - CARTER DE ACEITE Y TAPAS DEL BLOQUE

A1.02/A	2
N.T.R. 163 - 30.05.1989	
604.01.077.03	



D 1373 Tel. n. 201361 →



I T E M	PART NUMBER	Q T Y	TRANS CODE	DESCRIPTION	DESCRIZIONE
1	4602299	1	122G	SEAL	GUARNIZIONE
2	4727177	1	50T	PLUG	TAPPO
3	4607933	3	40V	SCREW	VITE
5	4668595	2	90G	DOWEL	GRANO
6	4712738	1	265C	COVER	COPERCHIO
7	4793337	1	274C	OIL SUMP - ASSEMBLY	COPPA OLIO - COMPLETO
8	4782787	1	122G	SEAL - LEFT	GUARNIZIONE - SINISTRO
9	4782788	1	122G	SEAL - RIGHT	GUARNIZIONE - DESTRO
10	10263460	1	131R	WASHER 22,2x28	ROSETTA 22,2x28
11	10305171	1	50T	PLUG 22x1,5x10	TAPPO 22x1,5x10
12	11198371	26	131R	WASHER 10,5x20	ROSETTA 10,5x20
13	11306921	7	40V	SCREW 10x1,25x30	VITE 10x1,25x30
14	11307021	16	40V	SCREW 10x1,25x40	VITE 10x1,25x40
15	14326050	1	50T	PLUG 10x1,25x11	TAPPO 10x1,25x11
16	14328801	2	50T	PLUG 22x7	TAPPO 22x7
17	16043421	18	40V	SCREW 8x1,25x20	VITE 8x1,25x20
19	11198071	18	131R	WASHER 8,2x15	ROSETTA 8,2x15
20	79086663	1	1K	KIT SEE PAGE 9	KIT VED. PAG.9

OIL SUMP AND CRANKCASE COVERS - COPPA E COPERCHI BASAMENTO - CARTER D'HUILE ET COUVERCLES
DE BATI - OELWANNE UND DECKEL DES KURBELGEHAEUSES - CÁRTER DE ACEITE Y TAPAS DEL BLOQUE

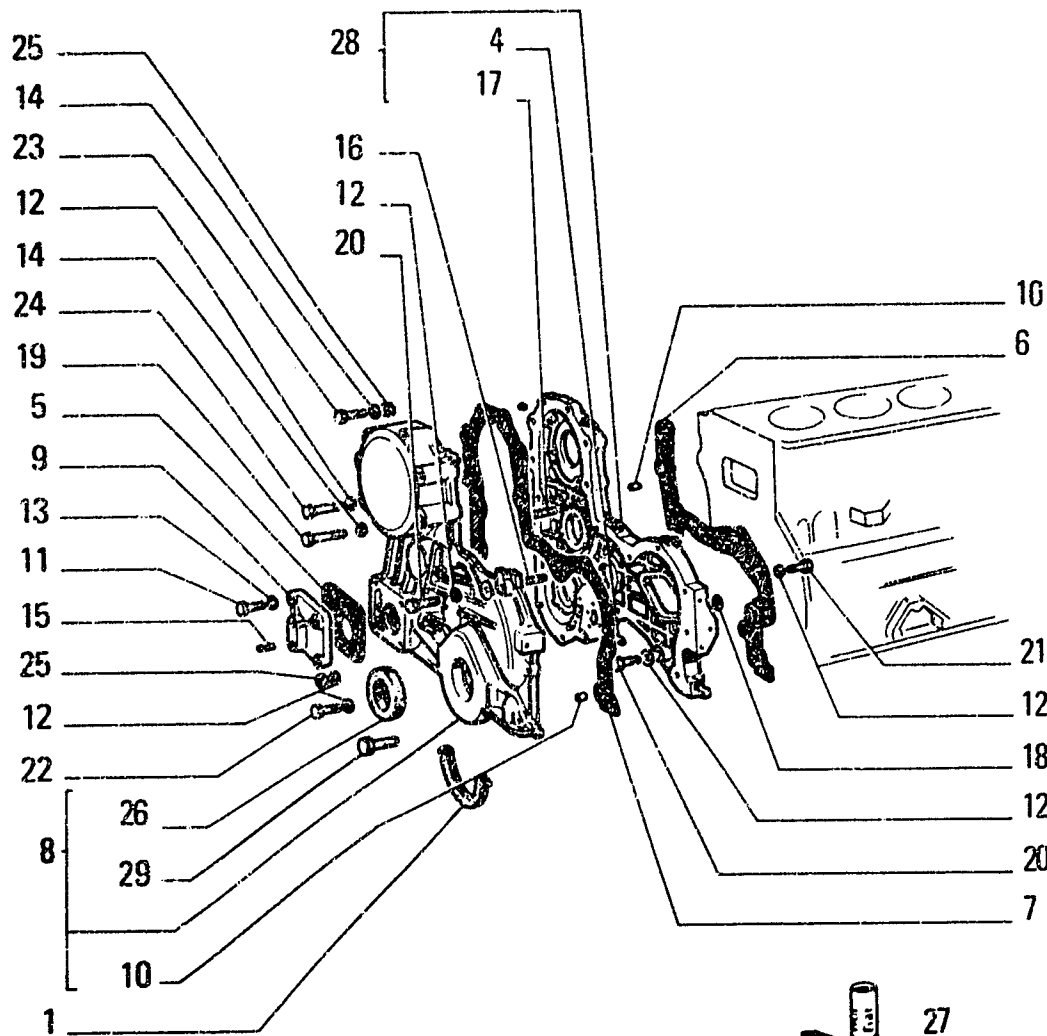
A1.02/A

1

N.T.R. 163 - 30.05.1989

604.01.077.03

FIATALLIS FL5



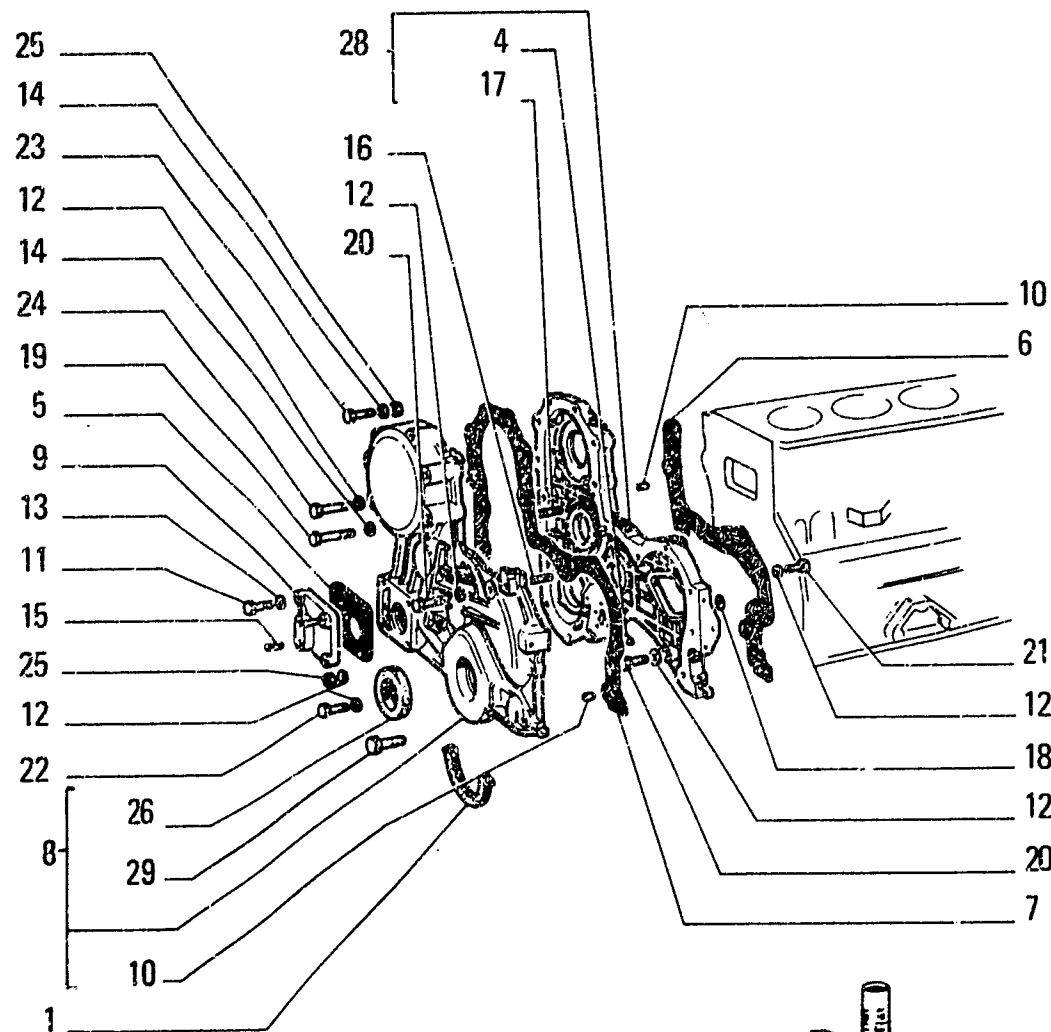
C 1373 → Tel. n. 201360

ITEM	PART NUMBER	QTY	TRANS CODE	DESCRIPTION	DESCRIZIONE
28	4751018	1	265C	COVER - ASSEMBLY	COPERCHIO - COMPLETO
29	13709410	1	40V	SCREW 6x1x6 D 973	VITE 5x1x6 D 973

OIL SUMP AND CRANKCASE COVERS - COPPA E COPERCHI BASAMENTO - CARTER D'HUILE ET
 COUVERCLES DE BATI - OELWANNE UND DECKEL DES KURBELGEHAEUSES - CARTER DE ACEITE
 Y TAPAS DEL BLOQUE

A1.02 2

N.T.R. 163 - 30.05.1989
 604.01.077.03



C 1373 → Tel. n. 201360

FIATALLIS FL5

A1.02 TAV. 2 PAG.1

ITEM	PART NUMBER	QTY	TRANS CODE	DESCRIPTION	DESCRIZIONE
1	4031577	1	123G	SEAL ASSY - FRONT -	GUARNIZIONE TENUTA FRONTALE - ANTERIORE
4	4605220	1	10V	VALVE	VALVOLA
5	4607590	1	123G	SEAL ASSY	GUARNIZIONE TENUTA FRONTALE
6	4607642	1	123G	SEAL ASSY	GUARNIZIONE TENUTA FRONTALE
7	4611382	1	123G	SEAL ASSY	GUARNIZIONE TENUTA FRONTALE
8	4641647	1	35S	CASE - ASSEMBLY C 973	SCATOLA - COMPLETO C 973
	4765837	1	35S	CASE - ASSEMBLY D 973	SCATOLA - COMPLETO D 973
9	4747175	1	265C	COVER	COPERCHIO
10	10839610	2	90G	DOWEL 8x12	GRANO 8x12
11	10902821	4	40V	SCREW 6x1x30	VITE 6x1x30
12	11193871	15	132R	LOCKWASHER 8,4x16	ROSETTA DI SICUREZZA 8,4x16
13	11197771	4	132R	LOCKWASHER 6,4x12	ROSETTA DI SICUREZZA 6,4x12
14	11198371	5	132R	LOCKWASHER 10,5x20	ROSETTA DI SICUREZZA 10,5x20
15	13449521	2	210P	STUD 10x1,25x40	PRIGIONIERO 10x1,25x40
16	13517720	1	210P	STUD 8x1,25x67	PRIGIONIERO 8x1,25x67
17	13543721	3	210P	STUD 8x1,25x51	PRIGIONIERO 8x1,25x51
18	14456981	1	158G	O-RING 2,62x10,77	GUARNIZIONE O-R 2,62x10,77
19	15971821	1	40V	SCREW 10x1,25x100	VITE 10x1,25x100
20	16043621	4	40V	SCREW 8x1,25x25	VITE 8x1,25x25
21	16044221	4	40V	SCREW 8x1,25x50	VITE 8x1,25x50
22	16044621	5	40V	SCREW 8x1,25x70	VITE 8x1,25x70
23	16045021	4	40V	SCREW 8x1,25x90	VITE 8x1,25x90
24	16045221	1	40V	SCREW 8x1,25x100	VITE 8x1,25x100
25	16100811	5	10D	NUT 8x1,25x6,5	DADO 8x1,25x6,5
26	40000010	1	158G	O-RING 42x65	GUARNIZIONE O-R 42x65
27	79037447	1	1K	KIT SEE PAGE 9	KIT VED. PAG.9

OIL SUMP AND CRANKCASE COVERS - COPPA E COPERCHI BASAMENTO - CARTER D'HUILE ET COUVERCLES DE BATI - OELWANNE UND DECKEL DES KURBELGEHAEUSES - CARTER DE ACEITE Y TAPAS DEL BLOQUE

A1.02

2

N.T.R. 163 - 30.05.1989

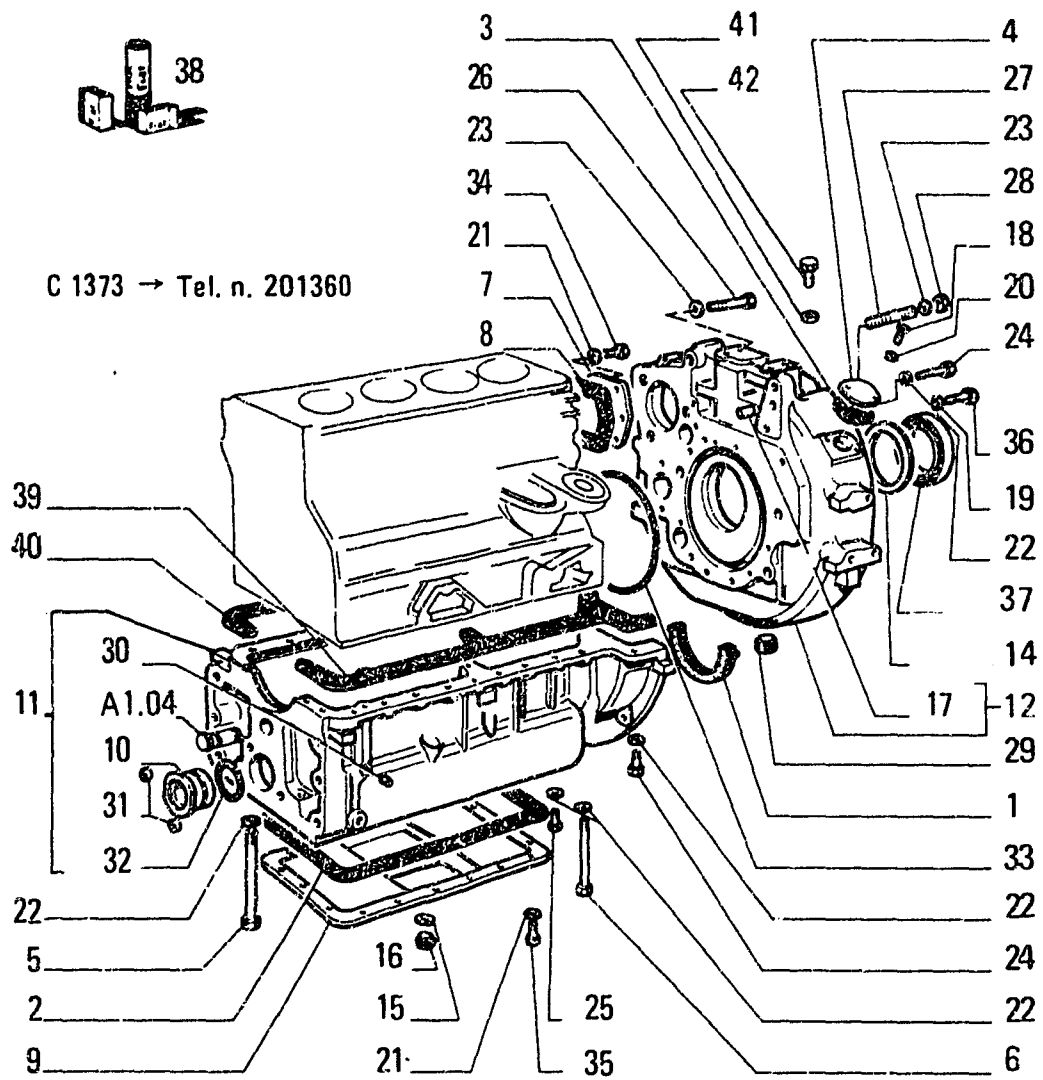
604.01.077.03

G9



38

C 1373 → Tel. n. 201360



FIATALLIS FL5

A1.02 TAV. 1 PAG.2

ITEM	PART NUMBER	QTY	TRANS CODE	DESCRIPTION	DESCRIZIONE
27	11797720	2	210P	STUD 14x1,5x70	PRIGIONIERO 14x1,5x70
28	12164011	2	10D	NUT 14x1,5x11	DADO 14x1,5x11
29	14325611	1	50T	PLUG 35x1,5x14	TAPPO 35x1,5x14
30	14326050	1	50T	PLUG 10x1,25x11	TAPPO 10x1,25x11
31	14328801	2	50T	PLUG 22x7	TAPPO 22x7
32	14460380	1	158G	O-RING 2,62x64,77	GUARNIZIONE O-R 2,62x64,77
33	14483080	1	158G	O-RING 3,53x196,2	GUARNIZIONE O-R 3,53x196,2
34	16043321	6	40V	SCREW 8x1,25x10	VITE 8x1,25x10
35	16043421	18	40V	SCREW 8x1,25x20	VITE 8x1,25x20
36	16043921	2	40V	SCREW 8x1,25x35	VITE 8x1,25x35
37	40002810	1	158G	O-RING 110x135 C2528	GUARNIZIONE O-R 110x135
	40003800	1	158G	O-RING 35x55 D2528	GUARNIZIONE O-R 35x55
				D2528	
38	79037447	1	1K	KIT SEE PAGE 9	KIT VED. PAG.9
39	4602316	1	123G	SEAL ASSY - LEFT	GUARNIZIONE TENUTA FRONTALE - SINISTRO
40	4602317	1	123G	SEAL ASSY - RIGHT	GUARNIZIONE TENUTA FRONTALE - DESTRO
41	10298360	2	133R	SEAL 10,2x16	ROSETTA DI TENUTA 10,2x16
42	11903171	2	50T	PLUG 10x1,25x7	TAPPO 10x1,25x7

OIL SUMP AND CRANKCASE COVERS - COPPA E COPERCHI BASAMENTO - CARTER D'HUILE ET COUVERCLES DE BATI - OELWANNE UND DECKEL DES KURBELGEHAEUSES - CARTER DE ACEITE Y TAPAS DEL BLOQUE

A1.02

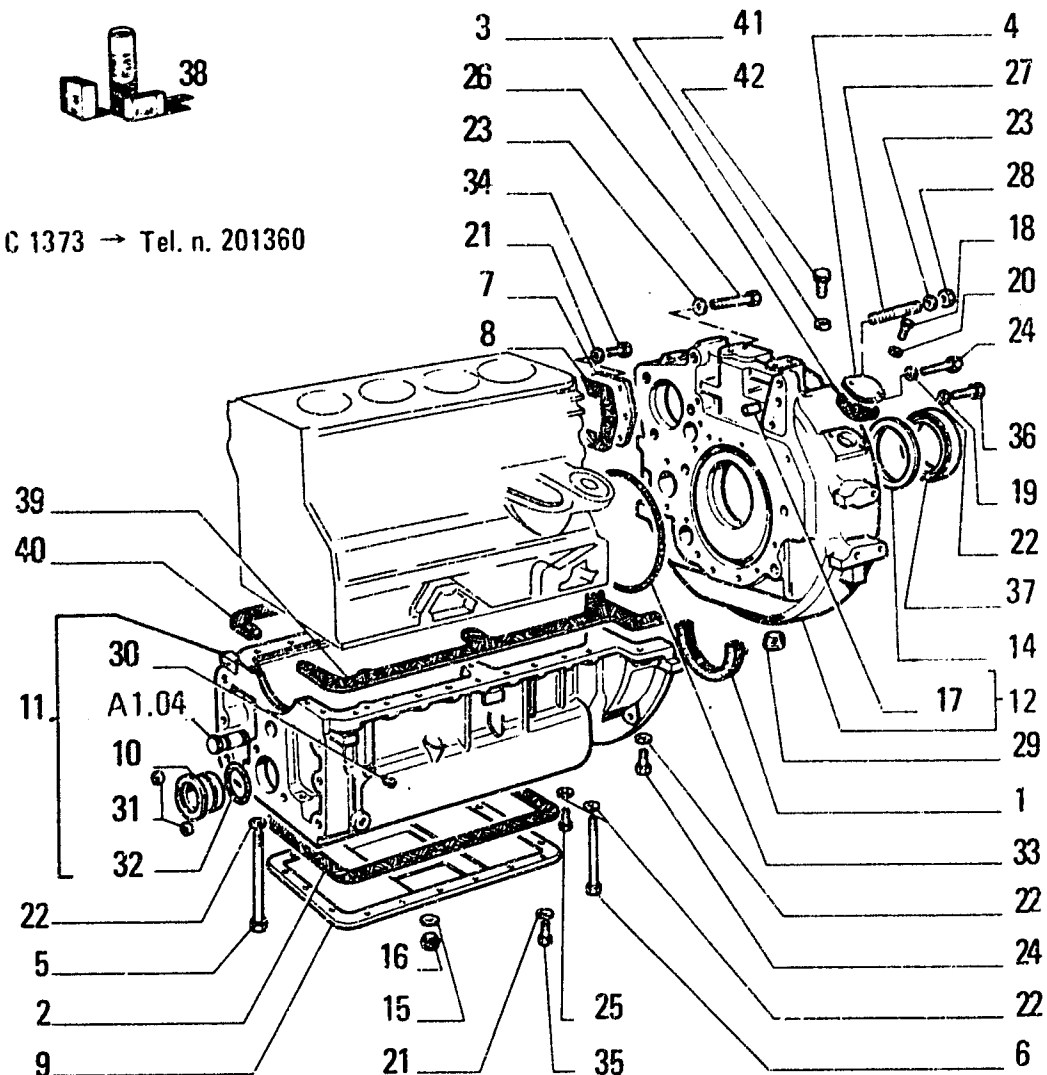
1

N.T.R. 163 - 30.05.1989
604.01.077.03

G10



C 1373 → Tel. n. 201360



FIATALLIS FL5

A1.02 TAV. 1 PAG.1

ITEM	PART NUMBER	QTY	TRANS CODE	DESCRIPTION	DESCRIZIONE
1	4600753	1	123G	SEAL ASSY	GUARNIZIONE TENUTA FRONTALE
2	4602299	1	123G	SEAL ASSY	GUARNIZIONE TENUTA FRONTALE
3	4605564	2	123G	SEAL ASSY	GUARNIZIONE TENUTA FRONTALE
4	4607786	2	265C	COVER	COPERCHIO
5	4607933	3	40V	SCREW	VITE
6	4607934	2	40V	SCREW	VITE
7	4653282	1	265C	COVER - REAR	COPERCHIO - POSTERIORE
8	4653283	1	123G	SEAL ASSY	GUARNIZIONE TENUTA FRONTALE
9	4712738	1	265C	COVER	COPERCHIO
10	4727177	1	50T	PLUG	TAPPO
11	4727835	1	274C	OIL SUMP - ASSEMBLY	COPPA OLIO - COMPLETO
12	4745364	1	300S	SUPPORT - REAR	SUPPORTO - POSTERIORE
13	4751018	1	265C	COVER - ASSEMBLY	COPERCHIO - COMPLETO
14	4754028	1	75D	SPACER C2528	DISTANZIALE C2528
	4787154	1	75D	SPACER D2528	DISTANZIALE D2528
15	10263460	1	133R	SEAL 22,2x28	ROSETTA DI TENUTA 22,2x28
16	10305171	1	50T	PLUG 22x1,5x10	TAPPO 22x1,5x10
17	10839710	2	90G	DOWEL 10x15	GRANO 10x15
18	10902221	4	40V	SCREW 6x1x16	VITE 6x1x16
19	11193871	2	131R	WASHER 8,4x16	ROSETTA 8,4x16
20	11197771	4	151R	WASHER 6,4x12	ROSETTA 6,4x12
21	11198071	24	131R	WASHER 8,2x15	ROSETTA 8,2x15
22	11198371	30	131R	WASHER 10,5x20	ROSETTA 10,5x20
23	11200171	4	131R	WASHER 15x32	ROSETTA 15x32
24	11306921	6	40V	SCREW 10x1,25x30	VITE 10x1,25x30
25	11307021	18	40V	SCREW 10x1,25x40	VITE 10x1,25x40
26	11408321	2	40V	SCREW 14x1,5x35	VITE 14x1,5x35

OIL SUMP AND CRANKCASE COVERS - COPPA E COPERCHI BASAMENTO - CARTER D'HUILE ET
 COUVERCLES DE BATI - OELWANNE UND DECKEL DES KURBELGEHAEUSES - CARTER DE ACEITE
 Y TAPAS DEL BLOQUE

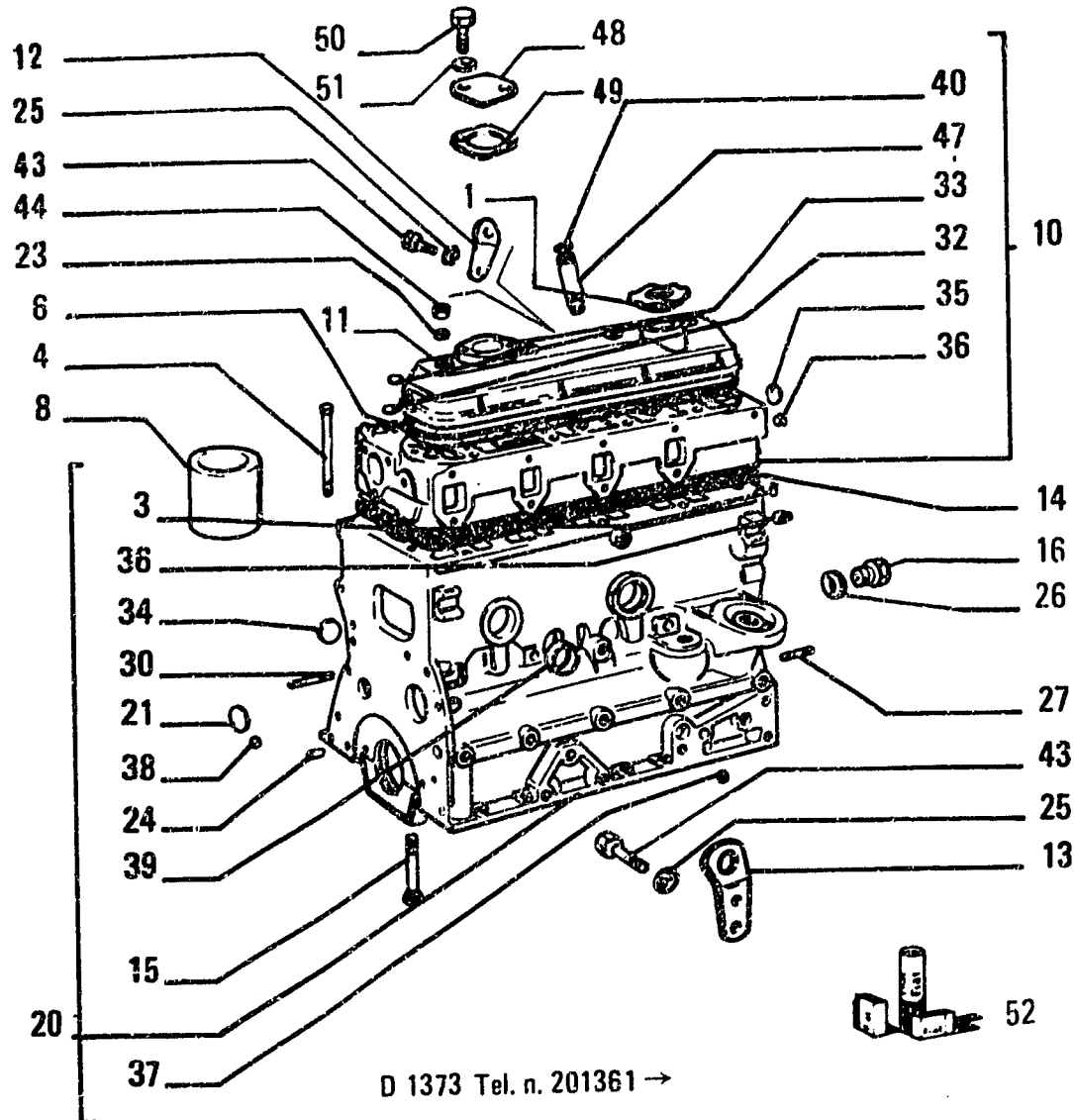
A1.02

1

N.T.R. 163 - 30.05.1989

604.01.077.03

G11



D 1373 Tel. n. 201361 →

FIATALLIS FLS

I T E M	PART NUMBER	Q T Y	TRANS CODE	DESCRIPTION	DESCRIZIONE
38	14328501	5	50T	PLUG 16x5	TAPPO 16x5
39	14329901	1	50T	PLUG 40x12	TAPPO 40x12
40	14453981	8	158G	O-RING 1,78x25,12	GUARNIZIONE O-R 1,78x25,12
43	15970521	2	40V	SCREW 10x1,25x20	VITE 10x1,25x20
44	16104111	4	10D	NUT 8x1,25x10,6	DADO 8x1,25x10,6
47	4770659	4	101A	CASING	ASTUCCIO
48	4607786	1	265C	COVER	COPERCHIO
49	4759659	1	122G	SEAL	GUARNIZIONE
50	16043321	2	40V	SCREW 8x1,25x18	VITE 8x1,25x18
51	11193871	2	131R	WASHER 8,4x16	ROSETTA 8,4x16
52	79086661	1	1K	KIT SEE PAGE 9	KIT VED. PAG.9

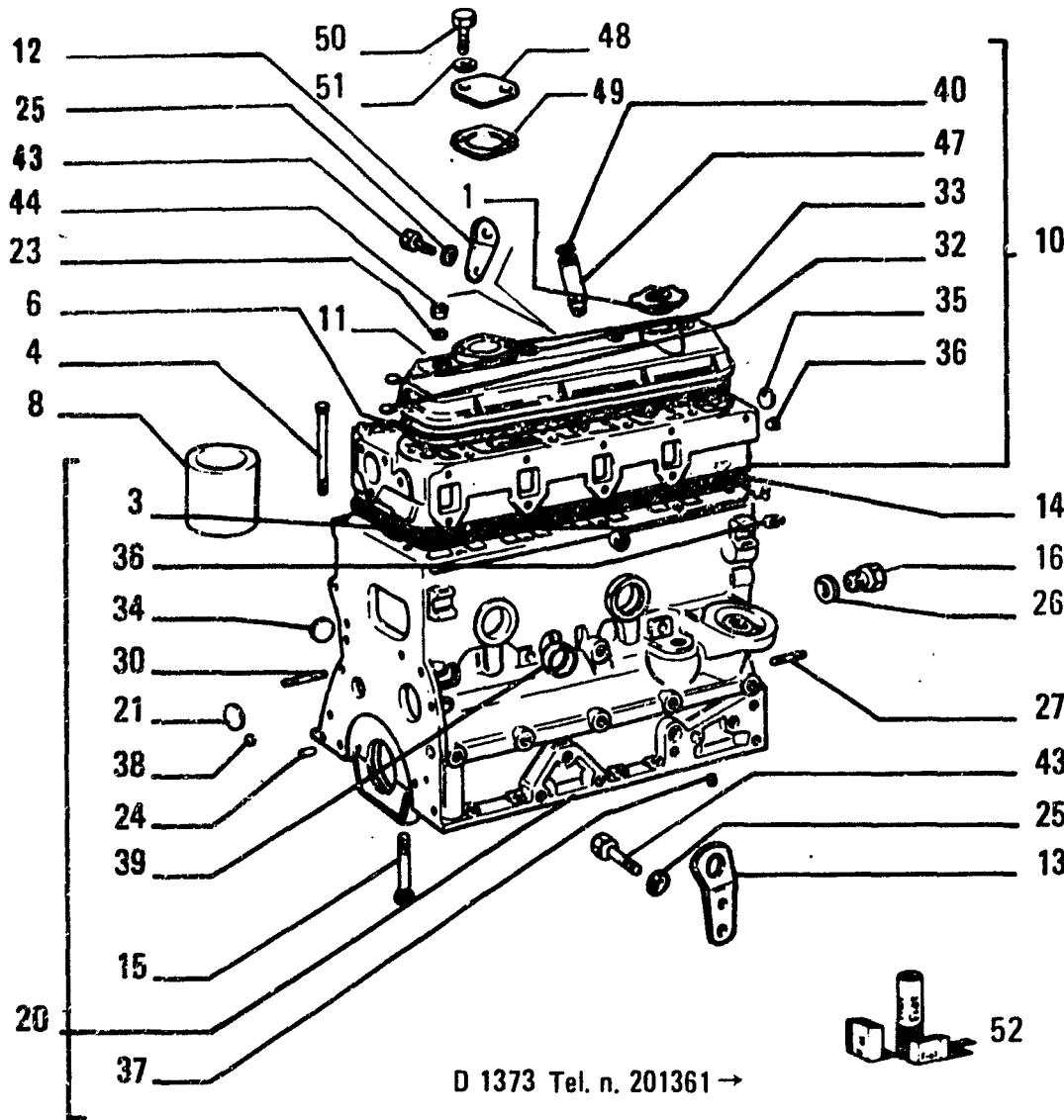
CRANKCASE AND CYLINDER HEAD - BASAMENTO E TESTA CILINDRI - BATI ET CULASSE -
 KURBELGEHAUSE UND ZYLINDERKOPF - BLOQUE DE CILINDROS Y CULATA

A1.01/A

N.T.R. 163 - 30.05.1989

604.01.077.03

G12



D 1373 Tel. n. 201361 →

FIATALLIS FL5

A1.01/ A TAV. 1 PAG.1

ITEM	PART NUMBER	QTY	TRANS CODE	DESCRIPTION	DESCRIZIONE
1	4232606	1	50T PLUG	TAPPO	
3	4599607	1	90G DOWEL	GRANO	
4	4796457	18	40V SCREW	VITE	
6	4782836	1	122G SEAL	GUARNIZIONE	
8	4770623	4	53C TUBE +0,0	CANNA CILINDRO +0,0	
	4770624	4	53C TUBE +0,2	CANNA CILINDRO +0,2	
10	4782859	1	113T CYLINDER HEAD - ASSEMBLY	TESTA CILINDRI - COMPLETO	
11	4756569	1	265C COVER	COPERCHIO	
12	4695923	1	120 EYELET - REAR RIGHT	OCCHIELLO - POSTERIORE DESTRO	
13	4760284	1	120 EYELET	OCCHIELLO	
14	4769442	1	122G SEAL	GUARNIZIONE	
15	4792169	10	40V SCREW	VITE	
16	4665029	1	50T PLUG	TAPPO	
20	4802386	1	20B CRANKCASE - ASSEMBLY	BASAMENTO MOTORE - COMPLETO	
21	10160701	1	50T PLUG 60x2	TAPPO 60x2	
23	10519660	4	131R WASHER 8,45x17	ROSETTA 8,45x17	
24	10839610	2	90G DOWEL 8x12	GRANO 8x12	
25	11198371	2	131R WASHER 10,5x20	ROSETTA 10,5x20	
26	10265460	1	131R WASHER 42,3x49	ROSETTA 42,3x49	
27	11997821	2	210P STUD	PRIGIONIERO	
30	13517821	1	210F STUD 8x1,25x72	PRIGIONIERO 8x1,25x72	
32	14282170	1	50T PLUG 20x7	TAPPO 20x7	
33	14282470	8	50T PLUG 28x9	TAPPO 28x9	
34	14282770	4	50T PLUG 36x9	TAPPO 36x9	
35	14282970	1	50T PLUG 45x9	TAPPO 45x9	
36	14323911	6	50T PLUG 10x1,25x14	TAPPO 10x1,25x14	
37	14324211	1	50T PLUG 14x1,5x20	TAPPO 14x1,5x20	

CRANKCASE AND CYLINDER HEAD - BASAMENTO E TESTA CILINDRI - BATI ET CULASSE -
KURBELGEHAEUSE UND ZYLINDERKOPF - BLOQUE DE CILINDROS Y CULATA

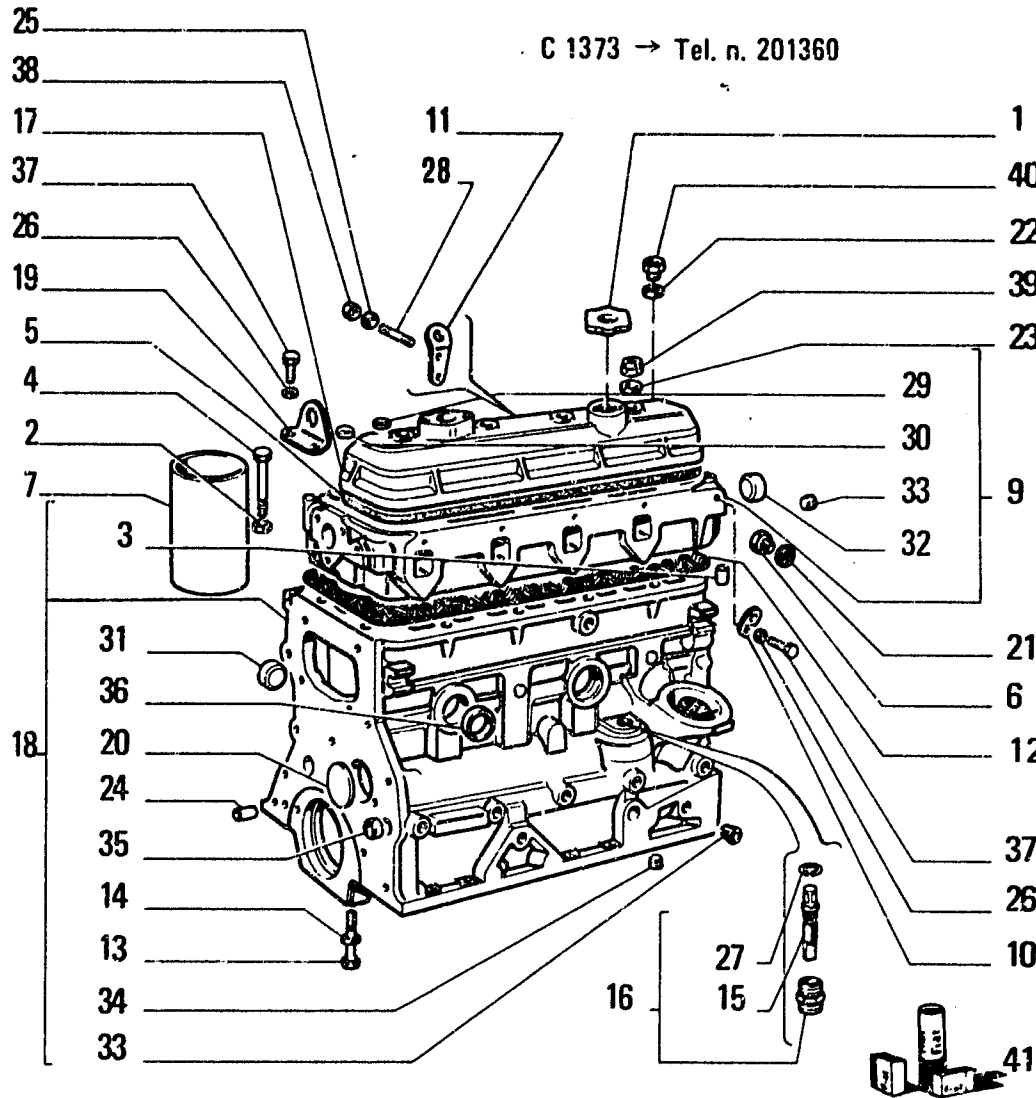
A1.01/A

N.T.R. 163 - 30.05.1989

604.01.077.03

G13

C 1373 → Tel. n. 201360



ITEM	PART NUMBER	QTY	TRANS CODE	DESCRIPTION	DESCRIZIONE
27	13400575	1	51A	LOCKRING 9,2x10,8	ANELLO DI SICUREZZA 9,2x10,8
28	13543321	1	210P	STUD 8x1,25x36	PRIGIONIERO 8x1,25x36
29	14282370	1	50T	PLUG 25x7	TAPPO 25x7
30	14282410	8	50T	PLUG 28x9	TAPPO 28x9
31	14282770	4	50T	PLUG 36x9	TAPPO 36x9
32	14282970	1	50T	PLUG 45x9	TAPPO 45x9
33	14323911	6	50T	PLUG 10x1,25x14	TAPPO 10x1,25x14
34	14324211	1	50T	PLUG 14x1,5x20	TAPPO 14x1,5x20
35	14328501	5	50T	PLUG 16x5	TAPPO 16x5
36	14329901	1	50T	PLUG 40x12	TAPPO 40x12
37	15970521	3	40V	SCREW 10x1,25x20	VITE 10x1,25x20
38	16100811	1	10D	NUT 8x1,25x6,5	DADO 8x1,25x6,5
39	16104111	4	10D	NUT 8x1,25x10,6	DADO 8x1,25x10,6
40	79030099	1	20R	FITTING	RACCORDO
41	79037379	1	1K	KIT SEE PAGE 9	KIT VED. PAG.9

CRANKCASE AND CYLINDER HEAD - BASAMENTO E TESTA CILINDRI - BATI ET CULASSE -
 KURBELGEHAEUSE UND ZYLINDERKOPF - BLOQUE DE CILINDROS Y CULATA

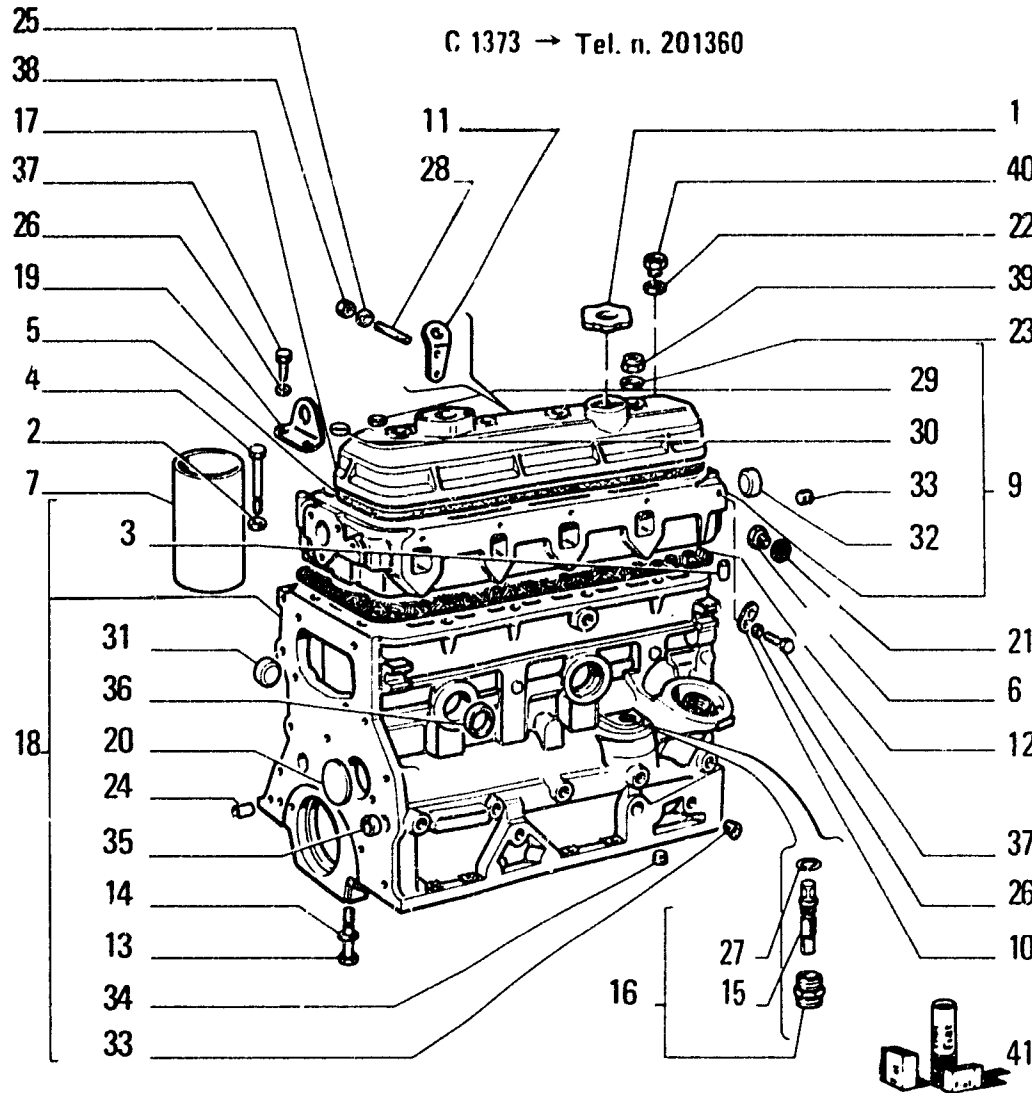
A1.01

N.T.R. 163 - 30.05.1989

604.01.077.03

G14

C 1373 → Tel. n. 201360



ITEM	PART NUMBER	QTY	TRANS CODE	DESCRIPTION	DESCRIZIONE
1	4232606	1	50T PLUG	TAPPO	
2	4585990	18	131R WASHER	ROSETTA	
3	4599607	1	90G DOWEL	GRANO	
4	4601061	18	40V SCREW	VITE	
5	4654363	1	123G SEAL ASSY	GUARNIZIONE TENUTA FRONTALE	
6	4665029	1	50T PLUG	TAPPO	
7	4679201	4	35C CYLILINER +0,0	CAMICIA +0,0	
	4679202	4	35C CYLILINER +0,2	CAMICIA +0,2	
9	4681245	1	113T CYLINDER HEAD - ASSEMBLY	TESTA CILINDRI - COMPLETO	
10	4695922	1	120 EYELET - REAR LEFT	OCCHIELLO - POSTERIORE SINISTRO	
11	4695923	1	120 EYELET - REAR RIGHT	OCCHIELLO - POSTERIORE DESTRO	
12	4708956	1	123G SEAL ASSY	GUARNIZIONE TENUTA FRONTALE	
13	4710517	1	40V SCREW	VITE	
14	4710518	10	131R WASHER	ROSETTA	
15	4717677	1	11A SPINDLE	ALBERINO	
16	4717707	1	20R FITTING - ASSEMBLY	RACCORDO - COMPLETO	
17	4756569	1	265C COVER	COPERCHIO	
18	4756768	1	20B CRANKCASE - ASSEMBLY	BASAMENTO MOTORE - COMPLETO	
19	4760284	1	120 EYELET - FRONT	OCCHIELLO - ANTERIORE	
20	10160701	1	50T PLUG 60x2	TAPPO 60x2	
21	10265460	1	133R SEAL 42,3x49	ROSETTA DI TENUTA 42,3x49	
22	10279561	1	133R SEAL 22,2x28	ROSETTA DI TENUTA 22,2x28	
23	10519660	4	131R WASHER 8,45x17	ROSETTA 8,45x17	
24	10839610	2	90G DOWEL 8x12	GRANO 8x12	
25	11193871	1	131R WASHER 8,4x16	ROSETTA 8,4x16	
26	11198379	3	131R WASHER 10,5x20	ROSETTA 10,5x20	

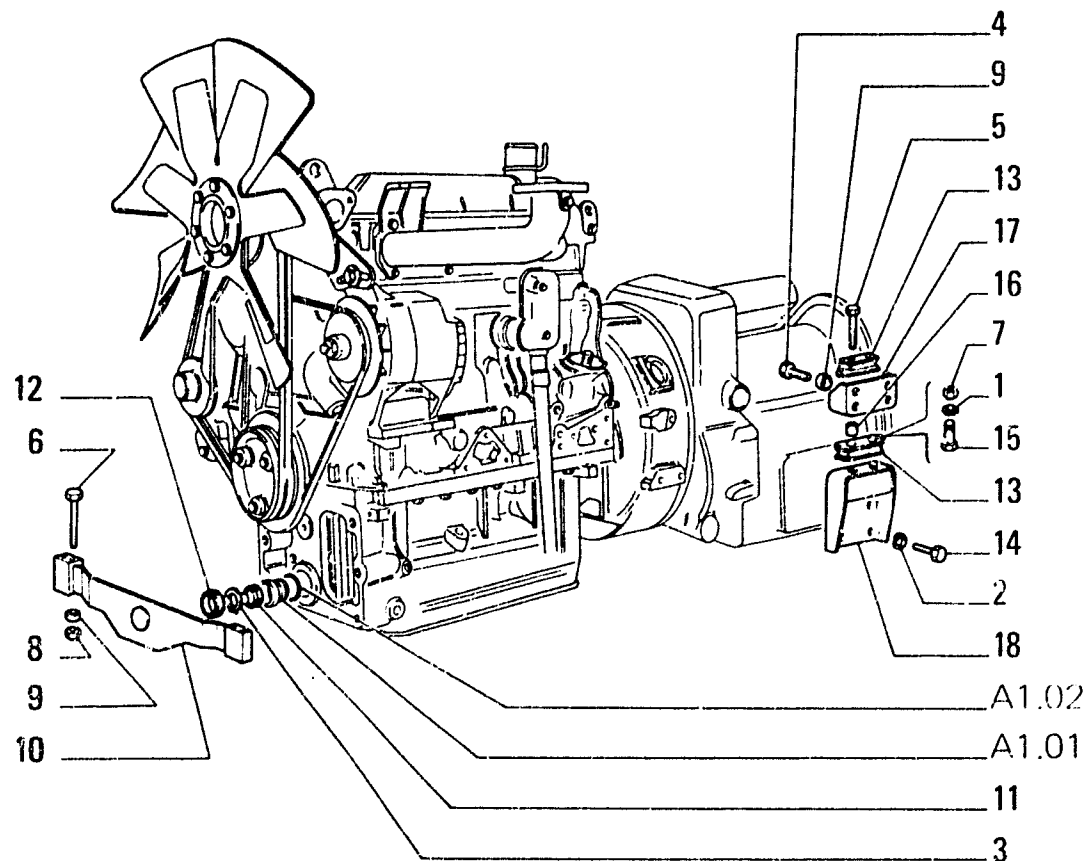
CRANKCASE AND CYLINDER HEAD - BASAMENTO E TESTA CILINDRI - BATTI ET CULASSE -
 KURBELGEHAEUSE UND ZYLINDERKOPF - BLOQUE DE CILINDROS Y CULATA

A1.01

N.T.R. 163 - 30.05.1989

604.01.077.03

G15



I T E M	PART NUMBER	Q T Y	TRANS CODE	DESCRIPTION	DESCRIZIONE
1	10516671	4	132R	LOCKWASHER 8,1x2,2	ROSETTA DI SICUREZZA 8,1x2,2
2	10517471	2	132R	LOCKWASHER 20,2x4,5	ROSETTA DI SICUREZZA 20,2x4,5
3	11060676	1	51A	LOCKRING 59,2x2	ANELLO DI SICUREZZA 59,2x2
4	14274631	8	40V	SCREW 12x1,25x35	VITE 12x1,25x35
5	15541331	4	40V	SCREW 12x1,25x75	VITE 12x1,25x75
6	15541931	4	40V	SCREW 12x1,25x130	VITE 12x1,25x130
7	16100821	4	10D	NUT 8x1,25x6,5	DADO 8x1,25x6,5
8	16101521	4	10D	NUT 12x1,25x10	DADO 12x1,25x10
9	79005242	12	131R	WASHER	ROSETTA
10	79013994	1	300S	SUPPORT - FRONT	SUPPORTO - ANTERIORE
11	79013999	1	165S	ARTICULATION	SNODO
12	79014000	1	45A	RING C1373	ANELLO C1373
	79041953	1	45A	RING D1373	ANELLO D1373
13	79014002	4	61T	CUSHION PAD	TASSELLO ELASTICO
14	79014006	8	40V	SCREW	VITE
15	79022535	4	40V	SCREW	VITE
16	79022536	4	75D	SPACER	DISTANZIALE
17	79022537	2	300S	SUPPORT - UPPER	SUPPORTO - SUPERIORE
18	79022540	2	300S	SUPPORT IN.F	SUPPORTO IN.F

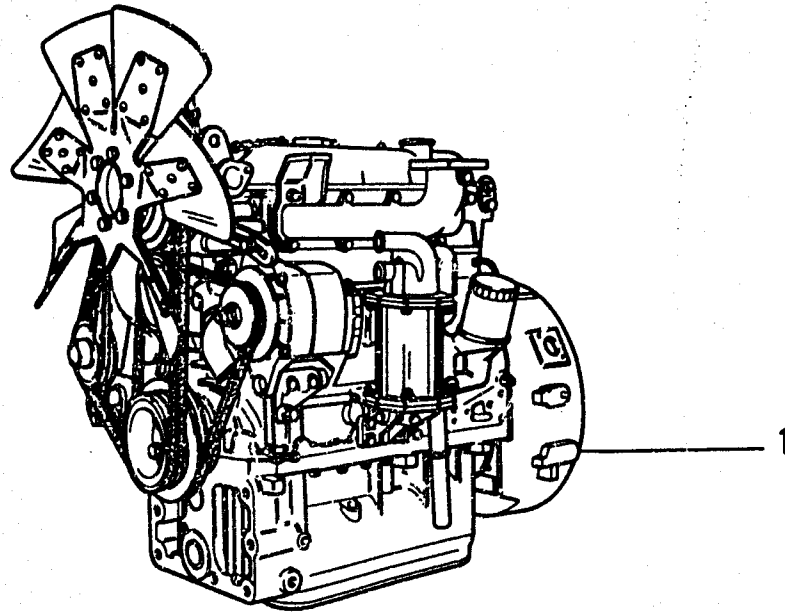
03579

POWER PLANT SUSPENSIONS - SOSPENSIONI GRUPPO MOTOPROPULSORE - SUSPENSIONS DU GROUPE
 PROPULSEUR - TRIEBWERKAUFHAENGUNG - ANCLAJES DE LA PLANTA MOTRIZ

A0.02

N.T.R. 126 - 25.02.86
 604.01.077.02

G16



ITEM	PART NUMBER	QTY	TRANS CODE	DESCRIPTION	DESCRIZIONE
1	4726708	1	130M	ENGINE - ASSEMBLY C1373	MOTORE TERMICO - COMPLETO C1373
	4805328	1	130M	ENGINE - ASSEMBLY D1373	MOTORE TERMICO - COMPLETO D1373

03578

ENGINE - MOTORE - MOTEUR - MOTOR - MOTOR

A0.00

N.T.R. 126 - 25.02.86
604.01.077.02

G17

DESIGNAZIONE BASE	BASIC DESIGNATION	DESIGNATIONS-BASES	GRUNDBEZEICHNUNGEN	DENOMINACIONES BASE
831	INTERRUTTORE AUTOMATICO	CIRCUIT BREAKER	INTERRUPTEUR AUTO-MATIQUE	INTERRUPTOR AUTOMATICO
83L	LAMA ANGOLABILE (HA)	ANGLE MOLDBOARD (HA)	LAME ANGLEDOZER (HA)	HOJA ANGULABLE (HA)
83S	SEDILE INTERMEDIO	INTERMEDIATE SEAT	SIEGE MEDIAN	BUTACA INTERMEDIA
833	COFANO FORATO	PERFORATED HOOD	CAPOT PERFORÉ	
835	RIPARO SUPPLEMENTARE CUFFIA	ADDITIONAL RADIATOR GUARD	PROTECTION SUPPL. RADIATEUR	
836	FIANCHETTI MOBILI MOTORE	HOOD SIDE PLATES	PANNEAUX LATERAUX MOTEUR	
837	RIPARI LATERALI MOTORE		PROTECTIONS LATERALES MOTEUR	
84C	CARTUCCIA FILTRANTE	FILTERING ELEMENT	ELEMENT FILTRANT	CARTUCHO DE FILTRO
84D	DISTRIBUTORE DUPLEX	DUPLEX DISTRIBUTOR	DISTRIBUT. DUPLEX	DISTRIBUIDOR DUPLEX
84L	LAMA DIRITTA (HS)	STRAIGHT MOLDBOARD (HS)	LAME DOZER (HS)	HOJA RECTA (HS)
84P	PERNO DEL'O STANTUFFO	PISTON PIN	AXE DE PISTON	BULON DE EMBOLO
84S	SEGNALATORE ACUSTICO	BUZZER	TEMOIN SONORE	TIMBRE
842	PROTEZIONE ANTIVANDALO	VANDALISM PREVENTION		
843	COPERCHI CRUSCOTTO ANTIVANDALO	ANTI VANDALISM INSTRUM PANELS	CAPOT POUR PLANCHE DE BORD	PROTECCION DEL TABLERO
85A	ASSALE	AXLE	ESSIEU	EJE
85D	DISTRIBUTORE QUADRUPLIX	QUADRUPLIX DISTRIBUTOR	DISTRIBUTEUR QUADRUPLIX	DISTRIBUIDOR QUADRUPLIX
85D			FOURCHE	
85F	FORCELLA	YOKE	FOURCHE	HORQUILLA
85G	GOMITO	ELBOW	COUDE	CODO
85I	ISOLANTE	INSULATOR	ISOLANT	AISLADOR
85L	LAMA DIRITTA-LARGA (HS-L)	STRAIGHT-WIDE MOLDBOARD (HS-L)	LAME DOZER ELARGEES (HS-L)	HOJA RECTA-ANCHA (HS-L)
85M	MOBILETTO	CABINET	ARMOIRE	ARMARIO
85R	RIPARTITORE	SPLITTER	REPARTITEUR	REPARTIDOR
85T	TELERUTTORE	RELAY	TELERUPTEUR	TELEERRUPTOR
850	SEDILE RIBALTABILE	RECLINING SEAT	SIEGE BASCULABLE	ASIENTO ABATIBLE
852	SEDILE C/SOSPENSIONE ELASTICA	SUSPENSION SEAT	SIEGE SUR SUSPENSIONS	ASIENTO DE SUSPENSION ELASTICA
86D	DISTRIBUTORE A DOPPIO EFFETTO	DOUBLE ACTING CONTROL VALVE	DISTRIBUTEUR DOUBLE EFFET	DISTRIBUIDOR DE DOBLE EFECTO
86D			LAME SEMI U (HSU)	
86L	LAMA SEMI-U (HSU)	SEMI-U MOLDBOARD (HSU)	LAME SEMI U (HSU)	HOJA SEMI-U (HSU)
86S	SEGMENTO	SEGMENT	SEGMENT	SEGMENTO
861	PARAFANGHI ANTERIORI	FRONT FENDERS	AILES AVANT	GUARDABARROS ANTERIOR
863	PARAFANGHI POSTERIORI	REAR FENDERS	AILES ARRIERE	GUARDABARROS POSTERIOR
868	PARAFANGHI ALLUNGATI	FULL LENGHT FENDERS	AILES ALLONGEES	GUARDABARROS LARGOS
87C	CASSETTA ATTREZZI	TOOL BOX	COFFRE A OUTILS	CAJA HERRAMIENTAS
87D	DISTRIBUTORE E SEMPLICE EFFETTO	SINGLE ACTING CONTROL VALVE	DISTRIBUTEUR SIMPLE EFFET	DISTRIBUIDOR DE SIMPLE EFECTO
87D			AMPOULE	
87L	LAMPADINA	BULB	AMPOULE	LAMPARITA
87S	SEGNALATORE	INDICATOR	TEMOIN	TESTIGO
87T	TENDICINGHIA	BELT STRETCHER	TENDEUR DE COURROIE	TENSOR DE CORREA

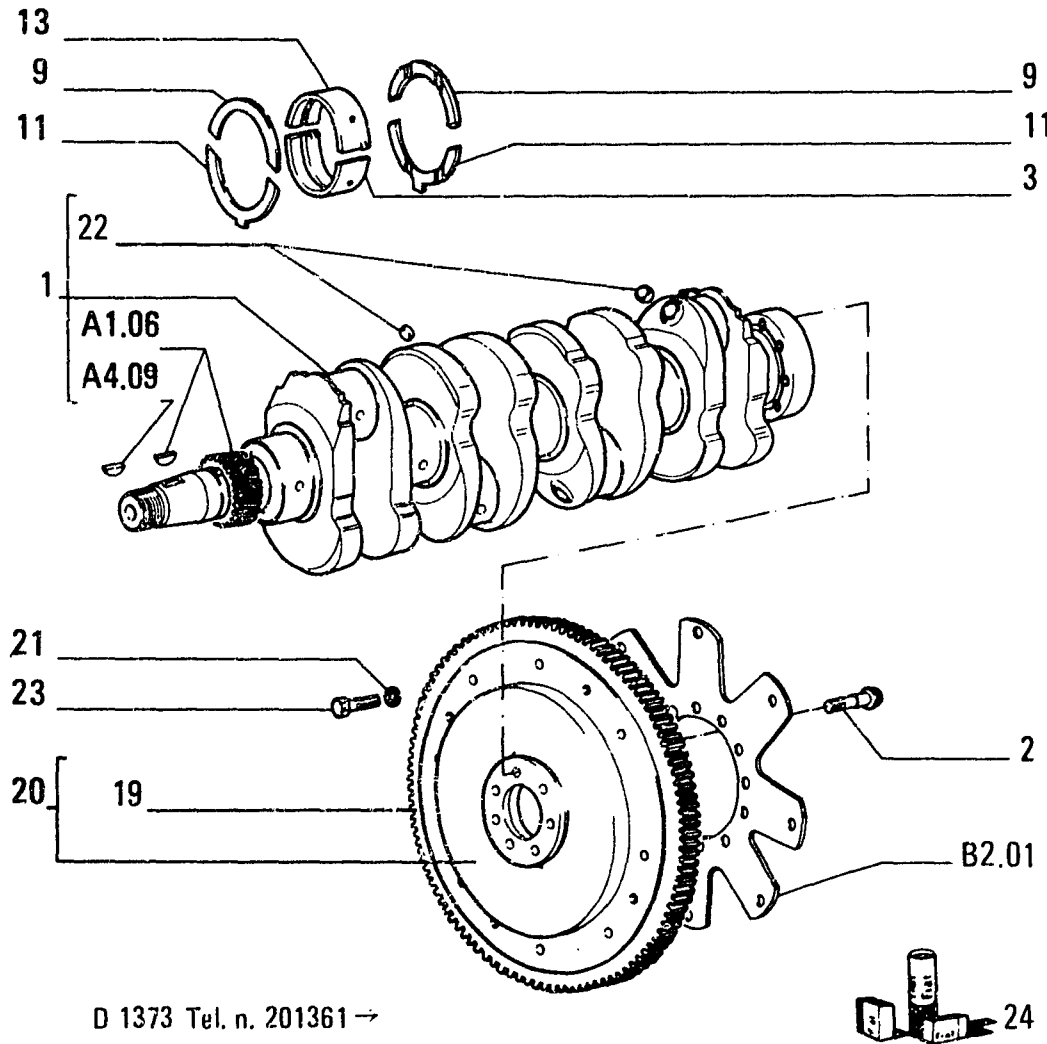
DESIGNAZIONE BASE	BASIC DESIGNATION	DESIGNATIONS-BASES	GRUNDBEZEICHNUNGEN	DENOMINACIONES BASE
870	PROTEZIONI FORESTALI	FORESTRY PROTECTIONS	PROTECTION DEFORESTAGE	
871	SCHERMI POST E LAT ROPS	ROPS SIDE AND REAR SCREENS	GRILLES ARRIERE,LATERALES ROPS	REJILLAS POSTERIOR,LATERALROPS
872	PROTEZIONI INFERIORI (2 PEZZI)	BOTTOM GUARDS (2 PIECES)	PROTECTIONS INFERIEURS(2PIECES)	
873	SCHERMO POSTERIORE ROPS	ROPS REAR SCREEN	GRILLE ARRIERE ROPS	
875	PROTEZIONI INFERIORI RINFORZ	EOTTOM GUARDS H.D	PROTECTION INFERIEURS RENFOR.	
879	SWEEPS PER ROPS	SWEEPS FOR ROPS	SWEEPS POUR ROPS	SWEEPS PARA ROPS
88A	ASTA DI REGOLAZIONE	ADJUSTING ROD	TIGE DE REGLAGE	VARILLA DE REGLAJE
88C	CASTELLO	MOUNTING FRAME	CHARPENTE	SOPORTE
88D	DIAGNOSTICA	DIAGNOSTIC SYSTEM	DIAGNOSE	DIAGNOSTICA
88I	IDEOGRAMMI	SYMBOLS	IDEOGRAMMES	IDEOGRAMA
88S	SEMIACCOPIAMENTO	SEMI-COUPLING	DEMI-JOINT	SEMIACOPAMIENTO
88T	TENDINA	CURTAIN	RIDEAU	CORTINA
88E	PERNO GANCIO TRAINO	DRAWBAR PIN	AXE CROCHET D'ATTELAGE	
89A	ASTA POSIZIONATORE	POSITIONING ROD	TIGE POSITIONNEUR	VARILLA POSICIONADOR
89C	CASSONE SCRAPER	SCRAPER BOWL	BENNE DE DECAPEUSE	CAJON
89D	DENTE BENNA	BUCKET TOOTH	DENT DE GODET	DIENTE DE CUCHARA
89G	GRAFFETTA	CLIP	AGRAFE	SUJETADOR
89I	INIETTORE	INJECTOR	INJECTEUR	INYECTOR
89O	BARRA TRAINO OSCILLANTE	SWINGING DRAWBAR	BARRE OSCILLANTE D'ATTELAGE	
89I	GANCIO TRAINO RINFORZATO	DRAWBAR H.D.	CROCHET D'ATTELAGE RENFORCE	
89S	PREDISPOSIZ.ATTACCO SCRAPER	SCRAPER INSTALLATION PROVISION	PREDISP.INSTALL.SCRAPER	
90A	ASTA	ROD	TIGE	VARILLA
90B	BOCCHETTONE INTRODUZIONE	FILLER PLUG	TUBE REPLISSAGE	BOQUILLA
90C	CATADIOTTRO	REFLECTOR	CATADIOPTRE	CATAFAROS
90D	DISCO MAGNETICO	MAGNETIC DISC	DISQUE MAGNETIQUE	DISCO IMANADO
90G	GRANO	DOWEL	GRAIN DE CENTRAGE	PITON
90I	INVOLUCRO	CANNING	INVOLUCRE	ENVOLTURA
90S	SEMIANELLO	HALF RING	DEMI-BAGUE	SEMIARO
91A	ASTA LIVELLO	DIPSTICK	JAUGE DE NIVEAU	VARILLA DE NIVEL
91D	DISCO RUOTA	WHEEL DISC	DISC de ROUE	DISCO RUEDA
92D	DAL MOTORE IDRAULICO...	FROM TO HYDRAULIC MOTOR...	A PARTIR DU MOTEUR HYDRAULIQUE	A PARTIR DEL MOTOR HIDRAULICO
92F	GRUPPO FRENANTE	BRAKE UNIT	GROUPE DE FREINAGE	DISPOSITIVO DE FRENO
92F				FRENO
92S	SEMIALBERO	HALF SHAFT	DEMI-ARBRE	SEMIARBOL
92O	RIPPER (PD)	RIPPER (PD)	RIPPER (PD)	RIPPER (PD)
92I	RIPPER (PMD)	RIPPER (PMD)	RIPPER (PMD)	RIPPER (PMD)
93D	DAL RIDUTTORE...	FROM THE REDUCTION GEAR...	A PARTIR DU REDUCTEUR...	A PARTIR DEL REDUCTOR...
93F	FRENO	BRAKE	FREIN	FRENO
93T	TERGICRISTALLO	WINDSHIELD WIPER	ESSUIE-GLACE	LIMPIA-PARABRISAS
933	RIPPER ROTATIVO		RIPPER ROTATIF	

DESIGNAZIONE BASE	BASIC DESIGNATION	DESIGNATIONS-BASES	GRUNDBEZEICHNUNGEN	DENOMINACIONES BASE
935	UTENSILE PER RIPPEF'	RIPPER SHANK	OUTIL POUR RIPPER	ZAHNHALTER
937	UTENSILE (RIPPER PMD)	SHANK (RIPPER PMD)	OUTIL (RIPPER PMD)	ZAHNHALTER
938	UTENSILE H.D (RIPPER PMD)	SHANK H.D (RIPPER PMD)	OUTIL (RIPPER PMD)	ZAHNHALTER (VA)
94B	BOCCOLA SCANALATA	GROOVED BUSH	BAGUE CANNELEE	BUECHSE MIT NUTEN
94B				CASQUILLO ACANALADO
94C	CATENA ANTISDRUCCIOI.EVOLE	ANTI-SKID CHAIN	CHAINE ANTI-DERAPANTE	GLEITSCHUTZKETTE
94C				CADENA ANTIDESLI-ZANTE
94D	DENTE SCRAPER	SCRAPER TOOTH		
94S	SEMICOLLARE	HALF COLLAR	DEMI-COLLIER	SEMICOLLAR
94S			OUTIL POUR SCARIFICATEUR	
945	UTENSILI PER SCARIFICATORE			
95B	BOCCOLA	BUSHING	DOUILLE	BUJE
95C	CATENA	CHAIN	CHAINE	CADENA
95F	FRIZIONE	CLUTCH	EMBRAYAGE	EMBRAGUE
95S	SEMIBIELLA	HALF LINK	DEMI-BIELLE	SEMIBIELA
95T	TERMOMETRO	TEMPERATURE GAUGE	THERMOMETRE	TERMOMETRO
953	RIPPER (PL)	RIPPER (PL)	RIPPER (PL)	RIPPER (PL)
96B	BOCCOLA DI GUIDA	GUIDE BUSHING	DOUILLE DE GUIDAGE	CASQUILLO GUIDA
96S	SEMIBOCCOLA	HALF BUSHING	DEMI-DOUILLE	SEMIBUJE
96T	TERMOSTATO	THERMOSTAT	THERMOSTAT	TERMOSTATO
960	RIPPER (PVD)	RIPPER (PVD)	RIPPER (PVD)	RIPPER (PVD)
97C	CATENARIA	TRACK CHAIN	CHENILLES	CADENA DE ORUGA
97G	GRUPPO IDRAULICO	HYDRAULIC UNIT	GROPE HYDRAULIQUE	GRUPO HIDRAULICO
97G				
97S	SEMIMORSETTO	HALF CONNECTOR	DEMI-COLLIER.	SEMI/GARRADERA
97T	TERMOCOPPIA	THERMOCOUPLE	THERMOCOUPLE	PAR TERMICO
98B	BOCCOLA ELASTICA	RESILIENT BUSH	BAGUE ELASTIQUE	CASQUILLO ELASTICO
98G	GRUPPO MECCANICO	MECHANICAL UNIT	CHOIPE MECANIQUE	GRUPO MECANICO
98S	SEMISTAFFA	HALF BRACKET	DEMI-BRIDE	SEMIESTRIBO
98E	TARGHE TUV TEDESCO	GERMAN TUV DECALS	PLAQUES TUV ALLEMAND	
99B	BOCCOLA FILETTATA	THREADED BUSH	BAGUE FILETEE	TUERCA
99G	GRUPPO REGOLATORE	GOVERNOR UNIT	GROUP REGULATEUR	GRUPO REGULADOR
992	POMPA A LEVE PER INGRASSA:GIO	GREASING PUMP	POMPE DE GRAISSAGE	
993	POMPA TRAVASO COMBUST.	FUEL TRANSFER PUMP	POMPE TRANSVASEMENT COMBUSTIBL	COMBA REPOSTADO COMBUSTIBILE
995	ACCESSORI MANUTENZIONE	TOOLS KIT	OUTILS	HERRAMIENTAS
997	ELEMENTI PRIMA MANUTENZIONE	ELEMENT PACKAGE		
998	MARTINETTO IDRAULICO	HYDRAULIC JACK	CRIE HYDRAULIQUE	
ALT	IN ALTERNATIVA	EN ALTERNATIVE	EN ALTERNATIVE	ALTERNATIVO
ANT	ANTERIORE	FRONT	AVANT	ANTERIOR
CORR	CORRIGE	CORRECT	CORRIGEZ	LEASE
DS	DESTRO	RIGHT	DROIT	DERECHO

A

ENGINE • MOTORE • MOTEUR • MOTOR • MOTOR

H1

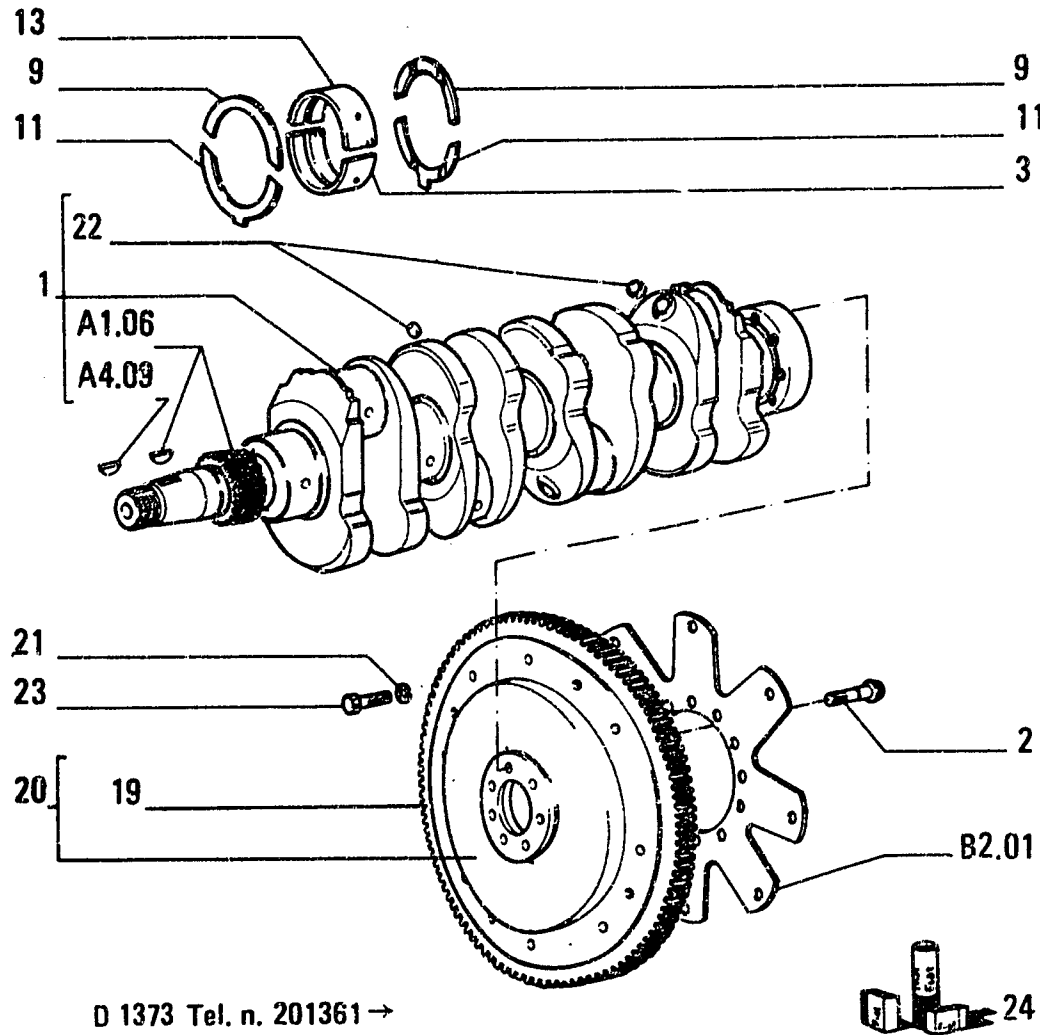


D 1373 Tel. n. 201361 →

ITEM	PART NUMBER	QTY	TRANS CODE	DESCRIPTION	DESCRIZIONE
1	4771240	1	18A	CRANKSHAFT - ASSEMBLY	ALBERO MOTORE - COMPLETO
2	4779122	7	40V	SCREW	VITE
3	4754064	5	103S	HALF BEARING -0,000	SEMICUSCINETTO -0,000
	4771257	5	103S	HALF BEARING -0,127	SEMICUSCINETTO -0,127
	4771258	5	103S	HALF BEARING -0,254	SEMICUSCINETTO -0,254
	4771259	5	103S	HALF BEARING -0,508	SEMICUSCINETTO -0,508
	4771260	5	103S	HALF BEARING -0,762	SEMICUSCINETTO -0,762
	4771261	5	103S	HALF BEARING -1,016	SEMICUSCINETTO -1,016
9	4707775	2	90S	HALF RING +0,000	SEMIANELLO +0,000
	4707776	2	90S	HALF RING +0,127	SEMIANELLO +0,127
	4708063	2	90S	HALF RING +0,254	SEMIANELLO +0,254
	4708064	2	90S	HALF RING +0,508	SEMIANELLO +0,508
	4793794	2	90S	HALF RING +0,381	SEMIANELLO +0,381
11	4707779	2	90S	HALF RING +0,000	SEMIANELLO +0,000
	4707780	2	90S	HALF RING +0,127	SEMIANELLO +0,127
	4708069	2	90S	HALF RING +0,254	SEMIANELLO +0,254
	4708070	2	90S	HALF RING +0,508	SEMIANELLO +0,508
	4794193	2	90S	HALF RING +0,381	SEMIANELLO +0,381
13	4754062	5	103S	HALF BEARING -0,000	SEMICUSCINETTO -0,000
	4771247	5	103S	HALF BEARING -0,127	SEMICUSCINETTO -0,127
	4771248	5	103S	HALF BEARING -0,254	SEMICUSCINETTO -0,254
	4771249	5	103S	HALF BEARING -0,508	SEMICUSCINETTO -0,508
	4771250	5	103S	HALF BEARING -0,762	SEMICUSCINETTO -0,762
	4771251	5	103S	HALF BEARING -1,016	SEMICUSCINETTO -1,016
19	4704106	1	297C	RING GEAR	CORONA DENTATA
20	4805683	1	48V	FLYWHEEL - ASSEMBLY	VOLANO - COMPLETO
21	11198571	8	170R	LOCKWASHER 10,5x20	ROSETTA EL. 10,5x20

CRANKSHAFT AND FLYWHEEL - ALBERO E VOLANO MOTORE - VILEBREQUIN ET VOLANT MOTEUR -
 KURBELWELLE UND SCHWUNGRAD - CIGÜEÑAL Y VOLANTE

A1.03/A
 N.T.R. 163 - 30.05.1989
 604.01.077.03



D 1373 Tel. n. 201361 →

ITEM	PART NUMBER	QTY	TRANS CODE	DESCRIPTION	DESCRIZIONE
22	14328101	4	50T PLUG 8x4		TAPPO 8x4
23	76012151	8	40V SCREW		VITE
24	1901385	1	1K KIT SEE PAGE 9		KIT VED. PAG.9
	1901386	1	1K KIT SEE PAGE 9		KIT VED. PAG.9
	1901387	1	1K KIT SEE PAGE 9		KIT VED. PAG.9
	1901388	1	1K KIT SEE PAGE 9		KIT VED. PAG.9
	1930176	5	1K KIT SEE PAGE 9		KIT VED. PAG.9
	1930177	5	1K KIT SEE PAGE 9		KIT VED. PAG.9
	1930178	5	1K KIT SEE PAGE 9		KIT VED. PAG.9
	1930179	5	1K KIT SEE PAGE 9		KIT VED. PAG.9
	1930180	5	1K KIT SEE PAGE 9		KIT VED. PAG.9

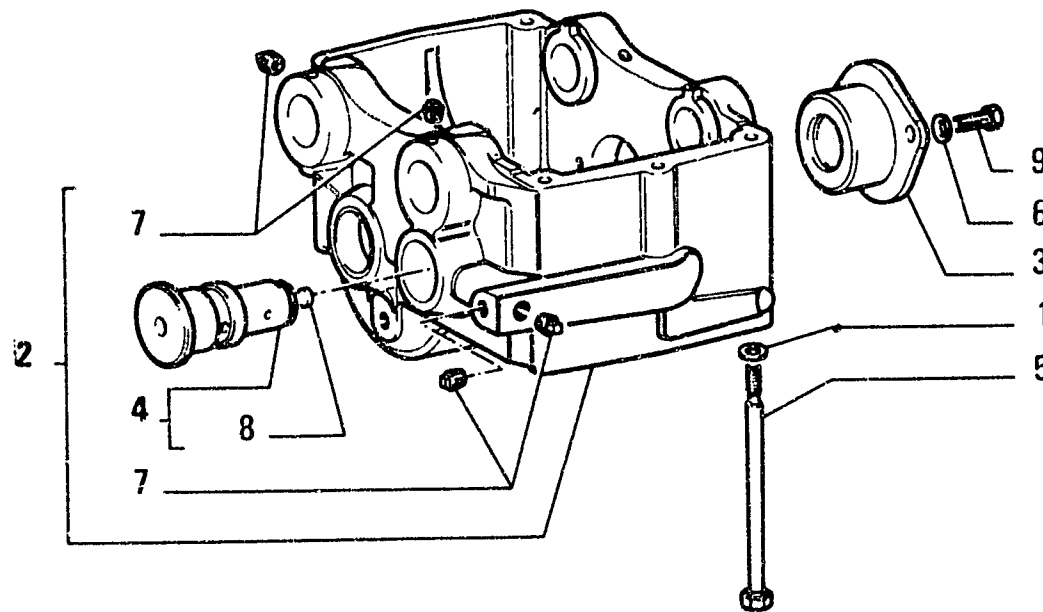
CRANKSHAFT AND FLYWHEEL - ALBERO E VOLANO MOTORE - VILEBREQUIN ET VOLANT MOTEUR -
 KURBELWELLE UND SCHWUNGRAD - CIGÜEÑAL Y VOLANTE

A1.03/A

N.T.R. 163 - 30.05.1989

604.01.077.C3

H3



ITEM	PART NUMBER	QTY	TRANS CODE	DESCRIPTION	DESCRIZIONE
1	4585990	4	131R	WASHER C1373	ROSETTA C1373
2	4600361	1	300S	SUPPORT - ASSEMBLY C1373	SUPPORTO - COMPLETO C1373
	4792111	1	300S	SUPPORT - ASSEMBLY D1373	SUPPORTO - COMPLETO D1373
3	4600375	1	300S	SUPPORT	SUPPORTO
4	4600380	1	80P	PIN - ASSEMBLY C1373	PERNO - COMPLETO C1373
	4788666	1	80P	PIN D1373	PERNO D1373
5	4601061	4	40V	SCREW C1373	VITE C1373
	4778867	4	40V	SCREW D1373	VITE D1373
6	11193871	2	131R	WASHER 8,4x16 D1373	ROSETTA 8,4x16 D1373
	11198671	2	131R	WASHER 13x24 C1373	ROSETTA 13x24 C1373
7	14323911	6	50T	PLUG 10x1,25x14	TAPPO 10x1,25x14
8	14328101	1	50T	PLUG 8x4 C1373	TAPPO 8x4 C1373
9	16043421	2	40V	SCREW 8x1,25x20	VITE 8x1,25x20

03584

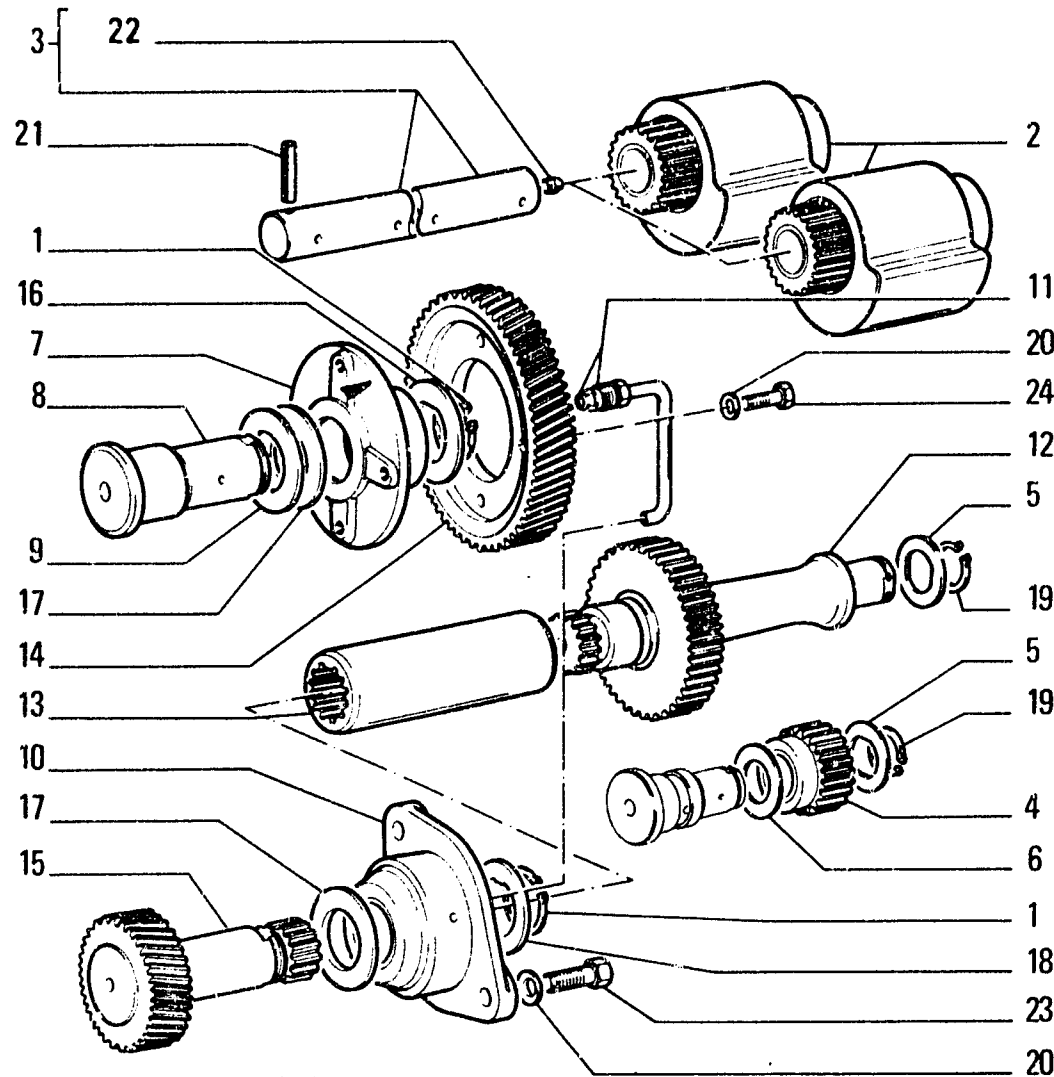
ADDITIONAL VIBRATION DAMPER MASSES - DISPOSITIVO MASSE ADDIZIONALI - DISPOSITIF A MASSELOTTES ADDITIONNELLES - SCHWINGUNGSDAEMPFER MIT UMLAUFGENDEN MASSEN - ANTIVIBRADOR DE CONTRAPESOS ADICIONALES

A1.04

1

N.T.R. 126 - 25.02.86
604.01.077.02

H4



C 1373 → Tel. n. 201360

ITEM	PART NUMBER	QTY	TRANS CODE	DESCRIPTION	DESCRIZIONE
1	4600329	2	51A	LOCKRING	ANELLO DI SICUREZZA
2	4600365	2	62T	COUNTERWEIGHT	CONTRAPPESO
3	4600367	2	80P	PIN - ASSEMBLY	PERNO - COMPLETO
4	4600376	1	50I	GEAR	INGRANAGGIO
5	4600377	2	131R	WASHER	ROSETTA
6	4600381	1	131R	WASHER	ROSETTA
7	4600384	1	135M	HUB	MOZZO
8	4600385	1	80P	PIN	PERNO
9	4600386	1	131R	WASHER	ROSETTA
10	4600389	1	300S	SUPPORT	SUPPORTO
11	4600391	1	193T	TUBE	TUBO RIGIDO
12	4605610	1	50I	GEAR	INGRANAGGIO
13	4605612	1	30M	SLEEVE	MANICOTTO
14	4607772	1	50I	GEAR	INGRANAGGIO
15	4607773	1	50I	GEAR	INGRANAGGIO
16	4667450	1	131R	WASHER	ROSETTA
17	4667451	2	131R	WASHER	ROSETTA
18	4668200	1	131R	WASHER	ROSETTA
19	4707674	2	51A	LOCKRING	ANELLO DI SICUREZZA
20	11198071	6	131R	WASHER 8,2x15	ROSETTA 8,2x15
21	14171170	2	200S	PIN 8,5x60	SPINA 8,5x60
22	14323911	2	50T	PLUG 10x1,25x14	TAPPO 10x1,25x14
23	15540521	2	40V	SCREW 12x1,25x35	VITE 12x1,25x35
24	16043621	4	40V	SCREW 8x1,25x25	VITE 8x1,25x25

ADDITIONAL VIBRATION DAMPER MASSES - DISPOSITIVO MASSE ADDIZIONALI - DISPOSITIF A MASSELOTES ADDITIONNELLES - SCHWINGUNGSDAEMPFER MIT UMLAUFENDEN MASSEN - ANTIVIBRADOR DE CONTRAPESOS ADICIONALES

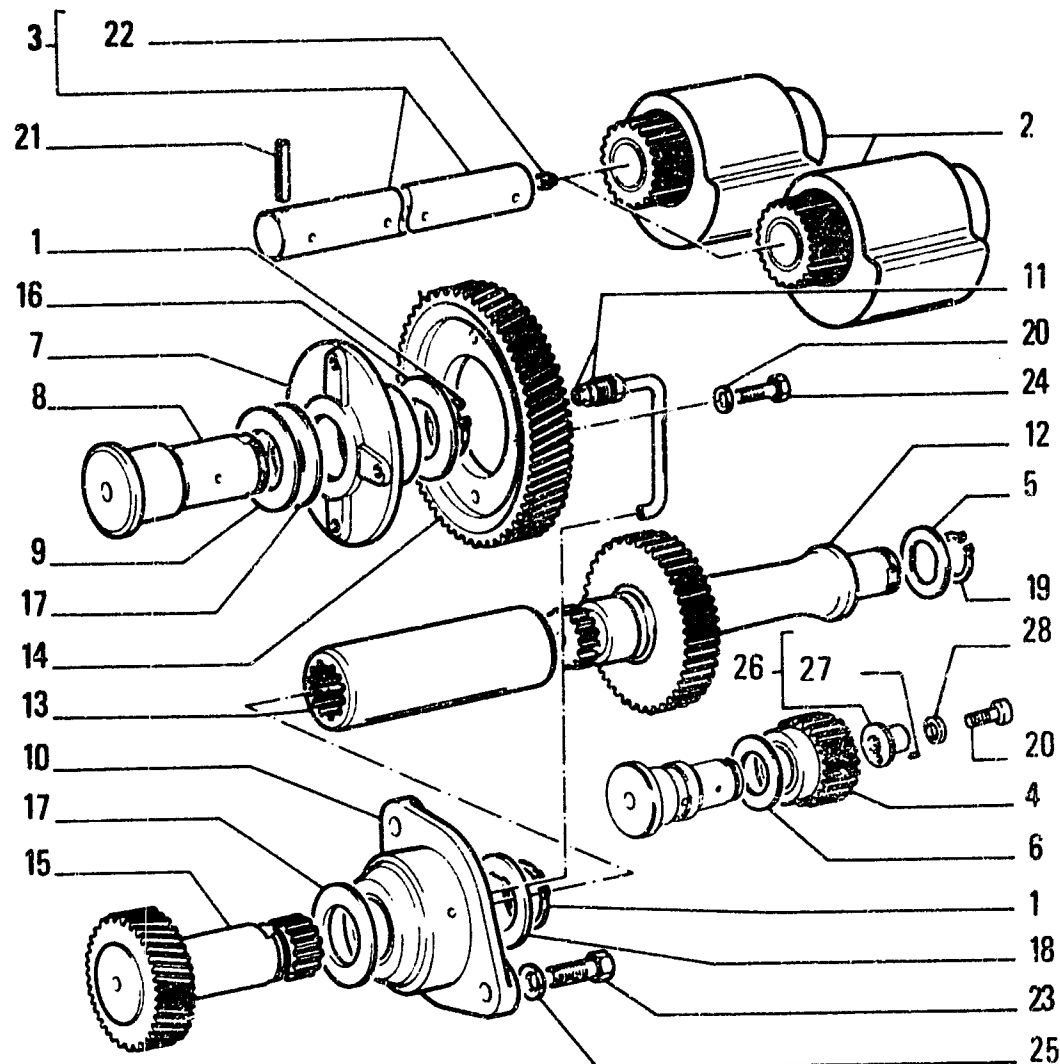
A1.04

2

N.T.R. 163 - 30.05.1989

604.01.077.03

H5



D 1373 Tel. n. 201361 →

FIATALLIS FL5

ITEM	PART NUMBER	QTY	TRANS CODE	DESCRIPTION	DESCRIZIONE
1	4600329	2	187A	SNAP RING	ANELLO ELASTICO
2	4789410	2	52T	COUNTERWEIGHT	CONTRAPPESO
3	4600367	2	80P	PIN - ASSEMBLY	PERNO - COMPLETO
4	4600376	1	50I	GEAR	INGRANAGGIO
5	4600377	1	131R	WASHER	ROSETTA
6	4600381	1	131R	WASHER	ROSETTA
7	4600384	1	135M	HUB	MOZZO
8	4600385	1	80P	PIN	PERNO
9	4600386	1	131R	WASHER	ROSETTA
10	4789316	1	300S	SUPPORT	SUPPORTO
11	4600391	1	193T	TUBE	TUBO RIGIDO
12	4605610	1	50I	GEAR	INGRANAGGIO
13	4605612	1	30M	SLEEVE	MANICOTTO
14	4770054	1	50I	GEAR	INGRANAGGIO
15	4770244	1	50I	GEAR	INGRANAGGIO
16	4667450	1	131R	WASHER	ROSETTA
17	4667451	2	131R	WASHER	ROSETTA
18	4668200	1	131R	WASHER	ROSETTA
19	4707674	1	187A	SNAP RING	ANELLO ELASTICO
20	11193871	7	131R	WASHER 8,4x16	ROSETTA 8,4x16
21	14171170	2	200S	PIN 8,5x60	SPINA 8,5x60
22	14323911	2	50T	PLUG 10x1,25x14	TAPPO 10x1,25x14
23	15970921	2	40V	SCREW 10x1,25x35	VITE 10x1,25x35
24	16043621	4	40V	SCREW 8x1,25x25	VITE 8x1,25x25
25	11198371	2	131R	WASHER 10,5x20	ROSETTA 10,5x20
26	4789294	1	131R	WASHER - ASSEMBLY	ROSETTA - COMPLETO
27	10329910	1	90G	DOWEL 3x6	GRANO 3x6

ADDITIONAL VIBRATION DAMPER MASSES - DISPOSITIVO MASSÉ ADDIZIONALI - DISPOSITIF A MASSELOTES ADDITIONNELLES - SCHWINGUNGSDAEMPFER MIT UMLAUFENDEN MASSES - ANTIVIBRADOR DE CONTRAPESOS ADICIONALES

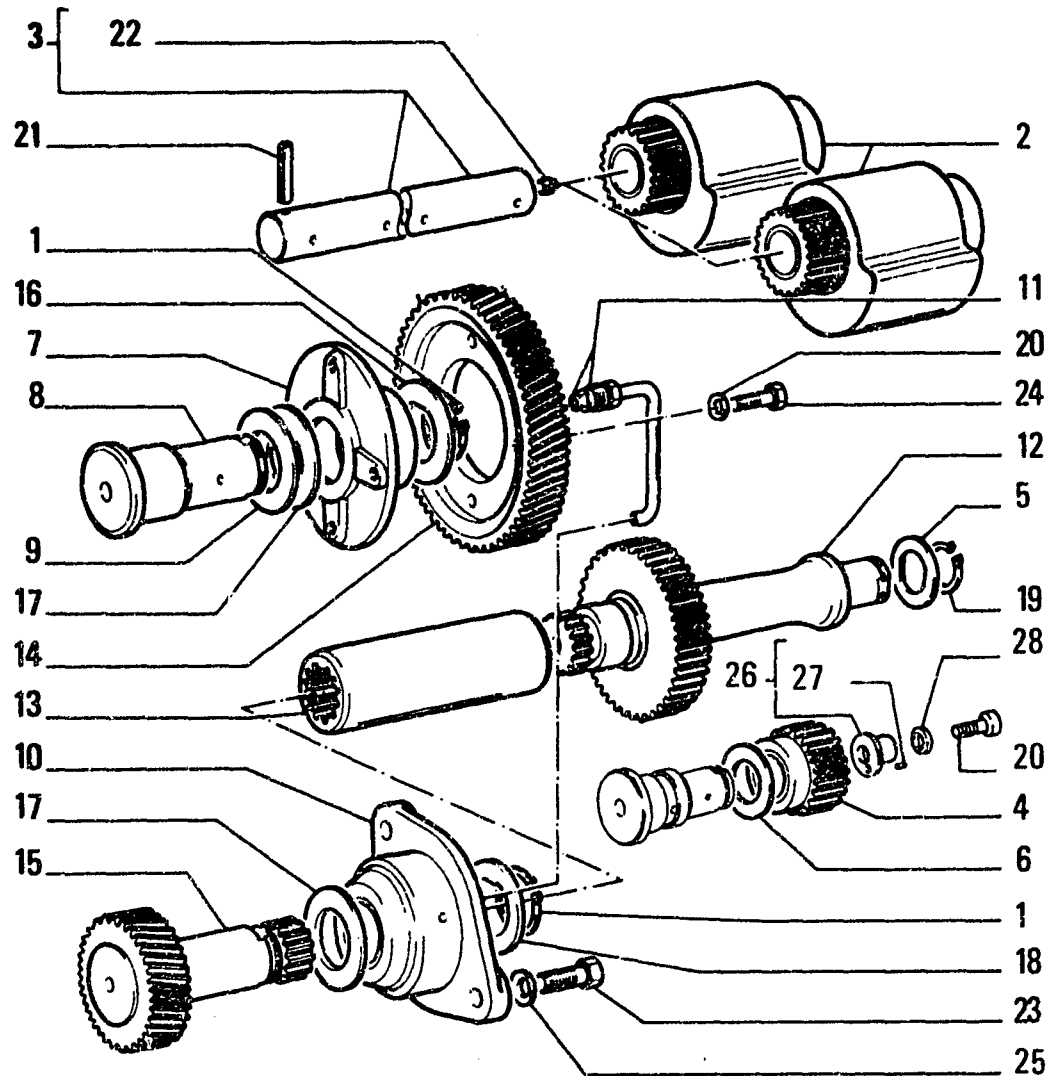
A1.04

2A

N.T.R. 163 - 30.05.1989

604.01.077.03

H6



FIATALLIS FL5

A1.04 TAV. 2A PAG.2

ITEM	PART NUMBER	QTY	TRANS CODE	DESCRIPTION	DESCRIZIONE
28	16044521	1	40V	SCREW 8x1,25x65	VITE 8x1,25x65

D 1373 Tel. n. 201361 ->

ADDITIONAL VIBRATION DAMPER MASSES - DISPOSITIVO MASSE ADDIZIONALI - DISPOSITIF A MASSELOTES ADDITIONNELLES - SCHWINGUNGSDAEMPFER MIT UMLAUFENDEN MASSEN - ANTIVIBRADOR DE CONTRAPESOS ADICIONALES

A1.04

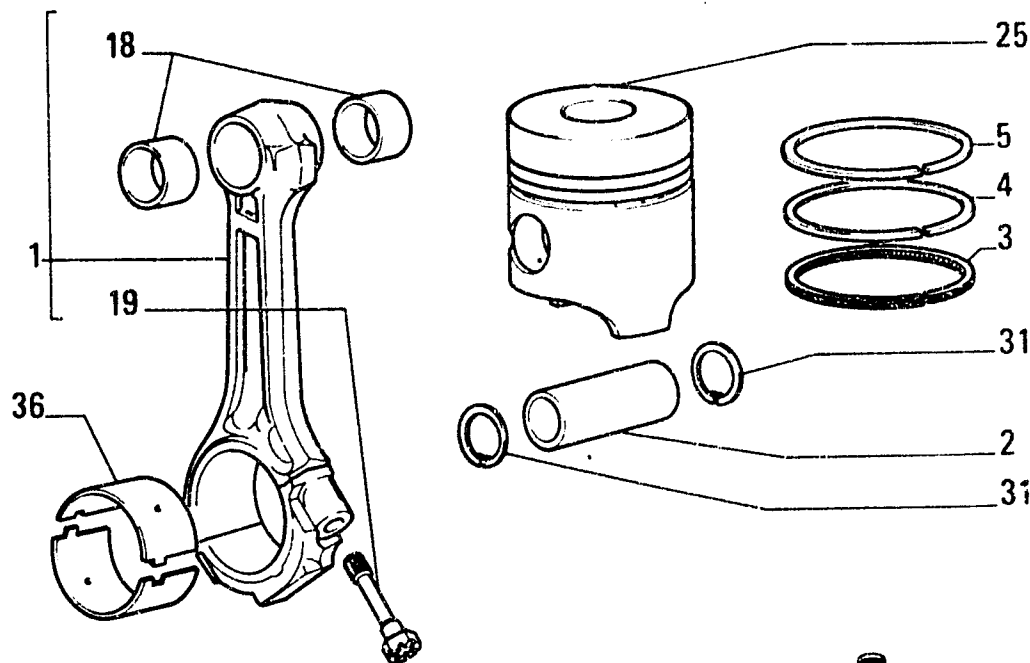
2A

N.T.R. 163 - 30.05.1989

604.01.077.03

H7

FIATALLIS FL5



C 1373 → Tel. n. 201360



ITEM	PART NUMBER	QTY	TRANS CODE	DESCRIPTION	DESCRIZIONE
1	4679221	4	50B	LINK - ASSEMBLY C 974	BIELLA - COMPLETO C 974
	4763919	4	50B	LINK - ASSEMBLY D 974	BIELLA - COMPLETO D 974
2	4679224	4	80P	PIN +0,0	PERNO +0,0
	4690489	4	80P	PIN +0,2	PERNO +0,2
	4690490	4	80P	PIN +0,5	PERNO +0,5
3	4679226	4	50A	OILSCRAPER RING +0,0	ANELLO RASCHIAOLIO +0,0
	4690496	4	50A	OILSCRAPER RING +0,1	ANELLO RASCHIAOLIO +0,1
	4690497	4	50A	OILSCRAPER RING +0,2	ANELLO RASCHIAOLIO +0,2
	4690498	4	50A	OILSCRAPER RING +0,4	ANELLO RASCHIAOLIO +0,4
	4690499	4	50A	OILSCRAPER RING +0,6	ANELLO RASCHIAOLIO +0,6
	4690500	4	50A	OILSCRAPER RING +0,8	ANELLO RASCHIAOLIO +0,8
4	4679227	4	50A	OILSCRAPER RING +0,0	ANELLO RASCHIAOLIO +0,0
	4690501	4	50A	OILSCRAPER RING +0,1	ANELLO RASCHIAOLIO +0,1
	4690502	4	50A	OILSCRAPER RING +0,2	ANELLO RASCHIAOLIO +0,2
	4690503	4	50A	OILSCRAPER RING +0,4	ANELLO RASCHIAOLIO +0,4
	4690504	4	50A	OILSCRAPER RING +0,6	ANELLO RASCHIAOLIO +0,6
	4690505	4	50A	OILSCRAPER RING +0,8	ANELLO RASCHIAOLIO +0,8
5	4679272	4	53A	PISTON RING +0,0	ANELLO STANTUFFO +0,0
	4707725	4	53A	PISTON RING +0,1	ANELLO STANTUFFO +0,1
	4707726	4	53A	PISTON RING +0,2	ANELLO STANTUFFO +0,2
	4707727	4	53A	PISTON RING +0,4	ANELLO STANTUFFO +0,4
	4707728	4	53A	PISTON RING +0,6	ANELLO STANTUFFO +0,6
	4707729	4	53A	PISTON RING +0,8	ANELLO STANTUFFO +0,8
18	4696722	8	95B	RUSHING	BOCCOLA
19	4700829	8	40V	SCREW C 974	VITE C 974
	4762000	8	40V	SCREW D 974	VITE D 974
25	4731185	4	235S	PISTON +0,0	STANTUFFO +0,0

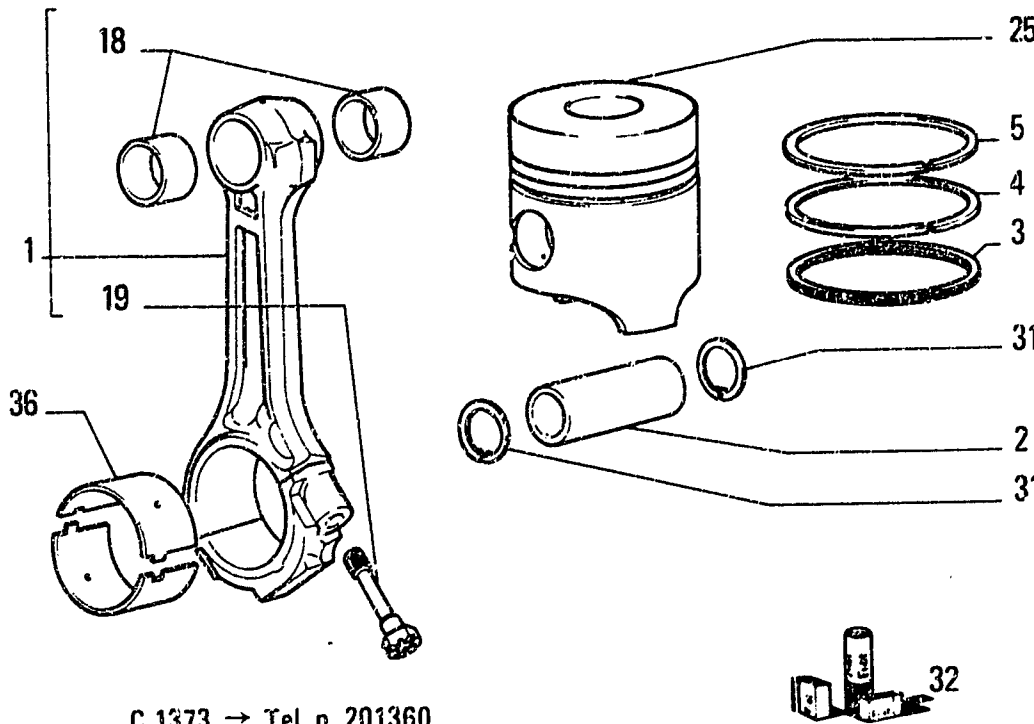
CONNECTING RODS AND PISTONS - BIELLE E STANTUFFI - BIELLES ET PISTONS - PLEUELSTANGEN UND KOLBEN - BIELAS Y ÉMBOLOS

A1.05

N.T.R. 163 - 30.05.1989
604.01.077.03

H8

FIATALLIS FL5



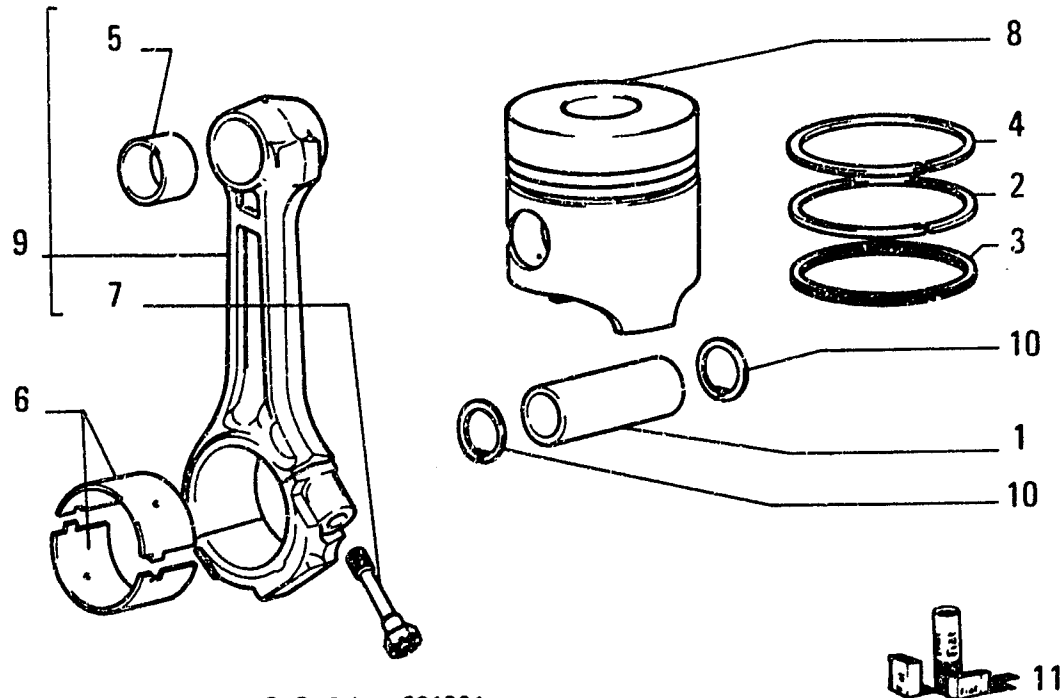
C 1373 → Tel. n. 201360

ITEM	PART NUMBER	QTY	TRANS CODE	DESCRIPTION	DESCRIZIONE
25	4731186	4	235S	PISTON +0,1	STANTUFFO +0,1
	4731187	4	235S	PISTON +0,2	STANTUFFO +0,2
	4731188	4	235S	PISTON +0,4	STANTUFFO +0,4
	4731189	4	235S	PISTON +0,6	STANTUFFO +0,6
	4731190	4	235S	PISTON +0,8	STANTUFFO +0,8
31	11059375	8	51A	LOCKRING 36,5x1,5	ANELLO DI SICUREZZA 36,5x1,5
32	79037397	1	1K	KIT SEE PAGE 9	KIT VED. PAG.9
	79037401	1	1K	KIT SEE PAGE 9	KIT VED. PAG.9
	79037418	1	1K	KIT SEE PAGE 9	KIT VED. PAG.9
	79037489	1	1K	KIT SEE PAGE 9	KIT VED. PAG.9
	79037501	1	1K	KIT SEE PAGE 9	KIT VED. PAG.9
36	4698677	8	103S	HALF BEARING +0,000	SEMICUSCINETTO +0,000
	4698678	8	103S	HALF BEARING +0,102	SEMICUSCINETTO +0,102
	4698679	8	103S	HALF BEARING +0,254	SEMICUSCINETTO +0,254
	4698680	8	103S	HALF BEARING +0,508	SEMICUSCINETTO +0,508
	4698681	8	103S	HALF BEARING +0,762	SEMICUSCINETTO +0,762
	4698682	8	103S	HALF BEARING +1,016	SEMICUSCINETTO +1,016

CONNECTING RODS AND PISTONS - BIELLE E STANTUFFI - BIELLES ET PISTONS - PLEUELSTANGEN UND KOLBEN - BIELAS Y ÉMBOLOS

A1.05
 N.T.R. 163 - 30.05.1989
 604.01.077.03

H9



D 1373 Tel. n. 201361 →

ITEM	PART NUMBER	QTY	TRANS CODE	DESCRIPTION	DESCRIZIONE
1	4770651	4	80P PIN		PERNO
2	4754401	4	45A RING +0,0		ANELLO +0,0
	4770632	4	45A RING +0,4		ANELLO +0,4
	4770634	4	45A RING +0,8		ANELLO +0,8
3	4770449	4	45A RING +0,0		ANELLO +0,0
	4770637	4	45A RING +0,4		ANELLO +0,4
	4770639	4	45A RING +0,8		ANELLO +0,8
4	4770453	4	45A RING +0,0		ANELLO +0,0
	4770627	4	45A RING +0,4		ANELLO +0,4
	4770629	4	45A RING +0,8		ANELLO +0,8
5	4766403	4	95B BUSHING		BOCCOLA
6	4780628	8	103S HALF BEARING -0,000		SEMICUSCINETTO -0,000
	4780954	8	103S HALF BEARING -0,127		SEMICUSCINETTO -0,127
	4780955	8	103S HALF BEARING -0,254		SEMICUSCINETTO -0,254
	4780956	8	103S HALF BEARING -0,508		SEMICUSCINETTO -0,508
	4780957	8	103S HALF BEARING -0,762		SEMICUSCINETTO -0,762
	4780958	8	103S HALF BEARING -1,016		SEMICUSCINETTO -1,016
7	4780627	8	40V SCREW		VITE
8	4791474	4	235S PISTON +0,0		STANTUFFO +0,0
	4791477	4	235S PISTON +0,4		STANTUFFO +0,4
	4791479	4	235S PISTON +0,8		STANTUFFO +0,8
9	4780624	4	51B CONNECTING ROD - ASSEMBLY		BIELLA MOTORE - COMPLETO
10	4770452	8	187A SNAP RING		ANELLO ELASTICO
11	1930181	4	1K KIT SEE PAGE 9		KIT VED. PAG.9
	1930182	4	1K KIT SEE PAGE 9		KIT VED. PAG.9
	1930183	4	1K KIT SEE PAGE 9		KIT VED. PAG.9
	1930184	4	1K KIT SEE PAGE 9		KIT VED. PAG.9

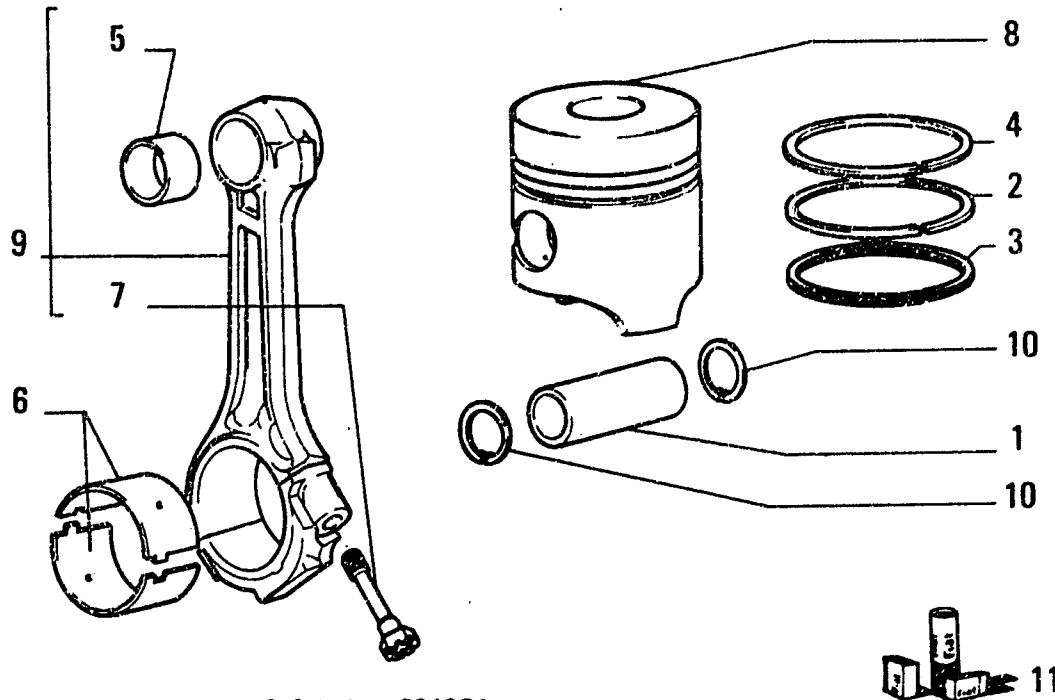
CONNECTING RODS AND PISTONS - BIELLE E STANTUFFI - BIELLES ET PISTONS - PLEUELSTANGEN UND KOLBEN - BIELAS Y ÉMBOLOS

H10

A1.05/A

N.T.R. 163 - 30.05.1989

604.01.077.03



D 1373 Tel. n. 201361 →

ITEM	PART NUMBER	QTY	TRANS CODE	DESCRIPTION	DESCRIZIONE
11	1930185	4	1K	KIT SEE PAGE 9	KIT VED. PAG.9
	1930186	4	1K	KIT SEE PAGE 9	KIT VED. PAG.9
	1930188	4	1K	KIT SEE PAGE 9	KIT VED. PAG.9
	1930190	4	1K	KIT SEE PAGE 9	KIT VED. PAG.9
	1930191	4	1K	KIT SEE PAGE 9	KIT VED. PAG.9
	1930193	4	1K	KIT SEE PAGE 9	KIT VED. PAG.9
	1930195	4	1K	KIT SEE PAGE 9	KIT VED. PAG.9

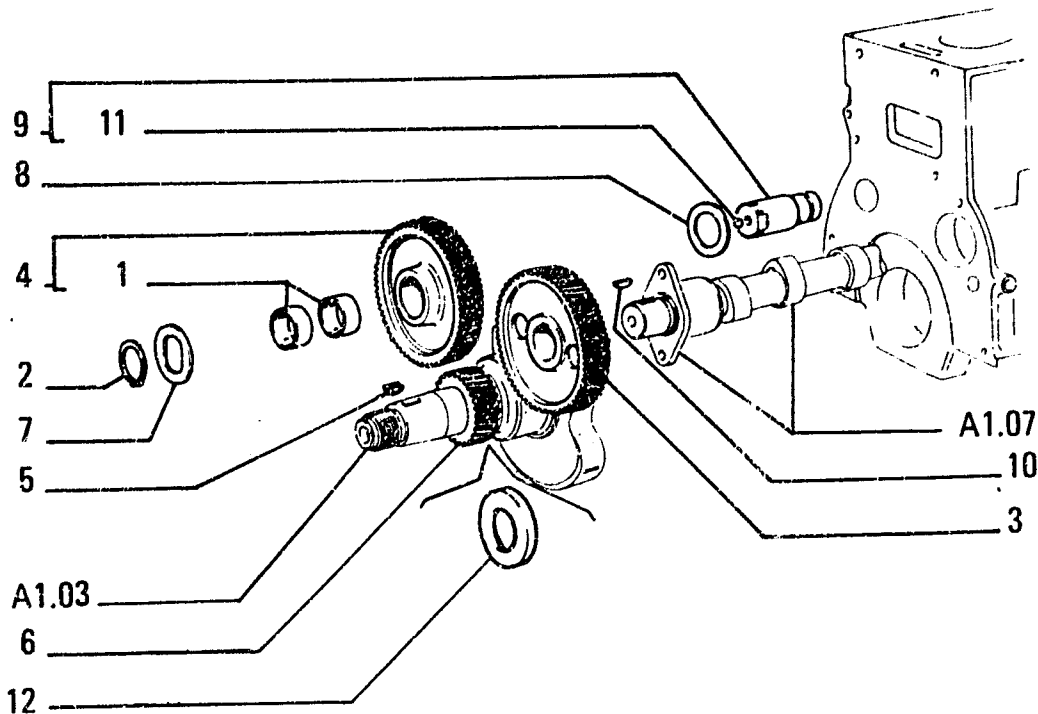
CONNECTING RODS AND PISTONS – BIELLE E STANTUFFI – BIELLES ET PISTONS – PLEUELSTANGEN UND KOLBEN – BIELAS Y ÉMBOLOS

A1.05/A

N.T.R. 163 - 30.05.1989

604.01.077.03

H11



C 1373 → Tel. n. 201360

ITEM	PART NUMBER	QTY	TRANS CODE	DESCRIPTION	DESCRIZIONE
1	4599807	2	95B	BUSHING	BOCCOLA
2	4600329	1	51A	LOCKRING	ANELLO DI SICUREZZA
3	4607511	1	50I	GEAR	INGRANAGGIO
4	4607743	1	50I	GEAR - INNER ASSEMBLY	INGRANAGGIO - INTERNO COMPLETO
5	4655844	1	60L	KEY	LINGUETTA
6	4655846	1	50I	GEAR C2528	INGRANAGGIO C2528
	4680071	1	50I	GEAR D2528	INGRANAGGIO D2528
7	4667450	1	131R	WASHER	ROSETTA
8	4667451	1	131R	WASHER	ROSETTA
9	4748800	1	80P	PIN - ASSEMBLY	PERNO - COMPLETO
10	10205910	1	60L	KEY 9x5	LINGUETTA 9x5
11	14328101	1	50T	PLUG 8x4	TAPPO 8x4
12	4785053	1	75D	SPACER D2528	DISTANZIALE D2528

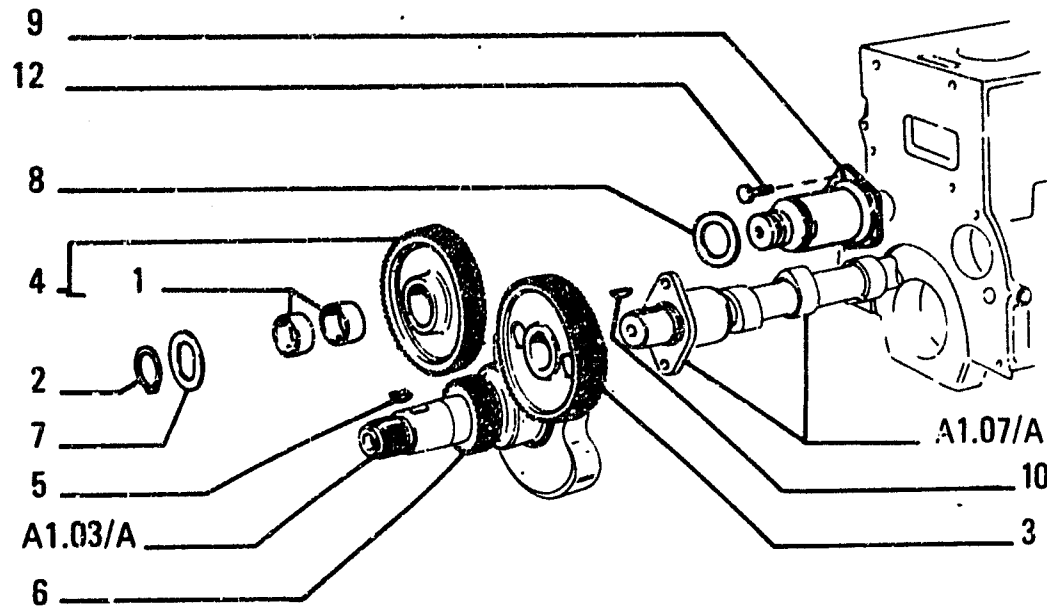
CAMSHAFT DRIVE -- COMANDO DISTRIBUZIONE - COMMANDE DE DISTRIBUTION - STEUERUNGSANTRIEB -
PIÑONES DE LA DISTRIBUCION

A1.06

N.T.R. 163 - 30.05.1989

604.01.077.03

H12



ITEM	PART NUMBER	QTY	TRANS CODE	DESCRIPTION	DESCRIZIONE
1	4769417	2	95B	BUSHING	BOCCOLA
2	4769420	1	187A	SNAP RING	ANELLO ELASTICO
3	4769412	1	50I	GEAR	INGRANAGGIO
4	4769414	1	50I	GEAR	INGRANAGGIO
5	4655844	1	60L	KEY	LINGUETTA
6	4769413	1	50I	GEAR	INGRANAGGIO
7	4769419	1	131R	WASHER	ROSETTA
8	4667452	1	131R	WASHER	ROSETTA
9	4769416	1	80P	PIN	PERNO
10	10205910	1	61L	WOODRUF KEY 9x5	LINGUETTA A DISCO 9x5
12	16321021	3	40V	SCREW	VITE

D 1373 Tel. n. 201361 →

CAMSHAFT DRIVE - COMANDO DISTRIBUZIONE - COMMANDE DE DISTRIBUTION - STEUERUNGSANTRIEB -
PIÑONES DE LA DISTRIBUCION

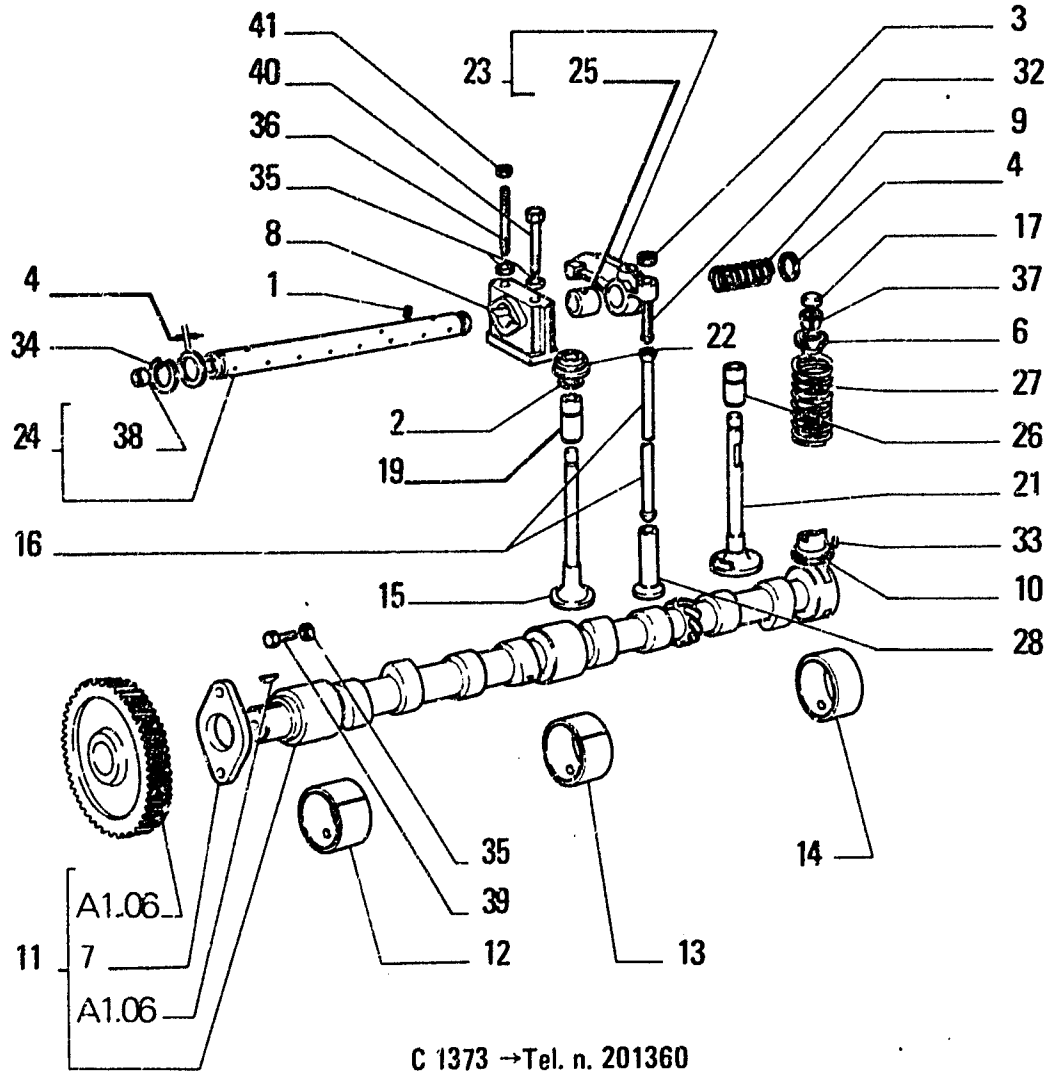
A1.06/A

N.T.R. 163 - 30.05.1989

604.01.077.03

H13

FIATALLIS FL5



C 1373 → Tel. n. 201360

I T E M	PART NUMBER	Q T Y	TRANS CODE	DESCRIPTION	DESCRIZIONE
1	563652	1	40V SCREW	VITE	
2	4231247	8	45A RING	ANELLO	
3	4338920	8	100 NUT	DADO	
4	4570798		131R WASHER - THICKNESS 0,7	ROSETTA - SPESSORE 0,7	
	4570799		131R WASHER - THICKNESS 0,5	ROSETTA - SPESSORE 0,5	
	4639661		131R WASHER - THICKNESS 1,0	ROSETTA - SPESSORE 1,0	
6	4578175	8	60S CUP - UPPER	SCODELLINO - SUPERIORE	
7	4599398	1	110P PLAQUE	PIASTRINA	
8	4601295	4	300S SUPPORT	SUPPORTO	
9	4601296	3	100M SPRING	MOLLA	
10	4601302	4	60S CUP - LOWER	SCODELLINO - INFERIORE	
11	4603154	1	17A CAMSHAFT - ASSEMBLY	ALBERO AD ECCENTRICI - COMPLETO	
12	4603449	1	95B BUSHING - FRONT	BOCCOLA - ANTERIORE	
13	4603450	1	95B BUSHING	BOCCOLA	
14	4603451	1	95B BUSHING - REAR	BOCCOLA - POSTERIORE	
15	4621511	4	111V INTAKE VALVE	VALVOLA ASPIRAZIONE	
16	4622850	8	90A ROD	ASTA	
17	4625173	8	63C WHEEL VALVE CAP	CAPPELLETTO VALVOLA RUOTA	
19	4648421	4	150G VALVE GUIDE +0,0	GUIDA DELLA VALVOLA +0,0	
	4648422	4	150G VALVE GUIDE +0,2	GUIDA DELLA VALVOLA +0,2	
21	4673608	4	112V EXHAUST VALVE	VALVOLA SCARICO	
22	4673610	4	60S CUP - LOWER	SCODELLINO - INFERIORE	
23	4681251	8	55B ROCKER - ASSEMBLY	BILANCIERE - COMPLETO	
24	4662860	1	16A SHAFT - ASSEMBLY	ALBERO - COMPLETO	
25	4682937	8	95B BUSHING	BOCCOLA	
26	4684422	4	150G VALVE GUIDE	GUIDA DELLA VALVOLA	

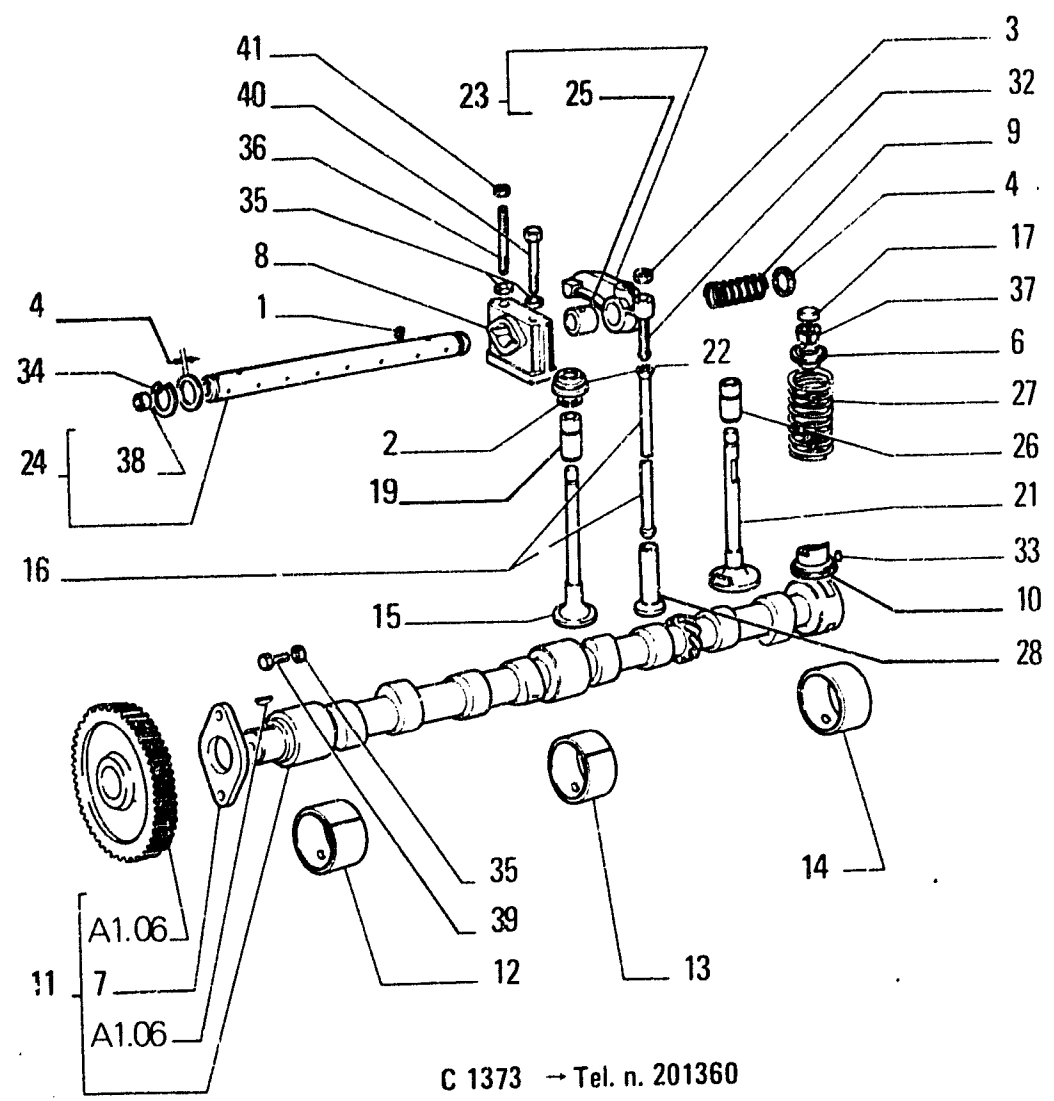
VALVE GEAR - DISTRIBUZIONE - DISTRIBUTION - STEUERUNG - DISTRIBUCIÓN

A1.07

N.T.R. 163 - 30.05.1989

604.01.077.03

H14



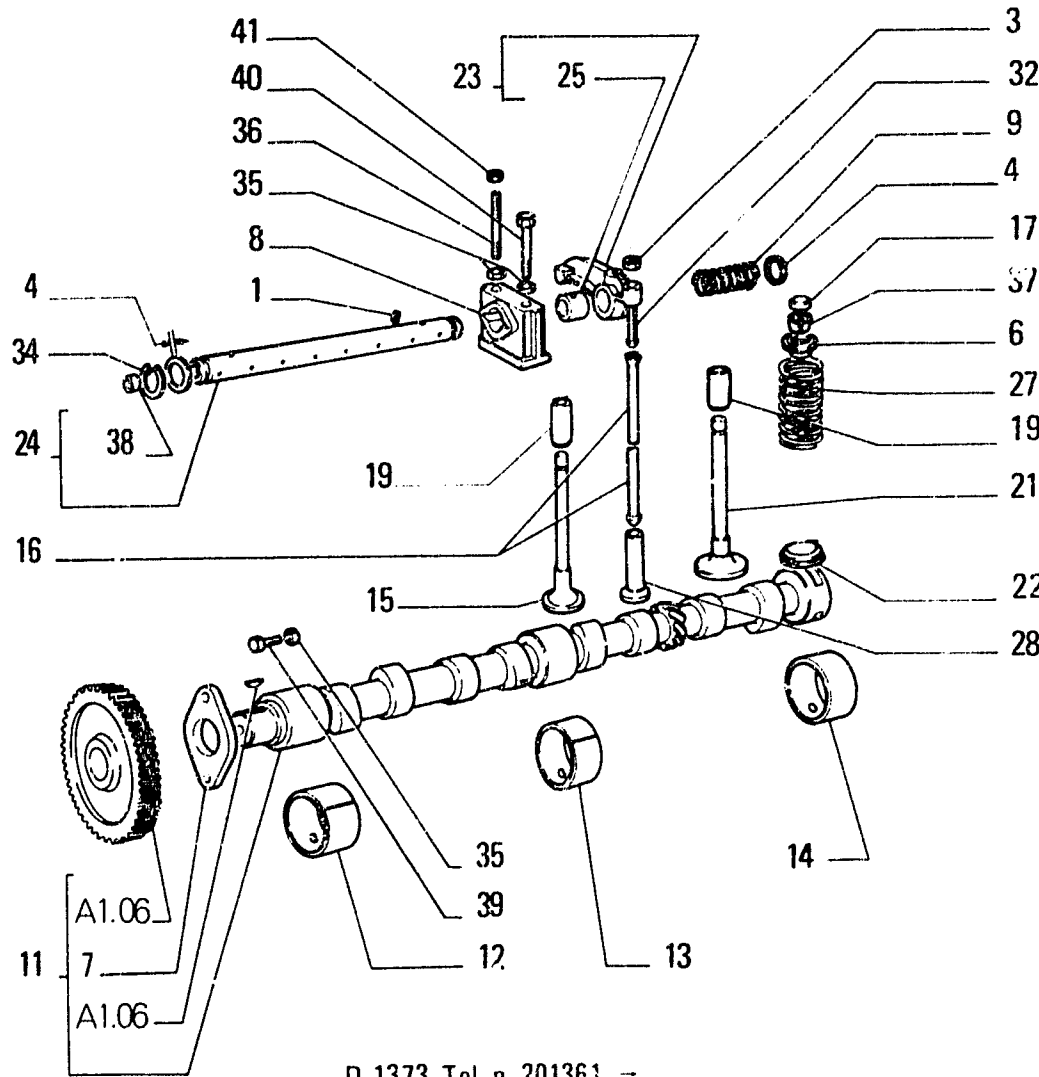
FIATALLIS FL5

ITEM	PART NUMBER	QTY	TRANS CODE	DESCRIPTION	DESCRIZIONE
27	4689554	8	100M	SPRING	MOLLA
28	4690352	8	240P	TAPPET +0,0	PUNTERIA +0,0
	4690506	8	240P	TAPPET +0,1	PUNTERIA +0,1
	4690507	8	240P	TAPPET +0,2	PUNTERIA +0,2
	4690508	8	240P	TAPPET +0,3	PUNTERIA +0,3
32	4699783	8	40V	SCREW	VITE
33	10329910	4	200S	PIN 3x6	SPINA 3x6
34	11066675	2	51A	LOCKRING 16,5x1,2	ANELLO DI SICUREZZA 16,5x1,2
35	11198071	10	131R	WASHER 8,2x15	RUSETTA 8,2x15
36	13516221	4	210P	STUD 8x1,25x102	PRIGIONIERO 8x1,25x102
37	14196670	16	100S	LOCK CONE 7,85x10	SEMICONO 7,85x10
38	14328301	2	50T	PLUG 12x5	TAPPO 12x5
39	16043421	2	40V	SCREW 8x1,25x20	VITE 8x1,25x20
40	16044521	4	40V	SCREW 8x1,25x65	VITE 8x1,25x65
41	16100811	4	16D	NUT 8x1,25x6,5	DADO 8x1,25x6,5

VALVE GEAR - DISTRIBUZIONE - DISTRIBUTION - STEUERUNG - DISTRIBUCIÓN

A1.07
 N.T.R. 163 - 30.05.1989
 604.01.077.03

H15



D 1373 Tel. n. 201361 -

FIATALLIS FL5

ITEM	PART NUMBER	QTY	TRANS CODE	DESCRIPTION	DESCRIZIONE
1	563652	1	40V	SCREW	VITE
3	4338920	8	10D	NUT	DADO
4	4570798		198S	SHIM 0.7	SPESORE 0.7
	4570799		198S	SHIM 0.5	SPESORE 0.5
6	4780558	8	60S	CUP - UPPER	SCODELLINO - SUPERIORE
7	4599398	1	105P	PLATE	PIASTRA
8	4601295	4	300S	SUPPORT	SUPPORTO
9	4601296	3	100M	SPRING	MOLLA
11	4824218	1	17A	CAMSHAFT - ASSEMBLY	ALBERO AD ECCENTRICI - COMPLETO
12	4603449	1	95B	BUSHING - FRONT	BOCCOLA - ANTERIORE
13	4603450	1	95B	BUSHING	BOCCOLA
14	4603451	1	95B	BUSHING - REAR	BOCCOLA - POSTERIORE
15	4784889	4	112V	EXHAUST VALVE	VALVOLA SCARICO
16	4770454	8	90A	ROD	ASTA
17	4838680	8	64C	CAP	CAPPELLO
18	4639661	6	131R	WASHER 0.1	ROSETTA 0.1
19	4802126	8	145G	GUIDE 0.0	GUIDA 0.0
	4802127	8	145G	GUIDE 0.2	GUIDA 0.2
21	4784888	4	111V	INTAKE VALVE	VALVOLA ASPIRAZIONE
22	4780559	8	60S	CUP - LOWER	SCODELLINO - INFERIORE
23	4848978	8	55B	ROCKER - ASSEMBLY	BILANCIERE - COMPLETO
24	4842403	1	16A	SHAFT - ASSEMBLY	ALBERO - COMPLETO
25	4682937	8	95B	BUSHING	BOCCOLA
27	4780108	8	100M	SPRING - OUTER	MOLLA - ESTERNO
28	4690352	8	240P	TAPPET +0.0	PUNTERIA +0.0
	4690506	8	240P	TAPPET +0.1	PUNTERIA +0.1

VALVE GEAR - DISTRIBUZIONE - DISTRIBUTION - STEUERUNG - DISTRIBUCIÓN

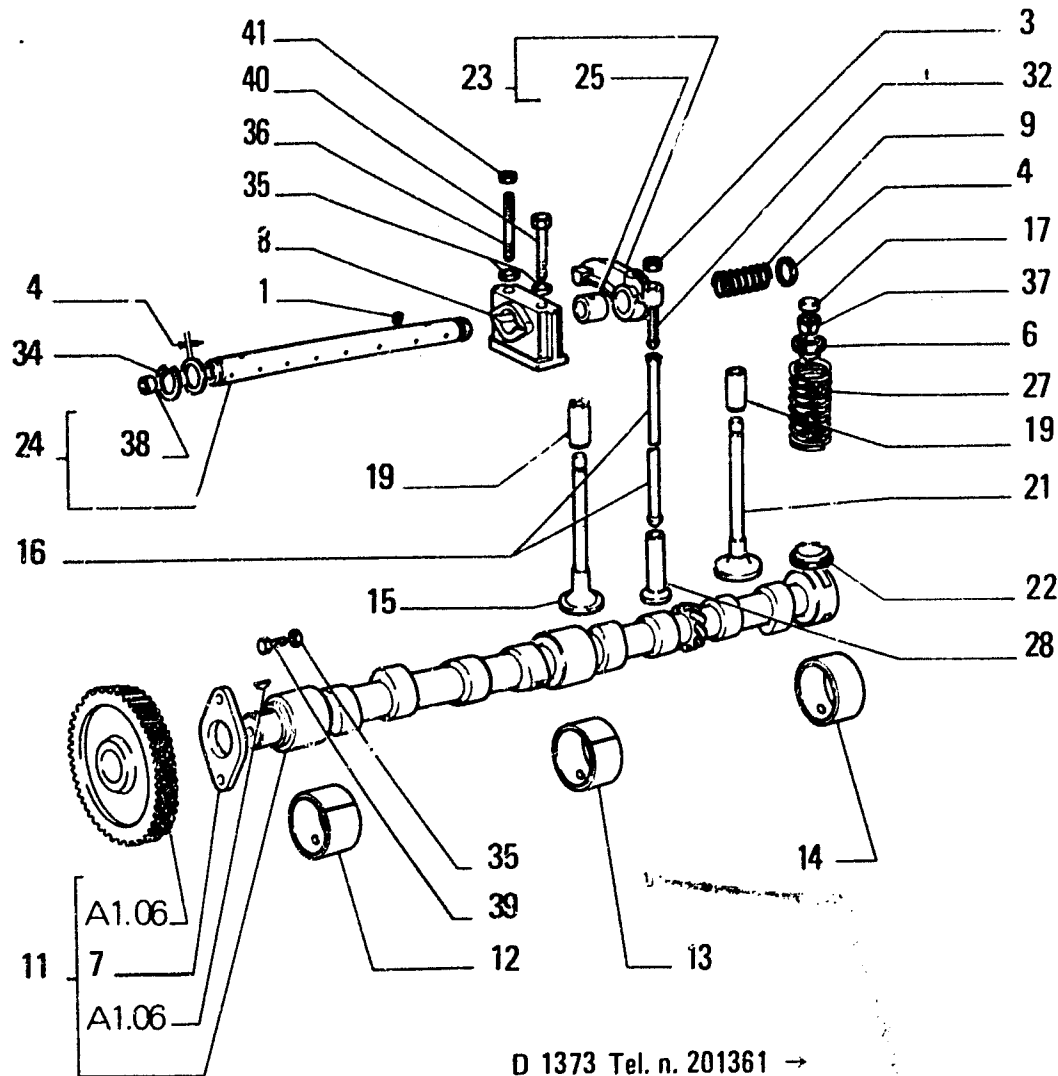
H16

A1.07/A

N.T.R. 163 - 30.05.1989

604.01.077.03

FIATALLIS FL5



D 1373 Tel. n. 201361 →

ITEM	PART NUMBER	QTY	TRANS CODE	DESCRIPTION	DESCRIZIONE
28	4690507	8	240P	TAPPET +0,2	PUNTERIA +0,2
	4690508	8	240P	TAPPET +0,3	PUNTERIA +0,3
32	4699783	8	40V	SCREW	VITE
34	11066675	2	187A	SNAP RING 16,5x1,2	ANELLO ELASTICO 16,5x1,2
35	11193871	2	131R	WASHER 8,4x16	ROSETTA 8,4x16
	11198071	8	131R	WASHER 8,2x15	ROSETTA 8,2x15
36	13516221	4	210P	STUD 8x1,25x102	PRIGIONIERO 8x1,25x102
37	14196670	16	100S	LOCK CONE 7,85x10	SEMICONO 7,85x10
38	14328301	2	50T	PLUG 12x5	TAPPO 12x5
39	16043421	2	40V	SCREW 8x1,25x20	VITE 8x1,25x20
40	16044521	4	40V	SCREW 8x1,25x65	VITE 8x1,25x65
41	16100811	4	10D	NUT 8x1,25x6,5	DADO 8x1,25x6,5
42	4578951	8	100M	SPRING - INNER	MOLLA - INTERNA

VALVE GEAR - DISTRIBUZIONE - DISTRIBUTION - STEUERUNG - DISTRIBUCIÓN

A1.07/A

N.T.R. 163 - 30.05.1989

604.01.077.03

H17

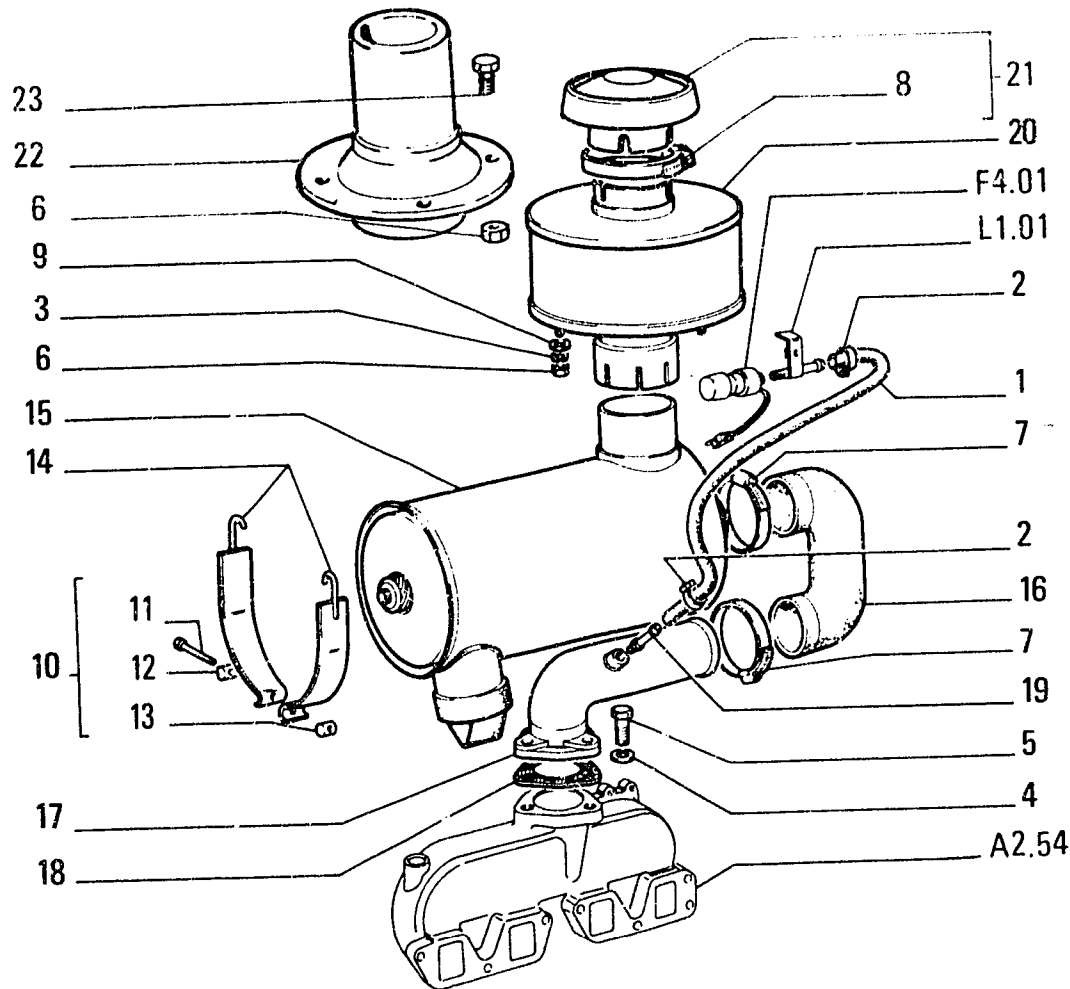
DESIGNAZIONE BASE	BASIC DESIGNATION	DESIGNATIONS-BASES	GRUNDBEZEICHNUNGEN	DENOMINACIONES BASE	
107G	GRUPPO ACCENSIONE ELETTRONICO	ELECTRONIC IGNITION SYSTEM	GRUPE D'ALLUMAGE	ELEKTRONISCHE	SISTEMA DE ENCEN-
107G		UNIT	ELECTRONIQUE	ZUENDUNGS-AUS-	DIDO ELECTRONICO
107G				RUESTUNG	
107S	SEMIPULEGGIA	HALF PULLEY	DEMI-POULIE	SCHEIBENHAELFTE	SEMIPOLEA
1070	CILINDRO INCLINAZIONE	TILT CYLINDER	CYLINDRE DE TILT	TILT ZYLINDER	CILINDRO TILT
1071	CILINDRO TILT (HS L)	TILT CYLINDER (HS-L)	CYLINDRE DE TILT (HS-L)	TILT ZYLINDER (HS-L)	CILINDRO TILT (HS-L)
1072	CILINDRO TILT (HS)	TILT CYLINDER (HS)	CYLINDRE DE TILT (HS)	TILT ZYLINDER (HS)	
1078	COMANDO ATTREZZO POST.	REAR EQUIPMENT CONTROL	COMMANDE D'OUTIL POSTERIEUR	S'EUERUNG HECKANBAUGERAETE	MANDO DEL UTIL POSTERIOR
108B	BORDO	EDGE	PROFILE	PROFIL	PERFIL
108G	GRUPPO DI RINVIO	IDLE UNIT	GRUPE DE RENVOI	ZWISCHENGETRIEBE	REENVIO-REDUCTOR
108M	MOLTIPLICATORE	OVERDRIVE	SURMULTIPLICATEUR	DREHMOMENTVERSTAERKER	MULTIPLICADOR
108R	RITARDATORE IDRAULICO	HYDRAULIC RETARDER	RETARDATEUR HY-	HYDRAULISCHE VERZO	RETARDADOR HIDRAU-
108R			DRAULIQUE	GERUNGSVORRICHTUNG	LICO
108S	SEMISTANTUFFO	HALF PISTON	DEMI-PISTON	KOLBENHAELFTE	SEMIEMBOLO
1082	COMANDO E TUBAZIONI	PIPING AND CONTROL	COMMANDE ET TUYANTERIE	STEUERUNG UND LEITUNGEN	
1083	COMANDO II CASSETTO	2ND SPOOL CONTROL	COMMANDE DU 2ME TIROIR	BETAETIGUNG DES 2. STEUERKREISE	
1084	COMANDO III CASSETTO	3RD SPOOL CONTROL	COMMANDE DU 3ME TIROIR	BETAETIGUNG DES 3. STEUERKREISE	MANDO DE LA 3A CARRETES
1087	COMANDO E TUBAZ(DAL DEVIATORE)	PIPING AND CONTR(DIVERT VALVE)	COMMANDE ET TUYANTERIE(DEVIAT)	STEUERUNG LEITUNG(VOM UMSCHALT	
109B	BORSA PORTACARTE	UTILITY RECESS	VIDE-POCHES	ABLEGEFACH	BOLSA PARA MAPAS
109G	GRUPPO INIEZIONE	INJECTION EQUIPMENT	GRUPE D'INJECTION	EINSPRITZAUS-	GRUPO DE INYECCION
109G				RUESTUNG	
1095	MENSOLE INCERNIERAM	TRUNNIONS	CONSOLES	KUGELBOLZEN	REFUERZOS
11GA	ATTREZZO ANTERIORE	FRONT IMPLEMENT	EQUIPEMENT AVANT	VORNEINRICHTUNG	IMPLEMENTO ANTERIOR
11G0	BRACCI E ARTICOLAZIONI	BOOM/LINKAGE	ARTICULATION DE FLECHE	HUBARM UND UMLENKHEBEL	ARTICULACION DEL AIGULON
11G1	CILINDRI SOLLEVAMENTO	LIFT CYLINDERS	CYLINDRES LEVAGE	HUBZYLINDER	CILINDRO ALCE
11G2	CILINDRI ROTAZIONE BENNA	DUMP CYLINDERS	CYLINDRES DECHARGE	KIPPZYLINDER	CILINDRO DESCARGA
11G3	TUBAZIONI CILINDRI SOLLEV	LIFT CYLINDERS PIPING	CONDUITES CYLINDRES LEVAGE	LEITUNGEN FUER HUBZYLINDER	TUBERIA CILINDRO ALCE
11G4	TUBAZIONI CILINDRI ROTAZIONE	DUMP CYLINDERS PIPING	TUYAUTERIE CYLINDRES BASCULAGE	LEITUNGEN FUER KIPPZYLINDER	
11G5	COMANDI ATTREZZO	EQUIPMENT CONTROLS	COMMANDES D'OUTIL		MANDO DEL UTIL
11G8	LIMITAZIONE SOLLEV. BRACCI	LIFTING KICK-OUT		HUBBEGRENZUNG	
110A	AVVOLGIMENTO	WINDING	ENROULEMENT	WICKLUNG	BOBINA
110F	FUSIBILE	FUSE	FUSIBLE	SICHERUNG	FUSIBLE
110G	GRUPPO OTTICO	LENS/REFLECTOR UNIT	GRUPE OPTIQUE	EINSATZ	GRUPO OPTICO
110P	PIASTRINA	PLAQUE	PLAQUETTE	PLAETTCHEN	CHAPITA
110T	TESTA A SNODO	ARTICULATED JOINT	JOINT A ROTULE	GELENKKOPF	ARTICULACION
1103	TUBAZ.COM VALVOLA DEFLUSSO	PIPING W/DOWNFLOW VALVE	TUYAUTERIE AVEC SOUPEPE DE DEF		
1107	VALVOLA DISCESA RAPIDA	QUICK RELEASE VALVE	SOUFRAGE DESCENTE RAPIDE	SCHNELLENKVENTIL	
1108	VALVOLA DI BLOCCO	LOCK VALVE	SOUFRAGE DE BLOCAGE	RUECKSCHLAGVENTIL	
111C	CAVO	CABLE	CABLE	ELEKTROKABEL	CABLE
111G	GRUPPO DI REGOLAZIONE	GOVERNOR ASSEMBLY	GRUPE REGULATEUR	REGLERGRUPPE	REGULADOR

DESIGNAZIONE BASE	BASIC DESIGNATION	DESIGNATIONS-BASES	GRUNDBEZEICHNUNGEN	DENOMINACIONES BASE
101G	GRIGLIA	GRID	GRILLE	REJILLA
1011	FORCELLE	STRUTS	FOURCHES	STREBEN
1012	FORCELLE RINFORZATE	STRUTS H.D	FOURCHES RENFORCEES	STREBEN VERSTAERKTE AUSFUEHRUN
102B	BOMBOLETTA	BOTTLE	BOUTEILLE	FLASCHE
102E	ELEVATORE	ELEVATOR	ELEVATEUR	FOERDERER
102G	GRU	CRANE	GRUE	KRAN
102P	PIANALE	PLATFORM	PLATEAU	PLATTE
1022	LASERPLANE-TRASMETTITORE		LASERPLANE TRANSMETTEUR	LASERPLANE-SENDER
1023	LASERPLANE-RICEVITORE		LASERPLANE RECEPTEUR	LASERPLANE-EMPPFAENGER
103A	ASTUCCIO PORTARULLI	ROLLER CASING	ETUI PORTE-GALETs	HUELSE
103A				CARTER PORTARRO-DILLOS
103E	ESPULSORE	EJECTOR		
103M	MOLLA A DIAFRAMMA	DISC SPRING	RONDELLE-RESSORT	FEDERSCHEIBE
103M				DIAFRAGMA DE MUE-LLE
103P	PIANTONE	STEERING COLUMN	COLONNE DIRECTION	LENKSAEULE
103S	SEMICUSCINETTO	HALF BEARING	DEMI-ROULEMENT	LAGGERHALBSHALEN
1030	CILINDRI ANGOLAZIONE	ANGLE CYLINDERS	CYLINDRES AD	SCHWENKZYLINDER
104A	ATTACCO PER ATTREZZI	EQUIPMENT MOUNTING	ATTELAGE DES OU-TILS	GERAETEKUPPLUNG
104A				ENGANCHE DE LOS UTILES
104G	GRUPPO COMANDO DI DISTRIBUZIONE	CAMSHAFT DRIVE SET	JEU DE COMMANDE DE DISTRIBUTION	STEUERUNGSANTRIEB-SATZ
104G				JUEGO DE PINONES DE LA DISTRIBUCION
104S	SEMIDISCO	HALF DISC	DEMI-DISQUE	HALBSCHEIBE
1040	BRACCI E TIRANTI (HSU-HS)	PUSHBEAMS AND STRUTS (HSU-HS)	BRAS ET TIRANTS (HSU-HS)	SCHUBARME UND STREBEN(HSU-HS)
1041	BRACCI E TIRANTI (HS-L)	PUSHBEAMS AND STRUTS (HS-L)	BRAS ET TIRANTS (HS-L)	SCHUBARME UND STREBEN(HS-L)
1042	BRACCI E TIRANTI (HS)	PUSHBEAMS AND STRUTS (HS)	BRAS ET TIRANTS (HS)	SCHUBARME UND STREBEN(HS)
1043	BRACCI E TIRANTI (TILT-PITCH)	PUSHBEAMS & STRUTS(TILT-PITCH)	BRAS ET TIRANTS (TILT-PITCH)	SCHUBARME STREBEN(TILT-PITCH)
105A	AVVISATORE ACUSTICO	HORN	AVVERTISSEUR	HUPE
105F	FUNE	CABLE	CABLE	DRAHTSEIL
105G	GRUPPO DI ROTAZIONE	ROTATION UNIT	GROUPE DE ROTATION	DREHAGGREGAT
105M	MOLLETTA	SPRING FASTENER	AGRAFE	KLEMMSTUECK
105P	PIASTRA	PLATE	PLAQUE	PLATTE
105R	RISCALDATORE	HEATER	RECHAUFFEUR	HEIZUNG
105S	SEMIGIUNTO	HALF COUPLING	DEMI-JOINT	HALBGELENK
106B	BORDINO	MOLDING	PROFILE	PROFIL
106G	GRUPPO AMMORTIZZANTE	SHOCK ABSORBING UNIT	GROUPE AMORTISSEUR	STOSSDAEMPFER
106R	RISCALDATORE ELETTRICO	HEATING ELEMENT	RECHAUFFEUR ELEC-TRIQUE	ELEKTRISCHE HEIZGERAET
106R				DICHTUNGSHAELFTE
106S	SEMIGUARNIZIONE	HALF GASKET	DEMI-JOINT	TILT ZYLINDER (ALL-HYDRAULIC)
106S	CILINDRO TILT (ALL-HYDRAULIC)	TILT CYLINDER (ALL-HYDRAULIC)	CYLINDRE DE TILT(ALL-HYDRAULIC)	PROFILGUMMI
107B	BORDO DI GOMMA	WEATHERSTRIP	CAOUTCHOUC	GOMA

DESIGNAZIONE BASE	BASIC DESIGNATION	DESIGNATIONS-BASES	GRUNDBEZEICHNUNGEN	DENOMINACIONES BASE
EL	ELIMINATO	DELETED	ENTFALLEN	ELIMINADO
ERR	ERRATA	WRONG	FALSCH	DONDE DICE
EST	ESTERNO	OUTER	AUSSEN	EXTERIOR
FA00	AGRICOLO A CINGOLI	AGRICULTURAL CRAWLER	ACKERSCHLEPPER-RAUPEN	TRACTOR AGRICOLA SOBRE ORUGAS
FB00	TERNA	BACKHOE LOADER	BAGGERLADER	TERNA SOBRE RUEDAS
FD0P	APRIPISTA CINGOLI LGP	CRAWLER DOZER-LGP	PLANIERRAUPE LGP	ABRETROCHAS LGP
FD00	APRIPISTA CINGOLI	CRAWLER DOZER	PLANIERRAUPE	ABRETROCHAS
FE0P	ESCAVATORE A CINGOLI LC	CRAWLER EXCAVATOR-LC	RAUPENBAGGER LC	EXCAVADORA SOBRE ORUGAS LC
FE0R	ESCAVATORE A CINGOLI HD	CRAWLER EXCAVATOR-HD	RAUPENBAGGER HD	EXCAVADORA SOBRE ORUGAS HD
FE0W	ESCAVATORE A RUOTE	WHEEL EXCAVATOR	RADBAGGER	EXCAVADORA SOBRE RUEDAS
FE00	ESCAVATORE A CINGOLI	CRAWLER EXCAVATOR	RAUPENBAGGER	EXCAVADORA SOBRE ORUGAS
FG00	MOTOLIVELLATRICE	MOTOR-GRADER	MOTORGRADER	MOTONIVELADORA
FLOP	CARICATORE A CINGOLI LGP	CRAWLER LOADER-LGP	LADERAUPE LGP	CARGADORA SOBRE ORUGAS LGP
FLO0	CARICATORE A CINGOLI	CRAWLER LOADER	LADERAUPE	CARGADORA SOBRE ORUGAS
FP00	POSATUBI	PIPE-LAYER	ROHRLEGER	TIENDETUBOS
IROC	COMPATTATORE A RUOTE	WHEEL COMPACTOR		
FR00	CARICATORE ART RUOTE	WHEEL LOADER	GELENKLADER	CARGADORA SOBRE RUEDAS
FS00	MOTORUSPA	MOTOR-SCRAPER	MOTORSCRAPER	MOTOTRAILLA
G214	TRASLAZIONE RETROESCAVATORE	BACKHOE TRASLATION		
INF	INFERIORE	LOWER	INFERIEUR	INFERIOR
INT	INTERNO	INNER	INTERIEUR	INTERIOR
LAT	LATERALE	SIDE	LATERAL	LATERAL
POST	POSTERIORE	REAR	ARRIERE	POSTERIOR
SALD	DA SALDARE	TO BE WELDED	A SOUDER	SOLDAR
SEM	SEMILAVORATO	SEMIFINISHED	MI-OUVRE	SEMIELABORADO
SN	SINISTRO	LEFT	GAUCHE	IZQUIERDO
SP	SPESSORE	THICKNESS	EPAISSEUR	GRUESO
SUP	SUPERIORE	UPPER	SUPERIOR	SUPERIOR
VED	VEDERE SGR	SEE SGR	VOIR SGR	VEASE SGR
10G3	ARRESTO MOTORE	ENGINE STOP	ARRET DU MOTEUR	PARO DEL MOTOR
100B	BOCCOLA DI GOMMA	RUBBER BUSH	BAGUE CAOUTCHOUC	COJINETE DE CAUCHO
100C	CAVALLOTTO	RETAINER	ARRETOIR	SUJETADOR
100G	GRIGLIA DEL RADIATORE	RADIATOR GRILLE	GRILLE DE RADIA- TEUR	CORAZA DEL RADIA- DOR
100G				
100M	MOLLA	SPRING	RESSORT	MUELLE
100R	RIPOSTIGLIO CRUSCOTTO	RECESS	BOITE A GANTS	GUANTERA
100S	SEMICONO	LOCK CONE	DEMI-CONE	CHAVETA CONICA
1003	ARCONI (ALL-HYDRAULIC)	C-FRAME (ALL-HYDRAULIC)	ETRIER (ALL-HYDRAULIC)	ARCON (ALL-HYDRAULIC)
101A	ASTUCCIO	CASING	ETUI	ESTUCHE
101E	ELETTROLITO	ELECTROLYTE	ELECTROLYTE	ELECTROLYTE

A

ENGINE • MOTORE • MOTEUR • MOTOR • MOTOR



FIATALLIS FL5

I T E M	PART NUMBER	Q T Y	TRANS CODE	DESCRIPTION	DESCRIZIONE
1	594993	1	192T	HOSE ASSY	TUBO FLESS.C/RACCORDI
2	10168790	2	180C	COLLAR 15,5x1	COLLARE 15,5x1
3	0516871	4	132R	LOCKWASHER 10x2,5	ROSETTA (I) SICUREZZA 10x2,5
4	10571871	3	132R	LOCKWASHER 10,2x2,2	ROSETTA (II) SICUREZZA 10,2x2,2
5	11306931	3	40V	SCREW 10x1,25x30	VITE 10x1,25x30
6	11701711	4	10D	NUT 10x1,5x8 C1360	DADO 10x1,5x8 C1360
	11701721	4	10D	NUT 10x1,5x8 D1360	DADO 10x1,5x8 D1360
7	12174890	2	180C	COLLAR 62/82x14	COLLARE 62/82x14
8	12174990	1	180C	COLLAR 77/97x14	COLLARE 77/97x14
9	12638601	7	131R	WASHER 10,2x18	ROSETTA 10,2x18
10	76000174	1	40V	SCREW - ASSEMBLY	VITE - COMPLETO
11	76000175	1	40V	SCREW	VITE
12	79007569	1	80P	PIN	PERNO
13	79007570	1	80P	PIN	PERNO
14	79011493	2	225S	BRACKET	STAFFA
15	79022024	1	66F	AIR CLEANER - ASSEMBLY SEE SGR. A2.23	FILTRO ARIA - COMPLETO VEDERE SGR. A2.23
16	79032726	1	30M	SLEEVE	MANICOTTO
17	79032727	1	20R	FITTING	RACCORDO
18	79032728	1	123G	SEAL ASSY	GUARNIZIONE TENUTA FRONTALE
19	79032729	1	20R	FITTING C1373	RACCORDO C1373
	79041575	1	20R	FITTING (1") C1373	RACCORDO (1") C1373
20	79032766	1	193T	TUBE (*)	TUBO RIGIDO (*)
21	79035667	1	204P	AIR INTAKE - ASSEMBLY	PRESA ARIA - COMPLETO
22	79050031	1	193T	TUBE D1360	TUBO RIGIDO D1360
23	11106231	4	40V	SCREW 10x1,5x25 D1360	VITE 10x1,5x25 D1360
(*)			469P	FOR SPECIAL EQUIPMENT	PER VARIANTE 30.0022.22.1

C 1373 → Tel. n. 201360

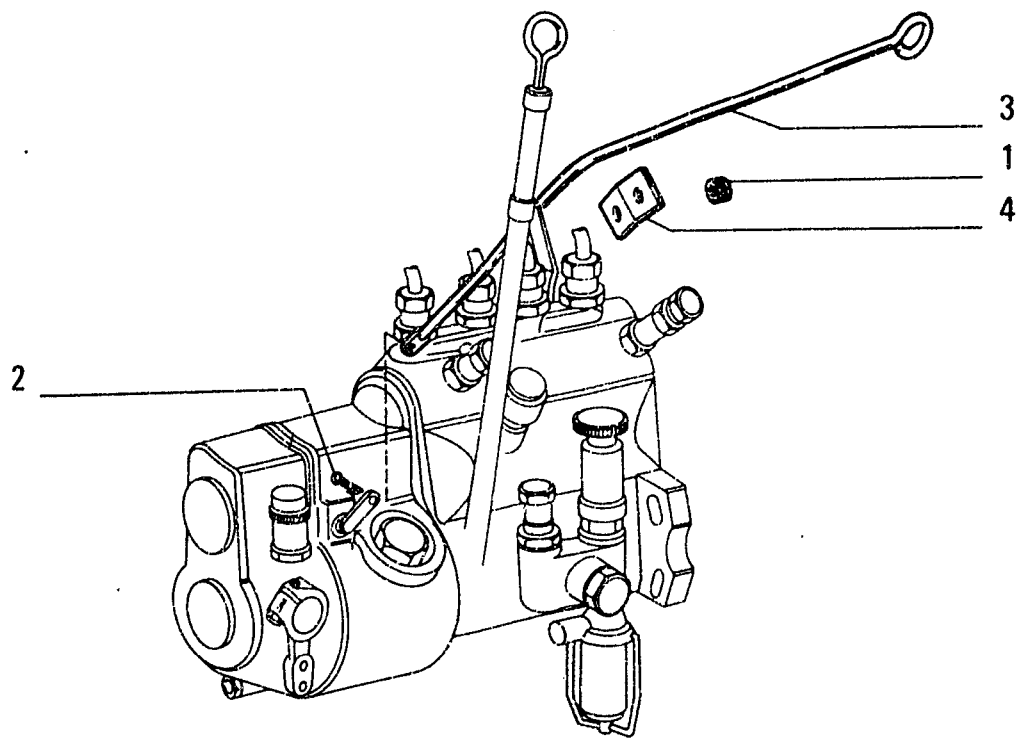
AIR CLEANER AND DUCTS — FILTRO ARIA E TUBAZIONI —
 LUFTFILTER UND LEITUNGEN — FILTRO DE AIRE Y TUBERÍAS

FILTRE A AIR ET CANALISATIONS

A2.22

N.T.R. 163 - 30.05.1989

604.01.077.03

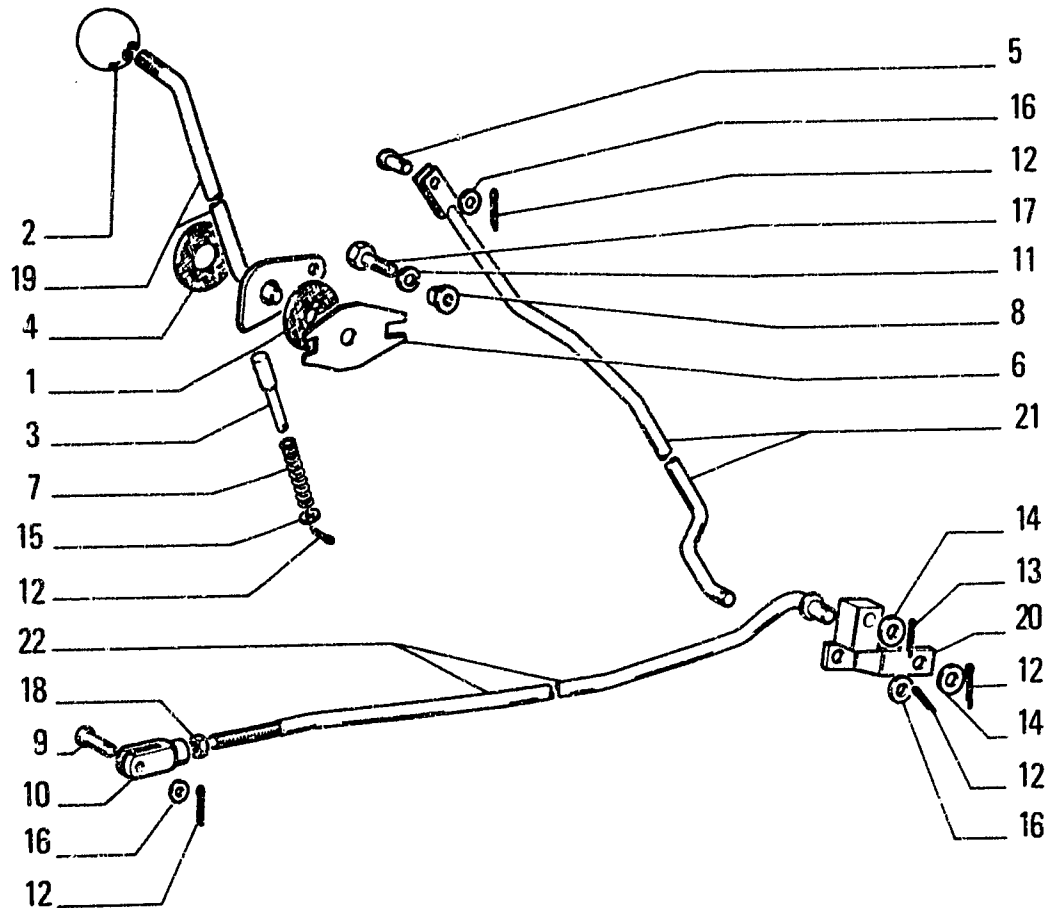


I T E M	PART NUMBER	Q T Y	TRANS CODE	DESCRIPTION	DESCRIZIONE
1	10399480	1	120G	GASKET 5x12	GUARNIZIONE PIANA 5x12
2	10734201	1	270C	COTTER PIN 1,7x18,5	COPIGLIA 1,7x18,5
3	79043363	1	142T	TIEROD	TIRANTE
4	79043364	1	231S	CLIP	STAFFETTA

C 1373 → Tel. n. 201360

THROTTLE CONTROL LINKAGE - COMANDI ACCELERATORE - COMMANDES D'ACCELERATEUR -
 GASREGULIERUNG - MANDOS DEL ACELERADOR

2	A2.21	3
N.T.R. 163 - 30.05.1989		
604.01.077.03		



ITEM	PART NUMBER	QTY	TRANS CODE	DESCRIPTION	DESCRIZIONE
1	537468	1	60D	DISC	DISCO
2	4970504	1	25I	HANDGRIP	IMPUGNATURA
3	4984517	1	30P	PIN	PERNO
4	4984525	1	60D	DISC	DISCO
5	4984549	1	80P	PIN	PERNO
6	4984550	1	100M	SPRING	MOLLA
7	4989488	1	100M	SPRING	MOLLA
8	4989767	2	10D	NUT	DADO
9	10050811	1	36P	PIN 8x24	PERNO 8x24
10	10248271	1	85F	YOKE 8x1,25x8	FORCELLA 8x1,25x8
11	10516671	2	132R	LOCKWASHER 8,1x2,2	ROSETTA DI SICUREZZA 8,1x2,2
12	10734201	5	270C	COTTER PIN 1,7x18,5	COPIGLIA 1,7x18,5
13	10796301	1	270C	COTTER PIN 2,7x21,6	COPIGLIA 2,7x21,6
14	12638601	2	131R	WASHER 10,2x18	ROSETTA 10,2x18
15	12639701	1	131R	WASHER 6,15x11	ROSETTA 6,15x11
16	12642701	3	131R	WASHER 8,15x12	ROSETTA 8,15x12
17	13279611	2	40V	SCREW 8x1,25x25	VITE 8x1,25x25
18	16102311	1	10D	NUT 8x1,25x5	DADO 8x1,25x5
19	76001622	1	45L	LEVER	LEVA
20	79026121	1	45L	LEVER - REAR	LEVA - POSTERIORE
21	79026124	1	142T	TIEROD - UPPER	TIRANTE - SUPERIORE
22	76015844	1	142T	TIEROD D2315	TIRANTE D2315
	79032321	1	142T	TIEROD C2315	TIRANTE C2315

03594

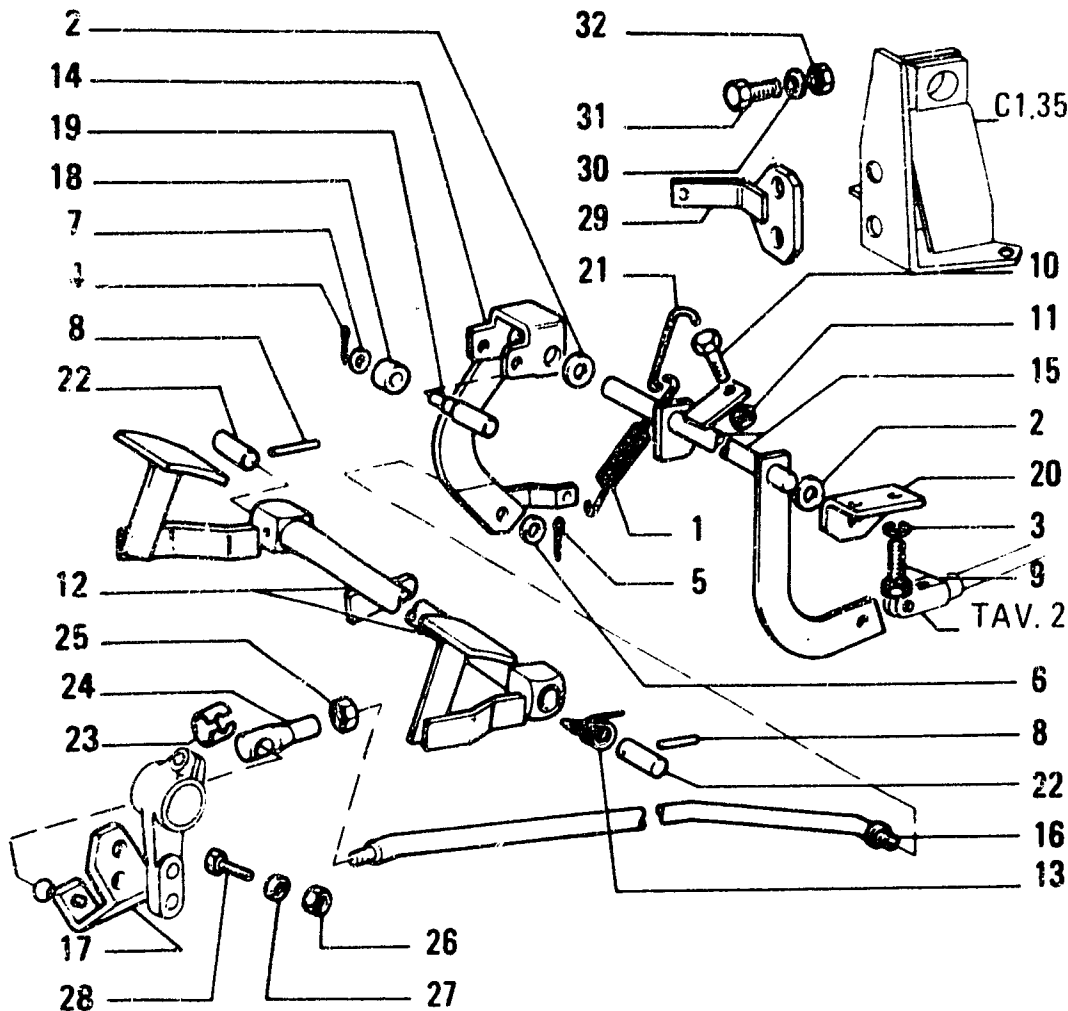
THROTTLE CONTROL LINKAGE - COMANDI ACCELERATORE - COMMANDES D'ACCELERATEUR -
 GASREGULIERUNG - MANDOS DEL ACELERADOR

A2.21

2

N.T.R. 102 - 31.05.82
 604.01.077.01

FIATALLIS FL5



D 1373 Tel. n. 201361 →

ITEM	PART NUMBER	QTY	TRANS CODE	DESCRIPTION	DESCRIZIONE
23	10124876	1	45F	CLIP 14x15	FERMAGLIO 14x15
24	10124411	1	119T	HEAD 6x1x10	TESTA 6x1x10
25	15896211	1	10D	NUT 6x1x5	DADO 6x1x5
26	12574211	2	10D	NUT 6x1x7,8	DADO 6x1x7,8
27	12646601	2	131R	WASHER 6,15x15	ROSETTA 6,15x15
28	10902821	2	40V	SCREW 6x1x30	VITE 6x1x30
29	76015903	1	225S	BRACKET D2315	STAFFA D2315
30	10516879	2	170R	LOCKWASHER 10,2x2,5 D2315	ROSETTA EL. 10,2x2,5 D2315
31	11106431	2	40V	SCREW 10x1,5x30 D2315	VITE 10x1,5x30 D2315
32	11701721	2	10D	NUT 10x1,5x8 D2315	DADO 10x1,5x8 D2315

THROTTLE CONTROL LINKAGE - COMANDI ACCELERATORE - COMMANDES D'ACCELERATEUR -
GASREGULIERUNG - MANDOS DEL ACELERADOR

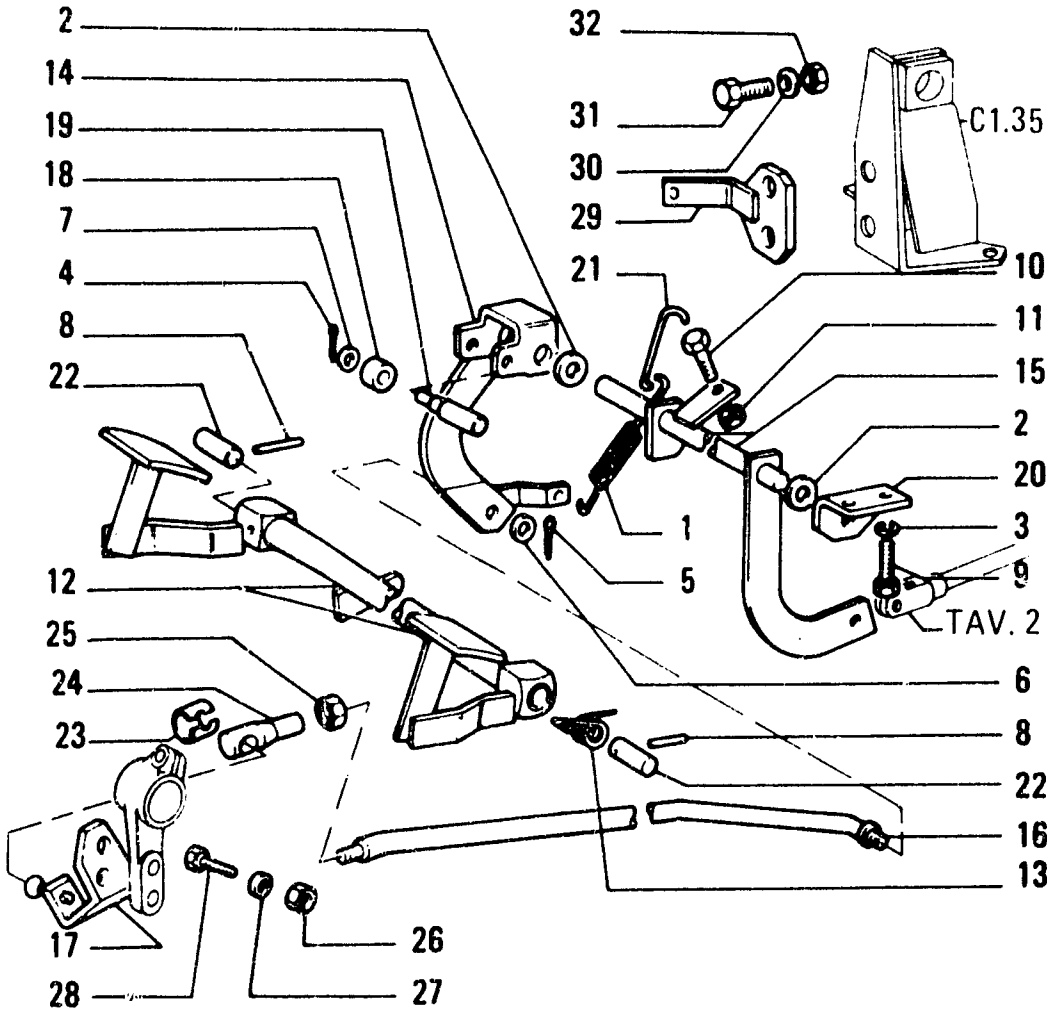
A2.21

1A

N.T.R. 163 - 30.05.1989

604.01.077.03

FIATALLIS FL5



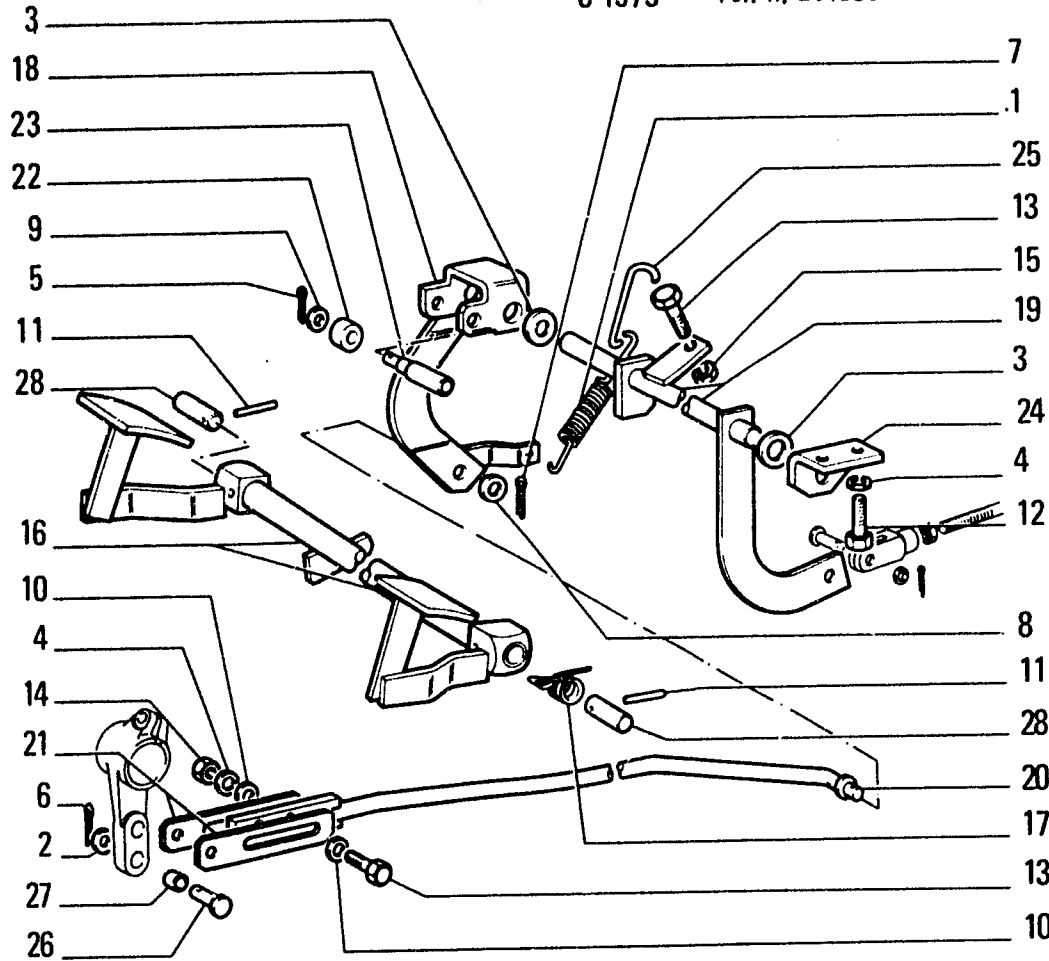
ITEM	PART NUMBER	QTY	TRANS CODE	DESCRIPTION	DESCRIZIONE
1	4967635	1	100M	SPRING	MOLLA
2	10520121	2	131R	WASHER 14,4x26	ROSETTA 14,4x26
3	10571771	2	132R	LOCKWASHER 8,1x2	ROSETTA DI SICUREZZA 8,1x2
4	10734201	1	270C	COTTER PIN 1,7x18,5	COPIGLIA 1,7x18,5
5	10796401	1	270C	COTTER PIN 2,7x27,6	COPIGLIA 2,7x27,6
6	12638621	1	131R	WASHER 10,2x18	ROSETTA 10,2x18
7	12642701	1	131R	WASHER 8,15x12	ROSETTA 8,15x12
8	14163270	2	200S	PIN 4,4x26	SPINA 4,4x26
9	16043231	2	40V	SCREW 8x1,25x16	VITE 8x1,25x16
10	16043831	1	40V	SCREW 8x1,25x30	VITE 8x1,25x30
11	16102321	1	10D	NUT 8x1,25x5	DADO 8x1,25x5
12	79034236	1	60P	PEDAL	PEDALE
13	79034241	1	100M	SPRING	MOLLA
14	76015917	1	45L	LEVER - FRONT D2315	LEVA - ANTERIORE D2315
	79034242	1	45L	LEVER - FRONT C2315	LEVA - ANTERIORE C2315
15	79034246	1	45L	LEVER - FRONT	LEVA - ANTERIORE
16	76012366	1	142T	TIEROD - FRONT C2315	TIRANTE - ANTERIORE C2315
	76015840	1	142T	TIEROD - FRONT D2315	TIRANTE - ANTERIORE D2315
17	76012320	1	45L	LEVER	LEVA
18	79034235	1	157R	ROLLER	RULLO
19	79034256	1	80P	PIN	PERNO
20	76016817	1	80M	BRACKET D2348	MENSOLA D2348
	79034258	1	80M	BRACKET C2348	MENSOLA C2348
21	79034259	1	30G	HOOK C2315	GANCIO C2315
22	79035034	2	80P	PIN	PERNO

D 3173 Tel. n. 201361 ->

THROTTLE CONTROL LINKAGE - COMANDI ACCELERATORE - COMMANDES D'ACCELERATEUR - GASREGULIERUNG - MANDOS DEL ACELERADOR

A2.21	1A
N.T.R. 163 - 30.05.1989	
604.01.977.03	

C 1373 → Tel. n. 201360



I T E M	PART NUMBER	Q T Y	TRANS CODE	DESCRIPTION	DESCRIZIONE
28	79035034	2	80P PIN		PERNO

THROTTLE CONTROL LINKAGE - COMANDI ACCELERATORE - COMMANDES D'ACCELERATEUR -
 GASREGULIERUNG - MANDOS DEL ACELERADOR

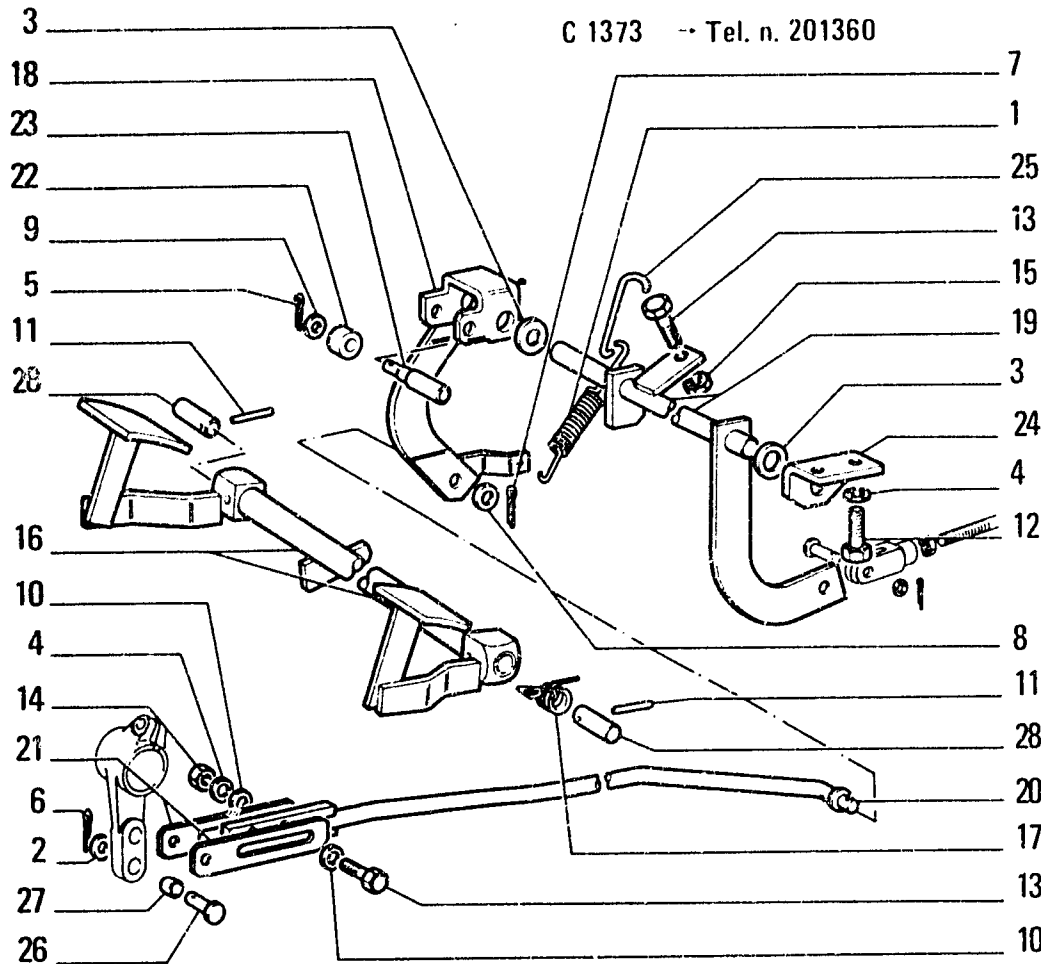
A2.21

1

N.T.R. 163 - 30.05.1989

604.01.077.03

C 1373 -- Tel. n. 201360



ITEM	PART NUMBER	QTY	TRANS CODE	DESCRIPTION	DESCRIZIONE
1	4967635	1	100M SPRING	MOLLA	
2	10519221	1	131R WASHER 4,45x9	ROSETTA 4,45x9	
3	10520121	2	131R WASHER 14,4x26	ROSETTA 14,4x26	
4	10571771	4	132R LOCKWASHER 8,1x2	ROSETTA DI SICUREZZA 8,1x2	
5	10734201	1	270C COTTER PIN 1,7x18,5	COPIGLIA 1,7x18,5	
6	10795001	1	270C COTTER PIN 1,3x13,7	COPIGLIA 1,3x13,7	
7	10796401	1	270C COTTER PIN 2,7x27,6	COPIGLIA 2,7x27,6	
8	12638621	1	131R WASHER 10,2x18	ROSETTA 10,2x18	
9	12642701	1	131R WASHER 8,15x12	ROSETTA 8,15x12	
10	12646721	4	131R WASHER 8,15x20	ROSETTA 8,15x20	
11	14163270	2	200S PIN 4,4x26	SPINA 4,4x26	
12	16043231	2	40V SCREW 8x1,25x16	VITE 8x1,25x16	
13	16043831	3	40V SCREW 8x1,25x30	VITE 8x1,25x30	
14	16100821	2	10D NUT 8x1,25x6,5	DADO 8x1,25x6,5	
15	16102321	1	10D NUT 8x1,25x5	DADO 8x1,25x5	
16	79034236	1	60P PEDAL	PEDALE	
17	79034241	1	100M SPRING	MOLLA	
18	79034242	1	45L LEVER - FRONT	LEVA - ANTERIORE	
19	79034246	1	45L LEVER - FRONT	LEVA - ANTERIORE	
20	79034251	1	142T TIEROD - FRONT	TIRANTE - ANTERIORE	
21	79034254	1	225S BRACKET	STAFFA	
22	79034255	1	157R ROLLER	RULLO	
23	79034256	1	80P PIN	PERNO	
24	79034258	1	80M BRACKET	MENSOLA	
25	79034259	1	30G HOOK	GANCIO	
26	79034988	1	80P PIN	PERNO	
27	79034989	1	157R ROLLER	RULLO	

THROTTLE CONTROL LINKAGE - COMANDI ACCELERATORE - COMMANDES D'ACCELERATEUR -
 GASREGULIERUNG - MANDOS DEL ACELERADOR

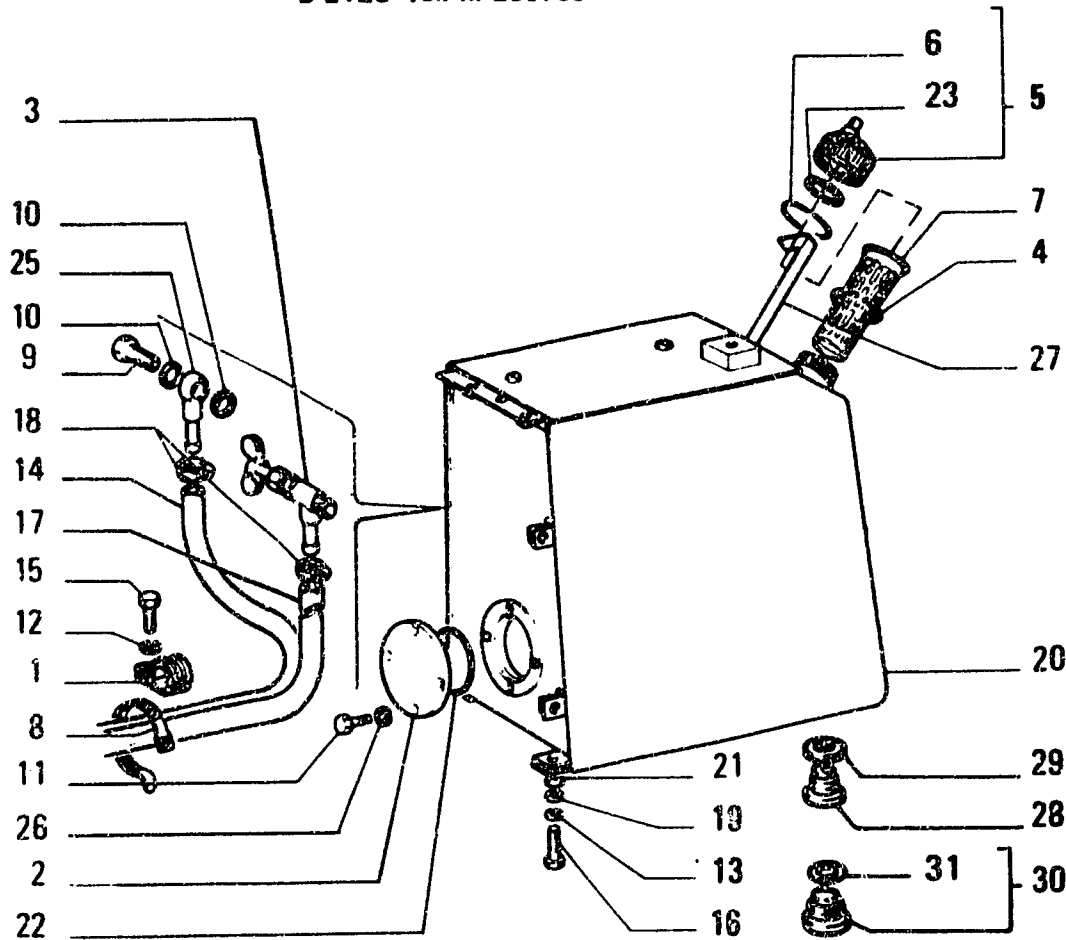
A2.21

1

N.T.R. 163 - 30.05.1989

604.01.077.03

D 2123 Tel. n. 200706 →



FIATALLIS FL5

A2.01/ A TAV. 1 PAG.2

ITEM	PART NUMBER	QTY	TRANS CODE	DESCRIPTION	DESCRIZIONE
22	14466889	1	158G	O-RING 2,62x9,19	GUARNIZIONE O-R 2,62x9,19
23	60024509	1	120G	GASKET	GUARNIZIONE PIANA
25	79010217	1	20R	FITTING	RACCORDO
26	10516871	4	170R	LOCKWASHER 10x2,5	ROSETTA EL. 10x2,5
27	79037005	1	91A	DIPSTICK	ASTA LIVELLO
28	79007135	1	50T	PLUG C2282	TAPPO C2282
29	10296685	1	120G	GASKET 16,2x22 C2282	GUARNIZIONE PIANA 16,2x22 C2282
30	10119440	1	57T	MAGNETIC PLUG - ASSEMBLY 18x1,5x12 D2282	TAPPO MAGNETICO - COMPLETO 18x1,5x12 D2282
31	14437985	1	158G	O-RING D2282	GUARNIZIONE O-R D2282

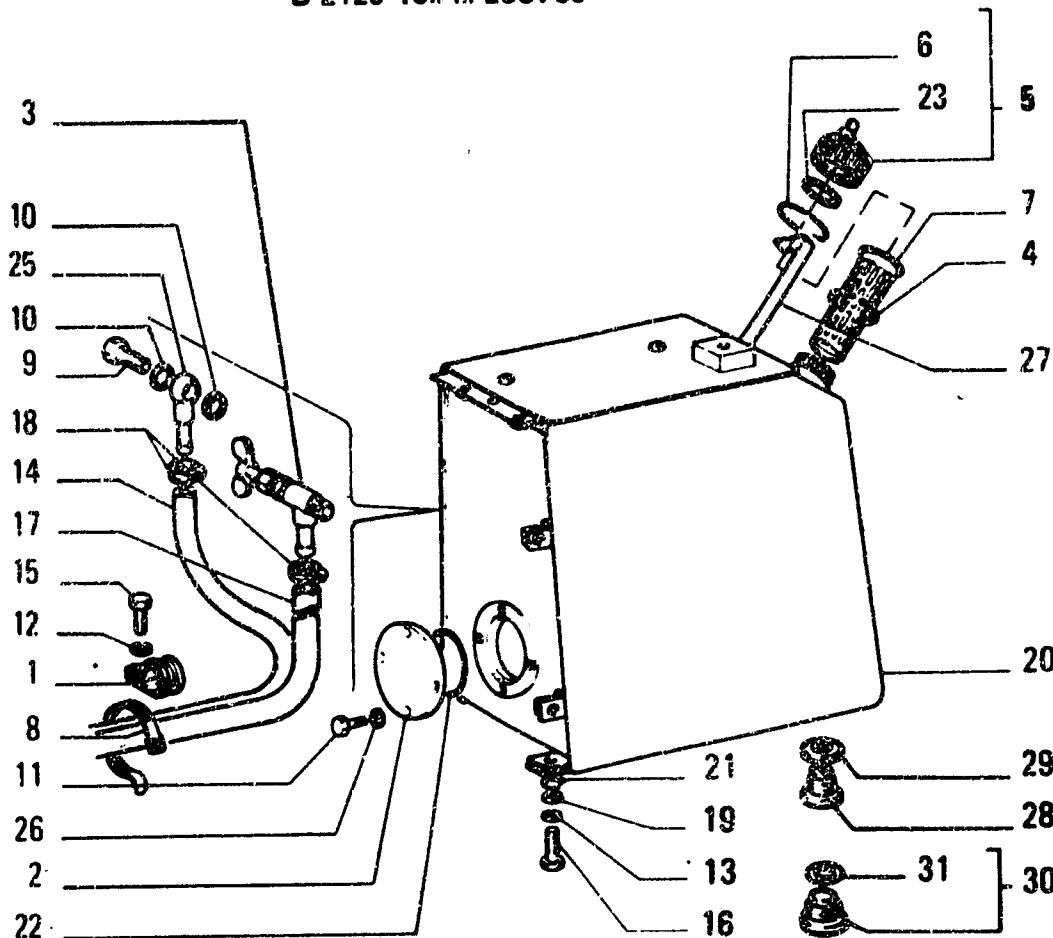
FUEL TANK AND LINES - SERBATOIO COMBUSTIBILE E TUBAZIONI - RESERVOIR ET CANALISATIONS
 COMBUSTIBILE - KRAFTSTOFFTANK UND LEITUNGEN - DEPOSITO DE COMBUSTIBILE Y TUBERIAS

A2.01/A

N.T.R. 163 - 30.05.1989

604.01.077.03

D 2123 Tel. n. 200706 →



FIATALLIS FL5

A2.01/ A TAV. 1 PAG.1

ITEM	PART NUMBER	QTY	TRANS CODE	DESCRIPTION	DESCRIZIONE
1	10450790	3	231S	CLIP 22x9	STAFFETTA 22x9
2	593121	1	265C	COVER	COPERCHIO
3	4966618	1	150R	COCK	RUBINETTO
4	4971843	1	187A	SNAP RING	ANELLO ELASTICO
5	4977118	1	54T	FILLER CAP - ASSEMBLY	TAPPO INTRODUZIONE - COMPLETO
6	4977122	1	187A	SNAP RING	ANELLO ELASTICO
7	4982644	1	65F	FILTER C2199	FILTRO C2199
	79043879	1	65F	FILTER D2199	FILTRO D2199
8	79013422	2	31F	CLAMP	FASCETTA
9	10184317	1	20R	FITTING 14x1,5x27	RACCORDO 14x1,5x27
10	10279985	2	120G	GASKET 14,2x20	GUARNIZIONE PIANA 14,2x20
11	11106031	4	40V	SCREW 10x1,5x20	VITE 10x1,5x20
12	10571771	3	170R	LOCKWASHER 8,1x2	ROSETTA EL. 8,1x2
13	10517171	4	170R	LOCKWASHER 14,2x3,5	ROSETTA EL. 14,2x3,5
14	76014545	L	285T	HOSE D2197	TUBO FLESSIBILE D2197
	79012075	1	285T	HOSE C2197	TUBO FLESSIBILE C2197
15	16043031	3	40V	SCREW 8x1,25x12	VITE 8x1,25x12
16	11115831	4	40V	SCREW 14x2x40	VITE 14x2x40
17	76014544	L	285T	HOSE C2316	TUBO FLESSIBILE C2316
		L	285T	HOSE D2197	TUBO FLESSIBILE D2197
	76014890	L	285T	HOSE D2316	TUBO FLESSIBILE D2316
	79015259	1	285T	HOSE C2197	TUBO FLESSIBILE C2197
18	12179490	4	180C	COLLAR 9/16x8 C2197	COLLARE 9/16x8 C2197
	79084753	4	180C	COLLAR D2197	COLLARE D2197
19	12644921	4	131R	WASHER 14,4x32	ROSETTA 14,4x32
20	79041045	1	115S	TANK	SERBATOIO
21	79020901		131R	WASHER	ROSETTA

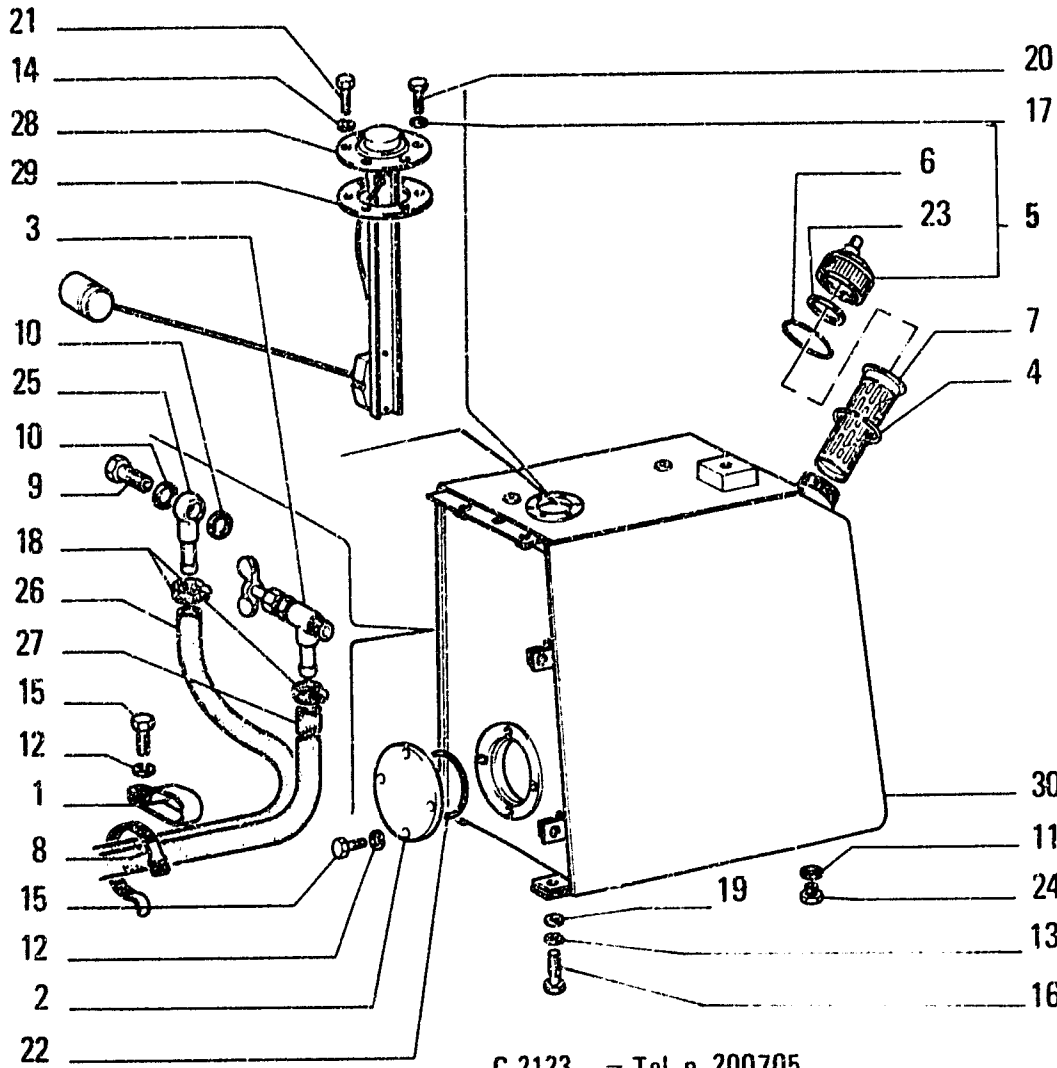
FUEL TANK AND LINES - SERBATOIO COMBUSTIBILE E TUBAZIONI - RESERVOIR ET CANALISATIONS
COMBUSTIBILE - KRAFTSTOFFTANK UND LEITUNGEN - DEPOSITO DE COMBUSTIBLE Y TUBERIAS

A2.01/A

N.T.R. 163 - 30.05.1989

604.01.077.03

FIATALLIS FL5



C 2123 - Tel. n. 200705

ITEM	PART NUMBER	QTY	TRANS CODE	DESCRIPTION	DESCRIZIONE
27	79015259	1	285T	HOSE	TUBO FLESSIBILE
28	79031088	1	30I	LEVEL INDICATOR SENDING UNIT	COMANDO INDICATORE LIVELLO
29	79031103	1	133R	SEAL	ROSETTA DI TENUTA
30	79032565	1	115S	TANK	SERBATOIO

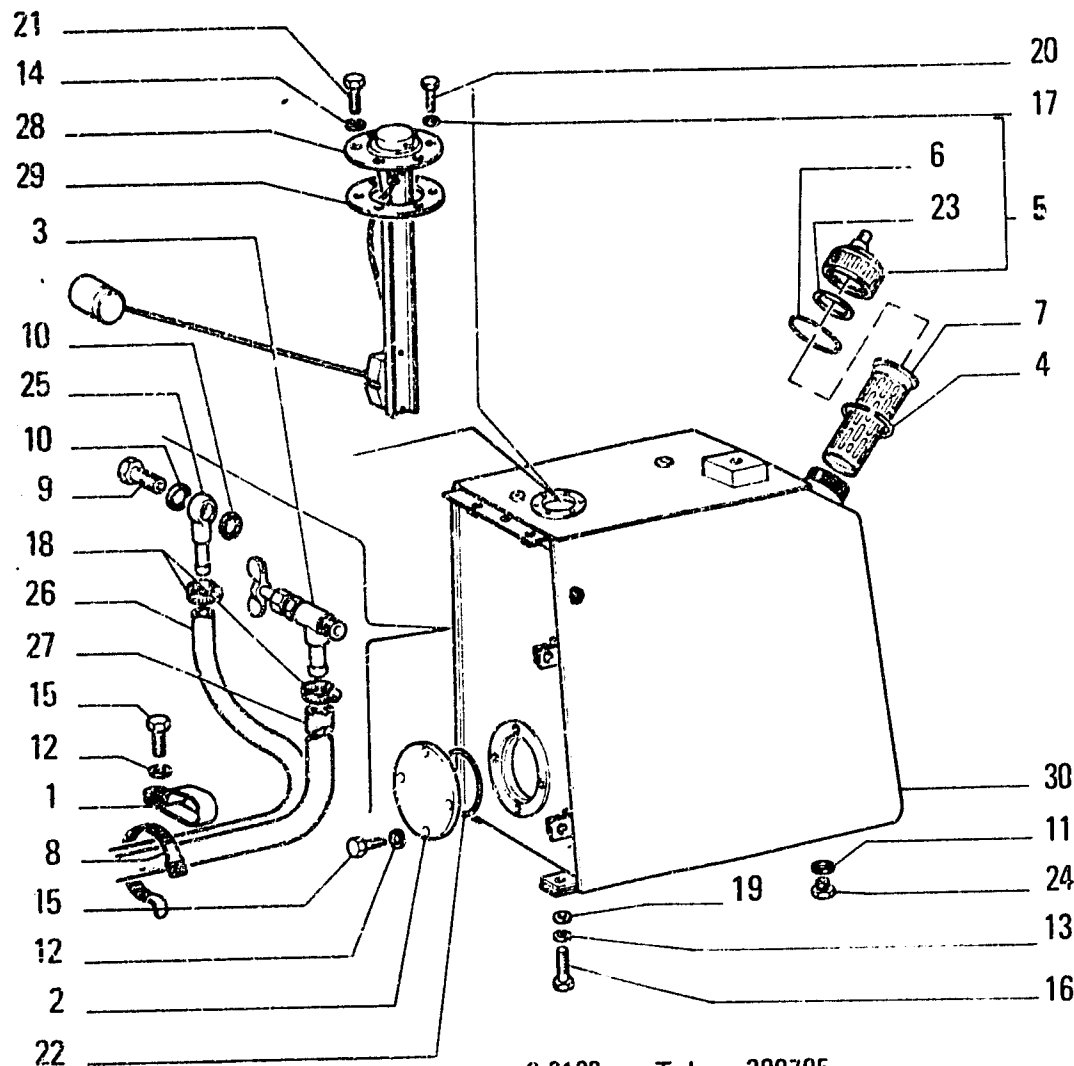
FUEL TANK AND LINES - SERBATOIO COMBUSTIBILE E TUBAZIONI - RESERVOIR ET CANALISATIONS
 COMBUSTIBLE - KRAFTSTOFFTANK UND LEITUNGEN - DEPÓSITO DE COMBUSTIBLE Y TUBERÍAS

A2.01

N.T.R. 163 - 30.05.1989

604.01.077.03

FIATALLIS FL5



C 2123 → Tel. n. 200705

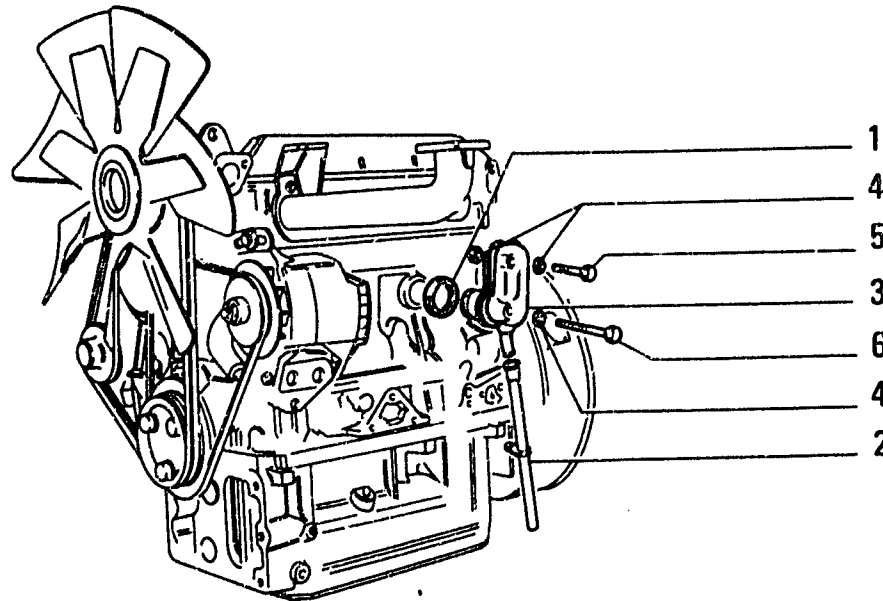
ITEM	PART NUMBER	QTY	TRANS CODE	DESCRIPTION	DESCRIZIONE
1	560273	4	231S	CLIP	STAFFETTA
2	593121	1	265C	COVER	COPERCHIO
3	4966618	1	150R	COCK	RUBINETTO
4	4971843	1	51A	LOCKRING	ANELLO DI SICUREZZA
5	4977118	1	54T	FILLER CAP - ASSEMBLY	TAPPO INTRODUZIONE - COMPLETO
6	4977122	1	51A	LOCKRING	ANELLO DI SICUREZZA
7	4982644	1	65F	FILTER	FILTRO
8	10007309	2	31F	CLAMP 125x7	FASCETTA 125x7
9	10184317	1	90B	FILLER PLUG 14x1,5x27	BOCCHETTONE INTRODUZIONE 14x1,5x27
10	10279985	2	133R	SEAL 14,2x20	ROSETTA DI TENUTA 14,2x20
11	10296685	1	133R	SEAL 16,2x22	ROSETTA DI TENUTA 16,2x22
12	10516871	8	132R	LOCKWASHER 10x2,5	ROSETTA DI SICUREZZA 10x2,5
13	10517171	4	132R	LOCKWASHER 14,2x3,5	ROSETTA DI SICUREZZA 14,2x3,5
14	10571571	1	132R	LOCKWASHER 6,1x1,6	ROSETTA DI SICUREZZA 6,1x1,6
15	11106031	6	40V	SCREW 10x1,5x20	VITE 10x1,5x20
16	11115631	4	40V	SCREW 14x2x35	VITE 14x2x35
17	11195371	5	132R	LOCKWASHER 4,1x0,9	ROSETTA DI SICUREZZA 4,1x0,9
18	12179490	4	180C	COLLAR 9/16x8	COLLARE 9/16x8
19	12644921	4	131R	WASHER 14,4x32	ROSETTA 14,4x32
20	13272111	5	40V	SCREW 4x0,7x14	VITE 4x0,7x14
21	13276111	1	40V	SCREW 6x1x14	VITE 6x1x14
22	14466889	1	158G	O-RING 2,62x9,19	GUARNIZIONE O-R 2,62x9,19
23	60024509	1	133R	SEAL	ROSETTA DI TENUTA
24	79007135	1	50T	PLUG	TAPPO
25	79010217	1	20R	FITTING	RACCORDO
26	79012075	1	285T	HOSE	TUBO FLESSIBILE

FUEL TANK AND LINES - SERBATOIO COMBUSTIBILE E TUBAZIONI - RESERVOIR ET CANALISATIONS
 COMBUSTIBLE - KRAFTSTOFFTANK UND LEITUNGEN - DEPÓSITO DE COMBUSTIBLE Y TUBERÍAS

A2.01

N.T.R. 163 - 30.05.1989

604.01.077.03

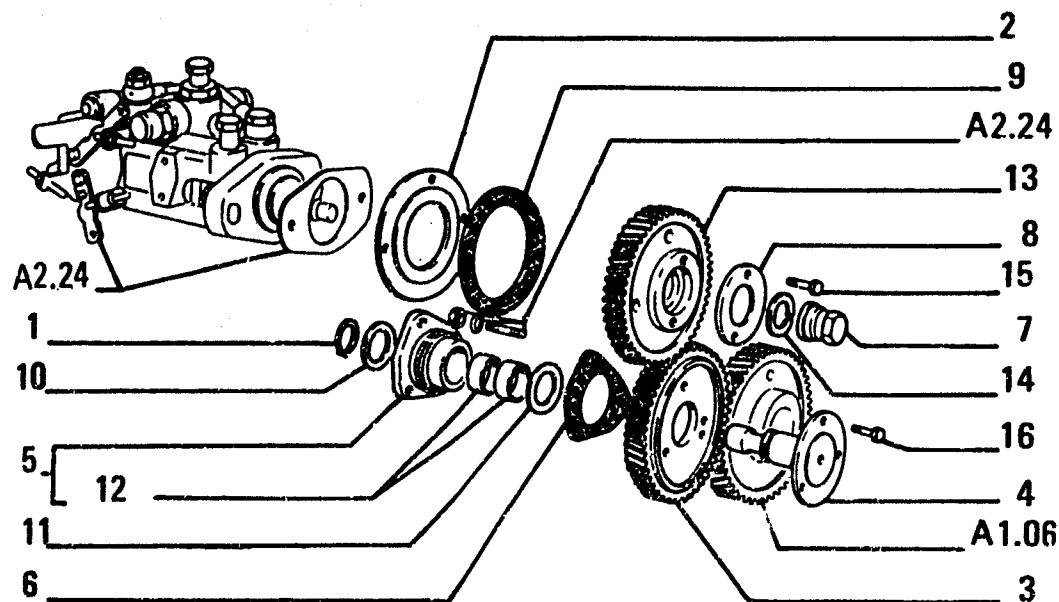


ITEM	PART NUMBER	QTY	TRANS CODE	DESCRIPTION	DESCRIZIONE
1	4600893	1	123G	SEAL ASSY	GUARNIZIONE TENUTA FRONTALE
2	4614608	1	193T	TUBE	TUBO RIGIDO
3	4624515	1	145S	BREATHER	SFIATATOIO
4	10260060	3	133R	SEAL 8,2x14	ROSETTA DI TENUTA 8,2x14
5	16044921	1	40V	SCREW 8x1,25x85	VITE 8x1,25x85
6	16045621	1	40V	SCREW 8x1,25x120	VITE 8x1,25x120
7	79037447	1	1K	KIT SEE PAGE 9	KIT VED. PAG.9
	79086663	1	1K	KIT SEE PAGE 9	KIT VED. PAG.9

03591

ENGINE BREATHER LINES - TUBAZIONI PER AERAZIONE MOTORE - TUYAUTERIES DE VENTILATION
DU MOTEUR - BELUEFTUNGSLEITUNGEN FUER MOTOR - TUBERIAS DE VENTILACION DEL MOTOR

A1.25



I T E M	PART NUMBER	Q T Y	TRANS CODE	DESCRIPTION	DESCRIZIONE
1	4769420	1	187A	SNAP RING	ANELLO ELASTICO
2	4607646	1	75D	SPACER	DISTANZIALE
3	4770056	1	50I	GEAR	INGRANAGGIO
4	4784054	1	16A	SHAFT	ALBERO
5	4784055	1	300S	SUPPORT - ASSEMBLY	SUPPORTO - COMPLETO
6	4784011	1	122G	SEAL	GUARNIZIONE
7	4770680	1	10D	NUT	DADO
8	4607722	1	70F	FLANGE	FLANGIA
9	4607647	1	122G	SEAL	GUARNIZIONE
10	4667452	1	131R	WASHER	ROSETTA
11	4769419	1	131R	WASHER	ROSETTA
12	4769417	2	95B	BUSHING	BOCCOLA
13	4770055	1	50I	GEAR	INGRANAGGIO
14	11194171	1	131R	WASHER 15x27	ROSETTA 15x27
15	14233221	2	40V	SCREW 10x1,25x20	VITE 10x1,25x20
16	4751088	4	40V	SCREW	VITE

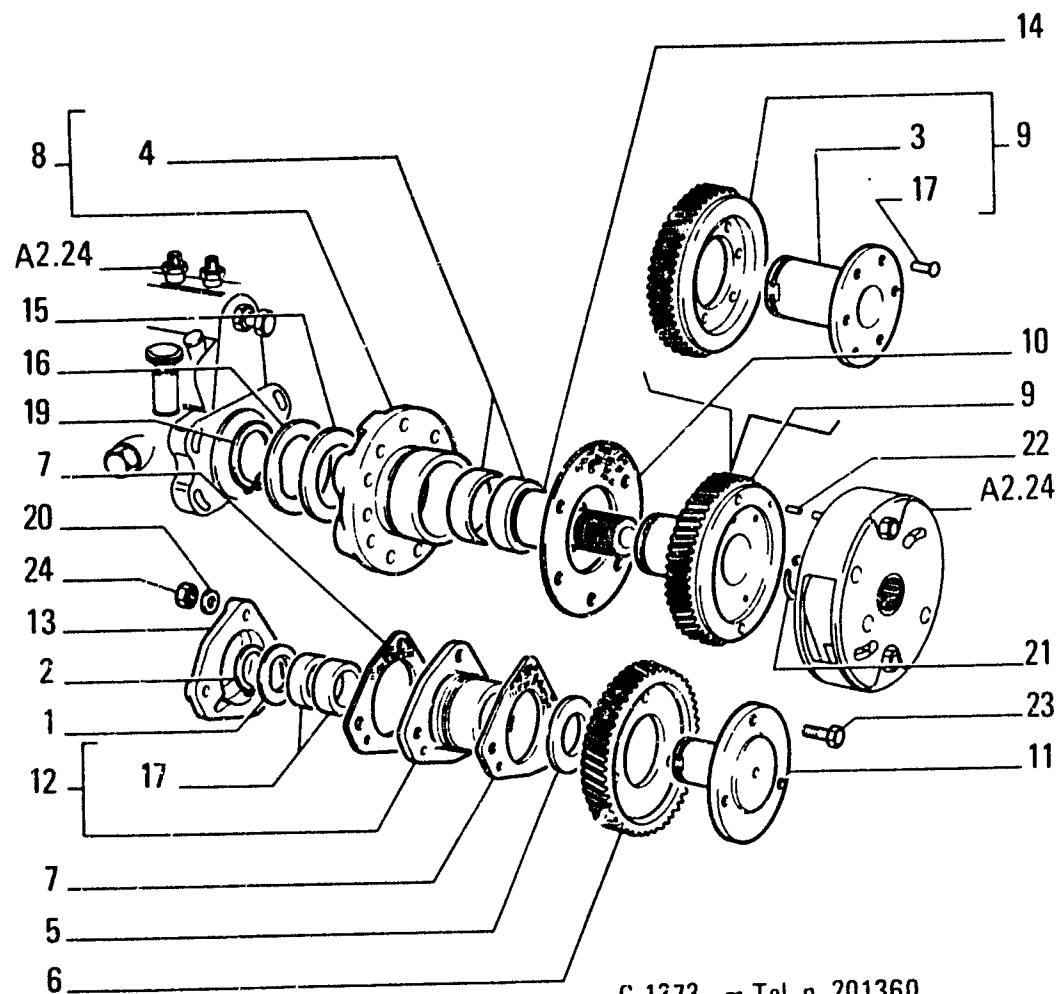
D 1373 Tel. n. 201361 →

(BOSCH)
 INJECTION PUMP DRIVE - COMANDO POMPA INIEZIONE - COMMANDE DE POMPE D'INJECTION -
 EINSPIRITZPUMPENANTRIEB - ARRASTRE DE LA BOMBA DE INYECCIÓN

A1.16/A

N.T.R. 163 - 30.05.1969

604.01.077.03



C 1373 - Tel. n. 201360

FIATALLIS FL5

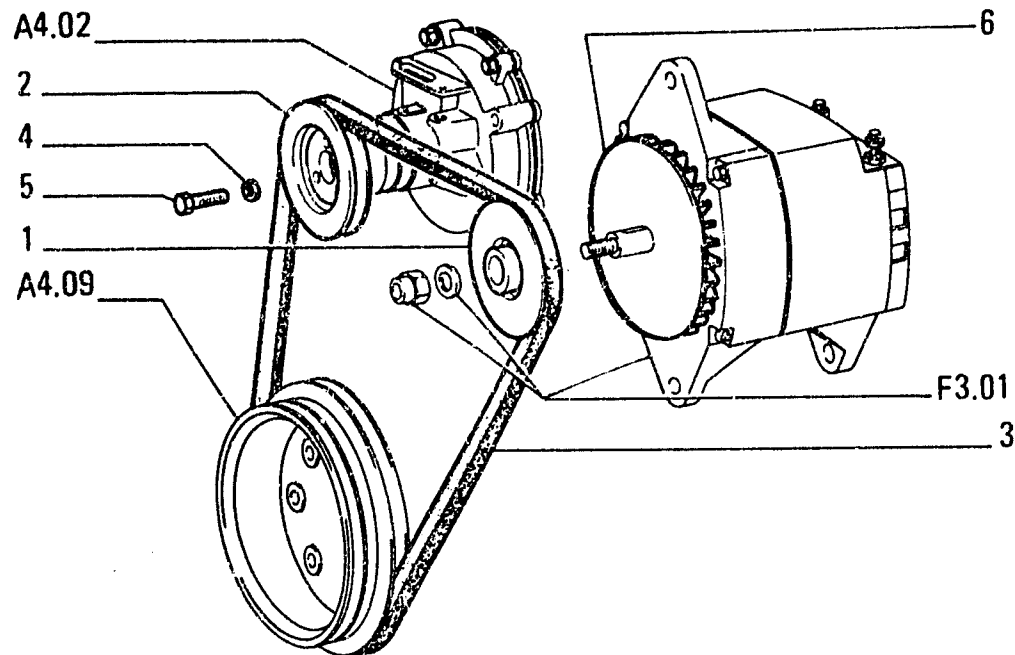
I T E M	PART NUMBER	Q T Y	TRANS CODE	DESCRIPTION	DESCRIZIONE
1	4599630	1	131R	WASHER	ROSETTA
2	4600329	1	45A	RING	ANELLO
3	4601833	1	30M	SLEEVE	MANICOTTO
4	4601834	2	95B	BUSHING	BOCCOLA
5	4604832	1	131R	WASHER	ROSETTA
6	4607651	1	50I	GEAR	INGRANAGGIO
7	4607655	2	123G	SEAL ASSY	GUARNIZIONE TENUTA FRONTALE
8	4611342	1	300S	SUPPORT - ASSEMBLY	SUPPORTO - COMPLETO
9	4611639	1	50I	GEAR - ASSEMBLY	INGRANAGGIO - COMPLETO
10	4611640	1	123G	SEAL ASSY	GUARNIZIONE TENUTA FRONTALE
11	4611641	1	16A	SHAFT	ALBERO
12	4611643	1	300S	SUPPORT - ASSEMBLY	SUPPORTO - COMPLETO
13	4611644	1	265C	COVER	COPERCHIO
14	4640558	1	67G	COUPLING	GIUNTO
15	4667497	1	131R	WASHER	ROSETTA
16	4667498	1	131R	WASHER	ROSETTA
17	4678406	2	95B	BUSHING	BOCCOLA
18	10534400	6	55R	RIVET 5x22	RIBATTINO 5x22
19	11069375	1	51A	LOCKRING 45,8x2	ANELLO DI SICUREZZA 45,8x2
20	11198071	3	131R	WASHER 8,2x15	ROSETTA 8,2x15
21	13401675	1	51A	LOCKRING 28,2x32,2	ANELLO DI SICUREZZA 28,2x32,2
22	14165470	1	200S	PIN 5,4x10	SPINA 5,4x10
23	14238021	3	40V	SCREW 8x1,25x20	VITE 8x1,25x20
24	16100811	3	10D	NUT 8x1,25x6,5	DADO 8x1,25x6,5

INJECTION PUMP DRIVE - COMANDO POMPA INIEZIONE - COMMANDE DE POMPE D'INJECTION -
EINSPRITZPUMPENANTRIEB - ARRASTRE DE LA BOMBA DE INYECCION

A1.16

N.T.R. 163 - 30.05.1989

604.01.077.03



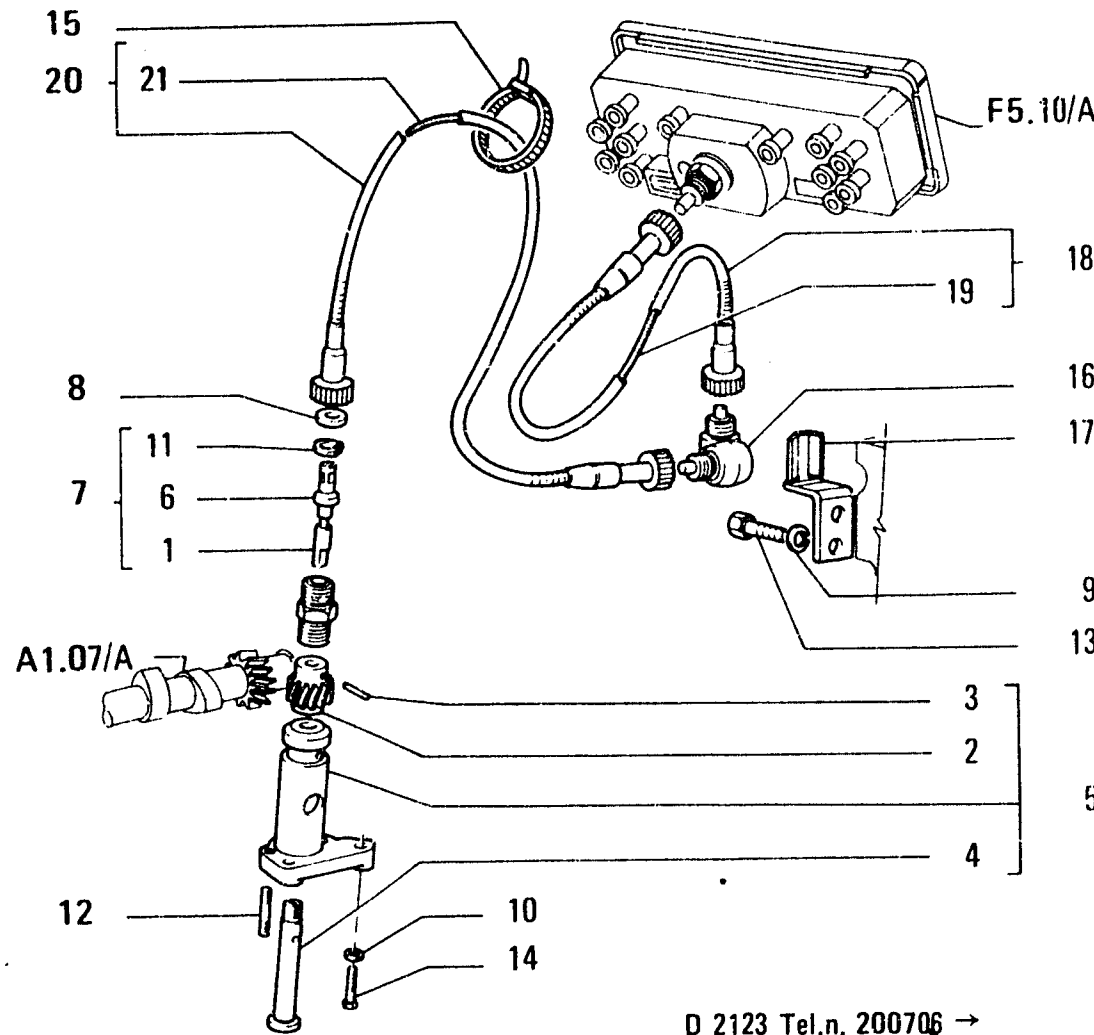
ITEM	PART NUMBER	QTY	TRANS CODE	DESCRIPTION	DESCRIZIONE
1	4754871	1	230P	PULLEY C1373	PULEGGIA C1373
	4786924	1	230P	PULLEY D1373	PULEGGIA D1373
2	4758240	1	230P	PULLEY	PULEGGIA
3	4760486	1	173C	BELT C1373	CINGHIA C1373
	4806010	1	173C	BELT D1373	CINGHIA D1373
4	11193871	3	131R	WASHER 8,4x16	ROSETTA 8,4x16
5	16043321	3	40V	SCREW 8x1,25x18	VITE 8x1,25x18
6	4717026	1	36V	BLOWER D1373	VENTOLA D1373

AUXILIARY DRIVES - COMANDI VARI - COMMANDES DIVERSES - VERSCHIEDENE ANTRIEBE -
MANDOS VARIOS

A1.15

N.T.R. 163 - 30.05.1989

604.01.077.03



D 2123 Tel.n. 200706 →

ITEM	PART NUMBER	QTY	TRANS CODE	DESCRIPTION	DESCRIZIONE
1	4589429	1	20R	FITTING	RACCORDO
2	4599726	1	50I	GEAR	INGRANAGGIO
3	4605293	1	200S	PIN	SPINA
4	4613297	1	16A	SHAFT	ALBERO
5	4617226	1	300S	SUPPORT - ASSEMBLY	SUPPORTO - COMPLETO
6	4717677	1	16A	SHAFT	ALBERO
7	4717707	1	20R	FITTING - ASSEMBLY	RACCORDO - COMPLETO
8	4998870	3	120G	GASKET	GUARNIZIONE PIANA
9	10571771	2	170R	LOCKWASHER 8,1x2	ROSETTA EL. 8,1x2
10	11198071	2	170R	LOCKWASHER 8,2x15	ROSETTA EL. 8,2x15
11	13400575	1	187A	SNAP RING 9,2x10,8	ANELLO ELASTICO 9,2x10,8
12	13517311	2	210P	STUD 8x1,25x47	PRIGIONIERO 8x1,25x47
13	16043131	2	40V	SCREW 8x1,25x14	VITE 8x1,25x14
14	16043621	2	40V	SCREW 8x1,25x25	VITE 8x1,25x25
15	79013422	1	31F	CLAMP	FASCETTA
16	79048629	1	64R	MITER GEARING C2192	RINVIO ANGOLARE C2192
17	79077026	1	64R	MITER GEARING D2192	RINVIO ANGOLARE D2192
18	76012442	1	231S	CLIP D2192	STAFFETTA D2192
19	79050355	1	231S	CLIP C2192	STAFFETTA C2192
20	79050459	1	165T	FLEXIBLE SHAFT - ASSEMBLY	TRASMISSIONE FLESSIBILE - COMPLETO
21	79050460	1	165T	FLEXIBLE SHAFT - INNER	TRASMISSIONE FLESSIBILE - INTERNO
22	79050429	1	165T	FLEXIBLE SHAFT - ASSEMBLY	TRASMISSIONE FLESSIBILE - COMPLETO
23	79050458	1	165T	FLEXIBLE SHAFT - INNER	TRASMISSIONE FLESSIBILE - INTERNO

MULTIMETER DRIVE - COMANDO CRONOGIROMETRO - COMMANDE D'HORO TACHYMETRE - ANTRIEB F.STUNDENZAEHLER UND DREHZAHLMESSER - ARRESTRE DEL HOROTACOMETRO

A1.08

N.T.R. 163 - 30.05.1989

604.01.077.03

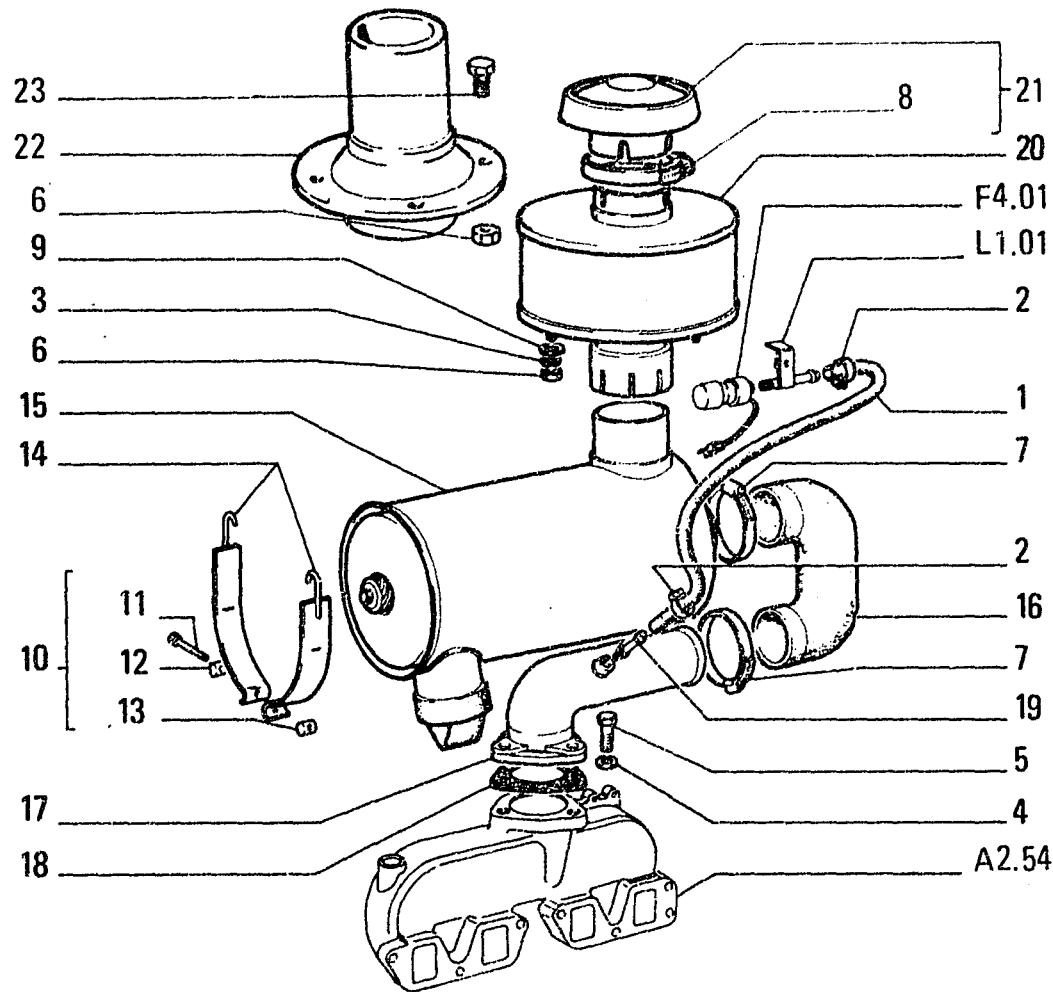
DESIGNAZIONE BASE	BASIC DESIGNATION	DESIGNATIONS-BASES	GRUNDBEZEICHNUNGEN	DENOMINACIONES BASE	
111V	VALVOLA ASPIRAZIONE	INTAKE VALVE	SOUPAPE DE ADMISSION	EINLASSVENTIL	VALVULA DE ASPIRACION
111B	BRACCIO ABBATTIMENTO (AD)		BRAS ABATTAGE (AD)	ABBRUCHARM (AD)	
1119	BRACCIO ABBATTIMENTO (BD)		BRAS ABATTAGE (BD)	ABBRUCHARM (BD)	
112C	CAVO MASSA	GROUND CABLE	FIL DE MAS	MASSEKABEL	CABLE DE MASA
112F	FUSO A SNODO	STEERING KNUCKLE	FUSEE	ACHSSCHENKEL	PUNTA DE EJE
112P	PIASTRINA ISOLANTE	INSULATING PLATE	PLAQUETTE ISOLANTE	ISOLIERUNG	PLACA AISLANTE
112S	SEPARATORE D'ARIA E VAPORE	AIR AND STEAM SEGREGATOR	SEPARATEUR D'AIR ET DE VAPEUR	LUFT-UND DAMPFAB- SCHEIDER	SEPARADOR DE AIRE Y VAPOR
112V	VALVOLA SCARICO	EXHAUST VALVE	SOUPAPE D'ECHAPPEMENT	AUSLASSVENTIL	VALVULA DE DESCARGA
1120	PIASTRA DI SPINTA PER AD		PLAQUE DE POUSSEE POUR AD	SCHUBPLATTE (AD)	
1124	TILT IDRAULICO (HA)	HYDRAULIC TILT (HA)	TILT HYDRAULIQUE (HA)	HYDR.TILTVERSTELLUNG (HA)	TILT IDRAULICO (HA)
1128	TILT-PITCH (HA)	TILT-PITCH (HA)	TILT-PITCH (HA)	TILT-PITCH (HA)	
113B	BOZZELLO CARRUCOLA	SHEAVE BLOCK	FOULIE	FLASCHENZUG	GARRUCHA
113F	FUSO	STUB SHAFT	FUSEE	ACHSSCHENKEL	MANGUETA
113G	GUANTI	GLOVES	GANTS	HANDSCHUHE	GUANTES
113M	MONOLEVA	SINGLE LEVER	LEVIER UNIQUE	EINHEBELBEDIENUNG	MONOPALANCA
113P	PIASTRINA DI SICUREZZA	LOCKPLATE	PLAQUETTE FREIN	SICHERUNGSBLECH	CHAPITA DE SEGURIDAD
113S	SERBATOIO OLIO	OIL RESERVOIR	RESERVOIR D'HUILE	OELTANK	DEPOSITO ACEITE
113T	TESTA CILINDRI	CYLINDER HEAD	CULASSE DE CYLINDRE	ZYLINDERKOPF	TAPA DE CILINDROS
113V	VALVOLA DI ANTICIPO	ADVANCE VALVE	SOUPAPE D'AVANCE	REGELVENTIL	VALVULA DE AVANCE
1130	ATTACCO RAPIDO				
1135	PIASTRA DI SPINTA PER BD		PLAQUE DE POUSSEE POUR BD	SCHUBPLATTE (BD)	
1138	TILT-PITCH	TILT-PITCH	TILT-PITCH	TILT-PITCH	
114P	PIASTRINA DI COMANDO	DRIVE LINK	PLAQUE DE COMMANDE	MITNEHMER	PLACA DE ARRASTRE
114S	SERBATOIO COMBUSTIBILE	FUEL TANK	RESERVOIR DE COMBUSTIBLE	KRAFTSTOFFTANK	TANQUE COMBUSTIBLE
115G	GUARDONE PER BENNA	SPILL GUARD	REHAUSSE DE GODET	SCHAUFEL-AUFSATZWAND	PLACA DE EXTENSION DEL CUCHARON
115M	MONTANTE	PILLAR	MONTANTE	SAEULE	MONTANTE
115S	SERBATOIO	TANK	RESERVOIR	TANK	DEPOSITO
116M	MONTATOIO	STEP PLATE	MARCHEPIED	TRITBLECH	ESTRIBO
116R	RIVESTIMENTO	COVERING	REVETEMENT	VERKLEIDUNG	REVESTIMIENTO
116S	SERBATOIO CON VALVOLE	RESERVOIR W/VALVE	RESERVOIR ET SOU- PAPES	BEHAELTER M. VENTIL	DEPOSITO CON VAL- VULAS
116S					
116T	TESTA DEL GIUNTO SFERICO	SOCKET	JOINT A ROTULE	KUGELPFANNE	ARTICULACION DE ROTULA
116T					
1160	BLOCCAGGIO BRACCI	BOOM LOCK	BLOCAGE BRAS	HUBARMARRETIERUNG	ANCLAJE DE BRAZO
1161	BLOCCAGGIO BENNA	BUCKET LOCK	BLOCAGE DU GODET	SCHAUFELARRETIERUNG	ANCLAJE DE LA CUCHARA
117R	RIVESTIMENTO ISOLANTE	INSULATION	REVETEMENT ISOLANT	ISOLIERUNG	FORRO AISLANTE
117S	SERBATOIO A DEPRESSIONE	VACUUM TANK	RESERVOIR DEPRES- SEUR	UNTERDRUCKBEHAEL- TER	DEPOSITO DE VACIO

DESIGNAZIONE BASE	BASIC DESIGNATION	DESIGNATIONS-BASES	GRUNDBEZEICHNUNGEN	DENOMINACIONES BASE	
1170	INDICATORE POSIZIONE BENNA	BUCKET LEVEL INDICATOR	MISE A NIVEAU DU GODET	SCHAUFELSTELLUNGSANZEIGER	NIVELACION DE LA CUCHARA
1171	POSIZIONATORE AUTOMATICO BENNA	BUCKET LEVELER	MISE A NIVEAU AUTOMAT. GODET	AUTOMAT.SCHAUFEL-RUECKSTELLUNG	NIVELACION AUTOMATICA CUCHARA
118P	PIASTRINA MAGNETICA	MAGNETIC PLAQUE	PLAQUETTE MAGNETI-	MAGNETBLECH	IMAN
118P			QUE		
118S	SERRAFILO	TERMINAL SCREW	SERRE-FIL	ANSCHLUSSKLEMME	BORNE
1181	DISPOSITIVO KICK-OUT	BOOM KICK-OUT	ARRET AUTOMATIQUE BRAS	AUTOMAT.HUBAB-SCHALTUNG	LIMITE AUTOMATICO DEL BRAZO
119M	MORSETTIERA	CONNECTION BLOCK	PLAQUE DE JONCTION	KLEMMLEISTE	CAJA DE CONTACTOS
119T	TESTA	HEAD	TETE	KOPF	CABEZA
120A	AUTOPILOTA	AUTOPILOT	AUTOPILOTE	SCHALTSTEUERGRUPPE	AUTOPILOTO
120B	BOTTONE	BUTTON	BOUTTON	KNOPF	BOTON
120G	GUARNIZIONE PIANA	GASKET	JOINT	FLACHDICHTUNG	GUARNICION
120M	MORSETTO ELETTRICO	TERMINAL CONNECTOR	BORNE	KABELKLEMME	AGARRADERA
120P	PIATTELLO	PLATE	COUPELLE	TELLERSCHEIBE	PLATILLO
120R	ROCCHETTO	REEL	BOBINE	ZUENDSPULE	BOBINA
120S	SERRATURA	LOCK	SERRURE	SCHLOSS	CERRADURA
120T	TESTA DI REGISTRO	ADJUSTING SLEEVE	EMBOUT DE REGLAGE	EINSTELLBUECHSE	TUERCA DE REGLAJE
1200	BRACCI CARICATORE LUNGH	LONG BOOM	BRAS LONG	LANGER LADEARM	
121B	BOTTONE DI GOMMA	RUBBER STUD	BOUTON CAOUTCHOUC	GUMMIBOLZEN	PITON DE CAUCHO
121C	CHIUSURA LAMPO	SLIDE FASTENER	FERMETURE ECLAIR	REISSVERSCHLUSS	CIERRE DE CREMA-
121C					LLERA
121M	MORSETTO A MANO	HAND VICE	ETAU A MAIN	KLEMMBACKE	TORNILLO DE MANO
121P	PIATTELLO DELLA PUNTERIA	TAPPET PLATE	PASTILLE DE	DISTANZSCHEIBE	PLATILLO DE EMPU
121P			POUSSOIR		
121S	SEPARATORE DI CONDENSA	WATER SEGREGATOR	SEPARATEUR D'EAU	KONDENSWASSER-	SEPARADOR DE AGUA
121S			CONDENSEE	ABSCHIEDER	
122F	FINO AL MOTORE IDRAULICO...	UP TO HYDRAULIC MOTOR...	JUSQU'AU MOTEUR HYDRAULIQUE...	BIS HYDRAULIKMOTOR...	HASTA EL MOTOR HIDRAULICO...
122G	GUARNIZIONE	SEAL	GARNITURE	DICHTUNG	GUARNICION
122P	PIGNONE	PINION	PIGNON	RITZEL	PINON
123F	FINO AL RIDUTTORE...	UP TO REDUCTION GEAR...	JUSQU'AU REDUCTEUR...	BIS UNTERSETZUNGSGETRIEBE...	HASTA EL REDUCTOR...
123G	GUARNIZIONE TENUTA FRONTALE	SEAL ASSY	GARNITURE FRONTAL	LIFE TIME-DICHTUNG	SELLO
123P	PIGNONE CONICO	BEVEL PINION	PIGNON CONIQUE	KEGELRITZEL	PINON CONICO
123S	SERVOCOMANDO	SERVO-CONTROL	SERVO-COMMANDE	SERVOSTEUERUNG	SERVOMANDO
124B	BRACCIOLO SEDILE	ARMREST	ACCOUDOIR DE SIEGE	ARMLEHNE	APOYABRAZO
124F	FINO AL ...	UP TO ...	JUSQU'AU...	BIS ...	HASTA EL ...
124M	MOTOPOMPA	MOTOR PUMP	POMPE A MOTEUR	PUMPENAGGREGAT	BOMBA DE MOTOR
124P	PINZA AUTOCENTRANTE	COLLET	-PINCE FENDUE	SPANNZANGE	PASADOR DE MUELLE
124S	SERVODISTRIBUTORE	SERVO-VALVE	SERVO-DISTRIBUTEUR	VORSTEUERVENTIL	SERVOVALVULA
125F	FORCA	FORK			
125P	PINZA	PLIERS	PINCES	ZANGE	ALICATES
125S	SERVOFRENO	BRAKE BOOSTER	SERVO-FREIN	SERVOBREMSE	SERVOFRENO

DESIGNAZIONE BASE	BASIC DESIGNATION	DESIGNATIONS-BASES	GRUNDBEZEICHNUNGEN	DENOMINACIONES BASE
126F	FINO ALLA POMPA ...	UP TO PUMP ...	JUSQU'A LA POMPE ...	HASTA LA BOMBA ...
126P	PINZA FRENO	CALIPER	ETRIER DE FREIN	ZAPATA DE FRENO
126S	SERVOFRIZIONE	CLUTCH-SERVO	SERVO-EMBRAYAGE	SERVOEMBRAGUE
127M	MOTORE IDRAULICO	HYDRAULIC MOTOR	MOTEUR HYDRAULIQUE	MOTOR HIDRAULICO
127P	PIOMBINO	LEAD SEAL	PLOMB	PRECINTO
127S	SERVOFRENO PNEUMO-IDRAULICO	AIR-HYDRAULIC ASSISTED BRAKE	SERVO-FREIN HYDRO-PNEUMATIQUE	SERVOFRENO NEUMO-HIDRAULICO
127S				
1279	TUBAZ E COMANDO ATTREZZO ANT	FRONT ATTACH PIPING AND CONTR	TUYAUTERIE ET C.DE OUTIL AV.	
1280	TUBAZIONI POST (DAL DEVIATORE)	REAR PIPE (FROM DIVERTER VALV)		
1281	TUBAZIONI POST (DAL DISTRIB)	REAR PIPE (FROM CONTROL VALVE)		
1288	TUBAZIONI ATTREZZO ANT	FRONT ATTACHEMENT PIPING	CONDUITES D'OUTIL AVANT	TUBERIA DEL UTIL ANTERIOR
129P	PISTA	RACE	PISTE	PISTA
130B	BRACCIO	ARM	BRAS	BRAZO
130C	CENTRALINA	CONTROL UNIT	DISPOSITIVE DE COMMANDE	CENTRAL
130F	FUNZIONE IDRAUL.SUPPL	ADDITIONAL HYDRAULIC FUNCTION		
130M	MOTORE TERMICO	ENGINE	MOTEUR	MOTOR
130P	PISTONCINO	PLUNGER	PISTON	EMBOLO DE VALVULA
130S	SERVOSTERZO	SERVOSTEERING	SERVODIRECTION	SERVODIRECCION
130T	TESTATA	END PLATE	CULASSE	TAPA
131F	FIRE SLEEVE	FIRE SLEEVE		
131R	ROSETTA	WASHER	RONDELLE	ARANDELA
131T	TESTATA CASSONE	END GATES	HAYON	TESTERO
132B	BRACCIO OSCILLANTE	SWINGING ARM	BALANCIER	BRAZO OSCILANTE
132F	FONDELLO ANT	HEAD	BOUT AVANT	TAPA ANTERIOR
132P	PISTONE	PISTON	PISTON	KOLBEN
132R	ROSETTA DI SICUREZZA	LOCKWASHER	RONDELLE FREIN	SICHERUNGSRING
132S	SENSORE	INDUCTIVE PROXIMITY SWITCHES	CAPTEUR	SENSOR
133B	BRACCIO SOLLEVAMENTO	LIFT BOOM	BRAS DE LEVAGE	HUBARM
133F	FONDELLO POST	BOTTOM	BOUT ARRIERE	BODENTELLER
133M	MOTORINO AVVIAMENTO	STARTER MOTOR	DEMARREUR	ANLASSER
133R	ROSETTA DI TENUTA	SEAL	JOINT D'ETANCHEITE	DICHTRING
134M	MOTORINO	MOTOR	MOTEUR	MOTOR
135C	CERCHIO RUOTA	RIM	JANTE	FELGE
135M	MOZZO	HUB	MOYEU	NABE
135P	PLAFONIERA	CEILING LAMP	PLAFONNIER	DECKENLEUCHTE
135S	SETTORE DENTATO	TOOTHED SECTOR	SECTEUR D'ENTEE	ZAHNSEGMENT
136S	SETTORE RUOTA MOTRICE	SPROCKET SECTOR	SECTEUR BARBOTIN MOTEUR	ANTRIEBSRADSEGMENT
137M	MOTORINO ELETTRICO	ELECTRIC MOTOR	MOTEUR ELECTRIQUE	ELEKTROMOTOR
138S	SETTORE DI RIFERIMENTO	REFERENCE SECTOR	SECTEUR DE REFERENCE	RASTENPLATTE
138S				

A

ENGINE • MOTORE • MOTEUR • MOTOR • MOTOR



C 1373 → Tel. n. 201360

ITEM	PART NUMBER	QTY	TRANS CODE	DESCRIPTION	DESCRIZIONE
(*)				30.0022.22.1	
(1*)				190S SPECIFIC FOR REPLACEMENTS	SPECIALE PER RICAMBI

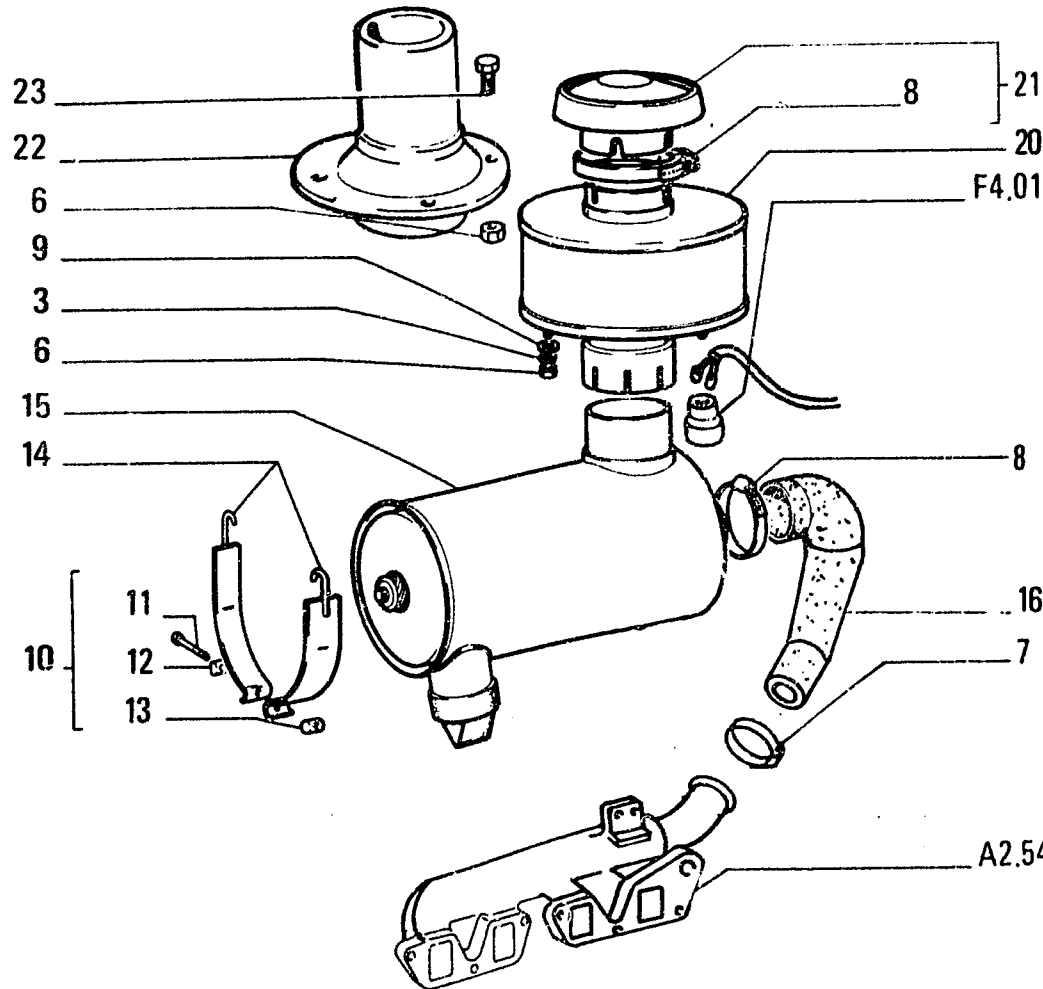
AIR CLEANER AND DUCTS - FILTRO ARIA E TUBAZIONI - FILTRE A AIR ET CANALISATIONS -
 LUFTFILTER UND LEITUNGEN -- FILTRO DE AIRE Y TUBERÍAS

A2.22

N.T.R. 163 - 30.05.1989

604.01.077.03

L2



ITEM	PART NUMBER	QTY	TRANS CODE	DESCRIPTION	DESCRIZIONE
3	10516871	4	131R	WASHER 10x2,5	ROSETTA 10x2,5
6	11701721	8	10D	NUT 10x1,5x8	DADO 10x1,5x8
7	12174890	1	180C	COLLAR 62/82x14 C2273	COLLARE 62/82x14 C2273
	79083848	1	180C	COLLAR D2273	COLLARE D2273
8	12174990	2	180C	COLLAR 77/97x14 C2273	COLLARE 77/97x14 C2273
	79083849	2	180C	COLLAR D2273	COLLARE D2273
9	12638601	4	131R	WASHER 10,2x18	ROSETTA 10,2x18
10	76000174	1	40V	SCREW - ASSEMBLY	VITE - COMPLETO
11	76000175	1	40V	SCREW	VITE
12	79007569	1	80P	PIN	PERNO
13	79007570	1	80P	PIN	PERNO
14	79011493	2	225S	BRACKET	STAFFA
15	79062699	1	66F	AIR CLEANER - ASSEMBLY SEE SGR. A2.23/A	FILTRO ARIA - COMPLETO VEDERE SGR. A2.23/A
16	76010392	1	30M	SLEEVE C2273	MANICOTTO C2273
	76015382	1	30M	SLEEVE D2273	MANICOTTO D2273
20	79032766	1	193T	TUBE (*)	TUBO RIGIDO (*)
21	79035667	1	204P	AIR INTAKE - ASSEMBLY	PRESA ARIA - COMPLETO
22	79050031	1	193T	TUBE	TUBO RIGIDO
23	11106231	4	40V	SCREW 10x1,5x25	VITE 10x1,5x25
(*)			469P	FOR SPECIAL EQUIPMENT 30.0022.22.1	PER VARIANTE 30.0022.22.1

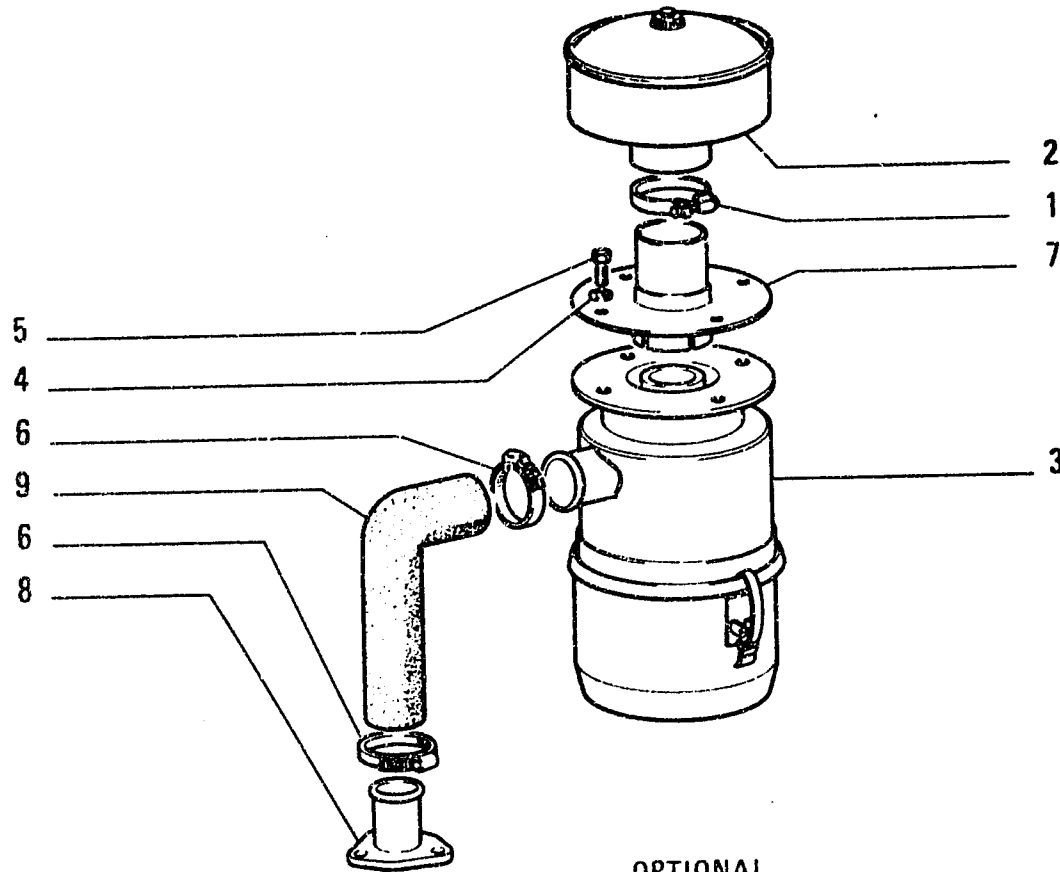
D 1373 Tel. n. 201361 →

AIR CLEANER AND DUCTS - FILTRO ARIA E TUBAZIONI - FILTRE A AIRE ET CANALISATIONS -
 LUFTFILTER UND LEITUNGEN - FILTRO DE AIRE Y TUBERIAS

A2.22/1

N.T.R. 163 - 30.05.1989

604.01.077.03



OPTIONAL
VARIANTE 30.0191.19.2

ITEM	PART NUMBER	QTY	TRANS CODE	DESCRIPTION	DESCRIZIONE
1	4955740	1	31F	CLAMP	FASCETTA
2	4981678	1	204P	AIR INTAKE - ASSEMBLY SEE SGR. A2.23/2	PRESA ARIA - COMPLETO VEDERE SGR. A2.23/2
3	8323076	1	71F	OIL BATH AIR CLEANER - ASSEMBLY SEE SGR. A2.23/1	FILTRO ARIA BAGNO OLIO - COMPLETO VEDERE SGR. A2.23/1
4	10571871	4	132R	LOCKWASHER 10,2x2,2	ROSETTA DI SICUREZZA 10,2x2,2
5	11106231	4	40V	SCREW 10x1,5x25	VITE 10x1,5x25
6	12174890	2	180C	COLLAR 62/82x14 C2273	COLLARE 62/82x14 C2273
	79083848	2	180C	COLLAR D2273	COLLARE D2273
7	79032977	1	193T	TUBE	TUBO RIGIDO
8	79032980	1	193T	TUBE C1373	TUBO RIGIDO C1373
9	76010482	1	30M	SLEEVE D1373	MANICOTTO D1373
		1	30M	SLEEVE C2273	MANICOTTO C2273
	76015383	1	30M	SLEEVE D2273	MANICOTTO D2273
	79032983	1	30M	SLEEVE C1373	MANICOTTO C1373

AIR CLEANER AND DUCTS - FILTRO ARIA E TUBAZIONI - FILTRE A AIR ET CANALISATIONS - LUFTFILTER UND LEITUNGEN - FILTRO DE AIRE Y TUBERIAS

A2.22/1

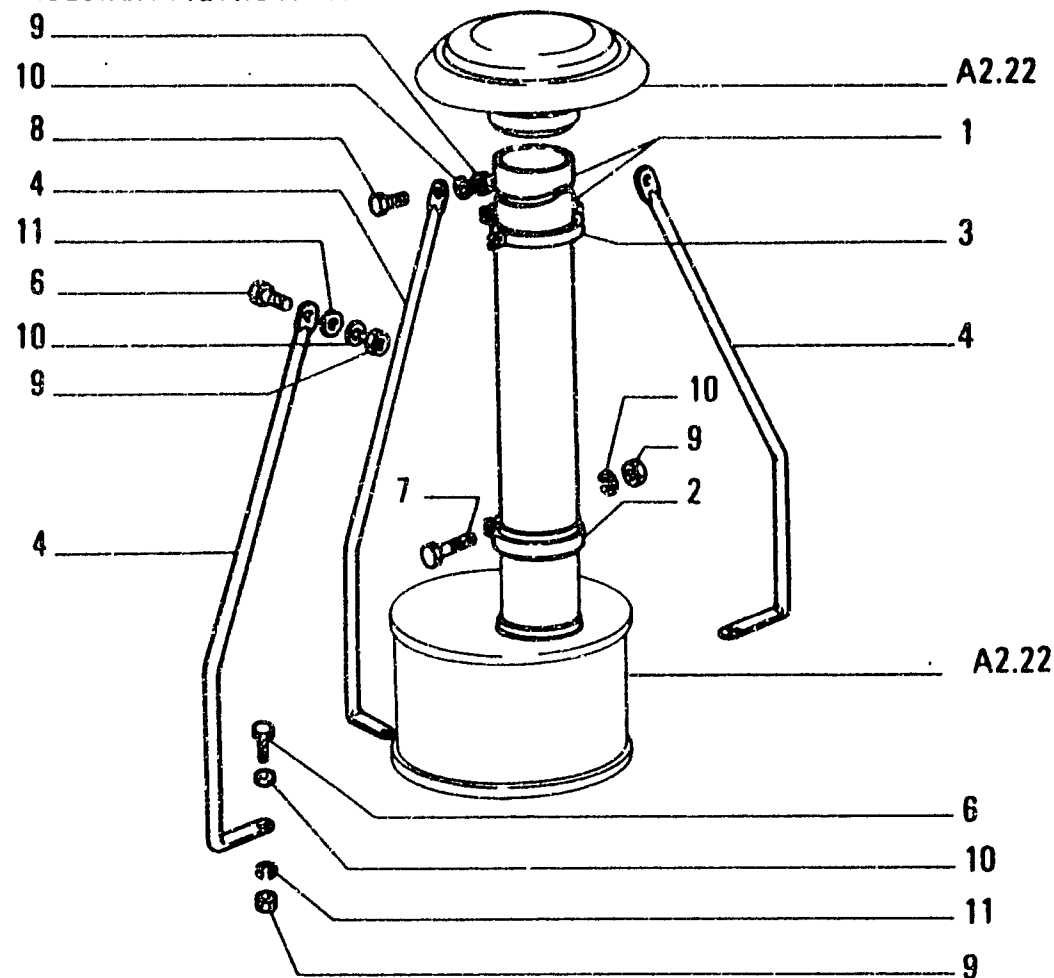
N.T.R. 163 - 30.05.1989

604.01.077.03

L4

PRECLEARER EXTENSION DRY
 PROLUNGA FILTRO ARIA

OPTIONAL
 VARIANTE 30.0193.04.1



FIATALLIS FL5

A2.22/ 2 TAV. 1 PAG.1

ITEM	PART NUMBER	QTY	TRANS CODE	DESCRIPTION	DESCRIZIONE
1	79032967	1	193T	TUBE	TUBO RIGIDO
2	79032970	1	180C	COLLAR	COLLARE
3	79032971	1	180C	COLLAR	COLLARE
4	79032973	3	142T	TIEROD	TIRANTE
6	11106231	5	40V	SCREW 10x1,5x25	VITE 10x1,5x25
7	11106431	1	40V	SCREW 10x1,5x30	VITE 10x1,5x30
8	11106631	1	40V	SCREW 10x1,5x35	VITE 10x1,5x35
9	11701721	7	10D	NUT 10x1,5x8	DADO 10x1,5x8
10	10571871	7	131R	WASHER 10,2x2,2	ROSETTA 10,2x2,2
11	12646821	5	131R	WASHER 10,2x25	ROSETTA 10,2x25

AIR CLEANER AND DUCTS - FILTRO ARIA E TUBAZIONI - FILTRE A AIR ET CANALISATIONS -
 LUFTFILTER UND LEITUNGEN - FILTRO DE AIRE Y TUBERIAS

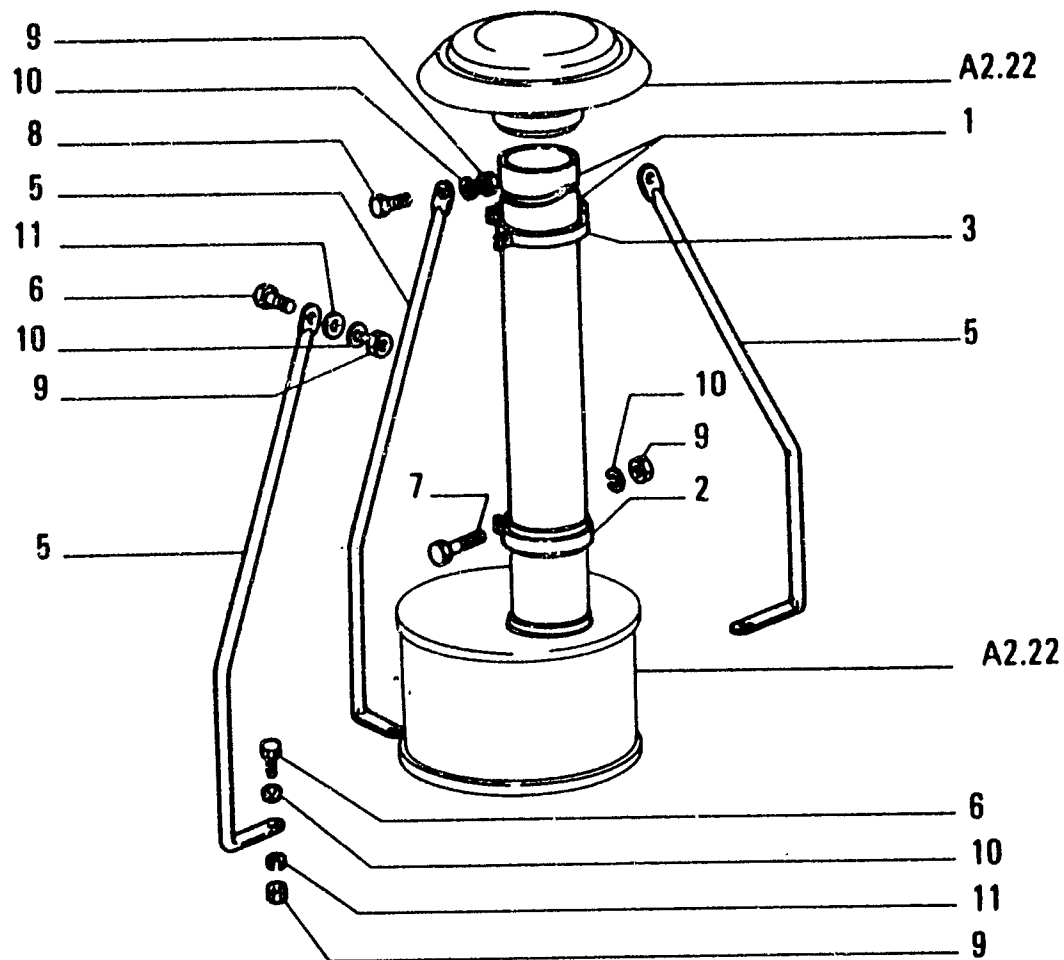
A2.22/2

N.T.R. 163 - 30.05.1989
 604.01.077.03

L5

PRECLEARER EXTENSION OIL-BATH
 PROLUNGA FILTRO ARIA A BAGNO-OLIO

OPTIONAL
 VARIANTE 30.0192.13.1



FIATALLIS FL5

A2.22/ 3 TAV. 1 PAG.1

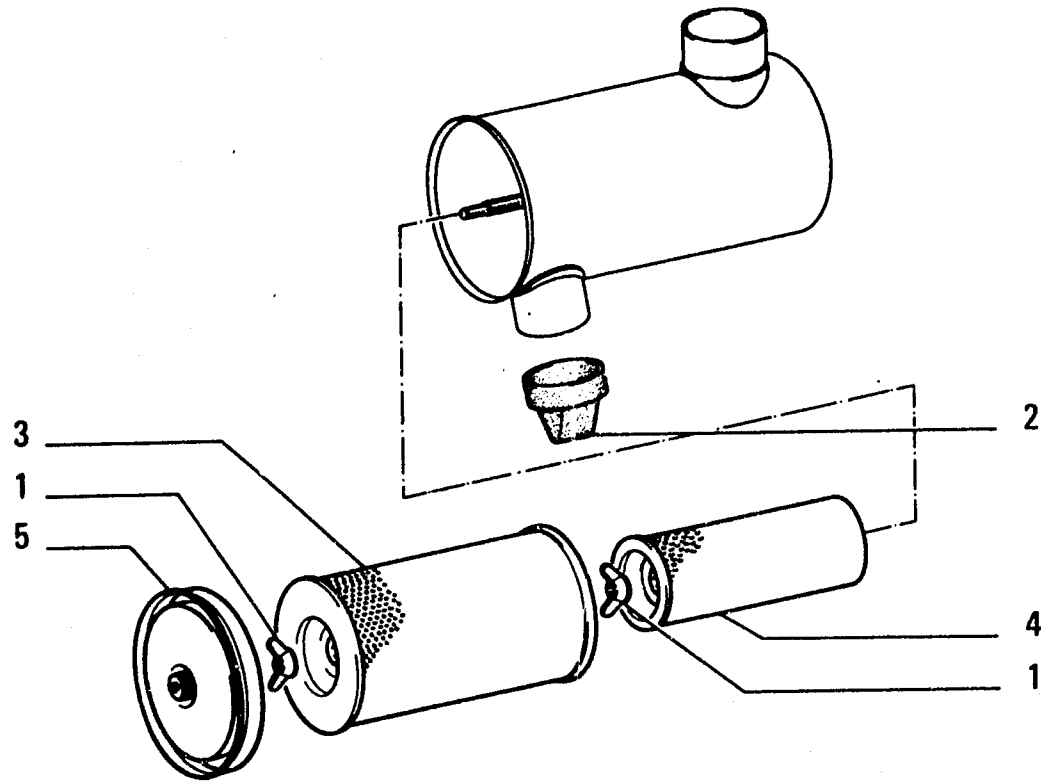
I T E M	PART NUMBER	Q T Y	TRANS CODE	DESCRIPTION	DESCRIZIONE
1	79032985	1	193T	TUBE	TUBO RIGIDO
2	79032989	2	180C	COLLAR	COLLARE
3	79032988	1	180C	COLLAR	COLLARE
5	79032973	3	142T	TIEROD	TIRANTE
6	11106231	5	40V	SCREW 10x1,5x25	VITE 10x1,5x25
7	11106431	1	40V	SCREW 10x1,5x30	VITE 10x1,5x30
8	11106631	1	40V	SCREW 10x1,5x35	VITE 10x1,5x35
9	11701721	7	10D	NUT 10x1,5x8	DADO 10x1,5x8
10	10571871	7	131R	WASHER 10,2x2,2	ROSETTA 10,2x2,2
11	12646821	5	131R	WASHER 10,2x25	ROSETTA 10,2x25

AIR CLEANER AND DUCTS - FILTRO ARIA E TUBAZIONI - FILTRE A AIR ET CANALISATIONS -
 LUFTFILTER UND LEITUNGEN - FILTRO DE AIRE Y TUBERIAS

A2.22/3

N.T.R. 163 - 30.05.1989
 604.01.077.03

L6



I T E M	PART NUMBER	Q T Y	TRANS CODE	DESCRIPTION	DESCRIZIONE
1	70239517	2	10D NUT		DADO
2	70684057	1	10V VALVE		VALVOLA
3	79022025	1	20E FILTERING ELEMENT		ELEMENTO FILTRANTE
4	79022026	1	20E FILTERING ELEMENT		ELEMENTO FILTRANTE
5	79023396	1	265C COVER C 971		COPERCHIO C 971
	79039698	1	265C COVER D 971		COPERCHIO D 971

C 1373 → Tel. n. 201360

79022024

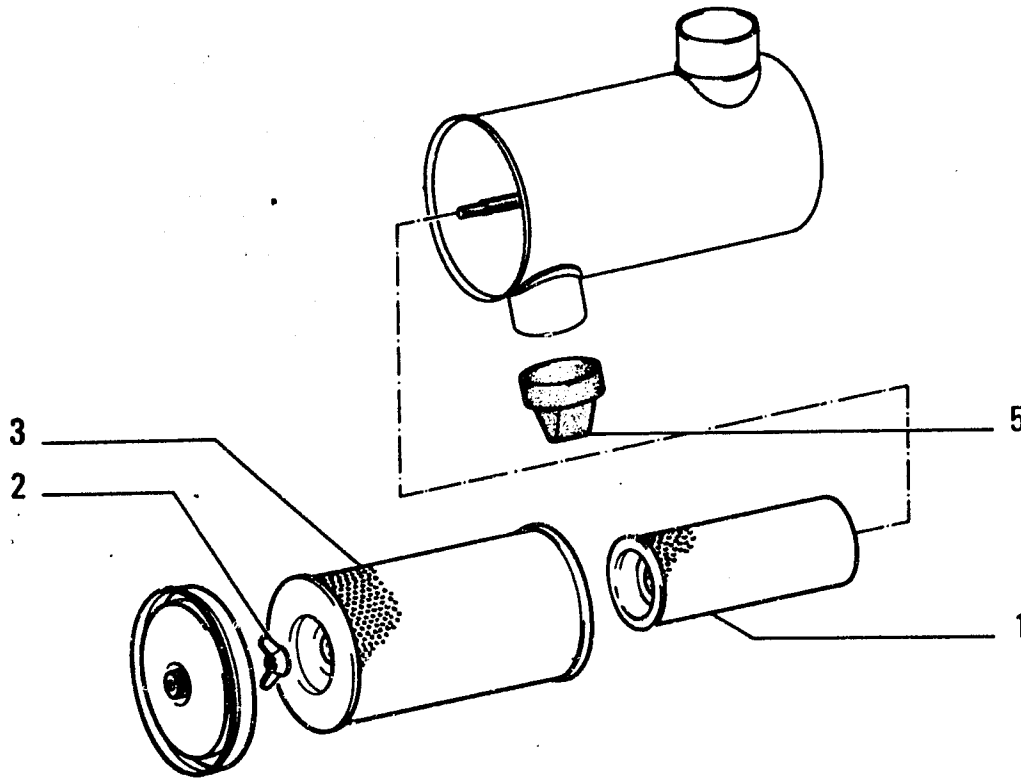
AIR CLEANER - FILTRO ARIA - FILTRE A AIR - LUFTFILTER - FILTRO DE AIRE

A2.23

N.T.R. 163 - 30.05.1989

604.01.077.03

L7



I T E M	PART NUMBER	Q T Y	TRANS CODE	DESCRIPTION	DESCRIZIONE
1	79062700	1	20E	FILTERING ELEMENT	ELEMENTO FILTRANTE
2	79062701	1	10D	NUT	DADO
3	79062702	1	20E	FILTERING ELEMENT C2332	ELEMENTO FILTRANTE C2332
	79072795	1	20E	FILTERING ELEMENT D2332	ELEMENTO FILTRANTE D2332
5	9923132	1	10V	VALVE C2332	VALVOLA C2332
	79072796	1	10V	VALVE D2332	VALVOLA D2332

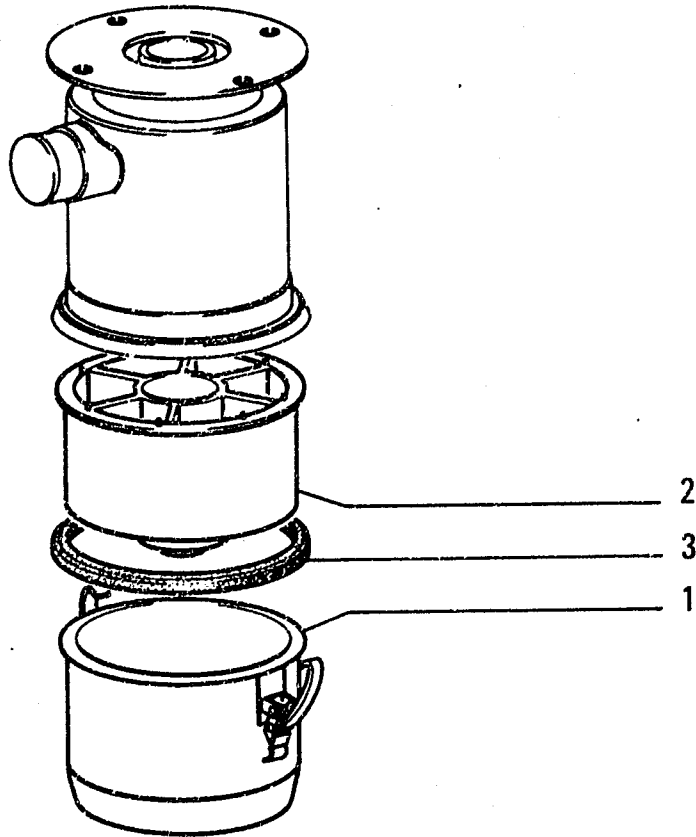
D 1373 Tel. n. 201361 →

79062699
 AIR CLEANER - FILTRO ARIA - FILTRE A AIR - LUFTFILTER - FILTRO DE AIRE

A2.23/A

N.T.R. 163 - 30.05.1989
 604.01.077.03

L8



I T E M	PART NUMBER	Q T Y	TRANS CODE	DESCRIPTION	DESCRIZIONE
1	4987751	1	19V PAN		VASCHETTA
2	8322103	1	20E FILTERING ELEMENT		ELEMENTO FILTRANTE
3	8322104	1	158G O-RING		GUARNIZIONE O-R

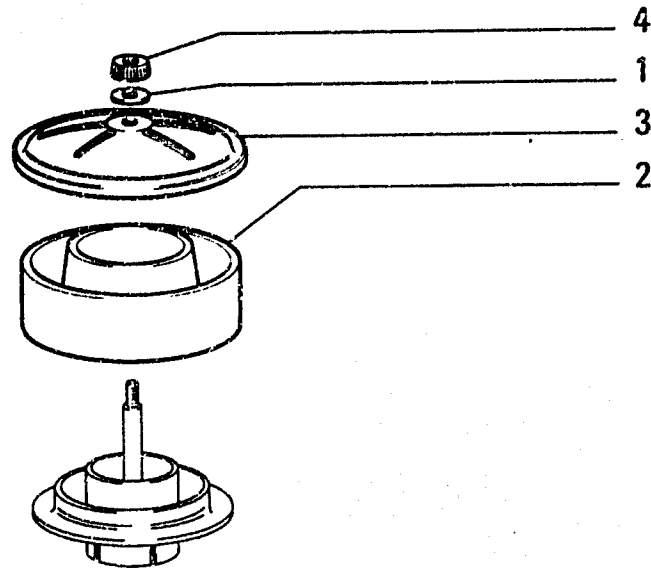
03698

Optional Variante 30.0191.19.2

AIR CLEANER - FILTRO ARIA - 8323076 - FILTRE A AIR - LUFTFILTER - FILTRO DE AIRE

A2.23/1

L9



I T E M	PART NUMBER	Q T Y	TRANS CODE	DESCRIPTION	DESCRIZIONE
1	562515	1	133R	SEAL	ROSETTA DI TENUTA
2	4981680	1	255C	FILTER SHELL	CONTENITORE FILTRO
3	4981681	1	265C	COVER	COPERCHIO
4	4981682	1	151P	RETAINING KNOB	POMELLO DI FISSAGGIO

03599

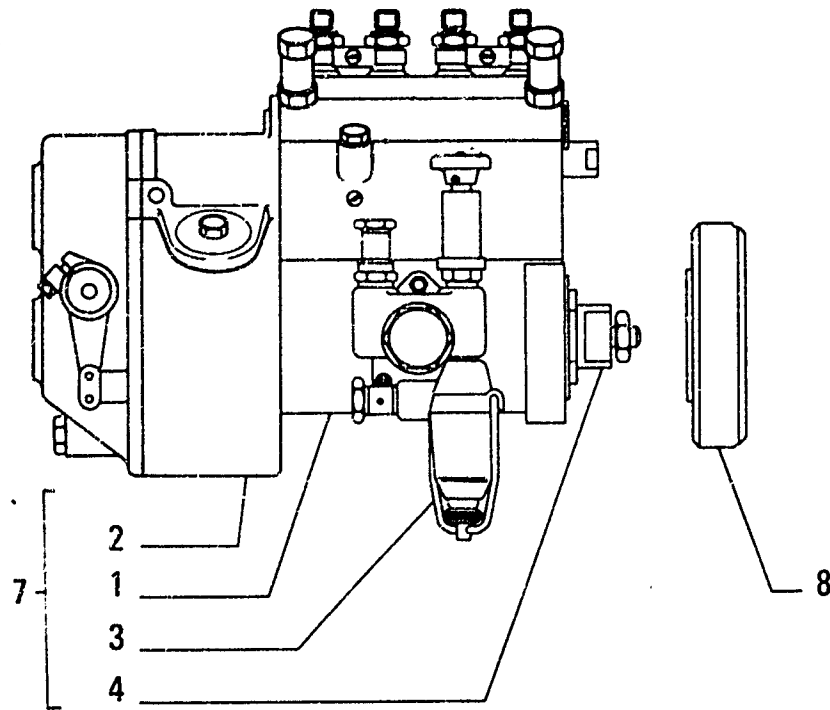
Optional
Variante 30.0191.19.2

4981678

PRE - FILTER - PREFILTRO ARIA - PREFILTRE A AIR - VORREINIGER - PREFILTRO DE AIRE

L10

A2.23/2



C 1373 → Tel. n. 201360

I T E M	PART NUMBER	Q T Y	TRANS CODE	DESCRIPTION	DESCRIZIONE
1		1	158P	INJECTION PUMP - ASSEMBLY SEE SGR. A2.27 (*)	POMPA INIEZIONE - COMPLETO VEDERE SGR. A2.27 (*)
2		2	28R	SPEED GOVERNOR - ASSEMBLY SEE SGR. A2.28 (*)	REGOLATORE DI VELOCITA' - COMPLETO VEDERE SGR. A2.28 (*)
3	763150	1	154P	FUEL PUMP - ASSEMBLY SEE SGR. A2.25	POMPA ALIMENTAZIONE - COMPLETO VEDERE SGR. A2.25
4	770286	1	95B	BUSHING 0	BOCCOLA 0
	770287	1	95B	BUSHING -3	BOCCOLA -3'
	770288	1	95B	BUSHING +3	BOCCOLA +3
7	4747185	1	109G	INJECTION EQUIPMENT - ASSEMBLY	GRUPPO INIEZIONE - COMPLETO
8	4759087	1	16V	ADVANCE VARIATOR - ASSEMBLY SEE SGR. A2.33	VARIATORE DI ANTICIPO - COMPLETO VEDERE SGR. A2.33
(*)			148S	ONLY SEPARATE PARTS ARE SERVICED	SI FORNISCONO SOLO LE PARTI CED

FUEL INJECTION SYSTEM - ALIMENTAZIONE AD INIEZIONE - ALIMENTATION PAR INJECTION -
 EINSPRITZAUSRUESTUNG - ALIMENTACIÓN POR INYECCIÓN

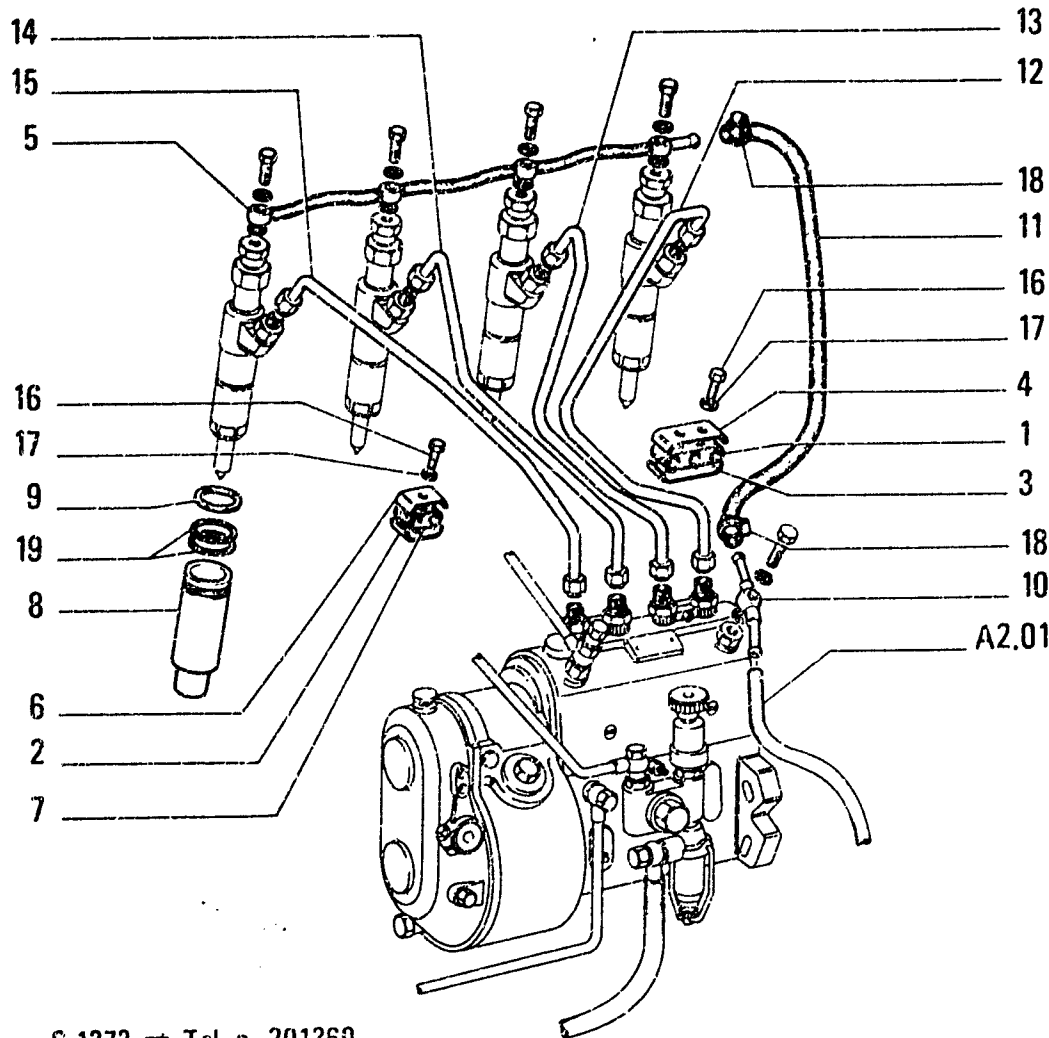
A2.24

1

N.T.R. 163 - 30.05.1989

604.01.077.03

L11



C 1373 → Tel. n. 201360

ITEM	PART NUMBER	QTY	TRANS CODE	DESCRIPTION	DESCRIZIONE
1	4543282	1	78B	FASTENING BLOCK	BLOCCHETTO DI FISSAGGIO
2	4592280	2	78B	FASTENING BLOCK	BLOCCHETTO DI FISSAGGIO
3	4641875	1	120M	TERMINAL CONNECTOR - LOWER	MORSETTO ELETTRICO - INFERIORE
4	4641876	1	120M	TERMINAL CONNECTOR - UPPER	MORSETTO ELETTRICO - SUPERIORE
5	4647657	1	193T	TUBE	TUBO RIGIDO
6	4689110	1	120M	TERMINAL CONNECTOR - UPPER	MORSETTO ELETTRICO - SUPERIORE
7	4689111	1	120M	TERMINAL CONNECTOR - LOWER	MORSETTO ELETTRICO - INFERIORE
8	4699153	4	101A	CASING	ASTUCCIO
9	4717654	4	123G	SEAL ASSY	GUARNIZIONE TENUTA FRONTALE
10	4739148	1	193T	TUBE	TUBO RIGIDO
11	4760285	1	192T	HOSE ASSY	TUBO FLESS.C/RACCORDI
12	4760339	1	193T	TUBE	TUBO RIGIDO
13	4760340	1	193T	TUBE	TUBO RIGIDO
14	4760341	1	193T	TUBE	TUBO RIGIDO
15	4760342	1	193T	TUBE	TUBO RIGIDO
16	10978021	4	40V	SCREW 5x0,8x20	VITE 5x0,8x20
17	11195470	4	131R	WASHER 5,1x1,1	ROSETTA 5,1x1,1
18	12179490	2	180C	COLLAR 9/16x8	COLLARE 9/16x8
19	14453981	8	158G	O-RING 1,78x25,12	GUARNIZIONE O-R 1,78x25,12

FUEL INJECTION SYSTEM - ALIMENTAZIONE AD INIEZIONE - ALIMENTATION PAR INJECTION -
 EINSPRITZAUSRUESTUNG - ALIMENTACIÓN POR INYECCIÓN

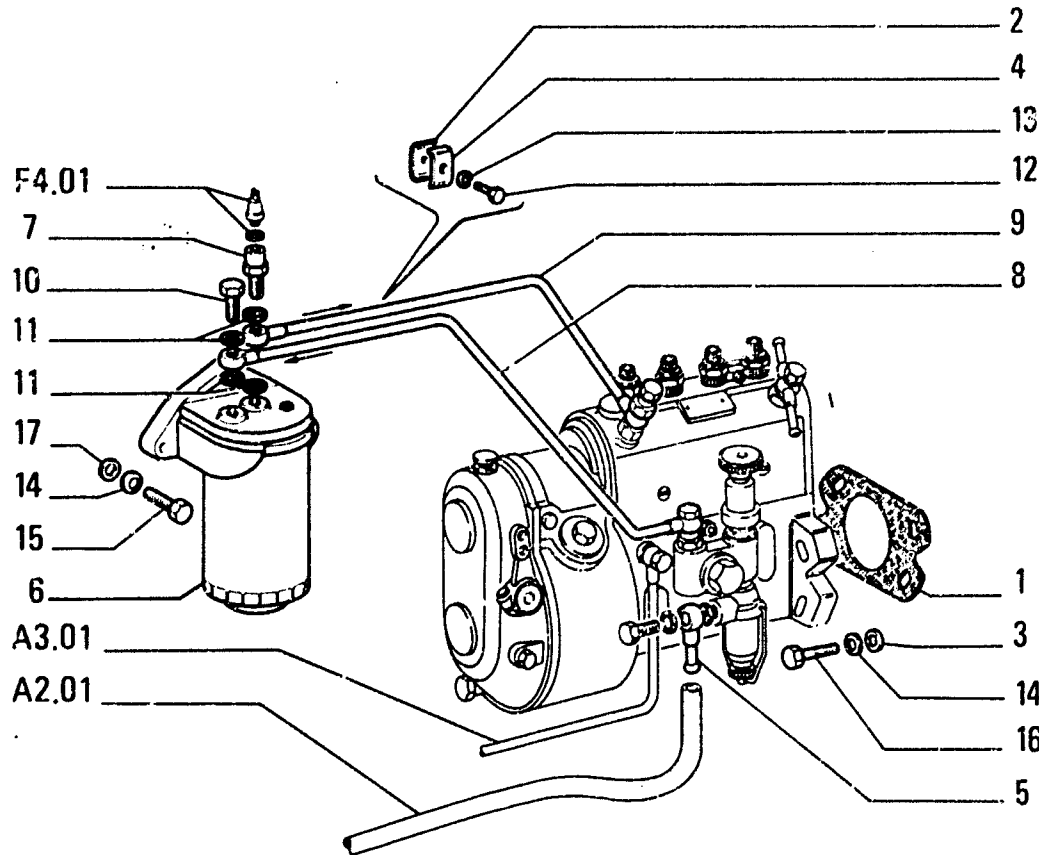
A2.24

2

N.T.R. 163 - 30.05.1989

604.01.077.03

L12



C 1373 → Tel. n. 201360

ITEM	PART NUMBER	QTY	TRANS CODE	DESCRIPTION	DESCRIZIONE
1	561353	1	123G	SEAL ASSY	GUARNIZIONE TENUTA FRONTALE
2	607942	1	120M	TERMINAL CONNECTOR - UPPER	MORSETTO ELETRICO - SUPERIORE
3	759850	4	131R	WASHER	ROSETTA
4	4002890	1	120M	TERMINAL CONNECTOR - LOWER	MORSETTO ELETRICO - INFERIORE
5	4551493	1	20R	FITTING	RACCORDO
6	4618309	1	64F	FUEL FILTER - ASSEMBLY SEE SGR. A2.26	FILTRO COMBUSTIBILE - COMPLETO VEDERE SGR. A2.26
7	4724015	1	90B	FILLER PLUG	BOCCHETTONE INTRODUZIONE
8	4760286	1	193T	TUBE	TUBO RIGIDO
9	4760288	1	193T	TUBE	TUBO RIGIDO
10	10184311	1	90B	FILLER PLUG 14x1,5x27	BOCCHETTONE INTRODUZIONE 14x1,5x27
11	10280060	4	133R	SEAL 14,2x20	ROSETTA DI TENUTA 14,2x20
12	10902221	1	40V	SCREW 6x1x16	VITE 6x1x16
13	11197771	1	131R	WASHER 6,4x12	ROSETTA 6,4x12
14	11198371	7	131R	WASHER 10,5x20	ROSETTA 10,5x20
15	11234721	3	40V	SCREW 10x1,25x45	VITE 10x1,25x45
16	11307021	4	40V	SCREW 10x1,25x40	VITE 10x1,25x40
17	13550421	3	131R	WASHER 10,2x20	ROSETTA 10,2x20

FUEL INJECTION SYSTEM - ALIMENTAZIONE AD INIEZIONE -- ALIMENTATION PAR INJECTION --
 EINSPRITZAUSRUESTUNG - ALIMENTACION POR INYECCION

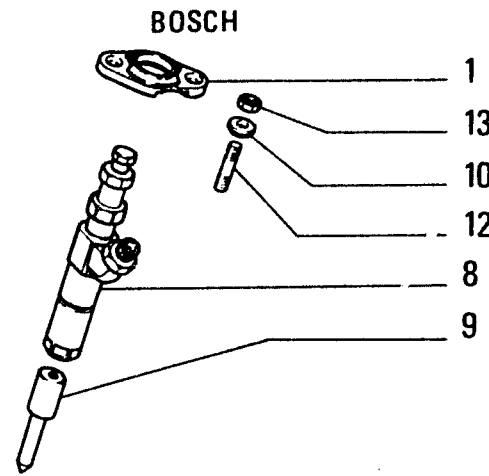
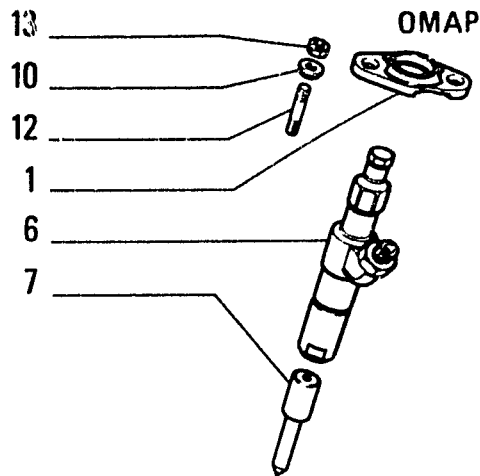
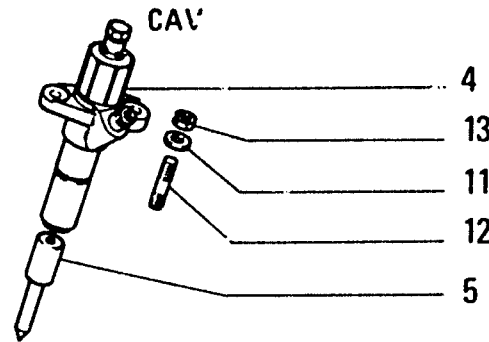
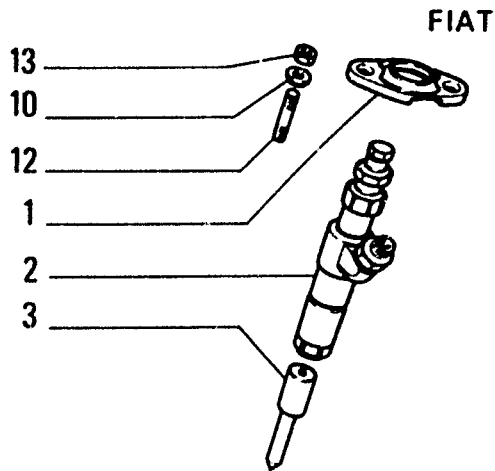
A2.24

3

N.T.R. 163 - 30.05.1989

604.01.077.03

L13



ITEM	PART NUMBER	QTY	TRANS CODE	DESCRIPTION	DESCRIZIONE
1	765640	4	225S	BRACKET	STAFFA
2	767107	4	195P	NOZZLE HOLDER - ASSEMBLY IN ALTERNATIVE SEE SGR. A2.35/3	PORTAPOLVERIZZATORE - COMPLETO IN ALTERNATIVA VEDERE SGR. A2.35/3
3	770578	4	148P	NOZZLE	POLVERIZZATORE
4	770899	4	195P	NOZZLE HOLDER - ASSEMBLY IN ALTERNATIVE SEE SGR. A2.35/1	PORTAPOLVERIZZATORE - COMPLETO IN ALTERNATIVA VEDERE SGR. A2.35/1
5	770902	4	148P	NOZZLE	POLVERIZZATORE
6	770958	4	195P	NOZZLE HOLDER - ASSEMBLY IN ALTERNATIVE SEE SGR. A2.35	PORTAPOLVERIZZATORE - COMPLETO IN ALTERNATIVA VEDERE SGR. A2.35
7	770959	4	148P	NOZZLE	POLVERIZZATORE
8	771065	4	195P	NOZZLE HOLDER - ASSEMBLY IN ALTERNATIVE SEE SGR. A2.35/2	PORTAPOLVERIZZATORE - COMPLETO IN ALTERNATIVA VEDERE SGR. A2.35/2
9	771066	4	148P	NOZZLE	POLVERIZZATORE
10	771326	8	131R	WASHER	ROSETTA
11	11192071	8	131R	WASHER 8,2x15	ROSETTA 8,2x15
12	13517630	8	210P	STUD 8x1,25x62	PRIGIONIERO 8x1,25x62
13	16100821	8	10D	NUT 8x1,25x6,5	DADO 8x1,25x6,5

C 1373 → Tel. n. 201360

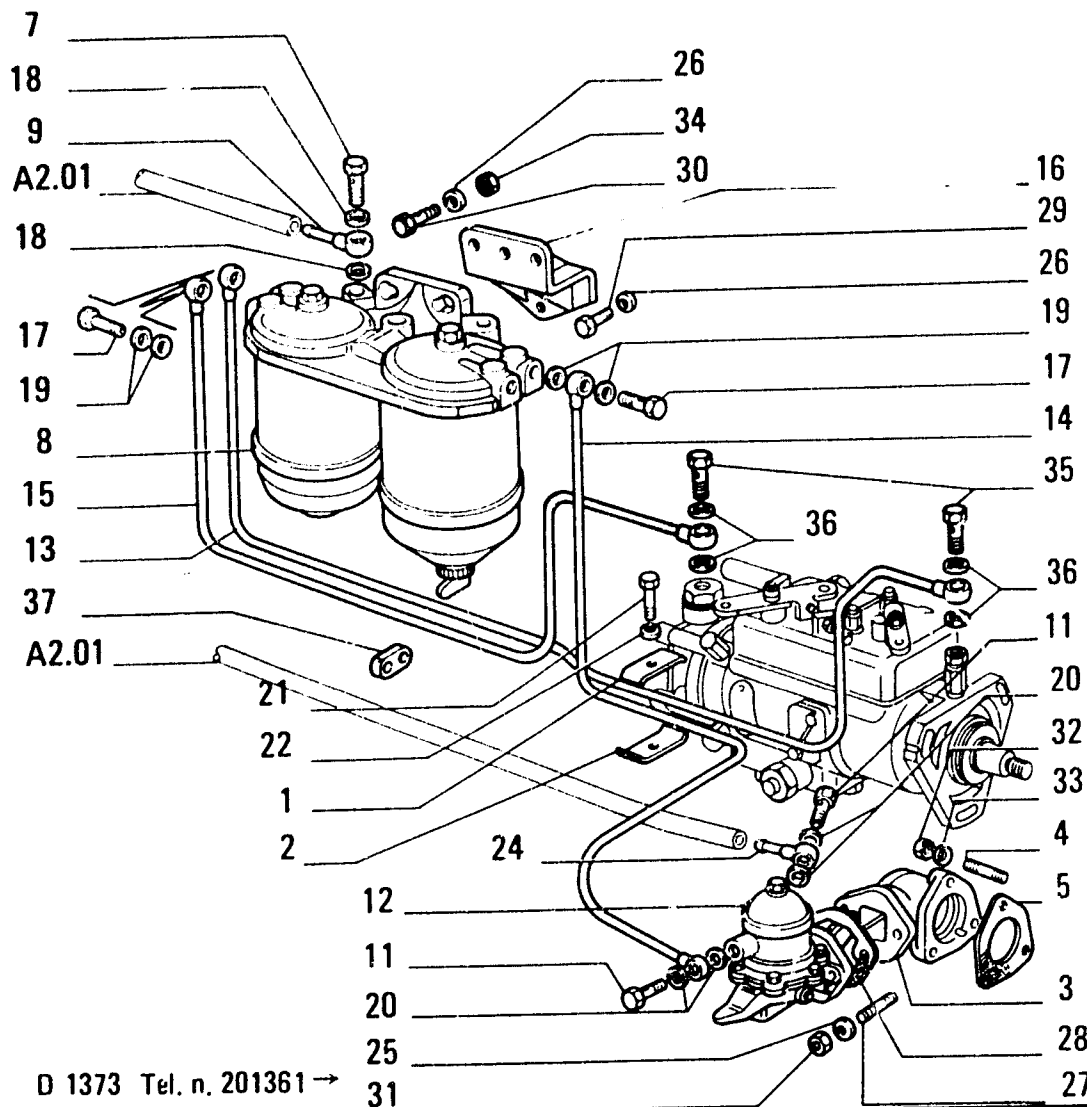
FUEL INJECTION SYSTEM - ALIMENTAZIONE AD INIEZIONE - ALIMENTATION PAR INJECTION -
EINSPRITZAUSRUESTUNG - ALIMENTACIÓN POR INYECCIÓN

A2.24

4

N.T.R. 163 - 30.05.1989
604.01.077.03

FIATALLIS FL5



D 1373 Tel. n. 201361 →

FUEL INJECTION SYSTEM - ALIMENTAZIONE AD INIEZIONE - ALIMENTATION PAR INJECTION -
 EINSPRITZAUSRUESTUNG - ALIMENTACION POR INYECCION

ITEM	PART NUMBER	QTY	TRANS CODE	DESCRIPTION	DESCRIZIONE
1	4659221	1	97S	HALF CONNECTOR	SEMIMORSETTO
2	4659222	1	110P	PLAQUE	PIASTRINA
3	4734968	1	300S	SUPPORT	SUPPORTO
4	13543621	3	210P	STUD 8x1,25x46	PRIGIONIERO 8x1,25x46
5	4784011	1	122G	SEAL	GUARNIZIONE
7	4617972	1	20R	FITTING	RACCORDO
8	4659288	1	64F	FUEL FILTER - IN ALTERNATIVE ASSEMBLY SEE SGR. A2.26/A	FILTRO COMBUSTIBILE - IN ALTERNATIVA COMPLETO VEDERE SGR. A2.26/A
	4669555	1	64F	FUEL FILTER - IN ALTERNATIVE ASSEMBLY SEE SGR. A2.26/1A	FILTRO COMBUSTIBILE - IN ALTERNATIVA COMPLETO VEDERE SGR. A2.26/1A
11	10181711	2	20R	FITTING 12x1,5x23	RACCORDO 12x1,5x23
12	4757883	1	154P	FUEL PUMP - ASSEMBLY SEE SGR. A2.25/A	POMPA ALIMENTAZIONE - COMPLETO VEDERE SGR. A2.25/A
13	4807266	1	193T	TUBE	TUBO RIGIDO
14	4797348	1	193T	TUBE	TUBO RIGIDO
15	4807268	1	193T	TUBE	TUBO RIGIDO
16	4800456	1	300S	SUPPORT	SUPPORTO
17	10184311	3	20R	FITTING 14x1,5x27	RACCORDO 14x1,5x27
18	10260160	2	131R	WASHER 10,2x14	ROSETTA 10,2x14
19	10280060	6	131R	WASHER 14,2x20	ROSETTA 14,2x20
20	10296160	4	131R	WASHER 12,2x18	ROSETTA 12,2x18
21	10978221	2	40V	SCREW 5x0,8x25	VITE 5x0,8x25
22	11195470	2	131R	WASHER 5,1x1,1	ROSETTA 5,1x1,1
24	4790861	1	20R	FITTING	RACCORDO
25	11198071	2	131R	WASHER 8,2x15	ROSETTA 8,2x15

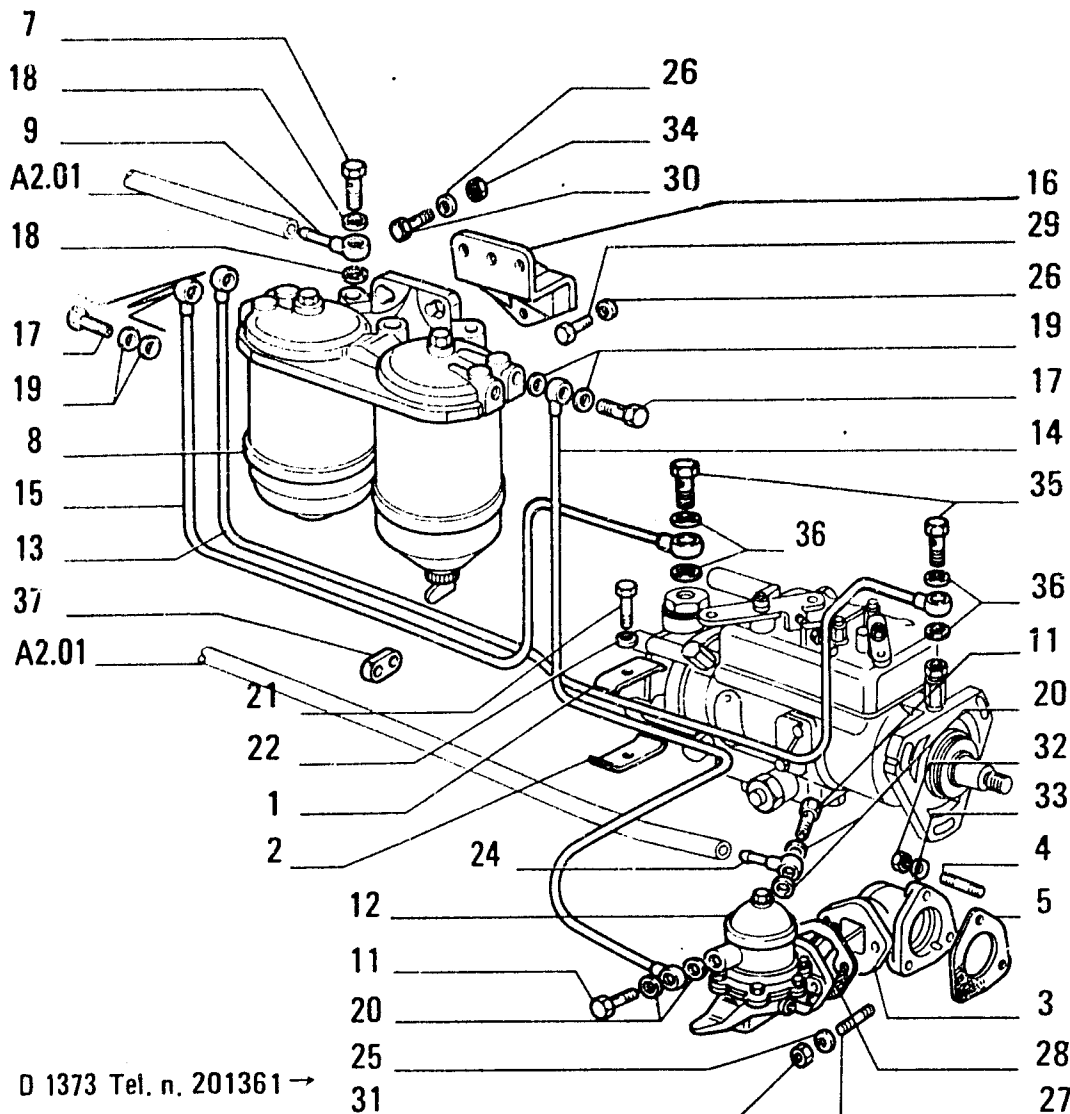
A2.24/A

1

N.T.R. 163 30.05.1989

604.01.077.03

L15



D 1373 Tel. n. 201361 →

FIATALLIS FL5

A2.24/ A TAV. 1 PAG.2

ITEM	PART NUMBER	QTY	TRANS CODE	DESCRIPTION	DESCRIZIONE
26	11190579	5	131R	WASHER	ROSETTA
27	13516920	2	210P	STUD 8x1.25x34	PRIGIONIERO 8x1.25x34
28	14458680	1	158G	O-RING 2.62x37.77	GUARNIZIONE O-R 2.62x37.77
29	15970721	3	40V	SCREW 10x1.25x25	VITE 10x1.25x25
30	11234721	2	40V	SCREW 10x1.25x45	VITE 10x1.25x45
31	16100811	2	10D	NUT 8x1.25x6,5	DADO 8x1.25x6,5
32	12164711	3	10D	NUT 10x1.25x8	DADO 10x1.25x8
33	11198371	3	131R	WASHER 10,5x20	ROSETTA 10,5x20
34	12164711	2	10D	NUT 10x1.25x8	DADO 10x1.25x8
35	10181711	2	20R	FITTING 12x1,5x23	RACCORDO 12x1,5x23
36	10296160	4	131R	WASHER 12,2x18	ROSETTA 12,2x18
37	4659220	1	74B	BLOCK	BLOCCHETTO

FUEL INJECTION SYSTEM – ALIMENTAZIONE AD INIEZIONE – ALIMENTATION PAR INJECTION –
EINSPRITZAUSRUESTUNG – ALIMENTACION POR INYECCION

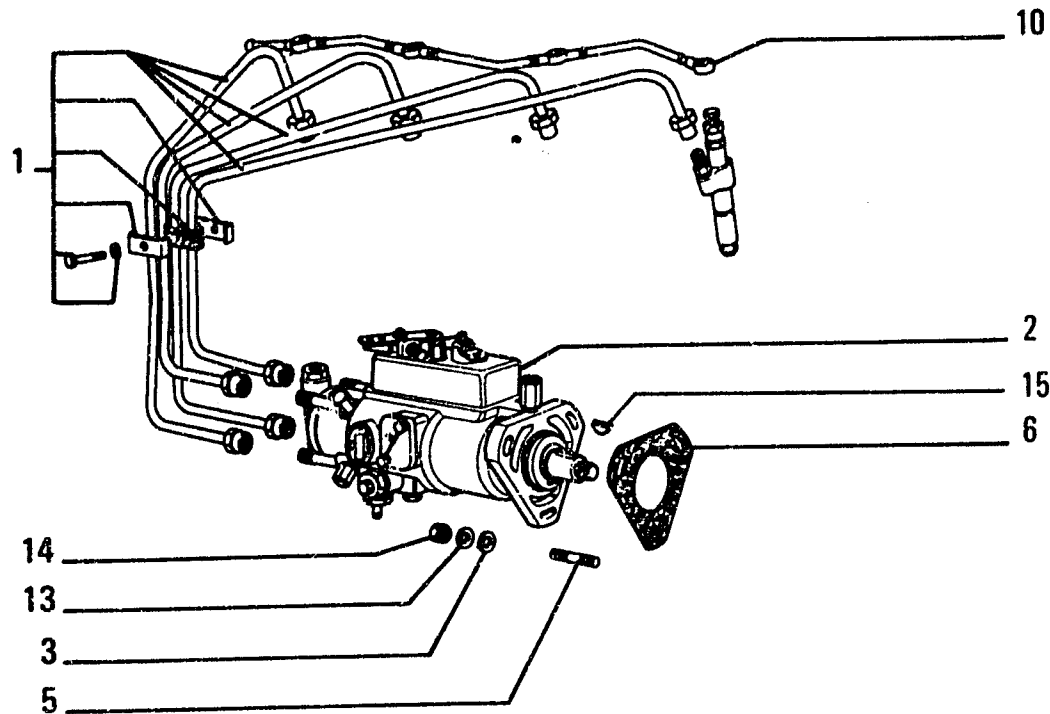
A2.24/A

1

N.T.R. 163 - 30.05.1989

604.01.077.03

L16



I T E M	PART NUMBER	Q T Y	TRANS CODE	DESCRIPTION	DESCRIZIONE
1	4797522	1	193T	TUBE	TUBO RIGIDO
2	4807391	1	158P	INJECTION PUMP - ASSEMBLY SEE SGR. A2.27/A	POMPA INIEZIONE - COMPLETO VEDERE SGR. A2.27/A
3	4564844	3	131R	WASHER	ROSETTA
5	4600631	3	210P	STUD	PRIGIONIERO
6	4607627	1	122G	SEAL	GUARNIZIONE
10	4777224	1	193T	TUBE	TUBO RIGIDO
13	11193871	3	131R	WASHER 8,4x16	ROSETTA 8,4x16
14	16100811	3	10D	NUT 8x1,25x6,5	DADO 8x1,25x6,5
15	10205820	1	60L	KEY 6,5x4	LINGUETTA 6,5x4

D 1373 Tel. n. 201361 →

FUEL INJECTION SYSTEM - ALIMENTAZIONE AD INIEZIONE - ALIMENTATION PAR INJECTION -
EINSPRITZAUSRUESTUNG - ALIMENTACIÓN POR INYECCIÓN

A2.24/A

2

N.T.R. 163 - 30.05.1989

604.01.077.03

L17

DESIGNAZIONE BASE	BASIC DESIGNATION	DESIGNATIONS-BASES	GRUNDBEZEICHNUNGEN	DENOMINACIONES BASE
159C	CILINDRO FRENO	BRAKE CYLINDER	CYLINDRE DE FREIN	CILINDRO DE FRENO
159G	GUARNIZIONE LIQUIDA	GASKET LIQUID	PRODUIT LIQUID POUR ETANCHE	SELLADOR
159R	RUOTA DENTATA	GEAR WHEEL	BARBOTIN	RUEDA MOTRIZ
159S	SILENZIATORE SUPPLEMENTARE	AUXILIARY SILENCER	SILENCIEUX SUPPLEMENTAIRE	SILENCIADOR SUPLEMENTARIO
159S			FTOPF	TUERCA
160C	CHIOCCIOLA	LEAD NUT	ECROU EN CARACOLE	GRANULADO DE HIERRO
160G	GRANULATO FERROSO	FERROUS GRANULATE	GRANULE FERRUGINEUX	RUEDA
160R	RUOTA	WHEEL	ROUE	SILENCIADOR
160S	SILENZIATORE	MUFFLER	SILENCIEUX	CONTACTOR
160T	TRASMETTITORE	SENDING UNIT	TRANSMETTEUR	
160S	ATTREZZO SCRAPER	SCRAPER IMPLEMENT	EQUIPEMENT RACLOIR	
161C	CILINDRO CLASSE	CYLINDER CLASS...	CYLINDRE CLASSE...	CILINDRO CLASSE...
161G	GRASSO	GREASE	GRAISSE	
161P	POMPA IDRAULICA	HYDRAULIC PUMP	POMPE HYDRAULIQUE	BOMBA HIDRAULICA
161R	RUOTA LIBERA	FREE WHEEL	ROUE LIBRE	RUEDA LIBRE
161S	SINCRONIZZATORE	SYNCHRONIZER	SYNCHRONISEUR	SINCRONIZADOR
162C	CILINDRO PNEUMATICO	AIR CYLINDER	CYLINDRE PNEUMATIQ	CILINDRO NEUMATICO
162C			HD-PUMPE	BOMBA HIDRAULICA
163C	CILINDRETTO	BARREL	CYLINDRE	RUEDA LIBRE
163R	RUOTA MOTRICE	SPROCKET	BARBOTIN MOTEUR	SINCRONIZADOR
164C	CILINDRO	CYLINDER	CYLINDRE	CILINDRO NEUMATICO
164P	POMPA SERVOCOMANDO	SERVO CONTROL PUMP	POMPE DE SERVO-COMMANDE	CILINDRO
164P			AMORTISSEUR	RUEDA MOTRIZ
164S	SMORZATORE	DAMPER		CILINDRO
164S				BOMBA DE SERVOMANDO
165P	PONTE	AXLE	PONT	ANTIVIBRADOR
165R	RUTTORE	BREAKER	RUPTEUR	PUENTE
165S	SNODO	ARTICULATION	ARTICULATION	RUPTOR
165T	TRASMISSIONE FLESSIBILE	FLEXIBLE SHAFT	TRANSMISSION FLEXIBLE	ARTICULACION
166C	CILINDRO DI COMANDO GANASCE	WHEEL CYLINDER	CYLINDRE DE ROUE	ARBOL FLEXIBLE
166R	RUOTA TENDICINGOLO	TRACK IDLER	ROUE TENDEUSE	CILINDRO DE FRENO
166S	SOFFIETTO	BELLOWS	SOUFFLEUR	RUEDA DE GUIDA
166T	TRECCIA DI MASSA	GROUND BRAID	TRESSE DE MASSE	FUELLE
167C	CILINDRO DEL SERVOSTERZO	SERVO-ASSYSTED STEERING CYLINDER	CYLINDRE RECEPTEUR	TRENZA DE MASA
167C				CILINDRO DE SERVODIRECCION
167R	RADIATORE ACQUA	WATER RADIATOR	RADIATOR A L'EAU	CILINDRO DE SERVODIRECCION
167S	SOLLEVATORE IDRAULICO	HYDRAULIC LIFTER	RELEVAGE HYDRAULIQUE	RADIADOR DE AGUA
167T	TRASPARENTE DELLO STOP	STOPLAMP LENS	TRANSPARENT DE FEUX STOP	LEVANTE HIDRAULICO
167T				TAPA TRANSLUCIDA
168R	RADIATORE OLIO	OIL RADIATOR	RADIATOR A HUILE	DE LUCES DE PARE
				RADIADOR DE ACEITE

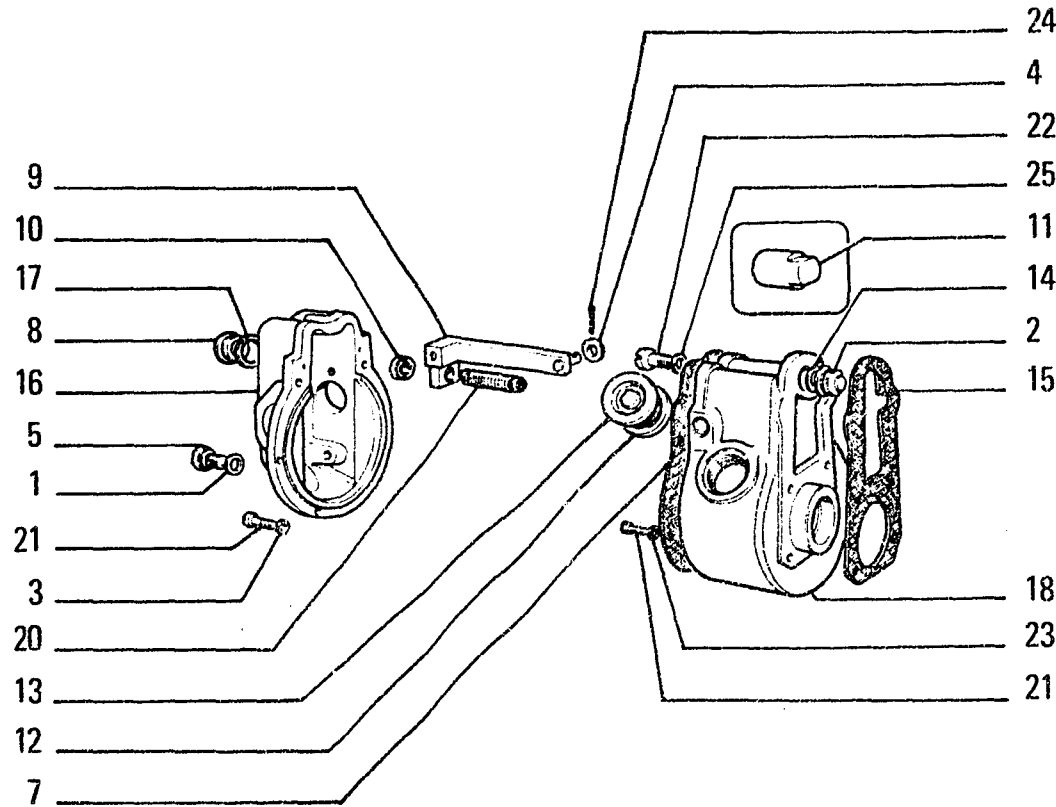
DESIGNAZIONE BASE	BASIC DESIGNATION	DESIGNATIONS-BASES	GRUNDBEZEICHNUNGEN	DENOMINACIONES BASE
150C	CHIAVE	KEY	CLE	LLAVE
150G	GUIDA DELLA VALVOLA	VALVE GUIDE	GUIDE-SOUPAPE	GUIA DE VALVULA
150P	POMELLO	KNOB	BOUTON	BOTON
150R	RUBINETTO	COCK	RORINET	GRIFO
150S	SIGLA	TRADE MARK	SIGLE	SIGLA
150T	TIMER	TIMER	TIMER	TIMER
1501	BARRA PORTATTREZZI	TOOL BAR	BARRE PORTEOUTIL	
151B	BARRA	BAR	BARRE	BARRA
151C	CHIAVE A TUBO	PIPE WRENCH	CLE A TUBE	LLAVE DE TUBO
151G	GUIDA DELLA VALVOLA DI ASPIRAZIONE	INTAKE VALVE GUIDE	GUIDE DE SOUPAPE D'ADMISSION	GUIA DE LA VALVULA DE ADMISION
151G			FUEHRUNG	
151P	POMELLO DI FISSAGGIO	RETAINING KNOB	POMMEAU DE FIXATION	POMO DE FIJACION
151P				
151S	SIGLA TRATTORE	TYPE PLATE	TYPE	SIGLA TRACTOR
152B	BENNA DA CAVA	QUARRY BUCKET	GODET DE CARRIERE	CUCHARA PARA CANTERA
152G	GUIDA DELLA VALVOLA DI SCARICO	EXHAUST VALVE GUIDE	GUIDE DE SOUPAPE D'ECHAPPEMENT	GUIA DE LA VALVULA DE ESCAPE
152G			POMPE A EAU	
152P	POMPA ACQUA	WATER PUMP	POMPE A EAU	BOMBA DE AGUA
153B	BENNA MORDENTE	CLAMSHELL BUCKET	BENNE PRENEUSE	CUCHARA MORDIENTE
153G	GUIDA DI SCORRIMENTO	SLIDE GUIDE	COULISSE	GUIA DESLIZANTE
153P	POMPA OLIO	OIL PUMP	POMPE A HUILE	BOMBA DE ACEITE
154C	CHIAVE SERRATURA	LOCK KEY	CLE DE SERRURE	LLAVE DE CERRADURA
154P	POMPA ALIMENTAZIONE	FUEL PUMP	POMPE D'ALIMENTATION	BOMBA DE ALIMENTACION
155B	BENNA DA ROCCIA	ROCK BUCKET	GODET DE ROCHE	CUCHARA PARA ROCAS
155G	GIUNTO RAPIDO	QUICK-CONNECTING COUPLING	ACCOUPEMENT RAPID	JUNTA RAPIDA
155P	POMPA	PUMP	POMPE	BOMBA
155R	RULLINO	NEEDLE ROLLER	AIGUILLE	RODILLITO
155S	SILENTBLOC	SILENTBLOC	SILENTBLOC	SILENTBLOC
156B	BENNA TRAPEZOIDALE	TRAPEZOIDAL BUCKET	GODET TRAPEZE	CUCHARA TRAPEZOIDAL
156G	GOLFARE	EYEBOLT	OEIL	ARGOLLA
156P	POMPA A MANO	HAND PUMP	POMPE A MAIN	BOMBA DE MANO
157B	BENNA 4 IN 1	4-IN-1 BUCKET	GODET MULTIPLES	CUCHARA MULTI-USO
157G	GUARNIZIONE ALBERO ROTANTE	LIP SEAL	GARNITURE D'ETANCHEITE	JUNTA
157P	POMPA ARIA	AIR PUMP	POMPE A AIR	BOMBA DE AIRE
157R	RULLO	ROLLER	GALET	RODILLO
158B	BUSTA	ENVELOPE	ENVELOPE	SOBRE
158C	LINGUETTA A DISCO	WOODRUFF KEY	CLAVETTE	CHAVETA
158G	GUARNIZIONE O-R	O-RING	O-RING	GUARNICION TORICA
158P	POMPA INIEZIONE	INJECTION PUMP	POMPE D'INJECTION	BOMBA DE INYECCION
158T	TRASFORMATORE	TRANSFORMER	TRANSFORMATEUR	TRANSFORMADOR

DESIGNAZIONE BASE	BASIC DESIGNATION	DESIGNATIONS-BASES	GRUNDBEZEICHNUNGEN	DENOMINACIONES BASE	
140C	CERNIERA	HINGE	CHARNIERE	SCHARNIER	BISAGRA
140G	GUAINA FLESSIBILE	SHEATH	GAINÉ	MUELLE	FUNDA
140P	PLANCIA	PLANK	PLANCHE	WAND	TABLERO
140S	SFERA	BALL	BILLE	KUGEL	ESFERA
1401	LAMA ABBATTIMENTO		LAME ABATTAGE	RAMMSCHILD	
141M	MASTICE ADESIVO	PUTTY	MASTIC ADHESIF	DICHTUNGSMASSE	ALMACIGA ADHESIVA
141P	PLANCIA PORTASTRUMENTI	INSTRUMENT PANEL	TABLEAU DE BORD	INSTRUMENTENBRETT	CUADRO INSTRUMENTACION
141T	TIRANTE FILETTATO	THREADED TIEROD	TIRANT	SPANNBOLZEN	PERNO
142G	GUAINA	SHEATH	GAINÉ	SCHUTZROHR	FUNDA
142M	MOLLA A BALESTRA	LEAF SPRING	ROSSORT A LAMES	BLATTFEDER	MUELLE DE BALLESTA
142T	TIRANTE	TIEROD	TIRANT	STANGE	TIRANTE
1421	LAMA CAVACEPPI		LAME DESOUCHEUSE	STUBBENRODER	
143M	MOTOASSALE	LIVE AXLE	ESSIEU MOTEUR	ACHSANTRIEB	EJE
143T	TIRANTE DI STERZO TRASVERSALE	TRACK ROD	BARRE D'ACCOUPLÉMENT	SPURSTANGE	BARRA DE ACOPLAMIENTO
143T			LAME EPIERREUSE	FELSRÉCHEN	
1431	LAMA SPIETRATRICE		MANIPULATEUR	DRUCK FERNSTEUERUNG	
144M	MANIPOLATORE	MANIPULATOR	BARRE DE DIRECTION	LENKSTANGE	BARRA DE DIRECCION
144T	TIRANTE DI STERZO LONGITUDINALE	DRAG LINK			
1440	LAMA DECESPUGLIATRICE PER AD		LAME DEBROUSSAILLEUSE AD	RODERÉCHEN (AD)	
1441	LAMA DECESPUGLIATRICE PER BD		LAME DEBROUSSAILLEUSE BD	RODERÉCHEN (BD)	
145B	BUSSOLA	GUIDE BUSHING	DOUILLE	GEWINDEBUECHSE	CASQUILLO
145G	GUIDA	GUIDE	GUIDE	FUEHRUNG	GUIA
145M	MAGLIA CINGOLO	TRACK LINK	MAILLON	KETTENGLIED	MALLA DE ORUGA
145P	PLANETARIO	SUN GEAR	PLANETAIRE	PLANETENANTRIEB	PINON PLANETARIO
145R	ROTORE	ROTOR	ROTOR	LAUFFER	ROTOR
145S	SFIATATOIO	BREATHER	RENIFLARD	ENTLUEFTER	RESPIRADERO
146M	MODULO ANTERIORE	TOOL MODULE	MODULE ANTERIEUR		MODULO ANTERIOR
146R	ROTULA SFERICA	BALL JOINT	ROTULE	KUGELBUECHSE	ROTULA
146T	TIRANTE ELASTICO	ELASTIC TIEROD	TIRANT ELASTIQUE	FEDERENDE STANGE	VARILLA ELASTICA
147G	GUIDA DELLA MOLLA	SPRING GUIDE	GUIDE-RESSORT	FEDERFUEHRUNG	GUIA DE RESORTE
147M	MODULO POSTERIORE	POWER MODULE	MODULE POSTERIEUR		MODULO POSTERIOR
147P	PNEUMATICO	TIRE	PNEU	REIFEN	NEUMATICO
147T	TORRETTA	TURRET	TOURELLE	OBERWAGEN	TORRE
148P	POLVERIZZATORE	NOZZLE	PULVERISATEUR	EINSPRITZDUESE	PULVERIZADOR
148S	SI FORNISCONO SOLO LE PARTI	ONLY SEPARATE PARTS ARE SERVICED	ON LIVRE SEULEMENT SES PIECES	NUR EINZELTEILE LIEFERBAR	SOLO SE SUMINISTRAN LAS PIEZAS
148S					SUeltas
149R	RUBINETTO-VALVOLA	COCK VALVE	ROBINET	VENTIL	VALVOLA
150B	BORSA	BAG	TROUSSE	TASCHE	BOLSA

A

ENGINE • MOTORE • MOTEUR • MOTOR • MOTOR

M 1



C 1373 → Tel. n. 201360

ITEM	PART NUMBER	QTY	TRANS CODE	DESCRIPTION	DESCRIZIONE
1	726381	1	123G	SEAL ASSY	GUARNIZIONE TENUTA FRONTALE
2	747210	1	40V	SCREW	VITE
3	753177	4	123G	SEAL ASSY	GUARNIZIONE TENUTA FRONTALE
4	753195	5	131R	WASHER	ROSETTA
5	757354	1	50T	PLUG	TAPPO
7	760203	1	123G	SEAL ASSY	GUARNIZIONE TENUTA FRONTALE
8	760666	1	50T	PLUG	TAPPO
9	763440	1	142T	TIEROD	TIRANTE
10	765342	1	50G	RING NUT	GHIERA
11	766075	1	65C	BOOT	CAPPUCCIO
12	767314	1	123G	SEAL ASSY	GUARNIZIONE TENUTA FRONTALE
13	767315	1	50T	PLUG	TAPPO
14	768043	1	133R	SEAL	ROSETTA DI TENUTA
15	769357	1	123G	SEAL ASSY	GUARNIZIONE TENUTA FRONTALE
16	769378	1	265C	COVER	COPERCHIO
17	769542	1	123G	SEAL ASSY	GUARNIZIONE TENUTA FRONTALE
18	771434	1	35S	CASE	SCATOLA
20	771613	1	40V	SCREW	VITE
21	10376711	10	40V	SCREW 6x1x16	VITE 6x1x16
22	10378811	1	40V	SCREW 8x1,25x16	VITE 8x1,25x16
23	10516470	4	132R	LOCKWASHER 6,1x1,8	ROSETTA DI SICUREZZA 6,1x1,8
24	10734101	1	270C	COTTER PIN 1,3x17,7	COPIGLIA 1,3x17,7
25	722023	1	133R	SEAL	ROSETTA DI TENUTA

SPEED GOVERNOR - REGOLATORE DI VELOCITA' - REGULATEUR DE VITESSE - DREHZAHLEGLER -
REGULADOR D. VELOCIDAD

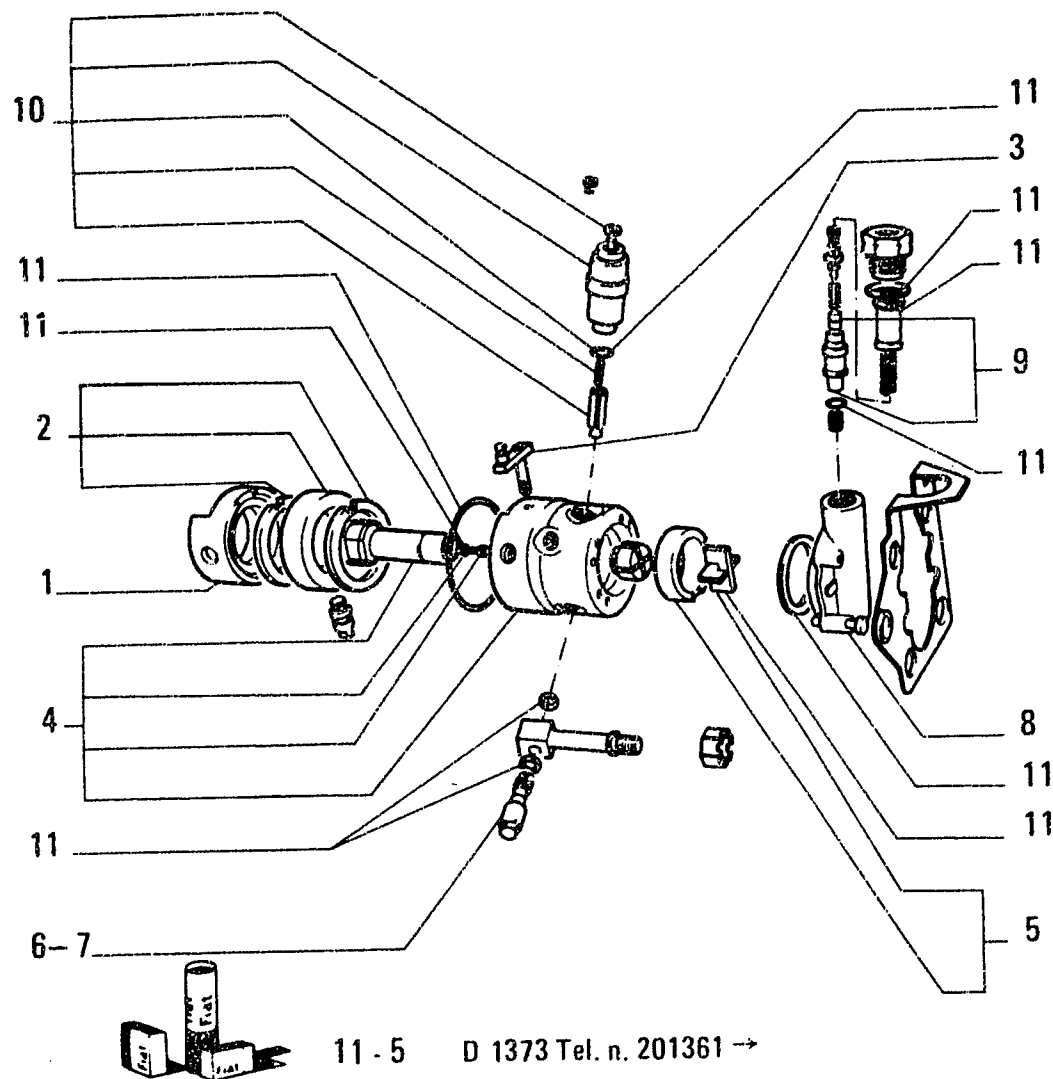
A2.28

1

N.T.R. 163 - 30.05.1989

604.01.077.03

M2



FIATALLIS FL5

ITEM	PART NUMBER	QTY	TRANS CODE	DESCRIPTION	DESCRIZIONE
1	79070069	1	300S	SUPPORT	SUPPORTO
2	79070070	1	160C	LEAD NUT	CHIOCCIOLA
3	79070071		10V	VALVE	VALVOLA
4	79070115	1	300C	BODY	CORPO
5	79071795	1	2K	KIT	KIT
6	79070087	1	10V	VALVE	VALVOLA
7	79070088	3	10V	VALVE	VALVOLA
8	79070076	4	40V	SCREW	VITE
9	79070084	1	30M	SLEEVE	MANICOTTO
10	79074016	1	30E	SOLENOID	ELETTROMAGNETE
11	79071796	1	2K	KIT	KIT



11 - 5 D 1373 Tel. n. 201361 →

4807391

INJECTION PUMP - POMPA INIEZIONE - POMPE D'INJECTION - EINSPRITZPUMPE - BOMBA DE INYECCION

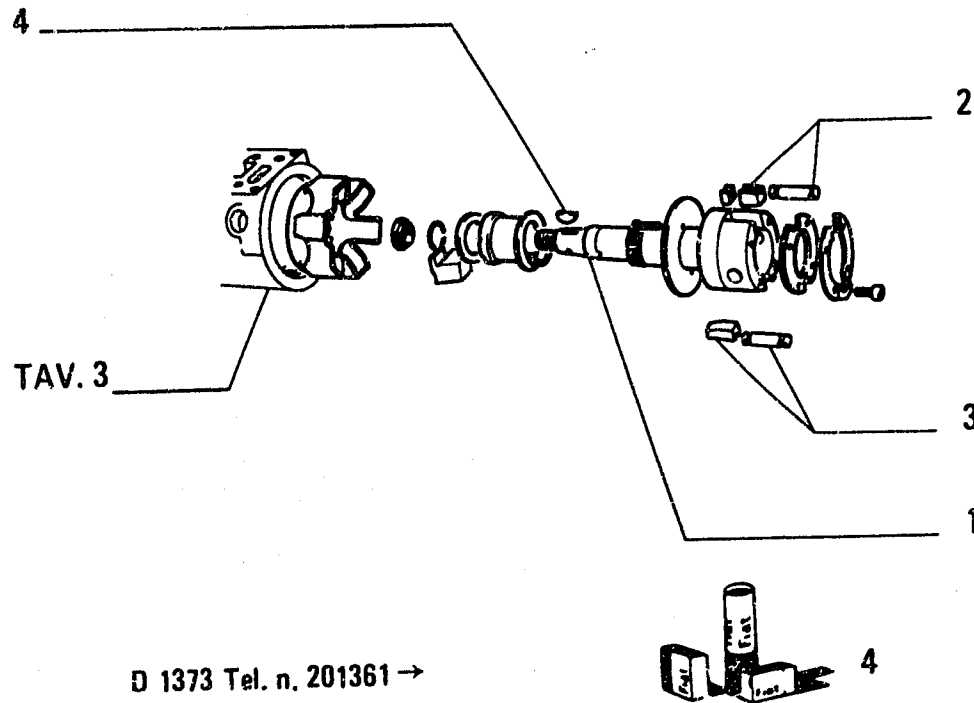
A2.27/A

5

N.T.R. 163 - 30.05.1989

604.01.077.03

M3



D 1373 Tel. n. 201361 →

ITEM	PART NUMBER	QTY	TRANS CODE	DESCRIPTION	DESCRIZIONE
1	79070060	1	16A	SHAFT	ALBERO
2	79070064	3	62T	COUNTERWEIGHT	CONTRAPPESO
3	79070065	1	62T	COUNTERWEIGHT	CONTRAPPESO
4	79071796	1	2K	KIT	KIT

4807391

INJECTION PUMP - POMPA INIEZIONE - POMPE D'INJECTION - EINSPRITZPUMPE - BOMBA DE INYECCION

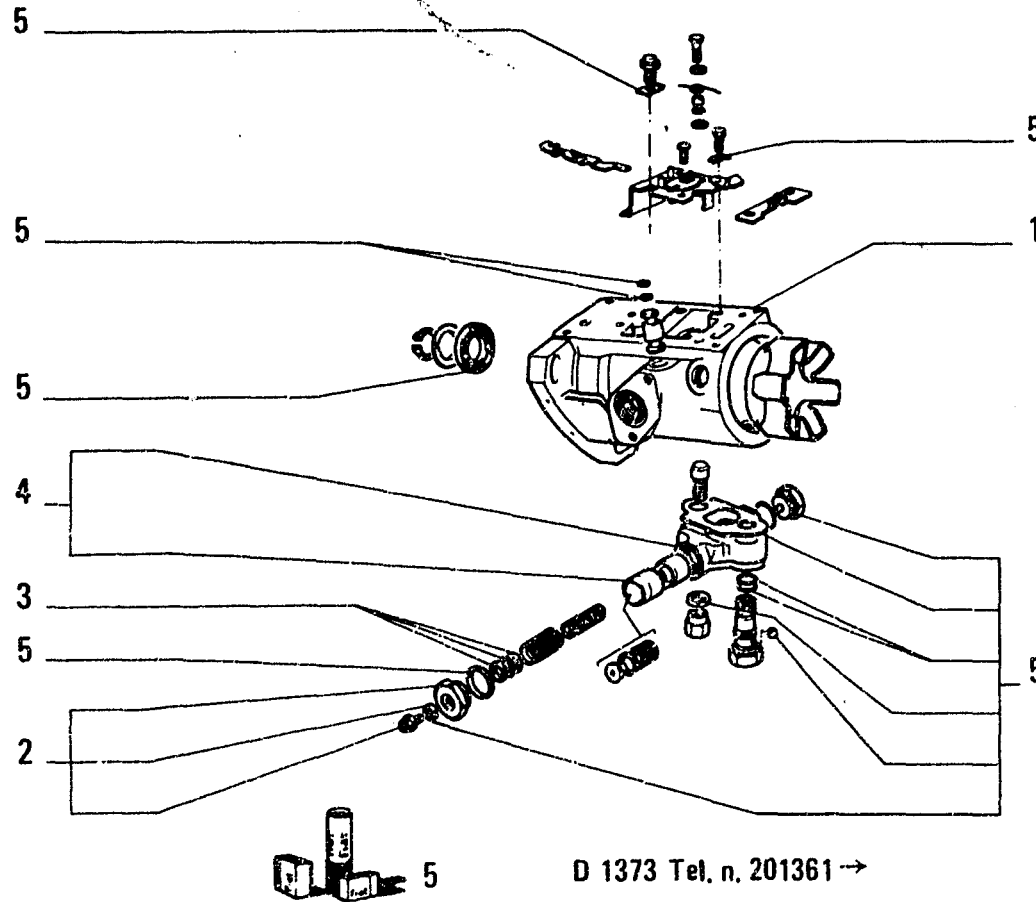
A2.27/A

4

N.T.R. 163 - 30.05.1989

604.01.077.03

M4



I T E M	PART NUMBER	Q T Y	TRANS CODE	DESCRIPTION	DESCRIZIONE
1	79070045	1	300C	BODY	CORPO
2	79070114	1	50T	PLUG	TAPPO
3	9917979		198S	SHIM	SPESSORE
4	79070109	1	265C	COVER	COPERCHIO
5	79071796	1	2K	KIT	KIT

4807391

INJECTION PUMP - POMPA INIEZIONE - POMPE D'INJECTION - EINSPRITZPUMPE - BOMBA DE INYECCION

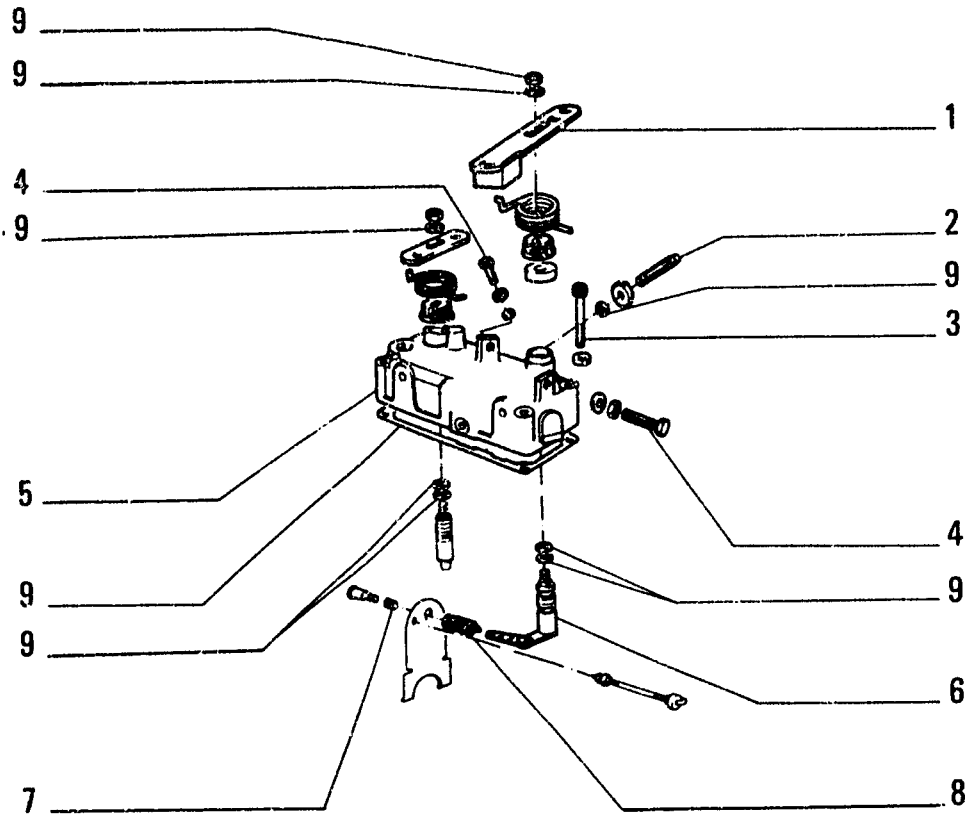
A2.27/A

3

N.T.R. 163 - 30.05.1989

604.01.077.03

M5



I T E M	PART NUMBER	Q T Y	TRANS CODE	DESCRIPTION	DESCRIZIONE
1	9917955	1	45L	LEVER	LEVA
2	79070143	1	40V	SCREW	VITE
3	79070140	4	40V	SCREW	VITE
4	79070137	2	40V	SCREW	VITE
5	79070136	1	265C	COVER	COPERCHIO
6	9917954	1	16A	SHAFT	ALBERO
7	79070121	1	100M	SPRING	MOLLA
8	79070122	1	100M	SPRING	MOLLA
9	79071796	1	2K	KIT	KIT



9

D 1373 Tel. n. 201361 →

4807391

INJECTION PUMP - POMPA INIEZIONE - POMPE D'INJECTION - EINSPIRITZPUMPE - BOMBA DE INYECCION

A2.27/A

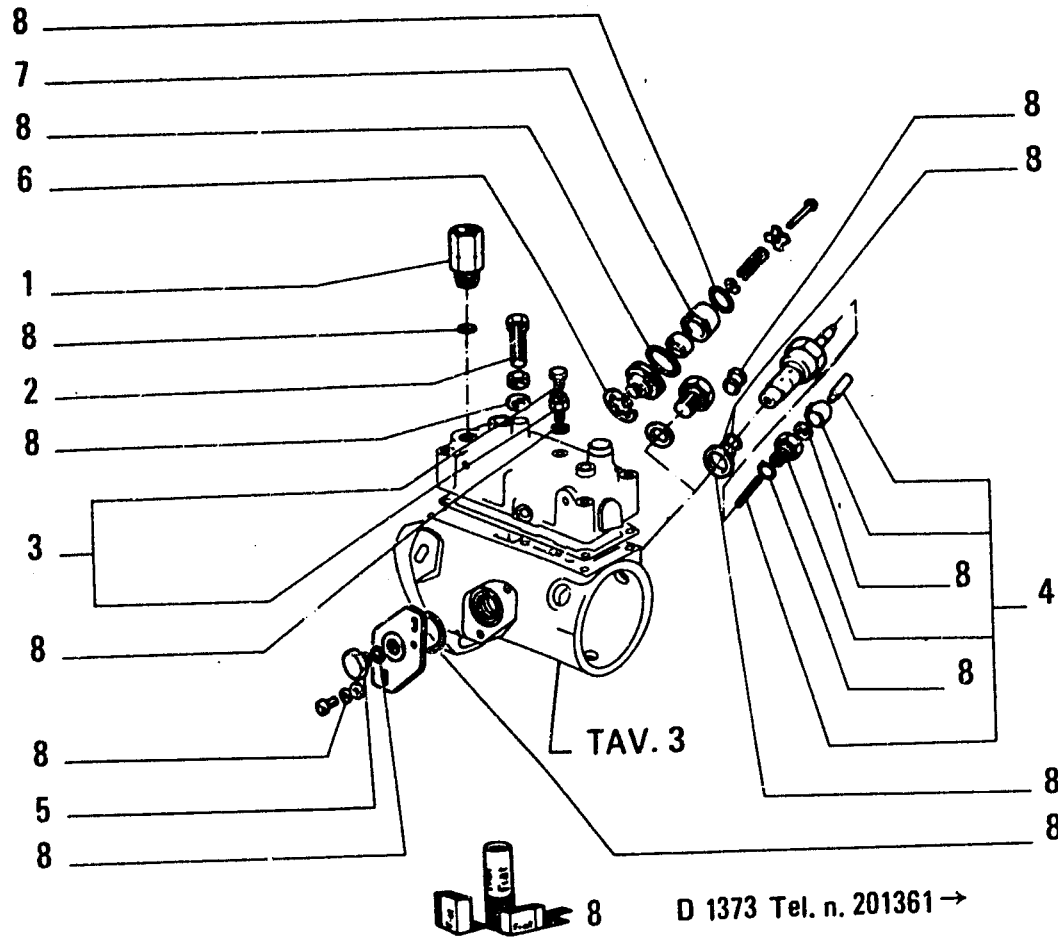
2

N.T.R. 163 - 30.05.1989

604.01.077.03

M6

FIATALLIS FL5



ITEM	PART NUMBER	QTY	TRANS CODE	DESCRIPTION	DESCRIZIONE
1	79070149	1	20R	FITTING	RACCORDO
2	79070150	1	40V	SCREW	VITE
3	9917964	1	40V	SCREW	VITE
4	79070151	1	10V	VALVE	VALVOLA
5	79070159	1	40V	SCREW	VITE
6	79070172	1	45A	RING	ANELLO
7	79070168	1	30M	SLEEVE	MANICOTTO
8	79071796	1	2K	KIT	KIT

4807391

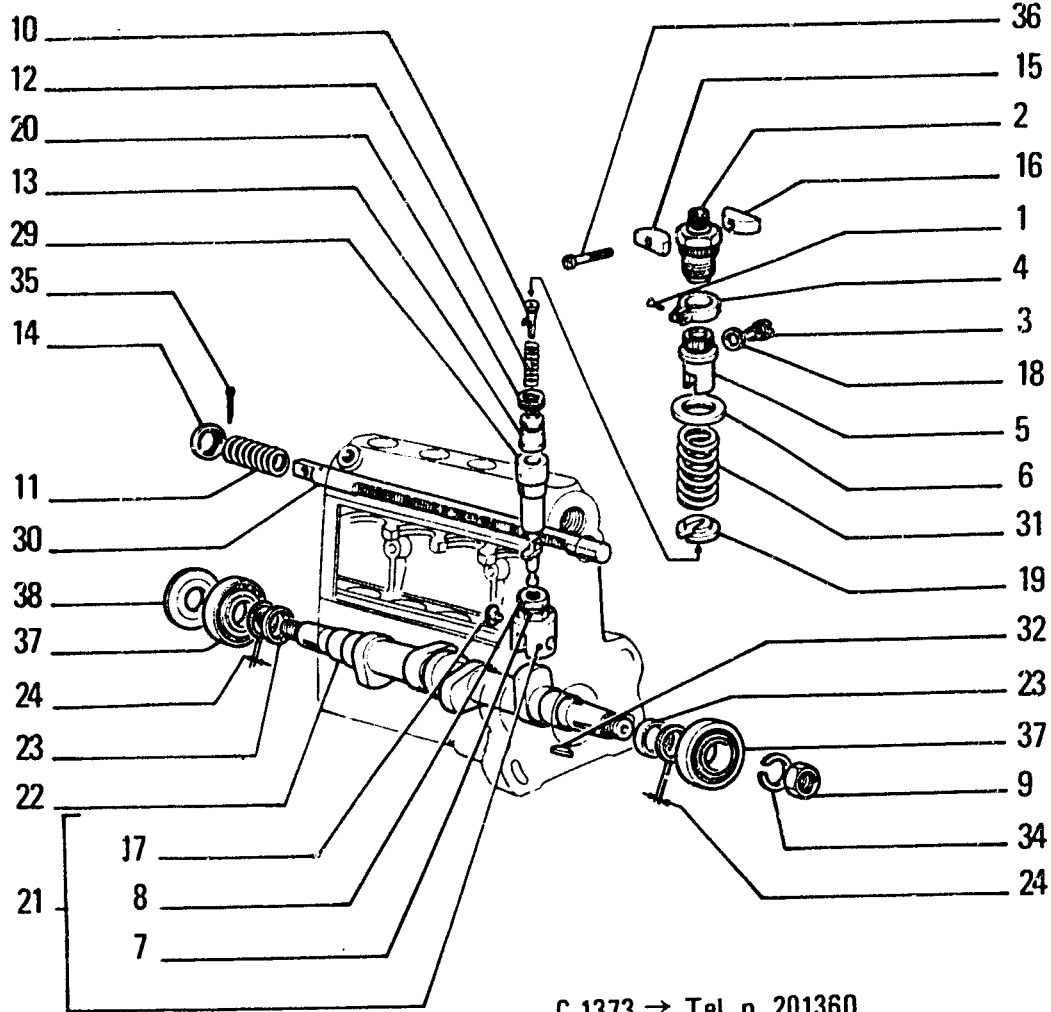
INJECTION PUMP – POMPA INIEZIONE – POMPE D'INJECTION – EINSPRITZPUMPE – BOMBA DE INYECCION

A2.27/A

1

N.T.R. 163 - 30.05.1989
604.01.077.03

M7



C 1373 → Tel. n. 201360

ITEM	PART NUMBER	QTY	TRANS CODE	DESCRIPTION	DESCRIZIONE
24	765070		198S SHIM 0,18		SPESSORE 0,18
	765071		198S SHIM 0,20		SPESSORE 0,20
29	765461	4	164C CYLINDER		CILINDRO
30	766074	1	88A ADJUSTING ROD		ASTA DI REGOLAZIONE
31	766419	4	100M SPRING		MOLLA
32	10206220	1	60L KEY 6,5x3		LINGUETTA 6,5x3
34	10517070	1	132R LOCKWASHER 12,2x3,1		ROSETTA DI SICUREZZA 12,2x3,1
35	10734301	1	270C COTTER PIN 1,7x24,5		COPIGLIA 1,7x24,5
36	13276801	2	40V SCREW 6x1x30		VITE 6x1x30
37	26799910	2	341C BEARING 17x40		CUSCINETTO 17x40
38	770785	1	131R WASHER		ROSETTA

INJECTION PUMP - POMPA INIEZIONE - POMPE D'INJECTION - EINSPRITZPUMPE - BOMBA
 DE INYECCIÓN

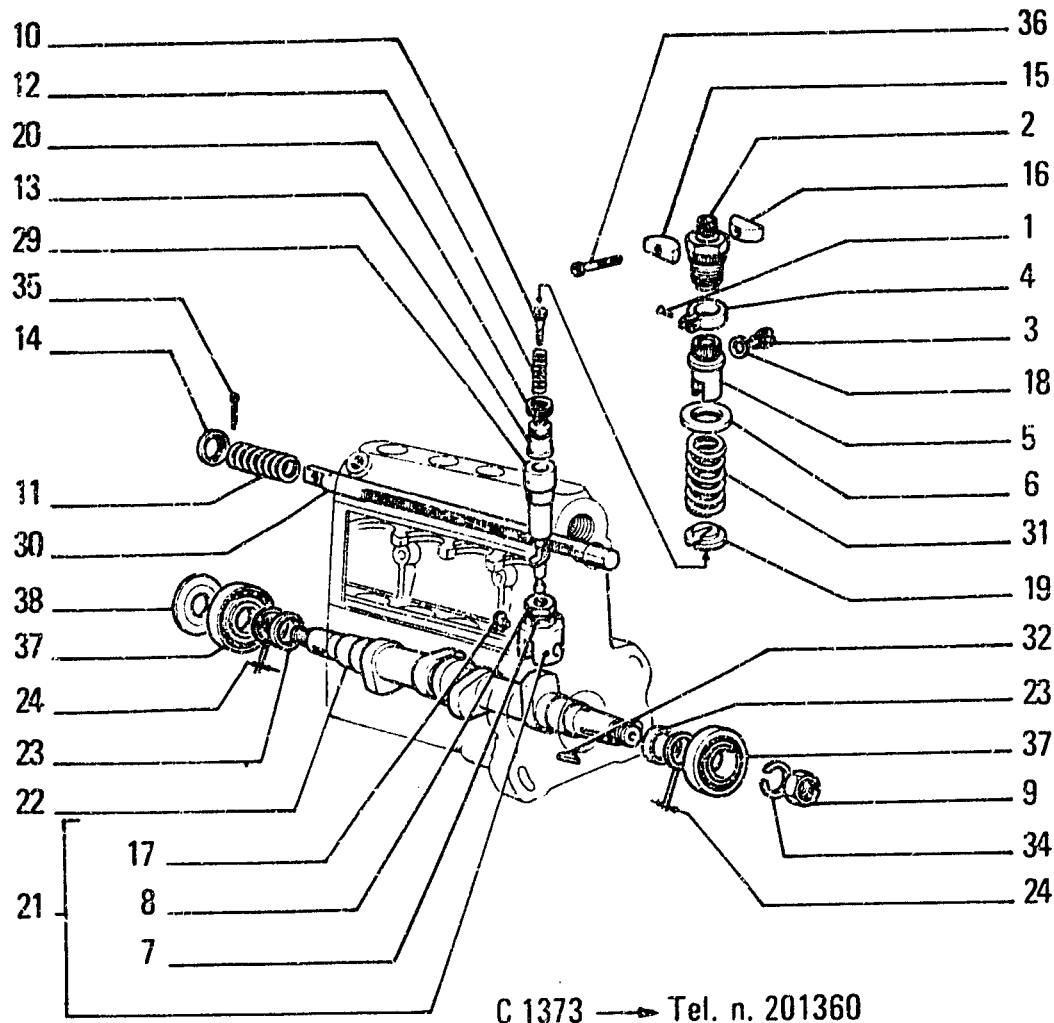
A2.27

2

N.T.R. 163 - 30.05.1989

604.01.077.03

M8



ITEM	PART NUMBER	QTY	TRANS CODE	DESCRIPTION	DESCRIZIONE
1	705816	4	40V	SCREW	VITE
2	746368	4	20R	FITTING	RACCORDO
3	746370	1	40V	SCREW	VITE
4	746371	4	135S	TOOTHED SECTOR	SETTORE DENTATO
5	746373	4	30M	SLEEVE	MANICOTTO
6	746374	4	120P	PLATE - UPPER	PIATTELLO - SUPERIORE
7	746379	4	10D	NUT	DADO
8	746380	4	40V	SCREW	VITE
9	746399	1	16D	NUT	DADO
10	748670	4	50T	PLUG	TAPPO
11	751627	1	100M	SPRING	MOLLA
12	754799	4	100M	SPRING	MOLLA
13	755708	4	10V	VALVE	VALVOLA
14	755860	1	50S	CUP	SCODELLINO
15	756190	2	78B	FASTENING BLOCK	BLOCCHETTO DI FISSAGGIO
16	756191	2	78B	FASTENING BLOCK	BLOCCHETTO DI FISSAGGIO
17	760356	4	45P	PAD	PATTINO
18	760463	1	133R	SEAL	ROSETTA DI TENUTA
19	760489	4	120P	PLATE - LOWER	PIATTELLO - INFERIORE
20	760862	4	133R	SEAL	ROSETTA DI TENUTA
21	765057	4	240P	TAPPET	PUNTERIA
22	765064	1	16A	SHAFT	ALBERO
23	765065	2	45A	RING	ANELLO
24	765066		198S	SHIM 0,10	SPESORE 0,10
	765067		198S	SHIM 0,12	SPESORE 0,12
	765068		198S	SHIM 0,14	SPESORE 0,14
	765069		198S	SHIM 0,16	SPESORE 0,16

INJECTION PUMP - POMPA INIEZIONE - POMPE D'INJECTION - EINSPRITZPUMPE - BOMBA
DE INYECCIÓN

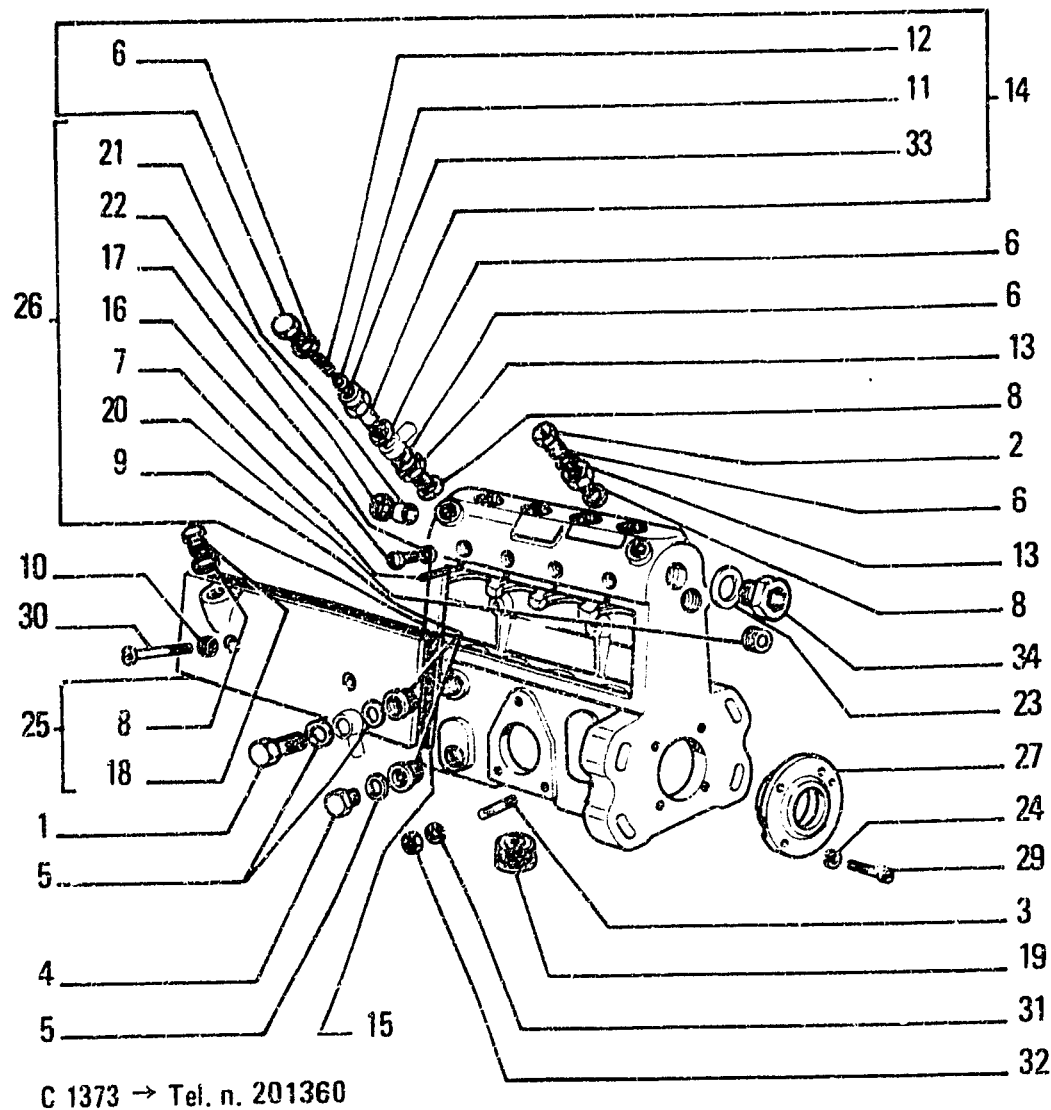
A2.27

2

N.T.R. 163 - 30.05.1989

604.01.077.03

M9



FIATALLIS FL5

ITEM	PART NUMBER	QTY	TRANS CODE	DESCRIPTION	DESCRIZIONE
29	10376711	4	40V	SCREW 6x1x16	VITE 6x1x16
30	10377611	2	40V	SCREW 6x1x50	VITE 6x1x50
31	10516470	3	132R	LOCKWASHER 6,1x1,8	ROSETTA DI SICUREZZA 6,1x1,8
32	15896211	3	10D	NUT 6x1x5	DADO 6x1x5
33	20419310	1	140S	BALL 15,082	SFERA 15,082
34	10273101	1	50T	PLUG 18x1,5x10	TAPPO 18x1,5x10

INJECTION PUMP - POMPA INIEZIONE - POMPE D'INJECTION - EINSPRITZPUMPE - BOMBA
DE INYECCIÓN

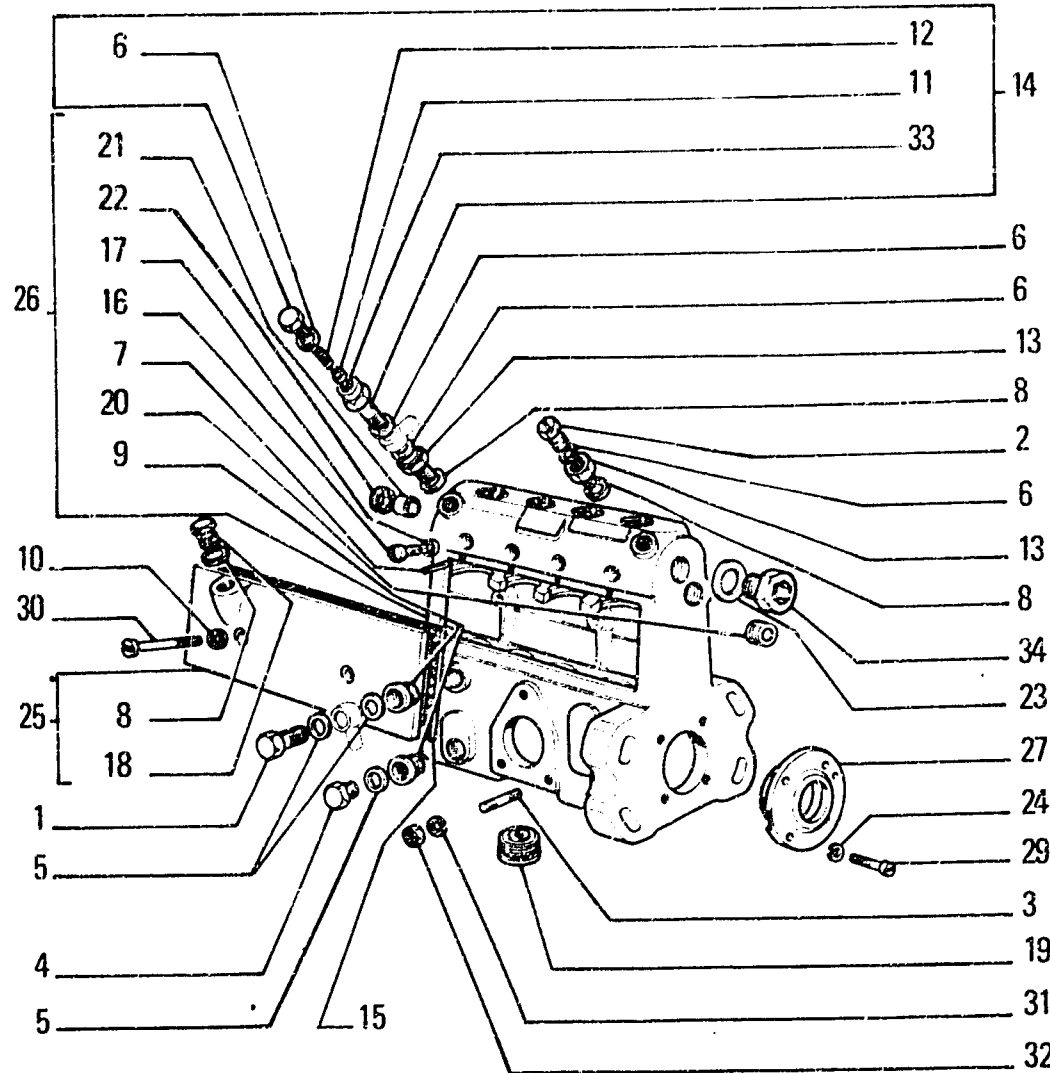
A2.27

1

N.T.R. 163 - 30.05.1989

604.01.077.03

M10



C 1373 → Tel. n. 201360

ITEM	PART NUMBER	QTY	TRANS CODE	DESCRIPTION	DESCRIZIONE
1	705736	1	40V	SCREW	VITE
2	705737	1	40V	SCREW	VITE
3	705785	3	210P	STUD	PRIGIONIERO
4	726380	1	50T	PLUG	TAPPO
5	726381	3	133R	SEAL	ROSETTA DI TENUTA
6	746152	5	133R	SEAL	ROSETTA DI TENUTA
7	746366	4	200S	PIN	SPINA
8	746993	3	133R	SEAL	ROSETTA DI TENUTA
9	747568	2	20R	FITTING	RACCORDO
10	753177	2	133R	SEAL	ROSETTA DI TENUTA
11	756200	1	120P	PLATE	PIATTELLO
12	756201	1	100M	SPRING	MOLLA
13	756203	2	99B	THREADED BUSH	BOCCOLA FILETTATA
14	758065	1	10V	VALVE - ASSEMBLY	VALVOLA - COMPLETO
15	760513	1	123G	SEAL ASSY	GUARNIZIONE TENUTA FRONTALE
16	764155	4	40V	SCREW	VITE
17	764995	4	133R	SEAL	ROSETTA DI TENUTA
18	765758	1	50T	PLUG	TAPPO
19	766250	4	50T	PLUG	TAPPO
20	766313	1	99B	THREADED BUSH	BOCCOLA FILETTATA
21	766314	2	95B	BUSHING	BOCCOLA
22	766315	1	45A	RING	ANELLO
23	768043	1	133R	SEAL	ROSETTA DI TENUTA
24	768482	4	131R	WASHER	ROSETTA
25	769235	1	265C	COVER	COPERCHIO
26	770783	1	300C	BODY - ASSEMBLY	CORPO - COMPLETO
27	770784	1	265C	COVER	COPERCHIO

INJECTION PUMP - POMPA INIEZIONE - POMPE D'INJECTION - EINSPRITZPUMPE - BOMBA
 DE INYECCION

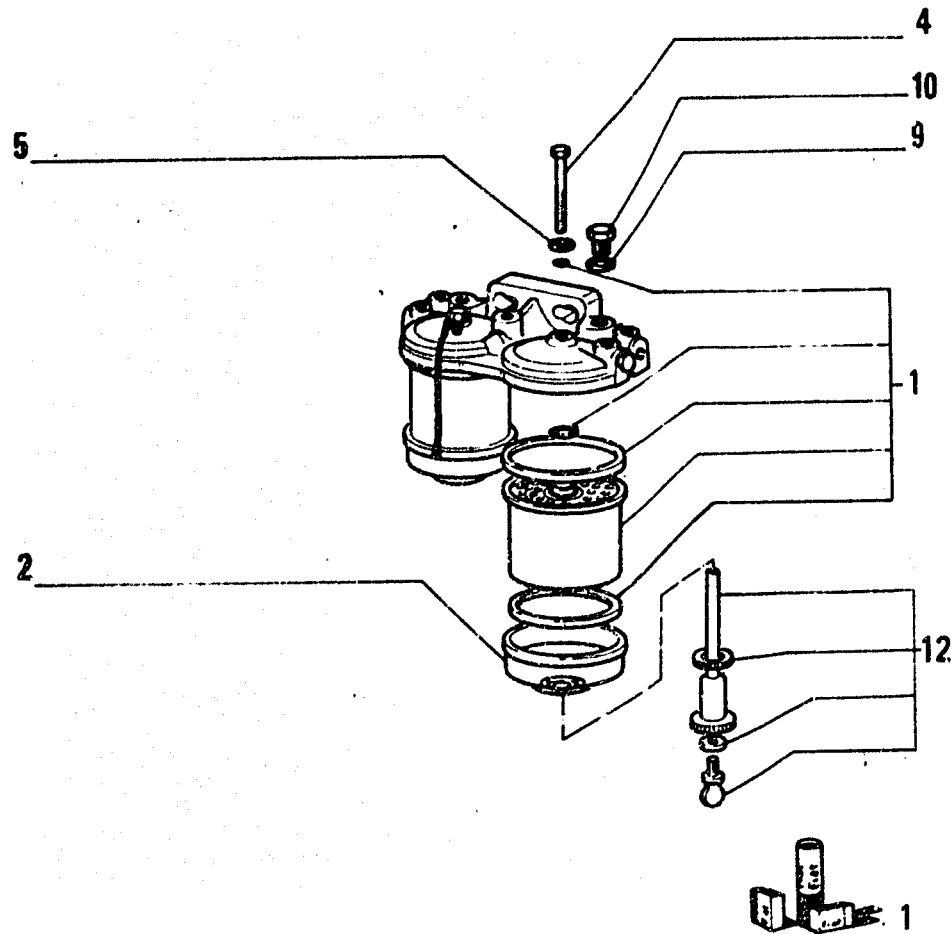
A2.27

1

N.T.R. 163 - 30.05.1989

604.01.077.03

M11



ITEM	PART NUMBER	QTY	TRANS CODE	DESCRIPTION	DESCRIZIONE
1	9924318	1	2K KIT		KIT
2	9924319	1	255C FILTER SHELL		CONTENITORE FILTRO
4	10903721	1	40V SCREW 6x1x55		VITE 6x1x55
5	12644401	1	131R WASHER 6,15x15		ROSETTA 6,15x15
9	11270050	1	131R WASHER		ROSETTA
10	79022837	1	50T PLUG		TAPPO
12	79028840	1	184C STUD - ASSEMBLY		COLONNETTA - COMPLETO

D 1373 Tel. n. 201361 →

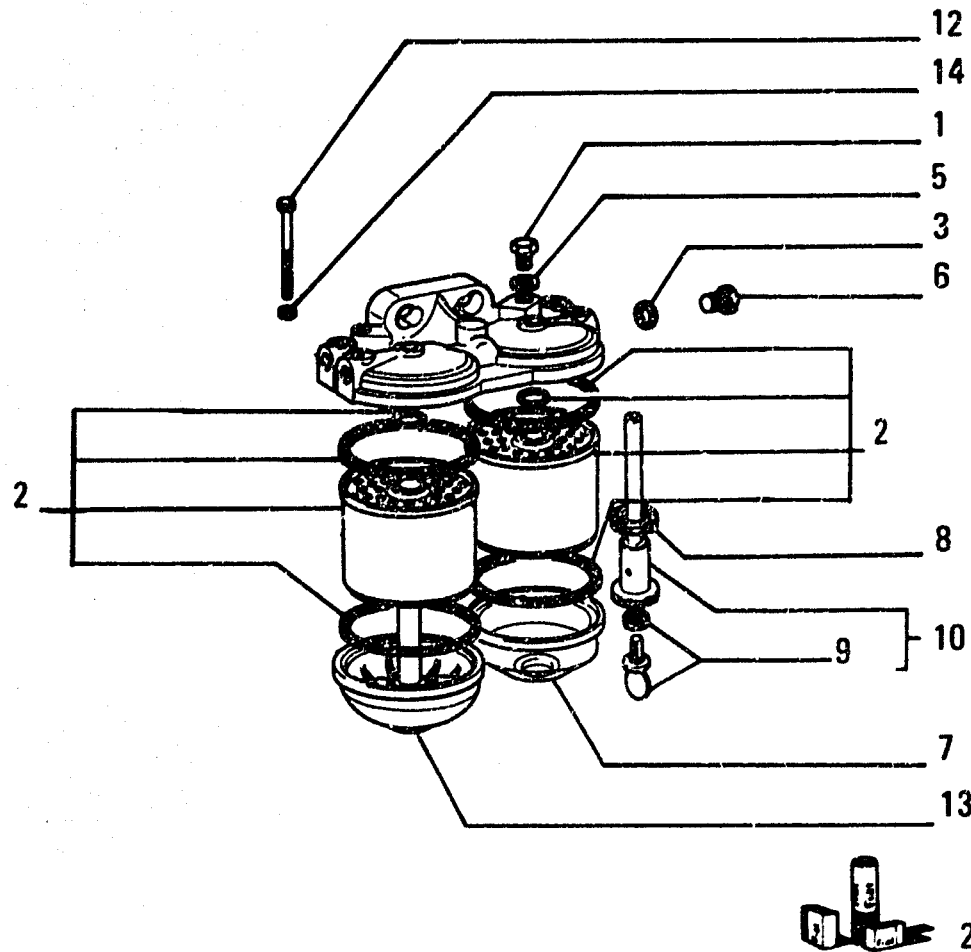
4669555 (FISPA)
 FUEL FILTER — FILTRO COMBUSTIBILE — FILTRE COMBUSTIBLE — KRAFTSTOFFFILTER — FILTRO DE
 COMBUSTIBLE

A2.26/1A

N.T.R. 163 - 30.05.1989

604.01.077.03

M12



I T E M	PART NUMBER	Q T Y	TRANS CODE	DESCRIPTION	DESCRIZIONE
1	4617973	1	50T PLUG		TAPPO
2	4621740	1	2K KIT		KIT
3	11270250	1	131R WASHER		ROSETTA
5	11270050	1	131R WASHER		ROSETTA
6	9918111	1	50T PLUG		TAPPO
7	9918123	1	255C FILTER SHELL		CONTENITORE FILTRO
8	9918124	1	131R WASHER		ROSETTA
9	79060809	1	40V SCREW		VITE
10	9919164	1	184C STUD - ASSEMBLY		COLONNETTA - COMPLETO
12	10903634	2	40V SCREW		VITE
13	9918386	1	255C FILTER SHELL		CONTENITORE FILTRO
14	14496421	2	131R WASHER 6,4x12,5		ROSETTA 6,4x12,5

D 1373 Tel. n. 201361 →

4659288 (C.A.V.)

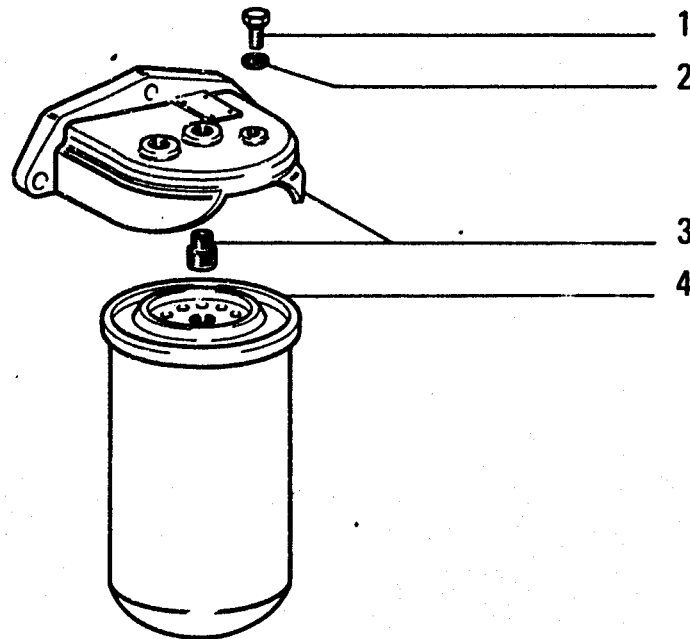
FUEL FILTER - FILTRO COMBUSTIBILE - FILTRE COMBUSTIBLE - KRAFTSTOFFFILTER - FILTRO DE COMBUSTIBLE

A2.26/A

N.T.R. 163 - 30.05.1989

604.01.077.03

M13



ITEM	PART NUMBER	QTY	TRANS CODE	DESCRIPTION	DESCRIZIONE
1	4626467	1	50T PLUG		TAPPO
2	4626468	1	133R SEAL		ROSETTA DI TENUTA
3	4640764	1	300C BODY		CORPO
4	4964322	1	20E FILTERING ELEMENT		ELEMENTO FILTRANTE

C 1373 → Tel. n. 201360

4618309

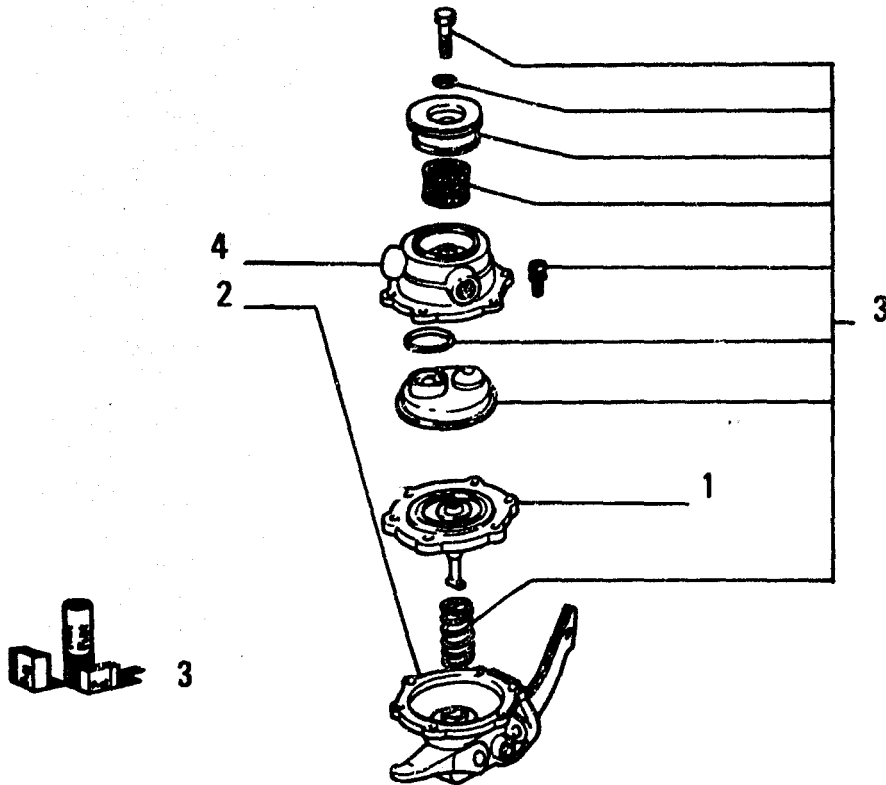
FUEL FILTER - FILTRO COMBUSTIBILE - FILTRE COMBUSTIBLE - KRAFTSTOFFFILTER - FILTRO DE COMBUSTIBLE

A2.26

N.T.R. 163 - 30.05.1989
604.01.077.03

M14

I T E M	PART NUMBER	Q T Y	TRANS CODE	DESCRIPTION	DESCRIZIONE
1	9924369	1	75M	DIAPHRAGM	MEMBRANA
2	79023808	1	300C	BODY	CORPO
3	79035096	1	2K	KIT	KIT
4	79035097	1	300C	BODY	CORPO



D 1373 Tel. n. 201361 →

4757883 (CORONA)

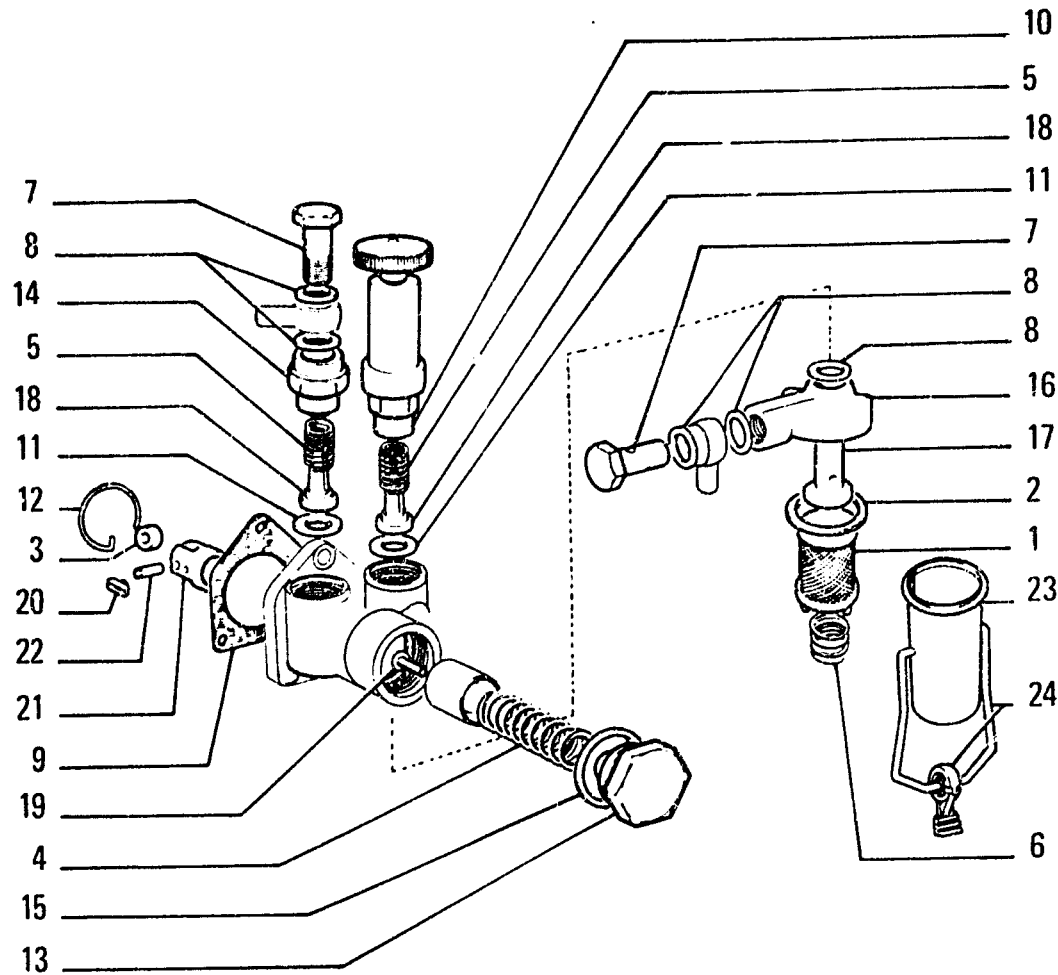
FUEL PUMP – POMPA ALIMENTAZIONE – POMPE D'ALIMENTATION – KRAFT STOFFPUMPE – BOMBA
DE ALIMENTACION

M15

A2.25/A

N.T.R. 163 - 30.05.1989

604.01.077.03



C 1373 → Tel. n. 201360

I T E M	PART NUMBER	Q T Y	TRANS CODE	DESCRIPTION	DESCRIZIONE
1	705603	1	65F	FILTER	FILTRO
2	705631	1	133R	SEAL	ROSETTA DI TENUTA
3	705633	1	157R	ROLLER	RULLO
4	705636	1	100M	SPRING	MOLLA
5	705637	2	100M	SPRING	MOLLA
6	705639	1	100M	SPRING	MOLLA
7	705737	2	90B	FILLER PLUG	BOCCHETTONE INTRODUZIONE
8	746152	5	133G	SEAL	ROSETTA DI TENUTA
9	746153	1	123G	SEAL ASSY	GUARNIZIONE TENUTA FRONTALE
10	746189	1	155P	PUMP	POMPA
11	746214	2	133R	SEAL	ROSETTA DI TENUTA
12	751032	1	51A	LOCKRING	ANELLO DI SICUREZZA
13	753762	1	50T	PLUG	TAPPO
14	760239	1	20R	FITTING	RACCORDO
15	760241	1	133R	SEAL	ROSETTA DI TENUTA
16	763152	2	265C	COVER	COPERCHIO
17	763153	1	90B	FILLER PLUG	BOCCHETTONE INTRODUZIONE
18	763178	2	10V	VALVE	VALVOLE
19	764120	1	158G	O-RING	GUARNIZIONE O-R
20	764956	2	45P	PAD	PATTINO
21	764957	1	241P	ROLLER TAPPET	PUNTERIA A RULLO
22	764958	1	80P	PIN	PERNO
23	766875	1	19V	PAN	VASCHETTA
24	766903	1	226S	U-BOLT	STAFFA AD U

763150

FUEL PUMP - POMPA ALIMENTAZIONE - POMPE D'ALIMENTATION - KRAFTSTOFFPUMPE - BOMBA
DE ALIMENTACION

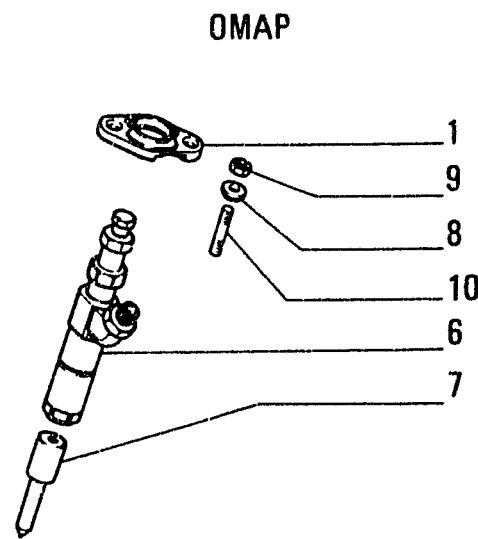
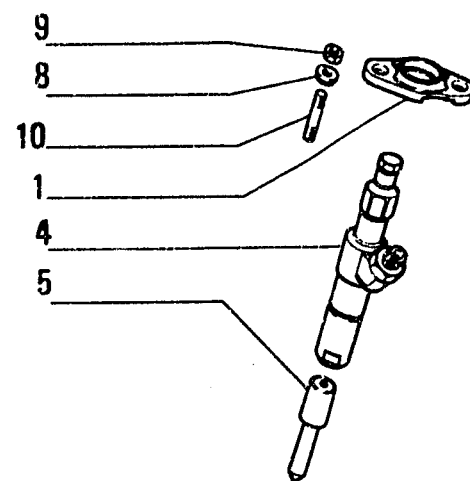
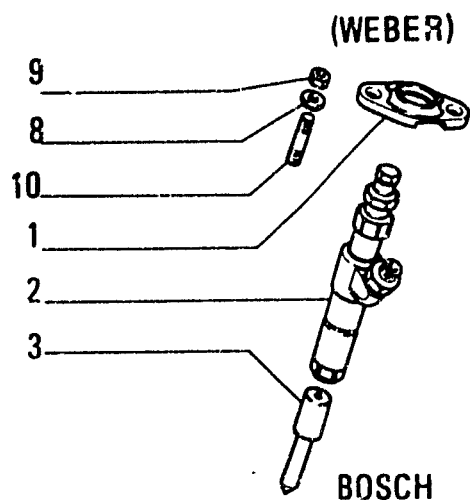
A2.25

N.T.R. 163 - 30.05.1989

604.01.077.03

M16

FIATALLIS FL5



ITEM	PART NUMBER	QTY	TRANS CODE	DESCRIPTION	DESCRIZIONE
1	4780612	4	225S	BRACKET	STAFFA
2	4802392	4	195P	NOZZLE HOLDER - ASSEMBLY IN ALTERNATIVE SEE SGR. A2.35/A	PORTAPOLVERIZZATORE - COMPLETO IN ALTERNATIVA VEDERE SGR. A2.35/A
3	4802395	4	148P	NOZZLE	POLVERIZZATORE
4	4791124	4	195P	NOZZLE HOLDER - ASSEMBLY IN ALTERNATIVE SEE SGR. A2.35/1A	PORTAPOLVERIZZATORE - COMPLETO IN ALTERNATIVA VEDERE SGR. A2.35/1A
5	4800030	4	148P	NOZZLE	POLVERIZZATORE
6	79069718	4	195P	NOZZLE HOLDER - ASSEMBLY IN ALTERNATIVE SEE SGR. A2.35/2A	PORTAPOLVERIZZATORE - COMPLETO IN ALTERNATIVA VEDERE SGR. A2.35/2A
7	79069734	4	148P	NOZZLE	POLVERIZZATORE
8	771326	8	131R	WASHER	ROSETTA
9	16100821	8	10D	NUT 8x1,25x6,5	DADO 8x1,25x6,5
10	13517530	8	210P	STUD 8x1,25x57	PRIGIONIERO 8x1,25x57

Ø 1373 Tel. n. 201361 →

FUEL INJECTION SYSTEM - ALIMENTAZIONE AD INIEZIONE - ALIMENTATION PAR INJECTION -
EINSPRITZAUSRUESTUNG - ALIMENTACION POR INYECCION

A2.24/A

3

N.T.R. 163 - 30.05.1989
604.01.077.03

M17

DESIGNAZIONE BASE	BASIC DESIGNATION	DESIGNATIONS-BASES	GRUNDBEZEICHNUNGEN	DENOMINACIONES BASE
168T	TRASPARENTE DELL'INDICATORE DI DIREZIONE	DIRECTION INDICATOR LAMP LENS	TRANSPARENT D'INDICATEUR DE DIRECTION	TAPA TRANSLUCIDA DEL INDICADOR DE DIRECCION
168T				
168T				
169C	CILINDRO DI DISINNESTO	RELFASE CYLINDER	CYLINDRE DE DEBRAYAGE	CILINDRO DE EM-BRAGUE
169C				
169P	POMPETTA	PUMP WASHER	POMPE	BOMBA
169R	REGOLATORE	REGULATOR	REGULATEUR	REGULADOR
169T	TRASPARENTE CON CATADIOPTRO	LENS AND REFLEX-REFLECTOR	TRANSPARENT ET CATADIOPTRE	TAPA TRANSLUCIDA CON CATAFAROS
169T				
17GA	RAFFREDDAMENTO MOTORE	ENGINE COOLING SYSTEM	REFROIDISSEMENT MOTEUR	
17G2	TUBAZIONI RAFFREDD.MOTORE	ENGINE COOLING PIPING		
17G5	ELEMENTI TENUTA ARIA	AIR-TIGHT ELEMENT	ELEMENTS ETANCHEITE D'AIRE	
170C	CILINDRO MAESTRO	MASTER CYLINDER	MAITRE-CYLINDRE	CILINDRO PRINCIPAL
170P	PONTICELLO	BRIDGE PIECE	CHAPE D'ATTelage	BRIDA
170R	ROSETTA EL.	LOCKWASHER	RONDELLE A RESSORT	ARANDELA DE FRENO
170S	SOPPRESSORE	SUPPRESSOR	RESISTANCE	SUPRESOR
170T	TRASPARENTE	LENS	TRANSPARENT	TRANSLUCIDO
171C	CILINDRO OPERATORE	OPERATING CYLINDER	CYLINDRE DE COM-MANDE	CILINDRO DE MANDO
171C				
171R	RIFLETTORE	REFLECTOR	REFLECTEUR	REFLECTOR
171S	SOPRASUOLA	STREET PLATE	PATIN DE ROUTE	PATIN DE CARRETERA
172C	CINGHIA DI FISSAGGIO	SECURING STRAP	SANGLE DE FIXATION	CORREA DE FIJACION
172S	SOSPENSIONE	SUSPENSION	SUSPENSION	SUSPENSION
173C	CINGHIA	BELT	COURROIE	CORREA
173R	RALLA ROTAZIONE	BULL GEAR	CRAPAUDINE	RUEDA DE DIENTES-EXCAVADORA
174C	CINGHIE	BELTS	COURROIES	CORREAS
174R	RALLA PORTALAMA	CIRCLE	CERCLE	RUEDA DE DIENTES-MOTONIVELADOR
174S	SOSTEGNO	BRACE	SUPPORT	SOPORTE
175R	REGOLATORE MECCANICO	GOVERNOR	REGULATEUR	REGULADOR
176C	COFANO	HOOD	CAPOT	CAPOT
176R	RUSPA	SCRAPER	DECROTTOIR	LIMPIADOR
177R	RUOTA COMPATTATORE	PADFOOT WHEEL		
177S	SPAZZOLA	BRUSH	BALAI	ESCOBILLA
178C	CINGHIOLO	TRACK	CHENILLE	ORUGA
180C	COLLARE	COLLAR	COLLIER	COLLAR
180P	PORTA	DOOR	PORTE	PUERTA
180T	TRAVERSA	CROSS BEAM	TRAVERSE	TRAVESANO
181T	TRAVERSA DI TRAINO	DRAWBAR FRAME	TRAVERSE D'ATTelage	TRAVIESA PERFORADA
181T				
182C	CINTURA DI SICUREZZA	SAFETY BELT	CEINTURE DE SECURITE	CINTURON DE SEGURIDAD

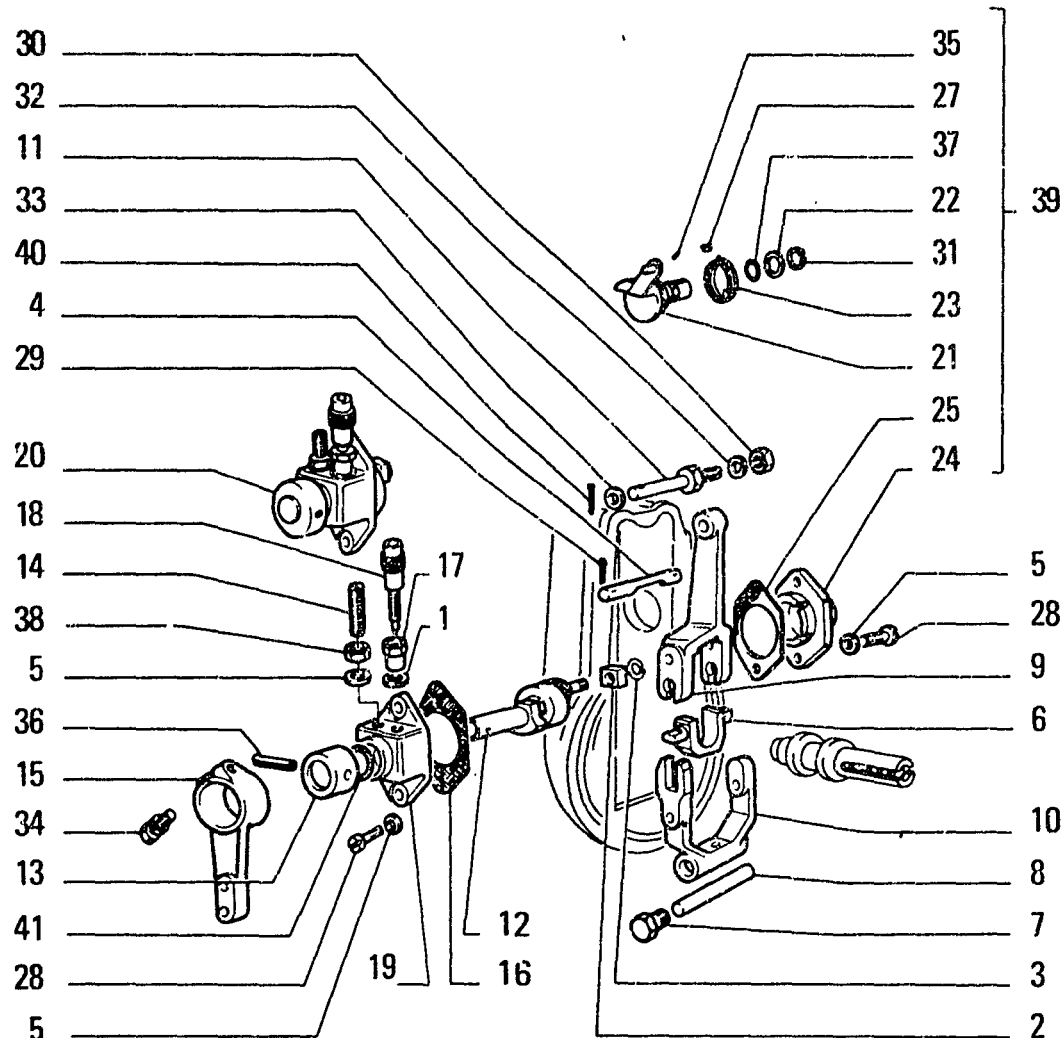
DESIGNAZIONE BASE	BASIC DESIGNATION	DESIGNATIONS-BASES	GRUNDBEZEICHNUNGEN	DENOMINACIONES BASE
1821	SOLLEVATORE IDRAULICO (VELOCE)	RELEVAGE HYDRAULIQUE (RAPIDE)	KRAFTHEBER HYDRAULISCH-SCHNELL	
183P	PORTACENERE	CENDRIER	ASCHENBECHER	GENICERO
184C	COLONNETTA	COLONNETTE	SCHRAUBENBOLZEN	COLUMNA
184S	SPECCHIO	MIROIR	SPIEGEL	ESPEJO
185C	CHiodo	CLOU	NIET	CLAVO
185P	PORTACONTATTI	PORTE-CONTACTS	KLEMMENHALTER	CAJA DE BORNAS
185S	SPECCHIO RETROVISORE	RETROVISEUR	RUECKSPIEGEL	ESPEJO RETROVISOR
186A	ALBERO RETROMARCIA	ARBRE ARRIERE	WELLE-RUECKWAERTSGANG	ARBOL MARCHA ATRAS
187A	ANELLO ELASTICO	ARRETOIR	SPANNRING	AROS ELASTICOS
187C	COMANDO CADUTA LIBERA DI EMERGENZA	COMMANDE DE CHUTE	NOTSTEUERUNG DES F	MANDO DE CAIDA LIB EMERGENCIA
188A	APPENDIABITI	PORTEMANTEAUX	KLEIDERHAKEN	COLGADOR
188C	COLLETTORE	COLLECTEUR	KRUEMMER	COLECTOR
189P	PORTAFUSIBILE	PORTE-FUSIBLE	SICHERUNGSSHALTER	PORTAFUSIBILE
189A	ATTUATORE DI ROTAZIONE	GROUPE DE ROTATION	DREHAGGREGAT	MECANISMO DE ROTACION
189C	COMANDO	COMMANDE	BETAETIGUNGS-VORRICHTUNG.	MANDO
189C			LEITUNGEN FUER MOTORLUFTFILTER	
1907	TUBAZIONI MOTORE-FILTRO ARIA		MEHRMENGENSYSTEM	SUPLEMENTO DE INYECCION
190A	ARRICCHITORE	DISPOSITIF CONTROLE INTRODUCTION		
190A		COMMANDE A MAIN	HANDBETAETIGUNG	MANDO MANUAL
190C	COMANDO A MANO	SPECIAL POUR RECHANGES	EXTRA FUER DEN ERSATZ	ESPECIAL PARA RE-CAMBIOS
190S	SPECIALE PER RICAMBI	TUYAU	LEITUNG	TUBO
190S		COMMANDE AU PIED	FUSSHEBEL	PEDAL
190T	TUBAZIONE	COMMANDE D'AVERTISSEUR	HORN-betaetigung	PULSADOR DE BOCINA
191C	COMANDO A PEDALE	PORTE-OBJETS	ABLAGE	PORTAOBJETOS
192C	COMANDO DELL'AVVISATORE	TUYAU FLEXIBLE	SCHLAUCH MIT STUTZEN	TUBO FLEXIBLE
192C		COMMANDE PNEUMATIQUE	PNEUMAT.BETAETIGUNG	MANDO NEUMATICO
192P	PORTAOGGETTI	PORTE-LAMPE	LAMPENFASSUNG	SOPORTE DE LAMPARA
192T	TUBO FLESS.C/RACCORDI	TUYAU	ROHR	TUBO
193C	COMANDO PNEUMATICO	COMMANDE ELECTRO-PNEUMATIQUE	ELEKTROPNEUMATISCHE BETAETIGUNG	MANDO ELECTRO-NEUMATICO
193C		TIRETTE DE COMMANDE	BOWDENZUG	MANDO FLEXIBLE
193P	PORTALAMPADA	PORTE-PULVERISATEUR	DUESENSTOCK	PORTAINVECTOR
193T	TUBO RIGIDO	TUBE	ROHR	TUBO
194C	COMANDO ELETTROPNEUMATICO	PORTE-SATELLITES	PLANETENTRAEGER	EJE DE SATELITES
194C				
195C	COMANDO FLESSIBILE			
195C				
195P	PORTAPOLVERIZZATORE			
195T	TUBETTO			
196P	PORTASATELLITI			

DESIGNAZIONE BASE	BASIC DESIGNATION	DESIGNATIONS-BASES	GRUNDBEZEICHNUNGEN	DENOMINACIONES BASE
196S	SPERONE	TRACK FRAME END	GUIDE CHENILLES	ESPOLON
196T	TUBETTO ISOLANTE	INSULATING SHEAT	TUBE ISOLANT	TUBO AISLANTE
197C	COMANDO ACCELERATORE	THROTTLE CONTROL	COMMANDE D'ACCELERATEUR	MANDO DEL ACELERADOR
197P	PORTASPAZZOLA	BRUSH HOLDER	PORTE-BALAI	PORTAESCOBILLA
197S	SPESSORE ELASTICO	PAD	CALE ELASTIQUE	SUPLEMENTO ELA- STICO
197S				
197T	TUBETTO STRINGIFILO	FERRULE	TUBE D'ATTACHE	TUBITO DE FIJACION
198C	COMANDO A MANO STARTER	CHOKE CONTROL	COMMANDE A MAIN DE STARTER	MANDO MANUAL DE STARTER
198C				
198P	PIASTRA PORTATARGA	PLATE SUPPORT	PORTE-PLAQUE	SOPORTE DE PLACA
198S	SPESSORE	SHIM	CALE D'EPaisseur	ESPESOR
199C	COLTELLO BENNA	BUCKET CUTTING EDGE	COUPEAU DU GODET	CUCHILLA
199S	SPESSIMETRO	FEELER GAUGE	JAUGE D'EPaisseur	CALIBRE
200C	COMANDO SICUREZZA	SAFETY CONTROL	COMMANDE DE SECURITE	PESTILLO DE SEGU- RIDAD
200C				
200P	PREMIGUARNIZIONE	EXPANDER	PRESSE-JOINT	ELEMENTO SEPARADOR
200S	SPINA	PIN	GOUPIILLE	PASADOR
200T	TUBO DI INTRODUZIONE	FILLER TUBE	TUBULURE DE REM- PLISSAGE	CUELLO DE CARGA
200T				
200V	VALVOLA AUTOMATICA DI SCARICO	AUTOMATIC DRAIN VALVE	SOUPAPE AUTOMATI- QUE DE DETENTE	VALVULA DE DESCAR- GA AUTOMATICA
200V				
201P	PREFILTRO	PRECLEANER	PREFILTRE	PREFILTRO
201S	SPINA ELETTRICA	ELECTRICAL PLUG	FICHE ELECTRIQUE	ENCHUFE
201V	VALVOLA AUTOMATICA DI SPURGO	AUTOMATIC BLEED VALVE	PURGEUR AUTOMATI- QUE	VALVULA DE PURGA AUTOMATICA
201V				
202C	COMMUTATORE CON ANTIFURTO	KEY SWITCH W/ANTITHEFT DEVICE	COMMUTEUR AVEC ANTIVOL	CONMUTADOR CON DISP.ANTIRROBO
202C				
202P	POSIZIONATORE	POSITIONER	POSITIONNEUR	POSICIONADOR
202S	SPINA ELASTICA	SPRING PIN	GOUPIILLE ELASTIQUE	PASADOR ELASTICO
203S	SPONDA	SIDE	RIDELLE	LADO
203V	VALVOLA DI ALIMENTAZIONE	FEED VALVE	SOUPAPE D'ALIMEN- TATION	VALVULA DE ALI- MENTACION
203V				
204P	PRESA ARIA	AIR INTAKE	PRISE D'AIR	BOCA DE AIRE
205P	PRESA DI CORRENTE	RECEPTACLE	PRISE DE COURANT	TOMA DE CORRIENTE
205S	SPORTELLO	DOOR	VOLET	POSTIGO
207P	PRESA DI FORZA	POWER TAKE-OFF	PRISE DE FORCE	TOMA DE FUERZA
207T	TUBO DI SFIATO	VENT PIPE	TUBE D'EVENT	TUBO DE VENTILA- CION
207T				
209T	TURBINA	TURBINE	TURBINE	TURBINA
21G3	ARTICOLAZIONE TELAI	MAIN FRAME ARTICULATION	ARTICULATION DES CHASSIS	

A

ENGINE • MOTORE • MOTEUR • MOTOR • MOTOR

N1



C 1373 → Tel. n. 201360

I T E M	PART NUMBER	Q T Y	TRANS CODE	DESCRIPTION	DESCRIZIONE
1	722023	1	133R	SEAL	ROSETTA DI TENUTA
2	722282	1	45P	PAD	PATTINO
3	722283	1	51A	LOCKRING	ANELLO DI SICUREZZA
4	723838	1	80P	PIN	PERNO
5	753177	11	123G	SEAL ASSY	GUARNIZIONE TENUTA FRONTALE
6	759016	1	165S	ARTICULATION	SNODO
7	760925	2	50T	PLUG	TAPPO
8	760926	1	80P	PIN	PERNO
9	763235	1	45L	LEVER	LEVA
10	763236	1	85F	YOKE	FORCELLA
11	763432	1	80P	PIN	PERNO
12	765503	1	17A	CAMSHAFT	ALBERO AD ECCENTRICI
13	765504	1	95B	BUSHING	BOCCOLA
14	765505	1	90G	DOWEL	GRANO
15	765633	1	45L	LEVER	LEVA
16	766432	1	123G	SEAL ASSY	GUARNIZIONE TENUTA FRONTALE
17	767977	1	10D	NUT	DADO
18	767980	1	238P	PUSH ROD	PUNTALE
19	767981	1	300S	SUPPORT	SUPPORTO
20	767982	1	189C	CONTROL - ASSEMBLY	COMANDO - COMPLETO
21	771464	1	16A	SHAFT	ALBERO
22	771468	1	131R	WASHER	ROSETTA
23	771469	1	100M	SPRING	MOLLA
24	771470	1	300S	SUPPORT	SUPPORTO
25	771471	1	123G	SEAL ASSY	GUARNIZIONE TENUTA FRONTALE
27	10205610	1	60L	KEY 3,7x2,5	LINGUETTA 3,7x2,5
28	10376611	4	40V	SCREW 6x1x14	VITE 6x1x14

SPEED GOVERNOR - REGOLATORE DI VELOCITA' - REGULATEUR DE VITESSE - DREHZAHLEGLER -
REGULADOR D. VELOCIDAD

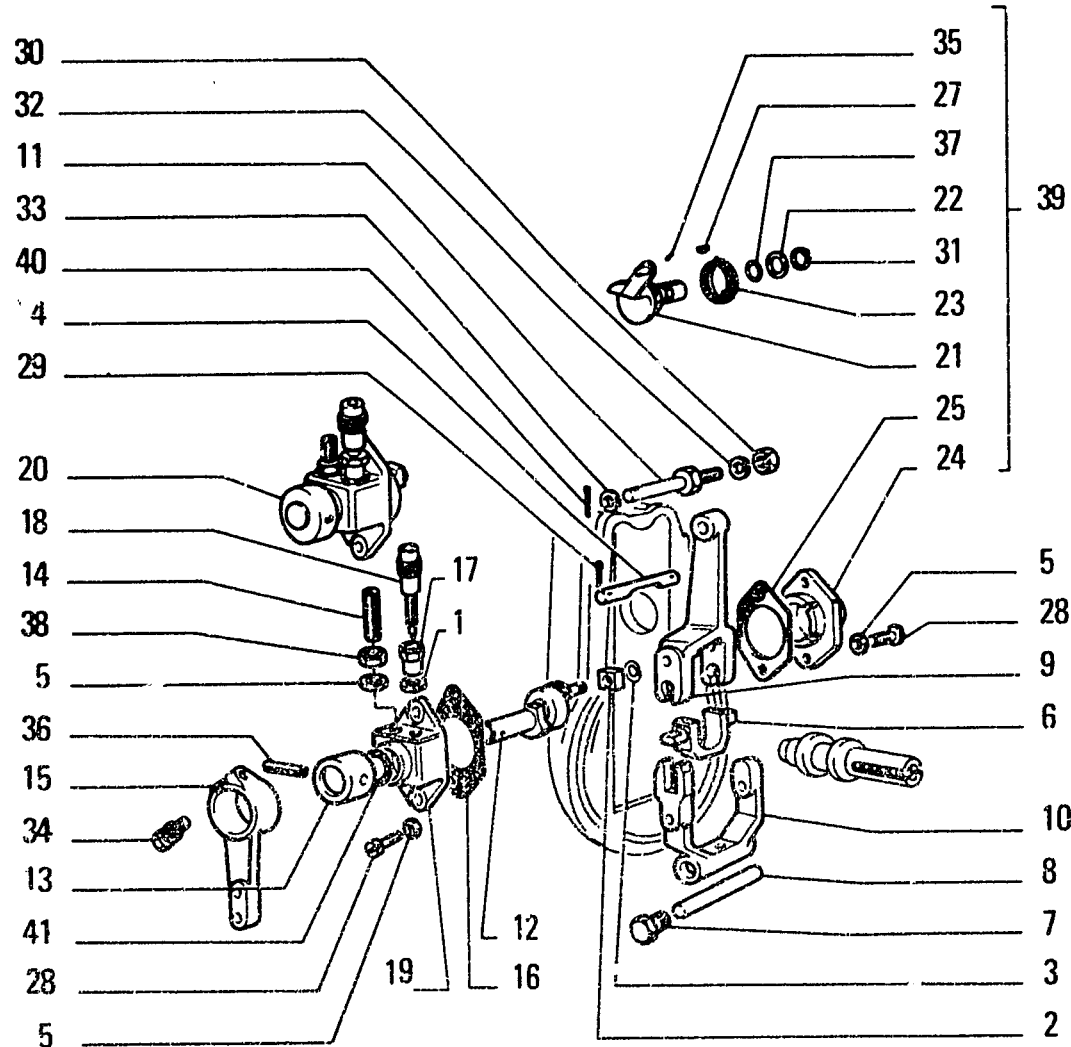
A2.28

2

N.T.R. 163 - 30.05.1989

604.01.077.03

N2



C 1373 → Tel. n. 201360

ITEM	PART NUMBER	QTY	TRANS CODE	DESCRIPTION	DESCRIZIONE
29	10731401	1	270C	COTTER PIN 1,7x28,5	COPIGLIA 1,7x28,5
30	10788811	1	10D	NUT 5x0,8x3,5	DADO 5x0,8x3,5
31	11065876	1	51A	LOCKRING 10,2x1,8	ANELLO DI SICUREZZA 10,2x1,8
32	11195470	1	131R	WASHER 5,1x1,1	ROSETTA 5,1x1,1
33	12639701	1	131R	WASHER 6,15x11	ROSETTA 6,15x11
34	13824611	1	40V	SCREW 6x1x25	VITE 6x1x25
35	14163370	1	200S	PIN 4,4x8	SPINA 4,4x8
36	14164170	1	200S	PIN 4,4x25	SPINA 4,4x25
37	14452880	1	158G	O-RING 1,78x7,65	GUARNIZIONE O-R 1,78x7,65
38	15896211	1	10D	NUT 6x1x5	DADO 6x1x5
39	771463	1	80A	STOP - ASSEMBLY	ARRESTO - COMPLETO
40	10734101	1	270C	COTTER PIN 1,3x17,7	COPIGLIA 1,3x17,7
41	759146	1	158G	O-RING	GUARNIZIONE O-R

SPEED GOVERNOR - REGOLATORE DI VELOCITA' - REGULATEUR DE VITESSE - DREHZAHLEGLER -
 REGULADOR D. VELOCIDAD

A2.28

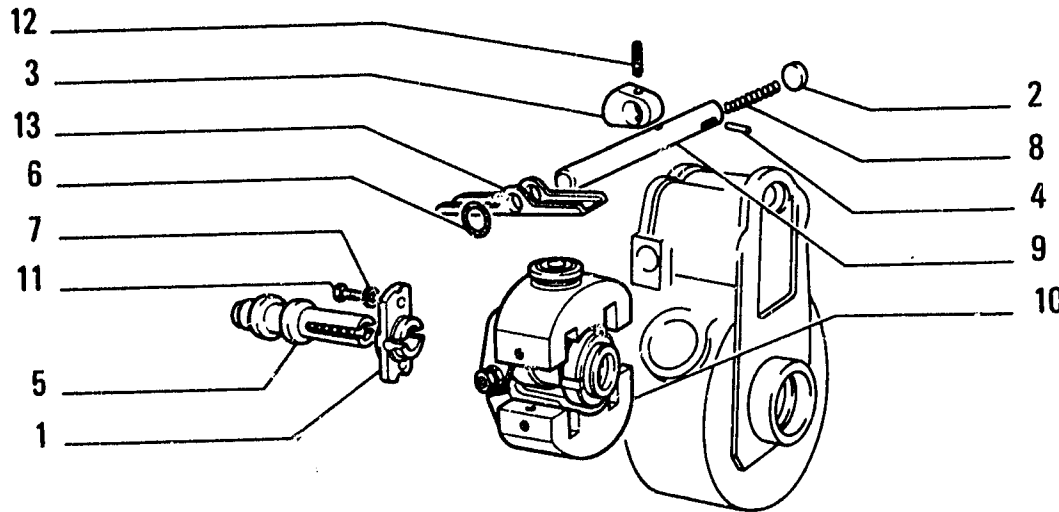
2

N.T.R. 163 - 30.05.1989

604.01.077.03

N3

FIATALLIS FL5



ITEM	PART NUMBER	QTY	TRANS CODE	DESCRIPTION	DESCRIZIONE
1	706197	1	95B	BUSHING	BOCCOLA
2	757357	1	50T	PLUG	TAPPO
3	759041	1	80A	STOP	ARRESTO
4	759046	1	80P	PIN	PERNO
5	763187	1	80P	PIN	PERNO
6	764582	1	158G	O-RING	GUARNIZIONE O-R
7	768757	2	113P	LOCKPLATE	PIASTRINA DI SICUREZZA
8	771043	1	100M	SPRING	MOLLA
9	771435	1	16A	SHAFT	ALBERO
10	771612	1	72U	GOVERNOR REGULATING ASSY - ASSEMBLY SEE SGR. A2.37	DISPOSITIVO DI REGOLAZIONE - COMPLETO VEDERE SGR. A2.37
11	10902311	2	40V	SCREW 6x1x18	VITE 6x1x18
12	14161970	1	200S	PIN 3,3x20	SPINA 3,3x20
13	765256	1	260C	SHROUD	CONVOGLIATORE

C 1373 → Tel. n. 201360

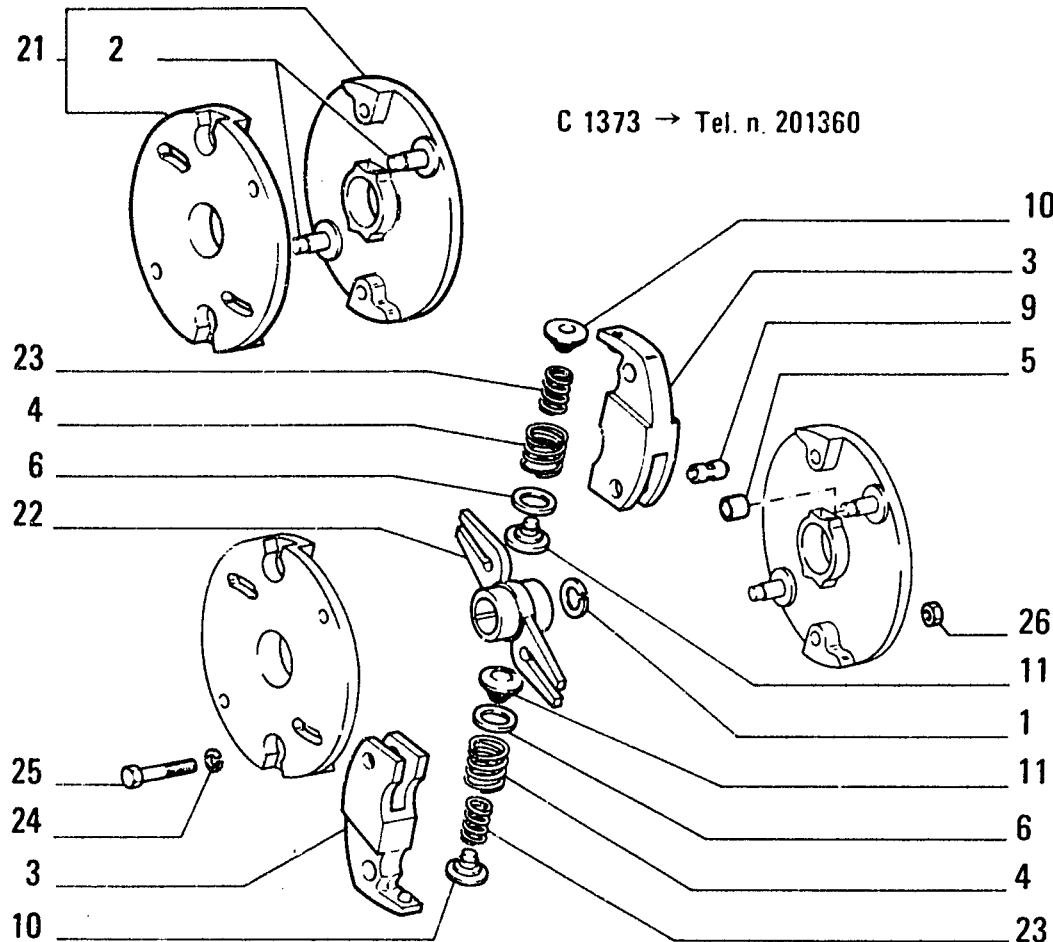
SPEED GOVERNOR - REGOLATORE DI VELOCITA' - REGULATEUR DE VITESSE - DREHZAHLEGLER -
REGULADOR D. VELOCIDAD

A2.28

3

N.T.R. 163 - 30.05.1989
604.01.077.03

N4



ITEM	PART NUMBER	QTY	TRANS CODE	DESCRIPTION	DESCRIZIONE
1	773102	1	51A	LOCKRING	ANELLO DI SICUREZZA
2	773119	2	80P	PIN	PERNO
3	773120	2	67M	FLYWEIGHT	MASSA CENTRIFUGA
4	773126	2	100M	SPRING	MOLLA
5	773129	2	95B	BUSHING	BOCCOLA
6	773131	2	131R	WASHER - THICKNESS 0,5	ROSETTA - SPESSORE 0,5
	773132	2	131R	WASHER - THICKNESS 0,10	ROSETTA - SPESSORE 0,10
	773133	2	131R	WASHER - THICKNESS 0,15	ROSETTA - SPESSORE 0,15
9	773139	2	45P	PAD	PATTINO
10	773140	2	120P	PLATE - LOWER	PIATTELLO - INFERIORE
11	773143	2	120P	PLATE - THICKNESS 14,4	PIATTELLO - SPESSORE 14,4
	773144	2	120P	PLATE - THICKNESS 14,5	PIATTELLO - SPESSORE 14,5
	773145	2	120P	PLATE - THICKNESS 14,6	PIATTELLO - SPESSORE 14,6
	773146	2	120P	PLATE - THICKNESS 14,7	PIATTELLO - SPESSORE 14,7
	773147	2	120P	PLATE - THICKNESS 14,8	PIATTELLO - SPESSORE 14,8
	773148	2	120P	PLATE - THICKNESS 14,9	PIATTELLO - SPESSORE 14,9
	773149	2	120P	PLATE - THICKNESS 15,0	PIATTELLO - SPESSORE 15,0
	773150	2	120P	PLATE - THICKNESS 15,1	PIATTELLO - SPESSORE 15,1
	773151	2	120P	PLATE - THICKNESS 15,2	PIATTELLO - SPESSORE 15,2
	773152	2	120P	PLATE - THICKNESS 15,3	PIATTELLO - SPESSORE 15,3
	773235	1	300C	BODY - ASSEMBLY	CORPO - COMPLETO
22	773240	1	75G	LINK	GLIFO
23	773241	2	100M	SPRING	MOLLA
24	11194071	2	132R	LOCKWASHER 8,4x16	ROSETTA DI SICUREZZA 8,4x16
25	16044030	2	40V	SCREW 8x1,25x40	vITE 8x1,25x40
26	16100811	2	10D	NUT 8x1,25x6,5	DADO 8x1,25x6,5

4759087

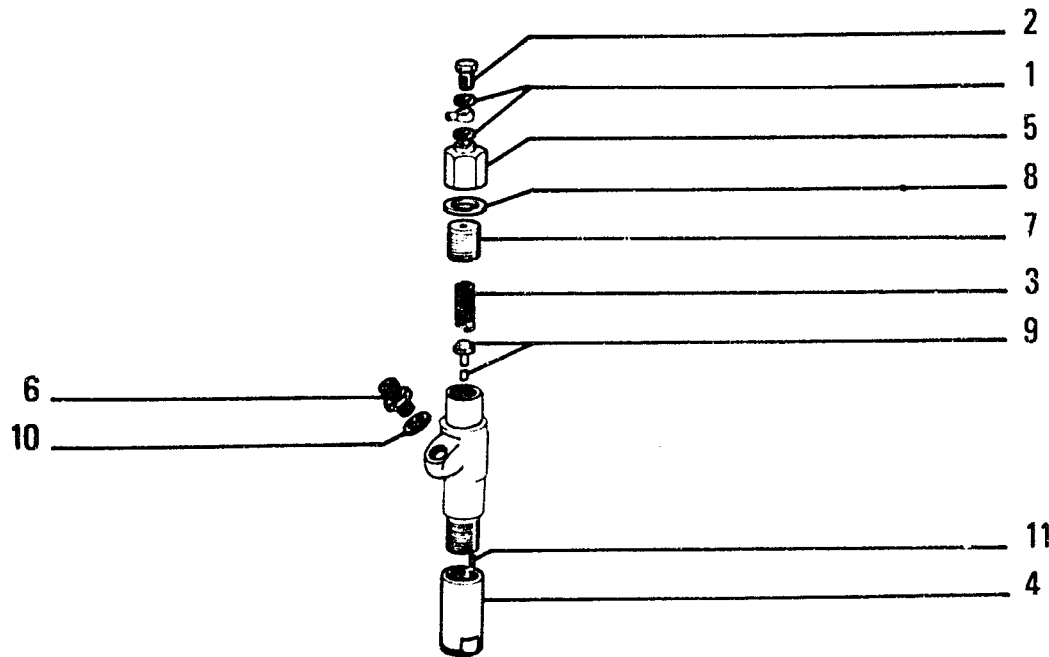
ADVANCE DEVICE - VARIATORE DI ANTICIPO - CORRECTEUR D'AVANCE - SPRITZZEITVERSTELLER -
VARIADOR DE AVANCE

A2.33

N.T.R. 163 - 30.05.1989

604.01.077.03

N5



ITEM	PART NUMBER	QTY	TRANS CODE	DESCRIPTION	DESCRIZIONE
1	9928391	2	133R	SEAL	ROSETTA DI TENUTA
2	9928392	1	90B	FILLER PLUG	BOCCHETTONE INTRODUZIONE
3	9930019	1	100M	SPRING	MOLLA
4	9930021	1	51G	THREADED RING	GHIERA FILETTATA
5	9930022	1	51G	THREADED RING	GHIERA FILETTATA
6	9930023	1	20R	FITTING	RACCORDO
7	9930024	1	40V	SCREW	VITE
8	9930025	1	158G	O-RING	GUARNIZIONE O-R
9	9930026	1	90A	ROD	ASTA
10	9930027	1	158G	O-RING	GUARNIZIONE O-R
11	9931247	2	200S	PIN	SPINA

C 1373 → Tel. n. 201360

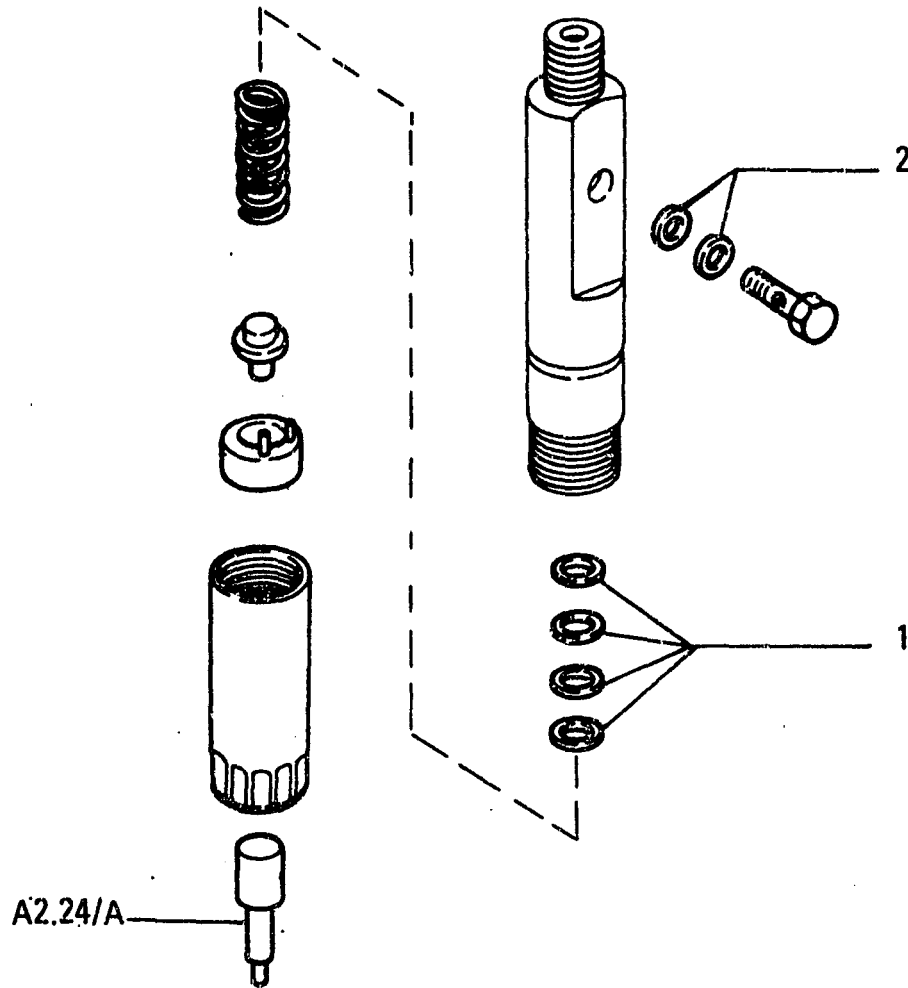
770958 (OMAP)
 NOZZLE HOLDER - PORTAPOLVERIZZATORE - PORTE - INJECTEUR - DUESENHALTER -
 PORTAINYECTOR

A2.35

N.T.R. 163 - 30.05.1989

604.01.077.03

N6



D 1373 Tel. n. 201361 →

ITEM	PART NUMBER	QTY	TRANS CODE	DESCRIPTION	DESCRIZIONE
1	775013	1	2K	KIT C2341	KIT C2341
	775014		198S	SHIM 0,30 MM D2341	SPESSORE 0,30 MM D2341
	775015		198S	SHIM 0,41 MM D2341	SPESSORE 0,41 MM D2341
	775016		198S	SHIM 0,44MM D2341	SPESSORE 0,44MM D2341
	775017		198S	SHIM 0,47 MM D2341	SPESSORE 0,47 MM D2341
	775018		198S	SHIM 0,50 MM D2341	SPESSORE 0,50 MM D2341
	775019		198S	SHIM 0,53 MM D2341	SPESSORE 0,53 MM D2341
	775025		198S	SHIM 0,56 MM D2341	SPESSORE 0,56 MM D2341
	775026		198S	SHIM 0,59 MM D2341	SPESSORE 0,59 MM D2341
	775027		198S	SHIM 0,62 MM D2341	SPESSORE 0,62 MM D2341
	775028		198S	SHIM 0,65 MM D2341	SPESSORE 0,65 MM D2341
	775029		198S	SHIM 0,68 MM D2341	SPESSORE 0,68 MM D2341
	775030		198S	SHIM 0,98 MM D2341	SPESSORE 0,98 MM D2341
	775031		198S	SHIM 1,28 MM D2341	SPESSORE 1,28 MM D2341
	775032		198S	SHIM 1,58 MM D2341	SPESSORE 1,58 MM D2341
	775116		198S	SHIM 1,80 MM D2341	SPESSORE 1,80 MM D2341
	775146		198S	SHIM 2,18 MM D2341	SPESSORE 2,18 MM D2341
2	772051	2	123G	SEAL ASSY	GUARNIZIONE TENUTA FRONTALE

4802392 (WEBER)

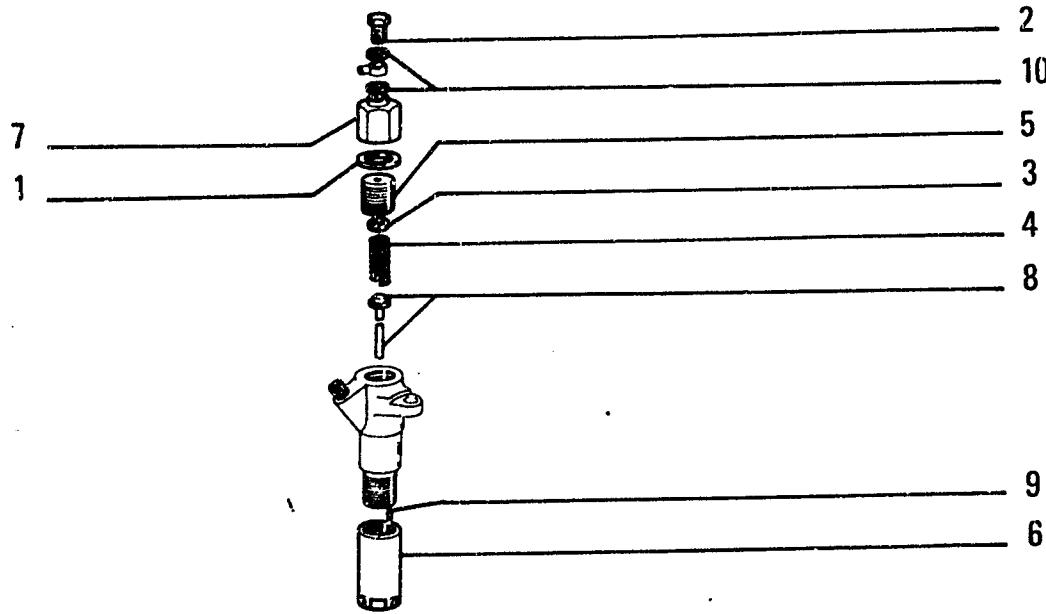
NOZZLE HOLDER - PORTAPOLVERIZZATORE - PORTE-INJECTEUR - DUESENHALTER - PORTAINYECTOR

A2.35/A

N.T.R. 163 - 30.05.1989

604.01.077.03

N7



I T E M	PART NUMBER	Q T Y	TRANS CODE	DESCRIPTION	DESCRIZIONE
1	9928366	1	133R	SEAL	ROSETTA DI TENUTA
2	9928367	1	90B	FILLER PLUG	BOCCHETTONE INTRODUZIONE
3	9928369	1	75D	SPACER	DISTANZIALE
4	9928370	1	100M	SPRING	MOLLA
5	9928371	1	40V	SCREW	VITE
6	9928373	1	51G	THREADED RING	GHIERA FILETTATA
7	9928374	1	51G	THREADED RING	GHIERA FILETTATA
8	9928375	1	90A	ROD	ASTA
9	9928376	2	90G	DOWEL	GRANO
10	9928396	2	133R	SEAL	ROSETTA DI TENUTA

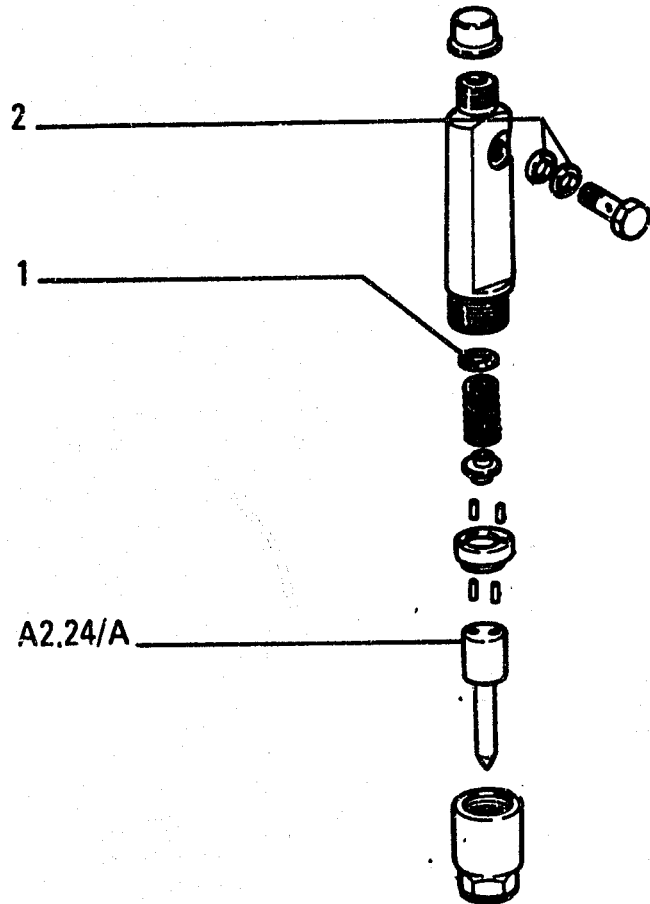
C 1373 → Tel. n. 201360

770899 (C.A.V.)
 NOZZLE HOLDER - PORTAPOLVERIZZATORE - PORTE INJECTEUR - DUESENHALTER -
 PORTAINYECTOR

A2.35/1

N.T.R. 153 - 30.05.1989
 604.01.077.03

N8



ITEM	PART NUMBER	QTY	TRANS CODE	DESCRIPTION	DESCRIZIONE
1	79067856	1	2K	KIT	KIT
2	772051	2	133R	SEAL	ROSETTA DI TENUTA

D 1373 Tel. n. 201361 →

4791124 (Bosch)
 NOZZLE HOLDER - PORTAPOLVERIZZATORE - PORTE-INJECTEUR - DUESENHALTER - PORTA-
 INJECTOR

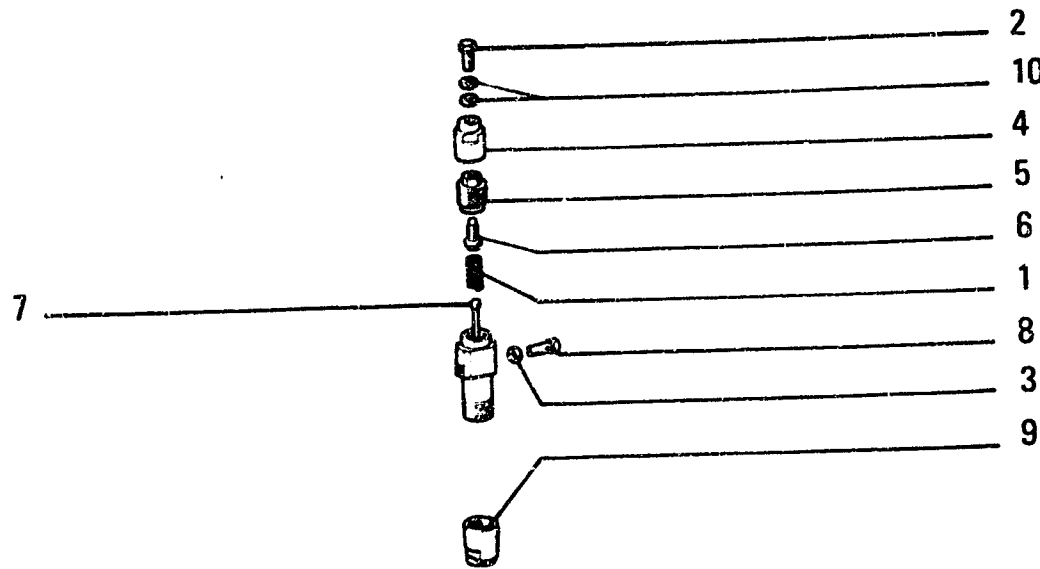
A2.35/1A

N.T.R. 163 - 30.05.1989
 604.01.077.03

N9

FIATALLIS FL5

A2.35/ 2 TAV. 1 PAG.1



ITEM	PART NUMBER	QTY	TRANS CODE	DESCRIPTION	DESCRIZIONE
1	656829	1	100M	SPRING	MOLLA
2	9009403	1	90B	FILLER PLUG	BOCCHETTONE INTRODUZIONE
3	9009406	1	158G	O-RING	GUARNIZIONE O-R
4	9930868	1	20R	FITTING	RACCORDO
5	9930870	1	51G	THREADED RING	GHIERA FILETTATA
6	9930871	1	40V	SCREW	VITE
7	79022746	1	90A	ROD	ASTA
8	79022747	1	40V	SCREW	VITE
9	79022748	1	51G	THREADED RING	GHIERA FILETTATA
10	79023949	2	133R	SEAL	ROSETTA DI TENUTA

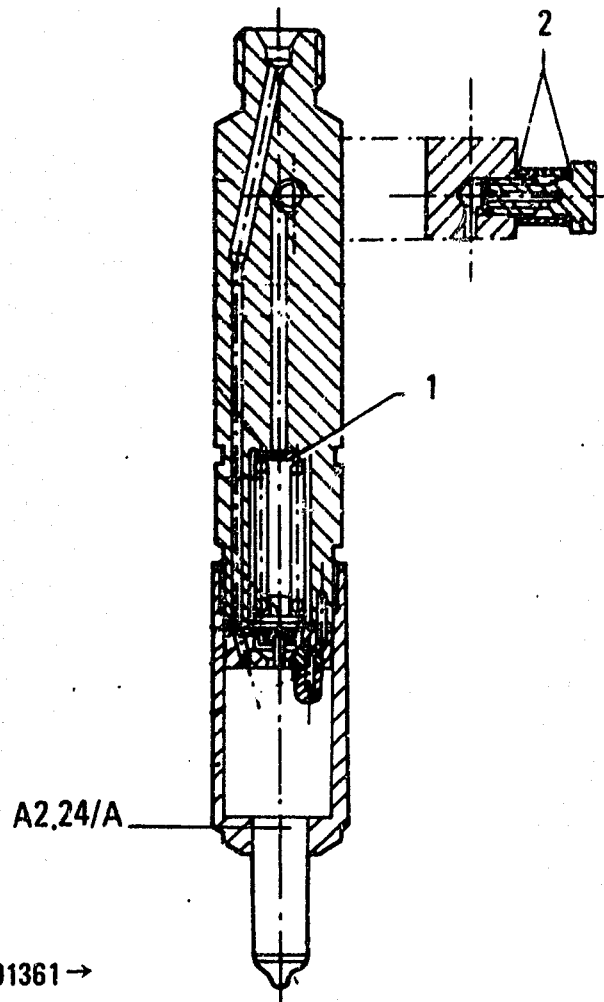
C 1373 → Tel. n. 201360

771065 (BOSCH)
 NOZZLE HOLDER - PORTAPOLVERIZZATORE - PORTE - INJECTEUR - DUESENHALTER -
 PORTAINJECTOR

N10

A2.35/2

N.T.R. 163 30.05.1989
 604.01.077.03



ITEM	PART NUMBER	QTY	TRANS CODE	DESCRIPTION	DESCRIZIONE
1	79069735	1	2K	KIT	KIT
2	10297760	2	133R	SEAL	ROSETTA DI TENUTA

D 1373 Tel. n. 201361 →

79069718 (DMAP)

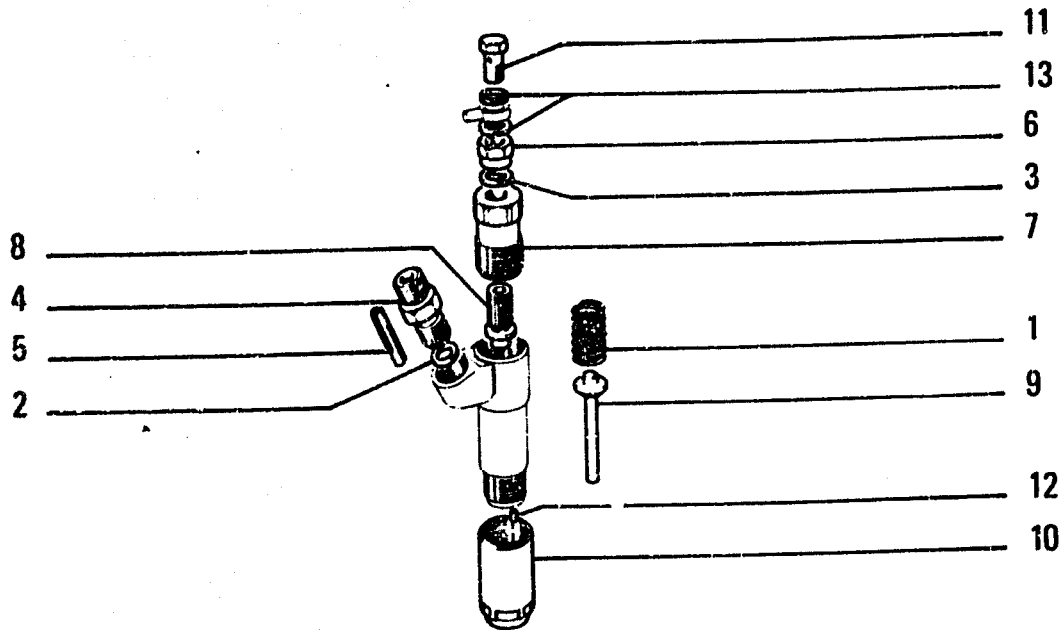
NOZZLE HOLDER - PORTAPOLVERIZZATORE - PORTE-INJECTEUR - DUESENHALTER - PORTAINJECTOR

A2.35/2A

N.T.R. 163 - 30.05.1989

604.01.077.03

N11



I T E M	PART NUMBER	Q T Y	TRANS CODE	DESCRIPTION	DESCRIZIONE
1	656829	1	100M	SPRING	MOLLA
2	722027	1	133R	SEAL	ROSETTA DI TENUTA
3	726381	1	133R	SEAL	ROSETTA DI TENUTA
4	765103	1	20R	FITTING	RACCORDO
5	766193	1	65F	FILTER	FILTRO
6	766837	1	10D	NUT	DADO
7	766838	1	50T	PLUG	TAPPO
8	766839	1	40V	SCREW	VITE
9	767110	1	90A	ROD	ASTA
10	767112	1	10D	NUT	DADO
11	767451	1	90B	FILLER PLUG	BOCCHETTONE INTRODUZIONE
12	768378	2	90G	DOWEL	GRANO
13	79023949	2	133R	SEAL	ROSETTA DI TENUTA

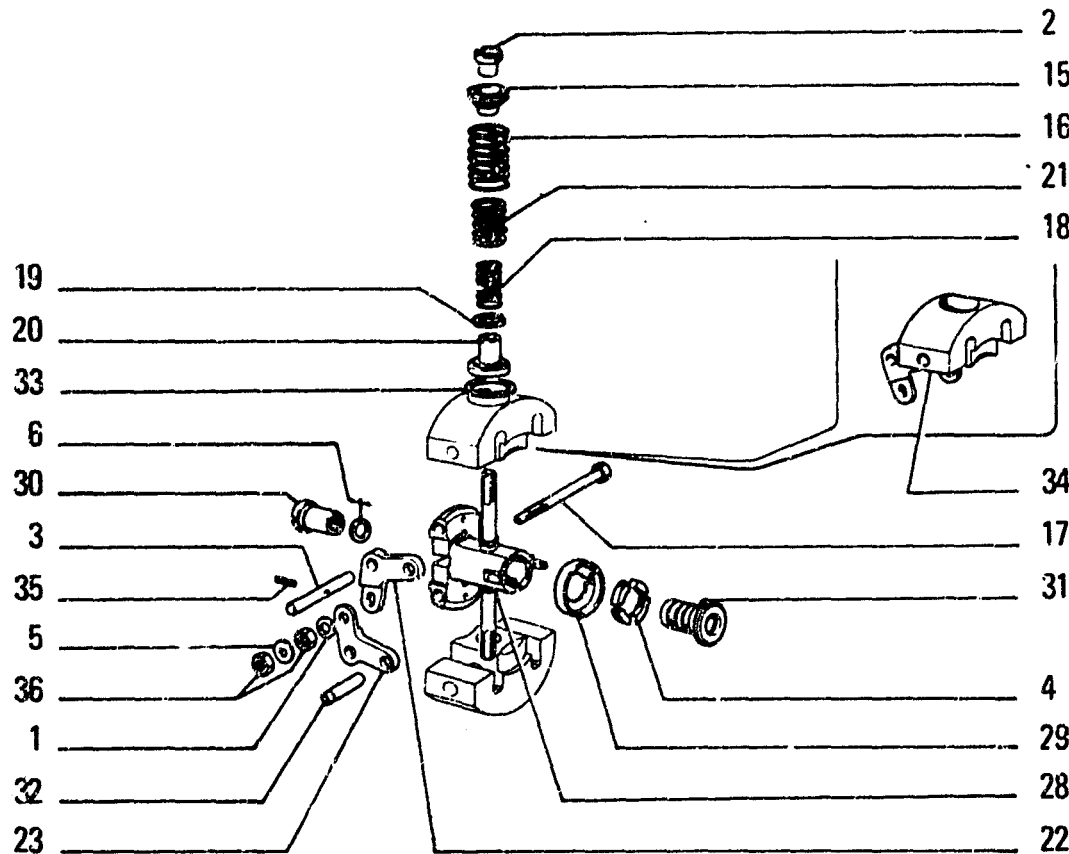
C 1373 → Tel. n. 201360

767107
 NOZZLE HOLDER - PORTAPOLVERIZZATORE - PORTE - INJECTEUR - DUESENHALTER -
 PORTAINYECTOR

A2.35/3
 N.T.R. 163 - 30.05.1989
 604.01.077.03

N12

C 1373 → Tel. n. 201360



ITEM	PART NUMBER	QTY	TRANS CODE	DESCRIPTION	DESCRIZIONE
1	705726	1	131R	WASHER	ROSETTA
2	706210	2	50G	RING NUT	GHIERA
3	722353	2	80P	PIN	PERNO
4	723857	4	61T	CUSHION PAD	TASSELLO ELASTICO
5	752758	1	131R	WASHER	ROSETTA
6	758880	1	131R	WASHER - THICKNESS 2,00	ROSETTA - SPESSORE 2,00
	758881	1	131R	WASHER - THICKNESS 1,90	ROSETTA - SPESSORE 1,90
	758882	1	131R	WASHER - THICKNESS 1,80	ROSETTA - SPESSORE 1,80
	758883	1	131R	WASHER - THICKNESS 1,70	ROSETTA - SPESSORE 1,70
	758884	1	131R	WASHER - THICKNESS 1,75	ROSETTA - SPESSORE 1,75
	758885	1	131R	WASHER - THICKNESS 1,85	ROSETTA - SPESSORE 1,85
	758886	1	131R	WASHER - THICKNESS 1,95	ROSETTA - SPESSORE 1,95
	758887	1	131R	WASHER - THICKNESS 1,60	ROSETTA - SPESSORE 1,60
	758888	1	131R	WASHER - THICKNESS 1,65	ROSETTA - SPESSORE 1,65
	766093	1	131R	WASHER - THICKNESS 1,40	ROSETTA - SPESSORE 1,40
	766094	1	131R	WASHER - THICKNESS 1,45	ROSETTA - SPESSORE 1,45
	766095	1	131R	WASHER - THICKNESS 1,50	ROSETTA - SPESSORE 1,50
	766096	1	131R	WASHER - THICKNESS 1,55	ROSETTA - SPESSORE 1,55
15	759073	2	95B	BUSHING	BOCCOLA
16	759074	2	100M	SPRING	MOLLA
17	760157	1	80P	PIN	PERNO
18	763714	2	100M	SPRING	MOLLA
19	763715	2	131R	WASHER	ROSETTA
20	763754	2	120P	PLATE	PIATTELLO
21	765175	2	100M	SPRING	MOLLA
22	765290	2	45L	LEVER	LEVA
23	765291	2	45L	LEVER	LEVA

771612

GOVERNOR REGULATING ASSY - DISPOSITIVO DI REGOLAZIONE
REGELVORRICHTUNG - DISPOSITIVO DE REGULACION

- DISPOSITIF DE REGLAGE -

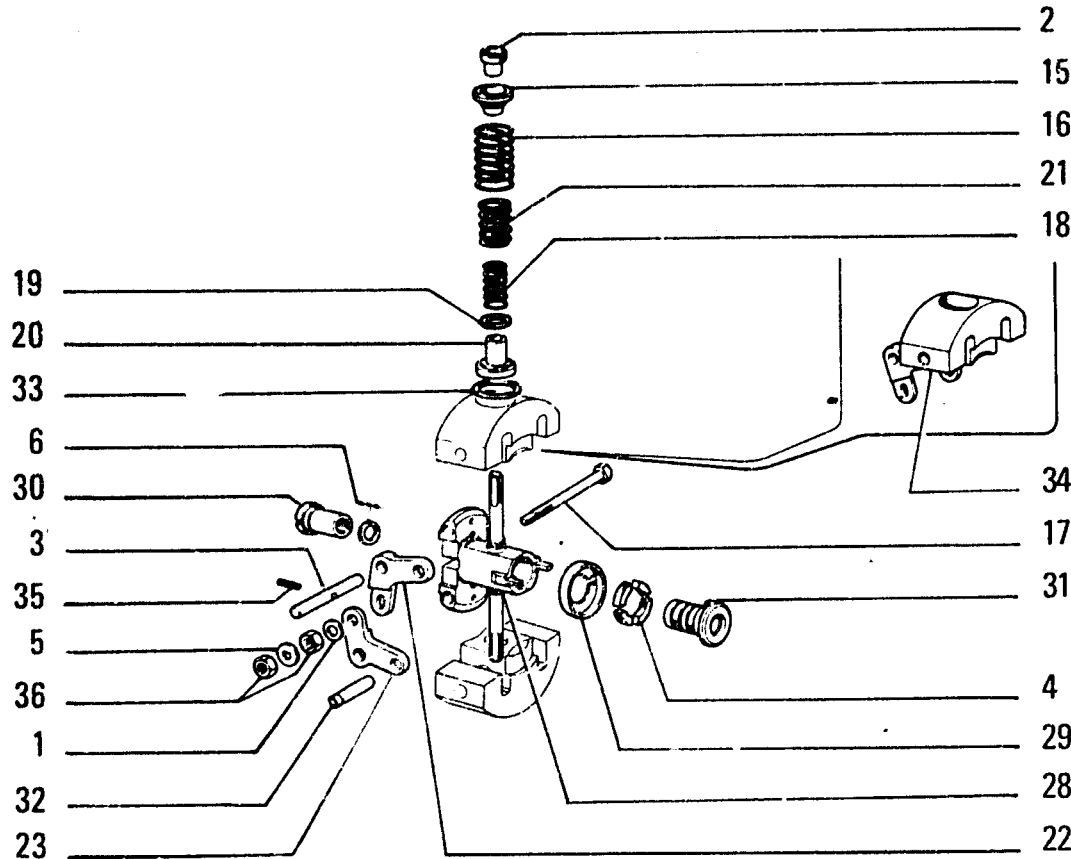
A2.37

N.T.R. 163 - 30.05.1989

604.01.077.03

N13

C 1373 → Tel. n. 201360



ITEM	PART NUMBER	QTY	TRANS CODE	DESCRIPTION	DESCRIZIONE
28	766298	1	320C	SPIDER	CROCIERA
29	766299	1	60S	CUP	SCODELLINO
30	766300	1	50G	RING NUT	GHIERA
31	766642	1	67G	COUPLING	GIUNTO
32	766645	4	80P	PIN	PERNO
33	767962	2	131R	WASHER	ROSETTA
34	768069	2	67M	FLYWEIGHT - ASSEMBLY	MASSA CENTRIFUGA - COMPLETO
35	14159670	2	200S	PIN 2,8x14	SPINA 2,8x14
36	15R96211	2	10D	NUT 6x1x5	DADO 6x1x5

771612

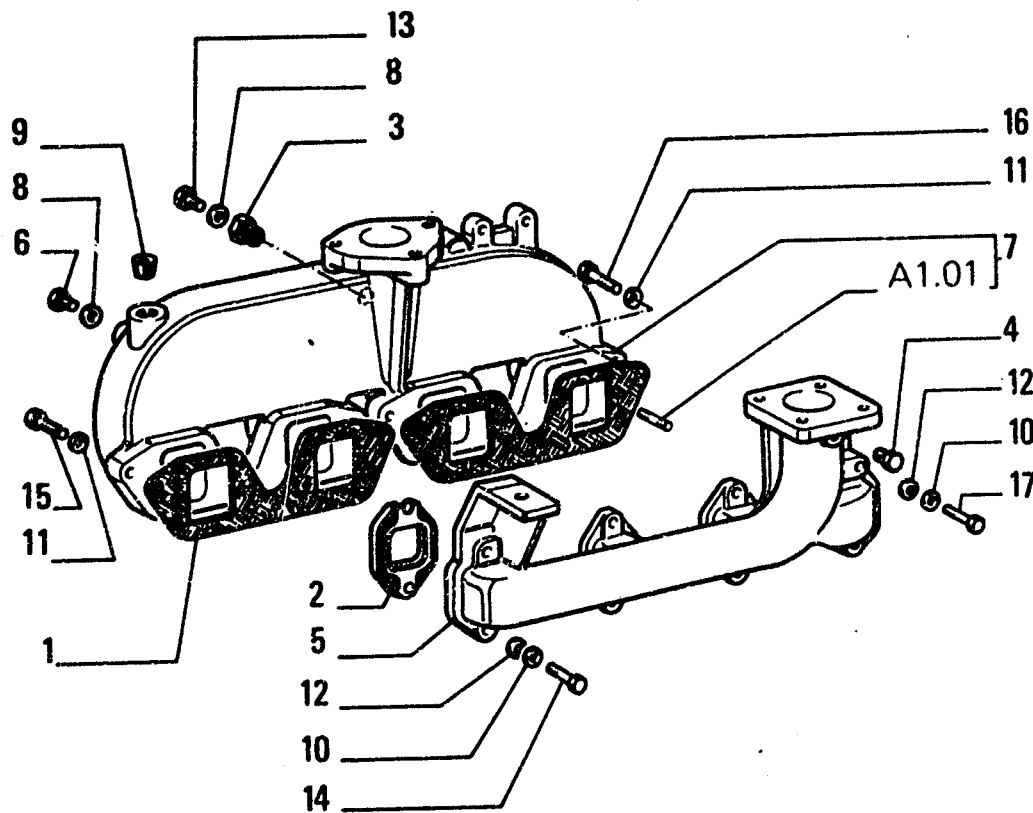
GOVERNOR REGULATING ASSY - DISPOSITIVO DI REGOLAZIONE - DISPOSITIF DE REGLAGE -
 REGELVORRICHTUNG - DISPOSITIVO DE REGULACION

A2.37

N.T.R. 163 - 30.05.1989
 604.01.077.03

N14

FIATALLIS FL5



C 1373 → Tel. n. 201360

ITEM	PART NUMBER	QTY	TRANS CODE	DESCRIPTION	DESCRIZIONE
1	4601827	2	120G	GASKET	GUARNIZIONE PIANA
2	4601981	4	120G	GASKET	GUARNIZIONE PIANA
3	4663081	1	20R	FITTING	RACCORDO
4	4723150	1	50T	PLUG	TAPPO
5	4727180	1	230C	EXHAUST MANIFOLD	COLLETTORE DI SCARICO
6	4753563	1	50T	PLUG	TAPPO
7	4763271	1	225C	INTAKE MANIFOLD - ASSEMBLY	COLLETTORE ASPIRAZIONE - COMPLETO
8	10260160	2	133R	SEAL 10,2x14	ROSETTA DI TENUTA 10,2x14
9	10269850	1	50T	PLUG 22x1,5x11	TAPPO 22x1,5x11
10	10519601	8	131R	WASHER 8,15x17	ROSETTA 8,15x17
11	11193871	6	131R	WASHER 8,4x16	ROSETTA 8,4x16
12	11198071	8	131R	WASHER 8,2x15	ROSETTA 8,2x15
13	11903011	1	50T	PLUG 10x1x7	TAPPO 10x1x7
14	16043821	7	40V	SCREW 8x1,25x30	VITE 8x1,25x30
15	16043921	5	40V	SCREW 8x1,25x35	VITE 8x1,25x35
16	16044021	1	40V	SCREW 8x1,25x40	VITE 8x1,25x40
17	16045021	1	40V	SCREW 8x1,25x90	VITE 8x1,25x90

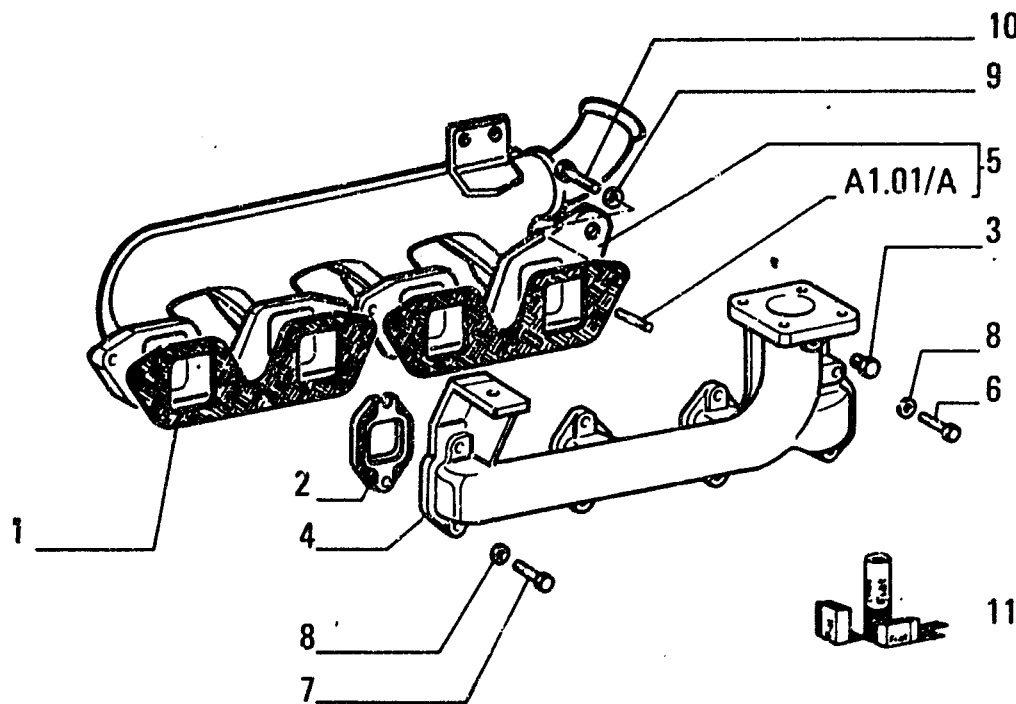
INTAKE AND EXHAUST MANIFOLDS - CONDOTTI ASPIRAZIONE E SCARICO - TUBULURES D'ADMISSION ET D'ECHAPPEMENT - SAUGROHR UND AUSPUFFKRUEMMER - COLECTORES DE ADMISION Y ESCAPE

A2.54

N.T.R. 163 - 30.05.1989

604.01.077.03

N15



I T E M	PART NUMBER	Q T Y	TRANS CODE	DESCRIPTION	DESCRIZIONE
1	4776544	2	120G	GASKET	GUARNIZIONE PIANA
2	4813566	4	120G	GASKET	GUARNIZIONE PIANA
3	4723150	1	50T	PLUG	TAPPO
4	4727180	1	230C	EXHAUST MANIFOLD	COLLETTORE DI SCARICO
5	4785167	1	225C	INTAKE MANIFOLD - ASSEMBLY	COLLETTORE ASPIRAZIONE - COMPLETO
6	4773140	1	40V	SCREW	VITE
7	4773141	7	40V	SCREW	VITE
8	10519621	8	170R	LOCKWASHER 8,45x17	ROSETTA EL. 8,45x17
9	11193871	6	131R	WASHER 8,4x16	ROSETTA 8,4x16
10	16043421	6	40V	SCREW 8x1,25x20	VITE 8x1,25x20
11	79086662	1	1K	KIT SEE PAGE 9	KIT VED. PAG.9

D 1373 Tel. n. 201361 →

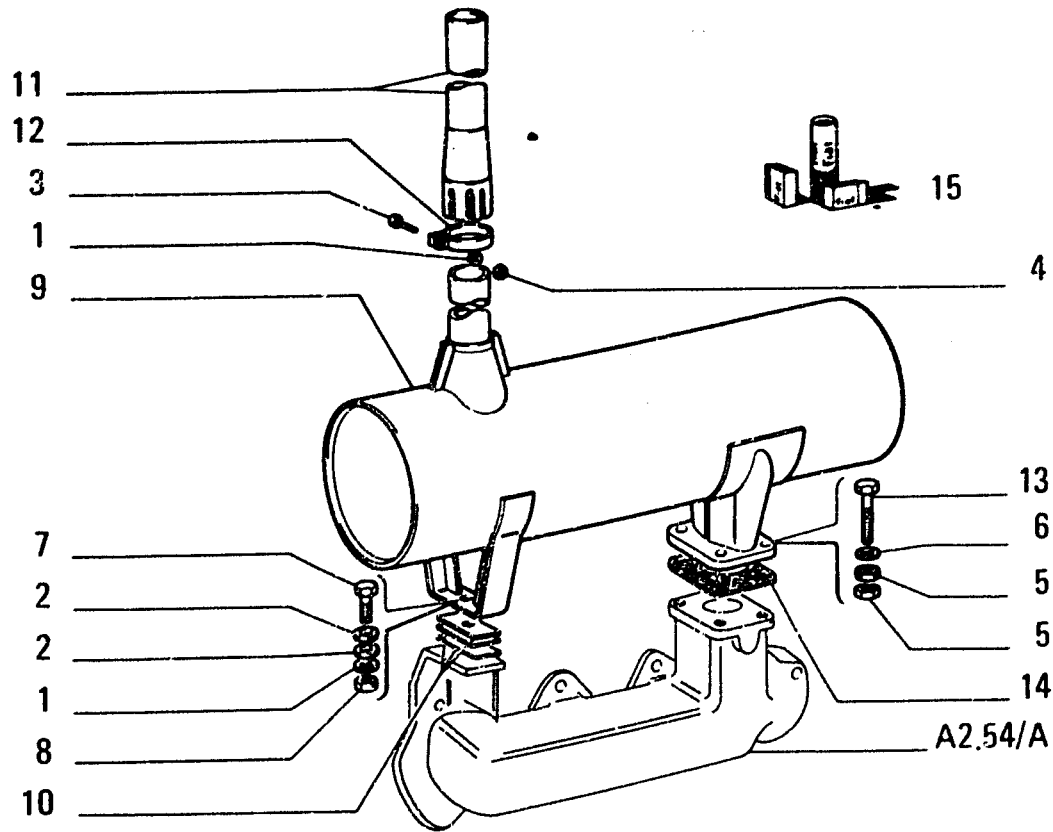
INTAKE AND EXHAUST MANIFOLDS - CONDOTTI ASPIRAZIONE E SCARICO - TUBULURES D'ADMISSION
ET D'ECHAPPEMENT - SAUGROHR UND AUSPUFFKRUEMMER - COLECTORES DE ADMISION Y ESCAPE

A2.54/A

N.T.R. 163 - 30.05.1989

604.01.077.03

N16



I T E M	PART NUMBER	Q T Y	TRANS CODE	DESCRIPTION	DESCRIZIONE
1	10517071	2	132R	LOCKWASHER 12,2x3,1	ROSETTA DI SICUREZZA 12,2x3,1
2	10520001	2	131R	WASHER 12,2x22	ROSETTA 12,2x22
3	11112431	1	40V	SCREW 12x1,75x30	VITE 12x1,75x30
4	11702921	1	10D	NUT 12x1,75x10	DADO 12x1,75x10
5	12164721	8	10D	NUT 10x1,25x8	DADO 10x1,25x8
6	12638601	4	131R	WASHER 10,2x18	ROSETTA 10,2x18
7	15540631	1	40V	SCREW 12x1,25x40	VITE 12x1,25x40
8	16101521	1	10D	NUT 12x1,25x10	DADO 12x1,25x10
9	79014524	1	160S	MUFFLER	SILENZIATORE
10	79014536		198S	SHIM	SPESSORE
11	79025853	1	193T	TUBE	TUBO RIGIDO
12	79026197	1	180C	COLLAR	COLLARE
13	79030132	4	40V	SCREW	VITE
14	79032209	1	123G	SEAL ASSY	GUARNIZIONE TENUTA FRONTALE
15	79086662	1	1K	KIT SEE PAGE 9	KIT VED. PAG.9

EXHAUST PIPE - TUBAZIONE DI SCARICO - CANALISATION D'ECHAPPEMENT - AUSPUFFROHR - TUBERIA
DE ESCAPE

A2.56

N.T.R. 163 - 30.05.1989
604.01.077.03

N17

DESIGNAZIONE BASE	BASIC DESIGNATION	DESIGNATIONS BASES	GRUNDBEZEICHNUNGEN	DENOMINACIONES BASE
289C	COPPIA DI INGRANAGGI	GEAR SET	COUPLE D'ENGRENAGES	PAR DE ENGRANAJES
286C				
286T	TELAIO ANTERIORE	FRONT MAIN FRAME	CHASSIS AVANT	ARMAZON DELANTERO
287T	TELAIO POSTERIORE	REAR MAIN FRAME	CHASSIS ARRIERE	ARMAZON TRASERO
288S	STRUMENTO MULTIPLO	INSTRUMENT CLUSTER	COMBINE DE BORD PLUS INDICAT.	QUADRO DE INDICACIONES MULTIPL.
288T	TROMBA ACUSTICA	PROJECTOR	TROMPETTE	TROMPETA
289T	TRATTURE	TRACTOR	TRACTEUR	TRACTOR
2961	COMANDI ESTERNI CAMBIO	TRANSMISSION OUTSIDE CONTROL	COMMANDES EXTER. BOITE VITESSE	VARRILAJE CAMBIO VELOCIDADES
2962	COMANDI ESTERNI RIDUTTORE	LOW SPEED OUTER CONTROLS	COMMANDES EXTER. REDUCTEUR	MANDO DEL REDUCTOR DEL CAMBIO
2963	DISPOSITIVI SICUREZZA CAMBIO	TRANSMISSION SAFETY DEVICE	BLOCAGE DE BOITE DE VITESSES	ENCLAVAMIENTO DEL CAMBIO
290C	COPRIGIUNTO	FISHPLATE	COUVRE-JOINT	CUBREJUNTAS
290T	TUBETTO IDENTIFIC. CAVI	CABLE IDENTIF. TUBE		
291C	COPRIGUARNIZIONE	SEAL COVER	COUVRE-JOINT	ABRAZADERA
291T	TORQUE CONTROL	TORQUE CONTROL		
292C	COPRIPEDALE DI GOMMA	PEDAL RUBBER PAD	GARNITURE CADUTCHOU	FORRO DE CAUCHO
293C	COPRITAPPO	PLUG COVER	CACHE-BOUCHON	CAPUCHON
294S	SUCCHIERUOLA	SUCTION ROSE	CREPINE	FILTRO DE ASPIRACION
295C	CORNICE	BEZEL	MONTURE	MARCO
295S	SUOLA	SHOE	PATIN	ZAPATA
296C	COPRIPULSANTE	BIJTON COVER	CACHE-BOUTON	CAPUCHA
297C	CORONA DENTATA	RING GEAR	COURONNE DENTEE	CORONA DENTADA
3G42	CILINDRO POSIZIONATORE	POSITIONER CYLINDER	CYLINDRE POSITION	
3G44	CILINDRO PENETRAZIONE	PENETRATION CYLINDER	CYLINDRE DE PENETRATION	
300C	CORPO	BODY	CORPS	CUERPO
300S	SUPPORTO	SUPPORT	SUPPORT	SOPORTE
3007	PNEUMATICI 23.5X25	TIRES 23.5X25	PNEUS 23,5X25	
301S	SUPPORTO ELASTICO	SNUBBER	SUPPORT ELASTIQUE	APOYO ELASTICO
3017	PNEUMATICI 20X24	TIRES 20X24		
302S	SUPPORTO OSCILLANTE	SWIVELLING BLOCK	SUPPORT OSCILLANT	APOYO OSCILANTE
304S	SUPPORTO MASSE CENTRIFUGHE	WEGHT PLATE	PLAQUE DE MASSE-	SOPORTE DEL CON-
304S			LOTTE	TRAPESO
305S	SUPPORTO CON CATADIOTTRO	SUPPORT W/REFLEX REFLECTOR	SUPPORT AVEC CATA-	SOPORTE CON CATA-
305S			DIOPTR	FAROS
307C	CORRETTORE	CORRECTOR	CORRECTEUR	CORRECTOR
308C	CORRETTORE DI FRENATA	BRAKE COMPENSATOR	REPARTITEUR DE FRENAGE	CORRECTOR DE
308C				FRENADO
310S	SUPPRESSORE FRENI	BRAKE BOOSTER	SURPRESSEUR DE FREINS	REFORZADOR DE FRENO
312C	CREMAGLIERA	RACK	CREMAILLE	CREMALLERA
315C	CRISTALLO	GLASS PANE	GLACE	CRISTAL
316C	CRISTALLO PROIETTORE	HEADLAMP LENS	GLACE DE PRO-	CRISTAL DE PRO-
316C			JECTEUR	VECTOR

DESIGNAZIONE BASE	BASIC DESIGNATION	DESIGNATIONS-BASES	GRUNDBEZEICHNUNGEN	DENOMINACIONES BASE
238P	PUNTALE	PUSH ROD	EMBOUT	HERRETE
239P	PUNTELLO	STAY	BEQUILLE	PUNTAL
24G4	TUBAZIONI TRASM.IDROSTATICA	HYDROSTATIC DRIVE SYSTEM LINES		
240P	PUNTERIA	TAPPET	POUSSOIR	PERNIO ARTICULADO
241P	PUNTERIA A RULLO	ROLLER TAPPET	POUSSOIR A GALET	EMPUJADOR DE RODILLO
241P				
242P	PUNTA DENTE RIPPER	RIPPER SHANK POINT	POINTE DENT SCARIFICATEUR	PUA DE DIENTE RIPPER
244P	PUNTO	STRUT	ETAI	LISTON
245C	CONTACHILOMETRI	SPEEDOMETER - KM	COMPTEUR KILOMETRIQUE	CUENTAKILOMETROS
245C				
246C	CONTAMIGLIA	SPEEDOMETER-MILES	COMPTEUR DE MILLES	CUENTAMILLAS
247C	CONTAGIRI	TACHOMETER	COMPTE-TOURS	CUENTAREVOLUCIONES
248C	CONTAORE	HOURMETER	HOROMETRE	CUENTAHORAS
248P	PUNZONE	PUNCH	POINCON	PUNZON
25GA	INNESTO TRASMISSIONE	ENGINE/TRANSMISSION COUPLING		
25G1	COLLEGAMENTI CAMBIO	TRANSMISSION CONNECTING	CONNECTIONS DE BOITE/VITESSES	
250C	CONTATTO	CONTACT	CONTACT	CONTACTO
254C	CONTENITORE	CONTAINER	CONTAINER	RECIPIENTE
255C	CONTENITORE FILTRO	FILTER SHELL	CUVE DE FILTRE	CAMISA DE FILTRO
257C	CONTRODADO	LOCK NUT	CONTRE-ECROU	CONTRATUERCA
259C	CONVERTITORE DI COPPIA	TORQUE CONVERTER	CONVERTISSEUR DE COUPLE	CONVERTIDOR
260C	CONVOGLIATORE	SHROUD	CONVOYEUR	CANALIZZADOR
265C	COPERCHIO	COVER	COUVERCLE	TAPA
270C	COPIGLIA	COTTER PIN	COUPILLE	CHAVETA PARTIDA
271S	STATORE	STATOR	STATOR	ESTATOR
274C	COPPA OLIO	OIL SUMP	CARTER A HUILE	CARTER DE ACEITE
274S	STELO	ROD	TIGE	VASTAGO
275C	COPPA	SUMP	CARTER A HUILE	CARTER DE ACEITE
275S	STERZO	STEERING	DIRECTION	DIRECCION
278C	COPPA DELLA RUOTA	WHEEL CAP	ENJOLIVEUR DE ROUE	EMBELLECEDOR DE RUEDA
278C				
279C	COPPA RACCOGLIOLIO	OIL SHIELD	COLLECTEUR D'HUILE	RETENEDOR DE ACEITE
279C				
28G8	DISPOSITIVO LUBRIFIC.CAMBIO	TRANS.LUBRICATION SYSTEM	DISP.LUBRIFIC.BOITE VITESSE	
280S	STOPPINO	WICK	MECHE	MECHA
282T	TARGA MANUTENZIONE	SERVICE AND LUBE INSTRUCTION	DECALCOMANIE ENTRETIEN	CALCOMANIA DE MANTENIMIENTO
283T	TARGHETTA IDENTIFICAZIONE	IDENTIFICATION PLATE	PLAQUETTE RECAPITULATIVE	MUESTRA DE IDENTIFICACION
284T	TERGICRISTALLO POSTERIORE	WINDSCREEN WIPER	ESSUIE-GLACE	LIMPIA-CRISTAL POST.
285C	COPPIA CONICA	BEVEL GEAR SET	COUPLE CONIQUE	PAR CONICO
285T	TUBO FLESSIBILE	HOSE	TUYAU FLEXIBLE	TUBO FLEXIBLE

DESIGNAZIONE BASE	BASIC DESIGNATION	DESIGNATIONS BASES	GRUNDBEZEICHNUNGEN	DENOMINACIONES BASE
210C	COMMUTATORE	SWITCH	COMMUTEUR	CONMUTADOR
210P	PRIGIONIERO	STUD	GOIJON	ESPARRAGO
210T	TURBOCOMPRESSORE	TURBOCHARGER	TURBOCOMPRESSEUR	TURBOCOMPRESOR
211T	TUTA	OVERALL	COMBINAISON	MONO DE MECANICO
214C	COMPRENDE	INCLUDES...	COMPREND...	COMPRENDE...
215P	PROFILATO	CHANNEL	PROFILE	PERFIL
215S	SQUADRETTA	CONNECTING PLATE	EQUERRE	ESCUADRA
216C	COMPRESSORE ARIA	AIR COMPRESSOR	COMPRESSEUR D'AIR	COMPRESOR
216P	PROFILATO DI GOMMA	RUBBER SECTION	PROFILE CAOUTCHOUC	PERFIL DE GOMA
218P	PROIETTORE A TRE LUCI	THREE-LIGHT HEADLAMP	PROJECTEUR A TROIS FEUX	PROYECTOR DE TRES LUCES
218P				
220G	ROTAZIONE RETROSCAVATORE	BACKHOE ROTATION	ROTATION PELLE RETRO	ROTACION RETROEXCAVADORA
220C	CONDENSATORE	CONDENSER	CONDENSATEUR	CONDENSADOR
220P	PROIETTORE	FLOODLIGHT	PROJECTEUR	PROYECTOR
220S	STABILIZZATORE	STABILIZER	STABILISATEUR	ESTABILIZADOR
221C	CONDIZIONATORE	AIR CONDITIONER	CLIMATISEUR	CLIMATIZADOR
221P	PROIETTORE SDOPPIATO	DUAL HEADLAMP	PROJECTEUR JUMELÉ	PROYECTORES GEMELOS
221P				
222P	PROLUNGA	EXTENSION	RALLONGE	EXTENSION
223C	CONDOTTO	DUCT	CONDUIT	CONDUCTO
223P	PROLUNGA PER GONFIAGGIO	TIRE INFLATION EXTENSION	RALLONGE DE GONFLAGE	EXTENSION DE MANGUERA
223P				
223P				
224C	CONDOTTO ARIA	AIR DUCT	CONDUIT D'AIR	CONDUCTO DE AIRE
224P	PROTEZIONE	SHIELD	PROTECTION	DEFENSA
225C	COLLETTORE ASPIRAZIONE	INTAKE MANIFOLD	CONDUIT D'ADMISSION	COLECTOR DE ASPIRACION
225S	STAFFA	BRACKET	ETRIER	ESTRIBO
226S	STAFFA AD U	U-BOLT	ETRIER PROFILE EN U	BRIDA DE SECCION EN U
226S				
23G3	PEDALIERA	PEDAL CONTROL		
23G5	TUBAZIONI COMANDO TRASM. IDR.	TRANSMISSION CONTROL LINES		
230C	COLLETTORE DI SCARICO	EXHAUST MANIFOLD	CONDUIT D'ECHAPPEMENT	COLECTOR DE ESCAPE
230P	PULEGGIA	PULLEY	POULIE	POLEA
230V	VOLTAMPEROMETRO	VOLTTAMPMMETER	VOLTAMPEROMETRE	VOLTAMPERMETER
231S	STAFFETTA	CLIP	COLLIER	HALTER
231V	VERNICE	PAINT	PEINTURE	LACKIRUNG
235C	CONNESSIONE	CONNECTION	CONNEXION	LEITUNG
235S	STANTUFFO	PISTON	PISTON	KOLBEN
236P	PULSANTE	PUSH BUTTON	BOUTON	DRUCKKNOPF
237P	PULSANTIERA	SWITCH PANEL	CLAVIER	SCHALTAFEL

A

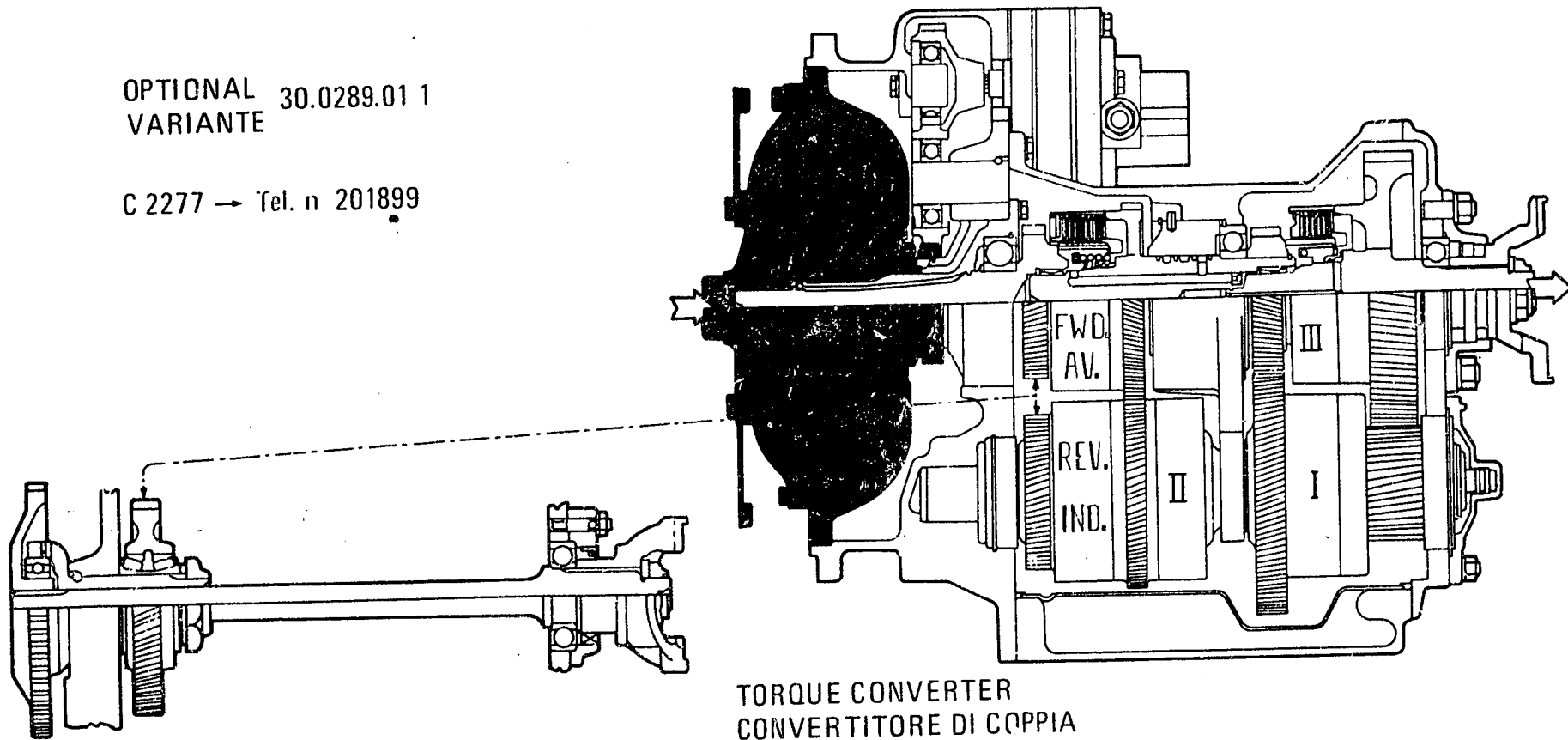
ENGINE • MOTORE • MOTEUR • MOTOR • MOTOR

B

MECHANICAL TRANSMISSION • CLUTCH • TRANSMISSION • TRANSMISSION SHAFT • AXLES
TRASMISSIONE MECCANICA • FRIZIONE • CAMBIO • ALBERO DI TRASMISSIONE • PONTI
TRANSMISSION MECANIQUE • EMBRAYAGE • BOITE DE VITESSES • ARBRE DE TRANSMISSION • PONTS
MECHANISCHE KRAFTÜBERTRAGUNG • KUPPLUNG • GETRIEBE • GELENKWELLE • ACHSEN
TRANSMISSION MECANICA • EMBRAGUE • CAMBIO • ARBOL DE TRANSMISSION • PUENTES

OPTIONAL 30.0289.01 1
VARIANTE

C 2277 → Tel. n 201899



TORQUE CONVERTER
CONVERTITORE DI COPPIA

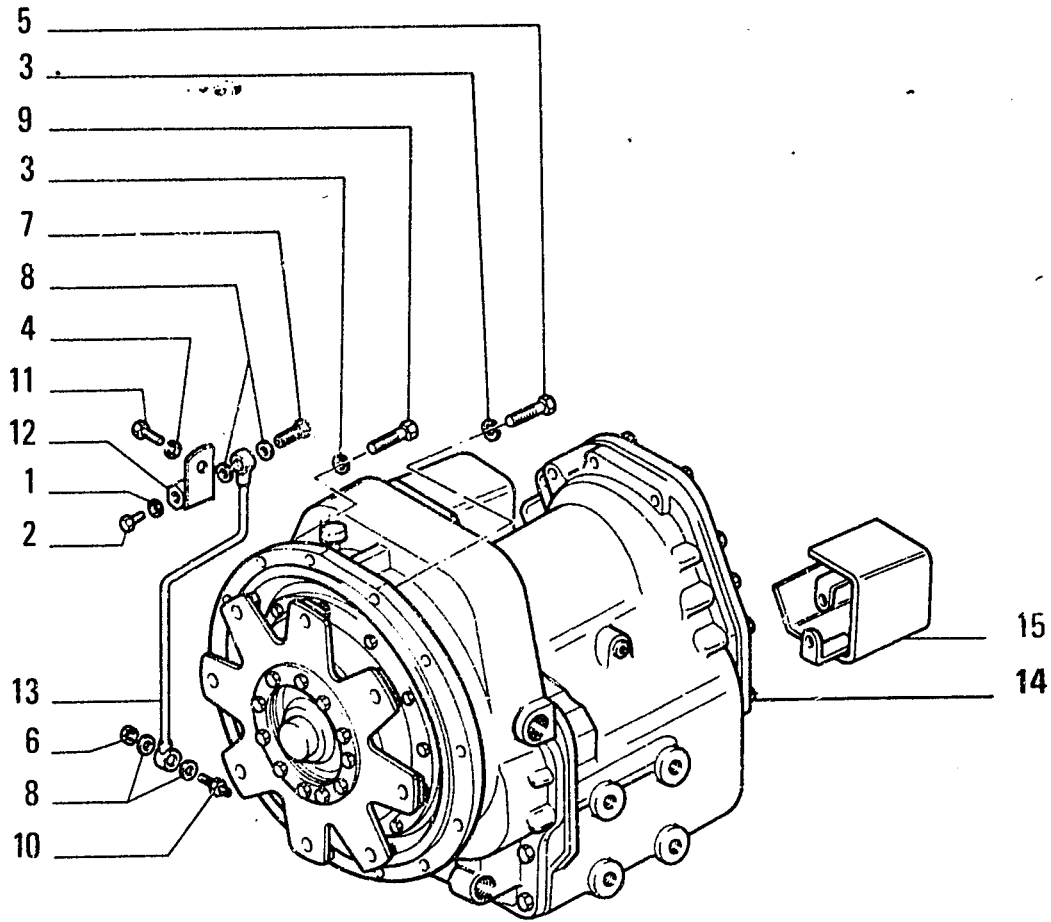
79021962

TRANSMISSION - CAMBIO DI VELOCITA' - BOITE DE VITESSES - WECHSELGETRIEBE - CAMBIO DE VELOCIDADES

B2.01

1

N.T.R. 163 - 30.05.1989
604.01.077.03



ITEM	PART NUMBER	QTY	TRANS CODE	DESCRIPTION	DESCRIZIONE
(*)			469P	FOR SPECIAL EQUIPMENT 30.0289.01.1	PER VARIANTE 30.0289.01.1

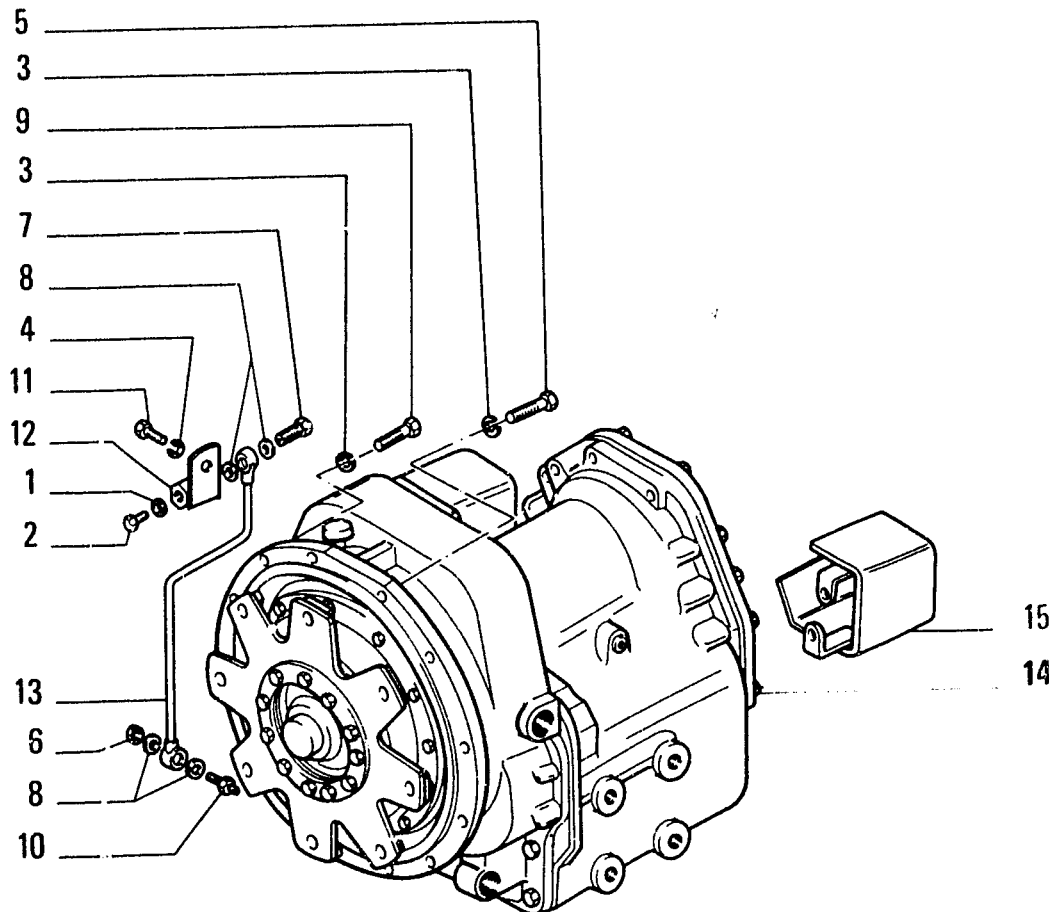
TRANSMISSION - CAMBIO DI VELOCITA' - BOITE DE VITESSES - WECHSELGETRIEBE - CAMBIO DE VELOCIDADES

B2.00

2

N.T.R. 163 - 30.05.1989

604.01.077.03



FIATALLIS FL5

ITEM	PART NUMBER	QTY	TRANS CODE	DESCRIPTION	DESCRIZIONE
1	10296160	1	133R	SEAL 12,2x18	ROSETTA DI TENUTA 12,2x18
2	10300511	1	50T	PLUG 12x1,5x8	TAPPO 12x1,5x8
3	10516871	11	132R	LOCKWASHER 10x2,5	ROSETTA DI SICUREZZA 10x2,5
4	584747	1	170R	LOCKWASHER D2123	ROSETTA EL. D2123
	10517171	1	132R	LOCKWASHER 14,2x3,5 C2123	ROSETTA DI SICUREZZA 14,2x3,5 C2123
5	11307031	10	40V	SCREW 10x1,25x40	VITE 10x1,25x40
6	11902017	1	50T	PLUG 6x1,25x11	TAPPO 6x1,25x11
7	11903717	1	90B	FILLER PLUG 8x1,25x16	BOCCHETTONE INTRODUZIONE 8x1,25x16
8	14330260	4	133R	SEAL 8,2x12	ROSETTA DI TENUTA 8,2x12
9	15970931	1	40V	SCREW 10x1,25x35	VITE 10x1,25x35
10	79014681	1	20R	FITTING	RACCORDO
11	79020334	1	40V	SCREW	VITE
12	76002365	1	300S	SUPPORT D2123	SUPPORTO D2123
	79020335	1	300S	SUPPORT C2123	SUPPORTO C2123
13	79020337	1	193T	TUBE	TUBO RIGIDO
14	79021962	1	30C	TRANSMISSION - ASSEMBLY SEE SGR. B2.01 (*) C2277	CAMBIO VELOCITA' - COMPLETO VEDERE SGR. B2.01 (*) C2277
	79056358	1	30C	TRANSMISSION - ASSEMBLY SEE SGR. B2.01/A (*) D2277	CAMBIO VELOCITA' - COMPLETO VEDERE SGR. B2.01/A (*) D2277
	79057723	1	30C	TRANSMISSION - ASSEMBLY SEE SGR. B2.01/1 D1372	CAMBIO VELOCITA' - COMPLETO VEDERE SGR. B2.01/1 D1372
15	79024798	1	70R	GUARD	RIPARO

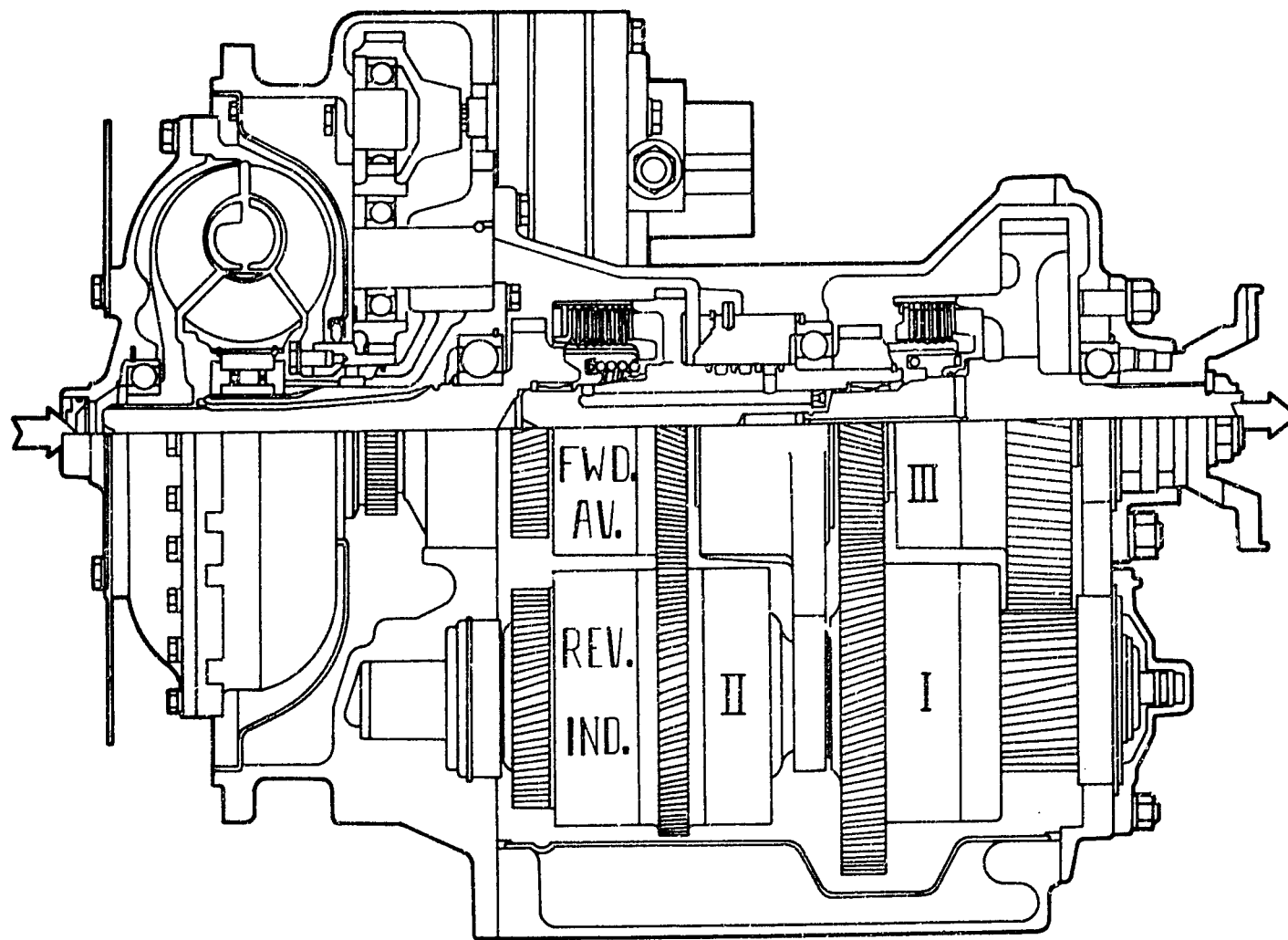
TRANSMISSION - CAMBIO DI VELOCITA' - BOITE DE VITESSES - WECHSELGETRIEBE - CAMBIO
DE VELOCIDADES

B2.00

2

N.T.R. 163 - 30.05.1989

604.01.077.03



TRANSMISSION - CAMBIO DI VELOCITA' - BOITE DE VITESSES - WECHSELGETRIEBE - CAMBIO DE VELOCIDADES

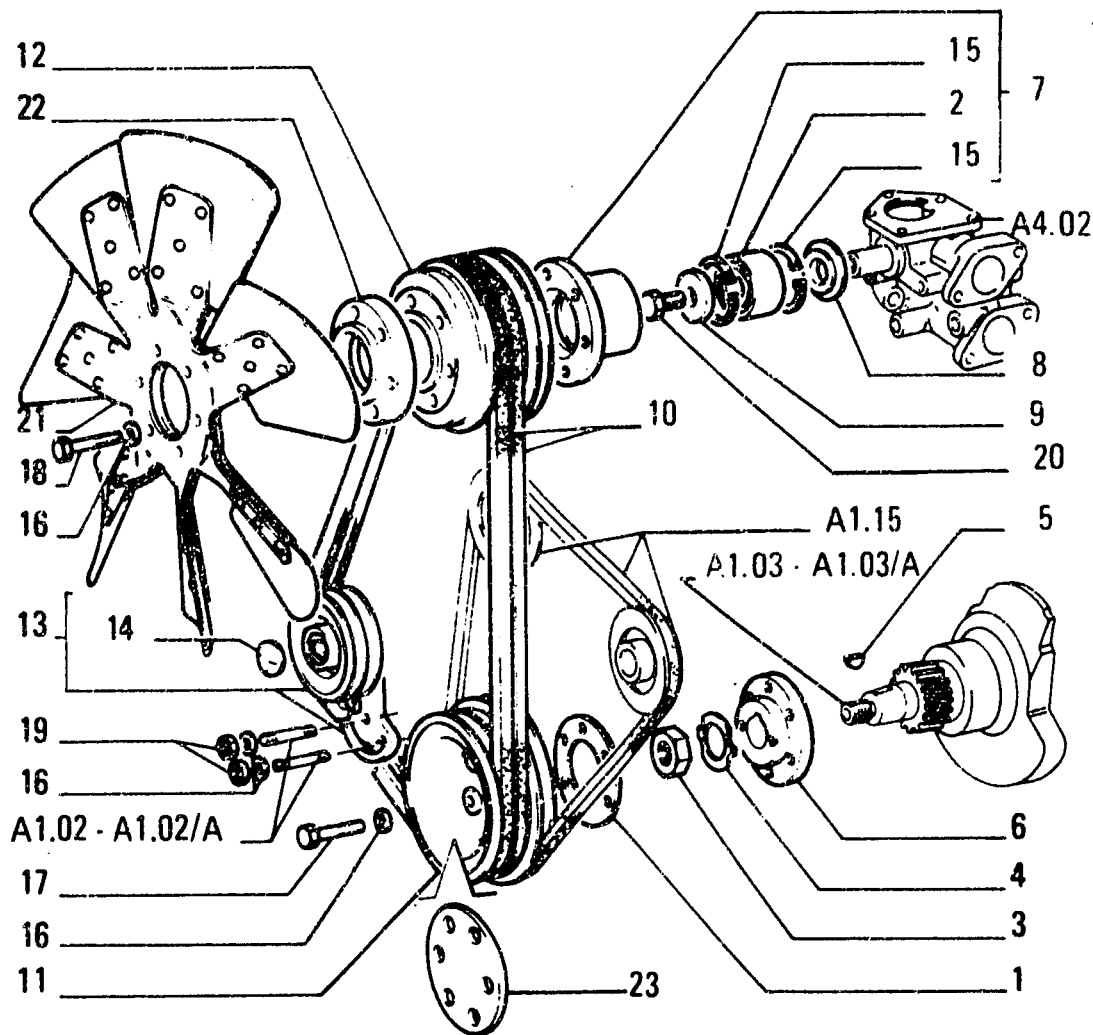
0-5

B 2.00

1

N.T.R. 163 - 30.05.1989

604.01.077.03



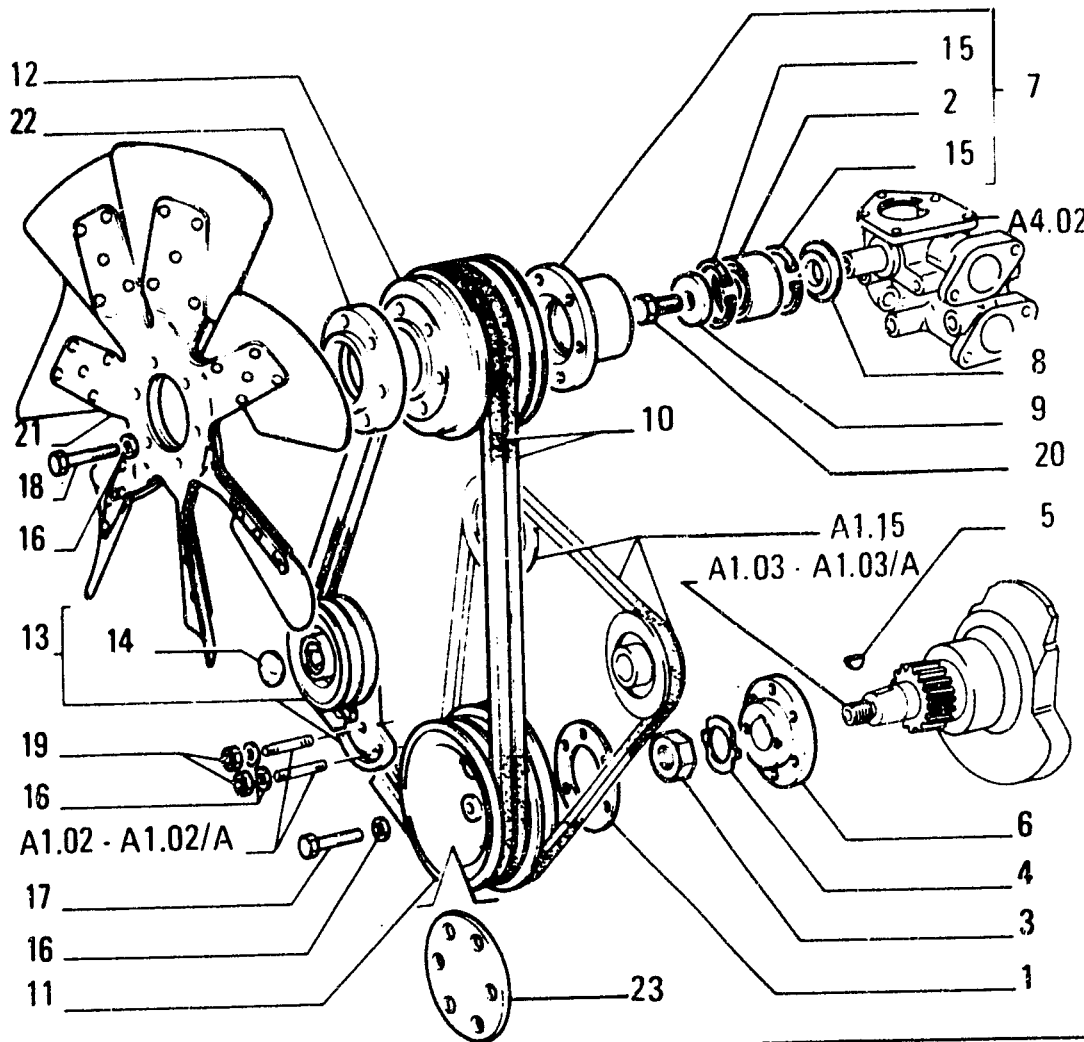
ITEM	PART NUMBER	QTY	TRANS CODE	DESCRIPTION	DESCRIZIONE
22	79035740	1	75D	SPACER	DISTANZIALE
23	79036687	1	265C	COVER (*)	COPERCHIO (*)
			469P	FOR SPECIAL EQUIPMENT	PER VARIANTE 30.0022.22.1
			30.0022.22.1		

FAN AND FAN DRIVE - VENTILATORE E SUO COMANDO - VENTILATEUR ET SA COMMANDE -
 LUEFTER UND LUEFTERANTRIEB - VENTILADOR Y SU MANDO

A4.09

N.T.R. 163 - 30.05.1989

604.01.077.03



ITEM	PART NUMBER	QTY	TRANS CODE	DESCRIPTION	DESCRIZIONE
1	1392183	1	75D	SPACER	DISTANZIALE
2	4318965	1	341C	BEARING	CUSCINETTO
3	4600189	1	10D	NUT	DADO
4	4600190	1	110P	PLAQUE	PIASTRINA
5	4655844	1	60L	KEY	LINGUETTA
6	4655847	1	135M	HUB	MOZZO
7	4747162	1	135M	HUB - ASSEMBLY	MOZZO - COMPLETO
8	4747163	1	131R	WASHER	ROSETTA
9	4747164	1	131R	WASHER	ROSETTA
10	4752262	1	2K	KIT	KIT
	79028862	1	2K	KIT (*)	KIT (*)
11	4758239	1	230P	PULLEY	PULEGGIA
	79036686	1	230P	PULLEY (*)	PULEGGIA (*)
12	4758241	1	230P	PULLEY C1373	PULEGGIA C1373
	4812091	1	230P	PULLEY D1373	PULEGGIA D1373
13	4758242	1	87T	BELT STRETCHER - ASSEMBLY	TENDICINGHIA - COMPLETO
14	10160401	1	50T	PLUG 35x2	TAPPO 35x2
15	11061576	2	51A	LOCKRING 76,5x2,5	ANELLO DI SICUREZZA 76,5x2,5
16	11198371	14	131R	WASHER 10,5x20	ROSETTA 10,5x20
17	11288021	6	40V	SCREW 10x1,25x60	VITE 10x1,25x60
	15971931	6	40V	SCREW (*) 10x1,25x105	VITE (*) 10x1,25x105
18	11306921	6	40V	SCREW 10x1,25x30 C1373	VITE 10x1,25x30 C1373
	15888731	6	40V	SCREW 10x1,25x55 D1373	VITE 10x1,25x55 D1373
19	12164711	2	10D	NUT 10x1,25x8	DADO 10x1,25x8
20	15987921	1	40V	SCREW 20x1,5x40	VITE 20x1,5x40
21	76013039	1	30V	FAN D2194	VENTILATORE D2194
	79035737	1	30V	FAN C2194	VENTILATORE C2194

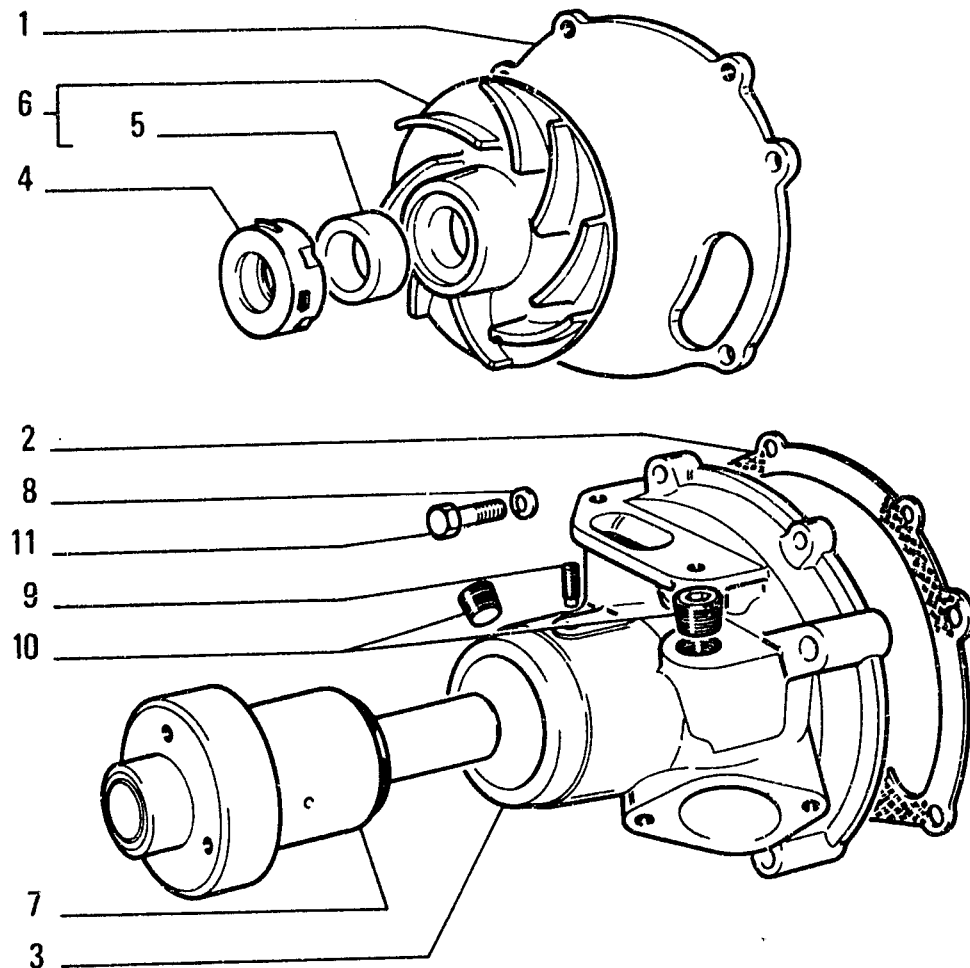
FAN AND FAN DRIVE - VENTILATORE E SUO COMANDO - VENTILATEUR ET SA COMMANDE -
 LUEFTER UND LUEFTERANTRIEB - VENTILADOR Y SU MANDO

A4.09

N.T.R. 163 - 30.05.1989

604.01.077.03

FIATALLIS FL5



ITEM	PART NUMBER	QTY	TRANS CODE	DESCRIPTION	DESCRIZIONE
1	4599557	1	265C	COVER	COPERCHIO
2	4599560	1	123G	SEAL ASSY	GUARNIZIONE TENUTA FRONTALE
3	4603862	1	300C	BODY C1373	CORPO C1373
	4784008	1	300C	BODY D1373	CORPO D1373
4	4603870	1	158G	O-RING C1373	GUARNIZIONE O-R C1373
	4706880	1	158G	O-RING D1373	GUARNIZIONE O-R D1373
5	4639096	1	95B	BUSHING C1373	BOCCOLA C1373
	4706879	1	95B	BUSHING D1373	BOCCOLA D1373
6	4639097	1	60G	IMPELLER - ASSEMBLY C1373	GIRANTE - COMPLETO C1373
	4770614	1	60G	IMPELLER - ASSEMBLY D1373	GIRANTE - COMPLETO D1373
7	4655011	1	16A	SHAFT C1373	ALBERO C1373
	4784078	1	16A	SHAFT D1373	ALBERO D1373
8	11193871	2	131R	WASHER 8,4x16	ROSETTA 8,4x16
9	13748610	1	40V	SCREW 8x1,25x16	VITE 8x1,25x16
10	14325011	2	50T	PLUG 16x1,5x13	TAPPO 16x1,5x13
11	16043421	2	40V	SCREW 8x1,25x20	VITE 8x1,25x20

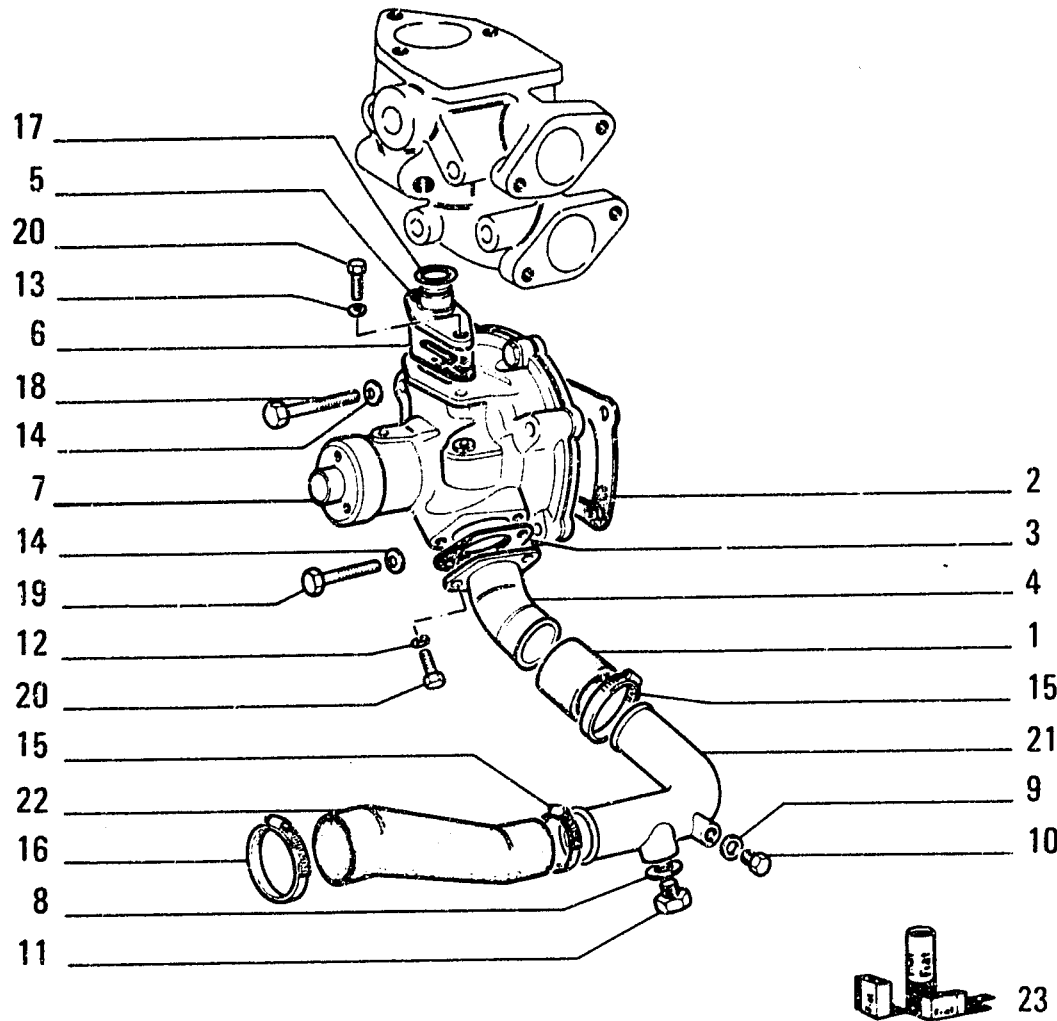
03625

4679242 - 4784454

WATER PUMP - POMPA ACQUA - POMPE A EAU - WASSERPUMPE - BOMBA DE AGUA

A4.03

N.T.R. 126 - 25.02.86
604.01.077.02



ITEM	PART NUMBER	QTY	TRANS CODE	DESCRIPTION	DESCRIZIONE
16	12174790	1	180C	COLLAR 47/67x14 C2273	COLLARE 47/67x14 C2273
	79083846	1	180C	COLLAR D2273	COLLARE D2273
17	14462881	1	158G	O-RING 3,53x18,64 C1373	GUARNIZIONE O-R 3,53x18,64 C1373
	14463281	1	158G	O-RING 3,53x24,99 D1373	GUARNIZIONE O-R 3,53x24,99 D1373
18	15888721	3	40V	SCREW 10x1,25x55	VITE 10x1,25x55
19	15970921	1	40V	SCREW 10x1,25x35	VITE 10x1,25x35
20	16043421	4	40V	SCREW 8x1,25x20 C 966	VITE 8x1,25x20 C 966
	16043631	4	40V	SCREW 8x1,25x25 D 966	VITE 8x1,25x25 D 966
21	79022242	1	193T	TUBE	TUBO RIGIDO
22	76015380	1	30M	SLEEVE G2273	MANICOTTO D2273
	79023024	1	30M	SLEEVE C2273	MANICOTTO C2273
23	79086662	1	1K	KIT SEE PAGE 9	KIT VED. PAG.9

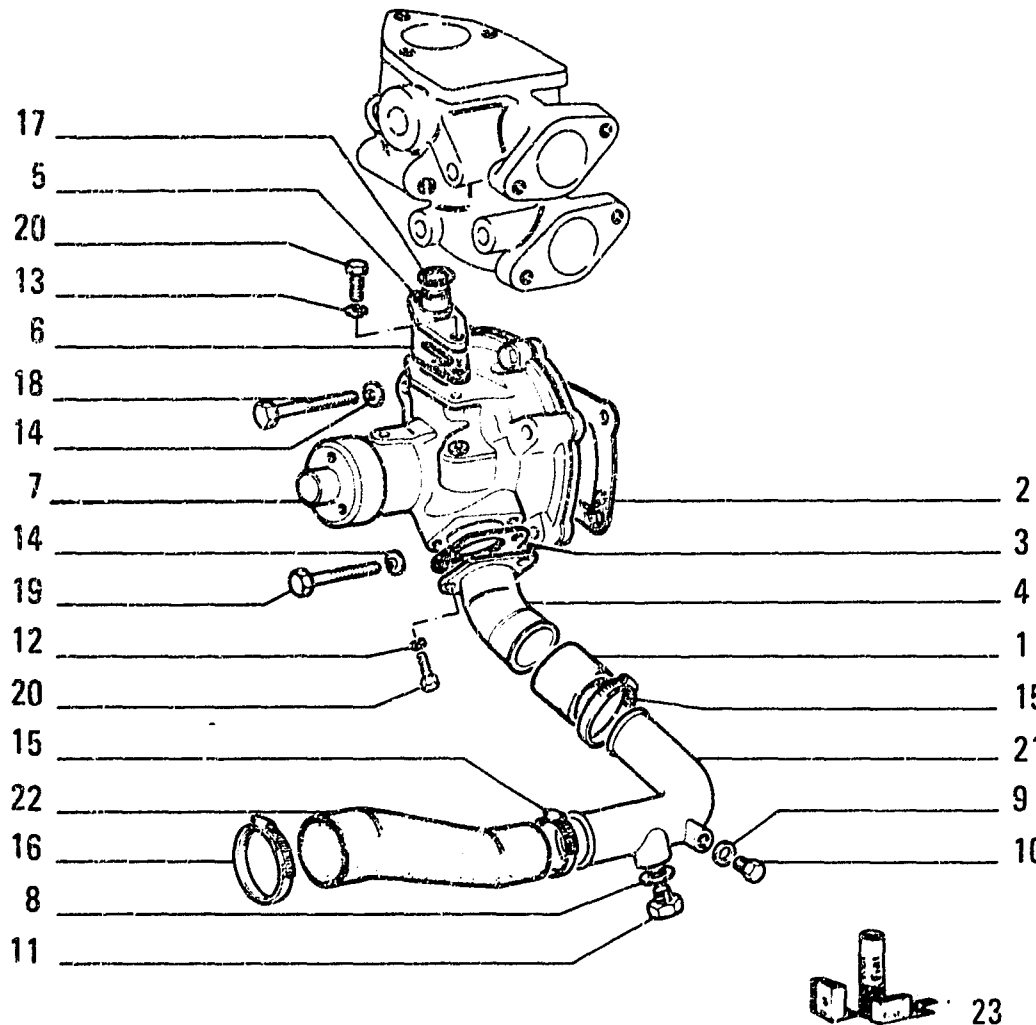
WATER PUMP AND LINES - POMPA ACQUA E TUBAZIONI - POMPE ET CANALISATIONS D'EAU -
 WASSERPUMPE UND LEITUNGEN - BOMBA DE AGUA Y TUBERÍAS

A4.02

2

N.T.R. 163 - 30.05.1989

604.01.077.03



ITEM	PART NUMBER	QTY	TRANS CODE	DESCRIPTION	DESCRIZIONE
1	596152	1	30M	SLEEVE C2273	MANICOTTO C2273
	76014937	1	30M	SLEEVE D2273	MANICOTTO D2273
2	4599561	1	123G	SEAL ASSY	GUARNIZIONE TENUTA FRONTALE
3	4599562	1	123G	SEAL ASSY	GUARNIZIONE TENUTA FRONTALE
4	4615459	1	193T	TUBE C1373	TUBO RIGIDO C1373
	4772995	1	193T	TUBE D1373	TUBO RIGIDO D1373
5	4673807	1	193T	TUBE C1373	TUBO RIGIDO C1373
	4774405	1	193T	TUBE D1373	TUBO RIGIDO D1373
6	4673810	1	123G	SEAL ASSY C1373	GUARNIZIONE TENUTA FRONTALE C1373
	4770435	1	123G	SEAL ASSY D1373	GUARNIZIONE TENUTA FRONTALE D1373
7	4679242	1	152P	WATER PUMP - ASSEMBLY SEE SGR. A4.03 C1373	POMPA ACQUA - COMPLETO VEDERE SGR. A4.03 C1373
	4784454	1	152P	WATER PUMP - ASSEMBLY SEE SGR. A4.03 D1373	POMPA ACQUA - COMPLETO VEDERE SGR. A4.03 D1373
8	10257385	1	133R	SEAL 24x32	ROSETTA DI TENUTA 24x32
9	10296605	1	133R	SEAL 16,2x22	ROSETTA DI TENUTA 16,2x22
10	10300711	1	50T	PLUG 16x1,5x9	TAPPO 16x1,5x9
11	575937	1	50T	PLUG D 966	TAPPO D 966
	10305271	1	50T	PLUG 20x1,5x10 C 966	TAPPO 20x1,5x10 C 966
12	10519621	2	131R	WASHER 8,45x17	ROSETTA 8,45x17
13	10519621	2	131R	WASHER 8,45x17 D1373	ROSETTA 8,45x17 D1373
	11193871	2	131R	WASHER 8,4x16 C1373	ROSETTA 8,4x16 C1373
14	11193871	4	131R	WASHER 10,5x20	ROSETTA 10,5x20
15	12174090	3	180C	COLLAR 32/52x14 C2273	COLLARE 32/52x14 C2273
	79083845	3	180C	COLLAR D2273	COLLARE D2273

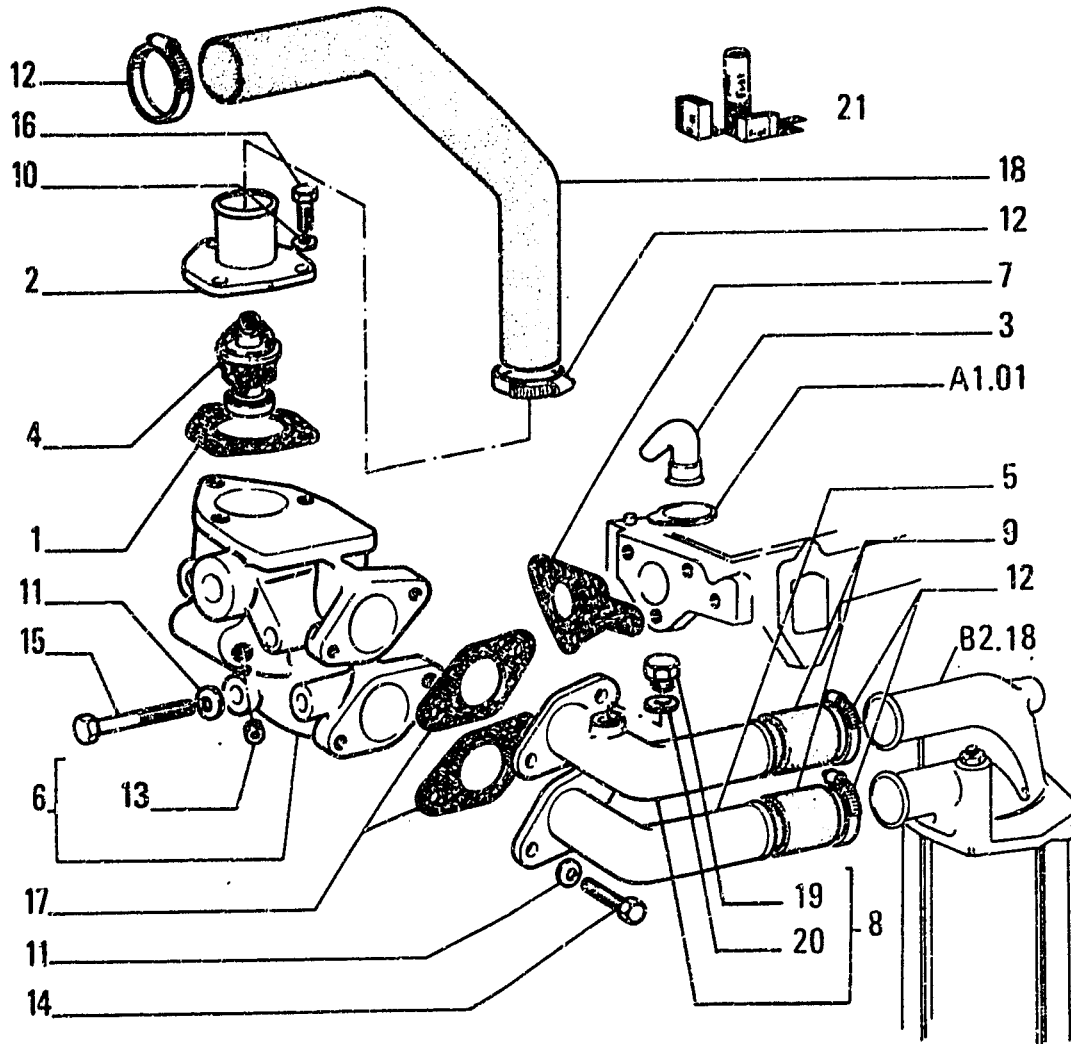
WATER PUMP AND LINES - POMPA ACQUA E TUBAZIONI - POMPE ET CANALISATIONS D'EAU -
WASSERPUMPE UND LEITUNGEN - BOMBA DE AGUA Y TUBERIAS

A4.02

2

N.T.R. 163 - 30.05.1989

604.01.077.03



ITEM	PART NUMBER	QTY	TRANS CODE	DESCRIPTION	DESCRIZIONE
18	79023025	1	30M SLEEVE C2273	MANICOTTO C2273	
19	4741955	1	50T PLUG 51373	TAPPO D1373	
20	10257060	1	131R WASHER 16,2x22 D1373	ROSETTA 16,2x22 D1373	
21	79086662	1	1K KIT SEE PAGE 9	KIT VED. PAG.9	

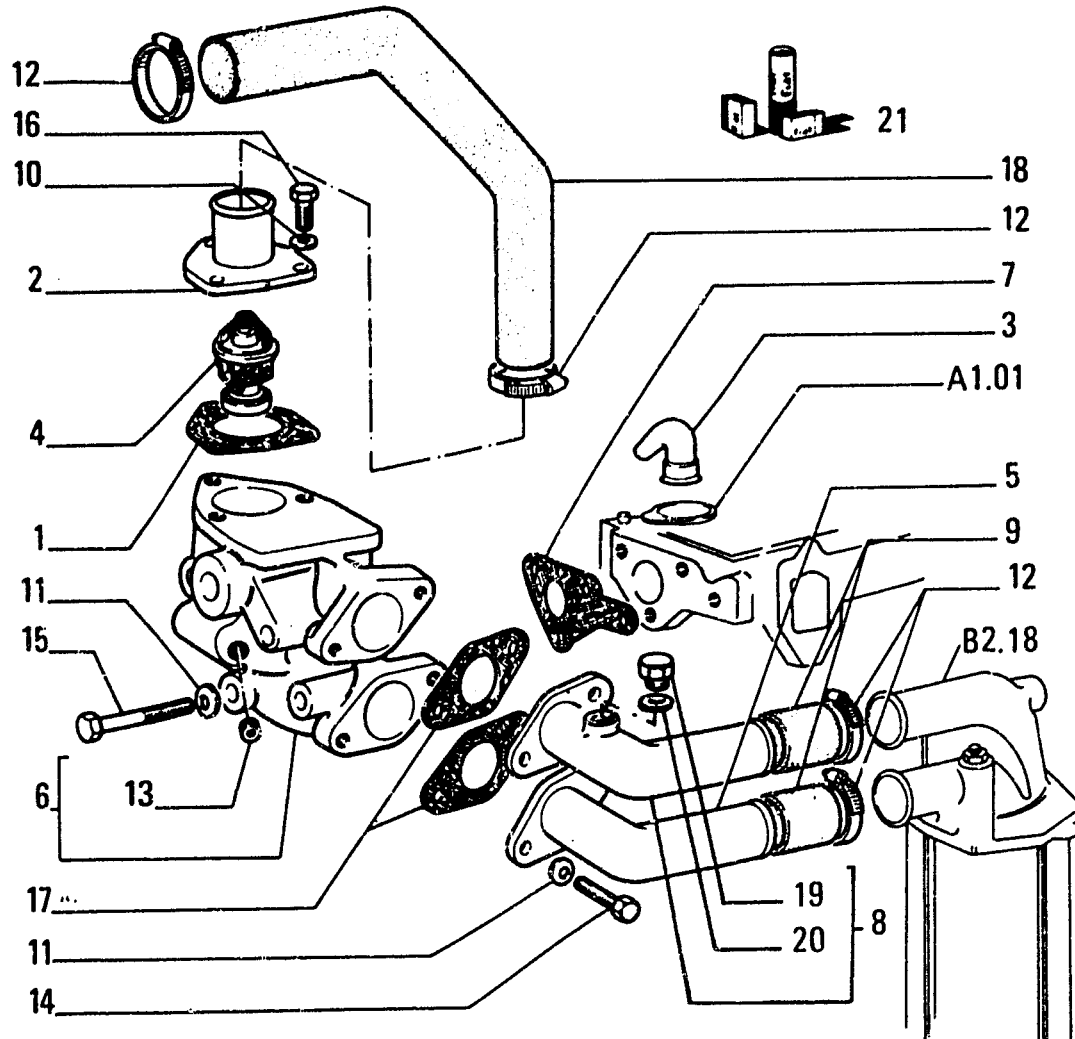
WATER PUMP AND LINES - POMPA ACQUA E TUBAZIONI - POMPE ET CANALISATIONS D'EAU -
 WASSERPUMPE UND LEITUNGEN - BOMBA DE AGUA Y TUBERIAS

A4.02

1

N.T.R. 163 - 30.05.1989

604.01.077.03



FIATALLIS FL5

ITEM	PART NUMBER	QTY	TRANS CODE	DESCRIPTION	DESCRIZIONE
1	4599809	1	123G	SEAL ASSY	CUARNIZIONE TENUTA FRONTALE
2	4661543	1	193T	TUBE	TUBO RIGIDO
3	4699155	4	20D	DEFLECTOR	DEFLETTORE
4	4703088	1	96T	THERMOSTAT	TERMOSTATO
5	4727190	1	193T	TUBE C1373	TUBO RIGIDO C1373
	4796318	1	193T	TUBE D1373	TUBO RIGIDO D1373
6	4727975	1	193T	TUBE - ASSEMBLY C1373	TUBO RIGIDO - COMPLETO C1373
	4790882	1	193T	TUBE D1373	TUBO RIGIDO D1373
7	4770265	1	123G	SEAL ASSY	GUARNIZIONE TENUTA FRONTALE
8	4755896	1	193T	TUBE C1373	TUBO RIGIDO C1373
	4796320	1	193T	TUBE - ASSEMBLY D1373	TUBO RIGIDO - COMPLETO D1373
9	10138386	2	30M	SLEEVE 45x60	MANICOTTO 45x60
10	11193871	3	131R	WASHER 8,4x16 C1373	ROSETTA 8,4x16 C1373
	14496501	3	131H	WASHER 8,4x17 D1373	ROSETTA 8,4x17 D1373
11	11190571	7	131R	WASHER 10,5x20 D1373	ROSETTA 10,5x20 D1373
	11198371	7	131R	WASHER 10,5x20 C1373	ROSETTA 10,5x20 C1373
12	12174790	6	180C	COLLAR 47/67x14 C2273	COLLARE 47/67x14 C2273
	79083846	6	180C	COLLAR D2273	COLLARE D2273
13	14325201	1	50T	PLUG 20x1,5x13 D1373	TAPPO 20x1,5x13 D1373
	14325211	1	50T	PLUG 20x1,5x13 C1373	TAPPO 20x1,5x13 C1373
14	15970721	4	40V	SCREW 10x1,25x25	VITE 10x1,25x25
15	15971621	3	40V	SCREW 10x1,25x90	VITE 10x1,25x90
16	16043621	3	40V	SCREW 8x1,25x25	VITE 8x1,25x25
17	38824001	2	123G	SEAL ASSY	GUARNIZIONE TENUTA FRONTALE
18	76015379	1	30M	SLEEVE D2273	MANICOTTO D2273

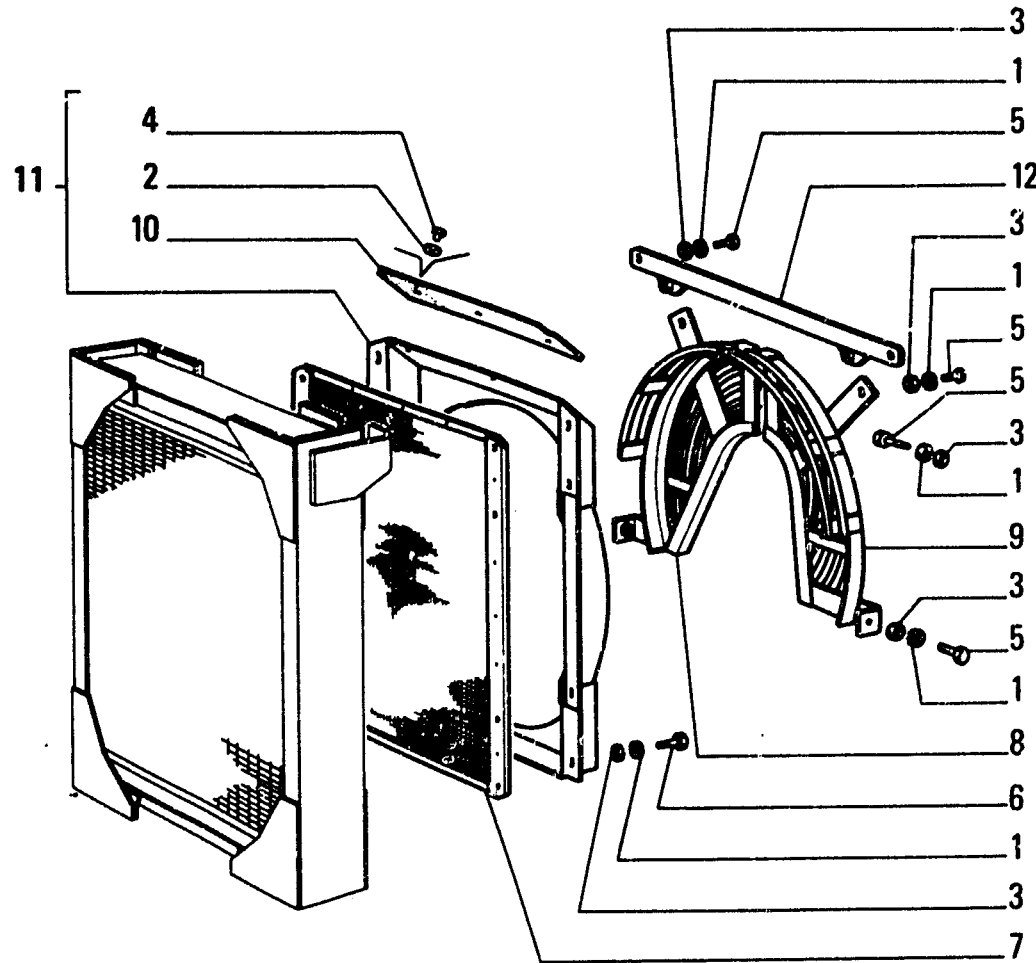
WATER PUMP AND LINES - POMPA ACQUA E TUBAZIONI - POMPE ET CANALISATIONS D'EAU -
WASSERPUMPE UND LEITUNGEN - BOMBA DE AGUA Y TUBERIAS

A4.02

1

N.T.R. 163 - 30.05.1989

604.01.077.03



I T E M	PART NUMBER	Q T Y	TRANS CODE	DESCRIPTION	DESCRIZIONE
1	10516671	15	132R	LOCKWASHER 8,1x2,2	ROSETTA DI SICUREZZA 8,1x2,2
2	12644401	6	131R	WASHER 6,15x15 C1365	ROSETTA 6,15x15 C1365
3	12646721	15	131R	WASHER 8,15x20	ROSETTA 8,15x20
4	13868150	6	55R	RIVET 5x9 C1365	RIBATTINO 5x9 C1365
5	16043431	7	40V	SCREW 8x1,25x20	VITE 8x1,25x20
6	16043531	8	40V	SCREW 8x1,25x22	VITE 8x1,25x22
7	79013754	1	100G	RADIATOR GRILLE C1365	GRIGLIA DEL RADIATORE C1365
	79041777	1	100G	RADIATOR GRILLE D1365	GRIGLIA DEL RADIATORE D1365
8	76010381	1	101G	GRID - RIGHT D1373	GRIGLIA - DESTRO D1373
	79022952	1	101G	GRID - RIGHT C1373	GRIGLIA - DESTRO C1373
9	76010384	1	101G	GRID - LEFT D1373	GRIGLIA - SINISTRO D1373
	79022953	1	101G	GRID - LEFT C1373	GRIGLIA - SINISTRO C1373
10	79023026	2	20E	FILTERING ELEMENT C1365	ELEMENTO FILTRANTE C1365
11	76010366	1	260C	SHROUD - ASSEMBLY D1373	CONVOGLIATORE - COMPLETU D1373
	79023027	1	260C	SHROUD - ASSEMBLY C1365	CONVOGLIATORE - COMPLETO C1365
	79041774	1	260C	SHROUD - ASSEMBLY D1365	CONVOGLIATORE - COMPLETO D1365
		1	260C	SHROUD - ASSEMBLY C1373	CONVOGLIATORE - COMPLETO C1373
12	79028547	1	180T	CROSS BEAM	TRAVERSA

Q3622

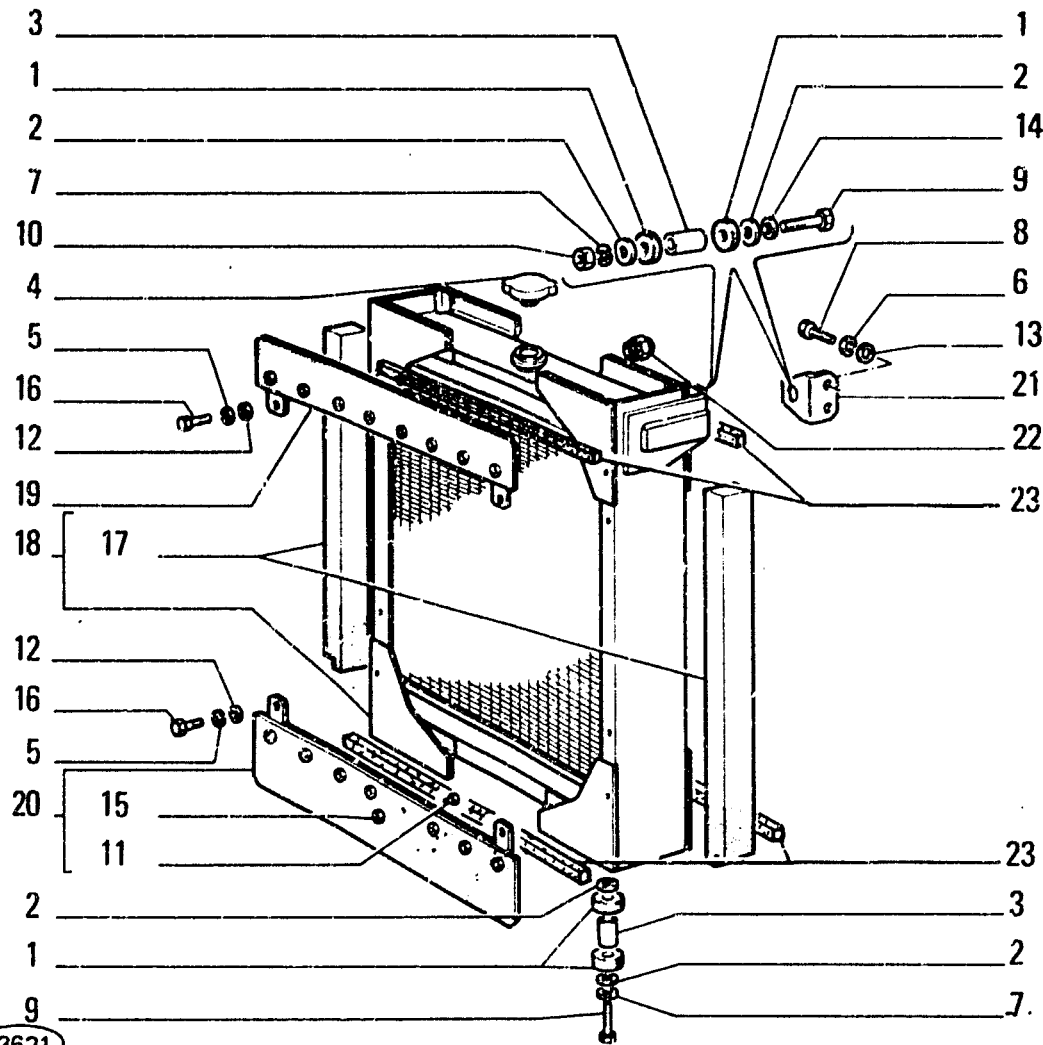
RADIATOR - RADIATORE - RADIATEUR - KUEHLER - RADIADOR

A4.01

2

N.T.R. 126 - 25.02.86
604.01.077.02

O-13



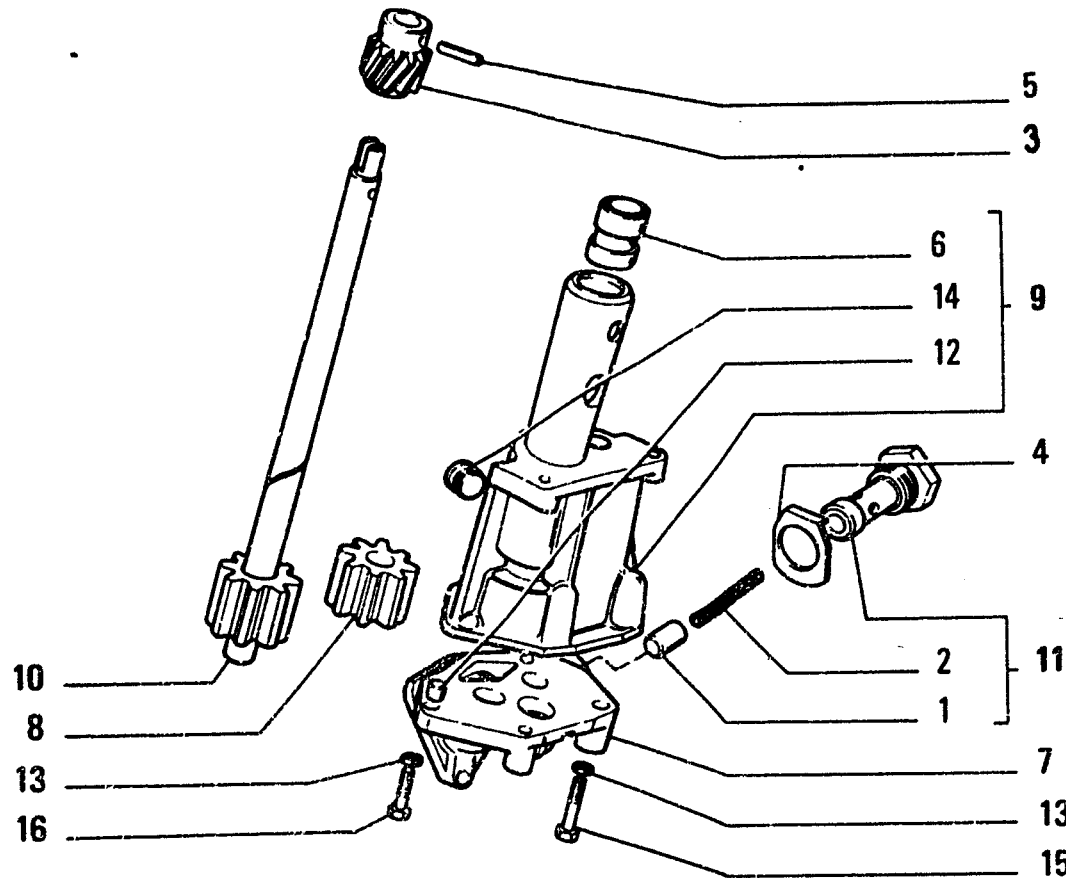
ITEM	PART NUMBER	QTY	TRANS CODE	DESCRIPTION	DESCRIZIONE
1	741569	8	61T	CUSHION PAD	TASSELLO ELASTICO
2	741570		131R	WASHER	ROSETTA
3	741571	4	75D	SPACER	DISTANZIALE
4	4959324	1	50T	PLUG	TAPPO
5	10516671	4	132R	LOCKWASHER 8,1x2,2	ROSETTA DI SICUREZZA 8,1x2,2
6	10516871	4	132R	LOCKWASHER 10x2,5	ROSETTA DI SICUREZZA 10x2,5
7	10517071	4	132R	LOCKWASHER 12,2x3,1	ROSETTA DI SICUREZZA 12,2x3,1
8	11106231	4	40V	SCREW 10x1,5x25	VITE 10x1,5x25
9	11113731	2	40V	SCREW 12x1,75x75	VITE 12x1,75x75
10	11702921	2	10D	NUT 12x1,75x10	DAĐO 12x1,75x10
11	12644401	16	131R	WASHER 6,15x15	ROSETTA 6,15x15
12	12646721	4	131R	WASHER 8,15x20	ROSETTA 8,15x20
13	12646821	4	131R	WASHER 10,2x25	ROSETTA 10,2x25
14	12646921	2	131R	WASHER 12,2x28	ROSETTA 12,2x28
15	13868350	16	55R	RIVET 5x12	RIBATTINO 5x12
16	16043431	4	40V	SCREW 8x1,25x20	VITE 8x1,25x20
17	79013858	2	120G	GASKET - SIDE	GUARNIZIONE PIANA - LATERALE
18	79013859	1	25R	RADIATOR - ASSEMBLY	RADIATORE - COMPLETO
19	79022851	1	120G	GASKET - UPPER ASSEMBLY	GUARNIZIONE PIANA - SUPERIORE
				C1365	COMPLETO C1365
	79041771	1	120G	GASKET D1365	GUARNIZIONE PIANA D1365
20	79022853	1	120G	GASKET - LOWER ASSEMBLY	GUARNIZIONE PIANA - INFERIORE
				C1365	COMPLETO C1365
	79041773	1	120G	GASKET D1365	GUARNIZIONE PIANA D1365
21	79023023	2	225S	BRACKET	STAFFA
22	79032199	1	50T	PLUG C 965	TAPPO C 965
23	79035017	4	120G	GASKET D1365	GUARNIZIONE PIANA D1365

RADIATOR - RADIATORE - RADIATEUR - KUEHLER - RADIADOR

A4.01

1

N.T.R. 126 - 25.02.86
604.01.077.02



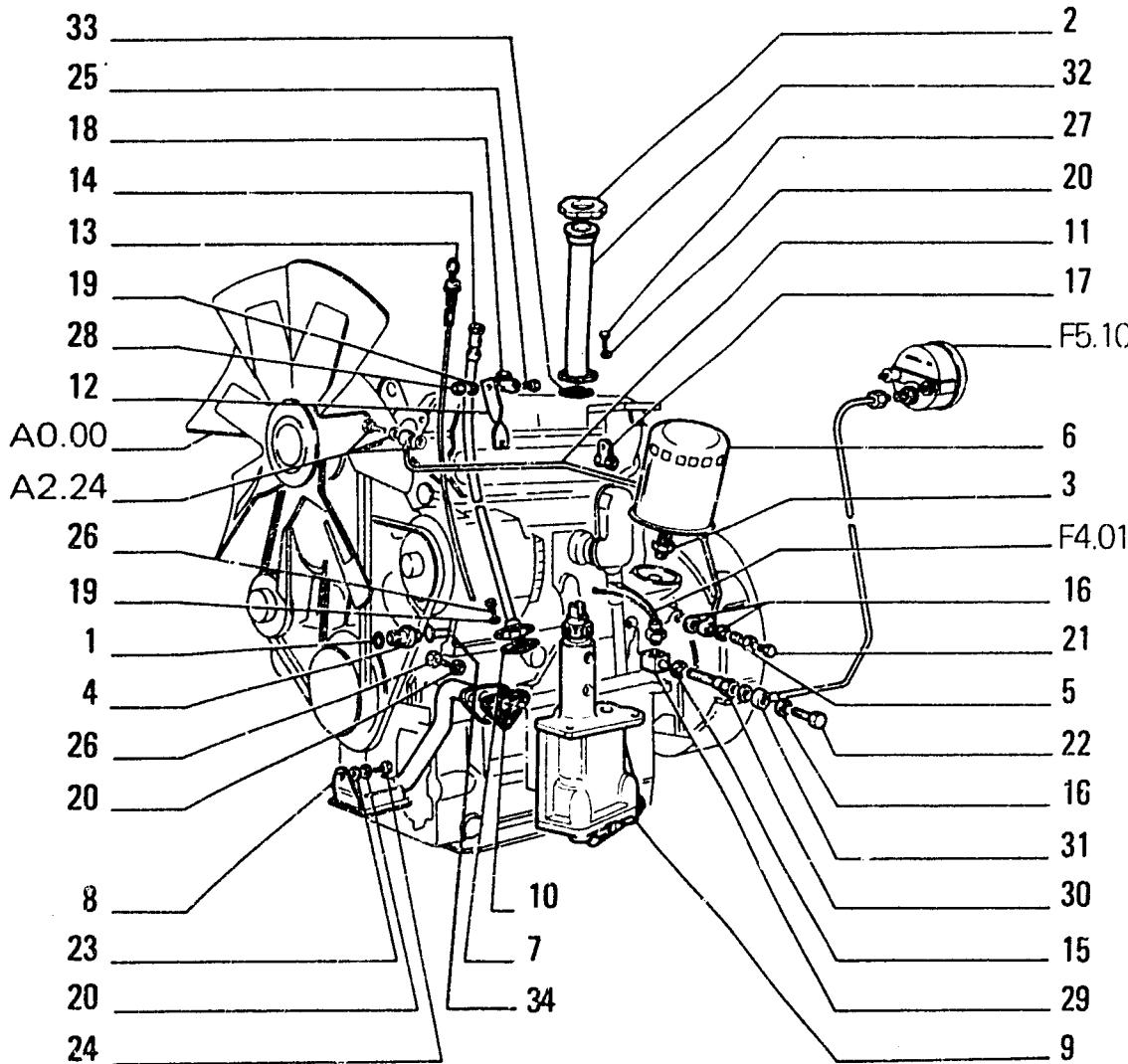
ITEM	PART NUMBER	QTY	TRANS CODE	DESCRIPTION	DESCRIZIONE
1	4587730	1	10V VALVE		VALVOLA
2	4587731	1	100M SPRING		MOLLA
3	4599726	1	50I GEAR		INGRANAGGIO
4	4604941	1	105P PLATE		PIASTRA
5	4605293	1	200S PIN		SPINA
6	4673692	1	95B BUSHING		BOCCOLA
7	4705829	1	265C COVER		COPERCHIO
8	4705831	1	50I GEAR		INGRANAGGIO
9	4705833	1	300C BODY - ASSEMBLY		CORPO - COMPLETO
10	4705834	1	16A SHAFT		ALBERO
11	4707153	1	10V VALVE - ASSEMBLY		VALVOLA - COMPLETO
12	10839510	1	90G DOWEL 6x9		GRAND 6x9
13	11198071	2	131R WASHER 8,2x15		ROSETTA 8,2x15
14	14325101	1	50T PLUG 18x1,5x13		TAPPO 18x1,5x13
15	16043921	2	40V SCREW 8x1,25x35		VITE 8x1,25x35
16	16044221	2	40V SCREW 8x1,25x50		VITE 8x1,25x50

03620

4705827
 OIL PUMP - POMPA OLIO - POMPE HUILE - OELPUMPE - BOMBA DE ACEITE

A3.02
 N.T.R. 126 - 25.02.86
 604.01.077.02

FIATALLIS FL5



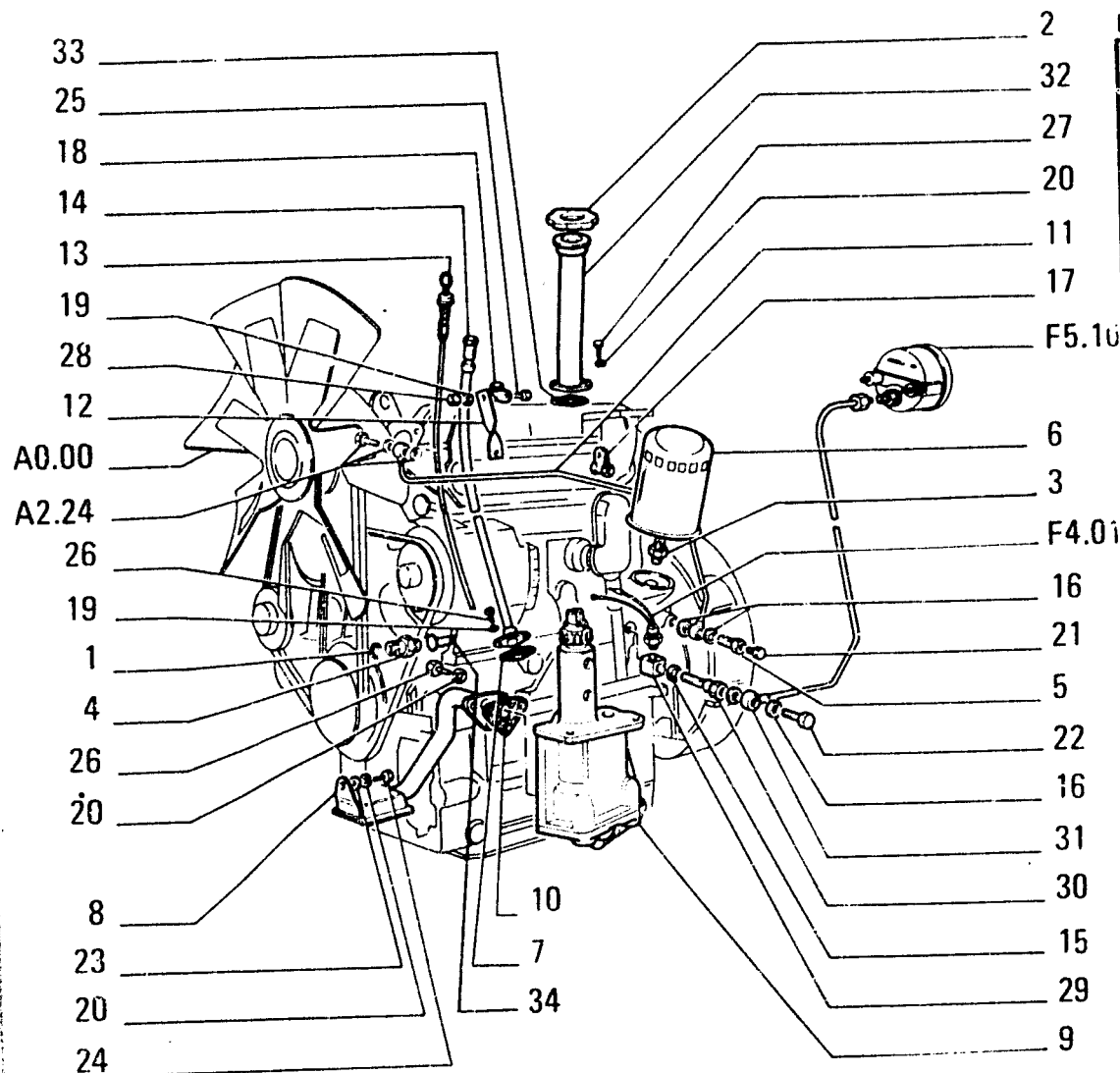
ITEM	PART NUMBER	QTY	TRANS CODE	DESCRIPTION	DESCRIZIONE
19	11193871	3	131R	WASHER 8,4x16	ROSETTA 8,4x16
20	11198071	6	131R	WASHER 8,2x15	ROSETTA 8,2x15
21	11902111	1	50T	PLUG 10x1,25x12 C1373	TAPPO 10x1,25x12 C1373
22	11903817	1	90B	FILLER PLUG 10x1,25x19 C1373	BOCCHETTONE INTRODUZIONE 10x1,25x19 C1373
23	12646701	1	131R	WASHER 8,15x20	ROSETTA 8,15x20
24	16043221	1	40V	SCREW 8x1,25x16	VITE 8x1,25x16
25	16043321	1	40V	SCREW 8x1,25x18	VITE 8x1,25x18
26	16043421	5	40V	SCREW 8x1,25x20	VITE 8x1,25x20
27	16043621	2	40V	SCREW 8x1,25x25	VITE 8x1,25x25
28	16100811	1	10D	NUT 8x1,25x6,5	DADO 8x1,25x6,5
29	79014682	1	74B	LOCK C2123	BLOCCHETTO C2123
30	79014683	1	90B	FILLER PLUG C2123	BOCCHETTONE INTRODUZIONE C2123
	79044617	1	90B	FILLER PLUG D2123	BOCCHETTONE INTRODUZIONE D2123
31	79014720	1	193T	TUBE C1373	TUBO RIGIDO C1373
32	79022678	1	193T	TUBE	TUBO RIGIDO
33	79031181	1	123G	SEAL ASSY	GUARNIZIONE TENUTA FRONTALE
34	4605220	1	20U	JET D1373	UGELLO D1373

03619

ENGINE LUBRICATION - LUBRIFICAZIONE MOTORE - GRAISSAGE DU MOTEUR - MOTORSCHMIERUNG - ENGRASE DEL MOTOR

A3.01

N.T.R. 126 - 25.02.86
604.01.077.02



FIATALLIS FL5

I T E M	PART NUMBER	Q T Y	TRANS CODE	DESCRIPTION	DESCRIZIONE
1	561293	1	133R	SEAL	ROSETTA DI TENUTA
2	4232606	1	54T	FILLER CAP	TAPPO INTRODUZIONE
3	4262887	1	20R	FITTING C1373	RACCORDO C1373
	4782453	1	20R	FITTING D1373	RACCORDO D1373
4	4607670	1	90B	FILLER PLUG C1373	BOCCHETTONE INTRODUZIONE C1373
	4785501	1	90B	FILLER PLUG D1373	BOCCHETTONE INTRODUZIONE D1373
5	4607792	1	90B	FILLER PLUG C1373	BOCCHETTONE INTRODUZIONE C1373
6	4625547	1	67F	OIL FILTER	FILTRO OLIO
7	4667612	1	123G	SEAL ASSY	GUARNIZIONE TENUTA FRONTALE
8	4684824	1	193T	TUBE	TUBO RIGIDO
9	4705827	1	153P	OIL PUMP - ASSEMBLY SEE SGR. A3.02	POMPA OLIO - COMPLETO VEDERE SGR. A3.02
10	4705835	1	123G	SEAL ASSY	GUARNIZIONE TENUTA FRONTALE
11	4733738	1	193T	TUBE C1373	TUBO RIGIDO C1373
12	4748875	1	225S	BRACKET	STAFFA
13	4752693	1	91A	DIPSTICK	ASTA LIVELLO
14	4752724	1	193T	TUBE C1373	TUBO RIGIDO C1373
	4788884	1	193T	TUBE D1373	TUBO RIGIDO D1373
15	10278660	1	133R	SEAL 16,2x22 C1373	ROSETTA DI TENUTA 16,2x22 C1373
16	10298360	4	133R	SEAL 10,2x16 C1373	ROSETTA DI TENUTA 10,2x16 C1373
17	10450090	1	225S	BRACKET 8x9 C1373	STAFFA 8x9 C1373
18	10450390	1	225S	BRACKET 14x9	STAFFA 14x9

03619

ENGINE LUBRICATION - LUBRIFICAZIONE MOTORE - GRAISSAGE DU MOTEUR - MOTORSCHMIERUNG -
ENGRASE DEL MOTOR

A3.01

N.T.R. 126 - 25.02.86
604.01.077.02

0-17

DESIGNAZIONE BASE	BASIC DESIGNATION	DESIGNATIONS-BASES	GRUNDBEZEICHNUNGEN	DENOMINACIONES BASE	
319C	CRISTALLO ATERMICO	ATHERMIC GLASS PANE	GLACE A THERMIQUE	SCHEIBE WAERMEDAEMMEND	CRISTAL. ATERMICO
326A	TRASMISSIONE POSTERIORE	REAR TRANSMISSION	TRANSMISSION ARRIERE	HINTERE KRAFTUEBERTRAGUNG	CRUCETA
320C	CROCIERA	SPIDER	CROISILLON	KREUZSTUECK	
3201	PNEUMATICI 14 00X24	TIRES 14 00X24	PNEUS 14 00X24	REIFEN 14 00X24	
3208	PNEUMATICI 15 5X25	TIRES 15 5X25	PNEUS 15 5X25	REIFEN 15 5X25	
3209	PNEUMATICI 17 5X25	TIRES 17 5X25	PNEUS 17 5X25	REIFEN 17 5X25	
321C	CRONOGROMETRO	TACHOMETER	TACHYMETRE	DREHZAHLMESSER	CUENTAREVOLUCIONES
3210	PNEUMATICI 22X25	TIRES 22X25	PNEUS 22X25	REIFEN 22X25	
3211	PNEUMATICI 20 5X25	TIRES 20 5X25	PNEUS 20 5X25	REIFEN 20 5X25	
3213	PNEUMATICI 26 5X25	TIRES 26 5X25	PNEUS 26 5X25	REIFEN 26 5X25	
3219	PNEUMATICI 29 5X25	TIRES 29 5X25	PNEUS 29 5X25	REIFEN 29 5X25	
322C	CRONOTACHIMETRO	SPEEDOMETER	CHRONOTACHYMETRE	TACHOMETER	CRONOTACOMETRO
325C	CRUSCOTTO	DASHBOARD	PLANCHE DE BORD	ARMATURENBRETT	TABLERO
330C	CUFFIA RADIATORE	RADIATOR GUARD	CAPOT	KUEHLERHAUBE	CAPUCHON
331C	CUFFIA DI GOMMA	RUBBER BOOT	CAPUCHON CAOUT- CHOU	MANSCHETTE	CAPUCHON DE CAUCHO
331C			CALOTTE DE PRO- JECTEUR	HALTERING	SOPORTE DEL PROYECTOR
332C	CUFFIA PER PROIETTORE	HEADLAMP BOOT	COIN	KEIL	CUNA
332C			CAPUCHON POUR POUSSIER	STAUBSCHUTZKAPPE	CAPUCHON GUARDAPOI.VO
333C	CUNEO	WEDGE		RAEDER MIT FELGE 14 00-25	
334C	CUFFIA PARAPOLVERE	DUST BOOT		RAEDER MIT FELGE 8 00TG-24	
3402	RUOTE CON CERCHIO 14 00-25	WHEELS W RIM 14 00-25		KUGELLAGER	RODAMIENTO
3403	RUOTE CON CERCHIO 8 00TG-24	WHEELS W RIM 8 00TG-24	ROULEMENT	SITZPOLSTER	ALMOHADA
341C	CUSCINETTO	BEARING	COUSSIN	DOKUMENTENTASCHE	FUNDA PARA MAPAS
345C	CUSCINO	CUSHION	POCHETTE A PAPIERS		ANCLAJE HIDRAULICO
348C	CUSTODIA PER LIBRETTI	PORTFOLIO	BLOCAGE HYDRAULIQUE	FUSSBREMSBETAETIGUNG	
3665	BLOCCAGGIO IDRAULICO	HYDRAULIC LOCK		FESTSTEELEBREMSEBEL	
3763	COMANDO FRENI SERVIZIO	BRAKE PEDALS	FREINS DE STATIONNEMENT	BETAETIGUNG LENKKUPPLUNGEN	
3764	COMANDO FRENI STAZIONAMENTO	PARKING BRAKE		LENKKUPPLUNGEN AUSSER LEITUNGE	
3962	COMANDO FRIZIONI DI STERZO	STEERING CONTROL		LENKKUPPLUNG ANSCHLUSSLEITUNGE	
3966	TUBAZIONI EST FRIZIONI STERZO	STEERING OUTER PIPING		KENNZEICHENSCHILD- LEISTE	MARCO DE MATRICULA
3967	TUBAZIONI COLLEG.FRIZ STERZO	STEERING CONNECTING PIPING		DECKEILRING	MARCO DE PROYECTOR
390C	CORNICE DELLA TARGA	NUMBER PLATE FRAME	MONTURE DE PLAQUE	DICHTUNGSPROFIL	BURLETE DE GOMA
390C				SICHERHEITSKABINE	CABINA DE SEGURIDAD
391C	CORNICE DEL PROIETTORE	HEADLAMP RIM	MONTURE DE PRO- JECTEUR	SCHIEBERSTANGE	CORREDERA DEL DISTRIBUITOR
391C				FARBE	COLOR
392C	CORNICE DI GOMMA	WEATHERSEAL STRIP	CONTOUR CAOUTCHOU	MASCHINENRAHMEN	CUERPO TRACTOR
393C	CABINA SICUREZZA	ROPS CAB	CABINE DE SECURITE		
394C	CASSETTO DISTRIBUTORE	CONTROL VALVE SPOOL	BOITE DISTRIBUTEUR		
395C	COLORE	COLOR	COULEUR		
396C	CORPO TRATTORE	TRACTOR BODY	CORPS TRACTEUR		

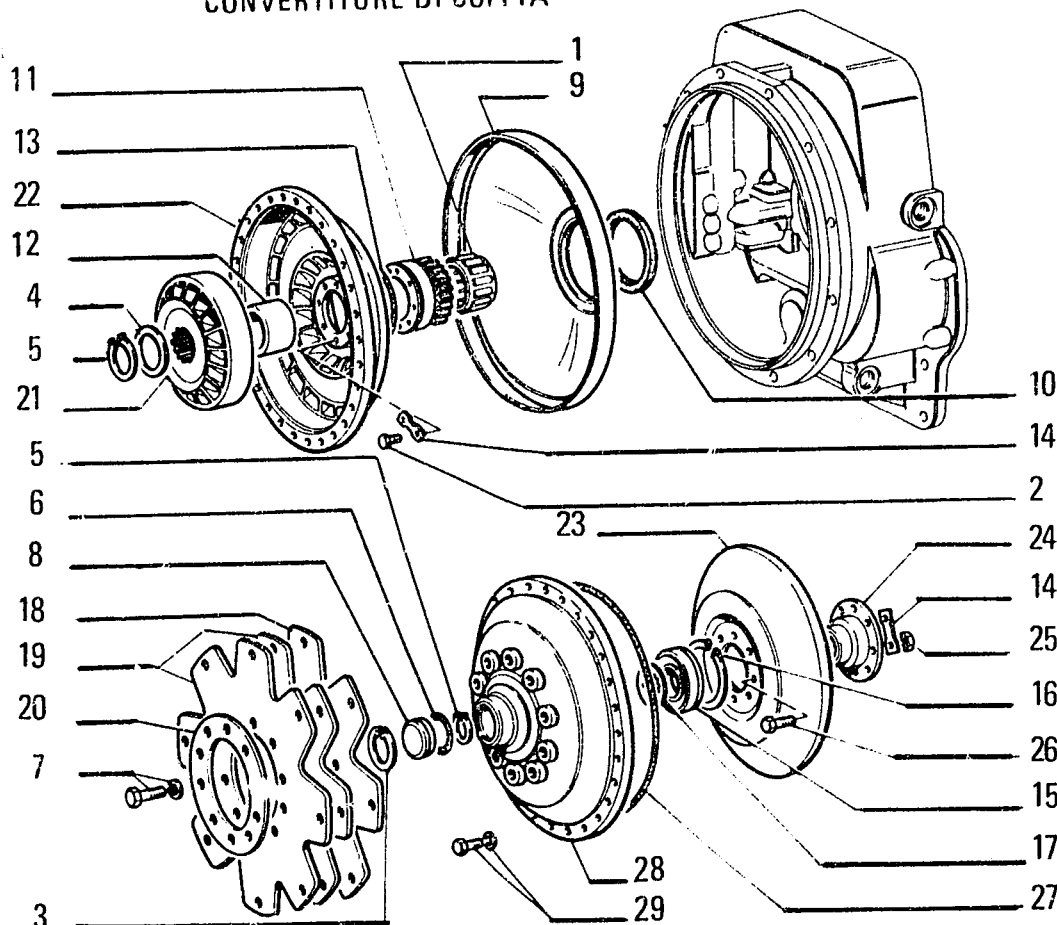
DESIGNAZIONE BASE	BASIC DESIGNATION	DESIGNATIONS-BASES	GRUNDBEZEICHNUNGEN	DENOMINACIONES BASE
397C	CORPO CARRELLO	TRACK FRAME	LAUFWERKSRAHMEN	CARRO DE ORUGA
398C	CRISTALLO COLORATO	TINTED ATHERMIC GLASS PANE	SCHEIBE,GETOENT	CRISTAL COLOREADO
399C	CONVERTITTORE PNEUMOIDRAULICO	POWER CLUSTER	HYDROPNEUMATISCHE SERVOBREMSE	SERVOFRENO NEUMOHIDRAULICO
400C	COMBUSTIBILE	FUEL	KRAFTSTOFF	COMBUSTIBILE
401C	COSTAMPATO	MOLD-ON CONNECTOR		
401S	SARACINESCA	GATE VALVE	SCHIEBERVENTIL	COMPUERTA
402S	SCATOLA CAMBIO	TRANSMISSION HOUSING	GETRIEBEGEHAUSE	CAJA DE CAMBIO
403S	SCATOLA RIDUTTORE FINALE	FINAL DRIVE HOUSING	ENDANTRIEBSGEHAUSE	CAJA DE REDUCTOR
404S	SCATOLA TRASMISSIONE	REAR HOUSING	GETRIEBEGEHAUSE	CAJA DE TRANSMISION
405S	SIGILLANTE	SEALANT	VERPLOMBT	SELLADOR
406S	SPRUZZATORE	NOZZLE	SPRITZDUESE	INYECTOR
407S	STRISCIA ANTISDRUCCIOLO	ANTI-SKID	RUTSHFESTER BELAG	TIRA CONTRA-DESGLIZAMIENTO
408S	STRUTTURA PROTEZIONE	ROPS CANOPY	SCHUTZRAHMEN	ESTRUCTURA DE PROTECCION
409S	SEGMENTO FRENO	BRAKE LINING	BREMSBELAG	ZAPATA DE FRENO
410S	SERBATOIO OLIO IMP. IDRAULICO	HYDRAULIC TANK	TANK FUER HYDRAULIKOEL	DEPOSITO ACEITE SISTEMA HIDR.
411S	SERBATOIO COMBUSTIBILE E OLIO	FUEL AND OIL TANK	KRAFTSTOFF/OELTANK	TANQUE COMBUSTIBLE Y ACEITE
412S	SEMIMAGLIA CINGOLO	HALF TRACK LINK	HALBKETTENGLIED	SEMIMALLA DE ORUGA
413S	SEMICERNIERA	HALF HINGE	HALBSCHARNIER	SEMIBISAGRA
414S	SCHEMA	SCHEMATIC	SCHEMA	ESQUEMA
415S	SEMIFASCIA	HALF BAND	HALBITALTEBAND	SEMIFAJA
416S	SBRINATORE	DEFROSTER	ENTFROSTER	DESCONGELADOR
417S	SEMIFLANGIA	HALF FLANGE	HALBFLANSCH	SEMIBRIDA
418S	SERIE	SET	SATZ	JUEGO
419S	SGANCIO SOLLEVAMENTO	LIFT RELEASE VALVE		
420S	SERBATOIO ARIA	AIR RESERVOIR	RESERVOIR A AIR	DEPOSITO DE AIRE
421S	SOLVENTE	SOLVENT	SOLVANT	
469P	PER VARIANTE	FOR SPECIAL EQUIPMENT	POUR VARIANTE	PARA VARIANTE
48GA	RIDUTTORE LATERALE	FINAL DRIVE	REDUCTEUR LATERAL	
490P	PERNO A SFERA	BALL PIN	AXE SPHERIQUE	
491P	POZZETTO	WELL	ETUI	ROTULA
492P	PUNTA DENTE BENNA	BUCKET TOOTH POINT	POINTE DENT DE GODET	DEPOSITO
493P	PIATTAFORMA	PLATFORM	PLATE-FORME	PUA DE DIENTE CUCHARA
50G1	RUOTE CARRELLO CINGOLO	TRACK ROLLERS	ROUE PORTEUR DE CHENILLE	PLATAFORMA
50G2	TENDICINGOLO	TRACK IDLER	TENDEUR DE CHENILLE	RUEDA DE APOYO DE LA ORUGA
50G3	RULLO SOSTEGNO CINGOLO	TRACK CARRIER ROLLER	GALET DE RETOUR DE CHENILLE	
50G4	RIPARI CINGOLO	TRACK COVERS	PROTECTIONS DE CHENILLE	RUEDA DE SOPORTE DE LA ORUGA
56G1	SOSPENSIONE ANT CINGOLO	TRACK FRONT SUSPENSION	SUSPENSION AV. CHENILLE	BLINDAJE DE CADENAS
56G3	COLLEGAMENTO CARRELLI	TRACK GUIDING PLATES		
56G5	SOSPENSIONE POST CINGOLO	REAR SUSPENSION	SUSPENSION AR. CHENILLE	
600J	VARIANTE A RICHIESTA	SPECIAL EQUIPMENT	EQUIPEMENT SPECIAL	EQUIPO SPECIALE

DESIGNAZIONE BASE	BASIC DESIGNATION	DESIGNATIONS-BASES	GRUNDBEZEICHNUNGEN	DENOMINACIONES BASE
000U	PROVVEDERE IN LOCO	OBTAIN LOCALLY	A PROCUPER SER	CONSEGUIR LOCALMENTE
000W	TAGLIARE DI MISURA	CUT AT ASSEMBLY	COUPER SELON BESOIN	CORTAR SEGUN NECESARIO
000X	FINO AL TELAIO...	UP TO SERIAL NO...	JUSQU'AU CHASSIS...	HASTA EL ARMAZON...
000Y	DAL TELAIO...	FROM THE SERIAL NO...	A PARTIR DU CHASSIS...	A PARTIR DEL ARMAZON...
001E	VEDERE NOTA	SEE NOTE	VOIR REMARQUE	VEASE NOTA
03G0	COMANDI DIREZIONALI	STEERING SYSTEM	COMMANDE DE DIRECTION	MANDO DE LA DIRECCION
05G3	COMANDI FRENO	BRAKE CONTROLS	COMMANDE DE FREINS	MANDO DEL FRENO
7117	LEVERAGGI	CONTROL LEVERS	TRINGLERIES	TIMONIERA
7211	TELAIO INFERIORE	LOWER MAIN FRAME	CHASSIS INFERIOR	ARMAZON INFERIOR
7215	TELAIO SUPERIORE	UPPER MAIN FRAME	CHASSIS SUPERIOR	ARMAZON SUPERIOR
74G0	BATTERIE, SEDE E RIPARI	BATTERY, SEAT AND SUPPORT	BATTERIE, SIEGE ET PROTECTION	
7480	MOTORIDUTTORE TRASLAZIONE	DRIVE MOTOREDUCTION		
7482	MOTORIDUTTORE ROTAZIONE	SWING MOTOREDUCTION		
75GA	IMPIANTO ELETTRICO	ELECTRICAL SYSTEM	SYSTEME ELECTRIQUE	
75G0	COMANDI ELETTRICI	ELECTRIC CONTROLS	COMMANDES ELECTRIQUE	ELEKTRISCHE STEUERUNG
75G1	APPARECCHI ELETTRICI	ELECTRICAL INSTRUMENTS	DISPOSITIFS ELECTRIQUES	ELEKTRISCHE ANZEIGEINSTRUMENTE
75G3	CAVI AVVIAMENTO	STARTING CABLES	CABLES DEMARRAGE	STARTERKABEL
75G4	CAVI VARI	VARIOUS CABLES	CABLE DIVERS	MEHREERE KABEL
75G8	APPARECCHI ILLUMINAZIONE	LIGHTS	ECLAIRAGE	BELEUCHTUNG
75G9	TERMOMETRI E MANOMETRI	TEMPERATURE-PRESSURE GAUGES	THERMOMETRES ET MANOMETRES	THERMOMETER UND MANOMETER
7874	BLOCCAGGIO TORRETTA	SUPERSTRUCTURE LOCKING	BLOCAGE SUPERSTRUCTURE	
9079	BENNA SCARICO BILATERALE	BILATERAL DISCHARGE BUCKET	GODET VIDAGE BILATERAL	
82GA	IMPIANTO IDRAULICO	HYDRAULIC SYSTEM	SYSTEME HYDRAULIQUE	
82G0	TUBAZIONI	PIPING		SISTEMA DE ALUMBRADO
82G1	FILTRI SERBATOIO OLIO	OIL TANK FILTERS		
82G3	POMPA ATTREZZO	EQUIPMENT PUMP	POMPE OUTIL	
82G4	DISTRIBUTORE ATTREZZO	EQUIPMENT CONTROL VALVE	DISTRIBUTEUR DE L'OUTIL	
82G5	COMANDO DISTRIBUTORE ATTREZZO	CONTROL VALVE DRIVE	COMMANDE DE OUTIL	ACCIONAMIENTO DEL UTIL
82G6	TUBAZIONI IMPIANTO IDRAULICO	HYDRAULIC SYSTEM PIPING		
83G0	COFANI	HOODS	CAPOTS	MOTORHAUBEN
83G8	RIPARI LATERALI COFANO	HOOD SIDE GUARDS	PROTECTIONS LATERALES CAPOT	SEITENBLECHE
85G0	SEDILE CONDUTTORE	OPERATOR SEAT	SIEGE OPERATEUR	FAHRERSITZ
85G2	SOSTEGNO E RIPARI SEDILE	SEAT SUPPORT AND GUARD	SUPPORT ET PROTECTION SIEGE	SITZBEFESTIGUNG UND VERKLEIDUNG
8501	CATENARIA ANTIPOLVERE	SEALED TRACK CHAIN	CHENILLE SCHELLEE	KETTENZUG MIT STAUBDICHTUNG
8582	CABINA CORAZZATA	BULLETPROOF. CAB	CABINE BLINDEE	FAHRERHAUS GEPANZERT
87GA	POSTO GUIDA	OPERATORS COMPARTMENT		
87G0	PARAFANGHI-PEDANE	FENDERS-FLOORS	AILES - PLANCHERS	KOTFLUEGEL-TRITTBLECH
87G1	PROTEZIONI INFERIORI	BOTTOM GUARDS	PROTECTION INFERIEURS	PANZERWANNE
8877	STRUTTURA ROPS RIVESTITA			ROPS RAHMEN VERKLEIDET
9005	SOSTITUZ.RAPIDA OLIO MOTORE	ENGINE OIL QUICK CHANGE		

B

MECHANICAL TRANSMISSION • CLUTCH • TRANSMISSION • TRANSMISSION SHAFT • AXLES
TRASMISSIONE MECCANICA • FRIZIONE • CAMBIO • ALBERO DI TRASMISSIONE • PONTI
TRANSMISSION MECANIQUE • EMBRAYAGE • BOITE DE VITESSES • ARBRE DE TRANSMISSION • PONTS
MECHANISCHE KRAFTÜBERTRAGUNG • KUPPLUNG • GETRIEBE • GELENKWELLE • ACHSEN
TRANSMISSION MECANICA • EMBRAGUE • CAMBIO • ARBOL DE TRANSMISSION • PUENTES

TORQUE CONVERTER
CONVERTITORE DI COPPIA



OPTIONAL
VARIANTE 30.0289.01.1

C 2277 → Tel. n. 201899

FIATALLIS FL5

B2.01 TAV. 2 PAG.1

ITEM	PART NUMBER	QTY	TRANS CODE	DESCRIPTION	DESCRIZIONE
1	70673970	1	341C	BEARING	CUSCINETTO
2	70927211	8	40V	SCREW	VITE
3	70927696	1	51A	LOCKRING C1169	ANELLO DI SICUREZZA C1169
	70935974	1	51A	LOCKRING D1169	ANELLO DI SICUREZZA D1169
4	70927747	1	45A	RING	ANELLO
5	70928720	2	45A	RING	ANELLO
6	14458580	1	158G	O-RING 2,62x36,17 D1171	GUARNIZIONE O-R 2,62x36,17 D1171
	70933876	1	158G	O-RING C1171	GUARNIZIONE O-R C1171
7	71004835	10	44V	SCREW AND WASHER ASSY	VITE CON ROSETTA
8	73117963	1	50T	PLUG	TAPPO
9	73118063	1	20D	DEFLECTOR	DEFLETTORE
10	73118064	1	123G	SEAL ASSY	GUARNIZIONE TENUTA FRONTALE
11	73118065	1	50I	GEAR	INGRANAGGIO
12	73118066	1	75D	SPACER	DISTANZIALE
13	73118067	1	158G	O-RING	GUARNIZIONE O-R
14	73118068	8	110P	PLAQUE	PIASTRINA
15	73118072	1	341C	BEARING	CUSCINETTO
16	73118073	1	45A	RING	ANELLO
17	73118074	1	131R	WASHER	ROSETTA
18	73118173	1	75M	DIAPHRAGM	MEMBRANA
19	73118174	2	75M	DIAPHRAGM	MEMBRANA
20	73118175	1	45A	RING	ANELLO
21	79030244	1	271S	STATOR	STATORE
22	79030245	1	60G	IMPELLER	GIRANTE

79021962

TRANSMISSION - CAMBIO DI VELOCITA' - BOITE DE VITESSES - WECHSELGETRIEBE - CAMBIO DE VELOCIDADES

B2.01

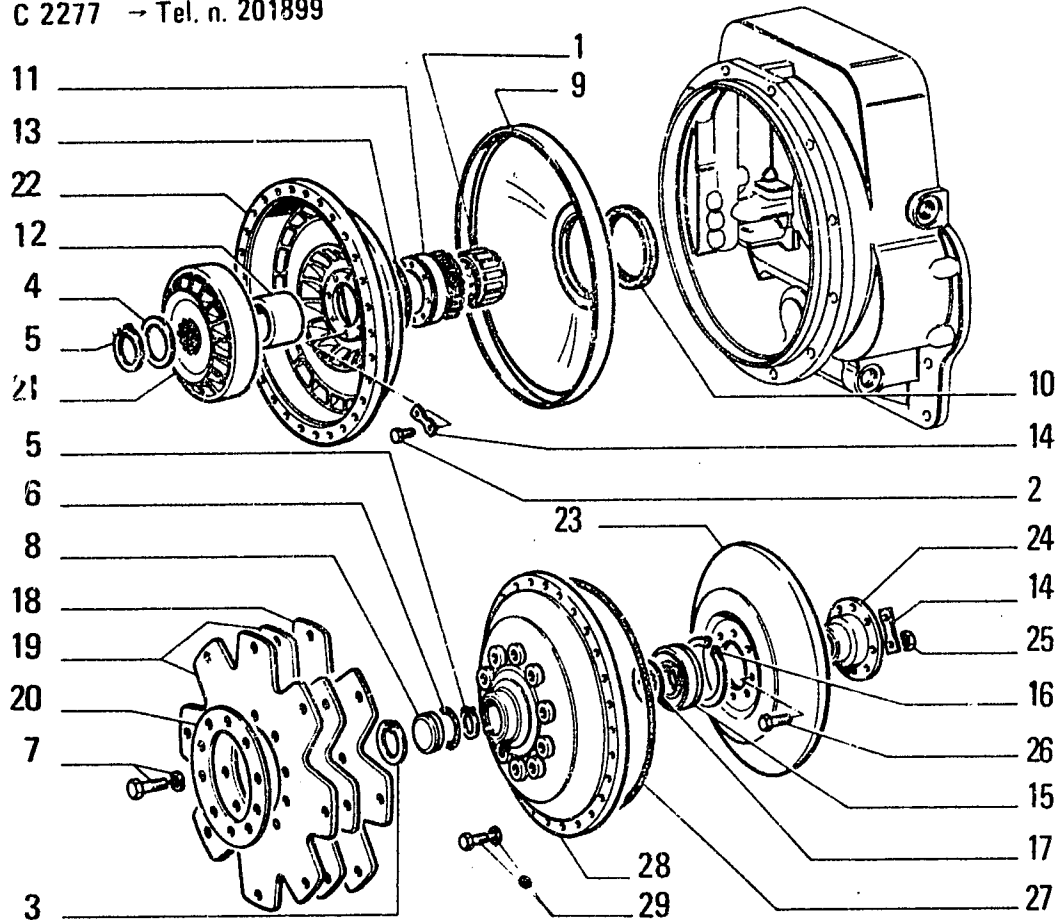
2

N.T.R. 163 - 30.05.1989

604.01.077.03

P2

C 2277 → Tel. n. 201899



TORQUE CONVERTER
CONVERTITORE DI COPPIA

OPTIONAL
VARIANTE 30.0289.01.1

FIATALLIS FL5

B2.01 TAV. 2 PAG.2

I T E M	PART NUMBER	Q T Y	TRANS CODE	DESCRIPTION	DESCRIZIONE
23	79030254	1	60G	IMPELLER	GIRANTE
24	79030255	1	135M	HUB	MOZZO
25	79030256	8	10D	NUT	DAO
26	79030257	8	40V	SCREW	VITE
27	79030258	1	158G	O-RING	GUARNIZIONE O-R
28	79030259	1	265C	COVER	COPERCHIO
29	79030260	18	44V	SCREW AND WASHER ASSY	VITE CON ROSETTA

79021962

TRANSMISSION - CAMBIO DI VELOCITA' - BOITE DE VITESSES - WECHSELGETRIEBE - CAMBIO DE VELOCIDADES

B2.01

2

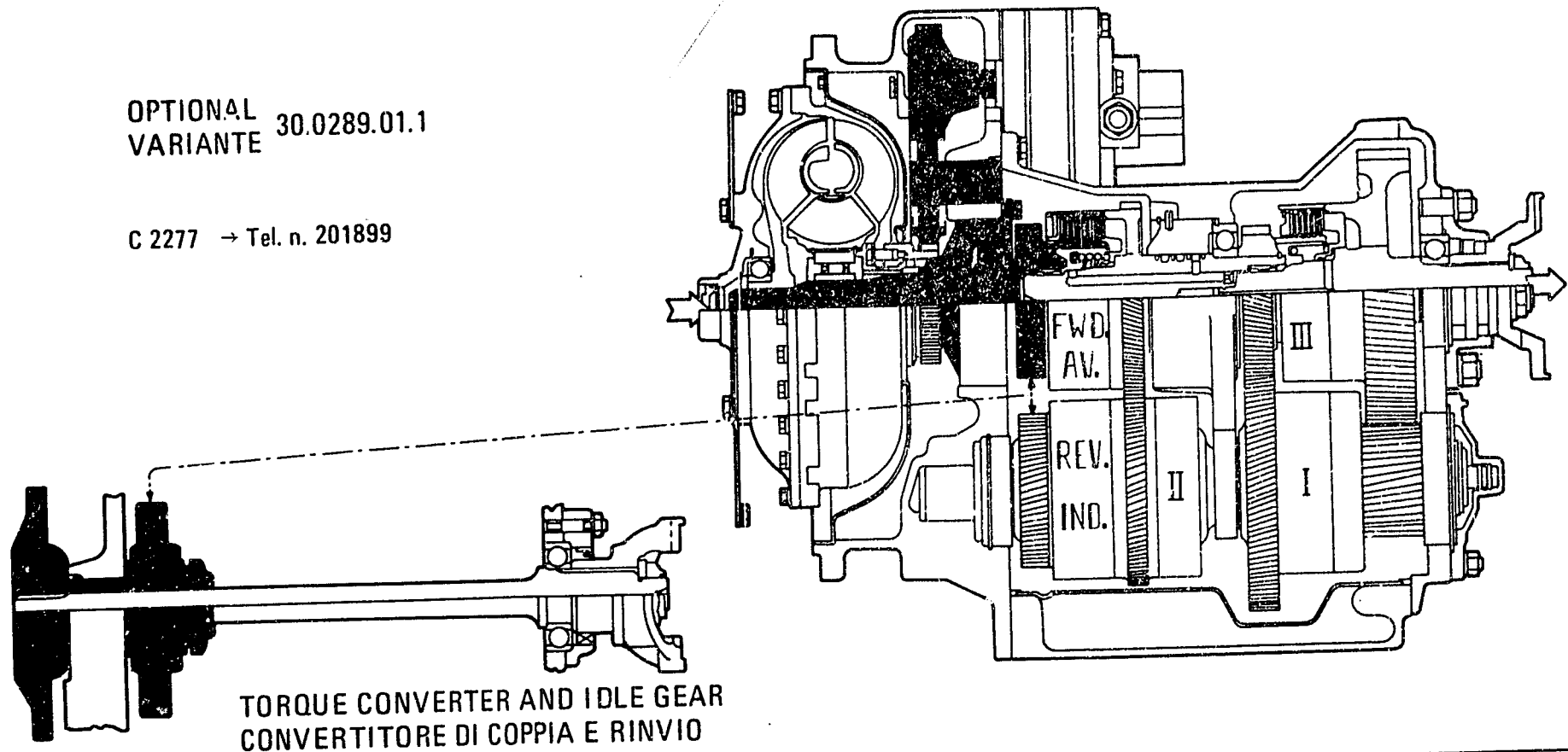
N.T.R. 163 - 30.05.1989

604.01.077.03

P3

OPTIONAL
VARIANTE 30.0289.01.1

C 2277 → Tel. n. 201899



TORQUE CONVERTER AND IDLE GEAR
CONVERTITORE DI COPPIA E RINVIO

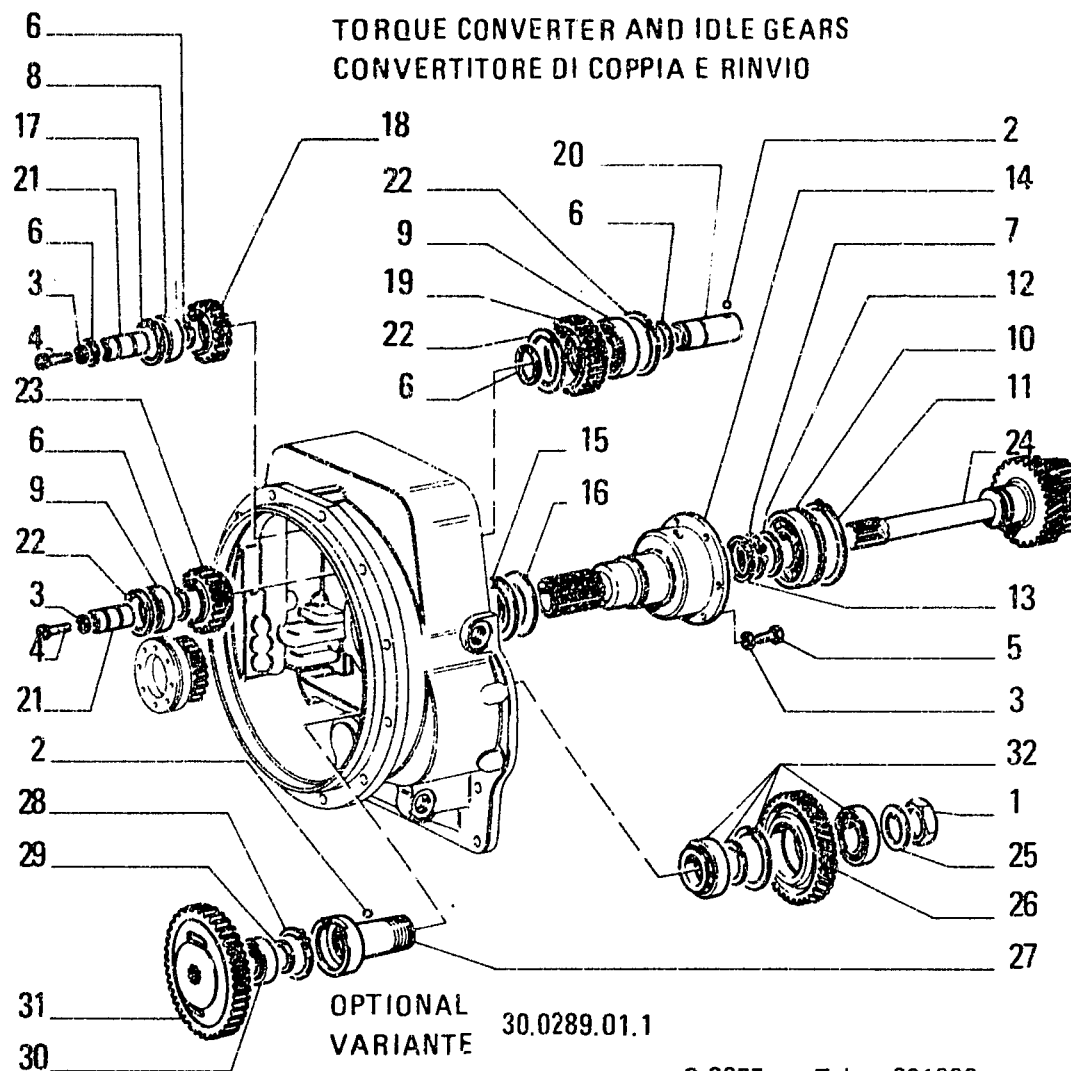
79021962
TRANSMISSION - CAMBIO DI VELOCITA' - BOITE DE VITESSES - WECHSELGETRIEBE -
CAMBIO DE VELOCIDADES

P4

B2.01

3

N.T.R. 163 - 30.05.1989
604.01.077.03



C 2277 → Tel. n. 201899

FIATALLIS FL5

B2.01 TAV. 4 PAG.1

I T E M	PART NUMBER	Q T Y	TRANS CODE	DESCRIPTION	DESCRIZIONE
1	70059946	1	10D	NUT	DADO
2	70673856	2	140S	BALL	SFERA
3	8273916	10	131R	WASHER D1171	ROSETTA D1171
	70910287	10	131R	WASHER C1171	ROSETTA C1171
4	70921076	4	40V	SCREW	VITE
5	70922763	6	40V	SCREW	VITE
6	70929166	5	45A	RING	ANELLO
7	73116957	1	45A	RING	ANELLO
8	73116959	1	341C	BEARING	CUSCINETTO
9	73116971	2	341C	BEARING	CUSCINETTO
10	73118056	1	341C	BEARING C1169	CUSCINETTO C1169
	73132932	1	341C	BEARING D1169	CUSCINETTO D1169
11	73118057	1	45A	RING	ANELLO
12	73118058	1	131R	WASHER	ROSETTA
13	73118059	1	45A	RING	ANELLO
14	73118060	1	300S	SUPPORT	SUPPORTO
15	73118061	1	45A	RING	ANELLO
16	73118062	1	100M	SPRING	MOLLA
17	73118080	1	45A	RING	ANELLO
18	73118081	1	50I	GEAR	INGRANAGGIO
19	73118082	1	50I	GEAR	INGRANAGGIO
20	73118093	1	16A	SHAFT	ALBERO
21	73118262	2	300S	SUPPORT	SUPPORTO
22	73118320	3	45A	RING	ANELLO
23	79030242	1	50I	GEAR	INGRANAGGIO
24	79030246	1	16A	SHAFT	ALBERO
25	79030247	2	131R	WASHER	ROSETTA

79021962

TRANSMISSION - CAMBIO DI VELOCITA' - BOITE DE VITESSES - WECHSELGETRIEBE -- CAMBIO DE VELOCIDADES

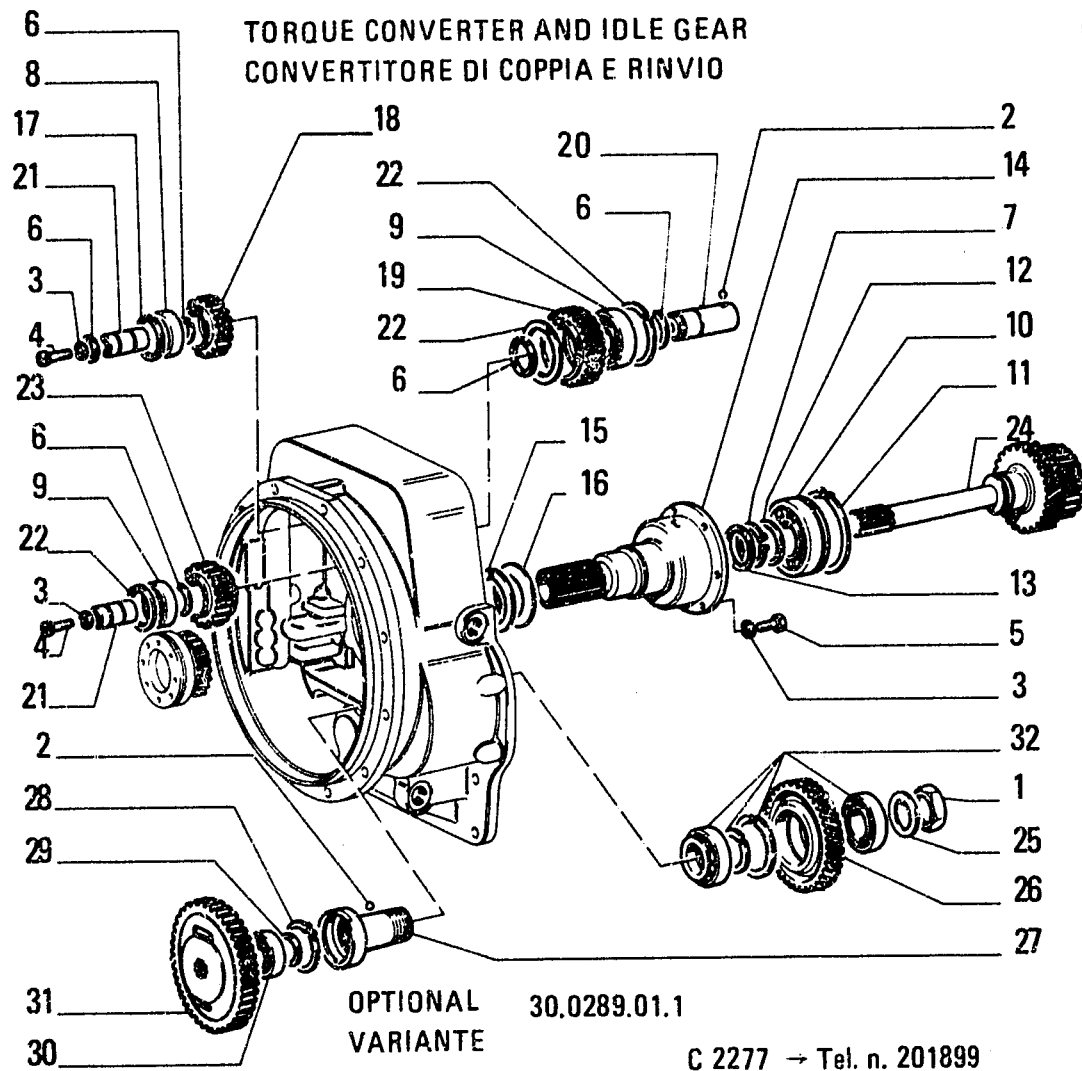
B2.01

4

N.T.R. 163 - 30.05.1989

604.01.077.03

P5



FIATALLIS FL5

I T E M	PART NUMBER	Q T Y	TRANS CODE	DESCRIPTION	DESCRIZIONE
26	79030248	1	50I GEAR		INGRANAGGIO
27	79030249	1	16A SHAFT		ALBERO
28	79030250	1	45A RING		ANELLO
29	79030251	1	45A RING		ANELLO
30	79030252	1	341C BEARING		CUSCINETTO
31	79030253	1	50I GEAR		INGRANAGGIO
32	79030261	1	341C BEARING		CUSCINETTO

79021962

TRANSMISSION - CAMBIO DI VELOCITA' - BOITE DE VITESSES - WECHSELGETRIEBE - CAMBIO DE VELOCIDADES

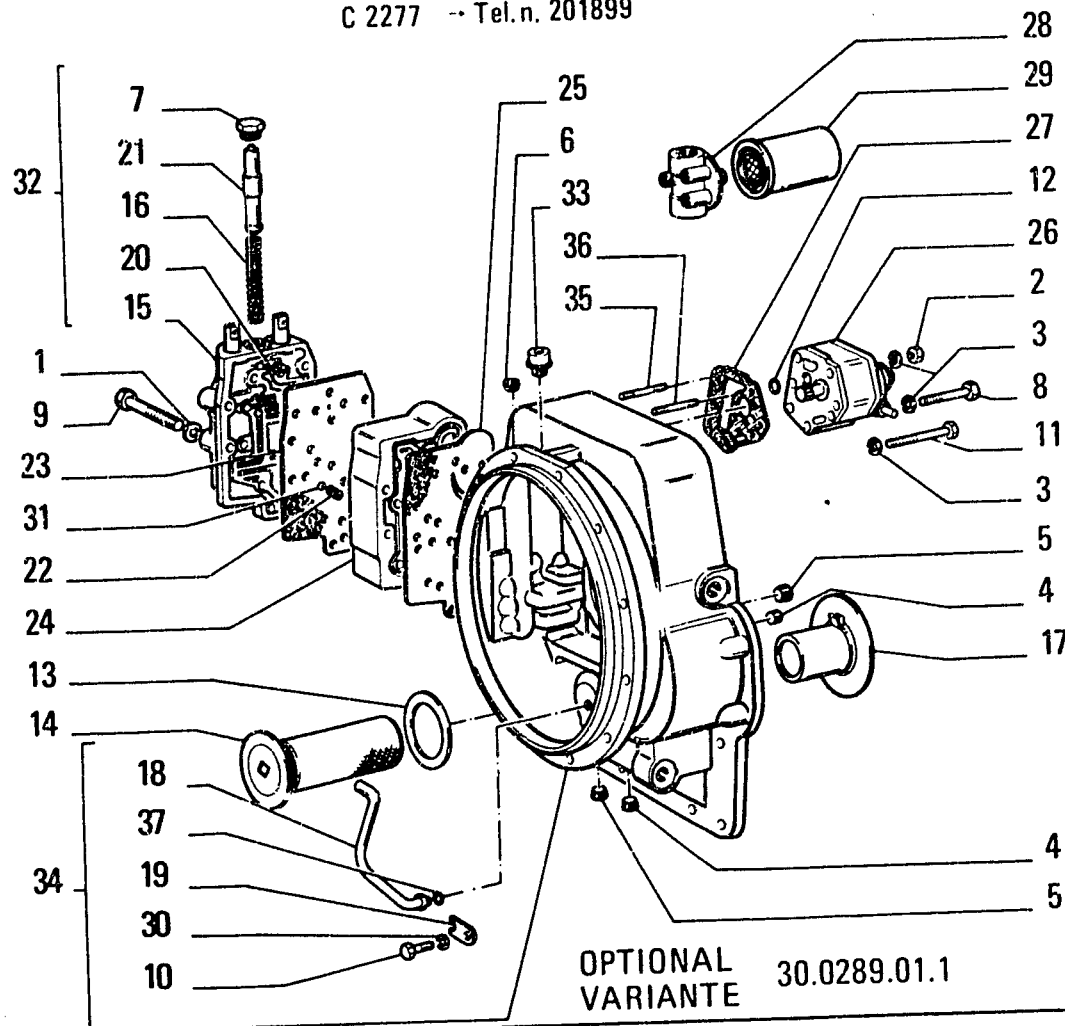
B2.01

4

N.T.R. 163 - 30.05.1989

604.01.077.03

C 2277 -- Tel.n. 201899



FIATALLIS FL5

I T E M	PART NUMBER	Q T Y	TRANS CODE	DESCRIPTION	DESCRIZIONE
1	8273916	9	131R	WASHER D1171	ROSETTA D1171
	70910287	9	131R	WASHER C1171	ROSETTA C1171
2	70910986	2	10D	NUT	DADO
3	70914678	5	131R	WASHER	ROSETTA
4	70917673	2	50T	PLUG	TAPPO
5	70917970	2	50T	PLUG	TAPPO
6	70918850	1	50T	PLUG	TAPPO
7	70924290	1	50T	PLUG	TAPPO
8	70925821	2	40V	SCREW	VITE
9	70927536	9	40V	SCREW	VITE
10	70927612	1	40V	SCREW	VITE
11	70928527	1	40V	SCREW	VITE
12	14457180	1	158G	O-RING 2,62x13,94 D1171	GUARNIZIONE O-R 2,62x13,94 D1171
	70933875	1	158G	O-RING C1171	GUARNIZIONE O-R C1171
13	71004848	1	123G	SEAL ASSY	GUARNIZIONE TENUTA FRONTALE
14	71004849	1	65F	FILTER	FILTRO
15	73117074	1	300C	BODY	CORPO
16	73117875	1	100M	SPRING	MOLLA
17	73118039	1	135M	HUB	MOZZO
18	73118053	1	193T	TUBE	TUBO RIGIDO
19	73118054	1	45F	CLIP	FERMAGLIO
20	73118118	1	45F	CLIP	FERMAGLIO
21	73118119	1	90A	ROD	ASTA
22	73118121	2	100M	SPRING	MOLLA
23	73118122	1	123G	SEAL ASSY	GUARNIZIONE TENUTA FRONTALE
24	73118123	1	10V	VALVE	VALVOLA

OPTIONAL VARIANTE 30.0289.01.1

79021962

TRANSMISSION - CAMBIO DI VELOCITA'
CAMBIO DE VELOCIDADES

BOITE DE VITESSES

WECHSELGETRIEBE

B2.01

5

N.T.R. 163 - 30.05.1989

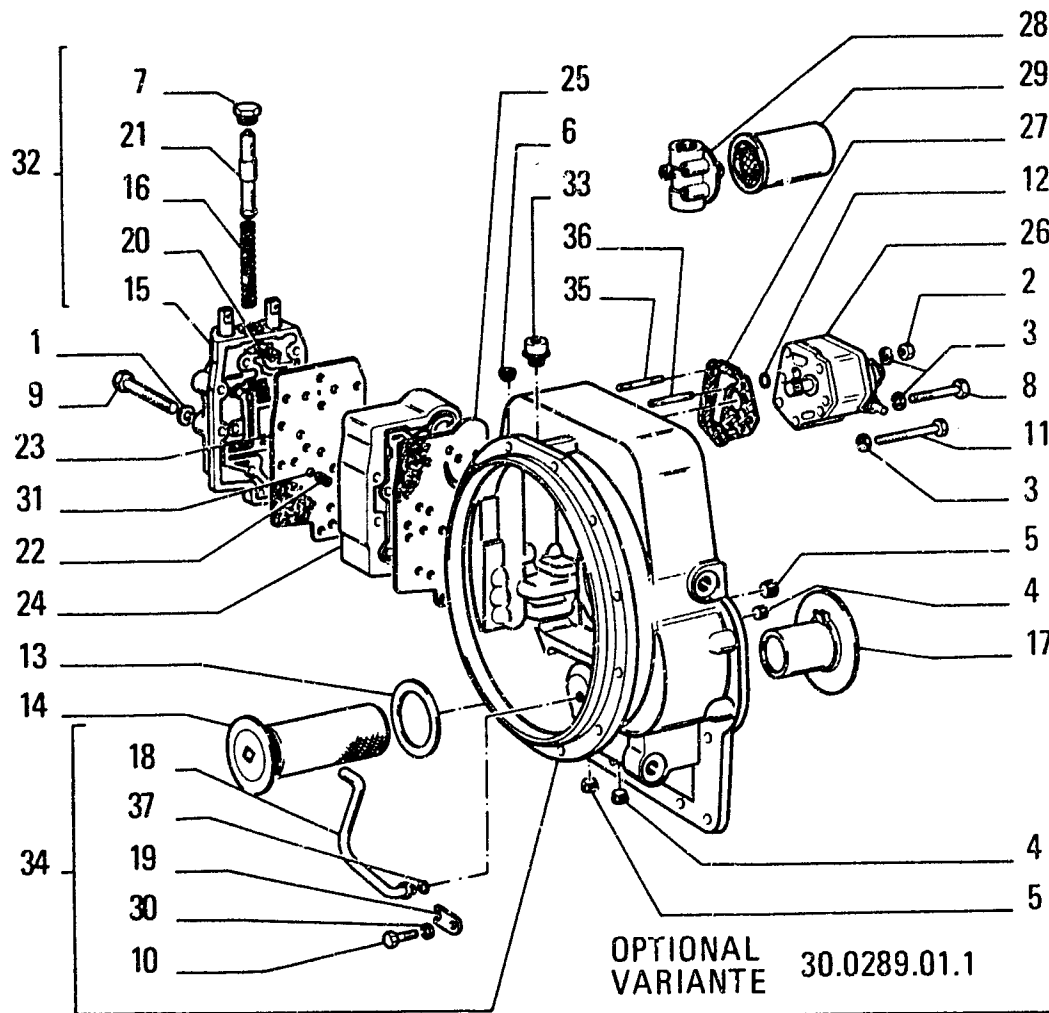
604.01.077.03

P7

C 2277 → Tel. n. 201899

FIATALLIS FL5

B2.01 TAV. 5 PAG.2



I T E M	PART NUMBER	Q T Y	TRANS CODE	DESCRIPTION	DESCRIZIONE
25	73118124	1	123G	SEAL ASSY	GUARNIZIONE TENUTA FRONTALE
26	73118166	1	155P	PUMP	POMPA
27	73118167	1	123G	SEAL ASSY	GUARNIZIONE TENUTA FRONTALE
28	73118170	1	300S	SUPPORT	SUPPORTO
29	73118171	1	65F	FILTER	FILTRO
30	10571779	1	131R	WASHER 8.1x2 D1171	ROSETTA 8.1x2 D1171
	74052780	1	131R	WASHER C1171	ROSETTA C1171
31	70905360	2	140S	BALL D1171	SFERA D1171
	74055100	2	140S	BALL C1171	SFERA C1171
32	79030262	1	83D	CONTROL VALVE - ASSEMBLY	DISTRIBUTORE - COMPLETO
33	79030263	1	50T	PLUG	TAPPO
34	79030264	1	35S	CASE - ASSEMBLY	SCATOLA - COMPLETO
35	79030999	1	210P	STUD	PRIGIONIERO
36	79031000	1	210P	STUD	PRIGIONIERO
37	79031003	1	158G	O-RING	GUARNIZIONE O-R

79021962

TRANSMISSION - CAMBIO DI VELOCITA' - BOITE DE VITESSES - WECHSELGETRIEBE -
CAMBIO DE VELOCIDADES

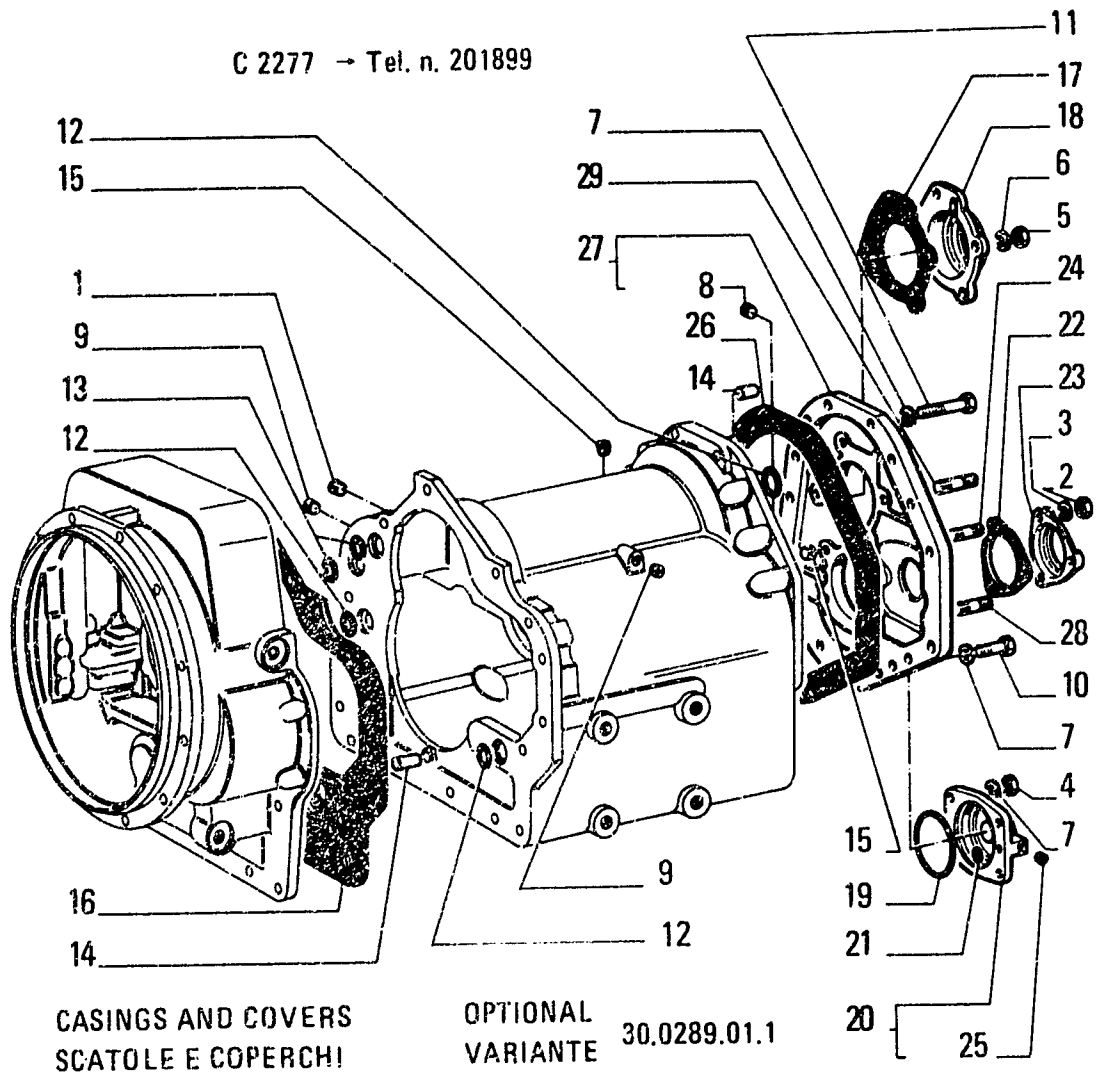
B2.01

5

N.T.R. 163 - 30.05.1989
604.01.077.03

P8

C 2277 - Tel. n. 201899



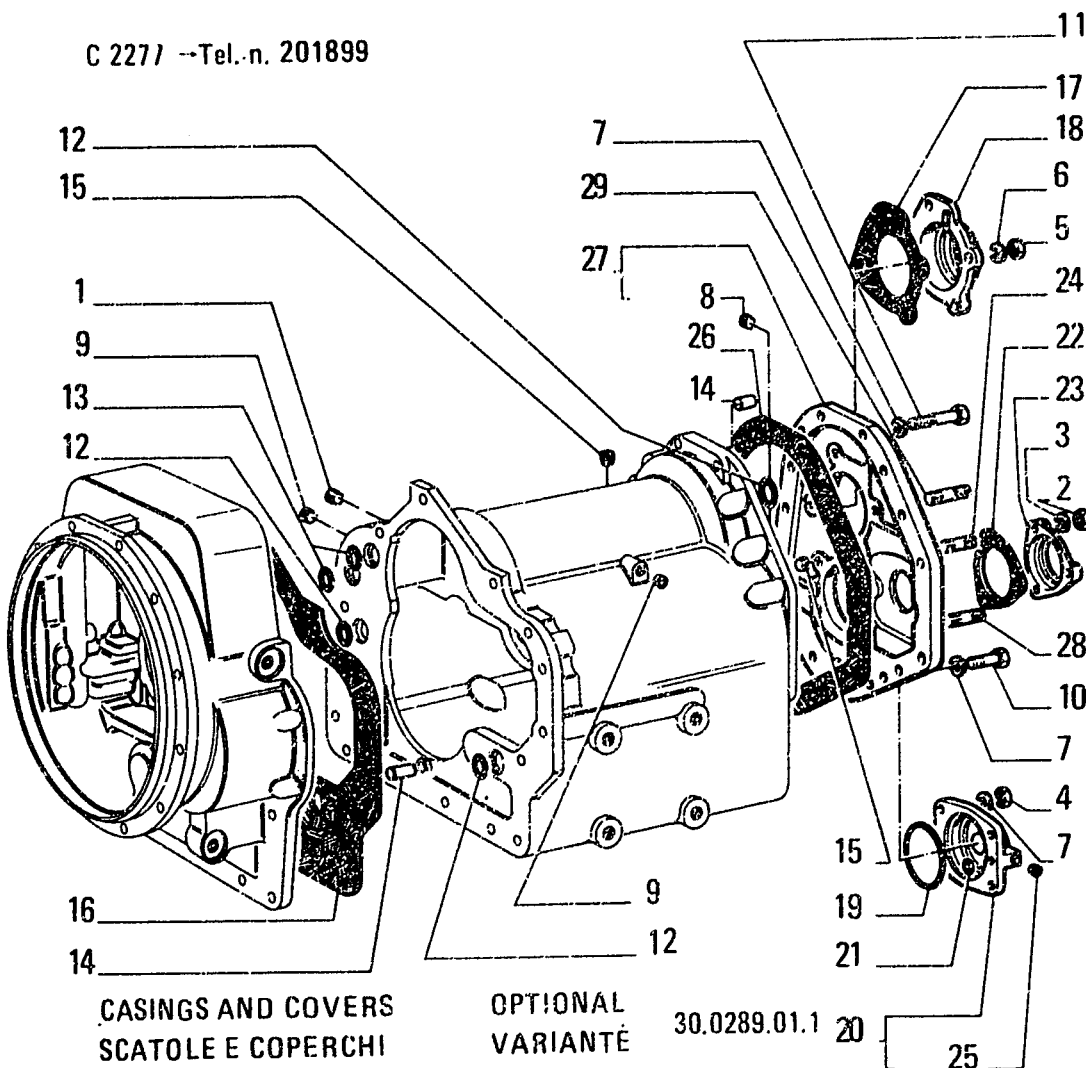
FIATALLIS FL5

ITEM	PART NUMBER	QTY	TRANS CODE	DESCRIPTION	DESCRIZIONE
1	70673860	1	50T PLUG	TAPPO	
2	70910123	3	10D NUT	DADO	
3	8273916	3	131R WASHER D1171	ROSETTA D1171	
	70910287	3	131R WASHER C1171	ROSETTA C1171	
4	70910986	4	10D NUT	DADO	
5	70911331	4	10D NUT	DADO	
6	70912433	4	131R WASHER	ROSETTA	
7	70914578	19	131R WASHER	ROSETTA	
8	70917673	1	50T PLUG	TAPPO	
9	70918850	2	50T PLUG	TAPPO	
10	70921569	6	40V SCREW	VITE	
11	70927583	9	40V SCREW	VITE	
12	14462980	3	158G O-RING 3,53x20,22 D1171	GUARNIZIONE O-R 3,53x20,22 D1171	
	70929217	3	158G O-RING C1171	GUARNIZIONE O-R C1171	
13	14457180	2	158G O-RING 2,62x13,94 D1171	GUARNIZIONE O-R 2,62x13,94 D1171	
	70933875	2	158G O-RING C1171	GUARNIZIONE O-R C1171	
14	71004838	3	80P PIN	PERNO	
15	73066768	2	50T PLUG	TAPPO	
16	73118040	1	123G SEAL ASSY	GUARNIZIONE TENUTA FRONTALE	
17	79030211	1	123G SEAL ASSY	GUARNIZIONE TENUTA FRONTALE	
18	79030212	1	265C COVER C2342	COPERCHIO C2342	
	79065193	1	265C COVER D2342	COPERCHIO D2342	
19	79030215	1	158G O-RING	GUARNIZIONE O-R	
20	79030216	1	265C COVER - ASSEMBLY	COPERCHIO - COMPLETO	
21	79030217	1	158G O-RING	GUARNIZIONE O-R	

79021962
 TRANSMISSION - CAMBIO DI VELOCITA' - BOITE DE VITESSES - WECHSELGETRIEBE - CAMBIO DE VELOCIDADES

B2.01 6
 N.T.R. 163 - 30.05.1989
 604.01.077.03

C 2277 --Tel.n. 201899



FIATALLIS FL5

B2.01 TAV. 6 PAG.2

ITEM	PART NUMBER	QTY	TRANS CODE	DESCRIPTION	DESCRIZIONE
22	79030220	1	123G	SEAL ASSY	GUARNIZIONE TENUTA FRONTALE
23	79030221	1	265C	COVER	COPERCHIO
24	79030224	3	210P	STUD	PRIGIONIERO
25	79030241	1	50T	PLUG	TAPPO
26	79030266	1	123G	SEAL ASSY	GUARNIZIONE TENUTA FRONTALE
27	79030267	1	265C	COVER - ASSEMBLY	COPERCHIO - COMPLETO
28	79031001	4	210P	STUD	PRIGIONIERO
29	79031002	4	210P	STUD	PRIGIONIERO

79021962

TRANSMISSION - CAMBIO DI VELOCITA' - BOITE DE VITESSES - WECHSELGETRIEBE - CAMBIO DE VELOCIDADES

B2.01

6

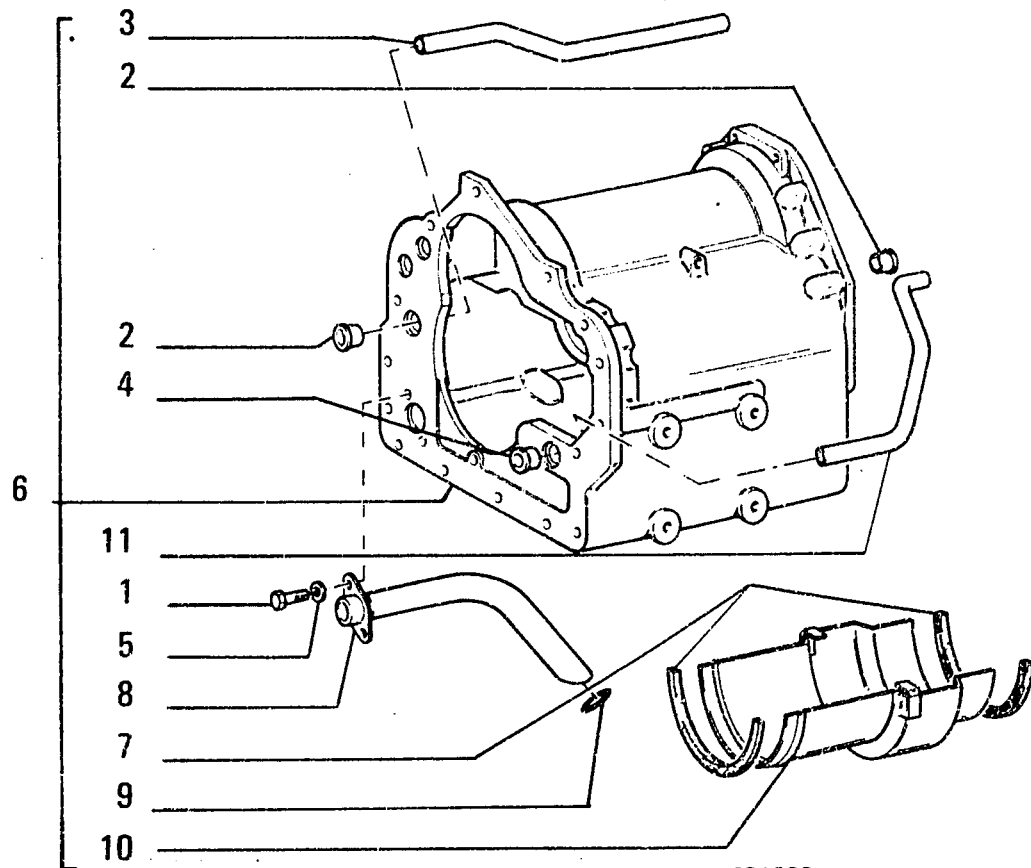
N.T.R. 163 - 30.05.1989

604.01.077.03

P10

OPTIONAL
VARIANTE 30.0289.01.1

CASING AND COVERS
SCATOLE E COPERCHI



C 2277 → Tel. n. 201899

FIATALLIS FL5

B2.01 TAV. 7 FAG.1

ITEM	PART NUMBER	QTY	TRANS CODE	DESCRIPTION	DESCRIZIONE
1	70927612	2	40V	SCREW	VITE
2	71004820	2	135M	HUB	MOZZO
3	73118043	1	193T	TUBE	TUBO RIGIDO
4	73118044	1	135M	HUB	MOZZO
5	10571779	2	131R	WASHER 8,1x2 D1171	ROSETTA 8,1x2 D1171
	74052780	2	131R	WASHER C1171	ROSETTA C1171
6	79030265	1	35S	CASE - ASSEMBLY	SCATOLA - COMPLETO
7	79030268	2	123G	SEAL ASSY	GUARNIZIONE TENUTA FRONTALE
8	79030269	1	193T	TUBE	TUBO RIGIDO
9	79030270	1	158G	O-RING	GUARNIZIONE O-R
10	79030271	1	20D	DEFLECTOR	DEFLETTORE
11	79030277	1	193T	TUBE	TUBO RIGIDO

79021962

TRANSMISSION - CAMBIO DI VELOCITA' - BOITE DE VITESSES - WECHSELGETRIEBE -
CAMBIO DE VELOCIDADES

B2.01

7

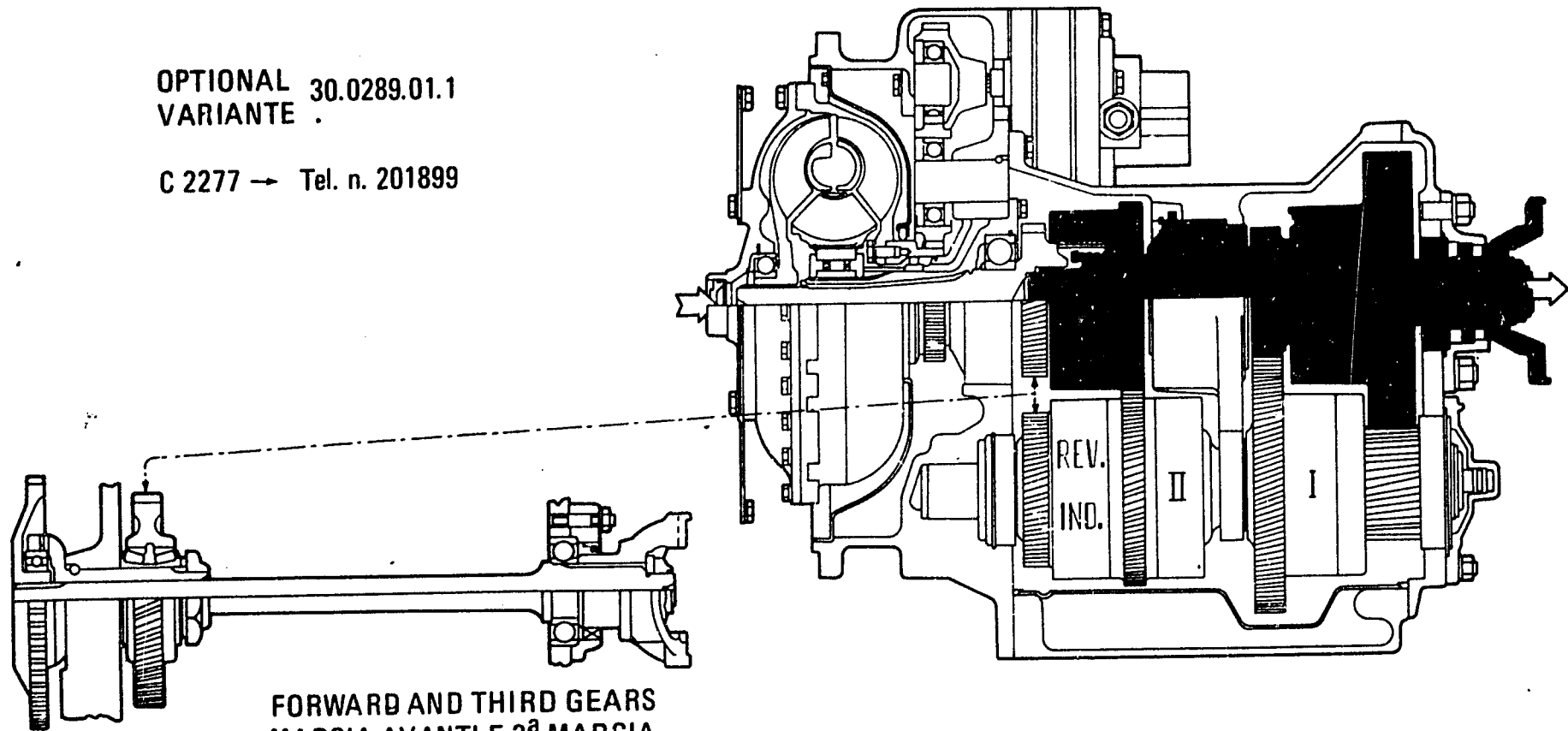
N.T.R. 163 - 30.05.1989

604.01.077.03

P11

OPTIONAL 30.0289.01.1
VARIANTE .

C 2277 → Tel. n. 201899



FORWARD AND THIRD GEARS
MARCIA AVANTI E 3^a MARCIA

79021962

TRANSMISSION - CAMBIO DI VELOCITA' - BOITE DE VITESSES - WECHSELGETRIEBE - CAMBIO DE VELOCIDADES

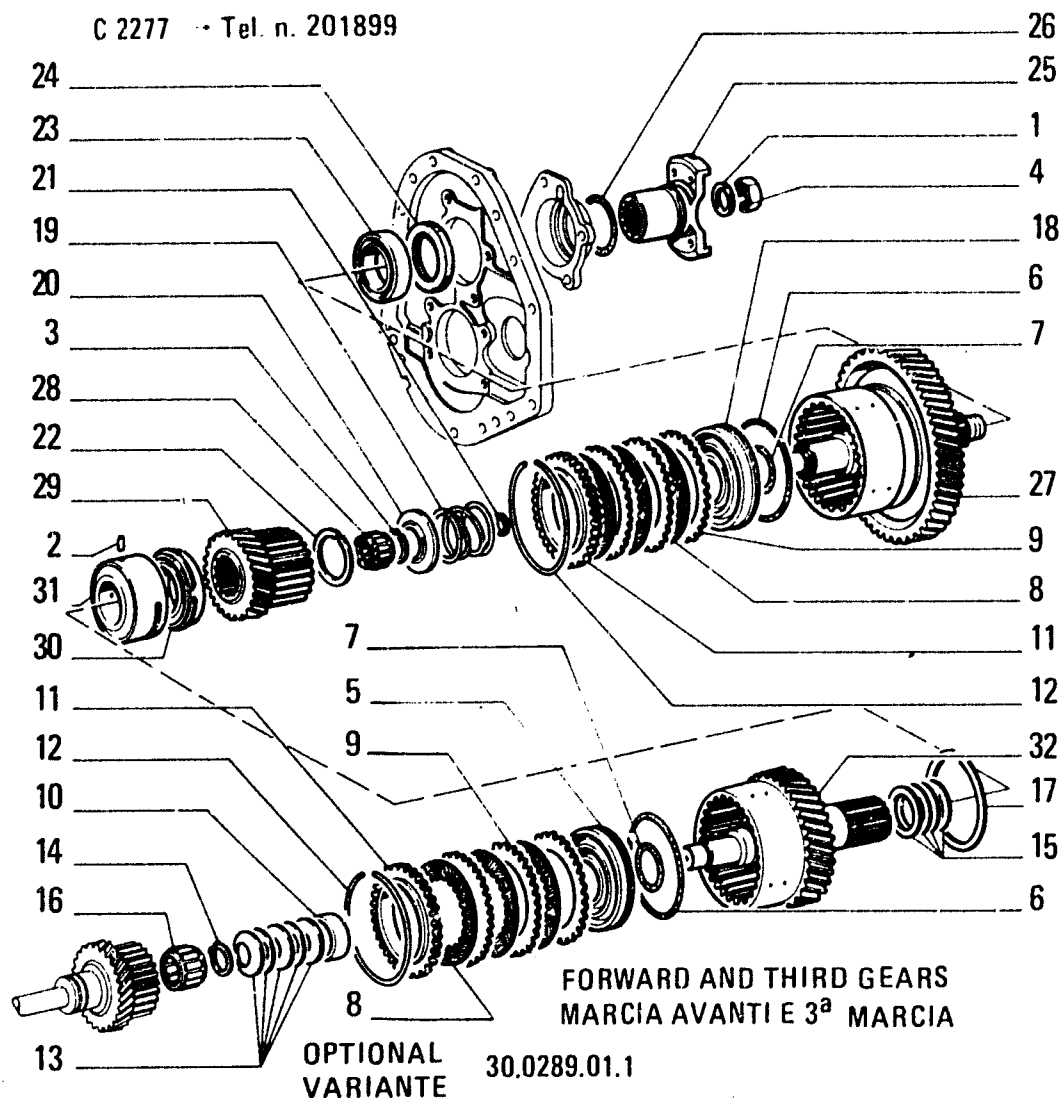
B2.01

8

N.T.R. 163 - 30.05.1989
604.01.077.03

P12

C 2277 - Tel. n. 201899



FIATALLIS FL5

B2.01 TAV. 9 PAG.1

ITEM	PART NUMBER	QTY	TRANS CODE	DESCRIPTION	DESCRIZIONE
1	70673871	1	131R	WASHER	ROSETTA
2	14603470	1	80P	PIN 6x16 D1171	PERNO 6x16 D1171
	70919347	1	80P	PIN C1171	PERNO C1171
3	70926000	1	51A	LOCKRING	ANELLO DI SICUREZZA
4	73109871	1	10D	NUT	DADO
5	73118085	1	130P	PLUNGER	PISTONCINO
6	73118086	2	123G	SEAL ASSY	GUARNIZIONE TENUTA FRONTALE
7	73118087	2	123G	SEAL ASSY	GUARNIZIONE TENUTA FRONTALE
8	73118088	14	60D	DISC	DISCO
9	73118089	14	60D	DISC	DISCO
10	73118090	1	75D	SPACER	DISTANZIALE
11	73118091	2	60D	DISC	DISCO
12	73118092	2	45A	RING	ANELLO
13	73118093	5	100M	SPRING	MOLLA
14	73118094	1	51A	LOCKRING	ANELLO DI SICUREZZA
15	73118096	4	45A	RING	ANELLO
16	73118097	1	341C	BEARING	CUSCINETTO
17	73118098	1	51A	LOCKRING	ANELLO DI SICUREZZA
18	73118106	1	130P	PLUNGER	PISTONCINO
19	73118107	1	100M	SPRING	MOLLA
20	73118103	1	60S	CUP	SCODELLINO
21	73118136	1	45A	RING	ANELLO
22	73118369	1	51A	LOCKRING	ANELLO DI SICUREZZA
23	79030209	1	341C	BEARING	CUSCINETTO
24	79030210	1	123G	SEAL ASSY	GUARNIZIONE TENUTA FRONTALE
25	79030213	1	70F	FLANGE	FLANGIA
26	14463880	1	158G	O-RING 3,53x34,52 D1171	GUARNIZIONE O-R 3,53x34,52

79021962

TRANSMISSION - CAMBIO DI VELOCITA' - BOITE DE VITESSES - WECHSELGETRIEBE - CAMBIO DE VELOCIDADES

B2.01

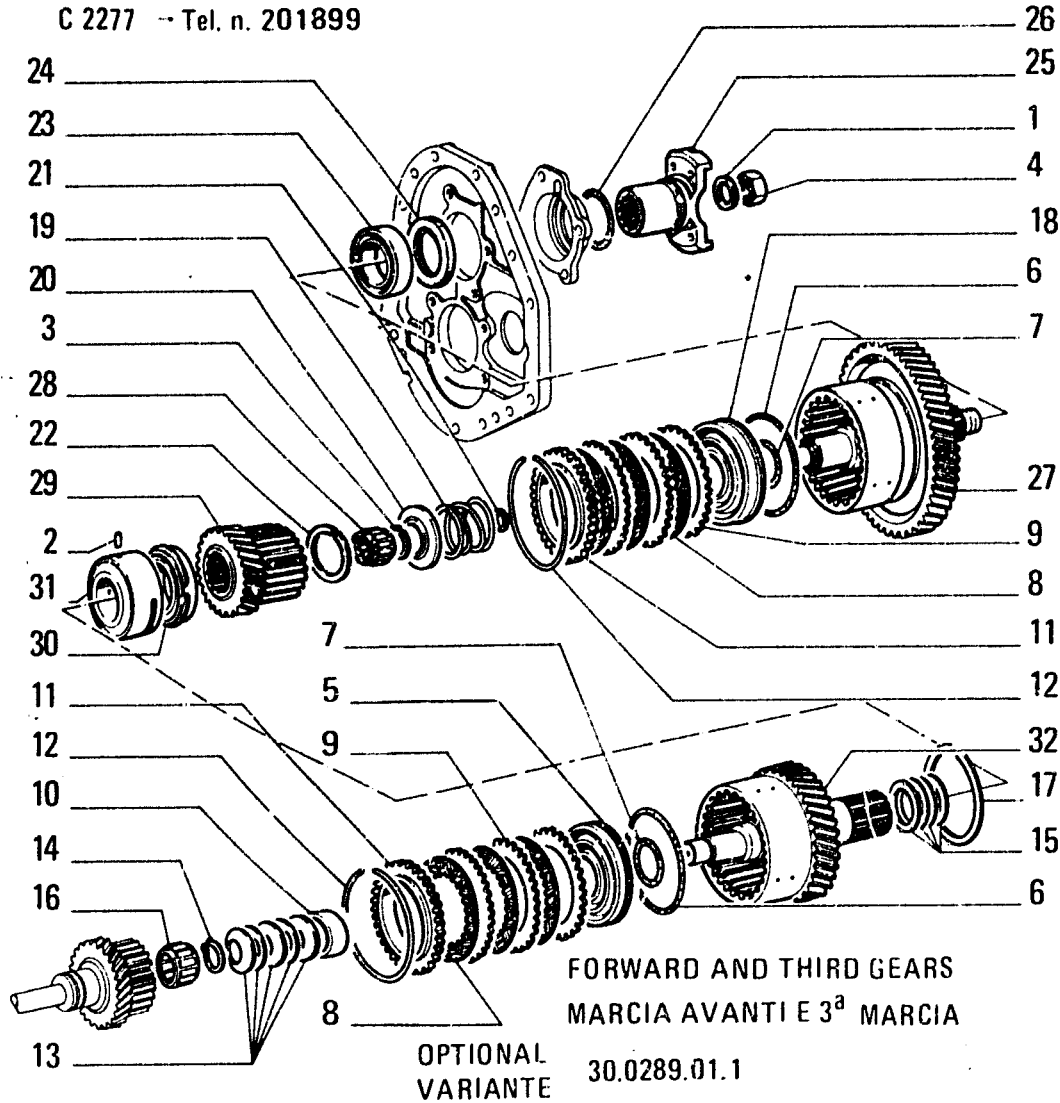
9

N.T.R. 163 - 30.05.1989

604.01.077.03

P13

C 2277 -- Tel. n. 201899



FIATALLIS FL5

B2.01 TAV. 9 PAG.2

ITEM	PART NUMBER	QTY	TRANS CODE	DESCRIPTION	DESCRIZIONE
26	14463880				D1171
	79030214	1	158G	O-RING C1171	GUARNIZIONE O-R C1171
27	79030225	1	16A	SHAFT	ALBERO
28	79030226	1	341C	BEARING	CUSCINETTO
29	79030227	1	50I	GEAR	INGRANAGGIO
30	79030230	1	341C	BEARING	CUSCINETTO
31	79030231	1	135M	HUB	MOZZO
32	79030232	1	16A	SHAFT	ALBERO

79021962

TRANSMISSION - CAMBIO DI VELOCITA' - BOITE DE VITESSES - WECHSELGETRIEBE - CAMBIO DE VELOCIDADES

B2.01

9

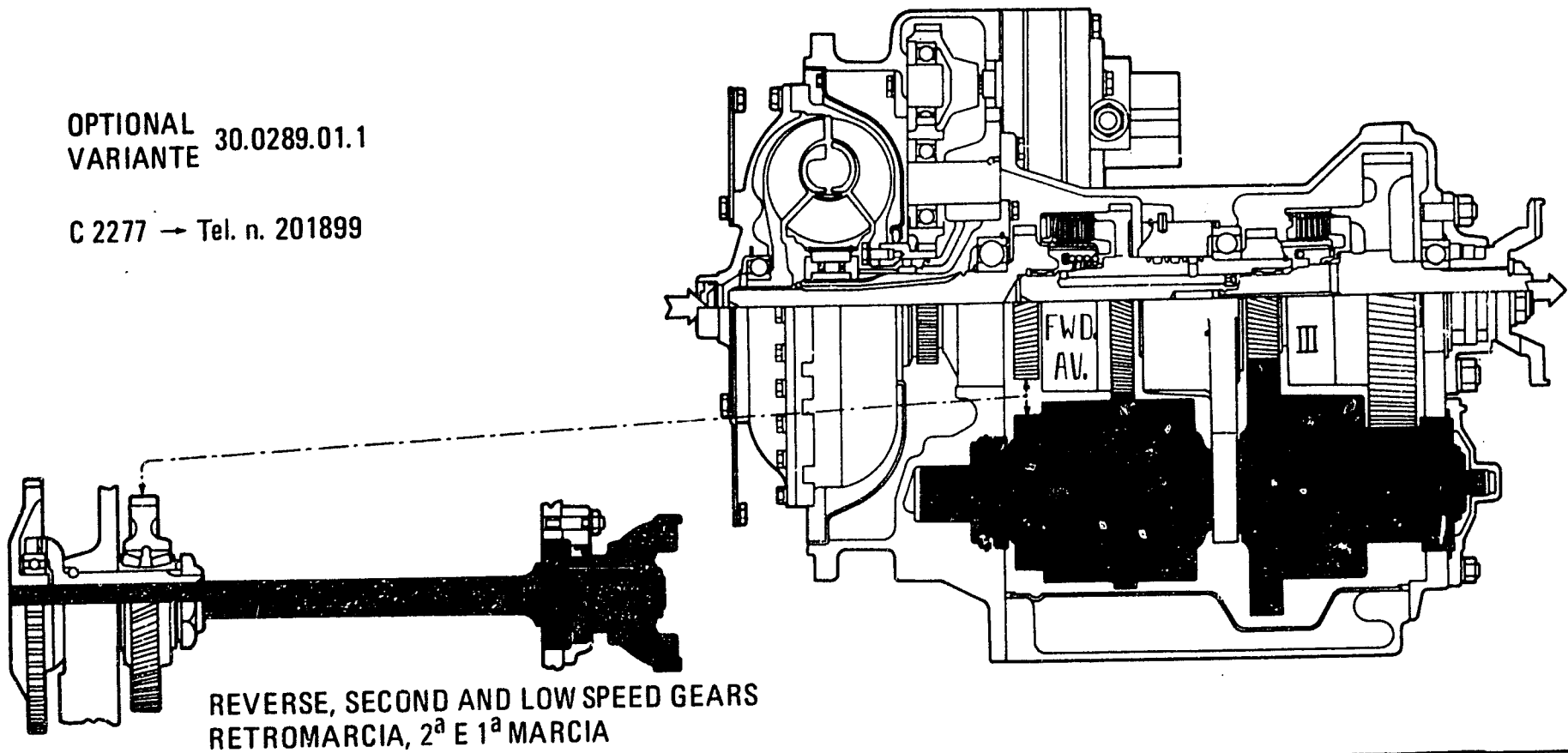
N.T.R. 163 - 30.05.1989

604.01.077.03

P14

OPTIONAL
VARIANTE 30.0289.01.1

C 2277 → Tel. n. 201899



79021962
TRANSMISSION - CAMBIO DI VELOCITA' - BOITE DE VITESSES - WECHSELGETRIEBE - CAMBIO DE VELOCIDADES

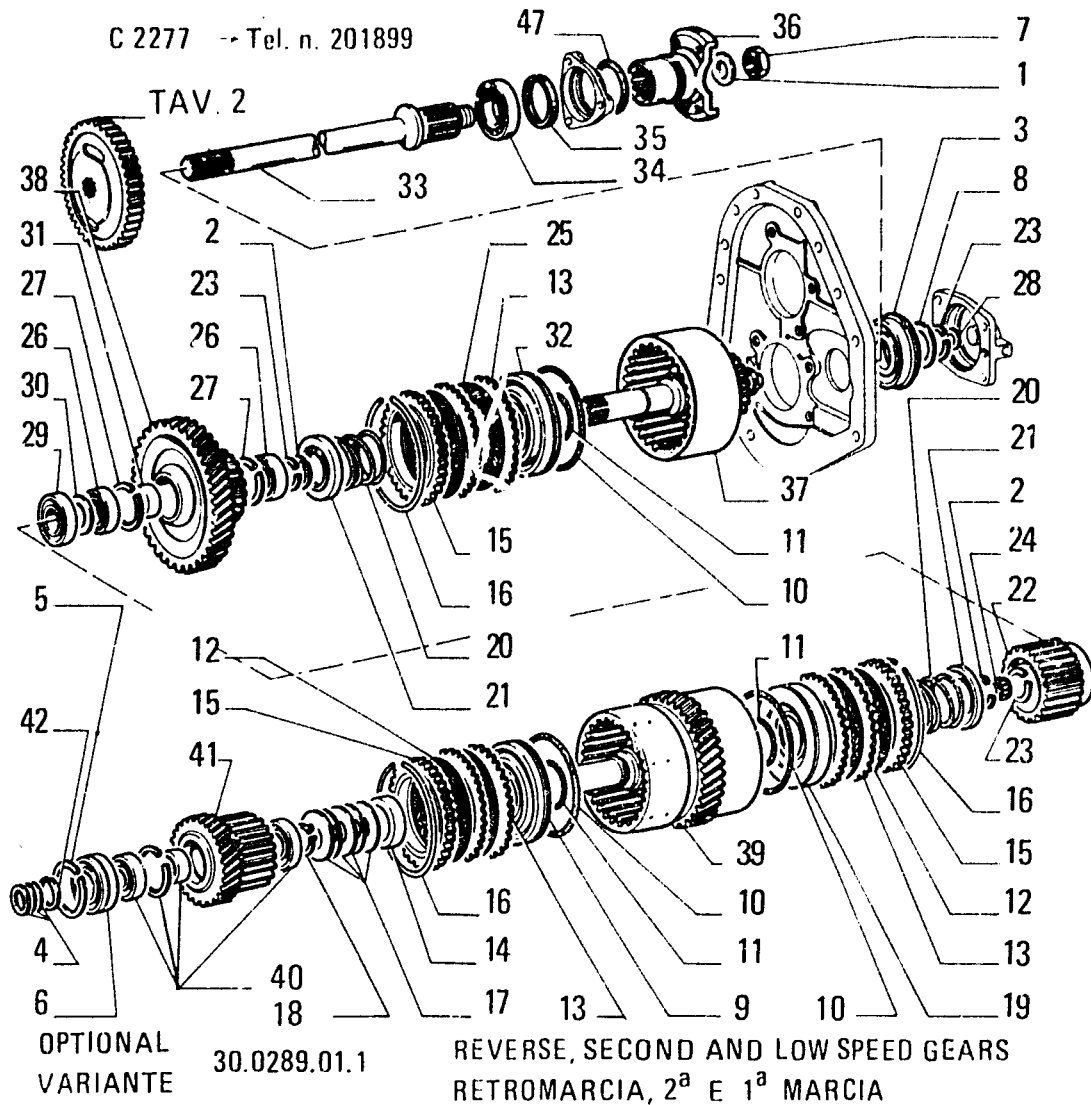
B2.01

10

N.T.R. 163 - 30.05.1989
604.01.077.03

P15

C 2277 -- Tel. n. 201899



FIATALLIS FL5

B2.01 TAV.11 PAG.1

I T E M	PART NUMBER	Q T Y	TRANS CODE	DESCRIPTION	DESCRIZIONE
1	70673871	1	131R	WASHER	ROSETTA
2	70926000	2	51A	LOCKRING	ANELLO DI SICUREZZA
3	71004777	1	341C	BEARING C1169	CUSCINETTO C1169
	73132784	1	341C	BEARING D1169	CUSCINETTO D1169
4	71004926	3	45A	RING	ANELLO
5	71004961	1	51A	LOCKRING	ANELLO DI SICUREZZA
6	71004962	1	341C	BEARING	CUSCINETTO
7	73109871	1	10D	NUT	DADO
8	73118058	1	131R	WASHER	ROSETTA
9	73118085	1	130P	PLUNGER	PISTONCINO
10	73118086	3	123G	SEAL ASSY	GUARNIZIONE TENUTA FRONTALE
11	73118087	3	123G	SEAL ASSY	GUARNIZIONE TENUTA FRONTALE
12	73118088	14	60D	DISC	DISCO
13	73118089	22	60D	DISC	DISCO
14	73118090	1	75D	SPACER	DISTANZIALE
15	73118091	3	60D	DISC	DISCO
16	73118092	3	45A	RING	ANELLO
17	73118093	5	100M	SPRING	MOLLA
18	73118094	1	51A	LOCKRING	ANELLO DI SICUREZZA
19	73118106	1	130P	PLUNGER	PISTONCINO
20	73118107	2	100M	SPRING	MOLLA
21	73118108	2	60S	CUP	SCODELLINO
22	73118109	1	135M	HUB	MOZZO
23	73118110	3	51A	LOCKRING	ANELLO DI SICUREZZA
24	73118111	1	341C	BEARING	CUSCINETTO
25	73118133	8	60D	DISC	DISCO
26	73118134	2	341C	BEARING	CUSCINETTO

79021962

TRANSMISSION - CAMBIO DI VELOCITA' - BOITE DE VITESSES - WECHSELGETRIEBE - CAMBIO DE VELOCIDADES

B2.01

11

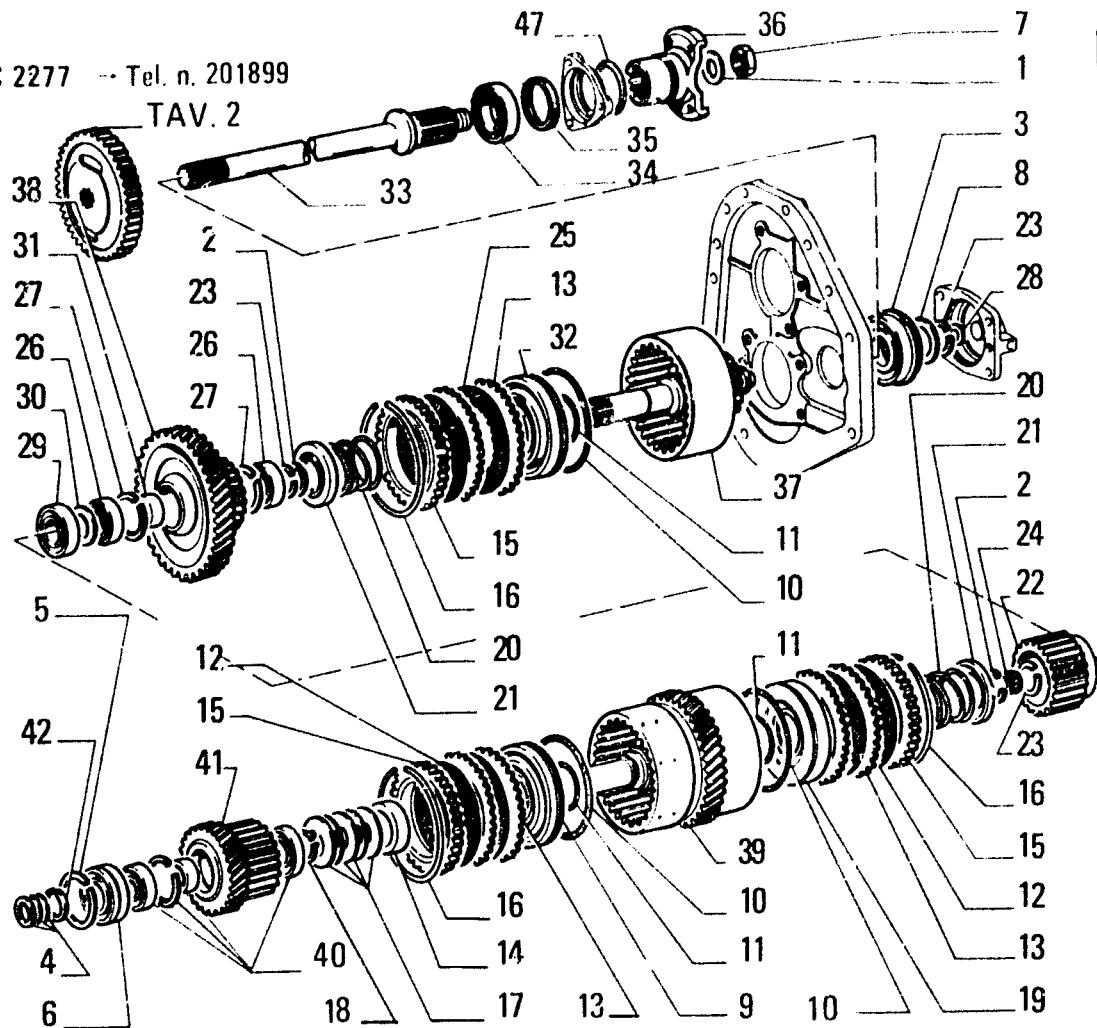
N.T.R. 163 - 30.05.1989

604.01.077.03

P16

C 2277 -- Tel. n. 201899

TAV. 2



OPTIONAL
VARIANTE

30.0289.01.1

REVERSE, SECOND AND LOW SPEED GEARS
RETROMARCIA, 2^a E 1^a MARCIA

FIATALLIS FL5

B2.01 TAV.11 PAG.2

ITEM	PART NUMBER	QTY	TRANS CODE	DESCRIPTION	DESCRIZIONE
27	73118135	2	51A	LOCKRING	ANELLO DI SICUREZZA
28	73118136	1	45A	RING	ANELLO
29	73118137	1	341C	BEARING	CUSCINETTO
30	73118138	1	75D	SPACER	DISTANZIALE
31	73118139	1	75D	SPACER	DISTANZIALE
32	73118236	1	130P	PLUNGER	PISTONCINO
33	79030218	1	16A	SHAFT	ALBERO
34	79030219	1	341C	BEARING	CUSCINETTO
35	79030222	1	123G	SEAL ASSY	GUARNIZIONE TENUTA FRONTALE
36	79030223	1	70F	FLANGE	FLANGIA
37	79030228	1	16A	SHAFT	ALBERO
38	79030229	1	50I	GEAR	INGRANAGGIO
39	79030233	1	15A	SHAFT	ALBERO
40	79030234	1	341C	BEARING	CUSCINETTO
41	79030235	1	50I	GEAR	INGRANAGGIO
42	79030236		198S	SHIM	SPESSORE
	79030237		198S	SHIM	SPESSORE
	79030238		198S	SHIM	SPESSORE
	79030239		198S	SHIM	SPESSORE
	79030240		198S	SHIM	SPESSORE
47	79031008	1	158G	O-RING	GUARNIZIONE O-R

79021962

TRANSMISSION - CAMBIO DI VELOCITA' - BOITE DE VITESSES - WECHSELGETRIEBE - CAMBIO DE VELOCIDADES

B2.01

11

N.T.R. 163 - 30.05.1989

604.01.077.03

P17

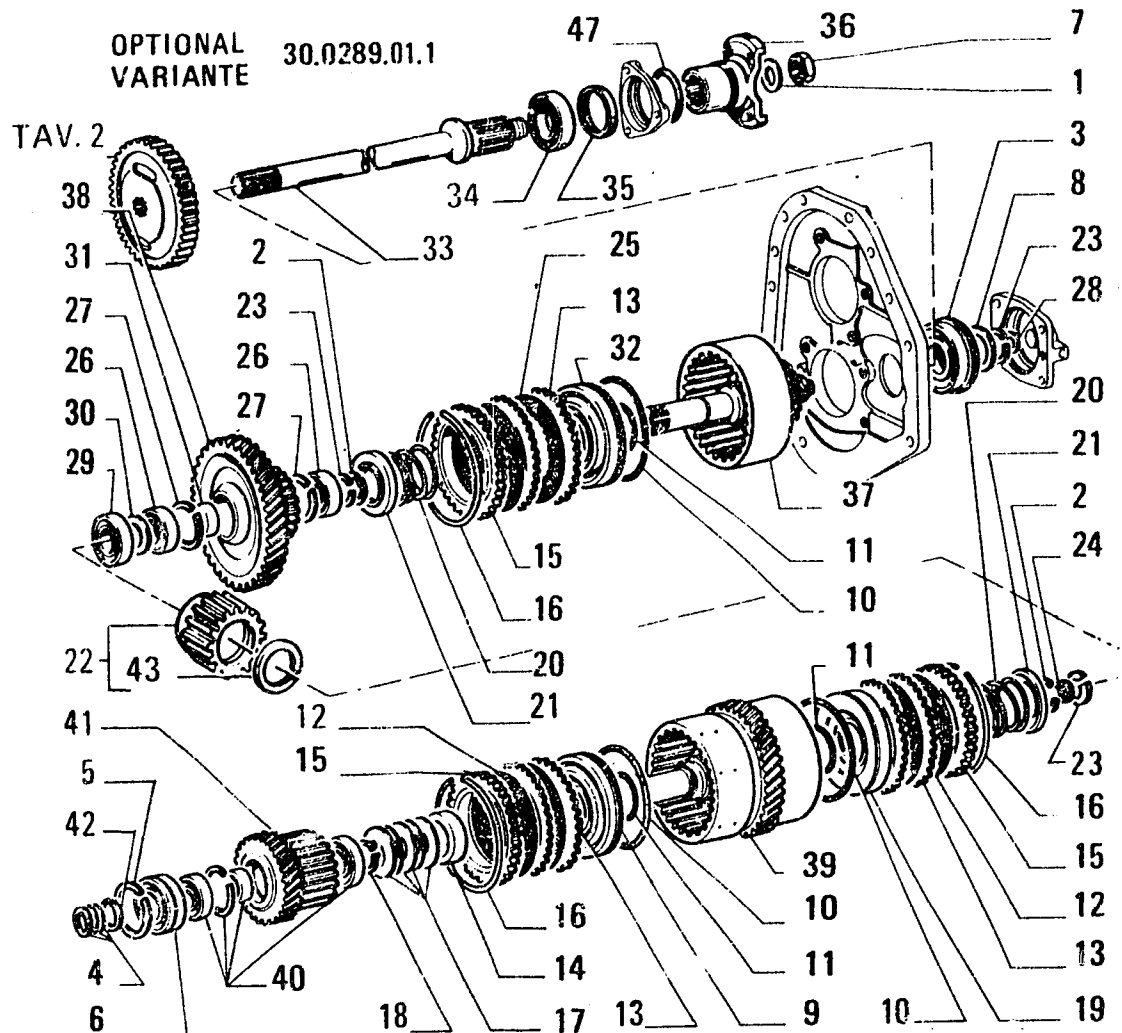
DESIGNAZIONE BASE	BASIC DESIGNATION	DESIGNATIONS-BASES	GRUNDBEZEICHNUNGEN	DENOMINACIONES BASE
9007	IMP. PROTEZIONE MOTORE	ENGINE PROTECTION		
9016	ALLESTIMENTO USAF	USAF PROVISION		
9110	SENZA CILINDRI SOLLEVAMENTO	LIFT CYLINDERS DEDUCTION	SANS CYLINDRES SOULEVEMENT	OHNE HUBZYLINDER
9113	SENZA TUBAZ E CILINDRI SOLLEV	LIFT CYLINDERS & PIPING DEDUCT	SANS TUYANT ET SYL SOUL	OHNE LEITUNGEN UND HUBZYLINDER
9115	BLOCCAGGIO ARTICOLAZ BRACCI	BOOM LINKAGE LOCK	BLOCCAGE ARTICULATION BRAS	HUBGESTAENGEARRETIERUNG
9116	ALLESTIMENTO FANA	FANA PROVISION		
9117	PREPARAZIONE P/SPEDIZIONE	SHIPPING PREPARATION		
9130	SENZA DISPOSITIVO EQUISTATIC	EQUISTATIC DEVICE DEDUCTION	SANS DISPOSITIF EQUISTATIQUE	OHNE EQUISTATIK
9159	SENZA VERNICIATURA A SMALTO			
9200	SENZA BOZZELLI GANCIO	HOOK SHEAVES DEDUCTION	SANS MOUFLE DE CROCHET	OHNE HAKENSEILBLOCK
9206	SPECIAL CONTRACT	SPECIAL CONTRACT		
9220	SENZA ZAVORRE POSTERIORI	REAR COUNTERWEIGHT DEDUCTION	SANS LESTS ARRIERES	OHNE KONTERGEWICHT HINTER
9225	SENZA COMANDO FREE FALL	FREE FALL CONTROL DEDUCTION	SANS COMMANDE FREE FALL	OHNE FREIFALL-EINRICHTUNG
9230	SENZA ZAVORRA E SOPPORTO (ANT)		SANS LEST ET SUPP (AV)	OHNE KONTERGEWICHT/KONSOLE VOR
9232	SENZA ZAVORRE LATERALI	SIDE COUNTERWEIGHT DEDUCTION	SANS LESTS LATERAUX	OHNE SEITLICHES KONTERGEWICHT
9242	SENZA PNEUMATICI	TIRE OMISSION	SANS PNEUS	OHNE REIFEN
9491	SENZA PNEUMATICI E CERCHI	TIRE AND WHEEL OMISSION	SANS PNEUS ET CERCLES	OHNE REIFEN UND FELGEN
9506	SENZA SUOLE	SHOES DEDUCTION	SANS PATINS	OHNE KETTENPLATTEN
9512	SENZA CATENARIA E SUOLE	TRACK CHAIN & SHOES DEDUCTION	SANS CHENILLE ET PATINS	OHNE KETTENZUG UND PLATTEN
9580	SENZA CABINA	CAB OMISSION		
9602	SENZA RISCALDATORE	HEATER DEDUCTION	SANS CHAUFFAGE	OHNE HEIZUNG
9633	SENZA EMERGENCY STEERING	EMERGENCY STEERING DEDUCTION	SANS DIRECTION D'EMERGENCE	OHNE NOTLENKUNG
976A	FORNITURE ESTERNE	PURCHASED FINISH (P F)		
97G5	COMANDI MOTORE (PF MOTORE)	ENGINE CONTROLS (ENGINE PF)		
9761	SENZA BACK UP ALARM	BACK UP ALARM DEDUCTION	SANS BACK UP ALARM	MOTORSTEUERUNG
9860	TARGHE E MANUALI	MANUALS AND DECALS	PLAQUES ET MANUELS	OHNE RUECKFAHRWARNANLAGE
98G1	TARGHE D'IDENTIFICAZIONE	IDENTIFICATION PLATES	PLAQUE D'IDENTIFICATION	KLEBESCHILDER UND HANDBUECHER
98G2	MARCHI DELLA DITTA	TRADE MARKS		TYPENSCHILDER
9843	SENZA RIBALTAMENTO SEDILE			FIRMENZEICHEN
9850	SENZA SEDILE	SEAT DEDUCTION	SANS SIEGE	OHNE SITZ
9851	SENZA SEDILE E SOPPORTO	SEAT AND PEDESTAL DEDUCTION	SANS SIEGE ET SUPPORT	OHNE SITZ UND KONSOLE
9876	SENZA STRUTTURA PROTEZIONE	ROPS CANOPY DEDUCTION	SANS STRUCTURE DE PROTECTION	OHNE SCHUTZRAHMEN
9890	SENZA BARRA DI TRAINO	SWINGING DRAWBAR DEDUCTION	SANS BARRE D'ATTELAGE	OHNE ZUGPENDEL
9891	SENZA GANCIO TRAINO	DRAWBAR DEDUCTION	SANS CROCHET D'ETALAGE	OHNE ZUGHAKEN
99G0	DOTAZIONI FINALI	FINAL PREPARATION		
99G8	LUBRIFICANTI	LUBRICANTS	LUBRIFIANTS	
				SIN ESTRUCTURA DE PROTECCION

B

MECHANICAL TRANSMISSION • CLUTCH • TRANSMISSION • TRANSMISSION SHAFT • AXLES
TRASMISSIONE MECCANICA • FRIZIONE • CAMBIO • ALBERO DI TRASMISSIONE • PONTI
TRANSMISSION MECANIQUE • EMBRAYAGE • BOITE DE VITESSES • ARBRE DE TRANSMISSION • PONTS
MECHANISCHE KRAFTÜBERTRAGUNG • KUPPLUNG • GETRIEBE • GELENKWELLE • ACHSEN
TRANSMISSION MECANICA • EMBRAGUE • CAMBIO • ARBOL DE TRANSMISSION • PUENTES

Q1

FIATALLIS FL5



ITEM	PART NUMBER	QTY	TRANS CODE	DESCRIPTION	DESCRIZIONE
1	70673871	1	131R	WASHER	ROSETTA
2	70926000	2	187A	SNAP RING	ANELLO ELASTICO
3	73132784	1	341C	BEARING	CUSCINETTO
4	71004926	3	45A	RING	ANELLO
5	71004961	1	187A	SNAP RING	ANELLO ELASTICO
6	71004962	1	341C	BEARING	CUSCINETTO
7	73109871	1	10D	NUT	DADO
8	73118058	1	131R	WASHER	ROSETTA
9	73118085	1	132P	PISTON	PISTONE
10	73118086	3	122G	SEAL	GUARNIZIONE
11	73118087	3	122G	SEAL	GUARNIZIONE
12	73118088	14	60D	DISC	DISCO
13	73118089	22	60D	DISC	DISCO
14	73118090	1	75D	SPACER	DISTANZIALE
15	73118091	3	60D	DISC	DISCO
16	73118092	3	45A	RING	ANELLO
17	73118093	5	100M	SPRING	MOLLA
18	73118094	1	187A	SNAP RING	ANELLO ELASTICO
19	73118106	1	132P	PISTON	PISTONE
20	73118107	2	100M	SPRING	MOLLA
21	73118108	2	60S	CUP	SCODELLINO
22	79052636	1	135M	HUB	MOZZO
23	73118110	3	187A	SNAP RING	ANELLO ELASTICO
24	73118111	1	341C	BEARING	CUSCINETTO
25	73118133	8	60D	DISC	DISCO
26	73118134	2	341C	BEARING	CUSCINETTO
27	73118135	2	187A	SNAP RING	ANELLO ELASTICO

REVERSE, SECOND AND LOWE SPEED GEARS
RETROMARCIA, 2^a E 1^a MARCIA

48 D 2277 Tel. n. 201900 →

79056358

TRANSMISSION - CAMBIO DI VELOCITA' - BOITE DE VITESSES - WECHSELGETRIEBE - CAMBIO DE VELOCIDADES

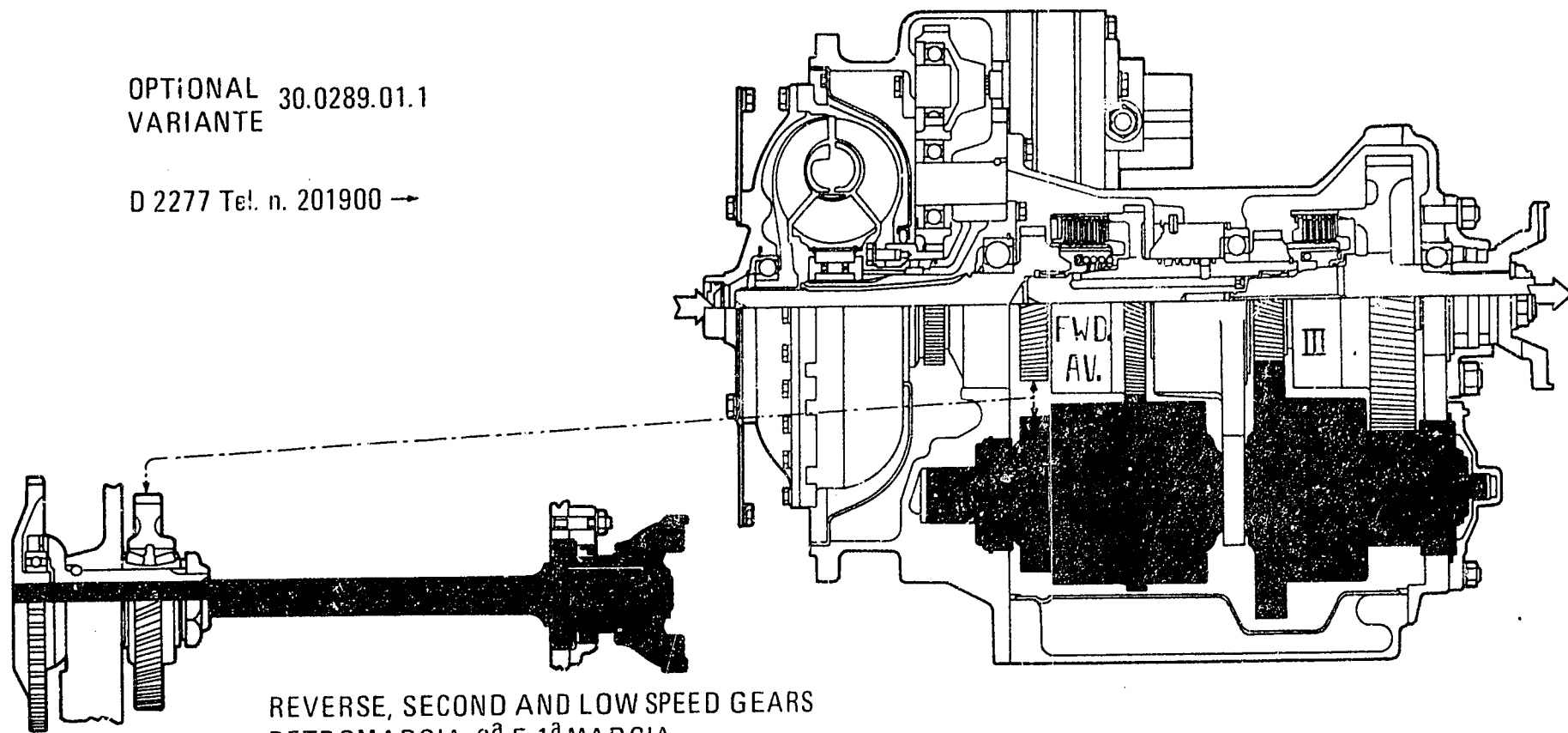
9 B2.01/A 11

N.T.R. 163 - 30.05.1989
604.01.077.03

Q2

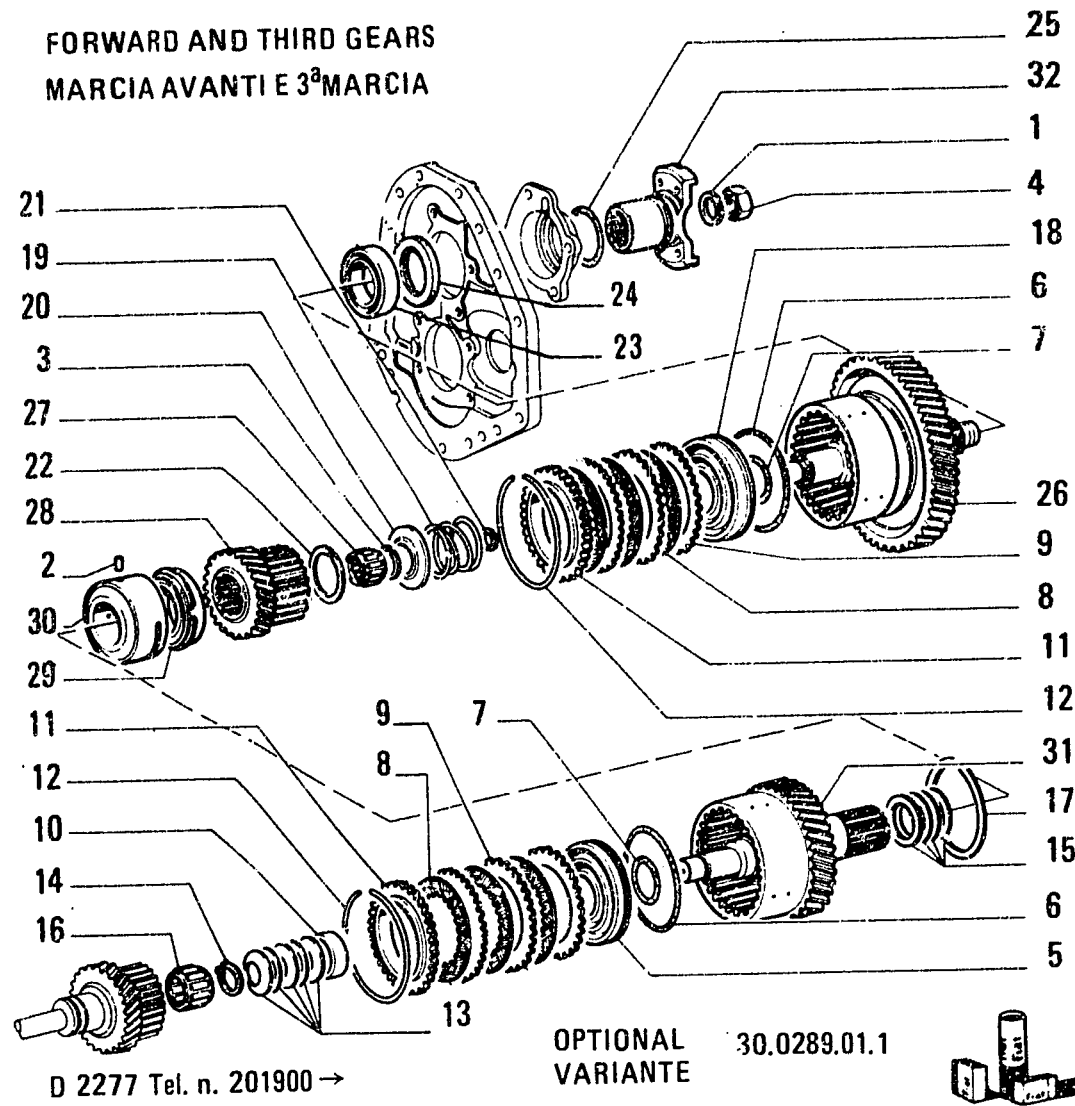
OPTIONAL 30.0289.01.1
VARIANTE

D 2277 Tel. n. 201900 →



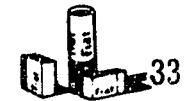
REVERSE, SECOND AND LOW SPEED GEARS
RETROMARCIA, 2ª E 1ª MARCIA

FORWARD AND THIRD GEARS
MARCIA AVANTI E 3^aMARCIA



D 2277 Tel. n. 201900 →

OPTIONAL VARIANTE 30.0289.01.1



FIATALLIS FL5

B2.01/ A TAV. 9 PAG.2

ITEM	PART NUMBER	QTY	TRANS CODE	DESCRIPTION	DESCRIZIONE
28	79060005	1	50I GEAR		INGRANAGGIO
29	79030230	1	341C BEARING		CUSCINETTO
30	79064245	1	135M HUB		MOZZO
31	79030232	1	16A SHAFT		ALBERO
32	70673881	1	70F FLANGE		FLANGIA
33	79055160	1	1K KIT SEE PAGE 9		KIT VED. PAG.9

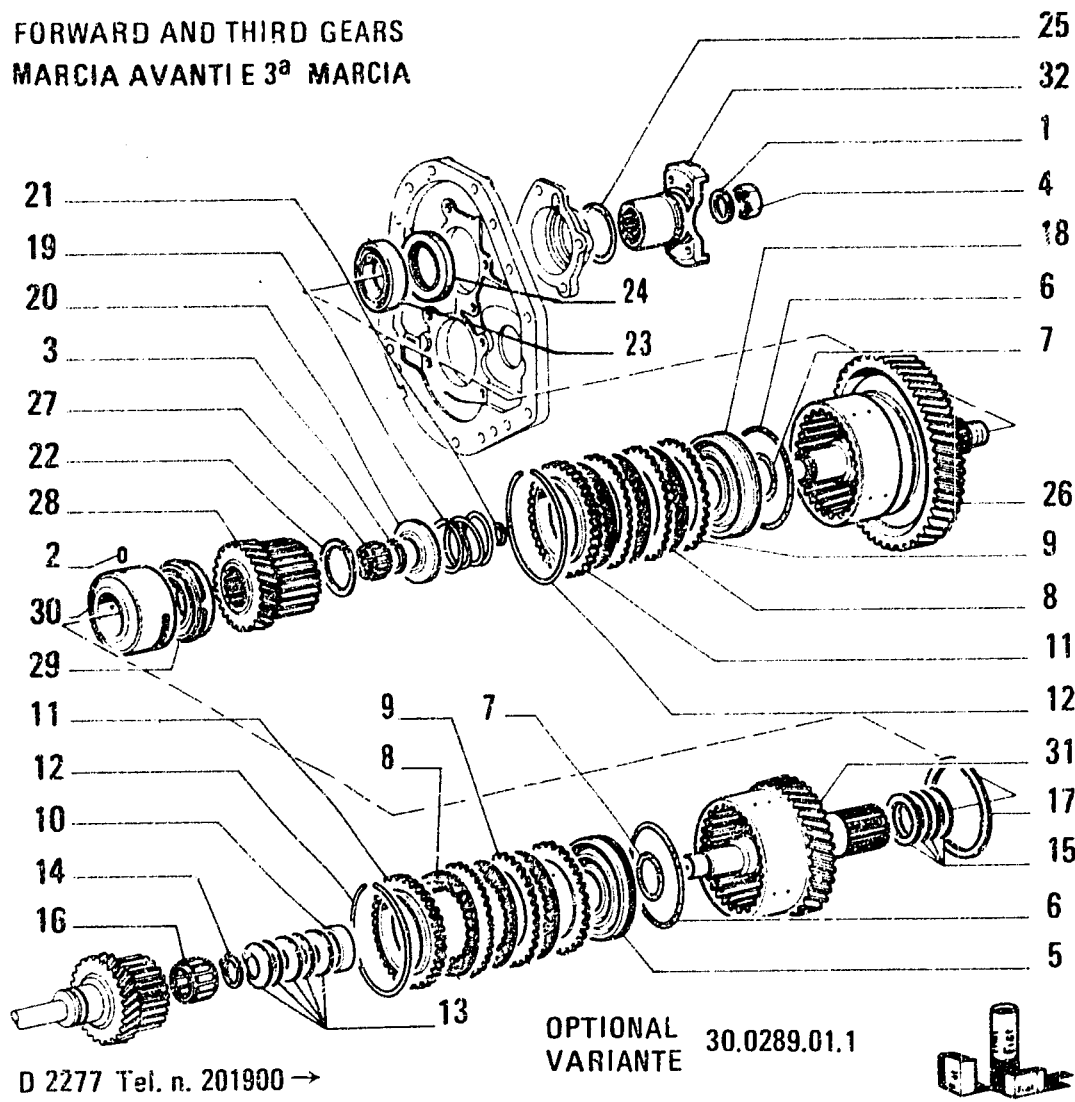
79056358

TRANSMISSION - CAMBIO DI VELOCITA' - BOITE DE VITESSES - WECHSELGETRIEBE - CAMBIO DE VELOCIDADES

9	B2.01/A	9
N.T.R. 163 - 30.05.1989		
604.01.077.03		

Q4

FORWARD AND THIRD GEARS
MARCIA AVANTI E 3ª MARCIA



D 2277 Tel. n. 201900 →

OPTIONAL VARIANTE 30.0289.01.1



FIAT/LIS FL5

B2.01/ A TAV. 9 PAG.1

ITEM	PART NUMBER	QTY	TRANS CODE	DESCRIPTION	DESCRIZIONE
1	70673871	1	131R	WASHER	ROSETTA
2	79063942		80P	PIN	PERNO
3	70926000	1	187A	SNAP RING	ANELLO ELASTICO
4	73109871	1	10D	NUT	DADO
5	73118085	1	132P	PISTON	PISTONE
6	73118086	2	122G	SEAL	GUARNIZIONE
7	73118087	2	122G	SEAL	GUARNIZIONE
8	73118088	14	60D	DISC	DISCO
9	73118089	14	60D	DISC	DISCO
10	73118090	1	75D	SPACER	DISTANZIALE
11	73118091	2	60D	DISC	DISCO
12	73118092	2	45A	RING	ANELLO
13	73118093	5	100M	SPRING	MOLLA
14	73118094	1	187A	SNAP RING	ANELLO ELASTICO
15	73118096	4	45A	RING	ANELLO
16	73118097	1	341C	BEARING	CUSCINETTO
17	73118098	1	187A	SNAP RING	ANELLO ELASTICO
18	73118106	1	132P	PISTON	PISTONE
19	73118107	1	100M	SPRING	MOLLA
20	73118108	1	60S	CUP	SCODELLINO
21	73118136	1	45A	RING	ANELLO
22	79051090	1	51A	LOCKRING	ANELLO DI SICUREZZA
23	79030209	1	341C	BEARING	CUSCINETTO
24	79030210	1	122G	SEAL	GUARNIZIONE
25	14463880	1	158G	O-RING 3,53x34,52	GUARNIZIONE O-R 3,53x34,52
26	79030225	1	16A	SHAFT	ALBERO
27	79030226	1	341C	BEARING	CUSCINETTO

79056358

TRANSMISSION — CAMBIO DI VELOCITA' — BOITE DE VITESSES — WECHSELGETRIEBE — CAMBIO DE VELOCIDADES

9

B2.01/A

9

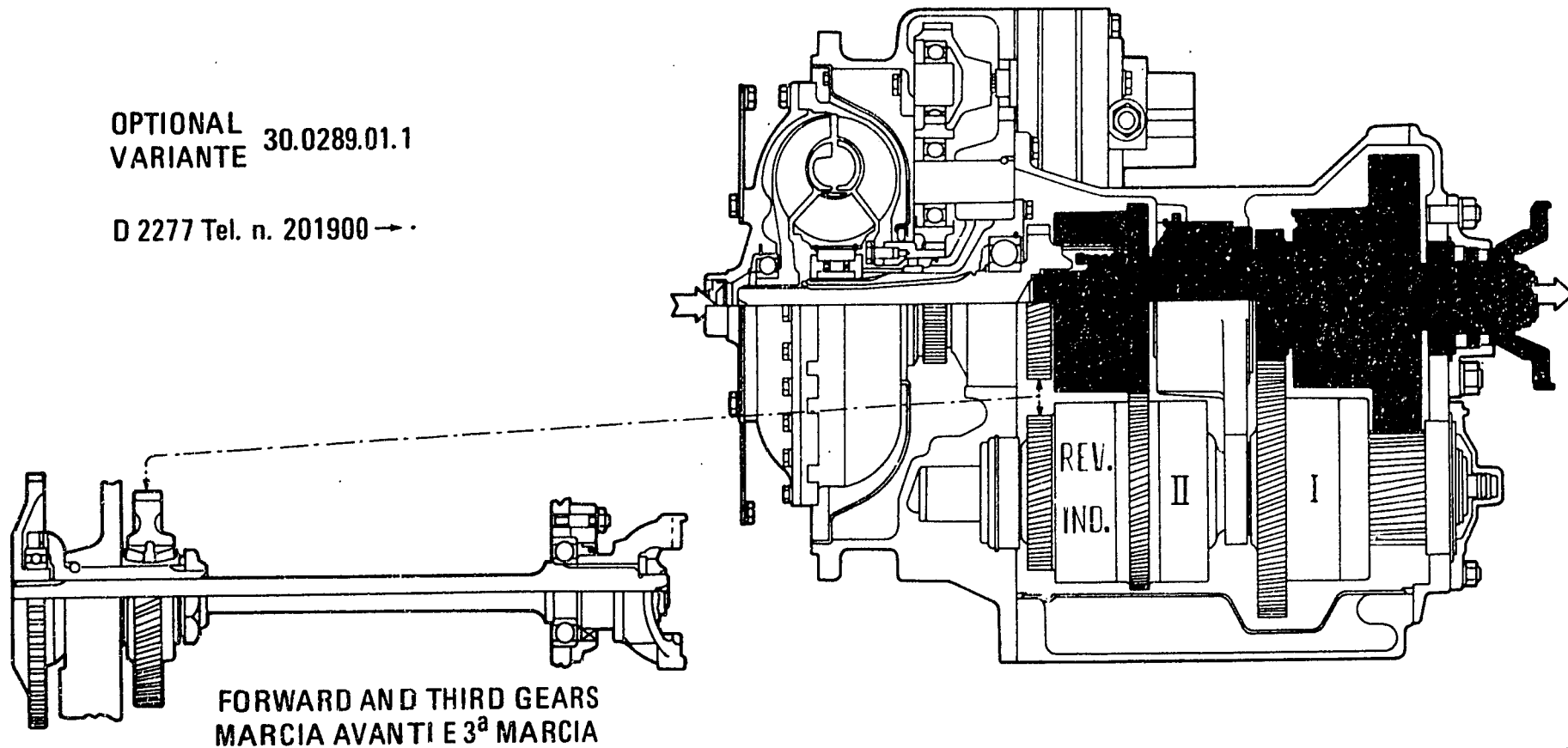
N.T.R. 163 - 30.05.1989

604.01.077.03

Q5

OPTIONAL 30.0289.01.1
VARIANTE

D 2277 Tel. n. 201900 →



FORWARD AND THIRD GEARS
MARCIA AVANTI E 3ª MARCIA

79056358

TRANSMISSION - CAMBIO DI VELOCITA' - BOITE DE VITESSES - WECHSELGETRIEBE - CAMBIO DE VELOCIDADES

B2.01/A

8

N.T.R. 163 - 30.05.1989

604.01.077.03

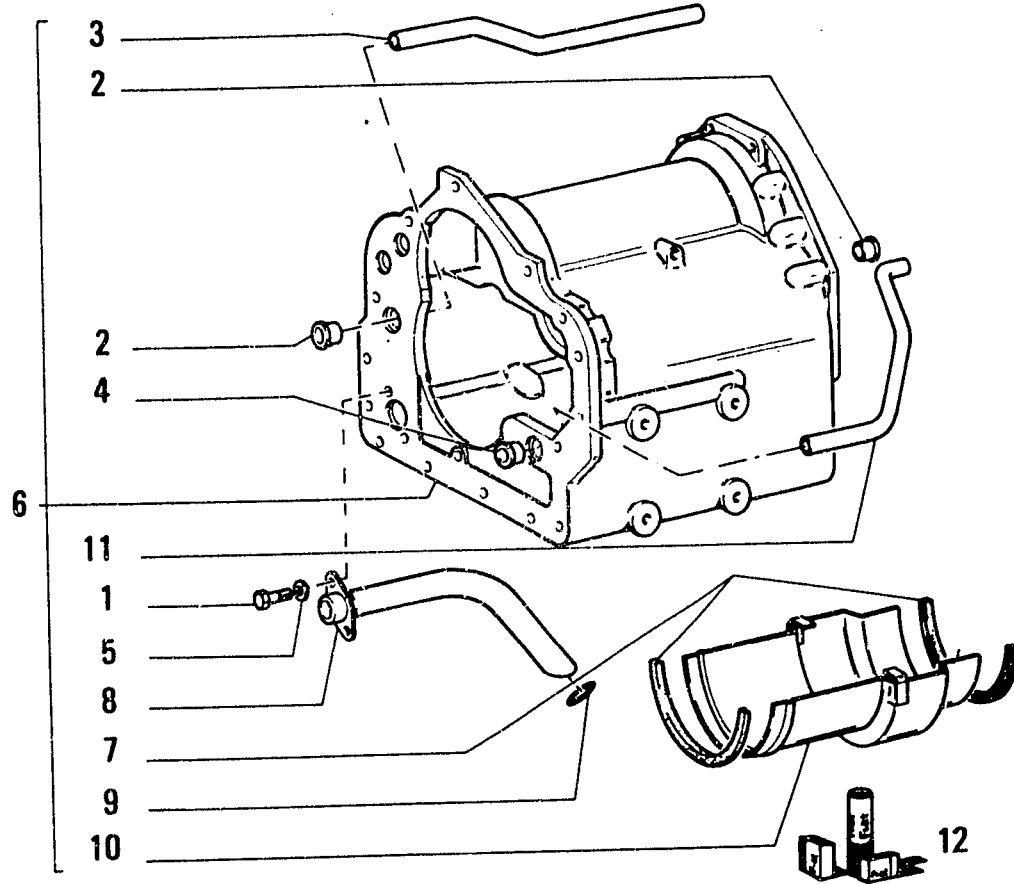
Q6

FIATALLIS FL5

CASING AND COVERS
SCATOLE E COPERCHI

OPTIONAL
VARIANTE 30.0289.01.1

D 2277 Tel. n. 201900 →



ITEM	PART NUMBER	QTY	TRANS CODE	DESCRIPTION	DESCRIZIONE
1	70927612	2	40V	SCREW	VITE
2	71004820	2	135M	HUB	MOZZO
3	73118043	1	193T	TUBE	TUBO RIGIDO
4	73118044	1	135M	HUB	MOZZO
5	10571779	2	131R	WASHER 8,1x2	ROSETTA 8,1x2
6	79056362	1	35S	CASE - ASSEMBLY	SCATOLA - COMPLETO
7	79030268	2	123G	SEAL ASSY	GUARNIZIONE TENUTA FRONTALE
8	79030269	2	193T	TUBE	TUBO RIGIDO
9	79030270	1	158G	O-RING	GUARNIZIONE O-R
10	79030271	1	20D	DEFLECTOR	DEFLETTORE
11	79030277	1	193T	TUBE	TUBO RIGIDO
12	79055160	1	1K	KIT SEE PAGE 9	KIT VED. PAG.9

79056358

TRANSMISSION - CAMBIO DI VELOCITA' - BOITE DE VITESSES - WECHSELGETRIEBE - CAMBIO DE VELOCIDADES

9

B2.01/A

7

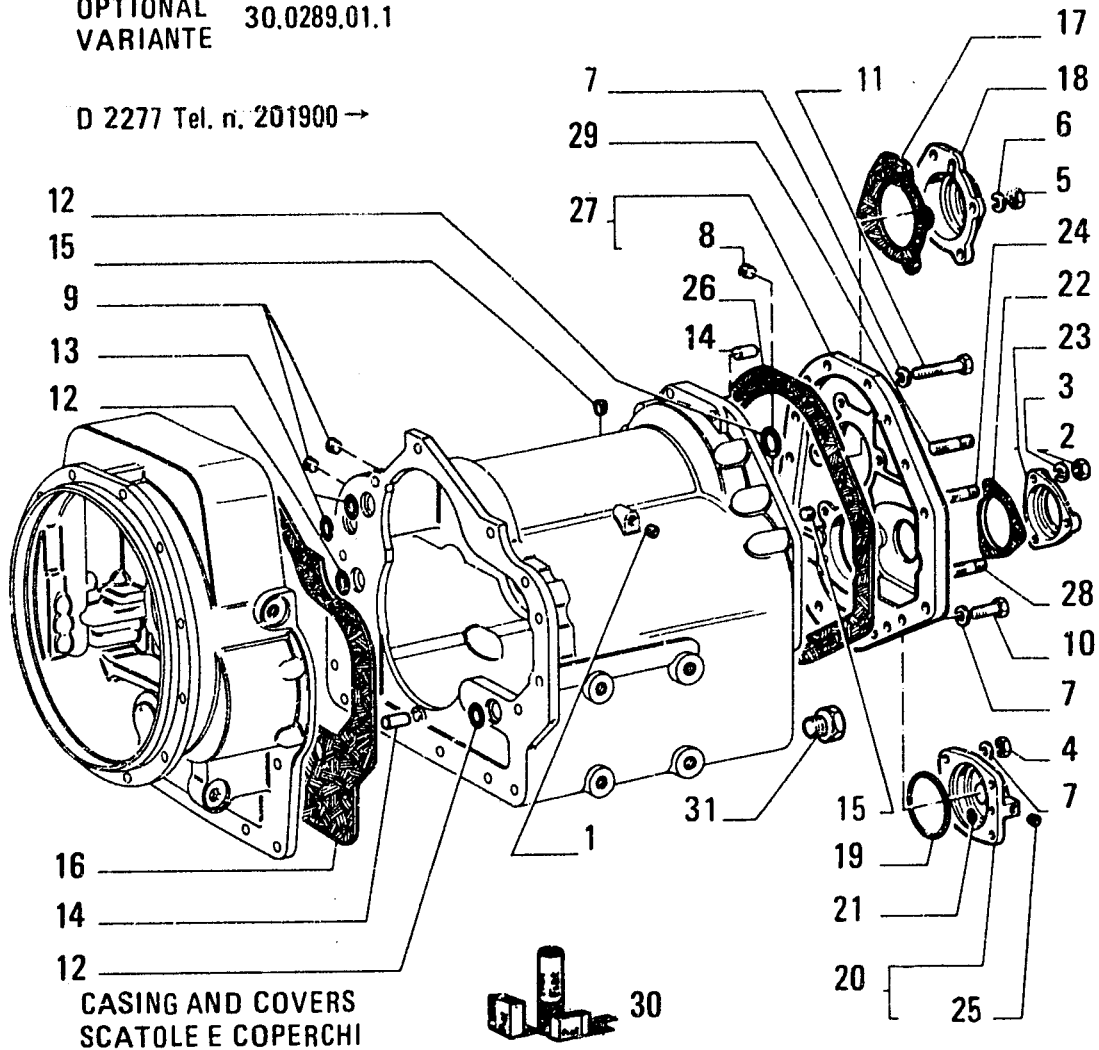
N.T.R. 163 - 30.05.1989

604.01.077.03

Q7

OPTIONAL VARIANTE 30.0289.01.1

D 2277 Tel. n. 201900 →



CASING AND COVERS
SCATOLE E COPERCHI

FIATALLIS FL5

B2.01/ A TAV. 6 PAG.2

ITEM	PART NUMBER	QTY	TRANS CODE	DESCRIPTION	DESCRIZIONE
28	79031001	4	210P STUD		PRIGIONIERO
29	79031002	4	210P STUD		PRIGIONIERO
30	79055160	1	1K KIT SEE PAGE 9		KIT VED. PAG.9
31	79060009	1	50T PLUG		TAPPO

79056358

TRANSMISSION - CAMBIO DI VELOCITA' - BOITE DE VITESSES - WECHSELGETRIEBE - CAMBIO DE VELOCIDADES

9

B2.01/A

6

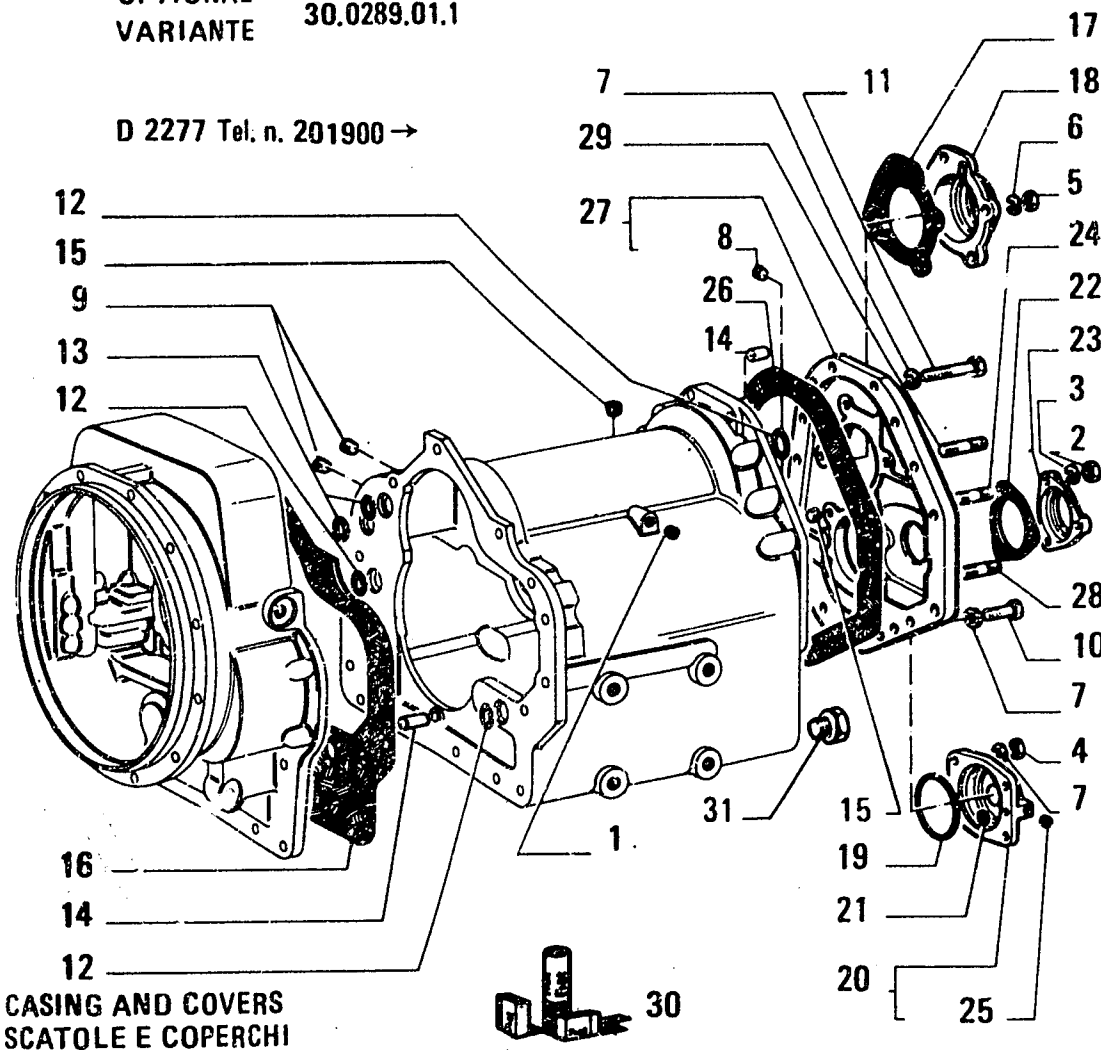
N.T.R. 163 - 30.05.1989

604.01.077.03

Q8

OPTIONAL
VARIANTE 30.0289.01.1

D 2277 Tel. n. 201900 →



CASING AND COVERS
SCATOLE E COPERCHI

FIATALLIS FL5

B2.01/ A TAV. 6 PAG.1

I T E M	PART NUMBER	Q T Y	TRANS CODE	DESCRIPTION	DESCRIZIONE
1	70673860	1	50T	PLUG	TAPPO
2	70910123	3	10D	NUT	DADO
3	10516879	3	131R	WASHER 10,2x2,5	ROSETTA 10,2x2,5
4	70910986	4	10D	NUT	DADO
5	70911331	4	10D	NUT	DADO
6	70912433	4	170R	LOCKWASHER	ROSETTA EL.
7	70914678	19	170R	LOCKWASHER	ROSETTA EL.
8	70917673	1	50T	PLUG	TAPPO
9	79051077	2	50T	PLUG	TAPPO
10	70921569	6	40V	SCREW	VITE
11	70927583	9	40V	SCREW	VITE
12	14462980	3	158G	O-RING 3,53x20,22	GUARNIZIONE O-R 3,53x20,22
13	14457180	2	158G	O-RING 2,62x13,94	GUARNIZIONE O-R 2,62x13,94
14	71004838	3	80P	PIN	PERNO
15	73066768	2	50T	PLUG	TAPPO
16	73118040	1	122G	SEAL	GUARNIZIONE
17	79030211	1	122G	SEAL	GUARNIZIONE
18	79065193	1	265C	COVER	COPERCHIO
19	79030215	1	158G	O-RING	GUARNIZIONE O-R
20	79030216	1	265C	COVER - ASSEMBLY	COPERCHIO - COMPLETO
21	79030217	1	158G	O-RING	GUARNIZIONE O-R
22	79030220	1	122G	SEAL	GUARNIZIONE
23	79030221	1	265C	COVER	COPERCHIO
24	79060004	3	210P	STUD	PRIGIONIERO
25	79030241	1	50T	PLUG	TAPPO
26	79030266	1	122G	SEAL	GUARNIZIONE
27	79030267	1	265C	COVER - ASSEMBLY	COPERCHIO - COMPLETO

79056358

TRANSMISSION - CAMBIO DI VELOCITA' - BOITE DE VITESSES - WECHSELGETRIEBE - CAMBIO DE VELOCIDADES

9

B2.01/A

6

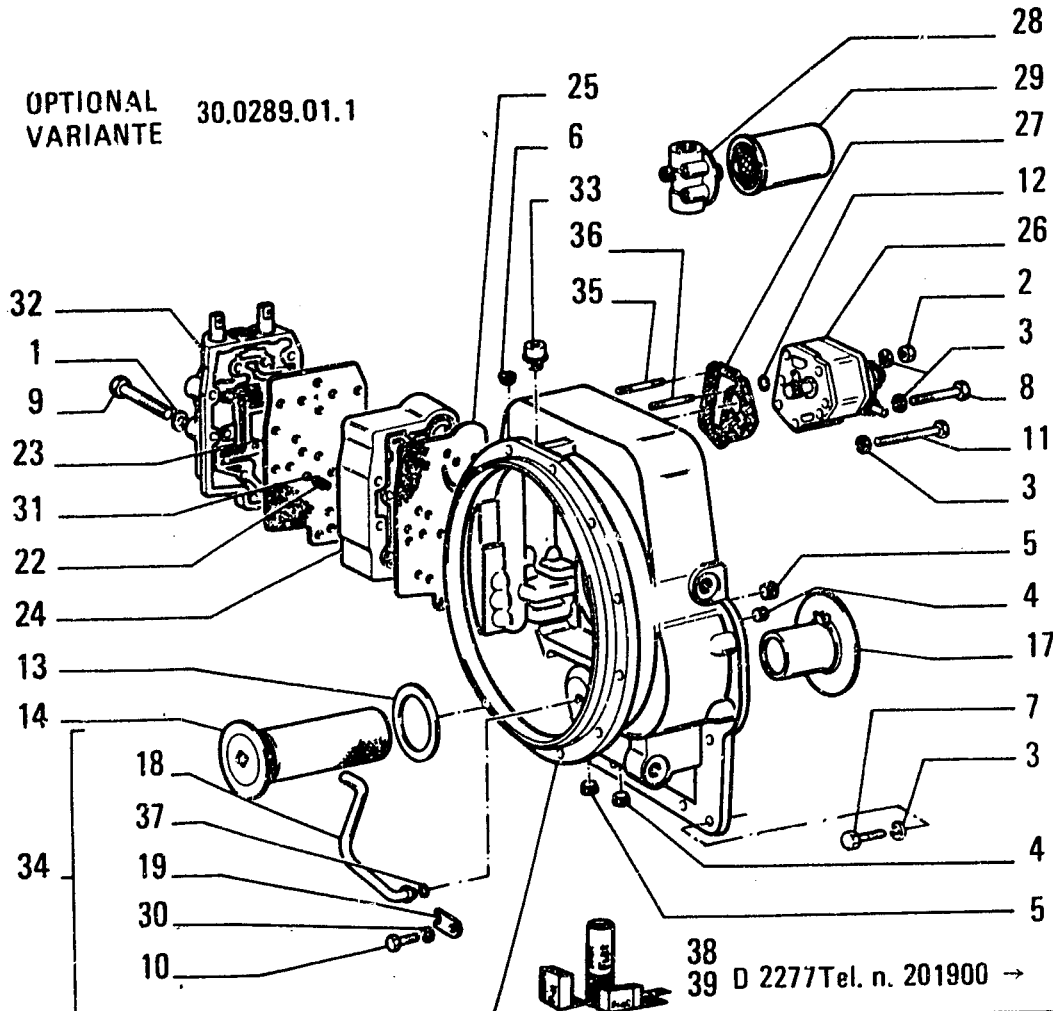
N.T.R. 163 - 30.05.1989

604.01.077.03

Q9

FIATALLIS FL5

OPTIONAL VARIANTE 30.0289.01.1



I T E M	PART NUMBER	Q T Y	TRANS CODE	DESCRIPTION	DESCRIZIONE
30	10571779	1	131R	WASHER 8,1x2	ROSETTA 8,1x2
31	70905360	2	140S	BALL	SFERA
32	79060012	1	83D	CONTROL VALVE - ASSEMBLY SEE SGR. B2.33	DISTRIBUTORE - COMPLETO VEDERE SGR. B2.33
33	79030263	1	50T	PLUG	TAPPO
34	79056361	1	35S	CASE - ASSEMBLY	SCATOLA - COMPLETO
35	79030999	1	210P	STUD	PRIGIONIERO
36	79031000	1	210P	STUD	PRIGIONIERO
37	79031003	1	158G	O-RING	GUARNIZIONE O-R
38	79055159	1	1K	KIT SEE PAGE 9	KIT VED. PAG.9
39	79055160	1	1K	KIT SEE PAGE 9	KIT VED. PAG.9

38
39 D 2277 Tel. n. 201900 →

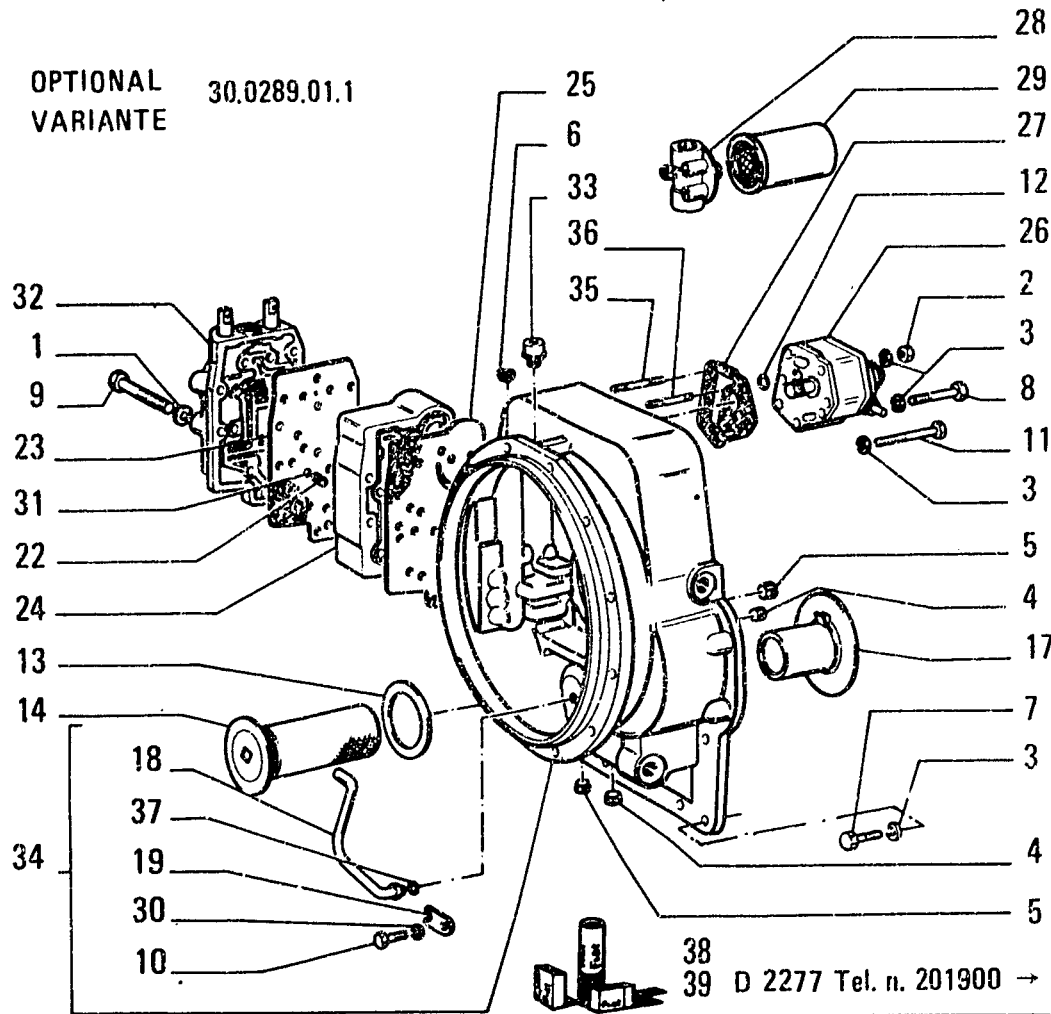
79056358

TRANSMISSION - CAMBIO DI VELOCITA' - BOITE DE VITESSES - WECHSELGETRIEBE -
CAMBIO DE VELOCIDADES

9	B2.01/A	5
N.T.R. 163 - 30.05.1989		
604.01.077.03		

Q10

OPTIONAL
VARIANTE 30.0289.01.1



ITEM	PART NUMBER	QTY	TRANS CODE	DESCRIPTION	DESCRIZIONE
1	10516879	9	131R	WASHER 10,2x2,5	ROSETTA 10,2x2,5
2	70910986	2	10D	NUT	DADO
3	70914678	21	170R	LOCKWASHER	ROSETTA EL.
4	73131677	2	50T	PLUG	TAPPO
5	70917970	2	50T	PLUG	TAPPO
5	79051077	1	50T	PLUG	TAPPO
7	70921569	16	40V	SCREW	VITE
8	70925821	2	40V	SCREW	VITE
9	70927536	9	40V	SCREW	VITE
10	70927612	1	40V	SCREW	VITE
11	70928527	1	40V	SCREW	VITE
12	14457180	1	158G	O-RING 2,62x13,94	GUARNIZIONE O-R 2,62x13,94
13	71004848	1	122G	SEAL	GUARNIZIONE
14	71004849	1	65F	FILTER	FILTRO
17	73118039	1	135M	HUB	MOZZO
18	73118053	1	193T	TUBE	TUBO RIGIDO
19	73118054	1	45F	CLIP	FERMAGLIO
22	73118121	2	100M	SPRING	MOLLA
23	73118122	1	122G	SEAL C2317	GUARNIZIONE C2317
	79086375	1	122G	SEAL D2317	GUARNIZIONE D2317
24	79060010	1	10V	VALVE - ASSEMBLY SEE SGR. B2.34	VALVOLA - COMPLETO VEDERE SGR. B2.34
25	73118124	1	122G	SEAL	GUARNIZIONE
26	73118166	1	155P	PUMP	POMPA
27	73118167	1	122G	SEAL	GUARNIZIONE
28	73118170	1	300S	SUPPORT	SUPPORTO
29	73118171	1	65F	FILTER	FILTRO

38
39 D 2277 Tel. n. 201900 →

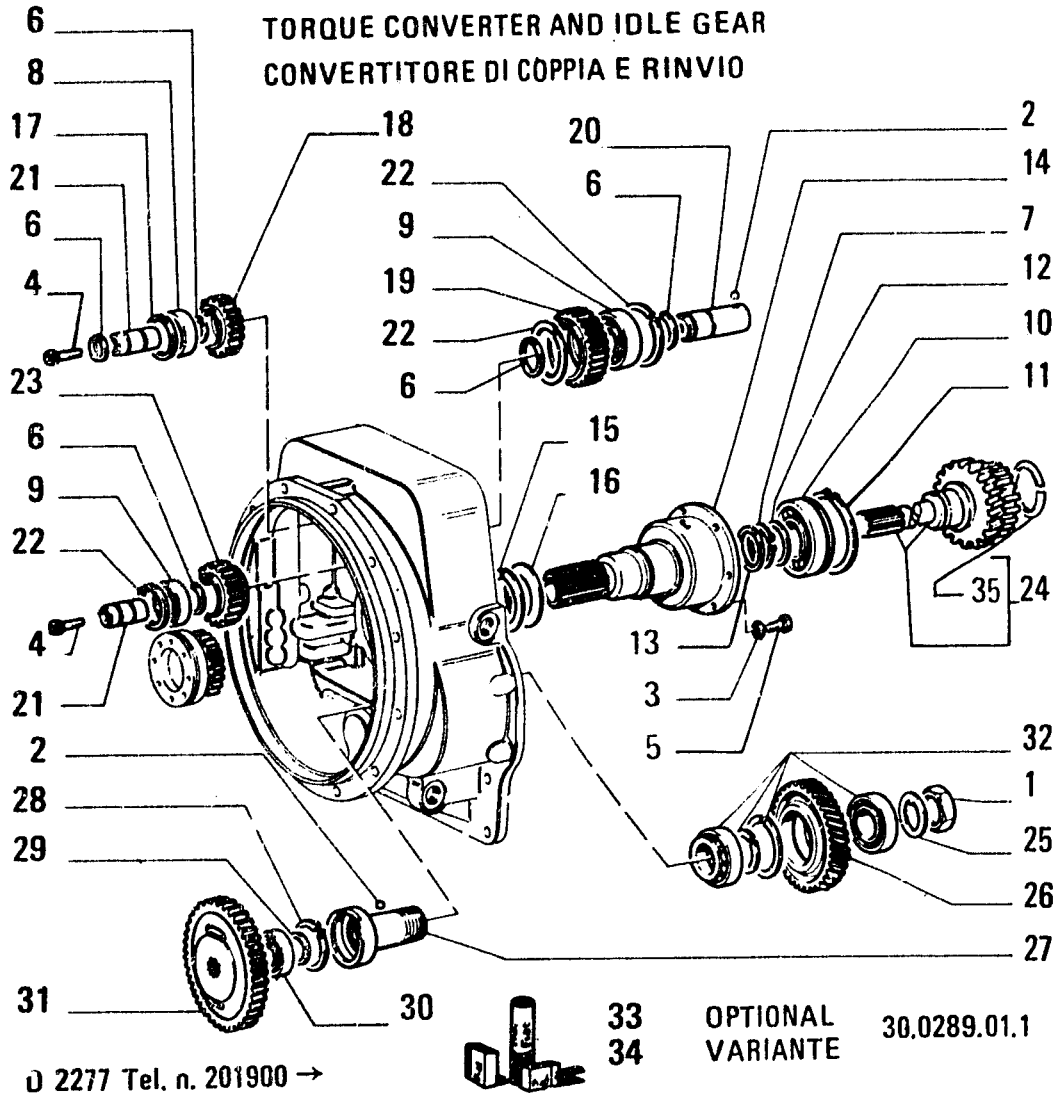
79056358

TRANSMISSION - CAMBIO DI VELOCITA' - BOITE DE VITESSES - WECHSELGETRIEBE -
CAMBIO DE VELOCIDADES

9	B2.01/A	5
N.T.R. 163 - 30.05.1989		
604.01.077.03		

Q11

TORQUE CONVERTER AND IDLE GEAR
 CONVERTITORE DI COPPIA E RINVIO



☎ 2277 Tel. n. 201900 →

33 OPTIONAL 30.0289.01.1
 34 VARIANTE

I T E M	PART NUMBER	Q T Y	TRANS CODE	DESCRIPTION	DESCRIZIONE
27	79030249	1	16A	SHAFT	ALBERO
28	79030250	1	187A	SNAP RING	ANELLO ELASTICO
29	79030251	1	45A	RING	ANELLO
30	79030252	1	341C	BEARING	CUSCINETTO
31	79030253	1	50I	GEAR	INGRANAGGIO
32	79030261	1	341C	BEARING	CUSCINETTO
33	79055159	1	1K	KIT SEE PAGE 9	KIT VED. PAG.9
34	79055160	1	1K	KIT SEE PAGE 9	KIT VED. PAG.9
35	79064449	1	51A	LOCKRING	ANELLO DI SICUREZZA

79056358

TRANSMISSION - CAMBIO DI VELOCITA' - BOITE DE VITESSES - WECHSELGETRIEBE - CAMBIO DE VELOCIDADES

9

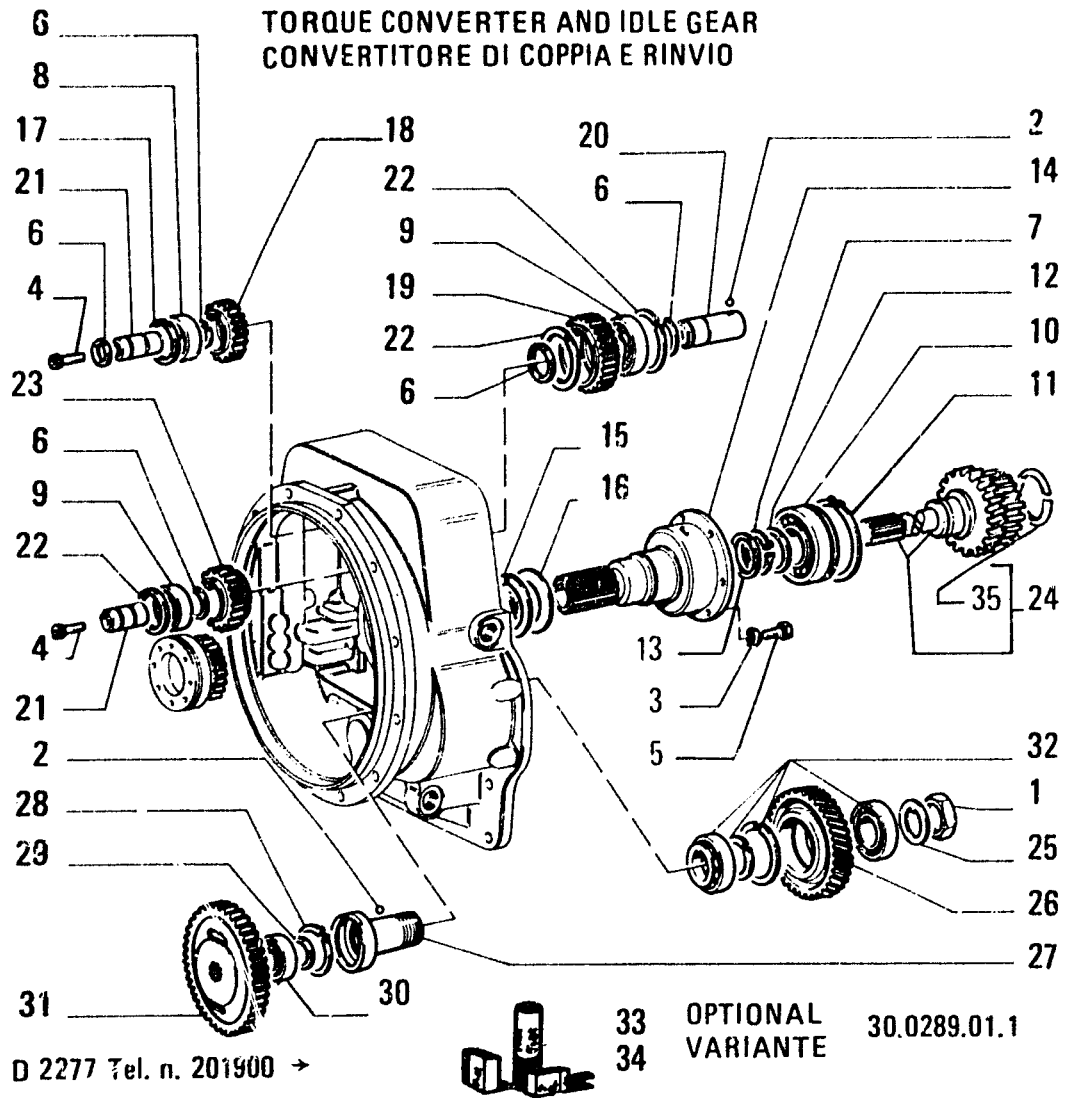
B2.01/A

4

N.T.R. 163 - 30.05.1989
 604.01.077.03

Q12

TORQUE CONVERTER AND IDLE GEAR
CONVERTITORE DI COPPIA E RINVIO



D 2277 Tel. n. 201900 →

33 OPTIONAL VARIANTE 30.0289.01.1
34

FIATALLIS FL5

B2.01/ A TAV. 4 PAG.1

ITEM	PART NUMBER	QTY	TRANS CODE	DESCRIPTION	DESCRIZIONE
1	70059946	1	10D NUT	DADO	
2	70673856	2	140S BALL	SFERA	
3	10516879	6	131R WASHER 10,2x2,5	ROSETTA 10,2x2,5	
4	70921076	4	40V SCREW	VITE	
5	70922763	6	40V SCREW	VITE	
6	70929166	5	187A SNAP RING	ANELLO ELASTICO	
7	73116957	1	187A SNAP RING	ANELLO ELASTICO	
8	73116959	1	341C BEARING	CUSCINETTO	
9	73116971	2	341C BEARING	CUSCINETTO	
10	73132932	1	341C BEARING	CUSCINETTO	
11	73118057	1	187A SNAP RING	ANELLO ELASTICO	
12	73118058	1	131R WASHER	ROSETTA	
13	73118059	1	45A RING	ANELLO	
14	79059927	1	300S SUPPORT	SUPPORTO	
15	73118061	1	45A RING C2317	ANELLO C2317	
	79064451	1	45A RING D2317	ANELLO D2317	
16	73118062	1	100M SPRING	MOLLA	
17	73118080	1	45A RING	ANELLO	
18	73118081	1	50I GEAR	INGRANAGGIO	
19	73118082	1	50I GEAR	INGRANAGGIO	
20	73118083	1	16A SHAFT	ALBERO	
21	73118262	2	300S SUPPORT	SUPPORTO	
22	73118320	3	45A RING	ANELLO	
23	79030242	1	50I GEAR	INGRANAGGIO	
24	79052635	1	16A SHAFT - ASSEMBLY	ALBERO - COMPLETO	
25	79030247	2	131R WASHER	ROSETTA	
26	79030248	1	50I GEAR	INGRANAGGIO	

79056358

TRANSMISSION - CAMBIO DI VELOCITA' - BOITE DE VITESSES - WECHSELGETRIEBE - CAMBIO DE VELOCIDADES

9

B2.01/A

4

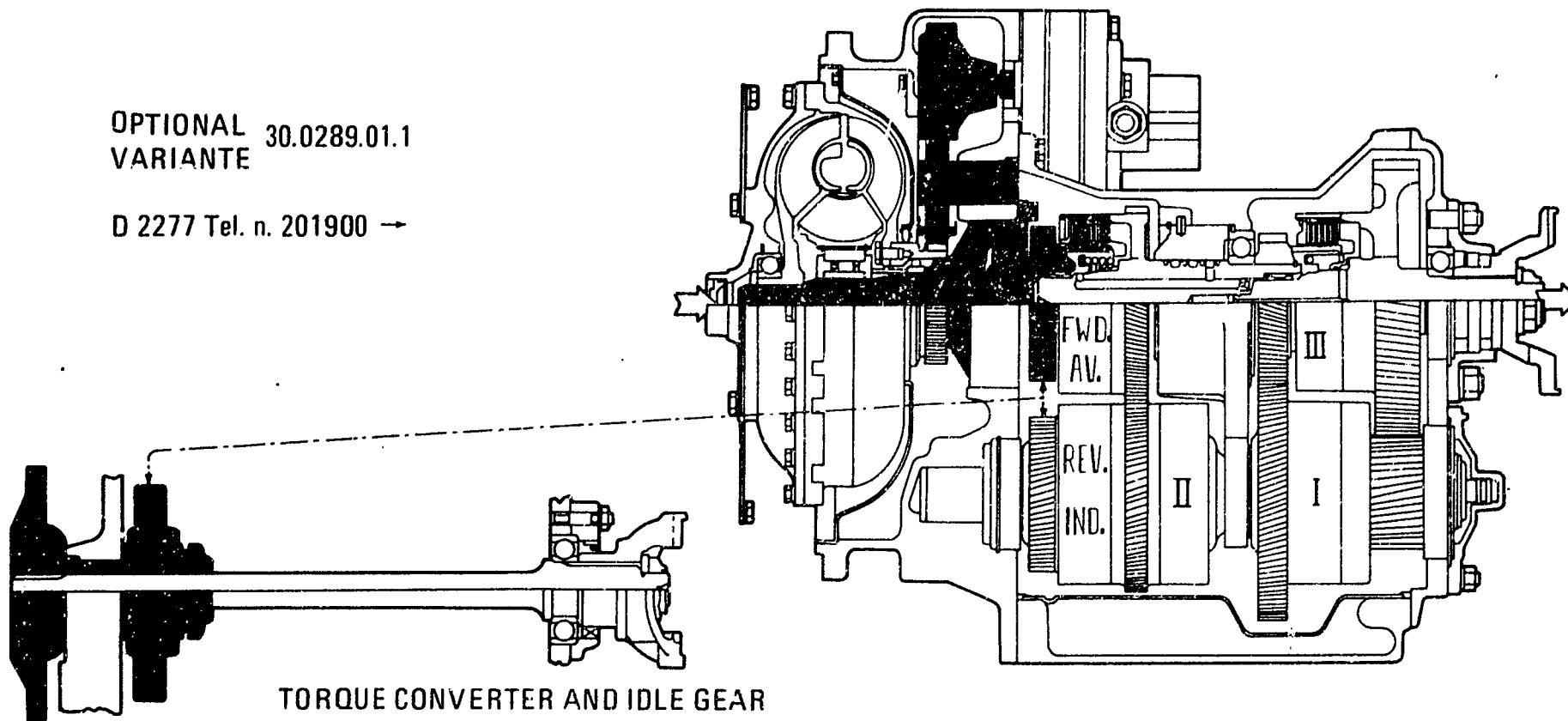
N.T.R. 163 - 30.05.1989

604.01.077.03

Q13

OPTIONAL 30.0289.01.1
VARIANTE

D 2277 Tel. n. 201900 →



TORQUE CONVERTER AND IDLE GEAR
CONVERTITORE DI COPPIA E RINVIO

79056358
TRANSMISSION -- CAMBIO DI VELOCITA' -- BOITE DE VITESSES -- WECHSELGETRIEBE -- CAMBIO DE VELOCIDADES

B2.01/A

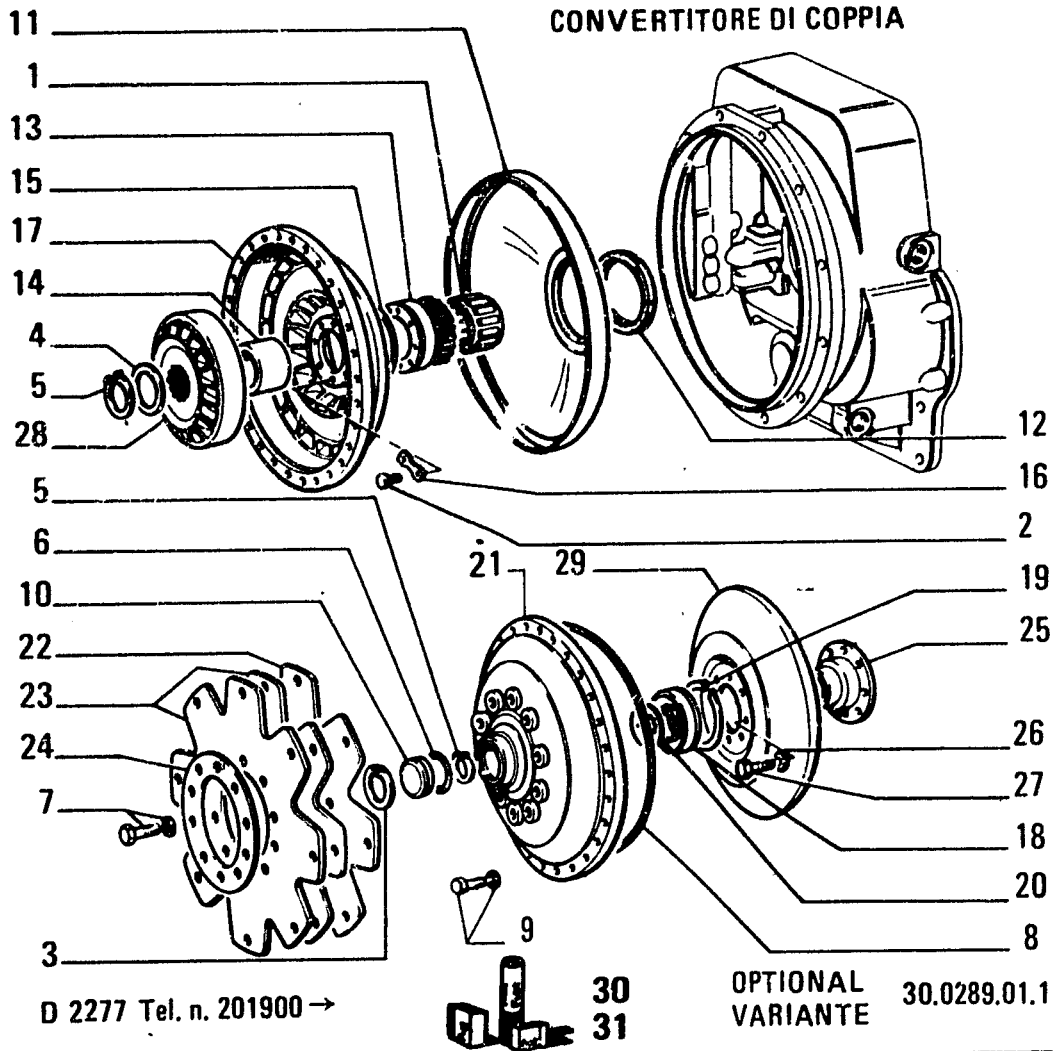
3

N.T.R. 163 - 30.05.1989

604.01.077.03

Q14

**TORQUE CONVERTER
CONVERTITORE DI COPPIA**



D 2277 Tel. n. 201900 →

30
31

OPTIONAL
VARIANTE 30.0289.01.1

FIATALLIS FL5

B2.01/ A TAV. 2 PAG.2

I T E M	PART NUMBER	Q T Y	TRANS CODE	DESCRIPTION	DESCRIZIONE
28	79051089	1	271S	STATOR	STATORE
29	79051689	1	209T	TURBINE	TURBINA
30	79055159	1	1K	KIT SEE PAGE 9	KIT VED. PAG.9
31	79055160	1	1K	KIT SEE PAGE 9	KIT VED. PAG.9

79056358

9

TRANSMISSION - CAMBIO DI VELOCITA' - BOITE DE VITESSES - WECHSELGETRIEBE - CAMBIO DE VELOCIDADES

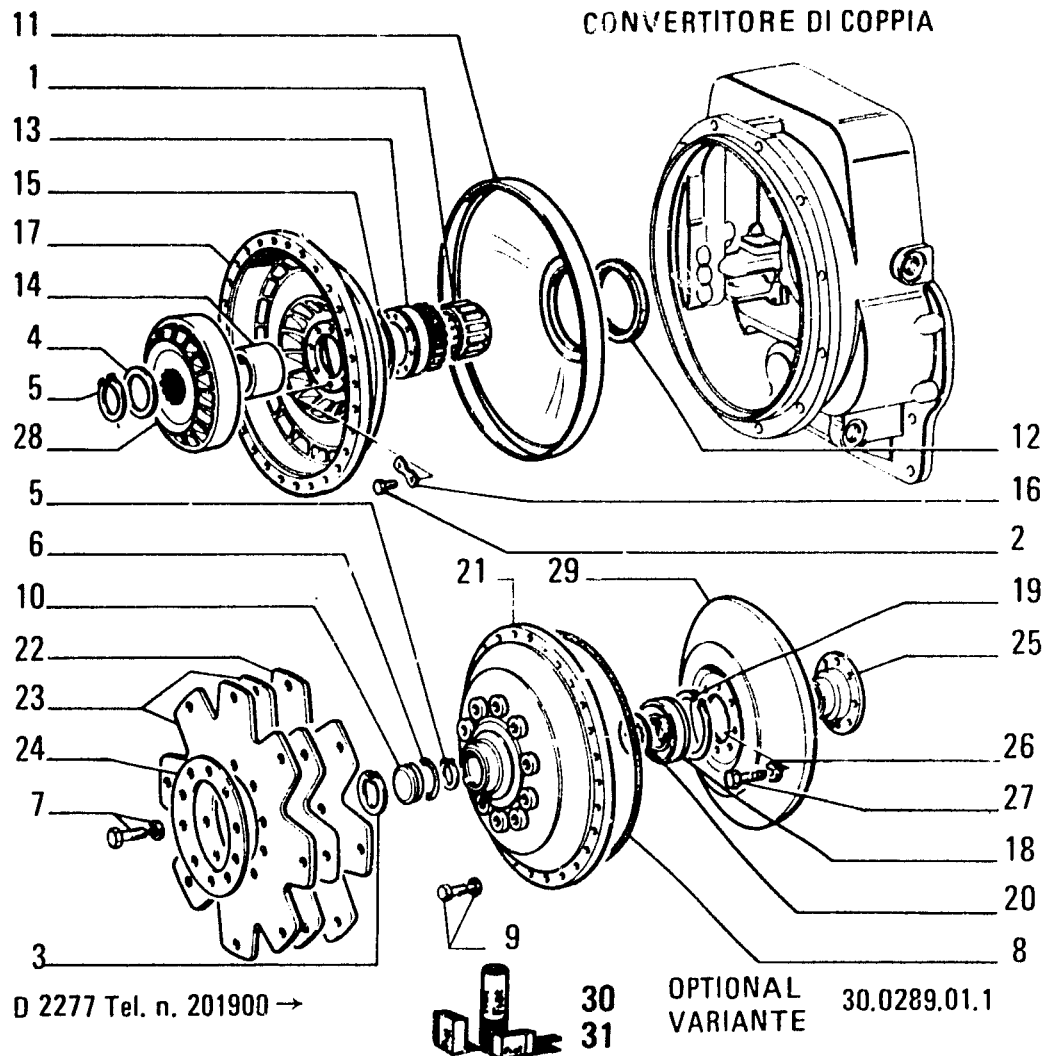
B2.01/A

2

N.T.R. 163 - 30.05.1989
604.01.077.03

Q15

TORQUE CONVERTER
CONVERTITORE DI COPPIA



D 2277 Tel. n. 201900 →

30
31
OPTIONAL
VARIANTE
30.0289.01.1

FIATALLIS FL5

B2.01/ A TAV. 2 PAG.1

ITEM	PART NUMBER	QTY	TRANS CODE	DESCRIPTION	DESCRIZIONE
1	70673970	1	341C	BEARING	CUSCINETTO
2	79051207	8	40V	SCREW	VITE
3	79051691	1	45A	RING	ANELLO
4	70927747	1	45A	RING	ANELLO
5	70928720	2	187A	SNAP RING	ANELLO ELASTICO
6	14458580	1	158G	O-RING 2,62x36,17	GUARNIZIONE O-R 2.62x36,17
7	71004835	10	40V	SCREW	VITE
8	79030258	1	158G	O-RING	GUARNIZIONE O-R
9	79030260	18	40V	SCREW	VITE
10	73117963	1	50T	PLUG	TAPPO
11	73118063	1	20D	DEFLECTOR	DEFLETTORE
12	73118064	1	122G	SEAL	GUARNIZIONE
13	73118065	1	50I	GEAR	INGRANAGGIO
14	73118066	1	75D	SPACER	DISTANZIALE
15	73118067	1	158G	O-RING	GUARNIZIONE O-R
16	73118068	4	110P	PLAQUE	PIASTRINA
17	79030245	1	60G	IMPELLER	GIRANTE
18	73118072	1	341C	BEARING	CUSCINETTO
19	73118073	1	187A	SNAP RING	ANELLO ELASTICO
20	73118074	1	131R	WASHER	ROSETTA
21	79051690	1	265C	COVER	COPERCHIO
22	75118173	1	75M	DIAPHRAGM	MEMBRANA
23	73118174	2	75M	DIAPHRAGM	MEMBRANA
24	73118175	1	45A	RING	ANELLO
25	79051688	1	135M	HUB	MOZZO
26	71004797	12	131R	WASHER	ROSETTA
27	71004795	12	40V	SCREW	VITE

79056358

9

TRANSMISSION - CAMBIO DI VELOCITA' - BOITE DE VITESSES - WECHSELGETRIEBE -- CAMBIO DE VELOCIDADES

B2.01/A

2

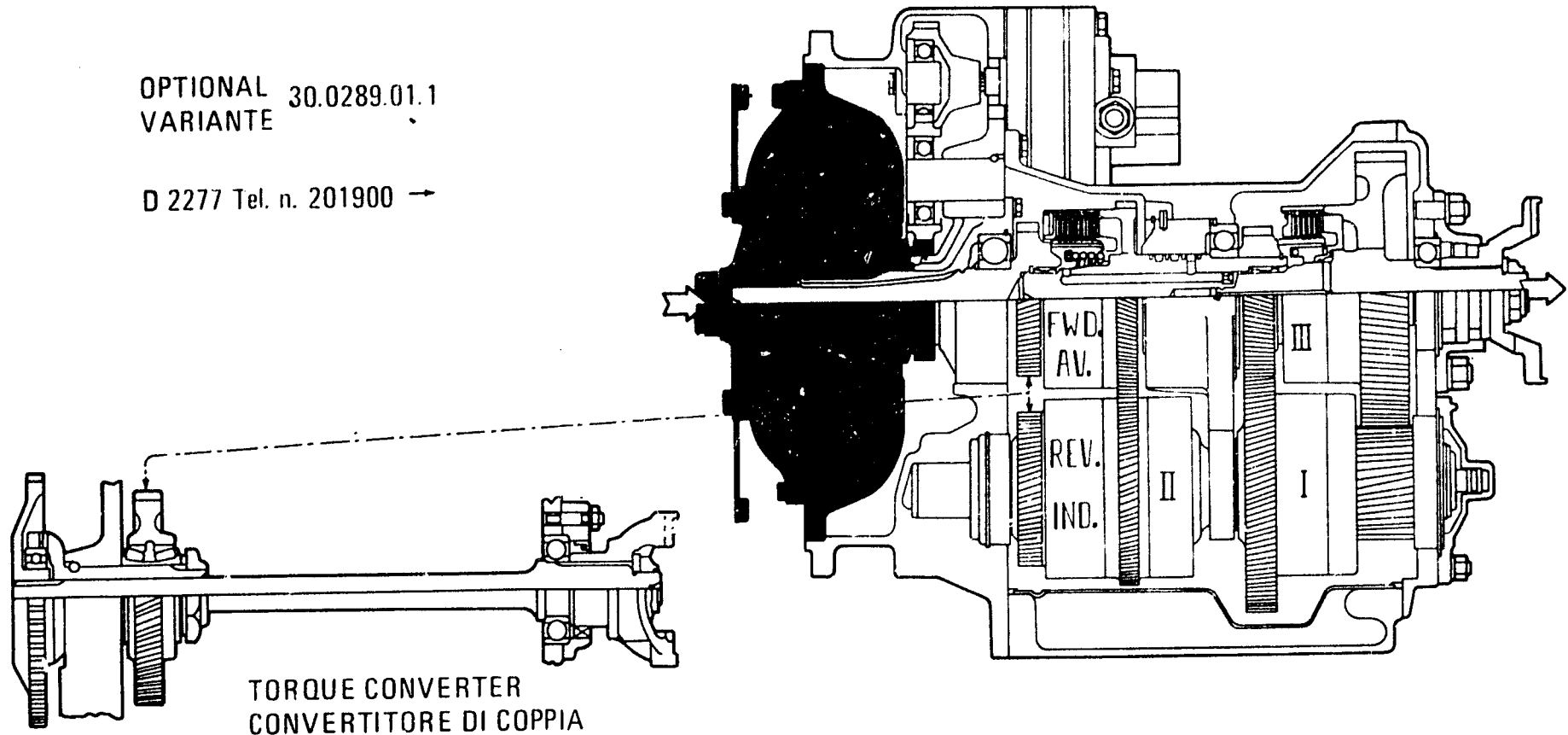
N.T.R. 163 - 30.05.1989

604.01.077.03

Q16

OPTIONAL 30.0289.01.1
VARIANTE

D 2277 Tel. n. 201900 →



TORQUE CONVERTER
CONVERTITORE DI COPPIA

79056358

TRANSMISSION - CAMBIO DI VELOCITA' - BOITE DE VITESSES - WECHSELGETRIEBE - CAMBIO DE VELOCIDADES

B2.01/A

1

N.T.R. 163 - 30.05.1989

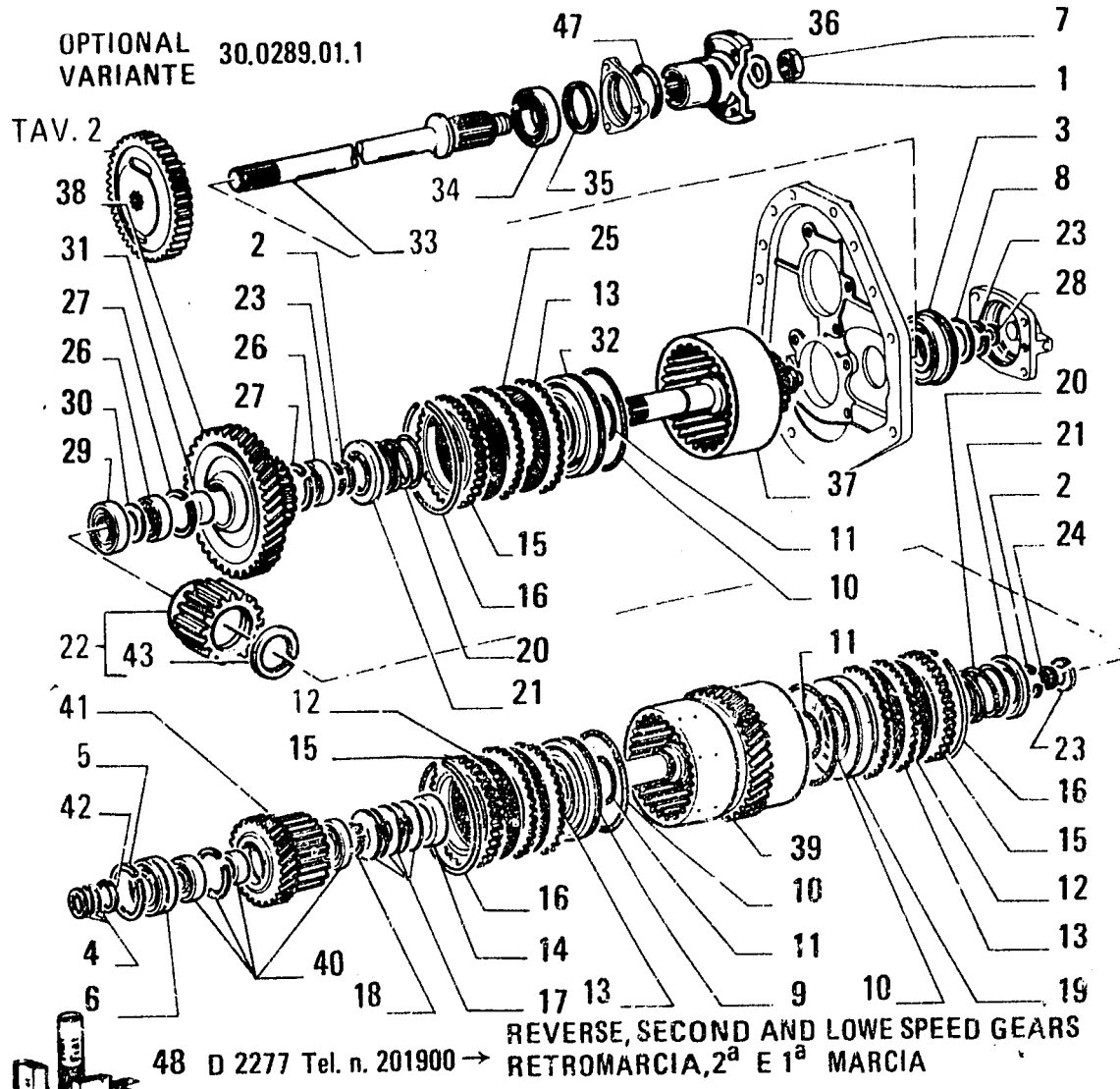
604.01.077.03

Q17

B

MECHANICAL TRANSMISSION • CLUTCH • TRANSMISSION • TRANSMISSION SHAFT • AXLES
TRASMISSIONE MECCANICA • FRIZIONE • CAMBIO • ALBERO DI TRASMISSIONE • PONTI
TRANSMISSION MECANIQUE • EMBRAYAGE • BOITE DE VITESSES • ARBRE DE TRANSMISSION • PONTS
MECHANISCHE KRAFTÜBERTRAGUNG • KUPPLUNG • GETRIEBE • GELENKWELLE • ACHSEN
TRANSMISSION MECANICA • EMBRAGUE • CAMBIO • ARBOL DE TRANSMISSION • PUENTES

R1



ITEM	PART NUMBER	QTY	TRANS CODE	DESCRIPTION	DESCRIZIONE
28	73118136	1	45A	RING	ANELLO
29	73118137	1	341C	BEARING	CUSCINETTO
30	73118138	1	75D	SPACER	DISTANZIALE
31	73118139	1	75D	SPACER	DISTANZIALE
32	73118236	1	132P	PISTON	PISTONE
33	79030218	1	16A	SHAFT	ALBERO
34	79030219	1	341C	BEARING	CUSCINETTO
35	79030222	1	122G	SEAL	GUARNIZIONE
36	79030223	1	70F	FLANGE	FLANGIA
37	79030228	1	16A	SHAFT	ALBERO
38	79060008	1	50I	GEAR	INGRANAGGIO
39	79030233	1	186A	REVERSE SHAFT	ALBERO RETROMARCIA
40	79030234	1	341C	BEARING	CUSCINETTO
41	79060008	1	50I	GEAR	INGRANAGGIO
42	79030236	1	198S	SHIM	SPESSORE
	79030237	1	198S	SHIM	SPESSORE
	79030238	1	198S	SHIM	SPESSORE
	79030239	1	198S	SHIM	SPESSORE
	79030240	1	198S	SHIM	SPESSORE
43	79064449	1	51A	LOCKRING	ANELLO DI SICUREZZA
47	14463980	1	158G	O-RING 3,53x34,52	GUARNIZIONE O-R 3,53x34,52
48	79055160	1	1K	KIT SEE PAGE 9	KIT VED. PAG. 9

TRANSMISSION - CAMBIO DI VELOCITA' - BOITE DE VITESSES - WECHSELGETRIEBE - CAMBIO DE VELOCIDADES

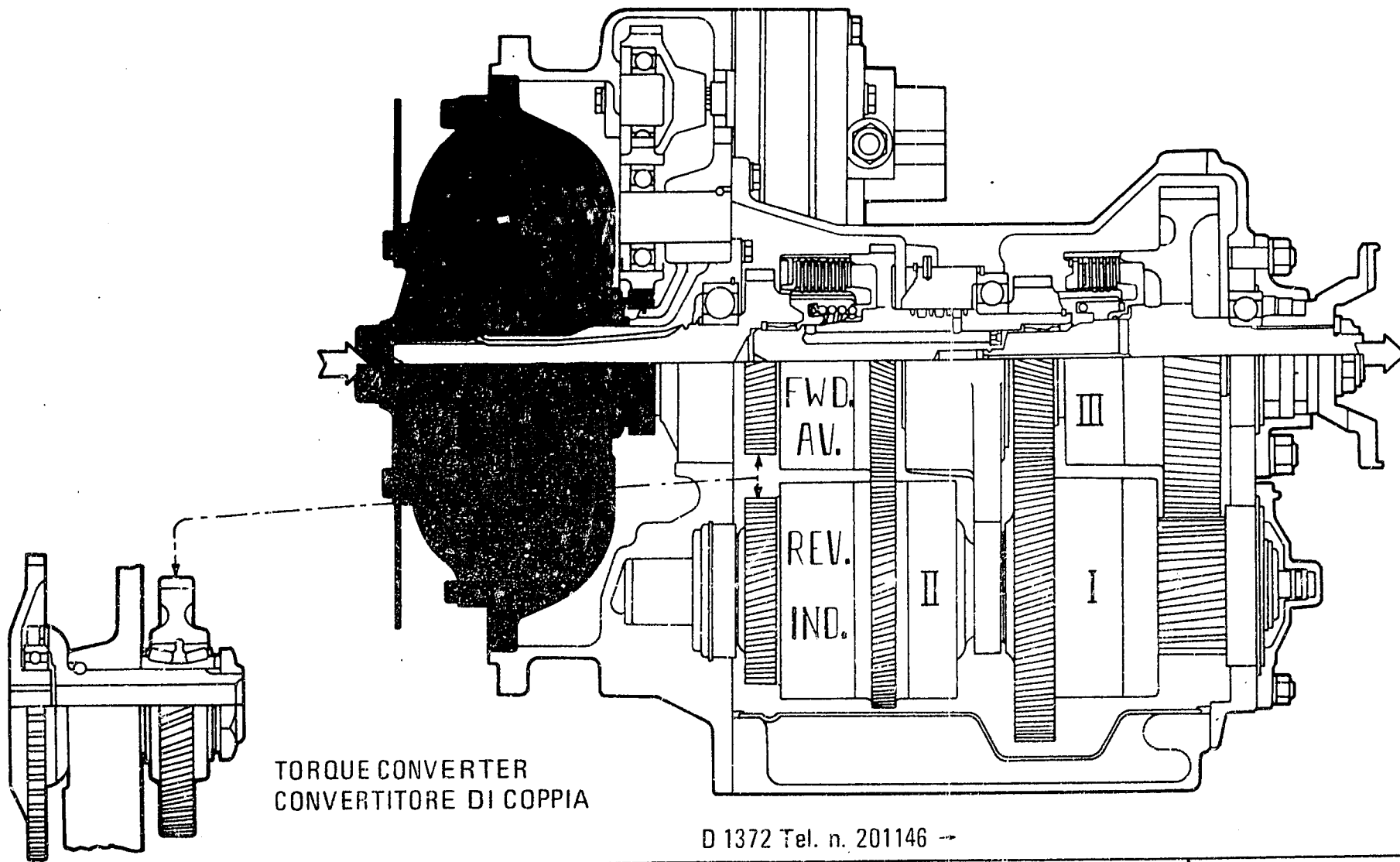
79056358

9

B2.01/A 11

N.T.R. 163 - 30.05.1989
604.01.077.03

R2



TORQUE CONVERTER
 CONVERTITORE DI COPPIA

D 1372 Tel. n. 201146 →

79057723

TRANSMISSION - CAMBIO DI VELOCITA' - BOITE DE VITESSES - WECHSELGETRIEBE - CAMBIO DE VELOCIDADES

B2.01/1

1

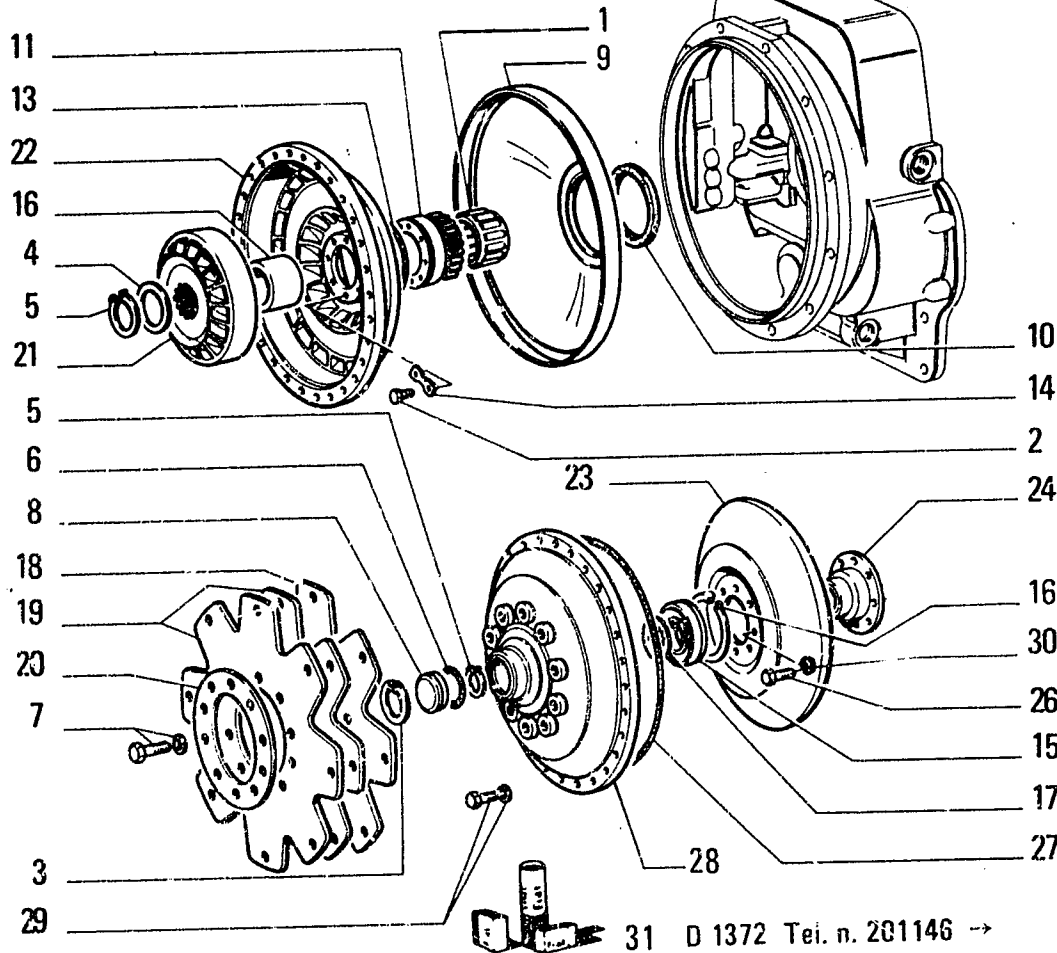
N.T.R. 163 - 30.05.1989

604.01.077.03

R3

FIATALLIS FL5

TORQUE CONVERTER
CONVERTITORE DI COPPIA



ITEM	PART NUMBER	QTY	TRANS CODE	DESCRIPTION	DESCRIZIONE
1	70673970	1	341C	BEARING	CUSCINETTO
2	79051207	8	40V	SCREW	VITE
3	70935974	1	51A	LOCKRING	ANELLO DI SICUREZZA
4	70927747	1	45A	RING	ANELLO
5	70928720	2	45A	RING	ANELLO
6	14458580	1	158G	O-RING 2,62x36,17	GUARNIZIONE O-R 2,62x36,17
7	71004835	10	44V	SCREW AND WASHER ASSY	VITE CON ROSETTA
8	73117963	1	50T	PLUG	TAPPO
9	73118063	1	20D	DEFLECTOR	DEFLETTORE
10	73118064	1	123G	SEAL ASSY	GUARNIZIONE TENUTA FRONTALE
11	73118065	1	50I	GEAR	INGRANAGGIO
12	73118066	1	75D	SPACER	DISTANZIALE
13	73118067	1	158G	O-RING	GUARNIZIONE O-R
14	73118068	4	110P	PLAQUE	PIASTRINA
15	73118072	1	341C	BEARING	CUSCINETTO
16	73118073	1	45A	RING	ANELLO
17	73118074	1	131R	WASHER	ROSETTA
18	73118173	1	75M	DIAPHRAGM	MEMBRANA
19	73118174	2	75M	DIAPHRAGM	MEMBRANA
20	73118175	1	45A	RING	ANELLO
21	79051089	1	271S	STATOR	STATORE
22	79030245	1	60G	IMPELLER	GIRANTE
23	79051689	1	60G	IMPELLER	GIRANTE
24	79051688	1	135M	HUB	MOZZO
26	71004795	12	40V	SCREW	VITE
27	79030258	1	158G	O-RING	GUARNIZIONE O-R
28	79060028	1	265C	COVER	COPERCHIO

79057723

TRANSMISSION - CAMBIO DI VELOCITA' - BOITE DE VITESSES - WECHSELGETRIEBE - CAMBIO DE VELOCIDADES

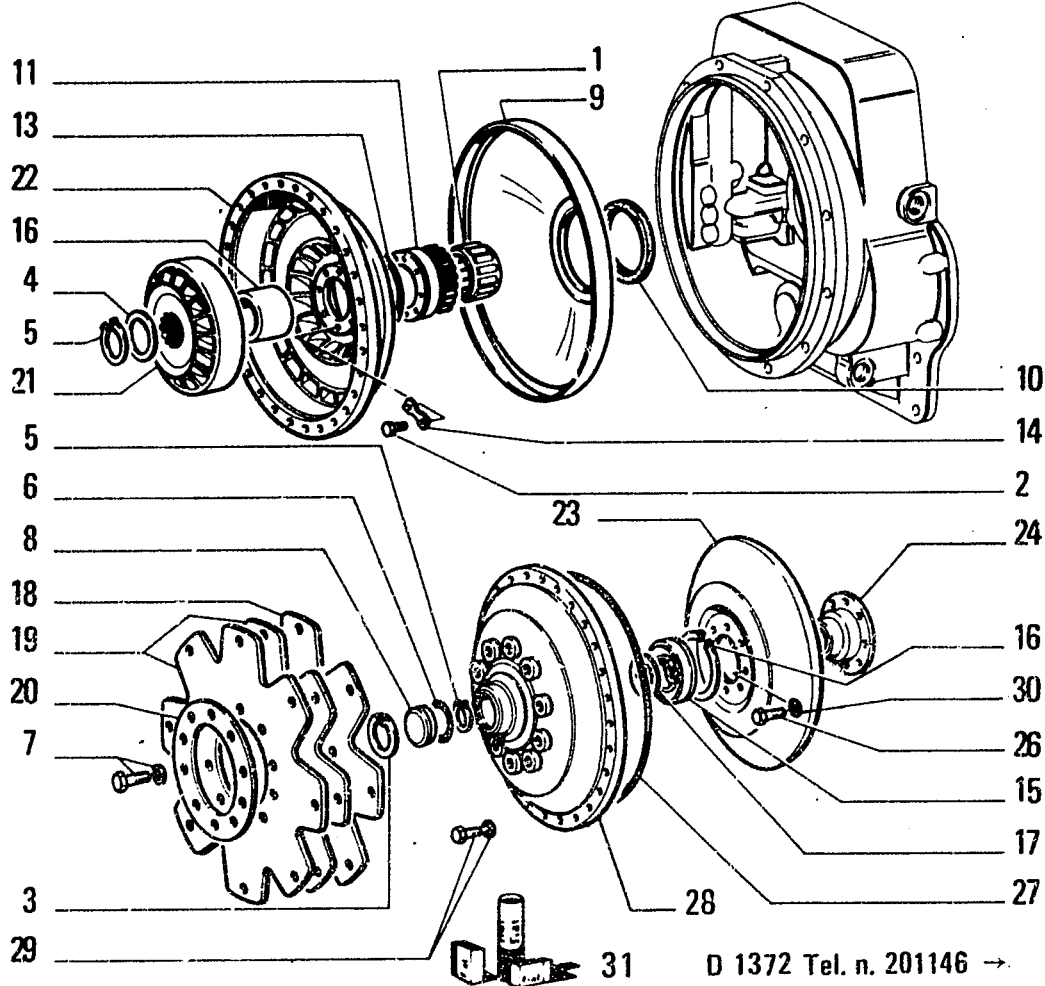
R4

B2.01/1

2

N.T.R. 163 - 30.05.1989
604.01.077.03

TORQUE CONVERTER
 CONVERTITORE DI COPPIA



ITEM	PART NUMBER	QTY	TRANS CODE	DESCRIPTION	DESCRIZIONE
29	79030260	18	44V	SCREW AND WASHER ASSY	VITE CON ROSETTA
30	71004797	12	131R	WASHER	ROSETTA
31	79055159	1	1K	KIT SEE PAGE 9	KIT VED. PAG.9
	79055160	1	1K	KIT SEE PAGE 9	KIT VED. PAG.9

D 1372 Tel. n. 201146 →

79057723

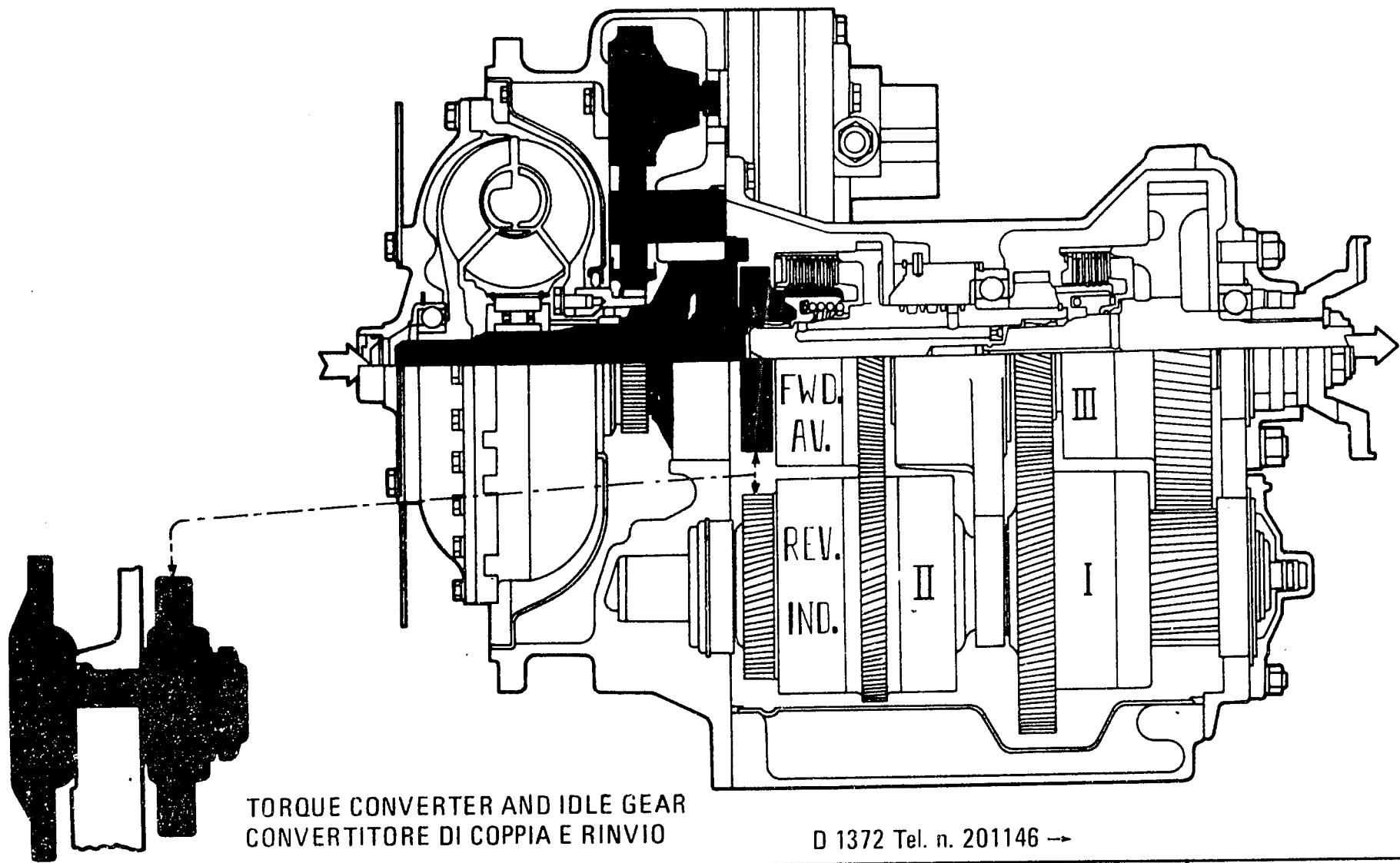
TRANSMISSION - CAMBIO DI VELOCITA' - BOITE DE VITESSES - WECHSELGETRIEBE -- CAMBIO DE VELOCIDADES

B2.01/1

2

N.T.R. 163 - 30.05.1989
 604.01.077.03

R5



TORQUE CONVERTER AND IDLE GEAR
 CONVERTITORE DI COPPIA E RINVIO

D 1372 Tel. n. 201146 →

79057723

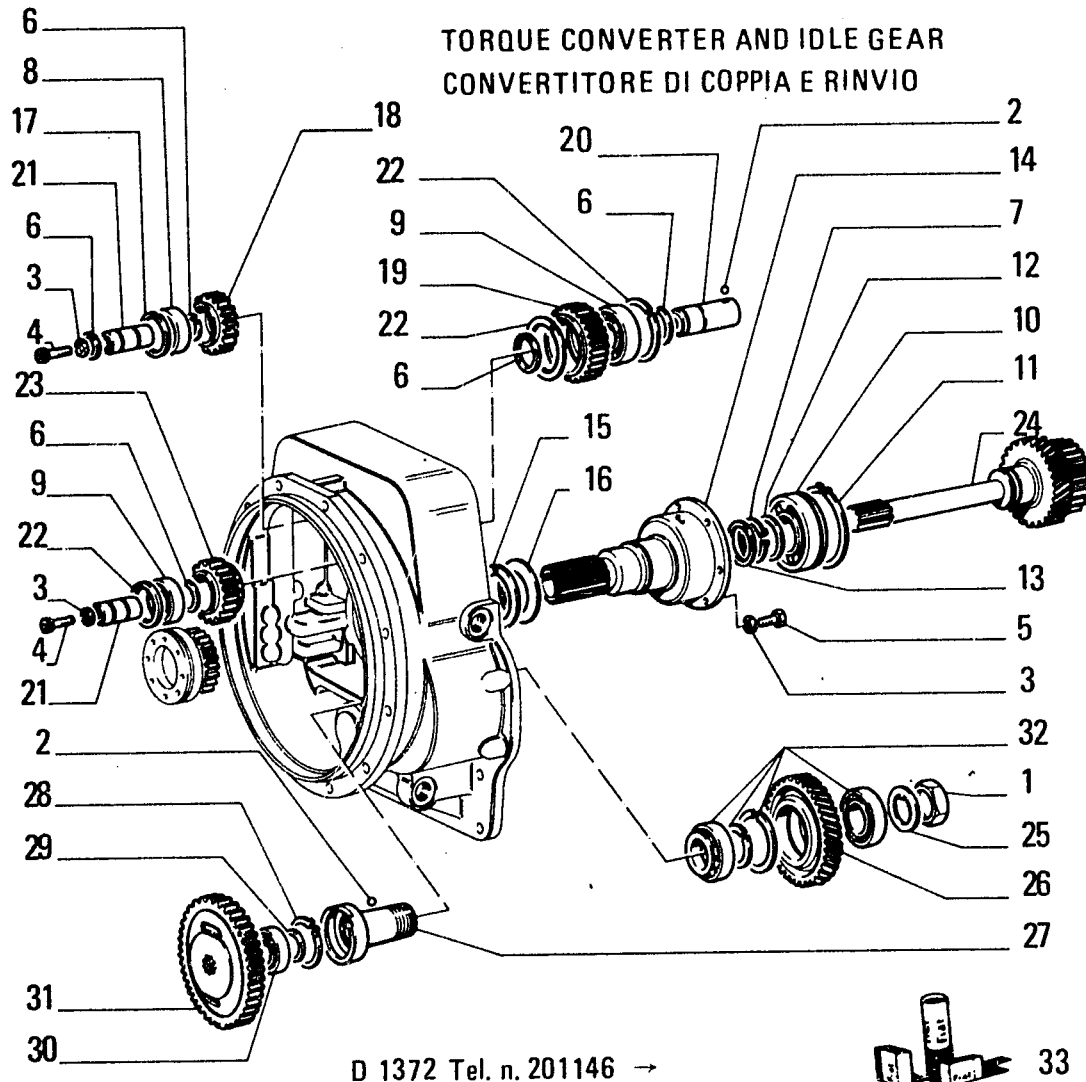
TRANSMISSION - CAMBIO DI VELOCITA' - BOITE DE VITESSES - WECHSELGETRIEBE - CAMBIO DE VELOCIDADES

B2.01/1 3

N.T.R. 163 - 30.05.1989
 604.01.077.03

R6

TORQUE CONVERTER AND IDLE GEAR
 CONVERTITORE DI COPPIA E RINVIO



FIATALLIS FL5

I T E M	PART NUMBER	Q T Y	TRANS CODE	DESCRIPTION	DESCRIZIONE
1	70059946	1	10D	NUT	DADO
2	70673856	2	140S	BALL	SFERA
3	10516879	18	131R	WASHER 10,2x2,5	ROSETTA 10,2x2,5
4	70921076	4	40V	SCREW	VITE
5	70922763	6	40V	SCREW	VITE
6	70929166	5	45A	RING	ANELLO
7	73116957	1	45A	RING	ANELLO
8	73116959	1	341C	BEARING	CUSCINETTO
9	73116971	2	341C	BEARING	CUSCINETTO
10	73132932	1	341C	BEARING	CUSCINETTO
11	73118057	1	45A	RING	ANELLO
12	73118058	2	131R	WASHER	ROSETTA
13	73118059	1	45A	RING	ANELLO
14	79059927	1	300S	SUPPORT	SUPPORTO
15	73118061	1	45A	RING C2317	ANELLO C2317
	79064451	1	45A	RING D2317	ANELLO D2317
16	73118062	1	100M	SPRING	MOLLA
17	73118080	1	45A	RING	ANELLO
18	73118081	1	50I	GEAR	INGRANAGGIO
19	73118082	1	50I	GEAR	INGRANAGGIO
20	73118083	1	16A	SHAFT	ALBERO
21	73118262	2	300S	SUPPORT	SUPPORTO
22	73118320	3	45A	RING	ANELLO
23	79030242	1	50I	GEAR	INGRANAGGIO
24	79052635	1	16A	SHAFT	ALBERO
25	79030247	2	131R	WASHER	ROSETTA
26	79030248	1	50I	GEAR	INGRANAGGIO

D 1372 Tel. n. 201146 →

79057723

TRANSMISSION - CAMBIO DI VELOCITA' - BOITE DE VITESSES - WECHSELGETRIEBE - CAMBIO DE VELOCIDADES

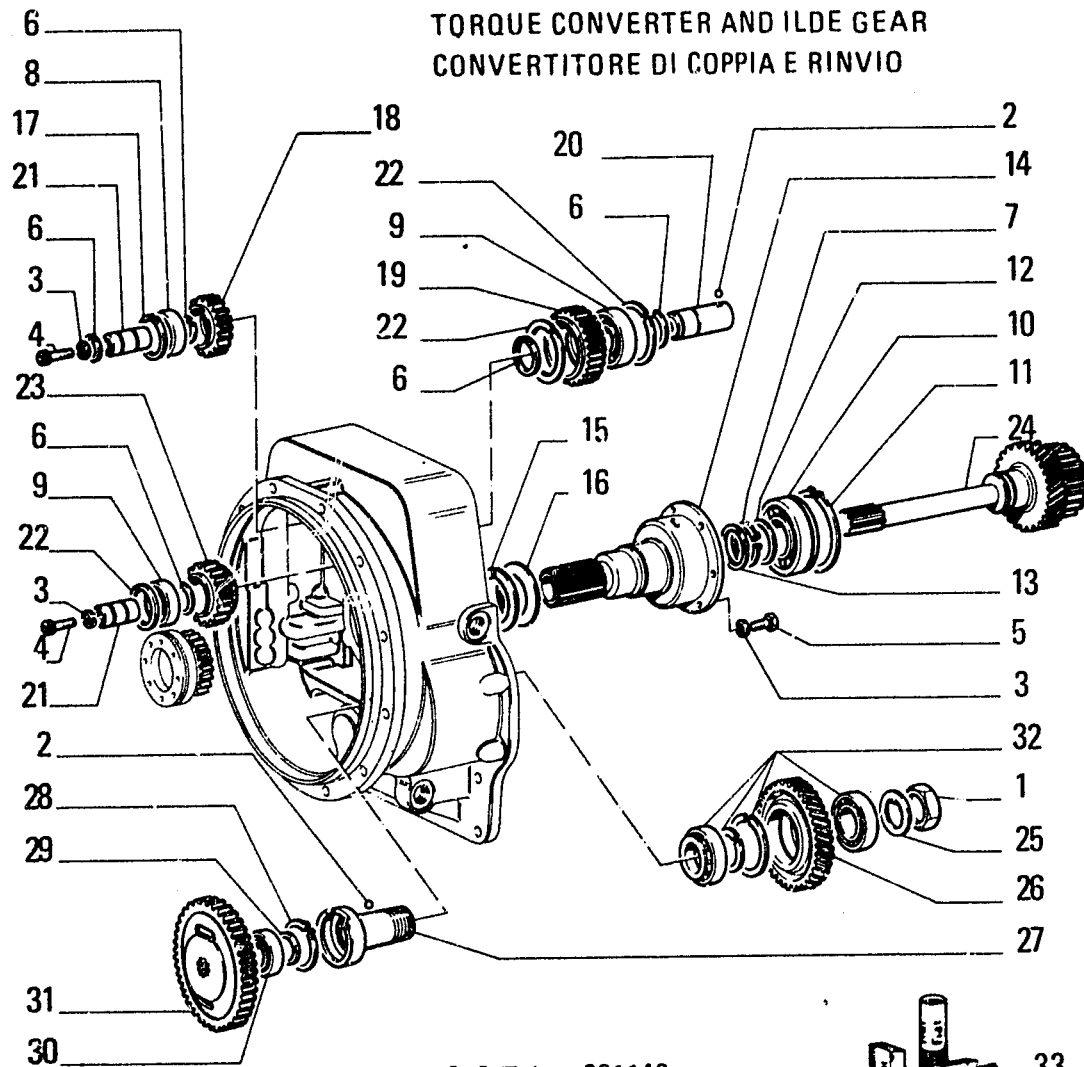
B2.01/1

4

N.T.R. 163 - 30.05.1989
 604.01.077.03

R7

TORQUE CONVERTER AND ILDE GEAR
 CONVERTITORE DI COPPIA E RINVIO



D 1372 Tel. n. 201146 →



FIATALLIS FL5

I T E M	PART NUMBER	Q T Y	TRANS CODE	DESCRIPTION	DESCRIZIONE
27	79030249	1	16A	SHAFT	ALBERO
28	79030250	1	45A	RING	ANELLO
29	79030251	1	45A	RING	ANELLO
30	79030252	1	341C	BEARING	CUSCINETTO
31	79030253	1	50I	GEAR	INGRANAGGIO
32	79030261	1	341C	BEARING	CUSCINETTO
33	79055159	1	1K	KIT SEE PAGE 9	KIT VED. PAG.9
	79055160	1	1K	KIT SEE PAGE 9	KIT VED. PAG.9

79057723

TRANSMISSION - CAMBIO DI VELOCITA' - BOITE DE VITESSES - WECHSELGETRIEBE - CAMBIO DE VELOCIDADES

B2.01/1

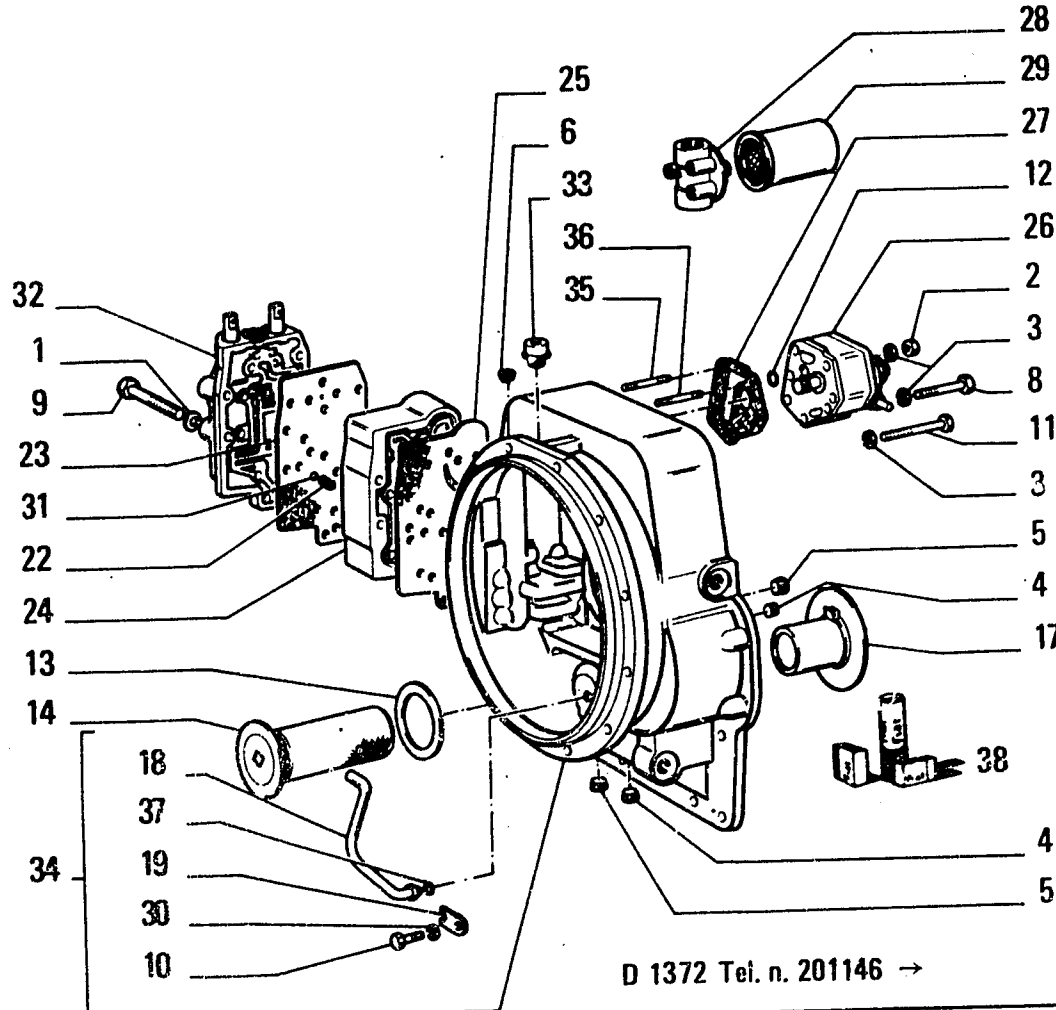
4

N.T.R. 163 - 30.05.1989

604.01.077.03

R8

FIATALLIS FL5



D 1372 Tel. n. 201146 →

ITEM	PART NUMBER	QTY	TRANS CODE	DESCRIPTION	DESCRIZIONE
1	10516879	9	131R	WASHER 10,2x2,5	ROSETTA 10,2x2,5
2	70910986	2	10D	NUT	DADO
3	70914678	5	131R	WASHER	ROSETTA
4	73131677	2	50T	PLUG	TAPPO
5	70917970	2	50T	PLUG	TAPPO
6	79051077	1	50T	PLUG	TAPPO
8	70925821	2	40V	SCREW	VITE
9	70927536	9	40V	SCREW	VITE
10	70927612	1	40V	SCREW	VITE
11	70928527	1	40V	SCREW	VITE
12	14457180	3	158G	O-RING 2,62x13,94	GUARNIZIONE O-R 2,62x13,94
13	71004848	1	123G	SEAL ASSY	GUARNIZIONE TENUTA FRONTALE
14	71004849	1	65F	FILTER	FILTRO
17	73118039	1	135M	HUB	MOZZO
18	73118053	1	193T	TUBE	TUBO RIGIDO
19	73118054	1	45F	CLIP	FERMAGLIO
22	73118121	2	100M	SPRING	MOLLA
23	73118122	1	122G	SEAL C2317	GUARNIZIONE C2317
	79086375	1	122G	SEAL D2317	GUARNIZIONE D2317
24	79060010	1	10V	VALVE - ASSEMBLY SEE SGR. B2.34	VALVOLA - COMPLETO VEDERE SGR. B2.34
25	73118124	1	123G	SEAL ASSY	GUARNIZIONE TENUTA FRONTALE
26	73118166	1	155P	PUMP	POMPA
27	73118167	1	123G	SEAL ASSY	GUARNIZIONE TENUTA FRONTALE
28	73118170	1	300S	SUPPORT	SUPPORTO
29	73118171	1	65F	FILTER	FILTRO
30	10571779	1	131R	WASHER 8,1x2	ROSETTA 8,1x2

79057723

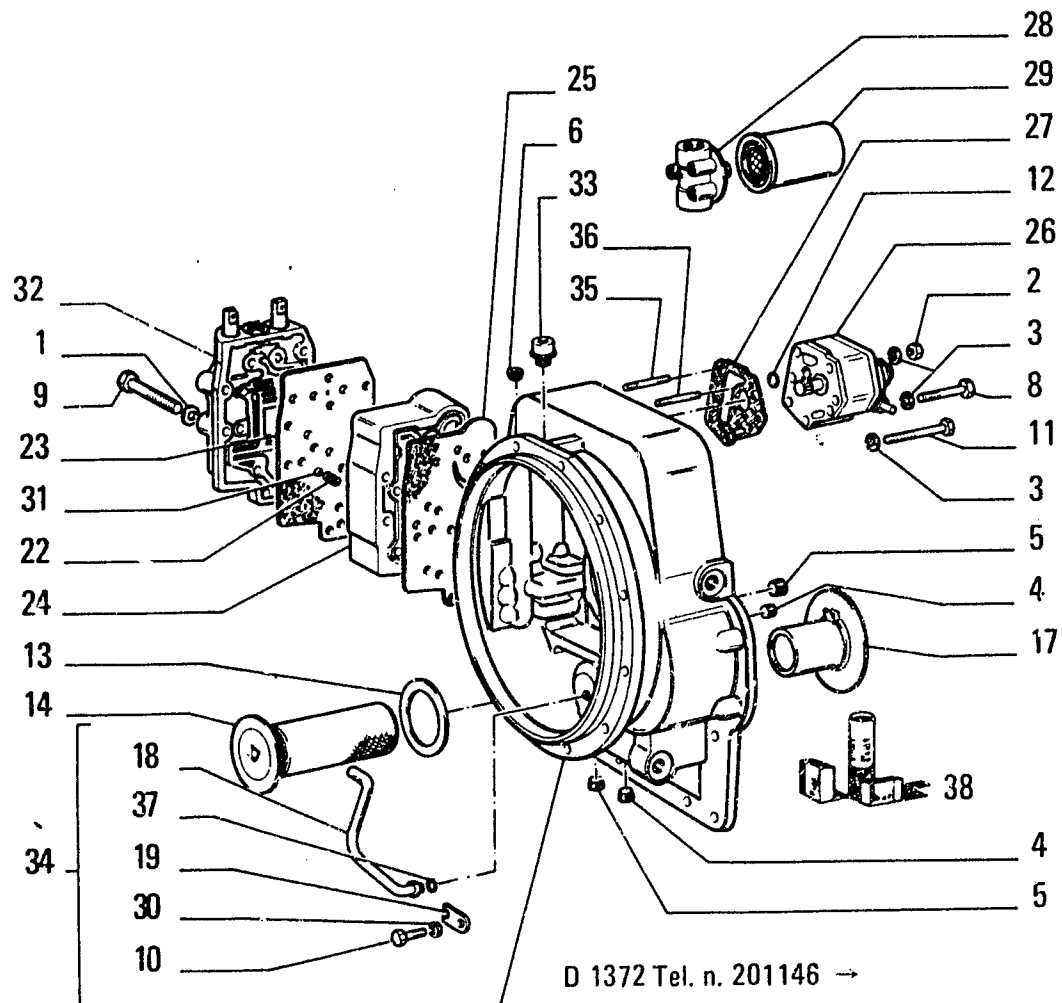
TRANSMISSION - CAMBIO DI VELOCITA' - BOITE DE VITESSES - WECHSELGETRIEBE - CAMBIO DE VELOCIDADES

B2.01/1 5
 N.T.R. 163 - 30.05.1989
 604.01.077.03

R9

FIATALLIS FL5

B2.01/ 1 TAV. 5 PAG.2



D 1372 Tel. n. 201146 →

I T E M	PART NUMBER	Q T Y	TRANS CODE	DESCRIPTION	DESCRIZIONE
31	70905360	2	140S	BALL	SFERA
32	79060012	1	83D	CONTROL VALVE - ASSEMBLY SEE SGR. B2.33	DISTRIBUTORE - COMPLETO VEDERE SGR. B2.33
33	79030263	1	50T	PLUG	TAPPO
34	79056361	1	35S	CASE - ASSEMBLY	SCATOLA - COMPLETO
35	79030999	1	210P	STUD	PRIGIONIERO
36	79031000	1	210P	STUD	PRIGIONIFRO
37	79031003	1	158G	O-RING	GUARNIZIONE O-R
38	79055159	1	1K	KIT SEE PAGE 9	KIT VED. PAG.9
	79055160	1	1K	KIT SEE PAGE 9	KIT VED. PAG.9

79057723

TRANSMISSION - CAMBIO DI VELOCITA' - BOITE DE VITESSES - WECHSELGETRIEBE -
CAMBIO DE VELOCIDADES

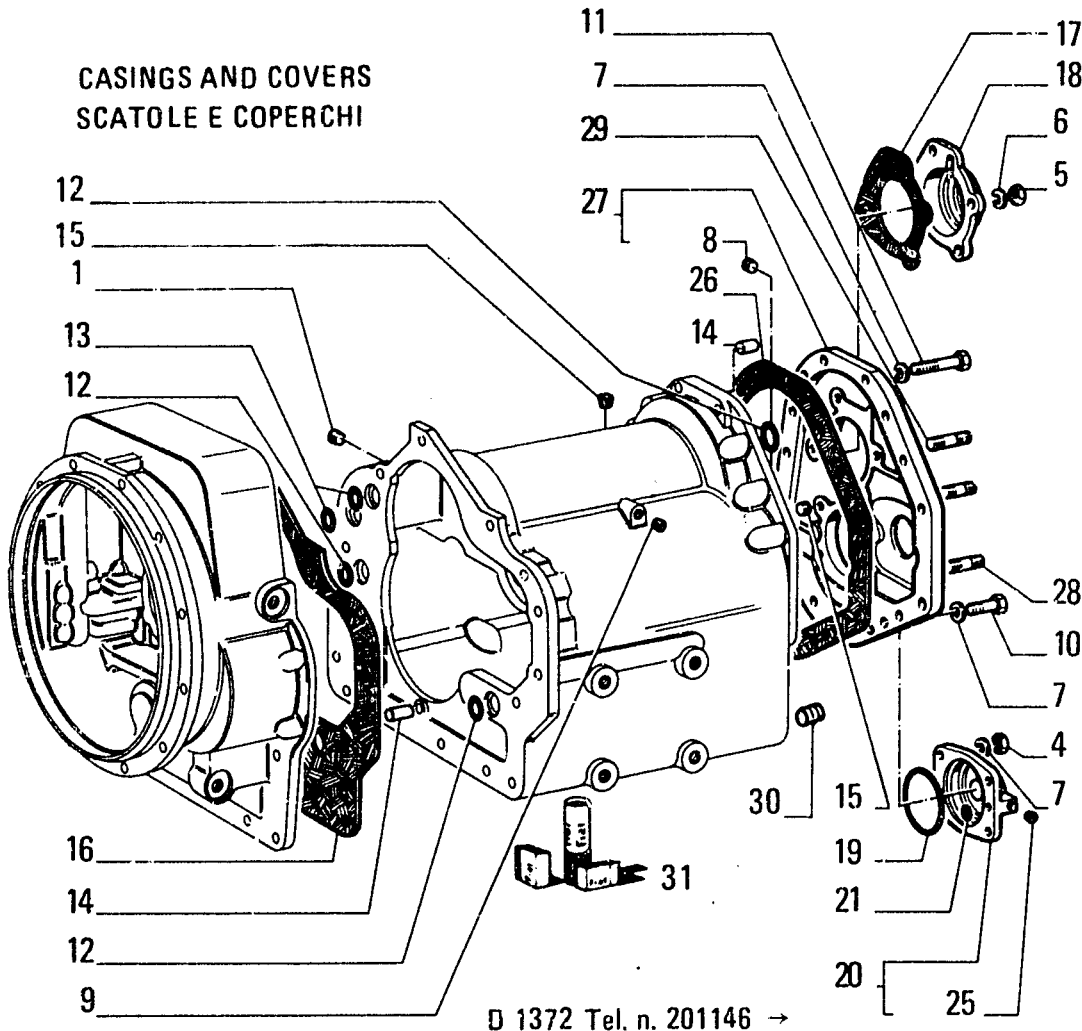
R10

B2.01/1

5

N.T.R. 163 - 30.05.1989

604.01.077.03

CASINGS AND COVERS
SCATOLE E COPERCHI

ITEM	PART NUMBER	QTY	TRANS CODE	DESCRIPTION	DESCRIZIONE
1	79051077	1	50T PLUG		TAPPO
4	70910986	4	10D NUT		DADO
5	70911331	4	10D NUT		DADO
6	70912433	4	131R WASHER		ROSETTA
7	70914678	19	131R WASHER		ROSETTA
8	73131677	2	50T PLUG		TAPPO
9	70673860	1	50T PLUG		TAPPO
10	70921569	6	40V SCREW		VITE
11	70927583	9	40V SCREW		VITE
12	14462980	3	158G O-RING 3,53x20,22		GUARNIZIONE O-R 3,53x20,22
13	14457180	2	158G O-RING 2,62x13,94		GUARNIZIONE O-R 2,62x13,94
14	71004838	3	80P PIN		PERNO
15	73066768	2	50T PLUG		TAPPO
16	73118040	1	123G SEAL ASSY		GUARNIZIONE TENUTA FRONTALE
17	79030211	1	123G SEAL ASSY		GUARNIZIONE TENUTA FRONTALE
18	79065193	1	265C COVER		COPERCHIO
19	79030215	1	158G O-RING		GUARNIZIONE O-R
20	79030216	1	265C COVER - ASSEMBLY		COPERCHIO - COMPLETO
21	79030217	1	158G O-RING		GUARNIZIONE O-R
25	79030241	1	50T PLUG		TAPPO
26	79030266	1	123G SEAL ASSY		GUARNIZIONE TENUTA FRONTALE
27	79053435	1	265C COVER - ASSEMBLY		COPERCHIO - COMPLETO
28	79031001	4	210P STUD		PRIGIONIERO
29	79031002	4	210P STUD		PRIGIONIERO
30	79060009	1	50T PLUG		TAPPO
31	79055159	1	1K KIT SEE PAGE 9		KIT VED. PAG.9
	79055160	1	1K KIT SEE PAGE 9		KIT VED. PAG.9

79057723

TRANSMISSION - CAMBIO DI VELOCITA' - BOITE DE VITESSES - WECHSELGETRIEBE - CAMBIO DE VELOCIDADES

B2.01/1

6

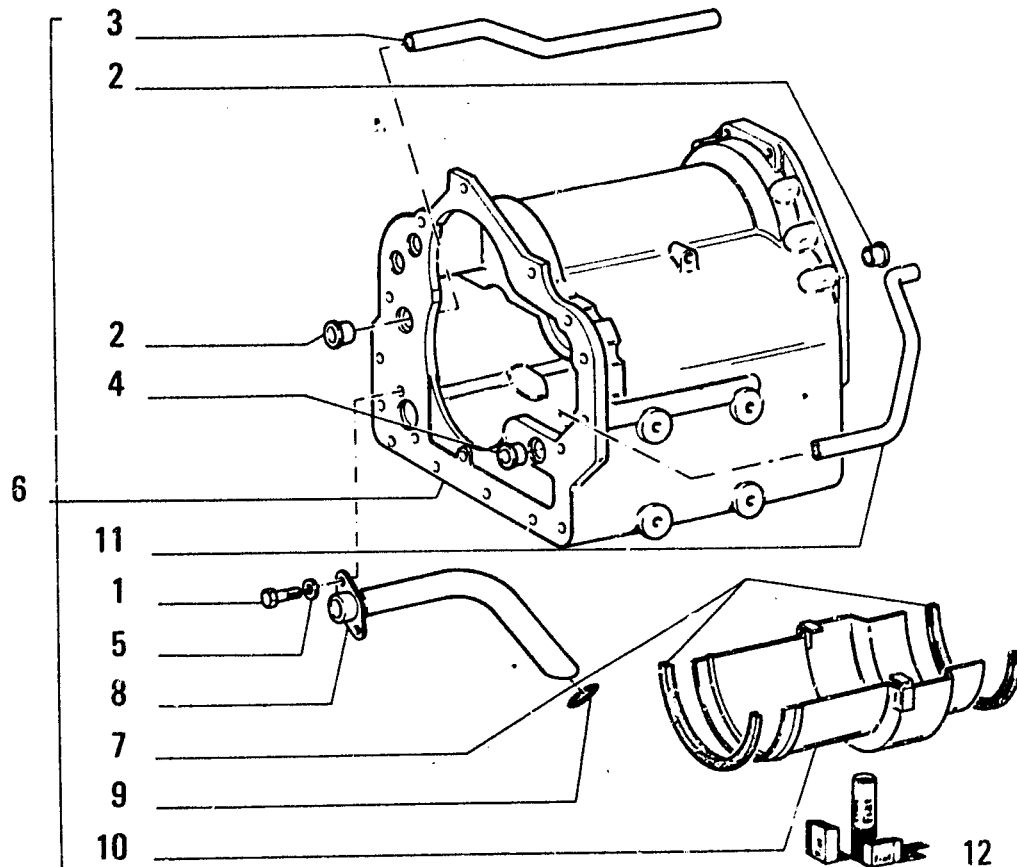
N.T.R. 163 - 30.05.1989

604.01.077.03

R11

CASINGS AND COVERS
SCATOLE E COPERCHI

D 1372 Tel. n. 201146 →



FIATALLIS FL5

32.01/ 1 TAV. 7 PAG.1

ITEM	PART NUMBER	QTY	TRANS CODE	DESCRIPTION	DESCRIZIONE
1	70927612	2	40V	SCREW	VITE
2	71004820	2	135M	HUB	MOZZO
3	73118043	1	193T	TUBE	TUBO RIGIDO
4	73118044	1	135M	HUB	MOZZO
5	10571779	2	131R	WASHER 8,1x2	ROSETTA 8,1x2
6	79056362	1	35S	CASE - ASSEMBLY	SCATOLA - COMPLETO
7	79030268	2	123G	SEAL ASSY	GUARNIZIONE TENUTA FRONTALE
8	79030269	1	193T	TUBE	TUBO RIGIDO
9	79030270	1	158G	O-RING	GUARNIZIONE O-R
10	79030271	1	20D	DEFLECTOR	DEFLETTORE
11	79030277	1	1S3T	TUBE	TUBO RIGIDO
12	79055160	1	1K	KIT SEE PAGE 9	KIT VED. PAG.9

79057723

TRANSMISSION - CAMBIO DI VELOCITA' - BOITE DE VITESSES - WECHSELGETRIEBE -
CAMBIO DE VELOCIDADES

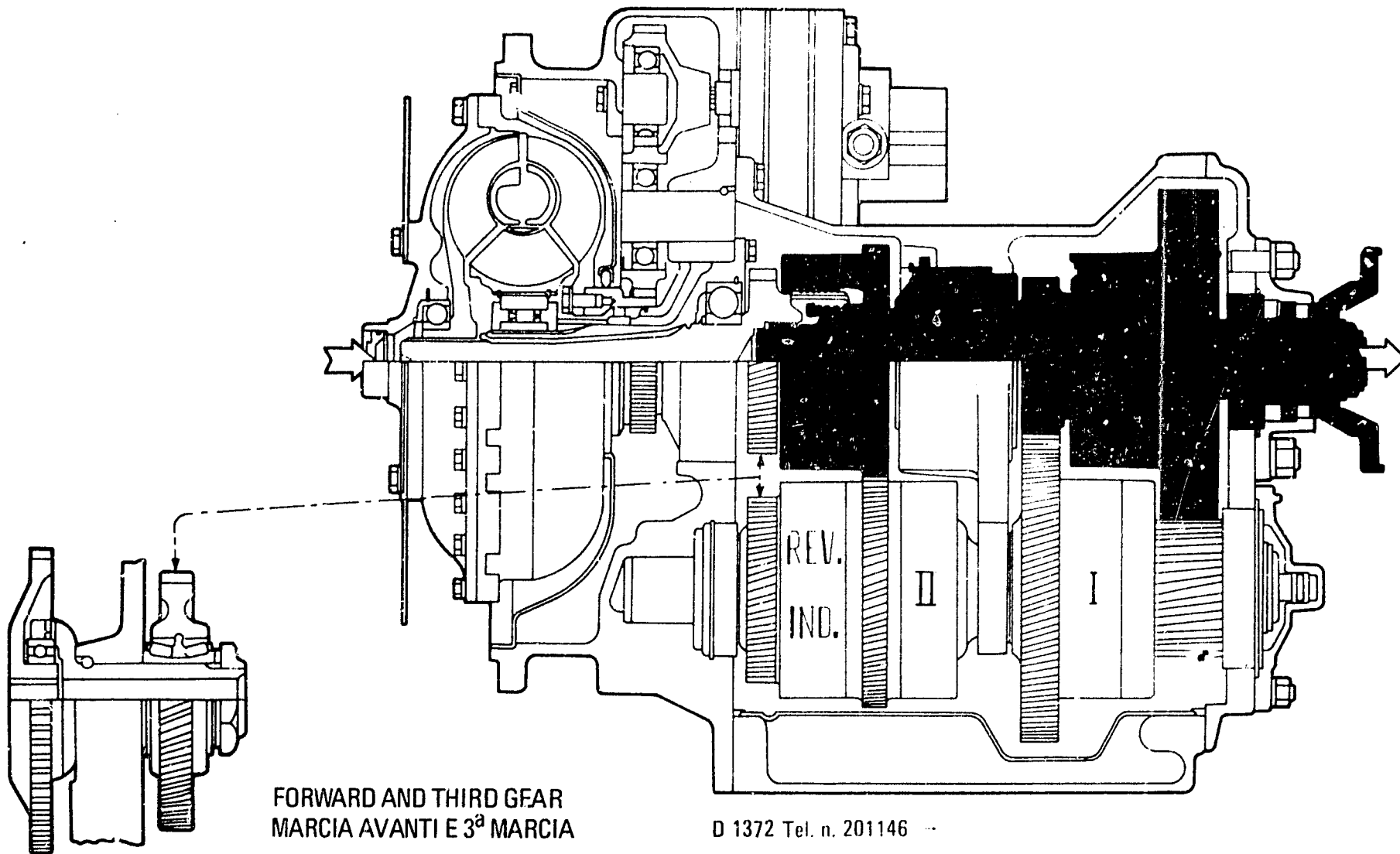
B2.01/1

7

N.T.R. 163 - 30.05.1989

604.01.077.03

R12



FORWARD AND THIRD GEAR
MARCIA AVANTI E 3ª MARCIA

D 1372 Tel. n. 201146 --

79057723

TRANSMISSION - CAMBIO DI VELOCITA' - BOITE DE VITESSES - WECHSELGETRIEBE - CAMBIO DE VELOCIDADES

B2.01/1

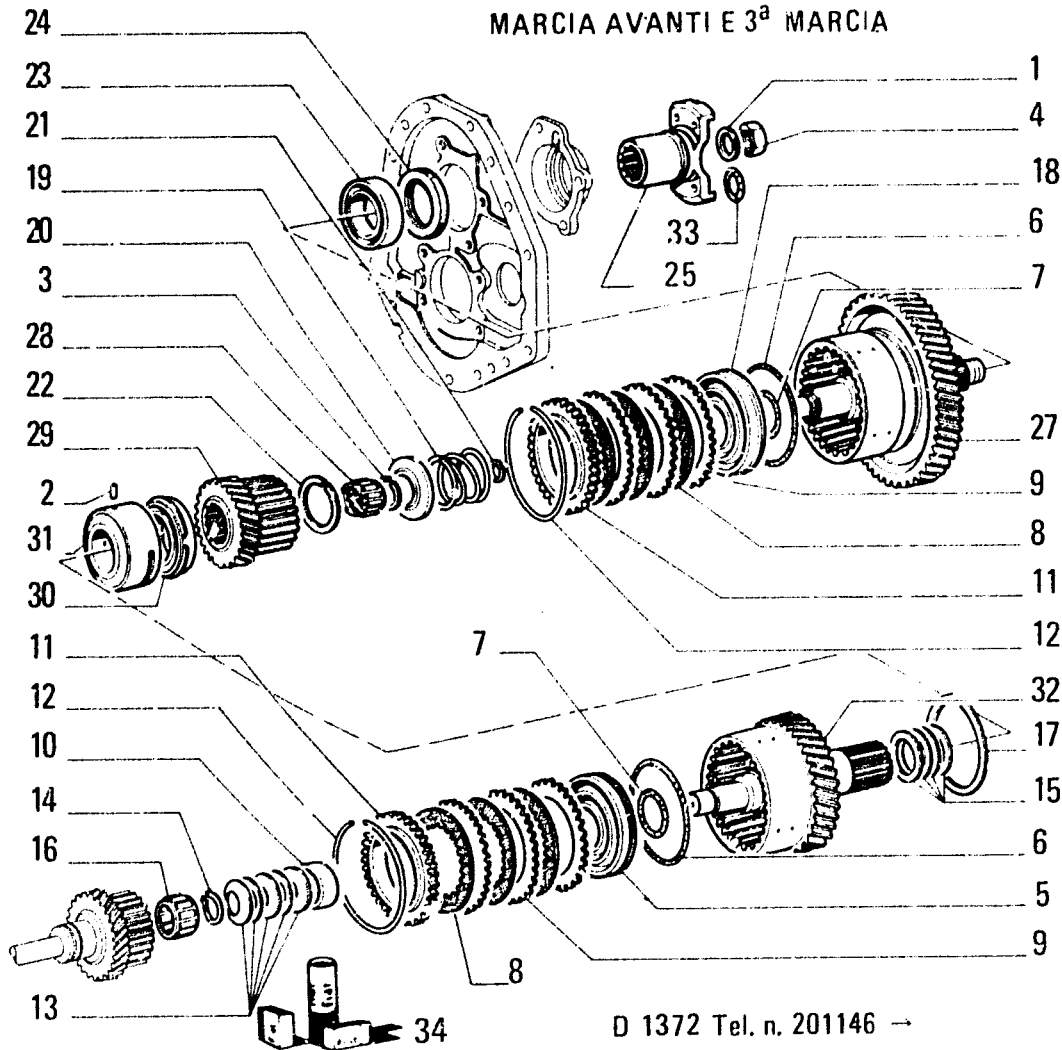
8

N.T.R. 163 - 30.05.1989

604.01.077.03

R13

FORWARD AND THIRD GEARS
MARCIA AVANTI E 3^a MARCIA



FIATALLIS FL5

B2.01/ 1 TAV. 9 PAG.1

ITEM	PART NUMBER	QTY	TRANS CODE	DESCRIPTION	DESCRIZIONE
1	70673871	1	131R	WASHER	ROSETTA
2	79063942	1	80P	PIN	PERNO
3	70926000	1	51A	LOCKRING	ANELLO DI SICUREZZA
4	73109871	1	10D	NUT	DADO
5	73118085	1	130P	PLUNGER	PISTONCINO
6	73118086	2	123G	SEAL ASSY	GUARNIZIONE TENUTA FRONTALE
7	73118087	2	123G	SEAL ASSY	GUARNIZIONE TENUTA FRONTALE
8	73118088	14	60D	DISC	DISCO
9	73118089	14	60D	DISC	DISCO
10	73118090	1	75D	SPACER	DISTANZIALE
11	73118091	2	60D	DISC	DISCO
12	73118092	2	45A	RING	ANELLO
13	73118093	5	100M	SPRING	MOLLA
14	73118094	1	51A	LOCKRING	ANELLO DI SICUREZZA
15	73118096	4	45A	RING	ANELLO
16	73118097	1	341C	BEARING	CUSCINETTO
17	73118098	1	51A	LOCKRING	ANELLO DI SICUREZZA
18	73118106	1	130P	PLUNGER	PISTONCINO
19	73118107	1	100M	SPRING	MOLLA
20	73118108	1	60S	CUP	SCODELLINO
21	73118136	1	45A	RING	ANELLO
22	73051090	1	51A	LOCKRING	ANELLO DI SICUREZZA
23	79030209	1	341C	BEARING	CUSCINETTO
24	79030210	1	123G	SEAL ASSY	GUARNIZIONE TENUTA FRONTALE
25	70673881	1	70F	FLANGE	FLANGIA
27	79030225	1	16A	SHAFT	ALBERO
28	79030226	1	341C	BEARING	CUSCINETTO

79057723

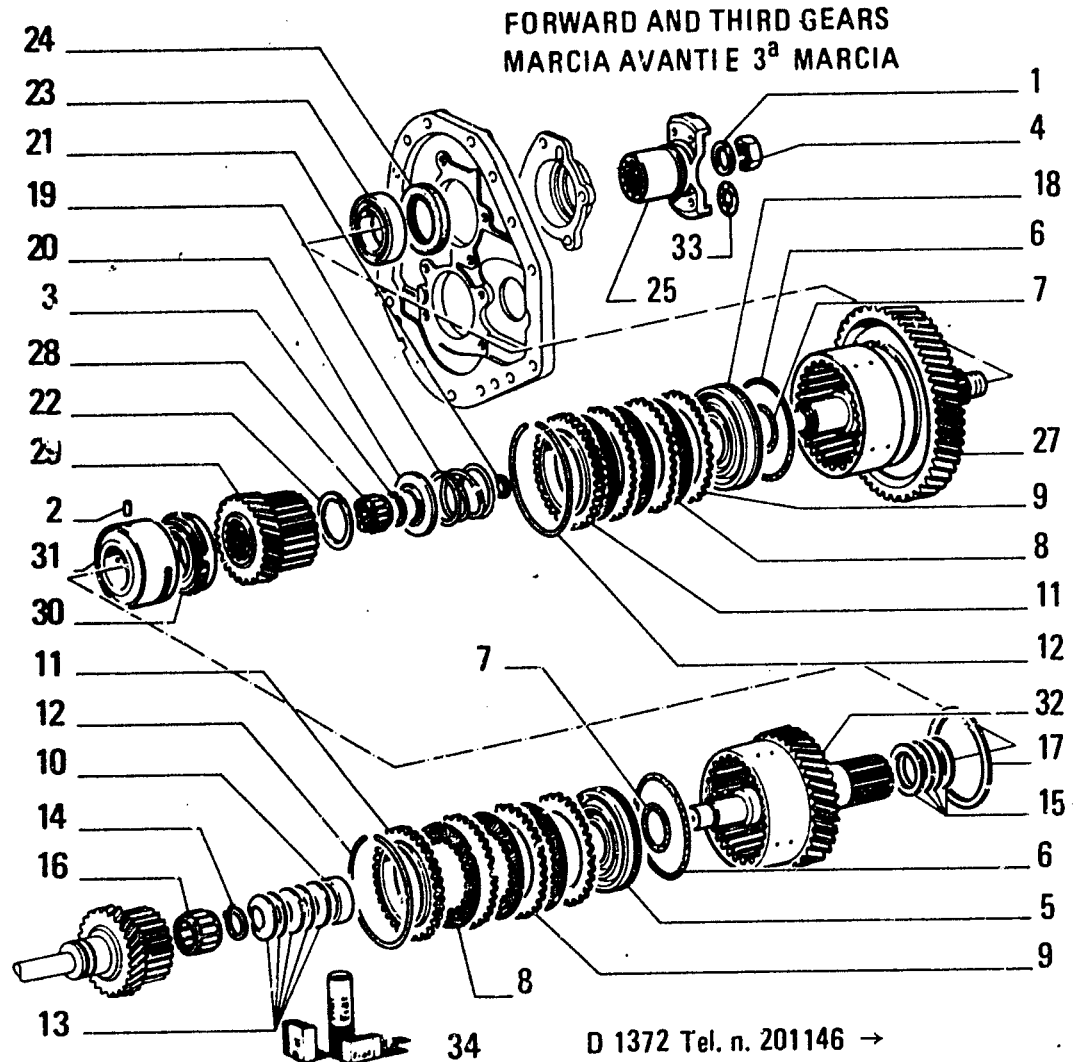
TRANSMISSION - CAMBIO DI VELOCITA' - BOITE DE VITESSES - WECHSELGETRIEBE - CAMBIO DE VELOCIDADES

B2.01/1

9

N.T.R. 163 - 30.05.1989
604.01.077.03

R14

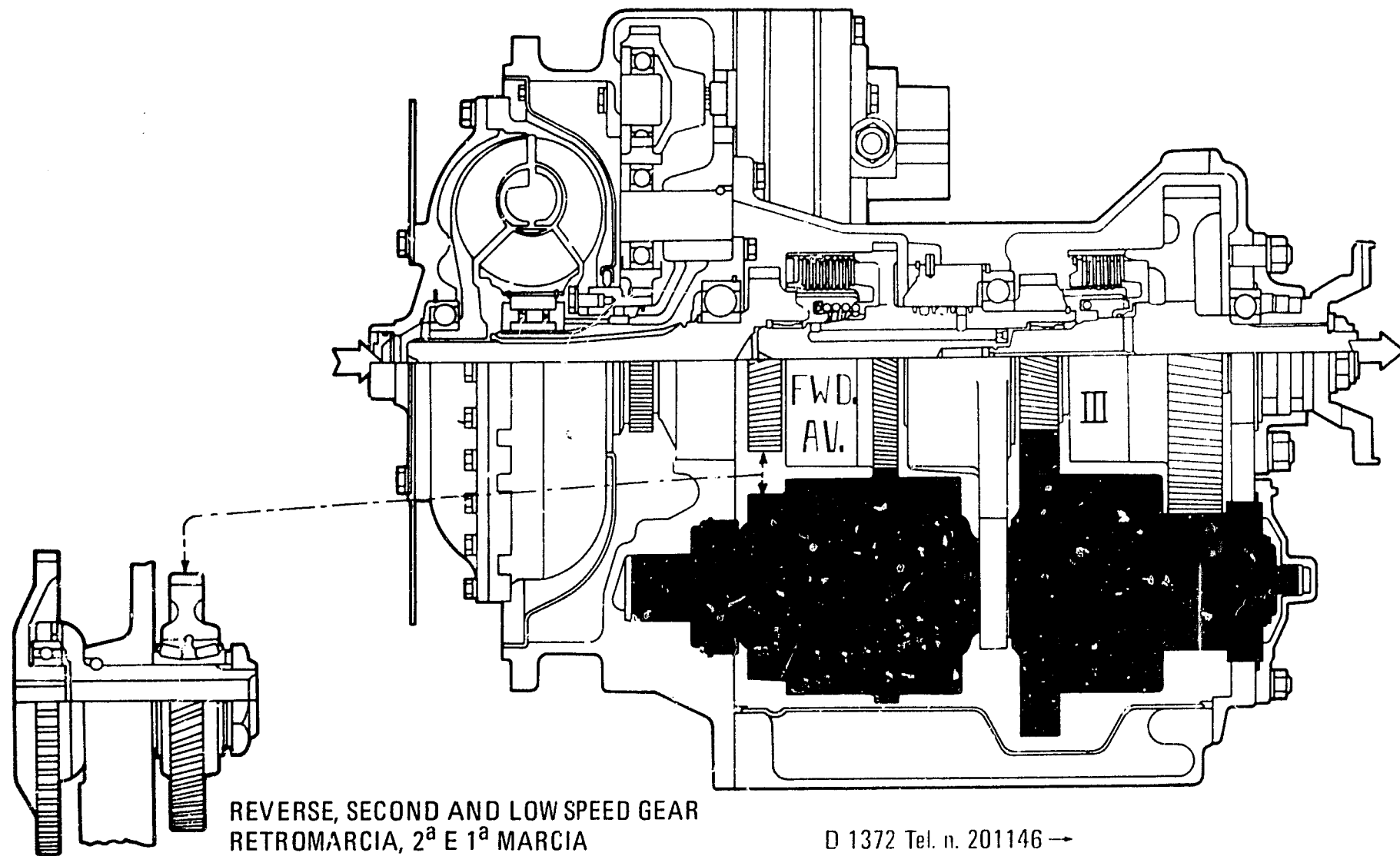


ITEM	PART NUMBER	QTY	TRANS CODE	DESCRIPTION	DESCRIZIONE
29	79060005	1	50I GEAR		INGRANAGGIO
30	79030230	1	341C BEARING		CUSCINETTO
31	79064245	1	135M HUB		MOZZO
32	79030232	1	16A SHAFT		ALBERO
33	14463880	2	158G O-RING 3,53x34,52		GUARNIZIONE O-R 3,53x34,52
34	79055160	1	1K KIT SEE PAGE 9		KIT VED. PAG.9

79057723
 TRANSMISSION - CAMBIO DI VELOCITA' - BOITE DE VITESSES - WECHSELGETRIEBE - CAMBIO DE VELOCIDADES

B2.01/ 9
 N.T.R. 163 - 30.05.1989
 604.01.077.03

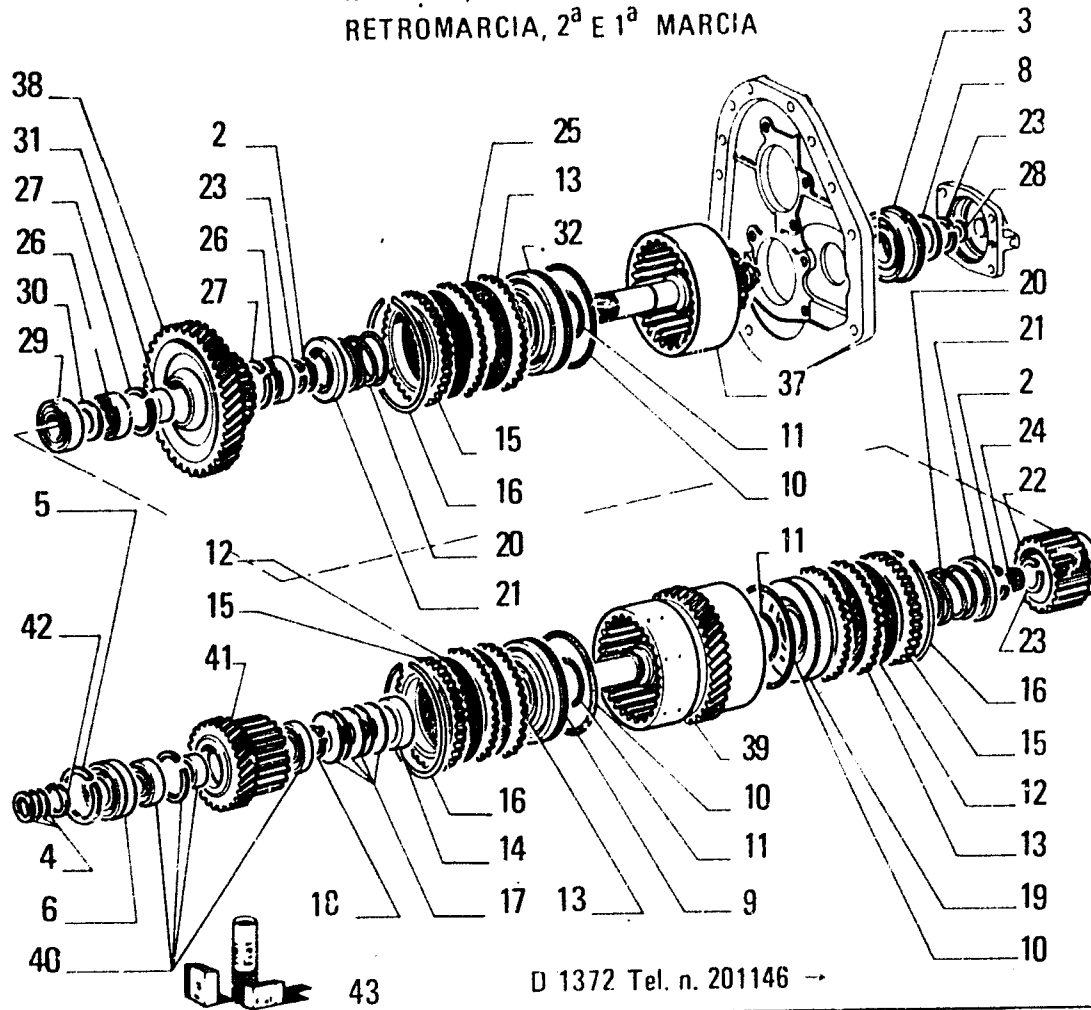
R15



REVERSE, SECOND AND LOW SPEED GEAR
RETROMARCIA, 2^a E 1^a MARCIA

D 1372 Tel. n. 201146 →

REVERSE, SECOND AND LOW SPEED GEARS
RETROMARCIA, 2^a E 1^a MARCIA



D 1372 Tel. n. 201146 →

ITEM	PART NUMBER	QTY	TRANS CODE	DESCRIPTION	DESCRIZIONE
2	70926000	2	51A	LOCKRING	ANELLO DI SICUREZZA
3	73132784	1	341C	BEARING	CUSCINETTO
4	71004926	3	45A	RING	ANELLO
5	71004961	1	51A	LOCKRING	ANELLO DI SICUREZZA
6	71004962	1	341C	BEARING	CUSCINETTO
8	73118058	1	131R	WASHER	ROSETTA
9	73118085	1	130P	PLUNGER	PISTONCINO
10	73118086	3	123G	SEAL ASSY	GUARNIZIONE TENUTA FRONTALE
11	73118087	3	123G	SEAL ASSY	GUARNIZIONE TENUTA FRONTALE
12	73118088	14	60D	DISC	DISCO
13	73118089	22	60D	DISC	DISCO
14	73118090	1	75D	SPACER	DISTANZIALE
15	73118091	3	60D	DISC	DISCO
16	73118092	3	45A	RING	ANELLO
17	73118093	5	100M	SPRING	MOLLA
18	73118094	1	51A	LOCKRING	ANELLO DI SICUREZZA
19	73118106	1	130P	PLUNGER	PISTONCINO
20	73118107	2	100M	SPRING	MOLLA
21	73118108	2	60S	CUP	SCODELLINO
22	79052636	1	135M	HUB	MOZZO
23	73118110	3	51A	LOCKRING	ANELLO DI SICUREZZA
24	73118111	1	341C	BEARING	CUSCINETTO
25	73118133	8	60D	DISC	DISCO
26	73118134	2	341C	BEARING	CUSCINETTO
27	73118135	2	51A	LOCKRING	ANELLO DI SICUREZZA
28	73118136	1	45A	RING	ANELLO
29	73118137	1	341C	BEARING	CUSCINETTO

79057723

TRANSMISSION - CAMBIO DI VELOCITA' - BOITE DE VITESSES - WECHSELGETRIEBE - CAMBIO DE VELOCIDADES

B2.01/1

11

N.T.R. 163 - 30.05.1989

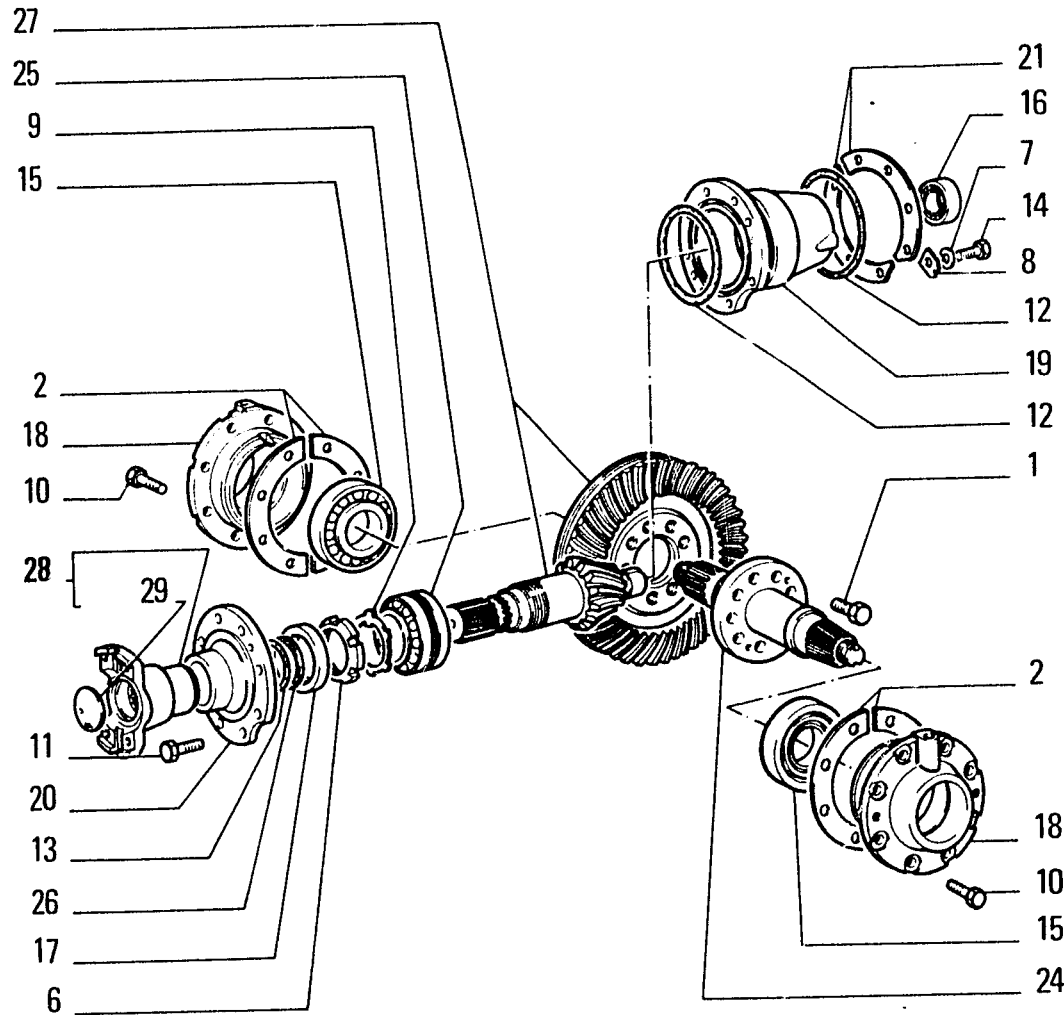
604.01.077.03

R17

B

MECHANICAL TRANSMISSION • CLUTCH • TRANSMISSION • TRANSMISSION SHAFT • AXLES
TRASMISSIONE MECCANICA • FRIZIONE • CAMBIO • ALBERO DI TRASMISSIONE • PONTI
TRANSMISSION MECANIQUE • EMBRAYAGE • BOITE DE VITESSES • ARBRE DE TRANSMISSION • PONTS
MECHANISCHE KRAFTÜBERTRAGUNG • KUPPLUNG • GETRIEBE • GELENKWELLE • ACHSEN
TRANSMISSION MECANICA • EMBRAGUE • CAMBIO • ARBOL DE TRANSMISSION • PUENTES

FIATALLIS FL5



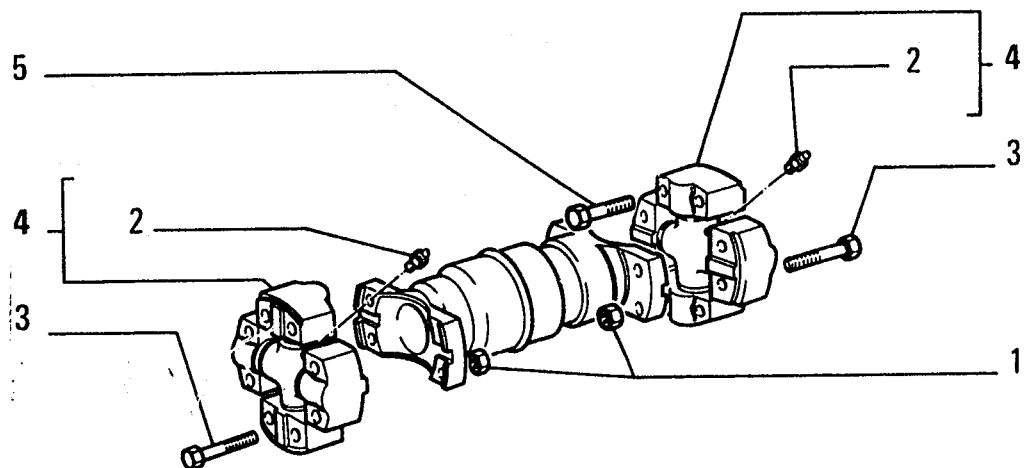
ITEM	PART NUMBER	QTY	TRANS CODE	DESCRIPTION	DESCRIZIONE
1	4952633	9	40V	SCREW	VITE
2	4967707		198S	SHIM 0,15	SPESORE 0,15
	4967708		198S	SHIM 0,3	SPESORE 0,3
	4967709		198S	SHIM 0,5	SPESORE 0,5
	4967710		198S	SHIM 0,7	SPESORE 0,7
6	10212210	1	51G	THREADED RING 60x1,5x80	GHIERA FILETTATA 60x1,5x80
7	10516671	1	132R	LOCKWASHER 8,1x2,2	ROSETTA DI SICUREZZA 8,1x2,2
8	12647001	1	131R	WASHER 8,15x25	ROSETTA 8,15x25
9	12948810	1	131R	WASHER 60x72	ROSETTA 60x72
10	14233630	16	40V	SCREW 10x1,25x30	VITE 10x1,25x30
11	14254930	8	40V	SCREW 14x1,5x55	VITE 14x1,5x55
12	14466880	2	158G	O-RING 3,53x126,59	GUARNIZIONE O-R 3,53x126,59
13	14470980	1	158G	O-RING 5,33x40,64	GUARNIZIONE O-R 5,33x40,64
14	16043231	1	40V	SCREW 8x1,25x16	VITE 8x1,25x16
15	26800390	2	341C	BEARING 55x120	CUSCINETTO 55x120
16	28102470	1	341C	BEARING 25x62 C1369	CUSCINETTO 25x62 C1369
	79037537	1	341C	BEARING D1369	CUSCINETTO D1369
17	40000520	1	158G	O-RING 55x80	GUARNIZIONE O-R 55x80
18	79012293	2	300S	SUPPORT	SUPPORTO
19	79012294	1	300S	SUPPORT	SUPPORTO
20	79012296	1	265C	COVER	COPERCHIO
21	79012300		198S	SHIM 1	SPESORE 1
	79012301		198S	SHIM 0,5	SPESORE 0,5
	79012302		198S	SHIM 0,2	SPESORE 0,2
24	79012313	1	16A	SHAFT	ALBERO
25	79012314	1	341C	BEARING	CUSCINETTO
26	79012316	2	45A	RING	ANELLO

03645

CENTRAL DRIVE GEARS - RUOTISMI RIDUZIONE CENTRALE - ENGRENAGES DE REDUCTION CENTRALE --
 ZAHNRAEDER F. MITTELACHSUNTERSSETZUNG - ENGRANAJES DE REDUCCION CENTRAL

B4.04

S2



I T E M	PART NUMBER	Q T Y	TRANS CODE	DESCRIPTION	DESCRIZIONE
1	12574511	8	10D	NUT 10x1,25x12,3	DADO 10x1,25x12,3
2	13407211	2	60I	GREASE FITTING 10x1	INGRASSATORE 10x1
3	15888721	8	40V	SCREW 10x1,25x55	VITÉ 10x1,25x55
4	76002601	2	320C	SPIDER - ASSEMBLY	CROCIERA - COMPLETO
5	79018926	8	40V	SCREW	VITE
6	79027718	1	16A	SHAFT C2333	ALBERO C2333

79027495 (Universal Giunti)
 PROPELLER SHAFT - ALBERO DI TRASMISSIONE - ARBRE DE TRANSMISSION - UEBERTRAGUNGSWELLE -
 ÁRBOL DE TRANSMISIÓN

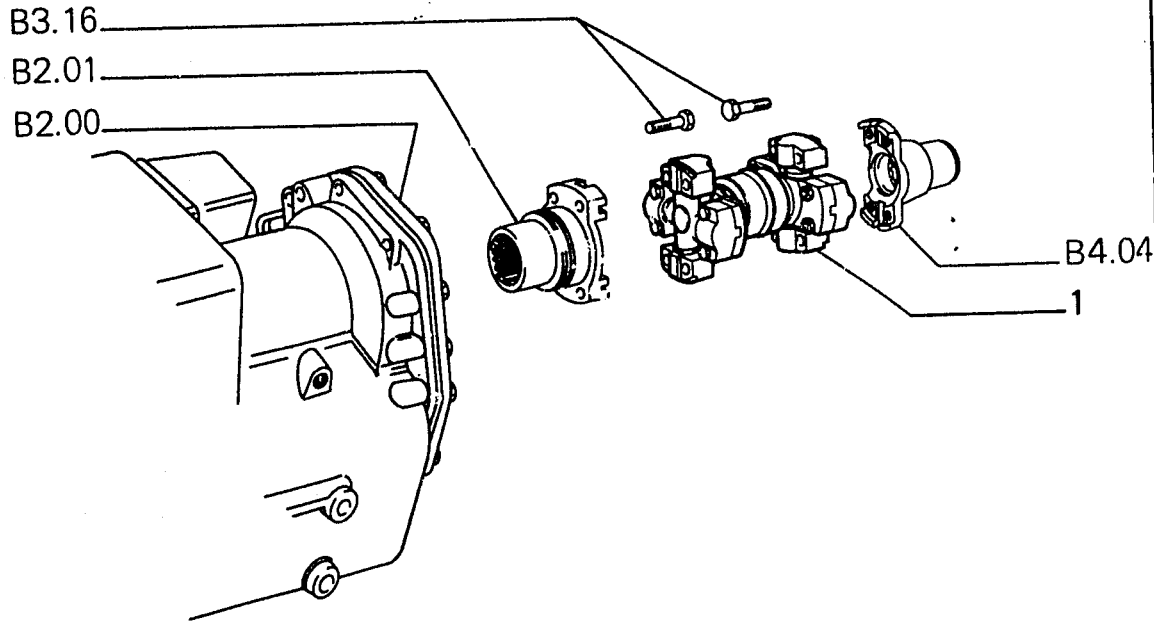
B3.16

N.T.R. 163 - 30.05.1989

604.01.077.03

S3

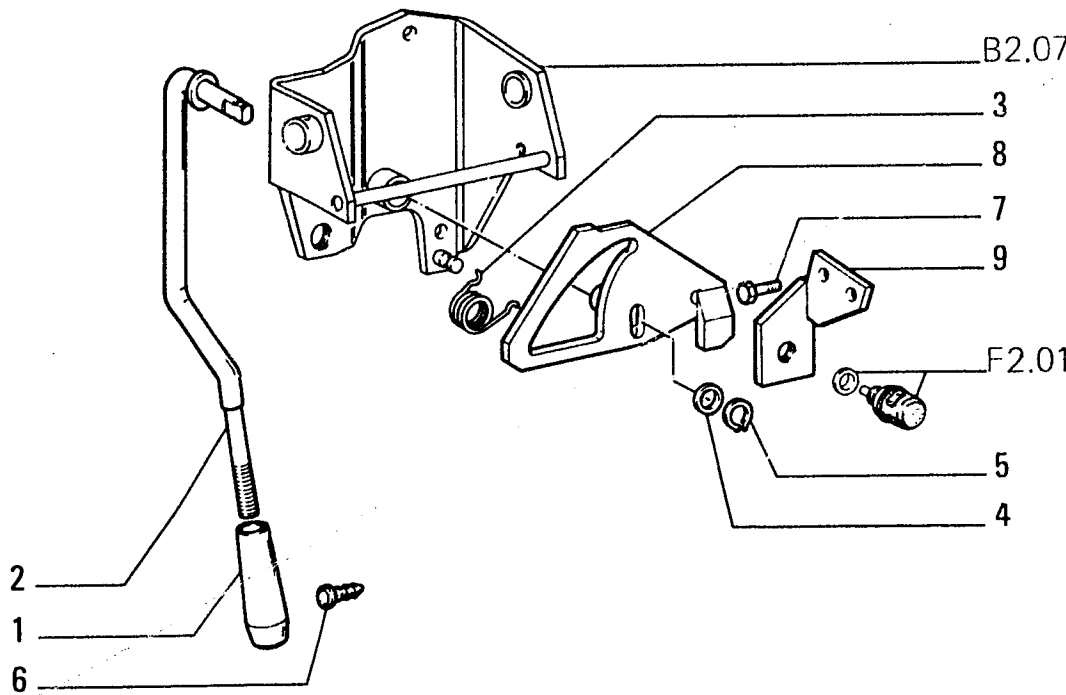
ITEM	PART NUMBER	QTY	TRANS CODE	DESCRIPTION	DESCRIZIONE
1	79027495	1	23A	DRIVE SHAFT - ASSEMBLY SEE SGR. B3.16	ALBERO TRASMISSIONE - COMPLETO VEDERE SGR. B3.16



03643

TRANSMISSION - TO - AXLE PROPELLER SHAFT - TRASMISSIONE TRA CAMBIO E PONTE - TRANSMISSION ENTRE B. V. ET PONT - VEBERTRAGUNG ZWISCHEN GETRIEBE UND HINTERACHSE - ÁRBOL DE TRANSMISIÓN DEL CAMBIO Y AL PUENTE

B3.01



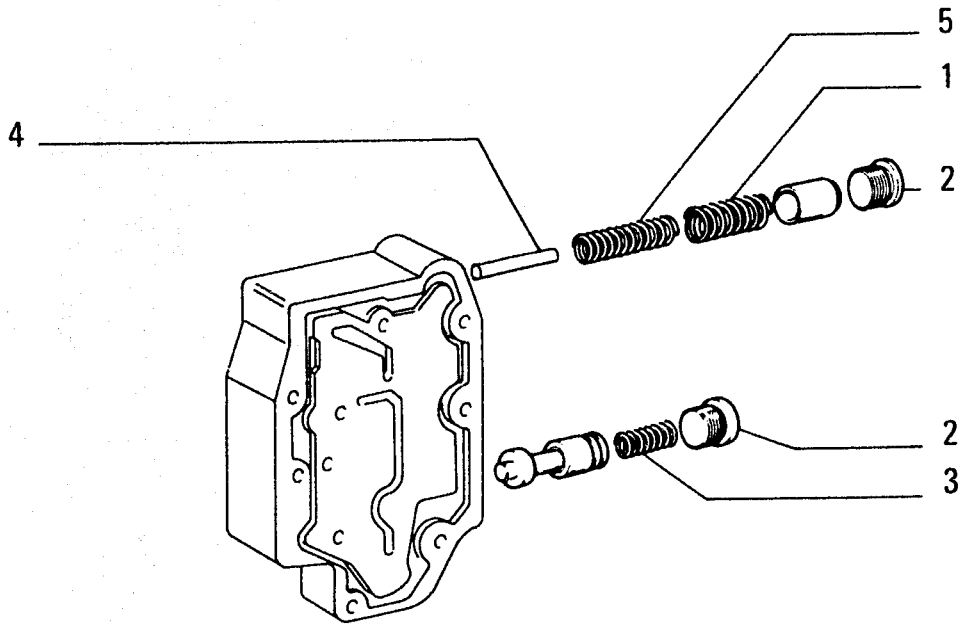
ITEM	PART NUMBER	QTY	TRANS CODE	DESCRIPTION	DESCRIZIONE
1	4977072	1	25I	HANDGRIP	IMPUGNATURA
2	4984830	1	45L	LEVER	LEVA
3	4985332	1	100M	SPRING	MOLLA
4	10520101	1	131R	WASHER 14,4x26	ROSETTA 14,4x26
5	11066276	1	51A	LOCKRING 12,9x1	ANELLO DI SICUREZZA 12,9x1
6	14567080	1	121B	RUBBER STUD 8,5x14	BOTTONE DI GOMMA 8,5x14
7	16043131	2	40V	SCREW 8x1,25x14	VITE 8x1,25x14
8	79022803	1	105P	PLATE	PIASTRA
9	79022804	1	300S	SUPPORT	SUPPORTO

03642

TRANSMISSION LOCK-UP DEVICE - DISPOSITIVO BLOCCAGGIO CAMBIO - DISPOSITIF DE BLOCAGE DE BOITE DE VITESSES - GETRIEBESPERRE - ENCLAVAMIENTO DEL CAMBIO

B2.38

S5



TRANSMISSION
CAMBIO

ITEM	PART NUMBER	QTY	TRANS CODE	DESCRIPTION	DESCRIZIONE
1	73118128	2	100M SPRING		MOLLA
2	73118329	4	50T PLUG		TAPPO
3	79060003	2	100M SPRING		MOLLA
4	79060016	2	80P PIN		PERNO
5	79060017	2	100M SPRING		MOLLA

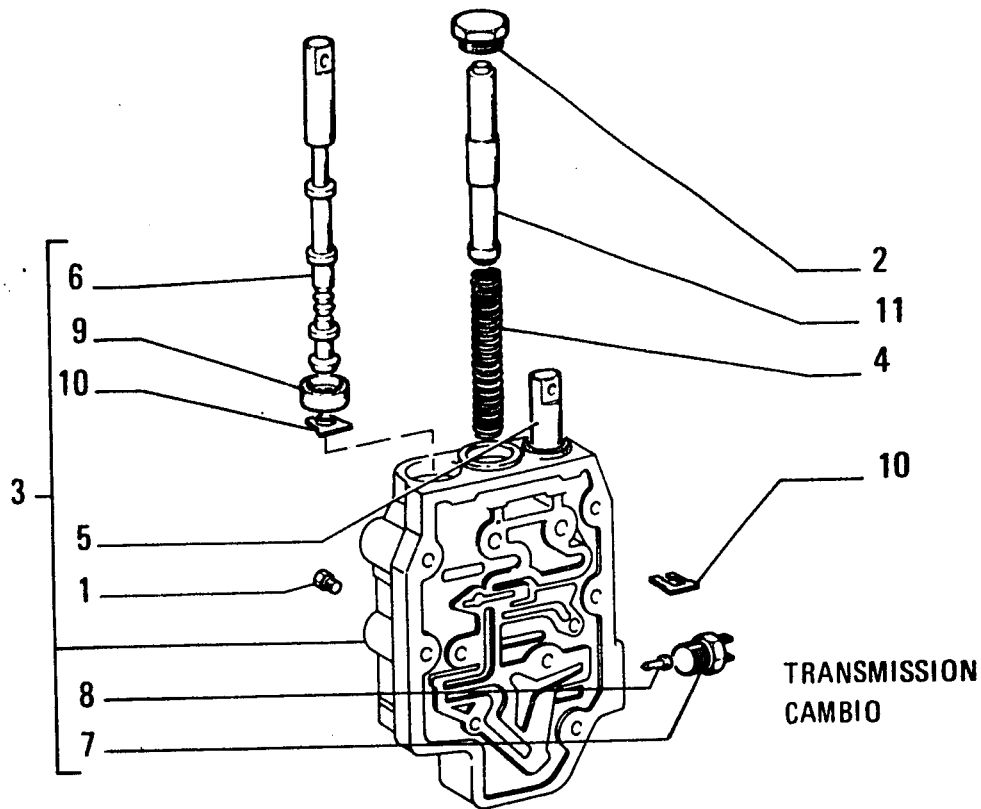
79060010

MODULATING VALVE - VALVOLA MODERATRICE - VALVE MODERATRICE - HEMMVENTIL -
VALVULA MODERADORA

B2.34

N.T.R. 163 - 30.05.1989
604.01.077.03

S6



I T E M	PART NUMBER	Q T Y	TRANS CODE	DESCRIPTION	DESCRIZIONE
1	70919134	3	50T	PLUG	TAPPO
2	70924290	1	50T	PLUG	TAPPO
3	79060013	1	300C	BODY - ASSEMBLY	CORPO - COMPLETO
4	73117875	1	100M	SPRING	MOLLA
5	79060014	1	90A	ROD	ASTA
6	79060015	1	90A	ROD	ASTA
7	73118115	1	75I	SWITCH	INTERRUTTORE
8	73118116	1	80P	PIN	PERNO
9	73118117	2	158G	O-RING	GUARNIZIONE O-R
10	73118118	3	45F	CLIP	FERMAGLIO
11	73118119	1	90A	ROD	ASTA

79060012

CONTROL VALVE - DISTRIBUTORE - DISTRIBUTEUR - STEUERGERAET - DISTRIBUIDOR

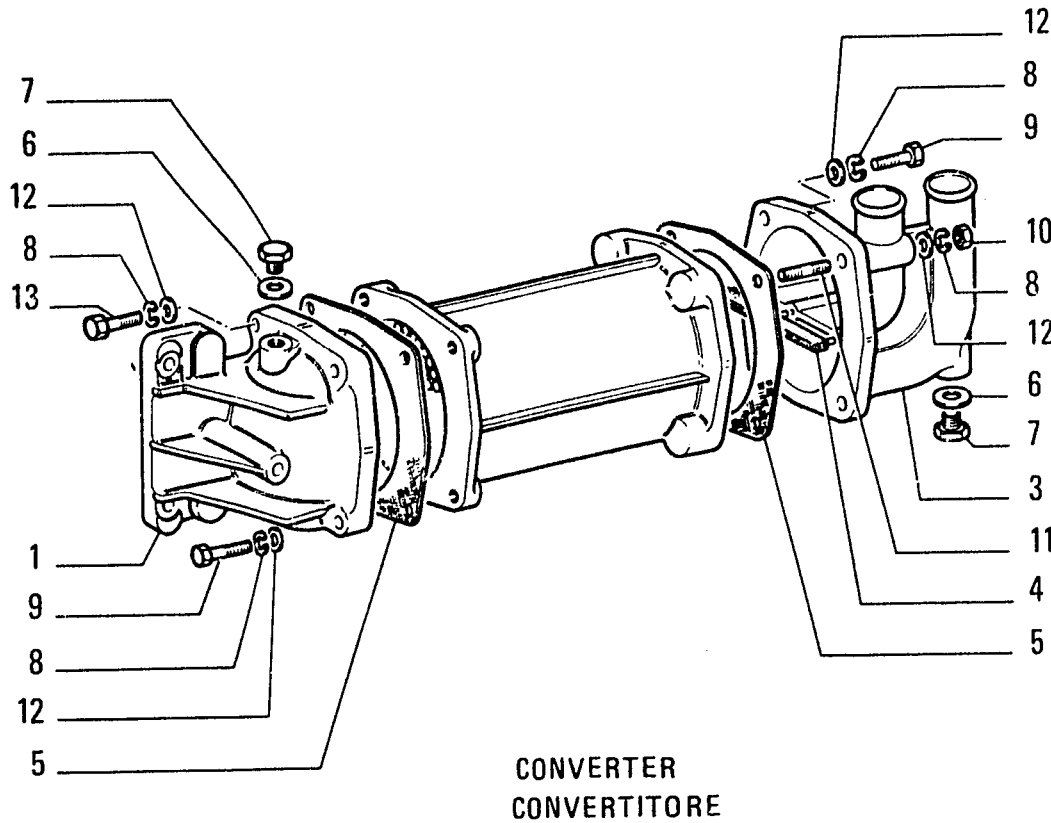
S7

1

B2.33

M.T.R. 163 - 30.05.1989

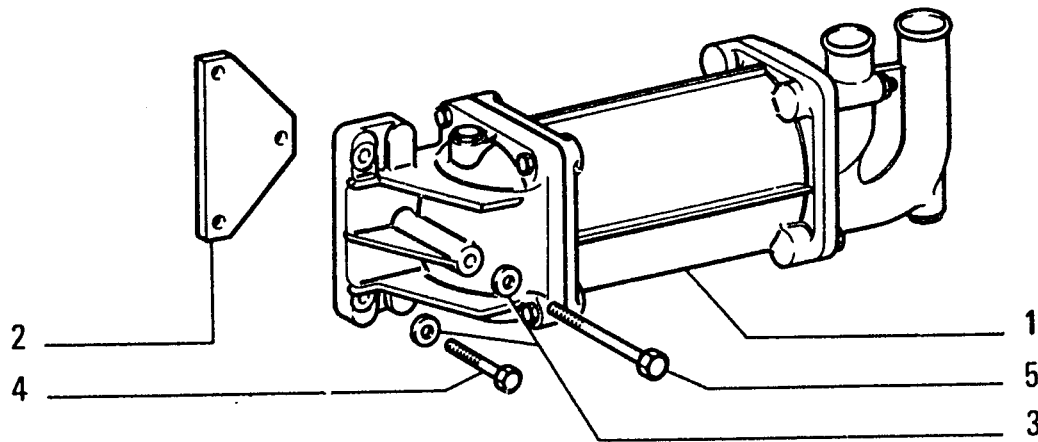
604.01.077.03



I T E M	PART NUMBER	Q T Y	TRANS CODE	DESCRIPTION	DESCRIZIONE
1	4727185	1	300S	SUPPORT	SUPPORTO
3	4727847	1	265C	COVER - UPPER	COPERCHIO - SUPERIORE
4	4727848	1	123G	SEAL ASSY	GUARNIZIONE TENUTA FRONTALE
5	4727849	2	123G	SEAL ASSY	GUARNIZIONE TENUTA FRONTALE
6	10257050	2	133R	SEAL 16,2x22	ROSETTA DI TENUTA 16,2x22
7	10300711	2	50T	PLUG 16x1,5x9	TAPPO 16x1,5x9
8	10516870	8	132R	LOCKWASHER 10,2x2,5	ROSETTA DI SICUREZZA 10,2x2,5
9	11307021	5	40V	SCREW 10x1,25x40	VITE 10x1,25x40
10	12164711	1	10D	NUT 10x1,25x8	DADO 10x1,25x8
11	13547520	1	210P	STUD 10x1,25x100	PRIGIONIERO 10x1,25x100
12	13550401	8	131R	WASHER 10,2x20	ROSETTA 10,2x20
13	15970921	2	40V	SCREW 10x1,25x35	VITE 10x1,25x35

4727186
HEAT EXCHANGER - SCAMBIATORE DI CALORE - ECHANGEUR DE TEMPERATURE - WAERMETAUSCHER -
CAMBIADOR DE CALOR

B2.21
N.T.R. 163 - 30.05.1989
604.01.077.03



I T E M	PART NUMBER	Q T Y	TRANS CODE	DESCRIPTION	DESCRIZIONE
1	4727186	1	25S	HEAT EXCHANGER - ASSEMBLY SEE SGR. B2.21	SCAMBIATORE DI CALORE - COMPLETO VEDERE SGR. B2.21
2	4738998	1	105P	PLATE	PIASTRA
3	11198371	3	131R	WASHER 10,5x20	ROSETTA 10,5x20
4	11234721	2	40V	SCREW 10x1,25x45	VITE 10x1,25x45
5	15972321	1	40V	SCREW 10x1,25x125	VITE 10x1,25x125

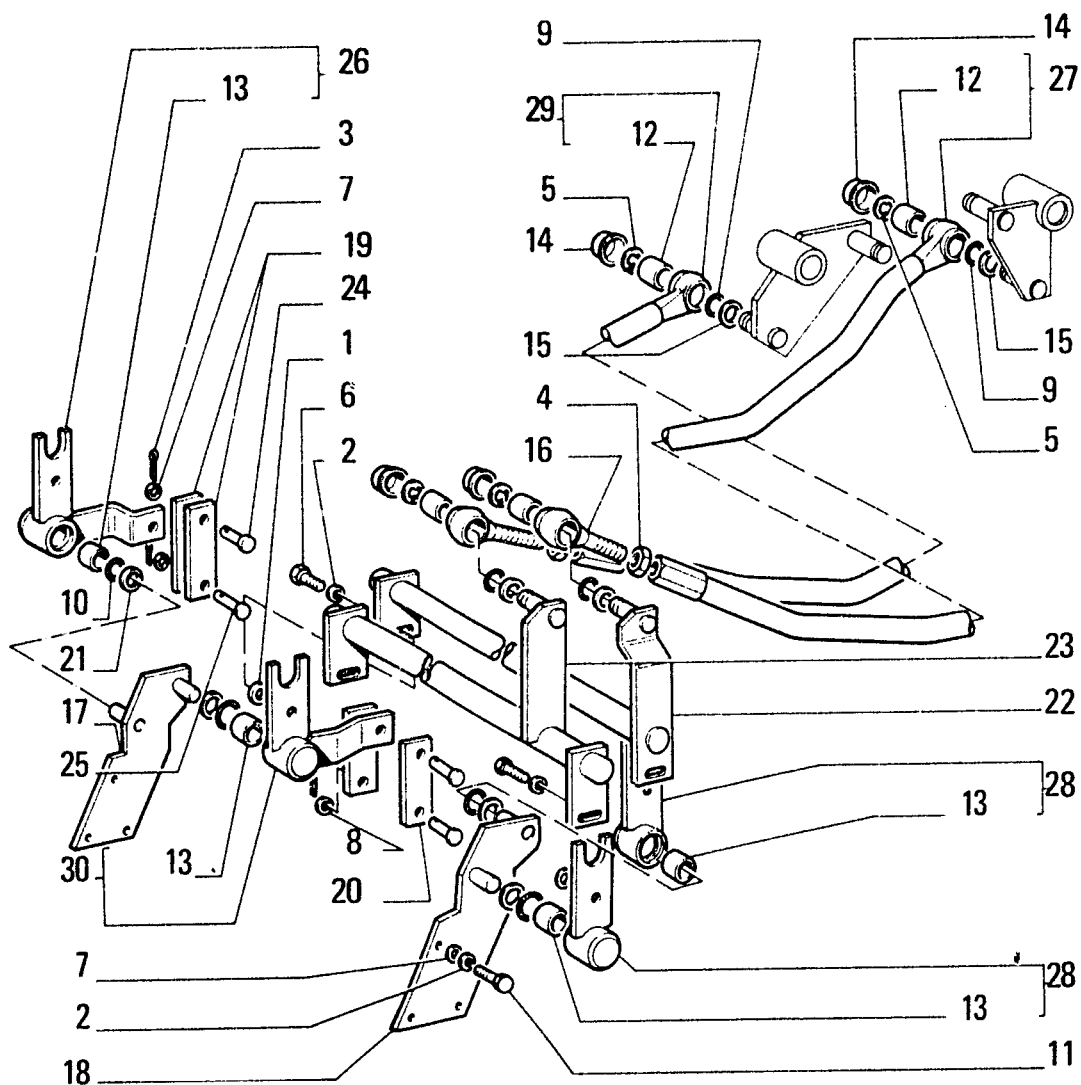
03640

CONVERTER HEAT EXCHANGER - SCAMBIATORE DI CALORE CONVERTITORE - ECHANGEUR DE
TEMPERATURE DU CONVERTISSEUR - WAERMETAUSCHER FUER DREHMOMENTWANDLER -
CAMBIADOR DE CALOR DEL CONVERTIDOR

B2.18

N.T.R. 102 - 31.05.82
604.01.077.01

S9



FIATALLIS FL5

ITEM	PART NUMBER	QTY	TRANS CODE	DESCRIPTION	DESCRIZIONE
27	79027930	1	142T	TIEROD - LOWER ASSEMBLY	TIRANTE - INFERIORE COMPLETO
28	79027931	2	45L	LEVER - LEFT ASSEMBLY	LEVA - SINISTRO COMPLETO
29	79027932	1	142T	TIEROD - LOWER ASSEMBLY	TIRANTE - INFERIORE COMPLETO
30	79027933	1	45L	LEVER - RIGHT ASSEMBLY	LEVA - DESTRO COMPLETO

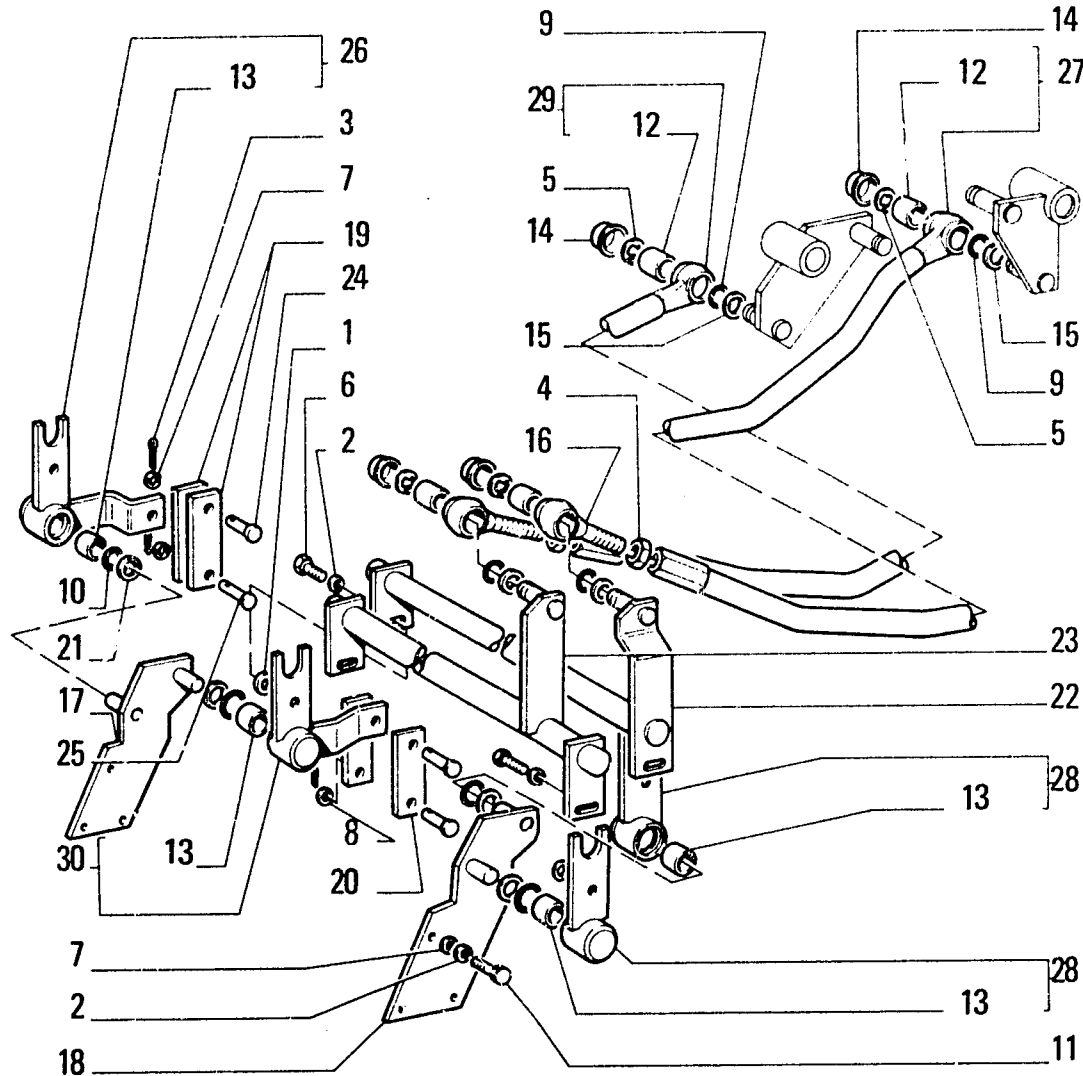
Q3639

GEARSHIFT INNER CONTROLS - COMANDI INTERNI CAMBIO DI VELOCITA' - COMMANDES INTERNES DE
BOITE DE VITESSES - INNERE GETRIEBESCHALTUNG - BARRAS DEL CAMBIO DE VELOCIDADES

B2.10

2

S10



FIATALLIS FL5

ITEM	PART NUMBER	QTY	TRANS CODE	DESCRIPTION	DESCRIZIONE
1	4967724		198S	SHIM	SPESORE
2	10571871	10	132R	LOCKWASHER 10,2x2,2	ROSETTA DI SICUREZZA 10,2x2,2
3	10734201	4	270C	COTTER PIN 1,7x18,5	COPIGLIA 1,7x18,5
4	10791221	2	10D	NUT 11x1,25x7	DADO 11x1,25x7
5	11088076	4	51A	LOCKRING 9x18,5	ANELLO DI SICUREZZA 9x18,5
6	11106231	4	40V	SCREW 10x1,5x25	VITE 10x1,5x25
7	12638601	8	131R	WASHER 10,2x18	ROSETTA 10,2x18
8	12646701	2	131R	WASHER 8,15x20	ROSETTA 8,15x20
9	14457080	4	158G	O-RING 2,62x12,37	GUARNIZIONE O-R 2,62x12,37
10	14457280	4	158C	O-RING 2,62x15,54	GUARNIZIONE O-R 2,62x15,54
11	15970931	6	40V	SCREW 10x1,25x35	VITE 10x1,25x35
12	79005596	4	95B	BUSHING	BOCCOLA
13	79005597	3	95B	BUSHING	BOCCOLA
14	79005599	4	60S	CUP	SCODELLINO
15	79005601	4	75D	SPACER	DISTANZIALE
16	79005602	2	62E	TIEROD HEAD	ESTREMITA' DEL TIRANTE
17	79013628	1	300S	SUPPORT - RIGHT	SUPPORTO - DESTRO
18	79013631	1	300S	SUPPORT - LEFT	SUPPORTO - SINISTRO
19	79013637	2	60B	SHACKLE	BISCOTTINO
20	79013638	2	60B	SHACKLE	BISCOTTINO
21	79013702	4	75D	SPACER	DISTANZIALE
22	76016328	1	16A	SHAFT D2283	ALBERO D2283
	79022760	1	16A	SHAFT C2283	ALBERO C2283
23	79022764	1	16A	SHAFT	ALBERO
24	79022768	2	80P	PIN	PERNO
25	79025361	2	80P	PIN	PERNO
26	79027929	1	45L	LEVER - RIGHT ASSEMBLY	LEVA - DESTRO COMPLETO

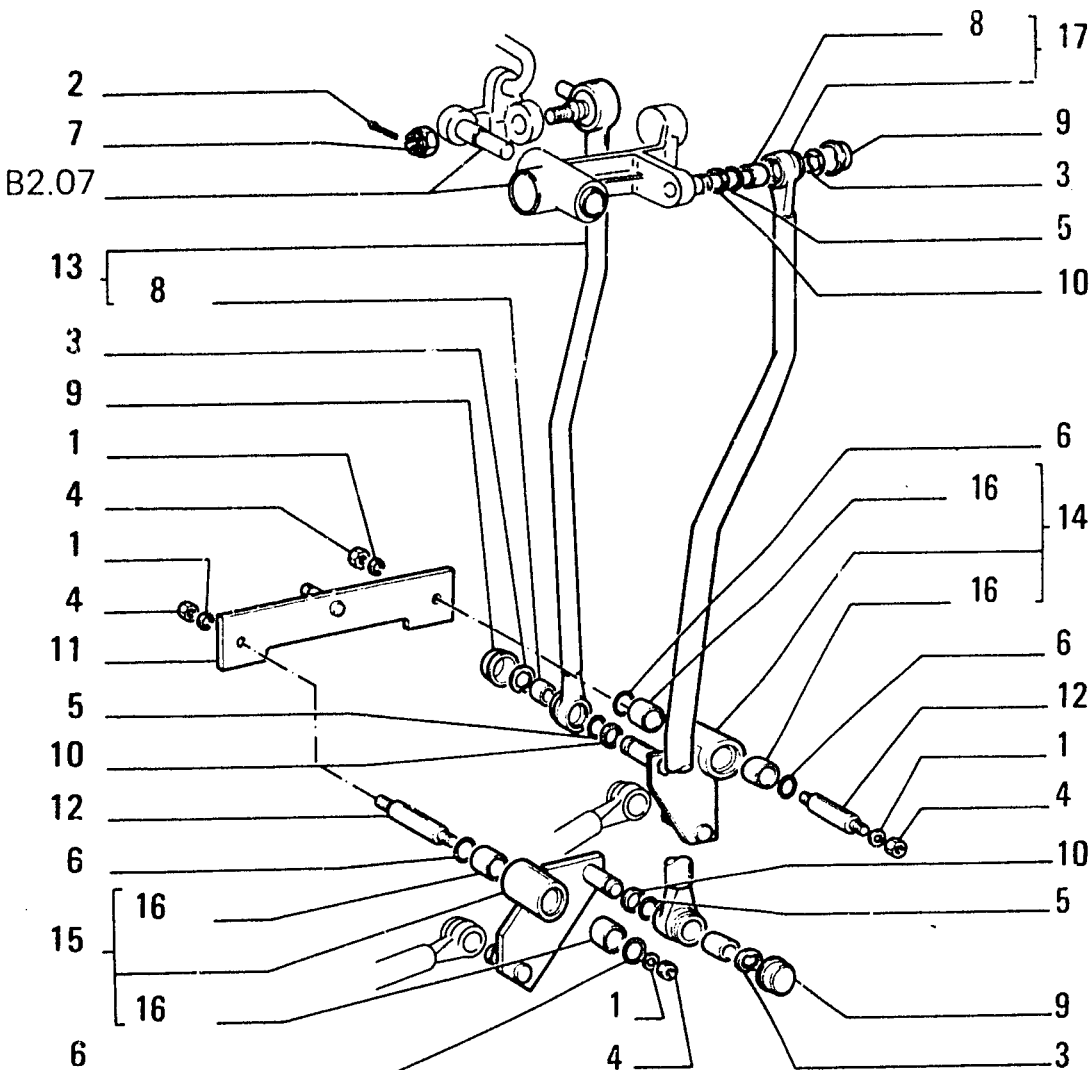
GEARSHIFT INNER CONTROLS - COMANDI INTERNI CAMBIO DI VELOCITA' - COMMANDES INTERNES DE
BOITE DE VITESSES - INNERE GETRIEBESCHALTUNG - BARRAS DEL CAMBIO DE VELOCIDADES

B2.10

2

S11

FIATALLIS FL5



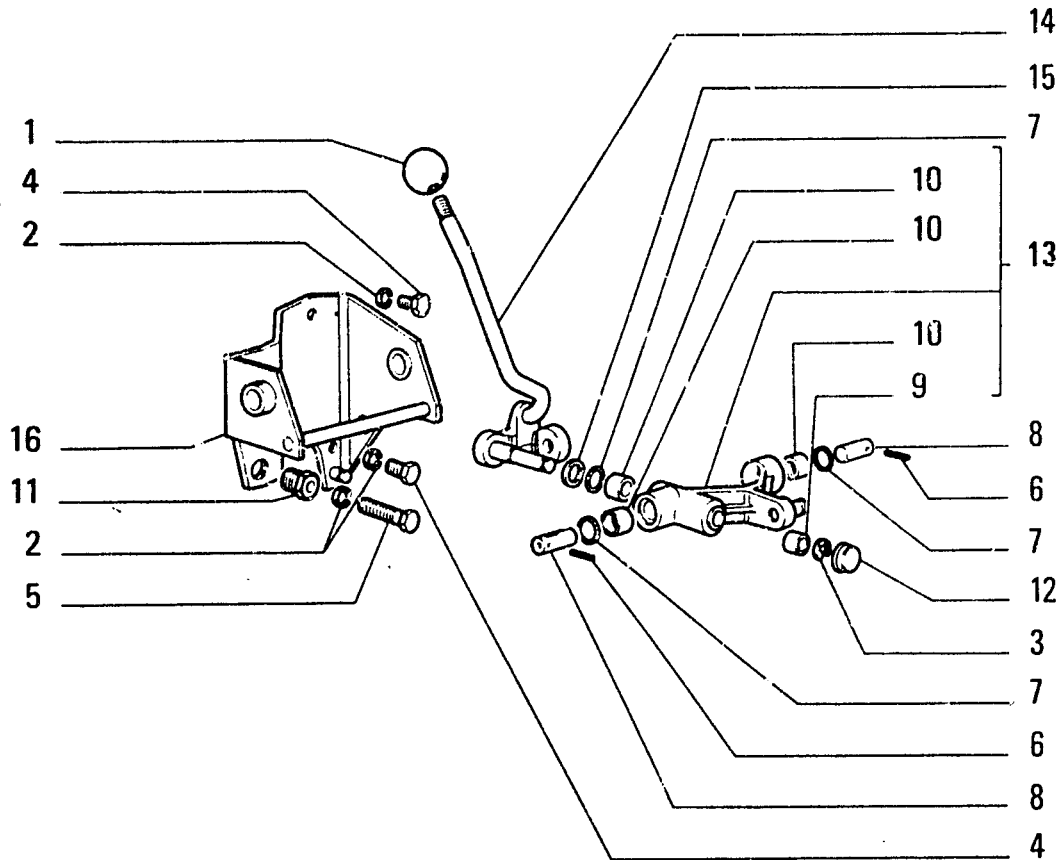
ITEM	PART NUMBER	QTY	TRANS CODE	DESCRIPTION	DESCRIZIONE
1	10571871	4	132R	LOCKWASHER 10,2x2,2	ROSETTA DI SICUREZZA 10,2x2,2
2	10734401	1	270C	COTTER PIN 1,7x28,5	COPIGLIA 1,7x28,5
3	11088076	3	51A	LOCKRING 9x18,5	ANELLO DI SICUREZZA 9x18,5
4	11701721	4	10D	NUT 10x1,5x8	DADO 10x1,5x8
5	14457080	3	158G	O-RING 2,62x12,37	GUARNIZIONE O-R 2,62x12,37
6	14457280	4	158G	O-RING 2,62x15,54	GUARNIZIONE O-R 2,62x15,54
7	16105621	1	10D	NUT 8x1,25x9,5	DADO 8x1,25x9,5
8	79005596	2	95B	BUSHING	BOCCOLA
9	79005599	3	60S	CUP	SCODELLINO
10	79005601	3	75D	SPACER	DISTANZIALE
11	79013633	1	300S	SUPPORT - REAR	SUPPORTO - POSTERIORE
12	79018505	2	80P	PIN	PERNO
13	79023634	1	142T	TIEROD - UPPER ASSEMBLY	TIRANTE - SUPERIORE COMPLETO
14	79027925	1	45L	LEVER - ASSEMBLY	LEVA - COMPLETO
15	79027926	1	45L	LEVER - REAR ASSEMBLY	LEVA - POSTERIORE COMPLETO
16	79027927	4	95B	BUSHING	BOCCOLA
17	79027928	1	142T	TIEROD - UPPER ASSEMBLY	TIRANTE - SUPERIORE COMPLETO

03638

GEARSHIFT INNER CONTROLS - COMANDI INTERNI CAMBIO DI 'VELOCITA' - COMMANDES INTERNES DE BOITE DE VITESSES - INNERE GETRIEBESCHALTUNG -- BARRAS DEL CAMBIO DE VELOCIDADES

B2.10

1

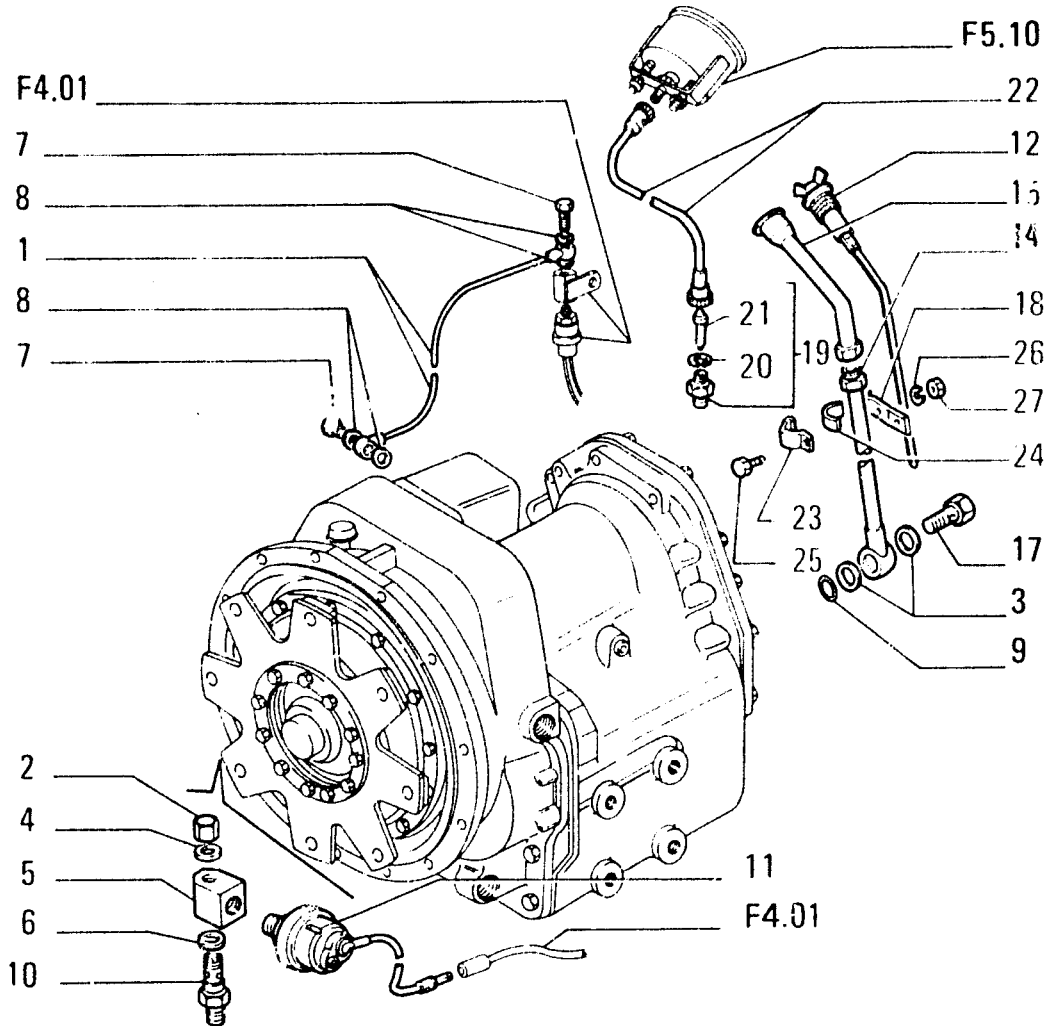


ITEM	PART NUMBER	QTY	TRANS CODE	DESCRIPTION	DESCRIZIONE
1	4970504	1	25I	HANDGRIP	IMPUGNATURA
2	10571871	3	132R	LOCKWASHER 10,2x2,2	ROSETTA DI SICUREZZA 10,2x2,2
3	11088076	1	51A	LOCKRING 9x18,5	ANELLO DI SICUREZZA 9x18,5
4	11103031	2	40V	SCREW 10x1,5x18	VITE 10x1,5x18
5	11106631	1	40V	SCREW 10x1,5x35	VITE 10x1,5x35
6	14164370	2	200S	PIN 4,4x30	SPINA 4,4x30
7	14457280	3	158G	O-RING 2,62x15,54	GUARNIZIONE O-R 2,62x15,54
8	79005594	2	80P	PIN	PERNO
9	79005596	1	95B	BUSHING	BOCCOLA
10	79005597	3	95B	BUSHING	BOCCOLA
11	79005598	1	40V	SCREW	VITE
12	79005599	1	60S	CUP	SCODELLINO
13	79005607	1	45L	LEVER - ASSEMBLY	LEVA - COMPLETO
14	79005610	1	45L	LEVER	LEVA
15	79006339	1	75D	SPACER	DISTANZIALE
16	79022777	1	300S	SUPPORT	SUPPORTO

GEARSHIFT OUTER CONTROLS - COMANDI ESTERNI CAMBIO DI VELOCITA' - COMMANDES EXTERIEURES DE BOITE DE VITESSES - AEUSSERE GETRIEBESCHALTUNG - VARILLAJE DEL CAMBIO DE VELOCIDADES

B2.07

N.T.R. 102 - 31.05.82
604.01.077.01



D 1373 Tel. n. 201361 →

ITEM	PART NUMBER	QTY	TRANS CODE	DESCRIPTION	DESCRIZIONE
1	4966734	1	193T	TUBE	TUBO RIGIDO
2	10183217	1	50T	PLUG 12x1,5x14	TAPPO 12x1,5x14
3	10296260	2	120G	GASKET 28,3x36	GUARNIZIONE PIANA 28,3x36
4	10296160	1	120G	GASKET 12,2x18	GUARNIZIONE PIANA 12,2x18
5	79053321	1	45A	RING	ANELLO
6	10257060	1	120G	GASKET 16,2x22	GUARNIZIONE PIANA 16,2x22
7	11903717	2	20R	FITTING 8x1,25x16	RACCORDO 8x1,25x16
8	14330260	4	120G	GASKET 8,2x12	GUARNIZIONE PIANA 8,2x12
9	14457781	1	158G	O-RING 2,62x23,47	GUARNIZIONE O-R 2,62x23,47
10	79053320	1	20R	FITTING	RACCORDO
11	79051192	1	160T	SENDING UNIT	TRASMETTITORE
12	79024728	1	53T	DIPSTICK W/CAP	TAPPO DI INTRODUZIONE OLIO CON AST. LIVELLO
14	79024733	1	193T	TUBE - LOWER	TUBO RIGIDO - INFERIORE
15	7902438	1	193T	TUBE - UPPER	TUBO RIGIDO - SUPERIORE
17	79043444	1	20R	FITTING	RACCORDO
18	79042890	1	225S	BRACKET D2121	STAFFA D2121
19	4717707	1	20R	FITTING - ASSEMBLY	RACCORDO - COMPLETO
20	13400575	1	187A	SNAP RING 9,2x10,8	ANELLO ELASTICO 9,2x10,8
21	4717607	1	16A	SHAFT	ALBERO
22	79050429	1	72F	FLEXIBLE SHAFT	FLESSIBILE
23	4990407	1	415S	HALF BAND D2121	SEMIFASCIA D2121
24	79042891	1	31F	CLAMP D2121	FASCETTA D2121
25	10902131	1	40V	SCREW 6x1x14 D2121	VITE 6x1x14 D2121
26	10571571	1	131R	WASHER 6,1x1,6 D2121	ROSETTA 6,1x1,6 D2121
27	15896221	1	10D	NUT 6x1x5 D2121	DADO 6x1x5 D2121

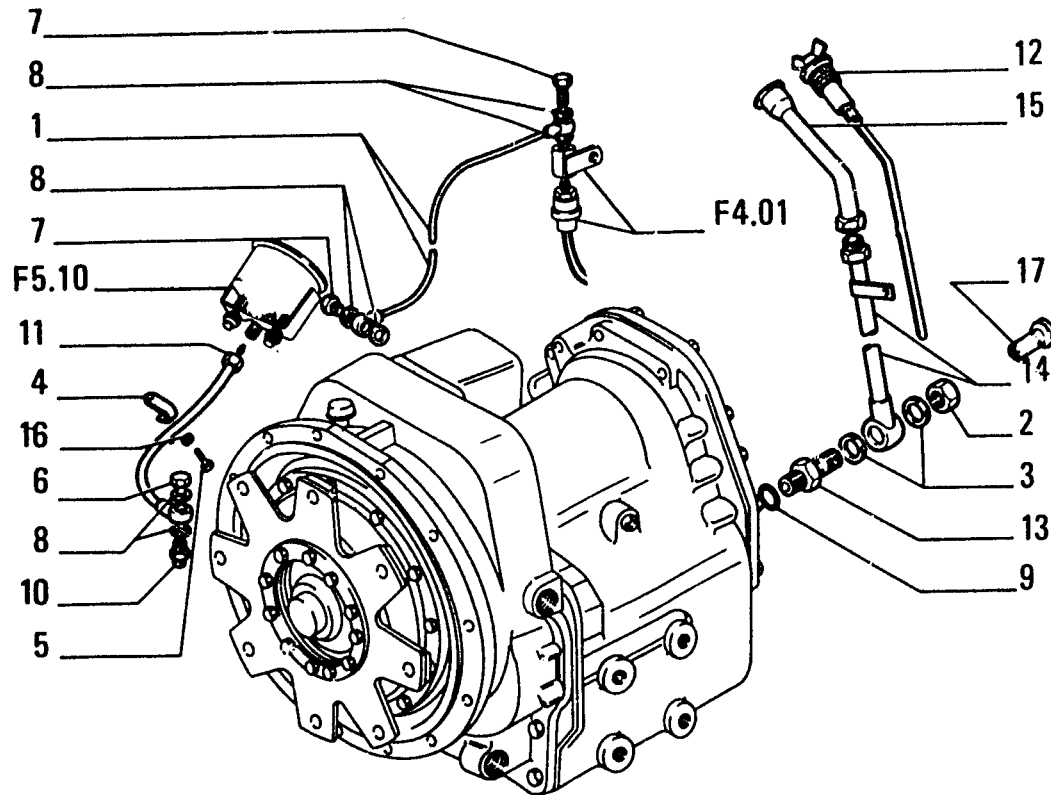
TRANSMISSION LUBRICATION SYSTEM - LUBRIFICAZIONE CAMBIO - GRAISSAGE DE B.V. -
GETRIEBESCHMIERUNG - ENGRASE DEL CAMBIO

B2.06

2A

N.T.R. 163 - 30.05.1989

604.01.077.03



C 1373 → Tel. n. 201360

ITEM	PART NUMBER	QTY	TRANS CODE	DESCRIPTION	DESCRIZIONE
1	4966734	1	193T TUBE		TUBO RIGIDO
2	10183717	1	50T PLUG 28x1,5x18 C 964		TAPPO 28x1,5x18 C 964
3	10296260	2	133R SEAL 28,3x36		ROSETTA DI TENUTA 28,3x36
4	10440990	1	225S BRACKET 6x7		STAFFA 6x7
5	10979421	1	40V SCREW 6x1x10		VITE 6x1x10
6	11902017	1	50T PLUG 8x1,25x11		TAPPO 8x1,25x11
7	11903717	2	90B FILLER PLUG 8x1,25x16		BOCCHETTONE INTRODUZIONE 8x1,25x16
8	14330260	6	133R SEAL 8,2x12		ROSETTA DI TENUTA 8,2x12
9	14457781	1	158G O-RING 2,62x23,47		GUARNIZIONE O-R 2,62x23,47
10	79014718	1	20R FITTING		RACCORDO
11	79014722	1	193T TUBE		TUBO RIGIDO
12	79024728	1	53T DIPSTICK W/CAP		TAPPO DI INTRODUZIONE OLIO CON ASTA LIVELLO
13	79024729	1	90B FILLER PLUG C 964		BOCCHETTONE INTRODUZIONE C 964
14	79024733	1	193T TUBE - LOWER		TUBO RIGIDO - INFERIORE
15	79024738	1	193T TUBE - UPPER		TUBO RIGIDO - SUPERIORE
16	10516471	1	132R LOCKWASHER 6,1x1,8		ROSETTA DI SICUREZZA 6,1x1,8
17	79043444	1	90B FILLER PLUG D 964		BOCCHETTONE INTRODUZIONE D 964

TRANSMISSION LUBRICATION SYSTEM - LUBRIFICAZIONE CAMBIO -
 GETRIEBESCHMIERUNG - ENGRASE DEL CAMBIO

GRAISSAGE DE B.V. -

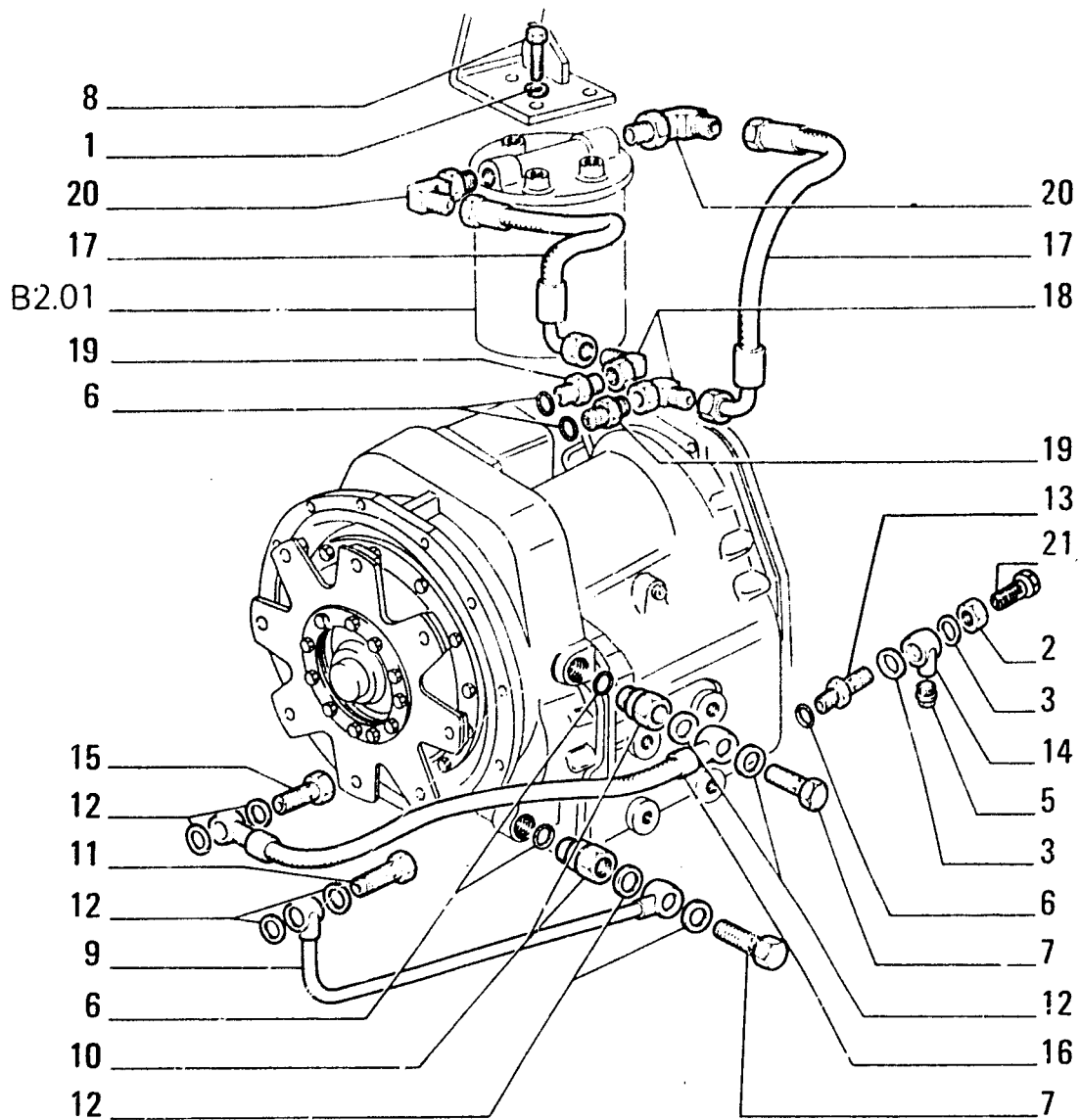
B2.06

2

N.T.R. 163 - 30.05.1989

604.01.077.03

S15



03635

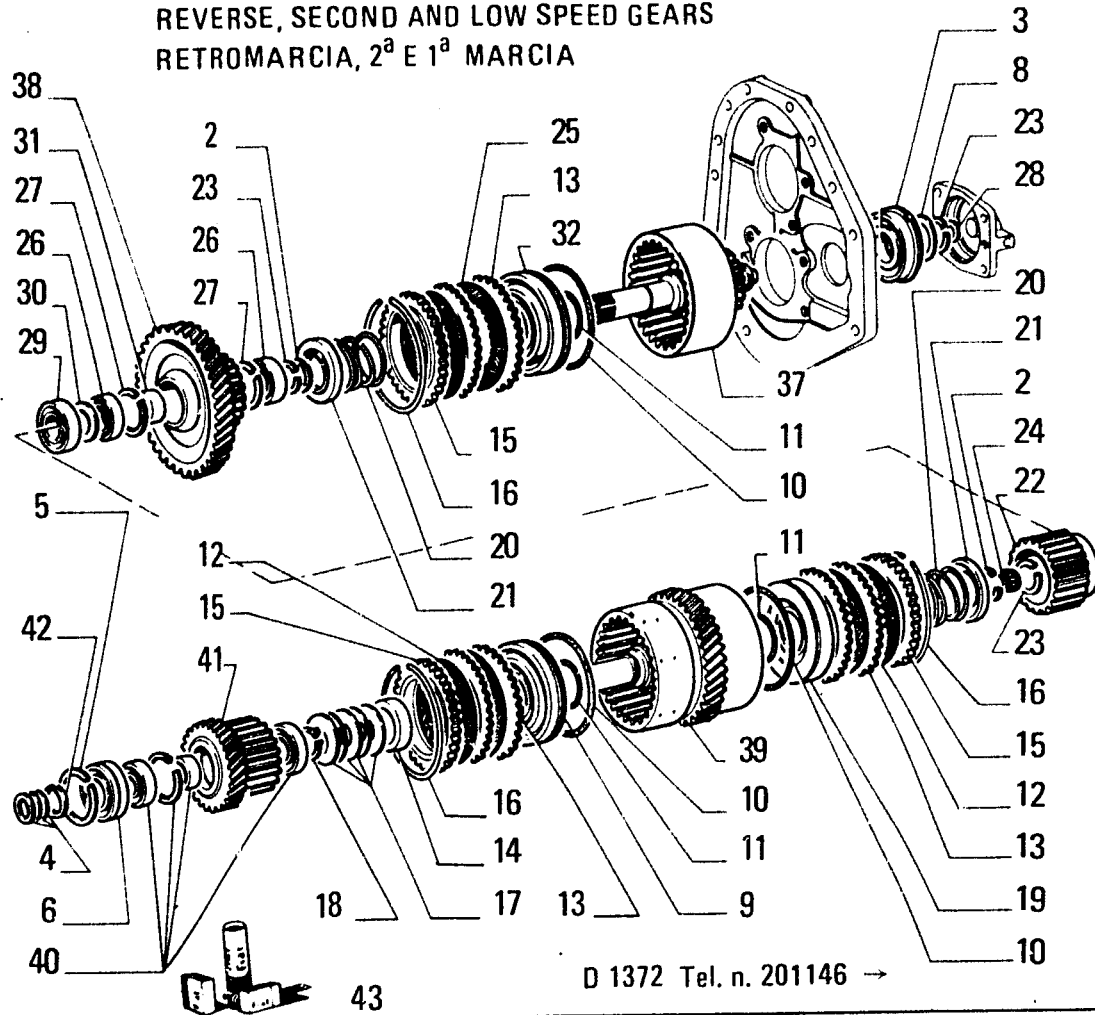
FIAT/LANCIA FL5

ITEM	PART NUMBER	QTY	TRANS CODE	DESCRIPTION	DESCRIZIONE
1	8273916	3	132R	LOCKWASHER	ROSETTA DI SICUREZZA
2	10183717	1	50T	PLUG 28x1,5x18 C 964	TAPPO 28x1,5x18 C 964
3	10296260	2	133R	SEAL 28,3x36	ROSETTA DI TENUTA 28,3x36
5	14326213	1	50T	PLUG 22x1,5x21	TAPPO 22x1,5x21
6	14457781	5	158G	O-RING 2,62x23,47	GUARNIZIONE O-R 2,62x23,47
7	79013310	2	20R	FITTING	RACCORDO
8	79013324	3	40V	SCREW	VITE
9	79022084	1	193T	TUBE	TUBO RIGIDO
10	79022153	2	20R	FITTING	RACCORDO
11	79022154	1	20R	FITTING C2196	RACCORDO C2196
	79052011	1	20R	FITTING D2196	RACCORDO D2196
12	79022167	8	133R	SEAL	ROSETTA DI TENUTA
13	79024729	1	20R	FITTING C 964	RACCORDO C 964
14	79028146	1	21R	BANJO UNION	RACCORDO ORIENTABILE
15	79028983	1	20R	FITTING C2196	RACCORDO C2196
	79052006	1	20R	FITTING D2196	RACCORDO D2196
16	79034392	1	192T	HOSE ASSY	TUBO FLESS.C/RACCORDI
17	79039235	2	192T	HOSE ASSY	TUBO FLESS.C/RACCORDI
18	79039236	2	20R	FITTING	RACCORDO
19	79039237	2	20R	FITTING	RACCORDO
20	79039238	2	20R	FITTING	RACCORDO
21	79043444	1	20R	FITTING D 964	RACCORDO D 964

TRANSMISSION LUBRICATION SYSTEM - LUBRIFICAZIONE CAMBIO - GRAISSAGE DE B.V. -
 GETRIEBESCHMIERUNG - ENGRASE DEL CAMBIO

FIATALLIS FL5

REVERSE, SECOND AND LOW SPEED GEARS
RETROMARCIA, 2ª E 1ª MARCIA



ITEM	PART NUMBER	QTY	TRANS CODE	DESCRIPTION	DESCRIZIONE
30	73118138	1	75D	SPACER	DISTANZIALE
31	73118139	1	75D	SPACER	DISTANZIALE
32	73118236	1	130P	PLUNGER	PISTONCINO
37	79030228	1	16A	SHAFT	ALBERO
38	79060006	1	50I	GEAR	INGRANAGGIO
39	79065194	1	16A	SHAFT	ALBERO
40	79030234	1	341C	BEARING	CUSCINETTO
41	79060008	1	50I	GEAR	INGRANAGGIO
42	79030236		198S	SHIM	SPESSORE
	79030237		198S	SHIM	SPESSORE
	79030238		198S	SHIM	SPESSORE
	79030239		198S	SHIM	SPESSORE
	79030240		198S	SHIM	SPESSORE
43	79055160	1	1K	KIT SEE PAGE 9	KIT VED. PAG.9

79057723

TRANSMISSION - LAMBIO DI VELOCITA' - BOITE DE VITESSES - WECHSELGETRIEBE - CAMBIO DE VELOCIDADES

B2.01/1

11

N.T.R. 163 - 30.05.1989

604.01.077.03

S17

B

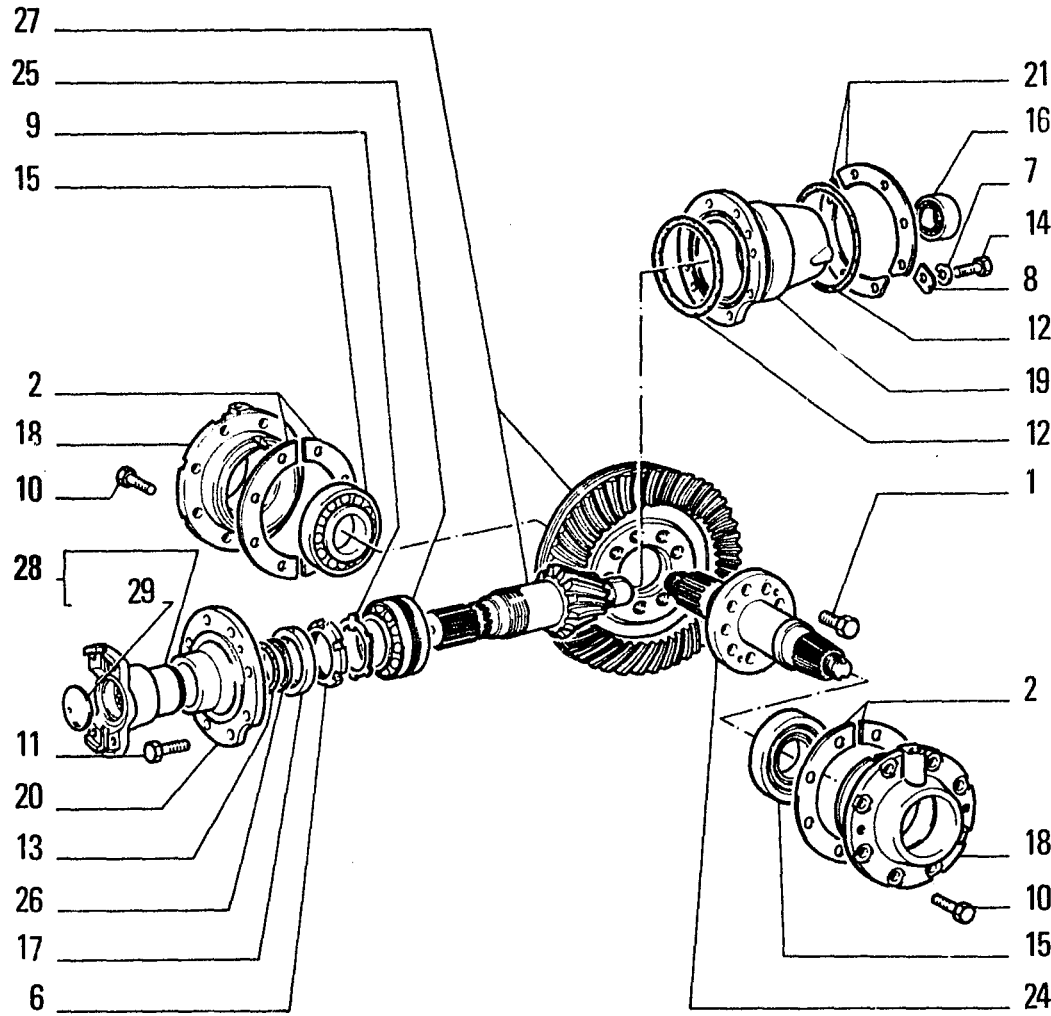
MECHANICAL TRANSMISSION • CLUTCH • TRANSMISSION • TRANSMISSION SHAFT • AXLES
TRASMISSIONE MECCANICA • FRIZIONE • CAMBIO • ALBERO DI TRASMISSIONE • PONTI
TRANSMISSION MECANIQUE • EMBRAYAGE • BOITE DE VITESSES • ARBRE DE TRANSMISSION • PONTS
MECHANISCHE KRAFTÜBERTRAGUNG • KUPPLUNG • GETRIEBE • GELENKWELLE • ACHSEN
TRANSMISSION MECANICA • EMBRAGUE • CAMBIO • ARBOL DE TRANSMISSION • PUENTES

C

BRAKES (MECHANICAL OR HYDRAULIC) • FRENI (MECCANICI O IDRAULICI) • FREINS (MECANIQUES OU HYDRAULIQUES) • BREMSEN
(MECHANISCHE ODER HYDRAULISCHE) • FRENOS (MECANICOS O HYDRAULICOS)

D

FRAME • STEERING • SUSPENSIONS • WHEELS • UNDERCARRIAGE • HYDRAULIC TRANSMISSION
TELAIO • STERZO • SOSPENSIONI • RUOTE • CINGOLATURA • TRASMISSIONE IDRAULICA
CADRE • DIRECTION • SUSPENSIONS • ROUES • TRAIN DE ROULEMENT • TRANSMISSION HYDRAULIQUE
RAHMEN • LENKUNG • AUFHÄNGUNGEN • RÄDER • KETTENLAUFWERK • HYDRAULISCHER ANTRIEB
BASTIDOR • DIRECCIÓN • SUSPENSIÓN • RUEDAS • TREN DE RODAJE • TRANSMISSION HYDRAULICA



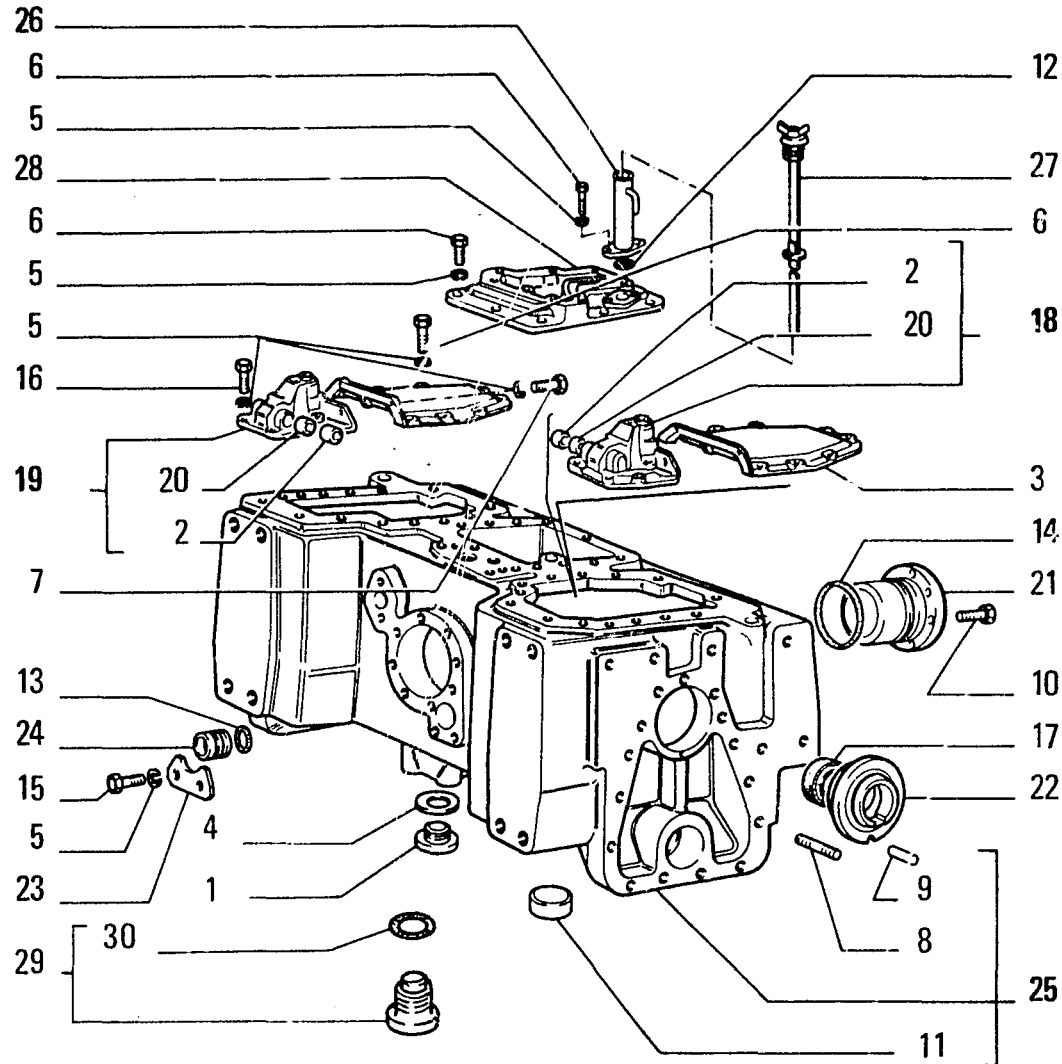
ITEM	PART NUMBER	QTY	TRANS CODE	DESCRIPTION	DESCRIZIONE
27	79022816	1	285C	BEVEL GEAR SET	COPPIA CONICA
28	79027497	1	30M	SLEEVE - ASSEMBLY	MANICOTTO - COMPLETO
29	79027498	1	50T	PLUG	TAPPO

03645

CENTRAL DRIVE GEARS – RUOTISMI RIDUZIONE CENTRALE – ENGRANAJES DE REDUCCION CENTRALE – ZAHNRAEDER F. MITTELACHSUNTERSETZUNG – ENGRANAJES DE REDUCCION CENTRAL

B4.04

T2



FIATALLIS FL5

ITEM	PART NUMBER	QTY	TRANS CODE	DESCRIPTION	DESCRIZIONE
1	739124	1	57T	MAGNETIC PLUG C2281	TAPPO MAGNETICO C2281
2	4967729	2	95B	BUSHING - INNER	BOCCOLA - INTERNO
3	4983464	2	265C	COVER	COPERCHIO
4	10297080	1	133R	SEAL 40,3x48 C2281	ROSETTA DI TENUTA 40,3x48 C2281
5	10516871	44	132R	LOCKWASHER 10x2,5	ROSETTA DI SICUREZZA 10x2,5
6	11306931	30	40V	SCREW 10x1,25x30	VITE 10x1,25x30
7	11307031	4	40V	SCREW 10x1,25x40	VITE 10x1,25x40
8	13555530	30	210P	STUD 14x1,5x63	PRIGIONIERO 14x1,5x63
9	14167770	2	200S	PIN 6,4x16	SPINA 6,4x16
10	14233630	4	40V	SCREW 10x1,25x30	VITE 10x1,25x30
11	14329701	4	50T	PLUG 60x18	TAPPO 60x18
12	14458780	1	158G	O-RING 2,62x39,34	GUARNIZIONE O-R 2,62x39,34
13	14464280	1	158G	O-RING 3,53x44,04	GUARNIZIONE O-R 3,53x44,04
14	14467180	1	158G	O-RING 3,53x136,1	GUARNIZIONE O-R 3,53x136,1
15	15970531	2	40V	SCREW 10x1,25x20	VITE 10x1,25x20
16	15970931	8	40V	SCREW 10x1,25x35	VITE 10x1,25x35
17	40000150	2	158G	O-RING 90x120	GUARNIZIONE O-R 90x120
18	76000589	1	265C	COVER - LEFT ASSEMBLY	COPERCHIO - SINISTRO COMPLETO
19	76000591	1	265C	COVER - RIGHT ASSEMBLY	COPERCHIO - DESTRO COMPLETO
20	79007711	2	95B	BUSHING - OUTER	BOCCOLA - ESTERNO
21	79012295	1	265C	COVER - REAR	COPERCHIO - POSTERIORE
22	79012303	2	35S	CASE	SCATOLA
23	79012304	1	110P	PLAQUE	PIASTRINA
24	79012305	1	50T	PLUG	TAPPO
25	79020605	1	35S	CASE - ASSEMBLY	SCATOLA - COMPLETO
26	79020628	1	193T	TUBE	TUBO RIGIDO

REAR DRIVE BODY CASINGS AND COVERS - CORPO TRASMISSIONE POSTERIORE, SCATOLE E COPERCHI -
 CHASSIS - BERCEAU AR, CARTES ET COUVERCLES - HINTERACHSUEBERTRAGUNG, GEHAUSE UND DECKEL -
 CUERPO DE TRANSMISION POSTERIOR, CAJAS Y TAPAS

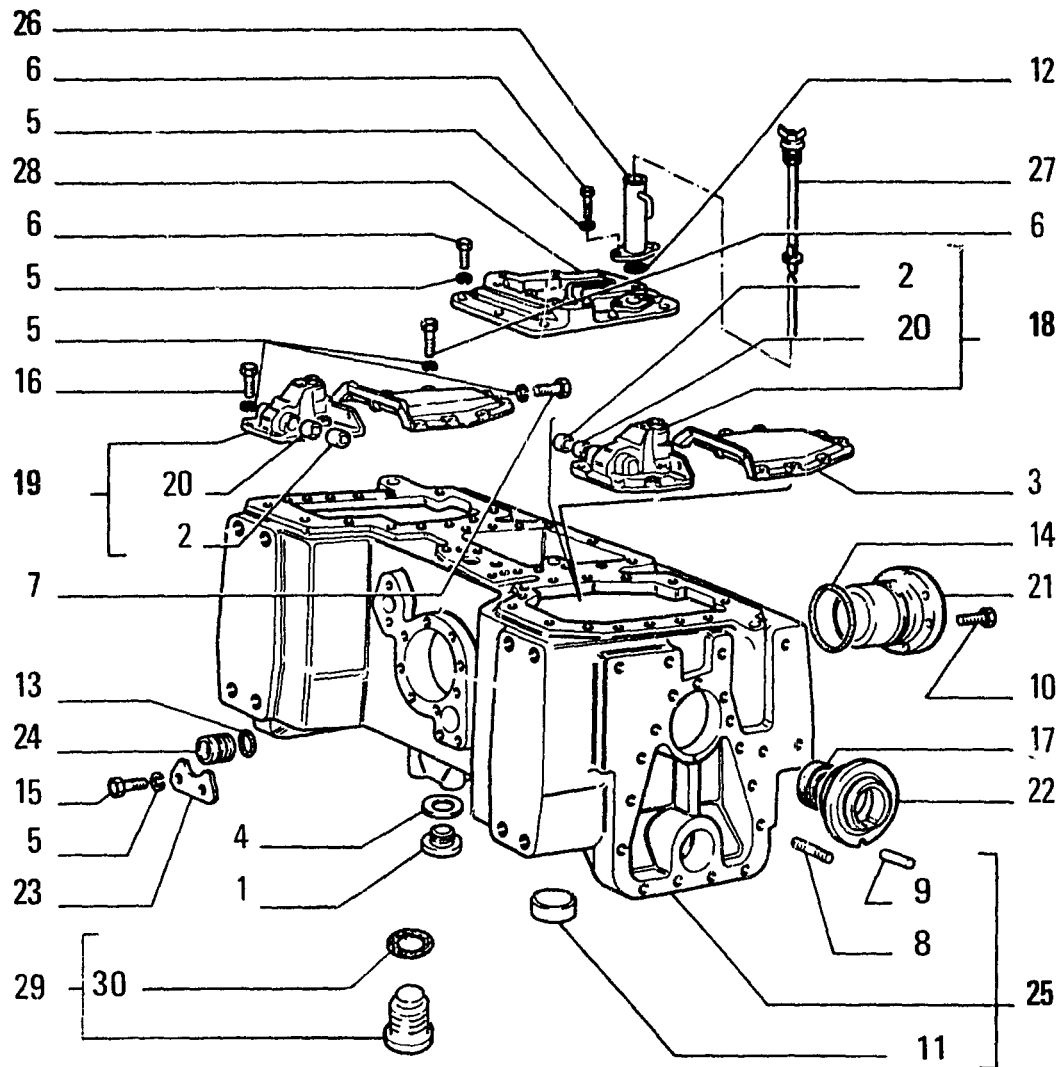
B4.08

1

N.T.R. 163 - 30.05.1989

604.01.077.03

T3



ITEM	PART NUMBER	QTY	TRANS CODE	DESCRIPTION	DESCRIZIONE
27	79020629	1	53T	DIPSTICK W/CAP	TAPPO DI INTRODUZIONE OLIO CON ASTA LIVELLO
28	79020645	1	265C	COVER	COPERCHIO
29	10231240	1	57T	MAGNETIC PLUG - ASSEMBLY 42x2x16 D2281	TAPPO MAGNETICO - COMPLETO 42x2x16 D2281
30	14438385	1	158G	O-RING 3x39 D2281	GUARNIZIONE O-R 3x39 D2281

REAR DRIVE BODY CASINGS AND COVERS - CORPO TRASMISSIONE POSTERIORE, SCATOLE E COPERCHI -
CHASSIS - BERCEAU AR, CARTES ET COUVERCLES - HINTERACHSUEBERTRAGUNG, GEHAUSE UN DECKEL -
CUERPO DE TRANSMISIÓN POSTERIOR, CAJAS Y TAPAS

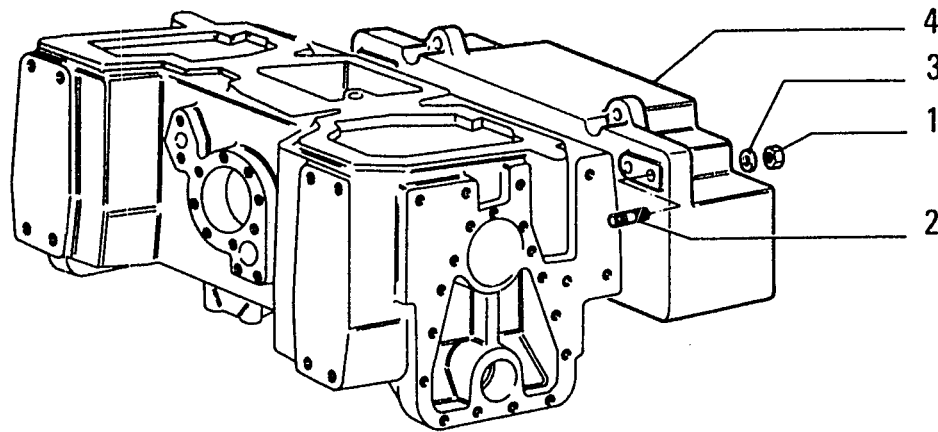
B4.08

1

N.T.R. 163 - 30.05.1989

604.01.077.03

T4



COUNTERWEIGHT
ZAVORRA

ITEM	PART NUMBER	QTY	TRANS CODE	DESCRIPTION	DESCRIZIONE
1	12164327	4	10D	NUT (*) 20x1,5x16	DADO (*) 20x1,5x16
2	13974330	4	210P	STUD (*) 20x1,5x150	PRIGIONIERO (*) 20x1,5x150
3	79005243	4	131R	WASHER (*)	ROSETTA (*)
4	79021971	1	10Z	COUNTERWEIGHT (*)	ZAVORRA (*)
			(*)	469P FOR SPECIAL EQUIPMENT 30.9208.01.1	PER VARIANTE 30.9208.01.1

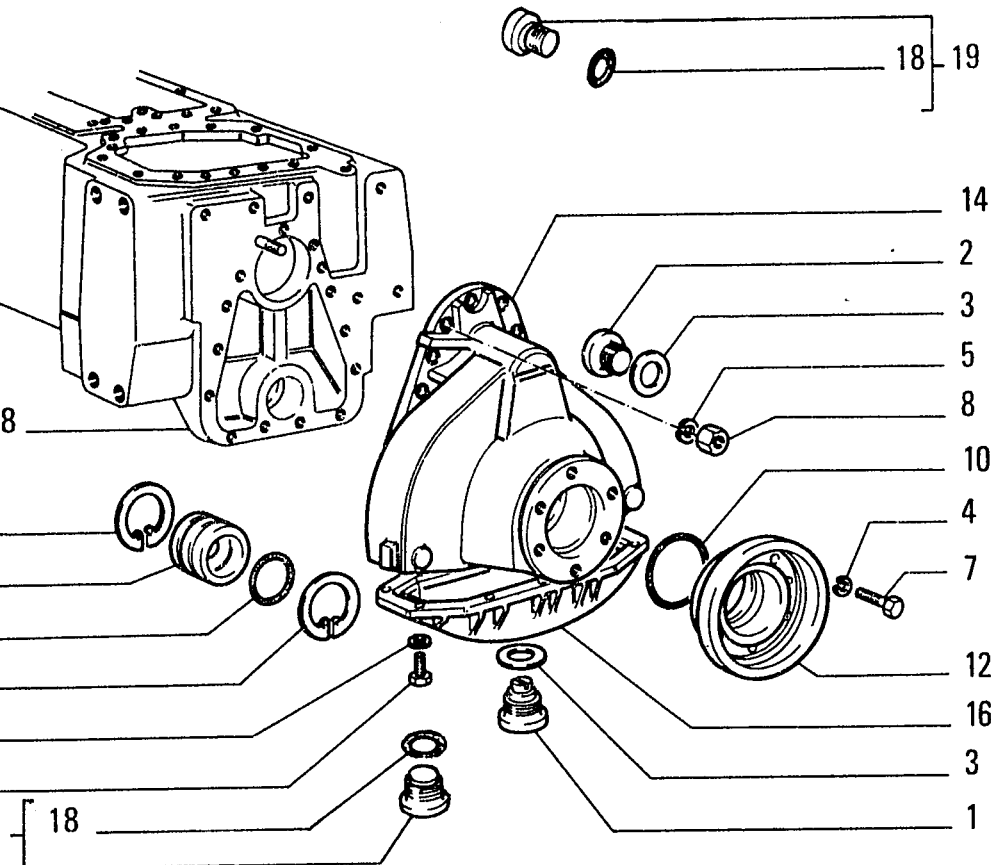
REAR DRIVE BODY CASINGS AND COVERS - CORPO TRASMISSIONE POSTERIORE, SCATOLE E COPERCHI -
CHASSIS - BERCEAU AR, CARTES ET COUVERCLES - HINTERACHSUEBERTRAGUNG, GEHAEUSE UN DECKEL -
CUERPO DE TRANSMISIÓN POSTERIOR, CAJAS Y TAPAS

B4.08

2

N.T.R. 163 - 30.05.1989

604.01.077.03



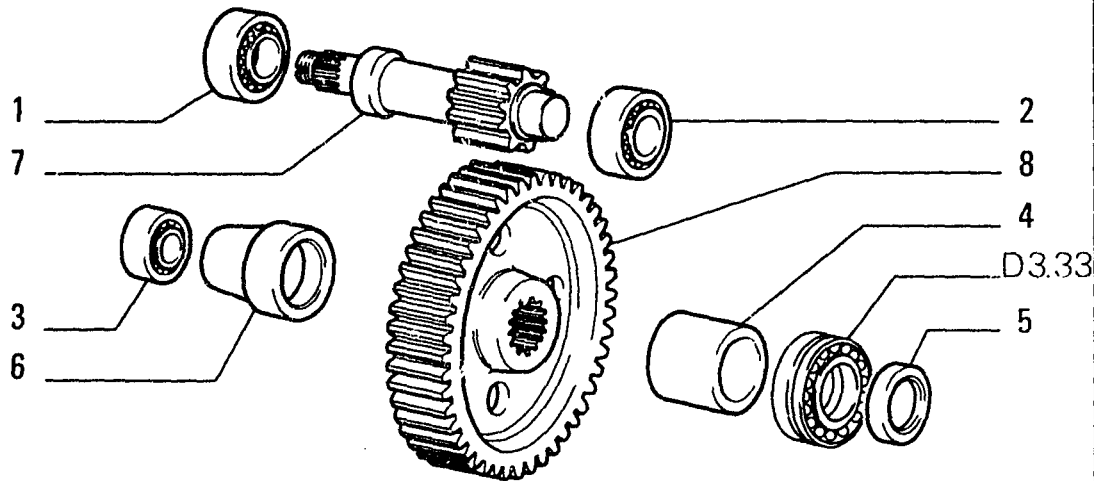
I T E M	PART NUMBER	Q T Y	TRANS CODE	DESCRIPTION	DESCRIZIONE
1	739124	2	57T	MAGNETIC PLUG C2281	TAPPO MAGNETICO C2281
2	10273011	2	50T	PLUG 40x1,5x13 C2281	TAPPO 40x1,5x13 C2281
3	10297080	4	133R	SEAL 40,3x48 C2281	ROSETTA DI TENUTA 40,3x48 C2281
4	10516871	32	132R	LOCKWASHER 10x2,5	ROSETTA DI SICUREZZA 10x2,5
5	10517171	30	132R	LOCKWASHER 14,2x3,5	ROSETTA DI SICUREZZA 14,2x3,5
6	11062976	4	51A	LOCKRING 105,5x3	ANELLO DI SICUREZZA 105,5x3
7	11234731	12	40V	SCREW 10x1,25x45	VITE 10x1,25x45
8	12164021	30	10D	NUT 14x1,5x11	DADO 14x1,5x11
9	14465780	2	158G	O-RING 3,53x91,67	GUARNIZIONE O-R 3,53x91,67
10	14467180	2	158G	O-RING 3,53x136,1	GUARNIZIONE O-R 3,53x136,1
11	15970931	20	40V	SCREW 10x1,25x35	VITE 10x1,25x35
12	79012249	2	300S	SUPPORT	SUPPORTO
13	79012251	2	265C	COVER	COPERCHIO
14	79029857	1	35S	CASE - LEFT	SCATOLA - SINISTRO
	79029858	1	35S	CASE - RIGHT	SCATOLA - DESTRO
16	79029859	2	265C	COVER - LOWER	COPERCHIO - INFERIORE
17	10231240	2	57T	MAGNETIC PLUG - ASSEMBLY 42x2x16 D2281	TAPPO MAGNETICO - COMPLETO 42x2x16 D2281
18	14438385	4	158G	O-RING 3x39 D2281	GUARNIZIONE O-R 3x39 D2281
19	10119140	2	50T	PLUG - ASSEMBLY 42x2x16 D2281	TAPPO - COMPLETO 42x2x16 D2281

SIDE FINAL DRIVE CASES - SCATOLE RIDUTTORI LATERALI - CARTERS DE REDUCTEURS LATERAUX
GEHAUSE DER ENDANTRIEBE - CAJAS DE REDUCTORES LATERALES

B4.11

N.T.R. 163 - 30.05.1989

604.01.077.03

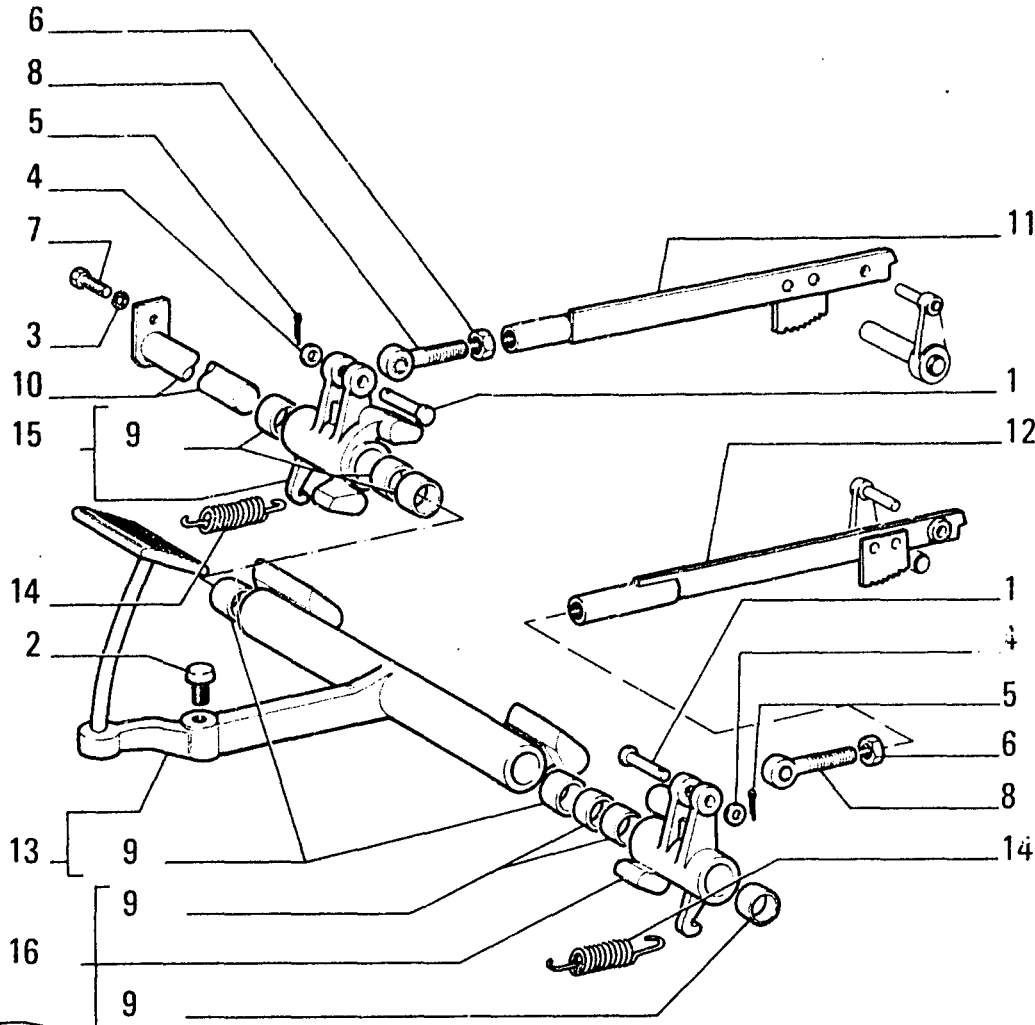


ITEM	PART NUMBER	QTY	TRANS CODE	DESCRIPTION	DESCRIZIONE
1	20147000	2	341C	BEARING - INNER 55x120	CUSCINETTO - INTERNO 55x120
2	24941640	2	341C	BEARING - OUTER 40x90	CUSCINETTO - ESTERNO 40x90
3	26796990	2	341C	BEARING - INNER 45x100	CUSCINETTO - INTERNO 45x100
4	79012256	2	75D	SPACER - OUTER	DISTANZIALE - ESTERNO
5	79012258	2	45A	RING C2118	ANELLO C2118
	79058684	2	45A	RING D2118	ANELLO D2118
6	79025216	2	75D	SPACER - INNER	DISTANZIALE - INTERNO
7	79031656	2	50I	GEAR	INGRANAGGIO
8	79031657	2	50I	GEAR	INGRANAGGIO

03649

SIDE FINAL DRIVE GEARS – RUOTISMI RIDUTTORI LATERALI – ENGRENAGES DE REDUCTEURS LATERAUX –
ZAHNRAEDER DER ENDANTRIEBE – ENGRANAJES DE REDUCTORES LATERALES

B4.12



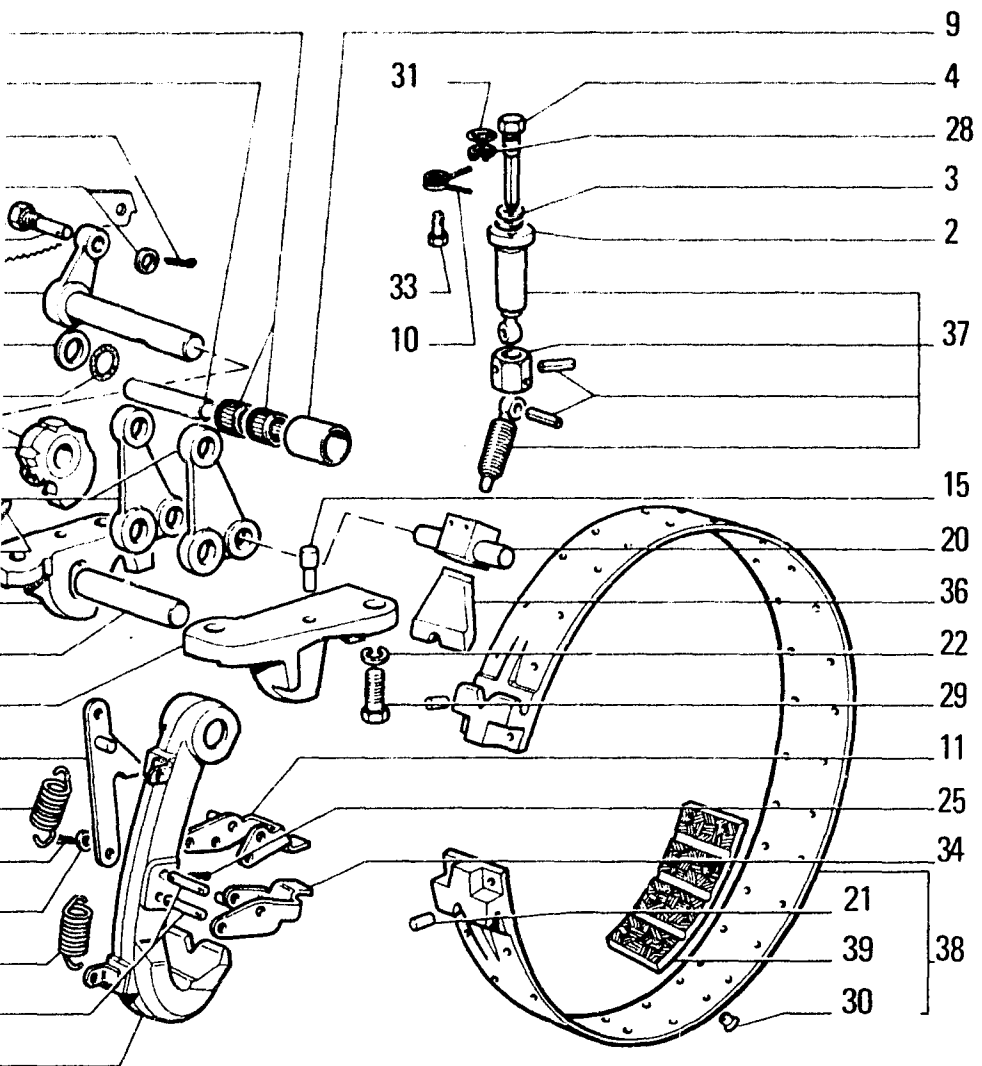
ITEM	PART NUMBER	QTY	TRANS CODE	DESCRIPTION	DESCRIZIONE
1	584009	2	80P	PIN C2348	PERNO C2348
	76016782	2	80P	PIN D2348	PERNO D2348
2	591420	1	61T	CUSHION PAD	TASSELLO ELASTICO
3	10516671	1	132R	LOCKWASHER 8,1x2,2	ROSETTA DI SICUREZZA 8,1x2,2
4	10520101	2	131R	WASHER 14,4x26	ROSETTA 14,4x26
5	10734601	2	270C	COTTER PIN 2,7x37,6	COPIGLIA 2,7x37,6
6	10791321	2	10D	NUT 14x1,5x8	DADO 14x1,5x8
7	16043631	1	40V	SCREW 8x1,25x25	VITE 8x1,25x25
8	79003622	2	62E	TIEROD HEAD	ESTREMITA' DEL TIRANTE
9	79004903	8	95B	BUSHING	BOCCOLA
10	79012399	1	16A	SHAFT	ALBERO
11	76016952	1	142T	TIEROD - RIGHT D2348	TIRANTE - DESTRO D2348
	79012466	1	142T	TIEROD - RIGHT C2348	TIRANTE - DESTRO C2348
12	76016955	1	142T	TIEROD - LEFT D2348	TIRANTE - SINISTRO D2348
	79012467	1	142T	TIEROD - LEFT C2348	TIRANTE - SINISTRO C2348
13	79016766	1	60P	PEDAL - ASSEMBLY D2348	PEDALE - COMPLETO D2348
	79024586	1	60P	PEDAL - ASSEMBLY C2348	PEDALE - COMPLETO C2348
14	79026134	2	100M	SPRING	MOLLA
15	76016773	1	135M	HUB - RIGHT ASSEMBLY D2348	MOZZO - DESTRO COMPLETO D2348
	79027916	1	135M	HUB - RIGHT ASSEMBLY C2348	MOZZO - DESTRO COMPLETO C2348
16	76016774	1	135M	HUB - LEFT ASSEMBLY D2348	MOZZO - SINISTRO COMPLETO D2348
	79027938	1	135M	HUB - LEFT ASSEMBLY C2348	MOZZO - SINISTRO COMPLETO C2348

03650

BRAKE FOOT CONTROL - COMANDO A PEDALE FRENI - COMMANDE AU PIED DE FREINS -
 BREMSFUSSEBEL - MANDC DEL FRENO DE PIE

C1.01

1



FIATALLIS FLS

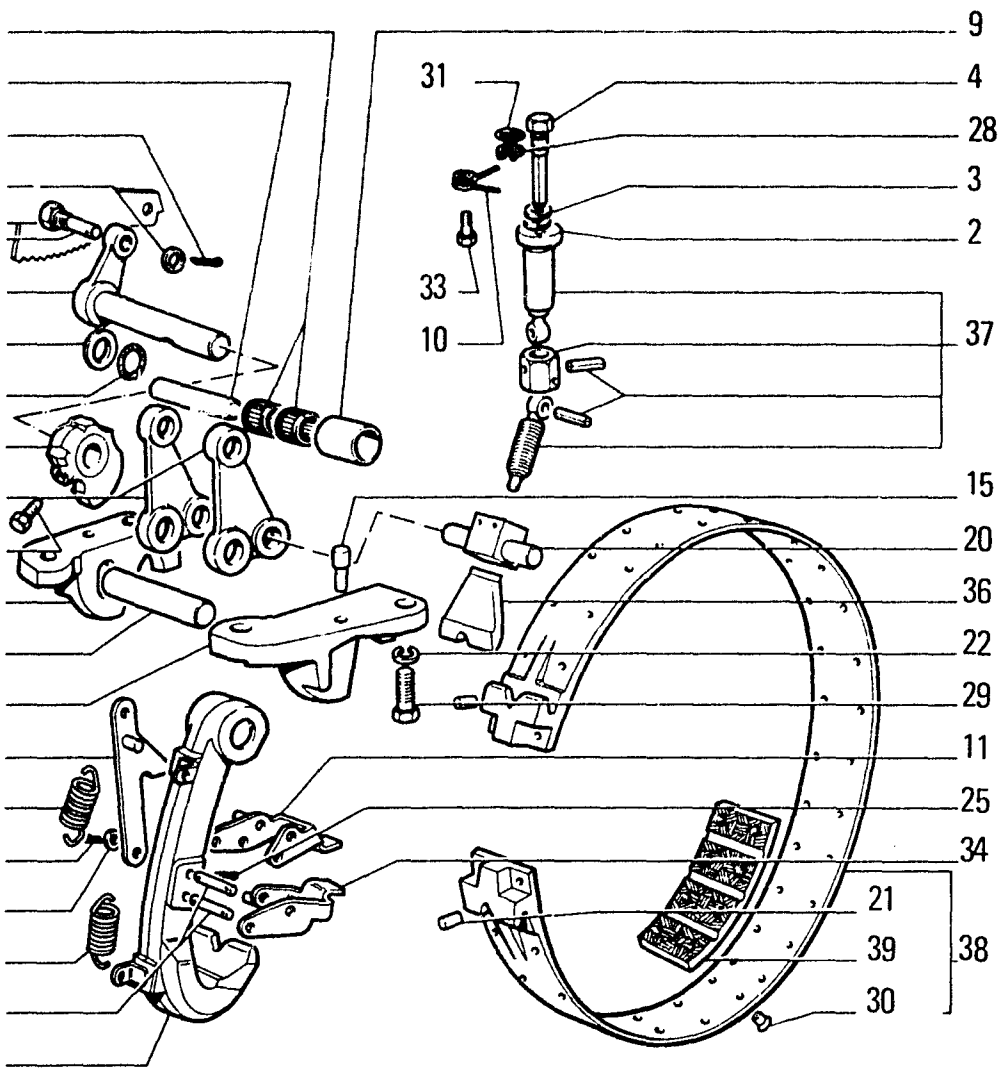
I T E M	PART NUMBER	Q T Y	TRANS CODE	DESCRIPTION	DESCRIZIONE
1	586707	2	40V	SCREW	VITE
2	589320	2	131R	WASHER	ROSETTA
3	590523	2	131R	WASHER	ROSETTA
4	597768	2	120T	ADJUSTING SLEEVE	TESTA DI REGISTRO
5	599305	4	45L	LEVER	LEVA
6	599307	2	80P	PIN	PERNO
7	4958134	2	80P	PIN - UPPER	PERNO - SUPERIORE
8	4958138	4	15G	CAGE	GABBIA
9	4958139	2	157R	ROLLER	RULLO
10	4958144	2	100M	SPRING	MOLLA
11	4966833	2	85F	YOKE - UPPER	FORCELLA - SUPERIORE
12	4966912	2	142T	TIEROD	TIRANTE
13	4966917	2	300S	SUPPORT - RIGHT	SUPPORTO - DESTRO
14	4966918	2	300S	SUPPORT - LEFT	SUPPORTO - SINISTRO
15	4966929	4	90G	DOWEL	GRAND
16	4967633	4	100M	SPRING	MOLLA
17	4968342	4	80P	PIN	PERNO
18	4970225	2	45A	RING	ANELLO
19	4982768	2	10E	ECCENTRIC C 969	ECCENTRICO C 969
	76000598	2	10E	ECCENTRIC D 969	ECCENTRICO D 969
		2	10E	ECCENTRIC C2348	ECCENTRICO C2348
	79062223	2	10E	ECCENTRIC D2348	ECCENTRICO D2348
20	4983613	2	80P	PIN	PERNO
21	10489510	4	80P	PIN 6x12	PERNO 6x12
22	10517171	4	132R	LOCKWASHER 14,2x3,5	ROSETTA DI SICUREZZA 14,2x3,5
23	10519601	2	131R	WASHER 8,15x17	ROSETTA 8,15x17
24	10520101	2	131R	WASHER 14,4x26	ROSETTA 14,4x26

BRAKE FOOT CONTROL - COMANDO A PEDALE FRENI - COMMANDE AU PIED DE FREINS -
 BREMSFUSSHEBEL - MANDO DEL FRENO DE PIE

C1.01

2

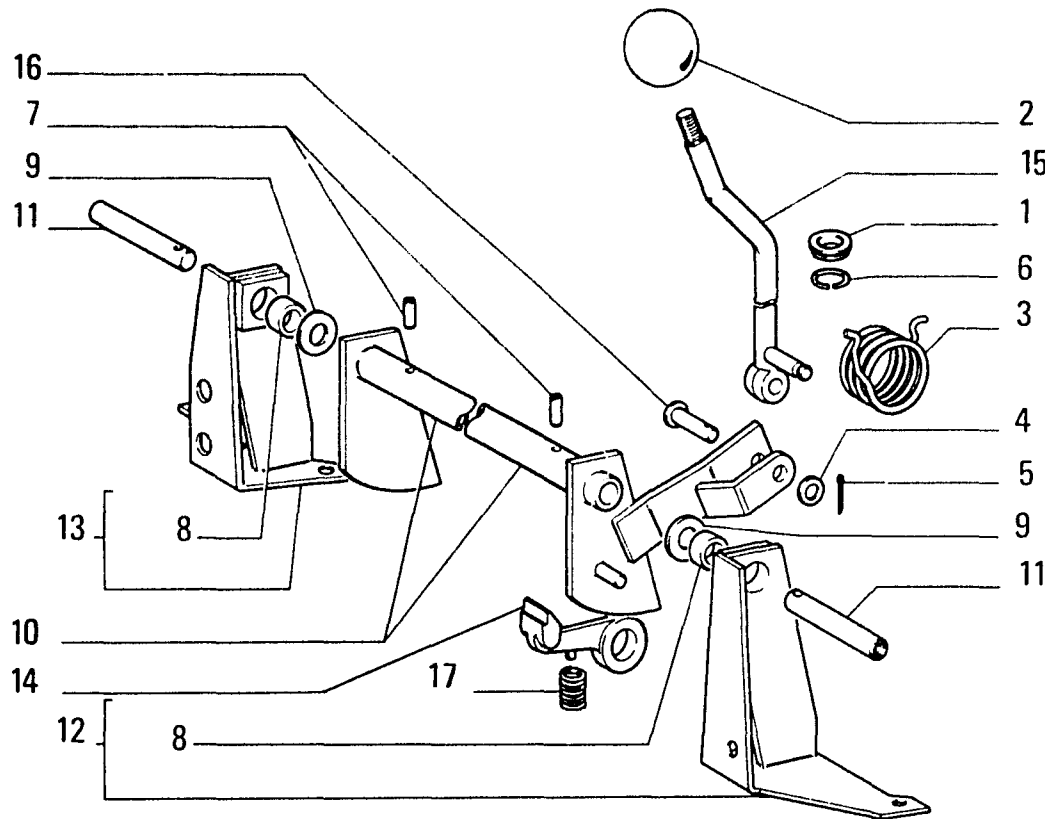
N.T.R. 102 - 31.05.82
 604.01.077.01



FIATALLIS FL5

ITEM	PART NUMBER	QTY	TRANS CODE	DESCRIPTION	DESCRIZIONE
25	10733601	8	270C	COTTER PIN 2,7x31,6	COPIGLIA 2,7x31,6
26	10734201	2	270C	COTTER PIN 1,7x18,5	COPIGLIA 1,7x18,5
27	10734601	2	270C	COTTER PIN 2,7x37,6	COPIGLIA 2,7x37,6
28	11066376	2	51A	LOCKRING 13,8x1	ANELLO DI SICUREZZA 13,8x1
29	11394331	4	40V	SCREW 14x1,5x40	VITE 14x1,5x40
30	13879640	100	55R	RIVET 4x10	RIBATTINO 4x10
31	14453180	2	158G	O-RING 1,78x12,42	GUARNIZIONE O-R 1,78x12,42
32	14463180	2	158G	O-RING 3,53x23,39	GUARNIZIONE O-R 3,53x23,39
33	15540431	2	40V	SCREW 12x1,25x30	VITE 12x1,25x30
34	76001883	2	85F	YOKE - LOWER	FORCELLA - INFERIORE
35	76001884	2	45L	LEVER	LEVA
36	76001885	2	238P	PUSH ROD	PUNTALE
37	76001887	2	40V	SCREW	VITE
38	79011575	2	24N	BRAKE BAND - ASSEMBLY	NASTRO FRENO - COMPLETO
39	79011576	10	24N	BRAKE BAND	NASTRO FRENO
40	79012426	2	45L	LEVER	LEVA
41	79025347	2	40V	SCREW	VITE

BRAKE FOOT CONTROL - COMANDO A PEDALE FRENI - COMMANDE AU PIED DE FREINS -
 BREMSFUSSHEBEL - MANDO DEL FRENO DE PIE



ITEM	PART NUMBER	QTY	TRANS CODE	DESCRIPTION	DESCRIZIONE
1	4984562	1	145G	GUIDE C 976	GUIDA C 976
	76004839	1	145G	GUIDE D 976	GUIDA D 976
2	4985147	1	25I	HANDGRIP	IMPUGNATURA
3	4985332	1	100M	SPRING	MOLLA
4	10520021	1	131R	WASHER 12,2x22	ROSETTA 12,2x22
5	10796401	1	270C	COTTER PIN 2,7x27,6	COPIGLIA 2,7x27,6
6	13401176	1	51A	LOCKRING 20,2x24,2	ANELLO DI SICUREZZA 20,2x24,2
7	14168070	2	200S	PIN 6,4x22	SPINA 6,4x22
8	14549270	2	95B	BUSHING 16x22	BOCCOLA 16x22
9	79005965		198S	SHIM	SPESSORE
10	79012429	1	45L	LEVER	LEVA
11	79012435	2	16A	SHAFT	ALBERO
12	79012446	1	300S	SUPPORT - LEFT ASSEMBLY	SUPPORTO - SINISTRO COMPLETO
13	79012449	1	300S	SUPPORT - RIGHT ASSEMBLY	SUPPORTO - DESTRO COMPLETO
14	79013164	2	83A	RATCHET	ARPIONE
15	79027105	1	45L	LEVER	LEVA
16	79028319	1	80P	PIN	PERNO
17	15480	2	100M	SPRING	MOLLA

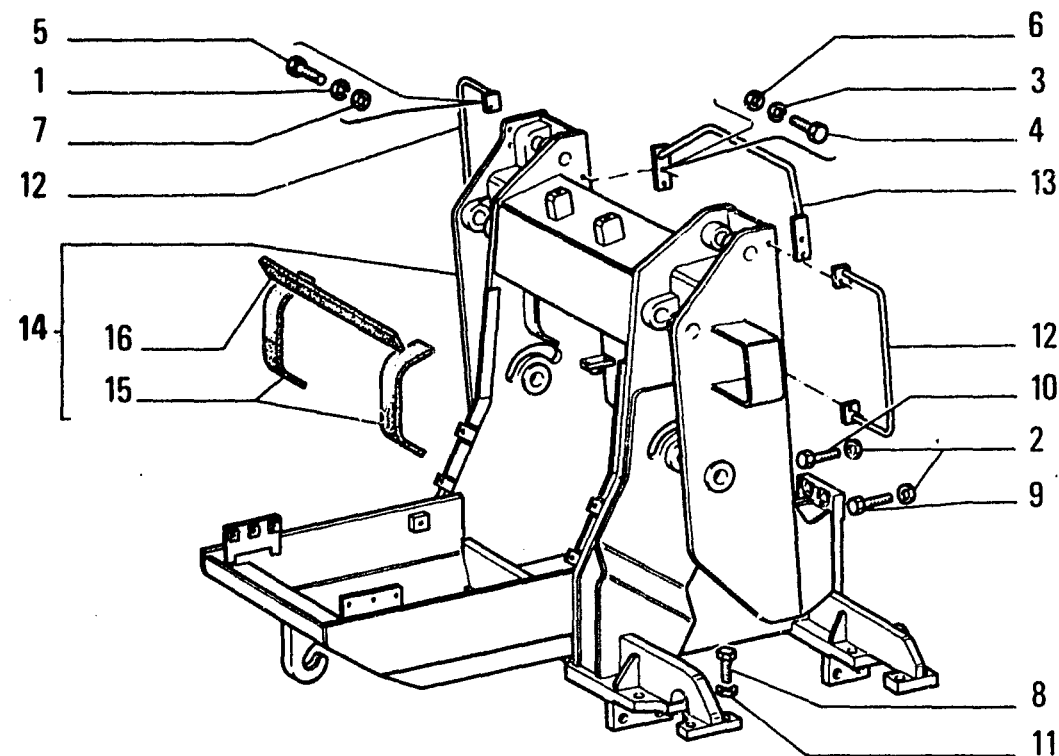
652

HAND BRAKE CONTROL - COMANDO A MANO FRENI - COMMANDE DE FREINS A MAIN
 HANDREMSBETAETIGUNG - FRENO DE MANO

C1.35

N.T.R. 102 - 31.05.82
 604.01.077.01

T11



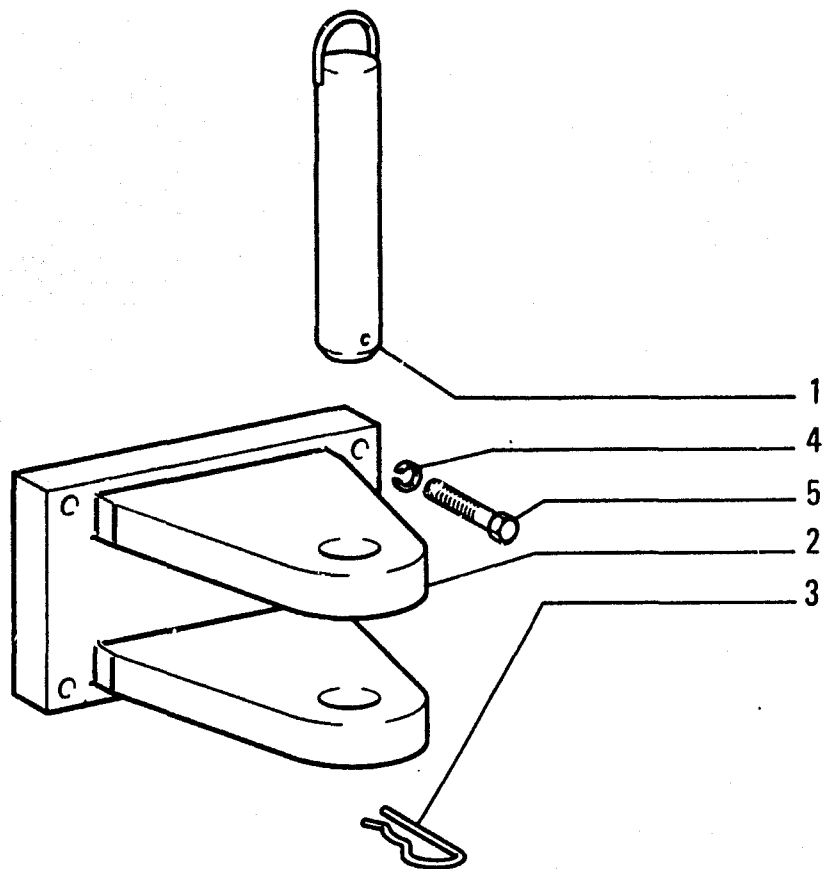
ITEM	PART NUMBER	QTY	TRANS CODE	DESCRIPTION	DESCRIZIONE
1	10517071	4	132R	LOCKWASHER 12,2x3,1	ROSETTA DI SICUREZZA 12,2x3,1
2	10517471	8	132R	LOCKWASHER 20,2x4,5	ROSETTA DI SICUREZZA 20,2x4,5
3	10571871	4	132R	LOCKWASHER 10,2x2,2	ROSETTA DI SICUREZZA 10,2x2,2
4	11106231	4	40V	SCREW 10x1,5x25	VITE 10x1,5x25
5	11112231	4	40V	SCREW 12x1,75x22	VITE 12x1,75x22
6	12646821	4	131R	WASHER 10,2x25	ROSETTA 10,2x25
7	12646921	4	131R	WASHER 12,2x28	ROSETTA 12,2x28
8	15984437	24	40V	SCREW 18x1,5x55	VITE 18x1,5x55
9	15988737	4	40V	SCREW 20x1,5x80	VITE 20x1,5x80
10	15989337	4	40V	SCREW 20x1,5x110	VITE 20x1,5x110
11	79005239	24	131R	WASHER	ROSETTA
12	79027260	2	20M	HANDLE - SIDE FRONT	MANIGLIA - LATERALE ANTERIORE
13	79028391	1	20M	HANDLE - FRONT	MANIGLIA - ANTERIORE
14	79030811	1	77T	MAIN FRAME - ASSEMBLY	TELAIO TRATTORE - COMPLETO
15	79030813	2	25P	PANEL	PANNELLO
16	79030814	1	25P	PANEL	PANNELLO

03653

FRAME - TELAI0 - CHASSIS - RAHMEN - BASTIDOR

D1.01

T12



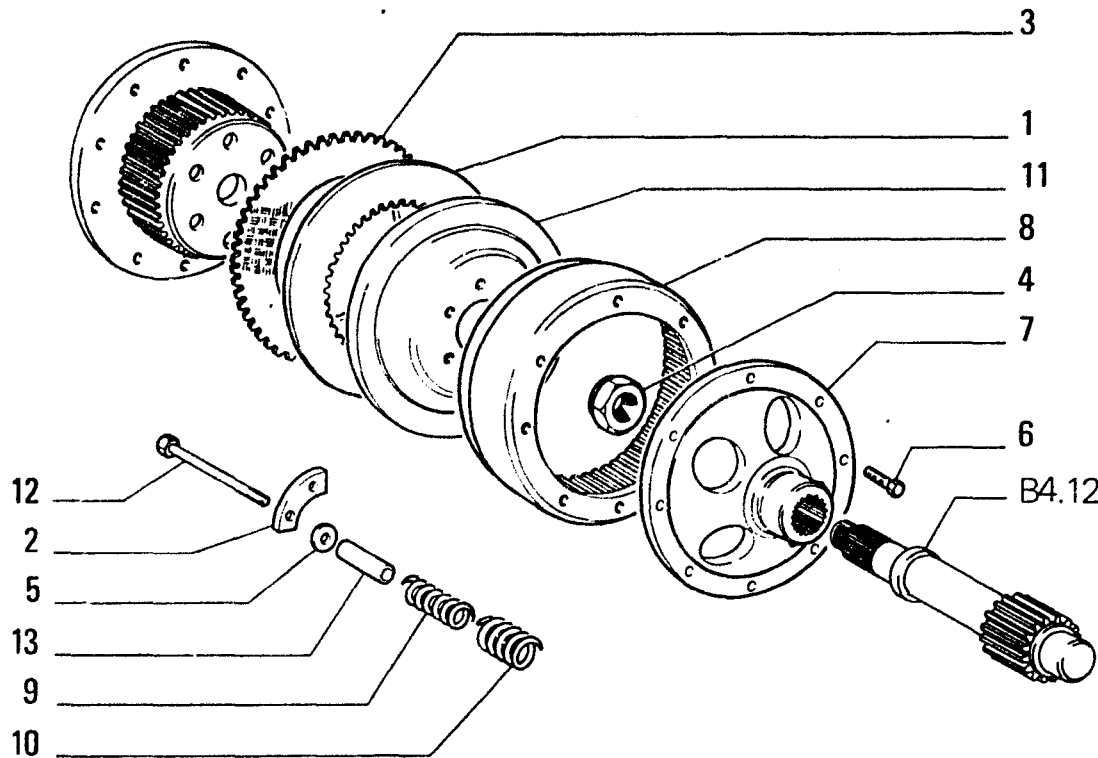
ITEM	PART NUMBER	QTY	TRANS CODE	DESCRIPTION	DESCRIZIONE
1	4966230	1	80P	PIN	PERNO
2	4976140	1	32G	TOW HOOK	GANCIO DI TRAINO
3	8268534	1	200S	PIN	SPINA
4	10517471	4	132R	LOCKWASHER 20,2x4,5	ROSETTA DI SICUREZZA 20,2x4,5
5	15991437	4	40V	SCREW 20x1,5x220	VITE 20x1,5x220

654

TOWING DEVICE - ORGANO DI TRAINO - ORGANE D'ATTELAGE - ANHAENGERKUPPLUNG - BARRA DE ARRASTRE

D1.03

T13



I T E M	PART NUMBER	Q T Y	TRANS CODE	DESCRIPTION	DESCRIZIONE
1	14687	14	60D	DISC	DISCO
2	586750	6	110P	PLAQUE	PIASTRINA
3	597258	14	60D	DISC C2348	DISCO C2348
	79077633	14	60D	DISC D2348	DISCO D2348
4	4965705	2	10D	NUT	DADO
5	4968968	12	131R	WASHER	ROSETTA
6	14274430	18	40V	SCREW 12x1,25x25	VITE 12x1,25x25
7	79012325	2	135M	HUB	MOZZO
8	79012326	2	20T	DRUM	TAMBURO
9	79012327	12	100M	SPRING - INNER	MOLLA - INTERNO
10	79012328	12	100M	SPRING - OUTER	MOLLA - ESTERNO
11	79017469	2	52A	PRESSURE PLATE	ANELLO SPINGIDISCO
12	79017470	12	184C	STUD	COLONNETTA
13	79017471	12	75D	SPACER	DISTANZIALE

3650

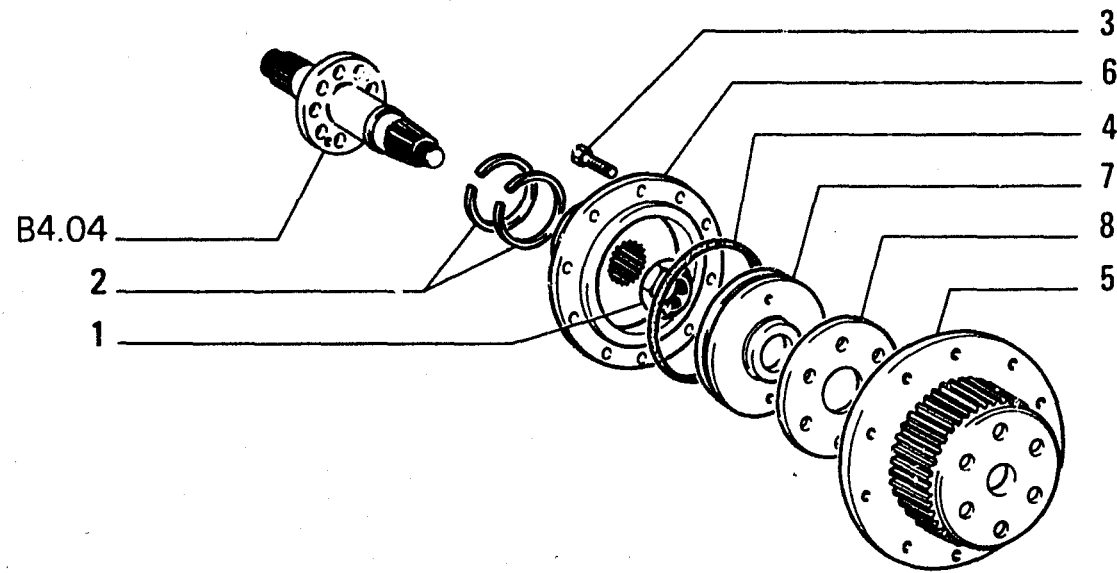
STEERING CLUTCHES - FRIZIONI DI STERZO - EMBRAYAGES DE DIRECTION - LENKREIBKUPPLUNGEN -
EMBRAGUES DE DIRECCIÓN

D2.20

1

T14

ITEM	PART NUMBER	QTY	TRANS CODE	DESCRIPTION	DESCRIZIONE
1	4965705	2	10D NUT		DADO
2	4967079	4	45A RING		ANELLO
3	14274430	16	40V SCREW 12x1,25x25		VITE 12x1,25x25
4	14467781	2	158G O-RING 3,53x158,3		GUARNIZIONE O-R 3,53x158,3
5	79012317	2	20T DRUM C2348		TAMBURO C2348
	79094770	2	20T DRUM D2348		TAMBURO D2348
6	79012318	2	135M HUB		MOZZO
7	79012319	2	235S PISTON		STANTUFFO
8	79012324	2	45A RING		ANELLO



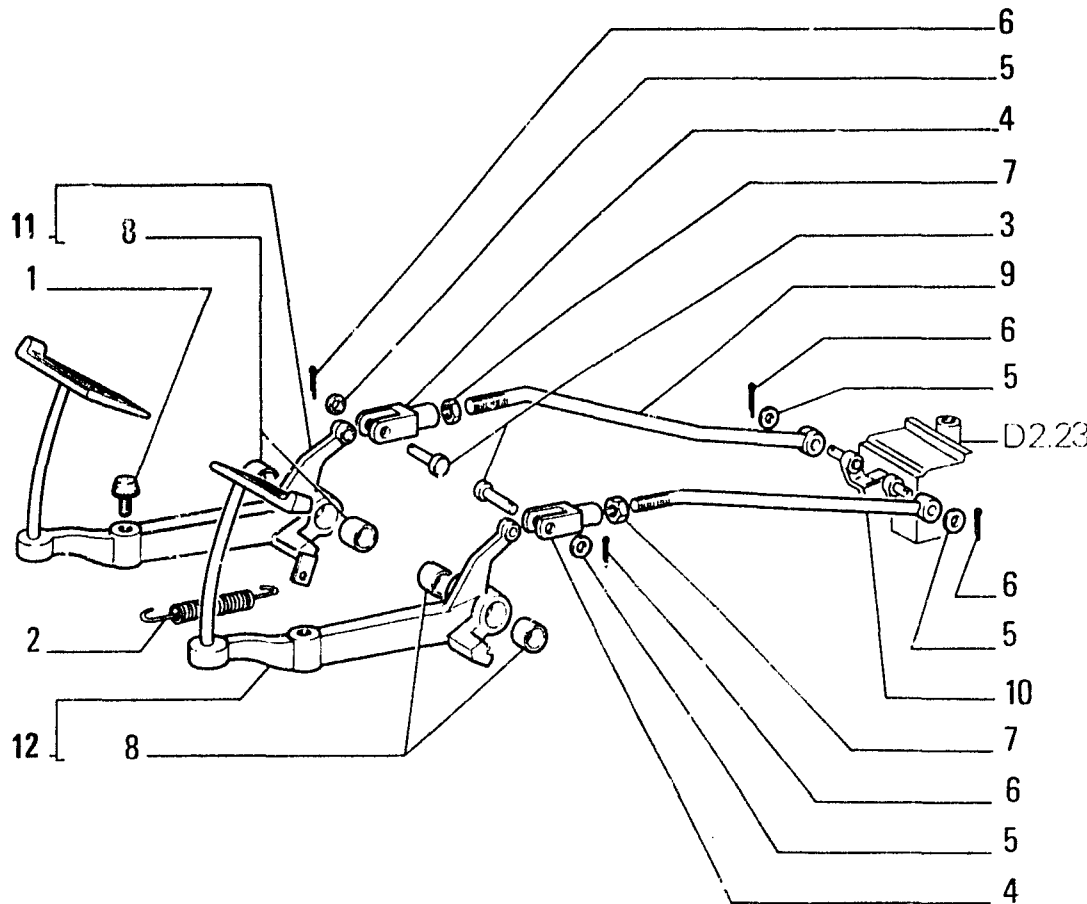
03656

STEERING CLUTCHES - FRIZIONI DI STERZO - EMBRAYAGES DE DIRECTION - LENKREIBKUPPLUNGEN -
 EMBRAGUES DE DIRECCIÓN

D2.20

2

T15



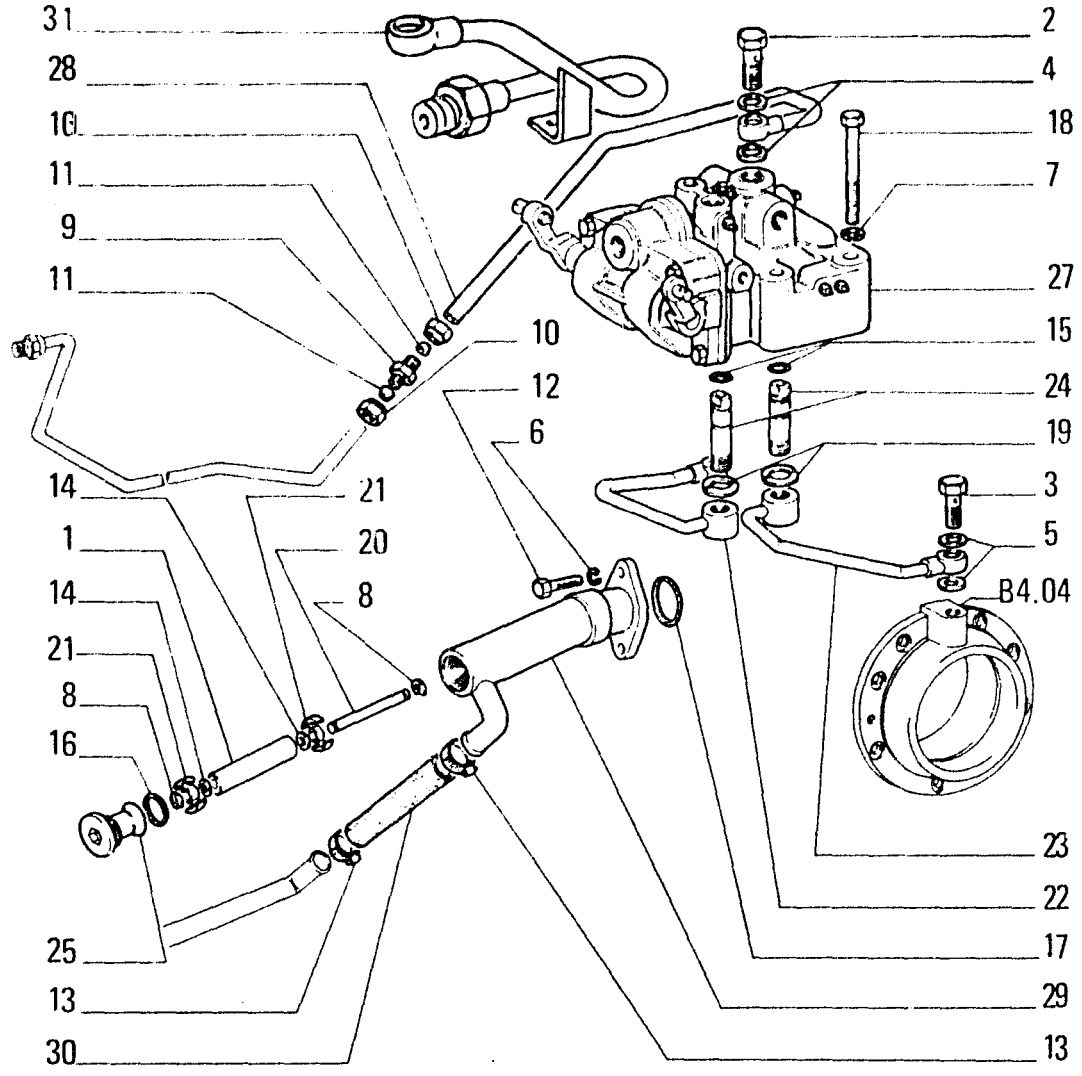
ITEM	PART NUMBER	QTY	TRANS CODE	DESCRIPTION	DESCRIZIONE
1	591420	2	61T	CUSHION PAD	TASSELLO ELASTICO
2	583713	1	100M	SPRING D1363	MOLLA D1363
	4967635	2	100M	SPRING C1363	MOLLA C1363
3	10005010	2	80P	PIN 12x33	PERNO 12x33
4	10248471	2	85F	YOKE 12x1,5x12	FORCELLA 12x1,5x12
5	10520021	4	131R	WASHER 12,2x22	ROSETTA 12,2x22
6	10733601	4	270C	COTTER PIN 2,7x31,6	COPIGLIA 2,7x31,6
7	10791221	2	10D	NUT 11x1,25x7	DADO 11x1,25x7
8	79004903	4	95B	BUSHING	BOCCOLA
9	79025105	1	141T	THREADED TIEROD - RIGHT	TIRANTE FILETTATO - DESTRO
10	79025106	1	141T	THREADED TIEROD - LEFT	TIRANTE FILETTATO - SINISTRO
11	79016799	1	60P	PEDAL - RIGHT ASSEMBLY D2348	PEDALE - DESTRO COMPLETO D2348
	79025109	1	60P	PEDAL - RIGHT ASSEMBLY C2348	PEDALE - DESTRO COMPLETO C2348
12	79016800	1	60P	PEDAL - LEFT ASSEMBLY D2348	PEDALE - SINISTRO COMPLETO D2348
	79025111	1	60P	PEDAL - LEFT ASSEMBLY C2348	PEDALE - SINISTRO COMPLETO C2348

03657

STEERING CLUTCHES RELEASE CONTROL - COMANDO DISINNESTO FRIZIONI DI STERZO - COMMANDE DES EMBRAYAGES DE DIRECTION - AUSRUECK VORRICHTUNG DER LENKREIBKUPPLUNGEN - MANDO EMBRAGUES DE DIRECCIÓN

D2.22

N.T.R. 126 - 25.02.86
604.01.077.02



ITEM	PART NUMBER	QTY	TRANS CODE	DESCRIPTION	DESCRIZIONE
1	581492	1	54C	MAGNETIC ROD	CANDELA MAGNETICA
2	10182617	1	20R	FITTING 20x1,5x14	RACCORDO 20x1,5x14
3	10184317	2	20R	FITTING 14x1,5x27 C2348	RACCORDO 14x1,5x27 C2348
	79094063	2	20R	FITTING D2348	RACCORDO D2348
4	10257460	2	133R	SEAL 20,2x26	ROSETTA DI TENUTA 20,2x26
5	10279980	4	133R	SEAL 14,2x20	ROSETTA DI TENUTA 14,2x20
6	10516871	4	132R	LOCKWASHER 10x2,5	ROSETTA DI SICUREZZA 10x2,5
7	10517071	3	132R	LOCKWASHER 12,2x3,1	ROSETTA DI SICUREZZA 12,2x3,1
8	11065976	2	51A	LOCKRING 9,3x1	ANELLO DI SICUREZZA 9,3x1
9	11239111	1	20R	FITTING 24x1,5x24x1,5 C1368	RACCORDO 24x1,5x24x1,5 C1368
10	11262011	2	10D	NUT 24x1,5x20,5 C1368	DADO 24x1,5x20,5 C1368
11	11265511	2	45A	RING 16x19 C1368	ANELLO 16x19 C1368
12	11306931	2	40V	SCREW 10x1,25x30	VITE 10x1,25x30
13	12173990	4	180C	COLLAR 25/45x12 C2273	COLLARE 25/45x12 C2273
	79083844	2	180C	COLLAR D2273	COLLARE D2273
14	12638660	2	131R	WASHER 10,2x18	ROSETTA 10,2x18
15	14452980	2	158G	O-RING 1,78x9,25	GUARNIZIONE O-R 1,78x9,25
16	14459080	1	158G	O-RING 2,62x44,12	GUARNIZIONE O-R 2,62x44,12
17	14459180	1	158G	O-RING 2,62x45,69	GUARNIZIONE O-R 2,62x45,69
18	15541431	3	40V	SCREW 12x1,25x80	VITE 12x1,25x80
19	79002004	4	90S	HALF RING C2348	SEMIANELLO C2348
	79094771	4	90S	HALF RING D2348	SEMIANELLO D2348
20	79010771	1	80P	PIN	PERNO
21	79010772	2	300S	SUPPORT	SUPPORTO
22	79012341	1	193T	TUBE	TUBO RIGIDO
23	79012344	1	193T	TUBE	TUBO RIGIDO

STEERING CLUTCHES HYDRAULIC CONTROL - COMANDO IDRAULICO FRIZIONI DI STERZO -
 COMMANDE HYDRAULIQUE DES EMBRAYAGES DE DIRECTION - HYDRAUL. STEUERUNG DER
 LENKREIBKUPPLUNGEN - SISTEMA HIDRAULICO DE EMBRAGUES DE DIRECCION

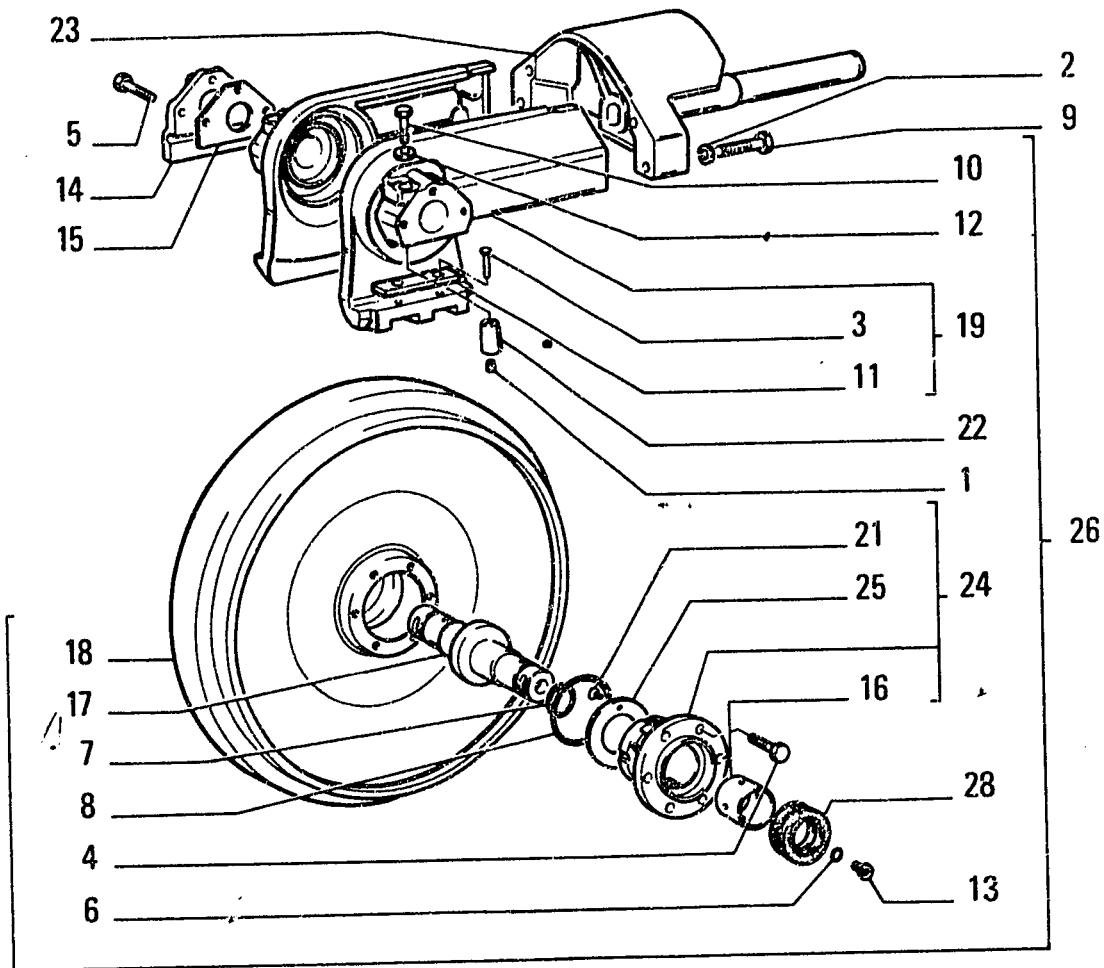
D2.23 1
 N.T.R. 163 - 30.05.1989
 604.01.077.03

D

FRAME • STEERING • SUSPENSIONS • WHEELS • UNDERCARRIAGE • HYDRAULIC TRANSMISSION
TELAIO • STERZO • SOSPENSIONI • RUOTE • CINGOLATURA • TRASMISSIONE IDRAULICA
CADRE • DIRECTION • SUSPENSIONS • ROUES • TRAIN DE ROULEMENT • TRANSMISSION HYDRAULIQUE
RAHMEN • LENKUNG • AUFHÄNGUNGEN • RÄDER • KETTENLAUFWERK • HYDRAULISCHER ANTRIEB
BASTIDOR • DIRECCIÓN • SUSPENSIÓN • RUEDAS • TREN DE RODAJE • TRANSMISSION HYDRAULICA

G1

FIATALLIS FL5



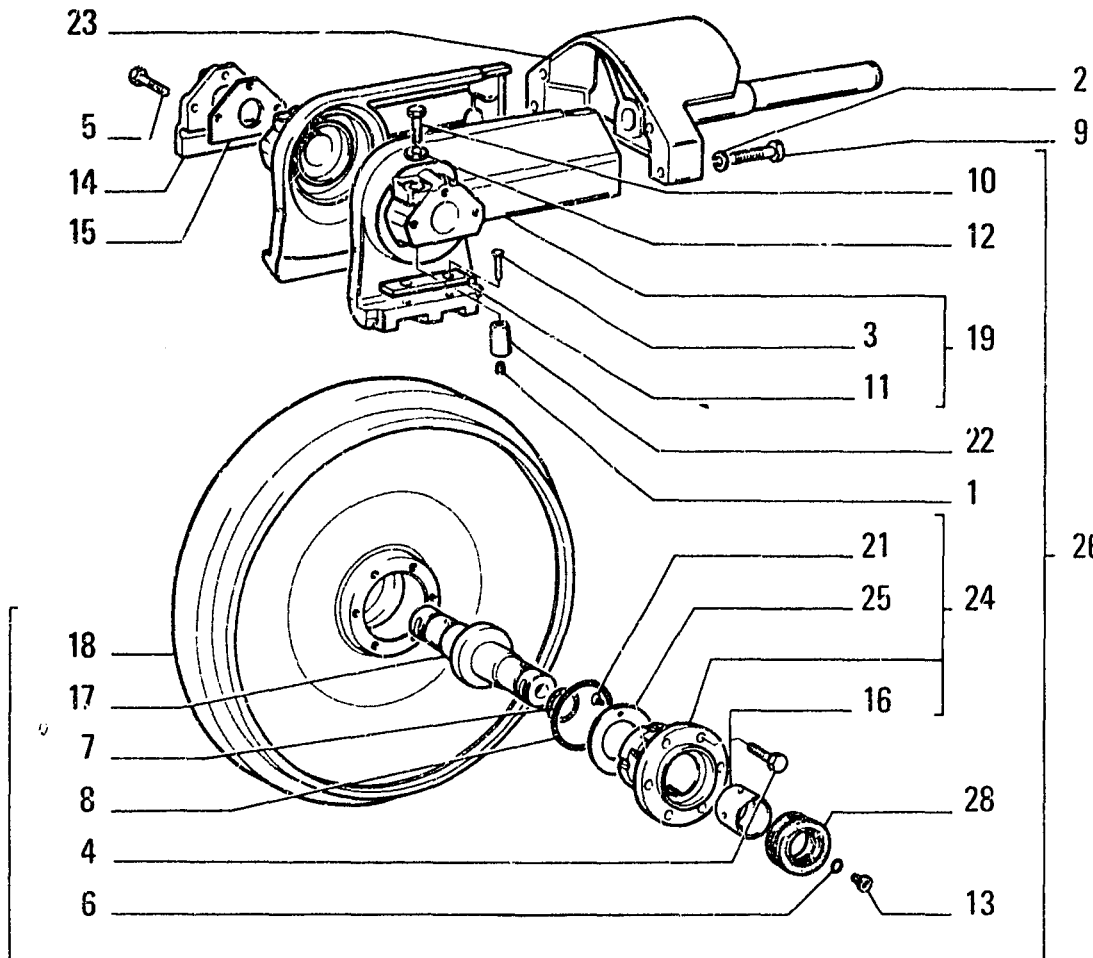
ITEM	PART NUMBER	QTY	TRANS CODE	DESCRIPTION	DESCRIZIONE
28	79033719	4	158G	G-RING	GUARNIZIONE O-R

03668

IDLER WHEEL - TENDICINGOLO - ROUE TENDEUSE - LEITRAD - RUEDA GUIADORA

D3.34

2



ITEM	PART NUMBER	QTY	TRANS CODE	DESCRIPTION	DESCRIZIONE
1	563024	4	50T	PLUG	TAPPO
2	10517071	8	132R	LOCKWASHER 12.2x3,1	ROSETTA DI SICUREZZA 12,2x3,1
3	10547100	8	55R	RIVET 8x32	RIBATTINO 8x32
4	14238131	24	40V	SCREW 8x1,25x25	VITE 8x1,25x25
5	14274631	12	40V	SCREW 12x1,25x35	VITE 12x1,25x35
6	14457080	2	158G	O-RING 2,62x12,37	GUARNIZIONE O-R 2,62x12,37
7	14464080	2	158G	O-RING 3,53x37,69	GUARNIZIONE O-R 3,53x37,69
8	14465380	4	158G	O-RING 3,53x78,97	GUARNIZIONE O-R 3,53x78,97
9	15541131	3	40V	SCREW 12x1,25x65	VITE 12x1,25x65
10	16041631	4	40V	SCREW 10x1,25x50	VITE 10x1,25x50
11	79012672	4	45P	PAD	PATTINO
12	79012675	4	131R	WASHER	ROSETTA
13	79019318	2	50T	PLUG	TAPPO
14	79019406	4	105P	PLATE	PIASTRA
15	79019407		198S	SHIM	SPESSORE
16	79020691	4	95B	BUSHING	BOCCOLA
17	79021065	2	16A	SHAFT	ALBERO
18	79021584	2	160R	WHEEL	RUOTA
19	79021590	2	300S	SUPPORT - RIGHT ASSEMBLY	SUPPORTO - DESTRO COMPLETO
	79021592	2	300S	SUPPORT - LEFT ASSEMBLY	SUPPORTO - SINISTRO COMPLETO
21	79023131	8	40V	SCREW	VITE
22	79023955	4	80P	PIN	PERNO
23	79025268	2	300S	SUPPORT	SUPPORTO
24	79029122	4	35S	CASE - ASSEMBLY	SCATOLA - COMPLETO
25	79029123	4	23R	THRUST PLATE	RALLA DI SPINTA
26	79029126	1	160R	WHEEL - RIGHT ASSEMBLY	RUOTA - DESTRO COMPLETO
	79029127	1	160R	WHEEL - LEFT ASSEMBLY	RUOTA - SINISTRO COMPLETO

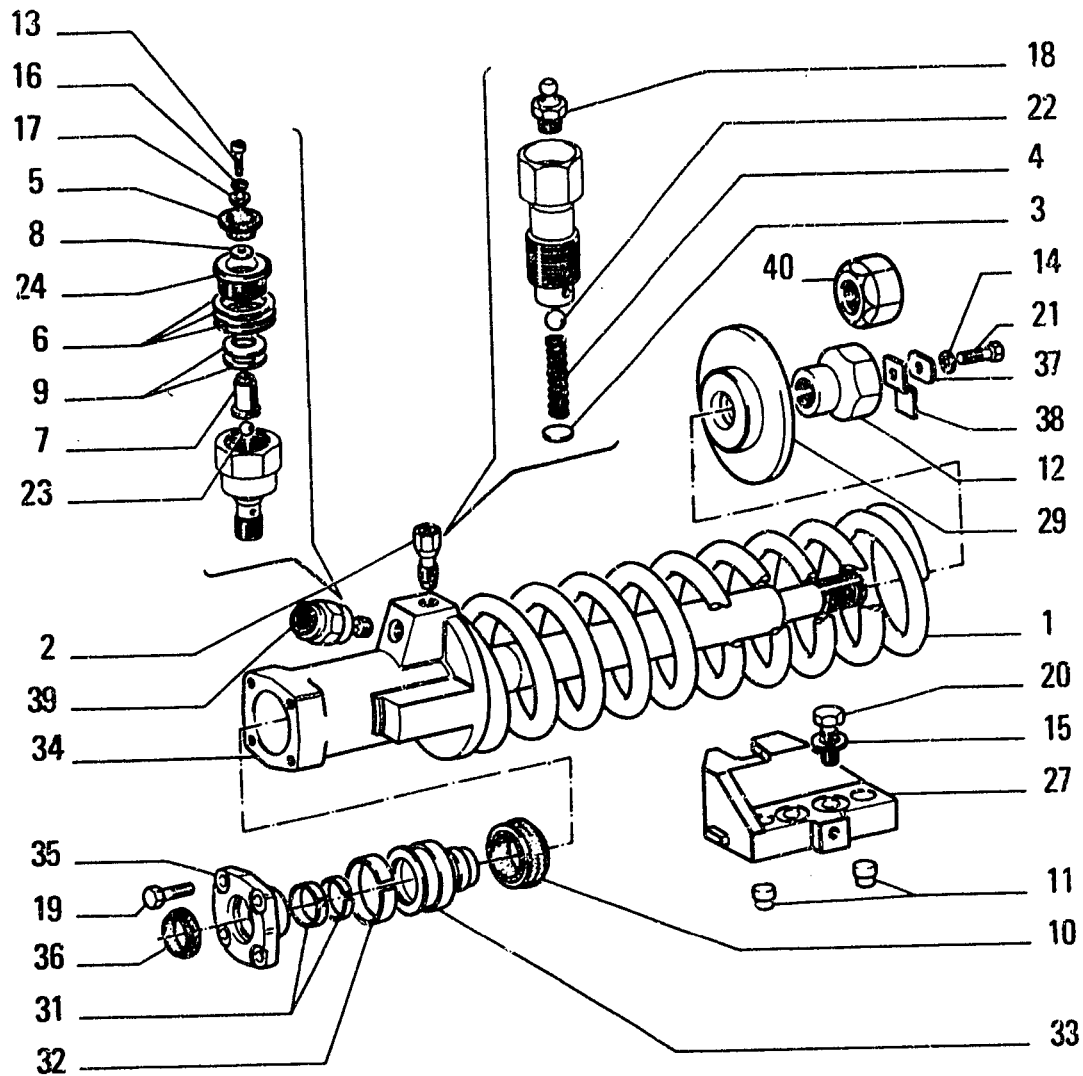
03668

IDLER WHEEL - TENDICINGOLO - ROUE TENDEUSE - LEITRAD - RUEDA GUIADORA

D3.34

2

G3



FIATALLIS FL5

I T E M	PART NUMBER	Q T Y	TRANS CODE	DESCRIPTION	DESCRIZIONE
24	79002121	2	265C	COVER	COPERCHIO
27	79012662	2	300S	SUPPORT - LEFT	SUPPORTO - SINISTRO
	79012663	2	300S	SUPPORT - RIGHT	SUPPORTO - DESTRO
29	79012664	2	60D	DISC C 967	DISCO C 967
	79040915	2	60D	DISC D 967	DISCO D 967
30	79012665	2	90A	ROD - DELATED	ASTA - ELIMINATO
31	79012676	4	45A	RING	ANELLO
32	79012677	2	45A	RING	ANELLO
33	79012678	2	235S	PISTON	STANTUFFO
34	79012680	2	164C	CYLINDER C 967	CILINDRO C 967
	79040206	2	164C	CYLINDER D 967	CILINDRO D 967
35	79012681	2	265C	COVER	COPERCHIO
36	79012682	2	158G	O-RING	GUARNIZIONE O-R
37	79019444	2	131R	WASHER C 967	ROSETTA C 967
	79040203	2	110P	PLAQUE D 967	PIASTRINA D 967
38	79019445	2	110P	PLAQUE C 967	PIASTRINA C 967
39	79019551	2	9V	SAFETY VALVE - ASSEMBLY	VALVOLA SICUREZZA - COMPLETO
40	79040204	2	10D	NUT D 967	DADO D 967

03667

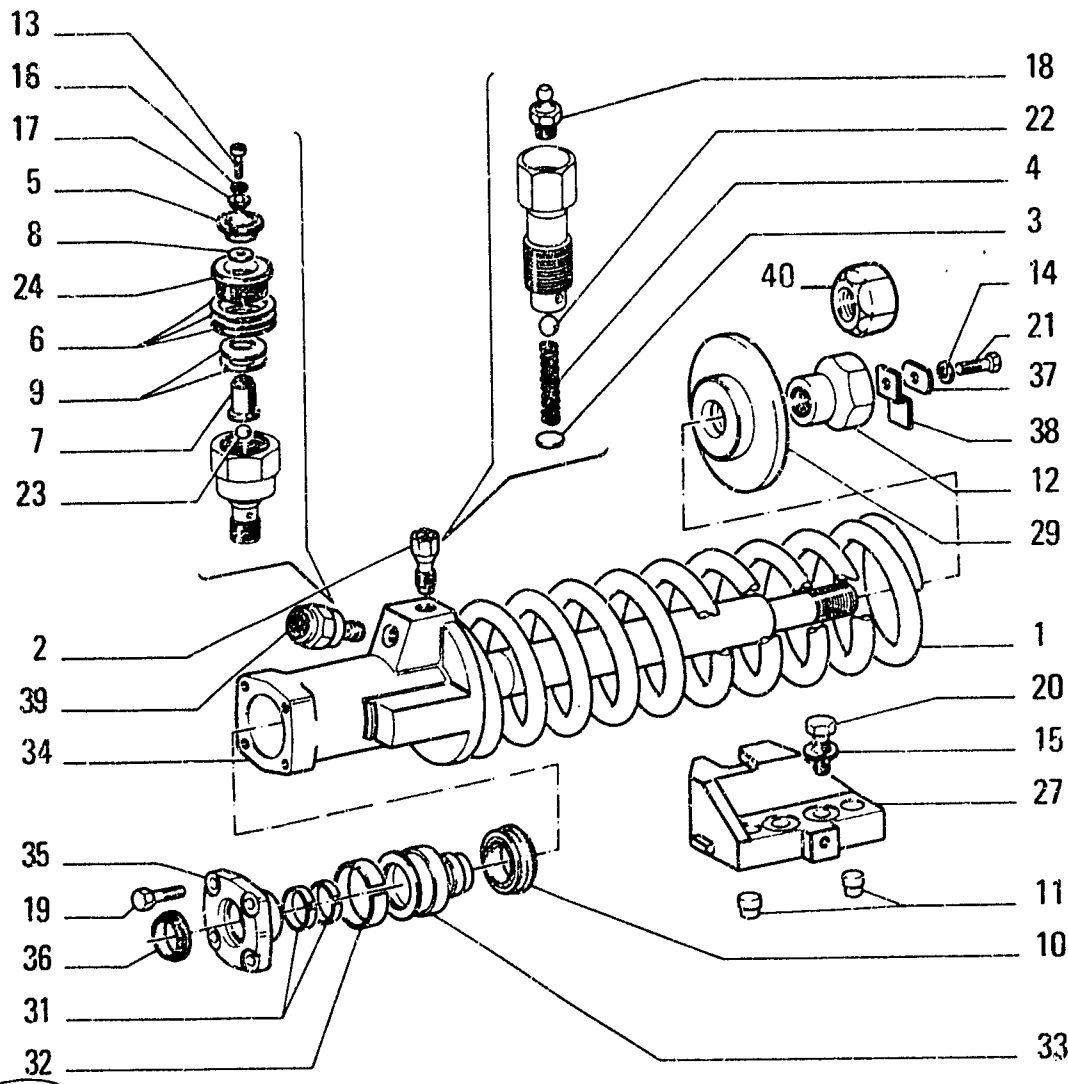
IDLER WHEEL - TENDINGOLO - ROUE TENDEUSE - LEITRAD - RUEDA GUIADORA

D3.34

1

N.T.R. 102 - 31.05.82
604.01.077.01

G4



FIATALLIS FL5

I T E M	PART NUMBER	Q T Y	TRANS CODE	DESCRIPTION	DESCRIZIONE
1	582611	2	100M	SPRING	MOLLA
2	587271	2	10V	VALVE - ASSEMBLY	VALVOLA - COMPLETO
3	587272	2	131R	WASHER	ROSETTA
4	587273	2	100M	SPRING	MOLLA
5	594633	2	70R	GUARD	RIPARO
6	594634	2	131R	WASHER	ROSETTA
7	594637	2	9V	SAFETY VALVE	VALVOLA SICUREZZA
8	594638	16	100M	SPRING	MOLLA
9	594640		110P	PLAQUE - THICKNESS 0.1	PIASTRINA - SPESSORE 0.1
	79009581		110P	PLAQUE - THICKNESS 0.2	PIASTRINA - SPESSORE 0.2
	79009582		110P	PLAQUE - THICKNESS 0.5	PIASTRINA - SPESSORE 0.5
10	596096	2	158G	O-RING	GUARNIZIONE O-R
11	4955605	8	90G	DOWEL	GRANO
12	4969074	2	10D	NUT C 967	DADO C 967
13	10389511	2	40V	SCREW 5x0,8x14	VITE 5x0,8x14
14	10516871	2	132R	LOCKWASHER 10x2,5 C 967	ROSETTA DI SICUREZZA 10x2,5 C 967
15	10517271	8	132R	LOCKWASHER 16,2x4	ROSETTA DI SICUREZZA 16,2x4
16	11195471	2	132R	LOCKWASHER 5,1x1,1	ROSETTA DI SICUREZZA 5,1x1,1
17	12638101	2	131R	WASHER 5,15x14	ROSETTA 5,15x14
18	13407211	2	60I	GREASE FITTING 10x1	INGRASSATORE 10x1
19	14233430	8	40V	SCREW 10x1,25x25	VITE 10x1,25x25
20	15840537	8	40V	SCREW 16x1,5x50	VITE 16x1,5x50
21	14233030	2	40V	SCREW 10x1,25x16 D 967	VITE 10x1,25x16 D 967
	15970531	2	40V	SCREW 10x1,25x20 C 967	VITE 10x1,25x20 C 967
22	20063460	2	140S	BALL 7,144	SFERA 7,144
23	20063470	2	140S	BALL 7,938	SFERA 7,938

03667

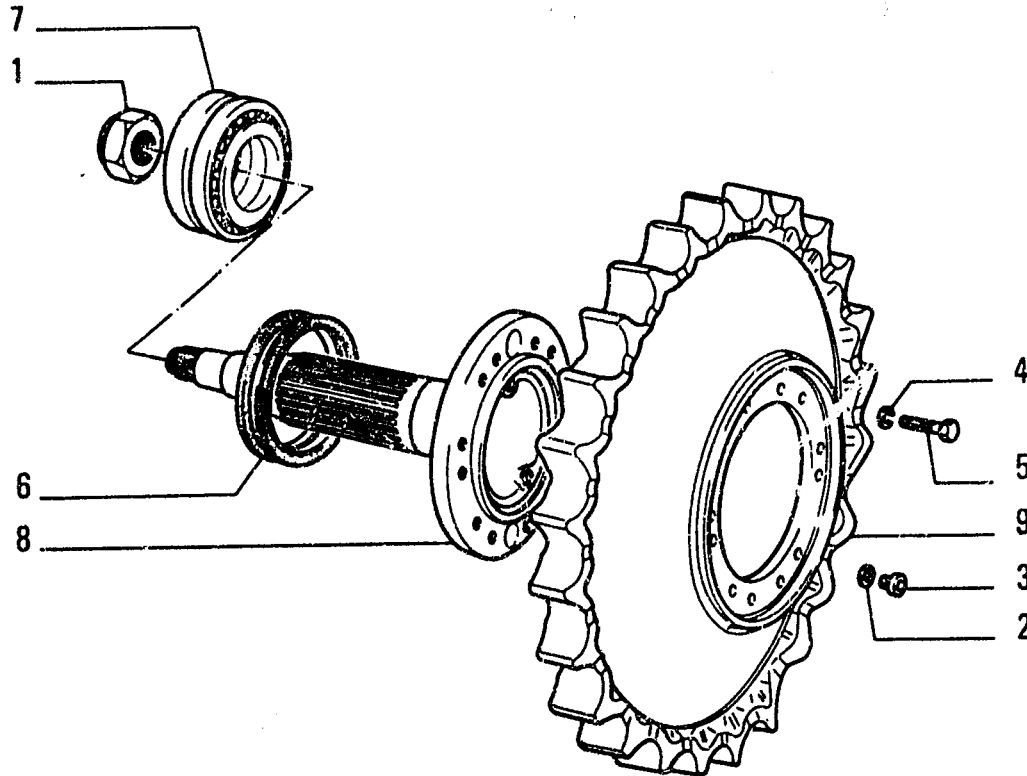
IDLER WHEEL - TENDICINGOLO - ROUE TENDEUSE - LEITRAD - RUEDA GUIADORA

D3.34

1

N.T.R. 102 - 31.05.82
604.01.077.01

G5



I T E M	PART NUMBER	Q T Y	TRANS CODE	DESCRIPTION	DESCRIZIONE
1	4965705	2	10D	NUT	DADO
2	10264080	6	133R	SEAL 18,2x24	ROSETTA DI TENUTA 18,2x24
3	10273111	6	50T	PLUG 18x1,5x10	TAPPO 18x1,5x10
4	10517271	24	132R	LOCKWASHER 16,2x4	ROSETTA DI SICUREZZA 16,2x4
5	11376237	24	40V	SCREW 16x1,5x35	VITE 16x1,5x35
6	79007456	2	158G	O-RING	GUARNIZIONE O-R
7	79012255	2	341C	BEARING	CUSCINETTO
8	79025214	2	16A	SHAFT C2118	ALBERO C2118
	79058683	2	16A	SHAFT D2118	ALBERO D2118
9	79029812	2	163R	SPROCKET C2280	RUOTA MOTRICE C2280
	79087038	2	163R	SPROCKET D2280	RUOTA MOTRICE D2280

03666

DRIVE SPROCKET - RUOTA MOTRICE - BORBOTIN MOTEUF - TREIBRAD - RUEDA MOTRIZ

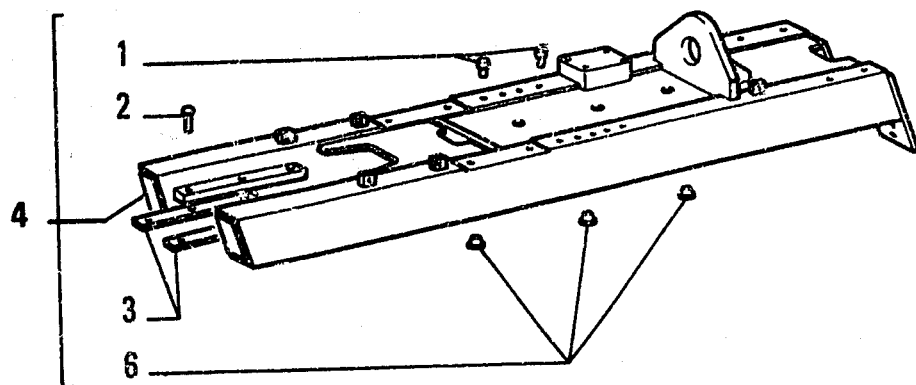
D3.33

N.T.R. 102 - 31.05.82
604.01.077.01

G6

FIATALLIS FL5

I T E M	PART NUMBER	Q T Y	TRANS CODE	DESCRIPTION	DESCRIZIONE
1	4955605	8	90G DOWEL		GRANO
2	10547300	12	55R RIVET 8x38		RIBATTINO 8x38
3	79012771	4	198S SHIM		SPESSORE
4	79022089	1	300C BODY - RIGHT ASSEMBLY		CORPO - DESTRO COMPLETO
	79022092	1	300C BODY - LEFT ASSEMBLY		CORPO - SINISTRO COMPLETO
6	79024229	12	50T PLUG		TAPPO



03665

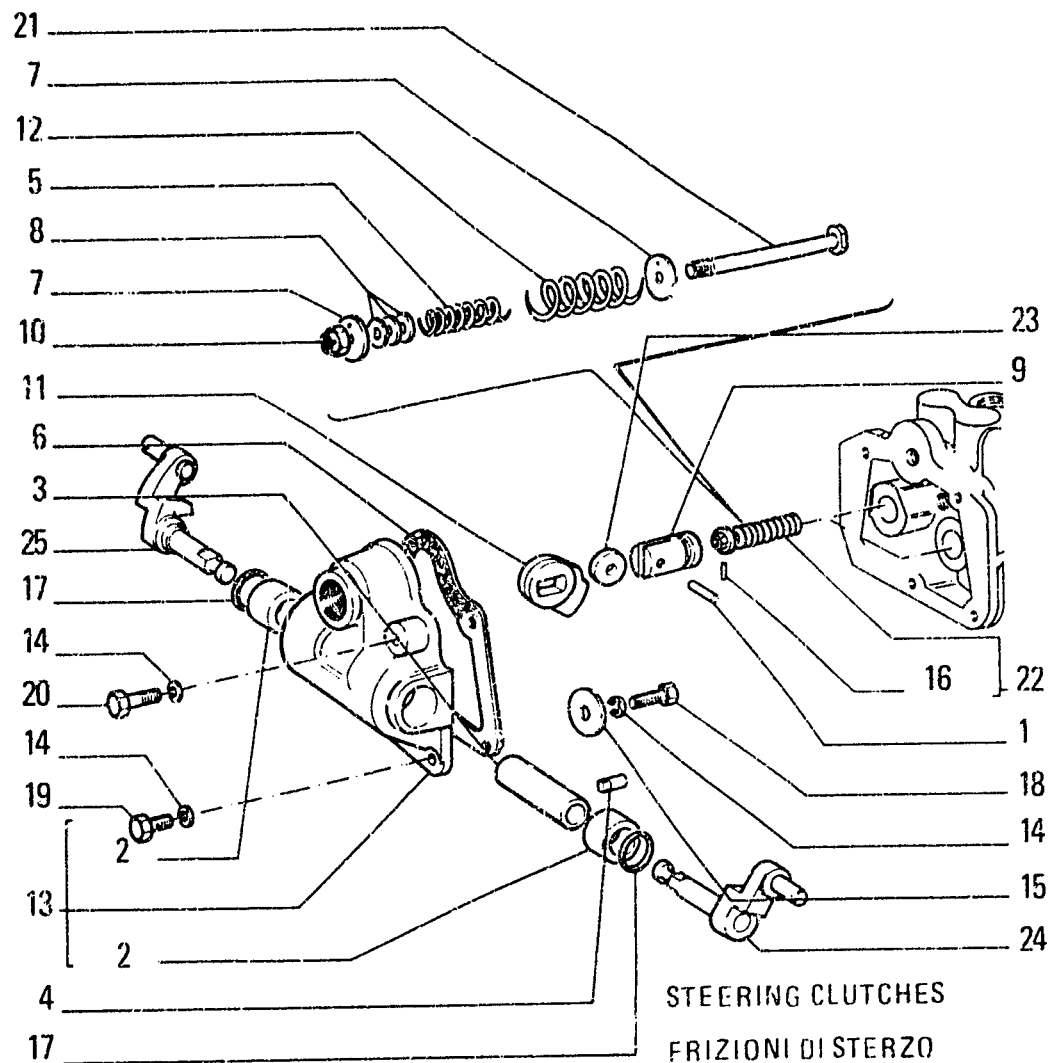
TRACK FRAME BODY - CORPO CARRELLO CINGOLO
 RAUPENFAHRWERKRAHMEN - ARMAZON DE CADENA

CHASSIS DE CHARIOT DE CHENILLE -

D3.30

G7

FIATALLIS FL5



I T E M	PART NUMBER	Q T Y	TRANS CODE	DESCRIPTION	DESCRIZIONE
1	575888	2	80P PIN		PERNO
2	587138	2	95B BUSHING		BOCCOLA
3	587141	1	75D SPACER		DISTANZIALE
4	587142	2	80P PIN		PERNO
5	591107	2	100M SPRING - INNER		MOLLA - INTERNO
6	591115	1	123G SEAL ASSY		GUARNIZIONE TENUTA FRONTALE
7	591121	4	131R WASHER		ROSETTA
8	591123		198S SHIM		SPESSORE
9	595736	2	240P TAPPET		PUNTERIA
10	599820	2	10D NUT		DADO
11	4951759	2	10E ECCENTRIC		ECCENTRICO
12	4968219	2	100M SPRING - OUTER		MOLLA - ESTERNO
13	4983643	1	265C COVER - ASSEMBLY		COPERCHIO - COMPLETO
14	10516671	6	132R LOCKWASHER 8,1x2,2		ROSETTA DI SICUREZZA 8,1x2,2
15	12647001	1	131R WASHER 8,15x25		ROSETTA 8,15x25
16	14157470	2	200S PIN 1,7x10		SPINA 1,7x10
17	14457280	2	158G O-RING 2,62x15,54		GUARNIZIONE O-R 2,62x15,54
18	16043131	1	40V SCREW 8x1,25x14		VITE 8x1,25x14
19	16043431	3	40V SCREW 8x1,25x20		VITE 8x1,25x20
20	16043931	2	40V SCREW 8x1,25x35		VITE 8x1,25x35
21	79003679	2	80P PIN		PERNO
22	79003685	2	100M SPRING - ASSEMBLY		MOLLA - COMPLETO
23	79004433	4	157R ROLLER		RULLO
24	79025170	1	45L LEVER - LEFT		LEVA - SINISTRO
25	79025172	1	45L LEVER - RIGHT		LEVA - DESTRO

79025103
CONTROL VALVE - DISTRIBUTORE - DISTRIBUTEUR - STEUERGERAET - DISTRIBUIDOR

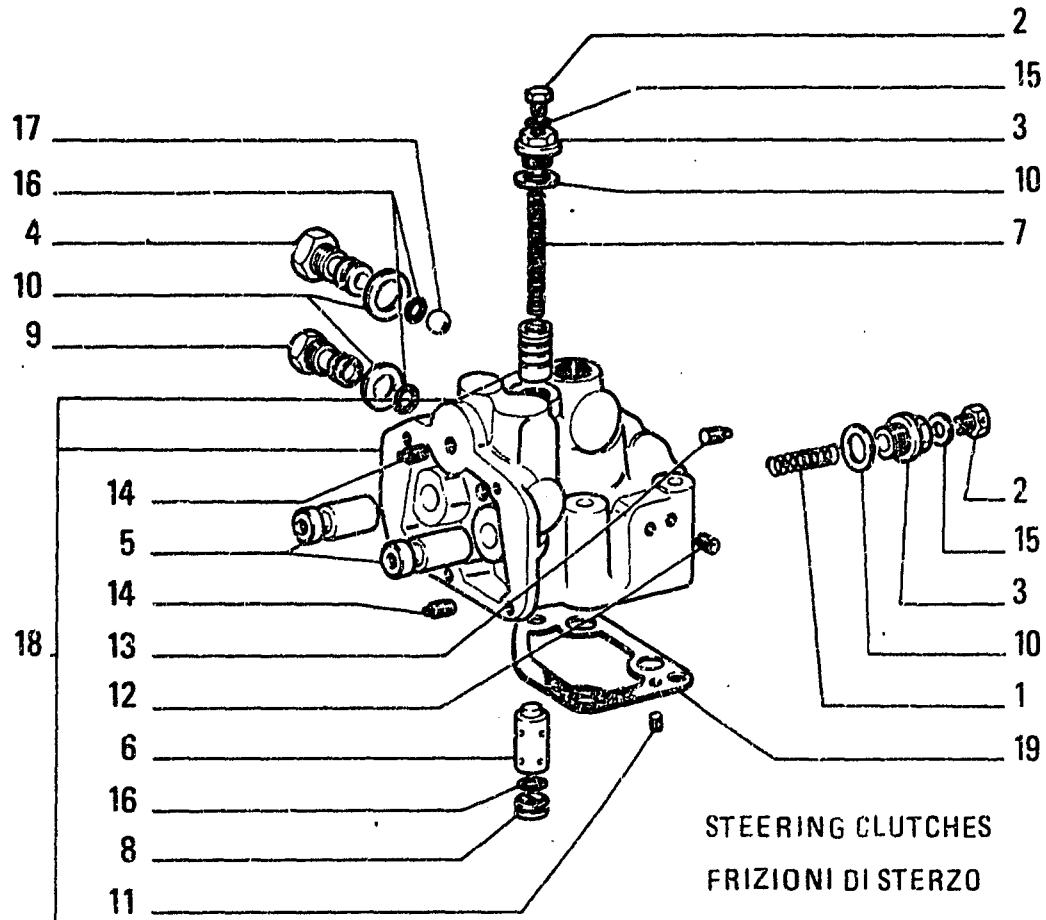
D2.29

2

N.T.R. 163 - 30.05.1989

604.01.077.03

G8

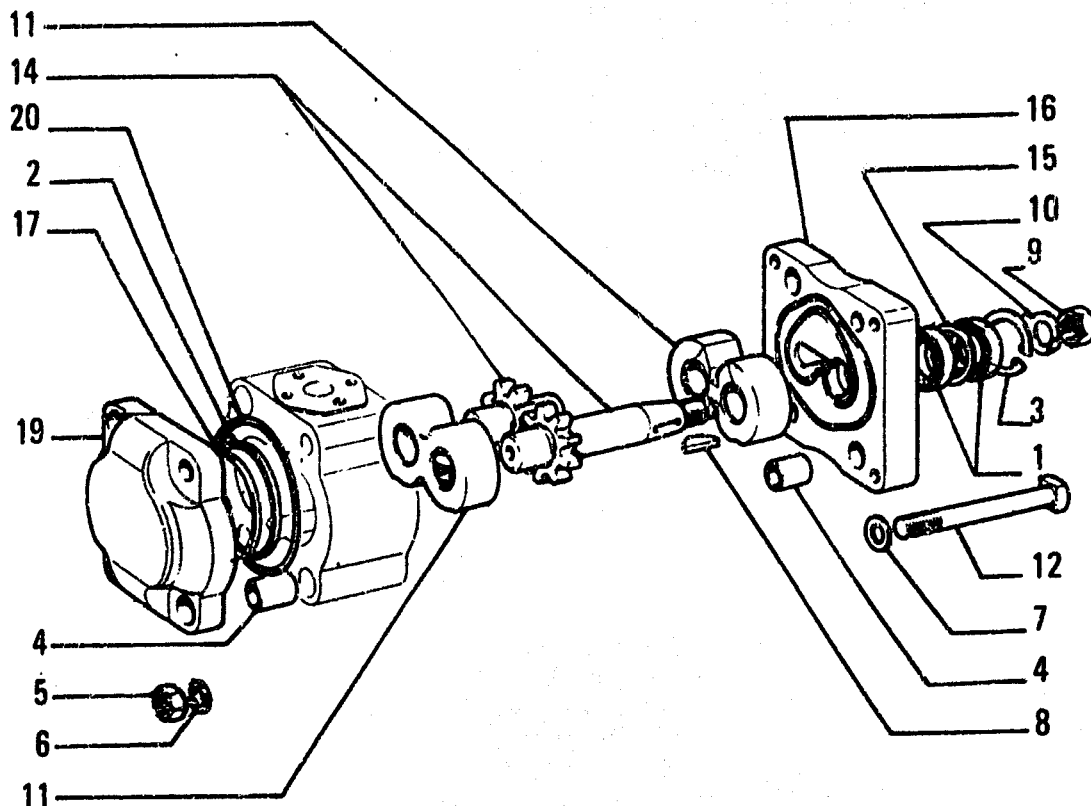


I T E M	PART NUMBER	Q T Y	TRANS CODE	DESCRIPTION	DESCRIZIONE
1	575874	2	100M	SPRING	MOLLA
2	581658	3	50T	PLUG	TAPPO
3	581967	3	90B	FILLER PLUG	BOCCHETTONE INTRODUZIONE
4	587158	1	50T	PLUG	TAPPO
5	591105	2	75F	CARRIER	FLOTTANTE
6	591108	1	75F	CARRIER	FLOTTANTE
7	591112	1	100M	SPRING	MOLLA
8	591247	1	50T	PLUG - LOWER	TAPPO - INFERIORE
9	595878	1	50T	PLUG C 989	TAPPO C 989
	79032446	1	50T	PLUG D 989	TAPPO D 989
10	10257460	5	133R	SEAL 20,2x26	ROSETTA DI TENUTA 20,2x26
11	10269450	1	50T	PLUG 12x1,5x11	TAPPO 12x1,5x11
12	14324811	2	50T	PLUG 12x1,5x13	TAPPO 12x1,5x13
13	14324911	1	50T	PLUG 14x1,5x13	TAPPO 14x1,5x13
14	14325011	2	50T	PLUG 16x1,5x13	TAPPO 16x1,5x13
15	14330260	3	133R	SEAL 8,2x12	ROSETTA DI TENUTA 8,2x12
16	14456980	3	158G	O-RING 2,62x10,77	GUARNIZIONE O-R 2,62x10,77
17	20063000	1	140S	BALL 15,082	SFERA 15,082
18	79002971	1	300C	BODY - ASSEMBLY	CORPO - COMPLETO
19	79007717	1	123G	SEAL ASSY	GUARNIZIONE TENUTA FRONTALE

79025103
 CONTROL VALVE - DISTRIBUTORE - DISTRIBUTEUR - STEUERGERAET - DISTRIBUIDOR

G9

D2.29 1
 N.T.R. 163 - 30.05.1989
 604.01.077.03



I T E M	PART NUMBER	Q T Y	TRANS CODE	DESCRIPTION	DESCRIZIONE
1	5110478	2	122G	SEAL	GUARNIZIONE
2	8273909	2	158G	O-RING	GUARNIZIONE O-R
3	8273911	1	187A	SNAP RING	ANELLO ELASTICO
4	5120207	4	95B	BUSHING	BOCCOLA
5	12164721	4	10D	NUT 10x1,25x8	DADO 10x1,25x8
6	10516871	4	170R	LOCKWASHER 10x2,5	ROSETTA EL. 10x2,5
7	10284460	4	131R	WASHER 10,2x16	ROSETTA 10,2x16
8	8273918	1	60L	KEY	LINGUETTA
9	8273919	1	10D	NUT	DADO
10	8273920	1	170R	LOCKWASHER	ROSETTA EL.
11	8273940	2	300S	SUPPORT	SUPPORTO
12	5120484	4	40V	SCREW	VITE
14	8274234	1	286C	GEAR SET	COPPIA DI INGRANAGGI
15	8280168	1	75D	SPACER	DISTANZIALE
16	5120208	1	70F	FLANGE	FLANGIA
17	8281201	2	158G	O-RING	GUARNIZIONE O-R
18	8281576	1	1K	KIT SEE PAGE 9	KIT VED. PAG.9
19	5120204	1	285C	COVER	COPERCHIO
20	14460380	2	158G	O-RING 2,62x64,77	GUARNIZIONE O-R 2,62x64,77

STEERING CLUTCHES
FRIZIONI DI STERZO

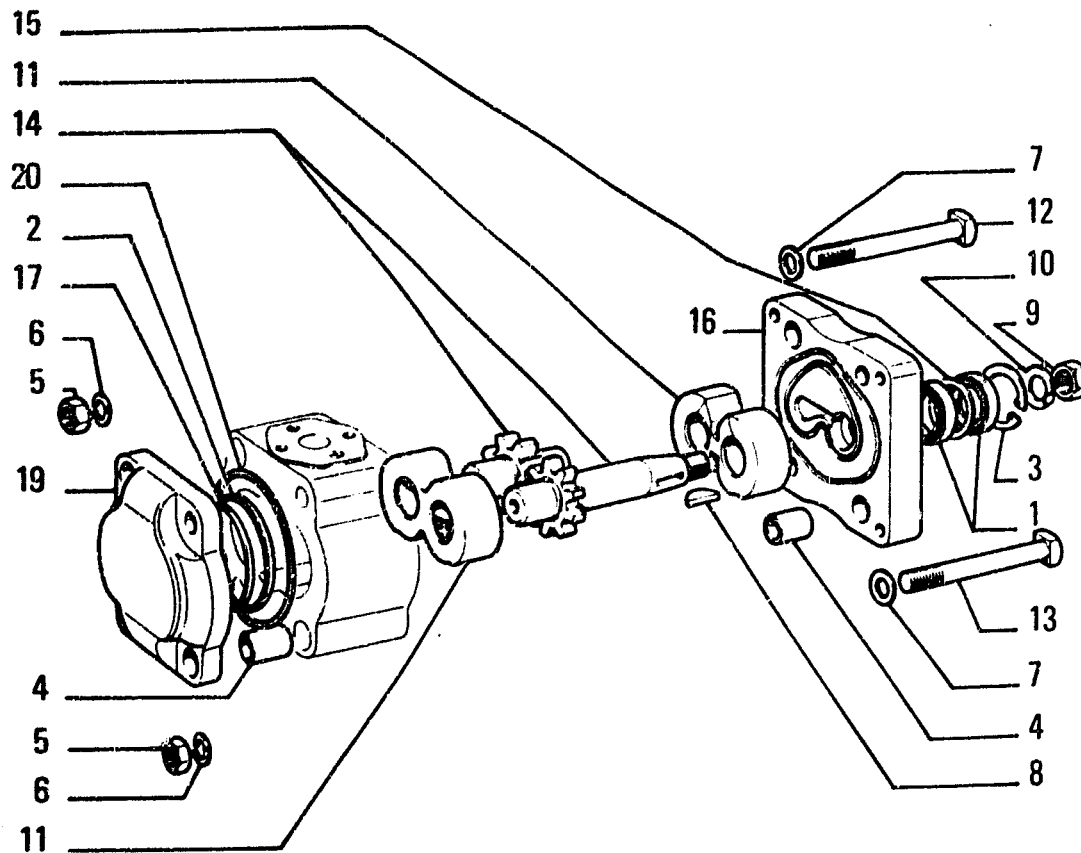
D 1373 Tel. n. 201361 →



5120481
PUMP - POMPA - POMPE - PUMPE - BOMBA

D2.27/A
N.T.R. 163 - 30.05.1989
604.01.077.03

G10



STEERING CLUTCHES

FRIZIONI DI STERZO

C 1372 - Tel. n. 201145



I T E M	PART NUMBER	Q T Y	TRANS CODE	DESCRIPTION	DESCRIZIONE
1	5110478	2	123G	SEAL ASSY	GUARNIZIONE TENUTA FRONTALE
2	8273909	2	158G	O-RING	GUARNIZIONE O-R
3	8273911	1	51A	LOCKRING	ANELLO DI SICUREZZA
4	8273912	4	95B	BUSHING	BOCCOLA
5	8273915	4	10D	NUT	DADO
6	8273916	4	132R	LOCKWASHER	ROSETTA DI SICUREZZA
7	8273917	4	131R	WASHER	ROSETTA
8	8273918	1	60L	KEY	LINGUETTA
9	8273919	1	10D	NUT	DADO
10	8273920	1	132R	LOCKWASHER	ROSETTA DI SICUREZZA
11	8273940	2	300S	SUPPORT	SUPPORTO
12	8273968	3	40V	SCREW	VITE
13	8273969	1	40V	SCREW	VITE
14	8274234	1	286C	GEAR SET	COPPIA DI INGRANAGGI
15	8280168	1	75D	SPACER	DISTANZIALE
16	8280169	1	70F	FLANGE	FLANGIA
17	8281201	2	158G	O-RING	GUARNIZIONE O-R
18	8281576	1	1K	KIT SEE PAGE 9	KIT VED. PAG.9
19	8283478	1	265C	COVER	COPERCHIO
20	14460380	2	158G	O-RING 2,62x64,77	GUARNIZIONE O-R 2,62x64,77

581610

PUMP - POMPA - POMPE - PUMPE - BOMBA

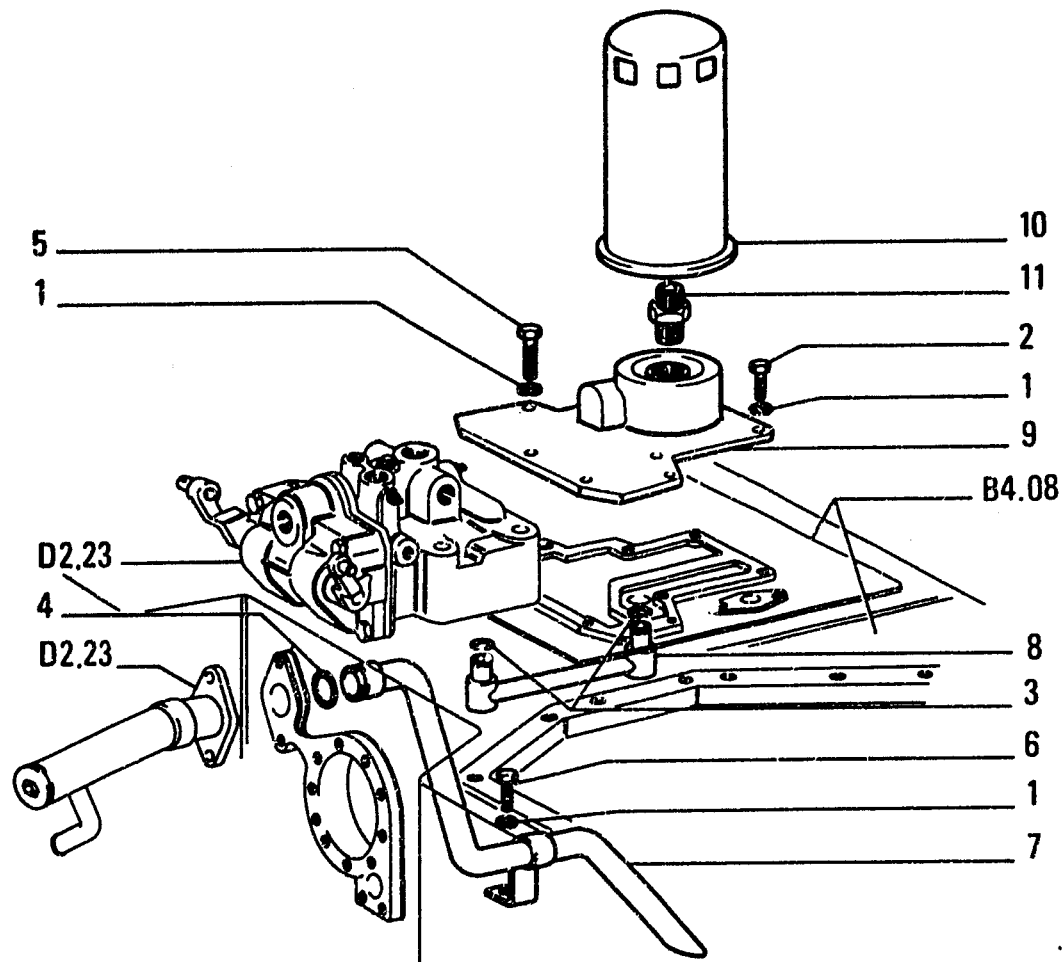
D2.27

N.T.R. 163 - 30.05.1989

604.01.077.03

G11

FIATALLIS FL5



ITEM	PART NUMBER	QTY	TRANS CODE	DESCRIPTION	DESCRIZIONE
1	10516871	10	132R	LOCKWASHER 10x2,5	ROSETTA DI SICUREZZA 10x2,5
2	11306931	7	40V	SCREW 10x1,25x30	VITE 10x1,25x30
3	13401176	2	51A	LOCKRING 20,2x24,2	ANELLO DI SICUREZZA 20,2x24,2
4	14463480	1	158G	O-RING 3,53x28,17	GUARNIZIONE O-R 3,53x28,17
5	15888731	2	40V	SCREW 10x1,25x55	VITE 10x1,25x55
6	15970531	1	40V	SCREW 10x1,25x20	VITE 10x1,25x20
7	79012338	1	193T	TUBE	TUBO RIGIDO
8	79020632	1	193T	TUBE	TUBO RIGIDO
9	79026103	1	300S	SUPPORT C2123	SUPPORTO C2123
	79036600	1	300S	SUPPORT D2123	SUPPORTO D2123
10	79026104	1	67F	OIL FILTER	FILTRO OLIO
11	79026105	1	20R	FITTING	RACCORDO

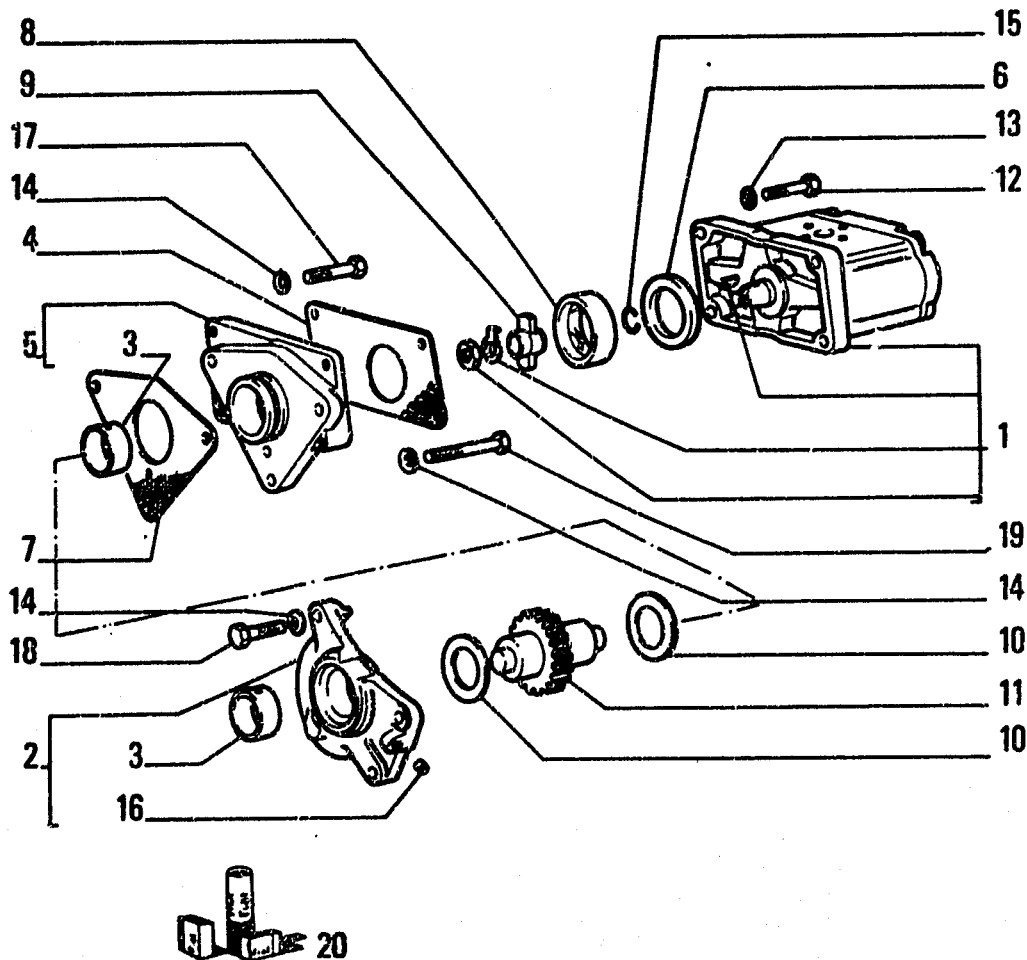
STEERING CLUTCHES LUBRICATION SYSTEM - LUBRIFICAZIONE FRIZIONI DI STERZO - GRAISSAGE DES
 EMBRAYAGES DE DIRECTION - SCHMIERUNG DER LENKREIBKUPPLUNGEN - ENGRASE DE EMBRAGUES
 DE DIRECCIÓN

D2.24

N.T.R. 163 - 30.05.1989

604.01.077.03

G12



ITEM	PART NUMBER	QTY	TRANS CODE	DESCRIPTION	DESCRIZIONE
12	10902821	4	40V	SCREW 6x1x30	VITE 6x1x30
13	11197771	4	132R	LOCKWASHER 6,4x12	ROSETTA DI SICUREZZA 6,4x12
14	11198071	6	131R	WASHER 8,2x15	ROSETTA 8,2x15
15	13398376	1	51A	LOCKRING 23,7x3	ANELLO DI SICUREZZA 23,7x3
16	14327101	1	50T	PLUG 7x4	TAPPO 7x4
17	16043821	2	40V	SCREW 8x1,25x30	VITE 8x1,25x30
18	16043921	3	40V	SCREW 8x1,25x35	VITE 8x1,25x35
19	16044521	1	40V	SCREW 8x1,25x65	VITE 8x1,25x65
20	79066594	1	2K	KIT (*) D1372	KIT (*) D1372
(*)			78P	FOR ... 79062723	PER 79062723

03660

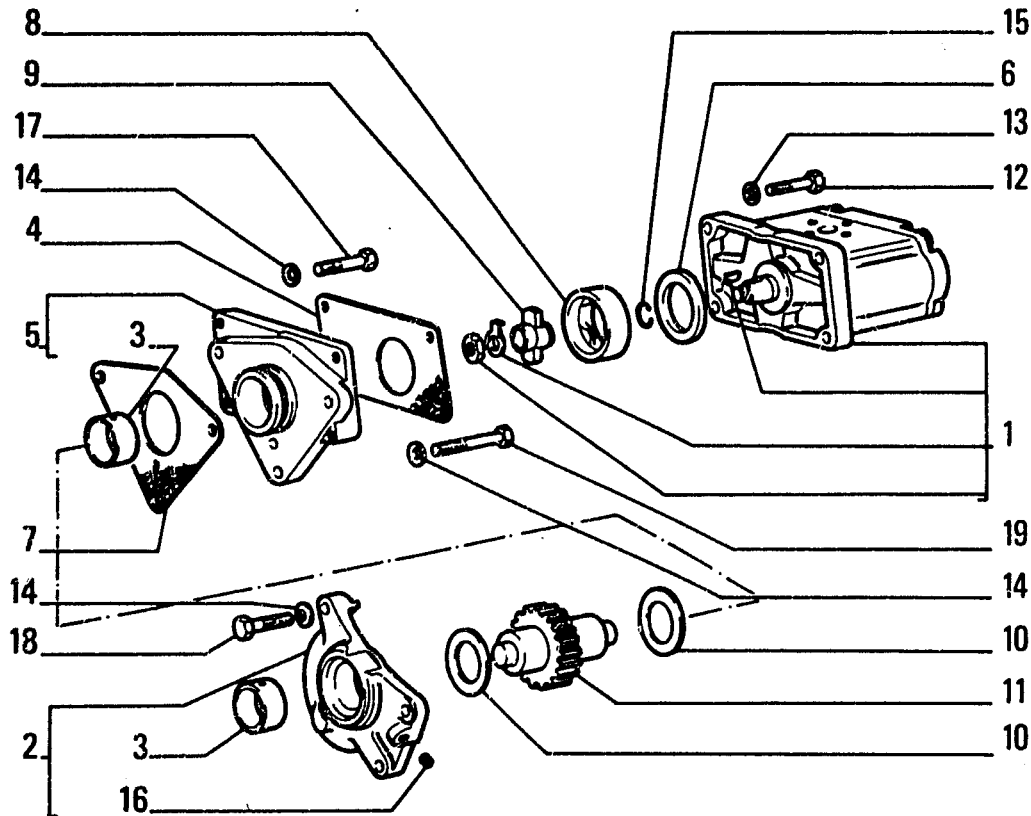
STEERING CLUTCHES HYDRAULIC CONTROL - COMANDO IDRAULICO FRIZIONI DI STERZO -
 COMMANDE HYDRAULIQUE DES EMBRAYAGES DE DIRECTION - HYDRAULIC. STEUERUNG DER
 LENKREIBKUPPLUNGEN - SISTEMA HIDRÁULICO DE EMBRAGUES DE DIRECCIÓN

D2.23

3

N.T.R. 126 - 25.02.86
 604.01.077.02

G13



ITEM	PART NUMBER	QTY	TRANS CODE	DESCRIPTION	DESCRIZIONE
1	581610	1	153P	OIL PUMP - ASSEMBLY SEE SGR. D2.27 C1372	POMPA OLIO - COMPLETO VEDERE SGR. D2.27 C1372
	5120481	1	153P	OIL PUMP - ASSEMBLY SEE SGR. D227/A D1373	POMPA OLIO - COMPLETO VEDERE SGR. D227/A D1373
	79062723	1	153P	OIL PUMP - ASSEMBLY D1372	POMPA OLIO - COMPLETO D1372
		1	153P	OIL PUMP - ASSEMBLY C1373	POMPA OLIO - COMPLETO C1373
2	4607582	1	300S	SUPPORT - FRONT ASSEMBLY C1373	SUPPORTO - ANTERIORE COMPLETO C1373
	4771242	1	300S	SUPPORT - FRONT ASSEMBLY D1373	SUPPORTO - ANTERIORE COMPLETO D1373
3	4607586	2	95B	BUSHING C1373	BOCCOLA C1373
	4788086	2	95B	BUSHING D1373	BOCCOLA D1373
4	4607590	1	123G	SEAL ASSY	GUARNIZIONE TENUTA FRONTALE
5	4607593	1	300S	SUPPORT - REAR ASSEMBLY C1373	SUPPORTO - POSTERIORE COMPLETO C1373
	4788084	1	300S	SUPPORT - REAR ASSEMBLY D1373	SUPPORTO - POSTERIORE COMPLETO D1373
6	4609538	1	45A	RING	ANELLO
7	4619405	1	123G	SEAL ASSY - FRONT	GUARNIZIONE TENUTA FRONTALE - ANTERIORE
8	4621358	1	30M	SLEEVE	MANICOTTO
9	4630543	1	30M	SLEEVE	MANICOTTO
10	4667452	2	131R	WASHER	ROSETTA
11	4673811	1	16A	SHAFT C1373	ALBERO C1373
	4769590	1	16A	SHAFT D1373	ALBERO D1373

03660

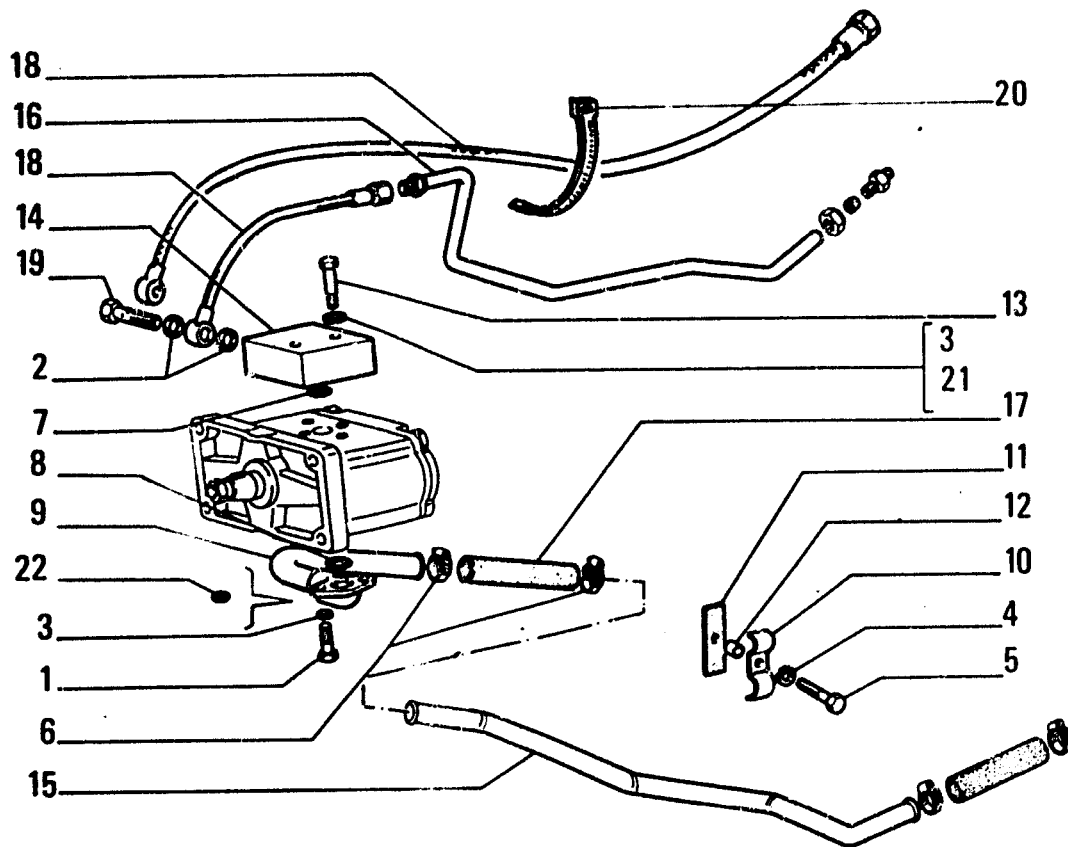
STEERING CLUTCHES HYDRAULIC CONTROL - COMANDO IDRAULICO FRIZIONI DI STERZO -
 COMMANDE HYDRAULIQUE DES EMBRAYAGES DE DIRECTION - HYDRAULIC. STEUERUNG DER
 LENKREIBKUPPLUNGEN - SISTEMA HIDRAULICO DE EMBRAGUES DE DIRECCION

D2.23

3

N.T.R. 126 - 25.02.86
 604.01.077.02

G14



FIATALLIS FL5

ITEM	PART NUMBER	QTY	TRANS CODE	DESCRIPTION	DESCRIZIONE
17	76015371	1	30M SLEEVE	D2273	MANICOTTO D2273
	79032010	1	30M SLEEVE	C2273	MANICOTTO C2273
18	79034391	1	192T HOSE ASSY	C1368	TUBO FLESS.C/RACCORDI C1368
	79043436	1	192T HOSE ASSY	D1368	TUBO FLESS.C/RACCORDI D1368
19	79020859	1	90B FILLER PLUG		ROCCHETTONE INTRODUZIONE
20	79013422	1	31F CLAMP	D1368	FASCETTA D1368
21	10571579	2	170R LOCKWASHER 6,1x1,6	D1373	ROSETTA EL. 6,1x1,6 D1373
22	14496501	2	131R WASHER 8,4x17	D1373	ROSETTA 8,4x17 D1373

STEERING CLUTCHES HYDRAULIC CONTROL - COMANDO IDRAULICO FRIZIONI DI STERZO -
 COMMANDE HYDRAULIQUE DES EMBRAYAGES DE DIRECTION - HYDRAULIC STEUERUNG DER
 LENKREIBKUPPLUNGEN - SISTEMA HIDRÁULICO DE EMBRAGUES DE DIRECCIÓN

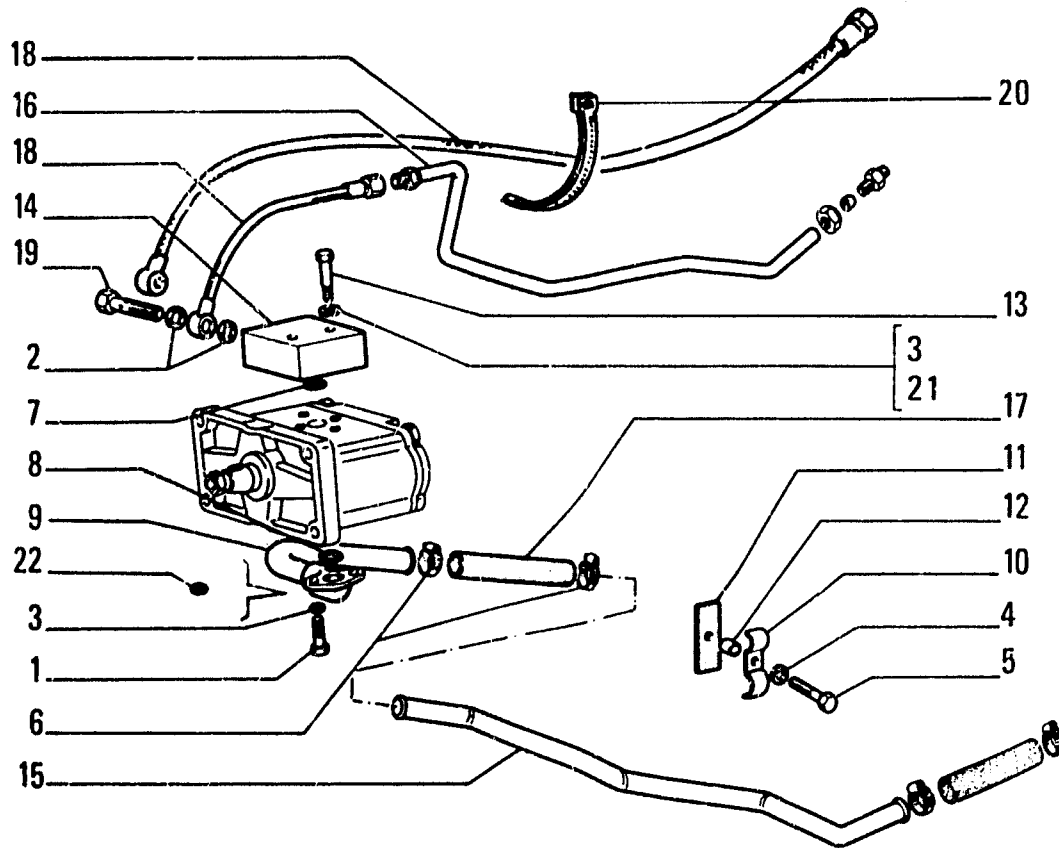
D2.23

2

N.T.R. 163 - 30.05.1989

604.01.077.03

G15



I T E M	PART NUMBER	Q T Y	TRANS CODE	DESCRIPTION	DESCRIZIONE
1	4969925	2	40V	SCREW C1373	VITE C1373
	16044031	2	40V	SCREW 8x1,25x40 D1373	VITE 8x1,25x40 D1373
2	10263460	2	133R	SEAL 22,2x28	ROSETTA DI TENUTA 22,2x28
3	10516671	2	132H	LOCKWASHER 8,1x2,2	ROSETTA DI SICUREZZA 8,1x2,2
		2	170R	LOCKWASHER 8,1x2,2 C1373	ROSETTA EL. 8,1x2,2 C1373
4	10516871	2	132R	LOCKWASHER 10x2,5	ROSETTA DI SICUREZZA 10x2,5
5	11106831	2	40V	SCREW 10x1,5x40	VITE 10x1,5x40
6	12173990	4	190C	COLLAR 25/45x12 C2273	COLLARE 25/45x12 C2273
	79083844	2	180C	COLLAR D2273	COLLARE D2273
7	14457180	1	158G	O-RING 2,62x13,94	GUARNIZIONE O-R 2,62x13,94
8	14457480	1	158G	O-RING 2,62x18,72	GUARNIZIONE O-R 2,62x18,72
9	79015440	1	193T	TUBE - FRONT	TUBO RIGIDO - ANTERIORE
10	79015450	2	231S	CLIP C1368	STAFFETTA C1368
	79043442	2	231S	CLIP D1368	STAFFETTA D1368
11	79015882	2	61T	CUSHION PAD	TASSELLO ELASTICO
12	79016206	2	75D	SPACER	DISTANZIALE
13	10903431	2	40V	SCREW 6x1x45 D2274	VITE 6x1x45 D2274
	10903631	2	40V	SCREW D1373	VITE D1373
		2	40V	SCREW C2274	VITE C2274
	79019707	2	40V	SCREW C1373	VITE C1373
14	76012703	1	70F	FLANGE D2274	FLANGIA D2274
	79020577	1	70F	FLANGE C1373	FLANGIA C1373
	79052017	1	70F	FLANGE D1373	FLANGIA D1373
		1	70F	FLANGE C2274	FLANGIA C2274
15	79031362	1	193T	TUBE	TUBO RIGIDO
16	79031363	1	193T	TUBE C1368	TUBO RIGIDO C1368

STEERING CLUTCHES HYDRAULIC CONTROL - COMANDO IDRAULICO FRIZIONI DI STERZO -
 COMMANDE HYDRAULIQUE DES EMBRAYAGES DE DIRECTION - HYDRAULIC. STEUERUNG DER
 LENKREIBKUPPLUNGEN - SISTEMA HIDRAULICO DE EMBRAGUES DE DIRECCIÓN

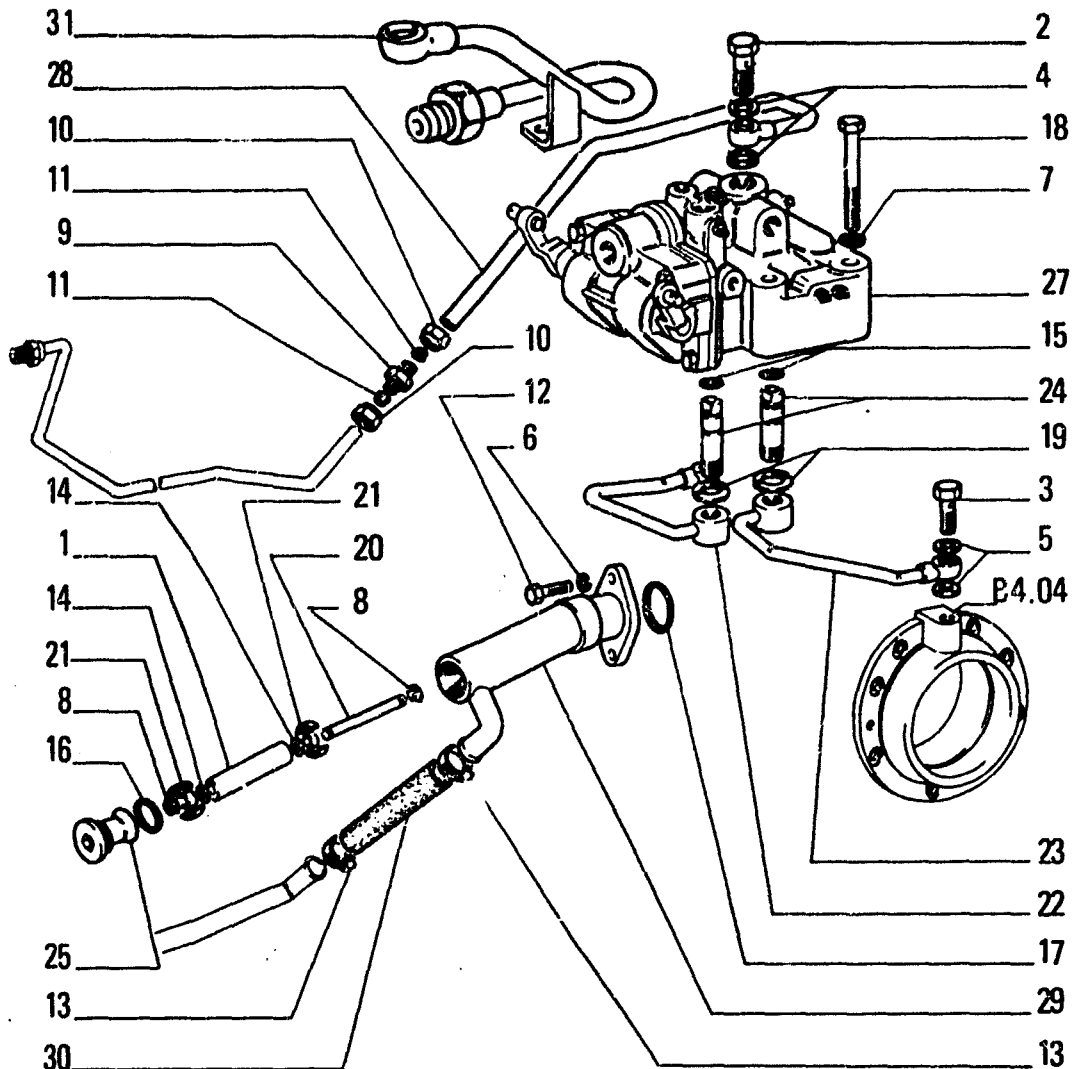
D2.23

2

N.T.R. 163 - 30.05.1989

604.01.077.03

G16



FIATALLIS FL5

D2.23 TAV. 1 PAG.2

ITEM	PART NUMBER	QTY	TRANS CODE	DESCRIPTION	DESCRIZIONE
24	79012349	2	61E END C2348		ESTREMITA' C2348
	79094062	2	61E END D2348		ESTREMITA' D2348
25	79016503	1	50T PLUG		TAPPO
27	79025103	1	83D CONTROL VALVE - ASSEMBLY SEE SGR. D2.29		DISTRIBUTORE - COMPLETO VEDFRE SGR. D2.29
28	79031365	1	193T TUBE - REAR C1368		TUBO RIGIDO - POSTERIORE C1368
29	79031368	1	254C CONTAINER		CONTENITORE
30	76015371	1	30M SLEEVE D2273		MANICOTTO D2273
	79032010	1	30M SLEEVE C2273		MANICOTTO C2273
31	79043441	1	193T TUBE - REAR D1368		TUBO RIGIDO - POSTERIORE D1368

STEERING CLUTCHES HYDRAULIC CONTROL - COMANDO IDRAULICO FRIZIONI DI STERZO -
 COMMANDE HYDRAULIQUE DES EMBRAYAGES DE DIRECTION - HYDRAUL. STEUERUNG DER
 LENKREIBKUPPLUNGEN - SISTEMA HIDRAULICO DE EMBRAGUES DE DIRECCION

D2.23

1

N.T.R. 163 - 30.05.1989

604.01.077.03

G17

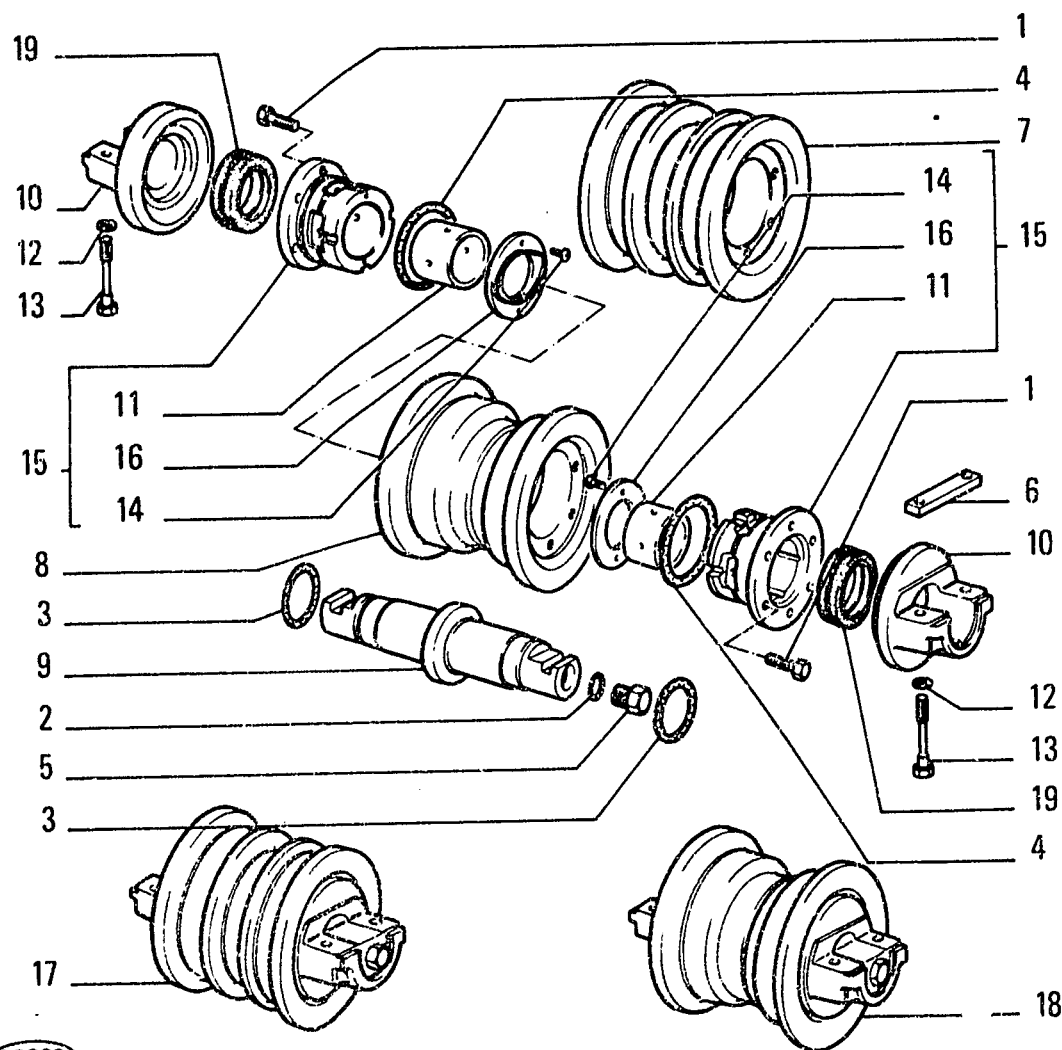
DESIGNAZIONE BASE	BASIC DESIGNATION	DESIGNATIONS-BASES	GRUNDBEZEICHNUNGEN	DENOMINACIONES BASE
831	INTERRUTTORE AUTOMATICO	CIRCUIT BREAKER	INTERRUPTEUR AUTO-MATIQUE	INTERRUPTOR AUTOMATICO
83L	LAMA ANGOLABILE (HA)	ANGLE MOLDBOARD (HA)	LAME ANGLEDOZER (HA)	HOJA ANGULABLE (HA)
83S	SEDILE INTERMEDIO	INTERMEDIATE SEAT	SIEGE MEDIAN	BUTACA INTERMEDIA
833	COFANO FORATO	PERFORATED HOOD	CAPOT PERFORÉ	
835	RIPARO SUPPLEMENTARE CUFFIA-	ADDITIONAL RADIATOR GUARD	PROTECTION SUPPL. RADIATEUR	
836	FIANCHETTI MOBILI MOTORE	HOOD SIDE PLATES	PANNEAUX LATERAUX MOTEUR	
837	RIPARI LATERALI MOTORE		PROTECTIONS LATERALES MOTEUR	
84C	CARTUCCIA FILTRANTE	FILTERING ELEMENT	ELEMENT FILTRANT	CARTUCHO DE FILTRO
84D	DISTRIBUTORE DUPLEX	DUPLEX DISTRIBUTOR	DISTRIBUT. DUPLEX	DISTRIBUIDOR DUPLEX
84L	LAMA DIRITTA (HS)	STRAIGHT MOLDBOARD (HS)	LAME DOZER (HS)	HOJA RECTA (HS)
84P	PERNO DELLO STANTUFFO	PISTON PIN	AXE DE PISTON	BULON DE EMBOLO
84S	SEGNALATORE ACUSTICO	BUZZER	TEMOIN SONORE	TIMBRE
842	PROTEZIONE ANTIVANDALO	VANDALISM PREVENTION		
843	COPERCHI CRUSCOTTO ANTIVANDALO	ANTI VANDALISM INSTRUM PANELS	CAPOT POUR PLANCHE DE BORD	PROTECCION DEL TABLERO
85A	ASSALE	AXLE	ESSIEU	EJE
85D	DISTRIBUTORE QUADRUPLEX	QUADRUPLEX DISTRIBUTOR	DISTRIBUTEUR QUADRUPLEX	DISTRIBUIDOR QUADRUPLEX
85D			FOURCHE	
85F	FORCELLA	YOKE		HORQUILLA
85G	GOMITO	ELBOW	COUDE	CODO
85I	ISOLANTE	INSULATOR	ISOLANT	AISLADOR
85L	LAMA DIRITTA-LARGA (HS-L)	STRAIGHT-WIDE MOLDBOARD (HS-L)	LAME DOZER ELARGÉES (HS-L)	HOJA RECTA-ANCHA (HS-L)
85M	MOBILETTO	CABINET	ARMOIRE	ARMARIO
85R	RIPARTITORE	SPLITTER	REPARTITEUR	REPARTIDOR
85T	TELERUTTORE	RELAY	TELERUPTEUR	TELERRUPTOR
85D	SEDILE RIBALTABILE	RECLINING SEAT	SIEGE BASCULABLE	ASIENTO ABATIBLE
852	SEDILE C/SOSPENSIONE ELASTICA	SUSPENSION SEAT	SIEGE SUR SUSPENSIONS	ASIENTO DE SUSPENSION ELASTICA
86D	DISTRIBUTORE A DOPPIO EFFETTO	DOUBLE ACTING CONTROL VALVE	DISTRIBUTEUR DOUBLE EFFET	DISTRIBUIDOR DE DOBLE EFECTO
86D			LAME SEMI U (HSU)	HOJA SEMI-U (HSU)
86L	LAMA SEMI-U (HSU)	SEMI-U MOLDBOARD (HSU)	SEGMENT	SEGMENTO
86S	SEGMENTO	SEGMENT	AILES AVANT	GUARDABARROS ANTERIOR
861	PARAFANGHI ANTERIORI	FRONT FENDERS	AILES ARRIERE	GUARDABARROS POSTERIOR
863	PARAFANGHI POSTERIORI	REAR FENDERS	AILES ALLONGÉES	GUARDABARROS LARGOS
868	PARAFANGHI ALLUNGATI	FULL LENGHT FENDERS	COFFRE A OUTILS	CAJA HERRAMIENTAS
87C	CASSETTA ATTREZZI	TOOL BOX	DISTRIBUTEUR SIMPLE EFFET	DISTRIBUIDOR DE SIMPLE EFECTO
87D	DISTRIBUTORE E SEMPLICE EFFET-	SINGLE ACTING CONTROL VALVE	AMPOULE	LAMPARITA
87D	TO		TEMOIN	TESTIGO
87L	LAMPADINA	BULB	TENDEUR DE COURROIE	SENSOR DE CORREA
87S	SEGNALATORE	INDICATOR		
87T	TENDICINGHIA	BELT STRETCHER		

DESIGNAZIONE BASE	BASIC DESIGNATION	DESIGNATIONS-BASES	GRUNDBEZEICHNUNGEN	DENOMINACIONES BASE
870	PROTEZIONI FORESTALI	FORESTRY PROTECTIONS	PROTECTION DEFORESTAGE	
871	SCHERMI POST E LAT ROPS	ROPS SIDE AND REAR SCREENS	GRILLES ARRIERE,LATERALES ROPS	REJILLAS POSTERIOR,LATERALROPS
872	PROTEZIONI INFERIORI (2 PEZZI)	BOTTOM GUARDS (2 PIECES)	PROTECTIONS INFERIEURS(2PIECES)	
873	SCHERMO POSTERIORE ROPS	ROPS REAR SCREEN	GRILLE ARRIERE ROPS	
875	PROTEZIONI INFERIORI RINFORZ	EOTTOM GUARDS H.D	PROTECTION INFERIEURS RENFOR.	
879	SWEEPS PER ROPS	SWEEPS FOR ROPS	SWEEPS POUR ROPS	SWEEPS PARA ROPS
88A	ASTA DI REGOLAZIONE	ADJUSTING ROD	TIGE DE REGLAGE	VARILLA DE REGLAJE
88C	CASTELLO	MOUNTING FRAME	CHARPENTE	SOPORTE
88D	DIAGNOSTICA	DIAGNOSTIC SYSTEM	DIAGNOSE	DIAGNOSTICA
88I	IDEOGRAMMI	SYMBOLS	IDEOGRAMMES	IDEOGRAMA
88S	SEMIACCOPIAMENTO	SEMI-COUPLING	DEMI-JOINT	SEMIACOPAMIENTO
88T	TENDINA	CURTAIN	RIDEAU	CORTINA
886	PERNO GANCIO TRAINO	DRAWBAR PIN	AXE CROCHET D'ATTelage	
89A	ASTA POSIZIONATORE	POSITIONING ROD	TIGE POSITIONNEUR	VARILLA POSICIONADOR
89C	CASSONE SCRAPER	SCRAPER BOWL	BENNE DE DECAPEUSE	CAJON
89D	DENTE BENNA	BUCKET TOOTH	DENT DE GODET	DIENTE DE CUCHARA
89G	GRAFFETTA	CLIP	AGRAFE	SUJETADOR
89I	INIETTORE	INJECTOR	INJECTEUR	INVECTOR
890	BARRA TRAINO OSCILLANTE	SWINGING DRAWBAR	BARRE OSCILLANTE D'ATTelage	
891	GANCIO TRAINO RINFORZATO	DRAWBAR H.D.	CROCHET D'ATTelage RENFORCE	
895	PREDISPOSIZ.ATTACCO SCRAPER	SCRAPER INSTALLATION PROVISION	PREDISP.INSTALL.SCRAPER	
90A	ASTA	ROD	TIGE	VARILLA
90B	BOCCHETTONE INTRODUZIONE	FILLER PLUG	TUBE REMPLISSAGE	BOQUILLA
90C	CATADIOTTRO	REFLECTOR	CATADIOPTRE	CATAFAROS
90D	DISCO MAGNETICO	MAGNETIC DISC	DISQUE MAGNETIQUE	DISCO IMANADO
90G	GRANO	DOWEL	GRAIN DE CENTRAGE	PITON
90I	INVOLUCRO	CANNING	INVOLUCRE	ENVOLTURA
90S	SEMIANELLO	HALF RING	DEMI-BAGUE	SEMIARO
91A	ASTA LIVELLO	DIPSTICK	JAUGE DE NIVEAU	VARILLA DE NIVEL
91D	DISCO RUOTA	WHEEL DISC	DISQUE DE ROUE	DISCO RUEDA
92D	DAL MOTORE IDRAULICO...	FROM TO HYDRAULIC MOTOR...	A PARTIR DU MOTEUR HYDRAULIQUE	A PARTIR DEL MOTOR HIDRAULICO
92F	GRUPPO FRENANTE	BRAKE UNIT	GROUPE DE FREINAGE	DISPOSITIVO DE FRENO
92S	SEMIALBERO	HALF SHAFT	DEMI-ARBRE	SEMIARBOL
920	RIPPER (PD)	RIPPER (PD)	RIPPER (PD)	RIPPER (PD)
921	RIPPER (PMD)	RIPPER (PMD)	RIPPER (PMD)	RIPPER (PMD)
93D	DAL RIDUTTORE...	FROM THE REDUCTION GEAR...	A PARTIR DU REDUCTEUR...	A PARTIR DEL REDUCTOR...
93F	FRENO	BRAKE	FREIN	FRENO
93T	TERGICRISTALLO	WINDSHIELD WIPER	ESSUIE-GLACE	LIMPIA-PARABRISAS
933	RIPPER ROTATIVO		RIPPER ROTATIF	

DESIGNAZIONE BASE	BASIC DESIGNATION	DESIGNATIONS-BASES	GRUNDBEZEICHNUNGEN	DENOMINACIONES BASE
935	UTENSILE PER RIPPER	RIPPER SHANK	OUTIL POUR RIPPER	
937	UTENSILE (RIPPER PMD)	SHANK (RIPPER PMD)	OUTIL (RIPPER PMD)	
938	UTENSILE H.D (RIPPER PMD)	SHANK H.D (RIPPER PMD)	OUTIL (RIPPER PMD)	
94B	BOCCOLA SCANALATA	GROOVED BUSH	BAGUE CANNELEE	CASQUILLO ACANALADO
94B				LADO
94C	CATENA ANTISDRUCCIOLEVOLE	ANTI-SKID CHAIN	CHAINE ANTI-DERAPANTE	CADENA ANTIDESLIZANTE
94C				
94D	DENTE SCRAPER	SCRAPER TOOTH		
94S	SEMICOLLARE	HALF COLLAR	DEMI-COLLIER	SEMICOLLAR
94S			OUTIL POUR SCARIFICATEUR	
94S	UTENSILI PER SCARIFICATORE		DOUILLE	
95B	BOCCOLA	BUSHING	CHAINE	BUJE
95C	CATENA	CHAIN	EMBRAYAGE	CADENA
95F	FRIZIONE	CLUTCH	DEMI-BIELLE	EMBRAGUE
95S	SEMIBIELLA	HALF LINK	THERMOMETRE	SEMIBIELLA
95T	TERMOMETRO	TEMPERATURE GAUGE	RIPPER (PL)	TERMOMETRO
953	RIPPER (PL)	RIPPER (PL)	DOUILLE DE GUIDAGE	RIPPER (PL)
96B	BOCCOLA DI GUIDA	GUIDE BUSHING	DEMI-DOUILLE	CASQUILLO GUIDA
96S	SEMIBOCCOLA	HALF BUSHING	THERMOSTAT	SEMIBUJE
96T	TERMOSTATO	THERMOSTAT	RIPPER (PVD)	TERMOSTATO
960	RIPPER (PVD)	RIPPER (PVD)	CHENILLES	RIPPER (PVD)
97C	CATENARIA	TRACK CHAIN	GROPE HYDRAULIQUE	CADENA DE ORUGA
97G	GRUPPO IDRAULICO	HYDRAULIC UNIT		GRUPO HIDRAULICO
97G				
97S	SEMIMORSETTU	HALF CONNECTOR	DEMI-COLLIER	SEMIAGARRADERA
97T	TERMOCOPPIA	THERMOCOUPLE	THERMOCOUPLE	PAR TERMICO
98B	BOCCOLA ELASTICA	RESILIENT BUSH	BAGUE ELASTIQUE	CASQUILLO ELASTICO
98G	GRUPPO MECCANICO	MECHANICAL UNIT	GROUPE MECANIQUE	GRUPO MECANICO
98S	SEMISTAFFA	HALF BRACKET	DEMI-BRIDE	SEMIESTRIBO
988	TARGHE TUV TEDESCO	GERMAN TUV DECALS	PLAQUES TUV ALLEMAND	
99B	BOCCOLA FILETTATA	THREADED BUSH	BAGUE FILETEE	TUERCA
99G	GRUPPO REGOLATORE	GOVERNOR UNIT	GROUP REGULATEUR	GRUPO REGULADOR
992	POMPA A LEVE PER INGRASSAGGIO	GREASING PUMP	POMPE DE GRAISSAGE	
993	POMPA TRAVASO COMBUST.	FUEL TRANSFER PUMP	POMPE TRANSVASEMENT COMBUSTIBLE	BOMBA REPOSTADO COMBUSTIBILE
995	ACCESSORI MANUTENZIONE	TOOLS KIT	OUTILS	HERRAMIENTAS
997	ELEMENTI PRIMA MANUTENZIONE	ELEMENT PACKAGE		
998	MARTINETTO IDRAULICO	HYDRAULIC JACK	CRIE HYDRAULIQUE	ALTERNATIVO
ALT	IN ALTERNATIVA	IN ALTERNATIVE	EN ALTERNATIVE	ANTERIOR
ANT	ANTERIORE	FRONT	AVANT	LEASE
CORR	CORRIGE	CORRECT	CORRIGEZ	DERECHO
DS	DESTRO	RIGHT	DROIT	

D	<p>FRAME • STEERING • SUSPENSIONS • WHEELS • UNDERCARRIAGE • HYDRAULIC TRANSMISSION TELAIO • STERZO • SOSPENSIONI • RUOTE • CINGOLATURA • TRASMISSIONE IDRAULICA CADRE • DIRECTION • SUSPENSIONS • ROUES • TRAIN DE ROULEMENT • TRANSMISSION HYDRAULIQUE RAHMEN • LENKUNG • AUFHÄNGUNGEN • RÄDER • KETTENLAUFWERK • HYDRAULISCHER ANTRIEB BASTIDOR • DIRECCIÓN • SUSPENSIÓN • RUEDAS • TREN DE RODAJE • TRANSMISSION HYDRAULICA</p>
E	<p>AUXILIARY ATTACHMENT (AND EQUIPMENT) • ORGANI SUSSIDIARI (E ATTREZZI) • ORGANES AUXILIAIRES (ET EQUIPEMENT) • NEBENAGGREGATE (UND GERÄTE) • GRUPOS AUXILIARES (Y EQUIPO)</p>

FIATALLIS FL5



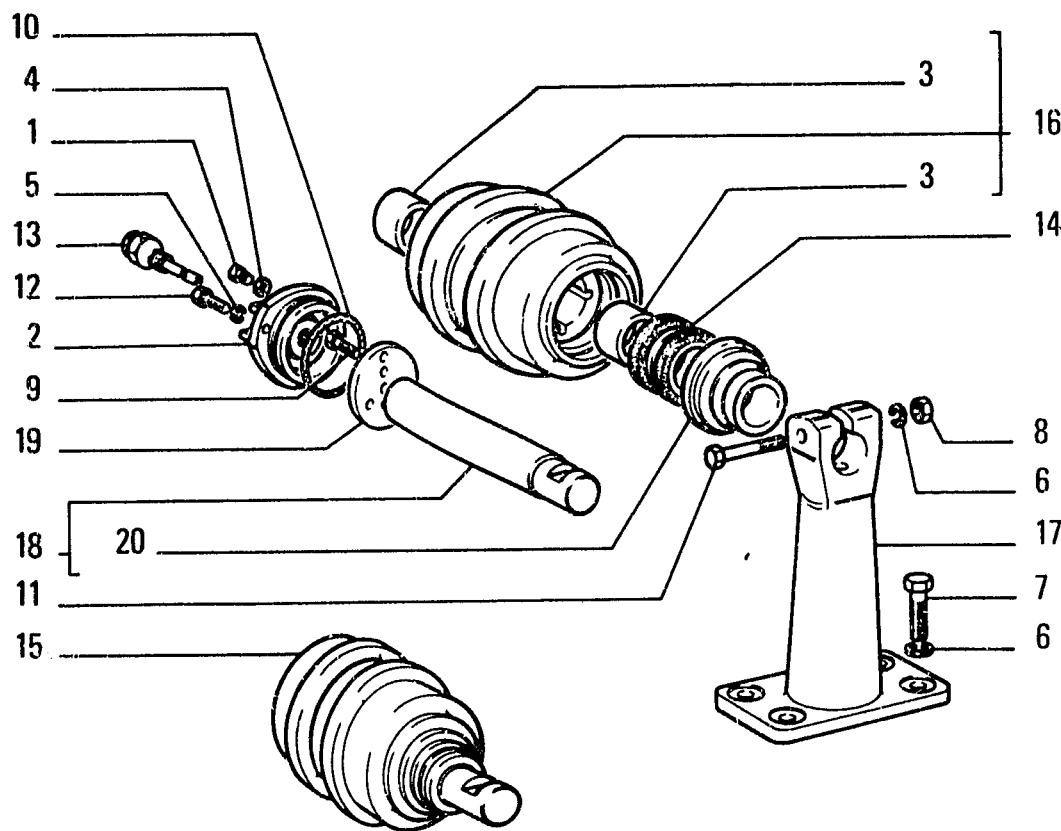
ITEM	PART NUMBER	QTY	TRANS CODE	DESCRIPTION	DESCRIZIONE
1	14238131	120	40V	SCREW 8x1,25x25	VITE 8x1,25x25
2	14457080	10	158G	O-RING 2,62x12,37	GUARNIZIONE O-R 2,62x12,37
3	14464080	20	158G	O-RING 3,53x37,69	GUARNIZIONE O-R 3,53x37,69
4	14465380	20	158G	O-RING 3,53x78,97	GUARNIZIONE O-R 3,53x78,97
5	79019318	10	50T	PLUG	TAPPO
6	79020682	20	60L	KEY	LINGUETTA
7	79020683	4	157R	ROLLER	RULLO
8	79020686	6	157R	ROLLER	RULLO
9	79020689	10	16A	SHAFT	ALBERO
10	79020690	20	300S	SUPPORT	SUPPORTO
11	79020691	20	95B	BUSHING	BOCCOLA
12	79021891	40	131R	WASHER	ROSETTA
13	79021892	40	40V	SCREW	VITE
14	79023131	40	40V	SCREW	VITE
15	79029122	20	35S	CASE - ASSEMBLY	SCATOLA - COMPLETO
16	79029123	20	23R	THRUST PLATE	RALLA DI SPINTA
17	79029124	4	157R	ROLLER - ASSEMBLY	RULLO - COMPLETO
18	79029125	6	157R	ROLLER - ASSEMBLY	RULLO - COMPLETO
19	79033719	20	158G	O-RING	GUARNIZIONE O-R

03669

TRACK ROLLER - RULLO CARRELLO CINGOLO - GALET PORTEUR DE CHENILLE - LAUFROLLE
 DER RAUPENKETTE - RODILLO DE APOYO DE LA ORUGA

D3.37

H2



FIATALLIS FL5

I T E M	PART NUMBER	Q T Y	TRANS CODE	DESCRIPTION	DESCRIZIONE
1	581658	2	50T PLUG		TAPPO
2	597869	2	265C COVER		COPERCHIO
3	4959339	4	95B BUSHING C 963		BOCCOLA C 963
	79009877	4	95B BUSHING D 963		BOCCOLA D 963
4	10260060	2	133R SEAL 8,2x14		ROSETTA DI TENUTA 8,2x14
5	10516671	6	132R LOCKWASHER 8,1x2,2		ROSETTA DI SICUREZZA 8,1x2,2
6	10517171	10	132R LOCKWASHER 14,2x3,5		ROSETTA DI SICUREZZA 14,2x3,5
7	11255931	8	40V SCREW 14x1,5x40		VITE 14x1,5x40
8	12164021	2	10D NUT 14x1,5x11		DADO 14x1,5x11
9	14238130	4	40V SCREW 8x1,25x25		VITE 8x1,25x25
10	14465180	2	158G O-RING 3,53x72,62		GUARNIZIONE O-R 3,53x72,62
11	15862131	2	40V SCREW 14x1,5x80		VITE 14x1,5x80
12	16043631	6	40V SCREW 8x1,25x25		VITE 8x1,25x25
13	79010932	2	60I GREASE FITTING		INGRASSATORE
14	79020694	2	158G O-RING		GUARNIZIONE O-R
15	79021810	2	157R ROLLER - ASSEMBLY		RULLO - COMPLETO
16	79021814	2	157R ROLLER - ASSEMBLY		RULLO - COMPLETO
17	79021815	2	300S SUPPORT		SUPPORTO
18	79021817	2	16A SHAFT		ALBERO
19	79021818	2	45A RING		ANELLO
20	79021819	2	45A RING		ANELLO

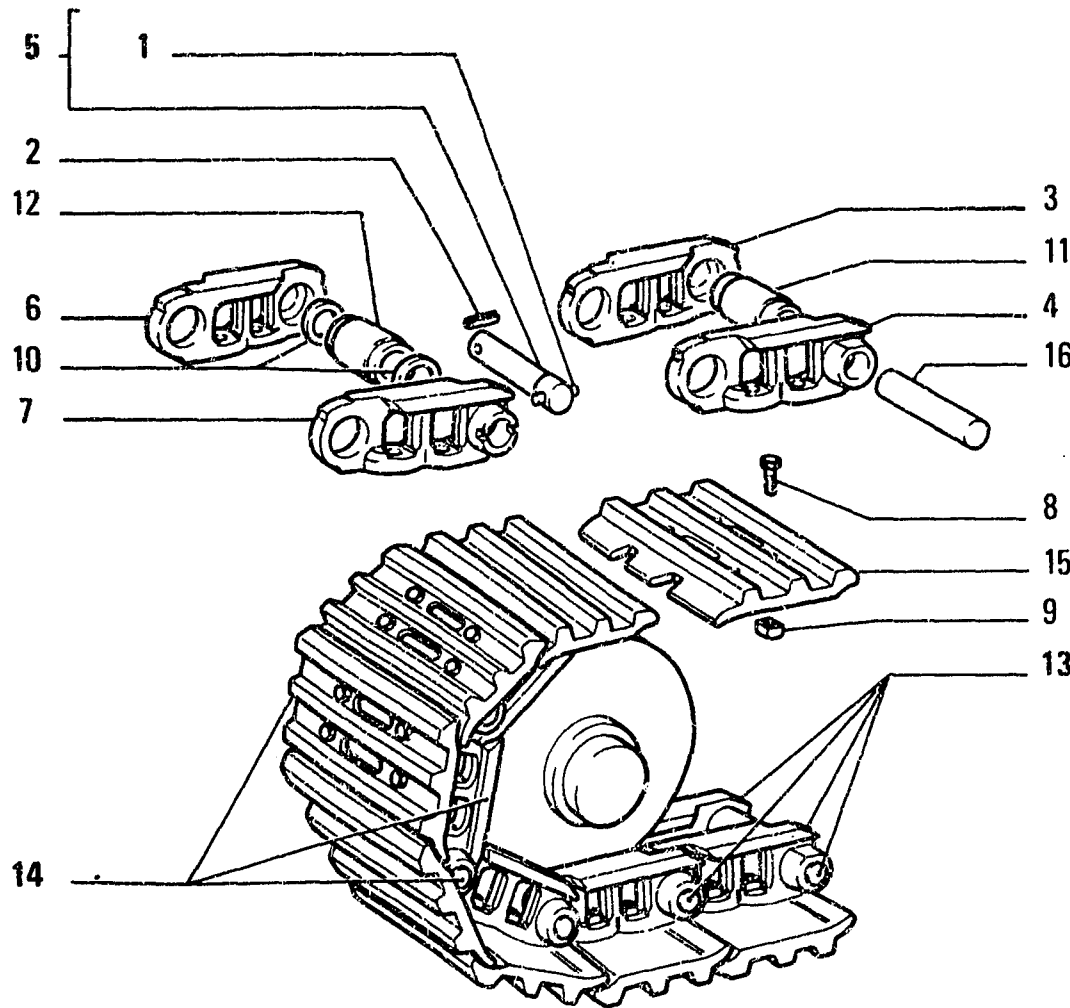
03670

TRACK CARRIER ROLLER - RULLO SOSTEGNO CINGOLO - GALET DE RETOUR DE CHENILLE -
 STUETZROLLE DER RAUPENKETTE - RODILLO DE SOPORTE DE LA ORUGA

D3.38

N.T.R. 102 - 31.05.82
 604.01.077.01

H3



ITEM	PART NUMBER	QTY	TRANS CODE	DESCRIPTION	DESCRIZIONE
1	4979226	2	200S PIN		SPINA
2	14607570	2	200S PIN 8x55		SPINA 8x55
3	79012409	68	10M LINK - RIGHT		MAGLIA - DESTRO
4	79012410	68	10M LINK - LEFT		MAGLIA - SINISTRO
5	79012413	2	80P PIN - ASSEMBLY		PERNO - COMPLETO
6	79012414	2	10M LINK - RIGHT		MAGLIA - DESTRO
7	79012415	2	10M LINK - LEFT		MAGLIA - SINISTRO
8	76008353	280	40V SCREW D1368		VITE D1368
	79012420	280	40V SCREW C1368		VITE C1368
9	76008354	280	10D NUT D1368		DADO D1368
	79012421	280	10D NUT C1368		DADO C1368
10	79023843	4	75D SPACER		DISTANZIALE
11	79025801	68	95B BUSHING		BOCCOLA
12	79025802	2	95B BUSHING		BOCCOLA
13	79025804	2	97C TRACK CHAIN - ASSEMBLY		CATENARIA - COMPLETO
14	79026828	2	97C TRACK CHAIN - ASSEMBLY		CATENARIA - COMPLETO
15	79026829	70	295S SHOE		SUOLA
16	79032554	68	80P PIN		PERNO

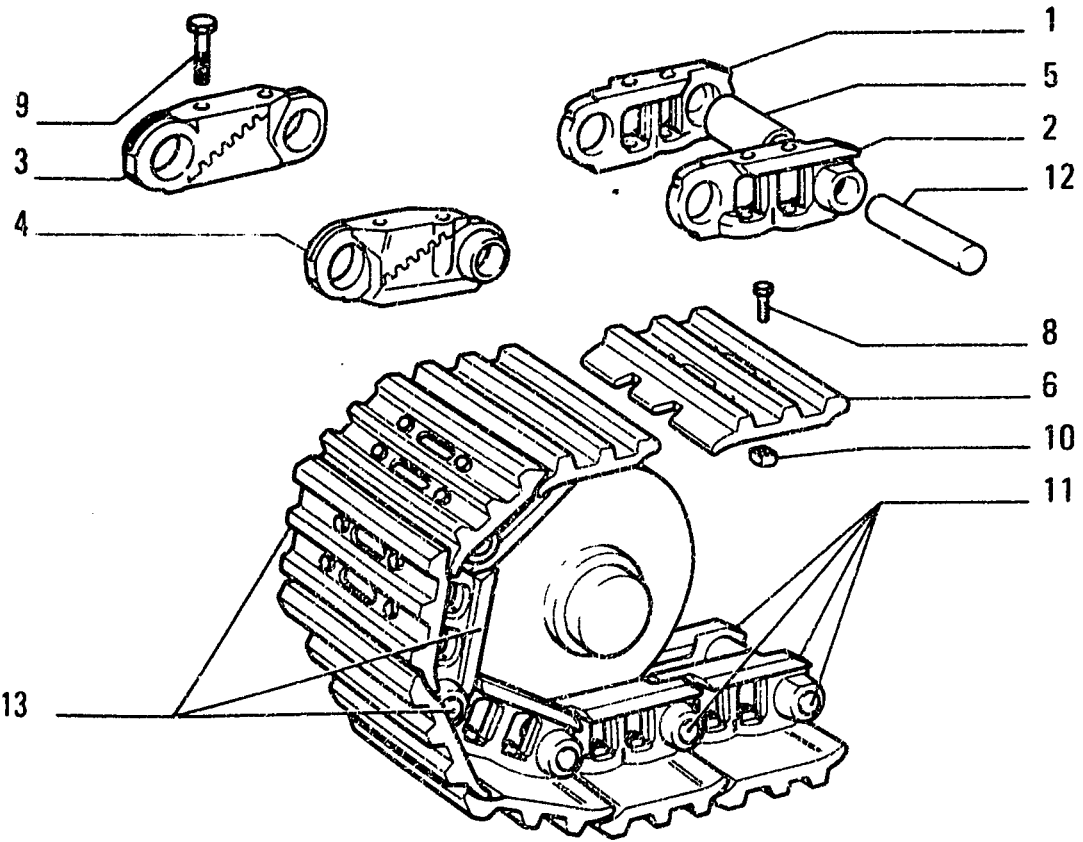
C 2275 -- Tel. n. 201864

TRACK - CINGOLO - CHENILLE - RAUPENKETTE - ORUGA

D3.40

N.T.R. 163 - 30.05.1989
604.01.077.03

H4



ITEM	PART NUMBER	QTY	TRANS CODE	DESCRIPTION	DESCRIZIONE
1	79086895	34	145M	TRACK LINK - RIGHT	MAGLIA CINGOLO - DESTRO
2	79086894	34	145M	TRACK LINK - LEFT	MAGLIA CINGOLO - SINISTRO
3	79086896	1	145M	TRACK LINK - RIGHT	MAGLIA CINGOLO - DESTRO
4	79086897	1	145M	TRACK LINK - LEFT	MAGLIA CINGOLO - SINISTRO
5	79089109	35	95B	BUSHING	BOCCOLA
6	79026829	35	295S	SHOE (400MM)	SUOLA (400MM)
8	76008353	136	40V	SCREW	VITE
9	76015201	2	40V	SCREW (55MM)	VITE (55MM)
	76015987	2	40V	SCREW (85MM)	VITE (85MM)
10	76008354	136	10D	NUT	DADO
11	79089080	2	97C	TRACK CHAIN - ASSEMBLY	CATENARIA - COMPLETO
12	79089110	35	80P	PIN	PERNO
13	76015671	2	97	TRACK CHAIN - ASSEMBLY (360MM)	CATENARIA - COMPLETO (360MM)

D 2275 Tel. n. 201865 →

TRACK - CINGOLO - CHENILLE - RAUPENKETTE - ORUGA

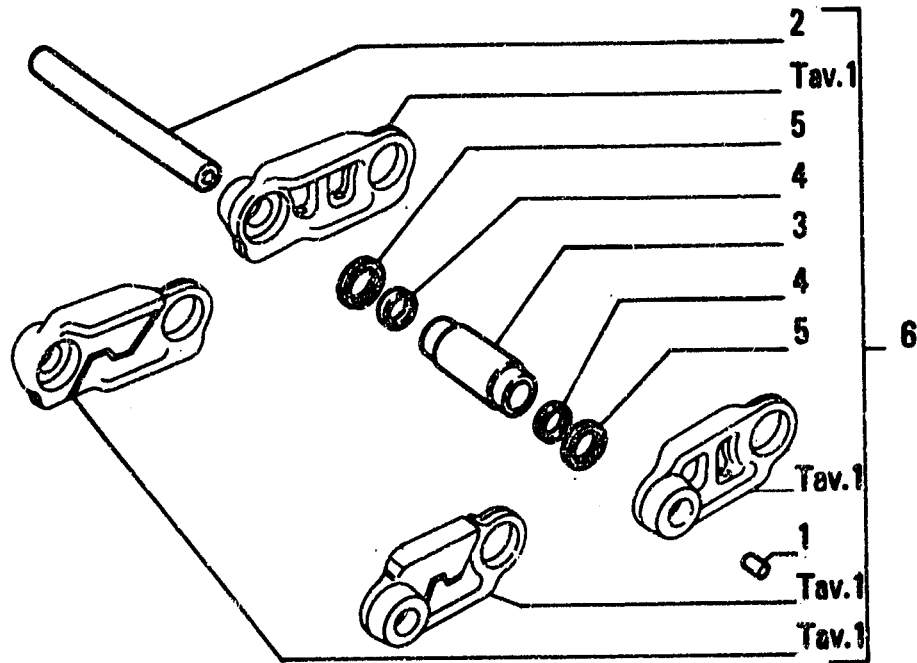
D3.40/A

1

N.T.R. 163 - 30.05.1989

604.01.077.03

H5



ITEM	PART NUMBER	QTY	TRANS CODE	DESCRIPTION	DESCRIZIONE
1	79086902	35	50T	PLUG (*)	TAPPO (*)
2	79086898	35	80P	PIN (*)	PERNO (*)
3	79086899	35	95B	BUSHING (*)	BOCCOLA (*)
4	79086900	70	75D	SPACER (*)	DISTANZIALE (*)
5	79086901	70	122G	SEAL (*)	GUARNIZIONE (*)
6	79086891	2	97C	TRACK CHAIN - ASSEMBLY (*)	CATENARIA - COMPLETO (*)
				469P FOR SPECIAL EQUIPMENT	PER VARIANTE 30.0505.13.1
				30.0505.13.1	

D 2275 Tel. n. 201865 →

TRACK - CINGOLO - CHENILLE - RAUPENKETTE - ORUGA

D3.40 /A

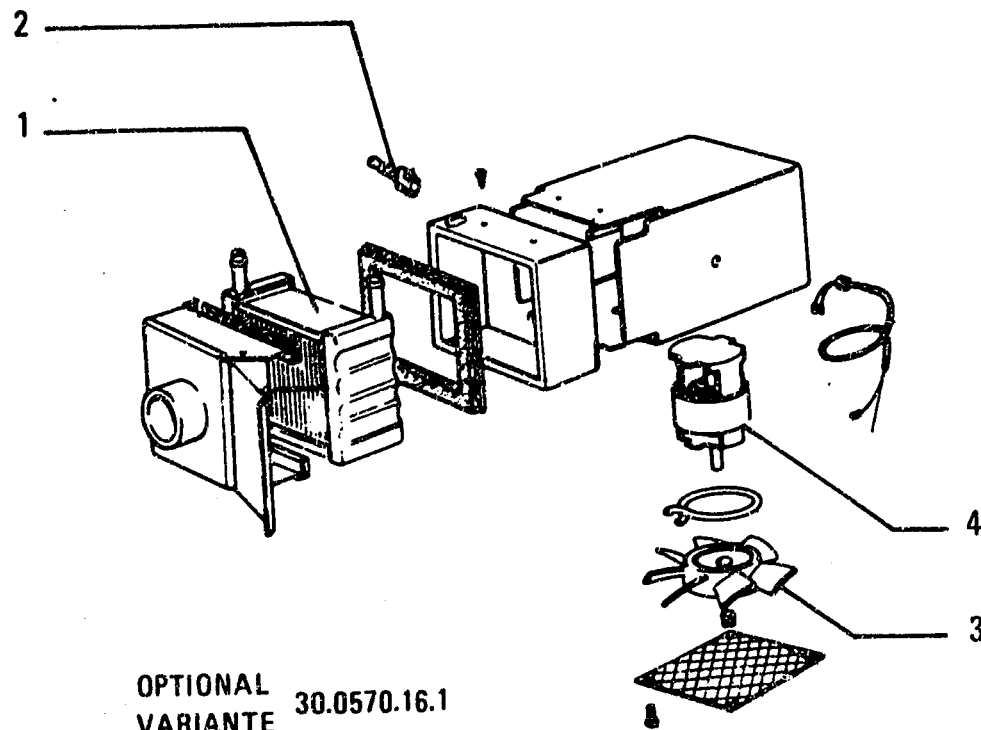
2

N.T.R. 163 - 30.05.1989

604.01.077.03

H6

FIATALLIS FL5



OPTIONAL
VARIANTE 30.0570.16.1

CAB
CABINA

ITEM	PART NUMBER	QTY	TRANS CODE	DESCRIPTION	DESCRIZIONE
1	9926025	1	25R	RADIATOR	RADIATORE
2	9926027	1	75I	SWITCH	INTERRUTTORE
3	9926031	1	36V	BLOWER	VENTOLA
4	9926033	1	134M	MOTOR	MOTORINO

79043354

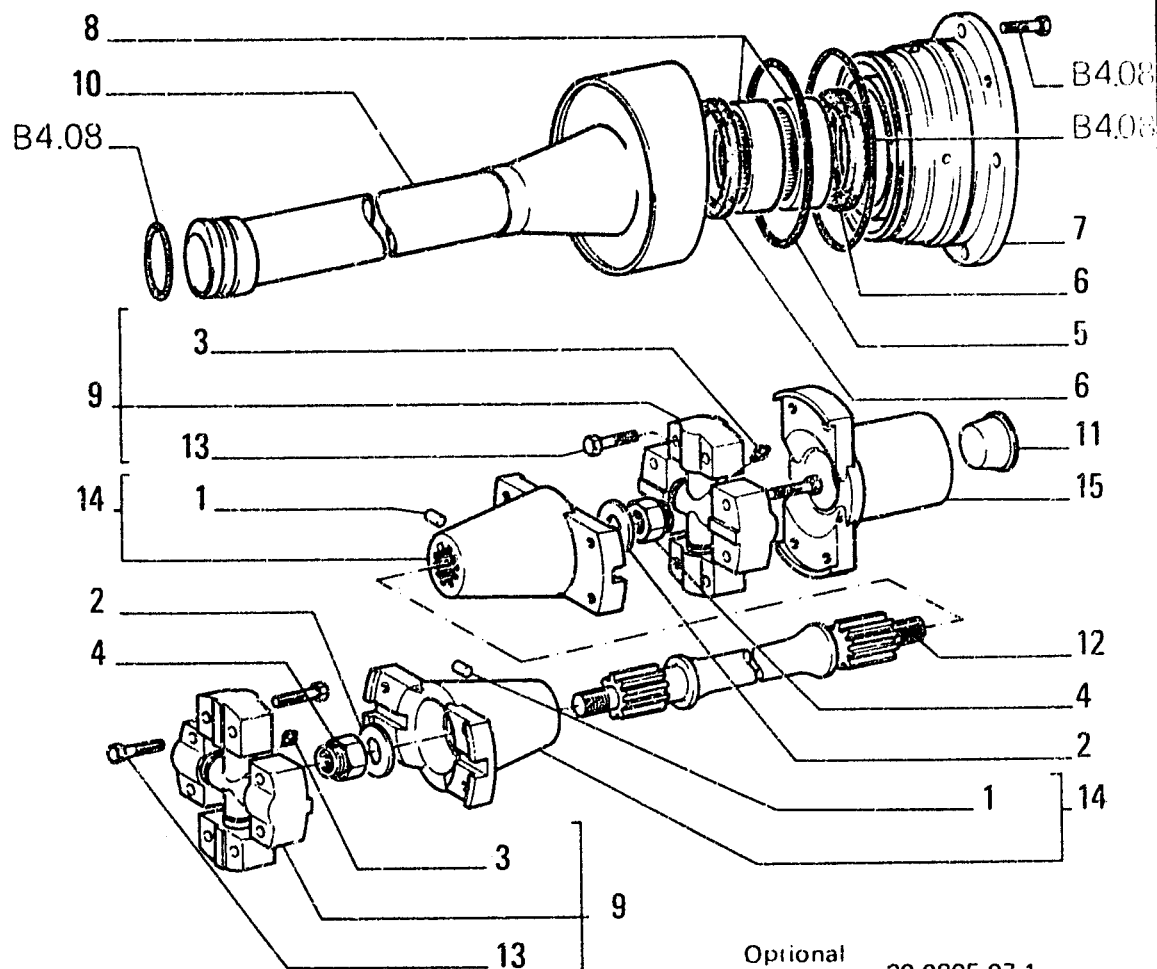
HEATER - RISCALDATORE - RECHAUFFEUR - HEIZGERAET - CALORÍFERO

E1.02

N.T.R. 163 - 30.05.1989
604.01.077.03

H7

FIATALLIS FL5



Optional
Variante 30.0805.07.1

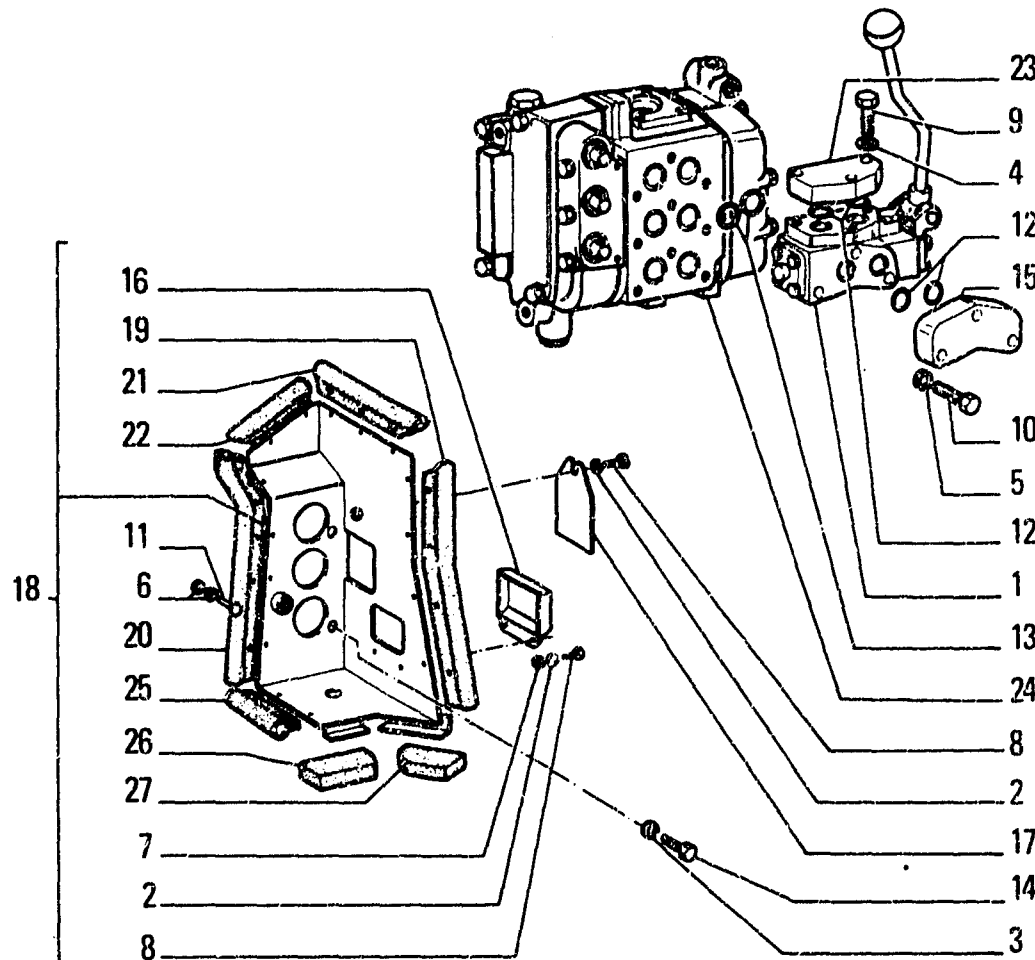
ITEM	PART NUMBER	QTY	TRANS CODE	DESCRIPTION	DESCRIZIONE
1	10839510	2	90G	DOWEL 6x9	GRANO 6x9
2	12644921	2	131R	WASHER 14,4x32	ROSETTA 14,4x32
3	13407211	2	60I	GREASE FITTING 10x1	INGRASSATORE 10x1
4	14085811	2	10D	NUT 14x1,5x16,8	DADO 14x1,5x16,8
5	14466880	1	158G	O-RING 3,53x126,59	GUARNIZIONE O-R 3,53x126,59
6	40001070	2	158G	O-RING 55x75	GUARNIZIONE O-R 55x75
7	79013659	1	300S	SUPPORT	SUPPORTO
8	79014134	2	341C	BEARING	CUSCINETTO
9	79014136	2	320C	SPIDER - ASSEMBLY	CROCIERA - COMPLETO
10	79014138	1	224P	SHIELD	PROTEZIONE
11	79014182	1	50T	PLUG	TAPPO
12	79024575	1	16A	SHAFT	ALBERO
13	79027688	16	40V	SCREW	VITE
14	79036837	2	30M	SLEEVE - ASSEMBLY	MANICOTTO - COMPLETO
15	79036838	1	30M	SLEEVE - FRONT	MANICOTTO - ANTERIORE

03672

POWER TAKE-OFF - PRESA DI FORZA - PRISE DE FORCE - ZOPFWELLE - TOMA DE FUERZA

E2.16

H8



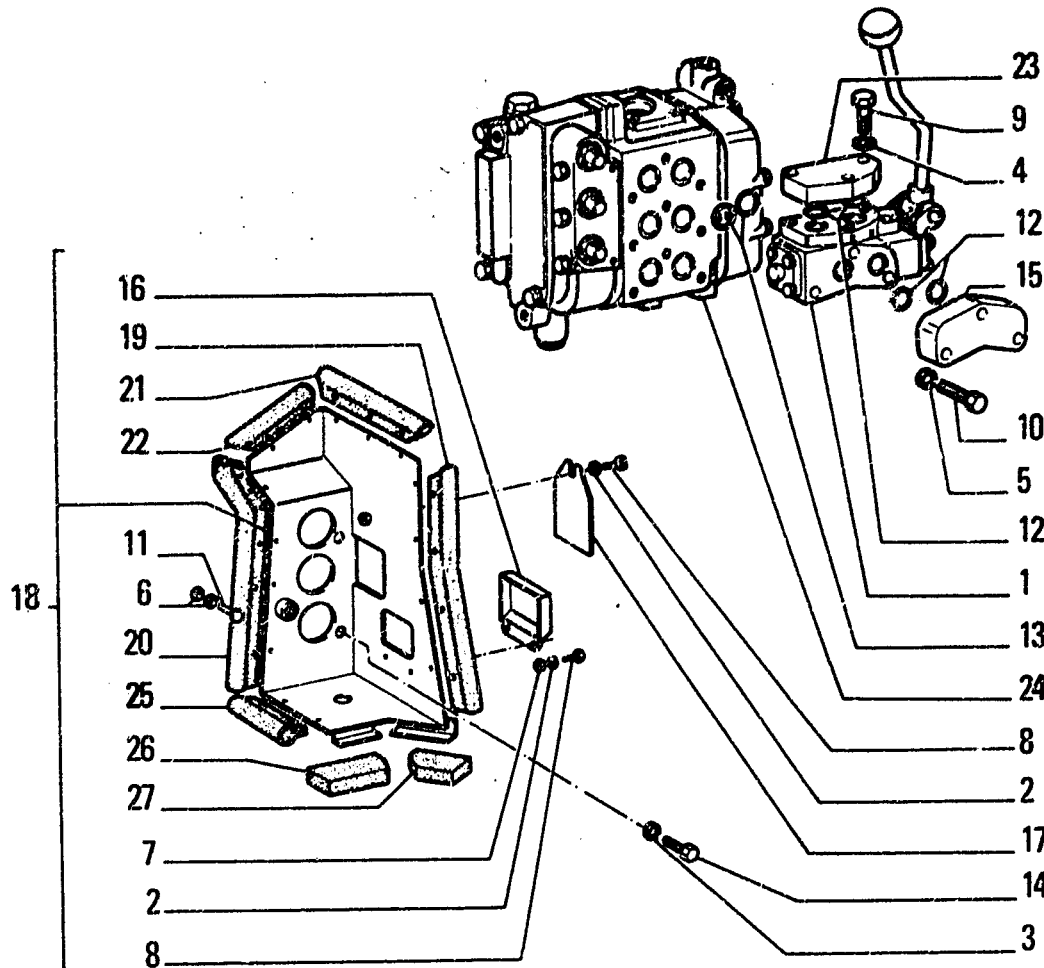
03673

I T E M	PART NUMBER	Q T Y	TRANS CODE	DESCRIPTION	DESCRIZIONE
1	8296665	1	27D	DIVERTER VALVE - ASSEMBLY SEE SGR.E3 31/1(2*)(4*)	DEVIATORE - COMPLETO VEDERE SGR.E3 31/1(2*)(4*)
2	10516471	3	132R	LOCKWASHER 6,1x1,8	ROSETTA DI SICUREZZA 6,1x1,8
3	10516671	2	132R	LOCKWASHER 8,1x2,2	ROSETTA DI SICUREZZA 8,1x2,2
4	10516871	3	132R	LOCKWASHER 10x2,5	ROSETTA DI SICUREZZA 10x2,5
5	10516871	3	132R	LOCKWASHER (2*)(4*) 10x2,5	ROSETTA DI SICUREZZA (2*)(4*) 10x2,5
6	10519201	30	131R	WASHER 4,15x9	ROSETTA 4,15x9
7	10725911	2	10D	NUT 6x1x4	DADO 6x1x4
8	10902021	3	40V	SCREW 6x1x12	VITE 6x1x12
9	11106831	3	40V	SCREW 10x1,5x40	VITE 10x1,5x40
10	11108431	3	40V	SCREW (2*)(4*) 10x1,5x110	VITE (2*)(4*) 10x1,5x110
11	13866050	15	55R	RIVET 4x14	RIBATTINO 4x14
12	14462880	4	158G	O-RING (2*)(4*) 3,53x18,64	GUARNIZIONE O-R (2*)(4*) 3,53x18,64
13	14463280	2	158G	O-RING 3,53x24,99	GUARNIZIONE O-R 3,53x24,99
14	16043231	2	40V	SCREW 6x1,25x16	VITE 6x1,25x16
15	79014634	1	70F	FLANGE	FLANGIA
16	79014712	1	35S	CASE	SCATOLA
17	79024045	1	265C	COVER	COPERCHIO
18	79025524	1	70R	GUARD - ASSEMBLY	RIPARO - COMPLETO
19	79025525	1	123G	SEAL ASSY	GUARNIZIONE TENUTA FRONTALE
20	79025526	1	123G	SEAL ASSY	GUARNIZIONE TENUTA FRONTALE
21	79025527	1	123G	SEAL ASSY	GUARNIZIONE TENUTA FRONTALE
22	79025528	1	123G	SEAL ASSY	GUARNIZIONE TENUTA FRONTALE
23	79027335	1	70F	FLANGE (2*)(4*)	FLANGIA (2*)(4*)
24	79031722	1	83D	CONTROL VALVE - ASSEMBLY SEE	DISTRIBUTORE - COMPLETO VEDERE

HYDRAULIC SYSTEM - IMPIANTO IDRAULICO - SYSTEME HYDRAULIQUE - HYDRAULIKANLAGE -
SISTEMA HIDRÁULICO

E3.02

1



ITEM	PART NUMBER	QTY	TRANS CODE	DESCRIPTION	DESCRIZIONE
24	79031722			SGR. E3.31 C1374	SGR. E3.31 C1374
	79040766	1	83D	CONTROL VALVE - ASSEMBLY SEE SGR. E3.31 D1374	DISTRIBUTORE - COMPLETO VEDERE SGR. E3.31 D1374
25	79034908	1	123G	SEAL ASSY	GUARNIZIONE TENUTA FRONTALE
26	79034908	1	123G	SEAL ASSY	GUARNIZIONE TENUTA FRONTALE
27	79034910	1	123G	SEAL ASSY	GUARNIZIONE TENUTA FRONTALE
(2')	469P			FOR SPECIAL EQUIPMENT 30.0090.09.1	PER VARIANTE 30.0090.09.1
(4')	463P			FOR SPECIAL EQUIPMENT 30.1279.07.1	PER VARIANTE 30.1279.07.1

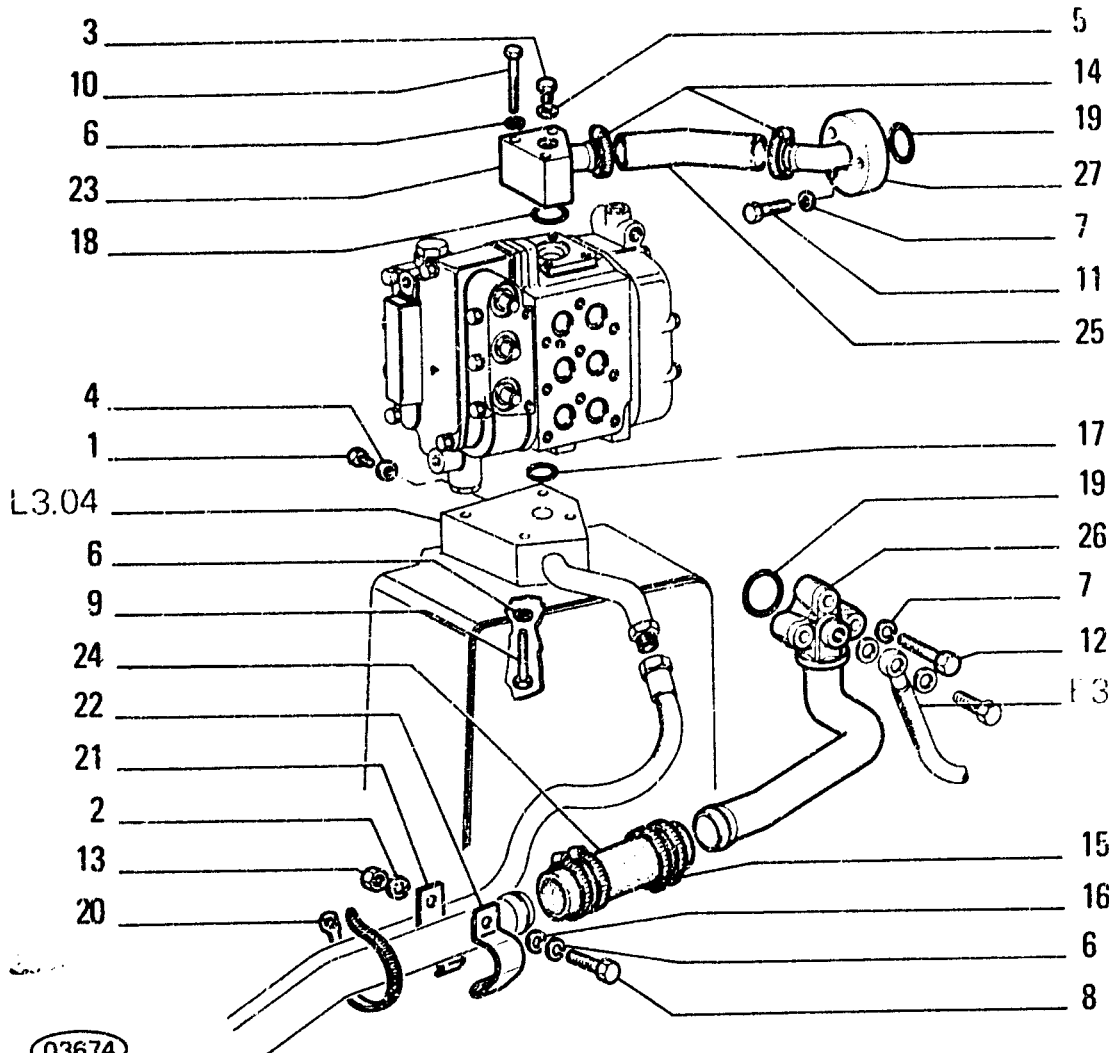
03673

HYDRAULIC SYSTEM - IMPIANTO IDRAULICO - SYSTEME HYDRAULIQUE - HYDRAULIKANLAGE - SISTEMA HIDRÁULICO

E3.02

1

H10



ITEM	PART NUMBER	QTY	TRANS CODE	DESCRIPTION	DESCRIZIONE
1	581658	1	50T	PLUG	TAPPO
2	4967724		131R	WASHER	ROSETTA
3	10181717	1	50T	PLUG 12x1,5x11	TAPPO 12x1,5x11
4	10260060	1	133R	SEAL 8,2x14	ROSETTA DI TENUTA 8,2x14
5	10296160	1	133R	SEAL 12,2x18	ROSETTA DI TENUTA 12,2x18
6	10516871	8	132R	LOCKWASHER 10x2,5	ROSETTA DI SICUREZZA 10x2,5
7	10517071	6	132R	LOCKWASHER 12,2x3,1	ROSETTA DI SICUREZZA 12,2x3,1
8	11106631	1	40V	SCREW 10x1,5x35	VITE 10x1,5x35
9	11107531	4	40V	SCREW 10x1,5x65	VITE 10x1,5x65
10	11108031	3	40V	SCREW 10x1,5x90	VITE 10x1,5x90
11	11113031	3	40V	SCREW 12x1,75x45	VITE 12x1,75x45
12	11113531	3	40V	SCREW 12x1,75x65	VITE 12x1,75x65
13	11701721	1	10D	NUT 10x1,5x8	DADO 10x1,5x8
14	12174090	2	180C	COLLAR 32/52x14 C2273	COLLARE 32/52x14 C2273
	79083845	2	180C	COLLAR D2273	COLLARE D2273
15	12174790	4	180C	COLLAR 47/67x14 C2273	COLLARE 47/67x14 C2273
	79083846	2	180C	COLLAR D2273	COLLARE D2273
16	12646821	1	131R	WASHER 10,2x25	ROSETTA 10,2x25
17	14463480	1	158G	O-RING 3,53x28,17	GUARNIZIONE O-R 3,53x28,17
18	14463780	1	158G	O-RING 3,53x32,92	GUARNIZIONE O-R 3,53x32,92
19	14464380	2	158G	O-RING 3,53x47,22	GUARNIZIONE O-R 3,53x47,22
20	79001971	2	31F	CLAMP	FASCETTA
21	79014438	1	231S	CLIP - UPPER	STAFFETTA - SUPERIORE
22	79014439	1	231S	CLIP - LOWER	STAFFETTA - INFERIORE
23	79019873	1	193T	TUBE	TUBO RIGIDO
24	76015372	1	30M	SLEEVE D2273	MANICOTTO D2273
	79032011	1	30M	SLEEVE C2273	MANICOTTO C2273

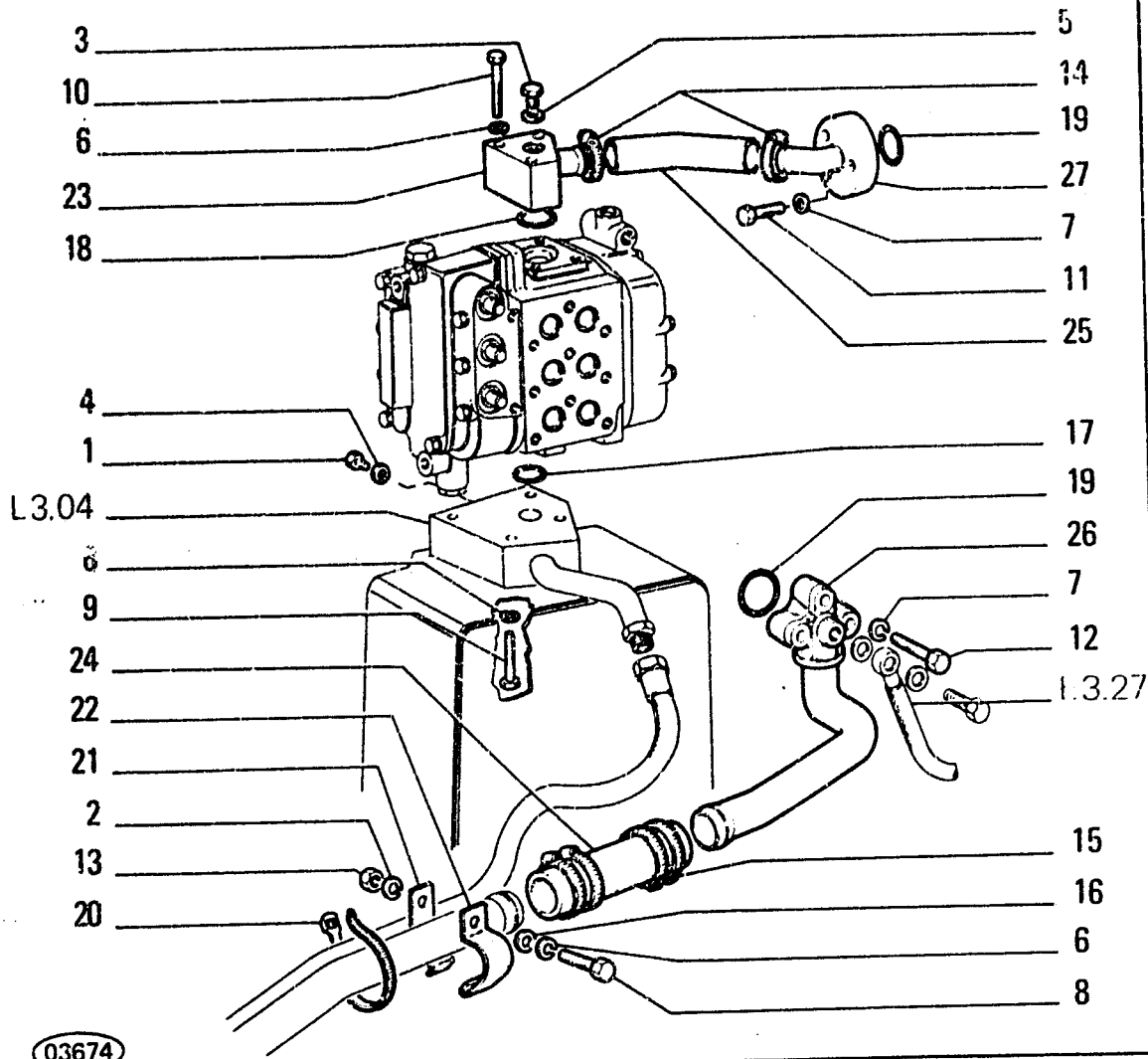
03674

HYDRAULIC SYSTEM - IMPIANTO IDRAULICO - SYSTEME HYDRAULIQUE - HYDRAULIKANLAGE - SISTEMA HIDRAULICO

E3.02 2

H11

FIATALLIS FL5



ITEM	PART NUMBER	QTY	TRANS CODE	DESCRIPTION	DESCRIZIONE
25	76015373	1	30M SLEEVE	D2273	MANICOTTO D2273
	79032012	1	30M SLEEVE	C2273	MANICOTTO C2273
26	79037015	1	193T TUBE - REAR		TUBO RIGIDO - POSTERIORE
27	79037018	1	193T TUBE		TUBO RIGIDO

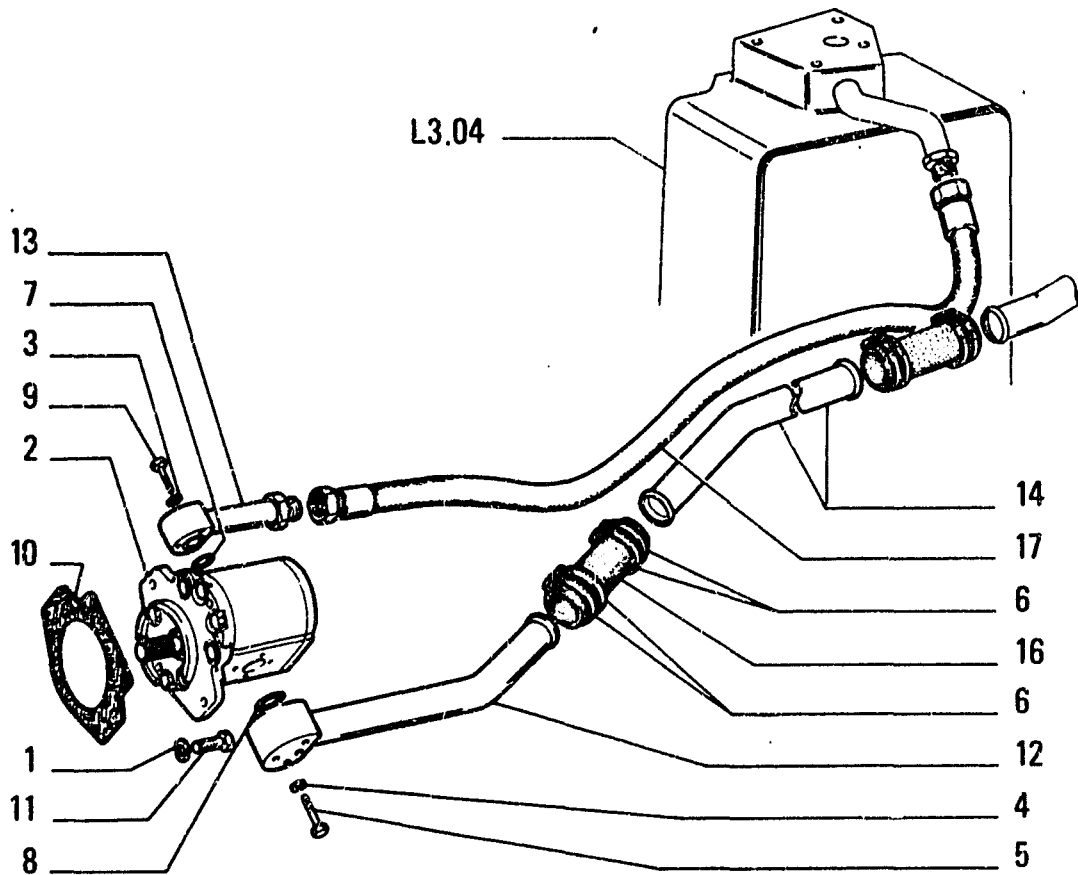
03674

HYDRAULIC SYSTEM - IMPIANTO IDRAULICO - SYSTEME HYDRAULIQUE - HYDRAULIKANLAGE - SISTEMA HIDRÁULICO

E3.02

2

H12



ITEM	PART NUMBER	QTY	TRANS CODE	DESCRIPTION	DESCRIZIONE
1	584747	2	132R	LOCKWASHER	ROSETTA DI SICUREZZA
2	8296983	1	161P	HYDRAULIC PUMP - ASSEMBLY IN ALTERNATIVE SEE SGR. E3.29 C2124	POMPA IDRAULICA - COMPLETO IN ALTERNATIVA VEDERE SGR. E3.29 C2124
		1	161P	HYDRAULIC PUMP - ASSEMBLY IN ALTERNATIVE SEE SGR. E3.29 (*) D2124	POMPA IDRAULICA - COMPLETO IN ALTERNATIVA VEDERE SGR. E3.29 (*) D2124
79031141		1	161P	HYDRAULIC PUMP - ASSEMBLY IN ALTERNATIVE SEE SGR. E3.29/1 C2124	POMPA IDRAULICA - COMPLETO IN ALTERNATIVA VEDERE SGR. E3.29/1 C2124
		1	161P	HYDRAULIC PUMP - ASSEMBLY IN ALTERNATIVE SEE SGR. E3.29/1(*) D2124	POMPA IDRAULICA - COMPLETO IN ALTERNATIVA VEDERE SGR. E3.29/1(*) D2124
79054158		1	161P	HYDRAULIC PUMP - ASSEMBLY SEE SGR. E3.29/2 D2124	POMPA IDRAULICA - COMPLETO VEDERE SGR. E3.29/2 D2124
3	10516671	3	132R	LOCKWASHER 8,1x2,2	ROSETTA DI SICUREZZA 8,1x2,2
4	10516871	3	132R	LOCKWASHER 10x2,5	ROSETTA DI SICUREZZA 10x2,5
5	11107531	3	40V	SCREW 10x1,5x65	VITE 10x1,5x65
6	12174790	4	180C	COLLAR 47/67x14 C2273	COLLARE 47/67x14 C2273
	79083845	2	180C	COLLAR D2273	COLLARE D2273
7	14457780	1	158G	O-RING 2,62x23,47	GUARNIZIONE O-R 2,62x23,47
8	14458180	1	158G	O-RING 2,62x29,82	GUARNIZIONE O-R 2,62x29,82
9	16044231	3	40V	SCREW 8x1,25x50	VITE 8x1,25x50
10	79013325	1	123G	SEAL ASSY	GUARNIZIONE TENUTA FRONTALE
11	79013326	2	40V	SCREW	VITE
12	79030891	1	193T	TUBE - FRONT	TUBO RIGIDO - ANTERIORE

HYDRAULIC SYSTEM - IMPIANTO IDRAULICO - SYSTEME HYDRAULIQUE - HYDRAULIKANLAGE -
 SISTEMA HIDRÁULICO

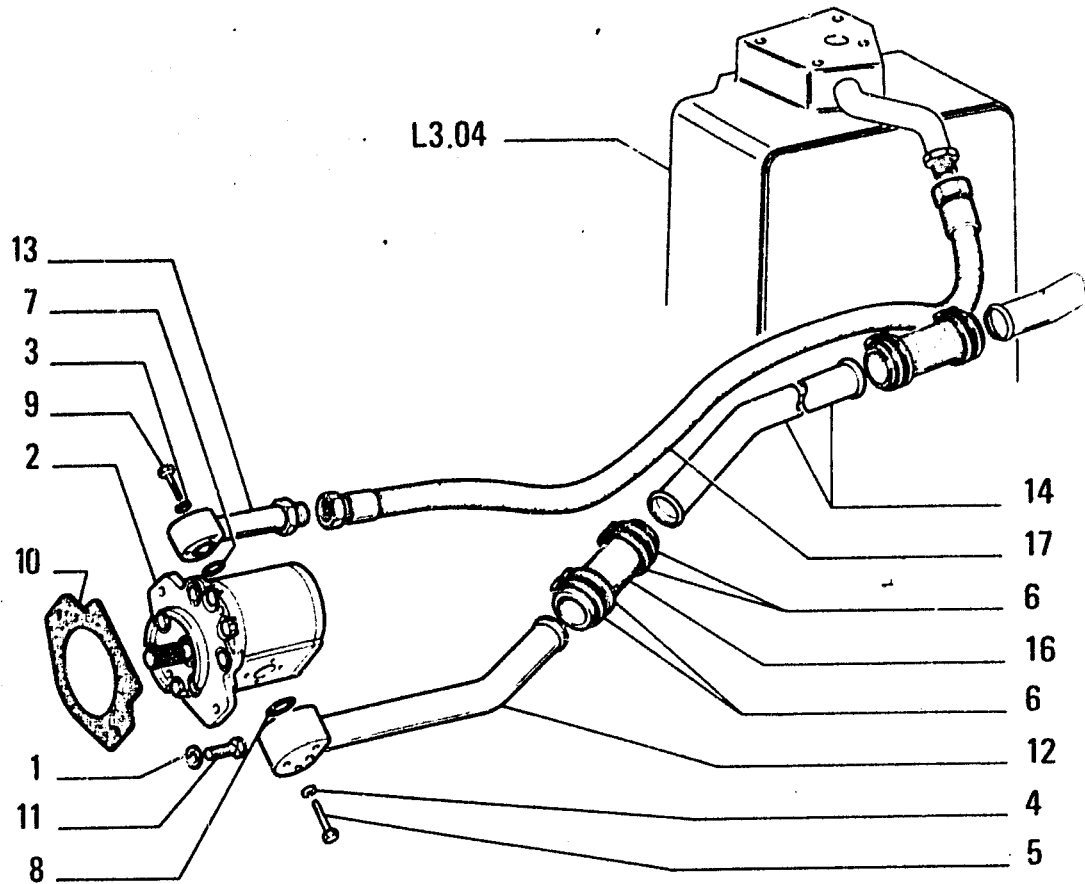
E3.02

3

N.T.R. 163 - 30.05.1989

604.01.077.03

H13



ITEM	PART NUMBER	QTY	TRANS CODE	DESCRIPTION	DESCRIZIONE
13	79030896	1	193T	TUBE - FRONT	TUBO RIGIDO - ANTERIORE
14	79030853	1	193T	TUBE	TUBO RIGIDO
16	76015372	1	30M	SLEEVE D2273	MANICOTTO D2273
	79032011	1	30M	SLEEVE C2273	MANICOTTO C2273
17	79034382	1	192T	HOSE ASSY	TUBO FLESS.C./RACCORDI
(*)			469P	FOR SPECIAL EQUIPMENT	PER VARIANTE 30.0060.04.1
				30.0060.04.1	

HYDRAULIC SYSTEM - IMPIANTO IDRAULICO - SYSTEME HYDRAULIQUE - HYDRAULIKANLAGE - SISTEMA HIDRÁULICO

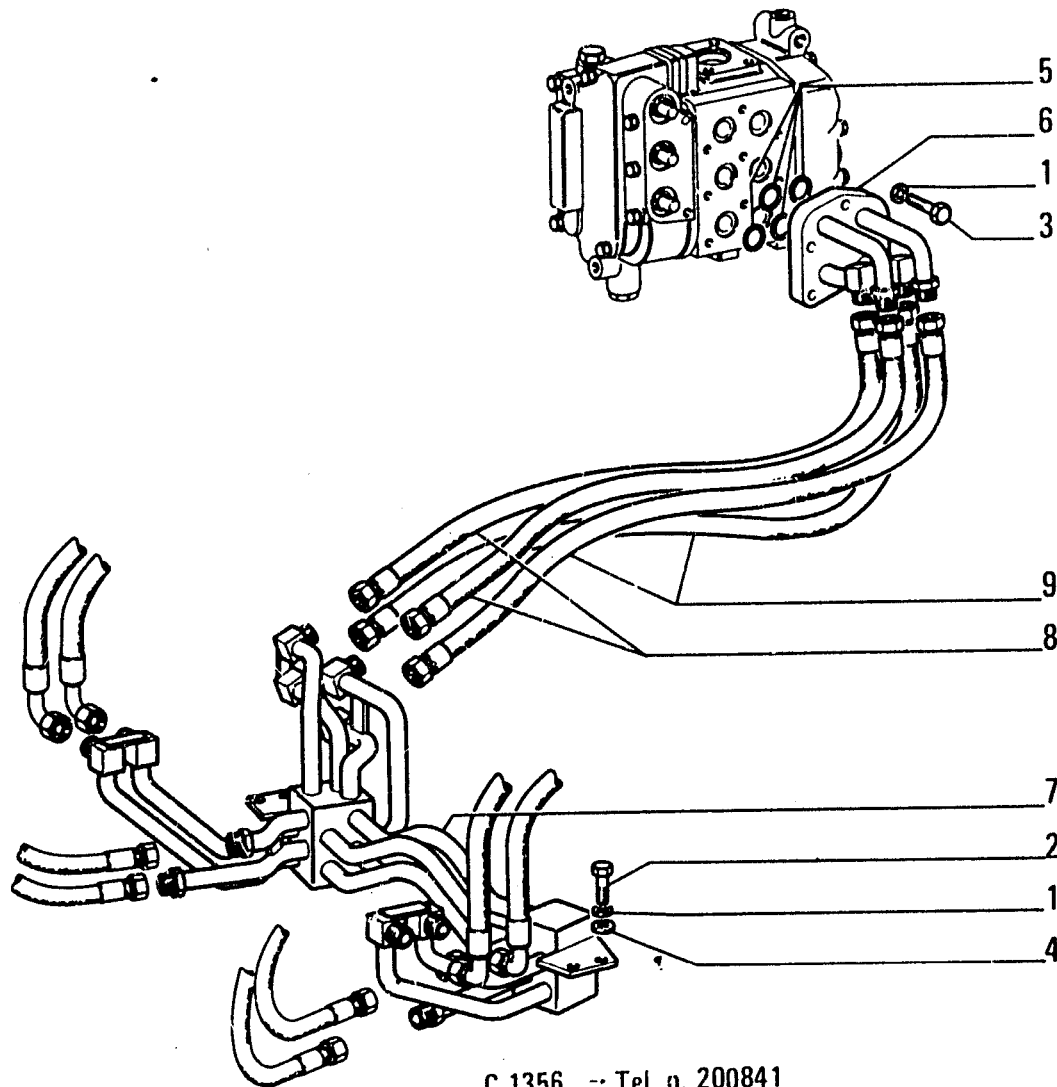
E3.02

3

N.T.R. 163 - 30.05.1989
604.01.077.03

H14

FIATALLIS FL5



C 1356 -- Tel. n. 200841

ITEM	PART NUMBER	QTY	TRANS CODE	DESCRIPTION	DESCRIZIONE
1	10516871	9	132R	LOCKWASHER 10x2,5 C1356	ROSETTA DI SICUREZZA 10x2,5 C1356
2	11106431	4	40V	SCREW 10x1,5x30 C1356	VITE 10x1,5x30 C1356
3	11106831	5	40V	SCREW 10x1,5x40 C1356	VITE 10x1,5x40 C1356
4	12646821	4	131R	WASHER 10,2x25 C1356	ROSETTA 10,2x25 C1356
5	14463280	4	158G	O-RING 3,53x24,99 C1356	GUARNIZIONE O-R 3,53x24,99 C1356
6	79030899	1	190T	LINE - REAR C1356	TUBAZIONE - POSTERIORE C1356
7	79030900	1	190T	LINE C1356	TUBAZIONE C1356
8	79034386	2	192T	HOSE ASSY C1356	TUBO FLESS.C/RACCORDI C1356
9	79034387	2	192T	HOSE ASSY C1356	TUBO FLESS.C/RACCORDI C1356

HYDRAULIC SYSTEM - IMPIANTO IDRAULICO - SYSTEME HYDRAULIQUE - HYDRAULIKANLAGE -
 SISTEMA HIDRÁULICO

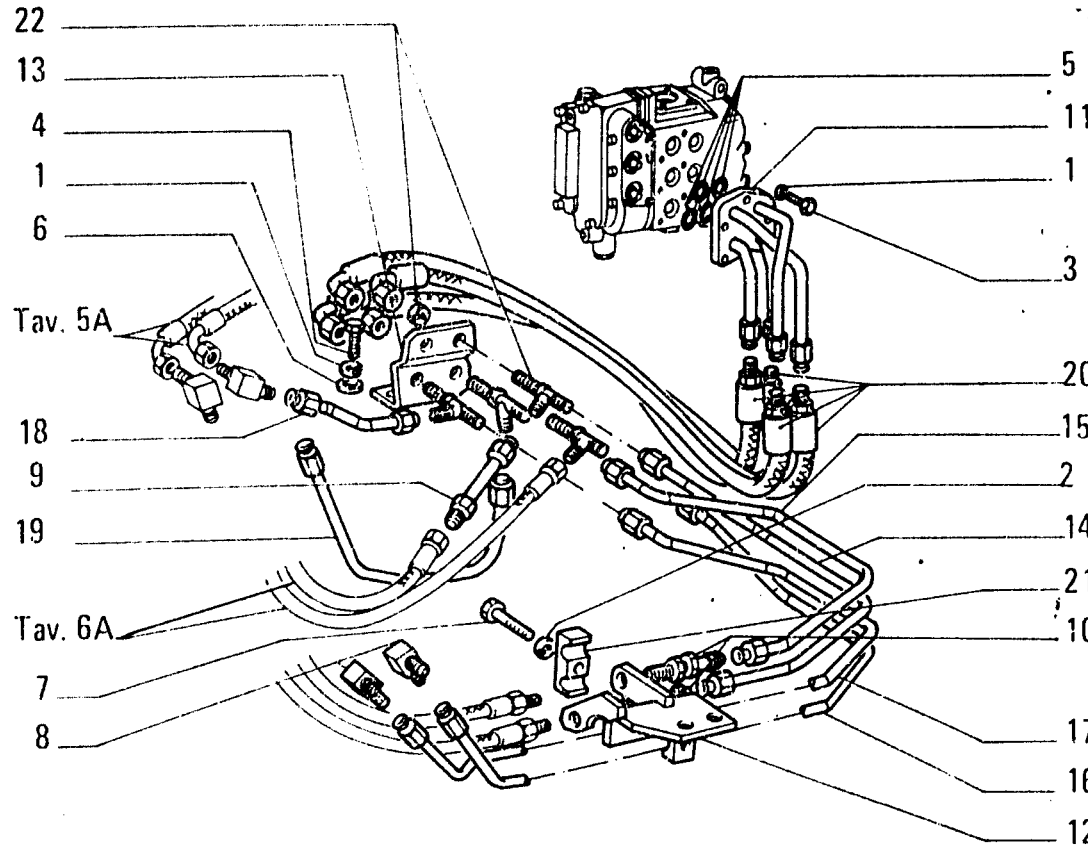
E3.02

4

T.R. 163 - 30.05.1989

604.01.077.03

H15



I T E M	PART NUMBER	Q T Y	TRANS CODE	DESCRIPTION	DESCRIZIONE
1	10516871	9	131R	WASHER 10x2,5 D1356	ROSETTA 10x2,5 D1356
2	10571879	1	131R	WASHER 10,2x2,5 D1356	ROSETTA 10,2x2,5 D1356
3	11106831	5	40V	SCREW 10x1,5x40 D1356	VITE 10x1,5x40 D1356
4	11106431	4	40V	SCREW 10x1,5x30 D1356	VITE 10x1,5x30 D1356
5	14463280	4	158G	O-RING 3,53x24,99 D1356	GUARNIZIONE O-R 3,53x24,99 D1356
6	12646821	4	131R	WASHER 10,2x2,5 D1356	ROSETTA 10,2x2,5 D1356
7	16043831	1	40V	SCREW 8x1,25x30 D1356	VITE 8x1,25x30 D1356
8	76009211	4	20R	FITTING D1356	RACCORDO D1356
9	79046381	1	193T	TUBE - RIGHT D1356	TUBO RIGIDO - DESTRO D1356
10	79046493	2	222P	EXTENSION D1356	PROLUNGA D1356
11	79046554	1	190T	LINE D1356	TUBAZIONE D1356
12	79046558	1	105P	PLATE D1356	PIASTRA D1356
13	79046559	1	105P	PLATE D1356	PIASTRA D1356
14	79046560	1	193T	TUBE D1356	TUBO RIGIDO D1356
15	79046561	1	193T	TUBE D1356	TUBO RIGIDO D1356
16	79046562	1	193T	TUBE D1356	TUBO RIGIDO D1356
17	79046563	1	193T	TUBE D1356	TUBO RIGIDO D1356
18	79046564	1	193T	TUBE D1356	TUBO RIGIDO D1356
19	79046565	1	193T	TUBE D1356	TUBO RIGIDO D1356
20	79046566	4	192T	HOSE ASS'Y D1356	TUBO FLESS.C.RACCORDI D1356
21	79048701	1	74B	BLOCK D1356	BLOCCHETTO D1356
22	79050693	4	20R	FITTING D1356	RACCORDO D1356

D 1356 Tel. n. 200842

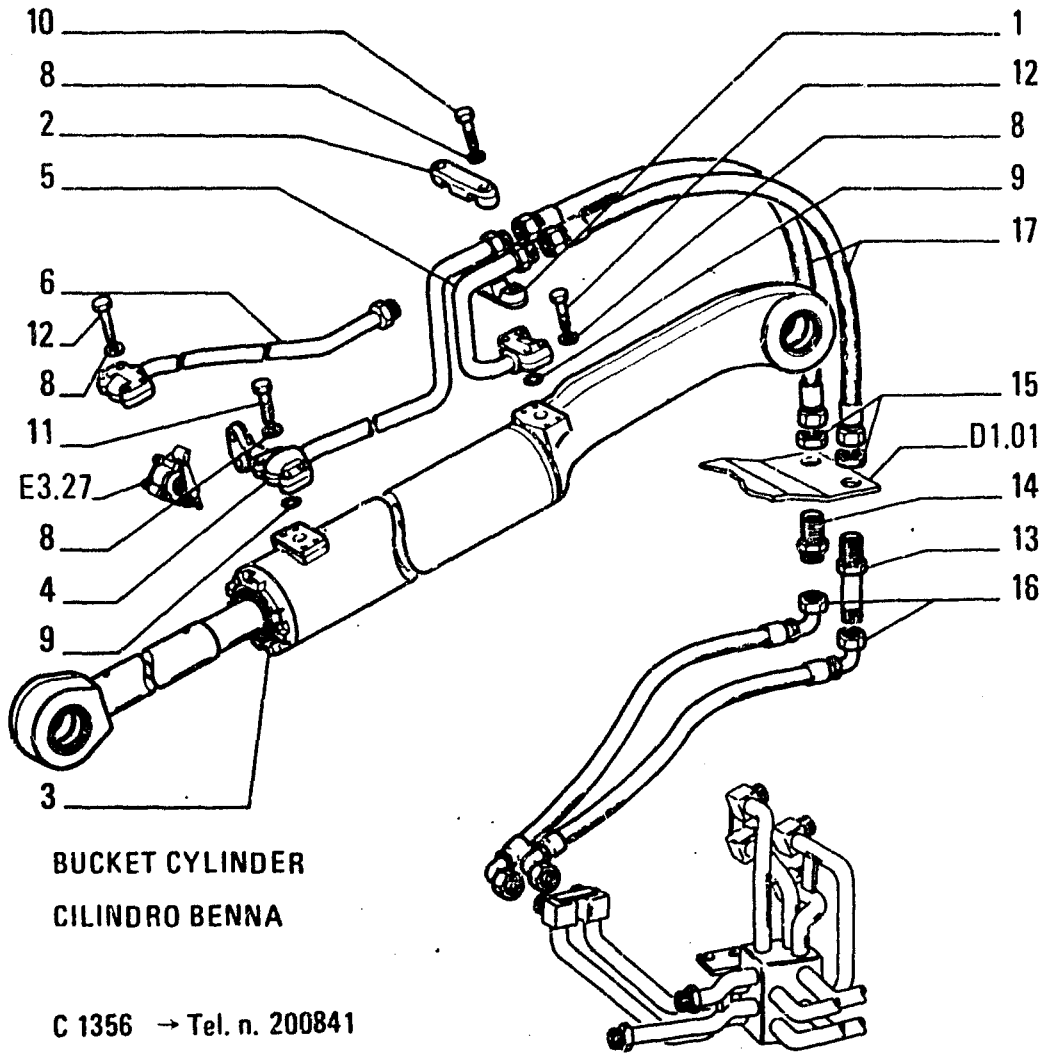
HYDRAULIC SYSTEM - IMPIANTO IDRAULICO - SYSTEME HYDRAULIQUE - HYDRAULIKANLAGE -
SISTEMA HIDRÁULICO

H16

E3.02

4A

N.T.R. 163 - 30.05.1989
604.01.077.03



C 1356 → Tel. n. 200841

ITEM	PART NUMBER	QTY	TRANS CODE	DESCRIPTION	DESCRIZIONE
1	8288029	2	231S	CLIP - LOWER C1356	STAFFETTA - INFERIORE C1356
2	8288030	2	231S	CLIP - UPPER C1356	STAFFETTA - SUPERIORE C1356
3	8297064	2	164C	CYLINDER - ASSEMBLY SEE SGR. E3.32/1 C1355	CILINDRO - COMPLETO VEDERE SGR. E3.32/1 C1355
	79039355	2	164C	CYLINDER - ASSEMBLY SEE SGR. E3.32/1 D1355	CILINDRO - COMPLETO VEDERE SGR. E3.32/1 D1355
		2	164C	CYLINDER - ASSEMBLY SEE SGR. E3.32/1 C1357	CILINDRO - COMPLETO VEDERE SGR. E3.32/1 C1357
4	8297233	1	193T	TUBE - FRONT RIGHT C1356	TUBO RIGIDO - ANTERIORE DESTRO C1356
	79039411	1	193T	TUBE - FRONT RIGHT D1355	TUBO RIGIDO - ANTERIORE DESTRO D1355
		1	193T	TUBE - FRONT RIGHT C1356	TUBO RIGIDO - ANTERIORE DESTRO C1356
5	8297235	1	193T	TUBE - REAR RIGHT C1356	TUBO RIGIDO - POSTERIORE DESTRO C1356
	8297239	1	193T	TUBE - REAR LEFT C1356	TUBO RIGIDO - POSTERIORE SINISTRO C1356
6	8297238	1	193T	TUBE - FRONT LEFT C1355	TUBO RIGIDO - ANTERIORE SINISTRO C1355
	79039414	1	193T	TUBE - FRONT LEFT D1355	TUBO RIGIDO - ANTERIORE SINISTRO D1355
		1	193T	TUBE - FRONT LEFT C1356	TUBO RIGIDO - ANTERIORE SINISTRO C1356
8	10516671	20	132R	LOCKWASHER 8,1x2,2 C1356	ROSETTA DI SICUREZZA 8,1x2,2

HYDRAULIC SYSTEM - IMPIANTO IDRAULICO - SYSTEME HYDRAULIQUE - HYDRAULIKANLAGE - SISTEMA HIDRÁULICO

E3.02

5

N.T.R. 163 - 30.05.1989

604.01.077.03

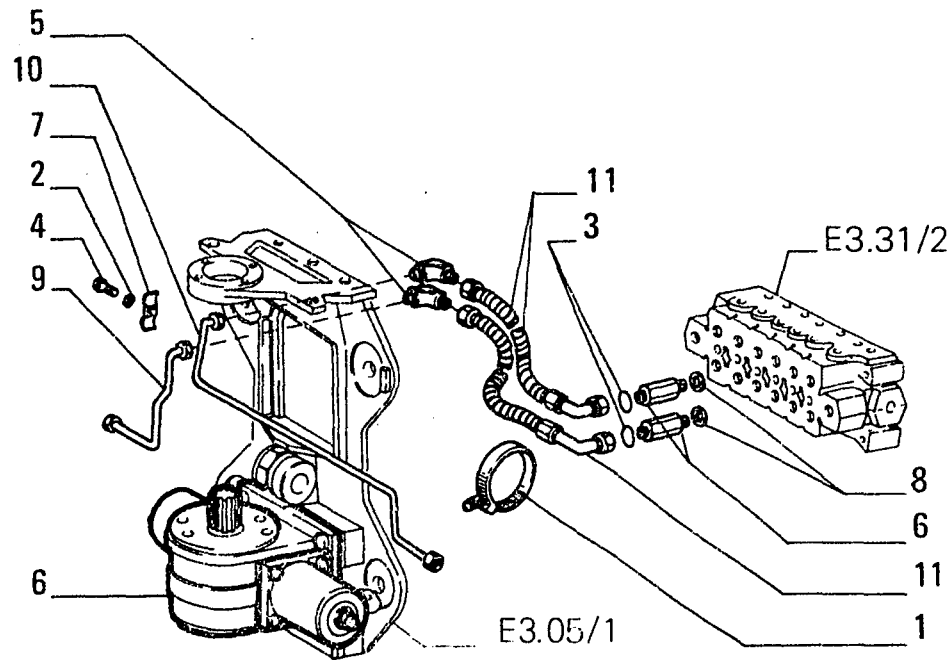
DESIGNAZIONE BASE	BASIC DESIGNATION	DESIGNATIONS-BASES	GRUNDBEZEICHNUNGEN	DENOMINACIONES BASE
1076 1076 1076 107S	GRUPPO ACCENSIONE ELETTRONICO	ELECTRONIC IGNITION SYSTEM UNIT	GRUPE D'ALLUMAGE ELECTRONIQUE	SISTEMA DE ENCEN- DIDO ELECTRONICO
107S	SEMIPULEGGIA	HALF PULLEY	DEMI-POULIE	SEMIPOLEA
1070	CILINDRO INCLINAZIONE	TILT CYLINDER	CYLINDRE DE TILT	CILINDRO TILT
1071	CILINDRO TILT (HS-L)	TILT CYLINDER (HS-L)	CYLINDRE DE TILT (HS-L)	CILINDRO TILT (HS-L)
1072	CILINDRO TILT (HS)	TILT CYLINDER (HS)	CYLINDRE DE TILT (HS)	TILT ZYLINDER (HS)
1078	COMANDO ATTREZZO POST.	REAR EQUIPMENT CONTROL	COMMANDE D'OUTIL POSTERIEUR	MANDO DEL UTIL POSTERIOR
108B	BORDO	EDGE	PROFILE	PERFIL
108G	GRUPPO DI RINVIO	IDLER UNIT	GRUPE DE RENVOI	REENVIO-REDUCTOR
108M	MOLTIPLICATORE	OVERDRIVE	SURMULTIPLICATEUR	MULTIPLICADOR
108R	RITARDATORE IDRAULICO	HYDRAULIC RETARDER	RETARDATEUR HY- DRAULIQUE	RETARDADOR HIDRAU- LICO
108S	SEMISTANTUFFO	HALF PISTON	DEMI-PISTON	SEMIEMBOLO
1082	COMANDO E TUBAZIONI	PIPING AND CONTROL	COMMANDE ET TUYANTERIE	
1083	COMANDO II CASSETTO	2ND SPOOL CONTROL	COMMANDE DU 2ME TIROIR	
1084	COMANDO III CASSETTO	3RD SPOOL CONTROL	COMMANDE DU 3ME TIROIR	MANDO DE LA 3A CARRETES
1037	COMANDO E TUBAZ(DAL DEVIATORE)	PIPING AND CONTR(DIVERT VALVE)	COMMANDE ET TUYANTERIE(DEVIAT.	
109B	BORSA PORTACARTE	UTILITY RECESS	VIDE-POCHES	BOLSA PARA MAPAS
109G	GRUPPO INIEZIONE	INJECTION EQUIPMENT	GRUPE D'INJECTION	GRUPO DE INYECCION
1095	MENSOLE INCERNIERAM	TRUNNIONS	CONSOLES	REFUERZOS
11GA	ATTREZZO ANTERIORE	FRONT IMPLEMENT	EQUIPEMENT AVANT	IMPLEMENTO ANTERIOR
11G0	BRACCI E ARTICOLAZIONI	BOOM/LINKAGE	ARTICULATION DE FLECHE	ARTICULACION DEL AIGULON
11G1	CILINDRI SOLLEVAMENTO	LIFT CYLINDERS	CYLINDRES LEVAGE	CILINDRO ALCE
11G2	CILINDRI ROTAZIONE BENNA	DUMP CYLINDERS	CYLINDRES DECHARGE	CILINDRO DESCARGA
11G3	TUBAZIONI CILINDRI SOLLEV	LIFT CYLINDERS PIPING	CONDUITES CYLINDRES LEVAGE	TUBERIA CILINDRO ALCE
11G4	TUBAZIONI CILINDRI ROTAZIONE	DUMP CYLINDERS PIPING	TUYAUTERIE CYLINDRES BASCULAGE	
11G5	COMANDI ATTREZZO	EQUIPMENT CONTROLS	COMMANDES D'OUTIL	MANDO DEL UTIL
11G8	LIMITAZIONE SOLLEV. BRACCI	LIFTING KICK-OUT		
110A	AVVOLGIMENTO	WINDING	ENROULEMENT	BOBINA
110F	FUSIBILE	FUSE	FUSIBLE	FUSIBLE
110G	GRUPPO OTTICO	LENS/REFLECTOR UNIT	GRUPE OPTIQUE	GRUPO OPTICO
110P	PIASTRINA	PLAQUE	PLAQUETTE	CHAPITA
110T	TESTA A SNODO	ARTICULATED JOINT	JOINT A ROTULE	ARTICULACION
1103	TUBAZ. CON VALVOLA DEFLUSSO	PIPING W/DOWNFLOW VALVE	TUYAUTERIE AVEC SOUPEPE DE DEF	
1107	VALVOLA DISCESA RAPIDA	QUICK RELEASE VALVE	SOUFFRAGE DESCENTE RAPIDE	
1108	VALVOLA DI BLOCCO	LOCK VALVE	SOUFFRAGE DE BLOCAGE	
111C	CAVO	CABLE	CABLE	CABLE
111G	GRUPPO DI REGOLAZIONE	GOVERNOR ASSEMBLY	GRUPE REGULATEUR	REGULADOR

DESIGNAZIONE BASE	BASIC DESIGNATION	DESIGNATIONS-BASES	GRUNDBEZEICHNUNGEN	DENOMINACIONES BASE	
101G	GRIGLIA	GRID	GRILLE	SCHUTZGITTER	REJILLA
1011	FORCELLE	STRUTS	FOURCHES	STREBEN	
1012	FORCELLE RINFORZATE	STRUTS H.D	FOURCHES RENFORCEES	STREBEN VERSTAERKTE AUSFUEHRUN	
102B	BOMBOLETTA	BOTTLE	BOUTEILLE	FLASCHE	ENVASE DE GAS
102E	ELEVATORE	ELEVATOR	ELEVATEUR	FOERDERER	ELEVADOR
102G	GRU	CRANE	GRUE	KRAN	GRUA
102P	PIANALE	PLATFORM	PLATEAU	PLATTE	PLATAFORMA
1022	LASERPLANE-TRASMETTITORE		LASERPLANE TRANSMETTEUR	LASERPLANE-SENDER	
1023	LASERPLANE-RICEVITORE		LASERPLANE RECEPTEUR	LASERPLANE-EMPPFAENGER	
103A	ASTUCCIO PORTARULLI	ROLLER CASING	ETUI PORTE-GALET	HUELSE	CARTER PORTARRO- DILLOS
103A					
103E	ESPULSORE	EJECTOR			
103M	MOLLA A DIAFRAMMA	DISC SPRING	RONDELLE-RESSORT	FEDERSCHEIBE	DIAFRAGMA DE MUE- LLE
103M					
103P	PIANTONE	STEERING COLUMN	COLONNE DIRECTION	LENKSAEULE	COLUMNA DIRECCION
103G	SEMICUSCINETTO	HALF BEARING	DEMI-ROULEMENT	LAGGERHALBSHALEN	SEMIRODAMIENTO
1030	CILINDRI ANGOLAZIONE	ANGLE CYLINDERS	CYLINDRES AD	SCHWENKZYLINDER	
104A	ATTACCO PER ATTREZZI	EQUIPMENT MOUNTING	ATTELAGE DES OU- TILS	GERAETEKUPPLUNG	ENGANCHE DE LOS UTILES
104A					
104G	GRUPPO COMANDO DI DISTRIBUZIONE	CAMSHAFT DRIVE SET	JEU DE COMMANDE DE DISTRIBUTION	STEUERUNGSANTRIEB- SATZ	JUEGO DE PINONES DE LA DISTRIBUCION
104G					
104S	SEMIDISCO	HALF DISC	DEMI-DISQUE	HALBSCHEIBE	SEMIDISCO
1040	BRACCI E TIRANTI (HSU-HS)	PUSHBEAMS AND STRUTS (HSU-HS)	BRAS ET TIRANTS (HSU-HS)	SCHUBARME UND STREBEN(HSU-HS)	BRAZOS Y TIRANTES (HSU-HS)
1041	BRACCI E TIRANTI (HS-L)	PUSHBEAMS AND STRUTS (HS-L)	BRAS ET TIRANTS (HS-L)	SCHUBARME UND STREBEN(HS-L)	BRAZOS Y TIRANTES (HS-L)
1042	BRACCI E TIRANTI (HS)	PUSHBEAMS AND STRUTS (HS)	BRAS ET TIRANTS (HS)	SCHUBARME UND STREBEN(HS)	BRAZOS Y TIRANTES (HS)
1043	BRACCI E TIRANTI (TILT-PITCH)	PUSHBEAMS & STRUTS(TILT-PITCH)	BRAS ET TIRANTS (TILT-PITCH)	SCHUBARME STREBEN(TILT-PITCH)	BRAZOS Y TIRANTES (TILT-PITCH)
105A	AVVISATORE ACUSTICO	HORN	AVVERTISSEUR	HUPE	BOCINA
105F	FUNE	CABLE	CABLE	DRAHTSEIL	CABLE
105G	GRUPPO DI ROTAZIONE	ROTATION UNIT	GROUPE DE ROTATION	DREHAGGREGAT	GRUPO DE ROTACION
105M	MOLLETTA	SPRING FASTENER	AGRAFE	KLEMMSTUECK	SUJETADOR
105P	PIASTRA	PLATE	PLAQUE	PLATTE	PLACA
105R	RISCALDATORE	HEATER	RECHAUFFEUR	HEIZUNG	CALENTADOR
105S	SEMIGIUNTO	HALF COUPLING	DEMI-JOINT	HALBGELENK	SEMIACOPLAMIENTO
106B	BORDINO	MOLDING	PROFILE	PROFIL	PERFIL
106G	GRUPPO AMMORTIZZANTE	SHOCK ABSORBING UNIT	GROUPE AMORTISSEUR	STOSSDAEMPFER	GRUPO AMORTIGUADOR
106R	RISCALDATORE ELETTRICO	HEATING ELEMENT	RECHAUFFEUR ELEC- TRIQUE	ELEKTRISCHE HEIZGERAET	RESISTENCIA DE CALDEO
106R					
106S	SEMIGUARNIZIONE	HALF GASKET	DEMI-JOINT	DICHTUNGSHAELFTE	SEMIGUARNICION
106S	CILINDRO TILT (ALL-HYDRAULIC)	TILT CYLINDER (ALL-HYDRAULIC)	CYLINDRE DE TILT(ALL-HYDRAULIC)	TILT ZYLINDER (ALL-HYDRAULIC)	
107B	BORDO DI GOMMA	WEATHERSTRIP	CAOUTCHOUC	PROFILGUMMI	GOMA

DESIGNAZIONE BASE	BASIC DESIGNATION	DESIGNATIONS-BASES	GRUNDBEZEICHNUNGEN	DENOMINACIONES BASE
EL	ELIMINATO	DELETED	ELIMINE	ELIMINADO
ERR	ERRATA	WRONG	ERRATA	DONDE DICE
EST	ESTERNO	OUTER	EXTERIOR	EXTERIOR
FA00	AGRICOLO A CINGOLI	AGRICULTURAL CRAWLER	TRACT.AGRICOLE SUR CHENILLES	TRACTOR AGRICOLA SOBRE ORUGAS
FB00	TERNA	BACKHOE LOADER	CHARGEUSE-PELLETEUSE	TERNA SOBRE RUEDAS
FD0P	APRIPISTA CINGOLI LGP	CRAWLER DOZER-LGP	BOUTEUR SUR CHENILLES LGP	ABRETROCHAS LGP
FD00	APRIPISTA CINGOLI	CRAWLER DOZER	BOUTEUR SUR CHENILLES	ABRETROCHAS
FE0P	ESCAVATORE A CINGOLI LC	CRAWLER EXCAVATOR-LC	PELLE SUR CHENILLES LC	EXCAVADORA SOBRE ORUGAS LC
FE0R	ESCAVATORE A CINGOLI HD	CRAWLER EXCAVATOR-HD	PELLE SUR CHENILLES HD	EXCAVADORA SOBRE ORUGAS HD
FE0W	ESCAVATORE A RUOTE	WHEEL EXCAVATOR	PELLE SUR PNEUS	EXCAVADORA SOBRE RUEDAS
FE00	ESCAVATORE A CINGOLI	CRAWLER EXCAVATOR	PELLE SUR CHENILLES	EXCAVADORA SOBRE ORUGAS
FG00	MOTOLIVELLATRICE	MOTOR-GRADER	NIVELEUSE SUR PNEUS	MOTONIVELADORA
FL0P	CARICATORE A CINGOLI LGP	CRAWLER LOADER-LGP	CHARGEUSE SUR CHENILLES LGP	CARGADORA SOBRE ORUGAS LGP
FLO0	CARICATORE A CINGOLI	CRAWLER LOADER	CHARGEUSE SUR CHENILLES	CARGADORA SOBRE ORUGAS
FP00	POSATUBI	PIPE-LAYER	POSEUR DE TUBES	TIENDETUBOS
FROC	COMPATTATORE A RUOTE	WHEEL COMPACTOR		
FR00	CARICATORE ART RUOTE	WHEEL LOADER	CHARGEUSE SUR PNEUS	CARGADORA SOBRE RUEDAS
FS00	MOTORUSPA	MOTOR-SCRAPER	DECAPEUSE SUR PNEUS	MOTOTRAILLA
G214	TRASLAZIONE RETROESCAVATORE	BACKHOE TRASLATION		
INF	INFERIORE	LOWER	INFERIEUR	INFERIOR
INT	INTERNO	INNER	INTERIEUR	INTERIOR
LAT	LATERALE	SIDE	LATERAL	LATERAL
POST	POSTERIORE	REAR	ARRIERE	POSTERIOR
SALD	DA SALDARE	TO BE WELDED	A SOUDER	SOLDAR
SEM	SEMILAVORATO	SEMIFINISHED	MI-OUVRE	SEMIELABORADO
SN	SINISTRO	LEFT	GAUCHE	IZQUIERDO
SP	SPESSORE	THICKNESS	EPAISSEUR	GRUESO
SUP	SUPERIORE	UPPER	SUPERIOR	SUPERIOR
VED	VEDERE SGR	SEE SGR	VOIR SGR	VEASE SGR
10G3	ARRESTO MOTORE	ENGINE STOP	ARRET DU MOTEUR	PARO DEL MOTOR
100B	BOCCOLA DI GOMMA	RUBBER BUSH	BAGUE CAOUTCHOUC	COJINETE DE CAUCHO
100C	CAVALLOTTO	RETAINER	ARRETOIR	SUJETADOR
100G	GRIGLIA DEL RADIATORE	RADIATOR GRILLE	GRILLE DE RADIA- TEUR	CORAZA DEL RADIA- DOR
100M	MOLLA	SPRING	RESSORT	MUELLE
100R	RIPOSTIGLIO CRUSCOTTO	RECESS	BOITE A GANTS	GUANTERA
100S	SEMICONO	LOCK CONE	DEMI-CONE	CHAVETA CONICA
1003	ARCONE (ALL-HYDRAULIC)	C-FRAME (ALL-HYDRAULIC)	EYRIER (ALL-HYDRAULIC)	ARCON (ALL-HYDRAULIC)
101A	ASTUCCIO	CASING	ETUI	ESTUCHE
101E	ELETTROLITO	ELECTROLYTE	ELECTROLYTE	ELECTROLYTE

E

AUXILIARY ATTACHMENT (AND EQUIPMENT) • ORGANI SUSSIDIARI (E ATTREZZI) • ORGANES AUXILIAIRES (ET EQUIPEMENT) •
NEBENAGGREGATE (UND GERÄTE) • GRUPOS AUXILIARES (Y EQUIPO)



OPTIONAL

30.0060.04.1

VARIANTE

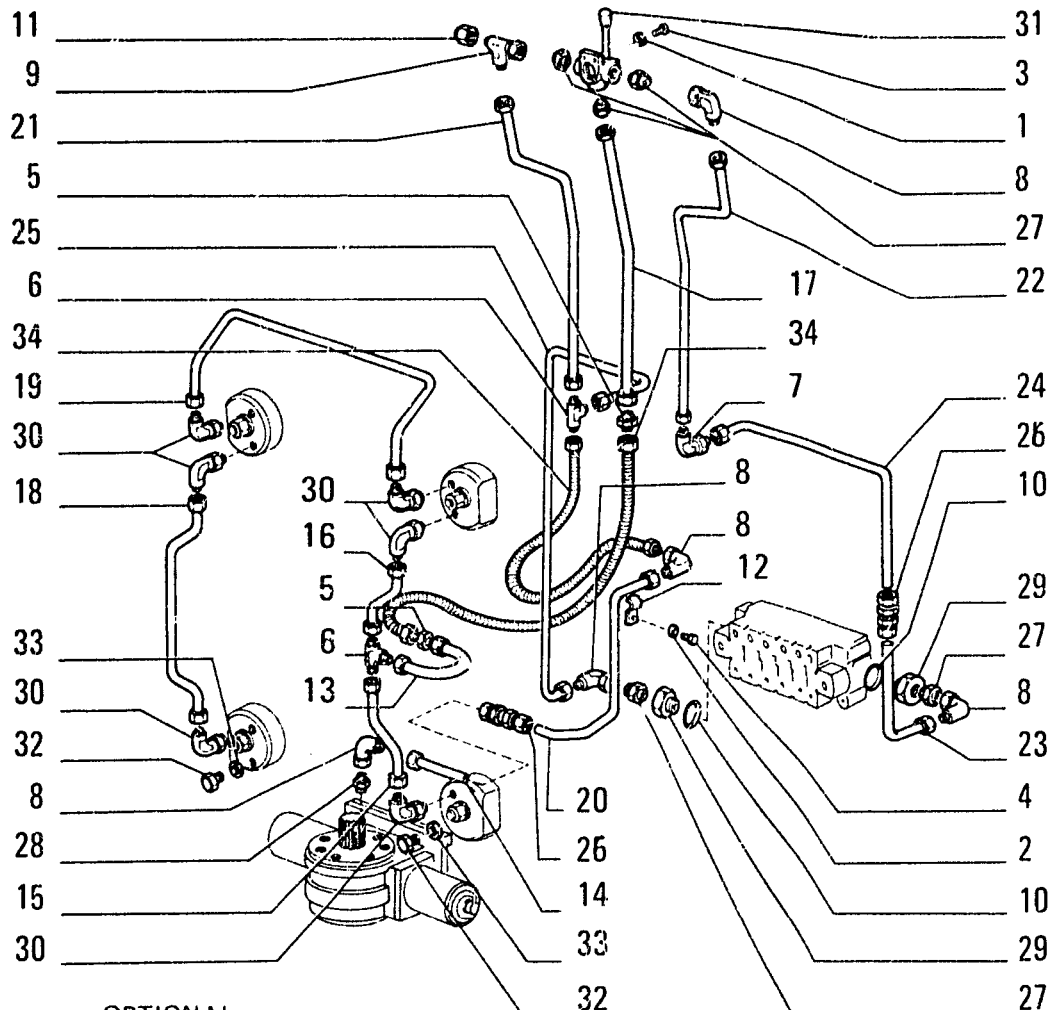
04561

I T E M	PART NUMBER	Q T Y	TRANS CODE	DESCRIPTION	DESCRIZIONE
1	4982514	3	31F	CLAMP	FASCETTA
2	10571771	1	132R	LOCKWASHER 8,1x2	ROSETTA DI SICUREZZA 8,1x2
3	14457780	2	133R	SEAL 2,62x23,47	ROSETTA DI TENUTA 2,62x23,47
4	16043631	1	40V	SCREW 8x1,25x25	VITE 8x1,25x25
5	70921364	2	20R	FITTING	RACCORDO
6	79036212	1	105G	ROTATION UNIT - ASSEMBLY SEE SGR. E3.22	GRUPPO DI ROTAZIONE - COMPLETO VEDERE SGR. E3.22
7	79036292	2	28N	NIPPLE	NIPPLO
8	79036298	1	31F	CLAMP	FASCETTA
9	79039010	2	131R	WASHER	ROSETTA
10	79039050	1	193T	TUBE - RIGHT	TUBO RIGIDO - DESTRO
11	79039052	1	193T	TUBE - LEFT	TUBO RIGIDO - SINISTRO
12	79039053	2	192T	HOSE ASSY	TUBO FLESS.C./RACCORDI

HYDRAULIC SYSTEM - IMPIANTO IDRAULICO - SYSTEME HYDRAULIQUE - HYDRAULIKANLAGE
 SISTEMA HIDRAULICO -

E3.02/2

4



ITEM	PART NUMBER	QTY	TRANS CODE	DESCRIPTION	DESCRIZIONE
28	79039087	1	28N	NIPPLE	NIPPO
29	79039088	2	28N	NIPPLE	NIPPO
30	79039089	6	20R	FITTING	RACCORDO
31	79039090	1	27D	DIVERTER VALVE	DEVIATORE
32	79039091	2	50T	PLUG	TAPPO
33	45018672	2	120G	GASKET D1370	GUARNIZIONE PIANA D1370
	79039093	2	120G	GASKET C1370	GUARNIZIONE PIANA C1370
34	79039094	2	192T	HOSE ASSY	TUBO FLESS.C/RACCORDI

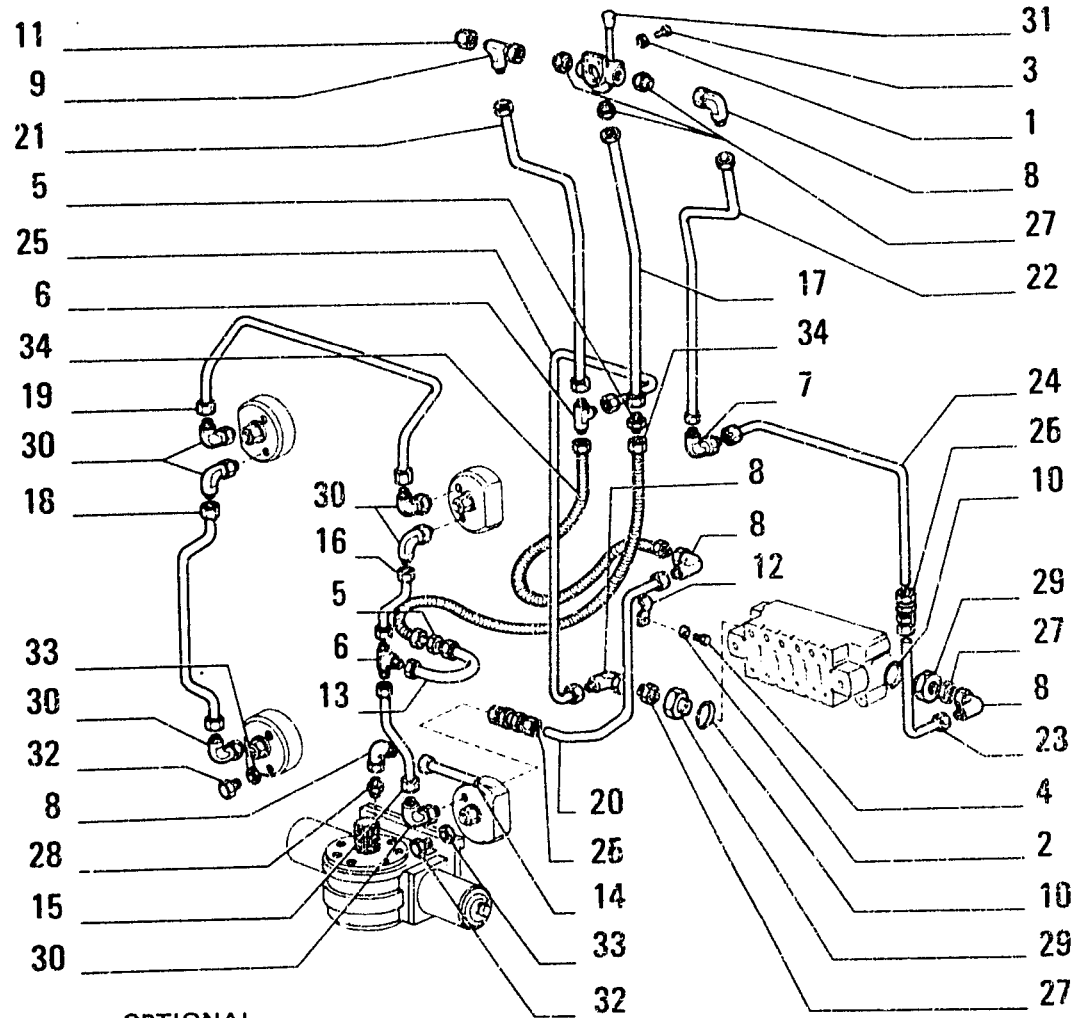
OPTIONAL VARIANTE 30.0060.04.1
 04850

HYDRAULIC SYSTEM - IMPIANTO IDRAULICO - SYSTEME HYDRAULIQUE - HYDRAULIKANLAGE -
 SISTEMA HIRAUICO

E3.02/2 3

N.T.R. 102 - 31.05.82
 604.01.077.01

FIATALLIS FLS



ITEM	PART NUMBER	QTY	TRANS CODE	DESCRIPTION	DESCRIZIONE
1	10569371	2	132R	LOCKWASHER 8,1x2	ROSETTA DI SICUREZZA 8,1x2
2	10571771	1	132R	LOCKWASHER 8,1x2	ROSETTA DI SICUREZZA 8,1x2
3	14306220	2	40V	SCREW 8x1,25x16	VITE 8x1,25x16
4	16043431	1	40V	SCREW 8x1,25x20	VITE 8x1,25x20
5	70919065	2	28N	NIPPLE	NIPPLO
6	70919087	2	20R	FITTING	RACCORDO
7	70919131	2	20R	FITTING	RACCORDO
8	70921013	2	20R	FITTING	RACCORDO
9	70921297	1	20R	FITTING	RACCORDO
10	79023516	2	120G	GASKET	GUARNIZIONE PIANA
11	79036287	1	50T	PLUG	TAPPO
12	79036297	1	31F	CLAMP	FASCETTA
13	79039060	1	193T	TUBE	TUBO RIGIDO
14	79039062	1	193T	TUBE	TUBO RIGIDO
15	79039064	1	193T	TUBE	TUBO RIGIDO
16	79039066	1	193T	TUBE	TUBO RIGIDO
17	79039068	1	193T	TUBE	TUBO RIGIDO
18	79039070	1	193T	TUBE	TUBO RIGIDO
19	79039072	1	193T	TUBE	TUBO RIGIDO
20	79039074	1	193T	TUBE	TUBO RIGIDO
21	79039076	1	193T	TUBE	TUBO RIGIDO
22	79039078	1	193T	TUBE	TUBO RIGIDO
23	79039080	1	193T	TUBE	TUBO RIGIDO
24	79039082	1	193T	TUBE	TUBO RIGIDO
25	79039084	1	193T	TUBE	TUBO RIGIDO
	79039085	2	10V	VALVE	VALVOLA
27	79039086	5	28N	NIPPLE	NIPPLO

04850

OPTIONAL VARIANTE 30.0060.04.1

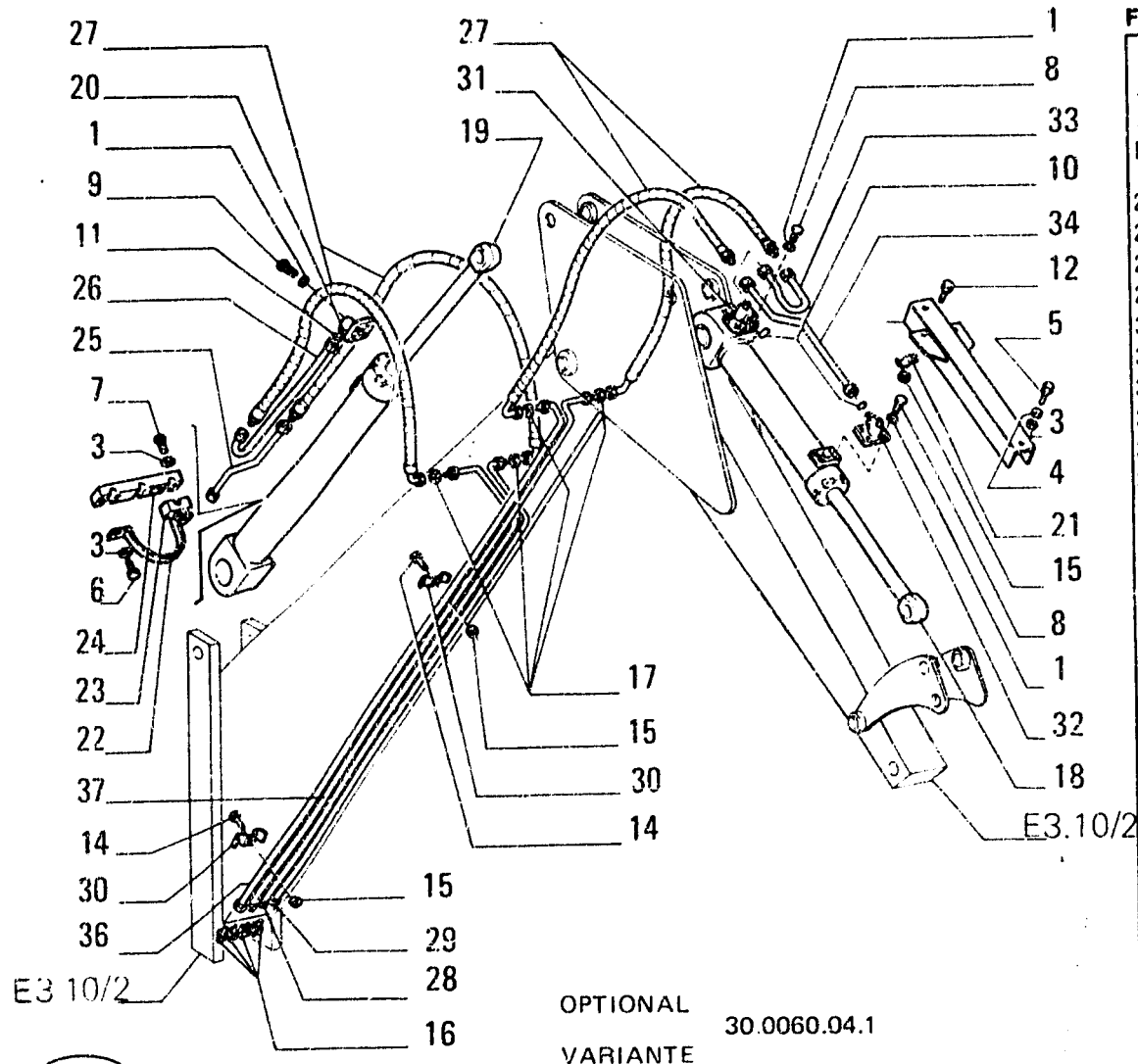
HYDRAULIC SYSTEM - IMPIANTO IDRAULICO - SYSTEME HYDRAULIQUE - HYDRAULIKANLAGE -
 SISTEMA HIRAUICO

E3.02/2

3

N.T.R. 102 - 31.05.82
 604.01.077.01

FIATALLIS FL5



ITEM	PART NUMBER	QTY	TRANS CODE	DESCRIPTION	DESCRIZIONE
26	79039001	1	193T	TUBE	TUBO RIGIDO
27	79039003	4	192T	HOSE ASSY	TUBO FLESS.C/RACCORDI
28	79039005	1	193T	TUBE - RIGHT	TUBO RIGIDO - DESTRO
29	79039006	1	193T	TUBE - LEFT	TUBO RIGIDO - SINISTRO
30	79039007	2	31F	CLAMP	FASCETTA
31	79039015	1	70F	FLANGE	FLANGIA
32	79039019	1	70F	FLANGE	FLANGIA
33	79039021	1	193T	TUBE	TUBO RIGIDO
34	79039023	1	193T	TUBE	TUBO RIGIDO
35	79039025	1	224P	SHIELD	PROTEZIONE
36	79039028	1	193T	TUBE - RIGHT	TUBO RIGIDO - DESTRO
37	79039030	1	193T	TUBE - LEFT	TUBO RIGIDO - SINISTRO

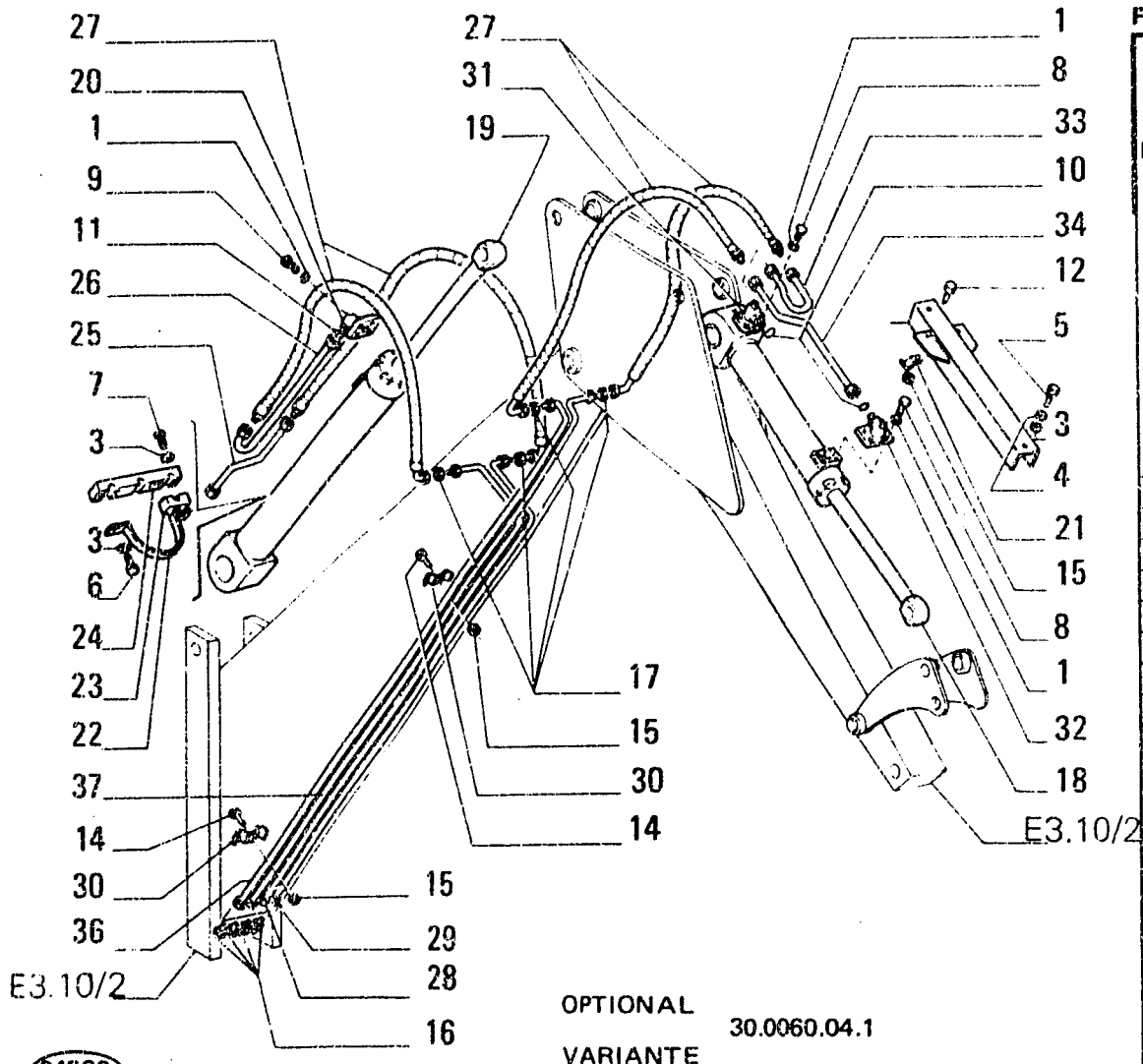
04560

HYDRAULIC SYSTEM - IMPIANTO IDRAULICO - SYSTEME HYDRAULIQUE - HYDRAULIKANLAGE -
SISTEMA IDRAULICO

E3.02/2

2

N.T.R. 102 - 31.05.82
604.01.077.01



FIATALLIS FL5

ITEM	PART NUMBER	QTY	TRANS CODE	DESCRIPTION	DESCRIZIONE
1	10569473	8	132R	LOCKWASHER 10,2x2,5	ROSETTA DI SICUREZZA 10,2x2,5
2	10569373	8	132R	LOCKWASHER 8,1x2	ROSETTA DI SICUREZZA 8,1x2
3	10571871	8	132R	LOCKWASHER 10,2x2,2	ROSETTA DI SICUREZZA 10,2x2,2
4	10730521	2	131R	WASHER 10,2x20	ROSETTA 10,2x20
5	10979231	2	40V	SCREW 10x1,5x16	VITE 10x1,5x16
6	11106031	2	40V	SCREW 10x1,5x20	VITE 10x1,5x20
7	11106431	4	40V	SCREW 10x1,5x30	VITE 10x1,5x30
8	14306530	8	40V	SCREW 8x1,25x30	VITE 8x1,25x30
9	14420231	6	40V	SCREW 10x1,25x30	VITE 10x1,25x30
10	14462880	2	133R	SEAL 3,53x18,64	ROSETTA DI TENUTA 3,53x18,64
11	14463280	2	133R	SEAL 3,53x24,99	ROSETTA DI TENUTA 3,53x24,99
12	16043931	2	40V	SCREW 8x1,25x35	VITE 8x1,25x35
13	16044031	2	40V	SCREW 8x1,25x40	VITE 8x1,25x40
14	16044131	2	40V	SCREW 8x1,25x45	VITE 8x1,25x45
15	16104121	6	10D	NUT 8x1,25x10,6	DADO 8x1,25x10,6
16	70919267	6	28N	NIPPLE	NIPPLO
17	70922186	4	10D	NUT	DADO
18	79036076	1	164C	CYLINDER - ASSEMBLY SEE SGR. E3.32/6	CILINDRO - COMPLETO VEDERE SGR. E3.32/6
19	79036082	1	164C	CYLINDER - ASSEMBLY SEE SGR. E3.32/5	CILINDRO - COMPLETO VEDERE SGR. E3.32/5
20	79038693	2	70F	FLANGE	FLANGIA
21	79038707	2	31F	CLAMP	FASCETTA
22	79038711	1	225S	BRACKET	STAFFA
23	79038712	2	60T	BLOCK	TASSELLO
24	79038713	1	225S	BRACKET	STAFFA
25	79038714	1	193T	TUBE	TUBO RIGIDO

04560

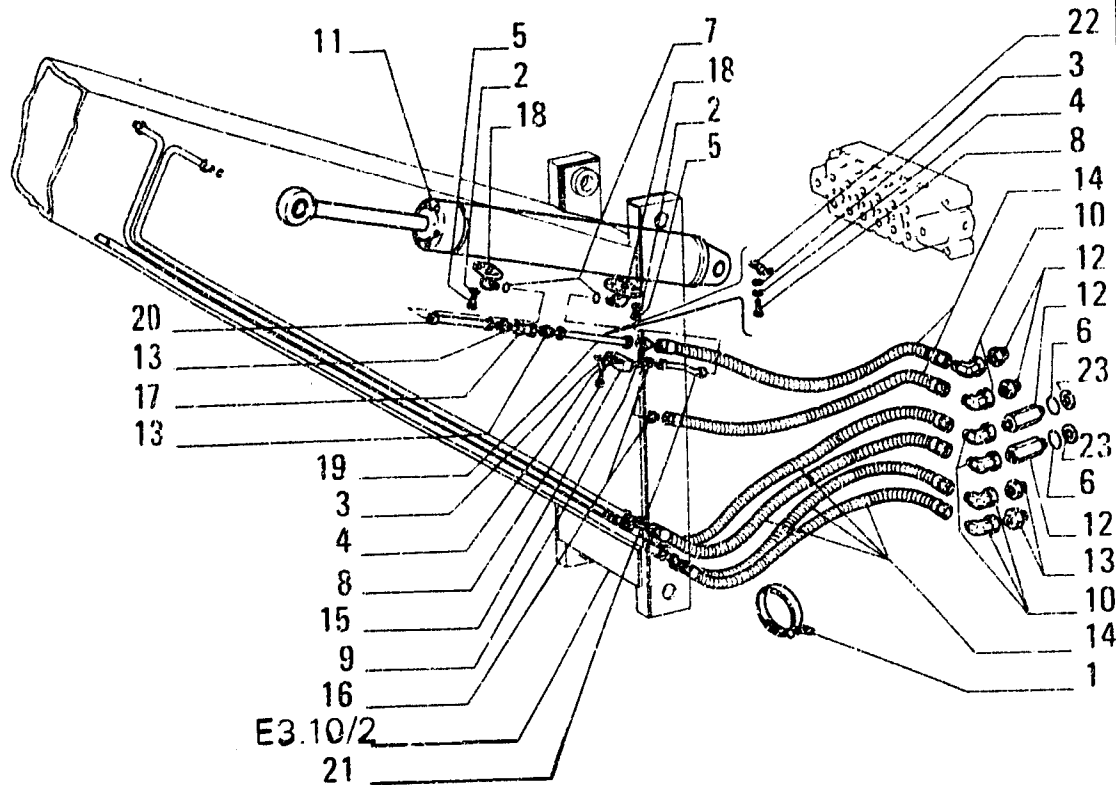
OPTIONAL
VARIANTE 30.0060.04.1

HYDRAULIC SYSTEM - IMPIANTO IDRAULICO - SYSTEME HYDRAULIQUE - HYDRAULIKANLAGE -
SISTEMA HYDRAULICO

E3.02/2

2

N.T.R. 102 - 31.05.82
604.01.077.01



OPTIONAL
VARIANTE
30.0060.04.1

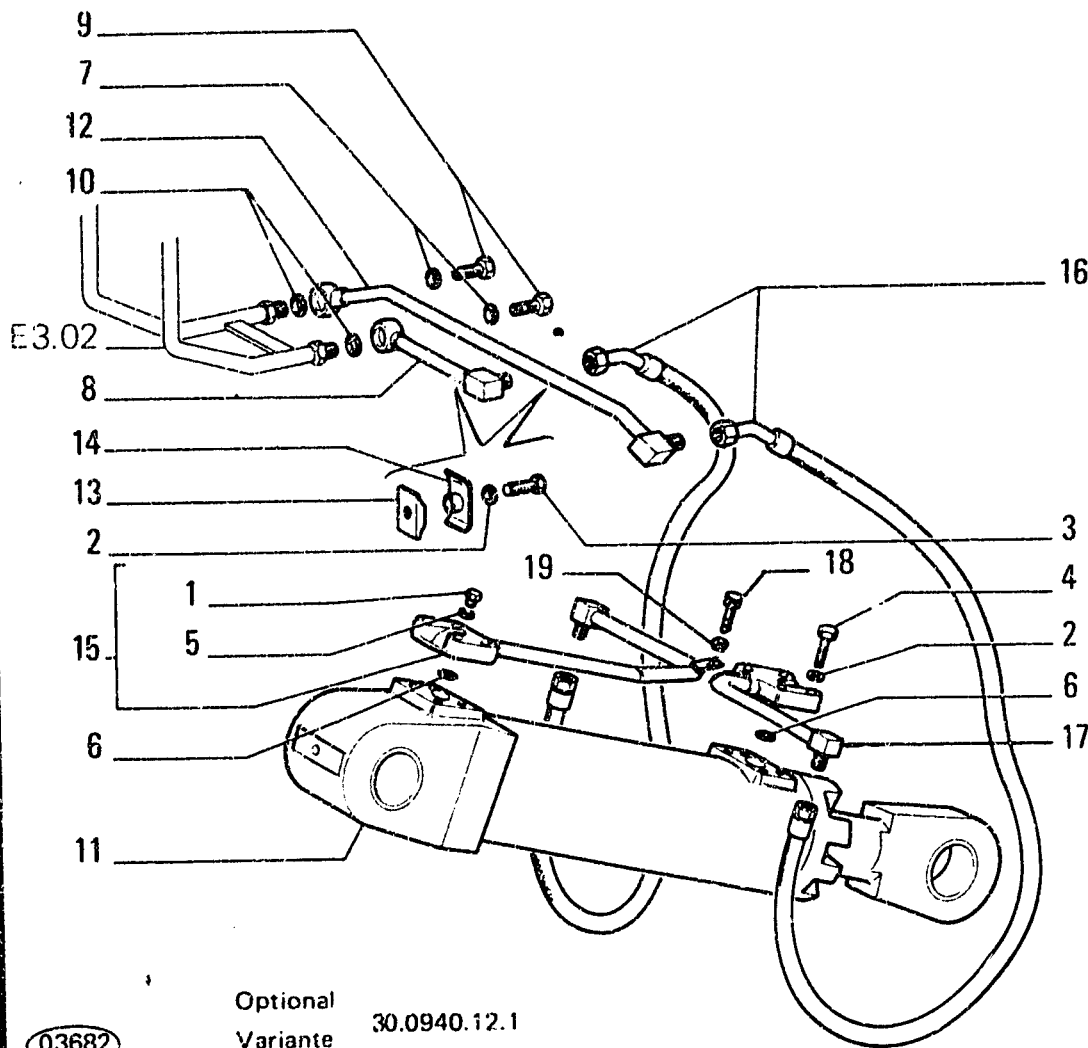
ITEM	PART NUMBER	QTY	TRANS CODE	DESCRIPTION	DESCRIZIONE
1	4982514	8	31F	CLAMP	FASCETTA
2	10569473	8	132R	LOCKWASHER 10,2x2,5	ROSETTA DI SICUREZZA 10,2x2,5
3	10730321	2	131R	WASHER 8,15x17	ROSETTA 8,15x17
4	10571773	2	132R	LOCKWASHER 8,1x2	ROSETTA DI SICUREZZA 8,1x2
5	14420231	8	40V	SCREW 10x1,25x30	VITE 10x1,25x30
6	14457780	2	133A	SEAL 2,62x23,47	ROSETTA DI TENUTA 2,62x23,47
7	14463280	2	133R	SEAL 3,53x24,99	ROSETTA DI TENUTA 3,53x24,99
8	16043231	2	40V	SCREW 8x1,25x16	VITE 8x1,25x16
9	70919267	1	28N	NIPPLE	NIPPLO
10	70919624	6	20R	FITTING	RACCORDO
11	79036095	1	164C	CYLINDER - ASSEMBLY SEE SGR. 3.32/4	CILINDRO - COMPLETO VEDERE SGR. E3.32/4
12	79036293	2	20N	NIPPLE	NIPPLO
13	79038683	6	28N	NIPPLE	NIPPLO
14	79038685	6	192T	HOSE ASSY	TUBO FLESS.C/RACCORDI
15	79038689	1	74B	BLOCK	BLOCCETTO
16	79038690	2	28N	NIPPLE	NIPPLO
17	79038691	1	10V	VALVE	VALVOLA
18	79038693	2	70F	FLANGE	FLANGIA
19	79038694	1	193T	TUBE	TUBO RIGIDO
20	79038698	1	193T	TUBE	TUBO RIGIDO
21	79038700	1	193T	TUBE	TUBO RIGIDO
22	79038707	1	31F	CLAMP	FASCETTA
23	79039010	2	131R	WASHER	ROSETTA

04559

HYDRAULIC SYSTEM - IMPIANTO IDRAULICO - SYSTEME HYDRAULIQUE - HYDRAULIKANLAGE
SISTEMA HIDRAULICO

E3.02/2 1
N.T.R. 102 - 31.05.82
604.01.077.01

FIATALLIS FL5



ITEM	PART NUMBER	QTY	TRANS CODE	DESCRIPTION	DESCRIZIONE
15	79031114	1	190T	LINE - ASSEMBLY C1355	TUBAZIONE - COMPLETO C1355
	79039542	1	190T	LINE - FRONT ASSEMBLY D1355	TUBAZIONE - ANTERIORE COMPLETO D1355
16	79034377	2	192T	HOSE ASSY	TUBO FLESS.C/RACCORDI
17	79039685	1	190T	LINE - REAR ASSEMBLY D1355	TUBAZIONE - POSTERIORE COMPLETO D1355
18	11106231	1	40V	SCREW 10x1,5x25 D1355	VITE 10x1,5x25 D1355
19	10571871	1	131R	WASHER 10,2x2,2 D1355	ROSETTA 10,2x2,2 D1355

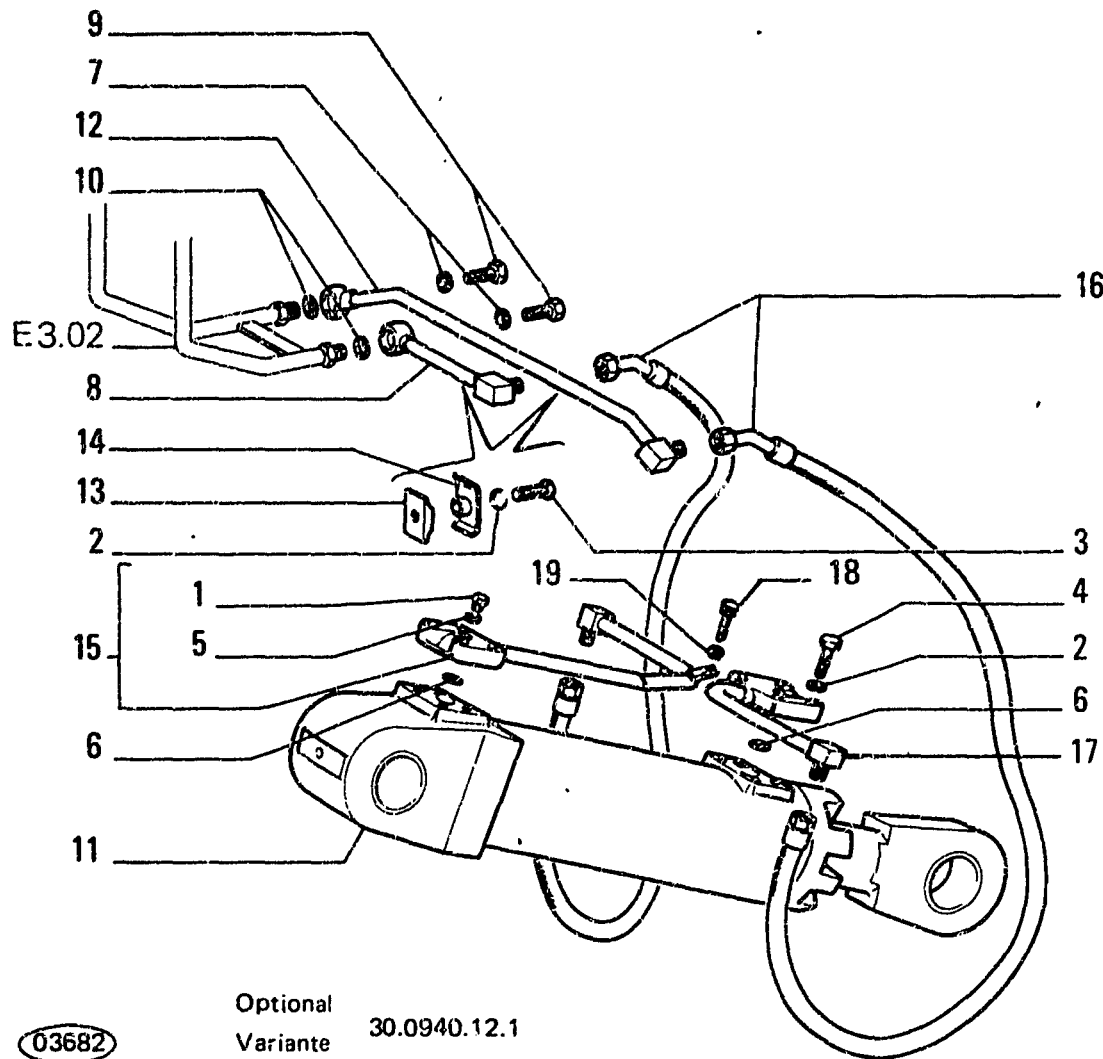
Optional
Variante 30.0940.12.1

03682

HYDRAULIC SYSTEM - IMPIANTO IDRAULICO - SYSTEME HYDRAULIQUE - HYDRAULIKANLAGE -
SISTEMA HIDRAULICO

E3.02/1

N.T.R. 126 - 25.02.86
604.01.077.02



Optional
Variante 30.0940.12.1

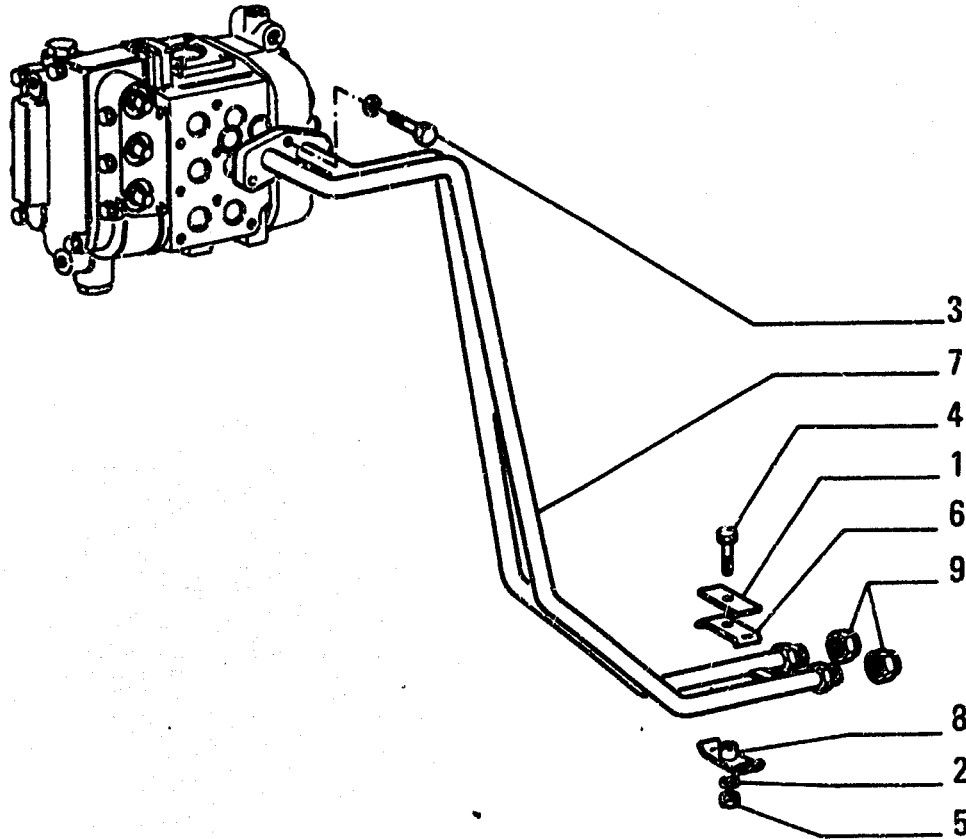
03682

ITEM	PART NUMBER	QTY	TRANS CODE	DESCRIPTION	DESCRIZIONE
1	581658	2	50T PLUG	TAPPO	
2	10516871	9	132R LOCKWASHER 10x2,5	ROSETTA DI SICUREZZA 10x2,5	
3	11106631	1	40V SCREW 10x1,5x35	VITE 10x1,5x35	
4	11107031	8	40V SCREW 10x1,5x45	VITE 10x1,5x45	
5	14330260	2	133R SEAL 8,2x12	ROSETTA DI TENUTA 6,2x12	
6	14463080	2	158G O-RING 3,53x21,82	GUARNIZIONE O-R 3,53x21,82	
7	45481995	2	133R SEAL	ROSETTA DI TENUTA	
8	79023510	1	190T LINE - REAR C1355	TUBAZIONE - POSTERIORE C1355	
	79039700	1	190T LINE - REAR D1355	TUBAZIONE - POSTERIORE D1355	
9	79023515	2	90B FILLER PLUG	BOCCHETTONE INTRODUZIONE	
10	79023516	2	133R SEAL	ROSETTA DI TENUTA	
11	79023529	1	164C CYLINDER - ASSEMBLY SEE SGR. E3.32/2 C1385	CILINDRO - COMPLETO VEDERE SGR. E3.32/2 C1385	
	79039378	1	164C CYLINDER - ASSEMBLY SEE SGR. E3.32/2 D1385	CILINDRO - COMPLETO VEDERE SGR. E3.32/2 D1385	
		1	164C CYLINDER - ASSEMBLY SEE SGR. E3.32/2 C1357	CILINDRO - COMPLETO VEDERE SGR. E3.32/2 C1357	
	79047896	1	164C CYLINDER - ASSEMBLY SEE SGR. E3.32/2 D1357	CILINDRO - COMPLETO VEDERE SGR. E3.32/2 D1357	
12	79030703	1	190T LINE - REAR C1355	TUBAZIONE - POSTERIORE C1355	
	79039699	1	190T LINE - REAR D1355	TUBAZIONE - POSTERIORE D1355	
13	79030705	1	110P PLAQUE	PIASTRINA	
14	79030706	1	110P PLAQUE	PIASTRINA	

HYDRAULIC SYSTEM - IMPIANTO IDRAULICO - SYSTEME HYDRAULIQUE - HYDRAULIKANLAGE -
SISTEMA HIDRÁULICO

E3.02/1

N.T.R. 126 - 25.02.86
604.01.077.02



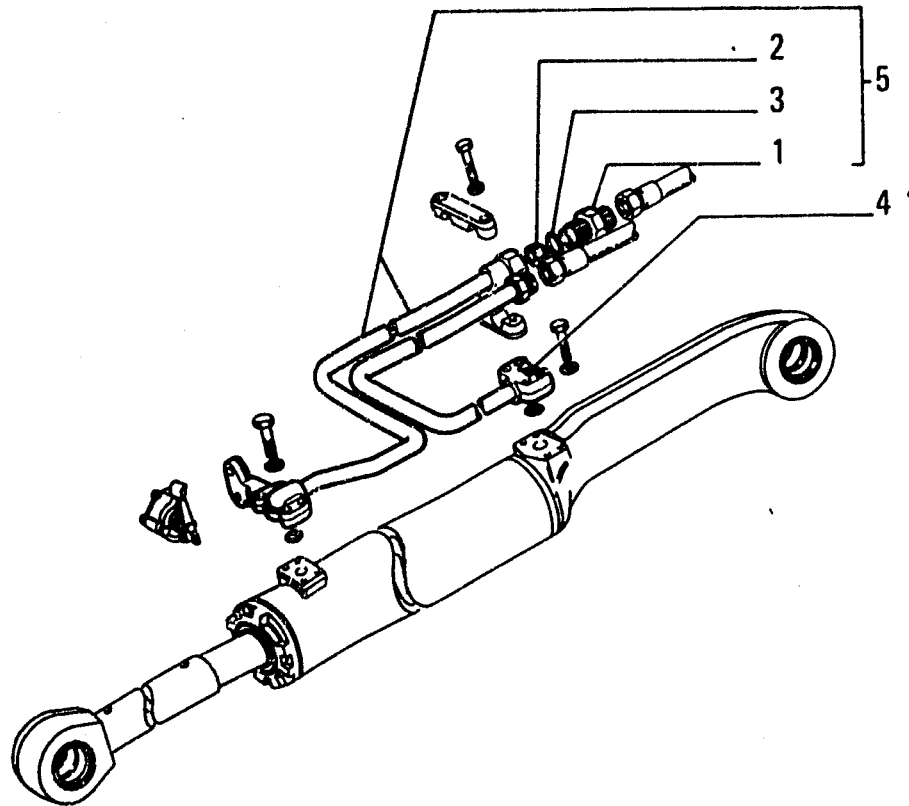
I T E M	PART NUMBER	Q T Y	TRANS CODE	DESCRIPTION	DESCRIZIONE
1	8297867	1	198S	SHIM (3"X5")	SPESSORE (3"X5")
2	10516871	1	132R	LOCKWASHER (3"X5") 10x2,5	ROSETTA DI SICUREZZA (3"X5") 10x2,5
3	11107031	3	40V	SCREW (3") 10x1,5x45	VITE (3") 10x1,5x45
	11107431	3	40V	SCREW (5") 10x1,5x60	VITE (5") 10x1,5x60
4	11107531	1	40V	SCREW (3"X5") 10x1,5x65	VITE (3"X5") 10x1,5x65
5	11701721	1	10D	NUT (3"X5") 10x1,5x8	DADO (3"X5") 10x1,5x8
6	79023998	2	231S	CLIP (3"X5")	STAFFETTA (3"X5")
7	79024030	1	190T	LINE (5")	TUBAZIONE (5")
	79024036	1	190T	LINE (3")	TUBAZIONE (3")
8	79028455	1	231S	CLIP (3"X5")	STAFFETTA (3"X5")
9	79028462	2	50T	PLUG (3"X5")	TAPPO (3"X5")
				469P FOR SPECIAL EQUIPMENT 30.1078.09.1	PER VARIANTE 30.1078.09.1
				469P FOR SPECIAL EQUIPMENT 30.1280.06.1	PER VARIANTE 30.1280.06.1

03681

HYDRAULIC SYSTEM - IMPIANTO IDRAULICO - SYSTEME HYDRAULIQUE - HYDRAULIKANLAGE -
SISTEMA HIDRÁULICO

E3.02

9



ITEM	PART NUMBER	QTY	TRANS CODE	DESCRIPTION	DESCRIZIONE
1	8283107	1	80F	BOTTOM PLATE (4") C1359	FONDELLO (4") C1359
	79050413	1	80F	BOTTOM PLATE (4") D1359	FONDELLO (4") D1359
2	8283108	1	75F	CARRIER (4")	FLOTTANTE (4")
3	14457880	1	158G	O-RING (4") 2,62x25,07	GUARNIZIONE O-R (4") 2,62x25,07
4	79028732	1	190T	LINE - RIGHT (4") C1359	TUBAZIONE - DESTRO (4") C1359
	79050415	1	190T	LINE - RIGHT (4") D1359	TUBAZIONE - DESTRO (4") D1359
5	79028734	1	190T	LINE - ASSEMBLY RIGHT (4") C1359	TUBAZIONE - COMPLETO DESTRO (4") C1359
	79050414	1	190T	LINE - RIGHT ASSEMBLY (4") D1359	TUBAZIONE - DESTRO COMPLETO (4") D1359
			469P	FOR SPECIAL EQUIPMENT 30.1279.07.1	PER VARIANTE 30.1279.07.1

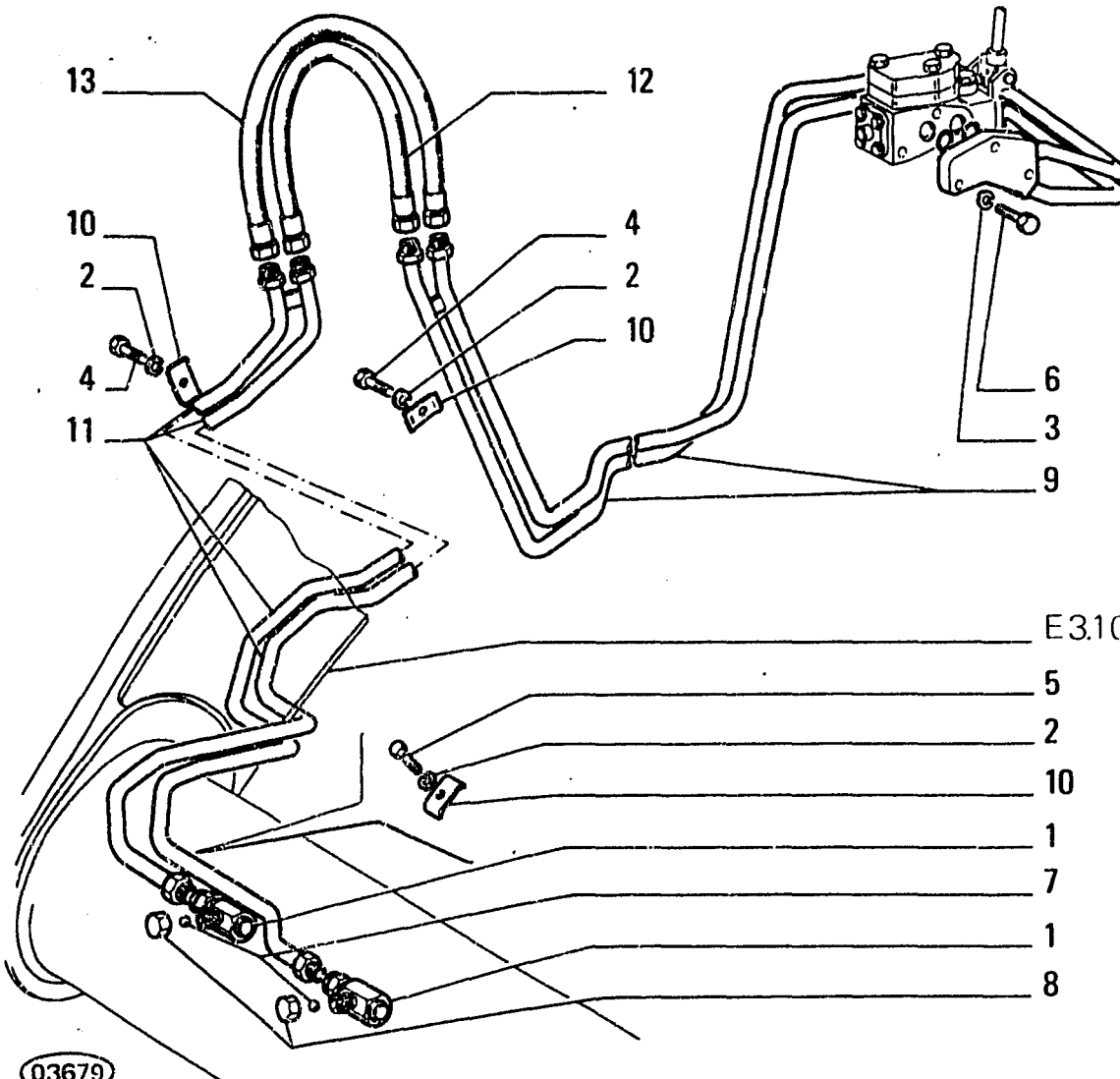
03680

HYDRAULIC SYSTEM — IMPIANTO IDRAULICO — SYSTEME HYDRAULIQUE — HYDRAULIKANLAGE —
 SISTEMA HIDRÁULICO

E3.02

8

N.T.R. 126 · 25.02.86
 604.01.077.02



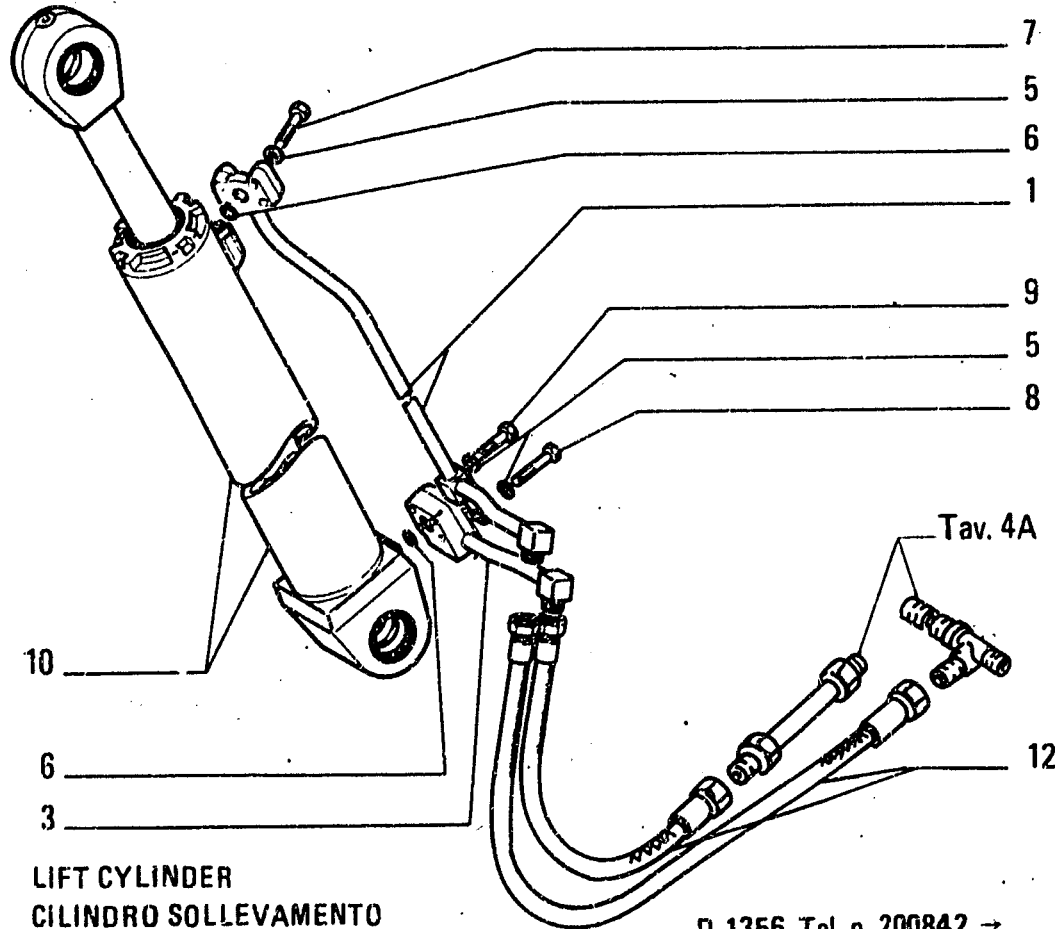
ITEM	PART NUMBER	QTY	TRANS CODE	DESCRIPTION	DESCRIZIONE
1	8283138	2	20R	FITTING (4")	RACCORDO (4")
2	10517870	3	132R	LOCKWASHER (4") 4x35	ROSETTA DI SICUREZZA (4") 4x35
3	10571870	3	132R	LOCKWASHER (4") 10,2x2,2	ROSETTA DI SICUREZZA (4") 10,2x2,2
4	11106431	2	40V	SCREW (4") 10x1,5x30	VITE (4") 10x1,5x30
5	11107231	1	40V	SCREW (4") 10x1,5x50	VITE (4") 10x1,5x50
6	11108231	3	40V	SCREW (4") 10x1,5x100	VITE (4") 10x1,5x100
7	20063000	2	140S	BALL 15,082	SFERA 15,082
8	79009025	2	50T	PLUG (4")	TAPPO (4")
9	79028737	1	190T	LINE (4")	TUBAZIONE (4")
10	79028740	3	231S	CLIP (4")	STAFFETTA (4")
11	79028742	1	190T	LINE (4")	TUBAZIONE (4")
12	79032918	1	192T	HOSE ASSY (4")	TUBO FLESS.C./RACCORDI (4")
13	79033030	1	192T	HOSE ASSY (4")	TUBO FLESS.C./RACCORDI (4")
	E3.10		469P	FOR SPECIAL EQUIPMENT 30.1279.07.1	PER VARIANTE 30.1279.07.1

03679

HYDRAULIC SYSTEM - IMPIANTO IDRAULICO - SYSTEME HYDRAULIQUE - HYDRAULIKANLAGE - SISTEMA HIDRÁULICO

E3.02

7



ITEM	PART NUMBER	QTY	TRANS CODE	DESCRIPTION	DESCRIZIONE
1	79046575	1	190T	LINE - FRONT RIGHT D1356	TUBAZIONE - ANTERIORE DESTRO D1356
	79046576	1	190T	LINE - FRONT LEFT D1356	TUBAZIONE - ANTERIORE SINISTRO D1356
3	79046577	1	190T	LINE - REAR RIGHT D1356	TUBAZIONE - POSTERIORE DESTRO D1356
	79046578	1	190T	LINE - REAR LEFT D1356	TUBAZIONE - POSTERIORE SINISTRO D1356
5	10516671	16	131R	WASHER 8,1x2,2 D1356	ROSETTA 8,1x2,2 D1356
6	14457280	4	158G	O-RING 2,62x15,54 D1356	GUARNIZIONE O-R 2,62x15,54 D1356
7	16044131	8	40V	SCREW 8x1,25x45 D1356	VITE 8x1,25x45 D1356
8	16044231	4	40V	SCREW 8x1,25x50 D1356	VITE 8x1,25x50 D1356
9	16044331	4	40V	SCREW 8x1,25x55 D1356	VITE 8x1,25x55 D1356
10	79047893	1	164C	CYLINDER - LEFT ASSEMBLY SEE SGR. E3.32 D1357	CILINDRO - SINISTRO COMPLETO VEDERE SGR. E3.32 D1357
	79047894	1	164C	CYLINDER - RIGHT ASSEMBLY SEE SGR. E3.32 D1357	CILINDRO - DESTRO COMPLETO VEDERE SGR. E3.32 D1357
12	79046568	4	192T	HOSE ASSY D1356	TUBO FLESS.C/RACCORDI D1356

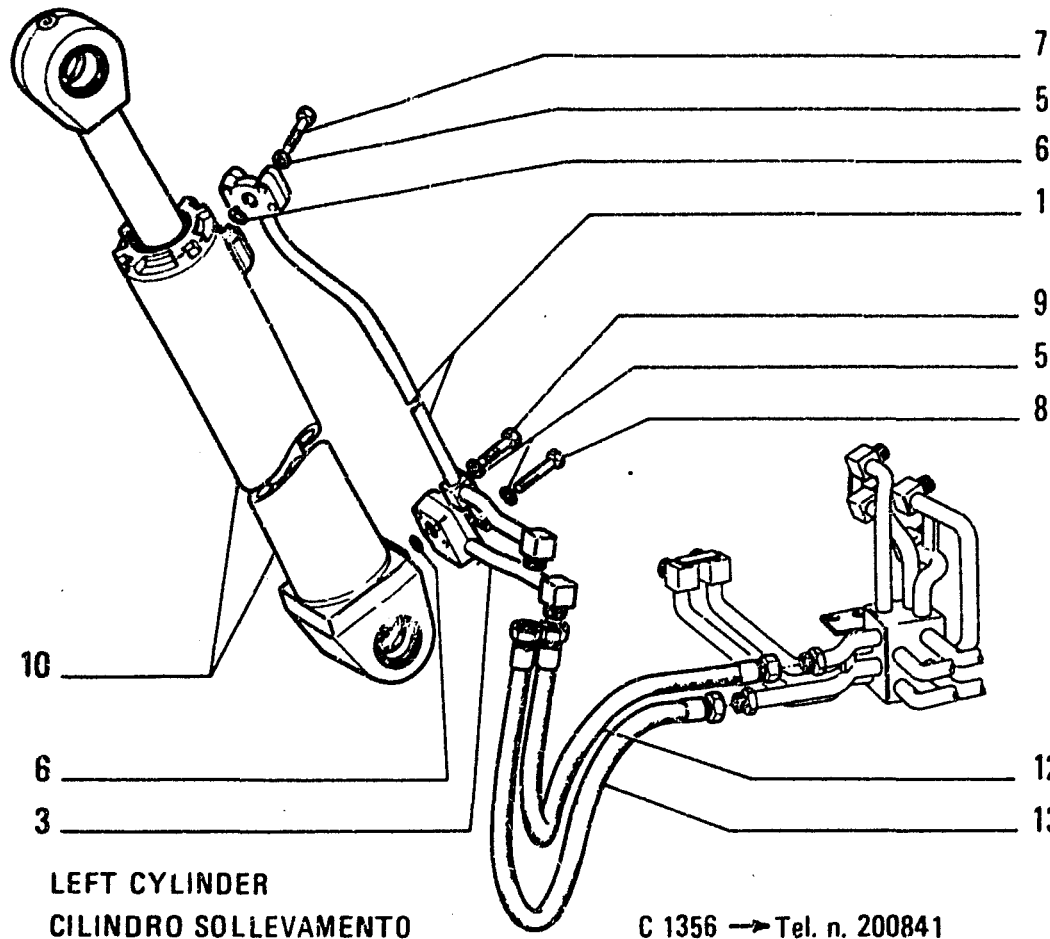
HYDRAULIC SYSTEM - IMPIANTO IDRAULICO - SYSTEME HYDRAULIQUE - HYDRAULIKANLAGE -
SISTEMA HIDRAULICO

E3.02

6A

N.T.R. 163 - 30.05.1989

604.01.077.03



ITEM	PART NUMBER	QTY	TRANS CODE	DESCRIPTION	DESCRIZIONE
10	79039361	1	164C	CYLINDER - LEFT ASSEMBLY SEE SGR. E3.32 D1355	CILINDRO - SINISTRO COMPLETO VEDERE SGR. E3.32 D1355
		1	164C	CYLINDER - LEFT ASSEMBLY SEE SGR. E3.32 C1357	CILINDRO - SINISTRO COMPLETO VEDERE SGR. E3.32 C1357
	79039362	1	164C	CYLINDER - RIGHT ASSEMBLY SEE SGR. E3.32 D1355	CILINDRO - DESTRO COMPLETO VEDERE SGR. E3.32 D1355
		1	164C	CYLINDER - RIGHT ASSEMBLY SEE SGR. E3.32 C1357	CILINDRO - DESTRO COMPLETO VEDERE SGR. E3.32 C1357
12	79034384	2	192T	HOSE ASSY - LOWER C1356	TUBO FLESS.C/RACCORDI - INFERIORE C1356
13	79034385	2	192T	HOSE ASSY - UPPER C1356	TUBO FLESS.C/RACCORDI - SUPERIORE C1356

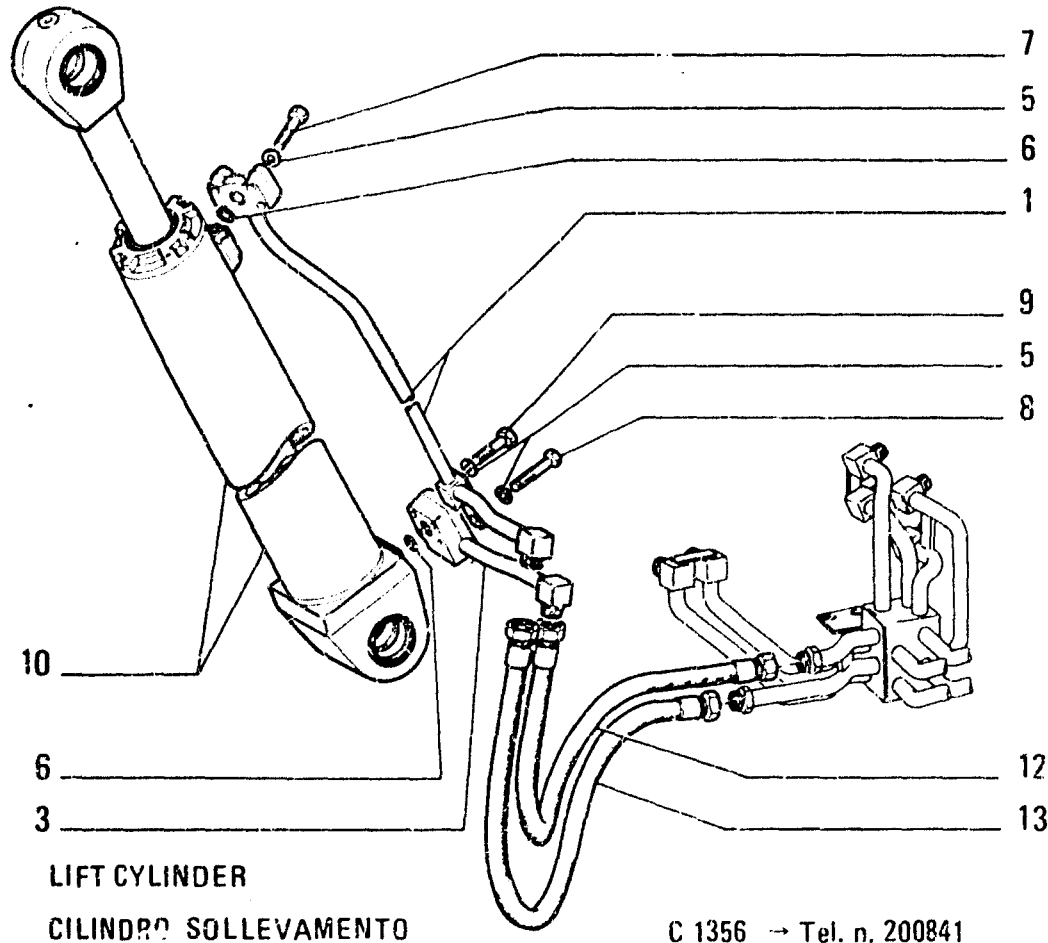
HYDRAULIC SYSTEM - IMPIANTO IDRAULICO - SYSTÈME HYDRAULIQUE - HYDRAULIKANLAGE -
SISTEMA HIDRÁULICO

E3.02

6

N.T.R. 163 - 30.05.1989

604.01.077.03



ITEM	PART NUMBER	QTY	TRANS CODE	DESCRIPTION	DESCRIZIONE
1	8299123	1	190T	LINE - FRONT RIGHT C1355	TUBAZIONE - ANTERIORE DESTRO C1355
	8299126	1	190T	LINE - FRONT LEFT C1355	TUBAZIONE - ANTERIORE SINISTRO C1355
	79039407	1	190T	LINE - FRONT RIGHT D1355	TUBAZIONE - ANTERIORE DESTRO D1355
		1	190T	LINE - FRONT RIGHT C1356	TUBAZIONE - ANTERIORE DESTRO C1356
	79039409	1	190T	LINE - FRONT LEFT D1355	TUBAZIONE - ANTERIORE SINISTRO D1355
		1	190T	LINE - FRONT LEFT C1356	TUBAZIONE - ANTERIORE SINISTRO C1356
3	8299128	1	190T	LINE - REAR RIGHT C1356	TUBAZIONE - POSTERIORE DESTRO C1356
	8299129	1	190T	LINE - REAR LEFT C1356	TUBAZIONE - POSTERIORE SINISTRO C1356
5	10516671	13	132R	LOCKWASHER 8,1x2,2 C1356	ROSETTA DI SICUREZZA 8,1x2,2 C1356
6	14457280	4	158G	O-RING 2,62x15,54 C1356	GUARNIZIONE O-R 2,62x15,54 C1356
7	16044131	8	40V	SCREW 8x1,25x45 C1356	VITE 8x1,25x45 C1356
8	16044231	4	40V	SCREW 8x1,25x50 C1356	VITE 8x1,25x50 C1356
9	16044331	4	40V	SCREW 8x1,25x55 C1356	VITE 8x1,25x55 C1356
10	79021952	1	164C	CYLINDER - ASSEMBLY LEFT SEE SGR E3.32 C1355	CILINDRO - COMPLETO SINISTRO VEDERE SGR. E3.32 C1355
	79021953	1	164C	CYLINDER - ASSEMBLY RIGHT SEE SGR E3.32 C1355	CILINDRO - COMPLETO DESTRO VEDERE SGR. E3.32 C1355

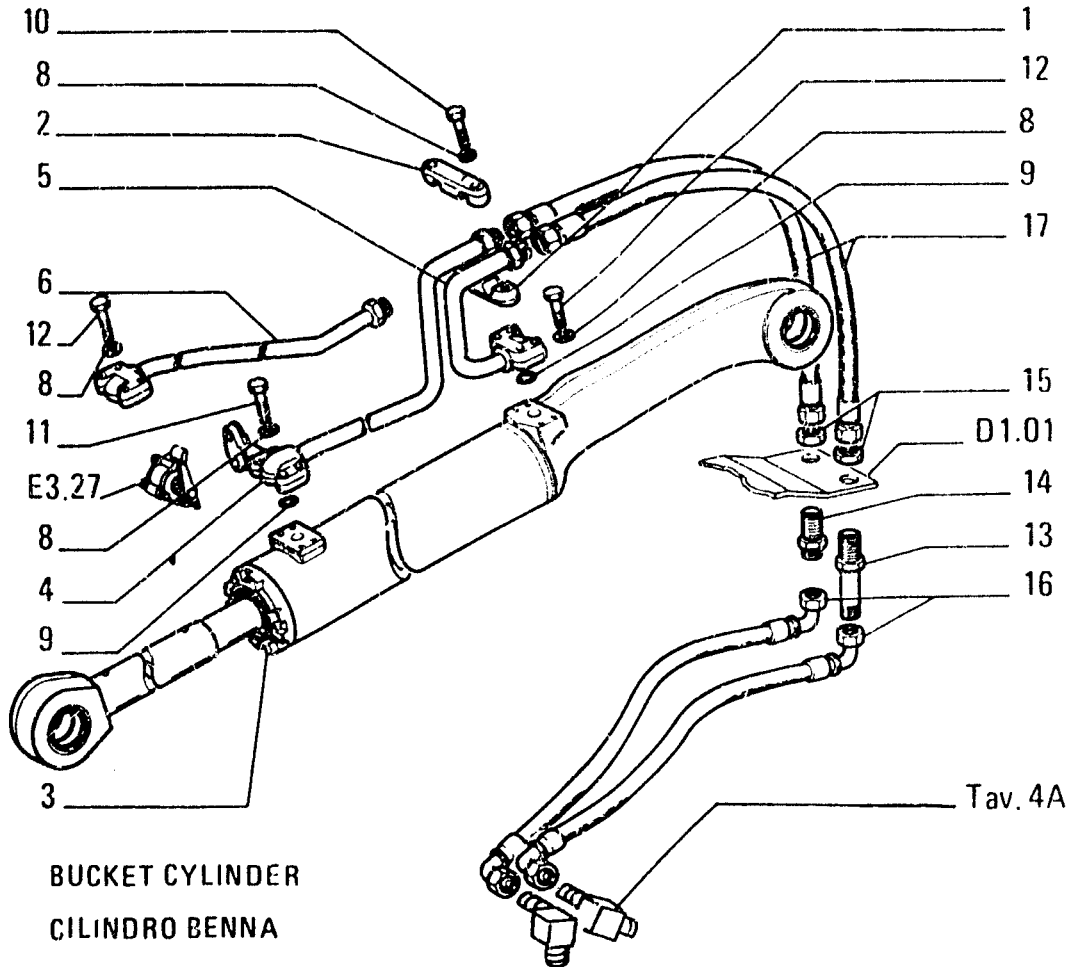
HYDRAULIC SYSTEM - IMPIANTO IDRAULICO - SYSTEME HYDRAULIQUE - HYDRAULIKANLAGE - SISTEMA HIDRÁULICO

E3.02

6

N.T.R. 163 - 30.05.1989

604.01.077.03



BUCKET CYLINDER
CILINDRO BENNA

D 1356 Tel. n. 200842 →

ITEM	PART NUMBER	QTY	TRANS CODE	DESCRIPTION	DESCRIZIONE
1	8288029	2	231S	CLIP - LOWER D1356	STAFFETTA - INFERIORE D1356
2	8288030	2	231S	CLIP - UPPER D1356	STAFFETTA - SUPERIORE D1356
3	79047895	2	164C	CYLINDER - ASSEMBLY SEE SGR E3 32/1 D1357	CILINDRO - COMPLETO VEDERE SGR E3 32/1 D1357
4	79046570	1	193T	TUBE - FRONT RIGHT D1356	TUBO RIGIDO - ANTERIORE DESTRO D1356
5	79046571	1	193I	TUBE - REAR RIGHT D1356	TUBO RIGIDO - POSTERIORE DESTRO D1356
	79046574	1	193T	TUBE - REAR LEFT D1356	TUBO RIGIDO - POSTERIORE SINISTRO D1356
6	79046573	1	193T	TUBE - FRONT LEFT D1356	TUBO RIGIDO - ANTERIORE SINISTRO D1356
8	10516671	20	131R	WASHER 8,1x2,2 D1356	ROSETTA 8,1x2,2 D1356
9	14457280	4	158G	O-RING 2,62x15,54 D1356	GUARNIZIONE O-R 2,62x15,54 D1356
10	16043931	4	40V	SCREW 8x1,25x35 D1356	VITE 8x1,25x35 D1356
11	16044031	4	40V	SCREW 8x1,25x40 D1356	VITE 8x1,25x40 D1356
12	16044131	12	40V	SCREW 8x1,25x45 D1356	VITE 8x1,25x45 D1356
13	79046493	2	20R	FITTING D1356	RACCORDO D1356
14	79046492	4	20R	FITTING D1356	RACCORDO D1356
16	79046567	4	192T	HOSE ASSY D1356	TUBO FLESS C/RACCORDI D1356
17	79048802	4	192T	HOSE ASSY D1356	TUBO FLESS C/RACCORDI D1356

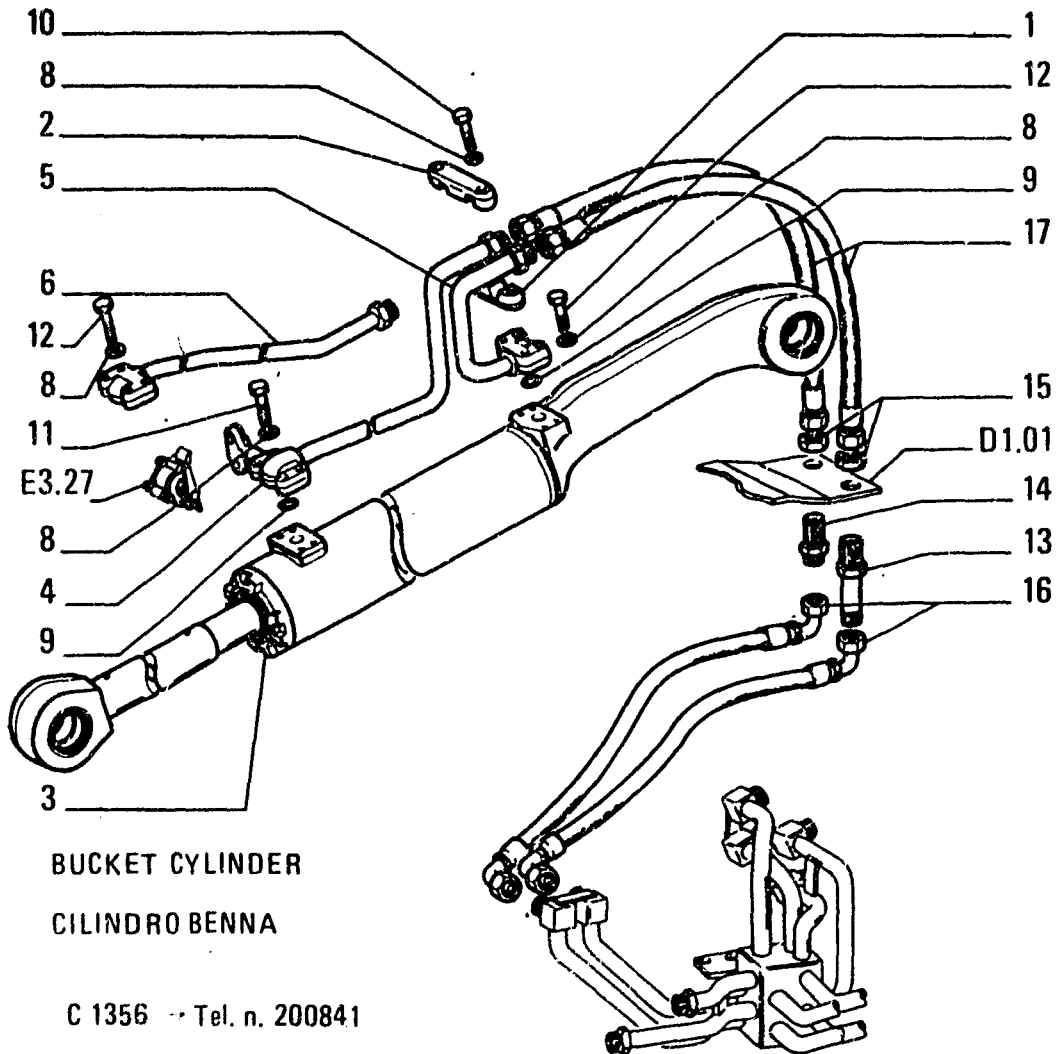
HYDRAULIC SYSTEM - IMPIANTO IDRAULICO - SYSTEME HYDRAULIQUE - HYDRAULIKANLAGE -
SISTEMA HIDRAULICO

E3.02

5A

N.T.R. 163 - 30.05.1989

604.01.077.03



BUCKET CYLINDER
 CILINDRO BENNA
 C 1356 - Tel. n. 200841

ITEM	PART NUMBER	QTY	TRANS CODE	DESCRIPTION	DESCRIZIONE
8	10516671				C1356
9	14457280	4	158G	O-RING 2,62x15,54	C1356 GUARNIZIONE O-R 2,62x15,54
10	16043931	4	40V	SCREW 8x1,25x35	C1356 VITE 8x1,25x35
11	16044031	4	40V	SCREW 8x1,25x40	C1356 VITE 8x1,25x40
12	16044131	12	40V	SCREW 8x1,25x45	C1356 VITE 8x1,25x45
13	79018751	2	20R	FITTING	C1356 RACCORDO
14	79018752	2	20R	FITTING	C1356 RACCORDO
15	79018753	4	10D	NUT	C1356 DADO
16	79034379	4	192T	HOSE ASSY	C1356 TUBO FLESS.C/RACCORDI
17	79034381	4	192T	HOSE ASSY	C1356 TUBO FLESS.C/RACCORDI

HYDRAULIC SYSTEM - IMPIANTO IDRAULICO - SYSTEME HYDRAULIQUE - HYDRAULIKANLAGE - SISTEMA HIDRÁULICO

E3.02 5
 N.T.R. 163 - 30.05.1989
 604,01,077.03

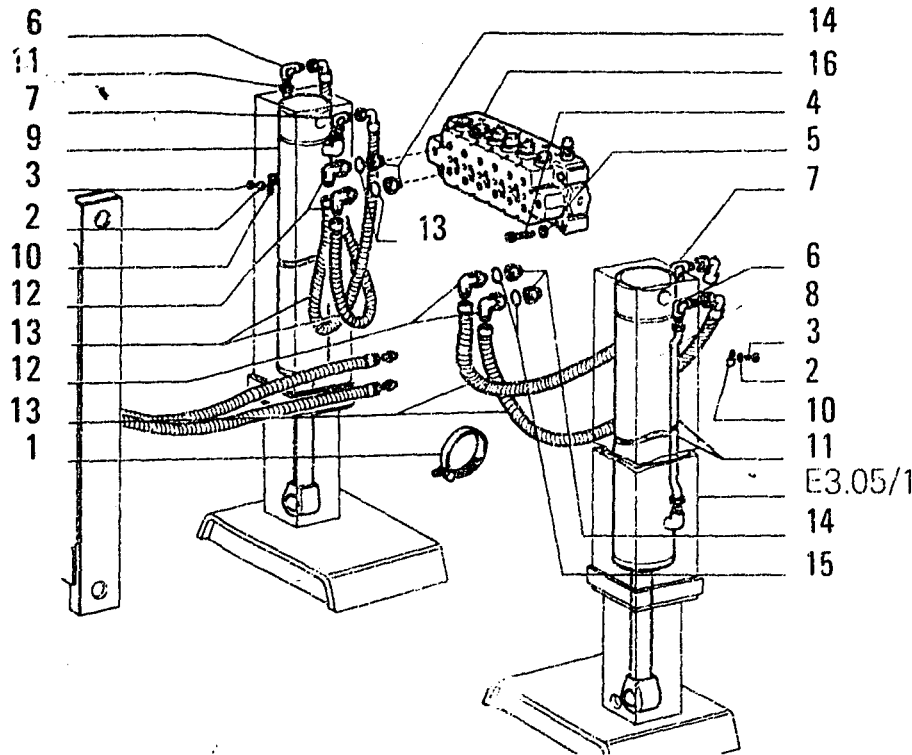
DESIGNAZIONE BASE	BASIC DESIGNATION	DESIGNATIONS-BASES	GRUNDBEZEICHNUNGEN	DENOMINACIONES BASE
111V	VALVOLA ASPIRAZIONE	INTAKE VALVE	SOUPAPE DE ADMISSION	VALVULA DE ASPIRACION
1118	BRACCIO ABBATTIMENTO (AD)		BRAS ABATTAGE (AD)	
1119	BRACCIO ABBATTIMENTO (BD)		BRAS ABATTAGE (BD)	
112C	CAVO MASSA	GROUND CABLE	FIL DE MAS	CABLE DE MASA
112F	FUSO A SNODO	STEERING KNUCKLE	FUSEE	PUNTA DE EJE
112P	PIASTRINA ISOLANTE	INSULATING PLATE	PLAQUETTE ISOLANTE	PLACA AISLANTE
112S	SEPARATORE D'ARIA E VAPORE	AIR AND STEAM SEGREGATOR	SEPARATEUR D'AIR ET DE VAPEUR	SEPARADOR DE AIRE Y VAPOR
112S				
112V	VALVOLA SCARICO	EXHAUST VALVE	SOUPAPE D'ECHAPPEMENT	VALVULA DE DESCARGA
1120	PIASTRA DI SPINTA PER AD		PLAQUE DE POUSSEE POUR AD	
1124	TILT IDRAULICO (HA)	HYDRAULIC TILT (HA)	TILT HYDRAULIQUE (HA)	TILT HIDRAULICO (HA)
1128	TILT-PITCH (HA)	TILT-PITCH (HA)	TILT-PITCH (HA)	
113B	BOZZELLO CARRUCOLA	SHEAVE BLOCK	POULIE	GARRUCHA
113F	FUSO	STUB SHAFT	FUSEE	MANGUETA
113G	GUANTI	GLOVES	GANTS	GUANTES
113M	MONOLEVA	SINGLE LEVER	LEVIER UNIQUE	MONOPALANCA
113P	PIASTRINA DI SICUREZZA	LOCKPLATE	PLAQUETTE FREIN	CHAPITA DE SEGURIDAD
113S	SERBATOIO OLIO	OIL RESERVOIR	RESERVOIR D'HUILE	DEPOSITO ACEITE
113T	TESTA CILINDRI	CYLINDER HEAD	CULASSE DE CYLINDRE	TAPA DE CILINDROS
113V	VALVOLA DI ANTICIPO	ADVANCE VALVE	SOUPAPE D'AVANCE	VALVULA DE AVANCE
1130	ATTACCO RAPIDO			
1135	PIASTRA DI SPINTA PER BD		PLAQUE DE POUSSEE POUR BD	
1138	TILT-PITCH	TILT-PITCH	TILT-PITCH	
114P	PIASTRINA DI COMANDO	DRIVE LINK	PLAQUE DE COMMANDE	PLACA DE ARRASTRE
114S	SERBATOIO COMBUSTIBILE	FUEL TANK	RESERVOIR DE COMBUSTIBLE	TANQUE COMBUSTIBLE
115G	GUARDONE PER BENNA	SPILL GUARD	REHAUSSE DE GODET	PLACE DE EXTENSION DEL CUCHARON
115G				
115M	MONTANTE	PILLAR	MONTANTE	MONTANTE
115S	SERBATOIO	TANK	RESERVOIR	DEPOSITO
116M	MONTATOIO	STEP PLATE	MARCHEPIED	ESTRIBO
116R	RIVESTIMENTO	COVERING	REVETEMENT	REVESTIMIENTO
116S	SERBATOIO CON VALVOLE	RESERVOIR W/VALVE	RESERVOIR ET SOU- PAPES	DEPOSITO CON VAL- VULAS
116S				
116T	TESTA DEL GIUNTO SFERICO	SOCKET	JOINT A ROTULE	ARTICULACION DE ROTULA
116T				
1160	BLOCCAGGIO BRACCI	BOOM LOCK	BLOCAGE BRAS	ANCLAJE DE BRAZO
1161	BLOCCAGGIO BENNA	BUCKET LOCK	BLOCAGE DU GODET	ANCLAJE DE LA CUCHARA
117R	RIVESTIMENTO ISOLANTE	INSULATION	REVETEMENT ISOLANT	FORRO AISLANTE
117S	SERBATOIO A DEPRESSIONE	VACUUM TANK	RESERVOIR DEPRES- SEUR	DEPOSITO DE VACIO
117S				

DESIGNAZIONE BASE	BASIC DESIGNATION	DESIGNATIONS-BASES	GRUNDBEZEICHNUNGEN	DENOMINACIONES BASE	
1170	INDICATORE POSIZIONE BENNA	BUCKET LEVEL INDICATOR	MISE A NIVEAU DU GODET	SCHAUFELSTELLUNGSANZEIGER	NIVELACION DE LA CUCHARA
1171	POSIZIONATORE AUTOMATICO BENNA	BUCKET LEVELER	MISE A NIVEAU AUTOMAT. GODET	AUTOMAT. SCHAUFEL-RUECKSTELLUNG	NIVELACION AUTOMATICA CUCHARA
118P	PIASTRINA MAGNETICA	MAGNETIC PLAQUE	PLAQUETTE MAGNETI- QUE	MAGNETBLECH	IMAN
118P					
118S	SERRAFILO	TERMINAL SCREW	SERRE-FIL	ANSCHLUSSKLEMME	BORNE
1181	DISPOSITIVO KICK-OUT	BOOM KICK-OUT	ARRET AUTOMATIQUE BRAS	AUTOMAT. HUBAB-SCHALTUNG	LIMITE AUTOMATICO DEL BRAZO
119M	MORSETTIERA	CONNECTION BLOCK	PLAQUE DE JONCTION	KLEMMLEISTE	CAJA DE CONTACTOS
119T	TESTA	HEAD	TETE	KOPF	CABEZA
120A	AUTOPILOTA	AUTOPILOT	AUTOPILOTE	SCHALTSTEUERGRUPPE	AUTOPILOTO
120B	BOTTONE	BUTTON	BOUTON	KNOPF	BOTON
120G	GUARNIZIONE PIANA	GASKET	JOINT	FLACHDICHTUNG	GUARNICION
120M	MORSETTO ELETTRICO	TERMINAL CONNECTOR	BORNE	KABELKLEMME	AGARRADERA
120P	PIATTELLO	PLATE	COUPELLE	TELLERSCHEIBE	PLATILLO
120R	ROCCHETTO	REEL	BOBINE	ZUENDSPULE	BOBINA
120S	SERRATURA	LOCK	SERRURE	SCHLOSS	CERRADURA
120T	TESTA DI REGISTRO	ADJUSTING SLEEVE	EMBOUT DE REGLAGE	EINSTELLBUECHSE	TUERCA DE REGLAJE
1200	BRACCI CARICATORE LUNGHI	LONG BOOM	BRAS LONG	LANGER LADEARM	
121B	BOTTONE DI GOMMA	RUBBER STUD	BOUTON CAOUTCHOUC	GUMMIBOLZEN	PITON DE CAUCHO
121C	CHIUSURA LAMPO	SLIDE FASTENER	FERMETURE ECLAIR	REISSVERSCHLUSS	CIERRE DE CREMALLERA
121C					
121M	MORSETTO A MANO	HAND VICE	ETAU A MAIN	KLEMMBACKE	TORNILLO DE MANO
121P	PIATTELLO DELLA PUNTERIA	TAPPET PLATE	PASTILLE DE POUSSOIR	DISTANZSCHEIRE	PLATILLO DE EMPU
121P					
121S	SEPARATORE DI CONDENZA	WATER SEGREGATOR	SEPARATEUR D'EAU	KONDENSWASSER- ABSCHIEDER	SEPARADOR DE AGUA
121S			CONDENSEE		
122F	FINO AL MOTORE IDRAULICO...	UP TO HYDRAULIC MOTOR...	JUSQU'AU MOTEUR HYDRAULIQUE...	BIS HYDRAULIKMOTOR...	HASTA EL MOTOR HIDRAULICO...
122G	GUARNIZIONE	SEAL	GARNITURE	DICHTUNG	GUARNICION
122P	PIGNONE	PINION	PIGNON	RITZEL	PINON
123F	FINO AL RIDUTTORE...	UP TO REDUCTION GEAR...	JUSQU'AU REDUCTEUR...	BIS UNTERSETZUNGSGETRIEBE...	HASTA EL REDUCTOR...
123G	GUARNIZIONE TENUTA FRONTALE	SEAL ASSY	GARNITURE FRONTAL	LIFE TIME-DICHTUNG	SELLO
123P	PIGNONE CONICO	BEVEL PINION	PIGNON CONIQUE	KEGELRITZEL	PINON CONICO
123S	SERVOCOMANDO	SERVO-CONTROL	SERVO-COMMANDE	SERVOSTEUERUNG	SERVOMANDO
124B	BRACCIOLLO SEDILE	ARMREST	ACCOUDOIR DE SIEGE	ARMLEHNE	APOYABRAZO
124F	FINO AL ...	UP TO ...	JUSQU'AU...	BIS ...	HASTA EL ...
124M	MOTOPOMPA	MOTOR PUMP	PCMPÉ A MOTEUR	PUMPENAGGREGAT	BOMBA DE MOTOR
124P	PINZA AUTOCENTRANTE	COLLET	PINCE FENDUE	SPANNZANGE	PASADOR DE MUELLE
124S	SERVODISTRIBUTORE	SERVO-VALVE	SERVO-DISTRIBUTEUR	VORSTEUERVENTIL	SERVOVALVULA
125F	FORCA	FORK			
125P	PINZA	PLIERS	PINCES	ZANGE	ALICATES
125S	SERVOFRENO	BRAKE BOOSTER	SERVO-FREIN	SERVOBREMSE	SERVOFRENO

DESIGNAZIONE BASE	BASIC DESIGNATION	DESIGNATIONS-BASES	GRUNDBEZEICHNUNGEN	DENOMINACIONES BASE
126F	FINO ALLA POMPA ...	UP TO PUMP ...	JUSQUA LA POMPE ...	HASTA LA BOMBA ...
126P	PINZA FRENO	CALIPER	ETRIER DE FREIN	ZAPATA DE FRENO
126S	SERVOFRIZIONE	CLUTCH-SERVO	SERVO-EMBRAYAGE	SERVOEMBRAGUE
127M	MOTORE IDRAULICO	HYDRAULIC MOTOR	MOTEUR HYDRAULIQUE	MOTOR HIDRAULICO
127P	PIOMBINO	LEAD SEAL	PLOMB	PRECINTO
127S	SERVOFRENO PNEUMO-IDRAULICO	AIR-HYDRAULIC ASSISTED BRAKE	SERVO-FREIN HYDRO-PNEUMATIQUE	SERVOFRENO NEUMO-HIDRAULICO
127S				
1279	TUBAZ E COMANDO ATTREZZO ANT	FRONT ATTACH PIPING AND CONTR		
1280	TUBAZIONI POST (DAL DEVIATORE)	REAR PIPE (FROM DIVERTER VALV)		
1281	TUBAZIONI POST (DAL DISTRIB)	REAR PIPE (FROM CONTROL VALVE)		
1288	TUBAZIONI ATTREZZO ANT	FRONT ATTACHEMENT PIPING	CONDUITES D'OUTIL AVANT	TUBERIA DEL UTIL ANTERIOR
129P	PISTA	RACE	PISTE	PISTA
130B	BRACCIO	ARM	BRAS	BRAZO
130C	CENTRALINA	CONTROL UNIT	DISPOSITIVE DE COMMANDE	CENTRAL
130F	FUNZIONE IDRAUL.SUPPL	ADDITIONAL HYDRAULIC FUNCTION		
130M	MOTORE TERMICO	ENGINE	MOTEUR	MOTOR
130P	PISTONCINO	PLUNGER	PISTON	EMBOLO DE VALVULA
130S	SERVOSTERZO	SERVOSTEERING	SERVODIRECTION	SERVODIRECCION
130T	TESTATA	END PLATE	CULASSE	TAPA
131F	FIRE SLEEVE	FIRE SLEEVE		
131R	ROSETTA	WASHER	RONDELLE	ARANDELA
131T	TESTATA CASSONE	END GATES	HAYON	TESTERO
132B	BRACCIO OSCILLANTE	SWINGING ARM	BALANCIER	BRAZO OSCILANTE
132F	FONDELLO ANT	HEAD	BOUT AVANT	TAPA ANTERIOR
132P	PISTONE	PISTON	PISTON	EMBOLO
132R	ROSETTA DI SICUREZZA	LOCKWASHER	RONDELLE FREIN	ARANDELA DE FRENO
132S	SENSORE	INDUCTIVE PROXIMITY SWITCHES	CAPTEUR	SENSORIO
133B	BRACCIO SOLLEVAMENTO	LIFT BOOM	BRAS DE LEVAGE	BRAZO LEVANTAMIENTO
133F	FONDELLO POST	BOTTOM	BOUT ARRIERE	TAPA POSTERIOR
133M	MOTORINO AVVIAMENTO	STARTER MOTOR	DEMARREUR	MOTOR DE ARRANQUE
133R	ROSETTA DI TENUTA	SEAL	JOINT D'ETANCHEITE	JUNTA HERMETICA
134M	MOTORINO	MOTOR	MOTEUR	MOTOR
135C	CERCHIO RUOTA	RIM	JANTE	LLANTA
135M	MOZZO	HUB	MOYEU	CUBO
135P	PLAFONIERA	CEILING LAMP	PLAFONNIER	PANTALLA
135S	SETTORE DENTATO	TOOTHED SECTOR	SECTEUR DENTEE	SECTOR RUEDA DENTADA
136S	SETTORE RUOTA MOTRICE	SPROCKET SECTOR	SECTEUR BARBOTIN MOTEUR	SECTOR RUEDA MOTRIZ
137M	MOTORINO ELETTRICO	ELECTRIC MOTOR	MOTEUR ELECTRIQUE	MOTOR ELECTRICO
138S	SETTORE DI RIFERIMENTO	REFERENCE SECTOR	SECTEUR DE REFERENCE	PLACA DE REFERENCIAS
138S				

E

AUXILIARY ATTACHMENT (AND EQUIPMENT) • ORGANI SUSSIDIARI (E ATTREZZI) • ORGANES AUXILIAIRES (ET EQUIPEMENT) •
NEBENAGGREGATE (UND GERÄTE) • GRUPOS AUXILIARES (Y EQUIPO)



OPTIONAL

30.0060.04.1

VARIANTE

Q4562

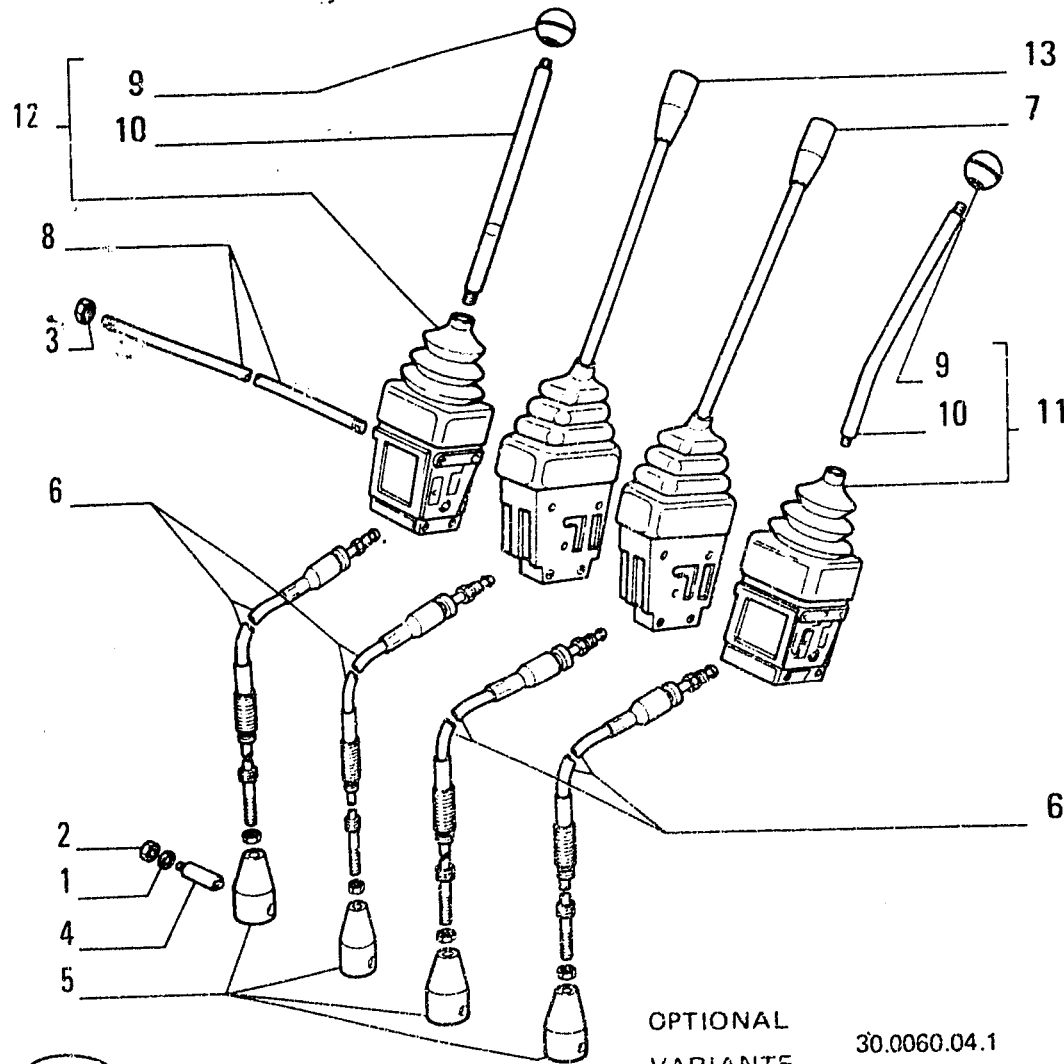
ITEM	PART NUMBER	QTY	TRANS CODE	DESCRIPTION	DESCRIZIONE
1	4982514	2	31F	CLAMP	FASCETTA
2	10571571	2	132R	LOCKWASHER 6,1x1,6	ROSETTA DI SICUREZZA 6,1x1,6
3	10902031	2	40V	SCREW 6x1x12	VITE 6x1x12
4	16045031	4	40V	SCREW 8x1,25x90	VITE 8x1,25x90
5	16104121	4	131R	WASHER 8x1,25x10,6	ROSETTA 8x1,25x10,6
6	70919131	2	20R	FITTING	RACCORDO
7	70921013	2	20R	FITTING	RACCORDO
8	79036146	1	164C	CYLINDER - RIGHT ASSEMBLY SEE SGR. E3.32/3	CILINDRO - DESTRO COMPLETO VEDERE SGR. E3.32/3
9	79036149	1	164C	CYLINDER - LEFT ASSEMBLY SEE SGR. E3.32/3	CILINDRO - SINISTRO COMPLETO VEDERE SGR. E3.32/3
10	79036162	2	31F	CLAMP	FASCETTA
11	79036163	2	193T	TUBE	TUBO RIGIDO
12	79039089	4	20R	FITTING	RACCORDO
13	79040070	4	192T	HOSE ASSY	TUBO FLESS.C./RACCORDI
14	79040073	4	28N	NIPPLE	NIPPLIO
15	79040074	4	45A	RING	ANELLO
16	79041402	1	83D	CONTROL VALVE - ASSEMBLY SEE SGR. E3.31/2	DISTRIBUTORE - COMPLETO VEDERE SGR. E3.31/2

HYDRAULIC SYSTEM - IMPIANTO IDRAULICO - SYSTEME HYDRAULIQUE - HYDRAULIKANLAGE -
 SISTEMA HIDRAULICO

E3.02/2

5

FIATALLIS FL5



04662

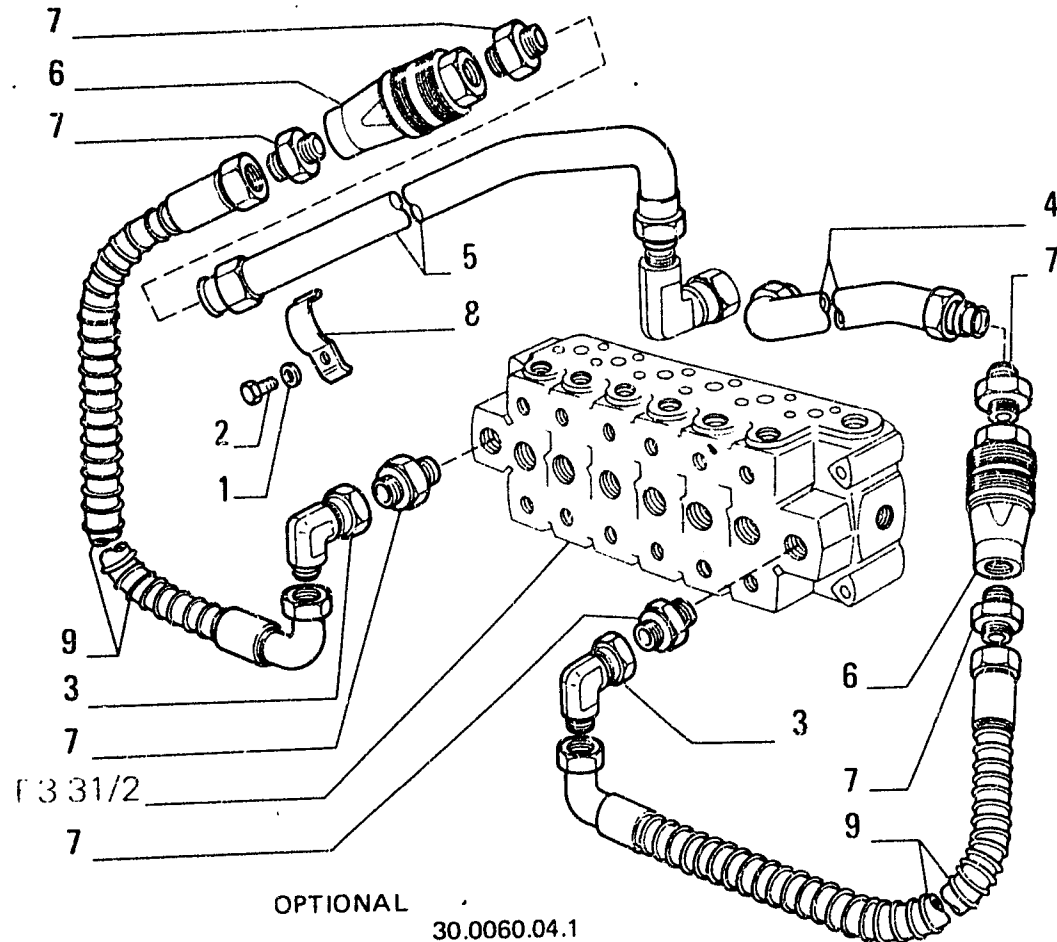
HYDRAULIC SYSTEM - IMPIANTO IDRAULICO - SYSTEME HYDRAULIQUE - HYDRAULIKANLAGE
 SISTEMA HIDRAULICO -

ITEM	PART NUMBER	QTY	TRANS CODE	DESCRIPTION	DESCRIZIONE
1	10730121	12	132R	LOCKWASHER 6,15x12	ROSETTA DI SICUREZZA 6,15x12
2	12574221	12	10D	NUT 6x1x7,8	DADO 6x1x7,8
3	16104121	6	10D	NUT 8x1,25x10,6	DADO 8x1,25x10,6
4	79036285	6	80P	PIN	PERNO
5	79036296	6	64C	CAP	CAPPELLO
6	79040042	6	111C	CABLE	CAVO
7	79040043	1	190C	HAND CONTROL - RIGHT ASSEMBLY SEE SGR. E3.33	COMANDO A MANO - DESTRO COMPLETO VEDERE SGR. E3.33
8	79041391	3	142T	TIEROD	TIRANTE
9	79041392	2	150P	KNOB	POMELLO
10	79041393	2	45L	LEVER C1370	LEVA C1370
11	79041395	1	190C	HAND CONTROL - RIGHT ASSEMBLY SEE SGR. E3.33/1	COMANDO A MANO - DESTRO COMPLETO VEDERE SGR. E3.33/1
12	79041396	1	190C	HAND CONTROL - LEFT ASSEMBLY SEE SGR. E3.33/1	COMANDO A MANO - SINISTRO COMPLETO VEDERE SGR. E3.33/1
13	79041397	1	190C	HAND CONTROL - LEFT ASSEMBLY SEE SGR. E3.33	COMANDO A MANO - SINISTRO COMPLETO VEDERE SGR. E3.33

E3.02/2

6

N.T.R. 102 - 31.05.82
 604.01.077.01



FIATALLIS FL5

ITEM	PART NUMBER	QTY	TRANS CODE	DESCRIPTION	DESCRIZIONE
1	10571771	1	131R	WASHER 8,1x2	ROSETTA 8,1x2
2	16043931	1	40V	SCREW 8x1,25x35	VITE 8x1,25x35
3	70919625	1	20R	FITTING	RACCORDO
4	79036303	1	193T	TUBE - LEFT ASSEMBLY	TUBO RIGIDO - SINISTRO COMPLETO
5	79036304	1	193T	TUBE - RIGHT ASSEMBLY	TUBO RIGIDO - DESTRO COMPLETO
6	79039012	2	20R	FITTING	RACCORDO
7	79039044	6	28N	NIPPLE	NIPPLO
8	79039056	1	31F	CLAMP	FASCETTA
9	79039058	2	192T	HOSE ASSY	TUBO FLESS.C/RACCORDI

Q4664

VARIANTE

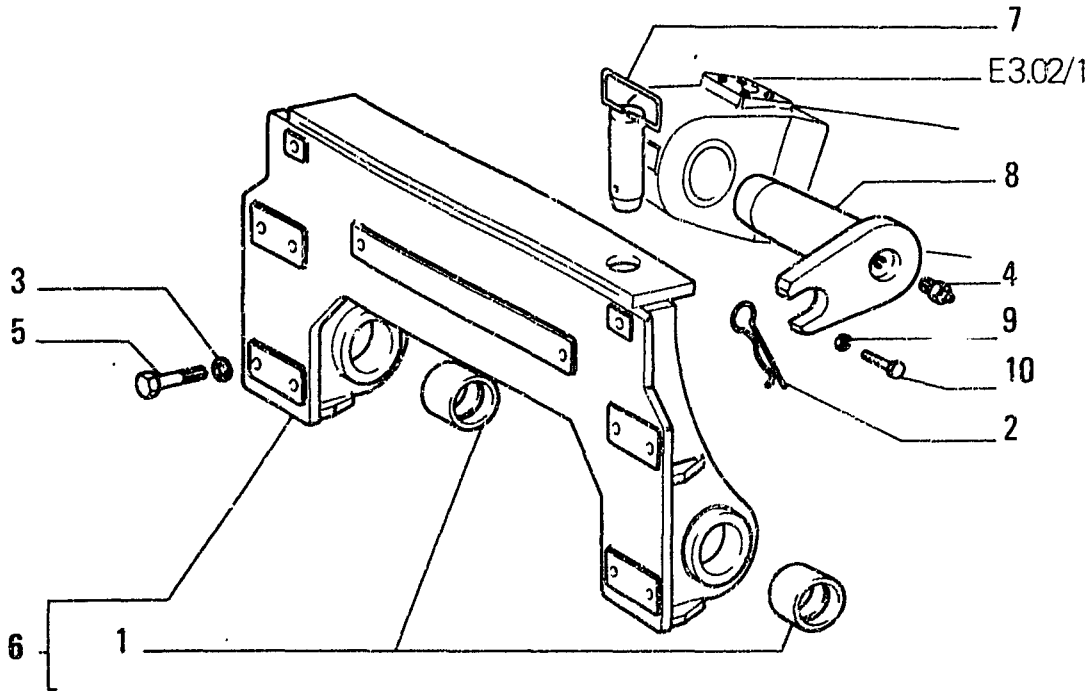
HYDRAULIC SYSTEM - IMPIANTO IDRAULICO - SYSTEME HYDRAULIQUE - HYDRAULIKANLAGE
 SISTEMA HIDRAULICO -

E3.02/2

7

N.T.R. 102 - 31.05.82
 604.01.077.01

L4



I T E M	PART NUMBER	Q T Y	TRANS CODE	DESCRIPTION	DESCRIZIONE
1	8283007	2	95B	BUSHING	BOCCOLA
2	578668	1	270C	COTTER PIN D 975	COPIGLIA D 975
	8287007	1	270C	COTTER PIN C 975	COPIGLIA C 975
3	10517471	12	132R	LOCKWASHER 20,2x4,5	ROSETTA DI SICUREZZA 20,2x4,5
4	13407211	1	60I	GREASE FITTING 10x1	INGRASSATORE 10x1
5	15988437	12	40V	SCREW 20x1,5x65	VITE 20x1,5x65
6	79023480	1	300S	SUPPORT - ASSEMBLY C 975	SUPPORTO - COMPLETO C 975
	79040939	1	300S	SUPPORT - ASSEMBLY D 975	SUPPORTO - COMPLETO D 975
7	79023812	1	80P	PIN	PERNO
8	79030901	1	80P	PIN	PERNO
9	595582	1	131R	WASHER D 975	ROSETTA D 975
10	16322921	1	40V	SCREW 10x1,25x12 D 975	VITE 10x1,25x12 D 975

03683

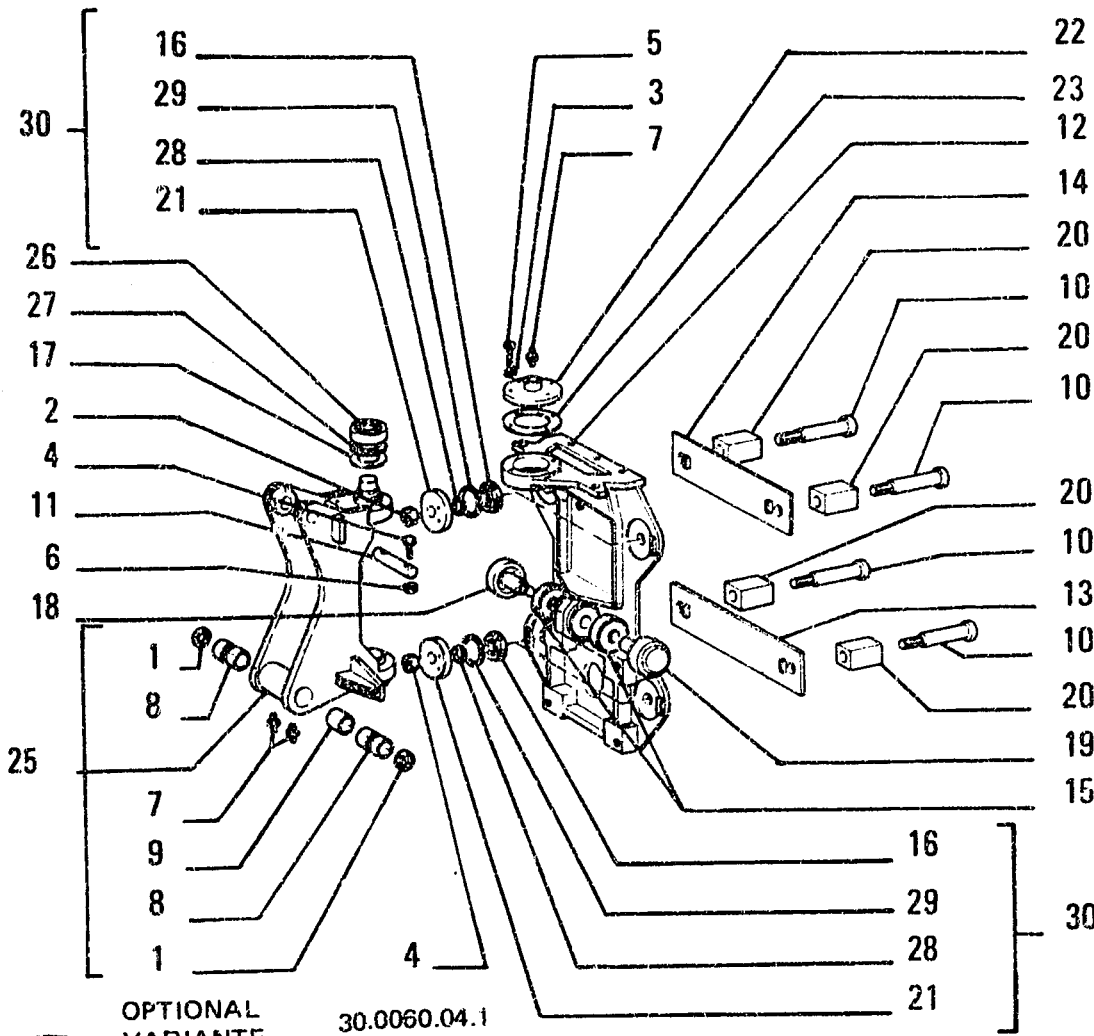
Optional Variante 30.0940.12.1

RIPPER MOUNTS - SUPPORTO SCARIFICATORE - SUPPORT DE SCARIFICATEUR - HALTERUNG
 F. AUFREISSERS - SOPORTE DEL ESCARIFICADOR

E3.05

N.T.R. 102 - 31.05.82
 604.01.077.01

L5



OPTIONAL VARIANTE 30.0060.04.1

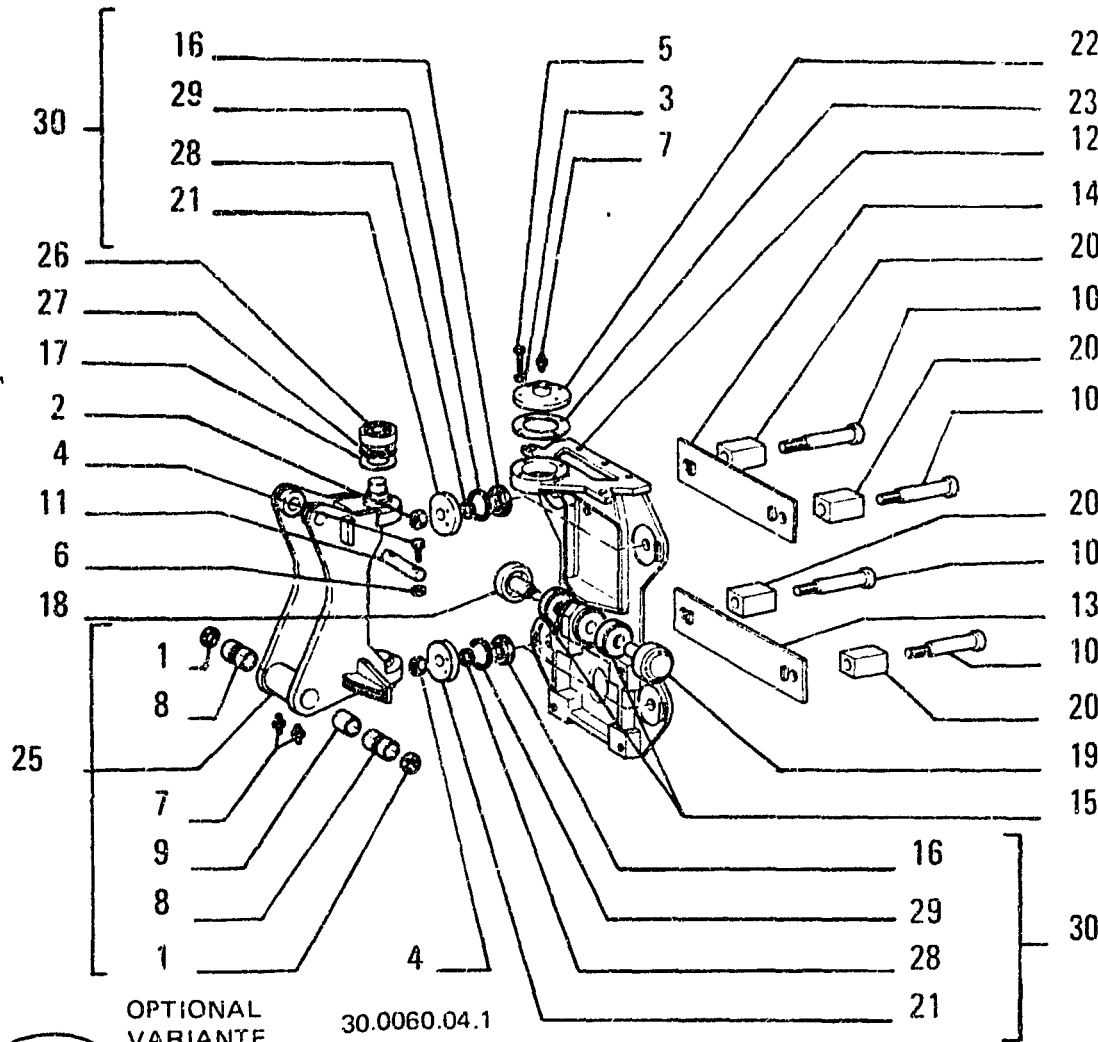
04558

ITEM	PART NUMBER	QTY	TRANS CODE	DESCRIPTION	DESCRIZIONE
1	8288832	2	120G	GASKET	GUARNIZIONE PIANA
2	8298615	4	10D	NUT	DADO
3	10572071	4	132R	LOCKWASHER 14,2x3	ROSETTA DI SICUREZZA 14,2x3
4	11114231	1	40V	SCREW 12x1,75x100	VITE 12x1,75x100
5	11115831	4	40V	SCREW 14x2x40	VITE 14x2x40
6	12577521	1	10D	NUT 12x1,75x14,8	DADO 12x1,75x14,8
7	13407211	3	60I	GREASE FITTING 10x1	INGRASSATORE 10x1
8	79036079	2	95B	BUSHING	BOCCOLA
9	79036105	1	75D	SPACER	DISTANZIALE
10	79036109	4	80P	PIN C1371	PERNO C1371
	79061720	4	80P	PIN D1371	PERNO D1371
11	79036112	1	60P	PIN - REAR	PERNO - POSTERIORE
12	79038514	1	77T	MAIN FRAME - ASSEMBLY	TELAIO TRATTORE - COMPLETO
13	79038515	1	105P	PLATE - ASSEMBLY	PIASTRA - COMPLETO
14	79038516	1	106P	PLATE - ASSEMBLY	PIASTRA - COMPLETO
15	79038517	4	26T	WICK	TAMPONE
16	7903851C	1	132P	PISTON C1370	PISTONE C1370
	79054725	1	132P	PISTON D1370	PISTONE D1370
17	79038519	1	132R	LOCKWASHER	ROSETTA DI SICUREZZA
18	79038520	1	64C	CAP	CAPPELLO
19	79038521	1	64C	CAP	CAPPELLO
20	79038523	4	75D	SPACER	DISTANZIALE
21	79038524	1	64C	CAP - DELATED	CAPPELLO - ELIMINATO
22	79038525	1	265C	COVER - ASSEMBLY	COPERCHIO - COMPLETO
23	79038676		198S	SHIM 0,2	SPESSORE 0,2
	79038677		198S	SHIM 0,5	SPESSORE 0,5
25	79038708	1	300S	SUPPORT - ASSEMBLY	SUPPORTO - COMPLETO

IMPLEMENT MOUNTS - SUPPORTI ATTREZZI - SUPPORTS DES OUTILS - HALTERUNG F. ARBEITSGERAETE - SOPORTES DE UTILES

1 E3.05/1 1
N.T.R. 126 - 25.02.86
604.01.077.02

L6



ITEM	PART NUMBER	QTY	TRANS CODE	DESCRIPTION	DESCRIZIONE
26	79038710	1	341C	BEARING	CUSCINETTO
27	79039004	1	120G	GASKET	GUARNIZIONE PIANA
28	79039037	1	120G	GASKET	GUARNIZIONE PIANA
29	79039038	1	120G	GASKET C1370	GUARNIZIONE PIANA C1370
	79054726	1	120G	GASKET D1370	GUARNIZIONE PIANA D1370
30	79039039	4	164C	CYLINDER - ASSEMBLY C1370	CILINDRO - COMPLETO C1370
	79062590	4	164C	CYLINDER - ASSEMBLY D1370	CILINDRO - COMPLETO D1370

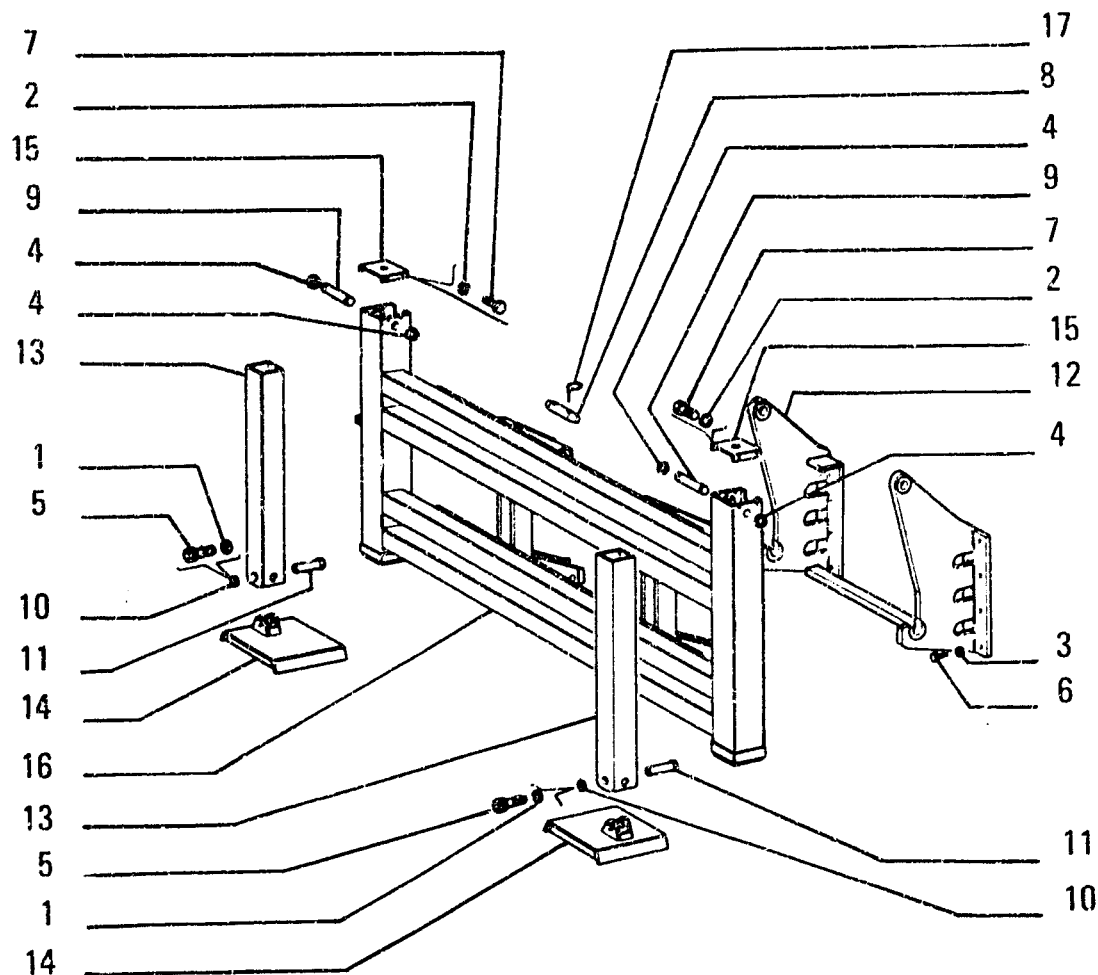
Q4558

OPTIONAL VARIANTE 30.0060.04.1

IMPLEMENT MOUNTS - SUPPORTI ATTREZZI - SUPPORTS DES OUTILS - HALTERUNG F. ARBEITSGERAETE - SOPORTES DE UTILES

1	E3.05/1	1
N.T.R. 126 - 25.02.86		
604.01.077.02		

FIATALLIS FL5



OPTIONAL

30.0060.04.1

VARIANTE

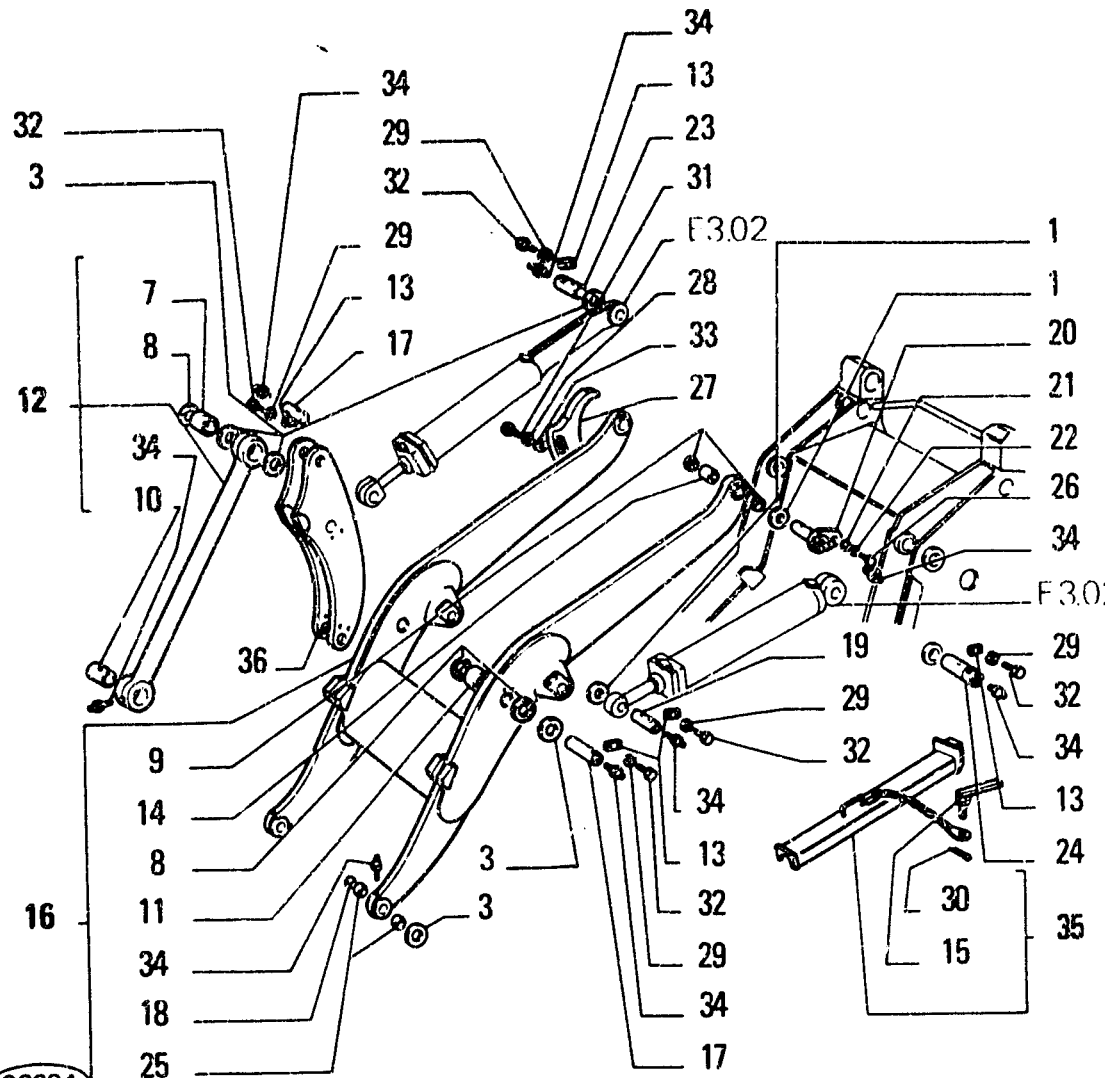
ITEM	PART NUMBER	QTY	TRANS CODE	DESCRIPTION	DESCRIZIONE
1	10569271	2	132R	LOCKWASHER 6,1x1,6	ROSETTA DI SICUREZZA 6,1x1,6
2	10571771	4	132R	LOCKWASHER 8,1x2	ROSETTA DI SICUREZZA 8,1x2
3	10572371	12	132R	LOCKWASHER 20,2x4	ROSETTA DI SICUREZZA 20,2x4
4	11067376	4	45A	RING 23,2x1,2	ANELLO 23,2x1,2
5	14305430	2	40V	SCREW 6x1x25	VITE 6x1x25
6	15988531	12	40V	SCREW 20x1,5x70	VITE 20x1,5x70
7	16043031	4	40V	SCREW 8x1,25x12	VITE 8x1,25x12
8	79036120	2	60P	PIN	PERNO
9	79036124	2	80P	PIN	PERNO
10	79036125	2	64C	CAP	CAPPELLO
11	79036126	2	80P	PIN - FRONT	PERNO - ANTERIORE
12	79036235	1	105P	PLATE - ASSEMBLY	PIASTRA - COMPLETO
13	79036299	2	21G	SUPPORT LEG - ASSEMBLY	GAMBA DI APPOGGIO - COMPLETO
14	79036305	2	295S	SHOE - ASSEMBLY	SUOLA - COMPLETO
15	79036313	2	265C	COVER	COPERCHIO
16	79038703	1	77T	MAIN FRAME	TELAIO TRATTORE
17	79038705	4	45F	CLIP	FERMAGLIO

04547

IMPLEMENT MOUNTS - SUPPORTI ATTREZZI - SUPPORTS DES OUTILS - HALTERUNG F. ARBEITSGERAETE - SOPORTES DE UTILES -

1	E3.05/1	2
N.T.R. 102 - 31.05.82		
604.01.077.01		

L8

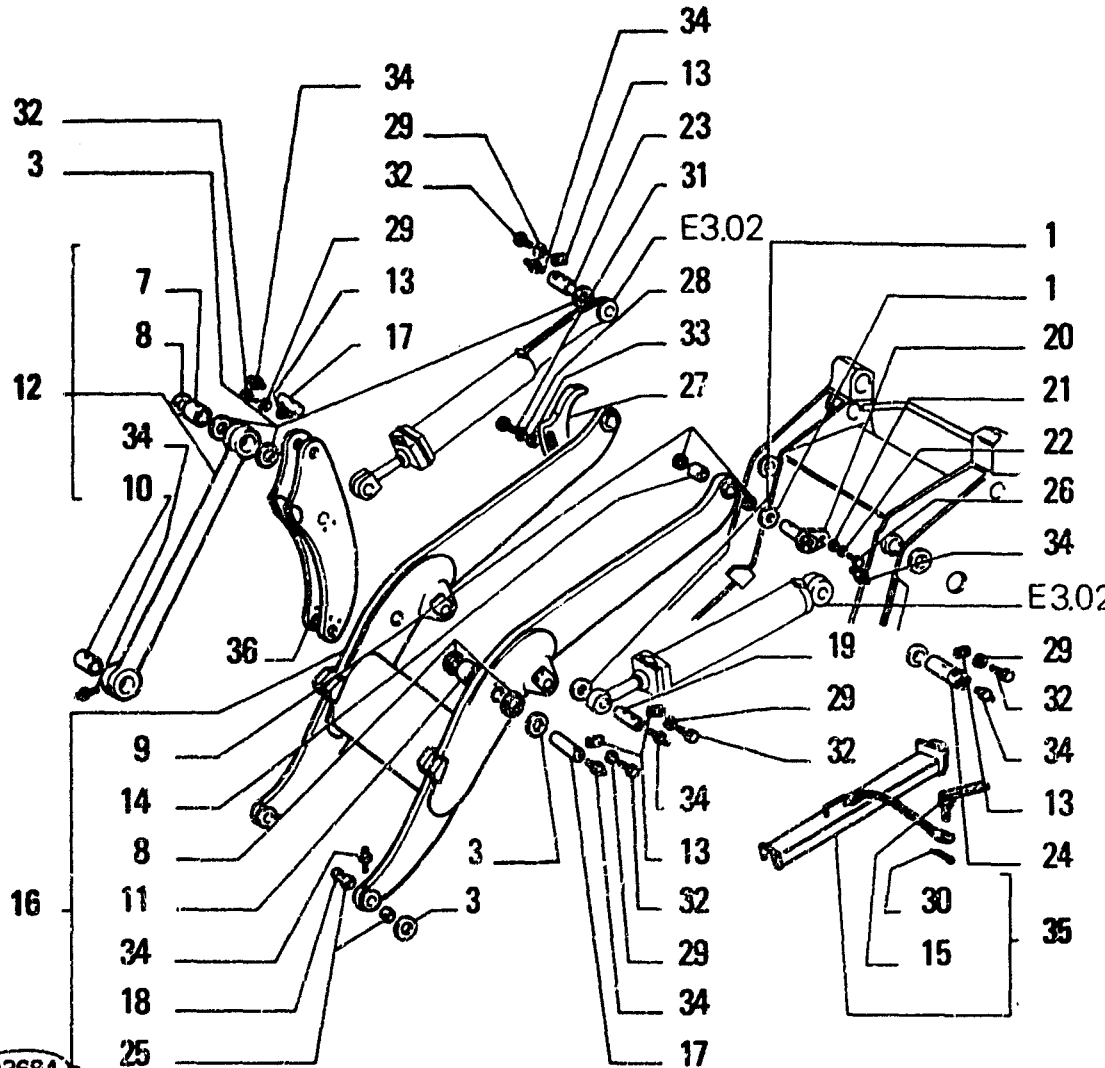


ITEM	PART NUMBER	QTY	TRANS CODE	DESCRIPTION	DESCRIZIONE
1	8281895		198S SHIM 0.5		SPESSORE 0,5
	8281896		198S SHIM 1		SPESSORE 1
	8288178		198S SHIM 2		SPESSORE 2
	8288179		198S SHIM 3		SPESSORE 3
3	8284487		198S SHIM 1		SPESSORE 1
	8284488		198S SHIM 0.5		SPESSORE 0,5
7	8288821	2	95B BUSHING - REAR		BOCCOLA - POSTERIORE
8	8288822	12	158G O-RING		GUARNIZIONE O-R
9	8288832	4	158G O-RING		GUARNIZIONE O-R
10	8289423	2	95B BUSHING - FRONT	C1366	BOCCOLA - ANTERIORE
					C1366
	79042912	2	95B BUSHING - FRONT	D1366	BOCCOLA - ANTERIORE
					D1366
11	8289424	2	95B BUSHING		BOCCOLA
12	8289425	2	50B LINK - ASSEMBLY	C1366	BIELLA - COMPLETO C1366
	79042910	2	50B LINK - ASSEMBLY	D1366	BIELLA - COMPLETO D1366
13	8289428	12	110P PLAQUE		PIASTRINA
14	8289437	2	95B BUSHING		BOCCOLA
15	8296398	1	40V SCREW		VITE
16	8296947	1	130B ARM - ASSEMBLY	C1366	BRACCIO - COMPLETO C1366
	79042905	1	130B ARM - ASSEMBLY	D1366	BRACCIO - COMPLETO D1366
17	8296963	6	80P PIN		PERNO
18	8296964	4	158G O-RING		GUARNIZIONE O-R
19	8296965	2	80P PIN - FRONT		PERNO - ANTERIORE
20	8296966	2	80P PIN		PERNO
21	8296969	2	75D SPACER		DISTANZIALE
22	8296970	2	131R WASHER		ROSETTA

03684

LOADER LIFT ARMS - BRACCI SOLLEVAMENTO CARICATORE - BHAS DE LEVAGE DE GODET - HUBARME
 FUER LADESCHAUFEL - BRAZOS DE ELEVACION DE LA PALA

E3.10
 N.T.R. 126 - 25.02.86
 604.01.077.02



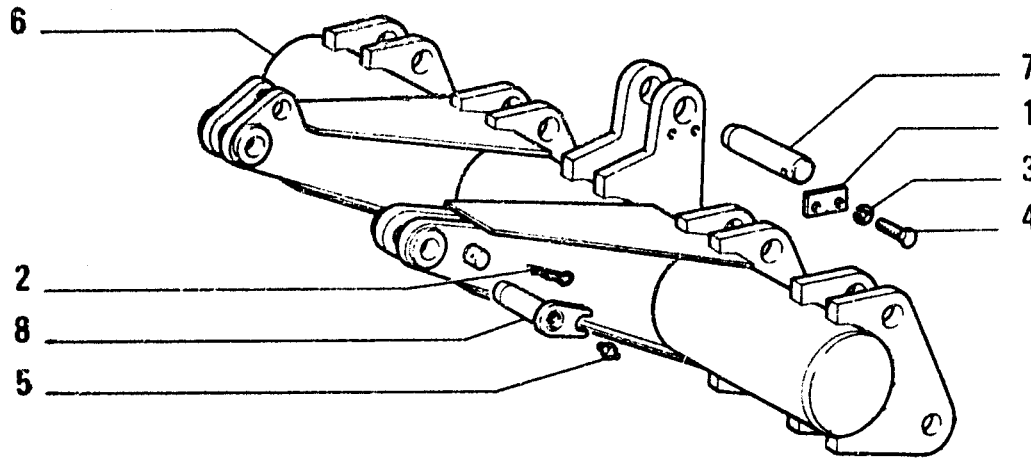
I T E M	PART NUMBER	Q T Y	TRANS CODE	DESCRIPTION	DESCRIZIONE
23	8296971	2	80P PIN		PERNO
24	8296972	2	80P PIN - REAR		PERNO - POSTERIORE
25	8296973	2	95B BUSHING - FRONT	C1366	BOCCOLA - ANTERIORE
	79042911	2	95B BUSHING - FRONT	D1366	BOCCOLA - ANTERIORE
26	8296975	2	40V SCREW		VITE
27	8297058	1	40C CAM		CAMMA
28	10516871	1	132R LOCKWASHER 10x2,5		ROSETTA DI SICUREZZA 10x2,5
29	10517071	24	132R LOCKWASHER 12,2x3,1		ROSETTA DI SICUREZZA 12,2x3,1
30	10734401	1	270C COTTER PIN 1,7x28,5		COPIGLIA 1,7x28,5
31	11106431	1	40V SCREW 10x1,5x30		VITE 10x1,5x30
32	11112231	24	40V SCREW 12x1,75x22		VITE 12x1,75x22
33	12646821	1	131R WASHER 10,2x25		ROSETTA 10,2x25
34	13407211	18	60I GREASE FITTING 10x1		INGRASSATORE 10x1
35	79021926	1	300S SUPPORT - ASSEMBLY		SUPPORTO - COMPLETO
36	79022247	2	45L LEVER		LEVA

LOADER LIFT ARMS - BRACCI SOLLEVAMENTO CARICATORE - BRAS DE LEVAGE DE GODET - HUBARME
 FUER LADESCHAUFEL - BRAZOS DE ELEVACION DE LA PALA

E3.10

N.T.R. 126 - 25.02.86
 604.01.077.02

L10



ITEM	PART NUMBER	QTY	TRANS CODE	DESCRIPTION	DESCRIZIONE
1	8270126	1	110P	PLAQUE	PIASTRINA
2	8287007	2	270C	COTTER PIN	COPIGLIA
3	10517171	2	132R	LOCKWASHER 14,2x3,5	ROSETTA DI SICUREZZA 14,2x3,5
4	11115531	2	40V	SCREW 14x2x30	VITE 14x2x30
5	13407211	3	60I	GREASE FITTING 10x1	INGRASSATORE 10x1
6	79023493	1	130B	ARM	BRACCIO
7	79023504	1	80P	PIN	PERNO
8	79030994	2	80P	PIN	PERNO

03685

Optional
Variante

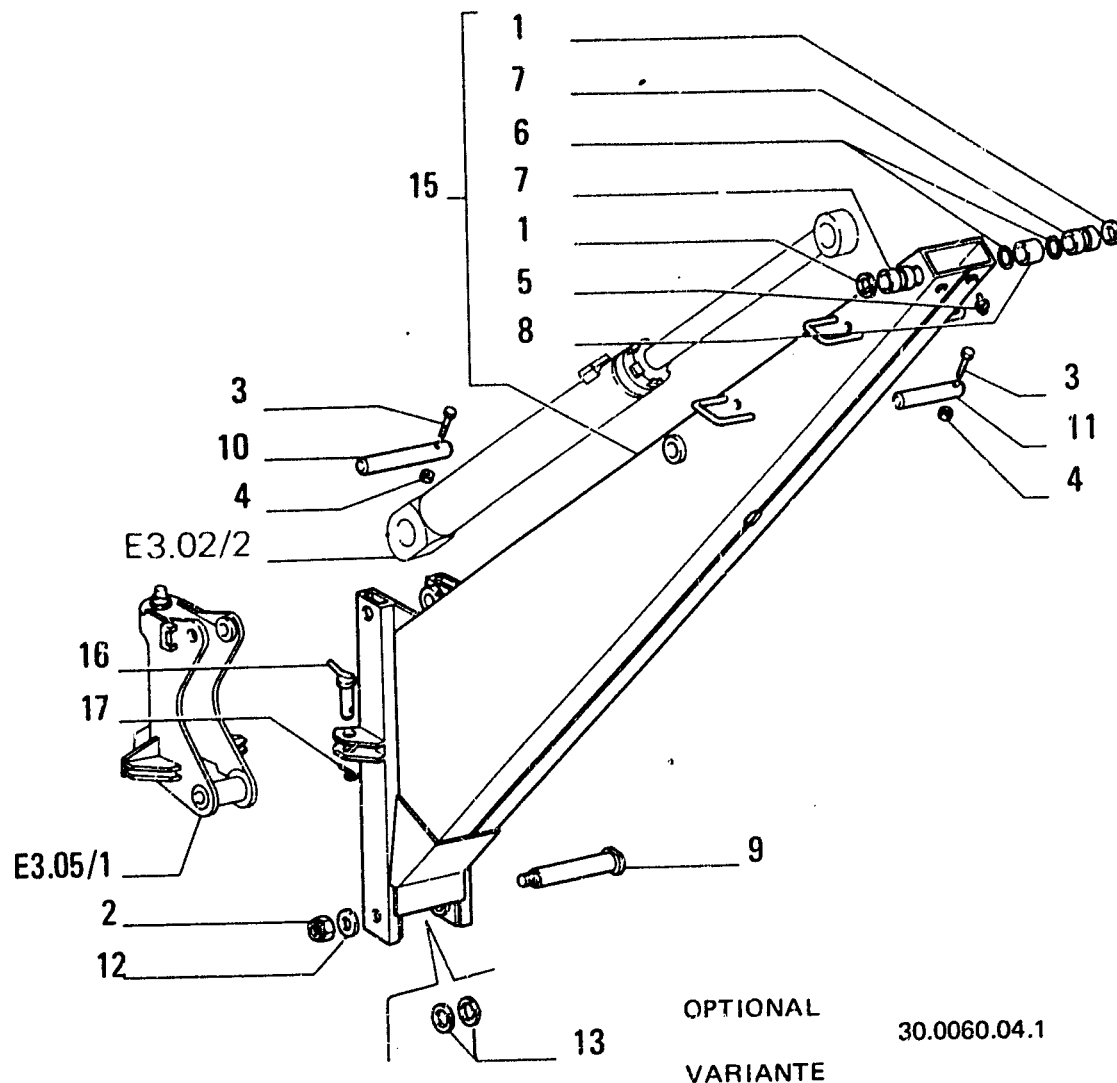
30.0940.12.1

RIPPER LIFTING ARMS - BRACCI SOLLEVAMENTO SCARIFICATORE - BRAS DE LEVAGE DE SCARIFICATEUR -
HUBARME FUER AUFREISSER - BRAZOS DE ELEVACION DEL ESCARIFICADOR

E3.10/1

L11

FIATALLIS FL5



ITEM	PART NUMBER	QTY	TRANS CODE	DESCRIPTION	DESCRIZIONE
1	8288832	1	120G	GASKET	GUARNIZIONE PIANA
2	8298615	2	10D	NUT	DADO
3	11114431	10	40V	SCREW 12x1,75x110	VITE 12x1,75x110
4	12577521	2	10D	NUT 12x1,75x14,8	DADO 12x1,75x14,8
5	13407211	2	60I	GREASE FITTING 10x1	INGRASSATORE 10x1
6	14460080	2	133R	SEAL 2,62x59,99	ROSETTA DI TENUTA 2,62x59,99
7	79036079	2	95B	BUSHING	BOCCOLA
8	79036106	1	75D	SPACER	DISTANZIALE
9	79036110	1	80P	PIN	PERNO
10	79036113	1	80P	PIN	PERNO
11	79036116	1	80P	PIN	PERNO
12	79036121	2	75D	SPACER	DISTANZIALE
13	79036122		198S	SHIM - THICKNESS 0,5	SPESSORE - SPESSORE 0,5
	79036123		198S	SHIM - THICKNESS 1	SPESSORE - SPESSORE 1
15	79036205	1	133B	LIFT BOOM - ASSEMBLY	BRACCIO SOLLEVAMENTO - COMPLETO
16	79036294	1	20M	HANDLE	MANIGLIA
17	79039097	1	45F	CLIP	FERMAGLIO

Q4548

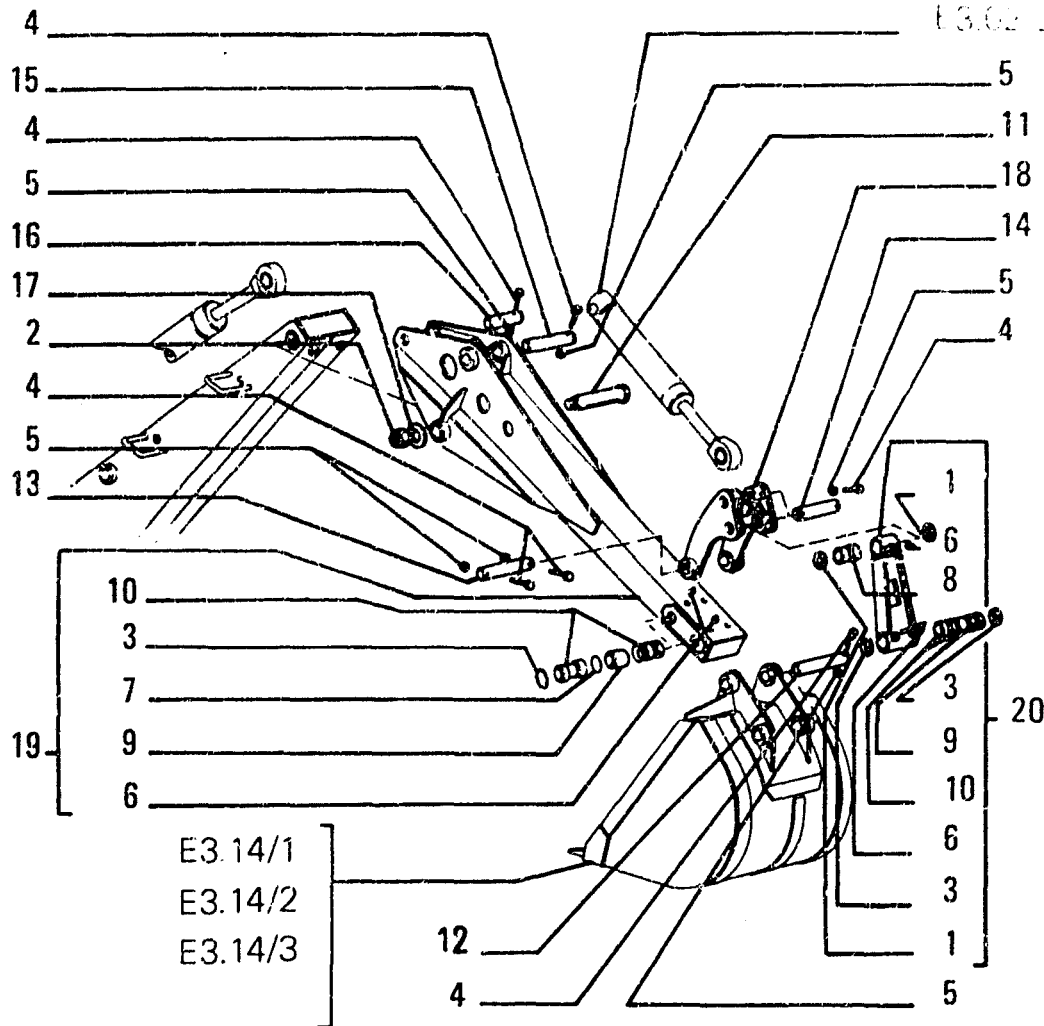
IMPLEMENT LIFTING ARMS - BRACCI SOLLEVAMENTO ATTREZZI - BRAS DE LEVAGE DES OUTILS
 HUBARME FUER ARBEITSGERAETE - BRAZOS DE ELEVACION DE UTILES

E3.10/2

1

N.T.R. 102 - 31.05.82
 604.01.077.01

L12



ITEM	PART NUMBER	QTY	TRANS CODE	DESCRIPTION	DESCRIZIONE
1	8288832	2	120G	GASKET	GUARNIZIONE PIANA
2	8298615	1	10D	NUT	DADO
3	8299832	6	120G	GASKET	GUARNIZIONE PIANA
4	11114431	10	40V	SCREW 12x1,75x110	VITE 12x1,75x110
5	12577511	10	10D	NUT 12x1,75x14,8	DADO 12x1,75x14,8
6	13407211	7	60I	GREASE FITTING 10x1	INGRASSATORE 10x1
7	14460280	4	133R	SEAL 2,62x63,17	ROSETTA DI TENUTA 2,62x63,17
8	79036091	1	95B	BUSHING	BOCCOLA
9	79036107	3	75D	SPACER	DISTANZIALE
10	79036108	6	95B	BUSHING	BOCCOLA
11	79036111	1	80P	PIN	PERNO
12	79036114	2	80P	PIN	PERNO
13	79036115	1	80P	PIN	PERNO
14	79036117	2	30P	PIN - FRONT	PERNO - ANTERIORE
15	79036118	1	80P	PIN - REAR	PERNO - POSTERIORE
16	79036119	1	80P	PIN - FRONT	PERNO - ANTERIORE
17	79036121	1	131R	WASHER	ROSETTA
18	79036234	1	60B	SHACKLE	BISCOTTINO
19	79038560	1	130B	ARM - ASSEMBLY	BRACCIO - COMPLETO
20	79038561	1	50B	LINK - ASSEMBLY	BIELLA - COMPLETO

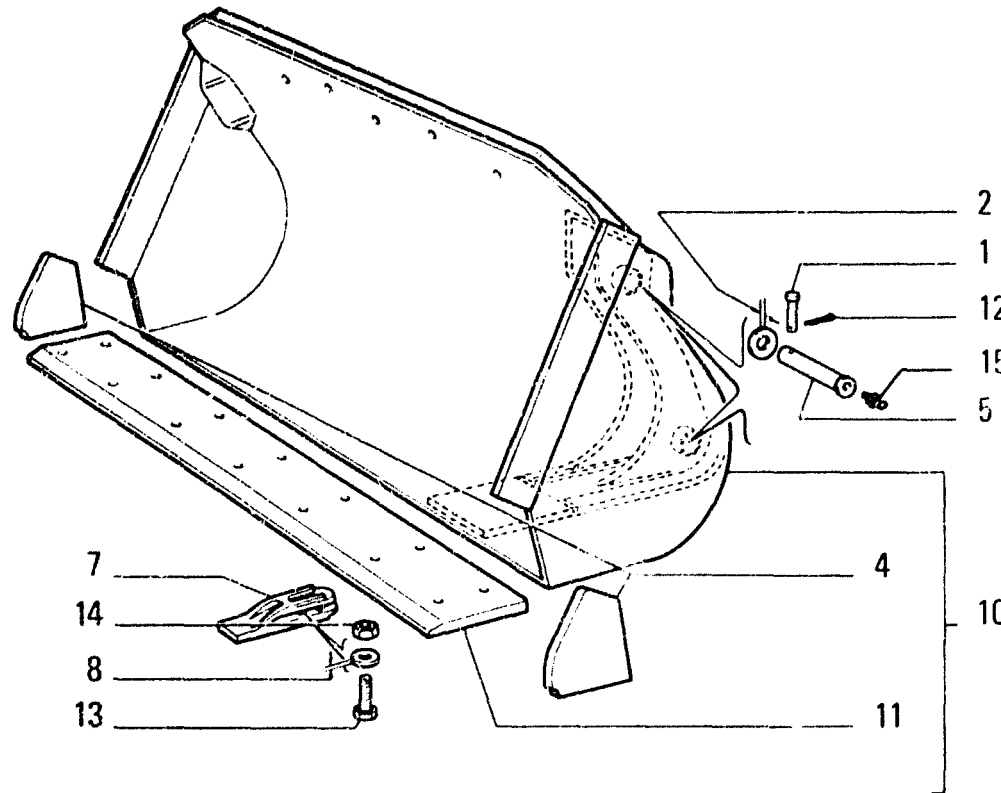
OPTIONAL 30.0060.04.1
VARIANTE

04546

IMPLEMENT LIFTING ARMS - BRACCI SOLLEVAMENTO ATTREZZI - BRAS DE LEVAGE DU OUTILS -
HUBARME FUER ARBEITSGERAETE - BRAZOS DE ELEVACION DE UTILES

1	E3.10/2	2
N.T.R. 102 - 31.05.82 604.01.077.01		

L13

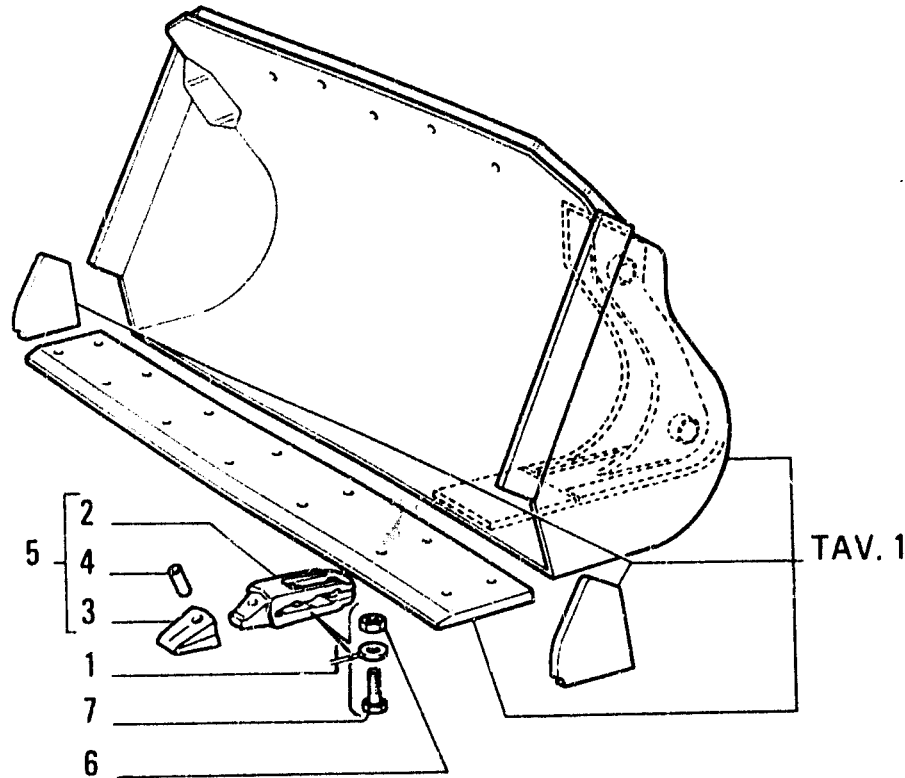


ITEM	PART NUMBER	QTY	TRANS CODE	DESCRIPTION	DESCRIZIONE
1	8270700	4	200S	PIN (*) (2")	SPINA (*) (2")
2	8284487		198S	SHIM 1.0 (*) (2")	SPESSORE 1.0 (*) (2")
	8284488		198S	SHIM 0.5 (*) (2")	SPESSORE 0.5 (*) (2")
4	8289483	2	18T	CUTTING EDGE - SIDE SALD (*)	TAGLIANTE - LATERALE SALD (*)
5	8289501	4	80P	PIN (*) (2") C1366	PERNO (*) (2") C1366
	79042913	4	80P	PIN (*) (2") D1366	PERNO (*) (2") D1366
7	8289503	7	89D	BUCKET TOOTH (1") C2595	DENTE BENNA (1") C2595
	79055215	7	89D	BUCKET TOOTH (1") D2595	DENTE BENNA (1") D2595
8	8289504		198S	SHIM 0.5 (1") C2595	SPESSORE 0.5 (1") C2595
	8289505		198S	SHIM 1 (1")	SPESSORE 1 (1")
10	8296758	1	35B	BUCKET - ASSEMBLY (*)	BENNA - COMPLETO (*)
11	8296782	1	18T	CUTTING EDGE SALD (*)	TAGLIANTE SALD (*)
12	10733601	4	270C	COTTER PIN (*) (2") 2.7x31.6	COPIGLIA (*) (2") 2.7x31.6
13	11122237	14	40V	SCREW (1") 18x2.5x65 C2595	VITE (1") 18x2.5x65 C2595
	79055218	14	40V	SCREW (1") D2595	VITE (1") D2595
14	11703227	14	10D	NUT (1") 18x2.5x15 C2595	DADO (1") 18x2.5x15 C2595
	79055219	14	10D	NUT (1") D2595	DADO (1") D2595
15	13407211	4	60I	GREASE FITTING (*) (2") 10x1 D1366	INGRASSATORE (*) (2") 10x1 D1366
(*)			469P	FOR SPECIAL EQUIPMENT 30.0074.10.1	PER VARIANTE 30.0074.10.1
(1')			469P	FOR SPECIAL EQUIPMENT 30.0084.08.1	PER VARIANTE 30.0084.08.1
(2')			469P	FOR SPECIAL EQUIPMENT 30.0073.08.1	PER VARIANTE 30.0073.08.1

LOADER BUCKET - BENNA CARICATORE - GODET CHARGEUR - LADESCHAUFEL -
 PALETA ABRETROCHAS

E3.14 1

N.T.R. 163 - 30.05.1989
 604.01.077.03



I T E M	PART NUMBER	Q T Y	TRANS CODE	DESCRIPTION	DESCRIZIONE
1	8289504		198S	SHIM 0,5(3")(4")	SPESSORE 0,5(3")(4")
	8289505		196S	SHIM 1 (3")(4")	SPESSORE 1 (3")(4")
2	8299333	7	89D	BUCKET TOOTH (3")(4")	DENTE BENNA (3")(4")
3	8299334	7	492P	BUCKET TOOTH POINT (4")	PUNTA DENTE BENNA (4")
	8299337	7	492P	BUCKET TOOTH POINT (3")	PUNTA DENTE BENNA (3")
4	8299335	7	202S	SPRING PIN	SPINA ELASTICA
5	8299338	7	89D	BUCKET TOOTH - ASSEMBLY (4")	DENTE BENNA - COMPLETO (4")
	8299339	7	89D	BUCKET TOOTH - ASSEMBLY (3")	DENTE BENNA - COMPLETO (3")
6	12164221	14	10D	NUT (3")(4") 18x1,5x15	DADO (3")(4") 18x1,5x15
7	15984531	14	40V	SCREW (3")(4") 18x1,5x65	VITE (3")(4") 18x1,5x65
				469P FOR SPECIAL EQUIPMENT 30.0087.02.1	PER VARIANTE 30.0087.02.1
				469P FOR SPECIAL EQUIPMENT 30.0085.06.1	PER VARIANTE 30.0085.06.1

LOADER BUCKET - BENNA CARICATORE - GODET CHARGEUR - LADESCHAUFEL - PALETA
ABRETROCHAS

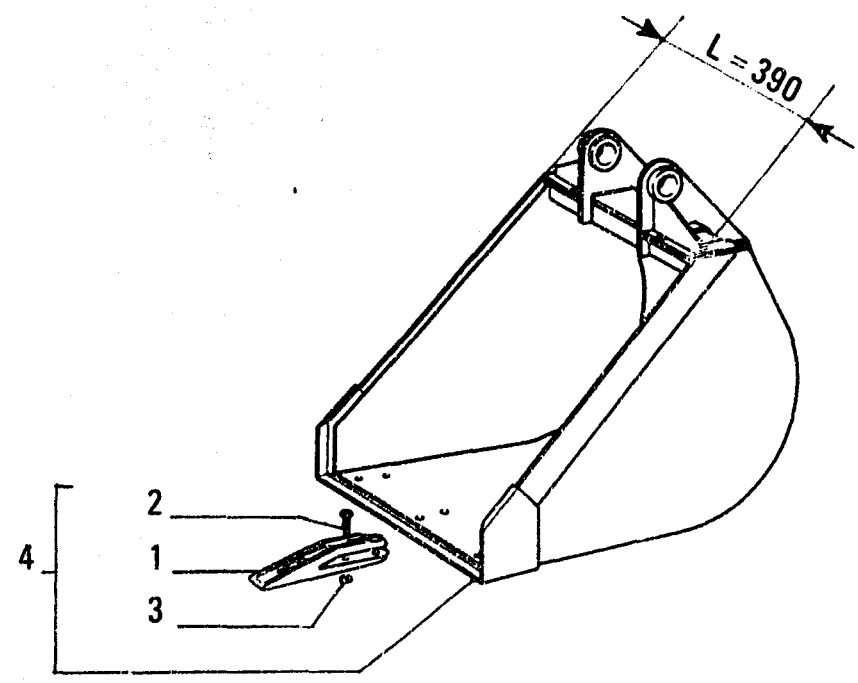
E3.14

2

N.T.R. 163 - 30.05.1989

604.01.077.03

L15



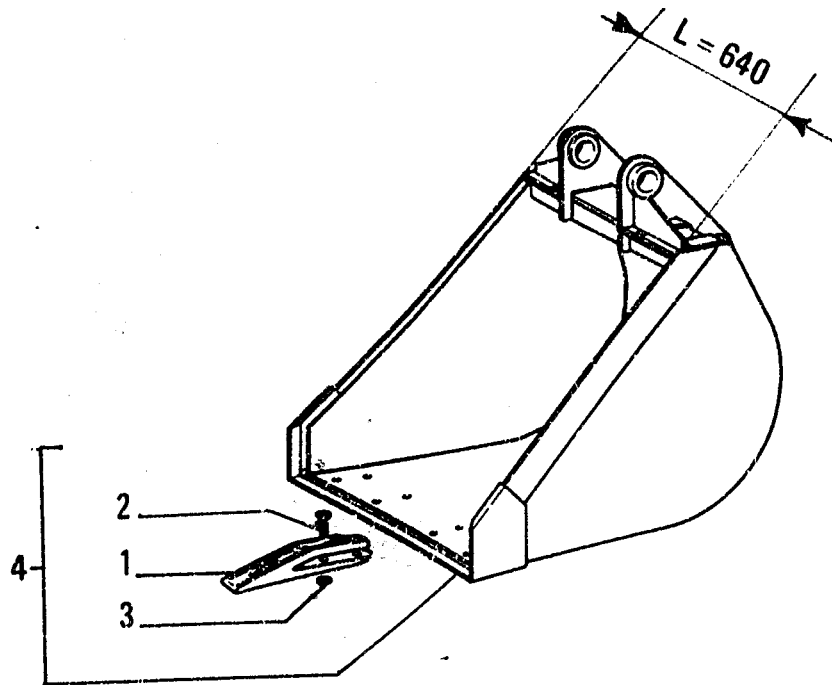
OPTIONAL 30.0254.01.1
VARIANTE

I T E M	PART NUMBER	Q T Y	TRANS CODE	DESCRIPTION	DESCRIZIONE
1	8289502	3	25D	RIPPER SHANK	DENTE RIPPER
2	11122237	6	40V	SCRFW 10x2,5x65	VITE 10x2,5x65
3	11703227	6	10D	NUT 18x2,5x15	DADO 18x2,5x15
4	79036933	1	35B	BUCKET - ASSEMBLY	BENNA - COMPLETO

DIGGING SHOVEL - BENNA ESCAVATORE - GODET - ERDSCHAUFEL - CUCHARA EXCA-
VADORA

L16

2	E3.14/1
N.T.R. 163 - 30.05.1989	
604.01.077.03	



OPTIONAL
VARIANTE 30.0255.01.1

ITEM	PART NUMBER	QTY	TRANS CODE	DESCRIPTION	DESCRIZIONE
1	8289502	4	25D	RIPPER SHANK	DENTE RIPPER
2	11122237	6	40V	SCREW 18x2,5x65	VITE 18x2,5x65
3	11703227	6	10D	NUT 18x2,5x15	DADO 18x2,5x15
4	79036935	1	35B	BUCKET - ASSEMBLY	BENNA - COMPLETO

DIGGING SHOVEL - BENNA ESCAVATORE - GODET - ERDSCHAUFEL CHUCARA EXCAVADORA

2

E3.14/2

N.T.R. 163 - 30.05.1989
604.01.077.03

DESIGNAZIONE BASE	BASIC DESIGNATION	DESIGNATIONS-BASES	GRUNDBEZEICHNUNGEN	DENOMINACIONES BASE
159C	CILINDRO FRENO	BRAKE CYLINDER	CYLINDRE DE FREIN	CILINDRO DE FRENO
159G	GUARNIZIONE LIQUIDA	GASKET LIQUID	PRODUIT LIQUID POUR ETANCHE	SELLADCR
159R	RUOTA DENTATA	GEAR WHEEL	BARBOTIN	RUEDA MOTRIZ
159S	SILENZIATORE SUPPLEMENTARE	AUXILIARY SILENCER	SILENCIEUX SUPPLEMENTAIRE	SILENCIADOR SUPPLEMENTARIO
159S			FTOPF	
160C	CHIOCCIOLA	LEAD NUT	ECROU EN CARACOLE	TUERCA
160G	GRANULATO FERROSO	FERROUS GRANULATE	GRANULE FERRUGINEUX	GRANULADO DE HIERRO
160R	RUOTA	WHEEL	ROUE	RUEDA
160S	SILENZIATORE	MUFFLER	SILENCIEUX	SILENCIADOR
160T	TRASMETTITORE	SENDING UNIT	TRANSMETTEUR	CONTACTOR
160S	ATTREZZO SCRAPER	SCRAPER IMPLEMENT	EQUIPEMENT RACLOIR	
161C	CILINDRO, CLASSE	CYLINDER, CLASS..	CYLINDRE, CLASSE...	CILINDRO, CLASE...
161G	GRASSO	GREASE	GRAISSE	
161P	POMPA IDRAULICA	HYDRAULIC PUMP	POMPE HYDRAULIQUE	BOMBA HIDRAULICA
161R	RUOTA LIBERA	FREE WHEEL	ROUE LIBRE	RUEDA LIBRE
161S	SINCRONIZZATORE	SYNCHRONIZER	SYNCHRONISEUR	SINCRONIZADOR
162C	CILINDRO PNEUMATICO	AIR CYLINDER	CYLINDRE PNEUMATIO	CILINDRO NEUMATICO
162C			ZYLINDER	
163C	CILINDRETTO	BARREL	CYLINDRE	CILINDRO
163R	RUOTA MOTRICE	SPROCKET	BARBOTIN MOTEUR	RUEDA MOTRIZ
164C	CILINDRO	CYLINDER	CYLINDRE	CILINDRO
164P	POMPA SERVOCOMANDO	SERVO CONTROL PUMP	POMPE DE SERVO-COMMANDE	BOMBA DE SERVOMANDO
164P			AMORTISSEUR	
164S	SMORZATORE	DAMPER		ANTIVIBRADOR
164S				
165P	PONTE	AXLE	PONT	PUENTE
165R	RUTTORE	BREAKER	RUPTEUR	RUPTOR
165S	SNODO	ARTICULATION	ARTICULATION	ARTICULACION
165T	TRASMISSIONE FLESSIBILE	FLEXIBLE SHAFT	TRANSMISSION FLEXIBLE	ARBOL FLEXIBLE
166C	CILINDRO DI COMANDO GANASCE	WHEEL CYLINDER	CYLINDRE DE ROUE	CILINDRO DE FRENO
166R	RUOTA TENDICINGOLO	TRACK IDLER	ROUE TENDEUSE	RUEDA DE GUIDA
166S	SOFFIETTO	BELLOWS	SOUFFLEUR	FUELLE
166T	TRECCIA DI MASSA	GROUND BRAID	TRESSE DE MASSE	TRENZA DE MASA
167C	CILINDRO DEL SERVOSTERZO	SERVO-ASSYSTD STEERING CYLINDER	CYLINDRE RECEPTEUR	CILINDRO DE SERVODIRECCION
167C				
167R	RADIATORE ACQUA	WATER RADIATOR	RADIATOR A L'EAU	RADIADOR DE AGUA
167S	SOLLEVATORE IDRAULICO	HYDRAULIC LIFTER	RELEVAGE HYDRAULIQUE	LEVANTE HIDRAULICO
167T	TRASPARENTE DELLO STOP	STOPLAMP LENS	TRANSPARENT DE FEUX STOP	TAPA TRANSLUCIDA DE LUCES DE PARE
167T				
168R	RADIATORE OLIO	OIL RADIATOR	RADIATOR A HUILE	RADIADOR DE ACEITE

DESIGNAZIONE BASE	BASIC DESIGNATION	DESIGNATIONS-BASES	GRUNDBEZEICHNUNGEN	DENOMINACIONES BASE
150C	CHIAVE	KEY	CLE	LLAVE
150G	GUIDA DELLA VALVOLA	VALVE GUIDE	GUIDE-SOUPAPE	GUIA DE VALVULA
150P	POMELLO	KNOB	BOUTON	BOTON
150R	RUBINETTO	COCK	ROBINET	GRIFO
150S	SIGLA	TRADE MARK	SIGLE	SIGLA
150T	TIMER	TIMER	TIMER	TIMER
1501	BARRA PORTATTREZZI	TOOL BAR	BARRE PORTEOUTIL	GERAETETRAEGER
151B	BARRA	BAR	BARRE	STREBE
151C	CHIAVE A TUBO	PIPE WRENCH	CLE A TUBE	STECKSCHLUESSEL
151G	GUIDA DELLA VALVOLA DI ASPIRAZIONE	INTAKE VALVE GUIDE	GUIDE DE SOUPAPE D'ADMISSION	EINLASSVENTIL-FUEHRUNG
151P	POMELLO DI FISSAGGIO	RETAINING KNOB	POMMEAU DE FIXATION	KLEMMKNOPF
151S	SIGLA TRATTORE	TYPE PLATE	TYPE	MODELLBEZEICHNUNG
152B	BENNA DA CAVA	QUARRY BUCKET	GODET DE CARRIERE	FELSSCHAUFEL
152G	GUIDA DELLA VALVOLA DI SCARICO	EXHAUST VALVE GUIDE	GUIDE DE SOUPAPE D'ECHAPPEMENT	AUSLASSVENTIL-FUEHRUNG
152P	POMPA ACQUA	WATER PUMP	POMPE A EAU	WASSERPUMPE
153B	BENNA MORDENTE	CLAMSHELL BUCKET	BENNE PRENEUSE	SCHALENGREIFER
153G	GUIDA DI SCORRIMENTO	SLIDE GUIDE	COULISSE	LAUFSCHIENE
153P	POMPA OLIO	OIL PUMP	POMPE A HUILE	OELPUMPE
154C	CHIAVE SERRATURA	LOCK KEY	CLE DE SERRURE	SCHLUESSEL
154P	POMPA ALIMENTAZIONE	FUEL PUMP	POMPE D'ALIMENTATION	KRAFTSTOFFPUMPE
155B	BENNA DA ROCCIA	ROCK BUCKET	GODET DE ROCHE	FELSLOEFFEL
155G	GIUNTO RAPIDO	QUICK-CONNECTING COUPLING	ACCOUPEMENT RAPID	SCHNELLKUPPLUNG
155P	POMPA	PUMP	POMPE	PUMPE
155R	RULLINO	NEEDLE ROLLER	AIGUILLE	NADEL
155S	SILENTBLOC	SILENTBLOC	SILENTBLOC	SILENTBLOC
156B	BENNA TRAPEZOIDALE	TRAPEZOIDAL BUCKET	GODET TRAPEZE	TRAPEZLOEFFEL
156G	GOLFARE	EYEBOLT	OEIL	KUGELKOPF
156P	POMPA A MANO	HAND PUMP	POMPE A MAIN	HANDPUMPE
157B	BENNA 4 IN 1	4-IN-1 BUCKET	GODET MULTIPLES	4-IN-1-SCHAUFEL
157G	GUARNIZIONE ALBERO ROTANTE	LIP SEAL	GARNITURE D'ETANCHEITE	WELLENDICHTRING
157P	POMPA ARIA	AIR PUMP	POMPE A AIR	LUFTPUMPE
157R	HULLO	ROLLER	GALET	ROLLE
158B	BUSTA	ENVELOPE	ENVELOPPE	UMSCHLAG
158C	LINGUETTA A DISCO	WOODRUFF KEY	CLAVETTE	PASSFEDER
158G	GUARNIZIONE O-R	O-RING	O-RING	O-RING
158P	POMPA INIEZIONE	INJECTION PUMP	POMPE D'INJECTION	EINSPRITZPUMPE
158T	TRASFORMATORE	TRANSFORMER	TRANSFORMATEUR	TRANSFORMATOR

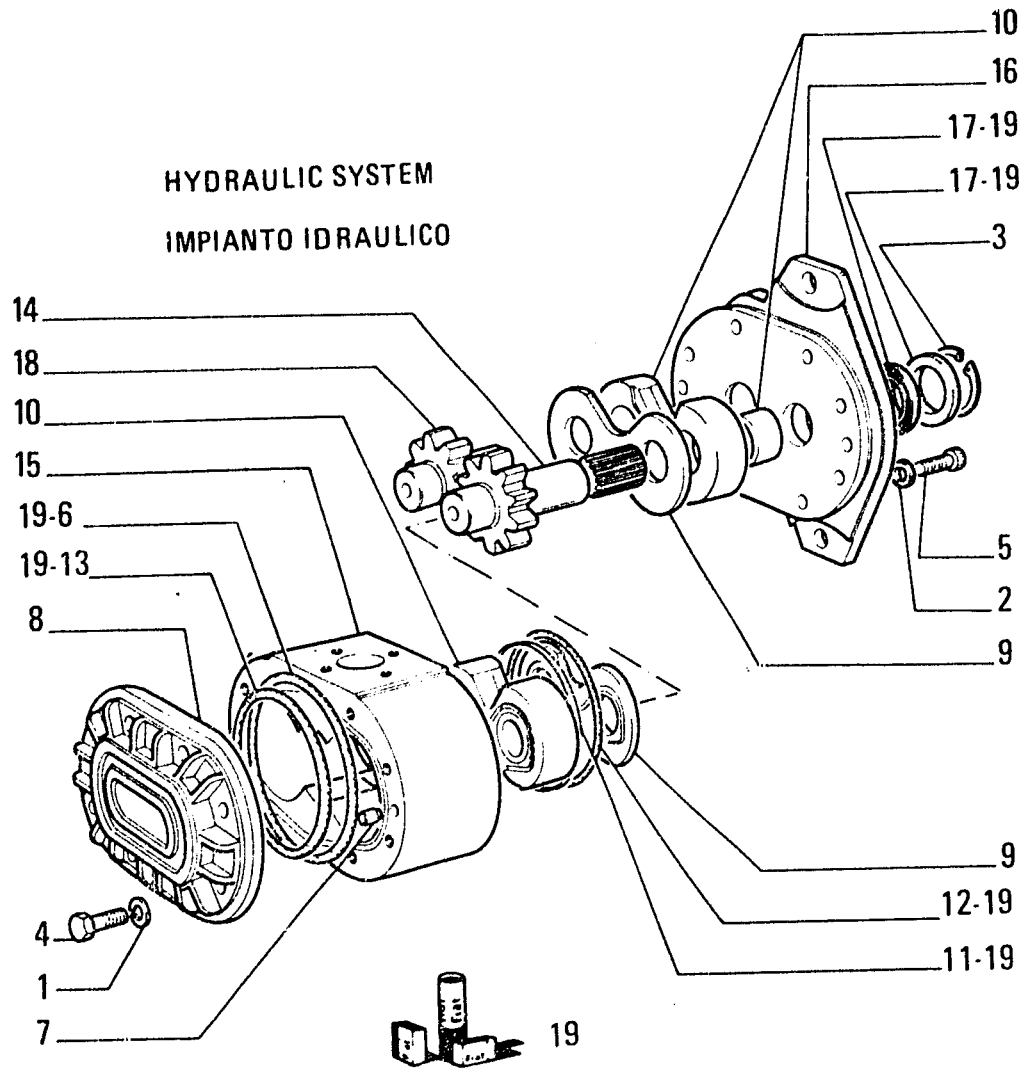
DESIGNAZIONE BASE	BASIC DESIGNATION	DESIGNATIONS-BASES	GRUNDBEZEICHNUNGEN	DENOMINACIONES BASE	
140C	CERNIERA	HINGE	CHARNIERE	SCHARNIER	BISAGRA
140G	GUAINA FLESSIBILE	SHEATH	GAINÉ	HUELLE	FUNDA
140P	PLANCIA	PLANK	PLANCHE	WAND	TABLERO
140S	SFERA	BALL	BILLE	KUGEL	ESFERA
1401	LAMA ABBATTIMENTO		LAME ABATTAGE	RAMMSCHILD	
141M	MASTICE ADESIVO	PUTTY	MASTIC ADHESIF	DICHTUNGSMASSE	ALMACIGA ADHESIVA
141P	PLANCIA PORTASTRUMENTI	INSTRUMENT PANEL	TABLEAU DE BORD	INSTRUMENTENBRETT	CUADRO INSTRUMENTACION
141T	TIRANTE FILETTATO	THREADED TIEROD	TIRANT	SPANNBOLZEN	PERNO
142G	GUAINA	SHEATH	GAINÉ	SCHUTZROHR	FUNDA
142M	MOLLA A BALESTRA	LEAF SPRING	ROSSORT A LAMES	BLATTFEDER	MUELLE DE BALLESTA
142T	TIRANTE	TIEROD	TIRANT	STANGE	TIRANTE
1421	LAMA CAVACEPPI		LAME DESOUICHEUSE	STUBBENRODER	
143M	MOTOASSALE	LIVE AXLE	ESSIEU MOTEUR	ACHSANTRIEB	EJE
143T	TIRANTE DI STERZO TRASVERSALE	TRACK ROD	BARRE D'ACCOUPLE- MENT	SPURSTANGE	BARRA DE ACOPLA- MIENTO
1431	LAMA SPIETRATRICE		LAME EPIERREUSE	FELSRECHEN	
144M	MANIPOLATORE	MANIPULATOR	MANIPULATEUR	DRUCK FERNSTEUERUNG	
144T	TIRANTE DI STERZO LONGITUDINA- LE	DRAG LINK	BARRE DE DIRECTION	LENKSTANGE	BARRA DE DIRECCION
1440	LAMA DECESPUGLIATRICE PER AD		LAME DEBROUSSAILLEUSE AD	RODERECHEN (AD)	
1441	LAMA DECESPUGLIATRICE PER BD		LAME DEBROUSSAILLEUSE BD	RODERECHEN (BD)	
145B	BUSSOLA	GUIDE BUSHING	DOUILLE	GEWINDEBUECHSE	CASQUILLO
145G	GUIDA	GUIDE	GUIDE	FUEHRUNG	GUIA
145M	MAGLIA CINGOLO	TRACK LINK	MAILLON	KETTENGLIED	MALLA DE ORUGA
145P	PLANETARIO	SUN GEAR	PLANETAIRE	PLANETENANTRIEB	PINON PLANETARIO
145R	ROTORE	ROTOR	ROTOR	LAUFER	ROTOR
145S	SFIATATOIO	BREATHER	RENIFLARD	ENTLUEFTER	RESPIRADERO
146M	MODULO ANTERIORE	TOOL MODULE	MODULE ANTERIEUR		MODULO ANTERIOR
146R	ROTULA SFERICA	BALL JOINT	ROTULE	KUGELBUECHSE	ROTULA
146T	TIRANTE ELASTICO	ELASTIC TIEROD	TIRANT ELASTIQUE	FEDERNE STANGE	VARILLA ELASTICA
147G	GUIDA DELLA MOLLA	SPRING GUIDE	GUIDE-RESSORT	FEDERFUEHRUNG	GUIA DE RESORTE
147M	MODULO POSTERIORE	POWER MODULE	MODULE POSTERIEUR		MODULO POSTERIOR
147P	PNEUMATICO	TIRE	PNEU	REIFEN	NEUMATICO
147T	TORRETTA	TURRET	TOURELLE	OBERWAGEN	TORRE
148P	POLVERIZZATORE	NOZZLE	PULVERISATEUR	EINSPRITZDUESE	PULVERIZADOR
148S	SI FORNISCONO SOLO LE PARTI	ONLY SEPARATE PARTS ARE SERVI- CED	ON LIVRE SEULEMENT SES PIECES	NUR EINZELTEILE LIEFERBAR	SOLO SE SUMINIS- TRAN LAS PIEZAS SUELTAS
148S					
149R	RUBINETTO-VALVOLA	COCK VALVE	ROBINET	VENTIL	VALVULA
150B	BORSA	BAG	TROUSSE	TASCHE	BOLSA

E

AUXILIARY ATTACHMENT (AND EQUIPMENT) • ORGANI SUSSIDIARI (E ATTREZZI) • ORGANES AUXILIAIRES (ET EQUIPEMENT) •
NEBENAGGREGATE (UND GERÄTE) • GRUPOS AUXILIARES (Y EQUIPO)

M1

HYDRAULIC SYSTEM
IMPIANTO IDRAULICO



ITEM	PART NUMBER	QTY	TRANS CODE	DESCRIPTION	DESCRIZIONE
1	10571871	8	131R	WASHER 10,2x2,2	ROSETTA 10,2x2,2
2	10615771	8	131R	WASHER 10,2x17,8	ROSETTA 10,2x17,8
3	11060076	1	45A	RING 45,5x1,75	ANELLO 45,5x1,75
4	11106421	8	40V	SCREW 10x1,5x30	VITE 10x1,5x30
5	14420220	8	40V	SCREW 10x1,25x30	VITE 10x1,25x30
6	14456081	2	45A	RING 1,78x88,62	ANELLO 1,78x88,62
7	79032711	2	200S	PIN C2334	SPINA C2334
8	79032754	1	265C	COVER - REAR C2334	COPERCHIO - POSTERIORE C2334
9	79032755	2	105P	PLATE C2334	PIASTRA C2334
10	79032757	2	300S	SUPPORT C2334	SUPPORTO C2334
11	79032760	2	45A	RING C2334	ANELLO C2334
12	79032761	2	158G	O-RING C2334	GUARNIZIONE O-R C2334
13	79032764	2	158G	O-RING C2334	GUARNIZIONE O-R C2334
14	79032804	1	50I	GEAR C2334	INGRANAGGIO C2334
15	79032835	1	300C	BODY C2334	CORPO C2334
16	79032836	1	265C	COVER - FRONT C2334	COPERCHIO - ANTERIORE C2334
17	79032837	2	158G	O-RING C2334	GUARNIZIONE O-R C2334
18	79032838	1	50I	GEAR C2334	INGRANAGGIO C2334
19	79056706	1	2K	KIT D2334	KIT D2334

79031141

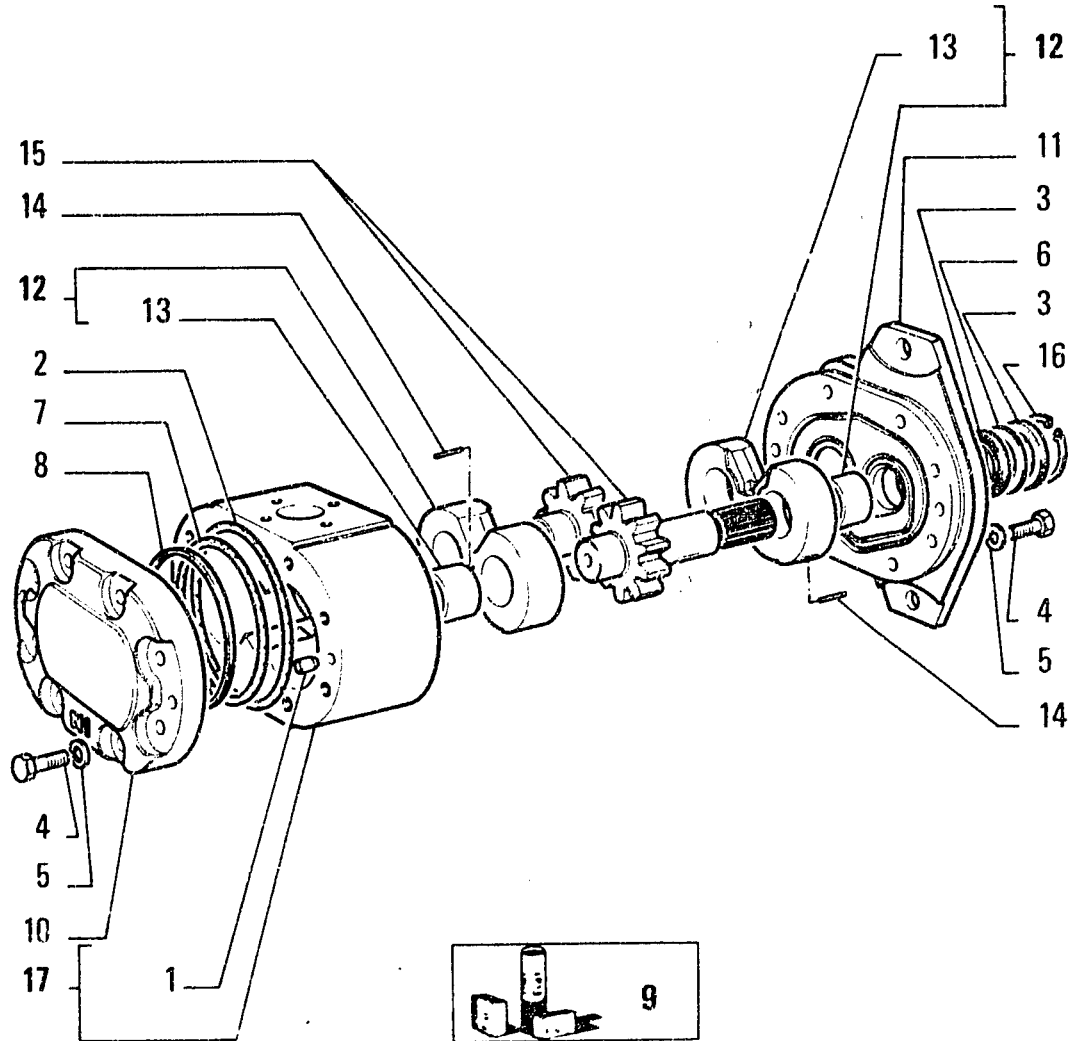
PUMP - POMPA - POMPE - PUMPE - BOMBA

E3.29/1

N.T.R. 163 - 30.05.1989

604.01.077.03

FIATALLIS FL5



03693

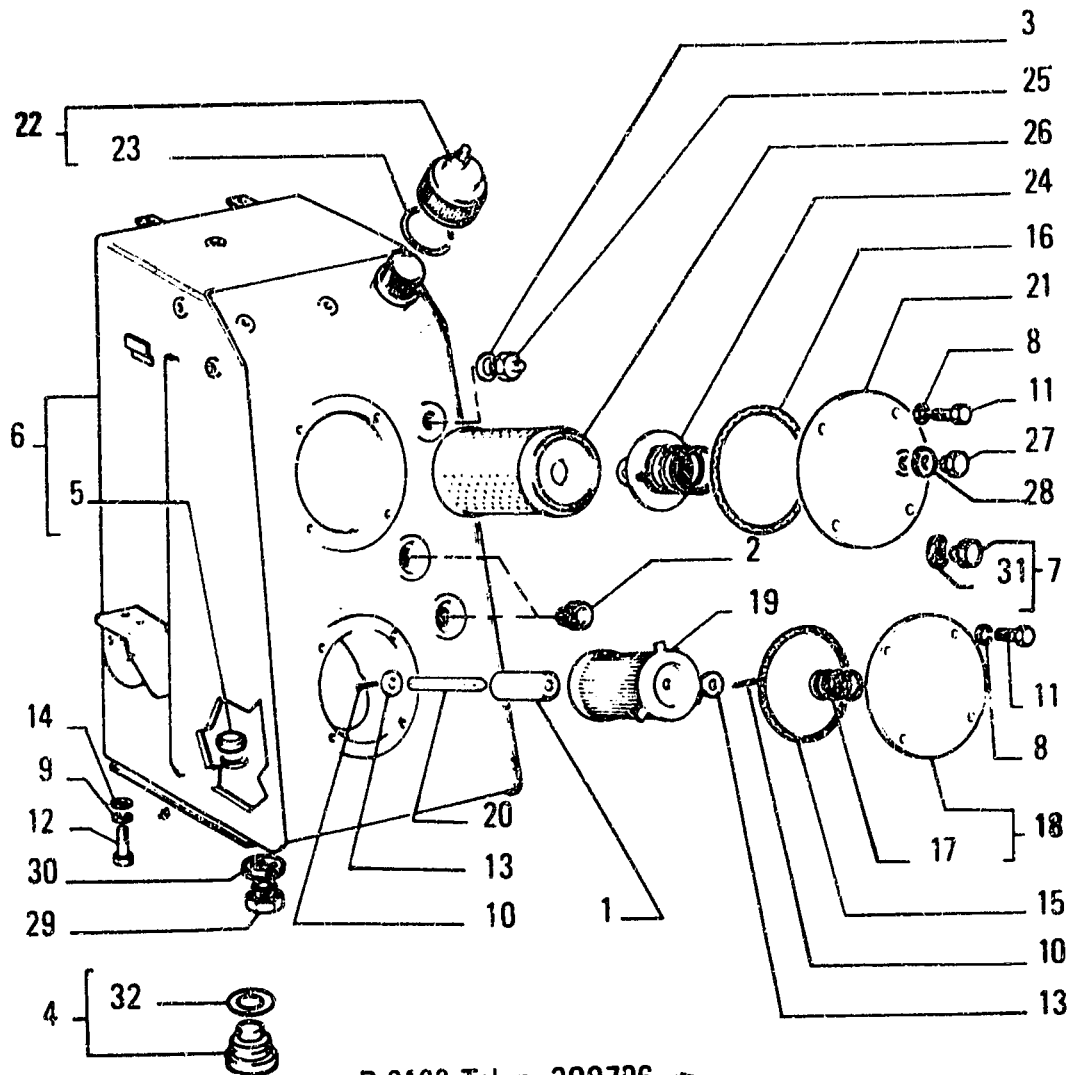
ITEM	PART NUMBER	QTY	TRANS CODE	DESCRIPTION	DESCRIZIONE
1	8272209	4	90G DOWEL	GRAND	
2	8272785	2	158G O-RING - OUTER	GUARNIZIONE O-R - ESTERNO	
3	8272787	2	158G O-RING	GUARNIZIONE O-R	
4	8272788	16	40V SCREW	VITE	
5	8272789	16	132R LOCKWASHER	ROSETTA DI SICUREZZA	
6	8273346	1	75D SPACER	DISTANZIALE	
7	8274885	2	158G O-RING	GUARNIZIONE O-R	
8	8281224	2	45A RING	ANELLO	
9	8281225	1	1K KIT SEE PAGE 9	KIT VED. PAG.9	
10	8283933	1	265C COVER - FRONT	COPERCHIO - ANTERIORE	
11	8296986	1	265C COVER - REAR	COPERCHIO - POSTERIORE	
12	8296988	2	300S SUPPORT - ASSEMBLY	SUPPORTO - COMPLETO	
13	8296989	4	95B BUSHING	BOCCOLA	
14	8296992	2	45F CLIP	FERMAGLIO	
15	8296993	1	286C GEAR SET	COPPIA DI INGRANAGGI	
16	11059575	1	45A RING 38,8x1,5	ANELLO 38,8x1,5	
17	79022012	1	300C BODY - ASSEMBLY	CORPO - COMPLETO	

8296983

PUMP - POMPA - POMPE - PUMPE - BOMBA

M3

E3.29



D 2123 Tel. n. 200706 →

FIATALLIS FL5

ITEM	PART NUMBER	QTY	TRANS CODE	DESCRIPTION	DESCRIZIONE
22	79019062	1	54T	FILLER CAP - ASSEMBLY	TAPPO INTRODUZIONE - COMPLETO
23	79019065	1	45A	RING	ANELLO
24	4990173	1	40V	SCREW D2191	VITE D2191
	79024449	1	10V	VALVE C2191	VALVOLA C2191
25	79028299	1	10V	VALVE	VALVOLA
26	79032088	1	20E	FILTERING ELEMENT	ELEMENTO FILTRANTE
27	10300711	1	50T	PLUG 16x1,5x9 C2282	TAPPO 16x1,5x9 C2282
28	10296685	1	120G	GASKET 16,2x22 C2282	GUARNIZIONE PIANA 16,2x22 C2282
29	10278311	1	57T	MAGNETIC PLUG 28x1,5x11 C2282	TAPPO MAGNETICO 28x1,5x11 C2282
30	10296585	1	120G	GASKET 28,3x36 C2282	GUARNIZIONE PIANA 28,3x36 C2282
31	14437985	1	158G	O-RING D2282	GUARNIZIONE O-R D2282
32	14438185	1	158G	O-RING D2282	GUARNIZIONE O-R D2282

OIL TANK
DE ACEITE

SERBATOIO OLIO

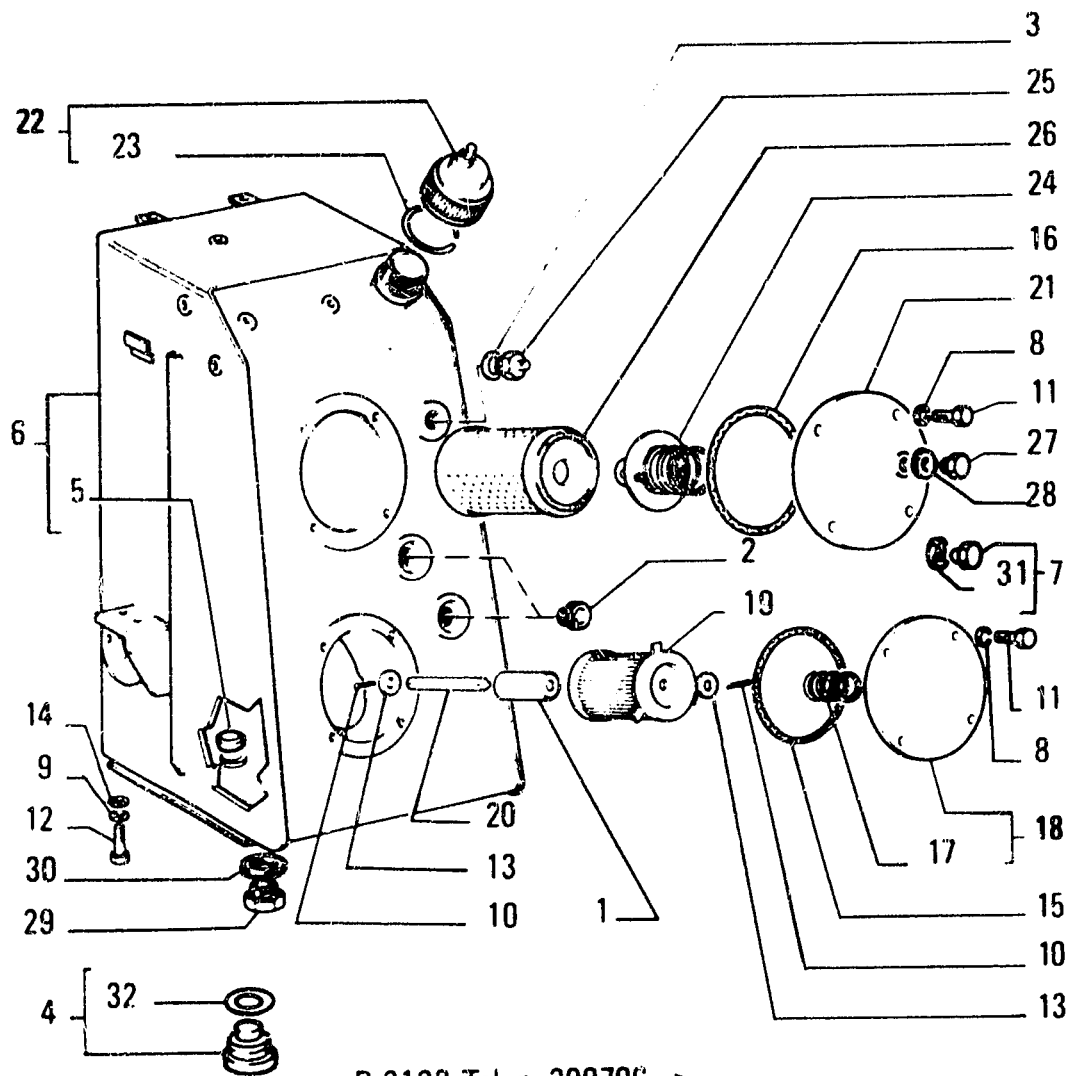
RESERVOIR D'HUILE

DELBEHAELTER

DEPÓSITO

E3.28/A

N.T.R. 163 - 30.05.1989
604.01.077.03



FIATALLIS FL5

ITEM	PART NUMBER	QTY	TRANS CODE	DESCRIPTION	DESCRIZIONE
1	581492	1	54C	MAGNETIC ROD	CANDELA MAGNETICA
2	4967197	2	31I	LEVEL GAUGE	INDICATORE LIVELLO
3	10263460	1	120G	GASKET 22,2x28	GUARNIZIONE PIANA 22,2x28
4	10119040	1	57T	MAGNETIC PLUG - ASSEMBLY 27x2x16 D2282	TAPPO MAGNETICO - COMPLETO 27x2x16 D2282
5	4586020	2	90D	MAGNETIC DISC - IN ALTERNATIVE	DISCO MAGNETICO - IN ALTERNATIVA
	8832159	2	90D	MAGNETIC DISC - IN ALTERNATIVE	DISCO MAGNETICO - IN ALTERNATIVA
6	79041052	1	113S	OIL RESERVOIR - ASSEMBLY	SERBATOIO OLIO - COMPLETO
7	10119440	1	50T	PLUG - ASSEMBLY 18x1,5x12 D2282	TAPPO - COMPLETO 18x1,5x12 D2282
8	10516871	8	170R	LOCKWASHER 10x2,5	ROSETTA EL. 10x2,5
9	10517171	4	170R	LOCKWASHER 14,2x3,5	ROSETTA EL. 14,2x3,5
10	10796401	2	270C	COTTER PIN 2,7x27,6	COPIGLIA 2,7x27,6
11	11106031	8	40V	SCREW 10x1,5x20	VITE 10x1,5x20
12	11115831	4	40V	SCREW 14x2x40	VITE 14x2x40
13	12638621	2	131R	WASHER 10,2x18	ROSETTA 10,2x18
14	12644921	4	131R	WASHER 14,4x32	ROSETTA 14,4x32
15	14466880	1	158G	O-RING 3,53x126,59	GUARNIZIONE O-R 3,53x126,59
16	14467090	1	158G	O RING 3,53x132,9	GUARNIZIONE O-R 3,53x132,9
17	79006212	1	100M	SPRING	MOLLA
18	79006358	1	265C	COVER - ASSEMBLY	COPERCHIO - COMPLETO
19	79010367	1	20E	FILTERING ELEMENT	ELEMENTO FILTRANTE
20	79012207	1	80P	PIN	PERNO
21	76015466	1	265C	COVER D2282	COPERCHIO D2282
	79012208	1	265C	COVER C2282	COPERCHIO C2282

D 2123 Tel. n. 200706 →

OIL TANK
DE ACEITE

SERBATOIO OLIO

- RESERVOIR D'UILE

- DELBEHAELTER

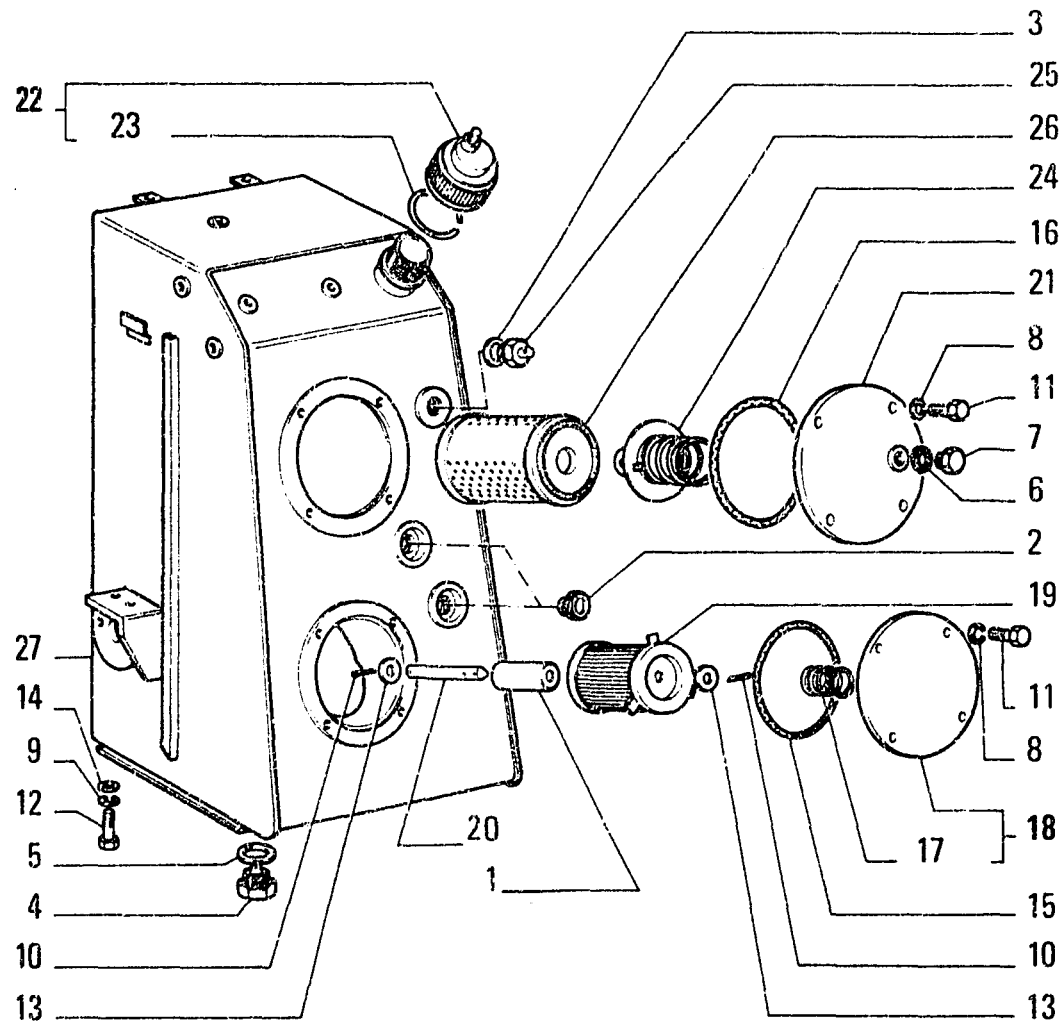
- DEPÓSITO

E3.28/A

N.T.R. 163 - 30.05.1989

604.01.077.03

M5



C 2123 - Tel. n. 200705

FIATALLIS FL5

ITEM	PART NUMBER	QTY	TRANS CODE	DESCRIPTION	DESCRIZIONE
1	581492	1	54C	MAGNETIC ROD	CANDELA MAGNETICA
2	4967197	2	31I	LEVEL GAUGE	INDICATORE LIVELLO
3	10263460	1	133R	SEAL 22,2x28	ROSETTA DI TENUTA 22,2x28
4	10278311	1	50T	PLUG 28x1,5x11	TAPPO 28x1,5x11
5	10296585	1	133R	SEAL 28,3x36	ROSETTA DI TENUTA 28,3x36
6	10296685	1	133R	SEAL 16,2x22	ROSETTA DI TENUTA 16,2x22
7	10300711	1	50T	PLUG 16x1,5x9	TAPPO 16x1,5x9
8	10516871	8	132R	LOCKWASHER 10x2,5	ROSETTA DI SICUREZZA 10x2,5
9	10517171	4	132R	LOCKWASHER 14,2x3,5	ROSETTA DI SICUREZZA 14,2x3,5
10	10796401	2	270C	COTTER PIN 2,7x27,6	COPIGLIA 2,7x27,6
11	11106031	8	40V	SCREW 10x1,5x20	VITE 10x1,5x20
12	11115631	4	40V	SCREW 14x2x35	VITE 14x2x35
13	12638621	2	131R	WASHER 10,2x18	ROSETTA 10,2x18
14	12644921	4	131R	WASHER 14,4x32	ROSETTA 14,4x32
15	14466880	1	158G	O-RING 3,53x126,59	GUARNIZIONE O-R 3,53x126,59
16	14467080	1	158G	O-RING 3,53x132,9	GUARNIZIONE O-R 3,53x132,9
17	79006212	1	100M	SPRING	MOLLA
18	79006358	1	265C	COVER - ASSEMBLY	COPERCHIO - COMPLETO
19	79010367	1	20E	FILTERING ELEMENT	ELEMENTO FILTRANTE
20	79012207	1	80P	PIN	PERNO
21	79012208	1	265C	COVER	COPERCHIO
22	79019062	1	54T	FILLER CAP - ASSEMBLY	TAPPO INTRODUZIONE - COMPLETO
23	79019065	1	45A	RING	ANELLO
24	79024449	1	10V	VALVE	VALVOLA
25	79028299	1	10V	VALVE	VALVOLA
26	79032088	1	20E	FILTERING ELEMENT	ELEMENTO FILTRANTE
27	79032746	1	113S	OIL RESERVOIR	SERBATOIO OLIO

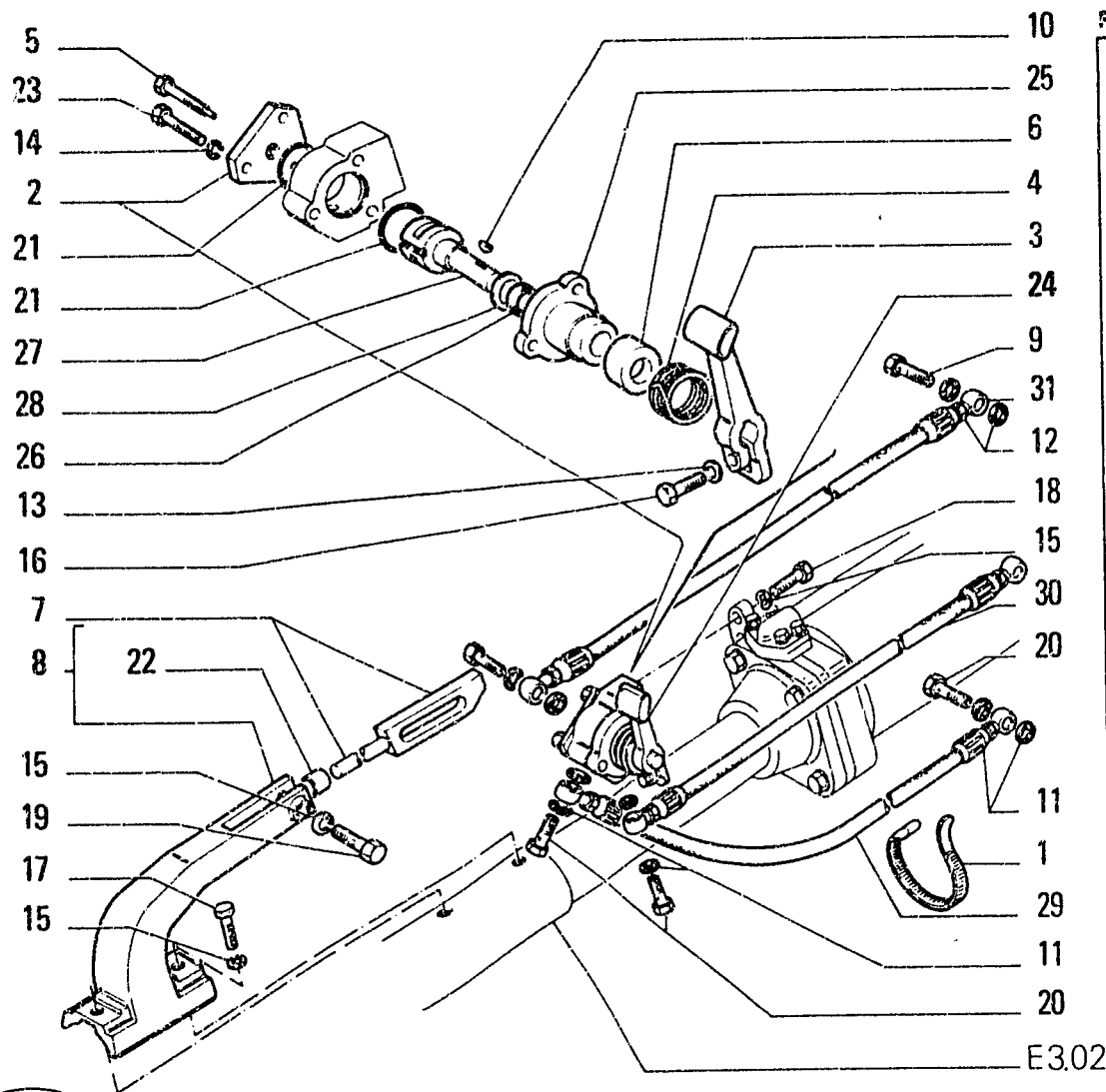
OIL TANK - SERBATOIO OLIO - RESERVOIR D'HUILE - DELBHAELTER - DEPÓSITO DE ACEITE

E3.28

N.T.R. 163 - 30.05.1989

604.01.077.03

M6



FIATALLIS FL5

ITEM	PART NUMBER	QTY	TRANS CODE	DESCRIPTION	DESCRIZIONE
24	79030015	1	202P	POSITIONER - ASSEMBLY C1362	POSIZIONATORE - COMPLETO C1362
25	79030016	1	265C	COVER - FRONT C1362	COPERCHIO - ANTERIORE C1362
	79043279	1	265C	COVER - FRONT D1362	COPERCHIO - ANTERIORE D1362
26	79030017	1	123G	SEAL ASSY C1362	GUARNIZIONE TENUTA FRONTALE C1362
	79043286	1	123G	SEAL ASSY D1362	GUARNIZIONE TENUTA FRONTALE D1362
27	79030018	1	80P	PIN	PERNO
28	79030084	1	75D	SPACER C1362	DISTANZIALE C1362
	79043280	1	75D	SPACER D1362	DISTANZIALE D1362
29	76010533	1	192T	HOSE ASSY D1367	TUBO FLESS.C./RACCORDI D1367
	79034393	1	192T	HOSE ASSY C1367	TUBO FLESS.C./RACCORDI C1367
30	76010534	1	192T	HOSE ASSY D1367	TUBO FLESS.C./RACCORDI D1367
	79034396	1	192T	HOSE ASSY C1367	TUBO FLESS.C./RACCORDI C1367
31	79034397	1	192T	HOSE ASSY	TUBO FLESS.C./RACCORDI

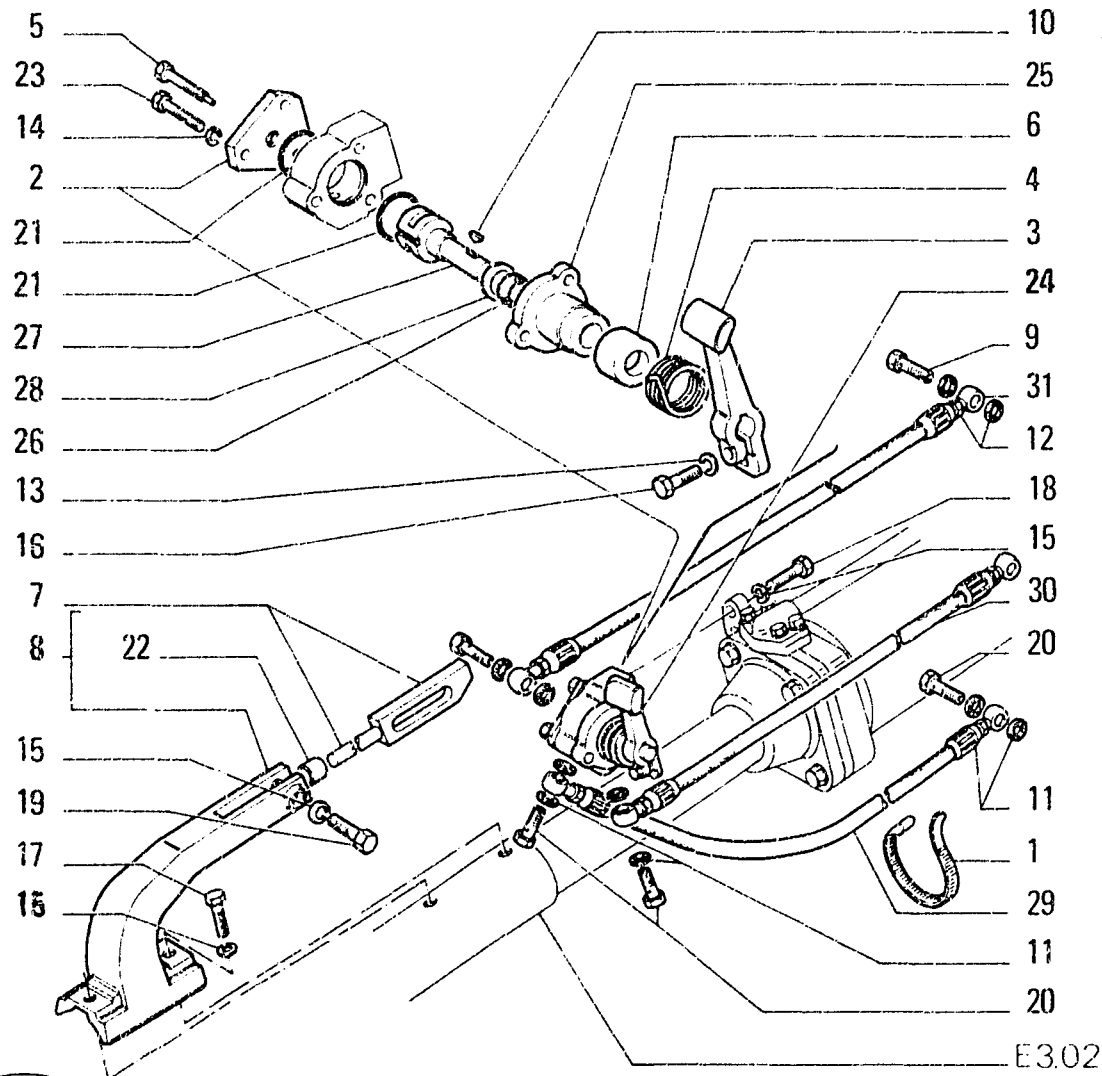
03691

BUCKET AUTOMATIC POSITIONING DEVICE - POSIZIONATORE AUTOMATICO BENNA - POSITIONNEUR
AUTOMATIQUE DU GODET - AUTOMATISCHE STELVORRICHTUNG F. LADESCHAUFEL - POSICIONADOR
AUTOMÁTICO DE PALA

E3.27

N.T.R. 126 - 25.02.86
604.01.077.02

M7



FIATALLIS FL5

I T E M	PART NUMBER	Q T Y	TRANS CODE	DESCRIPTION	DESCRIZIONE
1	4982514	5	31F	CLAMP	FASCETTA
2	8298118	1	265C	COVER - REAR	COPERTICHO - POSTERIORE
3	8298119	1	45L	LEVER	LEVA
4	8298121	1	100M	SPRING	MOLLA
5	8298127	1	40V	SCREW	VITE
6	8298129	1	60S	CUP	SCODELLINO
7	8299658	1	74B	BLOCK	BLOCCHETTO
8	8299765	1	89A	POSITIONING ROD - ASSEMBLY	ASTA POSIZIONATORE - COMPLETO
9	10184317	2	90B	FILLER PLUG 14x1,5x27	BOCCHETTONE INTRODUZIONE 14x1,5x27
10	10205720	1	60L	KEY 5x3	LINGUETTA 5x3
11	10260160	6	133R	SEAL 10,2x14	ROSETTA DI TENUTA 10,2x14
12	10280060	4	133R	SEAL 14,2x20	ROSETTA DI TENUTA 14,2x20
13	10516471	1	132R	LOCKWASHER 6,1x1,8	ROSETTA DI SICUREZZA 6,1x1,8
14	10516671	3	132R	LOCKWASHER 8,1x2,2	ROSETTA DI SICUREZZA 8,1x2,2
15	10516871	5	132R	LOCKWASHER 10x2,5	ROSETTA DI SICUREZZA 10x2,5
16	10902621	1	40V	SCREW 6x1x25	VITE 6x1x25
17	11106431	2	40V	SCREW 10x1,5x30	VITE 10x1,5x30
18	11106631	2	40V	SCREW 10x1,5x35	VITE 10x1,5x35
19	11107231	1	40V	SCREW 10x1,5x50	VITE 10x1,5x50
20	11903817	3	90B	FILLER PLUG 10x1,25x19	BOCCHETTONE INTRODUZIONE 10x1,25x19
21	14458180	2	158G	O-RING 2,62x29,82	GUARNIZIONE O-R 2,62x29,82
22	14538670	1	95B	BUSHING 10x14	BOCCOLA 10x14
23	16044331	2	40V	SCREW 8x1,25x55	VITE 8x1,25x55
24	76005945	1	202P	POSITIONER - ASSEMBLY D1362	POSIZIONATORE - COMPLETO D1362

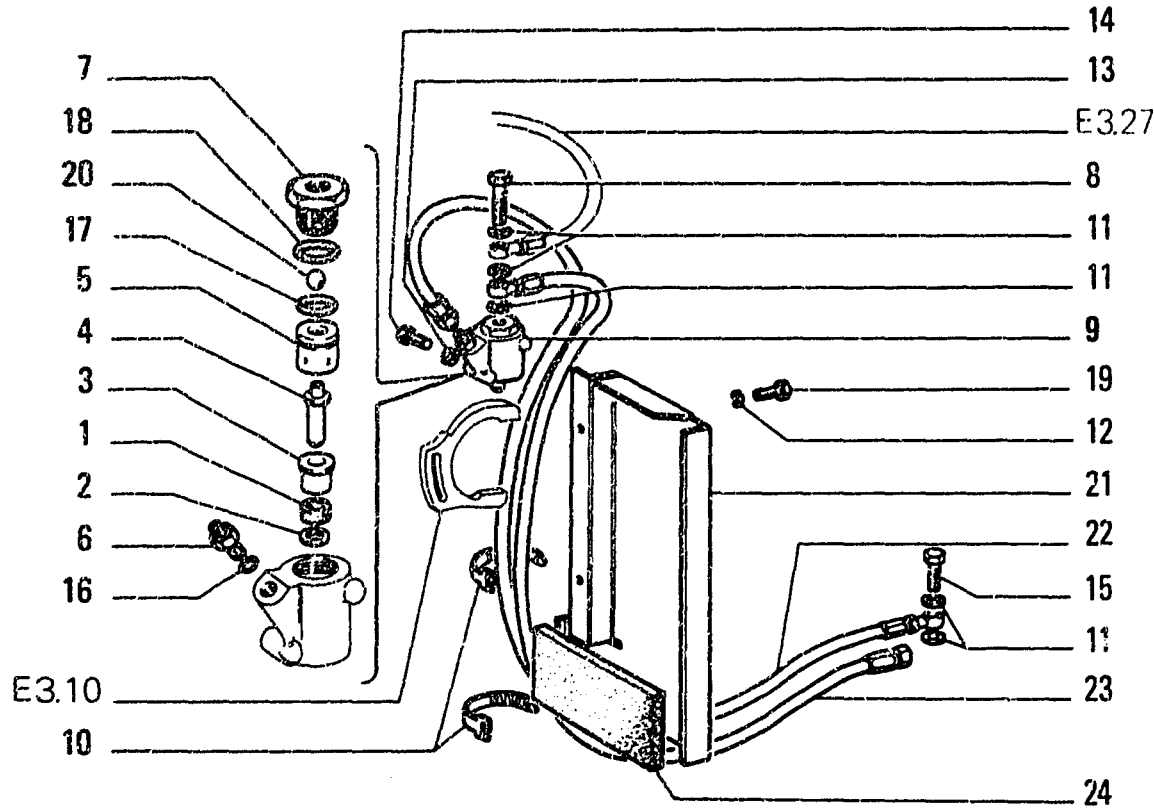
E3.02

BUCKET AUTOMATIC POSITIONING DEVICE - POSIZIONATORE AUTOMATICO BENNA - POSITIONNEUR
 AUTOMATIQUE DU GODET - AUTOMATISCHE STELVORRICHTUNG F. LADESCHAUFEL - POSICIONADOR
 AUTOMÁTICO DE PALA

E3.27

N.T.R. 126 - 25.02.86
 604.01.077.02

M8



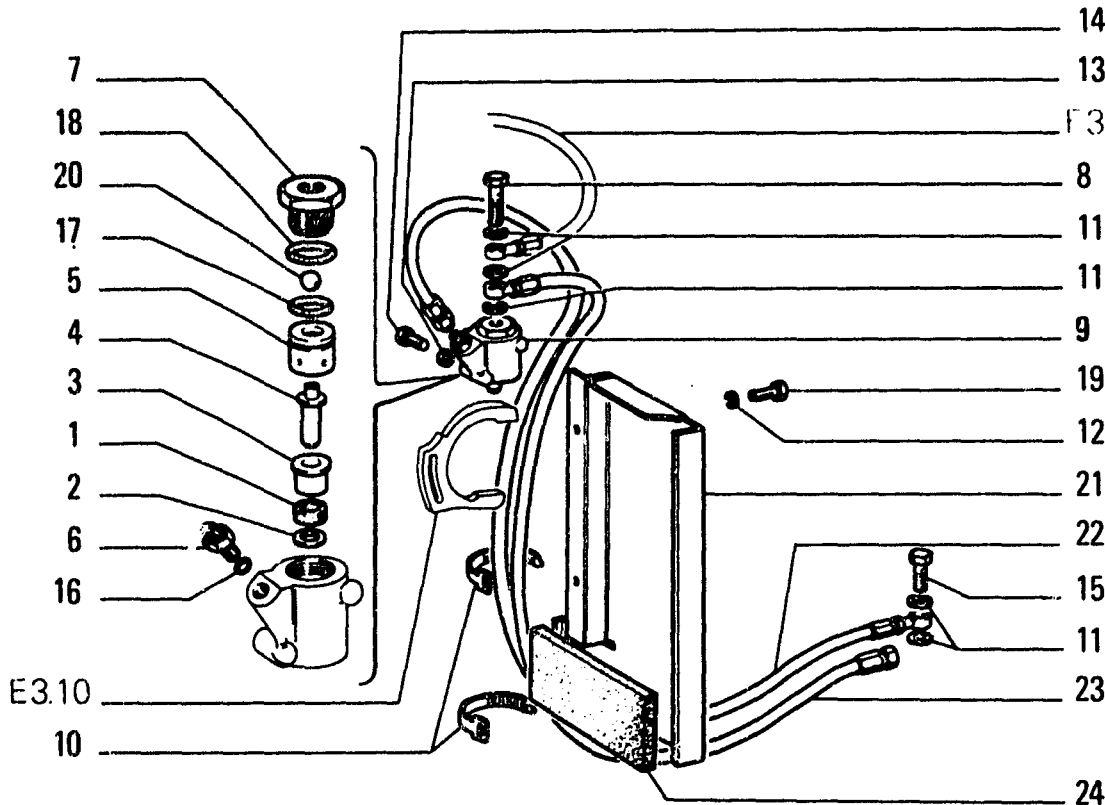
ITEM	PART NUMBER	QTY	TRANS CODE	DESCRIPTION	DESCRIZIONE
23	76010535 79034395	1	192T	HOSE ASSY C1367	D1367 TUBO FLESS.C/RACCORD C1367
24	79035993 (*)	1	25P 469P	PANEL (*) FOR SPECIAL EQUIPMENT 30.0020.13.1	PANNELLO (*) PER VARIANTE 30.0020.13.1

03690

LIFT ARMS POSITIONER - POSIZIONATORE BRACCI SOLLEVAMENTO - POSITIONNEUR DE BRAS DE LEVAGE -
STELLVORRICHTUNG F. HUBARME - POSICIONADOR DE BRAZOS DE ELEVACION

M9

E3.26
N.T.R. 126 - 25.02.86
604.01.077.02



ITEM	PART NUMBER	QTY	TRANS CODE	DESCRIPTION	DESCRIZIONE
1	8283949	1	158G	O-RING	GUARNIZIONE O-R
2	8286805	1	56A	RETAINING RING	ANELLO DI RITEGNO
3	8286806	1	95B	BUSHING	BOCCOLA
4	8286807	1	238P	PUSH ROD	PUNTALE
5	8286808	1	69S	SEAT	SEDE
6	8286810	2	20R	FITTING	RACCORDO
7	8298159	1	50T	PLUG	TAPPO
8	8298160	1	40V	SCREW	VITE
9	8298518	1	202P	POSITIONER - ASSEMBLY	POSIZIONATORE - COMPLETO
10	8298997	2	31F	CLAMP	FASCETTA
11	10260160	5	133R	SEAL 10,2x14	ROSETTA DI TENUTA 10,2x14
12	10516671	2	132R	LOCKWASHER 8,1x2,2	ROSETTA DI SICUREZZA 8,1x2,2
13	10516871	2	132R	LOCKWASHER 10x2,5	ROSETTA DI SICUREZZA 10x2,5
14	11106431	2	40V	SCREW 10x1,5x30	VITE 10x1,5x30
15	11903817	1	90B	FILLER PLUG 10x1,25x19	BOCCHETTONE INTRODUZIONE 10x1,25x19
16	14456980	2	158G	O-RING 2,62x10,77	GUARNIZIONE O-R 2,62x10,77
17	14457480	1	158G	O-RING 2,62x18,72	GUARNIZIONE O-R 2,62x18,72
18	14457780	1	158G	O-RING 2,62x23,47	GUARNIZIONE O-R 2,62x23,47
19	16043331	2	40V	SCREW 8x1,25x18	VITE 8x1,25x18
20	20063500	1	140S	BALL 12,700	SFERA 12,700
21	79029698	1	70R	GUARD	RIPARO
22	76010536	1	192T	HOSE ASSY D1367	TUBO FLESS.C/RACCORDI D1367
	79034394	1	192T	HOSE ASSY C1367	TUBO FLESS.C/RACCORDI C1367
23	76010535	1	192T	HOSE ASSY D1367	TUBO FLESS.C/RACCORDI D1367

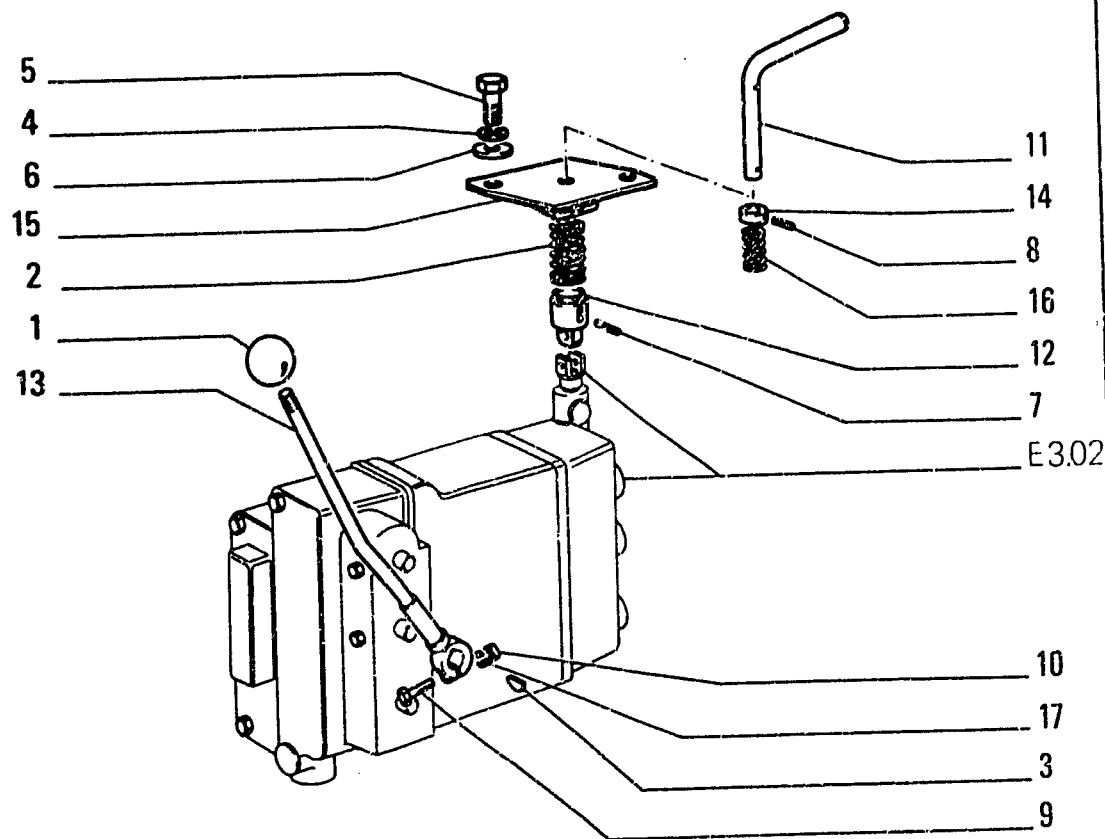
03690

LIFT ARMS POSITIONER - POSIZIONATORE BRACCI SOLLEVAMENTO - POSITIONNEUR DE BRAS DE LEVAGE - STELLVORRICHTUNG F. HUBARME - POSICIONADOR DE BRAZOS DE ELEVACION

E3.26
N.T.R. 126 - 25.02.86
604.01.077.02

M10

FIATALLIS FL5



ITEM	PART NUMBER	QTY	TRANS CODE	DESCRIPTION	DESCRIZIONE
1	4985147	1	25I	HANDGRIP (*) (1") (2")	IMPUGNATURA (*) (1") (2")
2	8299095	1	100M	SPRING	MOLLA
3	10205920	1	60L	KEY (*) (1") (2") 9x5	LINGUETTA (*) (1") (2") 9x5
4	10516871	2	132R	LOCKWASHER 10x2,5	ROSETTA DI SICUREZZA 10x2,5
5	11106031	2	40V	SCREW 10x1,5x20	VITE 10x1,5x20
6	12646801	2	131R	WASHER 10,2x25	ROSETTA 10,2x25
7	14162270	1	200S	PIN 3,3x28	SPINA 3,3x28
8	14601270	1	200S	PIN 5x28	SPINA 5x28
9	16044131	1	40V	SCREW (*) (1") (2") 8x1,25x45	VITE (*) (1") (2") 8x1,25x45
10	16100821	1	10D	NUT (*) (1") (2") 8x1,25x6,5	DADO (*) (1") (2") 8x1,25x6,5
11	79028262	1	45L	LEVER	LEVA
12	79028263	1	135M	HUB	MOZZO
13	79031633	1	45L	LEVER (*) (1") (2")	LEVA (*) (1") (2")
14	79033661	1	45A	RING	ANELLO
15	79033672	1	300S	SUPPORT	SUPPORTO
16	79033674	1	100M	SPRING	MOLLA
17	10516671	1	132R	LOCKWASHER (*) (1") (2") 8,1x2,2	ROSETTA DI SICUREZZA (*) (1") (2") 8,1x2,2
(*)	469P			FOR SPECIAL EQUIPMENT 30.0090.09.1	PER VARIANTE 30.0090.09.1
(1")	469P			FOR SPECIAL EQUIPMENT 30.1078.09.1	PER VARIANTE 30.1078.09.1
(2")	469P			FOR SPECIAL EQUIPMENT 30.1279.07.1	PER VARIANTE 30.1279.07.1

03689

IMPLEMENT CONTROL SYSTEM - COMANDO ATTREZZO
 GERAETEBETAETIGUNG - ACCIONAMIENTO DEL ÚTIL

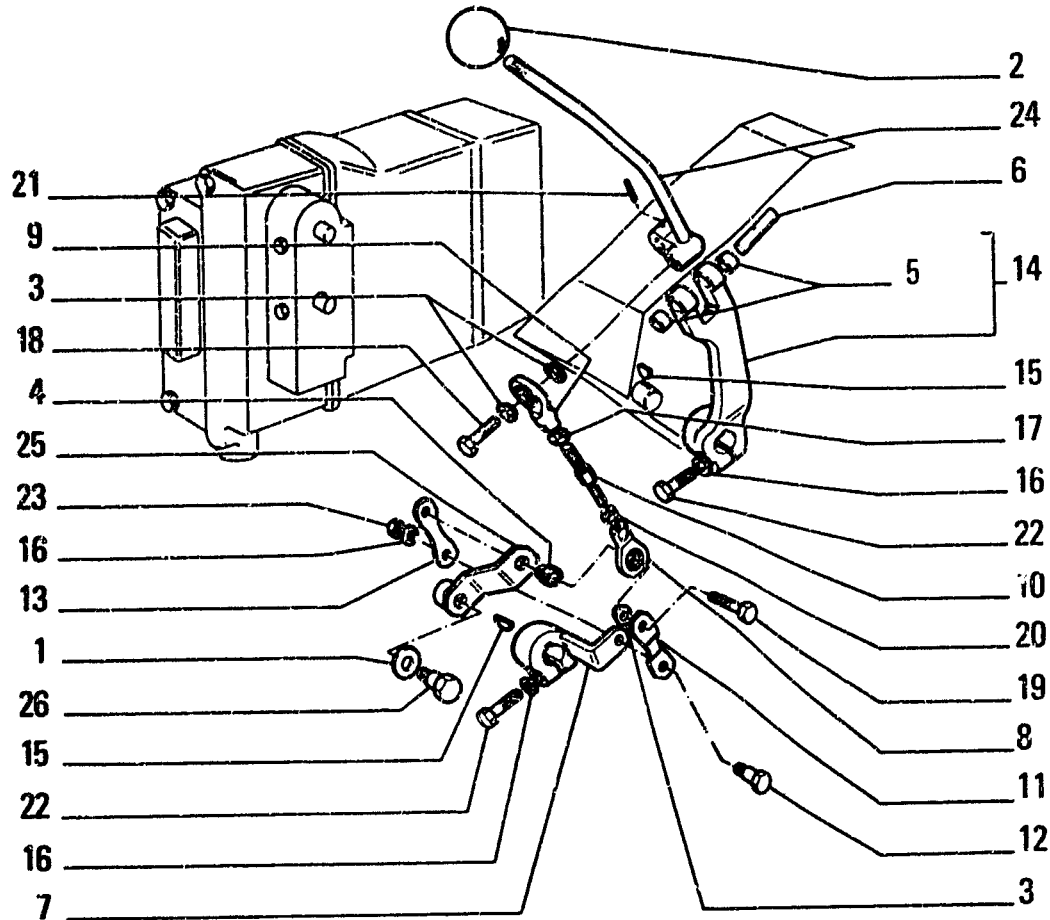
COMMANDE DE L'OUTIL

E3.25

2

N.T.R. 102 - 31.05.82
 604.01.077.01

M11



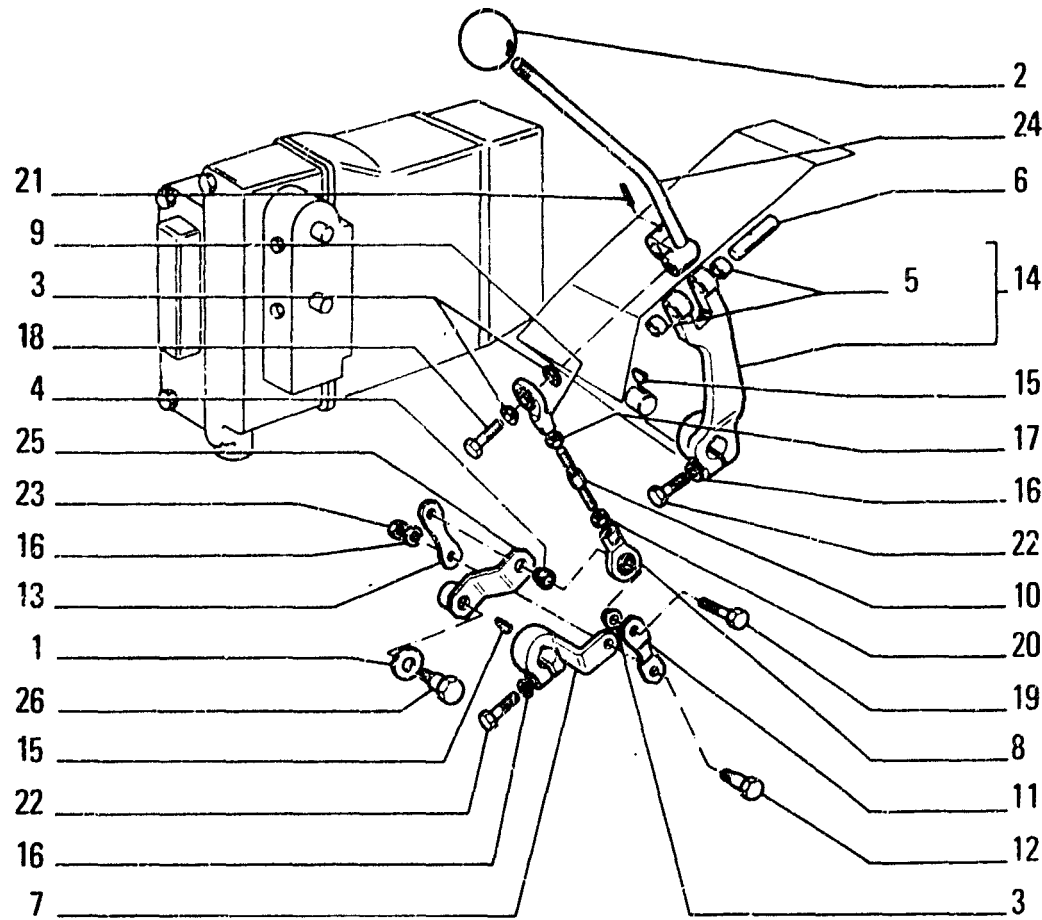
ITEM	PART NUMBER	QTY	TRANS CODE	DESCRIPTION	DESCRIZIONE
26	79022254	1	40V	SCREW	VITE

03688

IMPLEMENT CONTROL SYSTEM - COMANDO ATTREZZO - COMMANDE DE L'OUTIL -
 GERAETEBETAETIGUNG - ACCIONAMIENTO DEL ÚTIL

E3.25	1
N.T.R. 102 - 31.05.82 604.01.077.01	

M12



03688

ITEM	PART NUMBER	QTY	TRANS CODE	DESCRIPTION	DESCRIZIONE
1	590523	1	132R	LOCKWASHER	ROSETTA DI SICUREZZA
2	4985147	1	25I	HANDGRIP	IMPUGNATURA
3	8294287	3	75D	SPACER	DISTANZIALE
4	8296250	1	75D	SPACER	DISTANZIALE
5	8296430	2	95B	BUSHING	BOCCOLA
6	8296431	1	80P	PIN	PERNO
7	8297739	1	135M	HUB	MOZZO
8	8297742	1	62E	TIEROD HEAD - LOWER	ESTREMITA' DEL TIRANTE - INFERIORE
9	8297743	1	62E	TIEROD HEAD - UPPER	ESTREMITA' DEL TIRANTE - SUPERIORE
10	8297744	1	142T	TIEROD	TIRANTE
11	8297751	1	60B	SHACKLE - INNER	BISCOTTINO - INTERNO
12	8297752	1	40V	SCREW	VITE
13	8297753	1	60B	SHACKLE - OUTER	BISCOTTINO - ESTERNO
14	8298969	1	135M	HUB - ASSEMBLY	MOZZO - COMPLETO
15	1020592C	2	60L	KEY 9x5	LINGUETTA 9x5
16	10516671	3	132R	LOCKWASHER 8,1x2,2	ROSETTA DI SICUREZZA 8,1x2,2
17	10788721	1	10D	NUT 10x1,5x6	DADO 10x1,5x6
18	11106431	1	40V	SCREW 10x1,5x30	VITE 10x1,5x30
19	11106831	1	40V	SCREW 19x1,5x40	VITE 10x1,5x40
20	11690921	1	10D	NUT 10x1,5x6	DADO 10x1,5x6
21	14163270	1	200S	PIN 4,4x26	SPINA 4,4x26
22	16043931	2	40V	SCREW 8x1,25x35	VITE 8x1,25x35
23	16102321	1	10D	NUT 8x1,25x5	DADO 8x1,25x5
24	79022250	1	135M	HUB	MOZZO
25	79022251	1	60B	SHACKLE	BISCOTTINO

IMPLEMENT CONTROL SYSTEM - COMANDO ATTREZZO
 GERAETEBETAETIGUNG - ACCIONAMIENTO DEL ÚTIL

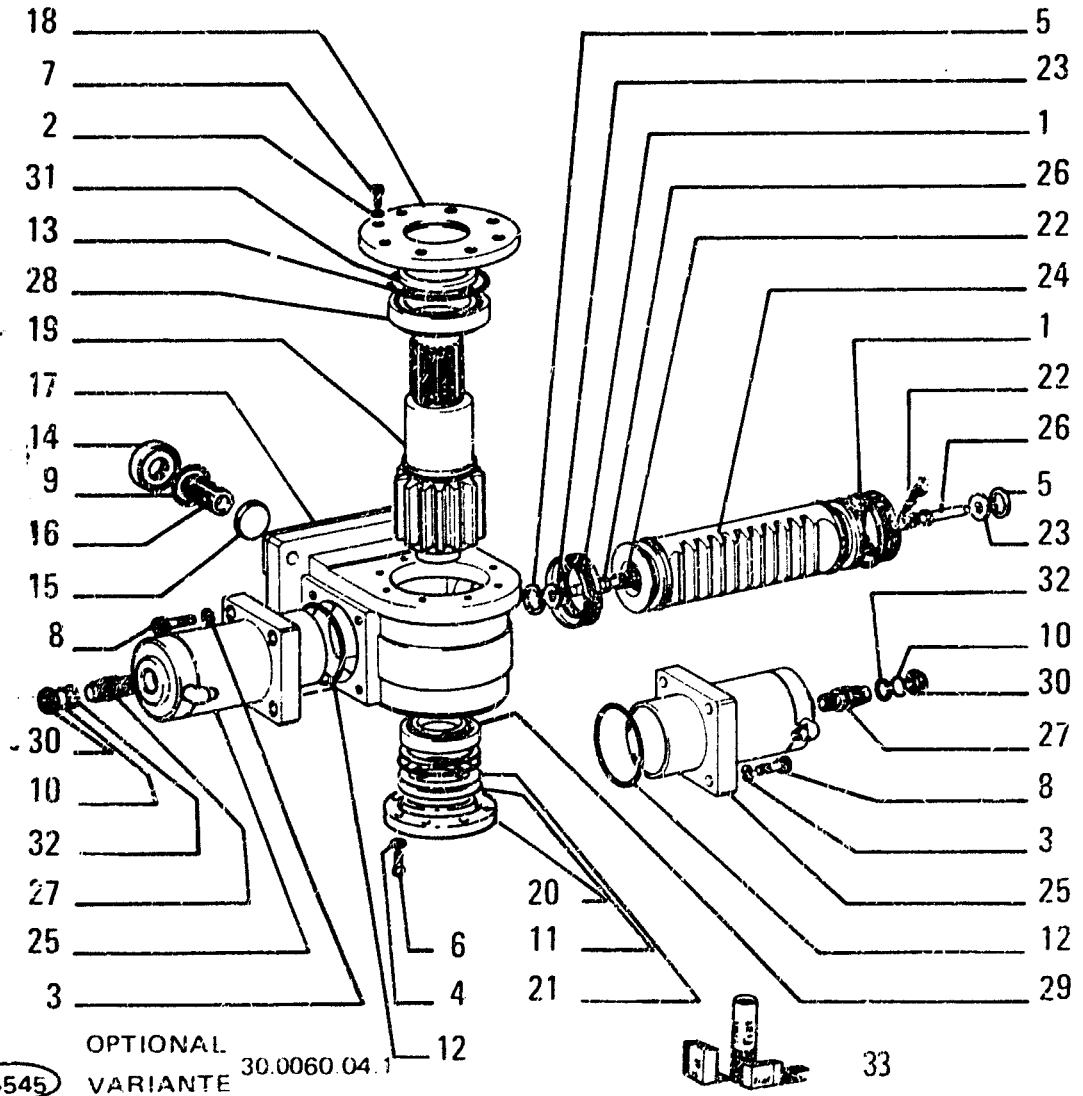
COMMANDE DE L'OUTIL

E3.25

1

N.T.R. 102 - 31.05.82
 604.01.077.01

M13



ITEM	PART NUMBER	QTY	TRANS CODE	DESCRIPTION	DESCRIZIONE
	26	2	274S	ROD	STELO
	27	2	10V	VALVE	VALVOLA
	28	1	341C	BEARING	CUSCINETTO
	29	1	341C	BEARING	CUSCINETTO
	30	2	50G	RING NUT	GHIERA
	31	1	120G	GASKET	GUARNIZIONE PIANA
	32	2	45A	RING	ANELLO
	33	1	1K	KIT SEE PAGE 9	KIT VED. PAG.9

04545

OPTIONAL VARIANTE 30.0060.04.1

79036212

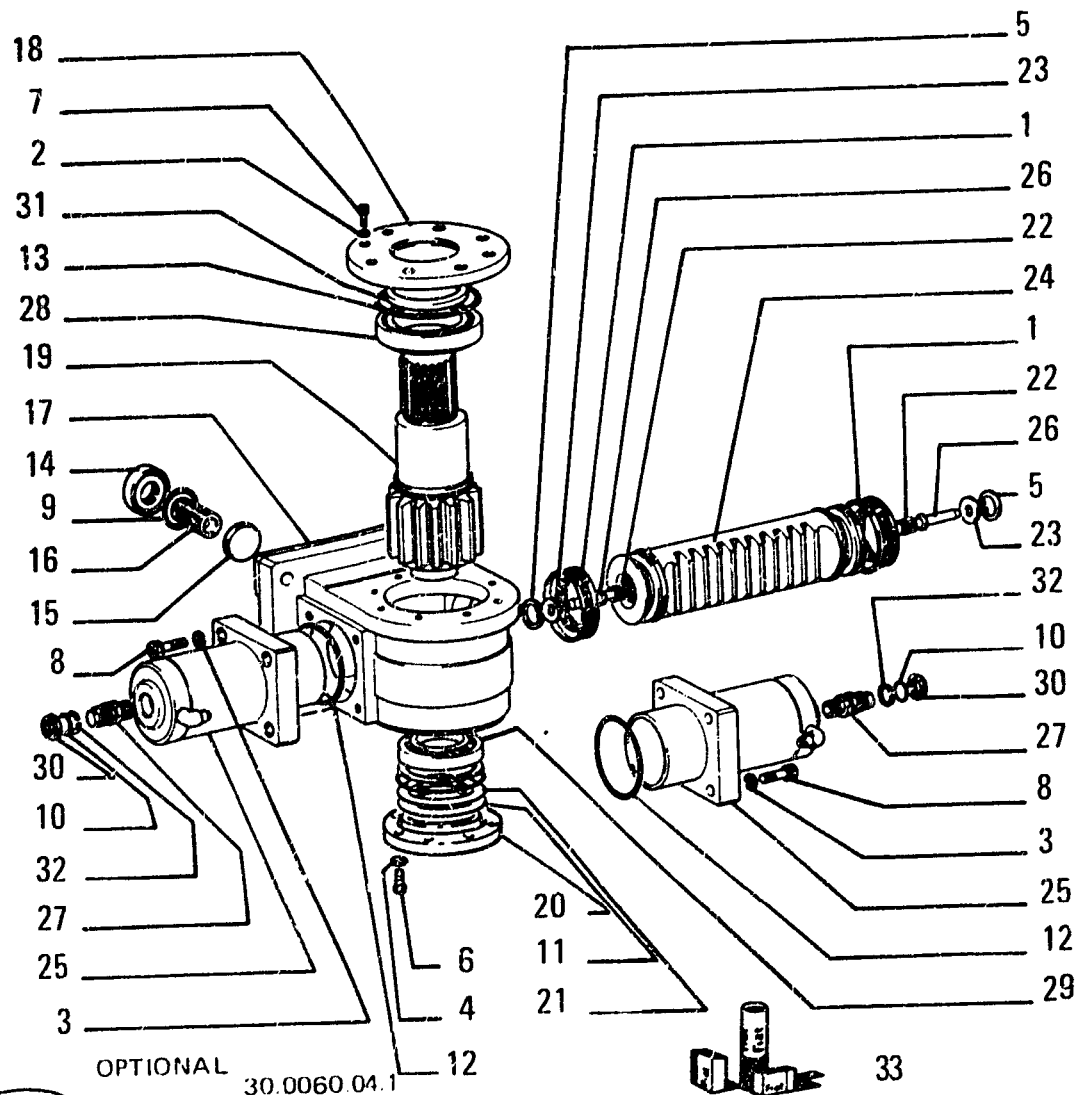
ROTATION UNIT - GRUPPO DI ROTAZIONE - GROUPE DE ROTATION - DREHAGGREGAT - GRUPO DE ROTACION -

E3.22

N.T.R. 102 - 31.05.82
604.01.077.01

M14

FIATALUS FL5



ITEM	PART NUMBER	QTY	TRANS CODE	DESCRIPTION	DESCRIZIONE
1	8291504	2	120G	GASKET	GUARNIZIONE PIANA
2	10569571	8	132R	LOCKWASHER 12,2x2,5	ROSETTA DI SICUREZZA 12,2x2,5
3	10569971	8	132R	LOCKWASHER 20,2x4,5	ROSETTA DI SICUREZZA 20,2x4,5
4	10572171	8	132R	LOCKWASHER 16x3,5	ROSETTA DI SICUREZZA 16x3,5
5	11060076	2	45A	RING 45,5x1,75	ANELLO 45,5x1,75
6	11118531	8	40V	SCREW 16x2x40	VITE 16x2x40
7	14311030	8	40V	SCREW 12x1,75x25	VITE 12x1,75x25
8	14429730	8	40V	SCREW 20x2,5x70	VITE 20x2,5x70
9	14460280	1	133R	SEAL 2,62x63,17	ROSETTA DI TENUTA 2,62x63,17
10	14463780	2	133R	SEAL 3,53x32,92	ROSETTA DI TENUTA 3,53x32,92
11	14467080	1	133R	SEAL 3,53x132,9	ROSETTA DI TENUTA 3,53x132,9
12	14467180	2	133R	SEAL 3,53x136,1	ROSETTA DI TENUTA 3,53x136,1
13	14467980	1	133R	SEAL 3,53x171	ROSETTA DI TENUTA 3,53x171
14	79036213	1	50G	RING NUT	GHIERA
15	79036214	1	26T	WICK	TAMPONE
16	79036215	1	40V	SCREW	VITE
17	79036216	1	300C	BODY	CORPO
18	79036217	1	70F	FLANGE	FLANGIA
19	79036218	1	16A	SHAFT	ALBERO
20	79036219	1	70F	FLANGE	FLANGIA
21	79036220		198S	SHIM - THICKNESS 0,1	SPESSORE - SPESSORE 0,1
	79036221		198S	SHIM - THICKNESS 0,2	SPESSORE - SPESSORE 0,2
	79036222		198S	SHIM - THICKNESS 0,3	SPESSORE - SPESSORE 0,3
22	79036223	2	100M	SPRING	MOLLA
23	79036224	2	131R	WASHER	ROSETTA
24	79036225	1	312C	RACK	CREMAGLIERA
25	79036226	2	53C	TUBE - ASSEMBLY	CANNA CILINDRO - COMPLETO

04545

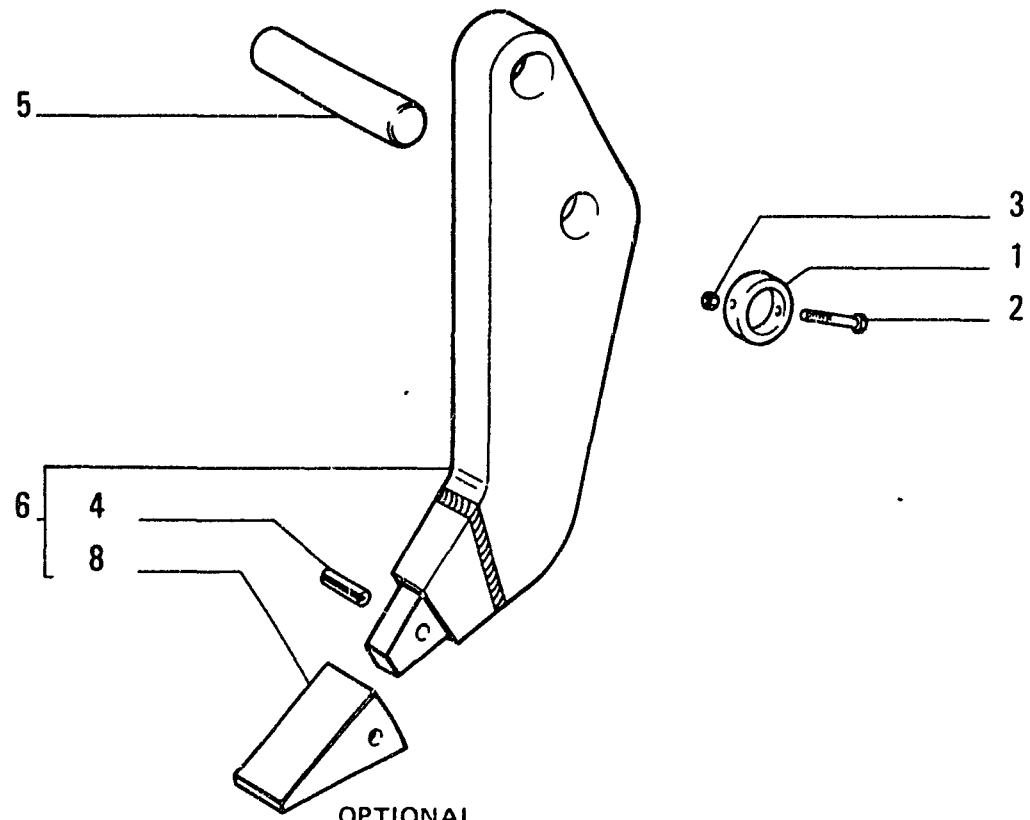
 OPTIONAL
 VARIANTE 30.0060.04.1

79036212

 ROTATION UNIT - GRUPPO DI ROTAZIONE - GROUPE DE ROTATION - DREHAGGREGAT -
 GRUPO DE ROTACION -
M15

E3.22

 N.T.R. 102 - 31.05.82
 604.01.077.01



OPTIONAL 30.0945.02.1
VARIANTE

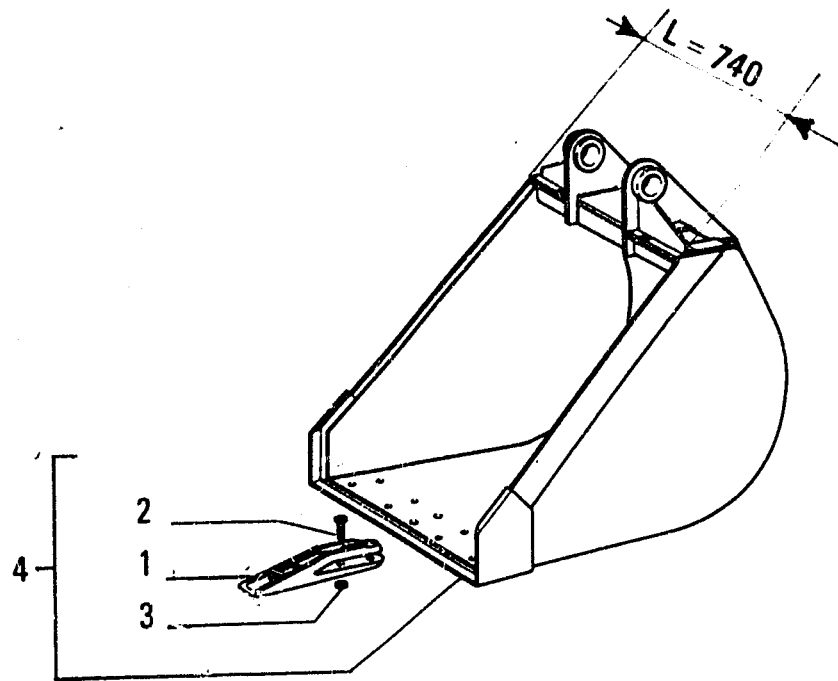
Q3687

ITEM	PART NUMBER	QTY	TRANS CODE	DESCRIPTION	DESCRIZIONE
1	8273278	4	51A	LOCKRING	ANELLO DI SICUREZZA
2	11107831	4	40V	SCREW 10x1,5x80	VITE 10x1,5x80
3	12577221	4	10D	NUT 10x1,5x12,3	DADO 10x1,5x12,3
4	14613770	1	200S	PIN - CORRECT 12x55	SPINA - CORRIGE 12x55
	14620170	1	200S	PIN - WRONG 16x75	SPINA - ERRATA 16x75
5	79023505	2	80P	PIN	PERNO
6	79036618	1	25D	RIPPER SHANK - ASSEMBLY	DENTE RIPPER - COMPLETO
8	79036622	1	25D	RIPPER SHANK	DENTE RIPPER

SCARIFIER TEETH - DENTI SCARIFICATORE - DENTS DE SCARIFICATEUR - REISSZAEHNE -
DIENTES DE ESCARIFICADOR

E3.15
N.T.R. 102 - 31.05.82
604.01.077.01

M16



OPTIONAL 30.0256.01.1
VARIANTE

ITEM	PART NUMBER	QTY	TRANS CODE	DESCRIPTION	DESCRIZIONE
1	8289502	4	25D	RIPPER SHANK	DENTE RIPPER
2	11122237	6	40V	SCREW 18x2,5x65	VITE 18x2,5x65
3	11703227	6	10D	NUT 18x2,5x15	DADO 18x2,5x15
4	79036937	1	35B	BUCKET - ASSEMBLY	BENNA - COMPLETO

DIGGING SHOVEL - BENNA ESCAVATORE - GODET - ERDSCHAUFEL - CUCHARA EXCAVADORA

2 E3.14/3
N.T.R. 163 - 30.05.1989
604.01.077.03

DESIGNAZIONE BASE	BASIC DESIGNATION	DESIGNATIONS-BASES	GRUNDBEZEICHNUNGEN	DENOMINACIONES BASE	
168T	TRASPARENTE DELL'INDICATORE DI DIREZIONE	DIRECTION INDICATOR LAMP LENS	TRANSPARENT D'INDICATEUR DE DIRECTION	LICHTSCHEIBE DER BLINKLEUCHTE	TAPA TRANSLUCIDA DEL INDICADOR DE DIRECCION
168T					
169C	CILINDRO DI DISINNESTO	RELEASE CYLINDER	CYLINDRE DE DEBRAYAGE	ARBEITSZYLINDER	CILINDRO DE EMBRAGUE
169C					
169P	POMPETTA	PUMP WASHER	POMPE	PUMPE	BOMBA
169R	REGOLATORE	REGULATOR	REGULATEUR	REGLER	REGULADOR
169T	TRASPARENTE CON CATADIOTTRO	LENS AND REFLEX-REFLECTOR	TRANSPARENT ET CATADIOPTRE	LICHTSCHEIBE MIT RUECKSTRAHLER	TAPA TRANSLUCIDA CON CATAFAROS
169T					
17GA	RAFFREDDAMENTO MOTORE	ENGINE COOLING SYSTEM	REFROIDISSEMENT MOTEUR		
17G2	TUBAZIONI RAFFREDD. MOTORE	ENGINE COOLING PIPING		LEITUNGEN MOTORKUEHL SYSTEM	
17G5	ELEMENTI TENUTA ARIA	AIR-TIGHT ELEMENT	ELEMENTS ETANCHEITE D'AIRE	DICHTUNG FUER LUFTANLAGE	
170C	CILINDRO MAESTRO	MASTER CYLINDER	MAITRE-CYLINDRE	HAUPTZYLINDER	CILINDRO PRINCIPAL
170P	PONTICELLO	BRIDGE PIECE	CHAPE D'ATTelage	ANHAENGERKUPPLUNG	BRIDA
170R	ROSETTA EL.	LOCKWASHER	RONDELLE A RESSORT	FEDERRING	ARANDELA DE FRENO
170S	SOPPRESSORE	SUPPRESSOR	RESISTANCE	ENTSTOGRER	SUPRESOR
170T	TRASPARENTE	LENS	TRANSPARENT	LICHTSCHEIBE	TRANSLUCIDO
171C	CILINDRO OPERATORE	OPERATING CYLINDER	CYLINDRE DE COMMANDE	ZYLINDER	CILINDRO DE MANDO
171C					
171R	RIFLETTORE	REFLECTOR	REFLECTEUR	REFLEKTOR	REFLECTOR
171S	SOPRASUOLA	STREET PLATE	PATIN DE ROUTE	STRASSENSCHUH	PATIN DE CARRETERA
172C	CINGHIA DI FISSAGGIO	SECURING STRAP	SANGLE DE FIXATION	HALTERIEMEN	CORREA DE FIJACION
172S	SOSPENSIONE	SUSPENSION	SUSPENSION	AUFHAENGUNG	SUSPENSION
173C	CINGHIA	BELT	COURROIE	KEILRIEMEN	CORREA
173R	RALLA ROTAZIONE	BULL GEAR	CRAPAUDINE	DREHKRANZ	RUEDA DE DIENTES-EXCAVADORA
174C	CINGHIE	BELTS	COURROIES	RIEMEN	CORREAS
174R	RALLA PORTALAMA	CIRCLE	CERCLE	KUGELAUFNAHME	RUEDA DE DIENTES-MOTONIVELADOR
174S	SOSTEGNO	BRACE	SUPPORT	STUETZE	SOPORTE
175R	REGOLATORE MECCANICO	GOVERNOR	REGULATEUR	MECHANISCHER REGLER	REGULADOR
176C	COFANO	HOOD	CAPOT	MOTORHAUBE	CAPOT
176R	RUSPA	SCRAPER	DECROTTOIR	ABSTREICHER	LIMPIADOR
177R	RUOTA COMPATTATORE	PADFOOT WHEEL			
177S	SPAZZOLA	BRUSH	BALAI	KOHLENBUERSTE	ESCOBILLA
178C	CINGOLO	TRACK	CHENILLE	RAUPENKETTE	ORUGA
180C	COLLARE	COLLAR	COLLIER	ROHRSCHELLE	COLLAR
180P	PORTA	DOOR	PORTE	TUER	PUERTA
180T	TRAVERSA	CROSS BEAM	TRAVERSE	TRAVERSE	TRAVESANO
181T	TRAVERSA DI TRAINO	DRAWBAR FRAME	TRAVERSE D'ATTelage	ACKERSCHIENE	TRAVIESA PERFORADA
181T					
182C	CINTURA DI SICUREZZA	SAFETY BELT	CEINTURE DE SECURITE	SICHERHEITSGURT	CINTURON DE SEGURIDAD

DESIGNAZIONE BASE	BASIC DESIGNATION	DESIGNATIONS-BASES	GRUNDBEZEICHNUNGEN	DENOMINACIONES BASE
1821	SOLLEVATORE IDRAULICO (VELOCE)	RELEVAGE HYDRAULIQUE (RAPIDE)	KRAFTHEBER HYDRAULISCH-SCHNELL	CENICERO
183P	PORTACENERE	CENDRIER	ASCHENBECHER	COLUMNNA
184C	COLONNETTA	COLONNETTE	SCHRAUBENBOLZEN	ESPEJO
184S	SPECCHIO	MIROIR	SPIEGEL	CLAVO
185C	CHIODO	CLOU	NIET	CAJA DE BORNAS
185P	PORTACONTATTI	PORTE-CONTACTS	KLEMMENHALTER	ESPEJO RETROVISOR
185S	SPECCHIO RETROVISORE	RETROVISEUR	RUECKSPIEGEL	ARBOL MARCHA ATRAS
186A	ALBERO RETROMARCIA	ARBRE ARRIERE	WELLE-RUECKWAERTSGANG	AROS ELASTICOS
187A	ANELLO ELASTICO	ARRETOIR	SPANNRING	MANDO DE CAIDA LIB
187C	COMANDO CADUTA LIBERA DI EMER- GENZA	COMMANDE DE CHUTE GENCE	NOTSTEUERUNG DES F	EMERGENCIA
188A	APPENDIABITI	PORTEMANTEAUX	KLEIDERHAKEN	COLGADOR
188C	COLLEITTORE	COLLECTEUR	KRUEMMER	COLECTOR
188P	PORTAFUSIBILE	PORTE-FUSIBLE	SICHERUNGSSHALTER	PORTAFUSIBILE
189A	ATTUATORE DI ROTAZIONE	GROUPE DE ROTATION	DREHAGGREGAT	MECANISMO DE ROTACION
189C	COMANDO	COMMANDE	BETAETIGUNGS- VORRICHT.	MANDO
189C			LEITUNGEN FUER MOTORLUFTFILTER	
19G7	TUBAZIONI MOTORE-FILTRO ARIA	DISPOSITIF CONTROLE	MEHRMENGENSYSTEM	SUPLEMENTO DE INYECCION
190A	ARRICCHITORE	INTRODUCTION		
190A		COMMANDE A MAIN	HANDBETAETIGUNG	MANDO MANUAL
190C	COMANDO A MANO	SPECIAL POUR	EXTRA FUER DEN	ESPECIAL PARA RE-
190S	SPECIALE PER RICAMBI	RECHANGES	ERSATZ	CAMBIOS
190S		TUYAU	LEITUNG	TUBO
190T	TUBAZIONE	COMMANDE AU PIED	FUSSHEBEL	PEDAL
191C	COMANDO A PEDALE	COMMANDE D'AVERTISSEUR	HORN-betaetigung	PULSADOR DE BOCINA
192C	COMANDO DELL'AVVISATORE	PORTE-OBJETS		
192C		TUYAU FLEXIBLE	ABLAGE	PORTAOBJETOS
192P	PORTAOGGETTI	COMMANDE PNEUMATI- QUE	SCHLAUCH MIT STUTZEN	TUBO FLEXIBLE
192T	TUBO FLESS.C/RACCORDI	PORTE-LAMPE	PNEUMAT.BETAETIGUNG	MANDO PNEUMATICO
193C	COMANDO PNEUMATICO	TUYAU	LAMPENFASSUNG	
193C		COMMANDE ELECTRO- PNEUMATIQUE	ROHR	SOPORTE DE LAMPARA
193P	PORTALAMPADA	TIRETTE DE COM- MANDE	ELEKTROPNEUMATI- SCHE BETAETIGUNG	TUBO
193T	TUBO RIGIDO	PORTE-PULVERISATEUR	BOWDENZUG	MANDO ELECTRO-NEU- MATICO
194C	COMANDO ELETTROPNEUMATICO	TUBE		MANDO FLEXIBLE
194C		PLANETARY HUB		
195C	COMANDO FLESSIBILE			
195C			DUESENSTOCK	PORTAINECTOR
195P	PORTAPOLVERIZZATORE		ROHR	TUBO
195T	TUBETTO		PLANETENTRAEGER	EJE DE SATELITES
196P	PORTASATELLITI			

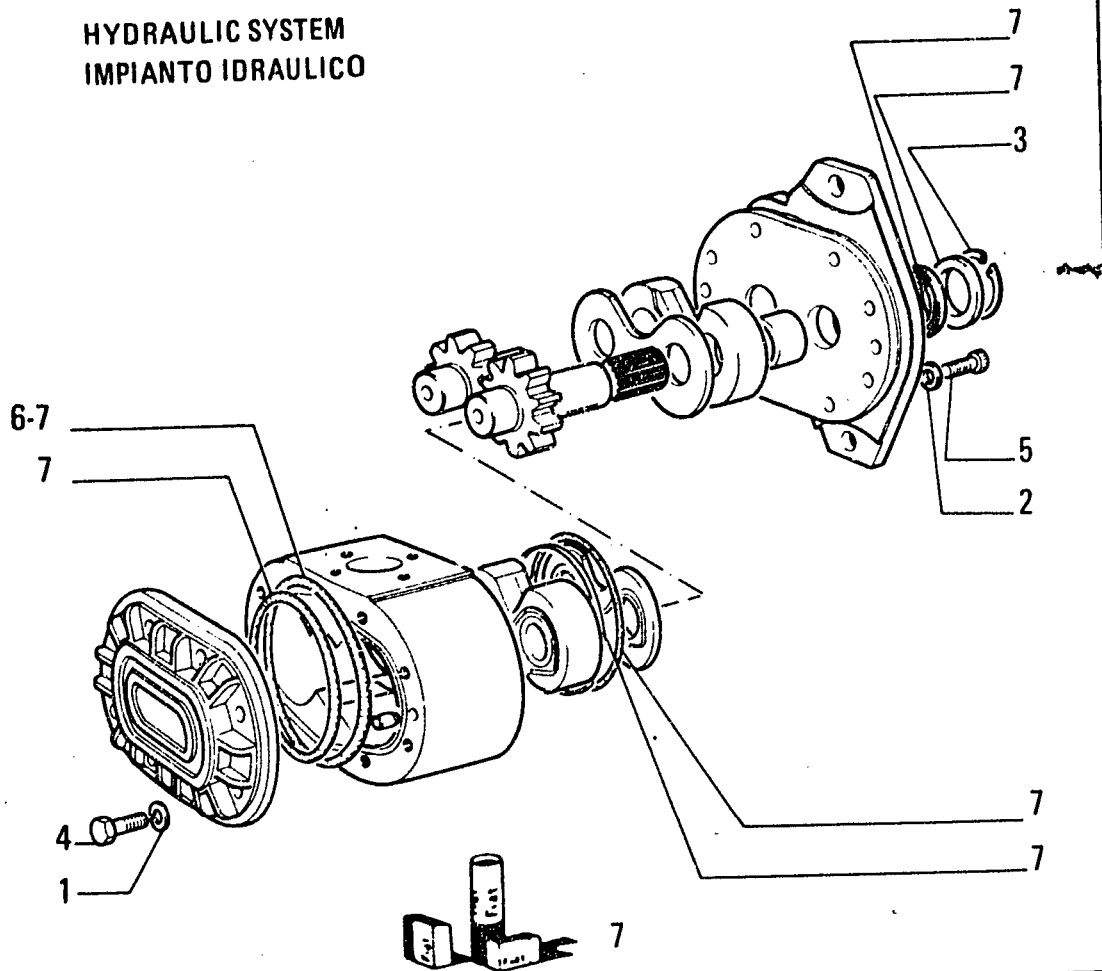
DESIGNAZIONE BASE	BASIC DESIGNATION	DESIGNATIONS-BASES	GRUNDBEZEICHNUNGEN	DENOMINACIONES BASE
196S	SPERONE	TRACK FRAME END	GUIDE CHENILLES	ESPOLON
196T	TUBETTO ISOLANTE	INSULATING SHEAT	TUBO ISOLANT	TUBO AISLANTE
197C	COMANDO ACCELERATORE	THROTTLE CONTROL	COMMANDE D'ACCELERATEUR	MANDO DEL ACELERADOR
197P	PORTASPAZZOLA	BRUSH HOLDER	PORTE-BALAI	PORTAESCOBILLA
197S	SPESSORE ELASTICO	PAD	CALE ELASTIQUE	SUPLEMENTO ELASTICO
197S				
197T	TUBETTO STRINGIFILO	FERRULE	TUBE D'ATTACHE	TUBITO DE FIJACION
198C	COMANDO A MANO STARTER	CHOKE CONTROL	COMMANDE A MAIN DE STARTER	MANDO MANUAL DE STARTER
198C				
198P	PIASTRA PORTATARGA	PLATE SUPPORT	PORTE-PLAQUE	SOPORTE DE PLACA
198S	SPESSORE	SHIM	CALE D'EPaisseur	ESPESOR
199C	COLTELLO BENNA	BUCKET CUTTING EDGE	COUPEAU DU GODET	CUCHILLA
199S	SPESSIMETRO	FEELER GAUGE	JAUGE D'EPaisseur	CALIBRE
200C	COMANDO SICUREZZA	SAFETY CONTROL	COMMANDE DE SECURITE	PESTILLO DE SEGURIDAD
200C				
200P	PREMIGUARNIZIONE	EXPANDER	PRESSE-JOINT	DRUCKFEDER
200S	SPINA	PIN	GOUVILLE	STIFT
200T	TUBO DI INTRODUZIONE	FILLER TUBE	TUBULURE DE REMPLISSAGE	EINFUELLSTUTZEN
200T				
200V	VALVOLA AUTOMATICA DI SCARICO	AUTOMATIC DRAIN VALVE	SOUPAPE AUTOMATIQUE DE DETENTE	VALVULA DE DESCARGA AUTOMATICA
200V				
201P	PREFILTRO	PRECLEANER	PREFILTRE	PREFILTRO
201S	SPINA ELETTRICA	ELECTRICAL PLUG	FICHE ELECTRIQUE	ENCHUFE
201V	VALVOLA AUTOMATICA DI SPURGO	AUTOMATIC BLEED VALVE	PURGEUR AUTOMATIQUE	VALVULA DE PURGA AUTOMATICA
201V				
202C	COMMUTATORE CON ANTIFURTO	KEY SWITCH W/ANTITHEFT DEVICE	COMMUTATEUR AVEC ANTIVOL	CONMUTADOR CON DISP ANTIRROBO
202C				
202P	POSIZIONATORE	POSITIONER	POSITIONNEUR	POSICIONADOR
202S	SPINA ELASTICA	SPRING PIN	GOUVILLE ELASTIQUE	FASADOR ELASTICO
203S	SPONDA	SIDE	RIDELLE	LADO
203V	VALVOLA DI ALIMENTAZIONE	FEED VALVE	SOUPAPE D'ALIMENTATION	VALVULA DE ALIMENTACION
203V				
204P	PRESA ARIA	AIR INTAKE	PRISE D'AIR	BOCA DE AIRE
205P	PRESA DI CORRENTE	RECEPTACLE	PRISE DE COURANT	TOMA DE CORRIENTE
205S	SPORTELLO	DOOR	VOLET	POSTIGO
207P	PRESA DI FORZA	POWER TAKE-OFF	PRISE DE FORCE	TOMA DE FUERZA
207T	TUBO DI SFIATO	VENT PIPE	TUBE D'EVENT	TUBO DE VENTILACION
207T				
209T	TURBINA	TURBINE	TURBINE	TURBINA
216G	ARTICOLAZIONE TELAI	MAIN FRAME ARTICULATION	ARTICULATION DES CHASSIS	

E

AUXILIARY ATTACHMENT (AND EQUIPMENT) • ORGANI SUSSIDIARI (E ATTREZZI) • ORGANES AUXILIAIRES (ET EQUIPEMENT) •
NEBENAGGREGATE (UND GERÄTE) • GRUPOS AUXILIARES (Y EQUIPO)

N1

HYDRAULIC SYSTEM
IMPIANTO IDRAULICO



I T E M	PART NUMBER	Q T Y	TRANS CODE	DESCRIPTION	DESCRIZIONE
1	10571871	8	170R	LOCKWASHER 10,2x2,2	ROSETTA EL. 10,2x2,2
2	10615771	8	131R	WASHER 10,2x17,8	ROSETTA 10,2x17,8
3	11060076	1	187A	SNAP RING 45,5x1,75	ANELLO ELASTICO 45,5x1,75
4	11106424	8	40V	SCREW	VITE
5	14420220	8	40V	SCREW 10x1,25x30	VITE 10x1,25x30
6	14456081	2	158G	O-RING 1,78x88,62	GUARNIZIONE O-R 1,78x88,62
7	79056706	1	2K	KIT	KIT

79054158

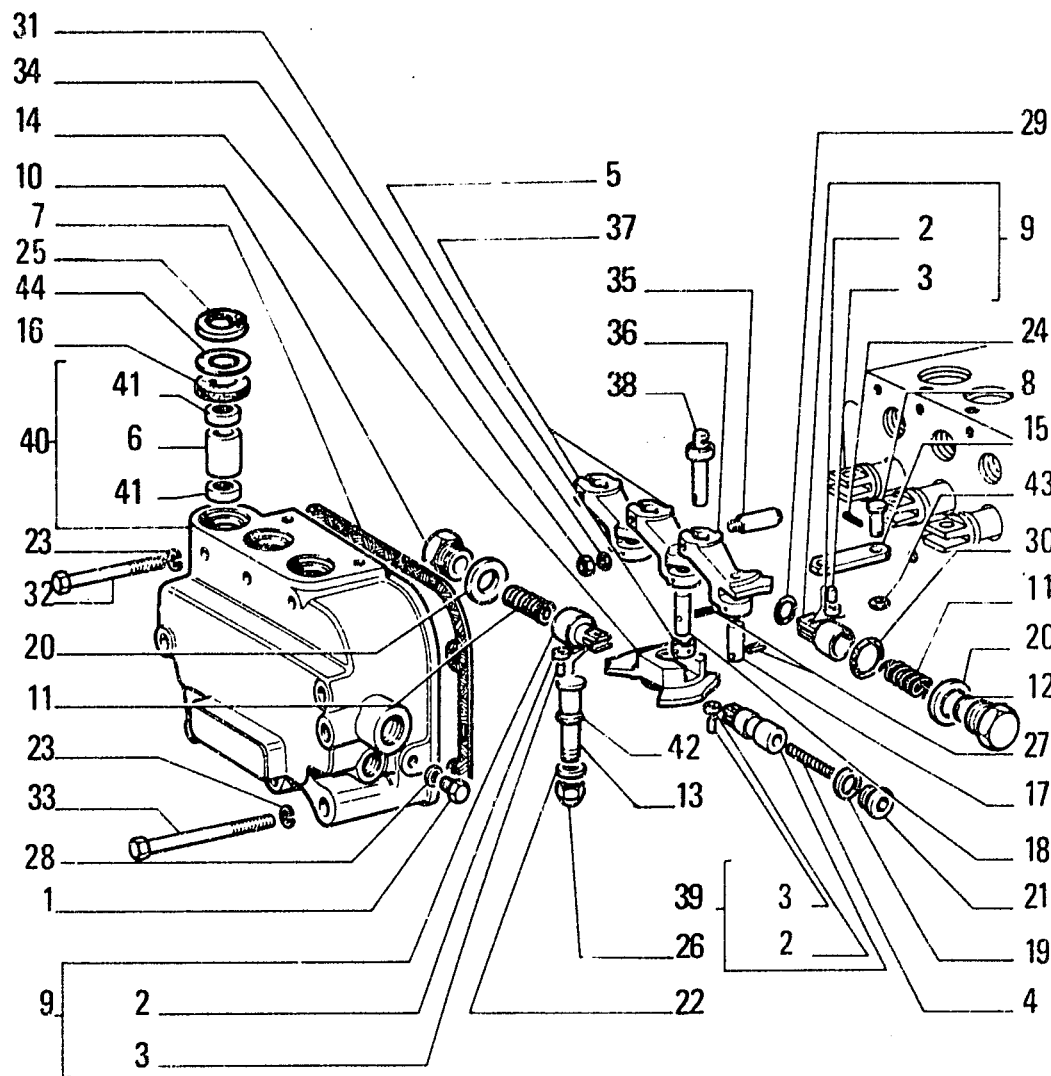
PUMP - POMPA - POMPE - PUMPE - BOMBA

N2

E3.29/2

N.T.R. 163 - 30.05.1989

604.01.077.03



FIATALLIS FL5

E3.31 TAV. 1 PAG.1

ITEM	PART NUMBER	QTY	TRANS CODE	DESCRIPTION	DESCRIZIONE
1	581658	1	50T PLUG	TAPPO	TAPPO
2	4989258	3	155R NEEDLE ROLLER	RULLINO	RULLINO
3	4989261	3	80P PIN	PERNO	PERNO
4	8293387	1	100M SPRING	MOLLA	MOLLA
5	8295865	1	341C BEARING	CUSCINETTO	CUSCINETTO
6	8295964	3	75D SPACER	DISTANZIALE	DISTANZIALE
7	8295966	1	123G SEAL ASSY C1374	GUARNIZIONE TENUTA FRONTALE C1374	GUARNIZIONE TENUTA FRONTALE C1374
	79040784	1	123G SEAL ASSY D1374	GUARNIZIONE TENUTA FRONTALE D1374	GUARNIZIONE TENUTA FRONTALE D1374
8	8295969	3	80P PIN C1374	PERNO C1374	PERNO C1374
	79040777	3	80P PIN D1374	PERNO D1374	PERNO D1374
9	8295975	2	130P PLUNGER - ASSEMBLY	PISTONCINO - COMPLETO	PISTONCINO - COMPLETO
10	8295976	2	50T PLUG	TAPPO	TAPPO
11	8295977	2	100M SPHING	MOLLA	MOLLA
12	8295978	1	198S SHIM	SPESSORE	SPESSORE
13	8295984	1	80P PIN	PERNO	PERNO
14	8295985	1	45L LEVER	LEVA	LEVA
15	8295989	3	60B SHACKLE	BISCOTTINO	BISCOTTINO
16	8295990	3	158G O-RING C1374	GUARNIZIONE O-R C1374	GUARNIZIONE O-R C1374
	79045951	3	158G O-RING D1374	GUARNIZIONE O-R D1374	GUARNIZIONE O-R D1374
17	8295991	2	80P PIN	PERNO	PERNO
18	8295992	1	80P PIN	PERNO	PERNO
19	10259960	1	133R SEAL 18,2x24	ROSETTA DI TENUTA 18,2x24	ROSETTA DI TENUTA 18,2x24
20	10264560	2	133R SEAL 24,3x32	ROSETTA DI TENUTA 24,3x32	ROSETTA DI TENUTA 24,3x32
21	10273111	1	50T PLUG 18x1,5x10	TAPPO 18x1,5x10	TAPPO 18x1,5x10
22	10284460	1	133R SEAL 10,2x16	ROSETTA DI TENUTA 10,2x16	ROSETTA DI TENUTA 10,2x16

79031772 - 79040766

DISTRIBUTOR VALVE - DISTRIBUTORE - DISTRIBUTEUR - STEUERGERAET - DISTRIBUIDOR

E3.31

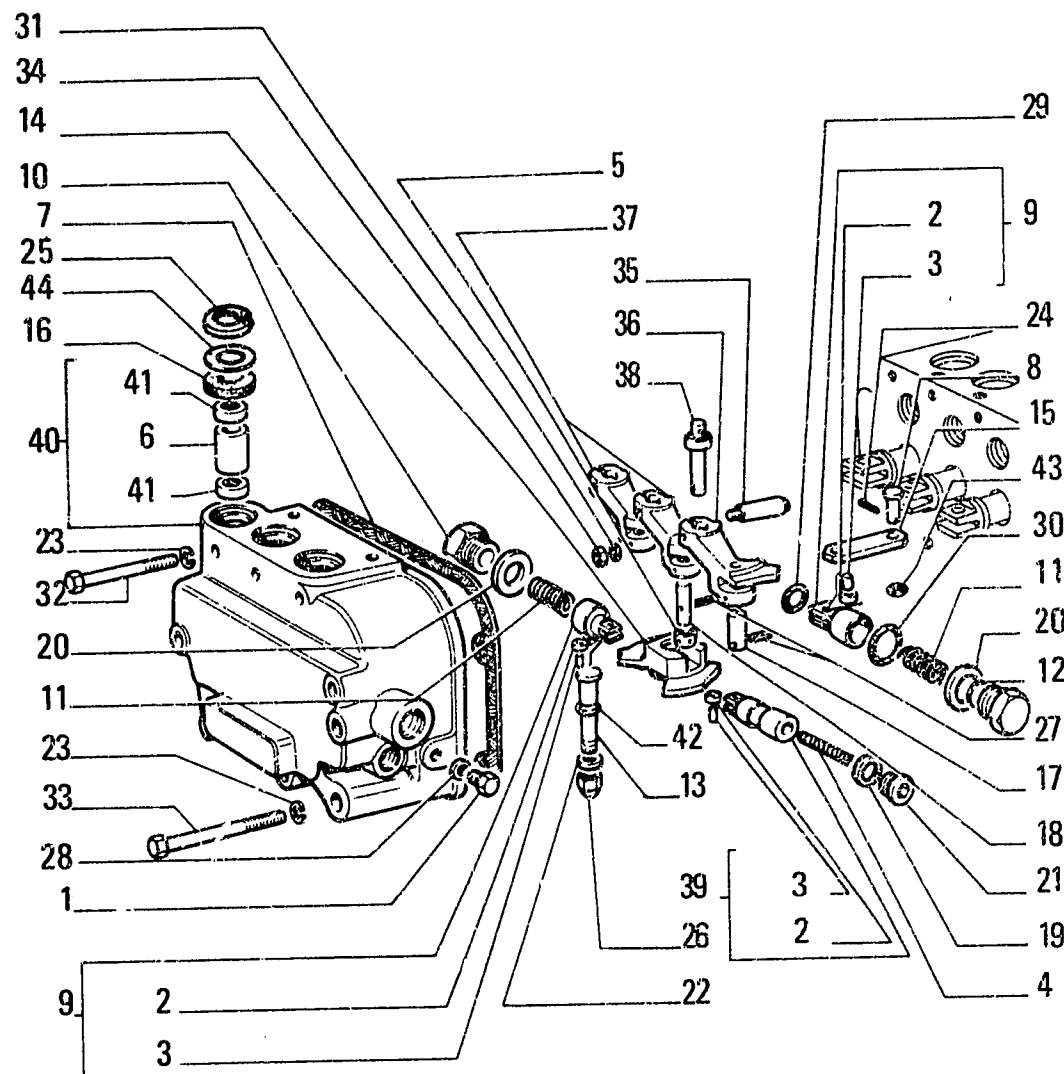
1

N.T.R. 163 - 30.05.1989

604.01.077.03

N3

FIATALLIS FL5



ITEM	PART NUMBER	QTY	TRANS CODE	DESCRIPTION	DESCRIZIONE
23	10516671	9	132H	LOCKWASHER 8,1x2,2	ROSETTA DI SICUREZZA 8,1x2,2
24	10734201	3	270C	COTTER PIN 1,7x18,5	COPIGLIA 1,7x18,5 C1374
25	11059776	3	51A	LOCKRING 40,8x1,5	ANELLO DI SICUREZZA 40,8x1,5
26	14054911	1	10D	NUT 10x1,25x19	DADO 10x1,25x19
27	14161970	3	200S	PIN 3,3x20	SPINA 3,3x20
28	14330260	1	158G	O-RING 8,2x12	GUARNIZIONE O-R 8,2x12
29	14457280	1	158G	O-RING 2,62x15,54	GUARNIZIONE O-R 2,62x15,54
30	14457580	2	158G	O-RING 2,62x20,29	GUARNIZIONE O-R 2,62x20,29
31	14496521	3	131R	WASHER 8,4x17	ROSETTA 8,4x17
32	16044931	3	40V	SCREW 8x1,25x85	VITE 8x1,25x85
33	16045131	6	40V	SCREW 8x1,25x95	VITE 8x1,25x95
34	16100821	3	10D	NUT 8x1,25x6,5	DADO 8x1,25x6,5
35	79022824	3	80P	PIN	PERNO
36	79022825	1	45L	LEVER	LEVA
37	79022826	2	45L	LEVER - INNER	LEVA - INTERNO
38	79022827	3	80P	PIN	PERNO
39	79031624	1	80P	PIN - ASSEMBLY	PERNO - COMPLETO
40	79031724	1	265C	COVER - FRONT ASSEMBLY	COPERCHIO - ANTERIORE COMPLETO
				C1374	C1374
	79040775	1	265C	COVER - ASSEMBLY FRONT	COPERCHIO - COMPLETO ANTERIORE
				D1374	D1374
41	79034477	6	341C	BEARING	CUSCINETTO
42	14489121	1	75D	SPACER 10,5x18	DISTANZIALE 10,5x18
				D1374	D1374
43	11087976	3	45A	RING 7x14	ANELLO 7x14 D1374
44	79045952	3	131R	WASHER D1374	ROSETTA D1374

79031772 - 79040766

DISTRIBUTOR VALVE - DISTRIBUTORE - DISTRIBUTEUR - STEUERGERAET - DISTRIBUIDOR

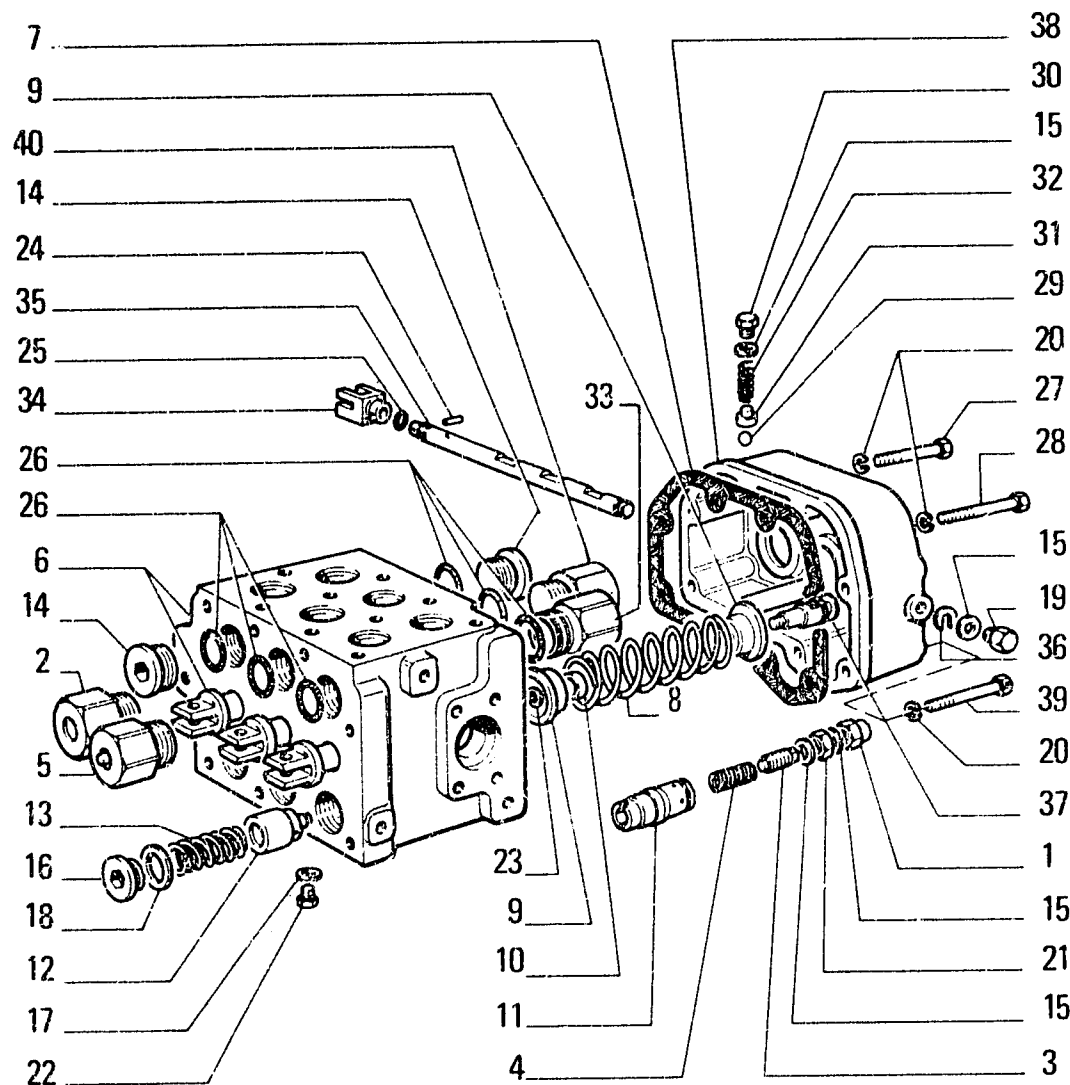
N4

E3.31

1

N.T.R. 163.30.05.1989

604.01.077.03



FIATALLIS FL5

ITEM	PART NUMBER	QTY	TRANS CODE	DESCRIPTION	DESCRIZIONE
1	8273439	1	50T PLUG		TAPPO
2	8281253	1	10V VALVE		VALVOLA
3	8287304	1	40V SCREW		VITE
4	8287305	1	100M SPRING		MOLLA
5	8288163	1	10V VALVE		VALVOLA
6	8295960	1	300C BODY		CORPO
7	8295967	1	123G SEAL ASSY		GUARNIZIONE TENUTA FRONTALE
8	8295970	3	100M SPRING		MOLLA
9	8295971	6	60S CUP		SCODELLINO
10	8295973	2	75D SPACER		DISTANZIALE
11	8295981	1	10V VALVE		VALVOLA
12	8295982	3	10V VALVE		VALVOLA
13	8295983	3	100M SPRING		MOLLA
14	8295995	2	50T PLUG		TAPPO
15	10257060	5	133R SEAL 16,2x22		ROSETTA DI TENUTA 16,2x22
16	10278311	3	50T PLUG 28x1,5x11		TAPPO 28x1,5x11
17	10296160	3	133R SEAL 12,2x18		ROSETTA DI TENUTA 12,2x18
18	10296260	3	133R SEAL 28,3x36		ROSETTA DI TENUTA 28,3x36
19	10300711	1	50T PLUG 16x1,5x9		TAPPO 16x1,5x9
20	10516671	8	132R LOCKWASHER 8,1x2,2		ROSETTA DI SICUREZZA 8,1x2,2
21	10791411	1	10D NUT 16x1,5x8		DADO 16x1,5x8
22	11903211	3	50T PLUG 12x1,25x8		TAPPO 12x1,25x8
23	12605671	3	131R WASHER 10,2x17,8		ROSETTA 10,2x17,8
24	14161970	1	200S PIN 3,3x20		SPINA 3,3x20
25	14452980	1	158G O-RING 1,78x9,25		GUARNIZIONE O-R 1,78x9,25
26	14457680	6	158G O-RING 2,62x21,89		GUARNIZIONE O-R 2,62x21,89
27	16044731	4	40V SCREW 8x1,25x75		VITE 8x1,25x75

79031722 - 79040766

DISTRIBUTOR VALVE - DISTRIBUTORE - DISTRIBUTEUR - STEUERGERAET - DISTRIBUIDOR

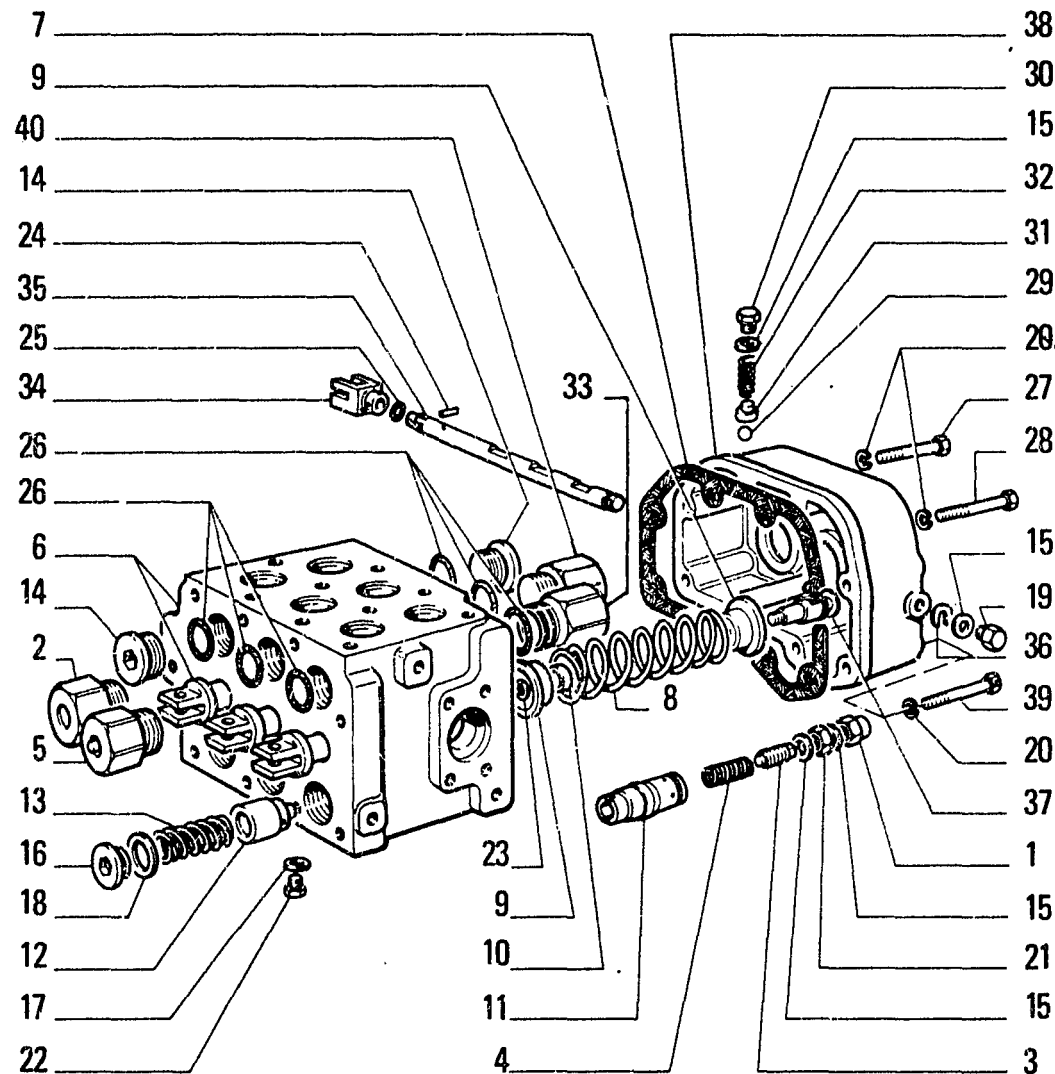
E3.31

2

N.T.R. 163 - 30.05.1989

604.01.077.03

N5



FIATALLIS FL5

ITEM	PART NUMBER	QTY	TRANS CODE	DESCRIPTION	DESCRIZIONE
28	16044931	3	40V	SCREW 8x1,25x85	VITE 8x1,25x85
29	20063440	2	140S	BALL 5,556	SFERA 5,556
30	79003603	2	50T	PLUG	TAPPO
31	79010455	2	80P	PIN	PERNO
32	79011775	2	100M	SPRING	MOLLA
33	79022822	1	10V	VALVE	VALVOLA
34	79027076	1	85F	YOKE	FORCELLA
35	79027077	1	80P	PIN	PERNO
36	79027078	1	131R	WASHER	ROSETTA
37	79027079	3	40V	SCREW	VITE
38	79027080	1	265C	COVER - REAR C1374	COPERCHIO - POSTERIORE C1374
	79040769	1	265C	COVER - REAR D1374	COPERCHIO - POSTERIORE D1374
39	79027268	1	40V	SCREW	VITE
40	79043273	1	9V	SAFETY VALVE	VALVOLA SICUREZZA

79031722 - 79040766

DISTRIBUTOR VALVE - DISTRIBUTORE - DISTRIBUTEUR - STEUERGERAET - DISTRIBUIDOR

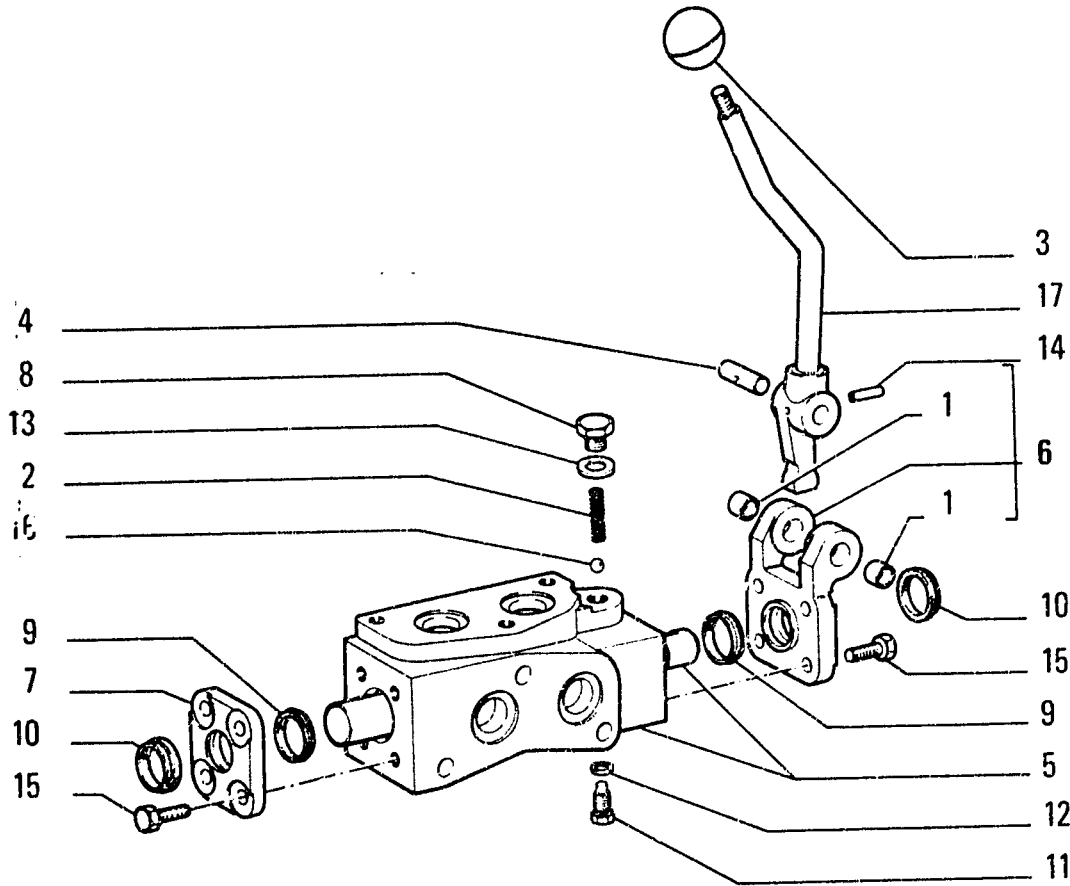
N6

E3.31

2

N.T.R. 163 - 30.05.1989

604.01.077.03



ITEM	PART NUMBER	QTY	TRANS CODE	DESCRIPTION	DESCRIZIONE
1	4177981	2	95B	BUSHING	BOCCOLA
2	8280745	1	100M	SPRING	MOLLA
3	8292689	1	25I	HANDGRIP	IMPUGNATURA
4	8293970	1	80P	PIN	PERNO
5	8296667	1	300C	BODY	CORPO
6	8296669	1	265C	COVER - FRONT ASSEMBLY	COPERCHIO - ANTERIORE COMPLETO
7	8296670	1	265C	COVER - REAR	COPERCHIO - POSTERIORE
8	8296672	1	50T	PLUG	TAPPO
9	8296676	2	158G	O-RING	GUARNIZIONE O-R
10	8296677	2	158G	O-RING	GUARNIZIONE O-R
11	8296678	1	40V	SCREW	VITE
12	10260060	1	133R	SEAL 8,2x14	ROSETTA DI TENUTA 8,2x14
13	10280060	1	133R	SEAL 14,2x20	ROSETTA DI TENUTA 14,2x20
14	14164070	1	200S	PIN 4,4x22	SPINA 4,4x22
15	14237930	8	40V	SCREW 8x1,25x18	VITE 8x1,25x18
16	20063470	1	140S	BALL 7,938	SFERA 7,938
17	79022291	1	45L	LEVER	LEVA

Optional Variante 30.0090.09.1 - 30.1279.07.1

03695

8296665

DIVERTOR VALVE
VÁLVULA BY-PASS

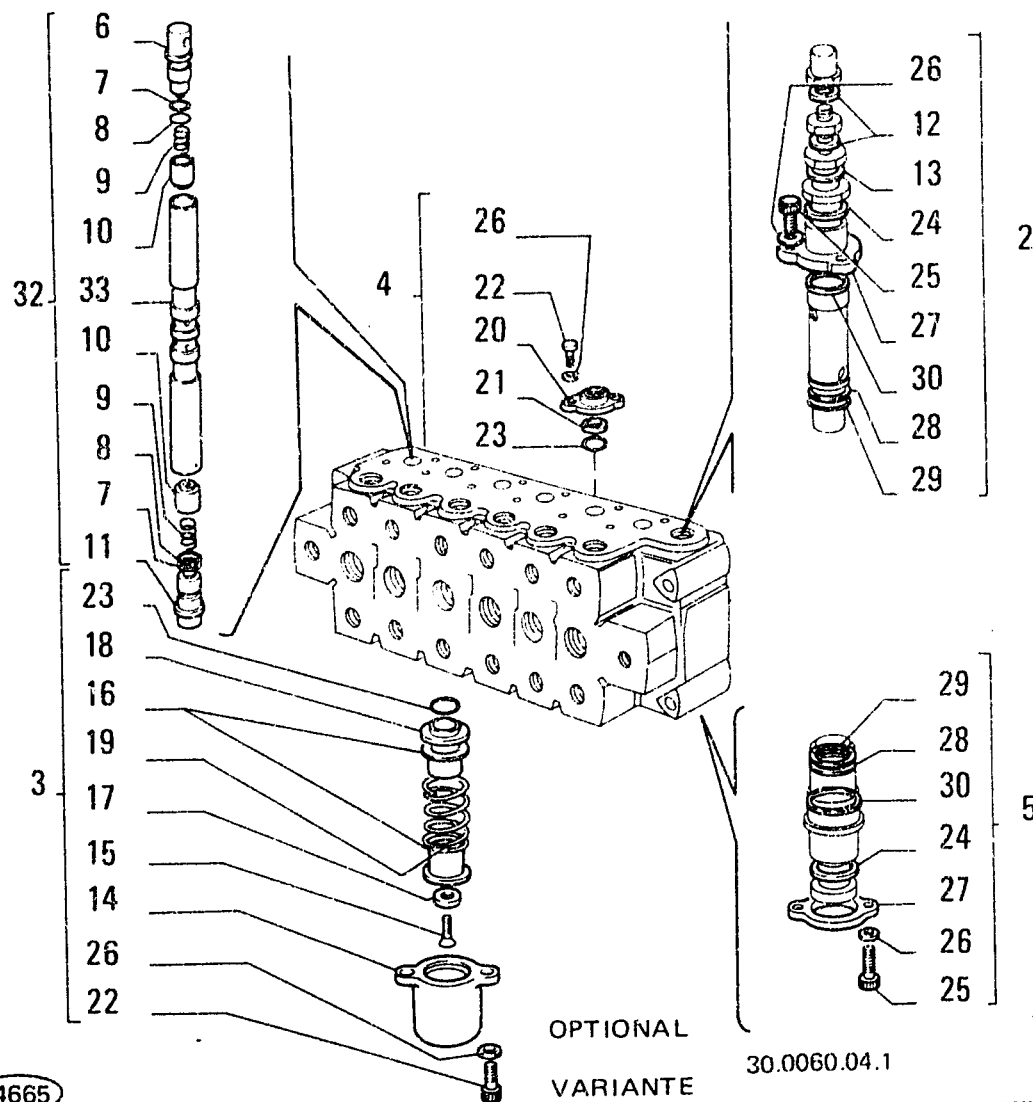
DEVIATORE IDRAULICO

DEVIATEUR

UMGEHUNGSVENTIL

E3.31/1

N7



FIATALLIS FL5

ITEM	PART NUMBER	QTY	TRANS CODE	DESCRIPTION	DESCRIZIONE
1	79040044	3	10V	VALVE	VALVOLA
2	79040047	1	10V	VALVE - ASSEMBLY	VALVOLA - CGMPLETO
3	79040049	6	70F	FLANGE - ASSEMBLY	FLANGIA - COMPLETO
4	79040050	6	70F	FLANGE - ASSEMBLY	FLANGIA - COMPLETO
5	79040057	1	10V	VALVE - ASSEMBLY	VALVOLA - COMPLETO
6	79040059	1	50T	PLUG	TAPPO
7	79040060	2	45A	RING	ANELLO
8	79040061	2	158G	O-RING	GUARNIZIONE O-R
9	79040062	2	100M	SPRING	MOLLA
10	79040063	2	130P	PLUNGER	PISTONCINO
11	79040065	1	50T	PLUG	TAPPO
12	79040071	2	131R	WASHER	ROSETTA
13	79040072	1	131R	WASHER	ROSETTA
14	79040076	1	64C	CAP	CAPPELLO
15	79040077	1	40V	SCREW	VITE
16	79040078	2	145B	GUIDE BUSHING	BUSSOLA
17	79040079	1	131R	WASHER	ROSETTA
18	79040081	1	95B	BUSHING	BOCCOLA
19	79040084	1	100M	SPRING	MOLLA
20	79040085	1	70F	FLANGE	FLANGIA
21	79040086	1	120G	GASKET	GUARNIZIONE PIANA
22	79040087	2	40V	SCREW	VITE
23	79040089	1	158G	O-RING	GUARNIZIONE O-R
24	79040127	2	131R	WASHER	ROSETTA
25	79040128	6	40V	SCREW	VITE
26	79040129	8	131R	WASHER	ROSETTA
27	79040130	2	70F	FLANGE	FLANGIA

04665

79041402

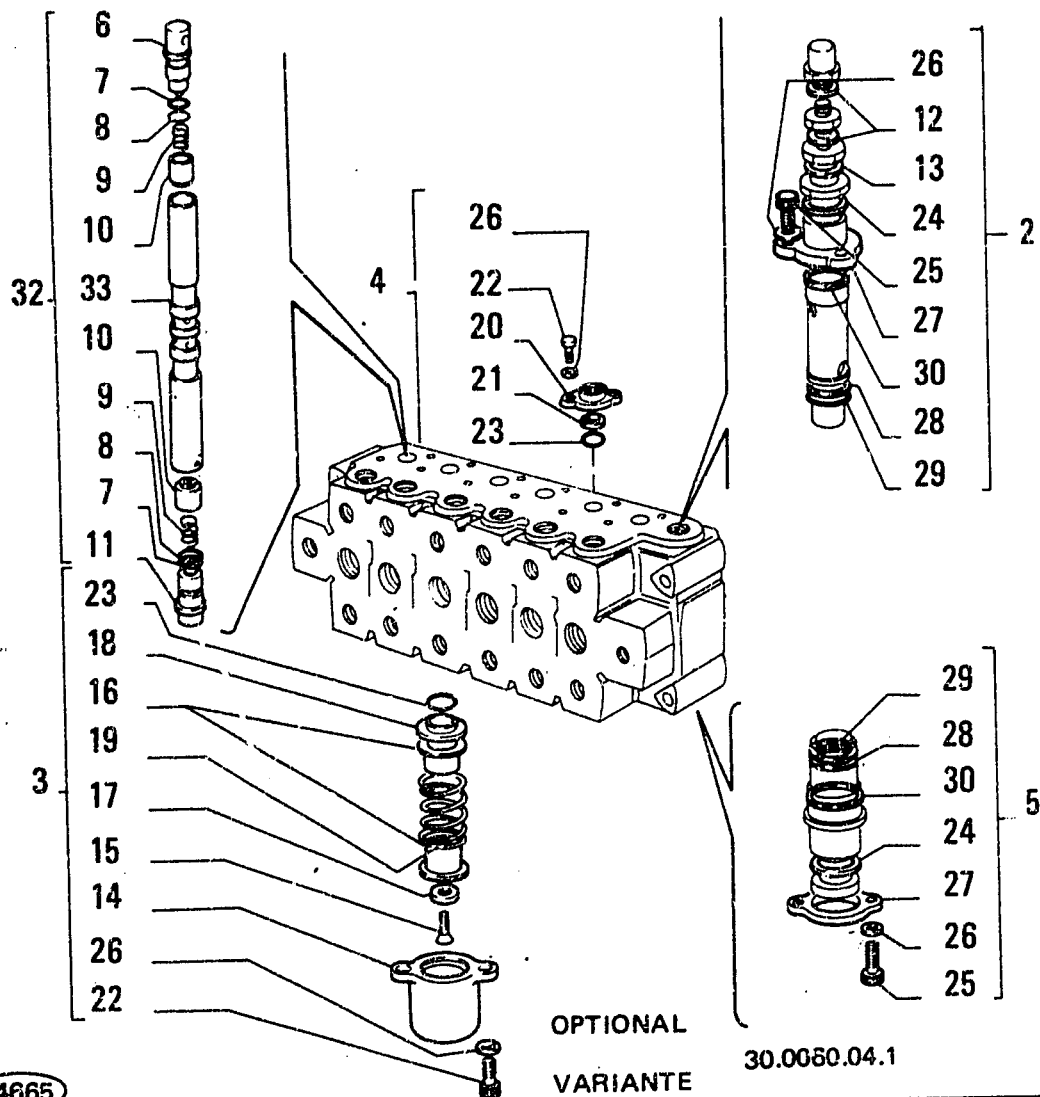
DISTRIBUTOR VALVE - DISTRIBUTORE - DISTRIBUTEUR - STEUERGERAET - DISTRIBUDOR -

E3.31/2

1

N.T.R. 102 - 31.05.82
604.01.077.01

N8



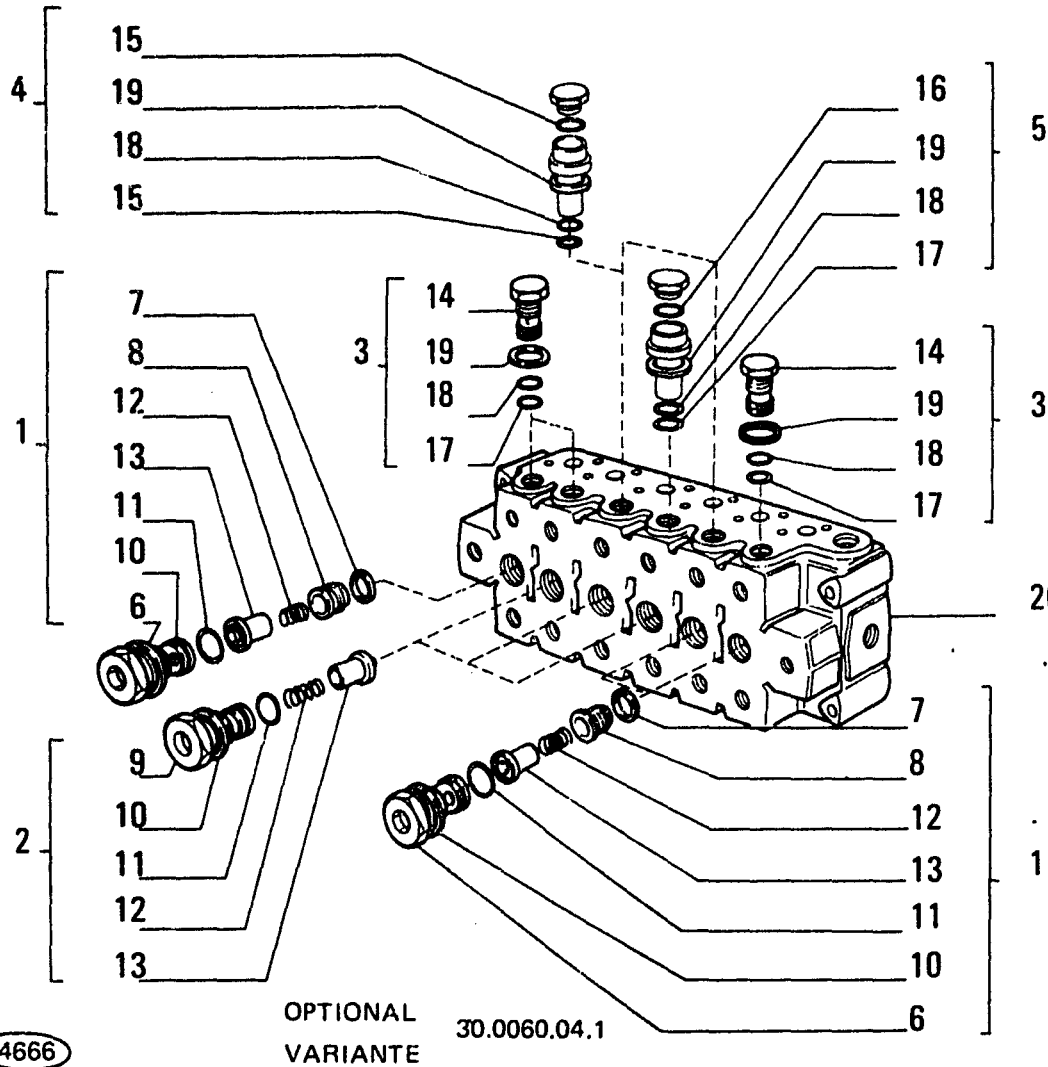
ITEM	PART NUMBER	QTY	TRANS CODE	DESCRIPTION	DESCRIZIONE
28	79040131	2	45A RING		ANELLO
29	79040133	2	158G O-RING		GUARNIZIONE O-R
30	79040134	2	158G O-RING		GUARNIZIONE O-R
31	79041403	1	300C BODY		CORPO
32	79041404	3	10V VALVE - ASSEMBLY		VALVOLA - COMPLETO
33	79041405	1	10V VALVE		VALVOLA

04665

79041402
 DISTRIBUTOR VALVE - DISTRIBUTORE - DISTRIBUTEUR - STEUERGERAET - DISTRIBUDOR -

1
 E3.31/2 1
 N.T.R. 102 - 31.05.82
 604.01.077.01

N9



I T E M	PART NUMBER	Q T Y	TRANS CODE	DESCRIPTION	DESCRIZIONE
1	79040052	3	10V VALVE - ASSEMBLY	VALVOLA - COMPLETO	VALVOLA - COMPLETO
2	79040053	3	10V VALVE - ASSEMBLY	VALVOLA - COMPLETO	VALVOLA - COMPLETO
3	79040054	6	50T PLUG - ASSEMBLY	TAPPO - COMPLETO	TAPPO - COMPLETO
4	79040055	4	10V VALVE - ASSEMBLY	VALVOLA - COMPLETO	VALVOLA - COMPLETO
5	79040056	2	10V VALVE - ASSEMBLY	VALVOLA - COMPLETO	VALVOLA - COMPLETO
6	79040101	1	300C BODY	CORPO	CORPO
7	79040105	1	131R WASHER	ROSETTA	ROSETTA
8	79040106	1	300C BODY	CORPO	CORPO
9	79040108	1	300C BODY	CORPO	CORPO
10	79040109	1	131R WASHER	ROSETTA	ROSETTA
11	79040110	1	158G O-RING	GUARNIZIONE O-R	GUARNIZIONE O-R
12	79040111	2	100M SPRING	MOLLA	MOLLA
13	79040112	2	95B BUSHING	BOCCOLA	BOCCOLA
14	79040113	1	50T PLUG	TAPPO	TAPPO
15	79040120	1	158G O-RING	GUARNIZIONE O-R	GUARNIZIONE O-R
16	79040122	1	158G O-RING	GUARNIZIONE O-R	GUARNIZIONE O-R
17	79040123	2	158G O-RING	GUARNIZIONE O-R	GUARNIZIONE O-R
18	79040124	3	45A RING	ANELLO	ANELLO
19	79040125	3	131R WASHER	ROSETTA	ROSETTA
20	79041403	1	300C BODY	CORPO	CORPO

04666

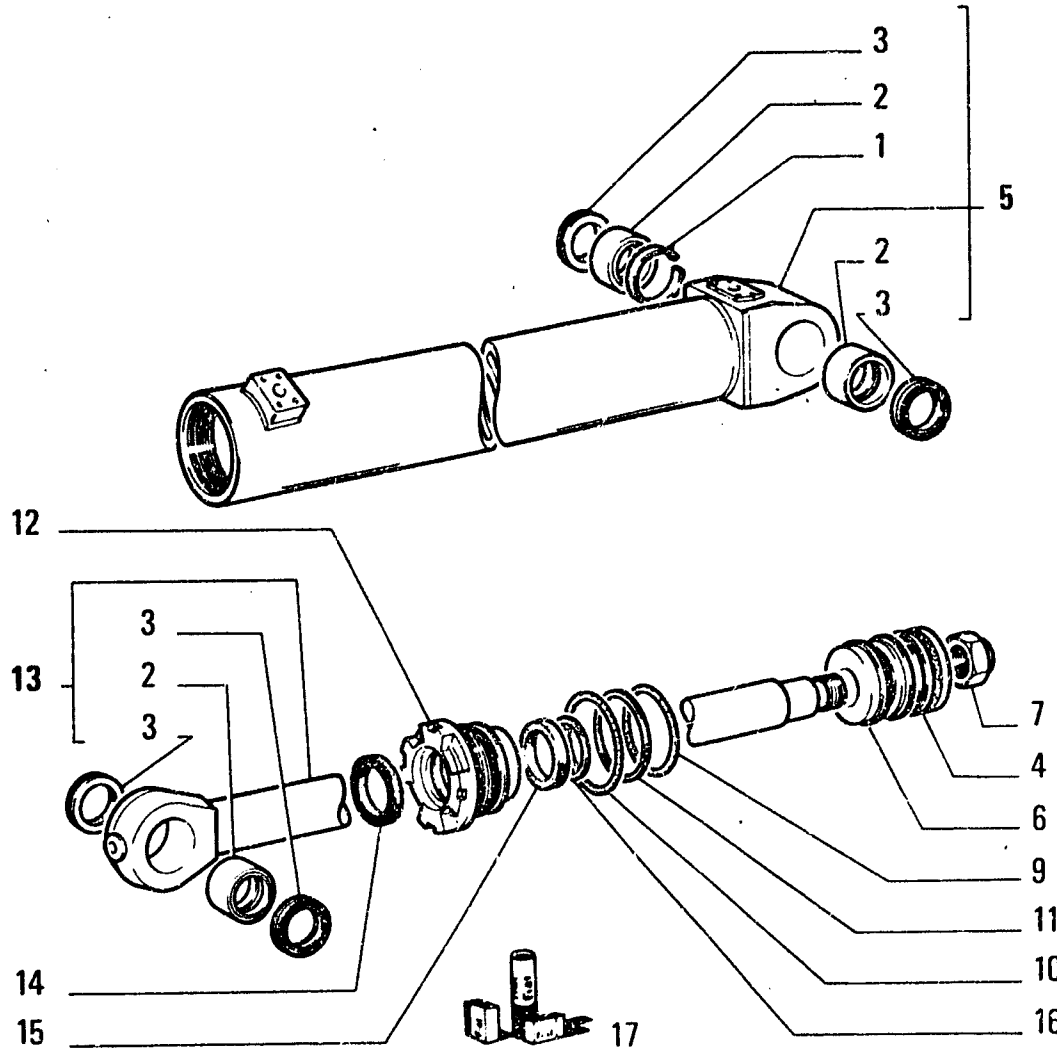
79041402
 DISTRIBUTOR VALVE - DISTRIBUTORE - DISTRIBUTEUR - STEUERGERAET - DISTRIBUIDOR -

N10

E3.31/2

2

N.T.R. 102 - 31.05.82
 604.01.077.01



I T E M	PART NUMBER	Q T Y	TRANS CODE	DESCRIPTION	DESCRIZIONE
1	8288830	1	75D	SPACER	DISTANZIALE
2	8288831	3	95B	BUSHING	BOCCOLA
3	8288832	4	158G	O-RING	GUARNIZIONE O-R
4	8291552	1	158G	O-RING	GUARNIZIONE O-R
5	8297047	1	35C	CYLILINER - ASSEMBLY LEFT C1355	CAMICIA - COMPLETO SINISTRO C1355
	8297063	1	35C	CYLILINER - ASSEMBLY RIGHT C1355	CAMICIA - COMPLETO DESTRO C1355
	79039505	1	53C	TUBE - LEFT ASSEMBLY D1355	CANNA CILINDRO - SINISTRO COMPLETO D1355
	79039506	1	53C	TUBE - RIGHT ASSEMBLY D1355	CANNA CILINDRO - DESTRO COMPLETO D1355
6	8297051	1	235S	PISTON C1355	STANTUFFO C1355
	79038366	1	235S	PISTON D1355	STANTUFFO D1355
7	8297052	1	10D	NUT	DADO
9	14465880	1	158G	O-RING 3,53x94,84	GUARNIZIONE O-R 3,53x94,84
10	14466080	1	158G	O-RING 3,53x101,19	GUARNIZIONE O-R 3,53x101,19
11	79021911	1	45A	RING	ANELLO
12	79021954	1	80F	BOTTOM PLATE - FRONT C1355	FONDELLO - ANTERIORE C1355
	79038365	1	80F	BOTTOM PLATE - FRONT D1355	FONDELLO - ANTERIORE D1355
		1	80F	BOTTOM PLATE - FRONT C1357	FONDELLO - ANTERIORE C1357
	79047728	1	80F	BOTTOM PLATE - FRONT D1357	FONDELLO - ANTERIORE D1357
13	79021956	1	274S	ROD - ASSEMBLY C1355	STELO - COMPLETO C1355

79047893 s - 79047894 d - 79021952 s - 79021953 d - 79039361 s - 79039362 d

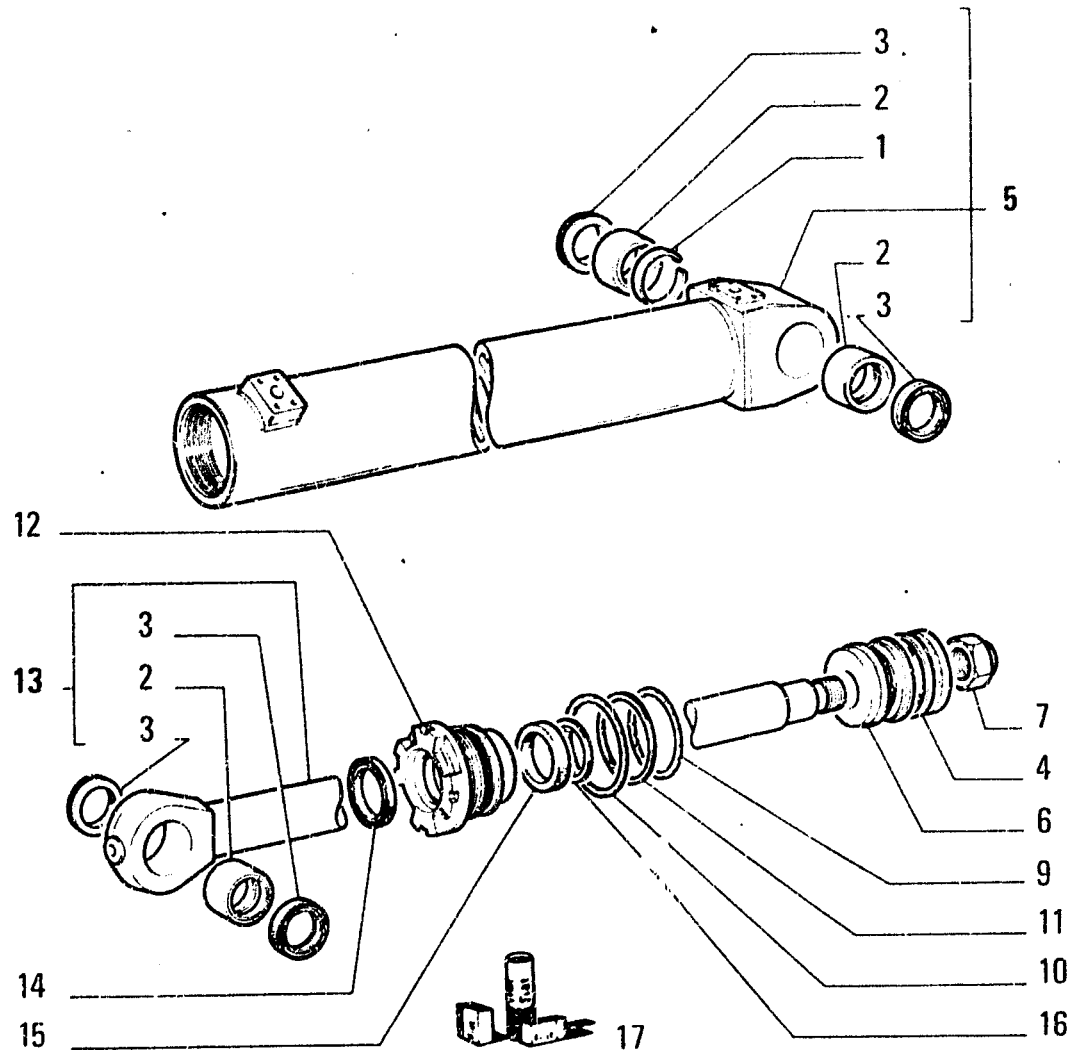
LIFT CYLINDER - CILINDRO SOLLEVAMENTO - VERIN DE RELEVAGE - HUBZYLINDER - CILINDRO DE LEVANTAMIENTO

E3.32

N.T.R. 163 - 30.05.1989

604.01.077.03

N11



I T E M	PART NUMBER	Q T Y	TRANS CODE	DESCRIPTION	DESCRIZIONE
13	79039509	1	274S	RCD - ASSEMBLY D1355	STELO - COMPLETO D1355
14	79021957	1	42A	MUDSCRAPER RING	ANELLO RASCHIAFANGO
15	79021958	1	158G	O-RING	GUARNIZIONE O-R
16	79021959	1	133R	SEAL	ROSETTA DI TENUTA
17	79050424	1	1K	KIT SEE PAGE 9 D1357	KIT VED. PAG.9 D1357

79047893 s - 79047894 d - 79021952 s - 79021953 d - 79039361 s - 79039362 d

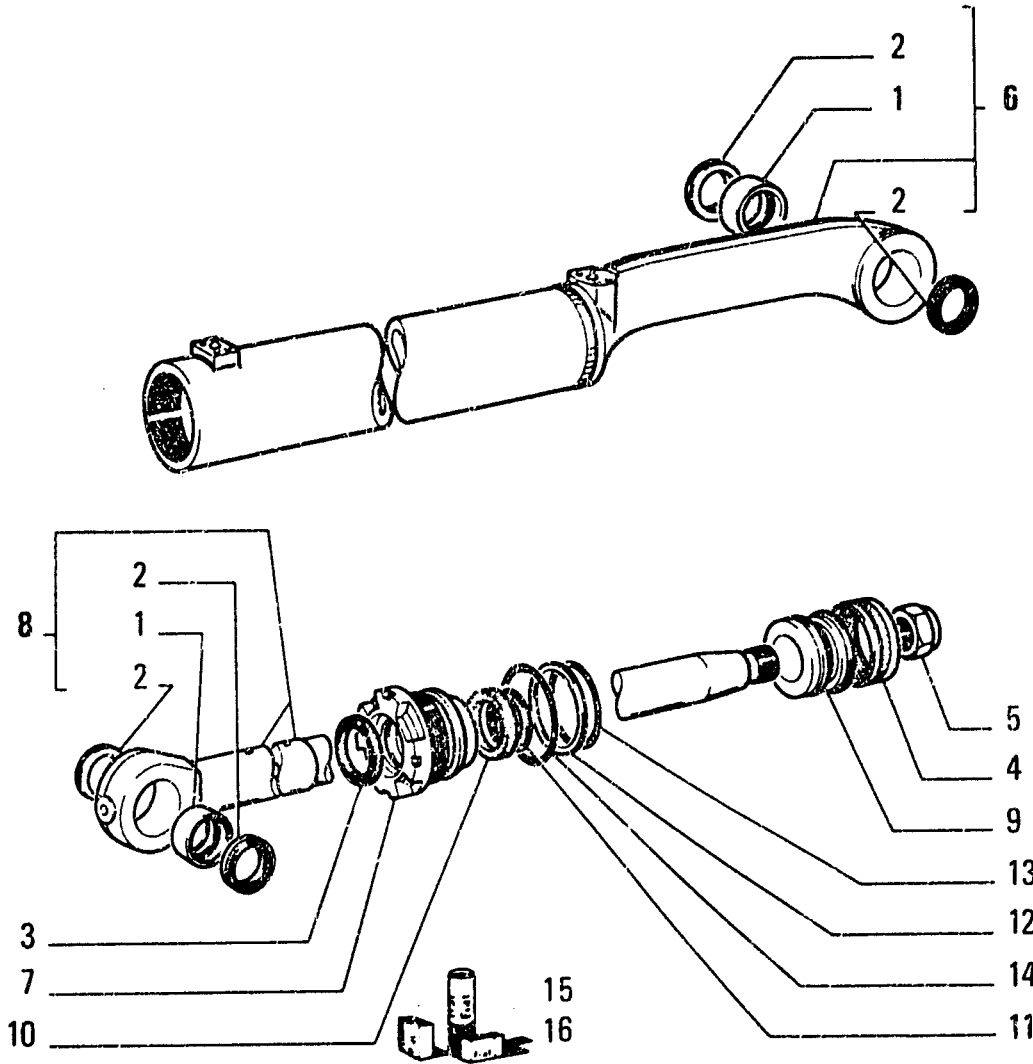
LIFT CYLINDER - CILINDRO SOLLEVAMENTO - VERIN DE RELEVAGE - HUBZYLINDER - CILINDRO DE LEVANTAMIENTO

E3.32

N.T.R. 163 - 30.05.1989

604.01.077.03

N12



I T E M	PART NUMBER	Q T Y	TRANS CODE	DESCRIPTION	DESCRIZIONE
1	8288821	2	95B	BUSHING	BOCCOLA
2	8288922	4	158G	O-RING	GUARNIZIONE O-R
3	79065562	1	158G	O-RING	GUARNIZIONE O-R
4	8291561	1	158G	O-RING	GUARNIZIONE O-R
5	8297052	1	10D	NUT	DADO
6	8297066	1	35C	CYLILINER - ASSEMBLY C1355	CAMICIA - COMPLETO C1355
	79039536	1	53C	TUBE - ASSEMBLY D1355	CANNA CILINDRO - COMPLETO D1355
7	8297068	1	80F	BOTTOM PLATE - FRONT C1355	FONDELLO - ANTERIORE C1355
	79038227	1	80F	BOTTOM PLATE - FRONT D1355	FONDELLO - ANTERIORE D1355
		1	80F	BOTTOM PLATE - FRONT C1357	FONDELLO - ANTERIORE C1357
	79047724	1	80F	BOTTOM PLATE - FRONT D1357	FONDELLO - ANTERIORE D1357
8	8297070	1	274S	ROD - ASSEMBLY C1355	STELO - COMPLETO C1355
	79039514	1	274S	ROD - ASSEMBLY D1355	STELO - COMPLETO D1355
9	8297072	1	235S	PISTON	STANTUFFO
10	79065560	1	158G	O-RING	GUARNIZIONE O-R
11	79065561	1	133R	SEAL	ROSETTA DI TENUTA
12	8297075	1	45A	RING	ANELLO
13	14465480	1	158G	O-RING 3,53x82,14	GUARNIZIONE O-R 3,53x82,14
14	14465780	1	158G	O-RING 3,53x91,67	GUARNIZIONE O-R 3,53x91,67
15	79050425	1	1K	KIT SEE PAGE 9 D1357	KIT VED. PAG.9 D1357
16	79071319	1	1K	KIT SEE PAGE 9 D1357	KIT VED. PAG.9 D1357

8297064 - 79039355 - 79047895

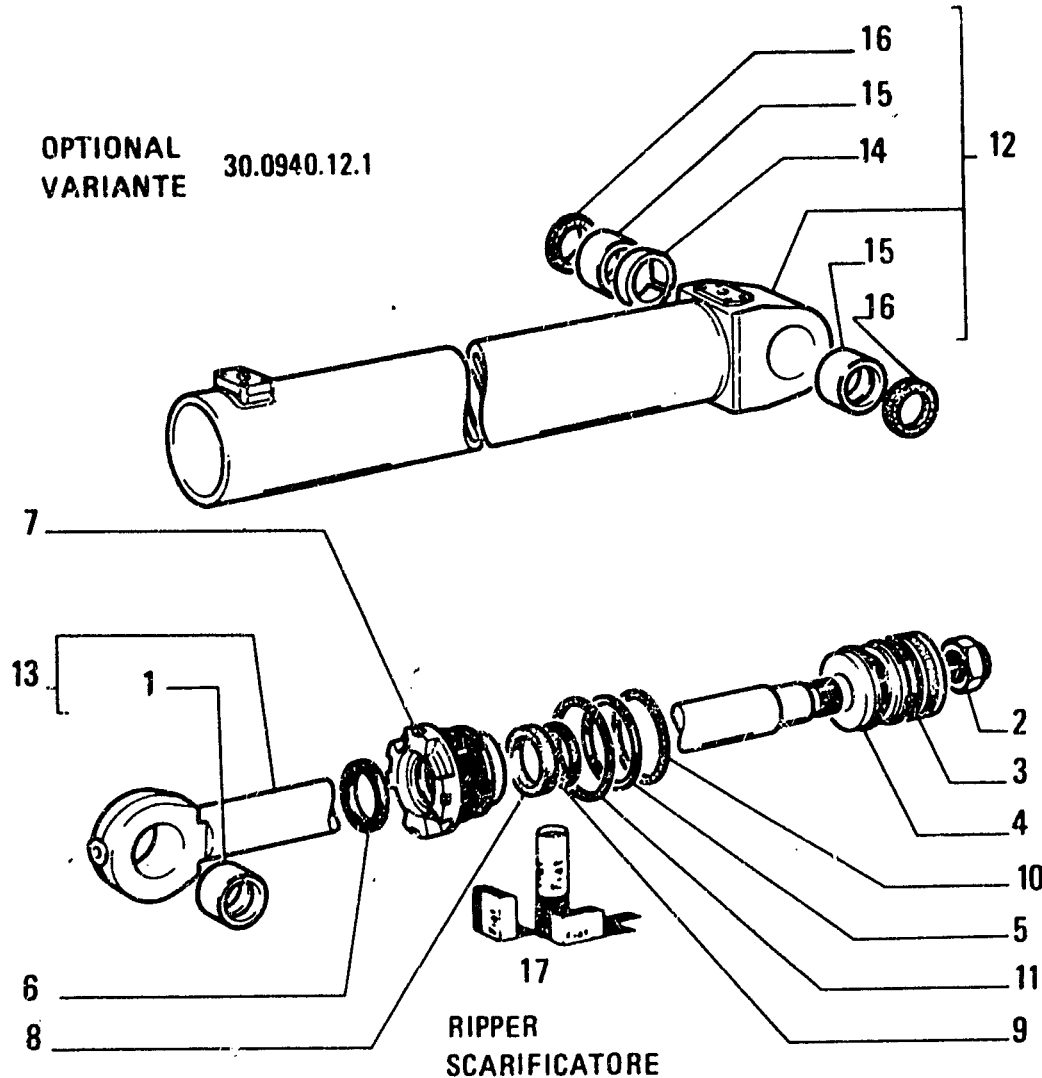
BUCKET CYLINDER - CILINDRO BENNA - VERIN DU GODET - LOEFFELZYLINDER - CILINDRO DE LA CUCHARA

E3.32/1

N.T.R. 163 - 30.05.1989

604.01.077.03

OPTIONAL
VARIANTE 30.0940.12.1



I T E M	PART NUMBER	Q T Y	TRANS CODE	DESCRIPTION	DESCRIZIONE
1	8283007	1	95B	BUSHING	BOCCOLA
2	8281824	1	10D	NUT	DADO
3	8291505	1	158G	O-RING	GUARNIZIONE O-R
4	8298052	1	235S	PISTON C1355	STANTUFFO C1355
	79038724	1	235S	PISTON D1355	STANTUFFO D1355
5	8298055	1	45A	RING	ANELLO
6	79065568	1	42A	MUDSCRAPER RING	ANELLO RASCHIAFANGO
7	8299752	1	80F	BOTTOM PLATE - FRONT C1355	FONDELLO - ANTERIORE C1355
	79038723	1	80F	BOTTOM PLATE - FRONT D1355	FONDELLO - ANTERIORE D1355
		1	80F	BOTTOM PLATE - FRONT C1357	FONDELLO - ANTERIORE C1357
	79047729	1	80F	BOTTOM PLATE - FRONT D1357	FONDELLO - ANTERIORE D1357
8	79065566	1	158G	O-RING	GUARNIZIONE O-R
9	79065567	1	45A	RING	ANELLO
10	14466080	1	158G	O-RING 3,53x101,19	GUARNIZIONE O-R 3,53x101,19
11	14466380	1	158G	O-RING 3,53x110,72	GUARNIZIONE O-R 3,53x110,72
12	79023531	1	35C	CYLILINER - ASSEMBLY C1355	CAMICIA - COMPLETO C1355
	79039519	1	53C	TUBE - ASSEMBLY D1355	CANNA CILINDRO - COMPLETO D1355
13	79023535	1	274S	ROD - ASSEMBLY C1355	STELO - COMPLETO C1355
	79039520	1	274S	ROD - ASSEMBLY D1355	STELO - COMPLETO D1355
14	8288830	1	75D	SPACER	DISTANZIALE
15	79043633	2	95B	BUSHING	BOCCOLA

79023529 - 79039378 - 79047896

CYLINDER - CILINDRO - CYLINDRE - ZYLINDER - CILINDRO

N14

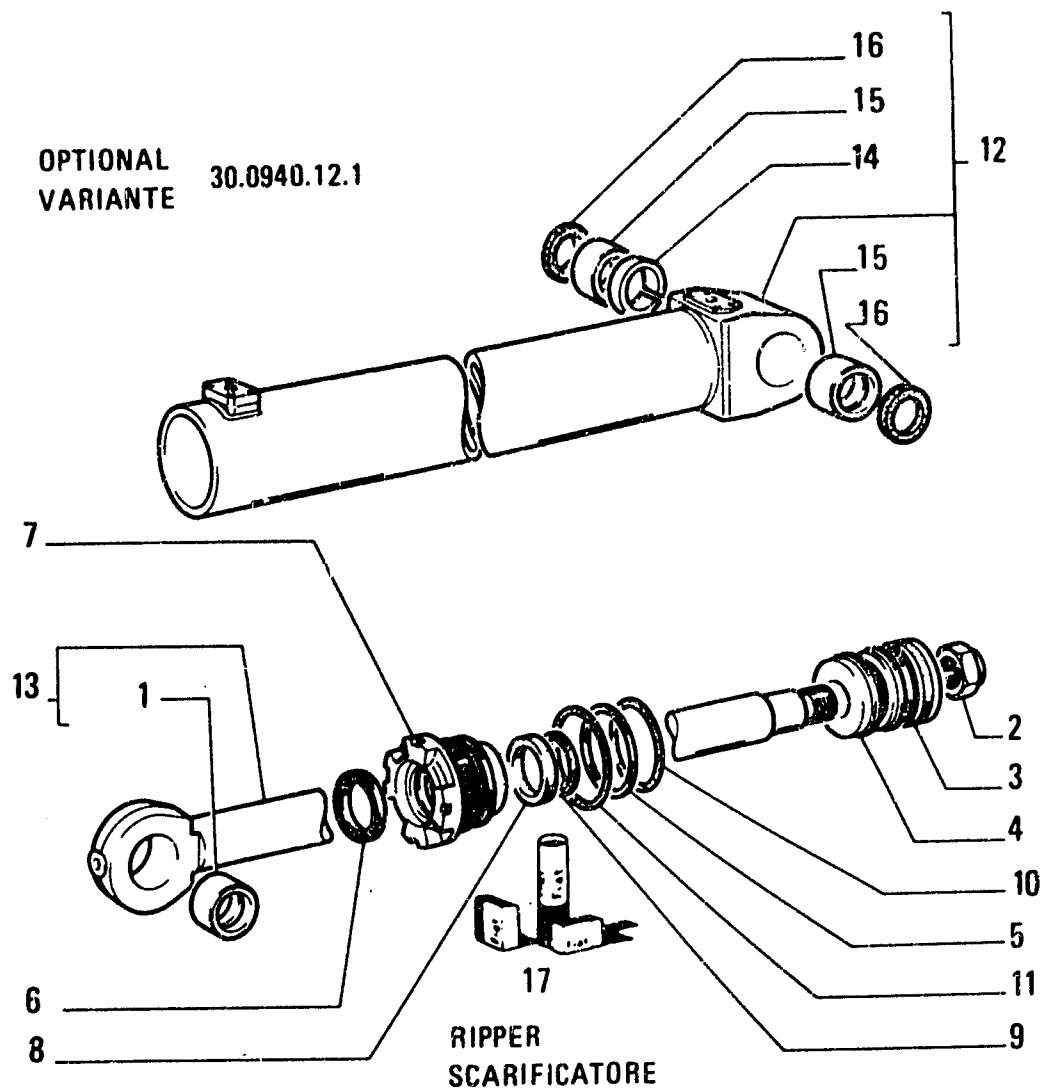
E3.32/2

N.T.R. 163 - 30.05.1989

604.01.077.03

FIATALLIS FL5

OPTIONAL
VARIANTE 30.0940.12.1



ITEM	PART NUMBER	QTY	TRANS CODE	DESCRIPTION	DESCRIZIONE
16	8288832	2	122G SEAL		GUARNIZIONE
17	79071464	1	1K KIT SEE PAGE 9		KIT VED. PAG.9

79023529 - 79039378 - 79047896

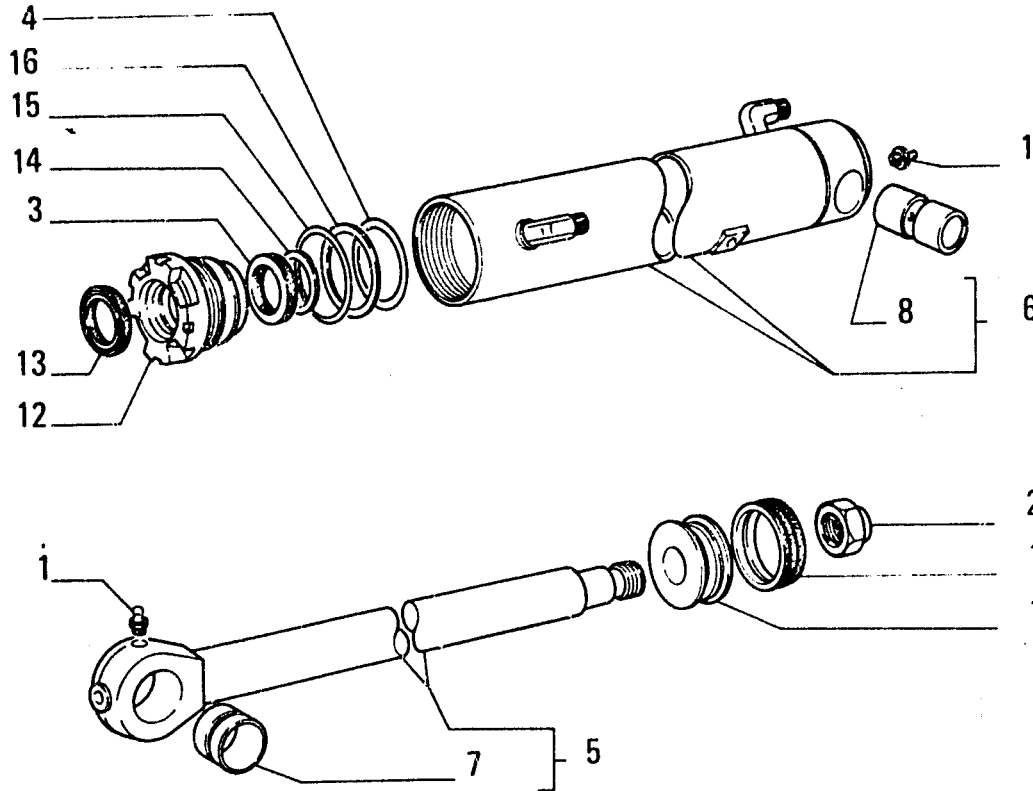
CYLINDER - CILINDRO - CYLINDRE - ZYLINDER -- CILINDRO

E3.32/2

N.T.R. 163 - 30.05.1989

604.01.077.03

N15



BACKHOE
RETROSCAVATORE



9 OPTIONAL
VARIANTE 30.0060.04.1

I T E M	PART NUMBER	Q T Y	TRANS CODE	DESCRIPTION	DESCRIZIONE
1	1347211	2	60I	GREASE FITTING	INGRASSATORE
2	8292266	1	10D	NUT	DADO
3	14460880	1	133R	SEAL 2,62x72,69	ROSETTA DI TENUTA 2,62x72,69
4	14464880	1	133R	SEAL 3,53x63,09	ROSETTA DI TENUTA 3,53x63,09
5	79036147	1	274S	ROD - ASSEMBLY	STELO - COMPLETO
6	79036148	1	53C	TUBE - ASSEMBLY RIGHT	CANNA CILINDRO - COMPLETO DESTRO
	79036150	1	53C	TUBE - ASSEMBLY LEFT	CANNA CILINDRO - COMPLETO SINISTRO
7	79036152	1	95B	BUSHING	BOCCOLA
8	79036158	1	95B	BUSHING	BOCCOLA
9	79036200	1	1K	KIT SEE PAGE 9	KIT VED. PAG.9
10	79037228	1	235S	PISTON	STANTUFFO
11	79037229	1	120G	GASKET	GUARNIZIONE PIANA
12	79037231	1	80F	BOTTOM PLATE - FRONT	FONDELLO - ANTERIORE
13	79037232	1	120G	GASKET	GUARNIZIONE PIANA
14	79037233	1	120G	GASKET	GUARNIZIONE PIANA
15	79037234	1	120G	GASKET	GUARNIZIONE PIANA
16	79037235	1	45A	RING	ANELLO

79036146 d - 79036149 s

8

STABILIZER CYLINDER - CILINDRO STABILIZZATORE - VERIN DE STABILISATEUR - ZYLINDER
FUER STUETZEN - CILINDRO DE ESTABILIZADOR

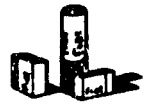
N16

E3.32/3

N.T.R. 163 - 30.05.1989

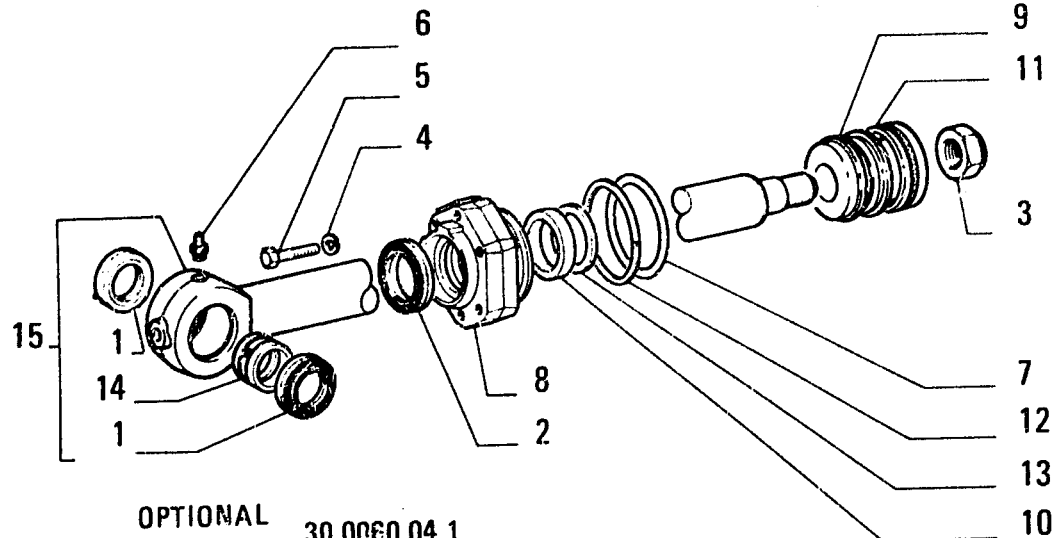
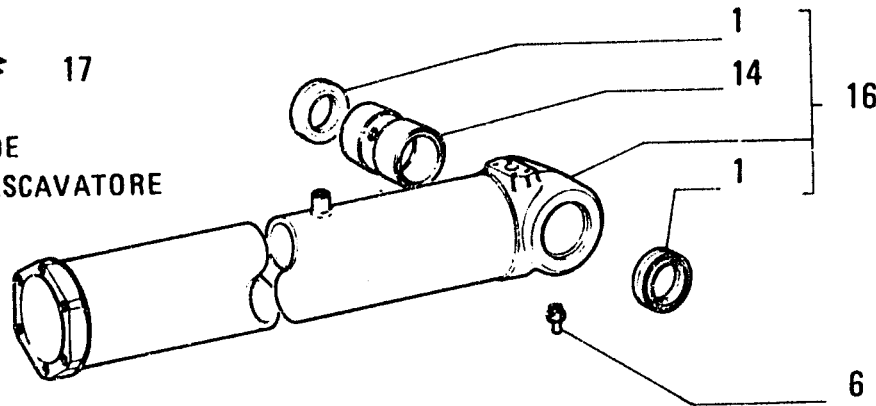
604.01.077.03

FIATALLIS FL5



17

BACKHOE
RETROSCAVATORE



OPTIONAL
VARIANTE 30.0000.04.1

ITEM	PART NUMBER	QTY	TRANS CODE	DESCRIPTION	DESCRIZIONE
1	8288832	4	120G	GASKET	GUARNIZIONE PIANA
2	8291846	1	120G	GASKET	GUARNIZIONE PIANA
3	8292259	1	10D	NUT	DADO
4	10517171	6	132R	LOCKWASHER 14,2x3,5	ROSETTA DI SICUREZZA 14,2x3,5
5	11116831	6	40V	SCREW 14x2x80	VITE 14x2x80
6	13407211	2	60I	GREASE FITTING 10x1	INGRASSATORE 10x1
7	14473280	1	133R	SEAL 5,33x113,66	ROSETTA DI TENUTA 5,33x113,66
8	79023153	1	80F	BOTTOM PLATE - FRONT	FONDELLO - ANTERIORE
9	79023158	1	235S	PISTON	STANTUFFO
10	79023159	1	120G	GASKET	GUARNIZIONE PIANA
11	79023160	1	120G	GASKET	GUARNIZIONE PIANA
12	79023161	1	45A	RING	ANELLO
13	79023162	1	120G	GASKET	GUARNIZIONE PIANA
14	79036079	2	95B	BUSHING	BOCCOLA
15	79036096	1	274S	ROD - ASSEMBLY	STELO - COMPLETO
16	79036097	1	53C	TUBE - ASSEMBLY	CANNA CILINDRO - COMPLETO
17	79036199	1	1K	KIT SEE PAGE 9	KIT VED. PAG.9

79036095

LIFT CYLINDER - CILINDRO SOLLEVAMENTO - VERIN DE RELEVAGE - HUBZYLINDER
CILINDRO DE LEVANTAMIENTO

E3.32/4

N.T.R. 163 - 30.05.1989

604.01.077.03

N17

DESIGNAZIONE BASE	BASIC DESIGNATION	DESIGNATIONS-BASES	GRUNDBEZEICHNUNGEN	DENOMINACIONES BASE
286C	COPPIA DI INGRANAGGI	GEAR SET	COUPLE D'ENGRENAGES	PAR DE ENGRANAJES
286C				
286T	TELAIO ANTERIORE	FRONT MAIN FRAME	CHASSIS AVANT	ARMAZON DELANTERO
287T	TELAIO POSTERIORE	REAR MAIN FRAME	CHASSIS ARRIERE	ARMAZON TRASERO
288S	STRUMENTO MULTIPLO	INSTRUMENT CLUSTER	COMBINE DE BORD PLUS INDICAT	QUADRO DE INDICACIONES MULTIPL
288T	TROMBA ACUSTICA	PROJECTOR	TROMPETTE	TROMPETA
289T	TRATTORE	TRACTOR	TRACTEUR	TRACTOR
29G1	COMANDI ESTERNI CAMBIO	TRANSMISSION OUTSIDE CONTROL	COMMANDES EXTER. BOITE VITESSE	VARRILAJE CAMBIO VELOCIDADES
29G2	COMANDI ESTERNI RIDUTTORE	LOW SPEED OUTER CONTROLS	COMMANDES EXTER. REDUCTEUR	MANDO DEL REDUCTOR DEL CAMBIO
29G3	DISPOSITIVI SICUREZZA CAMBIO	TRANSMISSION SAFETY DEVICE	BLOCAGE DE BOITE DE VITESSES	ENCLAVAMIENTO DEL CAMBIO
290C	COPRIGIUNTO	FISHPLATE	COUVRE-JOINT	CUBREJUNTAS
290T	TUBETTO IDENTIFIC. CAVI	CABLE IDENTIF. TUBE		
291C	COPRIGUARNIZIONE	SEAL COVER	COUVRE-JOINT	ABRAZADERA
291T	TORQUE CONTROL	TORQUE CONTROL		
292C	COPRIPEDALE DI GOMMA	PEDAL RUBBER PAD	GARNITURE CADUTCHOU	FORRO DE CAUCHO
293C	COPRITAPPO	PLUG COVER	CACHE-BOUCHON	CAPUCHON
294S	SUCCHIERUOLA	SUCTION ROSE	CREPINE	FILTRO DE ASPIRACION
295C	CORNICE	BEZEL	MONTURE	MARCO
295S	SUOLA	SHOE	PATIN	ZAPATA
296C	COPRIPULSANTE	BUTTON COVER	CACHE-BOUTON	DRUCKKNOPFDECKEL
297C	CORONA DENTATA	RING GEAR	COURONNE DENTEE	ZAHNKRANZ
3G42	CILINDRO POSIZIONATORE	POSITIONER CYLINDER	CYLINDRE POSITION	STELLZYLINDER
3G44	CILINDRO PENETRAZIONE	PENETRATION CYLINDER	CYLINDRE DE PENETRATION	EINDRINGZYLINDER
300C	CORPO	BODY	CORPS	GEHAUSE
300S	SUPPORTO	SUPPORT	SUPPORT	TRAEGER
3007	PNEUMATICI 23.5X25	TIRES 23.5X25	PNEUS 23.5X25	REIFEN 23.5X25
301S	SUPPORTO ELASTICO	SNUBBER	SUPPORT ELASTIQUE	FEDERTRAEGER
3017	PNEUMATICI 20X24	TIRES 20X24		REIFEN 20X24
302S	SUPPORTO OSCILLANTE	SWIVELLING BLOCK	SUPPORT OSCILLANT	KIPPLAGER
304S	SUPPORTO MASSE CENTRIFUGHE	WEGHT PLATE	PLAQUE DE MASSE-LOTTE	VERSTELLPLATTE
304S				
305S	SUPPORTO CON CATADIOTTRO	SUPPORT W/REFLEX REFLECTOR	SUPPORT AVEC CATA-DIOPTRE	LAGER MIT RUECK-STRAHLER
305S				
307C	CORRETTORE	CORRECTOR	CORRECTEUR	VERSTELLER
308C	CORRETTORE DI FRENATA	BRAKE COMPENSATOR	REPARTITEUR DE FRENAGE	BREMSVERSTELLER
308C				
310S	SURPRESSORE FRENI	BRAKE BOOSTER	SURPRESSEUR DE FREINS	DRUCKVERSTELLER
312C	CREMAGLIERA	RACK	CREMAILLIERE	ZAHNSTANGE
315C	CRISTALLO	GLASS PANE	GLACE	GLASSCHEIBE
316C	CRISTALLO PROIETTORE	HEADLAMP LENS	GLACE DE PRO-JECTEUR	STREUSCHEIBE
316C				

DESIGNAZIONE BASE	BASIC DESIGNATION	DESIGNATIONS-BASES	GRUNDBEZEICHNUNGEN	DENOMINACIONES BASE
238P	PUNTALE	PUSH ROD	EMBOUT	DRUCKSTANGE
239P	PUNTELLO	STAY	BEQUILLE	STREBE
2464	TUBAZIONI TRASM.IDROSTATICA	HYDROSTATIC DRIVE SYSTEM LINES		
240P	PUNTERIA	TAPPET	POUSSOIR	STOESSEL
241P	PUNTERIA A RULLO	ROLLER TAPPET	POUSSOIR A GALET	ROLLENSTOESSEL
241P				
242P	PUNTA DENTE RIPPER	RIPPER SHANK POINT	POINTE DENT SCARIFICATEUR	AUFREISSERZAHNSPITZE
244P	PUNTONE	STRUT	ETAJ	STREBE
245C	CONTACHILOMETRI	SPEEDOMETER - KM	COMPTEUR KILOME- TRIQUE	KILOMETERZAEHLER
245C				
246C	CONTAMIGLIA	SPEEDOMETER-MILES	COMPTEUR DE MILLES	MEILENZAEHLER
247C	CONTAGIRI	TACHOMETER	COMPTE-TOURS	DREHZAHLMESSER
248C	CONTAORE	HOURLMETER	HOROMETRE	STUNDENZAehler
248P	PUNZONE	PUNCH	POINCON	DURCHSCHLAG
25GA	INNESTO TRASMISSIONE	ENGINE/TRANSMISSION COUPLING		GETRIEBESCHALTUNG
25G1	COLLEGAMENTI CAMBIO	TRANSMISSION CONNECTING	CONNECTIONS DE BOITE/VITESSES	GETRIEBEANSCHLUESSE
250C	CONTATTO	CONTACT	CONTACT	KONTAKT
254C	CONTENITORE	CONTAINER	CONTAINER	BEHAELTER
255C	CONTENITORE FILTRO	FILTER SHELL	CUVE DE FILTRE	FILTERGEHAUSE
257C	CONTRODADO	LOCK NUT	CONTRE-ECROU	KONTERMUTTER
259C	CONVERTITORE DI COPPIA	TORQUE CONVERTER	CONVERTISSEUR DE COUPLE	DREHMOMENTWANDLER
260C	CONVOGLIATORE	SHROUD	CONVOYEUR	LEITBLECH
265C	COPERCHIO	COVER	COUVERCLE	DECKEL
270C	COPIGLIA	COTTER PIN	COUPILLE	SPLINT
271S	STATORE	STATOR	STATOR	STATOR
274C	COPPA OLIO	OIL SUMP	CARTER A HUILE	OELWANNE
274S	STELO	ROD	TIGE	KOLBENSTANGE
275C	COPPA	SUMP	CARTER A HUILE	OELWANNE
275S	STERZO	STEERING	DIRECTION	LENKUNG
278C	COPPA DELLA RUOTA	WHEEL CAP	ENJOLIVEUR DE ROUE	RADKAPPE
278C				
279C	COPPA RACCOGLIOLIO	OIL SHIELD	COLLECTEUR	OELFANGSCHALE
279C			D'HUILE	
2868	DISPOSITIVO LUBRIFIC.CAMBIO	TRANS.LUBRICATION SYSTEM	DISP.LUBRIFIC.BOITE VITESSE	GETRIEBESCHMIERSYSTEM
280S	STOPPINO	WICK	MECHE	SCHMIERDOCHT
282T	TARGA MANUTENZIONE	SERVICE AND LUBE INSTRUCTION	DECALCOMANIE ENTRETIEN	ABZIEHBILD BETAETIGUNG/WINKELS
283T	TARGHETTA IDENTIFICAZIONE	IDENTIFICATION PLATE	PLAQUETTE RECAPITULATIVE	TYPENSCHILD
284T	TERGICRISTALLO POSTERIORE	WINDSCREEN WIPER	ESSUIE-GLACE	SCHIEBENWISCHERHINTER
285C	COPPIA CONICA	BEVEL GEAR SET	COUPLE CONIQUE	TELLER UND KEGELRAD
205T	TUBO FLESSIBILE	HOSE	TUYAU FLEXIBLE	SCHLAUCH

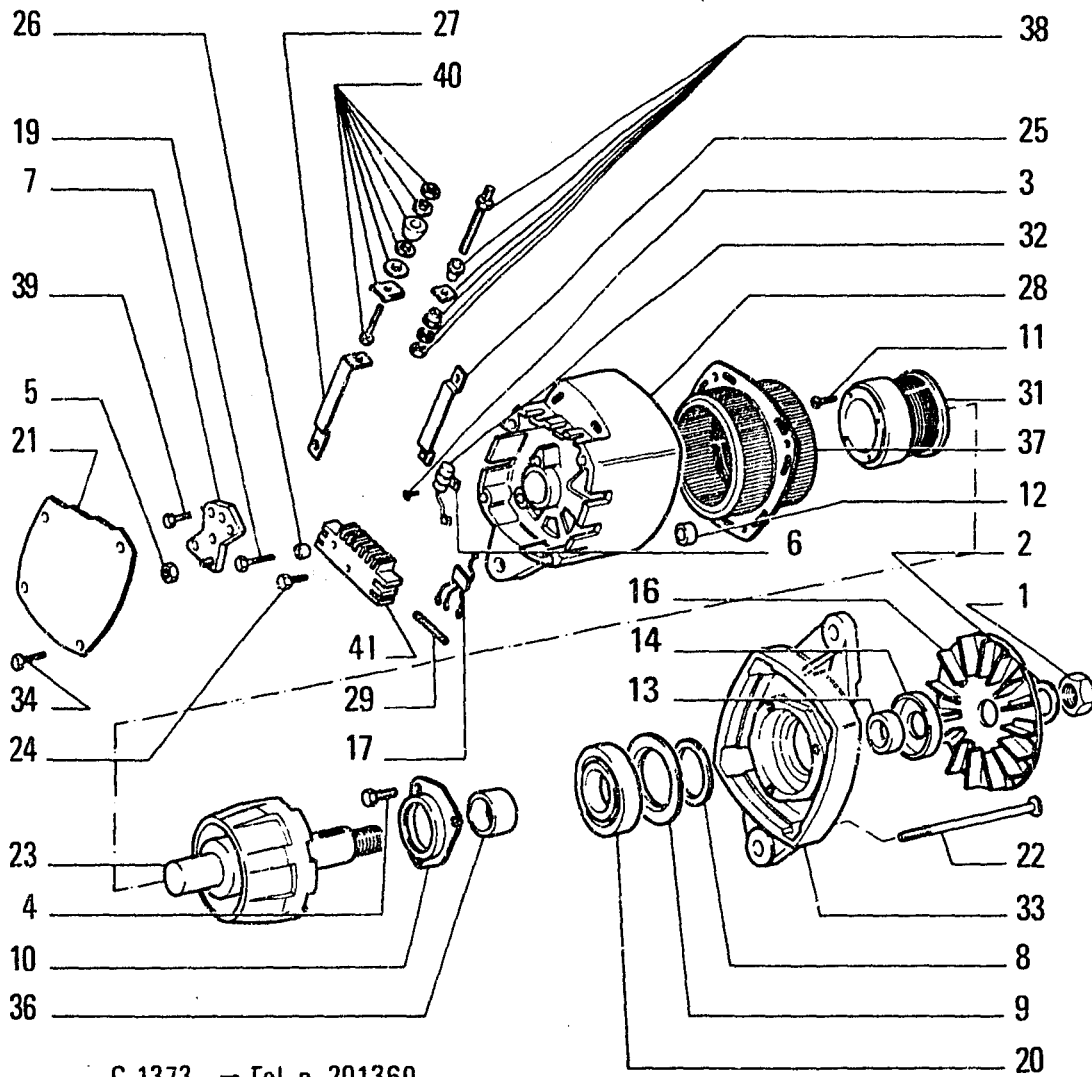
DESIGNAZIONE BASE	BASIC DESIGNATION	DESIGNATIONS-BASES	GRUNDBEZEICHNUNGEN	DENOMINACIONES BASE
210C	COMMUTATORE	SWITCH	COMMUTATEUR	CONMUTADOR
210P	PRIGIONIERO	STUD	GOUJON	ESPARRAGO
210T	TURBOCOMPRESSORE	TURBOCHARGER	TURBOCOMPRESSEUR	TURBOCOMPRESOR
211T	TUTA	OVERALL	COMBINAISON	MONO DE MECANICO
214C	COMPRENDE	INCLUDES	COMPRENDE	COMPRENDE
215P	PROFILATO	CHANNEL	PROFILE	PERFIL
215S	SQUADHETTA	CONNECTING PLATE	EQUERRE	ESCUADRA
216C	COMPRESSORE ARIA	AIR COMPRESSOR	COMPRESSEUR D'AIR	COMPRESOR
216P	PROFILATO DI GOMMA	RUBBER SECTION	PROFILE CAOUTCHOUC	PERFIL DE GOMA
218P	PROIETTORE A TRE LUCI	THREE-LIGHT HEADLAMP	PROJECTEUR A TROIS FEUX	PROYECTOR DE TRES LUCES
218P				
22G0	ROTAZIONE RETROSCAVATORE	BACKHOE ROTATION	ROTATION PELLE RETRO	ROTACION RETROEXCAVADORA
220C	CONDENSATORE	CONDENSER	CONDENSATEUR	CONDENSADOR
220P	PROIETTORE	FLOODLIGHT	PROJECTEUR	PROYECTOR
220S	STABILIZZATORE	STABILIZER	STABILISATEUR	ESTABILIZADOR
221C	CONDIZIONATORE	AIR CONDITIONER	CLIMATISEUR	CLIMATIZADOR
221P	PROIETTORE SDOPPIATO	DUAL HEADLAMP	PROJECTEUR JUMELE	PROYECTORES GEMELOS
221P				
222P	PROLUNGA	EXTENSION	RALLONGE	EXTENSION
223C	CONDOTTO	DUCT	CONDUIT	CONDUCTO
223P	PROLUNGA PER GONFIAGGIO	TIRE INFLATION EXTENSION	RALLONGE DE GONFLAGE	EXTENSION DE MANGUERA
223P				
223P				
224C	CONDOTTO ARIA	AIR DUCT	CONDUIT D'AIR	CONDUCTO DE AIRE
224P	PROTEZIONE	SHIELD	PROTECTION	DEFENSA
225C	COLLETTORE ASPIRAZIONE	INTAKE MANIFOLD	CONDUIT D'ADMISSION	COLECTOR DE ASPIRACION
225S	STAFFA	BRACKET	ETRIER	ESTRIBO
226S	STAFFA AD U	U-BOLT	ETRIER PROFILE EN U	BRIDA DE SECCION EN U
226S				
23G3	PEDALIERA	PEDAL CONTROL		
23G5	TUBAZIONI COMANDO TRASM. IDR.	TRANSMISSION CONTROL LINES		
230C	COLLETTORE DI SCARICO	EXHAUST MANIFOLD	CONDUIT D'ECHAPPEMENT	COLECTOR DE ESCAPE
230P	PULEGGIA	PULLEY	POULIE	POLEA
230V	VOLTAMPEROMETRO	VOLTAMMETER	VOLT-AMPEROMETRE	VOLTAMPERIMETRO
231S	STAFFETTA	CLIP	COLLIER	ABRAZADERA
231V	VERNICE	PAINT	PEINTURE	PINTURA
235C	CONNESSIONE	CONNECTION	CONNEXION	CONEXION
235S	STANTUFFO	PISTON	PISTON	EMBOLO
236P	PULSANTE	PUSH BUTTON	BOUTON	PULSADOR
237P	PULSANTIERA	SWITCH PANEL	CLAVIER	DECLADO

E

AUXILIARY ATTACHMENT (AND EQUIPMENT) • ORGANI SUSSIDIARI (E ATTREZZI) • ORGANES AUXILIAIRES (ET EQUIPEMENT) • NEBENAGGREGATE (UND GERÄTE) • GRUPOS AUXILIARES (Y EQUIPO)

F

ELECTRICAL SYSTEM • IMPIANTO ELETTRICO • SYSTEME ELECTRIQUE • ELEKTRISCHE ANLAGE • SISTEMA ELETTRICO



FIATALLIS FL5

F3.03 TAV. 1 PAG.2

ITEM	PART NUMBER	QTY	TRANS CODE	DESCRIPTION	DESCRIZIONE
27	73117741	1	235C	CONNECTION	CONNESSIONE
28	73117742	1	300S	SUPPORT	SUPPORTO
29	73117744	1	85I	INSULATOR	ISOLANTE
30	73117745	1	235C	CONNECTION - DELATED	CONNESSIONE - ELIMINATO
31	73117746	1	110A	WINDING	AVVOLGIMENTO
32	73117747	1	220C	CONDENSER	CONDENSATORE
33	73117748	1	300S	SUPPORT	SUPPORTO
34	73117750	5	40V	SCREW	VITE
35	73117751	2	131R	WASHER - DELATED	ROSETTA - ELIMINATO
36	73117752	1	180C	COLLAR	COLLARE
37	73117754	1	271S	STATOR	STATORE
38	73119570	1	250C	CONTACT	CONTATTO
39	73119636	2	40V	SCREW	VITE
40	73119637	1	250C	CONTACT	CONTATTO
41	73131960	1	39R	RESISTOR	RESISTORE

C 1373 → Tel. n. 201360

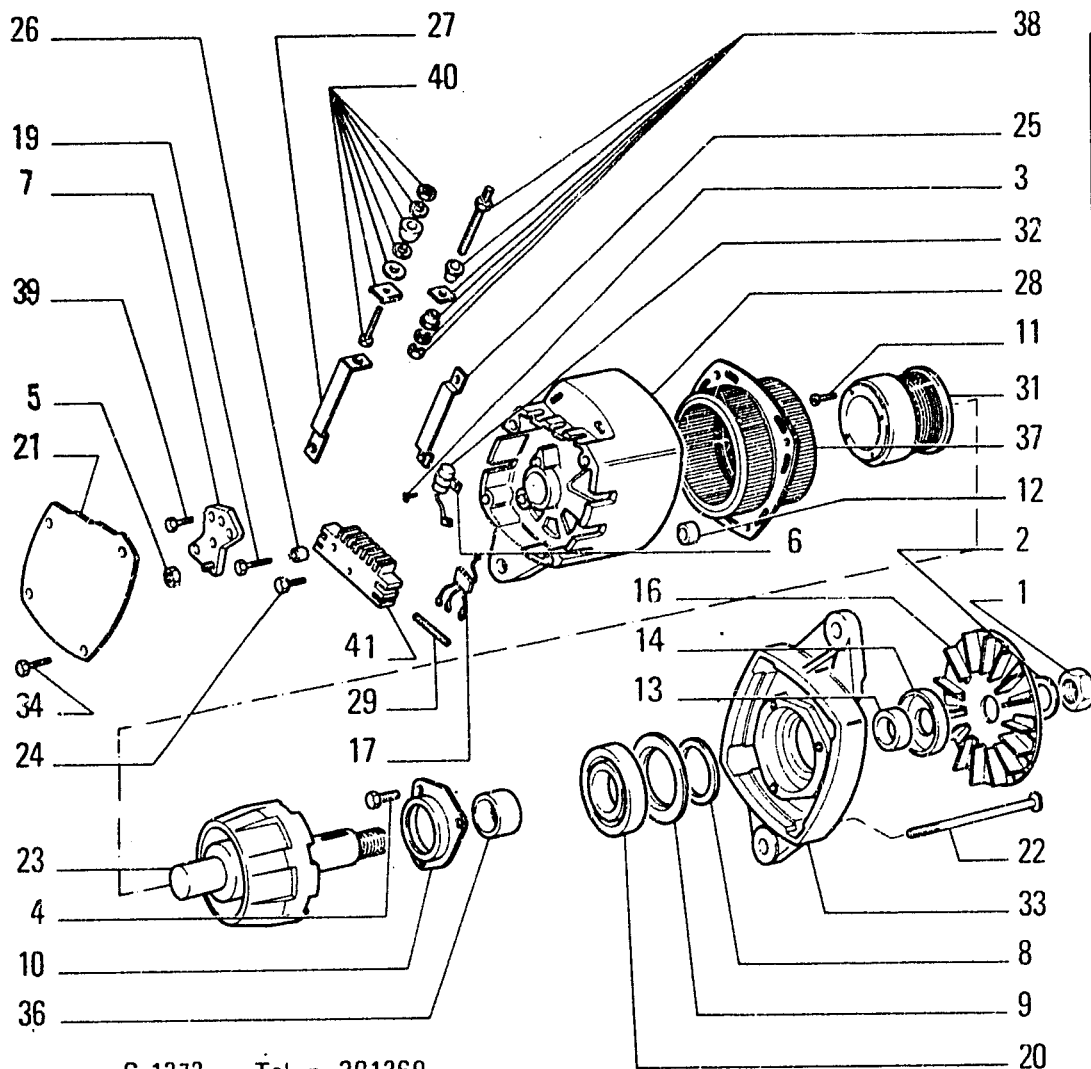
73119134

ALTERNATOR - ALTERNATORE - ALTERNATEUR - DREHSTROM - LICHT - MASCHINE - ALTERNADOR

F3.03

N.T.R. 163 - 30.05.1989

604.01.077.03



C 1373 -- Tel. n. 201360

FIATALLIS FL5

F3.03 TAV. 1 PAG.1

ITEM	PART NUMBER	QTY	TRANS CODE	DESCRIPTION	DESCRIZIONE
1	70189001	1	10D NUT		DADO
2	70189002	1	131R WASHER		ROSETTA
3	73117031	3	40V SCREW		VITE
4	73117032	3	40V SCREW		VITE
5	73117036	4	10D NUT		DADO
6	73117038	1	225S BRACKET		STAFFA
7	73117044	1	32R RECTIFIER		RADDRIZZATORE
8	73117056	1	131R WASHER		ROSETTA
9	73117058	1	45A RING		ANELLO
10	73117073	1	105P PLATE		PIASTRA
11	73117087	4	40V SCREW		VITE
12	73117088	1	95B BUSHING		BOCCOLA
13	73117096	1	95B BUSHING		BOCCOLA
14	73117103	1	334C DUST BOOT		CUFFIA PARAPOLVERE
15	73117110	1	10D NUT - DELATED		DADO - ELIMINATO
16	73117119	1	36V BLOWER		VENTOLA
17	73117126	1	53D DIODE		DIODO
18	73117724	4	131R WASHER - DELATED		ROSETTA - ELIMINATO
19	73117731	1	40V SCREW		VITE
20	73117732	1	341C BEARING C 977		CUSCINETTO C 977
	73133823	1	341C BEARING D 977		CUSCINETTO D 977
21	73117733	1	265C COVER		COPERCHIO
22	73117734	4	40V SCREW		VITE
23	73117735	1	145R ROTOR		ROTORE
24	73117737	2	40V SCREW		VITE
25	73117739	1	235C CONNECTION		CONNESSIONE
26	73117740	1	95B BUSHING		BOCCOLA

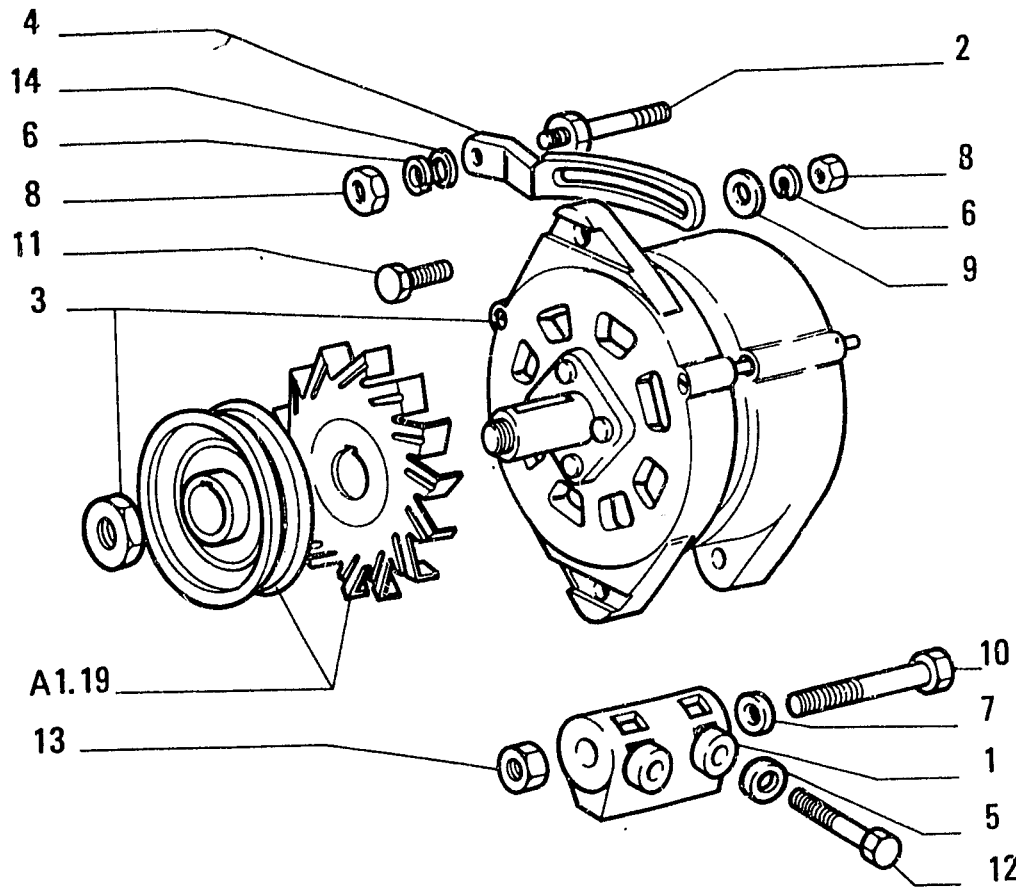
73119134

ALTERNATOR - ALTERNATORE - ALTERNATEUR - DREHSTROM - LICHT - MASCHINE - ALTERNADOR

F3.03

N.T.R. 163 - 30.05.1989

604.01.077.03



A1.19

13

D 1373 Tel. n. 201361 →

ITEM	PART NUMBER	QTY	TRANS CODE	DESCRIPTION	DESCRIZIONE
1	4600128	1	300S	SUPPORT	SUPPORTO
2	4605853	1	40V	SCREW	VITE
3	4786913	1	25A	ALTERNATOR - ASSEMBLY SEE SGR. F3.03/A	ALTERNATORE - COMPLETO VEDERE SGR. F3.03/A
4	4806133	1	87T	BELT STRETCHER	TENDICINGHIA
5	11193871	2	131R	WASHER 8,4x16	ROSETTA 8,4x16
6	11190579	2	131R	WASHER	ROSETTA
7	11198671	1	131R	WASHER 13x24	ROSETTA 13x24
8	12164711	2	10D	NUT 10x1,25x8	DADO 10x1,25x8
9	12646801	1	131R	WASHER 10,2x25	ROSETTA 10,2x25
10	15541821	1	40V	SCREW 12x1,25x120	VITE 12x1,25x120
11	15970921	1	40V	SCREW 10x1,25x35	VITE 10x1,25x35
12	16044221	2	40V	SCREW 8x1,25x50	VITE 8x1,25x50
13	16101511	1	10D	NUT 12x1,25x10	DADO 12x1,25x10
14	12642401	1	131R	WASHER	ROSETTA

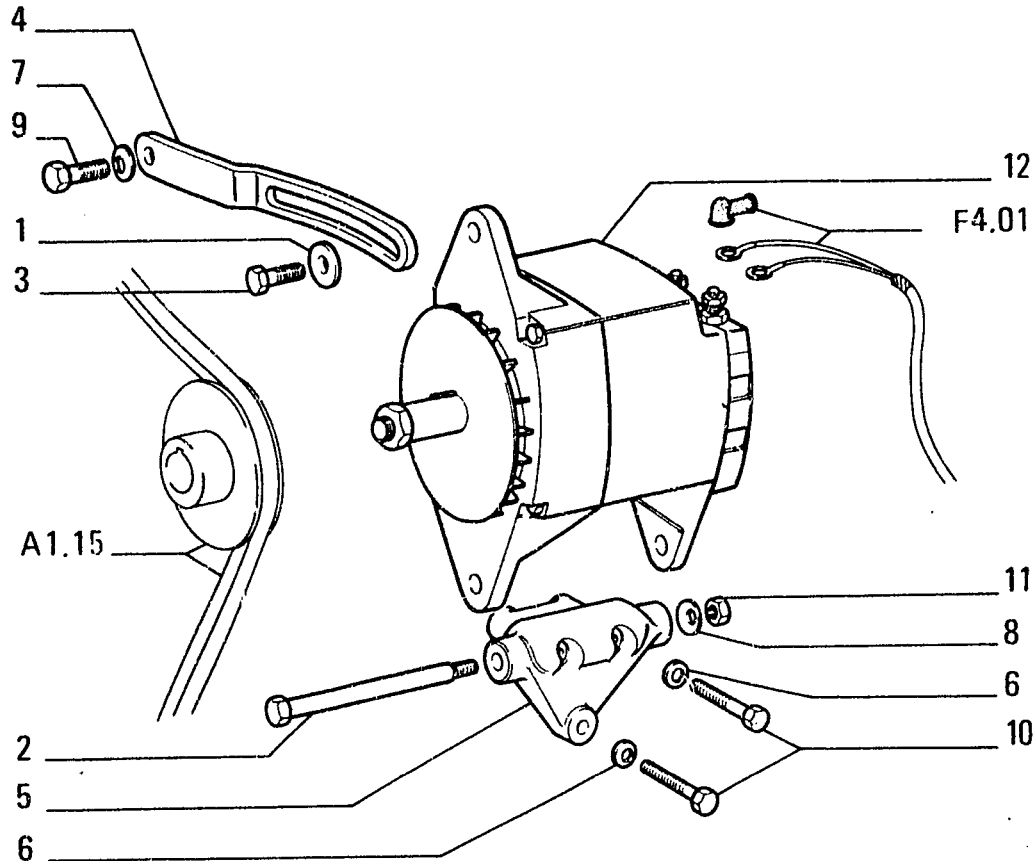
CURRENT GENERATING SYSTEM - GENERAZIONE DI CORRENTE - GROUPE GENERATEUR DE
COURANT - STROMERZEUGUNG - GENERADOR DE CORRIENTE

F3.01

2A

N.T.R. 163 - 30.05.1989

604.01.077.03



ITEM	PART NUMBER	QTY	TRANS CODE	DESCRIPTION	DESCRIZIONE
1	4643544	1	131R	WASHER	ROSETTA
2	4744740	1	40V	SCREW	VITE
3	4744741	1	40V	SCREW	VITE
4	4744845	1	87T	BELT STRETCHER	TENDICINGHIA
5	4756657	1	300S	SUPPORT	SUPPORTO
6	11193871	3	131R	WASHER 8,4x16	ROSETTA 8,4x16
7	11198371	1	131R	WASHER 10,5x20	ROSETTA 10,5x20
8	11198671	1	131R	WASHER 13x24	ROSETTA 13x24
9	11306931	1	40V	SCREW 10x1,25x30	VITE 10x1,25x30
10	16044121	3	40V	SCREW 8x1,25x45	VITE 8x1,25x45
11	16101511	1	10D	NUT 12x1,25x10	DADO 12x1,25x10
12	73119134	1	25A	ALTERNATOR - ASSEMBLY SEE SGR. F3.03	ALTERNATORE - COMPLETO VEDERE SGR. F3.03

C 1373 -- Tel. n. 201360

CURRENT GENERATING SYSTEM - GENERAZIONE DI CORRENTE - GROUPE GENERATEUR DE
 COURANT - STROMERZEUGUNG - GENERADOR DE CORRIENTE

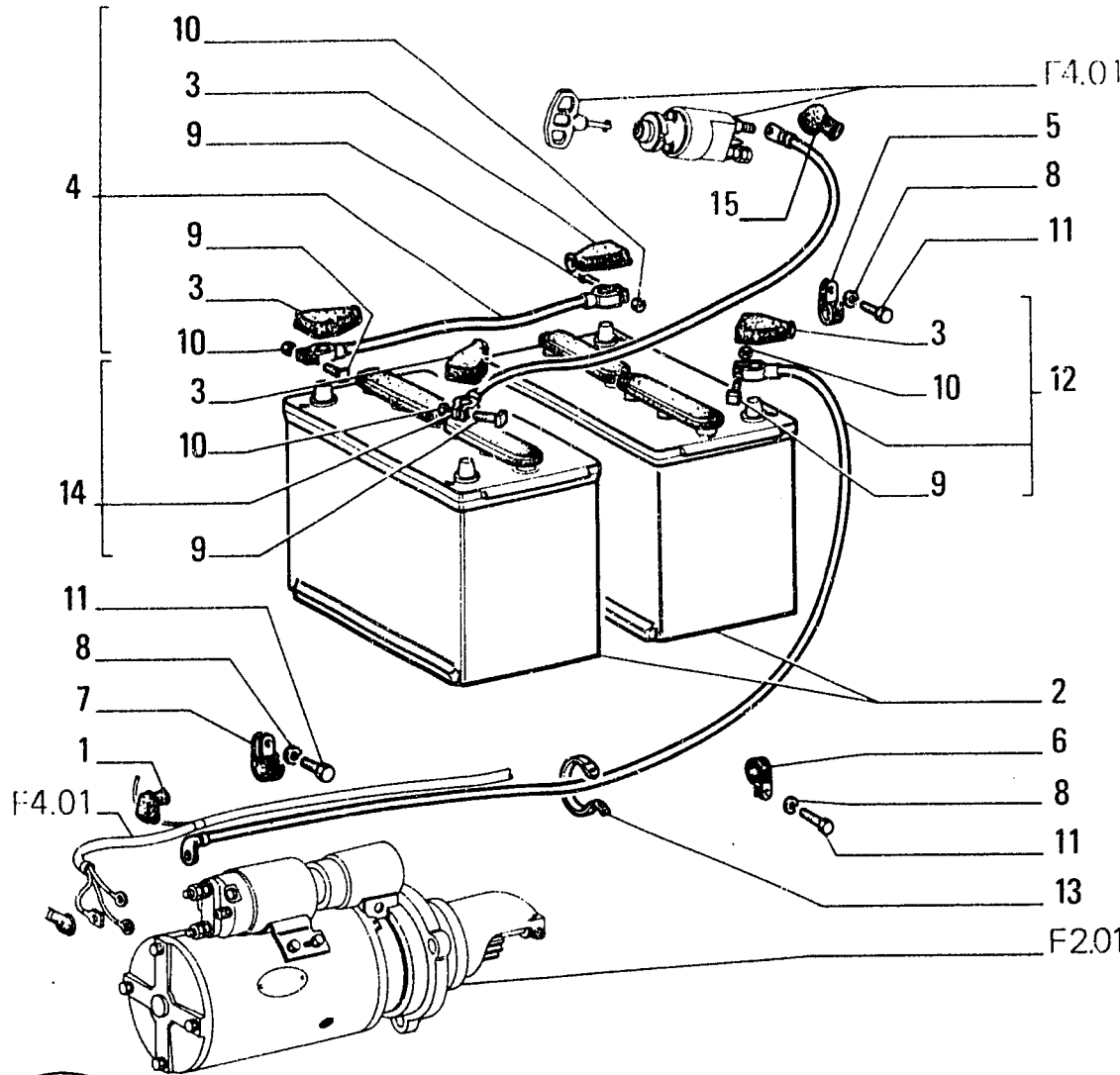
F3.01

2

N.T.R. 163 - 30.05.1989

604.01.077.03

FIATALLIS FL5



ITEM	PART NUMBER	QTY	TRANS CODE	DESCRIPTION	DESCRIZIONE
1	552699	1	65C BOOT	CAPPUCCIO	
2	4360198	2	25B BATTERY (*) C2116	BATTERIA (*) C2116	
	4680251	2	25B BATTERY C2116	BATTERIA C2116	
	79062581	2	25B BATTERY D2116	BATTERIA D2116	
	79062584	2	25B BATTERY (*) D2116	BATTERIA (*) D2116	
3	4950259	4	65C BOOT	CAPPUCCIO	
4	4954336	1	111C CABLE - ASSEMBLY	CAVO - COMPLETO	
5	10450490	1	231S CLIP 16x9	STAFFETTA 16x9	
6	10450790	1	231S CLIP 22x9	STAFFETTA 22x9	
7	10450890	2	231S CLIP 24x9	STAFFETTA 24x9	
8	10516671	4	132R LOCKWASHER 8,1x2,2	ROSETTA DI SICUREZZA 8,1x2,2	
9	11945008	4	40V SCREW 6x1x30	VITE 6x1x30	
10	15896218	4	10D NUT 6x1x5	DADO 6x1x5	
11	16043231	4	40V SCREW 8x1,25x16	VITE 8x1,25x16	
12	79008406	1	111C CABLE - ASSEMBLY	CAVO - COMPLETO	
13	79013422	1	31F CLAMP	FASCETTA	
14	79032752	1	111C CABLE	CAVO	
15	79041038	1	66C DUST CAP D 968	CAPPUCCIO PARAPOLVERE D 968	
(*)			469P FOR SPECIAL EQUIPMENT 30.0748.08.1		PER VARIANTE 30.0748.08.1

03701

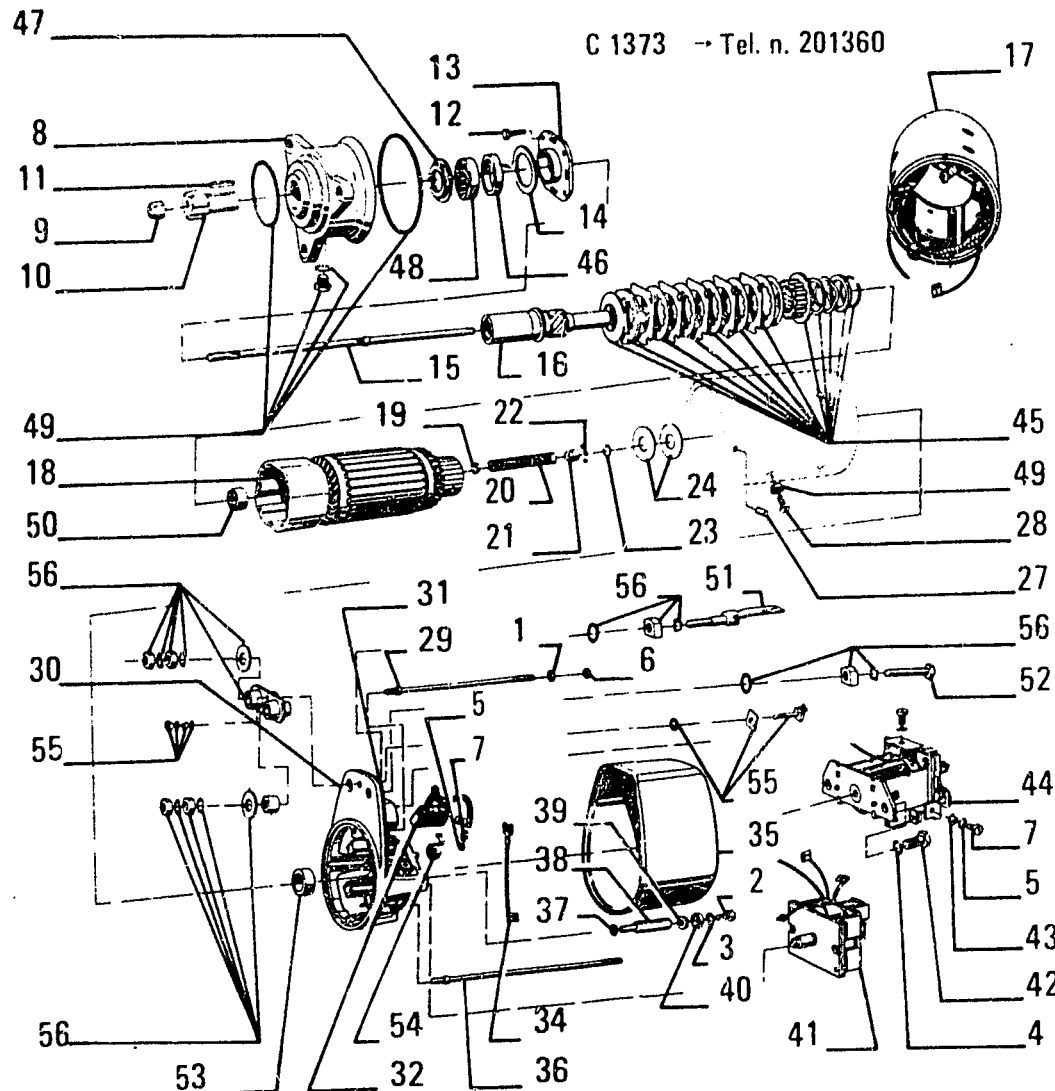
CURRENT GENERATING SYSTEM - GENERAZIONE DI CORRENTE - GROUPE GENERATEUR DE COURANT - STROMERZEUGUNG - GENERADOR DE CORRIENTE

F3.01

1

N.T.R. 102 - 31.05.82
604.01.077.01

FIATALLIS FL5



ITEM	PART NUMBER	QTY	TRANS CODE	DESCRIPTION	DESCRIZIONE
55	79052280	1	2K	KIT	KIT
56	79052281	1	2K	KIT	KIT

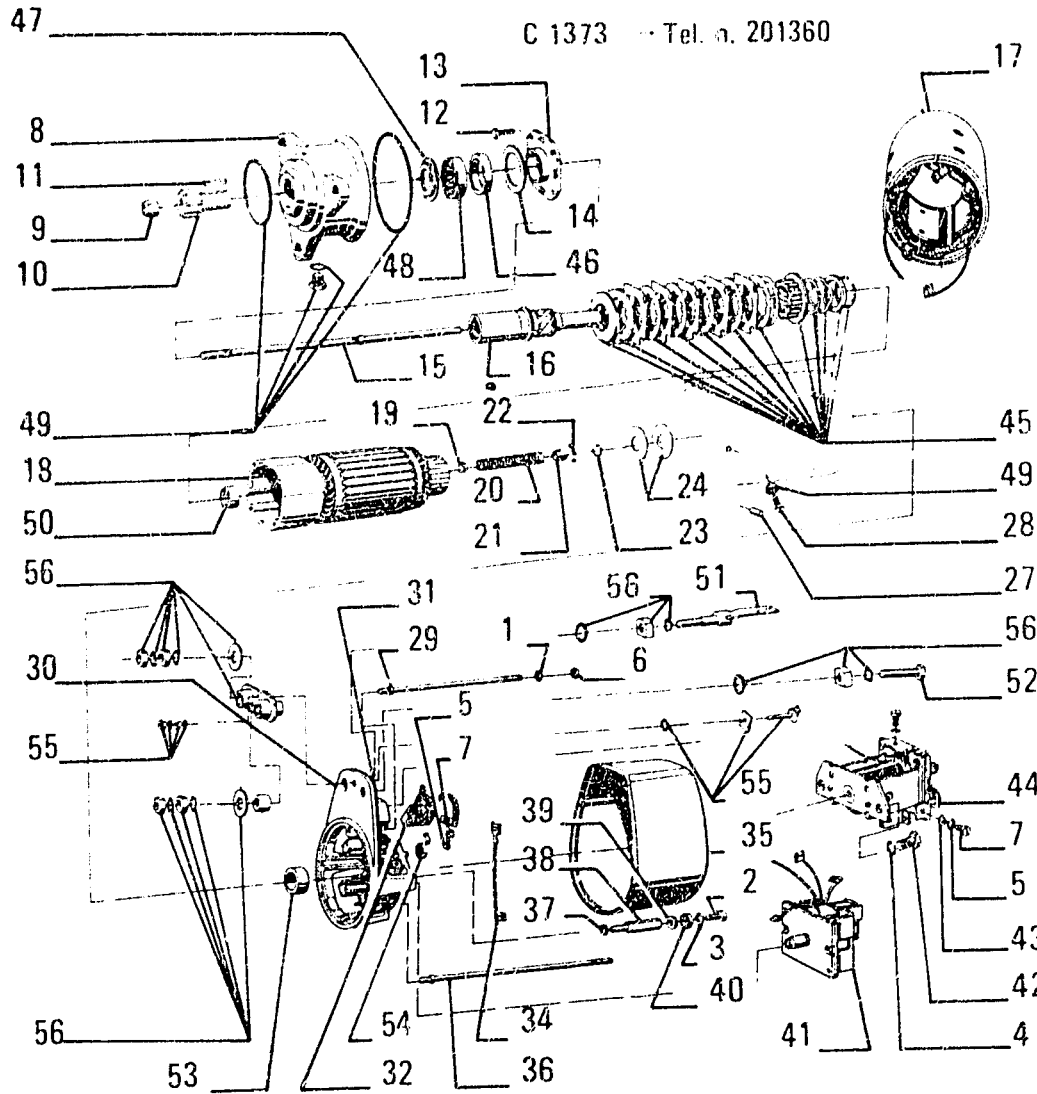
4786023

STARTER MOTOR - MOTORINO DI AVVIAMENTO - DEMARREUR - ANLASSER - MOTOR DE ARRANQUE

F2.05/1

N.T.R. 163 - 30.05.1989
604.01.077.03

FIATALLIS FL5



C 1373 - Tel. n. 201360

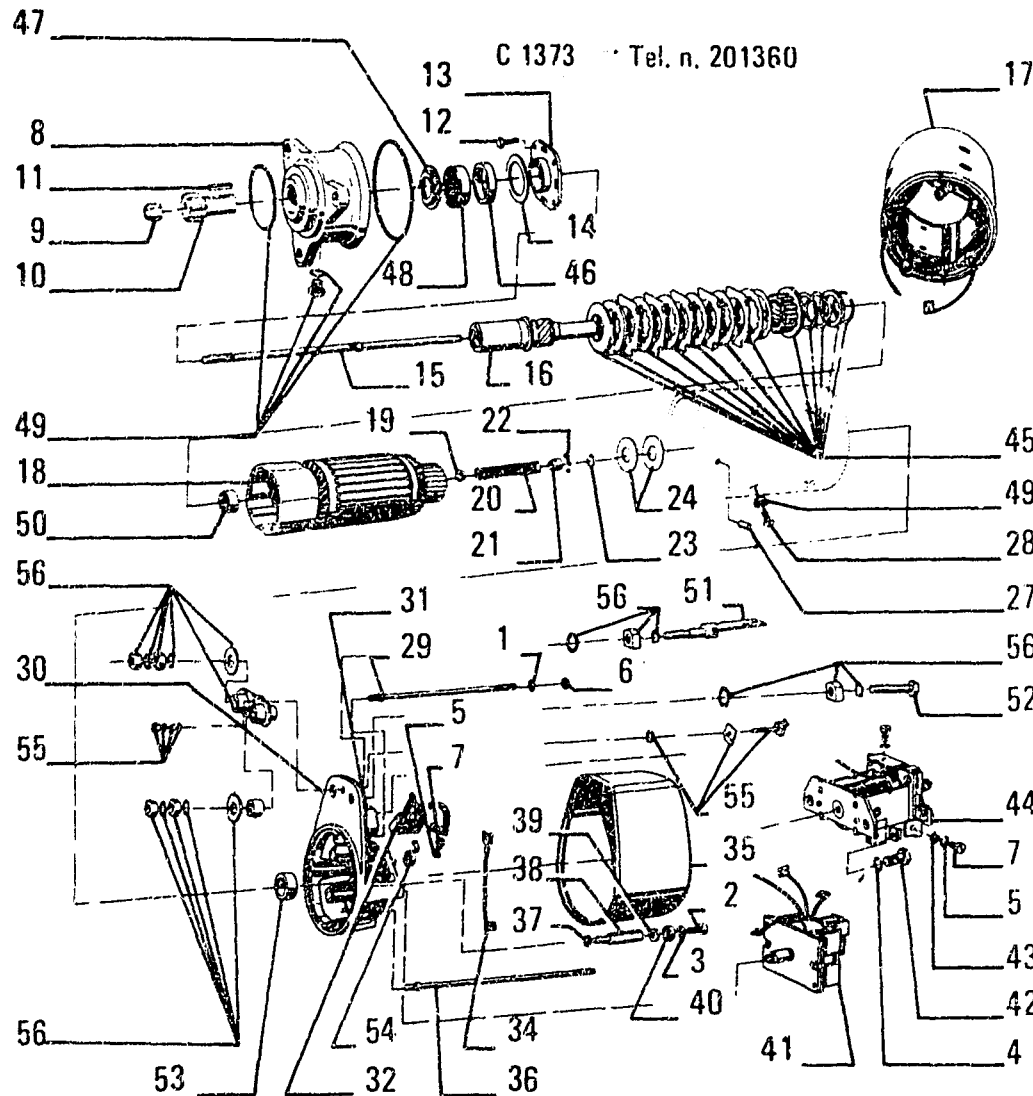
ITEM	PART NUMBER	QTY	TRANS CODE	DESCRIPTION	DESCRIZIONE
27	79052252	1	200S	PIN	SPINA
28	79052253	8	40V	SCREW	VITE
29	79052254	1	142T	TIEROD	TIRANTE
30	79052255	1	300S	SUPPORT - ASSEMBLY	SUPPORTO - COMPLETO
31	79052256	1	158G	O-RING	GUARNIZIONE O-R
32	79052257	1	177S	BRUSH	SPAZZOLA
34	79052259	1	111C	CABLE	CAVO
35	79052260	1	265C	COVER	COPERCHIO
36	79052261	3	142T	TIEROD	TIRANTE
37	79052262	2	131R	WASHER	ROSETTA
38	79052263	2	80P	PIN	PERNO
39	79052264	2	122G	SEAL	GUARNIZIONE
40	79052265	2	131R	WASHER	ROSETTA
41	79052266	1	75I	SWITCH	INTERRUTTORE
42	79052267	2	40V	SCREW	VITE
43	79052268	3	131R	WASHER	ROSETTA
44	79052269	1	75I	SWITCH	INTERRUTTORE
45	79052270	1	2K	KIT	KIT
46	79052271	1	95B	BUSHING	BOCCOLA
47	79052272	1	122G	SEAL	GUARNIZIONE
48	79052273	1	341C	BEARING	CUSCINETTO
49	79052274	1	2K	KIT	KIT
50	79052275	1	341C	BEARING	CUSCINETTO
51	79052276	1	80P	PIN	PERNO
52	79052277	1	40V	SCREW	VITE
53	79052278	1	95B	BUSHING	BOCCOLA
54	79052279	4	100M	SPRING	MOLLA

4786023

STARTER MOTOR - MOTORINO DI AVVIAMENTO - DEMARREUR - ANLASSER - MOTOR DE ARRANQUE

F2.05/1

N.T.R. 163 - 30.05.1989
604.01.077.03



FIATALLIS FL5

F2.05/ 1 TAV. 1 PAG.1

ITEM	PART NUMBER	QTY	TRANS CODE	DESCRIPTION	DESCRIZIONE
1	9009583	4	131R	WASHER	ROSETTA
2	9923751	2	40V	SCREW	VITE
3	10516471	2	131R	WASHER 6,1x1,8	ROSETTA 6,1x1,8
4	10516671	2	131R	WASHER 8,1x2,2	ROSETTA 8,1x2,2
5	11195471	8	131R	WASHER 5,1x1,1	ROSETTA 5,1x1,1
6	15896211	4	10D	NUT 6x1x5	DADO 6x1x5
7	79028449	6	40V	SCREW	VITE
	79052258	2	40V	SCREW	VITE
8	79057809	1	300S	SUPPORT	SUPPORTO
9	79052233	1	10D	NUT	DADO
10	79052234	1	122P	PINION	PIGNONE
11	79052235	1	60L	KEY	LINGUETTA
12	79052237	4	40V	SCREW	VITE
13	79052238	1	105P	PLATE	PIASTRA
14	79052239	1	60D	DISC	DISCO
15	79052240	1	142T	TIEROD	TIRANTE
16	79052241	1	95F	CLUTCH	FRIZIONE
17	79052242	1	83B	COIL	BOBINA
18	79052243	1	40I	ARMATURE - ASSEMBLY	INDOTTO - COMPLETO
19	79052244	1	45A	RING	ANELLO
20	79052245	1	100M	SPRING	MOLLA
21	79052246	1	45A	RING	ANELLO
22	79052247	11	140S	BALL	SFERA
23	79052248	1	45A	RING	ANELLO
24	79052249		131R	WASHER - THICKNESS =0,20	ROSETTA - SPESSORE =0,20
	79052250		131R	WASHER - THICKNESS =0,30	ROSETTA - SPESSORE =0,30
	79052251		131R	WASHER - THICKNESS =0,50	ROSETTA - SPESSORE =0,50

4786023

STARTER MOTOR - MOTORINO DI AVVIAMENTO - DEMARREUR - ANLASSER - MOTOR DE ARRANQUE

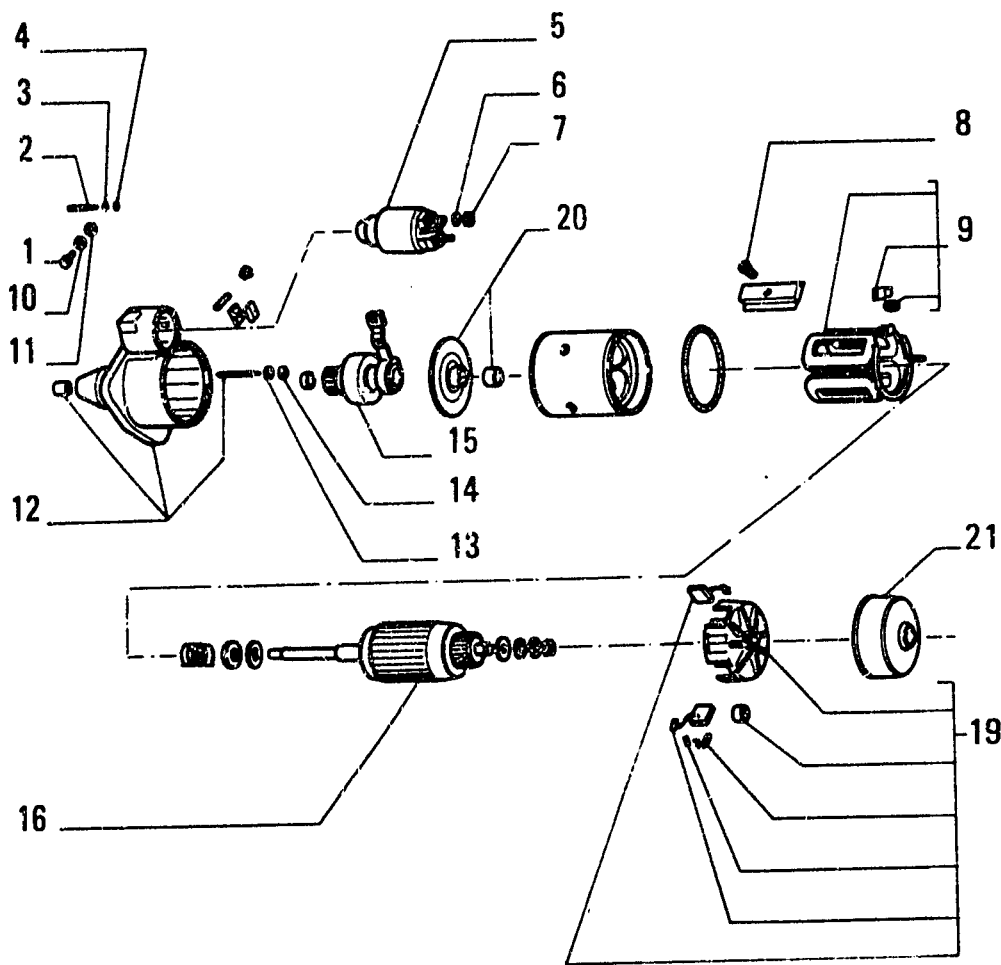
0-9

F2.05/1

N.T.R. 163 - 30.05.1989

604.01.077.03

FIATALLIS FL5



ITEM	PART NUMBER	QTY	TRANS CODE	DESCRIPTION	DESCRIZIONE
1	16043411	1	40V	SCREW 8x1,25x20	VITE 8x1,25x20
2	15201011	3	40V	SCREW 5x0,8x55	VITE 5x0,8x55
3	11195479	3	131R	WASHER 5,1x1,1	ROSETTA 5,1x1,1
4	10519301	3	170R	LOCKWASHER 5,15x10	ROSETTA EL. 5,15x10
5	79036685	1	30E	SOLENOID	ELETTROMAGNETE
6	10516879	2	170R	LOCKWASHER 10,2x2,5	ROSETTA EL. 10,2x2,5
7	10788711	2	10D	NUT 10x1,5x6	DADO 10x1,5x6
8	13305111	4	40V	SCREW 10x1,25x16	VITE 10x1,25x16
9	79026411	1	83B	COIL	BOBINA
10	10516679	1	170R	LOCKWASHER 8,1x2,2	ROSETTA EL. 8,1x2,2
11	14499401	1	131R	WASHER 8,4x14	ROSETTA 8,4x14
12	79062460	1	300S	SUPPORT	SUPPORTO
13	14496401	2	131R	WASHER 6,4x12,5	ROSETTA 6,4x12,5
14	12574211	2	10D	NUT 6x1x7,8	DADO 6x1x7,8
15	79023774	1	122P	PINION	PIGNONE
16	79026392	1	40I	ARMATURE	INDOTTO
19	9927788	1	300S	SUPPORT - ASSEMBLY	SUPPORTO - COMPLETO
20	9927795	1	300S	SUPPORT	SUPPORTO
21	993322E	1	20C	CAP	CALOTTA

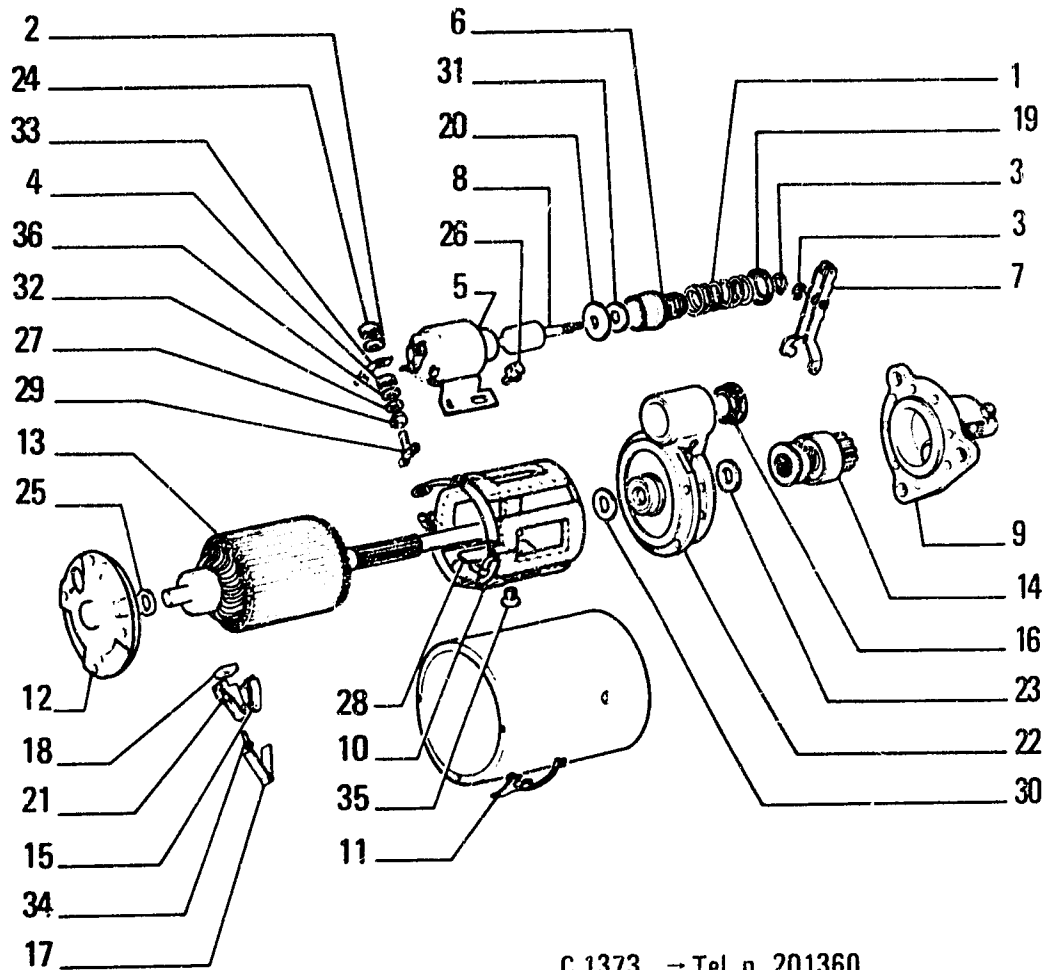
D 1373 Tel. n. 201361 →

4737754

STARTER MOTOR - MOTORINO DI AVVIAMENTO - DEMARREUR - ANLASSER - MOTOR DE ARRANQUE

F2.05/A

N.T.R. 163 - 30.05.1989
604.01.077.03



ITEM	PART NUMBER	QTY	TRANS CODE	DESCRIPTION	DESCRIZIONE
28	73116968	4	46E	POLE SHOE	ESPANSIONE POLARE
29	73116969	1	118S	TERMINAL SCREW	SERRAFILE
30	73116973	1	131R	WASHER	ROSETTA
31	73116976	1	131R	WASHER	ROSETTA
32	73116979	1	131R	WASHER	ROSETTA
33	73116981	1	118S	TERMINAL SCREW	SERRAFILE
34	73116983	4	44V	SCREW AND WASHER ASSY	VITE COM ROSETTA
35	73116986	4	40V	SCREW	VITE
36	73117147	1	131R	WASHER	ROSETTA

C 1373 - Tel. n. 201360

73114442

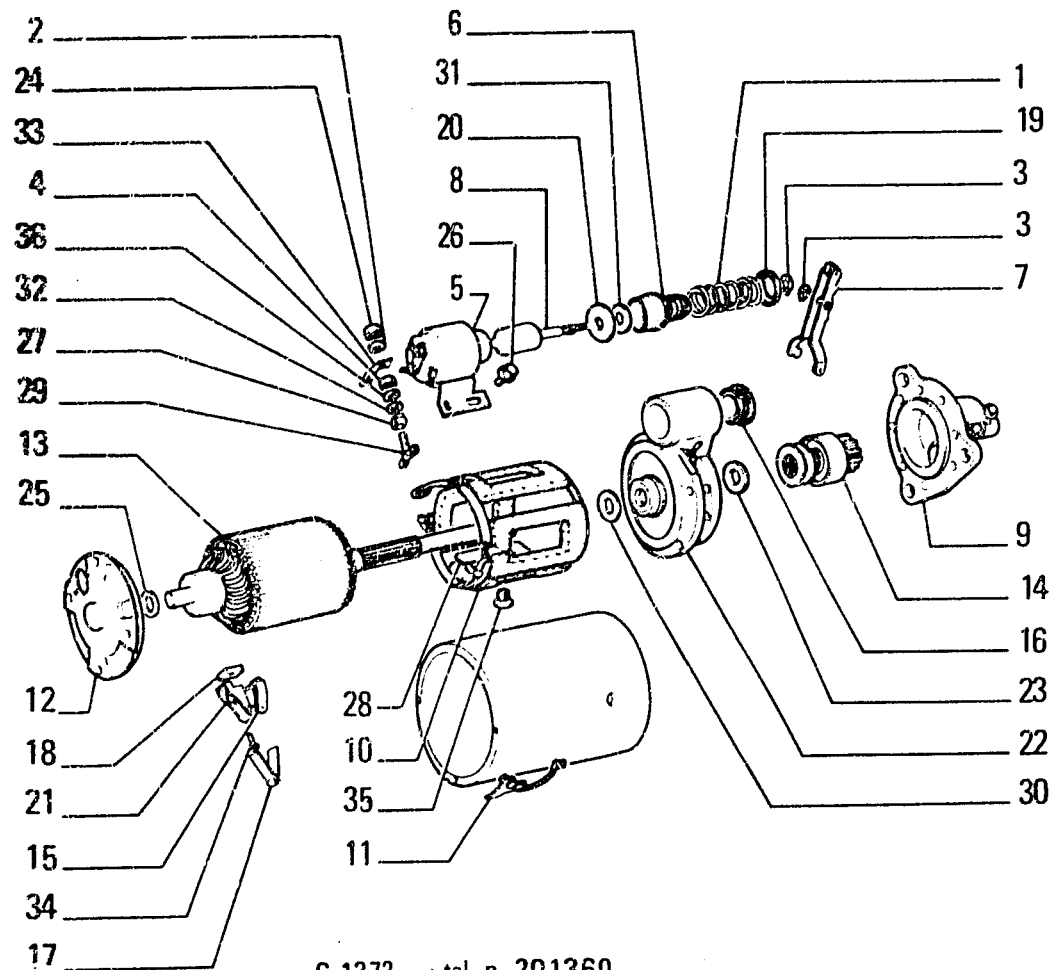
STARTER MOTOR - MOTORINO DI AVVIAMENTO - DEMARREUR - ANLASSER - MOTOR DE ARRANQUE

F2.05

N.T.R. 163 - 30.05.1989

604.01.077.03

FIATALLIS FL5



C 1373 → tel. n. 201360

I T E M	PART NUMBER	Q T Y	TRANS CODE	DESCRIPTION	DESCRIZIONE
1	70649665	1	100M	SPRING	MOLLA
2	70916965	1	132R	LOCKWASHER	ROSETTA DI SICUREZZA
3	70927726	2	158G	O-RING	GUARNIZIONE O-R
4	70933816	1	10D	NUT	DADO
5	73116822	1	75I	SWITCH	INTERRUTTORE
6	73116823	1	65C	BOOT	CAPPUCCIO
7	73116834	1	45L	LEVER	LEVA
8	73116836	1	130P	PLUNGER	PISTONCINO
9	73116847	1	265C	COVER - ASSEMBLY	COPERCHIO - COMPLETO
10	73116848	1	83B	COIL	BOBINA
11	73116849	1	300S	SUPPORT - ASSEMBLY	SUPPORTO - COMPLETO
12	73116851	1	300S	SUPPORT	SUPPORTO
13	73116853	1	40I	ARMATURE	INDOTTO
14	73116854	1	300S	SUPPORT	SUPPORTO
15	73116868	2	300S	SUPPORT	SUPPORTO
16	73116869	1	50T	PLUG	TAPPO
17	73116876	4	100M	SPRING	MOLLA
18	73116880	4	177S	BRUSH	SPAZZOLA
19	73116888	1	60S	CUP	SCODELLINO
20	73116890	1	60S	CUP	SCODELLINO
21	73116893	2	300S	SUPPORT	SUPPORTO
22	73116912	1	300S	SUPPORT - ASSEMBLY	SUPPORTO - COMPLETO
23	73116948	1	131R	WASHER	ROSETTA
24	73116955	1	10D	NUT	DADO
25	73116961	1	131R	WASHER	ROSETTA
26	73116966	4	40V	SCREW	VITE
27	73116967	1	95B	BUSHING	BOCCOLA

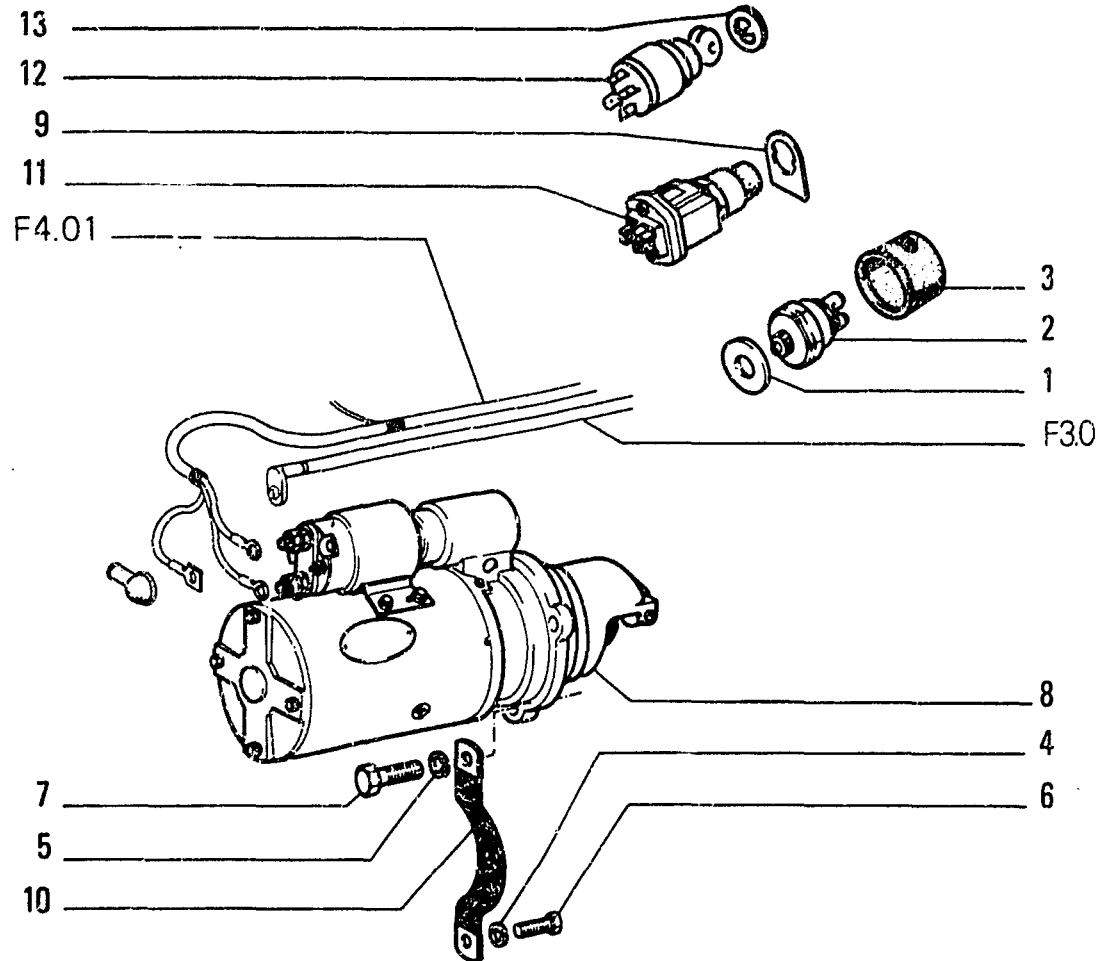
73114442

STARTER MOTOR - MOTORINO DI AVVIAMENTO - DEMARREUR - ANLASSER - MOTOR DE ARRANQUE

F2.05

N.T.R. 163 - 30.05.1989

604.01.077.03

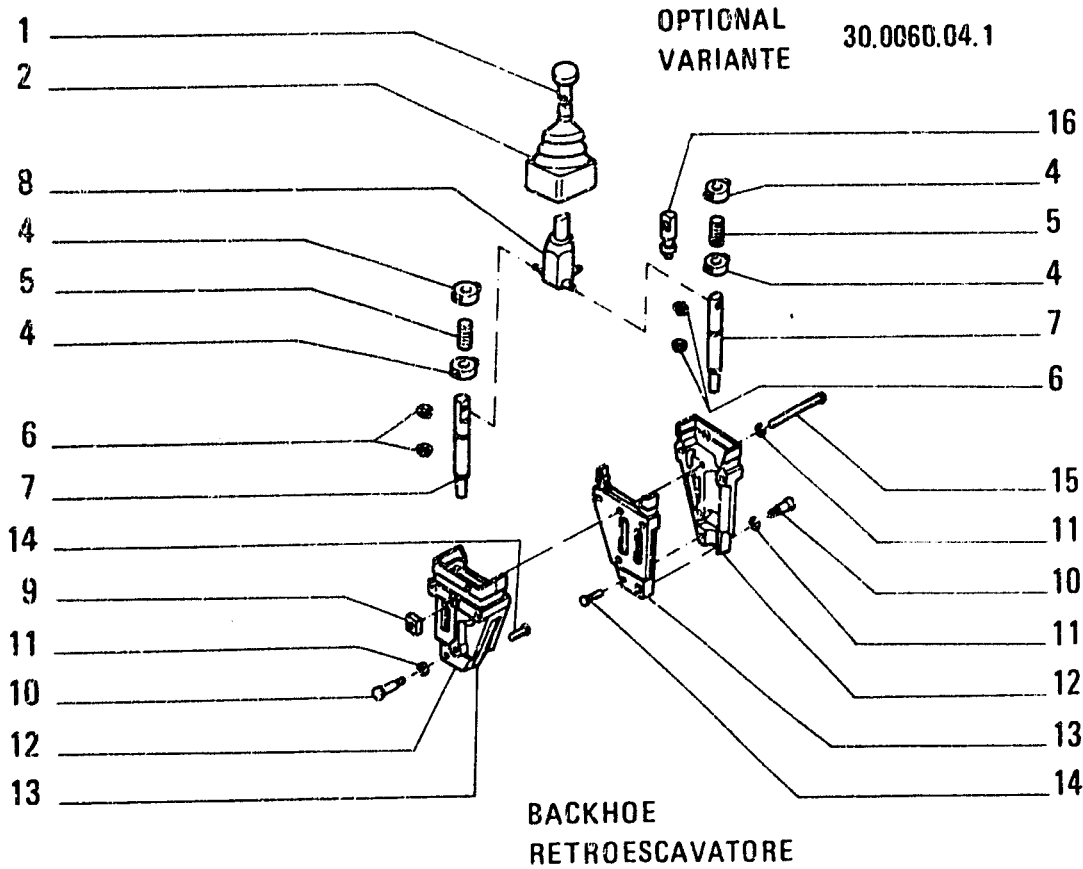


ITEM	PART NUMBER	QTY	TRANS CODE	DESCRIPTION	DESCRIZIONE
	595208		131R	WASHER	ROSETTA
2	4073976	1	75I	SWITCH	INTERRUTTORE
3	4073977	1	65C	BOOT	CAPPUCCIO
4	10516871	1	132R	LOCKWASHER 10x2,5	ROSETTA DI SICUREZZA 10x2,5
5	10520121	3	131R	WASHER 14,4x26 C1373	ROSETTA 14,4x26 C1373
	11190579	3	131R	WASHER D1373	ROSETTA D1373
6	10979331	1	40V	SCREW 10x1,5x14	VITE 10x1,5x14
7	11306921	3	40V	SCREW 10x1,25x30 D1373	VITE 10x1,25x30 D1373
	11408331	3	40V	SCREW 14x1,5x35 C1373	VITE 14x1,5x35 C1373
8	4737754	1	133M	STARTER MOTOR - ASSEMBLY SEE SGR. F2.05/A D1373	MOTORINO AVVIAMENTO - COMPLETO VEDERE SGR. F2.05/A D1373
	4786023	1	133M	STARTER MOTOR - ASSEMBLY IN ALTERNATIVE SEE SGR. F2.05/1 C1373	MOTORINO AVVIAMENTO - COMPLETO IN ALTERNATIVA VEDERE SGR. F2.05/1 C1373
	73114442	1	133M	STARTER MOTOR - ASSEMBLY IN ALTERNATIVE SEE SGR. F2.05 C1373	MOTORINO AVVIAMENTO - COMPLETO IN ALTERNATIVA VEDERE SGR. F2.05 C1373
9	79019490	1	65T	DECAL C1373	TARGA C1373
10	79020354	1	166T	GROUND BRAID	TRECCIA DI MASSA
11	79027131	1	236P	PUSH BUTTON C1373	PULSANTE C1373
12	79057500	1	210C	SWITCH D1373	COMMUTATORE D1373
13	79057502	1	45A	RING D1373	ANELLO D1373

ENGINE STARTING EQUIPMENT - AVVIAMENTO MOTORE - LANCEMENT DU MOTEUR - ANLASSEN
 DES MOTORS - ARRANQUE DEL MOTOR

F2.01

N.T.R. 126 - 25.02.86
 604.01.077.02



ITEM	PART NUMBER	QTY	TRANS CODE	DESCRIPTION	DESCRIZIONE
1	79041392	1	25I	HANDGRIP	IMPUGNATURA
2	79055119	1	65C	BOOT	CAPPUCCIO
4	79055097	4	120P	PLATE	PIATTELLO
5	79055098	2	100M	SPRING	MOLLA
6	79055100	4	45F	CLIP	FERMAGLIO
7	79055120	2	80P	PIN	PERNO
8	79051920	3	50N	PAWL	NOTTOLINO
9	79055095	1	10D	NUT	DADO
10	79055103	2	40V	SCREW	VITE
11	79055105	3	131R	WASHER	ROSETTA
12	79055093	2	300C	BODY - OUTER	CORPO - ESTERNO
13	79055121	2	300C	BODY - INNER	CORPO - INTERNO
14	79055102	2	40V	SCREW	VITE
15	79055122	1	40V	SCREW	VITE
16	79055238	1	90A	ROD	ASTA

79041395 d - 79041396 s

LIFTING AND BUCKET SERVO-CONTROL - SERVOCOMANDO SOLLEVAMENTO E BENNA - SERVO-COMMANDE DE RELEVAGE ET GODET - HILFBETAETIGUNG FUER AUSLEGER UND LOEFFEL - SERVOMANDO DE LEVANTAMIENTO Y CUCHARA

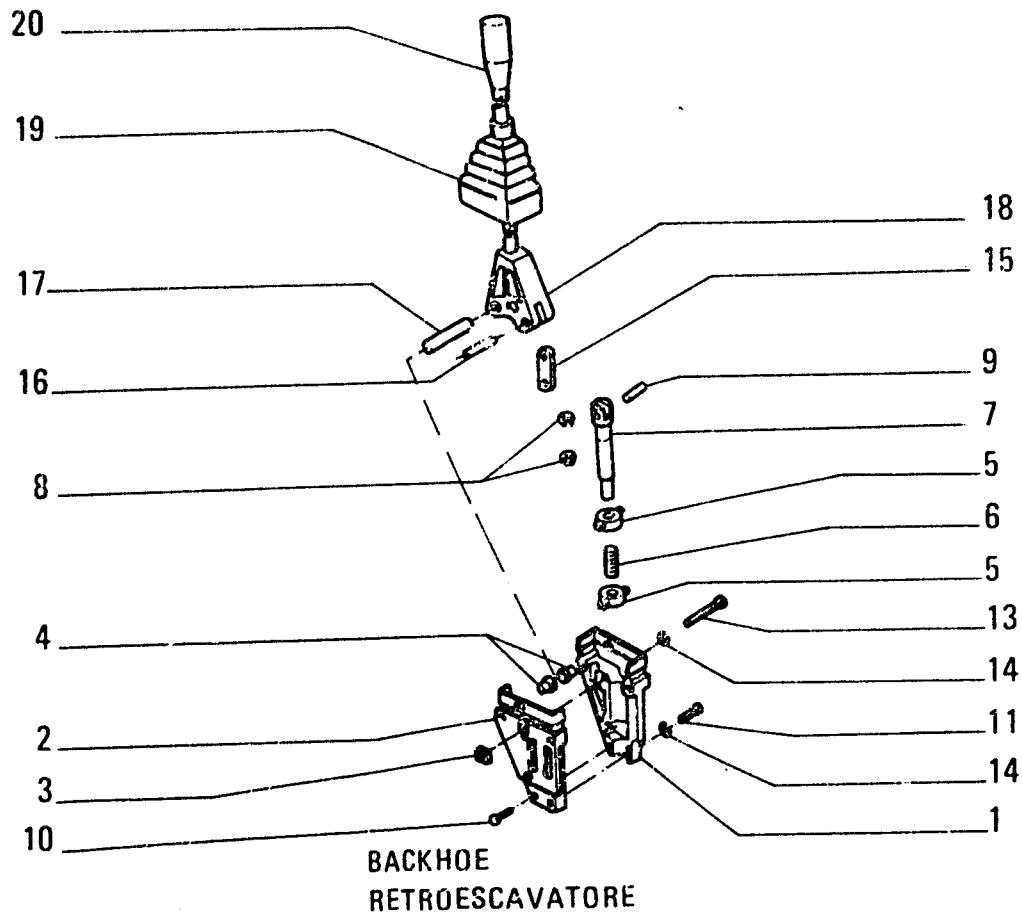
E3.33/1

N.T.R. 163 - 30.05.1989

604.01.077.03

FIATALLIS FL5

OPTIONAL
VARIANTE 30.0060.04.1



I T E M	PART NUMBER	Q T Y	TRANS CODE	DESCRIPTION	DESCRIZIONE
1	79055093	1	300C	BODY - OUTER	CORPO - ESTERNO
2	79055094	1	300C	BODY - INNER	CORPO - INTERNO
3	79055095	1	10D	NUJ	DADO
4	79055096	2	95B	BUSHING	BOCCOLA
5	79055097	2	120P	PLATE	PIATTELLO
6	79055098	1	100M	SPRING	MOLLA
7	79055099	1	142T	TIEROD	TIRANTE
8	79055100	2	45F	CLIP	FERMAGLIO
9	79055101	1	80P	PIN	PERNO
10	79055102	1	40V	SCREW	VITE
11	79055103	1	40V	SCREW	VITE
13	79055104	1	40V	SCREW	VITE
14	79055105	2	131R	WASHER	ROSETTA
15	79055106	1	50B	LINK	BIELLA
16	79055107	1	80P	PIN	PERNO
17	79055108	1	80P	PIN	PERNO
19	79055109	1	65C	BOOT	CAPPUCCIO
20	79055110	1	25I	HANDGRIP	IMPUGNATURA

79040043 d - 79041397 s

LIFTING AND BUCKET SERVO-CONTROL - SERVOCOMANDO SOLLEVAMENTO E BENNA - SERVO-COMMANDE
DE RELEVAGE ET GODET - HILFBETAETIGUNG FUER AUSLEGER UND LOEFFEL - SERVOCOMANDO DE
LEVANTAMIENTO Y CUCHARA

E3.33

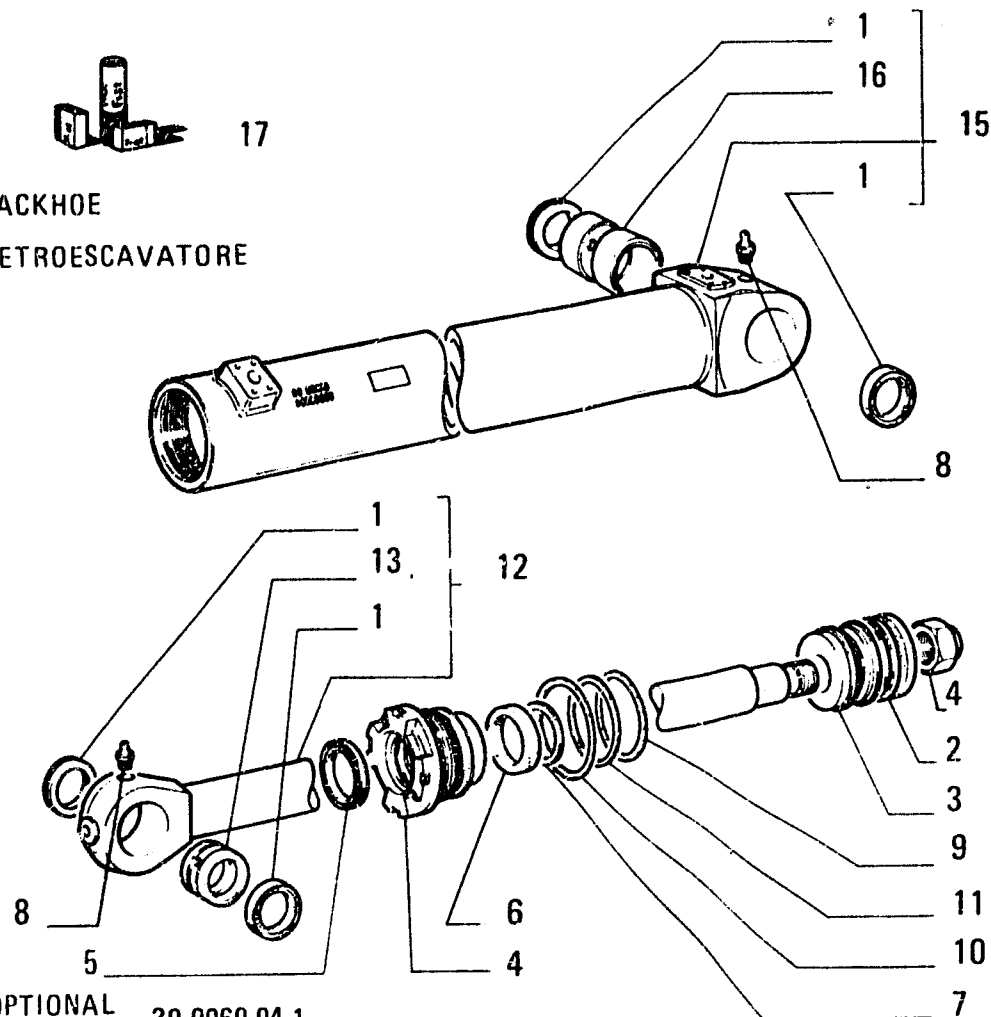
N.T.R. 163 - 30.05.1989

604.01.077.03

0-15

FIATALLIS FL5

BACKHOE
RETROSCAVATORE



I T E M	PART NUMBER	Q T Y	TRANS CODE	DESCRIPTION	DESCRIZIONE
1	8288832	4	120G	GASKET	GUARNIZIONE PIANA
2	8291552	1	120G	GASKET	GUARNIZIONE PIANA
3	8297051	1	235S	PISTON	STANTUFFO
4	8297052	1	10D	NUT	DADO
5	8299740	1	120G	GASKET	GUARNIZIONE PIANA
6	8299754	1	120G	GASKET	GUARNIZIONE PIANA
7	8299755	1	133R	SEAL	ROSETTA DI TENUTA
8	13407211	2	60I	GREASE FITTING 10x1	INGRASSATORE 10x1
9	14465880	1	133R	SEAL 3,53x94,84	ROSETTA DI TENUTA 3,53x94,84
10	14466080	1	133R	SEAL 3,53x101,19	ROSETTA DI TENUTA 3,53x101,19
11	79021911	1	45A	RING	ANELLO
12	79036077	1	274S	ROD - ASSEMBLY	STELO - COMPLETO
13	79036079	1	95B	BUSHING	BOCCOLA
14	79036080	1	80F	BOTTOM PLATE - FRONT	FONDELLO - ANTERIORE
15	79036081	1	53C	TUBE - ASSEMBLY	CANNA CILINDRO - COMPLETO
16	79036091	1	95B	BUSHING	BOCCOLA
17	79036196	1	1K	KIT SEE PAGE 9	KIT VED. PAG.9

OPTIONAL
VARIANTE 30.0060.04.1

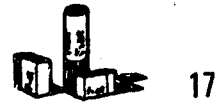
79038076

BUCKET CYLINDER - CILINDRO BENNA - VERIN DU GODET - LOEFFELZYLINDER
CILINDRO DE LA CUCHARA

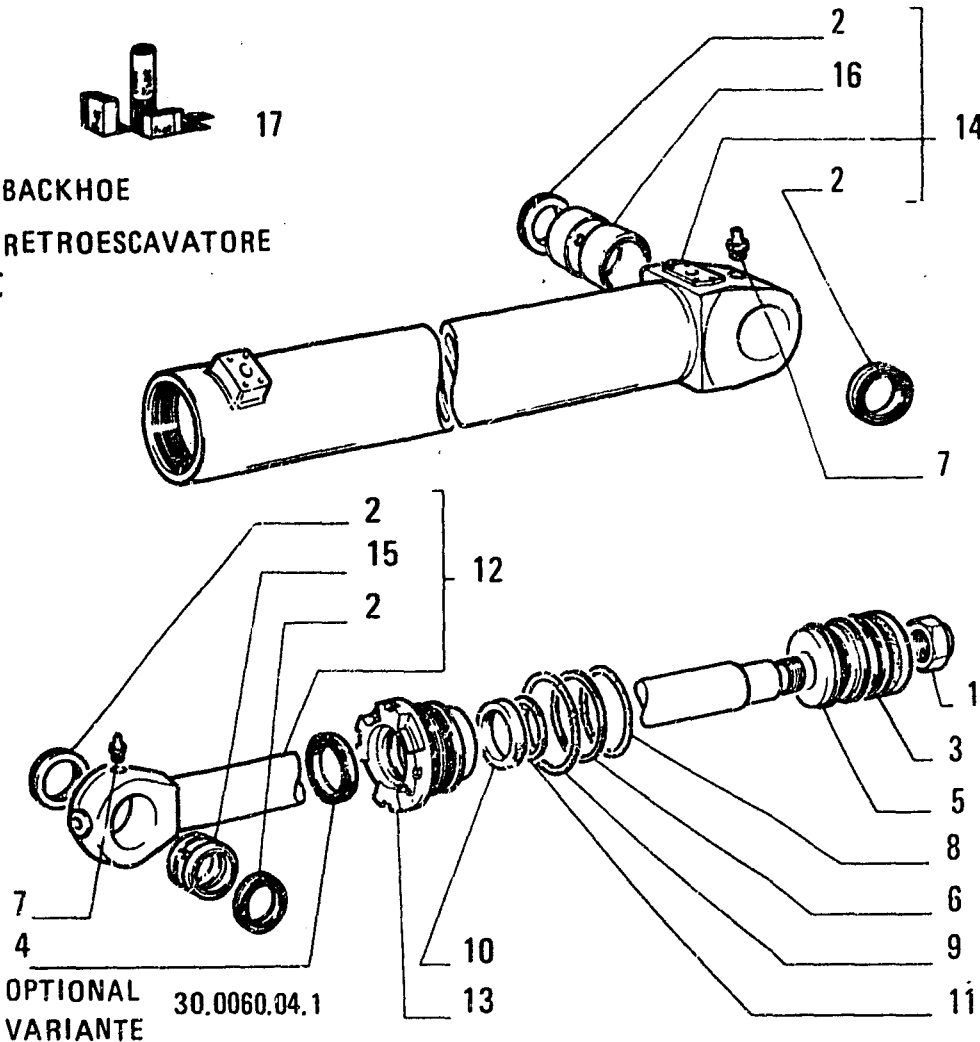
2

E3.32/6

N.T.R. 163 - 30.05.1989
604.01.077.03



BACKHOE
RETROSCAVATORE



ITEM	PART NUMBER	QTY	TRANS CODE	DESCRIPTION	DESCRIZIONE
1	8281824	1	10D NUT		DADO
2	8288832	4	120G GASKET		GUARNIZIONE PIANA
3	8291505	1	120G GASKET		GUARNIZIONE PIANA
4	8291846	1	120G GASKET		GUARNIZIONE PIANA
5	8298052	1	235S PISTON		STANTUFFO
6	8298055	1	45A RING		ANELLO
7	13407211	2	60I GREASE FITTING 10x1		INGRASSATORE 10x1
8	14466080	1	133R SEAL 3,53x101,19		ROSETTA DI TENUTA 3,53x101,19
9	14466330	1	133R SEAL 3,53x110,72		ROSETTA DI TENUTA 3,53x110,72
10	79023159	1	120G GASKET		GUARNIZIONE PIANA
11	79023162	1	133R SEAL		ROSETTA DI TENUTA
12	79036083	1	274S ROD - ASSEMBLY		STELO - COMPLETO
13	79036084	1	80F BOTTOM PLATE - FRONT		FONDELLO - ANTERIORE
14	79036085	1	53C TUBE - ASSEMBLY		CANNA CILINDRO - COMPLETO
15	79036079	1	95B BUSHING		BOCCOLA
16	79036088	1	95B BUSHING		BOCCOLA
17	79036198	1	1K KIT SEE PAGE 9		KIT VED. PAG.9

79036082

DIGGING CYLINDER - CILINDRO PENETRAZIONE - VERIN D'ENFONCEMENT - EINDRINGSZYLINDER
CILINDRO DE PENETRACION

E3.32/5

N.T.R. 163 - 30.05.1989

604.01.077.03

DESIGNAZIONE BASE	BASIC DESIGNATION	DESIGNATIONS-BASES	GRUNDBEZEICHNUNGEN	DENOMINACIONES BASE	
319C	CRISTALLO ATERMICO	ATHERMIC GLASS PANE	GLACE ATERMIQUE	SCHEIBE.WAERMEDAEMMEND	CRISTAL ATERMICO
326A	TRASMISSIONE POSTERIORE	REAR TRANSMISSION	TRANSMISSION ARRIERE	HINTERE KRAFTUEBERTRAGUNG	
320C	CROCIERA	SPIDER	CROISILLON	KREUZSTUECK	CRUCETA
3201	PNEUMATICI 14.00X24	TIRES 14.00X24	PNEUS 14.00X24	REIFEN 14.00X24	
3208	PNEUMATICI 15.5X25	TIRES 15.5X25	PNEUS 15.5X25	REIFEN 15.5X25	
3209	PNEUMATICI 17.5X25	TIRES 17.5X25	PNEUS 17.5X25	REIFEN 17.5X25	
321C	CRONOGIROMETRO	TACHOMETER	TACHYMETRE	DREHZAHLMESSER	CUENTAREVOLUCIONES
3210	PNEUMATICI 22X25	TIRES 22X25	PNEUS 22X25	REIFEN 22X25	
3211	PNEUMATICI 20.5X25	TIRES 20.5X25	PNEUS 20.5X25	REIFEN 20.5X25	
3213	PNEUMATICI 26.5X25	TIRES 26.5X25	PNEUS 26.5X25	REIFEN 26.5X25	
3219	PNEUMATICI 29.5X25	TIRES 29.5X25	PNEUS 29.5X25	REIFEN 29.5X25	
322C	CRONOTACHIMETRO	SPEEDOMETER	CHRONOTACHYMETRE	TACHOMETER	CRONOTACOMETRO
325C	CRUSCOTTO	DASHBOARD	PLANCHE DE BORD	ARMATURENBRETT	TABLERO
330C	CUFFIA RADIATORE	RADIATOR GUARD	CAPOT	KUEHLERHAUBE	CAPUCHON
331C	CUFFIA DI GOMMA	RUBBER BOOT	CAPUCHON CAOUT- CHOUC	MANSCHETTE	CAPUCHON DE CAUCHO
331C					
332C	CUFFIA PER PROIETTORE	HEADLAMP BOOT	CALOTTE DE PRO- JECTEUR	HALTERING	SOPORTE DEL PROYECTOR
332C					CUNA
333C	CUNEO	WEDGE	COIN	KEIL	CAPUCHON GUARDAPOLVO
334C	CUFFIA PARAPOLVERE	DUST BOOT	CAPUCHON POUR POUSSIER	STAUBSCHUTZKAPPE	
3402	RUOTE CON CERCHIO 14.00-25	WHEELS W/RIM 14.00-25		RAEDER MIT FELGE 14.00-25	
3403	RUOTE CON CERCHIO 8.00TG-24	WHEELS W/RIM 8.00TG-24		RAEDER MIT FELGE 8.00TG-24	
341C	CUSCINETTO	BEARING	ROULEMENT	KUGELLAGER	RODAMIENTO
345C	CUSCINO	CUSHION	COUSSIN	SITZPOLSTER	ALMOHADA
348C	CUSTODIA PER LIBRETTI	PORTFOLIO	POCHETTE A PAPIERS	DOKUMENTENTASCHE	FUNDA PARA MAPAS
36G5	BLOCCAGGIO IDRAULICO	HYDRAULIC LOCK	BLOCAGE HYDRAULIQUE		ANCLAJE HYDRAULICO
37G3	COMANDO FRENI SERVIZIO	BRAKE PEDALS		FUSSBREMSBETAETIGUNG	
37G4	COMANDO FRENI STAZIONAMENTO	PARKING BRAKE	FREINS DE STATIONNEMENT	FESTSTEELEBREMSEHEBEL	
39G2	COMANDO FRIZIONI DI STERZO	STEERING CONTROL		BETAETIGUNG LENKKUPPLUNGEN	
39G6	TUBAZIONI EST FRIZIONI STERZO	STEERING OUTER PIPING		LENKKUPPLUNGEN AUSSER LEITUNGE	
39G7	TUBAZIONI COLLEG.FRIZ.STERZO	STEERING CONNECTING PIPING		LENKKUPPLUNG ANSCHLUSSLEITUNGE	
390C	CORNICE DELLA TARGA	NUMBER PLATE FRAME	MONTURE DE PLAQUE	KENNZEICHENSCHILD- LEISTE	MARCO DE MATRICULA
390C					
391C	CORNICE DEL PROIETTORE	HEADLAMP RIM	MONTURE DE PRO- JECTEUR	DECKELRING	MARCO DE PROYECTOR
391C					
392C	CORNICE DI GOMMA	WEATHERSEAL STRIP	CONTOUR CAOUTCHOUC	DICHTUNGSPROFIL	BURLETE DE GOMA
393C	CABINA SICUREZZA	ROPS CAB	CABINE DE SECURITE	SICHERHEITSKABINE	CABINA DE SEGURIDAD
394C	CASSETTO DISTRIBUTORE	CONTROL VALVE SPOOL	BOITE DISTRIBUTEUR	SCHIEBERSTANGE	CORREDERA DEL DISTRIBUITOR
395C	COLORE	COLOR	COULEUR	FARBE	COLOR
396C	CORPO TRATTORE	TRACTOR BODY	CORPS TRACTEUR	MASCHINENRAHMEN	CUERPO TRACTOR

DESIGNAZIONE BASE	BASIC DESIGNATION	DESIGNATIONS-BASES	GRUNDBEZEICHNUNGEN	DENOMINACIONES BASE
397C	CORPO CARRELLO	TRACK FRAME	LAUFWERKSRAHMEN	CARRO DE ORUGA
398C	CRISTALLO COLORATO	TINTED ATHERMIC GLASS PANE	SCHEIBE,GETOENT	CRISTAL COLOREADO
399C	CONVERTITORE PNEUMOIDRAULICO	POWER CLUSTER	HYDROPNEUMATISCHE SERVOBREMSE	SERVOFRENO NEUMOHIDRAULICO
400C	COMBUSTIBILE	FUEL	KRAFTSTOFF	COMBUSTIBILE
401C	COSTAMPATO	MOLD-ON CONNECTOR		
401S	SARACINESCA	GATE VALVE	VANNE	COMPUERTA
402S	SCATOLA CAMBIO	TRANSMISSION HOUSING	BOITE DE VITESSES	CAJA DE CAMBIO
403S	SCATOLA RIDUTTORE FINALE	FINAL DRIVE HOUSING	CARTER DE REDUCTEUR FINAL	CAJA DE REDUCTOR
404S	SCATOLA TRASMISSIONE	REAR HOUSING	CARTER PONT ARRIERE	CAJA DE TRANSMISION
405S	SIGILLANTE	SEALANT	PRODUIT D'ETANCHEITE	SELLADOR
406S	SPRUZZATORE	NOZZLE	GICLEUR	INYECTOR
407S	STRISCIA ANTIDRUCCIOLO	ANTI-SKID	BANDE ANTIDERAPANTE	TIRA CONTRA-DESGLIZAMIENTO
408S	STRUTTURA PROTEZIONE	ROPS CANOPY	STRUCTURE DE PROTECTION	ESTRUCTURA DE PROTECCION
409S	SEGMENTO FRENO	BRAKE LINING	SEGMENT DE FREIN	ZAPATA DE FRENO
410S	SERBATOIO OLIO IMP. IDRAULICO	HYDRAULIC TANK	RESERVOIR HYDRAULIQUE	DEPOSITO ACEITE SISTEMA HIDR.
411S	SERBATOIO COMBUSTIBILE E OLIO	FUEL AND OIL TANK	RESERVOIR COMBUSTIBLE/HUILE	TANQUE COMBUSTIBLE Y ACEITE
412S	SEMIMAGLIA CINGOLO	HALF TRACK LINK	DEMI-MAILLON	SEMIMALLA DE ORUGA
413S	SEMICERNIERA	HALF HINGE	DEMI-CHARNIERE	SEMIBISAGRA
414S	SCHEMA	SCHEMATIC	SCHEMA	ESQUEMA
415S	SEMIFASCIA	HALF BAND	DEMI-BANDE	SEMIFAJA
416S	SBRINATORE	DEFROSTER	DEGIVREUR	DESCONGELADOR
417S	SEMIFLANGIA	HALF FLANGE	DEMI-BRIDE	SEMIBRIDA
418S	SERIE	SET	JEU	JUEGO
419S	SGANCIO SOLLEVAMENTO	LIFT RELEASE VALVE		
420S	SERBATOIO ARIA	AIR RESERVOIR	RESERVOIR A AIR	DEPOSITO DE AIRE
421S	SOLVENTE	SOLVENT	SOLVANT	
469P	PER VARIANTE	FOR SPECIAL EQUIPMENT	POUR VARIANTE	PARA VARIANTE
48GA	RIDUTTORE LATERALE	FINAL DRIVE	REDUCTEUR LATERAL	
490P	PERNO A SFERA	BALL PIN	AXE SFERIQUE	ROTULA
491P	POZZETTO	WELL	ETUI	DEPOSITO
492P	PUNTA DENTE BENNA	BUCKET TOOTH POINT	POINTE DENT DE GODET	PUA DE DIENTE CUCHARA
493P	PIATTAFORMA	PLATFORM	PLATE-FORME	PLATAFORMA
50G1	RUOTE CARRELLO CINGOLO	TRACK ROLLERS	ROUE PORTEUR DE CHENILLE	RUEDA DE APOYO DE LA ORUGA
50G2	TENDICINGOLO	TRACK IDLER	TENDEUR DE CHENILLE	
50G3	RULLO SOSTEGNO CINGOLO	TRACK CARRIER ROLLER	GALET DE RETOUR DE CHENILLE	RUEDA DE SOPORTE DE LA ORUGA
50G4	RIPARI CINGOLO	TRACK COVERS	PROTECTIONS DE CHENILLE	BLINDAJE DE CADENAS
56G1	SOSPENSIONE ANT CINGOLO	TRACK FRONT SUSPENSION	SUSPENSION AV. CHENILLE	
56G3	COLLEGAMENTO CARRELLI	TRACK GUIDING PLATES		
56G5	SOSPENSIONE POST CINGOLO	REAR SUSPENSION	SUSPENSION AR. CHENILLE	
600J	VARIANTE A RICHIESTA	SPECIAL EQUIPMENT	EQUIPEMENT SPECIAL	EQUIPO SPECIALE
			FUER VARIANTEN	
			SEITLICHER ENDANTRIEB	
			KUGELBOLZEN	
			SUMPF	
			SCHAUFELZAHNSPITZE	
			PLATTFORM	
			LAUFROLLE	
			LEITRAD	
			STUETZROLLE	
			LAUFWERKSCHUTZ	
			LAUFWERKSAUFHAENGUNG VORNE	
			LAUFWERKSAUFHAENGUNG HINTEN	
			VARIANTEN	

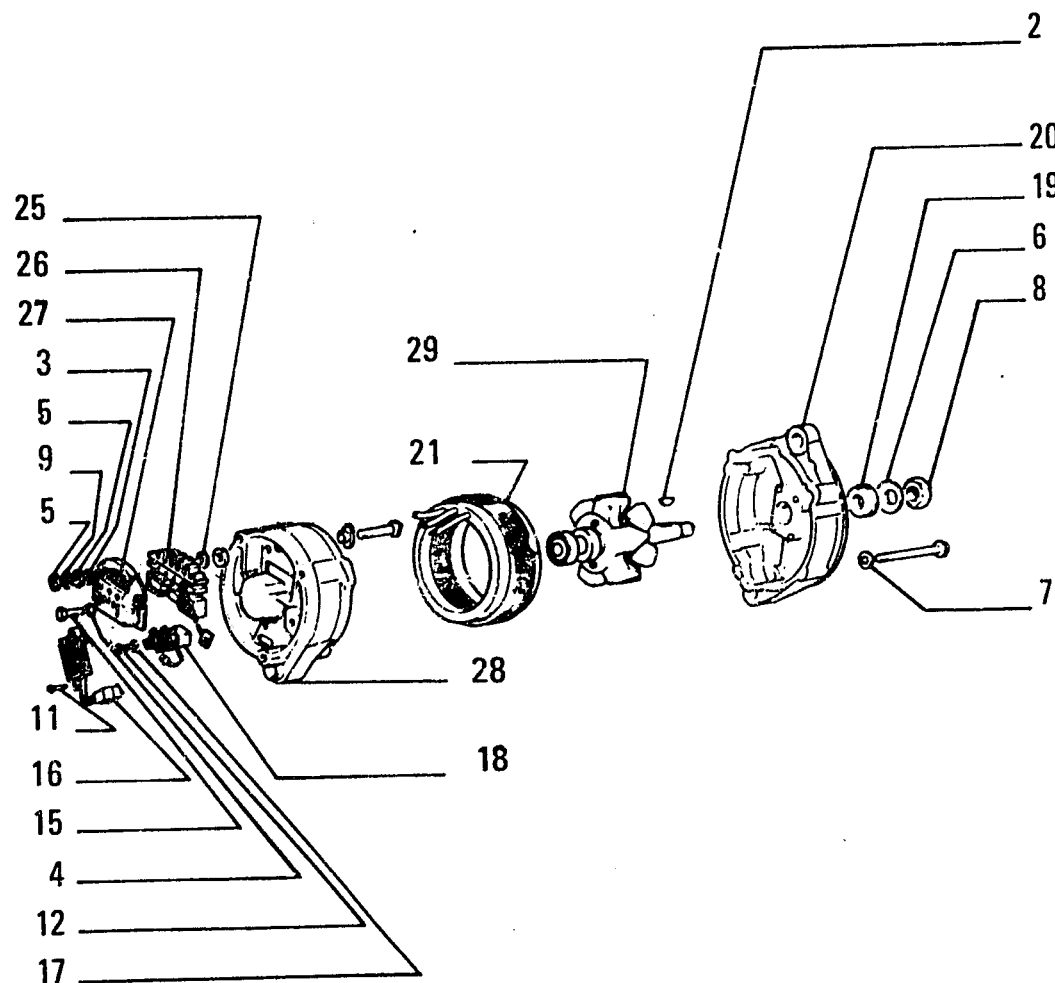
DESIGNAZIONE BASE	BASIC DESIGNATION	DESIGNATIONS-BASES	GRUNDBEZEICHNUNGEN	DENOMINACIONES BASE
600U	PROVEDERE IN LOCO	OBTAIN LOCALLY		CONSEGUIR LOCALMENTE
600W	TAGLIARE DI MISURA	CUT AT ASSEMBLY		CORTAR SEGUN NECESARIO
600X	FINO AL TELAIO...	UP TO SERIAL NO...		HASTA EL ARMAZON...
600Y	DAL TELAIO...	FROM THE SERIAL NO...		A PARTIR DEL ARMAZON...
601E	VEDERE NOTA	SEE NOTE		VEASE NOTA
63G0	COMANDI DIREZIONALI	STEERING SYSTEM		MANDO DE LA DIRECCION
65G3	COMANDI FRENO	BRAKE CONTROLS		MANDO DEL FRENO
7117	LEVERAGGI	CONTROL LEVERS		TIMONIERA
7211	TELAIO INFERIORE	LOWER MAIN FRAME		ARMAZON INFERIOR
7215	TELAIO SUPERIORE	UPPER MAIN FRAME		ARMAZON SUPERIOR
74G0	BATTERIE, SEDE E RIPARI	BATTERY, SEAT AND SUPPORT		
7480	MOTORIDUTTORE TRASLAZIONE	DRIVE MOTOREDUCTION		
7482	MOTORIDUTTORE ROTAZIONE	SWING MOTOREDUCTION		
75GA	IMPIANTO ELETTRICO	ELECTRICAL SYSTEM		
75G0	COMANDI ELETTRICI	ELECTRIC CONTROLS		
75G1	APPARECCHI ELETTRICI	ELECTRICAL INSTRUMENTS		
75G3	CAVI AVVIAMENTO	STARTING CABLES		
75G4	CAVI VARI	VARIOUS CABLES		
75G6	APPARECCHI ILLUMINAZIONE	LIGHTS		
75G9	TERMOMETRI E MANOMETRI	TEMPERATURE-PRESSURE GAUGES		
7874	BLOCCAGGIO TORRETTA	SUPERSTRUCTURE LOCKING		
8079	BENNA SCARICO BILATERALE	BILATERAL DISCHARGE BUCKET		
82GA	IMPIANTO IDRAULICO	HYDRAULIC SYSTEM		
82GD	TUBAZIONI	PIPING		
82G1	FILTRI SERBATOIO OLIO	OIL TANK FILTERS		
82G3	POMPA ATTREZZO	EQUIPMENT PUMP		
82G4	DISTRIBUTORE ATTREZZO	EQUIPMENT CONTROL VALVE		
82G5	COMANDO DISTRIBUTORE ATTREZZO	CONTROL VALVE DRIVE		
82G6	TUBAZIONI IMPIANTO IDRAULICO	HYDRAULIC SYSTEM PIPING		
83G0	COFANI	HOODS		
83G6	RIPARI LATERALI COFANO	HOOD SIDE GUARDS		
85G0	SEDILE CONDUTTORE	OPERATOR SEAT		
85G2	SOSTEGNO E RIPARI SEDILE	SEAT SUPPORT AND GUARD		
8501	CATENARIA ANTIPOLVERE	SEALED TRACK CHAIN		
8582	CABINA CORAZZATA	BULLETPROOF CAB		
87GA	POSTO GUIDA	OPERATORS COMPARTMENT		
87G0	PARAFANGHI-PEDANE	FENDERS-FLOORS		
87G1	PROTEZIONI INFERIORI	BOTTOM GUARDS		
8877	STRUTTURA ROPS RIVESTITA			
9005	SOSTITUZ.RAPIDA OLIO MOTORE	ENGINE OIL QUICK CHANGE		
		A PROCURER SER COUPER SELON BESOIN JUSQU'AU CHASSIS... A PARTIR DU CHASSIS... VOIR REMARQUE COMMANDE DE DIRECTION COMMANDE DE FREINS TRINGLERIES CHASSIS INFERIOR CHASSIS SUPERIOR BATTERIE, SIEGE ET PROTECTION	BIS RAHMEN... AB RAHMEN... SIEHE ANMERKUNG LENKUNGSSYSTEM RAHMEN UNTEN RAHMEN OBEN BATTERIE HALTERUNG	
		SYSTEME ELECTRIQUE COMMANDES ELECTRIQUE DISPOSITIFS ELECTRIQUES CABLES DEMARRAGE CABLE DIVERS ECLAIRAGE THERMOMETRES ET MANOMETRES BLOCAGE SUPERSTRUCTURE GODET VIDAGE BILATERAL SYSTEME HYDRAULIQUE	ELEKTRISCHE STEUERUNG ELEKTRISCHE ANZEIGEINSTRUMENTE STARTERKABEL MEHRERE KABEL BELEUCHTUNG THERMOMETER UND MANOMETER SEITENKIPPSCHAUFEL	SISTEMA DE ALUMBRADO
		POMPE OUTIL DISTRIBUTEUR DE L'OUTIL COMMANDE DE OUTIL	LEITUNGEN HYDR.FILTER HYDRAULIKPUMPE STEUERGERAET (ARBEITSHYDRAULIK) HYDRAULIK-STEUERUNG LEITUNGEN FUER HYDRAULIKSYSTEM MOTORHAUBEN SEITENBLECHE FAHRERSITZ	SISTEMA HYDRAULICO ACCIONAMIENTO DEL UTIL
		CAPOTS PROTECTIONS LATERALES CAPOT SIEGE OPERATEUR SUPPORT ET PROTECTION SIEGE CHENILLE SCLEE CABINE BLINDEE	MOTORHAUBEN SEITENBLECHE FAHRERSITZ SITZBEFESTIGUNG UND VERKLEIDUNG KETTENZUG MIT STAUBDICHTUNG FAHRERHAUS GEPANZERT	ASIEN TO CONDUCTOR
		AILES - PLANCHERS PROTECTION INFERIEURS	KOTFLUEGEL-TRITBLECH PANZERWANNE ROPS RAHMEN VERKLEIDET	

F

ELECTRICAL SYSTEM • IMPIANTO ELETTRICO • SYSTÈME ELECTRIQUE • ELEKTRISCHE ANLAGE • SISTEMA ELETTRICO

P1

FIATALLIS FL5



D 1373 -- Tel. n. 201361

ITEM	PART NUMBER	QTY	TRANS CODE	DESCRIPTION	DESCRIZIONE
2	10206220	1	60L	KEY 6,5x3	LINGUETTA 6,5x3
3	10516479	1	17GR	LOCKWASHER 6,1x1,8	ROSETTA EL. 6,1x1,8
4	10519301	1	131R	WASHER 5,15x10	ROSETTA 5,15x10
5	10725918	2	10D	NUT 6x1x4	DADO 6x1x4
6	12601671	1	131R	WASHER 15x28	ROSETTA 15x28
7	10615473	3	131R	WASHER 6,4x11,0	ROSETTA 6,4x11,0
8	10791311	1	10D	NUT 14x1,5x8	DADO 14x1,5x8
9	12601278	1	170R	LOCKWASHER 6,4x12	ROSETTA EL. 6,4x12
11	13265111	2	40V	SCREW 5x0,8x20	VITE 5x0,8x20
12	13268018	1	40V	SCREW 4x0,7x14	VITE 4x0,7x14
15	15211621	1	40V	SCREW 5x0,8x35	VITE 5x0,8x35
16	79014919	1	31R	VOLTAGE REGULATOR	REGOLATORE DI TENSIONE
17	14496201	1	131R	WASHER 4,3x9	ROSETTA 4,3x9
18	79014921	1	197P	BRUSH HOLDER	PORTASPAZZOLA
19	79056718	1	45A	RING	ANELLO
20	79034444	1	300S	SUPPORT	SUPPORTO
21	79014927	1	271S	STATOR	STATORE
25	12644421	1	131R	WASHER 6,15x15	ROSETTA 6,15x15
26	79060727	1	32R	RECTIFIER	RADDRIZZATORE
27	79014933	1	70R	GUARD	RIPARO
28	79023996	1	300S	SUPPORT	SUPPORTO
29	79056717	1	145R	ROTOR	ROTORE

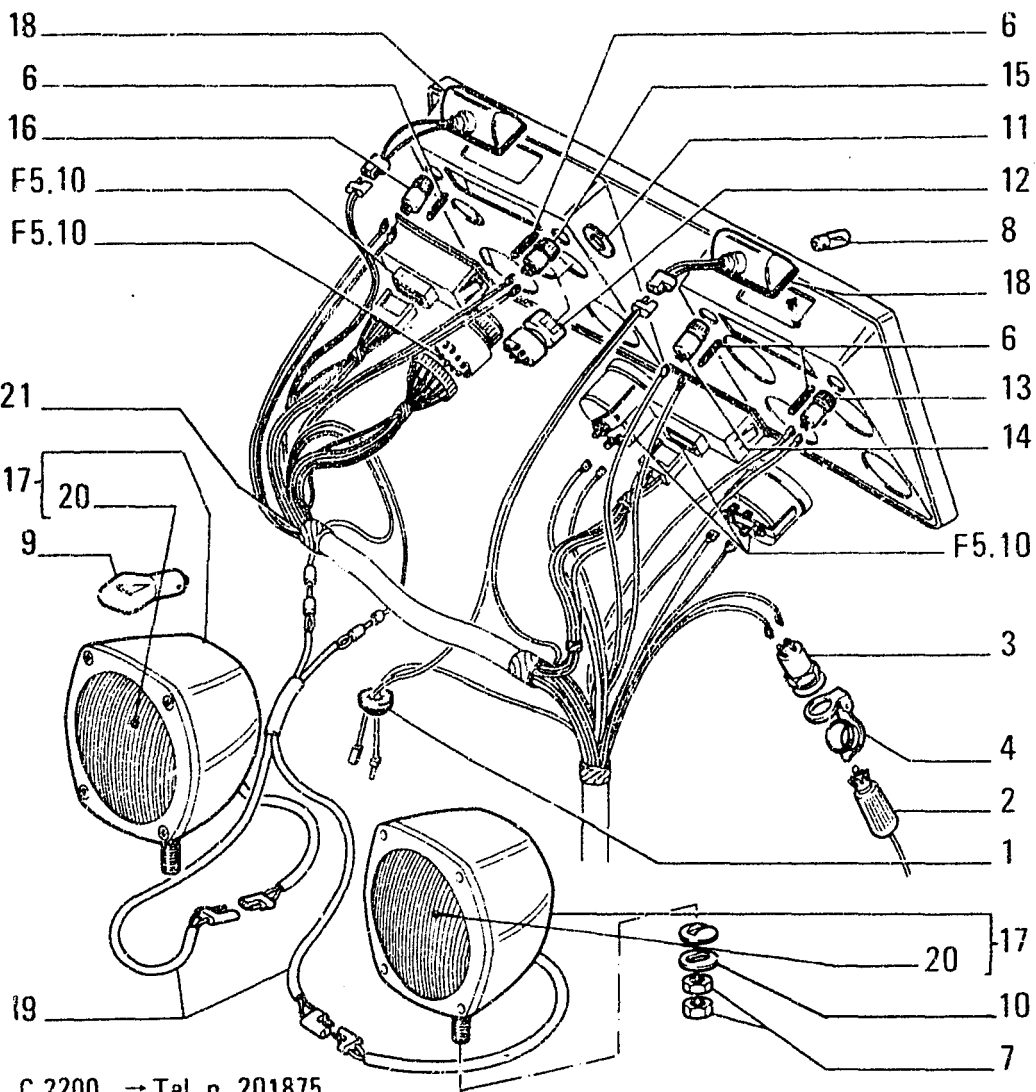
4786913

ALTERNATOR — ALTERNATORE — ALTERNATEUR — DREHSTROMLICHMASCHINE —
ALTERNADOR

F3.03/A

N.T.R. 163 - 30.05.1989

604.01.077.03



C 2200 → Tel. n. 201875

FIATALLIS FL5

F4.01 TAV. 1 PAG.1

ITEM	PART NUMBER	QTY	TRANS CODE	DESCRIPTION	DESCRIZIONE
1	4135523	1	48A	RUBBER RING	ANELLO DI GOMMA
2	4182461	1	200S	PIN	SPINA
3	4182462	1	205P	RECEPTACLE	PRESA DI CORRENTE
4	4952553	1	265C	COVER	COPERCHIO
5	10516671	1	132R	LOCKWASHER 8,1x2,2	ROSETTA DI SICUREZZA 8,1x2,2
6	11052090	4	110F	FUSE 6x25	FUSIBILE 6x25
7	11702921	4	10D	NUT 12x1,75x10	DADO 12x1,75x10
8	14142490	2	30L	LAMP 9,15x8,8	LAMPADA 9,15x8,8
9	14142690	2	30L	LAMP 20x35,5 C1361	LAMPADA 20x35,5 C1361
	79051014	2	30L	LAMP D1361	LAMPADA D1361
10	76000905	4	60T	BLOCK	TASSELLO
11	76003067	1	65T	DECAL	TARGA
12	79006370	1	210C	SWITCH	COMMUTATORE
13	79011643	1	188P	FUSE HOLDER C2123	PORTAFUSIBILE C2123
	79043274	1	65T	DECAL D2123	TARGA D2123
14	79011645	1	188P	FUSE HOLDER	PORTAFUSIBILE
15	79011647	1	188P	FUSE HOLDER	PORTAFUSIBILE
16	79011649	1	188P	FUSE HOLDER	PORTAFUSIBILE
17	79032396	2	220P	FLOODLIGHT - ASSEMBLY	PROIETTORE - COMPLETO
18	79032398	2	12F	INSTRUMENT LAMP	FANALE DEL CRUSCOTTO
19	79032749	1	111C	CABLE	CAVO
20	79013412	2	110G	LENS/REFLECTOR UNIT	GRUPPO OTTICO
24	79042823	1	111C	CABLE D2123	CAVO D2123

LIGHTING SYSTEM - ILLUMINAZIONE - ECLAIRAGE - BELEUCHTUNG - SISTEMA DE ALUMBRADO

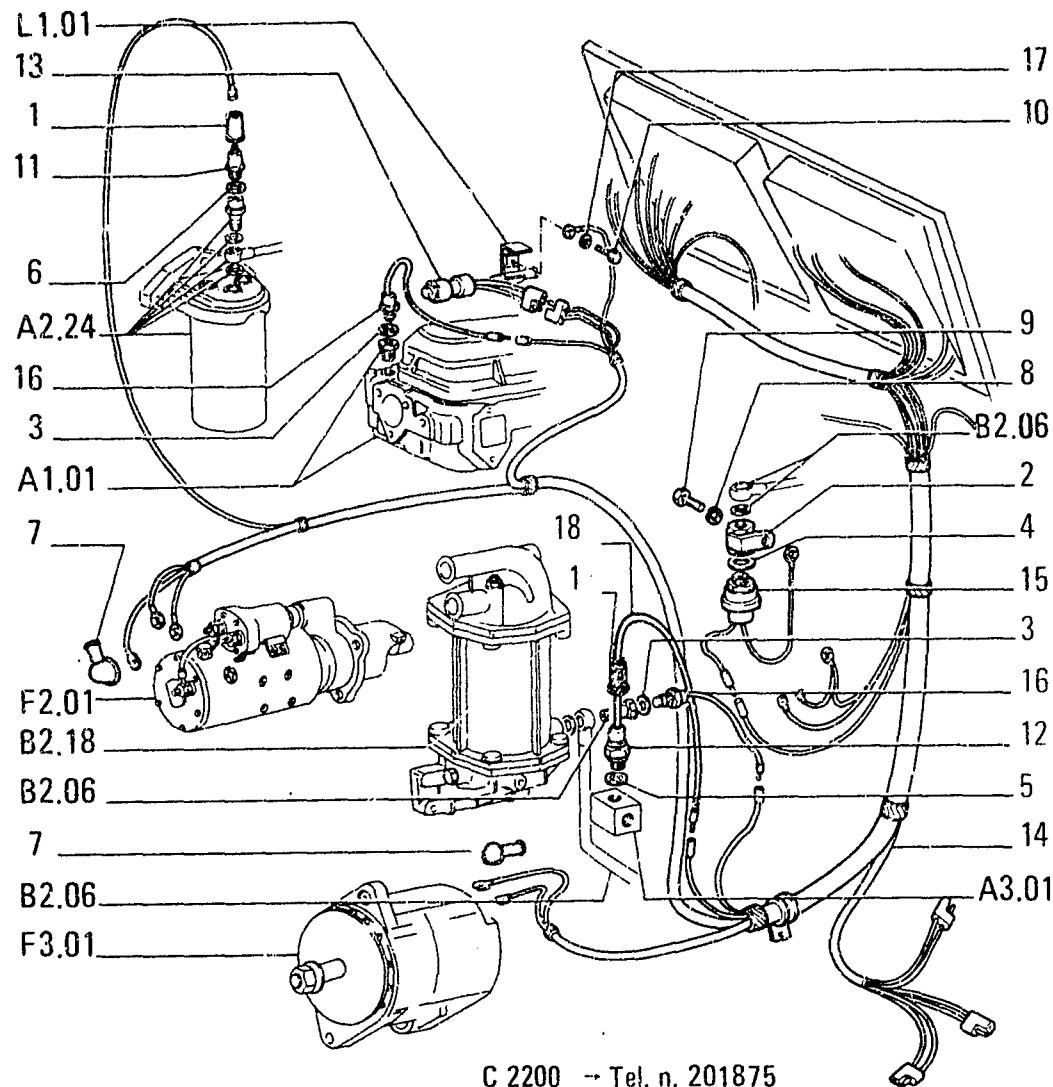
F4.01

1

N.T.R. 163 - 30.05.1989

604.01.077.03

P3



C 2200 - Tel. n. 201875

FIATALLIS FL5

F4.01 TAV. 2 PAG.1

ITEM	PART NUMBER	QTY	TRANS CODE	DESCRIPTION	DESCRIZIONE
1	4151244	1	65C	BOOT	CAPPUCCIO
		1		65C BOOT D 968	CAPPUCCIO D 968
2	4957531	1	300S	SUPPORT	SUPPORTO
3	10257060	3	133R	SEAL 16,2x22	ROSETTA DI TENUTA 16,2x22
4	10257460	1	133R	SEAL 20,2x26	ROSETTA DI TENUTA 20,2x26
5	10296160	1	133R	SEAL 12,2x18	ROSETTA DI TENUTA 12,2x18
6	10298360	1	133R	SEAL 10,2x16	ROSETTA DI TENUTA 10,2x16
7	10405485	3	65C	BOOT 7,7x15	CAPPUCCIO 7,7x15
8	10516871	1	132R	LOCKWASHER 10x2,5	ROSETTA DI SICUREZZA 10x2,5
9	11106231	1	40V	SCREW 10x1,5x25	VITE 10x1,5x25
10	16043031	1	40V	SCREW 8x1,25x12 C2123	VITE 8x1,25x12 C2123
11	79012014	1	75I	SWITCH C2120	INTERRUTTORE C2120
	79039833	1	75I	SWITCH D2120	INTERRUTTORE D2120
12	4998770	1	75I	SWITCH D 968	INTERRUTTORE D 968
		1	75I	SWITCH C2123	INTERRUTTORE C2123
	79030401	1	75I	SWITCH C 968	INTERRUTTORE C 968
13	79030400	1	87S	INDICATOR D1361	SEGNALATORE D1361
		1	87S	INDICATOR C2123	SEGNALATORE C2123
	79032019	1	87S	INDICATOR C1361	SEGNALATORE C1361
	79058644	1	87S	INDICATOR - IN ALTERNATIVE D2123	SEGNALATORE - IN ALTERNATIVA D2123
	79066478	1	87S	INDICATOR - IN ALTERNATIVE	SEGNALATORE - IN ALTERNATIVA
14	79032747	1	111C	CABLE C2123	CAVO C2123
	79044734	1	111C	CABLE D2123	CAVO D2123
15	79033172	1	75I	SWITCH C2193	INTERRUTTORE C2193
	79076344	1	75I	SWITCH D2193	INTERRUTTORE D2193
16	79035418	2	160T	SENDING UNIT C2278	TRASMETTITORE C2278

LIGHTING SYSTEM - ILLUMINAZIONE - ECLAIRAGE. - BELEUCHTUNG - SISTEMA DE ALUMBRADO

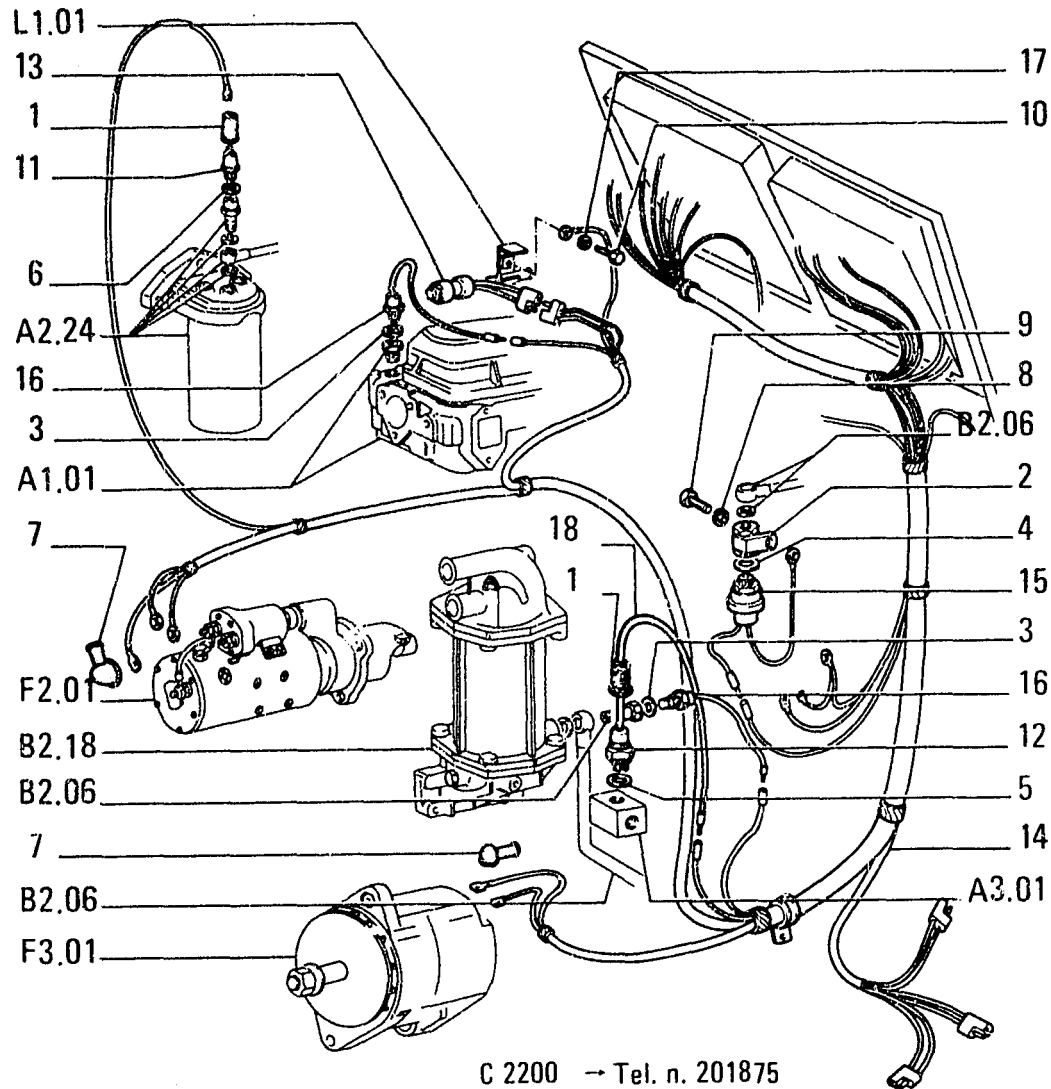
F4.01

2

N.T.R. 163 - 30.05.1989

604.01.077.03

P4



ITEM	PART NUMBER	QTY	TRANS CODE	DESCRIPTION	DESCRIZIONE
16	79072543	2	160T	SENDING UNIT D2278	TRASMETTITORE D2278
17	10516671	1	132R	LOCKWASHER 8,1x2,2 C2123	ROSETTA DI SICUREZZA 8,1x2,2 C2123
18	79041040	1	111C	CABLE D 968	CAVO D 968
		1	111C	CABLE C2123	CAVO C2123

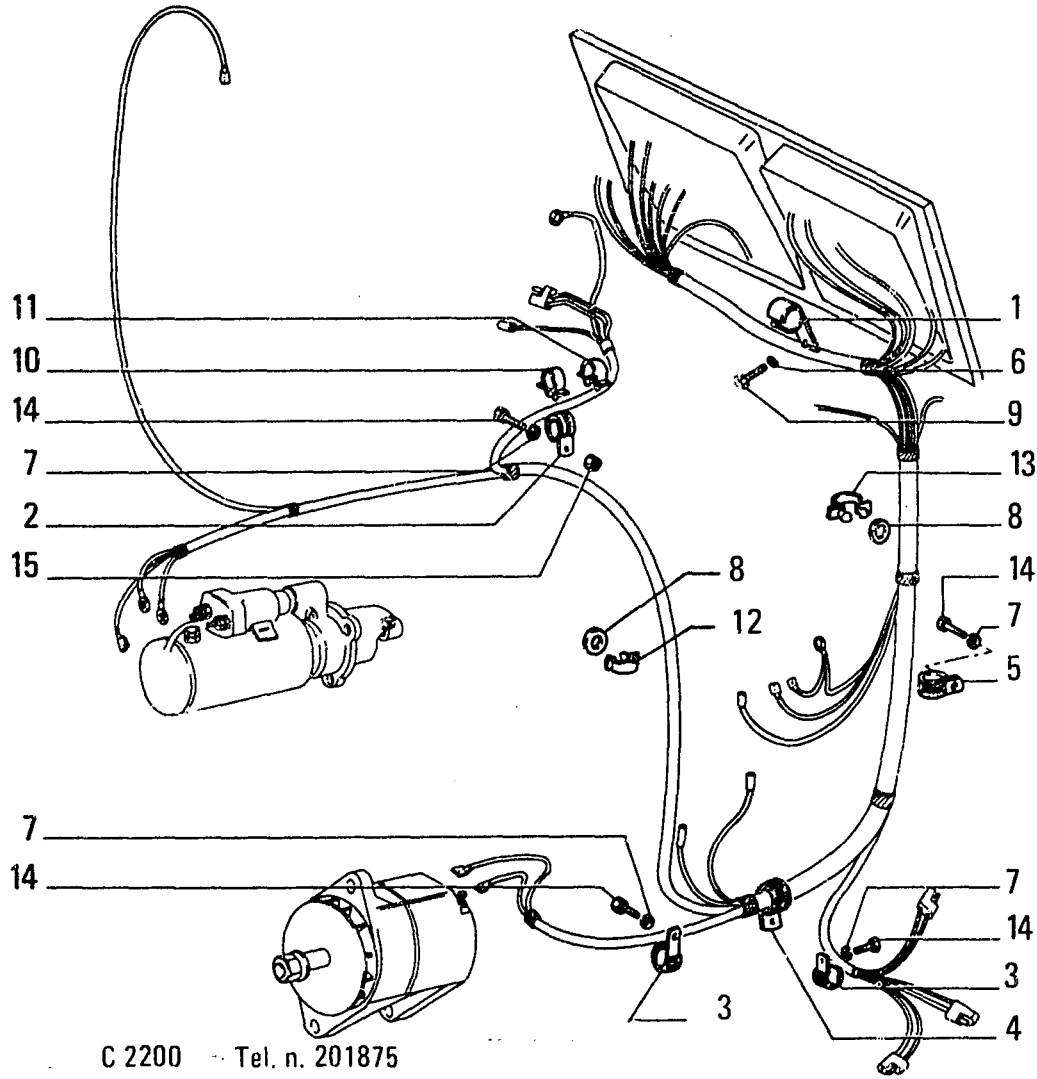
LIGHTING SYSTEM - ILLUMINAZIONE - ECLAIRAGE - BELEUCHTUNG - SISTEMA DE ALUMBRADO

F4.01

2

N.T.R. 163 - 30.05.1989

604.01.077.03



C 2200 - Tel. n. 201875

ITEM	PART NUMBER	QTY	TRANS CODE	DESCRIPTION	DESCRIZIONE
1	10441990	1	231S	CLIP 24x7	STAFFETTA 24x7
2	10450090	2	231S	CLIP 8x9	STAFFETTA 8x9
3	10450290	2	231S	CLIP 74x9	STAFFETTA 74x9
4	10450590	1	231S	CLIP 18x9	STAFFETTA 18x9
5	10450690	2	231S	CLIP 20x9	STAFFETTA 20x9
6	10516471	3	132R	LOCKWASHER 6,1x1,8	ROSETTA DI SICUREZZA 6,1x1,8
7	10516671	5	132R	LOCKWASHER 8,1x2,2	ROSETTA DI SICUREZZA 8,1x2,2
8	10519401	5	131R	WASHER 6,15x12	ROSETTA 6,15x12
9	13275911	1	40V	SCREW 6x1x10	VITE 6x1x10
10	14569480	1	105M	SPRING FASTENER 10x3,8	MOLLETTA 10x3,8
11	14569880	1	105M	SPRING FASTENER 14x3	MOLLETTA 14x3
12	14570180	2	105M	SPRING FASTENER 20x3	MOLLETTA 20x3
13	14570280	3	105M	SPRING FASTENER 24x3	MOLLETTA 24x3
14	16043231	5	40V	SCREW 8x1,25x16	VITE 8x1,25x16
15	16100821	1	10D	NUT 8x1,25x6,5	DADO 8x1,25x6,5

LIGHTING SYSTEM - ILLUMINAZIONE - ECLAIRAGE - BELEUCHTUNG - SISTEMA DE ALUMBRADO

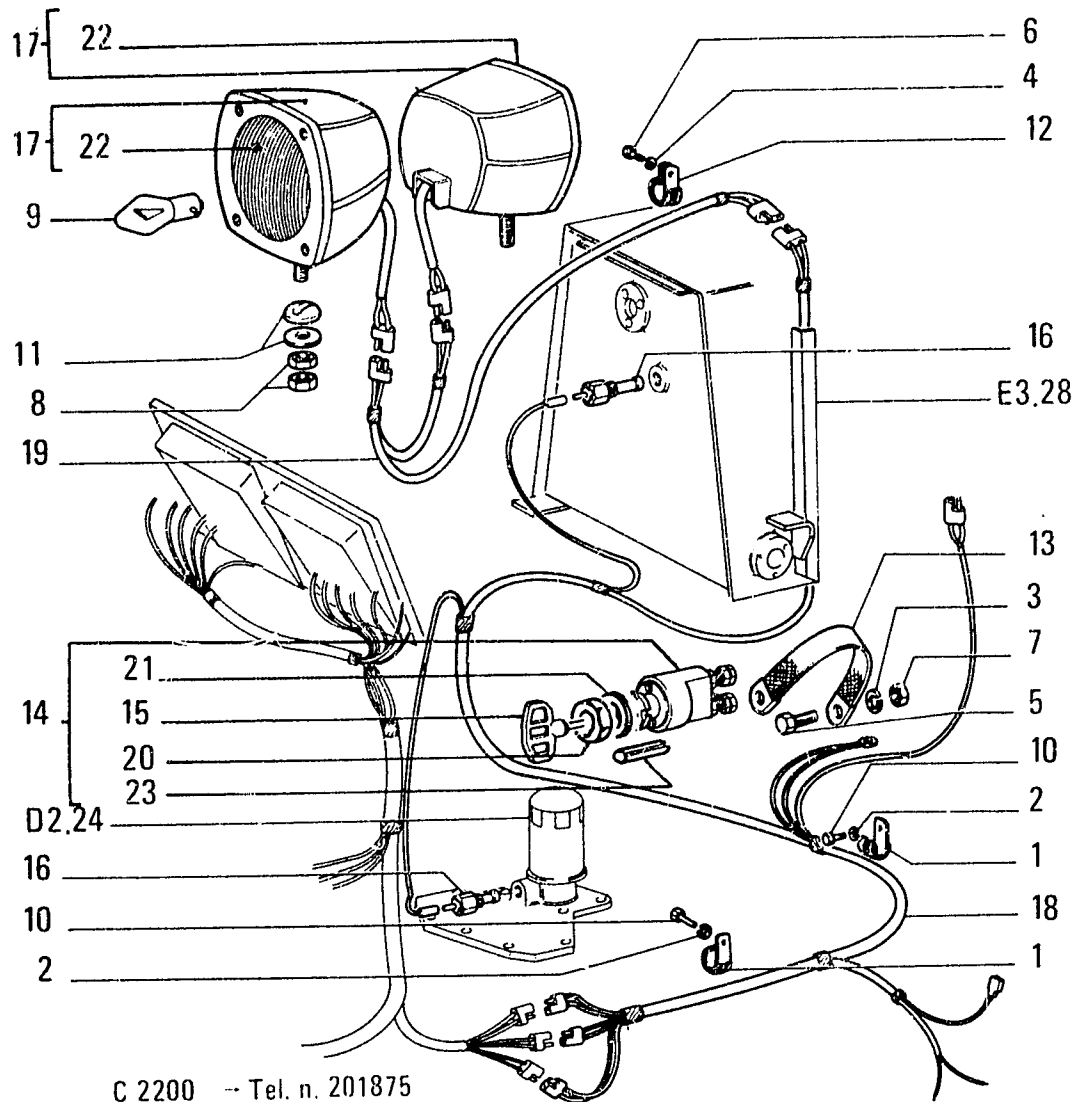
F4.01

3

N.T.R. 163 - 30.05.1989

604.01.077.03

P6



C 2200 -- Tel. n. 201875

FIATALLIS FL5

F4.01 TAV. 4 PAG.1

ITEM	PART NUMBER	QTY	TRANS CODE	DESCRIPTION	DESCRIZIONE
1	10450790	3	231S	CLIP 22x9	STAFFETTA 22x9
2	10516671	3	132R	LOCKWASHER 8,1x2,2	ROSETTA DI SICUREZZA 8,1x2,2
3	10516871	1	132R	LOCKWASHER 10x2,5	ROSETTA DI SICUREZZA 10x2,5
4	10571870	2	132R	LOCKWASHER (1*) 10,2x2,2	ROSETTA DI SICUREZZA (1*) 10,2x2,2
5	10979331	1	40V	SCREW 10x1,5x14	VITE 10x1,5x14
6	10979331	2	40V	SCREW (1*) 10x1,5x14	VITE (1*) 10x1,5x14
7	11701721	1	10D	NUT 10x1,5x8	DADO 10x1,5x8
8	11702921	8	10D	NUT (1*) 12x1,75x10	DADO (1*) 12x1,75x10
9	14142690	4	30L	LAMP (1*) 20x35,5 C1361	LAMPADA (1*) 20x35,5 C1361
	79051014	4	30L	LAMP (1*) D1361	LAMPADA (1*) D1361
10	16043231	3	40V	SCREW 8x1,25x16	VITE 8x1,25x16
11	76000905	8	60T	BLOCK (1*)	TASSELLO (1*)
12	79011407	2	231S	CLIP	STAFFETTA
13	79017173	1	166T	GROUND BRAID	TRECCIA DI MASSA
14	79031355	1	75I	SWITCH - ASSEMBLY C2122	INTERRUTTORE - COMPLETO C2122
	79048326	1	75I	SWITCH - ASSEMBLY D2122	INTERRUTTORE - COMPLETO D2122
		1	75I	SWITCH - ASSEMBLY C2195	INTERRUTTORE - COMPLETO C2195
	79073031	1	75I	SWITCH - ASSEMBLY D2195	INTERRUTTORE - COMPLETO D2195
15	79032280	1	150C	KEY C2195	CHIAVE C2195
	79073033	1	150C	KEY D2195	CHIAVE D2195
16	79032388	2	160T	SENDING UNIT C2123	TRASMETTITORE C2123

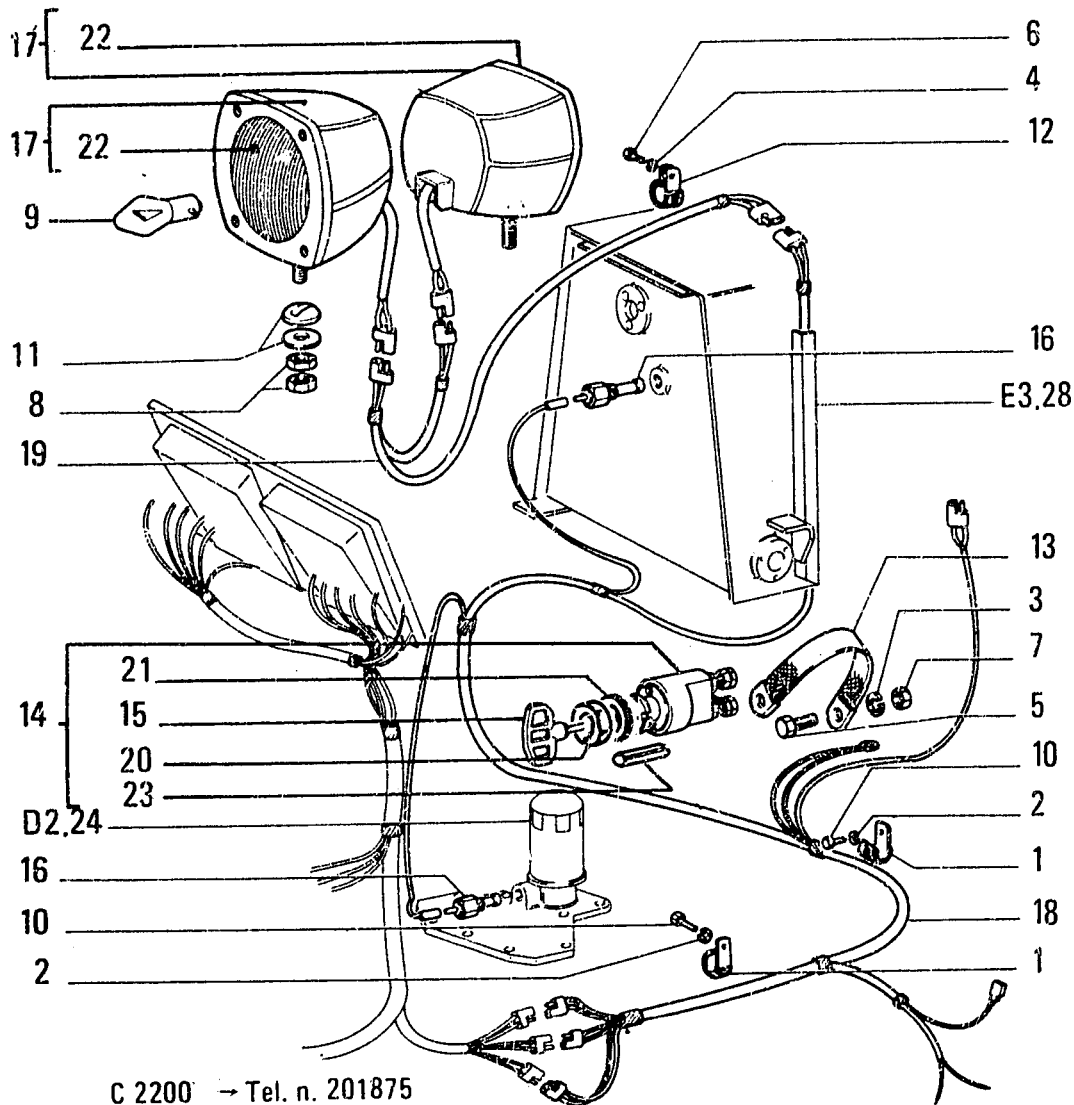
LIGHTING SYSTEM - ILLUMINAZIONE - ECLAIRAGE - BELEUCHTUNG - SISTEMA DE ALUMBRADO

F4.01

4

N.T.R. 163 - 30.05.1989
604.01.077.03

P7



C 2200 → Tel. n. 201875

FIATALLIS FL5

ITEM	PART NUMBER	QTY	TRANS CODE	DESCRIPTION	DESCRIZIONE
17	79032396	4	220P	FLOODLIGHT - ASSEMBLY (1*)	PROIETTORE - COMPLETO (1*)
18	79032748	1	111C	CABLE C2123	CAVO C2123
	79044735	1	111C	CABLE D2123	CAVO D2123
19	79033245	2	111C	CABLE (1*)	CAVO (1*)
20	79038734	1	10D	NUT D1361	DADO D1361
21	79038735	1	131R	WASHER D1361	ROSETTA D1361
22	79013412	4	110G	LENS/REFLECTOR UNIT (1*)	GRUPPO OTTICO (1*)
23	14163470	1	202S	SPRING PH: 4,4x10 D2195	SPINA ELASTICA 4,4x10 D2195
(1*)			469P	FOR SPECIAL EQUIPMENT 30.0765.01.1	PER VARIANTE 30.0765.01.1

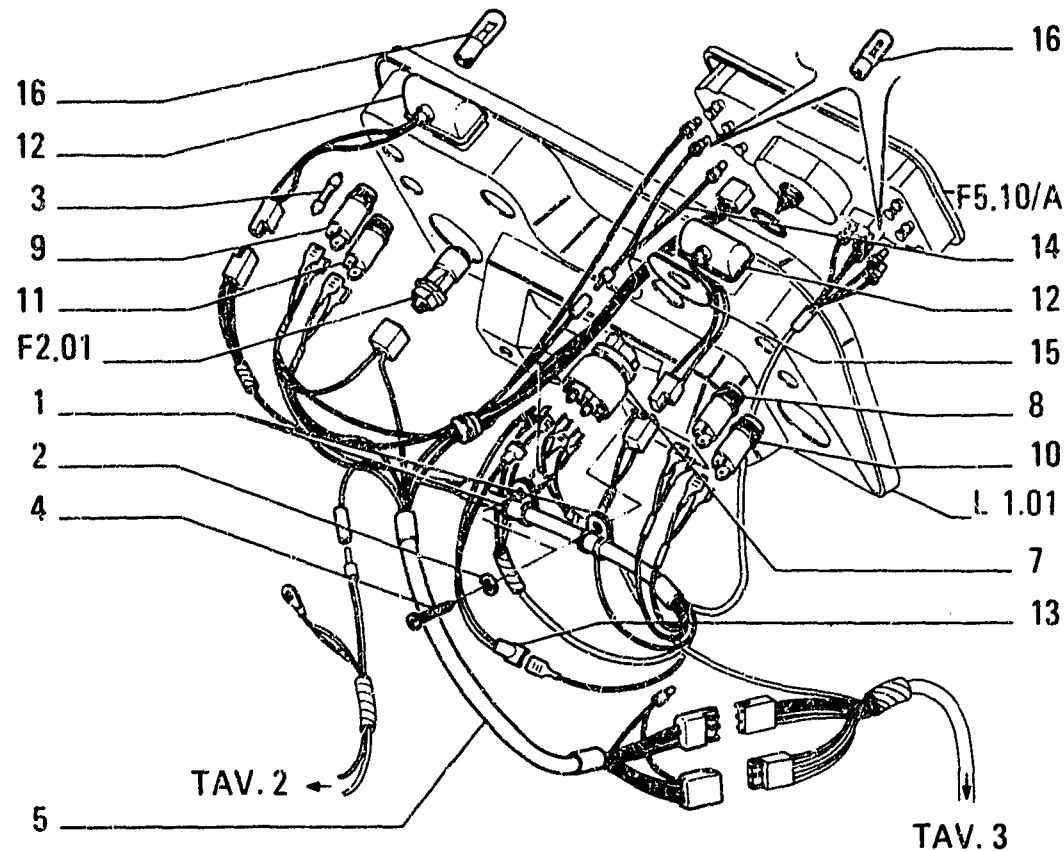
LIGHTING SYSTEM - ILLUMINAZIONE - ECLAIRAGE - BELEUCHTUNG - SISTEMA DE ALUMBRADO

F4.01

4

N.T.R. 163 - 30.05.1989

604.01.077.03



ELECTRICAL SYSTEM
IMPIANTO ELETTRICO

D 2200 Tel. n. 201876 →

ITEM	PART NUMBER	QTY	TRANS CODE	DESCRIPTION	DESCRIZIONE
1	10441690	2	231S	CLIP 18x7	STAFFETTA 18x7
2	10571571	2	170R	LOCKWASHER 6,1x1,6	ROSETTA EL. 6,1x1,6
3	11052090	4	110F	FUSE 6x25	FUSIBILE 6x25
4	13275811	2	40V	SCREW 6x1x8	VITE 6x1x8
5	76010396	1	111C	CABLE	CAVO
7	79006370	1	210C	SWITCH	COMMUTATORE
8	79011643	1	188P	FUSE HOLDER	PORTAFUSIBILE
9	79011645	1	188P	FUSE HCLDER	PORTAFUSIBILE
10	79011647	1	188P	FUSE HOLDER	PORTAFUSIBILE
11	79011649	1	188P	FUSE HOLDER	PORTAFUSIBILE
12	79032398	2	9F	LIGHT	FANALE
13	79037299	1	111C	CABLE	CAVO
14	79042811	1	111C	CABLE	CAVO
15	79043274	1	65T	DECAL	TARGA
16	79051015	10	30L	LAMP	LAMPADA

LIGHTING SYSTEM - ILLUMINAZIONE - ECLAIRAGE - BELEUCHTUNG - SISTEMA DE ALUMBRADO

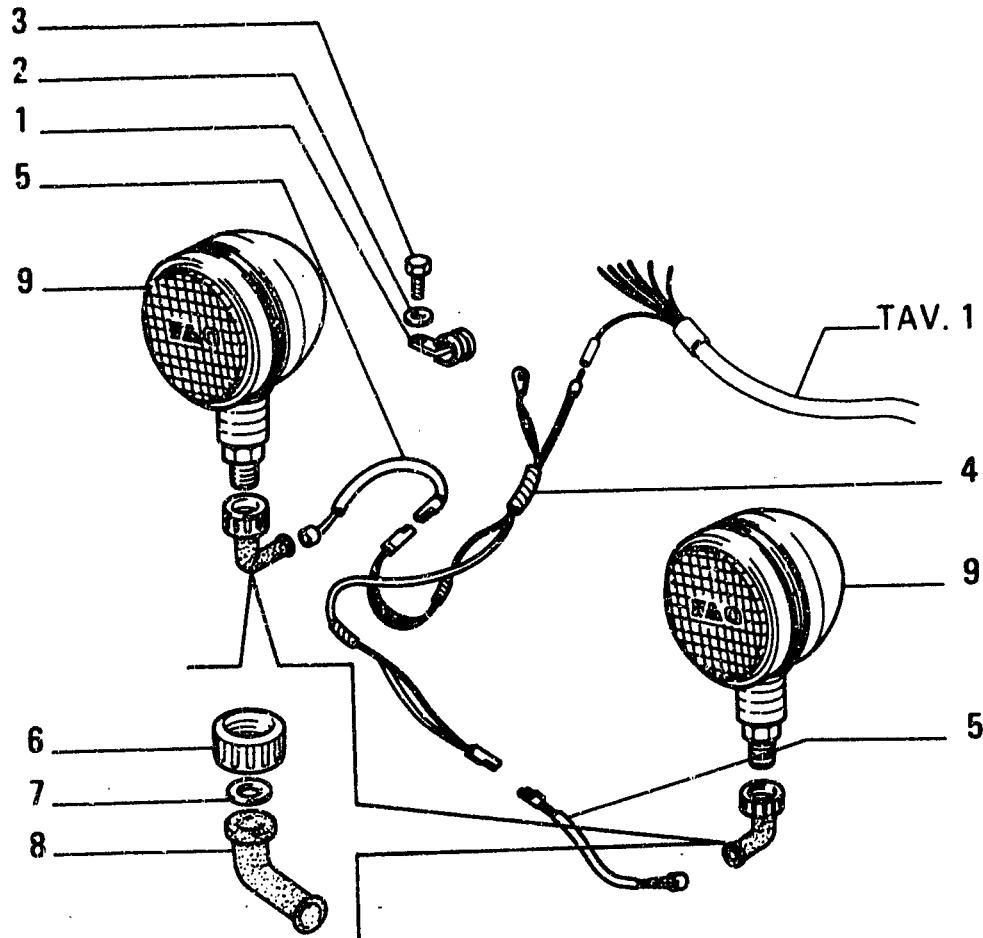
2

F4.01/A

1

N.T.R. 163 - 30.05.1989

604.01.077.03



ELECTRICAL SYSTEM
IMPIANTO ELETTRICO

I T E M	PART NUMBER	Q T Y	TRANS CODE	DESCRIPTION	DESCRIZIONE
1	10450090	1	231S	CLIP 8x9	STAFFETTA 8x9
2	10571771	1	170R	LOCKWASHER 8,1x2	ROSETTA EL. 8,1x2
3	16043031	1	40V	SCREW 8x1,25x12	VITE 8x1,25x12
4	76013891	1	111C	CABLE	CAVO
5	76013892	2	111C	CABLE	CAVO
6	79069895	2	50G	RING NUT	GHIERA
7	79069896	2	131R	WASHER	ROSETTA
8	79070321	2	120G	GASKET	GUARNIZIONE PIANA
9	79073816	2	220P	FLOODLIGHT - ASSEMBLY SEE SGR. F4.05	PROIETTORE - COMPLETO VEDERE SGR. F4.05

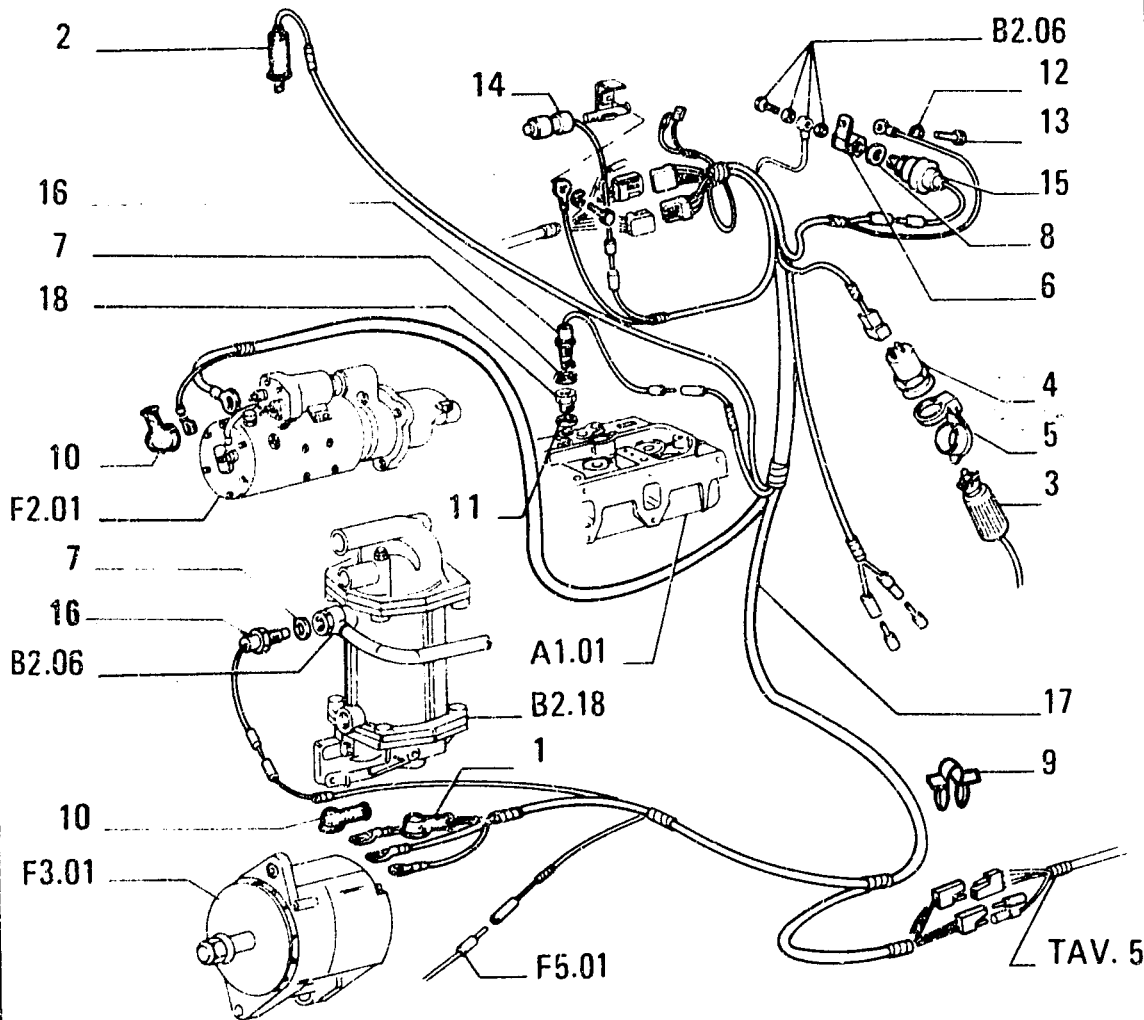
D 2200 Tel. n. 201876 →

LIGHTING SYSTEM - ILLUMINAZIONE - ECLAIRAGE - BELEUCHTUNG - SISTEMA DE ALUMBRADO

P10

2	F4.01/A	2
N.T.R. 163 - 30.05.1989		
604.01.077.03		

FIATALLIS FL5



ITEM	PART NUMBER	QTY	TRANS CODE	DESCRIPTION	DESCRIZIONE
1	4094290	1	65C	BOOT	CAPPUCCIO
2	4151244	1	65C	BOOT	CAPPUCCIO
3	4182461	1	201S	ELECTRICAL PLUG	SPINA ELETTRICA
4	4182462	1	205P	RECEPTACLE	PRESA DI CORRENTE
5	4952553	1	265C	COVER	COPERCHIO
6	4957531	1	300S	SUPPORT	SUPPORTO
7	10257060	2	120G	GASKET 16,2x22	GUARNIZIONE PIANA 16,2x22
8	10257460	1	120G	GASKET 20,2x26	GUARNIZIONE PIANA 20,2x26
9	14569480	2	105M	SPRING FASTENER 10x3,6	MOLLETTA 10x3,6
10	10405485	2	65C	BOOT 7,7x15	CAPPUCCIO 7,7x15
11	10279560	1	120G	GASKET 22,2x28	GUARNIZIONE PIANA 22,2x28
12	10571871	1	170R	LOCKWASHER 10,2x2,2	ROSETTA EL. 10,2x2,2
13	11106031	1	40V	SCREW 10x1,5x20	VITE 10x1,5x20
14	79066478	1	35I	INDICATOR AIR FILTER CLOGGING	INDICATORE AIR FILTER CLOGGING
15	79076344	1	75I	SWITCH	INTERRUTTORE
16	79035418	2	160T	SENDING UNIT TRANSMISSION FLUID PRESSURE C2278	TRASMETTITORE TRANSMISSION FLUID PRESSURE C2278
	79072543	2	160T	SENDING UNIT TRANSMISSION FLUID PRESSURE D2278	TRASMETTITORE TRANSMISSION FLUID PRESSURE D2278
17	76010397	1	111C	CABLE	CAVO
18	79030099	1	20R	FITTING	RACCORDO

D 2200 Tel. n. 201876 → ELECTRICAL SYSTEM - IMPIANTO ELETTRICO

LIGHTING SYSTEM - ILLUMINAZIONE - ECLAIRAGE - BELEUCHTUNG - SISTEMA DE ALUMBRADO

2

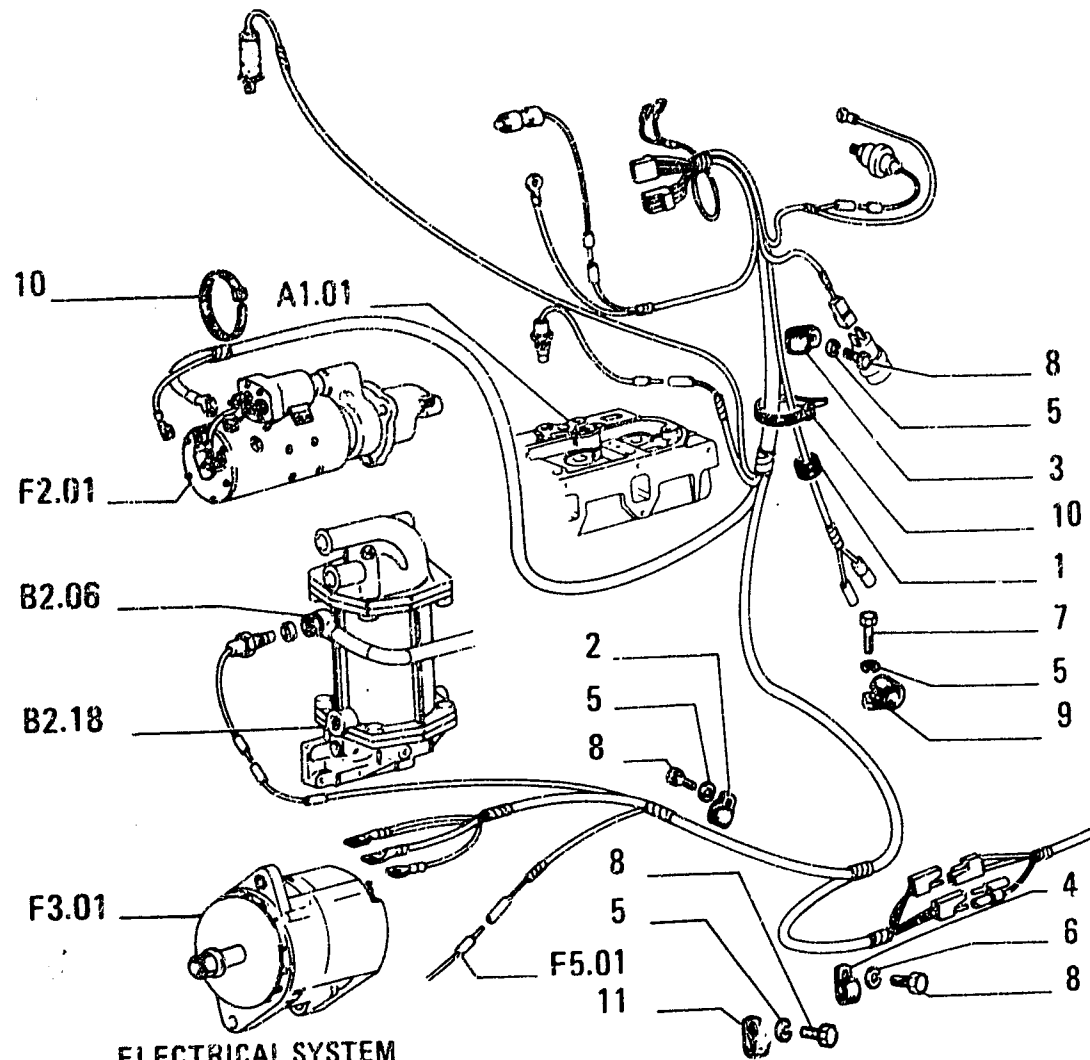
F4.01 / A

3

N.T.R. 163 - 30.05.1989

604.01.077.03

FIATALLIS FL5



ITEM	PART NUMBER	QTY	TRANS CODE	DESCRIPTION	DESCRIZIONE
1	4135523	1	45A RING		ANELLO
2	10450590	1	231S CLIP 18x9		STAFFETTA 18x9
3	10450890	1	231S CLIP 24x9		STAFFETTA 24x9
4	10450790	2	231S CLIP 22x9		STAFFETTA 22x9
5	10571771	5	170R LOCKWASHER 8,1x2		ROSETTA EL. 8,1x2
6	10516671	2	170R LOCKWASHER 8,1x2,2		ROSETTA EL. 8,1x2,2
7	16043231	2	40V SCREW 8x1,25x16		VITE 8x1,25x16
8	16043031	5	40V SCREW 8x1,25x12		VITE 8x1,25x12
9	70927177	2	231S CLIP		STAFFETTA
10	79013422	4	31F CLAMP		FASCETTA
11	79038372	1	231S CLIP		STAFFETTA

ELECTRICAL SYSTEM
IMPIANTO ELETTRICO

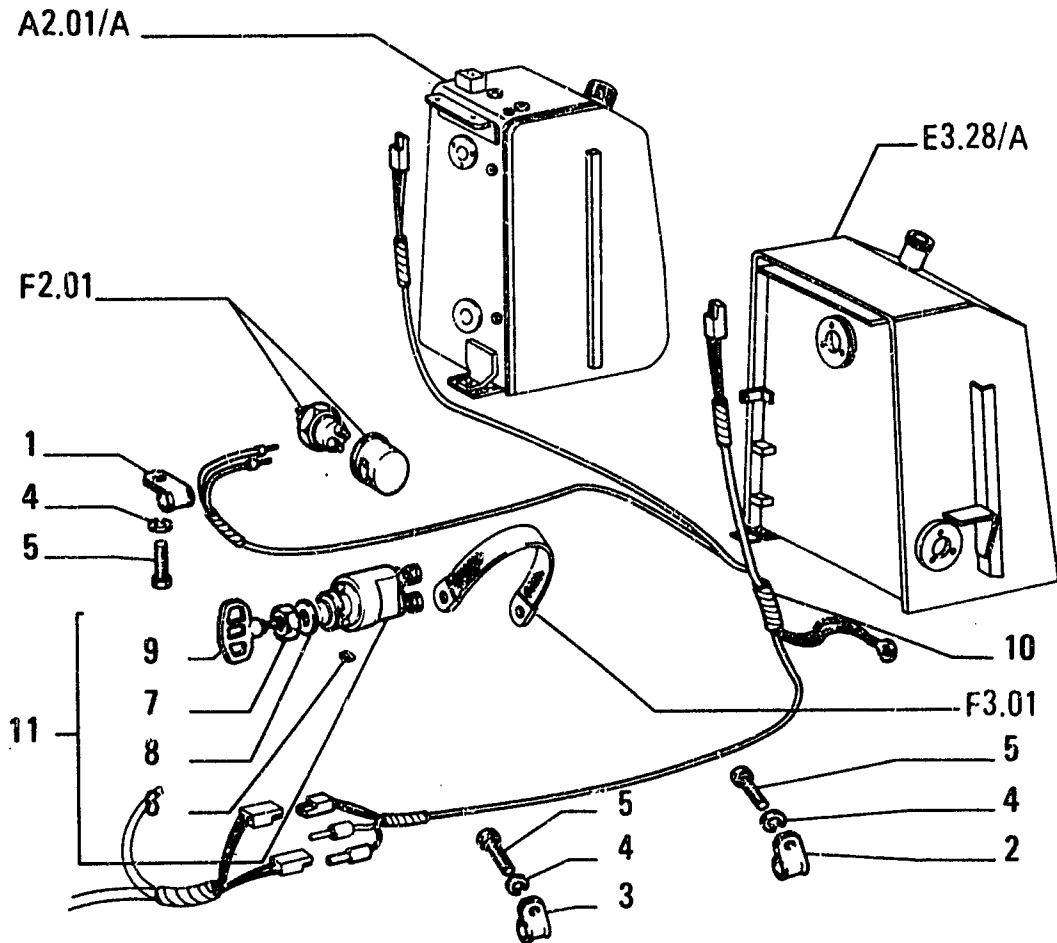
D 2200 Tel. n. 701876 →

LIGHTING SYSTEM - ILLUMINAZIONE - ECLAIRAGE - BELEUCHTUNG - SISTEMA DE ALUMBRADO

2	F4.01/A	4
N.T.R. 163 - 30.05.1989		
604.01.077.03		

D 2200 Tel. n. 201876 →

**ELECTRICAL SYSTEM
IMPIANTO ELETTRICO**



FIATALLIS FL5

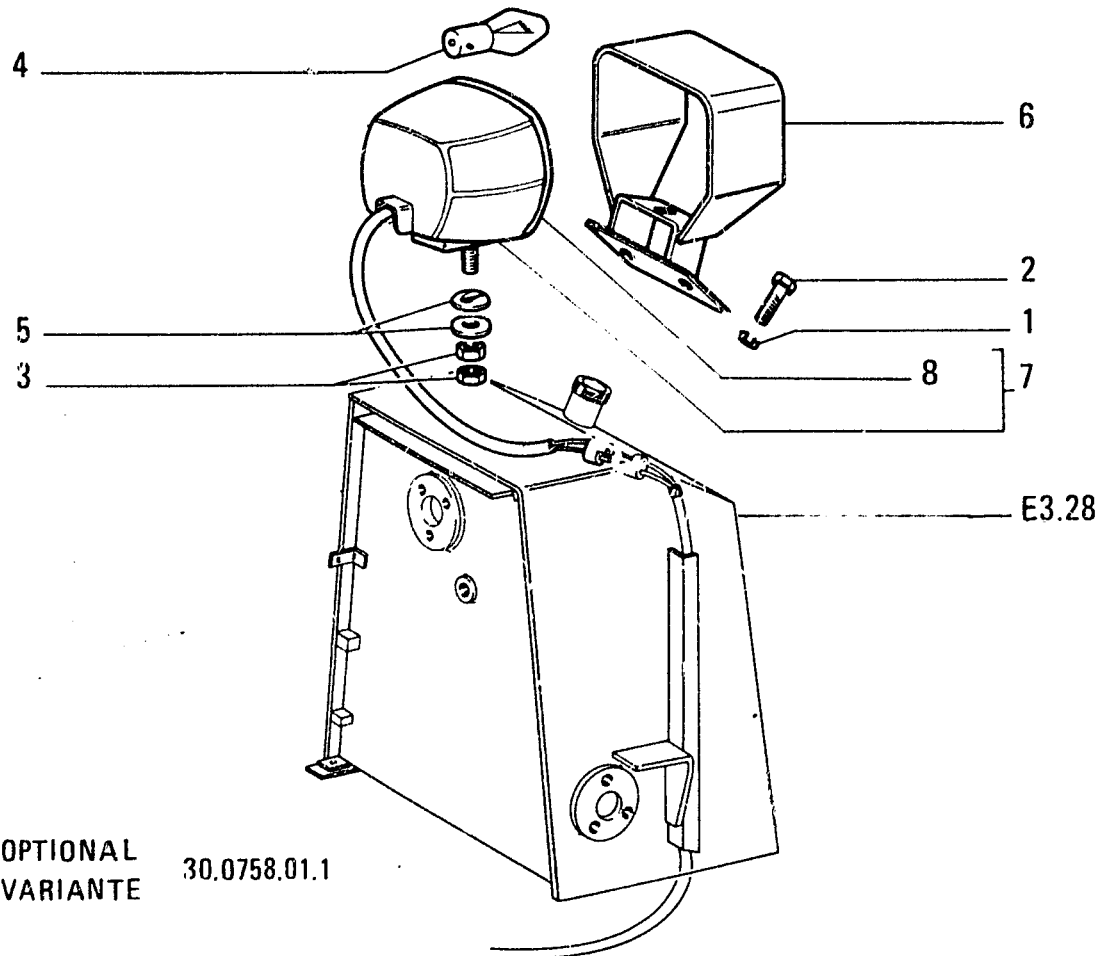
F4.01/ A TAV. 5 PAG.1

I T E M	PART NUMBER	Q T Y	TRANS CODE	DESCRIPTION	DESCRIZIONE
1	10450090	1	231S	CLIP 8x9	STAFFETTA 8x9
2	10450290	2	231S	CLIP 74x9	STAFFETTA 74x9
3	10450790	1	231S	CLIP 22x9	STAFFETTA 22x9
4	10571771	4	170R	LOCKWASHER 8,1x2	ROSETTA EL. 8,1x2
5	16043031	4	40V	SCREW 8x1,25x12	VITE 8x1,25x12
6	14163470	1	202S	SPRING PIN 4,4x10	SPINA ELASTICA 4,4x10
7	79038734	1		10D NUT	DADO
8	79038735	1	170R	LOCKWASHER	ROSETTA EL.
9	79073033	2	154C	LOCK KEY	CHIAVE SERRATURA
10	79044735	1	111C	CABLE	CAVO
11	79073031	1	75I	SWITCH	INTERRUTTORE

LIGHTING SYSTEM - ILLUMINAZIONE - ECLAIRAGE - BELEUCHTUNG - SISTEMA DE ALUMBRADO

1	F4.01/A	5
N.T.R. 163 - 30.05.1989		
604.01.077.03		

P13



OPTIONAL
VARIANTE

30.0758.01.1

C 2200 -- Tel. n. 201875

ITEM	PART NUMBER	QTY	TRANS CODE	DESCRIPTION	DESCRIZIONE
1	10517071	2	132R	LOCKWASHER 12,2x3,1	ROSETTA DI SICUREZZA 12,2x3,1
2	11106231	2	40V	SCREW 10x1,5x25	VITE 10x1,5x25
3	11702921	2	10D	NUT 12x1,75x10	DADO 12x1,75x10
4	14142690	1	30L	LAMP 20x35,5 C1361	LAMPADA 20x35,5 C1361
	79051014	1	30L	LAMP D1361	LAMPADA D1361
5	76000905	2	60T	BLOCK	TASSELLO
6	79025440	1	300S	SUPPORT	SUPPORTO
7	79032396	1	220P	FLOODLIGHT - ASSEMBLY	PROIETTORE - COMPLETO
8	79013412	1	110G	LENS/REFLECTOR UNIT	GRUPPO OTTICO

LIGHTING SYSTEM - ILLUMINAZIONE - ECLAIRAGE - BELEUCHTUNG - SISTEMA DE ALUMBRADO

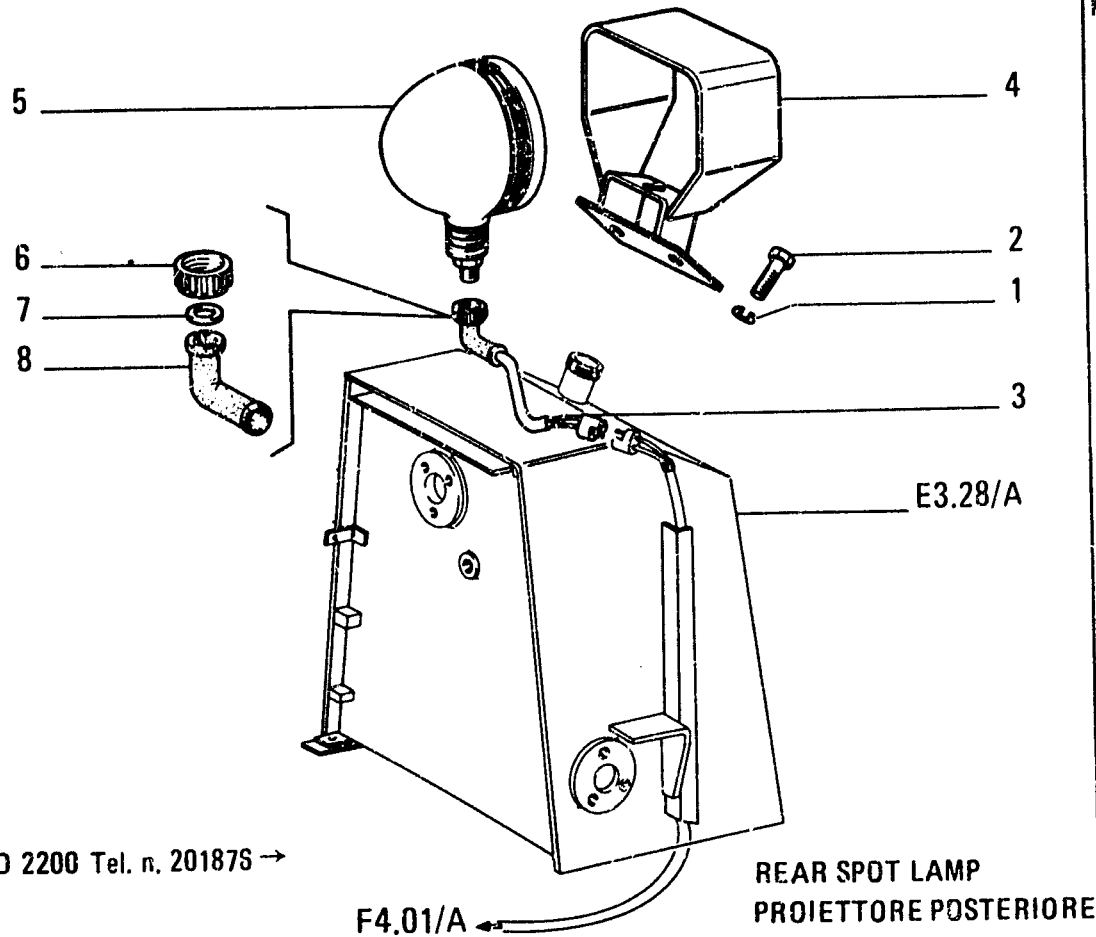
F4.01/1

N.T.R. 163 - 30.05.1989

604.01.077.03

P14

OPTIONAL
VARIANTE 30.0758.07.1



I T E M	PART NUMBER	Q T Y	TRANS CODE	DESCRIPTION	DESCRIZIONE
1	10517071	2	170R	LOCKWASHER 12,2x3,1	ROSETTA EL. 12,2x3,1
2	11106231	2	40V	SCREW 10x1,5x25	VITE 10x1,5x25
3	76013894	1	111C	CABLE	CAVO
4	76013898	1	300S	SUPPORT	SUPPORTO
5	79073816	1	220P	FLOODLIGHT - ASSEMBLY SEE SGR. F4.05	PROIETTORE - COMPLETO VEDERE SGR. F4.05
6	79069895	1	50G	RING NUT	GHIERA
7	79069896	1	131R	WASHER	ROSETTA
8	79070321	1	120G	GASKET	GUARNIZIONE PIANA

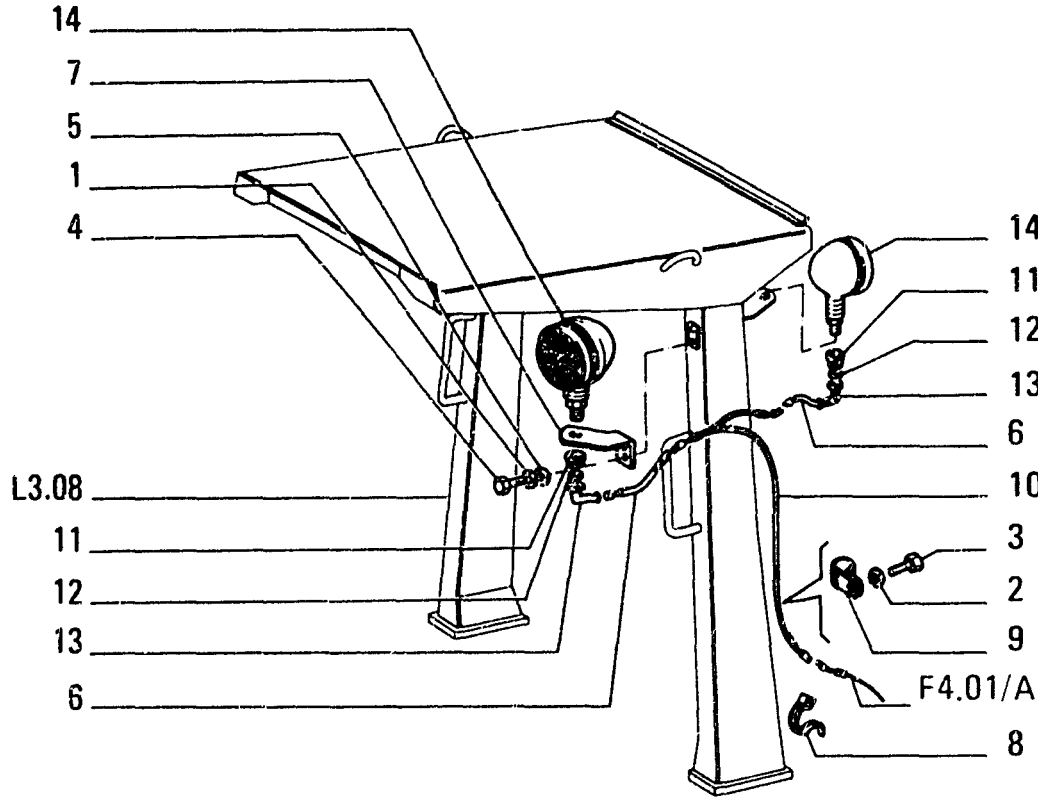
D 2200 Tel. n. 201875 ->

LIGHTING SYSTEM - ILLUMINAZIONE - ECLAIRAGE - BELEUCHTUNG - SISTEMA DE ALUMBRADO

F4.01/1A

N.T.R. 163 - 30.05.1989

604.01.077.03



I T E M	PART NUMBER	Q T Y	TRANS CODE	DESCRIPTION	DESCRIZIONE
1	10516871	4	170R	LOCKWASHER 10x2,5	ROSETTA EL. 10x2,5
2	10571871	2	170R	LOCKWASHER 10,2x2,2	ROSETTA EL. 10,2x2,2
3	10979331	2	40V	SCREW 10x1,5x14	VITE 10x1,5x14
4	11106431	4	40V	SCREW 10x1,5x30	VITE 10x1,5x30
5	12646821	4	131R	WASHER 10,2x25	ROSETTA 10,2x25
6	76013894	4	111C	CABLE	CAVO
7	76013904	1	300S	SUPPORT - LEFT	SUPPORTO - SINISTRO
	76013905	1	300S	SUPPORT - RIGHT	SUPPORTO - DESTRO
8	79013422	4	31F	CLAMP	FASCETTA
9	79020511	2	231S	CLIP	STAFFETTA
10	79045519	2	111C	CABLE	CAVO
11	79069895	4	50G	RING NUT	GHIERA
12	79069896	4	131R	WASHER	ROSETTA
13	79070321	4	120G	GASKET	GUARNIZIONE PIANA
14	79073816	4	220P	FLOODLIGHT - ASSEMBLY SEE SGR. F4.05	PROIETTORE - COMPLETO VEDERE SGR. F4.05

OPTIONAL
VARIANTE 30.0765.04.1

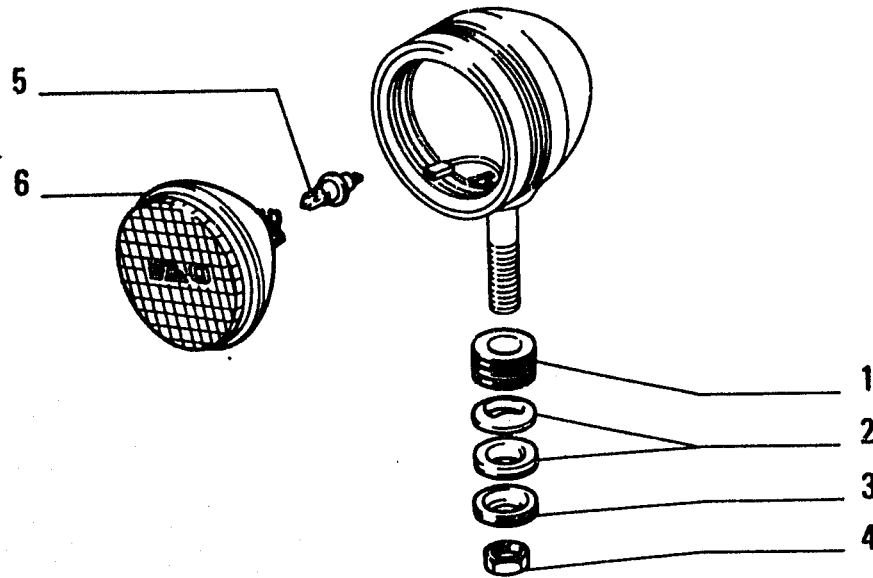
D 2200 Tel. n. 201876 →

LIGHTING SYSTEM - ILLUMINAZIONE - ECLAIRAGE - BELEUCHTUNG - SISTEMA DE ALUMBRADO

F4.01/2

N.T.R. 163 - 30.05.1989

604.01.077.03



ITEM	PART NUMBER	QTY	TRANS CODE	DESCRIPTION	DESCRIZIONE
1	79073822	1	75D SPACER		DISTANZIALE
2	79073823	2	60T BLOCK		TASSELLO
3	79073824	1	131R WASHER		ROSETTA
4	79073825	1	10D NUT		DADO
5	79069460	1	30L LAMP		LAMPADA
6	79080111	1	171R REFLECTOR		RIFLETTORE

D 2200 Tel. n. 201876 →

79073816
 HEADLAMP - PROIETTORE - PROJECTEUR - SCHEINWERFER - PROYECTOR

F4.05

N.T.R. 163 - 30.05.1989

604.01.077.03

DESIGNAZIONE BASE	BASIC DESIGNATION	DESIGNATIONS-BASES	GRUNDBEZEICHNUNGEN	DENOMINACIONES BASE
9007	IMP.PROTEZIONE MOTORE	ENGINE PROTECTION		
9016	ALLESTIMENTO USAF	USAF PROVISION		
9110	SENZA CILINDRI SOLLEVAMENTO	LIFT CYLINDERS DEDUCTION	SANS CYLINDRES SOULEVEMENT	OHNE HUBZYLINDER
9113	SENZA TUBAZ E CILINDRI SOLLEV	LIFT CYLINDERS & PIPING DEDUCT	SANS TUYANT ET SYL SOUL	OHNE LEITUNGEN UND HUBZYLINDER
9115	BLOCCAGGIO ARTICOLAZ BRACCI	BOOM LINKAGE LOCK	BLOCAGE ARTICULATION BRAS	HUBGESTAENGEARRETIERUNG
9116	ALLESTIMENTO FANA	FANA PROVISION		
9117	PREPARAZIONE P/SPEBIZIONE	SHIPPING PREPARATION		
9130	SENZA DISPOSITIVO EQUISTATIC	EQUISTATIC DEVICE DEDUCTION	SANS DISPOSITIF EQUISTATIQUE	OHNE EQUISTATIK
9159	SENZA VERNICIATURA A SMALTO			
9200	SENZA BOZZELLI GANCIO	HOOK SHEAVES DEDUCTION	SANS MOUFLE DE CROCHET	OHNE HAKENSEILBLOCK
9206	SPECIAL CONTRACT	SPECIAL CONTRACT		
9220	SENZA ZAVORRE POSTERIORI	REAR COUNTERWEIGHT DEDUCTION	SANS LESTS ARRIERES	OHNE KONTERGEWICHT HINTER
9225	SENZA COMANDO FREE FALL	FREE FALL CONTROL DEDUCTION	SANS COMMANDE FREE FALL	OHNE FREIFALL-EINRICHTUNG
9230	SENZA ZAVORRA E SOPPORTO (ANT)		SANS LEST ET SUPP (AV)	OHNE KONTERGEWICHT-KONSOLE VOR
9232	SENZA ZAVORRE LATERALI	SIDE COUNTERWEIGHT DEDUCTION	SANS LESTS LATERAUX	OHNE SEITLICHES KONTERGEWICHT
9242	SENZA PNEUMATICI	TIRE OMISSION	SANS PNEUS	OHNE REIFEN
9491	SENZA PNEUMATICI E CERCHI	TIRE AND WHEEL OMISSION	SANS PNEUS ET CERCLES	OHNE REIFEN UND FELGEN
9506	SENZA SUOLE	SHOES DEDUCTION	SANS PATINS	OHNE KETTENPLATTEN
9512	SENZA CATENARIA E SUOLE	TRACK CHAIN & SHOES DEDUCTION	SANS CHENILLE ET PATINS	OHNE KETTENZUG UND PLATTEN
9580	SENZA CABINA	CAB OMISSION		
9602	SENZA RISCALDATORE	HEATER DEDUCTION	SANS CHAUFFAGE	OHNE HEIZUNG
9633	SENZA EMERGENCY STEERING	EMERGENCY STEERING DEDUCTION	SANS DIRECTION D'EMERGENCE	OHNE NUTLENKUNG
97GA	FORNITURE ESTERNE	PURCHASED FINISH (P.F.)		
97G5	COMANDI MOTORE (PF MOTORE)	ENGINE CONTROLS (ENGINE PF)		MOTORSTEUERUNG
9761	SENZA BACK UP ALARM	BACK UP ALARM DEDUCTION	SANS BACK UP ALARM	OHNE RUECKFAHRWARNANLAGE
98G0	TARGHE E MANUALI	MANUALS AND DECALS	PLAQUES ET MANTIELS	KLEBESCHILDER UND HANDBUECHER
98G1	TARGHE D'IDENTIFICAZIONE	IDENTIFICATION PLATES	PLAQUE D'IDENTIFICATION	TYPENSCHILDER
98G2	MARCHI DELLA DITTA	TRADE MARKS		FIRMENZEICHEN
9848	SENZA RIBALTAMENTO SEDILE			
9850	SENZA SEDILE	SEAT DEDUCTION	SANS SIEGE	OHNE SITZ
9851	SENZA SEDILE E SOPPORTO	SEAT AND PEDESTAL DEDUCTION	SANS SIEGE ET SUPPORT	OHNE SITZ UND KONSOLE
9876	SENZA STRUTTURA PROTEZIONE	ROPS CANOPY DEDUCTION	SANS STRUCTURE DE PROTECTION	OHNE SCHUTZRAHMEN
9890	SENZA BARRA DI TRAINO	SWINGING DRAWBAR DEDUCTION	SANS BARRE D'ATTelage	OHNE ZUGPENDEL
9891	SENZA GANCIO TRAINO	DRAWBAR DEDUCTION	SANS CROCHET D'ATTelage	OHNE ZUGHAKEN
99G0	DOTAZIONI FINALI	FINAL PREPARATION		
99G8	LUBRIFICANTI	LUBRICANTS	LUBRIFIANTS	

F

ELECTRICAL SYSTEM • IMPIANTO ELETTRICO • SYSTEME ELECTRIQUE • ELEKTRISCHE ANLAGE • SISTEMA ELETTRICO

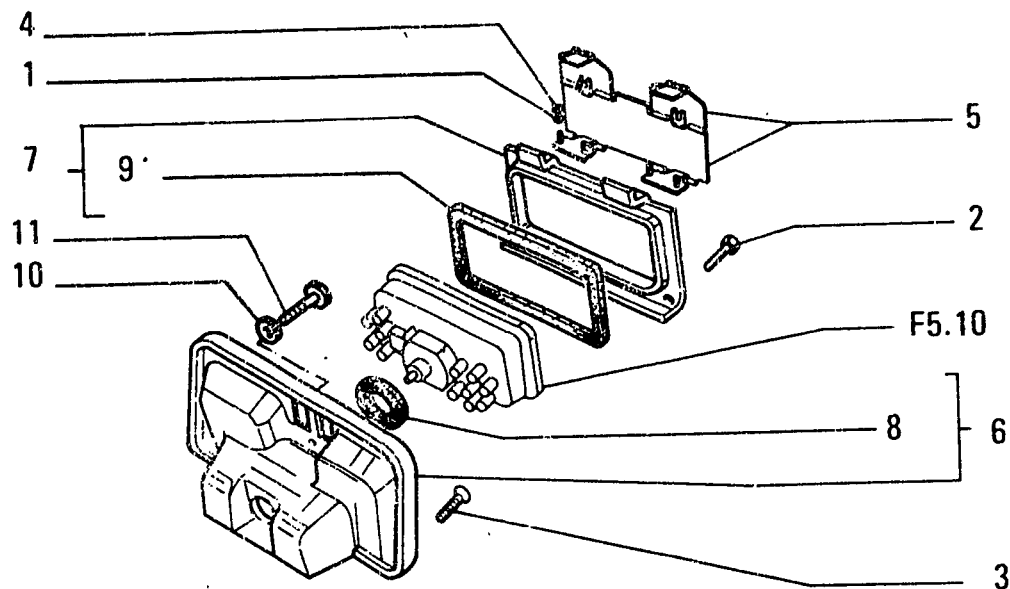
H

TOOLS • ATTREZZI • OUTILLAGES • WERKZEUGE • UTILES

L

BODY • CARROZZERIA • CARROSSERIE • AUFBAU • CARROCERIA

FIATALLIS FL5



ITEM	PART NUMBER	QTY	TRANS CODE	DESCRIPTION	DESCRIZIONE
	79042185	1	141P	INSTRUMENT PANEL C2190	PLANCIA PORTASTRUMENTI C2190
	79042186	1	295C	BEZEL D2123	CORNICE D2123
1	10571771	4	170R	LOCKWASHER (*) (1") 8,1x2 D2123	ROSETTA EL. (*) (1") 8,1x2 D2123
2	13297317	2	40V	SCREW 4x0,7x10 D2123	VITE 4x0,7x10 D2123
3	13301717	6	40V	SCREW 6x1x25 D2123	VITE 6x1x25 D2123
4	16102321	4	10D	NUT (*) (1") 8x1,25x5 D2123	DADO (*) (1") 8x1,25x5 D2123
5	76006907	1	265C	COVER (*)	COPERCHIO (*)
	79043100	1	265C	COVER (1") D2123	COPERCHIO (1") D2123
6	79042185	1	141P	INSTRUMENT PANEL D2123	PLANCIA PORTASTRUMENTI D2123
	79054631	1	141P	INSTRUMENT PANEL - ASSEMBLY D2190	PLANCIA PORTASTRUMENTI - COMPLETO D2190
7	79042186	1	295C	BEZEL C2190	CORNICE C2190
	79054634	1	295C	BEZEL - ASSEMBLY D2190	CORNICE - COMPLETO D2190
8	79054635	1	120G	GASKET D2190	GUARNIZIONE PIANA D2190
9	79045510	1	120G	GASKET D2190	GUARNIZIONE PIANA D2190
10	10571571	2	170R	LOCKWASHER 6,1x1,6 D2123	ROSETTA EL. 6,1x1,6 D2123
11	13275917	2	40V	SCREW 6x1x10 D2123	VITE 6x1x10 D2123
	(*)		469P	FOR SPECIAL EQUIPMENT 30.0843.09.1	PER VARIANTE 30.0843.09.1
	(1")		469P	FOR SPECIAL EQUIPMENT 30.0843.07.1	PER VARIANTE 30.0843.07.1

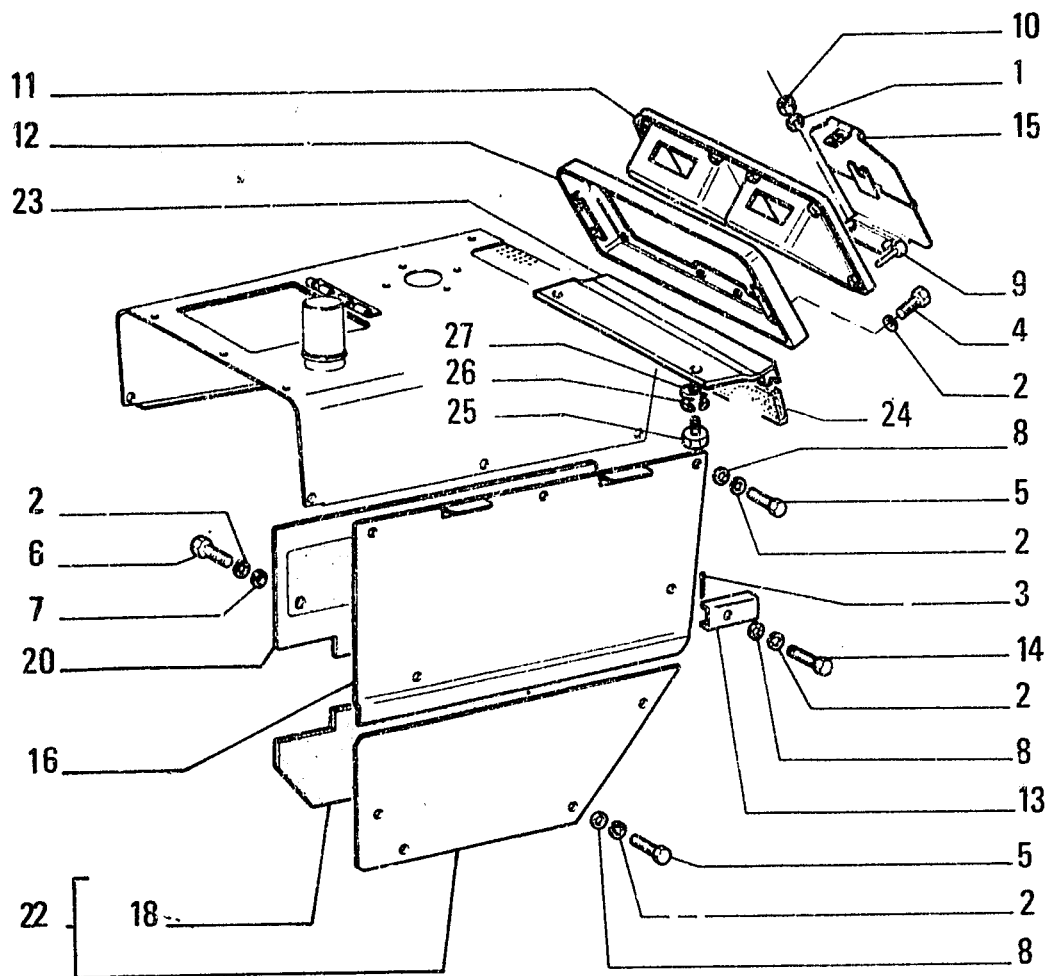
HOOD ASSY - COFANATURA - CAPOTAGE - HAUBE - CAPOT

L1.01

3

N.T.R. 163 - 30.05.1989

604.01.077.03



FIATALLIS FL5

ITEM	PART NUMBER	QTY	TRANS CODE	DESCRIPTION	DESCRIZIONE
22	79027800		(1*)		(1*)
23	79028440	1	70R	GUARD	RIPARO
24	79030814	1	120G	GASKET	GUARNIZIONE PIANA
25	16043430	2	40V	SCREW 8x1,25x20	VITE 8x1,25x20
26	10571771	2	170R	LOCKWASHER 8,1x2	ROSETTA EL. 8,1x2
27	12642001	2	131R	WASHER 8,15x25	ROSETTA 8,15x25
(*)			469P	FOR SPECIAL EQUIPMENT 30.0843.07.1	PER VARIANTE 30.0843.07.1
(1*)			469P	FOR SPECIAL EQUIPMENT 30.0022.22.1	PER VARIANTE 30.0022.22.1

HOOD ASSY - COFANATURA - CAPOTAGE - HAUBE - CAPOT

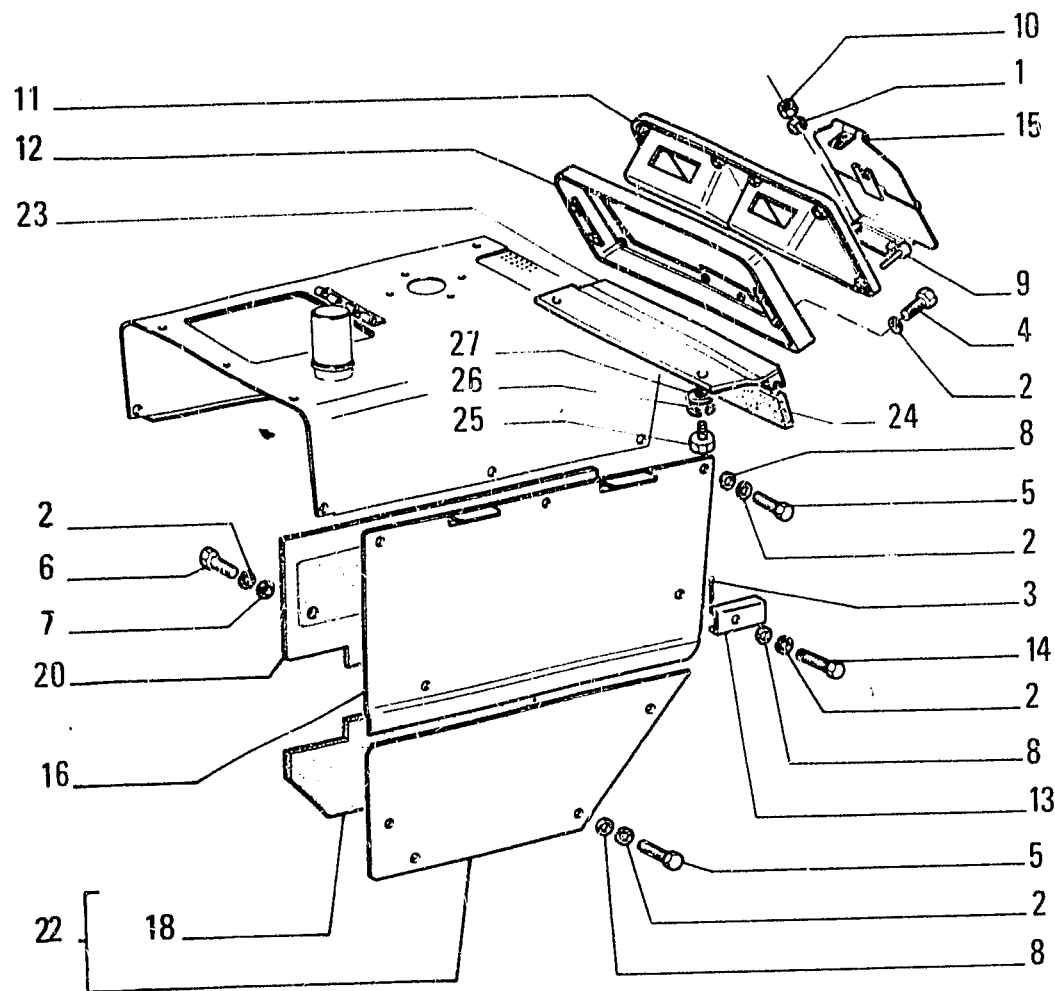
Q3

L1.01

2

N.T.R. 163 - 30.05.1989
604.01.077.03

FIATALLIS FL5



ITEM	PART NUMBER	QTY	TRANS CODE	DESCRIPTION	DESCRIZIONE
1	10516671	4	132R	LOCKWASHER (*) 8,1x2,2 C2123	ROSETTA DI SICUREZZA (*) 8,1x2,2 C2123
2	10516871	28	132R	LOCKWASHER 10x2,5	ROSETTA DI SICUREZZA 10x2,5
3	10796401	8	270C	COTTER PIN 2,7x27,6	COPIGLIA 2,7x27,6
4	11106031	4	40V	SCREW 10x1,5x20	VITE 10x1,5x20
5	11106231	10	40V	SCREW 10x1,5x25	VITE 10x1,5x25
6	11106331	6	40V	SCREW (1*) 10x1,5x28	VITE (1*) 10x1,5x28
7	12644301	6	131R	WASHER (1*) 10,2x35	ROSETTA (1*) 10,2x35
8	12646801	18	131R	WASHER 10,2x25	ROSETTA 10,2x25
9	13301717	8	40V	SCREW 6x1x25 C2123	VITE 6x1x25 C2123
10	16102321	4	10D	NUT (*) 8x1,25x5 C2123	DADO (*) 8x1,25x5 C2123
11	76003794	1	141P	INSTRUMENT PANEL C2123	PLANCIA PORTASTRUMENTI C2123
12	79006806	1	295C	BEZEL C2123	CORNICE C2123
	79042886	1	295C	BEZEL D2123	CORNICE D2123
13	79011531	8	100C	RETAINER	CAVALLOTTO
14	79011533	8	40V	SCREW	VITE
15	79011939	2	265C	COVER (*) C2123	COPERCHIO (*) C2123
16	79024886	1	52F	SIDE PANEL - RIGHT	FIANCHETTO - DESTRO
	79024889	1	52F	SIDE PANEL - LEFT	FIANCHETTO - SINISTRO
18	79026466	1	25P	PANEL - RIGHT (1*)	PANNELLO - DESTRO (1*)
	79026467	1	25P	PANEL - LEFT (1*)	PANNELLO - SINISTRO (1*)
20	79026468	1	25P	PANEL - RIGHT (1*)	PANNELLO - DESTRO (1*)
	79026471	1	25P	PANEL - LEFT (1*)	PANNELLO - SINISTRO (1*)
22	79027724	1	52F	SIDE PANEL - ASSEMBLY LEFT (1*)	FIANCHETTO - COMPLETO SINISTRO (1*)
	79027800	1	52F	SIDE PANEL - ASSEMBLY RIGHT	FIANCHETTO - COMPLETO DESTRO

HOOD ASSY - COFANATURA - CAPOTAGE - HAUBE - CAPOT

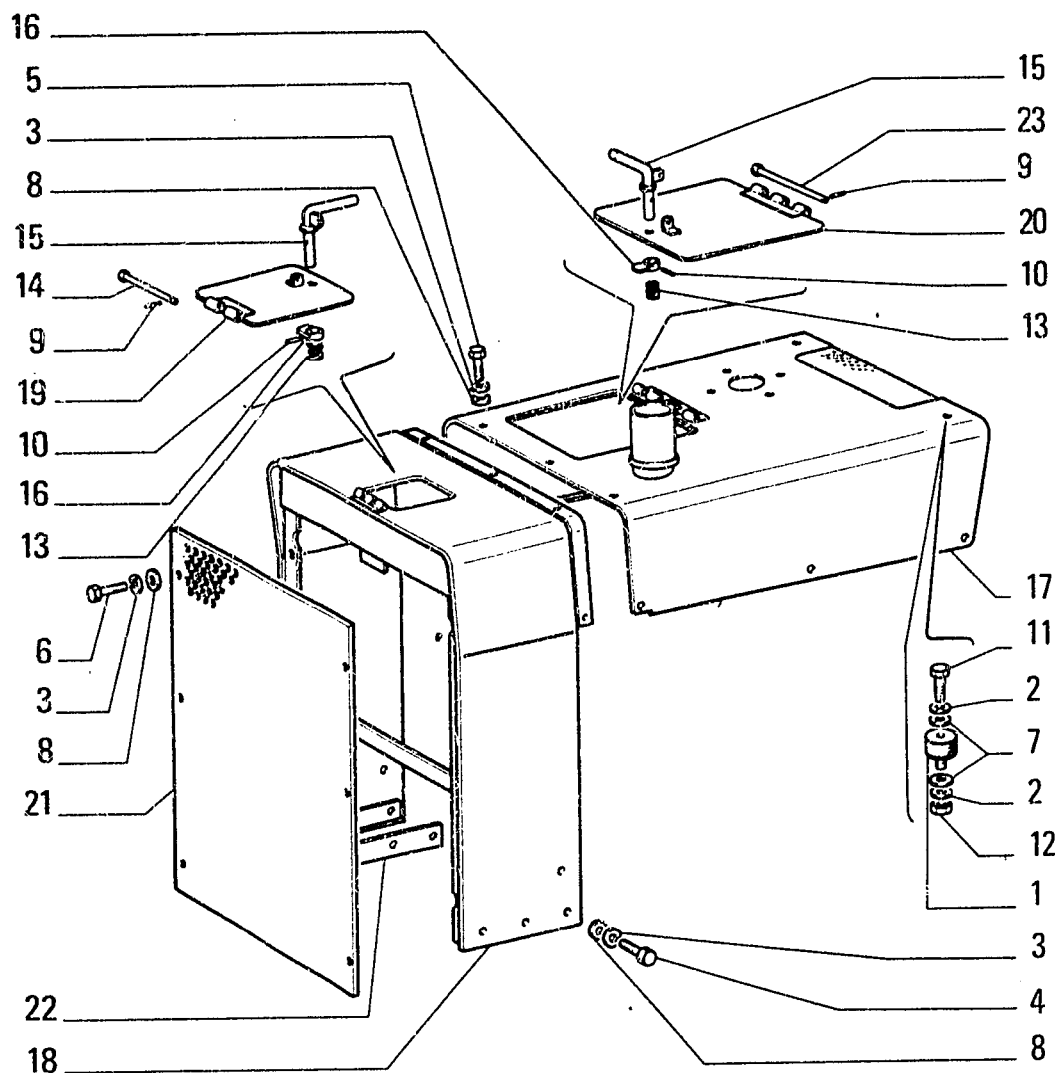
L1.01

2

N.T.R. 163 - 30.05.1989

604.01.077.03

Q4



FIATALLIS FL5

ITEM	PART NUMBER	QTY	TRANS CODE	DESCRIPTION	DESCRIZIONE
1	4991019	2	61T	CUSHION PAD	TASSELLO ELASTICO
2	10571771	4	132R	LOCKWASHER 8,1x2	ROSETTA DI SICUREZZA 8,1x2
3	10571871	15	132R	LOCKWASHER 10,2x2,2	ROSETTA DI SICUREZZA 10,2x2,2
4	11106131	6	40V	SCREW 10x1,5x22	VITE 10x1,5x22
5	11106231	3	40V	SCREW 10x1,5x25	VITE 10x1,5x25
6	11106431	6	40V	SCREW 10x1,5x30	VITE 10x1,5x30
7	12646221	4	131R	WASHER 8,15x35	ROSETTA 8,15x35
8	12646801	15	131R	WASHER 10,2x25	ROSETTA 10,2x25
9	14161770	2	200S	PIN 3,3x16	SPINA 3,3x16
10	14163170	2	200S	PIN 4,4x24	SPINA 4,4x24
11	16043431	2	40V	SCREW 8x1,25x20	VITE 8x1,25x20
12	16100821	2	10D	NUT 8x1,25x6,5	DADO 8x1,25x6,5
13	79009016	2	100M	SPRING	MOLLA
14	79021009	1	80P	PIN	PERNO
15	79023984	2	20M	HANDLE	MANIGLIA
16	79023986	2	45L	LEVER	LEVA
17	79024480	1	176C	HOOD	COFANO
18	79024651	1	15C	RADIATOR GUARD	CALANDRA DEL PADIATORE
19	79024802	1	205S	DOOR	SPORTELLO
20	79024826	1	205S	DOOR	SPORTELLO
21	79024833	1	70R	GUARD - FRONT	RIPARO - ANTERIORE
22	79028451		198S	SHIM	SPESSORE
23	79033109	2	80P	PIN	PERNO

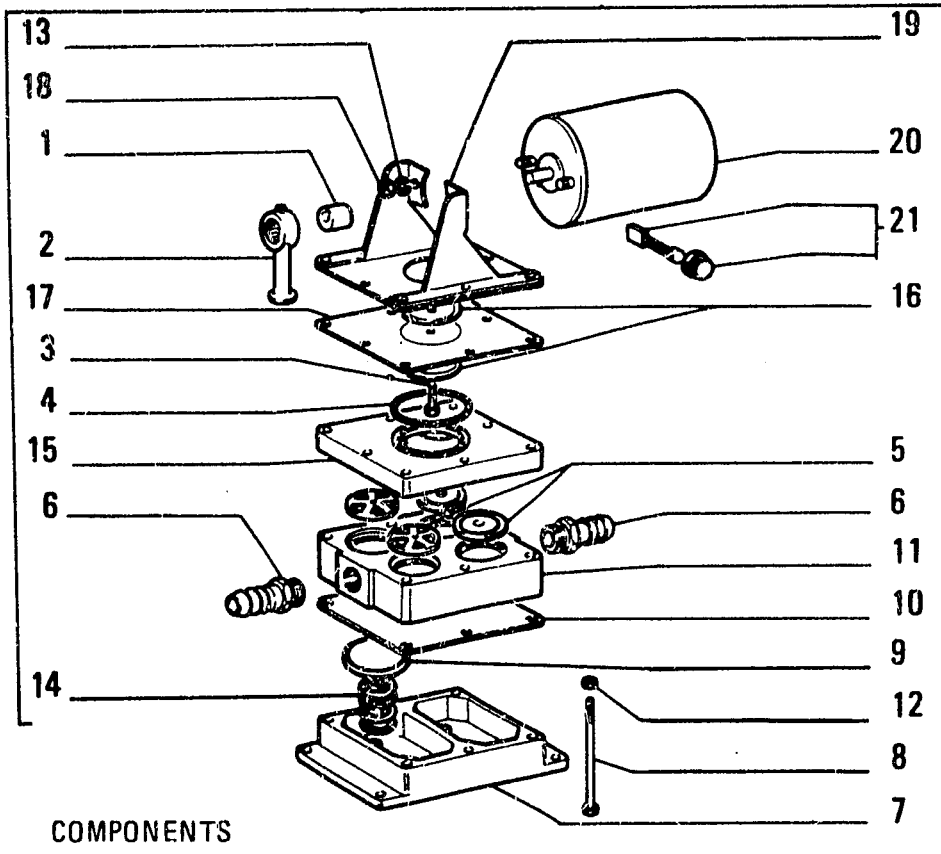
03716

HOOD ASSY - COFANATURA - CAPOTAGE - HAUBE - CAPOT

L1.01

1

Q5



COMPONENTS
COMPONENTI

D 2347 Tel. n. 000101 →

OPTIONAL 30.0993.02.1
VARIANTE

22

ITEM	PART NUMBER	QTY	TRANS CODE	DESCRIPTION	DESCRIZIONE
1	71304372	1	10E	ECCENTRIC	ECCENTRICO
2	71304389	1	50B	LINK	BIELLA
3	10979440	1	40V	SCREW 6x1x10	VITE 6x1x10
4	71304375	1	158G	O-RING	GUARNIZIONE O-R
5	45482314	2	10V	VALVE	VALVOLA
6	71304373	2	20R	FITTING	RACCORDO
7	71304374	1	300C	BODY	CORPO
8	16038540	6	40V	SCREW 6x1x100	VITE 6x1x100
9	79094911	4	120P	PLATE	PIATTELLO
10	71304377	1	75M	DIAPHRAGM	MEMBRANA
11	71304378	1	300C	BODY	CORPO
12	10725940	6	10D	NUT 6x1x4	DADO 6x1x4
13	10516470	2	170R	LOCKWASHER 6,1x1,8	ROSETTA EL. 6,1x1,8
14	79094912	4	100M	SPRING	MOLLA
15	71304379	1	300C	BODY	CORPO
16	71304380	2	60D	DISC	DISCO
17	71304381	1	75M	DIAPHRAGM	MEMBRANA
18	10725911	2	10D	NUT 6x1x4	DADO 6x1x4
19	71304385	1	300S	SUPPORT	SUPPORTO
20	71304388	1	137M	ELECTRIC MOTOR	MOTORINO ELETTRICO
21	79064661	1	177S	BRUSH	SPAZZOLA
22	79013599	1	31E	ELECTROPUMP - ASSEMBLY	ELETTROPOMPA - COMPLETO

ACCESSORIES - ACCESSORI - ACCESSOIRES - ZUBEHOER - ACCESORIOS

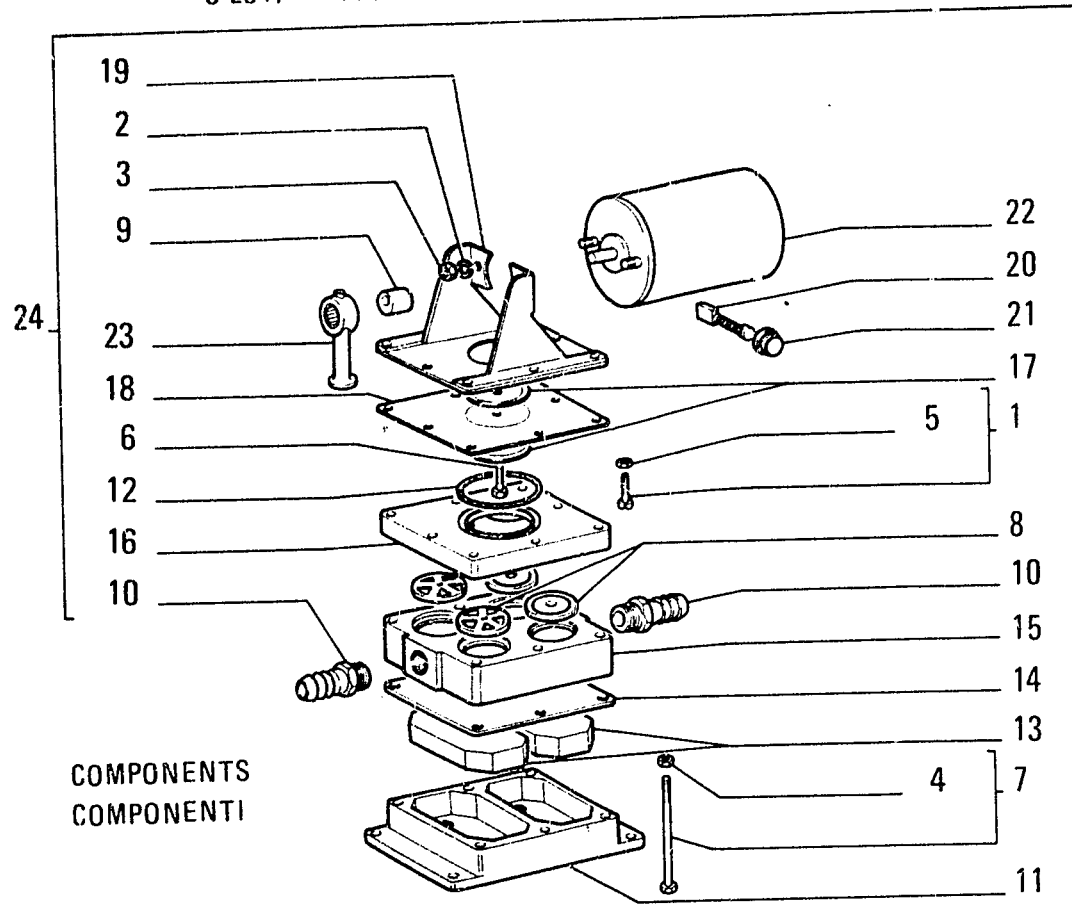
H1.04

2A

N.T.R. 163 - 30.05.1989

604.01.077.03

C 2347 -- Tel. n. 000100



COMPONENTS
COMPONENTI

OPTIONAL
VARIANTE

30.0593.02.1

FIATALLIS FL5

H1.04 TAV. 2 PAG.1

I T E M	PART NUMBER	Q T Y	TRANS CODE	DESCRIPTION	DESCRIZIONE
1	10352442	2	40V	SCREW - ASSEMBLY 4x0,7x25	VITE - COMPLETO 4x0,7x25
2	10516471	2	132R	LOCKWASHER 6,1x1,8	ROSETTA DI SICUREZZA 6,1x1,8
3	10725911	2	10D	NUT 6x1x4	DADO 6x1x4
4	10725940	6	10D	NUT 6x1x4	DADO 6x1x4
5	10794040	2	10D	NUT 4x0,7x3,2	DADO 4x0,7x3,2
6	10979440	1	40V	SCREW 6x1x10	VITE 6x1x10
7	16038540	6	40V	SCREW - ASSEMBLY 6x1x100	VITE - COMPLETO 6x1x100
8	45482314	2	10V	VALVE	VALVOLA
9	71304372	1	10E	ECCENTRIC	ECCENTRICO
10	71304373	2	20R	FITTING	RACCORDO
11	71304374	1	300C	BODY	CORPO
12	71304375	1	158G	O-RING	GUARNIZIONE O-R
13	71304376	2	235S	PISTON	STANTUFFO
14	71304377	1	75M	DIAPHRAGM	MEMBRANA
15	71304378	1	300C	BODY	CORPO
16	71304379	1	300C	BODY	CORPO
17	71304380	2	60D	DISC	DISCO
18	71304381	1	75M	DIAPHRAGM	MEMBRANA
19	71304385	1	300S	SUPPORT	SUPPORTO
20	71304386	2	177S	BRUSH	SPAZZOLA
21	71304387	2	265C	COVER	COPERCHIO
22	71304388	1	137M	ELECTRIC MOTOR	MOTORINO ELETTRICO
23	71304389	1	50B	LINK	BIELLA
24	79013599	1	31E	ELECTROPUMP - ASSEMBLY	ELETTROPOMPA - COMPLETO

ACCESSORIES - ACCESSORI - ACCESSOIRES - ZUBEHOER - ACCESORIOS

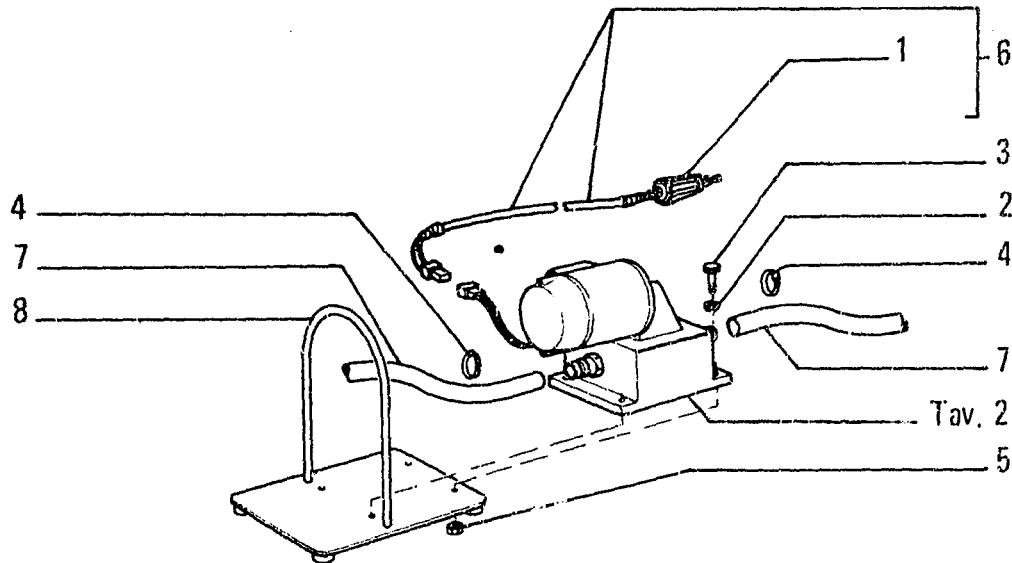
H1.04

2

N.T.R. 163 - 30.05.1989

604.01.077.03

Q7



FUEL TRANSFER PUMP
POMPA TRAVASO COMBUSTIBILE

OPTIONAL 30.0993.02.1
VARIANTE

ITEM	PART NUMBER	QTY	TRANS CODE	DESCRIPTION	DESCRIZIONE
1	4182461	1	201S	ELECTRICAL PLUG	SPINA ELETTRICA
2	10516470	4	132R	LOCKWASHER 6,1x1,8	ROSETTA DI SICUREZZA 6,1x1,8
3	10902621	4	40V	SCREW 6x1x25	VITE 6x1x25
4	12173890	2	180C	COLLAR 24/36x14	COLLARE 24/36x14
5	15896211	4	10D	NUT 6x1x5	DADO 6x1x5
6	79013586	1	111C	CABLE - ASSEMBLY	CAVO - COMPLETO
7	79013600	2	193T	TUBE	TUBO RIGIDO
8	79013601	1	300S	SUPPORT	SUPPORTO

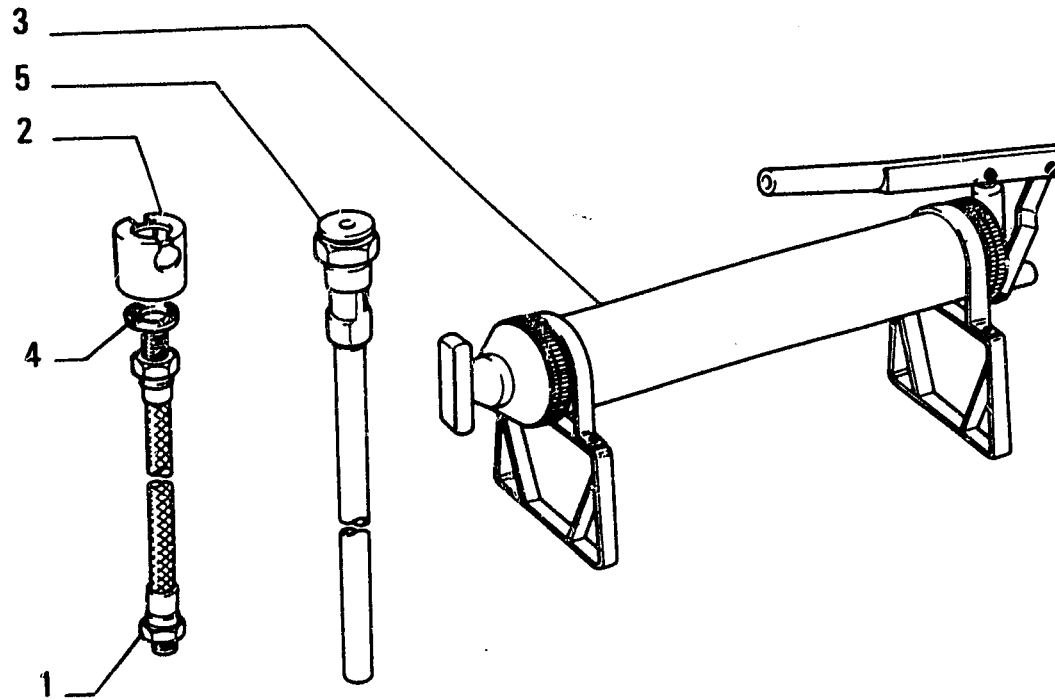
ACCESSORIES - ACCESSORI - ACCESSOIRES - ZUBEHOER - ACCESORIOS

H1.04

1

N.T.R. 163 - 30.05.1989

604.01.077.03



OPTIONAL
VARIANTE 30.0995.12.1

I T E M	PART NUMBER	Q T Y	TRANS CODE	DESCRIPTION	DESCRIZIONE
1	555486	1	192T	HOSE ASSY	TUBO FLESS.C/RACCORDI
	4983237	1	192T	HOSE ASSY	TUBO FLESS.C/RACCORDI
	79030434	1	192T	HOSE ASSY	TUBO FLESS.C/RACCORDI
2	549537	1	119T	HEAD	TESTA
	4980622	1	119T	HEAD	TESTA
3	582081	1	155P	PUMP	POMPA
	4955390	1	155P	PUMP	POMPA
	4981746	1	155P	PUMP	POMPA
	79030200	1	155P	PUMP	POMPA
4	10287380	2	120G	GASKET 12,2x18	GUARNIZIONE PIANA 12,2x18
5	592437	1	193T	TUBE	TUBO RIGIDO

TOOLS - ATTREZZI - OUTILS - WERKZEUGE - HERRAMIENTAS

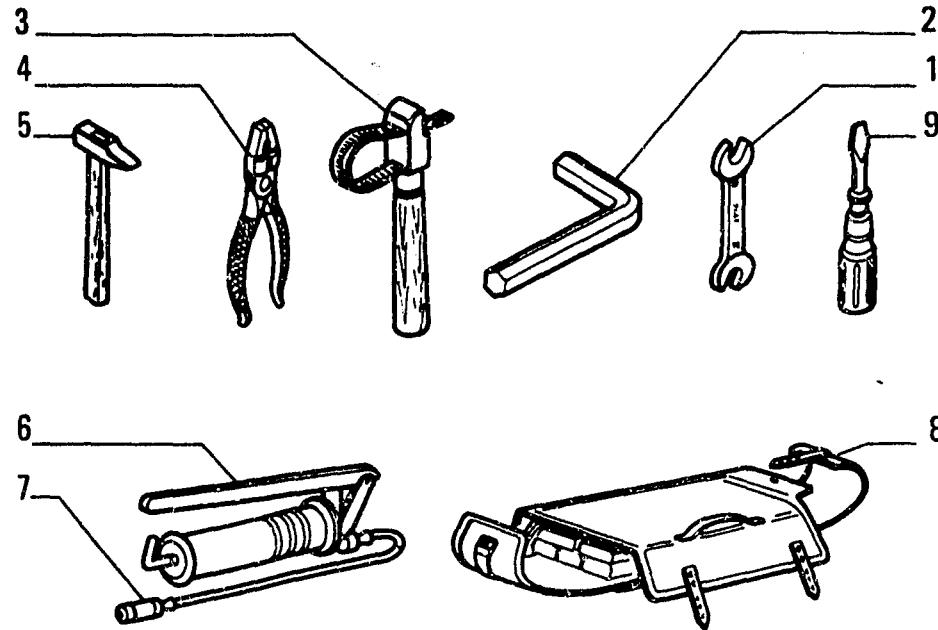
H1.01/1

2

N.T.R. 163 - 30.05.1989

604.01.077.03

Q9



OPTIONAL
VARIANTE 30.0995.12.1

ITEM	PART NUMBER	QTY	TRANS CODE	DESCRIPTION	DESCRIZIONE
1	14522421	1	150C	KEY 13x17	CHIAVE 13x17
	14525021	1	150C	KEY 8x10	CHIAVE 8x10
	14549579	1	150C	KEY 12x14	CHIAVE 12x14
	14549879	1	150C	KEY 19x22	CHIAVE 19x22
	14550079	1	150C	KEY 24x27	CHIAVE 24x27
2	14625979	1	150C	KEY 12x132	CHIAVE 12x132
	14638079	1	150C	KEY 8x105	CHIAVE 8x105
	14638179	1	150C	KEY 10x118	CHIAVE 10x118
3	71304923	1	150C	KEY	CHIAVE
4	14626671	1	125P	PLIERS 13x190	PINZA 13x190
5	14582790	1	51M	HAMMER 118x315	MARTELLO 118x315
6	79028977	1	155P	PUMP	POMPA
	79028978	1	155P	PUMP	POMPA
	79028979	1	155P	PUMP	POMPA
	79028980	1	155P	PUMP	POMPA
7	79028981	1	285T	HOSE	TUBO FLESSIBILE
8	79062734	1	150B	BAG	BORSA
9	14626090	1	10C	SCREWDRIVER 4,5x177	CACCIAVITE 4,5x177
	14626290	1	10C	SCREWDRIVER 6,5x303	CACCIAVITE 6,5x303

TOOLS - ATTREZZI - OUTILS - WERKZEUGE - HERRAMIENTAS

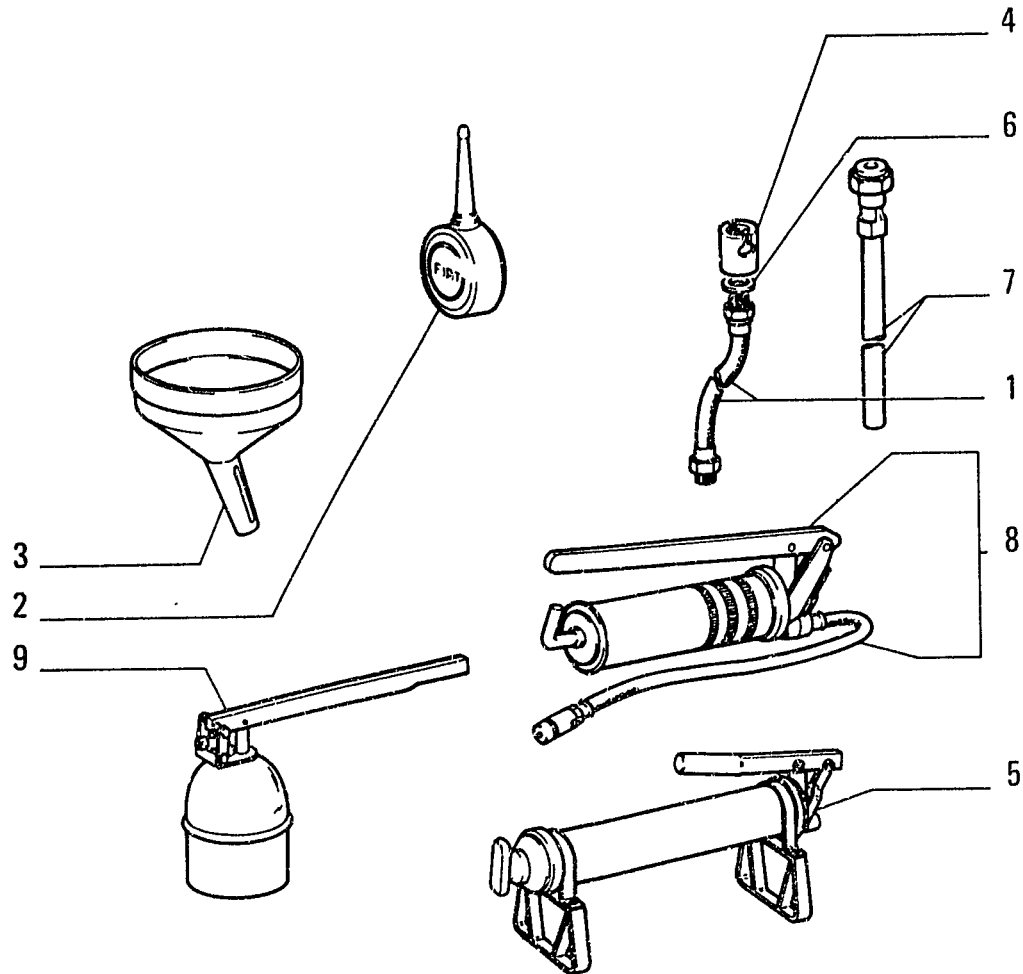
H1.01/1

1

N.T.R. 163 - 30.05.1989

604.01.077.03

Q10



ITEM	PART NUMBER	QTY	TRANS CODE	DESCRIPTION	DESCRIZIONE
1	555486	1	192T	HOSE ASSY	TUBO FLESS.C/RACCORDI
2	591693	1	150	LUBE FITTING	OLIATORE
3	4057844	1	20I	FUNNEL	IMBUTO
4	4980622	1	119T	HEAD	TESTA
5	4981746	1	155P	PUMP	POMPA
6	10287380	2	133R	SEAL 12.2x18	ROSETTA DI TENUTA 12.2x18
7	79020961	1	192T	HOSE ASSY	TUBO FLESS.C/RACCORDI
8	79028979	1	155P	PUMP	POMPA
9	79030200	1	155P	PUMP	POMPA

Optional Variante 30.0995.09.1

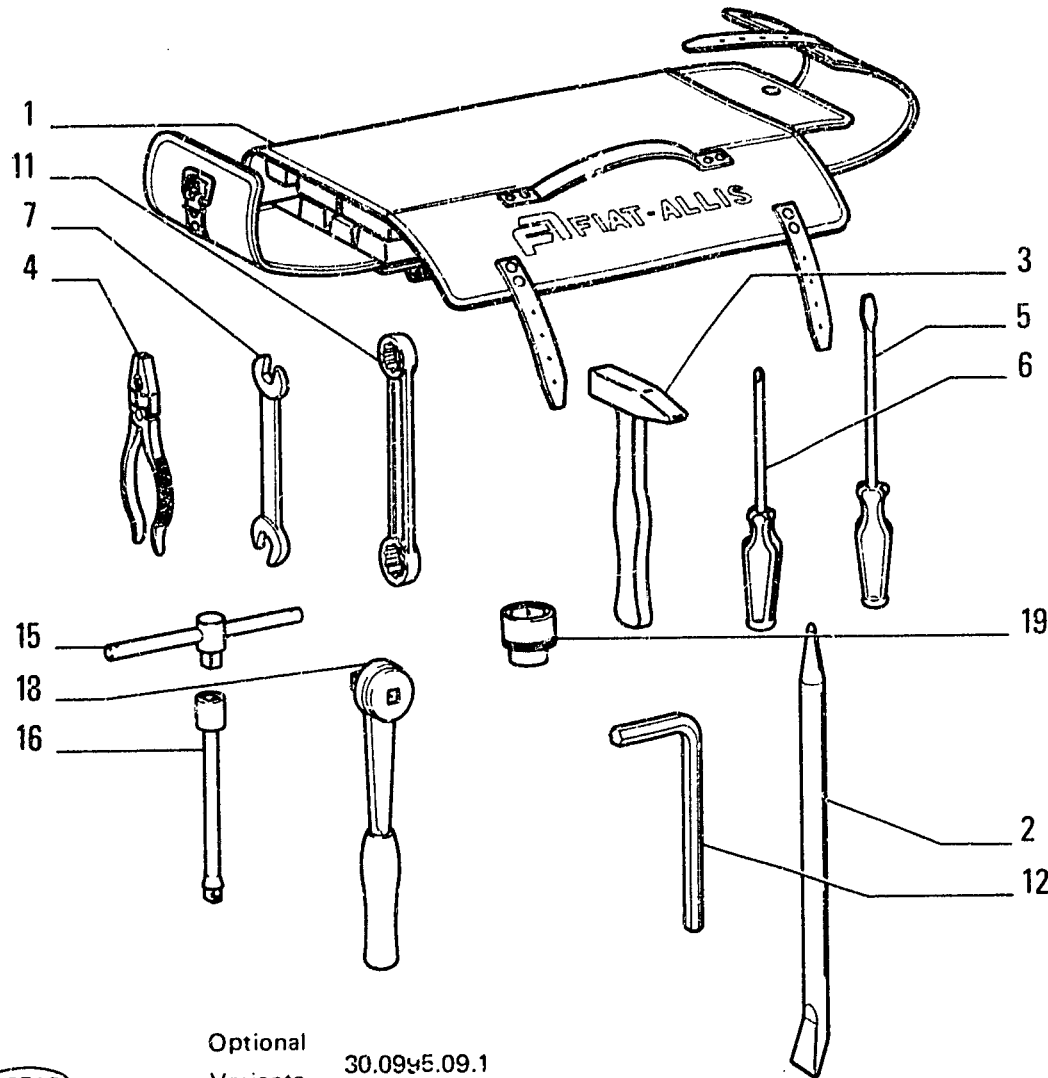
03713

TOOLS - ATTREZZI - OUTILS - WERKZEUGE - HERRAMIENTAS

H1.01 2

Q11

FIATALLIS FL5



Optional Variante 30.09y5.09.1

03712

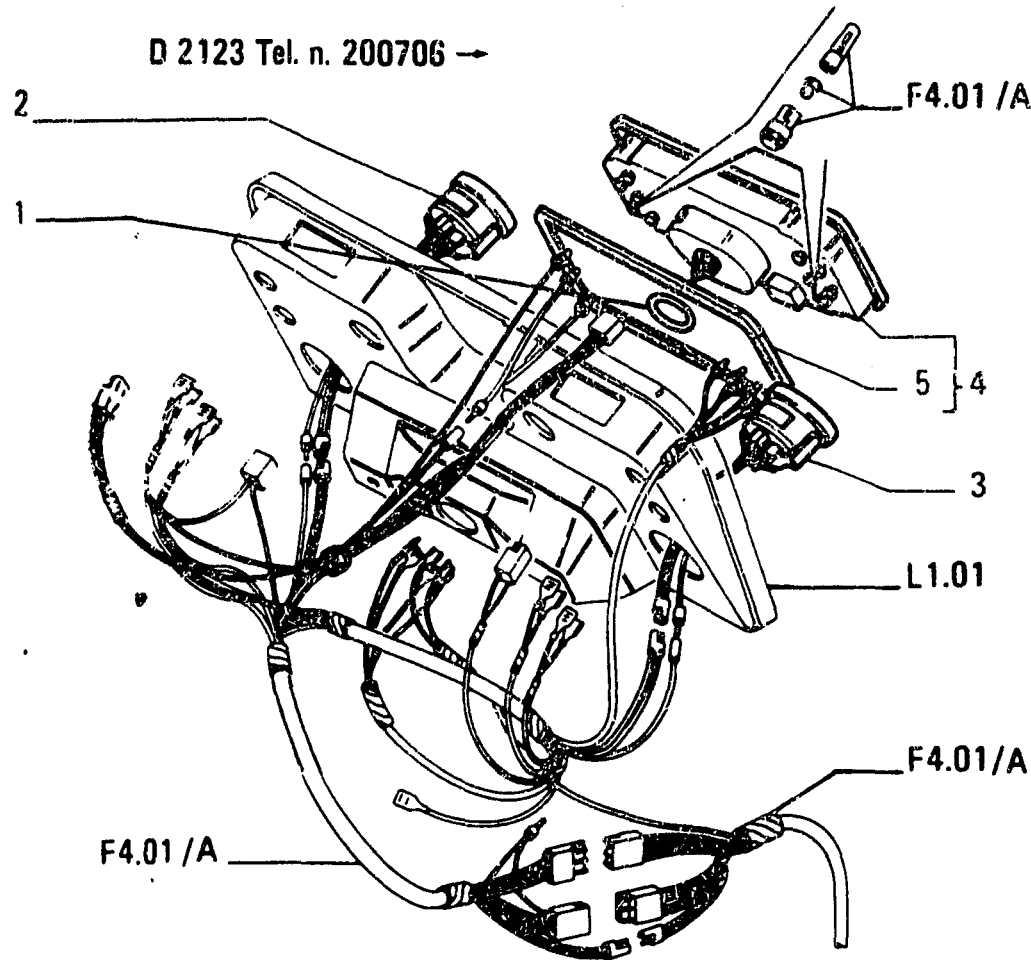
ITEM	PART NUMBER	QTY	TRANS CODE	DESCRIPTION	DESCRIZIONE
1	79028806	1	150B	BAG	BORSA
2	79028807	1	45L	LEVER	LEVA
3	79028808	1	51M	HAMMER	MARTELLO
4	79028809	1	125P	PLIERS	PINZA
5	79028810	1	10C	SCREWDRIVER	CACCIAVITE
6	79028811	1	10C	SCREWDRIVER	CACCIAVITE
7	79028812	1	150C	KEY 10X12	CHIAVE 10X12
	79028813	1	150C	KEY 13X17	CHIAVE 13X17
	79028814	1	150C	KEY 19X22	CHIAVE 19X22
	79028815	1	150C	KEY 24X27	CHIAVE 24X27
11	79028816	1	150C	KEY	CHIAVE
12	79028817	1	150C	KEY 8	CHIAVE 8
	79028818	1	150C	KEY 17	CHIAVE 17
	79028819	1	150C	KEY 24	CHIAVE 24
15	79028820	1	20M	HANDLE	MANIGLIA
16	79028821	1	222P	EXTENSION 75	PROLUNGA 75
	79028822	1	222P	EXTENSION 125	PROLUNGA 125
18	79028823	1	222P	EXTENSION	PROLUNGA
19	79028824	1	150C	KEY 10	CHIAVE 10
	79028825	1	150C	KEY 12	CHIAVE 12
	79028826	1	150C	KEY 13	CHIAVE 13
	79028827	1	150C	KEY 17	CHIAVE 17
	79028828	1	150C	KEY 19	CHIAVE 19
	79028829	1	150C	KEY 22	CHIAVE 22
	79028830	1	150C	KEY 24	CHIAVE 24
	79028831	1	150C	KEY 27	CHIAVE 27

TOOLS - ATTREZZI - OUTILS - WERKZEUGE - HERRAMIENTAS

H1.01

1

Q12



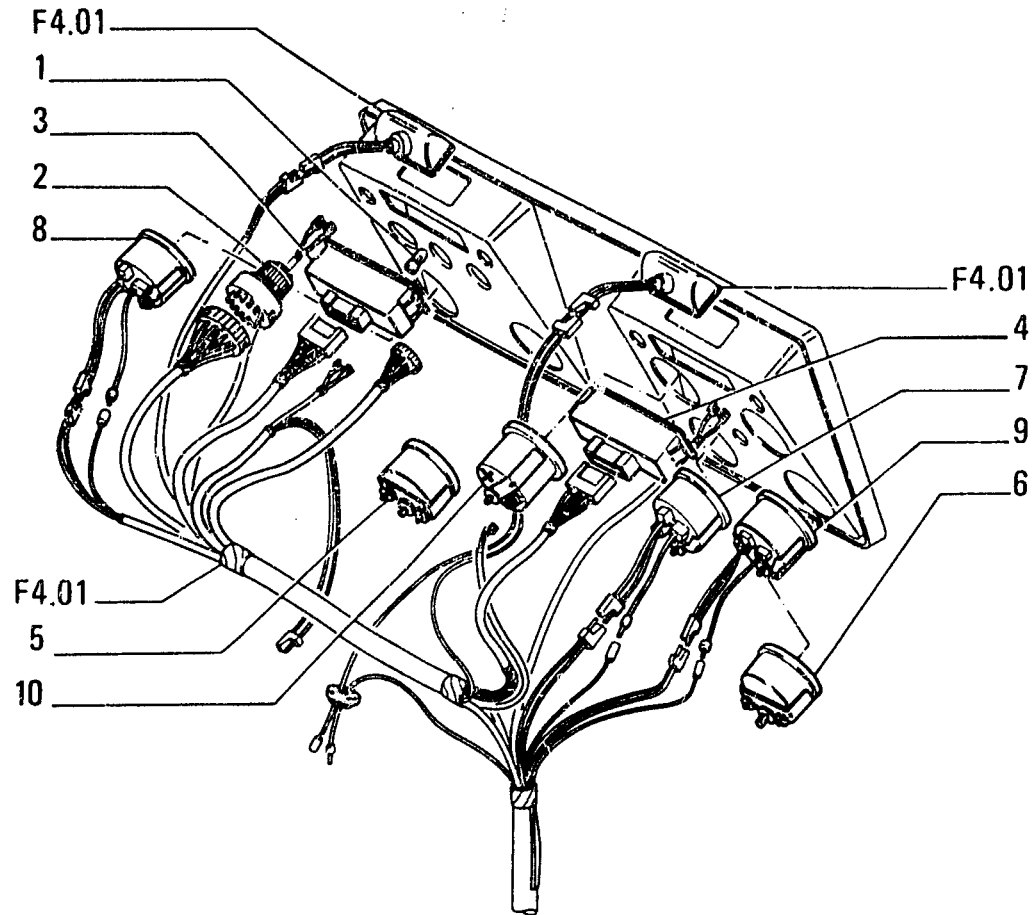
I T E M	PART NUMBER	Q T Y	TRANS CODE	DESCRIPTION	DESCRIZIONE
1	14471480	1	158G	O-RING 5,33x56,52 C2190	GUARNIZIONE O-R 5,33x56,52 C2190
2	79051194	1	42M	OIL PRESSURE GAUGE	MANOMETRO OLIO
3	79051200	1	42M	OIL PRESSURE GAUGE	MANOMETRO OLIO
4	79042633	1	288S	INSTRUMENT CLUSTER - ASSEMBLY C2190	STRUMENTO MULTIPLO - COMPLETO C2190
	79054144	1	288S	INSTRUMENT CLUSTER - ASSEMBLY D2190	STRUMENTO MULTIPLO - COMPLETO D2190
5	79037810	1	120G	GASKET C2190	GUARNIZIONE PIANA C2190
	79054137	1	120G	GASKET D2190	GUARNIZIONE PIANA D2190

OPERATION INDICATORS - SEGNALAZIONI DI FUNZIONAMENTO - TEMOINS DE FONCTIONNEMENT -
BETRIEBSSIGNALISIERUNG - TESTIGOS DE FUNCIONAMENTO

F5.10/A

N.T.R. 163 - 30.05.1989
604.01.077.03

Q 13



I T E M	PART NUMBER	Q T Y	TRANS CODE	DESCRIPTION	DESCRIZIONE
1	14142490	8	30L	LAMP 9,15x8,8	LAMPADA 9,15x8,8
2	79010389	1	236P	PUSH BUTTON	PULSANTE
3	79021424	1	35I	INDICATOR - RIGHT	INDICATORE - DESTRO
4	79021426	1	35I	INDICATOR - LEFT	INDICATORE - SINISTRO
5	79022774	1	42M	OIL PRESSURE GAUGE	MANOMETRO OLIO
6	79028289	1	42M	OIL PRESSURE GAUGE	MANOMETRO OLIO
7	79032393	1	31I	LEVEL GAUGE	INDICATORE LIVELLO
8	79032394	1	95T	TEMPERATURE GAUGE	TERMOMETRO
9	79032395	1	95T	TEMPERATURE GAUGE	TERMOMETRO
10	79035351	1	248C	HOURMETER C2119	CONTAORE C2119
	79038749	1	248C	HOURMETER D2119	CONTAORE D2119

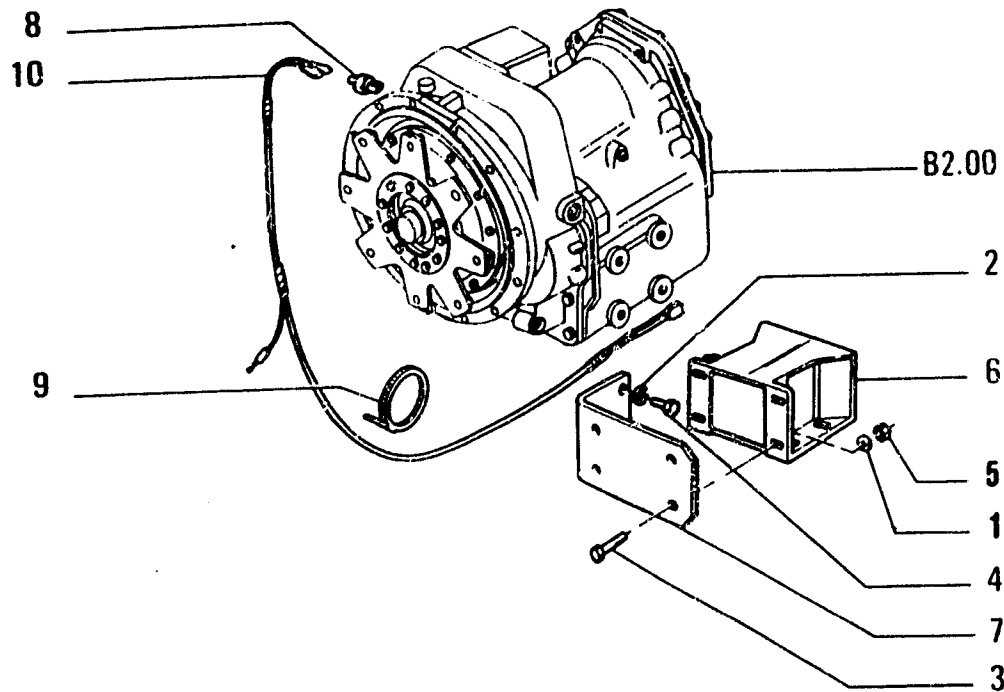
C 2123 → Tel. n. 200705

OPERATION INDICATORS - SEGNALAZIONI DI FUNZIONAMENTO - TMOINS DE FONCTIONNEMENT -
 BETRIEBSSIGNALISIERUNG - TESTIGOS DE FUNCIONAMIENTO

F5.10

N.T.R. 163 - 30.05.1989
 604.01.077.03

Q14



I T E M	PART NUMBER	Q T Y	TRANS CODE	DESCRIPTION	DESCRIZIONE
1	10571571	4	131R	WASHER (*) (1*) 6,1x1,6	ROSETTA (*) (1*) 6,1x1,6
2	10571871	2	131R	WASHER (*) (1*) 10,2x2,2	ROSETTA (*) (1*) 10,2x2,2
3	10902421	4	40V	SCREW (*) (1*) 6x1x20	VITE (*) (1*) 6x1x20
4	11106231	2	40V	SCREW (*) (1*) 10x1,5x25	VITE (*) (1*) 10x1,5x25
5	15896211	4	10D	NUT (*) (1*) 6x1x5	DADO (*) (1*) 6x1x5
6	73131968	1	105A	HORN (1*)	AVVISATORE ACUSTICO (1*)
7	76009588	1	300S	SUPPORT (*) (1*)	SUPPORTO (*) (1*)
8	79012600	1	75I	SWITCH (*) (1*)	INTERRUTTORE (*) (1*)
9	79013422	1	31F	CLAMP (*) (1*)	FASCETTA (*) (1*)
10	79045846	1	111C	CABLE (*) (1*)	CAVO (*) (1*)
(*)				469P FOR SPECIAL EQUIPMENT 30.0759.10.1	PER VARIANTE 30.0759.10.1
(1*)				469P FOR SPECIAL EQUIPMENT 30.0760.10.1	PER VARIANTE 30.0760.10.1

D 2117 I - 1986 →

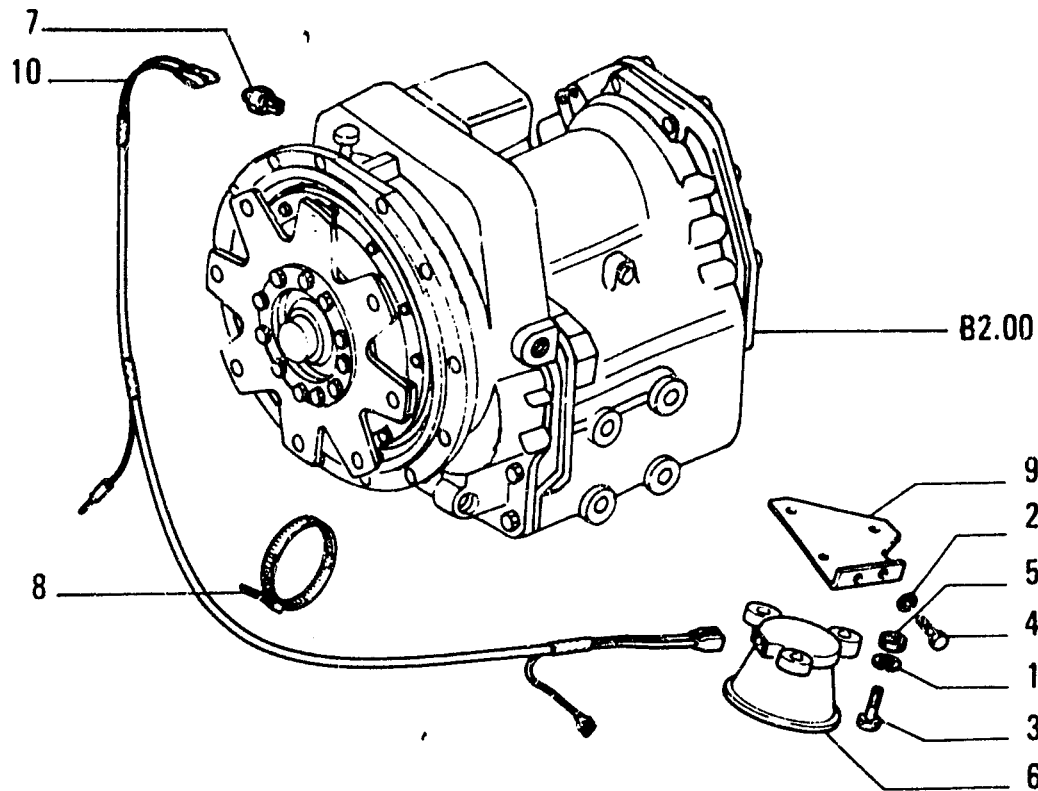
SIGNALLING DEVICES - SEGNALAZIONI DI AVVISO - AVERTISSEURS - SIGNALISIERVORRICHTUNGEN - 2
 SENALIZACION DE AVISO

F5.01/1A

N.T.R. 163 - 30.05.1989

604.01.077.03

Q15



C 2117 → I - 1986

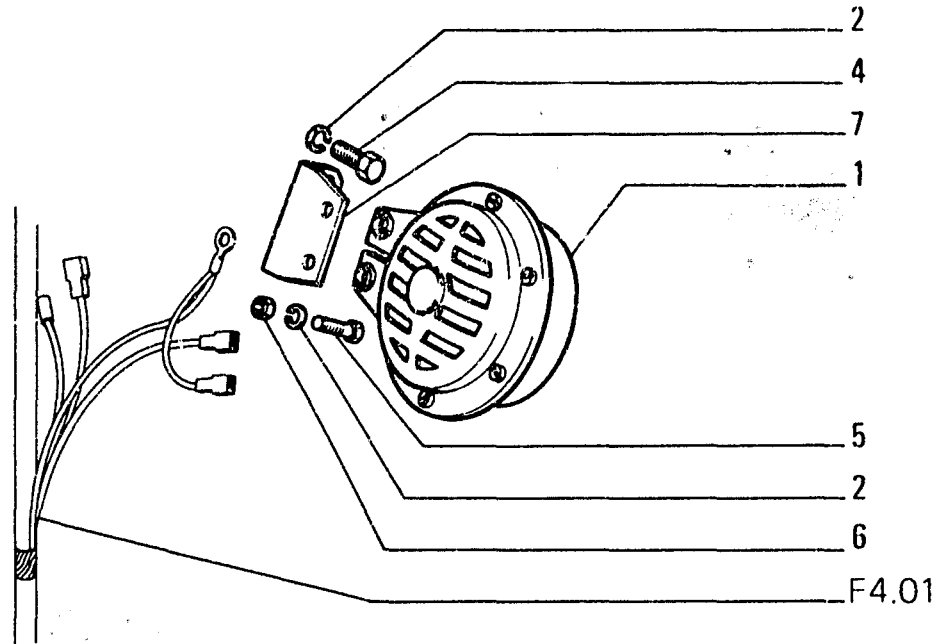
I T E M	PART NUMBER	Q T Y	TRANS CODE	DESCRIPTION	DESCRIZIONE
1	10571571	3	131R	WASHER (*) (1") 6,1x1,6	ROSETTA (*) (1") 6,1x1,6
2	10571871	2	131R	WASHER (*) (1") 10,2x2,2	ROSETTA (*) (1") 10,2x2,2
3	10902821	3	40V	SCREW (*) (1") 6x1x30	VITE (*) (1") 6x1x30
4	11106231	2	40V	SCREW (*) (1") 10x1,5x25	VITE (*) (1") 10x1,5x25
5	15896211	3	10D	NUT (*) (1") 6x1x5	DADO (*) (1") 6x1x5
6	70699053	1	105A	HORN (1")	AVVISATORE ACUSTICO (1")
7	79012600	1	75I	SWITCH (*) (1")	INTERRUTTORE (*) (1")
8	79013422	1	31F	CLAMP (*) (1")	FASCETTA (*) (1")
9	79038360	1	300S	SUPPORT (*) (1")	SUPPORTO (*) (1")
10	79038358	1	111C	CABLE (*) (1") C2123	CAVO (*) (1") C2123
	79045846	1	111C	CABLE (*) (1") D2123	CAVO (*) (1") D2123
(*)			469P	FOR SPECIAL EQUIPMENT 30.0759.10.1	PER VARIANTE 30.0759.10.1
(1")			469P	FOR SPECIAL EQUIPMENT 30.0760.10.1	PER VARIANTE 30.0760.10.1

SIGNALLING DEVICES -- SEGNALAZIONI DI AVVISO -- AVERTISSEURS -- SIGNALISIERVORRICHTUNGEN - 2
 SENALIZACION DE AVISO

F5.01/1

N.T.R. 163 - 30.05.1989
 604.01.077.03

Q16



I T E M	PART NUMBER	Q T Y	TRANS CODE	DESCRIPTION	DESCRIZIONE
1	4238805	1	105A	HORN C2125	AVVISATORE ACUSTICO C2125
	79056873	1	105A	HORN D2125	AVVISATORE ACUSTICO D2125
2	10516671	2	132R	LOCKWASHER 8,1x2,2	ROSETTA DI SICUREZZA 8,1x2,2
3	10516871	2	132R	LOCKWASHER 10x2,5	ROSETTA DI SICUREZZA 10x2,5
4	11106031	2	40V	SCREW 10x1,5x20	VITE 10x1,5x20
5	16043631	2	40V	SCREW 8x1,25x25	VITE 8x1,25x25
6	16100821	2	10D	NUT 8x1,25x6,5	DADO 8x1,25x6,5
7	79014684	1	225S	BRACKET	STAFFA

03710

SIGNALLING DEVICES - SEGNALAZIONI DI AVVISO - AVERTISSEURS - SIGNALISIERVORRICHTUNGEN -
SEÑALIZACIÓN DE AVISO

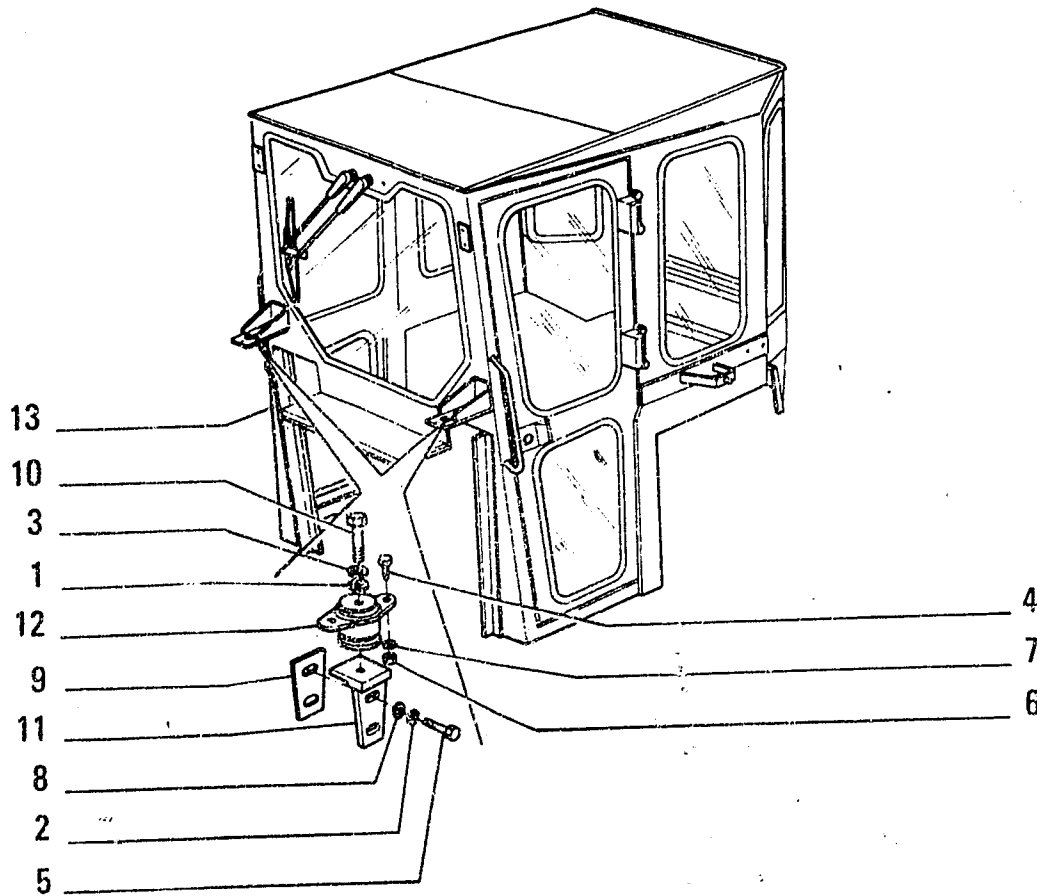
F5.01

Q17

L

BODY • CARROZZERIA • CARROSSERIE • AUFBAU • CARROCERIA

R1



OPTIONAL
 e VARIANTE 30.0570.16.1

04837

ITEM	PART NUMBER	QTY	TRANS CODE	DESCRIPTION	DESCRIZIONE
1	10520201	4	131R	WASHER 16,4x28	ROSETTA 16,4x28
2	10572071	4	132R	LOCKWASHER 14,2x3	ROSETTA DI SICUREZZA 14,2x3
3	10572171	4	132R	LOCKWASHER 16x3,5	ROSETTA DI SICUREZZA 16x3,5
4	11306921	4	40V	SCREW 10x1,25x30	VITE 10x1,25x30
5	11408331	4	40V	SCREW 14x1,5x35	VITE 14x1,5x35
6	12574511	4	10D	NUT 10x1,25x12,3	DADO 10x1,25x12,3
7	12638601	4	131R	WASHER 10,2x18	ROSETTA 10,2x18
8	12644901	4	131R	WASHER 14,4x32	ROSETTA 14,4x32
9	79043303	2	198S	SHIM	SPESSORE
10	15981621	4	40V	SCREW 16x1,5x100	VITE 16x1,5x100
11	79043341	2	300S	SUPPORT - FRONT ASSEMBLY	SUPPORTO - ANTERIORE COMPLETO
12	79043349	4	155S	SILENTBLOC	SILENTBLOC
13	79043462	1	8C	CAB - ASSEMBLY SEE SGR. L1.04	CABINA - COMPLETO VEDERE SGR. L1.04

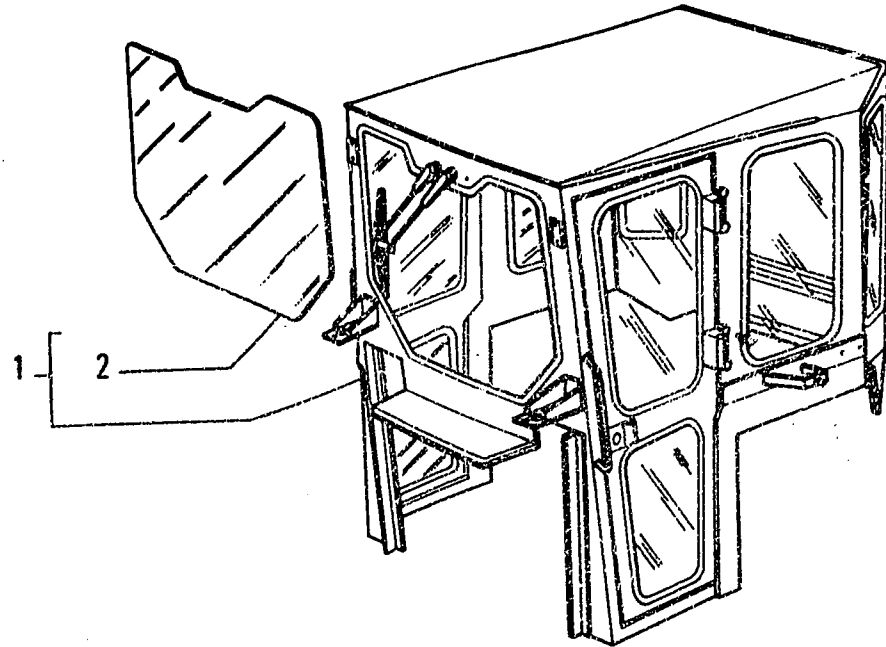
CAB AND MOUNTINGS - CABINA E SUPPORTI - CABINE ET SUPPORTS - FAHRERHAUS UND LAGER -
 CABINA Y APOYOS

L1.03

N.T.R. 102 - 31.05.82
 604.01.077.01

R2

ROPS CAB WITH LAMINATED FRONT GLASS
CABINA SICUREZZA CON VETRO STRATIFICATO



OPTIONAL 30.0571.02.1
 VARIANTE

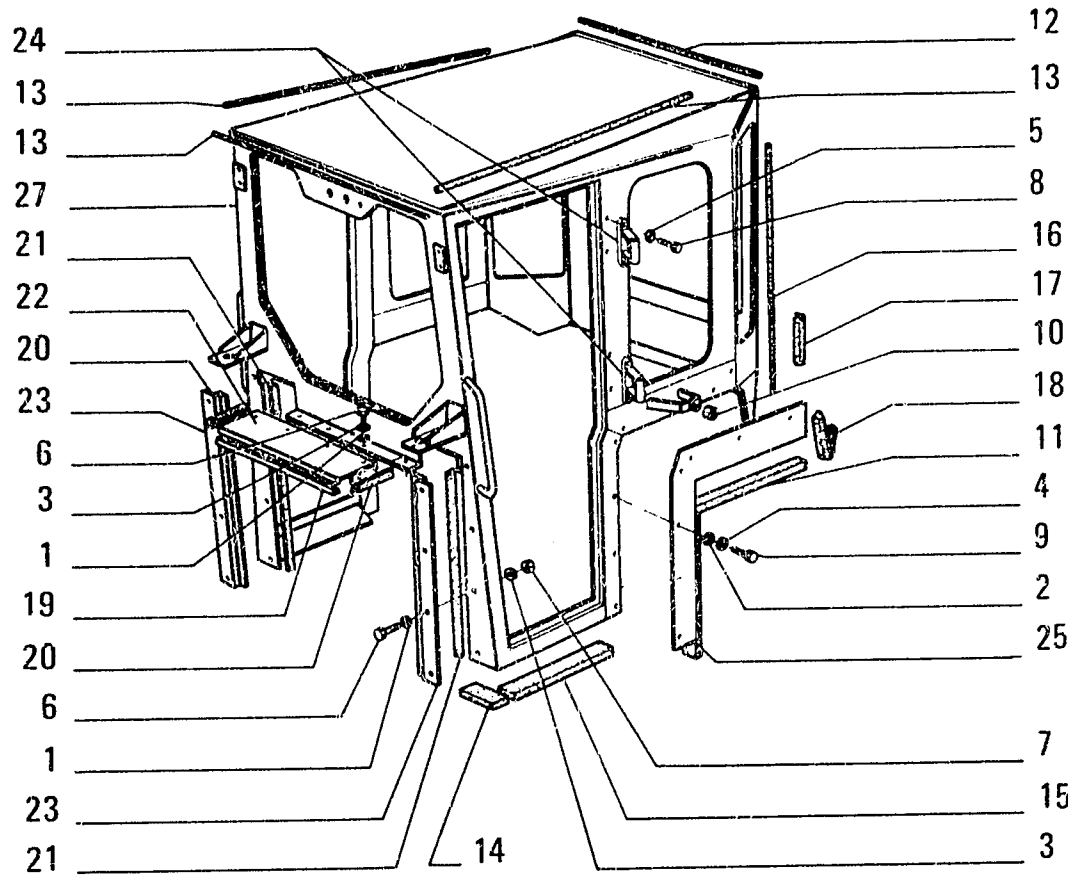
ITEM	PART NUMBER	QTY	TRANS CODE	DESCRIPTION	DESCRIZIONE
1	76012110	1	8C	CAB - ASSEMBLY	CABINA - COMPLETO
2	76010239	1	315C	GLASS PANE	CRISTALLO

- FOR THE CAB MISSING COMPONENTS SEE SGR. L1.03 AND L1.04
- PER LE RIMANENTI PARTI DELLA CABINA VEDERE I SGR. L1.03 E L1.04

CAB AND MOUNTINGS - CABINA E SUPPORTI - CABINE ET SUPPORTS - FAHRERHAUS UND LAGER --
 CABINA Y APOYOS

L1.03/1

N.T.R. 163 - 30.05.1989
 604.01.077.03



ITEM	PART NUMBER	QTY	TRANS CODE	DESCRIPTION	DESCRIZIONE
1	10519401	8	131R	WASHER 6,15x12	ROSETTA 6,15x12
2	10519601	14	131R	WASHER 8,15x17	ROSETTA 8,15x17
3	10571571	8	132R	LOCKWASHER 6,1x1,6	ROSETTA DI SICUREZZA 6,1x1,6
4	10571771	14	132R	LOCKWASHER 8,1x2	ROSETTA DI SICUREZZA 8,1x2
5	10571871	8	132R	LOCKWASHER 10,2x2,2	ROSETTA DI SICUREZZA 10,2x2,2
6	10902421	8	40V	SCREW 6x1x20	VITE 6x1x20
7	12574211	8	10D	NUT 6x1x7,8	DADO 6x1x7,8
8	15970721	8	40V	SCREW 10x1,25x25	VITE 10x1,25x25
9	16043021	14	40V	SCREW 8x1,25x12	VITE 8x1,25x12
10	79021573	2	60T	BLOCK	TASSELLO
11	79043292	1	120G	GASKET	GUARNIZIONE PIANA
12	79043308	1	120G	GASKET	GUARNIZIONE PIANA
13	79043309	3	120G	GASKET	GUARNIZIONE PIANA
14	79043310	2	120G	GASKET	GUARNIZIONE PIANA
15	79043311	2	120G	GASKET	GUARNIZIONE PIANA
16	79043313	2	120G	GASKET	GUARNIZIONE PIANA
17	79043325	2	120G	GASKET - SIDE REAR OUTER	GUARNIZIONE PIANA - LATERALE POSTERIORE ESTERNO
18	79043326	1	120G	GASKET	GUARNIZIONE PIANA
19	79043327	1	120G	GASKET	GUARNIZIONE PIANA
20	79043328	2	120G	GASKET	GUARNIZIONE PIANA
21	79043329	2	120G	GASKET	GUARNIZIONE PIANA
22	79043336	1	70R	GUARD - FRONT	RIPARO - ANTERIORE
23	79043337	2	70R	GUARD - FRONT SIDE	RIPARO - ANTERIORE LATERALE
24	79043350	4	140C	HINGE	CERNIERA
25	79043359	1	70R	GUARD - SIDE LEFT ASSEMBLY	RIPARO - LATERALE SINISTRO COMPLETO

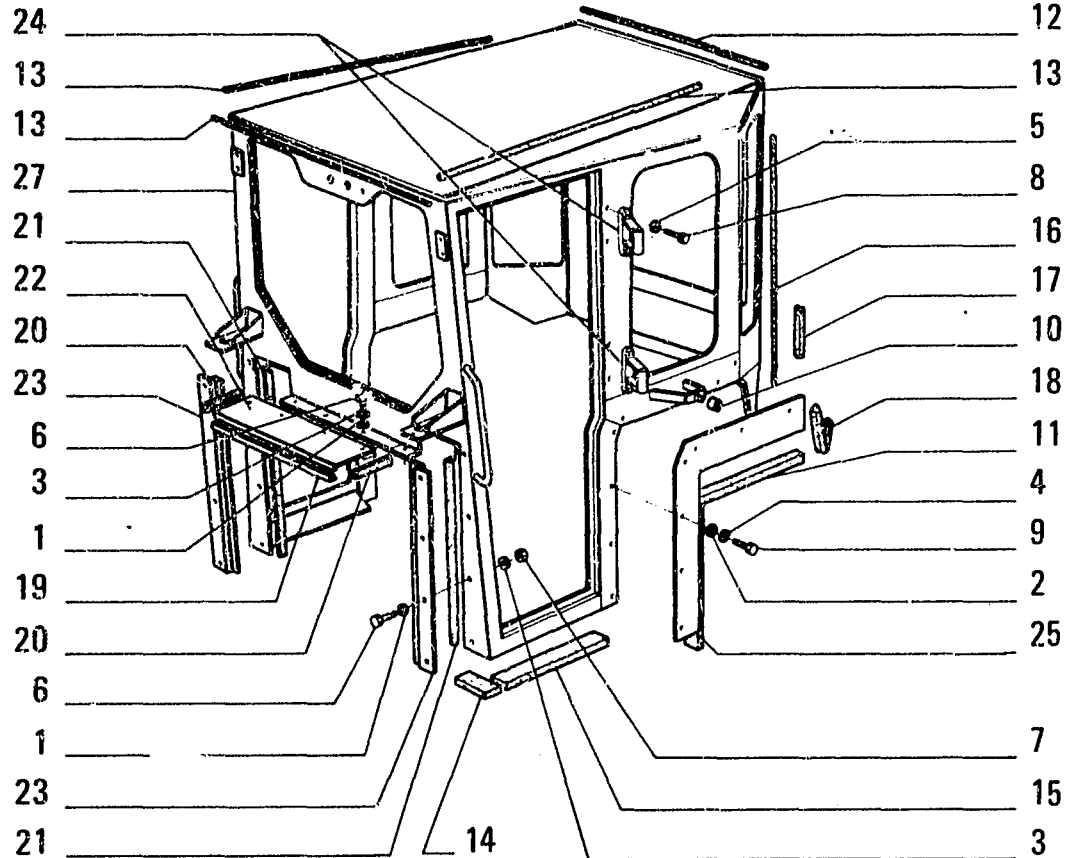
OPTIONAL 30.0570.16.1
VARIANTE

04838

79043462
CAB - CABINA - CABINE - FAHRERHAUS - CABINA

1	L1.04	1
N.T.R. 102 - 31.05.82 604.01.077.01		

R4



OPTIONAL 30.0570.16.1
VARIANTE

04838

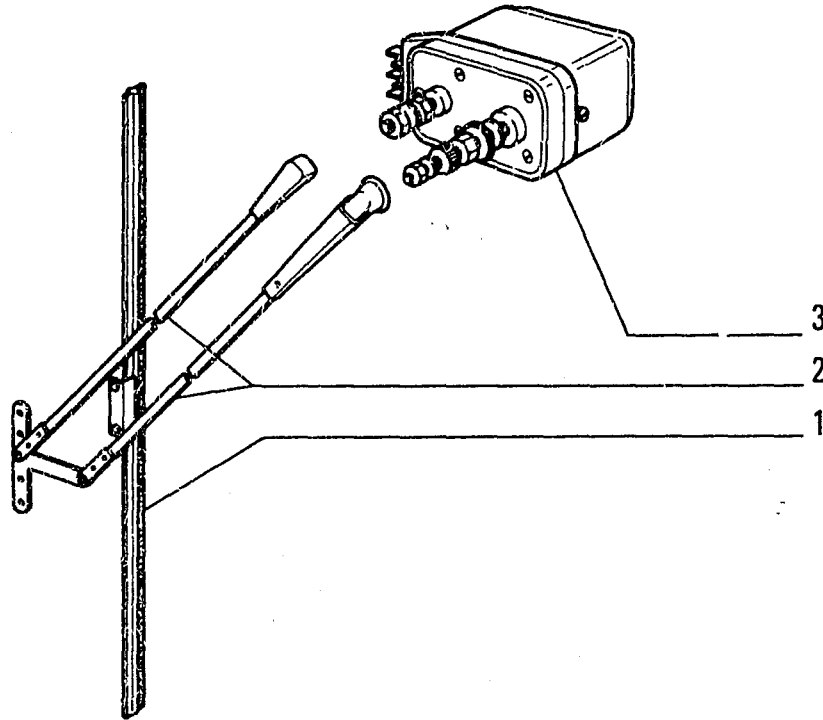
ITEM	PART NUMBER	QTY	TRANS CODE	DESCRIPTION	DESCRIZIONE
25	79043360	1	70R	GUARD - SIDE RIGHT ASSEMBLY	RIPARO - LATERALE DESTRO COMPLETO
27	79043463	1	280	STRUCTURE - ASSEMBLY	OSSATURA - COMPLETO

79043462

CAB - CABINA - CABINE - FAHRERHAUS - CABINA

1	L1.04	1
N.T.R. 102 - 31.05.82 604.01.077.01		

R5



OPTIONAL
VARIANTE 30.0570.16.1

04839

I T E M	PART NUMBER	Q T Y	TRANS CODE	DESCRIFITION	DESCRIZIONE
1	79043348	1	177S	BRUSH	SPAZZOLA
2	79043355	1	130B	ARM	BRACCIO
3	79043356	1	134M	MOTOR	MOTORINO

79043462

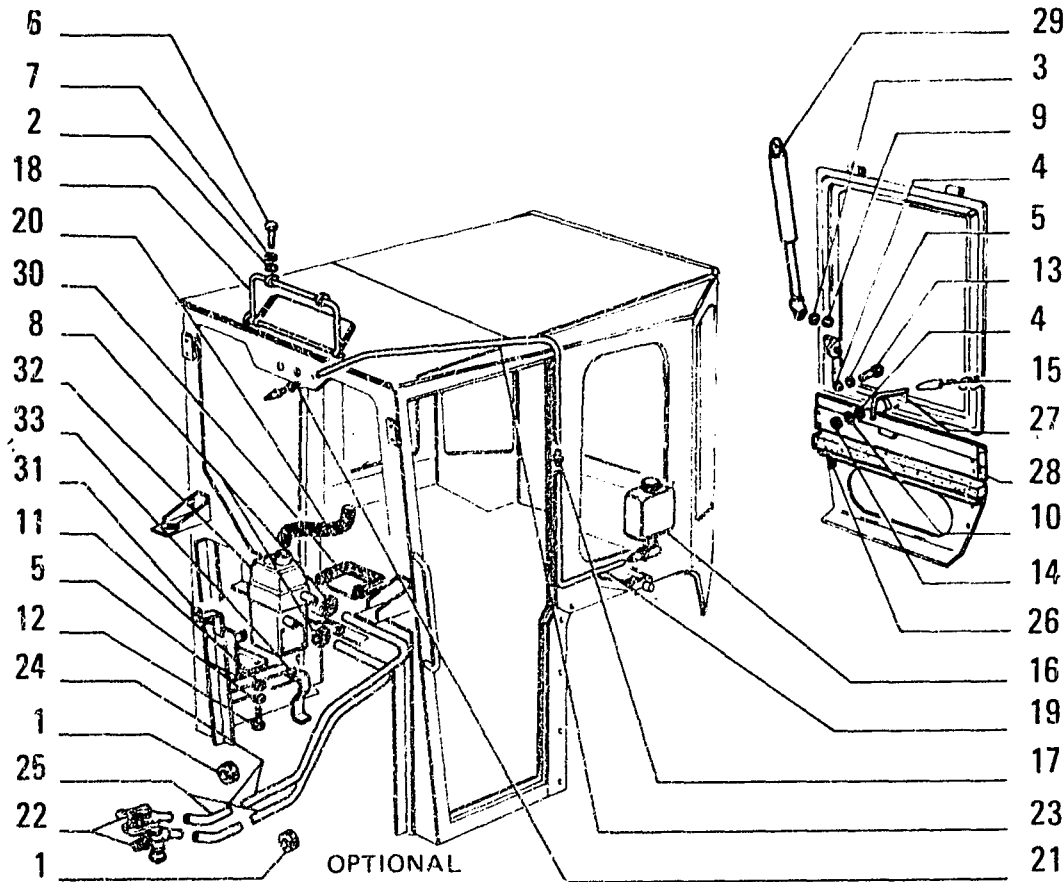
CAB · CABINA - CABINE - FAHRERHAUS - CABINA

L1.04

2

N.T.R. 102 - 31.05.82
604.01.077.01

R6



OPTIONAL
VARIANTE 30.0570.16.1

04840

79043462

CAB -- CABINA -- CABINE -- FAHRERHAUS -- CABINA

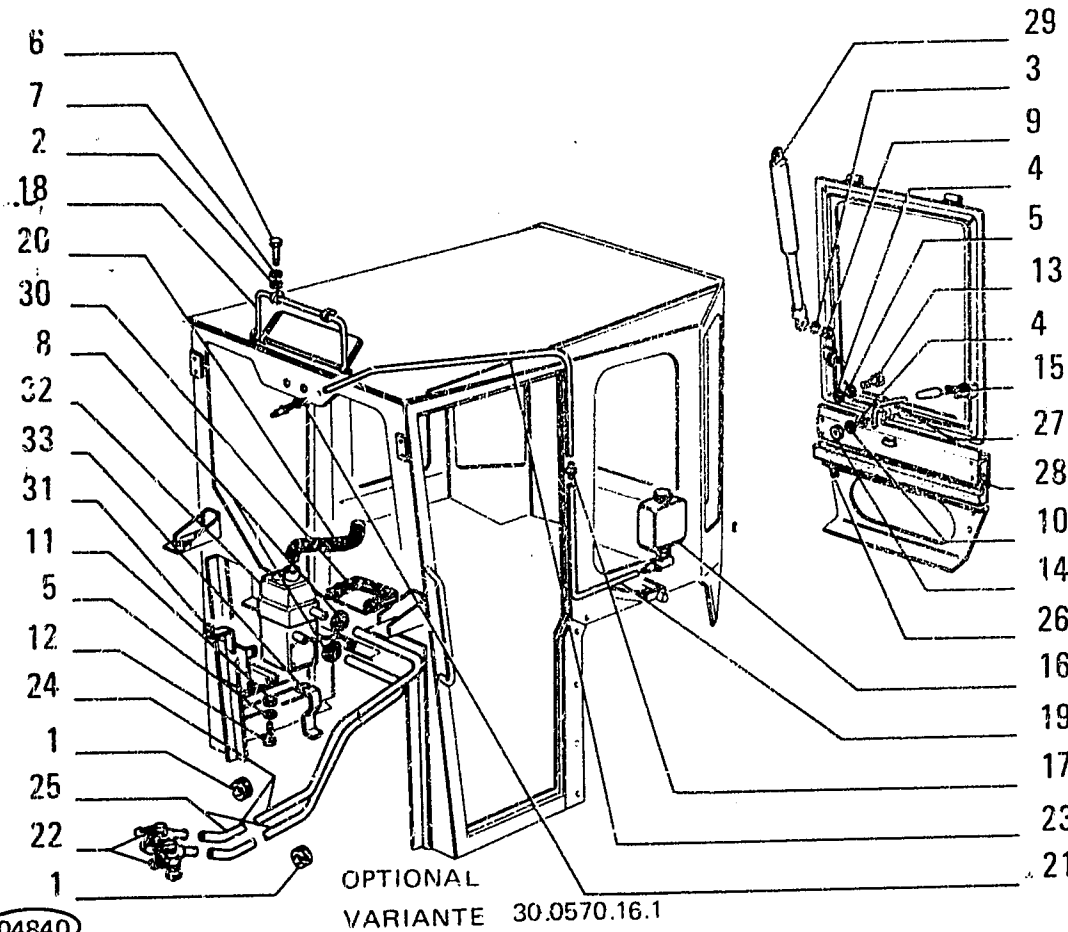
I T E M	PART NUMBER	Q T Y	TRANS CODE	DESCRIPTION	DESCRIZIONE
1	10397680	2	49A	INSULATING RING 18x33	ANELLO ISOLANTE 18x33
2	10519301	4	131R	WASHER 5,15x10	ROSETTA 5,15x10
3	10519401	4	131R	WASHER 6,15x12	ROSETTA 6,15x12
4	10519601	5	131R	WASHER 8,15x17	ROSETTA 8,15x17
5	10571771	7	132R	LOCKWASHER 8,1x2	ROSETTA DI SICUREZZA 8,1x2
6	10977821	4	40V	SCREW 5x0,8x16	VITE 5x0,8x16
7	11195471	4	132R	LOCKWASHER 5,1x1,1	ROSETTA DI SICUREZZA 5,1x1,1
8	12179590	4	180C	COLLAR 14/24x8	COLLARE 14/24x8
9	12574211	4	10D	NUT 6x1x7,8	DADO 6x1x7,8
10	12604471	1	132R	LOCKWASHER 8,4x15	ROSETTA DI SICUREZZA 8,4x15
11	12642001	3	131R	WASHER 8,15x25	ROSETTA 8,15x25
12	16043421	3	40V	SCREW 8x1,25x20	VITE 8x1,25x20
13	16044121	4	40V	SCREW 8x1,25x45	VITE 8x1,25x45
14	16104111	1	10D	NUT 8x1,25x10,6	DADO 8x1,25x10,6
15	70738674	1	150P	KNOB	POMELLO
16	79020842	1	19V	PAN	VASCETTA
17	79020844	1	10V	VALVE	VALVOLA
18	79020938	1	80R	SUN VISOR - ASSEMBLY	RIPARO SOLE - COMPLETO
19	79020952	1	192T	HOSE ASSY	TUBO FLESS.C/RACCORDI
20	79043295	1	192T	HOSE ASSY	TUBO FLESS.C/RACCORDI
21	79043299	1	38L	WINDSHIELD WASHER	LAVACRISTALLI
22	79043301	1	150R	COCK	RUBINETTO
23	79043312	1	192T	HOSE ASSY	TUBO FLESS.C/RACCORDI
24	79043314	1	192T	HOSE ASSY	TUBO FLESS.C/RACCORDI
25	79043315	1	192T	HOSE ASSY	TUBO FLESS.C/RACCORDI
26	79043330	1	120G	GASKET	GUARNIZIONE PIANA
27	79043338	1	20M	HANDLE	MANIGLIA

L1.04

3

N.T.R. 102 - 31.05.82
604.01.077.01

R7



ITEM	PART NUMBER	QTY	TRANS CODE	DESCRIPTION	DESCRIZIONE
	28 79043340	1	180T	CROSS BEAM - REAR ASSEMBLY	TRAVERSA - POSTERIORE COMPLETO
	29 79043342	2	164C	CYLINDER	CILINDRO
	30 79043345	1	172C	SECURING STRAP	CINGHIA DI FISSAGGIO
	31 79043346	1	174S	BRACE	SOSTEGNO
	32 79043354	1	105R	HEATER - ASSEMBLY SEE SGR. E1.02	RISCALDATORE - COMPLETO VEDERE SGR. E1.02
	33 79044551	1	225S	BRACKET	STAFFA

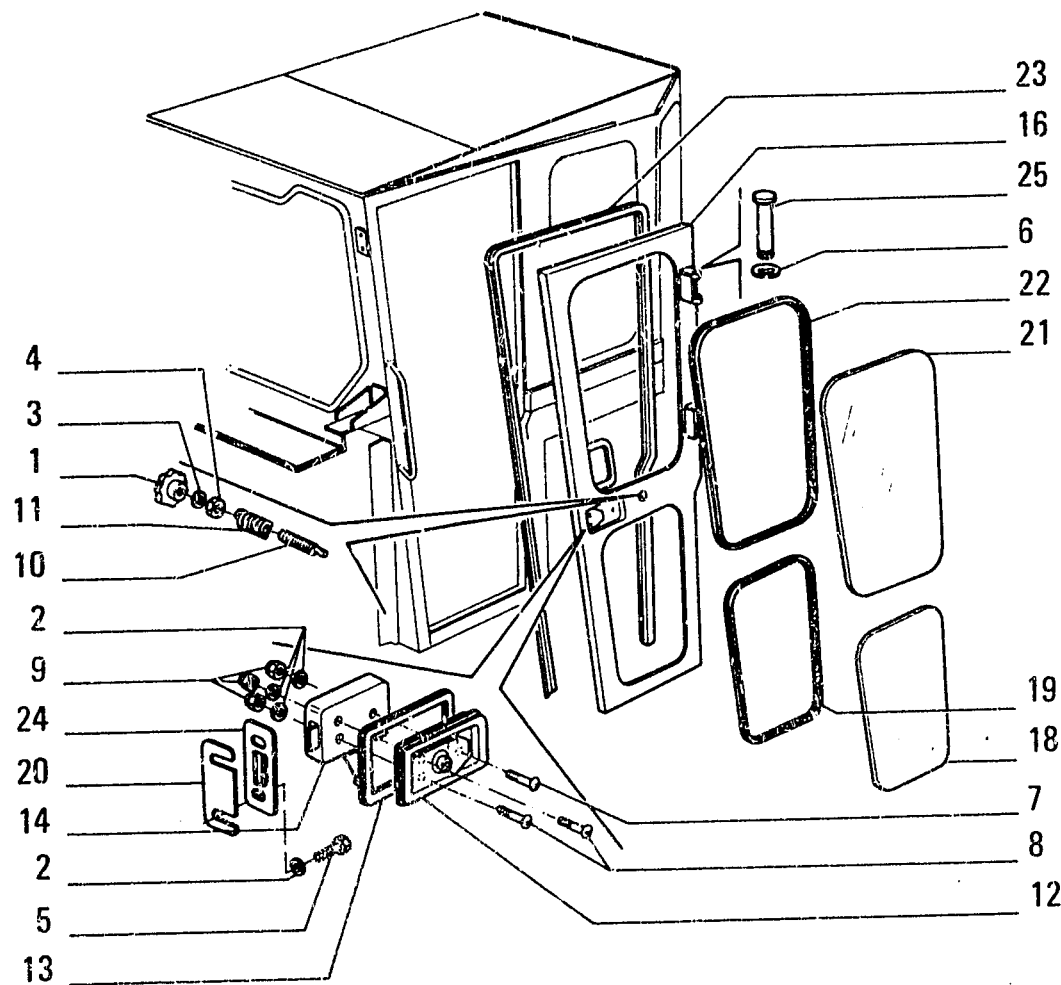
04840

79043462

CAB - CABINA - CABINE - FAHRERHAUS - CABINA

1	L1.04	3
---	-------	---

R8



OPTIONAL
VARIANTE 30.0570.16.1

FIATALLIS FL5

ITEM	PART NUMBER	QTY	TRANS CODE	DESCRIPTION	DESCRIZIONE
					POMELLO
1	4982020	2	150P	KNOB	ROSETTA DI SICUREZZA 6,1x1,6
2	10571571	10	132R	LOCKWASHER 6,1x1,6	ROSETTA DI SICUREZZA 10,2x2,2
3	10571871	2	132R	LOCKWASHER 10,2x2,2	DADO 10x1,5x6
4	10788721	2	10D	NUT 10x1,5x6	VITE 6x1x12
5	10902021	4	40V	SCREW 6x1x12	ANELLO 6x12
6	11087876	2	45A	RING 6x12	VITE 6x1x55
7	13314111	2	40V	SCREW 6x1x55	VITE 6x1x60
8	13277411	4	40V	SCREW 6x1x60	DADO 6x1x12
9	14054511	6	10D	NUT 6x1x12	PERNO
10	79017741	2	80P	PIN	MOLLA
11	79017742	2	100M	SPRING	MANIGLIA
12	79031813	2	20M	HANDLE	GUARNIZIONE PIANA
13	79031814	2	120G	GASKET	SERRATURA - DESTRO
14	79031815	1	120S	LOCK - RIGHT	SERRATURA - SINISTRO
15	79031816	1	120S	LOCK - LEFT	PORTA - COMPLETO DESTRO
16	79043343	1	180P	DOOR - ASSEMBLY RIGHT	PORTA - COMPLETO SINISTRO
17	79043344	1	180P	DOOR - ASSEMBLY LEFT	CRISTALLO - INFERIORE
18	79043296	2	315C	GLASS PANE - LOWER	GUARNIZIONE PIANA - INFERIORE
19	79043300	2	120G	GASKET - LOWER	SPESSORE
20	79043302	2	198S	SHIM	CRISTALLO - SUPERIORE
21	79043304	2	315C	GLASS PANE - UPPER	GUARNIZIONE PIANA - SUPERIORE
22	79043307	2	120G	GASKET - UPPER	PROFILATO DI GOMMA
23	79043316	2	216P	RUBBER SECTION	ARRESTO
24	79043580	2	80A	STOP	PERNO
25	79044358	4	80P	PIN	

04841

79043462

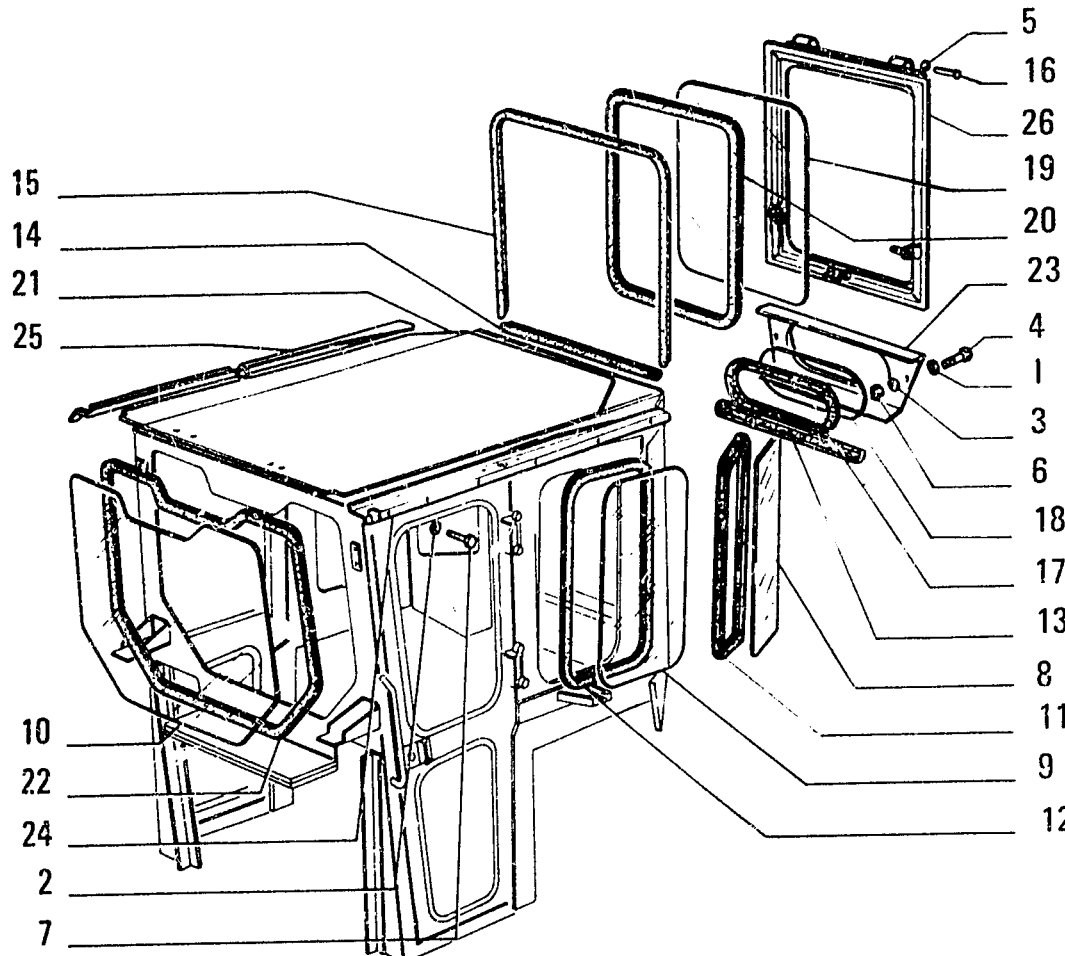
CAB - CABINA - CABINE - FAHRERHAUS - CABINA

L1.04

4

N.T.R. 102 - 31.05.82
604.01.077.01

R9



OPTIONAL 30.0570.16.1
VARIANTE

04842

79043462

CAB - CABINA - CABINE - FAHRERHAUS - CABINA

R10

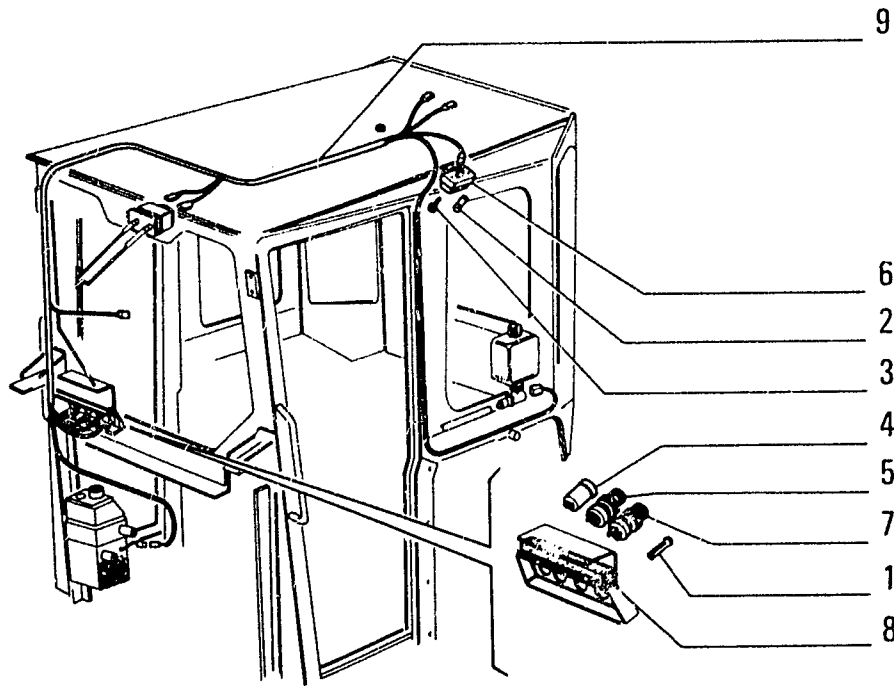
ITEM	PART NUMBER	QTY	TRANS CODE	DESCRIPTION	DESCRIZIONE
1	10519401	4	131R	WASHER 6,15x12	ROSETTA 6,15x12
2	10571471	10	132R	LOCKWASHER 5,1x1,2	ROSETTA DI SICUREZZA 5,1x1,2
3	10571571	4	132R	LOCKWASHER 6,1x1,6	ROSETTA DI SICUREZZA 6,1x1,6
4	10902421	4	40V	SCREW 6x1x20	VITE 6x1x20
5	11087876	2	45A	RING 6x12	ANELLO 6x12
6	12574211	4	10D	NUT 6x1x7,8	CAPO 6x1x7,8
7	15903801	10	40V	SCREW 10x13	VITE 10x13
8	79043293	2	315C	GLASS PANE	CRISTALLO
9	79043294	2	315C	GLASS PANE - SIDE	CRISTALLO - LATERALE
10	79043297	1	315C	GLASS PANE - FRONT	CRISTALLO - ANTERIORE
11	79043305	2	120G	GASKET	GUARNIZIONE PIANA
12	79043306	2	120G	GASKET	GUARNIZIONE PIANA
13	79043317	1	120G	GASKET	GUARNIZIONE PIANA
14	79043319	1	216P	RUBBER SECTION	PROFILATO DI GOMMA
15	79043320	1	216P	RUBBER SECTION	PROFILATO DI GOMMA
16	79043331	2	80P	PIN	PERNO
17	79043332	1	120G	GASKET	GUARNIZIONE PIANA
18	79043333	1	315C	GLASS PANE - REAR	CRISTALLO - POSTERIORE
19	79043334	1	315C	GLASS PANE - REAR	CRISTALLO - POSTERIORE
20	79043335	1	120G	GASKET - REAR.	GUARNIZIONE PIANA - POSTERIORE
21	79043339	1	116R	COVERING	RIVESTIMENTO
22	79043347	1	120G	GASKET	GUARNIZIONE PIANA
23	79043352	1	70R	GUARD - REAR	RIPARO - POSTERIORE
24	79043357	1	108B	EDGE - SIDE LEFT	BORDO - LATERALE SINISTRO
25	79043358	1	108B	EDGE - SIDE RIGHT	BORDO - LATERALE DESTRO
26	79043361	1	205S	DOOR - REAR ASSEMBLY	SPORTELLO - POSTERIORE COMPLETO

1

L1.04

5

N.T.R. 102 - 31.05.82
604.01.077.01



ITEM	PART NUMBER	QTY	TRANS CODE	DESCRIPTION	DESCRIZIONE
1	10858090	2	110F	FUSE 5,7x24,9	FUSIBILE 5,7x24,9
2	10863190	1	30L	LAMP 11x35	LAMPADA 11x35
3	17669001	2	40V	SCREW 6x9,5	VITE 6x9,5
4	79011645	2	188P	FUSE HOLDER	PORTAFUSIBILE
5	79020845	1	236P	PUSH BUTTON	PULSANTE
6	79020934	1	135P	CEILING LAMP	PLAFONIERA
7	79043298	1	75I	SWITCH	INTERRUTTORE
8	79043318	2	120G	GASKET	GUARNIZIONE PIANA
9	79043351	1	111C	CABLE - ASSEMBLY	CAVO - COMPLETO

OPTIONAL
VARIANTE 30.0570.16.1

04843

79043462

CAB - CABINA - CABINE - FAHRERHAUS - CABINA

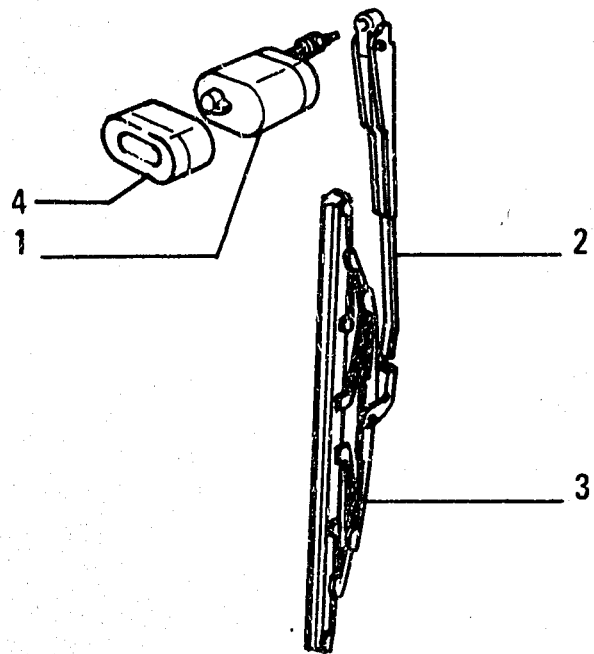
L1.04

6

N.T.R. 102 - 31.05.82
604.01.077.01

R11

FIATALLIS FL5



REAR WINDSCREEN WIPER
TERGICRISTALLO POSTERIORE

OPTIONAL
VARIANTE 30.0570.16.1

ITEM	PART NUMBER	QTY	TRANS CODE	DESCRIPTION	DESCRIZIONE
1	70738582	1	137M	ELECTRIC MOTOR	MOTORINO ELETTRICO
2	79038338	1	130B	ARM	BRACCIO
3	79050331	1	177S	BRUSH	SPAZZOLA
4	70738688	1	224P	SHIELD	PROTEZIONE

79043462

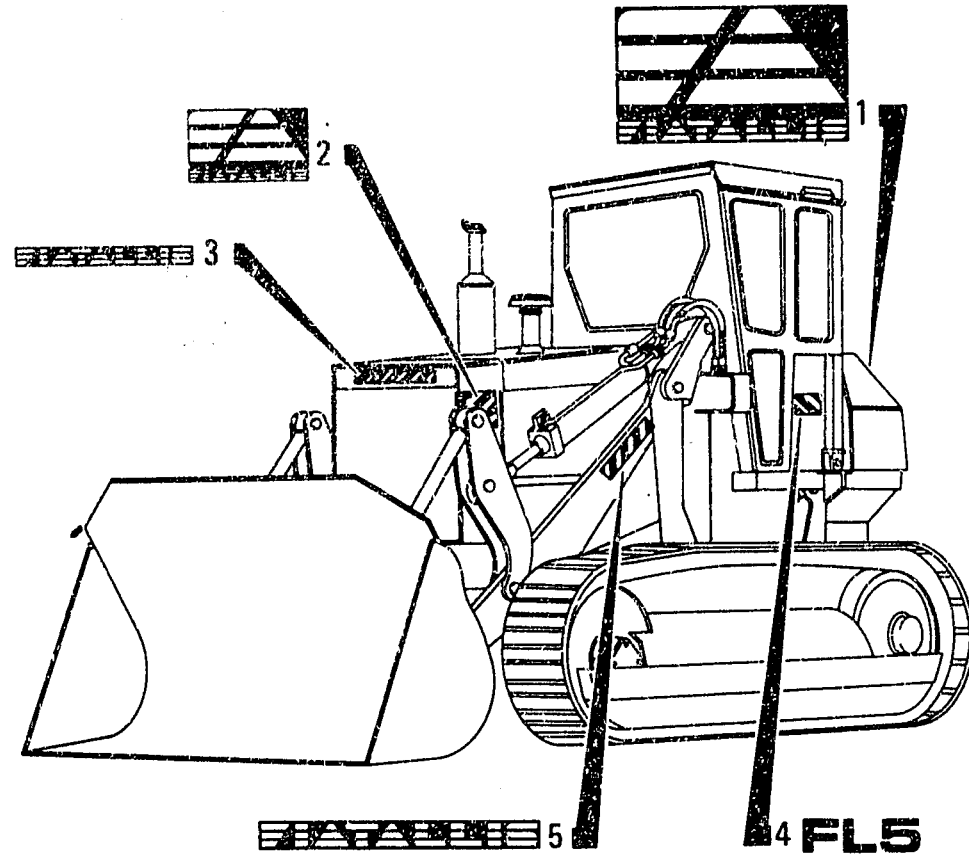
CAB - CABINA - CABINE - FAHRERHAUS - CABINA

L1.04

7

N.T.R. 163 - 30.05.1989
604.01.077.03

R12



ITEM	PART NUMBER	QTY	TRANS CODE	DESCRIPTION	DESCRIZIONE
1	71309808	1	150S	TRADE MARK - REAR	SIGLA - POSTERIORE
2	79041020	2	150S	TRADE MARK - SIDE	SIGLA - LATERALE
3	79041021	1	150S	TRADE MARK - FRONT	SIGLA - ANTERIORE
4	79041022	2	150S	TRADE MARK	SIGLA
5	79041164	2	150S	TRADE MARK - SIDE	SIGLA - LATERALE

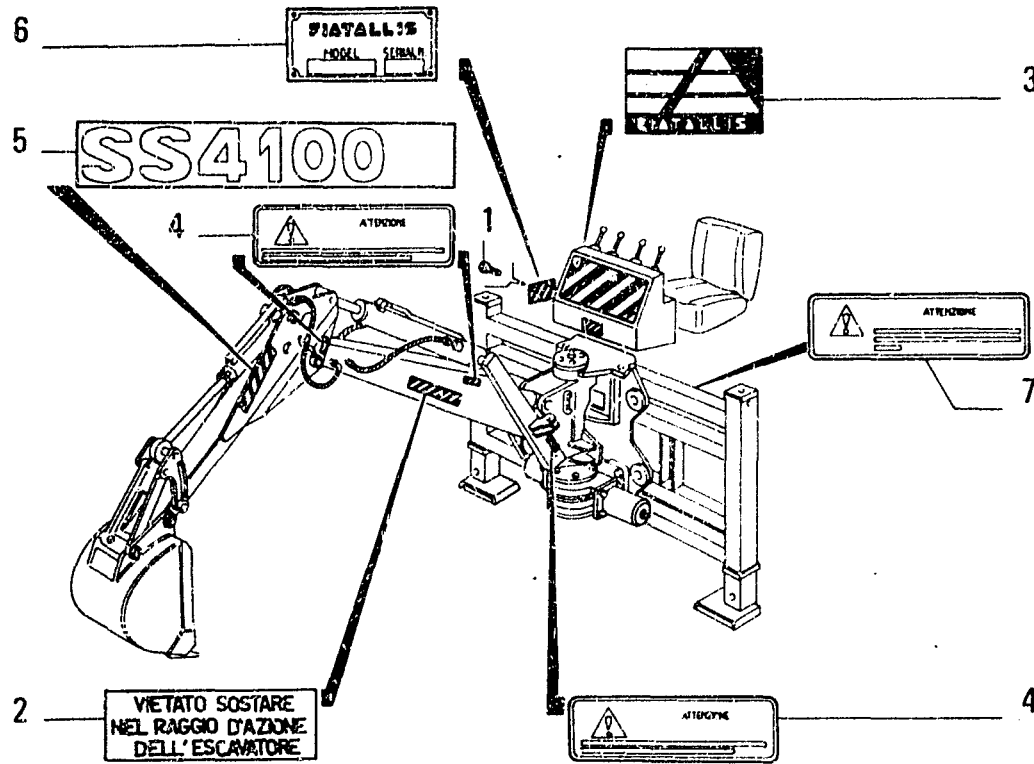
03862

TYPE PLATE - SIGLE MODELLI - MOTIF - MODELLZEICHEN - EMBLEMA

L1.25

N.T.R. 102 - 31.05.82
604.01.077.01

R13



OPTIONAL VARIANTE 30.0060.04.1

BACKHOE RETROSCAVATORE

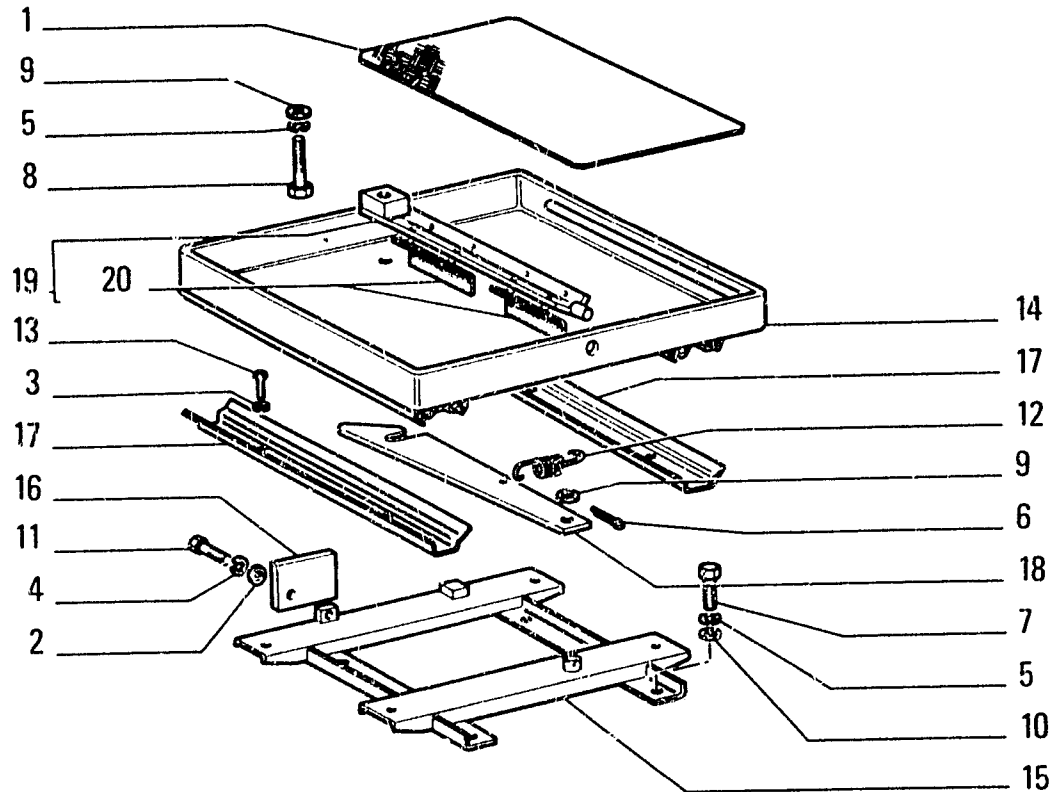
ITEM	PART NUMBER	QTY	TRANS CODE	DESCRIPTION	DESCRIZIONE
1	15812001	4	40V	SCREW 3,6x6,4	VITE 3,6x6,4
2	71300269	2	65T	DECAL	TARGA
3	71309808	1	150S	TRADE MARK	SIGLA
4	79012623	6	65T	DECAL	TARGA
5	79042984	1	151S	TYPE PLATE	SIGLA TRATTORE
6	79042985	1	65T	DECAL	TARGA
7	79042986	1	65T	DECAL	TARGA

TYPE PLATES - SIGLE MODELLI - MOTIFS - MODELLZEICHEN - EMBLEMAS -

L1.25/1

N.T.R. 163 - 30.05.1989

604.01.077.03



I T E M	PART NUMBER	Q T Y	TRANS CODE	DESCRIPTION	DESCRIZIONE
1	4991458	2	105P	PLATE	PIASTRA
2	10519621	1	131R	WASHER 8,45x17	ROSETTA 8,45x17
3	10569371	4	131R	WASHER 8,1x2	ROSETTA 8,1x2
4	10571771	1	131R	WASHER 8,1x2	ROSETTA 8,1x2
5	10571871	4	132R	LOCKWASHER 10,2x2,2	ROSETTA DI SICUREZZA 10,2x2,2
6	10796401	1	270C	COTTER PIN 2,7x27,6	COPIGLIA 2,7x27,6
7	10979231	4	40V	SCREW 10x1,5x16	VITE 10x1,5x16
8	11107231	2	40V	SCREW 10x1,5x50	VITE 10x1,5x50
9	12638621	2	131R	WASHER 10,2x18	ROSETTA 10,2x18
10	12646821	4	131R	WASHER 10,2x25	ROSETTA 10,2x25
11	16043431	1	40V	SCREW 8x1,25x20	VITE 8x1,25x20
12	79005934	1	100M	SPRING	MOLLA
13	79010350	4	40V	SCREW	VITE
14	79025247	1	300S	SUPPORT	SUPPORTO
15	79025250	1	300S	SUPPORT	SUPPORTO
16	79025273	1	231S	CLIP	STAFFETTA
17	79025274	2	145G	GUIDE	GUIDA
18	79025276	1	45L	LEVER	LEVA
19	79033907	1	231S	CLIP - ASSEMBLY	STAFFETTA - COMPLETO
20	79035712	2	61T	CUSHION PAD	TASSELLO ELASTICO

C 2116 -- Tel. n. 201407

AUXILIARY ARRANGEMENTS - INTELAIATURE PER SISTEMAZIONI VARIE - AMENAGEMENTS DIVERS -
 VERSCHIEDENE GESTELLRAHMEN - SOPORTES VARIOS

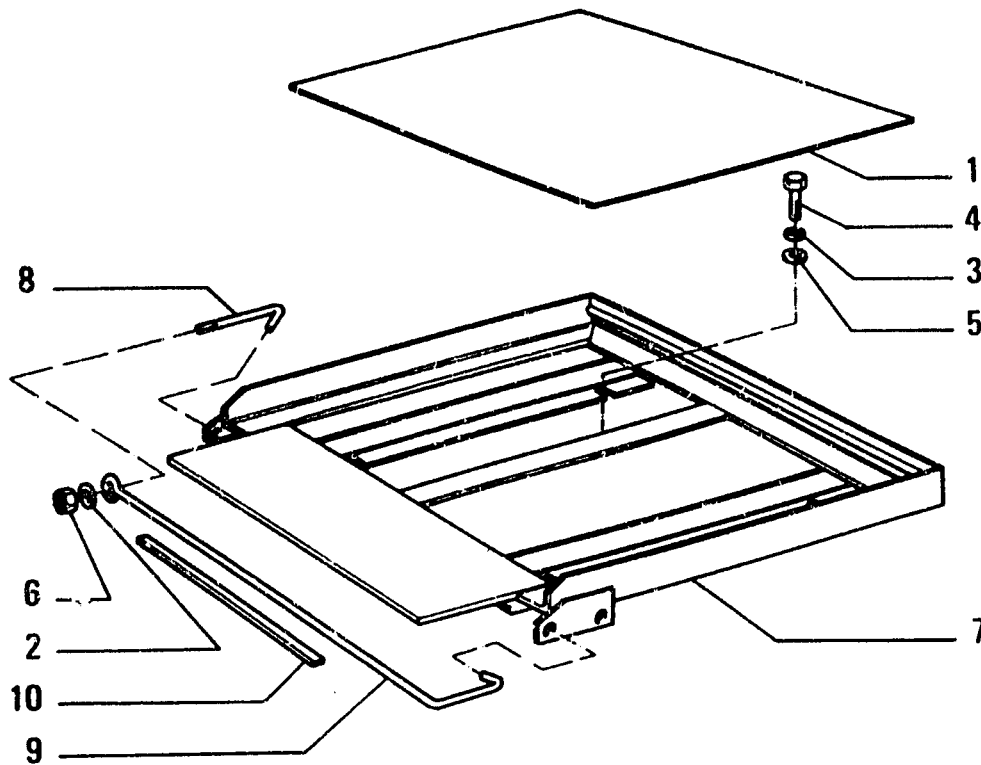
L1.30

N.T.R. 163 - 30.05.1989

604.01.077.03

R15

ITEM	PART NUMBER	QTY	TRANS CODE	DESCRIPTION	DESCRIZIONE
1	4991458	2	105P	PLATE	PIASTRA
2	10519621	1	131R	WASHER 8,45x17	ROSETTA 8,45x17
3	10571871	4	170R	LOCKWASHER 10,2x2,2	ROSETTA EL. 10,2x2,2
4	10979231	4	40V	SCREW 10x1,5x16	VITE 10x1,5x16
5	12646821	4	131R	WASHER 10,2x25	ROSETTA 10,2x25
6	16104421	1	10D	NUT 8x1,25x8,5	DADO 8x1,25x8,5
7	76011184	1	300S	SUPPORT	SUPPORTO
8	76011194	1	142T	TIEROD	TIRANTE
9	76012946	1	142T	TIEROD	TIRANTE
10	79064308	2	60T	BLOCK	TASSELLO



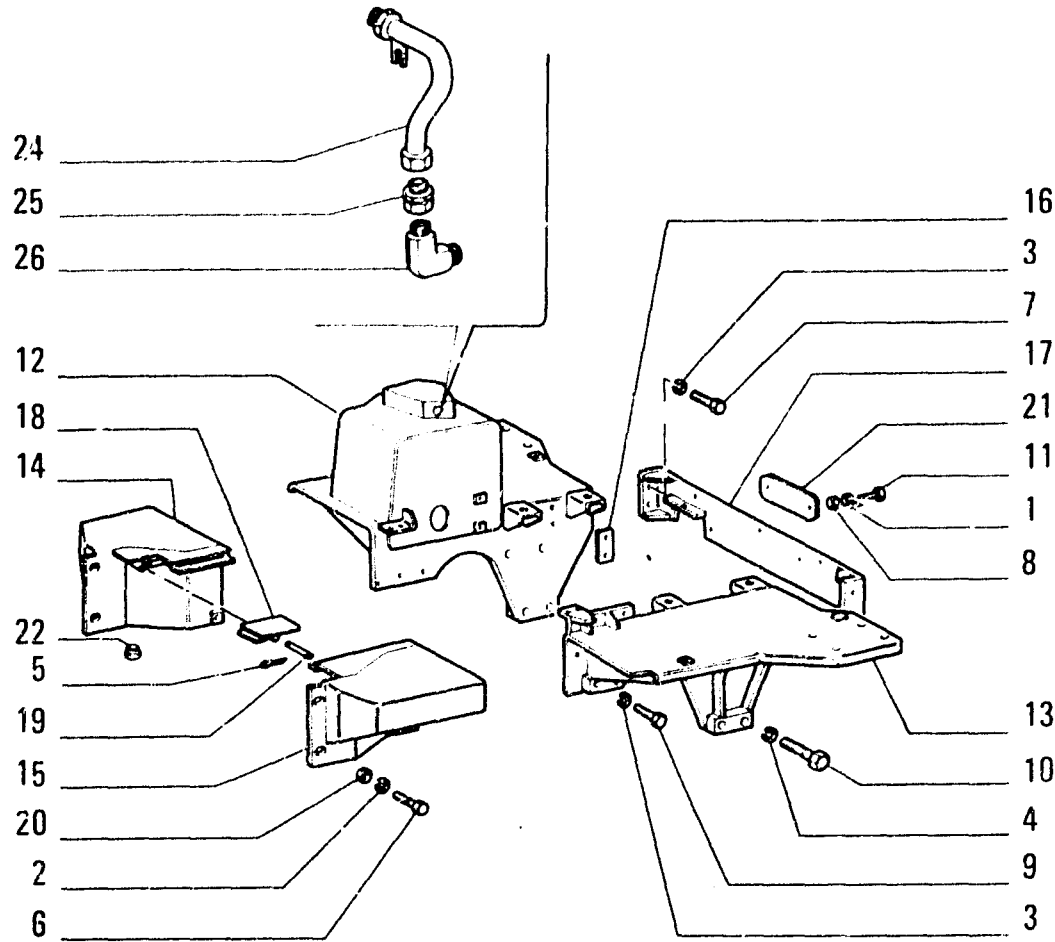
D 2116 Tel. n. 201408 →

AUXILIARY ARRANGEMENTS – INTELAIATURE PER SISTEMAZIONI VARIE – AMENAGEMENTS DIVERS –
 VERSCHIEDENE GESTELLRAHMEN – SOPORTES VARIOS

R16

L1.30/A

N.T.R. 163 - 30.05.1989
 604.01.077.03



04661

I T E M	PART NUMBER	Q T Y	TRANS CODE	DESCRIPTION	DESCRIZIONE
1	10516671	2	132R	LOCKWASHER 8,1x2,2	ROSETTA DI SICUREZZA 8,1x2,2
2	10516871	6	132R	LOCKWASHER 10x2,5	ROSETTA DI SICUREZZA 10x2,5
3	10517171	8	132R	LOCKWASHER 14,2x3,5	ROSETTA DI SICUREZZA 14,2x3,5
4	10517471	8	132R	LOCKWASHER 20,2x4,5	ROSETTA DI SICUREZZA 20,2x4,5
5	10796401	2	270C	COTTER PIN 2,7x27,6	COPIGLIA 2,7x27,6
6	11106431	6	40V	SCREW 10x1,5x30	VITE 10x1,5x30
7	11115631	4	40V	SCREW 14x2x35	VITE 14x2x35
8	12642021	2	131R	WASHER 8,15x25	ROSETTA 8,15x25
9	15977931	4	40V	SCREW 14x1,5x90	VITE 14x1,5x90
10	15989337	8	40V	SCREW 20x1,5x110	VITE 20x1,5x110
11	16043431	2	40V	SCREW 8x1,25x20	VITE 8x1,25x20
12	79024000	1	31P	FENDER - REAR RIGHT C 972	PARAFANGO - POSTERIORE DESTRO C 972
	79043372	1	31P	FENDER - REAR RIGHT D 972	PARAFANGO - POSTERIORE DESTRO D 972
13	79024019	1	31P	FENDER - REAR LEFT	PARAFANGO - POSTERIORE SINISTRO
14	79024687	1	31P	FENDER - FRONT RIGHT	PARAFANGO - ANTERIORE DESTRO
15	79024695	1	31P	FENDER - FRONT LEFT	PARAFANGO - ANTERIORE SINISTRO
16	79024700		198S	SHIM	SPESSORE
17	79024701	1	180T	CROSS BEAM - REAR	TRAVERSA - POSTERIORE
18	79024716	1	205S	DOOR	SPORTELLO
19	79024719	1	80P	PIN	PERNO
20	79027338	4	131R	WASHER	ROSETTA
		2	131R	WASHER C 970	ROSETTA C 970
21	79028430	1	265C	COVER	COPERCHIO
22	79041290	2	75D	SPACER D 970	DISTANZIALE D 970

MUDGUARDS AND FOOTBOARDS - PARAFANGHI E PEDANE - AILES ET MARCHEPIEDS - KOTFLUEGEL
UND TRITTBRETTEN - GUARDABARROS Y PISO

L3.04

1

N.T.R. 102 - 31.05.82
604.01.077.01

R17

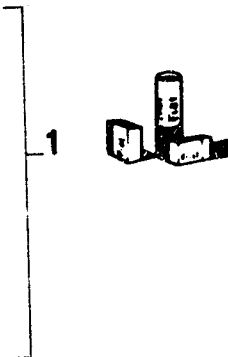
L

BODY • CARROZZERIA • CARROSSERIE • AUFBAU • CARROCCERIA

S 1

FIATALLIS FL5

SERIE TARGHE
 DECAL KIT
 BAUSALZ ABZIEHBILDER
 KIT DES DECALCOMANIES
 JUEGO DE CALCOMANIAS
 JOGO DE ETIQUETAS



ITEM	PART NUMBER	QTY	TRANS CODE	DESCRIPTION	DESCRIZIONE
1	79023173	1	2K	KIT -ITALIANO (*)	KIT -ITALIANO (*)
	79023174	1	2K	KIT -ENGLISH (1*)	KIT -ENGLISH (1*)
	79023175	1	2K	KIT -DEUTSCH (2*)	KIT -DEUTSCH (2*)
	79023176	1	2K	KIT -FRANCAIS (3*)	KIT -FRANCAIS (3*)
	79023177	1	2K	KIT -PORTUGUES (5*)	KIT -PORTUGUES (5*)
	79023178	1	2K	KIT -ESPANOL (4*)	KIT -ESPANOL (4*)
	(*)		469P	FOR SPECIAL EQUIPMENT 30.0978.21.1	PER VARIANTE 30.0978.21.1
	(1*)		469P	FOR SPECIAL EQUIPMENT 30.0980.40.1	PER VARIANTE 30.0980.40.1
	(2*)		469P	FOR SPECIAL EQUIPMENT 30.0981.19.1	PER VARIANTE 30.0981.19.1
	(3*)		469P	FOR SPECIAL EQUIPMENT 30.0982.18.1	PER VARIANTE 30.0982.18.1
	(4*)		469P	FOR SPECIAL EQUIPMENT 30.0987.16.1	PER VARIANTE 30.0987.16.1
	(5*)		469P	FOR SPECIAL EQUIPMENT 30.0986.16.1	PER VARIANTE 30.0986.16.1

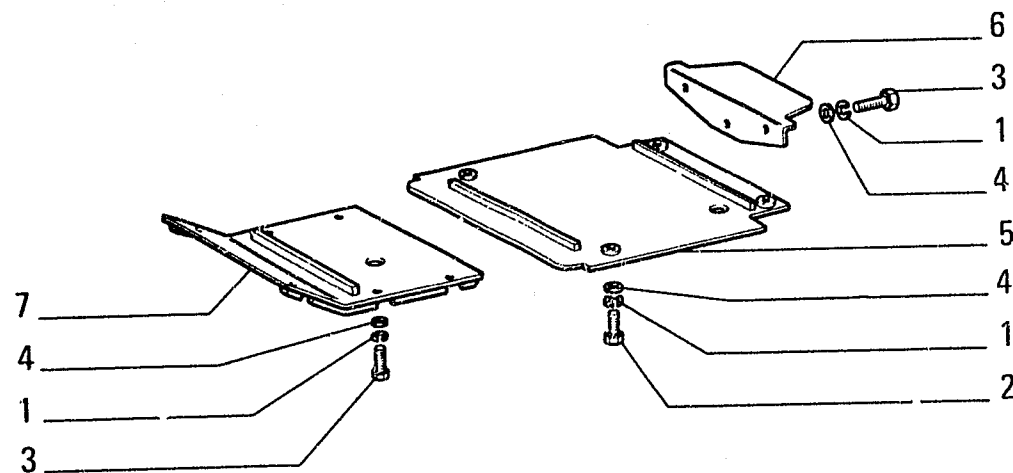
MAKE-MEDALLIONS - TARGHE - MOTIFS - KENNZEICHEN - EMBLEMAS

L4.10

N.T.R. 163 - 30.05.1989
 604.01.077.03

FIATALLIS FL5

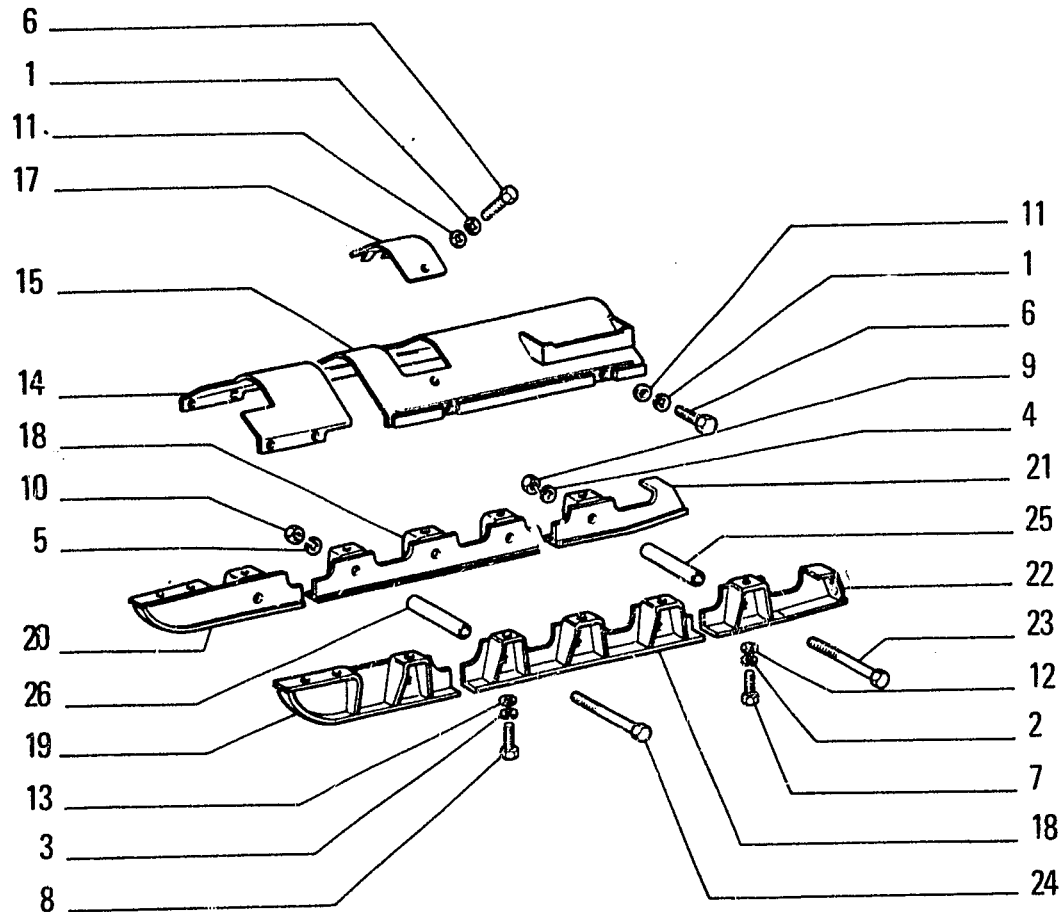
I T E M	PART NUMBER	Q T Y	TRANS CODE	DESCRIPTION	DESCRIZIONE
1	10571971	13	132R	LOCKWASHER 12,2x2,5	ROSETTA DI SICUREZZA 12,2x2,5
2	11112431	4	40V	SCREW 12x1,75x30	VITE 12x1,75x30
3	11112831	9	40V	SCREW 12x1,75x40	VITE 12x1,75x40
4	12646921	13	131R	WASHER 12,2x28	ROSETTA 12,2x28
5	79013732	1	70R	GUARD - LOWER	RIPARO - INFERIORE
6	79019870	1	70R	GUARD - LOWER REAR	RIPARO - INFERIORE POSTERIORE
7	79033115	1	70R	GUARD - LOWER FRONT	RIPARO - INFERIORE ANTERIORE



03728

BOTTOM GUARDS - RIPARI INFERIORI - PROTECTIONS INFERIEURES - UNTERE SCHUTZBLECHE -
BLINDAJE INFERIOR

L3.12

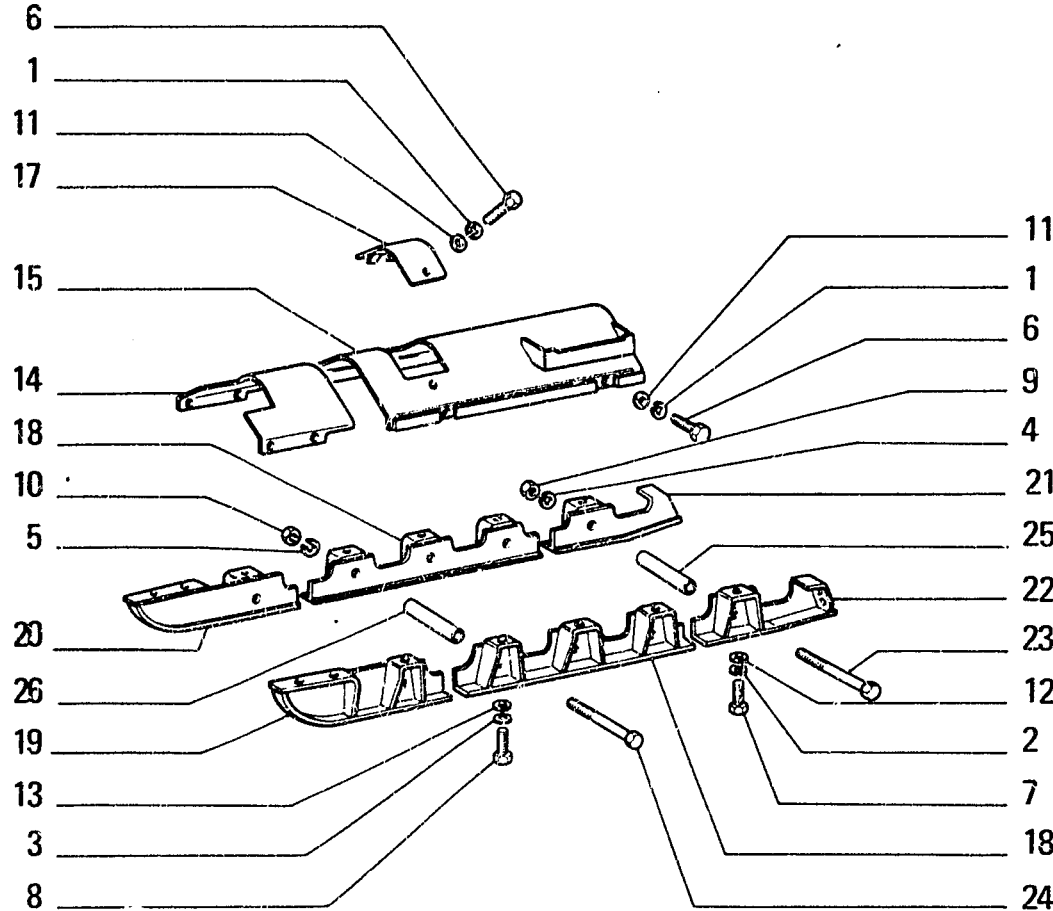


I T E M	PART NUMBER	Q T Y	TRANS CODE	DESCRIPTION	DESCRIZIONE
26	79022277	6	75D SPACER (*) 469P FOR SPECIAL EQUIPMENT 30.0563.15.1		DISTANZIALE (*) PER VARIANTE 30.0563.15.1

03717

TRACK GUARDS - RIPARI CINGOLI - PROTECTIONS DE CHENILLES - RAUPENKETTENSCHUETZER -
BLINDAJE DE CADENAS

L3.11



I T E M	PART NUMBER	Q T Y	TRANS CODE	DESCRIPTION	DESCRIZIONE
1	10516871	18	132R	LOCKWASHER 10x2,5	ROSETTA DI SICUREZZA 10x2,5
2	10517171	24	132R	LOCKWASHER 14,2x3,5	ROSETTA DI SICUREZZA 14,2x3,5
3	10517171	12	132R	LOCKWASHER (*) 14,2x3,5	ROSETTA DI SICUREZZA (*) 14,2x3,5
4	10517271	4	132R	LOCKWASHER 16,2x4	ROSETTA DI SICUREZZA 16,2x4
5	10517271	6	132R	LOCKWASHER (*) 16,2x4	ROSETTA DI SICUREZZA (*) 16,2x4
6	11106231	18	40V	SCREW 10x1,5x25	VITE 10x1,5x25
7	11255931	24	40V	SCREW 14x1,5x40	VITE 14x1,5x40
8	11255931	12	40V	SCREW (*) 14x1,5x40	VITE (*) 14x1,5x40
9	12164127	4	10D	NUT 16x1,5x13	DADO 16x1,5x13
10	12164127	6	10D	NUT (*) 16x1,5x13	DADO (*) 16x1,5x13
11	12646821	18	131R	WASHER 10,2x25	ROSETTA 10,2x25
12	79005238	24	131R	WASHER	ROSETTA
13	79005238	12	131R	WASHER (*)	ROSETTA (*)
14	79013171	2	70R	GUARD - FRONT	RIPARO - ANTERIORE
15	79022233	1	70R	GUARD - RIGHT	RIPARO - DESTRO
	79022234	1	70R	GUARD - LEFT	RIPARO - SINISTRO
17	79022240	2	265C	COVER	COPERCHIO
18	79022263	4	70R	GUARD (*)	RIPARO (*)
19	79022272	2	70R	GUARD - FRONT LEFT	RIPARO - ANTERIORE SINISTRO
20	79022273	2	70R	GUARD - FRONT RIGHT	RIPARO - ANTERIORE DESTRO
21	79022274	2	70R	GUARD - REAR RIGHT	RIPARO - POSTERIORE DESTRO
22	79022275	2	70R	GUARD - REAR LEFT	RIPARO - POSTERIORE SINISTRO
23	79022276	4	184C	STUD	COLONNETTA
24	79022276	6	184C	STUD (*)	COLONNETTA (*)
25	79022277	4	75D	SPACER	DISTANZIALE

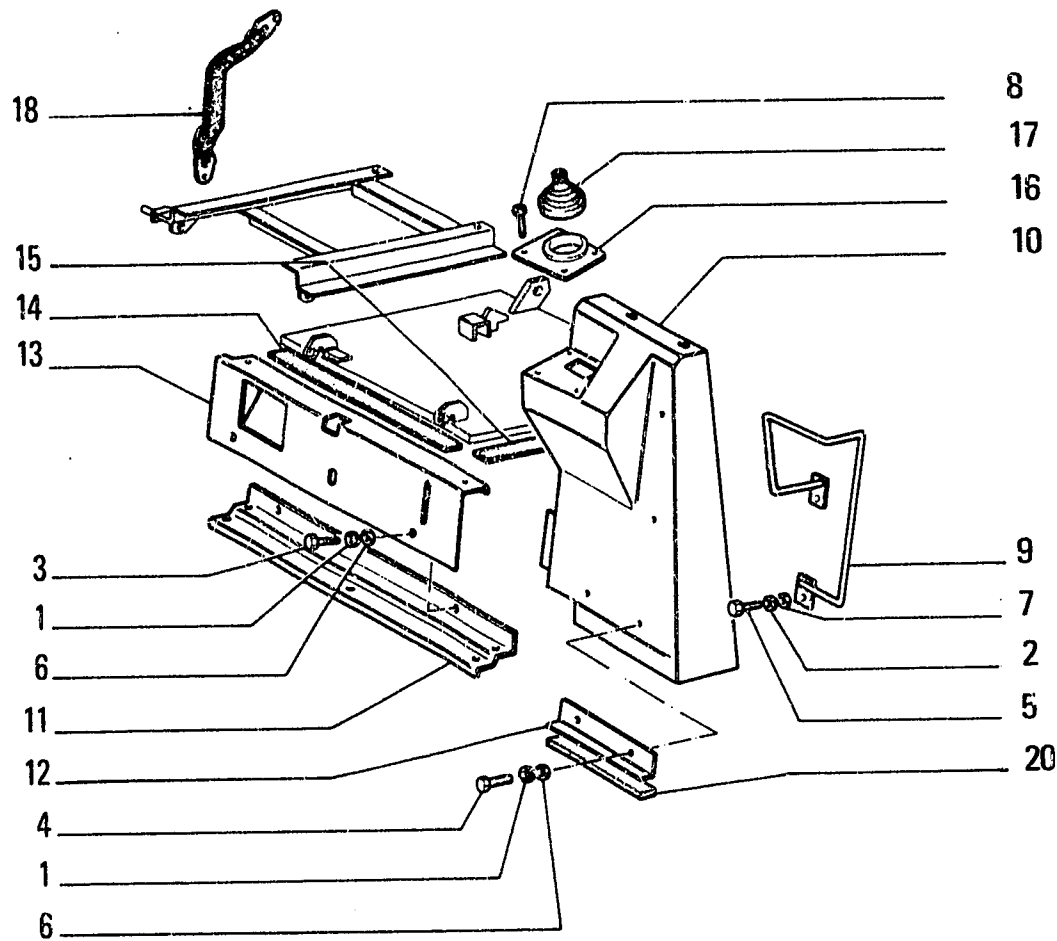
03717

TRACK GUARDS - RIPARI CINGOLI - PROTECTIONS DE CHENILLES - RAUPENKETTENSCHUETZER -
BLINDAJE DE CADENAS

L3.11

N.T.R. 102 - 31.05.82
604.01.077.01

S5



ITEM	PART NUMBER	QTY	TRANS CODE	DESCRIPTION	DESCRIZIONE
13*)			469P	FOR SPECIAL EQUIPMENT 30.0853.01.1	PER VARIANTE 30.0853.01.1

03744

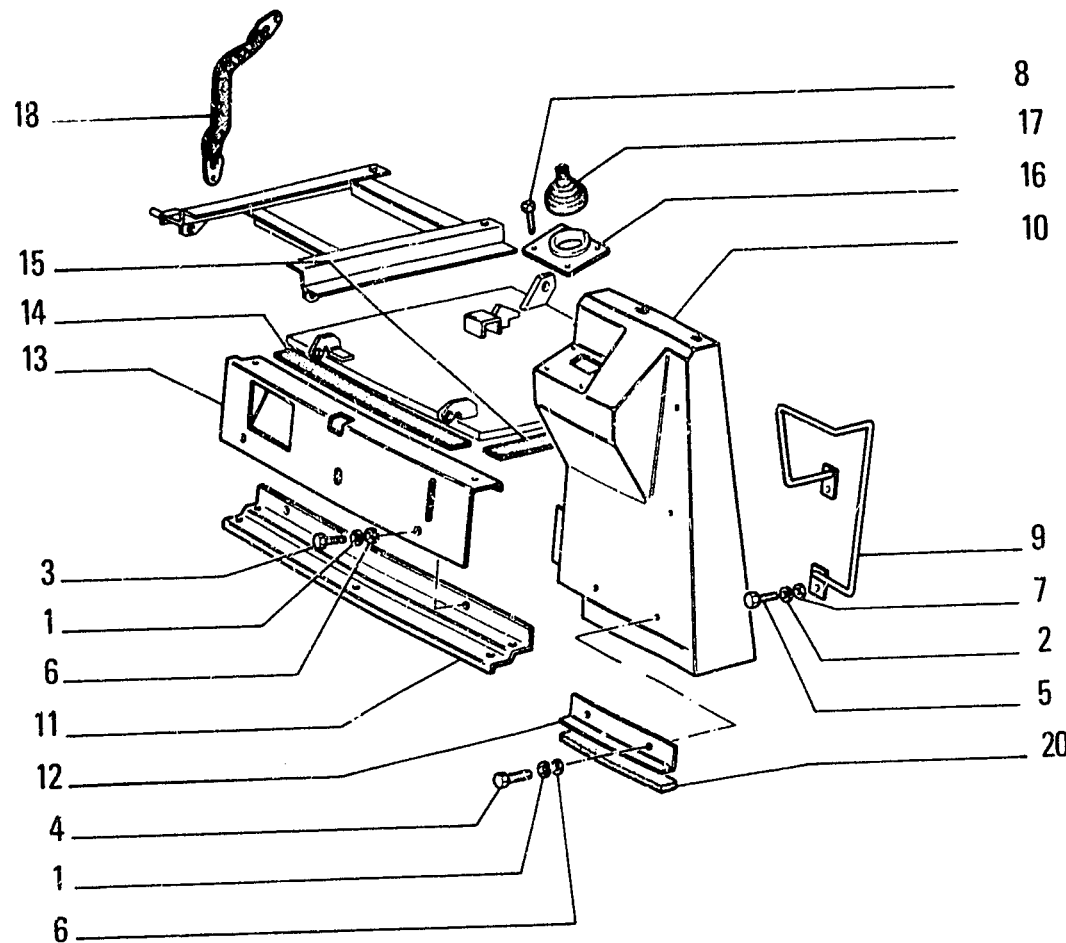
SEAT PANELS - RIPARI SEDILE - PROTECTIONS DE SIEGE - SITZSCHUETZER - PROTECCIONES DEL ASIENTO

L3.10

4

N.T.R. 102 - 31.05.82
604.01.077.01

FIATALLIS FL5



ITEM	PART NUMBER	QTY	TRANS CODE	DESCRIPTION	DESCRIZIONE
8	10516871	4	132R	LOCKWASHER 10x2,5	ROSETTA DI SICUREZZA 10x2,5
17	10517071	2	132R	LOCKWASHER 12,2x3,1	ROSETTA DI SICUREZZA 12,2x3,1
3	11106231	2	40V	SCREW 10x1,5x25	VITE 10x1,5x25
4	11106231	2	40V	SCREW 10x1,5x25	VITE 10x1,5x25
5	11112231	2	40V	SCREW 12x1,75x22	VITE 12x1,75x22
6	12646821	4	131R	WASHER 10,2x25	ROSETTA 10,2x25
7	12646921	2	131R	WASHER 12,2x28	ROSETTA 12,2x28
10	17674201	4	40V	SCREW (1") 4,8x22	VITE (1") 4,8x22
9	79025241	1	20M	HANDLE - REAR LEFT	MANIGLIA - POSTERIORE SINISTRO
10	79025381	1	115M	PILLAR - LEFT	MONTANTE - SINISTRO
11	79025384	1	180T	CROSS BEAM	TRAVERSA
12	79028458	1	70R	GUARD - LEFT	RIPARO - SINISTRO
13	79032851	1	140P	PLANK - FRONT	PLANCIA - ANTERIORE
14	79035786	2	25P	PANEL (1")	PANNELLO (1")
15	79035787	2	25P	PANEL (1")	PANNELLO (1")
16	79035794	1	25P	PANEL (1")	PANNELLO (1")
17	79035795	1	25P	PANEL (1")	PANNELLO (1")
18	79035975	2	142T	TIEROD	TIRANTE
	79035976	2	142T	TIEROD (*) (2") (3")	TIRANTE (*) (2") (3")
20	79036026	1	25P	PANEL (1")	PANNELLO (1")
	79036543	1	25P	PANEL (1")	PANNELLO (1")
(*)	469P			FOR SPECIAL EQUIPMENT 30.0852.05.1	PER VARIANTE 30.0852.05.1
1")	469P			FOR SPECIAL EQUIPMENT 30.0020.13.1	PER VARIANTE 30.0020.13.1
2")	469P			FOR SPECIAL EQUIPMENT 30.0850.02.1	PER VARIANTE 30.0850.02.1

03744

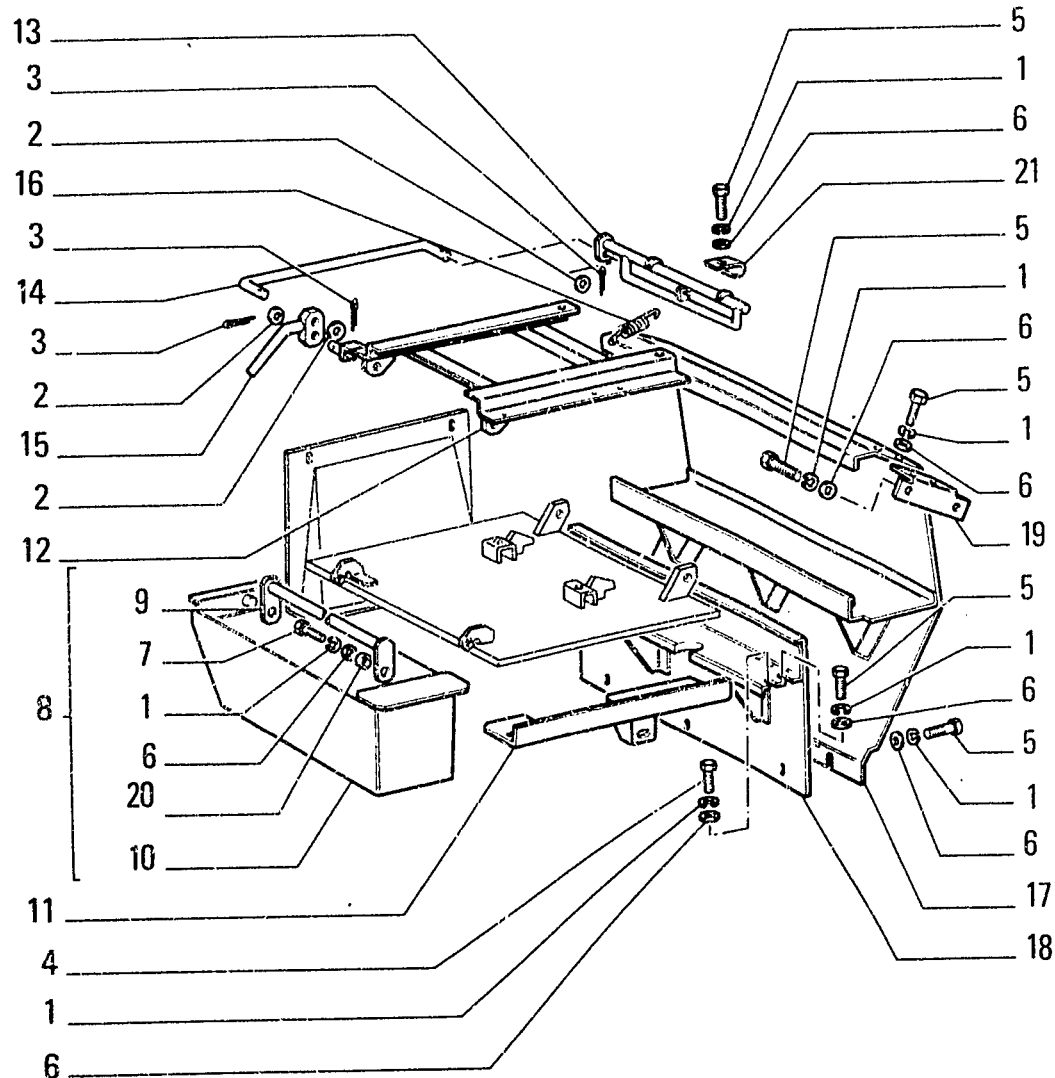
SEAT PANELS - RIPARI SEDILE - PROTECTIONS DE SIEGE - SITZSCHUETZER - PROTECCIONES DEL ASIENTO

L3.10

4

N.T.R. 102 - 31.05.82
604.01.077.01

S7



FIATALLIS FL5

ITEM	PART NUMBER	QTY	TRANS CODE	DESCRIPTION	DESCRIZIONE
1	10516871	16	132R	LOCKWASHER 10x2,5	ROSETTA DI SICUREZZA 10x2,5
2	10519621	3	131R	WASHER 8,45x17	ROSETTA 8,45x17
3	10796301	3	270C	COTTER PIN 2,7x21,6	COPIGLIA 2,7x21,6
4	11106031	2	40V	SCREW 10x1,5x20	VITE 10x1,5x20
5	11106231	10	40V	SCREW 10x1,5x25	VITE 10x1,5x25
6	12646821	1	131R	WASHER 10,2x25	ROSETTA 10,2x25
7	15970731	1	40V	SCREW 10x1,25x25	VITE 10x1,25x25
8	79025224	1	87C	TOOL BOX - ASSEMBLY	CASSETTA ATTREZZI - COMPLETO
9	79025225	1	20M	HANDLE	MANIGLIA
10	79025228	1	87C	TOOL BOX	CASSETTA ATTREZZI
11	79025396	1	60A	ANGLE - INNER LEFT	ANGOLARE - INTERNO SINISTRO
12	79025399	1	300S	SUPPORT	SUPPORTO
13	79025462	1	30G	HOOK - REAR	GANCIO - POSTERIORE
14	79025468	1	142T	TIEROD	TIRANTE
15	79025469	1	45L	LEVER	LEVA
16	79025470	1	100M	SPRING	MOLLA
17	79025482	1	79R	GUARD - REAR UPPER	RIPARO - POSTERIORE SUPERIORE
18	79026136	1	300S	SUPPORT - REAR	SUPPORTO - POSTERIORE
19	7902833C	2	225S	BRACKET	STAFFA
20	79028435	1	75D	SPACER	DISTANZIALE
21	79035168	2	140C	HINGE	CERNIERA

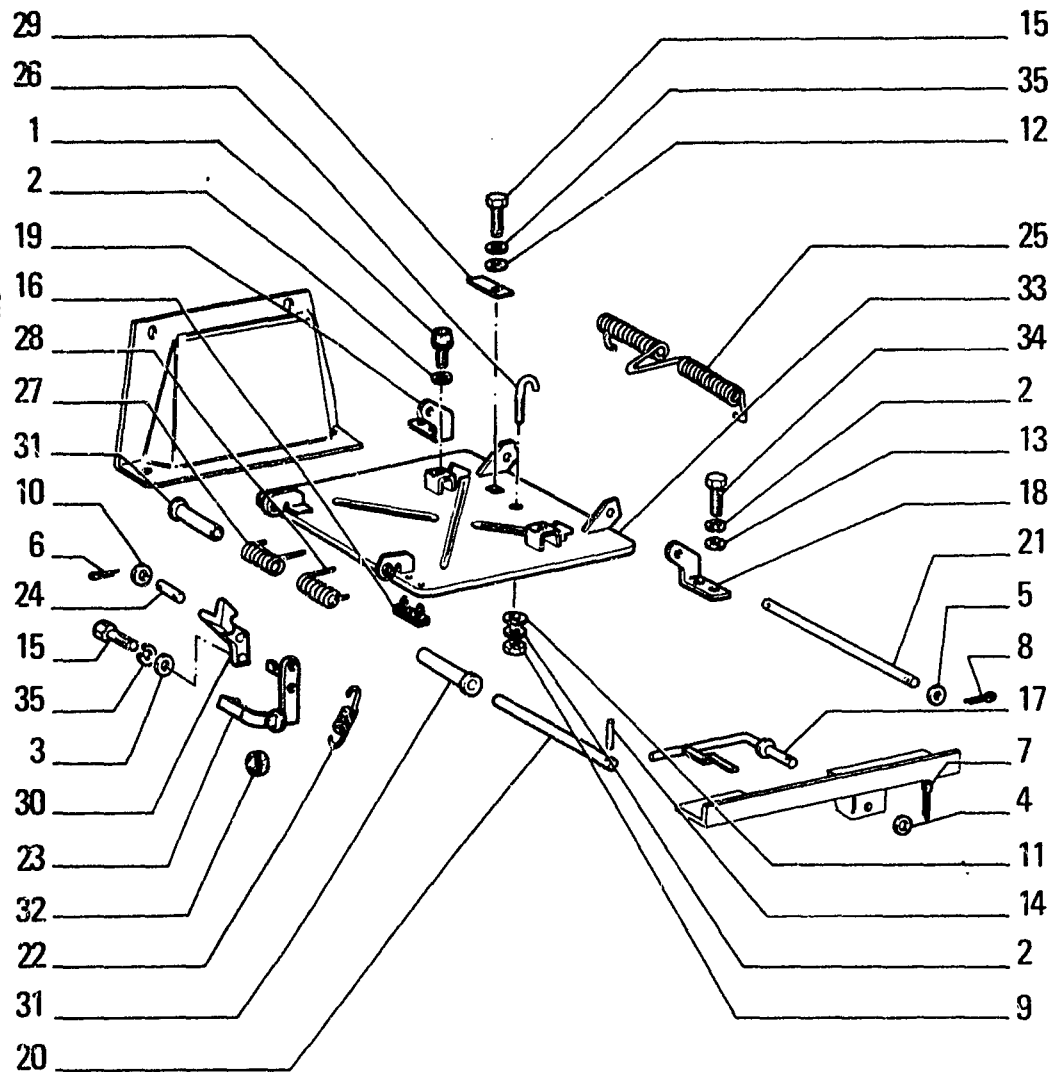
03726

SEAT PANELS - RIPARI SEDILE - PROTECTIONS DE SIEGE - SITZSCHUETZER - PROTECCIONES
DEL ASIENTO

L3.10

3

N.T.R. 102 - 31.05.82
604.01.077.01



FIATALLIS FL5

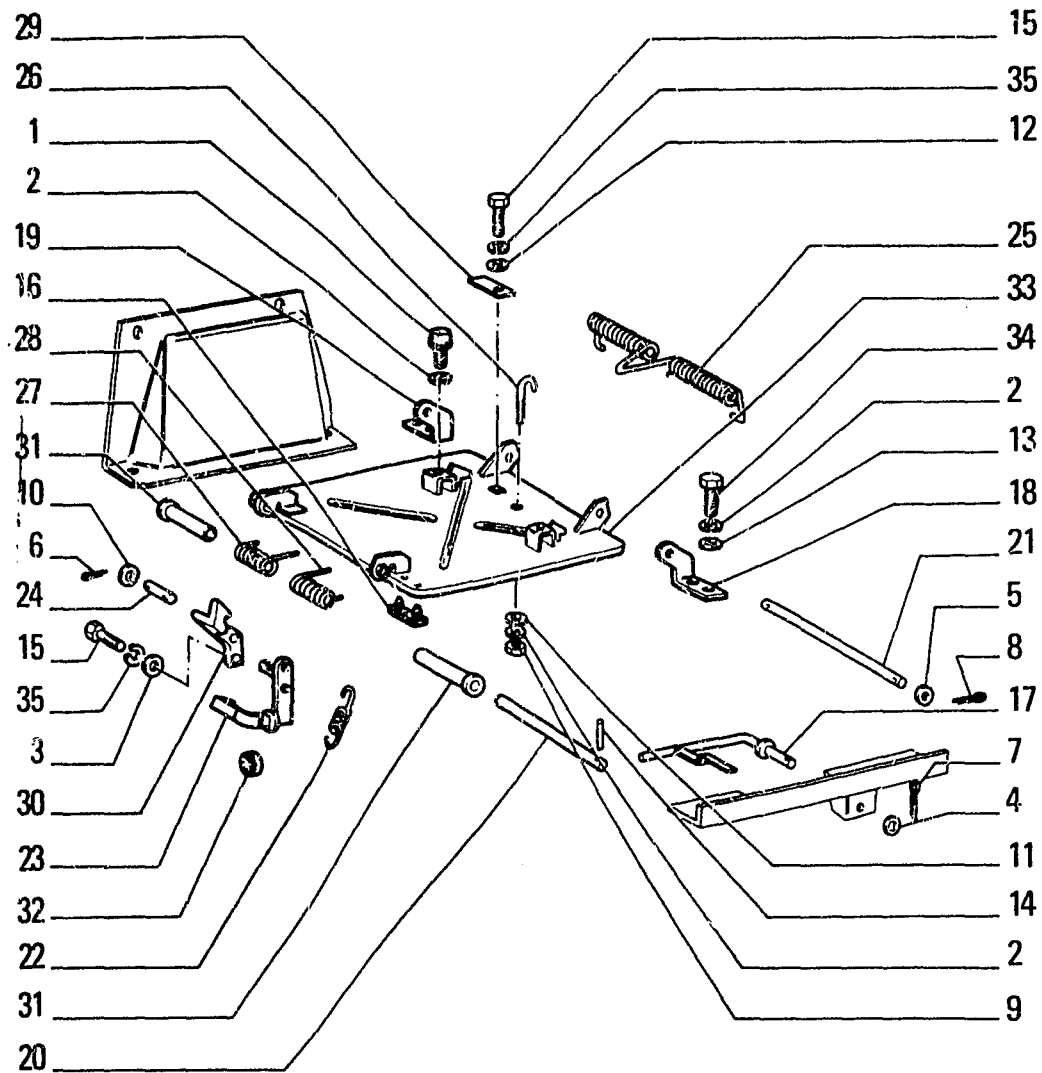
ITEM	PART NUMBER	QTY	TRANS CODE	DESCRIPTION	DESCRIZIONE
28	79026154	1	100M	SPRING - RIGHT	MOLLA - DESTRO
29	79027428	1	105P	PLATE	PIASTRA
30	79028272	1	30G	HOOK - FRONT	GANCIO - ANTERIORE
31	79028347	2	75D	SPACER	DISTANZIALE
32	79035788	1	25P	PANEL (1")	PANNELLO (1")
33	79036971	1	265C	COVER	COPERCHIO
34	11106431	4	40V	SCREW 10x1,5x30	VITE 10x1,5x30
35	10516671	2	132R	LOCKWASHER 8,1x2,2	ROSETTA DI SICUREZZA 8,1x2,2
(1")			469P	FOR SPECIAL EQUIPMENT 30.0020.13.1	PER VARIANTE 30.0020.13.1

03725

SEAT PANELS - RIPARI SEDILE - PROTECTIONS DE SIEGE - SITZSCHUETZER - PROTECCIONES DEL ASIEN TO

L3.10

2



FIATALLIS FL5

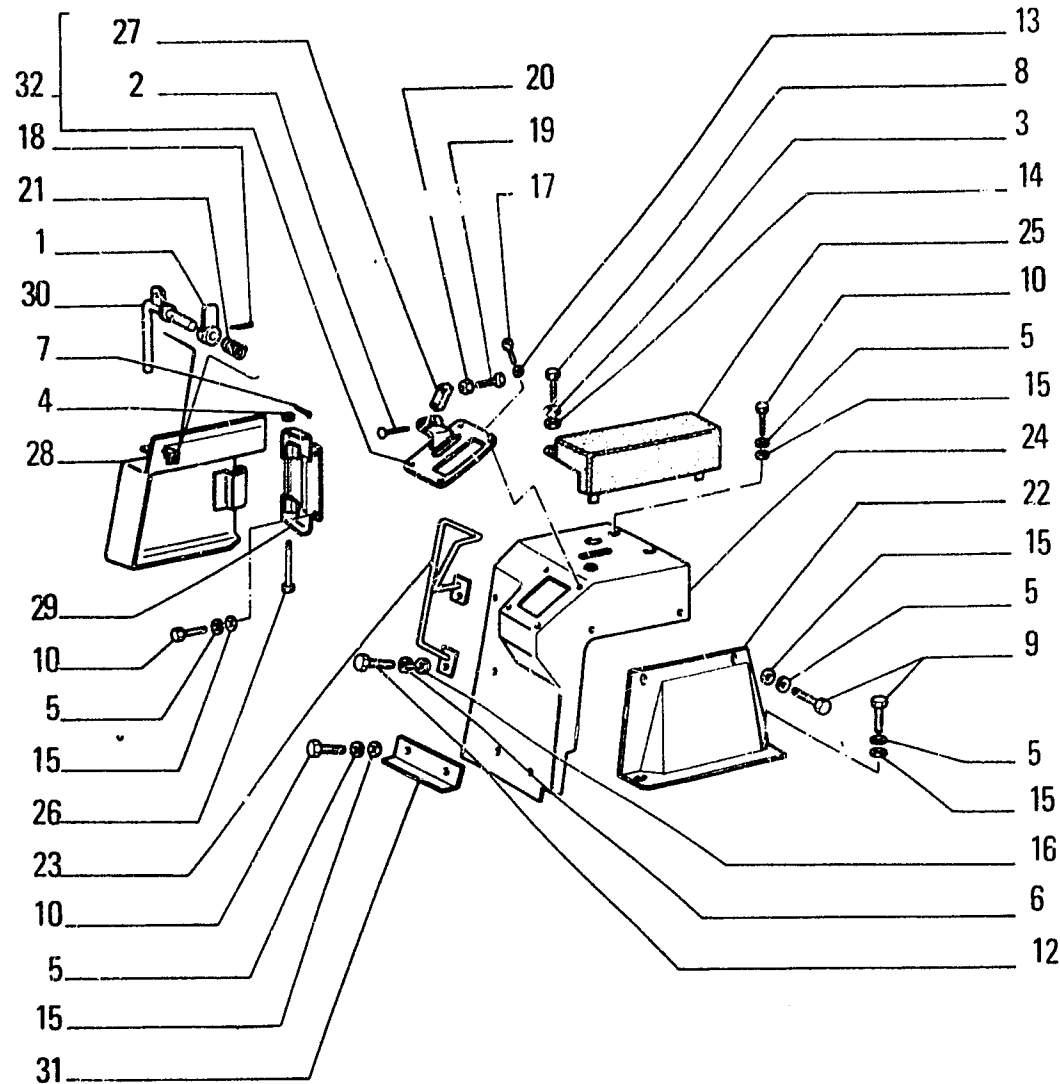
ITEM	PART NUMBER	QTY	TRANS CODE	DESCRIPTION	DESCRIZIONE
1	591420	2	60T	BLOCK	TASSELLO
2	10516871	7	132R	LOCKWASHER 10x2,5	ROSETTA DI SICUREZZA 10x2,5
3	10519621	1	131R	WASHER 8,45x17	ROSETTA 8,45x17
4	10520021	1	131R	WASHER 12,2x22	ROSETTA 12,2x22
5	10520221	2	131R	WASHER 16,4x28	ROSETTA 16,4x28
6	10734201	2	270C	COTTER PIN 1,7x18,5	COPIGLIA 1,7x18,5
7	1C796401	1	270C	COTTER PIN 2,7x27,6	COPIGLIA 2,7x27,6
8	10797101	2	270C	COTTER PIN 4,4x34	COPIGLIA 4,4x34
9	11701721	1	10D	NUT 10x1,5x8	DADO 10x1,5x8
10	12638621	2	131R	WASHER 10,2x18	ROSETTA 10,2x18
11	12644321	1	131R	WASHER 10,2x35	ROSETTA 10,2x35
12	12646721	1	131R	WASHER 8,15x20	ROSETTA 8,15x20
13	12646821	4	131R	WASHER 10,2x25	ROSETTA 10,2x25
14	14164770	1	200S	PIN 4,4x40	SPINA 4,4x40
15	16043631	2	40V	SCREW 8x1,25x25	VITE 8x1,25x25
16	79010401	2	60T	BLOCK	TASSELLO
17	79025428	1	238P	PUSH ROD	PUNTALE
18	79025444	1	225S	BRACKET - LEFT	STAFFA - SINISTRO
19	79025447	1	225S	BRACKET - LEFT	STAFFA - SINISTRO
20	79025453	1	16A	SHAFT	ALBERO
21	79025458	1	16A	SHAFT	ALBERO
22	79025470	1	100M	SPRING	MOLLA
23	79025508	1	60P	PEDAL	PEDALE
24	79025548	1	80P	PIN	PERNO
25	79026148	1	100M	SPRING	MOLLA
26	79026149	1	30G	HOOK	GANCIO
27	79026153	1	100M	SPRING - LEFT	MOLLA - SINISTRO

03725

SEAT PANELS - RIPARI SEDILE - PROTECTIONS DE SIEGE - SITZSCHUETZER - PROTECCIONES
DEL ASIENTO

L3.10

2



FIATALLIS FL5

I T E M	PART NUMBER	Q T Y	TRANS CODE	DESCRIPTION	DESCRIZIONE
28	79028362	1	20SS	DOOR - RIGHT C1364	SPORTELLO - DESTRO C1364
	79043520	1	20SS	DOOR - RIGHT D1364	SPORTELLO - DESTRO D1364
29	79028367	1	70R	GUARD C1364	RIPARO C1364
	79043525	1	70R	GUARD D1364	RIPARO D1364
30	79028371	1	20M	HANDLE	MANIGLIA
31	79028457	1	70R	GUARD - RIGHT	RIPARO - DESTRO
32	79031744	1	138S	REFERENCE SECTOR - ASSEMBLY	SETTORE DI RIFERIMENTO - COMPLETO

03724

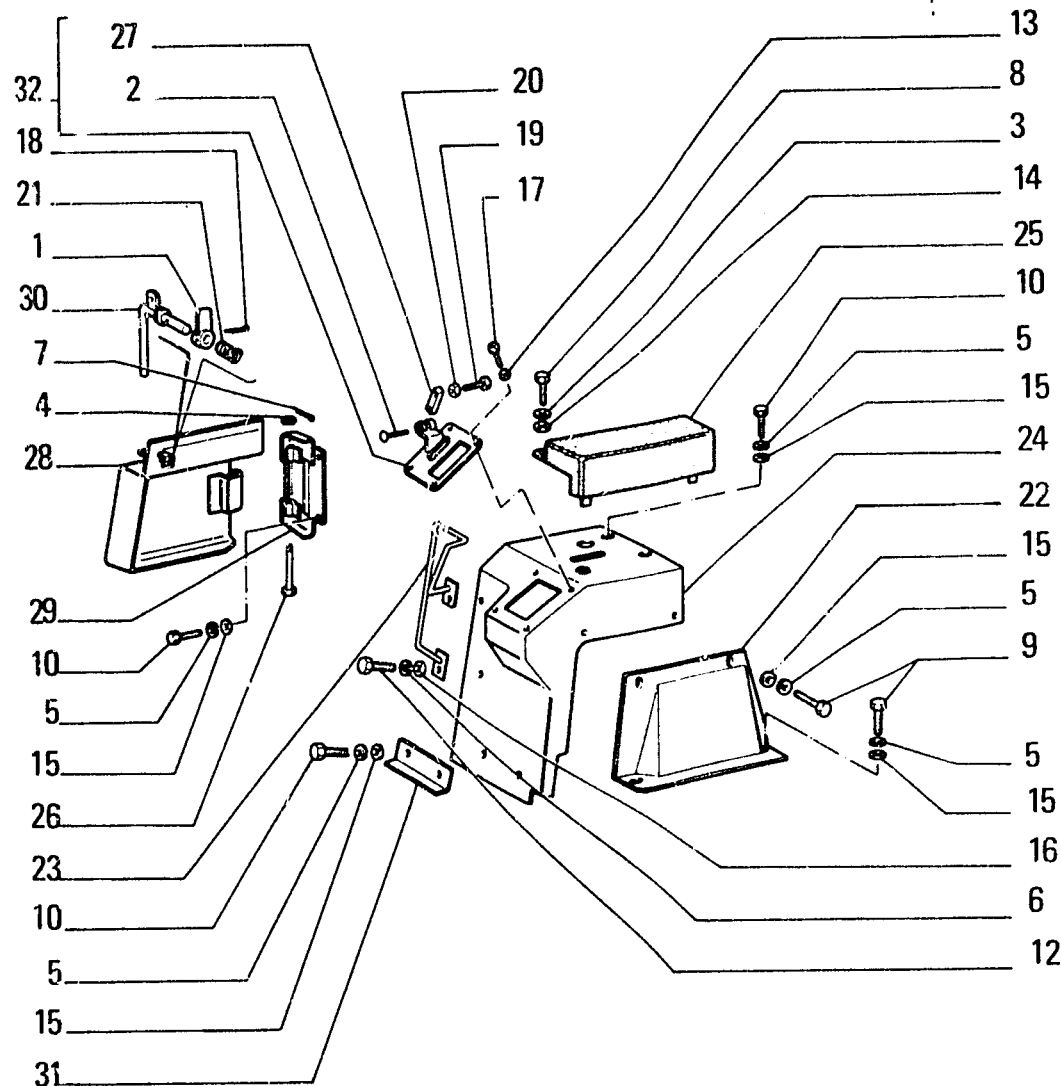
SEAT PANELS -- RIPARI SEDILE -- PROTECTIONS DE SIEGE -- SITZSCHUETZER -- PROTECCIONES
DEL ASIENTO

L3.10

1

N.T.R. 126 - 25.02.86
604.01.077.02

S11



FIATALLIS FL5

ITEM	PART NUMBER	QTY	TRANS CODE	DESCRIPTION	DESCRIZIONE
1	4984652	1	45L	LEVER	LEVA
2	10253900	1	55R	RIVET 6x55	RIBATTINO 6x55
3	10516471	4	132R	LOCKWASHER 6,1x1,8	ROSETTA DI SICUREZZA 6,1x1,8
4	10516671	2	132R	LOCKWASHER 8,1x2,2	ROSETTA DI SICUREZZA 8,1x2,2
5	10516871	8	132R	LOCKWASHER 10x2,5	ROSETTA DI SICUREZZA 10x2,5
6	10517071	2	132R	LOCKWASHER 12,2x3,1	ROSETTA DI SICUREZZA 12,2x3,1
7	10734201	1	270C	COTTER PIN 1,7x18,5	COPIGLIA 1,7x18,5
8	10902321	4	40V	SCREW 6x1x18	VITE 6x1x18
9	11106031	4	40V	SCREW 10x1,5x20	VITE 10x1,5x20
10	11106231	4	40V	SCREW 10x1,5x25	VITE 10x1,5x25
12	11112231	2	40V	SCREW 12x1,75x22	VITE 12x1,75x22
13	12598371	4	132R	LOCKWASHER 8,1x15,8	ROSETTA DI SICUREZZA 8,1x15,8
14	12643721	4	131R	WASHER 6,15x18	ROSETTA 6,15x18
15	12646821	8	131R	WASHER 10,2x25	ROSETTA 10,2x25
16	12646921	2	131R	WASHER 12,2x28	ROSETTA 12,2x28
17	13279217	4	40V	SCREW 8x1,25x16	VITE 8x1,25x16
18	14162170	1	20GS	PIN 3,3x25	SPINA 3,3x25
19	16043831	1	40V	SCREW 8x1,25x30	VITE 8x1,25x30
20	16100821	1	10D	NUT 8x1,25x6,5	DADO 8x1,25x6,5
21	79009016	1	100M	SPRING	MOLLA
22	79025238	1	70R	GUARD - INNER RIGHT	RIPARO - INTERNO DESTRO
23	79025239	1	20M	HANDLE - REAR RIGHT	MANIGLIA - POSTERIORE DESTRO
24	79025371	1	115M	PILLAR - RIGHT	MONTANTE - DESTRO
25	79025439	2	74A	ARMREST	APPOGGIABRACCIA
26	79025474	1	80P	PIN C1364	PERNO C1364
	79043524	1	80P	PIN D1364	PERNO D1364
27	79025574	1	45L	LEVER	LEVA

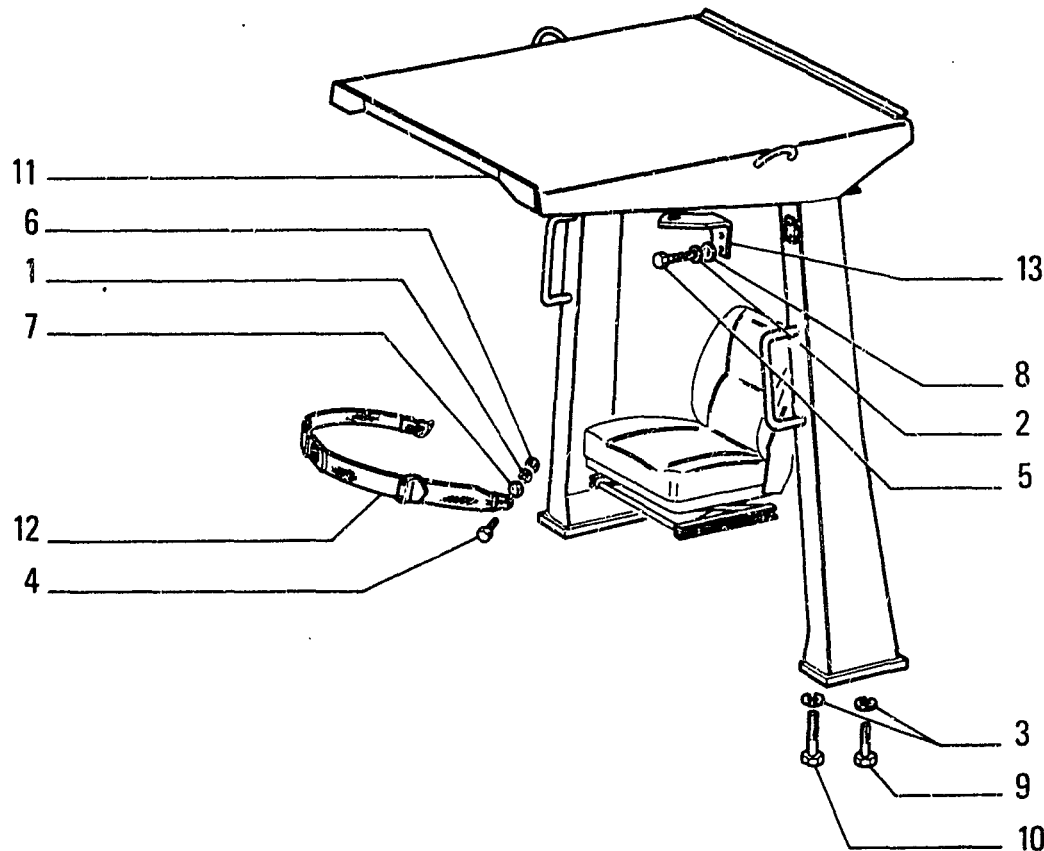
03724

SEAT PANELS - RIPARI SEDILE - PROTECTIONS DE SIEGE - SITZSCHUETZER - PROTECCIONES
DEL ASIEN TO

L3.10

1

N.T.R. 126 - 25.02.86
604.01.077.02



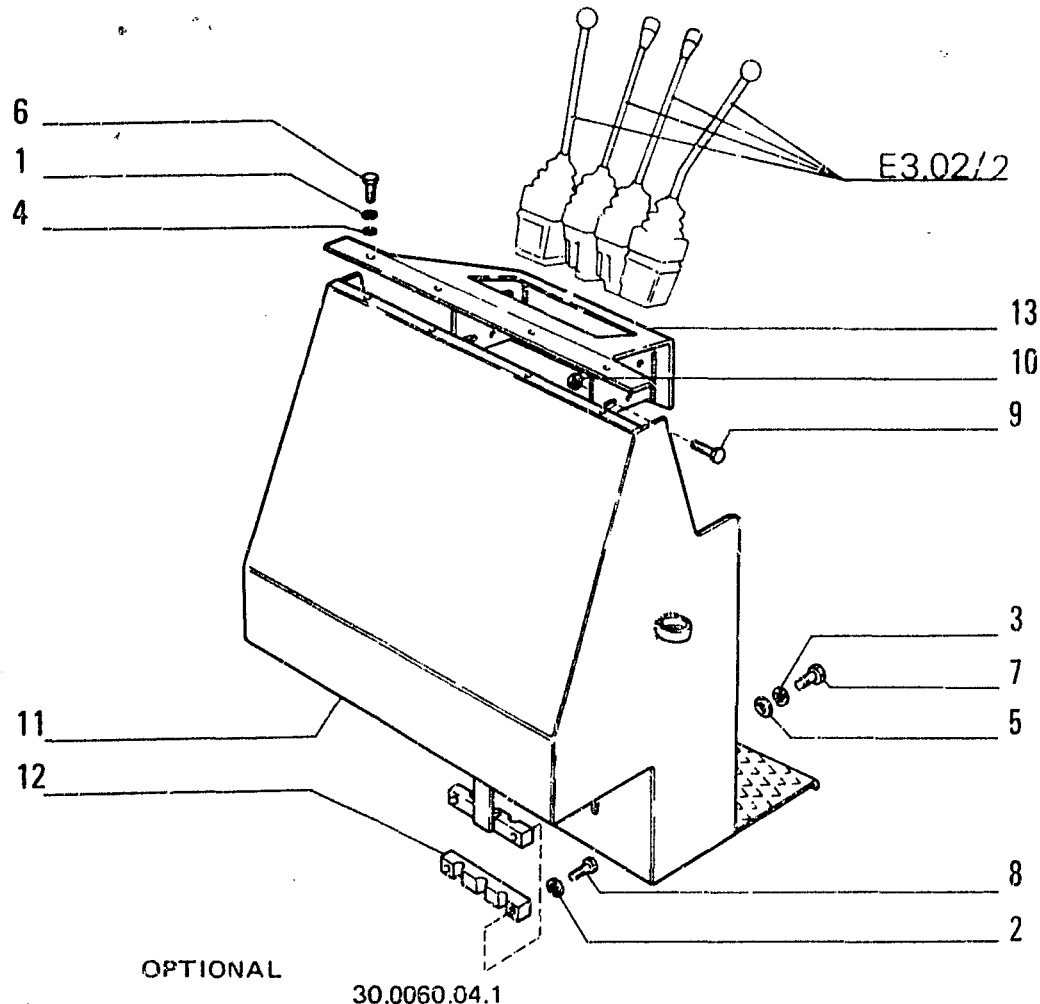
I T E M	PART NUMBER	Q T Y	TRANS CODE	DESCRIPTION	DESCRIZIONE
1	10516871	2	132R	LOCKWASHER (*) 10x2,5	ROSETTA DI SICUREZZA (*) 10x2,5
2	10516871	4	132R	LOCKWASHER (1*) 10x2,5	ROSETTA DI SICUREZZA (1*) 10x2,5
3	10517471	8	132R	LOCKWASHER (*) 20,2x4,5	ROSETTA DI SICUREZZA (*) 20,2x4,5
4	11106431	2	40V	SCREW (*) 10x1,5x30	VITE (*) 10x1,5x30
5	11106431	4	40V	SCREW (1*) 10x1,5x30	VITE (1*) 10x1,5x30
6	11701721	2	10D	NUT (*) 10x1,5x8	DADO (*) 10x1,5x8
7	12646821	2	131R	WASHER (*) 10,2x25	ROSETTA (*) 10,2x25
8	12646821	4	131R	WASHER (1*) 10,2x25	ROSETTA (1*) 10,2x25
9	16164237	4	40V	SCREW (*) 20x2,5x80	VITE (*) 20x2,5x80
10	16164337	4	40V	SCREW (*) 20x2,5x100	VITE (*) 20x2,5x100
11	79025760	1	72I	FRAME (*)	INTELAIATURA (*)
12	79025920	1	182C	SAFETY BELT (*)	CINTURA DI SICUREZZA (*)
13	79025961	1	300S	SUPPORT - LEFT (1*)	SUPPORTO - SINISTRO (1*)
	79025962	1	300S	SUPPORT - RIGHT (1*)	SUPPORTO - DESTRO (1*)
(*)				469P FOR SPECIAL EQUIPMENT 30.0876.18.1	PER VARIANTE 30.0876.18.1
(1*)				469P FOR SPECIAL EQUIPMENT 30.0765.01.1	PER VARIANTE 30.0765.01.1

03723

ROPS CANOPY - STRUTTURA DI PROTEZIONE ROPS - STRUCTURE DE PROTECTION ROPS -
 ROPS-DACH - TOLDO ROPS

L3.08

N.T.R. 102 - 31.05.82
 604.01.077.01



OPTIONAL

30.0060.04.1

04663

VARIANTE

ITEM	PART NUMBER	QTY	TRANS CODE	DESCRIPTION	DESCRIZIONE
1	10571571	4	132R	LOCKWASHER 6,1x1,6	ROSETTA DI SICUREZZA 6,1x1,6
2	10571771	2	132R	LOCKWASHER 8,1x2	ROSETTA DI SICUREZZA 8,1x2
3	10571971	5	132R	LOCKWASHER 12,2x2,5	ROSETTA DI SICUREZZA 12,2x2,5
4	10730121	4	132R	LOCKWASHER 6,15x12	ROSETTA DI SICUREZZA 6,15x12
5	10730721	5	132R	LOCKWASHER 12,2x22	ROSETTA DI SICUREZZA 12,2x22
6	10902231	4	40V	SCREW 6x1x16	VITE 6x1x16
7	11112135	5	40V	SCREW 12x1,75x20	VITE 12x1,75x20
8	16043131	2	40V	SCREW 8x1,25x14	VITE 8x1,25x14
9	16043631	2	40V	SCREW 8x1,25x25	VITE 8x1,25x25
10	16104121	2	10D	NUT 8x1,25x10,6	DADO 8x1,25x10,6
11	79036274	1	176C	HOOD - ASSEMBLY	COFANO - COMPLETO
12	79036295	1	225S	BRACKET	STAFFA
13	79041400	1	70R	GJARD	RIPARO

MUDGUARDS AND FOOTBOARDS - PARAFANGHI E PEDANE - AILES ET MARCHEPIEDS
 KOTFLUEGEL UND TRITTBRETT - GUARDABARROS Y PISO

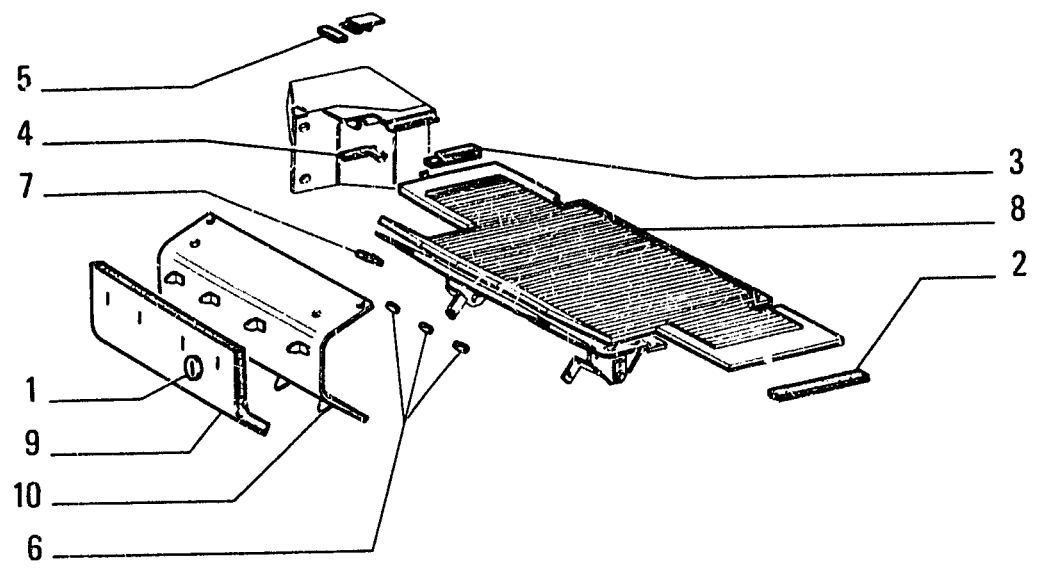
2

L3.04/1

N.T.R. 102 - 31.05.82
 604.01.077.01

FIATALLIS FL5

ITEM	PART NUMBER	QTY	TRANS CODE	DESCRIPTION	DESCRIZIONE
1	79002868	8	131R	WASHER (*)	ROSETTA (*)
2	79035784	1	25P	PANEL (*)	PANNELLO (*)
3	79035785	1	25P	PANEL (*)	PANNELLO (*)
4	79035789	1	25P	PANEL (*)	PANNELLO (*)
5	79035790	1	25P	PANEL (*)	PANNELLO (*)
6	79035791	3	25P	PANEL (*)	PANNELLO (*)
7	79035792	2	25P	PANEL (*)	PANNELLO (*)
8	79035796	1	25P	PANEL (*)	PANNELLO (*)
9	79035797	1	25P	PANEL (*)	PANNELLO (*)
10	79035842	1	70R	GUARD (*)	RIPARO (*)
				469P FOR SPECIAL EQUIPMENT 30.0020.13.1	PER VARIANTE 30.0020.13.1

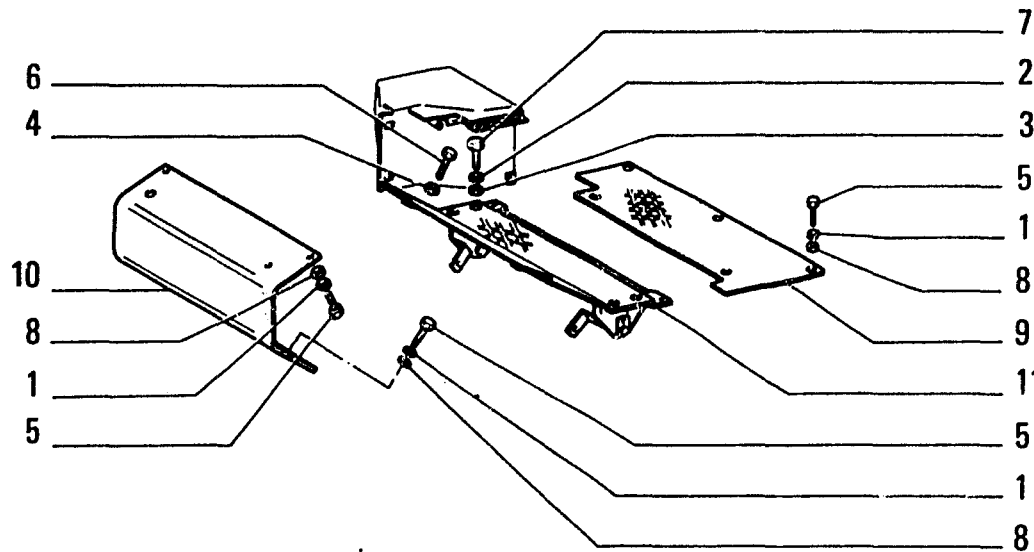


03718

MUDGUARDS AND FOOTBOARDS - PARAFANGHI E PEDANE - AILES ET MARCHEPIEDS - KOTFLUEGEL
UND TRITTBRETTEN - GUARDABARROS Y PISO

S 15

L3.04 3



I T E M	PART NUMBER	Q T Y	TRANS CODE	DESCRIPTION	DESCRIZIONE
1	10516871	11	132R	LOCKWASHER 10x2,5	ROSETTA DI SICUREZZA 10x2,5
2	10517071	4	132R	LOCKWASHER 12,2x3,1	ROSETTA DI SICUREZZA 12,2x3,1
3	10520021	4	131R	WASHER 12,2x22	ROSETTA 12,2x22
4	10788721	1	10D	NUT 10x1,5x6	DADO 10x1,5x6
5	11106231	11	40V	SCREW 10x1,5x25	VITE 10x1,5x25
6	11106431	1	40V	SCREW 10x1,5x30 C2188	VITE 10x1,5x30 C2188
	15215031	1	40V	SCREW D2315	VITE D2315
	16160131	1	40V	SCREW D2188	VITE D2188
		1	40V	SCREW C2315	VITE C2315
7	11112631	4	40V	SCREW 12x1,75x35	VITE 12x1,75x35
8	12646821	11	131R	WASHER 10,2x25	ROSETTA 10,2x25
9	79024712	1	64P	FLOOR PLATE - REAR	PEDANA - POSTERIORE
10	76016960	1	70R	GUARD D2348	RIPARO D2348
	79024714	1	70R	GUARD C2348	RIPARO C2348
11	79034483	1	64P	FLOOR PLATE	PEDANA

03722

MUDGUARDS AND FOOTBOARDS - PARAFANGHI E PEDANE - AILES ET MARCHEPIEDS - KOTFLUEGEL
UND TRITTBRETTER - GUARDABARROS Y PISO

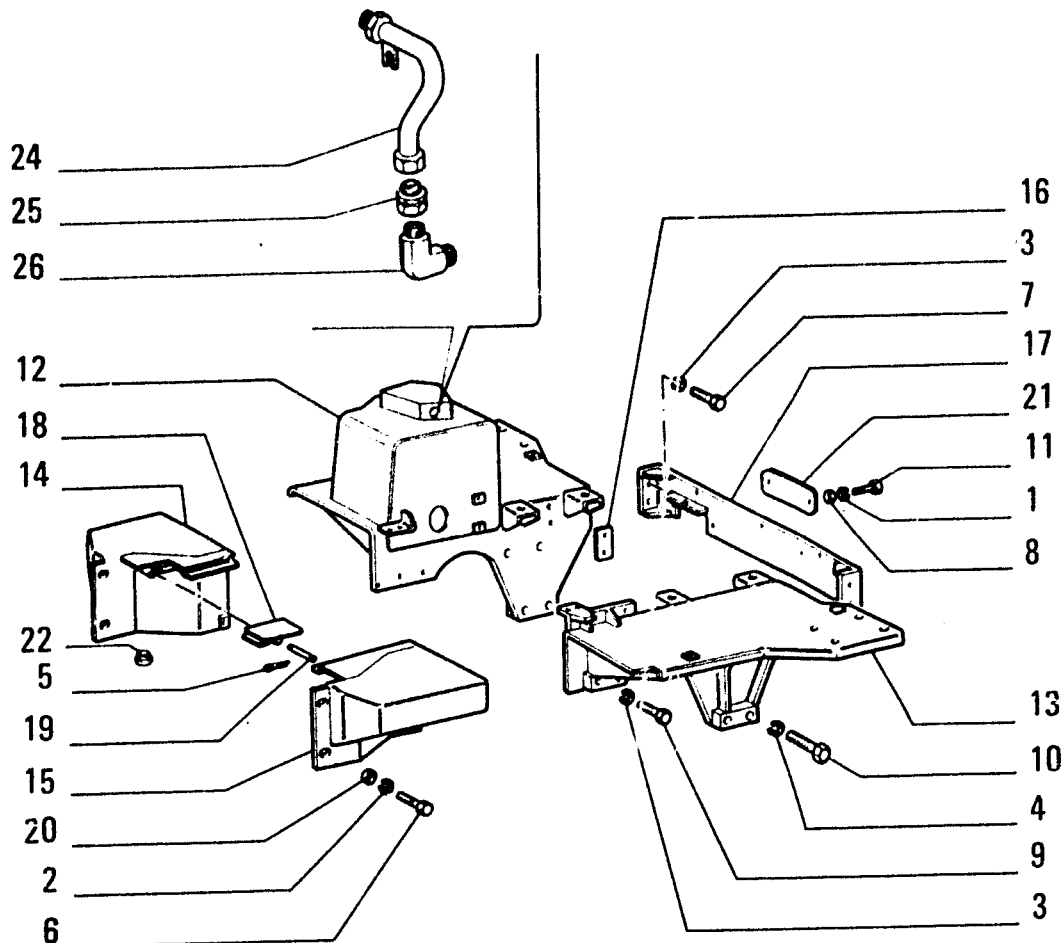
L3.04

2

N.T.R. 102 - 31.05.82
604.01.077.01

S16

FIATALLIS FL5



ITEM	PART NUMBER	QTY	TRANS CODE	DESCRIPTION	DESCRIZIONE
24	79043376	1	193T	TUBE - REAR D 972	TUBO RIGIDO - POSTERIORE D 972
25	79043379	1	20R	FITTING D 972	RACCORDO D 972
26	79043380	1	20R	FITTING D 972	RACCORDO D 972

04661

MUDGUARDS AND FOOTBOARDS - PARAFANGHI E PEDANE - AILES ET MARCHEPIEDS - KOTFLUEGEL
 UND TRITTBRETTEN - GUARDABARROS Y PISO

L3.04

1

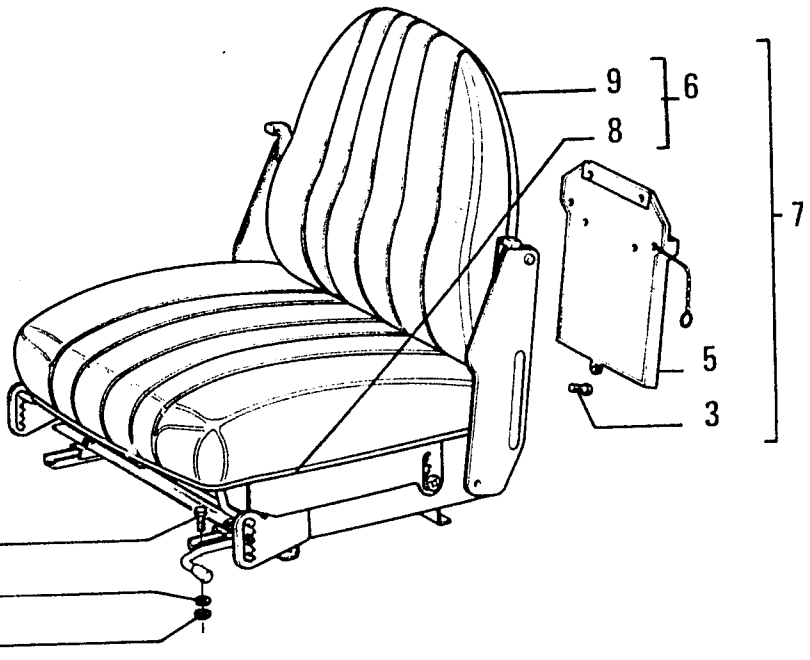
N.T.R. 102 - 31.05.82
 604.01.077.01

S17

L BODY • CARROZZERIA • CARROSSERIE • AUFBAU • CARROCERIA

T 1

FIATALLIS FL5



ITEM	PART NUMBER	QTY	TRANS CODE	DESCRIPTION	DESCRIZIONE
1	10516671	4	132R	LOCKWASHER 8,1x2,2	ROSETTA DI SICUREZZA 8,1x2,2
2	10519621	4	131R	WASHER 8,45x17	ROSETTA 8,45x17
3	15663101	3	40V	SCREW 4,2x13	VITE 4,2x13
4	16043631	4	40V	SCREW 8x1,25x25	VITE 8x1,25x25
5	79023080	1	109B	UTILITY RECESS	BORSA PORTACARTE
6	79024350	1	80S	SEAT - ASSEMBLY	SEDILE - COMPLETO
7	79024644	1	80S	SEAT - ASSEMBLY	SEDILE - COMPLETO
8	79026297	1	345C	CUSHION	CUSCINO
9	79026298	1	50S	SEAT BACK	SCHIENALE

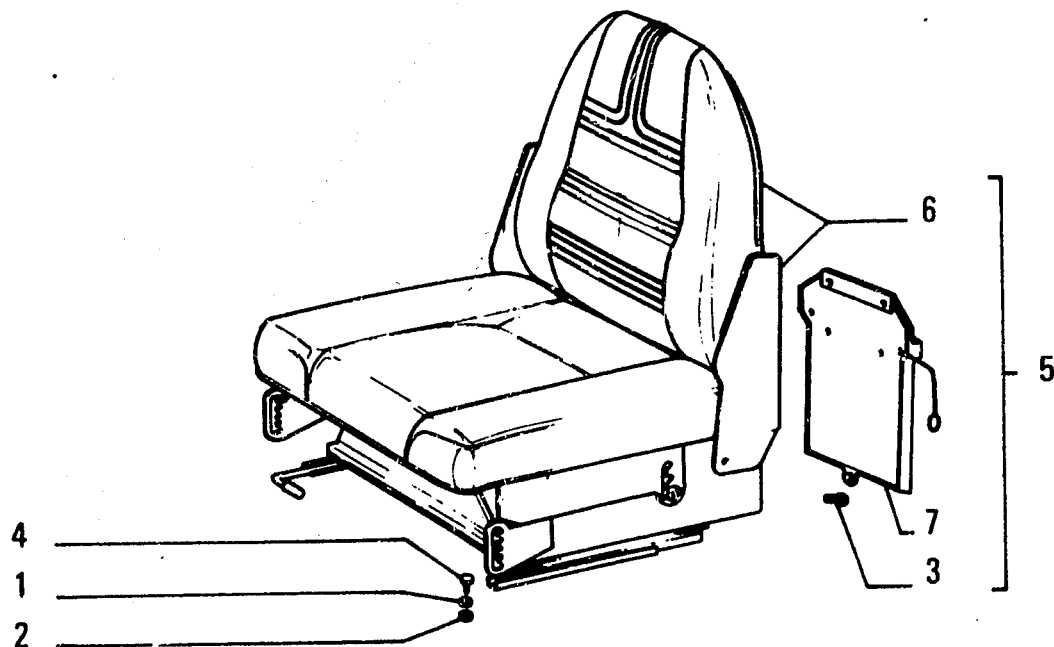
03735

DRIVER'S SEAT - SEDILE CONDUTTORE - SIEGE DE CONDUCTEUR - FAHRERSITZ - ASIEN TO
 DEL CONDUCTOR

L6.01

N.T.R. 126 - 25.02.86
 604.01.077.02

T2



SUSPENSION SEAT
SEDILE CON SOSPENSIONE ELASTICA

OPTIONAL
VARIANTE 30.0852.05.1

ITEM	PART NUMBER	QTY	TRANS CODE	DESCRIPTION	DESCRIZIONE
1	10516671	4	132R	LOCKWASHER 8,1x2,2	ROSETTA DI SICUREZZA 8,1x2,2
2	13605711	4	75D	SPACER 8,5x5	DISTANZIALE 8,5x5
3	15663101	3	40V	SCREW 4,2x13	VITE 4,2x13
4	16043621	4	40V	SCREW 8x1,25x25	VITE 8x1,25x25
5	76002402	1	80S	SEAT - ASSEMBLY	SEDILE - COMPLETO
6	79012583	1	80S	SEAT - ASSEMBLY SEE SGR. L6.04	SEDILE - COMPLETO VEDERE SGR. L6.04
7	79023080	1	109B	UTILITY RECESS	BORSA PORTACARTE

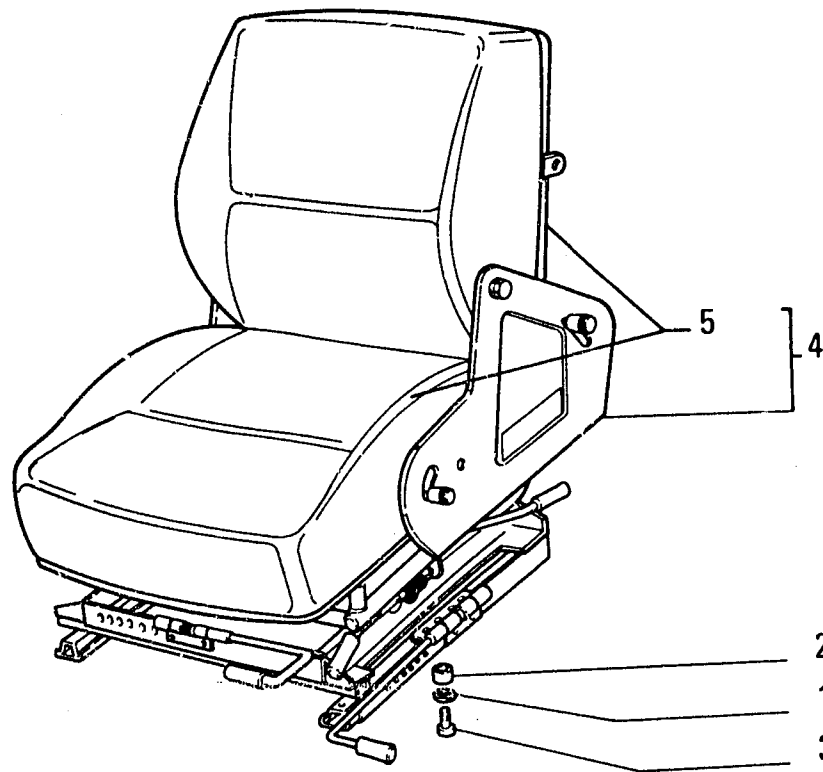
DRIVER'S SEAT - SEDILE CONDUTTORE - SIEGE DE CONDUCTEUR - FAHRERSITZ - ASIENTO DEL CONDUCTOR

L6.01/1

N.T.R. 163 - 30.05.1989

604.01.077.03

FIATALLIS FL5



ITEM	PART NUMBER	QTY	TRANS CODE	DESCRIPTION	DESCRIZIONE
1	105166/1	4	132R	LOCKWASHER 8,1x2,2	ROSETTA DI SICUREZZA 8,1x2,2
2	13605711	4	75D	SPACER 8,5x5	DISTANZIALE 8,5x5
3	16043631	4	40V	SCREW 8x1,25x25	VITE 8x1,25x25
4	79036930	1	80S	SEAT - ASSEMBLY	SEDILE - COMPLETO
5	79044498	1	345C	CUSHION	CUSCINO

OPTIONAL
VARIANTE 30.0850.02.1

RECLINING SEAT
RIBALTABILE

SEAT - SEDILE - SIEGE - SITZ - ASIENITO

3

L6.01/2

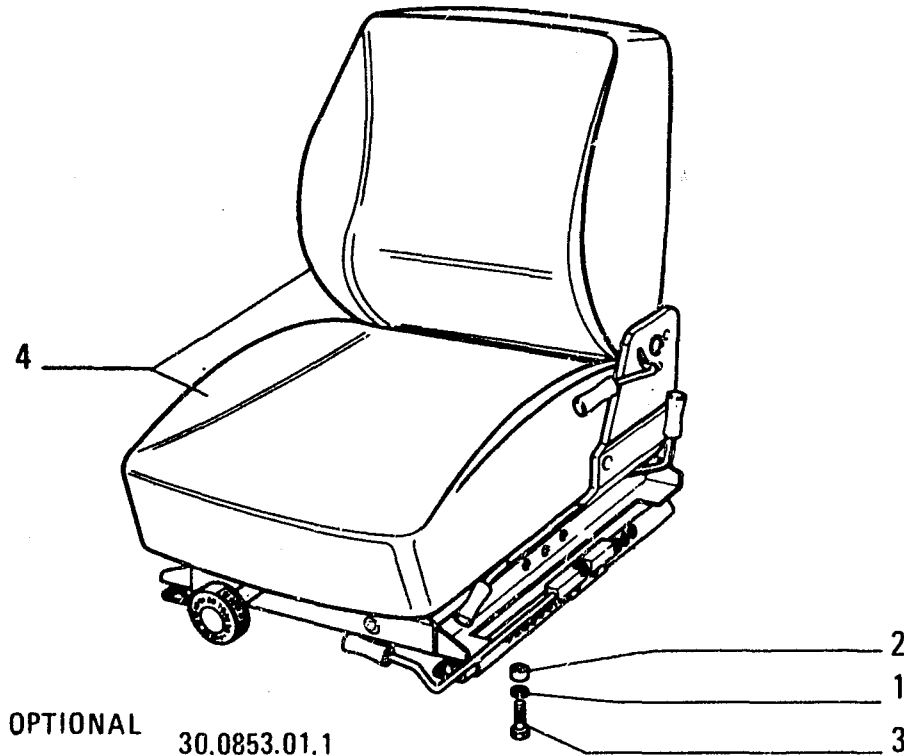
N.T.R. 163 - 30.05.1989

604.01.077.03

T4

SUSPENSION SEAT

SEDILE CON SOSPENSIONE ELASTICA



OPTIONAL
VARIANTE 30.0853.01.1

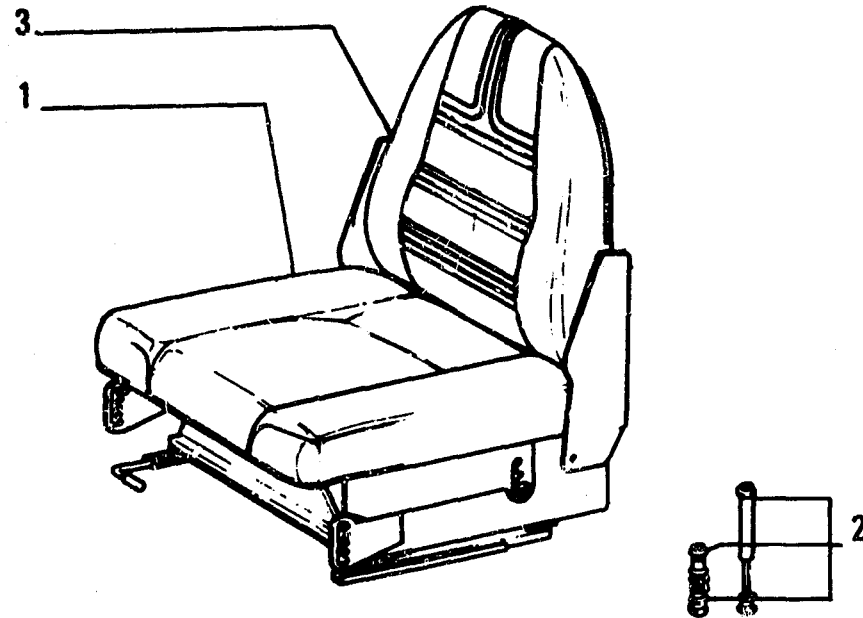
I T E M	PART NUMBER	Q T Y	TRANS CODE	DESCRIPTION	DESCRIZIONE
1	10516671	4	132R	LOCKWASHER 8,1x2,2	ROSETTA DI SICUREZZA 8,1x2,2
2	13605711	4	75D	SPACER 8,5x5	DISTANZIALE 8,5x5
3	16043631	4	40V	SCREW 8x1,25x25	VITE 8x1,25x25
4	79036696	1	80S	SEAT - ASSEMBLY SEE SGR. L6.04/1	SEDILE - COMPLETO VEDERE SGR. L6.04/1

DRIVER'S SEAT - SEDILE CONDUTTORE - SIEGE DE CONDUCTEUR - FAHRERSITZ -
ASIENTO DEL CONDUCTOR

3

L6.01/3

N.T.R. 163 - 30.05.1989
604.01.077.03



OPTIONAL
VARIANTE 30.0852.05.1

COMPONENTS
COMPONENTI

ITEM	PART NUMBER	QTY	TRANS CODE	DESCRIPTION	DESCRIZIONE
1	79026566	1	345C	CUSHION	CUSCINO
2	79036898	1	36A	SHOCK ABSORBER	AMMORTIZZATORE
3	79037996	1	50S	SEAT BACK	SCHIENALE

79012583

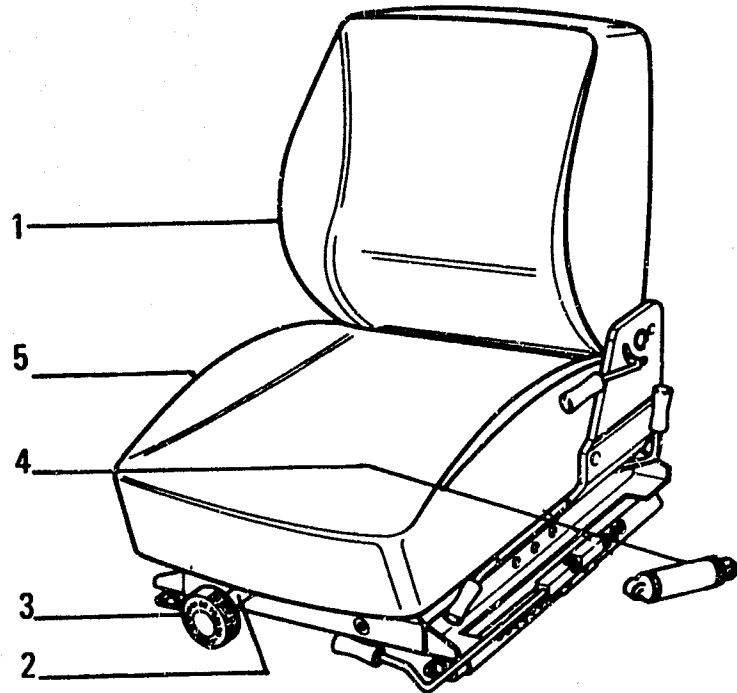
SEAT - SEDILE - SIEGE - SITZ - ASIENTO

L6.04

N.T.R. 163 - 30.05.1989

604.01.077.03

T6



I T E M	PART NUMBER	Q T Y	TRANS CODE	DESCRIPTION	DESCRIZIONE
1	79044438	1	50S	SEAT BACK	SCHIENALE
2	79044457	1	60P	PIN	PERNO
3	79044458	1	150P	KNOB	POMELLO
4	79044469	1	36A	SHOCK ABSORBER	AMMORTIZZATORE
5	79060061	1	345C	CUSHION	CUSCINO

OPTIONAL
VARIANTE

30.0853.01.1

COMPONENTS
COMPONENTI

79036696
SEAT - SEDILE - SIEGE - SITZ - ASIENITO

L6.04/1

N.T.R. 163 - 30.05.1989
604.01.077.03

MODIFICATIONS

Modifiche

Modifications

Anderungen

Modificaciones

MODIFICATION – MODIFICA		Summary of involved subgroups and directions for replacement. Sottogruppi interessati e norme di ricambio.
C 963 → Tel. n. 000101	D 963 Tel. n. 000102 →	D3.38 4959339 = 79003877
C 964 → Tel. n. 000101	D 964 Tel. n. 000102 →	B2.06 79024729 = 79043444
C 965 → Tel. n. 000101	→	A4.01
C 966 → Tel. n. 000101	D 966 Tel. n. 000102 →	A4.02
C 967 → Tel. n. 000101	D 967 Tel. n. 000102 →	D3.34
C 968 → Tel. n. 000101	D 968 Tel. n. 000102 →	F3.01 - F4.01 F4.01: 79030401 = 4998770 + 79041040 + 4151244
C 969 → Tel. n. 200204	D 969 Tel. n. 200205 →	C1.01 - D2.29 C1.01: 4982768 = 76000598 D2.29: 595878 = 79032446
C 970 → Tel. n. 000101	D 970 Tel. n. 000102 →	L3.04
C 971 → Tel. n. 000101	D 971 Tel. n. 000102 →	A2.23 79023396 = 79039698
C 972 → Tel. n. 000101	D 972 Tel. n. 000102 →	L3.04 79024000 = 79043372 + 79043376 + 79043379 + + 79043380

MODIFICATION -- MODIFICA		Summary of involved subgroups and directions for replacement. Sottogruppi interessati e norme di ricambio.
C 973 -- Mot. n. 221511	D 973 Mot. n. 221512 --	A1.02 4641647 = 4765837
C 974 -- Mot. n. 221511	D 974 Mot. n. 221512 --	A1.05 4679221 = 4763919 4700829 = 4762000
C 975 -- Tel. n. 000101	D 975 Tel. n. 000102 --	E3.05 8287007 = 578668 79023480 = 79040939 + 595582 + 16322921
C 976 -- Tel. n. 000101	D 976 Tel. n. 000102 --	C1.35 4984562 = 76004839
C 977 -- Tel. n. 000101	D 977 Tel. n. 000102 --	F3.03 73117732 = 73133823
C 1169 -- Tel. n. 000101	D 1169 Tel. n. 000102 --	B2.01 70927696 = 70935974 73118056 = 73132932 71004777 = 73132784
C 1171 -- Tel. n. 000101	D 1171 Tel. n. 000102 --	B2.01 70910287 = 8273916 74055100 = 7095360

MODIFICATION -- MODIFICA		Summary of involved subgroups and directions for replacement. Sottogruppi interessati e norme di ricambio.
C 1355 → Tel. n. 200359	D 1355 Tel. n. 200360 →	E3.02 - E3.02/1 - E3.32 - E3.32/1 - E3.32/2 - E3.32/3 - E3.02: 79021952 = 79039361 + 79039407 79021953 = 79039362 + 79039409 E3.02/1: 79023529 = 79039378 + 79039542 + 79039685
C 1356 → Tel. n. 200841	D 1356 Tel. n. 200842 →	E3.02
C 1357 → Tel. n. 200768	D 1357 Tel. n. 200769 →	E3.02 - E3.02/1 - E3.32 - E3.32/1 - E3.32/2
C 1360 → Tel. n. 200772	D 1360 Tel. n. 200773 →	A2.22
C 1361 → Tel. n. 200329	D 1361 Tel. n. 200330 →	F4.01 - F4.01/1
C 1362 → Tel. n. 200362	D 1362 Tel. n. 200363 →	E3.27 79030015 - 76005945 79030016 = 79043279 + 79043286 + 79043280 79030017 = 79043286 + 79043280 + 79043279 79030084 = 79043280 + 79043286 + 79043279
C 1363 → Tel. n. 200261	D 1363 Tel. n. 200262 →	D2.22 4967635 = 583713
C 1364 → Tel. n. 200308	D 1364 Tel. n. 200309 →	L3.10 79028362 = 79043520 + 79043524 + 79043525 79028367 = 79043525 + 79043520 + 79043524

MODIFICATION - MODIFICA		Summary of involved subgroups and directions for replacement. Sottogruppi interessati e norme di ricambio.
C 1365 → Tel. n. 200421	D 1365 Tel. n. 200422 →	A4.01
C 1366 → Tel. n. 200351	D 1366 Tel. n. 200352 →	E3.10 - E3.14 E3.10: 8296947 = 79042905 + 79042913 + 13407211
C 1367 → Tel. n. 201257	D 1367 Tel. n. 201258 →	E3.26 - E3.27 E3.26: 79034394 = 76010536 79034395 = 76010535 E3.27: 79034393 = 76010533 79034396 = 76010534
C 1368 → Tel. n. 200942	D 1368 Tel. n. 200943 →	D2.23 - D3.40 D2.23: 79031363 = 79043436 + 79043441 + 79043442 79031365 = 79043441 + 79043436 + 79043442 79034391 = 79043436 + 79043441 + 79043442 D3.40: 79012420 = 76008353 + 76008354 79012421 = 76008353 + 76008354
C 1369 → Tel. n. 200101	D 1369 Tel. n. 200102 →	B4.04
C 1370 → Tel. n. 000101	D 1370 Tel. n. 000102 →	E3.02/2 - E3.05/1
C 1371 → Tel. n. 000101	D 1371 Tel. n. 000102 →	E3.05/1
C 1372 → Tel. n. 201145	D 1372 Tel. n. 201146 →	B2.00 - B2.01/1 - D2.23 - D2.27

MODIFICATION - MODIFICA		Summary of involved subgroups and directions for replacement. Sottogruppi interessati e norme di ricambio.
C 1373 → Tel. n. 201360	D 1373 Tel. n. 201361 →	A0.00 - A0.02 - A1.01 - A1.01/A - A1.02 - A1.02/A - A1.03 - A1.03/A - A1.04 - A1.05 - A1.05/A - A1.06 - A1.06/A - A1.07 - A1.07/A - A1.15 - A1.16 - A1.16/A - A2.21 - A2.22 - A2.22/A - A2.22/1 - A2.23 - A2.23/A - A2.24 - A2.24/A - A2.25 - A2.25/A - A2.26 - A2.26/A - A2.26/1A - A2.27 - A2.27/A - A2.28 - A2.33 - A2.35 - A2.35/A - A2.35/1 - A2.35/1A - A2.35/2 - A2.35/2A - A2.35/3 - A2.37 - A2.54 - A2.54/A - A3.01 - A4.01 - A4.02 - A4.03 - A4.09 - B2.06 - D2.23 - D2.27/A - F2.01 - F2.05 - F2.05/A - F2.05/1 - F3.01 - F3.03 - F3.03/A
C 1374 → Tel. n. 200363	D 1374 Tel. n. 200364 →	E3.02 - E3.31 E3.02: 79031722 = 79040766 E3.31: 8295969 = 79040777 + 11087976 79031724 = 79040775 + 14489121 10734201 = 11087976 + 79040777
C 2116 → Tel. n. 201405	D 2116 Tel. n. 201406 →	F3.01 - L1.30 - L1.30/A
C 2117 → I - 1986	D 2117 I - 1986 →	F5.01/1 - F5.01/1A
C 2118 → Tel. n. 201354	D 2118 Tel. n. 201355 →	B4.12 - D3.33 D3.33: 79025214 = 79058683 + (B4.12) 79058684
C 2119 → Tel. n. 000195	D 2119 Tel. n. 000196 →	F5.10 79035351 = 79038749

MODIFICATION — MODIFICA		Summary of involved subgroups and directions for replacement. Sottogruppi interessati e norme di ricambio.
C 2120 → Tel. n. 200235	D 2120 Tel. n. 200236 →	F4.01 79012014 = 79039833
C 2121 → Tel. n. 200524	D 2121 Tel. n. 200525 →	B2.06
C 2122 → Tel. n. 200590	D 2122 Tel. n. 200591 →	F4.01 79031355 = 79048326
C 2123 → Tel. n. 200705	D 2123 Tel. n. 200706 →	A1.08 - A2.01 - A2.01/A - A3.01 - B2.00 - D2.24 - E3.28 - E3.28/A - F4.01 - F5.01/1 - F5.10 - F5.10/A - L1.01
C 2124 → Tel. n. 200764	D 2124 Tel. n. 200765 →	E3.02
C 2125 → Tel. n. 200798	D 2125 Tel. n. 200799 →	F5.01 4238805 = 79056873
C 2188 → Tel. n. 200868	D 2188 Tel. n. 200869 →	L3.04
C 2190 → Tel. n. 201072	D 2190 Tel. n. 201073 →	F5.10/A - L1.01 F5.10/A: 79042633 = 79054141 L1.01: 79042185 = 79054631 79042186 = 79054634
C 2191 → Tel. n. 201224	D 2191 Tel. n. 201225 →	E3.28/A 79024449 = 4990173

MODIFICATION – MODIFICA		Summary of involved subgroups and directions for replacement. Sottogruppi interessati e norme di ricambio.
C 2192 → Tel. n. 201380	D 2192 Tel. n. 201381 →	A1.08 79048629 = 79077026 + 76012442
C 2193 → Tel. n. 201488	D 2193 Tel. n. 201489 →	F4.01 79033172 = 79076344
C 2194 → Tel. n. 201550	D 2194 Tel. n. 201551 →	A4.09 79035737 = 76013039
C 2195 → Tel. n. 201549	D 2195 Tel. n. 201550 →	F4.01 79048326 = 79073071
C 2196 → Tel. n. 201793	D 2196 Tel. n. 201794 →	B2.06 79022154 = 79052011 79028983 = 79052006
C 2197 → Tel. n. 201825	D 2197 Tel. n. 201826 →	A2.01/A 79012075 = 76014545 79015259 = 76014544
C 2199 → Tel. n. 201857	D 2199 Tel. n. 201858 →	A2.01/A 4982644 = 79043879
C 2200 → Tel. n. 201875	D 2200 Tel. n. 201876 →	F4.01 - F4.01/A - F4.01/1 - F4.01/1A - F4.01/2 - F4.05

MODIFICATION - MODIFICA		Summary of involved subgroups and directions for replacement. Sottogruppi interessati e norme di ricambio.
C 2273 → Tel. n. 201875	D 2273 Tel. n. 201876 →	A2.22/A - A2.22/1 - A4.02 - D2.23 - E3.02
C 2274 → Tel. n. 201864	D 2274 Tel. n. 201865 →	D2.23 79052017 = 76012703 + 10903431
C 2275 → Tel. n. 201864	D 2275 Tel. n. 201865 →	D3.40 - D3.40/A
C 2277 → Tel. n. 201899	D 2277 Tel. n. 201900 →	B2.00 - B2.01 - B2.01/A
C 2278 → Tel. n. 201897	D 2278 Tel. n. 201898 →	F4.01 - F4.01/A 79035418 = 79072543
C 2280 → Tel. n. 201973	D 2280 Tel. n. 201974 →	D3.33 79029812 = 79087038
C 2281 → Tel. n. 201976	D 2281 Tel. n. 201977 → Excluding - Esclusi 201988 - 201996 - 202009 202023 - 202030	B4.08 - B4.11
C 2282 → Tel. n. 201984	D 2282 Tel. n. 201985 →	A2.01/A - E3.28/A
C 2283 → Tel. n. 202035	D 2283 Tel. n. 202036 →	B2.10 79022760 = 76016328
C 2315 → Tel. n. 201927	D 2315 Tel. n. 201928 →	A2.21 - L3.04

MODIFICATION - MODIFICA		Summary of involved subgroups and directions for replacement. Sottogruppi interessati e norme di ricambio.
C 2316 → Tel. n. 202146	D 2316 Tel. n. 202147 →	A2.01/A 76014544 - 76014890
C 2317 → Tel. n. 201145	D 2317 Tel. n. 201146 →	B2.01/A - B2.01/1 73118061 = 79064451 73118122 = 79086375
C 2332 → Tel. n. 000100	D 2332 Tel. n. 000101 →	A2.23/A
C 2333 → Tel. n. 000100	D 2333 Tel. n. 000101 →	B3.16
C 2334 → Tel. n. 000100	D 2334 Tel. n. 000101 →	E3.29/1
C 2341 → Tel. n. 000100	D 2341 Tel. n. 000101 →	A2.35/A
C 2342 → Tel. n. 000100	D 2342 Tel. n. 000101 →	B2.01
C 2347 → Tel. n. 000100	D 2347 Tel. n. 000101 →	H1.04
C 2348 → Tel. n. 202318	D 2348 Tel. n. 202319 →	A2.21 - C1.01 - D2.20 - D2.22 - D2.23 - L3.04
C 2349 → Mot. n. 257899	D 2349 Mot. n. 257900 →	A1.02/A
C 2528 → IX - 1983	D 2528 IX - 1983 →	A1.02 - A1.03 - A1.06 A1.03: 4682232 = 4785103, 4785104 + 4779122 + + A1.02 (4787154 + 40003800).