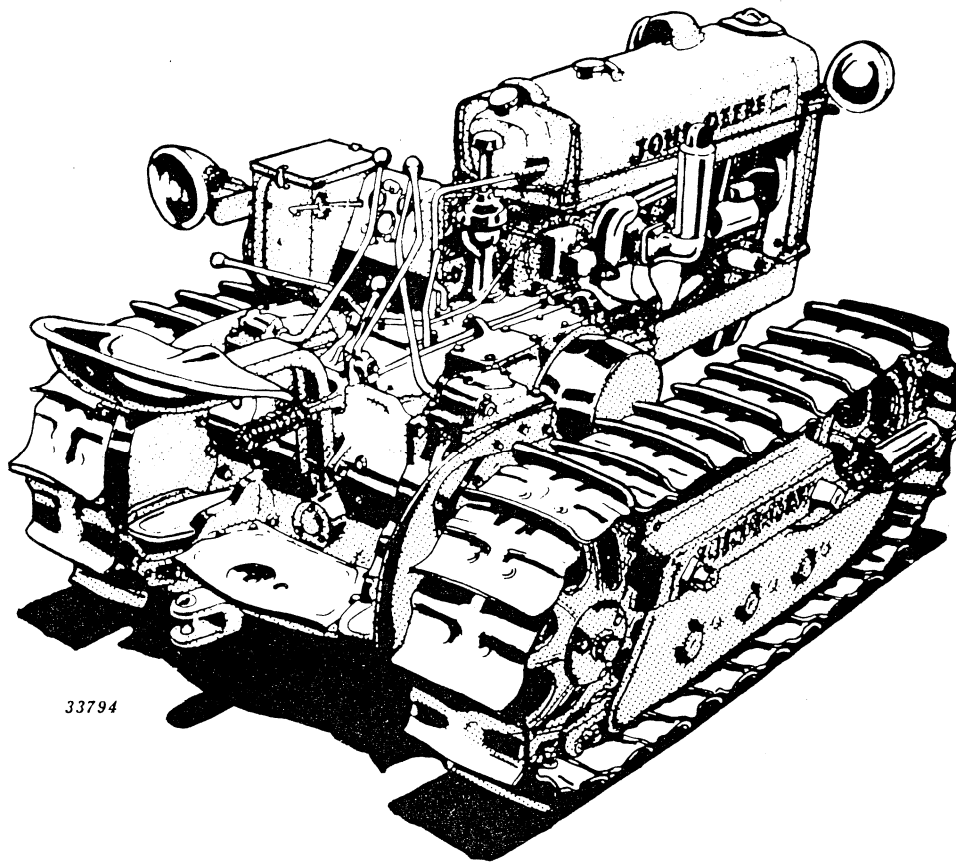




JOHN DEERE
Parts Catalog

MODEL B0 CRAWLER TRACTOR

PC365



*John Deere Model "BO" Crawler Tractor
(Manufactured 1940-1947)*

This catalog covers only crawler parts, such as transmission, steering, and track parts, for the Model "BO" Crawler Tractor, Serial 326109 and up. Engine parts are in Catalog PC-190- for Models "BO" and "BR" Tractors.

CONTENTS

	Page
First Reduction Gear Case.....	4-5
Steering Clutch Case.....	6-7
Steering Clutches and Driving Gear.....	8-9
Separator Plate.....	10
Final Drive.....	11
Rear Transmission Cover.....	12-13
Seat and Control Levers.....	14
Transmission Cover.....	15
Fenders.....	16
Power Take-Off.....	17
Carrier Yoke and Cross Members.....	18-19
Front Idler.....	20
Track Frame Cover.....	21
Track Frame.....	22-23
Track.....	24-25

The serial number information shown on any page of this parts catalog applies only to the component or group illustrated and listed.

(-) means the part can be used on all machines.

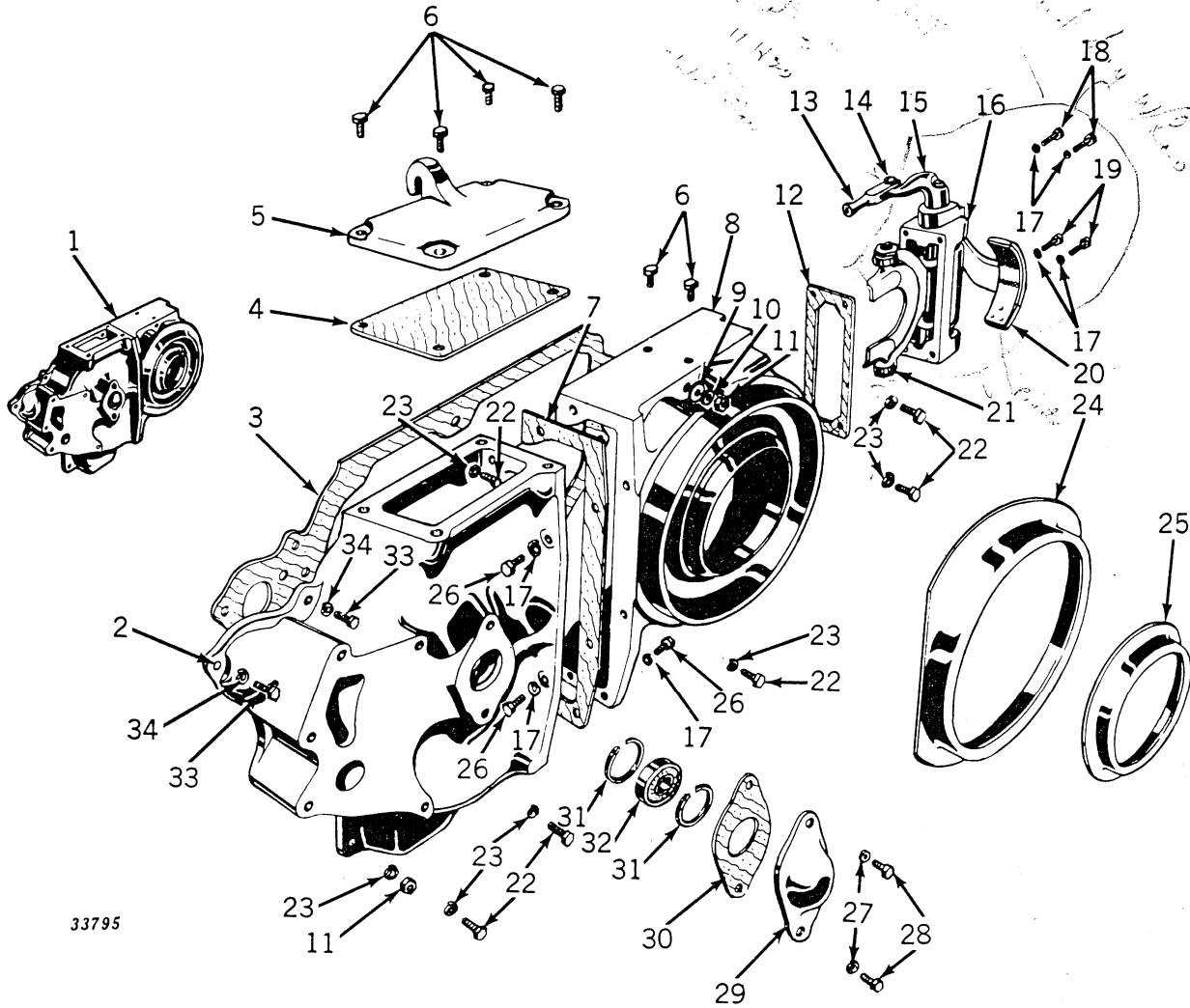
(0000-) means the part can be used on machines beginning with that serial number and on all machines since then.

(-0000) means the part can be used on machines manufactured up to and including that serial number.

(0000-0000) means the part can be used on machines manufactured between and including the serial numbers shown.



FIRST REDUCTION GEAR CASE



33795



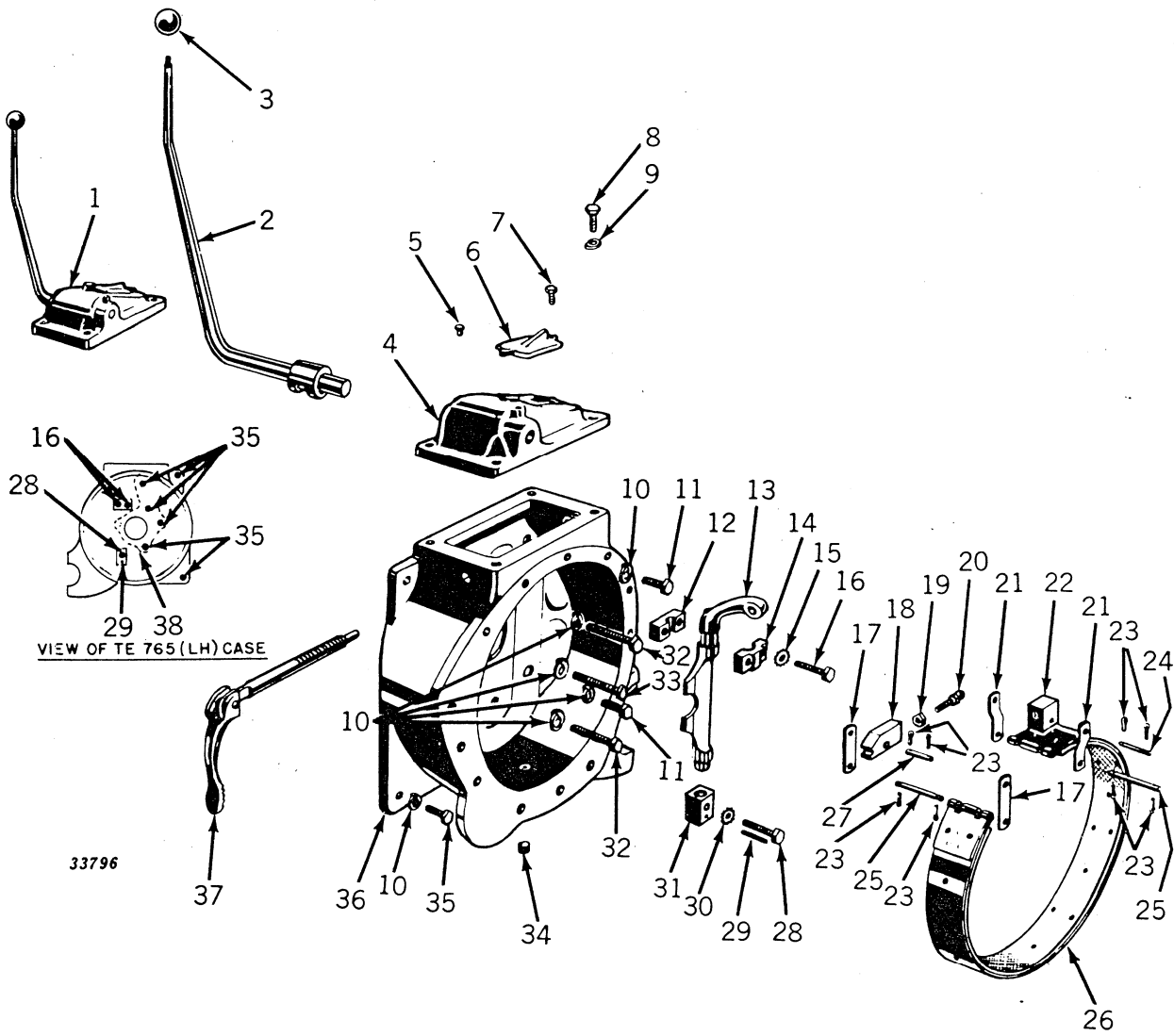
FIRST REDUCTION GEAR CASE—Continued

Key	Part No.	Serial No.	Description
1	(AB 1390 R ATE 1761 Y	(-332397 (332398-	Case, First Reduction Gear (Sub. for TE400) Sub. Two B152R, B749R, B1213R, B1579R, TE760Y, TE761Y, TE762Y, JD7677, Five 12H11R, Five 19H211R
2	TE 761 Y	(332398-	Case, First Reduction Gear (Rear Half) (Includes B1213R, B749R, 19H211R, B1579R, 19H96R)
3	(B 154 R TE 759 Y	(-332397 (332398-	Gasket, between AB1390R and Tractor Transmission (Sub. for TE403) Gasket, between ATE1761Y and Tractor Transmission (Sub. for TE758)
4	TE 770 Y	(332398-	Gasket, between TE761Y and TE769Y
5	TE 769 Y	(332398-	Cover, for TE761Y
6	19H 317 T	(332398-	Screw, Cap, Hex. Hd., 7/16" x 3/4" (6 used)
7	TE 760 Y TE 771 Y	(332398- (332398-	Gasket, between TE761Y and TE762Y (1/32" Thick) Gasket, between TE761Y and TE762Y (1/64" Thick)
8	TE 762 Y	(332398-	Case, First Reduction Gear, Front Half
9	TE 772 Y	(332398-	Washer, Leather
10	24H 381 A	(332398-	Washer, Plain, 1/2" x 1-1/4" x 14 Gauge
11	14H 99 A	(-)	Nut, Hex., 7/16"
12	(B 173 R B 1855 R	(-332799) (332800-	Gasket, Clutch Fork Bearing (Sub. for TE775) Gasket, Clutch Fork Bearing
13	B 843 R	(-)	Yoke, Clutch Operating Rod
14	B 844 R	(-)	Pin, Clutch Operating Yoke
15	(B 168 R B 1853 R	(-) (332800-	Shaft, Clutch Fork
16	(AB 3932 R AB 3931 R	(-332799) (332800-	Cover, Master Clutch Throw-Out Arm (Sub. for TE763) Cover, Master Clutch Throw-Out Arm
17	12H 11 R	(332398-	Washer, Lock, 3/8" (9 used)
18	19H 239 T	(332398-	Screw, Cap, Hex. Hd., 1-3/4" x 3/8" (2 used)
19	19H 250 T	(332398-	Screw, Cap, Hex. Hd., 3/8" x 2" (2 used)
20	B 166 R	(332398-	Lining, Pulley Brake Shoe (Sub. for TE776Y)
21	(B 744 R B 2038 R	(-332799) (332800-	Fork, Clutch Throw-Out
22	19H 332 R	(332398-	Screw, Cap, Hex. Hd., 7/16" x 1-1/4" (7 used)
23	12H 12 R	(332398-	Washer, Lock, 7/16" (8 used)
24	B 1213 R	(332398-	Shield, Dust, for Pulley (Sub. for TE757)
25	B 749 R	(332398-	Shroud, Master Clutch, Inner (Sub. for TE755)
26	19H 211 R	(332398-	Screw, Cap, Hex. Hd., 3/8" x 1" (5 used)
27	12H 10 R	(-)	Washer, Lock, 5/16"
28	19H 96 R	(-)	Screw, Cap, Hex. Hd., 5/16" x 1/2" (2 used)
29	B 157 R	(-)	Cap, First Reduction Gear Bearing (Sub. for TE754)
30	B 156 R	(-)	Gasket (Sub. for TE756)
31	B 152 R	(-)	Ring, Snap (2 used) (Sub. for TE753)
32	JD 7677 R	(-)	Bearing, Ball
33	19H 436 T	(-)	Screw, Cap, Hex. Hd., 1/2" x 1"
34	12H 13 R	(-)	Washer, Lock, 1/2"

*checked by JDWTLW
DEC 29 229 (NO CURRENT
SERVICE REQUIREMENTS.*



STEERING CLUTCH CASE



STEERING CLUTCH CASE—Continued

Key	Part No.	Serial No.	Description
1	ATE 1466 Y	(-)	Lever, Steering, R.H.
	ATE 1467 Y	(-)	Lever, Steering, L.H.
2	ATE 1464 Y	(-)	Lever, Steering, R.H. (Sub. for One TE466, One TE465, One TE464, and One 5218)
	ATE 1465 Y	(-)	Lever, Steering, L.H. (Sub. for One TE467, One TE465, One TE464, and One 5218)
3	9001 Y	(-)	Knob, Steering Lever
4	TE 716 Y	(-)	Cover, Clutch
5	JD 7816	(-)	Oiler, Button, 5/16" (Alemite No. 1814) (2 used)
6	TE 720 Y	(-)	Cap, Clutch Case Cover
7	19H 112 R	(-)	Screw, Cap, Hex. Hd., 5/16" x 1" (2 used)
8	19H 332 R	(-)	Screw, Cap, Hex. Hd., 7/16" x 1-1/4" (4 used)
9	12H 12 R	(-)	Washer, Lock, 7/16"
10	12H 15 R	(332398-	Washer, Lock, 5/8"
11	19H 652 T	(332398-	Screw, Cap, Hex. Hd., 5/8" x 1-1/4" (2 used) (Used with TE766 only)
12	TE 529 Y	(-)	Block, Upper Bearing (Inboard Half)
13	TE 566 Y	(-)	Arm, Clutch Throw-Out, R.H. (Sub. for TE2506)
	TE 567 Y	(-)	Arm, Clutch Throw-Out, L.H. (Sub. for TE2507)
14	TE 534 Y	(-)	Block, Upper Bearing (Outboard Half)
15	5196 Y	(-)	Washer, Star Lock, 1/2" (2 used)
16	TE 526 Y	(-)	Screw, Cap, Upper Bearing Block (2 used)
17	TE 545 Y	(-)	Strap, Brake Band, Rear (2 used)
18	TE 538 Y	(-)	Head, Connecting Link
19	TE 525 Y	(-)	Nut, Jam
20	TE 539 Y	(-)	Screw, Connecting Link
21	TE 544 Y	(-)	Strap, Brake Band, Front (2 used)
22	TE 449 Y	(-)	Block, Brake Adj. Screw
23	11H 39 R	(-)	Pin, Cotter, 1/8" x 3/4" (8 used)
24	TE 550 Y	(-)	Pin, Connecting Strap, Front
25	TE 543 Y	(-)	Pin, Brake Band, Long (2 used)
26	ATE 1541 Y	(-)	Band, Brake, with Lining (Sub. for TE541)
	TE 542 Y	(-)	Lining, Brake Band (2 used)
	9010 Y	(-)	Rivet, Brake Band Lining (34 used)
27	TE 551 Y	(-)	Pin, Connecting Strap, Rear
28	TE 528 Y	(-)	Screw, Cap, Lower Bearing Block
29	TE 522 Y	(-)	Pin, Block, Lower Bearing
30	5198 Y	(-)	Washer, Star Lock
31	TE 535 Y	(-)	Block, Lower Bearing
32	19H 732 R	(-)	Screw, Cap, Hex. Hd., 5/8" x 5" (2 used)
33	TE 750 Y	(-)	Screw, Cap, Special (Used with TE766Y only)
34	15H 277 T	(-)	Plug, Drain, 1/2"
35	19H 676 R	(-)	Screw, Cap, Hex. Hd., 5/8" x 1-3/4" (2 used)
36	TE 765 Y	(332398-	Case, Steering Clutch, L.H.
	TE 766 Y	(332398-	Case, Steering Clutch, R.H.
37	ATE 1562 Y	(-)	Lever, Parking Brake, with Screw (Sub. for One TE448 and One TE450)
38	B 330 R	(-)	Gasket, for TE765Y (Sub. for TE705)
	TE 706 Y	(-332397)	Gasket, for TE704Y, TE704AY

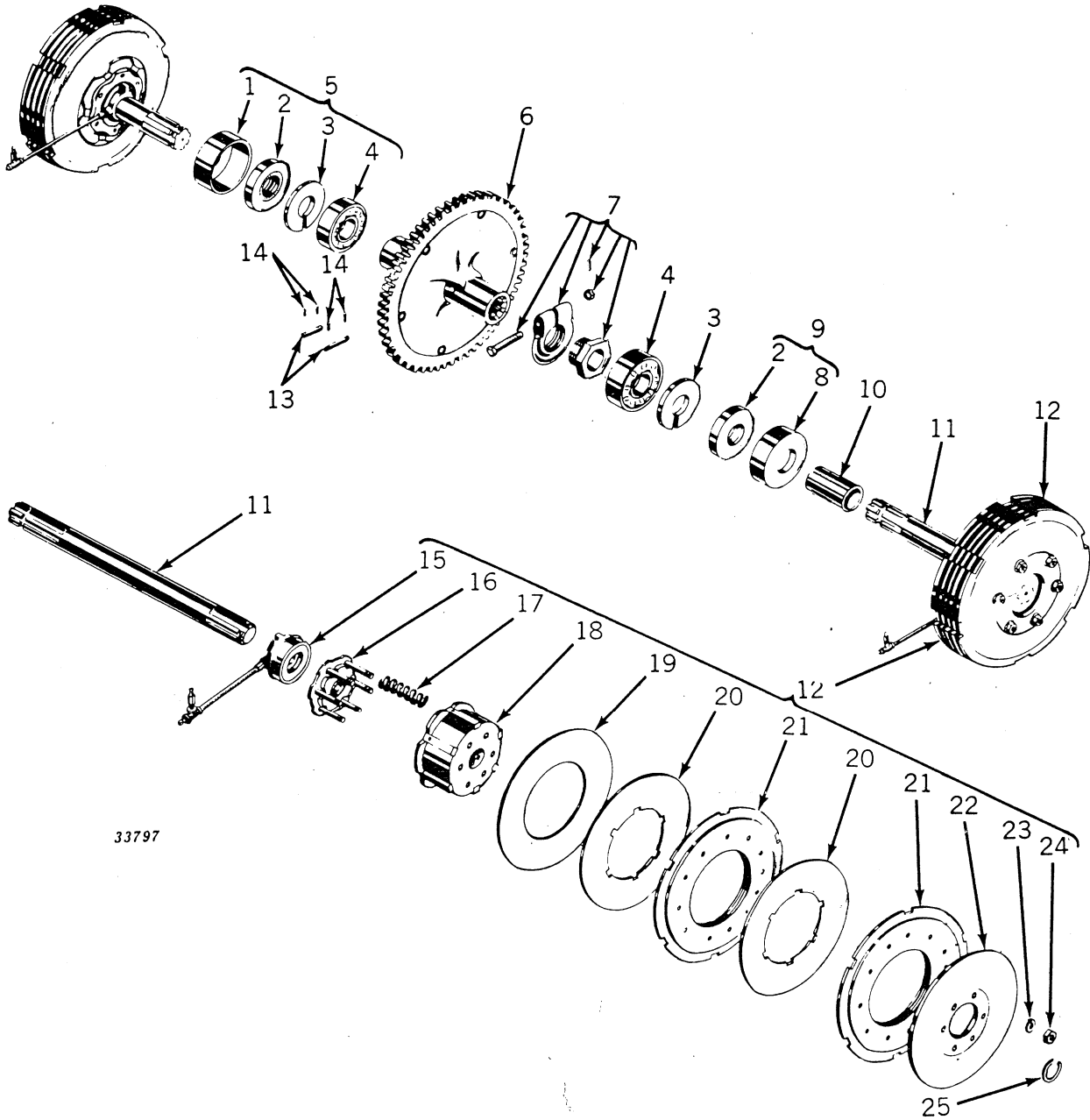
(Parts listed below are not illustrated.)

TE 703 Y	(-331716)	Case, Steering Clutch, L.H.
TE 704 Y	(-331716)	Case, Steering Clutch, R.H.
TE 703 AY	(331717-332397)	Case, Steering Clutch, L.H.
TE 704 AY	(331717-332397)	Case, Steering Clutch, R.H.
TE 1016	(-)	Cover, Clutch, with Grease Fittings (Sub. Components Shown Above)

B 330 R will not fit for TE 705 Y application.



STEERING CLUTCHES AND DRIVING GEAR



33797



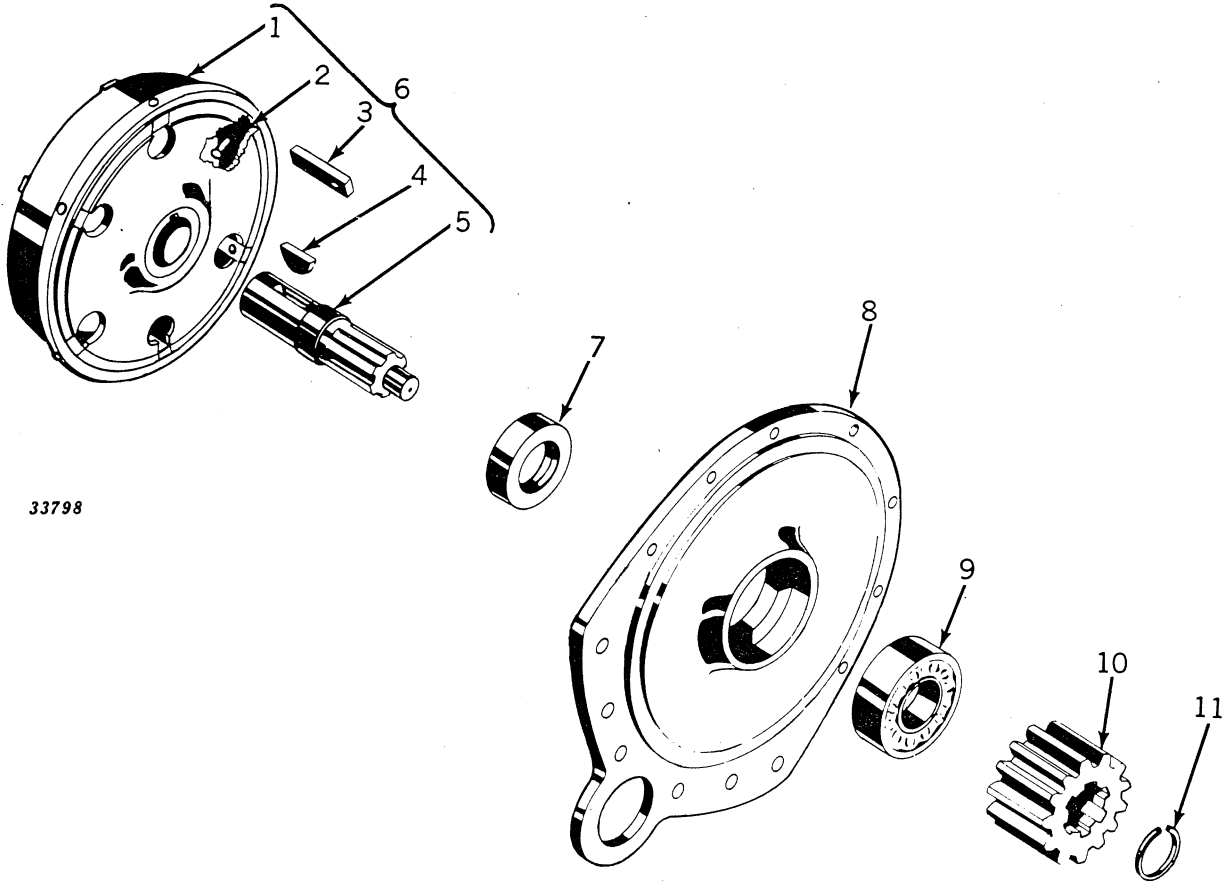
STEERING CLUTCHES AND DRIVING GEAR—Continued

Key	Part No.	Serial No.	Description
1	TE 708 Y	(-)	Retainer, Clutch Shaft Seal, L.H.
2	5853 Y	(-)	Seal, Grease (Garlock No. 758) (2 used)
3	TE 710 Y	(-)	Washer, Drain (2 used)
4	JD 7136 Y	(-)	Bearing, Ball (New Departure No. E208) (2 used)
5	ATE 1708 Y	(-)	Retainer, Clutch Shaft with Bearing and Seal, L.H.
6	ATE 1700 Y	(-333600)	Gear, Clutch Driving, Keyed
	ATE 1740 Y	(333601-)	Gear, Clutch Driving, Splined
7	ATE 1739 Y	(-)	Assembly, Nut, Adjustment, R.H. only
8	TE 702 Y	(-)	Retainer, Clutch Shaft Seal, R.H.
9	ATE 1702 Y	(-)	Retainer, with Seal, Clutch Shaft, R.H.
10	TE 701 Y	(-)	Dowel, Tubular, R.H. only
11	TE 502 Y	(-333600)	Shaft, Driving Gear, R.H.
	TE 503 Y	(-333600)	Shaft, Driving Gear, L.H.
	TE 504 Y	(333601-)	Shaft, Driving Gear, R.H.
	TE 505 Y	(333601-)	Shaft, Driving Gear, L.H.
12	ATE 1501 Y	(-333600)	Assembly, Steering Clutch, without Shaft (2 used)
	ATE 1509 Y	(333601-)	
	ATE 1502 Y	(-333600)	Sub. TE502Y, ATE1501Y, 5748Y, 26H32R (R.H.)
	ATE 1503 Y	(-333600)	Sub. TE503Y, ATE1501Y, 5748Y, 26H32R (L.H.)
	ATE 1504 Y	(333601-)	Sub. TE504Y, ATE1509Y, 5748Y (R.H.)
	ATE 1505 Y	(333601-)	Sub. TE505Y, ATE1509Y, 5748Y (L.H.)
13	TE 741 Y	(333601-)	Pin, Clutch Driving Gear (2 used)
14	11H 39 R	(333601-)	Pin, Cotter, 1/8" x 3/4" (4 used)
15	ATE 1533 Y	(-)	Assembly, Clutch Throw-Out Bearing (2 used)
	ATE 1532 Y	(-)	Assembly, Clutch Bearing, with Cap (2 used)
	ATE 1554 Y	(-331717)	Sub. ATE1533Y
	ATE 2554 Y	(-331717)	Sub. ATE2533Y
	ATE 2533 Y	(-)	Line, Grease only (2 used)
	15H 253 R	(-)	Plug, Pipe, 1/8" (2 used)
	29H 483 R	(-)	Nipple, Close, 1/8" (2 used)
	JD 7794	(-)	Fitting, Grease, 1/8" (Alemite No. 1618) (2 used)
16	ATE 1530 Y	(-)	Assembly, Clutch Bearing Retainer (2 used)
	TE 524 Y	(-)	Stud, Clutch Spring (12 used)
17	TE 523 Y	(-)	Spring, Clutch (12 used)
18	ATE 1508 Y	(-333600)	Hub, Clutch Keywayed, with Keys (2 used)
	ATE 1510 Y	(333601-)	Hub, Clutch Splined, with Keys (2 used)
	TE 513 Y	(-)	Key, Clutch Hub (12 used)
	7437 Y	(-)	Rivet (12 used)
19	TE 509 Y	(-)	Plate, Clutch Driving Hub (2 used)
20	TE 547 Y	(-)	Plate, Clutch Driving (2 used) <i>10 Retainer</i>
21	ATE 1548 Y	(-)	Plate, Clutch, Driven (10 used) (Sub. for TE548)
	TE 546 Y	(-)	Lining, Clutch Plate (20 used)
	9010 Y	(-)	Rivet (120 used)
22	TE 553 Y	(-)	Plate, Clutch Pressure (2 used)
23	12H 11 R	(-)	Washer, Lock, 3/8" (12 used)
24	14H 383 R	(-)	Nut, Hex., 3/8" (12 used)
25	5748 Y	(-)	Ring, Snap, External (2 used)



Handwritten initials or marks in the bottom right corner.

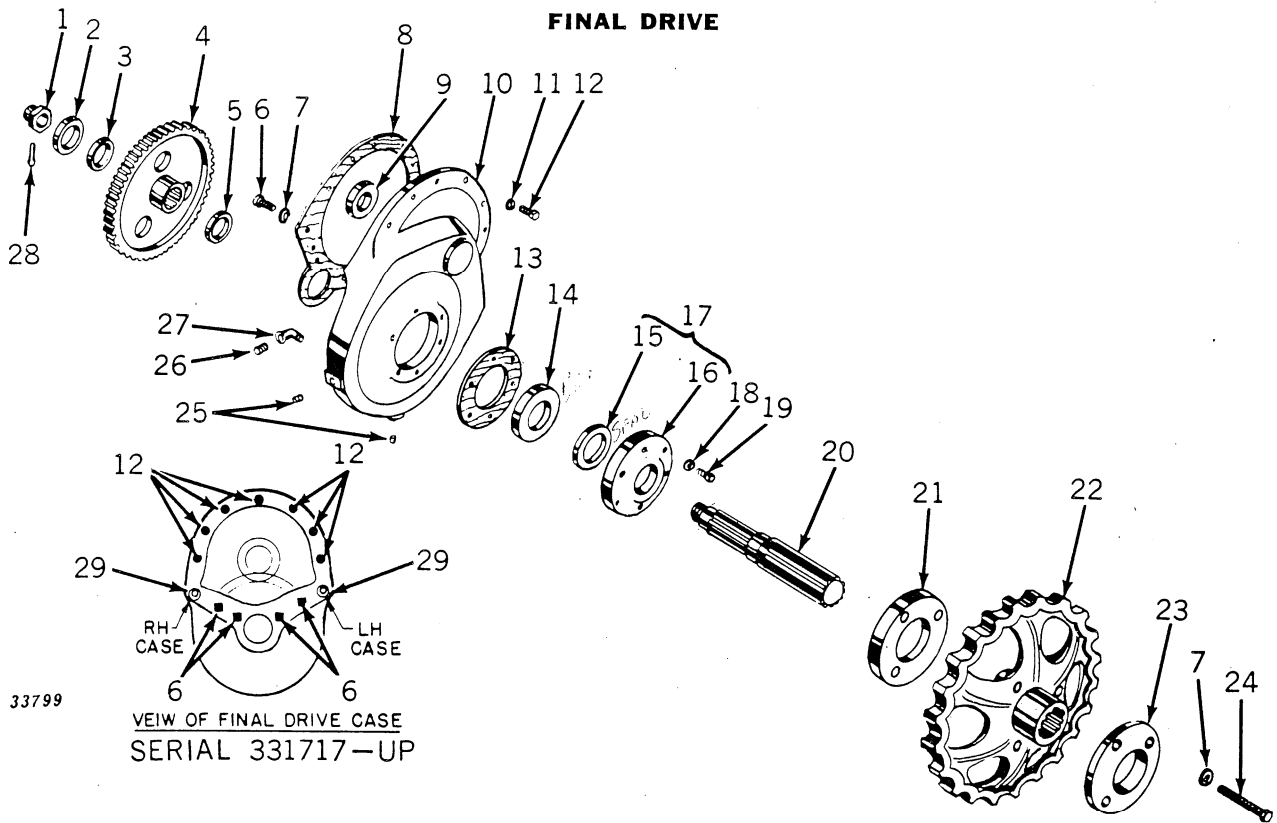
SEPARATOR PLATE



33798

Key	Part No.	Serial No.	Description
1	ATE 1511 Y	(-)	Drum, Brake, with Keys (2 used)
2	16H 698 A	(-)	Rivet, Countersunk Head, 1/4" x 1" (12 used)
3	TE 514 Y	(-)	Key, Brake Drum (12 used)
4	26H 32 R	(-)	Key, Woodruff (2 used)
5	TE 512 Y	(-)	Shaft, Pinion (2 used)
6	ATE 1512 Y	(-)	Assembly, Brake Drum (2 used)
7	5867 Y	(-)	Seal, Grease (Garlock No. 1057) (2 used)
8	(TE 719 Y	(-331716)	Plate, Separator
	(TE 717 Y	(331717-	Plate, Separator (2 used)
9	JD 7680 R	(-)	Bearing, Ball (2 used)
10	(TE 731 Y	(-)	Gear, Final Drive Pinion, 17 Teeth (2 used)
	(TE 733 Y	(-)	Gear, Final Drive Pinion, 20 Teeth (Special)
11	5747 Y	(-)	Ring, Snap, External (2 used)
(Parts listed below are not illustrated.)			
	TE 1717	(331717-	Separator Plate with Seal and Bearing (Sub. Components Shown Above)
	TE 1718	(331717-	Separator Plate with Seal, Bearing, Pinion, and Drum (Sub. Components Shown Above)

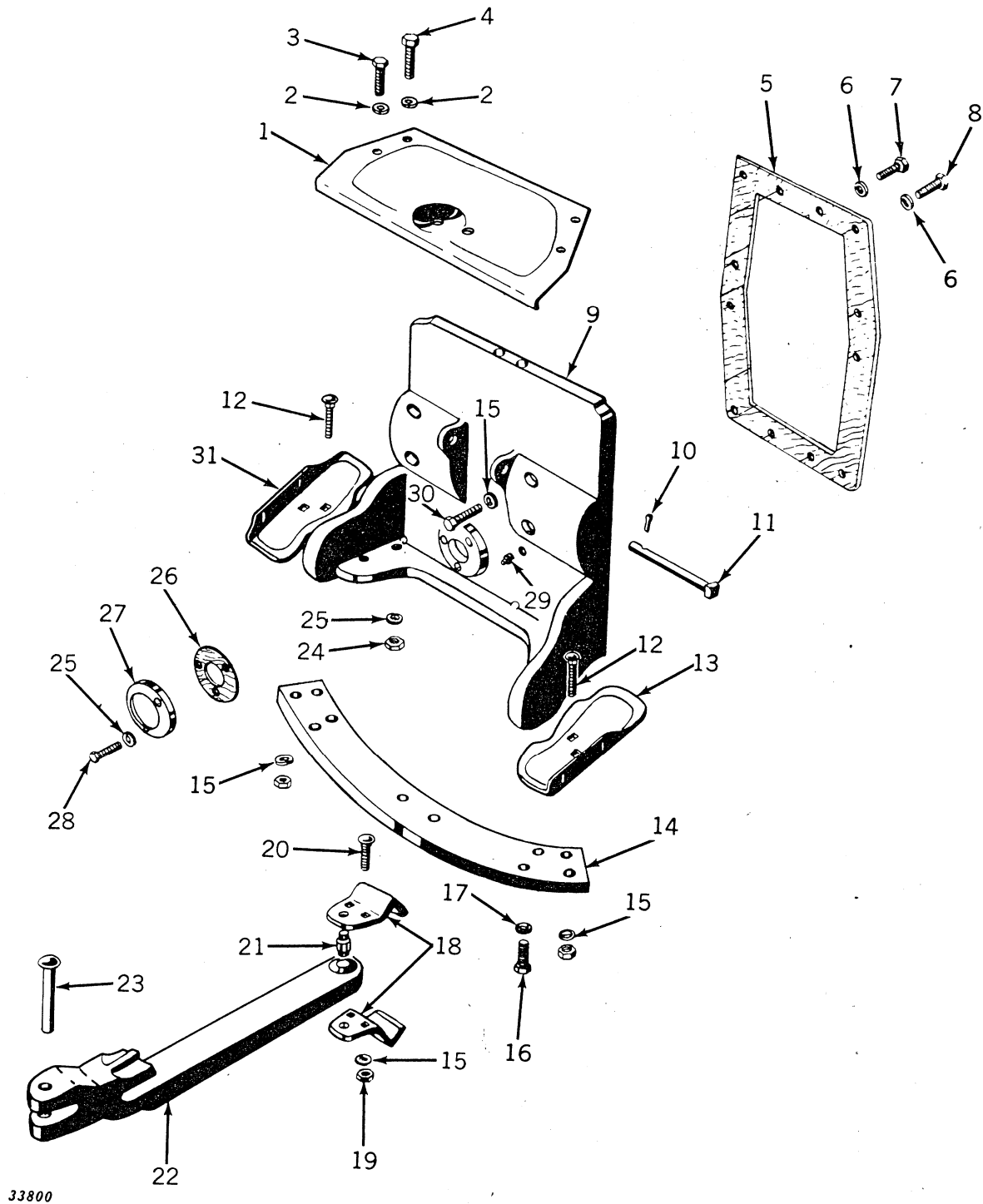




Key	Part No.	Serial No.	Description
1	TE 727 Y	(-)	Nut, Final Drive Gear (2 used)
2	JD 7159 C	(-)	Bearing, Ball (New Departure No. 1208) (2 used)
3	TE 725 Y	(-)	Spacer, Final Drive Shaft, Inboard (2 used)
4	TE 730 Y	(-)	Gear, Final Drive, 63 Tooth (2 used)
	TE 732 Y	(-)	Gear, Final Drive, 60 Tooth (Special) (2 used)
5	TE 726 Y	(-)	Spacer, Final Drive Gear, Outboard (2 used)
6	19H 676 R	(-331716)	Screw, Cap, Hex. Hd., 5/8" x 2" (4 used)
		(331717-)	Screw, Cap, Hex. Hd., 5/8" x 2" (5 used)
7	12H 15 R	(-331716)	Washer, Lock, 5/8" (10 used)
		(331717-)	Washer, Lock, 5/8" (11 used)
8	TE 721 Y	(-331716)	Gasket for TE719Y Separator Plate (2 used)
	TE 718 Y	(331717-)	Gasket for TE717Y Separator Plate (2 used)
9	JD 7670 R	(-)	Bearing, Ball (2 used)
10	TE 709 Y	(-331716)	Case, Final Drive
	TE 709AY	(331717-)	Case, Final Drive
11	12H 12 R	(-)	Washer, Spring Lock, 7/16" (14 used)
12	19H 345 T	(-)	Screw, Cap, Hex. Hd., 7/16" x 1-3/4" (14 used)
13	TE 715 Y	(-)	Gasket, for TE714Y (2 used)
14	JD 7135 Y	(-)	Bearing, Ball (2 used) (New Departure No. 5211)
15	TE 5878 Y	(-)	Seal, Grease (2 used)
16	TE 714 Y	(-)	Retainer, Final Drive Shaft Seal (2 used)
17	ATE 1714 Y	(-)	Retainer, Final Drive Seal, with Seal (2 used)
18	12H 11 R	(-)	Washer, Lock, 3/8" (6 used)
19	19H 239 T	(-)	Screw, Cap, Hex. Hd., 3/8" x 1-3/4" (12 used)
20	TE 724 Y	(-)	Shaft, Final Drive, 60"—72" Width (2 used)
	TE 722 Y	(-)	Shaft, Final Drive, 82" Width (Special)
21	TE 53 Y	(-)	Plate, Rear Sprocket, Inboard (2 used)
22	TE 55 Y	(-)	Sprocket, Rear (2 used)
23	TE 52 Y	(-)	Plate, Rear Sprocket, Outboard (2 used)
24	19H 721 D	(-)	Screw, Cap, Hex. Hd., 5/8" x 4" (6 used)
25	15H 277 T	(331717-)	Plug, Pipe, Ctsk. Hd., 1/2" (4 used)
26	15H 256 T	(331717-)	Plug, Pipe, Sq. Hd., 1/2" (2 used)
27	15H 200 R	(331717-)	Street Elbow, Pipe, 90°, 1/2" (2 used)
28	11H 88 R	(-)	Pin, Cotter, 3/16" x 2" (2 used)
29	TE 712 Y	(-)	Stud, Final Drive Case (2 used)
	14H 263 R	(-)	Nut, Hex., 5/8" (2 used)
	12H 15 R	(-)	Washer, Lock, 5/8" (2 used)
(Parts listed below are not illustrated.)			
	TE 1710	(331717-)	Drive, Final, with Sprocket (Sub. Components Shown Above)
	TE 1715	(326109-331716)	Drive, Final, less Sprocket (Sub. Components Shown Above)
	TE 1055	(-)	Sprocket, with Plates (Sub. Components Shown Above)



REAR TRANSMISSION COVER

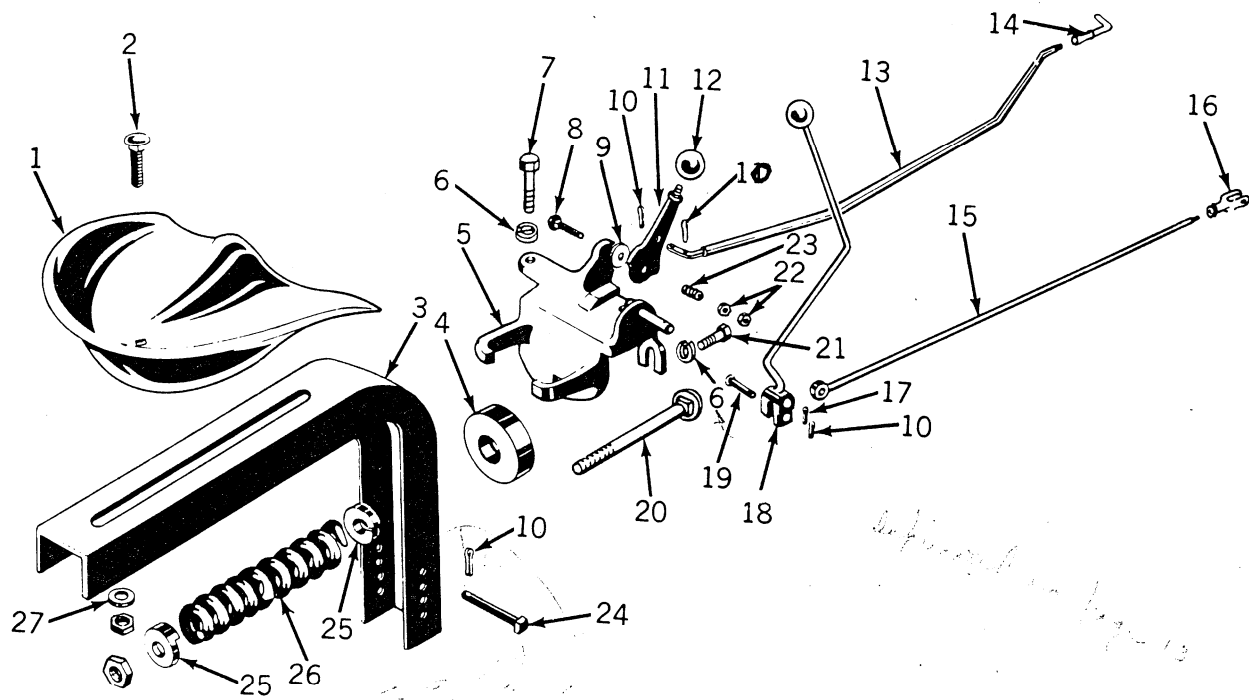


REAR TRANSMISSION COVER—Continued

Key	Part No.	Serial No.	Description
1	TE 480 Y	(-)	Footplate
2	24H 149 H	(-)	Washer, Plain, 3/8" x 7/8" x 16 Gauge (4 used)
	24H 381A	(-)	Washer, Plain, 1/2" x 1-1/4" x 14 Gauge (2 used)
3	19H 317 T	(-)	Screw, Cap, Hex. Hd., 7/16" x 3/4" (2 used)
4	19H 239 T	(-)	Screw, Cap, Hex. Hd., 3/8" x 1-3/4"
5	TE 402 Y	(-332397)	Gasket, Rear Cover
	B 351 R	(332398-)	Gasket, Rear Cover (Sub. for TE407)
6	12H 13 R	(-)	Washer, Lock, 1/2" (8 used)
7	19H 457 R	(-)	Screw, Cap, Hex. Hd., 1/2" x 1-1/2" (7 used)
8	19H 467 R	(-332397)	Screw, Cap, Hex. Hd., 1/2" x 1-3/4"
9	TE 401 Y	(-332397)	Cover, Rear Transmission
	TE 767 Y	(332398-)	
10	11H 39 R	(-)	Pin, Cotter, 1/8" x 3/4"
11	TE 491 Y	(-)	Pin, Seat Channel
12	3H 715 R	(334515-)	Bolt, Cge., 5/8" x 4", with Hex. Nut (4 used)
13	TE 476 Y	(334515-)	Footrest, R.H.
14	TE 432 Y	(-)	Segment, Drawbar
15	12H 15 R	(-)	Washer, Lock, 5/8" (12 used)
16	19H 774 R	(-)	Screw, Cap, Hex. Hd., 3/4" x 2" (4 used)
17	12H 17 R	(-)	Washer, Lock, 3/4" (4 used)
18	TE 437 Y	(-)	Plate, Pivot, Drawbar (2 used)
19	14H 263 R	(-334514)	Nut, Hex., 5/8" (2 used)
20	3H 715 R	(-)	Bolt, Cge., 5/8" x 2-3/4" (2 used)
21	TE 436 YT	(-)	Pin, Pivot, Drawbar
22	ATE 2430 Y	(-)	Drawbar
23	AM 1135 T	(-)	Pin, Drawbar (Sub. for TE2435 and TE445YT)
24	14H 255 R	(-)	Nut, Hex., 3/8" (2 used)
25	12H 11 R	(-)	Washer, Lock, 3/8" (7 used)
26	A 574 R	(-)	Gasket for TE406Y (Sub. for TE408)
27	TE 406 Y	(-)	Cover Cap, Rear Transmission
28	19H 221 R	(-)	Screw, Cap, Hex. Hd., 3/8" x 1-1/4" (3 used)
29	15H 253 R	(-)	Plug, Pipe, 1/8"
30	19H 676 R	(-)	Screw, Cap, Hex. Hd., 5/8" x 2" (4 used)
31	TE 477 Y	(334515-)	Footrest, L.H.



SEAT AND CONTROL LEVERS

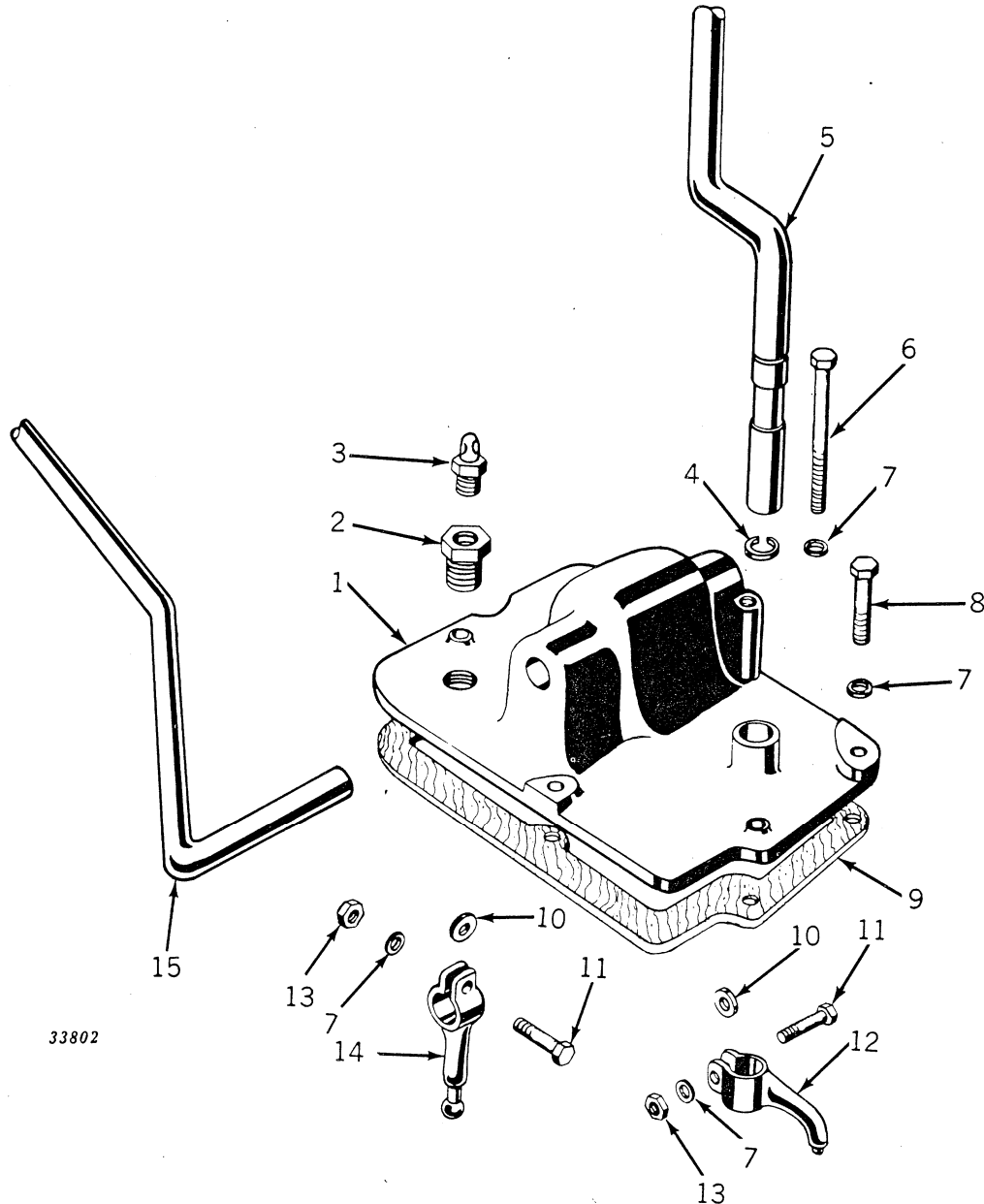


33801

Key	Part No.	Serial No.	Description
1	AD 1606 R	(-)	Seat (Sub. for TE487)
2	2H 648 R	(-)	Bolt, Cge., 1/2" x 2", with Hex. Nut
3	TE 486 Y	(-)	Channel, Seat
4	TE 494 Y	(-)	Bushing, Rubber
5	ATE 2768 Y	(332398-)	Bracket, Clutch and Throttle Levers
6	12H 13 R	(332398-)	Washer, Spring Lock, 1/2" (3 used)
7	19H 457 R	(332398-)	Screw, Cap, Hex. Hd., 1/2" x 1-1/2" (2 used)
8	TE 85 Y	(-332397)	Bolt, Throttle Friction
9	TE 83 Y	(332398-)	Bolt, Cge., 3/8" x 3-1/2" less Nut
	TE 84 Y	(-332397)	Washer, Friction, Leather
10	11H 22 R	(-)	Washer, Steel
11	TE 82 Y	(-332397)	Pin, Cotter, 3/32" x 1" (2 used)
	ATE 2080 Y	(332398-)	Lever, Throttle
12	9001 Y	(332398-)	Lever, Throttle
13	ATE 2087 Y	(332398-)	Knob, Throttle Lever
14	D 2887 R	(-)	Rod, Throttle
15	TE 88 Y	(-332397)	End, Throttle Rod (Sub. for TE4)
	B 752 R	(-332397)	Sub. B752R
	TE 95 Y	(332398-)	Rod, Clutch
16	B 843 R	(-)	Yoke, Clutch Rod
17	11H 80 R	(332398-)	Pin, Cotter, 3/16" x 1"
18	AA 794 R	(-332397)	Lever, Clutch (Sub. for TE90)
	TE 94 Y	(332398-)	Lever, Clutch
19	D 1994 R	(332398-)	Pin, Clutch Lever (Sub. for TE96)
20	19H 467 R	(332398-)	Bolt, Cge., 5/8" x 9-1/2", with Hex. Nut
21	19H 467 R	(332398-)	Screw, Cap, Hex. Hd., 1/2" x 1-3/4"
22	14H 344 A	(332398-)	Nut, Hex., Jam, 7/16" (2 used)
23	TE 86 Y	(332398-)	Spring, Throttle
24	TE 491 Y	(-)	Pin, Seat Channel
25	C 1982 R	(-)	Washer (2 used) (Sub. for TE483)
26	A 618 R	(-)	Spring, Seat (Sub. for TE488)
27	24H 477 A	(-)	Washer, Plain, 9/16" x 1-3/8" x 12 Gauge



TRANSMISSION COVER



33802

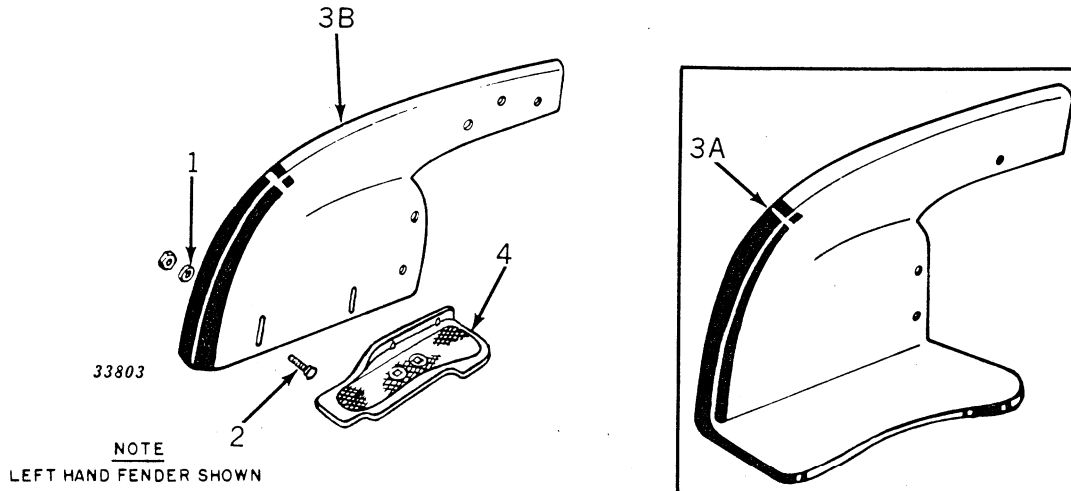
Key	Part No.	Serial No.	Description
1	AB 614 R	(-)	Cover, Transmission (Sub. for TE420Y)
2	USA 518	(-)	Bushing, Pipe, 3/4" MPT, 1/8" FPT
3	7270 Y	(-)	Vent, Air, 1/8" (Alemite No. G131532)
4	B 387 R	(-)	Ring, Snap, 5/8"
5	TE 92 Y	(-)	Lever, Overdrive
6	19H 284 R	(-)	Screw, Cap, Hex. Hd., 3/8" x 3-1/2"
7	12H 11 R	(-)	Washer, Lock, 3/8" (8 used)
8	19H 211 R	(-)	Screw, Cap, Hex. Hd., 3/8" x 1" (5 used)
9	B 393 R	(-)	Gasket, Transmission Cover (Sub. for TE774)
10	A 147 R	(-)	Spacer (2 used)
11	19H 230 H	(-)	Screw, Cap, Hex. Hd., 3/8" x 1/2" (2 used)
12	B 388 R	(-)	Shifter, Overdrive
13	14H 255 R	(-)	Nut, Hex., 3/8" (2 used)
14	B 711 R	(-)	Shifter, Low and Reverse (Sub. for TE421)
15	TE 91 Y	(-)	Lever, Gear Shift

(Part listed below is not illustrated.)

TE 1420	(-)	Cover, Transmission, Assembly (Sub. Components Shown Above)
---------	-------	---

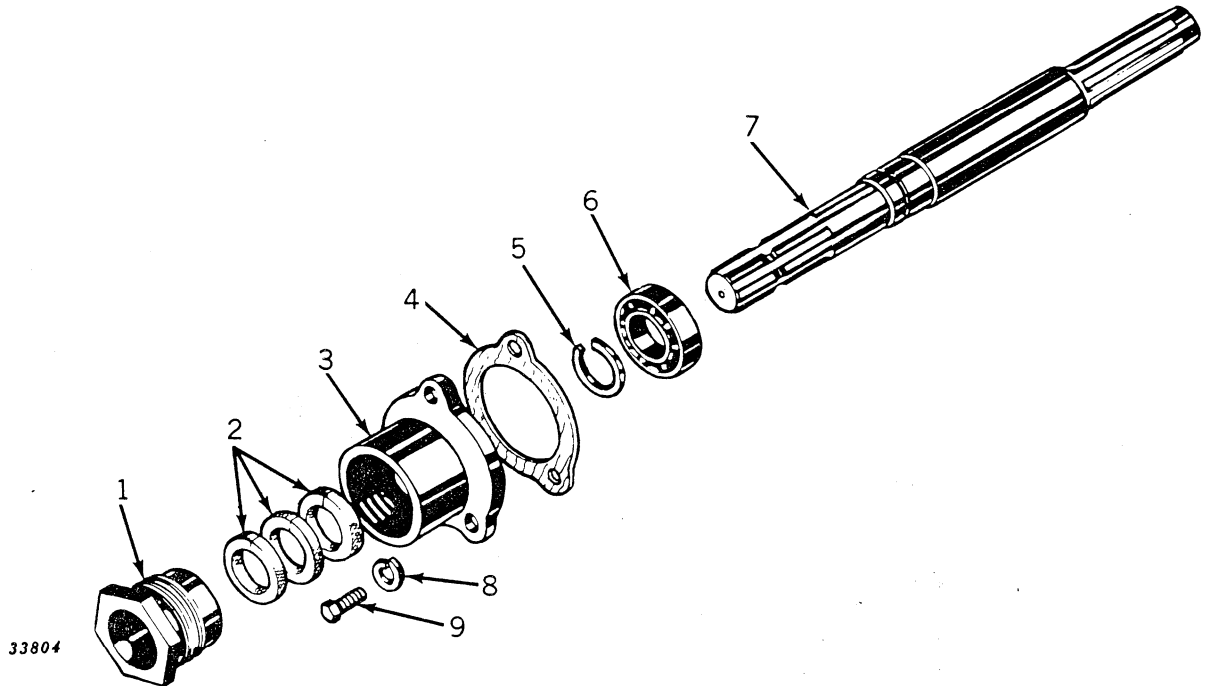


FENDERS



Key	Part No.	Serial No.	Description
1	24H 149 H	(334515-)	Washer, Plain, 5/16", 3/8" x 7/8" x 16 Gauge (2 used)
2	...	(334515-)	Bolt, Cge., 5/16" x 1", with Nut (2 used)
3A	(TE 484 Y	(331717-334393)	Fender
	(TE 485 Y	(331717-334393)	
3B	(TE 474 Y	(334515-)	Fender, Standard, R.H.
	(TE 475 Y	(334515-)	Fender, Standard, L.H.
4	(TE 476 Y	(334515-)	Footrest, R.H.
	(TE 477 Y	(334515-)	Footrest, L.H.

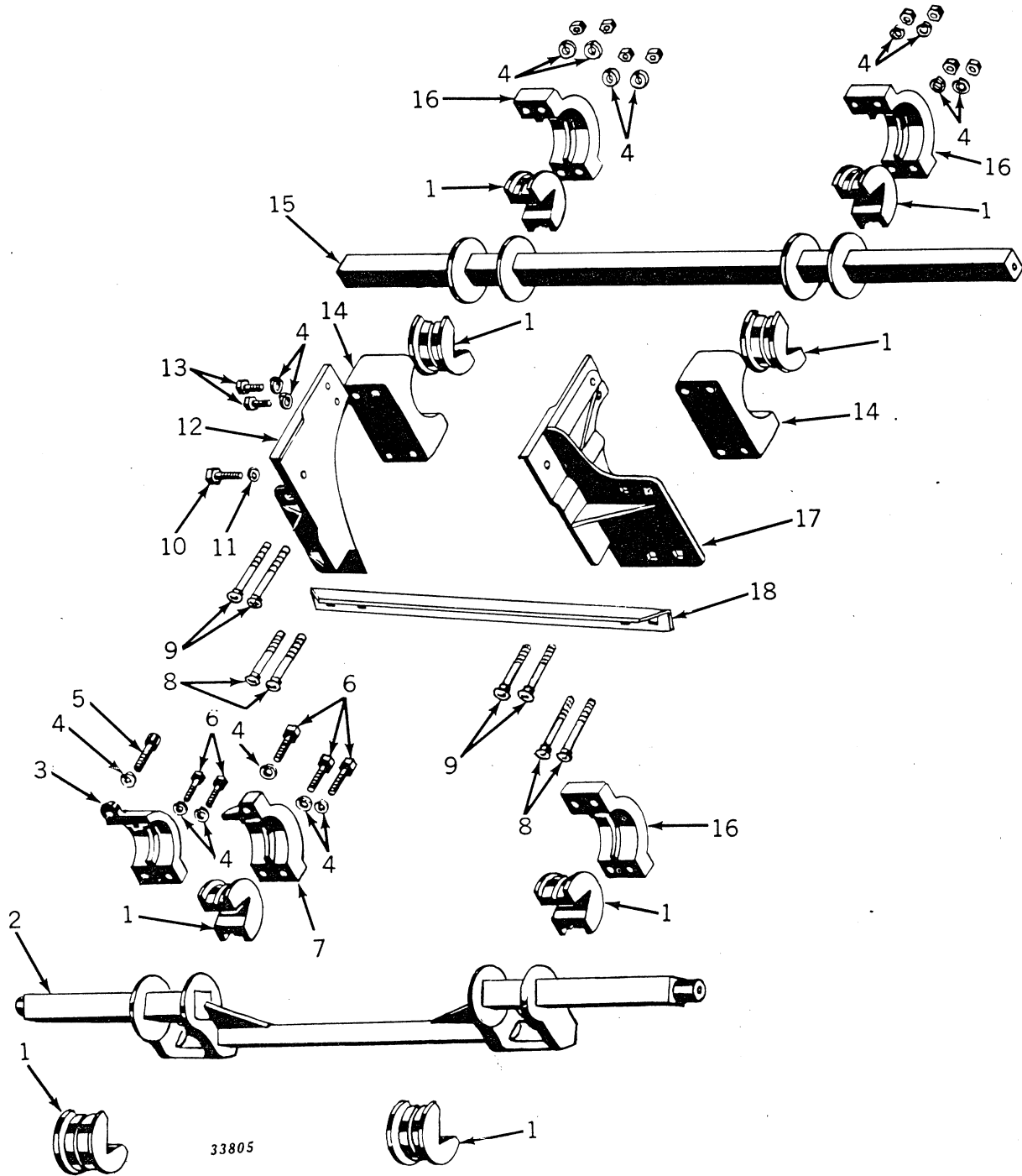
POWER TAKE-OFF



Key	Part No.	Serial No.	Description
1	A 775 R	(-)	Gland, Power Take-Off (Sub. for TE412)
2	A 575 R	(-)	Ring, Packing (Sub. for TE413)
3	A 774 R	(-)	Box, Power Take-Off Packing Ring (Sub. for TE411)
4	A 574 R	(-)	Gasket, for Power Take-Off Packing Ring Box (Sub. for TE414)
5	5791 Y	(-)	Ring, Snap, External, 1-1/8" Shaft Size
6	JD 7664 R	(-)	Bearing, Ball (New Departure No. 1206)
7	TE 410 Y	(-)	Shaft, Power Take-Off
8	12H 11 R	(-)	Washer, Lock, 3/8"
9	19H 221 R	(-)	Screw, Cap, Hex. Hd., 3/8" x 1-1/4"
(Part listed below is not illustrated.)			
	TE 1410	(-)	Shaft, Power Take-Off Assembly (Sub. Component Parts Shown Above)



CARRIER YOKE AND CROSS MEMBERS

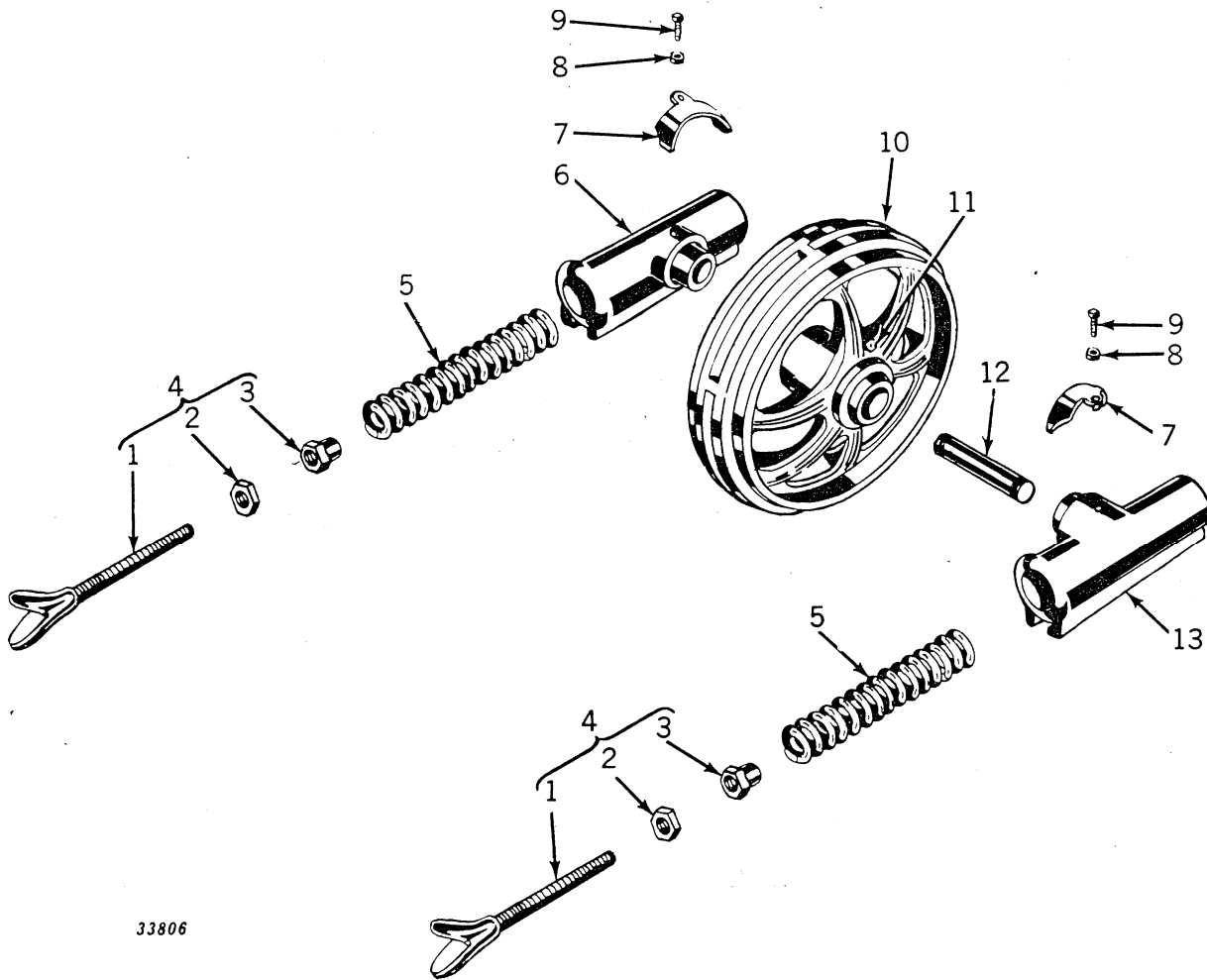


CARRIER YOKE AND CROSS MEMBERS—Continued

Key	Part No.	Serial No.	Description
1	TE 70 Y	(-)	Bushing, Rubber, Half (8 used)
2	ATE 2071 Y	(-)	Member, Cross, Rear 60"
	ATE 2073 Y	(-)	Member, Cross, Rear, Special 72"
	ATE 2075 Y	(-)	Member, Cross, Rear, Special 82"
3	TE 67 Y	(-)	Cap, Cross Member Bushing, L.H. Rear (Tractors with Self-Starters)
4	12H 15 R	(-)	Washer, Lock, 5/8" (20 used) (Tractors with Self-Starters)
5	8191 Y	(-)	Screw, Cap, Allen Head, 5/8" x 1-1/4" (Tractors with Self-Starters)
6	19H 698 R	(-)	Screw, Cap, Hex. Hd., 5/8" x 2-3/4" (7 used)
7	TE 69 Y	(-)	Cap, Cross Member Bushing, L.H. Rear (Tractors with Hand-Starters)
8	(-)	Bolt, Cge., 5/8" x 6-1/2", with Hex. Nut (4 used)
9	(-)	Bolt, Cge., 5/8" x 6", with Hex. Nut (4 used)
10	19H 774 R	(-)	Screw, Cap, Hex. Hd., 3/4" x 2" (2 used)
11	12H 17 R	(-)	Washer, Lock, 3/4" (2 used)
12	TE 461 Y	(-)	Bracket, Front Carrier Yoke, L.H.
13	19H 652 T	(-)	Screw, Cap, Hex. Hd., 5/8" x 1-1/4" (4 used)
14	TE 61 Y	(-)	Block, Saddle, Front Cross Member Bushing (2 used)
15	ATE 2072 Y	(-)	Member, Cross, Front 60"
	ATE 2074 Y	(-)	Member, Cross, Front, Special 72"
	ATE 2076 Y	(-)	Member, Cross, Front, Special 82"
16	TE 68 Y	(-)	Cap, Cross Member Bushing, Regular (3 used)
17	TE 462 Y	(-)	Bracket, Front Carrier Yoke, R.H.
18	TE 463 Y	(-)	Angle, Front Carrier Yoke
(Part listed below is not illustrated.)			
	TE 2462	(-)	Yoke, Carrier, Assembly (Sub. Components Shown Above)



FRONT IDLER

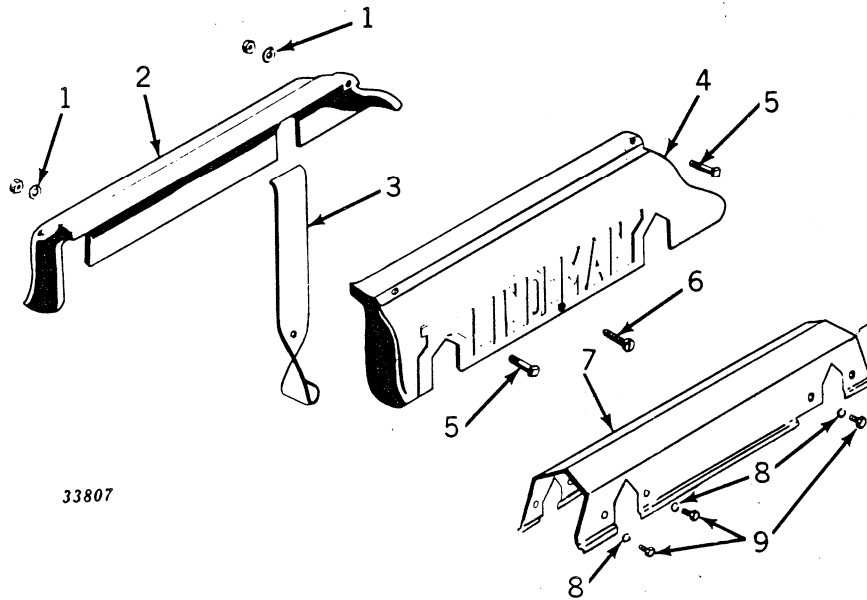


33806

Key	Part No.	Serial No.	Description
1	ATE 2014 Y	(-)	Bolt, Front Idler Tension
2	14H 344 A	(-)	Nut, Hex., Jam, 7/8"
3	TE 16 Y	(-)	Nut, Front Idler Tension
4	ATE 1014 Y	(-)	Bolt, Front Idler Tension, Assembly
5	TE 15 Y	(-335481)	Spring, Front Idler Tension
	TE 744 YT	(335482-	
6	TE 13 Y	(-335481)	Bracket, Front Idler, L.H.
	TE 743 Y	(335482-	
7	TE 17 Y	(-)	Shield, Dust, Front Idler (4 used)
8	14H 344 A	(-335481)	Nut, Hex., Jam, 7/16" (4 used)
	14H 465 T	(335482-	
	22H 129 H	(-335481)	Nut, Hex., Jam, 3/8" (4 used)
	4590 Y	(335482-	
9	ATE 2229 YT	(-)	Screw, Set, Sq. Hd., 7/16" x 2-1/2" (4 used)
10	JD 7821	(-)	Screw, Set, Sq. Hd., 3/8" x 2-1/2" (4 used)
11	TE 18 Y	(-)	Idler, Front, Assembly (2 used) Sub. for TE19, TE20, and TE1019
12	TE 12 Y	(-)	Fitting, Grease, Btn. Hd., 3/8" (Alemite No. A-1188) (2 used)
13	TE 12 Y	(-335481)	Shaft, Front Idler
	TE 742 Y	(335482-	
(Parts listed below are not illustrated.)			
	TE 799	(-)	Wrench, Idler and Track Shoes
	TE 1012	(326109-335481)	Sub. One ATE2229YT, One TE12Y, One TE13Y, and One TE18Y
	TE 1020	(-)	
	TE 1021	(-)	
	TE 1742	(335482-	



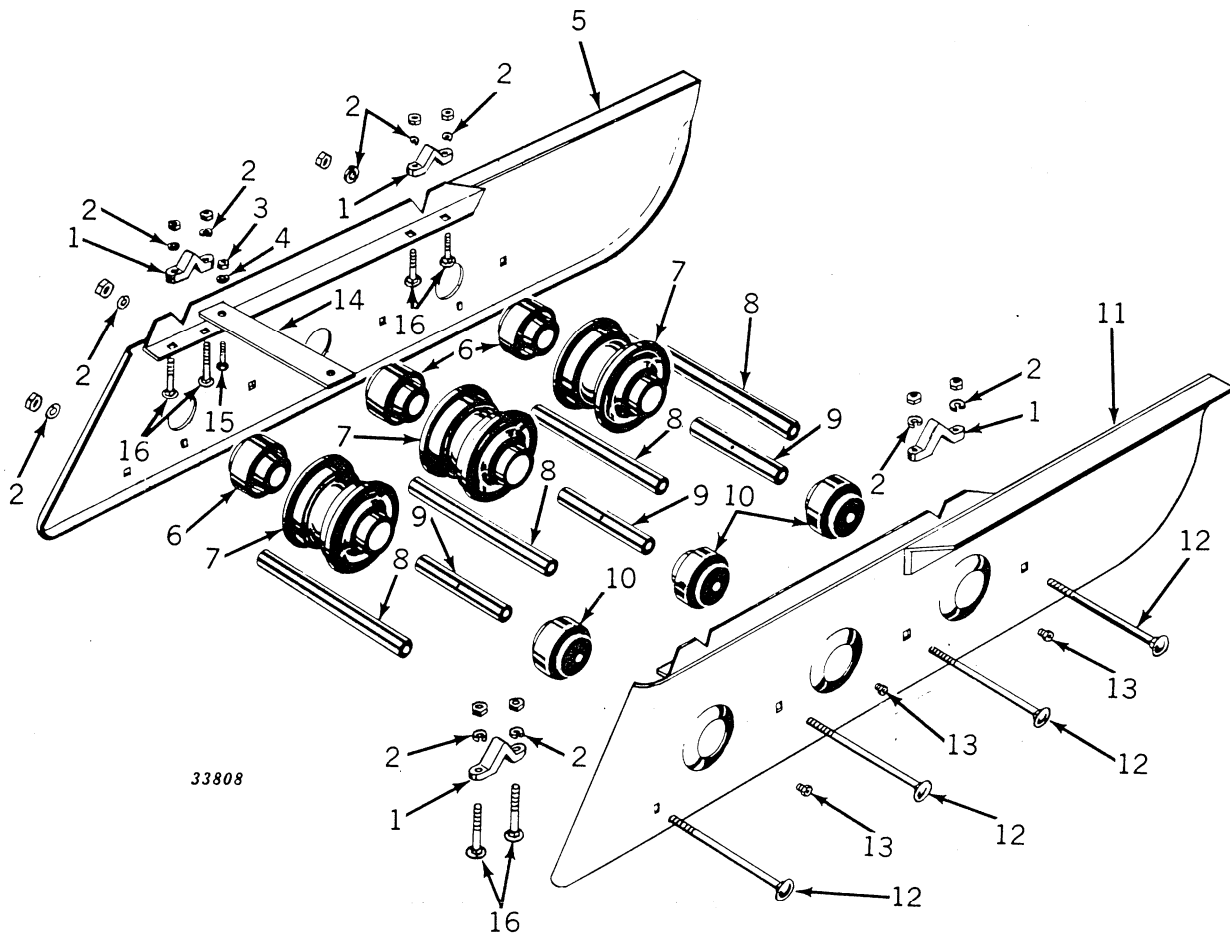
TRACK FRAME COVER



Key	Part No.	Serial No.	Description
1	12H 11 R	(-)	Washer, Lock, 3/8" (4 used)
2	TE 48 Y	(-)	Cover, Track Frame, L.H. Half (Sub. TE295YT)
3	TE 49 Y	(-335533)	Strap, Hold-Down
4	TE 47 Y	(-)	Cover, Track Frame, R.H. Half (Sub. TE295YT)
5	8046 Y	(-)	Bolt, Mach., 3/8" x 3-1/2", with Hex. Nut (4 used)
6	(ATE 2295 YT)	(-)	Screw, Self-Tapping (2 used)
7	TE 295 YT	(-)	Sub. TE295YT
8	12H 10 R	(-)	Cover, Track Frame (2 used) (Sub. for TE1047, TE47A, TE47Y, TE48A, and TE48Y)
9	19H 96 R	(-)	Washer, Lock, 5/16" (6 used)
			Screw, Cap, 5/16" x 1/2" (6 used)



TRACK FRAME



33808

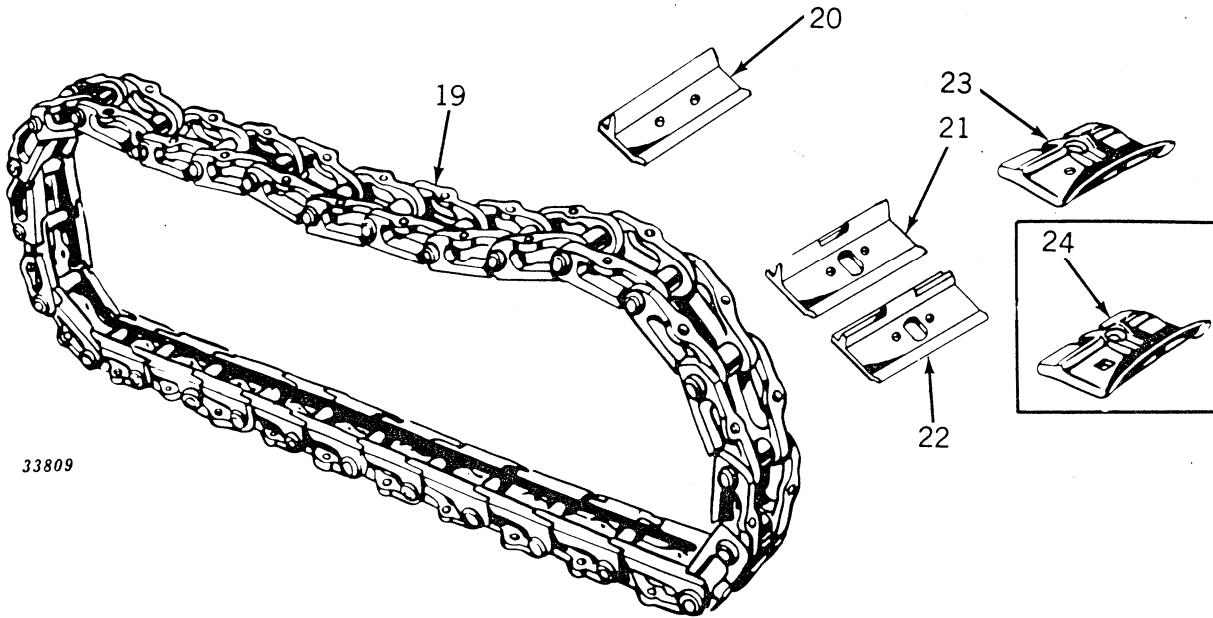
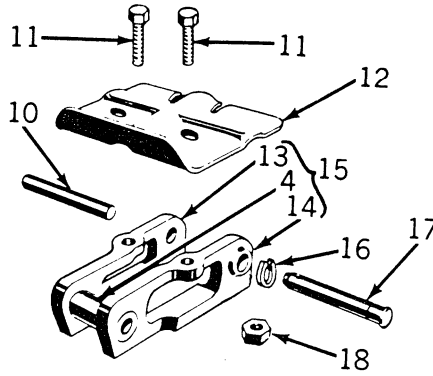
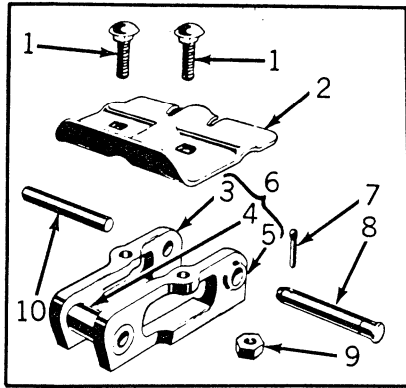


TRACK FRAME—Continued

Key	Part No.	Serial No.	Description
1	AM 1129 T	(-)	Clamp, Track Frame (8 used) (Sub. for TE25)
2	12H 15 R	(-)	Washer, Lock, 5/8" (24 used)
3	14H 255 R	(-)	Nut, Hex., 3/8" (4 used)
4	12H 11 R	(-)	Washer, Lock, 3/8" (4 used)
5	ATE 2079 YT	(-)	Frame, Track, L.H. (2 used)
6	AM 1128 T	(-)	Sleeve, Track Roller, Inner (6 used) (Sub. for TE46)
7	ATE 1044 YT	(-)	Roller, Track, Assembly (6 used) (Sub. for TE44 and TE42)
8	TE 23 YT	(-)	Spacer, Track Frame (8 used)
9	TE 43 Y	(-335395)	Shaft, Track Roller (6 used)
	TE 745 YT	(335396-)	
10	AM 1127 T	(-)	Sleeve, Track Roller, Outer (6 used) (Sub. for TE45) —
11	ATE 2078 YT	(-)	Frame, Track, R.H. (2 used)
12	(-)	Bolt, Cge., 5/8" x 9", with Hex. Nut (8 used)
13	JD 7821	(-)	Fitting, Grease, Btn. Hd., 3/8" (Alemite No. A-1188) (6 used)
14	TE 22 YT	(-)	Strap, Track Frame Tie (2 used)
15	19H 211 R	(-)	Screw, Cap, Hex. Hd., 3/8" x 1" (4 used)
16	3H 737 B	(-)	Bolt, Cge., 5/8" x 4", with Hex. Nut (16 used)
(Parts listed below are not illustrated.)			
	TE 1078	(-)	Frame, Track, R.H. Assembly (Sub. Components Shown Above)
	TE 1079	(-)	Frame, Track, L.H. Assembly (Sub. Components Shown Above)



TRACK



33809



TRACK—Continued

Key	Part No.	Serial No.	Description
1	TE 24 YT (-)	Bolt, Track Shoe (Square Neck) (Used only with Old Style Shoes with Square Holes) (56 used per Track)
2	TE 39 YT (-)	Shoe, 10", Old Style (Sub. M1663T Shoe with Two M1664T Track Shoe Bolts and Two 9027YT Nuts) (28 used per Track)
	TE 40 YT (-)	Shoe, 12", Old Style (Sub. M1666T Shoe with Two M1664T Track Shoe Bolts and Two 9027YT Nuts) (28 used per Track)
	TE 41 YT (-)	Shoe, 14", Old Style (Sub. M1667T Shoe with Two M1664T Track Shoe Bolts and Two 9027YT Nuts) (28 used per Track)
3	TE 29 YT (-)	Link, Track, Plain, L.H., Old Style (Sub. AM1144T) (27 used per Track)
	TE 31 YT (-)	Link, Track, Locking, L.H., Old Style (Sub. AM1133T)
4	TE 38 YT (-)	Bushing Track Link (Sub. AM2028T, Package of 28) (28 used per Track)
5	TE 28 YT (-)	Link, Track, Plain, R.H., Old Style (Sub. AM1134T) (27 used per Track)
	TE 30 YT (-)	Link, Track, Locking, R.H., Old Style (Sub. AM1132T)
6	ATE 1028 YT (-)	Repair Assembly, Track Link, Plain, Old Style (Sub. AM1145T) (27 used per Track)
	ATE ²⁰³⁰ 1035 YT (-)	Repair Assembly, Track Link Locking, Old Style (Sub. AM1146T)
7	11H 111 B (-)	Pin, Cotter, 1/4" x 1-1/4", used only with Old Style ATE1035YT Locking Link
8	TE 34 Y (-)	Pin, Link, Locking, used only with Old Style ATE1035YT Locking Link
9	9027 YT (-)	Nut, Track Bolt, Locking (56 used per Track)
10	TE 35 YT (-)	Pin, Track Link (27 used per Track)
11	M 1664 T (-)	Bolt, Track Shoe (Used only with New Style Shoes with Round Holes) (56 used per Track)
12	M 1663 T (-)	Shoes, Track, 10" (28 used per Track)
	M 1666 T (-)	Shoes, Track, 12" (28 used per Track)
	M 1667 T (-)	Shoes, Track, 14" (28 used per Track)
13	AM 1144 T (-)	Link, Track, Plain L.H. (27 used per Track) <i>SUB FOR TE29</i>
	AM 1133 T (-)	Link, Track, Locking L.H. (Sub. for TE31)
14	AM 1134 T (-)	Link, Track, Plain R.H. (27 used per Track) <i>SUB FOR TE28</i>
	AM 1132 T (-)	Link, Track, Locking R.H. (Sub. for TE30)
15	AM 1145 T (-)	Repair Assembly, Track Link Plain (27 used per Track) (Sub. for ATE1028YT)
	AM 1146 T (-)	Repair Assembly, Track Link Locking (Sub. for TE1035 ATE 1035YT)
16	5787 YT (-)	Ring, Snap, Track Lock Pin
17	TE 433 YT (-)	Pin, Track, Locking (Master)
18	M 1665 T (-)	Nut, Track Shoe Bolt
19	ATE 1035 YT (-)	Repair Assembly, Track, less Shoes (2 used per Tractor) (Complete Length)
20	M 1747 T (-)	Shoe, Track, 10" (Rolled) (28 used per Track)
	M 1748 T (-)	Shoe, Track, 12" (Rolled) (28 used per Track)
	M 1749 T (-)	Shoe, Track, 14" (Rolled) (28 used per Track)
21	M 1826 T (-)	Shoe, Track Snow, 12", Center Notch (14 used per Track)
22	M 1827 T (-)	Shoe, Track Snow, 12", End Notch (14 used per Track)
23	M 1668 T (-)	Shoe, Track Snow, 12", Old Style (28 used per Track)
24	TE 443 Y (-)	Shoe, Track Snow, 12" (Sub. M1668T Shoe with Two M1664T Track Shoe Bolts and Two 9027YT Nuts) (28 used per Track)

(Parts listed below are not illustrated.)

TE 1024 (-)	Bolt, Track, with Nut (Sub. Components Shown Above)
AM 1652 T (-)	Track Complete, with 10" Plates (Sub. for TE1039)
AM 1653 T (-)	Track Complete, with 12" Plates (Sub. for TE1040)
AM 1654 T (-)	Track Complete, with 14" Plates (Sub. for TE1041)



MEMORANDA



NUMERICAL INDEX
TRACTOR, CRAWLER—MODEL "BO" (SERIAL No. 326109-

Part No.	Page No.	Key	Part No.	Page No.	Key	Part No.	Page No.	Key	Part No.	Page No.	Key
2H 648 R.....	14	2	9001 Y.....	7	3	ATE 1533 Y....	9	15	JD		
3H 715 R.....	13	20		14	12	ATE 1541 Y....	7	26	JD 7135 Y.....	11	14
3H 737 B.....	23	16	9010 Y.....	7	26	ATE 1548 Y....	9	21	JD 7136 Y.....	9	4
11H 22 R.....	14	10		9	21	ATE 1554 Y....	9	15	JD 7159 C.....	11	2
11H 39 R.....	7	23	9027 YT.....	25	9	ATE 1562 Y....	7	37	JD 7664 R.....	17	6
									JD 7666 R.....	5	32
11H 80 R.....	14	17	A			ATE 1700 Y....	9	6	JD 7670 R.....	11	9
11H 88 R.....	11	28				ATE 1702 Y....	9	9	JD 7680 R.....	10	9
11H 111 B.....	25	7	A 147 R.....	15	10	ATE 1708 Y....	9	5	JD 7794.....	9	16
12H 10 R.....	5	27	A 514 R.....	17	4	ATE 1714 Y....	11	17	JD 7816.....	7	5
12H 11 R.....	5	17	A 574 R.....	13	26	ATE 1739 Y....	9	7	JD 7821.....	20	11
12H 12 R.....	5	23	A 575 R.....	17	2				23	13	
12H 13 R.....	5	34	A 618 R.....	14	26	ATE 1740 Y....	9	6	M		
12H 15 R.....	7	10	A 774 R.....	17	3	ATE 1761 Y....	5	1	M 1663 T.....	25	12
12H 17 R.....	13	17	A 775 R.....	17	1	ATE 2014 Y....	20	1	M 1664 T.....	25	11
14H 99 A.....	5	11				ATE 2071 Y....	19	2	M 1665 T.....	25	18
						ATE 2072 Y....	19	15	M 1666 T.....	25	12
14H 255 R.....	13	24	AA			ATE 2073 Y....	19	2	M 1667 T.....	25	12
14H 263 R.....	11	29	AA 794 R.....	14	18	ATE 2074 Y....	19	15	M 1668 T.....	25	23
14H 344 A.....	14	22				ATE 2075 Y....	19	2	M 1747 T.....	25	20
14H 383 R.....	9	24				ATE 2076 Y....	19	15	M 1748 T.....	25	20
14H 465 T.....	20	8				ATE 2078 YT..	23	11	M 1749 T.....	25	20
									M 1826 T.....	25	21
15H 200 R.....	11	27	AB			ATE 2079 YT..	23	5	M 1827 T.....	25	22
15H 253 R.....	9	15	AB 1390 R.....	5	1	ATE 2080 Y....	14	11			
15H 256 T.....	11	26	AB 3931 R.....	5	16	ATE 2087 Y....	14	13			
15H 277 T.....	7	34	AB 3932 R.....	5	16	ATE 2229 YT..	20	10			
16H 698 A.....	10	2				ATE 2295 YT..	21	7			
						ATE 2430 Y....	13	22			
19H 96 R.....	5	26	AD			ATE 2533 Y....	9	15			
19H 112 R.....	7	7	AD 1606 R.....	14	1	ATE 2554 Y....	9	15			
19H 211 R.....	5	26				ATE 2768 Y....	14	5			
19H 221 R.....	13	28							TE		
19H 230 H.....	15	11							TE 4.....	14	14
									TE 12 Y.....	20	13
19H 239 T.....	5	18							TE 13 Y.....	20	6
19H 250 T.....	5	19							TE 15 Y.....	20	5
19H 284 R.....	15	6							TE 16 Y.....	20	3
19H 317 T.....	13	6							TE 17 Y.....	20	7
19H 332 R.....	5	22							TE 18 Y.....	20	12
									TE 19.....	20	10
19H 345 T.....	11	12	AM			B 152 R.....	5	31	TE 20.....	20	10
19H 436 T.....	5	33	AM 1035 YT...	25	19	B 154 R.....	5	3	TE 22 YT.....	23	14
19H 457 R.....	13	7	AM 1127 T....	23	10	B 156 R.....	5	30	TE 23 YT.....	23	8
19H 467 R.....	13	8	AM 1128 T....	23	6	B 166 R.....	5	20	TE 24 YT.....	25	1
19H 652 T.....	7	11	AM 1129 T....	23	1	B 168 R.....	5	15	TE 25.....	23	1
			AM 1132 T....	25	14				TE 28 YT.....	25	5
19H 676 R.....	7	35				B 173 R.....	5	12	TE 29 YT.....	25	3
19H 698 R.....	19	6	AM 1133 T....	25	13	B 300 R.....	13	5	TE 30 YT.....	25	5
19H 721 D.....	11	24	AM 1134 T....	25	14	B 330 R.....	7	38	TE 31 YT.....	25	3
19H 732 R.....	7	32	AM 1144 T....	25	13	B 387 R.....	15	4	TE 34 Y.....	25	8
19H 774 R.....	13	16	AM 1145 T....	25	15	B 388 R.....	15	12	TE 35 YT.....	25	10
			AM 1146 T....	25	15				TE 38 YT.....	25	4
						B 393 R.....	15	9	TE 39 YT.....	25	2
22H 129 H.....	20	9	ATE			B 711 R.....	15	14	TE 40 YT.....	25	2
24H 149 H.....	13	2	ATE 1014 Y....	20	4	B 744 R.....	5	21	TE 41 YT.....	25	2
24H 381 A.....	5	10	ATE 1028 YT..	25	6	B 749 R.....	5	25	TE 42.....	23	7
24H 477 A.....	14	27	ATE 1035 YT..	25	6	B 752 R.....	14	15	TE 43 Y.....	23	9
26H 32 R.....	10	4	ATE 1044 YT..	23	7				TE 44.....	23	7
			ATE 1464 Y....	7	2	B 843 R.....	5	13	TE 45.....	23	10
29H 483 R.....	9	15							TE 46.....	23	6
			ATE 1465 Y....	7	2	B 844 R.....	5	14	TE 47A.....	21	7
4590 Y.....	20	9	ATE 1466 Y....	7	1	B 1213 R.....	5	24	TE 47 Y.....	21	4
5196 Y.....	7	15	ATE 1467 Y....	7	1	B 1579 R.....	5	29	TE 48A.....	21	7
5198 Y.....	7	30	ATE 1501 Y....	9	12	B 1853 R.....	5	15	TE 48 Y.....	21	2
5747 Y.....	10	11	ATE 1502 Y....	9	12				TE 49 Y.....	21	3
5783 Y.....	9	2				B 1855 R.....	5	12	TE 52 Y.....	11	23
			ATE 1503 Y....	9	12	B 2038 R.....	5	21	TE 53 Y.....	11	21
5784 Y.....	9	25	ATE 1504 Y....	9	12						
5787 YT.....	25	16	ATE 1505 Y....	9	12	C					
5791 Y.....	17	5	ATE 1508 Y....	9	12	C 1982 R.....	14	25			
5853 Y.....	9	2	ATE 1509 Y....	9	12						
5867 Y.....	10	7									
			ATE 1510 Y....	9	18						
5878 Y.....	11	15	ATE 1511 Y....	10	1						
7270 Y.....	15	3	ATE 1512 Y....	10	6						
7437 Y.....	9	18	ATE 1530 Y....	9	16						
8046 Y.....	21	6	ATE 1532 Y....	9	15						
8191 Y.....	19	5									



NUMERICAL INDEX

TRACTOR, CRAWLER—MODEL "BO" (SERIAL No. 326109-)

Part No.	Page No.	Key	Part No.	Page No.	Key	Part No.	Page No.	Key	Part No.	Page No.	Key
TE 55 Y.....	11	22	TE 465.....	7	2	TE 549 Y.....	7	22	TE 758.....	5	3
TE 61 Y.....	19	14	TE 466.....	7	2	TE 550 Y.....	7	24	TE 759 Y.....	5	3
TE 67 Y.....	19	3	TE 467.....	7	2						
TE 68 Y.....	19	16	TE 474 Y.....	16	3B	TE 551 Y.....	7	27	TE 760 Y.....	5	7
TE 69 Y.....	19	7	TE 475 Y.....	16	3B	TE 553 Y.....	9	22	TE 761 Y.....	5	2
						TE 566 Y.....	7	13	TE 762 Y.....	5	8
TE 70 Y.....	19	1	TE 476 Y.....	13	13	TE 567 Y.....	7	13	TE 763.....	5	16
TE 82 Y.....	14	11		16	4	TE 701 Y.....	9	10	TE 765 Y.....	7	36
TE 83 Y.....	14	9	TE 477 Y.....	13	31						
TE 84 Y.....	14	9		16	4	TE 702 Y.....	9	8	TE 766 Y.....	7	36
TE 85 Y.....	14	8	TE 480 Y.....	13	1	TE 703 Y.....	7	36	TE 767 Y.....	13	9
			TE 483.....	14	25	TE 704 Y.....	7	36	TE 769 Y.....	5	5
TE 86 Y.....	14	23	TE 484 Y.....	16	3A	TE 705.....	7	38	TE 770 Y.....	5	4
TE 88 Y.....	14	15				TE 706 Y.....	7	38	TE 771 Y.....	5	7
TE 90.....	14	18	TE 485 Y.....	16	3A						
TE 91 Y.....	15	15	TE 486 Y.....	14	3	TE 708 Y.....	9	1	TE 772 Y.....	5	9
TE 92 Y.....	15	5	TE 487.....	14	1	TE 709 Y.....	11	10	TE 774.....	15	9
			TE 488.....	14	26	TE 709AY.....	11	10	TE 775.....	5	12
TE 94 Y.....	14	18	TE 491 Y.....	13	11	TE 710 Y.....	9	3	TE 776 Y.....	5	20
TE 95 Y.....	14	15		14	24	TE 712 Y.....	11	29	TE 799.....	20	—
TE 96.....	14	19									
TE 295 YT.....	21	7	TE 494 Y.....	14	4	TE 714 Y.....	11	17	TE 1012.....	20	—
TE 400.....	5	1	TE 502 Y.....	9	11	TE 715 Y.....	11	13	TE 1016.....	7	—
			TE 503 Y.....	9	11	TE 716 Y.....	7	4	TE 1019.....	20	10
TE 401 Y.....	13	9	TE 504 Y.....	9	11	TE 717 Y.....	10	8	TE 1020.....	20	—
TE 402 Y.....	13	5	TE 505 Y.....	9	11	TE 718 Y.....	11	8	TE 1021.....	20	—
TE 403.....	5	3									
TE 406 Y.....	13	27	TE 509 Y.....	9	19	TE 719 Y.....	10	8	TE 1024.....	25	—
TE 407.....	13	5	TE 512 Y.....	10	5	TE 720 Y.....	7	6	TE 1028.....	25	15
			TE 513 Y.....	9	18	TE 721 Y.....	11	8	TE 1030.....	25	14
TE 408.....	13	26	TE 514 Y.....	10	3	TE 722 Y.....	11	20	TE 1031.....	25	13
TE 410 Y.....	17	7	TE 522 Y.....	7	29	TE 724 Y.....	11	20	TE 1038.....	25	15
TE 411.....	17	3									
TE 412.....	17	1	TE 523 Y.....	9	17	TE 725 Y.....	11	3	TE 1039.....	25	—
TE 413.....	17	2	TE 524 Y.....	9	16	TE 726 Y.....	11	5	TE 1040.....	25	—
			TE 525 Y.....	7	19	TE 727 Y.....	11	1	TE 1041.....	25	—
TE 414.....	17	4	TE 526 Y.....	7	16	TE 730 Y.....	11	4	TE 1047.....	21	7
TE 420 Y.....	15	1	TE 528 Y.....	7	28	TE 731 Y.....	10	10	TE 1055.....	11	—
TE 421.....	15	14									
TE 432 Y.....	13	14	TE 529 Y.....	7	12	TE 732 Y.....	11	4	TE 1078.....	23	—
TE 433 YT.....	25	17	TE 534 Y.....	7	14	TE 733 Y.....	10	10	TE 1079.....	23	—
			TE 535 Y.....	7	31	TE 741 Y.....	9	13	TE 1410.....	17	—
TE 436 YT.....	13	21	TE 538 Y.....	7	18	TE 742 Y.....	20	13	TE 1420.....	15	—
TE 437 Y.....	13	18	TE 539 Y.....	7	20	TE 743 Y.....	20	6	TE 1710.....	11	—
TE 443 Y.....	25	24									
TE 445 YT.....	13	23	TE 541.....	7	26	TE 744 YT.....	20	5	TE 1715.....	11	—
TE 448.....	7	37	TE 542 Y.....	7	26	TE 745 YT.....	23	9	TE 1717.....	10	—
			TE 543 Y.....	7	25	TE 750 Y.....	7	33	TE 1718.....	10	—
TE 450.....	7	37	TE 544 Y.....	7	21	TE 753.....	5	31	TE 1742.....	20	—
TE 461 Y.....	19	12	TE 545 Y.....	7	17	TE 754.....	5	29	TE 2435.....	13	23
TE 462 Y.....	19	17									
TE 463 Y.....	19	18	TE 546 Y.....	9	21	TE 755.....	5	25	TE 2462.....	19	—
TE 464.....	7	2	TE 547 Y.....	9	20	TE 756.....	5	30	TE 2506.....	7	13
			TE 548.....	8	21	TE 757.....	5	24	TE 2507.....	7	13

