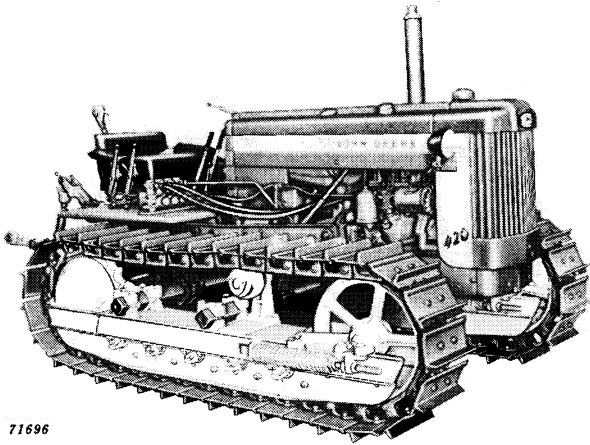




JOHN DEERE
Parts Catalog

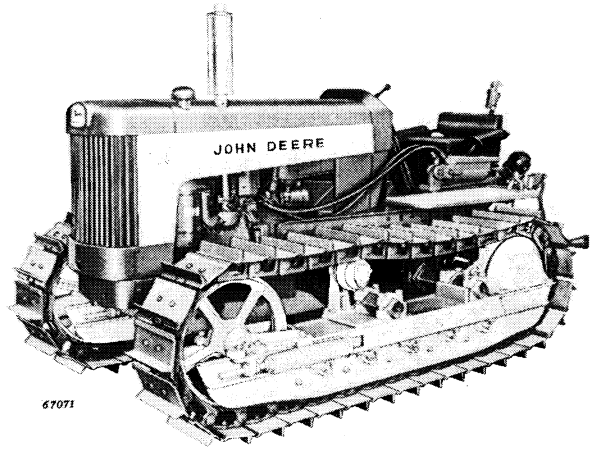
420 AND 430 TRACTORS

PC505



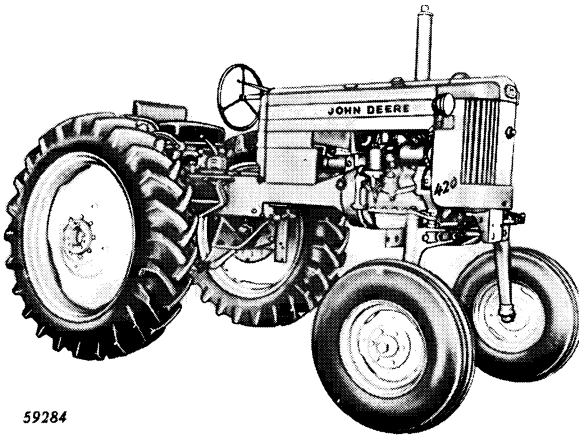
71696

420 Crawler Tractor
(Designation-C)



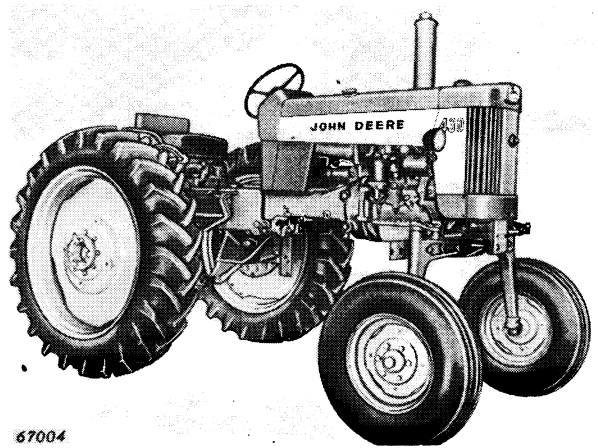
67071

430 Crawler Tractor
(Designation-C)



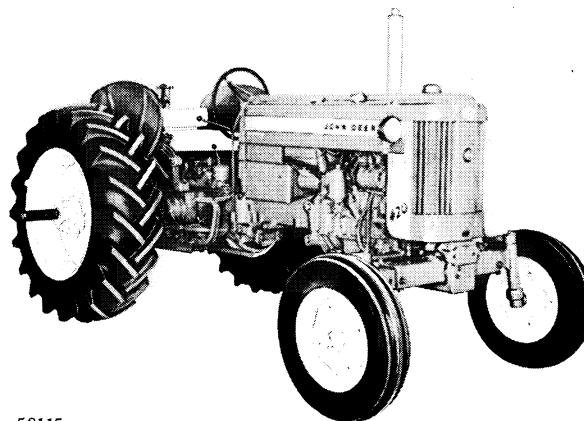
59284

420 Hi-Crop Tractor
(Designation-H)



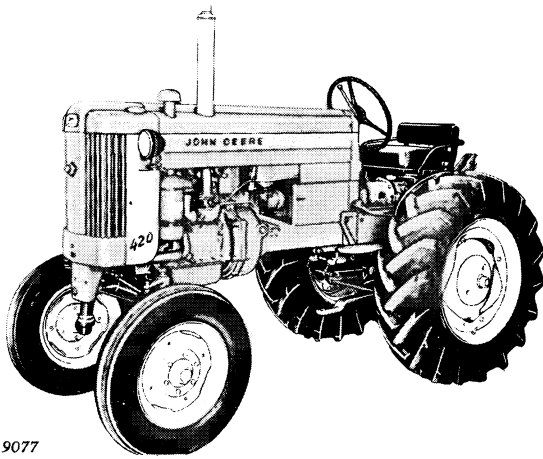
67004

430 Hi-Crop Tractor
(Designation-H)



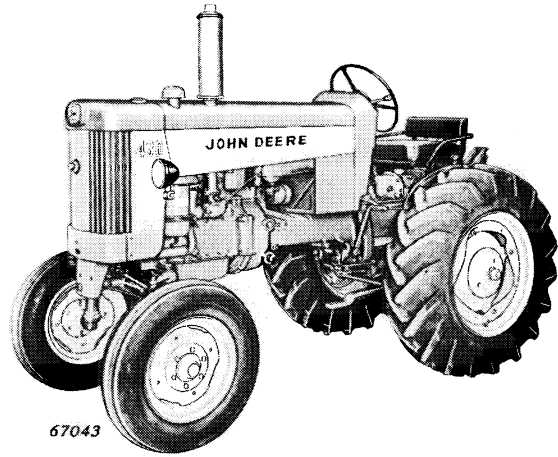
58115

420 Special Utility Tractor
(Designation-I)



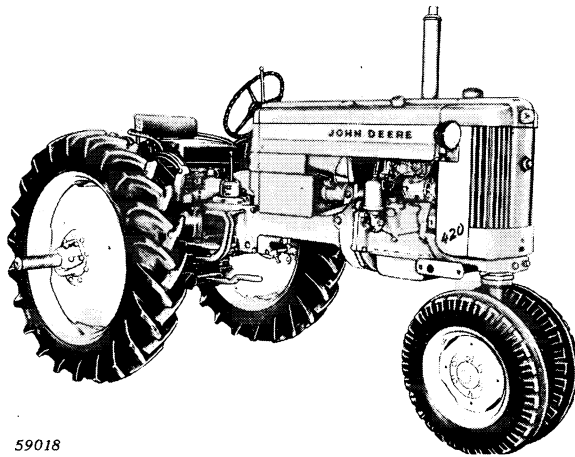
59077

420 Standard Tractor
(Designation-S)



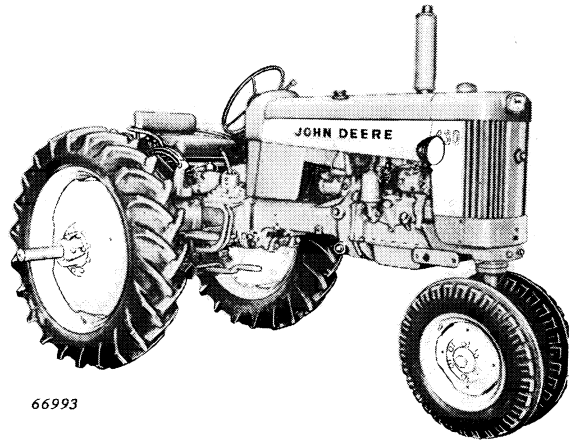
67043

430 Standard Tractor
(Designation-S)



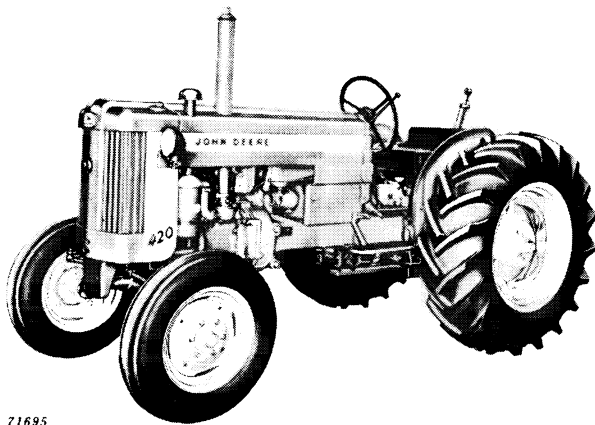
59018

420 Tricycle Tractor
(Designation-T)



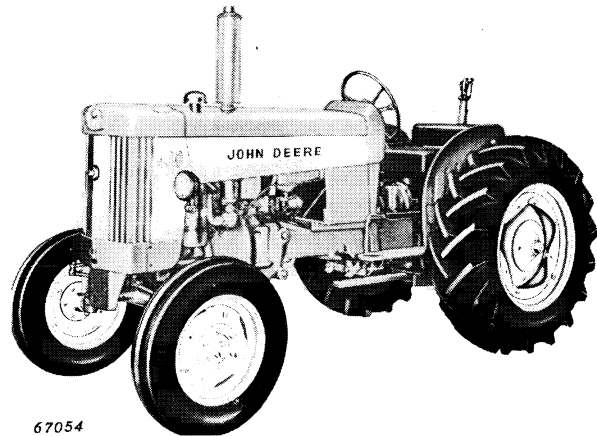
66993

430 Tricycle Tractor
(Designation-T)



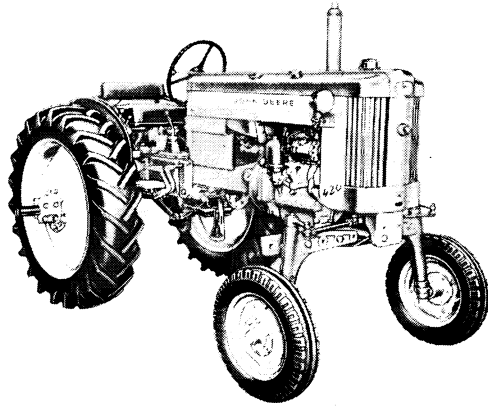
71695

420 Utility Tractor
(Designation-U)



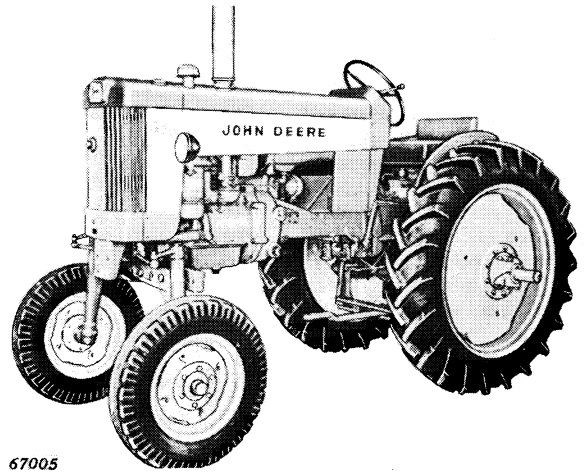
67054

430 Utility Tractor
(Designation-U)



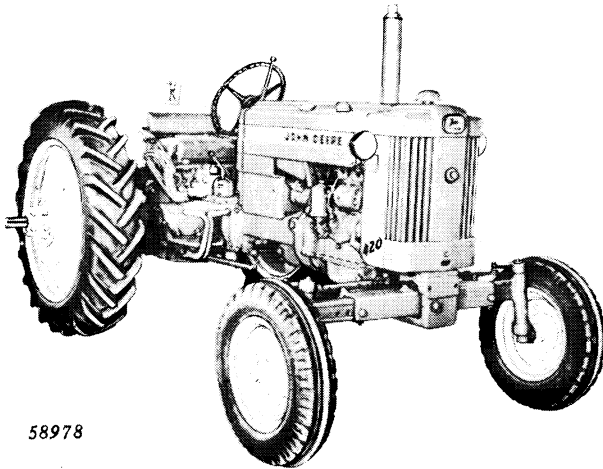
59285

420 Special Tractor
(Designation-V)



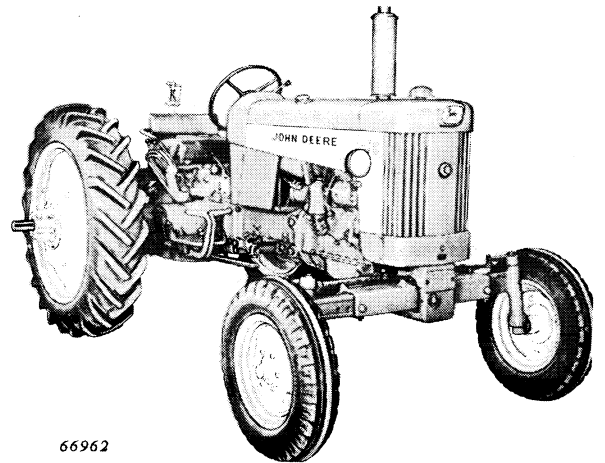
67005

430 Special Tractor
(Designation-V)



58978

420 Row-Crop Utility Tractor
(Designation-W)



66962

430 Row-Crop Utility Tractor
(Designation-W)

SECTIONAL INDEX

Section 5-General Information	5-1 to 5-11	Section 65-Front Wheels, Rear Wheels, and Weights	65-2 to 65-9
Section 10-Engine	10-2 to 10-9	Section 70-Brakes	70-2 to 70-5
Section 15-Engine Accessor- ies	15-2 to 15-21	Section 75-Drawbar Assem- blies	75-2 to 75-15
Section 16-LP-Gas Equipment	16-2 to 16-11	Section 80-Three-Point Hitch	80-2 to 80-5
Section 20-Cooling System	20-2 to 20-5	Section 85-Fenders and Foot Rests, Hood and Grille As- semblies, Battery Box and Mounting	85-2 to 85-17
Section 25-Clutch, Flywheel, and Center Frame	25-2 to 25-25	Section 90-Seats	90-2 to 90-15
Section 30-Transmission, Steer- ing Clutch, Differential, Powershaft, and Belt Pulley	30-2 to 30-47	Section 95-Steering and Brake Linkage, Steering Clutch- Housing, Throw-Out Bearing, and Carrier Assembly	95-2 to 95-5
Section 31-Transmission, Trans- mission Gears and Shafts and Rear Cover for Auburn Trencher	31-2 to 31-5	Section 100-Track and Track- Shoes, Track Roller and Idler Assemblies, Track Frame, and Rock Guards	100-2 to 100-14
Section 35-Final Drives	35-2 to 35-12	Section 105-Electrical Equip- ment	105-1 to 105-23
Section 40-Steering Gear and Front End Support	40-1 to 40-7	Section 110-Decalcomania Kits and Gasket Sets	110-2 to 110-7
Section 41-Power Steering Equipment	41-2 to 41-16	Section 115-Parts for Crawler Tractor Equipped with 90 Loader	115-2 to 115-4
Section 45-Steering Wheel and Instrument Panel	45-1 to 45-9	Section 120-Numerical Index	120-1 to 120-20
Section 50-Front End Weights and Front Guard Attach- ments	50-2 to 50-11		
Section 55-Hydraulic Systems	55-2 to 55-65		
Section 60-Single Front Wheel and Front Axles	60-2 to 60-19		

EXPLANATION OF SUBSTITUTION INFORMATION

Part substitution information given on any page is applicable only to parts listed and illustrated on that page.

AN EXPLANATION OF SERIAL NUMBER LISTING

One serial number range is used for all Series "420" and "430" Tractors. An individual serial number is assigned to each tractor.

Serial number information given on any page is applicable only to parts listed and illustrated on that page.

When the parentheses include only the dash (-)
the part is used on all machines except as noted in the de-
scription column.

When a serial number appears before the dash (00000-)
the part was introduced beginning with that serial number
and is still being used.

When a serial number appears after the dash (-00000)
the part was used up to and including that serial number
but was not used after that serial number.

When serial numbers appear both before and after the dash (00000-00000)
the part was used beginning with the first serial number, but
was not used after the second serial number.

PACKAGED PARTS

For added protection and ease of handling between the factory, branch houses, parts depots, and most dealers, some parts which appear in this catalog, such as gaskets, are packed in packages which contain more than one of the part. Dealers may order either the packages or the individual parts from the branch houses. However, when possible the package or multiples of the package should be specified.

These parts should not be confused with other packaged items which are packaged in certain quantities but cannot be ordered individually.

Both types of packaged parts are identified by a statement which appears in the Description Column.

When the statement reads:

"Packed 5 in a pkg. " or "Packed 10 in a pkg. ", etc., dealers may order either the packages or the individual parts from the branch houses. The packages bear the same part number as the individual parts.

When the statement reads:

"Pkg. of 2" or "Pkg. of 4", etc., the parts cannot be ordered individually. The number which appears in the Parts Number Column is a "package" number and not the part number of the individual part.

ALPHABETICAL INDEX

A	Page		Page
Adjustable front axle (H)	60-4	Breather cap, engine	10-6
Adjustable front axle (S)	60-6	Breather cap, oil reservoir (C)	55-61
Adjustable front axle (48"-80") (T)	60-8	Breather cap, Touch-o-matic (H, T, and V) ..	55-28
Adjustable front axle (68"-88") (T)	60-10	Breather cap, Touch-o-matic (I and W)	55-30
Adjustable front axle (U)	60-12	Breather cap, Touch-o-matic (S and U)	55-34
Adjustable front axle (V)	60-14	Breather cap, Touch-o-matic (S with dual Touch-o-matic)	55-32
Adjustable front axle (48"-80" and 56"-88") (W)	60-16	Brushes, generator	105-18
Adjustable front axle, swept-back (56"-80") (W)	60-21	Brushes, starter, heavy-duty	105-22, 24
Air cleaner	15-14	Brushes, starter, regular	105-20
All-fuel attachment	15-16	Bumper attachment (C)	40-1
All-fuel selector lever	15-16	Bumper attachment (C)	50-4, 6
All-fuel starter tank	15-16	Bumper, 90 loader (C)	115-2
Ammeter	105-13		
Anchor yoke (C and U)	30-38	C	
Anchor yoke (H)	30-40	Cable, battery	85-12, 14
Anchor yoke (I and W)	30-42	Cable, coil	105-16
Anchor yoke (S)	30-36	Cable, spark plug	105-16
Anchor yoke (S with dual Touch-o-matic)	30-37	Cable, speed-hour meter	15-20
Anchor yoke (T and V)	30-43	Calks, snow (C)	100-2
Armature, generator	105-19	Camshaft	10-6
Armature, starter, heavy-duty	105-22, 24	Carburetor, gasoline and all-fuel	15-6
Armature, starter, regular	105-21	Carburetor, LP-gas	16-2
Arm, steering (H, S, U, and V)	40-2	Carrier, engine throw-out bearing (-100000)	25-18
Arm, steering (I and W)	40-6	Carrier, engine throw-out bearing (100001-up) ..	25-20
Arm, steering (T)	40-4	Carrier, engine throw-out bearing, continuous- running PTO (H, I, S, T, U, V, and W) (100001-up)	25-24
Arm, steering (W) (swept-back axle)	40-8	Carrier, steering clutch throw-out bearing (C) ..	95-4
Auxiliary light socket (C)	105-4	Center frame (C) (-100000)	25-2
Auxiliary light socket (H, I, T, V, and W) (S with dual Touch-o-matic)	105-8	Center frame (C) (100001-131308)	25-4
Auxiliary light socket (S and U)	105-6	Center frame (C) (131309-up)	25-16
Axle, front (I)	60-19	Center frame (H) (100001-up)	25-10
		Center frame (H, S, T, U, V, and W) (-100000)	25-8
B		Center frame (I, S, T, U, V, and W) (100001-up)	25-12
Baffle, heat	15-2	Center frame, direction reverser (S, T, U, and W) (131309-up)	25-16
Battery box and mounting (80001-139999)	85-12	Choke control (80001-139999)	15-8
Battery box and mounting (140000-up)	85-14	Choke control (140000-up)	15-10
Battery cable	85-12, 14	Cigarette lighter	105-12
Battery ground strap	85-12, 14	Cleaner, air	15-14
Bayonet oil gauge	10-2	Clutch, driven disk (C) (-100000)	25-18
Bearing, clutch throw-out (-100000)	25-18	Clutch, driven disk (C) (100001-131308)	25-20
Bearing, clutch throw-out (C) (131309-up)	25-22	Clutch, driven disk (C) (131309-up)	25-22
Bearing, clutch throw-out (C and I) (100001-131308)	25-20	Clutch, driven disk, continuous-running PTO (H, I, S, T, U, V, and W) (100001-up)	25-24
Bearing, clutch throw-out (H, S, T, U, V, and W) (100001-up)	25-20	Clutch pedal (C) (-100000)	25-2
Bearing, clutch throw-out, continuous-running PTO (H, S, T, U, V, and W) (100001-up) ..	25-24	Clutch pedal (C) (100001-131308)	25-4
Bearing, clutch throw-out direction reverser (S, T, U, and W) (131309-up)	25-22	Clutch pedal (C) (131309-up)	25-6
Bearing, connecting rod	10-4	Clutch pedal (H, S, T, U, V, and W) (-100000)	25-8
Bearing, engine main	10-2	Clutch pedal (H) (100001-up)	25-10
Bearing, steering clutch throw-out (C)	95-4	Clutch pedal (I, S, T, U, V, and W) (100001-up)	25-12
Belt, fan	20-4	Clutch pedal, direction reverser (S, T, U, and W) (131309-up)	25-14
Belt, generator	105-18	Clutch pilot bearing	25-18, 20, 22, 24
Belt pulley	30-46	Clutch, steering (C)	30-28
Blade, fan	20-4	Coil, ignition	105-16
Block, cylinder	10-2	Coil, lead wire	105-16
Bottom guard (C)	50-4	Condenser, distributor	105-16
Box, tool, and mounting	85-16	Connecting rods	10-4
Bracket, implement mounting (H, S, T, U, V, and W) (-100000)	25-8	Control, starter (80001-139999)	15-8
Brake band (C)	95-2	Control, starter (140000-up)	15-10
Brake pedal (C) (-100000)	25-2	Control, throttle (800001-139999)	15-8
Brake pedal (C) (100001-131308)	25-4	Control, throttle (140000-up)	15-10
Brake pedal (C) (131309-up)	25-6	Control valve, controls and linkage (H, I, S, T, U, and W)	55-60
Brake pedals (H, S, U, and V)	70-2	Control valve, power steering (H, S, T, U, and W) (133665-up)	41-15
Brake pedals (I, T, and W)	70-4		
Brakes (C)	95-2		
Brakes (H, S, U, and V)	70-2		
Brakes (I, T, and W)	70-4		
Breakaway coupling and coupling bracket	55-62		
Breather cap, air cleaner	15-14		

ALPHABETICAL INDEX -- Continued

	Page		Page
Control valve, power steering (I and U) (80001-133664) (H, S, T, V, and W) (125001-133664)	41-14	Engine breather cap	10-6
Controls and linkage for control valve (H, I, S, T, U, and W)	55-60	Engine overhaul gasket set	110-4
Converter, LP-gas	16-6	Engine tune-up gasket set	110-5
Coupling, breakaway	55-62	Exhaust pipe attachment	15-5
Cover, muffler exhaust	15-2		
Cover, tappet	10-6	F	
Crankshaft	10-4	Fan	20-4
Crank, starting	10-4	Fan belt	20-4
Cross members (C)	75-2	Fan drive pulley	10-4
Current-voltage regulator	105-14	Fender attachment, heavy-duty (I, T, and W) ..	85-8
Cylinder block	10-2	Fenders (C)	85-2
Cylinder head	10-6	Fenders, regular (I, T, and W)	85-5
Cylinder and valve housing, Touch-o-matic (H, T, and V)	55-28	Fenders (S)	85-4
Cylinder and valve housing, Touch-o-matic (I and W)	55-30	Fenders (U)	85-6
Cylinder and valve housing, Touch-o-matic (S and U)	55-34	Fenders (V)	85-7
Cylinder and valve housing, Touch-o-matic (S with dual Touch-o-matic)	55-32	Filler valve, LP-gas	16-8
Cylinder, remote control	55-64	Filter, fuel, gasoline and all-fuel	15-12
Cylinder, remote, power steering (I and U) (80001-125000)	41-2	Filter, fuel, LP-gas	16-4
		Filter, oil	10-9
D		Final drive (C)	35-2
Decalcomania kits	110-2	Final drive (H)	35-4
Decalcomanias	10-3	Final drive (I and W)	35-10
Deflector, exhaust	15-4	Final drive (S, U, and V)	35-6
Deluxe seat (C)	90-14	Final drive (T)	35-8
Differential (H, S, U, and V)	30-31	Final drive gasket set (C)	110-6
Differential (I, T, and W)	30-30	Final drive gasket set (I, V, and W)	110-7
Dip stick, oil	10-2	Five-roller drive sprocket (C)	100-6
Direction reverser (-100000)	30-20	Five-roller, hydraulic track tension adjuster ..	100-12
Direction reverser (100001-131308)	30-22	Five-roller idler (C)	100-6
Direction reverser (131309-)	30-24, 26	Five-roller rock guards (C)	100-10
Direction reverser assembly (131309-up)	30-26	Five-roller sprocket shield (C)	100-10
Direction reverser cover and shifting parts (131309-up)	30-24	Five-roller track frame (C)	100-10
Distributor	105-16	Five-roller track roller (C)	100-6
Distributor condenser	105-16	Float gauge, LP-gas	16-8
Double remote control lever (C)	55-59	Float ride seat (T and W)	90-12
Double remote control oil lines (C) (80001-139999)	55-10	Flow divider valve (I and U) (80001-131817) (H, S, T, V, and W) (125001-131817)	41-7
Double remote control oil lines (C) (140000-up)	55-12	Flywheel (-100000)	25-18
Double remote control valve (C)	55-52	Flywheel (100001-up)	25-20
Drawbar (C)	75-2	Flywheel, continuous-running PTO (H, I, S, T, U, V, and W) (100001-up)	25-24
Drawbar (H)	75-5	Foot-operated governor control	15-18
Drawbar (I and W)	75-9	Footrests (C)	85-2
Drawbar (S)	75-6	Footrests (H)	85-3
Drawbar (T)	75-8	Footrests (I, T, and W)	85-5
Drawbar (U) (-100000)	75-10	Footrests (S)	85-4
Drawbar (U) (100001-up)	75-12	Footrests (U)	85-6
Drawbar (V)	75-14	Footrests (V)	85-7
Drive, planter (S, U, and V)	35-12	Four-roller drive sprocket (C)	100-4
Drive shaft, clutch (-100000)	25-18	Four-roller, hydraulic track tension adjuster ..	100-12
Drive shaft, clutch (C) (131309-up)	25-22	Four-roller idler (C)	100-4
Drive shaft, clutch, with continuous-running PTO (100001-up)	25-24	Four-roller rock guards (C)	100-8
Drive shaft, clutch, without continuous-running PTO (100001-up)	25-20	Four-roller sprocket shields (C)	100-8
Drive shaft, clutch, with direction reverser (S, T, U, and W) (131309-up)	25-22	Four-roller track frame (C)	100-8
Drive sprocket, five roller (C)	100-6	Four-roller track roller (C)	100-4
Drive sprocket, four roller (C)	100-4	Frame, center (C) (-100000)	25-2
Dual front wheel (T)	60-3	Frame, center (C) (100001-131308)	25-4
		Frame, center (C) (131309-up)	25-16
E		Frame, center (H, S, T, U, V, and W) (-100000)	25-8
Elbow, water inlet	20-4	Frame, center (H) (100001-up)	25-10
Electrical gauges	105-13	Frame, center (I, S, T, U, V, and W) (100001-up)	25-12
Element, cil filter	10-9	Frame, center, with direction reverser (S, T, U, and W) (131309-up)	25-16
		Frame, seat (C)	90-2, 16
		Frame, seat (H, T, and V)	90-4
		Frame, seat (I and W)	90-8
		Frame, seat (S and U)	90-6
		Frame, seat, wide (C, I, T, and W)	90-10
		Frame, side (C)	75-2
		Frame, spacer (H)	30-2
		Frame, track, five-roller (C)	100-10
		Frame, track, four-roller (C)	100-8

ALPHABETICAL INDEX -- Continued

	Page
Frame, track, hydraulic adjuster (C)	100-12
Front, axle (I)	60-18
Front axle, adjustable (H)	60-4
Front axle, adjustable (S)	60-6
Front axle, adjustable (48"-80") (T)	60-8
Front axle, adjustable (68"-88") (T)	60-10
Front axle, adjustable (U)	60-12
Front axle, adjustable (V)	60-14
Front axle, adjustable (48"-80" and 56"-88") (W)	60-16
Front axle, adjustable, swept-back (56"-80") (W)	60-21
Front cover, Touch-o-matic (H, T, and V) ...	55-18
Front cover, Touch-o-matic (I and W)	55-20
Front cover, Touch-o-matic (S and U)	55-34
Front cover, Touch-o-matic (S with dual Touch-o-matic)	55-22
Front end support (C)	40-1
Front end support (H, S, U, and V)	40-2
Front end support (I and W)	40-6
Front end support (T)	40-4
Front end support (W) (swept-back axle)	40-8
Front end support, 90 loader (C)	115-2
Front end weight (H, S, U, and V)	50-2
Front end weight (I and W)	50-2
Front end weight (T)	50-3
Front lights	105-2
Front wheel, single (T)	60-2
Front wheel, dual (T)	60-3
Front wheels	65-2
Front wiring harness	105-2
Fuel filter, gasoline and all-fuel	15-12
Fuel filter, LP-gas	16-4
Fuel lines, all-fuel	15-16
Fuel lines, gasoline	15-12
Fuel lines, LP-gas	16-8
Fuel strainer, LP-gas	16-4
Fuel tank filler cap	15-12
Fuel tank, gasoline and all-fuel	15-12
Fuel tank, LP-gas	16-10
Fuse	105-2
G	
Gasket set, engine overhaul	110-4
Gasket set, engine tune-up	110-5
Gasket set, final drive (C)	110-6
Gasket set, final drive (I, V, and W)	110-7
Gasket set, transmission (C)	110-6
Gasket set, transmission (I, V, and W)	110-7
Gasoline carburetor	15-6
Gauge, bayonet, oil	10-2
Gauge, bayonet, oil reservoir (C)	55-61
Gauges, electrical	105-13
Gauges, LP-gas	16-8
Gauges, oil pressure	10-9
Gauges, water temperature	105-13
Generator	105-18
Generator belt	105-18
Governor	15-15
Governor control, foot-operated	15-18
Grille	85-10
Grille, 90 loader (C)	115-2
Grille guard (C)	50-6
Grille guard (U)	50-10
Grille guard, 90 loader (C)	115-2
Guard, bottom (C)	50-4
Guard, grille (C)	50-6
Guard, grille (U)	50-10
Guard, grille, heavy-duty (C)	50-8
Guard, light (C)	50-6
Guard, light (U)	50-10
Guard, powershaft	30-44
Guide, valve	10-6

	Page
H	
Hand crank	10-4
Head, cylinder	10-6
Heat indicator	105-13
Heavy-duty protective equipment (C)	50-8
Hitch, 3-point (C)	80-4
Hitch, 3-point (H, I, S, T, U, V, and W)	80-2
Hood (gasoline and all-fuel)	85-10
Hood, heavy-duty protective equipment	50-8
Hood, LP-gas	16-10
Hose, air cleaner	15-14
Hose, LP-gas	16-8
Hose, power steering (80001-131817)	41-8
Hose, power steering (131818-158074)	41-10
Hose, power steering (158075-up)	41-12
Hose, radiator	20-2
Hose, remote hydraulic cylinder	55-64
Hose, water inlet	20-4
Hydraulic pump	55-2

	Page
I	
Idler, five-roller (C)	100-6
Idler, four-roller (C)	100-4
Idler, upper, five-roller (C)	100-15
Ignition coil	105-16
Ignition switch	105-12
Implement mounting bracket (H, S, T, U, V, and W) (-100000)	25-6
Indicator, heat	105-13
Inner sprocket shield (C)	100-14
Instrument panel (C) (80001-139999)	45-1
Instrument panel (C) (140000-up)	45-5
Instrument panel (H) (80001-139999)	45-2
Instrument panel (H, S, T, U, V, and W) (140000-up)	45-6
Instrument panel (I, S, T, U, V, and W) (80000-125000)	45-3
Instrument panel (I, S, T, U, V, and W) (125001-139999)	45-4
Instrument panel, LP-gas (C, S, T, U, and W) (140000-up)	45-8
Instrument panel light	105-2
Instrument panel, LP-gas (125000-139999)	16-10

	Page
J	
Jaw, starting crank	10-4
Jets, carburetor, gasoline and all-fuel	15-6

	Page
K	
Key switch	105-12

	Page
L	
Lamp, warning (H, I, S, T, U, V, and W) ...	105-10
Leveling crank (C)	80-4
Leveling crank (H, I, S, T, U, V, and W)	80-2
Lever, double remote control (C)	55-59
Lever, powershaft shifter (C, H, S, U, and V) ..	30-2
Lever, powershaft shifter (I, T, and W)	30-4
Lever, remote control valve	55-60
Lever, shaft, power steering	41-6
Lever shaft, steering (H, S, U, and V)	40-2
Lever, shaft, steering (T)	40-4
Lever, shaft, steering (I and W)	40-6
Lever, single remote control (80001-139999) ..	55-56
Lever, single remote control (140000-up)	55-58
Lever, starting control (80001-139999)	15-8
Lever, starting control (140000-up)	15-10
Lever, steering (C)	95-3
Light guard (C)	50-6
Light guard (U)	50-10
Light, instrument panel	105-2
Light, rear (C)	105-4
Light, rear (H, I, T, V, and W) (S with dual Touch-o-matic)	105-8
Light, rear (S and U)	105-6

ALPHABETICAL INDEX -- Continued

	Page		Page
Lighter, cigarette.....	105-12	Pedal, brake (C) (100001-131308)	25-4
Lights, front	105-2	Pedals, brake (H, S, U, and V)	70-2
Lines, LP-gas	16-8	Pedals, brake (I, T, and W)	70-4
Link, mounting (H)	75-4	Pedal, clutch (C) (-100000).....	25-2
Links, track (C) (four bolt).....	100-16	Pedal, clutch (C) (100001-131308).....	25-4
Links, track (C) (two bolt).....	100-2	Pedal, clutch (C) (131309-up).....	25-6
Liquid level gauge, LP-gas	16-8	Pedal, clutch (H) (100001-up).....	25-10
Liquid withdrawal valve, LP-gas.....	16-8	Pedal, clutch (H, S, T, U, V, and W) (-100000)	25-8
LP-gas carburetor	16-2	Pedal, clutch (I, S, T, U, V, and W) (100001-up)	25-12
LP-gas converter	16-6	Pedal, clutch, with direction reverser (S, T, U, and W) (131309-up).....	25-14
LP-gas fuel strainer	16-4	Pins, track (C) (four bolt).....	100-16
LP-gas fuel tank.....	16-10	Pins, track (C) (two bolt).....	100-2
LP-gas gauges	16-8	Piston.....	10-4
LP-gas hood	16-10	Piston rings	10-4
LP-gas instrument panel	16-10	Planter drive (S, U, and V)	35-12
LP-gas lines	16-8	Plate, pressure (-100000)	25-18
LP-gas valves	16-8	Plate, pressure (100001-up)	25-20
		Plate, pressure (C) (131309-up)	25-22
	M	Plate, pressure, continuous-running PTO (H, I, S, T, U, V, and W) (100001-up)	25-24
Main bearing insert	10-2	Plate, pressure, with direction reverser (S, T, U, and W) (131309-up).....	25-22
Manifold, engine exhaust.....	15-2	Point set, ignition	105-16
Manifold, underneath and side exhaust	15-4	Power adjusted rear wheels (I, T, and W)	65-8
Manifold, water outlet	20-2	Power adjusted rear wheels (S and U)	65-7
Meter, speed-hour.....	15-20	Powershaft, five-speed (100001-125000).....	30-12, 31-2
Motor, starting, heavy-duty	105-22, 24	Powershaft, five-speed (125001-up)	30-14
Motor, starting, regular	105-20	Powershaft, five-speed with continuous- running PTO (100001-125000)	30-16
Muffler	15-2	Powershaft, five-speed with continuous- running PTO (125001-up)	30-18
Muffler attachment	15-4	Powershaft, four-speed (-100000)	30-6
	O	Powershaft, four-speed (100001-125000)	30-8
Oil filter	10-9	Powershaft, four-speed (125001-up)	30-10
Oil filter element.....	10-9	Powershaft attachment (C, H, I, U, and W) ..	30-44
Oil lines, double remote control (C) (80001-139999)	55-10	Powershaft guard	30-44
Oil lines, power steering (H, S, T, U, and W) (131818-158074)	41-10	Powershaft shield	30-44
Oil lines, power steering (H, S, T, U, and W) (158075-up)	41-12	Powershaft shifter lever (C, H, S, U, and V) ..	30-2
Oil lines, power steering (I and U) (80001-131817) (H, S, T, V, and W) (125001-131817)	41-8	Powershaft shifter lever (I, T, and W)	30-4
Oil lines, remote control hydraulic (H)	55-14	Power steering control valve (H, S, T, U, and W) (133665-up)	41-15
Oil lines, remote control hydraulic (I and W) ..	55-17	Power steering control valve (I and U) (80001-133664) (H, S, T, V, and W) (125001-133664)	41-14
Oil lines, remote control hydraulic (S and U) ..	55-15	Power steering flow divider valve (I and U) (80001-131817) (H, S, T, U, and W) (125001-131817)	41-7
Oil lines, remote control hydraulic (T)	55-16	Power steering gear and support (H, I, S, T, U, V, and W) (125001-up).....	41-6
Oil lines, single and double remote control (140000-up)	55-12	Power steering oil lines (H, S, T, U, and W) (131818-158074)	41-10
Oil lines, single remote control (C) (80001-139999)	55-8	Power steering oil lines (H, S, T, U, and W) (158075-up)	41-12
Oil lines, Touch-o-matic, gasoline (H, I, S, T, U, V, and W).....	55-4	Power steering oil lines (I and U) (80001-131817) (H, S, T, V, and W) (125001-131817)	41-8
Oil lines, Touch-o-matic, LP-gas (I, S, T, U, and W).....	55-6	Power steering rack and pinion (H, I, S, T, U, V, and W) (125001-up).....	41-4
Oil pan	10-2	Power steering tie rod (I and U) (80001-up)....	41-2
Oil pressure gauge	10-9	Pre-cleaner.....	15-14
Oil pump	10-8	Pressure plate (-100000)	25-18
Oil reservoir (C).....	55-61	Pressure plate (100001-up)	25-20
	P	Pressure plate (C) (131309-up)	25-22
Pan, crankcase oil.....	10-2	Pressure plate, continuous-running PTO (H, I, S, T, U, V, and W) (100001-up)	25-24
Panel, instrument (C) (80001-139999)	45-1	Pressure plate, with direction reverser (S, T, U, and W) (131309-up).....	25-22
Panel, instrument (C) (140000-up)	45-5	Propeller shaft (-100000)	25-18
Panel, instrument (H) (80001-139999)	45-2	Propeller shaft (100001-up)	25-20
Panel, instrument (H, S, T, U, V, and W) (140000-up)	45-6	Propeller shaft (C) (131309-up)	25-22
Panel, instrument (I, S, T, U, V, and W) (80001-125000)	45-3		
Panel, instrument (I, S, T, U, V, and W) (125001-139999)	45-4		
Panel, instrument, LP-gas (125001-139999) ...	16-10		
Panel, instrument, LP-gas (140000-up)	45-8		
Parts for crawler tractor equipped with 90 loader	115-2		
Pedal, brake (C) (-100000)	25-2		

ALPHABETICAL INDEX -- Continued

	Page		Page
Propeller shaft, continuous-running PTO (H, I, S, T, U, V, and W) (100001-up)	25-24	Ring gear and pinion (H, S, U, and V)	30-31
Propeller shaft, with direction reverser (S, T, U, and W) (131309-up)	25-22	Ring gear and pinion (I, T, and W)	30-30
Protective equipment, heavy-duty (C)	50-8	Rings, piston	10-4
Pulley, belt	30-46	Rock guards, five-roller (C)	100-10
Pulley, fan drive	10-4	Rock guards, four-roller (C)	100-8
Pump, hydraulic	55-2	Rocker arms, valve	10-6
Pump, lubricating oil	10-8	Rockshaft housing assembly (C)	55-42
Pump, power steering (131818-158074)	41-16	Rockshaft, Touch-o-matic (H, T, and V)	55-36
Pump, power steering (158075-up)	41-18	Rockshaft, Touch-o-matic (I and W)	55-38
Pump, water	20-4	Rockshaft, Touch-o-matic (S)	55-46
		Rockshaft, Touch-o-matic (S with dual Touch-o-matic)	55-40
		Rockshaft, Touch-o-matic (U)	55-44
Q		Rod bearings	10-4
Quadrant, Touch-o-matic (H, T, and V)	55-18	Rod, carburetor connecting (80001-139999)	15-8
Quadrant, Touch-o-matic (I and W)	55-20	Rod, carburetor connecting (140000-up)	15-10
Quadrant, Touch-o-matic (S)	55-24	Rod, connecting	10-4
Quadrant, Touch-o-matic (S with dual Touch-o-matic)	55-22	Rod, governor connecting (80001-139999)	15-8
Quadrant, Touch-o-matic (U)	55-26	Rod, governor connecting (140000-up)	15-10
		Rod, valve push	10-6
R		S	
Rack and pinion, power steering (H, I, S, T, U, V, and W) (125001-up)	41-4	Safety block (C)	75-2
Radiator	20-2	Safety relief valve, LP-gas	16-8
Rear light (C)	105-4	Seat (C)	90-2, 16
Rear light (H, I, T, V, and W) (S with dual Touch-o-matic)	105-8	Seat (H, T, and V)	90-4
Rear light (S and U)	105-6	Seat (I and W)	90-8
Rear wheel and wheel weight for 56-1/2" special tread (U)	65-9	Seat (S and U)	90-6
Rear wheel weights (H)	65-3	Seat, deluxe (C)	90-14
Rear wheel weights (I, T, V, and W)	65-6	Seat, float ride (T and W)	90-12
Rear wheel weights (S and U)	65-4	Seat frame (C)	90-2, 16
Rear wheels (H)	65-3	Seat frame (H, T, and V)	90-4
Rear wheels (I, T, V, and W)	65-6	Seat frame (I and W)	90-8
Rear wheels, power adjusted (I, T, and W)	65-8	Seat frame (S and U)	90-6
Rear wheels, power adjusted (S and U)	65-7	Seat frame, wide (C, I, T, and W)	90-10
Rear wheels, regular (S and U)	65-4	Seat, wide (C, I, T, and W)	90-10
Rear wiring harness (C)	105-4	Shaft, clutch (C) (-100000)	25-2
Rear wiring harness (H, I, T, V, and W) (S with dual Touch-o-matic)	105-8	Shaft, clutch (C) (100001-131308)	25-4
Rear wiring harness (S and U)	105-6	Shaft, clutch (C) (131309-up)	25-6
Regular rear wheels (I, T, V, and W)	65-6	Shaft, clutch (H, S, T, U, V, and W) (-100000)	25-8
Regular rear wheels (S and U)	65-4	Shaft, clutch (H) (100001-up)	25-10
Regulator, current-voltage	105-14	Shaft, clutch (I, S, T, U, V, and W) (100001-up)	25-12
Remote control cylinder	55-64	Shaft clutch, with direction reverser (S, T, U, and W) (131309-up)	25-14
Remote control hydraulic oil lines (H)	55-14	Shaft, power steering (I and U) (80001-131817) (H, S, T, V, and W) (125001-131817)	41-8
Remote control hydraulic oil lines (I and W)	55-17	Shaft, power steering (H, S, T, U, and W) (131818-158074)	41-10
Remote control hydraulic oil lines (S and U)	55-15	Shaft, power steering (H, S, T, U, and W) (158075-up)	41-12
Remote control hydraulic oil lines (T)	55-16	Shaft, propeller (-100000)	25-18
Remote control levers, double (C)	55-59	Shaft, propeller (100001-up)	25-20
Remote control lever, single (C) (80001-139999)	55-56	Shaft, propeller, with continuous-running PTO (100001-up)	25-24
Remote control lever, single (C) (140000-up)	55-58	Shaft, propeller (C) (131309-up)	25-22
Remote control oil lines, double (C) (80001-139999)	55-10	Shaft, propeller, with direction reverser (S, T, U, and W) (131309-up)	25-22
Remote control oil lines, single (C) (80001-139999)	55-8	Shaft, steering (H) (80001-139999)	45-2
Remote control oil lines, single and double (C) (140000-up)	55-12	Shaft, steering (H, S, T, U, V, and W) (140000-up)	45-6
Remote control valve (H, I, S, T, U, and W)	55-54	Shaft, steering (I, S, T, U, V, and W) (80001-125000)	45-3
Remote control valve, double (C)	55-52	Shaft, steering (I, S, T, U, V, and W) (125001-139999)	45-4
Remote control valve, single (C) (80001-139999)	55-48	Shaft, steering, LP-gas (C, S, T, U, and W) (140000-up)	45-8
Remote control valve, single (C) (140000-up)	55-50	Shield, powershaft	30-44
Remote cylinder, power steering (I and U) (80001-up)	41-2	Shield, sprocket, five-roller (C)	100-10
Remote power steering cylinder	41-2	Shield, sprocket, four-roller (C)	100-8
Repair kit, carburetor, gasoline and all-fuel	15-6	Shifting parts, five-speed (100001-108921)	30-34
Reservoir, oil (C)	55-61	Shifting parts, five-speed (108922-)	30-35
Reverser, direction (-100000)	30-20	Shifting parts, four-speed (80001-108921)	30-32
Reverser, direction (100001-131308)	30-22		
Ring gear and pinion (C)	30-28		

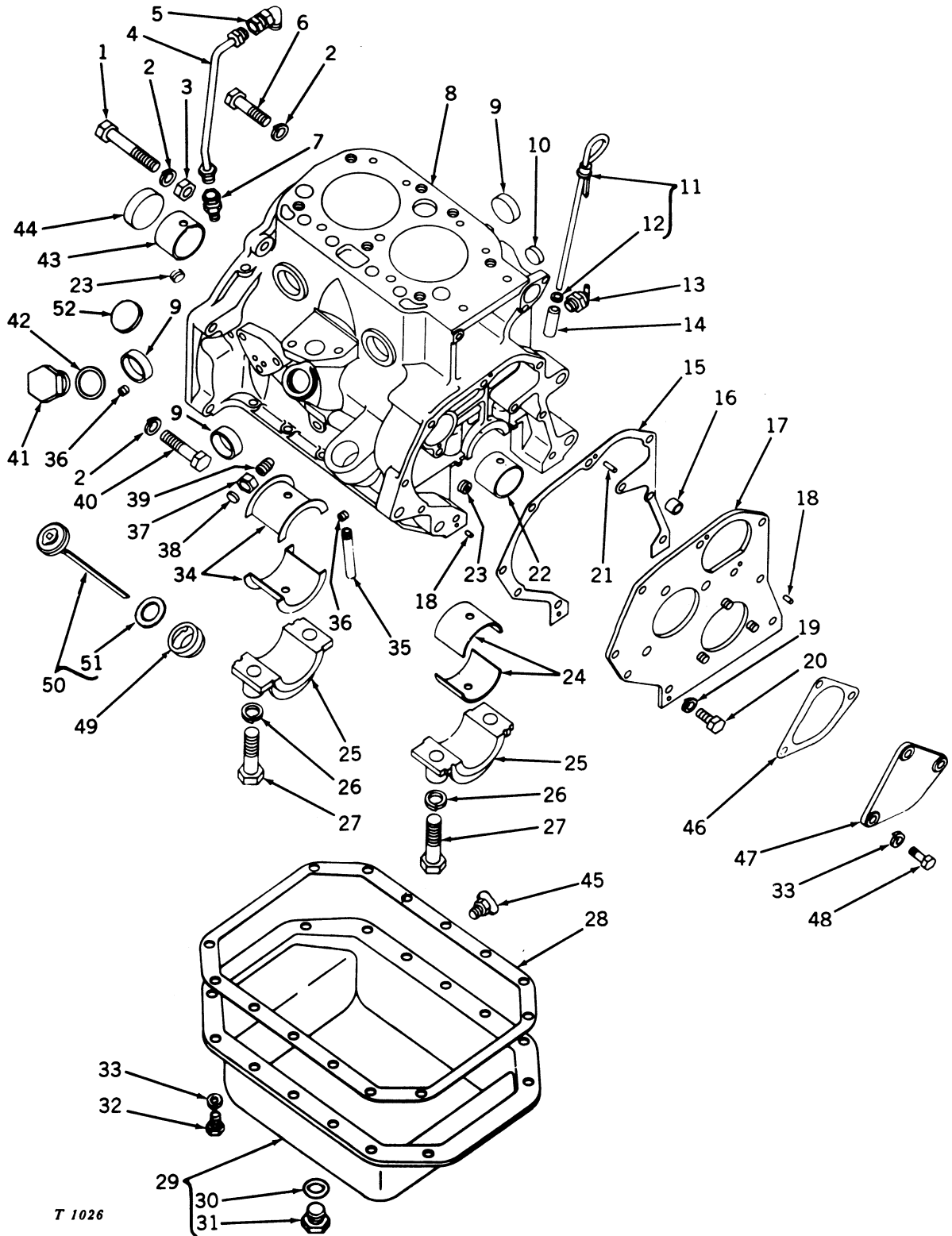
ALPHABETICAL INDEX -- Continued

	Page		Page
Shifting parts, four-speed (108922-)	30-33	Support, front end (I and W)	40-6
Shoes, track (C) (four bolt)	100-16	Support, front end (T)	40-4
Shoes, track (C) (two bolt)	100-2	Support, front end (W) (swept-back axle)	40-8
Shroud, radiator	20-2	Switch, ignition	105-12
Side frames (C)	75-2	Switch, key	105-12
Side weight (T)	50-3		
Single and double remote control oil line (C)		T	
(140000-up)	55-12	Tachometer	15-20
Single front wheel (T)	60-2	Tank, fuel, gasoline and all-fuel	15-12
Single remote control lever (C) (80001-139999)	55-56	Tank, fuel, LP-gas	16-10
Single remote control oil lines (C)		Tank, starting, all-fuel	15-16
(80001-139999)	55-8	Tappet cover	10-6
Single remote control valve (C) (80001-139999)	55-48	Tappet, valve	10-6
Single remote control valve (C) (140000-up)	55-50	Thermostat	20-2
Sleeve, engine throw-out bearing carrier		3-point hitch (C)	80-4
(-100000)	25-18	3-point hitch (H, I, S, T, U, V, and W)	80-2
Sleeve, engine throw-out bearing carrier		Throttle, control rod (80001-139999)	15-8
(100001-up)	25-20	Throttle, control rod (140000-up)	15-10
Sleeve, engine throw-out bearing carrier (C)		Throttle, foot-operated	15-18
(131309-up)	25-22	Throw-out bearing and carrier, engine	
Sleeve, engine throw-out bearing carrier,		(-100000)	25-18
continuous-running PTO (H, I, S, T, U, V,		Throw-out bearing and carrier, engine	
and W) (100001-up)	25-24	(100001-up)	25-20
Sleeve, engine throw-out bearing carrier, with		Throw-out bearing and carrier, engine (C)	
direction reverser (S, T, U, and W)		(131309-up)	25-22
(131309-up)	25-22	Throw-out bearing and carrier, engine	
Sleeve, steering clutch throw-out bearing		continuous-running PTO (H, I, S, T, U, V,	
carrier (C)	95-4	and W) (100001-up)	25-24
Snow calks (C) (two bolt)	100-2	Throw-out bearing and carrier, engine with	
Snow shoes (C) (four bolt)	100-16	direction reverser (S, T, U, and W)	
Snow shoes (C) (two bolt)	100-2	(131309-up)	25-22
Socket, auxiliary light (C)	105-4	Throw-out bearing and carrier, steering clutch	
Socket, auxiliary light (H, I, T, V, and W)		(C)	95-4
(S with dual Touch-o-matic)	105-8	Tie rod, power steering (I and W) (80001-up)	41-2
Socket, auxiliary light (S and U)	105-6	Tool box and mounting	85-16
Sod pan	40-1	Touch-o-matic cylinder and valve housing (H,	
Spark plug	105-16	T, and V)	55-28
Spark plug cable	105-16	Touch-o-matic cylinder and valve housing (I	
Spark plug coil	105-16	and W)	55-30
Speed-hour meter	15-20	Touch-o-matic cylinder and valve housing (S	
Spindle, dual front wheel (T)	60-3	and U)	55-34
Sprocket, drive, five-roller (C)	100-6	Touch-o-matic cylinder and valve housing (S	
Sprocket, drive, four-roller (C)	100-4	with dual touch-o-matic)	55-32
Sprocket shield, five-roller (C)	100-10	Touch-o-matic front cover (H, T, and V)	55-18
Sprocket shield, four-roller (C)	100-8	Touch-o-matic front cover (I and W)	55-20
Starter control lever (80001-139999)	15-8	Touch-o-matic front cover (S and U)	55-34
Starter control lever (140000-up)	15-10	Touch-o-matic front cover (S with dual	
Starting tank, all-fuel	15-16	Touch-o-matic)	55-22
Starting motor, heavy-duty	105-22, 24	Touch-o-matic oil lines, gasoline (H, I, S,	
Starting motor, regular	105-20	T, U, V, and W)	55-4
Steering clutch (C)	30-28, 95-3	Touch-o-matic oil lines, LP-gas (I, S, T, U,	
Steering clutch housing (C)	95-4	and W)	55-6
Steering clutch throw-out bearing (C)	95-4	Touch-o-matic quadrant (H, T, and V)	55-18
Steering clutch throw-out bearing carrier (C)	95-4	Touch-o-matic quadrant (I and W)	55-20
Steering gear (H, S, U, and V)	40-2	Touch-o-matic quadrant (S)	55-24
Steering gear (I and W)	40-6	Touch-o-matic quadrant (S with dual	
Steering gear (T)	40-4	Touch-o-matic)	55-22
Steering gear and support, power steering (H,		Touch-o-matic quadrant (U)	55-26
I, S, T, U, V, and W) (125001-up)	41-6	Touch-o-matic rockshaft (H, T, and V)	55-36
Steering levers (C)	95-2	Touch-o-matic rockshaft (I and W)	55-38
Steering wheel (H) (80001-139999)	45-2	Touch-o-matic rockshaft (S)	55-46
Steering wheel (H, S, T, U, V, and W)		Touch-o-matic rockshaft (S with dual	
(140000-up)	45-6	Touch-o-matic)	55-40
Steering wheel (I, S, T, U, V, and W)		Touch-o-matic rockshaft (U)	55-44
(80001-125000)	45-3	Track (C) (four bolt)	100-16
Steering wheel (I, S, T, U, V, and W)		Track (C) (two bolt)	100-2
(125001-139999)	45-4	Track frames, five-roller (C)	100-10
Steering wheel, LP-gas (S, T, U, and W)		Track frames, four-roller (C)	100-8
(140000-up)	45-8	Track links (C) (four bolt)	100-16
Strainer, fuel, LP-gas	16-4	Track links (C) (two bolt)	100-2
Strap, battery ground (80001-139999)	85-12	Track pins (C) (four bolt)	100-16
Strap, battery ground (140000-up)	85-14	Track pins (C) (two bolt)	100-2
Support, front end (C)	40-1	Track roller, five-roller (C)	100-6
Support, front end (H, S, U, and V)	40-2	Track roller, four-roller (C)	100-4

ALPHABETICAL INDEX -- Continued

	Page		Page
Track shoes (C) (four bolt)	100-16	Valve, control, single remote (C)	
Track shoes (C) (two bolt)	100-2	(80001-139999)	55-48
Track tension adjuster (C)	100-12	Valve, control, single remote (C) (140000-up)	55-50
Transmission case (C, H, S, U, and V)	30-2	Valves, exhaust	10-6
Transmission case (I, T, and W)	30-4	Valve, flow divider (I and U)	
Transmission gasket set (C)	110-6	(80001-131817) (H, S, T, V, and W)	
Transmission gasket set (I, V, and W)	110-7	(125001-131817)	41-7
Transmission gears, continuous-running PTO,		Valve, intake	10-6
five-speed (100001-125000)	30-16	Valves, LP-gas	16-8
Transmission gears, continuous-running PTO,		Vapor return valve, LP-gas	16-8
five-speed (125001-up)	30-18	Vapor withdrawal valve, LP-gas	16-8
Transmission gears, five-speed, for auburn		Vent valve, LP-gas	16-8
trencher (C and W) (125001-up)	31-2		
Transmission gears, five-speed, without		W	
continuous-running PTO (100001-125000) ...	30-12	Warning lamp (H, I, S, T, U, V, and W)	105-10
Transmission gears, five-speed, without		Water manifold	20-2
continuous-running PTO (125001-up)	30-14	Water pump	20-4
Transmission gears, four-speed		Water temperature gauge	105-13
(-100000)	30-6	Weight, front end (H, S, U, and V)	50-2
Transmission gears, four-speed		Weight, front end (I and W)	50-2
100001-125000)	30-8	Weight, front end (T)	50-3
Transmission gears, four-speed (125001-up) ...	30-10	Weight, front end (U)	50-10
Transmission rear cover (C and U)	30-38	Weight, side (T)	50-3
Transmission rear cover (H)	30-40	Weights, rear wheel (H)	65-3
Transmission rear cover (I and W)	30-42	Weights, rear wheel (I, T, V, and W)	65-6
Transmission rear cover (S)	30-36	Weights, rear wheel (S and U)	65-4
Transmission rear cover (S with dual		Wheel, front	65-2
Touch-o-matic)	30-37	Wheel, front, single	60-2
Transmission rear cover (T and V)	30-43	Wheel, rear (H)	65-3
Transmission rear cover, for auburn trencher		Wheel, rear, power-adjusted (I, T, and W) ...	65-8
(C and W)	31-4	Wheel, rear, power-adjusted (S and U)	65-7
Transmission shafts, continuous-running PTO,		Wheel, rear, regular (I, T, V, and W)	65-6
five-speed (100000-125000)	30-16	Wheel, rear, regular (S and U)	65-4
Transmission shaft, continuous-running PTO,		Wheel, rear, 56-1/2" special tread (U)	65-9
five-speed (125001-up)	30-18	Wheel, steering (H) (80001-139999)	45-2
Transmission shafts, five-speed, for auburn		Wheel, steering (H, S, T, U, V, and W)	
trencher (C and W) (125001-up)	31-2	(140000-up)	45-6
Transmission shafts, five-speed, without		Wheel, steering (I, S, T, U, V, and W)	
continuous-running PTO (100001-125000) ...	30-12	(80001-125000)	45-3
Transmission shafts, five-speed, without		Wheel, steering (I, S, T, U, V, and W)	
continuous-running PTO (125001-up)	30-14	(125001-139999)	45-4
Transmission shafts, four-speed		Wheel, steering, LP-gas (140000-up)	45-8
(-100000)	30-6	Wheel, weight, rear (U)	65-9
Transmission shafts, four-speed		Wide seat (C, I, T, and W)	90-10
(100001-125000)	30-8	Wide seat frame (C, I, T, and W)	90-10
Transmission shafts, four-speed (125001-up) ...	30-10	Wire, lead, coil	105-16
Transmission top cover, five-speed		Wiring harness, front	105-2
(100001-108921)	30-34	Wiring harness, rear (C)	105-4
Transmission top cover, five-speed (108922-up)	30-35	Wiring harness, rear (H, I, T, V, and W)	
Transmission top cover, four-speed		(S with dual Touch-o-matic)	105-8
(80001-108921)	30-32	Wiring harness, rear (S and U)	105-6
Transmission top cover, four-speed (108922-up)	30-33	Worm, power steering (125001-up)	41-6
		Worm, steering (H, S, U, and V)	40-2
V		Worm, steering (I and W)	40-6
Valve, control, double remote (C)	55-52	Worm, steering (T)	40-4
Valve, control, remote (H, I, S, T, U, and W)	55-54		

CYLINDER BLOCK AND ASSOCIATED PARTS

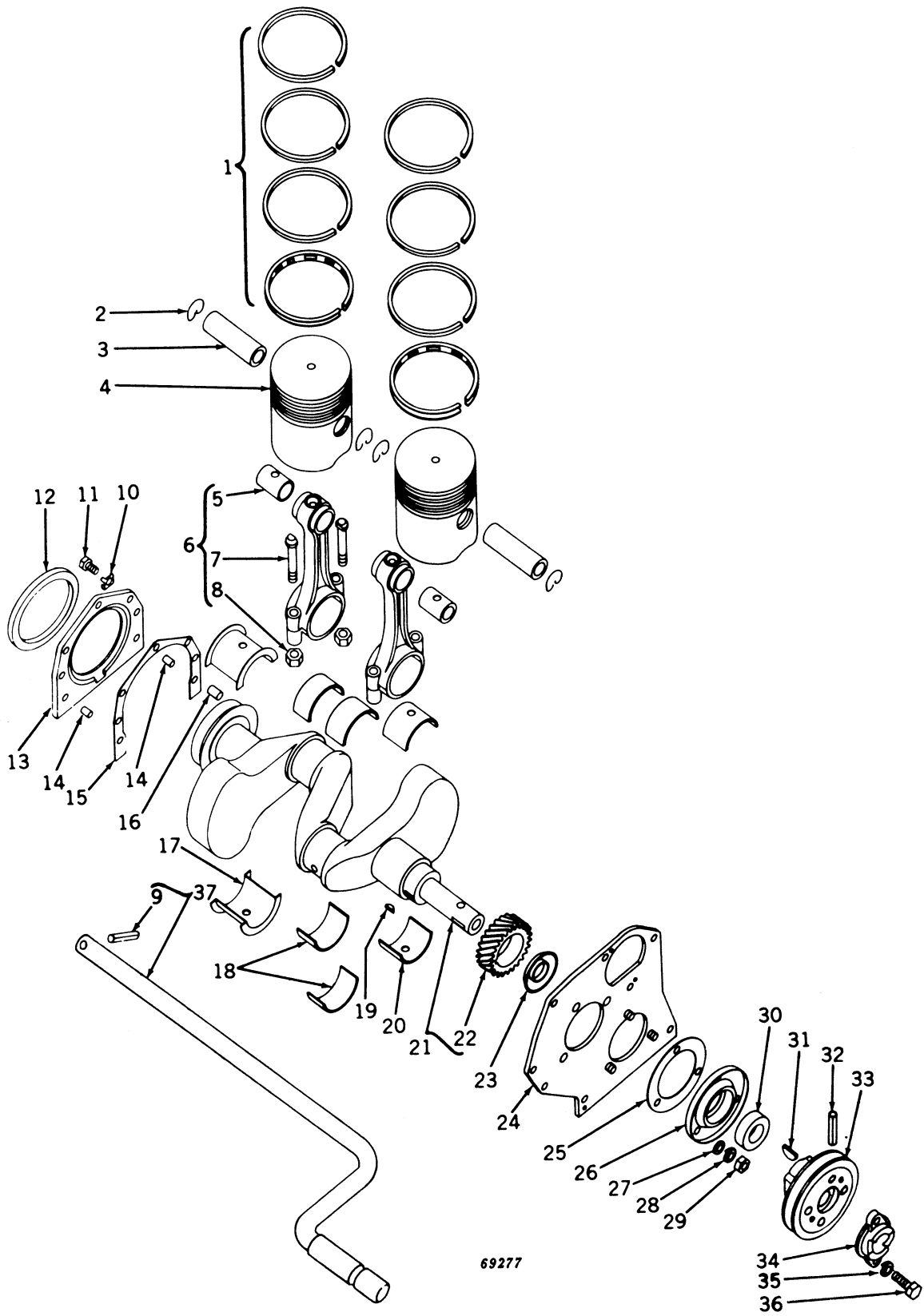


T 1026

CYLINDER BLOCK AND ASSOCIATED PARTS -- Continued

Key	Part No.	Serial No.	Description
1	19H 1820 A	(-)	Screw, cap, 1/2" x 3" (2 used)
2	12H 301 A	(-)	Washer, lock, 1/2" (6 used)
3	14H 809 A	(-)	Nut, hex., 1/2" (2 used)
4	AM 3015 T	(-)	Line, with nuts
5	AM 234 T	(-)	Elbow, with nut
6	19H 1805 A	(-)	Screw, cap, 1/2" x 2-1/4" (2 used)
7	AM 235 T	(-)	Connector, with nut
8	AT 10394 T	(-)	Block, cylinder (T10474T) with front and rear camshaft bushings, governor shaft rear bushings, camshaft rear bearing seal, main bearing caps, plugs, filler neck, and dipstick (sub. for M3037T and AM3056T)
9	M 1206 T	(-)	Plug, cup (3 used)
10	A 3910 R	(-)	Plug, cup (sub. for L1196T) (packed 2 in a pkg.)
11	AM 232 T	(-139999)	Gauge, bayonet oil, with felt washer
12	L 4256 T	(-139999)	Washer, felt
13	AM 2780 T	(-)	Cock, drain
14	L 4263 T	(-139999)	Bushing, bayonet gauge
15	M 111 T	(-)	Gasket
16	L 4266 T	(-)	Bushing, governor shaft
17	AM 902 T	(-)	Cover, gear (sub. for AM931T)
18	L 4128 T	(-)	Pin, dowel, short (2 used) (packed 3 in a pkg.)
19	12H 304 A	(-)	Washer, lock, 3/8" (5 used)
20	19H 210 A	(-)	Screw, cap, 3/8" x 7/8" (5 used)
21	L 4129 T	(-)	Pin, dowel, long
22	M 761 T	(-)	Bushing, camshaft, front (sub. for AM677T)
23	15H 275 A	(-)	Plug, pipe, hex. ctsk., 1/4" (2 used)
24	AM 718 T	(-)	Bearing, insert, front main (standard) (2 halves)
	AM 719 T	(-)	Bearing, insert, front main (.003" undersize) (2 halves)
	AM 720 T	(-)	Bearing, insert, front main (.005" undersize) (2 halves)
	AM 3170 T	(-)	Bearing, insert, front main (.030" undersize) (2 halves)
	AM 3171 T	(-)	Bearing, insert, front main (.033" undersize) (2 halves)
25	AM 756 T	(-)	Cap, main bearing (M26T) with shims and set gauge (2 used)
26	12H 294 A	(-)	Washer, lock, 5/8" (4 used)
27	19H 1890 A	(-)	Screw, cap, 5/8" x 2-3/4" (4 used)
28	M 85 T	(-)	Gasket (packed 3 in a pkg.)
29	AM 1788 T	(-)	Pan, oil, with drain plug (gasoline engine)
	AM 2137 T	(-)	Pan, oil, with drain plug (all-fuel engine)
30	T 13213 T	(-)	Washer, aluminum (sub. for M1038T) (packed 2 in a pkg.)
31	M 1746 T	(-)	Plug, drain
32	19H 1900 A	(-)	Screw, cap, 5/16" x 3/4" (14 used)
33	12H 303 A	(-)	Washer, lock, 5/16" (17 used)
34	AM 724 T	(-)	Bearing, insert, rear main (standard) (2 halves)
	AM 725 T	(-)	Bearing, insert, rear main (.003" undersize) (2 halves)
	AM 726 T	(-)	Bearing, insert, rear main (.005" undersize) (2 halves)
	AM 3168 T	(-)	Bearing, insert, rear main (.030" undersize) (2 halves)
	AM 3169 T	(-)	Bearing, insert, rear main (.033" undersize) (2 halves)
35	M 98 T	(-)	Pipe, oil return
36	15H 566 A	(-)	Plug, pipe, slotted, 1/8" (2 used) (sub. for L756T)
37	M 463 T	(-)	Nut, hex., special
38	30H 6 A	(-)	Plug, expansion, 9/16"
39	L 4121 T	(-)	Screw, set, 1/2" x 1-1/8"
40	19H 1805 A	(-)	Screw, cap, 1/2" x 2-1/4" (2 used)
41	M 3298 T	(-145246)	Sub. one 30H17A
42	M 3366 T	(-145246)	Gasket
43	M 762 T	(-)	Bushing, camshaft rear (sub. for AM682T)
44	M 108 T	(-)	Plug, cup
45	AM 292 T	(-)	Cock, drain (all-fuel engine)
46	M 1068 T	(-)	Gasket, pump opening (tractors not equipped with Touch-o-matic)
47	M 1067 T	(-)	Cover, pump opening (tractors not equipped with Touch-o-matic) (sub. for AM1088T)
48	19H 2127 A	(-)	Screw, cap, 5/16" x 7/8" (3 used) (tractors not equipped with Touch-o-matic)
49	T 10476 T	(140000-	Neck, filler (sub. one AT11968T and one T12752T)
50	AT 10301 T	(140000-	Cap, filler, with dipstick (sub. one AT11968T and one T12752T)
51	T 12867 T	(-)	Gasket
52	30H 17 A	(145247-	Plug, expansion, 1-1/4" (sub. for M3298T)

CRANKSHAFT, CONNECTING RODS, PISTONS, AND ASSOCIATED PARTS

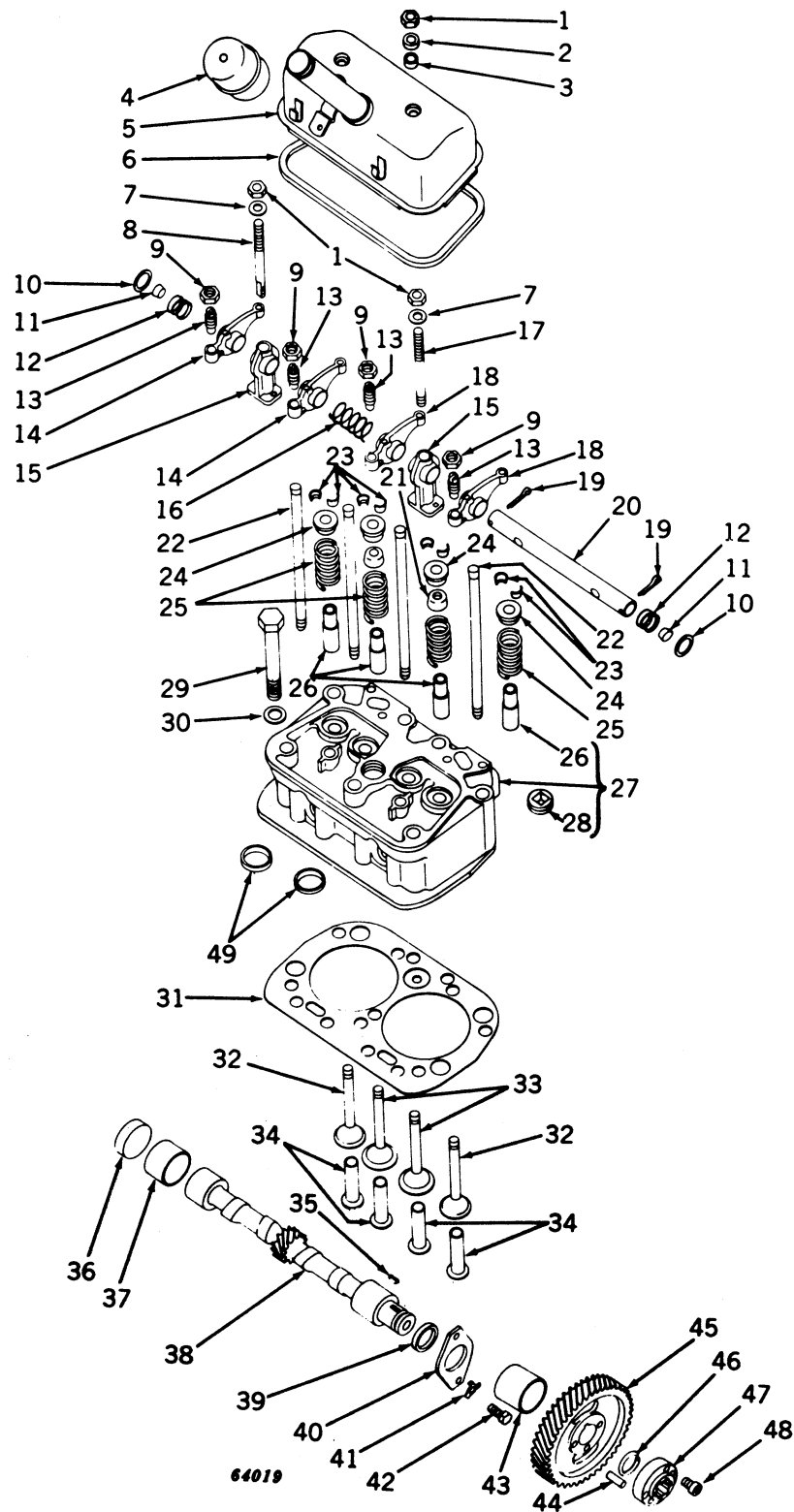


69277

CRANKSHAFT, CONNECTING RODS, PISTONS, AND ASSOCIATED PARTS -- Continued

Key	Part No.	Serial No.	Description
1	AM 3039 T	(-)	Rings, piston (set of 8) (standard) (includes all rings)
	AT 11907 T	(-)	Rings, piston (set of 8) (.020" oversize) (includes all rings) (sub. for AM3190T)
	AT 11908 T	(-)	Rings, piston (set of 8) (.040" oversize) (includes all rings) (sub. for AM3191T)
2	M 67 T	(-)	Ring, snap (4 used) (packed 2 in a pkg.)
3	M 3044 T	(-)	Pin, piston (2 used) (packed 2 in a pkg.)
4	M 3043 T	(-)	Piston, 4-1/4" diameter (standard) (2 used) (gasoline engine)
	M 3880 T	(-)	Piston (.020" oversize) (2 used) (gasoline engine)
	M 3881 T	(-)	Piston (.040" oversize) (2 used) (gasoline engine)
	M 3452 T	(-)	Piston, 4-1/4" diameter (standard) (all-fuel engine)
	M 3882 T	(-)	Piston (.020" oversize) (2 used) (all-fuel)
	M 3883 T	(-)	Piston (.040" oversize) (2 used) (all-fuel)
	M 4042 T	(-)	Piston, 4-1/4" diameter (standard) (LP-gas)
	T 10963 T	(-)	Piston (.020" oversize) (2 used) (LP-gas)
	T 10964 T	(-)	Piston (.040" oversize) (2 used) (LP-gas)
5	M 711 T	(-)	Bushing (2 used)
6	AM 1782 T	(-)	Rod, connecting (M1691T) with bolts, hex. nuts, bushing, and lock nuts (2 used)
7	M 1846 T	(-)	Bolt, special (4 used)
8	M 2576 T	(-)	Nut, hex., special, 7/16" (4 used) (packed 5 in a pkg.)
9	M 1437 T	(-)	Pin, groov-, special
10	L 4187 T	(-)	Lock (5 used) (packed 5 in a pkg.)
11	19H 1900 A	(-)	Screw, cap, 5/16" x 3/4" (5 used)
12	AM 220 T	(-)	Seal, oil (sub. for AM727T)
13	M 18 T	(-)	Plate (sub. for AM728T)
14	L 4126 T	(-)	Pin, dowel (2 used)
15	M 19 T	(-)	Gasket
16	M 17 T	(-)	Pin, dowel
17	AM 724 T	(-)	Bearing, insert, rear main (standard) (2 halves)
	AM 725 T	(-)	Bearing, insert, rear main (.003" undersize) (2 halves)
	AM 726 T	(-)	Bearing, insert, rear main (.005" undersize) (2 halves)
	AM 3168 T	(-)	Bearing, insert, rear main (.030" undersize) (2 halves)
	AM 3169 T	(-)	Bearing, insert, rear main (.033" undersize) (2 halves)
18	AM 1783 T	(-)	Bearing, insert, connecting rod (standard) (2 halves)
	AM 1784 T	(-)	Bearing, insert, connecting rod (.003" undersize) (2 halves)
	AM 3166 T	(-)	Bearing, insert, connecting rod (.030" undersize) (2 halves)
	AM 3167 T	(-)	Bearing, insert, connecting rod (.033" undersize) (2 halves)
19	26H 77 A	(-)	Key, Woodruff, 3/16" x 3/4"
20	AM 718 T	(-)	Bearing, insert, front main (standard) (2 halves)
	AM 719 T	(-)	Bearing, insert, front main (.003" undersize) (2 halves)
	AM 720 T	(-)	Bearing, insert, front main (.005" undersize) (2 halves)
	AM 3170 T	(-)	Bearing, insert, front main (.030" undersize) (2 halves)
	AM 3171 T	(-)	Bearing, insert, front main (.033" undersize) (2 halves)
21	AM 3012 T	(-)	Crankshaft (M3114T) with gear, dowel pin, and woodruff key
22	M 16 T	(-)	Gear (sub. for AM722T)
23	L 768 T	(-)	Thrower, oil
24	AM 902 T	(-)	Cover, gear (sub. for AM931T)
25	L 4152 T	(-)	Gasket
26	L 4115 T	(-)	Plate
27	L 1198 T	(-)	Washer, plain, special (3 used)
28	12H 303 A	(-)	Washer, lock, 5/16" (3 used)
29	14H 785 A	(-)	Nut, hex., 5/16" (3 used)
30	AL 2653 T	(-)	Seal, oil
31	26H 20 A	(-)	Key, Woodruff, 3/16" x 1"
32	34H 120 A	(-)	Pin, roll, 5/16" x 2"
33	M 3112 T	(-)	Pulley
34	M 4150 T	(-)	Jaw, starting crank (sub. for M3113T)
35	12H 304 A	(-)	Washer, lock, 3/8" (2 used)
36	19H 1732 A	(-)	Screw, cap, 3/8" x 1-1/4" (2 used)
37	AT 237 T	(-)	Crank, starting, with pin (C) (sub. for AM629T)
	AT 237 T	(-119060)	Crank, starting, with pin (H, I, S, U, V, and W)
	AM 3844 T	(119061-	Crank, starting, with pin (H, I, S, U, V, and W)
	AM 1126 T	(-)	Crank, starting, with pin (T)

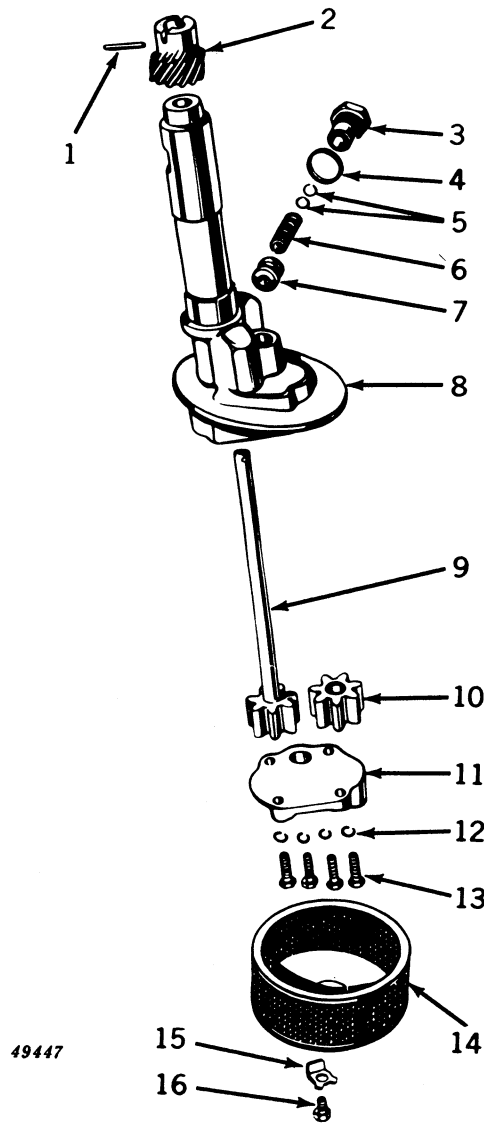
CYLINDER HEAD, VALVES, AND OPERATING PARTS



CYLINDER HEAD, VALVES, AND OPERATING PARTS -- Continued

Key	Part No.	Serial No.	Description
1	14H 807 A	(-)	Nut, hex., 7/16" (4 used)
2	24H 1325 A	(-)	Washer, plain, 15/32" x 59/64" x .060" (2 used)
3	T 379 T	(-)	Seal (2 used) (packed 2 in a pkg.)
4	AM 669 T	(-)	Cap, breather (sub. for AL2137T)
5	AT 10423 T	(-139999)	Cover (sub. for AM2850T)
	AT 10416 T	(140000-)	Cover
6	M 3066 T	(-)	Gasket (packed 3 in a pkg.)
7	24H 1219 A	(-)	Washer, plain, 7/16" x 1" x .075" (2 used)
8	M 284 T	(-)	Stud, rear
9	14H 469 A	(-)	Nut, hex., jam, 7/16" (4 used)
10	24H 1161 A	(-)	Washer, plain, 13/16" x 1-1/2" x .134" (2 used)
11	M 3289 T	(-)	Stopper, cork (2 used) (packed 3 in a pkg.)
12	M 3288 T	(-)	Spring (2 used)
13	M 74 T	(-)	Screw, adjusting, special (4 used)
14	AM 2845 T	(-)	Arm, rocker (no. 2 cylinder) (2 used)
15	AM 271 T	(-)	Bracket (2 used) (sub. for AM683T)
16	M 81 T	(-)	Spring
17	M 283 T	(-)	Stud, front
18	AM 2847 T	(-)	Arm, rocker (no. 1 cylinder) (2 used)
19	11H 237 A	(-)	Pin, cotter, 1/8" x 2" (2 used)
20	M 3287 T	(-)	Shaft
21	M 3299 T	(-)	Deflector, oil (2 used)
22	AM 2849 T	(-)	Rod, push (4 used)
23	B 367 R	(-)	Lock (8 used) (packed 2 in a pkg.)
24	M 3284 T	(-)	Cap (4 used)
25	M 102 T	(-)	Spring (4 used)
26	M 3036 T	(-)	Guide, valve (4 used)
27	AM 3058 T	(-)	Head, cylinder (M3035T, M3995T) with valve guides and pipe plug (gasoline engine)
	AM 3233 T	(-)	Head, cylinder (M3454T) with valve guides and pipe plug (all-fuel engine and high altitude all-fuel engine)
	AM 3835 T	(-)	Head, cylinder (M4043T) with valve guides and pipe plug (LP-gas engine)
	AT 10204 T	(-)	Head, cylinder (3995T) with valve guides and pipe plug (high altitude gasoline engine)
28	15H 562 A	(-)	Plug, pipe, sq. ctsk., 1" (sub. for T498T)
29	M 285 T	(-)	Screw, cap, special (7 used) (packed 5 in a pkg.)
30	T 11170 T	(-)	Washer, plain, special (7 used) (sub. for M3244T) (packed 7 in a pkg.)
31	AM 2848 T	(-)	Gasket, cylinder head
32	M 3154 T	(-)	Valve, exhaust (2 used) (packed 2 in a pkg.)
33	M 3153 T	(-)	Valve, intake (2 used) (packed 2 in a pkg.)
34	M 3414 T	(-)	Tappet, valve (4 used) (sub. for M27T)
35	26H 77 A	(-)	Key, Woodruff, 3/16" x 3/4"
36	M 108 T	(-)	Plug, cup
37	M 762 T	(-)	Bushing, camshaft, rear (sub. for AM682T)
38	M 3156 T	(-)	Camshaft
39	M 12 T	(-)	Washer
40	M 13 T	(-)	Plate, thrust
41	M 112 T	(-)	Lock (2 used) (sub. for AM680T) (packed 3 in a pkg.)
42	19H 210 A	(-)	Screw, cap, 3/8" x 7/8" (2 used)
43	M 761 T	(-)	Bushing, camshaft, front (sub. for AM677T)
44	M 510 T	(-)	Pin, dowel
45	M 49 T	(-)	Gear, camshaft (sub. for AM678T)
46	M 22 T	(-)	Ring, snap (packed 20 in a pkg.)
47	M 1845 T	(-)	Coupling
48	M 511 T	(-)	Screw, cap, special (2 used)
49	M 4044 T	(-)	Insert, exhaust valve (2 used) (packed 2 in a pkg.)

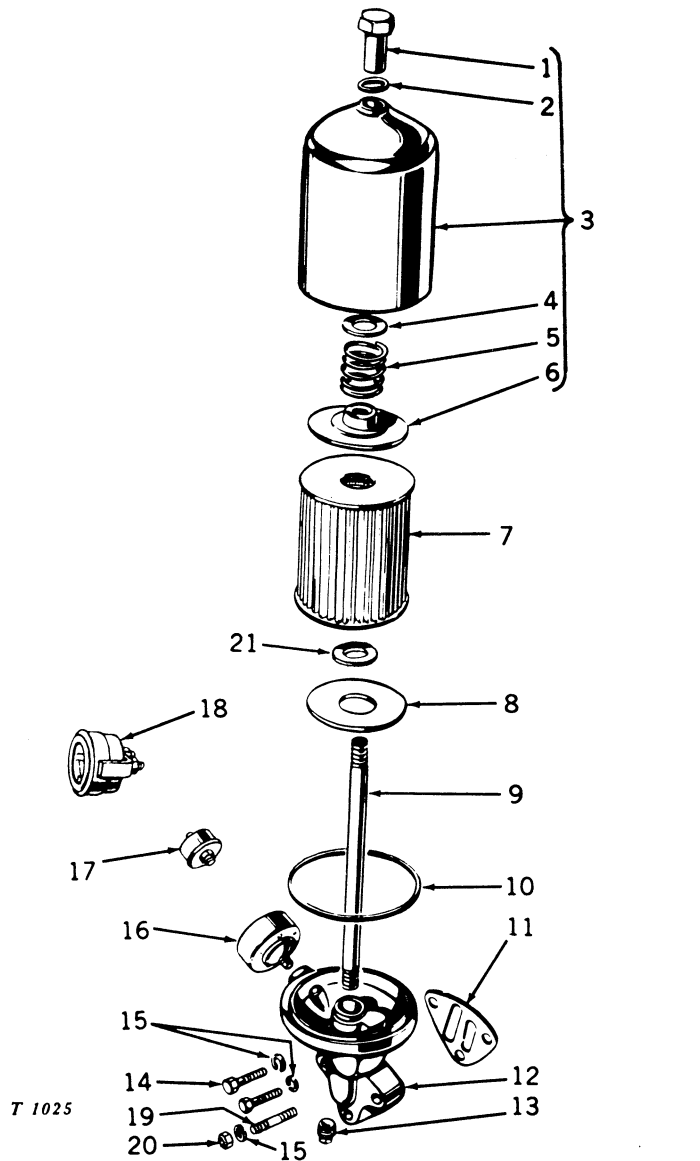
LUBRICATING OIL PUMP



49447

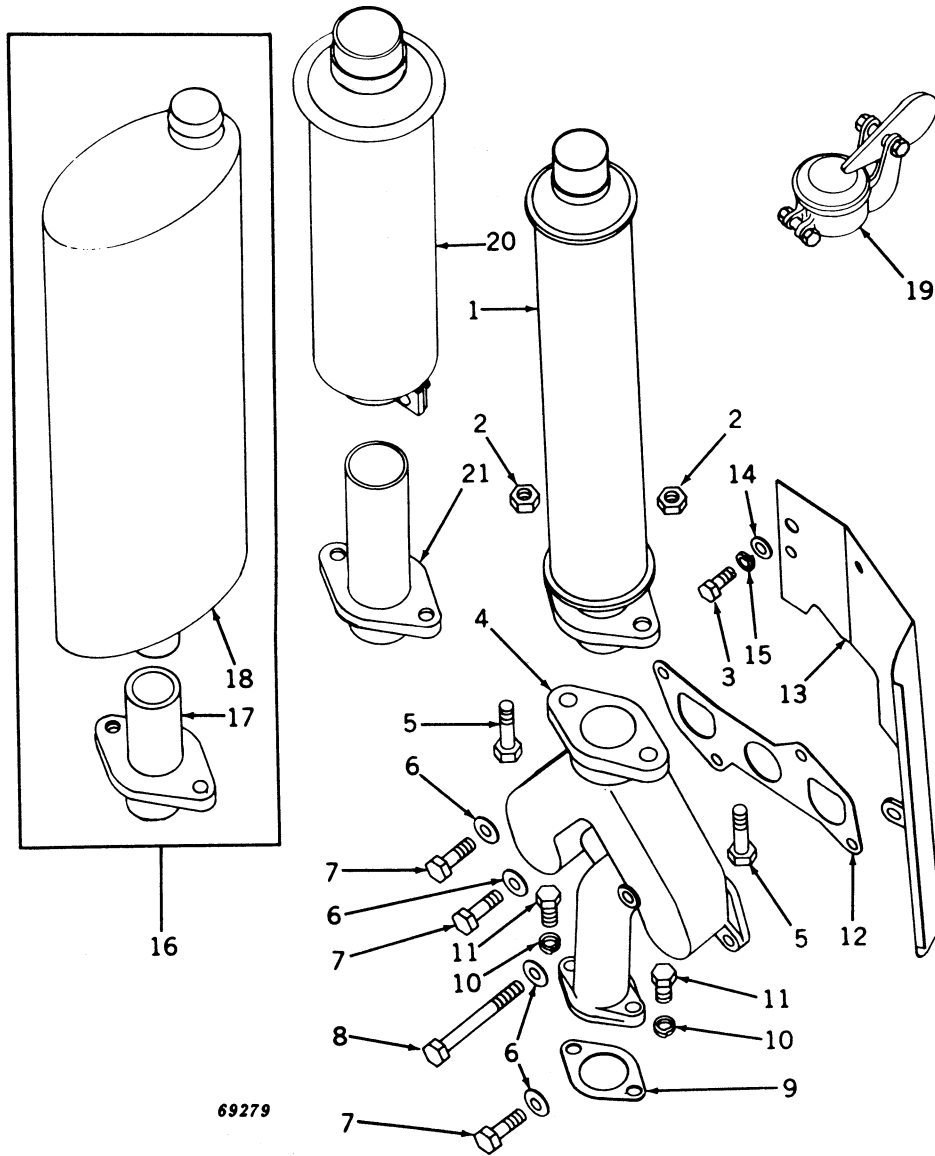
Key	Part No.	Serial No.	Description
1	25H 52 A	(-)	Pin, groov-, 5/32" x 1"
2	T 186 T	(-)	Gear, drive
3	L 4122 T	(-)	Plug, regulating
4	L 754 T	(-)	Gasket
5	L 4232 T	(-)	Washer (approx. 2 used) (packed 3 in a pkg.)
6	L 752 T	(-)	Spring
7	L 4233 T	(-)	Piston
8	AM 730 T	(-)	Body
9	AM 229 T	(-)	Shaft, drive, with pumping gear (sub. for M71T and AM731T)
10	M 73 T	(-)	Gear, idler (sub. for AM732T)
11	M 39 T	(-)	Cover (sub. for AM733T)
12	12H 302 A	(-)	Washer, lock, 1/4" (4 used)
13	19H 1914 A	(-)	Screw, cap, 1/4" x 1" (4 used)
14	AM 230 T	(-)	Strainer (sub. for AM734T)
15	M 80 T	(-)	Lock
16	19H 2020 A	(-)	Screw, cap, 5/16" x 1/2"
..	AM 3014 T	(-)	Oil pump assembly, complete

OIL FILTER ASSEMBLY



Key	Part No.	Serial No.	Description
1	M 94 T	(-)	Nut
2	M 93 T	(-)	Gasket
3	AM 236 T	(-)	Case, oil filter, complete (sub. for AM738T)
4	M 91 T	(-)	Washer (packed 2 in a pkg.)
5	M 90 T	(-)	Spring
6	M 293 T	(-)	Plate, upper sealing (sub. for AM735T)
7	AH 1111 RT	(-)	Element, filter (pkg. of 4)
8	M 88 T	(-)	Plate, lower sealing
9	M 95 T	(-)	Stud
10	M 96 T	(-)	Gasket (packed 3 in a pkg.)
11	M 97 T	(-)	Gasket
12	M 59 T	(-)	Base (sub. for AM736T)
13	15H 604 A	(-)	Plug, pipe, sq. hd., 1/4"
14	19H 1800 A	(-139999)	Screw, cap, 3/8" x 1-1/2" (3 used)
	19H 1800 A	(140000-)	Screw, cap, 3/8" x 1-1/2" (2 used)
15	12H 304 A	(-)	Washer, lock, 3/8" (3 used)
16	AM 284 T	(-139999)	Gauge, oil pressure (sub. for AM737T)
	AM 284 T	(-)	Gauge, oil pressure (LP-gas) (sub. for AM737T)
17	AP 17671 H	(140000-)	Sending unit, oil pressure
18	AT 10415 T	(140000-)	Gauge, oil pressure (North America)
	AT 11326 T	(140000-)	Gauge, oil pressure (export)
19	T 11235 T	(140000-)	Stud
20	14H 812 A	(140000-)	Nut, hex., 3/8"
21	M 1304 T	(-)	Washer (packed 2 in a pkg.)

MUFFLER AND MANIFOLD



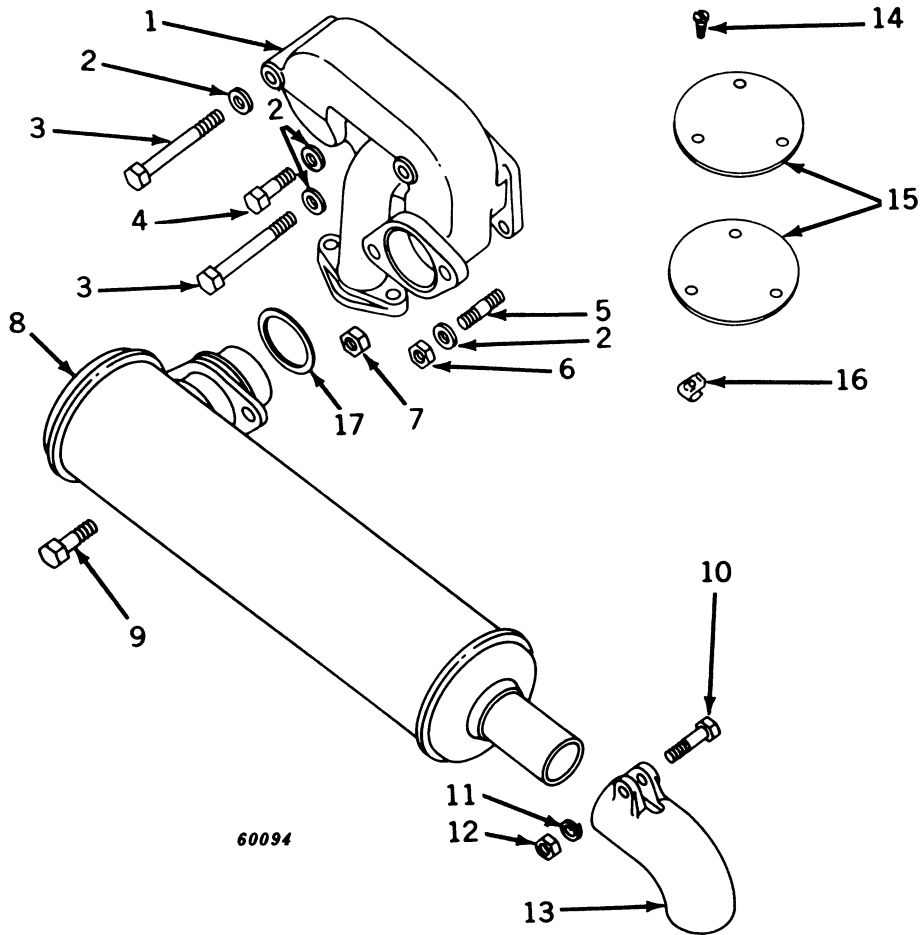
69279

MUFFLER AND MANIFOLD -- Continued

Key	Part No.	Serial No.	Description
1	AM 3101 T	(-135025)	Muffler, with mounting flange
2	14H 813 A	(-)	Nut, hex., 7/16" (2 used)
3	19H 1900 A	(-)	Screw, cap, 5/16" x 3/4"
4	M 3956 T	(-139999)	Manifold (gasoline engine) (sub. for M3060T)
	T 10369 T	(140000-)	Manifold (gasoline engine)
	M 3453 T	(-139999)	Manifold (all-fuel engine)
	T 10732 T	(140000-)	Manifold (all-fuel engine)
	M 4372 T	(-)	Manifold (LP-gas engine)
5	19H 1740 A	(-)	Screw, cap, 7/16" x 1-3/4" (2 used)
6	24H 1303 A	(-)	Washer, plain, 13/32" x 11/16" x .060" (4 used)
7	19H 1732 A	(-)	Screw, cap, 3/8" x 1-1/4" (3 used)
8	19H 1666 A	(-)	Screw, cap, 3/8" x 3-5/8"
9	M 3993 T	(-)	Gasket (sub. for M410T) (packed 3 in a pkg.)
10	12H 304 A	(-)	Washer, lock, 3/8" (2 used)
11	19H 1731 A	(-)	Screw, cap, 3/8" x 1" (2 used)
12	M 3994 T	(-)	Gasket (sub. for M3065T)
13	AM 3009 T	(-139999)	Baffle, heat
	AT 10285 T	(140000-)	Baffle, heat
14	24H 1136 A	(-)	Washer, plain, 11/32" x 11/16" x .060" (2 used)
15	12H 303 A	(-)	Washer, lock, 5/16"
16	AT 10522 T	(-139999)	REDUCED NOISE LEVEL MUFFLER ATTACHMENT (SUB. FOR AM3245T)
	AM 3246 T	(140000-)	REDUCED NOISE LEVEL MUFFLER ATTACHMENT
17	AT 10523 T	(-)	Pipe, exhaust (sub. for AM3247T)
18	AM 3246 T	(-)	Muffler, reduced noise level
19	AT 10611 T	(-135025)	Exhaust muffler cover attachment
	AT 567 T	(135026-)	Exhaust muffler cover attachment
20	AT 10646 T	(135026-)	Muffler, with clamp
21	AT 10523 T	(135026-)	Pipe, exhaust

Capital letters indicates an attachment. Attachments must be listed on separate order from replacement order.

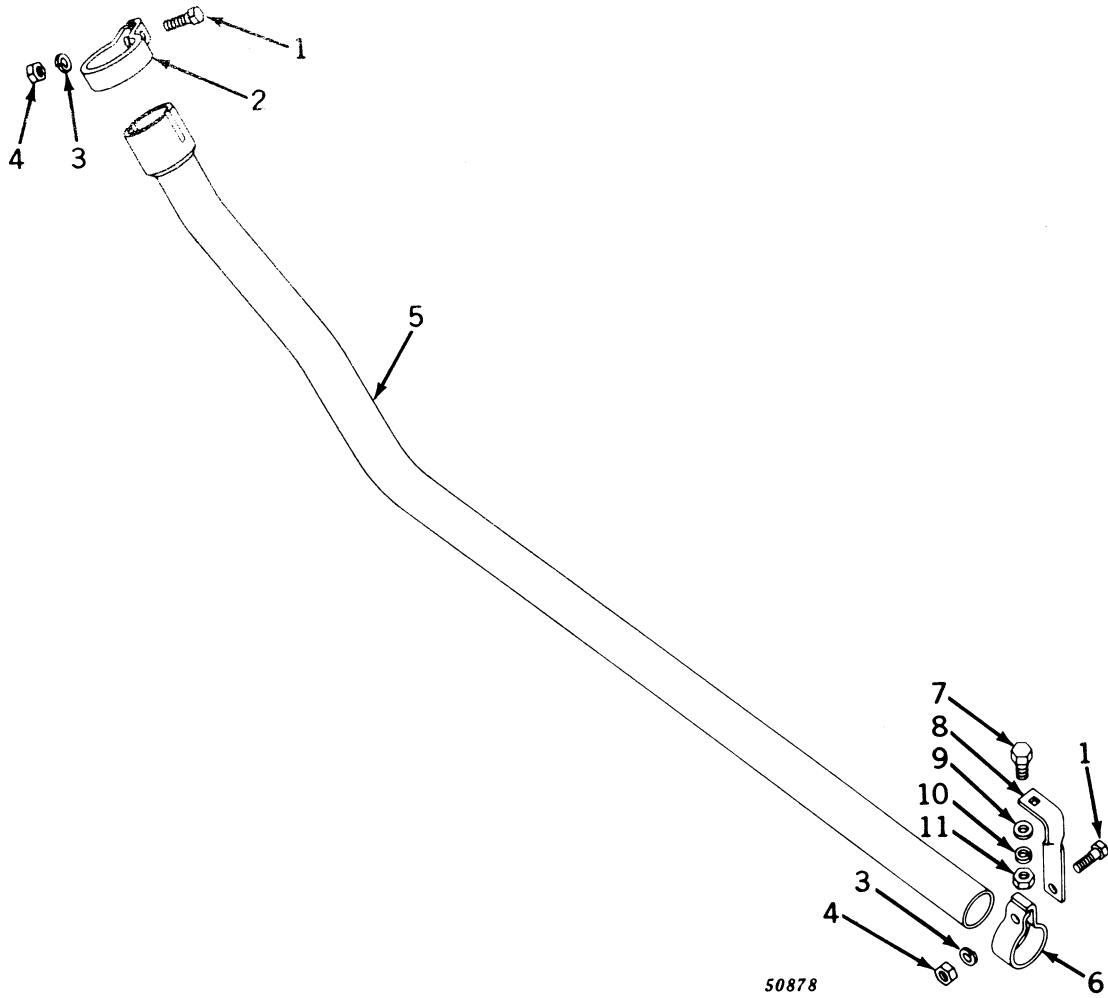
MUFFLER ATTACHMENT



Key	Part No.	Serial No.	Description
1	M 3957 T	(-)	Manifold (gasoline engine) (sub. for M3435T)
	M 3799 T	(-)	Manifold (all-fuel engine)
2	24H 1303 A	(-)	Washer, plain, 13/32" x 11/16" x .060" (4 used)
3	19H 1678 A	(-)	Screw, cap, 3/8" x 3-3/8" (2 used)
4	19H 1732 A	(-)	Screw, cap, 3/8" x 1-1/4"
5	M 3438 T	(-)	Stud (gasoline and all-fuel)
6	14H 812 A	(-)	Nut, hex., 3/8"
7	14H 849 A	(-)	Nut, hex. jam, 7/16" (2 used)
8	AM 3224 T	(-)	Muffler, with flange
9	19H 339 A	(-139999)	Screw, cap, 7/16" x 1-3/8" (2 used)
	19H 1740 A	(140000-)	Screw, cap, 7/16" x 1-3/4" (2 used)
10	19H 1789 A	(-)	Screw, cap, 5/16" x 1-3/8"
11	12H 303 A	(-)	Washer, lock, 5/16"
12	14H 785 A	(-)	Nut, hex., 5/16"
13	M 3403 T	(-)	Deflector, exhaust
14	M 1093 T	(-)	Screw, metal, no. 10 x 5/8" (3 used)
15	M 1519 T	(-139999)	Cover (2 used)
	M 1519 T	(140000-)	Cover (1 used) (used if muffler attachment was factory installed)
	T 11970 T	(140000-)	Cover (1 used) (used if muffler attachment was field installed)
16	M 1094 T	(-139999)	Nut, speed (3 used)
17	M 4098 T	(-)	Gasket (packed 2 in a pkg.)
..	AT 10974 T	(-)	MUFFLER ATTACHMENT (GASOLINE ENGINE) (SUB. FOR AM3222T)
..	AT 11076 T	(-)	MUFFLER ATTACHMENT (ALL-FUEL ENGINE) (SUB. FOR AM3483T)

Capital letters indicates an attachment. Attachments must be listed on separate order from replacement order.

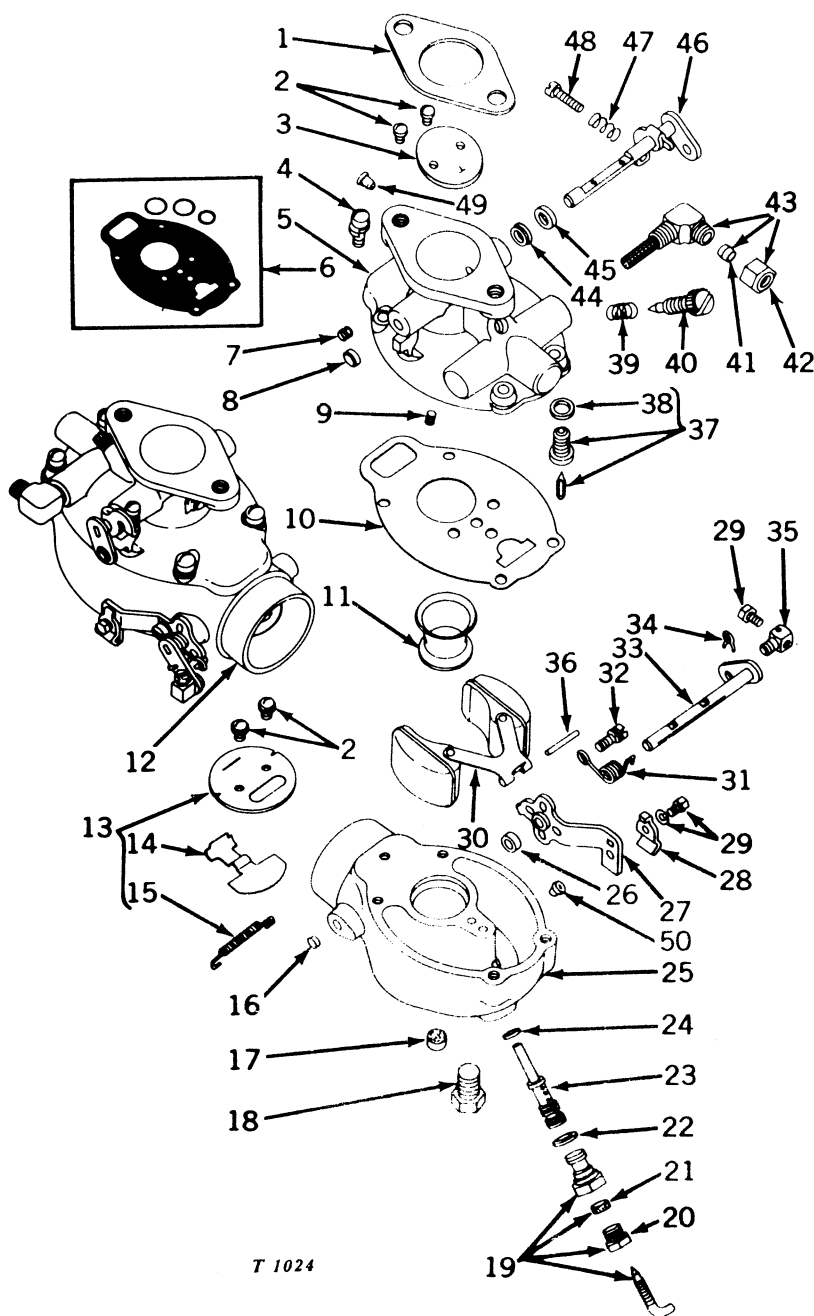
EXHAUST PIPE ATTACHMENT



Key	Part No.	Serial No.	Description
1	19H 1849 A	(-)	Screw, cap, 5/16" x 1-1/4" (2 used)
2	M 3442 T	(-)	Clamp
3	12H 303 A	(-)	Washer, lock, 5/16" (2 used)
4	14H 785 A	(-)	Nut, hex., 5/16" (2 used)
5	M 3439 T	(-)	Tube, exhaust
6	M 3440 T	(-)	Clamp
7	3H 1519 A	(-)	Bolt, sq. hd., 3/8" x 1"
8	M 3441 T	(-)	Bracket (I, T, and W)
	M 3443 T	(-)	Bracket (H, S, U, and V)
9	24H 1303 A	(-)	Washer, plain, 13/32" x 11/16" x .060"
10	12H 304 A	(-)	Washer, lock, 3/8"
11	14H 812 A	(-)	Nut, hex., 3/8"
..	AM 3223 T	(-)	EXHAUST PIPE ATTACHMENT

Capital letters indicates an attachment. Attachments must be listed on separate order from replacement order.

CARBURETOR
MARVEL-SCHEBLER NO'S. TSX-641, TSX-678, TSX-688 AND TSX-689



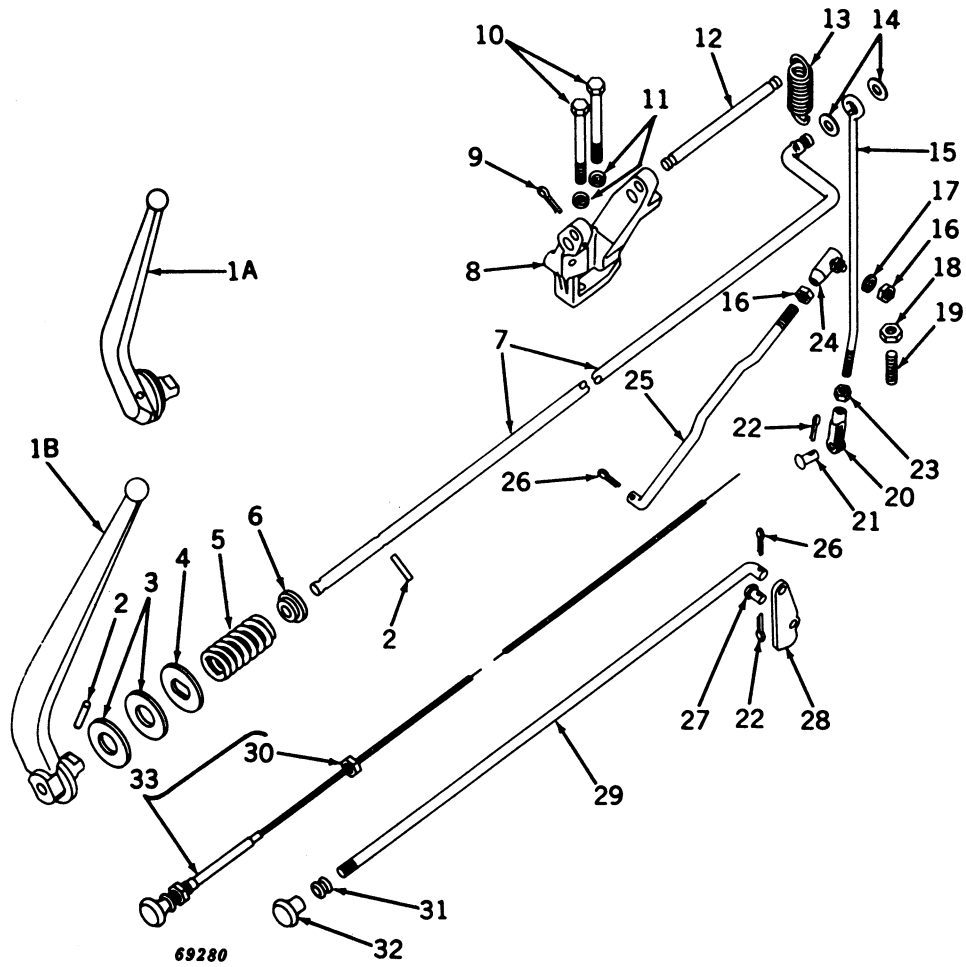
T 1024

Key	Part No.	Serial No.	Description
1	M 3993 T	(-)	Gasket (sub. for M410T) (packed 3 in a pkg.)
2	15-483*	(-)	Screw, with lock washer, no. 6 x 1/4" (4 used)
3	14-273	(-)	Fly, throttle
4	15-A85	(-)	Screw, with lock washer, no. 12 x 3/4" (4 used)
5	227-1424	(-113755)	Body, carburetor assembly (gasoline engine)
	227-1473	(113756-)	Body, carburetor assembly (gasoline engine)
	227-1444	(-129213)	Body, carburetor assembly (all-fuel engine)
	227-1474	(129214-)	Body, carburetor assembly (all-fuel engine)

CARBURETOR -- Continued
MARVEL-SCHEBLER NO'S. TSX-641, TSX-678, TSX-688 AND TSX-689

Key	Part No.	Serial No.	Description
6	16-654*	(-)	Gasket set for carburetor
7	49-285*	(-113755)	Jet, idle (gasoline engine)
	49-101 L*	(113756-)	Jet, idle (gasoline engine)
	49-285*	(-129213)	Jet, idle (all-fuel engine)
	49-101 L*	(129214-)	Jet, idle (all-fuel engine)
8	R 10134 R*	(-)	Plug, cup, throttle shaft hole (sub. for 55-358)
9	49-258*	(-)	Jet, economizer (gasoline engine)
	49-207	(-129213)	Jet, economizer (all-fuel engine)
	49-258	(129214-)	Jet, economizer (all-fuel engine)
10	16-A41	(-)	Gasket (packed 5 in a pkg.)
11	46-A12	(-)	Venturi
12	AM 3611 T	(-)	Carburetor complete (gasoline engine) (sub. for AM3061T)
	AM 3612 T	(-)	Carburetor complete (all-fuel engine) (sub. for AM3227T)
13	AH 11982 H	(-)	Choker fly assembly (sub. for 27-548)
14	27-121	(-)	Flapper, choke fly
15	H 22551 H	(-)	Spring, choke flapper (sub. for 24-292)
16	R 10150 R	(-)	Plug, choke shaft (sub. for 80-169)
17	95-78	(-)	Strainer
18	R 10160 R	(-)	Plug, drain (gasoline engine) (sub. for 99-7)
	AR 10075 R	(-)	Cock, drain (all-fuel engine) (sub. for 87-3A) (packed 5 in a pkg.)
19	43-699	(-)	Needle, main adjusting, with seat, packing, and retainer assembly (gasoline engine)
	43-707	(-129213)	Needle, main adjusting, with seat, packing, and retainer assembly (all-fuel engine)
	43-678	(129214-)	Needle, main adjusting, with seat, packing, and retainer assembly (all-fuel engine)
20	55-285	(-)	Retainer
21	44-51	(-)	Packing
22	(-)	Gasket, load needle seat (order no. 16-654 gasket set)
23	47-451	(-)	Nozzle, main (gasoline engine)
	47-455	(-)	Nozzle, main (all-fuel engine)
24	(-)	Gasket, main nozzle (order no. 16-654 gasket set)
25	10-3964	(-113755)	Sub. one 10-4075 and one 30-739 (gasoline engine)
	10-4075	(113756-)	Bowl, carburetor (gasoline engine)
	10-4075	(-129213)	Bowl, carburetor (all-fuel engine)
	10-4125	(129214-)	Bowl, carburetor (all-fuel engine)
26	44-38*	(-)	Packing, choke shaft (packed 5 in a pkg.)
27	29-538	(-)	Bracket, choker, with screw
28	R 10188 R	(-)	Clip, choke bracket (sub. for 29-81)
29	21H 971 A	(-)	Screw, mach., No. 8 x 5/16" (2 used)
	12H 315 A	(-)	Washer, lock, No. 8 (2 used)
30	30-739	(-)	Float and lever assembly (sub. for 30-631)
31	24-A3*	(-)	Spring, choke return
32	21H 996 A	(-)	Screw, mach., No. 8 x 3/8" (sub. for 15-A93 and AR10303R)
	12H 290 A	(-)	Washer, lock, No. 8
33	26-787	(-)	Shaft, choke, with swivel, hair cotter and screw
34	R 10185 R	(-)	Cotter, hair pin (sub. for 82-16) (packed 2 in a pkg.)
35	28-49	(-)	Swivel
36	R 10211 R*	(-)	Shaft, float (sub. for 32-16)
37	233-543*	(-)	Float valve, seat and gasket assembly
38	(-)	Gasket, float valve seat (order no. 16-654 gasket set)
39	24-340	(-)	Spring, idle adjusting
40	43-33	(-)	Needle, idle adjusting
41	L 587 T	(-)	Ferrule, fuel line (2 used)
42	L 588 T	(-)	Nut, fuel line (2 used) (packed 5 in a pkg.)
43	67-523	(-)	Elbow and strainer assembly, with ferrule and brass nut
44	44-68*	(-)	Packing
45	55-261*	(-)	Retainer (packed 2 in a pkg.)
46	13-1191*	(-)	Shaft, throttle
47	R 10104 R	(-)	Spring, choke adjusting (sub. for 24-262)
48	21H 977 A	(-)	Screw, mach., No. 8 x 3/4"
49	80-171	(-)	Plug, drill
50	49-289	(129214-)	Jet, power (all-fuel engine)
..	286-1107	(-)	Kit, carburetor repair (gasoline engine) (includes all part numbers followed by an (*) asterisk)
..	286-1107	(-129213)	Kit, carburetor repair (all-fuel engine) (includes all part numbers followed by an (*) asterisk)
..	286-1162	(129214-)	Kit, carburetor repair (all-fuel engine) (includes all part numbers followed by an (*) asterisk)

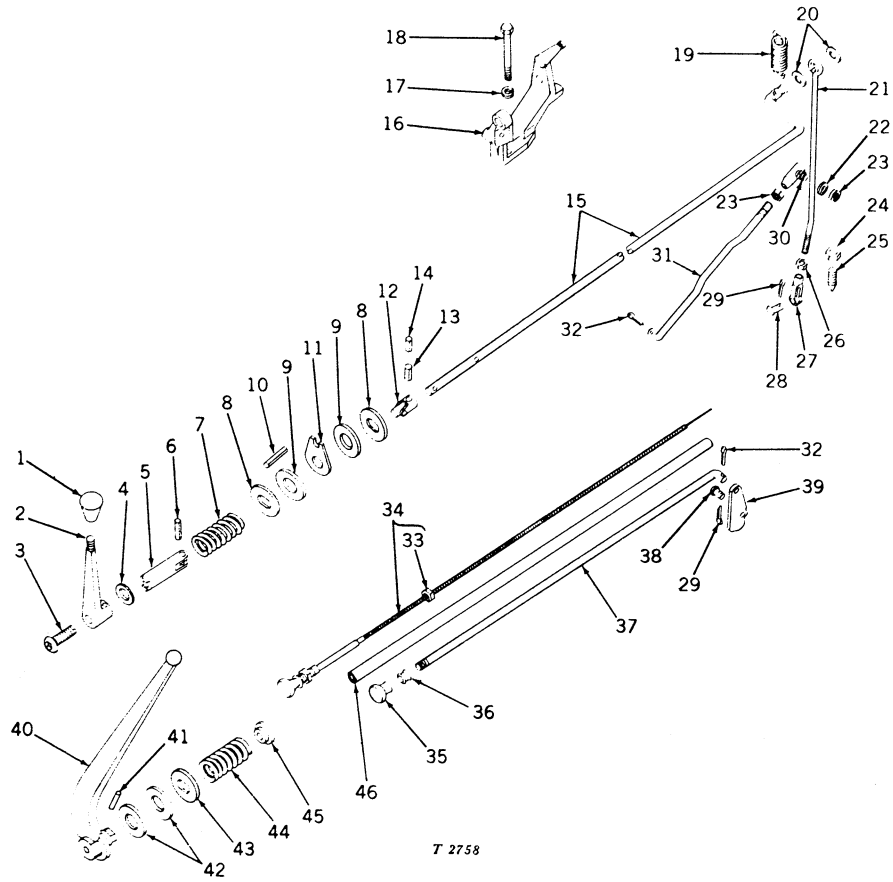
THROTTLE, CHOKE, AND STARTER CONTROLS
420 Series (Serial No. 80001-139999)



THROTTLE, CHOKE, AND STARTER CONTROLS -- Continued
420 Series (Serial No. 80001-139999)

Key	Part No.	Serial No.	Description
1A	M 1758 T	(-139999)	Lever, control (C)
	M 1758 T	(-125000)	Lever, control (I, S, T, U, V, and W)
	M 1758 T	(125001-139999)	Lever, control (LP-gas)
	M 2681 T	(-139999)	Lever, control (H)
1B	M 4324 T	(125001-139999)	Lever, control (I, S, T, U, V, and W)
2	34H 62 A	(-139999)	Pin, roll, 5/32" x 1-1/4" (2 used)
3	M 1860 T	(-139999)	Disk, friction (2 used) (packed 4 in a pkg.)
4	M 1859 T	(-139999)	Washer, thrust
5	M 1858 T	(-139999)	Spring
6	M 1857 T	(-139999)	Washer, retaining
7	M 3122 T	(-139999)	Rod, control
8	T 10896 T	(-139999)	Bracket (sub. for M3152T)
9	11H 236 A	(-139999)	Pin, cotter, 1/8" x 1"
10	19H 2044 A	(-139999)	Screw, cap, 5/16" x 4" (2 used)
11	12H 303 A	(-139999)	Washer, lock, 5/16" (2 used)
12	M 3121 T	(-139999)	Anchor
13	M 1853 T	(-139999)	Spring
14	24H 1325 A	(-139999)	Washer, plain, 15/32" x 59/64" x .060" (2 used)
15	T 13883 T	(-139999)	Rod, governor, connecting (gasoline) (sub. for M3123T)
	M 4366 T	(-139999)	Rod, governor, connecting (LP-gas)
16	14H 860 A	(-139999)	Nut, hex., 1/4" (2 used)
17	12H 302 A	(-139999)	Washer, lock, 1/4"
18	14H 611 A	(-139999)	Nut, hex. jam, 5/16"
19	22H 684 A	(-139999)	Screw, set, 5/16" x 1-3/4"
20	L 987 T	(-139999)	Yoke
21	L 985 T	(-139999)	Pin (packed 2 in a pkg.)
22	11H 231 A	(-139999)	Pin, cotter, 1/16" x 1" (2 used)
23	14H 631 A	(-139999)	Nut, hex., no. 10
24	AL 2096 T	(-139999)	Joint, ball
25	M 3295 T	(-139999)	Rod, carburetor connecting
26	11H 233 A	(-139999)	Pin, cotter, 3/32" x 1/2" (2 used)
27	1880254	(-139999)	Pin (furnished by John Deere Waterloo Tractor Works)
28	M 1863 T	(-139999)	Lever
29	M 1864 T	(-139999)	Rod, starter
30	14H 774 A	(-139999)	Nut, hex. jam, 3/8"
31	M 302 T	(-139999)	Grommet, rubber
32	M 2544 T	(-139999)	Knob
33	AM 1799 T	(-139999)	Control, choke

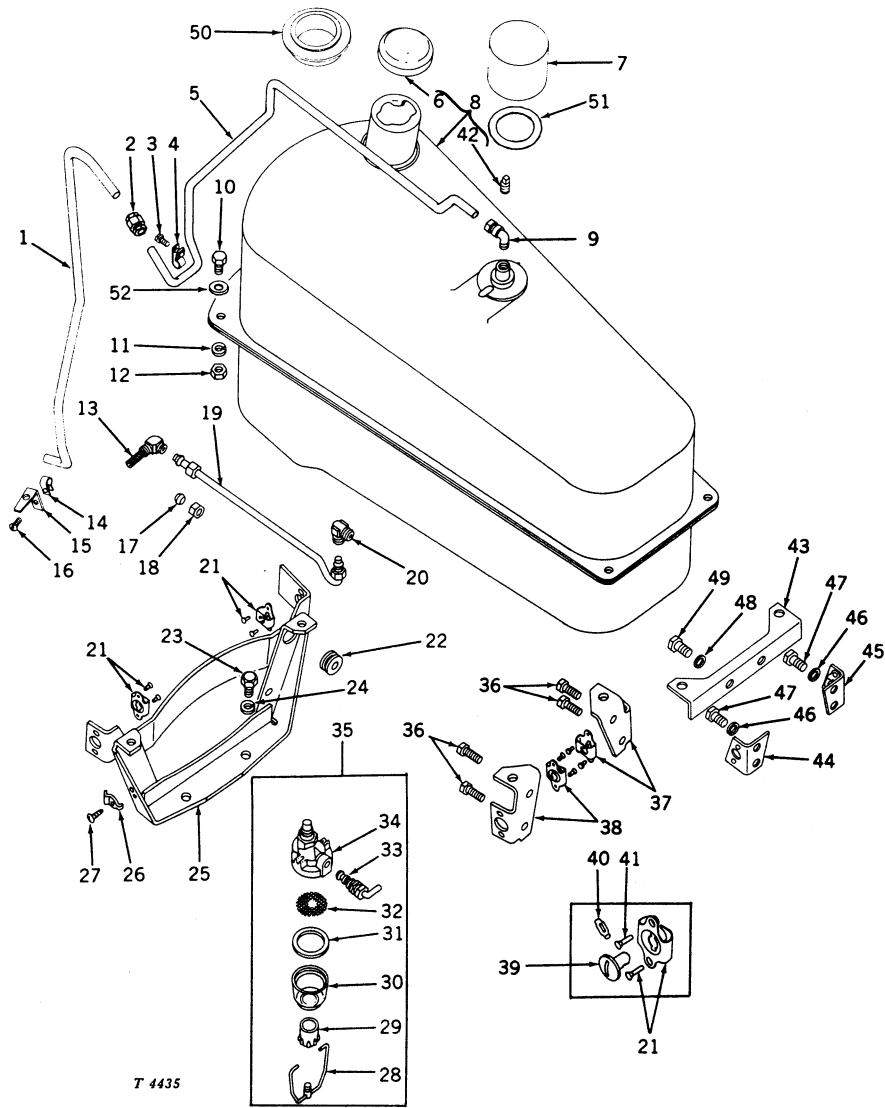
THROTTLE, CHOKE, AND STARTER CONTROLS
430 Series (Serial No. 140000-Up)



THROTTLE, CHOKE, AND STARTER CONTROLS -- Continued
430 Series (Serial No. 140000-Up)

Key	Part No.	Serial No.	Description
1	T 10342 T	(140000-)	Knob
2	T 11113 T	(140000-159054)	Lever, control
	T 12607 T	(159055-)	Lever, speed control
3	M 3057 T	(140000-)	Screw, socket, hd., special
4	T 11148 T	(140000-)	Washer, thrust
5	T 10905 T	(140000-)	Shaft, universal
6	34H 104 A	(140000-)	Pin, roll, 1/4" x 1-3/8"
7	T 10903 T	(140000-159054)	Spring (packed 2 in a pkg.)
	T 12606 T	(159055-)	Spring
8	M 1859 T	(140000-)	Washer, thrust (2 used)
9	M 1860 T	(140000-)	Disk, friction (2 used) (packed 4 in a pkg.)
10	T 11534 T	(140000-)	Pin, groove-pin, special (sub. for 34H105H)
11	T 10297 T	(140000-)	Plate, friction
12	AT 10757 T	(140000-)	Joint, universal
13	34H 58 A	(140000-)	Pin, roll, 5/32" x 7/8"
14	34H 28 A	(140000-)	Pin, roll, 3/32" x 7/8"
15	T 10295 T	(140000-159054)	Rod, control (gasoline and all-fuel)
	T 12609 T	(159055-)	Rod, governor control (gasoline and all-fuel)
	M 3122 T	(140000-)	Rod, control (LP-gas)
16	T 10907 T	(140000-)	Bracket (gasoline and all-fuel)
	T 10896 T	(140000-)	Bracket (LP-gas)
17	12H 303 A	(140000-)	Washer, lock, 5/16" (2 used)
18	19H 2044 A	(140000-)	Screw, cap, 5/16" x 4" (2 used)
19	M 1853 T	(140000-159054)	Spring
	T 12608 T	(159055-)	Spring
20	24H 1325 A	(140000-)	Washer, plain, 15/32" x 59/64" x .060" (2 used)
21	T 13883 T	(140000-)	Rod, governor connecting (gasoline) (sub. for M3123T)
	M 4366 T	(140000-)	Rod, governor connecting (LP-gas)
22	12H 302 A	(140000-)	Washer, lock, 1/4"
23	14H 860 A	(140000-)	Nut, hex., 1/4" (2 used)
24	14H 611 A	(140000-)	Nut, hex., jam, 5/16"
25	22H 684 A	(140000-)	Screw, set, 5/16" x 1-3/4"
26	14H 631 A	(140000-)	Nut, hex., no. 10
27	L 987 T	(140000-)	Yoke
28	L 985 T	(140000-)	Pin (packed 2 in a pkg.)
29	11H 231 A	(140000-)	Pin, cotter, 1/16" x 1" (2 used)
30	AL 2096 T	(140000-)	Joint, ball
31	M 3295 T	(140000-)	Rod, carburetor, connecting
32	11H 233 A	(140000-)	Pin, cotter, 3/32" x 1/2" (2 used)
33	14H 774 A	(140000-)	Nut, hex., jam, 3/8"
34	AM 1799 T	(140000-)	Control choke
35	M 2544 T	(140000-)	Knob
36	T 10610 T	(140000-)	Grommet
37	T 10437 T	(140000-)	Rod, starter
38	1880254	(140000-)	Pin (furnished by John Deere Waterloo Tractor Works)
39	M 1863 T	(140000-)	Lever
40	M 4324 T	(140000-)	Lever, control (LP-gas)
41	34H 62 A	(140000-)	Pin, roll, 5/32" x 1-1/4" (2 used) (LP-gas)
42	M 1860 T	(140000-)	Disk, friction (2 used) (LP-gas) (packed 4 in a pkg.)
43	M 1859 T	(140000-)	Washer, thrust (LP-gas)
44	M 1858 T	(140000-)	Spring (LP-gas)
45	M 1857 T	(140000-)	Washer, retaining (LP-gas)
46	T 10859 T	(140000-)	Loom, choke cable

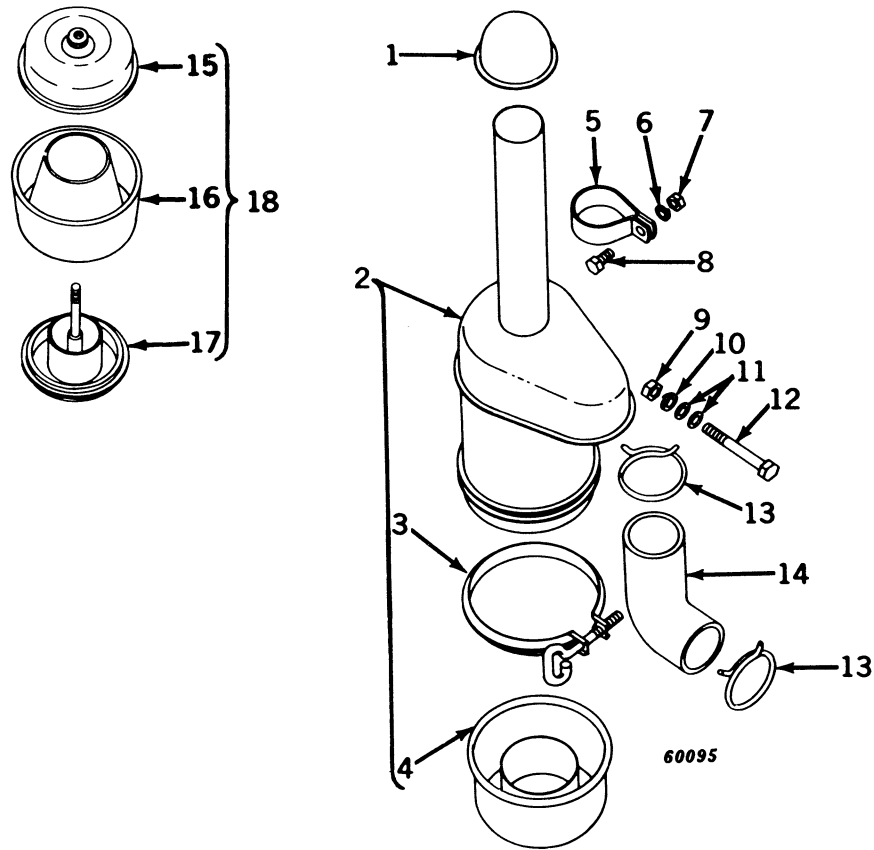
FUEL TANK, FUEL FILTER, AND ASSOCIATED PARTS



FUEL TANK, FUEL FILTER, AND ASSOCIATED PARTS -- Continued

Key	Part No.	Serial No.	Description
1	M 4400 T	(126977-)	Tube, vent drain
2	AM 3995 T	(126977-)	Union
3	M 2308 T	(126977-)	Screw, sheet metal, no. 8 x 1/2"
4	M 4404 T	(126977-)	Clamp, tube
5	M 4399 T	(126977-)	Tube, vent
6	AF 2914 R	(126977-)	Cap, filler (sub. for AM3992T)
7	AM 3892 T	(-126976)	Cap (sub. for AM2307T)
8	AT 10222 T	(-139999)	Tank, fuel, with filler cap and pipe plug (sub. for AM2359T and AM3993T)
	AT 10710 T	(140000-)	Tank, fuel
9	AM 234 T	(126977-)	Elbow assembly
10	19H 1813 A	(-139999)	Screw, cap, 5/16" x 5/8" (4 used)
	19H 1813 A	(140000-)	Screw, cap, 5/16" x 5/8" (3 used)
11	12H 303 A	(-)	Washer, lock, 5/16" (4 used)
12	14H 785 A	(-)	Nut, hex., 5/16" (4 used)
13	67-523	(-)	Strainer and elbow assembly
14	AM 3994 T	(126977-)	Clamp, tube, with speed nut
15	M 4402 T	(126977-)	Bracket, tube support
16	R 27182 R	(126977-)	Screw, sheet metal, No. 8 x 1/2" (sub. for T291T)
17	L 587 T	(-)	Ferrule (2 used)
18	L 588 T	(-)	Nut (2 used) (packed 5 in a pkg.)
19	AM 1817 T	(-)	Line, fuel, with sleeves
20	AL 2730 T	(-)	Elbow
21	AM 635 T	(-)	Receptacle, rigid, with rivets (10 used)
	AM 636 T	(-)	Receptacle, floating, with rivets (2 used)
22	M 1916 T	(-)	Grommet, rubber
23	19H 1731 A	(-)	Screw, cap, 3/8" x 1" (2 used)
24	12H 304 A	(-)	Washer, lock, 3/8" (2 used)
25	AM 3437 T	(-139999)	Bracket, front (sub. for AM1812T)
	AT 10691 T	(140000-)	Bracket, front
26	R 10188 R	(-)	Clip (sub. for 29-81)
27	M 2308 T	(-)	Screw, sheet metal, no. 8 x 1/2"
28	AM 2606 T	(-)	Clamp, with stud
29	M 2773 T	(-)	Nut, thumb
30	M 3340 T	(-)	Bowl
31	L 886 T	(-)	Gasket (packed 10 in a pkg.)
32	L 885 T	(-)	Screen
33	AM 2607 T	(-)	Valve, shut-off
34	AM 2608 T	(-)	Body
35	AM 3100 T	(-)	Fuel filter assembly
36	M 377 T	(-139999)	Screw, special (4 used)
37	AM 1815 T	(-139999)	Bracket, right rear, with stud receptacle
38	AM 1814 T	(-139999)	Bracket, left rear, with stud receptacle
39	M 315 T	(-)	Stud, fastener, short, rigid receptacle (9 used) (packed 2 in a pkg.)
	M 322 T	(-)	Stud, fastener, long, floating receptacle (2 used) (packed 2 in a pkg.)
40	M 316 T	(-)	Pin, cross (12 used) (packed 2 in a pkg.)
41	16H 87 A	(-)	Rivet, 1/8" x 1/4" (24 used)
42	15H 253 A	(-126976)	Plug, pipe, sq. hd., 1/8"
43	AT 10738 T	(140000-)	Bracket, fuel tank, rear (sub. for T10308T)
44	AT 10761 T	(140000-)	Bracket, hood, left rear, with stud receptacle
45	AT 10762 T	(140000-)	Bracket, hood, right rear, with stud receptacle
46	12H 303 A	(140000-)	Washer, lock, 5/16" (4 used)
47	19H 1900 A	(140000-)	Screw, cap, 5/16" x 3/4" (4 used)
48	12H 304 A	(140000-)	Washer, lock, 3/8" (2 used)
49	19H 1936 A	(140000-)	Screw, cap, 3/8" x 3/4" (2 used)
50	T 11034 T	(140000-)	Collar, filler neck
51	T 16055 T	(-126976)	Gasket
52	24H 1122 A	(157834-)	Washer, plain, 3/8" x 7/8" x .075" (2 used)

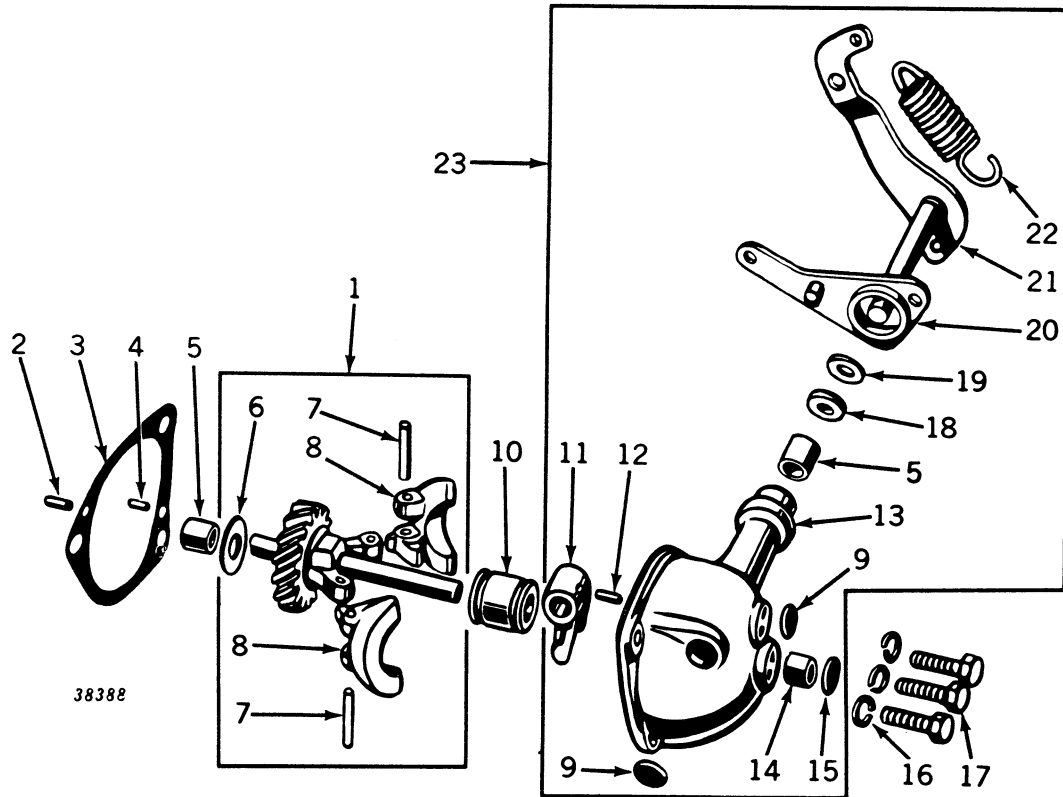
AIR CLEANER



Key	Part No.	Serial No.	Description
1	AM 371 T	(-)	Cap (sub. for AM467T)
2	AT 10767 T	(-)	Air cleaner, complete (sub. for AM2972T)
	AM 3929 T	(-)	Air cleaner, complete (C when equipped with heavy-duty protective equipment)
3	AB 1629 R	(-)	Clamp
4	AM 3172 T	(-)	Cup
5	M 3058 T	(-)	Clamp
6	12H 303 A	(-)	Washer, lock, 5/16"
7	14H 785 A	(-)	Nut, hex., 5/16"
8	19H 1900 A	(-)	Screw, cap, 5/16" x 3/4"
9	14H 812 A	(-)	Nut, hex., 3/8"
10	12H 304 A	(-)	Washer, lock, 3/8"
11	24H 1303 A	(-)	Washer, plain, 13/32" x 11/16" x .060" (2 used)
12	19H 2023 A	(-)	Screw, cap, 3/8" x 3-1/4"
13	AR 21840 R	(-)	Clamp (2 used) (sub. for M3283T and AM3010T)
14	T 10947 T	(-)	Hose (sub. for M3285T)
15	AT 16840 T	(-)	Cover assembly (sub. for AM3773T)
16	AM 3772 T	(-)	Body assembly
17	AT 16841 T	(-)	Sleeve assembly (sub. for AM3774T)
18	AT 16837 T	(-)	PRECLEANER ATTACHMENT (sub. for AM3672T)

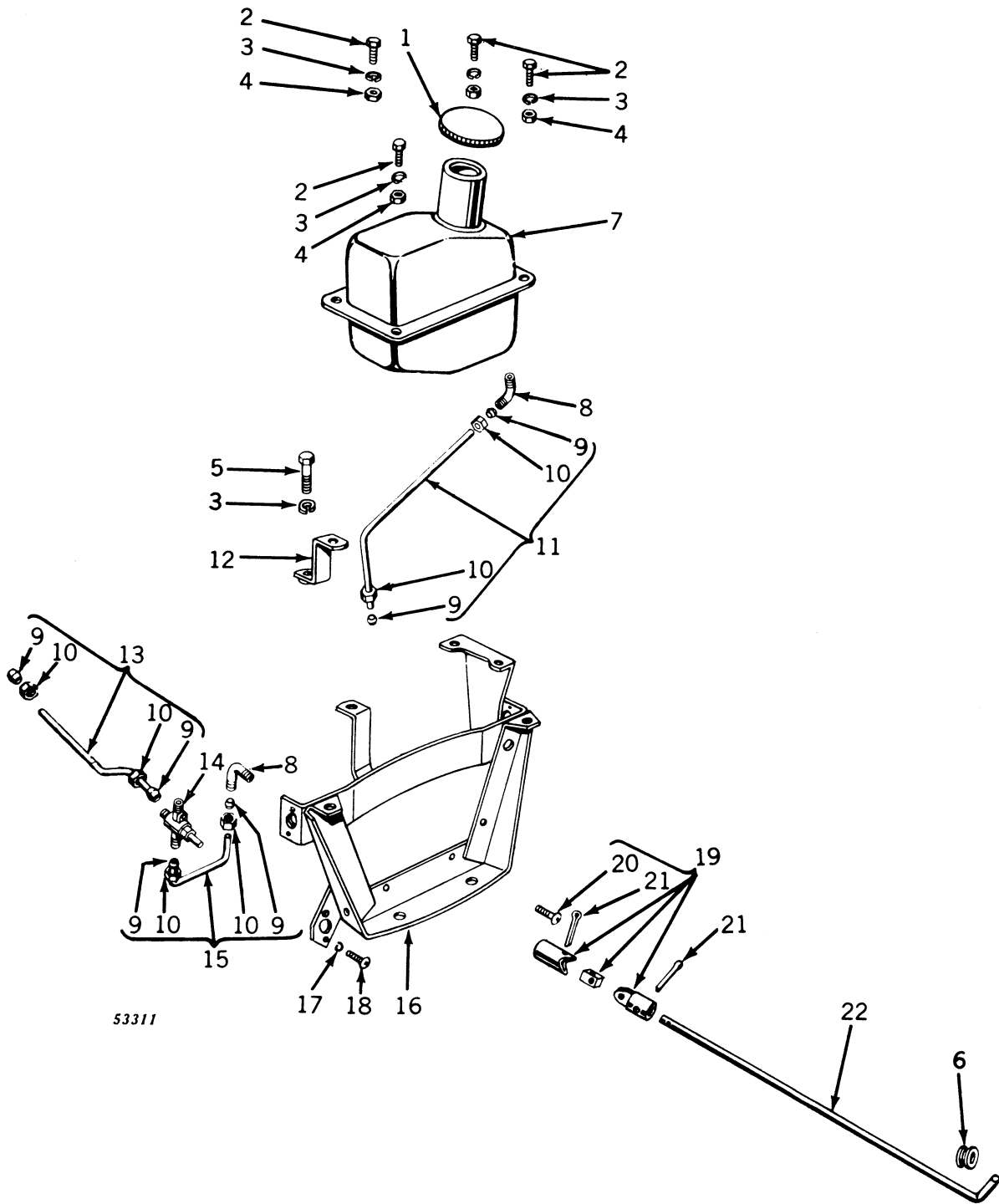
Capital letters indicates an attachment. Attachments must be listed on separate order from replacement order.

GOVERNOR ASSEMBLY



Key	Part No.	Serial No.	Description
1	AM 1791 T	(-)	Shaft (M273T) with weight carrier, thrust washer, gear, and weights
2	L 4129 T	(-)	Pin, dowel, long
3	M 276 T	(-)	Gasket (packed 2 in a pkg.)
4	L 4128 T	(-)	Pin, dowel, short (packed 3 in a pkg.)
5	L 4266 T	(-)	Bushing (2 used)
6	L 4177 T	(-)	Washer, thrust (packed 3 in a pkg.)
7	M 1817 T	(-)	Pin (2 used) (packed 2 in a pkg.)
8	M 1683 T	(-)	Weight (2 used)
9	30H 7 A	(-)	Plug, expansion, 5/8" (2 used)
10	AL 2691 T	(-)	Bearing, thrust, with bushings
11	L 4158 T	(-)	Fork
12	25H 50 A	(-)	Pin, groov-, 5/32" x 3/4"
13	AM 1792 T	(-)	Case, governor (M1709T) with bushings and front expansion plug
14	L 4265 T	(-)	Bushing
15	30H 9 A	(-)	Plug, expansion, 3/4"
16	12H 304 A	(-)	Washer, lock, 3/8" (3 used)
17	19H 1732 A	(-)	Screw, cap, 3/8" x 1-1/4" (3 used)
18	L 4176 T	(-)	Seal
19	L 4183 T	(-)	Retainer
20	AM 295 T	(-)	Lever (gasoline)
	AM 3987 T	(-)	Lever (LP-gas)
21	AM 3451 T	(-)	Lever and shaft assembly (sub. for AM609T) (gasoline)
	AM 3974 T	(-)	Lever and shaft assembly (LP-gas)
22	M 1853 T	(-)	Spring
23	AM 3577 T	(-)	Case, governor (M1709T) with lever assembly (sub. for AM1790T and AM3439T)

ALL-FUEL ATTACHMENT

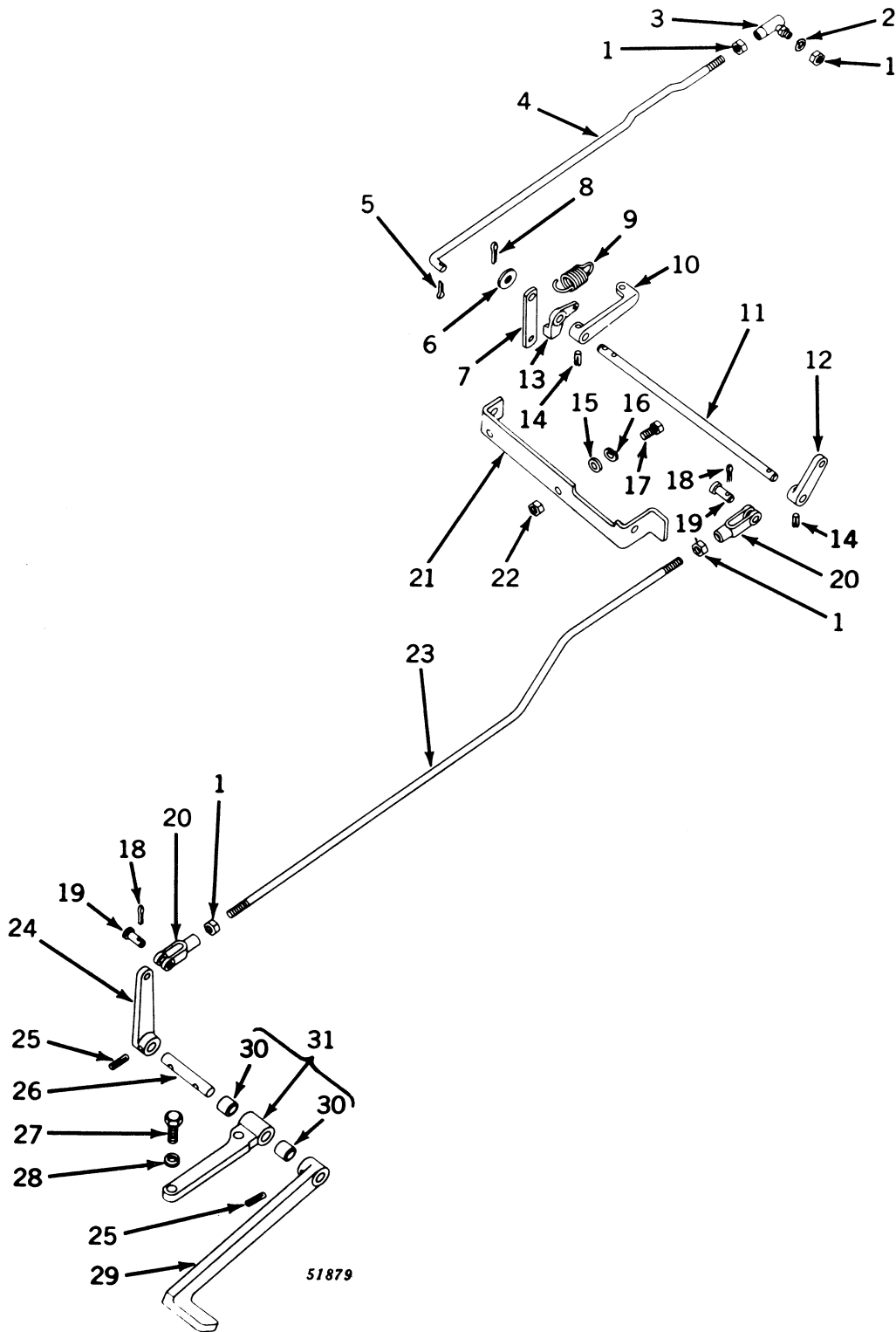


53311

ALL-FUEL ATTACHMENT -- Continued

Key	Part No.	Serial No.	Description
1	AL 2275 T	(-)	Cap, fuel tank filler
2	19H 1813 A	(-)	Screw, cap, 5/16" x 5/8" (4 used)
3	12H 303 A	(-)	Washer, lock, 5/16" (5 used)
4	14H 785 A	(-)	Nut, hex., 5/16" (4 used)
5	19H 1679 A	(-)	Screw, cap, 5/16" x 2-1/8"
6	M 1536 T	(-)	Grommet
7	AM 1619 T	(-139999)	Starting tank assembly (sub. for AM1628T)
	AT 11074 T	(140000-)	Starting tank assembly
8	AL 2730 T	(-)	Elbow assembly (2 used)
9	L 587 T	(-)	Ferrule (6 used)
10	L 588 T	(-)	Nut (6 used) (packed 5 in a pkg.)
11	AM 2143 T	(-)	Line, fuel, with ferrules, three-way valve to starting tank assembly
12	AM 3234 T	(-)	Bracket, front, starting tank
13	AM 2144 T	(-)	Line, fuel, with ferrules, carburetor to three-way valve
14	AM 1621 T	(-)	Valve, three-way, with three ferrules, three nuts, and yoke assembly (includes one key 19, AM1642T) (sub. for AM1629T)
15	AM 2142 T	(-)	Line, fuel, with ferrules, three-way valve to fuel filter assembly
16	AM 3438 T	(-139999)	Support, fuel tank front, with sheet metal lock receptacles (sub. for AM2090T)
	AT 11073 T	(140000-)	Support, fuel tank front, with sheet metal lock receptacles
17	12H 302 A	(-)	Washer, lock, 1/4" (2 used)
18	21H 1018 A	(-)	Screw, mach., 1/4" x 3/8" (2 used)
19	AM 1642 T	(-)	Yoke assembly
20	21H 1066 A	(-)	Screw, mach., No. 6 x 1/2"
21	11H 211 A	(-)	Pin, cotter, 1/8" x 3/4" (2 used)
22	M 2307 T	(-)	Rod, control, three-way valve

FOOT-OPERATED GOVERNOR CONTROL ATTACHMENT
(Crawler, Special Utility, Standard, Tricycle, Utility, Special, and Row-Crop Utility) (Serial No. 80001-139999)

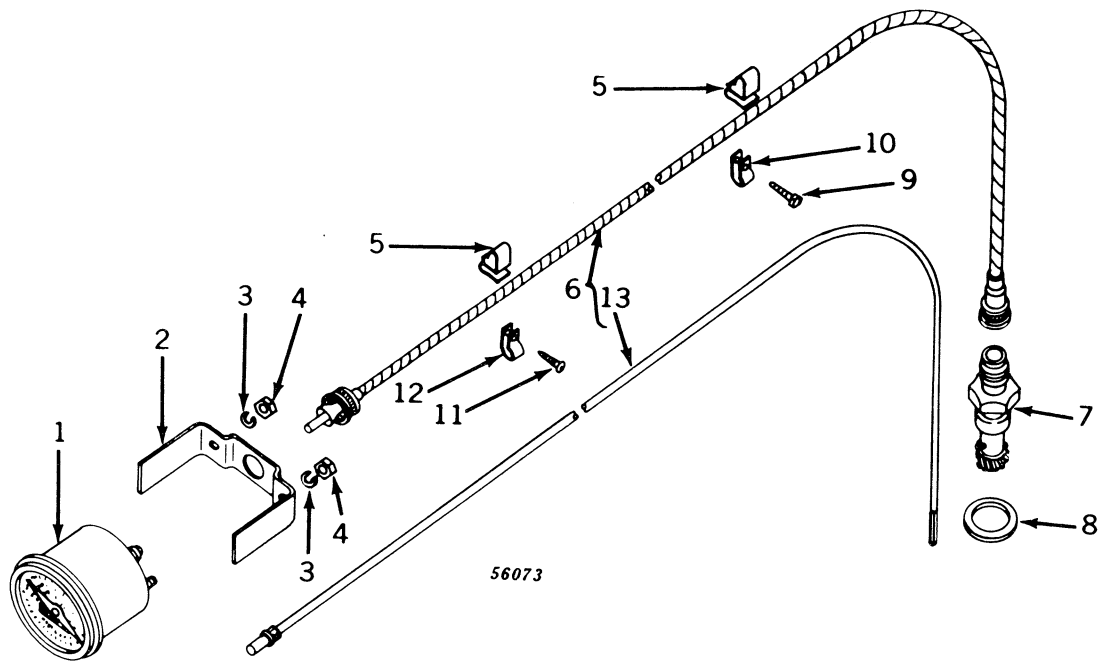


FOOT-OPERATED GOVERNOR CONTROL ATTACHMENT -- Continued
 (Crawler, Special Utility, Standard, Tricycle, Utility, Special, and Row-Crop Utility) (Serial No. 80001-139999)

Key	Part No.	Serial No.	Description
1	14H 860 A	(-139999)	Nut, hex., 1/4" (4 used)
2	12H 302 A	(-139999)	Washer, lock, 1/4"
3	AL 2096 T	(-139999)	Joint, ball
4	M 3752 T	(-139999)	Rod, control
5	11H 231 A	(-139999)	Pin, cotter, 1/16" x 1"
6	24H 1303 A	(-139999)	Washer, plain, 13/32" x 11/16" x .060"
7	M 3751 T	(-139999)	Lever, outer left
8	11H 206 A	(-139999)	Pin, cotter, 3/32" x 3/4"
9	M 3753 T	(-139999)	Spring
10	M 3749 T	(-139999)	Lever, inner left
11	M 3747 T	(-139999)	Shaft, cross
12	M 3746 T	(-139999)	Lever, right
13	M 3750 T	(-139999)	Lever, center left
14	25H 42 A	(-139999)	Pin, groov-, 1/8" x 3/4" (2 used)
15	M 3465 T	(-139999)	Washer, plain, special (2 used)
16	12H 303 A	(-139999)	Washer, lock, 5/16" (2 used)
17	19H 2127 A	(-139999)	Screw, cap, 5/16" x 7/8" (2 used)
18	11H 206 A	(-139999)	Pin, cotter, 3/32" x 5/8" (2 used)
19	L 4667 T	(-139999)	Pin (2 used)
20	M 3742 T	(-139999)	Yoke (2 used)
21	M 3748 T	(-139999)	Bracket
22	14H 785 A	(-139999)	Nut, hex., 5/16" (2 used)
23	M 3754 T	(-139999)	Rod, control
24	M 3744 T	(-139999)	Lever, rear
25	25H 52 A	(-139999)	Pin, groov-, 5/32" x 1" (2 used)
26	M 3745 T	(-139999)	Shaft, pedal
27	19H 1800 A	(-139999)	Screw, cap, 3/8" x 1-1/2" (2 used)
28	12H 304 A	(-139999)	Washer, lock, 3/8" (2 used)
29	M 3743 T	(-139999)	Pedal
30	L 4266 T	(-139999)	Bushing (2 used)
31	AM 3436 T	(-139999)	Bracket assembly, with bushings
..	AM 3435 T	(-139999)	FOOT-OPERATED GOVERNOR CONTROL ATTACHMENT

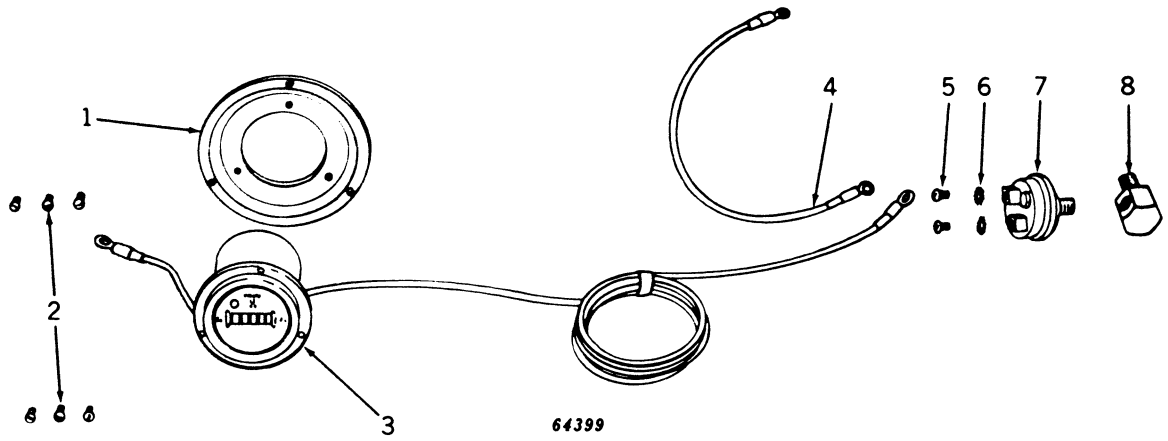
Capital letters indicates an attachment. Attachments must be listed on separate order from replacement order.

SPEED-HOUR METER



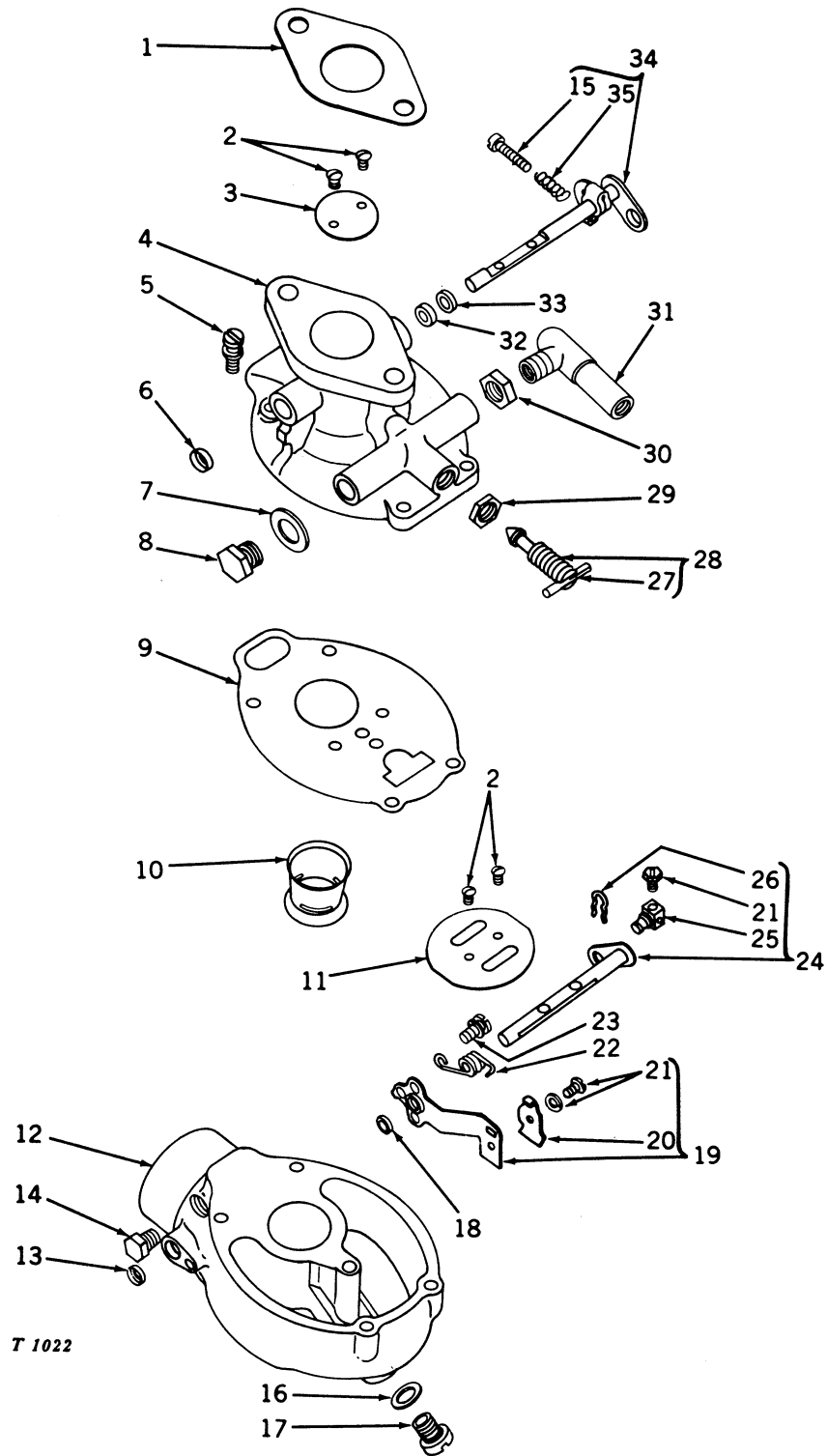
Key	Part No.	Serial No.	Description
1	AM 3134 T	(-)	Tachometer (C) (4-speed transmission) (miles per hour)
	AM 3717 T	(-)	Tachometer (C) (4-speed transmission) (kilometers per hour)
	AM 3493 T	(-)	Tachometer (C) (5-speed transmission) (miles per hour)
	AM 3718 T	(-)	Tachometer (C) (5-speed transmission) (kilometers per hour)
	AM 3132 T	(-)	Tachometer (H, I, S, T, U, V, and W) (4-speed transmission) (miles per hour)
	AM 3715 T	(-)	Tachometer (H, I, S, T, U, V, and W) (4-speed transmission) (kilometers per hour)
	AM 3492 T	(-)	Tachometer (H, I, S, T, U, V, and W) (5-speed transmission) (miles per hour)
	AM 3716 T	(-)	Tachometer (H, I, S, T, U, V, and W) (5-speed transmission) (kilometers per hour)
2	F 1977 R	(-)	Clamp
3	12H 246 A	(-)	Washer, lock, No. 10 (2 used)
4	14H 631 A	(-)	Nut, hex., no. 10 (2 used)
5	M 633 T	(-100024)	Clip (2 used)
6	AM 3131 T	(-)	Cable and sheath assembly
7	AM 3130 T	(-)	Coupling
8	M 3366 T	(-)	Gasket
9	M 2308 T	(100025-	Screw, sheet metal, no. 8 x 1/2"
10	M 4100 T	(100025-	Clamp, tube (sub. for M3831T)
11	R 27182 R	(100025-	Screw, sheet metal, No. 8 x 1/2" (sub. for T291T)
12	AM 3838 T	(100025-	Clamp, tube, with speed nut (sub. for AT189T)
13	AM 3585 T	(-)	Cable core assembly

ENGINE HOUR METER ATTACHMENT



Key	Part No.	Serial No.	Description
1	AM 1664 T	(-)	Vibration dampener
2	21H 1076 A	(-)	Screw, mach., No. 6 x 5/16" (6 used)
3	AT 10427 T	(-)	Hour meter assembly
4	AT 10527 T	(-)	Lead, pressure switch to coil
5	21H 1189 A	(-)	Screw, mach., No. 10 x 1/4" (2 used)
6	12H 246 A	(-)	Washer, lock, No. 10 (2 used)
7	AM 1662 T	(-)	Pressure switch
8	T 16671 T	(-)	Adapter, pressure switch (sub. for M1577T)

LP-GAS CARBURETOR ASSEMBLY
MARVEL-SHEBLER NO. TSG-8

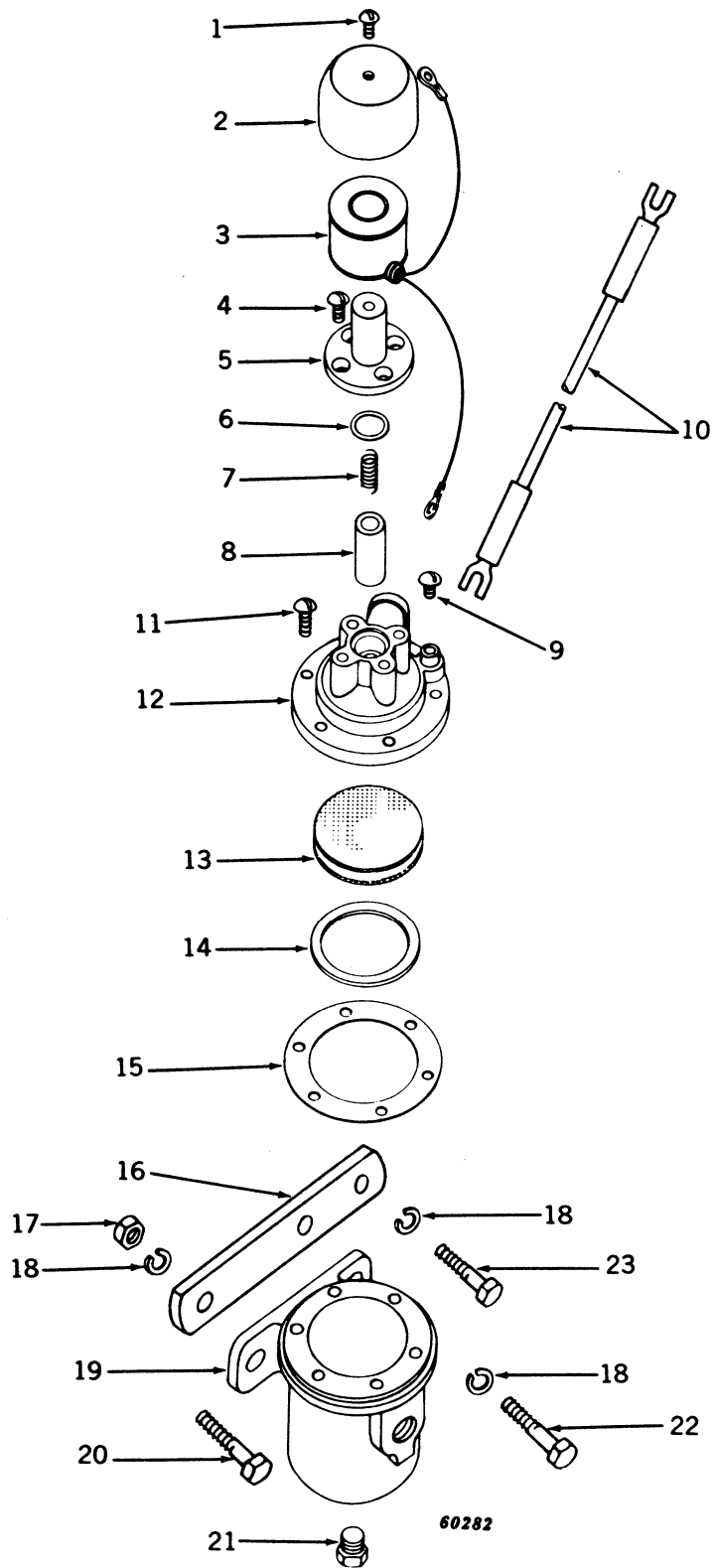


LP-GAS CARBURETOR ASSEMBLY -- Continued
MARVEL-SCHEBLER NO. TSG-8

Key	Part No.	Serial No.	Description
1	M 3993 T	(125001-	Gasket (packed 3 in a pkg.)
2	15-483	(125001-	Screw, mach., no. 6 x 1/4" (4 used)
3	14-273	(125001-	Fly, throttle
4	AM 4021 T	(125001-	Body, carburetor assembly
5	15-A85	(125001-	Screw, mach., no. 12 x 3/4" (4 used)
6	R 10133 R	(125001-	Plug, cup, throttle shaft (packed 2 in a pkg.)
7	M 4462 T	(125001-	Gasket (2 used)
8	M 4467 T	(125001-	Plug
9	16-A41	(125001-	Gasket (packed 5 in a pkg.)
10	M 4464 T	(125001-	Venturi
11	M 4463 T	(125001-	Fly, choke
12	AM 4018 T	(125001-	Bowl, carburetor
13	R 10150 R	(125001-	Plug, cup (sub. for 80-169)
14	R 10160 R	(125001-	Plug, pipe, 1/8"
15	21H 977 A	(125001-	Screw, mach., No. 8 x 3/4"
16	16-294	(125001-	Gasket, nozzle plug
17	M 4468 T	(125001-	Plug, nozzle
18	44-38	(125001-	Packing, choke shaft (packed 5 in a pkg.)
19	29-551	(125001-	Bracket, choke, with clip and screw
20	R 10188 R	(125001-	Clip (sub. for 29-81)
21	21H 971 A	(125001-	Screw, mach., No. 8 x 5/16" (2 used)
	12H 315 A	(125001-	Washer, lock, No. 8
22	24-A3	(125001-	Spring
23	21H 996 A	(125001-	Screw, mach., No. 8 x 3/8" (sub. for 15-A93 and AR10303R)
	12H 290 A	(125001-	Washer, lock, No. 8
24	26-787	(125001-	Shaft, choke, with swivel, hair cotter, and screw
25	28-49	(125001-	Swivel
26	R 10185 R	(125001-	Cotter, hair pin (sub. for 82-16) (packed 2 in a pkg.)
27	R 10145 R	(125001-	Pin, groov-
28	AM 4020 T	(125001-	Needle, fuel adjusting
29	M 4469 T	(125001-	Nut, fuel adjusting needle
30	M 4470 T	(125001-	Nut, fuel inlet elbow
31	M 4466 T	(125001-	Elbow, fuel inlet
32	44-68	(125001-	Packing, throttle shaft
33	55-261	(125001-	Retainer (packed 2 in a pkg.)
34	13-1191	(125001-	Shaft, throttle, with spring and screw
35	R 10104 R	(125001-	Spring (sub. for 24-262)
36	21H 977 A	(125001-	Screw, mach., No. 8 x 3/4"
..	AM 4019 T	(125001-	Gasket set for LP-gas carburetor
..	AM 3783 T*	(125001-	Sub. one AR56751 carburetor assembly, complete

*When AR56751 carburetor assembly has been installed see page 16-12 for service parts.

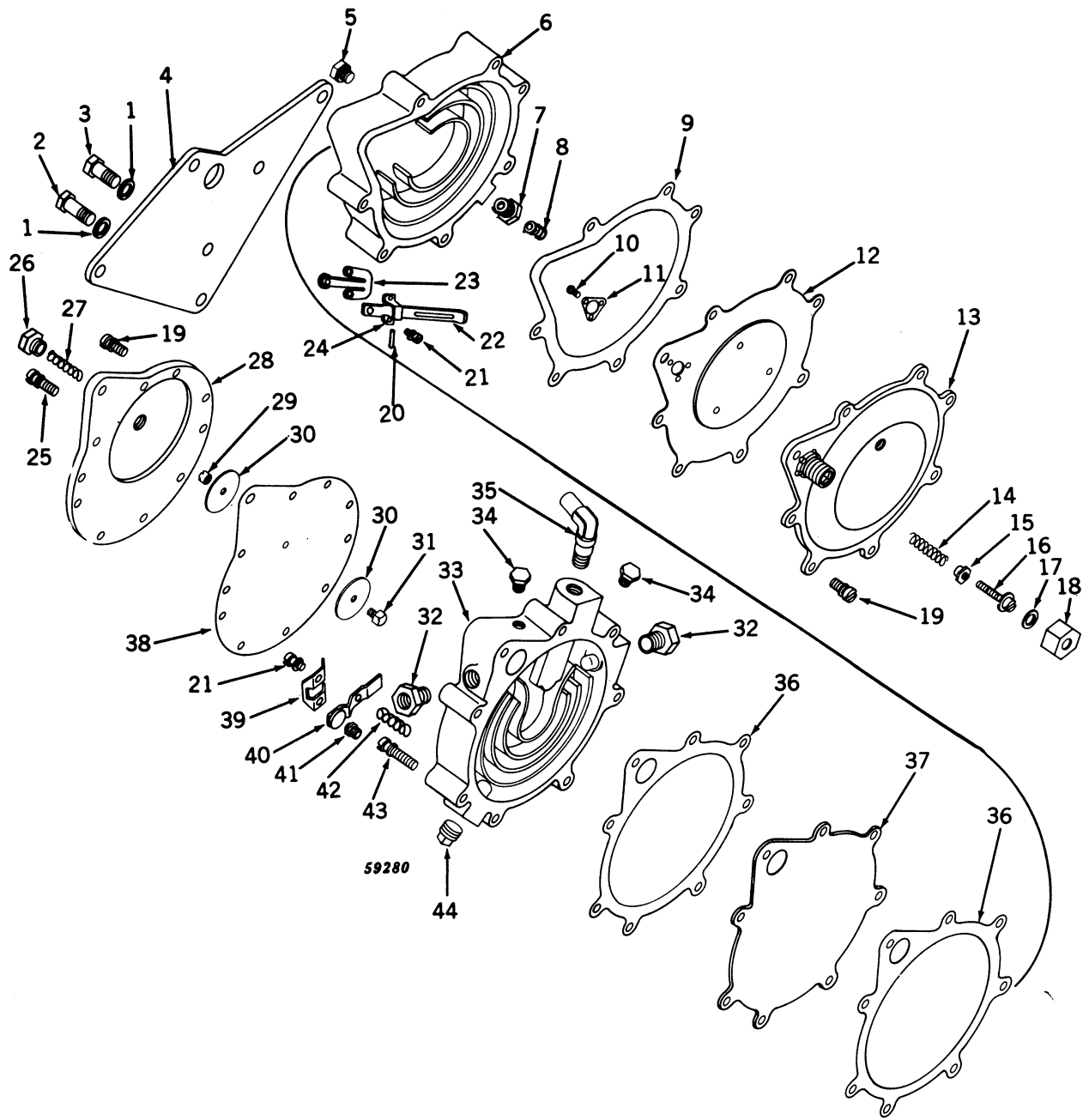
LP-GAS FUEL STRAINER ASSEMBLY



LP-GAS FUEL STRAINER ASSEMBLY -- Continued

Key	Part No.	Serial No.	Description
1	21H 1072 A	(125001-) Screw, mach., No. 10 x 1/4"
2	T 10514 T	(125001-) Case, fuellock
3	AT 10370 T	(125001-) Coil, fuellock, with leads and grommet
4	21H 1073 A	(125001-) Screw, mach., No. 10 x 1/2" (4 used)
5	AF 1396 R	(125001-) Housing, fuellock plunger
6	F 1127 R	(125001-) Packing, "O" ring
7	F 1126 R	(125001-) Spring, fuellock plunger
8	AF 1397 R	(125001-) Plunger, fuellock
9	21H 969 A	(125001-) Screw, mach., No. 8 x 1/4"
10	AM 3812 T	(125001-) Lead, ignition switch to strainer
11	21H 981 A	(125001-) Screw, mach., No. 10 x 1/2" (6 used)
12	AF 1398 R	(125001-) Cover, strainer, with terminal post and valve jet
13	AF 1399 R	(125001-) Pack, filter
14	F 1129 R	(125001-) Ring, filter pack retaining
15	F 1130 R	(125001-) Gasket
16	M 4360 T	(125001-) Bracket
17	14H 786 A	(125001-) Nut, hex., 1/4"
18	12H 302 A	(125001-) Washer, lock, 1/4" (3 used)
19	F 3500 R	(125001-) Body, strainer
20	19H 2036 A	(125001-) Screw, cap, 1/4" x 7/8"
21	R 10160 R	(125001-) Plug
22	19H 1791 A	(125001-) Screw, cap, 1/4" x 1-1/4"
23	19H 2036 A	(125001-) Screw, cap, 1/4" x 7/8"
..	AM 3805 T	(125001-) Fuel strainer, complete

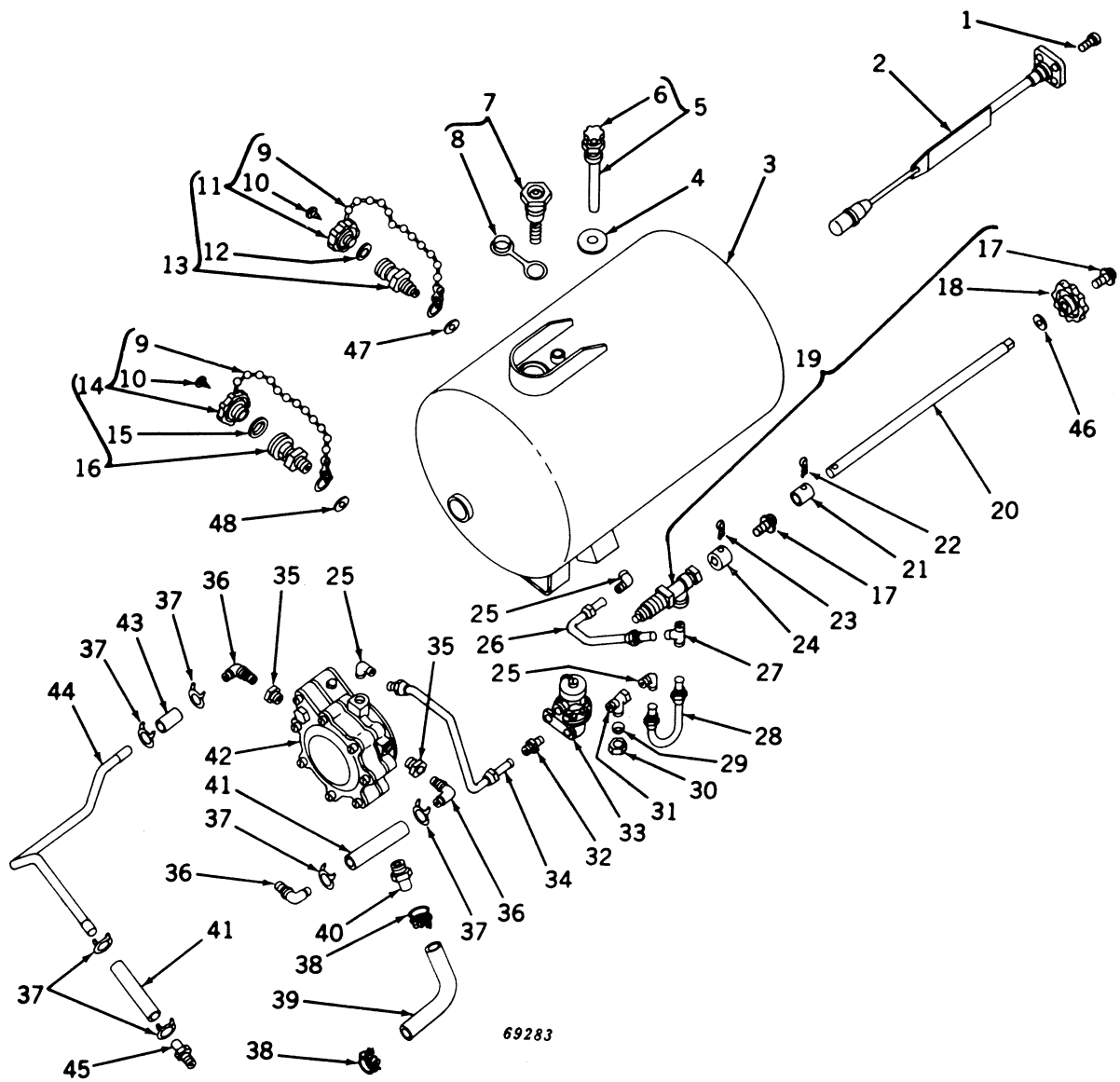
LP-GAS CONVERTER ASSEMBLY



LP-GAS CONVERTER ASSEMBLY -- Continued

Key	Part No.	Serial No.	Description
1	12H 304 A	(125001-) Washer, lock, 3/8" (6 used)
2	19H 210 A	(125001-) Screw, cap, 3/8" x 7/8" (3 used)
3	19H 1936 A	(125001-) Screw, cap, 3/8" x 3/4" (3 used)
4	M 4363 T	(125001-) Bracket, converter
5	M 4457 T	(125001-) Seat, secondary valve
6	M 4442 T	(125001-) Body, secondary
7	15H 586 A	(125001-) Bushing, pipe, outside hex., 1/2" x 3/8"
8	M 4447 T	(125001-) Nipple
9	M 4474 T	(125001-) Gasket, secondary
10	21H 962 A	(125001-) Screw, mach., No. 6 x 1/4" (3 used)
11	M 4460 T	(125001-) Plate, sealing
12	AM 4017 T	(125001-) Diaphragm, secondary
13	M 4450 T	(125001-) Cover, secondary
14	M 4445 T	(125001-) Spring, secondary
15	M 4446 T	(125001-) Retainer
16	M 4471 T	(125001-) Screw, idle adjusting
17	M 4473 T	(125001-) Gasket
18	M 4455 T	(125001-) Cup, idle adjustment
19	15-443	(125001-) Screw, mach., no. 12 x 5/8" (18 used)
	78-154	(125001-) Washer, lock, no. 12 (18 used)
20	M 4448 T	(125001-) Sub. AM4016T
21	21H 971 A	(125001-) Screw, mach., No. 8 x 5/16" (4 used)
22	AM 4016 T	(125001-) Lever, secondary valve assembly
23	AM 4015 T	(125001-) Lever, secondary
24	M 4452 T	(125001-) Sub. AM4016T
25	AM 4012 T	(125001-) Screw, mach., no. 12 x 2-1/8"
26	M 4454 T	(125001-) Cap
27	M 4443 T	(125001-) Spring, primary
28	M 4475 T	(125001-) Cover, primary
29	M 4449 T	(125001-) Nut
30	M 4458 T	(125001-) Sub. AT10236T
31	M 4453 T	(125001-) Sub. AT10236T
32	15H 510 A	(125001-) Bushing, pipe, outside hex., 3/8" x 1/4" (2 used)
33	M 4441 T	(125001-) Body, primary
34	R 10160 R	(125001-) Plug, 1/8" (2 used)
35	A 4928 R	(125001-) Elbow
36	M 4472 T	(125001-) Gasket, water jacket (2 used)
37	M 4459 T	(125001-) Plate, baffle
38	AT 10236 T	(125001-) Diaphragm, primary assembly (sub. for M4461T)
39	M 4451 T	(125001-) Bracket, primary lever
40	AM 4014 T	(125001-) Lever, primary
41	M 4456 T	(125001-) Seat, primary valve
42	M 4444 T	(125001-) Spring
43	AM 4011 T	(125001-) Screw, mach., no. 12 x 1-1/8" (7 used)
44	15H 623 A	(125001-) Plug, pipe, sq. hd., 3/8"
..	AM 4013 T	(125001-) Gasket assortment for service
..	AM 3782 T	(125001-) Converter assembly, complete

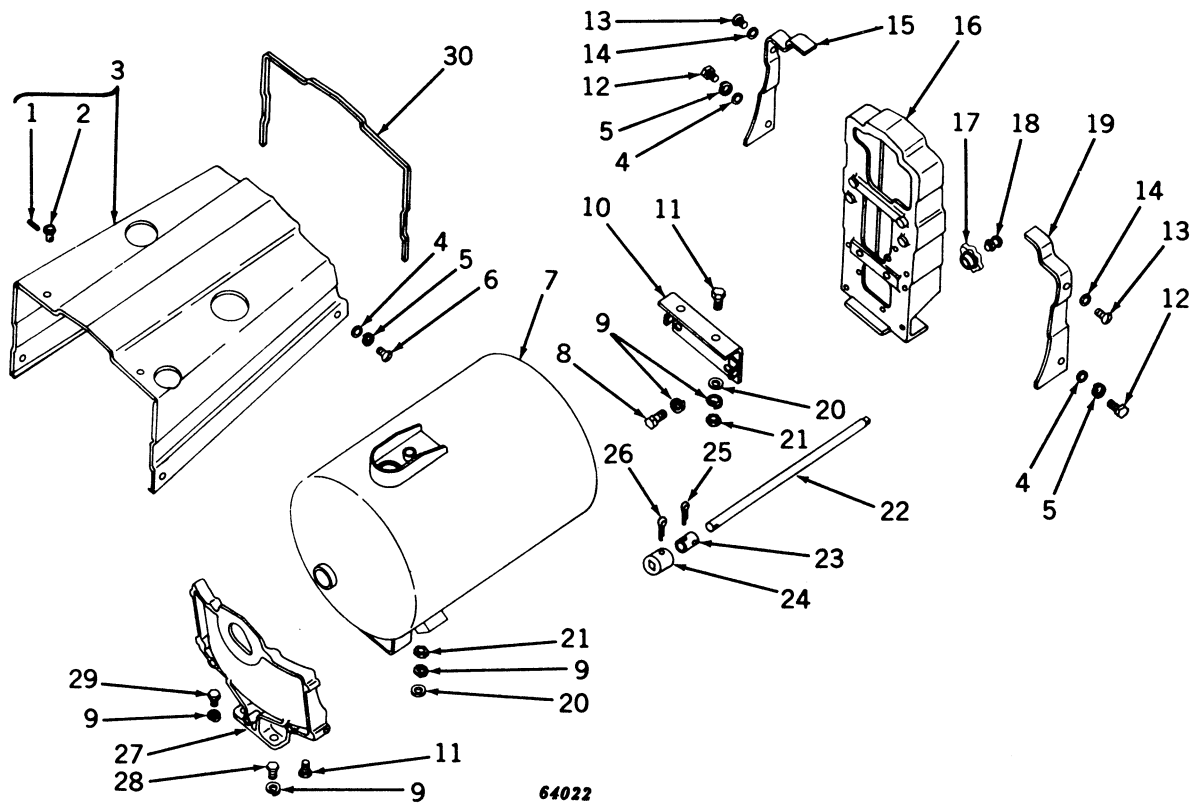
LP-GAS LINES, VALVES, AND GAUGES



LP-GAS LINES, VALVES, AND GAUGES -- Continued

Key	Part No.	Serial No.	Description
1	21H 1174 A	(125001-)	Screw, mach., 1/4" x 1" (4 used)
2	AT 10226 T	(125001-)	Gauge, float (sub. for AM3804T)
	A 5141 R	(125001-)	Gasket, float gauge (packed 2 in a pkg.)
3	AM 3965 T	(125001-)	Tank, fuel, complete with valves and gauges
4	A 4993 R	(125001-)	Plate, instruction
5	AM 4010 T	(125001-)	Gauge, liquid level
6	AA 6057 R	(125001-)	Valve, vent
7	AR 21690 R	(125001-)	Valve, safety relief with rain cap (sub. for AA6004R)
8	R 21560 R	(125001-)	Cap, rain (sub. for A4900R)
9	AA 6058 R	(125001-)	Chain and ring assembly (2 used)
10	A 4997 R	(125001-)	Screw, self-tapping, no. 4 x 3/8" (2 used)
11	AA 6060 R	(125001-)	Cap, vapor return valve, with chain and ring
12	A 4998 R	(125001-)	Seal
13	AA 6002 R	(125001-)	Valve, vapor return, complete
14	AA 6059 R	(125001-)	Cap, filler valve, with chain and ring
15	A 4996 R	(125001-)	Seal
16	AA 6001 R	(125001-)	Valve, filler, complete
	A 5297 R	(125001-)	Plate, filler valve warning
17	AA 6061 R	(125001-)	Screw, mach., with lock washer (4 used)
18	A 4999 R	(125001-)	Handle, valve (2 used)
19	AA 6005 R	(125001-)	Valve, liquid and vapor withdrawal (2 used)
20	M 4359 T	(125001-)	Rod, extension (2 used)
21	B 3399 R	(125001-)	Coupling (2 used)
22	11H 218 A	(125001-)	Pin, cotter, 3/16" x 1-1/2" (2 used)
23	11H 222 A	(125001-)	Pin, cotter, 3/16" x 2" (2 used)
24	B 3400 RU	(125001-)	Adaptor (2 used)
25	A 4928 R	(125001-)	Elbow, 45°
26	AM 3966 T	(125001-)	Line, vapor service
27	A 4929 R	(125001-)	Tee
28	AM 3967 T	(125001-134535)	Sub. one AT10568T and one T10717T
	AT 10568 T	(134536-)	Line, liquid service
29	A 4931 R	(125001-)	Gasket, copper
30	A 4930 R	(125001-)	Cap
31	M 4075 T	(125001-134535)	Sub. one T10717T and one AT10568T
	T 10717 T	(134536-)	Tee
32	A 4925 R	(125001-)	Connector
33	AM 3805 T	(125001-)	Fuel strainer, complete
34	AM 3968 T	(125001-)	Line, fuel strainer to converter
35	15H 510 A	(125001-)	Bushing, pipe, outside hex., 3/8" x 1/4" (2 used)
36	T 432 T	(125001-)	Elbow (3 used)
37	AR 21837 R	(125001-)	Clamp (6 used) (sub. for T439T)
38	AR 21839 R	(125001-)	Clamp (2 used) (sub. for AM3809T)
39	M 4371 T	(125001-)	Hose, converter to carburetor
40	M 4266 T	(125001-)	Elbow, fuel inlet
41	T 592 T	(125001-)	Hose (2 used) (sub. for M3108T)
42	AM 3782 T	(125001-)	Converter, complete
43	T 438 T	(125001-)	Hose
44	M 4364 T	(125001-)	Tube, bypass
45	M 3218 T	(125001-)	Nipple
46	T 10957 T	(125001-)	Name plate, liquid
	T 10958 T	(125001-)	Name plate, vapor
47	T 10960 T	(125001-)	Name plate, vapor return
48	T 10959 T	(125001-)	Name plate, vapor filler

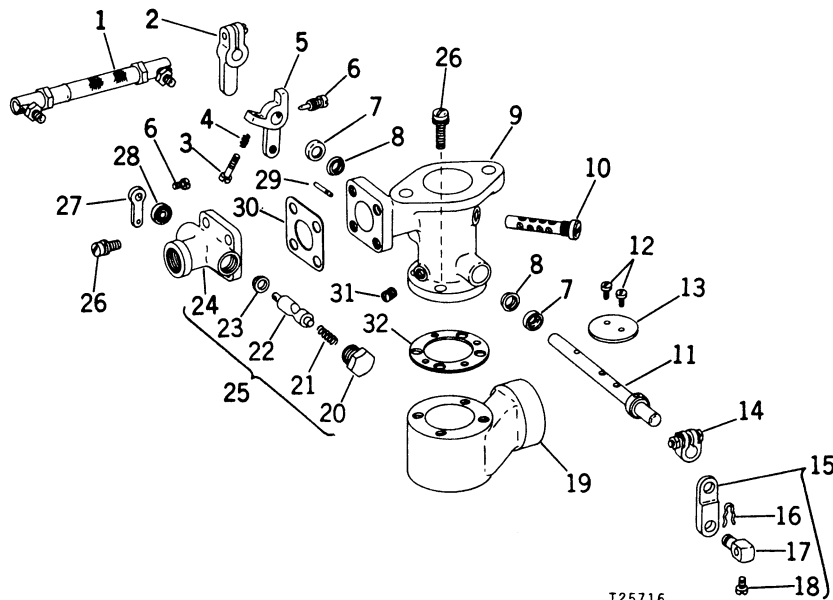
LP-GAS FUEL TANK, HOOD, AND INSTRUMENT PANEL



LP-GAS FUEL TANK, HOOD, AND INSTRUMENT PANEL -- Continued

Key	Part No.	Serial No.	Description
1	M 316 T	(125001-)	Pin, cross (4 used) (packed 2 in a pkg.)
2	M 315 T	(125001-)	Stud, fastener (4 used) (packed 2 in a pkg.)
3	AM 3964 T	(125001-139999)	Hood assembly, with fasteners
	AT 11135 T	(140000-)	Hood assembly, with fasteners
4	24H 1287 A	(125001-)	Washer, plain, 9/32" x 5/8" x .060" (4 used)
5	12H 302 A	(125001-)	Washer, lock, 1/4" (2 used)
6	21H 1025 A	(125001-)	Screw, mach., 1/4" x 3/4" (2 used)
7	AM 3965 T	(125001-)	Tank, fuel
8	19H 1731 A	(125001-)	Screw, cap, 3/8" x 1" (4 used)
9	12H 304 A	(125001-)	Washer, lock, 3/8" (10 used)
10	AM 3961 T	(125001-)	Support, tank rear
11	19H 1100 A	(125001-)	Screw, cap, 3/8" x 1-3/8" (4 used)
12	19H 1914 A	(125001-)	Screw, cap, 1/4" x 1" (2 used)
13	21H 1195 A	(125001-)	Screw, mach., No. 10 x 7/8" (2 used)
14	24H 1283 A	(125001-)	Washer, plain, 7/32" x 1/2" x .048" (2 used)
15	M 4362 T	(125001-)	Spacer, hood, right
16	AM 3787 T	(125001-139999)	Housing, instrument panel
	AT 11137 T	(140000-)	Housing, instrument panel
17	A 4999 R	(125001-)	Handle, valve (2 used)
18	AA 6061 R	(125001-)	Screw, mach., with lock washer (2 used)
19	M 4361 T	(125001-)	Spacer, hood, left
20	24H 1304 A	(125001-)	Washer, plain, 13/32" x 23/32" x .120" (4 used)
21	14H 812 A	(125001-)	Nut, hex., 3/8" (4 used)
22	M 4359 T	(125001-)	Rod, extension (2 used)
23	B 3399 R	(125001-)	Coupling (2 used)
24	B 3400 RU	(125001-)	Adaptor (2 used)
25	11H 218 A	(125001-)	Pin, cotter, 3/16" x 1-1/2" (2 used)
26	11H 222 A	(125001-)	Pin, cotter, 3/16" x 2" (2 used)
27	M 4358 T	(125001-139999)	Support, tank, front
	T 11318 T	(140000-)	Support, tank, front
28	19H 1100 A	(125001-)	Screw, cap, 3/8" x 1-3/8"
29	19H 1732 A	(125001-)	Screw, cap, 3/8" x 1-1/4"
30	T 10245 T	(125001-139999)	Molding, rubber
	T 11354 T	(140000-)	Molding, rubber

LP-GAS CARBURETOR
 (Marvel-Schebler No. 4-2110)
 (Replacement Carburetor for AM3783T)

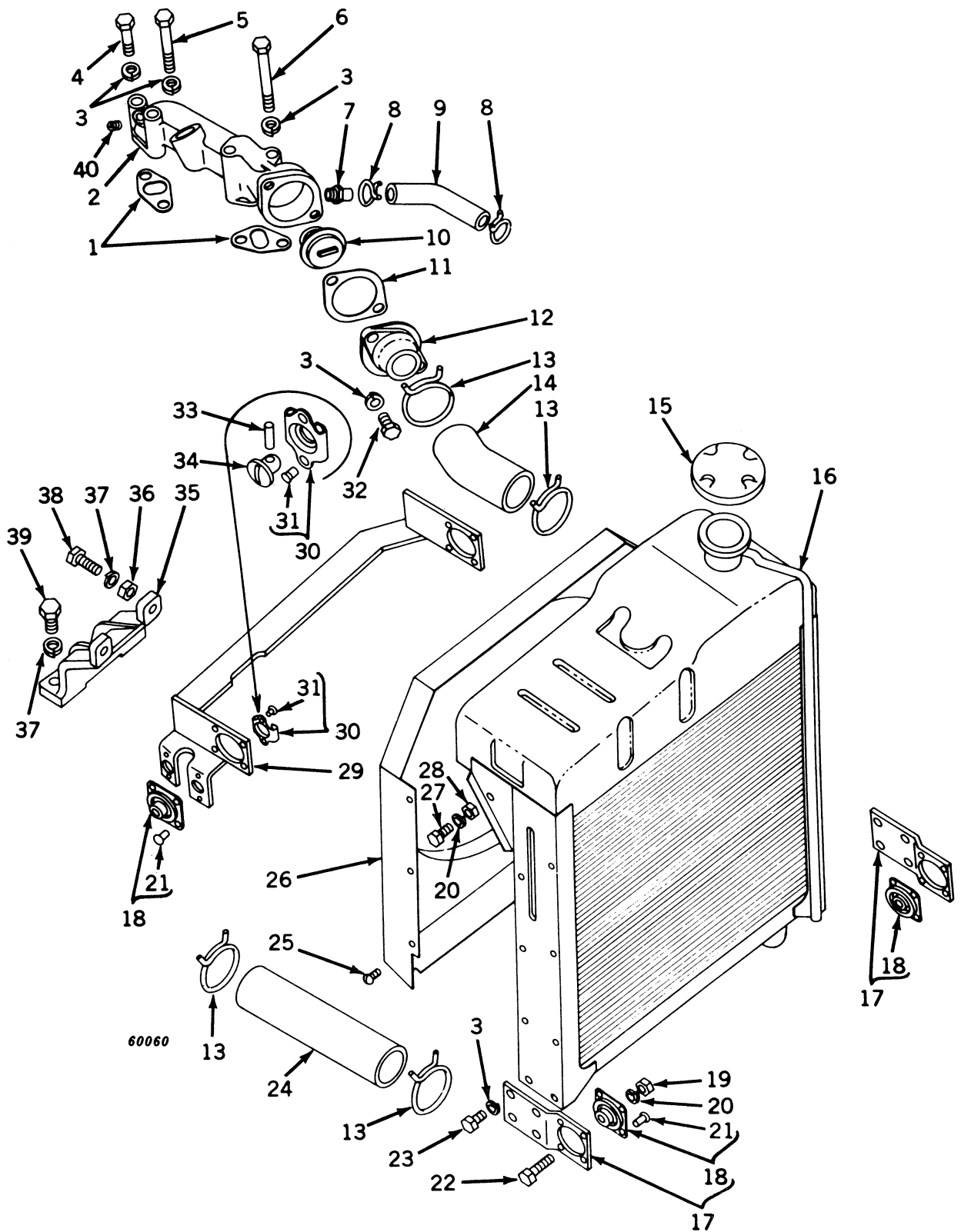


T25716

Key	Part No.	Serial No.	Description
1	AR 44921	(-)	Link assembly, drag
2	AR 56753	(-)	Lever, throttle, with screw
3	21H 977	(-)	Screw, mach., no. 8 x 3/4"
4	R 10104	(-)	Spring
5	R 42715	(-)	Lever, metering valve
6	T 16106	(-)	Screw, special (2 used)
7	R 10182	(-)	Retainer (2 used)
8	R 10194	(-)	Packing (2 used)
9	(-)	Body, throttle (sub. AR56751)
10	R 52193	(-)	Bar, spray
11	AR 56754	(-)	Shaft assembly, throttle
12	T 26396	(-)	Screw, special (2 used)
13	R 52191	(-)	Plate, throttle
14	AH 11984	(-)	Clevis assembly
15	AT 14311	(-)	Lever, throttle
16	R 10185	(-)	Ring, snap
17	R 10184	(-)	Swivel
18	21H 971	(-)	Screw, mach., no. 8 x 5/16"
19	R 52194	(-)	Horn, air
20	T 26404	(-)	Retainer
21	B 17700	(-)	Spring
22	(-)	Sub. AT24376
23	B 17707	(-)	Washer, special
24	(-)	Sub. AT24376
25	AT 24376	(-)	Valve, metering
26	AT 14321	(-)	Screw and washer (8 used)
27	R 45666	(-)	Lever, metering valve
28	T 26403	(-)	Seal, metering valve
29	34H 194	(-)	Pin, spring
30	T 26398	(-)	Gasket, metering valve housing
31	T 26408	(-)	Plug, brass
32	R 52192	(-)	Gasket, air horn
..	AR 56751	(-)	Carburetor, assembly

MEMORANDA

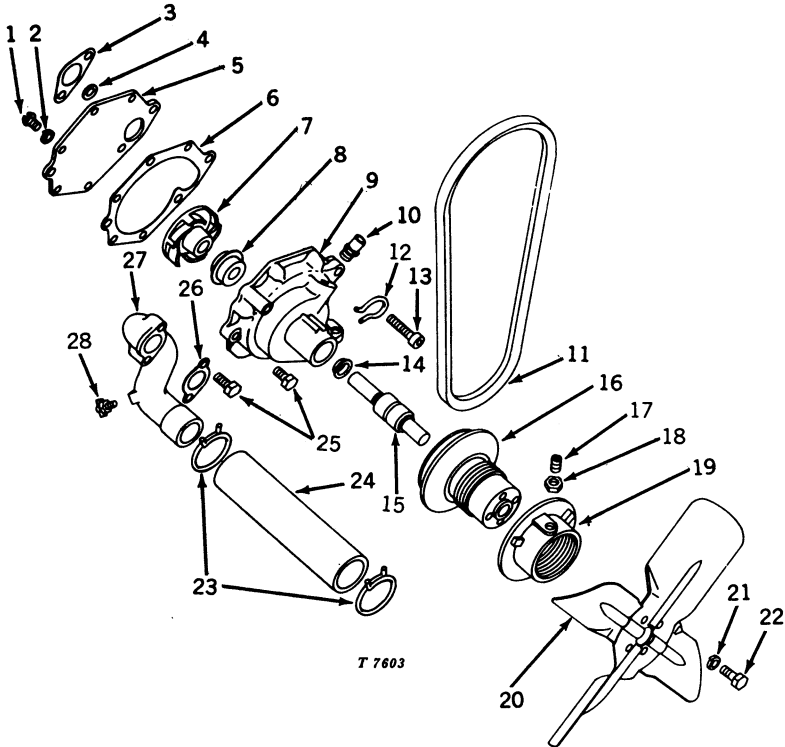
RADIATOR, THERMOSTAT AND ASSOCIATED PARTS



RADIATOR, THERMOSTAT AND ASSOCIATED PARTS -- Continued

Key	Part No.	Serial No.	Description
1	M 3109 T	(-)	Gasket (2 used)
2	AM 3817 T	(-)	Manifold, outlet, with plug (sub. for M3106T)
3	12H 303 A	(-)	Washer, lock, 5/16" (10 used)
4	19H 1661 A	(-)	Screw, cap, 5/16" x 1-7/8"
5	19H 1904 A	(-)	Screw, cap, 5/16" x 3"
6	19H 2044 A	(-)	Screw, cap, 5/16" x 4" (2 used)
7	M 3218 T	(-)	Nipple
8	AR 21837 R	(-)	Clamp, hose (2 used) (sub. for T439T)
9	T 592 T	(-)	Hose (sub. for M3108T)
10	AT 313 T	(-)	Thermostat, 160° (gasoline engine)
	AT 10239 T	(-)	Thermostat, 180° (all-fuel engine)
	AT 10906 T	(-)	Thermostat, 195° (all-fuel engine)
11	T 437 T	(-)	Gasket (packed 2 in a pkg.)
12	T 421 T	(-)	Cover
13	AR 21840 R	(-)	Clamp, hose (4 used) (sub. for T271T)
14	M 3107 T	(-)	Hose
15	AA 5757 R	(-)	Cap
16	AT 10299 T	(-139999)	Radiator (sub. for AM2959T)
	AT 10695 T	(140000-)	Radiator (long filler neck)
	AT 10299 T	(140000-)	Radiator (short filler neck) (used when heavy-duty protective equipment has been installed)
17	AM 298 T	(-)	Bracket, with cushion (2 used)
18	AM 640 T	(-)	Cushion, with rivets (4 used)
19	14H 785 A	(-)	Nut, hex., 1/4" (2 used) (C and T)
20	12H 302 A	(-)	Washer, lock, 1/4" (4 used)
21	16H 173 A	(-)	Rivet, 5/32" x 3/8" (16 used)
22	19H 1898 A	(-)	Screw, cap, 1/4" x 1-1/2" (2 used) (C)
	19H 1791 A	(-)	Screw, cap, 1/4" x 1-1/4" (2 used) (H, I, S, T, U, V, and W) (C when equipped with crankshaft driven pump)
23	19H 1900 A	(-)	Screw, cap, 5/16" x 3/4" (4 used)
24	M 3120 T	(-)	Hose
25	M 1093 T	(-)	Screw, metal, no. 10 x 5/8" (6 used)
26	AM 1766 T	(-)	Shroud
27	19H 1791 A	(-)	Screw, cap, 1/4" x 1-1/4" (2 used)
28	14H 786 A	(-)	Nut, hex., 1/4" (2 used)
29	AM 2852 T	(-139999)	Support, upper radiator, with mounting cushions and sheet metal receptacles
	AT 10693 T	(140000-)	Support, upper radiator, with mounting cushions and sheet metal receptacles
30	AM 635 T	(-)	Receptacle, rigid, with rivets (used on grille and hood) (9 used)
	AM 636 T	(-)	Receptacle, floating, with rivets (used on center of hood and battery box) (3 used)
31	16H 87 A	(-)	Rivet, 1/8" x 1/4" (24 used)
32	19H 1905 A	(-)	Screw, cap, 5/16" x 1" (2 used)
33	M 316 T	(-)	Pin, cross (12 used) (packed 2 in a pkg.)
34	M 315 T	(-)	Stud, fastener, short (for rigid receptacle) (9 used) (packed 2 in a pkg.)
	M 322 T	(-)	Stud, fastener, long (for floating receptacle) (2 used) (packed 2 in a pkg.)
35	M 3059 T	(-)	Bracket, radiator support
36	14H 812 A	(-)	Nut, hex., 3/8" (2 used)
37	12H 304 A	(-)	Washer, lock, 3/8" (4 used)
38	19H 1732 A	(-)	Screw, cap, 3/8" x 1-1/4" (2 used)
39	19H 1731 A	(-)	Screw, cap, 3/8" x 1" (2 used)
40	15H 604 A	(-)	Plug, pipe, sq. hd., 1/4"

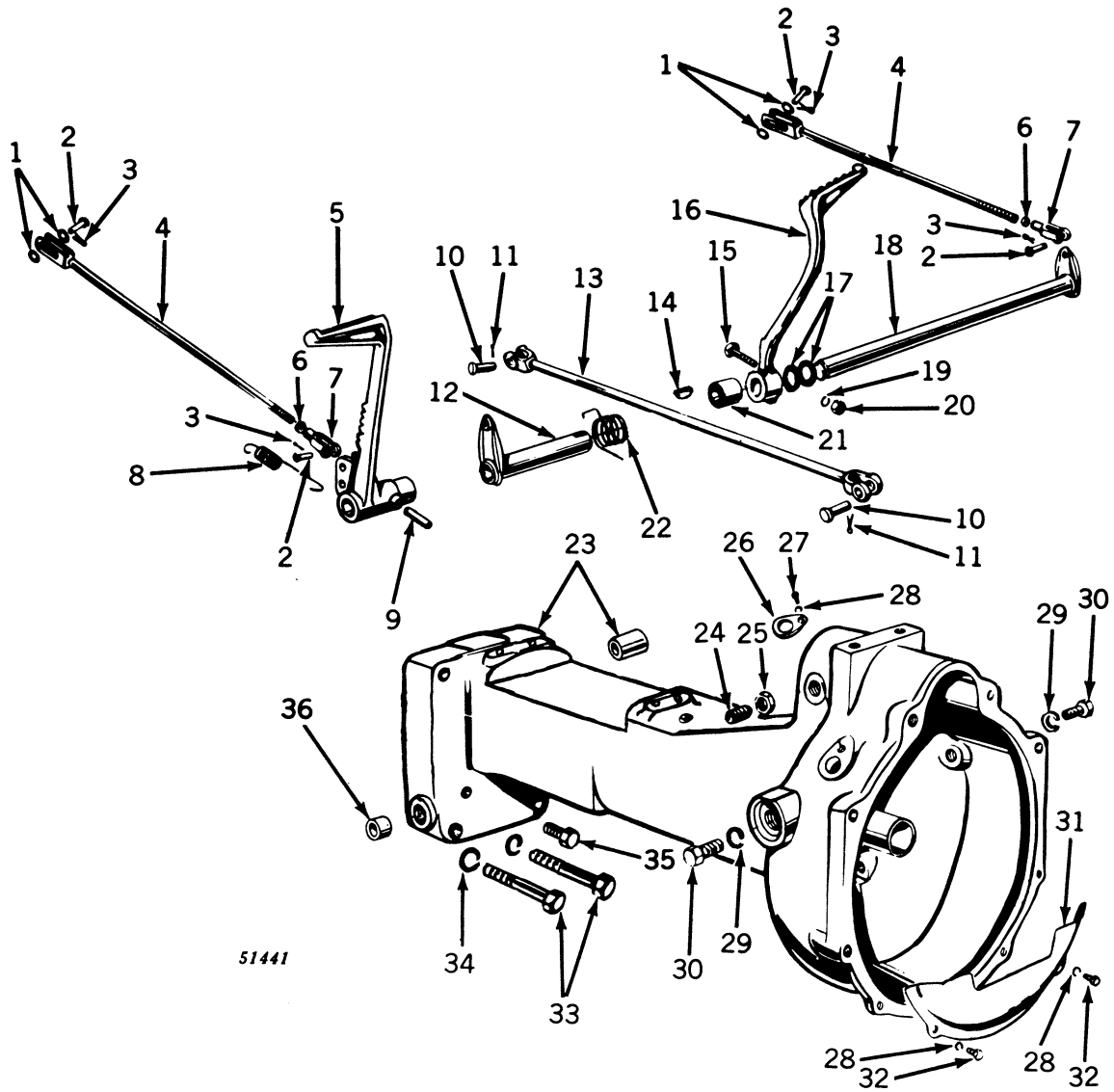
FAN AND WATER PUMP ASSEMBLY



FAN AND WATER PUMP ASSEMBLY -- Continued

Key	Part No.	Serial No.	Description
1	21H 1023 A	(-)	Screw, mach., 1/4" x 5/8" (5 used)
2	12H 302 A	(-)	Washer, lock, 1/4" (5 used)
3	M 3047 T	(-)	Gasket (packed 2 in a pkg.)
4	M 3048 T	(-)	Shim
5	M 3045 T	(-)	Cover
6	M 3046 T	(-)	Gasket
7	T 418 T	(-)	Impeller
8	AF 2057 R	(-)	Seal (sub. for AT312T)
9	M 3038 T	(-)	Housing
10	M 3218 T	(-)	Nipple
11	M 3055 T	(-)	Belt, fan
12	R 1529 R	(-)	Retainer, spring (sub. for T429T) (packed 2 in a pkg.)
13	M 3057 T	(-)	Screw, cap, special, 5/16" x 1-1/2"
14	A 4282 RT	(-)	Slinger
15	JD 8549 T	(-)	Bearing and shaft assembly
16	M 3061 T	(-)	Hub
17	22H 577 A	(-)	Screw, set, 5/16" x 3/4"
18	14H 611 A	(-)	Nut, hex. jam, 5/16"
19	M 3111 T	(-)	Flange, adjustable
20	AM 2840 T	(-)	Blade, fan
21	12H 303 A	(-)	Washer, lock, 5/16" (4 used)
22	19H 1900 A	(-)	Screw, cap, 5/16" x 3/4" (4 used)
23	T 271 T	(-)	Clamp, hose (2 used)
24	M 3120 T	(-)	Hose
25	M 3056 T	(-)	Screw, cap, special, 5/16" x 1" (4 used)
26	M 3219 T	(-)	Gasket
27	M 3039 T	(-)	Elbow, inlet
28	AM 2780 T	(-)	Cock, drain
..	AM 3060 T	(-)	Water pump assembly, complete

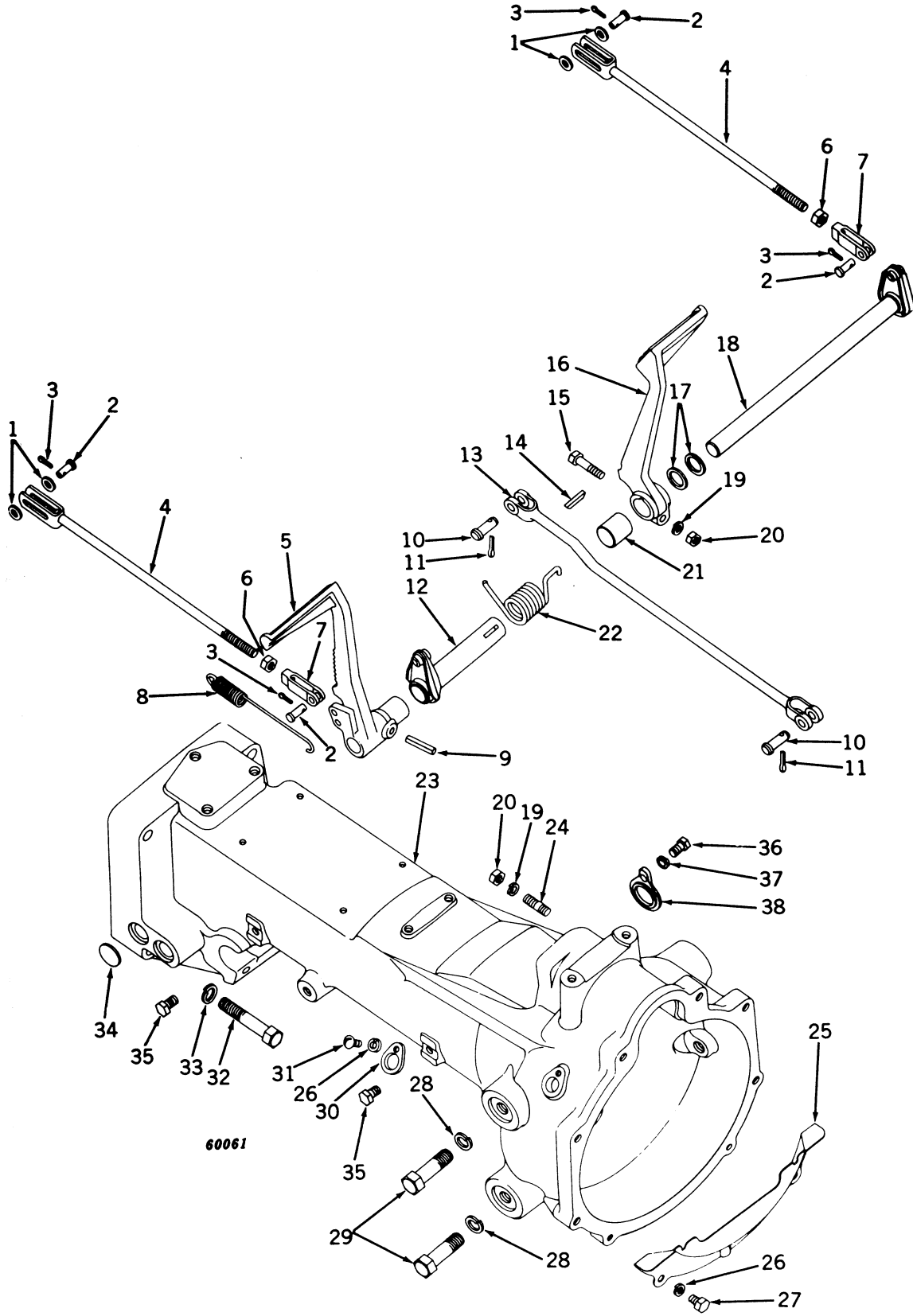
CLUTCH AND BRAKE PEDALS, SHAFTS, CENTER FRAME, AND ASSOCIATED PARTS
Crawler (Serial No. -100000)



CLUTCH AND BRAKE PEDALS, SHAFTS, CENTER FRAME,
AND ASSOCIATED PARTS -- Continued
Crawler (Serial No. -100000)

Key	Part No.	Serial No.	Description
1	L 1198 T	(-100000)	Washer (4 used)
2	L 307 T	(-100000)	Pin (4 used)
3	11H 233 A	(-100000)	Pin, cotter, 3/32" x 1/2" (4 used)
4	AM 859 T	(-100000)	Rod, brake (2 used) (M852T)
5	M 1759 T	(-100000)	Pedal, brake
6	14H 463 A	(-100000)	Nut, hex. jam, 5/16" (2 used)
7	L 299 T	(-100000)	Yoke (2 used)
8	L 4223 T	(-100000)	Spring
9	25H 125 A	(-100000)	Pin, groov-, 5/16" x 1-3/4"
10	L 364 T	(-100000)	Pin (2 used)
11	11H 206 A	(-100000)	Pin, cotter, 3/32" x 3/4" (2 used)
12	AM 322 T	(-100000)	Shaft, clutch (sub. for AM686T)
13	AM 321 T	(-100000)	Rod, clutch
14	M 788 T	(-100000)	Key, woodruff, special
15	19H 1801 A	(-100000)	Screw, cap, 3/8" x 2"
16	M 1693 T	(-100000)	Pedal, clutch
17	L 308 T	(-100000)	Washer (2 used)
18	AM 1882 T	(-100000)	Shaft, brake
19	12H 304 A	(-100000)	Washer, lock, 3/8"
20	14H 812 A	(-100000)	Nut, hex., 3/8"
21	M 219 T	(-100000)	Bushing
22	M 335 T	(-100000)	Spring
23	AT 10863 T	(-100000)	Frame, center (T11006T with sleeve and bushing) (sub. for M3349T and AM3121T)
24	L 4168 T	(-100000)	Screw, set, 5/8" x 1-1/2"
25	14H 821 A	(-100000)	Nut, hex. jam, 5/8"
26	L 689 T	(-100000)	Cover
27	21H 1144 A	(-100000)	Screw, mach., 1/4" x 1/2"
28	12H 302 A	(-100000)	Washer, lock, 1/4" (3 used)
29	12H 236 A	(-100000)	Washer, lock, 3/4" (2 used)
30	19H 1768 A	(-100000)	Screw, cap, 3/4" x 2" (2 used)
31	M 28 T	(-100000)	Cover
32	19H 1227 A	(-100000)	Screw, cap, 1/4" x 1/2" (2 used)
33	19H 2124 A	(-100000)	Screw, cap, 5/8" x 4-1/4" (2 used)
34	12H 294 A	(-100000)	Washer, lock, 5/8" (2 used)
35	19H 1924 A	(-100000)	Screw, cap, 7/16" x 3/4"
36	M 3581 T	(94389-100000)	Bushing

CLUTCH AND BRAKE PEDALS, SHAFTS, CENTER FRAME, AND ASSOCIATED PARTS
Crawler (Serial No. 100001-131308)
Crawler Equipped with LP-Gas (Serial No. 125001-156843)

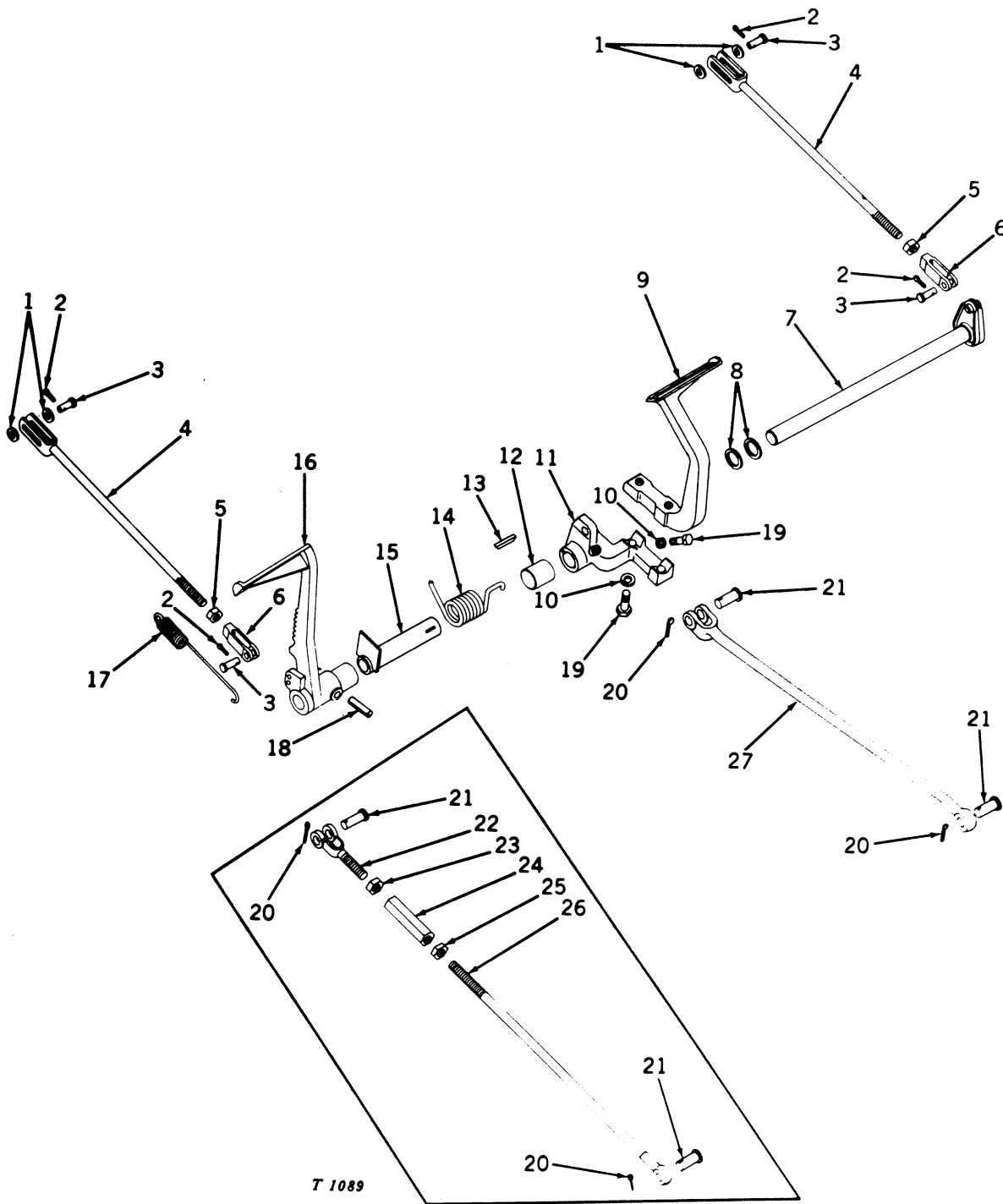


CLUTCH AND BRAKE PEDALS, SHAFTS, CENTER FRAME,
AND ASSOCIATED PARTS -- Continued
Crawler (Serial No. 100001-131308)
Crawler Equipped with LP-Gas (Serial No. 125001-156843)

Key	Part No.	Serial No.	Description
1	L 1198 T†	(100001-131308)	Washer (4 used)
2	L 307 T†	(100001-131308)	Pin (4 used)
3	11H 233 A†	(100001-131308)	Pin, cotter, 3/32" x 1/2" (4 used)
4	AM 3362 T†	(100001-131308)	Rod, brake (2 used)
5	M 3524 T†	(100001-131308)	Pedal, brake
6	14H 463 A†	(100001-131308)	Nut, hex., jam, 5/16" (2 used)
7	L 299 T†	(100001-131308)	Yoke (2 used)
8	M 3691 T†	(100001-131308)	Spring
9	25H 125 A†	(100001-131308)	Pin, groov-, 5/16" x 1-3/4"
10	L 364 T†	(100001-131308)	Pin (2 used)
11	11H 206 A†	(100001-131308)	Pin, cotter, 3/32" x 3/4" (2 used)
12	AM 322 T†	(100001-131308)	Shaft, clutch (sub. for AM686T)
13	AM 3322 T†	(100001-131308)	Rod, clutch
14	M 788 T†	(100001-131308)	Key, Woodruff, special
15	19H 1765 A†	(100001-131308)	Screw, cap, 3/8" x 1-3/4"
16	M 4331 T†	(100001-131308)	Pedal, clutch (sub. for M3523T)
17	L 308 T†	(100001-131308)	Washer (2 used)
18	AM 1882 T†	(100001-131308)	Shaft, brake
19	12H 304 A†	(100001-131308)	Washer, lock, 3/8" (3 used)
20	14H 812 A†	(100001-131308)	Nut, hex., 3/8" (3 used)
21	M 219 T†	(100001-131308)	Bushing
22	M 335 T†	(100001-131308)	Spring
23	AM 3333 T	(100001-118753)	Sub. one AT10865T, one M4212T, and one 19H1813A
	AT 10865 T†	(118754-131308)	Frame, center, with clutch throw-out bearing carrier sleeve, clutch control shaft bushing, and starting motor studs (sub. for AM3881T and AT10559T)
	AT 11142 T†	(131309-)	Frame, center, with clutch throw-out bearing carrier sleeve, clutch control shaft bushing, and starting motor studs (LP-gas only)
24	M 3636 T†	(100001-131308)	Stud (2 used)
25	M 28 T†	(100001-131308)	Cover
26	12H 302 A†	(100001-131308)	Washer, lock, 1/4" (3 used)
27	19H 1227 A†	(100001-131308)	Screw, cap, 1/4" x 1/2" (2 used)
28	12H 236 A†	(100001-131308)	Washer, lock, 3/4" (4 used)
29	19H 1782 A†	(100001-131308)	Screw, cap, 3/4" x 2-1/4" (4 used)
30	L 689 T†	(100001-131308)	Cover
31	21H 1144 A†	(100001-131308)	Screw, mach., 1/4" x 1/2"
32	19H 1681 A†	(100001-131308)	Screw, cap, 5/8" x 3-1/4" (2 used)
33	12H 294 A†	(100001-131308)	Washer, lock, 5/8" (2 used)
34	30H 23 A†	(109001-131308)	Plug, expansion, 1-3/4"
35	19H 1924 A†	(100001-131308)	Screw, cap, 7/16" x 3/4" (2 used) (used on tractors not equipped with hydraulic attachment)
36	19H 1813 A†	(118754-131308)	Screw, cap, 5/16" x 5/8"
37	12H 303 A†	(118754-131308)	Washer, lock, 5/16"
38	M 4212 T†	(118754-131308)	Cover

†Also replacement parts for crawler tractors serial no. 125001-156843.

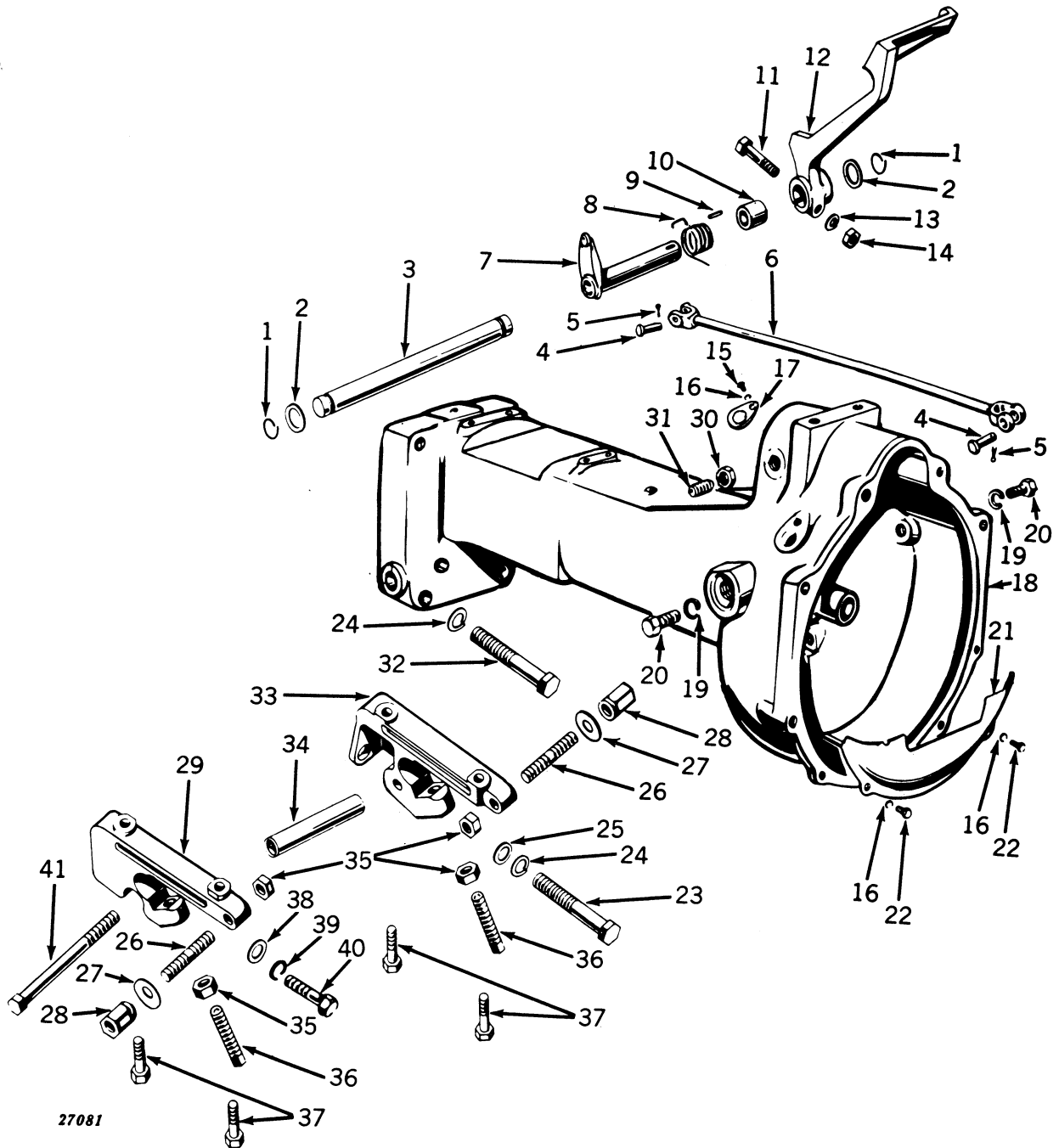
CLUTCH AND BRAKE PEDALS, SHAFTS, AND ASSOCIATED PARTS
Crawler (Serial No. 131309-Up)
Crawler Equipped with LP-Gas (Serial No. 156844-Up)



CLUTCH AND BRAKE PEDALS, SHAFTS, AND ASSOCIATED PARTS -- Continued
 Crawler (Serial No. 131309-Up)
 Crawler Equipped with LP-Gas (Serial No. 156844-Up)

Key	Part No.	Serial No.	Description
1	L 1198 T	(131309-)	Washer (4 used)
2	11H 233 A	(131309-)	Pin, cotter, 3/32" x 1/2" (4 used)
3	L 307 T	(131309-)	Pin (4 used)
4	AM 3362 T	(131309-)	Rod, brake (2 used)
5	14H 463 A	(131309-)	Nut, hex., jam, 5/16" (2 used)
6	L 299 T	(131309-)	Yoke (2 used)
7	AM 1882 T	(131309-)	Shaft, brake
8	L 308 T	(131309-)	Washer (2 used)
9	T 11112 T	(131309-)	Pedal, clutch (when equipped with direction reverser)
	T 10403 T	(131309-140354)	Pedal, clutch (when not equipped with direction reverser)
	T 11112 T	(140355-)	Pedal, clutch (when not equipped with direction reverser)
10	12H 304 A	(131309-)	Washer, lock, 3/8" (3 used)
11	T 10402 T	(131309-)	Hub, clutch, pedal
12	M 219 T	(131309-)	Bushing
13	M 788 T	(131309-)	Key, Woodruff, special
14	M 335 T	(131309-)	Spring
15	AT 10111 T	(131309-)	Shaft, clutch
16	M 3524 T	(131309-)	Pedal, brake
17	M 3691 T	(131309-)	Spring
18	25H 125 A	(131309-)	Pin, groov-, 5/16" x 1-3/4"
19	19H 1765 A	(131309-)	Screw, cap, 3/8" x 1-3/4" (3 used)
20	11H 211 A	(131309-)	Pin, cotter, 1/8" x 3/4" (2 used)
21	T 10187 T	(131309-)	Pin (2 used)
22	T 10399 T	(131309-159666)	Yoke, adjustable
23	14H 856 A	(131309-159666)	Nut, hex., jam, 1/2"
24	T 10400 T	(131309-159666)	Turnbuckle
25	14H 816 A	(131309-159666)	Nut, hex., jam, 1/2"
26	AT 10101 T	(131309-159666)	Rod, clutch, control
27	AT 12163 T	(159667-)	Rod, clutch

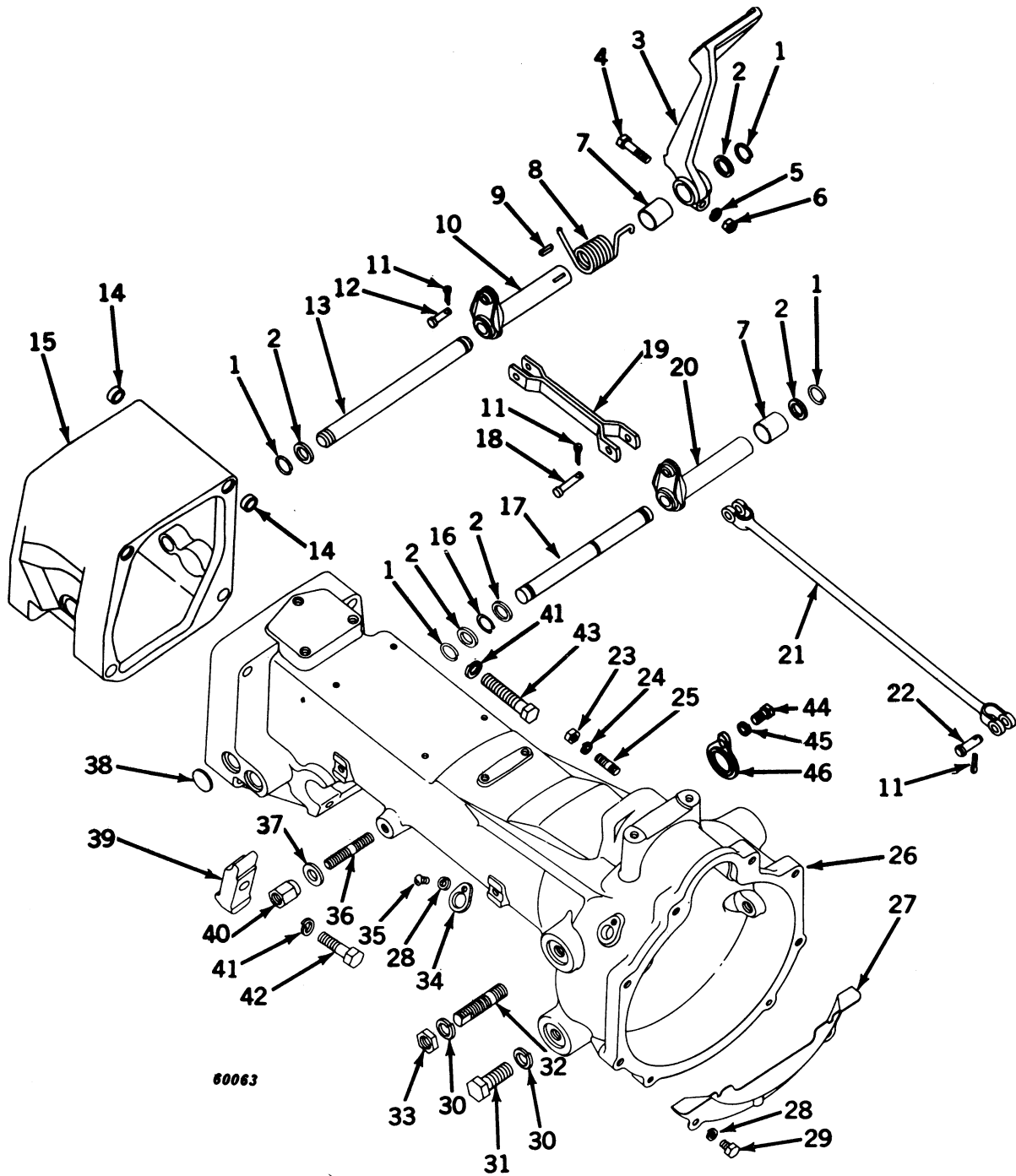
CENTER FRAME AND ASSOCIATED PARTS
 (Hi-Crop, Standard, Tricycle, Utility, Special, Row-Crop Utility)
 (Serial No. -100000)



CENTER FRAME AND ASSOCIATED PARTS -- Continued
(Hi-Crop, Standard, Tricycle, Utility, Special, Row-Crop Utility)
(Serial No. -100000)

Key	Part No.	Serial No.	Description
1	L 357 T	(-100000)	Ring, snap (2 used)
2	L 308 T	(-100000)	Washer (2 used)
3	M 1945 T	(-100000)	Shaft, clutch pedal
4	L 364 T	(-100000)	Pin (2 used)
5	11H 206 A	(-100000)	Pin, cotter, 3/32" x 3/4" (2 used)
6	AM 321 T	(-100000)	Rod
7	AM 322 T	(-100000)	Shaft, clutch control (sub. for AM686T)
8	M 335 T	(-100000)	Spring, return
9	M 788 T	(-100000)	Key, special
10	M 219 T	(-100000)	Bushing
11	19H 1801 A	(-100000)	Screw, cap, 3/8" x 2"
12	M 1764 T	(-100000)	Pedal, clutch (S, U, V, and W)
	M 1693 T	(-100000)	Pedal, clutch (T)
	M 2702 T	(-100000)	Pedal, clutch (H)
13	12H 304 A	(-100000)	Washer, lock, 3/8"
14	14H 812 A	(-100000)	Nut, hex., 3/8"
15	21H 1144 A	(-100000)	Screw, mach., 1/4" x 1/2"
16	12H 302 A	(-100000)	Washer, lock, 1/4" (3 used)
17	L 689 T	(-100000)	Cover
18	AT 10863 T	(-100000)	Frame, center (T11006T with clutch throw-out bearing carrier sleeve and clutch control shaft bushing) (sub. for M3349T and AM3121T)
19	12H 236 A	(-100000)	Washer, lock, 3/4" (2 used)
20	19H 1768 A	(-100000)	Screw, cap, 3/4" x 2" (2 used)
21	M 28 T	(-100000)	Cover
22	19H 1227 A	(-100000)	Screw, cap, 1/4" x 1/2" (2 used)
23	19H 2133 A	(-100000)	Screw, cap, 5/8" x 4-1/2"
24	12H 294 A	(-100000)	Washer, lock, 5/8" (2 used)
25	24H 1375 A	(-100000)	Washer, plain, 11/16" x 1-1/16" x .060" (2 used) (S, T, V, and W)
	24H 1375 A	(-100000)	Washer, plain, 11/16" x 1-1/16" x .060" (1 used) (H and U)
26	M 1400 T	(-100000)	Stud (2 used)
27	M 1554 T	(-100000)	Washer (2 used)
28	AA 4963 R	(-100000)	Nut (2 used)
29	M 1397 T	(-100000)	Bracket, implement mounting, right (sub. for AM1390T)
30	14H 821 A	(-100000)	Nut, hex., jam, 5/8"
31	L 4168 T	(-100000)	Screw, set, special
32	19H 2124 A	(-100000)	Screw, cap, 5/8" x 4-1/4"
33	M 1398 T	(-100000)	Bracket, implement mounting, left (sub. for AM1391T)
34	M 1399 T	(-100000)	Spacer (H, S, T, V, and W)
35	14H 821 A	(-100000)	Nut, hex., jam, 5/8" (4 used) (S, T, U, V, and W)
	14H 821 A	(-100000)	Nut, hex., jam, 5/8" (2 used) (H)
36	22H 255 A	(-100000)	Screw, set, 5/8" x 2-1/2" (2 used) (S, T, U, V, and W)
37	19H 1899 A	(-100000)	Screw, cap, 7/16" x 2" (4 used)
38	24H 1325 A	(-100000)	Washer, plain, 15/32" x 59/64" x .060"
39	12H 293 A	(-100000)	Washer, lock, 7/16"
40	19H 1822 A	(-100000)	Screw, cap, 7/16" x 1"
41	8H 3497 A	(-100000)	Bolt, hex. hd., 1/2" x 6-1/2" (H, S, T, V, and W)

CENTER FRAME AND ASSOCIATED PARTS
Hi-Crop (Serial No. 100001-Up)

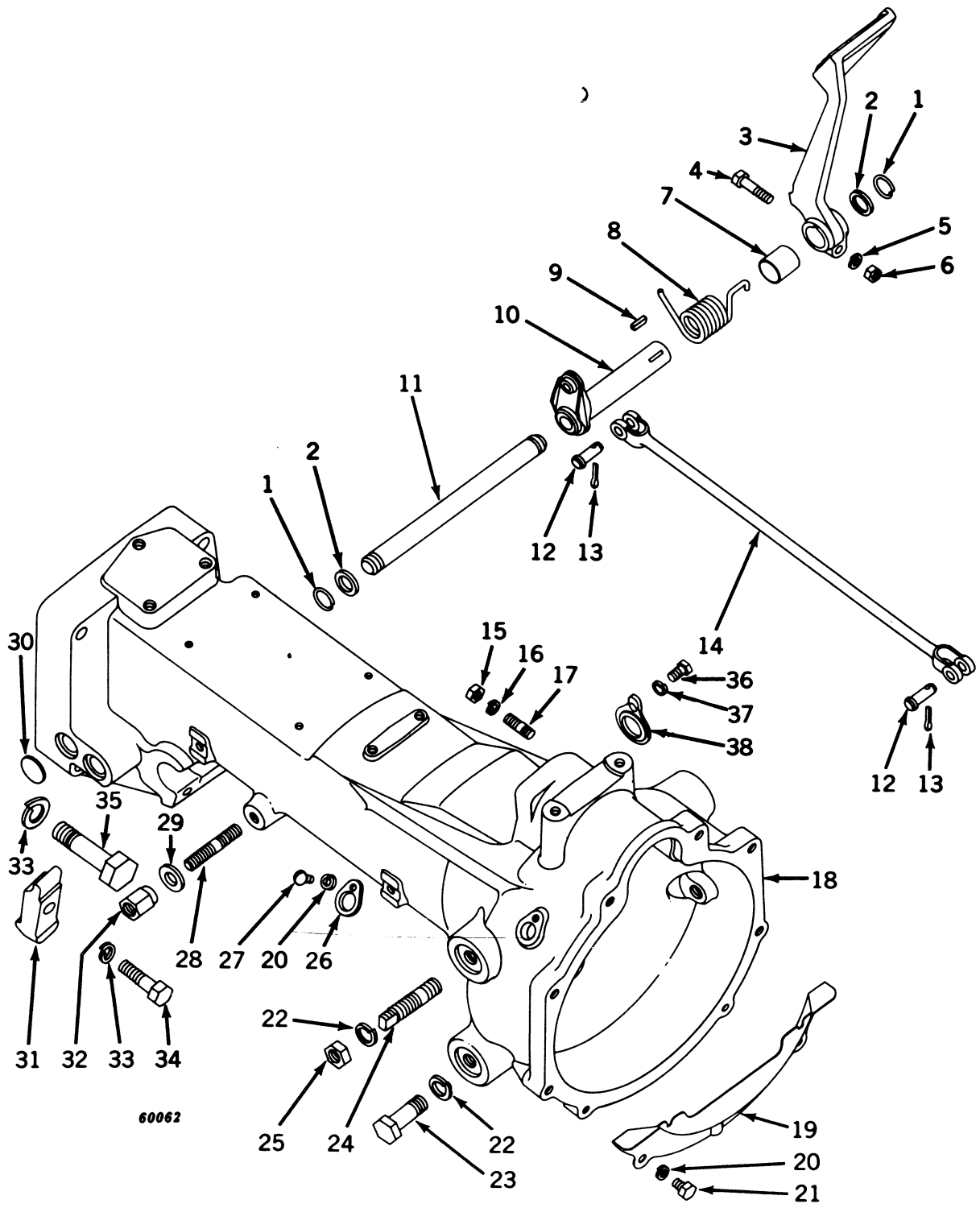


CENTER FRAME AND ASSOCIATED PARTS -- Continued
Hi-Crop (Serial No. 100001-Up)

Key	Part No.	Serial No.	Description
1	L 357 T	(100001-) Ring, snap (4 used)
2	L 308 T	(100001-) Washer (5 used)
3	M 4331 T	(100001-) Pedal, clutch (sub. for M3523T)
4	19H 1765 A	(100001-) Screw, cap, 3/8" x 1-3/4"
5	12H 304 A	(100001-) Washer, lock, 3/8"
6	14H 812 A	(100001-) Nut, hex., 3/8"
7	M 219 T	(100001-) Bushing (2 used)
8	M 335 T	(100001-) Spring, return
9	M 788 T	(100001-) Key, special
10	AM 322 T	(100001-) Shaft, clutch control (sub. for AM686T)
11	11H 206 A	(100001-) Pin, cotter, 3/32" x 3/4" (3 used)
12	M 3644 T	(100001-) Pin
13	M 1945 T	(100001-) Shaft, clutch pedal
14	M 14 T	(100001-) Dowel, hollow (4 used)
15	AM 3332 T	(100001-) Spacer, with clutch control shaft bushing
16	M 3803 T	(100001-) Ring, snap
17	M 3642 T	(100001-) Shaft, clutch
18	M 3643 T	(100001-) Pin
19	AM 3330 T	(100001-) Link assembly
20	AM 3329 T	(100001-) Shaft, clutch control, front
21	AM 3322 T	(100001-) Rod, clutch control
22	L 364 T	(100001-) Pin
23	14H 812 A	(100001-) Nut, hex., 3/8" (2 used)
24	12H 304 A	(100001-) Washer, lock, 3/8" (2 used)
25	M 3636 T	(100001-) Stud (2 used)
26	AM 3333 T	(100001-118753)	Sub. one AT10865T, one M4212T, and one 19H1813A
	AT 10865 T	(118754-) Frame, center, with clutch throw-out bearing carrier sleeve, clutch control shaft bushing, implement mounting studs, and starting motor studs (for tractors without continuous-running power take-off) (sub. for AM3881T and AT10559T)
	AM 3327 T	(100001-118753)	Sub. one AT10867T, one M4212T, and one 19H1813A
	AT 10867 T	(118754-) Frame, center, with clutch throw-out bearing carrier sleeve, clutch control shaft bushing, implement mounting studs, and starting motor studs (for tractors with continuous-running power take-off) (sub. for AM3880T)
27	M 28 T	(100001-) Cover
28	12H 302 A	(100001-) Washer, lock, 1/4" (3 used)
29	19H 1227 A	(100001-) Screw, cap, 1/4" x 1/2" (2 used)
30	12H 236 A	(100001-) Washer, lock, 3/4" (4 used)
31	19H 1768 A	(100001-) Screw, cap, 3/4" x 2" (4 used without continuous-running power take-off)
	19H 1768 A	(100001-) Screw, cap, 3/4" x 2" (2 used with continuous-running power take-off)
32	M 3833 T	(100001-) Stud (2 used with continuous-running power take-off)
33	14H 794 A	(100001-) Nut, hex., 3/4" (2 used with continuous-running power take-off)
34	L 689 T	(100001-) Cover
35	21H 1144 A	(100001-) Screw, mach., 1/4" x 1/2"
36	M 3910 T	(100001-) Stud (2 used) (sub. for M1400T)
37	M 1554 T	(100001-) Washer (2 used)
38	30H 23 A	(100001-) Plug, expansion, 1-3/4"
39	M 3578 T	(100001-) Clamp, implement (2 used)
40	AA 4963 R	(100001-) Nut, hex., special (2 used)
41	12H 294 A	(100001-) Washer, lock, 5/8" (3 used)
42	19H 1374 A	(100001-) Screw, cap, 5/8" x 2" (2 used)
43	19H 1681 A	(100001-) Screw, cap, 5/8" x 3-1/4"
44	19H 1813 A	(118754-) Screw, cap, 5/16" x 5/8"
45	12H 303 A	(118754-) Washer, lock, 5/16"
46	M 4212 T	(118754-) Cover

CENTER FRAME AND ASSOCIATED PARTS

Special Utility, Standard, Tricycle, Utility, Special, and Row-Crop Utility (Serial No. 100001-131308)
Standard, Tricycle, Utility, Special, and Row-Crop Utility without Direction Reverser (Serial No. 131309-Up)

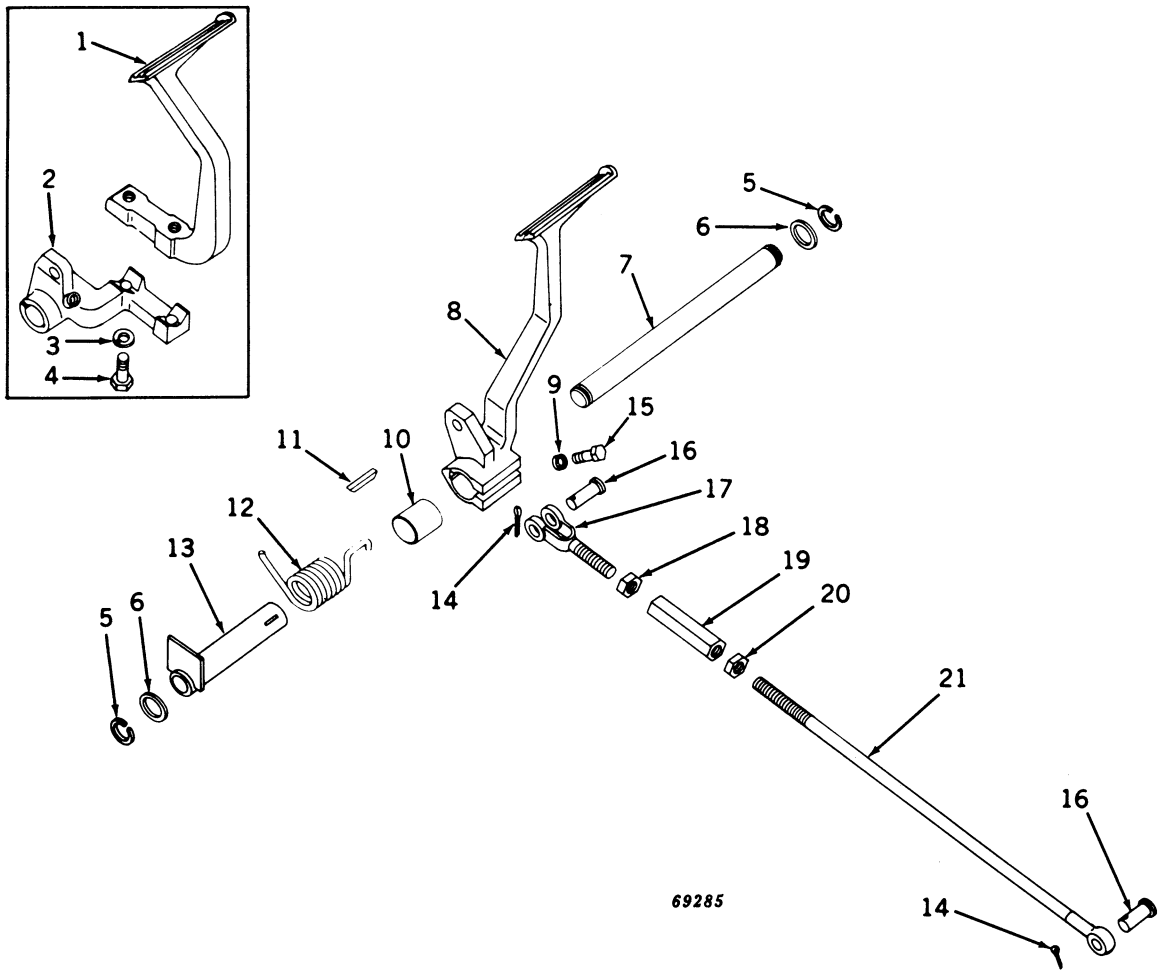


60062

CENTER FRAME AND ASSOCIATED PARTS -- Continued
 Special Utility, Standard, Tricycle, Utility, Special, and Row-Crop Utility (Serial No. 100001-131308)
 Standard, Tricycle, Utility, Special, and Row-Crop Utility without Direction Reverser (Serial No. 131309-Up)

Key	Part No.	Serial No.	Description
1	L 357 T	(100001-) Ring, snap (2 used)
2	L 308 T	(100001-) Washer (2 used)
3	M 4332 T	(100001-) Pedal, clutch (S, U, and V) (sub. for M3526T)
	M 4331 T	(100001-) Pedal, clutch (I, T, and W) (sub. for M3523T)
4	19H 1765 A	(100001-) Screw, cap, 3/8" x 1-3/4"
5	12H 304 A	(100001-) Washer, lock, 3/8"
6	14H 812 A	(100001-) Nut, hex., 3/8"
7	M 219 T	(100001-) Bushing
8	M 335 T	(100001-) Spring, return
9	M 788 T	(100001-) Key, special
10	AM 322 T	(100001-) Shaft, clutch control (sub. for AM686T)
11	M 1945 T	(100001-) Shaft, clutch pedal
12	L 364 T	(100001-) Pin (2 used)
13	11H 206 A	(100001-) Pin, cotter, 3/32" x 3/4"
14	AM 3322 T	(100001-) Rod, clutch control
15	14H 812 A	(100001-) Nut, hex., 3/8" (2 used)
16	12H 304 A	(100001-) Washer, lock, 3/8" (2 used)
17	M 3636 T	(100001-) Stud (2 used)
18	M 3333 T	(100001-118753)	Sub. one AT10865T, one M4212T, and one 19H1813A
	AT 10865 T	(118754-) Frame, center, with clutch throw-out bearing carrier sleeve, clutch control shaft bushing, implement mounting studs, and starting motor studs (for tractors without continuous-running power take-off) (sub. for AM3881T, AT10559T and AT11143T)
	AM 3327 T	(100001-118753)	Sub. one AT10867T, one M4212T, and one 19H1813A
	AT 10867 T	(118754-) Frame, center, with clutch throw-out bearing carrier sleeve, clutch control shaft bushing, implement mounting studs, and starting motor studs (for tractors with continuous-running power take-off) (sub. for AM3880T)
19	M 28 T	(100001-) Cover
20	12H 302 A	(100001-) Washer, lock, 1/4" (3 used)
21	19H 1227 A	(100001-) Screw, cap, 1/4" x 1/2" (2 used)
22	12H 236 A	(100001-) Washer, lock, 3/4" (4 used)
23	19H 1768 A	(100001-) Screw, cap, 3/4" x 2" (4 used without continuous-running power take-off)
	19H 1768 A	(100001-) Screw, cap, 3/4" x 2" (2 used with continuous-running power take-off)
24	M 3833 T	(100001-) Stud (2 used with continuous-running power take-off)
25	14H 794 A	(100001-) Nut, hex., 3/4" (2 used with continuous-running power take-off)
26	L 689 T	(100001-) Cover
27	21H 1144 A	(100001-) Screw, mach., 1/4" x 1/2"
28	M 3910 T	(100001-) Stud (2 used) (sub. for M1400T)
29	M 1554 T	(100001-) Washer, plain, special (2 used)
30	30H 23 A	(100001-) Plug, expansion, 1-3/4"
31	M 3578 T	(100001-) Clamp, implement (2 used)
32	AA 4963 R	(100001-) Nut, hex., special (2 used)
33	12H 294 A	(100001-) Washer, lock, 5/8" (4 used)
34	19H 1374 A	(100001-) Screw, cap, 5/8" x 2" (2 used)
35	19H 1681 A	(100001-) Screw, cap, 5/8" x 3-1/4" (2 used)
36	19H 1813 A	(118754-) Screw, cap, 5/16" x 5/8"
37	12H 303 A	(118754-) Washer, lock, 5/16"
38	M 4212 T	(118754-) Cover

CLUTCH PEDAL AND ASSOCIATED PARTS
Standard, Tricycle, Utility, and Row-Crop Utility with Direction Reverser (Serial No. 131309-Up)



CLUTCH PEDAL AND ASSOCIATED PARTS -- Continued
Standard, Tricycle, Utility, and Row-Crop Utility with Direction Reverser (Serial No. 131309-Up)

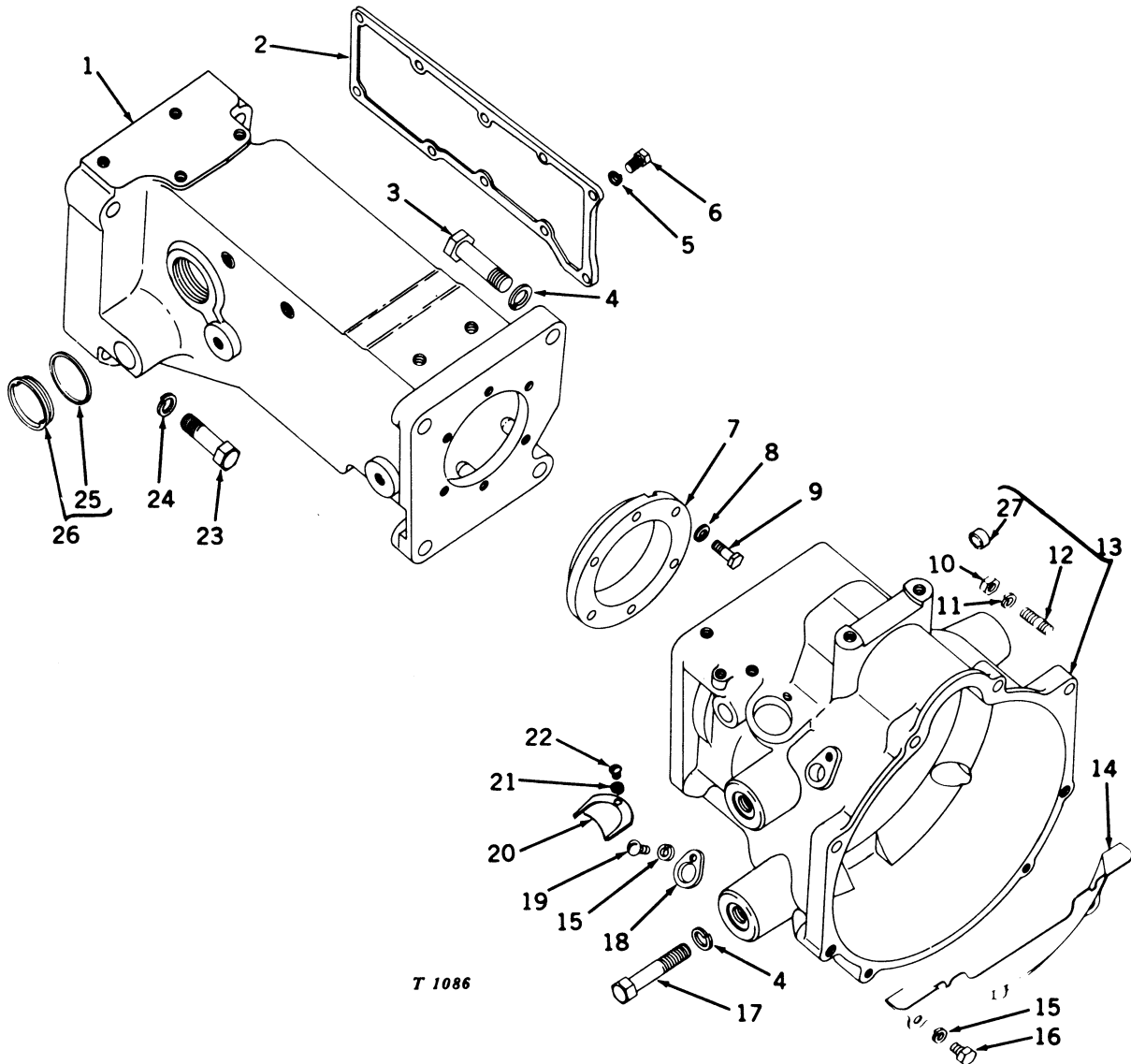
Key	Part No.	Serial No.	Description
1	T 10403 T	(131309-140324)	Pedal, clutch
2	T 10402 T	(131309-140324)	Hub, clutch pedal
3	12H 304 A	(131309-140324)	Washer, lock, 3/8" (2 used)
4	19H 1765 A	(131309-140324)	Screw, cap, 3/8" x 1-3/4" (2 used)
5	L 357 T	(131309-)	Ring, snap (2 used)
6	L 308 T	(131309-)	Washer (2 used)
7	M 1945 T	(131309-)	Shaft, clutch pedal
8	T 10673 T	(140325-)	Pedal, clutch
9	12H 304 A	(131309-)	Washer, lock, 3/8" (2 used)
10	M 219 T	(131309-)	Bushing
11	M 788 T	(131309-)	Key, special
12	M 335 T	(131309-)	Spring, return
13	AT 10111 T	(131309-)	Shaft, clutch control
14	11H 211 A	(131309-)	Pin, cotter, 1/8" x 3/4" (2 used)
15	19H 1765 A	(131309-)	Screw, cap, 3/8" x 1-3/4"
16	T 10187 T	(131309-)	Pin (2 used)
17	T 10399 T	(131309-)	Yoke, adjustable
18	14H 856 A	(131309-)	Nut, hex., jam, 1/2"
19	T 10400 T	(131309-)	Turnbuckle
20	14H 816 A	(131309-)	Nut, hex., jam, 1/2"
21	AT 10101 T	(131309-)	Rod, clutch, control

CLUTCH HOUSING AND CASE

Crawler (Serial No. 131309-Up)

Standard, Tricycle, Utility, and Row-Crop Utility with Direction Reverser (Serial No. 131309-Up)

Crawler Equipped with LP-Gas (Serial No. 156844-Up)



T 1086

CLUTCH HOUSING AND CASE -- Continued

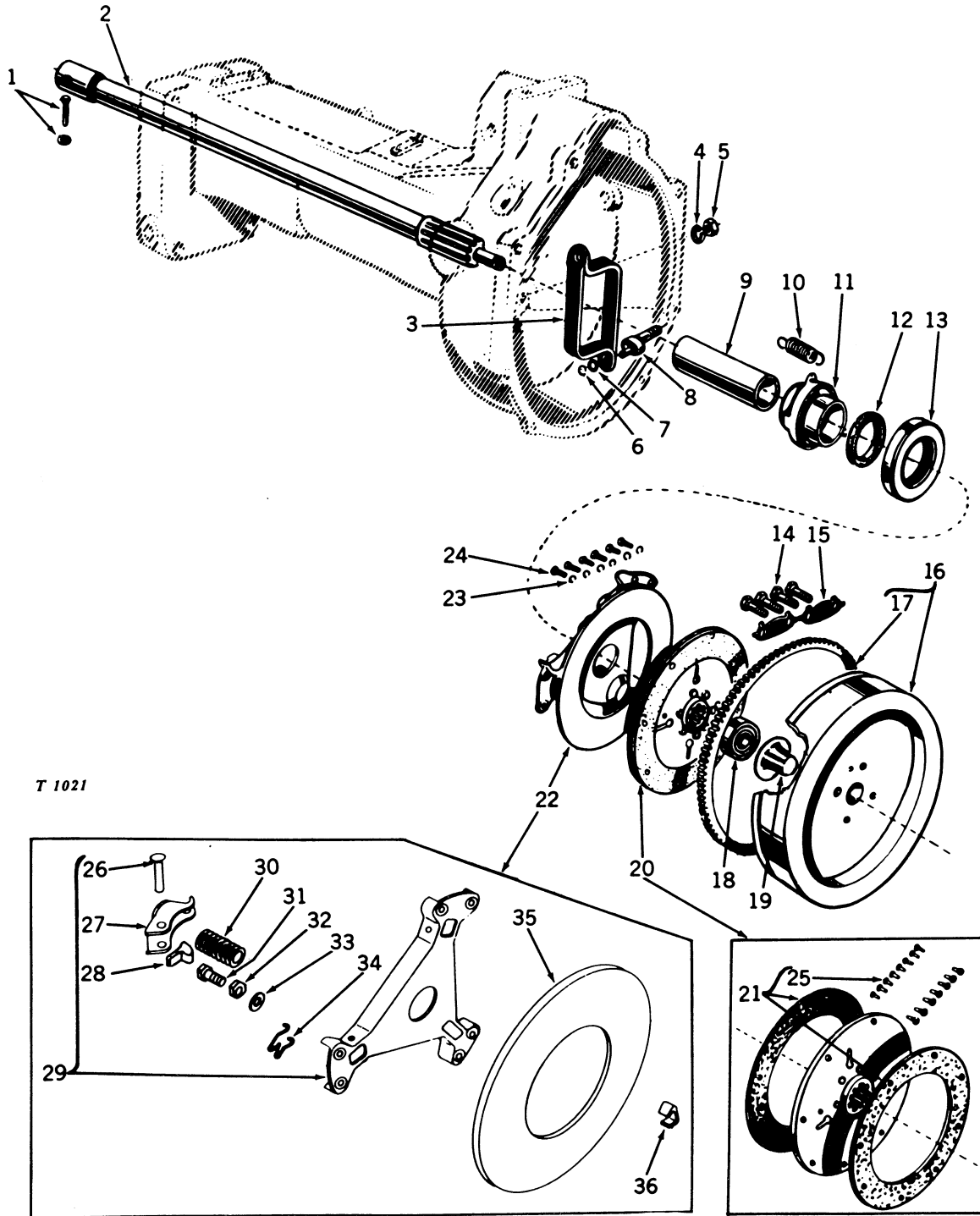
Crawler (Serial No. 131309-Up)

Standard, Tricycle, Utility, and Row-Crop Utility with Direction Reverser (Serial No. 131309-Up)

Crawler Equipped with LP-Gas (Serial No. 156844-Up)

Key	Part No.	Serial No.	Description
1	AT 10193 T	(131309-) Case, reverser, with clutch shaft bushing
2	T 10401 T	(131309-) Cover (used when not equipped with direction reverser)
3	19H 1425 A	(131309-) Screw, cap, 3/4" x 2-3/4" (4 used)
4	12H 236 A	(131309-) Washer, lock, 3/4" (8 used)
5	12H 304 A	(131309-) Washer, lock, 3/8" (10 used)
6	19H 1731 A	(131309-) Screw, cap, 3/8" x 1" (10 used)
7	T 10309 T	(131309-) Ring, pilot (used when not equipped with direction reverser)
8	12H 303 A	(131309-) Washer, lock, 5/16" (6 used) (used when not equipped with direction reverser)
9	19H 2117 A	(131309-) Screw, cap, 5/16" x 1-1/8" (6 used) (used when not equipped with direction reverser)
10	14H 812 A	(131309-) Nut, hex., 3/8" (2 used)
11	12H 304 A	(131309-) Washer, lock, 3/8" (2 used)
12	M 3636 T	(131309-) Stud (2 used)
13	AT 10463 T	(131309-) Clutch housing with studs (S, T, U, and W)
	AT 10463 T	(131309-159666)) Clutch housing with studs (C)
	AT 12529 T	(159667-) Clutch housing with studs and bearings
14	M 28 T	(131309-) Cover
15	12H 302 A	(131309-) Washer, lock, 1/4" (3 used)
16	19H 1227 A	(131309-) Screw, cap, 1/4" x 1/2" (2 used)
17	19H 1782 A	(131309-) Screw, cap, 3/4" x 2-1/4" (4 used)
18	L 689 T	(131309-) Cover
19	21H 1144 A	(131309-) Screw, mach., 1/4" x 1/2"
20	T 10179 T	(131309-) Cover (2 used)
21	12H 316 A	(131309-) Washer, lock, No. 12 (2 used)
22	21H 1163 A	(131309-) Screw, mach., No. 12 x 1/2" (2 used)
23	19H 1681 A	(131309-) Screw, cap, 5/8" x 3-1/4" (2 used)
24	12H 294 A	(131309-) Washer, lock, 5/8" (2 used)
25	M 2133 T	(131309-) Gasket
26	AM 1935 T	(131309-) Plug, with gasket
27	M 1638 T	(159667-) Bearing, lever shaft (2 used) (C)

CLUTCH, PROPELLER SHAFT AND FLYWHEEL
(Serial No. -100000)

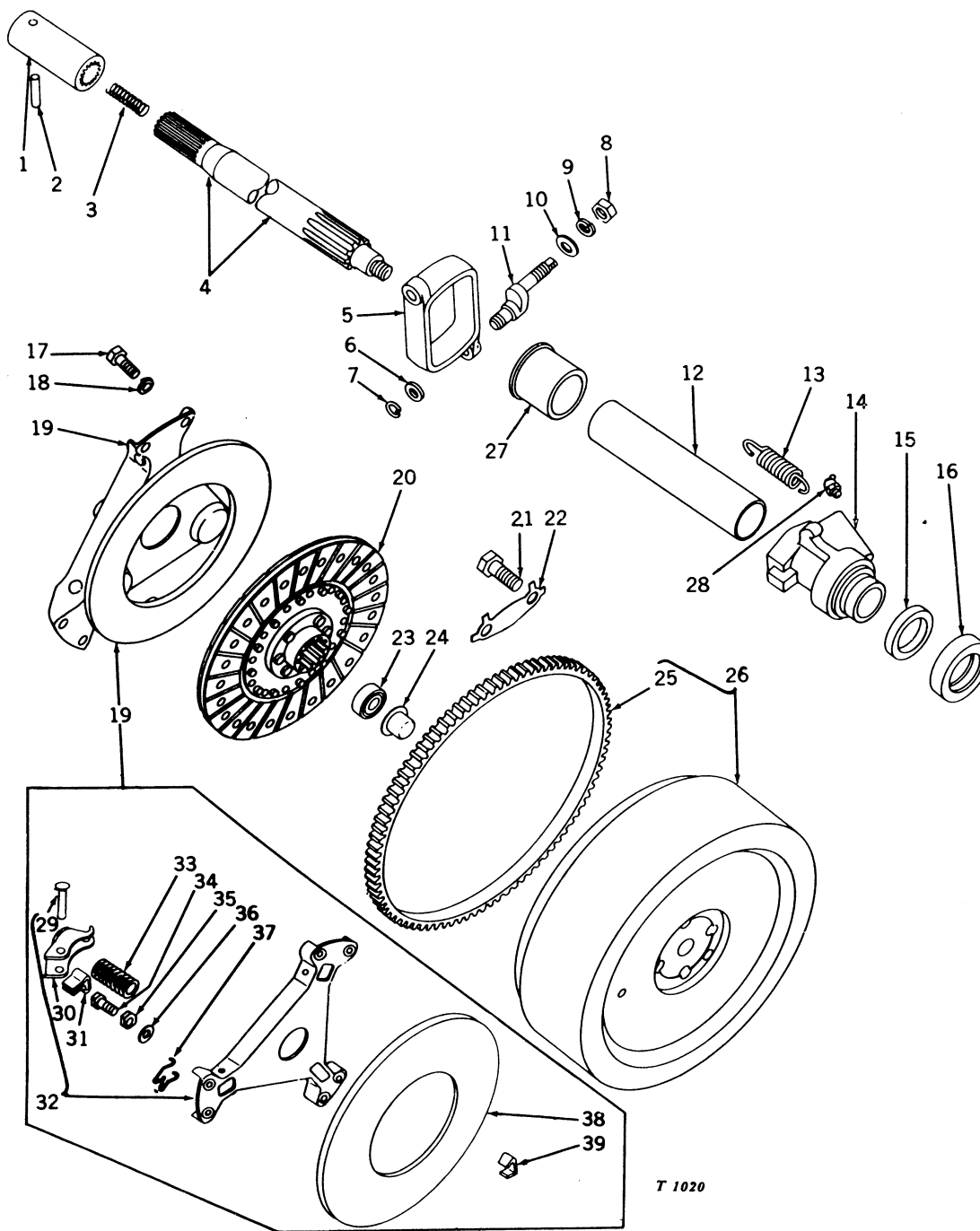


T 1021

CLUTCH, PROPELLER SHAFT AND FLYWHEEL -- Continued
(Serial No. -100000)

Key	Part No.	Serial No.	Description
1	AM 1513 T	(-100000)	Pin and washer
2	AM 2675 T	(-100000)	Propeller shaft assembly (C, S, T, U, V, and W)
	AM 2464 T	(-100000)	Propeller shaft assembly (H)
3	M 1842 T	(-100000)	Yoke, throw-out
4	12H 301 A	(-100000)	Washer, lock, 1/2"
5	14H 809 A	(-100000)	Nut, hex., 1/2"
6	M 331 T	(-100000)	Ring, snap (packed 2 in a pkg.)
7	L 853 T	(-100000)	Washer
8	AM 320 T	(-100000)	Cam
9	M 217 T	(-100000)	Sleeve (sub. for AM644T)
10	M 226 T	(-100000)	Spring
11	M 57 T	(-100000)	Carrier (sub. for AM645T)
	AT 10247 T	(-100000)	Carrier, (T10398T), with bearing and grease fitting
12	M 225 T	(-100000)	Washer, felt
13	AL 2116 T	(-100000)	Bearing, throw-out
14	19H 1262 A	(-100000)	Screw, cap, 1/2" x 1-3/8" (4 used)
15	M 23 T	(-100000)	Lock (2 used) (packed 2 in a pkg.) (sub. for AM646T)
16	AM 3123 T	(-100000)	Flywheel (M3364T) with ring gear
17	M 21 T	(-100000)	Gear, ring (sub. for AM648T)
18	JD 8511 T	(-100000)	Bearing, ball clutch pilot
19	M 1511 T	(-100000)	Retainer, grease
20	AM 3791 T	(-100000)	Disk, drive, with facings (C) (sub. for AM3183T)
	AM 2575 T	(-100000)	Disk, drive, with facings (H, S, T, U, V, and W)
21	AM 3184 T	(-100000)	Facings, with rivets (1 set used) (C)
22	AM 227 T	(-100000)	Plate, pressure (C) (sub. for AM650T)
	AM 2576 T	(-100000)	Plate, pressure (H, S, T, U, V, and W)
23	12H 303 A	(-100000)	Washer, lock, 5/16" (6 used)
24	L 372 T	(-100000)	Screw, cap, special (6 used)
25	L 4043 T	(-100000)	Rivet (16 used) (C) (packed 20 in a pkg.)
26	T 11700 T	(-100000)	Pin, pivot (3 used) (packed 3 in a pkg.)
27	T 11701 T	(-100000)	Lever, clutch (3 used) (packed 3 in a pkg.)
28	T 11702 T	(-100000)	Spring, cushion (3 used) (packed 3 in a pkg.)
29	AT 11353 T	(-100000)	Bracket and lever service kit (C)
	AT 11354 T	(-100000)	Bracket and lever service kit (H, S, T, U, V, and W)
30	T 11694 T	(-100000)	Spring, pressure (3 used) (packed 3 in a pkg.)
31	T 11695 T	(-100000)	Screw, adjusting cap (3 used)
32	14H 463 A	(-100000)	Nut, hex., jam, 5/16" (3 used)
33	T 11697 T	(-100000)	Washer, adjusting screw (3 used)
34	T 11696 T	(-100000)	Spring, pressure plate return (3 used) (packed 3 in a pkg.)
35	T 11698 T	(-100000)	Plate, pressure
36	T 11699 T	(-100000)	Clip, clutch, installation tool (3 used) (packed 3 in a pkg.) (use to install replacement parts listed under key 22)

CLUTCH, PROPELLER SHAFT AND FLYWHEEL FOR TRACTORS WITHOUT CONTINUOUS RUNNING POWER TAKE-OFF
 Crawler, Standard, Tricycle, Utility, Special Utility, and Row-Crop Utility (Serial No. 100001-131308)
 Standard, Tricycle, Utility and Row-Crop Utility without Direction Reverser (Serial No. 131309-Up)
 Hi-Crop and Special (Serial No. 100001-Up)
 Standard, Tricycle, Utility, and Row-Crop Utility with LP-Gas (Serial No. 125001-Up)
 Crawler with LP-Gas (Serial No. 125001-156843)



Key	Part No.	Serial No.	Description
1	M 3665 T†	(100001-)	Coupling (used when not equipped with direction reverser)
2	34H 82 A†	(100001-)	Pin, roll, 3/16" x 1-5/8" (used when not equipped with direction reverser)
3	M 1309 T†	(100001-)	Spring (used when not equipped with direction reverser)
4	M 3666 T†	(100001-131308)	Shaft, propeller (C, I, S, T, U, and W)
	T 10383 T	(131309-)	Shaft, propeller (S, T, U, and W) (used when not equipped with direction reverser)
	M 3666 T	(100001-)	Shaft, propeller (V)
	M 3667 T	(100001-)	Shaft, propeller (H)

Key	Part No.	Serial No.	Description
5	T 15440 T	(100001-131308)	Yoke (C, I, S, T, U, and W) (sub. for M3525T)
	T 15440 T	(131309-)	Yoke (S, T, U, and W) (used when not equipped with direction reverser) (sub. for M3525T)
6	T 15440 T	(100001-)	Yoke (H and V) (sub. for M3525T)
	L 853 T†	(100001-131308)	Washer, plain, special (C, I, S, T, U, and W)
	L 853 T	(131309-)	Washer, plain, special (S, T, U, and W) (used when not equipped with direction reverser)
7	L 853 T	(100001-)	Washer, plain, special (H and V)
	M 331 T†	(100001-131308)	Ring, snap (C, I, S, T, U, and W) (packed 2 in a pkg.)
	M 331 T	(131309-)	Ring, snap (S, T, U, and W) (used when not equipped with direction reverser) (packed 2 in a pkg.)
8	M 331 T	(100001-)	Ring, snap (H and V) (packed 2 in a pkg.)
	14H 809 A†	(100001-131308)	Nut, hex., 1/2" (C, I, S, T, U, and W)
	14H 809 A	(131309-)	Nut, hex., 1/2" (S, T, U, and W) (used when not equipped with direction reverser)
9	14H 809 A	(100001-)	Nut, hex., 1/2" (H and V)
	12H 301 A†	(100001-131308)	Washer, lock, 1/2" (C, I, S, T, U, and W)
	12H 301 A	(131309-)	Washer, lock, 1/2" (S, T, U, and W) (used when not equipped with direction reverser)
10	12H 301 A	(100001-)	Washer, lock, 1/2" (H and V)
	M 2834 T†	(100001-131308)	Washer, plain, special (C, I, S, T, U, and W)
	M 2834 T	(131309-)	Washer, plain, special (S, T, U, and W) (used when not equipped with direction reverser)
11	M 2834 T	(100001-)	Washer, plain, special (H and V)
	AM 320 T†	(100001-131308)	Cam (C, I, S, T, U, and W)
	AM 320 T	(131309-)	Cam (S, T, U, and W) (used when not equipped with direction reverser)
12	AM 320 T	(100001-)	Cam (H and V)
	M 3634 T	(100001-117959)	Sub. one M4215T and one M4219T
	M 4215 T†	(117960-131308)	Sleeve (C, I, S, T, U, and W)
13	M 4215 T	(131309-)	Sleeve (S, T, U, and W) (used when not equipped with direction reverser)
	M 4215 T	(117960-)	Sleeve (H and V)
	M 226 T†	(100001-131308)	Spring (C, I, S, T, U, and W)
14	M 226 T	(131309-)	Spring (S, T, U, and W) (used when not equipped with direction reverser)
	M 226 T	(100001-)	Spring (H and V)
	M 3549 T	(100001-125000)	Carrier
15	M 4374 T*†	(125001-131308)	Carrier (C, I, S, T, U, and W)
	M 4374 T*	(131309-)	Carrier (S, T, U, and W) (used when not equipped with direction reverser)
	M 4374 T*	(125001-)	Carrier (H and V)
16	M 225 T†	(100001-125000)	Washer, felt
	AL 2116 T	(100001-125000)	Bearing, throw-out
	AM 3983 T*†	(125001-131308)	Bearing, throw-out (C, I, S, T, U, and W)
17	AM 3983 T*	(131309-)	Bearing, throw-out (S, T, U, and W) (used when not equipped with direction reverser)
	AM 3983 T*	(125001-)	Bearing, throw-out (H and V)
	L 372 T†	(100001-)	Screw, cap, special (6 used)
18	12H 303 A†	(100001-)	Washer, lock, 5/16" (6 used)
	AM 227 T†	(100001-)	Plate, pressure (C) (sub. for AM650T)
19	AM 2576 T†	(100001-)	Plate, pressure (H, I, S, T, U, V, and W)
	AM 3791 T†	(100001-)	Disk, driven, with facings (C) (sub. for AM3183T)
20	AM 2575 T†	(100001-)	Disk, driven, with facings (H, I, S, T, U, V, and W)
	19H 1262 A†	(100001-)	Screw, cap, 1/2" x 1-3/8" (4 used)
21	M 23 T†	(100001-)	Lock (2 used) (packed 2 in a pkg.) (sub. for AM646T)
22	JD 8511 T†	(100001-)	Bearing, ball, clutch pilot
23	M 1511 T†	(100001-)	Retainer, grease
24	M 21 T†	(100001-)	Gear, ring (sub. for AM648T)
25	AM 3123 T†	(100001-)	Flywheel, with ring gear
26	M 4219 T	(100001-117959)	Adaptor
27	JD 7758*†	(125001-)	Fitting, grease (alemite no. 1623B)
28	T 11700 T	(100001-)	Pin, pivot (3 used) (packed 3 in a pkg.)
29	T 11701 T	(100001-)	Lever, clutch (3 used) (packed 3 in a pkg.)
30	T 11702 T	(100001-139999)	Spring, cushion (3 used) (C) (packed 3 in a pkg.)
31	AT 11353 T	(100001-139999)	Bracket and lever service kit (C)
	AT 11354 T	(140000-)	Bracket and lever service kit (C)
	AT 11354 T	(100001-)	Bracket and lever service kit (H, I, S, T, U, V, and W)
32	T 11694 T	(100001-)	Spring, pressure (3 used) (packed 3 in a pkg.)
33	T 11695 T	(100001-)	Screw, adjusting cap (3 used)
34	14H 463 A	(100001-)	Nut, hex., jam, 5/16" (3 used)
35	T 11697 T	(100001-)	Washer, adjusting screw (3 used)
36	T 11696 T	(100001-)	Spring, pressure plate return (3 used) (packed 3 in a pkg.)
37	T 11698 T	(100001-)	Plate, pressure
38	T 11699 T	(100001-)	Clip, clutch, installation tool (3 used) (packed 3 in a pkg.) (use to install replacement parts listed under key 19)

*Replacement parts for tractors serial no. 100001-125000 when AM3983T, M4374T, and JD7758 have been previously installed as service parts.

†Also replacement parts for standard, tricycle, utility, and row-crop utility tractors with LP-gas (serial no. 125001-up).

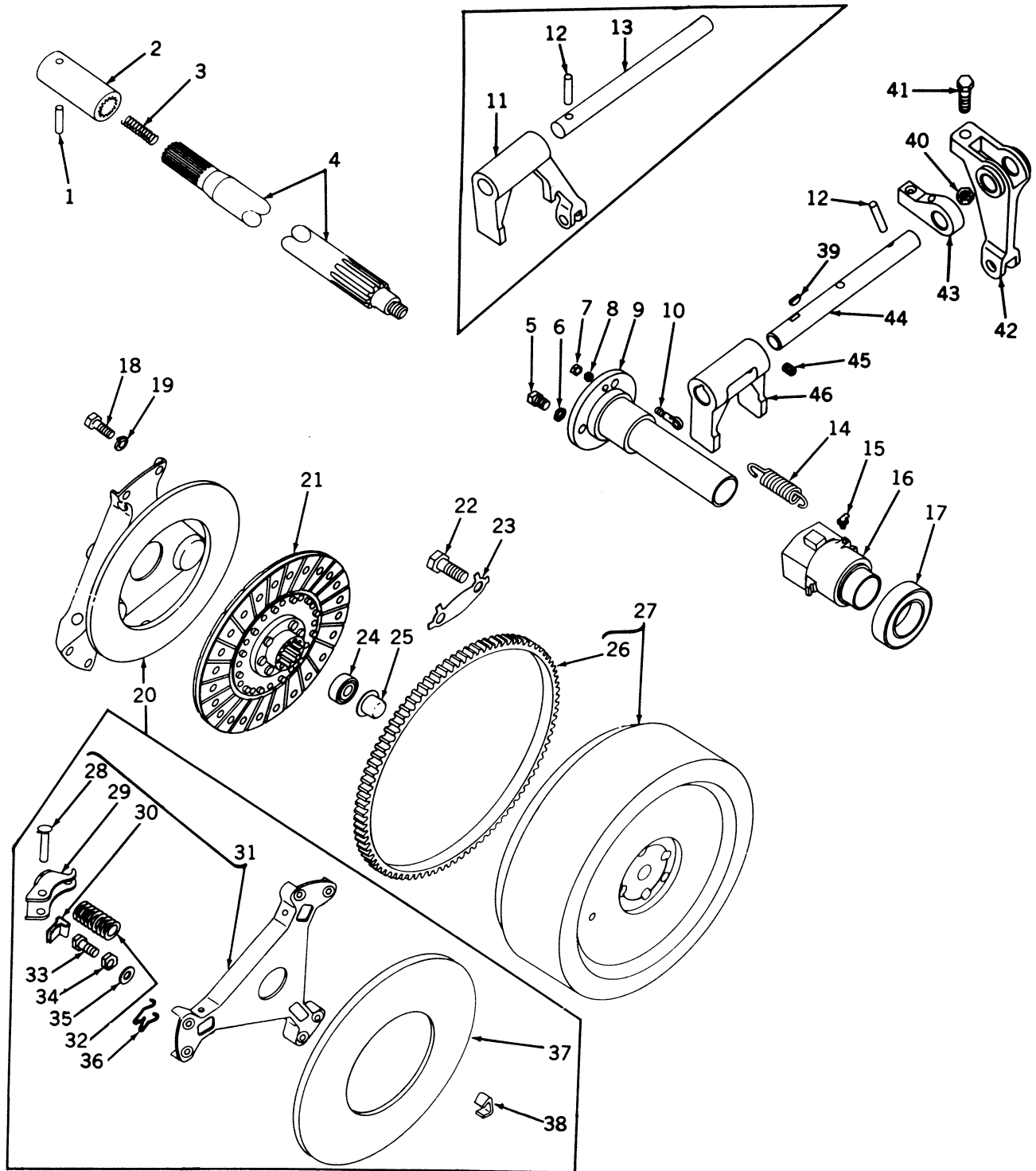
‡Also replacement parts for crawler with LP-gas serial no. 125001-156843).

CLUTCH PROPELLER SHAFT AND FLYWHEEL ASSEMBLY

Crawler (Serial No. 131309-Up)

Standard, Tricycle, Utility and Row-Crop Utility with Direction Reverser (Serial No. 131309-Up)

Crawler with LP-Gas (Serial No. 156844-Up)



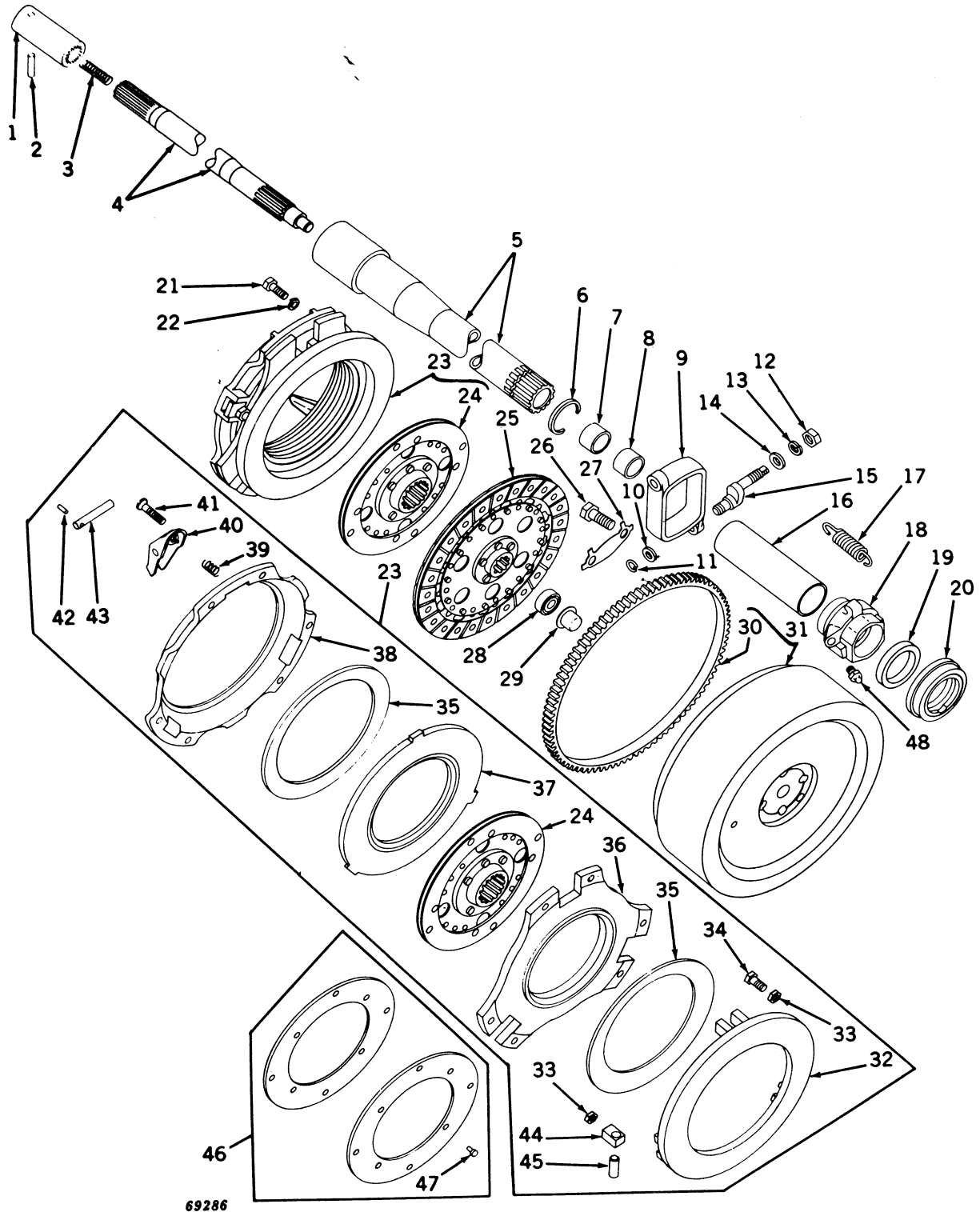
T 1019

CLUTCH PROPELLER SHAFT AND FLYWHEEL ASSEMBLY -- Continued
 Crawler (Serial No. 131309-Up)
 Standard, Tricycle, Utility and Row-Crop Utility with Direction Reverser (Serial No. 131309-Up)
 Crawler with LP-Gas (Serial No. 156844-Up)

Key	Part No.	Serial No.	Description
1	34H 82 A	(131309-)	Pin, roll, 3/16" x 1-5/8" (C) (when not equipped with direction
2	M 3665 T	(131309-)	Coupling (C when not equipped with direction reverser)
3	M 1309 T	(131309-)	Spring (C when not equipped with direction reverser)
4	T 10383 T	(131309-)	Shaft, propeller (C when not equipped with direction reverser)
	T 10184 T	(131309-)	Shaft, propeller (C, S, T, U, and W when equipped with direction reverser)
	AT 10753 T	(131309-)	Shaft, propeller (C and W when equipped with auburn trencher)
5	19H 1731 A	(131309-)	Screw, cap, 3/8" x 1" (3 used)
6	12H 304 A	(131309-)	Washer, lock, 3/8" (3 used)
7	14H 778 A	(131309-)	Nut, hex., no. 10 (2 used)
8	12H 246 A	(131309-)	Washer, lock, No. 10 (2 used)
9	T 10473 T	(131309-)	Sleeve
10	T 10180 T	(131309-)	Eye, rod (2 used)
11	T 10178 T	(131309-)	Yoke (S, T, U, and W)
	T 10178 T	(131309-159666)	Yoke (C)
12	25H 125 A	(131309-)	Pin, groov-, 5/16" x 1-3/4"
13	T 10177 T	(131309-)	Shaft (S, T, U, and W)
	T 10177 T	(131309-159666)	Shaft (C)
14	M 226 T	(131309-)	Spring (2 used)
15	JD 7763	(131309-)	Fitting, grease
16	T 10472 T	(131309-)	Carrier
17	AM 3983 T	(131309-)	Bearing, throw-out
18	L 372 T	(131309-)	Screw, cap, special (6 used)
19	12H 303 A	(131309-)	Washer, lock, 5/16" (6 used)
20	AM 227 T	(131309-139999)	Plate, pressure (C) (sub. for AM650T)
	AM 2576 T	(131309-)	Plate, pressure (S, T, U, and W)
	AM 2576 T	(140000-)	Plate, pressure (C)
21	AM 3791 T	(131309-)	Disk, driven, with facings (C)
	AM 2575 T	(131309-)	Disk, driven, with facings (S, T, U, and W)
22	19H 1262 A	(131309-)	Screw, cap, 1/2" x 1-3/8" (4 used)
23	M 23 T	(131309-)	Lock (2 used) (packed 2 in a pkg.) (sub. for AM646T)
24	JD 8511 T	(131309-)	Bearing, ball, clutch pilot
25	M 1511 T	(131309-)	Retainer, grease
26	M 21 T	(131309-)	Gear, ring (sub. for AM648T)
27	AM 3123 T	(131309-)	Flywheel, with ring gear
28	T 11700 T	(131309-)	Pin, pivot (3 used) (packed 3 in a pkg.)
29	T 11701 T	(131309-)	Lever, clutch (3 used) (packed 3 in a pkg.)
30	T 11702 T	(131309-139999)	Spring, cushion (3 used) (C) (packed 3 in a pkg.)
31	AT 11353 T	(-139999)	Bracket and lever service kit (C)
	AT 11354 T	(140000-)	Bracket and lever service kit (C)
	AT 11354 T	(131309-)	Bracket and lever service kit (S, T, U, and W)
32	T 11694 T	(131309-)	Spring, pressure (3 used) (packed 3 in a pkg.)
33	T 11695 T	(131309-)	Screw, adjusting cap (3 used)
34	14H 463 A	(131309-)	Nut, hex., jam, 5/16" (3 used)
35	T 11697 T	(131309-)	Washer, adjusting screw (3 used)
36	T 11696 T	(131309-)	Spring, pressure plate return (3 used) (packed 3 in a pkg.)
37	T 11698 T	(131309-)	Plate, pressure
38	T 11699 T	(131309-)	Clip, clutch, installation tool (3 used) (packed 3 in a pkg.) (use to install replacement parts under key 20)
39	26H 77 A	(159667-)	Key, Woodruff (C)
40	14H 774 A	(159667-)	Nut, hex., 3/8" (C)
41	T 13002 T	(159667-)	Screw, cap, special (C)
42	T 12875 T	(159667-)	Lever, control (C)
43	T 12876 T	(159667-)	Lever, adjusting (C)
44	T 13001 T	(159667-)	Shaft (C)
45	22H 789 A	(159667-)	Screw, set, 1/4" x 3/4" (C)
46	T 12877 T	(159667-)	Yoke (C)

CLUTCH, PROPELLER SHAFT AND FLYWHEEL FOR TRACTORS
CONTINUOUS-RUNNING POWER TAKE-OFF

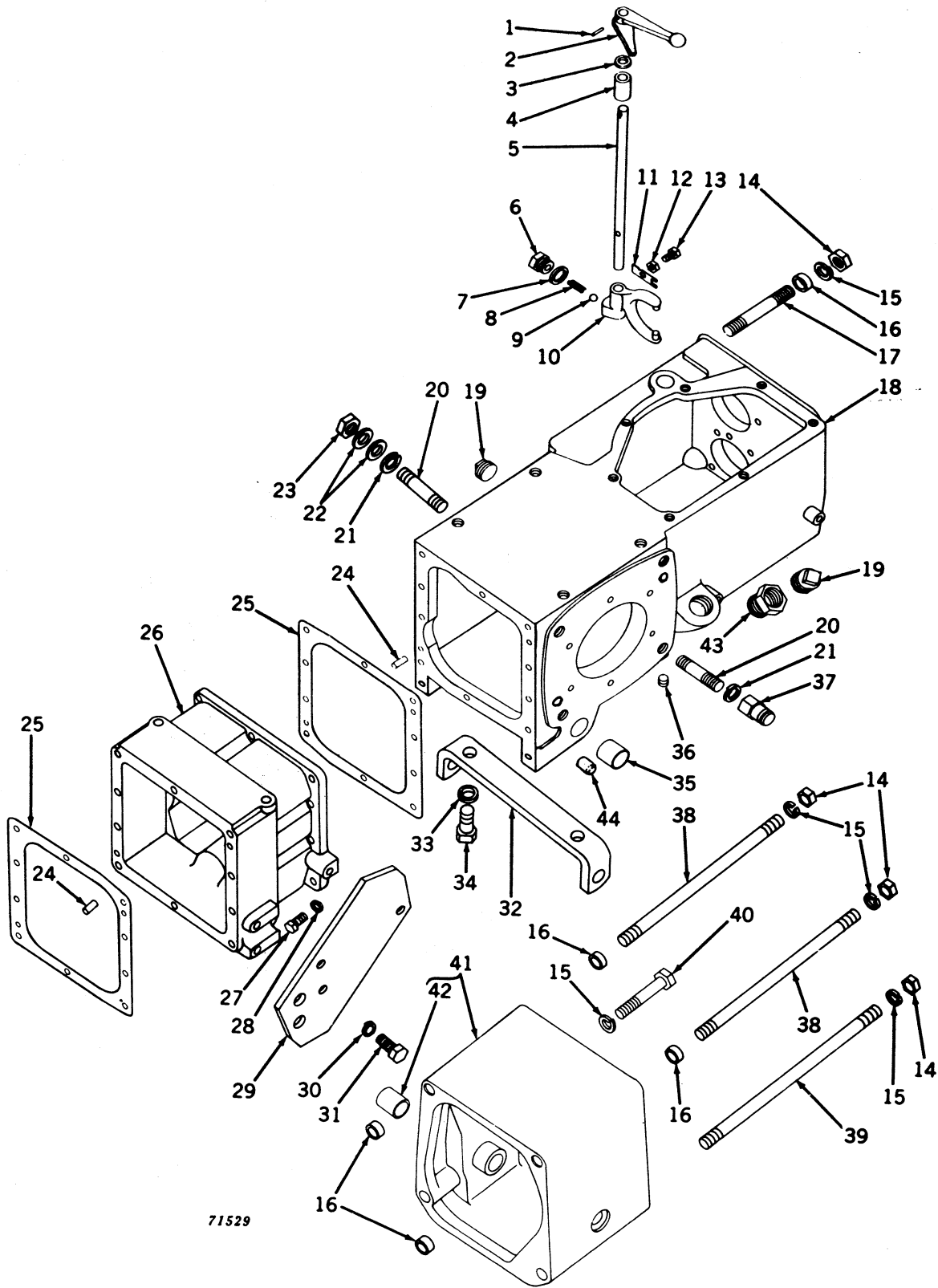
Hi-Crop, Special Utility, Standard, Tricycle, Utility, Special, and Row-Crop Utility (Serial No. 100001-Up)



CLUTCH, PROPELLER SHAFT AND FLYWHEEL FOR TRACTORS WITH
CONTINUOUS-RUNNING POWER TAKE-OFF -- Continued
Hi-Crop, Special Utility, Standard, Tricycle, Utility, Special, and Row-Crop Utility (Serial No. 100001-Up)

Key	Part No.	Serial No.	Description
1	M 3665 T	(100001-) Coupling
2	34H 82 A	(100001-) Pin, roll, 3/16" x 1-5/8"
3	M 1309 T	(100001-) Spring
4	M 3674 T	(100001-) Shaft, propeller, inner (I, S, T, U, V, and W)
	M 3675 T	(100001-) Shaft, propeller, inner (H)
5	AM 3359 T	(100001-) Tube, propeller shaft, outer (I, S, T, U, V, and W)
	AM 3360 T	(100001-) Tube, propeller shaft, outer (H)
6	M 3827 T	(100001-) Ring, snap (sub. for M3673T)
7	M 3671 T	(100001-) Bushing, rear
8	M 3670 T	(100001-) Bushing, front
9	T 15440 T	(100001-) Yoke (sub. for M3525T)
10	L 853 T	(100001-) Washer, plain, special
11	M 331 T	(100001-) Ring, snap (packed 2 in a pkg.)
12	14H 809 A	(100001-) Nut, hex., 1/2"
13	12H 301 A	(100001-) Washer, lock, 1/2"
14	M 2834 T	(100001-) Washer, plain, special
15	AM 320 T	(100001-) Cam
16	M 3637 T	(100001-) Sleeve
17	M 226 T	(100001-) Spring
18	T 10620 T	(100001-135045)) Carrier (sub. for M3504T)
	T 10619 T	(135046-) Carrier
19	M 3633 T	(100001-135045)) Washer, felt
20	AT 10500 T	(100001-) Bearing, throw-out (sub. for AM3325T)
21	M 3725 T	(100001-) Screw, cap, special (6 used)
22	12H 303 A	(100001-) Washer, lock, 5/16" (6 used)
23	AM 3405 T	(100001-) Clutch assembly, with 9" driven disk
24	AM 3419 T	(100001-) Disk, driven, with facings, 9"
25	AT 12159 T	(100001-) Disk, driven, with facings, 11" (sub. for AM3404T)
26	19H 1262 A	(100001-) Screw, cap, 1/2" x 1-3/8" (4 used)
27	M 23 T	(100001-) Lock (2 used) (packed 2 in a pkg.) (sub. for AM646T)
28	JD 8511 T	(100001-) Bearing, ball, clutch pilot
29	M 1511 T	(100001-) Retainer, grease
30	AM 648 T	(100001-) Gear, ring
31	AM 3406 T	(100001-) Flywheel, with ring gear
32	M 3865 T	(100001-) Plate, pressure, 11"
33	14H 463 A	(100001-) Nut, hex., jam, 5/16" (6 used)
34	T 13268 T	(100001-) Screw, cap, special (3 used) (sub. for M3862T)
35	M 3872 T	(100001-) Spring (2 used)
36	T 12180 T	(100001-) Plate, flywheel (sub. for M3864T)
37	M 3867 T	(100001-) Plate, pressure, 9"
38	M 3863 T	(100001-) Bracket
39	M 3861 T	(100001-) Spring (3 used) (packed 3 in a pkg.)
40	AT 12032 T	(100001-) Kit, clutch lever (sub. for M3866T)
	T 12850 T	(100001-) Lever (3 used) (when AT12032T has been installed)
41	M 3868 T	(100001-) Screw, adjusting (3 used) (packed 3 in a pkg.)
42	T 12851 T	(100001-) Pin, special (3 used) (sub. for 34H39H)
43	M 3871 T	(100001-) Pin, pivot (3 used) (packed 3 in a pkg.)
44	M 3869 T	(100001-) End, rod (3 used) (packed 3 in a pkg.)
45	M 3870 T	(100001-) Pin (3 used) (packed 3 in a pkg.)
46	AM 3571 T	(100001-) Kit, service, for 9" driven plate
47	L 4043 T	(100001-) Rivet, special (8 used) (packed 20 in a pkg.)
48	JD 7841	(135046-) Fitting, grease (alemite co. no. 1611-C)

TRANSMISSION HOUSING AND ASSOCIATED PARTS
Crawler, Hi-Crop, Standard, Utility, and Special

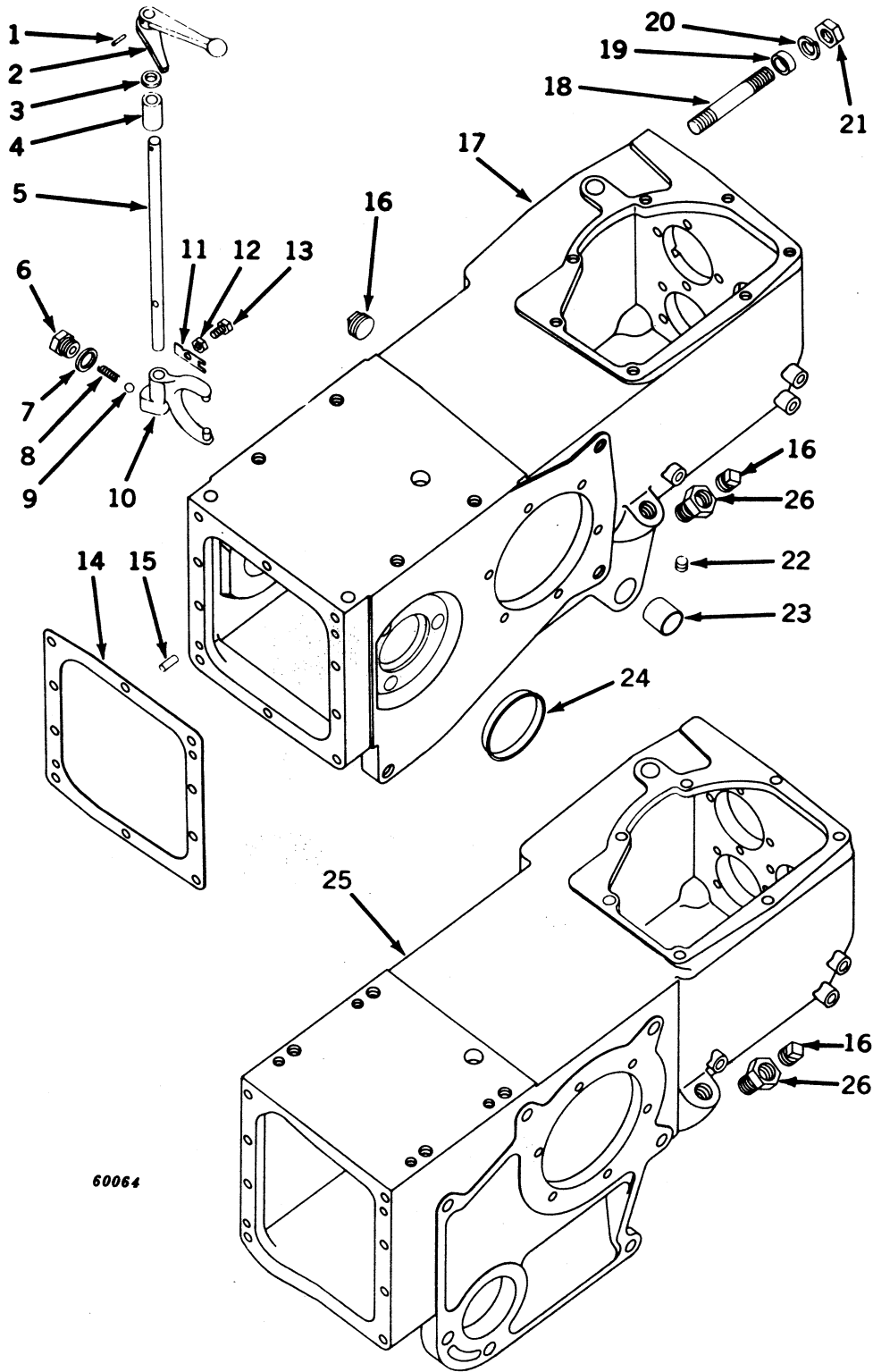


71529

TRANSMISSION HOUSING AND ASSOCIATED PARTS -- Continued
Crawler, Hi-Crop, Standard, Utility, and Special

Key	Part No.	Serial No.	Description
1	25H 50 A	(-)	Pin, groov-, 5/32" x 3/4"
2	M 3318 T	(-)	Lever, shifter
3	M 121 T	(-)	Washer, felt
4	M 115 T	(-)	Bushing
5	M 119 T	(-)	Shaft
6	M 124 T	(-)	Holder, poppet
7	L 754 T	(-)	Gasket
8	L 468 T	(-)	Spring
9	405 R	(-)	Ball (sub. for I467T)
10	M 3874 T	(-)	Fork (sub. for M122T and AM608T)
11	M 123 T	(-)	Lock
12	14H 611 A	(-)	Nut, hex., jam, 5/16"
13	M 3413 T	(-)	Screw, set, special
14	14H 760 A	(-)	Nut, hex., 5/8" (2 used) (C, S, U, and V)
	14H 760 A	(-100000)	Nut, hex., 5/8" (4 used) (H)
	14H 760 A	(100001-)	Nut, hex., 5/8" (3 used) (H)
15	12H 294 A	(-)	Washer, lock, 5/8" (2 used) (C, S, U, and V)
	12H 294 A	(-)	Washer, lock, 5/8" (4 used) (H)
16	M 14 T	(-)	Dowel, hollow (2 used) (C, S, U, and V)
	M 14 T	(-)	Dowel, hollow (4 used) (H)
17	M 3209 T	(-)	Stud (2 used) (C, S, U, and V)
18	M 4005 T	(-100000)	Case, transmission (sub. for M3432T and M3841T)
	M 4002 T	(100001-125000)	Case, transmission (sub. for M3552T)
	M 4256 T	(125001-)	Case, transmission
19	15H 585 A	(-)	Plug, pipe, sq. hd., 3/4" (2 used)
	15H 584 A	(-116145)	Plug, pipe, sq. hd., 1/2" (used when M4149T reducer has been installed)
20	M 3210 T	(-)	Stud (8 used) (C and V)
	M 3210 T	(-)	Stud (6 used) (S and U)
	M 4272 T	(-)	Stud (8 used) (H) (sub. for M2703T)
	M 3211 T	(-)	Stud, left rear (2 used) (S and U)
21	12H 294 A	(-)	Washer, lock, 5/8" (8 used) (C)
22	24H 1368 A	(-)	Washer, plain, 21/32" x 1-5/16" x .090" (2 on each transmission left rear studs) (4 used) (S and U)
23	14H 760 A	(-)	Nut, hex., 5/8" (8 used) (C)
	14H 760 A	(-)	Nut, hex., 5/8" (6 used) (H, S, U, and V)
24	L 4126 T	(-)	Pin, dowel (2 used) (C, H, S, and U)
	L 4126 T	(-)	Pin, dowel (4 used) (V)
25	T 12840 T	(-)	Gasket (C, S, and U) (sub. for M174T) (packed 3 in a pkg.)
	T 12840 T	(-)	Gasket (C) (used when equipped with three point-hitch attachment) (packed 3 in a pkg.)
	T 12840 T	(-)	Gasket (H) (sub. for M174T) (packed 3 in a pkg.)
	T 12840 T	(-)	Gasket (2 used) (V) (sub. for M174T) (packed 3 in a pkg.)
26	M 2775 T	(-)	Extension (V)
27	19H 1139 A	(-)	Screw, cap, 3/8" x 1-1/8" (10 used) (V)
28	12H 304 A	(-)	Washer, lock, 3/8" (10 used) (V)
29	M 2803 T	(-)	Bracket, sway brace (2 used) (V)
30	12H 293 A	(-)	Washer, lock, 7/16" (6 used) (V)
31	19H 1773 A	(-)	Screw, cap, 7/16" x 1-1/8" (6 used) (V)
32	M 2978 T	(-)	Bracket, sway brace (S)
33	12H 294 A	(-)	Washer, lock, 5/8" (2 used) (S)
34	19H 1756 A	(-)	Screw, cap, 5/8" x 1-1/2" (2 used) (S)
35	M 2038 T	(-)	Bushing (H, S, U, and V)
36	15H 275 A	(-)	Plug, pipe, hex. ctsk., 1/4"
37	M 2153 T	(-)	Shaft, brake lock (2 used) (H, S, U, and V)
38	M 2699 T	(-100000)	Stud, upper (2 used) (H)
	M 2699 T	(100001-)	Stud, upper and lower right (3 used) (H)
39	M 2700 T	(-100000)	Stud, lower (2 used) (H)
40	19H 1681 A	(100001-)	Screw, cap, lower left, 5/8" x 3-1/4" (H)
41	M 2697 T	(-100000)	Spacer, frame
	AM 3332 T	(100001-)	Spacer, frame, with bushing
42	M 219 T	(100001-)	Bushing
43	M 4149 T	(-116145)	Reducer
44	M 3689 T	(100001-)	Dowel (4 used) (C)

TRANSMISSION HOUSING AND ASSOCIATED PARTS
Special Utility, Tricycle, and Row-Crop Utility

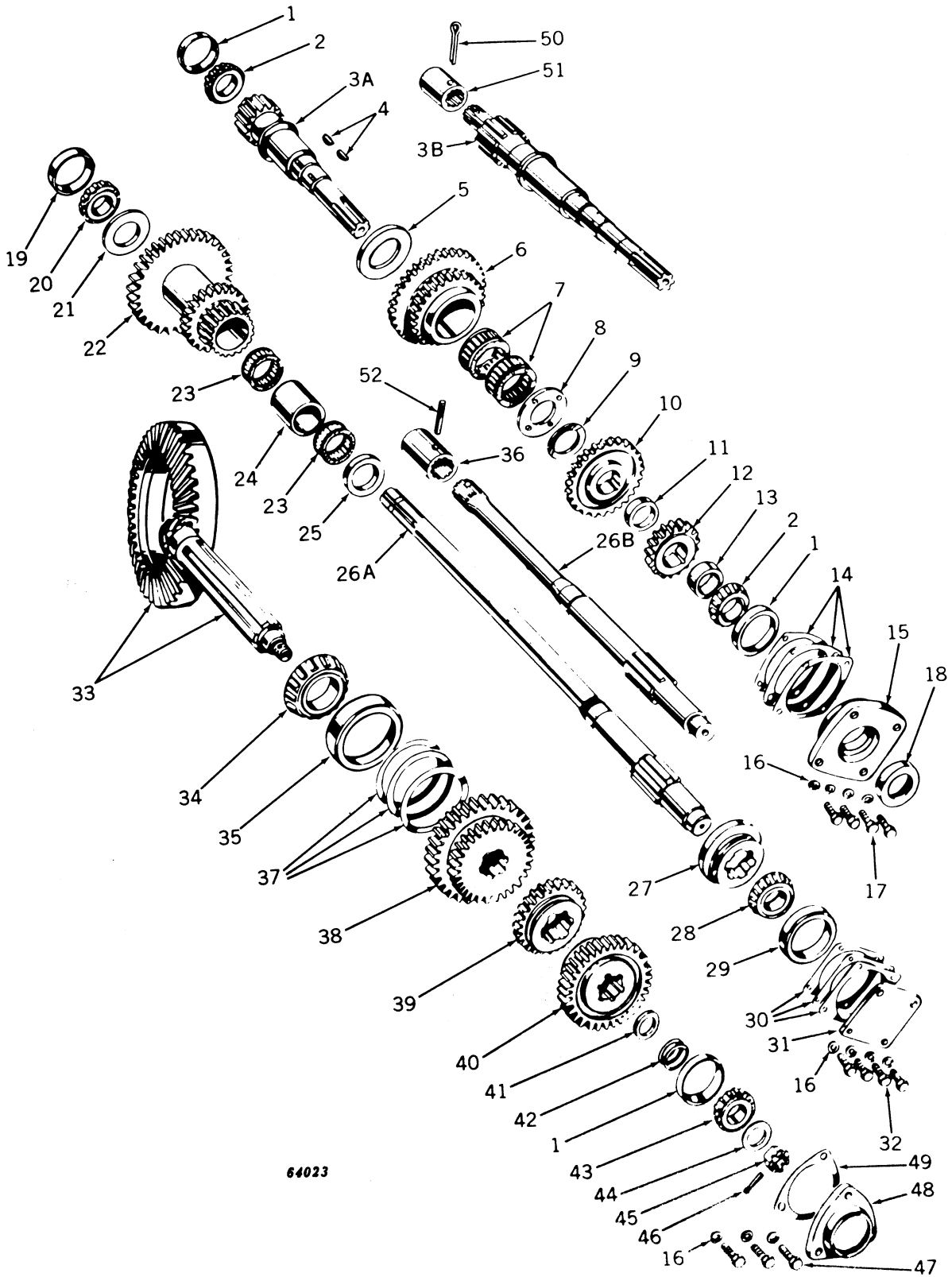


60064

TRANSMISSION HOUSING AND ASSOCIATED PARTS -- Continued
Special Utility, Tricycle, and Row-Crop Utility

Key	Part No.	Serial No.	Description
1	25H 50 A	(-)	Pin, groov-, 5/32" x 3/4"
2	M 3318 T	(-)	Lever, shifter
3	M 121 T	(-)	Washer, felt
4	M 115 T	(-)	Bushing
5	M 119 T	(-)	Shaft
6	M 124 T	(-)	Holder, poppet
7	L 754 T	(-)	Gasket
8	L 468 T	(-)	Spring
9	405 R	(-)	Ball (sub. for L467T)
10	M 3874 T	(-)	Fork (sub. for M122T and AM608T)
11	M 123 T	(-)	Lock
12	14H 611 A	(-)	Nut, hex., jam, 5/16"
13	M 3413 T	(-)	Screw, set, special
14	T 12840 T	(-)	Gasket (sub. for M174T) (packed 3 in a pkg.)
15	L 4126 T	(-)	Pin, dowel (2 used)
16	15H 585 A	(-)	Plug, pipe, sq. hd., 3/4" (2 used)
	15H 584 A	(-116963)	Plug, pipe, sq. hd., 1/2" (used when M4149T reducer has been installed)
17	M 3158 T	(-100000)	Case, transmission (W)
	M 4004 T	(100001-125000)	Case, transmission (I and W) (sub. for M3554T)
	M 4258 T	(125001-	Case, transmission (I and W)
18	M 3209 T	(-)	Stud (2 used)
19	M 14 T	(-)	Dowel, hollow (2 used)
20	12H 294 A	(-)	Washer, lock, 5/8" (2 used)
21	14H 760 A	(-)	Nut, hex., 5/8" (2 used)
22	15H 275 A	(-)	Plug, pipe, hex. ctsk., 1/4"
23	M 2038 T	(-)	Bushing (2 used) (I and W)
24	M 3146 T	(-100000)	Cup, sealing (W)
25	AM 1852 T	(-100000)	Case, transmission (M2030T) (T)
	M 4003 T	(100001-125001)	Case, transmission (T) (sub. for M3553T)
	M 4257 T	(125001-	Case, transmission (T)
26	M 4149 T	(-116963)	Reducer

FOUR-SPEED TRANSMISSION GEARS AND SHAFTS
(Serial No. -100000)



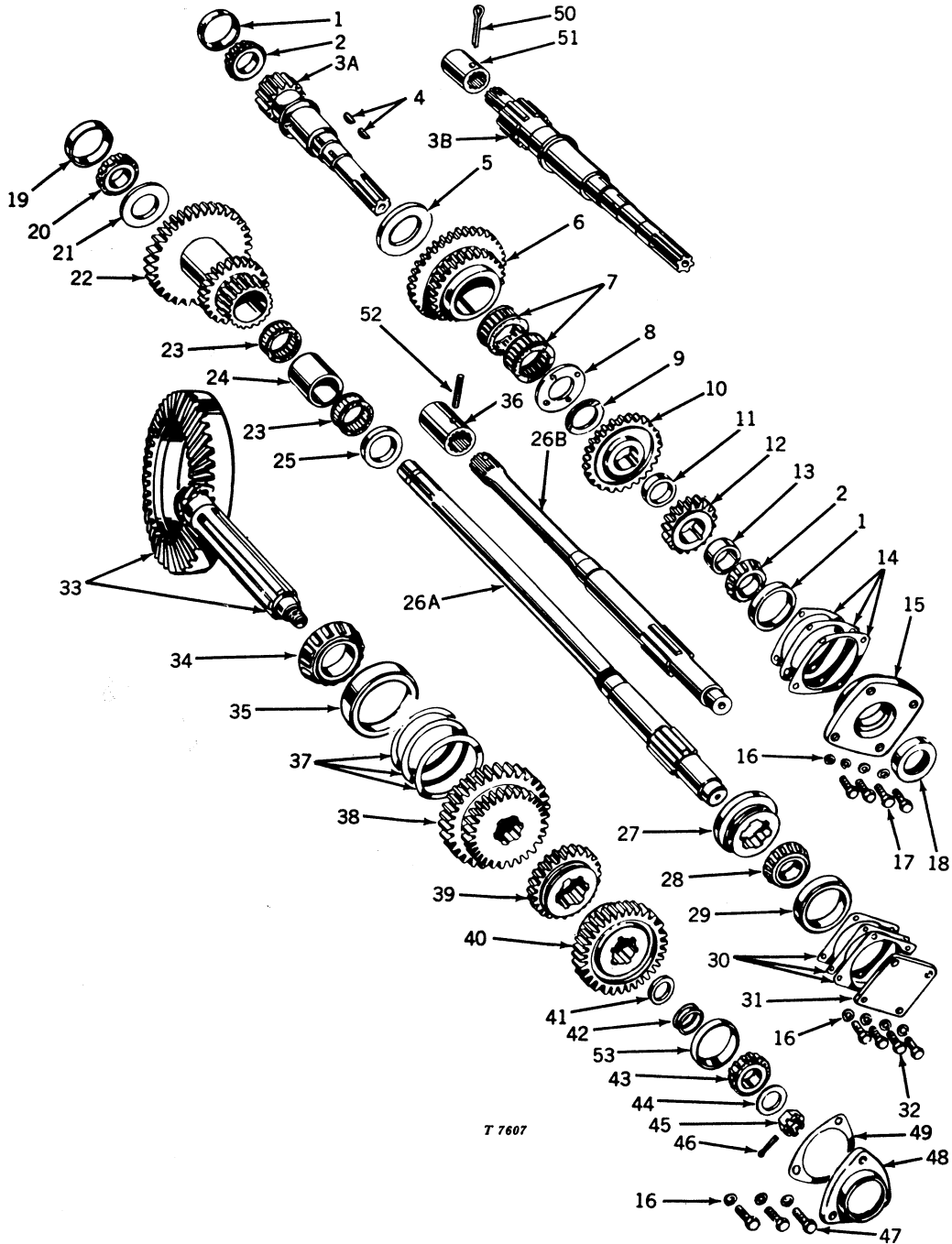
64023

Key	Part No.	Serial No.	Description
1	JD 7432 R	(-100000)	Cup, bearing (3 used)
2	JD 8117 T	(-100000)	Cone, bearing (2 used)
3A	M 1686 T	(-100000)	Shaft, input (H, S, T, and V)
3B	M 2342 T	(-100000)	Shaft, input (C, U, and W)

FOUR-SPEED TRANSMISSION GEARS AND SHAFTS -- Continued
(Serial No. -100000)

Key	Part No.	Serial No.	Description
4	26H 82 A	(-100000)	Key, Woodruff, 1/4" x 7/8" (2 used)
5	T 11999 T	(-100000)	Washer, rear (sub. for M140T and T10247T)
6	M 1752 T	(-100000)	Gear, first speed cluster (23 and 37 teeth) (C)
	M 4268 T	(-100000)	Gear, first speed cluster (27 and 37 teeth) (H, S, T, U, V, and W) (sub. for M1688T)
7	JD 7938 T	(-100000)	Bearing (2 used)
8	M 571 T	(-100000)	Washer, front
9	M 555 T	(-100000)	Washer, spring
10	M 1450 T	(-100000)	Gear, fourth speed (23 teeth) (C) (sub. for AM1457T)
	M 143 T	(-100000)	Gear, fourth speed (27 teeth) (H, S, T, U, V, and W) (sub. for AM654T)
11	M 144 T	(-100000)	Spacer
12	M 1689 T	(-100000)	Gear, third speed (16 teeth)
13	M 146 T	(-100000)	Spacer
14	M 147 T	(-100000)	Shim, .002" (use quantity required) (packed 6 in a pkg.)
	M 148 T	(-100000)	Shim, .005" (use quantity required) (packed 6 in a pkg.)
	M 149 T	(-100000)	Shim, .010" (use quantity required) (packed 6 in a pkg.)
15	M 47 T	(-100000)	Quill (sub. for AM656T)
16	12H 304 A	(-100000)	Washer, lock, 3/8" (11 used)
17	19H 1139 A	(-100000)	Screw, cap, 3/8" x 1-1/8" (4 used)
18	AL 2122 T	(-100000)	Seal, oil
19	JD 7262 R	(-100000)	Cup, bearing
20	JD 7207 R	(-100000)	Cone, bearing
21	T 11400 T	(-100000)	Washer, spacer (sub. for M135T)
22	AT 10746 T	(-100000)	Gear, cluster (19, 26, and 43 teeth) (sub. for M1687T, M3591T, and M4205T)
23	JD 7939 T	(-100000)	Bearing (2 used)
24	M 132 T	(-100000)	Spacer (sub. for AM658T)
25	M 1926 T	(-100000)	Washer, front
26A	M 130 T	(-100000)	Shaft, power (S) (sub. for AM659T)
	M 867 T	(-100000)	Shaft, power (T) (sub. for AM948T)
	M 2777 T	(-100000)	Shaft, power (V)
26B	M 2663 T	(-100000)	Shaft, power (C, H, and U)
	M 4278 T	(-100000)	Shaft, power (W)
27	M 3590 T	(-100000)	Coupling (sub. for M1924T)
28	JD 8124 T	(-100000)	Cone, bearing
29	JD 7443 T	(-100000)	Cup, bearing
30	M 136 T	(-100000)	Shim, .002" (use quantity required) (packed 10 in a pkg.)
	M 137 T	(-100000)	Shim, .005" (use quantity required) (packed 10 in a pkg.)
	M 138 T	(-100000)	Shim, .010" (use quantity required) (packed 5 in a pkg.)
31	M 234 T	(-100000)	Cover
32	19H 1731 A	(-100000)	Screw, cap, 3/8" x 1" (4 used)
33	AM 3991 T	(-100000)	Shaft, output pinion (M4395T) (7 teeth); gear, ring, differential (M4104T) (32 teeth) (C, H, S, T, U, and V—optional transmission) (matched set) (sub. for AM1720T, M150T, and M1631T)
	AM 2615 T	(-100000)	Shaft, output pinion (M2774T) (8 teeth); gear, ring, differential (M2776T) (41 teeth) (V—regular transmission and W) (matched set)
34	JD 8123 T	(-100000)	Cone, bearing
35	JD 7442 T	(-100000)	Cup, bearing
36	M 2746 T	(-100000)	Coupling, powershaft (C, H, U, and W)
37	M 116 T	(-100000)	Shim, .002" (use quantity required) (packed 6 in a pkg.)
	M 117 T	(-100000)	Shim, .005" (use quantity required) (packed 6 in a pkg.)
	M 118 T	(-100000)	Shim, .010" (use quantity required) (packed 9 in a pkg.)
38	M 1685 T	(-100000)	Gear, second and reverse speed sliding (31 and 38 teeth)
39	M 1451 T	(-100000)	Gear, first and fourth speed sliding (28 teeth) (C) (sub. for AM1458T)
	M 152 T	(-100000)	Gear, first and fourth speed sliding (24 teeth) (H, S, T, U, V, and W) (Sub. for AM662T)
40	M 1690 T	(-100000)	Gear, third speed sliding (35 teeth)
41	M 154 T	(-100000)	Washer, spacer
42	M 155 T	(-100000)	Shim, .002" (use quantity required) (packed 6 in a pkg.)
	M 156 T	(-100000)	Shim, .005" (use quantity required) (packed 9 in a pkg.)
	M 157 T	(-100000)	Shim, .010" (use quantity required) (packed 15 in a pkg.)
43	JD 8110 R	(-100000)	Cone, bearing
44	L 4388 T	(-100000)	Washer (sub. for L273T)
45	14H 534 A	(-100000)	Nut, hex. slotted, 3/4"
46	11H 237 A	(-100000)	Pin, cotter, 1/8" x 2"
47	19H 1936 A	(-100000)	Screw, cap, 3/8" x 3/4" (3 used)
48	M 160 T	(-100000)	Cover
49	M 159 T	(-100000)	Gasket
50	11H 222 A	(-100000)	Pin, cotter, 3/16" x 2" (C, U, and W)
51	M 2343 T	(-100000)	Coupling, input shaft (C, U, and W)
52	34H 107 A	(-100000)	Pin, roll, 1/4" x 1-3/4" (C, H, U, and W)

FOUR-SPEED TRANSMISSION GEARS AND SHAFTS
(Serial No. 100001-125000)

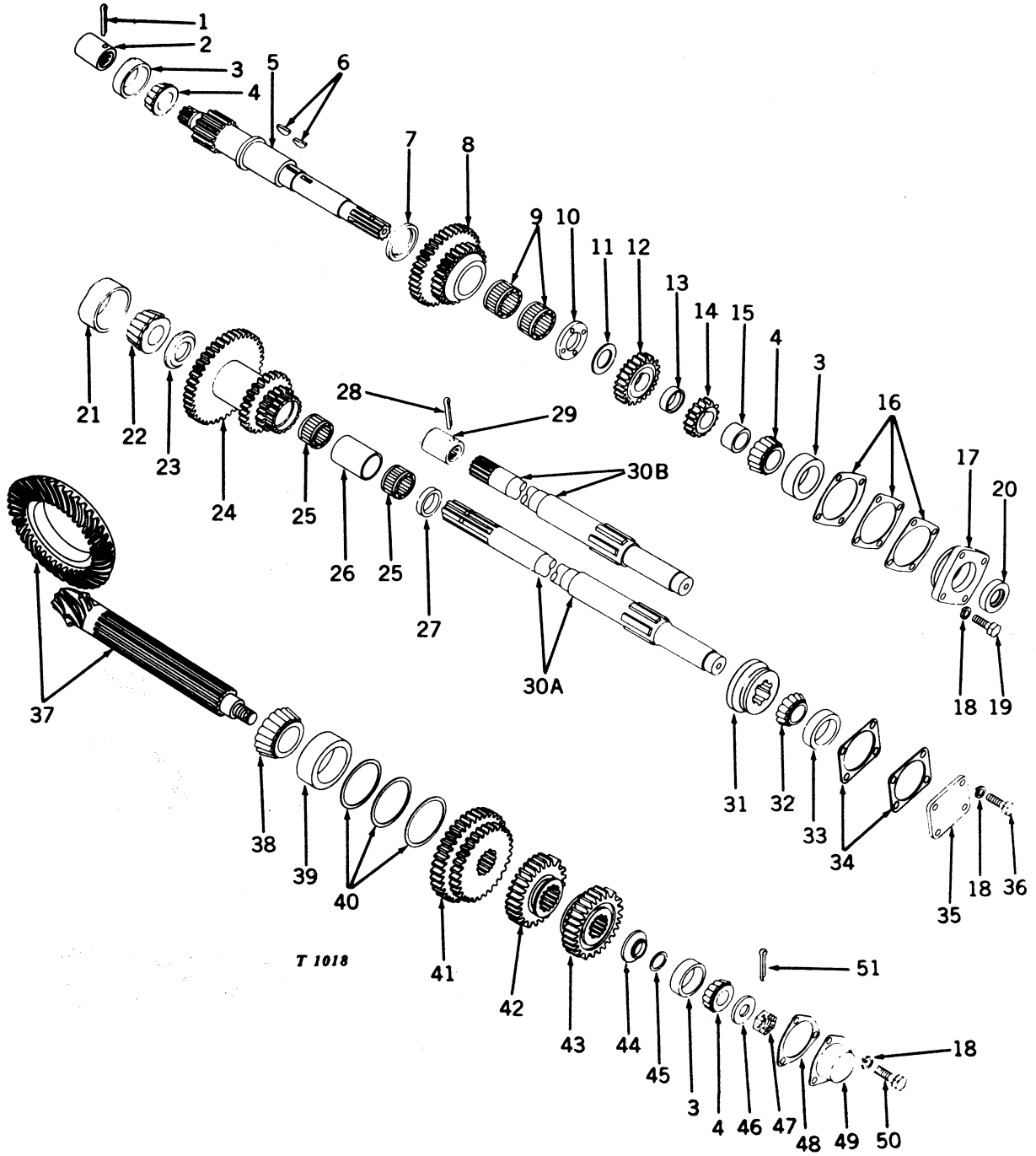


Key	Part No.	Serial No.	Description
1	JD 8225 A	(100001-125000)	Cup, bearing (2 used)
2	JD 8187 A	(100001-125000)	Cone, bearing (2 used)
3A	M 3522 T	(100001-125000)	Shaft, input (H, S, T, and V) (sub. for M3521T)
3B	M 3522 T	(100001-125000)	Shaft, input (C, I, U, and W)
4	26H 82 A	(100001-125000)	Key, Woodruff, 1/4" x 7/8" (2 used)
5	T 11999 T	(100001-125000)	Washer, rear (sub. for M140T and T10247T)
6	M 1752 T	(100001-125000)	Gear, first speed cluster (23 and 37 teeth) (C)
7	JD 7938 T	(100001-125000)	Bearing (2 used)

FOUR-SPEED TRANSMISSION GEARS AND SHAFTS -- Continued
(Serial No. 100001-125000)

Key	Part No.	Serial No.	Description
8	M 571 T	(100001-125000)	Washer, front
9	M 555 T	(100001-125000)	Washer, spring
10	M 1450 T	(100001-125000)	Gear, fourth speed (23 teeth) (C) (sub. for AM1457T)
	M 143 T	(100001-125000)	Gear, fourth speed (27 teeth) (H, I, S, T, U, V, and W) (sub. for AM654T)
11	M 144 T	(100001-125000)	Spacer
12	M 1689 T	(100001-125000)	Gear, third speed (16 teeth)
13	M 3584 T	(100001-125000)	Spacer
14	M 147 T	(100001-125000)	Shim, .002" (use quantity required) (packed 6 in a pkg.)
	M 148 T	(100001-125000)	Shim, .005" (use quantity required) (packed 6 in a pkg.)
	M 149 T	(100001-125000)	Shim, .010" (use quantity required) (packed 6 in a pkg.)
15	M 3505 T	(100001-125000)	Quill
16	12H 304 A	(100001-125000)	Washer, lock, 3/8" (11 used)
17	19H 1139 A	(100001-125000)	Screw, cap, 3/8" x 1-1/8" (4 used)
18	AL 2122 T	(100001-125000)	Seal, oil
19	JD 8230 T	(100001-125000)	Cup, bearing
20	JD 8194 T	(100001-125000)	Cone, bearing
21	T 11400 T	(100001-125000)	Washer, spacer (sub. for M135T)
22	AT 10746 T	(100001-125000)	Gear, cluster (19, 26, and 43 teeth) (sub. for M3591T and M4205T)
23	JD 7939 T	(100001-125000)	Bearing (2 used)
24	M 132 T	(100001-125000)	Spacer (sub. for AM658T)
25	M 1926 T	(100001-125000)	Washer, front
26A	M 130 T	(100001-125000)	Shaft, power (S) (sub. for AM659T)
	M 867 T	(100001-125000)	Shaft, power (T) (sub. for AM948T)
	M 2777 T	(100001-125000)	Shaft, power (V)
26B	M 2663 T	(100001-125000)	Shaft, power (C, H, and U)
	M 4278 T	(100001-125000)	Shaft, power (I and W) (sub. for M3145T)
27	M 3590 T	(100001-125000)	Coupling
28	JD 8124 T	(100001-125000)	Cone, bearing
29	JD 7443 T	(100001-125000)	Cup, bearing
30	M 136 T	(100001-125000)	Shim, .002" (use quantity required) (regular transmission) (packed 10 in a pkg.)
	M 137 T	(100001-125000)	Shim, .005" (use quantity required) (regular transmission) (packed 10 in a pkg.)
	M 138 T	(100001-125000)	Shim, .010" (use quantity required) (regular transmission) (packed 5 in a pkg.)
	M 2059 T	(100001-125000)	Shim, .002" (use quantity required) (reversing unit) (packed 3 in a pkg.)
	M 2060 T	(100001-125000)	Shim, .005" (use quantity required) (reversing unit) (packed 3 in a pkg.)
	M 2061 T	(100001-125000)	Shim, .010" (use quantity required) (reversing unit) (packed 3 in a pkg.)
31	M 234 T	(100001-125000)	Cover
32	19H 1731 A	(100001-125000)	Screw, cap, 3/8" x 1" (4 used)
33	AM 3991 T	(100001-125000)	Shaft, output pinion (M4395T) (7 teeth); gear, ring, differential (M4104T) (32 teeth) (C, H, S, T, U, and V—optional transmission) (matched set) (sub. for AM1720T, M150T, and M1631T)
	AM 2615 T	(100001-125000)	Shaft, output pinion (M2774T) (8 teeth); gear, ring, differential (M2776T) (41 teeth) (V—regular transmission I and W) (matched set)
34	JD 8901 T	(100001-125000)	Cone, bearing
35	JD 8236 T	(100001-125000)	Cup, bearing
36	M 2746 T	(100001-125000)	Coupling, powershaft (C, H, U, and W)
37	M 3587 T	(100001-125000)	Shim, .002" (use quantity required) (packed 2 in a pkg.)
	M 3588 T	(100001-125000)	Shim, .005" (use quantity required) (packed 2 in a pkg.)
	M 3589 T	(100001-125000)	Shim, .010" (use quantity required) (packed 3 in a pkg.)
38	M 1685 T	(100001-125000)	Gear, second and reverse speed sliding (31 and 38 teeth)
39	M 1451 T	(100001-125000)	Gear, first and fourth speed sliding (28 teeth) (C) (sub. for AM1458T)
	M 152 T	(100001-125000)	Gear, first and fourth speed sliding (24 teeth) (H, I, S, T, U, V, and W) (sub. for AM662T)
40	M 1690 T	(100001-125000)	Gear, third speed sliding (35 teeth)
41	M 154 T	(100001-125000)	Washer, spacer
42	M 155 T	(100001-125000)	Shim, .002" (use quantity required) (packed 6 in a pkg.)
	M 156 T	(100001-125000)	Shim, .005" (use quantity required) (packed 9 in a pkg.)
	M 157 T	(100001-125000)	Shim, .010" (use quantity required) (packed 15 in a pkg.)
43	JD 8110 R	(100001-125000)	Cone, bearing
44	L 4388 T	(100001-125000)	Washer (sub. for L273T)
45	14H 534 A	(100001-125000)	Nut, hex. slotted, 3/4"
46	11H 237 A	(100001-125000)	Pin, cotter, 1/8" x 2"
47	19H 1936 A	(100001-125000)	Screw, cap, 3/8" x 3/4" (3 used)
48	M 160 T	(100001-125000)	Cover
49	M 159 T	(100001-125000)	Gasket
50	11H 222 A	(100001-125000)	Pin, cotter, 3/16" x 2" (C, I, U, and W)
51	M 2343 T	(100001-125000)	Coupling, input shaft (C, I, U, and W)
52	34H 107 A	(100001-125000)	Pin, roll, 1/4" x 1-3/4" (C, I, H, U, and W)
53	JD 7432 R	(100001-125000)	Cup, bearing

FOUR-SPEED TRANSMISSION GEARS AND SHAFTS
(Serial No. 125001-Up)

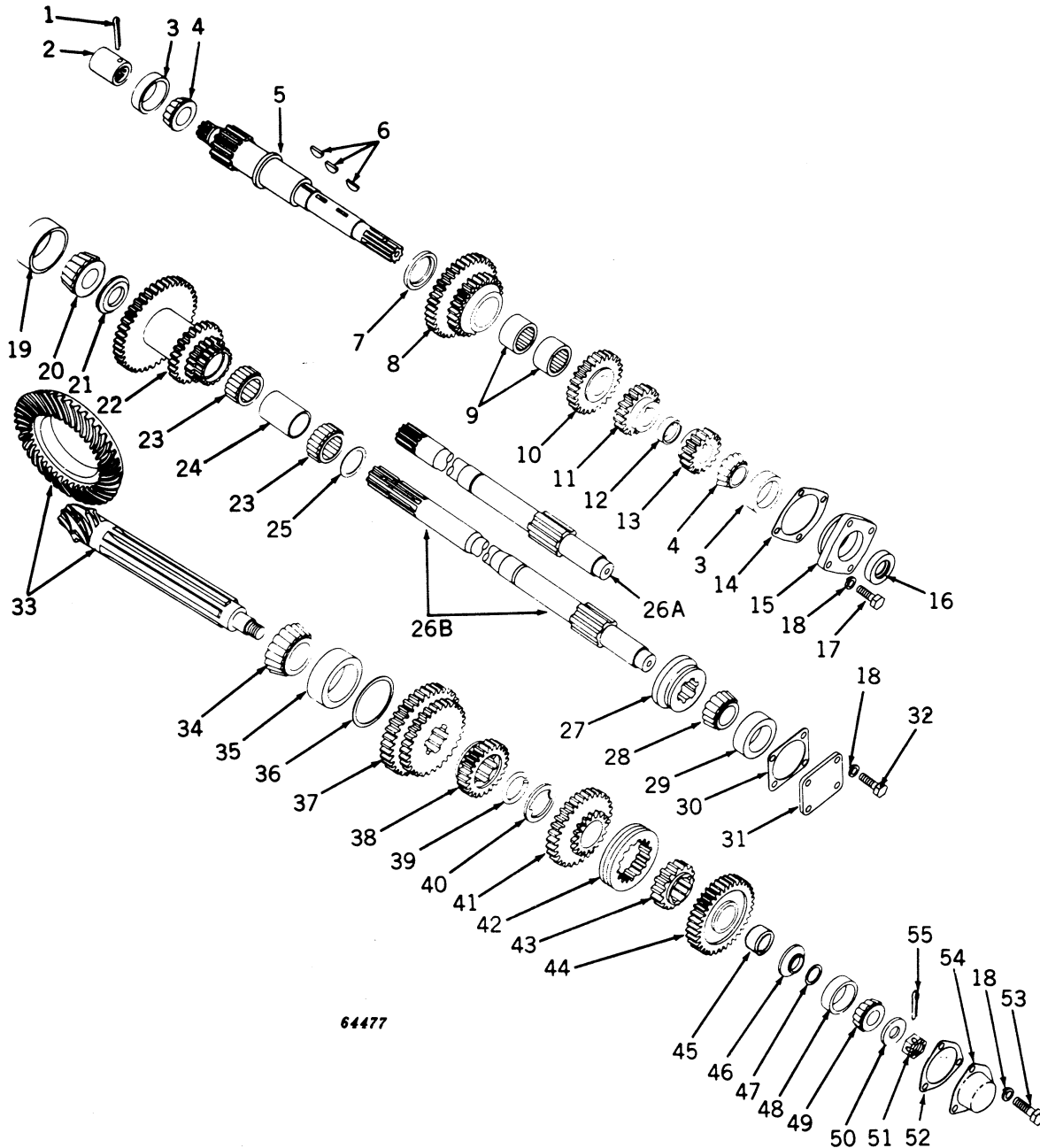


T 1018

FOUR-SPEED TRANSMISSION GEARS AND SHAFTS -- Continued
(Serial No. 125001-Up)

Key	Part No.	Serial No.	Description
1	11H 222 A	(125001-	Pin, cotter, 3/16" x 2" (C, I, U, and W)
2	M 2343 T	(125001-	Coupling, input shaft (C, I, U, and W)
3	JD 8225 A	(125001-	Cup, bearing (3 used)
4	JD 8187 A	(125001-	Cone, bearing (3 used)
5	M 3522 T	(125001-131308)	Shaft, input (C, I, S, T, U, and W)
	M 3522 T	(125001-	Shaft, input (H and V)
	T 10222 T	(131309-	Shaft, input (C, S, T, U, and W)
6	26H 82 A	(125001-	Key, Woodruff, 1/4" x 7/8" (2 used)
7	T 11999 T	(125001-	Washer, rear (sub. for M140T and T10247T)
8	M 4268 T	(125001-	Gear, first speed cluster (27 and 37 teeth)
9	JD 7938 T	(125001-	Bearing (2 used)
10	M 571 T	(125001-	Washer, front
11	M 555 T	(125001-	Washer, spring
12	M 143 T	(125001-	Gear, fourth speed (27 teeth) (sub. for AM654T)
13	M 144 T	(125001-	Spacer
14	M 1689 T	(125001-	Gear, third speed (16 teeth)
15	M 3584 T	(125001-	Spacer
16	M 147 T	(125001-	Shim, .002" (use quantity required) (packed 6 in a pkg.)
	M 148 T	(125001-	Shim, .005" (use quantity required) (packed 6 in a pkg.)
	M 149 T	(125001-	Shim, .010" (use quantity required) (packed 6 in a pkg.)
17	M 3505 T	(125001-	Quill
18	12H 304 A	(125001-	Washer, lock, 3/8" (11 used)
19	19H 1139 A	(125001-	Screw, cap, 3/8" x 1-1/8" (4 used)
20	AL 2122 T	(125001-	Seal, oil
21	JD 8230 T	(125001-	Cup, bearing
22	JD 8194 T	(125001-	Cone, bearing
23	T 11400 T	(125001-	Washer, spacer (sub. for M135T)
24	AT 10746 T	(125001-	Gear, cluster (19, 26, and 43 teeth) (sub. for M4205T)
25	JD 7939 T	(125001-	Bearing (2 used)
26	M 132 T	(125001-	Spacer (sub. for AM658T)
27	M 1926 T	(125001-	Washer, front
28	34H 107 A	(125001-	Pin, roll, 1/4" x 1-3/4" (C, I, H, U, and W)
29	M 2746 T	(125001-	Coupling, powershaft (C, I, H, U, and W)
30A	M 130 T	(125001-	Shaft, power (S) (sub. for AM659T)
	M 867 T	(125001-	Shaft, power (T) (sub. for AM948T)
	M 2777 T	(125001-	Shaft, power (V)
30B	M 2663 T	(125001-	Shaft, power (C, H, and U)
	M 4278 T	(125001-	Shaft, power (I and W)
31	M 3590 T	(125001-	Coupling
32	JD 8124 T	(125001-	Cone, bearing
33	JD 7443 T	(125001-	Cup, bearing
34	M 136 T	(125001-	Shim, .002" (use quantity required) (regular transmission) (packed 10 in a pkg.)
	M 137 T	(125001-	Shim, .005" (use quantity required) (regular transmission) (packed 10 in a pkg.)
	M 138 T	(125001-	Shim, .010" (use quantity required) (regular transmission) (packed 5 in a pkg.)
	M 2059 T	(125001-131308)	Shim, .002" (use quantity required) (reversing unit) (packed 3 in a pkg.)
	M 2060 T	(125001-131308)	Shim, .005" (use quantity required) (reversing unit) (packed 3 in a pkg.)
	M 2061 T	(125001-131308)	Shim, .010" (use quantity required) (reversing unit) (packed 3 in a pkg.)
35	M 234 T	(125001-	Cover
36	19H 1731 A	(125001-	Screw, cap, 3/8" x 1" (4 used)
37	AT 16608 T	(125001-	Shaft, output pinion (T18450T) (7 teeth); gear, ring (T18451T) (32 teeth) (C, H, S, T, and U) (matched set) (sub. for AM3912T)
	AM 3913 T	(125001-	Shaft, output pinion (M4251T) (8 teeth); gear, ring, differential (M2776T) (41 teeth) (I, V, and W) (matched set)
38	JD 8907 T	(125001-	Cone, bearing
39	JD 8240 T	(125001-	Cup, bearing
40	M 4260 T	(125001-	Shim, .002" (use quantity required) (packed 10 in a pkg.)
	M 4261 T	(125001-	Shim, .005" (use quantity required) (packed 10 in a pkg.)
	M 4262 T	(125001-	Shim, .010" (use quantity required) (packed 10 in a pkg.)
41	M 4209 T	(125001-	Gear, second and reverse speed sliding (31 and 38 teeth)
42	M 4202 T	(125001-	Gear, first and fourth speed sliding (24 teeth)
43	M 4206 T	(125001-	Gear, third speed sliding (35 teeth)
44	M 4263 T	(125001-	Washer, spacer
45	M 2056 T	(125001-	Shim, .002" (use quantity required) (packed 10 in a pkg.)
	M 2057 T	(125001-	Shim, .005" (use quantity required) (packed 10 in a pkg.)
	M 2058 T	(125001-	Shim, .010" (use quantity required) (packed 10 in a pkg.)
46	M 4259 T	(125001-	Washer
47	14H 534 A	(125001-	Nut, hex., slotted, 3/4"
48	M 159 T	(125001-	Gasket
49	M 160 T	(125001-	Cover
50	19H 1936 A	(125001-	Screw, cap, 3/8" x 3/4" (3 used)
51	11H 237 A	(125001-	Pin, cotter, 1/8" x 2"

FIVE-SPEED TRANSMISSION GEARS AND SHAFTS WITHOUT
CONTINUOUS-RUNNING POWER TAKE-OFF
(Serial No. 100001-125000)

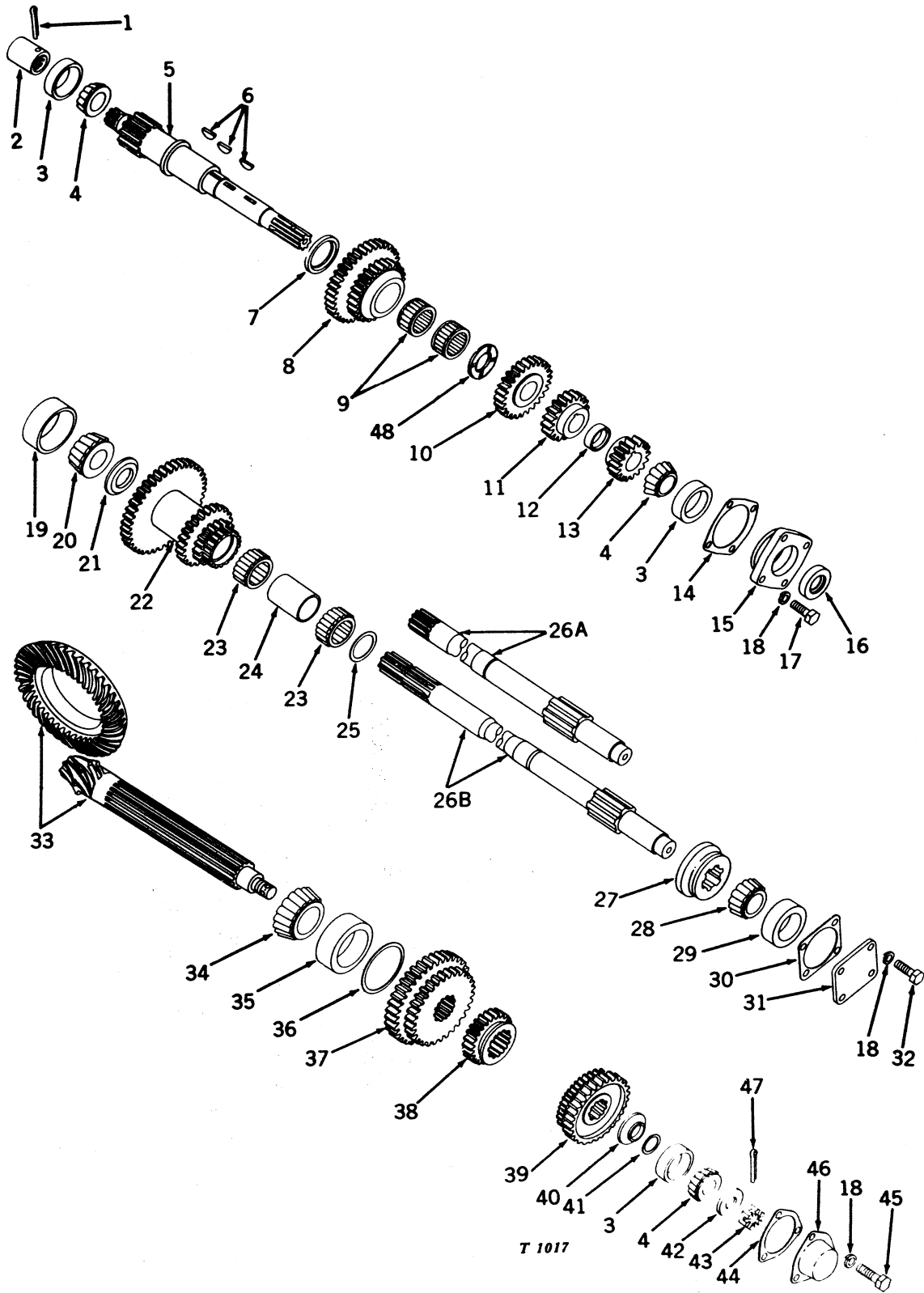


Key	Part No.	Serial No.	Description
1	11H 222 A	(100001-125000)	Pin, cotter, 3/16" x 2" (C, I, U, and W)
2	M 2343 T	(100001-125000)	Coupling (C, I, U, and W)
3	JD 8225 A	(100001-125000)	Cup, bearing (2 used)
4	JD 8187 A	(100001-125000)	Cone, bearing (2 used)
5	M 3534 T	(100001-125000)	Shaft, input (C, I, U, and W) (sub. for M3533T on H, S, T, and V)
6	26H 82 A	(100001-125000)	Key, Woodruff, 1/4" x 7/8" (3 used)
7	T 11999 T	(100001-125000)	Washer, rear (sub. for M140T and T10247T)
8	M 3532 T	(100001-125000)	Gear, first speed cluster (27 and 37 teeth) (H, I, S, T, U, V, and W)
	M 3542 T	(100001-125000)	Gear, first speed cluster (24 and 37 teeth) (C)
9	JD 8823 N	(100001-125000)	Bearing, needle (2 used)
10	M 3531 T	(100001-125000)	Gear, fifth speed (27 teeth) (H, I, S, T, U, V, and W)
	M 3541 T	(100001-125000)	Gear, fifth speed (24 teeth) (C)

FIVE-SPEED TRANSMISSION GEARS AND SHAFTS WITHOUT
CONTINUOUS-RUNNING POWER TAKE-OFF -- Continued
(Serial No. 100001-125000)

Key	Part No.	Serial No.	Description
11	M 3540 T	(100001-125000)	Gear, fourth speed (19 teeth)
12	M 144 T	(100001-125000)	Spacer
13	M 3539 T	(100001-125000)	Gear, third speed (16 teeth)
14	M 147 T	(100001-125000)	Shim, .002" (use quantity required) (packed 6 in a pkg.)
	M 148 T	(100001-125000)	Shim, .005" (use quantity required) (packed 6 in a pkg.)
	M 149 T	(100001-125000)	Shim, .010" (use quantity required) (packed 6 in a pkg.)
15	M 3505 T	(100001-125000)	Quill
16	AL 2122 T	(100001-125000)	Seal, oil
17	19H 1139 A	(100001-125000)	Screw, cap, 3/8" x 1-1/8" (4 used)
18	12H 304 A	(100001-125000)	Washer, lock, 3/8" (11 used)
19	JD 8230 T	(100001-125000)	Cup, bearing
20	JD 8194 T	(100001-125000)	Cone, bearing
21	T 11400 T	(100001-125000)	Washer, spacer (sub. for M135T)
22	AT 10746 T	(100001-125000)	Gear, cluster (19, 26, and 43 teeth) (sub. for M3591T and M4205T)
23	JD 7939 T	(100001-125000)	Bearing (2 used)
24	M 132 T	(100001-125000)	Spacer (sub. for AM658T)
25	M 1926 T	(100001-125000)	Washer, front
26A	M 2663 T	(100001-125000)	Shaft, power (C, H, and U; also S with dual Touch-o-matic)
	M 4278 T	(100001-125000)	Shaft, power (I and W)
26B	M 130 T	(100001-125000)	Shaft, power (S) (sub. for AM659T)
	M 867 T	(100001-125000)	Shaft, power (T) (sub. for AM948T)
	M 2777 T	(100001-125000)	Shaft, power (V)
27	M 3590 T	(100001-125000)	Coupling
28	JD 8124 T	(100001-125000)	Cone, bearing
29	JD 7443 T	(100001-125000)	Cup, bearing
30	M 136 T	(100001-125000)	Shim, .002" (use quantity required) (regular transmission) (packed 10 in a pkg.)
	M 137 T	(100001-125000)	Shim, .005" (use quantity required) (regular transmission) (packed 10 in a pkg.)
	M 138 T	(100001-125000)	Shim, .010" (use quantity required) (regular transmission) (packed 5 in a pkg.)
	M 2059 T	(100001-125000)	Shim, .002" (use quantity required) (reversing unit) (packed 3 in a pkg.)
	M 2060 T	(100001-125000)	Shim, .005" (use quantity required) (reversing unit) (packed 3 in a pkg.)
	M 2061 T	(100001-125000)	Shim, .010" (use quantity required) (reversing unit) (packed 3 in a pkg.)
31	M 234 T	(100001-125000)	Cover
32	19H 1731 A	(100001-125000)	Screw, cap, 3/8" x 1" (4 used)
33	AM 3654 T	(100001-111952)	Sub. one AM3990T and one AM3792T) (C, H, S, T, and U)
	AM 3990 T	(111953-125000)	Shaft, output pinion (M4394T) (7 teeth) gear, ring, differential (M4104T) (32 teeth) (C, H, S, T, and U) (sub. for AM3819T, AM3494T, AM3654T, M3537T, and M3915T)
	AM 3655 T	(100001-111952)	Sub. one AM3820T and one AM3792T) (I, V, and W)
	AM 3820 T	(111953-125000)	Shaft, output pinion (M4057T) (8 teeth) gear, ring, differential (M2776T) (41 teeth) (I, V, and W) (sub. for M3538T, M3916T, AM3495T, and AM3655T)
34	JD 8901 T	(100001-125000)	Cone, bearing
35	JD 8236 T	(100001-125000)	Cup, bearing
36	M 3587 T	(100001-125000)	Shim, .002" (use quantity required) (packed 2 in a pkg.)
	M 3588 T	(100001-125000)	Shim, .005" (use quantity required) (packed 2 in a pkg.)
	M 3589 T	(100001-125000)	Shim, .010" (use quantity required) (packed 3 in a pkg.)
37	M 1685 T	(100001-125000)	Gear, second and reverse speed sliding (31 and 38 teeth)
38	M 3530 T	(100001-125000)	Gear, first and fifth speed sliding (24 teeth) (H, I, S, T, U, V, and W)
	M 3543 T	(100001-125000)	Gear, first and fifth speed sliding (27 teeth) (C)
39	M 3654 T	(100001-125000)	Ring, snap
40	M 3656 T	(100001-125000)	Washer, thrust
41	M 3536 T	(100001-125000)	Gear, fourth speed driven (32 teeth)
42	M 3974 T	(100001-125000)	Coupling, third and fourth speed gear (sub. for M3555T)
43	M 3653 T	(100001-125000)	Drive member, output shaft
44	M 3535 T	(100001-111952)	Gear, third speed driven
	AM 3792 T	(111953-125000)	Gear, third speed driven, with bushing
45	M 4107 T	(111953-125000)	Bushing
46	M 3655 T	(100001-125000)	Washer, thrust
47	M 155 T	(100001-125000)	Shim, .002" (use quantity required) (packed 6 in a pkg.)
	M 156 T	(100001-125000)	Shim, .005" (use quantity required) (packed 9 in a pkg.)
	M 157 T	(100001-125000)	Shim, .010" (use quantity required) (packed 15 in a pkg.)
48	JD 7432 R	(100001-125000)	Cup, bearing
49	JD 8110 T	(100001-125000)	Cone, bearing
50	L 4388 T	(100001-125000)	Washer
51	M 3650 T	(100001-106509)	Nut, stop
	14H 534 A	(106510-125000)	Nut, hex., slotted, 3/4"
52	M 159 T	(100001-125000)	Gasket
53	19H 1936 A	(100001-125000)	Screw, cap, 3/8" x 3/4" (3 used)
54	M 160 T	(100001-125000)	Cover
55	11H 237 A	(106510-125000)	Pin, cotter, 1/8" x 2"

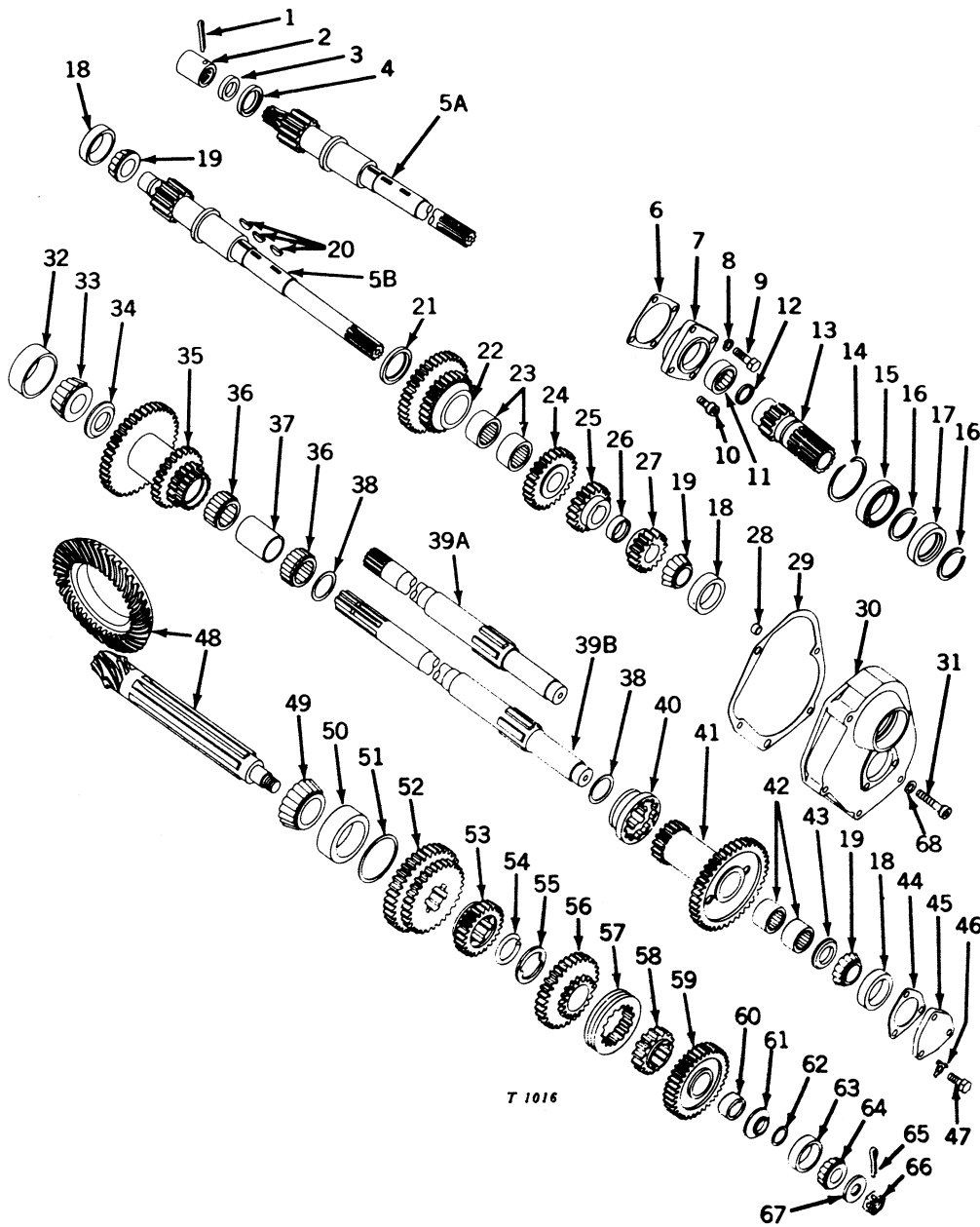
FIVE-SPEED TRANSMISSION GEARS AND SHAFTS WITHOUT
CONTINUOUS-RUNNING POWER TAKE-OFF
(Serial No. 125001-Up)



FIVE-SPEED TRANSMISSION GEARS AND SHAFTS WITHOUT
CONTINUOUS-RUNNING POWER TAKE-OFF -- Continued
(Serial No. 125001-Up)

Key	Part No.	Serial No.	Description
1	11H 222 A	(125001-	Pin, cotter, 3/16" x 2" (C, I, U, and W)
2	M 2343 T	(125001-	Coupling (C, I, U, and W)
3	JD 8225 A	(125001-	Cup, bearing (3 used)
4	JD 8187 A	(125001-	Cone, bearing (3 used)
5	M 3534 T	(125001-131308)	Shaft, input (C, I, S, T, U, and W)
	M 3534 T	(125001-	Shaft, input (H and V)
	T 10221 T	(131309-	Shaft, input (C, S, T, U, and W)
6	26H 82 A	(125001-	Key, Woodruff, 1/4" x 7/8" (3 used)
7	T 11999 T	(125001-	Washer, rear (sub. for M140T and T10247T)
8	M 4195 T	(125001-156566)	Sub. one T12001T, one T11999T, one T12000T, and two JD7927R
	T 12001 T	(156567-	Gear, first speed cluster (27 and 37 teeth)
9	JD 8823 N	(125001-156566)	Bearing, needle (2 used)
	JD 7927 R	(156567-	Bearing, roller (2 used)
10	M 4197 T	(125001-	Gear, fifth speed (27 teeth)
11	M 4271 T	(125001-	Gear, fourth speed (19 teeth)
12	M 144 T	(125001-	Spacer
13	M 4270 T	(125001-	Gear, third speed (16 teeth)
14	M 147 T	(125001-	Shim, .002" (use quantity required) (packed 6 in a pkg.)
	M 148 T	(125001-	Shim, .005" (use quantity required) (packed 6 in a pkg.)
	M 149 T	(125001-	Shim, .010" (use quantity required) (packed 6 in a pkg.)
15	M 3505 T	(125001-	Quill
16	AL 2122 T	(125001-	Seal, oil
17	19H 1139 A	(125001-	Screw, cap, 3/8" x 1-1/8" (4 used)
18	12H 304 A	(125001-	Washer, lock, 3/8" (11 used)
19	JD 8230 T	(125001-	Cup, bearing
20	JD 8194 T	(125001-	Cone, bearing
21	T 11400 T	(125001-	Washer, spacer (sub. for M135T)
22	AT 10746 T	(125001-	Gear, cluster (19, 26, and 43 teeth) (sub. for M4205T)
23	JD 7939 T	(125001-	Bearing (2 used)
24	M 132 T	(125001-	Spacer (sub. for AM658T)
25	M 1926 T	(125001-	Washer, front
26A	M 2663 T	(125001-	Shaft, power (C, H, and U; also S with dual Touch-o-matic)
	M 4278 T	(125001-	Shaft, power (I and W)
26B	M 130 T	(125001-	Shaft, power (S) (sub. for AM659T)
	M 867 T	(125001-	Shaft, power (T) (sub. for AM948T)
	M 2777 T	(125001-	Shaft, power (V)
27	M 3590 T	(125001-	Coupling
28	JD 8124 T	(125001-	Cone, bearing
29	JD 7443 T	(125001-	Cup, bearing
30	M 136 T	(125001-	Shim, .002" (use quantity req.) (regular trans.) (packed 10 in a pkg.)
	M 137 T	(125001-	Shim, .005" (use quantity req.) (regular trans.) (packed 10 in a pkg.)
	M 138 T	(125001-	Shim, .010" (use quantity req.) (regular trans.) (packed 5 in a pkg.)
	M 2059 T	(125001-131308)	Shim, .002" (use quantity req.) (reversing unit) (packed 3 in a pkg.)
	M 2060 T	(125001-131308)	Shim, .005" (use quantity req.) (reversing unit) (packed 3 in a pkg.)
	M 2061 T	(125001-131308)	Shim, .010" (use quantity req.) (reversing unit) (packed 3 in a pkg.)
31	M 234 T	(125001-	Cover
32	19H 1731 A	(125001-	Screw, cap, 3/8" x 1" (4 used)
33	AT 16608 T	(125001-	Shaft, output pinion (T18450T) (7 teeth) gear, ring, differential (T18451T) (32 teeth) (C, H, S, T, and U) (sub. for AM3912T)
	AM 3913 T	(125001-	Shaft, output pinion (M4251T) (8 teeth) gear, ring, differential (M2776T) (41 teeth) (I, V, and W)
34	JD 8907 T	(125001-	Cone, bearing
35	JD 8240 T	(125001-	Cup, bearing
36	M 4260 T	(125001-	Shim, .002" (use quantity required) (packed 10 in a pkg.)
	M 4261 T	(125001-	Shim, .005" (use quantity required) (packed 10 in a pkg.)
	M 4262 T	(125001-	Shim, .010" (use quantity required) (packed 10 in a pkg.)
37	M 4209 T	(125001-	Gear, second and reverse speed sliding (31 and 38 teeth)
38	M 4202 T	(125001-	Gear, first and fifth speed sliding (24 teeth)
39	T 17608 T	(125001-	Gear, third and fourth speed driven (32 and 35 teeth) (sub. for AM3898T and AT15106T)
40	M 4263 T	(125001-	Washer, spacer
41	M 2056 T	(125001-	Shim, .002" (use quantity required) (packed 10 in a pkg.)
	M 2057 T	(125001-	Shim, .005" (use quantity required) (packed 10 in a pkg.)
	M 2058 T	(125001-	Shim, .010" (use quantity required) (packed 10 in a pkg.)
42	M 4259 T	(125001-	Washer
43	14H 534 A	(125001-	Nut, hex., slotted, 3/4"
44	M 159 T	(125001-	Gasket
45	19H 1936 A	(125001-	Screw, cap, 3/8" x 3/4" (3 used)
46	M 160 T	(125001-	Cover
47	11H 237 A	(125001-	Pin, cotter, 1/8" x 2"
48	T 12000 T	(156567-	Washer, thrust

FIVE-SPEED TRANSMISSION GEARS AND SHAFTS WITH CONTINUOUS-RUNNING POWER TAKE-OFF
(Serial No. 100001-125000)



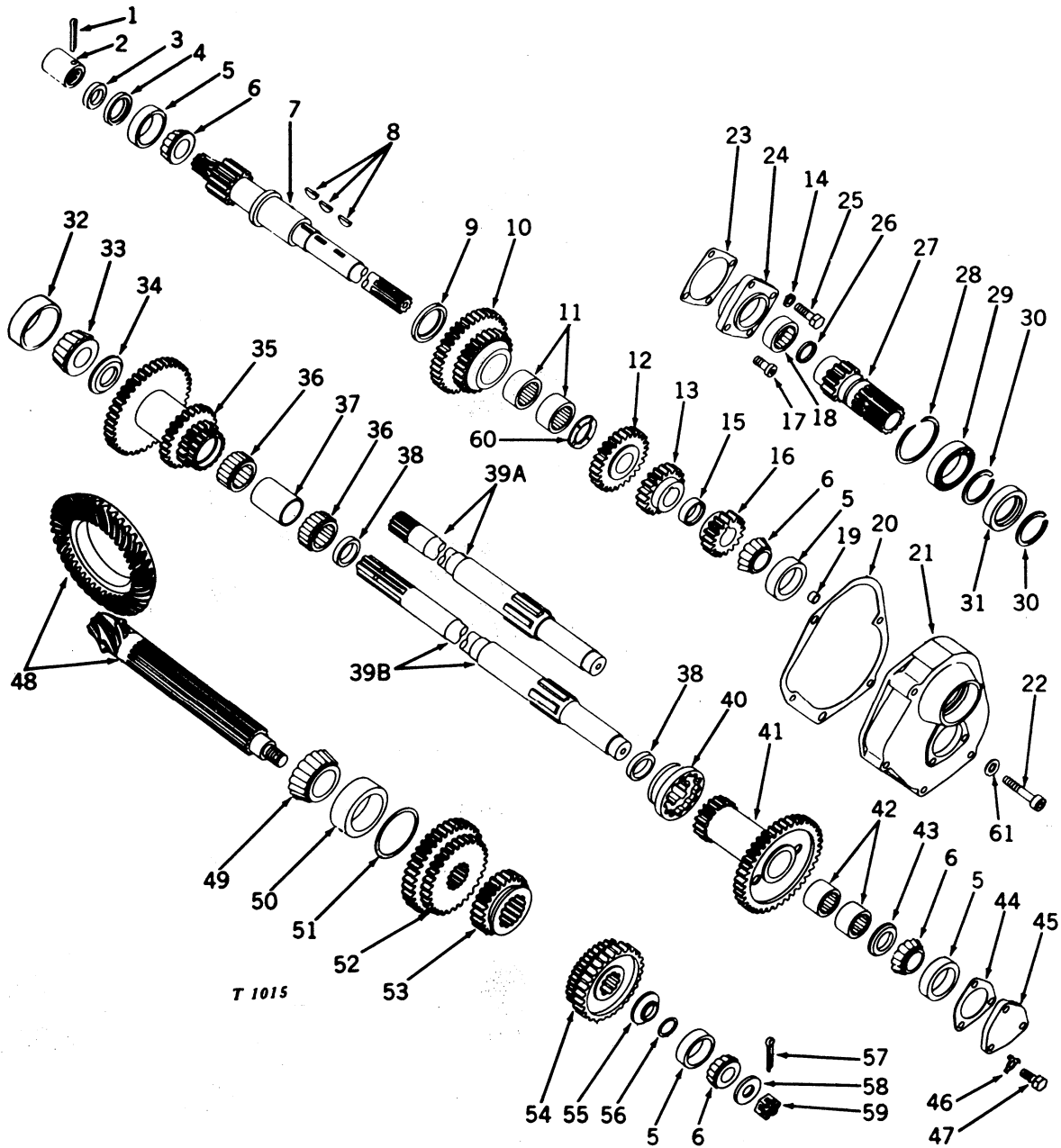
T 1016

Key	Part No.	Serial No.	Description
1	11H 222 A	(100001-125000)	Pin, cotter, 3/16" x 2" (I, U, and W)
2	M 2343 T	(100001-125000)	Coupling (I, U, and W)
3	M 3842 T	(100001-125000)	Spacer (I, U, and W)
4	AM 3535 T	(100001-125000)	Seal, oil
5A	M 3547 T	(100001-125000)	Shaft, input (I, U, and W)
5B	M 3547 T	(100001-125000)	Shaft, input (H, S, T, and V) (sub. for M3544T)
6	M 147 T	(100001-125000)	Shim, .002" (use quantity required) (packed 6 in a pkg.)
	M 148 T	(100001-125000)	Shim, .005" (use quantity required) (packed 6 in a pkg.)
	M 149 T	(100001-125000)	Shim, .010" (use quantity required) (packed 6 in a pkg.)
7	M 3500 T	(100001-125000)	Quill (sub. one T15996T quill and three M3651T cap screws)
8	12H 304 A	(100001-125000)	Washer, lock, 3/8"
9	19H 1139 A	(100001-125000)	Screw, cap, 3/8" x 1-1/8"
10	M 2502 T	(100001-125000)	Screw, cap, socket head, 3/8" x 3/4" (3 used) (sub. for M3651T)
11	JD 8839 T	(100001-125000)	Bearing, needle
12	AM 3491 T	(100001-125000)	Seal, oil
13	M 3546 T	(100001-125000)	Gear, powershaft drive (13 teeth)
14	M 3649 T	(100001-125000)	Ring, snap
15	JD 8568 T	(100001-125000)	Bearing, ball
16	M 3648 T	(100001-125000)	Ring, snap (2 used)

FIVE-SPEED TRANSMISSION GEARS AND SHAFTS WITH CONTINUOUS-RUNNING
POWER TAKE-OFF -- Continued
(Serial No. 100001-125000)

Key	Part No.	Serial No.	Description
17	AM 3572 T	(100001-125000)	Seal, oil
18	JD 8225 A	(100001-125000)	Cup, bearing (3 used)
19	JD 8187 A	(100001-125000)	Cone, bearing (3 used)
20	26H 82 A	(100001-125000)	Key, Woodruff, 1/4" x 7/8" (3 used)
21	T 11999 T	(100001-125000)	Washer, rear (sub. for M140T and T10247T)
22	M 3532 T	(100001-125000)	Gear, first speed cluster (27 and 37 teeth)
23	JD 8823 N	(100001-125000)	Bearing, needle (2 used)
24	M 3531 T	(100001-125000)	Gear, fifth speed (27 teeth)
25	M 3540 T	(100001-125000)	Gear, fourth speed (19 teeth)
26	M 144 T	(100001-125000)	Spacer
27	M 3539 T	(100001-125000)	Gear, third speed (16 teeth)
28	M 2152 T	(100001-125000)	Dowel, hollow (2 used)
29	M 3659 T	(100001-125000)	Gasket
30	M 3502 T	(100001-125000)	Housing
31	M 3660 T	(100001-125000)	Screw, cap, socket head, 3/8" x 2" (5 used)
32	JD 8230 T	(100001-125000)	Cup, bearing
33	JD 8194 T	(100001-125000)	Cone, bearing
34	M 135 T	(100001-125000)	Washer, spacer
35	AT 10746 T	(100001-125000)	Gear, cluster (19, 26 and 43 teeth) (sub. for M3591T and M4205T)
36	JD 7939 T	(100001-125000)	Bearing, roller (2 used)
37	M 132 T	(100001-125000)	Spacer (sub. for AM658T)
38	M 1926 T	(100001-125000)	Washer (2 used)
39A	M 4281 T	(100001-125000)	Shaft, power (H and U; also S with dual Touch-o-matic) (sub. for M3662T)
	M 4279 T	(100001-125000)	Shaft, power (I and W) (sub. for M3652T)
39B	M 4282 T	(100001-125000)	Shaft, power (S) (sub. for M3663T)
	M 4280 T	(100001-125000)	Shaft, power (T) (sub. for M3661T)
	M 4283 T	(100001-125000)	Shaft, power (V) (sub. for M3664T)
40	M 3590 T	(100001-125000)	Coupling
41	M 3545 T	(100001-125000)	Gear, powershaft driven (19 and 43 teeth)
42	JD 8819 T	(100001-125000)	Bearing, needle (2 used)
43	M 3658 T	(100001-125000)	Washer, spacer
44	L 279 T	(100001-125000)	Shim, .010" (use quantity required) (packed 4 in a pkg.)
	L 280 T	(100001-125000)	Shim, .005" (use quantity required) (packed 4 in a pkg.)
	L 281 T	(100001-125000)	Shim, .002" (use quantity required) (packed 4 in a pkg.)
45	M 3501 T	(100001-125000)	Cover
46	M 112 T	(100001-125000)	Lock, screw (3 used) (sub. for AM680T) (packed 3 in a pkg.)
47	19H 1731 A	(100001-125000)	Screw, cap, 3/8" x 1" (3 used)
48	AM 3654 T	(100001-111952)	Sub. one AM3990T and one AM3792T (H, S, T, and U)
	AM 3990 T	(111953-125000)	Shaft, output pinion (M4394T) (7 teeth) gear, ring, differential (M4104T) (32 teeth) (H, S, T, and U) (sub. for M3537T, M3915T, AM3494T, AM3654T, and AM3819T)
	AM 3655 T	(100001-111952)	Sub. one AM3820T and one AM3792T (I, V, and W)
	AM 3820 T	(111953-125000)	Shaft, output pinion (M4057T) (8 teeth) gear, ring, differential (M2776T) (41 teeth) (I, V, and W) (sub. for M3538T, M3916T, AM3495T, and AM3655T)
49	JD 8901 T	(100001-125000)	Cone, bearing
50	JD 8236 T	(100001-125000)	Cup, bearing
51	M 3587 T	(100001-125000)	Shim, .002" (use quantity required) (packed 2 in a pkg.)
	M 3588 T	(100001-125000)	Shim, .005" (use quantity required) (packed 2 in a pkg.)
	M 3589 T	(100001-125000)	Shim, .010" (use quantity required) (packed 3 in a pkg.)
52	M 1685 T	(100001-125000)	Gear, second and reverse speed sliding (31 and 38 teeth)
53	M 3530 T	(100001-125000)	Gear, first and fifth speed sliding (24 teeth)
54	M 3654 T	(100001-125000)	Ring, snap
55	M 3656 T	(100001-125000)	Washer, thrust
56	M 3536 T	(100001-125000)	Gear, fourth speed driven (32 teeth)
57	M 3974 T	(100001-125000)	Coupling, third and fourth speed gear (sub. for M3555T)
58	M 3653 T	(100001-125000)	Drive member, output shaft
59	M 3535 T	(100001-111952)	Gear, third speed driven
	AM 3792 T	(111953-)	Gear, third speed driven with bushing
60	M 4107 T	(111953-125000)	Bushing
61	M 3655 T	(100001-125000)	Washer, thrust
62	M 155 T	(100001-125000)	Shim, .002" (use quantity required) (packed 6 in a pkg.)
	M 156 T	(100001-125000)	Shim, .005" (use quantity required) (packed 9 in a pkg.)
	M 157 T	(100001-125000)	Shim, .010" (use quantity required) (packed 15 in a pkg.)
63	JD 7432 R	(100001-125000)	Cup, bearing
64	JD 8110 R	(100001-125000)	Cone, bearing
65	11H 237 A	(106510-125000)	Pin, cotter, 1/8" x 2"
66	M 3650 T	(100001-106509)	Nut, stop
	14H 534 A	(106510-125000)	Nut, hex., slotted, 3/4"
67	L 4388 T	(100001-125000)	Washer
68	T 12471 T	(157742-)	Washer, copper (2 used)

FIVE-SPEED TRANSMISSION GEARS AND SHAFTS WITH CONTINUOUS-RUNNING POWER TAKE-OFF
(Serial No. 125001-Up)

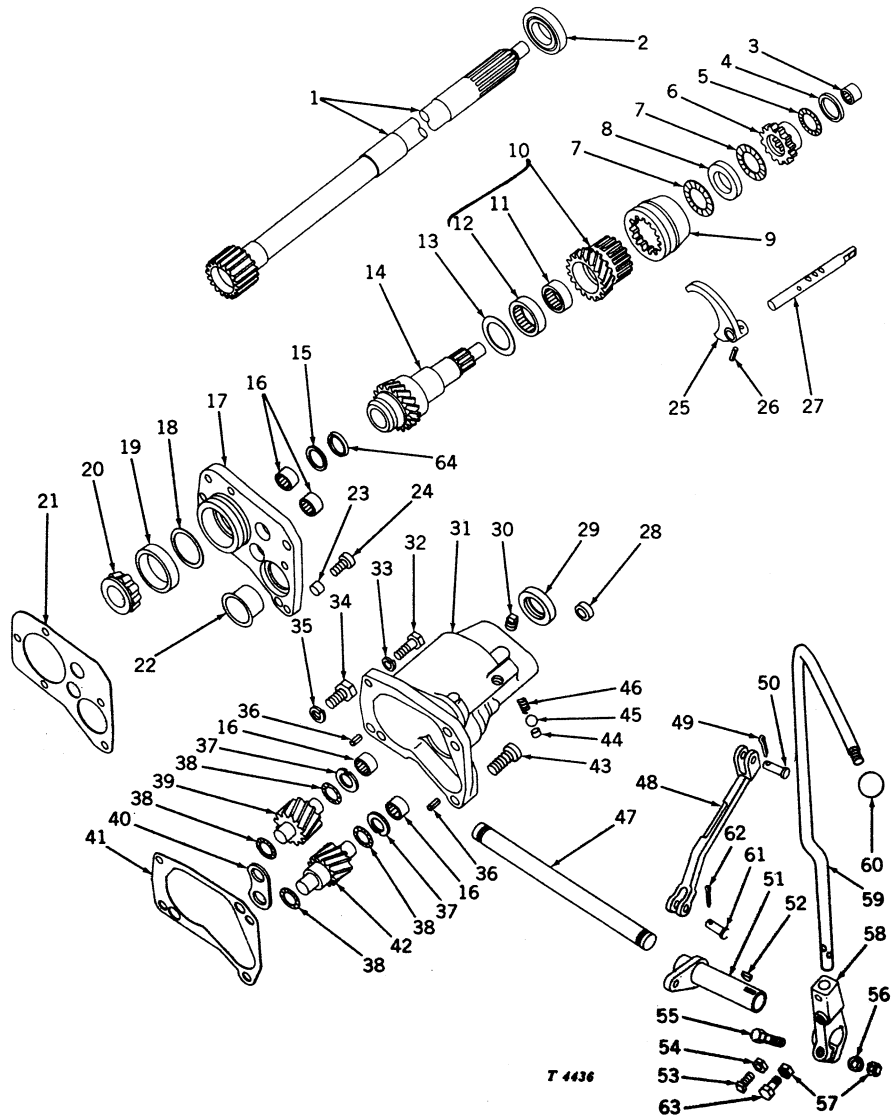


Key	Part No.	Serial No.	Description
1	11H 222 A	(125001-)	Pin, cotter, 3/16" x 2" (I, U, and W)
2	M 2343 T	(125001-)	Coupling (I, U, and W)
3	M 3842 T	(125001-)	Spacer (I, U, and W)
4	AM 3535 T	(125001-)	Seal, oil
5	JD 8225 A	(125001-)	Cup, bearing (4 used)
6	JD 8187 A	(125001-)	Cone, bearing (4 used)
7	M 3547 T	(125001-)	Shaft, input
8	26H 82 A	(125001-)	Key, Woodruff, 1/4" x 7/8" (3 used)

FIVE-SPEED TRANSMISSION GEARS AND SHAFTS WITH CONTINUOUS-RUNNING
POWER TAKE-OFF -- Continued
(Serial No. 125001-Up)

Key	Part No.	Serial No.	Description
9	T 11999 T	(125001-)	Washer, rear (sub. for M140T and T10247T)
10	M 4195 T	(125001-156566)	Gear, first speed cluster (27 and 37 teeth) (sub. one T12001T, one T11999T, one T12000T, and two JD7927R)
	T 12001 T	(156567-)	Gear, first speed cluster (27 and 37 teeth)
11	JD 8823 N	(125001-156566)	Bearing, needle (2 used)
	JD 7927 R	(156567-)	Bearing, roller (2 used)
12	M 4197 T	(125001-)	Gear, fifth speed (27 teeth)
13	M 4271 T	(125001-)	Gear, fourth speed (19 teeth)
14	12H 304 A	(125001-)	Washer, lock, 3/8"
15	M 144 T	(125001-)	Spacer
16	M 4270 T	(125001-)	Gear, third speed (16 teeth)
17	M 2502 T	(125001-)	Screw, cap, socket head, 3/8" x 3/4" (3 used) (sub. for M3651T)
18	JD 8839 T	(125001-)	Bearing, needle
19	M 2152 T	(125001-)	Dowel, hollow (2 used)
20	M 3659 T	(125001-)	Gasket
21	M 3502 T	(125001-)	Housing
22	M 3660 T	(125001-)	Screw, cap, socket head, 3/8" x 2" (5 used)
23	M 147 T	(125001-)	Shim, .002" (use quantity required) (packed 6 in a pkg.)
	M 148 T	(125001-)	Shim, .005" (use quantity required) (packed 6 in a pkg.)
	M 149 T	(125001-)	Shim, .010" (use quantity required) (packed 6 in a pkg.)
24	M 3500 T	(125001-155000)	Quill (sub. one T15996T and three M3651T)
	T 15996 T	(155001-)	Quill (sub. for T10815T)
25	19H 1139 A	(125001-)	Screw, cap, 3/8" x 1-1/8"
26	AM 3491 T	(125001-)	Seal, oil
27	M 3546 T	(125001-)	Gear, powershaft drive (13 teeth)
28	M 3649 T	(125001-)	Ring, snap
29	JD 8568 T	(125001-)	Bearing, ball
30	M 3648 T	(125001-)	Ring, snap (2 used)
31	AM 3572 T	(125001-)	Seal, oil
32	JD 8230 T	(125001-)	Cup, bearing
33	JD 8194 T	(125001-)	Cone, bearing
34	T 11400 T	(125001-)	Washer, spacer (sub. for M135T)
35	AT 10746 T	(125001-)	Gear, cluster (19, 26, and 43 teeth) (sub. for M4205T)
36	JD 7939 T	(125001-)	Bearing, roller (2 used)
37	M 132 T	(125001-)	Spacer (sub. for AM658T)
38	M 1926 T	(125001-)	Washer (2 used)
39A	M 4281 T	(125001-)	Shaft, power (H and U; also S with dual Touch-o-matic)
	M 4279 T	(125001-)	Shaft, power (I and W)
39B	M 4282 T	(125001-)	Shaft, power (S)
	M 4280 T	(125001-)	Shaft, power (T)
	M 4283 T	(125001-)	Shaft, power (V)
40	M 3590 T	(125001-)	Coupling
41	M 3545 T	(125001-)	Gear, powershaft driven (19 and 43 teeth)
42	JD 8819 T	(125001-)	Bearing, needle (2 used)
43	M 3658 T	(125001-)	Washer, spacer
44	L 279 T	(125001-)	Shim, .010" (use quantity required) (packed 4 in a pkg.)
	L 280 T	(125001-)	Shim, .005" (use quantity required) (packed 4 in a pkg.)
	L 281 T	(125001-)	Shim, .002" (use quantity required) (packed 4 in a pkg.)
45	M 3501 T	(125001-)	Cover
46	M 112 T	(125001-)	Lock, screw (3 used) (sub. for AM680T) (packed 3 in a pkg.)
47	19H 1731 A	(125001-)	Screw, cap, 3/8" x 1" (3 used)
48	AT 16608 T	(125001-)	Shaft, output pinion (T18450T) (7 teeth) gear, ring, differential (T18451T) (32 teeth) (H, S, T, and U) (sub. for AM3912T)
	AM 3913 T	(125001-)	Shaft, output pinion (M4251T) (8 teeth) gear, ring, differential (M2776T) (41 teeth) (I, V, and W)
49	JD 8907 T	(125001-)	Cone, bearing
50	JD 8240 T	(125001-)	Cup, bearing
51	M 4260 T	(125001-)	Shim, .002" (use quantity required) (packed 10 in a pkg.)
	M 4261 T	(125001-)	Shim, .005" (use quantity required) (packed 10 in a pkg.)
	M 4262 T	(125001-)	Shim, .010" (use quantity required) (packed 10 in a pkg.)
52	M 4209 T	(125001-)	Gear, second and reverse speed sliding (31 and 38 teeth)
53	M 4202 T	(125001-)	Gear, first and fifth speed sliding (24 teeth)
54	T 17608 T	(125001-)	Gear, third and fourth speed driven (32 and 35 teeth) (sub. for AM3898T and AT15106T)
55	M 4263 T	(125001-)	Washer, spacer
56	M 2056 T	(125001-)	Shim, .002" (use quantity required) (packed 10 in a pkg.)
	M 2057 T	(125001-)	Shim, .005" (use quantity required) (packed 10 in a pkg.)
	M 2058 T	(125001-)	Shim, .010" (use quantity required) (packed 10 in a pkg.)
57	11H 237 A	(125001-)	Pin, cotter, 1/8" x 2"
58	M 4259 T	(125001-)	Washer
59	14H 534 A	(125001-)	Nut, hex., slotted, 3/4"
60	T 12000 T	(156567-)	Washer, thrust
61	T 12471 T	(157742-)	Washer, copper (2 used)

DIRECTION REVERSE FOR FOUR-SPEED TRANSMISSION
Crawler, Standard, Tricycle, Utility, Special, and Row-Crop Utility (Serial No. -100000)

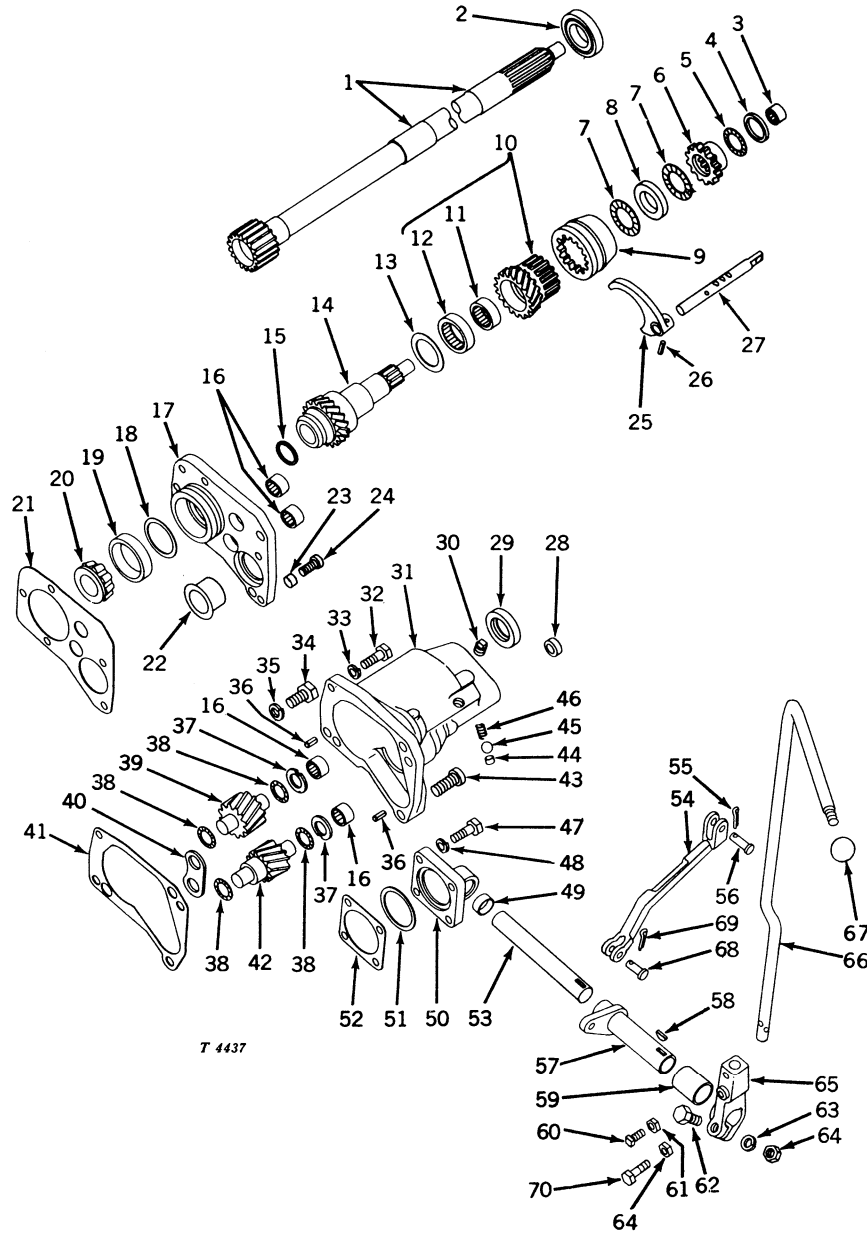


T 4436

DIRECTION REVERSE FOR FOUR-SPEED TRANSMISSION -- Continued
Crawler, Standard, Tricycle, Utility, Special, and Row-Crop Utility (Serial No. -100000)

Key	Part No.	Serial No.	Description
1	AM 3390 T	(-100000)	Shaft, propeller, with needle bearing
2	JD 7145 N	(-100000)	Bearing, ball
3	JD 8838 T	(-100000)	Bearing, needle
4	M 3712 T	(-100000)	Washer, thrust
5	JD 8840 T	(-100000)	Bearing, thrust
6	M 4154 T	(-100000)	Member, direct drive (sub. for M3714T)
7	JD 8841 T	(-100000)	Bearing, thrust (2 used)
8	M 3767 T	(-100000)	Washer
9	M 4153 T	(-100000)	Coupling (sub. for M3713T)
10	AM 3848 T	(-100000)	Gear, reverse drive, with needle bearings (sub. for M3715T and AM3392T)
11	JD 8831 E	(-100000)	Bearing, needle, front
12	JD 8843 T	(-100000)	Bearing, needle, rear
13	M 3784 T	(-100000)	Washer, thrust
14	AM 3960 T	(-100000)	Shaft and gear assembly, direct drive (sub. for AM3453T)
15	M 3896 T	(-100000)	Shim, .020" (approx. 3 used) (sub. for M3879T) (packed 3 in a pkg.)
16	JD 8801 T	(-100000)	Bearing, needle (4 used)
17	AM 3648 T	(-100000)	Plate, mounting, with needle bearings (sub. for M3548T)
18	M 187 T	(-100000)	Shim, .002" (use quantity required) (packed 4 in a pkg.)
	M 188 T	(-100000)	Shim, .005" (use quantity required) (packed 4 in a pkg.)
	M 189 T	(-100000)	Shim, .010" (use quantity required) (packed 6 in a pkg.)
19	JD 7432 R	(-100000)	Cup, bearing
20	JD 8117 T	(-100000)	Cone, bearing
21	M 3708 T	(-100000)	Gasket
22	M 3707 T	(-100000)	Cup, sealing
23	M 1873 T	(-100000)	Dowel, hollow (2 used)
24	M 3651 T	(-100000)	Screw, cap, socket head, 3/8" x 7/8" (5 used)
25	M 3710 T	(-100000)	Fork, shifter
26	M 3853 T	(-100000)	Pin, groov-, special
27	M 3711 T	(-100000)	Shaft, shifter
28	AM 3391 T	(-100000)	Seal, oil
29	AF 1934 R	(-100000)	Seal, oil
30	15H 275 A	(-100000)	Plug, pipe, hex. ctsk., 1/4"
31	AM 3649 T	(-100000)	Housing, with needle bearings and roll pins (sub. for M3575T)
32	19H 1139 A	(-100000)	Screw, cap, 3/8" x 1-1/8"
33	12H 304 A	(-100000)	Washer, lock, 3/8"
34	19H 1741 A	(-100000)	Screw, cap, 1/2" x 1-1/8" (2 used)
35	12H 301 A	(-100000)	Washer, lock, 1/2" (2 used)
36	34H 35 A	(-100000)	Pin, roll, 1/8" x 3/4" (2 used)
37	M 3720 T	(-100000)	Washer, idler gear, front (2 used)
38	JD 8842 T	(-100000)	Bearing, thrust (4 used)
39	M 3719 T	(-100000)	Gear, idler (13 teeth)
40	M 3768 T	(-100000)	Plate, thrust
41	M 3721 T	(-100000)	Gasket
42	M 3718 T	(-100000)	Gear, idler (11 teeth)
43	M 3722 T	(-100000)	Screw, cap, socket head, 1/2" x 1"
44	M 1102 T	(-100000)	Plug, cupped
45	405 R	(-100000)	Ball (sub. for L467T)
46	L 468 T	(-100000)	Spring
47	M 3783 T	(-100000)	Shaft, clutch (S, T, U, V, and W)
48	M 4435 T	(-100000)	Rod, control (sub. for AM3395T)
49	11H 206 A	(-100000)	Pin, cotter, 3/32" x 3/4"
50	L 4666 T	(-100000)	Pin
	M 4436 T	(-100000)	Pin (use when M4435T control rod has been installed)
51	AM 3465 T	(-100000)	Shaft, outer
52	M 3781 T	(-100000)	Key, Woodruff, special
53	22H 40 A	(-100000)	Screw, set, 5/16" x 3/4"
54	14H 611 A	(-100000)	Nut, hex., jam, 5/16"
55	19H 1661 A	(-100000)	Screw, cap, 5/16" x 1-7/8"
56	12H 303 A	(-100000)	Washer, lock, 5/16"
57	14H 785 A	(-100000)	Nut, hex., 5/16" (2 used)
58	M 3786 T	(-100000)	Pivot, control
59	T 10519 T	(-100000)	Lever (sub. for M3777T and M3911T)
60	M 526 T	(-100000)	Knob
61	M 2104 T	(-100000)	Sub. one L4666T and one 11H206A
	L 4666 T	(-100000)	Pin
62	M 2396 T	(-100000)	Sub. one L4666T and one 11H206A
	11H 206 A	(-100000)	Pin, cotter, 3/32" x 3/4"
63	19H 124 A	(-100000)	Screw, cap, 5/16" x 1-1/4"
64	M 4347 T	(-100000)	Shim, special

DIRECTION REVERSER FOR FOUR- AND FIVE-SPEED TRANSMISSION
 Crawler, Special Utility, Tricycle, Utility, Special, and Row-Crop Utility (Serial No. 100001-131308)



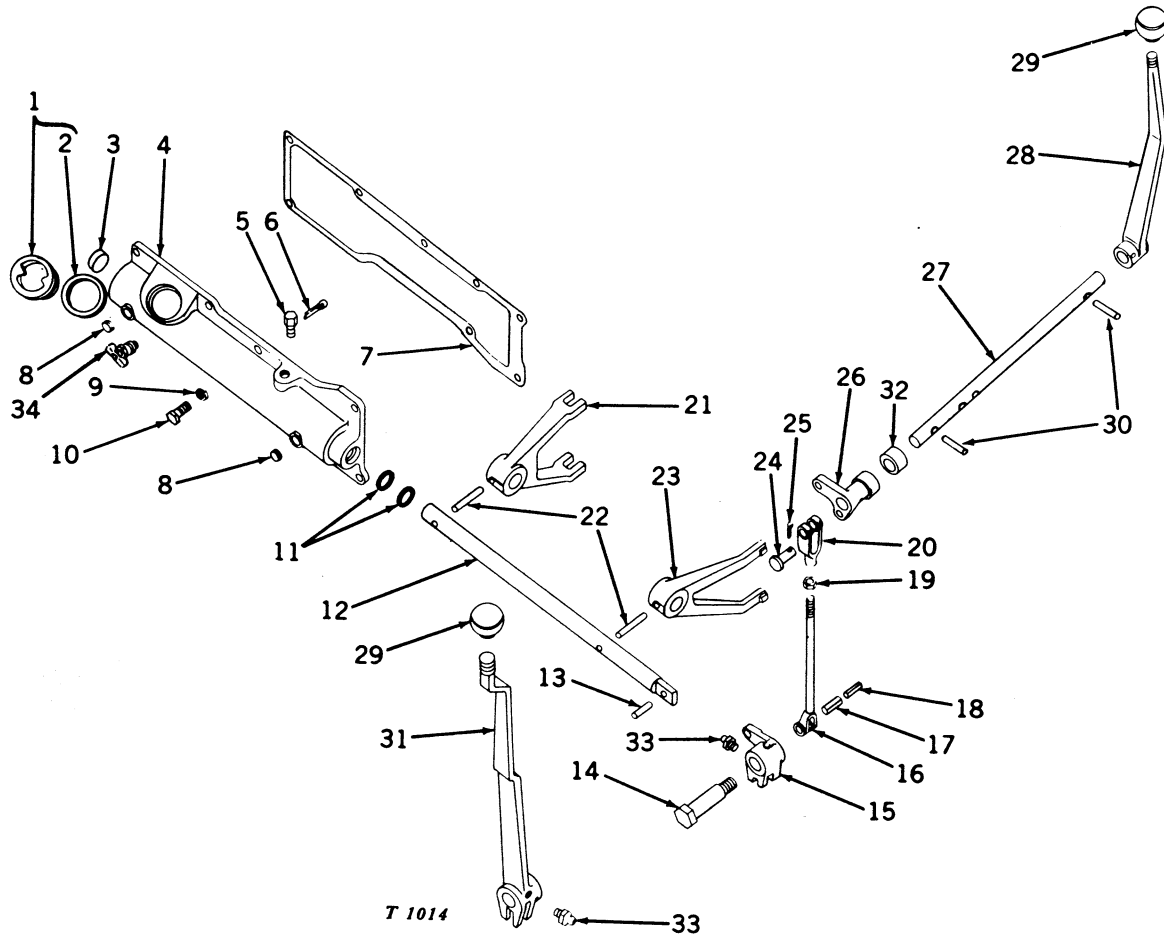
T 4437

Key	Part No.	Serial No.	Description
1	AM 3390 T	(100001-131308)	Shaft, propeller, with needle bearing
2	JD 7145 N	(100001-131308)	Bearing, ball
3	JD 8838 T	(100001-102014)	Bearing, needle
	JD 8844 T	(102015-131308)	Bearing, needle
4	M 3712 T	(100001-131308)	Washer, thrust

DIRECTION REVERSE FOR FOUR- AND FIVE-SPEED TRANSMISSION -- Continued
 Crawler, Special Utility, Tricycle, Utility, Special, and Row-Crop Utility (Serial No. 100001-131308)

Key	Part No.	Serial No.	Description
5	JD 8840 T	(100001-131308)	Bearing, thrust
6	M 4154 T	(100001-131308)	Member, direct drive (sub. for M3714T)
7	JD 8841 T	(100001-131308)	Bearing, thrust (2 used)
8	M 3767 T	(100001-131308)	Washer
9	M 4153 T	(100001-131308)	Coupling (sub. for M3713T)
10	AM 3848 T	(100001-131308)	Gear, reverse drive, with needle bearings (sub. for M3715T and AM3392T)
11	JD 8831 E	(100001-131308)	Bearing, needle, front
12	JD 8843 T	(100001-131308)	Bearing, needle, rear
13	M 3784 T	(100001-131308)	Washer, thrust
14	AM 3882 T	(100001-131308)	Shaft and gear assembly, direct drive (sub. for AM3393T)
15	M 3895 T	(100001-131308)	Shim, .020" (approx. 3 used) (sub. for M3878T) (packed 2 in a pkg.)
16	JD 8801 T	(100001-131308)	Bearing, needle (4 used)
17	AM 3954 T	(100001-131308)	Plate, mounting, with needle bearings (sub. for M3766T and AM3650T)
18	M 187 T	(100001-131308)	Shim, .002" (use quantity required) (packed 4 in a pkg.)
	M 188 T	(100001-131308)	Shim, .005" (use quantity required) (packed 4 in a pkg.)
	M 189 T	(100001-131308)	Shim, .010" (use quantity required) (packed 6 in a pkg.)
19	JD 8225 A	(100001-131308)	Cup, bearing
20	JD 8187 A	(100001-131308)	Cone, bearing
21	M 3708 T	(100001-131308)	Gasket
22	M 3707 T	(100001-131308)	Cup, sealing
23	M 1873 T	(100001-131308)	Dowel, hollow (2 used)
24	M 3651 T	(100001-131308)	Screw, cap, socket head, 3/8" x 7/8" (5 used)
25	M 3710 T	(100001-131308)	Fork, shifter
26	M 3853 T	(100001-131308)	Pin, groov-, special
27	M 3711 T	(100001-131308)	Shaft, shifter
28	AM 3391 T	(100001-131308)	Seal, oil
29	AF 1934 R	(100001-131308)	Seal, oil
30	15H 275 A	(100001-131308)	Plug, pipe, hex. ctsk., 1/4"
31	AM 3649 T	(100001-131308)	Housing, with needle bearings and roll pins (sub. for M3575T)
32	19H 1139 A	(100001-131308)	Screw, cap, 3/8" x 1-1/8"
33	12H 304 A	(100001-131308)	Washer, lock, 3/8"
34	19H 1741 A	(100001-131308)	Screw, cap, 1/2" x 1-1/8" (2 used)
35	12H 301 A	(100001-131308)	Washer, lock, 1/2" (2 used)
36	34H 35 A	(100001-131308)	Pin, roll, 1/8" x 3/8" (2 used)
37	M 3720 T	(100001-131308)	Washer, idler gear, front (2 used)
38	JD 8842 T	(100001-131308)	Bearing, thrust (4 used)
39	M 3719 T	(100001-131308)	Gear, idler (13 teeth)
40	M 3768 T	(100001-131308)	Plate, thrust
41	M 3721 T	(100001-131308)	Gasket
42	M 3718 T	(100001-131308)	Gear, idler (11 teeth)
43	M 3722 T	(100001-131308)	Screw, cap, socket head, 1/2" x 1"
44	M 1102 T	(100001-131308)	Plug, cupped
45	405 R	(100001-131308)	Ball (sub. for L467T)
46	L 468 T	(100001-131308)	Spring
47	19H 1732 A	(100000-131308)	Screw, cap, 3/8" x 1-1/4" (4 used)
48	12H 304 A	(100001-131308)	Washer, lock, 3/8" (4 used)
49	M 224 T	(100001-131308)	Bushing
50	AM 3466 T	(100001-131308)	Bracket, with bushing
51	M 2059 T	(100001-131308)	Shim, .002" (use quantity required) (packed 3 in a pkg.)
	M 2060 T	(100001-131308)	Shim, .005" (use quantity required) (packed 3 in a pkg.)
	M 2061 T	(100001-131308)	Shim, .010" (use quantity required) (packed 3 in a pkg.)
52	M 3778 T	(100001-131308)	Shim, .005", powershaft, gasket
53	M 3774 T	(100001-131308)	Shaft, inner
54	M 4435 T	(100001-131308)	Rod, control (sub. for AM3395T)
55	11H 206 A	(100001-131308)	Pin, cotter, 3/32" x 3/4"
56	L 4666 T	(100001-125287)	Pin
	M 4436 T	(125288-131308)	Pin
57	AM 3465 T	(100001-131308)	Shaft, outer
58	26H 13 A	(100001-131308)	Key, Woodruff, 5/32"
59	M 3775 T	(100001-131308)	Spacer
60	22H 40 A	(100001-131308)	Screw, set, 5/16" x 3/4"
61	14H 611 A	(100001-131308)	Nut, hex., jam, 5/16"
62	19H 1661 A	(100001-131308)	Screw, cap, 5/16" x 7/8"
63	12H 303 A	(100001-131308)	Washer, lock, 5/16"
64	14H 785 A	(100001-131308)	Nut, hex., 5/16" (2 used)
65	M 3786 T	(100001-131308)	Pivot, control
66	T 10519 T	(100001-131308)	Lever (sub. for M3777T and M3911T)
67	M 526 T	(100001-131308)	Knob
68	M 2104 T	(100001-112242)	Sub. one L4666T and one 11H206A
	L 4666 T	(112243-131308)	Pin
69	M 2396 T	(100001-112242)	Sub. one L4666T and one 11H206A
	11H 206 A	(112243-131308)	Pin, cotter, 3/32" x 3/4"
70	19H 124 A	(100001-131308)	Screw, cap, 5/16" x 1-1/4"

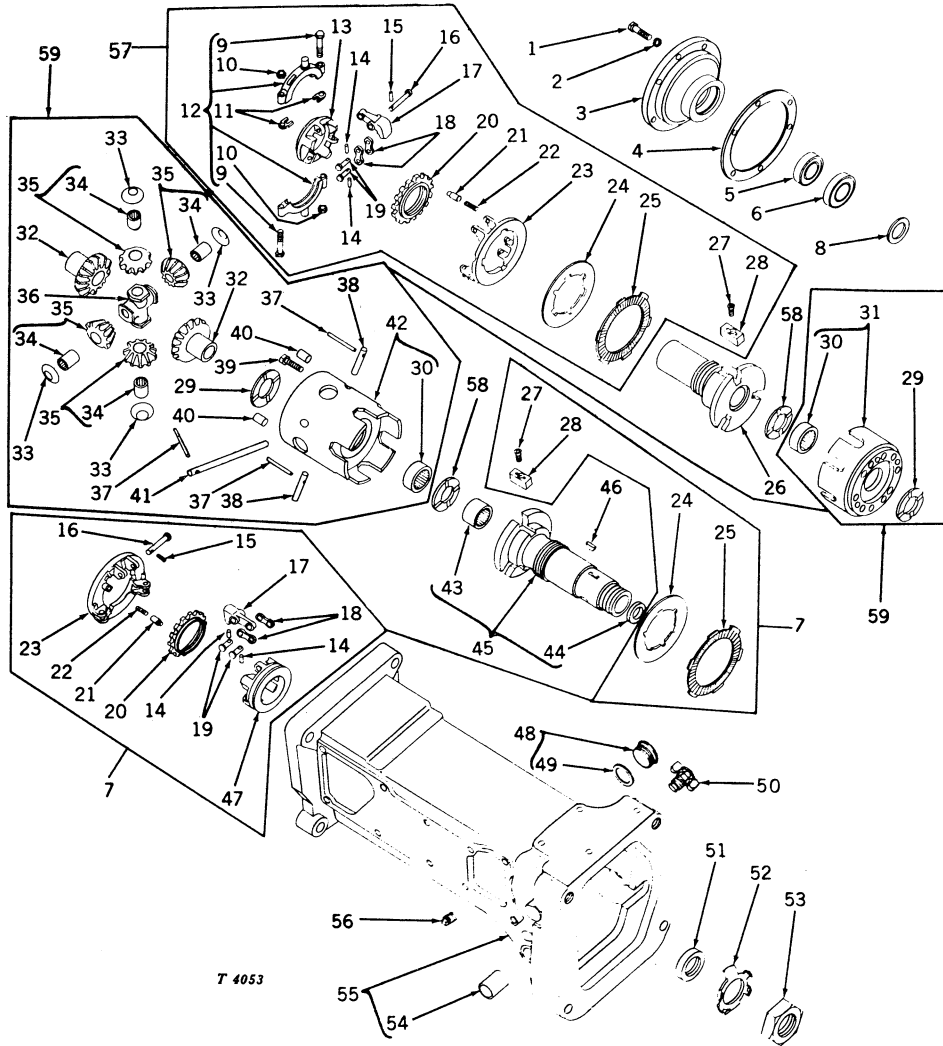
DIRECTION REVERSER COVER AND SHIFTING PARTS
Crawler, Standard, Tricycle, Utility, and Row-Crop Utility
(Serial No. 131309-Up)



DIRECTION REVERSER COVER AND SHIFTING PARTS -- Continued
Crawler, Standard, Tricycle, Utility, and Row-Crop Utility
(Serial No. 131309-Up)

Key	Part No.	Serial No.	Description
1	AM 1935 T	(131309-)	Plug, with gasket
2	M 2133 T	(131309-)	Gasket
3	A 3910 R	(131309-)	Plug, special (sub. for L1196T) (packed 2 in a pkg.)
4	AT 11129 T	(131309-)	Cover (sub. for T10205T and T11092T)
5	29H 483 A	(131309-135487)	Sub. one 11H231A and one T11008T
	T 11008 T	(135488-)	Breather
6	L 4411 T	(131309-135487)	Sub. one 11H231A and one T11008T
	11H 231 A	(135488-)	Pin, cotter, 1/16" x 3/4"
7	T 10211 T	(131309-)	Gasket (packed 2 in a pkg.)
8	M 523 T	(131309-)	Plug, special (2 used)
9	12H 304 A	(131309-)	Washer, lock, 3/8" (10 used)
10	19H 1731 A	(131309-)	Screw, cap, 3/8" x 1" (10 used)
11	L 1584 C	(131309-139999)	Seal, oil (2 used) (sub. for AT10110T)
	AT 10907 T	(140000-)	Seal, oil (2 used)
12	T 10206 T	(131309-139999)	Sub. one T11093T and one T11094T
	T 11093 T	(140000-)	Rail, shifter
13	T 10354 T	(131309-139999)	Pin, special
	T 11094 T	(140000-)	Pin, special
14	T 10345 T	(131309-)	Screw, cap, special
15	T 10344 T	(140000-)	Lever
16	AT 10227 T	(140000-)	Rod, control
17	34H 171 A	(140000-)	Pin, roll, 3/8" x 1"
18	34H 88 A	(140000-)	Pin, roll, 7/32" x 1"
19	14H 774 A	(140000-)	Nut, hex., jam, 3/8"
20	L 324 T	(140000-)	Yoke, adjustable
21	T 10208 T	(131309-)	Fork, front
22	34H 188 A	(131309-)	Pin, roll, 5/16" x 1-3/4" (2 used)
23	T 10207 T	(131309-)	Fork, rear
24	L 4668 T	(140000-)	Pin
25	11H 206 A	(140000-)	Pin, cotter, 3/32" x 3/4"
26	T 11090 T	(140000-)	Lever
27	T 10343 T	(140000-)	Shaft, control (sub. for T11115T)
28	T 10341 T	(140000-)	Lever, control (S, T, U, and W)
	T 11091 T	(140000-)	Lever, control (C)
29	T 10601 T	(131309-)	Knob
30	T 10560 T	(140000-)	Pin, groov-, special (3 used)
31	T 10602 T	(131309-139999)	Lever, control (sub. for T10713T)
32	T 11116 T	(140000-)	Spacer (S, T, U, and W)
33	JD 7797	(131309-)	Fitting, grease
34	AM 292 T	(141215-)	Cock, test

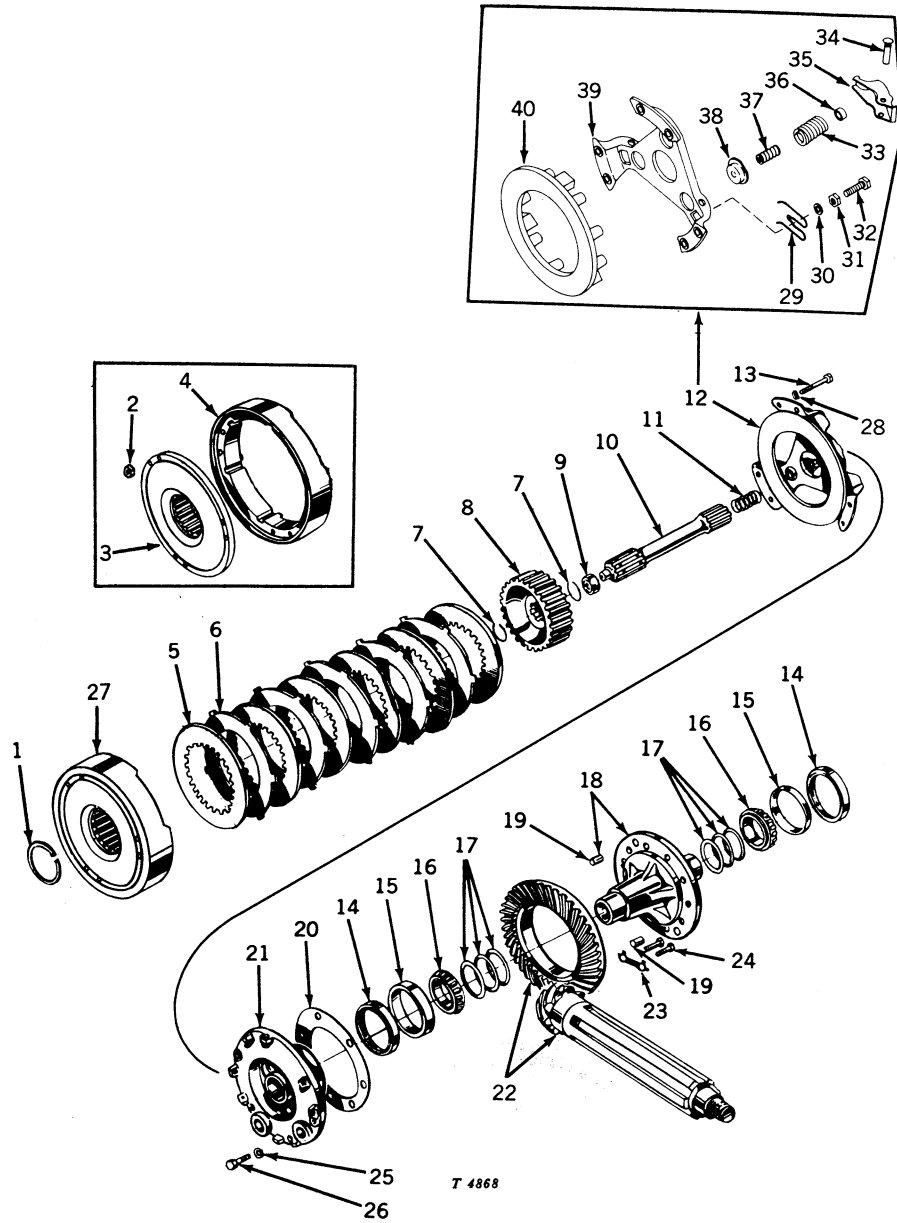
DIRECTION REVERSER ASSEMBLY
Crawler, Standard, Tricycle, Utility, and Row-Crop Utility
(Serial No. 131309-Up)



DIRECTION REVERSER ASSEMBLY -- Continued
Crawler, Standard, Tricycle, Utility, and Row-Crop Utility
(Serial No. 131309-Up)

Key	Part No.	Serial No.	Description
1	19H 2117 A	(131309-)	Screw, cap, 5/16" x 1-1/8" (6 used)
2	12H 303 A	(131309-)	Washer, lock, 5/16" (6 used)
3	T 10189 T	(131309-)	Quill
4	T 10190 T	(131309-)	Gasket (packed 2 in a pkg.)
5	AM 253 T	(131309-)	Seal, oil
6	JD 7681 H	(131309-)	Ball, bearing
7	AT 10113 T	(131309-)	Reverse clutch assembly
8	T 10185 T	(131309-)	Shim, .020" (packed 2 in a pkg.)
	T 10186 T	(131309-)	Shim, .010" (packed 2 in a pkg.)
9	19H 1722 A	(131309-)	Screw, cap, 1/4" x 2" (2 used)
10	T 10581 T	(131309-)	Nut, hex., 1/4", special (2 used)
11	T 10582 T	(131309-)	Shim, 1/16", special (2 used)
12	AT 10439 T	(131309-)	Collar, shifting, with shims, cap screws, and hex. nuts
13	AT 10952 T	(131309-134797)	Sleeve, sliding, with links, pins and roll pins
	T 11130 T	(134798-)	Sleeve, sliding
14	34H 21 A	(131309-)	Pin, roll, 3/32" x 7/16" (12 used)
15	34H 23 A	(131309-)	Pin, roll, 3/32" x 9/16" (6 used)
16	AT 10486 T	(131309-)	Pin, with roll pin (pkg. of 3) (2 pkgs. used) (sub. for T10589T)
17	T 10585 T	(131309-)	Lever (6 used)
18	T 10587 T	(131309-134797)	Link (12 used) (packed 6 in a pkg.)
	T 11133 T	(134798-)	Link (12 used)
19	AT 10485 T	(131309-134797)	Pin, with roll pin (pkg. of 6) (2 pkgs. used) (sub. for T10588T)
	AT 10951 T	(134798-)	Pin, with roll pin (pkg. of 6) (2 pkgs. used)
20	T 10583 T	(131309-)	Ring, adjusting (2 used)
21	T 10586 T	(131309-)	Pin, lock (2 used)
22	T 10590 T	(131309-)	Spring (2 used)
23	T 10579 T	(131309-)	Plate, floating (2 used)
24	T 10578 T	(131309-)	Plate, driven (8 used) (packed 4 in a pkg.)
25	AT 10438 T	(131309-)	Plate, driving (10 used) (packed 5 in a pkg.)
26	T 10214 T	(131309-)	Hub, forward clutch
27	T 10591 T	(131309-)	Screw, mach., special, no. 10 x 3/4" (6 used)
28	T 10584 T	(131309-)	Key, drive (6 used)
29	T 10201 T	(131309-)	Washer, thrust (2 used) (packed 4 in a pkg.)
30	JD 8839 T	(131309-)	Bearing, needle (2 used)
31	AT 10107 T	(131309-)	Cover, housing, with needle bearing
32	T 10196 T	(131309-)	Gear, bevel (2 used)
33	T 10200 T	(131309-)	Washer, thrust (4 used) (packed 4 in a pkg.)
34	JD 8851 T	(131309-)	Bearing, needle (4 used)
35	AT 10105 T	(131309-)	Pinion, bevel, with needle bearing (4 used)
36	T 10199 T	(131309-)	Spider
37	25H 100 A	(131309-)	Pin, groov-, 1/4" x 2" (3 used)
38	T 10197 T	(131309-)	Shaft, pinion (2 used)
39	T 10217 T	(131309-)	Screw, cap, special, 3/8" x 1-1/4" (8 used)
40	M 17 T	(131309-)	Pin, dowel (2 used)
41	T 10198 T	(131309-)	Shaft, pinion
42	AT 10106 T	(131309-)	Housing, gear, with needle bearing
43	JD 8852 T	(131309-)	Bearing, needle
44	AT 11492 T	(131309-)	Seal, oil (sub. for AT10253T)
45	AT 10108 T	(131309-)	Hub, reverse clutch, with needle bearing and oil seal
46	26H 82 A	(131309-)	Key, Woodruff, 1/4" x 7/8" (3 used)
47	AT 10953 T	(131309-134797)	Sleeve, sliding, with links, pins, and roll pins
	T 11131 T	(134798-)	Sleeve, sliding
48	AM 1935 T	(131309-)	Plug, with gasket
49	M 2133 T	(131309-)	Gasket
50	15H 584 A	(131309-132259)	Plug, pipe, sq. hd., 1/2"
	AM 292 T	(140114-141214)	Cock, test
	15H 604 A	(141215-)	Plug, pipe, sq. hd., 1/4"
51	AM 3432 T	(131309-)	Seal, oil
52	T 10203 T	(131309-)	Lock
53	T 10218 T	(131309-)	Nut, hex., jam, special, 1-7/8"
54	M 219 T	(131309-)	Bushing
55	AT 10193 T	(131309-)	Case, reverser, with clutch shaft bushing (sub. for T10188T and T11340T)
56	15H 584 A	(131309-)	Plug, pipe, sq. hd., 1/2"
57	AT 10112 T	(131309-)	Forward clutch assembly
58	T 10201 T	(131309-)	Washer, thrust (2 used) (packed 4 in a pkg.)
59	AT 10104 T	(131309-)	Housing assembly, gear

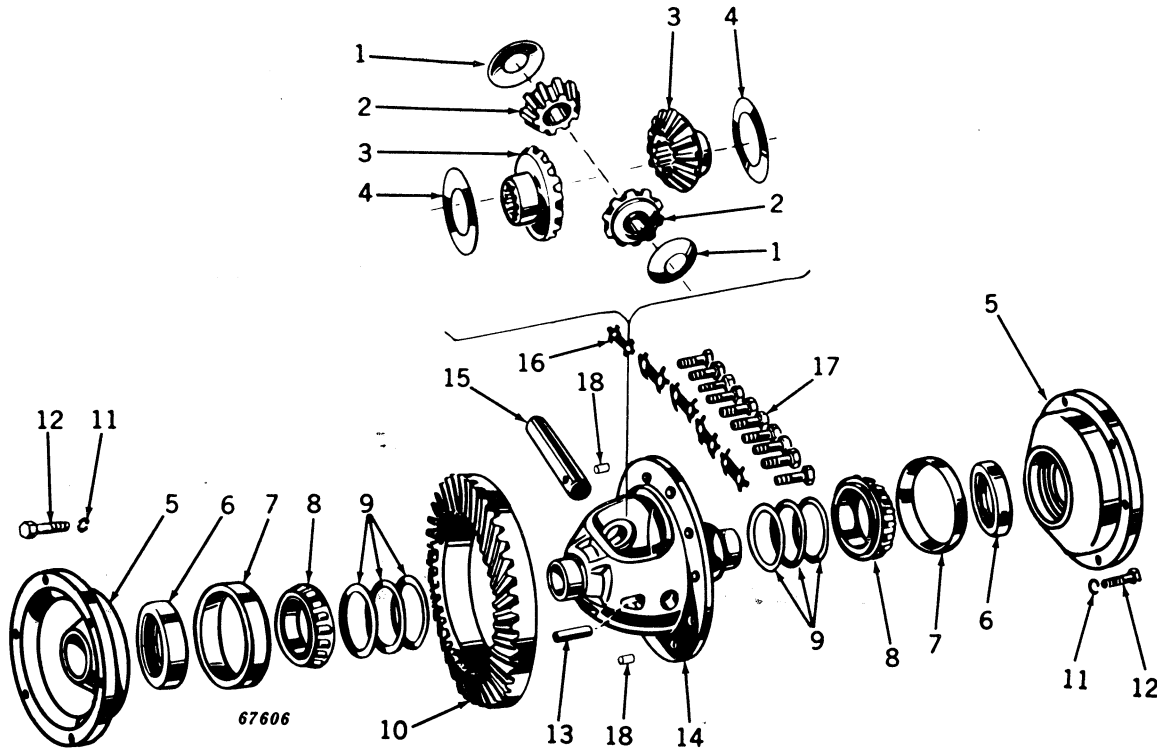
RING GEAR AND STEERING CLUTCH ASSEMBLY
Crawler



RING GEAR AND STEERING CLUTCH ASSEMBLY -- Continued
Crawler

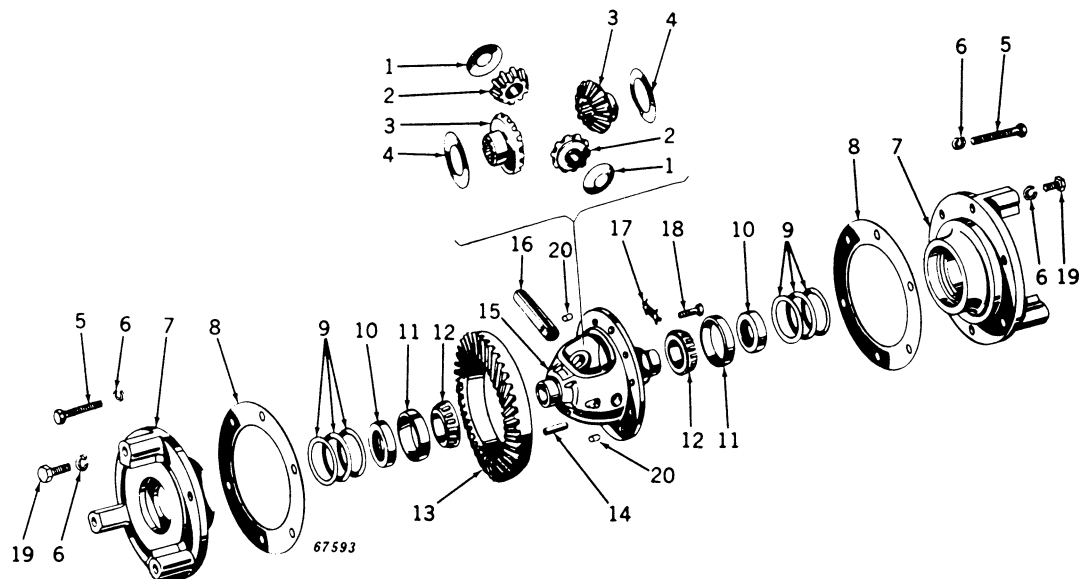
Key	Part No.	Serial No.	Description
1	M 2377 T	(-)	Ring, snap (2 used)
2	14H 785 A	(-158041)	Nut, hex., 5/16" (6 used)
3	M 2376 T	(-158041)	Disk, driven
4	M 870 T	(-158041)	Drum, brake (sub. for AM982T)
5	M 3293 T	(-158041)	Facing (7 used)
	M 3293 T	(158042-)	Facing (8 used)
6	M 872 T	(-158041)	Plate, driving (6 used) (sub. for AM984T)
	M 872 T	(158042-)	Plate, driving (8 used) (sub. for AM984T)
7	M 1619 T	(-)	Ring, snap (2 used) (packed 2 in a pkg.)
8	M 2378 T	(-158041)	Hub
	T 12824 T	(158042-)	Hub
9	JD 8567 T	(-)	Bearing, ball, pilot (sub. for JD7137T)
10	M 1635 T	(-)	Shaft, drive
11	M 815 T	(-)	Spring
12	AT 11853 T	(-)	Plate, clutch, pressure (sub. for AM1930T and AT11486T)
13	19H 1913 A	(-158041)	Screw, cap, 5/16" x 2-1/4" (6 used)
	L 372 T	(158042-)	Screw, cap, special (6 used)
14	AM 1717 T	(-)	Seal, oil (2 used)
15	JD 8217 T	(-)	Cup, bearing (2 used)
16	JD 8171 T	(-)	Cone, bearing (2 used)
17	M 1632 T	(-)	Shim, .002" (use quantity required) (packed 10 in a pkg.)
	M 1633 T	(-)	Shim, .005" (use quantity required) (packed 10 in a pkg.)
	M 1634 T	(-)	Shim, .010" (use quantity required) (packed 10 in a pkg.)
18	AM 3796 T	(-)	Hub (M4063T), with dowel pins and attaching cap screw (sub. for AM1714T)
19	M 4339 T	(-)	Pin, dowel (2 used) (sub. for M1470T)
20	M 811 T	(-)	Gasket (2 used) (packed 3 in a pkg.)
21	AM 1721 T	(-)	Quill (M1615T), with sleeve and pivot pins (2 used)
22	AM 3991 T	(-125000)	Shaft, pinion (M4395T) (7 teeth); gear, ring (M4104T) (32 teeth) (matched set) (four-speed transmission) (sub. for AM1720T, M150T, and M1631T)
	AM 3654 T	(100001-111952)	Sub. one AM3990T and one AM3792T
	AM 3990 T	(111953-125000)	Shaft, pinion (M4394T) (7 teeth); gear, ring (M4104T) (32 teeth) (matched set) (five-speed transmission) (sub. for M3537T, M3915T, AM3494T, AM3654T, AM3819T, M4056T, and M1631T)
	AT 16608 T	(125001-)	Shaft, pinion (T18450T) (7 teeth); gear, ring (T18451T) (32 teeth) (matched set) (four- and five-speed transmissions) (sub. for AM3912T)
23	M 254 T	(-)	Lock (6 used) (sub. for AM668T) (packed 6 in a pkg.)
24	L 495 T	(-116758)	Screw, cap, special, 3/8" x 1" (10 used) (packed 5 in a pkg.)
	M 4062 T	(116759-)	Screw, cap, special, 3/8" x 1-1/8" (10 used)
25	12H 304 A	(-)	Washer, lock, 3/8" (12 used)
26	19H 1139 A	(-)	Screw, cap, 3/8" x 1-1/8" (12 used)
27	T 12825 T	(158042-)	Drum, brake
28	12H 303 A	(158042-)	Washer, lock, 5/16" (6 used)
29	T 11696 T	(-)	Spring, pressure plate return (3 used)
30	T 11697 T	(-)	Washer, adjusting screw (3 used)
31	14H 463 A	(-)	Nut, hex., 5/16" (3 used)
32	T 13734 T	(-)	Screw, adjusting (3 used)
33	T 14503 T	(-)	Spring, pressure (3 used) (packed 3 in a pkg.)
34	T 11700 T	(-)	Pin, pivot (3 used)
35	T 14505 T	(-)	Lever, clutch (3 used) (packed 3 in a pkg.)
36	T 14501 T	(-)	Retainer, auxiliary spring (3 used) (packed 3 in a pkg.)
37	T 14502 T	(-)	Spring, auxiliary pressure (3 used) (packed 3 in a pkg.)
38	T 14504 T	(-)	Cup, spring (3 used) (packed 3 in a pkg.)
39	T 14507 T	(-)	Bracket, clutch
40	T 14506 T	(-)	Plate, pressure

DIFFERENTIAL ASSEMBLY
Special Utility, Tricycle, and Row-Crop Utility



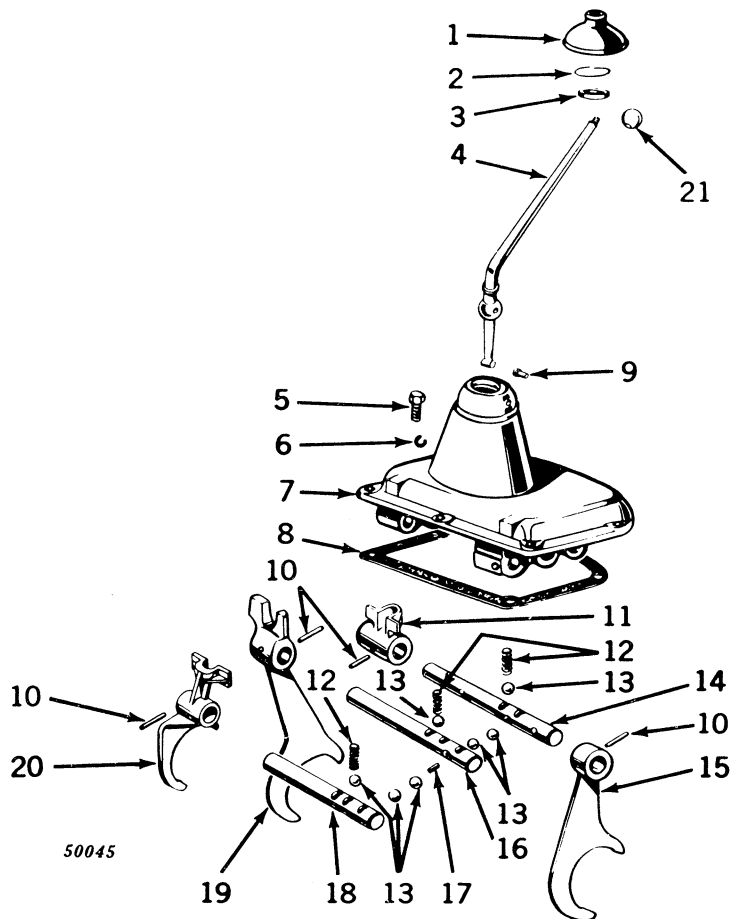
Key	Part No.	Serial No.	Description
1	M 164 T	(-)	Washer (bronze), pinion, thrust (2 used)
2	M 163 T	(-)	Pinion (2 used) (sub. for AM664T)
3	M 1682 T	(-)	Gear (2 used)
4	M 1948 T	(-)	Washer (bronze), gear, thrust (2 used)
5	M 1711 T	(-)	Quill (2 used)
6	AM 253 T	(-)	Seal, oil (2 used)
7	JD 8205 T	(-)	Cup, bearing (2 used)
8	JD 8144 T	(-)	Cone, bearing (2 used)
9	M 808 T	(-)	Shim, .002" (approx. 4 used) (packed 4 in a pkg.)
	M 809 T	(-)	Shim, .005" (approx. 6 used) (packed 6 in a pkg.)
	M 810 T	(-)	Shim, .010" (approx. 12 used) (packed 12 in a pkg.)
10	AM 3991 T	(-125000)	Shaft, pinion (M4395T) (7 teeth); gear, ring (M4104T) (32 teeth) (T) (matched set) (four-speed transmission) (sub. for AM1720T, M150T, and M1631T)
	AM 2615 T	(-125000)	Shaft, pinion (M2774T) (8 teeth); gear, ring (M2776T) (41 teeth) (I and W) (matched set) (four-speed transmission)
	AM 3654 T	(100001-111952)	Sub. one AM3990T and one AM3792T (T)
	AM 3990 T	(111953-125000)	Shaft, pinion (M4394T) (7 teeth); gear, ring (M4104T) (32 teeth) (T) (matched set) (five-speed transmission) (sub. for M3537T, M3915T, AM3494T, AM3654T, AM3819T, M4056T, and M1631T)
	AM 3655 T	(100001-111952)	Sub. one AM3820T and one AM3792T
	AM 3820 T	(111953-125000)	Shaft, pinion (M4057T) (8 teeth); gear, ring (M2776T) (41 teeth) (I and W) (matched set) (five-speed transmission) (sub. for M3538T, M3916T, AM3495T, and AM3655T)
	AT 16608 T	(125001-)	Shaft, pinion (T18450T) (7 teeth); gear, ring (T18451T) (32 teeth) (T) (matched set) (four- and five-speed transmissions) (sub. for AM3912T)
	AM 3913 T	(125001-)	Shaft, pinion (M4251T) (8 teeth); gear, ring (M2776T) (41 teeth) (I and W) (matched set) (four- and five-speed transmissions)
11	12H 304 A	(-)	Washer, lock, 3/8" (12 used)
12	19H 1139 A	(-)	Screw, cap, 3/8" x 1-1/8" (12 used)
13	25H 100 A	(-)	Pin, groov-, 1/4" x 2"
14	AT 10444 T	(-)	Cage, differential, with attaching cap screw, cap screw locks and dowels (sub. for M1681T and AM3795T)
15	M 165 T	(-)	Shaft, pinion
16	M 254 T	(-)	Lock, double (6 used) (sub. for AM668T) (packed 6 in a pkg.)
17	L 495 T	(-117685)	Screw, cap, special, 3/8" x 1" (10 used) (packed 5 in a pkg.)
	M 4062 T	(117686-)	Screw, cap, special, 3/8" x 1-1/8" (10 used)
18	M 4339 T	(133693-)	Dowel (2 used)

DIFFERENTIAL ASSEMBLY
Hi-Crop, Standard, Utility, and Special



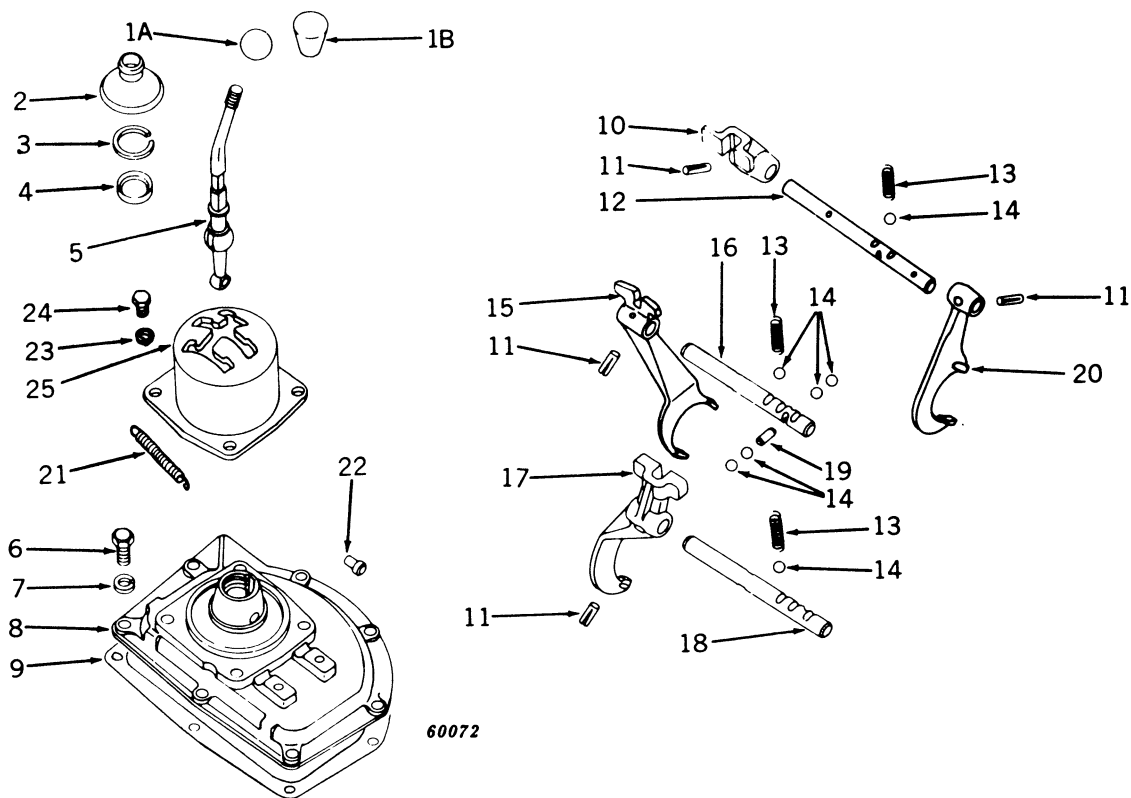
Key	Part No.	Serial No.	Description
1	M 164 T	(-)	Washer, bronze, pinion, thrust (2 used)
2	M 163 T	(-)	Pinion (2 used) (sub. for AM664T)
3	M 1682 T	(-)	Gear (2 used)
4	M 1948 T	(-)	Washer, bronze, gear, thrust (2 used)
5	19H 1944 A	(-)	Screw, cap, 3/8" x 2-3/4" (6 used)
6	12H 304 A	(-)	Washer, lock, 3/8" (6 used)
7	M 1791 T	(-)	Quill (2 used)
8	M 2165 T	(-)	Gasket
9	M 808 T	(-)	Shim, .002" (approx. 4 used) (packed 4 in a pkg.)
	M 809 T	(-)	Shim, .005" (approx. 6 used) (packed 6 in a pkg.)
	M 810 T	(-)	Shim, .010" (approx. 12 used) (packed 12 in a pkg.)
10	AM 253 T	(-)	Seal, oil (2 used)
11	JD 8205 T	(-)	Cup, bearing (2 used)
12	JD 8144 T	(-)	Cone, bearing (2 used)
13	AM 3991 T	(-125000)	Shaft, pinion (M4395T) (7 teeth); gear, ring (M4104T) (32 teeth) (H, U, and S -- regular transmission; V -- optional transmission) (matched set) (four-speed transmission) (sub. for AM1720T, M150T, and M1631T)
	AM 2615 T	(-125000)	Shaft, pinion (M2774T) (8 teeth); gear, ring (M2776T) (41 teeth) (V -- regular transmission) (matched set) (four-speed transmission)
	AM 3654 T	(100001-111952)	Sub. one AM3990T and one AM3792T (H, U, and S)
	AM 3990 T	(111953-125000)	Shaft, pinion (M4394T) (7 teeth); gear, ring (M4104T) (32 teeth) (H, U, and S) (five-speed transmission) (matched set) (sub. for M3537T, M3915T, AM3494T, AM3654T, AM3819T, M4056T, and M1631T)
	AM 3655 T	(100001-111952)	Sub. one AM3820T and one AM3792T (V)
	AM 3820 T	(111953-125000)	Shaft, pinion (M4057T) (8 teeth); gear, ring (M2776T) (41 teeth) (V) (five-speed transmission) (matched set) (sub. for M3538T, M3916T, AM3495T, and AM3655T)
	AT 16608 T	(125001-)	Shaft, pinion (T18450T) (7 teeth); gear, ring (T18451T) (32 teeth) (H, S, and U) (four- and five-speed transmissions) (matched set) (sub. for AM3912T)
	AM 3913 T	(125001-)	Shaft, pinion (M4251T) (8 teeth); gear, ring (M2776T) (41 teeth) (V) (four- and five-speed transmissions) (matched set)
14	25H 100 A	(-)	Pin, groov-, 1/4" x 2"
15	AT 10444 T	(-)	Cage, differential, with attaching cap screws, cap screw locks and dowels (sub. for M1681T and AM3795T)
16	M 165 T	(-)	Shaft, pinion
17	M 254 T	(-)	Lock, cap screw (6 used) (sub. for AM668T) (packed 6 in a pkg.)
18	L 495 T	(-117685)	Screw, cap, special, 3/8" x 1" (10 used) (packed 5 in a pkg.)
	M 4062 T	(117686-)	Screw, cap, special, 3/8" x 1-1/8" (10 used)
19	19H 1139 A	(-)	Screw, cap, 3/8" x 1-1/8" (6 used)
20	M 4339 T	(133693-)	Dowel (2 used)

FOUR-SPEED TRANSMISSION TOP COVER AND SHIFTING PARTS
(Serial No. 80001-108921)



Key	Part No.	Serial No.	Description
1	AL 4022 T	(-108921)	Boot
2	L 4035 T	(-108921)	Ring, snap
3	L 4027 T	(-108921)	Bearing
4	M 2751 T	(-108921)	Lever, shift
5	19H 1731 A	(-108921)	Screw, cap, 3/8" x 1" (7 used)
6	12H 304 A	(-108921)	Washer, lock, 3/8" (7 used)
7	M 1788 T	(-108921)	Cover
8	M 186 T	(-108921)	Gasket (packed 5 in a pkg.)
9	M 1970 T	(-108921)	Pin, lock
10	25H 903 A	(-108921)	Pin, groov-, 7/32" x 1-1/8" (4 used)
11	M 178 T	(-108921)	Shifter, third speed (sub. for AM698T)
12	L 468 T	(-108921)	Spring (3 used)
13	405 R	(-108921)	Ball (7 used) (sub. for L467T)
14	M 176 T	(-108921)	Shaft, third speed shift
15	M 3965 T	(-108921)	Fork, third speed shift (sub. for M177T and AM699T)
16	M 179 T	(-108921)	Shaft, first and fourth speed shift
17	M 180 T	(-108921)	Pin, inter-lock
18	M 1931 T	(-108921)	Shaft, second speed and reverse shift
19	M 3966 T	(-108921)	Fork, first and fourth speed shift (sub. for M181T and AM700T)
20	T 16267 T	(-108921)	Fork, second speed and reverse shift (sub. for M1684T and M3967T)
21	M 526 T	(-108921)	Knob

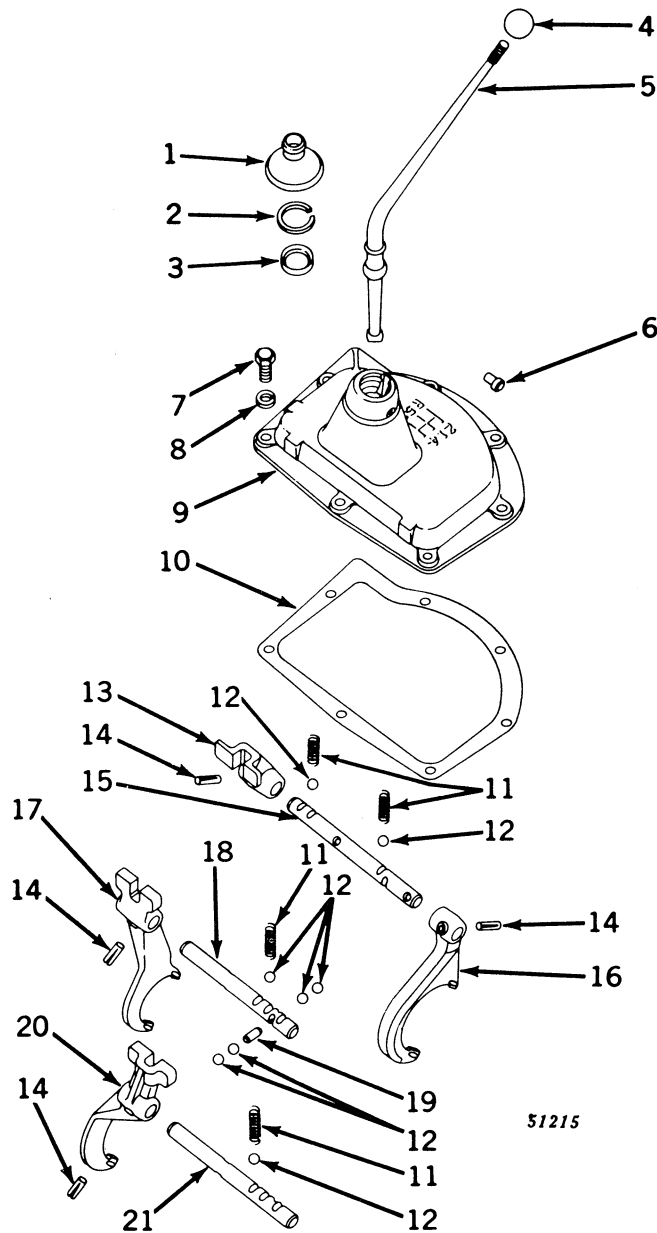
FOUR-SPEED TRANSMISSION TOP COVER AND SHIFTING PARTS
(Serial No. 108922-Up)



60072

Key	Part No.	Serial No.	Description
1A	M 526 T	(108922-125000)	Knob
1B	M 4337 T	(125001-	Knob
2	AL 4022 T	(108922-	Boot
3	L 4035 T	(108922-	Ring, snap
4	L 4027 T	(108922-	Bearing
5	M 3970 T	(108992-112407)	Lever, shift (C)
	M 4325 T	(112408-139999)	Lever, shift (C)
	M 4284 T	(140000-	Lever, shift (C)
	M 3970 T	(108922-125000)	Lever, shift (H, I, S, T, U, V, and W)
	M 4284 T	(125001-	Lever, shift (H, I, S, T, U, V, and W)
	M 3970 T	(125001-	Lever, shift (H, I, S, T, U, V, and W, with LP-gas)
6	19H 1731 A	(108922-	Screw, cap, 3/8" x 1" (7 used)
7	12H 304 A	(108922-	Washer, lock, 3/8" (7 used)
8	M 3958 T	(108922-	Cover
9	M 186 T	(108922-	Gasket (packed 5 in a pkg.)
10	M 3984 T	(108922-125000)	Shifter, third speed
	T 15756 T	(125001-	Shifter (sub. for M4266T)
11	25H 903 A	(108922-	Pin, groov-, 7/32" x 1-1/8" (4 used)
12	M 4111 T	(108922-	Shaft, third speed shift (sub. for M176T)
13	L 468 T	(108922-	Spring (3 used)
14	405 R	(108922-	Ball (7 used) (sub. for L467T)
15	M 3966 T	(108922-125000)	Fork, first and fourth speed shift
	M 4210 T	(125001-	Fork, first and fourth speed shift
16	M 4112 T	(108922-	Shaft, first and fourth speed shift (sub. for M179T)
17	T 16267 T	(108922-	Fork, second and reverse speed shift (sub. for M3967T)
18	M 4128 T	(108922-	Shaft, second and reverse speed shift (sub. for M1931T)
19	M 180 T	(108922-	Pin, inter-lock
20	M 3965 T	(108922-125000)	Fork, third speed shift
	M 4211 T	(125001-	Fork, third speed shift
21	M 3985 T	(108922-	Spring
22	M 1970 T	(108922-	Pin, lock
23	12H 303 A	(108922-	Washer, lock, 5/16" (4 used)
24	19H 1813 A	(108922-	Screw, cap, 5/16" x 5/8" (4 used)
25	M 3977 T	(108922-	Guide, shifter

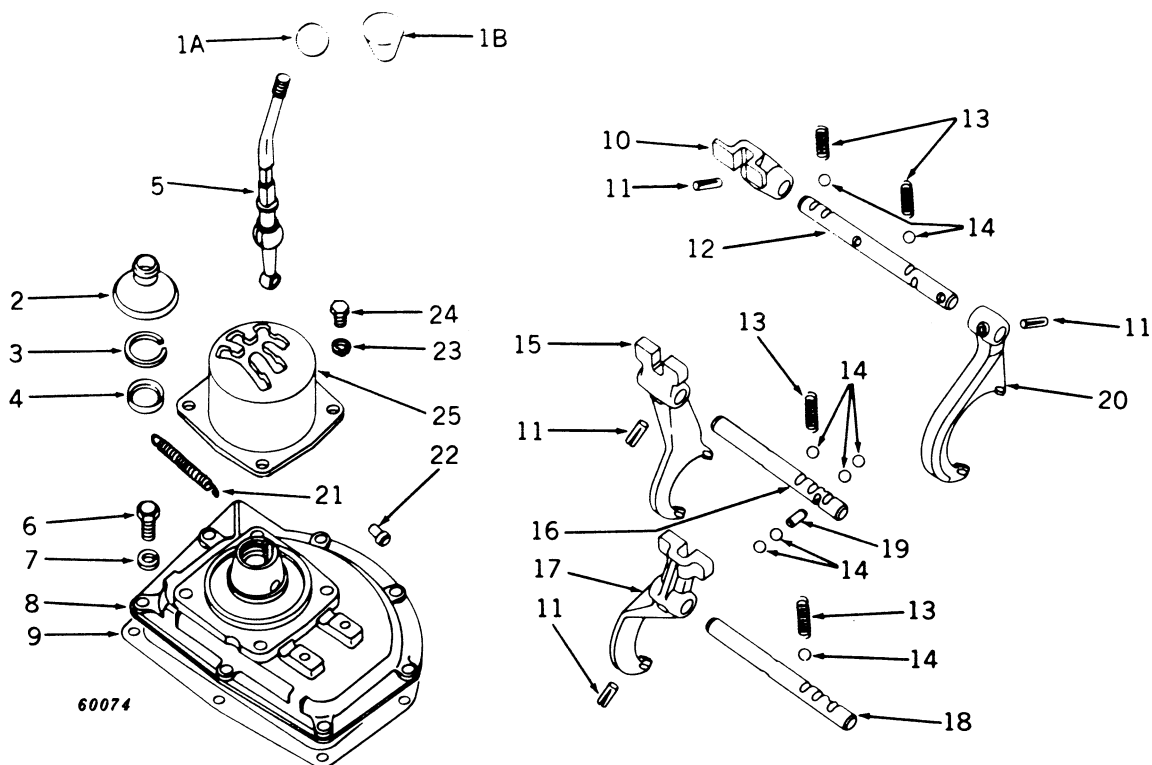
FIVE-SPEED TRANSMISSION TOP COVER ASSEMBLY
(Serial No. 100001-108921)



51215

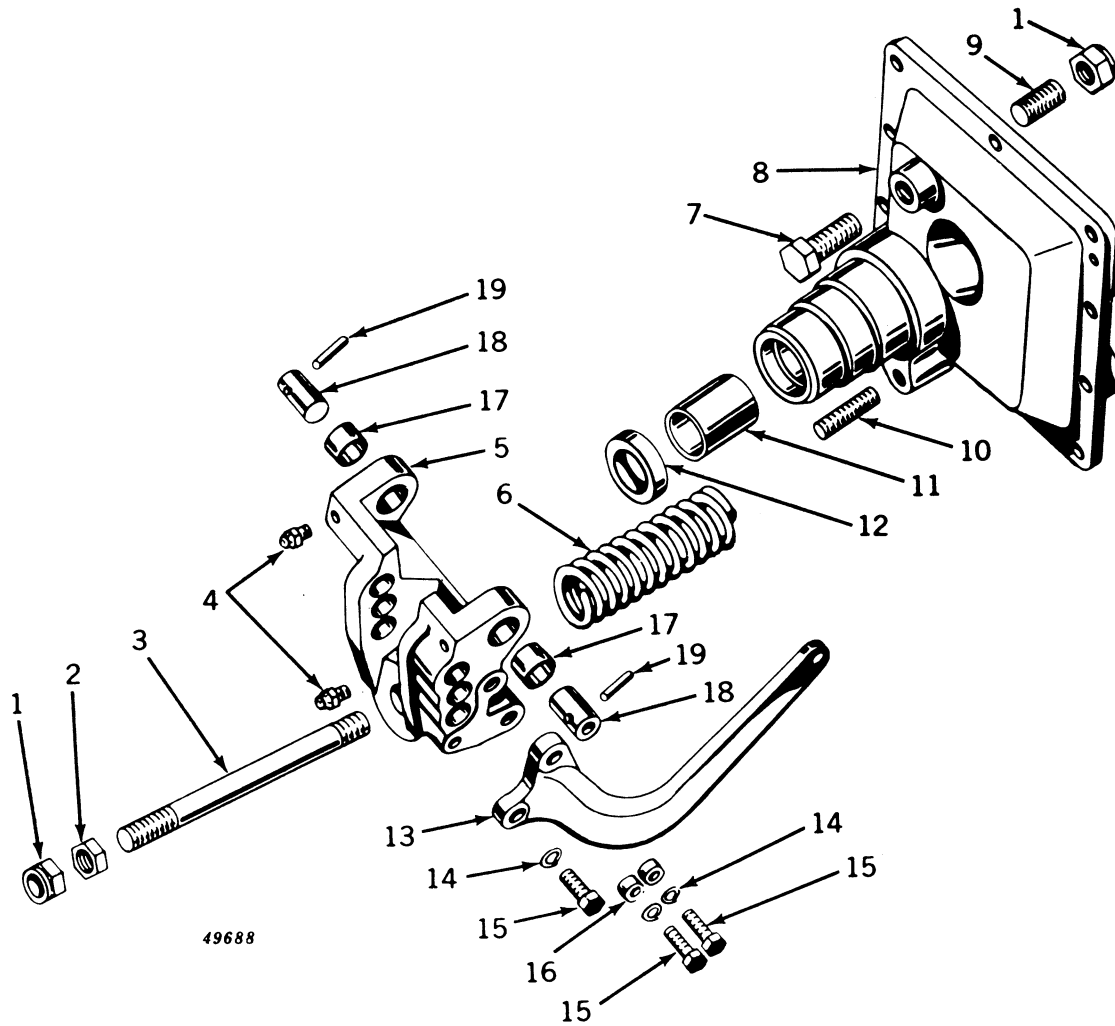
Key	Part No.	Serial No.	Description
1	AL 4022 T	(100001-108921)	Boot
2	L 4035 T	(100001-108921)	Ring, snap
3	L 4027 T	(100001-108921)	Bearing
4	M 526 T	(100001-108921)	Knob
5	M 2751 T	(100001-108921)	Lever, shift
6	M 1970 T	(100001-108921)	Pin, lock
7	19H 1731 A	(100001-108921)	Screw, cap, 3/8" x 1" (7 used)
8	12H 304 A	(100001-108921)	Washer, lock, 3/8" (7 used)
9	M 3582 T	(100001-108921)	Cover
10	M 186 T	(100001-108921)	Gasket (packed 5 in a pkg.)
11	L 468 T	(100001-108921)	Spring (4 used)
12	405 R	(100001-108921)	Ball (8 used) (sub. for L467T)
13	M 3984 T	(100001-108921)	Shifter, third and fourth speed (sub. for M3528T)
14	25H 903 A	(100001-108921)	Pin, groov-, 7/32" x 1-1/8" (4 used)
15	M 3647 T	(100001-108921)	Shaft, third and fourth speed
16	M 3968 T	(100001-108921)	Fork, third and fourth speed (sub. for M3527T)
17	M 3969 T	(100001-108921)	Fork, first and fifth speed (sub. for M3529T)
18	M 3646 T	(100001-108921)	Shaft, first and fifth speed
19	M 180 T	(100001-108921)	Pin, inter-lock
20	T 16267 T	(100001-108921)	Fork, second and reverse speed (sub. for M1684T and M3967T)
21	M 1931 T	(100001-108921)	Shaft, second and reverse speed

FIVE-SPEED TRANSMISSION TOP COVER AND SHIFTING PARTS
(Serial No. 108922-Up)



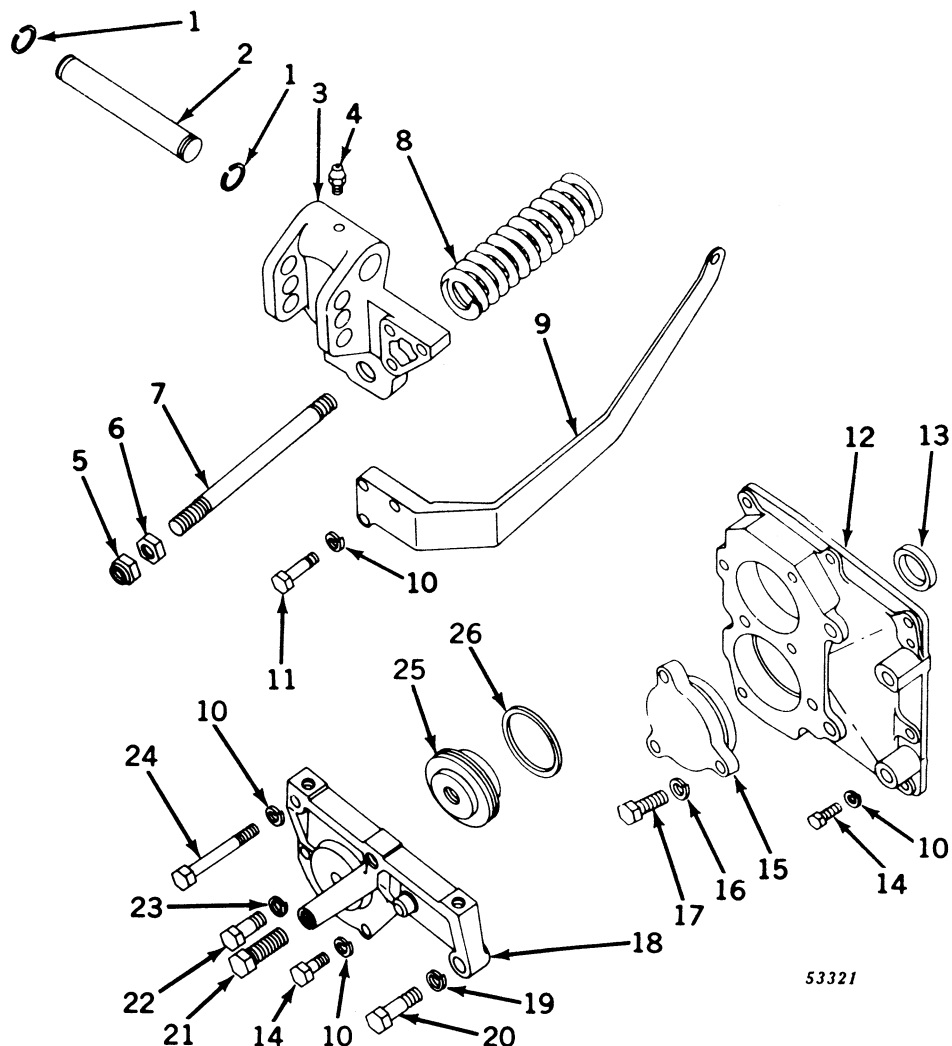
Key	Part No.	Serial No.	Description
1A	M 526 T	(108922-125000)	Knob
1B	M 4338 T	(125001-)	Knob
2	AL 4022 T	(108922-)	Boot
3	L 4035 T	(108922-)	Ring, snap
4	L 4027 T	(108922-)	Bearing
5	M 3970 T	(108922-112407)	Lever, shift (C)
	M 4325 T	(112408-139999)	Lever, shift (C)
	M 4284 T	(140000-)	Lever, shift (C)
	M 3970 T	(108922-125000)	Lever, shift (H, I, S, T, U, V, and W)
	M 4284 T	(125001-)	Lever, shift (H, I, S, T, U, V, and W)
	M 3970 T	(125001-)	Lever, shift (H, I, S, T, U, V, and W, with LP-gas)
	6	19H 1731 A	(108922-)
7	12H 304 A	(108922-)	Washer, lock, 3/8" (7 used)
8	M 3958 T	(108922-)	Cover
9	M 186 T	(108922-)	Gasket (packed 5 in a pkg.)
10	M 3984 T	(108922-125000)	Shifter, third speed
	T 15756 T	(125001-)	Shifter (sub. for M4266T)
11	25H 903 A	(108922-)	Pin, groove-, 7/32" x 1-1/8" (4 used)
12	M 4130 T	(108922-)	Shaft, third and fourth speed shift (sub. for M3647T)
	T 18592 T	(125001-)	Shaft, third and fourth speed shift (sub. for M4264T)
13	L 468 T	(108922-125000)	Spring (4 used)
	L 468 T	(125000-)	Spring (3 used)
14	405 R	(108922-125000)	Ball (8 used) (sub. for L467T)
	405 R	(125001-)	Ball (7 used) (sub. for L467T)
15	M 3969 T	(108922-125000)	Fork, first and fifth speed shift
	T 11321 T	(125001-)	Fork, first and fifth speed shift (sub. for M4204T)
16	M 4129 T	(108922-125000)	Shaft, first and fifth speed shift (sub. for M3646T)
	M 4265 T	(125001-)	Shaft, first and fifth speed shift
17	T 16267 T	(108922-)	Fork, second and reverse speed shift (sub. for M3967T)
18	M 4128 T	(108922-)	Shaft, second and reverse speed shift (sub. for M1931T)
19	M 180 T	(108922-)	Pin, inter-lock
20	M 3968 T	(108922-125000)	Fork, third and fourth speed shift
	M 4203 T	(125001-)	Fork, third and fourth speed shift
21	M 3985 T	(108922-)	Spring
22	M 1970 T	(108922-)	Pin, lock
23	12H 303 A	(108922-)	Washer, lock, 5/16" (4 used)
24	19H 1813 A	(108922-)	Screw, cap, 5/16" x 5/8" (4 used)
25	M 3978 T	(108922-125000)	Guide, shifter
	M 4267 T	(125001-)	Guide, shifter

TRANSMISSION REAR COVER AND ANCHOR YOKE ASSEMBLY
Standard



Key	Part No.	Serial No.	Description
1	M 2023 T	(-)	Nut, stop (2 used)
2	M 2203 T	(-)	Nut
3	M 2200 T	(-)	Stud
4	JD 7797	(-)	Fitting, grease (2 used)
5	AM 1987 T	(-)	Yoke, anchor assembly, with bushings and grease fittings
6	M 2212 T	(-)	Spring
7	M 2211 T	(-)	Screw, cap, special (packed 2 in a pkg.)
8	AM 2053 T	(-)	Cover, rear assembly (M2210T)
9	22H 703 A	(-)	Screw, set, 5/8" x 1-1/2"
10	M 2017 T	(-)	Stud
11	M 170 T	(-)	Bushing (sub. for AM605T)
12	AM 253 T	(-)	Seal, oil
13	M 1829 T	(-)	Arm, control
14	12H 303 A	(-)	Washer, lock, 5/16" (3 used)
15	19H 2117 A	(-)	Screw, cap, 5/16" x 1-1/8" (3 used)
16	M 2152 T	(-)	Dowel, hollow (2 used)
17	M 2214 T	(-)	Bushing (2 used)
18	M 2143 T	(-)	Pin, pivot (2 used)
19	34H 188 A	(-)	Pin, roll, 5/16" x 1-3/4" (2 used)

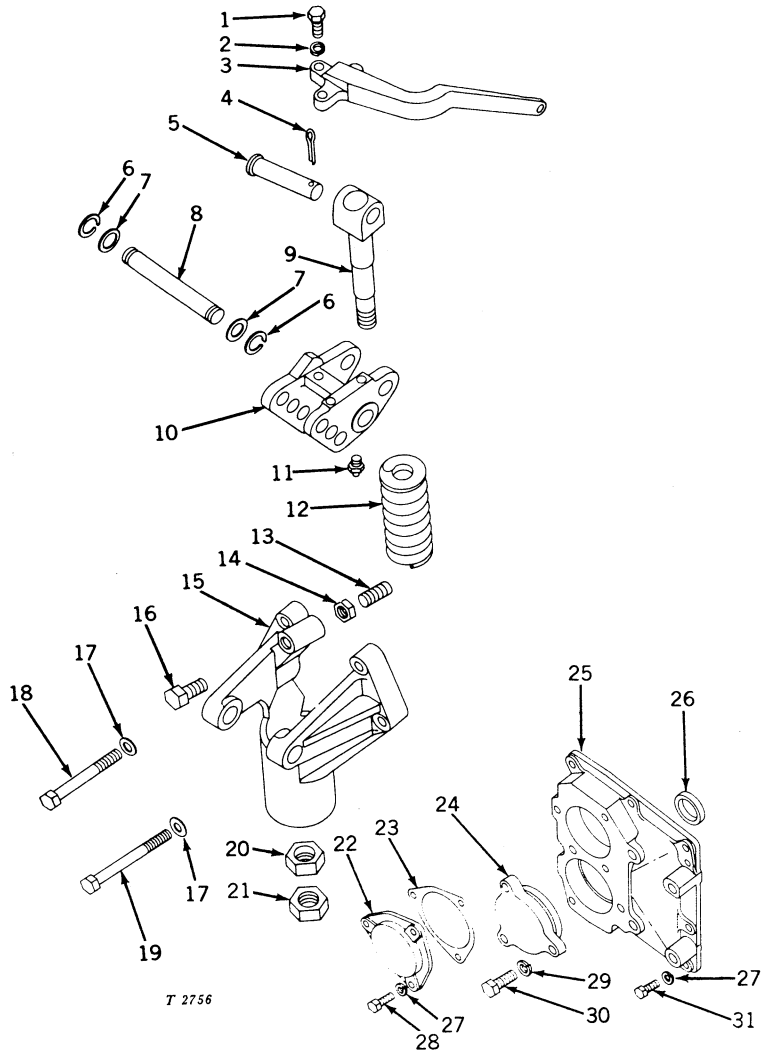
TRANSMISSION REAR COVER AND ANCHOR YOKE ASSEMBLY
Standard Tractor when Equipped with Dual Touch-o-matic



53321

Key	Part No.	Serial No.	Description
1	M 2679 T	(100001-) Snap ring (2 used) (packed 10 in a pkg.)
2	M 2711 T	(100001-) Pin
3	M 3562 T	(100001-) Yoke, anchor
4	JD 7759	(100001-) Fitting, grease
5	M 2023 T	(100001-) Nut, stop
6	M 2203 T	(100001-) Nut
7	M 2200 T	(100001-) Stud
8	M 2212 T	(100001-) Spring
9	M 3579 T	(100001-) Arm control
10	12H 304 A	(100001-) Washer, lock, 3/8" (14 used)
11	19H 1800 A	(100001-) Screw, cap, 3/8" x 1-1/2" (3 used)
12	T 11424 T	(100001-) Cover, rear (sub. for M2856T)
13	AT 15561 T	(100001-) Oil seal (sub. for AF1934R)
14	19H 1731 A	(100001-) Screw, cap, 3/8" x 1" (7 used)
15	M 2347 T	(100001-) Cover, powershaft
16	12H 293 A	(100001-) Washer, lock, 7/16" (3 used)
17	19H 1821 A	(100001-) Screw, cap, 7/16" x 1-1/4" (3 used)
18	M 3577 T	(100001-) Support
19	12H 317 A	(100001-) Washer, lock, 9/16"
20	19H 1243 A	(100001-) Screw, cap, 9/16" x 1-3/4"
21	M 2211 T	(100001-) Screw, cap, special (packed 2 in a pkg.)
22	19H 1815 A	(100001-) Screw, cap, 1/2" x 1-1/4"
23	12H 301 A	(100001-) Washer, lock, 1/2"
24	19H 2023 A	(100001-) Screw, cap, 3/8" x 3-1/4" (2 used)
25	M 3508 T	(100001-) Pilot, support
26	M 2374 T	(100001-) Ring, sealing

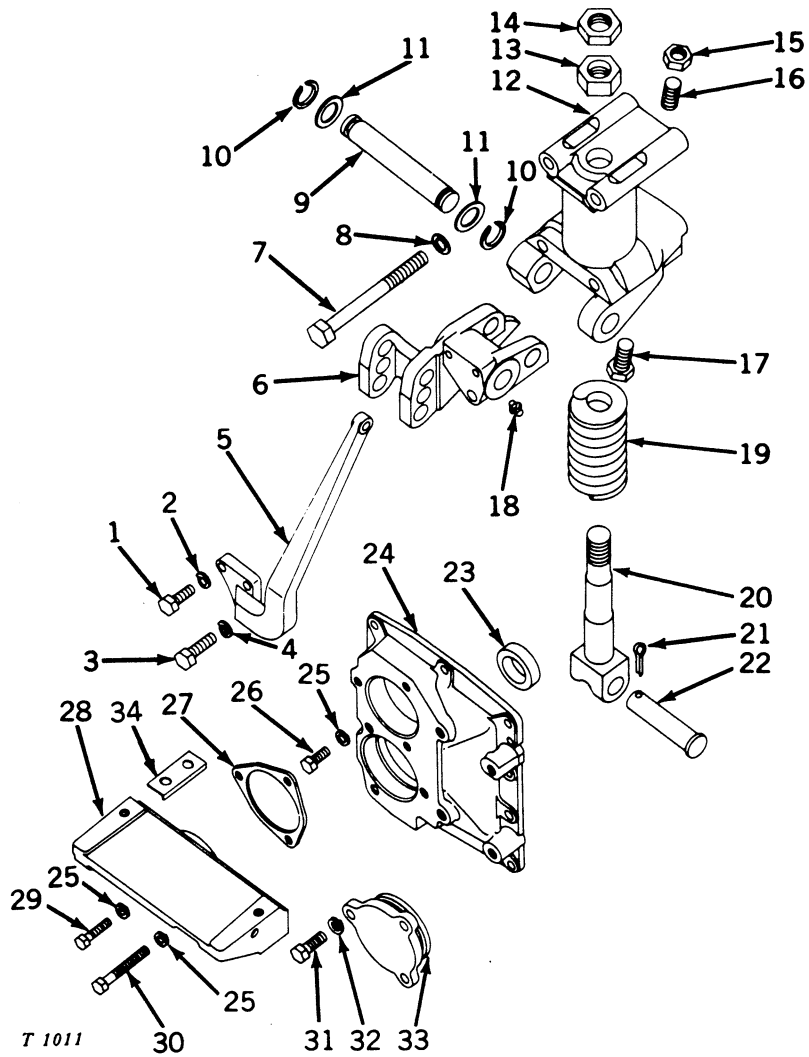
TRANSMISSION REAR COVER AND ANCHOR YOKE ASSEMBLY
Crawler and Utility



TRANSMISSION REAR COVER AND ANCHOR YOKE ASSEMBLY -- Continued
Crawler and Utility

Key	Part No.	Serial No.	Description
1	19H 2117 A	(-)	Screw, cap, 5/16" x 1-1/8" (3 used) (model U)
2	12H 303 A	(-)	Washer, lock, 5/16" (3 used) (model U)
3	M 2419 T	(-)	Arm, control (model U)
4	11H 218 A	(-)	Pin, cotter, 3/16" x 1-1/2" (model U)
5	M 2024 T	(-)	Pin (model U)
6	L 357 T	(-)	Ring, snap (2 used) (U)
7	24H 1424 A	(-)	Washer, plain, 29/32" x 1-1/2" x .060" (2 used) (model U)
8	M 2418 T	(-)	Pin (model U)
9	M 1762 T	(-)	Link, tension (model U)
10	M 2417 T	(-)	Yoke, anchor (model U)
11	JD 7797	(-)	Fitting, grease (model U)
12	M 2215 T	(-)	Spring (model U)
13	22H 703 A	(-)	Screw, set, 5/8" x 1-1/2" (model U)
14	14H 821 A	(-)	Nut, hex., jam, 5/8" (model U)
15	M 2416 T	(-)	Housing, spring (model U)
16	19H 1756 A	(-)	Screw, cap, 5/8" x 1-1/2" (model U)
17	24H 1341 A	(-)	Washer, plain, 17/32" x 15/16" x .060" (4 used) (model U)
18	19H 1266 A	(-)	Screw, cap, 1/2" x 5-7/8" (2 used) (model U)
19	19H 1265 A	(-)	Screw, cap, 9/16" x 5-7/8" (2 used) (model U)
20	M 1991 T	(-)	Nut, hex., special (model U)
21	14H 806 A	(-)	Nut, hex., jam, 1" (model U)
22	M 2345 T	(-)	Cover (models C and U)
23	M 2346 T	(-)	Gasket (models C and U)
24	M 2347 T	(-)	Cover (models C and U)
25	T 11424 T	(-)	Cover, transmission, rear (models C and U) (sub. for M2856T)
26	AT 15561 T	(-)	Seal, oil (models C and U) (sub. for AF1934R)
27	12H 304 A	(-)	Washer, lock, 3/8" (12 used) (models C and U)
28	19H 1731 A	(-)	Screw, cap, 3/8" x 1" (3 used) (models C and U)
29	12H 293 A	(-)	Washer, lock, 7/16" (3 used) (models C and U)
30	19H 1821 A	(-)	Screw, cap, 7/16" x 1-1/4" (3 used) (models C and U)
31	19H 1731 A	(-)	Screw, cap, 3/8" x 1" (9 used) (U)
	19H 1867 A	(-)	Screw, cap, 3/8" x 1" (9 used) (C)

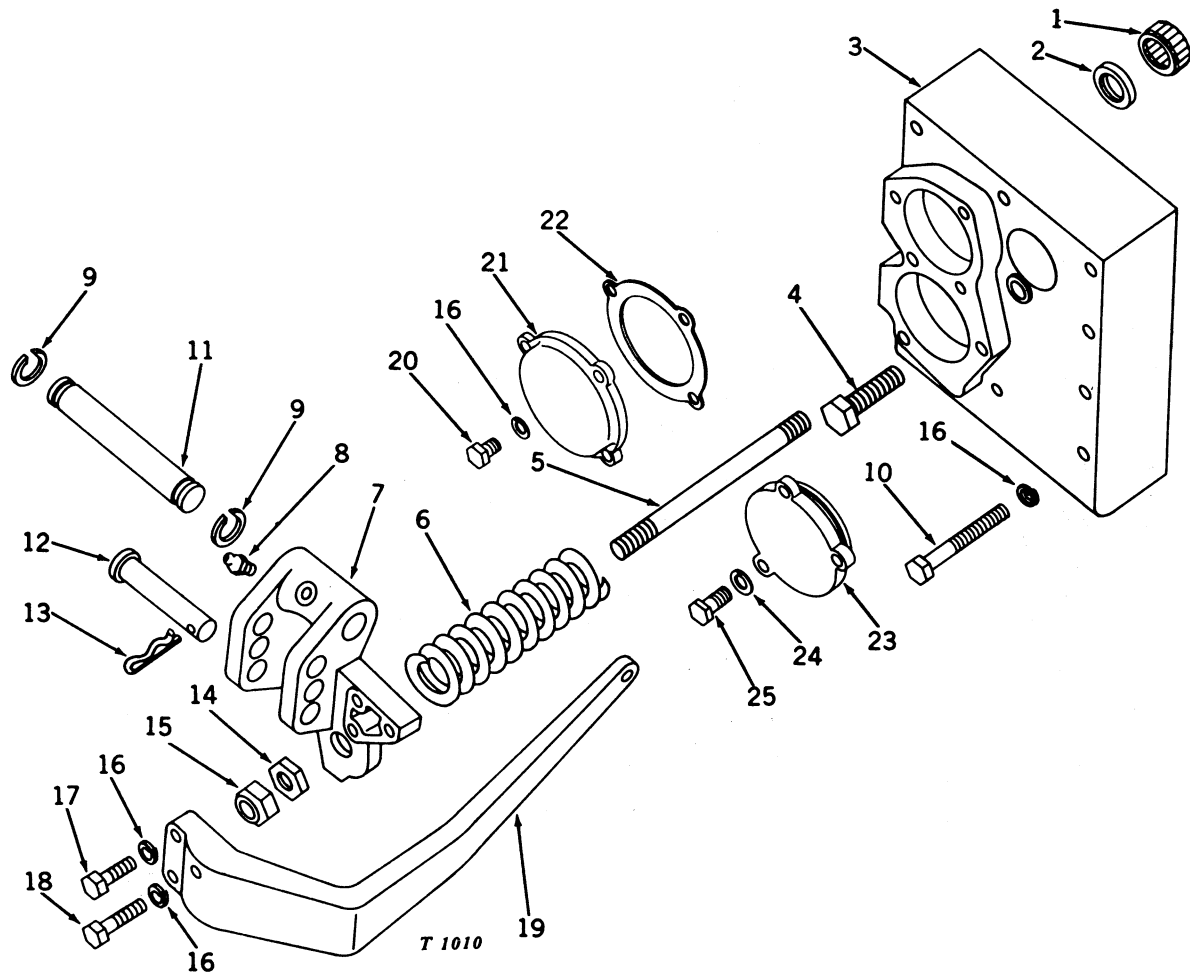
TRANSMISSION REAR COVER AND ANCHOR YOKE ASSEMBLY
Hi-Crop



TRANSMISSION REAR COVER AND ANCHOR YOKE ASSEMBLY -- Continued
Hi-Crop

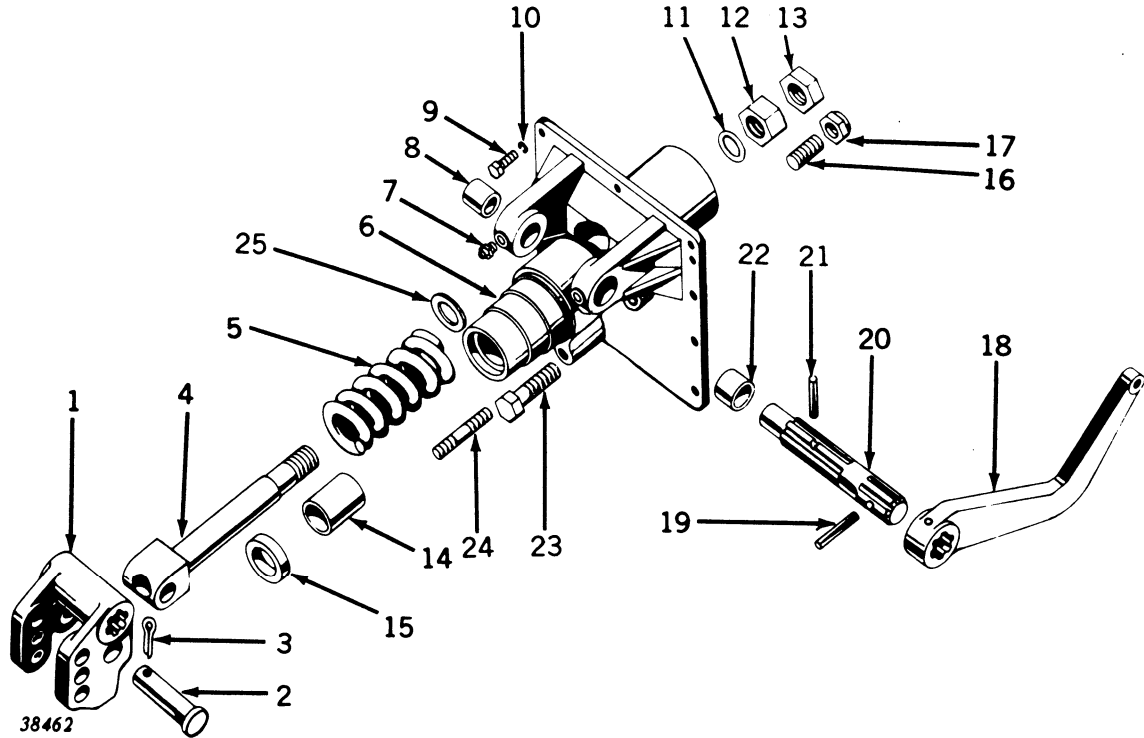
Key	Part No.	Serial No.	Description
1	19H 2117 A	(-)	Screw, cap, 5/16" x 1-1/8" (2 used)
2	12H 303 A	(-)	Washer, lock, 5/16" (2 used)
3	19H 1978 A	(-)	Screw, cap, 7/16" x 1-1/2"
4	12H 293 A	(-)	Washer, lock, 7/16"
5	M 2712 T	(-)	Arm, control
6	M 2710 T	(-)	Yoke, anchor
7	19H 1265 A	(-)	Screw, cap, 9/16" x 5-7/8" (4 used)
8	M 3244 T	(-)	Washer, plain, special (4 used) (packed 4 in a pkg.)
9	M 2711 T	(-)	Pin, yoke
10	M 2679 T	(-)	Ring, snap (2 used) (packed 10 in a pkg.)
11	24H 1452 A	(-)	Washer, plain, 1/32" x 1-5/8" x .105" (2 used)
12	M 2898 T	(-)	Housing, spring
13	M 1991 T	(-)	Nut, tension link
14	14H 806 A	(-)	Nut, hex., jam, 1"
15	14H 821 A	(-)	Nut, hex., jam, 5/8"
16	22H 703 A	(-)	Screw, set, 5/8" x 1-1/2"
17	19H 1756 A	(-)	Screw, cap, 5/8" x 1-1/2"
18	JD 7797	(-)	Fitting, grease
19	M 2215 T	(-)	Spring
20	M 1762 T	(-)	Link, tension
21	11H 218 A	(-)	Pin, cotter, 3/16" x 1-1/2"
22	M 2024 T	(-)	Pin
23	AT 15561 T	(-)	Seal, oil (sub. for AF1934R)
24	T 11424 T	(-)	Cover, rear (sub. for M2856T)
25	12H 304 A	(-)	Washer, lock, 3/8" (12 used)
26	19H 1867 A	(-)	Screw, cap, 3/8" x 1" (9 used)
27	T 12841 T	(-)	Gasket (sub. for M2346T)
28	M 2708 T	(-)	Support
29	19H 1800 A	(-)	Screw, cap, 3/8" x 1-1/2" (2 used)
30	19H 1944 A	(-)	Screw, cap, 3/8" x 2-3/4"
31	19H 1821 A	(-)	Screw, cap, 7/16" x 1-1/4" (3 used)
32	12H 293 A	(-)	Washer, lock, 7/16" (3 used)
33	M 2347 T	(-)	Cover
34	T 12818 T	(-)	Shim (use quantity required)

TRANSMISSION REAR COVER AND ANCHOR YOKE ASSEMBLY
Special Utility and Row-Crop Utility



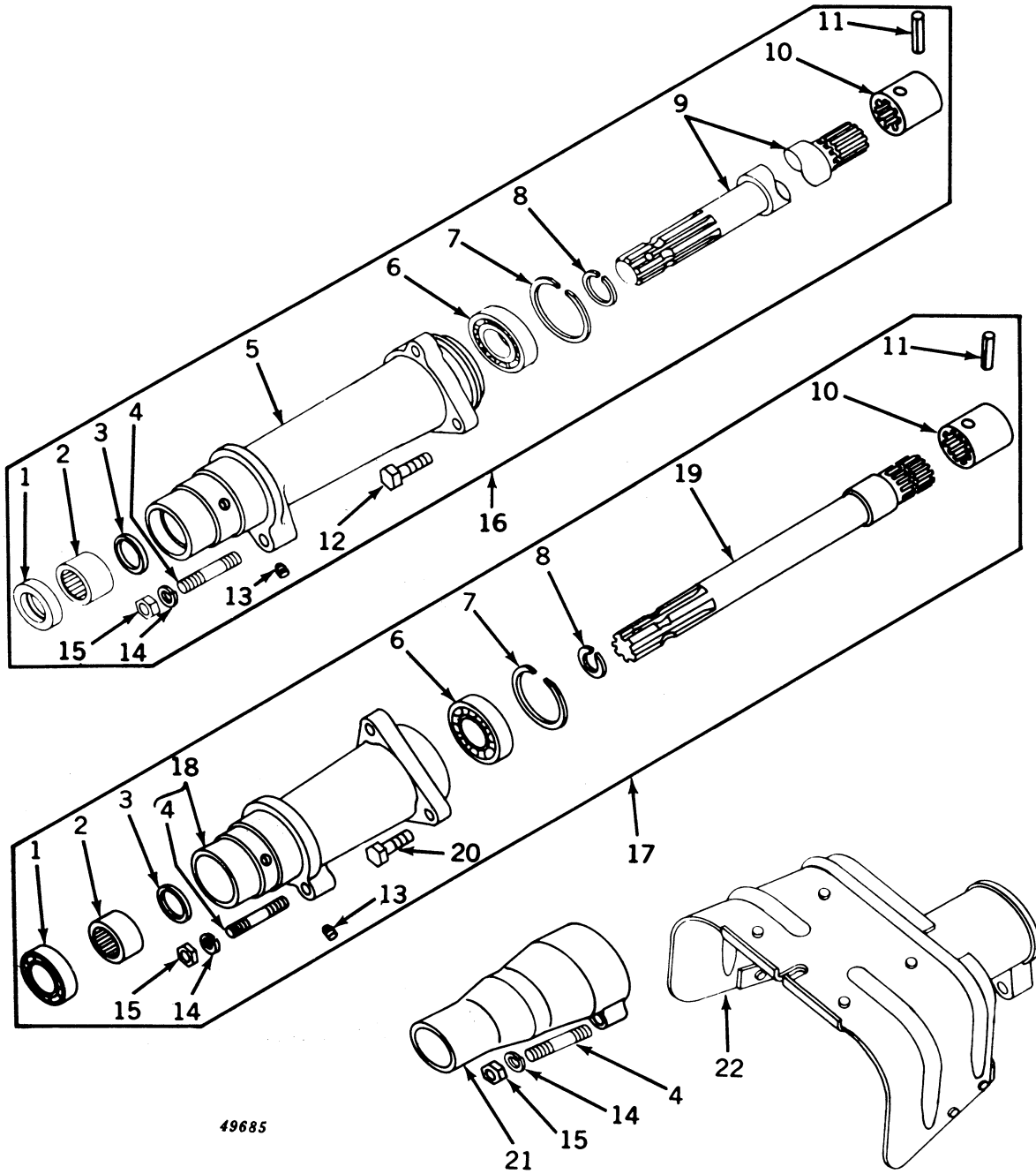
Key	Part No.	Serial No.	Description
1	JD 8818 H	(-)	Bearing, needle
2	AT 15561 T	(-)	Seal, oil (sub. for AF1934R)
3	M 3143 T	(-)	Cover, rear
4	19H 1662 A	(-)	Screw, cap, 5/8" x 2-1/4"
5	M 2200 T	(-)	Stud
6	M 2212 T	(-)	Spring
7	M 3144 T	(-)	Yoke, anchor
8	JD 7797	(-)	Fitting, grease
9	M 2679 T	(-)	Ring, snap (2 used) (packed 10 in a pkg.)
10	19H 1697 A	(-)	Screw, cap, 3/8" x 4" (9 used)
11	M 2711 T	(-)	Pin
12	M 2071 T	(-)	Pin
13	A 3581 R	(-)	Pin, spring locking (pkg. of 25)
14	M 2203 T	(-)	Nut, hex., special, 5/8"
15	M 2023 T	(-)	Nut, stop, 5/8"
16	12H 304 A	(-)	Washer, lock, 3/8" (15 used)
17	19H 1732 A	(-)	Screw, cap, 3/8" x 1-1/4" (2 used)
18	19H 1801 A	(-)	Screw, cap, 3/8" x 2"
19	M 3171 T	(-)	Arm, control
20	19H 1731 A	(-)	Screw, cap, 3/8" x 1" (3 used)
21	M 2345 T	(-)	Cover, input shaft rear
22	M 2346 T	(-)	Gasket
23	M 2347 T	(-)	Cover, powershaft
24	12H 293 A	(-)	Washer, lock, 7/16" (3 used)
25	19H 1821 A	(-)	Screw, cap, 7/16" x 1-1/4" (3 used)

TRANSMISSION REAR COVER AND ANCHOR YOKE ASSEMBLY
Special and Tricycle



Key	Part No.	Serial No.	Description
1	M 1730 T	(-)	Yoke, anchor
2	M 2024 T	(-)	Pin
3	11H 218 A	(-)	Pin, cotter, 3/16" x 1-1/2"
4	M 1762 T	(-)	Link, tension
5	M 2215 T	(-)	Spring
6	AM 1965 T	(-)	Cover, rear (M1944T), with bushings, stud, oil seal, and bearing
7	JD 7797	(-)	Fitting, grease (2 used)
8	M 2019 T	(-)	Bushing
9	19H 1731 A	(-)	Screw, cap, 3/8" x 1" (10 used)
10	12H 304 A	(-)	Washer, lock, 3/8" (10 used)
11	M 2020 T	(-)	Seal, "O" ring
12	M 1991 T	(-)	Nut, tension link, special
13	14H 806 A	(-)	Nut, hex., jam, 1"
14	M 170 T	(-)	Bushing, powershaft (sub. for AM605T)
15	AM 253 T	(-)	Seal, oil
16	22H 703 A	(-)	Screw, set, 5/8" x 1-1/2"
17	M 2023 T	(-)	Nut, stop, special
18	M 1774 T	(-)	Arm, control
19	34H 164 A	(-)	Pin, roll, 5/16" x 2-1/8"
20	M 2001 T	(-)	Shaft
21	34H 120 A	(-)	Pin, roll, 5/16" x 2"
22	M 2018 T	(-)	Bushing
23	M 2022 T	(-)	Screw, stop, special
24	M 2017 T	(-)	Stud
25	24H 1487 A	(-)	Washer, plain, 1-7/32" x 2-3/8" x .060"

POWERSHAFT ATTACHMENT
Crawler, Special Utility, Hi-Crop, Utility, and Row-Crop Utility



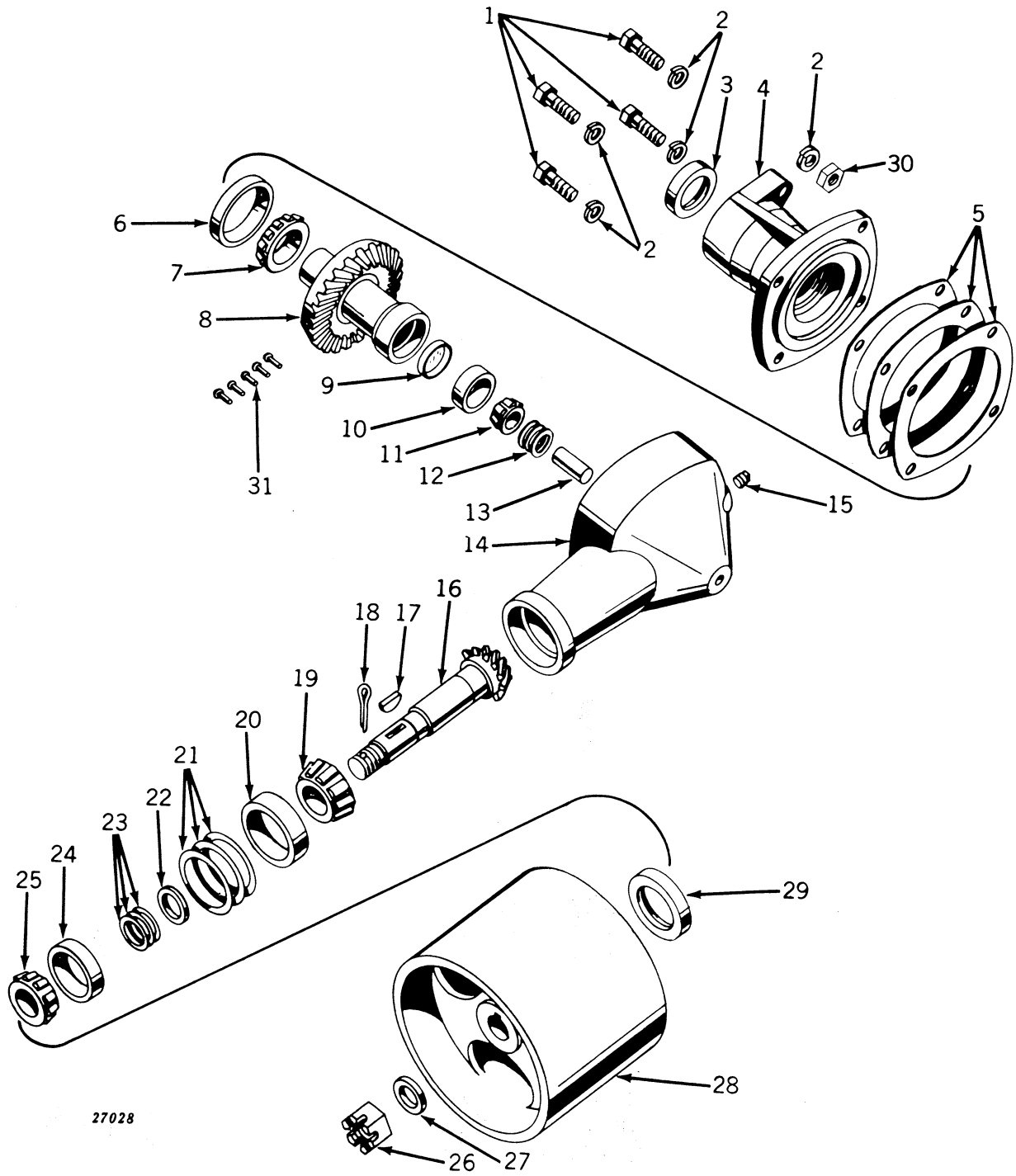
49685

POWERSHAFT ATTACHMENT -- Continued
Crawler, Special Utility, Hi-Crop, Utility, and Row-Crop Utility

Key	Part No.	Serial No.	Description
1	AM 253 T	(-)	Seal, oil
2	JD 8819 T	(-)	Bearing, needle
3	AM 2553 T	(-)	Seal, oil
4	M 2017 T	(-)	Stud
5	AM 2554 T	(-)	Housing (M2744T), with stud (H and U)
6	JD 7198 T	(-)	Bearing, needle
7	M 2354 T	(-)	Ring, snap
8	M 2353 T	(-)	Ring, snap
9	M 2745 T	(-)	Shaft (H and U)
10	M 2746 T	(-)	Coupling
11	34H 107 A	(-)	Pin, roll, 1/4" x 1-3/4"
12	19H 1978 A	(-)	Screw, cap, 7/16" x 1-1/2" (3 used) (H and U)
13	15H 566 A	(-)	Plug, screw, slotted, 1/8" (sub. for L756T)
14	12H 301 A	(-)	Washer, lock, 1/2"
15	14H 809 A	(-)	Nut, hex., 1/2"
16	AM 2552 T	(-)	Power take-off assembly (H and U)
17	AM 2549 T	(-)	Power take-off assembly (C, I, S, and W)
18	AM 2750 T	(-)	Housing (M2915T), with stud (C, I, and W)
19	M 2916 T	(-)	Shaft (C, I, and W)
20	19H 1821 A	(-)	Screw, cap, 7/16" x 1-1/4" (3 used) (C, I, and W)
21	M 1800 T	(-)	Guard (C, H, I, S, T, U, V, and W)
22	AT 10664 T	(-)	Shield, powershaft (C, H, I, S, T, U, V, and W) (sub. for AM1959T and M2065T)
..	AM 3498 T	(-)	Shield, powershaft (M2065T) (C when equipped with three-point hitch)
	AM 2547 T	(-)	POWER TAKE-OFF ATTACHMENT WITH GUARD AND SHIELD (H AND U)
	AM 2748 T	(-)	POWER TAKE-OFF ATTACHMENT WITH GUARD AND SHIELD (C, I, S, AND W)
	AM 3497 T	(-)	POWER TAKE-OFF ATTACHMENT WITH GUARD AND SHIELD (C when equipped with 3-point hitch)

Capital letters indicate an attachment. Attachments must be listed on separate order from replacement parts.

BELT PULLEY



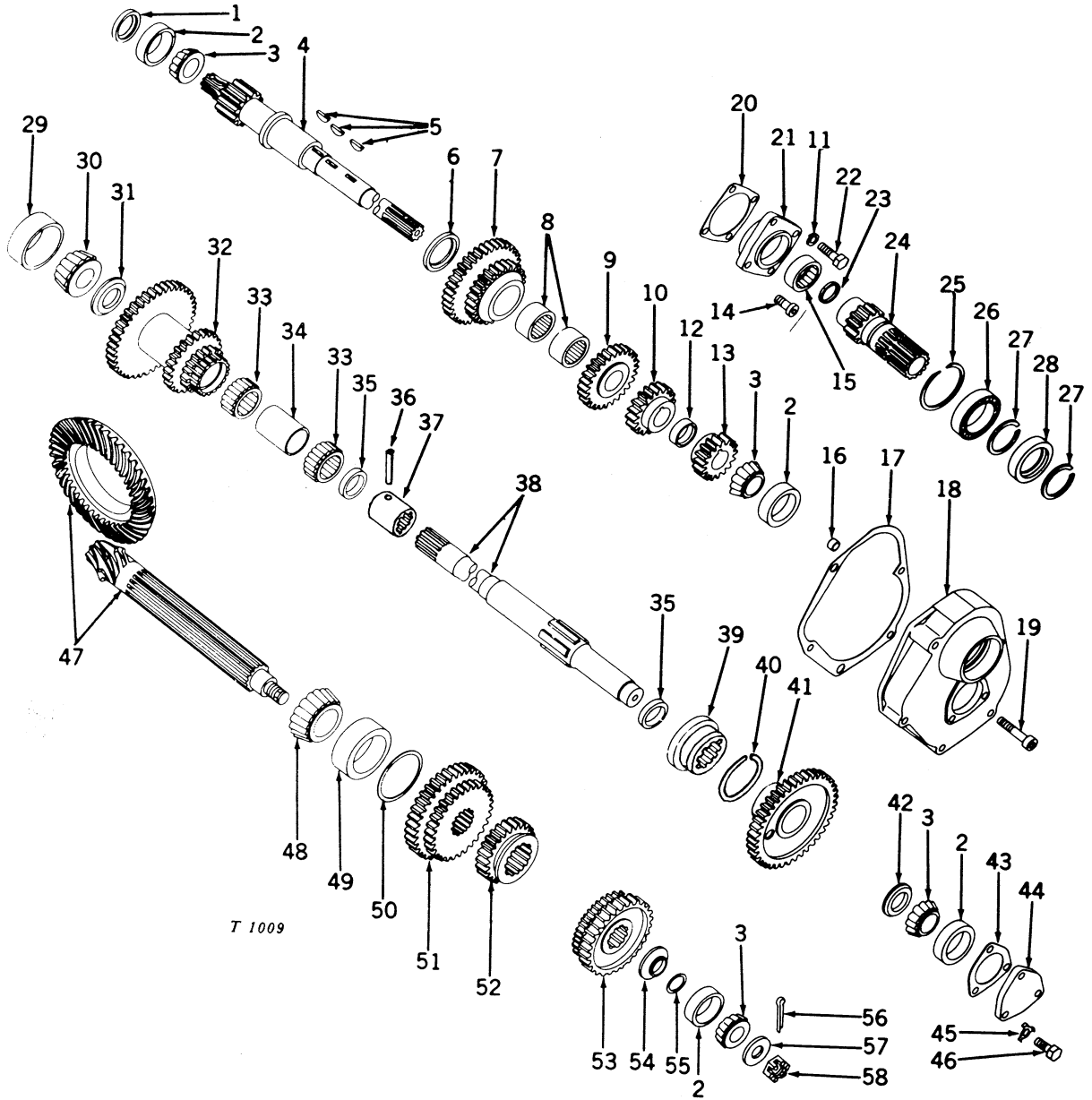
27028

BELT PULLEY -- Continued

Key	Part No.	Serial No.	Description
1	19H 1721 A	(-)	Screw, cap, 1/2" x 1-1/2" (4 used)
2	12H 301 A	(-)	Washer, lock, 1/2" (5 used)
3	AT 12542 T	(-)	Seal, oil (sub. for AM1977T)
4	M 1784 T	(-)	Quill
5	M 2050 T	(-)	Shim, gear case quill, .002" (approx. 2 used) (packed 2 in a pkg.)
	M 2051 T	(-)	Shim, gear case quill, .005" (approx. 1 used) (packed 2 in a pkg.)
	M 2052 T	(-)	Shim, gear case quill, .010" (approx. 6 used) (packed 2 in a pkg.)
6	JD 8220 T	(-)	Cup, bearing
7	JD 8179 T	(-)	Cone, bearing
8	AM 1978 T	(-)	Gear, drive, assembly (560 rpm)
	AT 10670 T	(155001-)	Gear, drive, assembly (1000 rpm)
9	M 2206 T	(-)	Plug, cup
10	JD 7438 R	(-)	Cup, bearing
11	JD 8135 R	(-)	Cone, bearing
12	M 2053 T	(-)	Shim, bearing shaft, .002" (approx. 2 used) (packed 2 in a pkg.)
	M 2054 T	(-)	Shim, bearing shaft, .005" (approx. 2 used) (packed 2 in a pkg.)
	M 2055 T	(-)	Shim, bearing shaft, .010" (approx. 3 used) (packed 2 in a pkg.)
13	M 1996 T	(-)	Shaft
14	AM 1979 T	(-)	Case (M1785T), with shaft
15	15H 623 A	(-)	Plug, pipe, sq. hd., 3/8"
16	M 1696 T	(-)	Shaft
17	26H 23 A	(-)	Key, Woodruff, 5/16" x 1"
18	11H 222 A	(-)	Pin, cotter, 3/16" x 2" (560 rpm)
	11H 218 A	(155001-)	Pin, cotter, 3/16" x 1-1/4" (1000 rpm)
19	JD 8180 T	(-)	Cone, bearing
20	JD 8221 T	(-)	Cup, bearing
21	M 2059 T	(-)	Shim, pulley shaft, .002" (approx. 2 used) (packed 3 in a pkg.)
	M 2060 T	(-)	Shim, pulley shaft, .005" (approx. 2 used) (packed 3 in a pkg.)
	M 2061 T	(-)	Shim, pulley shaft, .010" (approx. 3 used) (packed 3 in a pkg.)
22	M 2123 T	(-)	Spacer
23	M 2056 T	(-)	Shim, pulley shaft, .002" (approx. 2 used) (packed 10 in a pkg.)
	M 2057 T	(-)	Shim, pulley shaft, .005" (approx. 3 used) (packed 10 in a pkg.)
	M 2058 T	(-)	Shim, pulley shaft, .010" (approx. 5 used) (packed 10 in a pkg.)
24	JD 7449 D	(-)	Cup, bearing
25	JD 8134 D	(-)	Cone, bearing
26	14H 540 A	(-)	Nut, hex., 1"
27	24H 1452 A	(-)	Washer, plain, 1-1/32" x 1-3/4" x .105"
28	M 1786 T	(-)	Pulley, belt, dia., 9" (560 rpm)
	M 2521 T	(-)	Pulley, belt, dia., 5-5/8" (560 rpm)
	T 10830 T	(155001-)	Pulley, belt, dia., 5" (1000 rpm)
29	AM 1717 T	(-)	Seal, oil
30	14H 809 A	(-)	Nut, hex., 1/2"
31	16H 698 A	(-)	Rivet, 1/4" x 1" (5 used)
..	AM 1947 T	(-)	BELT PULLEY (ATTACHMENT) (560 RPM)
..	AT 10658 T	(155001-)	BELT PULLEY (ATTACHMENT) (1000 RPM)

Capital letters indicate an attachment. Attachments must be listed on separate order from replacement order.

FIVE-SPEED TRANSMISSION GEARS AND SHAFTS
 (FOR TRACTORS EQUIPPED WITH AUBURN TRENCHER)
 Crawler and Row-Crop Utility
 (Serial No. 125001-Up)

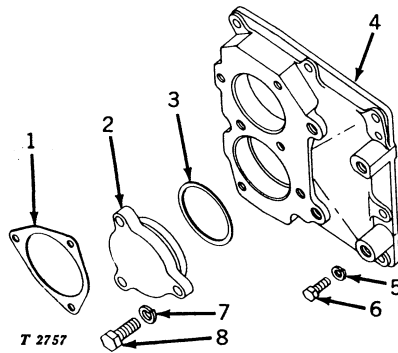


T 1009

FIVE-SPEED TRANSMISSION GEARS AND SHAFTS
(FOR TRACTORS EQUIPPED WITH AUBURN TRENCHER) -- Continued
Crawler and Row-Crop Utility
(Serial No. 125001-Up)

Key	Part No.	Serial No.	Description
1	AM 3535 T	(125001-)	Seal, oil
2	JD 8225 A	(125001-)	Cup, bearing (4 used)
3	JD 8187 A	(125001-)	Cone, bearing (4 used)
4	M 3534 T	(125001-)	Shaft, input
5	26H 82 A	(125001-)	Key, Woodruff, 1/4" x 7/8" (3 used)
6	T 11999 T	(125001-)	Washer, rear (sub. for T10247T)
7	M 4195 T	(125001-)	Sub. one T12001T, one T11999T, one T12000T, and two JD7927R
8	JD 8823 N	(125001-)	Bearing, needle (2 used)
9	M 4197 T	(125001-)	Gear, fifth speed (27 teeth)
10	M 4271 T	(125001-)	Gear, fourth speed (19 teeth)
11	12H 304 A	(125001-158191)	Washer, lock, 3/8" (3 used)
	12H 304 A	(158192-)	Washer, lock, 3/8" (1 used)
12	M 144 T	(125001-)	Spacer
13	M 4270 T	(125001-)	Gear, third speed (16 teeth)
14	M 2502 T	(125001-158191)	Screw, cap, socket head, 3/8" x 3/4" (sub. for M3651T)
	M 2502 T	(158192-)	Screw, cap, socket head, 3/8" x 3/4" (3 used)
15	JD 8839 T	(125001-)	Bearing, needle
16	M 2152 T	(125001-)	Dowel, hollow (2 used)
17	M 3659 T	(125001-)	Gasket
18	M 3502 T	(125001-)	Housing
19	M 3660 T	(125001-)	Screw, cap, socket head, 3/8" x 2" (5 used)
20	M 147 T	(125001-)	Shim, .002" (use quantity required) (packed 6 in a pkg.)
	M 148 T	(125001-)	Shim, .005" (use quantity required) (packed 6 in a pkg.)
	M 149 T	(125001-)	Shim, .010" (use quantity required) (packed 6 in a pkg.)
21	T 10815 T	(125001-)	Sub. for M3500T
22	19H 1139 A	(125001-158191)	Screw, cap, 3/8" x 1-1/8" (3 used)
	19H 1139 A	(158192-)	Screw, cap, 3/8" x 1-1/8" (1 used)
23	AM 3491 T	(125001-)	Seal, oil
24	M 3546 T	(125001-)	Gear, powershaft drive (13 teeth)
25	M 3649 T	(125001-)	Ring, snap
26	JD 8568 T	(125001-)	Bearing, ball
27	M 3648 T	(125001-)	Ring, snap (2 used)
28	AM 3572 T	(125001-)	Seal, oil
29	JD 8230 T	(125001-)	Cup, bearing
30	JD 8194 T	(125001-)	Cone, bearing
31	T 11400 T	(125001-)	Washer, spacer (sub. for M135T)
32	AT 10746 T	(125001-)	Gear, cluster (19, 26, and 43 teeth)
33	JD 7939 T	(125001-)	Bearing, roller (2 used)
34	M 132 T	(125001-)	Spacer (sub. for AM658T)
35	M 1926 T	(125001-)	Washer (2 used)
36	34H 107 A	(125001-)	Pin, roll, 1/4" x 1-3/4"
37	M 2746 T	(125001-)	Coupling, powershaft
38	T 16006 T	(125001-)	Shaft, power (sub. for T10897T) (also order one T16005T coupling)
39	T 16005 T	(125001-)	Coupling (sub. for M3590T) (also order one T16006T shaft)
40	T 10878 T	(125001-)	Ring, snap
41	T 10877 T	(125001-)	Gear, powershaft driven (43 teeth)
42	M 3658 T	(125001-)	Washer, spacer
43	L 279 T	(125001-)	Shim, .010" (use quantity required) (packed 4 in a pkg.)
	L 280 T	(125001-)	Shim, .005" (use quantity required) (packed 4 in a pkg.)
	L 281 T	(125001-)	Shim, .002" (use quantity required) (packed 4 in a pkg.)
44	M 3501 T	(125001-)	Cover
45	M 112 T	(125001-)	Lock, screw (3 used) (packed 3 in a pkg.)
46	19H 1731 A	(125001-)	Screw, cap, 3/8" x 1" (3 used)
47	AT 16608 T	(125001-)	Shaft, output pinion (T18450T) (7 teeth), gear, ring, differential (T18451T) (32 teeth) (C) (sub. for AM3912T)
	AM 3913 T	(125001-)	Shaft, output pinion (M4251T) (8 teeth), gear, ring, differential (M2776T) (41 teeth) (W)
48	JD 8907 T	(125001-)	Cone, bearing
49	JD 8240 T	(125001-)	Cup, bearing
50	M 4260 T	(125001-)	Shim, .002" (use quantity required) (packed 10 in a pkg.)
	M 4261 T	(125001-)	Shim, .005" (use quantity required) (packed 10 in a pkg.)
	M 4262 T	(125001-)	Shim, .010" (use quantity required) (packed 10 in a pkg.)
51	M 4209 T	(125001-)	Gear, second and reverse speed sliding (31 and 38 teeth)
52	M 4202 T	(125001-)	Gear, first and fifth speed sliding (24 teeth)
53	T 17608 T	(125001-)	Gear, third and fourth speed driven (32 and 35 teeth) (sub. for AM3898T and AT15106T)
54	M 4263 T	(125001-)	Washer, spacer
55	M 2056 T	(125001-)	Shim, .002" (use quantity required) (packed 10 in a pkg.)
	M 2057 T	(125001-)	Shim, .005" (use quantity required) (packed 10 in a pkg.)
	M 2058 T	(125001-)	Shim, .010" (use quantity required) (packed 10 in a pkg.)
56	11H 237 A	(125001-)	Pin, cotter, 1/8" x 2"
57	M 4259 T	(125001-)	Washer
58	14H 534 A	(125001-)	Nut, hex., slotted, 3/4"

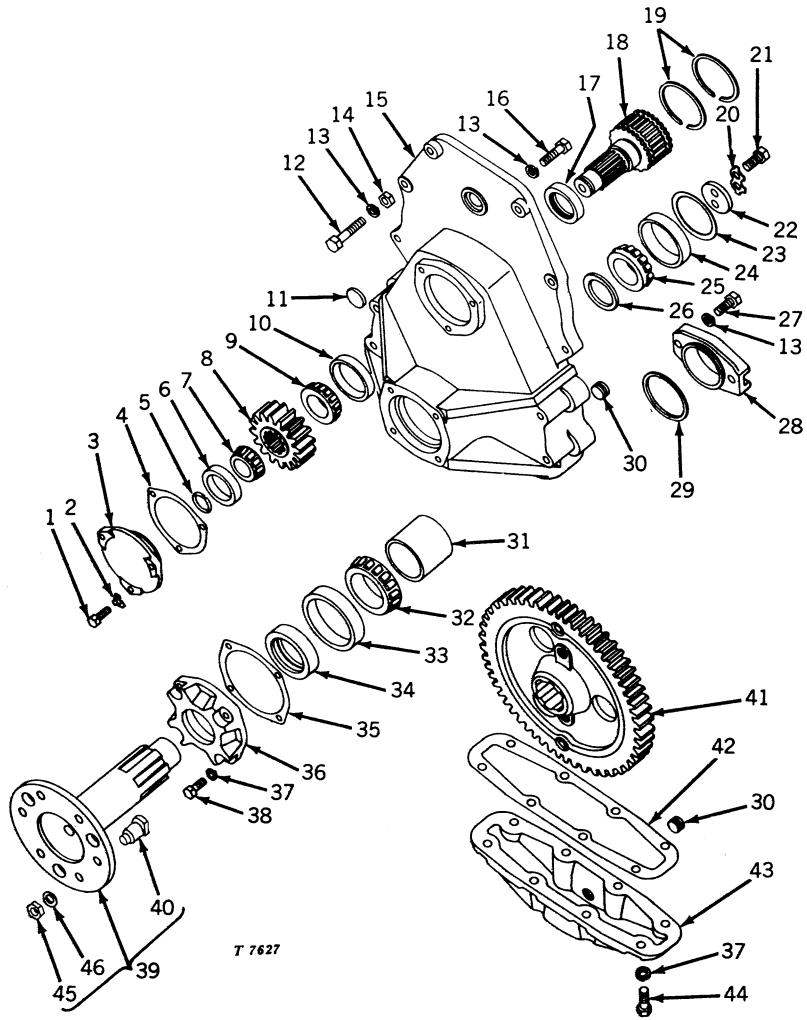
TRANSMISSION REAR COVER (AUBURN TRENCHER TRANSMISSION)
Crawler and Row-Crop Utility



Key	Part No.	Serial No.	Description
1	M 2346 T	(-)	Gasket
2	M 2347 T	(-)	Cover
3	M 2348 T	(-)	Seal
4	T 11424 T	(-)	Cover, transmission, rear (sub. for M2856T)
5	12H 304 A	(-)	Washer, lock, 3/8" (9 used)
6	19H 1731 A	(-)	Screw, cap, 3/8" x 1" (9 used)
7	12H 293 A	(-)	Washer, lock, 7/16" (3 used)
8	19H 1821 A	(-)	Screw, cap, 7/16" x 1-1/4" (3 used)

MEMORANDA

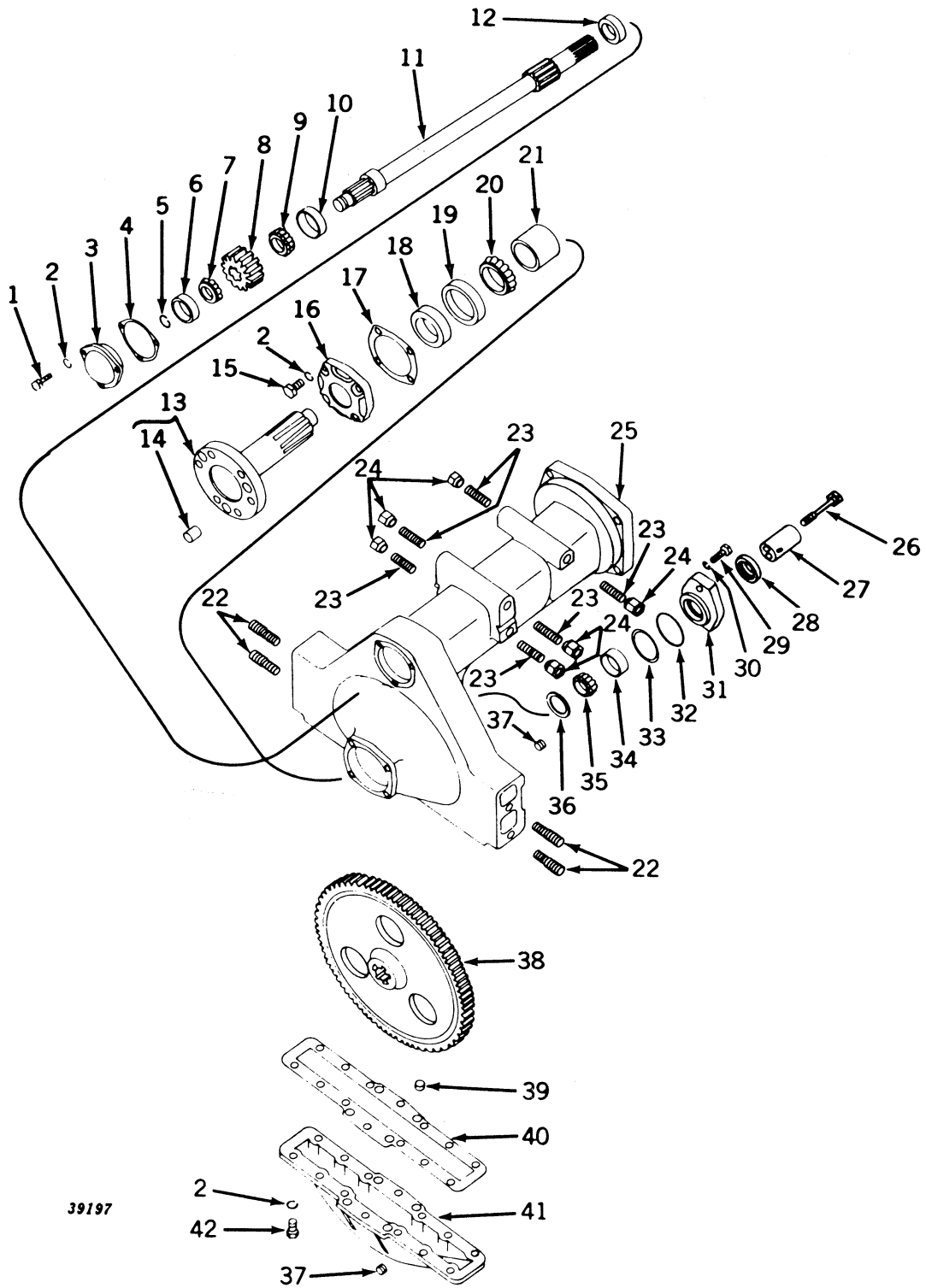
FINAL DRIVE ASSEMBLY Crawler



FINAL DRIVE ASSEMBLY -- Continued
Crawler

Key	Part No.	Serial No.	Description
1	19H 1731 A	(-)	Screw, cap, 3/8" x 1" (3 used)
2	M 112 T	(-)	Lock, screw (3 used) (sub. for AM680T) (packed 3 in a pkg.)
3	M 2363 T	(-)	Quill, final drive shaft
4	M 942 T	(-)	Shim, bearing quill, .002" (approx. 4 used) (packed 10 in a pkg.)
	M 943 T	(-)	Shim, bearing quill, .005" (approx. 2 used) (packed 5 in a pkg.)
	M 944 T	(-)	Shim, bearing quill, .010" (approx. 1 used) (packed 5 in a pkg.)
5	M 593 T	(-)	Ring, snap
6	JD 7449 D	(-)	Cup, bearing, outer
7	JD 8134 D	(-)	Cone, bearing, outer
8	M 2362 T	(-125000)	Pinion (16 teeth)
	T 17846 T	(125001-)	Pinion (14 teeth) (sub. for M4208T)
9	JD 8179 T	(-)	Cone, bearing, inner
10	JD 8220 T	(-)	Cup, bearing, inner
11	30H 17 A	(-)	Plug, expansion, 1-1/4"
12	19H 1876 A	(-100000)	Screw, cap, 7/16" x 2-1/8" (6 used)
	19H 1680 A	(100001-)	Screw, cap, 7/16" x 2-3/8" (6 used)
13	12H 293 A	(-)	Washer, lock, 7/16" (10 used)
14	14H 813 A	(-)	Nut, hex., 7/16" (6 used)
15	AM 3368 T	(-)	Housing, final drive assembly (M3687T), with oil seal and brake anchor pins (sub. for AM3225T)
16	19H 1978 A	(-)	Screw, cap, 7/16" x 1-1/2" (2 used)
17	AT 14924 T	(-)	Seal, oil (sub. for AM2133T)
18	T 16282 T	(-)	Shaft, final drive (sub. for M2359T)
19	M 2377 T	(-)	Ring, snap (2 used)
20	M 2370 T	(-)	Lock, cap screw
21	19H 1741 A	(-)	Screw, cap, 1/2" x 1-1/8" (2 used)
22	M 2369 T	(-)	Retainer
23	M 2371 T	(-)	Shim, axle cover, .002" (approx. 2 used) (packed 4 in a pkg.)
	M 2372 T	(-)	Shim, axle cover, .005" (approx. 2 used) (packed 4 in a pkg.)
	M 2373 T	(-)	Shim, axle cover, .010" (approx. 2 used) (packed 4 in a pkg.)
24	JD 8314 T	(-141491)	Cup, bearing, inner
	JD 7418 R	(141492-)	Cup, bearing, inner
25	JD 7590 T	(-141491)	Cone, bearing, inner
	JD 7395 R	(141492-)	Cone, bearing, inner
26	M 1005 T	(-)	Washer
27	19H 1773 A	(-)	Screw, cap, 7/16" x 1-1/8" (2 used)
28	M 2375 T	(-)	Cover
29	M 2374 T	(-)	Ring, sealing
30	15H 624 A	(-)	Plug, pipe, hex. ctsk., 1/2" (3 used)
31	M 2368 T	(-)	Spacer
32	JD 7589 T	(-141491)	Cone, bearing, outer
	JD 8146 T	(141492-)	Cone, bearing, outer
33	JD 8315 T	(-141491)	Cup, bearing, outer
	JD 7272 R	(141492-)	Cup, bearing, outer
34	AM 2723 T	(-)	Seal, oil
35	T 15600 T	(-)	Gasket (sub. for M2367T)
36	M 2878 T	(-)	Quill (sub. for M2366T)
37	12H 304 A	(-)	Washer, lock, 3/8" (12 used)
38	19H 1100 A	(-)	Screw, cap, 3/8" x 1-3/8" (4 used)
39	AT 15211 T	(-)	Shaft, flanged axle (T17087T), with bolts, hex. nuts, and washers (sub. for AM2136T)
40	M 2365 T	(-158852)	Dowel (3 used) (used with AM2136T axle shaft up to Serial No. indicated) (packed 3 in a pkg.)
	T 16321 T	(-)	Bolt, special (3 used) (used with AT15211T axle shaft)
41	AT 15155 T	(-125000)	Gear, assembly (M211T) (M2364T) (63 teeth) (sub. for AM2135T)
	AT 15156 T	(125001-)	Gear, assembly (M4207T) (M2364T) (55 teeth) (sub. for AM3876T)
42	M 947 T	(-)	Gasket (packed 5 in a pkg.)
43	M 946 T	(-)	Pan, oil (sub. for AM1006T)
44	19H 1139 A	(-)	Screw, cap, 3/8" x 1-1/8" (8 used)
45	14H 863 A	(-)	Nut, hex., 3/4" (3 used) (used with AT15211T axle shaft)
46	T 10510 T	(-)	Washer, plain, special (3 used) (used with AT15211T axle shaft)

FINAL DRIVE ASSEMBLY
Hi-Crop

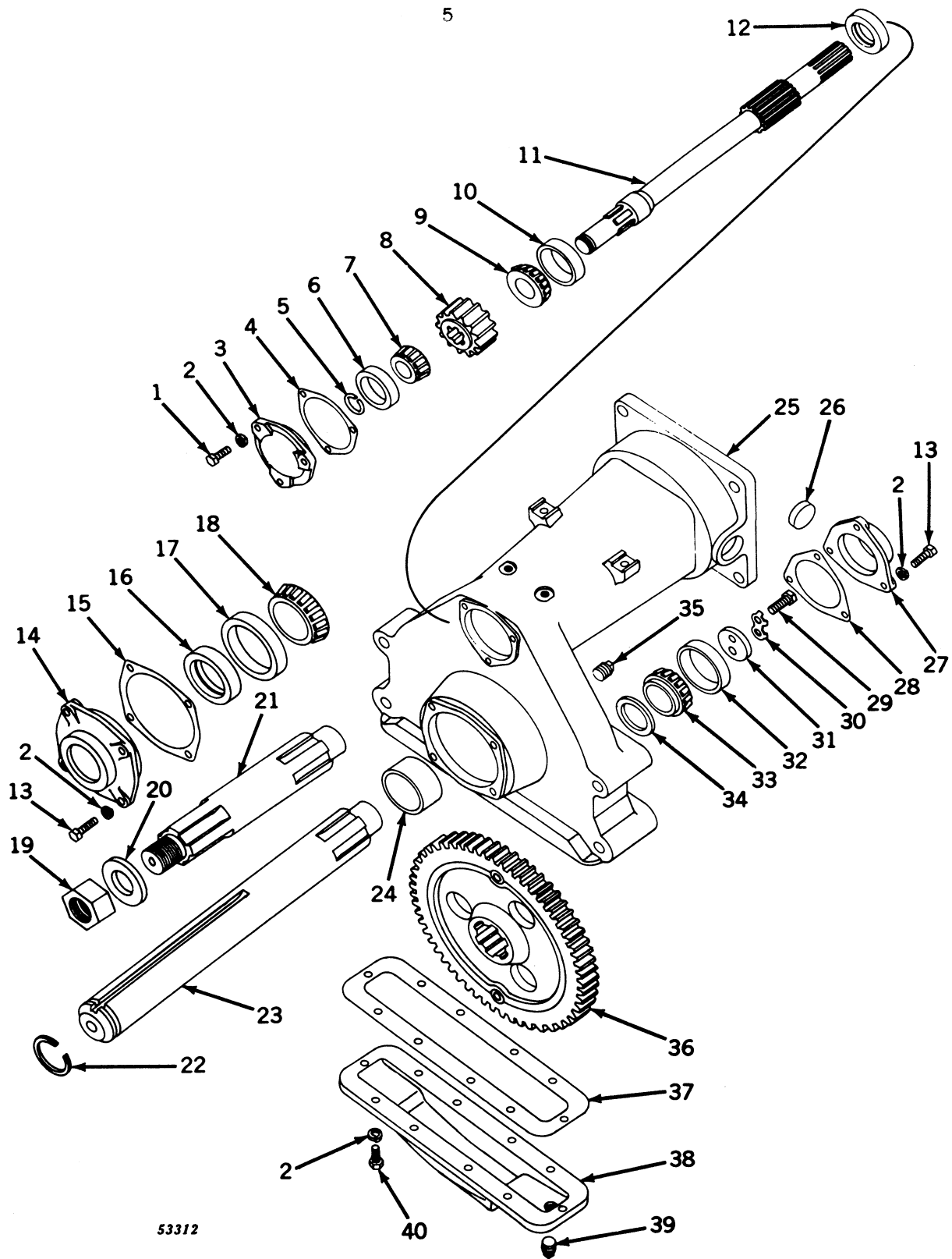


39197

FINAL DRIVE ASSEMBLY -- Continued
Hi-Crop

Key	Part No.	Serial No.	Description
1	19H 1731 A	(-)	Screw, cap, 3/8" x 1" (3 used)
2	12H 304 A	(-)	Washer, lock, 3/8" (21 used)
3	M 1792 T	(-)	Quill
4	M 2176 T	(-)	Shim, .002" (approx. 2 used) (packed 4 in a pkg.)
	M 2177 T	(-)	Shim, .005" (approx. 2 used) (packed 4 in a pkg.)
	M 2178 T	(-)	Shim, .010" (approx. 1 used) (packed 2 in a pkg.)
5	M 205 T	(-)	Ring, snap
6	JD 7259 R	(-)	Cup, bearing, outer
7	JD 8121 T	(-)	Cone, bearing, outer
8	M 204 T	(-)	Gear, pinion (14 teeth) (sub. for AM773T)
9	JD 7207 R	(-)	Cone, bearing, inner
10	JD 7409 H	(-)	Cup, bearing, inner
11	M 2683 T	(-)	Shaft, final drive
12	AT 12542 T	(-)	Seal, oil (sub. for AM1977T)
13	AM 2759 T	(-)	Shaft, flanged axle (M2933T), with dowel pins
14	M 2365 T	(-145729)	Pin, dowel (3 used) (packed 3 in a pkg.)
	T 13241 T	(145730-)	Dowel (3 used) (packed 3 in a pkg.)
15	19H 1100 A	(-)	Screw, cap, 3/8" x 1-3/8" (4 used)
16	M 2878 T	(-)	Quill (sub. for M2366T)
17	T 15600 T	(-)	Gasket (sub. for M2367T)
18	AM 939 T	(-)	Seal, oil (sub. for AM973T and AM2775T)
19	JD 8315 T	(-)	Cup, bearing, outer
20	JD 7589 T	(-)	Cone, bearing, outer
21	M 2368 T	(-)	Spacer
22	F 1024 R	(-)	Stud, 3/4" x 2-3/4" (4 used)
23	A 5292 R	(-)	Stud, 5/8" x 2-1/4" (6 used) (packed 25 in a pkg.)
24	AA 4963 R	(-)	Nut, 5/8", special (6 used)
25	M 2682 T	(-)	Housing, final drive
26	M 2122 T	(-)	Screw, cap, special, 1/2" x 3-3/4" (2 used)
27	AM 2760 T	(-)	Shaft, planter drive, with dowel pins
28	AM 1717 T	(-)	Seal, oil
29	19H 1978 A	(-)	Screw, cap, 7/16" x 1-1/2" (2 used)
30	12H 293 A	(-)	Washer, lock, 7/16" (2 used)
31	M 2689 T	(-)	Cover
32	M 2374 T	(-)	Ring, sealing
33	M 2371 T	(-)	Shim, .002" (approx. 2 used) (packed 4 in a pkg.)
	M 2372 T	(-)	Shim, .005" (approx. 2 used) (packed 4 in a pkg.)
	M 2373 T	(-)	Shim, .010" (approx. 2 used) (packed 4 in a pkg.)
34	JD 8314 T	(-)	Cup, bearing, inner
35	JD 7590 T	(-)	Cone, bearing, inner
36	M 1005 T	(-)	Washer
37	15H 624 A	(-)	Plug, pipe, hex. ctsk., 1/2" (3 used)
38	AM 2457 T	(-)	Gear, final drive (M2684T and M2685T) (90 teeth)
39	M 1873 T	(-)	Dowel (4 used)
40	M 2686 T	(-)	Gasket
41	M 2687 T	(-)	Pan, oil
42	19H 1139 A	(-)	Screw, cap, 3/8" x 1-1/8" (14 used)
43	M 2934 T	(-)	Pin, dowel (2 used) (packed 2 in a pkg.)

FINAL DRIVE ASSEMBLY
Standard, Utility, and Special

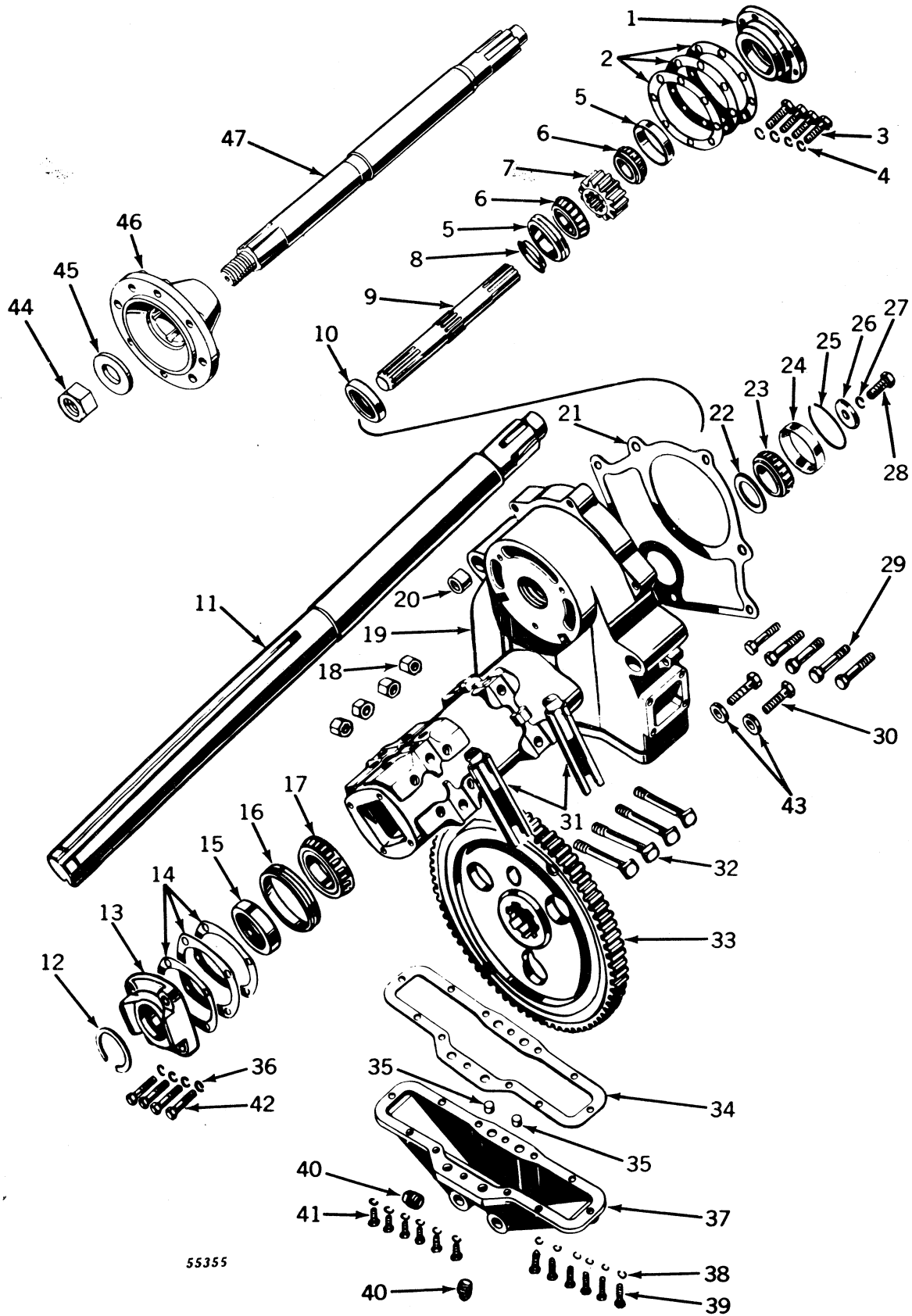


53312

FINAL DRIVE ASSEMBLY -- Continued
Standard, Utility, and Special

Key	Part No.	Serial No.	Description
1	19H 1731 A	(-)	Screw, cap, 3/8" x 1" (3 used)
2	12H 304 A	(-)	Washer, lock, 3/8" (20 used)
3	M 1792 T	(-)	Quill
4	M 2176 T	(-)	Shim, .002" (approx. 2 used) (packed 4 in a pkg.)
	M 2177 T	(-)	Shim, .005" (approx. 2 used) (packed 4 in a pkg.)
	M 2178 T	(-)	Shim, .010" (approx. 2 used) (packed 2 in a pkg.)
5	M 205 T	(-)	Ring, snap
6	JD 7259 R	(-)	Cup, bearing, outer
7	JD 8121 T	(-)	Cone, bearing, outer
8	AM 1533 T	(-130464)	Pinion (M1483T) (13 teeth)
	T 10318 T	(130465-)	Pinion (13 teeth)
9	JD 7207 R	(-)	Cone, bearing, inner
10	JD 7409 H	(-)	Cup, bearing, inner
11	M 1712 T	(-)	Shaft, final drive
12	AT 12542 T	(-)	Seal, oil (sub. for AM1977T)
13	19H 1139 A	(-)	Screw, cap, 3/8" x 1-1/8" (7 used)
14	M 2600 T	(-)	Quill
15	M 2599 T	(-)	Gasket
16	AM 939 T	(-)	Seal, oil (sub. for AM2775T)
17	JD 8315 T	(-)	Cup, bearing, outer
18	JD 7589 T	(-)	Cone, bearing, outer
19	14H 656 A	(-)	Nut, hex., 1-1/2" (S and U)
20	24H 1542 A	(-)	Washer, plain, 1-17/32" x 3" x 5/16" (S and U)
21	M 2598 T	(-)	Shaft, axle (S)
	M 2627 T	(-)	Shaft, axle, short (U)
	M 2628 T	(-)	Shaft, axle, long (U) (used with 11-26, 12-26, and 13-26 tires)
	M 4091 T	(-)	Shaft, axle, special, 56-1/2" tread (U)
22	M 1515 T	(-)	Ring, snap (V)
23	M 3806 T	(-)	Shaft, axle (V) (sub. for M2779T)
24	M 2601 T	(-)	Spacer
25	AM 2761 T	(-)	Housing, final drive (M2932T), with cupped plugs and pipe plug
26	M 1206 T	(-)	Plug, cupped (2 used)
27	M 2605 T	(-)	Cover
28	M 2602 T	(-)	Shim, .002" (approx. 2 used) (packed 4 in a pkg.)
	M 2603 T	(-)	Shim, .005" (approx. 2 used) (packed 4 in a pkg.)
	M 2604 T	(-)	Shim, .010" (approx. 2 used) (packed 4 in a pkg.)
29	19H 1741 A	(-)	Screw, cap, 1/2" x 1-1/8" (2 used)
30	M 2370 T	(-)	Lock, cap screw
31	M 2369 T	(-)	Retainer
32	JD 8314 T	(-)	Cup, bearing, inner
33	JD 7590 T	(-)	Cone, bearing, inner
34	M 1005 T	(-)	Washer
35	15H 584 A	(-)	Plug, pipe, sq. hd., 1/2"
36	AM 2409 T	(-130464)	Gear, final drive (M2597T and M1495T) (64 teeth)
	AT 10207 T	(130465-)	Gear, final drive (M2597T and M4439T) (64 teeth)
37	M 2226 T	(-)	Gasket
38	M 2780 T	(-)	Pan, final drive (V)
	AM 2244 T	(-)	Pan, final drive (M2401T), with pipe plug (S and U)
39	15H 623 A	(-)	Plug, pipe, sq. hd., 3/8" (2 used)
40	19H 1139 A	(-)	Screw, cap, 3/8" x 1-1/8" (10 used)

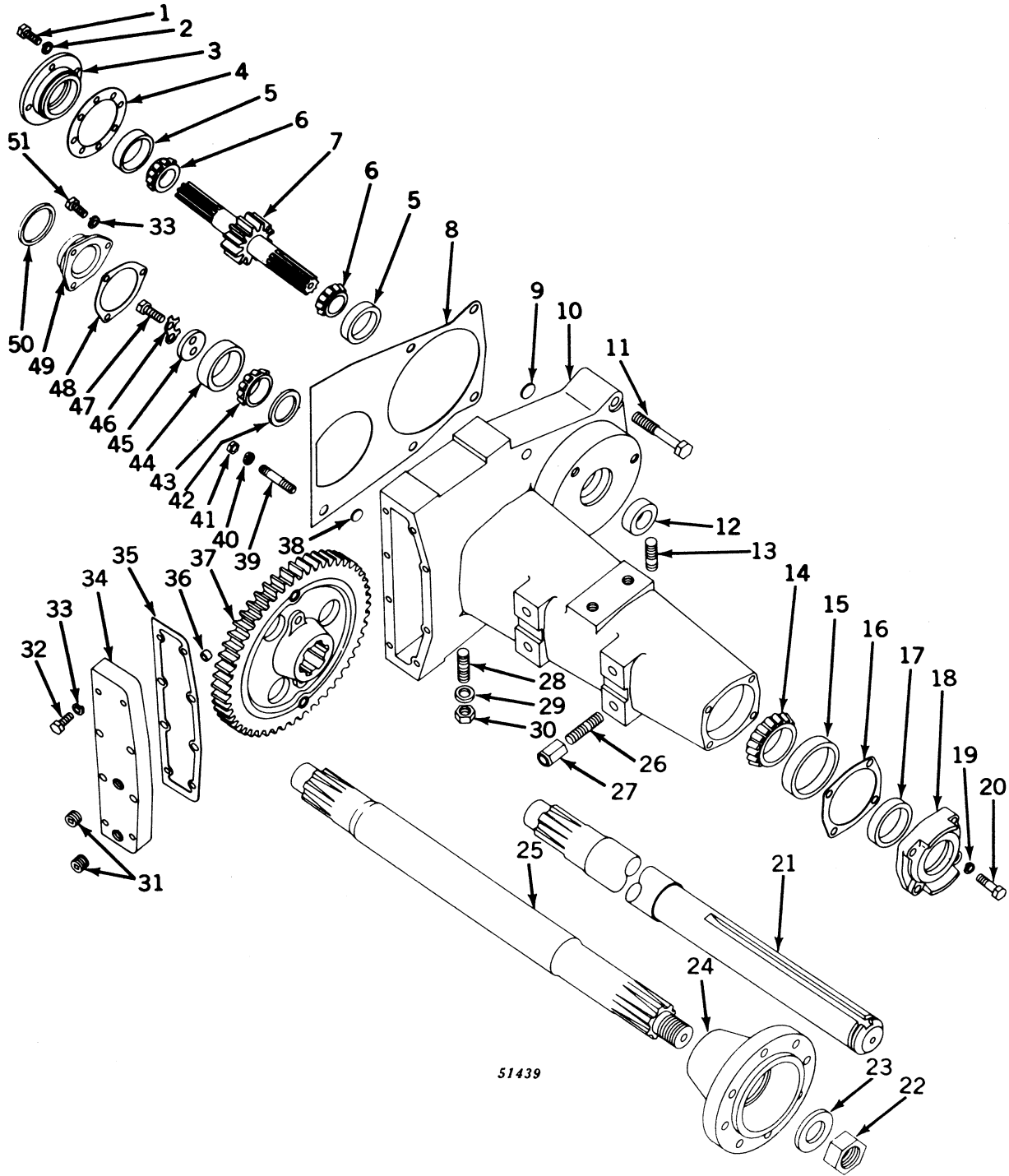
FINAL DRIVE ASSEMBLY
Tricycle



FINAL DRIVE ASSEMBLY -- Continued
Tricycle

Key	Part No.	Serial No.	Description
1	M 1710 T	(-)	Quill, bearing
2	M 994 T	(-)	Shim, .002" (use quantity required) (packed 4 in a pkg.)
	M 995 T	(-)	Shim, .005" (use quantity required) (packed 4 in a pkg.)
	M 996 T	(-)	Shim, .010" (use quantity required) (packed 4 in a pkg.)
3	19H 1905 A	(-)	Screw, cap, 5/16" x 1" (4 used)
4	12H 303 A	(-)	Washer, lock, 5/16" (16 used)
5	JD 7409 H	(-)	Cup, bearing, final drive shaft, inner and outer (2 used)
6	JD 7372 T	(-)	Cone, bearing, final drive shaft, inner and outer (2 used)
7	M 1680 T	(-)	Pinion (13 teeth)
8	M 1876 T	(-)	Slinger, oil
9	M 1961 T	(-)	Shaft
10	AM 1842 T	(-)	Seal, oil
11	M 4097 T	(-)	Axle (long) (sub. for M2646T and AM971T)
	M 1516 T	(-)	Axle (short) (sub. for M2647T and AM1602T)
12	M 1515 T	(-)	Ring, snap
13	M 1001 T	(-)	Quill (sub. for AM972T)
14	M 1002 T	(-)	Shim, .002" (use quantity required) (packed 4 in a pkg.)
	M 1003 T	(-)	Shim, .005" (use quantity required) (packed 4 in a pkg.)
	M 1004 T	(-)	Shim, .010" (use quantity required) (packed 4 in a pkg.)
15	AM 939 T	(-)	Seal, oil (sub. for AM2775T)
16	JD 8315 T	(-)	Cup, bearing, axle shaft, outer
17	JD 7589 T	(-)	Cone, bearing, axle shaft, outer
18	AA 4963 R	(-)	Nut, hex., 5/8", special (4 used)
19	AM 1958 T	(-)	Housing, final drive (M1783T), with two bushings
20	M 2038 T	(-)	Bushing, brake shaft
21	M 1013 T	(-)	Gasket
22	M 1005 T	(-)	Washer
23	JD 7590 T	(-)	Cone, bearing, axle shaft, inner
24	JD 8314 T	(-)	Cup, bearing, axle shaft, inner
25	M 1007 T	(-)	Ring, snap
26	M 1006 T	(-)	Washer
27	12H 294 A	(-)	Washer, lock, 5/8"
28	19H 1756 A	(-)	Screw, cap, 5/8" x 1-1/2"
29	M 1042 T	(-)	Screw, cap, final drives to transmission, special (5 used on left, 7 used on right)
30	M 3255 T	(-)	Screw, cap, spring anchor and final drive to transmission, special (2 used)
31	M 1010 T	(-)	Clip (2 used) (sub. for AM975T)
32	M 1011 T	(-)	Bolt, implement, special (4 used)
33	AM 1532 T	(-)	Gear (M998T and M1484T) (74 teeth) (sub. for AM1534T)
34	M 1962 T	(-)	Gasket
35	M 1873 T	(-)	Dowel (4 used)
36	12H 293 A	(-)	Washer, lock, 7/16" (4 used)
37	M 1765 T	(-)	Pan
38	12H 304 A	(-)	Washer, lock, 3/8" (12 used)
39	19H 1100 A	(-)	Screw, cap, 3/8" x 1-3/8" (6 used)
40	15H 584 A	(-)	Plug, pipe, sq. hd., 1/2" (2 used)
41	19H 1139 A	(-)	Screw, cap, 3/8" x 1-1/8" (6 used)
42	19H 1978 A	(-)	Screw, cap, 7/16" x 1-1/2" (4 used)
43	M 3254 T	(-)	Washer, plain, special (2 used) (packed 2 in a pkg.)
44	14H 656 A	(-)	Nut, hex., 1-1/2" (power adjusted wheels)
45	24H 1542 A	(-)	Washer, plain, 1-17/32" x 3" x 5/16" (power adjusted wheels)
46	M 3419 T	(-)	Hub (power adjusted wheels)
47	M 3425 T	(-)	Shaft, axle (power adjusted wheels)

FINAL DRIVE ASSEMBLY
Special Utility and Row-Crop Utility

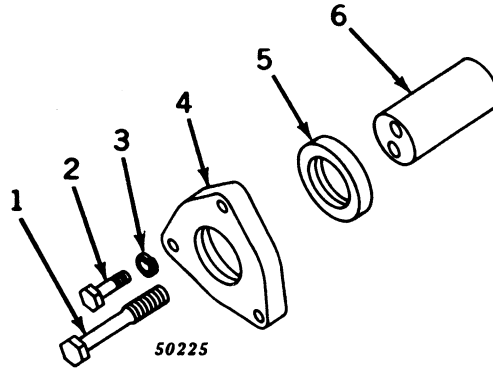


51439

FINAL DRIVE ASSEMBLY -- Continued
Special Utility and Row-Crop Utility

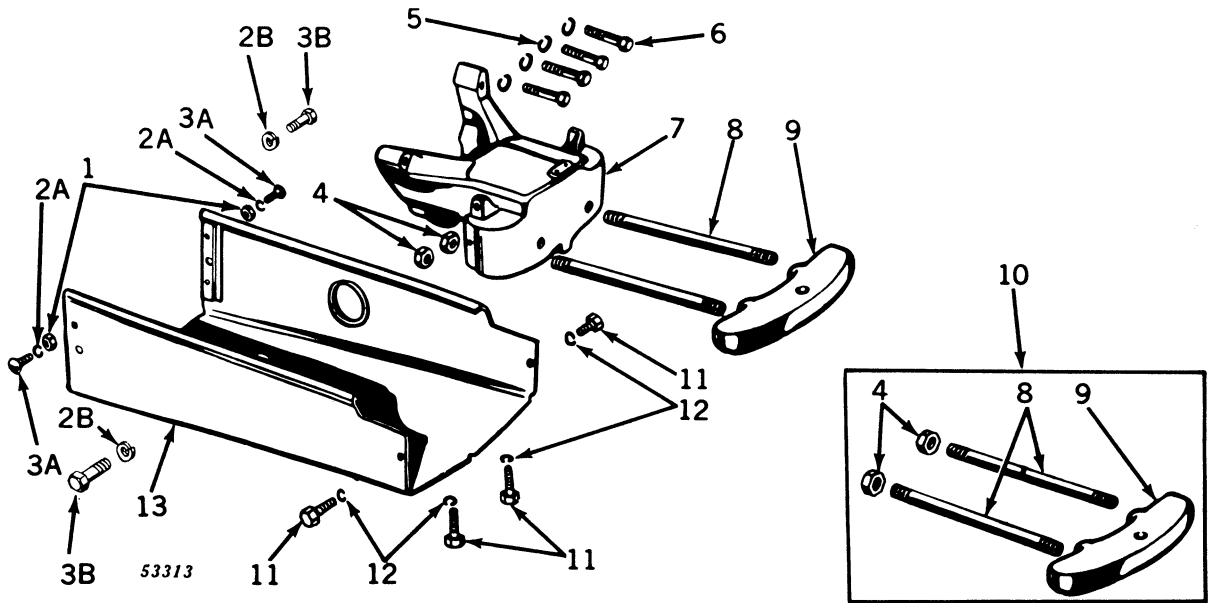
Key	Part No.	Serial No.	Description
1	19H 1905 A	(-)	Screw, cap, 5/16" x 1" (4 used)
2	12H 303 A	(-)	Washer, lock, 5/16" (4 used)
3	M 3129 T	(-)	Quill
4	M 994 T	(-)	Shim, .002" (approx. 2 used) (packed 4 in a pkg.)
	M 995 T	(-)	Shim, .005" (approx. 2 used) (packed 4 in a pkg.)
	M 996 T	(-)	Shim, .010" (approx. 2 used) (packed 4 in a pkg.)
5	JD 8230 T	(-)	Cup, bearing (2 used)
6	JD 8194 T	(-)	Cone, bearing (2 used)
7	M 3130 T	(-128416)	Shaft, with pinion (21 and 13 teeth)
	M 4440 T	(128417-	Shaft, with pinion (21 and 13 teeth)
8	M 3159 T	(-)	Gasket
9	30H 15 A	(-)	Plug, expansion, 1-1/8" (2 used)
10	AT 10772 T	(-)	Housing, final drive (T10917T, T10918T, and T10919T), with expansion plugs (sub. for AM3047T, M3449T, M3450T, and M3451T)
11	M 2671 T	(-)	Screw, cap, special, 5/8" x 3-3/4" (4 used)
12	AM 2924 T	(-)	Seal, oil
13	M 3127 T	(-)	Stud, front
14	JD 7589 T	(-)	Cone, bearing
15	JD 8315 T	(-)	Cup, bearing
16	M 1002 T	(-)	Shim, .002" (approx. 2 used) (packed 4 in a pkg.)
	M 1003 T	(-)	Shim, .005" (approx. 2 used) (packed 4 in a pkg.)
	M 1004 T	(-)	Shim, .010" (approx. 2 used) (packed 4 in a pkg.)
17	AM 939 T	(-)	Seal, oil (sub. for AM2775T)
18	M 1001 T	(-)	Quill (sub. for AM972T)
19	12H 293 A	(-)	Washer, lock, 7/16" (4 used)
20	19H 1978 A	(-)	Screw, cap, 7/16" x 1-1/2" (4 used)
21	M 3807 T	(-)	Shaft, axle, long (sub. for M3128T)
	T 10170 T	(-)	Shaft, axle, short
22	14H 656 A	(-)	Nut, hex., 1-1/2" (power adjusted wheels)
23	24H 1542 A	(-)	Washer, plain, 1-17/32" x 3" x 5/16" (power adjusted wheels)
24	M 3419 T	(-)	Hub (power adjusted wheels)
25	M 3151 T	(-)	Shaft, axle (power adjusted wheels)
26	A 5292 R	(-)	Stud (4 used) (packed 25 in a pkg.)
27	AA 4963 R	(-)	Nut, hex., special (4 used)
28	M 3210 T	(-)	Stud, rear
29	M 1554 T	(-)	Washer, special (2 used)
30	14H 760 A	(-)	Nut, hex., 5/8" (2 used)
31	15H 624 A	(-)	Plug, pipe, 1/2" (2 used)
32	19H 1801 A	(-)	Screw, cap, 3/8" x 2" (8 used)
33	12H 304 A	(-)	Washer, lock, 3/8" (11 used)
34	M 3132 T	(-)	Pan, left housing
	M 3133 T	(-)	Pan, right housing
35	M 3124 T	(-)	Gasket
36	M 2152 T	(-)	Dowel, hollow (4 used)
37	AM 3043 T	(-128416)	Gear assembly (M3125T and M1495T) (64 teeth)
	AM 4008 T	(128417-	Gear assembly (M3125T and M4439T) (64 teeth)
38	30H 11 A	(-)	Plug, expansion, 7/8" (used in replacement final drive housing only)
39	M 3489 T	(-)	Stud
40	12H 294 A	(-)	Washer, lock, 5/8"
41	14H 760 A	(-)	Nut, hex., 5/8"
42	M 1005 T	(-)	Washer
43	JD 7590 T	(-)	Cone, bearing
44	JD 8314 T	(-)	Cup, bearing
45	M 2369 T	(-)	Retainer
46	M 2370 T	(-)	Lock, cap screw
47	19H 1741 A	(-)	Screw, cap, 1/2" x 1-1/8" (2 used)
48	M 3126 T	(-)	Gasket
49	M 3131 T	(-100000)	Cover
	M 3583 T	(100001-	Cover
50	M 3724 T	(100001-	Ring, sealing
51	19H 1139 A	(-100000)	Screw, cap, 3/8" x 1-1/8" (3 used)
	19H 1731 A	(100001-	Screw, cap, 3/8" x 1" (3 used)

PLANTER DRIVE ATTACHMENT
Standard, Utility, and Special



Key	Part No.	Serial No.	Description
1	M 2122 T	(-)	Screw, cap, special, 1/2" x 3-3/4" (2 used)
2	19H 1800 A	(-)	Screw, cap, 3/8" x 1-1/2" (3 used)
3	12H 304 A	(-)	Washer, lock, 3/8" (3 used)
4	M 2606 T	(-)	Retainer
5	AM 1717 T	(-)	Seal, oil
6	M 2662 T	(-)	Shaft

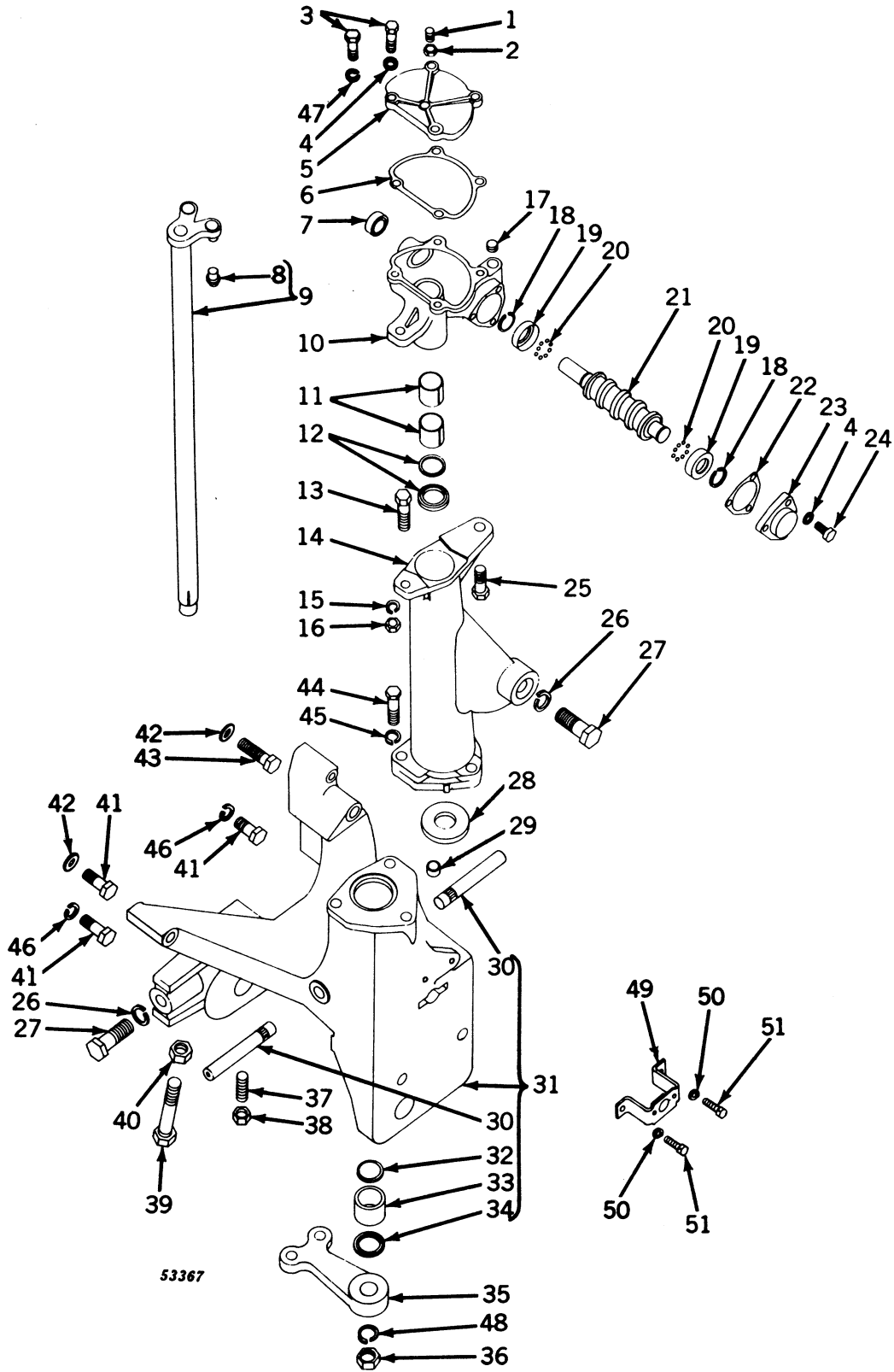
FRONT END SUPPORT ASSEMBLY
Crawler



Key	Part No.	Serial No.	Description
1	14H 813 A	(-100000)	Nut, hex., 7/16" (2 used)
2A	12H 293 A	(-100000)	Washer, lock, 7/16" (2 used)
2B	12H 236 A	(100001-)	Washer, lock, 3/4" (2 used)
3A	3H 1574 A	(-100000)	Bolt, cge., 7/16" x 1-1/2" (2 used)
3B	19H 1782 A	(100001-)	Screw, cap, 3/4" x 2-1/4" (2 used)
4	14H 836 A	(-)	Nut, hex., 7/8" (2 used)
5	12H 317 A	(-)	Washer, lock, 9/16" (4 used)
6	M 434 T	(-)	Screw, cap, special (4 used)
7	M 1018 T	(-)	Support (sub. for AM1013T)
8	M 1024 T	(-)	Rod, bumper (2 used)
9	M 1023 T	(-)	Bumper
10	AM 956 T	(-)	BUMPER ATTACHMENT
11	19H 1936 A	(-)	Screw, cap, 3/8" x 3/4" (4 used)
12	12H 304 A	(-)	Washer, lock, 3/8" (4 used)
13	AM 3361 T	(-)	Pan, sod (sub. for AM1014T)

Capital letters indicate an attachment. Attachments must be listed on separate order from replacement parts.

STEERING GEAR AND FRONT END SUPPORT
Hi-Crop, Standard, Utility, and Special

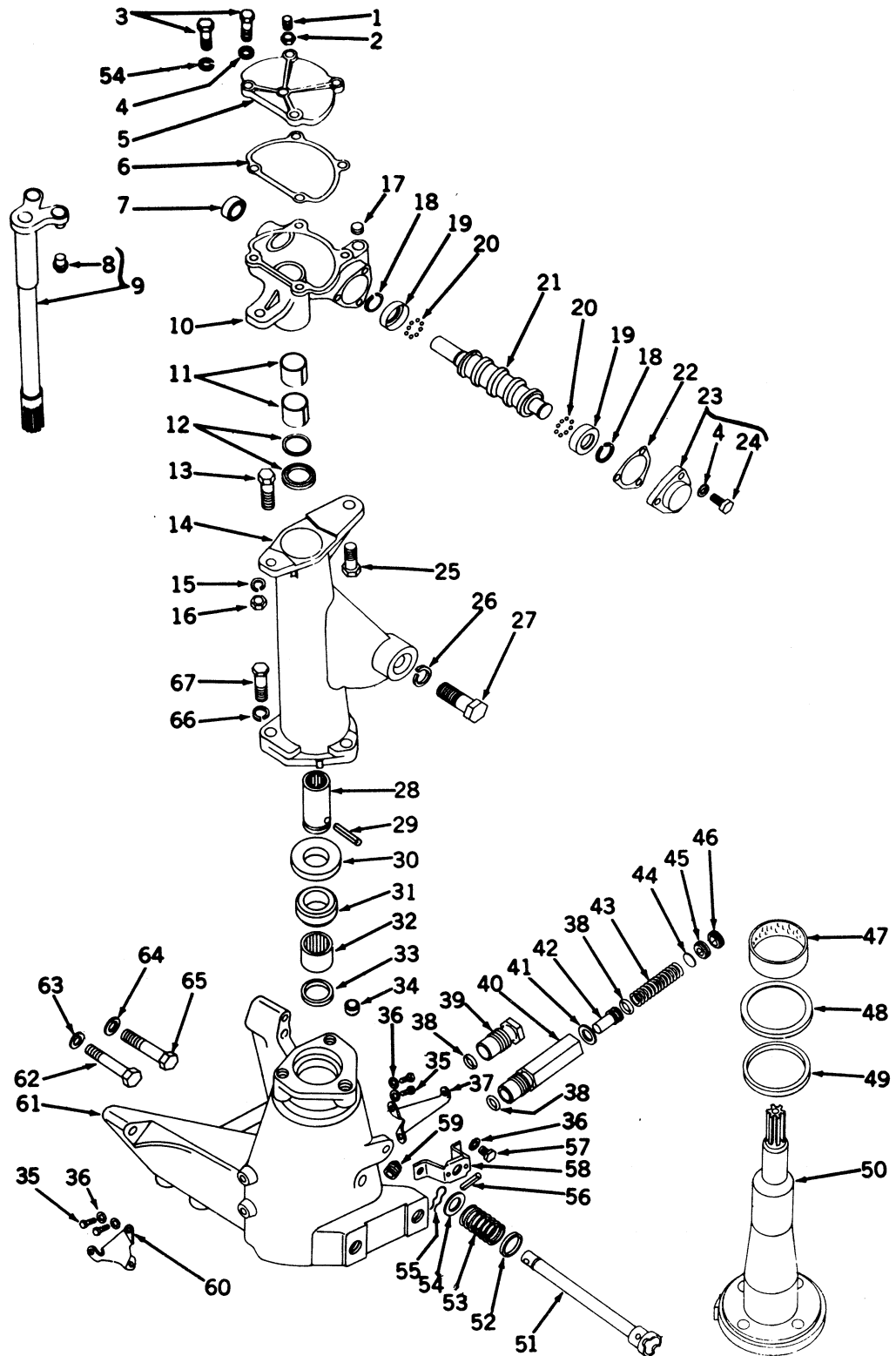


STEERING GEAR AND FRONT END SUPPORT -- Continued
Hi-Crop, Standard, Utility, and Special

Key	Part No.	Serial No.	Description
1	M 937 T	(-)	Screw, adjusting
2	14H 469 A	(-)	Nut, hex., jam, 7/16"
3	M 735 T	(-)	Screw, cap, special (4 used)
4	M 728 T	(-)	Washer, copper (5 used)
5	M 2838 T	(-)	Cover, top
6	M 2839 T	(-)	Gasket
7	AM 2684 T	(-)	Seal, oil
8	AM 1514 T	(-)	Stud, lever shaft (pkg. of 2) (1 pkg. used)
9	AM 2683 T	(-)	Lever shaft assembly
10	AM 2724 T	(-)	Housing, with bushings and oil seals
11	P 44271 H	(-)	Bushing, trunnion (2 used)
12	AM 906 T	(-)	Seal, oil, with cork washer
13	19H 1800 A	(-)	Screw, cap, 3/8" x 1-1/2"
14	M 849 T	(-139999)	Support, steering gear (sub. for AM946T)
	T 10914 T	(140000-)	Support, steering gear
15	12H 304 A	(-)	Washer, lock, 3/8"
16	14H 812 A	(-)	Nut, hex., 3/8"
17	15H 604 A	(-)	Plug, pipe, sq. hd., 1/4"
18	M 933 T	(-)	Ring, snap (2 used)
19	M 932 T	(-)	Cup, ball bearing (2 used)
20	R 26552 R	(-)	Ball bearing (22 used) (sub. for M719T) (packed 2 in a pkg.)
21	M 2741 T	(-)	Worm, steering
22	M 720 T	(-)	Shim, .002" (use quantity required) (packed 5 in a pkg.)
	M 721 T	(-)	Shim, .003" (use quantity required) (packed 5 in a pkg.)
	M 722 T	(-)	Shim, .010" (use quantity required) (packed 3 in a pkg.)
23	AM 3669 T	(-)	Cover, front, with washers and cap screws (sub. for M934T)
24	M 723 T	(-105367)	Screw, cap, special (3 used)
	19H 2127 A	(105368-)	Screw, cap, 5/16" x 7/8" (3 used)
25	JD 19 R	(-)	Bolt, special (packed 20 in a pkg.)
26	12H 236 A	(-)	Washer, lock, 3/4" (3 used)
27	19H 1768 A	(-)	Screw, cap, 3/4" x 2" (3 used)
28	M 4377 T	(-)	Washer, thrust (sub. for M842T)
29	M 827 T	(-)	Dowel, hollow
30	M 2669 T	(-)	Support, radiator (2 used)
31	AM 3846 T*	(-)	Support, front end (M2665T) (M4152T), with radiator supports, oil seal, bushing, cap screw, and hex. nut (sub. for M2665T and AM2447T)
32	M 2667 T	(-)	Seal, upper
33	M 2670 T	(-)	Bushing
34	AM 2555 T	(-)	Seal, oil, lower
35	T 11329 T	(-)	Arm, steering (sub. for M2742T)
36	M 2837 T	(-)	Nut, steering arm
37	22H 713 A	(-)	Screw, set, 1/2" x 2"
38	14H 826 A	(-)	Nut, hex., jam, 1/2"
39	M 2671 T	(-)	Screw, cap, special
40	14H 760 A	(-)	Nut, hex., 5/8"
41	M 434 T	(-)	Screw, cap, special, 9/16" x 3-1/2" (3 used)
42	M 3244 T	(-)	Washer, plain, special (2 used) (packed 4 in a pkg.)
43	M 285 T	(-)	Screw, cap, special, 9/16" x 5-1/2" (packed 5 in a pkg.)
44	19H 1899 A	(-)	Screw, cap, 7/16" x 2" (3 used)
45	12H 293 A	(-)	Washer, lock, 7/16" (3 used)
46	12H 317 A	(-11725)	Washer, lock, 9/16" (2 used)
	M 3244 T	(117126-)	Washer, plain, special (2 used) (packed 4 in a pkg.)
47	12H 303 A	(-)	Washer, lock, 5/16" (2 used)
48	12H 245 A	(-)	Washer, lock, 7/8"
49	AM 917 T	(-)	Bracket (sub. for AM964T)
50	12H 303 A	(-)	Washer, lock, 1/4" (2 used)
51	19H 1948 A	(-)	Screw, cap, 1/4" x 3/4" (2 used)

*If crank is to be used for starting, also order one M4150T starting crank jaw and one AM3844T starting crank when AM3846T front end support is ordered as a replacement part on tractors prior to serial no. 119061.

STEERING GEAR AND FRONT END SUPPORT
Tricycle

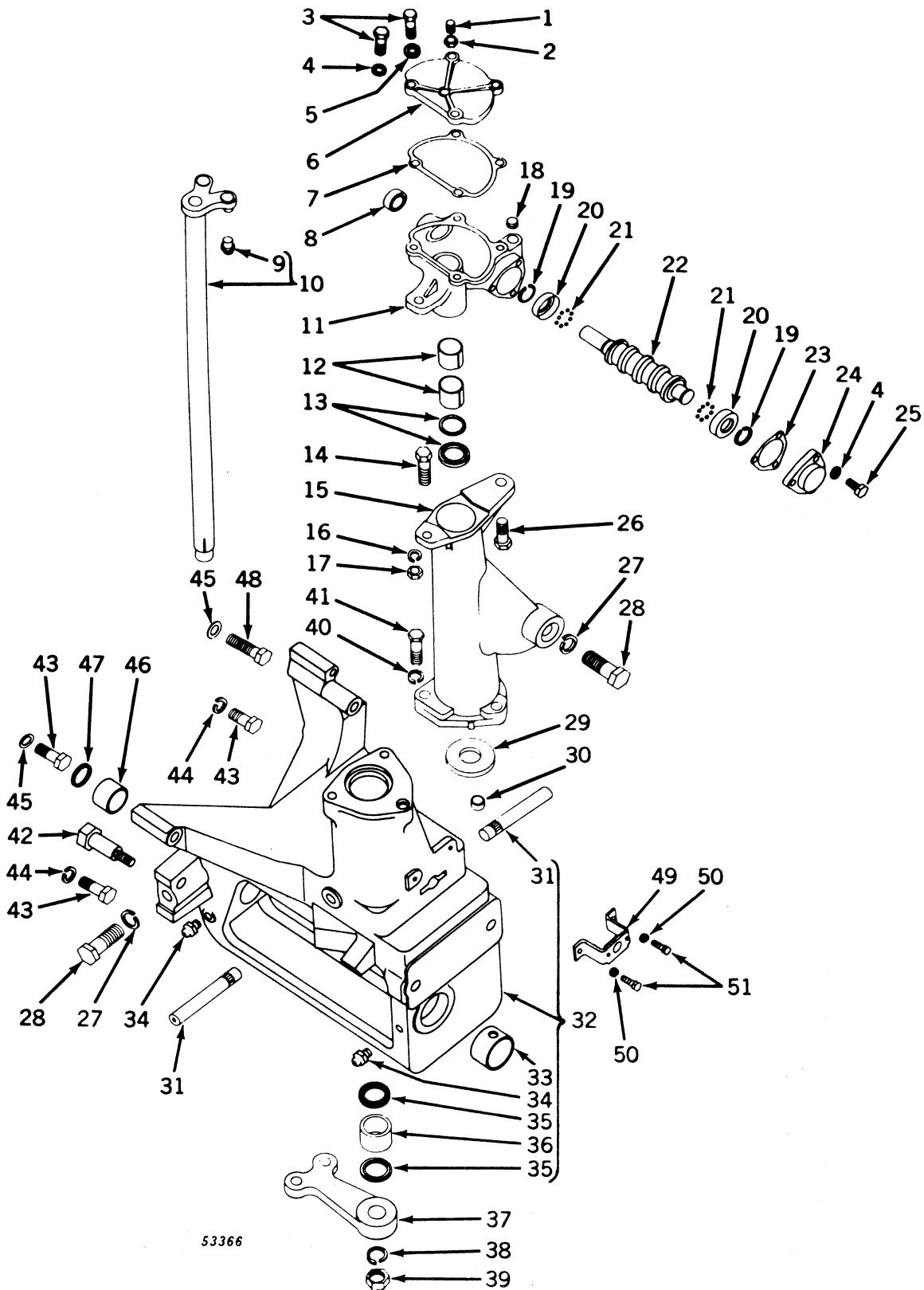


T 1007

STEERING GEAR AND FRONT END SUPPORT -- Continued
Tricycle

Key	Part No.	Serial No.	Description
1	M 937 T	(-)	Screw, adjusting
2	14H 469 A	(-)	Nut, hex., jam, 7/16"
3	M 735 T	(-)	Screw, cap, special (4 used)
4	M 728 T	(-)	Washer, copper (5 used)
5	M 2838 T	(-)	Cover, top
6	M 2839 T	(-)	Gasket
7	AM 2684 T	(-)	Seal, oil
8	AM 1514 T	(-)	Stud, lever shaft (pkg. of 2) (1 pkg. used)
9	AM 2396 T	(-)	Lever shaft assembly
10	AM 2724 T	(-)	Housing, with bushings and oil seals
11	P 44271 H	(-)	Bushing, trunnion (2 used)
12	AM 906 T	(-)	Seal, oil, with cork washer
13	19H 1800 A	(-)	Screw, cap, 3/8" x 1-1/2"
14	M 849 T	(-139999)	Support, steering gear (sub. for AM946T)
	T 10914 T	(140000-)	Support, steering gear
15	12H 304 A	(-)	Washer, lock, 3/8"
16	14H 812 A	(-)	Nut, hex., 3/8"
17	15H 604 A	(-)	Plug, pipe, sq. hd., 1/4"
18	M 933 T	(-)	Ring, snap (2 used)
19	M 932 T	(-)	Cup, ball bearing (2 used)
20	R 26552 R	(-)	Ball bearing (22 used) (sub. for M719T) (packed 2 in a pkg.)
21	M 2573 T	(-)	Worm, steering
22	M 720 T	(-)	Shim, .002" (use quantity required) (packed 5 in a pkg.)
	M 721 T	(-)	Shim, .003" (use quantity required) (packed 5 in a pkg.)
	M 722 T	(-)	Shim, .010" (use quantity required) (packed 3 in a pkg.)
23	AM 3669 T	(-)	Cover, front, with washers and cap screws (sub. for M934T)
24	M 723 T	(-105367)	Screw, cap, special (3 used)
	19H 2127 A	(105368-)	Screw, cap, 5/16" x 7/8" (3 used)
25	JD 19 R	(-)	Bolt, special (packed 20 in a pkg.)
26	12H 236 A	(-)	Washer, lock, 3/4"
27	19H 1768 A	(-)	Screw, cap, 3/4" x 2"
28	M 844 T	(-)	Coupling (sub. for AM944T)
29	25H 1160 A	(-)	Pin, groov-, 1/4" x 1-5/8"
30	M 4377 T	(-)	Washer, thrust (sub. for M842T)
31	JD 8404 T	(-)	Bearing, thrust
32	JD 8820 T	(-)	Bearing, needle
33	M 431 T	(-)	Seal
34	M 827 T	(-)	Dowel
35	19H 1919 A	(-)	Screw, cap, 1/4" x 5/8" (4 used)
36	12H 302 A	(-)	Washer, lock, 1/4" (4 used)
37	M 857 T	(-)	Bracket, left (sub. for AM923T)
38	T 12728 T	(157623-)	Ring, "O" (dual front wheels)
39	T 12732 T	(157623-)	Plug, screw (single front wheel and adjustable axle)
40	T 12731 T	(157623-)	Retainer (dual front wheels)
41	T 12729 T	(157623-)	Washer, copper (single and dual front wheels and adjustable axle)
42	T 12730 T	(157623-)	Pin (dual front wheels)
43	M 1552 T	(157623-)	Spring (dual front wheels)
44	30H 9 A	(157623-)	Plug, expansion, 3/4" (dual front wheels)
45	M 521 T	(157623-)	Screw, adjusting (dual front wheels)
46	M 1832 T	(157623-)	Screw, lock (dual front wheels)
47	T 12727 T	(-)	Bushing (sub. for AM942T)
48	M 840 T	(-)	Seal
49	M 841 T	(-)	Retainer
50	M 843 T	(-)	Spindle, upper (sub. for AM943T)
51	AM 3149 T	(-)	Shaft, extension
52	M 847 T	(-)	Washer
53	M 848 T	(-)	Spring
54	24H 1392 A	(-)	Washer, plain, 25/32" x 1-3/8" x .120"
55	L 4416 T	(-)	Clip
56	M 1437 T	(-)	Pin, extension shaft
57	19H 1948 A	(-)	Screw, cap, 1/4" x 3/4" (2 used)
58	AM 917 T	(-)	Bracket (sub. for AM964T)
59	15H 623 A	(-)	Plug, pipe, sq. hd., 3/8"
60	M 856 T	(-)	Bracket, right (sub. for AM922T)
61	AM 1773 T	(-)	Support, front end, with bushing, cap screws, and plain washer
62	M 285 T	(-)	Screw, cap, special, 9/16" x 5-1/2" (packed 5 in a pkg.)
63	M 3244 T	(-)	Washer, plain, special (2 used) (packed 4 in a pkg.)
64	12H 317 A	(-)	Washer, lock, 9/16" (2 used)
65	M 434 T	(-)	Screw, cap, special, 9/16" x 3-1/2" (3 used)
66	12H 293 A	(-)	Washer, lock, 7/16" (3 used)
67	19H 1899 A	(-)	Screw, cap, 7/16" x 2" (3 used)

STEERING GEAR AND REGULAR FRONT END SUPPORT
Special Utility and Row-Crop Utility

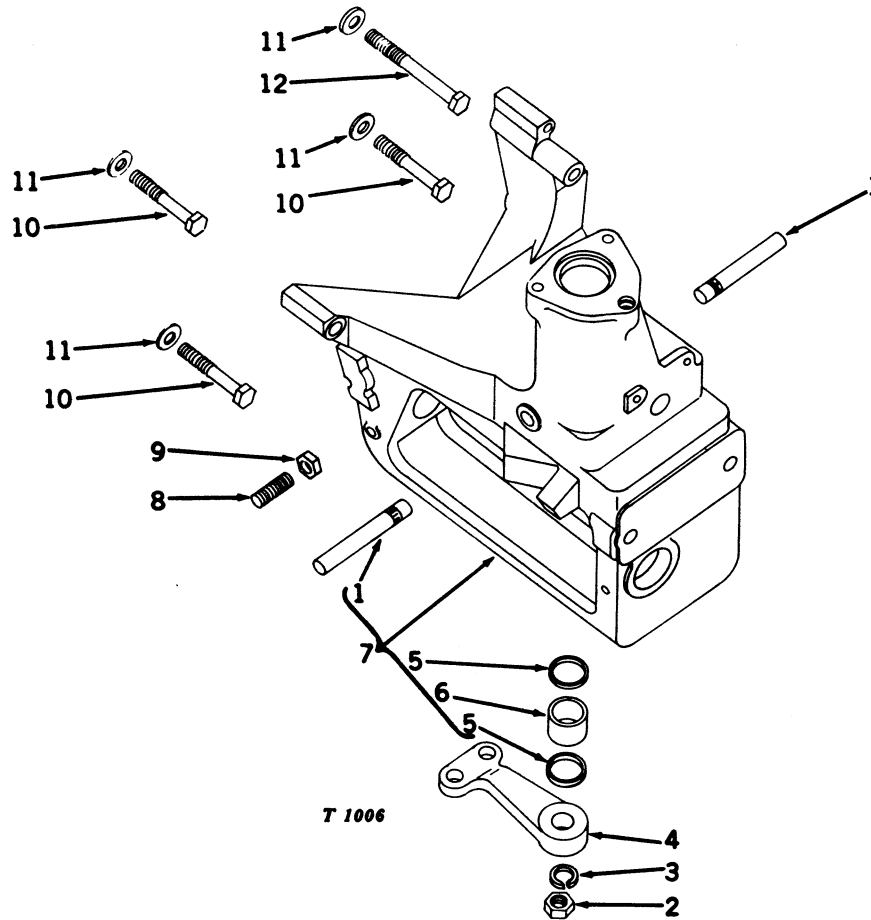


STEERING GEAR AND REGULAR FRONT END SUPPORT -- Continued
Special Utility and Row-Crop Utility

Key	Part No.	Serial No.	Description
1	M 937 T	(-)	Screw, adjusting
2	14H 469 A	(-)	Nut, hex., jam, 7/16"
3	M 735 T	(-)	Screw, cap, special (4 used)
4	M 728 T	(-)	Washer, copper (5 used)
5	12H 303 A	(-)	Washer, lock, 5/16" (2 used)
6	M 2838 T	(-)	Cover, top
7	M 2839 T	(-)	Gasket
8	AM 2684 T	(-)	Seal, oil
9	AM 1514 T	(-)	Stud, lever shaft (pkg. of 2) (1 pkg. used)
10	AM 2683 T	(-)	Lever shaft assembly
11	AM 2724 T	(-)	Housing, with bushings and oil seals
12	P 44271 H	(-)	Bushing, trunnion (2 used)
13	AM 906 T	(-)	Seal, oil, with cork washer
14	19H 1800 A	(-)	Screw, cap, 3/8" x 1-1/2"
15	AM 946 T	(-139999)	Support, steering gear (with regular axle)
	T 10914 T	(140000-)	Support, steering gear (with regular axle)
	T 10553 T	(-)	Support, steering gear (with swept-back axle)
16	12H 304 A	(-)	Washer, lock, 3/8"
17	14H 812 A	(-)	Nut, hex., 3/8"
18	15H 604 A	(-)	Plug, pipe, sq. hd., 1/4"
19	M 933 T	(-)	Ring, snap (2 used)
20	M 932 T	(-)	Cup ball, bearing (2 used)
21	R 26552 R	(-)	Ball bearing (22 used) (sub. for M719T) (packed 2 in a pkg.)
22	M 2573 T	(-)	Worm, steering
23	M 720 T	(-)	Shim, .002" (use quantity required) (packed 5 in a pkg.)
	M 721 T	(-)	Shim, .003" (use quantity required) (packed 5 in a pkg.)
	M 722 T	(-)	Shim, .010" (use quantity required) (packed 3 in a pkg.)
24	AM 3669 T	(-)	Cover, front, with washers and cap screws (sub. for M934T)
25	M 723 T	(-105367)	Screw, cap, special (3 used)
	19H 2127 A	(105368-)	Screw, cap, 5/16" x 7/8" (3 used)
26	JD 19 R	(-)	Bolt, special (packed 20 in a pkg.)
27	12H 236 A	(-)	Washer, lock, 3/4" (3 used) (regular axle)
28	19H 1768 A	(-)	Screw, cap, 3/4" x 2" (3 used) (regular axle)
29	M 4377 T	(-)	Washer, thrust (sub. for M842T)
30	M 827 T	(-)	Dowel, hollow
31	M 2669 T	(-)	Support, radiator (2 used)
32	AM 3845 T*	(-)	Support, front end (M4151T), with radiator supports, oil seals, bushing, and grease fittings (sub. for M3165T and AM3025T)
33	M 3292 T	(-)	Bushing, front
34	JD 7759	(-)	Fitting, grease (2 used)
35	AM 2555 T	(-)	Seal, oil (2 used)
36	M 2670 T	(-)	Bushing
37	T 11330 T	(-)	Arm, steering (sub. for M3315T)
38	12H 245 A	(-)	Washer, lock, 7/8"
39	M 2837 T	(-)	Nut, steering arm
40	12H 293 A	(-)	Washer, lock, 7/16" (3 used)
41	19H 1899 A	(-)	Screw, cap, 7/16" x 2" (3 used)
42	M 3365 T	(-)	Screw, cap, special (2 used)
43	M 434 T	(-)	Screw, cap, special, 9/16" x 3-1/2" (3 used)
44	12H 317 A	(-117125)	Washer, lock, 9/16" (2 used)
	M 3244 T	(117126-)	Washer, plain, special (2 used) (packed 4 in a pkg.)
45	M 3244 T	(-)	Washer, plain, special (2 used) (packed 4 in a pkg.)
46	M 1111 T	(-)	Bushing, rear
47	M 4110 T	(-)	Plug (sub. for M2206T)
48	M 285 T	(-)	Screw, cap, special, 9/16" x 5-1/2" (packed 5 in a pkg.)
49	AM 917 T	(-)	Bracket (sub. for AM964T)
50	12H 302 A	(-)	Washer, lock, 1/4" (2 used)
51	19H 1948 A	(-)	Screw, cap, 1/4" x 3/4" (2 used)

*If crank is to be used for starting, also order one M4150T starting crank jaw and one AM3844T starting crank when AM3845T front end support is ordered as a replacement part on tractors prior to serial no. 119164.

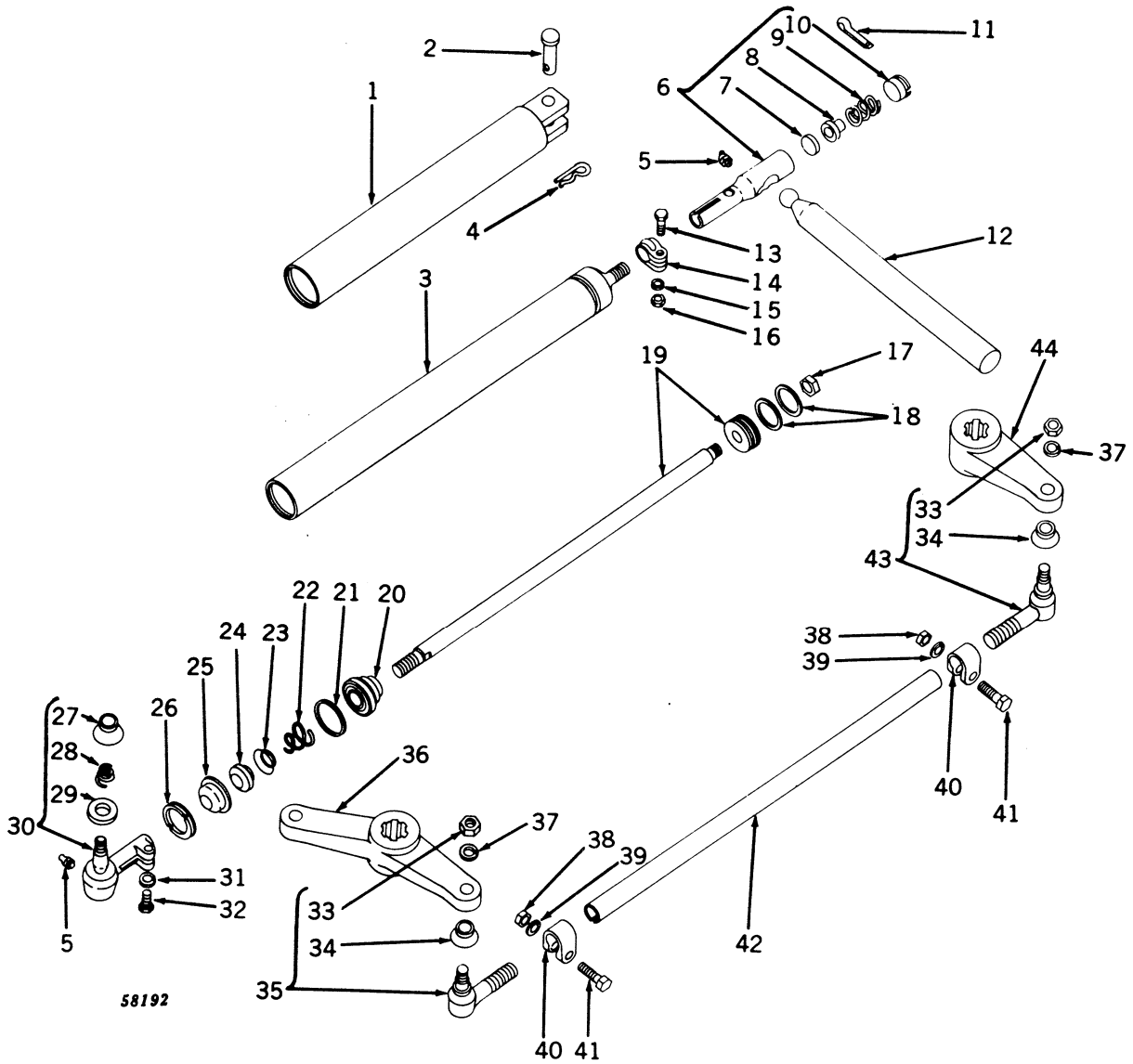
FRONT END SUPPORT (WITH SWEEP-BACK FRONT AXLE)
Row-Crop Utility



Key	Part No.	Serial No.	Description
1	M 2669 T	(-)	Support, radiator (2 used)
2	M 2837 T	(-)	Nut, steering arm
3	12H 245 A	(-)	Washer, lock, 7/8"
4	T 12202 T	(-)	Arm, steering
5	AM 2555 T	(-)	Seal, oil (2 used)
6	M 2670 T	(-)	Bushing
7	AT 11746 T	(-)	Support, front end (T12195T), with radiator supports, oil seals, and bushing
8	22H 716 A	(-)	Screw, set, 1/2" x 1-1/2"
9	14H 826 A	(-)	Nut, hex., jam, 1/2"
10	M 434 T	(-)	Screw, cap, special, 9/16" x 3-1/2" (3 used)
11	M 3244 T	(-)	Washer, plain, special (4 used) (packed 4 in a pkg.)
12	M 285 T	(-)	Screw, cap, special, 9/16" x 5-1/2" (packed 5 in a pkg.)

MEMORANDA

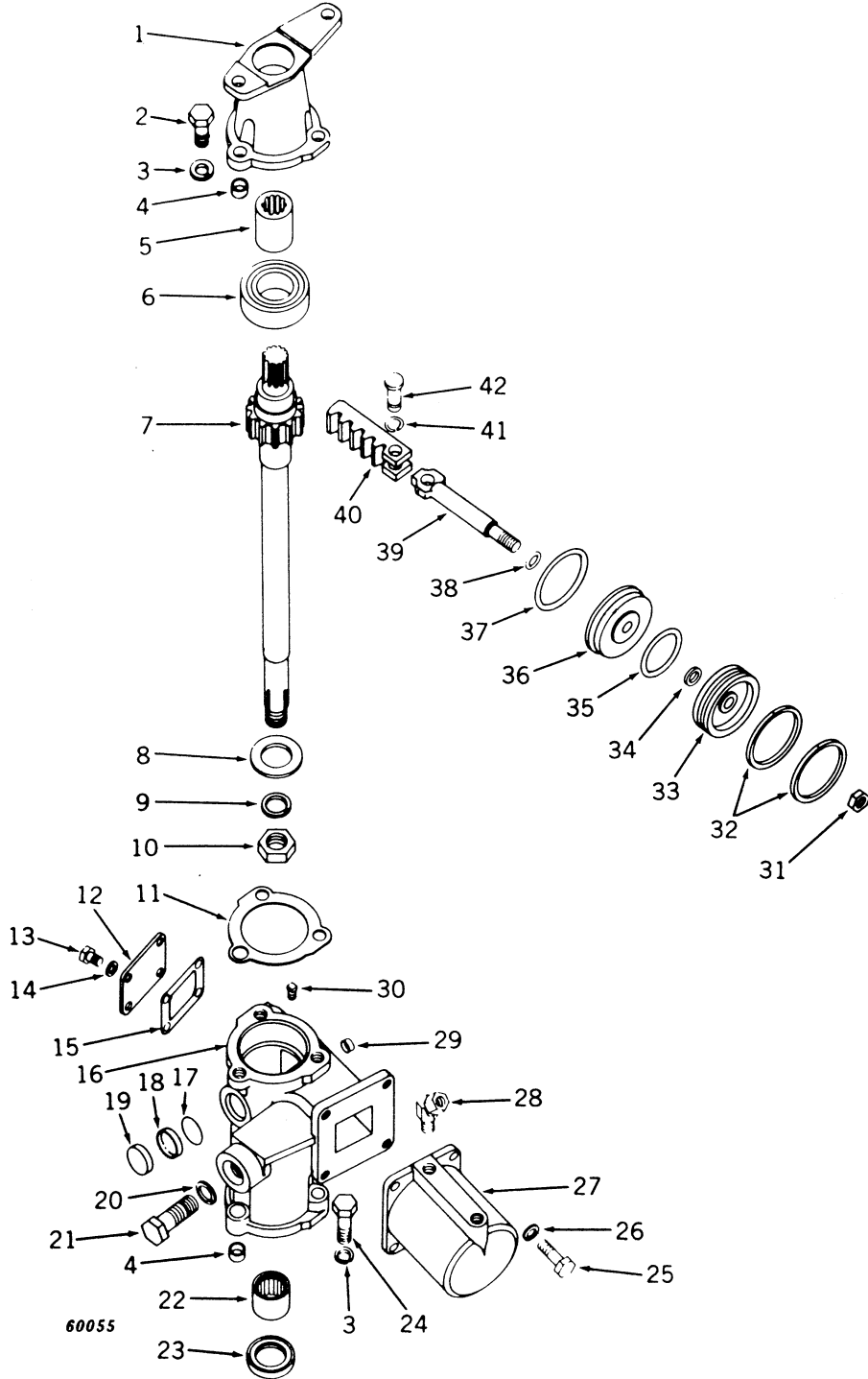
POWER STEERING CYLINDER AND TIE ROD ASSEMBLY
 Special Utility and Utility (Factory Installation Serial No. 80001-125000)
 Special Utility and Utility (Field Installation Serial No. 80001-Up)



POWER STEERING CYLINDER AND TIE ROD ASSEMBLY -- Continued
 Special Utility and Utility (Factory Installation Serial No. 80001-125000)
 Special Utility and Utility (Field Installation Serial No. 80001-Up)

Key	Part No.	Serial No.	Description
1	(-)	Sub. AM3747T (I)
2	M 3616 T	(-)	Pin (I)
3	(-)	Sub. AM3751T (U)
4	J 16931 N	(-)	Pin, spring locking (I)
5	JD 7763	(-)	Fitting, grease (2 used)
6	AM 3752 T	(-)	Socket assembly (U)
7	L 427 T	(-)	Seal, ball, inner (U)
8	L 428 T	(-)	Seal, ball, outer (U)
9	M 4141 T	(-)	Spring (U)
10	L 425 T	(-)	Plug, end
11	11H 237 A	(-)	Pin, cotter, 1/8" x 2" (U)
12	M 4011 T	(-)	Shaft, pivot (U)
13	L 410 T	(-)	Bolt, special
14	L 409 T	(-)	Clamp (packed 3 in a pkg.)
15	12H 303 A	(-)	Washer, lock, 5/16"
16	14H 650 A	(-)	Nut, hex., 5/16"
17	14H 846 A	(-)	Nut, hex., 3/8"
18	M 4382 T	(-)	Ring, piston (2 used)
19	AM 4007 T	(-)	Piston, with rod
20	M 4386 T	(-)	Head, cylinder
21	M 4388 T	(-)	Packing
22	M 4387 T	(-)	Spring
23	M 4392 T	(-)	Washer
24	M 4390 T	(-)	Seal
25	M 4391 T	(-)	Head, cylinder, intermediate
26	M 4389 T	(-)	Nut, retainer
27	M 4249 T	(-)	Cover, dust
28	M 4248 T	(-)	Spring
29	M 4250 T	(-)	Washer, felt
30	AM 3749 T	(-)	Socket assembly, with spring, felt washer, and dust cover
31	12H 304 A	(-)	Washer, lock, 3/8"
32	19H 1001 A	(-)	Screw, cap, 3/8" x 1"
33	14H 865 A	(-)	Nut, hex., 1/2" (4 used)
34	M 648 T	(-)	Cover, dust (4 used)
35	AM 496 T	(-)	End, tie rod, R. H. thread (sub. for AM498T)
36	M 4010 T	(-)	Arm, steering, right (U)
	M 4008 T	(-)	Arm, steering, right (I)
37	12H 301 A	(-)	Washer, lock, 1/2" (4 used)
38	14H 846 A	(-)	Nut, hex., 3/8" (4 used)
39	12H 304 A	(-)	Washer, lock, 3/8" (4 used)
40	M 2300 T	(-)	Clamp (4 used)
41	19H 1000 A	(-)	Screw, cap, 3/8" x 1-5/8" (4 used)
42	M 3979 T	(-)	Intermediate (2 used) (U)
	M 3982 T	(-)	Intermediate (2 used) (I)
43	AM 497 T	(-)	End, tie rod, L. H. thread (2 used) (sub. for AM499T)
44	M 4052 T	(-)	Arm, steering, left (U)
	M 3983 T	(-)	Arm, steering, left (I)
..	AM 3747 T	(-)	Steering cylinder assembly (I)
..	AM 3751 T	(-)	Steering cylinder assembly (U)

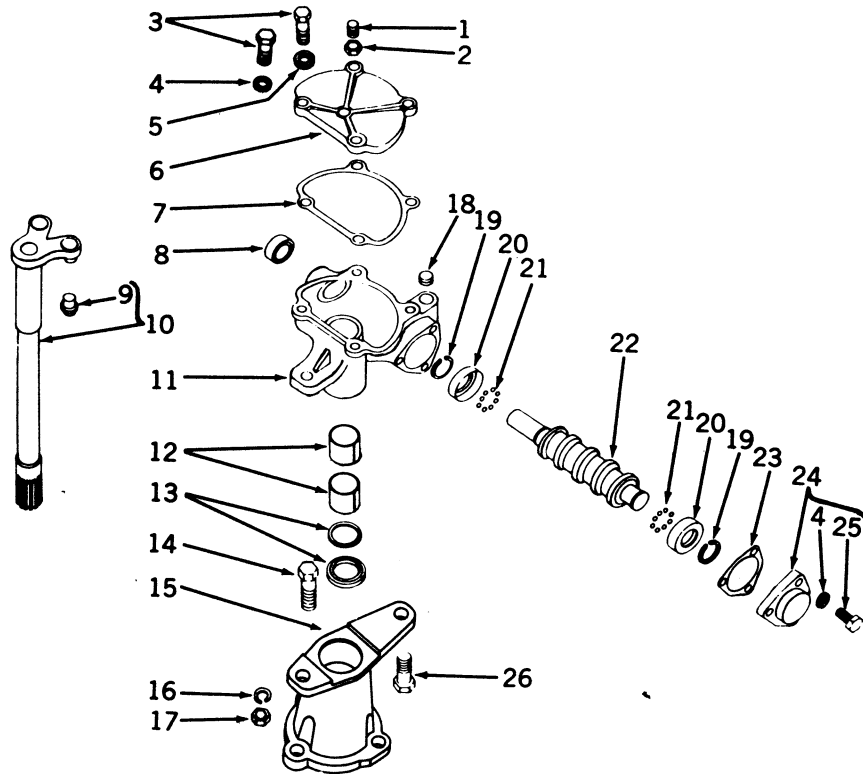
POWER STEERING RACK AND PINION ASSEMBLY
 Hi-Crop, Special Utility, Standard, Tricycle, Utility, Special, and Row-Crop Utility
 (Serial No. 125001-Up)



POWER STEERING RACK AND PINION ASSEMBLY -- Continued
 Hi-Crop, Special Utility, Standard, Tricycle, Utility, Special, and Row-Crop Utility
 (Serial No. 125001-Up)

Key	Part No.	Serial No.	Description
1	M 4244 T	(125001-) Support, steering gear
2	19H 339 A	(125001-) Screw, cap, 7/16" x 1-3/8" (3 used)
3	12H 293 A	(125001-) Washer, lock, 7/16" (6 used)
4	M 827 T	(125001-) Dowel, hollow (2 used)
5	M 4246 T	(125001-) Coupling
6	JD 7191 T	(125001-) Bearing, ball
7	M 4226 T	(125001-) Pinion (H, I, S, U, V, and W)
	M 4375 T	(125001-) Pinion (T)
8	M 4231 T	(125001-) Washer, thrust
9	12H 245 A	(125001-) Washer, lock, 7/8" (H, I, S, U, V, and W)
10	M 2837 T	(125001-) Nut, hex., special (H, I, S, U, V, and W)
11	M 4245 T	(125001-) Gasket
12	M 4242 T	(125001-) Cover
13	19H 1919 A	(125001-) Screw, cap, 1/4" x 5/8" (4 used)
14	12H 302 A	(125001-) Washer, lock, 1/4" (4 used)
15	M 4243 T	(125001-) Gasket
16	M 4223 T	(125001-) Housing, rack and pinion
17	M 4228 T	(125001-) Shim, .002" (packed 2 in a pkg.)
	M 4229 T	(125001-) Shim, .005" (packed 2 in a pkg.)
	M 4230 T	(125001-) Shim, .010" (packed 2 in a pkg.)
18	M 4227 T	(125001-) Pad, thrust
19	M 4225 T	(125001-) Plug, cupped
20	12H 236 A	(125001-) Washer, lock, 3/4"
21	19H 1768 A	(125001-) Screw, cap, 3/4" x 2"
22	JD 8820 T	(125001-) Bearing, needle
23	AM 253 T	(125001-) Seal, oil
24	19H 1899 A	(125001-) Screw, cap, 7/16" x 2" (3 used)
25	19H 1100 A	(125001-) Screw, cap, 3/8" x 1-3/8" (4 used)
26	12H 304 A	(125001-) Washer, lock, 3/8" (4 used)
27	M 4241 T	(125001-) Housing, cylinder
28	AM 3762 T	(125001-160985)) Union, 45°
	A 4925 R	(160986-) Connector (2 used)
29	M 4224 T	(125001-) Plug, cupped
30	15H 253 A	(125001-) Plug, pipe, sq. hd., 1/8"
31	M 4247 T	(125001-) Nut, special
32	M 4240 T	(125001-) Ring, piston (2 used) (packed 2 in a pkg.)
33	M 4239 T	(125001-) Piston
34	M 2834 T	(125001-) Washer
35	M 4237 T	(125001-) Ring, "O"
36	M 4235 T	(125001-) Head, cylinder
37	M 4236 T	(125001-) Ring, "O"
38	M 4238 T	(125001-) Ring, "O"
39	M 4233 T	(125001-) Rod, piston
40	M 4232 T	(125001-) Rack
41	M 331 T	(125001-) Ring, snap (packed 2 in a pkg.)
42	M 4234 T	(125001-) Pin

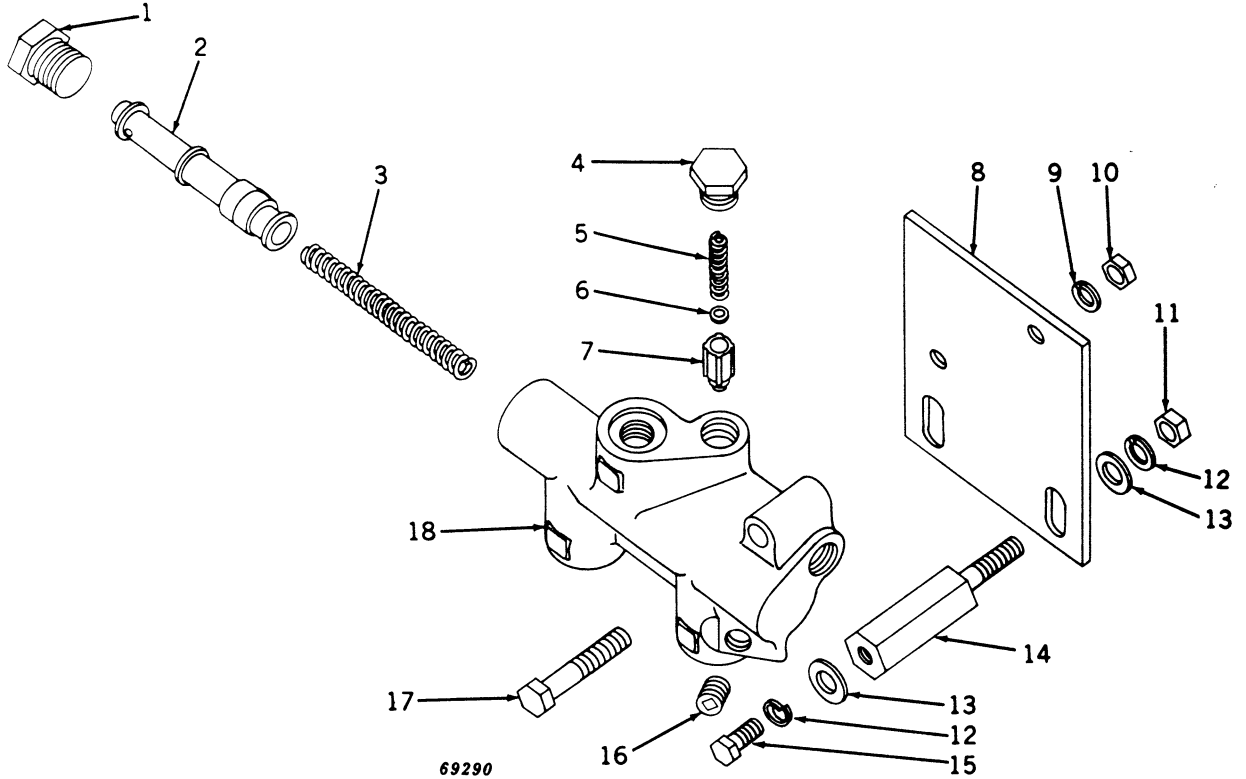
POWER STEERING GEAR AND SUPPORT
 Hi-Crop, Special Utility, Standard, Tricycle, Utility, Special, and Row-Crop Utility
 (Serial No. 125001-Up)



60279

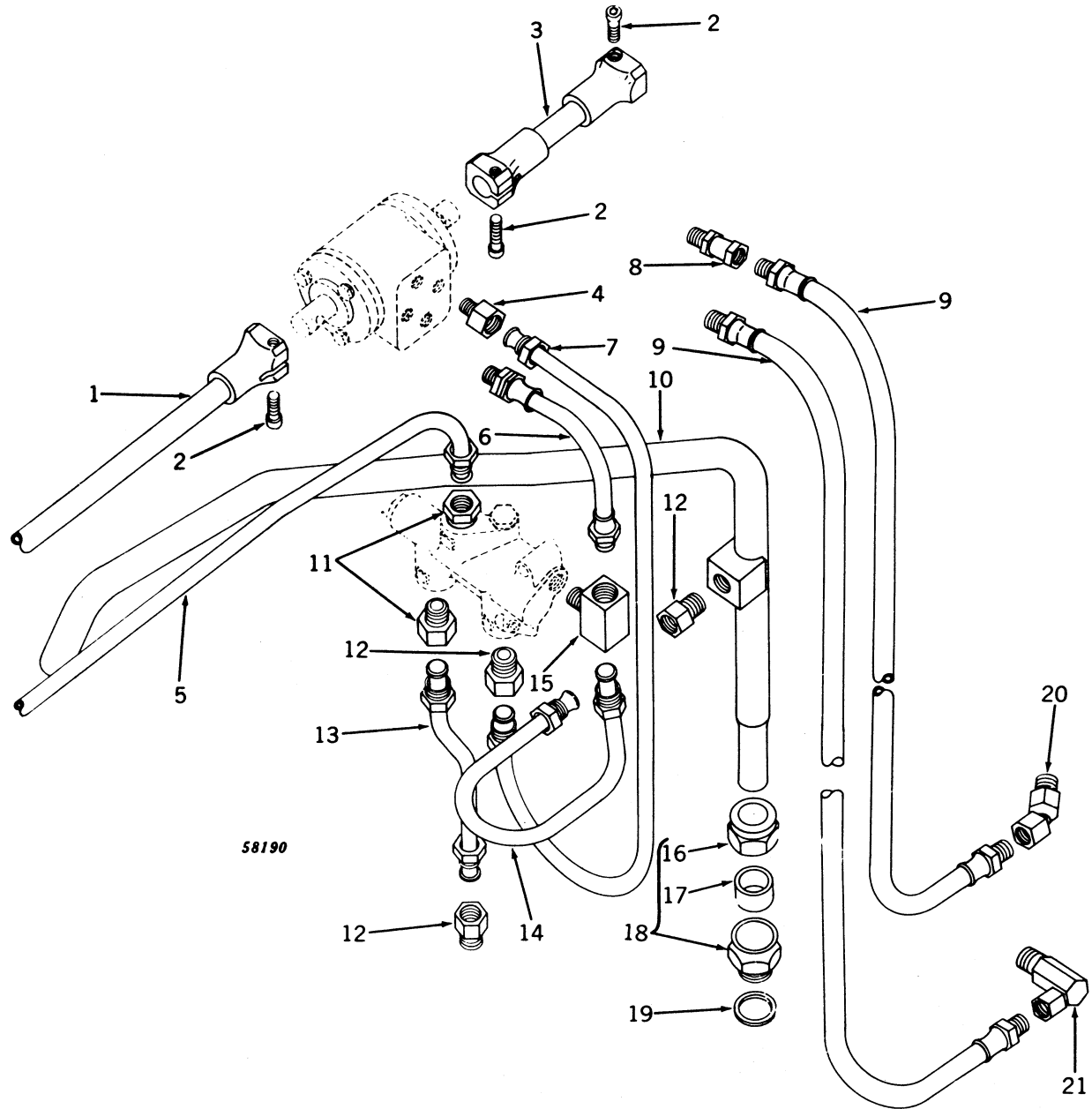
Key	Part No.	Serial No.	Description
1	M 937 T	(125001-	Screw, adjusting
2	14H 469 A	(125001-	Nut, hex., jam, 7/16"
3	M 735 T	(125001-	Screw, cap, special (4 used)
4	M 728 T	(125001-	Washer, copper (5 used)
5	12H 303 A	(125001-	Washer, lock, 5/16" (2 used)
6	M 2838 T	(125001-	Cover, top
7	M 2839 T	(125001-	Gasket
8	AM 2684 T	(125001-	Seal, oil
9	AM 1514 T	(125001-	Stud, lever, shaft (pkg. of 2) (1 pkg. used)
10	AM 3976 T	(125001-	Lever shaft assembly
11	AM 2724 T	(125001-	Housing, with bushings and oil seals
12	P 44271 H	(125001-	Bushing, trunnion (2 used)
13	AM 906 T	(125001-	Seal, oil, with cork washer
14	19H 1800 A	(125001-	Screw, cap, 3/8" x 1-1/2"
15	M 4244 T	(125001-	Support, steering gear
16	12H 304 A	(125001-	Washer, lock, 3/8"
17	14H 812 A	(125001-	Nut, hex., 3/8"
18	15H 604 A	(125001-	Plug, pipe, sq. hd., 1/4"
19	M 933 T	(125001-	Ring, snap (2 used)
20	M 932 T	(125001-	Cup, ball bearing (2 used)
21	R 26552 R	(125001-	Ball bearing (22 used) (sub. for M719T) (packed 2 in a pkg.)
22	M 2573 T	(125001-	Worm, steering (I, T, and W)
	M 2741 T	(125001-	Worm, steering (S, U, and V)
23	M 720 T	(125001-	Shim, .002" (use quantity required) (packed 5 in a pkg.)
	M 721 T	(125001-	Shim, .003" (use quantity required) (packed 5 in a pkg.)
	M 722 T	(125001-	Shim, .010" (use quantity required) (packed 3 in a pkg.)
24	AM 3669 T	(125001-	Cover, front, with cap screws and washers
25	19H 2127 A	(125001-	Screw, cap, 5/16" x 7/8" (3 used)
26	JD 19 R	(125001-	Bolt, special (packed 20 in a pkg.)

POWER STEERING FLOW DIVIDER VALVE
 Utility and Special Utility (Serial No. 80001-131817)
 Hi-Crop, Standard, Tricycle, Special, and Row-Crop Utility (Serial No. 125001-131817)



Key	Part No.	Serial No.	Description
1	M 4133 T	(-131817)	Plug
2	M 4132 T	(-131817)	Piston
3	M 4134 T	(-131817)	Spring
4	M 4137 T	(-131817)	Plug
5	M 4136 T	(-131817)	Spring
6	M 4138 T	(-131817)	Washer (as required) (packed 2 in a pkg.)
7	M 4135 T	(-131817)	Valve
8	M 4029 T	(-131817)	Bracket
9	12H 302 A	(-131817)	Washer, lock, 1/4" (2 used)
10	14H 786 A	(-131817)	Nut, hex., 1/4" (2 used)
11	14H 785 A	(-131817)	Nut, hex., 5/16" (2 used)
12	12H 303 A	(-131817)	Washer, lock, 5/16" (4 used)
13	L 1198 T	(-131817)	Washer, plain, special (4 used)
14	M 4060 T	(-131817)	Adaptor (2 used)
15	19H 1900 A	(-131817)	Screw, cap, 5/16" x 3/4" (2 used)
16	15H 558 A	(-131817)	Plug, pipe, hex. ctsk., 1/8"
17	19H 2102 A	(-131817)	Screw, cap, 1/4" x 1-3/4" (2 used)
18	M 4131 T	(-131817)	Body, flow divider valve
..	AM 3761 T	(-131817)	Flow divider valve assembly, complete

POWER STEERING OIL LINES AND STEERING SHAFTS
Utility and Special Utility (Serial No. 80001-131817)
Hi-Crop, Standard, Tricycle, Special, and Row-Crop Utility (Serial No. 125001-131817)

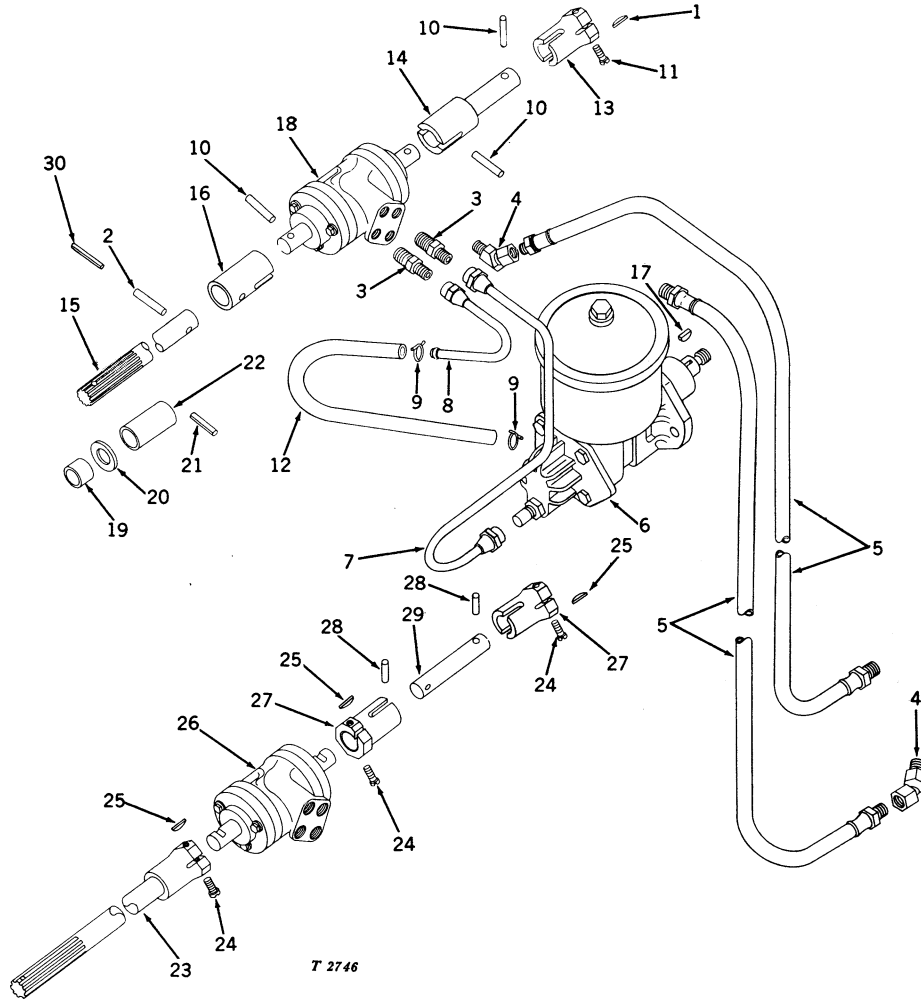


POWER STEERING OIL LINES AND STEERING SHAFTS -- Continued
 Utility and Special Utility (Serial No. 80001-131817)
 Hi-Crop, Standard, Tricycle, Special, and Row-Crop Utility (Serial No. 125001-131817)

Key	Part No.	Serial No.	Description
1	AM 3755 T	(-125000)	Shaft, steering, rear (I and U)
	AM 3948 T	(125001-131817)	Shaft, steering, rear (I, S, T, U, V, and W)
	AT 10134 T	(125001-131817)	Shaft, steering, rear (H) (sub. for AM4006T)
2	M 594 T	(-131817)	Screw, cap, socket head, 1/2" x 1-1/8" (3 used) (packed 5 in a pkg.)
3	AM 3754 T	(-131817)	Shaft, steering, front
4	M 1556 T	(-131817)	Connector
5	AM 3768 T	(-131817)	Line, pump outlet, upper
6	AM 3839 T	(-131817)	Line, steering valve outlet
7	AM 3765 T	(-131817)	Line, steering valve inlet
8	AM 3763 T	(***-***)	Adaptor, straight
	AM 3762 T	(125001-131817)	Adaptor, 45°
9	AM 3764 T	(***-***)	Line, flexible oil (2 used)
	AT 17006 T	(125001-131817)	Line, flexible oil (sub. for AP2269QH) (2 used)
10	AM 3769 T	(-131817)	Line, pump inlet
11	L 1670 C	(-131817)	Adaptor (2 used) (packed 5 in a pkg.)
12	M 1370 T	(-131817)	Connector (3 used)
13	AM 3767 T	(-131817)	Line, pump outlet, lower
14	AM 3770 T	(-131817)	Line, flow divider return
15	M 4028 T	(-131817)	Tee connector
16	M 3190 T	(-131817)	Nut
17	M 3189 T	(-131817)	Sleeve, rubber
18	AM 2945 T	(-131817)	Nut, with sleeve and connector
19	M 3192 T	(-131817)	Gasket
20	AM 3762 T	(-131817)	Adaptor, 45°
21	AM 3808 T	(***-***)	Adaptor, 90°

***Replacement parts AM3763T, AM3764T, and AM3808T are applicable to all field-installed power steering attachments serial no. 80001-up, and factory-installed power steering attachments serial no. 80001-125000.

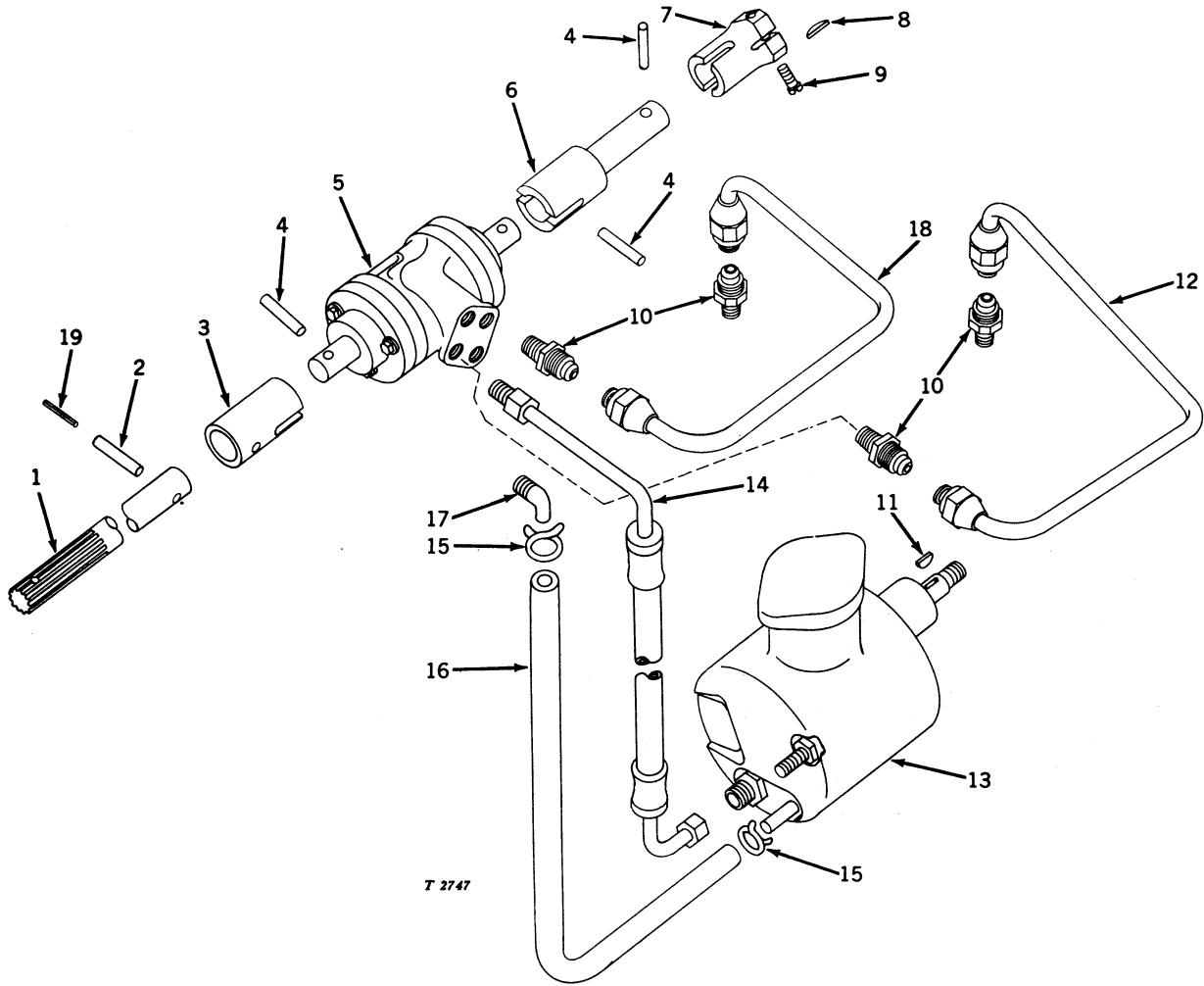
POWER STEERING OIL LINES AND STEERING SHAFTS
Hi-Crop, Standard, Tricycle, Utility, and Row-Crop Utility (Serial No. 131818-158074)



POWER STEERING OIL LINES AND STEERING SHAFTS -- Continued
Hi-Crop, Standard, Tricycle, Utility, and Row-Crop Utility (Serial No. 131818-158074)

Key	Part No.	Serial No.	Description
1	26H 77 A	(133665-158074)	Key, Woodruff, 3/16" x 1/4"
2	34H 104 A	(133665-158074)	Pin, roll, 1/4" x 1-3/8"
3	A 4925 R	(133665-158074)	Connector (2 used)
4	AM 3762 T	(131818-158074)	Union, 45° (2 used)
5	AT 12095 T	(131818-133664)	Line, oil (sub. for AP22690H) (also order one AT12096T and two A4925R)
	AT 12096 T	(131818-133664)	Line, oil (sub. for AP22690H) (also order one AT12095T and two A4925R)
6	AT 10308 T	(131818-158074)	Pump, power steering
7	AT 11970 T	(131818-158074)	Line, oil, pump to valve, pressure (sub. for AT10419T and AT10607T)
8	AT 10420 T	(131818-158074)	Line, oil, valve to pump, return
9	AR 21837 R	(131818-158074)	Clamp, hose (2 used) (sub. for AT10473T and T11147T)
10	T 10567 T	(133665-158074)	Pin (3 used)
11	M 594 T	(133665-158074)	Screw, cap, socket head, 1/4" x 1-1/8" (packed 5 in a pkg.)
12	T 10564 T	(131818-158074)	Hose, oil, valve to pump, return
13	T 10566 T	(133665-158074)	Coupling
14	T 10674 T	(133665-158074)	Coupling
15	T 10677 T	(133665-139999)	Shaft, steering (S, T, U, and W) (sub. for T10961T)
	T 10678 T	(133665-139999)	Shaft, steering (H)
	T 10968 T	(140000-158074)	Shaft, steering (H, S, T, U, and W)
16	T 10676 T	(133665-158074)	Coupling
17	T 10747 T	(131818-158074)	Key, Woodruff, special
18	AT 10537 T	(133665-158074)	Control valve assembly
19	T 10680 T	(133665-139999)	Spacer (H)
20	24H 1392 A	(133665-139999)	Washer, plain, 25/32" x 1-3/8" x .120 (H)
21	34H 102 A	(133665-139999)	Pin, roll, 1/4" x 1-1/8" (H)
22	T 10679 T	(133665-139999)	Spacer (H)
23	AM 3948 T	(131818-133664)	Shaft, steering, rear (S, T, U, and W)
	AT 10134 T	(131818-133664)	Shaft, steering, rear (H)
24	M 594 T	(131818-133664)	Screw, cap, socket head, 1/4" x 1-1/8" (3 used) (packed 5 in a pkg.)
25	26H 77 A	(131818-133664)	Key, Woodruff, 3/16" x 1/4" (3 used)
26	AM 3758 T	(131818-133664)	Control valve assembly
27	T 10566 T	(131818-133664)	Coupling (2 used)
28	T 10567 T	(131818-133664)	Pin (2 used)
29	T 10568 T	(131818-133664)	Shaft, coupling
30	34H 63 A	(133655-158074)	Pin, roll, 5/32" x 1-3/8"

POWER STEERING OIL LINES AND STEERING SHAFT
Hi-Crop, Standard, Tricycle, Utility, and Row-Crop Utility (Serial No. 158075-Up)

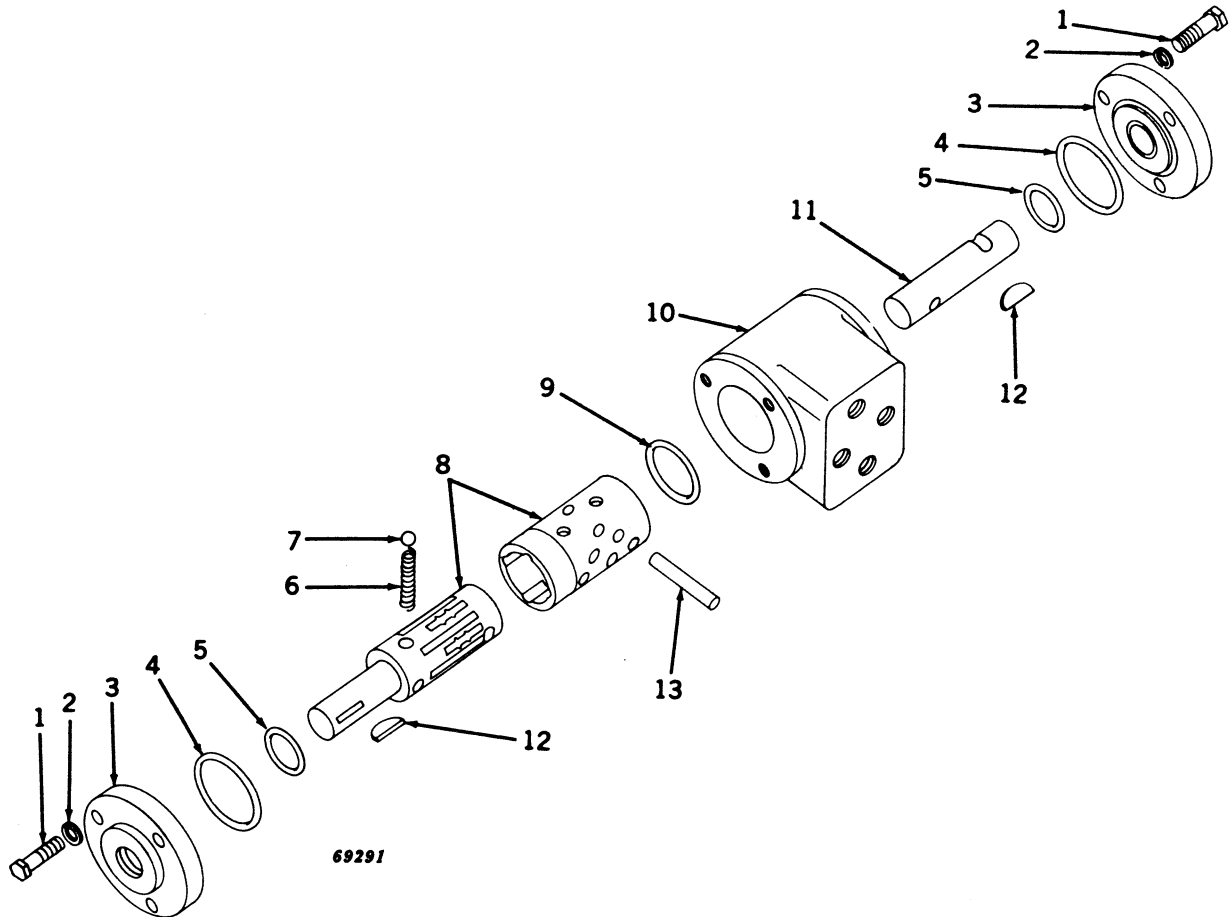


T 2747

POWER STEERING OIL LINES AND STEERING SHAFT -- Continued
 Hi-Crop, Standard, Tricycle, Utility, and Row-Crop Utility (Serial No. 158075-Up)

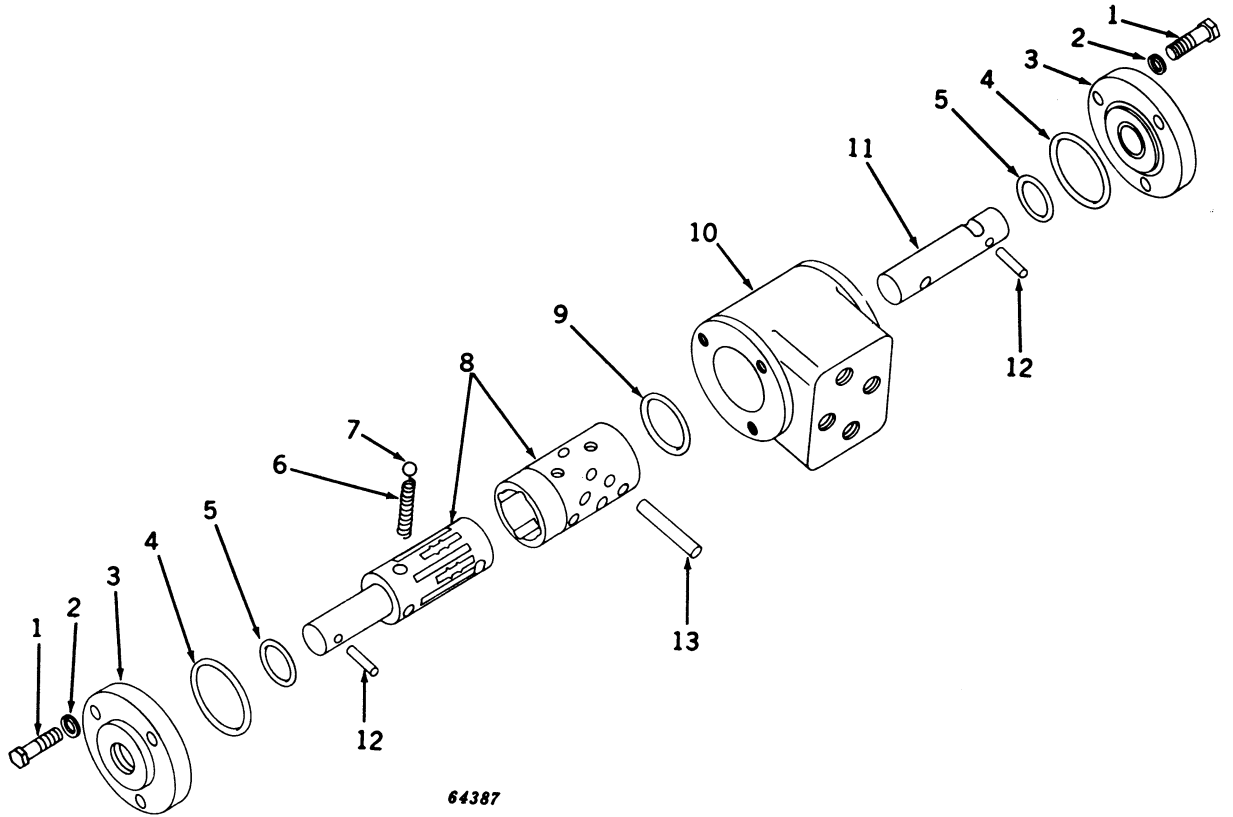
Key	Part No.	Serial No.	Description
1	T 10968 T	(158075-)	Shaft, steering (H, S, T, U, and W)
2	34H 104 A	(158075-)	Pin, roll, 1/4" x 1-3/8"
3	T 10676 T	(158075-)	Coupling
4	T 10567 T	(158075-)	Pin (3 used)
5	AT 10537 T	(158075-)	Control valve assembly
6	T 10674 T	(158075-)	Coupling
7	T 10566 T	(158075-)	Coupling
8	26H 77 A	(158075-)	Key, Woodruff, 3/16" x 1/4"
9	M 594 T	(158075-)	Screw, cap, socket head, 1/4" x 1-1/8" (packed 5 in a pkg.)
10	AM 3762 T	(158075-160985)	Union, 45° (2 used)
	A 4925 R	(160986-)	Connector (4 used)
11	T 10747 T	(158075-)	Key, Woodruff, special
12	AP 22690 H	(158075-160985)	Sub. one AT12095T, one AT12096T, and four A4925R
	AT 12095 T	(160986-)	Line, oil
13	AT 11717 T	(158075-)	Pump, power steering
14	AT 11970 T	(158075-)	Line, oil, pump to valve, pressure, flexible (sub. for AT11815T)
15	T 11147 T	(158075-)	Clamp, hose (2 used)
16	T 12270 T	(158075-)	Hose
17	T 12269 T	(158075-)	Elbow
18	AP 22690 H	(158075-160985)	Sub. one AT12096T, one AT12095T, and four A4925R
	AT 12096 T	(160986-)	Line, oil
19	34H 63 A	(158075-)	Pin, roll, 5/32" x 1-3/8"

POWER STEERING CONTROL VALVE
 Utility and Special Utility (Serial No. 80001-133664)
 Hi-Crop, Standard, Tricycle, Special, and Row-Crop Utility (Serial No. 125001-133664)



Key	Part No.	Serial No.	Description
1	19H 1914 A	(-133664)	Screw, cap, 1/4" x 1" (6 used)
2	12H 302 A	(-133664)	Washer, lock, 1/4" (6 used)
3	M 4117 T	(-133664)	Cap, end (2 used)
4	T 16318 T	(-133664)	Ring, "O" (2 used) (sub. for M4118T) (packed 10 in a pkg.)
5	T 16316 T	(-133664)	Ring, "O" (2 used) (sub. for M4119T and T15478T) (packed 10 in a pkg)
6	M 4122 T	(-133664)	Spring (2 used)
7	M 4121 T	(-133664)	Ball (4 used) (packed 2 in a pkg.)
8	AM 4004 T	(-133664)	Spool and sleeve, with pin and follow shaft
9	M 4125 T	(-133664)	Ring, "O"
10	M 4126 T	(-133664)	Body, control valve
11	M 4127 T	(-133664)	Shaft, follow
12	26H 77 A	(-133664)	Key, Woodruff, 3/16" x 3/4" (2 used)
13	M 4124 T	(-133664)	Pin
..	AM 3758 T	(-133664)	Control valve assembly, complete

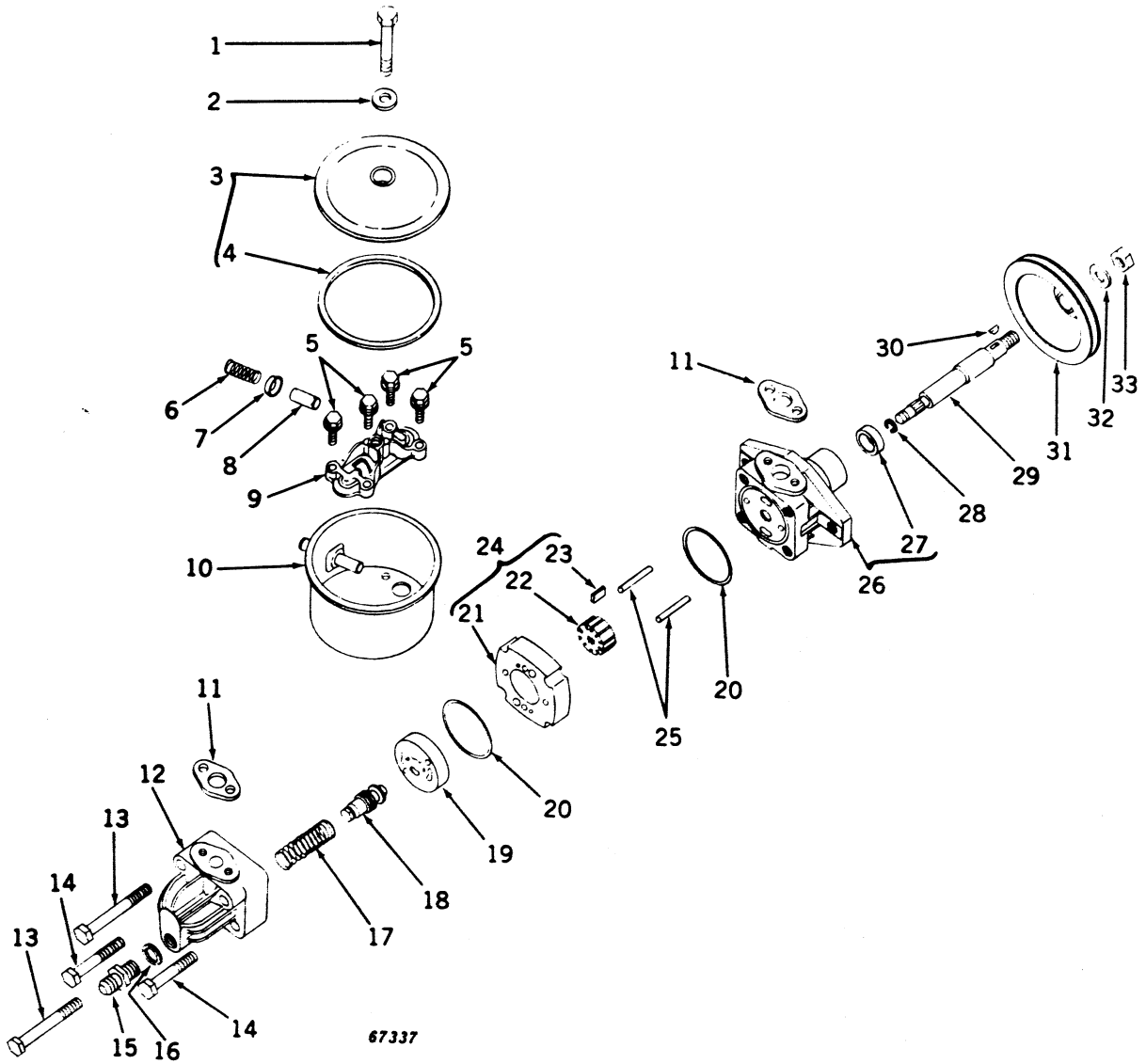
POWER STEERING CONTROL VALVE ASSEMBLY
 Hi-Crop, Standard, Tricycle, Utility, and Row-Crop Utility (Serial No. 133665-Up)



64387

Key	Part No.	Serial No.	Description
1	19H 1914 A	(133665-) Screw, cap, 1/4" x 1" (6 used)
2	12H 302 A	(133665-) Washer, lock, 1/4" (6 used)
3	T 10785 T	(133665-) Cap, end (2 used)
4	T 16318 T	(133665-) Ring, "O" (2 used) (sub. for M4118T) (packed 10 in a pkg.)
5	T 16316 T	(133665-) Ring, "O" (2 used) (sub. for M4119T and T15478T) (packed 10 in a pkg)
6	M 4122 T	(133665-) Spring (2 used)
7	M 4121 T	(133665-) Ball (4 used) (packed 2 in a pkg.)
8	(133665-) Sub. AT10537T
9	M 4125 T	(133665-) Ring, "O"
10	M 4126 T	(133665-) Body, control valve
11	T 10784 T	(133665-) Shaft, follow
12	T 10567 T	(133665-) Pin (2 used)
13	M 4124 T	(133665-) Pin
..	AT 10537 T	(133665-) Control valve assembly, complete

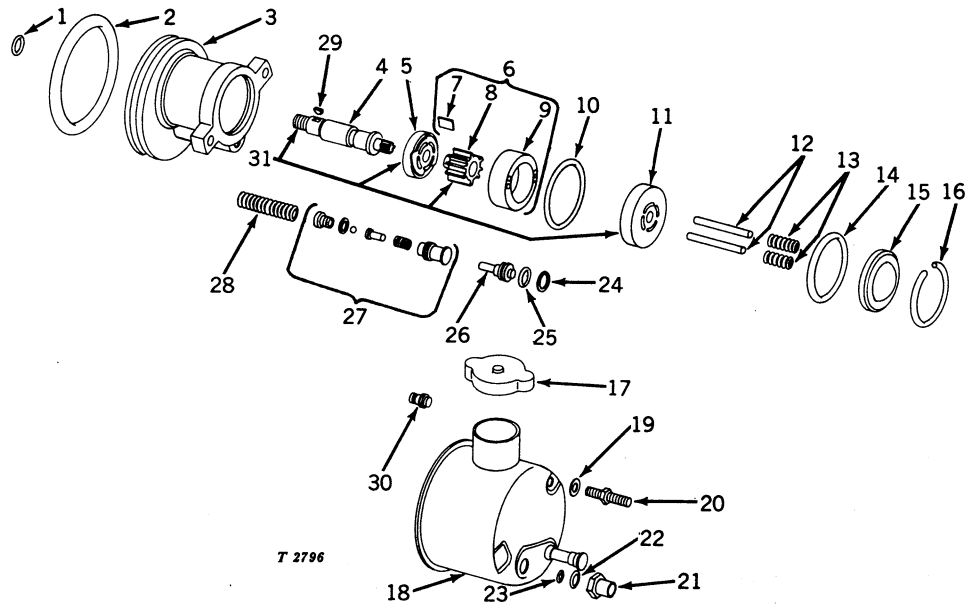
POWER STEERING PUMP ASSEMBLY
Hi-Crop, Standard, Tricycle, Utility, and Row-Crop Utility (Serial No. 131818-158074)



POWER STEERING PUMP ASSEMBLY -- Continued
 Hi-Crop, Standard, Tricycle, Utility, and Row-Crop Utility (Serial No. 131818-158074)

Key	Part No.	Serial No.	Description
1	19H 1904 A	(131818-158074)	Screw, cap, 5/16" x 3"
2	T 10753 T	(131818-158074)	Washer, plain, special
3	AT 10600 T	(131818-158074)	Cover, reservoir, with gasket
4	T 10752 T	(131818-157084)	Gasket
5	T 10754 T	(131818-158074)	Screw, special (4 used) (packed 2 in a pkg.)
6	T 10767 T	(131818-158074)	Spring
7	T 10756 T	(131818-158074)	Retainer
8	T 10759 T	(131818-158074)	Filter
9	T 10758 T	(131818-158074)	Manifold, reservoir body
10	AT 10602 T	(131818-158074)	Reservoir body
11	T 10760 T	(131818-158074)	Gasket (2 used)
12	T 10768 T	(131818-158074)	Cover, pump
13	T 10749 T	(131818-158074)	Screw, cap, special, 5/16" x 3-1/8" (2 used) (packed 2 in a pkg.)
14	T 10748 T	(131818-158074)	Screw, cap, special, 5/16" x 2-3/8" (2 used) (packed 2 in a pkg.)
15	T 10751 T	(131818-158074)	Union
16	T 13642 T	(131818-158074)	Seal, "O" Ring (sub. for T10750T)
17	T 10761 T	(131818-158074)	Spring
18	AT 10604 T	(131818-158074)	Valve, control
19	T 10764 T	(131818-158074)	Plate, pressure
20	(131818-158074)	Sub. AT10603T
21	T 10765 T	(131818-158074)	Ring, pump
22	T 10757 T	(131818-158074)	Rotor, pump
23	AT 10601 T	(131818-158074)	Vane, rotor (pkg. of 10) (1 pkg. used)
24	AT 10606 T	(131818-158074)	Ring, rotor, and vane service kit
25	T 10755 T	(131818-158074)	Pin, dowel (2 used)
26	AT 10605 T	(131818-158074)	Body, pump, with seal
27	T 10769 T	(131818-158074)	Seal, drive shaft
28	T 10762 T	(131818-158074)	Ring, snap
29	T 10763 T	(131818-158074)	Shaft, drive
30	T 10747 T	(131818-158074)	Key, Woodruff, special
31	T 10543 T	(131818-158074)	Pulley
32	24H 1111 A	(131818-158074)	Washer, plain, 17/32" x 1-1/16" x .090"
33	14H 865 A	(131818-158074)	Nut, hex., 1/2"
..	AT 10603 T	(131818-158074)	Gasket service kit

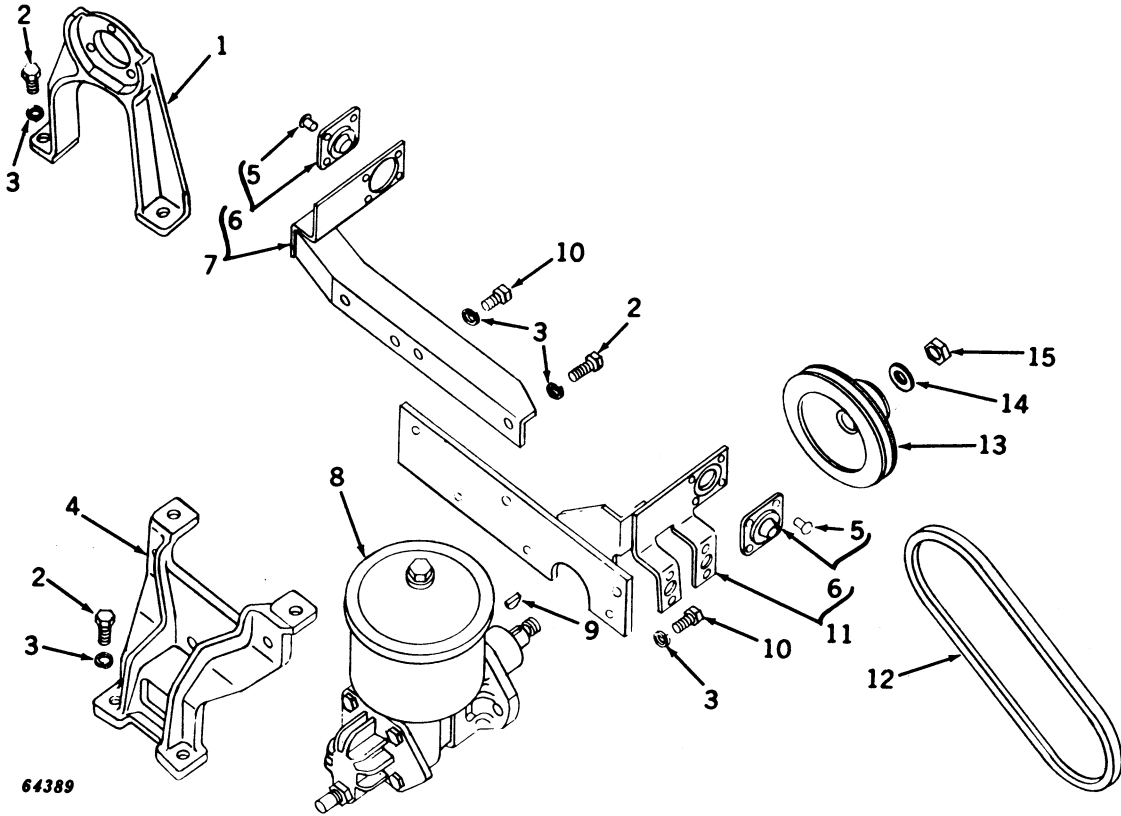
POWER STEERING PUMP
Hi-Crop, Standard, Tricycle, Utility, and Row-Crop Utility (Serial No. 158075-Up)



POWER STEERING PUMP -- Continued
Hi-Crop, Standard, Tricycle, Utility, and Row-Crop Utility (Serial No. 158075-Up)

Key	Part No.	Serial No.	Description
1	T 10769 T	(158075-) Seal, drive shaft
2	T 12275 T	(158075-) Seal, "O" ring
3	AT 11823 T	(158075-) Housing, ball, plug and seal
4	T 12289 T	(158075-) Shaft, drive
5	T 12290 T	(158075-) Plate, thrust
6	AT 11821 T	(158075-) Kit, ring, rotor, and vane service
7	AT 11822 T	(158075-) Kit, vane service
8	AT 11824 T	(158075-) Rotor and sleeve
9	T 12280 T	(158075-) Ring, pump
10	T 12282 T	(158075-) Seal, "O" ring
11	T 12285 T	(158075-) Plate, pressure
12	T 12276 T	(158075-) Pin, pump ring dowel (2 used) (packed 2 in a pkg.)
13	T 12283 T	(158075-) Spring, pressure plate (2 used)
14	T 12281 T	(158075-) Seal, "O" ring
15	T 12277 T	(158075-) Plate, end
16	T 12279 T	(158075-) Ring, end plate retaining
17	AT 12368 T	(158075-) Cap
18	AT 12369 T	(158075-) Body
19	T 12288 T	(158075-) Seal
20	T 12287 T	(158075-) Stud, pump rear mounting
21	T 12284 T	(158075-) Union, flared tube
22	T 12273 T	(158075-) Seal, "O" ring
23	T 12272 T	(158075-) Seal, "O" ring
24	T 12271 T	(158075-) Ring, plug retaining
25	T 12286 T	(158075-) Seal, "O" ring
26	T 12278 T	(158075-) Plug, plunger retainer
27	AT 11819 T	(158075-) Valve, control
28	T 12274 T	(158075-) Spring, flow control
29	T 10747 T	(158075-) Key, Woodruff, special
30	AT 12371 T	(158075-) Filter
31	AT 12370 T	(158075-) Kit, rotor, thrust plate, pressure plate, and shaft
..	AT 11820 T	(158075-) Kit, seal service
..	AT 11717 T	(158075-) Pump, power steering, complete

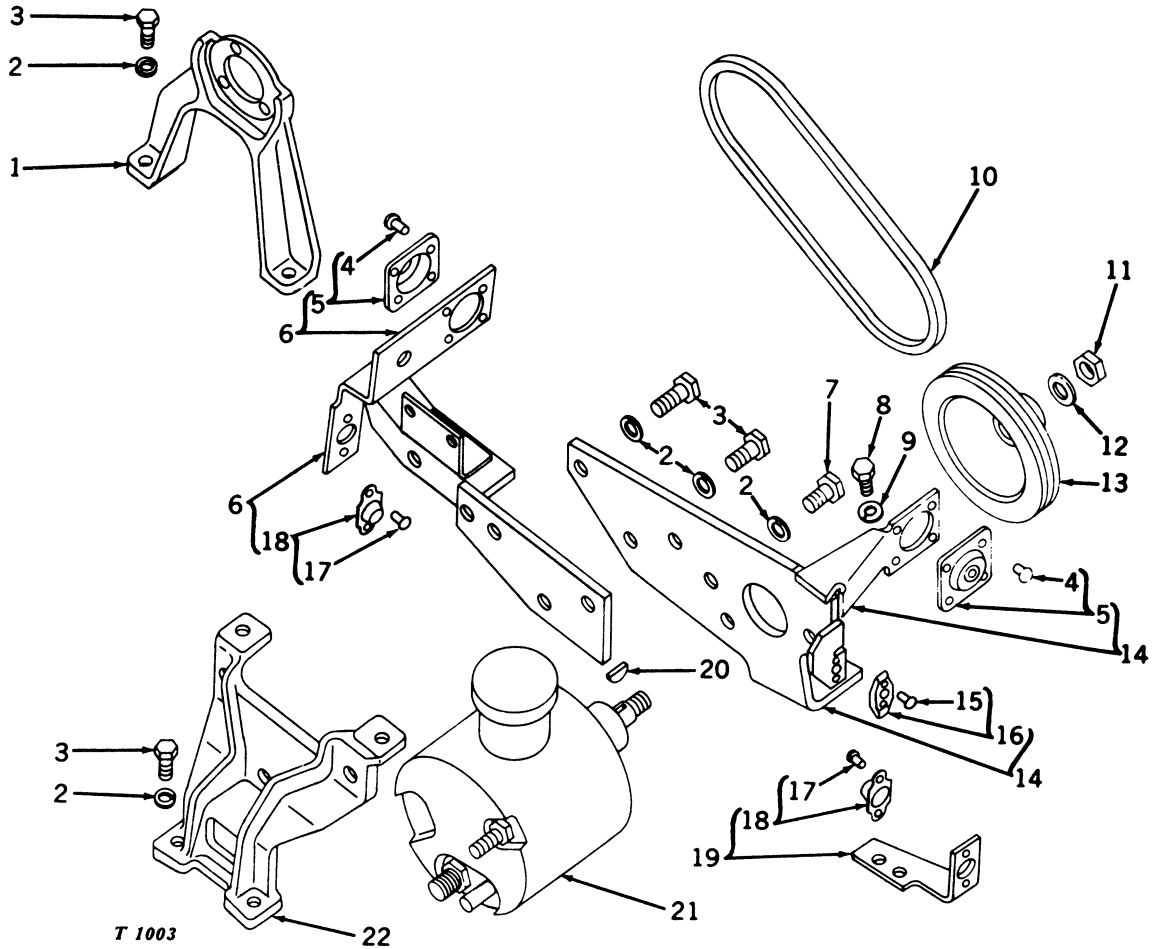
POWER STEERING PUMP ATTACHING PARTS
 Hi-Crop, Standard, Tricycle, Utility, and Row-Crop Utility (Serial No. 131818-158074)



64389

Key	Part No.	Serial No.	Description
1	T 10542 T	(131818-158074)	Bracket, valve support
2	19H 1731 A	(131818-158074)	Screw, cap, 3/8" x 1" (6 used)
3	12H 304 A	(131818-158074)	Washer, lock, 3/8" (9 used)
4	T 10541 T	(131818-158074)	Bracket, radiator support
5	16H 173 A	(131818-158074)	Rivet, 5/32" x 3/8" (8 used)
6	AM 640 T	(131818-158074)	Cushion, with rivets (4 used)
7	AT 10388 T	(131818-139999)	Support, radiator, left, with cushion, receptacle, and rivets
	AT 10885 T	(140000-158074)	Support, radiator, left, with cushion, receptacle, and rivets
8	AT 10308 T	(131818-158074)	Pump, power steering
9	T 10747 T	(131818-158074)	Key, Woodruff, special
10	19H 210 A	(131818-158074)	Screw, cap, 3/8" x 7/8" (3 used)
11	AT 10390 T	(131818-139999)	Support, radiator, right, with cushion, receptacle, and rivets
	AT 10884 T	(140000-158074)	Support, radiator, right, with cushion, receptacle, and rivets
12	T 10552 T	(131818-158074)	Belt, pump and fan drive
13	T 10543 T	(131818-158074)	Pulley
14	24H 1111 A	(131818-158074)	Washer, plain, 17/32" x 1-1/16" x .090"
15	14H 865 A	(131818-158074)	Nut, hex., 1/2"

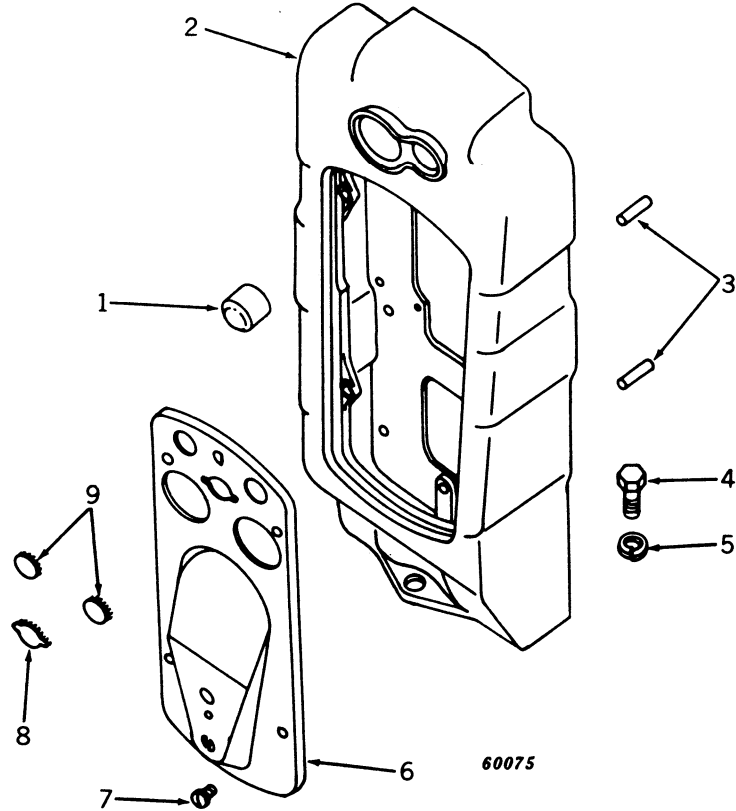
POWER STEERING PUMP ATTACHING PARTS
 Hi-Crop, Standard, Tricycle, Utility, and Row-Crop Utility (Serial No. 158075-Up)



Key	Part No.	Serial No.	Description
1	T 12265 T	(158075-) Bracket, valve, support
2	12H 304 A	(158075-) Washer, lock, 3/8" (9 used)
3	19H 1731 A	(158075-) Screw, cap, 3/8" x 1" (6 used)
4	16H 173 A	(158075-) Rivet, 5/32" x 3/8" (8 used)
5	AM 640 T	(158075-) Cushion, with rivets (2 used)
6	AT 11816 T	(158075-) Bracket, radiator support
7	19H 1936 A	(158075-) Screw, cap, 3/8" x 3/4" (3 used)
8	19H 1905 A	(158075-) Screw, cap, 5/16" x 1" (2 used)
9	12H 303 A	(158075-) Washer, lock, 5/16" (2 used)
10	T 12267 T	(158075-) Belt, pump drive
11	14H 865 A	(158075-) Nut, hex., 1/2"
12	24H 1111 A	(158075-) Washer, plain, 7/32" x 1-1/16" x .090"
13	T 12266 T	(158075-) Pulley
14	AT 11811 T	(158075-) Plate, pump mounting
15	16H 98 A	(158075-) Rivet, 1/8" x 3/8" (2 used)
16	AT 11813 T	(158075-) Receptacle
17	16H 87 A	(158075-) Rivet, 1/8" x 1/4" (6 used)
18	AM 635 T	(158075-) Receptacle, stud fastener, with rivets (3 used)
19	AT 11814 T	(158075-) Bracket, grille right support
20	T 10747 T	(158075-) Key, Woodruff, special
21	AT 11717 T	(158075-) Pump, power steering
22	T 12264 T	(158075-) Bracket, radiator support

MEMORANDA

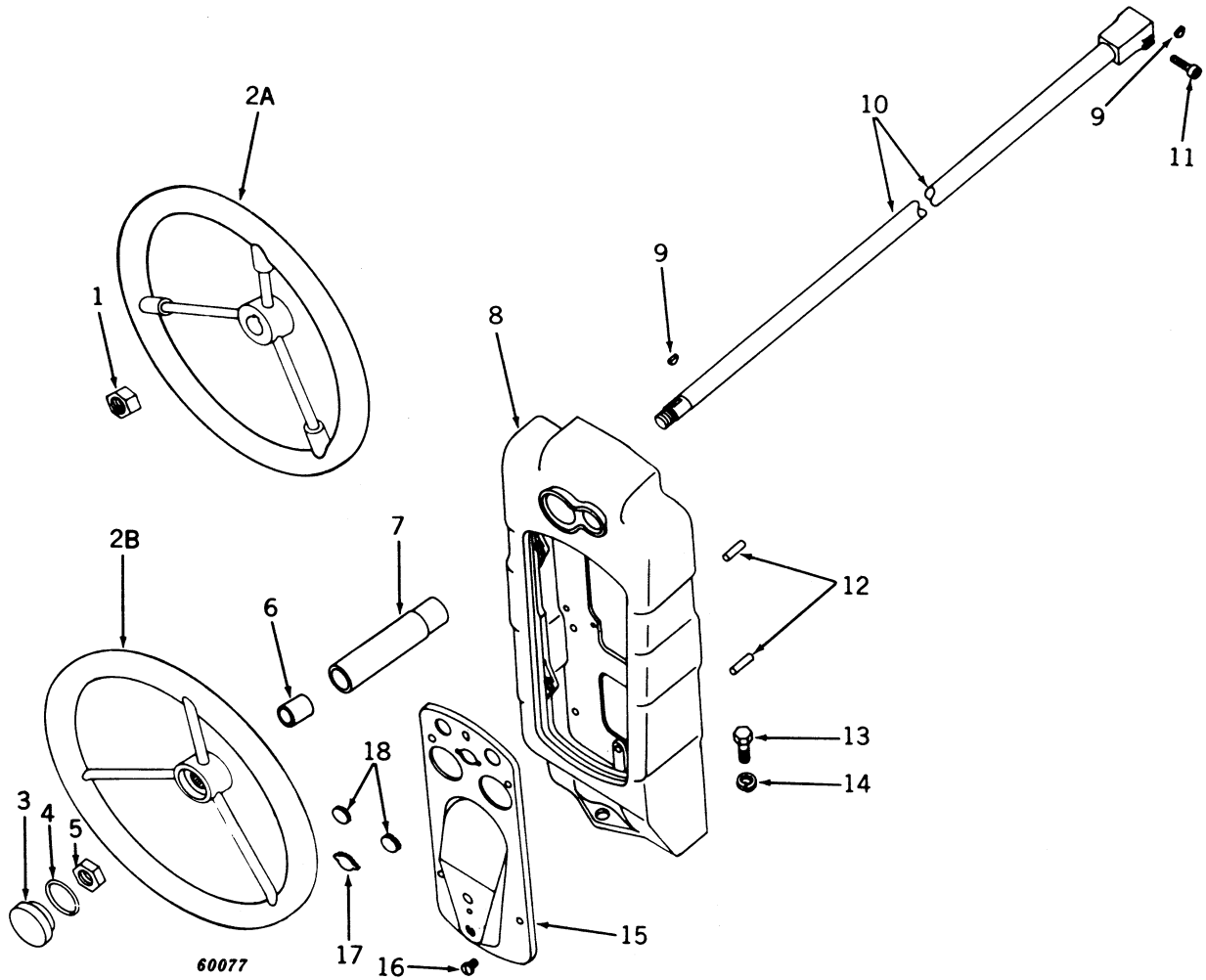
INSTRUMENT PANEL AND SUPPORT
Crawler
(Serial No. 80001-139999)



Key	Part No.	Serial No.	Description
1	A 3142 R	(-139999)	Plug
2	AM 2707 T	(-139999)	Housing, instrument panel, with rollpins (also order one A3142R) (gasoline)
	AM 3787 T	(-139999)	Housing, instrument panel, with rollpins and plug (LP-gas)
3	34H 101 A	(-139999)	Pin, roll, 1/4" x 1"
4	19H 1732 A	(-139999)	Screw, cap, 3/8" x 1-1/4" (3 used)
5	12H 304 A	(-139999)	Washer, lock, 3/8" (3 used)
6	T 10665 T	(-139999)	Panel, instrument (sub. for M3316T)
7	21H 1144 A	(-139999)	Screw, mach., 1/4" x 1/2" (4 used)
8	M 2047 T	(-139999)	Plug, button
9	M 2291 T	(-139999)	Plug, button

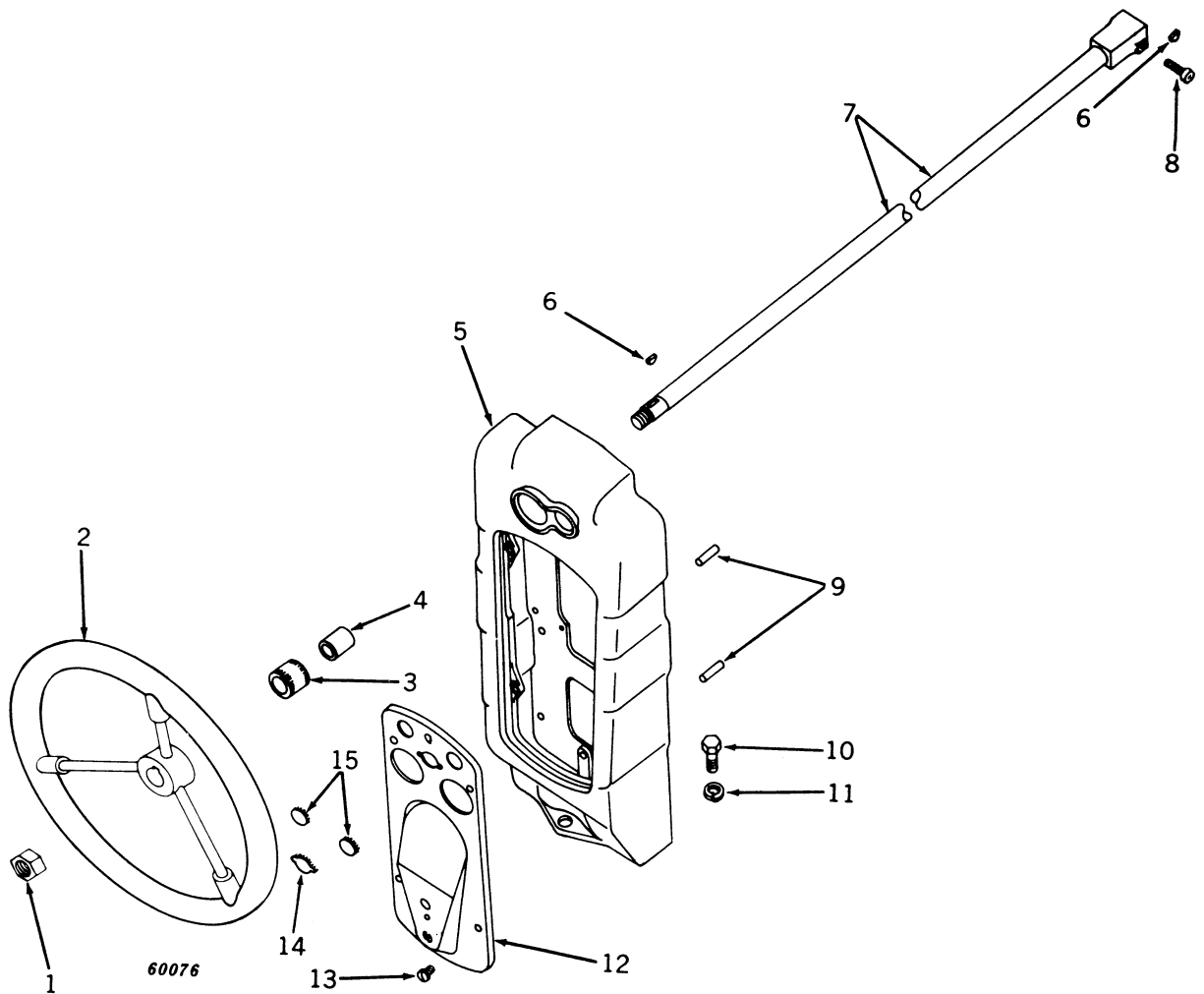
STEERING WHEEL, INSTRUMENT PANEL, AND SUPPORT

Hi-Crop
(Serial No. 80001-139999)



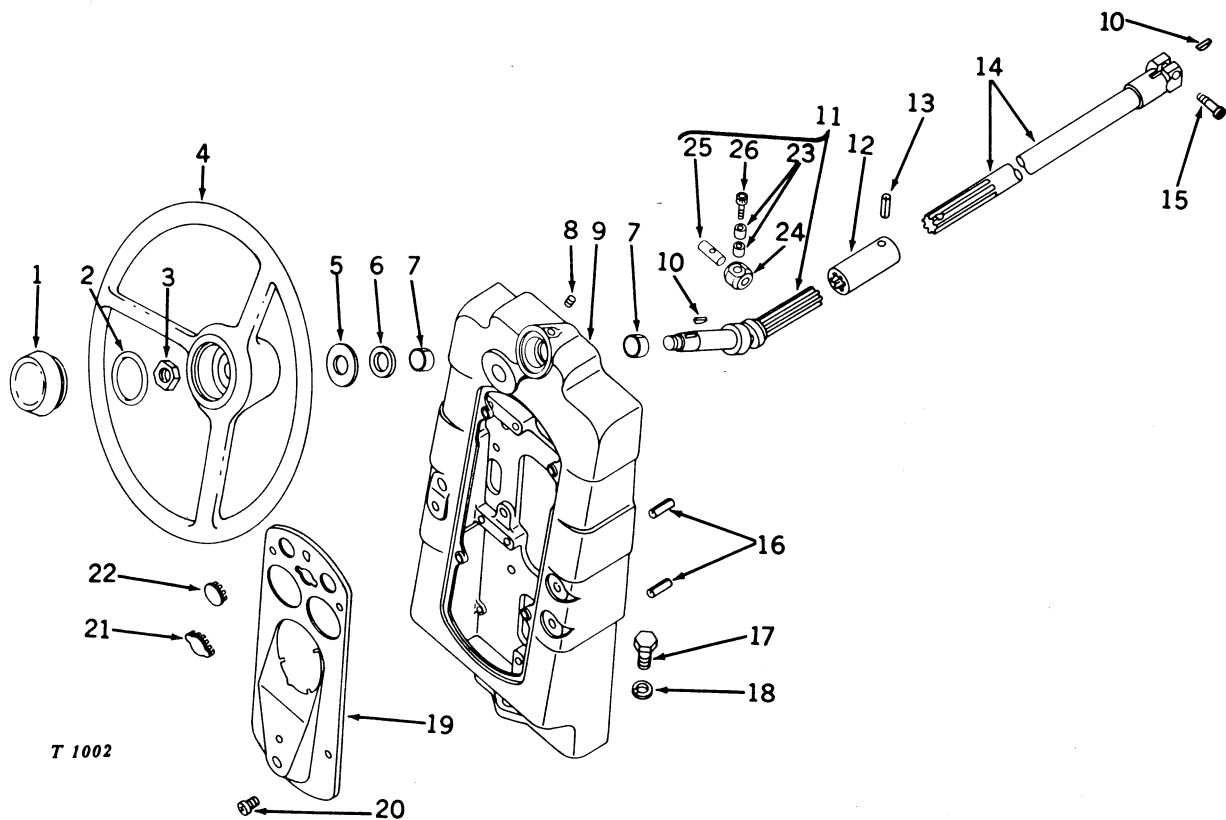
Key	Part No.	Serial No.	Description
1	AL 2315 T	(-125000)	Nut, hex., special
2A	AM 2600 T	(-125000)	Wheel, steering
2B	AM 3914 T	(125001-139999)	Wheel, steering
3	F 3630 R	(125001-139999)	Emblem, manual steering
	F 3629 R	(125001-139999)	Emblem, power steering
4	B 3690 R	(125001-139999)	Ring, "O" (packed 2 in a pkg.)
5	14H 866 A	(125001-139999)	Nut, hex., jam, 5/8"
6	M 2772 T	(-139999)	Bushing
7	AM 2598 T	(-139999)	Support, with bushing
8	AM 2707 T	(-139999)	Housing, instrument panel, with rollpins (also order one AM2598T)
	AM 3787 T	(125001-139999)	Housing, instrument panel with rollpins and bushing (LP-gas) (also order one AM2598T)
9	26H 77 A	(-139999)	Key, Woodruff, 3/16" x 3/4" (2 used)
10	AM 2595 T	(-139999)	Shaft, steering
11	M 594 T	(-139999)	Screw, cap, special, 1/4" x 1/8" (packed 5 in a pkg.)
12	34H 101 A	(-139999)	Pin, roll, 1/4" x 1" (2 used)
13	19H 1732 A	(-139999)	Screw, cap, 3/8" x 1-1/4" (3 used)
14	12H 304 A	(-139999)	Washer, lock, 3/8" (3 used)
15	T 10665 T	(-139999)	Panel, instrument (sub. for M3316T)
16	21H 1144 A	(-139999)	Screw, mach., 1/4" x 1/2" (4 used)
17	M 2047 T	(-139999)	Plug, button
18	M 2291 T	(-139999)	Plug, button

STEERING WHEEL, INSTRUMENT PANEL, AND SUPPORT
 Special Utility, Standard, Tricycle, Utility, Special, and Row-Crop Utility
 (Serial No. 80001-125000)



Key	Part No.	Serial No.	Description
1	AL 2315 T	(-125000)	Nut, hex., special
2	AM 2600 T	(-125000)	Wheel, steering
3	M 2756 T	(-125000)	Adaptor, bushing
4	M 2757 T	(-125000)	Bushing
5	AM 2707 T	(-125000)	Housing, instrument panel, with rollpins (also order one M2756T and one M2757T)
6	26H 77 A	(-125000)	Key, Woodruff, 3/16" x 3/4" (2 used)
7	AM 2589 T	(-125000)	Shaft, steering
8	M 594 T	(-125000)	Screw, cap, special, 1/4" x 1/8" (packed 5 in a pkg.)
9	34H 101 A	(-125000)	Pin, roll, 1/4" x 1" (2 used)
10	19H 1732 A	(-125000)	Screw, cap, 3/8" x 1-1/4" (3 used)
11	12H 304 A	(-125000)	Washer, lock, 3/8" (3 used)
12	T 10665 T	(-125000)	Panel, instrument (sub. for M3316T)
13	21H 1144 A	(-125000)	Screw, mach., 1/4" x 1/2" (4 used)
14	M 2047 T	(-125000)	Plug, button
15	M 2291 T	(-125000)	Plug, button (2 used)

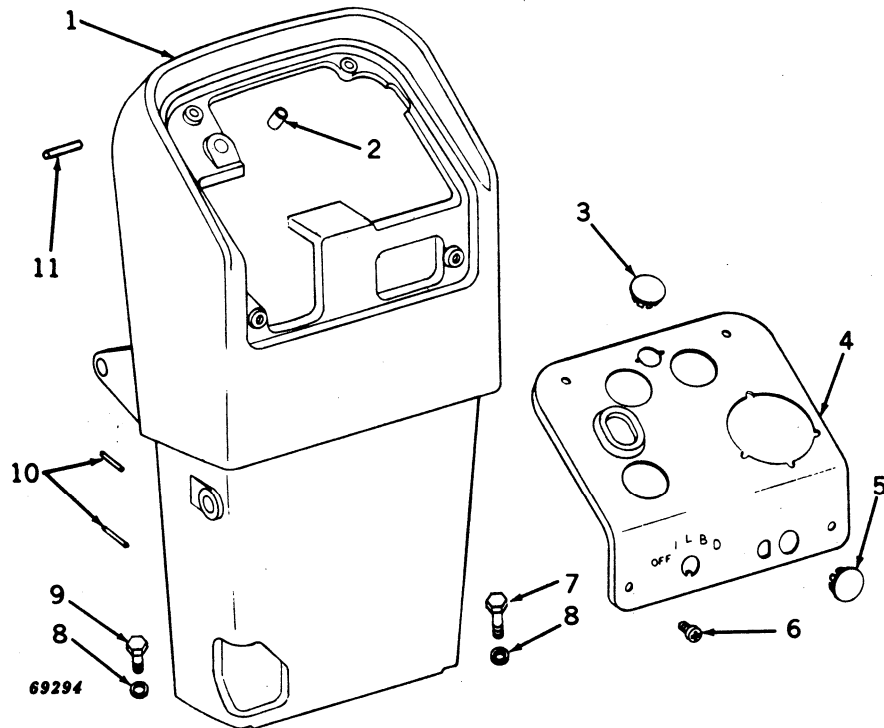
STEERING WHEEL, INSTRUMENT PANEL, AND SUPPORT
 Special Utility, Standard, Tricycle, Utility, Special, and Row-Crop Utility (Serial No. 125001-139999)



T 1002

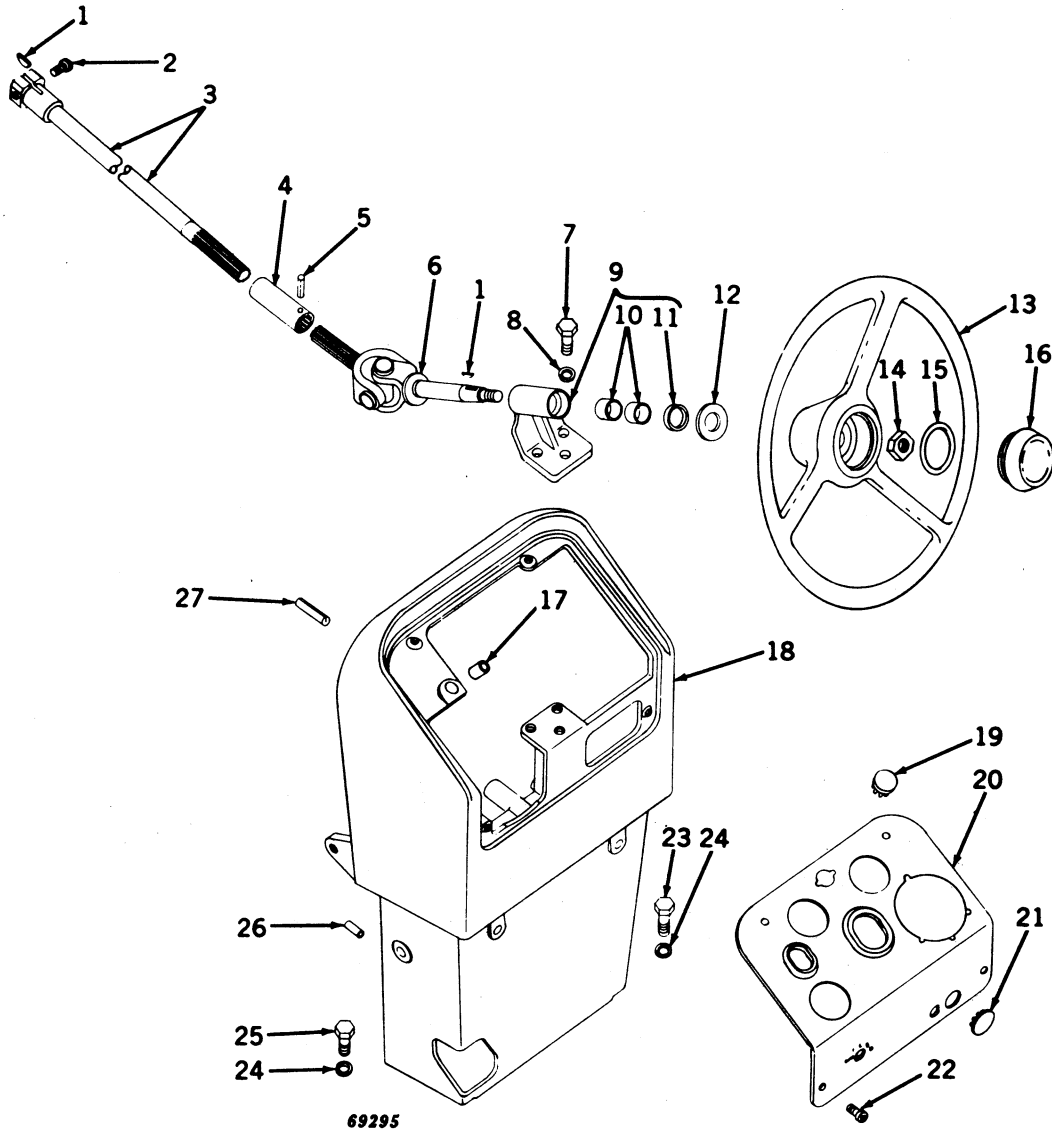
Key	Part No.	Serial No.	Description
1	F 3630 R	(125001-139999)	Emblem, manual steering
	F 3629 R	(125001-139999)	Emblem, power steering
2	B 3690 R	(125001-139999)	Ring, "O" (packed 2 in a pkg.)
3	14H 866 A	(125001-139999)	Nut, hex., jam, 5/8"
4	AM 3914 T	(125001-139999)	Wheel, steering
5	M 4322 T	(125001-139999)	Washer, bronze
6	AM 3935 T	(125001-139999)	Seal, oil
7	M 4376 T	(125001-139999)	Bushing (2 used)
8	22H 558 A	(125001-139999)	Screw, set, 1/4" x 1/4"
9	AM 3934 T	(125001-139999)	Housing (M4319T), instrument panel, with rollpins, oil seal, and bushing (gasoline)
	AM 3787 T	(125001-139999)	Housing (M4350T), instrument panel, with rollpins and bushing (LP-gas)
10	26H 77 A	(125001-139999)	Key, Woodruff, 3/16" x 3/4" (2 used)
11	AM 3915 T	(125001-139999)	Joint, universal
12	M 4323 T	(125001-139999)	Coupling
13	34H 78 A	(125001-139999)	Pin, roll, 3/16" x 1-1/8"
14	AM 3936 T	(125001-139999)	Shaft, manual steering
	AM 3948 T	(125001-133664)	Shaft, power steering
	T 10677 T	(133665-139999)	Shaft, power steering
15	M 594 T	(125001-139999)	Screw, cap, special, 1/4" x 1/8" (packed 5 in a pkg.)
16	34H 101 A	(125001-139999)	Pin, roll, 1/4" x 1" (2 used)
17	19H 1732 A	(125001-139999)	Screw, cap, 3/8" x 1-1/4" (3 used)
18	12H 304 A	(125001-139999)	Washer, lock, 3/8" (3 used)
19	T 10665 T	(125001-139999)	Panel, instrument (sub. for M3316T)
20	21H 1144 A	(125001-139999)	Screw, mach., 1/4" x 1/2" (4 used)
21	M 2047 T	(125001-139999)	Plug, button
22	M 2291 T	(125001-139999)	Plug, button (2 used)
23	AT 11379 T	(125001-139999)	Bushing, sleeve
24	T 11716 T	(125001-139999)	Block, center
25	T 11717 T	(125001-139999)	Pin, cross
26	T 11423 T	(125001-139999)	Screw, cap, special

INSTRUMENT PANEL ASSEMBLY
Crawler (Serial No. 140000-Up)



Key	Part No.	Serial No.	Description
1	AT 10763 T	(140000-) Housing, rear (T10911T), with bushing and rollpins
2	T 10910 T	(140000-) Bushing
3	M 2047 T	(140000-) Plug, button, dash lamp hole
4	T 10950 T	(140000-) Panel, instrument (sub. for T10576T and T10788T)
5	M 2291 T	(140000-) Plug, button, cigarette lighter hole
6	21H 1144 A	(140000-) Screw, mach., 1/4" x 1/2" (4 used)
7	19H 1800 A	(140000-) Screw, cap, 3/8" x 1-1/2", right rear
8	12H 304 A	(140000-) Washer, lock, 3/8" (4 used)
9	19H 1732 A	(140000-) Screw, cap, 3/8" x 1-1/4" (3 used)
10	34H 101 A	(140000-) Pin, roll, 1/4" x 1" (2 used)
11	T 11534 T	(140000-) Pin, groov-, special (sub. for 34H105A)

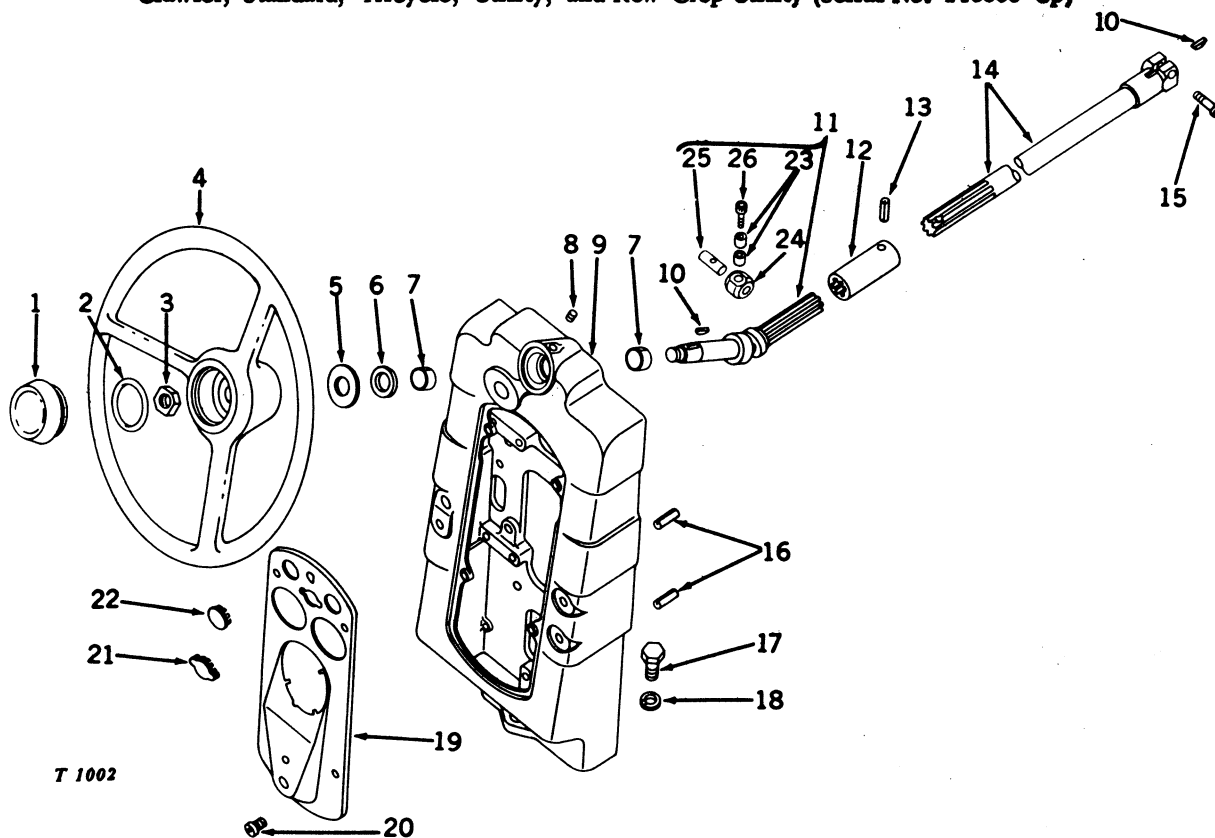
INSTRUMENT PANEL, HOUSING, AND STEERING SHAFT ASSEMBLY
Hi-Crop, Standard, Tricycle, Utility, Special, and Row-Crop Utility (Serial No. 140000-Up)



INSTRUMENT PANEL, HOUSING, AND STEERING SHAFT ASSEMBLY -- Continued
 Hi-Crop, Standard, Tricycle, Utility, Special, and Row-Crop Utility (Serial No. 140000-Up)

Key	Part No.	Serial No.	Description
1	26H 77 A	(140000-) Key, Woodruff, 3/16" x 3/4" (2 used)
2	M 594 T	(140000-) Screw, cap, socket head, 1/4" x 1-1/8" (packed 5 in a pkg.)
3	AT 10768 T	(140000-) Shaft, manual steering
4	M 4323 T	(140000-) Coupling
5	34H 78 A	(140000-) Pin, roll, 3/16" x 1-1/8"
6	AT 10791 T	(140000-) Joint, universal (S, T, U, V, and W)
	AT 10817 T	(140000-) Joint, universal (H)
7	19H 1139 A	(140000-) Screw, cap, 3/8" x 1-1/8" (3 used)
8	12H 304 A	(140000-) Washer, lock, 3/8" (3 used)
9	AT 10760 T	(140000-) Support, steering shaft (T10862T), with bushings and oil seal (S, T, U, V, and W)
	AT 10819 T	(140000-) Support, steering shaft (T10992T), with bushings and oil seal
10	M 4376 T	(140000-) Bushing (2 used) (sub. for M4320T)
11	AM 3935 T	(140000-) Seal, oil
12	M 4322 T	(140000-) Washer
13	AM 3914 T	(140000-) Wheel, steering
14	14H 866 A	(140000-) Nut, hex., jam, 5/8"
15	B 3690 R	(140000-) Ring, "O" (packed 2 in a pkg.)
16	F 3630 R	(140000-) Emblem, manual steering
	F 3629 R	(140000-) Emblem, power steering
17	T 10910 T	(140000-) Bushing
18	AT 10763 T	(140000-) Panel, rear (T10863T), with bushing and rollpins
19	M 2047 T	(140000-) Button, plug, dash lamp hole
20	T 10951 T	(140000-) Panel, instrument (sub. for T10385T and T10789T)
21	M 2291 T	(140000-) Button, plug, cigarette lighter
22	21H 1144 A	(140000-) Screw, mach., 1/4" x 1/2" (4 used)
23	19H 1800 A	(140000-) Screw, cap, 3/8" x 1-1/2"
24	12H 304 A	(140000-) Washer, lock, 3/8" (4 used)
25	19H 1732 A	(140000-) Screw, cap, 3/8" x 1-1/4" (3 used)
26	34H 101 A	(140000-) Pin, roll, 1/4" x 1" (2 used)
27	T 11534 T	(140000-) Pin, groov-, special (sub. for 34H105A)

LP-GAS STEERING WHEEL, INSTRUMENT PANEL, AND SUPPORT
Crawler, Standard, Tricycle, Utility, and Row-Crop Utility (Serial No. 140000-Up)

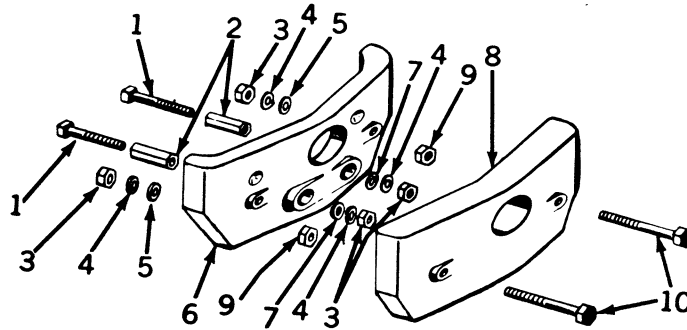


T 1002

Key	Part No.	Serial No.	Description
1	F 3630 R	(125001-139999)	Emblem, manual steering
	F 3629 R	(125001-139999)	Emblem, power steering
2	B 3690 R	(125001-139999)	Ring, "O" (packed 2 in a pkg.)
3	14H 866 A	(125001-139999)	Nut, hex., jam, 5/8"
4	AM 3914 T	(125001-139999)	Wheel, steering
5	M 4322 T	(125001-139999)	Washer, bronze
6	AM 3935 T	(125001-139999)	Seal, oil
7	M 4376 T	(125001-139999)	Bushing (2 used)
8	22H 558 A	(125001-139999)	Screw, set, 1/4" x 1/4"
9	AM 3934 T	(125001-139999)	Housing (M4319T), instrument panel, with rollpins, oil seal, and bushing (gasoline)
	AM 3787 T	(125001-139999)	Housing (M4350T), instrument panel, with rollpins and bushing (LP-gas)
10	26H 77 A	(125001-139999)	Key, Woodruff, 3/16" x 3/4" (2 used)
11	AM 3915 T	(125001-139999)	Joint, universal
12	M 4323 T	(125001-139999)	Coupling
13	34H 78 A	(125001-139999)	Pin, roll, 3/16" x 1-1/8"
14	AM 3936 T	(140000-)	Shaft, manual steering (S, T, U, and W)
	T 10968 T	(140000-)	Shaft, power steering (S, T, U, and W)
15	M 594 T	(140000-)	Screw, cap, special, 1/4" x 1/8" (S, T, U, and W) (packed 5 in a pkg.)
16	34H 101 A	(140000-)	Pin, roll, 1/4" x 1" (2 used)
17	19H 1732 A	(140000-)	Screw, cap, 3/8" x 1-1/4" (3 used)
18	12H 304 A	(140000-)	Washer, lock, 3/8" (3 used)
19	T 10665 T	(140000-)	Panel, instrument
20	21H 1144 A	(140000-)	Screw, mach., 1/4" x 1/2" (4 used)
21	M 2047 T	(140000-)	Plug, button
22	M 2291 T	(140000-)	Plug, button (2 used)
23	AT 11379 T	(140000-)	Bushing, sleeve (S, T, U, and W)
24	T 11716 T	(140000-)	Block, center (S, T, U, and W)
25	T 11717 T	(140000-)	Pin, cross (S, T, U, and W)
26	T 11423 T	(140000-)	Screw, cap, special (S, T, U, and W)

MEMORANDA

FRONT WEIGHT ATTACHMENT
Hi-Crop, Standard, Utility, and Special

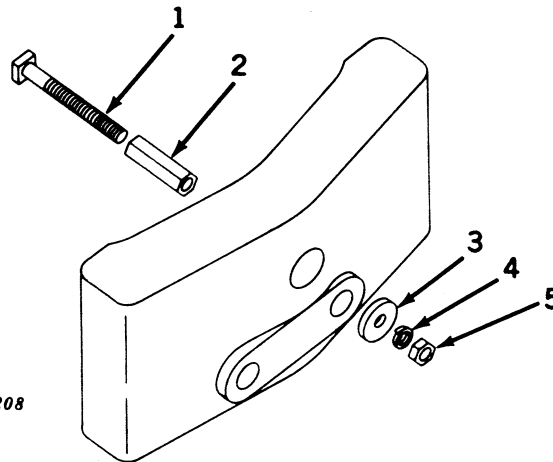


50207

Key	Part No.	Serial No.	Description
1	M 2582 T	(-)	Bolt, special, 5/8" x 5-1/2" (2 used)
2	M 2160 T	(-)	Pilot (2 used)
3	14H 760 A	(-)	Nut, hex., 5/8" (4 used)
4	12H 294 A	(-)	Washer, lock, 5/8" (4 used)
5	24H 1368 A	(-)	Washer, plain, 21/32" x 1-5/16" x .090" (2 used)
6	AM 2332 T	(-)	WEIGHT, INNER (145 LBS.) (CONSISTS OF ONE M2546T FRONT WEIGHT AND ONE AT15577T ATTACHING HARDWARE)
7	24H 1106 A	(-)	Washer, plain, 11/16" x 1-3/4" x 1.34" (2 used)
8	AM 2333 T	(-)	WEIGHT, OUTER (145 LBS.) (CONSISTS OF ONE M2547T FRONT WEIGHT AND ONE AT16776T ATTACHING HARDWARE)
9	14H 821 A	(-)	Nut, hex., 5/8" (2 used)
10	M 2548 T	(-)	Bolt, special, 5/8" x 7-3/4" (2 used)

Capital letters indicate an attachment. Attachments must be listed on separate order from replacement parts.

FRONT WEIGHT ATTACHMENT
Special Utility and Row-Crop Utility

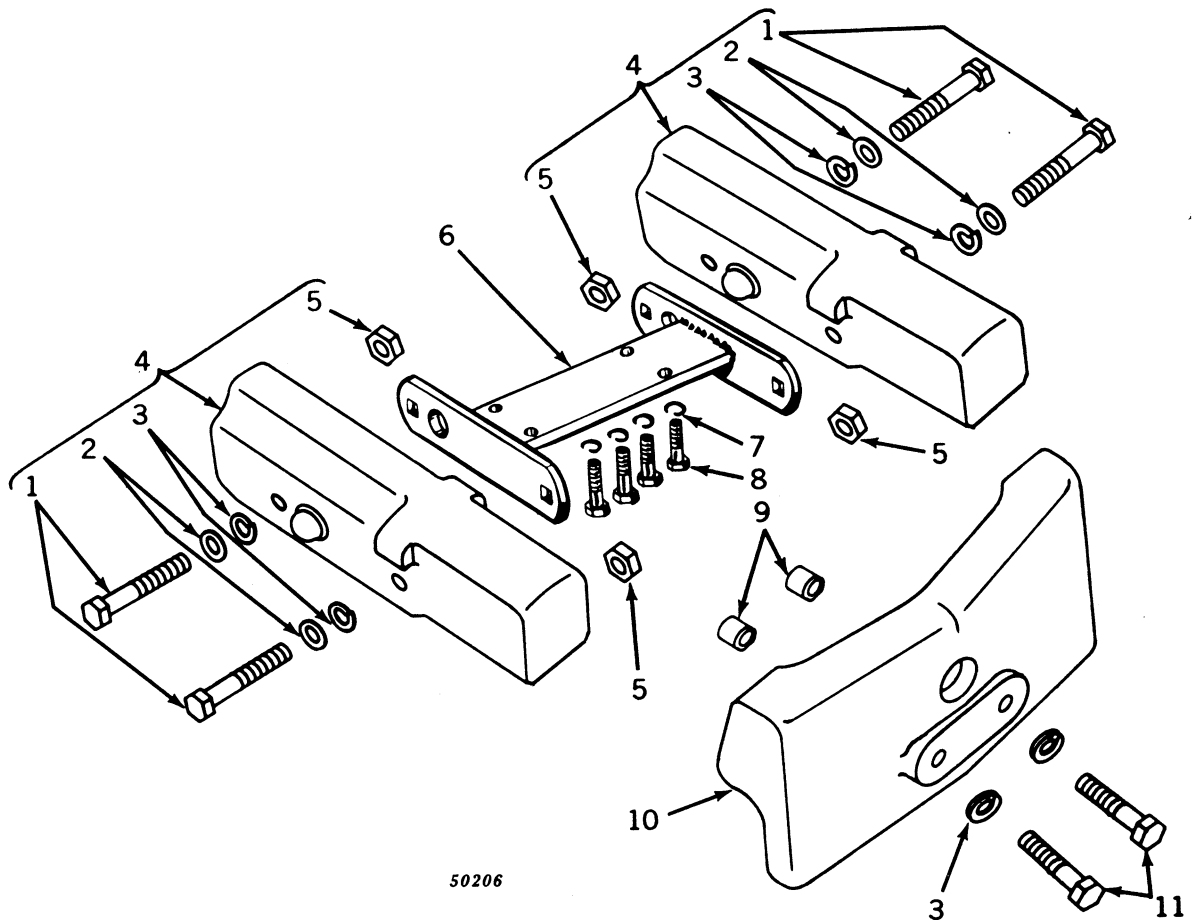


50208

Key	Part No.	Serial No.	Description
1	M 2582 T	(-)	Bolt, special, 5/8" x 5-1/2" (2 used)
2	M 2160 T	(-)	Pilot (2 used)
3	M 1006 T	(-)	Washer (2 used)
4	12H 294 A	(-)	Washer, lock, 5/8" (2 used)
5	14H 760 A	(-)	Nut, hex., 5/8" (2 used)
..	AM 3019 T	(-)	WEIGHT, FRONT (150 LBS.) (CONSISTS OF ONE M3240T FRONT WEIGHT AND ONE AT15576T ATTACHING HARDWARE)

Capital letters indicate an attachment. Attachments must be listed on separate order from replacement parts.

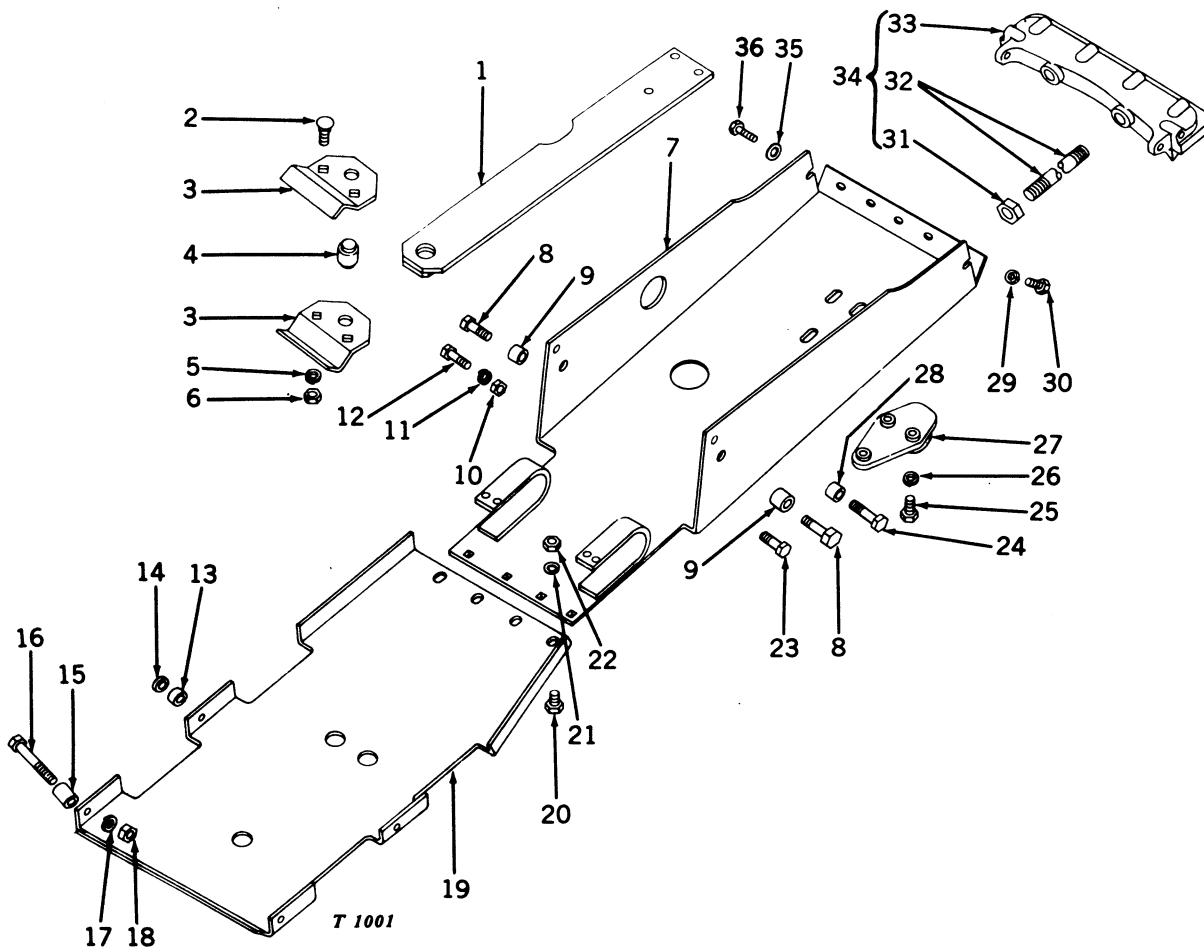
FRONT AND SIDE WEIGHT ATTACHMENT
Tricycle



Key	Part No.	Serial No.	Description
1	3H 762 A	(-)	Bolt, cge., 5/8" x 6" (4 used)
2	24H 1139 A	(-)	Washer, plain, 11/16" x 1-1/4" x .105" (4 used)
3	12H 294 A	(-)	Washer, lock, 5/8" (6 used)
4	AT 15583 T	(-)	WEIGHT, SIDE (83 LBS. EACH) (CONSISTS OF TWO M1844T SIDE WEIGHT AND ONE AT15591T ATTACHING HARDWARE) (SUB. FOR AM1870T)
5	14H 760 A	(-)	Nut, hex., 5/8" (4 used)
6	AM 1182 T	(-)	Support, implement
7	12H 301 A	(-)	Washer, lock, 1/2" (4 used)
8	19H 1721 A	(-)	Screw, cap, 1/2" x 1-1/2" (4 used)
9	M 1647 T	(-)	Dowel, hollow (2 used)
10	AM 1869 T	(-)	WEIGHT, FRONT (145 LBS.) (CONSISTS OF ONE AM1780T FRONT WEIGHT AND ONE AT15575T ATTACHING HARDWARE)
11	19H 2124 A	(-)	Screw, cap, 5/8" x 4-1/4" (2 used)

Capital letters indicate an attachment. Attachments must be listed on separate order from replacement parts.

BOTTOM GUARD AND BUMPER ATTACHMENTS Crawler

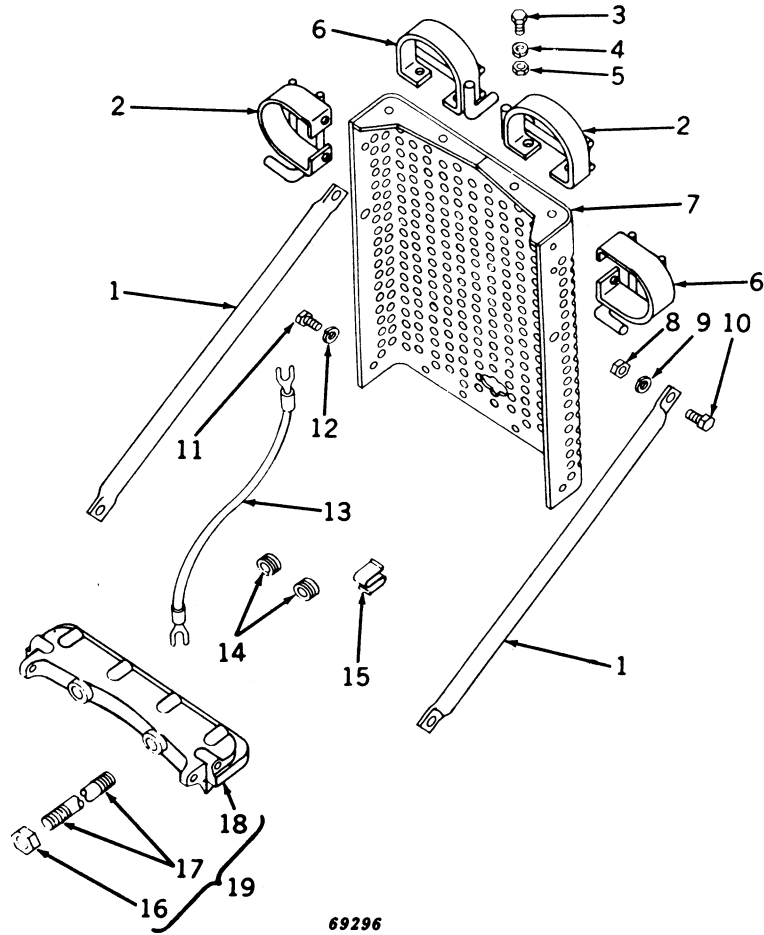


BOTTOM GUARD AND BUMPER ATTACHMENTS -- Continued
Crawler

Key	Part No.	Serial No.	Description
1	AM 2101 T	(-)	Drawbar assembly, front
2	3H 1407 A	(-)	Bolt, cge., 5/8" x 2-1/2" (2 used)
3	M 2385 T	(-)	Plate, drawbar clevis (2 used)
4	TE 436 YT	(-)	Pin, drawbar pivot
5	12H 294 A	(-)	Washer, lock, 5/8" (2 used)
6	14H 760 A	(-)	Nut, hex., 5/8" (2 used)
7	AM 2100 T	(-100000)	Sub. one AM3469T and two M3796T
	AM 3469 T	(100001-)	Plate, front bottom
8	19H 1768 A	(-100000)	Screw, cap, 3/4" x 2" (2 used)
	19H 2113 A	(100001-)	Screw, cap, 3/4" x 3-1/4" (2 used)
9	M 3796 T	(100001-)	Spacer (2 used)
10	14H 813 A	(-)	Nut, hex., 7/16" (2 used)
11	12H 293 A	(-)	Washer, lock, 7/16" (2 used)
12	19H 2055 A	(-)	Screw, cap, 7/16" x 2-1/4" (2 used)
13	M 2322 T	(-)	Dowel, front (2 used)
14	M 2497 T	(-)	Spacer (2 used)
15	M 2323 T	(-)	Dowel, rear (2 used)
16	19H 1739 A	(-)	Screw, cap, 1/2" x 4-1/2" (4 used)
17	L 139 T	(-)	Washer, plain (2 used)
18	14H 809 A	(-)	Nut, hex., 1/2" (4 used)
19	M 2321 T	(-)	Plate, rear bottom
20	TE 24 YT	(-)	Bolt, 5/8" x 1-7/16" (4 used)
21	M 495 T	(-)	Washer, plain, special (4 used)
22	9027 YT	(-)	Nut, hex., special (4 used)
23	19H 1146 A	(-)	Screw, cap, 7/16" x 2-1/2" (used when cylinder carrier is installed)
24	19H 2113 A	(-)	Screw, cap, 3/4" x 3-1/4" (used when cylinder carrier is installed)
25	19H 1708 A	(-)	Screw, cap, 5/8" x 1-3/4" (3 used)
26	12H 294 A	(-)	Washer, lock, 5/8" (3 used)
27	M 2268 T	(-)	Hitch, front
28	M 2490 T	(-)	Spacer (used when cylinder carrier is installed)
29	12H 293 A	(-)	Washer, lock, 7/16" (7 used)
30	19H 1773 A	(-)	Screw, cap, 7/16" x 1-1/8" (5 used)
31	14H 836 A	(-)	Nut, hex., 7/8" (2 used)
32	M 1024 T	(-)	Rod, tension (2 used)
33	M 2189 T	(-)	Bumper
34	AM 2094 T	(-)	BUMPER ATTACHMENT (M2189T)
35	24H 1325 A	(-)	Washer, plain, 15/32" x 59/64" x .060" (2 used)
36	19H 1821 A	(-)	Screw, cap, 7/16" x 1-1/4" (2 used)

Capital letters indicate an attachment. Attachments must be listed on separate order from replacement parts.

GRILLE GUARD, LIGHT GUARD, AND BUMPER ATTACHMENTS
Crawler

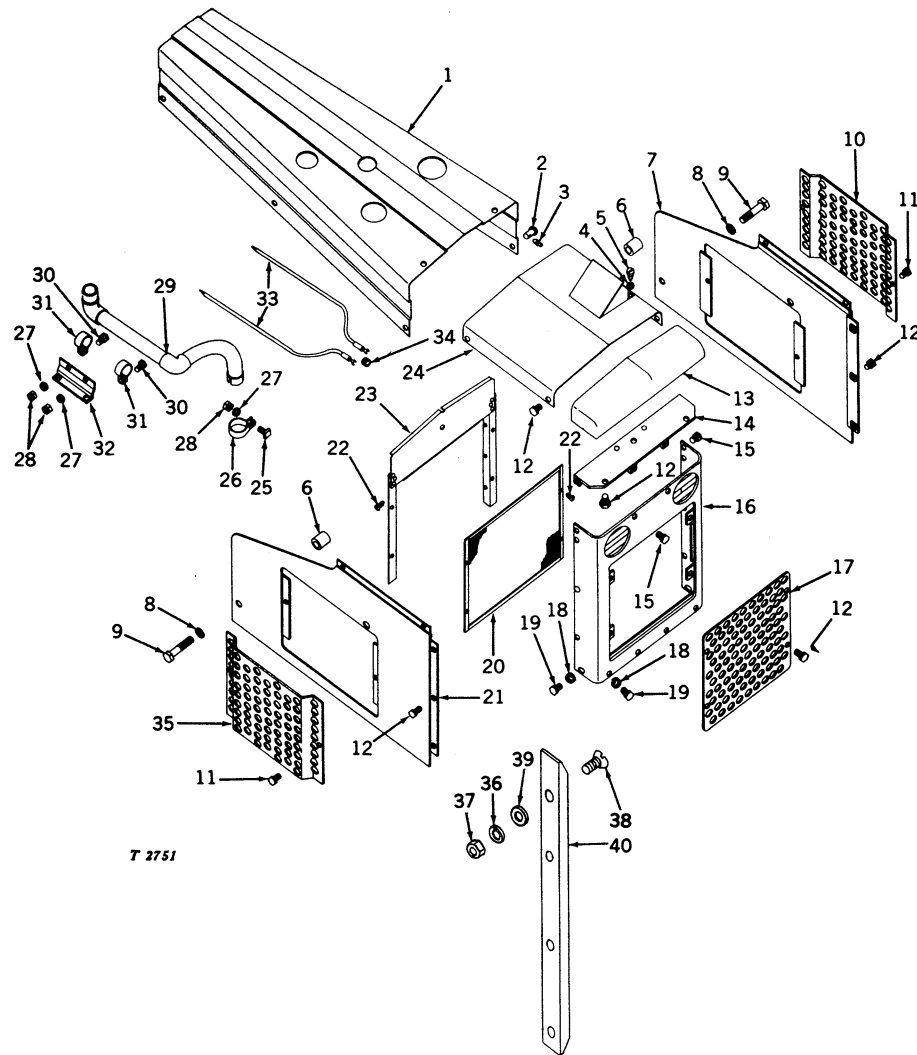


69296

GRILLE GUARD, LIGHT GUARD, AND BUMPER ATTACHMENTS -- Continued
Crawler

Key	Part No.	Serial No.	Description
1	M 2314 T	(-)	Brace (2 used)
2	AM 2097 T	(-)	Guard, light, left
3	19H 1792 A	(-)	Screw, cap, 1/2" x 1" (4 used)
4	12H 301 A	(-)	Washer, lock, 1/2" (4 used)
5	14H 809 A	(-)	Nut, hex., 1/2" (4 used)
6	AM 2098 T	(-)	Guard, light, right
7	AM 2096 T	(-)	Guard, grille
8	14H 760 A	(-)	Nut, hex., 5/8" (2 used)
9	12H 294 A	(-)	Washer, lock, 5/8" (2 used)
10	19H 1756 A	(-)	Screw, cap, 5/8" x 1-1/2" (2 used)
11	19H 1773 A	(-)	Screw, cap, 7/16" x 1-1/8" (6 used)
12	12H 12 R	(-)	Washer, lock, 7/16" (6 used)
13	AM 2099 T	(-)	Lead, left front light
14	M 1895 T	(-)	Grommet, light leads in grille (2 used) (packed 2 in a pkg.)
15	M 633 T	(-)	Clip, wiring
16	14H 836 A	(-)	Nut, hex., 7/8" (2 used)
17	M 1024 T	(-)	Rod, tension (2 used)
18	M 2189 T	(-)	Bumper
19	AM 2094 T	(-)	BUMPER ATTACHMENT (M2189T)
..	AM 2092 T	(-)	GRILLE GUARD ATTACHMENT
..	AM 2093 T	(-)	LIGHT GUARD ATTACHMENT

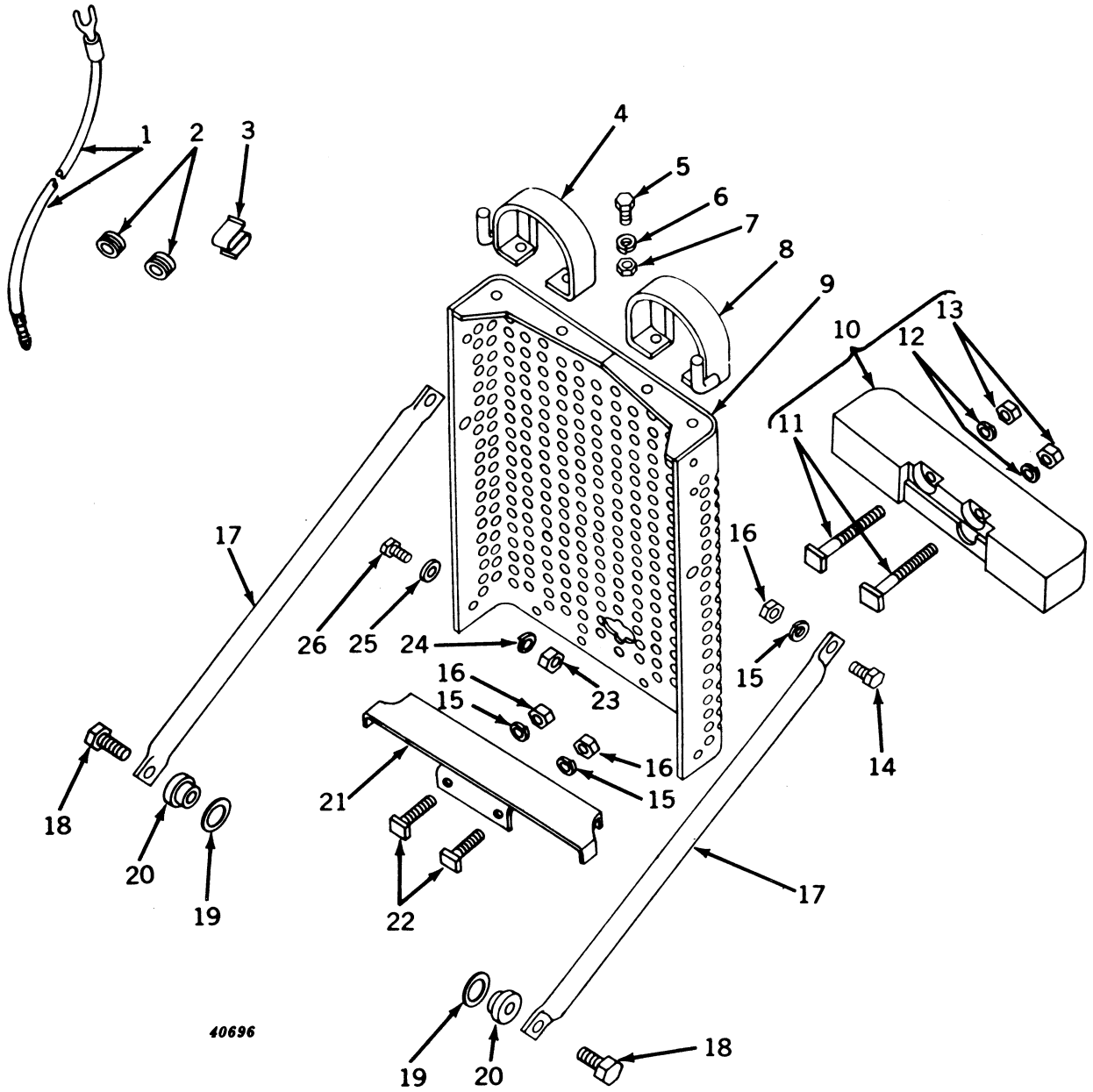
Capital letters indicate an attachment. Attachments must be listed on separate order from replacement parts.

HEAVY-DUTY PROTECTIVE EQUIPMENT
Crawler

HEAVY-DUTY PROTECTIVE EQUIPMENT -- Continued
Crawler

Key	Part No.	Serial No.	Description
1	AM 3999 T	(-139999)	Hood assembly, with fasteners
	AT 11094 T	(140000-)	Hood assembly, with fasteners
2	M 315 T	(-)	Stud, fastener, short, for rigid type receptacle (4 used) (packed 2 in a pkg.)
	M 322 T	(-)	Stud, fastener, long, for floating type receptacle (2 used) (packed 2 in a pkg.)
3	M 316 T	(-)	Pin, cross (6 used) (packed 2 in a pkg.)
4	M 4416 T	(-)	Washer, retaining
5	M 4415 T	(-)	Screw, fastener
6	M 4315 T	(-)	Spacer (2 used)
7	AM 3921 T	(-)	Plate, left side
8	12H 236 A	(-)	Washer, lock, 3/4" (2 used)
9	19H 1711 A	(-)	Screw, cap, 3/4" x 3-5/8" (2 used)
10	M 4314 T	(-139999)	Plate, vent
	T 11304 T	(140000-)	Plate, vent, left
11	19H 2038 A	(-)	Screw, cap, 3/8" x 1/2" (4 used)
12	19H 1122 A	(-)	Screw, cap, 1/2" x 7/8" (17 used)
13	M 4312 T	(-)	Cover, grille guard top
14	AM 3920 T	(-)	Top, grille guard
15	19H 1709 A	(-)	Screw, cap, 1/2" x 5/8" (4 used)
16	AM 3923 T	(-)	Guard, grille
17	M 4313 T	(-)	Plate, vent
18	12H 293 A	(-)	Washer, lock, 7/16" (6 used)
19	19H 1822 A	(-)	Screw, cap, 7/16" x 1" (6 used)
20	AM 3926 T	(-)	Screen, radiator
21	AM 3922 T	(-)	Plate, right side
22	M 1093 T	(-)	Screw, mach., no. 10 x 5/8" (10 used)
23	AM 3927 T	(-)	Baffle
24	AM 3924 T	(-)	Cover, top
25	8H 110 A	(-)	Bolt, sq. hd., 5/16" x 1-1/2"
26	M 4316 T	(-)	Clamp
27	12H 303 A	(-)	Washer, lock, 5/16" (3 used)
28	14H 785 A	(-)	Nut, hex., 5/16" (3 used)
29	AM 3928 T	(-)	Extension, air cleaner
30	19H 1900 A	(-)	Screw, cap, 5/16" x 3/4" (2 used)
31	M 3058 T	(-)	Clamp (2 used)
32	M 4412 T	(-)	Bracket
33	AL 2971 T	(-)	Lead, light (2 used)
34	M 1895 T	(-)	Grommet (packed 2 in a pkg.)
35	M 4314 T	(-139999)	Plate, vent
	T 11305 T	(140000-)	Plate, vent, right
36	12H 301 A	(-)	Washer, lock, 1/2" (4 used)
37	14H 809 A	(-)	Nut, hex., 1/2" (4 used)
38	21H 1099 A	(-)	Screw, mach., 1/2" x 1-1/2" (4 used)
39	24H 1111 A	(-)	Washer, plain, 17/32" x 1-1/16" x .090" (4 used)
40	X 8203 C	(-)	Guide

LIGHT GUARD, GRILLE GUARD, AND FRONT WEIGHT ATTACHMENT
Utility



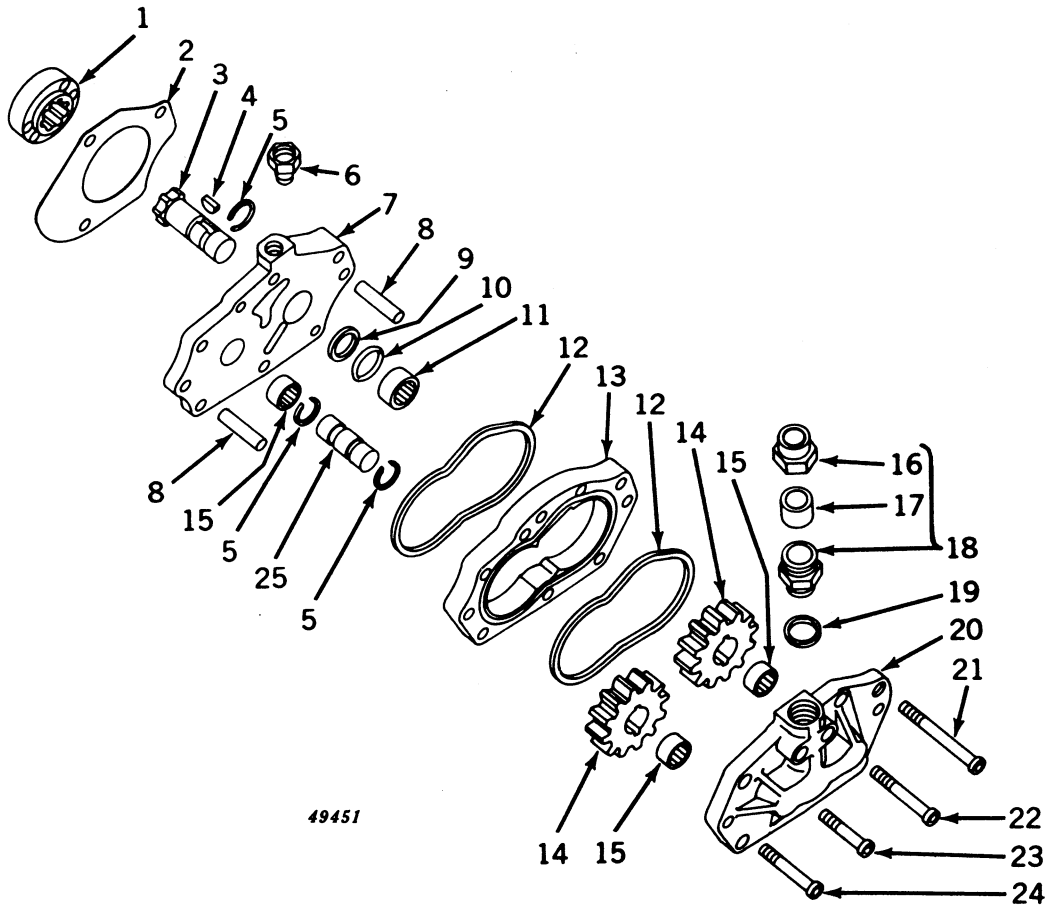
40696

LIGHT GUARD, GRILLE GUARD, AND FRONT WEIGHT ATTACHMENT -- Continued
Utility

Key	Part No.	Serial No.	Description
1	AM 2099 T	(-)	Lead, left front light
2	M 1895 T	(-)	Grommet, light leads in grille (2 used) (packed 2 in a pkg.)
3	M 633 T	(-)	Clip, wiring
4	AM 2097 T	(-)	Guard, light, left
5	19H 1792 A	(-)	Screw, cap, 1/2" x 1" (4 used)
6	12H 301 A	(-)	Washer, lock, 1/2" (4 used)
7	14H 809 A	(-)	Nut, hex., 1/2" (4 used)
8	AM 2098 T	(-)	Guard, light, right
9	AM 2096 T	(-)	Guard, grille
10	AM 2402 T	(-)	WEIGHT, FRONT (70 LBS.) (CONSISTS OF ONE M2581T FRONT WEIGHT AND ONE AT15574T ATTACHING HARDWARE)
11	M 2582 T	(-)	Bolt, sq. hd., special, 5/8" x 5-1/2" (2 used)
12	12H 294 A	(-)	Washer, lock, 5/8" (2 used)
13	14H 760 A	(-)	Nut, hex., 5/8" (2 used)
14	19H 1756 A	(-)	Screw, cap, 5/8" x 1-1/2" (2 used)
15	12H 294 A	(-)	Washer, lock, 5/8" (4 used)
16	14H 760 A	(-)	Nut, hex., 5/8" (4 used)
17	M 2314 T	(-)	Brace (2 used)
18	19H 1768 A	(-)	Screw, cap, 3/4" x 2" (2 used)
19	24H 1540 A	(-)	Washer, plain, 1-17/32" x 2-1/2" x 1/4" (2 used)
20	TE 239 YT	(-)	Bushing (2 used)
21	AM 2403 T	(-)	Support assembly
22	8H 4194 A	(-)	Bolt, sq. hd., 5/8" x 2-1/4" (2 used)
23	14H 813 A	(-)	Nut, hex., 7/16" (6 used)
24	12H 293 A	(-)	Washer, lock, 7/16" (6 used)
25	24H 1325 A	(-)	Washer, Plain, 15/32" x 59/64" x .060" (2 used)
26	19H 1821 A	(-)	Screw, cap, 7/16" x 1-1/4" (6 used)
..	AM 2401 T	(-)	GRILLE GUARD ATTACHMENT
..	AM 2093 T	(-)	LIGHT GUARD ATTACHMENT

Capital letters indicate an attachment. Attachments must be ordered separately from replacement parts.

HYDRAULIC PUMP

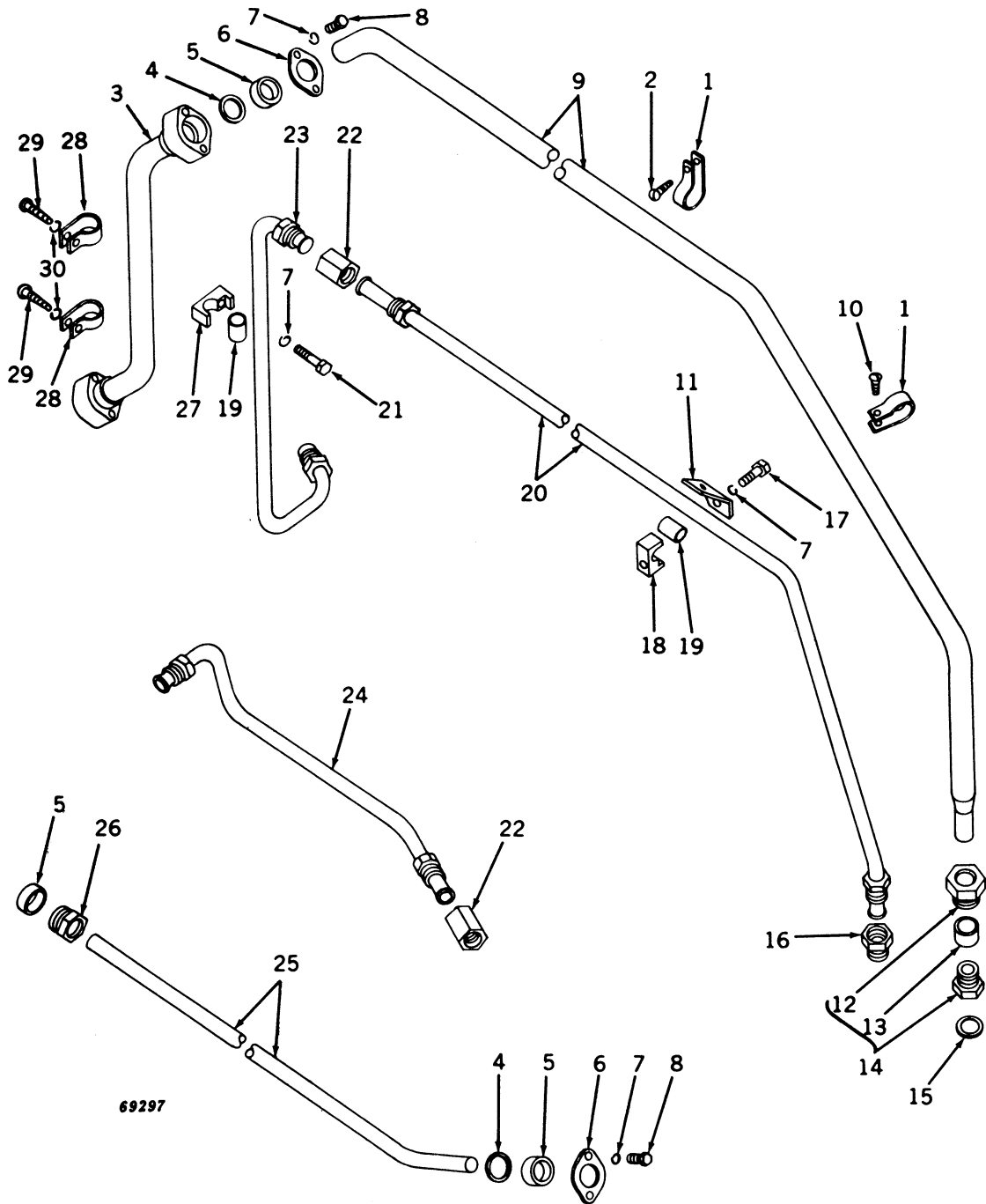


49451

HYDRAULIC PUMP -- Continued

Key	Part No.	Serial No.	Description
1	M 1845 T	(-)	Coupling
2	M 1039 T	(-)	Gasket (packed 2 in a pkg.)
3	M 1868 T	(-)	Shaft, drive
4	M 1869 T	(-)	Key, woodruff, special
5	M 1871 T	(-)	Ring, snap (3 used)
6	M 1370 T	(-)	Connector
7	M 1769 T	(-)	Base
8	M 1027 T	(-)	Pin, dowel (2 used)
9	M 1865 T	(-)	Washer (packed 5 in a pkg.)
10	M 1866 T	(-)	O-ring
11	JD 8804 T	(-)	Bearing, needle
12	T 16572 T	(-)	Ring, sealing (2 used) (sub. for M1030T) (packed 2 in a pkg.)
13	M 1029 T	(-)	Center (sub. for AM1100T)
14	M 1870 T	(-)	Gear (2 used)
15	JD 8803 T	(-)	Bearing, needle (3 used)
16	M 3190 T	(-)	Nut
17	M 3189 T	(-)	Sleeve, rubber
18	AM 2945 T	(-)	Nut, with sleeve and connector
19	M 3192 T	(-)	Gasket
20	M 3191 T	(-)	Cover
21	M 508 T	(-)	Screw, cap, special, 5/16" x 3-1/4"
22	M 507 T	(-)	Screw, cap, special, 5/16" x 2-1/2" (2 used)
23	M 1035 T	(-)	Screw, cap, special, 5/16" x 1-3/4" (4 used)
24	M 1036 T	(-)	Screw, cap, special, 5/16" x 2-1/4"
25	M 1867 T	(-)	Shaft, idler
..	AM 2947 T	(-)	Hydraulic pump, complete

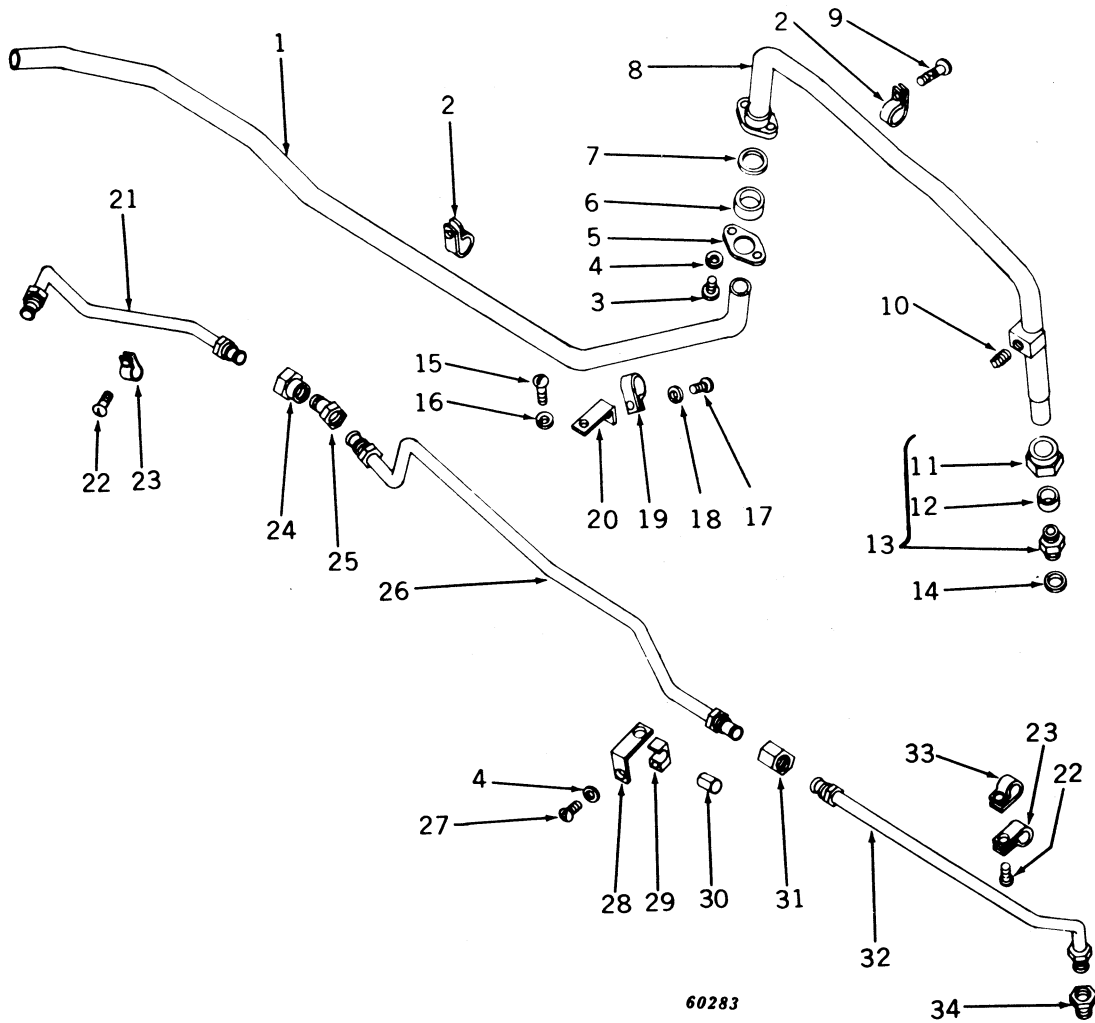
TOUCH-O-MATIC OIL LINES FOR GASOLINE TRACTORS
Hi-Crop, Special Utility, Standard, Tricycle, Utility, Special, and Row-Crop Utility



TOUCH-O-MATIC OIL LINES FOR GASOLINE TRACTORS -- Continued
 Hi-Crop, Special Utility, Standard, Tricycle, Utility, Special, and Row-Crop Utility

Key	Part No.	Serial No.	Description
1	AM 2985 T	(-)	Clamp, tube, with speed nut (2 used)
2	M 567 T	(-)	Screw, sheet metal, no. 10 x 1-1/2"
3	AM 2998 T	(-139999)	Line, pump inlet in panel
	AT 11554 T	(140000-)	Sub. for AT10765T
4	M 3247 T	(-)	Ring, seal (2 used)
5	M 3246 T	(-)	Seal (3 used)
6	M 3250 T	(-)	Flange (2 used)
7	12H 302 A	(-)	Washer, lock, 1/4" (8 used)
8	19H 1948 A	(-)	Screw, cap, 1/4" x 3/4" (4 used)
9	M 3248 T	(-139999)	Line, pump inlet, front (H, I, S, T, V, and W)
	T 10527 T	(-139999)	Line, pump inlet, front (U) (sub. for M3248T)
	T 10916 T	(140000-)	Line, pump inlet, front (H, I, S, T, V, and W)
	AT 10524 T	(-)	Line, pump inlet, front (H when equipped with LP-gas engine)
10	M 364 T	(-)	Screw, sheet metal, no. 10 x 7/8"
11	M 3251 T	(-)	Bracket
12	M 3190 T	(-)	Nut
13	M 3189 T	(-)	Sleeve
14	AM 2945 T	(-)	Nut, with sleeve and connector
15	M 3192 T	(-)	Gasket
16	M 1370 T	(-)	Connector
17	19H 2036 A	(-)	Screw, cap, 1/4" x 7/8"
18	M 2394 T	(-)	Clamp
19	M 2395 T	(-)	Sleeve (4 used)
20	AM 1448 T	(-139999)	Line, pump outlet, front
	AT 10379 T	(140000-)	Line, pump outlet, front
21	19H 1898 A	(-139999)	Screw, cap, 1/4" x 1-1/2" (3 used)
	19H 1791 A	(140000-)	Screw, cap, 1/4" x 1-1/4" (3 used)
22	M 1350 T	(-)	Connector (2 used)
23	AM 2999 T	(-139999)	Line, pump outlet in panel
	AT 10766 T	(140000-)	Line, pump outlet in panel
24	AM 2989 T	(-)	Line, pump outlet, rear (H)
	AM 2990 T	(-)	Line, pump outlet, rear (S and U)
	AM 2988 T	(-)	Line, pump outlet, rear (T)
	AM 2991 T	(-)	Line, pump outlet, rear (I and W)
	AM 3413 T	(100001-)	Line, pump outlet, rear (S with dual touch-o-matic)
25	M 3257 T	(-)	Line, pump inlet, rear (H)
	M 3259 T	(-)	Line, pump inlet, rear (S and U)
	M 3253 T	(-)	Line, pump inlet, rear (T)
	M 3261 T	(-)	Line, pump inlet, rear (V)
	M 3262 T	(-)	Line, pump inlet, rear (I and W)
	M 3726 T	(100001-)	Line, pump inlet, rear (S with dual touch-o-matic)
26	M 3249 T	(-)	Nut
27	M 2394 T	(-139999)	Clamp (3 used)
	T 10532 T	(140000-)	Clamp (3 used)
28	AM 2985 T	(-139999)	Clamp, tube, with speed nut (2 used)
	T 10531 T	(140000-)	Clamp, tube (2 used)
29	M 567 T	(-139999)	Screw, sheet metal, no. 10 x 1-1/2" (2 used)
	21H 1019 A	(140000-)	Screw, mach., No. 10 x 1/2" (2 used)
30	12H 246 A	(140000-)	Washer, lock, No. 10 (2 used)

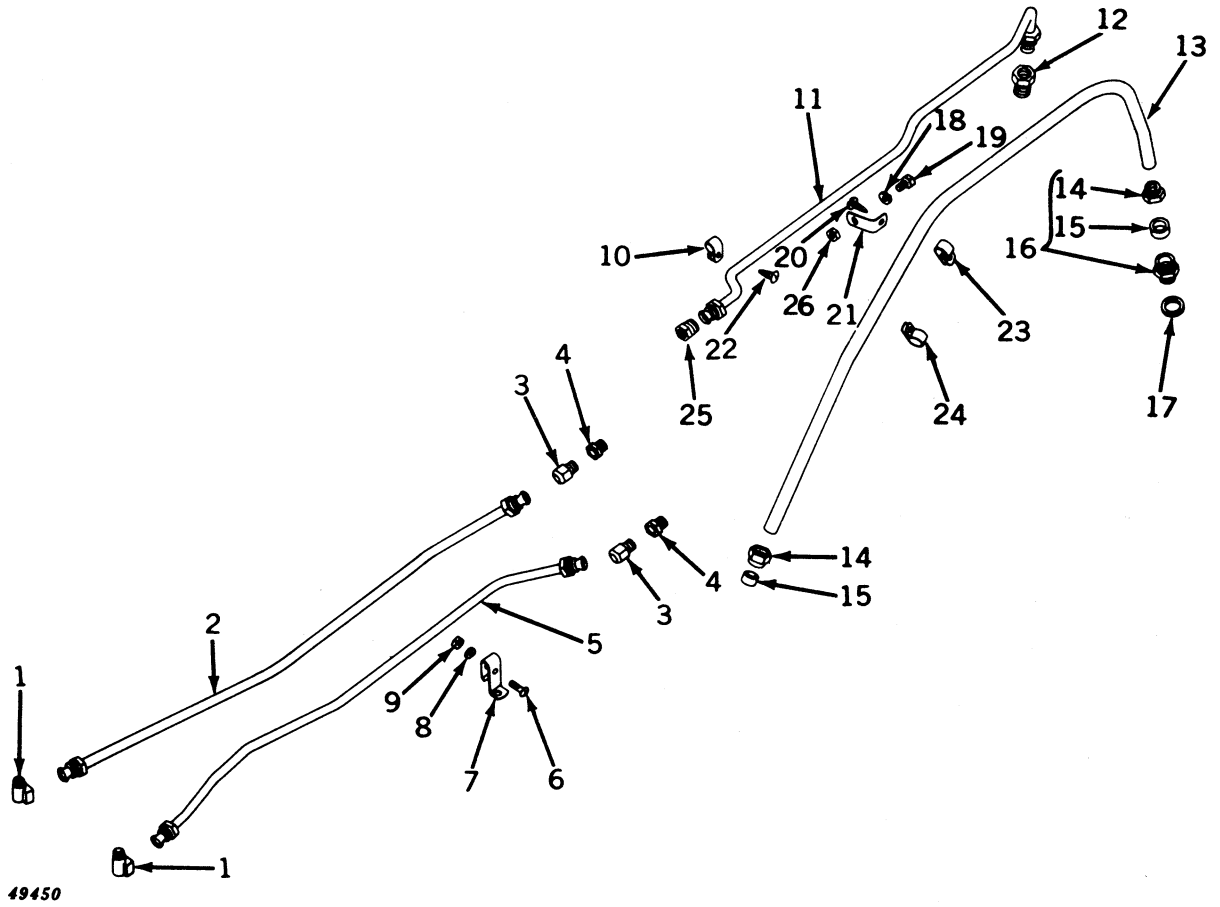
TOUCH-O-MATIC OIL LINES FOR LP-GAS TRACTORS
Hi-Crop, Special Utility, Standard, Tricycle, Utility, and Row-Crop Utility



TOUCH-O-MATIC OIL LINES FOR LP-GAS TRACTORS -- Continued
Hi-Crop, Special Utility, Standard, Tricycle, Utility, and Row-Crop Utility

Key	Part No.	Serial No.	Description
1	M 4368 T	(125001-) Line, rear inlet (I and W)
	M 4369 T	(125001-) Line, rear inlet (S and U)
	M 4365 T	(125001-) Line, rear inlet (T)
	AT 10524 T	(125001-) Line, inlet, front and rear (H)
2	AM 2985 T	(125001-) Clamp, with speed nut
3	19H 1948 A	(125001-) Screw, cap, 1/4" x 3/4" (2 used)
4	12H 302 A	(125001-) Washer, lock, 1/4" (3 used)
5	M 3250 T	(125001-) Flange
6	M 3246 T	(125001-) Seal
7	M 3247 T	(125001-) Ring, seal
8	AM 3969 T	(125001-131817)) Line, front inlet (I, S, T, U, W)
	AT 10624 T	(131818-) Line, front inlet (I, S, T, U, W)
9	M 567 T	(125001-) Screw, sheet metal, no. 10 x 1-1/4"
10	15H 623 A	(125001-) Plug, pipe, sq. hd., 3/8"
11	M 3190 T	(125001-) Nut
12	M 3189 T	(125001-) Sleeve
13	AM 2945 T	(125001-) Connector, with nut and sleeve
14	M 3192 T	(125001-) Gasket
15	19H 1100 A	(125001-) Screw, cap, 3/8" x 1-3/8"
16	12H 304 A	(125001-) Washer, lock, 3/8"
17	21H 1017 A	(125001-) Screw, mach., No. 10 x 3/8"
18	12H 246 A	(125001-) Washer, lock, No. 10
19	T 10531 T	(125001-) Clamp, tube (sub. for M4433T)
20	M 4432 T	(125001-) Bracket
21	AM 2991 T	(125001-) Line, outlet, rear
22	M 364 T	(125001-) Screw, sheet metal, no. 10 x 7/8" (2 used)
23	M 4373 T	(125001-) Clamp, tube (2 used)
24	M 4367 T	(125001-) Connector
25	M 1345 T	(125001-) Elbow
26	AM 3970 T	(125001-) Line, outlet, in instrument panel
27	19H 2036 A	(125001-) Screw, cap, 1/4" x 7/8"
28	M 4370 T	(125001-) Bracket
29	M 2394 T	(125001-) Clamp
30	M 2395 T	(125001-) Sleeve
31	M 1350 T	(125001-) Union
32	AM 3971 T	(125001-) Line, outlet, front
33	AM 1119 T	(125001-) Clamp, tube, with speed nut
34	M 1370 T	(125001-) Connector

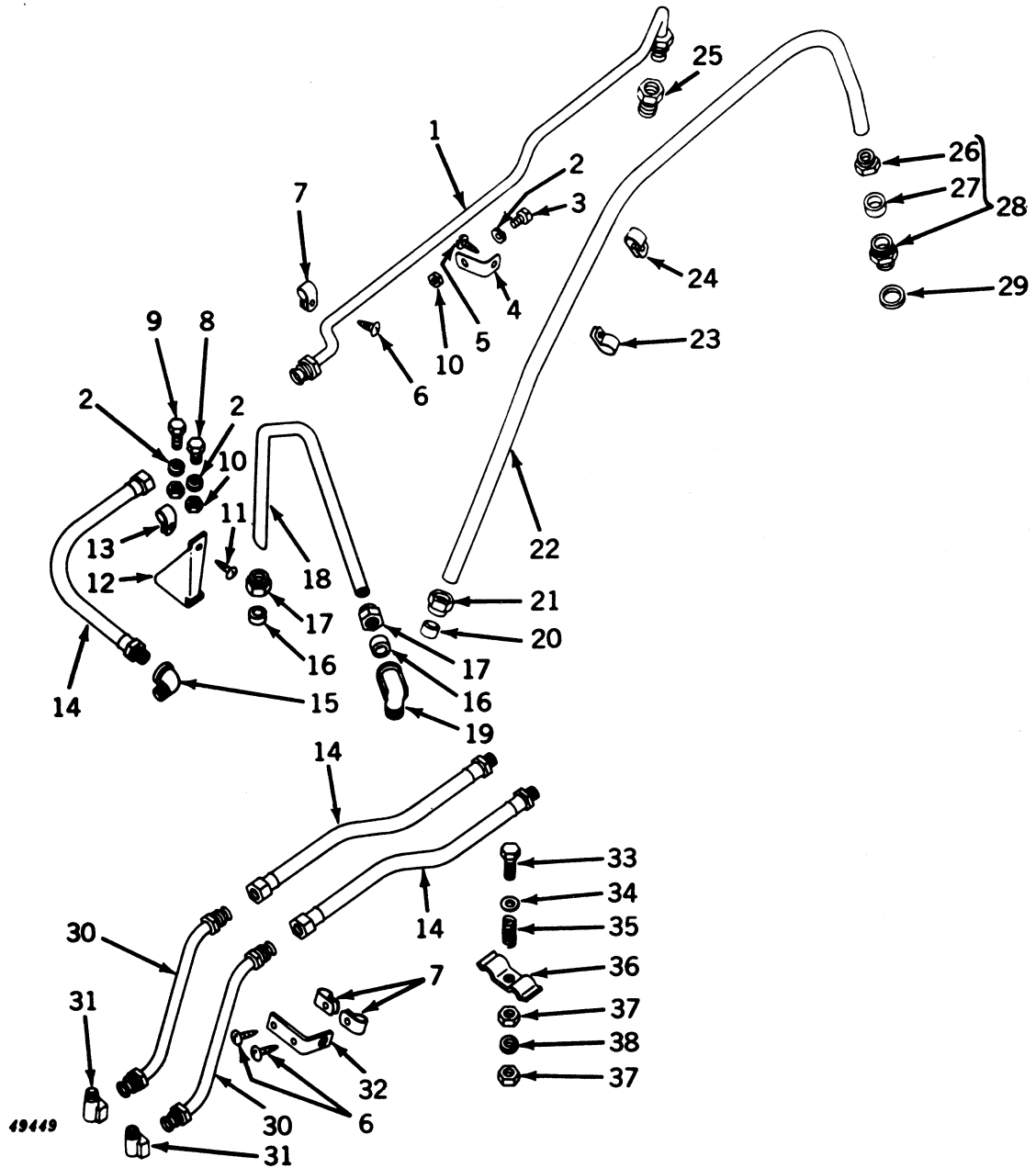
SINGLE REMOTE CONTROL OIL LINES
Crawler (Serial No. 80001-139999)



SINGLE REMOTE CONTROL OIL LINES -- Continued
Crawler (Serial No. 80001-139999)

Key	Part No.	Serial No.	Description
1	M 1342 T	(-139999)	Elbow (2 used)
2	AM 2941 T	(-108921)	Line, oil, coupling left, with nuts
	AM 3731 T	(108922-139999)	Line, oil, coupling left, with nuts
3	M 1345 T	(-139999)	Elbow (2 used)
4	15H 586 A	(-139999)	Bushing, pipe, outside hex., 1/2" x 3/8" (2 used)
5	AM 2942 T	(-108921)	Line, oil coupling right, with nuts
	AM 3732 T	(108922-139999)	Line, oil, coupling right, with nuts
6	21H 1195 A	(-139999)	Screw, mach., No. 10 x 7/8"
7	M 1372 T	(-108921)	Clamp
	M 4001 T	(108922-139999)	Clamp
8	12H 246 A	(-139999)	Washer, lock, No. 10
9	14H 778 A	(-139999)	Nut, hex., no. 10
10	AM 1119 T	(-139999)	Clamp, tube, with speed nut
11	AM 2943 T	(-139999)	Line, oil, pump outlet, with nuts
12	M 1370 T	(-139999)	Connector
13	M 3193 T	(-139999)	Line, oil, pump inlet
14	M 3190 T	(-139999)	Nut (2 used)
15	M 3189 T	(-139999)	Sleeve, rubber (2 used)
16	AM 2945 T	(-139999)	Nut, with sleeve
17	M 3192 T	(-139999)	Gasket
18	12H 304 A	(-139999)	Washer, lock, 3/8"
19	19H 2021 A	(-139999)	Screw, cap, 3/8" x 5/8"
20	M 1221 T	(-139999)	Screw, sheet metal, no. 10 x 1/2"
21	M 1371 T	(-139999)	Bracket, support
22	M 1151 T	(-139999)	Screw, sheet metal, no. 8 x 7/8"
23	AM 2932 T	(-139999)	Clamp, tube, with speed nut
24	M 3194 T	(-139999)	Clamp, tube
25	L 1670 C	(-139999)	Adaptor
26	14H 812 A	(-139999)	Nut, hex., 3/8"

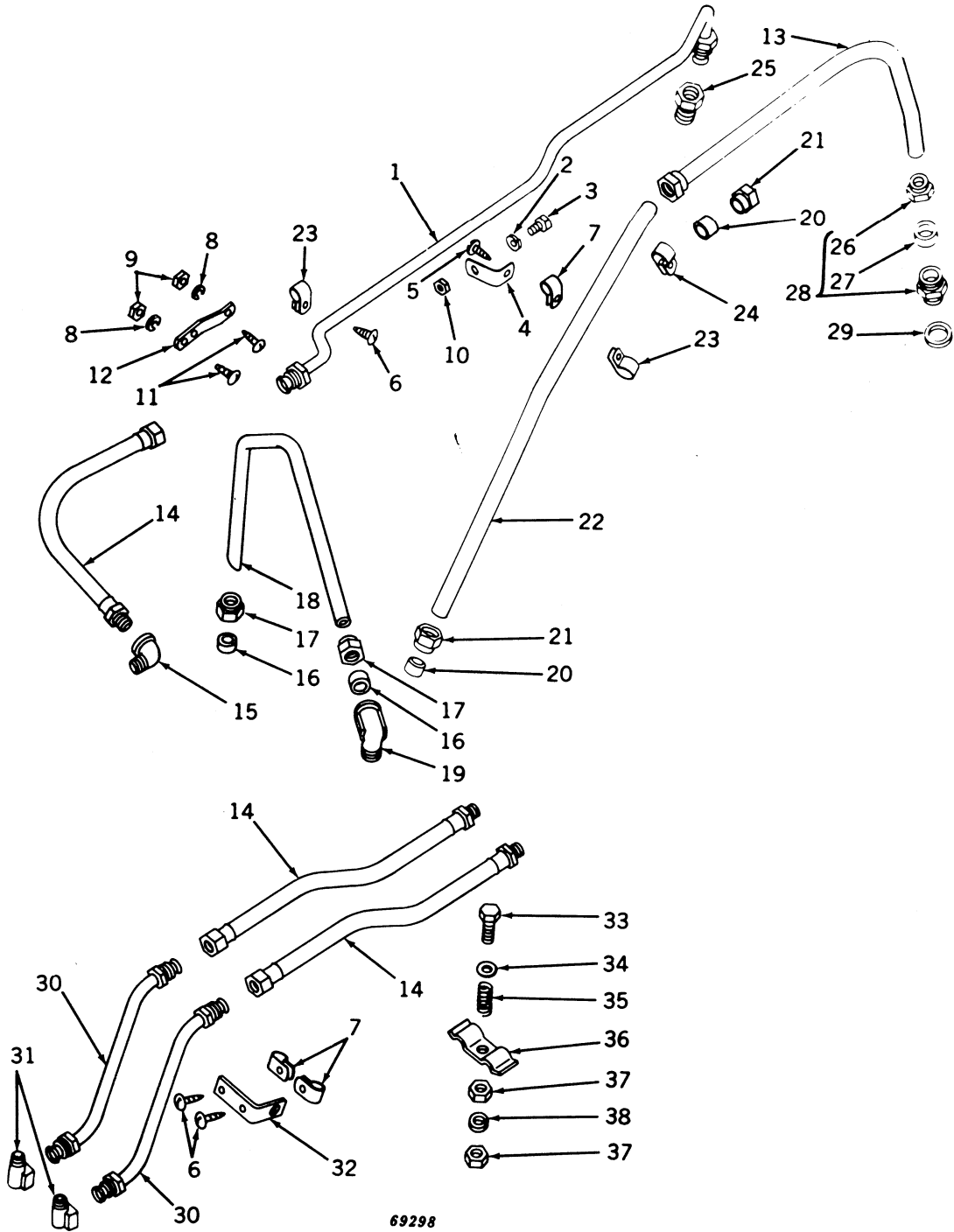
DOUBLE REMOTE CONTROL OIL LINES
Crawler (Serial No. 80001-139999)



DOUBLE REMOTE CONTROL OIL LINES -- Continued
Crawler (Serial No. 80001-139999)

Key	Part No.	Serial No.	Description
1	AM 2943 T	(-139999)	Line, oil, pump outlet, with nuts
2	12H 304 A	(-139999)	Washer, lock, 3/8" (3 used)
3	19H 2021 A	(-139999)	Screw, cap, 3/8" x 5/8"
4	M 1371 T	(-139999)	Bracket, support
5	M 1221 T	(-139999)	Screw, sheet metal, no. 10 x 1/2"
6	M 1151 T	(-139999)	Screw, sheet metal, no. 8 x 7/8" (3 used)
7	AM 1119 T	(-139999)	Clamp, tube, with speed nut (3 used)
8	19H 210 A	(-139999)	Screw, cap, 3/8" x 7/8"
9	19H 1139 A	(-139999)	Screw, cap, 3/8" x 1-1/8"
10	14H 812 A	(-139999)	Nut, hex., 3/8" (3 used)
11	M 1093 T	(-139999)	Screw, sheet metal, no. 10 x 5/8"
12	M 3207 T	(-139999)	Support
13	AM 2955 T	(-139999)	Clamp, tube, with speed nut
14	AM 2952 T	(-139999)	Line, flexible oil (3 used)
15	15H 602 A	(-139999)	Elbow, 1/2" x 90°
16	M 1167 T	(-139999)	Sleeve (2 used)
17	M 1166 T	(-139999)	Nut (2 used)
18	M 3203 T	(-139999)	Line, oil, discharge
19	M 3208 T	(-139999)	Elbow
20	M 3189 T	(-139999)	Sleeve
21	M 3190 T	(-139999)	Nut
22	M 3193 T	(-139999)	Line, oil, pump inlet
23	M 3194 T	(-139999)	Clamp, tube
24	AM 2932 T	(-139999)	Clamp, tube, with speed nut
25	M 1370 T	(-139999)	Connector
26	M 3190 T	(-139999)	Nut
27	M 3189 T	(-139999)	Sleeve
28	AM 2945 T	(-139999)	Nut, with sleeve
29	M 3192 T	(-139999)	Gasket
30	AM 3119 T	(-139999)	Line, oil, coupling (2 used)
31	M 1342 T	(-139999)	Elbow (2 used)
32	M 3362 T	(-139999)	Bracket, support
33	19H 2055 A	(-139999)	Screw, cap, 7/16" x 2-1/4"
34	24H 1325 A	(-139999)	Washer, plain, 15/32" x 59/64" x .060"
35	M 898 T	(-139999)	Spring
36	M 1369 T	(-139999)	Clip
37	14H 849 A	(-139999)	Nut, hex., 7/16" (2 used)
38	12H 293 A	(-139999)	Washer, lock, 7/16"

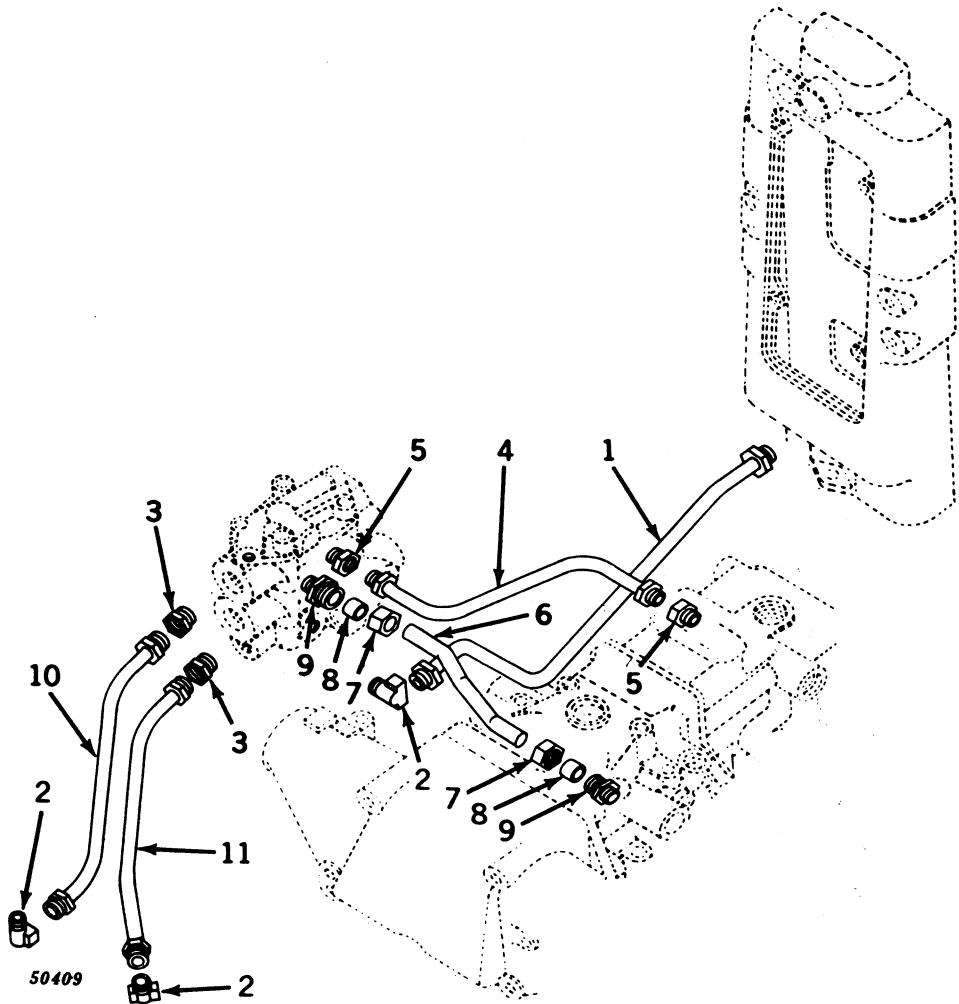
SINGLE AND DOUBLE REMOTE CONTROL OIL LINES
Crawler (Serial No. 140000-Up)



SINGLE AND DOUBLE REMOTE CONTROL OIL LINES -- Continued
Crawler (Serial No. 140000-Up)

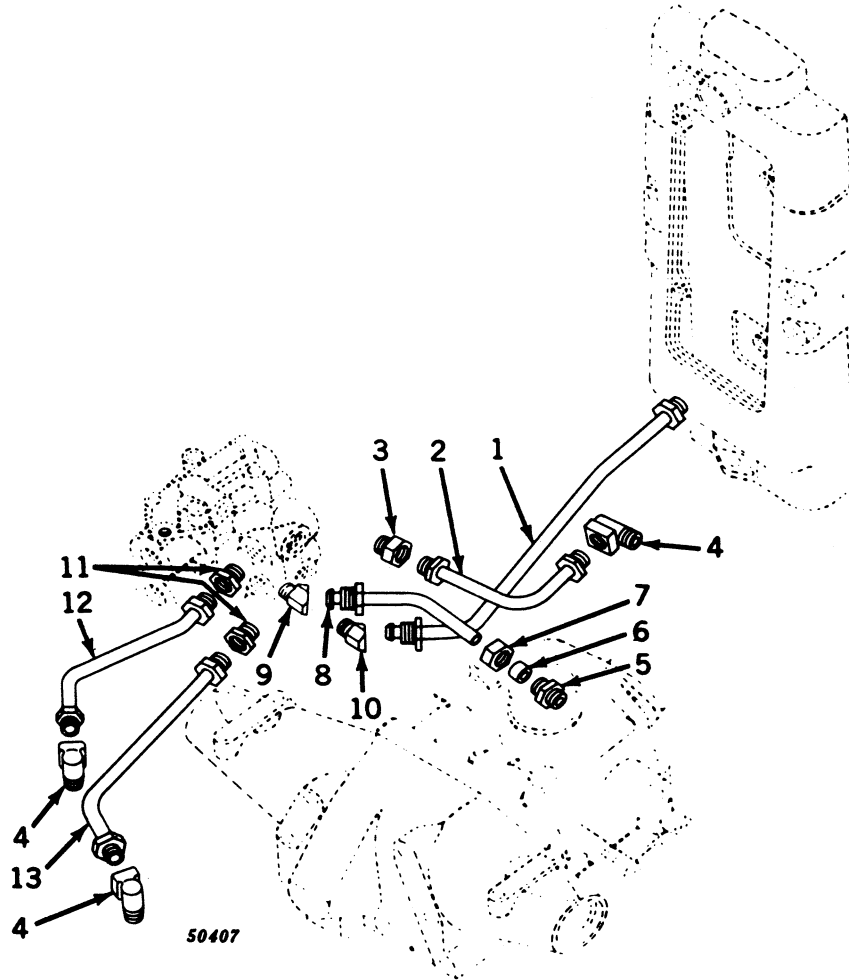
Key	Part No.	Serial No.	Description
1	AM 2943 T	(-)	Line, oil, pump outlet, with nuts
2	12H 304 A	(-)	Washer, lock, 3/8" (3 used)
3	19H 2021 A	(-)	Screw, cap, 3/8" x 5/8"
4	M 1371 T	(-)	Bracket, support
5	M 1221 T	(-)	Screw, sheet metal, no. 10 x 1/2"
6	M 1151 T	(-)	Screw, sheet metal, no. 8 x 7/8" (3 used)
7	AM 1119 T	(-)	Clamp, tube, with speed nut (3 used)
8	12H 246 A	(-)	Washer, lock, No. 10 (2 used)
9	14H 778 A	(-)	Nut, hex., no. 10 (2 used)
10	14H 812 A	(-)	Nut, hex., 3/8"
11	21H 1019 A	(-)	Screw, mach., No. 10 x 1/2" (2 used)
12	T 11039 T	(-)	Support, line
13	AT 10879 T	(-)	Line, oil, pump inlet, front
14	AM 2952 T	(-)	Line, flexible oil (3 used)
15	15H 602 A	(-)	Elbow, 1/2" x 90°
16	M 1167 T	(-)	Sleeve (2 used)
17	M 1166 T	(-)	Nut (2 used)
18	M 3203 T	(-)	Line, oil, discharge
19	M 3208 T	(-)	Elbow
20	M 3189 T	(-)	Sleeve
21	M 3190 T	(-)	Nut
22	T 11040 T	(-)	Line, oil, pump inlet, rear
23	M 3194 T	(-)	Clamp, tube (2 used)
24	AM 2932 T	(-)	Clamp, tube, with speed nut
25	M 1370 T	(-)	Connector
26	M 3190 T	(-)	Nut
27	M 3189 T	(-)	Sleeve
28	AM 2945 T	(-)	Nut, with sleeve
29	M 3192 T	(-)	Gasket
30	AM 3119 T	(-)	Line, oil, coupling (2 used)
31	M 1342 T	(-)	Elbow (2 used)
32	M 3362 T	(-)	Bracket, support
33	19H 2055 A	(-)	Screw, cap, 7/16" x 2-1/4"
34	24H 1325 A	(-)	Washer, plain, 15/32" x 15/16" x .090"
35	M 898 T	(-)	Spring
36	M 1369 T	(-)	Clip
37	14H 849 A	(-)	Nut, hex., 7/16" (2 used)
38	12H 293 A	(-)	Washer, lock, 7/16"

REMOTE CONTROL HYDRAULIC OIL LINES
Hi-Crop



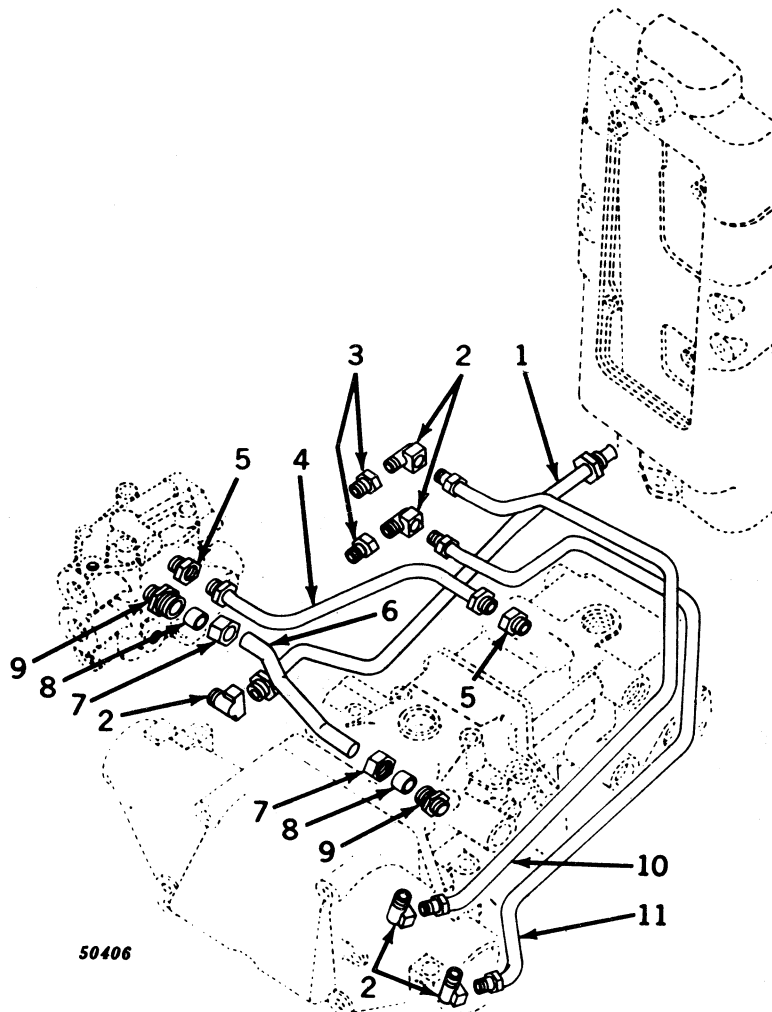
Key	Part No.	Serial No.	Description
1	AM 3115 T	(-)	Line, instrument panel to control valve
2	M 1342 T	(-)	Elbow, control valve (3 used)
3	L 1670 C	(-)	Adaptor control valve (2 used)
4	AM 2453 T	(-)	Line, control valve to front cover
5	M 1370 T	(-)	Connector (2 used)
6	M 3356 T	(-)	Line, bypass, control valve to front cover
7	M 1166 T	(-)	Nut, connector (2 used)
8	M 1167 T	(-)	Seal, connector (2 used)
9	M 2638 T	(-)	Body, connector (2 used)
10	AM 2756 T	(-)	Line, coupling, left
11	AM 2755 T	(-)	Line, coupling, right

REMOTE CONTROL HYDRAULIC OIL LINES
Standard and Utility



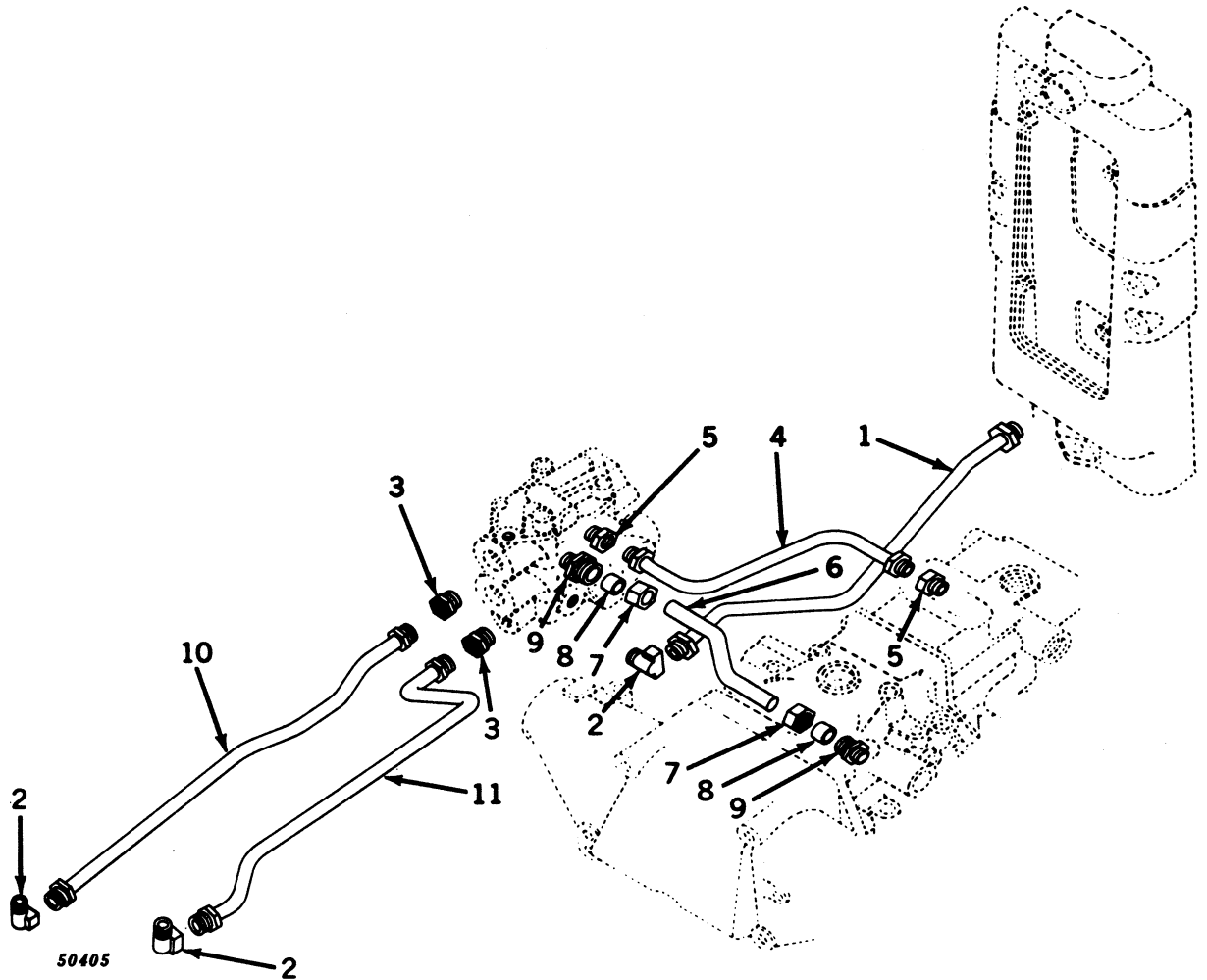
Key	Part No.	Serial No.	Description
1	AM 3116 T	(-)	Line, instrument panel to control valve
2	AM 2424 T	(-)	Line, control valve to cylinder and valve housing
3	M 1370 T	(-)	Connector, control valve
4	M 1342 T	(-)	Elbow (3 used)
5	M 2638 T	(-)	Body, connector
6	M 1167 T	(-)	Seal
7	M 1166 T	(-)	Nut
8	AM 2425 T	(-)	Line, bypass, control valve to front cover
9	M 2642 T	(-)	Elbow, control valve
10	M 1345 T	(-)	Elbow
11	L 1670 C	(-)	Adaptor, control valve (2 used)
12	AM 3118 T	(-)	Line, coupling, left
13	AM 3117 T	(-)	Line, coupling, right

REMOTE CONTROL HYDRAULIC OIL LINES
Tricycle



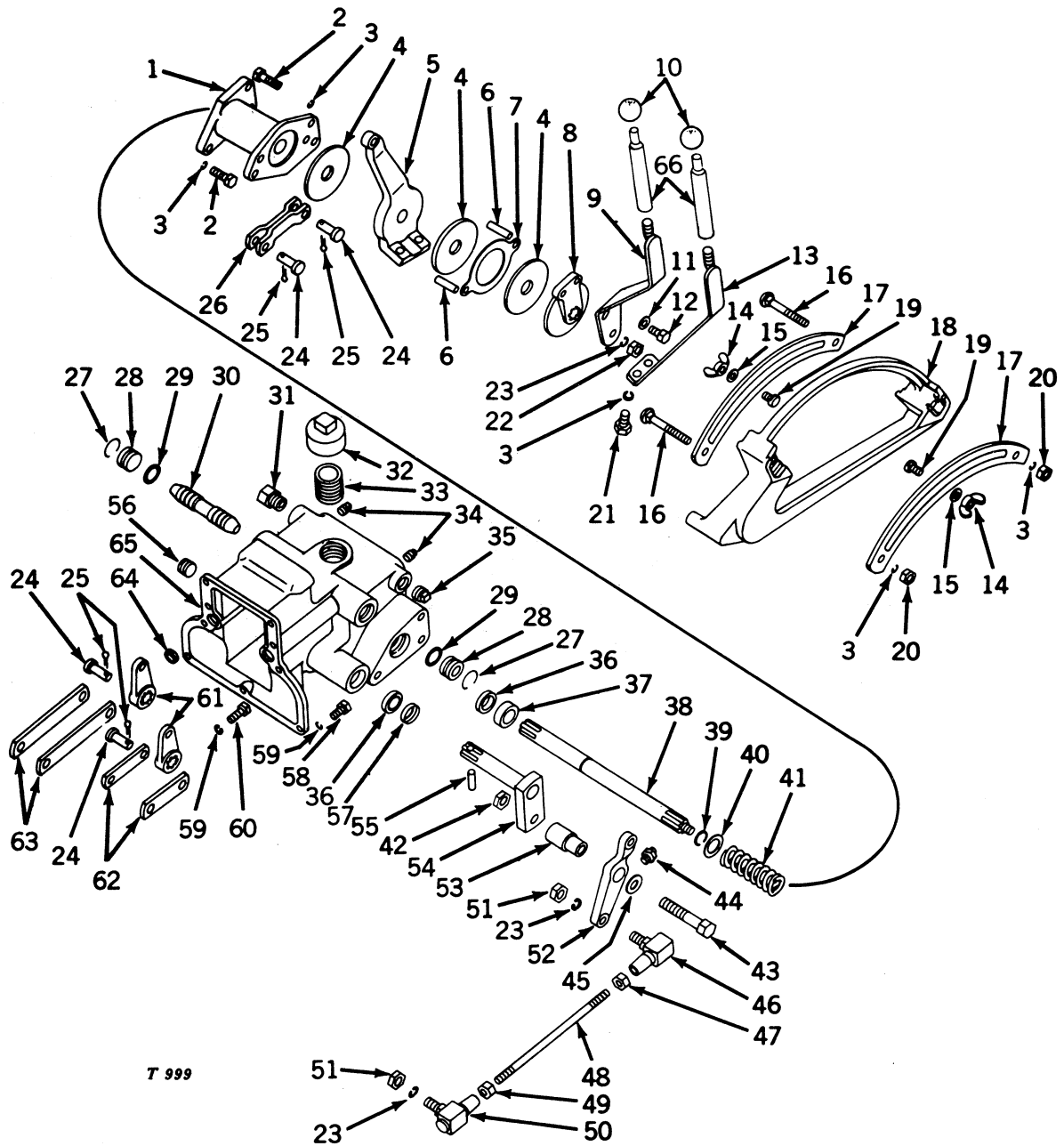
Key	Part No.	Serial No.	Description
1	AM 3114 T	(-)	Line, instrument panel to control valve
2	M 1342 T	(-)	Elbow, control valve (5 used)
3	15H 586 A	(-)	Bushing, control valve (2 used)
4	AM 2453 T	(-)	Line, control valve to front cover
5	M 1370 T	(-)	Connector (2 used)
6	M 3356 T	(-)	Line, bypass, control valve to front cover
7	M 1166 T	(-)	Nut, connector (2 used)
8	M 1167 T	(-)	Seal, connector (2 used)
9	M 2638 T	(-)	Body, connector (2 used)
10	AM 2534 T	(-)	Line, coupling, left
11	AM 2533 T	(-)	Line, coupling, right

REMOTE CONTROL HYDRAULIC OIL LINES
Special Utility and Row-Crop Utility



Key	Part No.	Serial No.	Description
1	AM 3106 T	(-)	Line, instrument panel to control valve
2	M 1342 T	(-)	Elbow, control valve (3 used)
3	L 1670 C	(-)	Adaptor control valve (2 used)
4	AM 2453 T	(-)	Line, control valve to front cover
5	M 1370 T	(-)	Connector (2 used)
6	M 3352 T	(-)	Line, bypass, control valve to front cover
7	M 1166 T	(-)	Nut, connector (2 used)
8	M 1167 T	(-)	Seal, connector (2 used)
9	M 2638 T	(-)	Body, connector (2 used)
10	AM 3514 T	(-)	Line, coupling, left (also order one AM3515T, one M3828T, and two 19H1726A) (sub. for AM3108T)
11	AM 3515 T	(-)	Line, coupling, right (also order one AM3514T, one M3828T, and two 19H1726A) (sub. for AM3107T)

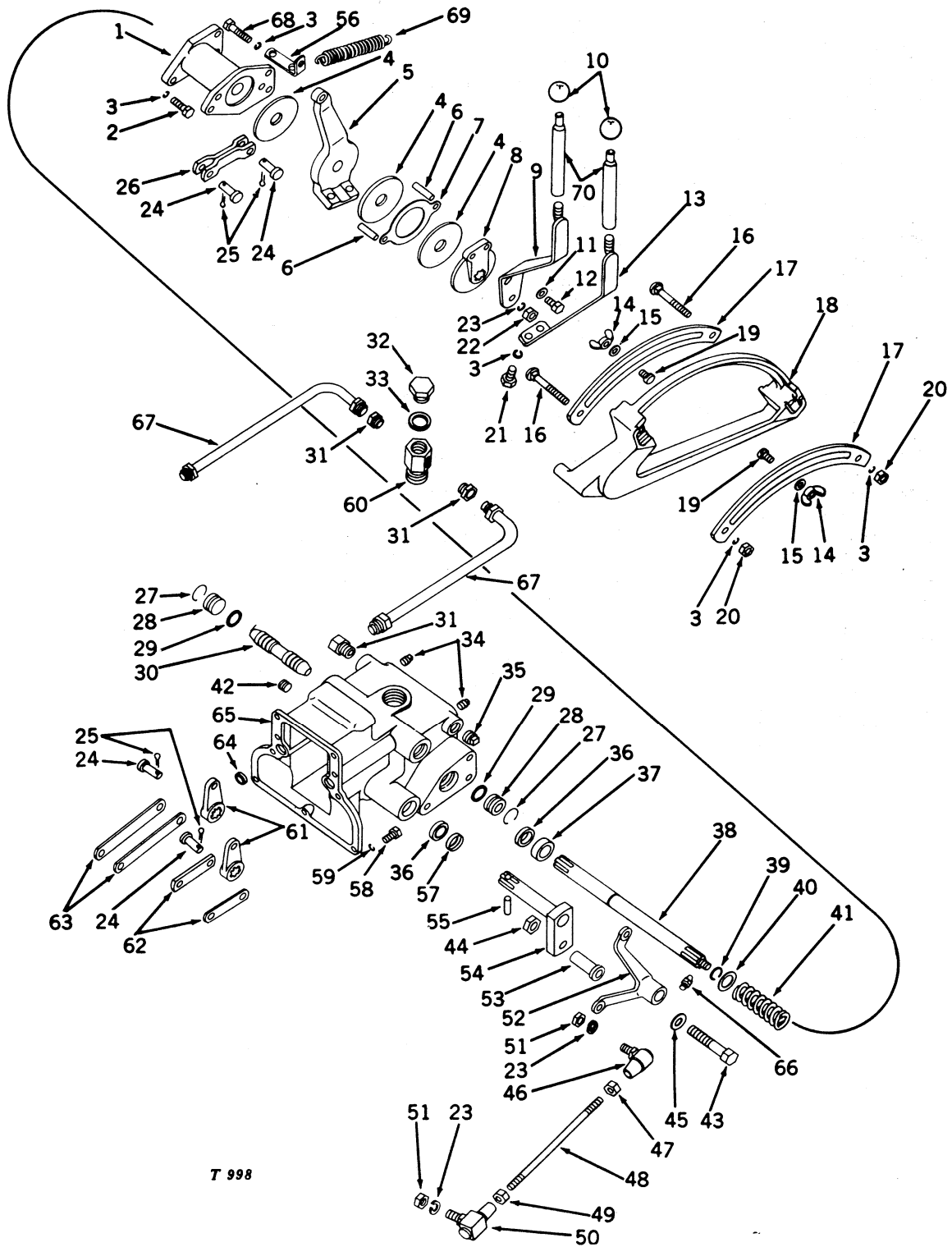
TOUCH-O-MATIC FRONT COVER AND QUADRANT
Hi-Crop, Tricycle, and Special



TOUCH-O-MATIC FRONT COVER AND QUADRANT -- Continued
Hi-Crop, Tricycle, and Special

Key	Part No.	Serial No.	Description
1	M 1821 T	(-)	Spacer
2	19H 1905 A	(-)	Screw, cap, 5/16" x 1" (6 used)
3	12H 303 A	(-)	Washer, lock, 5/16" (10 used)
4	M 2097 T	(-)	Disk, friction (3 used)
5	M 1805 T	(-)	Lever
6	34H 117 A	(-)	Pin, roll, 5/16" x 1-1/4" (2 used)
7	M 1910 T	(-)	Plate, friction
8	M 1809 T	(-)	Hub
9	AM 1916 T	(-)	Lever, left control
10	M 526 T	(-)	Knob, control lever (2 used)
11	24H 1287 A	(-)	Washer, plain, 9/32" x 5/8" x .060" (2 used)
12	19H 1919 A	(-)	Screw, cap, 1/4" x 5/8" (2 used)
13	AM 1917 T	(-)	Lever, right control
14	14H 819 A	(-)	Nut, wing, 5/16" (2 used)
15	M 1977 T	(-)	Washer, plain (2 used)
16	3H 1549 A	(-)	Bolt, cge., 5/16" x 2-1/4" (2 used)
17	M 2101 T	(-)	Segment (2 used)
18	M 1820 T	(-)	Quadrant
19	M 1211 T	(-)	Screw, stop (2 used)
20	14H 785 A	(-)	Nut, hex., 5/16" (2 used)
21	19H 1813 A	(-)	Screw, cap, 5/16" x 5/8" (2 used)
22	14H 812 A	(-)	Nut, hex., 3/8"
23	12H 304 A	(-)	Washer, lock, 3/8" (3 used)
24	L 307 T	(-)	Pin (4 used)
25	11H 233 A	(-)	Pin, cotter, 3/32" x 1/2" (4 used)
26	AM 1918 T	(-)	Link, assembly
27	M 3265 T	(-)	Ring, snap (2 used) (packed 2 in a pkg.)
28	M 3266 T	(-)	Sub. one T12619T and one T13119T
29	M 543 T	(-)	Sub. one T13119T and one T12619T
30	M 2919 T	(-)	Valve, shuttle
31	M 1370 T	(-)	Connector
32	A 3131 R	(-)	Cap, filler
33	29H 488 A	(-)	Pipe, oil filler, 1" x 1-1/2"
34	15H 253 A	(-)	Plug, pipe, sq. hd., 1/8" (2 used)
35	15H 583 A	(-)	Plug, pipe, hex. ctsk., 3/8"
36	M 2093 T	(-158663)	Seal, oil (2 used) (packed 2 in a pkg.)
	AT 11952 T	(158664-)	Seal, oil (2 used)
37	M 1976 T	(-)	Dowel
38	M 1937 T	(-)	Shaft, left control
39	M 2095 T	(-)	Ring, snap
40	M 2170 T	(-)	Retainer
41	M 2096 T	(-125000)	Spring
	M 4430 T	(125001-)	Spring
42	14H 849 A	(-)	Nut, hex., 7/16"
43	19H 1146 A	(-)	Screw, cap, 7/16" x 2-1/2"
44	JD 7797	(-)	Fitting, grease
45	24H 1325 A	(-)	Washer, plain, 15/32" x 15/16" x .060"
46	AM 1924 T	(-)	Joint, ball, assembly
47	14H 774 A	(-)	Nut, hex. jam, ball joint assembly, 3/8"
48	M 1979 T	(-)	Rod, control (T and V)
	M 2713 T	(-)	Rod, control (H)
49	14H 769 A	(-)	Nut, hex. jam, ball joint assembly, 3/8", left-hand thread
50	AM 1925 T	(-)	Joint, ball, assembly, left-hand thread
51	14H 846 A	(-)	Nut, hex., 3/8" (2 used)
52	M 1807 T	(-)	Lever, equalizing (T and V)
	M 2714 T	(-)	Lever, equalizing (H)
53	M 1972 T	(-)	Bushing
54	AM 1915 T	(-)	Shaft, lever assembly
55	34H 47 A	(-)	Pin, roll, 1/8" x 1-1/4"
56	15H 624 A	(-)	Plug, pipe, hex. ctsk., 1/2"
57	M 2012 T	(-158663)	Retainer
58	19H 1948 A	(-)	Screw, cap, 1/4" x 3/4" (8 used)
59	12H 302 A	(-)	Washer, lock, 1/4" (9 used)
60	19H 1914 A	(-)	Screw, cap, lower center, 1/4" x 1"
61	M 1806 T	(-)	Crank, control (2 used)
62	M 1980 T	(-)	Link, right (2 used)
63	M 2157 T	(-)	Link, left (2 used)
64	M 3150 T	(-)	Seal (2 used) (packed 5 in a pkg.)
65	AM 3005 T	(-)	Cover, front (M3264T), with pipe plug
66	T 13228 T	(-)	Extension, lever (2 used)

TOUCH-O-MATIC FRONT COVER AND QUADRANT
Special Utility and Row-Crop Utility

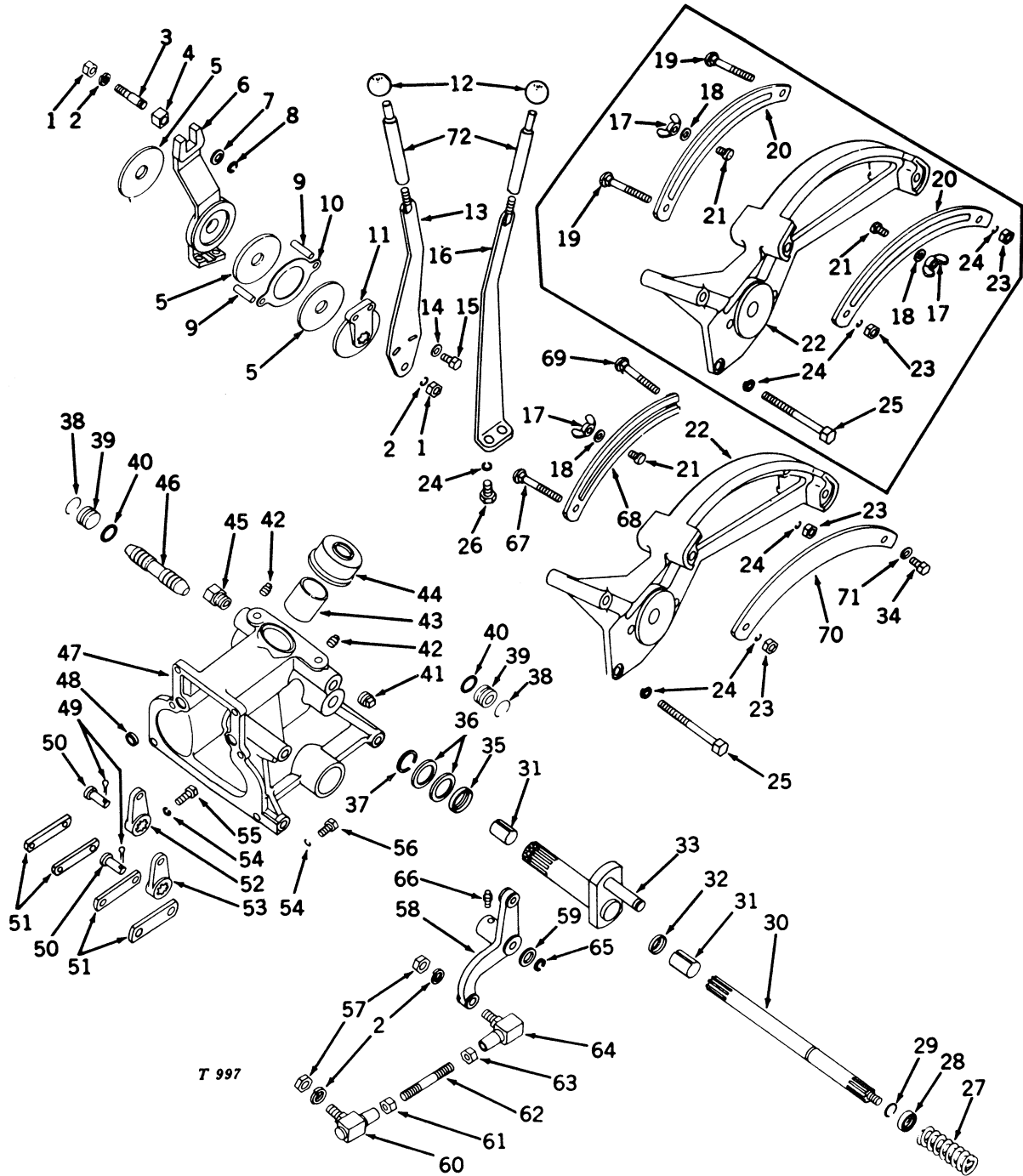


T 998

TOUCH-O-MATIC FRONT COVER AND QUADRANT -- Continued
Special Utility and Row-Crop Utility

Key	Part No.	Serial No.	Description
1	M 1821 T	(-)	Spacer
2	19H 1905 A	(-)	Screw, cap, 5/16" x 1" (3 used)
3	12H 303 A	(-)	Washer, lock (10 used)
4	M 2097 T	(-)	Disk, friction (3 used)
5	M 1805 T	(-)	Lever
6	34H 117 A	(-)	Pin, roll, 5/16" x 1-1/4" (2 used)
7	M 1910 T	(-)	Plate, friction
8	M 1809 T	(-)	Hub
9	AM 1916 T	(-)	Lever, left control
10	M 526 T	(-)	Knob, control lever (2 used)
11	24H 1287 A	(-)	Washer, plain, 9/32" x 5/8" x .060" (2 used)
12	19H 1919 A	(-)	Screw, cap, 1/4" x 5/8" (2 used)
13	AM 1917 T	(-)	Lever, right control
14	14H 819 A	(-)	Nut, wing, 5/16" (2 used)
15	M 1977 T	(-)	Washer, plain (2 used)
16	3H 1549 A	(-)	Bolt, cge., 5/16" x 2-1/4" (2 used)
17	M 2101 T	(-)	Segment (2 used)
18	M 1820 T	(-)	Quadrant
19	M 1211 T	(-)	Screw, stop (2 used)
20	14H 785 A	(-)	Nut, hex., 5/16" (2 used)
21	19H 1813 A	(-)	Screw, cap, 5/16" x 5/8" (2 used)
22	14H 812 A	(-)	Nut, hex., 3/8"
23	12H 304 A	(-)	Washer, lock, 3/8" (3 used)
24	L 307 T	(-)	Pin (4 used)
25	11H 233 A	(-)	Pin, cotter (4 used)
26	AM 1918 T	(-)	Link, assembly
27	M 3265 T	(-)	Ring, snap (2 used) (packed 2 in a pkg.)
28	M 3266 T	(-)	Sub. one T12619T and one T13119T
29	M 543 T	(-)	Sub. one T13119T and one T12619T
30	M 2919 T	(-)	Valve, shuttle
31	M 1370 T	(-)	Connector (3 used)
32	M 1746 T	(-)	Cap, filler
33	T 13213 T	(-)	Washer, aluminum (sub. for M1038T) (packed 2 in a pkg.)
34	15H 253 A	(-)	Plug, pipe, sq. hd., 1/8" (2 used)
35	15H 583 A	(-)	Plug, pipe, hex. ctsk., 3/8"
36	M 2093 T	(-158437)	Seal, oil (2 used) (packed 2 in a pkg.)
	AT 11952 T	(158438-)	Seal, oil (2 used)
37	M 1976 T	(-)	Dowel
38	M 1937 T	(-)	Shaft, left control
39	M 2095 T	(-)	Ring, snap
40	M 2170 T	(-)	Retainer
41	M 2096 T	(-125000)	Spring
	M 4430 T	(125001-)	Spring
42	15H 624 A	(-)	Plug, pipe, 1/2"
43	19H 1146 A	(-)	Screw, cap, 7/16" x 2-1/2"
44	14H 849 A	(-)	Nut, hex., jam, 7/16"
45	24H 1325 A	(-)	Washer, plain, 15/32" x 15/16" x .060"
46	AM 1924 T	(-)	Joint, ball assembly, right-hand thread
47	14H 774 A	(-)	Nut, hex., jam, ball joint assembly, 3/8"
48	M 3170 T	(-)	Rod, control
49	14H 769 A	(-)	Nut, hex., jam, ball joint assembly, 3/8", left-hand thread
50	AM 1925 T	(-)	Joint, ball, assembly, left-hand thread
51	14H 846 A	(-)	Nut, hex., control arm and equalizing lever to ball joints, 3/8" (2 used)
52	T 11267 T	(-)	Lever, equalizing (sub. for M3370T)
53	M 1972 T	(-147767)	Bushing
	T 11266 T	(147768-)	Bushing
54	AM 1915 T	(-)	Shaft, lever assembly
55	34H 47 A	(-)	Pin, roll, 1/8" x 1-1/4"
56	T 10313 T	(-)	Anchor
57	M 2012 T	(-158437)	Retainer
58	19H 1948 A	(-)	Screw, cap, 1/4" x 3/4" (8 used)
59	12H 302 A	(-)	Washer, lock, 1/4" (8 used)
60	M 3375 T	(-)	Adaptor
61	M 1806 T	(-)	Crank, control (2 used)
62	M 1980 T	(-)	Link, right (2 used)
63	M 2157 T	(-)	Link, left (2 used)
64	M 3150 T	(-)	Seal (2 used) (packed 5 in a pkg.)
65	T 18502 T	(-)	Cover, front (sub. for M3245T)
66	JD 7797	(-)	Fitting, grease
67	AM 3143 T	(-)	Line, bypass (2 used)
68	19H 2117 A	(-)	Screw, cap, 5/16" x 1-1/8" (3 used)
69	T 10314 T	(-)	Spring
70	T 13228 T	(-)	Extension, lever (2 used)

TOUCH-O-MATIC FRONT COVER AND QUADRANT
Standard Tractor when Equipped with Dual Touch-o-matic



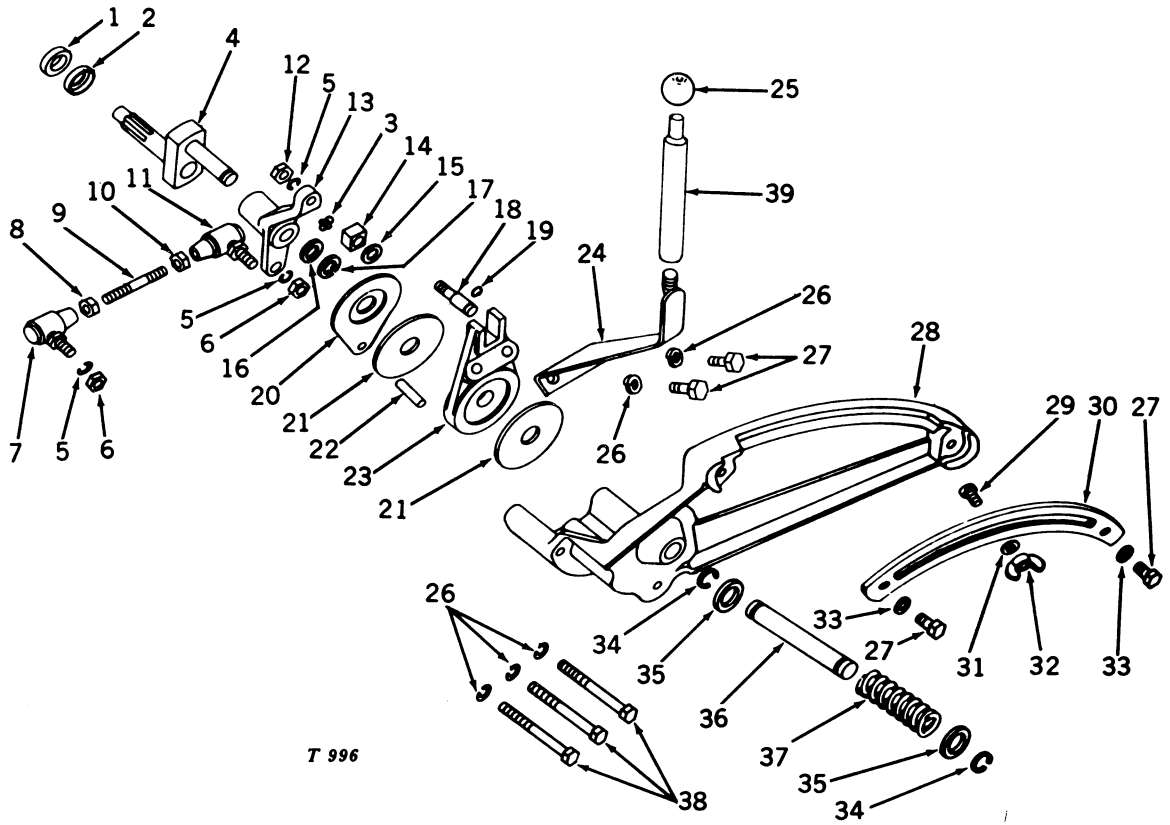
Key	Part No.	Serial No.	Description
1	14H 812 A	(100001-) Nut, hex., 3/8" (2 used)) Washer, lock, 3/8" (4 used)) Pin
2	12H 304 A	(100001-	
3	M 2000 T	(100001-	

TOUCH-O-MATIC FRONT COVER AND QUADRANT -- Continued
Standard Tractor when Equipped with Dual Touch-o-matic

Key	Part No.	Serial No.	Description
4	M 2159 T	(100001-) Crosshead
5	M 2097 T	(100001-) Disk, friction (3 used)
6	M 3563 T	(100001-) Lever
7	L 853 T	(100001-) Washer
8	M 331 T	(100001-) Ring, snap (packed 2 in a pkg.)
9	34H 117 A	(100001-) Pin, roll, 5/16" x 1-1/4" (2 used)
10	M 1910 T	(100001-) Plate, friction
11	M 1809 T	(100001-) Hub
12	M 526 T	(100001-) Knob (2 used)
13	AM 3429 T	(100001-) Lever, left control
14	24H 1287 A	(100001-) Washer, plain, 9/32" x 5/8" x .060" (2 used)
15	19H 1919 A	(100001-) Screw, cap, 1/4" x 5/8" (2 used)
16	AM 3428 T	(100001-) Lever, right control
17	14H 819 A	(100001-) Nut, wing, 5/16" (2 used)
18	M 1977 T	(100001-) Washer, plain, special (2 used)
19	3H 1506 A	(100001-) Bolt, cge., 5/16" x 3" (2 used)
20	M 2101 T	(100001-) Segment (2 used)
21	M 1211 T	(100001-) Screw, stop (2 used)
22	AM 3729 T	(100001-) Quadrant (M3390T), with left segment, cap screw, and cge. bolt (sub. for M3574T)
23	14H 785 A	(100001-) Nut, hex., 5/16" (2 used)
24	12H 303 A	(100001-) Washer, lock, 5/16" (7 used)
25	19H 2044 A	(100001-) Screw, cap, 5/16" x 4" (3 used)
26	19H 1813 A	(100001-) Screw, cap, 5/16" x 5/8" (2 used)
27	M 2096 T	(100001-125000)) Spring
	M 4430 T	(125001-) Spring
28	M 2170 T	(100001-) Retainer
29	M 2095 T	(100001-) Ring, snap
30	M 3737 T	(100001-) Shaft, left control
31	M 3736 T	(100001-) Bushing (2 used)
32	AM 3426 T	(100001-) Seal, oil
33	AM 3427 T	(100001-) Shaft, hollow lever assembly
34	19H 1900 A*	(100001-) Screw, cap, 5/16" x 3/4"
35	AM 2555 T	(100001-) Seal, oil
36	M 847 T	(100001-) Washer, plain, special (2 used)
37	M 205 T	(100001-) Ring, snap
38	M 3265 T	(100001-) Ring, snap (2 used) (packed 2 in a pkg.)
39	M 3266 T	(100001-) Sub. one T12619T and one T13119T
40	M 543 T	(100001-) Sub. one T13119T and one T12619T
41	15H 583 A	(100001-) Plug, pipe, hex. ctsk., 3/8"
42	15H 253 A	(100001-) Plug, pipe, sq. hd., 1/8" (2 used)
43	AM 1576 T	(100001-) Tube, filler
44	AM 1586 T	(100001-) Cap, breather
45	M 1370 T	(100001-) Connector
46	M 2919 T	(100001-) Valve, shuttle
47	M 4053 T	(100001-) Sub. one T18482T, one T18481T, one T11392T, one T11397T, one T11399T, one M1098T and one AM1074T
48	M 3150 T	(100001-) Seal (2 used) (packed 5 in a pkg.)
49	11H 233 A	(100001-) Pin, cotter, 3/32" x 1/2" (4 used)
50	L 307 T	(100001-) Pin (4 used)
51	M 1980 T	(100001-) Link (4 used)
52	M 3507 T	(100001-) Crank, control, left
53	M 3506 T	(100001-) Crank, control, right
54	12H 302 A	(100001-) Washer, lock, 1/4" (7 used)
55	19H 1791 A	(100001-) Screw, cap, 1/4" x 1-1/4" (2 used)
56	19H 2036 A	(100001-) Screw, cap, 1/4" x 7/8" (5 used)
57	14H 846 A	(100001-) Nut, hex., 3/8" (2 used)
58	M 3564 T	(100001-) Lever, equalizing
59	M 1304 T	(100001-) Washer, retaining (packed 2 in a pkg.)
60	AM 1925 T	(100001-) Joint, ball assembly, left-hand thread
61	14H 769 A	(100001-) Nut, hex., jam, 3/8", left-hand thread
62	M 3730 T	(100001-) Rod, control
63	14H 774 A	(100001-) Nut, hex., jam, 3/8, right-hand thread
64	AM 1924 T	(100001-) Joint, ball assembly, right-hand thread
65	M 1306 T	(100001-) Ring, snap (packed 2 in a pkg.)
66	JD 7797	(100001-) Fitting, grease
67	3H 1506 A*	(100001-) Bolt, cge., 5/16" x 3"
68	AM 3728 T*	(100001-) Segment, left
69	3H 1515 A*	(100001-) Bolt, cge., 5/16" x 2"
70	M 2101 T*	(100001-) Segment, right
71	12H 303 A*	(100001-) Washer, lock, 5/16"
72	T 13228 T	(100001-) Extension, lever (2 used)

*Replacement parts for AM3729T quadrant assembly when AM3729T has been installed on tractor as a service part.

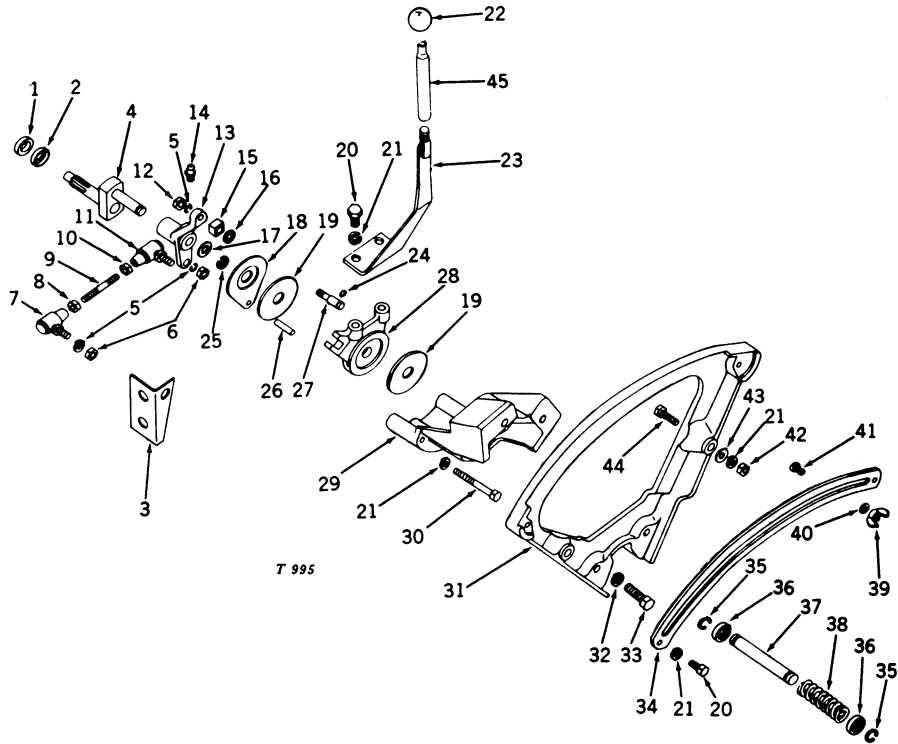
TOUCH-O-MATIC QUADRANT ASSEMBLY
Standard



TOUCH-O-MATIC QUADRANT ASSEMBLY -- Continued
Standard

Key	Part No.	Serial No.	Description
1	M 2093 T	(-158437)	Seal (packed 2 in a pkg.)
	AT 11952 T	(158438-)	Seal, oil (2 used)
2	M 2012 T	(-158437)	Retainer
3	JD 7797	(-)	Fitting, grease
4	AM 2031 T	(-)	Shaft assembly
5	12H 304 A	(-)	Washer, lock, 3/8" (3 used)
6	14H 846 A	(-)	Nut, hex., 3/8" (2 used)
7	AM 1925 T	(-)	Joint, ball assembly, L.H. thread
8	14H 769 A	(-)	Nut, hex. jam, 3/8", L.H. thread
9	M 2141 T	(-)	Rod
10	14H 774 A	(-)	Nut, hex. jam, 3/8", R.H. thread
11	AM 1924 T	(-)	Joint, ball assembly, R.H. thread
12	14H 812 A	(-)	Nut, hex., 3/8"
13	M 1828 T	(-)	Lever, equalizing
14	M 2159 T	(-)	Crosshead
15	L 853 T	(-)	Washer, plain
16	M 1304 T	(-)	Washer, retaining (packed 2 in a pkg.)
17	M 1306 T	(-)	Ring, snap (packed 2 in a pkg.)
18	M 2000 T	(-)	Pin
19	M 331 T	(-)	Ring, snap (packed 2 in a pkg.)
20	M 2181 T	(-)	Plate, friction
21	M 2097 T	(-)	Disk, friction (2 used)
22	34H 117 A	(-)	Pin, roll, 5/16" x 1-1/4"
23	M 1921 T	(-)	Anchor
24	AM 2033 T	(-)	Lever, control
25	M 526 T	(-)	Knob
26	12H 303 A	(-)	Washer, lock, 5/16" (5 used)
27	19H 1813 A	(-)	Screw, cap, 5/16" x 5/8" (4 used)
28	M 1822 T	(-)	Quadrant
29	M 1211 T	(-)	Screw, stop
30	M 2101 T	(-)	Segment
31	M 1977 T	(-)	Washer
32	14H 819 A	(-)	Nut, wing, 5/16"
33	24H 1289 A	(-)	Washer, plain, 21/64" x 5/8" x .048" (2 used)
34	M 2095 T	(-)	Ring, snap (2 used)
35	M 2170 T	(-)	Retainer (2 used)
36	M 1997 T	(-)	Shaft, pivot
37	M 2096 T	(-125000)	Spring
	M 4430 T	(125001-)	Spring
38	19H 1907 A	(-)	Screw, cap, 5/16" x 2-3/4" (3 used)
39	T 13228 T	(-)	Extension, lever

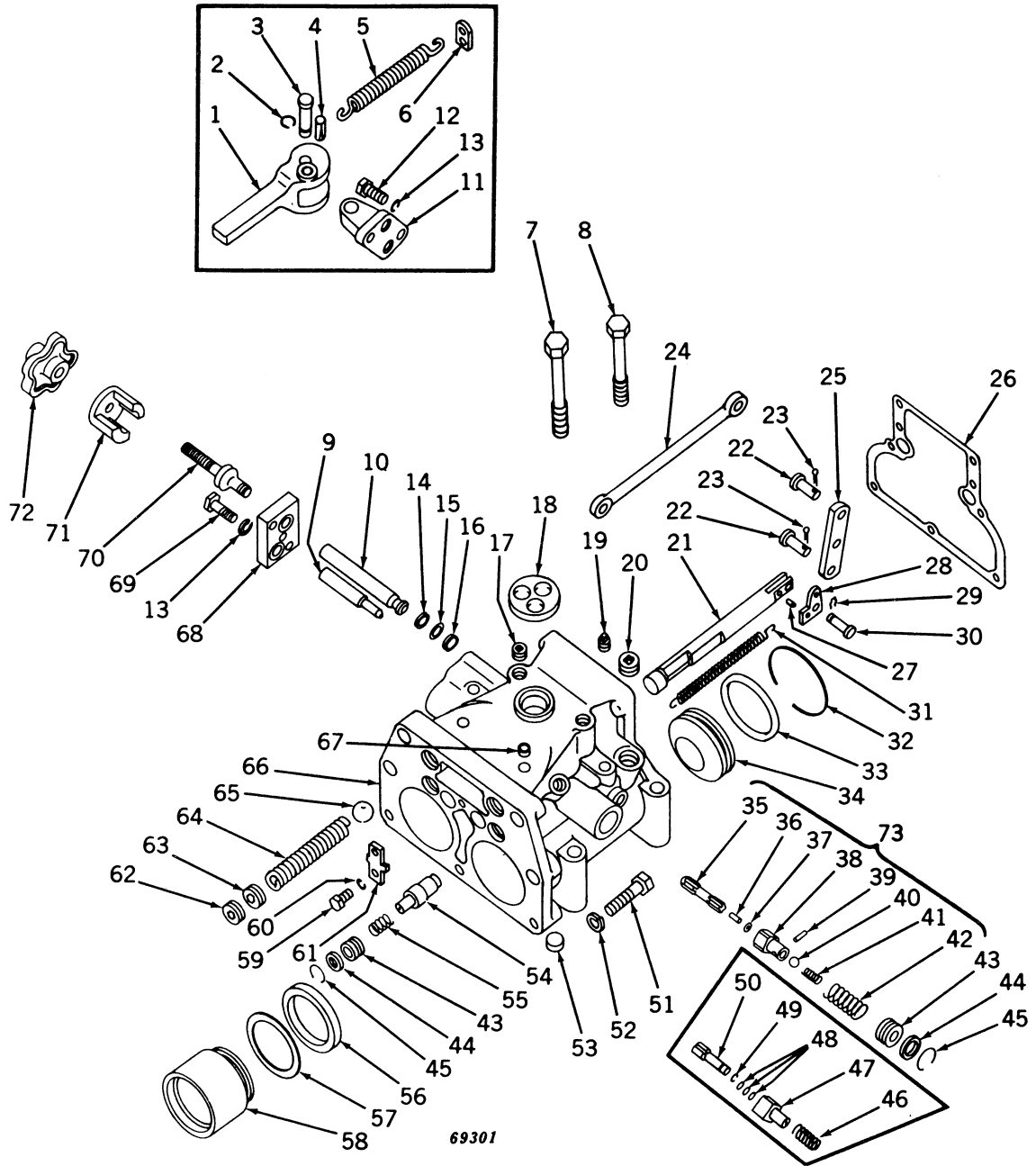
TOUCH-O-MATIC QUADRANT ASSEMBLY
Utility



TOUCH-O-MATIC QUADRANT ASSEMBLY -- Continued
Utility

Key	Part No.	Serial No.	Description
1	M 2093 T	(-158437)	Seal (packed 2 in a pkg.)
	AT 11952 T	(158438-)	Seal, oil (2 used)
2	M 2012 T	(-158437)	Retainer
3	M 2563 T	(-)	Bracket, anchor (used when three-point hitch is not installed)
4	AM 2170 T	(-)	Shaft assembly
5	12H 304 A	(-)	Washer, lock, 3/8" (3 used)
6	14H 846 A	(-)	Nut, hex., 3/8" (2 used)
7	AM 1925 T	(-)	Joint, ball assembly, L.H. thread
8	14H 769 A	(-)	Nut, hex. jam, 3/8", L.H. thread
9	M 2420 T	(-)	Rod, control
	M 2562 T	(-)	Rod, control (used when three-point hitch is not installed)
10	14H 774 A	(-)	Nut, hex. jam, 3/8", R.H. thread
11	AM 1924 T	(-)	Joint, ball assembly, R.H. thread
12	14H 812 A	(-)	Nut, hex., 3/8"
13	M 2408 T	(-)	Lever, equalizing
14	JD 7797	(-)	Fitting, grease
15	M 2159 T	(-)	Crosshead
16	L 853 T	(-)	Washer, plain
17	M 1304 T	(-)	Washer, retaining (packed 2 in a pkg.)
18	M 2181 T	(-)	Plate, friction
19	M 2097 T	(-)	Disk, friction (2 used)
20	19H 1813 A	(-)	Screw, cap, 5/16" x 5/8" (4 used)
21	12H 303 A	(-)	Washer, lock, 5/16" (9 used)
22	M 526 T	(-)	Knob
23	AM 2172 T	(-)	Lever, control
24	M 331 T	(-)	Ring, snap (packed 2 in a pkg.)
25	M 1306 T	(-)	Ring, snap (packed 2 in a pkg.)
26	34H 117 A	(-)	Pin, roll, 5/16" x 1-1/4"
27	M 2000 T	(-)	Pin
28	M 2412 T	(-)	Anchor
29	M 2478 T	(-)	Hub, quadrant
30	19H 1907 A	(-)	Screw, cap, 5/16" x 2-3/4" (3 used)
31	M 2409 T	(-)	Quadrant
32	12H 293 A	(-)	Washer, lock, 7/16" (2 used)
33	19H 1978 A	(-)	Screw, cap, 7/16" x 1-1/2" (2 used)
34	M 2410 T	(-)	Segment
35	M 2095 T	(-)	Ring, snap (2 used)
36	M 2170 T	(-)	Retainer (2 used)
37	M 1997 T	(-)	Shaft, pivot
38	M 2096 T	(-125000)	Spring
	M 4430 T	(125001-)	Spring
39	14H 819 A	(-)	Nut, wing, 5/16"
40	M 1977 T	(-)	Washer
41	M 1211 T	(-)	Screw, stop
42	14H 785 A	(-)	Nut, hex., 5/16" (2 used)
43	24H 1122 A	(-)	Washer, plain, 3/8" x 7/8" x .075" (4 used)
44	19H 1849 A	(-)	Screw, cap, 5/16" x 1-1/4"
45	T 13228 T	(-)	Extension, lever

TOUCH-O-MATIC CYLINDER AND VALVE HOUSING
Hi-Crop, Tricycle, and Special

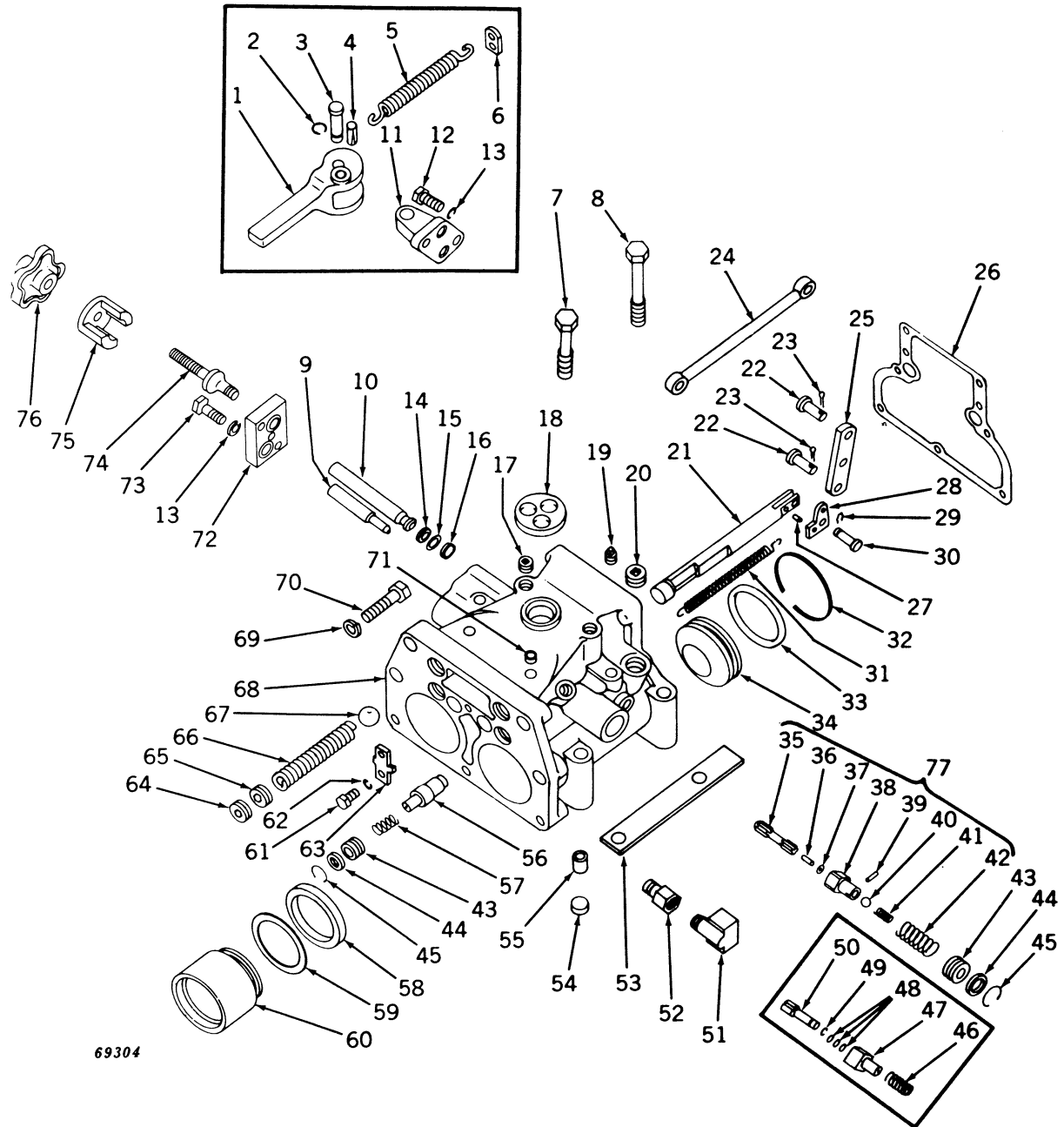


Key	Part No.	Serial No.	Description
1	M 2828 T	(-127415)	Lever, selector
2	M 331 T	(-127415)	Ring, snap (packed 2 in a pkg.)
3	M 2004 T	(-127415)	Pin, pivot
4	M 2106 T	(-127415)	Pin, groov-, 5/16" x 1"
5	M 2112 T	(-127415)	Spring
6	M 3374 T	(-127415)	Clip, attaching
7	M 2122 T	(-)	Screw, cap, rear, special, 1/2" x 3-3/4" (2 used)
8	M 804 T	(-)	Screw, cap, front, special, 1/2" x 4-1/4" (2 used)
9	M 1927 T	(-)	Valve, crossover, bottom
10	M 1992 T	(-)	Valve, crossover, top

TOUCH-O-MATIC CYLINDER AND VALVE HOUSING -- Continued
Hi-Crop, Tricycle, and Special

Key	Part No.	Serial No.	Description
11	M 2555 T	(-127415)	Bracket
12	19H 210 A	(-127415)	Screw, cap, 3/8" x 7/8" (2 used)
13	12H 304 A	(-)	Washer, lock, 3/8" (2 used)
14	M 3110 T	(-)	Washer, retaining (2 used)
15	M 4099 T	(-)	Washer, backup (2 used) (packed 4 in a pkg.)
16	M 3150 T	(-)	Seal, oil (2 used) (packed 5 in a pkg.)
17	15H 275 A	(-)	Plug, pipe, hex. ctsk., 1/4" (8 used)
18	AM 1074 T	(-)	Breather
19	15H 253 A	(-)	Plug, pipe, sq. hd., 1/8" (3 used)
20	15H 624 A	(-)	Plug, pipe, hex. ctsk., 1/2" (2 used)
21	AM 1920 T	(-)	Valve control, with rollpin (2 used)
22	L 307 T	(-)	Pin (4 used)
23	11H 233 A	(-)	Pin, cotter, 3/32" x 1/2" (4 used)
24	AM 1078 T	(-)	Rod, valve control (2 used)
25	M 1984 T	(-)	Equalizer (2 used)
26	M 1117 T	(-)	Gasket, front cover (packed 2 in a pkg.)
27	34H 35 A	(-)	Pin, roll, 1/8" x 3/8" (2 used)
28	M 1898 T	(-)	Clip (2 used)
29	M 2396 T	(-)	Ring, snap (2 used) (packed 10 in a pkg.)
30	M 2104 T	(-)	Pin (2 used)
31	M 2105 T	(-)	Spring (2 used)
32	M 3267 T	(-)	Ring, snap (2 used)
33	M 540 T	(-)	Seal (2 used)
34	M 3268 T	(-)	Head, cylinder (2 used)
35	M 4431 T	(125001-)	Rod, check valve push (2 used)
36	AT 10470 T	(125001-133797)	Ball check push rod service package, with check valve (2 used) (sub. for AM4001T)
	AT 10565 T	(133798-)	Ball check push rod service package
37	M 4429 T	(125001-)	Shim (approx. 6 used) (packed 3 in a pkg.)
38	AT 10470 T	(125001-)	Ball check push rod service package, with check valve (2 used) (sub. for M4422T)
39	34H 7 A	(125001-)	Pin, roll, 5/64" x 5/8" (2 used)
40	M 2081 T	(125001-)	Ball (2 used)
41	M 4428 T	(125001-)	Spring (2 used)
42	T 10604 T	(125001-)	Spring (2 used) (sub. for M1321T)
43	M 3266 T	(-)	Sub. one T12619T and one T13119T
44	M 543 T	(-)	Sub. one T13119T and one T12619T
45	M 3265 T	(-)	Ring, snap (4 used) (packed 2 in a pkg.)
46	F 3322 R	(-125000)	Spring (2 used) (sub. for H834R) (packed 2 in a pkg.)
47	M 2623 T	(-125000)	Valve, check (2 used)
48	M 515 T	(-125000)	Shim, .002", check valve push rod (as required) (sub. for AM762T) (packed 5 in a pkg.)
	R 28785 R	(-125000)	Shim, .005", check valve push rod (as required) (sub. for AM763T) (packed 5 in a pkg.)
	R 28786 R	(-125000)	Shim, .010", check valve push rod (as required) (sub. for AM764T) (packed 5 in a pkg.)
49	M 519 T	(-125000)	Ring, snap (2 used) (packed 3 in a pkg.)
50	M 1964 T	(-125000)	Rod, check valve push (2 used)
51	19H 1740 A	(-)	Screw, cap, 7/16" x 1-3/4" (2 used)
52	12H 293 A	(-)	Washer, lock, 7/16" (2 used)
53	M 1098 T	(-)	Plug, cup (CP92 Kickhaefer)
54	M 522 T	(-)	Valve, bypass (2 used)
55	F 3322 R	(-)	Spring (2 used) (sub. for H834R) (packed 2 in a pkg.)
56	A 3459 RT	(-)	Ring, piston (2 used)
57	A 3460 RT	(-)	Washer (2 used)
58	M 2041 T	(-)	Piston (2 used)
59	19H 2020 A	(-)	Screw, cap, 5/16" x 1/2"
60	12H 303 A	(-)	Washer, lock, 5/16"
61	M 2103 T	(-)	Anchor, spring
62	M 1832 T	(-)	Screw, lock (2 used)
63	M 521 T	(-)	Screw, adjusting (2 used)
64	M 1552 T	(-)	Spring (2 used)
65	M 886 T	(-)	Ball (2 used)
66	AM 3004 T	(-)	Housing, cylinder (M3378T) and valve, with cupped plugs
67	M 1102 T	(-)	Plug, cup (CP138 Kickhaefer) (2 used)
68	M 4407 T	(127416-)	Plate, valve
69	19H 1139 A	(127416-)	Screw, cap, 3/8" x 1-1/8" (2 used)
70	M 4408 T	(127416-)	Screw, special
71	M 4409 T	(127416-)	Cover
72	M 4410 T	(127416-)	Handwheel
73	AT 10471 T	(125001-)	Two-stage check valve assembly (sub. for AM4009T)

TOUCH-O-MATIC CYLINDER AND VALVE HOUSING
Special Utility and Row-Crop Utility

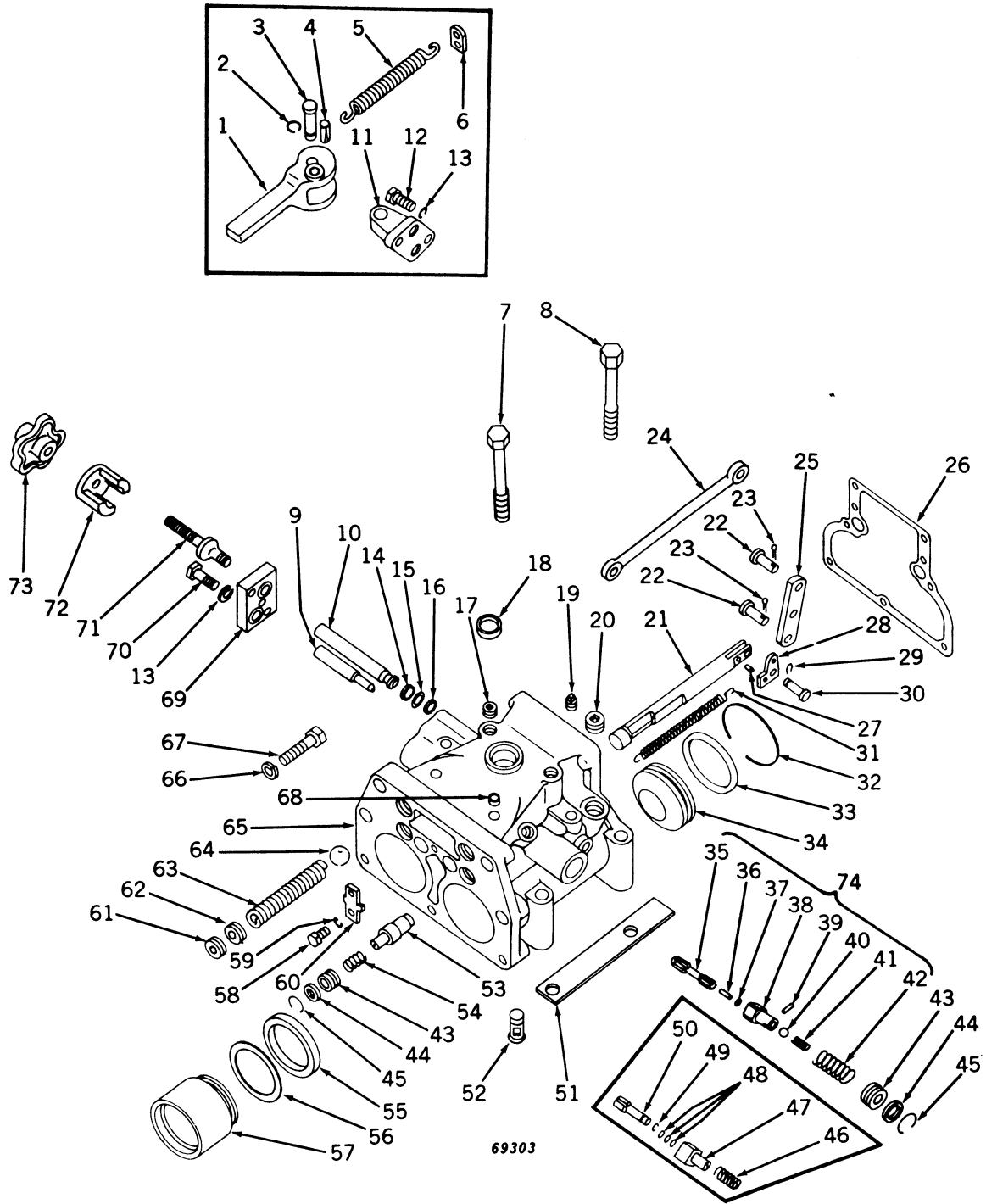


Key	Part No.	Serial No.	Description
1	M 2828 T	(-127415)	Lever, selector
2	M 331 T	(-127415)	Ring, snap (packed 2 in a pkg.)
3	M 2004 T	(-127415)	Pin, pivot
4	M 2106 T	(-127415)	Pin, groov-, 5/16" x 1"
5	M 2112 T	(-127415)	Spring
6	M 3374 T	(-127415)	Clip, attaching
7	M 3231 T	(-)	Screw, cap, rear, special, 1/2" x 4" (2 used)
8	M 3232 T	(-)	Screw, cap, front, special, 1/2" x 4-1/2" (2 used)
9	M 1927 T	(-)	Valve, crossover, bottom
10	M 1992 T	(-)	Valve, crossover, top
11	M 2555 T	(-127415)	Bracket
12	19H 210 A	(-127415)	Screw, cap, 3/8" x 7/8" (2 used)
13	12H 304 A	(-)	Washer, lock, 3/8" (2 used)
14	M 3110 T	(-)	Washer, retaining (2 used)
15	M 4099 T	(-)	Washer, backup (2 used) (packed 4 in a pkg.)

TOUCH-O-MATIC CYLINDER AND VALVE HOUSING -- Continued
Special Utility and Row-Crop Utility

Key	Part No.	Serial No.	Description
16	M 3150 T	(-)	Seal, oil (2 used) (packed 5 in a pkg.)
17	15H 275 A	(-)	Plug, pipe, hex. ctsk., 1/4" (6 used)
18	AM 1074 T	(-)	Breather
19	15H 253 A	(-)	Plug, pipe, sq. hd., 1/8" (3 used)
20	15H 624 A	(-)	Plug, pipe, hex. ctsk., 1/2" (2 used)
21	AM 1920 T	(-)	Valve control, with rollpin (2 used)
22	L 307 T	(-)	Pin (4 used)
23	11H 233 A	(-)	Pin, cotter, 3/32" x 1/2" (4 used)
24	AM 1078 T	(-)	Rod, valve control (2 used)
25	M 1984 T	(-)	Equalizer (2 used)
26	M 1117 T	(-)	Gasket, front cover (packed 2 in a pkg.)
27	34H 35 A	(-)	Pin, roll, 1/8" x 3/8" (2 used)
28	M 1898 T	(-)	Clip (2 used)
29	M 2396 T	(-)	Ring, snap (2 used) (packed 10 in a pkg.)
30	M 2104 T	(-)	Pin (2 used)
31	M 2105 T	(-)	Spring (2 used)
32	M 3267 T	(-)	Ring, snap (2 used)
33	M 540 T	(-)	Seal (2 used)
34	M 3268 T	(-)	Head, cylinder (2 used)
35	M 4431 T	(125001-	Rod, check valve push (2 used)
36	AT 10470 T	(125001-133797)	Ball check push rod service package, with check valve (2 used) (sub. for AM4001T)
	AT 10565 T	(133798-	Ball check push rod service package
37	M 4429 T	(125001-	Shim (approx. 6 used) (packed 3 in a pkg.)
38	AT 10470 T	(125001-	Ball check push rod service package, with check valve (2 used) (sub. for M4422T)
39	34H 7 A	(125001-	Pin, roll, 5/64" x 5/8" (2 used)
40	M 2081 T	(125001-	Ball (2 used)
41	M 4428 T	(125001-	Spring (2 used)
42	T 10604 T	(125001-	Spring (2 used) (sub. for M1321T)
43	M 3266 T	(-)	Sub. one T12619T and one T13119T
44	M 543 T	(-)	Sub. one T13119T and one T12619T
45	M 3265 T	(-)	Ring, snap (4 used) (packed 2 in a pkg.)
46	F 3322 R	(-125000)	Spring (2 used) (sub. for H834R) (packed 2 in a pkg.)
47	M 2623 T	(-125000)	Valve, check (2 used)
48	M 515 T	(-125000)	Shim, .002", check valve push rod (as req.) (sub. for AM762T) (packed 5 in a pkg.)
	R 28785 R	(-125000)	Shim, .005", check valve push rod (as req.) (sub. for AM763T) (packed 5 in a pkg.)
	R 28786 R	(-125000)	Shim, .010", check valve push rod (as req.) (sub. for AM764T) (packed 5 in a pkg.)
49	M 519 T	(-125000)	Ring, snap (2 used) (packed 3 in a pkg.)
50	M 1964 T	(-125000)	Rod, check valve push (2 used)
51	M 1342 T	(-)	Elbow (2 used)
52	M 3376 T	(-)	Adaptor, 3/8" x 1/4" (2 used)
53	M 3228 T	(-)	Spacer (2 used)
54	M 1098 T	(-)	Plug, cup (CP92 Kickhaefer)
55	M 3377 T	(-)	Bushing, restrictor
56	M 522 T	(-)	Valve, bypass (2 used)
57	F 3322 R	(-)	Spring (2 used) (sub. for H834R) (packed 2 in a pkg.)
58	A 3459 RT	(-)	Ring, piston (2 used)
59	A 3460 RT	(-)	Washer (2 used)
60	M 2041 T	(-)	Piston (2 used)
61	19H 2020 A	(-)	Screw, cap, 5/16" x 1/2"
62	12H 303 A	(-)	Washer, lock, 5/16"
63	M 2103 T	(-)	Anchor, spring
64	M 1832 T	(-)	Screw, lock (2 used)
65	M 521 T	(-)	Screw, adjusting (2 used)
66	M 1552 T	(-)	Spring (2 used)
67	M 886 T	(-)	Ball (2 used)
68	AM 3004 T	(-)	Housing, cylinder and valve, with cupped plugs and bushing
69	12H 293 A	(-)	Washer, lock, 7/16" (2 used)
70	19H 1740 A	(-)	Screw, cap, 7/16" x 1-3/4" (2 used)
71	M 1102 T	(-)	Plug, cup (CP138 Kickhaefer) (2 used)
72	M 4407 T	(127416-	Plate, valve
73	19H 1139 A	(127416-	Screw, cap, 3/8" x 1-1/8" (2 used)
74	M 4408 T	(127416-	Screw, special
75	M 4409 T	(127416-	Cover
76	M 4410 T	(127416-	Handwheel
77	AT 10471 T	(125001-	Two-stage check valve assembly (2 used) (sub. for AM4009T)

TOUCH-O-MATIC CYLINDER AND VALVE HOUSING
Standard Tractor when Equipped with Dual Touch-o-matic

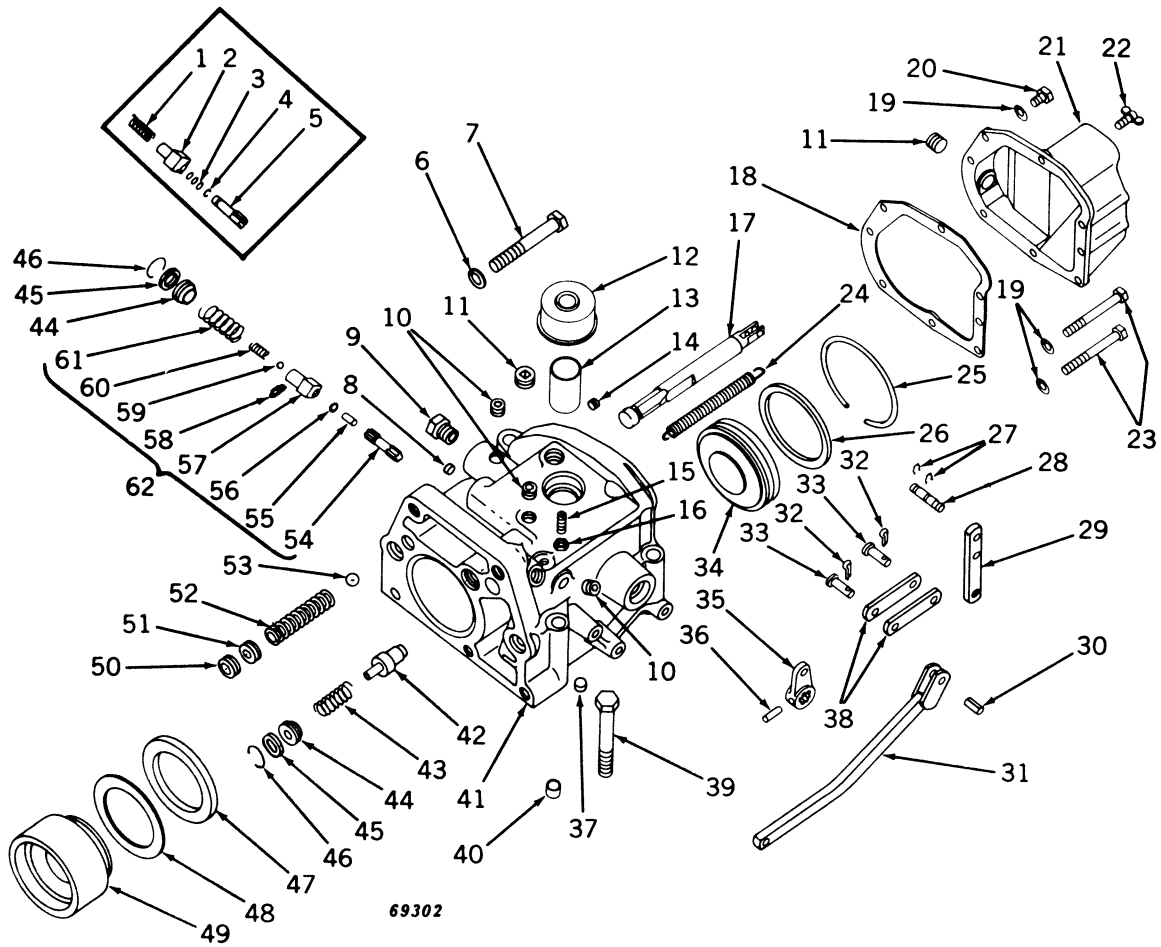


Key	Part No.	Serial No.	Description
1	M 2828 T	(-127415)	Lever, selector
2	M 331 T	(-127415)	Ring, snap (packed 2 in a pkg.)
3	M 2004 T	(-127415)	Pin, pivot
4	M 2106 T	(-127415)	Pin, groov-, 5/16" x 1"
5	M 2112 T	(-127415)	Spring
6	M 3374 T	(-127415)	Clip, attaching
7	M 2122 T	(-)	Screw, cap, rear, special, 1/2" x 3-3/4" (2 used)
8	M 3232 T	(-)	Screw, cap, front, special, 1/2" x 4-1/2" (2 used)
9	M 1927 T	(-)	Valve, crossover, bottom
10	M 1992 T	(-)	Valve, crossover, top

TOUCH-O-MATIC CYLINDER AND VALVE HOUSING -- Continued
Standard Tractor when Equipped with Dual Touch-o-matic

Key	Part No.	Serial No.	Description
11	M 2555 T	(-127415)	Bracket
12	19H 210 A	(-127415)	Screw, cap, 3/8" x 7/8" (2 used)
13	12H 304 A	(-)	Washer, lock, 3/8" (2 used)
14	M 3110 T	(-)	Washer, retaining (2 used)
15	M 4099 T	(-)	Washer, backup (2 used) (packed 4 in a pkg.)
16	M 3150 T	(-)	Seal, oil (2 used) (packed 5 in a pkg.)
17	15H 275 A	(-)	Plug, pipe, hex. ctsk., 1/4" (8 used)
18	A 3910 R	(-)	Plug (sub. for L1196T) (packed 2 in a pkg.)
19	15H 253 A	(-)	Plug, pipe, sq. hd., 1/8" (3 used)
20	15H 624 A	(-)	Plug, pipe, hex. ctsk., 1/2" (2 used)
21	AM 1920 T	(-)	Valve control, with rollpin (2 used)
22	L 307 T	(-)	Pin (4 used)
23	11H 233 A	(-)	Pin, cotter, 3/32" x 1/2" (4 used)
24	AM 1078 T	(-)	Rod, valve control (2 used)
25	M 1984 T	(-)	Equalizer (2 used)
26	M 1117 T	(-)	Gasket, front cover (packed 2 in a pkg.)
27	34H 35 A	(-)	Pin, roll, 1/8" x 3/8" (2 used)
28	M 1898 T	(-)	Clip (2 used)
29	M 2396 T	(-)	Ring, snap (2 used) (packed 10 in a pkg.)
30	M 2104 T	(-)	Pin (2 used)
31	M 2105 T	(-)	Spring (2 used)
32	M 3267 T	(-)	Ring, snap (2 used)
33	M 540 T	(-)	Seal (2 used)
34	M 3268 T	(-)	Head, cylinder (2 used)
35	M 4431 T	(125001-)	Rod, check valve push (2 used)
36	AT 10470 T	(125001-133797)	Ball check push rod service package, with check valve (2 used) (sub. for AM4001T)
	AT 10565 T	(133798-)	Ball check push rod service package
37	M 4429 T	(125001-)	Shim (approx. 6 used) (packed 3 in a pkg.)
38	AT 10470 T	(125001-)	Ball check push rod service package, with check valve (2 used) (sub. for M4422T)
39	34H 7 A	(125001-)	Pin, roll, 5/64" x 5/8" (2 used)
40	M 2081 T	(125001-)	Ball (2 used)
41	M 4428 T	(125001-)	Spring (2 used)
42	T 10604 T	(125001-)	Spring (2 used) (sub. for M1321T)
43	M 3266 T	(-)	Sub. one T12619T and one T13119T
44	M 543 T	(-)	Sub. one T13119T and one T12619T
45	M 3265 T	(-)	Ring, snap (4 used) (packed 2 in a pkg.)
46	F 3322 R	(-125000)	Spring (2 used) (sub. for H834R) (packed 2 in a pkg.)
47	M 2623 T	(-125000)	Valve, check (2 used)
48	M 515 T	(-125000)	Shim, .002", check valve push rod (as req.) (sub. for AM762T) (packed 5 in a pkg.)
	R 28785 R	(-125000)	Shim, .005", check valve push rod (as req.) (sub. for AM763T) (packed 5 in a pkg.)
	R 28786 R	(-125000)	Shim, .010", check valve push rod (as req.) (sub. for AM764T) (packed 5 in a pkg.)
49	M 519 T	(-125000)	Ring, snap (2 used) (packed 3 in a pkg.)
50	M 1964 T	(-125000)	Rod, check valve push (2 used)
51	M 3228 T	(-)	Spacer (2 used)
52	M 3996 T	(-)	Sub. one M1098T and one T18481T
53	M 522 T	(-)	Valve, bypass (2 used)
54	F 3322 R	(-)	Spring (2 used) (sub. for H834R) (packed 2 in a pkg.)
55	A 3459 RT	(-)	Ring, piston (2 used)
56	A 3460 RT	(-)	Washer (2 used)
57	M 2041 T	(-)	Piston (2 used)
58	19H 2020 A	(-)	Screw, cap, 5/16" x 1/2"
59	12H 303 A	(-)	Washer, lock, 5/16"
60	M 2103 T	(-)	Anchor, spring
61	M 1832 T	(-)	Screw, lock (2 used)
62	M 521 T	(-)	Screw, adjusting (2 used)
63	M 1552 T	(-)	Spring (2 used)
64	M 886 T	(-)	Ball (2 used)
65	AM 3004 T	(-)	Housing, cylinder (M3378T) and valve, with cupped plugs
66	12H 293 A	(-)	Washer, lock, 7/16" (2 used)
67	19H 1740 A	(-)	Screw, cap, 7/16" x 1-3/4" (2 used)
68	M 1102 T	(-)	Plug, cup (CP138 Kickhaefer) (2 used)
69	M 4407 T	(127416-)	Plate, valve
70	19H 1139 A	(127416-)	Screw, cap, 3/8" x 1-1/8" (2 used)
71	M 4408 T	(127416-)	Screw, special
72	M 4409 T	(127416-)	Cover
73	M 4410 T	(127416-)	Handwheel
74	AT 10471 T	(125001-)	Two-stage check valve assembly (sub. for AM4009T)

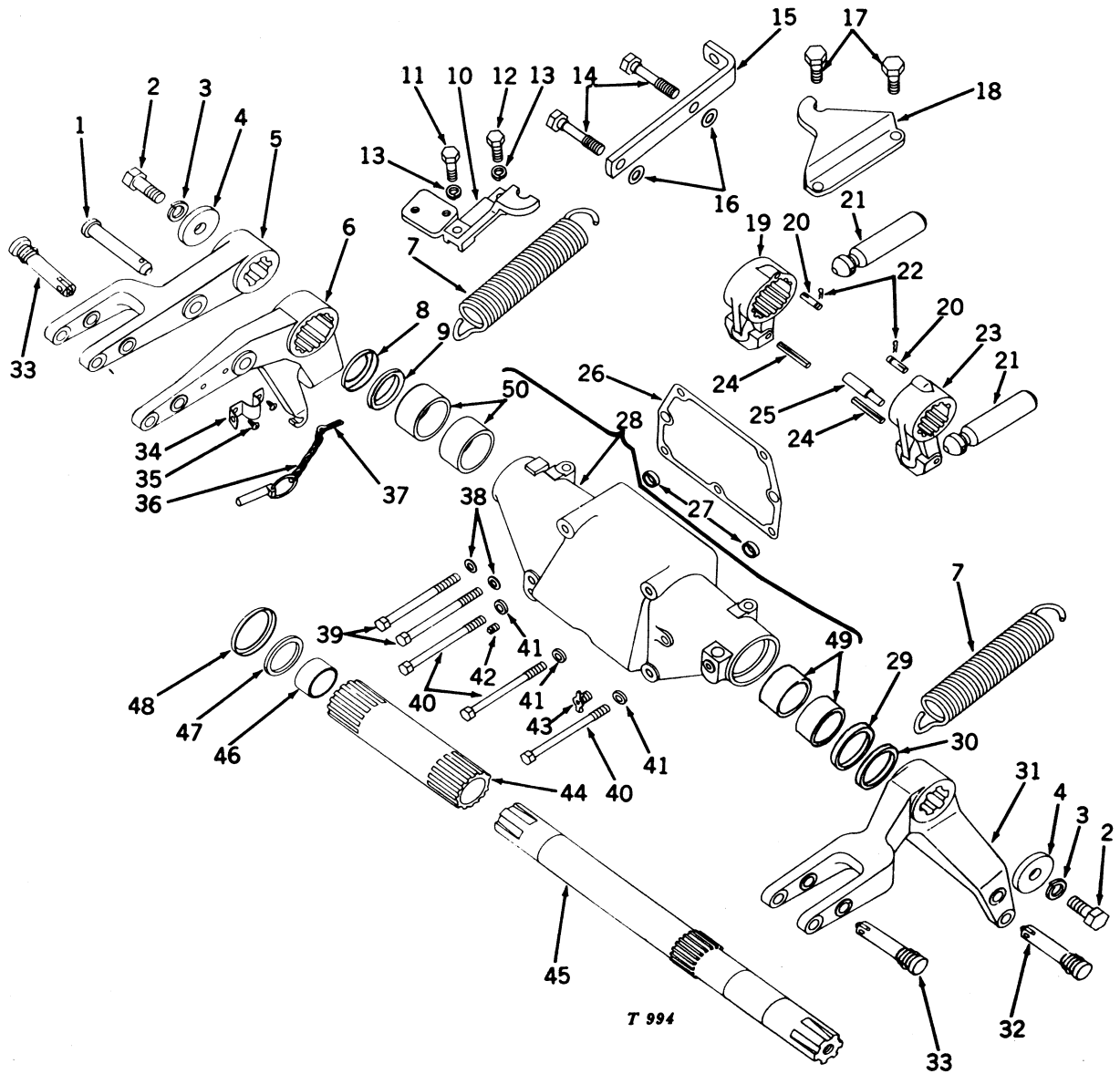
TOUCH-O-MATIC CYLINDER AND VALVE HOUSING
Standard and Utility



TOUCH-O-MATIC CYLINDER AND VALVE HOUSING -- Continued
Standard and Utility

Key	Part No.	Serial No.	Description
1	F 3322 R	(-125000)	Spring (sub. for H834R) (packed 2 in a pkg.)
2	M 2623 T	(-125000)	Valve, check
3	M 515 T	(-125000)	Shim, .002", check valve push rod (as req.) (sub. for AM762T) (packed 5 in a pkg.)
	R 28785 R	(-125000)	Shim, .005", check valve push rod (as req.) (sub. for AM763T) (packed 5 in a pkg.)
	R 28786 R	(-125000)	Shim, .010", check valve push rod (as req.) (sub. for AM764T) (packed 5 in a pkg.)
4	M 519 T	(-125000)	Ring, snap (packed 3 in a pkg.)
5	M 1964 T	(-125000)	Rod, push
6	12H 301 A	(-)	Washer, lock, 1/2"
7	19H 1781 A	(-)	Screw, cap, 1/2" x 3-1/2"
8	M 1102 T	(-)	Plug, cupped
9	M 1370 T	(-)	Connector
10	15H 275 A	(-)	Plug, pipe, hex. ctsk., 1/4" (3 used)
11	15H 624 A	(-)	Plug, pipe, hex. ctsk., 1/2" (2 used)
12	AM 1586 T	(-)	Cap, breather
13	AM 1576 T	(-)	Tube, filler
14	15H 583 A	(-)	Plug, pipe, hex. ctsk., 3/8"
15	22H 567 A	(-)	Screw, set, 1/4" x 1-1/4"
16	14H 786 A	(-)	Nut, hex., 1/4"
17	AM 1920 T	(-)	Valve, control
18	M 2264 T	(-)	Gasket
19	12H 303 A	(-)	Washer, lock, 5/16" (8 used)
20	19H 2127 A	(-)	Screw, cap, 5/16" x 7/8" (6 used)
21	AM 2437 T	(-)	Cover, front (M2618T), with pipe plugs
22	AM 292 T	(-)	Cock, drain
23	19H 1904 A	(-)	Screw, cap, 5/16" x 3" (2 used)
24	M 2260 T	(-)	Spring
25	M 3042 T	(-)	Ring, snap
26	M 2261 T	(-)	Seal
27	M 2396 T	(-)	Ring, snap (2 used) (packed 10 in a pkg.)
28	M 1965 T	(-)	Pin
29	M 2154 T	(-)	Equalizer
30	(-133595)	Sub. one L307T and one 11H233A)
	L 307 T	(133596-)	Pin
31	AM 2035 T	(-)	Link, control assembly
32	11H 233 A	(-)	Pin, cotter, 3/32" x 1/2" (3 used)
33	L 307 T	(-)	Pin (2 used)
34	M 3329 T	(-)	Head, cylinder
35	M 1815 T	(-)	Crank, control
36	34H 47 A	(-)	Pin, roll, 1/8" x 1-1/4"
37	M 523 T	(-)	Plug, cupped
38	M 1980 T	(-)	Link, connecting (2 used)
39	M 804 T	(-)	Screw, cap, special, 1/2" x 4-1/4" (4 used)
40	M 1873 T	(-)	Dowel (2 used) (S)
41	AM 3160 T	(-)	Housing, cylinder and valve (M3330T), with cupped plugs
42	M 522 T	(-)	Valve, bypass
43	F 3322 R	(-)	Spring (sub. for H834R) (packed 2 in a pkg.)
44	M 3266 T	(-)	Sub. one T12619T and one T13119T)
45	M 543 T	(-)	Sub. one T13119T and one T12619T
46	M 3265 T	(-)	Ring, snap (2 used) (packed 2 in a pkg.)
47	F 834 R	(-)	Ring, piston (packed 2 in a pkg.)
48	F 919 R	(-)	Washer (packed 5 in a pkg.)
49	M 1780 T	(-)	Piston
50	M 1832 T	(-)	Screw, lock
51	M 521 T	(-)	Screw, adjusting
52	M 1552 T	(-)	Spring, relief
53	M 886 T	(-)	Ball, relief valve
54	M 4431 T	(125001-)	Rod, check valve push
55	AT 10470 T	(125001-133797)	Ball check push rod service package, with check valve (sub. for AM4001T)
	AT 10565 T	(133798-)	Ball check push rod service package
56	M 4429 T	(125001-)	Shim (approx. 3 used) (packed 3 in a pkg.)
57	AT 10470 T	(125001-)	Ball check push rod service package, with check valve (sub. for M4422T)
58	34H 7 A	(125001-)	Pin, roll, 5/64" x 5/8"
59	M 2081 T	(125001-)	Ball
60	M 4428 T	(125001-)	Spring
61	T 10604 T	(125001-)	Spring (sub. for M1321T)
62	AT 10471 T	(-)	Two-stage check valve assembly (sub. for AM4009T)

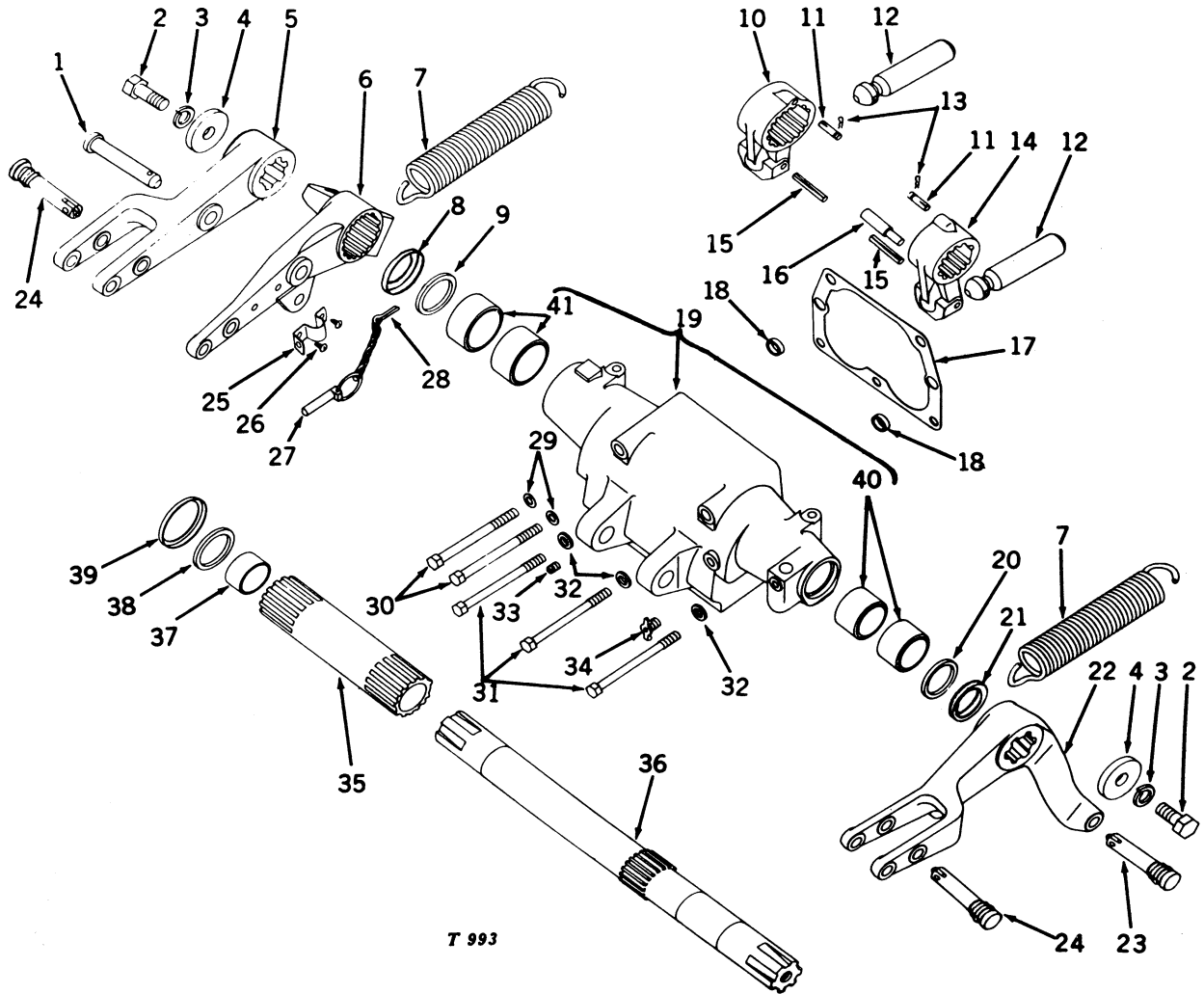
TOUCH-O-MATIC ROCKSHAFT ASSEMBLY
Hi-Crop, Tricycle, and Special



TOUCH-O-MATIC ROCKSHAFT ASSEMBLY -- Continued
Hi-Crop, Tricycle, and Special

Key	Part No.	Serial No.	Description
1	M 2113 T	(-)	Pin
2	T 11297 T	(-)	Screw, cap, special (2 used) (sub. for M1664T) (packed 100 in a pkg.)
3	12H 294 A	(-)	Washer, lock, 5/8" (2 used)
4	24H 1374 A	(-)	Washer, plain, 21/32" x 3" x 3/8" (2 used)
5	M 1742 T	(-)	Arm, lift, left outer
6	M 1740 T	(-)	Arm, lift, left inner
7	M 2118 T	(-)	Spring (2 used)
8	M 1886 T	(-158663)	Retainer
9	M 2108 T	(-158663)	Seal, oil
	AM 3433 T	(158664-)	Seal, oil, with retainer
10	M 2728 T	(-)	Anchor, spring (model H)
11	19H 1800 A	(-)	Screw, cap, 3/8" x 1-1/2" (model H)
12	19H 1732 A	(-)	Screw, cap, 3/8" x 1-1/4" (model H)
13	12H 304 A	(-)	Washer, lock, 3/8" (2 used) (model H)
14	M 3255 T	(-)	Screw, cap, special, 9/16" x 3" (2 used) (model T)
15	M 2033 T	(-)	Anchor, spring (model T)
16	M 3254 T	(-)	Washer, plain, special (2 used) (model T) (packed 2 in a pkg.)
17	M 2805 T	(-)	Screw, cap, special, 1/2" x 1-1/4" (2 used) (model V)
18	M 2804 T	(-)	Anchor, spring (model V)
19	M 2138 T	(-)	Arm, crank, left
20	M 2109 T	(-)	Pin, groov-, 5/16" x 1-1/4" (2 used)
21	M 554 T	(-)	Rod, connecting (2 used) (sub. for AM761T)
22	M 2396 T	(-)	Ring, snap (2 used) (packed 10 in a pkg.)
23	M 2137 T	(-)	Arm, crank, right
24	34H 167 A	(-)	Pin, roll, 1/4" x 2-1/8" (2 used)
25	M 1975 T	(-)	Spacer
26	M 3271 T	(-)	Gasket
27	M 827 T	(-)	Dowel, hollow (2 used)
28	M 3270 T	(-158663)	Sub. one AT11950T, one AM3432T, and one AM3433T
	AT 11950 T	(158664-)	Housing, rockshaft (T12736T)
29	M 2107 T	(-158663)	Sub. AT13262T
	AM 3432 T	(158664-)	Seal, oil, with retainer
30	M 1880 T	(-158663)	Sub. AT13262T
31	M 1741 T	(-)	Arm, lift, right
32	AM 1928 T	(-)	Pin, Quik-lock (2 used)
33	T 18536 T	(-)	Pin (2 used) (also order one A3581R) (sub. for AM1927 and AT11986T)
34	M 2011 T	(-)	Clip
35	M 2119 T	(-)	Screw, special (2 used)
36	AM 1926 T	(-)	Pin, Quik-lock and chain
37	M 2092 T	(-)	Pin, cotter, special
38	M 3244 T	(-)	Washer, plain, special (2 used) (packed 4 in a pkg.)
39	M 285 T	(-)	Screw, cap, special, 9/16" x 5-1/2" (2 used) (packed 5 in a pkg.)
40	M 3272 T	(-)	Screw, cap, special, 1/2" x 5-3/4" (3 used)
41	M 2834 T	(-)	Washer, plain, special, 33/64" x 7/8" x .090" (3 used)
42	15H 604 A	(-)	Plug, pipe, sq. hd., 1/4"
43	AM 292 T	(-)	Cock, drain
44	AM 1922 T	(-)	Rockshaft, hollow, with bushing
45	M 2005 T	(-)	Rockshaft
46	M 3292 T	(-)	Bushing
47	M 2107 T	(-)	Sub. AT13262T
48	M 1880 T	(-)	Sub. AT13262T
49	T 12738 T	(158664-)	Bushing (2 used)
50	T 12740 T	(158664-)	Bushing (2 used)

TOUCH-O-MATIC ROCKSHAFT ASSEMBLY
Special Utility and Row-Crop Utility

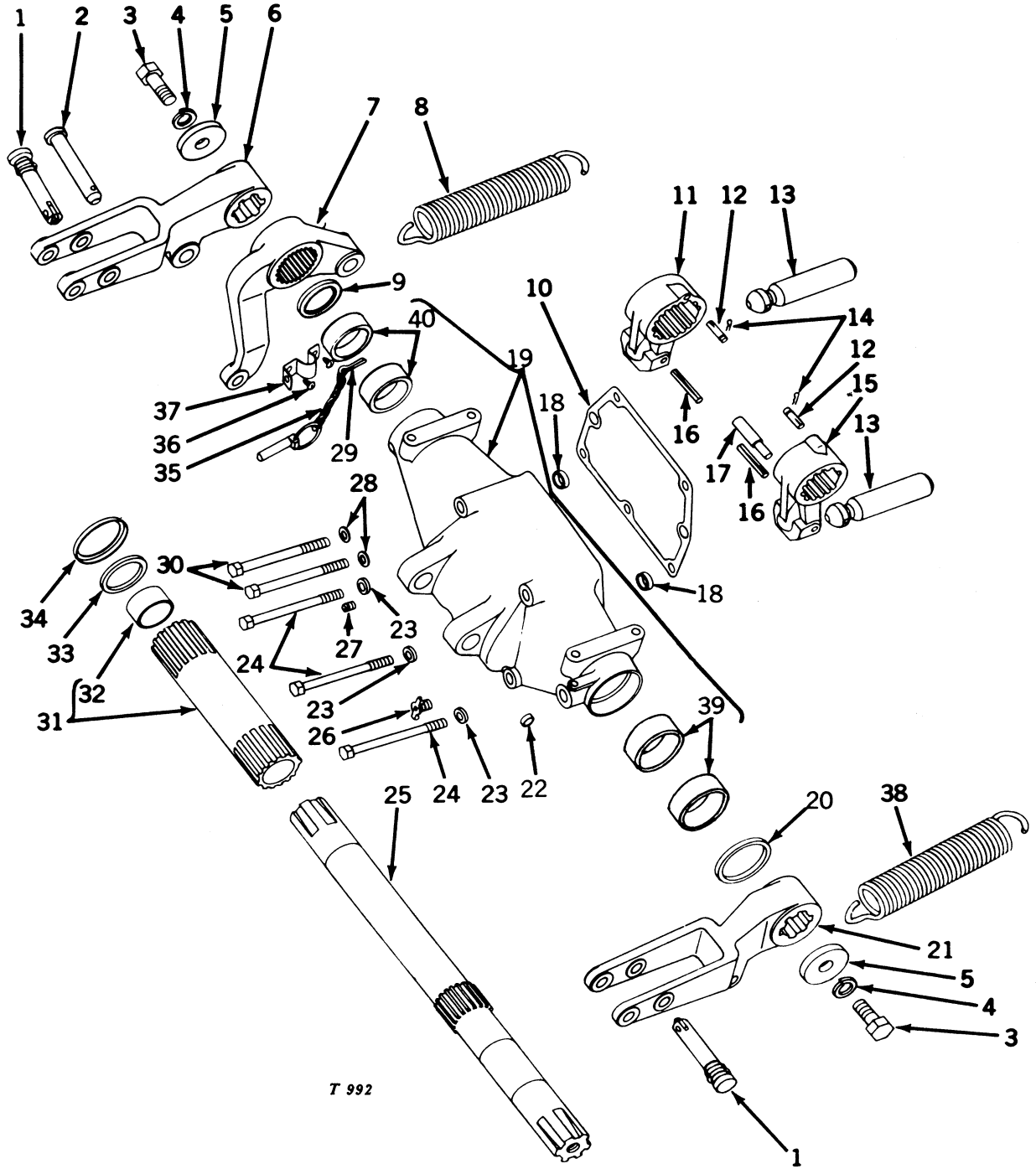


T 993

TOUCH-O-MATIC ROCKSHAFT ASSEMBLY -- Continued
Special Utility and Row-Crop Utility

Key	Part No.	Serial No.	Description
1	M 2113 T	(-)	Pin
2	T 11297 T	(-)	Screw, cap, special (2 used) (sub. for M1664T) (packed 100 in a pkg.)
3	12H 294 A	(-)	Washer, lock, 5/8" (2 used)
4	24H 1374 A	(-)	Washer, plain, 21/32" x 3" x 3/8" (2 used)
5	M 2851 T	(-)	Arm, lift, left
6	M 3167 T	(-)	Arm, lift, inner
7	M 3168 T	(-)	Spring (2 used)
8	M 1886 T	(-158437)	Retainer
9	M 2108 T	(-158437)	Seal
	AM 3433 T	(158438-)	Seal, oil, with retainer
10	M 2138 T	(-)	Arm, crank, left
11	M 2109 T	(-)	Pin, groov-, 5/16" x 1-1/4" (2 used)
12	M 554 T	(-)	Rod, connecting (2 used) (sub. for AM761T)
13	M 2396 T	(-)	Ring, snap (2 used) (packed 10 in a pkg.)
14	M 2137 T	(-)	Arm, crank, right
15	34H 167 A	(-)	Pin, roll, 1/4" x 2-1/8" (2 used)
16	M 1975 T	(-)	Spacer
17	M 3271 T	(-)	Gasket
18	M 827 T	(-)	Dowel, hollow (2 used)
19	M 3169 T	(-158437)	Sub. one AT11949T, one AM3432T, and one AM3433T
	AT 11949 T	(158438-)	Housing, rockshaft (T12735T)
20	M 2107 T	(-158437)	Sub. AT13262T
	AM 3432 T	(158438-)	Seal, oil, with retainer
21	M 1880 T	(-158437)	Sub. AT13262T
22	M 3166 T	(-)	Arm, lift, right
23	AM 1928 T	(-)	Pin, Quik-lock (2 used)
24	T 18536 T	(-)	Pin (2 used) (also order one A3581R) (sub. for AM1927T and AT11986T)
25	M 2011 T	(-)	Clip
26	M 2119 T	(-)	Screw, special (2 used)
27	AM 1926 T	(-)	Pin, Quik-lock, and chain
28	M 2092 T	(-)	Pin, cotter, special
29	M 3244 T	(-)	Washer, plain, special (2 used) (packed 4 in a pkg.)
30	M 285 T	(-)	Screw, cap, special, 9/16" x 5-1/2" (2 used) (packed 5 in a pkg.)
31	M 3272 T	(-)	Screw, cap, special, 1/2" x 5-3/4" (3 used)
32	M 2834 T	(-)	Washer, plain, special, 33/64" x 7/8" x .090" (3 used)
33	15H 604 A	(-)	Plug, pipe, sq. hd., 1/4" (2 used)
34	AM 292 T	(-)	Cock, drain
35	AM 1922 T	(-)	Rockshaft, hollow, with bushing
36	M 2005 T	(-)	Rockshaft
37	M 3292 T	(-)	Bushing
38	M 2107 T	(-)	Sub. AT13262T
39	M 1880 T	(-)	Sub. AT13262T
40	T 12738 T	(158438-)	Bushing (2 used)
41	T 12740 T	(158438-)	Bushing (2 used)

TOUCH-O-MATIC ROCKSHAFT ASSEMBLY
Standard Tractor when Equipped with Dual Touch-o-matic

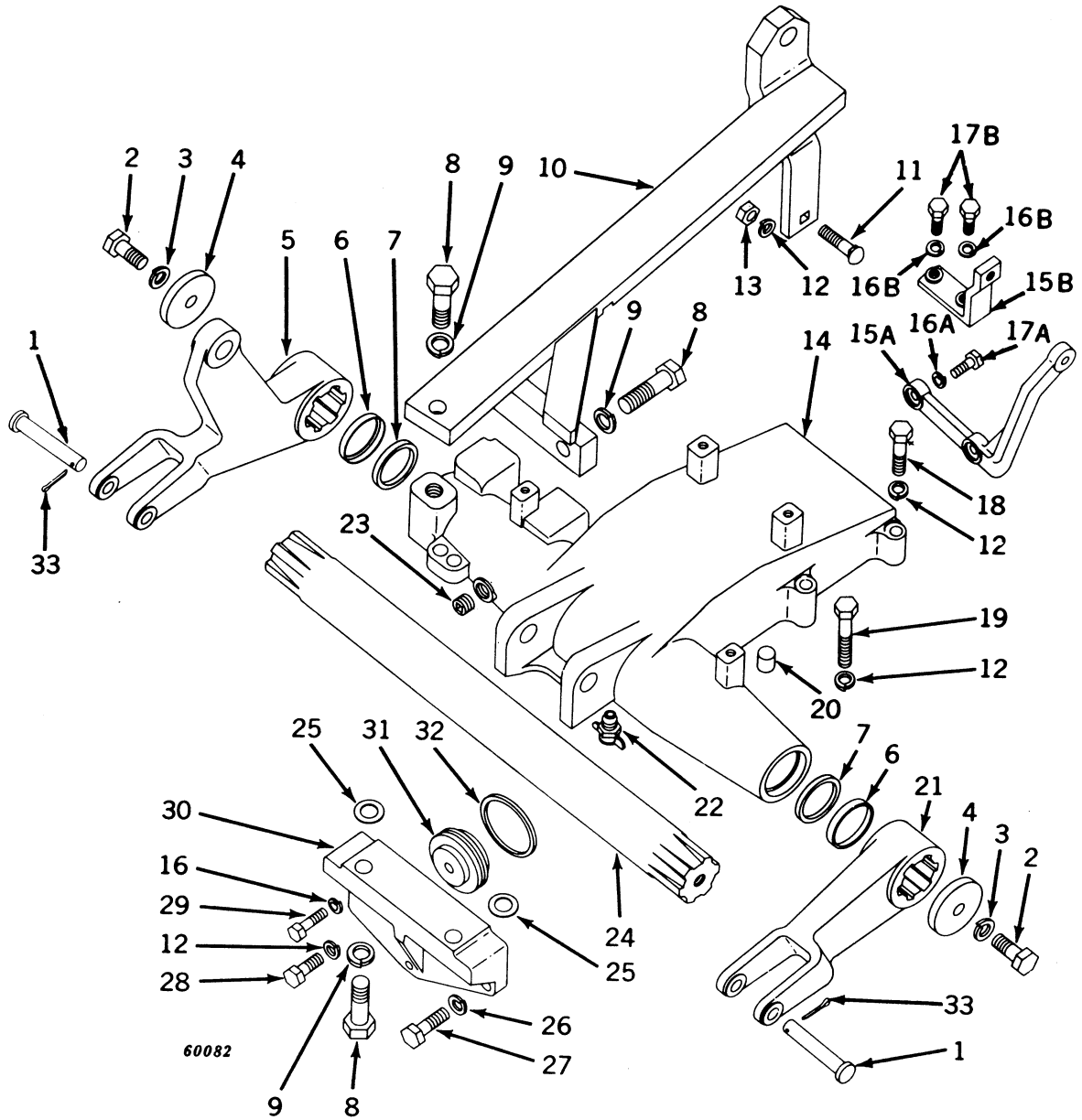


T 992

TOUCH-O-MATIC ROCKSHAFT ASSEMBLY -- Continued
Standard Tractor when Equipped with Dual Touch-o-matic

Key	Part No.	Serial No.	Description
1	T 18536 T	(100001-) Pin (2 used) (also order one A3581R) (sub. for AM1927T and AT11986T)
2	M 2113 T	(100001-) Pin
3	T 11297 T	(100001-) Screw, cap, special (2 used) (sub. for M1664T) (packed 100 in a pkg.)
4	12H 294 A	(100001-) Washer, lock, 5/8" (2 used)
5	24H 1374 A	(100001-) Washer, plain, 21/32" x 3" x 3/8" (2 used)
6	M 3567 T	(100001-) Arm, lift, left outer
7	M 3565 T	(100001-) Arm, lift, left inner
8	M 2421 T	(100001-) Spring
9	AM 3433 T	(100001-) Seal, oil
10	M 3271 T	(100001-) Gasket
11	M 2138 T	(100001-) Arm, crank, left
12	M 2109 T	(100001-) Pin, groov-, 5/16" x 1-1/4" (2 used)
13	M 554 T	(100001-) Rod, connecting (2 used) (sub. for AM761T)
14	M 2396 T	(100001-) Ring, snap (2 used) (packed 10 in a pkg.)
15	M 2137 T	(100001-) Arm, crank, right
16	34H 167 A	(100001-) Pin, roll, 1/4" x 2-1/8" (2 used)
17	M 1975 T	(100001-) Spacer
18	M 827 T	(100001-) Dowel, hollow (2 used)
19	AT 11948 T	(100001-) Housing, rockshaft (T12734T) (sub. for M3576T)
20	AM 3432 T	(100001-) Seal, oil
21	M 3566 T	(100001-) Arm, lift, right
22	M 1873 T	(100001-) Dowel (2 used)
23	M 2834 T	(100001-) Washer, plain, special, 33/64" x 7/8" x .090" (3 used)
24	M 3272 T	(100001-) Screw, cap, special, 1/2" x 5-3/4" (3 used)
25	M 2005 T	(100001-) Rockshaft
26	AM 292 T	(100001-) Cock, drain
27	15H 604 A	(100001-) Plug, pipe, sq. hd., 1/4"
28	M 3244 T	(100001-) Washer, plain, special, (2 used) (packed 4 in a pkg.)
29	M 2092 T	(100001-) Pin, cotter, special
30	M 285 T	(100001-) Screw, cap, special, 9/16" x 5-1/2" (2 used) (packed 5 in a pkg.)
31	AM 1922 T	(100001-) Rockshaft, hollow, with bushing
32	M 3292 T	(100001-) Bushing
33	M 2107 T	(100001-) Sub. AT13262T
34	M 1880 T	(100001-) Sub. AT13262T
35	AM 1926 T	(100001-) Pin, Quik-lock, and chain
36	M 2119 T	(100001-) Screw, special (2 used)
37	M 2011 T	(100001-) Clip
38	M 2593 T	(100001-109413)) Spring (also order one M2479T pin, one M3997T anchor, and one 11H206A cotter pin)
	M 2593 T	(109414-) Spring
39	T 12738 T	(158438-) Bushing (2 used)
40	T 12740 T	(158438-) Bushing (2 used)

ROCKSHAFT HOUSING ASSEMBLY
Crawler



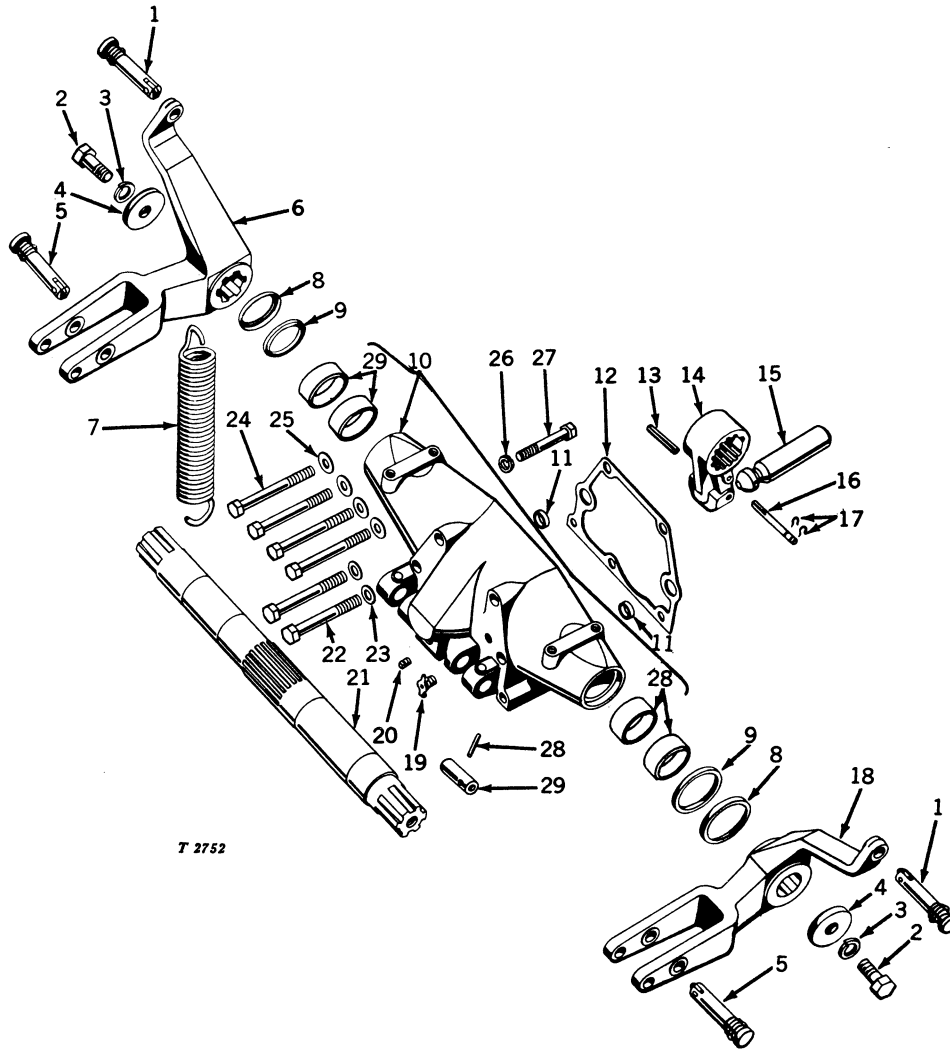
ROCKSHAFT HOUSING ASSEMBLY -- Continued
Crawler

Key	Part No.	Serial No.	Description
1	AM 1927 T	(-)	Sub. one M2072T and one 11H60R
	M 2072 T	(-)	Pin (2 used)
2	T 11297 T	(-)	Screw, cap, special (2 used) (sub. for M1664T) (packed 100 in a pkg.)
3	12H 294 A	(-)	Washer, lock, 5/8" (2 used)
4	24H 1374 A	(-)	Washer, plain, 21/32" x 3" x 3/8" (2 used)
5	T 13227 T	(-)	Arm, lift, left (sub. for M3556T)
6	M 3618 T	(-)	Retainer (2 used)
7	U 11023 U	(-)	Seal (2 used) (sub. for M3617T)
8	19H 1862 A	(-)	Screw, cap, 3/4" x 2-1/2" (5 used)
9	12H 236 A	(-)	Washer, lock, 3/4" (5 used)
10	AM 3312 T	(-)	Support, cylinder
11	3H 1482 A	(-)	Bolt, cge., 1/2" x 1-1/2"
12	12H 301 A	(-)	Washer, lock, 1/2" (6 used)
13	14H 809 A	(-)	Nut, hex., 1/2"
14	M 3572 T	(-)	Housing, rockshaft
15A	M 3621 T	(-108921)	Bracket, control lever
15B	M 4038 T	(108922-)	Bracket, control lever (sub. for M3963T)
16A	12H 304 A	(-)	Washer, lock, 3/8" (5 used)
16B	12H 303 A	(-)	Washer, lock, 5/16" (2 used)
17A	19H 1139 A	(-)	Screw, cap, 3/8" x 1-1/8" (2 used)
17B	19H 1905 A	(-)	Screw, cap, 5/16" x 1" (2 used)
18	19H 1974 A	(-)	Screw, cap, front, 1/2" x 2-3/4" (2 used)
19	19H 1915 A	(-)	Screw, cap, rear, 1/2" x 3-1/4" (2 used)
20	M 3620 T	(-)	Dowel
21	M 3557 T	(-)	Arm, lift, right
22	AM 292 T	(-)	Cock, drain
23	15H 584 A	(-)	Plug, pipe, sq. hd., 1/2"
24	M 3619 T	(-)	Rockshaft
25	M 2054 T	(-)	Shim (2 used) (packed 2 in a pkg.)
26	12H 317 A	(-)	Washer, lock, 9/16" (2 used)
27	19H 1243 A	(-)	Screw, cap, 9/16" x 1-3/4" (2 used)
28	19H 1815 A	(-)	Screw, cap, 1/2" x 1-1/4"
29	19H 1100 A	(-)	Screw, cap, 3/8" x 1-3/8" (3 used)
30	M 3627 T	(-)	Support
31	M 3508 T	(-)	Pilot
32	M 2374 T	(-)	Ring, sealing
33	11H 239 A	(-)	Pin, cotter, 5/32" x 1" (2 used)

TOUCH-O-MATIC ROCKSHAFT ASSEMBLY -- Continued
Utility

Key	Part No.	Serial No.	Description
1	T 18536 T	(-)	Pin (2 used) (also order one A3581R) (sub. for AM1927T and AT11986T)
2	T 11297 T	(-)	Screw, cap, special (2 used) (sub. for M1664T) (packed 100 in a pkg.)
3	12H 294 A	(-)	Washer, lock, 5/8" (2 used)
4	24H 1374 A	(-)	Washer, plain, 21/32" x 3" x 3/8" (2 used)
5	M 2415 T	(-)	Arm, lift, left
6	M 1880 T	(-158437)	Sub. AT13262T
7	M 2107 T	(-158437)	Sub. AT13262T
	AM 3432 T	(158438-)	Seal, oil, with retainer (2 used)
8	M 3280 T	(-158437)	Sub. one AT11951T and two AM3432T
	AT 11951 T	(158438-)	Housing, rockshaft (T12737T)
9	M 14 T	(-)	Dowel, hollow (2 used)
10	M 3327 T	(-)	Gasket
11	34H 123 A	(-)	Pin, roll, 5/16" x 2-3/4"
12	M 1810 T	(-)	Arm, crank
13	M 2139 T	(-)	Rockshaft
14	M 2142 T	(-)	Rod, connecting
15	M 2396 T	(-)	Ring, snap (2 used) (packed 10 in a pkg.)
16	M 553 T	(-)	Pin, groov-, special
17	M 2414 T	(-)	Arm, lift, right
18	19H 1258 A	(-)	Screw, cap, bottom holes, 1/2" x 4-3/4" (2 used when anchor yoke is installed)
	19H 1258 A	(-)	Screw, cap, bottom and center holes, 1/2" x 4-3/4" (4 used when anchor yoke is omitted)
19	24H 1341 A	(-)	Washer, plain, bottom and center holes, 17/32" x 15/16" x .060" (4 used)
20	15H 275 A	(-)	Plug, pipe, hex. ctsk., 1/4"
21	19H 1266 A	(-)	Screw, cap, center holes, 1/2" x 5-7/8" (2 used when anchor yoke is installed)
22	19H 1265 A	(-)	Screw, cap, top holes, 9/16" x 5-7/8" (2 used when anchor yoke is installed)
	19H 1259 A	(-)	Screw, cap, top holes, 9/16" x 4-3/4" (2 used when anchor yoke is omitted)
23	M 3244 T	(-)	Washer, plain, special, top holes (2 used) (packed 4 in a pkg.)
24	M 2593 T	(-)	Spring
25	T 12738 T	(158438-)	Bushing (2 used)
26	T 12739 T	(158438-)	Bushing (2 used)

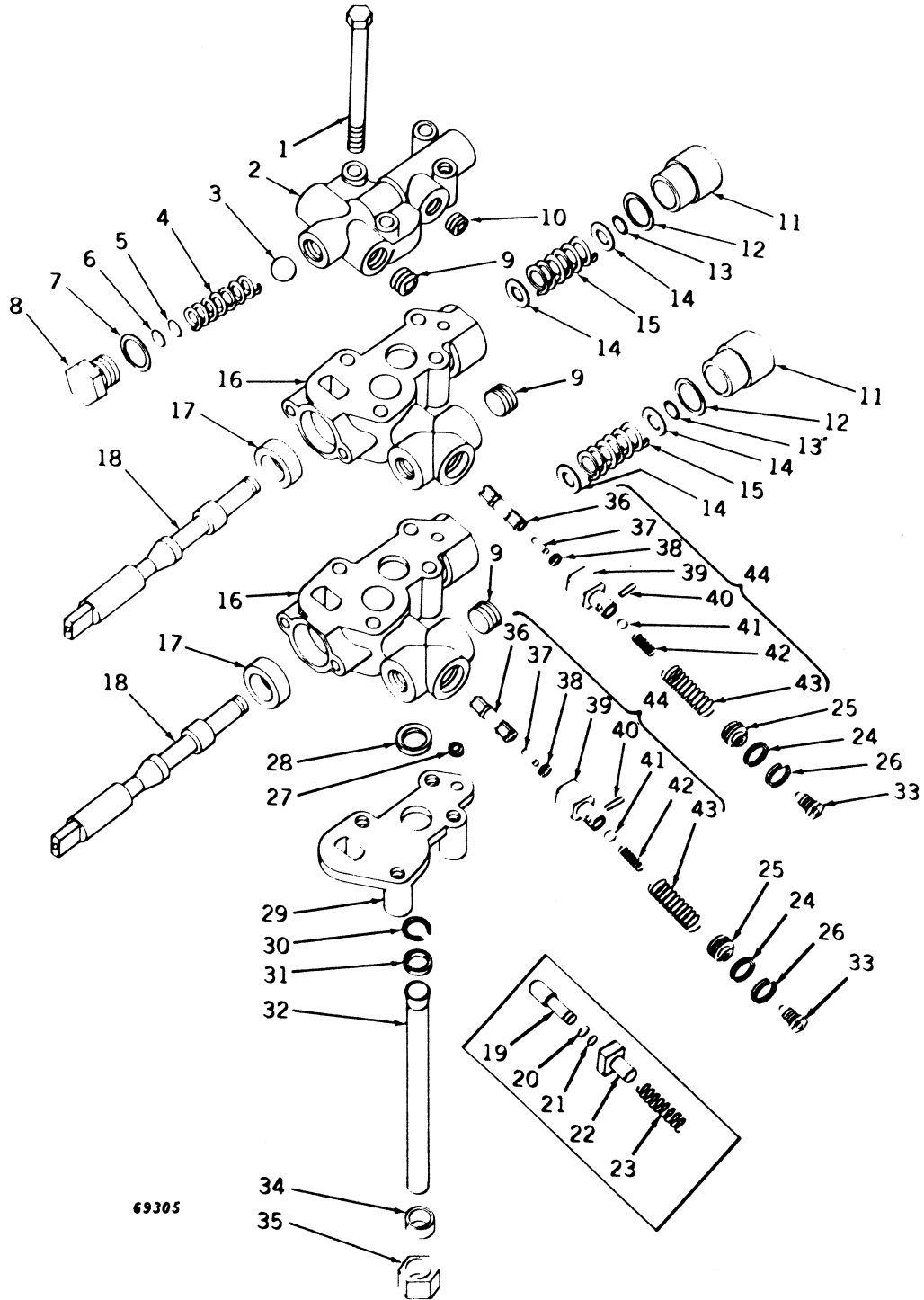
TOUCH-O-MATIC ROCKSHAFT ASSEMBLY
Standard



TOUCH-O-MATIC ROCKSHAFT ASSEMBLY -- Continued
Standard

Key	Part No.	Serial No.	Description
1	AM 1928 T	(-127129)	Pin, clevis (2 used)
	AM 1928 T	(127130-)	Pin, clevis (1 used)
2	T 11297 T	(-)	Screw, cap, special (2 used) (sub. for M1664T) (packed 100 in a pkg.)
3	12H 294 A	(-)	Washer, lock, 5/8" (2 used)
4	24H 1374 A	(-)	Washer, plain, 21/32" x 3" x 3/8" (2 used)
5	T 18536 T	(-)	Pin (2 used) (also order one A3581R) (sub. for AM1927T and AT11986T)
6	M 1841 T	(-127129)	Arm, left lift
	T 10893 T	(127130-)	Arm, left lift (sub. for M4378T)
7	M 2421 T	(-)	Spring
8	M 1880 T	(-158437)	Sub. AT13262T
9	M 2107 T	(-158437)	Sub. AT13262T
	AM 3432 T	(158438-)	Seal, oil, with retainer (2 used)
10	AM 3003 T	(-)	Housing, rockshaft (T12733T), with pipe plug
11	M 14 T	(-)	Dowel, hollow (2 used)
12	M 3327 T	(-)	Gasket
13	34H 123 A	(-)	Pin, roll, 5/16" x 2-3/4"
14	M 1810 T	(-)	Arm, crank
15	M 2142 T	(-)	Rod, connecting
16	M 553 T	(-)	Pin, groov-
17	M 2396 T	(-)	Ring, snap (2 used) (packed 10 in a pkg.)
18	M 1840 T	(-127129)	Arm, right lift
	M 4379 T	(127130-)	Arm, right lift
19	15H 275 A	(-)	Plug, pipe, hex. ctsk., 1/4"
20	15H 583 A	(-)	Plug, pipe, hex. ctsk., 3/8"
21	M 2139 T	(-)	Rockshaft
22	19H 1259 A	(-)	Screw, cap, 9/16" x 4-3/4" (2 used)
23	M 3244 T	(-)	Washer, plain, 37/64" x 1" x .090" (2 used) (packed 4 in a pkg.)
24	19H 1258 A	(-)	Screw, cap, 1/2" x 4-3/4" (4 used)
25	24H 1341 A	(-)	Washer, plain, 17/32" x 15/16" x .060" (4 used)
26	12H 301 A	(-)	Washer, lock, 1/2"
27	19H 1781 A	(-)	Screw, cap, 1/2" x 3-1/2"
28	T 12738 T	(158438-)	Bushing (2 used)
29	T 12739 T	(158438-)	Bushing (2 used)

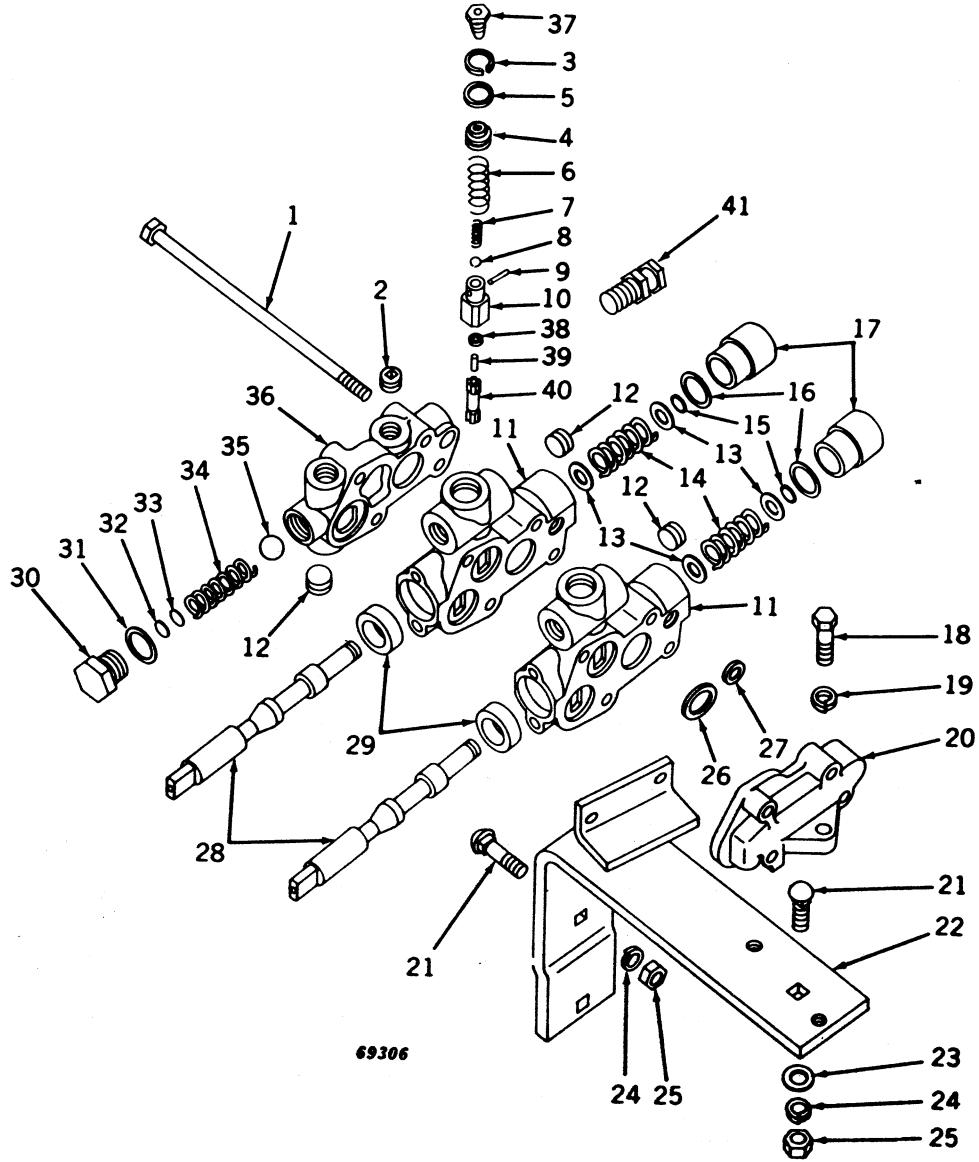
SINGLE REMOTE CONTROL VALVE ASSEMBLY
Crawler (Serial No. 80001-139999)



SINGLE REMOTE CONTROL VALVE ASSEMBLY -- Continued
Crawler (Serial No. 80001-139999)

Key	Part No.	Serial No.	Description
1	19H 1221 A	(-139999)	Screw, cap, 3/8" x 6" (4 used)
2	M 3049 T	(-139999)	Base
3	M 886 T	(-139999)	Ball
4	M 2625 T	(-139999)	Spring
5	M 1317 T	(-139999)	Shim, .027" (approx. 4 used) (sub. for AM1333T) (packed 5 in a pkg.)
6	M 1477 T	(-139999)	Shim, .010" (approx. 4 used) (sub. for AM1524T) (packed 5 in a pkg.)
7	T 13213 T	(-139999)	Washer, aluminum (sub. for M1038T) (packed 2 in a pkg.)
8	M 2626 T	(-139999)	Plug
9	15H 624 A	(-139999)	Plug, pipe, hex. ctsk., 1/2" (4 used)
10	15H 583 A	(-139999)	Plug, pipe, hex. ctsk., 3/8"
11	M 2621 T	(-139999)	Cap (2 used)
12	M 1307 T	(-139999)	Washer, copper (2 used)
13	M 2833 T	(-117076)	Ring, retaining (2 used)
	M 4089 T	(117077-139999)	Ring, snap (2 used)
14	M 1304 T	(-117076)	Washer (4 used) (packed 2 in a pkg.)
	M 4090 T	(117077-139999)	Washer (4 used)
15	M 2620 T	(-139999)	Spring (2 used) (packed 2 in a pkg.)
16	M 3331 T	(-139999)	Housing, valve (2 used)
17	AM 586 T	(-139999)	Seal, oil (2 used)
18	M 2619 T	(-117076)	Sub. one M4088T, one M4089T, and one M4090T
	M 4088 T	(117077-139999)	Piston (2 used)
19	M 1964 T	(-127785)	Rod, check valve push (2 used)
20	M 519 T	(-127785)	Ring, snap (2 used) (packed 3 in a pkg.)
21	M 515 T	(-127785)	Shim, .002" (approx. 4 used) (sub. for AM762T) (packed 5 in a pkg.)
	R 28785 R	(-127785)	Shim, .005" (approx. 4 used) (sub. for AM763) (packed 5 in a pkg.)
	R 28786 R	(-127785)	Shim, .010" (approx. 2 used) (sub. for AM764T) (packed 5 in a pkg.)
22	M 2623 T	(-127785)	Valve, check (2 used)
23	F 3322 R	(-127785)	Spring (2 used) (sub. for H834R) (packed 2 in a pkg.)
24	M 543 T	(-139999)	Sub. one T13119T and one T18526T
25	T 10608 T	(-108636)	Sub. one T18526T and one T13119T (also order one AA6314R with each T18526T used) (sub. for M3266T)
	T 10608 T	(108637-)	Sub. one T18526T and one T13119T (sub. for M3909T)
26	M 3265 T	(-139999)	Ring, snap (2 used) (packed 2 in a pkg.)
27	M 3150 T	(-139999)	Seal (3 used) (packed 5 in a pkg.)
28	M 2624 T	(-139999)	Seal (8 used) (packed 8 in a pkg.)
29	M 2612 T	(-139999)	Cover
30	M 3174 T	(-139999)	Ring, snap (packed 3 in a pkg.)
31	M 3173 T	(-139999)	Seal
32	M 3172 T	(-139999)	Line, oil
33	AA 6314 R	(108637-139999)	Valve, relief (2 used)
34	M 1167 T	(-139999)	Sleeve
35	M 1166 T	(-139999)	Nut
36	M 4431 T	(127786-139999)	Rod, check valve push (2 used)
37	AT 10470 T	(127786-134997)	Ball check push rod service package, with check valve (2 used) (sub. for AM4001T)
	AT 10565 T	(134998-139999)	Ball check push rod service package
38	M 4429 T	(127786-139999)	Shim (approx. 6 used) (packed 3 in a pkg.)
39	AT 10470 T	(127786-139999)	Ball check push rod service package, with check valves (2 used) (sub. for M4422T)
40	34H 7 A	(127786-139999)	Pin, roll, 5/64" x 5/8" (2 used)
41	M 2081 T	(127786-139999)	Ball (2 used)
42	M 4428 T	(127786-139999)	Spring (2 used)
43	T 10604 T	(127786-139999)	Spring (2 used) (sub. for M1321T)
44	AT 10471 T	(-139999)	Two-stage check valve assembly (sub. for AM4009T)

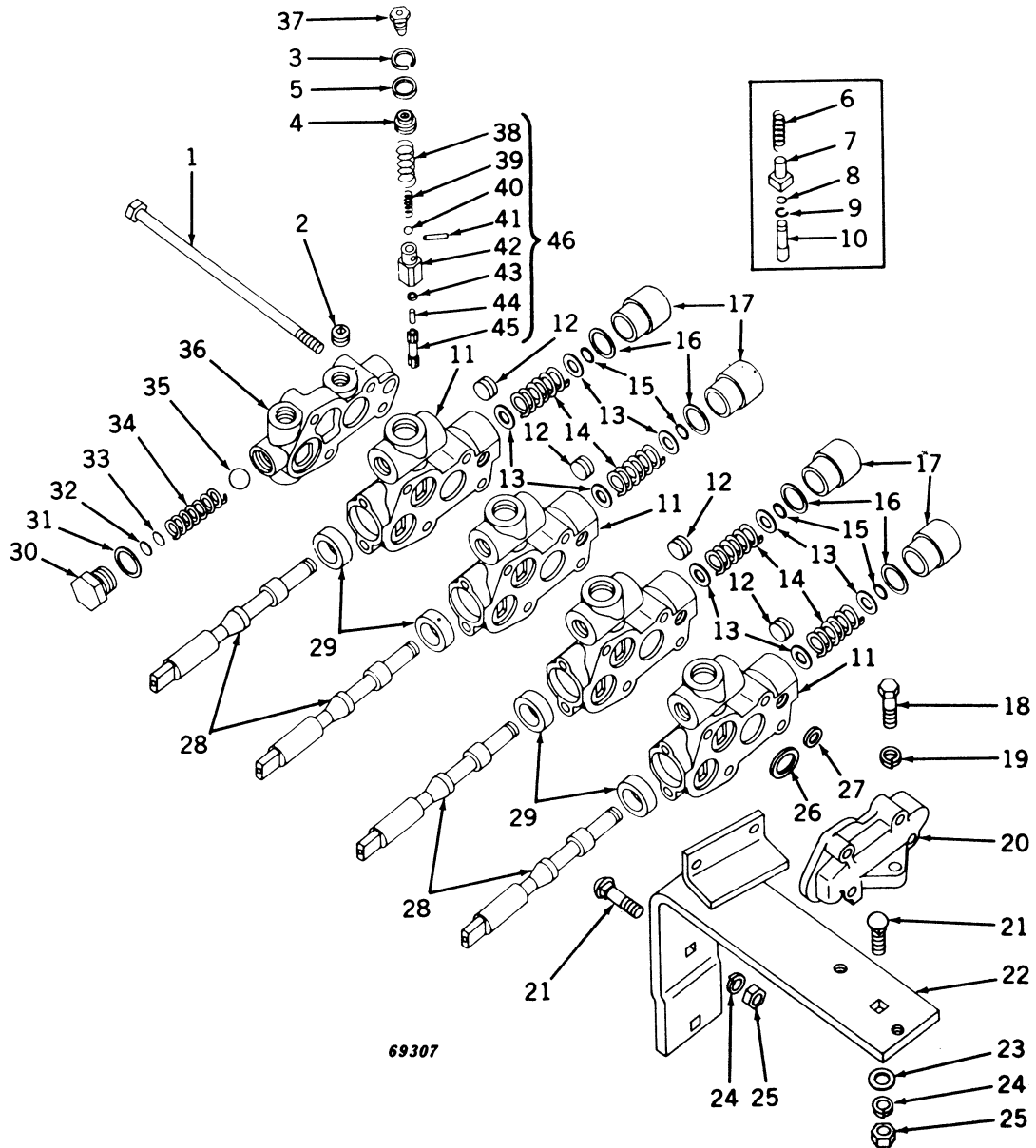
SINGLE REMOTE CONTROL VALVE ASSEMBLY
Crawler (Serial No. 140000-Up)



SINGLE REMOTE CONTROL VALVE ASSEMBLY -- Continued
Crawler (Serial No. 140000-Up)

Key	Part No.	Serial No.	Description
1	19H 1221 A	(-)	Screw, cap, 3/8" x 6" (4 used)
2	15H 583 A	(-)	Plug, pipe, hex. ctsk., 3/8"
3	M 3265 T	(-)	Ring, snap (2 used) (packed 2 in a pkg.)
4	T 10608 T	(-)	Sub. one T18526T and one T13119T
5	M 543 T	(-)	Sub. one T13119T and one T18526T
6	T 10604 T	(-)	Spring (2 used)
7	M 4428 T	(-)	Spring (2 used)
8	M 2081 T	(-)	Ball (2 used)
9	34H 7 A	(-)	Pin, roll, 5/64" x 5/8" (2 used)
10	AT 10470 T	(-)	Ball check push rod service package, with check valve (2 used)
11	M 3331 T	(-)	Housing (2 used)
12	15H 624 A	(-)	Plug, pipe, hex. ctsk., 1/2" (5 used)
13	M 4090 T	(-)	Washer (4 used)
14	M 2620 T	(-)	Spring (2 used) (packed 2 in a pkg.)
15	M 4089 T	(-)	Ring, snap (2 used)
16	M 1307 T	(-)	Washer, copper (2 used)
17	M 2621 T	(-)	Cap (2 used)
18	19H 1082 A	(-)	Screw, cap, 3/8" x 1-3/4"
19	12H 304 A	(-)	Washer, lock, 3/8"
20	M 3198 T	(-)	Cover
21	3H 1574 A	(-)	Bolt, cge., 7/16" x 1-1/2" (3 used)
22	AM 2950 T	(-)	Bracket
23	24H 1325 A	(-)	Washer, plain, 15/32" x 59/64" x .060"
24	12H 293 A	(-)	Washer, lock, 7/16" (3 used)
25	14H 813 A	(-)	Nut, hex., 7/16" (3 used)
26	M 2624 T	(-)	Seal (8 used) (packed 8 in a pkg.)
27	M 3150 T	(-)	Seal (3 used) (packed 5 in a pkg.)
28	M 4088 T	(-)	Piston (2 used)
29	AM 586 T	(-)	Seal, oil (2 used)
30	M 2626 T	(-)	Plug
31	T 13213 T	(-)	Washer, aluminum (sub. for M1038T) (packed 2 in a pkg.)
32	M 1317 T	(-)	Shim, .027" (approx. 4 used) (sub. for AM1333T) (packed 5 in a pkg.)
33	M 1477 T	(-)	Shim, .010" (approx. 4 used) (sub. for AM1524T) (packed 5 in a pkg.)
34	M 2625 T	(-)	Spring
35	M 886 T	(-)	Ball
36	M 3049 T	(-)	Base
37	AA 6314 R	(-)	Valve, relief (2 used)
38	M 4429 T	(-)	Shim (approx. 6 used) (packed 3 in a pkg.)
39	AT 10565 T	(-)	Ball check push rod service package (2 used)
40	M 4431 T	(-)	Rod, check valve push (2 used)
41	JD 151 A	(-)	Adaptor, union (2 used)

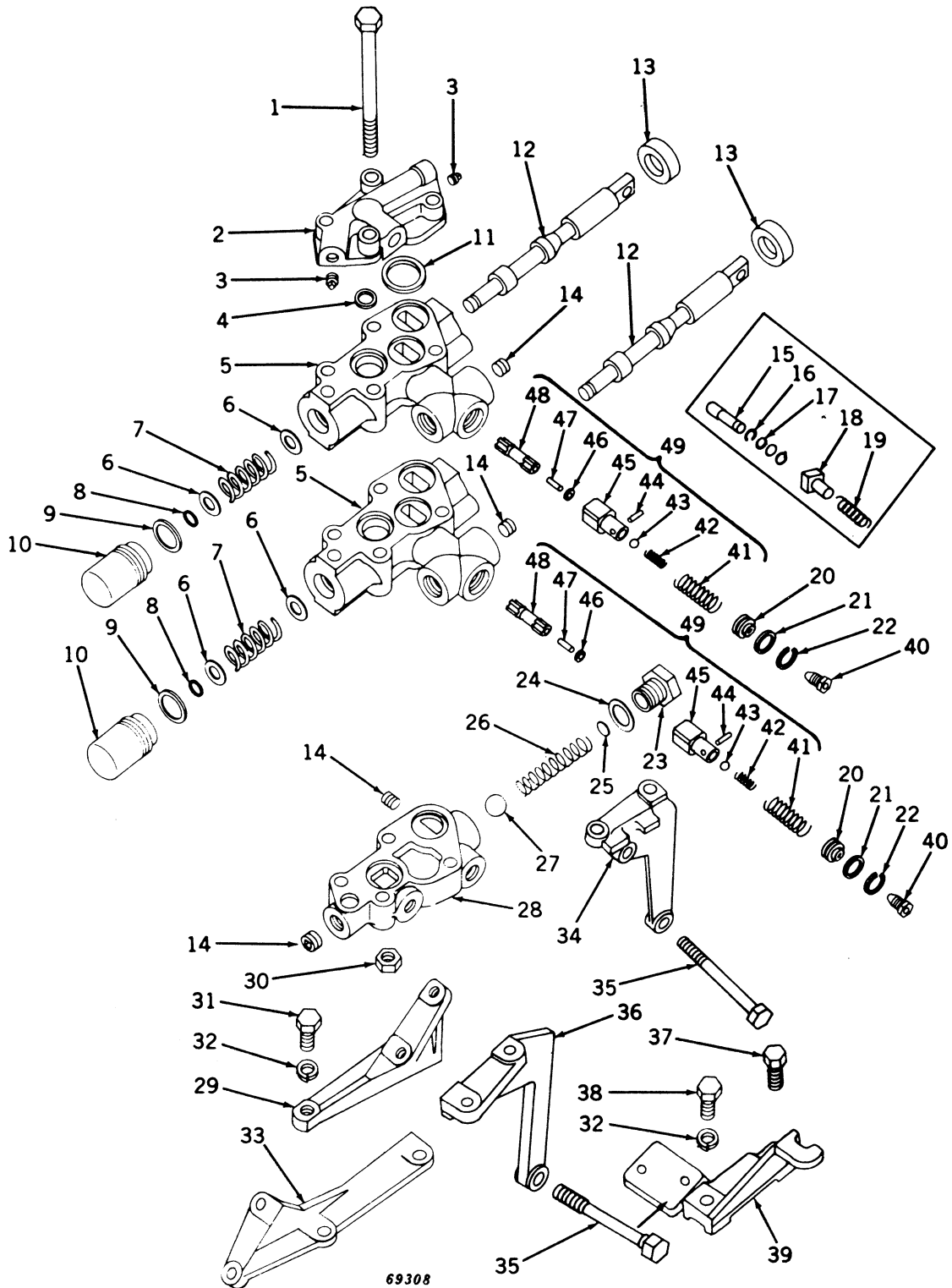
DOUBLE REMOTE CONTROL VALVE ASSEMBLY
Crawler



DOUBLE REMOTE CONTROL VALVE ASSEMBLY -- Continued
Crawler

Key	Part No.	Serial No.	Description
1	8H 3825 A	(-)	Bolt, hex., 3/8" x 9-3/4" (4 used)
2	15H 583 A	(-)	Plug, pipe, hex. ctsk., 3/8"
3	M 3265 T	(-)	Ring, snap (4 used) (packed 2 in a pkg.)
4	T 10608 T	(-108598)	Sub. one T18526T and one T13119T (also order one AA6314R with each T18526 used) (sub. for M3266T)
	T 10608 T	(108599-)	Sub. one T18526T and one T13119T (sub. for M3909T)
5	M 543 T	(-)	Sub. one T13119T and one T18526T
6	F 3322 R	(-127282)	Spring (4 used) (sub. for H834R) (packed 2 in a pkg.)
7	M 2623 T	(-127282)	Valve, check (4 used)
8	M 515 T	(-127282)	Shim, .002" (use as required) (sub. for AM762T) (packed 5 in a pkg.)
	R 28785 R	(-127282)	Shim, .005" (use as required) (sub. for AM763T) (packed 5 in a pkg.)
	R 28786 R	(-127282)	Shim, .010" (use as required) (sub. for AM764T) (packed 5 in a pkg.)
9	M 519 T	(-127282)	Ring, snap (4 used) (packed 3 in a pkg.)
10	M 1964 T	(-127282)	Rod, check valve (4 used)
11	M 3331 T	(-)	Housing (4 used)
12	15H 624 A	(-)	Plug, pipe, hex. ctsk., 1/2" (7 used)
13	M 1304 T	(-117076)	Washer (8 used) (packed 2 in a pkg.)
	M 4090 T	(117077-)	Washer (8 used)
14	M 2620 T	(-)	Spring (4 used) (packed 2 in a pkg.)
15	M 2833 T	(-117076)	Ring, retaining (4 used)
	M 4089 T	(117077-)	Ring, snap (4 used)
16	M 1307 T	(-)	Washer, copper (4 used)
17	M 2621 T	(-)	Cap (4 used)
18	19H 1082 A	(-)	Screw, cap, 3/8" x 1-3/4"
19	12H 304 A	(-)	Washer, lock, 3/8"
20	M 3198 T	(-)	Cover
21	3H 1574 A	(-)	Bolt, cge., 7/16" x 1-1/2" (3 used)
22	AM 2950 T	(-)	Bracket
23	24H 1325 A	(-)	Washer, plain, 15/32" x 59/64" x .060"
24	12H 293 A	(-)	Washer, lock, 7/16" (3 used)
25	14H 813 A	(-)	Nut, hex., 7/16" (3 used)
26	M 2624 T	(-)	Seal (14 used) (packed 8 in a pkg.)
27	M 3150 T	(-)	Seal (5 used) (packed 5 in a pkg.)
28	M 2619 T	(-117076)	Sub. one M4088T, one M4089T, and one M4090T
	M 4088 T	(117077-)	Piston (4 used)
29	AM 586 T	(-)	Seal, oil (4 used)
30	M 2626 T	(-)	Plug
31	T 13213 T	(-)	Washer, aluminum (sub. for M1038T) (packed 2 in a pkg.)
32	M 1317 T	(-)	Shim, .027" (approx. 4 used) (sub. for AM1333T) (packed 5 in a pkg.)
33	M 1477 T	(-)	Shim, .010" (approx 4 used) (sub. for AM1524T) (packed 5 in a pkg.)
34	M 2625 T	(-)	Spring
35	M 886 T	(-)	Ball
36	M 3049 T	(-)	Base
37	AA 6314 R	(108599-)	Valve, relief (4 used)
38	T 10604 T	(127283-)	Spring (4 used) (sub. for M1321T)
39	M 4428 T	(127283-)	Spring (4 used)
40	M 2081 T	(127283-)	Ball (4 used)
41	34H 7 A	(127283-)	Pin, roll, 5/64" x 5/8" (4 used)
42	AT 10470 T	(127283-)	Ball check push rod service package, with check valve (4 used) (sub. for M4422T)
43	M 4429 T	(127283-)	Shim (approx. 12 used) (packed 3 in a pkg.)
44	AT 10470 T	(127283-134997)	Ball check push rod service package, with check valve (4 used) (sub. for AM4001T)
	AT 10565 T	(134998-)	Ball check push rod service package (4 used)
45	M 4431 T	(127283-)	Rod, check valve push (4 used)
46	AT 10471 T	(-)	Two-stage check valve assembly (sub. for AM4009T)

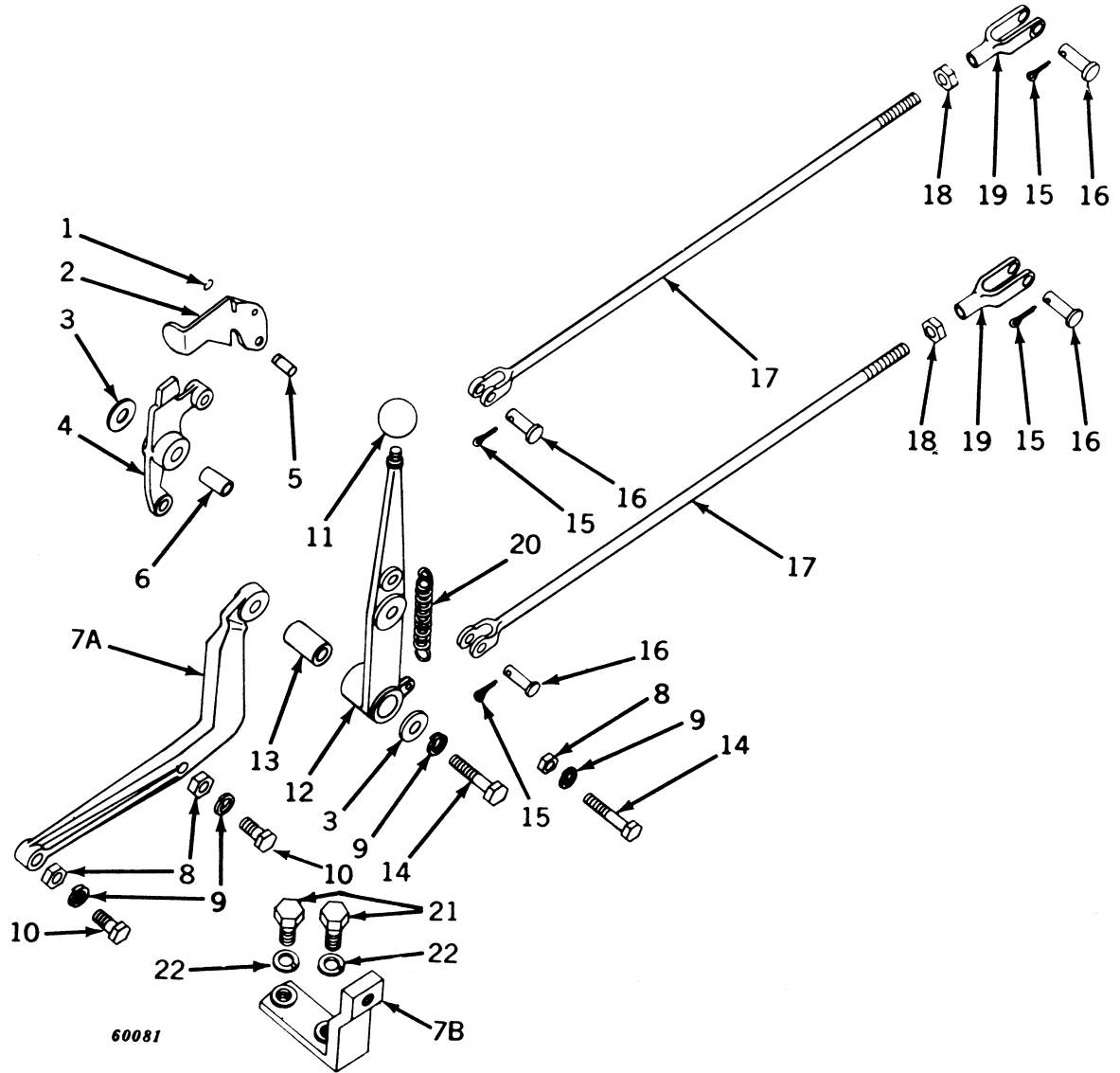
CONTROL VALVE ASSEMBLY
Hi-Crop, Special Utility, Standard, Tricycle, Utility, and Row-Crop Utility



CONTROL VALVE ASSEMBLY -- Continued
Hi-Crop, Special Utility, Standard, Tricycle, Utility, and Row-Crop Utility

Key	Part No.	Serial No.	Description
1	8H 2711 A	(-)	Screw, cap, 3/8" x 6-3/4" (4 used)
2	M 4039 T	(-)	Cover (sub. for M2613T)
3	15H 253 A	(-)	Plug, pipe, sq. hd., 1/8" (2 used)
4	M 3150 T	(-)	Seal, oil (3 used) (packed 5 in a pkg.)
5	M 3331 T	(-)	Housing, control valve (2 used)
6	M 1304 T	(-117698)	Washer (4 used) (packed 2 in a pkg.)
	M 4090 T	(117699-)	Washer (4 used)
7	M 2620 T	(-)	Spring (2 used) (packed 2 in a pkg.)
8	M 2833 T	(-117698)	Ring, retaining (2 used)
	M 4089 T	(117699-)	Ring, snap (2 used)
9	M 1307 T	(-)	Washer, copper (2 used)
10	M 2621 T	(-)	Cap (2 used)
11	M 2624 T	(-)	Seal (8 used) (packed 8 in a pkg.)
12	M 2619 T	(-117698)	Sub. one M4088T, one M4089T, and one M4090T
	M 4088 T	(117699-)	Piston (2 used)
13	AM 586 T	(-)	Seal, oil (2 used)
14	15H 624 A	(-)	Plug, pipe, hex. ctsk., 1/2" (4 used)
15	M 1964 T	(-134997)	Rod, check valve push (2 used) (sub. for M2622T)
16	M 519 T	(-134997)	Ring, snap (2 used) (packed 5 in a pkg.)
17	M 515 T	(-134997)	Shim, .002" (use as required) (sub. for AM762T) (packed 5 in a pkg.)
	R 28785 R	(-134997)	Shim, .005" (use as required) (sub. for AM763T) (packed 5 in a pkg.)
	R 28786 R	(-134997)	Shim, .010" (use as required) (sub. for AM764T) (packed 5 in a pkg.)
18	M 2623 T	(-134997)	Valve, check (2 used)
19	F 3322 R	(-134997)	Spring (2 used) (sub. for H834R) (packed 2 in a pkg.)
20	T 10608 T	(-108712)	Sub. one T18526T and one T13119T (also order one AA6314R with each T18526T) (sub. for M3266T)
	T 10608 T	(108713-)	Sub. one T18526T and one T13119T (sub. for M3909T)
21	M 543 T	(-)	Sub. one T13119T and one T18526T
22	M 3265 T	(-)	Ring, snap (2 used) (packed 2 in a pkg.)
23	M 2626 T	(-)	Plug
24	T 13213 T	(-)	Washer, aluminum (sub. for M1038T) (packed 2 in a pkg.)
25	M 1317 T	(-)	Shim, .027" (sub. for AM1333T) (packed 5 in a pkg.)
	M 1477 T	(-)	Shim, .010" (sub. for AM1524T) (packed 5 in a pkg.)
26	M 2625 T	(-)	Spring
27	M 886 T	(-)	Ball
28	M 3049 T	(-)	Base, control valve
29	M 2614 T	(-)	Bracket, control valve (S)
30	14H 812 A	(-)	Nut, hex., 3/8" (2 used)
31	19H 1139 A	(-)	Screw, cap, 3/8" x 1-1/8" (2 used) (S and U)
32	12H 304 A	(-)	Washer, lock, 3/8" (2 used) (H, S, and U)
33	M 2658 T	(-)	Bracket, control valve (U)
34	M 2672 T	(-)	Bracket, control valve (T)
35	M 828 T	(-)	Screw, cap, special, 7/16" x 4-1/4" (2 used) (I, T, and W)
36	M 3348 T	(-)	Bracket, control valve (I and W)
37	19H 1732 A	(-)	Screw, cap, 3/8" x 1-1/4" (H)
38	19H 1800 A	(-)	Screw, cap, 3/8" x 1-1/2" (H)
39	M 2614 T	(-)	Bracket, control valve (H)
40	AA 6314 R	(108713-)	Valve, relief (2 used)
41	T 10604 T	(134998-)	Spring (2 used) (sub. for M1321T)
42	M 4428 T	(134998-)	Spring (2 used)
43	M 2081 T	(134998-)	Ball (2 used)
44	34H 7 A	(134998-)	Pin, roll, 5/64" x 5/8" (2 used)
45	AT 10470 T	(134998-)	Ball check push rod service package, with check valve (2 used) (sub. for M4422T)
46	M 4429 T	(134998-)	Shim (approx. 6 used) (packed 3 in a pkg.)
47	AT 10470 T	(-134997)	Ball check push rod service package, with check valve (2 used) (sub. for AM4001T)
	AT 10565 T	(134998-)	Ball check push rod service package
48	M 4431 T	(134998-)	Rod, check valve push (2 used)
49	AT 10471 T	(-)	Two-stage check valve assembly (sub. for AM4009T)

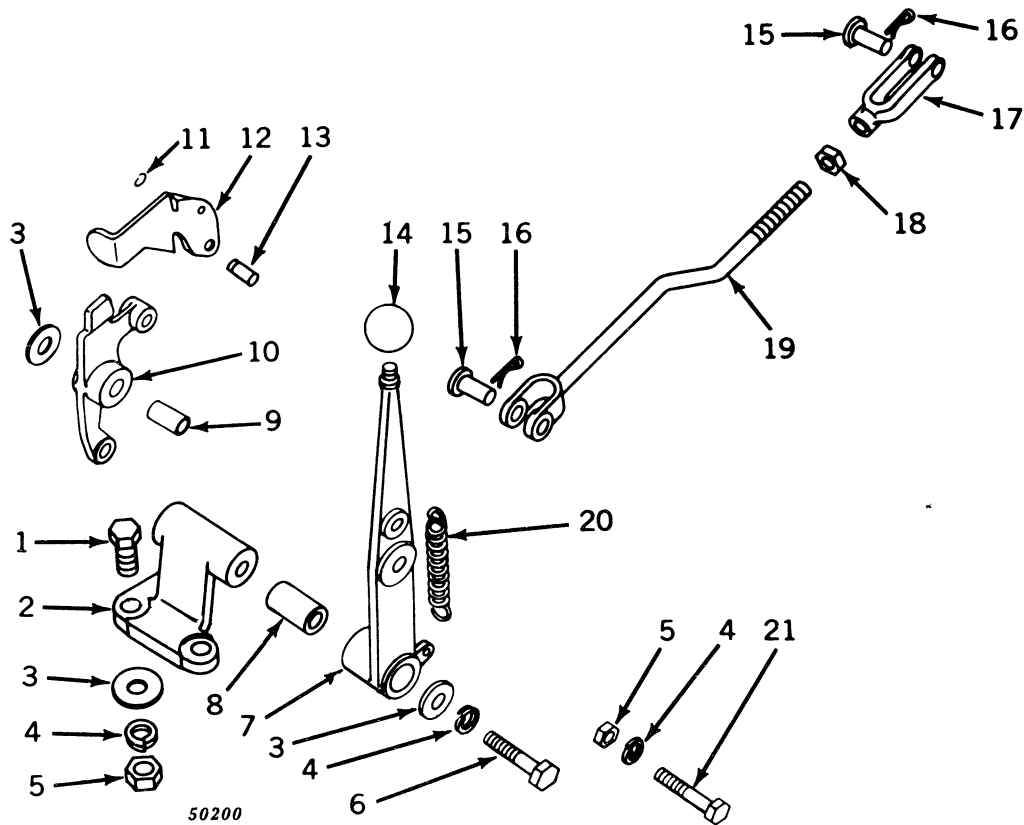
SINGLE REMOTE CONTROL LEVER ASSEMBLY
Crawler (Serial No. 80001-139999)



SINGLE REMOTE CONTROL LEVER ASSEMBLY -- Continued
Crawler (Serial No. 80001-139999)

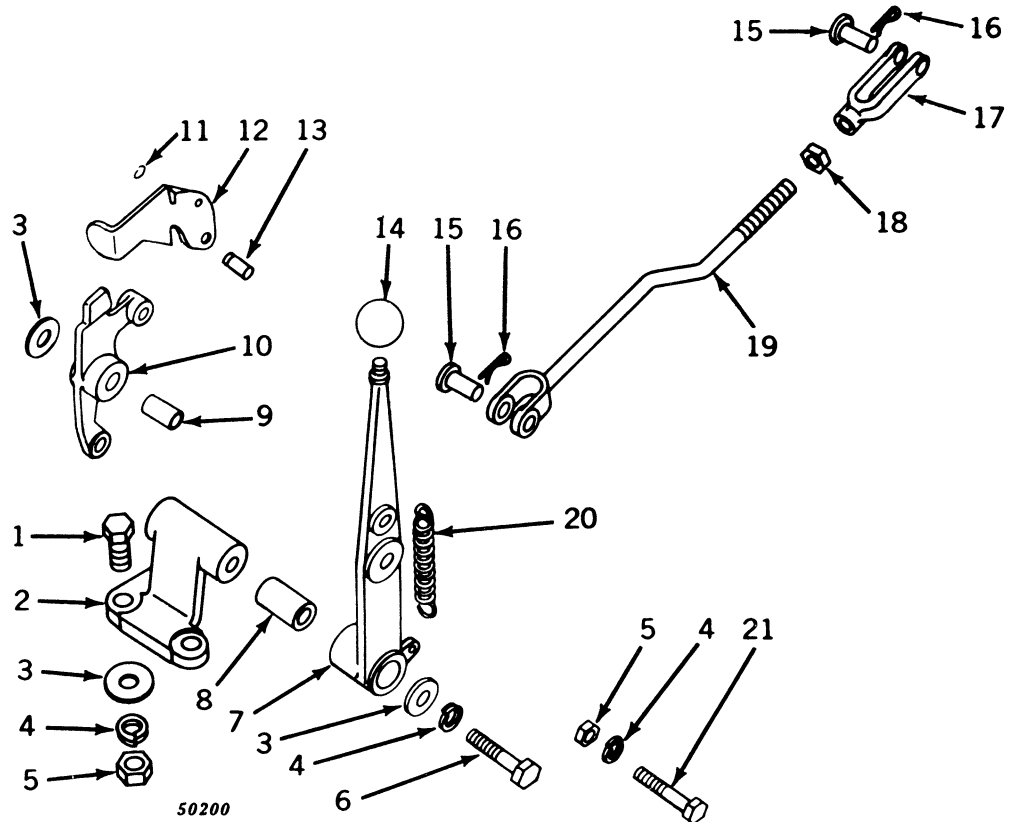
Key	Part No.	Serial No.	Description
1	M 2396 T	(-139999)	Ring, snap (packed 10 in a pkg.)
2	AM 2940 T	(-139999)	Latch, with pin
3	M 1340 T	(-139999)	Washer, plain, special (2 used)
4	M 3183 T	(-139999)	Lever, float
5	34H 173 A	(-139999)	Pin, roll, 5/16" x 13/16"
6	M 3185 T	(-139999)	Spacer
7A	M 3197 T	(-108921)	Bracket
7B	M 4038 T	(108922-139999)	Bracket
8	14H 812 A	(-139999)	Nut, hex., 3/8" (3 used)
9	12H 304 A	(-139999)	Washer, lock, 3/8" (4 used)
10	19H 1139 A	(-108921)	Screw, cap, 3/8" x 1-1/8" (2 used)
11	M 526 T	(-139999)	Knob (packed 10 in a pkg.)
12	AM 2939 T	(-108921)	Lever, control, with rollpin
	AM 4003 T	(108922-139999)	Lever, control, with rollpin
13	M 3196 T	(-139999)	Spacer
14	19H 1801 A	(-139999)	Screw, cap, 3/8" x 2" (2 used)
15	11H 206 A	(-139999)	Pin, cotter, 3/32" x 3/4" (4 used)
16	L 4668 T	(-139999)	Pin (4 used)
17	AM 2937 T	(-108921)	Rod, control (2 used)
	AM 3730 T	(108922-139999)	Rod, control (2 used)
18	14H 774 A	(-139999)	Nut, hex., 3/8" (2 used)
19	L 324 T	(-139999)	End, yoke (2 used)
20	M 3184 T	(-139999)	Spring
21	19H 1905 A	(108922-139999)	Screw, cap, 5/16" x 1" (2 used)
22	12H 303 A	(108922-139999)	Washer, lock, 5/16"

SINGLE REMOTE CONTROL LEVER ASSEMBLY
Crawler (Serial No. 140000-Up)



Key	Part No.	Serial No.	Description
1	19H 1139 A	(140000-) Screw, cap, 3/8" x 1-1/8" (3 used)
2	M 3201 T	(140000-) Bracket
3	M 1340 T	(140000-) Washer, plain, special (5 used)
4	12H 304 A	(140000-) Washer, lock, 3/8" (5 used)
5	14H 812 A	(140000-) Nut, hex., 3/8" (4 used)
6	19H 1801 A	(140000-) Screw, cap, 3/8" x 2"
7	AM 4003 T	(140000-) Lever, control, with rollpin (2 used) (sub. for AM2939T)
8	M 3196 T	(140000-) Spacer
9	M 3185 T	(140000-) Spacer
10	M 3183 T	(140000-) Lever, float
11	M 2396 T	(140000-) Ring, snap (packed 10 in a pkg.)
12	AM 2940 T	(140000-) Latch, with pin
13	34H 173 A	(140000-) Pin, roll, 5/16" x 13/16"
14	M 526 T	(140000-) Knob
15	L 4668 T	(140000-) Pin (4 used)
16	11H 206 A	(140000-) Pin, cotter, 3/32" x 3/4" (4 used)
17	L 324 T	(140000-) Yoke (2 used)
18	14H 774 A	(140000-) Nut, hex., jam, 3/8" (2 used)
19	AM 2951 T	(140000-) Rod, control (2 used)
20	M 3184 T	(140000-) Spring
21	19H 1801 A	(140000-) Screw, cap, 3/8" x 2"

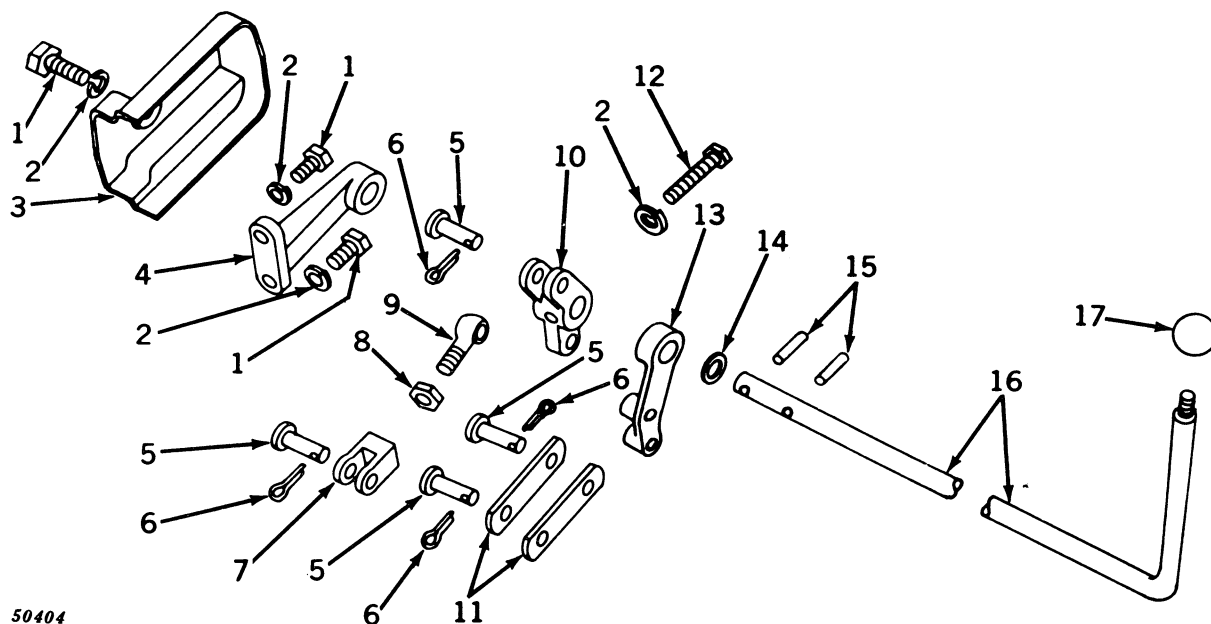
DOUBLE REMOTE CONTROL LEVER ASSEMBLY
Crawler



50200

Key	Part No.	Serial No.	Description
1	19H 1139 A	(-)	Screw, cap, 3/8" x 1-1/8" (3 used)
2	M 3201 T	(-)	Bracket
3	M 1340 T	(-)	Washer, plain, special (7 used)
4	12H 304 A	(-)	Washer, lock, 3/8" (7 used)
5	14H 812 A	(-)	Nut, hex., 3/8" (5 used)
6	19H 1726 A	(-)	Screw, cap, 3/8" x 2-1/4" (2 used)
7	AM 4003 T	(-)	Lever, control, with rollpin (2 used) (sub. for AM2939T)
8	M 3196 T	(-)	Spacer (2 used)
9	M 3185 T	(-)	Spacer (2 used)
10	M 3183 T	(-)	Lever, float (2 used)
11	M 2396 T	(-)	Ring, snap (2 used) (packed 10 in a pkg.)
12	AM 2940 T	(-)	Latch, with pin (2 used)
13	34H 173 A	(-)	Pin, roll, 5/16" x 13/16" (2 used)
14	M 526 T	(-)	Knob (2 used)
15	L 4668 T	(-)	Pin (8 used)
16	11H 206 A	(-)	Pin, cotter, 3/32" x 3/4" (8 used)
17	L 324 T	(-)	Yoke (4 used)
18	14H 774 A	(-)	Nut, hex., jam, 3/8" (4 used)
19	AM 2951 T	(-)	Rod, control (4 used)
20	M 3184 T	(-)	Spring (2 used)
21	19H 1801 A	(-)	Screw, cap, 3/8" x 2" (2 used)

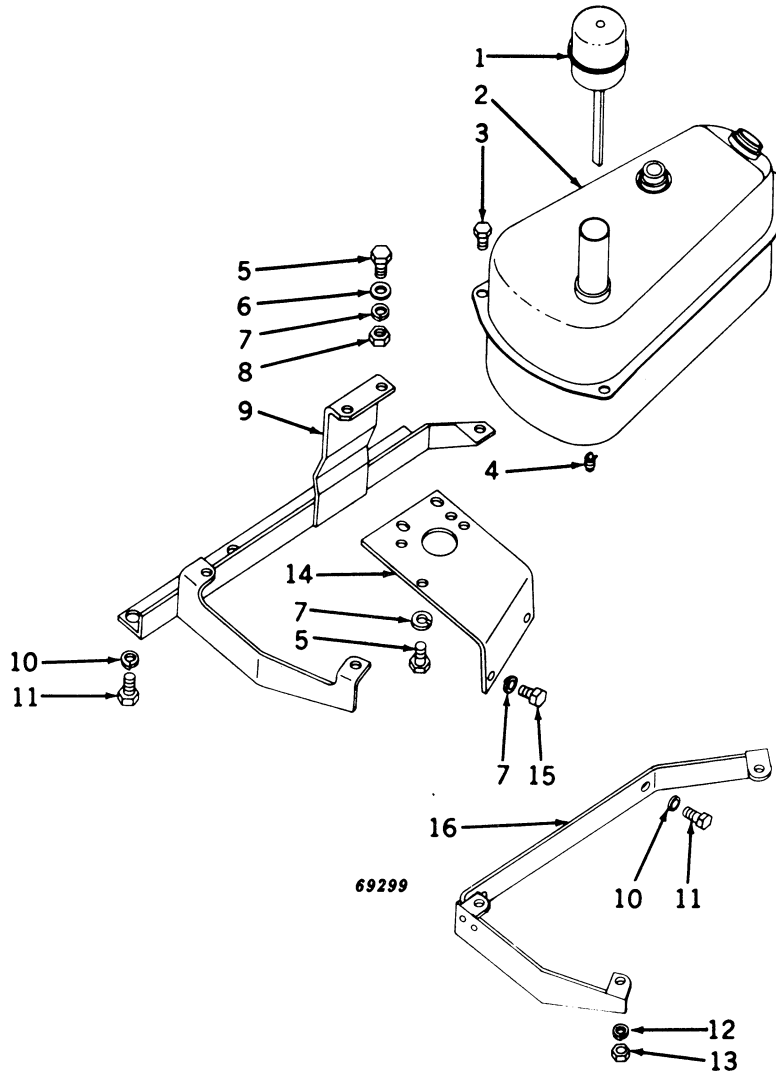
CONTROLS AND LINKAGE FOR CONTROL VALVE ASSEMBLY
Hi-Crop, Special Utility, Standard, Tricycle, Utility, and Row-Crop Utility



50404

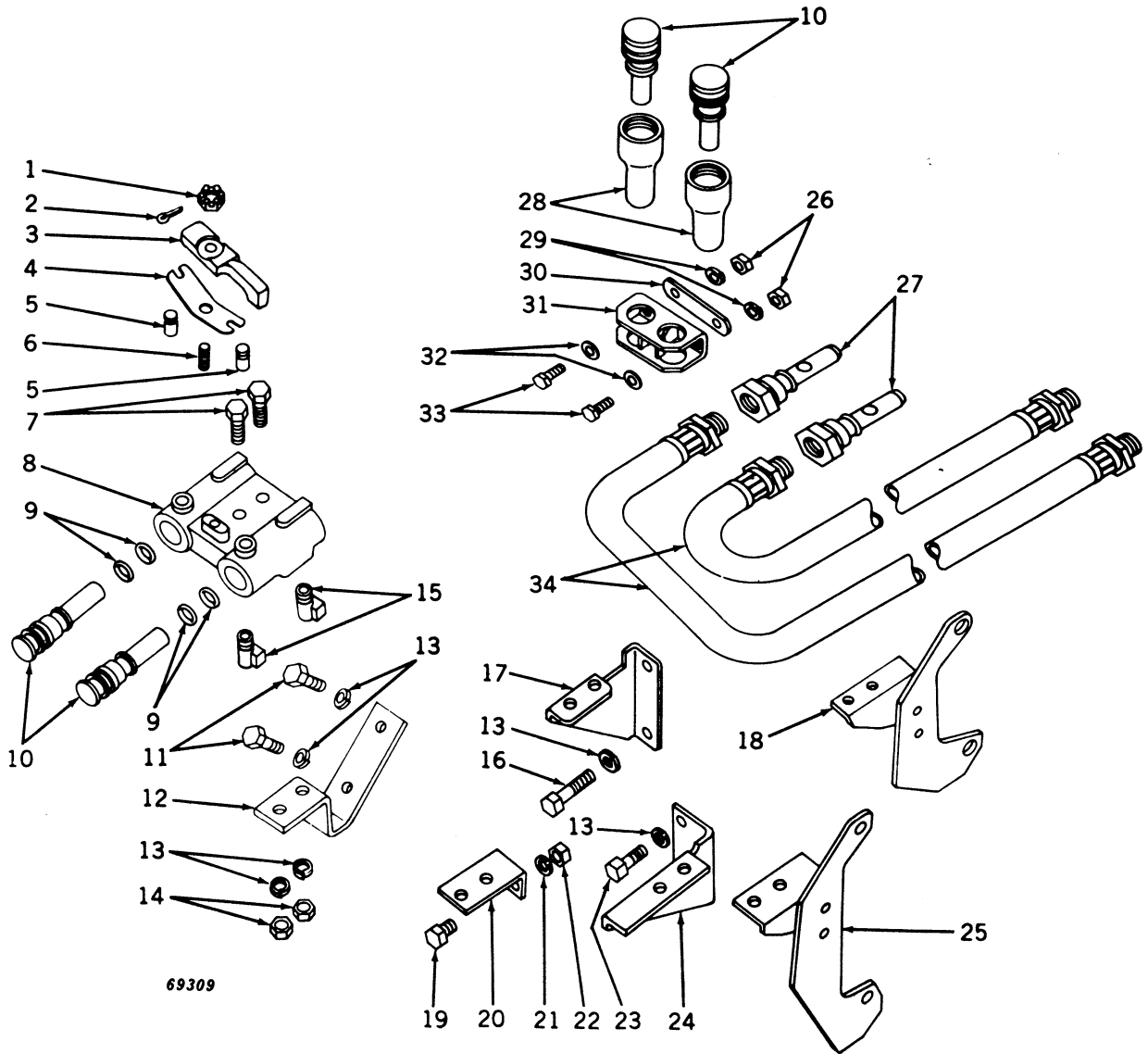
Key	Part No.	Serial No.	Description
1	19H 2127 A	(-)	Screw, cap, 5/16" x 7/8" (3 used)
2	12H 303 A	(-)	Washer, lock, 5/16" (5 used)
3	M 2636 T	(-)	Guard
4	M 2615 T	(-)	Bracket, control shaft, left
5	L 4668 T	(-)	Pin (4 used)
6	11H 206 A	(-)	Pin, cotter, 3/32" x 3/4" (4 used)
7	M 1716 T	(-)	End, yoke
8	14H 774 A	(-)	Nut, hex., jam
9	M 2634 T	(-)	Bolt, eye
10	M 2616 T	(-)	Crank
11	M 2635 T	(-)	Link (2 used)
12	19H 1275 A	(-)	Screw, cap, 5/16" x 1-5/8" (2 used) (H, I, T, and W)
	19H 2043 A	(-)	Screw, cap, 5/16" x 3-1/2" (2 used) (S and U)
13	M 2673 T	(-)	Bracket, control, shaft, right (H, I, T, and W)
	M 2617 T	(-)	Bracket, control, shaft, right (S and U)
14	24H 1375 A	(-)	Washer, plain, 21/32" x 1-1/16" x .060"
15	25H 903 A	(-)	Pin, groov-, 7/32" x 1-1/8" (2 used)
16	M 2674 T	(-)	Shaft, control (H, I, T, and W)
	M 2637 T	(-)	Shaft, control (S and U)
17	M 526 T	(-)	Knob

OIL RESERVOIR ASSEMBLY
Crawler



Key	Part No.	Serial No.	Description
1	AM 1319 T	(-)	Gauge, oil, with breather cap (sub. for AM1337T)
2	AM 2936 T	(-)	Reservoir, oil
3	19H 1900 A	(-139999)	Screw, cap, 5/16" x 3/4" (3 used)
	19H 1936 A	(140000-)	Screw, cap, 3/8" x 3/4" (3 used)
4	AM 1320 T	(-)	Plug, magnetic drain
5	19H 1731 A	(-139999)	Screw, cap, 3/8" x 1" (5 used)
6	M 413 T	(-139999)	Washer, plain, special (2 used)
7	12H 304 A	(-139999)	Washer, lock, 3/8" (7 used)
8	14H 812 A	(-139999)	Nut, hex., 3/8" (2 used)
9	AM 2935 T	(-100000)	Bracket
	AM 3314 T	(100001-131308)	Bracket
	AT 10633 T	(131309-139999)	Bracket
10	12H 293 A	(-)	Washer, lock, 7/16" (2 used)
11	19H 1822 A	(-100000)	Screw, cap, 7/16" x 1" (2 used)
	19H 1773 A	(100001-131308)	Screw, cap, 7/16" x 1-1/8" (2 used)
	19H 1822 A	(131309-)	Screw, cap, 7/16" x 1" (2 used)
12	12H 303 A	(-139999)	Washer, lock, 5/16" (3 used)
	12H 304 A	(140000-)	Washer, lock, 3/8" (3 used)
13	14H 785 A	(-139999)	Nut, hex., 5/16" (3 used)
14	M 3195 T	(-139999)	Support, valve
15	19H 2021 A	(-139999)	Screw, cap, 3/8" x 5/8"
16	AT 10877 T	(140000-)	Bracket

BREAKAWAY COUPLING AND COUPLING BRACKET

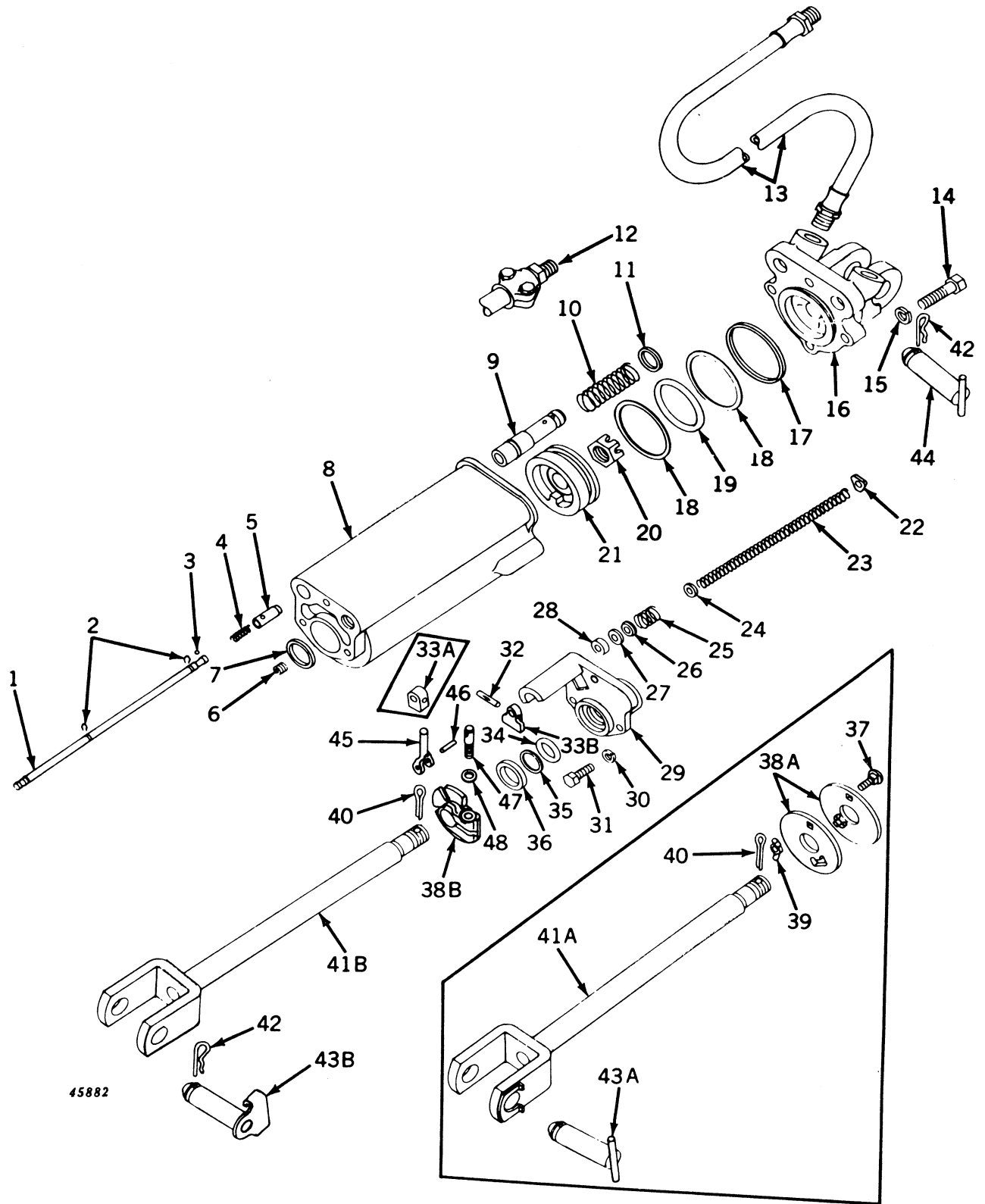


69309

BREAKAWAY COUPLING AND COUPLING BRACKET -- Continued

Key	Part No.	Serial No.	Description
1	14H 511 A	(-)	Nut, hex., slotted, 5/16"
2	11H 231 A	(-)	Pin, cotter, 1/16" x 1"
3	A 3611 R	(-)	Cam
4	A 3610 R	(-)	Spring (packed 5 in a pkg.)
5	A 3609 R	(-)	Pawl (2 used) (packed 5 in a pkg.)
6	A 3612 R	(-)	Stud
7	19H 1800 A	(-)	Screw, cap, 3/8" x 1-1/2" (2 used)
8	M 1323 T	(-)	Body (sub. for AM1334T)
9	A 3190 R	(-)	Seal, O-ring (4 used) (pkg. of 5)
10	M 1324 T	(-)	Plug (2 used) (sub. for AM1335T)
11	19H 1731 A	(-)	Screw, cap, 3/8" x 1" (2 used) (T)
12	M 2678 T	(-)	Bracket, coupling (T)
13	12H 304 A	(-)	Washer, lock, 3/8" (4 used)
14	14H 812 A	(-)	Nut, hex., 3/8" (2 used)
15	M 1342 T	(-)	Elbow (2 used)
16	19H 1726 A	(-)	Screw, cap, 3/8" x 2-1/4" (2 used) (I and W)
17	M 3828 T	(-)	Bracket, coupling (I and W) (also order one AM3514T, one AM3515T, and two 19H1726A) (sub. for M3350T)
18	AM 2841 T	(-)	Bracket, coupling (S and U)
19	19H 1900 A	(-)	Screw, cap, 5/16" x 3/4" (2 used) (C, single remote system)
20	M 2127 T	(-)	Bracket, coupling (C, single remote system)
21	12H 303 A	(-)	Washer, lock, 5/16" (2 used) (C, single remote system)
22	14H 785 A	(-)	Nut, hex., 5/16" (2 used) (C, single remote system)
23	19H 1139 A	(-)	Screw, cap, 3/8" x 1-1/8" (2 used) (C, double remote system)
24	M 3206 T	(-)	Bracket, coupling (C, double remote system)
25	AM 2753 T	(-)	Bracket, coupling (H)
26	14H 812 A	(-)	Nut, hex., 3/8" (2 used) (C, S, and U)
	14H 786 A	(-)	Nut, hex., 1/4" (2 used) (H, I, T, and W)
27	A 3613 R	(-)	Coupling (2 used)
28	A 3614 R	(-)	Cap (2 used) (packed 5 in a pkg.)
29	12H 304 A	(-)	Washer, lock, 3/8" (2 used) (C, S, and U)
	12H 302 A	(-)	Washer, lock, 1/4" (2 used) (H, I, T, and W)
30	M 1980 T	(-)	Clamp (H, I, T, and W)
31	AA 3754 R	(-)	Bracket, plug, with spring
32	24H 1303 A	(-)	Washer, plain, 13/32" x 11/16" x .060" (2 used) (C, S, and U)
	24H 1287 A	(-)	Washer, plain, 9/32" x 5/8" x .060" (2 used) (H, I, T, and W)
33	19H 1936 A	(-)	Screw, cap, 3/8" x 3/4" (2 used) (C, S, and U)
	19H 1948 A	(-)	Screw, cap, 1/4" x 3/4" (2 used) (H, T, I, and W)
34	AA 4279 R	(-)	Line, flexible, oil (2 used)

REMOTE CONTROL CYLINDER ASSEMBLY

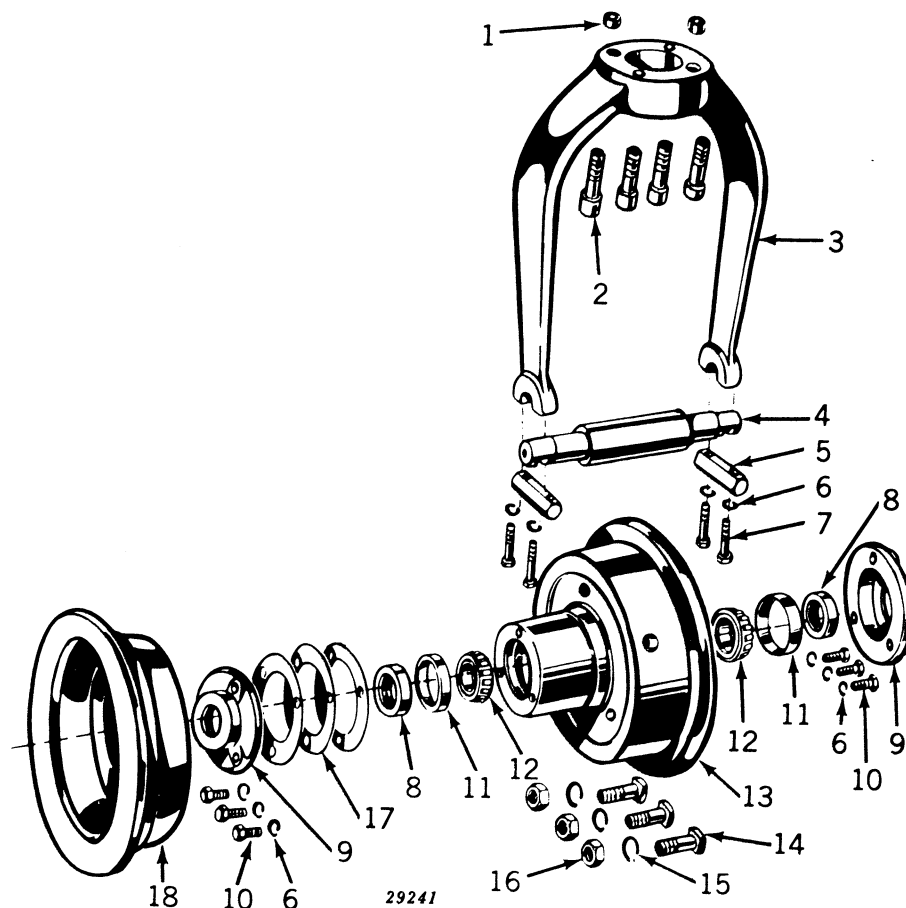


45882

REMOTE CONTROL CYLINDER ASSEMBLY -- Continued

Key	Part No.	Serial No.	Description
1	A 4736 R	(3-1/2 RC100 -)	Rod, stop
2	A 4739 R	(3-1/2 RC100 -)	Ring, snap (2 used) (packed 2 in a pkg.)
3	A 4742 R	(3-1/2 RC100 -)	Ball, bleed valve (packed 2 in a pkg.)
4	A 4741 R	(3-1/2 RC100 -)	Spring, bleed valve
5	AA 5731 R	(3-1/2 RC100 -)	Valve, bleed (sub. for A4740R)
6	A 3125 R	(3-1/2 RC100 -)	Plug, pipe
7	F 1441 R	(3-1/2 RC100 -)	Gasket, piston rod guide (packed 2 in a pkg.)
8	F 1425 R	(3-1/2 RC100 -)	Cylinder, remote, housing
9	AA 5731 R	(3-1/2 RC100 -)	Valve, stop (sub. for A4743R)
10	A 4744 R	(3-1/2 RC100 -)	Spring, stop valve
11	A 4723 R	(3-1/2 RC100 -)	Gasket (packed 5 in a pkg.)
12	AA 4864 R	(3-1/2 RC100 -)	Coupling for flexible oil line
13	AA 4542 R	(3-1/2 RC100 -)	Line, flexible oil, 88" (2 used) (sub. for AA4279R)
14	19H 474 A	(3-1/2 RC100 -)	Screw, cap, 1/2" x 1-7/8" (4 used)
15	12H 301 A	(3-1/2 RC100 -)	Washer, lock, 1/2" (4 used)
16	F 1426 R	(3-1/2 RC100 -)	Cap, remote cylinder
17	F 1427 R	(3-1/2 RC100 -)	Gasket (packed 2 in a pkg.)
18	F 1431 R	(3-1/2 RC100 -)	Washer, piston packing (2 used) (packed 5 in a pkg.)
19	F 1430 R	(3-1/2 RC100 -)	Packing, "O" ring (packed 2 in a pkg.)
20	F 2439 R	(3-1/2 RC100 -)	Nut, special lock (sub. for C1104R) (packed 5 in a pkg.)
21	F 1428 R	(3-1/2 RC100 -)	Piston
22	A 4738 R	(3-1/2 RC100 -)	Washer, stop rod
23	A 4737 R	(3-1/2 RC100 -)	Spring, stop rod
24	24H 1301 A	(3-1/2 RC100 -)	Washer, plain, 13/32" x 9/16" x .060"
25	A 4748 R	(3-1/2 RC100 -)	Spring, stop rod packing
26	A 4747 R	(3-1/2 RC100 -)	Adaptor, stop rod packing, male (packed 2 in a pkg.)
27	A 4745 R	(3-1/2 RC100 -)	V-packing, stop rod (3 used) (packed 5 in a pkg.)
28	A 4746 R	(3-1/2 RC100 -)	Adaptor, stop rod packing, female
29	F 1440 R	(3-1/2 RC100 -)	Guide, piston rod
30	12H 304 A	(3-1/2 RC100 -)	Washer, lock, 3/8" (3 used)
31	19H 1731 A	(3-1/2 RC100 -)	Screw, cap, 3/8" x 1" (3 used)
32	25H 760 A	(3-1/2 RC100 -)	Pin, groov-, 7/32" x 1-1/4"
33A	A 4749 R	(3-1/2 RC100 -29375)	Arm, stop rod (sub. A5304R)
33B	A 5304 R	(3-1/2 RC29376-)	Arm, stop rod
34	A 3606 R	(3-1/2 RC100 -)	Packing, "O" ring piston rod (packed 5 in a pkg.)
35	F 1432 R	(3-1/2 RC100 -)	Washer, piston rod packing (packed 2 in a pkg.)
36	AP 19547 H	(3-1/2 RC100 -)	Seal, oil, piston rod wiper
37	3H 1524 A	(3-1/2 RC100 -29375)	Bolt, cge., 5/16" x 1"
38A	F 1435 R	(3-1/2 RC100 -29375)	Stop, piston rod (2 used) (sub. R27423R with A5302R, 34H58A, A5301R, and R1870R)
38B	R 27423 R	(3-1/2 RC29376-)	Stop, piston rod (sub. for F2300R)
39	A 4735 R	(3-1/2 RC100 -29375)	Nut, wing
40	11H 237 A	(3-1/2 RC100 -)	Pin, cotter, 1/8" x 2"
41A	AF 1588 R	(3-1/2 RC100 -29375)	Rod, piston, with yoke and clip (sub. one AA6307R and one AF2433R)
41B	AF 2433 R	(3-1/2 RC29376-)	Rod, piston, with yoke
42	A 3581 R	(3-1/2 RC100 -)	Pin, spring locking (2 used) (packed 25 in a pkg.)
43A	AA 5605 R	(3-1/2 RC100 -)	Pin, attaching (sub. one AA6307R)
43B	AA 6307 R	(3-1/2 RC29376-)	Pin, attaching, with clip
44	AA 5605 R	(3-1/2 RC100 -29375)	Pin, attaching (sub. one AA6309R)
	AA 6309 R	(3-1/2 RC29376-)	Pin, attaching
45	A 5302 R	(3-1/2 RC29376-)	Lever, stop
46	34H 58 A	(3-1/2 RC29376-)	Pin, roll, 5/32" x 7/8" in stop lever
47	A 5301 R	(3-1/2 RC29376-)	Screw, stop
48	R 1870 R	(3-1/2 RC29376-)	Washer, on stop screw (sub. for A147R) (packed 2 in a pkg.)

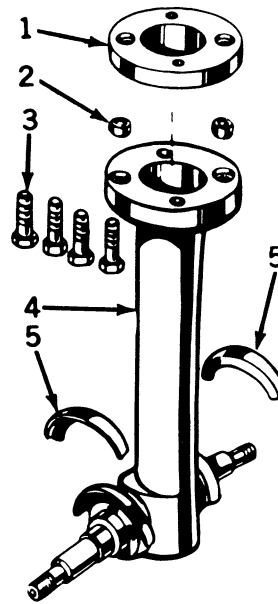
SINGLE FRONT WHEEL ATTACHMENT
Tricycle



Key	Part No.	Serial No.	Description
1	M 14 T	(-)	Dowel, hollow (2 used)
2	M 1172 T	(-)	Screw, cap, 5/8" x 2-1/4" (4 used)
3	M 1171 T	(-)	Fork (sub. for AM1187T)
4	M 1174 T	(-)	Shaft, axle (sub. for AM1185T)
5	M 1180 T	(-)	Clamp (2 used)
6	12H 304 A	(-)	Washer, lock, 3/8" (10 used)
7	19H 1082 A	(-)	Screw, cap, 3/8" x 1-3/4" (4 used)
8	AM 1162 T	(-)	Seal, oil (2 used)
9	M 1178 T	(-)	Cover, bearing (2 used) (sub. for AM1186T)
10	19H 1731 A	(-)	Screw, cap, 3/8" x 1" (6 used)
11	JD 7449 D	(-)	Cup, bearing (2 used)
12	JD 8134 D	(-)	Cone, bearing (2 used)
13	M 1173 T	(-)	Rim half, with hub (sub. for AM1174T)
14	8H 961 A	(-)	Bolt, mach., 5/8" x 2", sq. hd., less nut (3 used)
15	12H 294 A	(-)	Washer, lock, 5/8" (3 used)
16	14H 760 A	(-)	Nut, hex., 5/8" (3 used)
17	M 1177 T	(-)	Shim, axle bearing cover, .002" (use quantity required) (packed 4 in a pkg.)
	M 1176 T	(-)	Shim, axle bearing cover, .005" (use quantity required) (packed 4 in a pkg.)
	M 1175 T	(-)	Shim, axle bearing cover, .010" (use quantity required) (packed 2 in a pkg.)
18	M 1179 T	(-)	Rim half (sub. for AM1176T)
..	AM 1037 T	(-)	SINGLE FRONT WHEEL (ATTACHMENT)

Capital letters indicate an attachment. Attachments must be listed on separate order from replacement order.

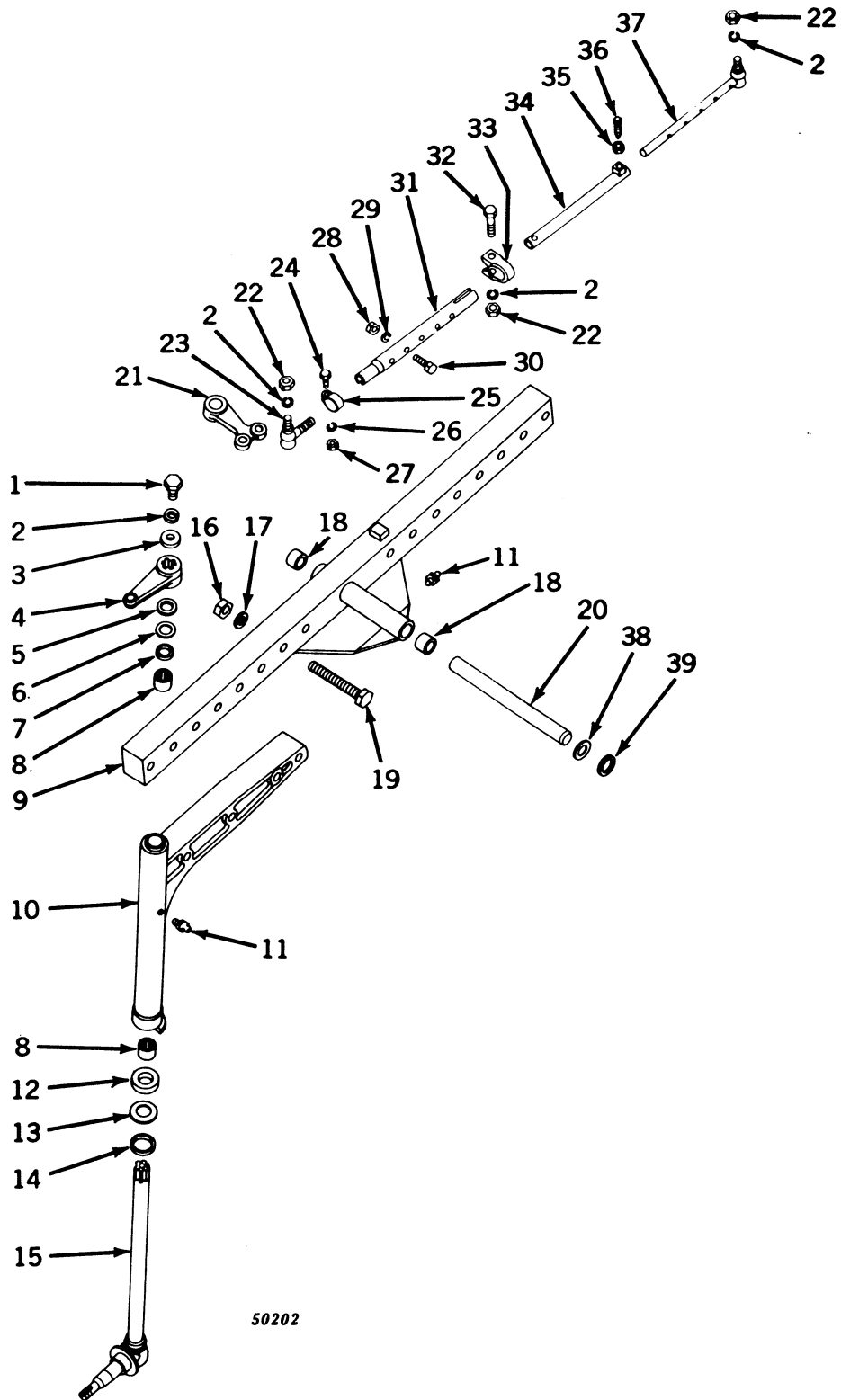
DUAL FRONT WHEEL ASSEMBLY



50213

Key	Part No.	Serial No.	Description
1	M 1646 T	(-)	Spacer
2	M 14 T	(-)	Dowel, hollow, 15" rim (2 used)
	M 1647 T	(-)	Dowel, hollow, 16" rim (2 used)
3	19H 1364 A	(-)	Screw, cap, 5/8" x 1-7/8" (15" rim) (4 used)
	19H 1414 A	(-)	Screw, cap, 5/8" x 2-5/8" (16" rim) (4 used)
4	AM 914 T	(-)	Spindle (M961T) and double (M962T) assembly with dust shields (sub. for AM958T)
5	H 196 RT	(-)	Shield, dust (2 used)

ADJUSTABLE FRONT AXLE ASSEMBLY
Hi-Crop

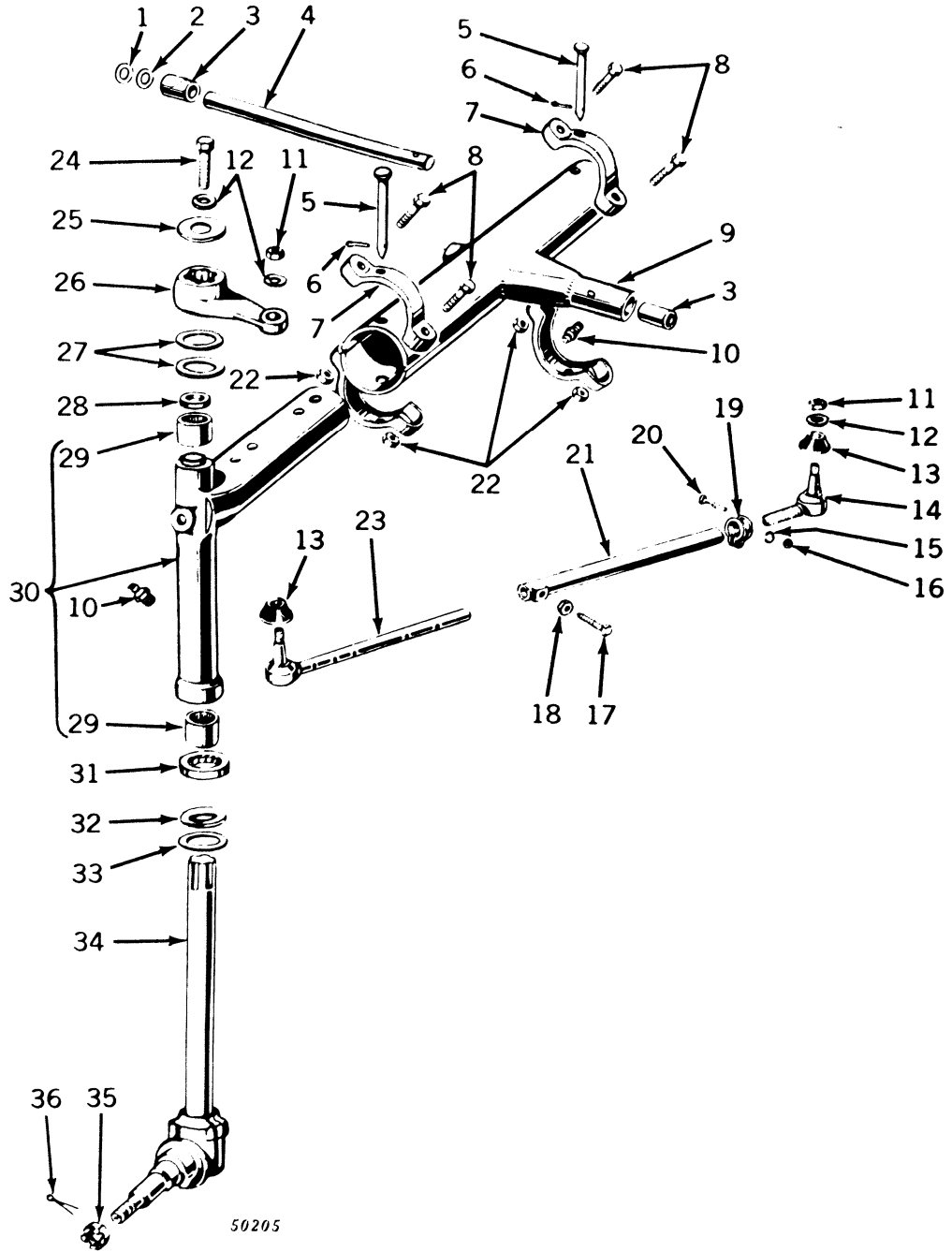


50202

ADJUSTABLE FRONT AXLE ASSEMBLY -- Continued
Hi-Crop

Key	Part No.	Serial No.	Description
1	19H 1851 A	(-)	Screw, cap, 1/2" x 1-1/4" (2 used)
2	12H 301 A	(-)	Washer, lock, 1/2" (8 used)
3	M 557 T	(-)	Washer, plain (special) (2 used)
4	M 3433 T	(-)	Arm, steering, right (sub. for M2706T)
	M 3434 T	(-)	Arm, steering, left (sub. for M2707T)
5	M 1249 T	(-)	Shim, .010" (approx. 2 used) (packed 5 in a pkg.)
6	M 1250 T	(-)	Shim, .027" (approx. 1 used) (packed 2 in a pkg.)
7	M 1518 T	(-)	Seal, spindle, upper (2 used)
8	JD 8820 T	(-)	Bearing, needle (4 used)
9	AM 2468 T	(-)	Bar, axle assembly, with bushings and grease fittings
10	AM 2461 T	(-)	End, adjustable (M2694T), with needle bearings and grease fittings (2 used)
11	JD 7759	(-)	Fitting, grease (3 used)
12	JD 8407 H	(-)	Bearing, thrust (2 used)
13	M 2283 T	(-)	Retainer, lower seal (2 used)
14	M 2282 T	(-)	Seal, spindle, lower (2 used)
15	AM 2462 T	(-)	Spindle (M2695T) and knuckle (M2216T) assembly (2 used)
16	14H 863 A	(-)	Nut, hex., 3/4" (4 used)
17	24H 1392 A	(-)	Washer, plain, 25/32" x 1-3/8" x .120" (4 used)
18	M 1114 T	(-)	Bushing (2 used)
19	M 2696 T	(-)	Screw, cap, special, 3/4" x 6" (4 used)
20	M 2666 T	(-)	Shaft, pivot
21	T 11329 T	(-)	Arm, steering, center (sub. for M2742T)
22	14H 865 A	(-)	Nut, hex., 1/2" (6 used)
23	AM 496 T	(-)	End, tie rod, with dust cover and hex. nut (2 used) (sub. for AM498T)
24	19H 1000 A	(-)	Screw, cap, 3/8" x 1-5/8" (2 used)
25	M 2300 T	(-)	Clamp (2 used)
26	12H 304 A	(-)	Washer, lock, 3/8" (2 used)
27	14H 846 A	(-)	Nut, hex., 3/8" (2 used)
28	14H 650 A	(-)	Nut, hex., 5/16" (2 used)
29	12H 303 A	(-)	Washer, lock, 5/16" (2 used)
30	19H 1061 A	(-)	Screw, cap, 5/16" x 1-5/8" (2 used)
31	M 2740 T	(-)	Tube, tie rod, outer (2 used)
32	19H 485 A	(-)	Screw, cap, 1/2" x 2-1/4" (2 used)
33	M 2301 T	(-)	Clamp (2 used)
34	AM 2542 T	(-)	Tube, tie rod, inner (2 used)
35	14H 463 A	(-)	Nut, hex., jam, 5/16" (2 used)
36	M 2561 T	(-)	Screw, set, 5/16" x 27/32" (2 used)
37	AM 2543 T	(-)	End, adjustable (2 used)
38	M 4144 T	(-)	Washer, plain, special, 1-13/32" x 2" x .090" (2 used)
39	M 4143 T	(-)	Washer, plain, special, 1-13/32" x 2" x .030"

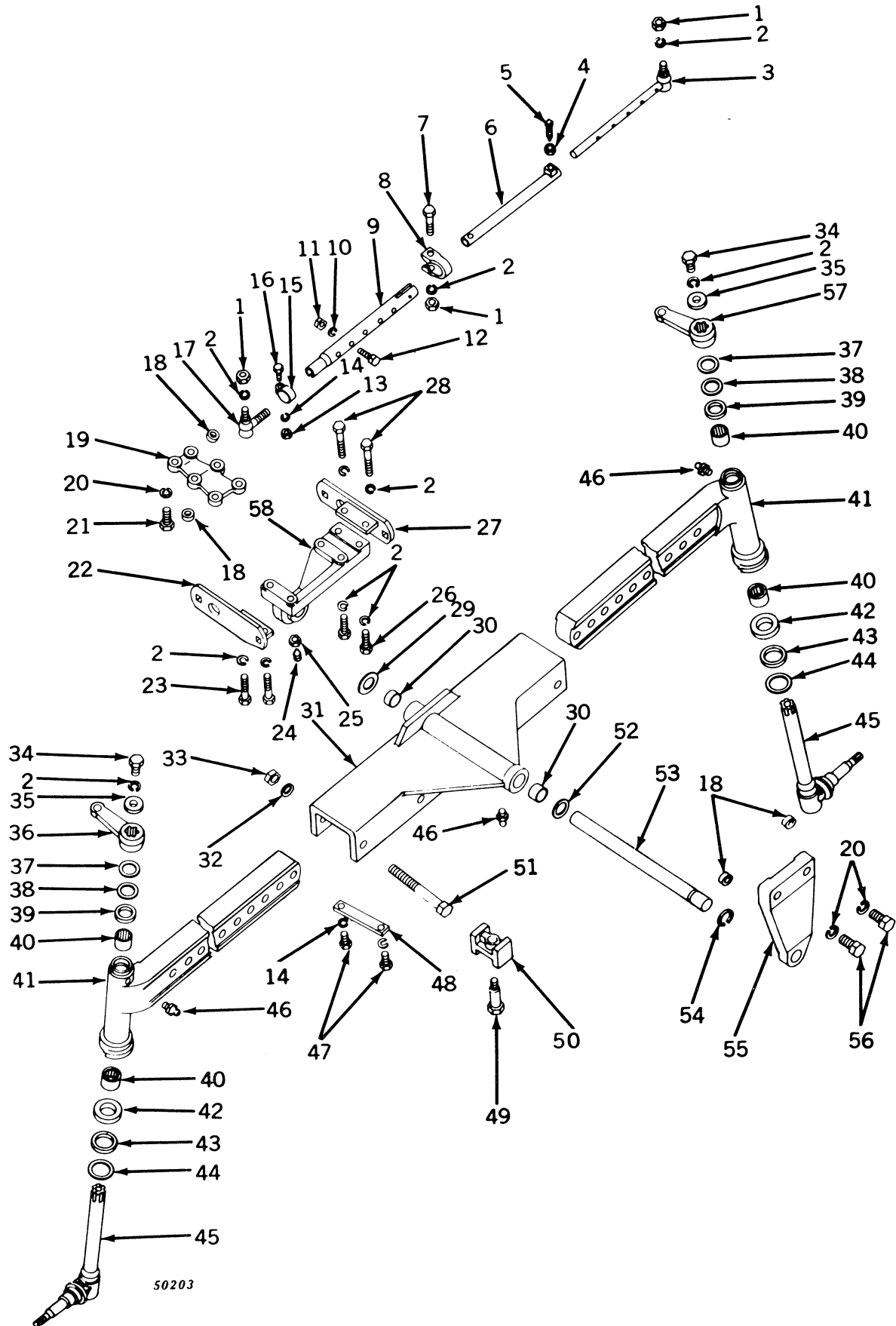
ADJUSTABLE FRONT AXLE
Standard



ADJUSTABLE FRONT AXLE
Standard

Key	Part No.	Serial No.	Description
1	M 4143 T	(-)	Washer, plain, 1-13/32" x 2" x .030", special
2	M 4144 T	(-)	Washer, plain, 1-13/32" x 2" x .090", special (2 used)
3	M 1111 T	(-)	Bushing (2 used)
4	M 2666 T	(-)	Shaft, pivot
5	M 1387 T	(-)	Pin, clamp (2 used)
6	11H 236 A	(-)	Pin, cotter, 1/8" x 1" (2 used)
7	M 1460 T	(-)	Clamp (4 used) (sub. for AM1474T)
8	19H 1456 A	(-)	Screw, cap, 5/8" x 3-1/4" (4 used)
9	AM 2639 T	(-)	Axle, cross tube assembly, with bushings and grease fitting
10	JD 7759	(-)	Fitting, grease (3 used)
11	14H 865 A	(-)	Nut, hex., 1/2" (4 used)
12	12H 301 A	(-)	Washer, lock, 1/2" (6 used)
13	M 648 T	(-)	Cover, dust (4 used)
14	AM 496 T	(-)	End, with dust cover (2 used) (sub. for AM498T)
15	12H 303 A	(-)	Washer, lock, 5/16" (2 used)
16	14H 650 A	(-)	Nut, hex., 5/16" (2 used)
17	M 2561 T	(-)	Screw, set, special (2 used)
18	14H 463 A	(-)	Nut, hex., jam, 5/16" (2 used)
19	L 409 T	(-)	Clamp (2 used) (packed 3 in a pkg.)
20	L 410 T	(-)	Bolt, special (2 used)
21	AM 2795 T	(-)	Tube, tie rod (2 used) (sub. for AM524T)
22	14H 808 A	(-)	Nut, hex., 5/8" (4 used)
23	AM 3951 T	(-)	End, adjustable (2 used) (sub. for AM2001T)
24	19H 1815 A	(-)	Screw, cap, 1/2" x 1-1/4" (2 used)
25	M 557 T	(-)	Washer (2 used)
26	M 2811 T	(-)	Arm, steering, right
	M 2812 T	(-)	Arm, steering, left
27	M 1249 T	(-)	Shim, .010" (approx. 2 per spindle) (packed 5 in a pkg.)
	M 1250 T	(-)	Shim, .027" (approx. 2 per spindle) (packed 2 in a pkg.)
28	M 1518 T	(-)	Seal, upper (2 used)
29	JD 8820 T	(-)	Bearing, needle (4 used)
30	AM 3952 T	(-)	Pipe, adjustable, with needle bearings and grease fitting (2 used) (sub. for AM2570T)
31	JD 8407 H	(-)	Bearing, thrust (2 used)
32	M 2283 T	(-)	Retainer (2 used)
33	M 2282 T	(-)	Seal, lower (2 used)
34	AM 2571 T	(-)	Spindle (M2749T) and knuckle (M2216T) assembly (2 used)
35	14H 534 A	(-)	Nut, hex., 3/4" (2 used)
36	11H 240 A	(-)	Pin, cotter, 5/32" x 1-1/2" (2 used) (knuckle with keyway)
	11H 218 A	(-)	Pin, cotter, 3/16" x 1-1/2" (2 used) (knuckle without keyway)

ADJUSTABLE FRONT AXLE (48-80-INCH)
Tricycle

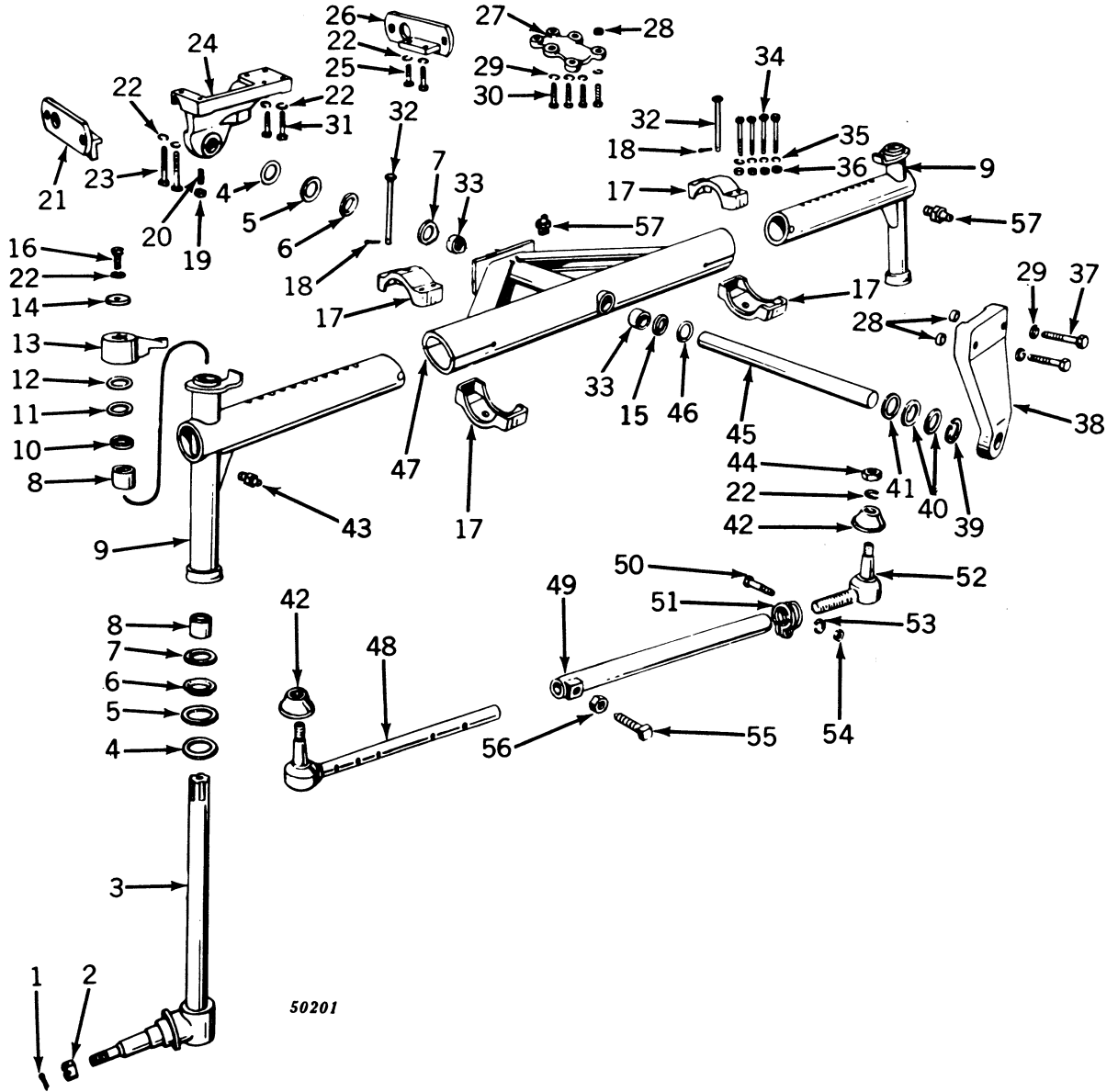


50203

ADJUSTABLE FRONT AXLE (48-80-INCH) -- Continued
Tricycle

Key	Part No.	Serial No.	Description
1	14H 865 A	(-)	Nut, hex., 1/2" (6 used)
2	12H 301 A	(-)	Washer, lock, 1/2" (14 used)
3	AM 2793 T	(-)	End, adjustable (2 used) (sub. for AM2086T)
4	14H 463 A	(-)	Nut, hex., jam, 5/16" (2 used)
5	M 2561 T	(-)	Screw, set, 5/16" x 27/32" (2 used)
6	AM 2794 T	(-)	Tube, tie rod, inner (2 used) (sub. for AM2087T)
7	19H 485 A	(-)	Screw, cap, 1/2" x 2-1/4" (2 used)
8	M 2301 T	(-)	Clamp (2 used)
9	M 2961 T	(-)	Tube, tie rod, outer (2 used) (sub. for M2299T)
10	12H 303 A	(-)	Washer, lock, 5/16" (2 used)
11	14H 650 A	(-)	Nut, hex., 5/16" (2 used)
12	19H 1061 A	(-)	Screw, cap, 5/16" x 1-5/8" (2 used)
13	14H 846 A	(-)	Nut, hex., 3/8" (2 used)
14	12H 304 A	(-)	Washer, lock, 3/8" (8 used)
15	M 2300 T	(-)	Clamp (2 used)
16	19H 1000 A	(-)	Screw, cap, 3/8" x 1-5/8" (2 used)
17	AM 496 T	(-)	End, tie rod, with dust cover and hex. nut (2 used) (sub. for AM498T)
18	M 14 T	(-119292)	Dowel, hollow (4 used)
	M 14 T	(119293-)	Dowel, steering lever (2 used)
	M 4158 T	(119293-)	Dowel, front pivot shaft support (2 used)
19	M 2219 T	(-)	Lever, steering
20	12H 294 A	(-)	Washer, lock (6 used)
21	19H 1338 A	(-)	Screw, cap, 5/8" x 1-1/2"
22	AM 2069 T	(-)	Plate, implement mounting, right
23	19H 1820 A	(-)	Screw, cap, 1/2" x 3" (2 used)
24	22H 713 A	(-119292)	Screw, set, 1/2" x 2"
	22H 727 A	(119293-)	Screw, set, 5/16" x 2-3/4"
25	14H 826 A	(-)	Nut, hex., jam, 1/2"
26	19H 1930 A	(-)	Screw, cap, 1/2" x 2-1/2" (2 used)
27	AM 2070 T	(-)	Plate, implement mounting, left
28	19H 1721 A	(-)	Screw, cap, 1/2" x 1-1/2" (2 used)
29	M 4142 T	(-)	Washer, plain, 1-13/32" x 2-1/2" x .060", special
30	M 1111 T	(-)	Bushing (2 used)
31	AM 2063 T	(-)	Center assembly (M2225T)
32	L 273 T	(-)	Washer, plain (3 used)
33	14H 863 A	(-)	Nut, hex., 3/4" (3 used)
34	19H 1815 A	(-)	Screw, cap, 1/2" x 1-1/4" (2 used)
35	M 557 T	(-)	Washer, plain (2 used)
36	M 2217 T	(-)	Arm, steering, right
37	M 1249 T	(-)	Shim, .010" (approx. 2 used each spindle) (packed 5 in a pkg.)
38	M 1250 T	(-)	Shim, .027" (approx. 1 used each spindle) (packed 2 in a pkg.)
39	M 1518 T	(-)	Seal, upper (2 used)
40	JD 8820 T	(-)	Bearing, needle (4 used)
41	AM 2065 T	(-)	End, adjustable (M2280T), with needle bearing and grease fitting (2 used)
42	JD 8407 H	(-)	Bearing, thrust (2 used)
43	M 2283 T	(-)	Retainer, lower seal (2 used)
44	M 2282 T	(-)	Seal, lower (2 used)
45	AM 3816 T	(-)	Spindle (M2281T) and knuckle (M3410T) assembly (2 used) (sub. for AM2066T)
46	JD 7759	(-)	Fitting, grease (3 used)
47	19H 1731 A	(-)	Screw, cap, 3/8" x 1" (6 used)
48	M 2287 T	(-)	Bar, stop (3 used)
49	M 3365 T	(-)	Bolt, spacer (2 used) (sub. for M2286T)
50	M 2171 T	(-)	Spacer (2 used)
51	8H 3813 A	(-)	Bolt, mach., 3/4" x 7" (3 used)
52	M 4144 T	(-)	Washer, plain, 1-13/32" x 2" x .090", special
53	M 1379 T	(-)	Shaft, pivot (sub. for AM1392T)
54	M 1381 T	(-)	Ring, snap
55	M 1392 T	(-119292)	Sub. one M4156T and two M4158T
	M 4156 T	(119293-)	Support, pivot shaft front
56	19H 1847 A	(-)	Screw, cap, 5/8" x 2-1/2" (2 used)
57	M 2218 T	(-)	Arm, steering, left
58	M 2571 T	(-119292)	Sub. one M4159T and one 22H727T
	M 4159 T	(119293-)	Support, pivot shaft rear

ADJUSTABLE FRONT AXLE ATTACHMENT (68"-88")
Tricycle



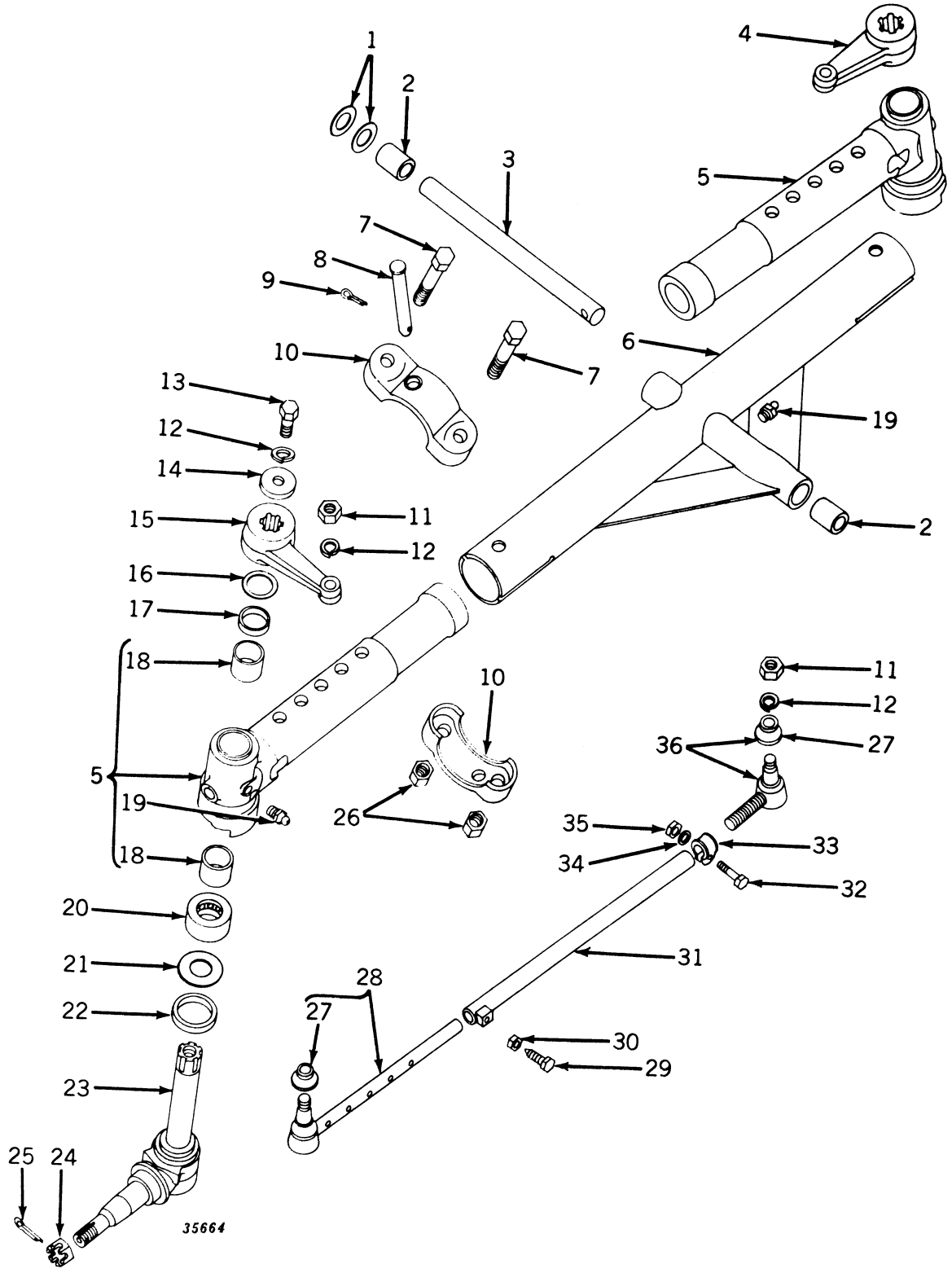
50201

ADJUSTABLE FRONT AXLE ATTACHMENT (68"-88") -- Continued
Tricycle

Key	Part No.	Serial No.	Description
1	11H 240 A	(-)	Pin, cotter, 5/32" x 1-1/2" (2 used) (knuckle with keyway)
	11H 218 A	(-)	Pin, cotter, 3/16" x 1-1/2" (2 used) (knuckle without keyway)
2	14H 534 A	(-)	Nut, hex., slotted, 3/4" (2 used)
3	AM 1369 T	(-)	Spindle (M1385T) and knuckle (L4616T) assembly, front wheel (2 used) (sub. for AM1394T)
4	L 4622 T	(-)	Washer (3 used)
5	M 432 T	(-)	Seal (3 used)
6	L 4620 T	(-)	Washer, thrust (3 used)
7	M 427 T	(-)	Washer, thrust (3 used)
8	JD 8820 T	(-)	Bearing, needle (4 used)
9	AM 1367 T	(-)	Pipe, adjustable front axle, with needle bearings and grease fitting (2 used) (sub. for AM1393T)
10	M 1518 T	(-)	Seal, upper (2 used)
11	M 1250 T	(-)	Shim, steering arm adjusting, .027" (2 used) (packed 2 in a pkg.)
12	M 1249 T	(-)	Shim, steering arm adjusting, .010" (2 used) (packed 5 in a pkg.)
13	M 1251 T	(-)	Arm, steering, right (sub. for AM1277T)
	M 1252 T	(-)	Arm, steering, left (sub. for AM1278T)
14	M 557 T	(-)	Washer (2 used)
15	M 431 T	(-)	Seal
16	19H 1815 A	(-)	Screw, cap, 1/2" x 1-1/4" (2 used)
17	M 1386 T	(-)	Clamp (4 used) (sub. for AM1395T)
18	11H 236 A	(-)	Pin, cotter, 1/8" x 1" (2 used)
19	14H 826 A	(-)	Nut, hex., jam, 1/2"
20	22H 713 A	(-119292)	Screw, set, 1/2" x 2"
	22H 727 A	(119293-)	Screw, set, 1/2" x 2-3/4"
21	AM 2069 T	(-)	Plate, right implement attaching
22	12H 301 A	(-)	Washer, lock, 1/2" (10 used)
23	19H 1820 A	(-)	Screw, cap, 1/2" x 3" (2 used)
24	M 2570 T	(-119292)	Sub. one M4157T and one 22H727A
	M 4157 T	(119293-)	Support, rear
25	19H 1721 A	(-)	Screw, cap, 1/2" x 1/2" (2 used)
26	AM 1375 T	(-)	Plate, left implement attaching
27	M 1393 T	(-)	Lever, steering (sub. for AM1397T)
28	M 14 T	(-119292)	Dowel (4 used)
	M 14 T	(119293-)	Dowel, steering lever (2 used)
	M 4158 T	(119293-)	Dowel, front pilot shaft support (2 used)
29	12H 294 A	(-)	Washer, lock, 5/8" (6 used)
30	19H 1338 A	(-)	Screw, cap, 5/8" x 1-1/2" (4 used)
31	19H 1930 A	(-)	Screw, cap, 1/2" x 2-1/2" (2 used)
32	M 1387 T	(-)	Pin, locating (2 used)
33	M 1111 T	(-)	Bushing, pivot (2 used)
34	19H 1868 A	(-)	Screw, cap, 1/2" x 3-3/4" (8 used)
35	24H 1111 A	(-)	Washer, plain, 17/32" x 1-1/6" x .090" (8 used)
36	14H 809 A	(-)	Nut, hex., 1/2" (8 used)
37	19H 1847 A	(-)	Screw, cap, 5/8" x 2-1/2" (2 used)
38	M 1392 T	(-119292)	Sub. one M4156T and two M4158T
	M 4156 T	(119293-)	Support, front
39	M 1381 T	(-)	Ring, snap
40	M 555 T	(-)	Washer, spring (2 used)
41	M 4144 T	(-)	Washer, plain, 1-13/32" x 2" x .090", special
42	M 648 T	(-)	Cover, dust, rubber (4 used)
43	JD 7759	(-)	Fitting, grease (3 used)
44	14H 389 A	(-)	Nut, hex., 1/2" (4 used)
45	M 1379 T	(-)	Shaft, pivot (sub. for AM1392T)
46	M 550 T	(-)	Retainer, seal-front
47	AM 1379 T	(-)	Tube, cross, with bushings (sub. for AM1398T)
48	AM 1373 T	(-)	End, tie rod adjustable (48"-68") (2 used) (sub. for AM1396T)
	AM 1383 T	(-)	End, tie rod adjustable (68"-88") (2 used) (sub. for AM1399T)
49	AM 1372 T	(-)	Tube, tie rod (48"-68") (2 used)
	AM 1382 T	(-)	Tube, tie rod (68"-88") (2 used)
50	L 410 T	(-)	Bolt (2 used)
51	L 409 T	(-)	Clamp (2 used) (packed 3 in a pkg.)
52	AM 496 T	(-)	End, tie rod, with dust cover, R.H. thread, and hex. nut (2 used) (sub. for AM498T)
53	12H 303 A	(-)	Washer, lock, 5/16" (2 used)
54	14H 650 A	(-)	Nut, hex., 5/16" (2 used)
55	M 2561 T	(-)	Screw, set, 5/16" x 27/32" (2 used)
56	14H 463 A	(-)	Nut, hex., 5/16" (2 used)
..	AM 1385 T	(-)	AXLE, FRONT, ADJUSTABLE (68"-88") (ATTACHMENT)
..	AM 1384 T	(-)	AXLE, FRONT, ADJUSTABLE (48"-68") (ATTACHMENT)

Capital letters indicate an attachment. Attachments must be listed on separate order from replacement parts.

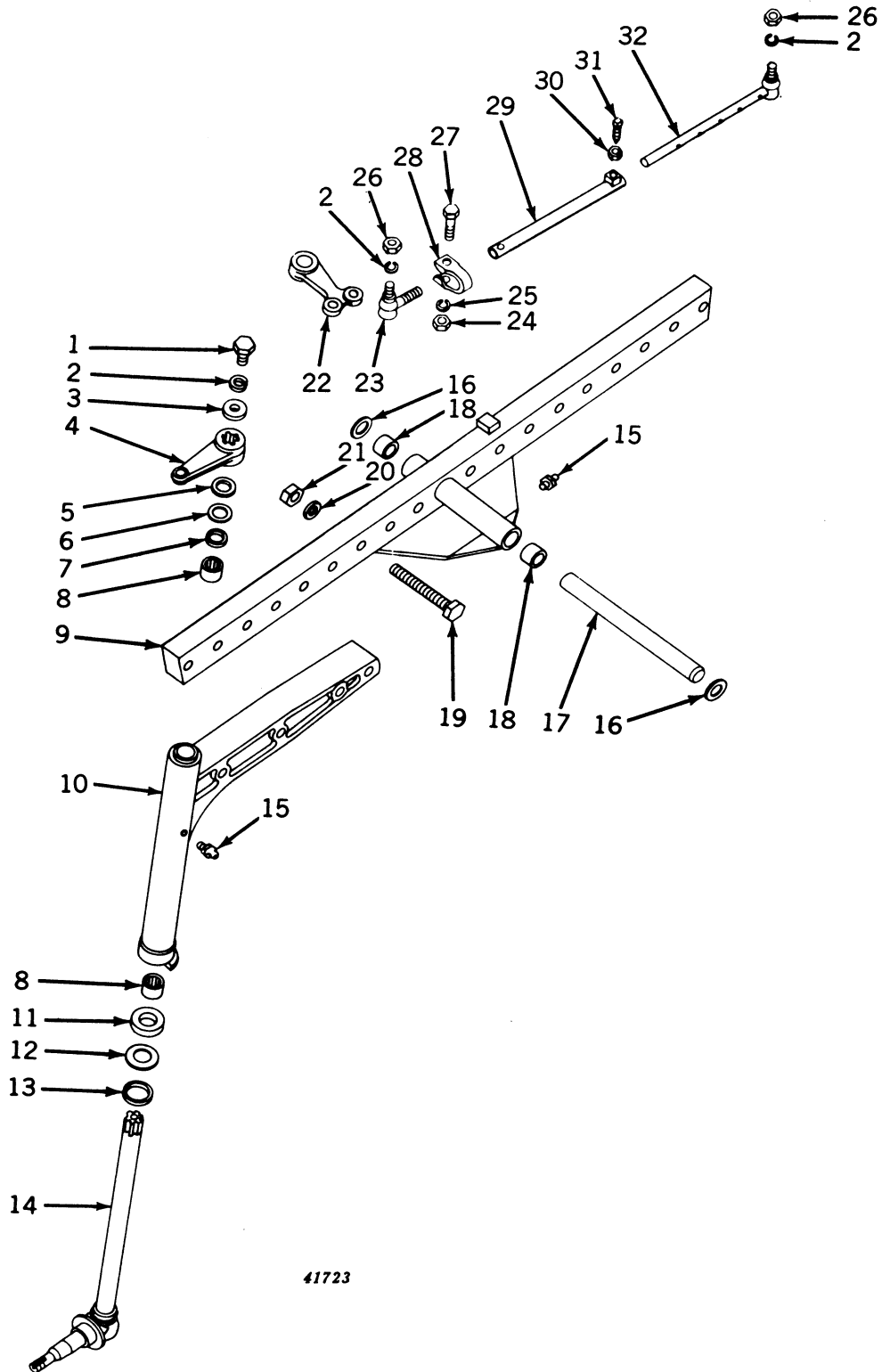
ADJUSTABLE FRONT AXLE
Utility



ADJUSTABLE FRONT AXLE -- Continued
Utility

Key	Part No.	Serial No.	Description
1	M 4143 T	(-)	Washer, plain, 1-13/32" x 2" x .030", special (approx. 1 used)
	M 4144 T	(-)	Washer, plain, 1-13/32" x .090", special (approx. 2 used)
2	M 1111 T	(-)	Bushing (2 used)
3	M 2666 T	(-)	Shaft, pivot (manual steering)
	M 4011 T	(-)	Shaft, pivot (power steering)
4	M 2812 T	(-)	Arm, steering, left (manual steering)
	M 4052 T	(-)	Arm, steering, left (power steering)
5	AM 2676 T	(-)	End, adjustable (M2829T), with needle bearings and grease fitting (2 used)
6	AM 3840 T	(-)	Axle, cross tube assembly, with bushings and grease fitting (sub. for AM2643T)
7	19H 1456 A	(-)	Screw, cap, 5/8" x 3-1/4" (4 used)
8	M 1387 T	(-)	Pin, clamp (2 used)
9	11H 236 A	(-)	Pin, cotter, 1/8" x 1" (2 used)
10	M 1460 T	(-)	Clamp (2 used) (sub. for AM1474T)
11	14H 865 A	(-)	Nut, hex., 1/2" (4 used)
12	12H 301 A	(-)	Washer, lock, 1/2" (6 used)
13	19H 1815 A	(-)	Screw, cap, 1/2" x 1-1/4" (2 used)
14	M 557 T	(-)	Washer (2 used)
15	M 2811 T	(-)	Arm, steering, right (manual steering)
	M 4010 T	(-)	Arm, steering, right (power steering)
16	M 1249 T	(-)	Shim, .010" (approx. 2 used per spindle) (packed 5 in a pkg.)
	M 1250 T	(-)	Shim, .027" (approx. 2 used per spindle) (packed 2 in a pkg.)
17	M 1518 T	(-)	Seal, upper (2 used)
18	JD 8820 T	(-)	Bearing, needle (4 used)
19	JD 7759	(-)	Fitting, grease (3 used)
20	JD 8407 H	(-)	Bearing, thrust (2 used)
21	M 2283 T	(-)	Retainer (2 used)
22	M 2282 T	(-)	Seal, lower (2 used)
23	AM 2163 T	(-)	Spindle (M2405T) and knuckle (M2216T) assembly (2 used)
24	14H 534 A	(-)	Nut, hex., 3/4" (2 used)
25	11H 240 A	(-)	Pin, cotter, 5/32" x 1-1/2" (2 used) (knuckle with keyway)
	11H 218 A	(-)	Pin, cotter, 3/16" x 1-1/2" (2 used) (knuckle without keyway)
26	14H 808 A	(-)	Nut, hex., 5/8" (4 used)
27	M 648 T	(-)	Cover, dust (2 used)
28	AM 2168 T	(-)	End, adjustable, with dust cover (2 used)
29	M 2561 T	(-)	Screw, set, special (2 used)
30	14H 463 A	(-)	Nut, hex., jam, 5/16" (2 used)
31	AM 2167 T	(-)	Tube, tie rod (2 used)
32	L 410 T	(-)	Bolt, special (2 used)
33	L 409 T	(-)	Clamp (2 used) (packed 3 in a pkg.)
34	12H 303 A	(-)	Washer, lock, 5/16" (2 used)
35	14H 650 A	(-)	Nut, hex., 5/16" (2 used)
36	AM 496 T	(-)	End, with dust cover (2 used) (sub. for AM498T)

ADJUSTABLE FRONT AXLE
Special

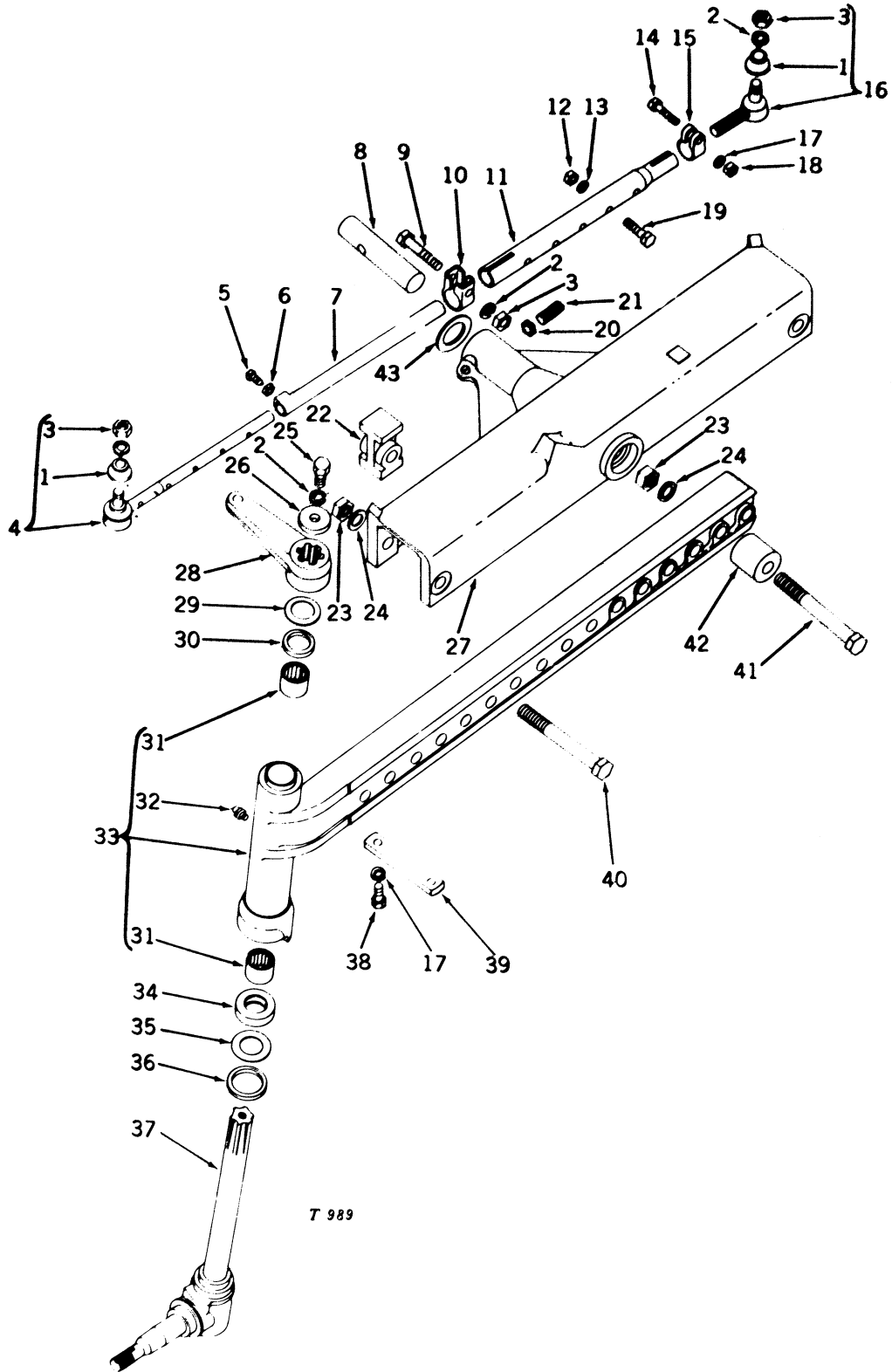


41723

ADJUSTABLE FRONT AXLE -- Continued
Special

Key	Part No.	Serial No.	Description
1	19H 1815 A	(-)	Screw, cap, 1/2" x 1-1/4" (2 used)
2	12H 301 A	(-)	Washer, lock, 1/2" (6 used)
3	M 557 T	(-)	Washer (2 used)
4	M 3433 T	(-)	Arm, steering, right (sub. for M2706T)
	M 3434 T	(-)	Arm, steering, left (sub. for M2707T)
5	M 1249 T	(-)	Shim, .010" (approx. 4 used) (packed 5 in a pkg.)
6	M 1250 T	(-)	Shim, .027" (approx. 2 used) (packed 2 in a pkg.)
7	M 1518 T	(-)	Seal, upper (2 used)
8	JD 8820 T	(-)	Bearing, needle (4 used)
9	AM 2658 T	(-)	Center bar, front axle, with bushings and grease fitting
10	AM 2661 T	(-)	End, adjustable, with needle bearings and grease fitting (2 used)
11	JD 8407 H	(-)	Bearing, thrust (2 used)
12	M 2283 T	(-)	Washer, retainer (2 used)
13	M 2282 T	(-)	Seal, lower (2 used)
14	AM 2662 T	(-)	Spindle (M2817T) and knuckle (M2216T) assembly (2 used)
15	JD 7759	(-)	Fitting, grease (3 used)
16	M 4144 T	(-)	Washer, plain, 1-13/32" x 2" x .090", special (2 used)
	M 4143 T	(-)	Washer, plain, 1-13/32" x 2" x .030", special
17	M 2666 T	(-)	Shaft, pivot
18	M 1111 T	(-)	Bushing (2 used)
19	M 2818 T	(-)	Screw, cap, special, 3/4" x 5-1/4" (4 used)
20	24H 1392 A	(-)	Washer, plain, 25/32" x 1-3/8" x .120" (4 used)
21	14H 863 A	(-)	Nut, hex., 3/4" (4 used)
22	T 11329 T	(-)	Arm, center steering (sub. for M2742T)
23	AM 496 T	(-)	End, with dust cover (2 used) (sub. for AM498T)
24	14H 650 A	(-)	Nut, hex., 5/16" (2 used)
25	12H 303 A	(-)	Washer, lock, 5/16" (2 used)
26	14H 865 A	(-)	Nut, hex., 1/2" (4 used)
27	L 410 T	(-)	Bolt, clamp (2 used)
28	L 409 T	(-)	Clamp (2 used) (packed 3 in a pkg.)
29	AM 2666 T	(-)	Tube, tie rod (2 used)
30	14H 463 A	(-)	Nut, hex., jam, 5/16" (2 used)
31	M 2561 T	(-)	Screw set, 5/16" x 27/32" (2 used)
32	AM 2665 T	(-)	End, adjustable tie rod (2 used)

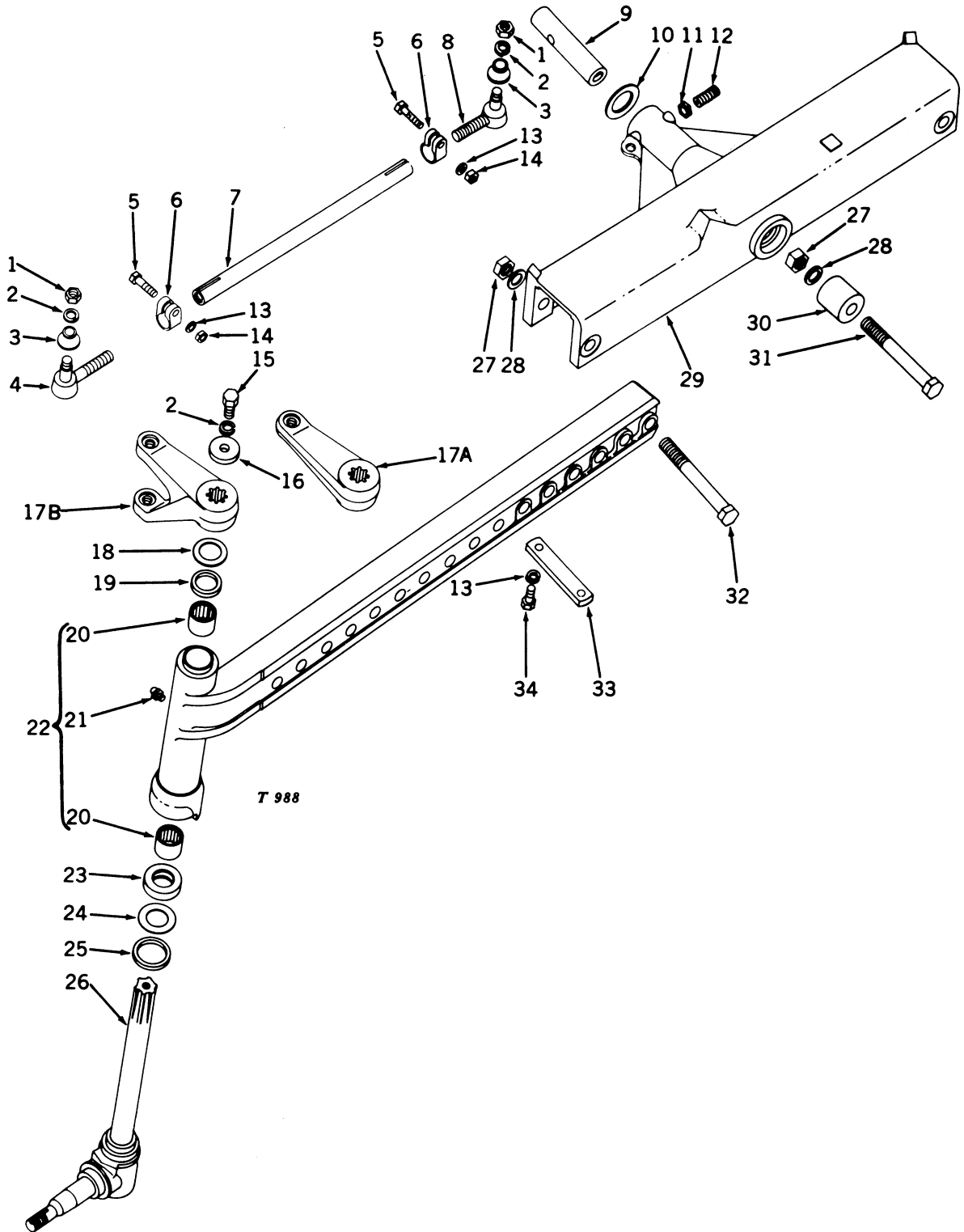
REGULAR ADJUSTABLE FRONT AXLE (48"-80" AND 56"-88")
Row-Crop Utility



REGULAR ADJUSTABLE FRONT AXLE (48"-80" AND 56"-88") -- Continued
Row-Crop Utility

Key	Part No.	Serial No.	Description
1	M 648 T	(-)	Cover, dust (4 used)
2	12H 301 A	(-)	Washer, lock, 1/2" (8 used)
3	14H 865 A	(-)	Nut, hex., 1/2" (6 used)
4	AM 2984 T	(-)	End, adjustable (2 used)
5	M 2561 T	(-)	Screw, set, special, 5/16" x 27/32" (2 used)
6	14H 463 A	(-)	Nut, hex., jam, 5/16" (2 used)
7	AM 2983 T	(-)	Tube, tie rod, inner (48"-80") (2 used)
	AM 3081 T	(-)	Tube, tie rod, inner (56"-88") (2 used)
8	T 11829 T	(-)	Shaft, rear pivot (sub. for M3163T)
9	19H 485 A	(-)	Screw, cap, 1/2" x 2-1/4" (2 used)
10	M 2301 T	(-)	Clamp (2 used)
11	M 3242 T	(-)	Tube, tie rod, outer (2 used)
12	12H 303 A	(-)	Washer, lock, 5/16" (2 used)
13	14H 650 A	(-)	Nut, hex., 5/16" (2 used)
14	19H 1000 A	(-)	Screw, cap, 3/8" x 1-5/8" (2 used)
15	M 2300 T	(-)	Clamp (2 used)
16	AM 496 T	(-)	End, tie rod, with dust cover and hex. nut (2 used) (sub. for AM498T)
17	12H 304 A	(-)	Washer, lock, 3/8" (6 used)
18	14H 846 A	(-)	Nut, hex., 3/8" (2 used)
19	19H 1061 A	(-)	Screw, cap, 5/16" x 1-5/8" (2 used)
20	14H 826 A	(-)	Nut, hex., jam, 1/2"
21	22H 716 A	(-)	Screw, set, 1/2" x 1-1/2"
22	M 3241 T	(-)	Spacer (2 used)
23	14H 863 A	(-)	Nut, hex., 3/4" (3 used)
24	24H 1392 A	(-)	Washer, plain, 25/32" x 1-3/8" x .120" (3 used)
25	19H 1815 A	(-)	Screw, cap, 1/2" x 1-1/4" (2 used)
26	M 557 T	(-)	Washer (2 used)
27	M 4006 T	(-)	Center, axle (sub. for M3160T)
28	M 3142 T	(-)	Arm, steering (2 used)
29	M 1249 T	(-)	Shim, .010" (approx. 4 used) (packed 5 in a pkg.)
	M 1250 T	(-)	Shim, .027" (approx. 2 used) (packed 2 in a pkg.)
30	M 1518 T	(-)	Seal, upper (2 used)
31	JD 8820 T	(-)	Bearing, needle (4 used)
32	JD 7759	(-)	Fitting, grease (2 used)
33	AM 2981 T	(-)	End, adjustable (M3141T), with needle bearings and grease fitting (48"-80") (2 used)
	AM 3079 T	(-)	End, adjustable (M3319T), with needle bearings and grease fitting (56"-88") (2 used)
34	JD 8407 H	(-)	Bearing, thrust (2 used)
35	M 2283 T	(-)	Retainer (2 used)
36	M 2282 T	(-)	Seal, lower (2 used)
37	AM 3816 T	(-)	Spindle (M2281T) and knuckle (M3410T) assembly (2 used) (sub. for AM2066T)
38	19H 1731 A	(-)	Screw, cap, 3/8" x 1" (4 used)
39	M 3162 T	(-)	Bar, stop (2 used)
40	M 2696 T	(-)	Screw, cap, special, 3/4" x 6" (2 used)
41	8H 4167 A	(-)	Bolt, mach., 3/4" x 7-1/2"
42	M 3164 T	(-)	Shaft, pivot front
43	M 4142 T	(-)	Washer, plain, 1-13/32" x 2-1/2" x .060", special (approx. 2 used)
	M 4145 T	(-)	Washer, plain, 1-13/32" x 2-1/2" x .030", special (approx. 1 used)

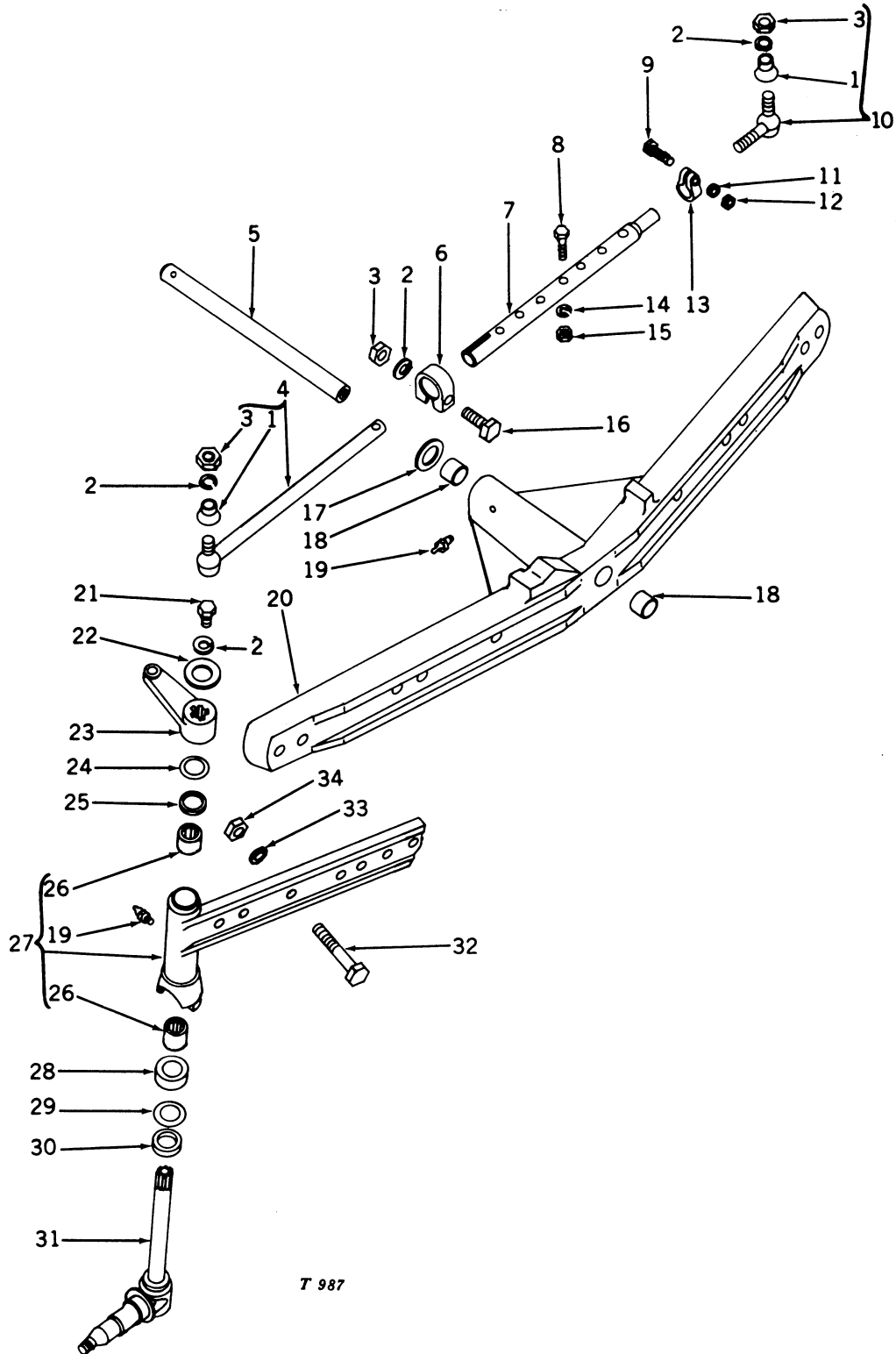
FRONT AXLE ASSEMBLY
Special Utility



FRONT AXLE ASSEMBLY -- Continued
Special Utility

Key	Part No.	Serial No.	Description
1	14H 865 A	(-)	Nut, hex., 1/2" (4 used)
2	12H 301 A	(-)	Washer, lock, 1/2" (6 used)
3	M 648 T	(-)	Cover, dust (4 used)
4	AM 499 T	(-)	End, tie rod (L.H. thread), with dust cover and hex. nut (2 used)
5	19H 1000 A	(-)	Screw, cap, 3/8" x 1-5/8" (4 used)
6	M 2300 T	(-)	Clamp (4 used)
7	M 3982 T	(-)	Intermediate (2 used)
8	AM 496 T	(-)	End, tie rod (R.H. thread) with dust cover and hex. nut (2 used) (sub. for AM498T)
9	T 11829 T	(-)	Shaft, rear pivot (sub. for M3163T)
10	M 4142 T	(-)	Washer, plain, 1-13/32" x 2-1/2" x .060", special (approx. 2 used)
	M 4145 T	(-)	Washer, plain, 1-13/32" x 2-1/2" x .030", special (approx. 1 used)
11	14H 826 A	(-)	Nut, hex., jam, 1/2"
12	22H 716 A	(-)	Screw, set, 1/2" x 1-1/2"
13	12H 304 A	(-)	Washer, lock, 3/8" (8 used)
14	14H 846 A	(-)	Nut, hex., 3/8" (4 used)
15	19H 1815 A	(-)	Screw, cap, 1/2" x 1-1/4" (2 used)
16	M 557 T	(-)	Washer (2 used)
17A	M 3983 T	(-)	Arm, steering, right and left (manual steering) (2 used)
	M 3983 T	(-125000)	Arm, steering, left (power steering) (1 used)
17B	M 4008 T	(-125000)	Arm, steering, right (power steering) (1 used)
	M 3983 T	(125001-)	Arm, steering, right and left (power steering) (2 used)
18	M 1249 T	(-)	Shim, .010" (approx. 4 used) (packed 5 in a pkg.)
	M 1250 T	(-)	Shim, .027" (approx. 2 used) (packed 2 in a pkg.)
19	M 1518 T	(-)	Seal, upper (2 used)
20	JD 8820 T	(-)	Bearing, needle (4 used)
21	JD 7759	(-)	Fitting, grease (2 used)
22	AM 2981 T	(-)	End, adjustable (M3141T), with needle bearings and grease fitting (2 used)
23	JD 8407 H	(-)	Bearing, thrust (2 used)
24	M 2283 T	(-)	Retainer (2 used)
25	M 2282 T	(-)	Seal, lower (2 used)
26	AM 3816 T	(-)	Spindle (M2281T) and knuckle (M3410T) assembly (2 used)
27	14H 863 A	(-)	Nut, hex., 3/4" (3 used)
28	24H 1392 A	(-)	Washer, plain, 25/32" x 1-3/8" x .120" (3 used)
29	M 4006 T	(-)	Center, axle
30	M 3164 T	(-)	Shaft, pivot front
31	8H 4167 A	(-)	Bolt, mach., 3/4" x 7-1/2"
32	M 2696 T	(-)	Screw, cap, special, 3/4" x 6" (2 used)
33	M 3162 T	(-)	Bar, stop (2 used)
34	19H 1731 A	(-)	Screw, cap, 3/8" x 1" (4 used)

SWEPT-BACK ADJUSTABLE FRONT AXLE (56"-80")
Row-Crop Utility

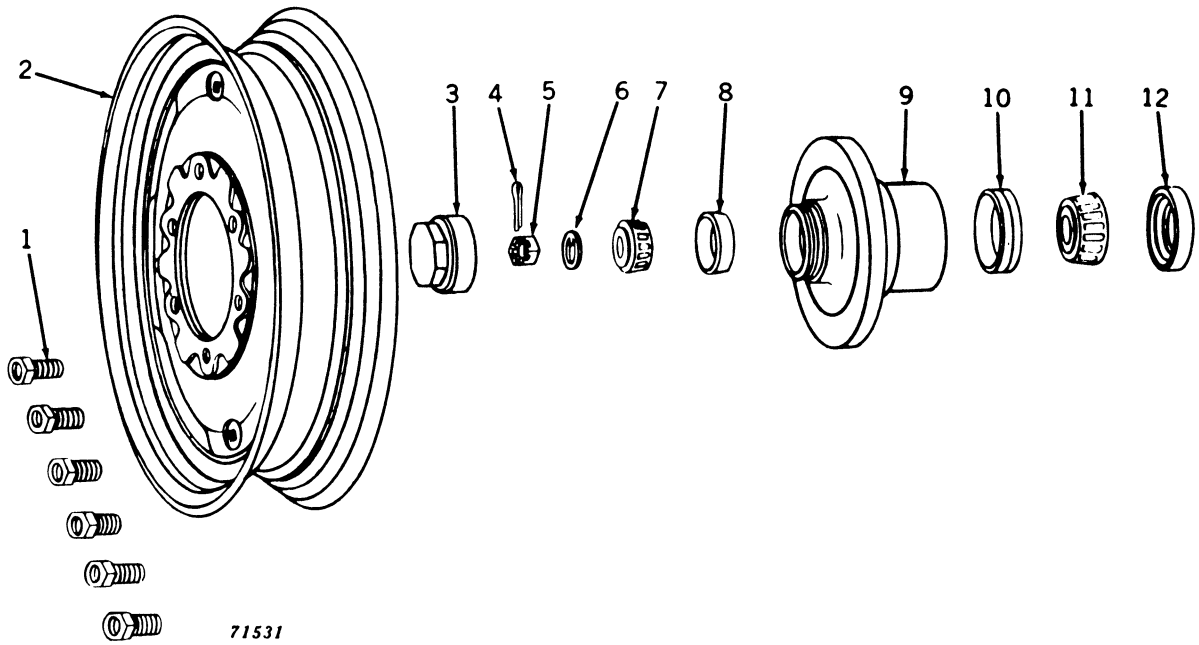


T 987

SWEPT-BACK ADJUSTABLE FRONT AXLE (56"-80") -- Continued
Row-Crop Utility

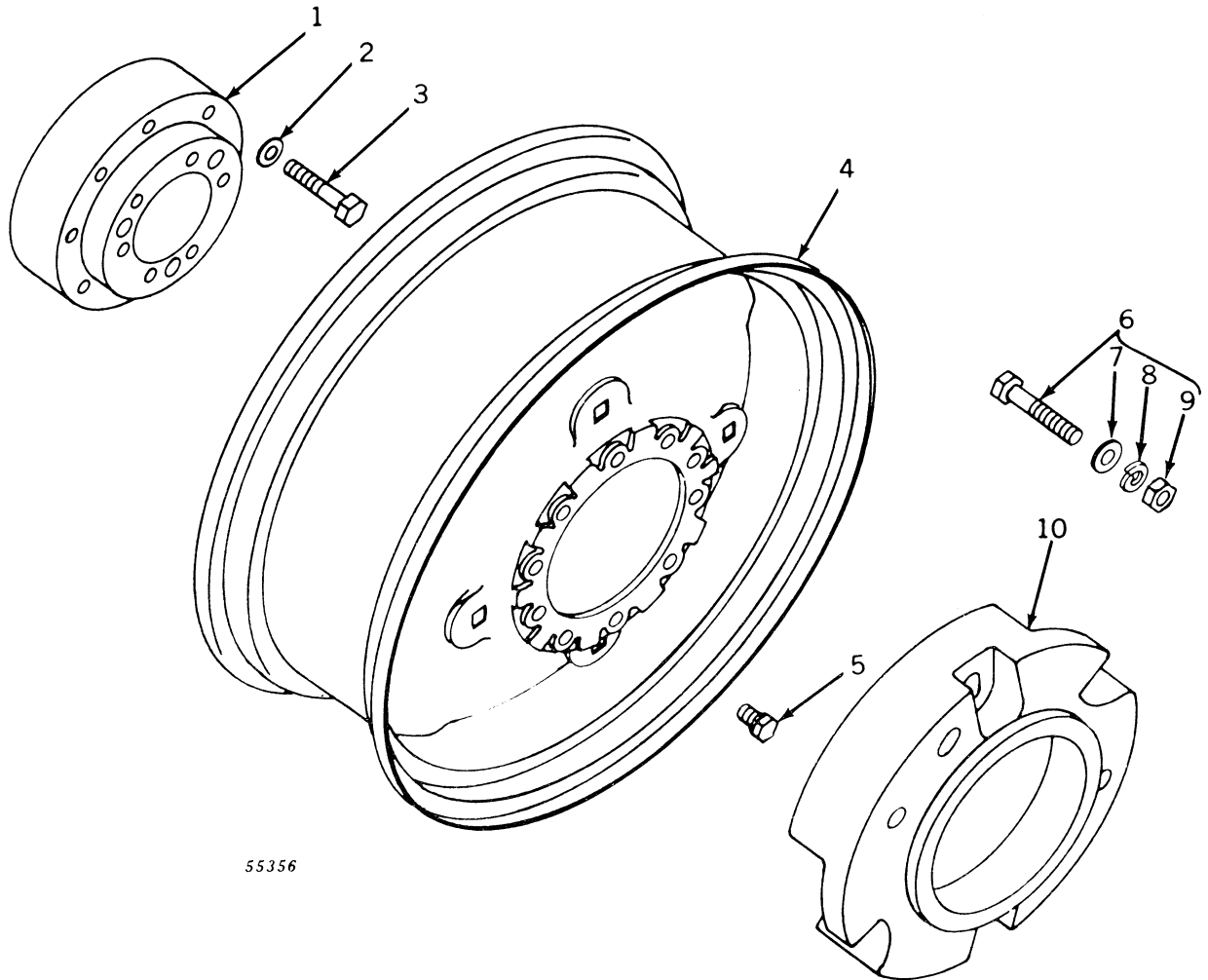
Key	Part No.	Serial No.	Description
1	M 648 T	(-)	Cover, dust (4 used)
2	12H 301 A	(-)	Washer, lock, 1/2" (8 used)
3	14H 865 A	(-)	Nut, hex., 1/2" (6 used)
4	AT 11745 T	(-)	End, adjustable, with dust cover and hex. nut (2 used)
5	T 12203 T	(-)	Shaft, pivot
6	M 2301 T	(-)	Clamp (2 used)
7	T 12194 T	(-)	Tube, tie rod (2 used)
8	19H 1061 A	(-)	Screw, cap, 5/16" x 1-5/8" (2 used)
9	19H 1000 A	(-)	Screw, cap, 3/8" x 1-5/8" (2 used)
10	AM 496 T	(-)	End, tie rod, with dust cover and hex. nut (2 used) (sub. for AM498T)
11	12H 304 A	(-)	Washer, lock, 3/8" (2 used)
12	14H 846 A	(-)	Nut, hex., 3/8" (2 used)
13	M 2300 T	(-)	Clamp (2 used)
14	12H 303 A	(-)	Washer, lock, 5/16" (2 used)
15	14H 650 A	(-)	Nut, hex., 5/16" (2 used)
16	19H 485 A	(-)	Screw, cap, 1/2" x 2-1/4" (2 used)
17	M 4142 T	(-)	Washer, plain, 1-13/32" x 2-1/2" x .060", special (approx. 2 used)
	M 4145 T	(-)	Washer, plain, 1-13/32" x 2-1/2" x .030", special (approx. 1 used)
18	M 1111 T	(-)	Bushing, pivot shaft (2 used)
19	JD 7759	(-)	Fitting, grease (3 used)
20	AT 11750 T	(-)	Center, front axle (T12201T), with bushings and grease fitting
21	19H 1815 A	(-)	Screw, cap, 1/2" x 1-1/4" (2 used)
22	M 557 T	(-)	Washer (2 used)
23	T 12198 T	(-)	Arm, steering, left
	T 12200 T	(-)	Arm, steering, right
24	M 1249 T	(-)	Shim, .010" (approx. 4 used) (packed 5 in a pkg.)
	M 1250 T	(-)	Shim, .027" (approx. 2 used) (packed 2 in a pkg.)
25	M 1518 T	(-)	Seal, upper (2 used)
26	JD 8820 T	(-)	Bearing, needle (4 used)
27	AT 11748 T	(-)	End, front axle, left (T12197T), with needle bearings and grease fitting
	AT 11752 T	(-)	End, front axle, right (T12199T), with needle bearings and grease fitting
28	JD 8407 H	(-)	Bearing, thrust (2 used)
29	M 2283 T	(-)	Retainer (2 used)
30	M 2282 T	(-)	Seal, lower (2 used)
31	AT 11751 T	(-)	Spindle and knuckle assembly (2 used)
32	19H 1540 A	(-)	Screw, cap, 3/4" x 4-3/4" (4 used)
33	24H 1392 A	(-)	Washer, plain, 25/32" x 1-3/8" x .120" (4 used)
34	14H 863 A	(-)	Nut, hex., 3/4" (4 used)

FRONT WHEEL ASSEMBLY



Key	Part No.	Serial No.	Description
1	JD 19 R	(-)	Bolt, special (12 used) (packed 20 in a pkg.)
2	JD 3000 T	(-)	Wheel, front, 15" rim (2 used) (models S, T, U, V, and W)
	JD 3002 T	(-)	Wheel, front, 16" rim (2 used) (models S, T, U, V, and W)
	JD 3003 T	(-)	Wheel, front, 16" rim (for 6:50 x 16" and 7:50 x 16" tire only) (2 used) (models H and U)
3	M 825 T	(-)	Cap, hub (2 used) (sub. for AM978T)
4	11H 240 A	(-)	Pin, cotter, 5/32" x 1-1/2" (2 used) (knuckle with keyway)
	11H 218 A	(-)	Pin, cotter, 3/16" x 1-1/2" (2 used) (knuckle without keyway)
5	14H 534 A	(-)	Nut, hex., 3/4" (2 used)
6	M 824 T	(-)	Washer (2 used) (knuckle with keyway)
	T 10510 T	(-)	Washer (2 used) (knuckle without keyway) (packed 10 in a pkg.)
7	JD 8135 R	(-)	Cone, bearing, outer (2 used)
8	JD 7438 R	(-)	Cup, bearing, outer (2 used)
9	AM 953 T	(-)	Hub (M979T), with bearing cups (2 used) (models H, S, T, U, V, and W) (sub. for AM977T)
	AM 1728 T	(-)	Hub (M1645T), with bearing cups (used for 6:00 x 16-6-ply tires on model T and 7:50 x 16-4-ply tires on model U) (2 used)
10	JD 7449 D	(-)	Cup, bearing, inner (2 used)
11	JD 8134 D	(-)	Cone, bearing, inner (2 used)
12	AM 3094 T	(-)	Seal (2 used)

REAR WHEELS AND WHEEL WEIGHTS
Hi-Crop



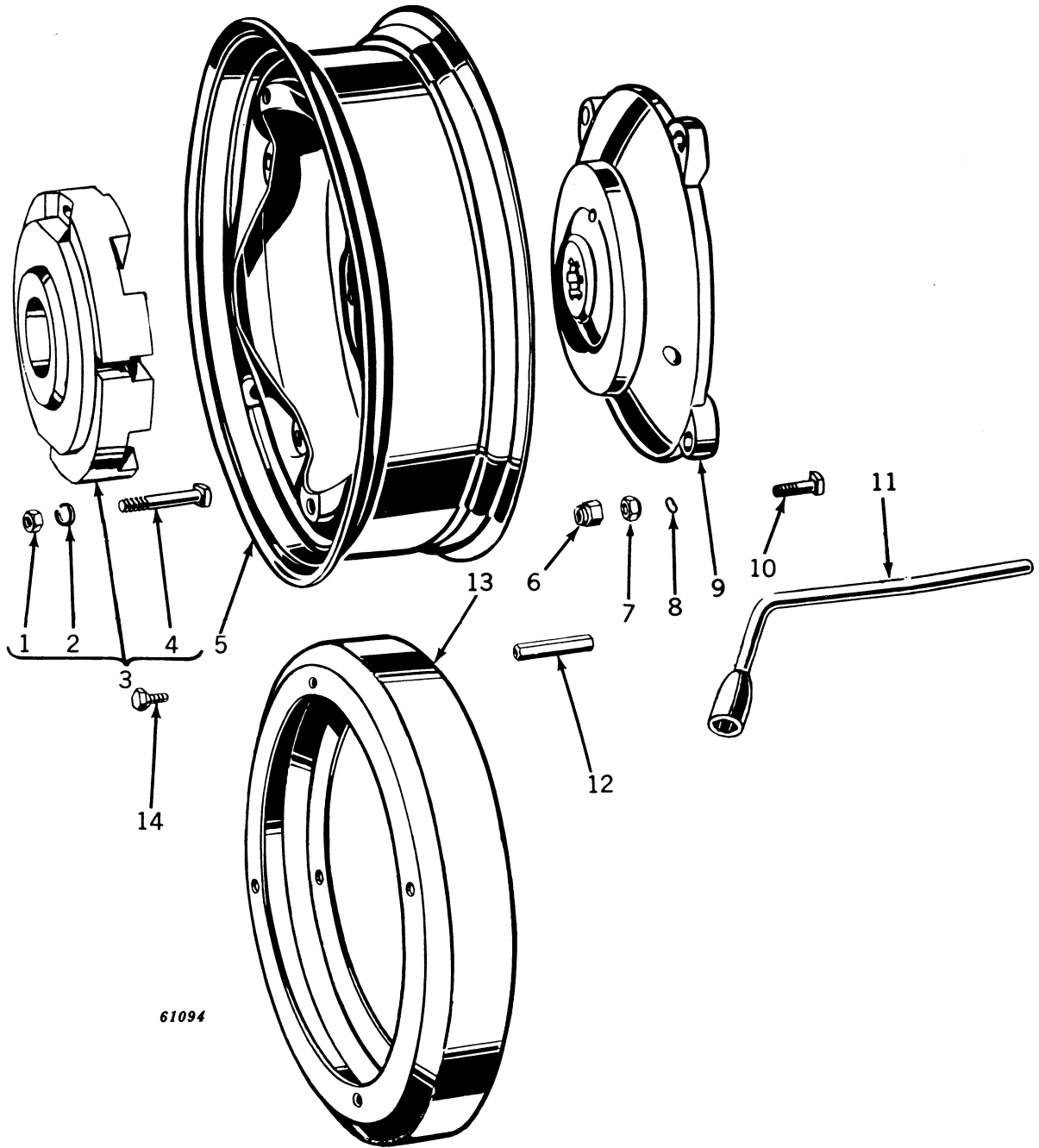
55356

Key	Part No.	Serial No.	Description
1	M 2690 T	(-)	Hub, wheel
2	24H 1363 A	(-)	Washer, plain, 41/64" x 1-1/16" x .105" (6 used)
3	19H 1276 A	(-)	Screw, cap, 9/16" x 3-1/4" (6 used)
4	JD 3004 T	(-)	Wheel, rear, W-10-38 rim
5	JD 16 R	(-)	Bolt, hub, special (9 used) (packed 10 in a pkg.)
6	AH 810 R	(-)	Bolt, cge., with plain washer, lock washer, and hex. nut (pkg. of 4) (1 pkg. used)
7	24H 1392 A	(-)	Washer, plain, 25/32" x 1-3/8" x .120" (4 used)
8	12H 236 A	(-)	Washer, lock, 3/4" (4 used)
9	14H 794 A	(-)	Nut, hex., 3/4" (4 used)
10	D 2628 R	(-)	Weight, wheel, rear (2 used)
..	AA 7393 R	(-)	WEIGHT ATTACHMENT, WITH ATTACHING BOLTS

QUANTITIES SHOWN ARE FOR ONE ASSEMBLY ONLY. WHEN TWO ASSEMBLIES ARE USED, DOUBLE THE QUANTITY SHOWN.

Capital letters indicate an attachment. Attachments must be listed on separate order from replacement order.

REGULAR REAR WHEEL AND WHEEL WEIGHTS
Standard and Utility



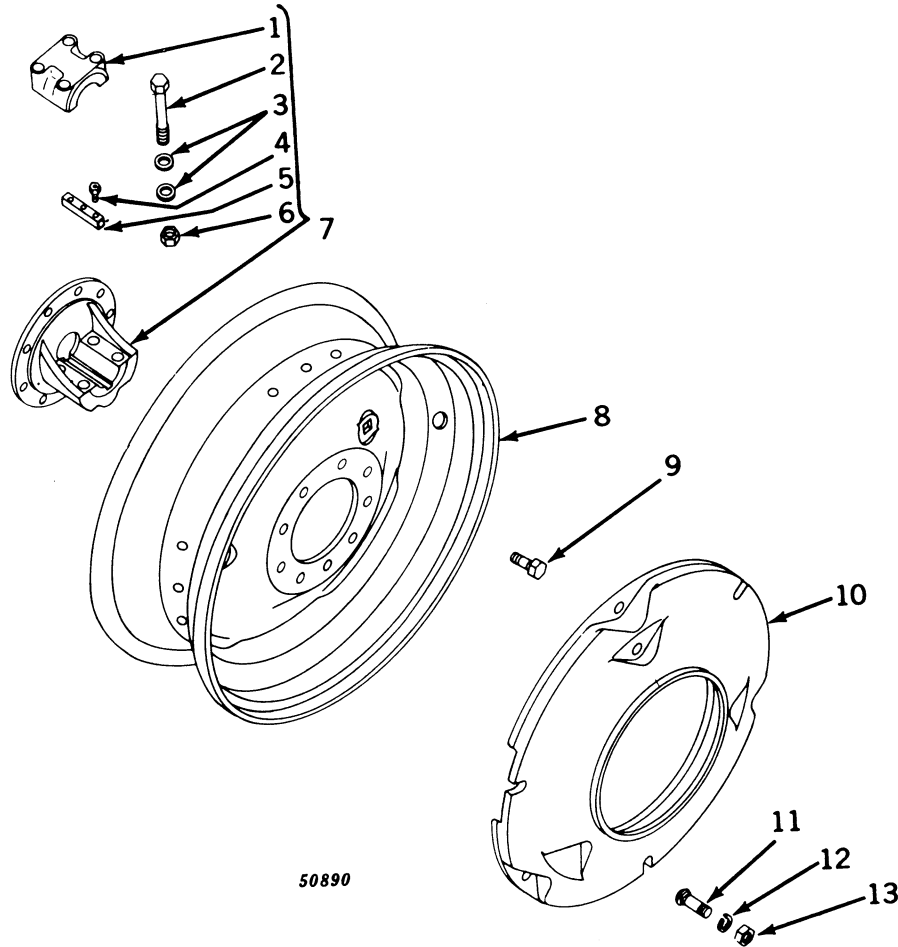
61094

REGULAR REAR WHEEL AND WHEEL WEIGHTS -- Continued
Standard and Utility

Key	Part No.	Serial No.	Description
1	14H 794 A	(-)	Nut, hex., 3/4" (2 used)
2	12H 236 A	(-)	Washer, lock, 3/4" (2 used)
3	AT 15588 T	(-)	REAR WHEEL WEIGHT (150 LBS.) (CONSISTS OF TWO M2729T REAR WEIGHTS AND ONE AT15596T ATTACHING HARDWARE (SUB. FOR AM2525T))
4	8H 3505 A	(-)	Bolt, mach., 3/4" x 5" (2 used)
5	AM 3478 T	(-)	Rim and flange, 10-24" (W-8" rim) (sub. for AM325T)
	AM 3479 T	(-)	Rim and flange, 10-24" and 11-24" (W-10" rim) (sub. for AM2073T)
	AM 3150 T	(-)	Rim and flange, 11-26" (W-11" rim) (U)
	AM 3513 T	(-)	Rim and flange, 12-26" and 13-26" (DW-12" rim) (U)
6	M 2195 T	(-)	Spacer (4 used)
7	M 375 T	(-)	Nut, special (4 used) (packed 10 in a pkg.)
8	M 2254 T	(-)	Ring, snap (4 used) (packed 4 in a pkg.)
9	M 2609 T	(-)	Web, wheel
10	M 3800 T	(-)	Bolt, special (4 used) (when spaces are used) (sub. for M2253T) (packed 4 in a pkg.)
	M 3801 T	(-)	Bolt, special (4 used) (when spaces are not used) (U) (packed 5 in a pkg.)
11	M 2278 T	(-)	Wrench, rim
12	M 2223 T	(-)	Extension (4 used)
13	M 1452 T	(-)	Spacer, 4"
14	JD 16 R	(-)	Bolt (4 used) (packed 10 in a pkg.)
..	AM 2060 T	(-)	SPACER ATTACHMENT, REAR WHEEL

Capital letters indicate an attachment. Attachments must be listed on separate order from replacement parts.

REGULAR REAR WHEELS AND WHEEL WEIGHTS
Special Utility, Tricycle, Special, and Row-Crop Utility

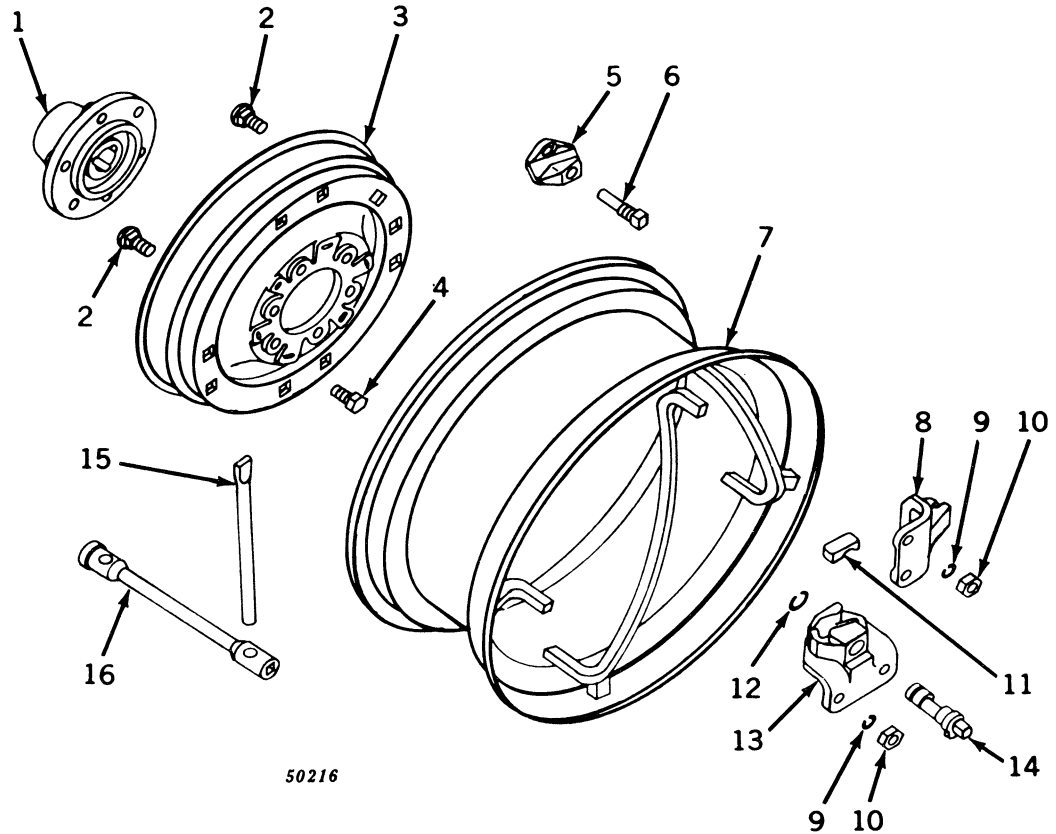


50890

Key	Part No.	Serial No.	Description
1	M 3808 T	(-)	Cap, rear wheel hub (sub. for M2650T and M3805T)
2	T 14943 T	(-)	Screw, cap, special (4 used) (sub. for M2042T)
3	24H 1139 A	(-)	Washer, plain, 11/16" x 1-1/4" x .105" (8 used)
4	M 511 T	(-)	Screw, cap, 1/4" x 3/4" (2 used)
5	M 2651 T	(-)	Key (2 used)
6	14H 760 A	(-)	Nut, hex., 5/8" (4 used)
7	AT 10094 T	(-)	Hub, rear wheel (T10171T), with cap, keys, cap screws, washers, and hex. nuts (sub. for AM2428T and AM3496T)
8	JD 3001 T	(-)	Wheel, rear (9-34", 10-34") (T and V)
	JD 3007 T	(-)	Wheel, rear (12-28")
	JD 3008 T	(-)	Wheel, rear (10-34") (I and W)
9	JD 16 R	(-)	Bolt (special) (9 used) (packed 10 in a pkg.)
10	AT 15587 T	(-)	WEIGHT ATTACHMENT, REAR WHEEL (140 LBS.), CONSISTS OF TWO M926T WITH AT15595T ATTACHING HARDWARE (sub. for AM904T)
11	3H 1465 A	(-)	Bolt, cge., 3/4" x 2-1/2" (3 used)
12	12H 236 A	(-)	Washer, lock, 3/4" (3 used)
13	14H 794 A	(-)	Nut, hex., 3/4" (3 used)

Capital letters indicate an attachment. Attachments must be ordered separately from replacement parts.

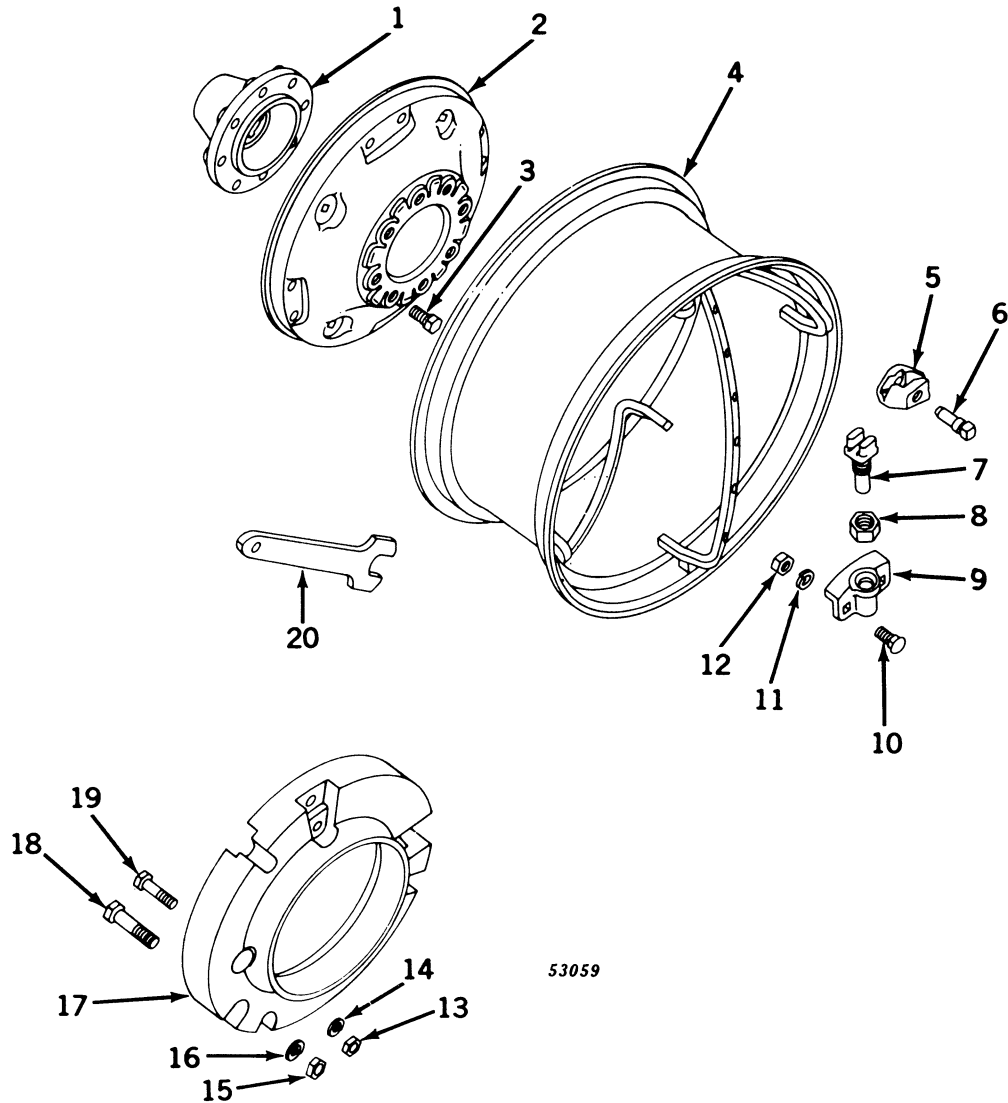
POWER ADJUSTED REAR WHEELS
Standard and Utility



50216

Key	Part No.	Serial No.	Description
1	M 2652 T	(-)	Hub
2	M 2332 T	(-)	Bolt, cge., special, 5/8" x 1-1/2" (8 used)
3	M 2326 T	(-)	Disk, wheel
4	JD 16 R	(-)	Bolt, hub (6 used) (packed 10 in a pkg.)
5	M 2334 T	(-)	Body, stop (2 used)
6	M 2335 T	(-)	Screw, stop (2 used)
7	AM 2108 T	(-)	Rim assembly
8	M 2331 T	(-)	Body, non-adjustable
9	12H 294 A	(-)	Washer, lock, 5/8" (8 used)
10	M 2333 T	(-)	Nut, hex., special, 5/8" (8 used)
11	M 2330 T	(-)	Block, eccentric pin (3 used)
12	M 2329 T	(-)	Ring, snap (3 used)
13	M 2327 T	(-)	Body, eccentric pin (3 used)
14	M 2328 T	(-)	Pin, eccentric (3 used)
15	M 2269 T	(-)	Handle, wrench
16	M 2270 T	(-)	Body, wrench

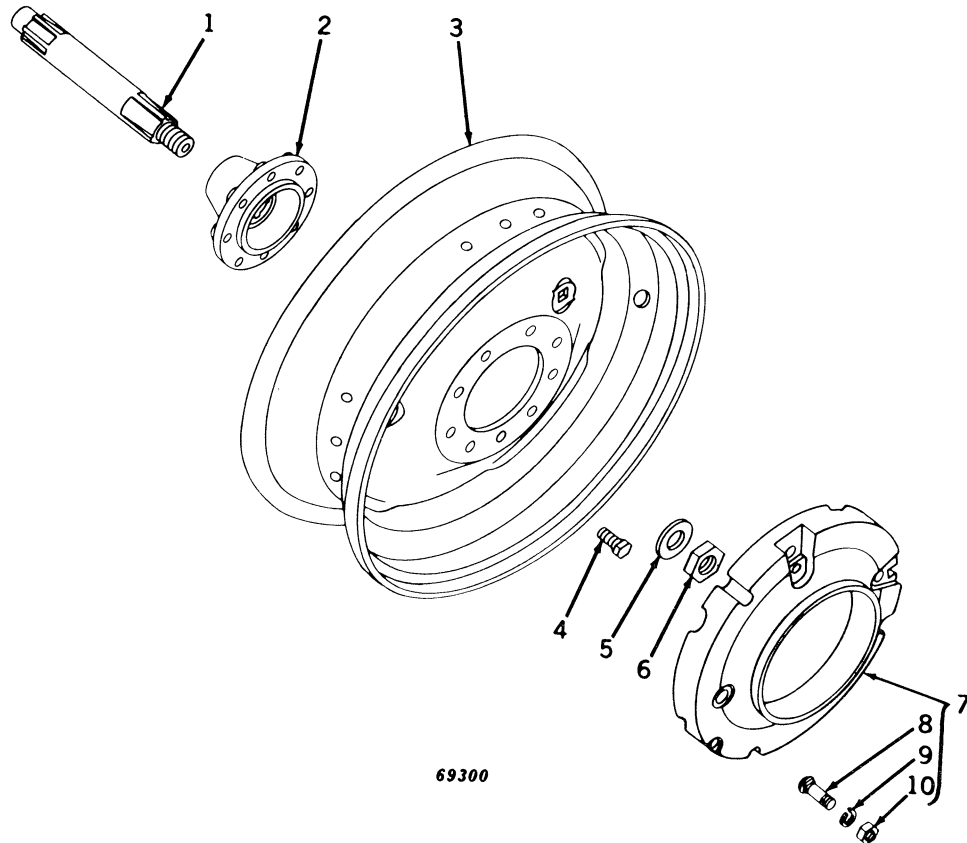
POWER ADJUSTED REAR WHEELS
Special Utility, Tricycle, and Row-Crop Utility



Key	Part No.	Serial No.	Description
1	M 3419 T	(-)	Hub
2	M 3421 T	(-)	Disk
3	JD 16 R	(-)	Bolt, hub (8 used) (packed 10 in a pkg.)
4	AM 3202 T	(-)	Rim assembly
5	M 2334 T	(-)	Body, stop (2 used)
6	M 2335 T	(-)	Screw, stop (2 used)
7	M 3423 T	(-)	Screw, jack (4 used)
8	M 3424 T	(-)	Nut, hex., special (4 used)
9	M 3422 T	(-)	Body, jack screw (4 used)
10	M 2332 T	(-)	Bolt, cge., special, 5/8" x 1-1/2" (8 used)
11	12H 294 A	(-)	Washer, lock, 5/8" (8 used)
12	M 2333 T	(-)	Nut, hex., special (8 used)
13	14H 760 A	(-)	Nut, hex., 5/8" (4 used) (weight to rim)
14	12H 294 A	(-)	Washer, lock, 5/8" (4 used) (weight to rim)
15	14H 794 A	(-)	Nut, hex., 3/4" (3 used) (weight to additional weight)
16	12H 236 A	(-)	Washer, lock, 3/4" (3 used) (weight to additional weight)
17	AT 15589 T	(-)	WEIGHT, REAR WHEEL ATTACHMENT (150 LBS) (CONSISTS OF TWO M3580T REAR WEIGHTS AND ONE AT15597T ATTACHING HARDWARE) (FIRST WEIGHT TO WHEEL)
	AT 15590 T	(-)	WEIGHT, REAR WHEEL ATTACHMENT (150 LBS.) (CONSISTS OF TWO M3580T REAR WEIGHTS AND ONE AT15598T ATTACHING HARDWARE (SECOND AND ADDITIONAL WEIGHTS)
18	3H 849 A	(-)	Bolt, cge., 3/4" x 3-1/2" (3 used) (weight to additional weight)
19	3H 1407 A	(-)	Bolt, cge., 5/8" x 2-1/2" (4 used) (weight to rim)
20	M 3420 T	(-)	Wrench

Capital letters indicate an attachment. Attachments must be ordered separately from replacement parts.

REAR WHEEL AND WHEEL WEIGHT FOR 56-1/2" SPECIAL TREAD Utility

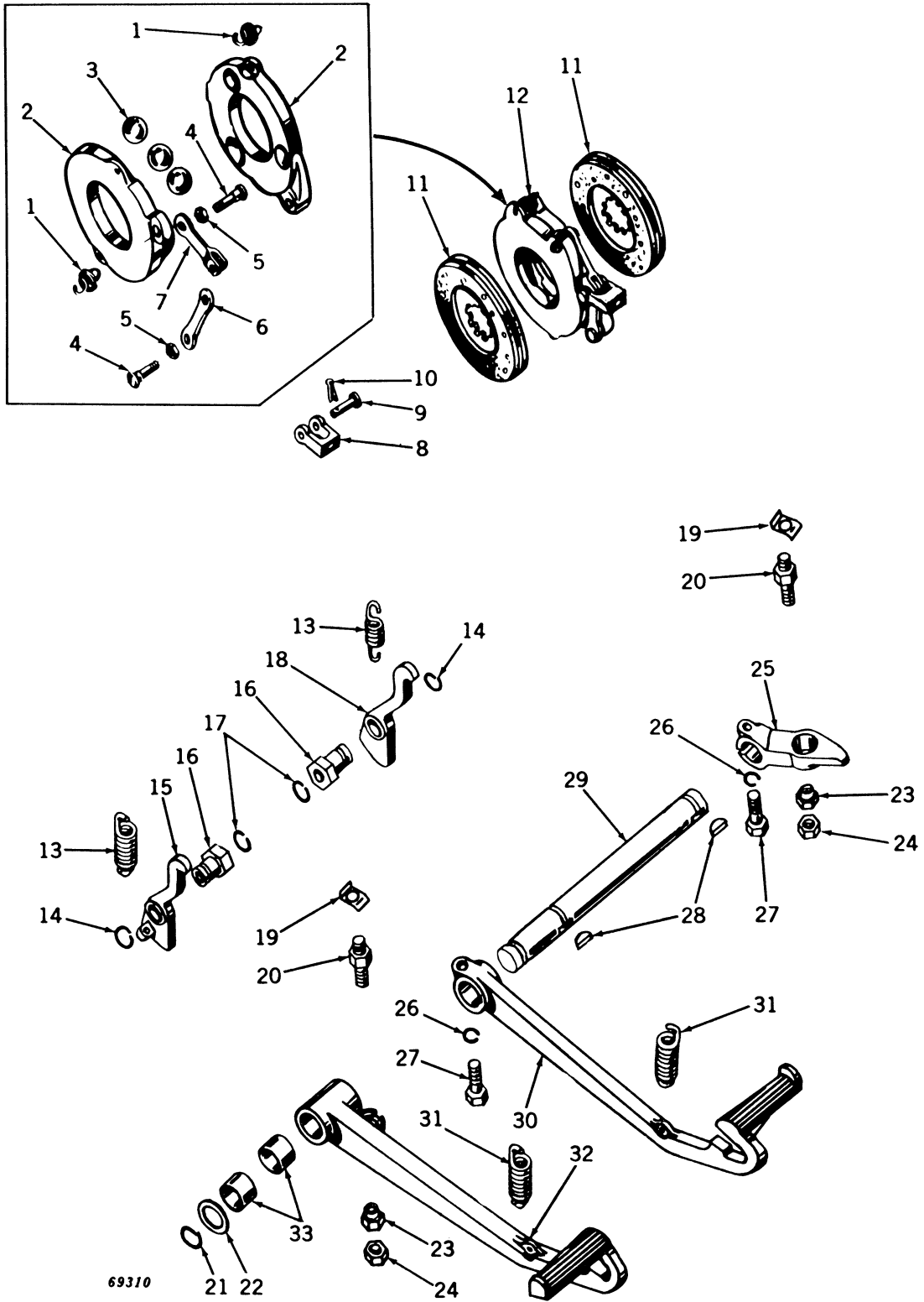


69300

Key	Part No.	Serial No.	Description
1	M 4091 T	(-)	Shaft, axle, special
2	M 3419 T	(-)	Hub
3	JD 3009 T	(-)	Wheel, rear (11-26" and 12-26" tires)
4	JD 16 R	(-)	Bolt, special (8 used) (packed 10 in a pkg.)
5	24H 1542 A	(-)	Washer, plain 1-7/32" x 3" x 5/16"
6	14H 656 A	(-)	Nut, hex., 1-1/2"
7	AT 15589 T	(-)	WEIGHT, REAR WHEEL ATTACHMENT (150 LBS.) (CONSISTS OF TWO M3580T REAR WEIGHTS AND ONE AT15597T ATTACHING HARDWARE) (FIRST WEIGHT TO WHEEL)
	AT 15590 T	(-)	WEIGHT, REAR WHEEL ATTACHMENT (150 LBS) CONSISTS OF TWO M3580T REAR WEIGHTS AND ONE AT15598T ATTACHING HARDWARE) (SECOND AND ADDITIONAL WEIGHTS)
8	3H 1407 A	(-)	Bolt, cge., 5/8" x 2-1/2" (4 used)
9	12H 294 A	(-)	Washer, lock, 5/8" (4 used)
10	14H 760 A	(-)	Nut, hex., 5/8" (4 used)

Capital letters indicate an attachment. Attachments must be ordered separately from replacement parts.

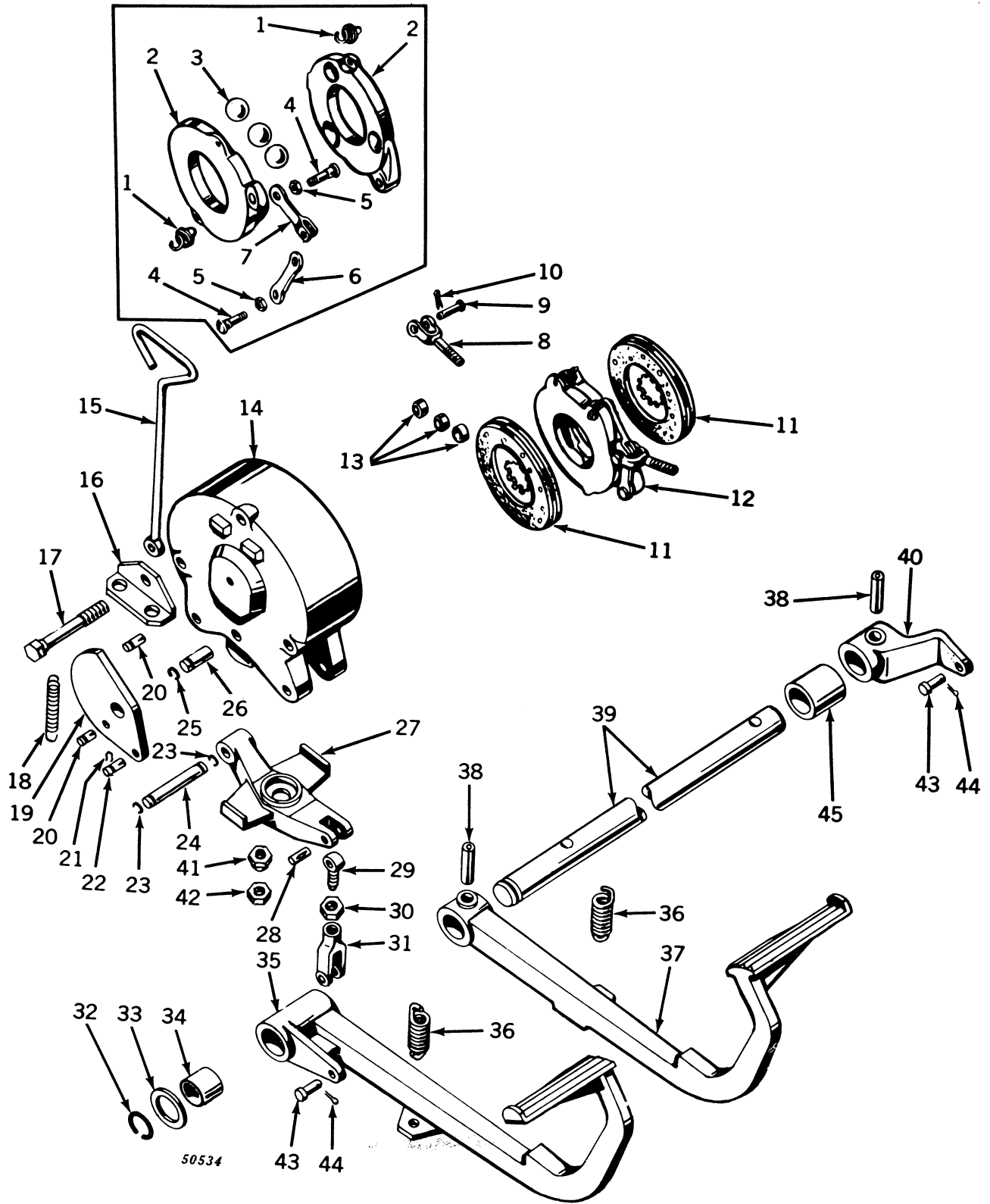
BRAKE ASSEMBLY
Hi-Crop, Standard, Utility, and Special



BRAKE ASSEMBLY -- Continued
Hi-Crop, Standard, Utility, and Special

Key	Part No.	Serial No.	Description
1	M 831 T	(-)	Spring (2 used) (packed 2 in a pkg.)
2	M 3332 T	(-)	Disk, actuating (2 used)
3	M 830 T	(-)	Ball (3 used) (packed 3 in a pkg.)
4	M 834 T	(-)	Screw (2 used)
5	14H 463 A	(-)	Nut, hex., jam, 5/16" (2 used)
6	M 833 T	(-)	Link, plain
7	M 832 T	(-)	Link, yoke type
8	M 1716 T	(-)	Yoke
9	L 4668 T	(-)	Pin, yoke
10	11H 206 A	(-)	Pin, cotter, 3/32" x 3/4"
11	AM 1967 T	(-)	Disk, driven, with facings (2 used)
	AT 13068 T	(-)	Disk, driven, with facings, heavy-duty (4 used) (U)
12	AM 3098 T	(-)	Brake assembly, less driven disks
13	M 2221 T	(-)	Spring (2 used)
14	L 357 T	(-)	Ring, snap (2 used)
15	M 1811 T	(-)	Lock, brake, right
16	M 2153 T	(-)	Shaft, brake lock (2 used)
17	12H 294 A	(-)	Washer, lock, 5/8" (2 used)
18	M 1814 T	(-)	Lock, brake, left
19	M 2179 T	(-)	Lock (2 used) (packed 2 in a pkg.)
20	M 1963 T	(-)	Rod (2 used)
21	M 205 T	(-)	Ring, snap (2 used)
22	24H 1474 A	(-)	Washer, plain, 1-5/32" x 1-1/2" x .060" (2 used)
23	M 949 T	(-)	Nut, hex., special (2 used)
24	14H 774 A	(-)	Nut, hex., jam, 3/8" (2 used)
25	M 1713 T	(-125000)	Lever, left brake
	M 4333 T	(125001-)	Lever, left brake
26	12H 293 A	(-)	Washer, lock, 7/16" (2 used)
27	19H 1899 A	(-)	Screw, cap, 7/16" x 2" (2 used)
28	26H 27 A	(-)	Key, Woodruff, 5/16" x 1-1/8" (2 used)
29	M 2140 T	(-)	Shaft, brake
30	M 1714 T	(-125000)	Pedal, left
	M 4334 T	(125001-)	Pedal, left
31	M 2222 T	(-)	Spring (2 used)
32	AM 1996 T	(-125000)	Pedal, right (M1715T), with bushings
	AM 3981 T	(125001-)	Pedal, right (M4335T), with bushings
33	M 2038 T	(-)	Bushing (2 used)

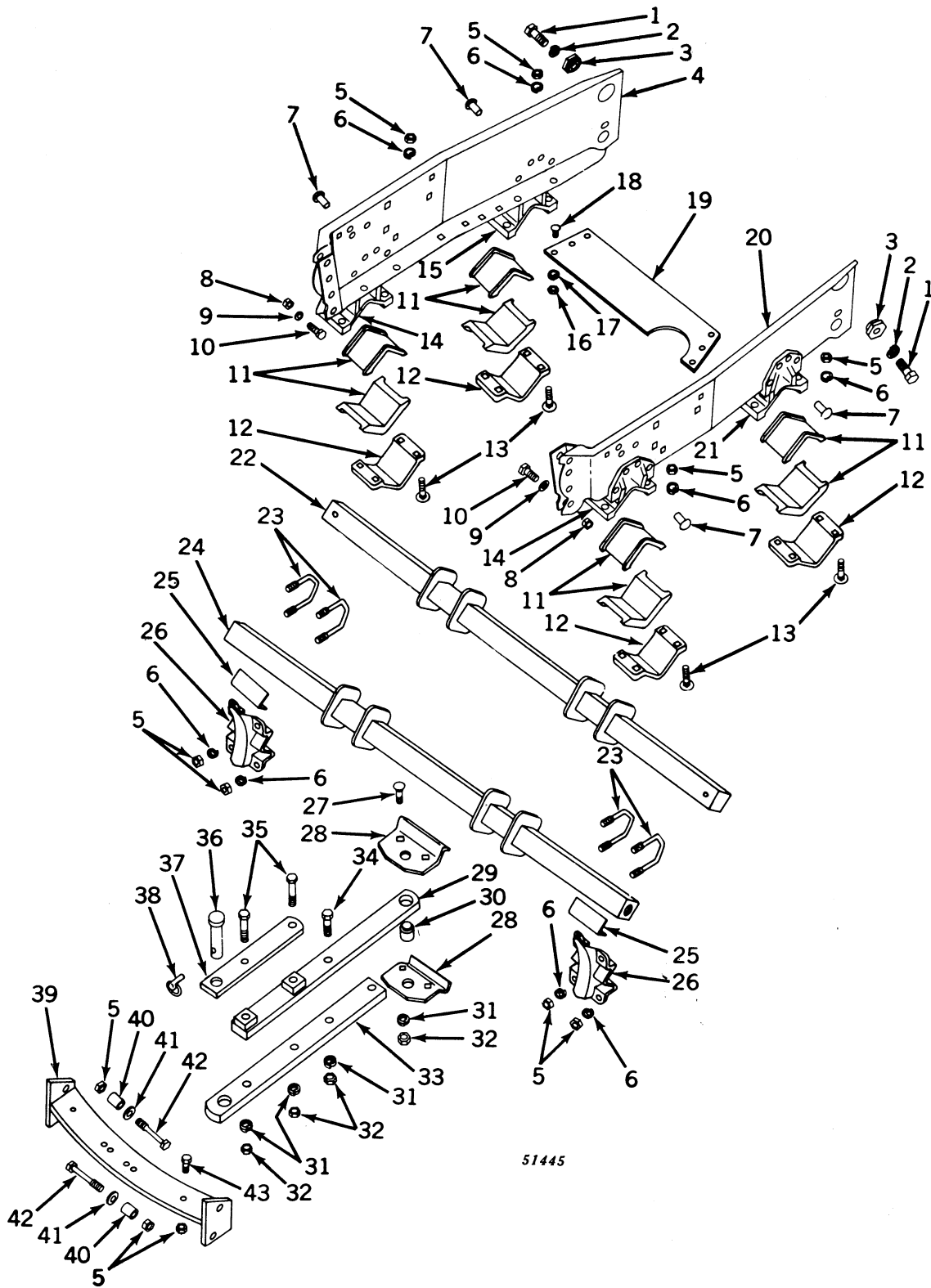
BRAKE ASSEMBLY
Special Utility, Tricycle, and Row-Crop Utility



BRAKE ASSEMBLY -- Continued
Special Utility, Tricycle, and Row-Crop Utility

Key	Part No.	Serial No.	Description
1	M 831 T	(-)	Spring (2 used) (packed 2 in a pkg.)
2	M 3332 T	(-)	Disk, actuating (2 used)
3	M 830 T	(-)	Ball, 7/8" dia. (3 used) (packed 3 in a pkg.)
4	M 834 T	(-)	Screw (2 used)
5	14H 463 A	(-)	Nut, hex., jam, 5/16" (2 used)
6	M 833 T	(-)	Link, plain
7	M 832 T	(-)	Link, yoke type
8	M 948 T	(-)	Rod, yoke
9	L 4668 T	(-)	Pin, yoke
10	11H 206 A	(-)	Pin, cotter, 3/32" x 3/4"
11	AM 1828 T	(-)	Disk, driven, with facings (2 used)
	AT 13066 T	(-)	Disk, driven, with facings, heavy-duty (4 used) (W)
12	AM 3098 T	(-)	Brake assembly, less driven disks
13	M 827 T	(-)	Dowel, hollow (3 used)
14	M 1781 T	(-)	Housing
15	AM 1859 T	(-)	Lever
	AM 3064 T	(-)	Lever (used on left brake assembly of I and W when remote hydraulic control attachment is installed)
16	M 2035 T	(-)	Retainer
	M 3297 T	(-)	Retainer (used on left brake assembly of I and W when remote hydraulic control attachment is installed)
17	M 1949 T	(-)	Screw, cap, 7/16" x 3-3/4", special (3 used)
18	M 2036 T	(-)	Spring
19	AM 1858 T	(-)	Cam, left, with groov-pins
	AM 3063 T	(-)	Cam, left, with groov-pins (used on I and W when remote control attachment has been installed)
	AM 1861 T	(-)	Cam, right, with groov-pins
	AM 3109 T	(-)	Cam, right, with groov-pins (used on I and W when remote control attachment has been installed)
20	M 2034 T	(-)	Pin, groov-, special (2 used)
21	M 2396 T	(-)	Ring, snap (packed 10 in a pkg.)
22	M 2049 T	(-)	Pin, groov-
23	M 331 T	(-)	Ring, snap (2 used) (packed 2 in a pkg.)
24	M 952 T	(-)	Pin
25	M 1306 T	(-)	Ring, snap (packed 2 in a pkg.)
26	M 2014 T	(-)	Pin, groov-
27	M 1756 T	(-)	Lever
28	25H 797 A	(-)	Pin, groov-, 5/16" x 7/8"
29	M 2037 T	(-)	Bolt, eye
30	14H 463 A	(-)	Nut, hex., jam, 5/16"
31	L 299 T	(-)	Yoke, adjustable
32	M 205 T	(-)	Ring, snap
33	24H 1474 A	(-)	Washer, plain, 1-5/32" x 1-1/2" x .060" (1 used) (T)
	24H 1474 A	(-)	Washer, plain, 1-5/32" x 1-1/2" x .060" (3 used) (I and W)
34	M 2038 T	(-)	Bushing (2 used)
35	AM 1862 T	(-)	Pedal, brake, right (M1731T), with bushings (T)
	AT 15056 T	(-)	Pedal, brake, right (T16916T), with bushings (I and W) (also order one T16917T) (sub. for AM3076T)
36	M 2039 T	(-)	Spring (2 used) (T)
	M 2222 T	(-)	Spring (2 used) (I and W)
37	M 1732 T	(-)	Pedal, left brake (T)
	M 3230 T	(-)	Pedal, left brake (I and W)
38	25H 154 A	(-)	Pin, groov-, 3/8" x 2" (2 used)
39	M 1994 T	(-)	Shaft (T)
	M 3233 T	(-)	Shaft (I and W)
40	M 1735 T	(-)	Lever
	T 16917 T	(-)	Lever (used when AT15056T brake pedal has been installed) (I and W)
41	M 949 T	(-)	Nut, hex., special
42	14H 774 A	(-)	Nut, hex., jam, 3/8"
43	L 307 T	(-)	Pin (2 used)
44	11H 206 A	(-)	Pin, cotter, 3/32" x 3/4" (2 used)
45	28H 3054 A	(-)	Spacer, 1-1/4" x 2-15/32" (I and W) (sub. for M3234T)

DRAWBAR, SIDE FRAMES, AND CROSS MEMBERS
Crawler

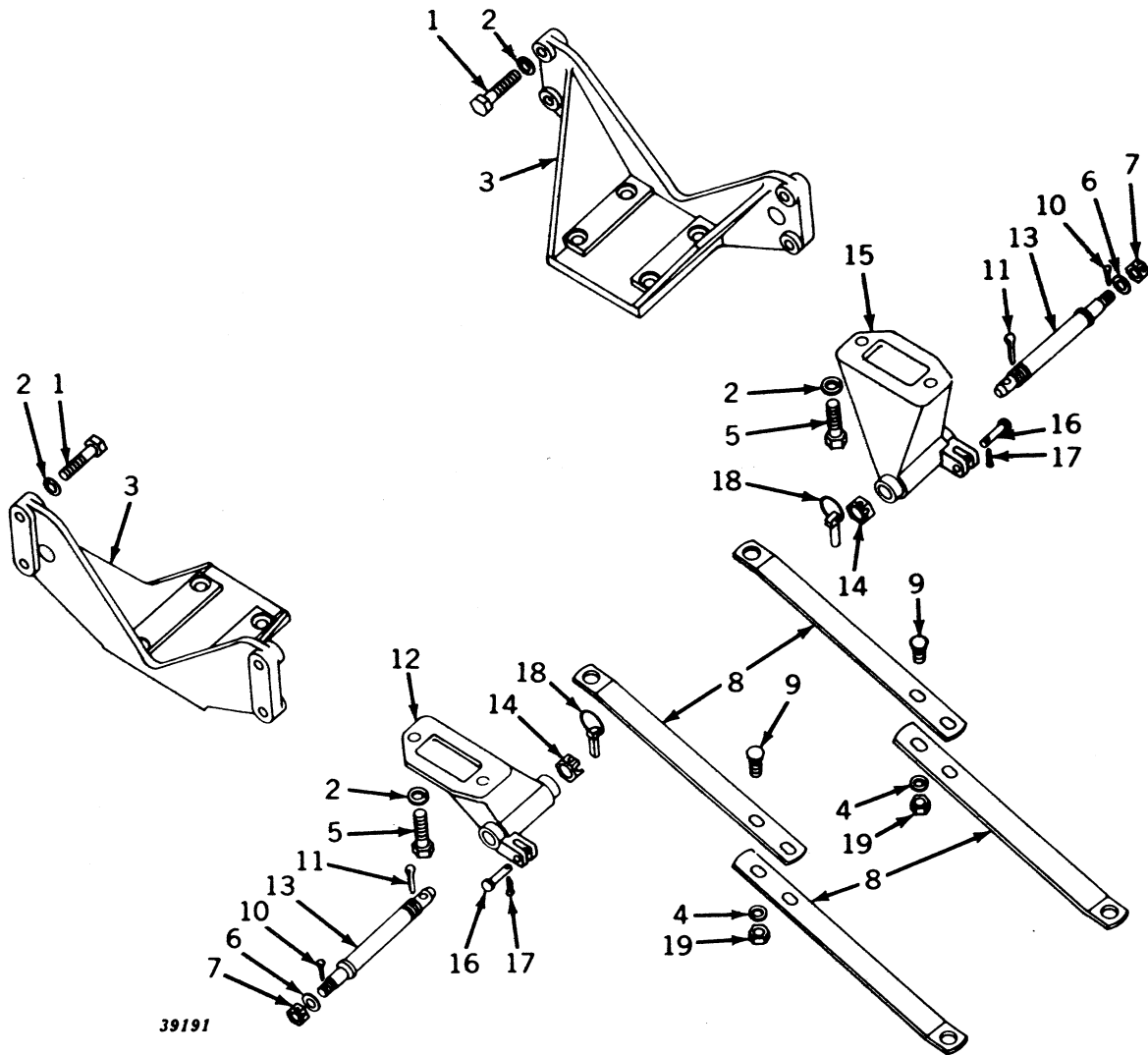


51445

DRAWBAR, SIDE FRAMES, AND CROSS MEMBERS -- Continued
Crawler

Key	Part No.	Serial No.	Description
1	19H 1768 A	(-100000)	Screw, cap, 3/4" x 2" (2 used)
	19H 1782 A	(100001-)	Screw, cap, 3/4" x 2-1/4" (2 used)
2	12H 236 A	(-)	Washer, lock, 3/4" (2 used)
3	TE 239 YT	(-100000)	Bushing (2 used)
	M 3692 T	(100001-)	Bushing (2 used)
4	AM 2915 T	(-100000)	Sub. one AM3364T and two M3706T
	AM 3364 T	(100001-)	Frame, left side
5	14H 809 A	(-)	Nut, hex., 1/2" (30 used)
6	12H 301 A	(-)	Washer, lock, 1/2" (24 used)
7	16H 1342 A	(-100000)	Rivet, 3/8" x 1-1/4" (24 used)
	17H 58 A	(100001-)	Rivet, 1/2" x 1-1/2" (24 used)
8	M 375 T	(-100000)	Nut, hex., 9/16", special (4 used) (packed 10 in a pkg.)
	14H 261 A	(100001-)	Nut, hex., 9/16" (8 used)
9	M 3706 T	(-100000)	Washer, plain, special (4 used)
	12H 304 A	(100001-)	Washer, lock, 3/8" (8 used)
10	M 2560 T	(-100000)	Screw, cap, special, 9/16" x 1-7/8" (4 used)
	19H 1689 A	(100001-)	Screw, cap, 9/16" x 2-1/4" (8 used)
11	M 2384 T	(-)	Mounting, rubber (8 used)
12	M 2383 T	(-)	Cap (4 used)
13	3H 1591 A	(-)	Bolt, cge., 1/2" x 2-1/4" (16 used)
14	M 3520 T	(-)	Bracket, rear, left and right side frame (2 used) (sub. for M2549T)
15	M 3519 T	(-)	Bracket, left front
16	14H 812 A	(-)	Nut, hex., 3/8" (6 used)
17	12H 304 A	(-)	Washer, lock, 3/8" (6 used)
18	3H 1519 A	(-)	Bolt, cge., 3/8" x 1" (6 used)
19	T 11035 T	(-)	Brace (sub. for TE283YT)
20	AM 2912 T	(-100000)	Sub. one AM3363T and two M3706T
	AM 3363 T	(100001-)	Frame, right side
21	M 3518 T	(-)	Bracket, right front
22	AM 3066 T	(-)	Member, cross, front, regular
	AM 2147 T	(-)	Member, cross, front, optional, long
23	M 2387 T	(-)	V-bolt (4 used)
24	AM 2338 T	(-)	Member, cross rear
25	TE 273 YT	(-)	Shim (use quantity required)
26	M 2386 T	(-)	Block, safety (2 used)
27	3H 1407 A	(-)	Bolt, cge., 5/8" x 2-1/2" (2 used)
28	M 2385 T	(-)	Plate, clevis (2 used)
29	AM 1751 T	(-)	Drawbar assembly
30	TE 436 YT	(-)	Pin, pivot
31	12H 294 A	(-)	Washer, lock, 5/8" (5 used)
32	14H 760 A	(-)	Nut, hex., 5/8" (5 used)
33	M 1678 T	(-)	Extension, bottom
34	19H 1847 A	(-)	Screw, cap, 5/8" x 2-1/2"
35	19H 2133 A	(-)	Screw, cap, 5/8" x 4-1/2" (2 used)
36	T 12846 T	(-)	Pin (sub. for AM1135T)
37	M 1679 T	(-)	Extension, top
38	DA 5883 A	(-)	Pin, quik-lock (sub. for AM1752T)
39	ATE 2267 YT	(-)	Quadrant, with mach. bolts and hex. nuts
40	M 803 T	(-)	Dowel, hollow (4 used)
41	L 139 T	(-)	Washer, plain, special (4 used)
42	M 804 T	(-)	Screw, cap, special (4 used)
43	19H 1815 A	(-)	Screw, cap, 1/2" x 1-1/4" (2 used)

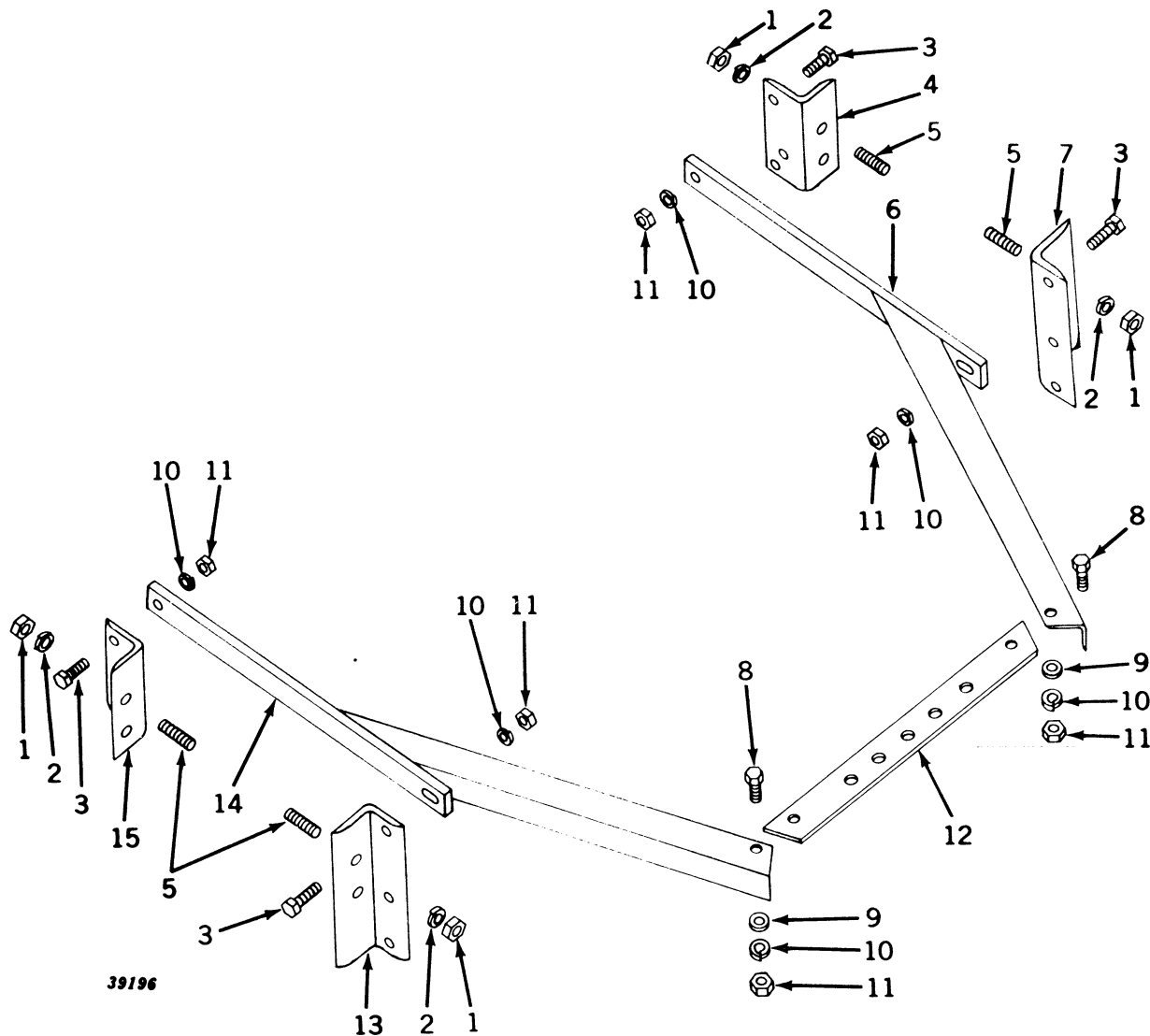
LINK MOUNTING ASSEMBLY Hi-Crop



39191

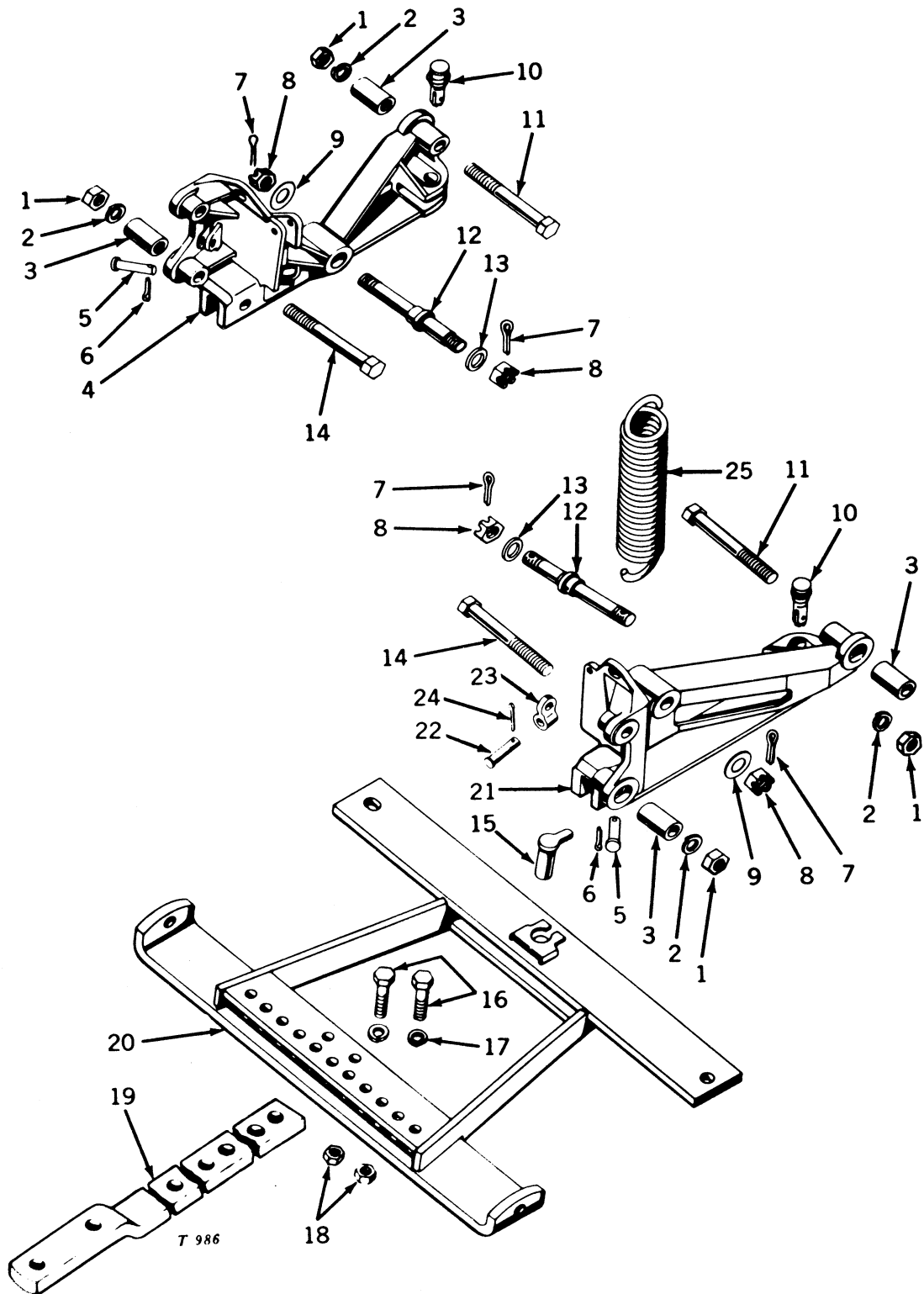
Key	Part No.	Serial No.	Description
1	19H 1715 A	(-)	Screw, cap, 3/4" x 3" (8 used)
2	12H 236 A	(-)	Washer, lock, 3/4" (12 used)
3	M 2869 T	(-)	Bracket, draft link (2 used)
4	12H 294 A	(-)	Washer, lock, 5/8" (4 used)
5	19H 1862 A	(-)	Screw, cap, 3/4" x 2-1/2" (4 used)
6	M 1993 T	(-)	Washer, special (2 used)
7	14H 534 A	(-)	Nut, hex., slotted, 3/4" (2 used)
8	M 2931 T	(-)	Brace, centering (4 used)
9	3H 1504 A	(-)	Bolt, cge., 5/8" x 1-1/4" (4 used)
10	11H 237 A	(-)	Pin, cotter, 1/8" x 2" (2 used)
11	11H 222 A	(-)	Pin, cotter, 3/16" x 2" (2 used)
12	M 2886 T	(-)	Support, left trunnion
13	M 2930 T	(-)	Bolt, trunnion (2 used)
14	14H 540 A	(-)	Nut, hex., slotted, 1" (2 used)
15	M 2887 T	(-)	Support, right trunnion
16	M 2743 T	(-)	Pin (2 used)
17	11H 206 A	(-)	Pin, cotter, 3/32" x 3/4" (2 used)
18	DA 5883 A	(-)	Pin, quik-lock (2 used) (sub. for AM1752T)
19	14H 760 A	(-)	Nut, hex., 5/8" (4 used)

DRAWBAR ASSEMBLY
Hi-Crop



Key	Part No.	Serial No.	Description
1	14H 794 A	(-)	Nut, hex., 3/4" (8 used)
2	12H 236 A	(-)	Washer, lock, 3/4" (8 used)
3	19H 1377 A	(-)	Screw, cap, 5/8" x 2-1/8" (4 used)
4	M 2927 T	(-)	Bracket, right front
5	F 1024 R	(-)	Stud (8 used)
6	AM 2958 T	(-)	Drawbar, right side member
7	M 2929 T	(-)	Bracket, right rear
8	19H 1374 A	(-)	Screw, cap, 5/8" x 2" (2 used)
9	24H 1139 A	(-)	Washer, plain, 11/16" x 1-1/4" x .105" (2 used)
10	12H 294 A	(-)	Washer, lock, 5/8" (6 used)
11	14H 760 A	(-)	Nut, hex., 5/8" (6 used)
12	M 2767 T	(-)	Drawbar, rear member
13	M 2928 T	(-)	Bracket, left rear
14	AM 2957 T	(-)	Drawbar, left side member
15	M 2926 T	(-)	Bracket, left front

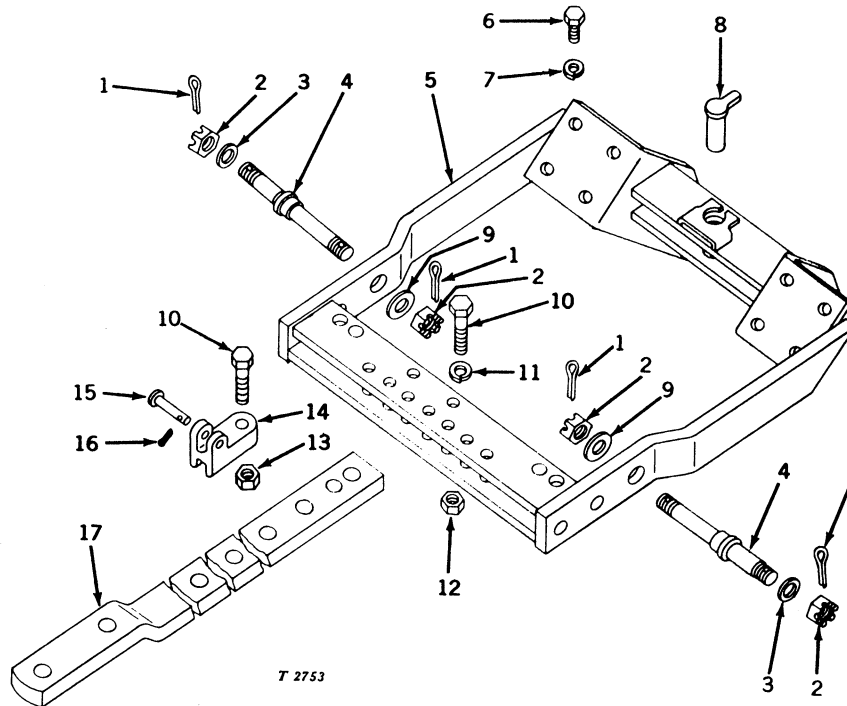
DRAWBAR ASSEMBLY Standard



DRAWBAR ASSEMBLY -- Continued
Standard

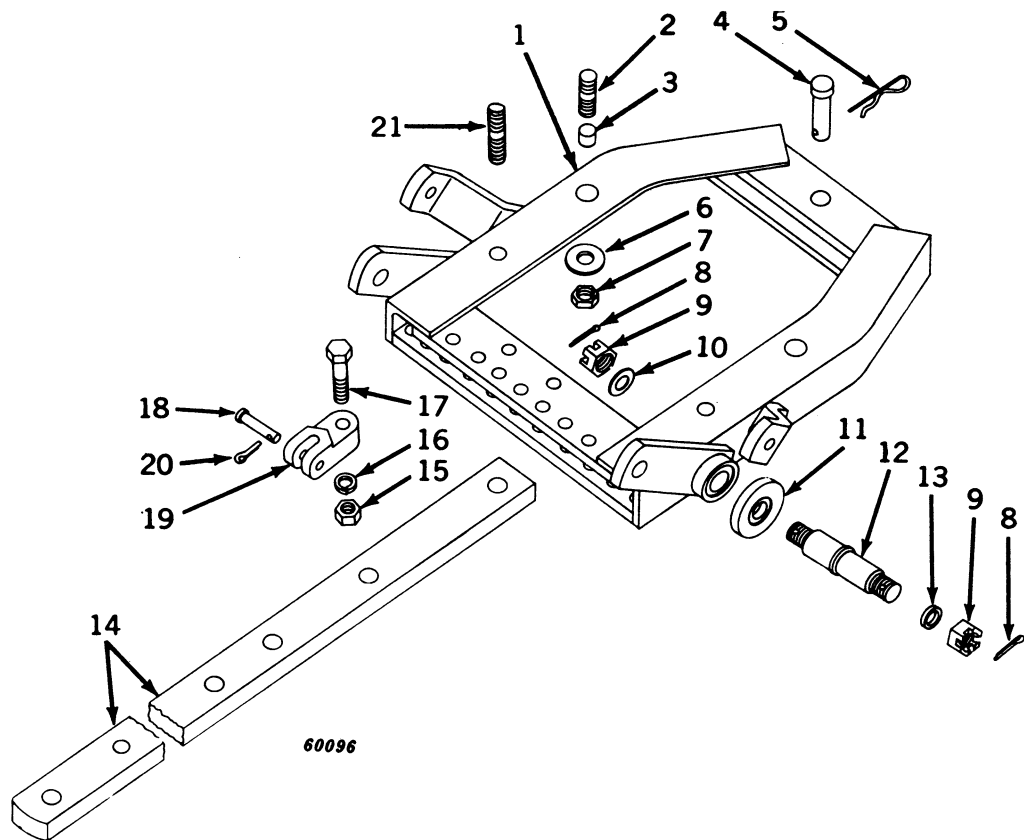
Key	Part No.	Serial No.	Description
1	14H 760 A	(-)	Nut, hex., 5/8" (6 used)
2	12H 294 A	(-)	Washer, lock, 5/8" (6 used)
3	M 1568 T	(-)	Dowel, hollow (4 used)
4	M 2523 T	(-)	Mount, left load link
5	M 2479 T	(-)	Pin (2 used)
6	11H 206 A	(-)	Pin, cotter, 3/32" x 3/4" (2 used)
7	11H 237 A	(-)	Pin, cotter, 1/8" x 2" (4 used)
8	14H 534 A	(-)	Nut, hex., 3/4" (4 used)
9	24H 1396 A	(-)	Washer, plain, 25/32" x 1-1/2" x .105" (2 used)
10	AM 2046 T	(-146262)	Sub. one 11H218A and one T11439T
	T 11439 T	(146263-)	Pin (4 used)
	11H 218 A	(146263-)	Pin, cotter, 3/16" x 1-1/2" (4 used)
11	8H 4073 A	(-)	Bolt, mach., 5/8" x 6-1/2" (2 used)
12	M 2149 T	(-)	Trunnion (2 used)
13	M 1993 T	(-)	Washer, plain, special (2 used)
14	19H 1872 A	(-)	Screw, cap, 5/8" x 6" (4 used)
15	AA 5365 R	(-)	Pin, pivot
16	19H 1820 A	(-)	Screw, cap, 1/2" x 3" (2 used)
17	12H 301 A	(-)	Washer, lock, 1/2" (2 used)
18	14H 809 A	(-)	Nut, hex., 1/2" (2 used)
19	T 10820 T	(-)	Drawbar (sub. for M2148T)
20	AM 2045 T	(-)	Drawbar assembly
21	M 3738 T	(-)	Mount, right load link (sub. for M2524T)
22	M 2479 T	(-)	Pin (when equipped with dual Touch-o-matic)
23	M 3997 T	(-)	Anchor, spring (when equipped with dual Touch-o-matic)
24	11H 206 A	(-)	Pin, cotter, 3/32" x 3/4" (when equipped with dual Touch-o-matic)
25	M 2593 T	(-)	Spring (when equipped with dual Touch-o-matic)

DRAWBAR ASSEMBLY Tricycle



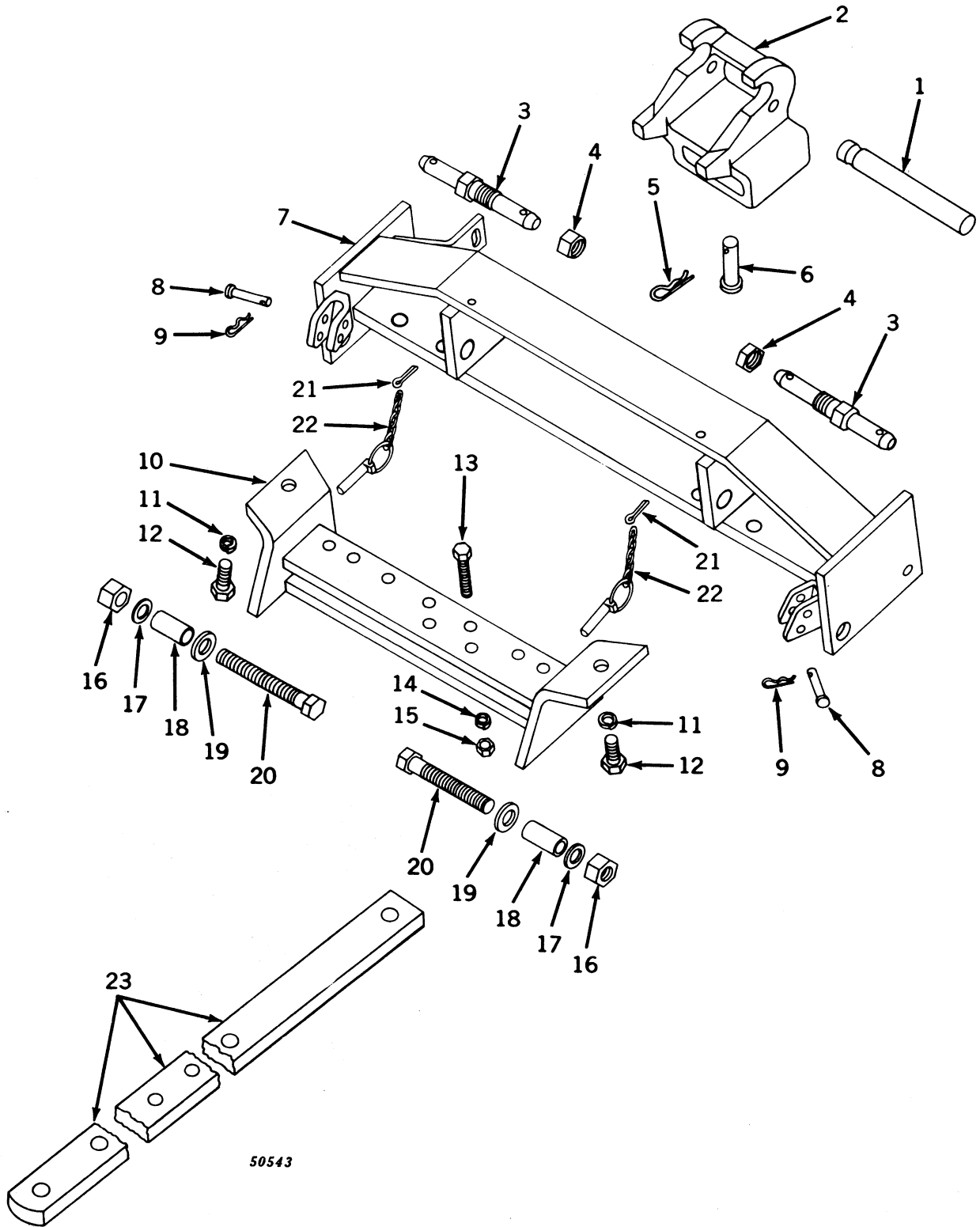
Key	Part No.	Serial No.	Description
1	11H 237 A	(-)	Pin, cotter, 1/8" x 2" (4 used)
2	14H 534 A	(-)	Nut, hex., 3/4" (4 used)
3	M 1993 T	(-)	Washer, plain, special (2 used)
4	M 1925 T	(-)	Trunnion (2 used)
5	AM 1890 T	(-)	Drawbar assembly
6	19H 1821 A	(-)	Screw, cap, 7/16" x 1-1/4" (8 used)
7	12H 293 A	(-)	Washer, lock, 7/16" (8 used)
8	AA 5365 R	(-)	Pin, pivot
9	24H 1396 A	(-)	Washer, plain, 25/32" x 1-1/2" x .105" (2 used)
10	19H 1820 A	(-)	Screw, cap, 1/2" x 3" (4 used)
11	12H 301 A	(-)	Washer, lock, 1/2" (2 used)
12	14H 809 A	(-)	Nut, hex., 1/2" (2 used)
13	M 2545 T	(-)	Nut, hex., special (2 used)
14	M 1763 T	(-)	Anchor, sway chain, front (2 used)
15	M 2479 T	(-)	Pin (2 used)
16	11H 206 A	(-)	Pin, cotter, 3/32" x 3/4" (2 used)
17	T 10822 T	(-)	Drawbar (sub. for M2077T)

DRAWBAR ASSEMBLY
Special Utility and Row-Crop Utility



Key	Part No.	Serial No.	Description
1	AM 2977 T	(-)	Drawbar assembly
2	M 3127 T	(-)	Stud, front (2 used)
3	M 3149 T	(-)	Dowel, hollow (2 used)
4	M 2485 T	(-)	Pin, pivot
5	A 3581 R	(-)	Pin, spring locking (packed 25 in a pkg.)
6	M 1554 T	(-)	Washer, plain, special (4 used)
7	14H 760 A	(-)	Nut, hex., 5/8" (4 used)
8	11H 237 A	(-)	Pin, cotter, 1/8" x 2" (4 used)
9	14H 534 A	(-)	Nut, hex., 3/4" (4 used)
10	24H 1392 A	(-104110)	Washer, plain, 25/32" x 1-3/8" x .120" (2 used)
11	M 3217 T	(-)	Spacer (2 used)
12	M 3140 T	(-)	Trunnion (2 used)
13	M 1993 T	(-)	Washer, special (2 used)
14	T 10826 T	(-)	Drawbar (sub. for M3139T)
15	14H 809 A	(-)	Nut, hex., 1/2" (2 used)
16	12H 301 A	(-)	Washer, lock, 1/2" (2 used)
17	19H 1974 A	(-)	Screw, cap, 1/2" x 2-3/4" (2 used)
18	M 2479 T	(-)	Pin (2 used)
19	M 2876 T	(-)	Anchor, sway chain, front (2 used)
20	11H 206 A	(-)	Pin, cotter, 3/32" x 3/4" (2 used)
21	M 3210 T	(-)	Stud, rear (2 used)

DRAWBAR ASSEMBLY
Utility (Serial No. -100000)

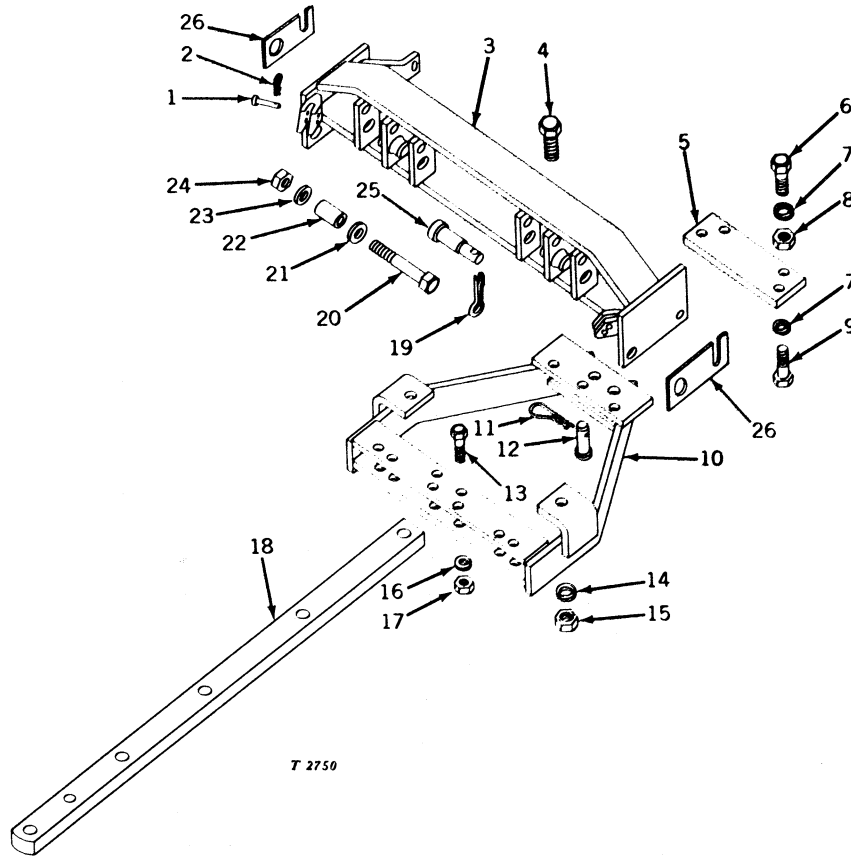


50543

DRAWBAR ASSEMBLY -- Continued
Utility (Serial No. -100000)

Key	Part No.	Serial No.	Description
1	M 2732 T	(-100000)	Bar
2	M 2595 T	(-100000)	Support, front
3	M 2430 T	(-100000)	Trunnion (2 used)
4	M 2434 T	(-100000)	Nut, hex., special (2 used)
5	A 3581 R	(-100000)	Pin, spring locking (packed 25 in a pkg.)
6	M 2485 T	(-100000)	Pin, pivot
7	AM 2405 T	(-100000)	Load link mount assembly
8	M 2479 T	(-100000)	Pin (2 used)
9	J 16931 N	(-100000)	Pin, spring locking (2 used)
10	AM 2406 T	(-100000)	Support, rear
11	12H 294 A	(-100000)	Washer, lock, 5/8" (2 used)
12	19H 1756 A	(-100000)	Screw, cap, 5/8" x 1-1/2" (2 used)
13	19H 1974 A	(-100000)	Screw, cap, 1/2" x 2-3/4" (2 used)
14	12H 301 A	(-100000)	Washer, lock, 1/2" (2 used)
15	14H 809 A	(-100000)	Nut, hex., 1/2" (2 used)
16	14H 760 A	(-100000)	Nut, hex., 5/8" (4 used)
17	24H 1368 A	(-100000)	Washer, plain, 21/32" x 1-5/16" x .090" (4 used)
18	M 1568 T	(-100000)	Dowel, hollow, rear holes (2 used)
19	M 1554 T	(-100000)	Washer, plain, special, rear holes (2 used)
20	19H 2076 A	(-100000)	Screw, cap, 5/8" x 5" (4 used)
21	M 2092 T	(-100000)	Pin, cotter (2 used)
22	AM 1909 T	(-100000)	Pin, quik-lock, and chain (2 used)
23	M 2594 T	(-100000)	Drawbar

DRAWBAR ASSEMBLY
Utility (Serial No. 100001-Up)

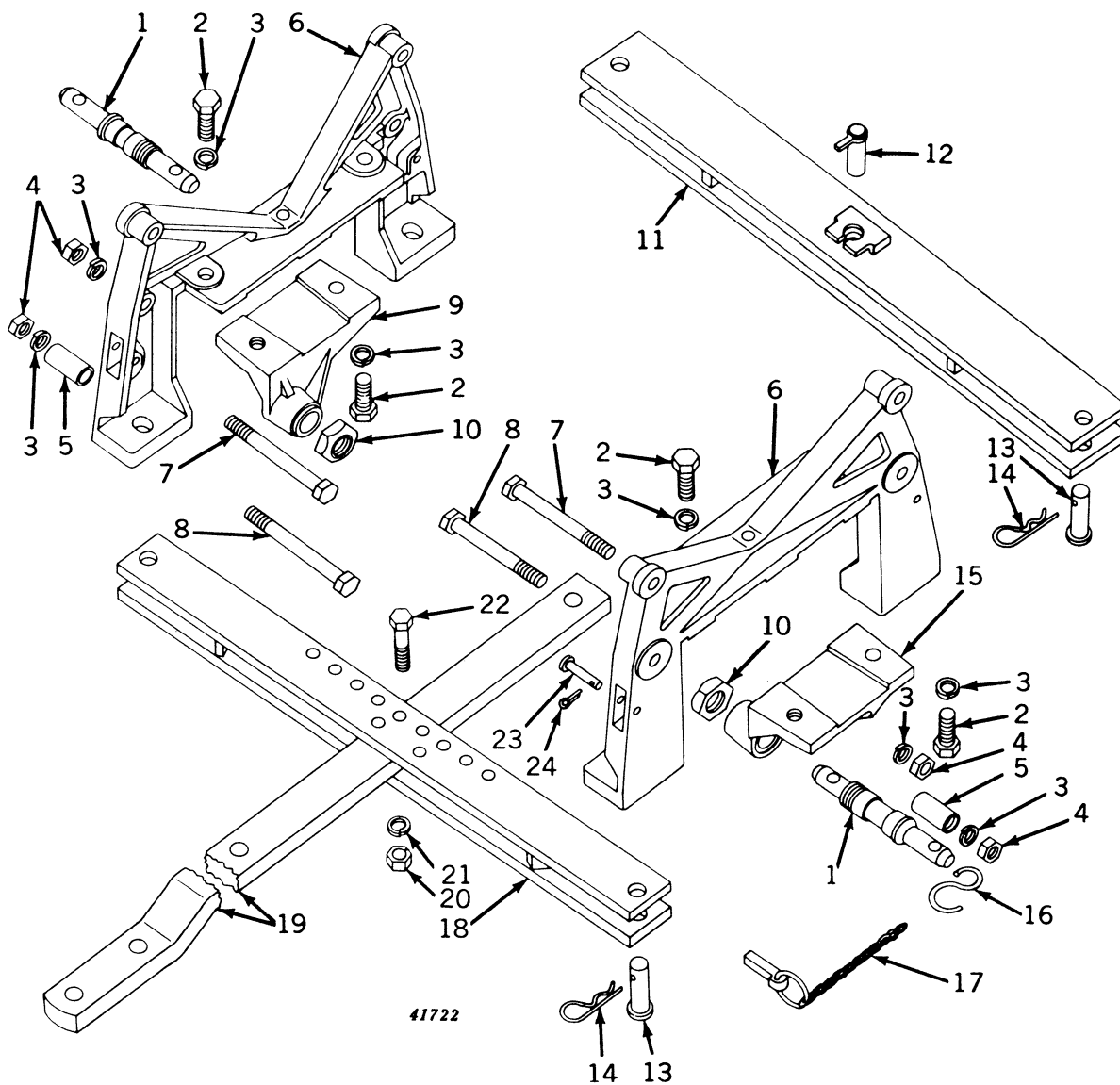


T 2750

DRAWBAR ASSEMBLY -- Continued
Utility (Serial No. 100001-Up)

Key	Part No.	Serial No.	Description
1	M 2479 T	(100001-)	Pin (2 used)
2	J 16931 N	(100001-)	Pin, spring locking (2 used)
3	AM 3511 T	(100001-)	Load link mount assembly
4	19H 1685 A	(100001-)	Screw, cap, 3/4" x 2-1/4" (2 used)
5	M 3822 T	(100001-125000)	Plate, front attaching
	M 4336 T	(125001-)	Plate, front attaching
6	19H 1374 A	(100001-)	Screw, cap, 5/8" x 2" (2 used)
7	12H 294 A	(100001-)	Washer, lock, 5/8" (4 used)
8	14H 760 A	(100001-)	Nut, hex., 5/8" (2 used)
9	19H 1362 A	(100001-)	Screw, cap, 5/8" x 1-7/8" (2 used)
10	AT 13981 T	(100001-)	Drawbar assembly (sub. for AM3510T)
11	F 2830 R	(100001-)	Pin, spring locking
12	M 3823 T	(100001-)	Pin, pivot
13	19H 1820 A	(100001-)	Screw, cap, 1/2" x 3" (2 used)
14	12H 236 A	(100001-)	Washer, lock, 3/4" (2 used)
15	14H 794 A	(100001-)	Nut, hex., 3/4" (2 used)
16	12H 301 A	(100001-)	Washer, lock, 1/2" (2 used)
17	14H 809 A	(100001-)	Nut, hex., 1/2" (2 used)
18	T 10823 T	(100001-)	Drawbar (sub. for M3810T)
19	M 3600 T	(100001-)	Pin (2 used)
20	19H 2076 A	(100001-)	Screw, cap, 5/8" x 5" (4 used)
21	M 1554 T	(100001-)	Washer, plain, special, rear holes (2 used)
22	M 1568 T	(100001-)	Dowel, hollow, rear holes (2 used)
23	24H 1368 A	(100001-)	Washer, plain, 21/32" x 1-5/16" x .090" (4 used)
24	14H 760 A	(100001-)	Nut, hex., 5/8" (4 used)
25	M 3824 T	(100001-)	Trunnion (2 used)
26	M 2953 T	(100001-)	Shim, .025" thick (use quantity required)
	M 2954 T	(100001-)	Shim, .036" thick (use quantity required)

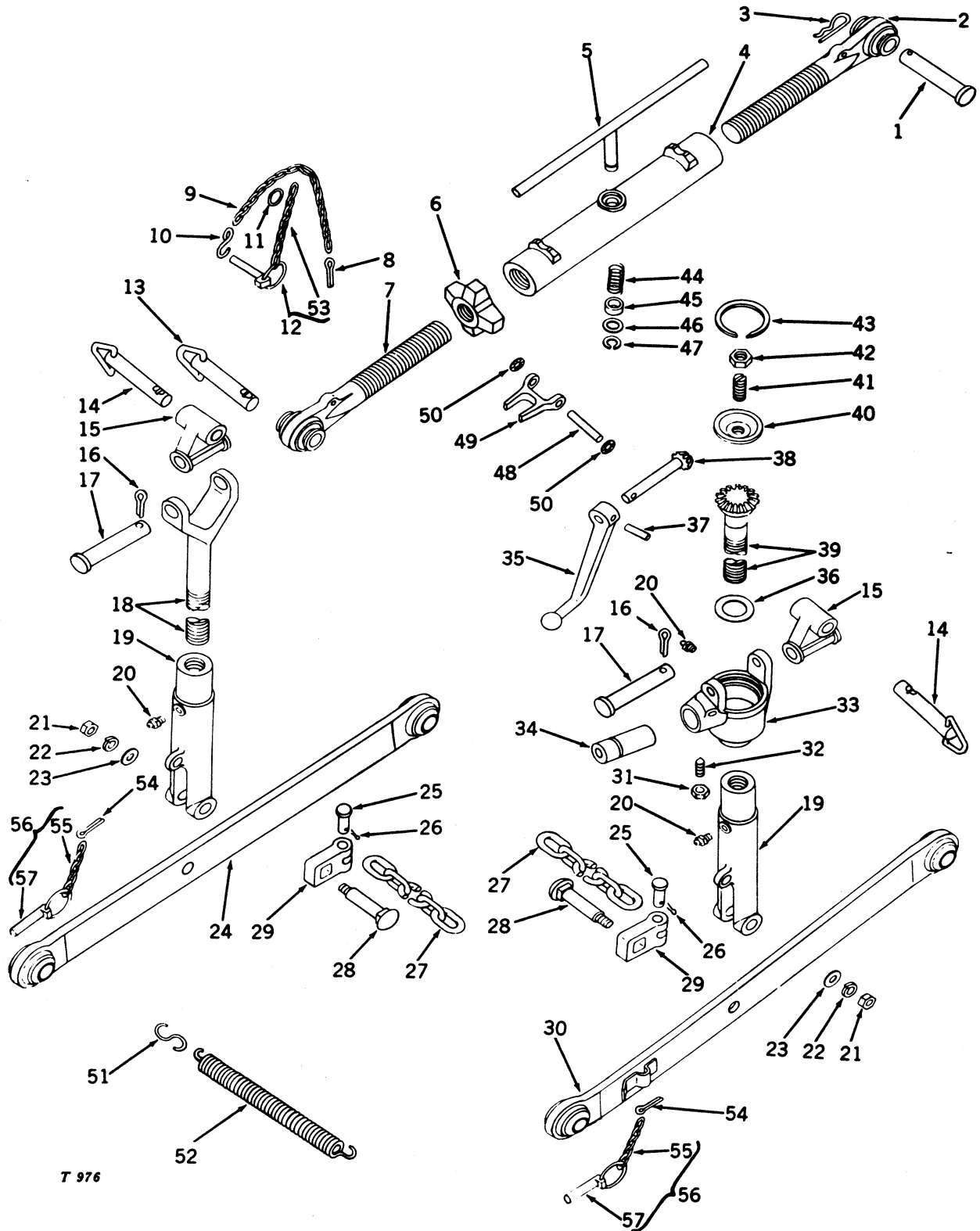
DRAWBAR ASSEMBLY Special



DRAWBAR ASSEMBLY -- Continued
Special

Key	Part No.	Serial No.	Description
1	M 2791 T	(-)	Bolt, trunnion (2 used)
2	19H 1362 A	(-)	Screw, cap, 5/8" x 1-7/8" (4 used)
3	12H 294 A	(-)	Washer, lock, 5/8" (12 used)
4	14H 760 A	(-)	Nut, hex., 5/8" (8 used)
5	M 1568 T	(-)	Dowel, hollow (2 used)
6	M 2788 T	(-)	Mount, draft link (2 used)
7	19H 1923 A	(-)	Screw, cap, 5/8" x 5-1/2" (4 used)
8	19H 2076 A	(-)	Screw, cap, 5/8" x 5" (4 used)
9	M 2790 T	(-)	Support, trunnion, left
10	M 2434 T	(-)	Nut, trunnion (2 used)
11	AM 2624 T	(-)	Front, drawbar assembly
12	AA 5365 R	(-)	Pin, pivot
13	M 2485 T	(-)	Pin (4 used)
14	A 3581 R	(-)	Pin, spring locking (4 used) (packed 25 in a pkg.)
15	M 2789 T	(-)	Support, trunnion, right
16	M 2517 T	(-)	S-hook (2 used)
17	AM 1909 T	(-)	Pin, quik-lock, and chain (2 used)
18	AM 2625 T	(-)	Rear drawbar assembly
19	T 10825 T	(-)	Drawbar (sub. for M2792T)
20	14H 809 A	(-)	Nut, hex., 1/2" (2 used)
21	12H 301 A	(-)	Washer, lock, 1/2" (2 used)
22	19H 1820 A	(-)	Screw, cap, 1/2" x 3" (2 used)
23	M 2479 T	(-)	Pin (2 used)
24	11H 206 A	(-)	Pin, cotter, 3/32" x 3/4" (2 used)

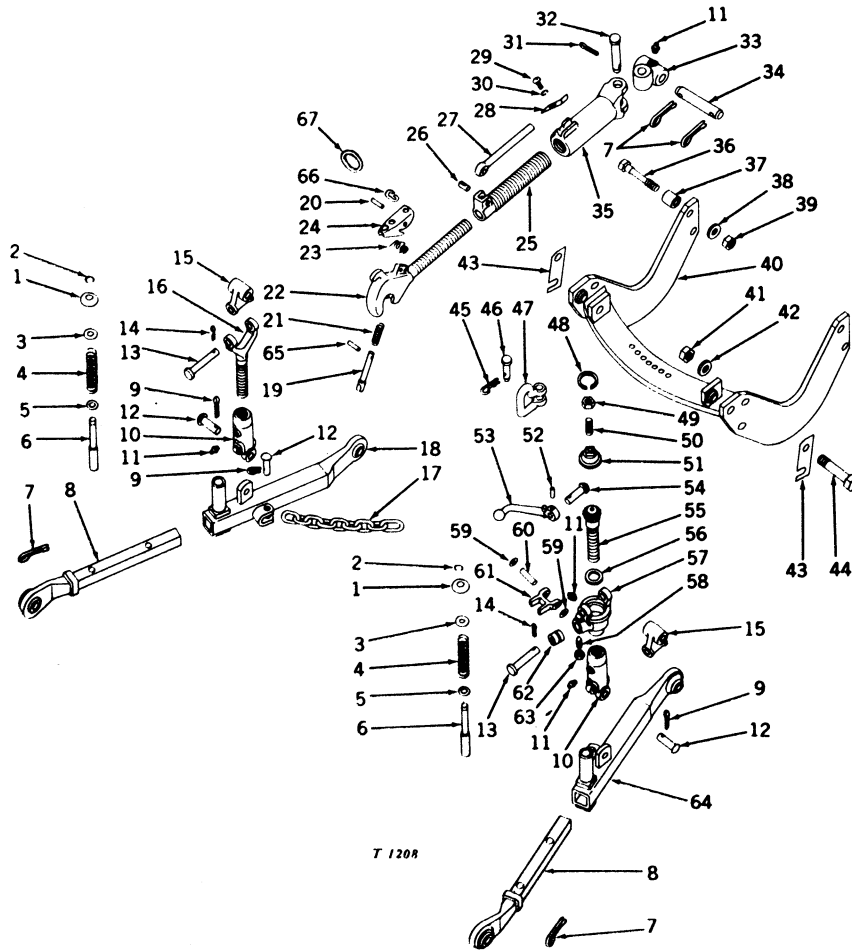
3-POINT HITCH
 Hi-Crop, Special Utility, Standard, Tricycle, Utility, Special, and Row-Crop Utility



Key	Part No.	Serial No.	Description
1	M 2071 T	(-)	Pin, front (H, I, T, U, V, and W) (also S with dual Touch-o-matic)
	M 2150 T	(-)	Pin, front (S)
2	AM 1905 T	(-)	Link, upper, front, left-hand thread (H, I, S, T, U, V, and W)
	AM 3420 T	(100001-	Link, upper, front, left-hand thread (S with dual Touch-o-matic)
3	A 3581 R	(-)	Pin, spring, cotter (packed 25 in a pkg.)

3-POINT HITCH -- Continued			
Hi-Crop, Special Utility, Standard, Tricycle, Utility, Special, and Row-Crop Utility			
Key	Part No.	Serial No.	Description
4	M 2469 T	(-)	Turnbuckle (H, I, U, and W)
	M 1737 T	(-)	Turnbuckle (S and T)
	M 2802 T	(-)	Turnbuckle (V)
	M 3729 T	(100001-)	Turnbuckle (S with dual Touch-o-matic)
5	AM 2297 T	(-)	Handle (H, I, S, T, U, and W)
	AM 2634 T	(-)	Handle (V)
6	M 2515 T	(-)	Nut
7	AM 1906 T	(-)	Link, upper, rear, right-hand thread
8	M 2092 T	(-)	Pin, cotter, special (3 used)
9	AM 1908 T	(-)	Chain
10	M 2517 T	(-)	Hook
11	M 2090 T	(-158389)	Ring
12	AM 1909 T	(-158389)	Pin, quik-lock, and chain
13	AT 11985 T	(-)	Pin, rear (sub. for M1703T)
14	T 18536 T	(-)	Pin (2 used) (also order one A3581R) (sub. for AM1927T and AT11986T)
15	M 1701 T	(-)	Connector, sway (2 used)
16	11H 239 A	(-)	Pin, cotter, 5/32" x 1" (2 used)
17	M 2072 T	(-)	Pin (2 used)
18	AM 2472 T	(-)	Link, left lift (H)
	AM 1896 T	(-)	Link, left lift (I, S, T, U, and W)
	AM 2628 T	(-)	Link, left lift (V)
19	M 2653 T	(-)	Fork, lift link (2 used)
20	JD 7797	(-)	Fitting, grease (3 used)
21	14H 813 A	(-)	Nut, hex., 7/16" (2 used)
22	12H 293 A	(-)	Washer, lock, 7/16" (2 used)
23	24H 1325 A	(-)	Washer, plain, 15/32" x 59/64" x .060" (2 used)
24	AM 2473 T	(-)	Link, draft, left (H)
	AM 1891 T	(-)	Link, draft, left (S and T)
	AM 2176 T	(-)	Link, draft, left (U)
	AM 2627 T	(-)	Link, draft, left (V) (also S with dual Touch-o-matic)
	AM 2713 T	(-)	Link, draft, left (I and W)
25	M 2479 T	(-)	Pin (2 used)
26	11H 206 A	(-)	Pin, cotter, 3/32" x 3/4" (2 used)
27	AM 2758 T	(-)	Chain, sway (2 used) (H)
	AM 1901 T	(-)	Chain, sway (2 used) (S and T)
	AM 2408 T	(-)	Chain, sway (2 used) (U and V) (also S with dual Touch-o-matic)
	AM 2779 T	(-)	Chain, sway (2 used) (I and W)
28	M 2084 T	(-)	Bolt, sway chain (2 used)
29	M 1702 T	(-)	Anchor, rear (2 used)
30	AM 2474 T	(-)	Link, draft, right (H)
	AM 1894 T	(-)	Link, draft, right (S and T)
	AM 2177 T	(-)	Link, draft, right (U)
	AM 2632 T	(-)	Link, draft, right (V) (also S with dual Touch-o-matic)
	AM 2715 T	(-)	Link, draft, right (I and W)
31	14H 463 A	(-)	Nut, hex., jam, 5/16"
32	22H 794 A	(-)	Screw, set, 5/16" x 7/8"
33	M 2437 T	(-)	Housing
34	M 1995 T	(-)	Bushing (H, I, S, T, V, and W)
	M 2440 T	(-)	Bushing (U)
35	M 2438 T	(-)	Crank, leveling
36	M 2078 T	(-)	Washer, thrust
37	34H 90 A	(-)	Pin, roll, 7/32" x 1-1/4"
38	M 1699 T	(-)	Pinion (H, I, S, T, V, and W)
	M 2439 T	(-)	Pinion (U)
39	AM 2578 T	(-)	Gear, with shaft (H)
	M 1744 T	(-)	Gear, with shaft (I, S, T, U, and W)
	AM 2631 T	(-)	Gear, with shaft (V)
40	AM 1900 T	(-)	Plate, thrust
41	22H 803 A	(-)	Screw, set, 1/2" x 1-1/2"
42	14H 856 A	(-)	Nut, hex., jam, 1/2"
43	M 2083 T	(-)	Ring, snap
44	M 2085 T	(-)	Spring (packed 2 in a pkg.)
45	M 1930 T	(-)	Bushing
46	24H 1227 A	(-)	Washer, plain, 17/32" x 13/16" x .060"
47	M 2086 T	(-)	Ring, snap (packed 3 in a pkg.)
48	34H 164 A	(-)	Pin, roll, 5/16" x 2-1/8"
49	M 2735 T	(-)	Lock, crank (H, I, S, T, V, and W)
	M 2492 T	(-)	Lock, crank (U)
50	M 2494 T	(-)	Washer, spring (2 used)
51	M 2733 T	(-)	Hook (H, S, U, and V)
52	M 2734 T	(-)	Spring (H, S, U, and V)
53	AM 1910 T	(-158389)	Sub. one AM1909T
54	M 2092 T	(-160883)	Pin, quik-lock, and chain (2 used)
55	AM 1910 T	(-160883)	Sub. one AM1909T
56	AM 1909 T	(-160883)	Pin, quik-lock, and chain (2 used)
57	DA 5883 A	(-)	Pin, quik-lock, assembly (2 used)

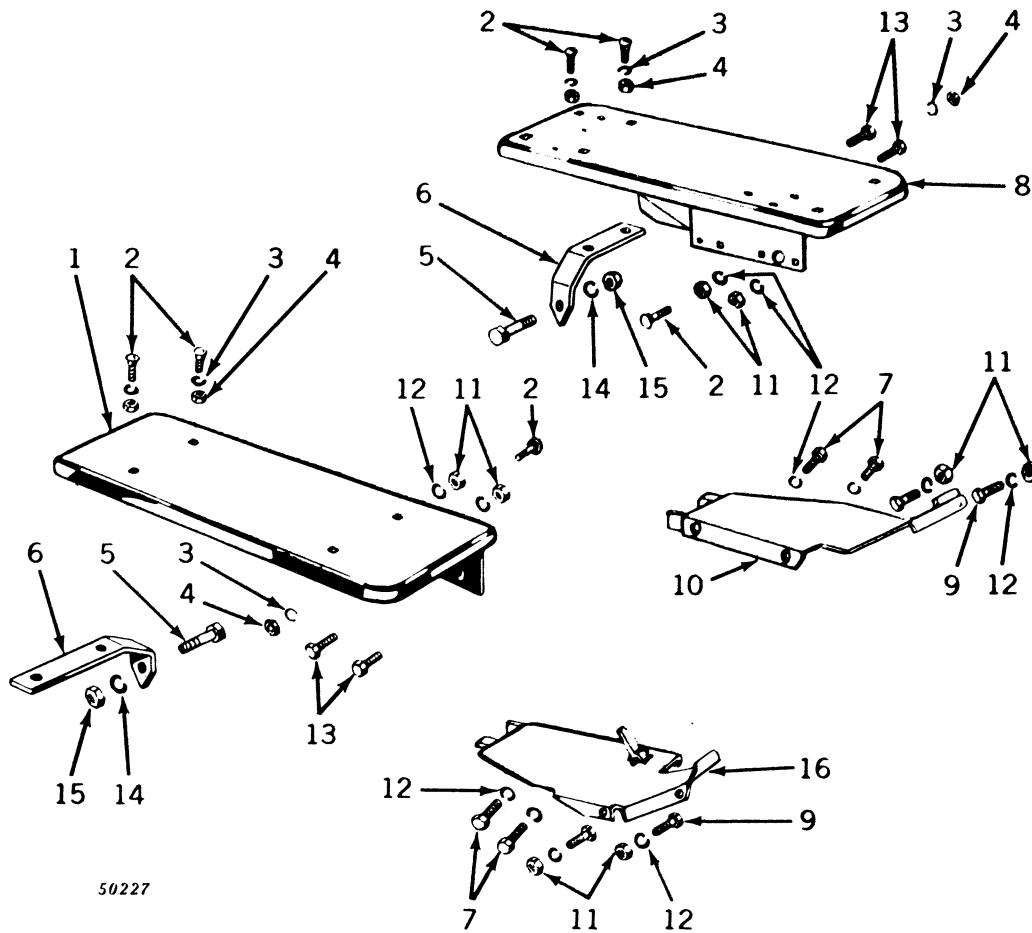
3-POINT HITCH Crawler



3-POINT HITCH -- Continued
Crawler

Key	Part No.	Serial No.	Description
1	B 2477 R	(-)	Washer, special (2 used) (packed 2 in a pkg.)
2	F 2208 R	(-)	Ring, retaining (2 used) (packed 2 in a pkg.)
3	T 18716 T	(-)	Washer, special (2 used)
4	F 2695 R	(-)	Spring (2 used)
5	D 2865 R	(-)	Washer, special (2 used) (packed 2 in a pkg.)
6	F 2693 R	(-)	Pin, lock (2 used)
7	M 3600 T	(-)	Pin (4 used)
8	AM 3305 T	(-)	Bar, extension (2 used)
9	11H 205 A	(-)	Pin, cotter, 7/32" x 1-1/4" (4 used)
10	M 3558 T	(-)	Fork (2 used)
11	JD 7797	(-)	Fitting, grease (4 used)
12	M 3614 T	(-)	Pin (4 used)
13	M 2072 T	(-)	Pin (2 used)
14	11H 239 A	(-)	Pin, cotter, 5/32" x 1" (2 used)
15	M 1701 T	(-)	Connector, sway (2 used)
16	AM 3302 T	(-)	Link, left lift
17	AM 3307 T	(-)	Chain, sway (2 used)
18	AM 3303 T	(-)	Tube, left draft link
19	F 2821 R	(-)	Latch, top link
20	34H 79 A	(-)	Pin, roll, 3/16" x 1-1/4" (2 used) (sub. for 25H750A)
21	F 2822 R	(-)	Spring (packed 2 in a pkg.)
22	AM 3300 T	(-)	Hook, top link
23	F 2823 R	(-)	Spring
24	F 2824 R	(-)	Handle
25	M 3559 T	(-)	Center, top link
26	25H 887 A	(-)	Pin, groov-, 1/2" x 1-1/4"
27	AM 3299 T	(-)	Handle
28	M 3605 T	(-)	Clip, spring
29	21H 1018 A	(-)	Screw, mach., 1/4" x 3/8"
30	12H 302 A	(-)	Washer, lock, 1/4"
31	11H 215 A	(-)	Pin, cotter, 1/4" x 1-1/2"
32	F 2683 R	(-)	Pin
33	M 3561 T	(-)	Connector, sway
34	M 3606 T	(-)	Pin
35	M 3560 T	(-)	End, top link
36	M 804 T	(-)	Screw, cap, special (8 used)
37	M 803 T	(-)	Dowel, hollow (8 used)
38	L 139 T	(-)	Washer, plain, special (8 used)
39	14H 809 A	(-)	Nut, hex., 1/2" (8 used)
40	AM 3297 T	(-)	Quadrant and draft link mount assembly
41	M 3597 T	(-)	Nut, stop, 1/2" (2 used)
42	M 292 T	(-)	Washer, plain, special (2 used)
43	M 3598 T	(-)	Shim, .036" (2 used) (packed 2 in a pkg.)
	M 3599 T	(-)	Shim, .025" (2 used) (packed 2 in a pkg.)
44	T 10603 T	(-)	Screw, cap, special (2 used) (sub. for M3596T)
45	A 3581 R	(-)	Pin, spring locking (2 used) (packed 25 in a pkg.)
46	M 3616 T	(-)	Pin (2 used)
47	M 3615 T	(-)	Anchor, sway chain, front (2 used)
48	M 2083 T	(-)	Ring, snap
49	14H 856 A	(-)	Nut, hex., jam, 1/2"
50	22H 803 A	(-)	Screw, set, 1/2" x 1-1/2"
51	AM 1900 T	(-)	Plate, thrust
52	34H 90 A	(-)	Pin, roll, 7/32" x 1-1/4"
53	M 2438 T	(-)	Crank, leveling
54	M 1699 T	(-)	Pinion
55	M 3645 T	(-)	Gear, with shaft
56	M 2078 T	(-)	Washer, thrust
57	M 2437 T	(-)	Housing
58	22H 794 A	(-)	Screw, set, 5/16" x 7/8"
59	M 2494 T	(-)	Washer, spring (2 used)
60	34H 164 A	(-)	Pin, roll, 5/16" x 2-1/8"
61	M 2735 T	(-)	Lock, crank
62	M 1995 T	(-)	Bushing
63	14H 463 A	(-)	Nut, hex., jam, 5/16"
64	AM 3310 T	(-)	Tube, right draft link
65	25H 750 A	(-125009)	Pin, groov-, 3/16" x 1-1/4"
	34H 90 A	(125010-	Pin, roll, 7/32" x 1-1/4"
66	M 3835 T	(-)	Link
67	M 3834 T	(-)	Ring

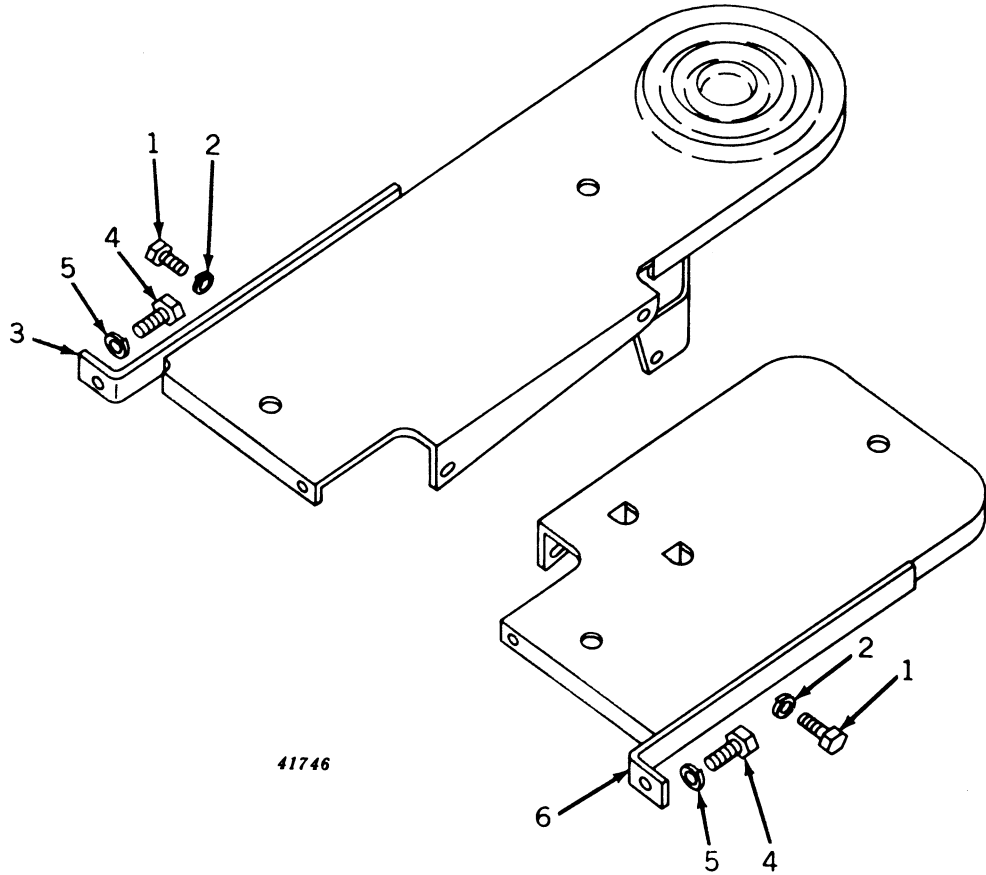
FENDERS AND FOOTRESTS Crawler



50227

Key	Part No.	Serial No.	Description
1	AM 2914 T	(-)	Fender assembly, right
2	3H 1572 A	(-)	Bolt, cge., 7/16" x 1" (6 used)
3	12H 293 A	(-)	Washer, lock, 7/16" (6 used)
4	14H 813 A	(-)	Nut, hex., 7/16" (6 used)
5	M 2560 T	(-)	Screw, cap, special, 9/16" x 1-7/8" (2 used)
6	TE 281 YT	(-)	Brace, rear (2 used)
7	19H 1900 A	(-)	Screw, cap, 5/16" (4 used)
8	AM 2913 T	(-)	Fender assembly, left
9	3H 1268 A	(-)	Bolt, cge., 5/16" x 3/4" (4 used)
10	AM 3366 T	(-)	Footrest assembly, left (sub. for AM1884T)
11	14H 785 A	(-)	Nut, hex., 5/16" (8 used)
12	12H 303 A	(-)	Washer, lock, 5/16" (12 used)
13	3H 1524 A	(-)	Bolt, cge., 5/16" x 1" (4 used)
14	12H 317 A	(-)	Washer, lock, 9/16" (2 used)
15	14H 394 A	(-)	Nut, hex., 9/16" (2 used)
16	AM 3365 T	(-)	Footrest assembly, right, with brake lock (sub. for AM1883T)

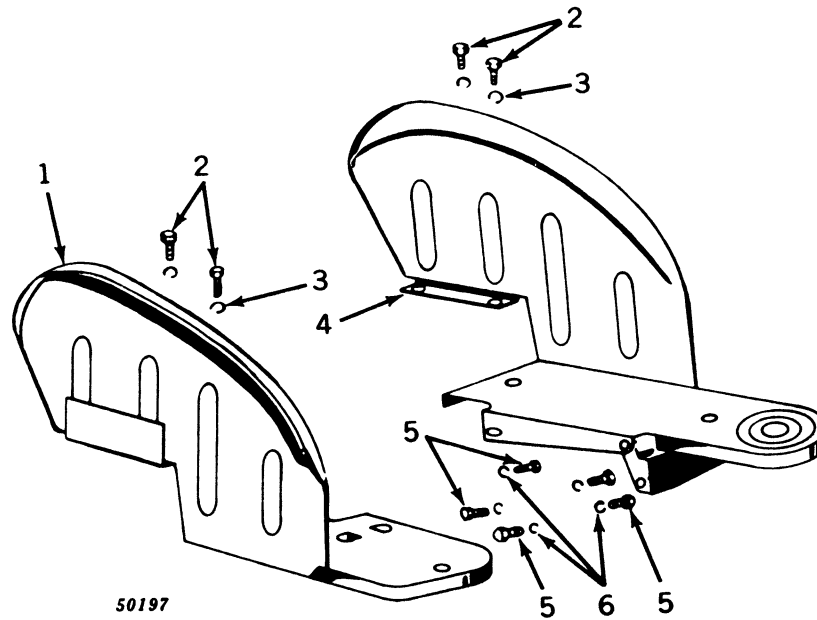
FOOTREST ASSEMBLY
Hi-Crop



41746

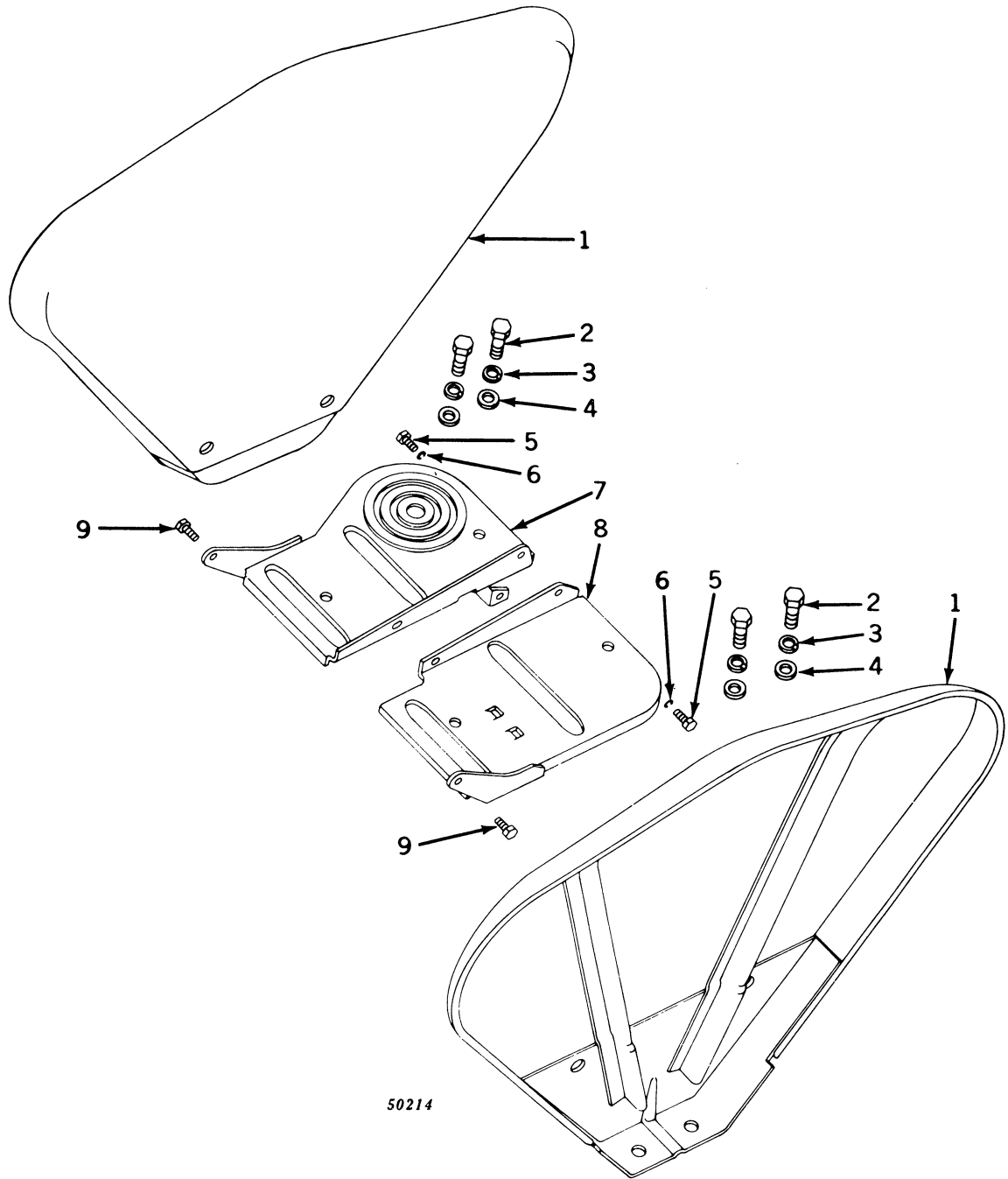
Key	Part No.	Serial No.	Description
1	19H 1900 A	(-)	Screw, cap, 5/16" x 3/4" (5 used)
2	12H 303 A	(-)	Washer, lock, 5/16" (5 used)
3	AM 3278 T	(-)	Footrest assembly, left (sub. for AM2483T)
4	19H 210 A	(-)	Screw, cap, 3/8" x 7/8" (2 used)
5	12H 304 A	(-)	Washer, lock, 3/8" (2 used)
6	AM 2484 T	(-)	Footrest assembly, right

FENDERS AND FOOTRESTS
Standard



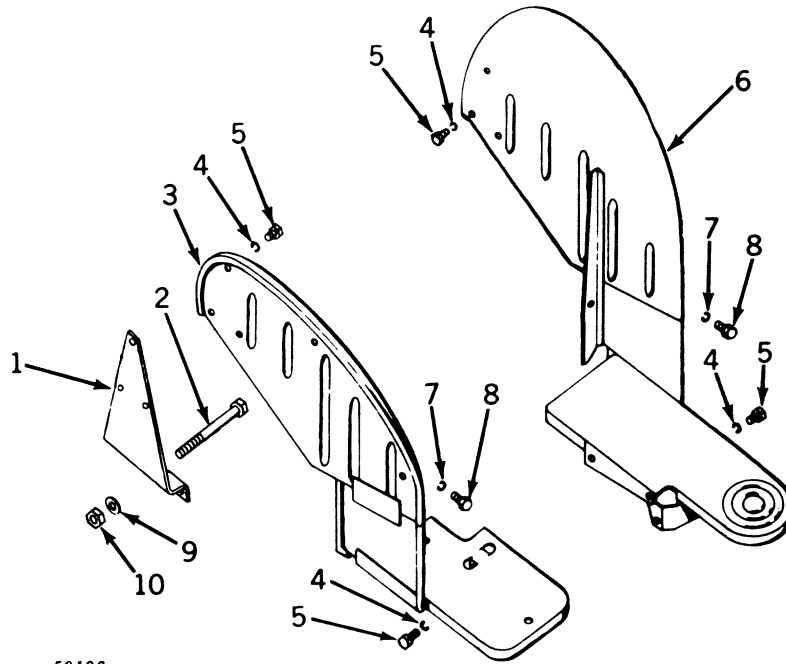
Key	Part No.	Serial No.	Description
1	AM 1971 T	(-)	Fender assembly, right
2	19H 1936 A	(-)	Screw, cap, 3/8" x 3/4" (4 used)
3	12H 304 A	(-)	Washer, lock, 3/8" (4 used)
4	AM 3277 T	(-)	Fender assembly, left (sub. for AM2287T)
5	19H 1900 A	(-)	Screw, cap, 5/16" x 3/4" (5 used)
6	12H 303 A	(-)	Washer, lock, 5/16" (5 used)

FENDERS AND FOOTRESTS
Special Utility, Tricycle, and Row-Crop Utility



Key	Part No.	Serial No.	Description
1	AM 1834 T	(-)	Fender (2 used)
2	19H 1833 A	(-)	Screw, cap, 5/8" x 1-1/4" (4 used)
3	12H 294 A	(-)	Washer, lock, 5/8" (4 used)
4	24H 1106 A	(-)	Washer, plain, 11/16" x 1-3/4" x .134" (4 used)
5	19H 1900 A	(-)	Screw, cap, 5/16" x 3/4" (6 used)
6	12H 303 A	(-)	Washer, lock, 5/16" (6 used)
7	AM 3270 T	(-)	Footrest assembly, left (T) (sub. for AM1832T)
	AM 3275 T	(-)	Footrest assembly, left (I and W) (sub. for AM2979T)
8	AM 1831 T	(-)	Footrest assembly, right (T)
	AM 2980 T	(-)	Footrest assembly, right (I and W)
9	M 1949 T	(-)	Screw, cap, special, 7/16" x 3-3/4"

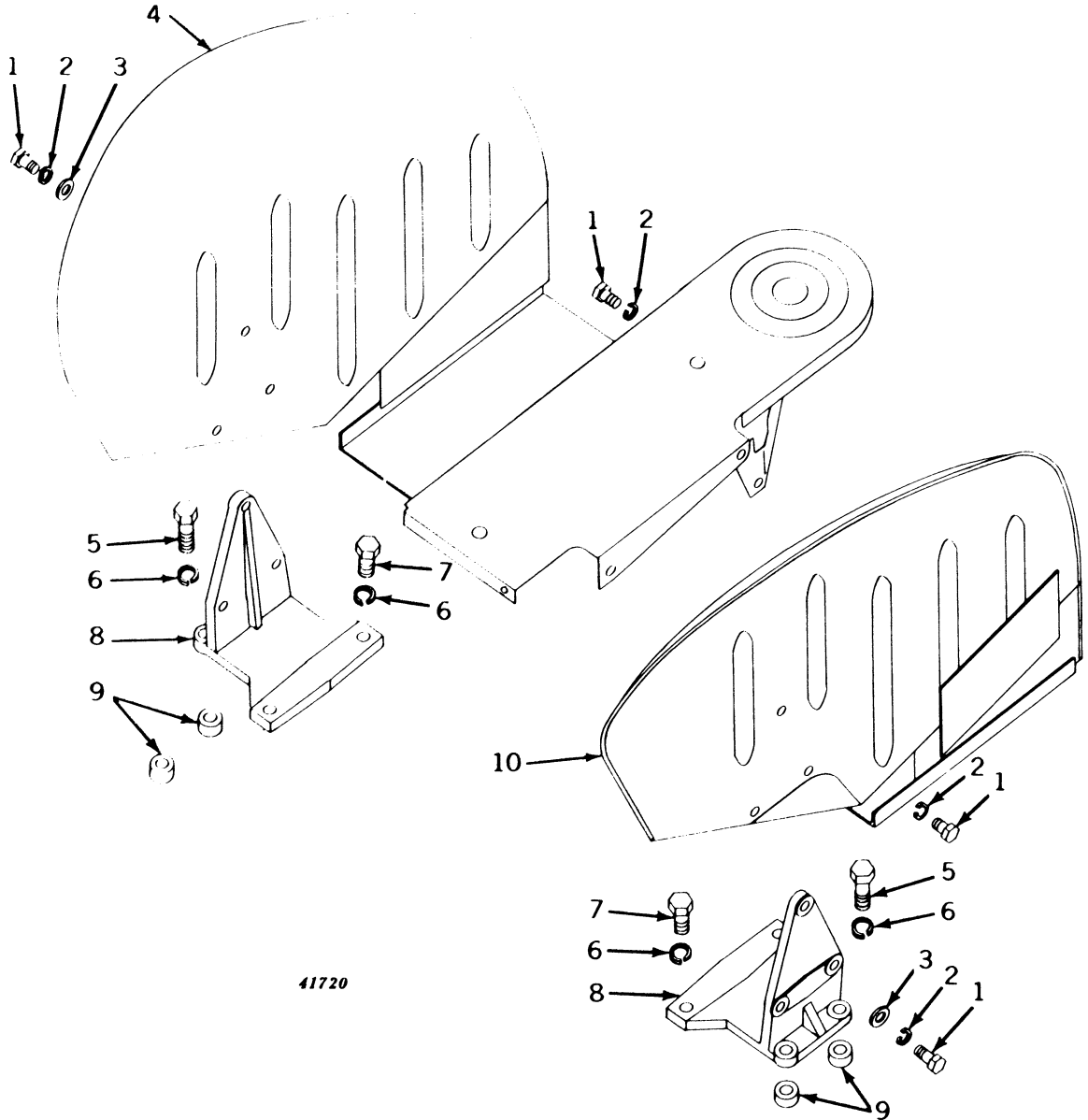
FENDERS AND FOOTRESTS
Utility



50196

Key	Part No.	Serial No.	Description
1	M 2909 T	(-)	Bracket, fender (2 used)
2	19H 2124 A	(-)	Screw, cap, 5/8" x 4-1/4" (4 used)
3	AM 2206 T	(-)	Fender assembly, right
4	12H 303 A	(-)	Washer, lock, 5/16" (6 used)
5	19H 1900 A	(-)	Screw, cap, 5/16" x 3/4" (6 used)
6	AM 3276 T	(-)	Fender assembly, left (sub. for AM2208T)
7	12H 304 A	(-)	Washer, lock, 3/8" (4 used)
8	19H 1936 A	(-)	Screw, cap, 3/8" x 3/4" (4 used)
9	24H 1368 A	(-)	Washer, plain, 21/32" x 1-5/16" x .090" (4 used)
10	14H 760 A	(-)	Nut, hex., 5/8" (4 used)

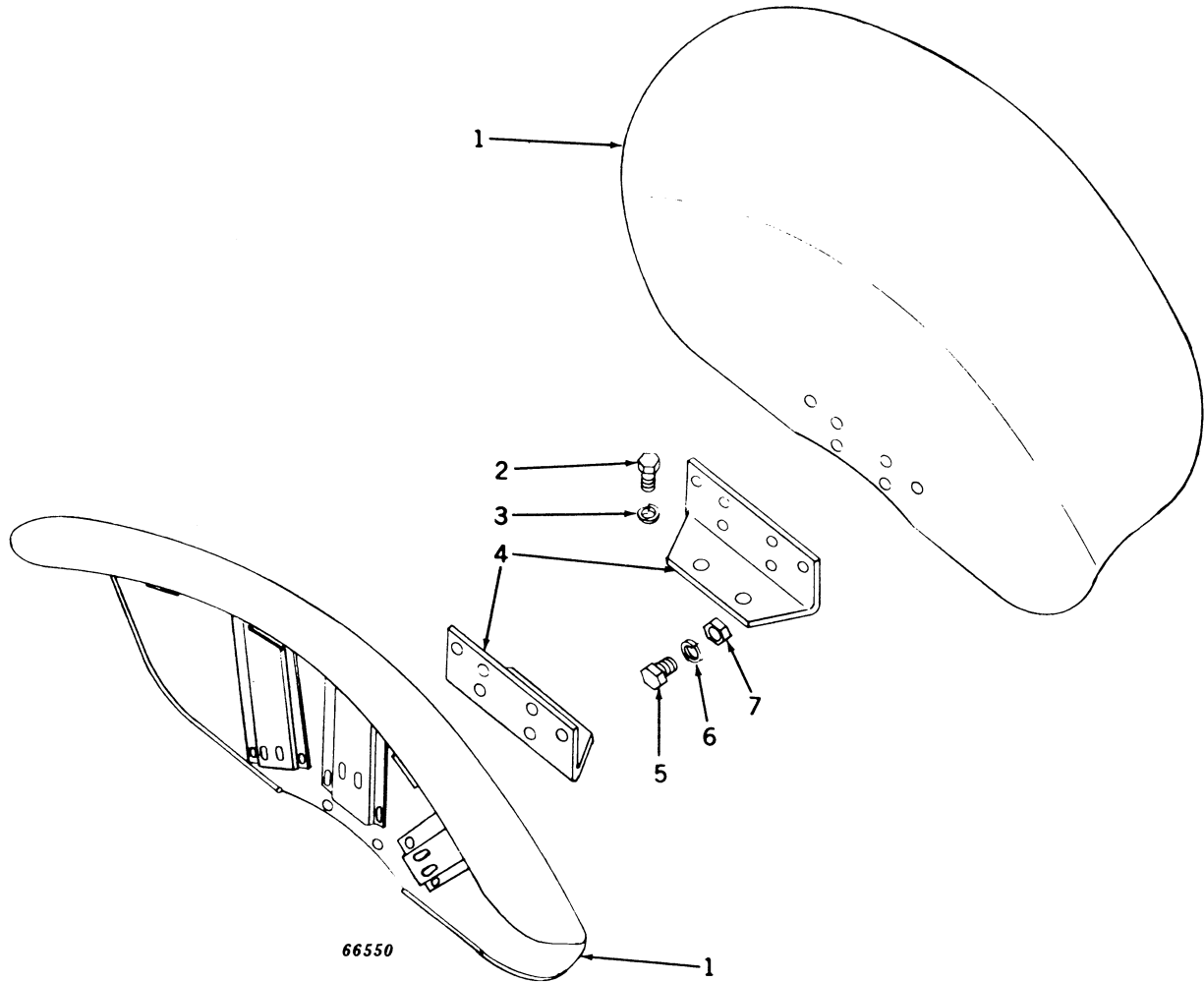
FENDERS AND FOOTREST
Special



41720

Key	Part No.	Serial No.	Description
1	19H 1900 A	(-)	Screw, cap, 5/16" x 3/4" (11 used)
2	12H 303 A	(-)	Washer, lock, 5/16" (11 used)
3	24H 1122 A	(-)	Washer, plain, 3/8" x 7/8" x .075" (6 used)
4	AM 3279 T	(-)	Fender assembly, left (sub. for AM2622T)
5	19H 1800 A	(-)	Screw, cap, 3/8" x 1-1/2" (4 used)
6	12H 304 A	(-)	Washer, lock, 3/8" (8 used)
7	19H 1139 A	(-)	Screw, cap, 3/8" x 1-1/4" (4 used)
8	M 2781 T	(-)	Bracket, fender (2 used)
9	M 2782 T	(-)	Spacer (4 used)
10	AM 2619 T	(-)	Fender assembly, right

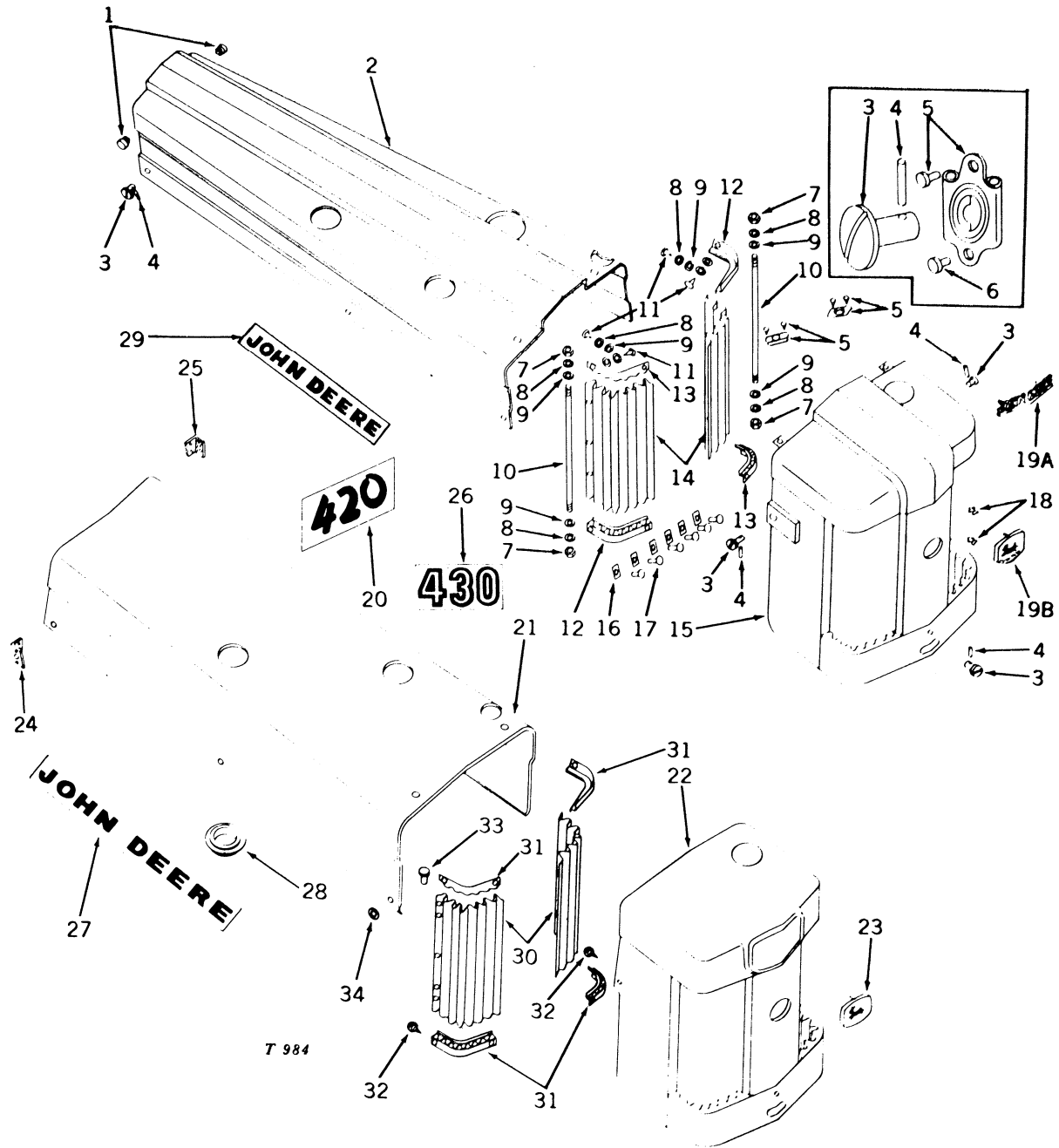
HEAVY-DUTY FENDER ATTACHMENT
Special Utility, Tricycle, and Row-Crop Utility



Key	Part No.	Serial No.	Description
1	AT 10608 T	(-)	Fender (2 used)
2	19H 1833 A	(-)	Screw, cap, 5/8" x 1-1/4" (4 used)
3	12H 294 A	(-)	Washer, lock, 5/8" (4 used)
4	T 11033 T	(-)	Bracket, fender (2 used) (sub. for T10774T)
5	19H 1139 A	(-)	Screw, cap, 3/8" x 1-1/8" (12 used)
6	12H 304 A	(-)	Washer, lock, 3/8" (12 used)
7	14H 812 A	(-)	Nut, hex., 3/8" (12 used)

MEMORANDA

HOOD AND GRILLE ASSEMBLY



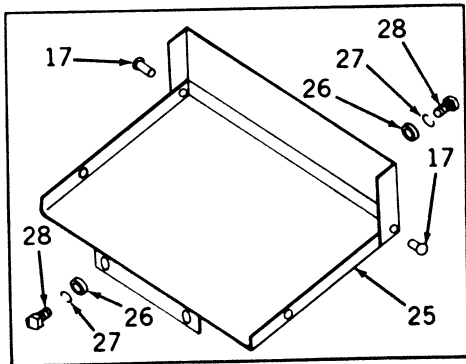
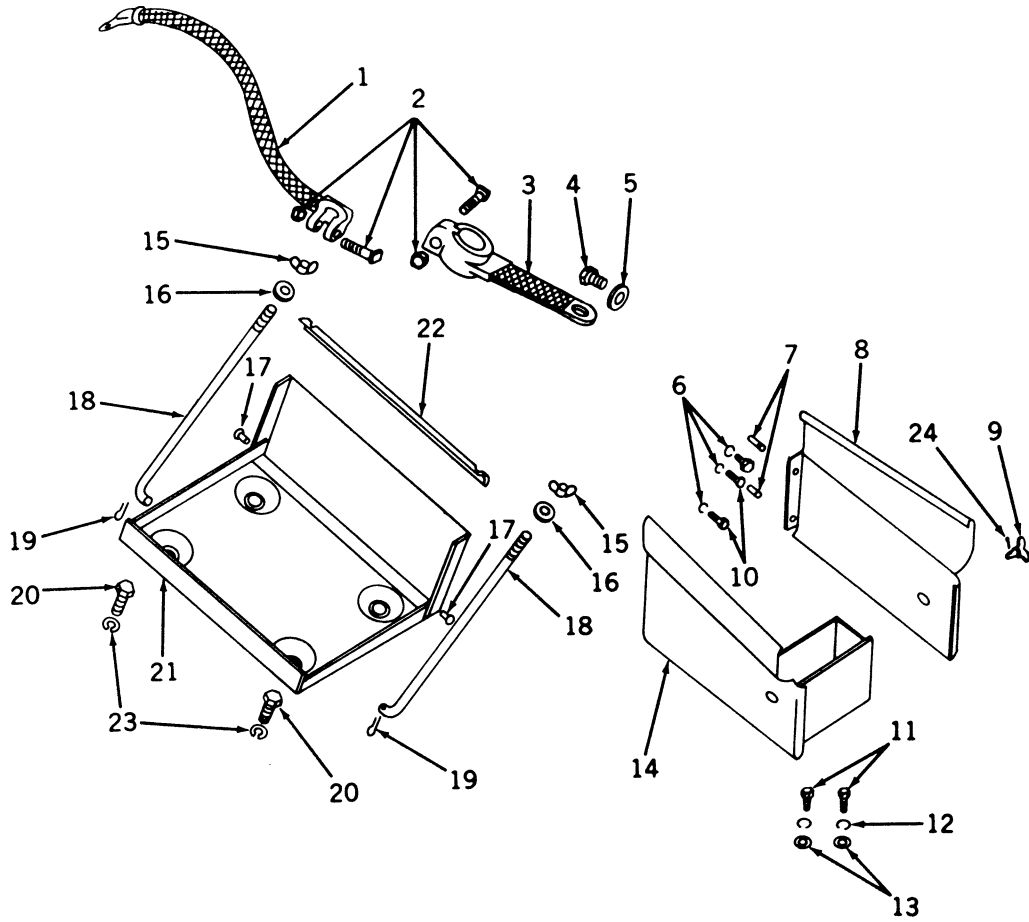
Key	Part No.	Serial No.	Description
1	M 1605 T	(-)	Bumper, hood (2 used)
2	AM 2971 T	(-139999)	Hood assembly, with fastener studs (gasoline engine) (sub. for AM3089T)
	AM 3230 T	(-139999)	Hood assembly, with fastener studs (all-fuel engine) (sub. for AM3235T)
3	M 315 T	(-)	Stud, fastener, short, for rigid type receptacle (9 used) (H, I, S, T, U, V, and W) (packed 2 in a pkg.)
	M 315 T	(158075-)	Stud, fastener, short, for rigid type receptacle (8 used) (H, S, T, U, and W) (when equipped with power steering) (packed 2 in a pkg.)
	M 315 T	(-)	Stud, fastener, short, for rigid type receptacle (8 used) (C) (packed 2 in a pkg.)
	M 315 T	(-)	Stud, fastener, short, for rigid type receptacle (10 used) (C) (when equipped with bottom, grille, light guard or crankshaft pump attachments) (packed 2 in a pkg.)
	M 2135 T	(-)	Stud, fastener, short, for rigid type receptacle, grille lower (1 used) (C)
	M 322 T	(-)	Stud, fastener, long, for floating type receptacle (2 used) (packed 2 in a pkg.)

HOOD AND GRILLE ASSEMBLY -- Continued

Key	Part No.	Serial No.	Description
4	M 316 T	(-)	Pin, cross (11 used) (packed 2 in a pkg.)
	M 316 T	(-)	Pin, cross (12 used) (C) (when equipped with bottom, grille, light guard or crankshaft pump attachments) (packed 2 in a pkg.)
	M 316 T	(158075-)	Pin, cross (10 used) (H, S, T, U, and W) (when equipped with power steering) (packed 2 in a pkg.)
5	AM 635 T	(-)	Receptacle, rigid, with rivets (9 used)
	AM 636 T	(-)	Receptacle, floating, with rivets (2 used)
6	16H 87 A	(-)	Rivet, 1/8" x 1/4" (24 used)
7	14H 786 A	(-157129)	Nut, hex., 1/4" (4 used)
	14H 786 A	(-)	Nut, hex., 1/4" (4 used) (C)
8	12H 302 A	(-157129)	Washer, lock, 1/4" (12 used)
	12H 302 A	(-)	Washer, lock, 1/4" (12 used) (C)
9	24H 1287 A	(-157129)	Washer, plain, 9/32" x 5/8" x .060" (12 used)
	24H 1287 A	(-)	Washer, plain, 9/32" x 5/8" x .060" (12 used) (C)
10	M 1729 T	(-157129)	Rod, grille (2 used)
	M 1729 T	(-)	Rod, grille (2 used) (C)
11	21H 1207 A	(-157129)	Screw, mach., 1/4" x 7/16" (8 used)
	21H 1207 A	(-)	Screw, mach., 1/4" x 7/16" (8 used) (C)
12	M 2002 T	(-157129)	Frame, upper left and lower right (2 used) (H, I, S, T, U, V, and W)
	M 1726 T	(-)	Frame, upper left and lower right (2 used) (C)
13	M 2003 T	(-157129)	Frame, upper right and lower left (2 used) (H, I, S, T, U, V, and W)
	M 1727 T	(-)	Frame, upper right and lower left (2 used) (C)
14	M 4326 T	(-157129)	Screen, grille (2 used) (H, I, S, T, U, V, and W) (sub. for M1906T)
	M 1728 T	(-)	Screen, grille (1 used) (C)
15	AM 3947 T	(-139999)	Grille assembly, with screws, fastener studs, and screens (H, I, S, U, V, and W) (sub. for AM3048T) (also order two M3857T)
	AT 10214 T	(-139999)	Grille assembly, with screws, fastener studs, and screens (T) (sub. for AM3049T) (also order two M3857T)
	AM 3050 T	(-139999)	Grille assembly, with screws, fastener studs, and screens (C) (also order two M3857T)
	AM 3947 T	(125001-139999)	Grille assembly, with screws, fastener studs, and screens (H, S, T, U, and V, with power steering) (also order two M3857T)
16	M 378 T	(-157129)	Nut, speed (12 used) (H, I, S, T, U, V, and W) (packed 6 in a pkg.)
	M 378 T	(-)	Nut, speed (6 used) (C) (packed 6 in a pkg.)
17	16H 246 A	(-157129)	Rivet, 3/16" x 3/8" (12 used) (H, I, S, T, U, V, and W)
	16H 246 A	(-)	Rivet, 3/16" x 3/8" (6 used) (C)
18	A 4679 T	(-)	Clip (2 used) (packed 2 in a pkg.)
19A	M 3328 T	(-100000)	Name plate, "John Deere"
19B	AM 3434 T	(100001-139999)	Medallion
20	M 3857 T	(-139999)	Decalcomania, series 420 (2 used) (packed 2 in a pkg.)
21	AT 10690 T	(140000-)	Hood assembly, with fastener studs (gasoline engine) (when not equipped with power steering)
	AT 10690 T	(140000-158074)	Hood assembly, with fastener studs (gasoline engine) (when equipped with power steering)
	AT 11818 T	(158075-)	Hood assembly, with fastener studs (gasoline engine) (H, S, T, U, and W) (when equipped with power steering)
22	AT 11072 T	(-)	Hood assembly, with fastener studs (all-fuel engine)
	AT 11507 T	(140000-)	Grille assembly, with screws, fastener studs and screens (H, S, U, V, and W) (sub. for AT10696T and AT10972T)
	AT 11508 T	(140000-)	Grille assembly, with screws, fastener studs and screens (T) (sub. for AT10697T and AT10973T)
	AT 10698 T	(140000-)	Grille assembly, with screws, fastener studs and screens (C)
	AT 10711 T	(-)	Grille assembly, with screws, fastener studs and screens (C) (used when equipped with bottom, grille, light guard or crankshaft pump attachments)
23	AR 21111 R	(140000-)	Medallion (sub. for AR20467R) (used on tractors painted green)
	AR 21565 R	(140000-)	Medallion (used on tractors painted yellow)
24	AT 10762 T	(140000-)	Bracket, hood, right rear
25	AT 10761 T	(140000-)	Bracket, hood, left rear
26	T 11021 T	(140000-)	Decalcomania, series 430 (2 used) (packed 2 in a pkg.)
27	T 11020 T	(140000-)	Decalcomania, "John Deere" (2 used) (packed 2 in a pkg.)
28	T 11034 T	(140000-)	Collar, filler neck
29	JD 5153 R	(-139999)	Decalcomania, "John Deere" (2 used) (sub. for M3858T)
30	T 11855 T	(157130-)	Screen, grille (2 used) (H, S, T, U, V, and W)
31	T 11856 T	(157130-)	Clip (4 used) (H, S, T, U, V, and W)
32	T 11857 T	(157130-)	Screw, sheet metal, no. 12 x 1/2" (4 used) (H, S, T, U, V, and W) (packed 4 in a pkg.)
33	T 12262 T	(158075-)	Stud, fastener, oval head (H, S, T, U, and W) (when equipped with power steering)
34	T 12263 T	(158075-)	Ring, retaining (H, S, T, U, and W) (when equipped with power steering)

BATTERY BOX AND MOUNTING

Crawler, Hi-Crop, Special Utility, Standard, Tricycle, Utility, Special, and Row-Crop Utility
Serial No. (80001-139999)
Crawler, Standard, Tricycle, Utility, and Row-Crop Utility with LP-Gas (Serial No. 80001-Up)



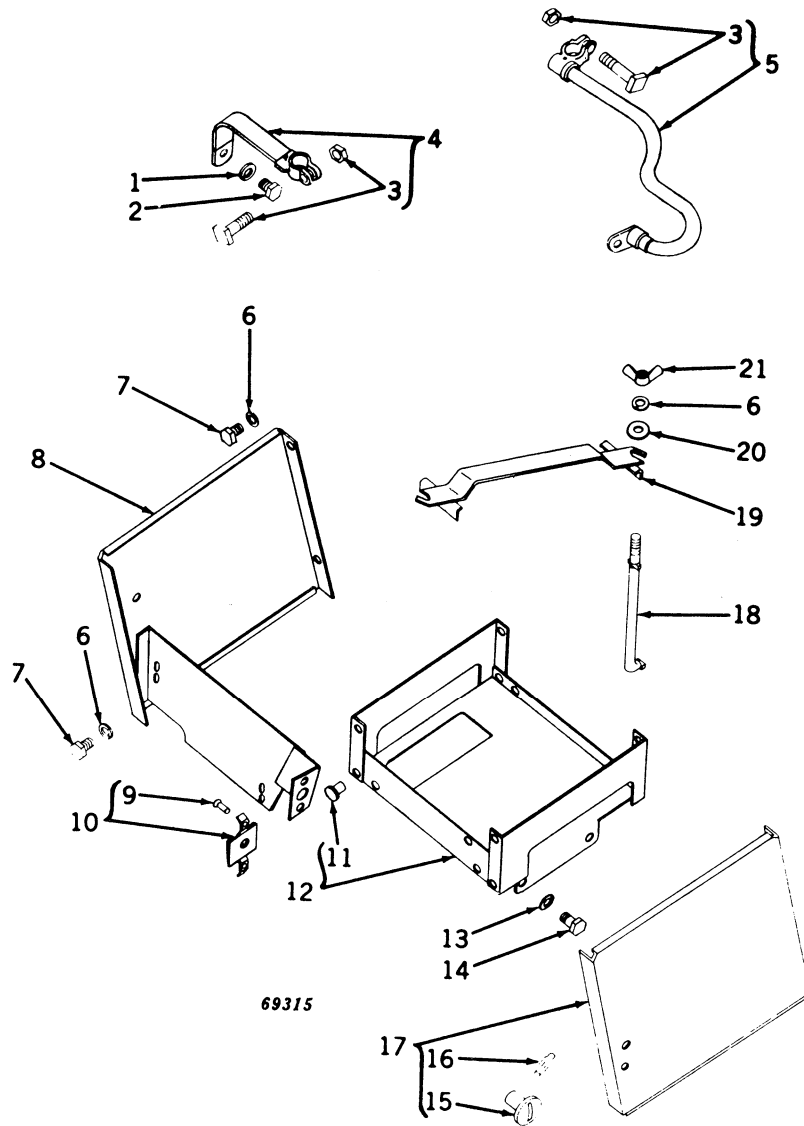
69311

BATTERY BOX AND MOUNTING -- Continued
 Crawler, Hi-Crop, Special Utility, Standard, Tricycle, Utility, Special, and Row-Crop Utility
 Serial No. (80001-139999)
 Crawler, Standard, Tricycle, Utility, and Row-Crop Utility with LP-Gas (Serial No. 80001-Up)

Key	Part No.	Serial No.	Description
1	AM 349 T	(-139999)	Cable, battery, with bolt and nut
2	AM 505 T	(-139999)	Bolt, with nut, special (2 used)
3	AL 2823 T	(-139999)	Strap, battery ground
4	19H 2021 A	(-139999)	Screw, cap, 3/8" x 5/8"
5	12H 304 A	(-139999)	Washer, lock, 3/8"
6	12H 302 A	(-139999)	Washer, lock, 1/4" (3 used)
7	34H 101 A	(-139999)	Pin, roll, 1/4" x 1" (2 used)
8	AM 1809 T	(-139999)	Cover (tractors equipped with one-piece center frame)
	AT 10453 T	(-139999)	Cover (tractors equipped with two-piece center frame)
9	M 1896 T	(-139999)	Stud
10	19H 1227 A	(-139999)	Screw, cap, 1/4" x 1/2" (3 used)
11	19H 1813 A	(-139999)	Screw, cap, 5/16" x 5/8" (2 used)
12	12H 303 A	(-139999)	Washer, lock, 5/16" (2 used)
13	L 1198 T	(-139999)	Washer, plain, special (2 used)
14	AM 1800 T	(-139999)	Tool box and battery shield assembly
15	14H 844 A	(-139999)	Nut, wing, 1/4" (2 used)
16	24H 1287 A	(-139999)	Washer, plain, 9/32" x 5/8" x .060" (2 used)
17	16H 646 A	(-139999)	Rivet, 1/4" x 1/2" (2 used)
18	M 1890 T	(-139999)	Bolt, battery hold-down (2 used)
19	11H 233 A	(-139999)	Pin, cotter, 3/32" x 1/2" (2 used)
20	19H 1948 A	(-139999)	Screw, cap, 1/4" x 3/4" (4 used) (tractors equipped with one-piece center frame)
21	AM 1793 T	(-139999)	Tray, battery (tractors equipped with one-piece center frame)
	AM 1793 T	(-156843)	Tray, battery (LP-gas crawler equipped with one-piece center frame)
	AT 12067 T	(156844-)	Tray, battery (LP-gas crawler equipped with two-piece center frame)
22	M 1879 T	(-139999)	Angle, battery hold-down
23	12H 302 A	(-139999)	Washer, lock, 1/4" (4 used) (tractors equipped with one-piece center frame)
24	M 316 T	(-139999)	Pin (packed 2 in a pkg.)
25	AT 10454 T	(-139999)	Tray, battery (tractor equipped with two-piece center frame)
26	24H 1136 A	(-139999)	Washer, plain, 11/32" x 11/16" x .060" (4 used) (tractors equipped with two-piece center frame)
27	12H 303 A	(-139999)	Washer, lock, 5/16" (4 used) (tractors equipped with two-piece center frame)
28	19H 1900 A	(-139999)	Screw, cap, 5/16" x 3/4" (4 used) (tractors equipped with two-piece center frame)

BATTERY BOX AND MOUNTING

Crawler, Hi-Crop, Standard, Tricycle, Utility, Special, and Row-Crop Utility (Serial No. 140000-Up)

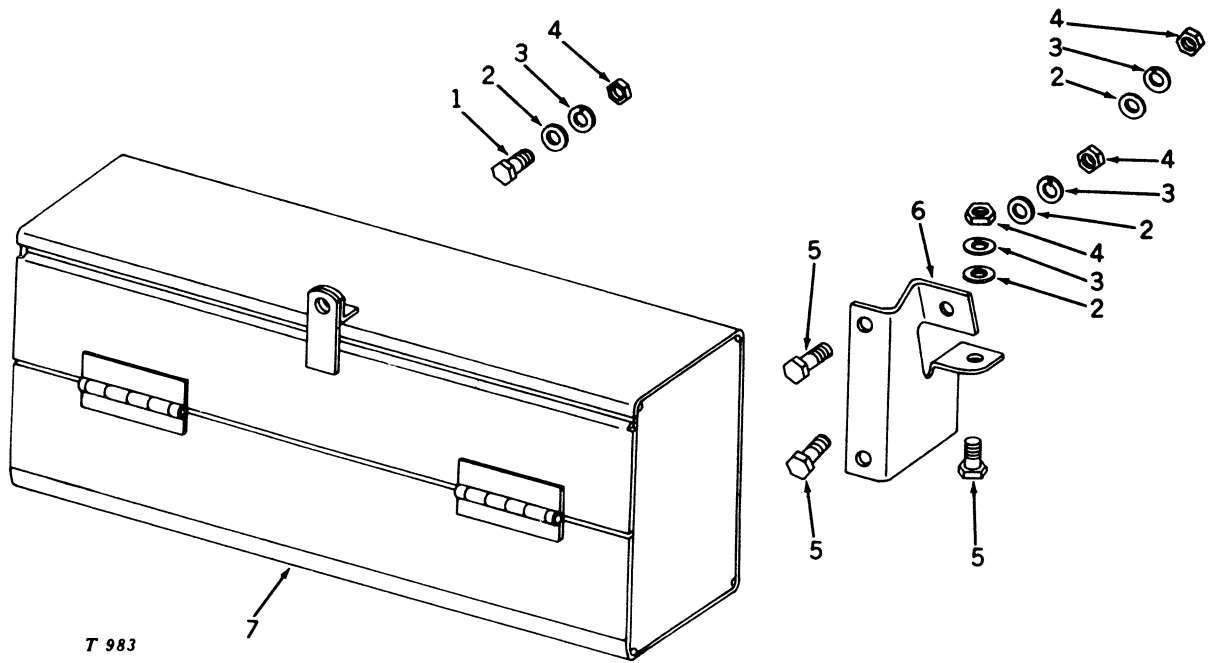


69315

BATTERY BOX AND MOUNTING -- Continued
Crawler, Hi-Crop, Standard, Tricycle, Utility, Special, and Row-Crop Utility (Serial No. 140000-Up)

Key	Part No.	Serial No.	Description
1	12H 304 A	(140000-) Washer, lock, 3/8"
2	19H 2021 A	(140000-) Screw, cap, 3/8" x 5/8"
3	AM 505 T	(140000-) Bolt, with nut, special (2 used)
4	AL 2823 T	(140000-) Strap, battery ground, with nut and bolt
5	AT 10309 T	(140000-) Cable, battery, with nut and bolt
6	12H 302 A	(140000-) Washer, lock, 1/4" (6 used)
7	19H 1227 A	(140000-) Screw, cap, 1/4" x 1/2" (4 used)
8	AT 11065 T	(140000-) Cover, right
9	16H 87 A	(140000-) Rivet, 1/8" x 1/4" (2 used)
10	AM 636 T	(140000-) Receptacle, stud, with rivets
11	16H 646 A	(140000-) Rivet, flat hd., 1/4" x 1/2" (4 used)
12	AT 11064 T	(140000-) Tray, battery, with extensions and rivets (sub. for AT10783T and AT10784T)
13	12H 303 A	(140000-) Washer, lock, 5/16" (4 used)
14	19H 1900 A	(140000-) Screw, cap, 5/16" x 3/4" (4 used)
15	T 10942 T	(140000-) Stud
16	M 316 T	(140000-) Pin, cross (packed 2 in a pkg.)
17	AT 10786 T	(140000-) Cover, left, with stud and pin
18	T 11277 T	(140000-) Bolt, hold-down (2 used)
19	AT 11066 T	(140000-) Hold-down
20	24H 1287 A	(140000-) Washer, plain, 9/32" x 5/8" x .060" (2 used)
21	14H 844 A	(140000-) Nut, wing, 1/4" (2 used)

TOOL BOX AND MOUNTING

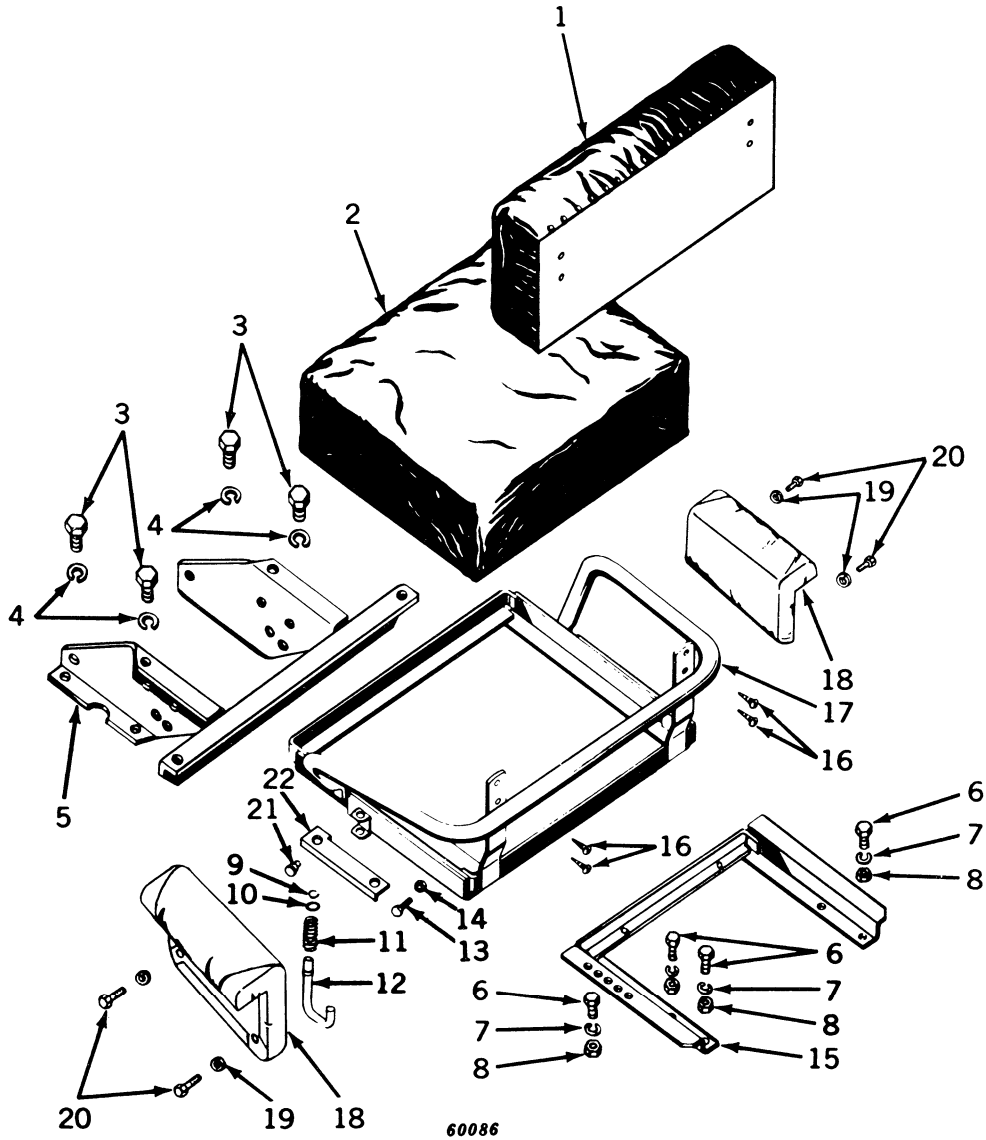


Key	Part No.	Serial No.	Description
1	19H 1227 A	(-)	Screw, cap, 1/4" x 1/2" (2 used)
2	24H 1287 A	(-)	Washer, plain, 9/32" x 5/8" x .060" (6 used)
3	12H 302 A	(-)	Washer, lock, 1/4" (6 used)
4	14H 786 A	(-)	Nut, hex., 1/4" (6 used)
5	19H 1919 A	(-)	Screw, cap, 1/4" x 5/8" (4 used)
6	T 12722 T	(-)	Bracket
7	AT 11932 T	(-)	Box, tool
..	AT 11896 T	(-)	TOOL BOX ATTACHMENT (H, I, S, T, U, V, AND W)
..	AT 11936 T	(-)	TOOL BOX ATTACHMENT (C)

Capital letters indicate an attachment. Attachments must be listed on separate order from replacement order.

MEMORANDA

SEAT
Crawler



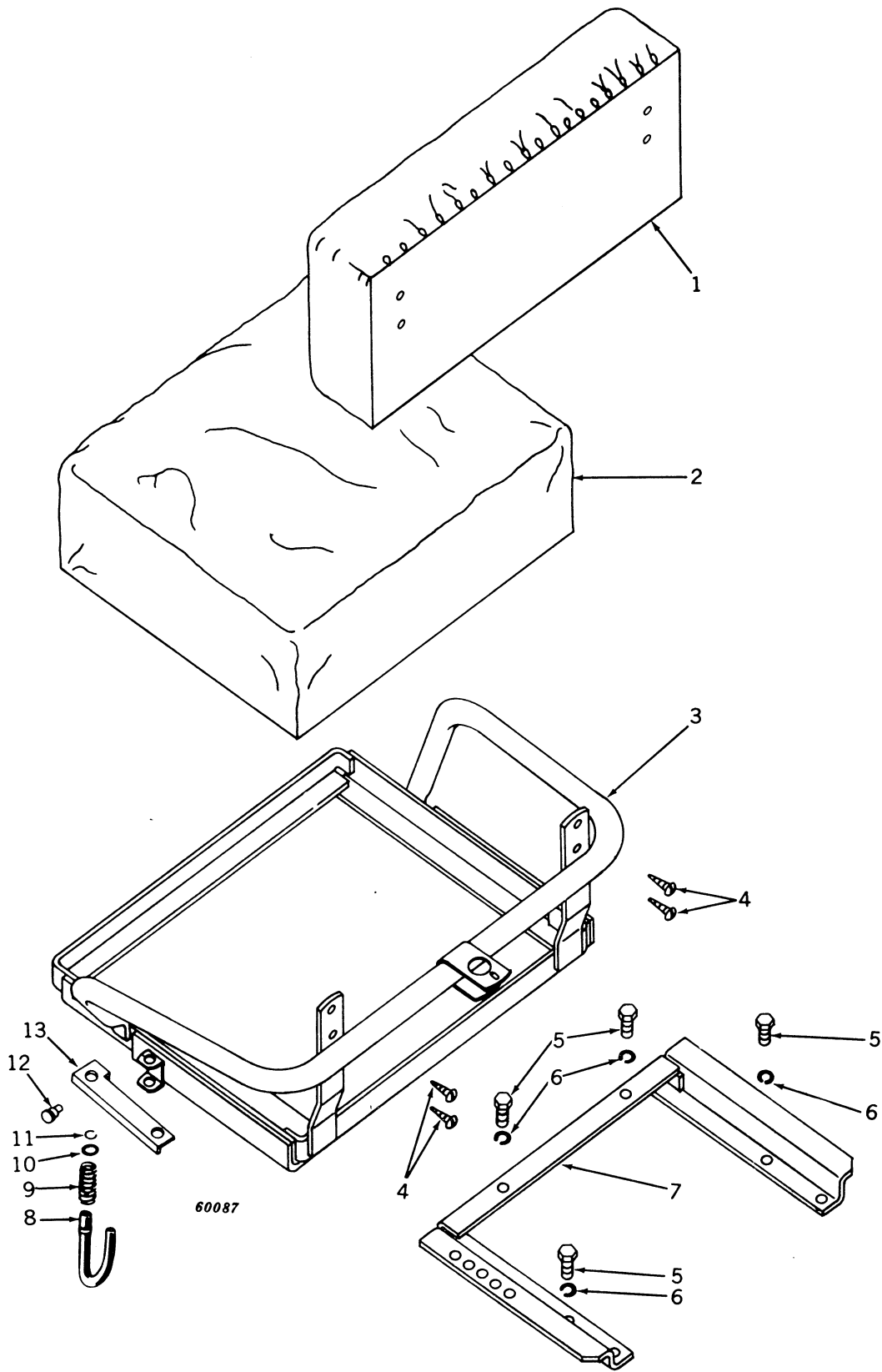
60086

SEAT -- Continued
Crawler

Key	Part No.	Serial No.	Description
1	AM 339 T	(-)	Back, seat (black)
	AM 3462 T	(-)	Back, seat (yellow)
2	AM 1767 T	(-)	Cushion (black)
	AM 3464 T	(-)	Cushion (yellow)
3	19H 1792 A	(-)	Screw, cap, 1/2" x 1" (4 used)
4	12H 301 A	(-)	Washer, lock, 1/2" (4 used)
5	AM 1954 T	(-)	Support assembly
6	19H 1936 A	(-)	Screw, cap, 3/8" x 3/4" (4 used)
	19H 1731 A	(-)	Screw, cap, 3/8" x 1" (4 used) (when three-point hitch is installed)
7	12H 304 A	(-)	Washer, lock, 3/8" (4 used)
8	14H 812 A	(-)	Nut, hex., 3/8" (4 used)
9	M 360 T	(-)	Ring, snap (packed 2 in a pkg.)
10	M 359 T	(-)	Washer
11	M 358 T	(-)	Spring
12	M 1501 T	(-)	Pin, lock
13	19H 2036 A	(-)	Screw, cap, 1/4" x 1"
14	M 453 T	(-)	Nut, stop
15	AM 3313 T	(-)	Bracket, seat (sub. for AM1955T)
16	M 2474 T	(-)	Screw, special, no. 10 x 7/8" (4 used) (packed 4 in a pkg.)
17	AM 1956 T	(-)	Frame, seat
18	AA 6022 R	(-)	CUSHION, SIDE
19	12H 302 A	(-)	Washer, lock, 1/4" (4 used)
20	21H 1214 A	(-)	Screw, mach., 1/4" x 1-1/2" (4 used)
21	M 4146 T	(125001-)	Pin
22	M 4147 T	(125001-)	Lever

Capital letters indicate an attachment. Attachments must be listed on separate order from replacement order.

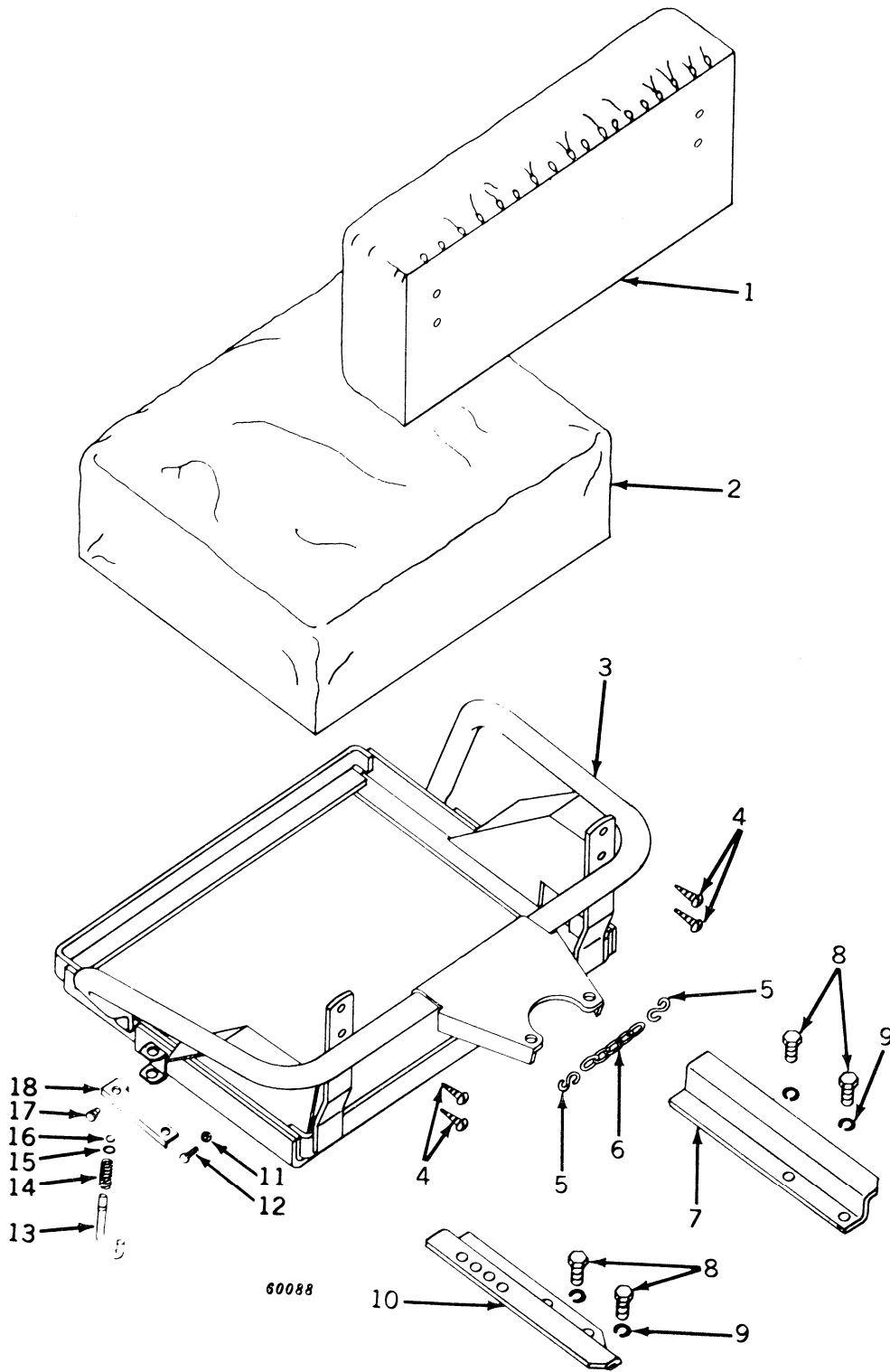
SEAT
Hi-Crop, Tricycle, and Special



SEAT -- Continued
Hi-Crop, Tricycle, and Special

Key	Part No.	Serial No.	Description
1	AM 339 T	(-)	Back, seat (black)
	AM 3462 T	(-)	Back, seat (yellow)
2	AM 1839 T	(-)	Cushion (black)
	AM 3463 T	(-)	Cushion (yellow)
3	AM 1838 T	(-)	Frame
4	M 2474 T	(-)	Screw, sheet metal, no. 10 x 1" (4 used) (packed 4 in a pkg.)
5	19H 1936 A	(-)	Screw, cap, 3/8" x 3/4" (4 used)
6	12H 304 A	(-)	Washer, lock (4 used)
7	AM 1836 T	(-)	Bracket, mounting
8	M 1501 T	(-)	Pin, lock
9	M 358 T	(-)	Spring
10	M 359 T	(-)	Washer
11	M 360 T	(-)	Ring, snap (packed 2 in a pkg.)
12	M 4146 T	(125001-	Pin
13	M 4147 T	(125001-	Lever

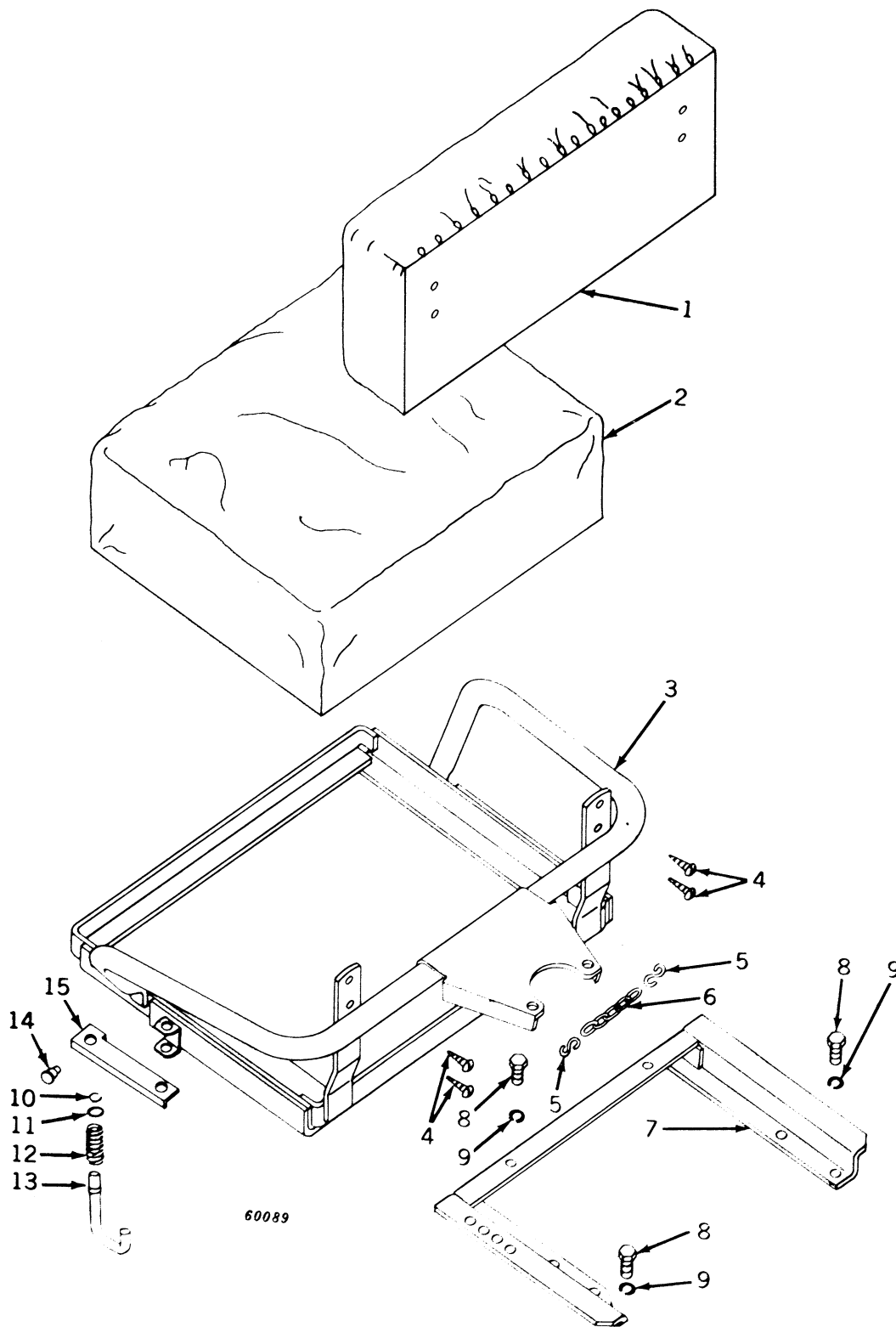
SEAT
Standard and Utility



SEAT -- Continued
Standard and Utility

Key	Part No.	Serial No.	Description
1	AM 339 T	(-)	Back, seat (black)
	AM 3462 T	(-)	Back, seat (yellow)
2	AM 1839 T	(-)	Cushion (black)
	AM 3463 T	(-)	Cushion (yellow)
3	AM 2211 T	(-)	Frame (model U)
	AM 1956 T	(-)	Frame (model S)
4	M 2474 T	(-)	Screw, no. 10 x 1" (4 used) (packed 4 in a pkg.)
5	M 2517 T	(-)	Hook (2 used) (U)
6	AM 2286 T	(-)	Chain (U)
7	M 2167 T	(-)	Bracket, right
8	19H 1936 A	(-)	Screw, cap, 3/8" x 2-3/4" (4 used)
9	12H 304 A	(-)	Washer, lock, 3/8" (4 used)
10	M 2457 T	(-)	Bracket, left (model U)
	M 2168 T	(-)	Bracket, left (model S)
11	M 453 T	(-)	Nut, lock
12	19H 2036 A	(-)	Screw, cap, 1/4" x 7/8"
13	M 1501 T	(-)	Pin, lock
14	M 358 T	(-)	Spring
15	M 359 T	(-)	Washer
16	M 360 T	(-)	Ring, snap (packed 2 in a pkg.)
17	M 4146 T	(125001-) Pin
18	M 4147 T	(125001-) Lever

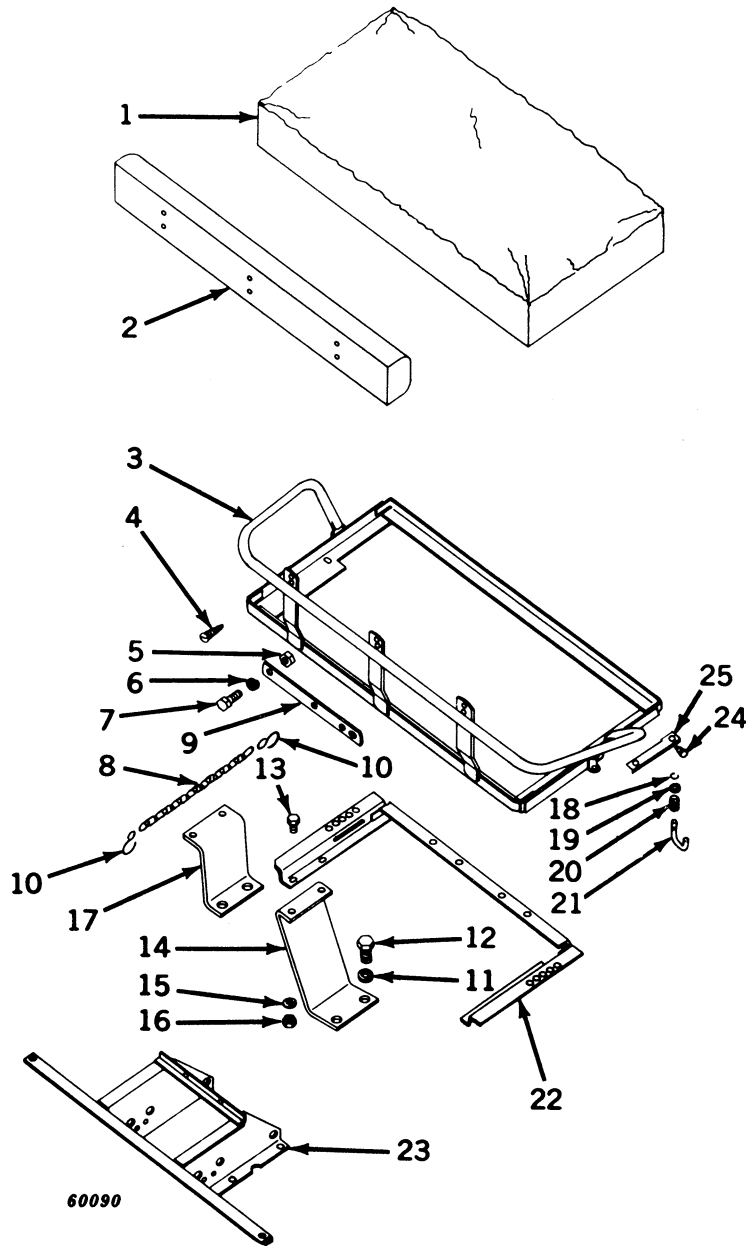
SEAT
Special Utility and Row-Crop Utility



SEAT -- Continued
Special Utility and Row-Crop Utility

Key	Part No.	Serial No.	Description
1	AM 339 T	(-)	Back, seat (black)
	AM 3462 T	(-)	Back, seat (yellow)
2	AM 1839 T	(-)	Cushion (black)
	AM 3463 T	(-)	Cushion (yellow)
3	AM 2739 T	(-)	Frame
4	M 2474 T	(-)	Screw, no. 10 x 1" (4 used) (packed 4 in a pkg.)
5	M 2517 T	(-)	Hook (2 used)
6	AM 2286 T	(-)	Chain
7	AM 1836 T	(-)	Bracket, mounting
8	19H 1936 A	(-)	Screw, cap, 3/8" x 3/4" (4 used)
9	12H 304 A	(-)	Washer, lock, 3/8" (4 used)
10	M 360 T	(-)	Ring, snap (packed 2 in a pkg.)
11	M 359 T	(-)	Washer
12	M 358 T	(-)	Spring
13	M 1501 T	(-)	Pin, lock
14	M 4146 T	(125001-) Pin
15	M 4147 T	(125001-) Lever

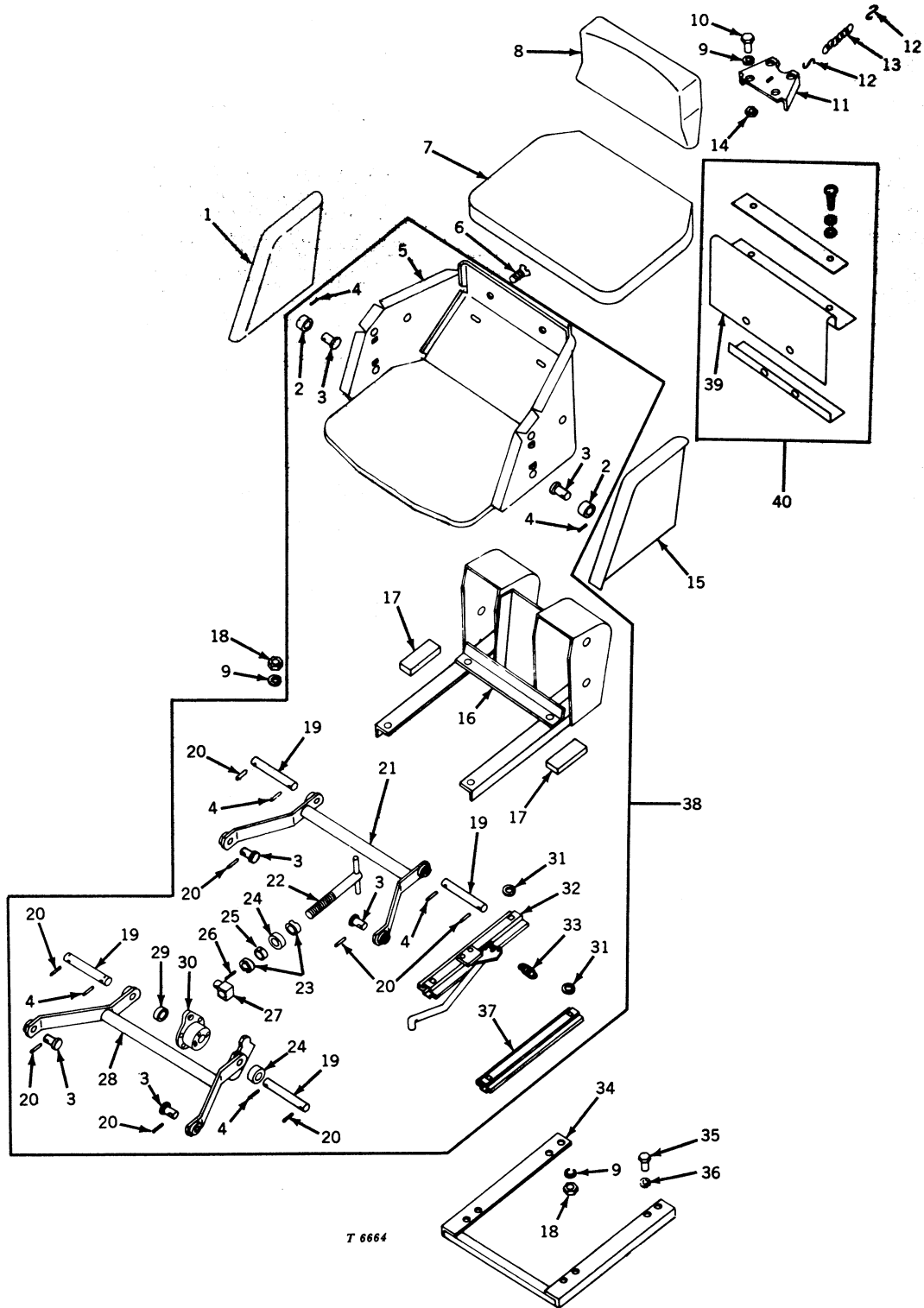
WIDE SEAT ATTACHMENT
Crawler, Special Utility, Tricycle, and Row-Crop Utility



WIDE SEAT ATTACHMENT -- Continued
Crawler, Special Utility, Tricycle, and Row-Crop Utility

Key	Part No.	Serial No.	Description
1	AM 3664 T	(-)	Cushion, seat
2	AM 3665 T	(-)	Back, seat
3	AM 3663 T	(-)	Frame assembly
4	M 2474 T	(-)	Screw, sheet metal, no. 10 x 1" (6 used) (packed 4 in a pkg.)
5	14H 785 A	(-)	Nut, hex., 5/16" (2 used) (I, T, and W)
6	12H 303 A	(-)	Washer, lock, 5/16" (2 used) (I, T, and W)
7	21H 1228 A	(-)	Screw, mach., 5/16" x 1" (2 used) (I, T, and W)
8	AM 3526 T	(-)	Chain (I, T, and W)
9	M 3927 T	(-)	Bar (I, T, and W)
10	M 2517 T	(-)	Hook (2 used) (I, T, and W)
11	12H 294 A	(-)	Washer, lock, 5/8" (2 used) (I, T, and W)
12	19H 1833 A	(-)	Screw, cap, 5/8" x 1-1/4" (2 used) (I, T, and W)
13	19H 1936 A	(-)	Screw, cap, 3/8" x 3/4" (2 used) (I, T, and W)
14	M 3928 T	(-)	Bracket, support (T)
15	12H 304 A	(-)	Washer, lock, 3/8" (2 used) (I, T, and W)
16	14H 812 A	(-)	Nut, hex., 3/8" (2 used) (I, T, and W)
17	M 3929 T	(-)	Bracket, support (I and W)
18	M 360 T	(-)	Ring, snap (2 used) (packed 2 in a pkg.)
19	M 359 T	(-)	Washer (2 used)
20	M 358 T	(-)	Spring (2 used)
21	M 1501 T	(-)	Pin, lock (2 used)
22	AM 3661 T	(-)	Bracket, seat
23	AM 3660 T	(-)	Support, seat (C)
24	M 4146 T	(125001-)	Pin (2 used)
25	M 4147 T	(125001-)	Lever, left side
	M 4148 T	(125001-)	Lever, right side

FLOAT-RIDE SEAT ATTACHMENT Tricycle and Row-Crop Utility

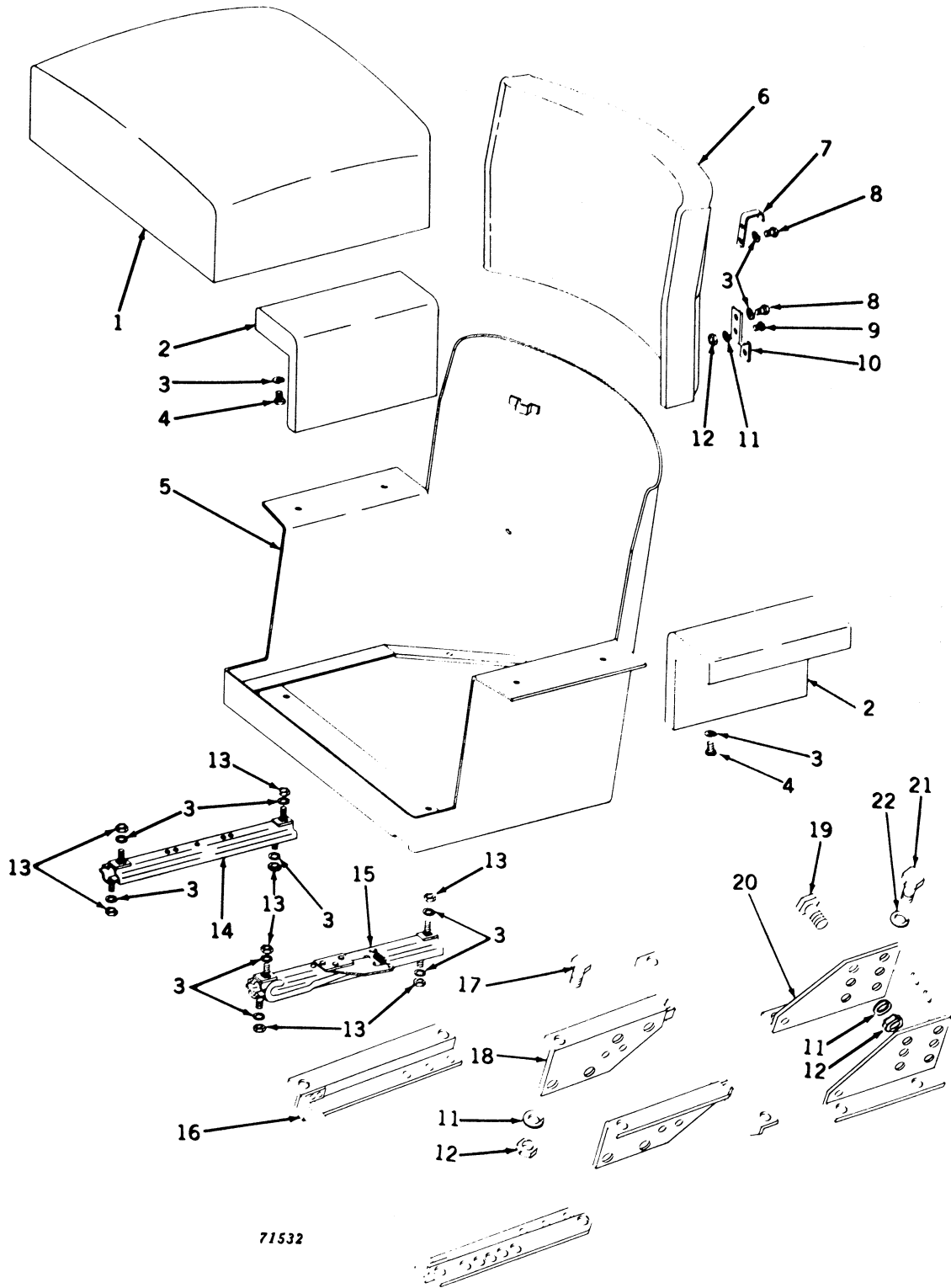


T 6664

FLOAT-RIDE SEAT ATTACHMENT -- Continued
Tricycle and Row-Crop Utility

Key	Part No.	Serial No.	Description
1	AT 10535 T	(-)	Cushion, right side
2	T 11226 T	(-)	Sleeve, rubber (2 used)
3	T 11225 T	(-)	Pin (6 used)
4	34H 45 A	(-)	Pin, roll, 1/8" x 1" (6 used)
5	AT 11015 T	(-)	Seat assembly
6	21H 1021 A	(-)	Screw, mach., 1/4" x 1/2" (2 used)
7	AT 10533 T	(-)	Cushion, seat
8	AT 10534 T	(-)	Cushion, seat back
9	12H 303 A	(-)	Washer, lock, 5/16" (2 used)
10	19H 1813 A	(-)	Screw, cap, 5/16" x 5/8" (2 used)
11	T 10887 T	(-)	Support, top link
12	M 2517 T	(-)	Hook (2 used)
13	AT 10737 T	(-)	Chain
14	14H 785 A	(-)	Nut, hex., 5/16" (2 used)
15	AT 10536 T	(-)	Cushion, left side
16	AT 11014 T	(-)	Bracket assembly
17	T 11229 T	(-)	Bumper, rubber (2 used)
18	14H 650 A	(-)	Nut, hex., 5/16" (8 used)
19	T 11224 T	(-)	Shaft, spring (4 used)
20	34H 47 A	(-)	Pin, roll, 1/8" x 1-1/4" (8 used)
21	AT 11047 T	(-)	Arm, upper
22	AT 11048 T	(-)	Handle, adjuster
23	T 11232 T	(-)	Bushing, pivot (2 used)
24	AT 11050 T	(-)	Bearing, ball (2 used)
25	T 11231 T	(-)	Insert, pivot bushing
26	34H 77 A	(-)	Pin, roll, 3/16" x 1"
27	T 11230 T	(-)	Pin, adjuster
28	AT 11046 T	(-)	Arm, spring
29	T 11227 T	(-)	Bushing, rolled
30	AT 11049 T	(-)	Spring, rubber
31	T 11228 T	(-)	Washer
32	AT 11011 T	(-)	Adjuster, seat, with handle, right
33	T 11233 T	(-)	Spring, latch
34	AT 10729 T	(-)	Bracket, seat
35	19H 1936 A	(-)	Screw, cap, 3/8" x 3/4" (4 used)
36	12H 304 A	(-)	Washer, lock, 3/8" (4 used)
37	AT 11010 T	(-)	Adjuster, seat, left
38	AT 10532 T	(-)	Seat assembly
39	T 18045 T	(-)	Shield, rubber
40	AT 12665 T	(-)	Kit, rubber shield

DELUXE SEAT ASSEMBLY
Crawler

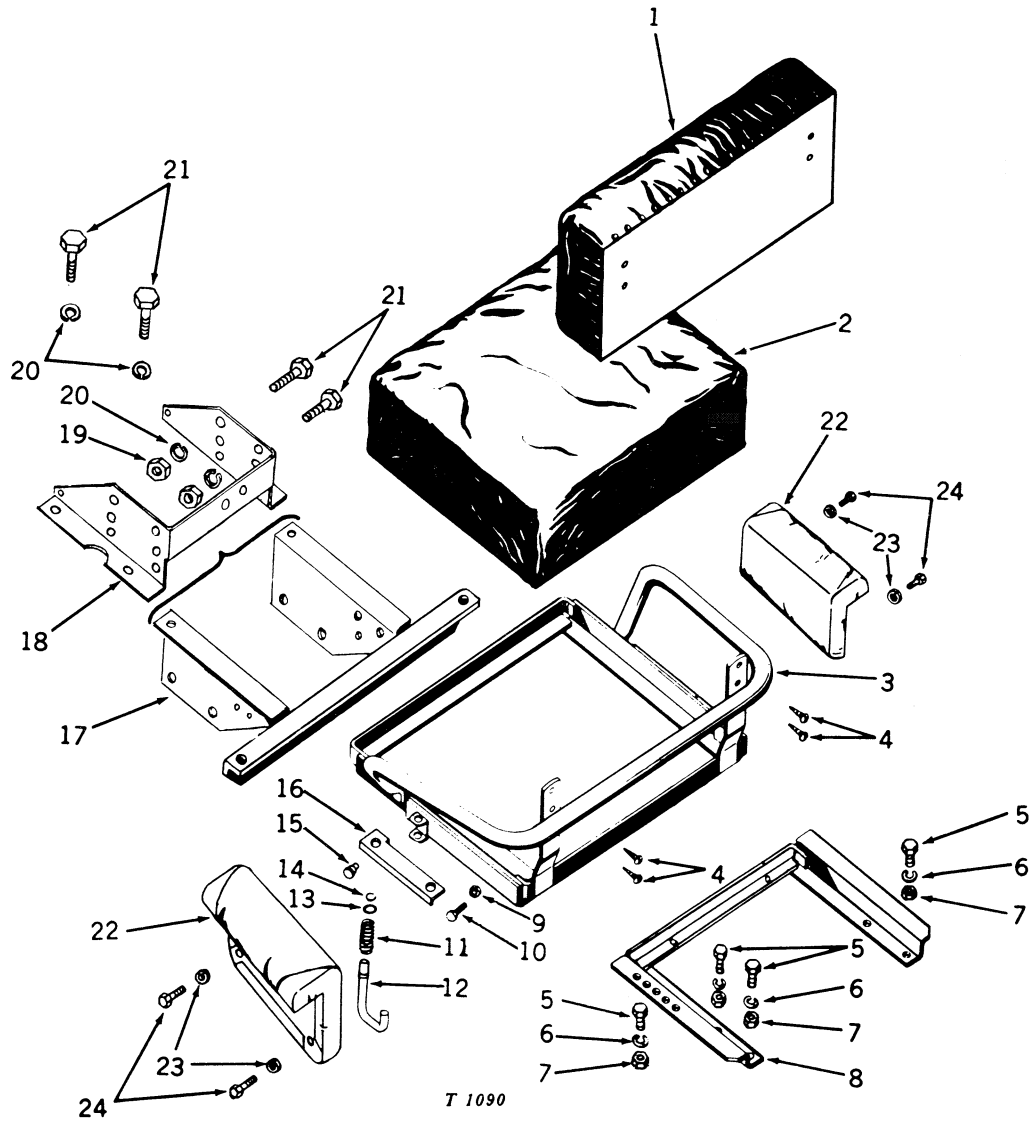


71532

DELUXE SEAT ASSEMBLY -- Continued
Crawler

Key	Part No.	Serial No.	Description
1	AT 10139 T	(-)	Cushion, seat
2	AT 10140 T	(-)	Cushion, arm (2 used)
3	12H 303 A	(-)	Washer, lock, 5/16" (16 used)
4	19H 2020 A	(-)	Screw, cap, 5/16" x 1/2" (4 used)
5	AT 10136 T	(-)	Frame, assembly
6	AT 10138 T	(-)	Cushion, back
7	T 10242 T	(-)	Bracket, cushion, upper (2 used)
8	19H 1268 A	(-)	Screw, cap, 5/16" x 3/8" (4 used)
9	21H 1242 A	(-)	Screw, mach., 3/8" x 3/4" (2 used)
10	T 10243 T	(-)	Bracket, cushion, lower (2 used)
11	12H 304 A	(-)	Washer, lock, 3/8" (10 used)
12	14H 812 A	(-)	Nut, hex., 3/8" (10 used)
13	14H 650 A	(-)	Nut, hex., 5/16" (8 used)
14	AT 10141 T	(-)	Adjuster, seat, right
15	AT 10142 T	(-)	Adjuster, seat, left
16	AT 10432 T	(-)	Bracket assembly
17	19H 1936 A	(-)	Screw, cap, 3/8" x 3/4" (4 used)
18	AT 10431 T	(-)	Support assembly
19	19H 210 A	(-)	Screw, cap, 3/8" x 7/8" (4 used)
20	T 10574 T	(-)	Support, seat base
21	19H 1792 A	(-)	Screw, cap, 1/2" x 1" (4 used)
22	12H 301 A	(-)	Washer, lock, 1/2" (4 used)

SEAT ATTACHMENT
Crawlers Equipped with No. 50 or 51 Backhoe

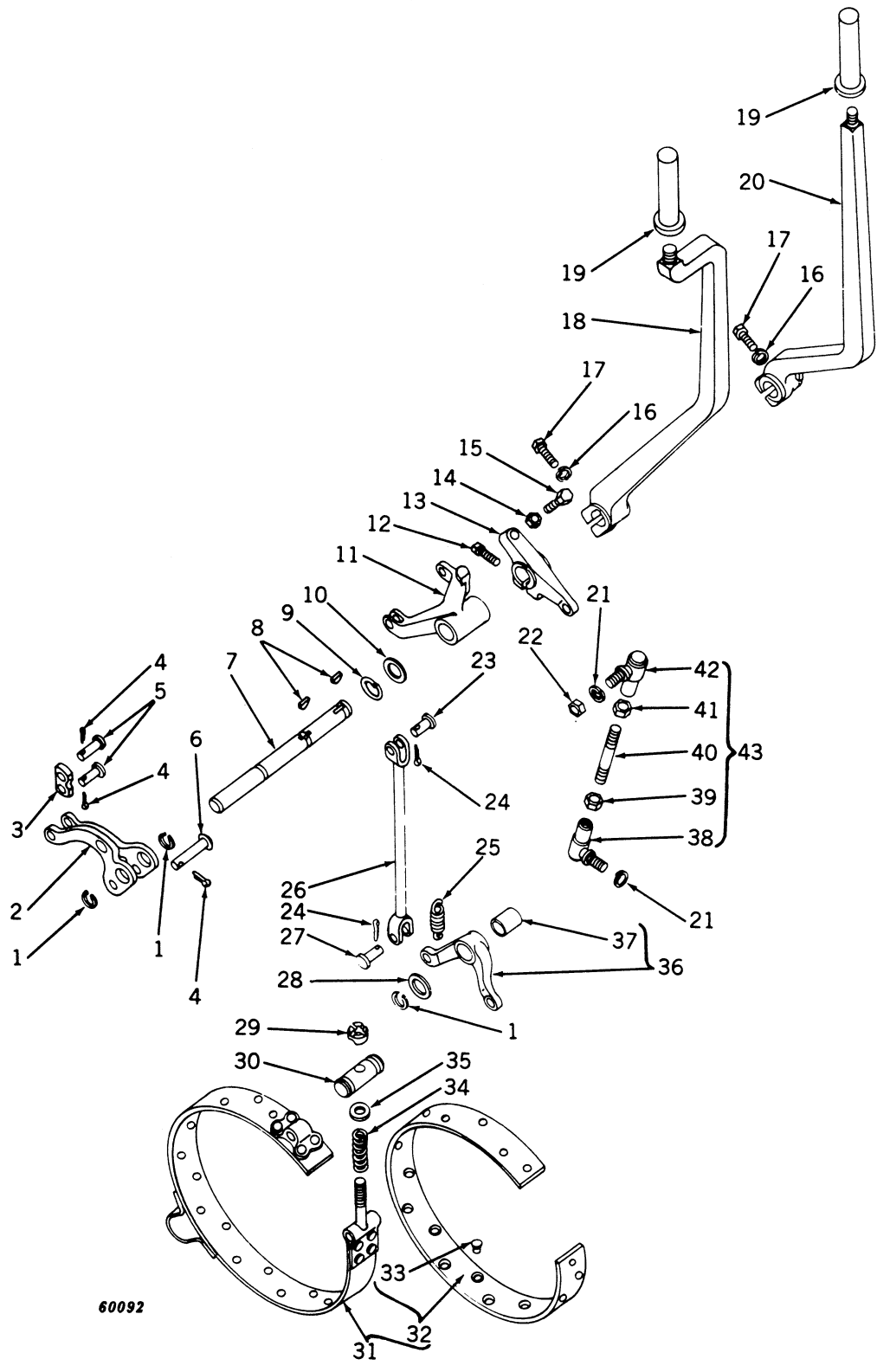


SEAT ATTACHMENT -- Continued
Crawlers Equipped with No. 50 or 51 Backhoe

Key	Part No.	Serial No.	Description
1	AM 339 T	(-)	Back, seat (black)
2	AM 1767 T	(-)	Cushion (black)
3	AM 1956 T	(-)	Frame, seat
4	M 2474 T	(-)	Screw, special, no. 10 x 7/8" (4 used) (packed 4 in a pkg.)
5	19H 1936 A	(-)	Screw, cap, 3/8" x 3/4" (4 used)
6	12H 304 A	(-)	Washer, lock, 3/8" (4 used)
7	14H 812 A	(-)	Nut, hex., 3/8" (4 used)
8	AT 10432 T	(-)	Bracket, seat
9	M 453 T	(-)	Nut, stop
10	19H 2036 A	(-)	Screw, cap, 1/4" x 1"
11	M 358 T	(-)	Spring
12	M 1501 T	(-)	Pin, lock
13	M 359 T	(-)	Washer
14	M 360 T	(-)	Ring, snap (packed 2 in a pkg.)
15	M 4146 T	(-)	Pin
16	M 4147 T	(-)	Lever
17	AT 10431 T	(-)	Support, seat
18	T 10574 T	(-)	Support, seat base
19	14H 809 A	(-)	Nut, hex., 1/2" (4 used)
20	12H 301 A	(-)	Washer, lock, 1/2" (8 used)
21	19H 1792 A	(-)	Screw, cap, 1/2" x 1" (8 used)
22	AA 6022 R	(-)	CUSHION, SIDE
23	12H 302 A	(-)	Washer, lock, 1/4" (4 used)
24	21H 1214 A	(-)	Screw, mach., 1/4" x 1-1/2" (4 used)
..	AT 12232 T	(-)	SEAT ATTACHMENT FOR TRACTORS EQUIPPED WITH NO. 50 OR 51 BACKHOE

Capital letters indicate an attachment. Attachments must be listed on separate order from replacement order.

STEERING AND BRAKE LINKAGE ASSEMBLY
Crawler



60092

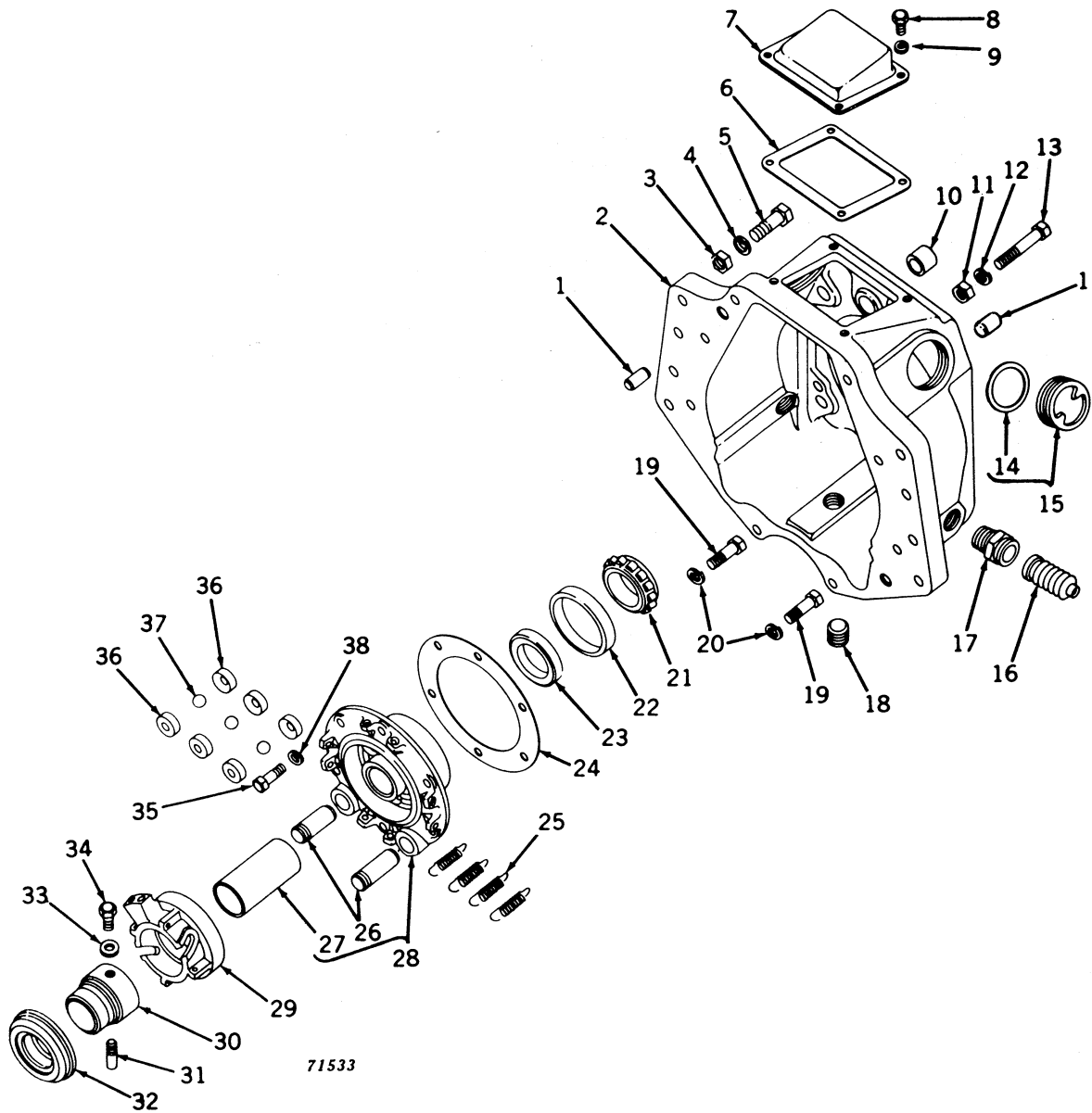
STEERING AND BRAKE LINKAGE ASSEMBLY -- Continued
Crawler

Key	Part No.	Serial No.	Description
1	M 488 T	(-)	Ring, snap (3 used)
2	AM 895 T	(-89190)	Lever, toggle (sub. for AM997T)
	AM 3182 T	(89191-)	Lever, toggle
3	M 903 T	(-)	Link
4	11H 206 A	(-)	Pin, cotter, 3/32" x 3/4" (3 used)
5	M 904 T	(-89190)	Pin (2 used)
	M 3409 T	(89191-)	Pin (2 used)
6	M 902 T	(-89190)	Pin
	M 3408 T	(89191-)	Pin
7	M 2010 T	(-)	Shaft
8	26H 77 A	(-)	Key, Woodruff, 3/16" x 3/4" (2 used)
9	L 357 T	(-)	Ring, snap
10	L 308 T	(-)	Washer
11	M 1641 T	(-)	Lever, brake (sub. for AM991T)
12	M 882 T	(-)	Screw, cap, socket head, special, 5/16" x 1-1/4"
13	M 1402 T	(-)	Arm, rocker (sub. for AM1407T)
14	19H 1721 A	(-)	Nut, hex., 5/16"
15	19H 124 A	(-)	Screw, cap, 5/16" x 1-1/4"
16	12H 303 A	(-)	Washer, lock, 5/16"
17	19H 1275 A	(-)	Screw, cap, 5/16" x 1-5/8"
18	M 1754 T	(-108921)	Lever, steering, right
	M 3976 T	(108922-)	Lever, steering, right
19	M 884 T	(-)	Handle, lever (sub. for AM992T)
20	M 1755 T	(-108921)	Lever, steering, left
	M 3975 T	(108922-)	Lever, steering, left
21	12H 304 A	(-)	Washer, lock, 3/8" (2 used)
22	14H 846 A	(-)	Nut, hex., 3/8"
23	L 307 T	(-)	Pin
24	11H 233 A	(-)	Pin, cotter, 3/32" x 1/2" (2 used)
25	M 906 T	(-)	Spring
26	AM 860 T	(-)	Rod, connecting
27	M 4222 T	(-)	Pin
28	24H 1265 A	(-)	Washer, plain, 13/16" x 1-1/4" x .060"
29	M 905 T	(-)	Nut, brake adjusting
30	M 899 T	(-89190)	Pin
	M 3407 T	(89191-)	Pin
31	AT 10566 T	(-)	Band, brake assembly, with lining and adjusting screw pin (M895T)
32	AM 3676 T	(-)	Lining, with rivets (contains linings and rivets for complete tractor) (one AM3676T subs. for two AM996T)
33	T 10812 T	(-)	Rivets, 5/64" x 9/16" (14 used) (sub. for AL2177T) (packed 28 in a pkg.)
34	M 898 T	(-)	Spring
35	24H 1303 A	(-)	Washer, plain, 13/32" x 11/16" x .060"
36	AM 1719 T	(-)	Crank, bell, brake (sub. for M1639T and AM980T)
37	M 1640 T	(-)	Bushing
38	AM 1406 T	(-118713)	Sub. AM3893T
	AM 3895 T	(118714-)	Joint, ball, R.H. thread
39	14H 774 A	(-)	Nut, hex., jam, R.H. thread, 3/8"
40	M 1404 T	(-118713)	Sub. AM3893T
	M 1404 T	(118714-)	Rod, steering, clutch throw-out
41	14H 769 A	(-)	Nut, hex., jam, L.H. thread, 3/8"
42	AM 1405 T	(-118713)	Sub. AM3893T
	AM 3894 T	(118714-)	Joint, ball, L.H. thread
43	AM 3893 T	(-)	Control rod assembly, with ball joints and hex. nuts

Quantity shown above is for one assembly only. When two assemblies are used in a tractor, double the quantity shown must be ordered. When no quantity is shown, only one part should be used.

For information covering steering clutch disks, pressure plates, and other related parts, refer to pages 30-8 and 30-9.

STEERING CLUTCH HOUSING, THROW-OUT BEARING, AND CARRIER ASSEMBLY
Crawler

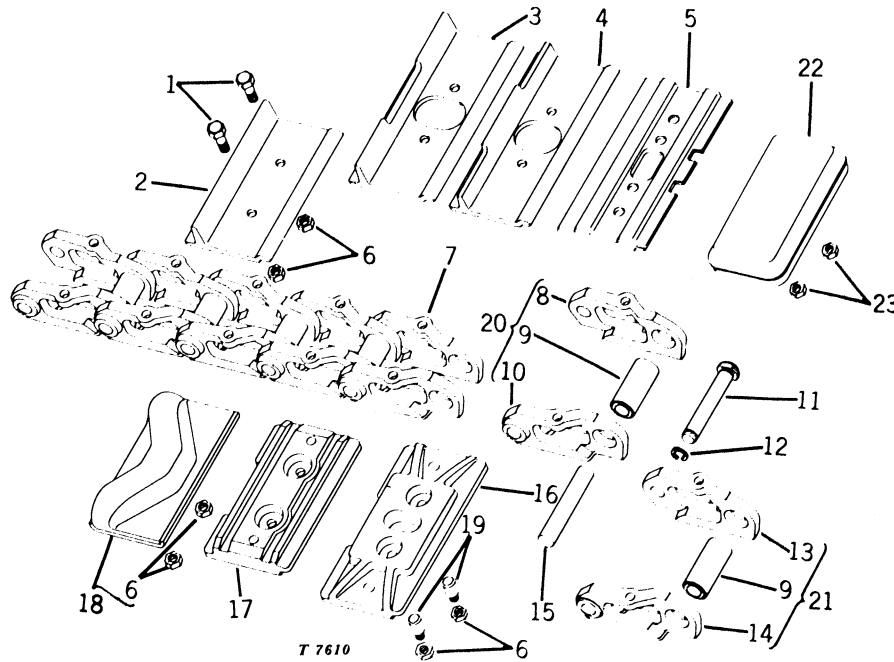


71533

STEERING CLUTCH HOUSING, THROW-OUT BEARING
AND CARRIER ASSEMBLY -- Continued
Crawler

Key	Part No.	Serial No.	Description
1	M 3689 T	(100001-) Dowel (8 used)
2	AM 3520 T	(-)) Housing (M3705T), steering clutch, with bushing, plug, gasket, and attaching hardware (sub. for M1797T, M2124T, M3688T, M3690T, and AM2361T)
3	14H 394 A	(-)) Nut, hex., 9/16", rear top cap screw
4	12H 317 A	(-)) Washer, lock, 9/16"
5	M 2560 T	(-)) Screw, cap, special, 9/16" x 1-7/8"
6	M 1487 T	(-)) Gasket (packed 2 in a pkg.)
7	M 907 T	(-)) Cover (sub. for AM998T)
8	19H 1227 A	(-)) Screw, cap, 1/4" x 1/2" (4 used)
9	12H 302 A	(-)) Washer, lock, 1/4" (4 used)
10	M 1638 T	(-)) Bushing
11	M 375 T	(-100000)) Nut, hex., special, 9/16" (2 used) (packed 10 in a pkg.)
	14H 261 A	(100001-) Nut, hex., 9/16" (4 used)
12	12H 317 A	(100001-) Washer, lock, 9/16" (4 used)
13	M 2560 T	(-100000)) Screw, cap, special, 9/16" x 1-7/8" (2 used)
	19H 1083 A	(100001-) Screw, cap, 9/16" x 2-1/2" (4 used)
14	M 2133 T	(-)) Gasket
15	AM 1935 T	(-)) Plug, with gasket
16	M 1448 T	(-)) Boot
17	M 1447 T	(-)) Nipple, boot
18	15H 278 A	(-)) Plug, pipe, hex. ctsk., 3/4"
19	19H 1978 A	(-)) Screw, cap, 7/16" x 1-1/2" (2 used)
20	12H 293 A	(-)) Washer, lock, 7/16" (2 used)
21	JD 8171 T	(-)) Cone, bearing
22	JD 8217 T	(-)) Cup, bearing
23	AM 1717 T	(-)) Seal, oil
24	M 811 T	(-)) Gasket (packed 3 in a pkg.)
25	M 891 T	(-)) Spring (4 used)
26	M 814 T	(-)) Pin, pivot (2 used)
27	M 1636 T	(-)) Sleeve
28	AM 1721 T	(-)) Quill (M1615T), with sleeve and pivot pins
29	M 1616 T	(-)) Cam
30	M 1617 T	(-)) Carrier, bearing
31	M 889 T	(-)) Stud
32	AL 2116 T	(-)) Bearing, throw-out
33	24H 1136 A	(-)) Washer, plain, 11/32" x 11/16" x .060"
34	M 2136 T	(-)) Screw, cap, special, 5/16" x 13/16"
35	19H 1139 A	(-)) Screw, cap, 3/8" x 1-1/8" (6 used)
36	M 885 T	(-)) Inserts (6 used)
37	M 886 T	(-)) Ball (3 used)
38	12H 304 A	(-)) Washer, lock, 3/8" (6 used)

TRACK AND TRACK SHOE ASSEMBLY (Two Bolt)
Crawler

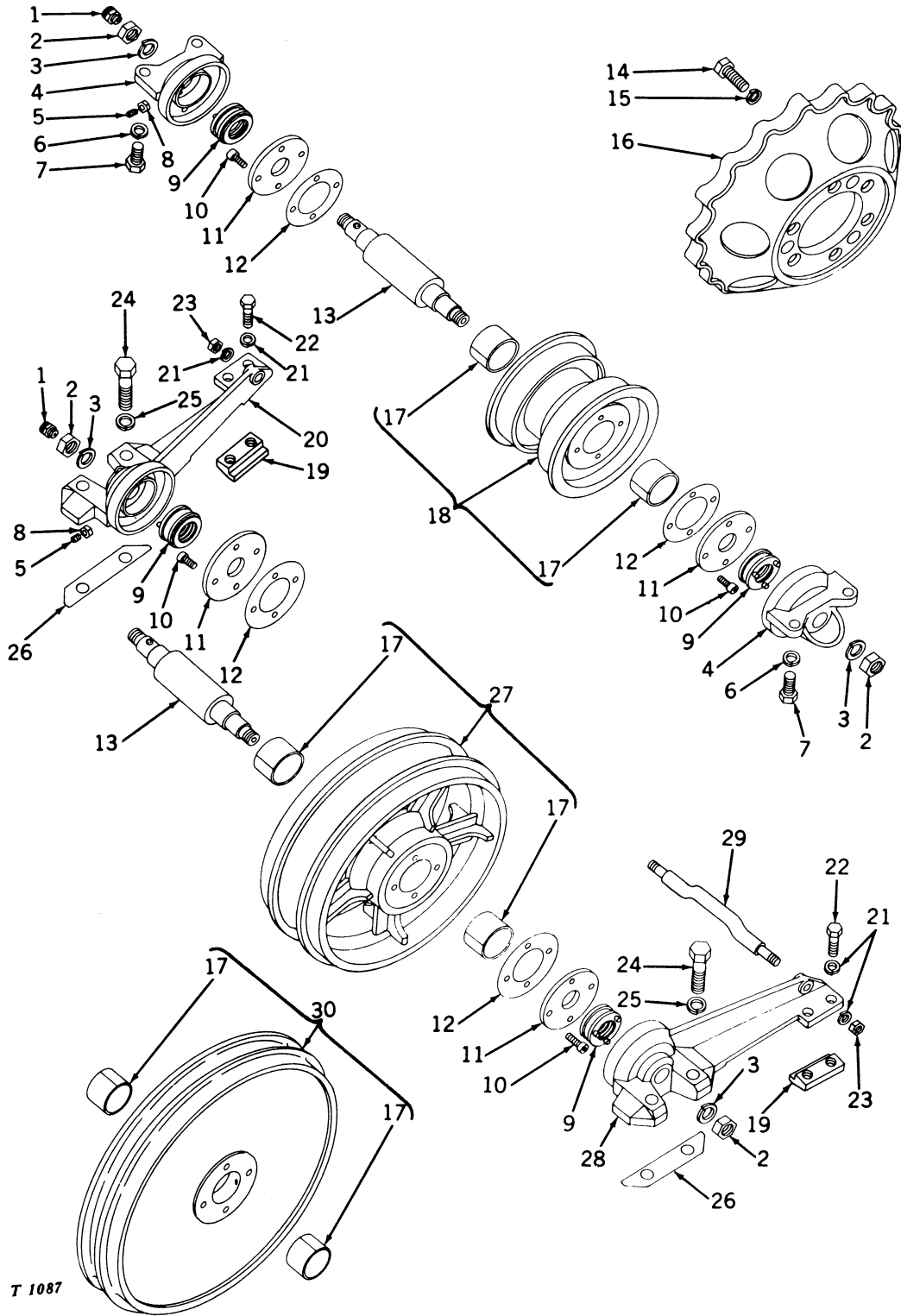


Key	Part No.	Serial No.	Description
1	T 11297 T	(-)	Screw, cap (2 per shoe) (62 per track) (4 roller) (sub. for M1664T) (packed 100 in a pkg.)
	T 11297 T	(-)	Screw, cap (2 per shoe) (64 per track) (4 roller with oversize idler) (sub. for M1664T) (packed 100 in a pkg.)
	T 11297 T	(-)	Screw, cap (2 per shoe) (70 per track) (5 roller) (sub. for M1664T) (packed 100 in a pkg.)
2	M 1747 T	(-)	Shoe, track, 10" (31 per track) (4 roller)
	M 1747 T	(-)	Shoe, track, 10" (32 per track) (4 roller with oversize idler)
	M 1747 T	(-)	Shoe, track, 10" (35 per track) (5 roller)
	M 1748 T	(-)	Shoe, track, 12" (31 per track) (4 roller)
	M 1748 T	(-)	Shoe, track, 12" (32 per track) (4 roller with oversize idler)
	M 1748 T	(-)	Shoe, track, 12" (35 per track) (5 roller)
	M 3960 T	(-)	Shoe, track, 12", hardened (31 per track) (4 roller)
	M 3960 T	(-)	Shoe, track, 12", hardened (32 per track) (4 roller with oversize idler)
	M 3960 T	(-)	Shoe, track, 12", hardened (35 per track) (5 roller)
	M 1749 T	(-)	Shoe, track, 14" (31 per track) (4 roller)
	M 1749 T	(-)	Shoe, track, 14" (32 per track) (4 roller with oversize idler)
	M 1749 T	(-)	Shoe, track, 14" (35 per track) (5 roller)
	3	M 1826 T	(-)
M 1826 T		(-)	Shoe, track, snow, 12", center notch (16 per track) (4 roller with oversize idler)
M 1826 T		(-)	Shoe, track, snow, 12", center notch (18 per track) (5 roller)
M 3961 T		(-)	Shoe, track, snow, 12", center notch, hardened (16 per track) (4 roller)
M 3961 T		(-)	Shoe, track, snow, 12", center notch, hardened (16 per track) (4 roller with oversize idler)
M 3961 T		(-)	Shoe, track, snow, 12", center notch, hardened (18 per track) (5 roller)
M 3893 T		(-)	Shoe, track, snow, 14", center notch (16 per track) (4 roller) (sub. for M3223T)
M 3893 T		(-)	Shoe, track, snow, 14", center notch (16 per track) (4 roller with oversize idler) (sub. for M3223T)
M 3893 T		(-)	Shoe, track, snow, 14", center notch (18 per track) (5 roller) (sub. for M3223T)
M 3893 T		(-)	Shoe, track, snow, 14", center notch (18 per track) (5 roller with oversize idler) (sub. for M3223T)
4	M 1827 T	(-)	Shoe, track, snow, 12", end notch (15 per track) (4 roller)
	M 1827 T	(-)	Shoe, track, snow, 12", end notch (16 per track) (4 roller with oversize idler)
	M 1827 T	(-)	Shoe, track, snow, 12", end notch (17 per track) (5 roller)
	M 3962 T	(-)	Shoe, track, snow, 12", end notch, hardened (15 per track) (4 roller)
	M 3962 T	(-)	Shoe, track, snow, 12", end notch, hardened (16 per track) (4 roller with oversize idler)
	M 3962 T	(-)	Shoe, track, snow, 12", end notch, hardened (17 per track) (5 roller)
	M 3894 T	(-)	Shoe, track, snow, 14", end notch (15 per track) (4 roller)
	M 3894 T	(-)	Shoe, track, snow, 14", end notch (16 per track) (4 roller with oversize idler)
M 3894 T	(-)	Shoe, track, snow, 14", end notch (17 per track) (5 roller)	

TRACK AND TRACK SHOE ASSEMBLY (Two Bolt) -- Continued
Crawler

Key	Part No.	Serial No.	Description
5	T 11787 T	(-)	Shoe, track, all-purpose, semi-grouser, 12" (31 per track) (4 roller) (sub. for T10615T)
	T 11787 T	(-)	Shoe, track, all-purpose, semi-grouser, 12" (32 per track) (4 roller with oversize idler) (sub. for T10615T)
	T 11787 T	(-)	Shoe, track, all-purpose, semi-grouser, 12" (35 per track) (5 roller) (sub. for T10615T)
6	M 1665 T	(-)	Nut, hex., special (2 per shoe) (62 per track) (4 roller) (packed 100 in a pkg.)
	M 1665 T	(-)	Nut, hex., special (2 per shoe) (64 per track) (4 roller with oversize idle (packed 100 in a pkg.)
	M 1665 T	(-)	Nut, hex., special (2 per shoe) (70 per track) (5 roller) (packed 100 in a pkg.)
7	AM 2832 T	(-)	Track assembly, less shoes (31 links) (4 roller)
	AM 2878 T	(-)	Track assembly, less shoes (32 links) (4 roller with oversize idler)
	AM 2873 T	(-)	Track assembly, less shoes (35 links) (5 roller)
8	T 11293 T	(-)	Link, track, right (30 per track) (4 roller) (sub. for M2948T)
	T 11293 T	(-)	Link, track, right (31 per track) (4 roller with oversize idler) (sub. for M2948T)
9	T 11293 T	(-)	Link, track, right (34 per track) (5 roller) (sub. for M2948T)
	T 10220 T	(-)	Bushing, track (31 per track) (4 roller) (sub. for M2955T) (packed 16 in a pkg.)
	T 10220 T	(-)	Bushing, track (32 per track) (4 roller with oversize idler) (sub. for M2955T) (packed 16 in a pkg.)
10	T 10220 T	(-)	Bushing, track (35 per track) (5 roller) (sub. for M2955T) (packed 16 in a pkg.)
	T 11294 T	(-)	Link, track, left (30 per track) (4 roller) (sub. for M2949T)
	T 11294 T	(-)	Link, track, left (31 per track) (4 roller with oversize idler) (sub. for M2949T)
	T 11294 T	(-)	Link, track, left (34 per track) (5 roller) (sub. for M2949T)
11	M 2952 T	(-)	Pin, track, master
12	M 2679 T	(-)	Ring, snap (packed 10 in a pkg.)
13	T 11295 T	(-)	Link, track, master, right (sub. for M2950T)
14	T 11296 T	(-)	Link, track, master, left (sub. for M2951T)
15	T 10728 T	(-)	Pin, track, plain (30 per track) (4 roller) (sub. for M2956T) (packed 16 in a pkg.)
	T 10728 T	(-)	Pin, track, plain (31 per track) (4 roller with oversize idler) (sub. for M2956T) (packed 16 in a pkg.)
	T 10728 T	(-)	Pin, track, plain (34 per track) (5 roller) (sub. for M2956T) (packed 16 in a pkg.)
16	M 2747 T	(-)	Shoe, track, flat street-type, 12" (31 per track) (4 roller)
	M 2747 T	(-)	Shoe, track, flat street-type, 12" (32 per track) (4 roller with oversize idler)
17	M 2747 T	(-)	Shoe, track, flat street-type, 12" (35 per track) (5 roller)
	M 2569 T	(-)	Shoe, track, flat street-type, 10" (31 per track) (4 roller)
	M 2569 T	(-)	Shoe, track, flat street-type, 10" (32 per track) (4 roller with oversize idler)
18	M 2569 T	(-)	Shoe, track, flat street-type, 10" (35 per track) (5 roller)
	ATE 2638 YT	(-)	Shoe, track, rubber, regular, with nuts (31 per track) (4 roller)
	ATE 2638 YT	(-)	Shoe, track, rubber, regular, with nuts (32 per track) (4 roller with over- size idler)
19	ATE 2638 YT	(-)	Shoe, track, rubber, regular, with nuts (35 per track) (5 roller)
	M 3950 T	(-)	Calk, snow (for flat street-type shoes) (62 per track) (4 roller)
	M 3950 T	(-)	Calk, snow (for flat street-type shoes) (64 per track) (4 roller with over- size idler)
	M 3950 T	(-)	Calk, snow (for flat street-type shoes) (70 per track) (5 roller)
20	AT 11914 T	(-)	Link, track
21	AT 11913 T	(-)	Link, track
22	AT 10961 T	(-)	Shoe, track, rubber, heavy-duty (31 per track) (4 roller)
	AT 10961 T	(-)	Shoe, track, rubber, heavy-duty (32 per track) (4 roller with oversize idler)
23	AT 10961 T	(-)	Shoe, track, rubber, heavy-duty (35 per track) (5 roller)
	14H 808 A	(-)	Nut, hex., 5/8" (2 per shoe) (62 per track) (4 roller)
	14H 808 A	(-)	Nut, hex., 5/8" (2 per shoe) (64 per track) (4 roller with oversize idler)
	14H 808 A	(-)	Nut, hex., 5/8" (2 per shoe) (70 per track) (5 roller)

FOUR-ROLLER TRACK ROLLER AND IDLER ASSEMBLY
Crawler

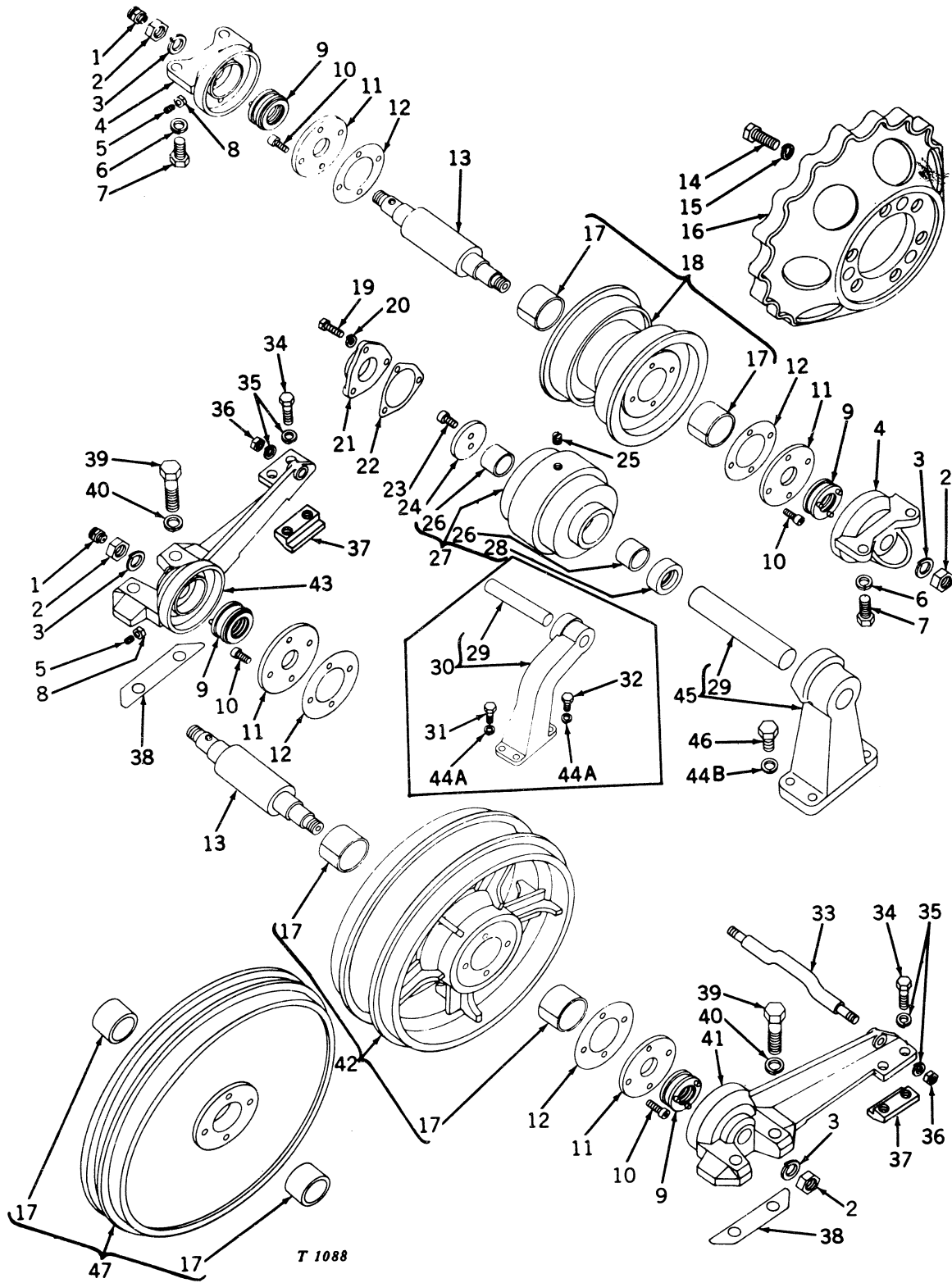


FOUR-ROLLER TRACK ROLLER AND IDLER ASSEMBLY -- Continued
Crawler

Key	Part No.	Serial No.	Description
1	JD 7828*†#	(-)	Fitting, grease (5 used)
2	14H 482 A*†#	(-)	Nut, hex., jam, 3/4" (10 used)
3	12H 236 A*†#	(-)	Washer, lock, 3/4" (10 used)
4	M 2239 T#	(-)	Bracket, roller (8 used)
5	22H 712 A#	(-)	Screw, set, 5/16" x 1-1/2" (5 used)
6	12H 301 A	(-)	Washer, lock, 1/2" (16 used)
7	19H 1940 A	(-)	Screw, cap, 1/2" x 1-1/4" (16 used)
8	14H 611 A#	(-)	Nut, hex., jam, 5/16" (5 used)
9	AM 2011 T#	(-)	Seal, oil (10 used) (packed 6 in a pkg.)
10	M 2237 T*†#	(-)	Screw, cap, socket head, 5/16" x 3/4" (40 used) (packed 50 in a pkg.)
11	M 2236 T*†#	(-)	Plate, thrust (10 used)
12	M 2235 T*†#	(-)	Shim, .005" (10 used) (packed 6 in a pkg.)
13	M 3785 T*†#	(-)	Shaft, roller and idler (5 used) (sub. for M2238T)
14	19H 1670 A	(-)	Screw, cap, 9/16" x 1-1/2" (12 used)
15	12H 317 A	(-)	Washer, lock, 9/16" (12 used)
16	T 16261 T	(-)	Sprocket, drive, 36" -46" tread (sub. for M3098T)
	T 16259 T	(-)	Sprocket, drive, 38" -44" tread (sub. for M3099T)
17	M 2266 T*†#	(-)	Bushing (10 used)
18	AM 2009 T#	(-)	Roller assembly (M2233T), with bushings (4 used)
19	M 3304 T	(-)	Guide (2 used)
20	M 1823 T	(-)	Bracket, right idler
21	12H 293 A	(-)	Washer, lock, 7/16" (12 used)
22	19H 1821 A	(-)	Screw, cap, 7/16" x 1-1/4" (4 used)
23	14H 813 A	(-)	Nut, hex., 7/16" (2 used)
24	19H 1377 A	(-)	Screw, cap, 5/8" x 2-1/8" (4 used)
25	12H 294 A	(-)	Washer, lock, 5/8" (4 used)
26	T 16669 T	(-)	Shim, .010" (12 used) (sub. for M2247T)
27	AM 2645 T†	(-)	Idler and bushing assembly, standard
	AM 2646 T*	(-)	Idler and bushing assembly, oversize
28	M 1824 T	(-)	Bracket, left idler
29	M 2814 T	(-)	Spacer
30	AT 12196 T	(-)	Idler, with disk and bushings (standard)
	AT 12197 T	(-)	Idler, with disk and bushings (oversize)
..	JD 7830	(-)	Gun, grease
..	JD 7831	(-)	Hose, with coupler
..	AM 2008 T	(-)	Roller and bracket assembly (includes all part numbers followed by a number sign (#) which is sufficient to service one roller and bracket assembly)
..	AT 12233 T	(-)	Idler, front, oversize (includes all part numbers followed by an asterisk (*) which is sufficient to service one front idler)
..	AT 12234 T	(-)	Idler, front, standard (includes all part numbers followed by a dagger (†) which is sufficient to service one front idler)

Quantity shown above is for one assembly only. When two assemblies are used in a tractor, double the quantity shown must be ordered. When no quantity is shown, only one part should be used.

FIVE-ROLLER TRACK ROLLER AND IDLER ASSEMBLY
Crawler

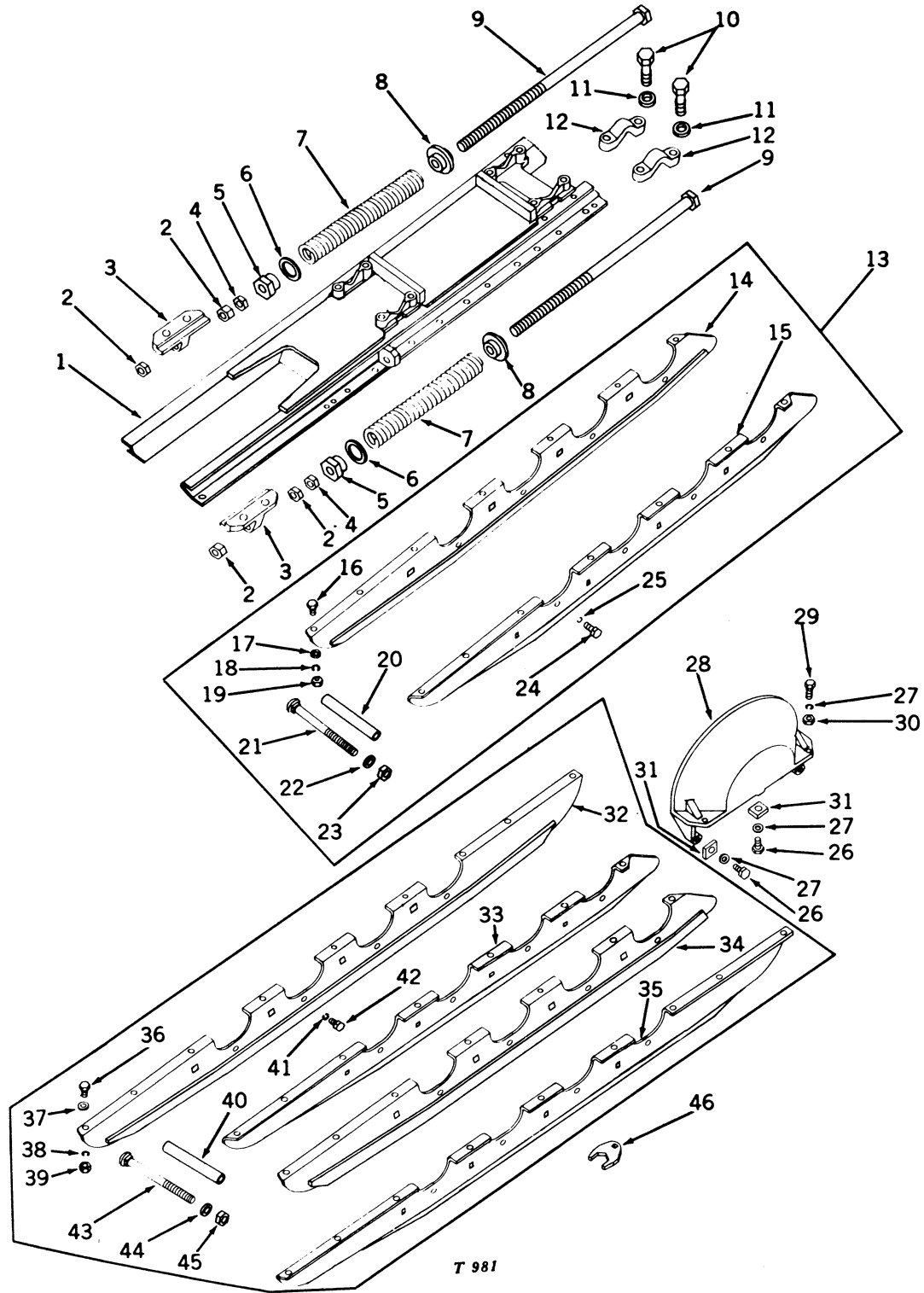


FIVE-ROLLER TRACK ROLLER AND IDLER ASSEMBLY -- Continued
Crawler

Key	Part No.	Serial No.	Description
1	JD 7828*#	(-)	Fitting, grease (6 used)
2	14H 482 A*#	(-)	Nut, hex., jam, 3/4" (12 used)
3	12H 236 A*#	(-)	Washer, lock, 3/4" (12 used)
4	M 2239 T#	(-)	Bracket, roller (10 used)
5	22H 712 A#	(-)	Screw, set, 5/16" x 1-1/2" (6 used)
6	12H 301 A	(-)	Washer, lock, 1/2" (20 used)
7	19H 1940 A	(-)	Screw, cap, 1/2" x 1-1/4" (20 used)
8	14H 611 A#	(-)	Nut, hex., jam, 5/16" (6 used)
9	AM 2011 T#	(-)	Seal, oil (12 used) (packed 6 in a pkg.)
10	M 2237 T*#	(-)	Screw, cap, socket head, 5/16" x 3/4" (48 used) (packed 50 in a pkg.)
11	M 2236 T*#	(-)	Plate, thrust (12 used)
12	M 2235 T*#	(-)	Shim, .005" (12 used) (packed 6 in a pkg.)
13	M 3785 T*#	(-)	Shaft, roller and idler (6 used) (sub. for M2238T)
14	19H 1670 A	(-)	Screw, cap, 9/16" x 1-1/2" (12 used)
15	12H 317 A	(-)	Washer, lock, 9/16" (12 used)
16	T 16261 T	(-)	Sprocket, drive, 36" -46" tread (sub. for M3098T)
	T 16259 T	(-)	Sprocket, drive, 38" -44" tread (sub. for M3099T)
17	M 2266 T*#	(-)	Bushing (12 used)
18	AM 2009 T#	(-)	Roller assembly (M2233T), with bushings (5 used)
19	19H 1139 A	(-)	Screw, cap, 3/8" x 1-1/8" (3 used)
20	12H 304 A	(-110645)	Washer, lock, 3/8" (3 used)
	12H 304 A	(110646-)	Washer, lock, 3/8" (2 used)
	M 3971 T	(110646-)	Gasket
21	M 2337 T	(-)	Cover
22	M 2503 T	(-)	Shim, .005" (approx. 3 used) (packed 4 in a pkg.)
23	M 2502 T	(-)	Screw, cap, socket head (2 used)
24	M 2501 T	(-)	Plate, thrust
25	15H 566 A	(-110645)	Plug, pipe, slotted, 1/8" (sub. for L756T)
26	M 1111 T	(-)	Bushing (2 used)
27	AM 2257 T	(-)	Sub. one AT15917T (see page 100-15)
28	AT 12784 T	(-)	Seal, oil (sub. for AM2258T)
29	M 2500 T	(-)	Shaft
30	AM 2255 T	(-88899)	Support, with shaft, left
	AM 2256 T	(-88899)	Support, with shaft, right
31	19H 1649 A	(-88899)	Screw, cap, inside, 1/2" x 1-1/8"
32	19H 463 A	(-88899)	Screw, cap, outside, 1/2" x 1-1/2" (2 used)
33	M 2814 T	(-)	Spacer
34	19H 1821 A	(-)	Screw, cap, 7/16" x 1-1/4" (4 used)
35	12H 293 A	(-)	Washer, lock, 7/16" (6 used)
36	14H 813 A	(-)	Nut, hex., 7/16" (2 used)
37	M 3304 T	(-)	Guide (2 used)
38	T 16669 T	(-)	Shim, .010" (12 used) (sub. for M2247T) (packed 4 in a pkg.)
39	19H 1377 A	(-)	Screw, cap, 5/8" x 2-1/8" (4 used)
40	12H 294 A	(-)	Washer, lock, 5/8" (4 used)
41	M 1824 T	(-)	Bracket, left idler
42	AM 2646 T*	(-)	Idler and bushing assembly
43	M 1823 T	(-)	Bracket, right idler
44A	12H 301 A	(-88899)	Washer, lock, 1/2" (3 used)
44B	12H 301 A	(88900-)	Washer, lock, 1/2" (4 used)
45	AM 3218 T	(88900-)	Support, with shaft
46	19H 1262 A	(88900-)	Screw, cap, 1/2" x 1-3/8" (4 used)
47	AT 12197 T	(-)	Idler, with disk and bushings
..	JD 7830	(-)	Gun, grease
..	JD 7831	(-)	Hose, with coupler
..	AM 2008 T	(-)	Roller and bracket assembly (includes all part numbers followed by a number sign (#) which is sufficient to service one roller and bracket assembly)
..	AT 12233 T	(-)	Idler, front (includes all part numbers followed by an asterisk (*) which is sufficient to service one front idler)

Quantity shown above is for one assembly only. When two assemblies are used in a tractor, double the quantity shown must be ordered. When no quantity is shown, only one part should be used.

FOUR-ROLLER TRACK FRAMES AND ROCK GUARDS
Crawler

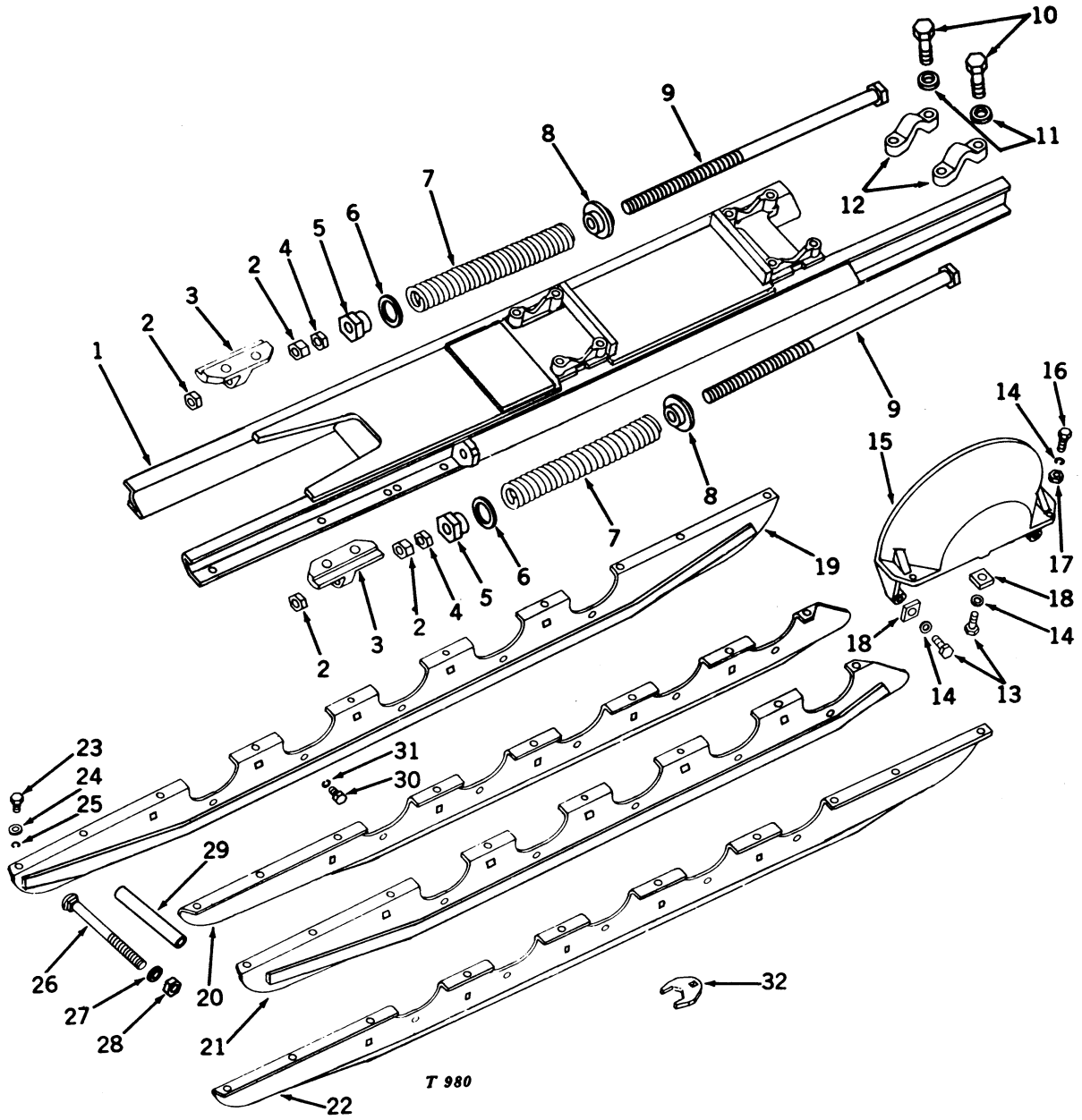


FOUR-ROLLER TRACK FRAMES AND ROCK GUARDS -- Continued
Crawler

Key	Part No.	Serial No.	Description
1	AM 3367 T	(-)	Frame assembly (sub. for AM3070T)
	AM 3374 T	(-)	Frame assembly, left (used when sprocket shields are installed) (sub. for AM3071T)
	AM 3376 T	(-)	Frame assembly, right (used when sprocket shields are installed) (sub. for AM3072T)
2	14H 806 A	(-)	Nut, hex., 1" (4 used)
3	M 3307 T	(-)	Bracket (2 used)
4	14H 805 A	(-)	Nut, hex., jam, 1" (2 used)
5	M 3306 T	(-)	Nut, adjusting (2 used)
6	24H 1562 A	(-)	Washer, plain, 1-3/4" x 2-3/4" x 1/4" (2 used)
7	M 3305 T	(-)	Spring (2 used)
8	M 3308 T	(-)	Guide, spring (2 used)
9	M 3309 T	(-)	Bolt, mach., special, 1" x 24-1/2" (2 used)
10	M 3302 T	(-)	Screw, cap, special (8 used) (packed 2 in a pkg.)
11	M 3301 T	(-)	Washer, plain, special (8 used)
12	M 3300 T	(-)	Clamp (4 used)
13	AM 2022 T	(-100000)	Rock guard attachment (not designed for use with sprocket shields)
	AM 3383 T	(100001-)	Rock guard attachment (not designed for use with sprocket shields)
14	AM 3371 T	(-)	Rock guard, right (sub. for AM2762T)
15	AM 3372 T	(-)	Rock guard, left (sub. for AM2763T)
16	19H 1732 A	(-100000)	Screw, cap, 3/8" x 1-1/4" (10 used)
	19H 1692 A	(100001-)	Screw, cap, 1/2" x 3/4" (14 used)
17	24H 1304 A	(-100000)	Washer, plain, 13/32" x 23/32" x .120" (14 used) (used only when AM3371T right, or AM3372T left rock guard are installed)
18	12H 304 A	(-100000)	Washer, lock, 3/8" (10 used)
	12H 301 A	(100001-)	Washer, lock, 1/2" (14 used)
19	14H 812 A	(-100000)	Nut, hex., 3/8" (10 used)
20	28H 1728 A	(-)	Spacer (4 used) (sub. for M3325T)
21	3H 1384 A	(-)	Bolt, cge., 5/8" x 8-1/4" (4 used)
22	12H 294 A	(-)	Washer, lock, 5/8" (4 used)
23	14H 760 A	(-)	Nut, hex., 5/8" (4 used)
24	19H 1648 A	(-100000)	Screw, cap, 3/8" x 3/4" (12 used)
	19H 210 A	(100001-)	Screw, cap, 3/8" x 3/4" (8 used)
25	12H 304 A	(-100000)	Washer, lock, 3/8" (12 used)
	12H 304 A	(100001-)	Washer, lock, 3/8" (8 used)
26	19H 1800 A	(-)	Screw, cap, 3/8" x 1-1/2" (3 used)
27	12H 304 A	(-)	Washer, lock, 3/8" (5 used)
28	M 3371 T	(-)	Shield, sprocket
29	19H 1765 A	(-)	Screw, cap, 3/8" x 1-3/4" (2 used)
30	14H 812 A	(-)	Nut, hex., 3/8" (2 used)
31	T 11362 T	(-)	Spacer (3 used)
32	AM 2764 T	(-100000)	Sub. one AM3375T and seven 24H1304A
	AM 3375 T	(100001-)	Guard, rock, outside right track frame assembly (used with sprocket shields)
33	AM 2763 T	(-100000)	Sub. one AM3372T and five 24H1304A
	AM 3372 T	(100001-)	Guard, rock, inside right track frame assembly (used with sprocket shields)
34	AM 2762 T	(-100000)	Sub. one AM3371T and five 24H1304A
	AM 3371 T	(100001-)	Guard, rock, inside left track frame assembly (used with sprocket shields)
35	AM 2765 T	(-100000)	Sub. one AM3373T and seven 24H1304A
	AM 3373 T	(100001-)	Guard, rock, outside left track frame assembly (used with sprocket shields)
36	19H 1732 A	(-100000)	Screw, cap, 3/8" x 1-1/4" (24 used)
	19H 1692 A	(100001-)	Screw, cap, 1/2" x 7/8" (32 used)
37	24H 1304 A	(-100000)	Washer, plain, 13/32" x 23/32" x .120" (24 used) (used only when AM3371T, AM3372T, AM3373T, or AM3375T rock guards are installed)
38	12H 304 A	(-100000)	Washer, lock, 3/8" (32 used)
	12H 301 A	(100001-)	Washer, lock, 1/2" (32 used)
39	14H 812 A	(-100000)	Nut, hex., 3/8" (24 used)
40	28H 1728 A	(-)	Spacer (8 used) (sub. for M3325T)
41	12H 304 A	(-)	Washer, lock, 3/8" (16 used)
42	19H 1648 A	(-100000)	Screw, cap, 3/8" x 3/4" (24 used)
	19H 210 A	(100001-)	Screw, cap, 3/8" x 7/8" (16 used)
43	3H 1384 A	(-)	Bolt, cge., 5/8" x 8-1/4" (8 used)
44	12H 294 A	(-)	Washer, lock, 5/8" (8 used)
45	14H 760 A	(-)	Nut, hex., 5/8" (8 used)
46	M 3498 T	(-)	Wrench, track adjusting

Quantity shown above for keys 1 through 31 is for one assembly only. When two assemblies are used in a tractor, double the quantity shown must be ordered. Quantity shown above for keys 32 through 45 is the complete quantity used on the tractor.

FIVE-ROLLER TRACK FRAMES AND ROCK GUARDS
Crawler

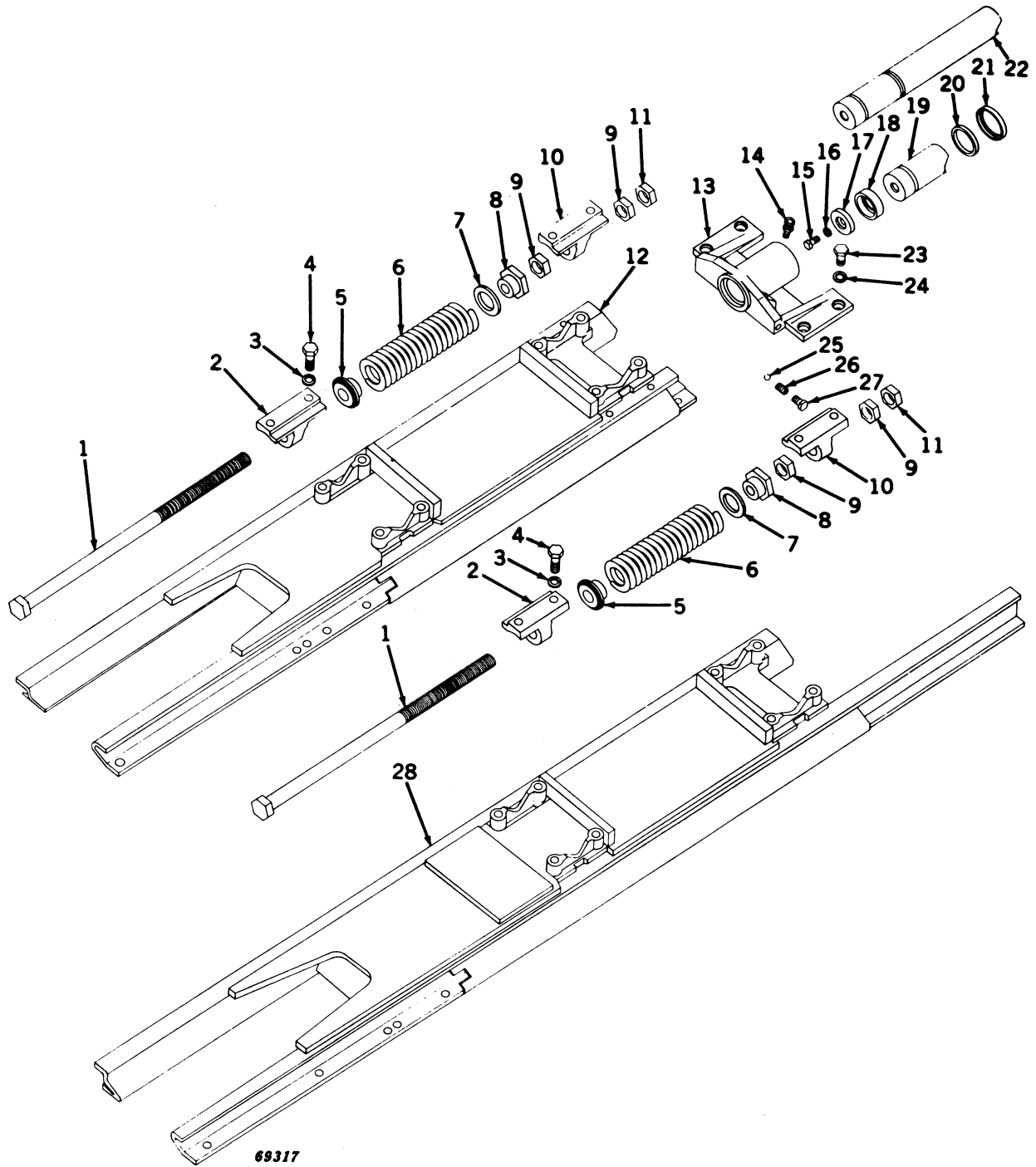


FIVE-ROLLER TRACK FRAMES AND ROCK GUARDS -- Continued
Crawler

Key	Part No.	Serial No.	Description
1	AM 3379 T	(-)	Frame assembly, left (sub. for AM3073T)
	AM 3382 T	(-)	Frame assembly, right (sub. for AM3074T)
2	14H 806 A	(-)	Nut, hex., 1" (4 used)
3	M 3307 T	(-)	Bracket (2 used)
4	14H 805 A	(-)	Nut, hex., jam, 1" (2 used)
5	M 3306 T	(-)	Nut, adjusting
6	24H 1562 A	(-)	Washer, plain, 1-3/4" x 2-3/4" x 1/4" (2 used)
7	M 3305 T	(-)	Spring (2 used)
8	M 3308 T	(-)	Guide (2 used)
9	M 3309 T	(-)	Bolt, mach., special, 1" x 24-1/2" (2 used)
10	M 3302 T	(-)	Screw, cap, special (8 used) (packed 2 in a pkg.)
11	M 3301 T	(-)	Washer, plain, special (8 used)
12	M 3300 T	(-)	Clamp (4 used)
13	19H 1800 A	(-)	Screw, cap, 3/8" x 1-1/2" (3 used)
14	12H 304 A	(-)	Washer, lock, 3/8" (5 used)
15	M 3371 T	(-)	Shield, sprocket
16	19H 1765 A	(-)	Screw, cap, 3/8" x 3/8" x 1-3/4" (2 used)
17	14H 812 A	(-)	Nut, hex., 3/8" (2 used)
18	T 11362 T	(-)	Spacer (3 used)
19	AM 2768 T	(-)	Sub. one AM3381T and ten 24H1304A
	AM 3381 T	(100001-)	Guard, rock, outside, right track frame
20	AM 2767 T	(-100000)	Sub. one AM3380T and eight 24H1304A
	AM 3380 T	(100001-)	Guard, rock, inside right track frame
21	AM 2766 T	(-100000)	Sub. one AM3377T and eight 24H1304A
	AM 3377 T	(100001-)	Guard, rock, inside, left track frame
22	AM 2769 T	(-100000)	Sub. one AM3378T and ten 24H1304A
	AM 3378 T	(100001-)	Guard, rock, outside, left track frame
23	19H 1648 A	(-100000)	Screw, cap, 3/8" x 3/4" (36 used)
	19H 1692 A	(100001-)	Screw, cap, 1/2" x 3/4" (36 used)
24	24H 1304 A	(-100000)	Washer, plain, 13/32" x 23/32" x .120" (36 used) (used only when AM3777T, AM3778T, AM3380T, or AM3381T rock guard are installed)
25	12H 304 A	(-100000)	Washer, lock, 3/8" (36 used)
	12H 301 A	(100001-)	Washer, lock, 1/2" (36 used)
26	3H 1384 A	(-)	Bolt, cge., 5/8" x 8-1/4" (10 used)
27	12H 294 A	(-)	Washer, lock, 5/8" (10 used)
28	14H 760 A	(-)	Nut, hex., 5/8" (10 used)
29	28H 1728 A	(-)	Spacer (10 used) (sub. for M3325T)
30	19H 210 A	(-139999)	Screw, cap, 3/8" x 3/4" (20 used)
31	12H 304 A	(-139999)	Washer, lock, 3/8" (20 used)
32	M 3498 T	(-)	Wrench, track adjusting

Quantity shown above for keys 1 through 18 is for one assembly only. When two assemblies are used in a tractor, double the quantity shown must be ordered. Quantity shown above for keys 19 through 31 is the complete quantity used on the tractor.

HYDRAULIC TRACK TENSION ADJUSTER
Crawler

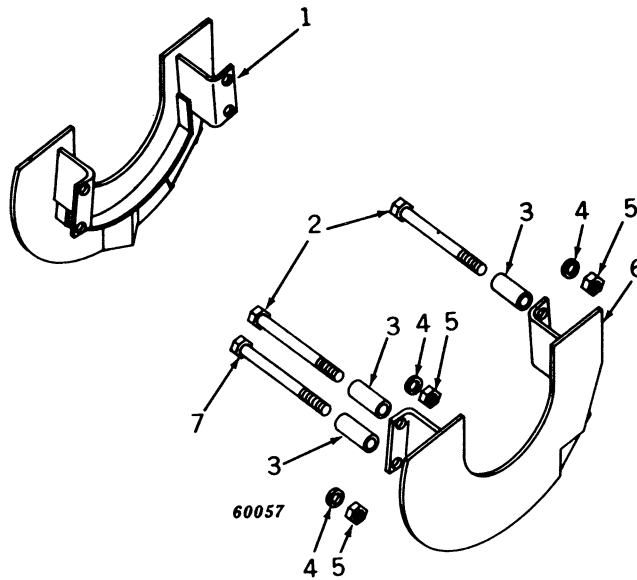


HYDRAULIC TRACK TENSION ADJUSTER -- Continued
Crawler

Key	Part No.	Serial No.	Description
1	T 11119 T	(-)	Bolt, hex. hd., special, 1" x 22-1/2" (2 used)
2	T 11117 T	(-)	Bracket, idler, front (2 used)
3	12H 294 A	(-)	Washer, lock, 5/8" (4 used)
4	19H 1708 A	(-)	Screw, cap, 5/8" x 1-3/4" (4 used)
5	T 11118 T	(-)	Washer (2 used)
6	M 3305 T	(-)	Spring (2 used)
7	24H 1562 A	(-)	Washer, plain, 1-3/4" x 2-3/4" x 1/4" (2 used)
8	M 3306 T	(-)	Nut, adjusting (2 used)
9	14H 806 A	(-)	Nut, hex., 1" (4 used)
10	T 11120 T	(-)	Bracket, idler, rear
11	14H 805 A	(-)	Nut, hex. jam, 1" (2 used)
12	AT 10930 T	(-)	Frame assembly (4 roller)
	AT 10937 T	(-)	Frame assembly, left (4 roller equipped with sprocket shields)
	AT 10938 T	(-)	Frame assembly, right (4 roller equipped with sprocket shields)
13	T 11121 T	(-)	Cylinder, right track
	T 11125 T	(-)	Cylinder, left track
14	JD 7843 T	(-)	Fitting, grease (sub. for JD7828T)
15	19H 1905 A	(-)	Screw, cap, 5/16" x 1"
16	12H 303 A	(-)	Washer, lock, 5/16"
17	T 11122 T	(-)	Plate, follower
18	T 11123 T	(-)	Cup, packing
19	T 11124 T	(-)	Piston (4 roller)
20	T 18553 T	(-)	Seal (sub. for M3617T)
21	M 3618 T	(-)	Retainer
22	AT 10943 T	(-)	Piston (5 roller)
23	19H 1833 A	(-)	Screw, cap, 5/8" x 1-1/4" (4 used)
24	12H 294 A	(-)	Washer, lock, 5/8" (4 used)
25	405 R	(-)	Ball (sub. for L467T)
26	22H 738 A	(-)	Screw, set, 1/2" x 3/4"
27	19H 1122 A	(-)	Screw, cap, 1/2" x 7/8"
28	AT 10946 T	(-)	Frame assembly, right (5 roller)
	AT 10947 T	(-)	Frame assembly, left (5 roller)

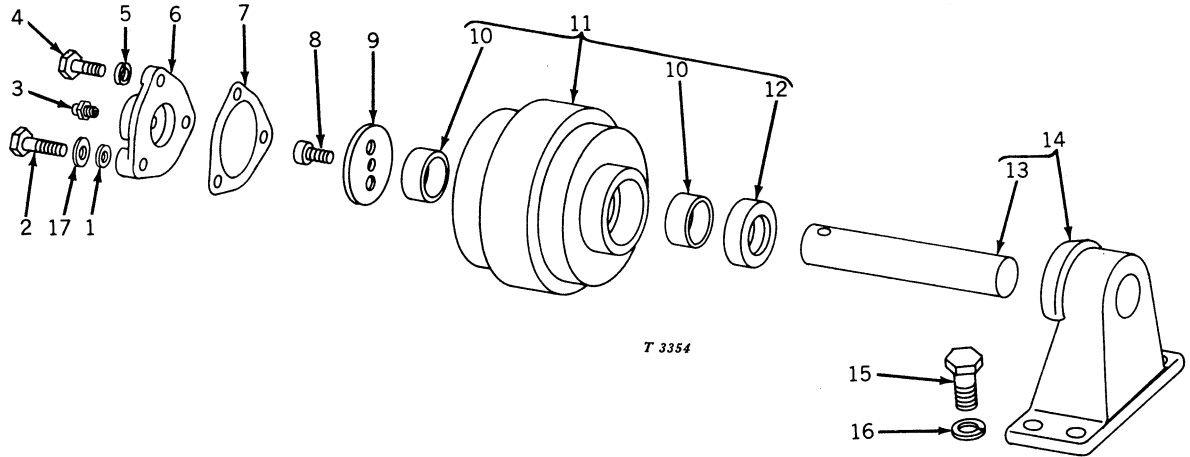
Quantity shown above is for one assembly only. When two assemblies are used in a tractor double the quantity shown must be ordered. When no quantity is shown only one part should be used.

INNER SPROCKET SHIELD ATTACHMENT
(For Tractors Equipped with Rock Guards)



Key	Part No.	Serial No.	Description
1	AM 3679 T	(-)	Sprocket shield, inner, left
2	8H 4169 A	(-)	Bolt, mach., 1/2" x 6-3/4" (6 used)
3	M 3948 T	(-)	Spacer (8 used)
4	L 139 T	(-)	Washer, plain, special (8 used)
5	14H 809 A	(-)	Nut, hex., 1/2" (8 used)
6	AM 3680 T	(-)	Sprocket shield, inner, right
7	8H 4160 A	(-)	Bolt, mach., 1/2" x 7-1/4", lower rear (2 used)

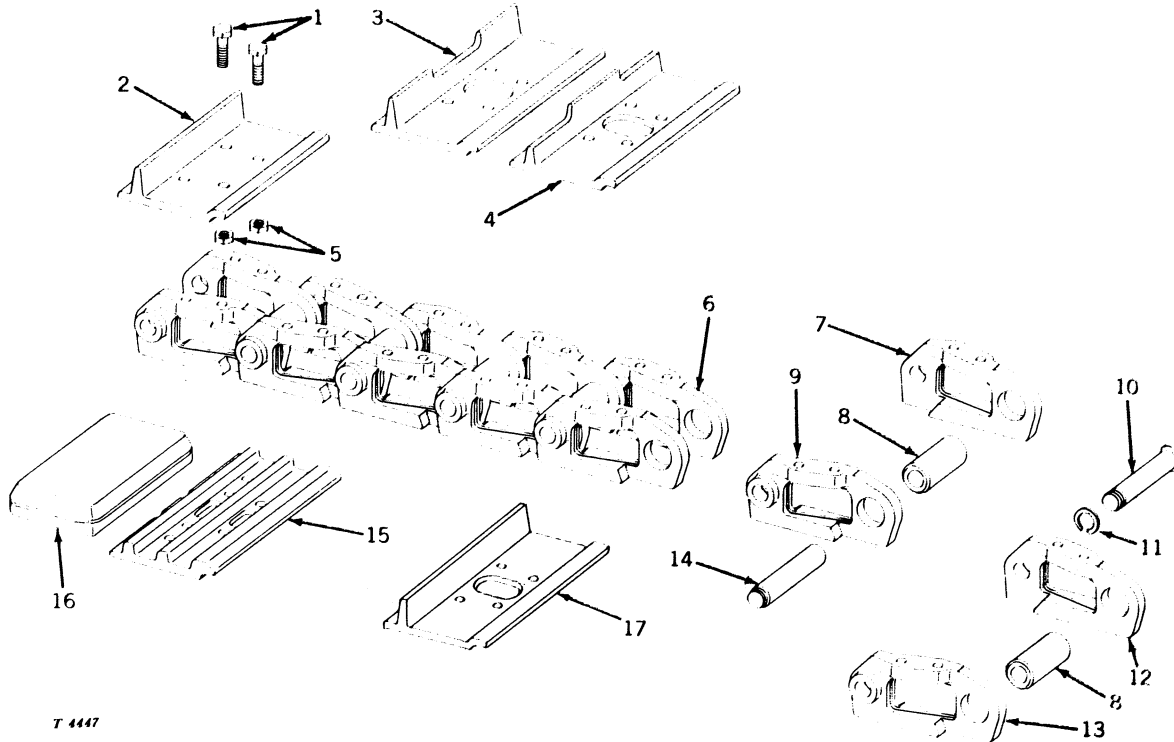
FIVE ROLLER UPPER IDLER ASSEMBLY
 (When Idler Assembly Kit Has Been Installed)



Key	Part No.	Serial No.	Description
1	M 3971 T*	(-)	Gasket
2	19H 1765 A*	(-)	Screw, cap, 3/8" x 1-3/4"
3	JD 7828*	(-)	Fitting, grease
4	19H 1139 A*	(-)	Screw, cap, 3/8" x 1-1/8" (2 used)
5	12H 304 A*	(-)	Washer, lock, 3/8" (2 used)
6	T 13880 T*	(-)	Cover
7	T 14776 T*	(-)	Shim, .005" (approx. 5 used) (packed 3 in a pkg.)
8	M 2502 T	(-)	Screw, cap, socket hd., 3/8" x 3/4" (2 used)
9	M 2501 T	(-)	Plate, thrust
10	M 1111 T*	(-)	Bushing (2 used)
11	AT 12783 T*	(-)	Idler, upper (T14777T) with bushings and oil seal
12	AT 12784 T*	(-)	Seal, oil
13	M 2500 T	(-)	Shaft
14	AM 3218 T	(-)	Support, with shaft
15	19H 1262 A	(-)	Screw, cap, 1/2" x 1-3/8" (4 used)
16	12H 301 A	(-)	Washer, lock, 1/2" (4 used)
17	24H 1303 A*	(-)	Washer, plain, 13/32" x 11/16" x .060"
..	AT 15917 T	(-)	Cover and idler support kit (includes all part numbers followed by an asterisk) (*)

Quantity shown above is for one assembly only. When two assemblies are used on a tractor, double the quantity shown must be ordered.

**TRACK AND TRACK SHOE ASSEMBLY (Four Bolt)
Crawler**



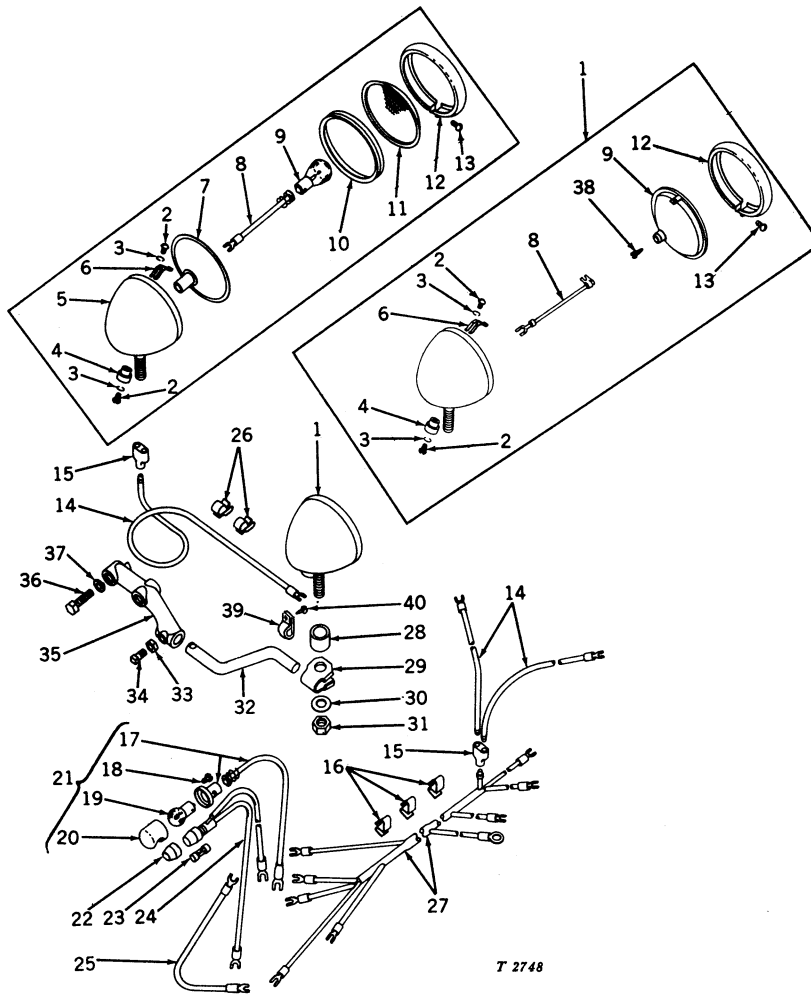
T 4447

Key	Part No.	Serial No.	Description
1	T 14612 T	(-)	Screw, cap (4 per shoe) (124 per track) (4 roller) (packed 25 in a pkg.)
	T 14612 T	(-)	Screw, cap (4 per shoe) (128 per track) (4 roller with oversize idler) (packed 25 in a pkg.)
2	T 14612 T	(-)	Screw, cap (4 per shoe) (140 per track) (5 roller) (packed 25 in a pkg.)
	T 14613 T	(-)	Shoe, track, 10" (31 per track) (4 roller)
	T 14613 T	(-)	Shoe, track, 10" (32 per track) (4 roller with oversize idler)
	T 14613 T	(-)	Shoe, track, 10" (35 per track) (5 roller)
	T 14614 T	(-)	Shoe, track, 12" (31 per track) (4 roller)
	T 14614 T	(-)	Shoe, track, 12" (32 per track) (4 roller with oversize idler)
	T 14614 T	(-)	Shoe, track, 12" (35 per track) (5 roller)
	T 14621 T	(-)	Shoe, track, 12" hardened, (31 per track) (4 roller)
	T 14621 T	(-)	Shoe, track, 12" hardened, (32 per track) (4 roller with oversize idler)
	T 14621 T	(-)	Shoe, track, 12" hardened, (35 per track) (5 roller)
	T 14615 T	(-)	Shoe, track, 14" (31 per track) (4 roller)
	T 14615 T	(-)	Shoe, track, 14" (32 per track) (4 roller with oversize idler)
	T 14615 T	(-)	Shoe, track, 14" (35 per track) (5 roller)
	3	T 14616 T	(-)
T 14616 T		(-)	Shoe, track, snow, 12" center notch (16 per track) (4 roller with oversize idler)
T 14616 T		(-)	Shoe, track, snow, 12" center notch (18 per track) (5 roller)
T 14623 T		(-)	Shoe, track, snow, 12" center notch, hardened (15 per track) (4 roller)
T 14623 T		(-)	Shoe, track, snow, 12" center notch, hardened (16 per track) (4 roller with oversize idler)
T 14623 T		(-)	Shoe, track, snow, 12" center notch, hardened (17 per track) (5 roller)
T 14620 T		(-)	Shoe, track, snow, 14" center notch, (15 per track) (4 roller)
T 14620 T		(-)	Shoe, track, snow, 14" center notch, (16 per track) (4 roller with oversize idler)
T 14620 T		(-)	Shoe, track, snow, 14" center notch, (17 per track) (5 roller)
4		T 14617 T	(-)
	T 14617 T	(-)	Shoe, track, snow, 12" end notch, (16 per track) (4 roller with oversize idler)
	T 14617 T	(-)	Shoe, track, snow, 12" end notch, (17 per track) (5 roller)
	T 14622 T	(-)	Shoe, track, snow, 12" end notch, hardened (16 per track) (4 roller)
	T 14622 T	(-)	Shoe, track, snow, 12" end notch, hardened (16 per track) (4 roller with oversize idler)
	T 14622 T	(-)	Shoe, track, snow, 12" end notch, hardened (18 per track) (5 roller)
	T 14619 T	(-)	Shoe, track, snow, 14" end notch, (16 per track) (4 roller)
	T 14619 T	(-)	Shoe, track, snow, 14" end notch, (16 per track) (4 roller with oversize idler)
T 14619 T	(-)	Shoe, track, snow, 14" end notch, (18 per track) (5 roller)	

TRACK AND TRACK SHOE ASSEMBLY (Four Bolt) -- Continued
Crawler

Key	Part No.	Serial No.	Description
5	T 14913 T	(-)	Nut, hex., special (4 per shoe) (124 per track) (4 roller) (packed 100 in a pkg.)
	T 14913 T	(-)	Nut, hex., special (4 per shoe) (128 per track) (4 roller with oversize idler) (packed 100 in a pkg.)
	T 14913 T	(-)	Nut, hex., special (4 per shoe) (140 per track) (5 roller) (packed 100 in a pkg.)
6	AT 14577 T	(-)	Track assembly, less shoes (31 links) (4 roller)
	AT 13105 T	(-)	Track assembly, less shoes (32 links) (4 roller with oversize idler)
	AT 14578 T	(-)	Track assembly, less shoes (hardened links) (35 links) (5 roller)
7	T 14268 T	(-)	Link, track, right (30 per track) (4 roller)
	T 14268 T	(-)	Link, track, right (31 per track) (4 roller with oversize idler)
	T 14268 T	(-)	Link, track, right (34 per track) (5 roller)
8	T 10220 T	(-)	Bushing, track (31 per track) (4 roller) (packed 16 in a pkg.)
	T 10220 T	(-)	Bushing, track (32 per track) (4 roller with oversize idler) (packed 16 in a pkg.)
	T 10220 T	(-)	Bushing, track (35 per track) (5 roller) (packed 16 in a pkg.)
9	T 14269 T	(-)	Link, track, left (30 per track) (4 roller)
	T 14269 T	(-)	Link, track, left (31 per track) (4 roller with oversize idler)
	T 14269 T	(-)	Link, track, left (34 per track) (5 roller)
10	M 2952 T	(-)	Pin, track, master
11	M 2679 T	(-)	Ring, snap (packed 10 in a pkg.)
12	T 14270 T	(-)	Link, track, master, right
13	T 14271 T	(-)	Link, track, master, left
14	T 10728 T	(-)	Pin, track, plain (30 per track) (4 roller) (packed 16 in a pkg.)
	T 10728 T	(-)	Pin, track, plain (31 per track) (4 roller with oversize idler) (packed 16 in a pkg.)
	T 10728 T	(-)	Pin, track, plain (34 per track) (5 roller) (packed 16 in a pkg.)
15	T 14235 T	(-)	Shoe, track, flat snow, 12" (31 per track) (4 roller)
	T 14235 T	(-)	Shoe, track, flat snow, 12" (32 per track) (4 roller with oversize idler)
	T 14235 T	(-)	Shoe, track, flat snow, 12" (35 per track) (5 roller)
	T 14618 T	(-)	Shoe, track, flat snow, 10" (31 per track) (4 roller)
	T 14618 T	(-)	Shoe, track, flat snow, 10" (32 per track) (4 roller with oversize idler)
	T 14618 T	(-)	Shoe, track, flat snow, 10" (35 per track) (5 roller)
16	AT 13110 T	(-)	Shoe, track, rubber, 10" (31 per track) (4 roller)
	AT 13110 T	(-)	Shoe, track, rubber, 10" (32 per track) (4 roller with oversize idler)
	AT 13110 T	(-)	Shoe, track, rubber, 10" (35 per track) (5 roller)
17	T 17085 T	(-)	Shoe, track, open center, full grouser, 12" (31 per track) (4 roller)
	T 17085 T	(-)	Shoe, track, open center, full grouser, 12" (32 per track) (4 roller with oversize idler)
	T 17085 T	(-)	Shoe, track, open center, full grouser, 12" (35 per track) (5 roller)
	T 17086 T	(-)	Shoe, track, open center, full grouser, 14" (31 per track) (4 roller)
	T 17086 T	(-)	Shoe, track, open center, full grouser, 14" (32 per track) (4 roller with oversize idler)
	T 17086 T	(-)	Shoe, track, open center, full grouser, 14" (35 per track) (5 roller)

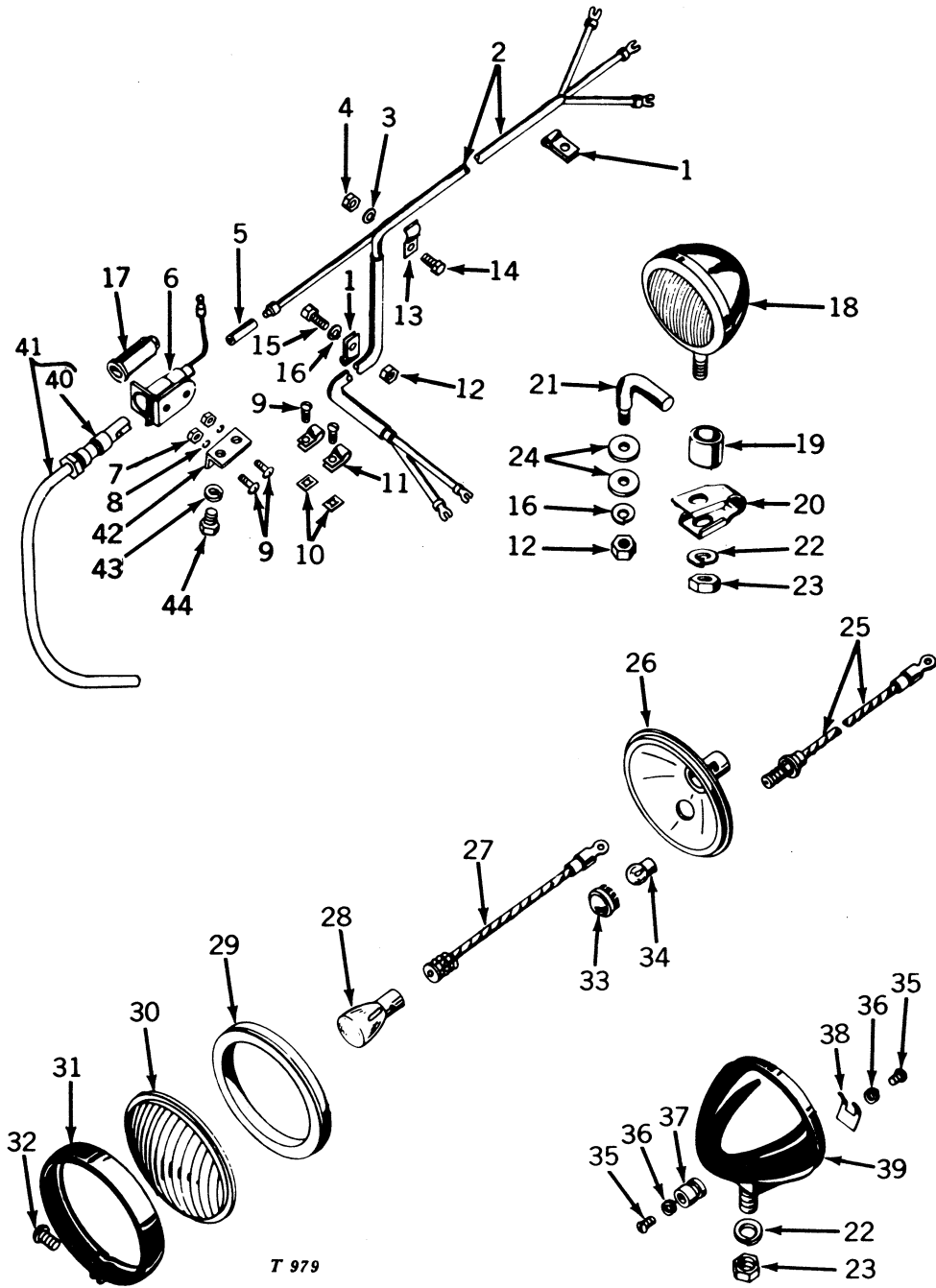
FRONT WIRING HARNESS AND FRONT LIGHTS



FRONT WIRING HARNESS AND FRONT LIGHTS -- Continued

Key	Part No.	Serial No.	Description
1	AT 10571 T	(-)	Lamp, front (2 used) (sub. for AL2855T and AM3257T)
2	21H 972 A	(-)	Screw, mach., No. 8 x 5/16" (2 used)
3	12H 290 A	(-)	Washer, lock, No. 8 (2 used)
4	AA 3495 R	(-)	Post, terminal
5	AT 11119 T	(-100000)	Body (sub. for 924009)
6	A 2899 T	(-)	Spring
7	AA 3238 R	(-100000)	Reflector (sub. for 923119)
8	AA 3240 R	(-100000)	Lead, wire
	AT 11122 T	(100001-)	Lead, wire (sub. for 5945114)
9	AB 2820 R	(-100000)	Bulb
	AT 11121 T	(100001-135742)	Sealed beam unit (sub. for 5945110)
	AF 3893 R	(135743-)	Sealed beam unit
10	AA 3239 R	(-100000)	Gasket
11	T 11335 T	(-100000)	Lens (sub. for 5936059)
12	AA 3241 R	(-100000)	Molding
	AT 11120 T	(100001-135742)	Molding (sub. for AT11120T)
	AF 3891 R	(135743-)	Molding
13	A 2729 R	(-)	Screw, special (packed 2 in a pkg.)
14	AL 2971 T	(-)	Lead, wire (2 used)
15	AM 531 T	(-)	Connector
16	M 632 T	(-)	Clip (3 used)
17	AB 4725 R	(-)	Wire assembly, dash lamp
18	M 2207 T	(-)	Screw, metal, no. 6 x 5/16" (2 used)
19	AB 2582 R	(-)	Bulb (packed 10 in a pkg.)
20	B 3267 R	(-)	Cover
21	AM 1879 T	(-)	Dash lamp assembly
22	AM 3208 T	(-)	Cap, fuse holder
23	AL 2919 T	(-)	Fuse (packed 10 in a pkg.)
24	AM 3120 T	(-)	Holder, fuse, with cap and lead wires
25	AM 355 T	(-139999)	Lead, wire, voltage regulator to ammeter
	AT 10874 T	(140000-)	Lead, wire, voltage regulator to ammeter
26	M 644 T	(-)	Clip (2 used)
27	AM 1865 T	(-139999)	Harness, wiring
	AT 10769 T	(140000-)	Harness, wiring
28	M 640 T	(-)	Spacer (2 used)
29	M 1482 T	(-)	Clamp (2 used)
30	24H 1111 A	(-)	Washer, plain, 17/32" x 1-1/6" x .090" (2 used)
31	14H 809 A	(-)	Nut, hex., 1/2" (2 used)
32	T 11022 T	(-)	Arm, front (2 used) (sub. for M647T)
33	14H 611 A	(-)	Nut, hex., jam, 5/16" (2 used)
34	22H 724 A	(-)	Screw, set, 5/16" x 7/8" (2 used)
35	M 646 T	(-139999)	Bracket, front (2 used)
	T 10547 T	(-139999)	Bracket, front, right (when equipped with power steering)
	T 11042 T	(140000-158074)	Bracket, front, right (when equipped with power steering)
	T 12268 T	(158075-)	Bracket, front, right (when equipped with power steering)
	T 10860 T	(140000-)	Bracket, front, left
	T 10861 T	(140000-)	Bracket, front, right
36	19H 1849 A	(-139999)	Screw, cap, 5/16" x 1-1/4" (4 used)
	19H 1905 A	(140000-)	Screw, cap, 5/16" x 1" (4 used)
37	12H 303 A	(-)	Washer, lock, 5/16" (4 used)
38	M 3499 T	(100001-)	Screw, sheet metal, no. 8 x 1/4"
39	AM 1142 T	(-)	Clamp, tube, with speed nut (H, S, T, U, and W) (when equipped with power steering attachment)
40	R 27182 R	(-)	Screw, sheet metal (H, S, T, U, and W) (when equipped with power steering attachment) (sub. for T291T)

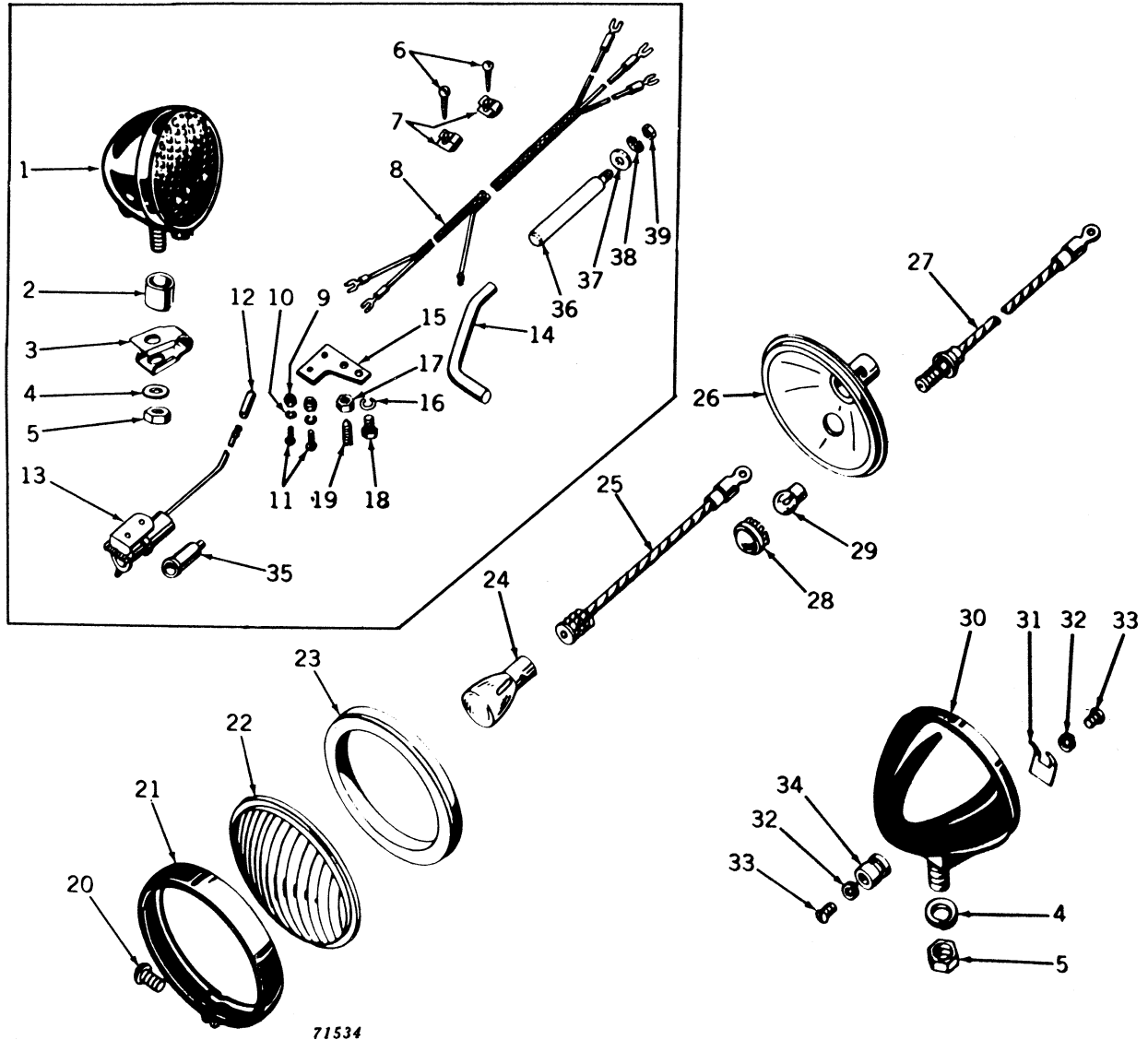
REAR WIRING HARNESS AND REAR LIGHT
Crawler



REAR WIRING HARNESS AND REAR LIGHT -- Continued
Crawler

Key	Part No.	Serial No.	Description
1	L 4353 T	(-)	Clamp (3 used)
2	AM 2038 T	(-139999)	Harness, wiring assembly, rear
	AT 10483 T	(140000-)	Harness, wiring assembly, rear
3	12H 303 A	(-)	Washer, lock, 5/16"
4	14H 785 A	(-)	Nut, hex., 5/16"
5	AL 2976 T	(-)	Connector, two-wire
6	AM 2049 T	(-)	Socket, auxiliary light
7	14H 778 A	(-)	Nut, hex., no. 10 (2 used)
8	12H 246 A	(-)	Washer, lock, No. 10 (2 used)
9	21H 1019 A	(-)	Screw, mach., No. 10 (4 used)
10	M 1409 T	(-)	Nut, speed (2 used)
11	M 2267 T	(-)	Clamp (2 used)
12	14H 812 A	(-)	Nut, hex., 3/8" (2 used)
13	M 459 T	(-)	Clip
14	19H 2020 A	(-)	Screw, cap, 5/16" x 1/2"
15	19H 2021 A	(-)	Screw, cap, 3/8" x 5/8"
16	12H 304 A	(-)	Washer, lock, 3/8" (2 used)
17	M 2399 T	(-)	Sleeve, connector
18	AT 10569 T	(-)	Lamp, rear (sub. for AM1980T)
19	M 640 T	(-)	Spacer
20	M 1482 T	(-)	Clamp
21	M 1406 T	(-)	Bracket
	AT 10882 T	(-)	Bracket (used when equipped with deluxe seat and 90 loader)
22	24H 1111 A	(-)	Washer, plain, 17/32" x 1-1/16" x .090"
23	14H 809 A	(-)	Nut, hex., 1/2"
24	M 1407 T	(-)	Washer, plain (2 used)
25	AA 4926 R	(-135742)	Lead, warning bulb
26	AA 4924 R	(-135742)	Reflector
	AA 6734 R	(135743-)	Reflector
27	AA 4666 R	(-135742)	Lead, large bulb
	AT 10570 T	(135743-)	Lead, large bulb
28	AB 2820 R	(-)	Bulb, 6-8-volt, 32 C.P., single contact
29	AA 3239 R	(-)	Gasket
30	A 2731 R	(-)	Lens
31	AA 3241 R	(-)	Molding
32	A 2729 R	(-)	Screw, special (packed 2 in a pkg.)
33	AA 4925 R	(-135742)	Jewel, red
34	AB 4059 R	(-135742)	Bulb, 6-8-volt, 1 C.P., single contact (packed 10 in a pkg.)
	AF 3089 R	(135743-)	Bulb, 6-8-volt, 15 C.P., single contact
35	21H 972 A	(-)	Screw, mach., No. 8 x 5/16" (4 used)
36	12H 290 A	(-)	Washer, lock, internal tooth, No. 8 (4 used)
37	AA 3495 R	(-)	Post, terminal (2 used) (sub. for AB3739R)
38	A 2899 R	(-)	Spring, terminal (2 used)
39	(-)	Body (sub. AM1980T)
40	AA 5692 R	(-)	Plug
41	AA 5691 R	(-)	Plug, with 25-ft. cable
42	M 3631 T	(-)	Bracket, light socket (used when equipped with 3-point hitch)
43	12H 303 A	(-)	Washer, lock, 5/16" (2 used) (used when equipped with 3-point hitch)
44	19H 1900 A	(-)	Screw, cap, 5/16" x 3/4" (2 used) (used when equipped with 3-point hitch)

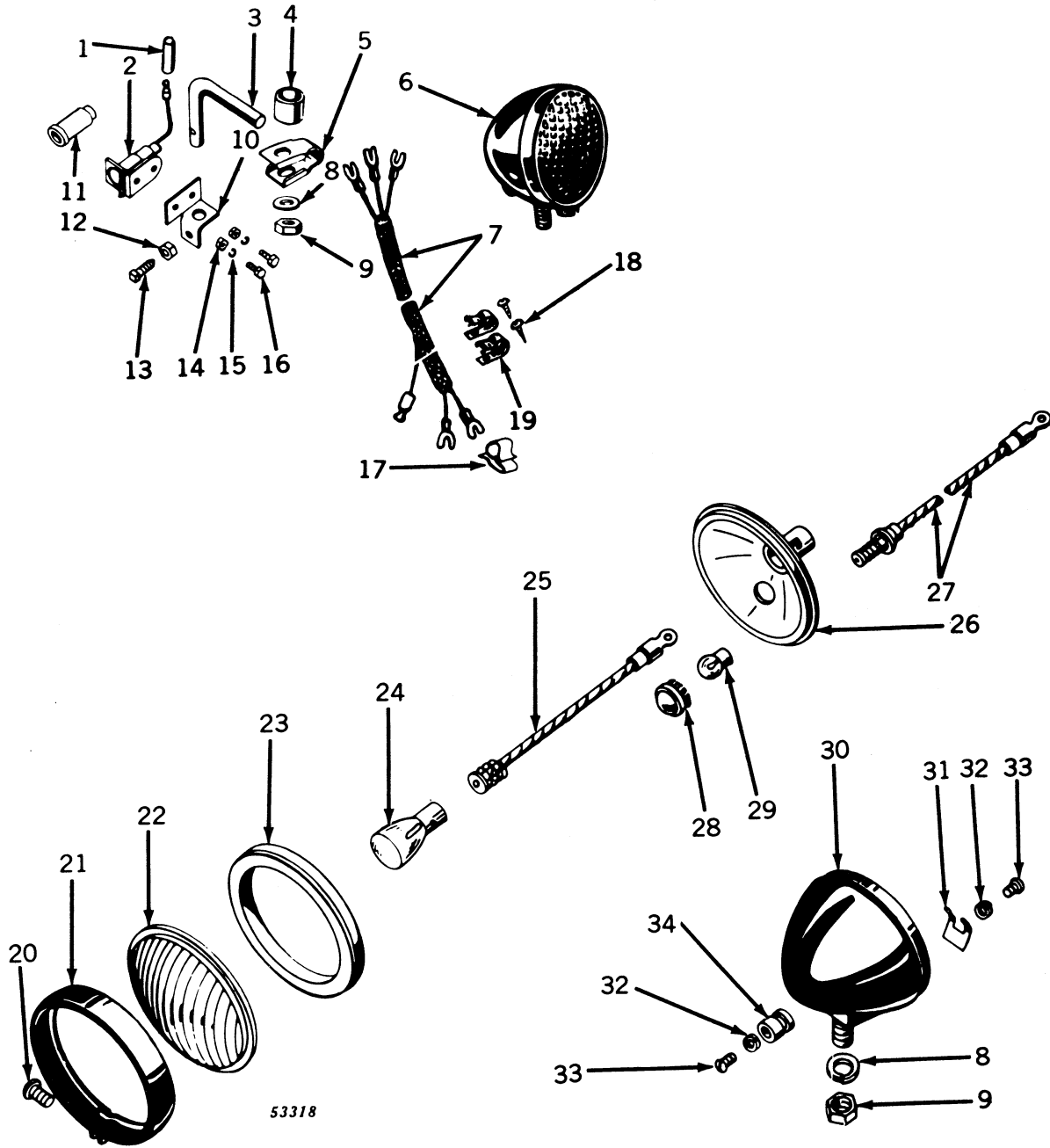
REAR WIRING HARNESS AND REAR LIGHT
Standard and Utility



REAR WIRING HARNESS AND REAR LIGHT -- Continued
Standard and Utility

Key	Part No.	Serial No.	Description
1	AT 10569 T	(-)	Lamp, rear, assembly (sub. for AM1980T)
2	M 640 T	(-)	Spacer
3	M 1482 T	(-)	Clamp
4	24H 1111 A	(-)	Washer, plain, 17/32" x 1-1/16" x .090"
5	14H 809 A	(-)	Nut, hex., 1/2"
6	M 1221 T	(-155847)	Screw, sheet metal, no. 10 x 1/2" (2 used)
7	AM 2985 T	(-155847)	Clamp, tube, with speed nut (2 used) (sub. for AM1120T)
	T 12016 T	(155848-)	Clip, speed (2 used)
8	AM 2050 T	(-139999)	Harness, wiring, rear
	AT 10799 T	(140000-)	Harness, wiring, rear
9	14H 778 A	(-)	Nut, hex., no. 10 (2 used)
10	12H 246 A	(-)	Washer, lock, No. 10 (2 used)
11	21H 1019 A	(-)	Screw, mach., No. 10 x 1/2" (2 used)
12	AL 2976 T	(-)	Connector, two-wire
13	AM 2049 T	(-)	Socket, auxiliary light
14	M 2201 T	(-)	Arm, rear light (S and U, when equipped with Touch-o-matic)
15	M 2186 T	(-)	Bracket
16	12H 303 A	(-)	Washer, lock, 5/16"
17	14H 611 A	(-)	Nut, hex., jam, 5/16" (S and U, when equipped with Touch-o-matic)
18	19H 2020 A	(-)	Screw, cap, 5/16" x 1/2"
19	22H 724 A	(-)	Screw, set, 5/16" x 1" (S and U, when equipped with Touch-o-matic)
20	A 2729 R	(-)	Screw, special (packed 2 in a pkg.)
21	AA 3241 R	(-)	Molding
22	A 2731 R	(-)	Lens
23	AA 3239 R	(-)	Gasket
24	AB 2820 R	(-)	Bulb, 6-8-volt, 32 C.P., single contact
25	AA 4666 R	(-135742)	Lead, large bulb
	AT 10570 T	(135743-)	Lead, large bulb
26	AA 4924 R	(-135742)	Reflector
	AA 6734 R	(135743-)	Reflector
27	AA 4926 R	(-135742)	Lead, warning bulb
28	AA 4925 R	(-135742)	Jewel, red
29	AB 4059 R	(-135742)	Bulb, 6-8-volt, 1 C.P., single contact (packed 10 in a pkg.)
	AF 3089 R	(135743-)	Bulb, 6-8-volt, 15 C.P., single contact
30	(-)	Body (sub. AM1980T)
31	A 2899 R	(-)	Spring, terminal (2 used)
32	12H 290 A	(-)	Washer, lock, Internal tooth, No. 8, (4 used)
33	21H 972 A	(-)	Screw, mach., No. 8 x 5/16" (4 used)
34	AA 3495 R	(-)	Post, terminal (2 used) (sub. for AB3739R)
35	M 2399 T	(-)	Sleeve, connector, rubber
36	T 11108 T	(140000-)	Arm, rear light (U, when not equipped with Touch-o-matic)
37	M 1407 T	(140000-)	Washer, plain, special (U, when not equipped with Touch-o-matic)
38	12H 304 A	(140000-)	Washer, lock, 3/8" (U, when not equipped with Touch-o-matic)
39	14H 812 A	(140000-)	Nut, hex., 3/8" (U, when not equipped with Touch-o-matic)

REAR WIRING HARNESS AND REAR LIGHT
Hi-Crop, Special Utility, Tricycle, Special, and Row-Crop Utility
Also Standard Tractor with Dual Touch-o-matic

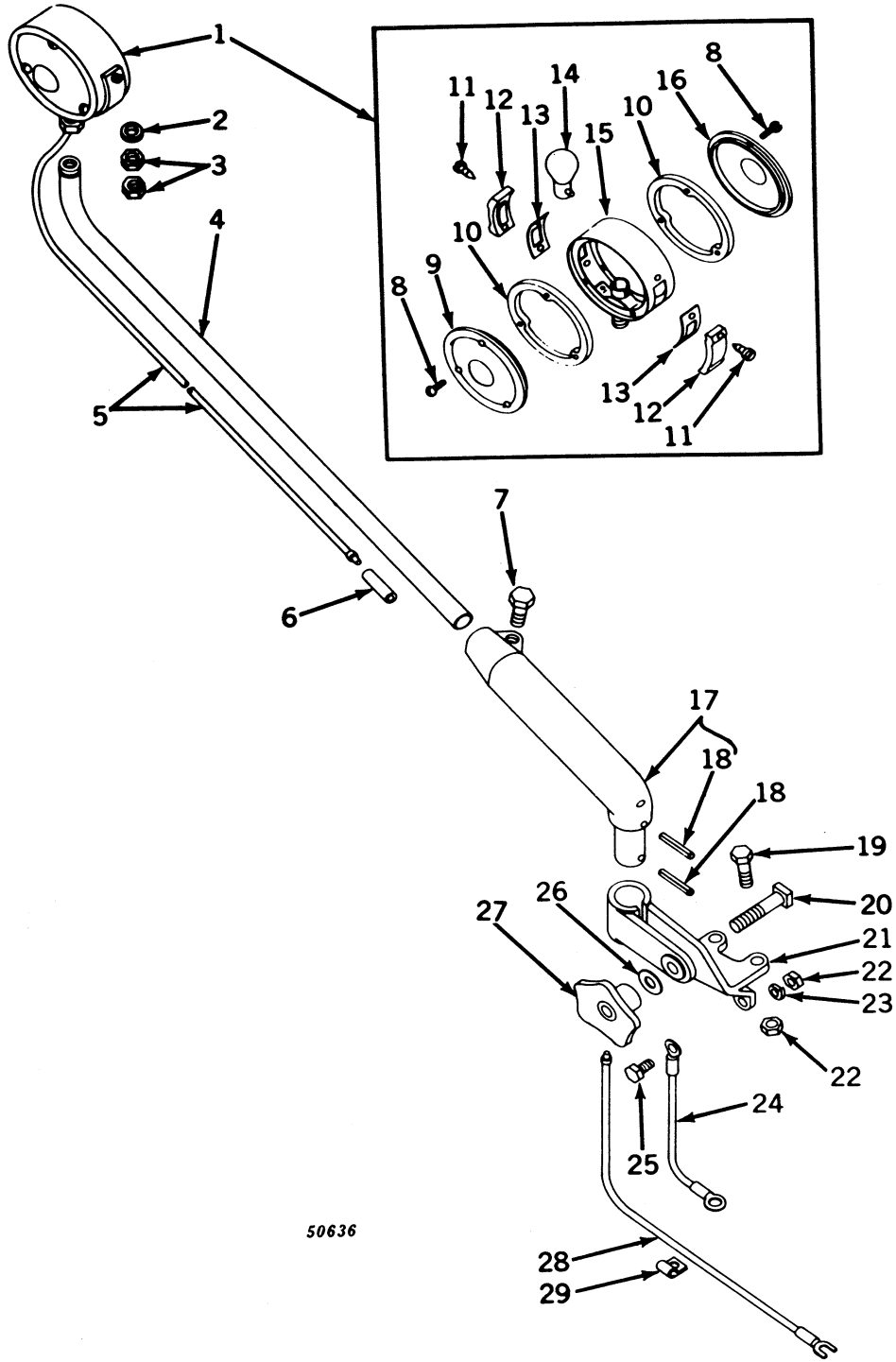


53318

REAR WIRING HARNESS AND REAR LIGHT -- Continued
 Hi-Crop, Special Utility, Tricycle, Special, and Row-Crop Utility
 Also Standard Tractor with Dual Touch-o-matic

Key	Part No.	Serial No.	Description
1	AL 2976 T	(-)	Connector, two-wire
2	AM 2049 T	(-)	Socket, auxiliary light
3	T 11341 T	(-)	Arm, rear light (H, I, T, V, and W) (sub. for M2015T)
	M 3973 T	(-)	Arm, rear light (S with dual Touch-o-matic) (sub. for M3875T)
	T 10888 T	(-)	Arm, rear light (T and W with float-ride seat)
4	M 640 T	(-)	Spacer
5	M 1482 T	(-)	Clamp
6	AT 10569 T	(-)	Lamp, rear (sub. for AM1980T)
7	AM 1981 T	(-139999)	Harness, wiring assembly, rear (I, T, V, and W)
	AT 10484 T	(140000-)	Harness, wiring assembly, rear (T, V, and W)
	AM 2549 T	(-)	Harness, wiring assembly, rear (H)
	AT 10731 T	(-)	Harness, wiring assembly, rear (T and W with float-ride seat)
	AT 10798 T	(140000-)	Harness, wiring assembly, rear (H)
8	24H 1111 A	(-)	Washer, plain, 17/32" x 1-1/16" x .090" (2 used)
9	14H 809 A	(-)	Nut, hex., 1/2"
10	M 2068 T	(-)	Bracket, auxiliary light socket (H, I, T, V, and W)
	M 3876 T	(-)	Bracket, auxiliary light socket (S with dual Touch-o-matic)
11	M 2399 T	(-)	Sleeve, connector
12	14H 611 A	(-)	Nut, hex., jam, 5/16"
13	22H 724 A	(-)	Screw, set, 5/16" x 1"
14	14H 778 A	(-)	Nut, hex., no. 10 (2 used)
15	12H 246 A	(-)	Washer, lock, No. 10 (2 used)
16	21H 1019 A	(-)	Screw, mach., No. 10 x 1/2" (2 used)
17	M 644 T	(-)	Clip, wiring (4 used)
18	M 1221 T	(-155847)	Screw, sheet metal, no. 10 x 1/2" (2 used)
19	AM 2985 T	(-155847)	Clamp, tube, with speed nut (2 used) (sub. for AM1120T)
	T 12016 T	(155848-)	Clip, speed (2 used)
20	A 2729 R	(-)	Screw, special (packed 2 in a pkg.)
21	AA 3241 R	(-)	Molding
22	A 2731 R	(-)	Lens
23	AA 3239 R	(-)	Gasket
24	AB 2820 R	(-)	Bulb, 6-8-volt, 32 C.P., single contact
25	AA 4666 R	(-135742)	Lead, large bulb
	AT 10570 T	(135743-)	Lead, large bulb
26	AA 4924 R	(-135742)	Reflector
	AA 6734 R	(135743-)	Reflector
27	AA 4926 R	(-135742)	Lead, warning bulb
28	AA 4925 R	(-135742)	Jewel, red
29	AB 4059 R	(-135742)	Bulb, 6-8-volt, 1 C.P., single contact (packed 10 in a pkg.)
	AF 3089 R	(135743-)	Bulb, 6-8-volt, 15 C.P., single contact
30	(-)	Body (sub. AM1980T)
31	A 2899 R	(-)	Spring, terminal (2 used)
32	12H 290 A	(-)	Washer, lock, internal tooth, No. 8 (4 used)
33	21H 972 A	(-)	Screw, mach., No. 8 x 5/16" (4 used)
34	AA 3495 R	(-)	Post, terminal (2 used) (sub. for AB3739R)
	AM 1948 T	(-139999)	Lighting attachment (includes 1 rear and 2 front lamps)

WARNING LAMP ATTACHMENT
Hi-Crop, Special Utility, Standard, Tricycle, Utility, Special, and Row-Crop Utility

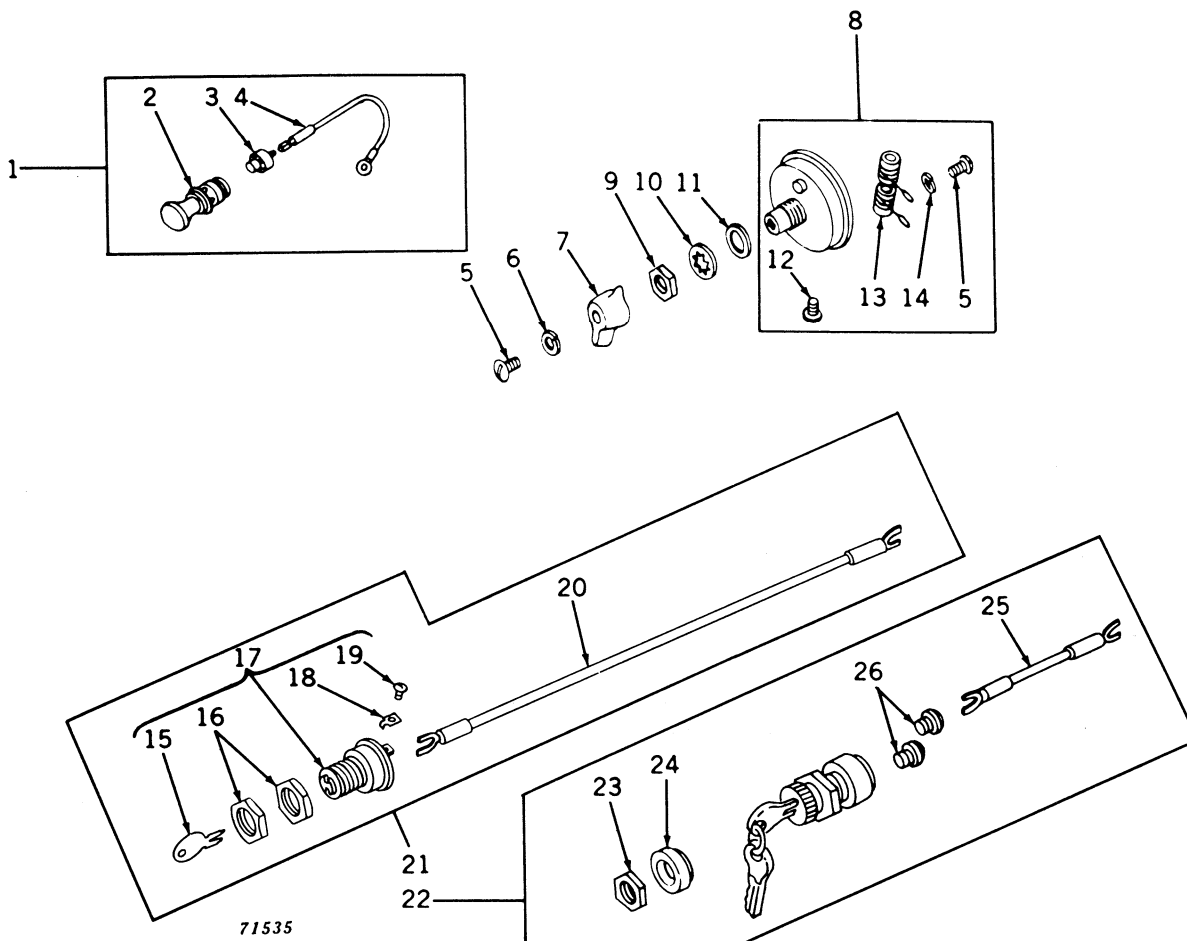


50636

WARNING LAMP ATTACHMENT -- Continued
Hi-Crop, Special Utility, Standard, Tricycle, Utility, Special, and Row-Crop Utility

Key	Part No.	Serial No.	Description
1	AM 2813 T	(-)	Warning lamp assembly
2	24H 1625 A	(-)	Washer, plain, 17/32" x 1" x .120"
3	14H 849 A	(-)	Nut, hex., jam, 7/16"
4	AM 2810 T	(-)	Mast assembly
5	AM 3144 T	(-)	Lead, light, 94"
6	AL 2976 T	(-)	Connector
7	19H 1732 A	(-)	Screw, cap, 3/8" x 1-1/4"
8	21H 964 A	(-)	Screw, mach., No. 6 x 1/2" (6 used)
9	A 5276 R	(-)	Lens, red
10	A 5277 R	(-)	Gasket (2 used) (packed 2 in a pkg.)
11	M 2207 T	(-)	Screw, metal, special (4 used)
12	A 5278 R	(-)	Lens, outlook (2 used)
13	A 5279 R	(-)	Gasket (2 used) (packed 2 in a pkg.)
14	AA 6165 R	(-)	Bulb
15	(-)	Sub. AM2813T
16	A 5275 R	(-)	Lens, amber
17	AM 2815 T	(-)	Socket assembly, with rollpin
18	34H 82 A	(-)	Pin, roll, 3/16" x 1-5/8" (2 used)
19	19H 1906 A	(-)	Screw, cap, 5/16" x 1-1/2" (2 used)
20	8H 555 A	(-)	Bolt, sq. hd., 1/2" x 2-1/4"
21	M 2987 T	(-)	Clamp, pivot
22	14H 785 A	(-)	Nut, hex., 5/16" (3 used)
23	12H 303 A	(-)	Washer, lock, 5/16"
24	AM 2812 T	(-)	Lead, ground
25	19H 2127 A	(-)	Screw, cap, 5/16" x 7/8"
26	24H 1111 A	(-)	Washer, plain, 17/32" x 1-1/16" x .090"
27	D 1748 R	(-)	Wheel, hand tightener
28	AL 2971 T	(-)	Lead, light, 23" (H, I, T, V, and W)
	AM 2811 T	(-)	Lead, light, 10" (S and U)
29	M 644 T	(-)	Clip, wiring (5 used)

SWITCHES AND LIGHTER

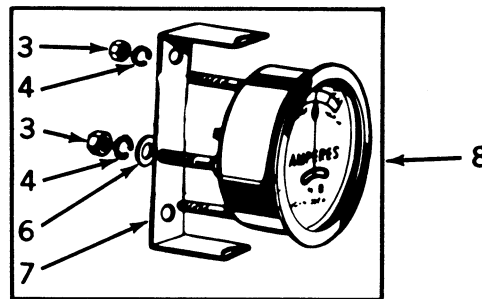
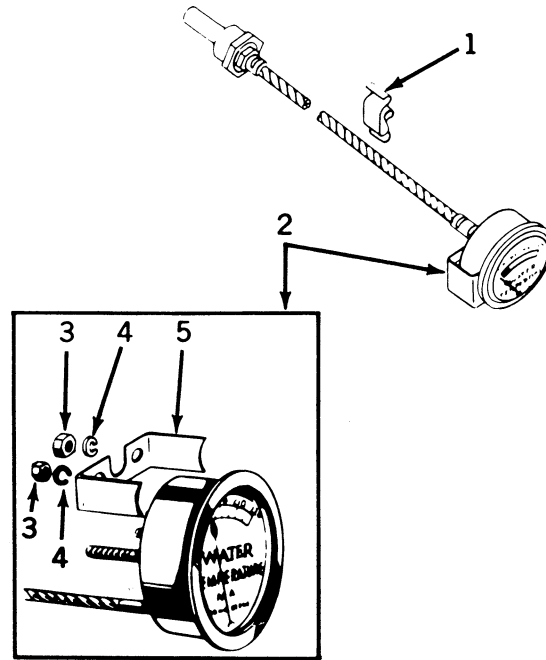


71535

Key	Part No.	Serial No.	Description
1	AM 1949 T	(-)	CIGARETTE LIGHTER ATTACHMENT
2	AM 2091 T	(-)	Pop-out unit
3	AM 2151 T	(-)	Fuse, lighter
4	AM 2152 T	(-)	Cord
5	21H 973 A	(-)	Screw, mach., No. 8 x 3/4" (3 used)
6	12H 315 A	(-)	Washer, lock, No. 8 (sub. for M2064T and A766R)
7	1902694	(-)	Lever
8	AM 1866 T	(-)	Switch, less lever
9	A 4655 R	(-)	Nut, hex., 1/2" (sub. for 1902692) (packed 2 in a pkg.)
10	12H 292 A	(-)	Washer, lock, internal tooth, 1/2"
11	1902924	(-)	Washer, plain
12	21H 971 A	(-)	Screw, mach., No. 8 x 5/16" (4 used)
13	1929313	(-)	Coil, dimmer (Delco-Remy) (sub. for 814545)
	AM 2757 T	(-)	Coil, dimmer (Cole-Hersee)
14	12H 290 A	(-)	Washer, lock, internal tooth, No. 8 (6 used)
15	A 4700 R	(-139999)	Key (2 used) (packed 2 in a pkg.)
16	A 4699 R	(-139999)	Nut, hex., special (2 used) (packed 5 in a pkg.)
17	AA 5592 R	(-139999)	Key, switch, with attaching hardware and keys
18	12H 315 A	(-139999)	Washer, lock, No. 8 (2 used)
19	21H 969 A	(-139999)	Screw, mach., No. 8 x 1/4" (2 used)
20	AM 355 T	(-139999)	Lead, wire
21	AM 3125 T	(-139999)	KEY SWITCH ATTACHMENT
22	AT 10621 T	(140000-)	KEY SWITCH ATTACHMENT
23	T 11332 T	(140000-)	Nut, face
24	T 11331 T	(140000-)	Nut, special
25	AT 10622 T	(140000-)	Lead, ignition switch to key switch
26	T 11333 T	(140000-)	Screw, mach., special (2 used) (packed 2 in a pkg.)

Capital letters indicate an attachment. Attachments must be listed on separate order from replacement parts.

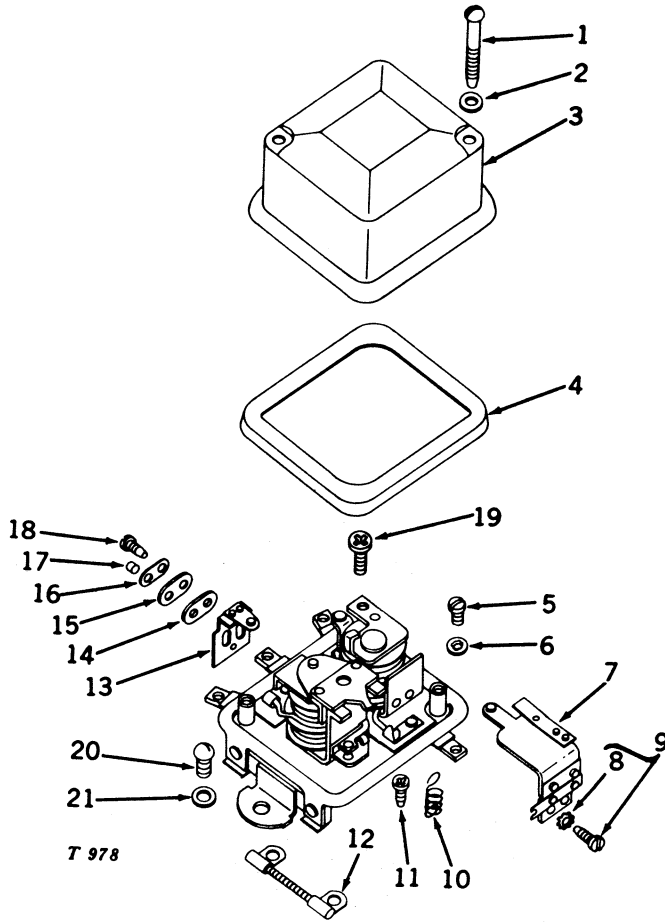
ELECTRICAL GAUGES



50192

Key	Part No.	Serial No.	Description
1	M 633 T	(-)	Clip (3 used)
2	AM 3092 T	(-)	Indicator, heat (gasoline and all-fuel) (North America)
	AM 3833 T	(-)	Indicator, heat (gasoline and all-fuel) (export)
	AM 3950 T	(-)	Indicator, heat (LP-gas)
3	14H 631 A	(-)	Nut, hex., no. 10 (6 used)
4	12H 246 A	(-)	Washer, lock, No. 10 (6 used)
5	T 366 T	(-)	Bracket
6	M 731 T	(-)	Washer, plain (2 used)
7	AM 2158 T	(-)	Clamp
8	AF 2749 R	(-)	Ammeter (sub. for AM1864T)

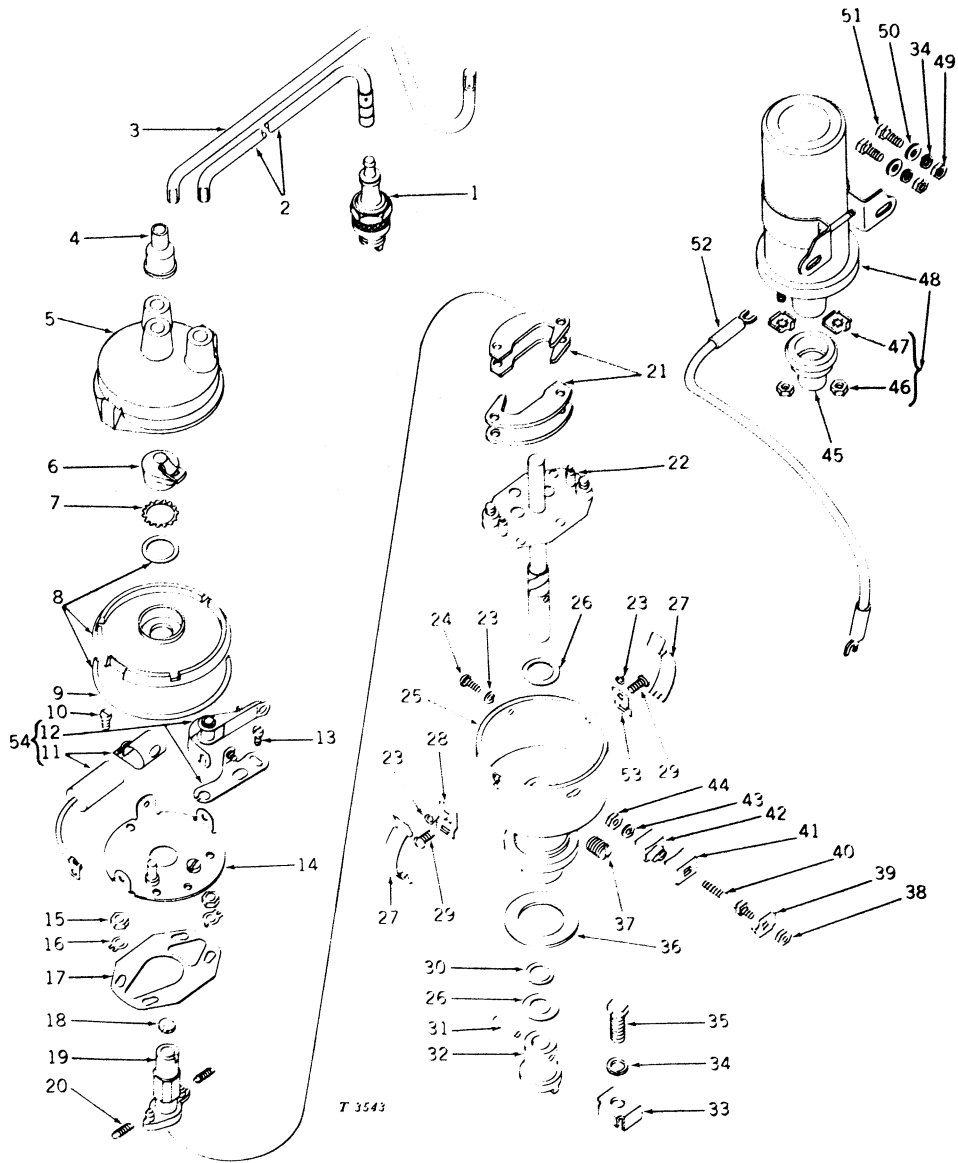
CURRENT-VOLTAGE REGULATOR
Delco-Remy No. 1119575



CURRENT-VOLTAGE REGULATOR -- Continued
Delco-Remy No. 1119575

Key	John Deere Part No.	Delco-Remy Part No.	Serial No.	Description
1	R 11170 R	(-)	Screw (2 used) (sub. for 1927982)
2	R 11115 R	(-)	Washer, insulating (2 used) (sub. for 1922996)
3	R 11168 R	(-)	Cover (sub. for 1927980)
4	R 11169 R	(-)	Gasket (sub. for 1927981)
5	21H 971 A	(-)	Screw, mach., No. 8 x 5/16" (4 used)
6	12H 290 A	(-)	Washer, lock, internal tooth, No. 8 (4 used) (sub. for 1868137)
7	AH 14145 H	(-)	Armature assembly, relay (sub. for 1878780)
8	12H 314 A	(-)	Washer, lock, No. 6 (2 used) (sub. for 1904377 and R11106R)
9	AT 11339 T	(-)	Screw, with lock washer (2 used) (sub. for 454431 and 1924764)
10	R 11112 R	(-)	Spring (sub. for 1912176)
11	T 11662 T	(-)	Screw, adjusting (sub. for 1922408)
12	AH 18478 H	(-)	Resistance assembly (sub. for 1910183)
13	AR 11103 R	(-)	Support assembly, contact (sub. for 1878517)
14	R 11102 R	(-)	Insulator (2 used) (sub. for 1878507)
15	R 11114 R	(-)	Insulator (sub. for 1922599)
16	R 11101 R	(-)	Washer, double lock (sub. for 1878505)
17	R 11167 R	(-)	Bushing, insulator (2 used) (sub. for 1878506)
18	R 11103 R	(-)	Screw (2 used) (sub. for 1878516)
19	R 11111 R	(-)	Screw, armature adjusting (sub. for 1912159)
20	21H 1142 A	(-)	Screw, mach., 1/4" x 1/2" (2 used)
21	12H 302 A	(-)	Washer, lock, 1/4" (2 used)
..	AM 2702 T	(-)	Current voltage regulator, complete

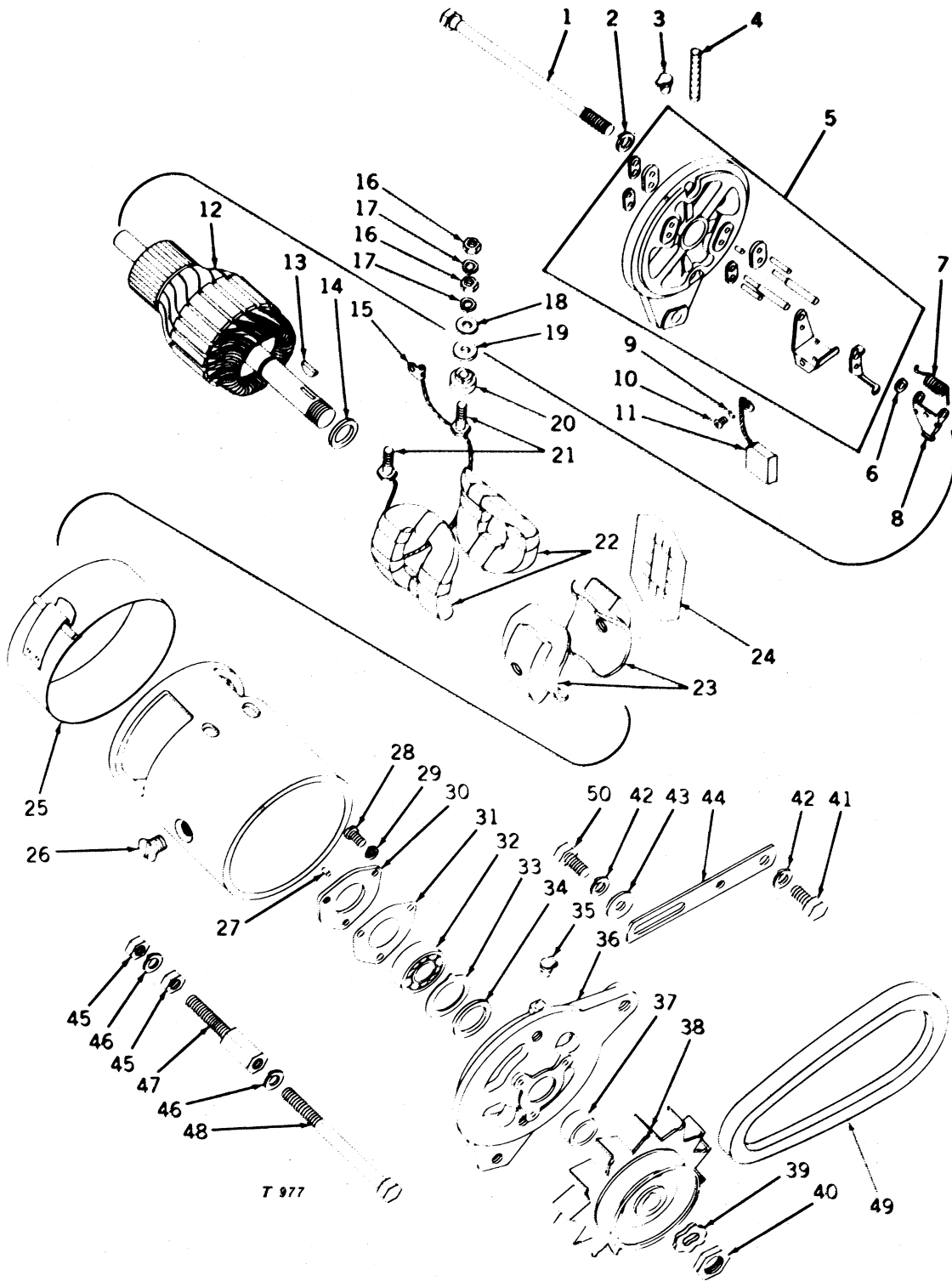
DISTRIBUTOR
Delco-Remy No. 1112571



DISTRIBUTOR -- Continued
Delco-Remy No. 1112571

Key	John Deere Part No.	Delco-Remy Part No.	Serial No.	Description
1	AM 514 T	(-)	Plug, spark, Champion, type H-10 (2 used) (gasoline and LP-gas engine)
	AM 1535 T	(-)	Plug, spark, A.C., type 45L (2 used) (gasoline and LP-gas engine)
	AT 17208 T	(-)	Plug, spark, Prestolite 14L7B (2 used) (gasoline and LP-gas engine) (sub. for AM1536T)
	AM 3259 T	(-)	Plug, spark, Champion, type H-12 (2 used) (all-fuel engine)
2	AM 3055 T	(-)	Cable, spark plug (2 used)
3	AM 374 T	(-)	Cable, coil
	AM 3793 T	(-)	Cable, coil (when equipped with power steering)
4	A 3539 R	(-)	Nipple, rubber (3 used) (pkg. of 10)
5	1909008	(-)	Cap
6	820445	(-)	Rotor (sub. for 1905590)
7	1914309	(-)	Seal, with retainer
8	1900119	(-)	Cover, with seal and gasket
9	1889966	(-)	Gasket
10	21H 968 A	(-)	Screw, mach., No. 8 x 3/16" (sub. for 131949)
11	AT 14468 T	(-)	Condenser (sub. for 1869704) (packed 10 in a pkg.)
12	AT 14467 T	(-)	Point set, regular (sub. for 1911119) (packed 10 in a pkg.)
	AT 14469 T	(-)	Point set, heavy-duty (sub. for 1882965) (packed 10 in a pkg.)
13	816784	(-)	Screw, mach., adjusting
14	1847643	(-)	Plate, breaker
15	14H 631 A	(-)	Nut, hex., no. 10 (2 used)
16	1885558	(-)	Washer, lock (2 used)
17	1885557	(-)	Plate
18	816803	(-)	Wick
19	1909004	(-)	Cam
20	1902376	(-)	Spring (2 used)
21	1880902	(-)	Weight (4 used)
22	1935139	(-)	Plate
23	12H 290 A	(-)	Washer, lock, internal tooth, No. 8, (3 used)
24	21H 972 A	(-)	Screw, mach., No. 8 x 5/16"
25	1917900	(-)	Housing, distributor
26	811912	(-)	Washer, spacer (2 used)
27	1889967	(-)	Spring (2 used)
28	1847289	(-)	Support
29	21H 996 A	(-)	Screw, mach., No. 8 x 3/8" (2 used)
30	810074	(-)	Shim, .005" (as needed)
	810078	(-)	Shim, .010" (as needed)
31	829421	(-)	Pin
32	1909273	(-)	Coupling
33	M 415 T	(-)	Clip, mounting (2 used)
34	12H 303 A	(-)	Washer, lock, 5/16" (6 used)
35	19H 1905 A	(-)	Screw, cap, 5/16" x 1" (2 used)
36	F 2632 R	(-)	Gasket (sub. for M414T)
37	15H 566 A	(-)	Plug, pipe, slotted, 1/8" (sub. for L756T)
38	14H 605 A	(-)	Nut, hex., outside, no. 8
39	1914144	(-)	Clip, stud
40	1916806	(-)	Stud
41	1914142	(-)	Bushing, insulating, outside
42	1916805	(-)	Bushing, insulating, inside
43	810794	(-)	Washer, inside
44	817363	(-)	Nut, hex., inside
45	M 416 T	(-)	Nipple, rubber
46	14H 598 A	(-)	Nut, hex., no. 10 (2 used)
47	1909206	(-)	Lock (2 used)
48	AM 373 T	(-)	Coil, ignition (sub. for AM791T) (Delco-Remy No. 1115379)
49	14H 785 A	(-)	Nut, hex., 5/16" (2 used)
50	L 1183 T	(-)	Washer, plain (2 used)
51	19H 1900 A	(-)	Screw, cap, 5/16" x 3/4" (2 used)
52	AM 355 T	(-)	Wire, lead, coil (sub. for AM375T)
	AM 355 T	(-)	Wire, lead, coil (when equipped with power steering)
53	1889999	(-)	Support and cover locator
54	AT 14465 T	(-)	Point set, with condenser, regular (packed 10 in a pkg.)
	AT 14466 T	(-)	Point set, with condenser, heavy-duty (packed 10 in a pkg.)
..	AM 3090 T	(-)	Distributor, complete

GENERATOR
Delco-Remy No. 1101859

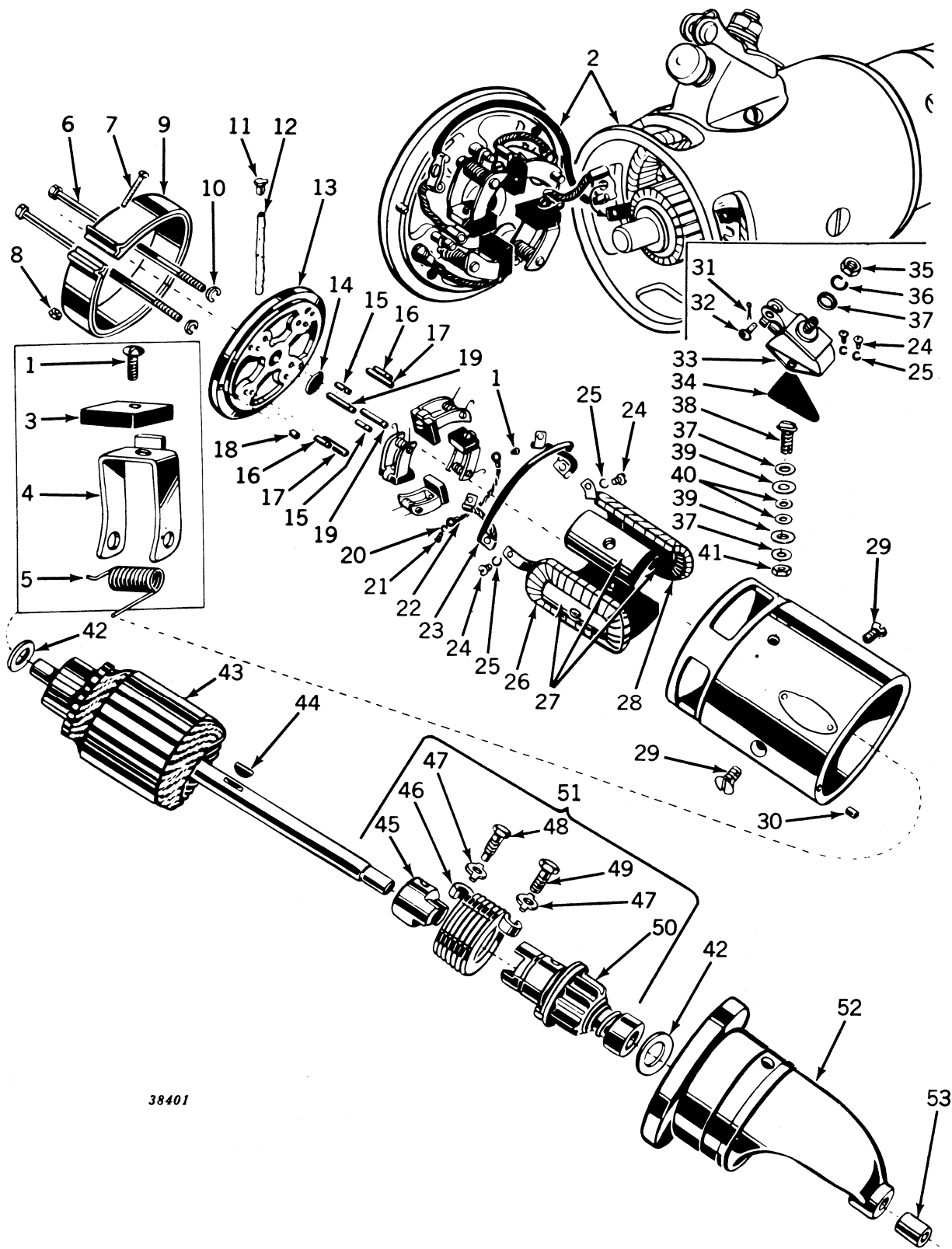


GENERATOR -- Continued
Delco-Remy No. 1101859

Key	John Deere Part No.	Delco-Remy Part No.	Serial No.	Description
1	1905673	(-)	Bolt, thru (2 used)
2	12H 303 A	(-)	Washer, lock, 5/16" (2 used)
3	E 2302 RT	(-)	Cup, oil
4	T 12868 T	(-)	Wick (sub. for 804080)
5	1925748	(-)	Commutator, end frame and brush holder assembly
6	1857412	(-)	Washer, brush arm spacer (2 used)
7	1878184	(-)	Spring, main brush (2 used)
8	T 11649 T	(-)	Arm, brush (2 used) (sub. for 1878183)
9	12H 314 A	(-)	Washer, lock, No. 6 (2 used) (sub. for 1904377 and R11106R)
10	21H 1114 A	(-)	Screw, mach., brush lead, No. 6 x 1/4" (2 used) (sub. for 132688)
11	AT 14388 T	(-)	Brush assembly (2 used) (sub. for 1906950)
12	1917296	(-)	Armature assembly
13	26H 72 A	(-)	Key, Woodruff, 1/8" x 5/8"
14	R 11088 R	(-)	Washer, spacer (sub. for 809945) (packed 2 in a pkg.)
15	200182*	(-)	Terminal
16	14H 608 A	(-)	Nut, hex., terminal stud (4 used)
17	12H 316 A	(-)	Washer, lock, No. 12 (4 used) (sub. for A3011R)
18	A 3031 R	(-)	Washer, terminal stud (2 used)
19	R 11098 R	(-)	Washer, insulating (2 used) (sub. for 1858753)
20	T 11650 T	(-)	Insulator, terminal stud (2 used) (sub. for 1885090)
21	1858751	(-)	Stud, terminal (2 used)
22	1925098	(-)	Coil, field, assembly
23	1916747	(-)	Shoe, pole (2 used)
24	1916748	(-)	Insulator, field coil (2 used) (packed 2 in a pkg.)
25	1861502	(-)	Band, cover assembly
26	R 11097 R	(-)	Screw, pole shoe (2 used) (sub. for 1843646)
27	R 11087 R	(-)	Dowel (sub. for 809593)
28	21H 1127 A	(-)	Screw, mach., No. 10 x 7/16" (3 used) (sub. for 1904370 and R11105R)
29	12H 246 A	(-)	Washer, lock, No. 10 (3 used) (sub. for A3009R)
30	R 11109 R	(-)	Plate, inner bearing (sub. for 1911263)
31	R 11110 R	(-)	Gasket (sub. for 1912008) (packed 2 in a pkg.)
32	JD 7180 R	(-)	Bearing assembly, inner
33	R 11094 R	(-)	Retainer, felt washer (sub. for 819104) (packed 2 in a pkg.)
34	R 11089 R	(-)	Washer, felt (sub. for 809961)
35	AT 12050 T	(-)	Cup, oil (sub. for 1880641)
36	T 12869 T	(-)	Frame, drive end, with oiler (sub. for 1925097)
37	T 11648 T	(-)	Collar, drive end (sub. for 1858603)
38	1911978	(-)	Pulley and fan assembly
39	T 10745 T	(-)	Washer, spring (sub. for 804000)
40	806915*	(-)	Nut, hex., armature shaft
41	19H 1813 A	(-)	Screw, cap, 5/16" x 5/8"
42	12H 303 A	(-)	Washer, lock, 5/16" (2 used)
43	L 1183 T	(-)	Washer, plain
44	M 245 T	(-)	Link, adjusting
	T 12842 T	(140000-	Link, adjusting (when equipped with power steering)
45	14H 812 A	(-)	Nut, hex., 3/8" (2 used)
46	12H 304 A	(-)	Washer, lock, 3/8" (2 used)
47	M 386 T	(-)	Stud, pivot
48	19H 1697 A	(-)	Screw, cap, 3/8" x 4"
49	M 1862 T	(-)	Belt, generator
50	19H 1813 A	(-)	Screw, cap, 5/16" x 5/8"
	19H 1900 A	(-)	Screw, cap, 5/16" x 3/4" (when equipped with power steering)
..	AM 1803 T	(-)	Generator, complete

*Parts provided to John Deere Branch Houses by John Deere Waterloo Tractor Works of Waterloo, Iowa.

STARTING MOTOR
Delco-Remy No's 1107127 and 1107165



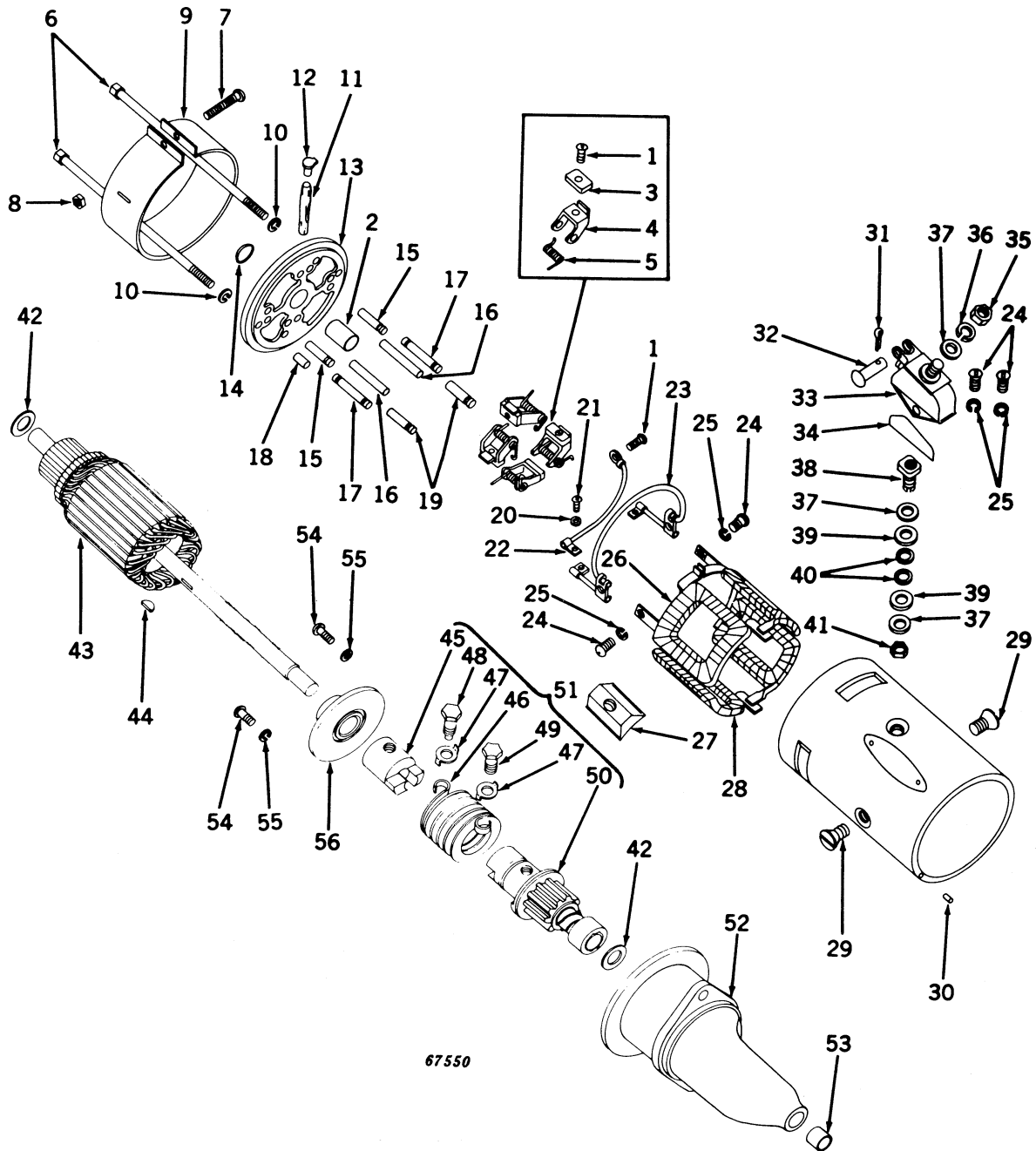
38401

STARTING MOTOR -- Continued
Delco-Remy No's 1107127 and 1107165

Key	John Deere Part No.	Delco-Remy Part No.	Serial No.	Description
1	21H 964 A	(-)	Screw, No. 6 x 1/2", plated (4 used)
2	AT 16881 T	(-100000)	Starting motor (sub. for AM1802T)
	AT 16882 T	(100001-	Starting motor (sub. for AM3397T)
3	811553*	(-)	Brush (4 used) (packed 2 in a pkg.)
4	R 11090 R	(-)	Holder, brush (4 used) (sub. for 810226)
5	R 11091 R	(-)	Spring, brush (4 used) (sub. for 813521)
6	809053	(-)	Bolt, through (2 used)
7	21H 986 A	(-)	Screw, No. 10 x 1-1/4"
8	14H 631 A	(-)	Nut, no. 10, plated
9	AR 11066 R	(-)	Band, cover (sub. for 1886923)
10	12H 302 A	(-)	Washer, lock, 1/4" (2 used)
11	802691*	(-)	Wick, oiler
12	114998*	(-)	Oiler
13	1881625	(-)	Frame, commutator end, with pins and oiler
14	1865182*	(-)	Plug, expansion
15	AR 11062 R	(-)	Pin and insulator, stop (2 used) (sub. for 812015)
16	R 11093 R	(-)	Pin, stop (2 used) (sub. for 817314)
17	R 11092 R	(-)	Pin, hinge (2 used) (sub. for 817313)
18	R 11086 R	(-)	Pin, dowel (sub. for 809062)
19	AR 11063 R	(-)	Pin and insulator, hinge (2 used) (sub. for 812016)
20	12H 290 A	(-)	Washer, lock, internal tooth, No. 8 (2 used)
21	21H 969 A	(-)	Screw, No. 8 x 1/4", plated (2 used)
22	AR 11064 R	(-)	Lead, brush ground (2 used) (sub. for 813554)
23	AR 11065 R	(-)	Lead, brush jumper (sub. for 819362)
24	21H 1189 A	(-)	Screw, mach., No. 10 x 1/4", rd. hd. (4 used)
25	12H 246 A	(-)	Washer, lock, No. 10 (4 used) (sub. for A767R)
26	1923195	(-)	Coil, field, R.H. (distributor side of tractor)
27	810601*	(-)	Shoe, pole (4 used)
28	1923194	(-)	Coil, field, L.H. (carburetor side of tractor)
29	R 11104 R	(-)	Screw, pole shoe (4 used) (sub. for 1881869)
30	R 11087 R	(-)	Pin, dowel, drive body to main body (sub. for 809593)
31	11H 231 A	(-)	Pin, cotter, 1/16" x 1"
32	1880254*	(-)	Pin, switch
33	1882323	(-)	Switch, complete, with hardware
34	816911*	(-)	Insulation, switch side (2 used) (packed 2 in a pkg.)
35	14H 812 A	(-)	Nut, 3/8", plated
36	12H 304 A	(-)	Washer, lock, switch terminal, 3/8"
37	24H 1303 A	(-)	Washer, plain, 13/32" x 11/16" x .060" (3 used)
38	821524	(-)	Stud
39	R 11099 R	(-)	Washer, insulating (large) (2 used) (sub. for 1861076) (packed 2 in a pkg.)
40	R 11107 R	(-)	Washer, insulating (small) (2 used) (sub. for 1904669) (packed 2 in a pkg.)
41	14H 732 A	(-)	Nut, hex., jam, 3/8"
42	R 11096 R	(-)	Washer (2 used) (sub. for 833602) (packed 2 in a pkg.)
43	1872505	(-)	Armature
44	26H 10 A	(-)	Key, Woodruff, 5/32" x 5/8"
45	1848530	(-)	Head, drive
46	1860639	(-100000)	Spring, drive
		1855630	(100001-	Spring, drive
47	A 2783 R	(-)	Washer, lock (2 used) (sub. for 805057)
48	A 2787 R	(-100000)	Screw, head spring (sub. for 1850811)
		1848180	(100001-	Screw, head spring
49	A 2786 R	(-100000)	Screw, shaft spring (sub. for 1850810)
		1848531	(100001-	Screw, shaft spring
50	1855629	(-)	Gear and shaft, with service sleeve
51	1868804	(-100000)	Drive assembly
		1855548	(100001-	Drive assembly
52	1924229	(-100000)	Housing, drive, with bushing
	T 10337 T	(100001-	Housing, drive (sub. for 1938091)
53	810620*	(-)	Bushing, drive housing

*Parts provided to John Deere Branch Houses by John Deere Waterloo Tractor Works of Waterloo, Iowa.

HEAVY-DUTY STARTING MOTOR
Delco-Remy No. 1108072

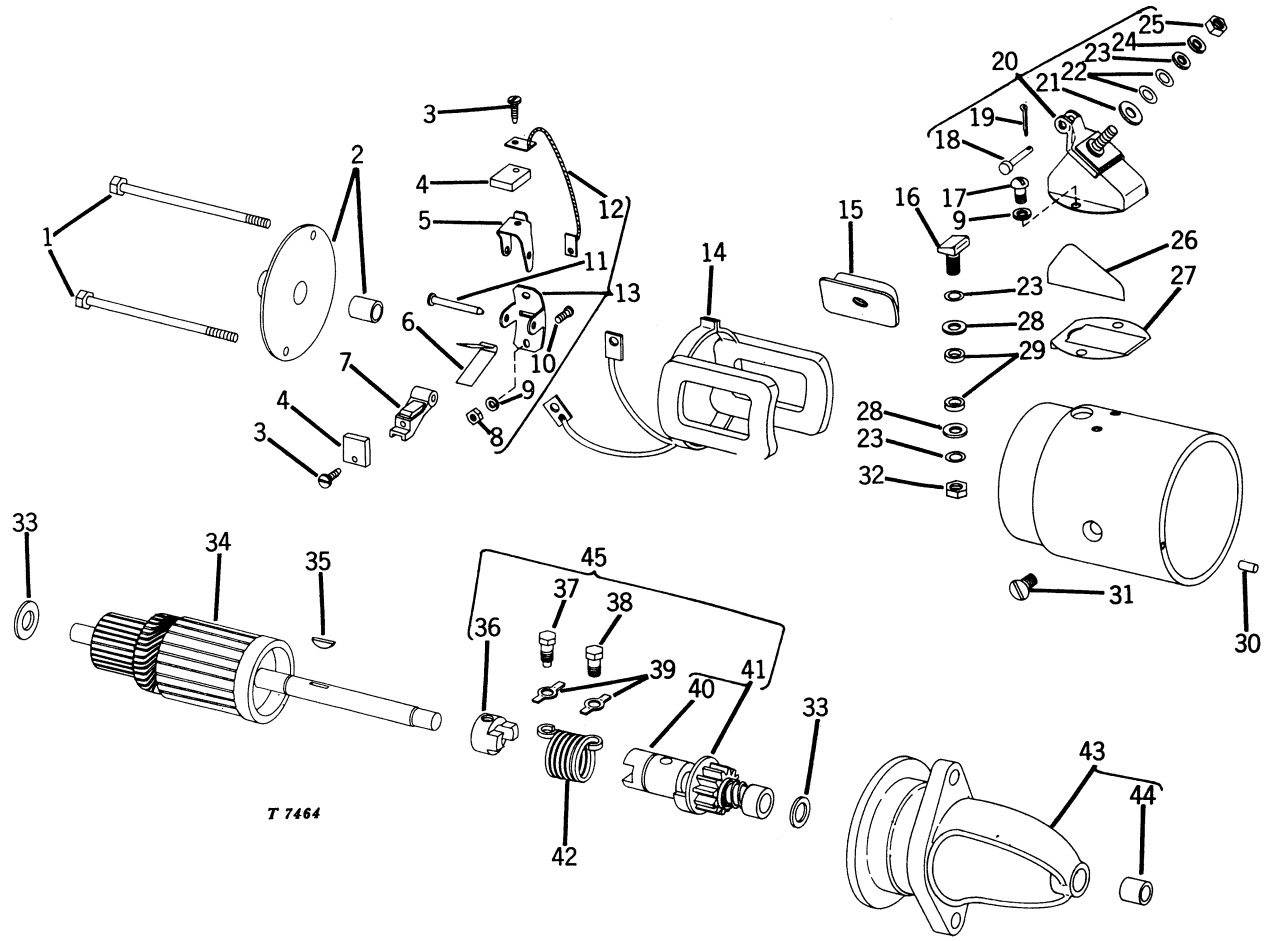


67550

HEAVY-DUTY STARTING MOTOR -- Continued
Delco-Remy No. 1108072

Key	Part No.	Serial No.	Description
1	21H 964 A	(-)	Screw, mach., No. 6 x 1/2" (4 used)
2	T 10794 T	(-)	Bushing, commutator end
3	811553	(-)	Brush (4 used) (packed 2 in a pkg.)
4	R 11090 R	(-)	Holder, brush (4 used) (sub. for 810226)
5	R 11091 R	(-)	Spring, brush (4 used) (sub. for 813521)
6	809053	(-)	Bolt, thru (2 used)
7	21H 986 A	(-)	Screw, mach., No. 10 x 1-1/4"
8	14H 631 A	(-)	Nut, hex., no. 10
9	AR 11066 R	(-)	Band, cover (sub. for 1886923)
10	12H 302 A	(-)	Washer, lock, 1/4" (2 used)
11	802691	(-)	Wick, oiler
12	114998	(-)	Oiler
13	AT 10628 T	(-)	Frame, commutator end, with bearing and pin
14	30H 9 A	(-)	Plug, expansion
15	AR 11062 R	(-)	Pin and insulator, stop (2 used) (sub. for 812015)
16	R 11093 R	(-)	Pin, stop (2 used) (sub. for 817314)
17	R 11092 R	(-)	Pin, hinge (2 used) (sub. for 817313)
18	R 11086 R	(-)	Pin, dowel (sub. for 809062)
19	AR 11063 R	(-)	Pin and insulator, hinge (2 used) (sub. for 812016)
20	12H 290 A	(-)	Washer, lock, No. 8 (2 used)
21	21H 969 A	(-)	Screw, mach., No. 8 x 1/4" (2 used)
22	AR 11064 R	(-)	Lead, brush ground (2 used) (sub. for 813554)
23	AR 11065 R	(-)	Lead, brush, jumper (sub. for 819362)
24	21H 1189 A	(-)	Screw, mach., No. 10 x 1/4" (4 used)
25	12H 246 A	(-)	Washer, lock, No. 10 (4 used) (sub. for A767R)
26	AT 10627 T	(-)	Coil field, upper half
27	810601	(-)	Shoe, pole (4 used)
28	AT 10626 T	(-)	Coil field, lower half
29	R 11104 R	(-)	Screw, pole shoe (sub. for 1881869)
30	R 11087 R	(-)	Pin, dowel (sub. for 809593)
31	11H 231 A	(-)	Pin, cotter, 1/16" x 1"
32	1880254	(-)	Pin, switch
33	1882323	(-)	Switch, complete, with hardware
34	816911	(-)	Insulation, switch side (2 used) (packed 2 in a pkg.)
35	14H 732 A	(-)	Nut, hex., 3/8"
36	12H 304 A	(-)	Washer, lock, 3/8"
37	24H 1303 A	(-)	Washer, plain, 13/32" x 11/16" x .060" (3 used)
38	T 10795 T	(-)	Stud
39	R 11099 R	(-)	Washer, insulating, large (2 used) (sub. for 1861076) (packed 2 in a pkg.)
40	R 11107 R	(-)	Washer, insulating, small (2 used) (sub. for 1904669) (packed 2 in a pkg.)
41	T 10793 T	(-)	Nut, hex., special
42	R 11096 R	(-)	Washer (2 used) (sub. for 833602) (packed 2 in a pkg.)
43	1872505	(-)	Armature assembly
44	26H 10 A	(-)	Key, Woodruff, 5/32" x 5/8"
45	1848530	(-)	Head, drive
46	1855630	(-)	Spring, drive
47	A 2783 R	(-)	Washer, lock (sub. for 805057)
48	1848180	(-)	Screw, head, spring
49	1848531	(-)	Screw, shaft, spring
50	1855629	(-)	Gear and shafts, with service sleeve
51	1855548	(-)	Drive assembly
52	AT 10629 T	(-)	Housing, drive, with bushing
53	810620	(-)	Bushing, drive housing
54	21H 995 A	(-)	Screw, mach., No. 10 x 3/8" (2 used)
55	12H 246 A	(-)	Washer, lock, No. 10 (sub. for A3009R)
56	1838667	(-)	Center bearing
..	AT 10224 T	(-)	Starting motor, heavy-duty, complete

AT16881T AND AT16882T REPLACEMENT STARTING MOTOR
Delco-Remy No's. 1107200 and 1108093



AT16881T AND AT16882T REPLACEMENT STARTING MOTOR -- Continued
 Delco-Remy No's. 1107200 and 1108093

Key	Part No.	Serial No.	Description
1	T 741 T	(-)	Bolt, thru (2 used)
2	AT 517 T	(-)	End, commutator, with bearing
3	T 742 T	(-)	Screw, special (4 used)
4	T 18712 T	(-)	Brush (4 used)
5	T 738 T	(-)	Holder, brush, grounded (2 used)
6	T 740 T	(-)	Spring, brush (2 used)
7	T 18099 T	(-)	Holder, brush, insulated (2 used)
8	14H 778 A	(-)	Nut, hex., No. 10 (4 used)
9	12H 246 A	(-)	Washer, lock, No. 10 (6 used)
10	21H 1020 A	(-)	Screw, mach., No. 10 x 1/2" (4 used)
11	T 736 T	(-)	Pin, brush holder (2 used)
12	AT 514 T	(-)	Lead assembly (2 used)
13	AT 516 T	(-)	Brush support package, includes ground lead, brush holder pin, support, screws, lock washers, and hex. nuts (2 used)
14	T 18713 T	(-)	Coil, field
15	810601*	(-)	Pole piece (4 used)
16	821524	(-)	Screw, terminal
17	21H 1189 A	(-)	Screw, mach., No. 10 x 1/4" (2 used)
18	1880254*	(-)	Pin, switch
19	11H 231 A	(-)	Pin, cotter, 1/16" x 1"
20	1882323	(-)	Switch, starter
21	T 18711 T	(-)	Washer, large
22	T 18710 T	(-)	Washer, special snap-on (2 used)
23	24H 1303 A	(-)	Washer, plain, 13/32" x 11/16" x .060" (3 used)
24	12H 304 A	(-)	Washer, lock, 3/8"
25	14H 732 A	(-)	Nut, hex., 3/8" (2 used)
26	816911*	(-)	Insulation, side (2 used)
27	T 18714 T	(-)	Gasket, switch to starter
28	R 11099 R	(-)	Washer, insulating, large (2 used)
29	R 11107 R	(-)	Washer, insulating, small (2 used)
30	R 11087 R	(-)	Pin, dowel
31	R 11104 R	(-)	Screw, pole shoe (4 used)
32	T 10793 T	(-)	Nut, hex., 3/8"
33	R 11096 R	(-)	Washer, thrust (2 used)
34	1872505	(-)	Armature
35	26H 10 A	(-)	Key, Woodruff, 5/32" x 5/8"
36	1848530*	(-)	Head, drive
37	1850811*	(-100000)	Screw, spring, head
	1848180	(100001-)	Screw, spring, head
38	1850810*	(-100000)	Screw, spring, shaft
	1848531	(100001-)	Screw, spring, shaft
39	A 2783 R	(-)	Washer, special lock (2 used)
40	1849782*	(-)	Sleeve, service
41	1855629	(-)	Gear and shaft, with service sleeve
42	1860639	(-100000)	Spring, drive
	1855630	(100001-)	Spring, drive
43	1924229	(-100000)	Housing, drive
	T 10337 T	(100001-)	Housing, drive
44	810620*	(-)	Bushing, drive housing
45	1868804	(-100000)	Drive assembly
	1855548	(100001-)	Drive assembly
..	AT 16881 T	(-100000)	Starting motor, complete
..	AT 16882 T	(100001-)	Starting motor, complete

*Parts provided to John Deere Branch Houses by John Deere Waterloo Tractor Works of Waterloo, Iowa.

DECALCOMANIA KITS

JOHN DEERE



WASH IN DISTILLATE OR KEROSENE EVERY 120 HRS. OR OFTENER UNDER SEVERE CONDITIONS



420

JOHN DEERE MODEL 420 TRACTOR Service Instructions

10 HOUR SERVICE
 Check Oil Level on Engine Crankcase (Do not add oil until level is down to Add 1 Qt. mark on Bayonet Oil Cap.)
 Check and refill Air Cleaner Oil Cup. (Use same oil as in Engine.)

30 HOUR SERVICE
 Check oil level on Touchomatic.
 Grease Three Point Hitch And Load Control with good grade of Cleanse Lubricant.
 Check level of Battery Water. Add distilled water to proper level.

100 HOUR SERVICE
 Drain and refill Engine Crankcase capacity 5 quarts including filter. Use SAE 10W or SAE 10W-30 during first 100 hours of operation. Thereafter, use SAE 20 or SAE 10W-30 in summer and SAE 10W or SAE 10W-20 in cold weather.
 Drain Filter and replace Element at each oil change.
 Wash Engine Crankcase Breather Cap in Distillate or kerosene.
 Oil Generator Bearings (Use same oil as in Engine.)
 Check oil level on:
 Transmission
 Final Drive
 Ball Pulley

200 HOUR SERVICE
 Steering Gear Housing (SAE 10):
 Grease Adjuster Front Axle Front Shaft and Vertical Spindles with Good Grade of Cleanse Lubricant.
 Check Grade of Chassis Lubricant.
 Drain and refill to level of oil filler hole.
 Final Drive SAE 20
 Ball Pulley SAE 20

400 HOUR SERVICE
 Touchomatic (To level of test rack) SAE 10W or SAE 10W-20
 Final Drive SAE 20
 Ball Pulley SAE 20

Fill front and support to level of oil filler hole.
 Clean and repack front wheel bearings. (Use wheel bearing grease.)

NOTE: For detailed instructions see your "Operator's Manual".

TIRE INFLATION PRESSURES Over or Under Inflation will shorten tire life.

REAR TIRES

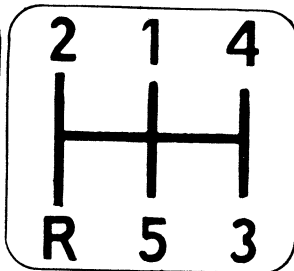
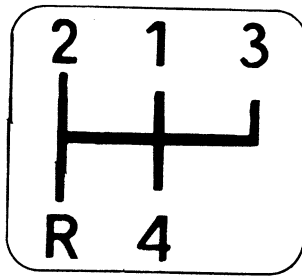
Type	Ply	Inflation	When 9-34 or 10-34 rear tires are heavily loaded as seen
		Pressure	with maximum added load rear weighting on rear wheels, or with heavy rear mounted implements
10-24	4	18 Lbs.	
10-24	6	14 Lbs.	increase inflation pressure 2 lbs.
12-24	4	14 Lbs.	

Maximum added load rear weightings per wheel:
 9-34 2 weights, 10-34 3 weights, 12-24 3 weights.

FRONT TIRES

Type	Ply	With Front Seat Mounted Implements	With Heavy Front Mounted Implements	Mount of Implements
		Such as	Such as	Front End Cultivator
10-16	4	20 Lbs.	30 Lbs.	Do not use
10-16	6	20 Lbs.	28 Lbs.	Do not use
10-16	8	22 Lbs.	30 Lbs.	Do not use
10-16	6	20 Lbs.	30 Lbs.	Do not use

PRINTED IN U.S.A.



Power Steering

CONTINUOUS POWER TAKE OFF

60093

Part No.	Serial No.	Description
AM 3736 T	(-100000)	Decalcomania kit for 420 crawler (agricultural) (sub. for AM3151T)
AM 3735 T	(-100000)	Decalcomania kit for 420 crawler (industrial) (sub. for AM3083T)
AM 3736 T	(-100000)	Decalcomania kit for 420 hi-crop (agricultural) (sub. for AM3155T)
AM 3735 T	(-100000)	Decalcomania kit for 420 hi-crop (industrial) (sub. for AM3084T)
AM 3736 T	(-100000)	Decalcomania kit for 420 standard (agricultural) (sub. for AM3153T)
AM 3735 T	(-100000)	Decalcomania kit for 420 standard (industrial) (sub. for AM3085T)
AM 3736 T	(-100000)	Decalcomania kit for 420 tricycle (agricultural) (sub. for AM3152T)
AM 3735 T	(-100000)	Decalcomania kit for 420 tricycle (industrial) (sub. for AM3082T)
AM 3736 T	(-100000)	Decalcomania kit for 420 utility (agricultural) (sub. for AM3154T)
AM 3735 T	(-100000)	Decalcomania kit for 420 utility (industrial) (sub. for AM3086T)
AM 3736 T	(-100000)	Decalcomania kit for 420 special (agricultural) (sub. for AM3156T)
AM 3735 T	(-100000)	Decalcomania kit for 420 special (industrial) (sub. for AM3087T)
AM 3736 T	(-100000)	Decalcomania kit for 420 row-crop utility (agricultural) (AM3157T)
AM 3735 T	(-100000)	Decalcomania kit for 420 row-crop utility (industrial) (sub. for AM3088T)
AM 3550 T	(100001-)	Decalcomania kit for all 420 series, both agricultural and industrial

DECALCOMANIAS

JOHN DEERE

1

2

66705

**DIRECTION REVERSER
IMPORTANT INSTRUCTIONS**

DIRECTION REVERSER DOES NOT HAVE A NEUTRAL POSITION. CONTROL LEVER MUST ALWAYS BE IN FORWARD OR REVERSE POSITION.

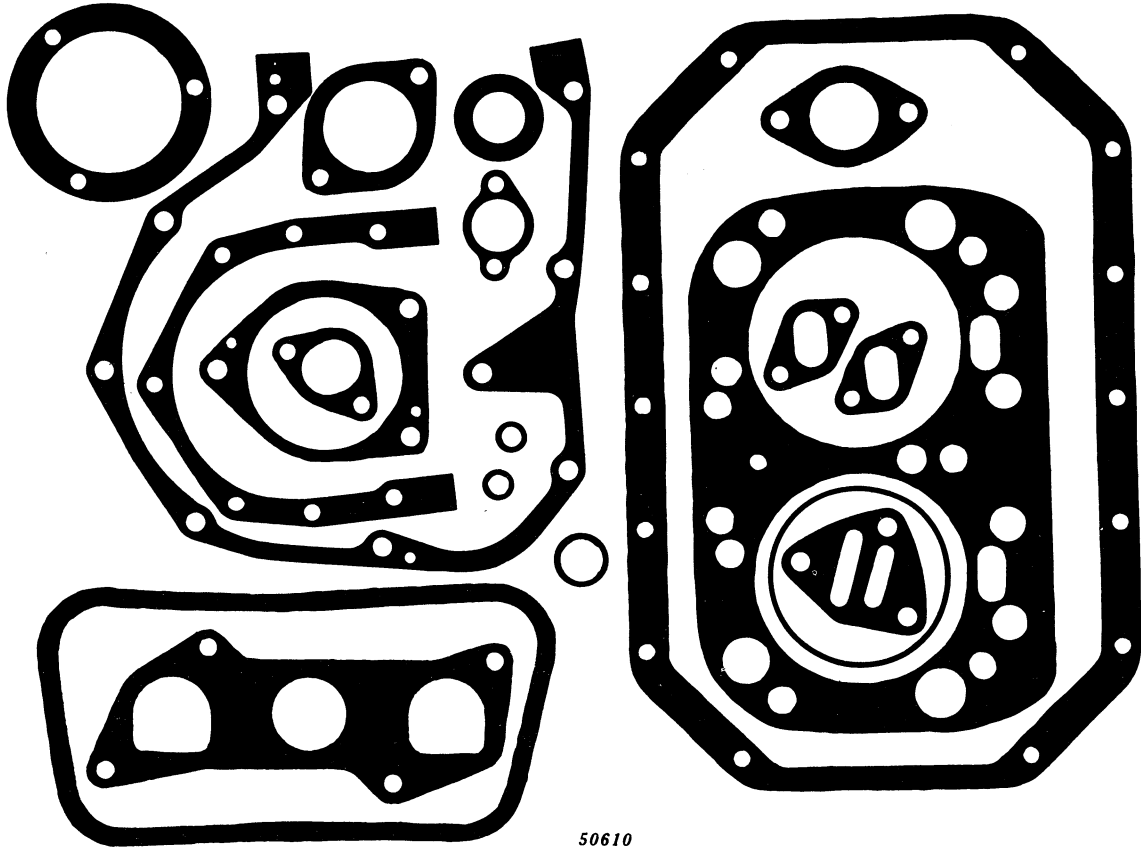
KEEP CLUTCHES ADJUSTED SO THAT A PULL OF 25 TO 35 POUNDS IS REQUIRED TO ENGAGE CLUTCHES ON 440 SERIES TRACTORS AND 20 TO 30 POUNDS ON 420 SERIES TRACTORS.

DO NOT OPERATE THE UNIT IN REVERSE WHEN THE TRANSMISSION IS IN REVERSE GEAR.

DISENGAGE MAIN ENGINE CLUTCH WHILE SHIFTING DIRECTION REVERSER.

Key	Part No.	Serial No.	Description
1	JD 238	(-)	"John Deere" decal for back of deluxe seat (C)
2	T 10669 T	(131309-139999)	Direction reverser decal (used on tractors painted yellow)
	T 10670 T	(131309-139999)	Direction reverser decal (used on tractors painted green)
	T 11356 T	(140000-)	Direction reverser decal (used on tractors painted yellow)
	T 11355 T	(140000-)	Direction reverser decal (used on tractors painted green)
	T 11359 T	(140000-)	Direction reverser decal (spanish) (used on tractors painted yellow)
	T 11360 T	(140000-)	Direction reverser decal (spanish) (used on tractors painted green)

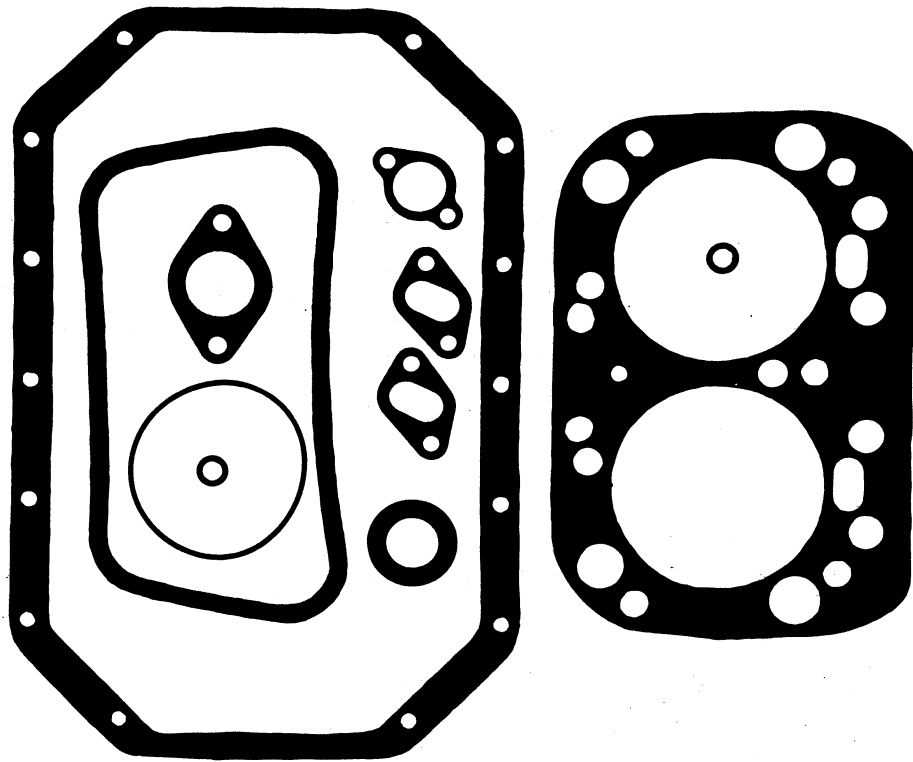
ENGINE OVERHAUL GASKET SET



50610

Part No.	Serial No.	Description
AM 3188 T	(-)	Gasket set for series 420 and 430 series engine overhaul, consisting of:
(1) AM	2848 T	Gasket, cylinder head
(1) L	4152 T	Gasket, front oil seal plate
(1) M	19 T	Gasket, rear oil seal plate
(1) M	85 T	Gasket, oil pan (packed 3 in a pkg.)
(1) M	96 T	Gasket, oil filter case (packed 3 in a pkg.)
(1) M	97 T	Gasket, oil filter base
(1) M	111 T	Gasket, gear, cover
(1) M	276 T	Gasket, governor case (packed 2 in a pkg.)
(1) M	3993 T	Gasket, carburetor (packed 3 in a pkg.)
(1) F	2632 R	Gasket, distributor (sub. for M414T)
(1) T	13213 T	Gasket, oil pan drain plug (sub. for M1038T) (packed 2 in a pkg.)
(1) M	3047 T	Gasket, water pump to cylinder block (packed 2 in a pkg.)
(1) M	3994 T	Gasket, manifold
(1) M	3066 T	Gasket, rocker arm cover (packed 3 in a pkg.)
(2) M	3109 T	Gasket, water outlet manifold
(1) M	3219 T	Gasket, water inlet elbow
(2) T	379 T	Seal, rocker arm cover studs (packed 2 in a pkg.)
(1) T	437 T	Gasket, thermostat cover (packed 2 in a pkg.)

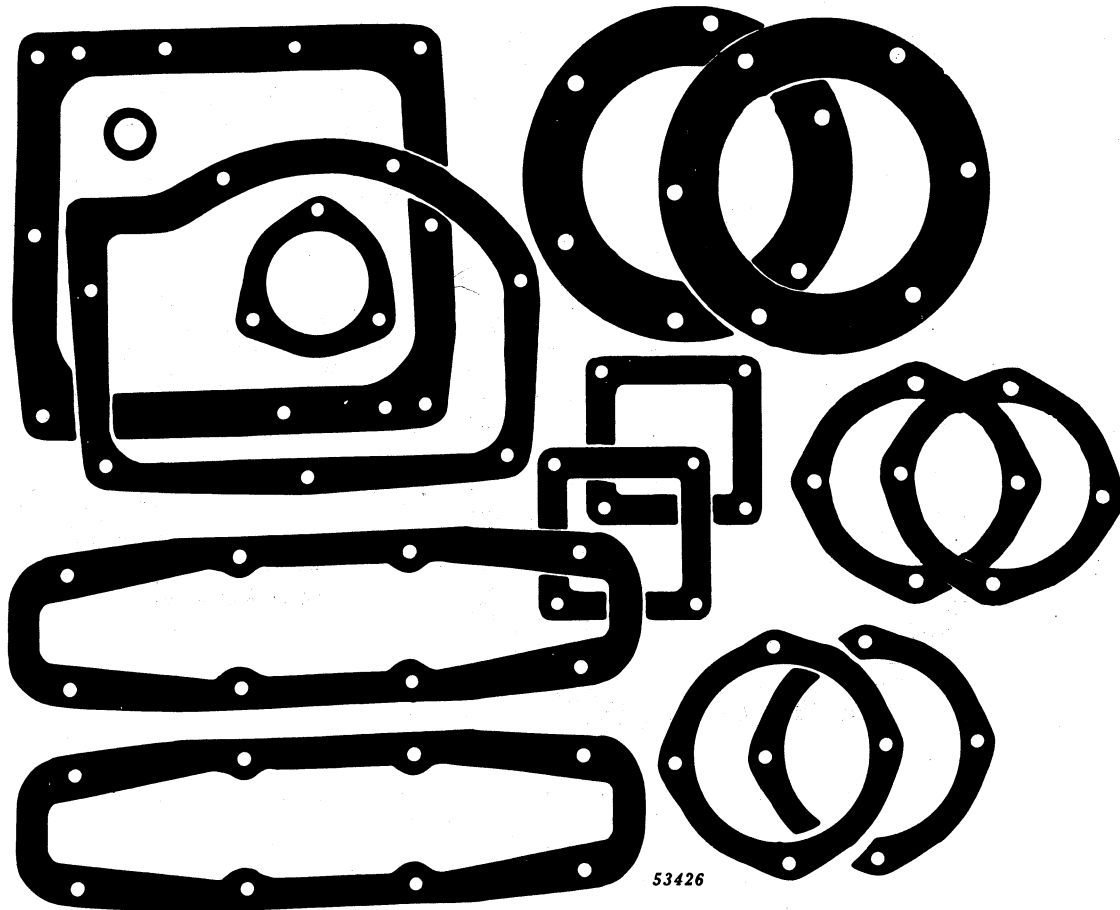
ENGINE TUNE-UP GASKET SET



50611

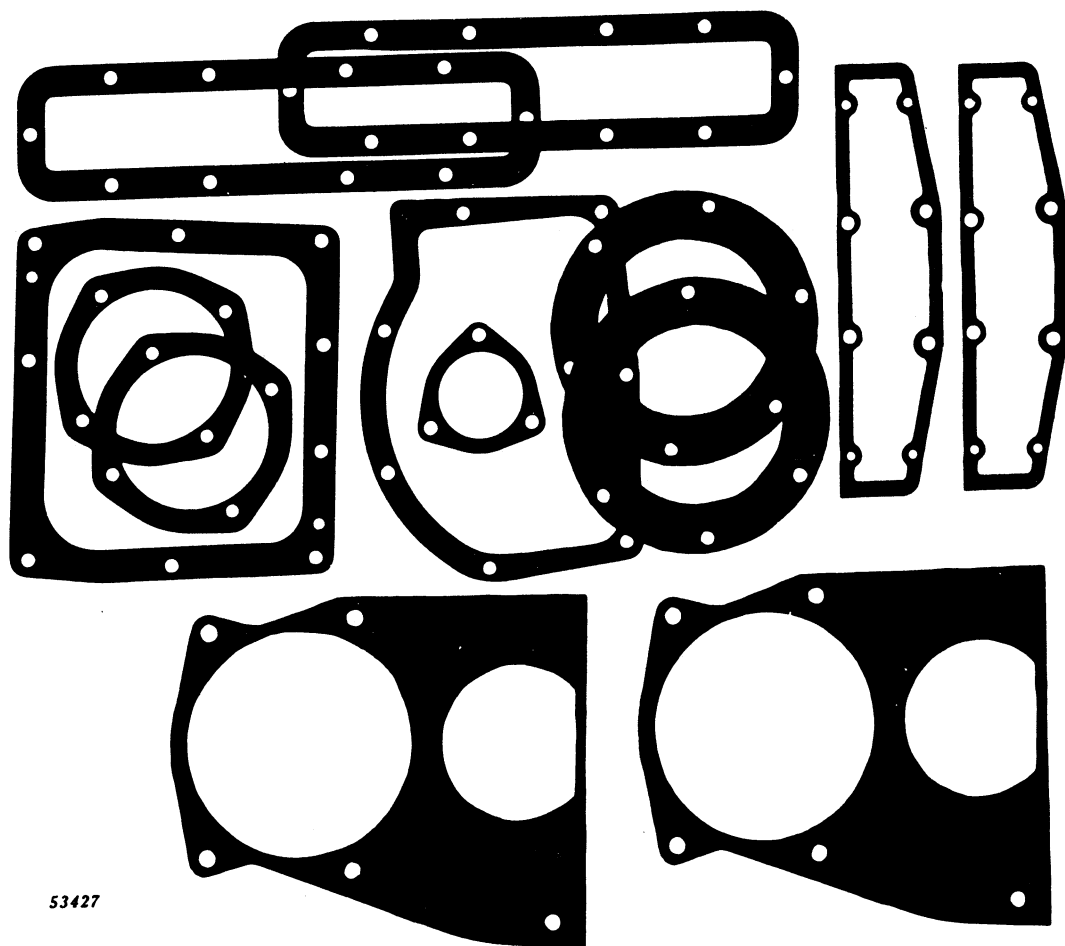
Part No.	Serial No.	Description
AM 3189 T	(-)	Gasket set for series 420 and 430 series engine tune-up, consisting of:
(1) AM	2848 T	Gasket, cylinder head
(1) M	85 T	Gasket, oil pan (packed 3 in a pkg.)
(1) M	96 T	Gasket, oil filter (packed 3 in a pkg.)
(1) F	2632 R	Gasket, distributor (sub. for M414T)
(1) M	3066 T	Gasket, rocker arm cover
(2) M	3109 T	Gasket, water outlet manifold
(1) M	3219 T	Gasket, water outlet elbow
(1) M	3993 T	Gasket, carburetor (packed 3 in a pkg.)
(1) M	3994 T	Gasket, manifold
(2) T	379 T	Seal, rocker arm cover (packed 2 in a pkg.)

TRANSMISSION AND FINAL DRIVE GASKET SET
Crawler



Part No.	Serial No.	Description
AT 14913 T	(-)	Gasket set for 420 and 430 series crawler transmission and final drive (sub. for AM3583T) -- consisting of:
(1) M	159 T	Gasket, output shaft cover
(1) T	12840 T	Gasket, transmission case rear cover (packed 3 in a pkg.)
(1) M	175 T	Gasket, pulley hole cover or belt pulley to transmission case
(1) L	754 T	Gasket, powershaft poppet holder
(1) M	186 T	Gasket, transmission case top cover (packed 5 in a pkg.)
(2) M	214 T	Gasket, axle shaft bearing quill to final drive housing
(2) M	947 T	Gasket, final drive oil pan to final drive housing
(2) T	12914 T	Gasket, final drive oil pan to final drive housing (not used on 420 or 430 Series)
(2) M	811 T	Gasket, ring gear hub bearing quill (packed 3 in a pkg.)
(2) M	1487 T	Gasket, steering clutch housing cover (packed 2 in a pkg.)
(2) T	15600 T	Gasket, seal retainer (sub. for M2367T)
(2) T	15599 T	Gasket, seal retainer (not used on 420 or 430 Series)

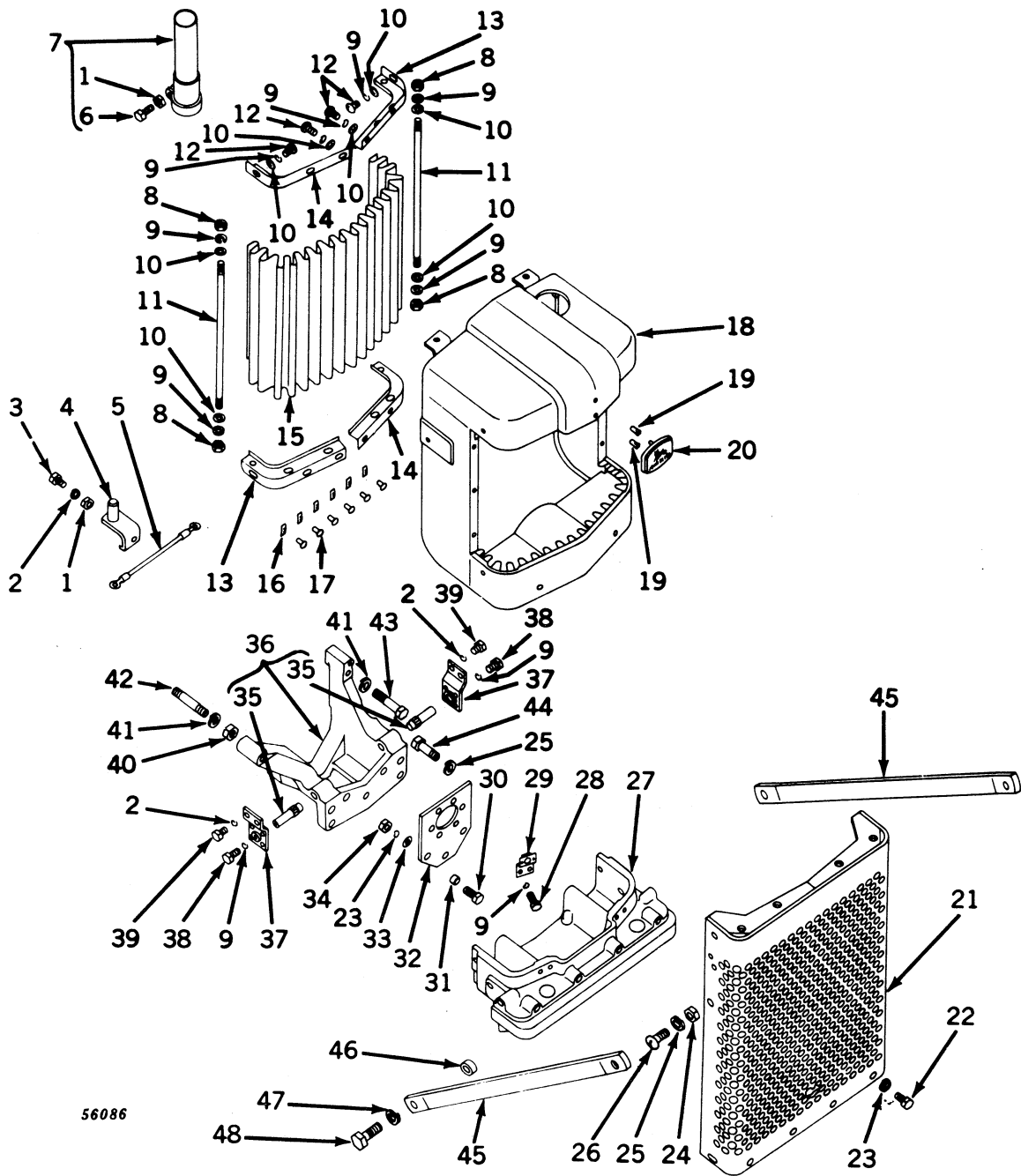
TRANSMISSION AND FINAL DRIVE GASKET SET
Special Utility, Special, and Row-Crop Utility



53427

Part No.	Serial No.	Description
AM 3584 T	(-)	Transmission and final drive gasket set, consisting of:
	(1) M 159 T	Gasket, output shaft cover
	(2) T 12840 T	Gasket, transmission case rear cover (sub. for M174T) (packed 3 in a pkg.)
	(1) M 186 T	Gasket, transmission case top cover (packed 5 in a pkg.)
	(2) M 2165 T	Gasket, differential quill
	(2) M 2226 T	Gasket, final drive pan (V)
	(2) M 2599 T	Gasket, seal retainer
	(2) M 3124 T	Gasket, final drive pan (I and W)
	(2) M 3126 T	Gasket, axle bearing cover
	(2) M 3159 T	Gasket, final drive housing (I and W)
	(1) M 3659 T	Gasket, powershaft gear housing

PARTS FOR CRAWLER TRACTOR EQUIPPED WITH 90 LOADER



56086

PARTS FOR CRAWLER TRACTOR EQUIPPED
WITH 90 LOADER -- Continued

Key	Part No.	Serial No.	Description
1	14H 785 A	(-)	Nut, hex., 5/16" (2 used)
2	12H 303 A	(-)	Washer, lock, 5/16" (5 used)
3	19H 1813 A	(-)	Screw, cap, 5/16" x 5/8"
4	AM 3549 T	(-)	Bracket, rear light
5	AM 2812 T	(-)	Lead, wire, 10"
6	19H 2024 A	(-)	Screw, cap, 5/16" x 1-1/2"
7	AM 3243 T	(-)	Extension, air cleaner, with cap screw and hex. nut
8	14H 786 A	(-)	Nut, hex., 1/4" (4 used)
9	12H 302 A	(-)	Washer, lock, 1/4" (18 used)
10	24H 1287 A	(-)	Washer, plain, 9/32" x 5/8" x .060" (12 used)
11	M 1729 T	(-)	Rod (2 used)
12	21H 1207 A	(-)	Screw, mach., 1/4" x 7/16" (8 used)
13	M 1726 T	(-)	Frame, upper left and lower right (2 used)
14	M 1727 T	(-)	Frame, upper right and lower left (2 used)
15	M 1728 T	(-)	Screen
16	M 378 T	(-)	Nut, speed (6 used) (packed 6 in a pkg.)
17	16H 246 A	(-)	Rivet, 3/16" x 3/8" (6 used)
18	AM 3241 T	(-139999)	Grille assembly, with screws, fastener studs, and screen (sub. for AM3242T)
	AT 10711 T	(140000-)	Grille assembly, with screws, fastener studs, and screen
19	A 4679 R	(-)	Clip (2 used) (packed 2 in a pkg.)
20	M 3328 T	(-100000)	Name plate "John Deere"
	AM 3434 T	(100000-139999)	Medallion
	AR 20467 R	(140000-)	Medallion
21	AM 2096 T	(-)	Guard, grille
22	19H 1773 A	(-)	Screw, cap, 7/16" x 1-1/8" (6 used)
23	12H 293 A	(-)	Washer, lock, 7/16" (9 used)
24	14H 809 A	(-)	Nut, hex., 1/2" (2 used)
25	12H 301 A	(-)	Washer, lock, 1/2" (6 used)
26	21H 1099 A	(-)	Screw, mach., 1/2" x 1-1/2" (2 used)
27	M 3477 T	(-)	Bumper
28	19H 1948 A	(-)	Screw, cap, 1/4" x 3/4" (4 used)
29	AM 3239 T	(-)	Bracket, with stud receptacle and rivets (2 used)
30	19H 1978 A	(-)	Screw, cap, 7/16" x 1-1/2" (3 used)
31	M 3483 T	(-)	Dowel, hollow (2 used)
32	M 3482 T	(-)	Plate, mounting
33	24H 1325 A	(-)	Washer, plain, 15/32" x 59/64" x .060" (2 used)
34	14H 813 A	(-)	Nut, hex., 7/16" (3 used)
35	M 3475 T	(-)	Support, radiator (2 used)
36	AM 3238 T	(-)	Support, front end, with radiator supports
37	AM 3240 T	(-)	Bracket, with cushion (2 used)
38	19H 1914 A	(-)	Screw, cap, 1/4" x 1" (2 used)
39	19H 1900 A	(-)	Screw, cap, 5/16" x 3/4" (4 used)
40	14H 261 A	(-)	Nut, hex., 9/16" (2 used)
41	12H 317 A	(-)	Washer, lock, 9/16" (4 used)
42	M 3476 T	(-)	Stud (2 used)
43	M 434 T	(-)	Screw, cap, 9/16" x 3-1/2" (2 used)
44	19H 1377 A	(-114864)	Screw, cap, 5/8" x 2-1/8" (4 used)
	19H 1377 A	(114865-)	Screw, cap, lower holes, 5/8" x 2-1/8" (2 used)
	19H 1643 A	(114865-)	Screw, cap, upper holes, 5/8" x 3-1/8" (2 used)
45	M 3885 T	(-)	Brace (2 used)
46	M 3959 T	(-)	Spacer
47	12H 236 A	(-)	Washer, lock, 3/4"
48	19H 1715 A	(-)	Screw, cap, 3/4" x 3"

MEMORANDA

Part No.	Page	Key	Part No.	Page	Key	Part No.	Page	Key	Part No.	Page	Key
3H 762 A	50-	3 1	14H 785 A	10-	5 29	19H 1362 A	75-13	9	19H 1930 A	60-11	31
3H 849 A	65-	8 18	14H 786 A	20-	3 28	19H 1364 A	60-	3 3	19H 1936 A	15-13	49
3H 1268 A	85-	2 9	14H 794 A	25-	11 33	19H 1374 A	25-	11 42	19H 1940 A	100-	7 7
3H 1384 A	100-	11 26	14H 805 A	100-	13 11	19H 1377 A	75-	5 3	19H 1944 A	30-	31 5
3H 1407 A	50-	5 2	14H 806 A	30-	39 21	19H 1414 A	60-	3 3	19H 1948 A	40-	5 57
3H 1465 A	65-	6 11	14H 807 A	10-	7 1	19H 1425 A	25-	17 3	19H 1972 A	90-	3 3
3H 1482 A	55-	43 11	14H 808 A	60-	7 22	19H 1456 A	60-	7 8	19H 1974 A	55-	43 18
3H 1504 A	75-	4 9	14H 809 A	25-	19 5	19H 1540 A	60-	21 32	19H 1978 A	30-	41 3
3H 1506 A	55-	23 19	14H 812 A	16-	11 21	19H 1643 A	115-	3 44	19H 2020 A	10-	8 16
3H 1515 A	55-	23 69	14H 813 A	15-	3 2	19H 1648 A	100-	11 23	19H 2021 A	55-	9 19
3H 1519 A	15-	5 7	14H 816 A	25-	15 20	19H 1649 A	100-	7 31	19H 2023 A	15-	14 12
3H 1524 A	55-	65 37	14H 819 A	55-	19 14	19H 1661 A	20-	3 4	19H 2024 A	115-	3 6
3H 1549 A	55-	19 16	14H 821 A	25-	9 30	19H 1662 A	30-	42 4	19H 2036 A	16-	5 20
3H 1572 A	85-	2 2	14H 826 A	40-	3 38	19H 1666 A	15-	3 8	19H 2038 A	50-	9 11
3H 1574 A	40-	1 3A	14H 836 A	40-	1 4	19H 1670 A	100-	7 14	19H 2043 A	55-	60 12
3H 1591 A	75-	3 13	14H 844 A	85-	15 21	19H 1678 A	15-	4 3	19H 2044 A	15-	9 10
8H 110 A	50-	9 25	14H 846 A	41-	3 38	19H 1679 A	15-	17 5	19H 2055 A	50-	5 12
8H 555 A	105-	11 20	14H 849 A	15-	4 7	19H 1680 A	35-	3 12	19H 2076 A	75-	11 20
8H 961 A	60-	2 14	14H 856 A	25-	15 18	19H 1681 A	25-	11 43	19H 2102 A	41-	7 17
8H 2711 A	55-	55 1	14H 860 A	15-	11 23	19H 1685 A	75-	13 4	19H 2113 A	50-	5 24
8H 3497 A	25-	9 41	14H 863 A	60-	15 21	19H 1689 A	75-	3 10	19H 2117 A	25-	17 9
8H 3505 A	65-	5 4	14H 865 A	41-	3 33	19H 1692 A	100-	11 23	19H 2124 A	25-	3 33
8H 3813 A	60-	9 51	14H 866 A	45-	2 5	19H 1697 A	30-	42 10	19H 2127 A	10-	3 48
8H 3825 A	55-	53 1	15H 253 A	41-	5 30	19H 1708 A	50-	5 25	19H 2133 A	25-	9 23
8H 4073 A	75-	7 11	15H 275 A	10-	3 23	19H 1709 A	50-	9 15	21H 962 A	16-	7 10
8H 4160 A	100-	14 7	15H 278 A	95-	5 18	19H 1711 A	50-	9 9	21H 964 A	105-	11 8
8H 4167 A	60-	17 41	15H 510 A	16-	7 32	19H 1715 A	75-	4 1	21H 968 A	105-	17 10
8H 4169 A	100-	14 2	15H 558 A	41-	7 16	19H 1721 A	30-	47 1	21H 969 A	16-	5 9
8H 4194 A	50-	11 22	15H 562 A	10-	7 28	19H 1722 A	30-	27 9	21H 971 A	15-	7 29
11H 205 A	80-	5 9	15H 566 A	10-	3 36	19H 1726 A	55-	17 10	21H 972 A	105-	3 2
11H 206 A	15-	19 8	15H 583 A	55-	19 35	19H 1731 A	16-	11 8	21H 973 A	105-	12 5
11H 211 A	15-	17 21	15H 584 A	30-	3 19	19H 1732 A	16-	11 29	21H 977 A	15-	7 48
11H 215 A	80-	5 31	15H 585 A	30-	3 19	19H 1739 A	50-	5 16	21H 981 A	16-	5 11
11H 218 A	16-	9 22	15H 586 A	16-	7 7	19H 1740 A	15-	4 9	21H 986 A	105-	21 7
11H 222 A	16-	9 23	15H 602 A	55-	11 15	19H 1741 A	30-	21 34	21H 995 A	105-	23 54
11H 231 A	15-	9 22	15H 604 A	10-	9 13	19H 1756 A	30-	3 34	21H 996 A	15-	7 32
11H 233 A	15-	9 26	15H 623 A	16-	7 44	19H 1765 A	25-	5 15	21H 1017 A	55-	7 17
11H 236 A	15-	9 9	15H 624 A	35-	3 30	19H 1768 A	25-	3 30	21H 1018 A	15-	17 18
11H 237 A	10-	7 19	16H 87 A	15-	13 41	19H 1773 A	30-	3 31	21H 1019 A	55-	5 29
11H 239 A	55-	43 33	16H 98 A	41-	21 15	19H 1781 A	55-	35 7	21H 1020 A	105-	25 10
11H 240 A	60-	7 36	16H 173 A	20-	3 21	19H 1782 A	25-	5 29	21H 1021 A	90-	13 6
12H 245 A	40-	3 48	16H 246 A	85-	11 17	19H 1789 A	15-	4 10	21H 1023 A	20-	5 1
12H 246 A	15-	21 6	16H 646 A	85-	13 17	19H 1791 A	16-	5 22	21H 1025 A	16-	11 6
12H 290 A	15-	7 32	16H 698 A	30-	47 31	19H 1792 A	50-	7 3	21H 1066 A	15-	17 20
12H 292 A	105-	12 10	16H 1342 A	75-	3 7	19H 1800 A	10-	9 14	21H 1072 A	16-	5 1
12H 293 A	25-	9 39	17H 51 A	75-	3 7	19H 1801 A	25-	9 11	21H 1073 A	16-	5 4
12H 294 A	10-	3 26	17H 58 A	75-	3 7	19H 1805 A	10-	3 40	21H 1076 A	15-	21 2
12H 301 A	10-	3 2	19H 124 A	30-	21 63	19H 1813 A	15-	13 10	21H 1099 A	115-	3 26
12H 302 A	10-	8 12	19H 210 A	10-	3 20	19H 1815 A	30-	37 22	21H 1114 A	105-	19 10
12H 303 A	10-	3 33	19H 339 A	15-	4 9	19H 1820 A	10-	3 1	21H 1127 A	105-	19 28
12H 304 A	10-	3 19	19H 374 A	25-	13 34	19H 1821 A	50-	5 36	21H 1142 A	105-	15 20
12H 315 A	15-	7 29	19H 463 A	100-	7 32	19H 1822 A	25-	9 40	21H 1144 A	25-	3 27
12H 316 A	25-	17 21	19H 474 A	55-	65 14	19H 1833 A	100-	13 23	21H 1163 A	25-	17 22
12H 317 A	30-	37 19	19H 485 A	60-	9 7	19H 1847 A	60-	11 37	21H 1174 A	16-	9 1
14H 261 A	75-	3 8	19H 1000 A	41-	3 41	19H 1849 A	15-	5 1	21H 1189 A	15-	21 5
14H 389 A	60-	11 44	19H 1001 A	41-	3 32	19H 1851 A	60-	5 1	21H 1195 A	16-	11 13
14H 394 A	95-	5 3	19H 1061 A	60-	9 12	19H 1862 A	55-	43 8	21H 1207 A	85-	11 11
14H 463 A	25-	3 6	19H 1082 A	55-	51 18	19H 1867 A	30-	39 31	21H 1214 A	90-	3 20
14H 469 A	10-	7 9	19H 1083 A	95-	5 13	19H 1868 A	60-	11 34	21H 1228 A	90-	11 7
14H 482 A	100-	7 2	19H 1100 A	16-	11 11	19H 1872 A	75-	7 14	21H 1242 A	90-	15 9
14H 511 A	55-	63 1	19H 1122 A	50-	9 12	19H 1876 A	35-	3 12	22H 40 A	30-	21 53
14H 534 A	30-	7 45	19H 1139 A	30-	3 27	19H 1890 A	10-	3 27	22H 255 A	25-	9 36
14H 540 A	30-	47 26	19H 1146 A	50-	5 23	19H 1898 A	20-	3 22	22H 558 A	45-	4 8
14H 598 A	105-	17 46	19H 1221 A	55-	49 1	19H 1899 A	25-	9 37	22H 567 A	55-	35 15
14H 605 A	105-	17 38	19H 1227 A	25-	3 32	19H 1900 A	10-	3 32	22H 577 A	20-	5 17
14H 608 A	105-	19 16	19H 1243 A	30-	37 20	19H 1904 A	20-	3 5	22H 684 A	15-	9 19
14H 611 A	15-	9 18	19H 1258 A	55-	45 18	19H 1905 A	20-	3 32	22H 703 A	30-	36 9
14H 631 A	15-	9 23	19H 1259 A	55-	45 22	19H 1906 A	105-	11 19	22H 712 A	100-	5 5
14H 650 A	60-	7 16	19H 1262 A	25-	19 14	19H 1907 A	55-	25 38	22H 713 A	40-	3 37
14H 656 A	35-	7 19	19H 1265 A	30-	39 19	19H 1913 A	30-	29 13	22H 716 A	40-	8 8
14H 732 A	105-	21 41	19H 1266 A	30-	39 18	19H 1914 A	16-	11 12	22H 724 A	105-	3 34
14H 760 A	30-	3 23	19H 1268 A	90-	15 8	19H 1915 A	55-	43 19	22H 727 A	60-	9 24
14H 769 A	55-	19 49	19H 1275 A	55-	60 12	19H 1919 A	40-	5 35	22H 738 A	100-	13 26
14H 774 A	55-	58 18	19H 1276 A	65-	3 3	19H 1923 A	75-	15 7	22H 789 A	25-	23 45
14H 778 A	25-	23 7	19H 1338 A	60-	11 30	19H 1924 A	25-	5 35	22H 794 A	80-	3 32

Part No.	Page	Key	Part No.	Page	Key	Part No.	Page	Key	Part No.	Page	Key
22H	803 A	80- 3 41	34H	79 A	80- 5 20	49-258	15- 7 9		812015	105-23 15	
24H	1106 A	50- 2 7	34H	82 A	25-20 2	49-285	15- 7 7		812016	105-21 19	
24H	1111 A	41-17 32	34H	88 A	30-25 18	49-289	15- 7 50		812016	105-23 19	
24H	1122 A	15-13 52	34H	90 A	80- 3 37	55-261	15- 7 45		813521	105-21 5	
24H	1136 A	15- 3 14	34H	101 A	45- 1 3	55-261	16- 3 33		813521	105-23 5	
24H	1139 A	50- 3 2	34H	102 A	41-11 21	55-285	15- 7 20		813554	105-21 22	
24H	1144 A	45- 1 7	34H	104 A	15-11 6	55-358	15- 7 8		813554	105-23 22	
24H	1161 A	10- 7 10	34H	105 A	45- 5 11	67-523	15- 7 43		814545	105-12 13	
24H	1219 A	10- 7 7	34H	107 A	30- 7 52	67-523	15-13 13		816784	105-17 13	
24H	1227 A	80- 3 46	34H	117 A	55-19 6	78-154	16- 7 19		816803	105-17 18	
24H	1265 A	95- 3 28	34H	120 A	10- 5 32	80-169	15- 7 16		816911	105-21 34	
24H	1283 A	16-11 14	34H	123 A	55-45 11	80-169	16- 3 13		816911	105-23 34	
24H	1287 A	16-11 4	34H	164 A	30-43 19	80-171	15- 7 49		816911	105-25 26	
24H	1289 A	55-25 33	34H	167 A	55-37 24	82-16	15- 7 34		817313	105-21 17	
24H	1301 A	55-65 24	34H	171 A	30-25 17	82-16	16- 3 26		817313	105-23 17	
24H	1303 A	15- 3 6	34H	173 A	55-57 5	87-3A	15- 7 18		817314	105-21 16	
24H	1304 A	16-11 20	34H	188 A	30-25 22	95-78	15- 7 17		817314	105-23 16	
24H	1325 A	10- 7 2				99-7	15- 7 18		817363	105-17 44	
24H	1341 A	55-45 19				227-1424	15- 6 5		819104	105-19 33	
24H	1363 A	65- 3 2	10-3964	15- 7 25		227-1444	15- 6 5		819362	105-21 23	
24H	1368 A	30- 3 22	10-4075	15- 7 25		227-1473	15- 6 5		819362	105-23 23	
24H	1374 A	55-37 4	10-4125	15- 7 25		227-1474	15- 6 5		820445	105-17 6	
24H	1375 A	25- 9 25	13-1191	15- 7 46		233-543	15- 7 37		821524	105-21 38	
24H	1392 A	40- 5 54	13-1191	16- 3 34		286-1107	15- 7 ..		821524	105-25 16	
24H	1396 A	75- 7 9	14-273	15- 6 3		286-1162	15- 7 ..		829421	105-17 31	
24H	1424 A	30-39 17	14-273	16- 3 3					833602	105-21 42	
24H	1452 A	30-41 11	15-A85	15- 6 4					833602	105-23 42	
24H	1474 A	70- 3 22	15-A85	16- 3 5		405 R	30- 3 9		923119	105- 3 7	
24H	1487 A	30-43 25	15-A93	15- 7 32		405 R	30-21 45		924009	105- 3 5	
24H	1540 A	50-11 19	15-A93	16- 3 23		405 R	30-23 45		1115379	105-17 48	
24H	1542 A	35- 9 45	15-443	16- 7 19		405 R	30-32 13		1838667	105-23 56	
24H	1562 A	100- 9 6	15-483	15- 6 2		405 R	30-33 14		1843646	105-19 26	
24H	1625 A	105-11 2	15-483	16- 3 2		405 R	30-34 12		1847289	105-17 28	
25H	42 A	15-19 14	16-A41	15- 7 10		405 R	30-35 14		1847643	105-17 14	
25H	50 A	15-15 12	16-A41	16- 3 9		405 R	100-13 25		1848180	105-21 48	
25H	52 A	10- 8 1	16-294	16- 3 16		9027 YT	50- 5 22		1848180	105-23 48	
25H	100 A	30-27 37	16-654	15- 7 6					1848180	105-25 37	
25H	125 A	25- 3 9	16-654	15- 7 22		114998	105-21 12		1848530	105-21 45	
25H	154 A	70- 5 38	16-654	15- 7 24		114998	105-23 12		1848530	105-23 45	
25H	750 A	80- 5 65	16-654	15- 7 38		131949	105-17 10		1848530	105-25 36	
25H	760 A	55-65 32	24-A3	15- 7 31		132688	105-19 10		1848531	105-21 49	
25H	797 A	70- 5 28	24-A3	16- 3 22		200182	105-19 15		1848531	105-23 49	
25H	887 A	80- 5 26	24-262	15- 7 47		454431	105-15 9		1848531	105-25 38	
25H	903 A	30-32 10	24-262	16- 3 35		802691	105-21 11		1849782	105-25 40	
25H	1160 A	40- 5 29	24-292	15- 7 15		802691	105-23 11		1850810	105-21 49	
26H	10 A	105-21 44	24-340	15- 7 39		804000	105-19 39		1850810	105-25 37	
26H	13 A	30-23 58	26-787	15- 7 33		804080	105-19 4		1850811	105-21 48	
26H	20 A	10- 5 31	26-787	16- 3 24		805057	105-21 47		1850811	105-25 36	
26H	23 A	30-47 17	27-121	15- 7 14		805057	105-23 47		1855548	105-21 51	
26H	27 A	70- 3 28	27-548	15- 7 13		806915	105-19 40		1855548	105-23 51	
26H	72 A	105-19 13	28-49	15- 7 35		809053	105-21 6		1855548	105-25 45	
26H	77 A	10- 5 19	28-49	16- 3 25		809053	105-23 6		1855629	105-21 50	
26H	82 A	30- 7 4	29-81	15- 7 28		809062	105-21 18		1855629	105-23 50	
28H	1728 A	100- 9 20	29-81	15-13 26		809062	105-23 18		1855629	105-25 41	
28H	3054 A	70- 5 45	29-81	16- 3 20		809593	105-19 27		1855630	105-21 46	
29H	483 A	30-25 5	29-538	15- 7 27		809593	105-21 30		1855630	105-23 46	
29H	488 A	55-19 33	29-551	16- 3 19		809593	105-23 30		1855630	105-25 42	
30H	6 A	10- 3 38	30-631	15- 7 30		809945	105-19 14		1857412	105-19 6	
30H	7 A	15-15 9	30-739	15- 7 25		809961	105-19 34		1858603	105-19 37	
30H	9 A	15-15 15	30-739	15- 7 30		810074	105-17 30		1858751	105-19 21	
30H	11 A	35-11 38	32-16	15- 7 36		810078	105-17 30		1858753	105-19 19	
30H	15 A	35-11 9	43-33	15- 7 40		810226	105-21 4		1860639	105-21 46	
30H	17 A	10- 3 52	43-678	15- 7 19		810226	105-23 4		1860639	105-25 41	
30H	23 A	25- 5 34	43-699	15- 7 19		810601	105-21 27		1861076	105-21 39	
34H	7 A	55-29 39	43-707	15- 7 19		810601	105-23 27		1861076	105-23 39	
34H	21 A	30-27 14	44-38	15- 7 26		810601	105-25 15		1861502	105-19 25	
34H	28 A	15-11 14	44-38	16- 3 18		810620	105-21 53		1865182	105-21 14	
34H	35 A	30-21 36	44-51	15- 7 21		810620	105-23 53		1868137	105-15 6	
34H	45 A	90-13 4	44-68	15- 7 44		810620	105-25 44		1868804	105-21 51	
34H	47 A	55-19 55	44-68	16- 3 32		810794	105-17 43		1868804	105-25 ..	
34H	58 A	15-11 13	46-A12	15- 7 11		811553	105-21 3		1869704	105-17 11	
34H	62 A	15- 9 2	47-451	15- 7 23		811553	105-23 3		1872505	105-21 43	
34H	63 A	41-11 30	47-455	15- 7 23		811912	105-17 26		1872505	105-23 43	
34H	77 A	90-13 26	49-101 L	15- 7 7		812015	105-21 15		1872505	105-25 34	
34H	78 A	45- 4 13	49-207	15- 7 9					1878184	105-19 7	

Part No.	Page	Key	Part No.	Page	Key	Part No.	Page	Key	Part No.	Page	Key
1878183	105-19	7	1927982	105-15	1	A 4700 R	105-12	15	AA 4666 R	105- 9	25
1878505	105-15	16	1929313	105-12	13	A 4723 R	55-65	11	AA 4864 R	55-65	12
1878506	105-15	17	1935139	105-17	22	A 4735 R	55-65	39	AA 4924 R	105- 5	26
1878507	105-15	14	1938091	105-21	52	A 4736 R	55-65	1	AA 4924 R	105- 7	26
1878516	105-15	18	5936059	105- 3	11	A 4737 R	55-65	23	AA 4924 R	105- 9	26
1878517	105-15	13	5945110	105- 3	9	A 4738 R	55-65	22	AA 4925 R	105- 5	33
1878780	105-15	7	5945114	105- 3	8	A 4739 R	55-65	2	AA 4925 R	105- 7	28
1880254	15- 9	27				A 4740 R	55-65	5	AA 4925 R	105- 9	28
1880254	15-11	38				A 4741 R	55-65	4	AA 4926 R	105- 5	25
1880254	105-21	32	A			A 4742 R	55-65	3	AA 4926 R	105- 7	27
1880254	105-23	32				A 4743 R	55-65	9	AA 4926 R	105- 9	27
1880254	105-25	18	A	147 R	55-65 48	A 4744 R	55-65	10	AA 4963 R	25- 9	28
1880641	105-19	35	A	766 R	105-12 6	A 4745 R	55-65	27	AA 4963 R	25-11	40
1880902	105-17	21	A	767 R	105-21 25	A 4746 R	55-65	28	AA 4963 R	25-13	32
1881625	105-21	13	A	767 R	105-23 25	A 4747 R	55-65	26	AA 4963 R	35- 5	24
1881869	105-21	29	A	2729 R	105- 3 13	A 4748 R	55-65	25	AA 4963 R	35- 9	18
1881869	105-23	29	A	2729 R	105- 5 32	A 4749 R	55-65	33A	AA 4963 R	35-11	27
1882323	105-21	33	A	2729 R	105- 7 20	A 4900 R	16- 9	8	AA 5365 R	75- 7	15
1882323	105-23	33	A	2729 R	105- 9 20	A 4925 R	16- 9	32	AA 5365 R	75- 8	8
1882323	105-25	20	A	2731 R	105- 5 30	A 4925 R	41- 5	28	AA 5365 R	75-15	12
1882965	105-17	12	A	2731 R	105- 7 22	A 4925 R	41-11	3	AA 5592 R	105-12	17
1885090	105-19	20	A	2731 R	105- 9 22	A 4925 R	41-11	5	AA 5605 R	55-65	43A
1885557	105-17	17	A	2783 R	105-21 47	A 4925 R	41-13	10	AA 5605 R	55-65	44
1885558	105-17	16	A	2783 R	105-23 47	A 4925 R	41-13	12	AA 5691 R	105- 5	41
1886923	105-21	9	A	2783 R	105-25 39	A 4925 R	41-13	18	AA 5692 R	105- 5	40
1886923	105-23	9	A	2786 R	105-21 49	A 4928 R	16- 7	35	AA 5731 R	55-65	5
1889966	105-17	9	A	2787 R	105-21 48	A 4928 R	16- 9	25	AA 5731 R	55-65	9
1889967	105-17	27	A	2899 T	105- 3 6	A 4929 R	16- 9	27	AA 5757 R	20- 3	15
1889999	105-17	53	A	2899 R	105- 5 38	A 4930 R	16- 9	30	AA 6001 R	16- 9	16
1900119	105-17	8	A	2899 R	105- 7 31	A 4931 R	16- 9	29	AA 6002 R	16- 9	13
1902376	105-17	20	A	2899 R	105- 9 31	A 4993 R	16- 9	4	AA 6004 R	16- 9	7
1902692	105-12	10	A	3009 R	105-19 29	A 4996 R	16- 9	15	AA 6005 R	16- 9	19
1902694	105-12	7	A	3009 R	105-23 55	A 4997 R	16- 9	10	AA 6022 R	90- 3	18
1902924	105-12	11	A	3011 R	105-19 17	A 4998 R	16- 9	12	AA 6022 R	90-17	22
1904370	105-19	28	A	3031 R	105-19 18	A 4999 R	16- 9	18	AA 6057 R	16- 9	6
1904377	105-15	8	A	3125 R	55-65 6	A 4999 R	16-11	17	AA 6058 R	16- 9	9
1904377	105-19	9	A	3131 R	55-19 32	A 5141 R	16- 9	2	AA 6059 R	16- 9	14
1904669	105-21	40	A	3142 R	45- 1 1	A 5275 R	105-11	16	AA 6060 R	16- 9	11
1904669	105-23	40	A	3142 R	45- 1 2	A 5276 R	105-11	9	AA 6061 R	16- 9	17
1905590	105-17	6	A	3190 R	55-63 9	A 5277 R	105-11	10	AA 6061 R	16-11	18
1905673	105-19	1	A	3459 RT	55-29 56	A 5278 R	105-11	12	AA 6165 R	105-11	14
1906950	105-19	11	A	3459 RT	55-31 58	A 5279 R	105-11	13	AA 6307 R	55-65	41A
1909004	105-17	19	A	3459 RT	55-33 55	A 5292 R	35- 5	23	AA 6307 R	55-65	43A
1909008	105-17	5	A	3460 RT	55-29 57	A 5292 R	35-11	26	AA 6307 R	55-65	44
1909206	105-17	47	A	3460 RT	55-31 59	A 5297 R	16- 9	16	AA 6309 R	55-65	44
1909273	105-17	32	A	3460 RT	55-33 56	A 5301 R	55-65	38A	AA 6314 R	55-49	25
1910183	105-15	12	A	3539 R	105-17 4	A 5301 R	55-65	47	AA 6314 R	55-49	33
1911119	105-17	12	A	3581 R	30-42 13	A 5302 R	55-65	38A	AA 6314 R	55-51	37
1911263	105-19	30	A	3581 R	55-37 33	A 5302 R	55-65	45	AA 6314 R	55-53	4
1911978	105-19	38	A	3581 R	55-39 24	A 5304 R	55-65	33A	AA 6314 R	55-53	37
1912008	105-19	31	A	3581 R	55-41 1	A 5304 R	55-65	33B	AA 6314 R	55-55	20
1912159	105-15	19	A	3581 R	55-45 1				AA 6314 R	55-55	40
1912176	105-15	10	A	3581 R	55-47 4				AA 6734 R	105- 5	26
1914142	105-17	41	A	3581 R	55-65 42				AA 6734 R	105- 7	26
1914144	105-17	38	A	3581 R	75- 9 5				AA 6734 R	105- 9	26
1914309	105-17	7	A	3581 R	75-11 5	AA			AA 7393 R	65- 3	..
1916747	105-19	23	A	3581 R	75-15 14	AA 3238 R	105- 3	7			
1916748	105-19	24	A	3581 R	80- 2 3	AA 3239 R	105- 3	10			
1916805	105-17	42	A	3581 R	80- 3 14	AA 3239 R	105- 5	29			
1916806	105-17	40	A	3581 R	80- 5 45	AA 3239 R	105- 7	23			
1917296	105-19	12	A	3606 R	55-65 34	AA 3239 R	105- 9	23			
1917900	105-17	25	A	3609 R	55-63 5	AA 3240 R	105- 3	8			
1922408	105-15	11	A	3610 R	55-63 4	AA 3241 R	105- 3	12			
1922599	105-15	15	A	3611 R	55-63 3	AA 3241 R	105- 5	31			
1922996	105-15	2	A	3612 R	55-63 6	AA 3241 R	105- 7	21			
1923194	105-21	28	A	3613 R	55-63 27	AA 3241 R	105- 9	21			
1923195	105-21	26	A	3614 R	55-63 28	AA 3495 R	105- 3	4			
1924229	105-21	52	A	3910 R	10- 3 10	AA 3495 R	105- 5	37			
1924229	105-25	42	A	3910 R	30-25 3	AA 3495 R	105- 7	34			
1924764	105-15	9	A	3910 R	55-33 18	AA 3495 R	105- 9	34			
1925097	105-19	36	A	4282 RT	20- 5 14	AA 3754 R	55-63	31			
1925098	105-19	22	A	4655 R	105-12 9	AA 4279 R	55-63	34			
1925748	105-19	5	A	4679 T	85-11 18	AA 4279 R	55-65	13			
1927980	105-15	3	A	4679 R	115- 3 19	AA 4542 R	55-65	13			
1927981	105-15	4	A	4699 R	105-12 16	AA 4666 R	105- 5	27			
						AA 4666 R	105- 7	25			

Part No.	Page	Key	Part No.	Page	Key	Part No.	Page	Key	Part No.	Page	Key
AF			AM			AM			AM		
AF 1396 R	16-	5 5	AM 220 T	10-	5 12	AM 498 T	60-17	16	AM 680 T	35-	3 2
AF 1397 R	16-	5 8	AM 227 T	25-19	22	AM 498 T	60-19	8	AM 682 T	10-	3 43
AF 1398 R	16-	5 12	AM 227 T	25-21	19	AM 498 T	60-21	10	AM 682 T	10-	7 37
AF 1399 R	16-	5 13	AM 227 T	25-23	20	AM 499 T	41-	3 43	AM 683 T	10-	7 15
AF 1588 R	55-65	41A	AM 229 T	10-	8 9	AM 499 T	60-19	4	AM 686 T	25-	3 12
AF 1934 R	30-21	29	AM 230 T	10-	8 14	AM 505 T	85-13	2	AM 686 T	25-	5 12
AF 1934 R	30-23	29	AM 232 T	10-	3 11	AM 505 T	85-15	3	AM 686 T	25-	9 7
AF 1934 R	30-37	13	AM 234 T	10-	3 5	AM 514 T	105-17	1	AM 686 T	25-	11 10
AF 1934 R	30-39	26	AM 234 T	15-13	9	AM 524 T	60-	7 21	AM 686 T	25-	13 10
AF 1934 R	30-41	23	AM 235 T	10-	3 7	AM 531 T	105-	3 15	AM 698 T	30-	32 11
AF 1934 R	30-42	2	AM 236 T	10-	9 3	AM 586 T	55-49	17	AM 699 T	30-	32 15
AF 2057 R	20-	5 8	AM 253 T	30-27	5	AM 586 T	55-51	29	AM 700 T	30-	32 19
AF 2331 R	55-65	41B	AM 253 T	30-30	6	AM 586 T	55-53	29	AM 718 T	10-	3 24
AF 2433 R	55-65	41A	AM 253 T	30-31	10	AM 586 T	55-55	13	AM 718 T	10-	5 20
AF 2433 R	55-65	41B	AM 253 T	30-36	12	AM 605 T	30-36	11	AM 719 T	10-	3 24
AF 2749 R	105-13	8	AM 253 T	30-43	15	AM 605 T	30-43	14	AM 719 T	10-	5 20
AF 2914 R	15-13	6	AM 253 T	30-45	1	AM 608 T	30-	3 10	AM 720 T	10-	3 24
AF 3089 R	105-	5 34	AM 253 T	41-	5 23	AM 608 T	30-	5 10	AM 720 T	10-	5 20
AF 3089 R	105-	7 29	AM 271 T	10-	7 15	AM 609 T	15-15	21	AM 722 T	10-	5 22
AF 3089 R	105-	9 29	AM 284 T	10-	9 16	AM 629 T	10-	5 37	AM 724 T	10-	3 34
AF 3891 R	105-	3 12	AM 292 T	10-	3 45	AM 635 T	15-13	21	AM 724 T	10-	5 17
AF 3893 R	105-	3 9	AM 292 T	30-25	34	AM 635 T	20-	3 30	AM 725 T	10-	5 17
			AM 292 T	30-27	50	AM 635 T	41-21	18	AM 726 T	10-	3 34
			AM 292 T	55-35	22	AM 635 T	85-11	5	AM 726 T	10-	5 17
			AM 292 T	55-37	43	AM 636 T	15-13	21	AM 727 T	10-	5 12
			AM 292 T	55-39	34	AM 636 T	20-	3 30	AM 727 T	10-	5 13
			AM 292 T	55-41	26	AM 636 T	85-11	5	AM 728 T	10-	5 13
			AM 292 T	55-43	22	AM 636 T	85-15	10	AM 730 T	10-	8 8
			AM 295 T	15-15	20	AM 640 T	20-	3 18	AM 731 T	10-	8 9
			AM 298 T	20-	3 17	AM 640 T	41-20	6	AM 732 T	10-	8 10
			AM 320 T	25-19	8	AM 640 T	41-21	5	AM 733 T	10-	8 11
			AM 320 T	25-21	11	AM 644 T	25-19	9	AM 734 T	10-	8 14
			AM 320 T	25-25	15	AM 645 T	25-19	11	AM 735 T	10-	9 6
			AM 321 T	25-	3 13	AM 646 T	25-19	15	AM 736 T	10-	9 12
			AM 321 T	25-	9 6	AM 646 T	25-21	22	AM 737 T	10-	9 16
			AM 322 T	25-	3 12	AM 646 T	25-23	23	AM 738 T	10-	9 3
			AM 322 T	25-	5 12	AM 646 T	25-25	27	AM 756 T	10-	3 25
			AM 322 T	25-	9 7	AM 648 T	25-19	17	AM 761 T	55-37	21
			AM 322 T	25-11	10	AM 648 T	25-21	25	AM 761 T	55-39	12
			AM 322 T	25-13	10	AM 648 T	25-23	26	AM 761 T	55-41	13
			AM 325 T	65-	5 5	AM 648 T	25-25	30	AM 762 T	55-29	48
			AM 339 T	90-	3 1	AM 650 T	25-19	22	AM 762 T	55-31	48
			AM 339 T	90-	5 1	AM 650 T	25-21	19	AM 762 T	55-33	48
			AM 339 T	90-	7 1	AM 650 T	25-23	20	AM 762 T	55-35	3
			AM 339 T	90-	9 1	AM 654 T	30-	7 10	AM 762 T	55-49	21
			AM 339 T	90-17	1	AM 654 T	30-	9 10	AM 762 T	55-53	8
			AM 349 T	85-13	1	AM 654 T	30-11	12	AM 762 T	55-55	17
			AM 355 T	105-	3 25	AM 656 T	30-	7 15	AM 763 T	55-29	48
			AM 355 T	105-12	20	AM 658 T	30-	7 24	AM 763 T	55-31	48
			AM 355 T	105-17	52	AM 658 T	30-	9 24	AM 763 T	55-33	48
			AM 371 T	15-14	1	AM 658 T	30-11	26	AM 763 T	55-35	3
			AM 373 T	105-17	48	AM 658 T	30-13	24	AM 763 T	55-49	21
			AM 374 T	105-17	3	AM 658 T	30-15	24	AM 763 T	55-53	8
			AM 375 T	105-17	52	AM 658 T	30-17	37	AM 763 T	55-55	17
			AM 467 T	15-14	1	AM 658 T	30-19	37	AM 764 T	55-29	48
			AM 496 T	41-	3 35	AM 658 T	31-	3 34	AM 764 T	55-31	48
			AM 496 T	60-	5 23	AM 659 T	30-	7 26A	AM 764 T	55-33	48
			AM 496 T	60-	7 14	AM 659 T	30-	9 26A	AM 764 T	55-35	3
			AM 496 T	60-	9 17	AM 659 T	30-11	30A	AM 764 T	55-49	21
			AM 496 T	60-11	52	AM 659 T	30-13	26B	AM 764 T	55-53	8
			AM 496 T	60-13	36	AM 659 T	30-15	26B	AM 764 T	55-55	17
			AM 496 T	60-15	23	AM 662 T	30-	7 39	AM 773 T	35-	5 8
			AM 496 T	60-17	16	AM 662 T	30-	9 39	AM 791 T	105-17	48
			AM 496 T	60-19	8	AM 664 T	30-	7 39	AM 859 T	25-	3 4
			AM 496 T	60-21	10	AM 664 T	30-30	2	AM 860 T	95-	3 26
			AM 497 T	41-	3 43	AM 664 T	30-31	2	AM 895 T	95-	3 2
			AM 498 T	41-	3 35	AM 668 T	30-29	23	AM 902 T	10-	5 24
			AM 498 T	60-	5 23	AM 668 T	30-30	16	AM 904 T	65-	6 10
			AM 498 T	60-	7 14	AM 668 T	30-31	17	AM 906 T	40-	3 12
			AM 498 T	60-	9 17	AM 669 T	10-	7 4	AM 906 T	40-	5 12
			AM 498 T	60-11	52	AM 677 T	10-	7 4	AM 906 T	40-	7 13
			AM 498 T	60-13	36	AM 677 T	10-	3 22	AM 906 T	41-	6 13
			AM 498 T	60-15	23	AM 677 T	10-	7 43	AM 914 T	60-	3 4
						AM 678 T	10-	7 45	AM 917 T	40-	3 49
						AM 680 T	10-	7 41	AM 917 T	40-	5 58
						AM 680 T	30-17	46			
						AM 680 T	30-19	46			

Part No.	Page	Key	Part No.	Page	Key	Part No.	Page	Key	Part No.	Page	Key
AM 917 T	40-	7 49	AM 1333 T	55-53	32	AM 1721 T	30-29	21	AM 1915 T	55-21	54
AM 922 T	40-	5 60	AM 1333 T	55-55	25	AM 1721 T	95-	5 28	AM 1916 T	55-19	9
AM 923 T	40-	5 37	AM 1334 T	55-63	8	AM 1728 T	65-	2 9	AM 1916 T	55-21	9
AM 931 T	10-	3 17	AM 1335 T	55-63	10	AM 1751 T	75-	3 29	AM 1917 T	55-19	13
AM 931 T	10-	5 24	AM 1337 T	55-61	1	AM 1752 T	75-	3 38	AM 1917 T	55-21	13
AM 939 T	35-	5 18	AM 1367 T	60-11	9	AM 1752 T	75-	4 18	AM 1918 T	55-19	26
AM 939 T	35-	7 16	AM 1369 T	60-11	3	AM 1766 T	20-	3 26	AM 1918 T	55-21	26
AM 939 T	35-	9 15	AM 1372 T	60-11	49	AM 1767 T	90-	3 2	AM 1920 T	55-29	21
AM 939 T	35-11	17	AM 1373 T	60-11	48	AM 1767 T	90-17	2	AM 1920 T	55-31	21
AM 942 T	40-	5 47	AM 1375 T	60-11	26	AM 1773 T	40-	5 61	AM 1920 T	55-33	21
AM 943 T	40-	5 50	AM 1379 T	60-11	47	AM 1782 T	10-	5 6	AM 1920 T	55-35	17
AM 944 T	40-	5 28	AM 1382 T	60-11	49	AM 1783 T	10-	5 18	AM 1922 T	55-37	44
AM 946 T	40-	3 14	AM 1383 T	60-11	48	AM 1784 T	10-	5 18	AM 1922 T	55-39	35
AM 946 T	40-	5 14	AM 1384 T	60-11	..	AM 1788 T	10-	3 29	AM 1922 T	55-41	31
AM 946 T	40-	7 15	AM 1385 T	60-11	..	AM 1790 T	15-15	23	AM 1924 T	55-19	46
AM 948 T	30-	7 26A	AM 1390 T	25-	9 29	AM 1791 T	15-15	1	AM 1924 T	55-21	46
AM 948 T	30-	9 26A	AM 1391 T	25-	9 33	AM 1792 T	15-15	13	AM 1924 T	55-23	64
AM 948 T	30-11	30A	AM 1392 T	60-	9 53	AM 1793 T	85-13	21	AM 1924 T	55-25	11
AM 948 T	30-13	26B	AM 1392 T	60-11	45	AM 1799 T	15-	9 33	AM 1924 T	55-27	11
AM 948 T	30-15	26B	AM 1393 T	60-11	9	AM 1799 T	15-11	34	AM 1925 T	55-19	50
AM 953 T	65-	2 9	AM 1394 T	60-11	3	AM 1780 T	50-	3 10	AM 1925 T	55-21	50
AM 956 T	40-	1 10	AM 1395 T	60-11	17	AM 1800 T	85-13	14	AM 1925 T	55-23	60
AM 958 T	60-	3 4	AM 1396 T	60-11	48	AM 1802 T	105-21	2	AM 1925 T	55-25	7
AM 964 T	40-	3 49	AM 1397 T	60-11	27	AM 1803 T	105-19	..	AM 1925 T	55-27	7
AM 964 T	40-	5 58	AM 1398 T	60-11	47	AM 1809 T	85-13	8	AM 1926 T	55-37	36
AM 964 T	40-	7 49	AM 1399 T	60-11	48	AM 1812 T	15-13	25	AM 1926 T	55-39	27
AM 971 T	35-	9 11	AM 1405 T	95-	3 42	AM 1814 T	15-13	38	AM 1926 T	55-41	35
AM 972 T	35-	9 13	AM 1406 T	95-	3 38	AM 1815 T	15-13	37	AM 1927 T	55-37	33
AM 972 T	35-11	18	AM 1407 T	95-	3 13	AM 1817 T	15-13	19	AM 1927 T	55-39	24
AM 973 T	35-	5 18	AM 1448 T	55-	5 20	AM 1828 T	70-	5 11	AM 1927 T	55-41	1
AM 975 T	35-	9 31	AM 1457 T	30-	7 10	AM 1831 T	85-	5 8	AM 1927 T	55-43	1
AM 977 T	65-	2 9	AM 1457 T	30-	9 10	AM 1832 T	85-	5 7	AM 1927 T	55-45	1
AM 978 T	65-	2 3	AM 1458 T	30-	7 39	AM 1834 T	85-	5 1	AM 1927 T	55-47	5
AM 980 T	95-	3 36	AM 1458 T	30-	9 39	AM 1836 T	90-	5 7	AM 1927 T	80-	3 14
AM 982 T	30-29	4	AM 1474 T	60-	7 7	AM 1836 T	90-	9 7	AM 1928 T	55-37	32
AM 984 T	30-29	6	AM 1474 T	60-13	10	AM 1838 T	90-	5 3	AM 1928 T	55-39	23
AM 991 T	95-	3 11	AM 1513 T	25-19	1	AM 1839 T	90-	5 2	AM 1928 T	55-47	1
AM 992 T	95-	3 19	AM 1514 T	40-	3 8	AM 1839 T	90-	7 2	AM 1930 T	30-29	12
AM 996 T	95-	3 32	AM 1514 T	40-	5 8	AM 1839 T	90-	9 2	AM 1935 T	25-17	26
AM 997 T	95-	3 2	AM 1514 T	40-	7 9	AM 1842 T	35-	9 10	AM 1935 T	30-25	1
AM 998 T	95-	5 7	AM 1514 T	41-	6 9	AM 1852 T	30-	5 25	AM 1935 T	30-27	48
AM 1006 T	35-	3 43	AM 1524 T	55-49	6	AM 1858 T	70-	5 19	AM 1935 T	95-	5 15
AM 1013 T	40-	1 7	AM 1524 T	55-51	33	AM 1859 T	70-	5 15	AM 1947 T	30-47	..
AM 1014 T	40-	1 13	AM 1524 T	55-53	33	AM 1861 T	70-	5 19	AM 1948 T	105-9	34
AM 1037 T	60-	2 ..	AM 1524 T	55-55	25	AM 1862 T	70-	5 35	AM 1949 T	105-12	1
AM 1074 T	55-23	47	AM 1532 T	35-	9 33	AM 1864 T	105-13	8	AM 1954 T	90-	3 5
AM 1074 T	55-29	18	AM 1533 T	35-	7 8	AM 1865 T	105-	3 27	AM 1955 T	90-	3 15
AM 1074 T	55-31	18	AM 1534 T	35-	9 33	AM 1866 T	105-12	8	AM 1956 T	90-	3 17
AM 1078 T	55-29	24	AM 1535 T	105-17	1	AM 1869 T	50-	3 10	AM 1956 T	90-	7 3
AM 1078 T	55-31	24	AM 1536 T	105-17	1	AM 1870 T	50-	3 4	AM 1956 T	90-17	3
AM 1078 T	55-33	24	AM 1576 T	55-23	43	AM 1879 T	105-	3 21	AM 1958 T	35-	9 19
AM 1088 T	10-	3 47	AM 1576 T	55-35	13	AM 1882 T	25-	3 18	AM 1959 T	30-45	2
AM 1100 T	55-	3 13	AM 1586 T	55-23	44	AM 1882 T	25-	5 18	AM 1965 T	30-43	6
AM 1119 T	55-	7 33	AM 1586 T	55-35	12	AM 1882 T	25-	7 7	AM 1967 T	70-	3 11
AM 1119 T	55-	9 10	AM 1602 T	35-	9 11	AM 1883 T	85-	2 16	AM 1971 T	85-	4 1
AM 1119 T	55-11	7	AM 1619 T	15-17	7	AM 1884 T	85-	2 10	AM 1977 T	30-47	3
AM 1119 T	55-13	7	AM 1621 T	15-17	14	AM 1890 T	75-	8 5	AM 1977 T	35-	5 12
AM 1120 T	105-	7 7	AM 1628 T	15-17	7	AM 1891 T	80-	3 24	AM 1977 T	35-	7 12
AM 1120 T	105-	9 19	AM 1629 T	15-17	14	AM 1894 T	80-	3 30	AM 1978 T	30-47	8
AM 1126 T	10-	5 37	AM 1642 T	15-17	14	AM 1896 T	80-	3 18	AM 1979 T	30-47	14
AM 1135 T	75-	3 36	AM 1642 T	15-17	19	AM 1900 T	80-	3 40	AM 1980 T	105-	5 18
AM 1142 T	105-	3 39	AM 1662 T	15-21	7	AM 1900 T	80-	5 51	AM 1980 T	105-	5 39
AM 1162 T	60-	2 8	AM 1664 T	15-21	1	AM 1901 T	80-	3 27	AM 1980 T	105-	7 1
AM 1174 T	60-	2 13	AM 1714 T	30-29	18	AM 1905 T	80-	2 2	AM 1980 T	105-	7 30
AM 1176 T	60-	2 18	AM 1717 T	30-29	14	AM 1906 T	80-	3 7	AM 1980 T	105-	9 6
AM 1182 T	50-	3 6	AM 1717 T	30-47	29	AM 1908 T	80-	3 9	AM 1980 T	105-	9 30
AM 1185 T	60-	2 4	AM 1717 T	35-	5 28	AM 1909 T	75-11	22	AM 1981 T	105-	9 7
AM 1186 T	60-	2 9	AM 1717 T	35-12	5	AM 1909 T	75-15	17	AM 1987 T	30-36	5
AM 1187 T	60-	2 3	AM 1717 T	95-	5 23	AM 1909 T	80-	3 12	AM 1996 T	70-	3 32
AM 1277 T	60-11	13	AM 1719 T	95-	3 36	AM 1909 T	80-	3 53	AM 2001 T	60-	7 23
AM 1278 T	60-11	13	AM 1720 T	30-	7 33	AM 1909 T	80-	3 55	AM 2008 T	100-	5 ..
AM 1319 T	55-61	1	AM 1720 T	30-	9 33	AM 1909 T	80-	3 56	AM 2008 T	100-	7 ..
AM 1320 T	55-61	4	AM 1720 T	30-29	22	AM 1910 T	80-	3 53	AM 2009 T	100-	5 18
AM 1333 T	55-49	5	AM 1720 T	30-30	10	AM 1910 T	80-	3 55	AM 2009 T	100-	7 18
AM 1333 T	55-51	32	AM 1720 T	30-31	13	AM 1915 T	55-19	54	AM 2011 T	100-	5 9

Part No.	Page	Key	Part No.	Page	Key	Part No.	Page	Key	Part No.	Page	Key
AM 2011 T	100-	7 9	AM 2332 T	50-	2 6	AM 2631 T	80-	3 39	AM 2848 T	10-	7 31
AM 2022 T	100-	9 13	AM 2333 T	50-	2 8	AM 2632 T	80-	3 30	AM 2848 T	110-	4 ..
AM 2031 T	55-	25 4	AM 2338 T	75-	3 24	AM 2634 T	80-	3 5	AM 2848 T	110-	5 ..
AM 2033 T	55-	25 24	AM 2359 T	15-	13 8	AM 2639 T	60-	7 9	AM 2849 T	10-	7 22
AM 2035 T	55-	35 31	AM 2361 T	95-	5 2	AM 2643 T	60-	13 6	AM 2873 T	100-	3 7
AM 2038 T	105-	5 2	AM 2396 T	40-	5 9	AM 2645 T	100-	5 27	AM 2878 T	100-	3 7
AM 2045 T	75-	7 20	AM 2401 T	50-	11 ..	AM 2646 T	100-	5 27	AM 2914 T	85-	2 1
AM 2046 T	75-	7 10	AM 2402 T	50-	11 10	AM 2646 T	100-	7 42	AM 2915 T	75-	3 4
AM 2049 T	105-	5 6	AM 2403 T	50-	11 21	AM 2658 T	60-	15 9	AM 2924 T	35-	11 12
AM 2049 T	105-	7 13	AM 2405 T	75-	11 7	AM 2661 T	60-	15 10	AM 2932 T	55-	9 23
AM 2049 T	105-	9 2	AM 2406 T	75-	11 10	AM 2662 T	60-	15 14	AM 2932 T	55-	11 24
AM 2050 T	105-	7 8	AM 2408 T	80-	3 27	AM 2665 T	60-	15 32	AM 2932 T	55-	13 24
AM 2053 T	30-	36 8	AM 2409 T	35-	7 36	AM 2666 T	60-	15 29	AM 2935 T	55-	61 9
AM 2060 T	65-	5 ..	AM 2424 T	55-	15 2	AM 2675 T	25-	19 2	AM 2936 T	55-	61 2
AM 2063 T	60-	9 31	AM 2425 T	55-	15 8	AM 2676 T	60-	13 5	AM 2937 T	55-	57 17
AM 2065 T	60-	9 41	AM 2428 T	65-	6 7	AM 2683 T	40-	3 9	AM 2939 T	55-	57 12
AM 2066 T	60-	9 45	AM 2437 T	55-	35 21	AM 2683 T	40-	7 10	AM 2939 T	55-	58 7
AM 2066 T	60-	17 37	AM 2447 T	40-	3 31	AM 2684 T	40-	3 7	AM 2939 T	55-	59 7
AM 2069 T	60-	9 22	AM 2453 T	55-	14 4	AM 2684 T	40-	5 7	AM 2940 T	55-	57 2
AM 2069 T	60-	11 21	AM 2453 T	55-	16 4	AM 2684 T	40-	7 8	AM 2940 T	55-	58 12
AM 2070 T	60-	9 27	AM 2453 T	55-	17 4	AM 2684 T	41-	6 8	AM 2940 T	55-	59 12
AM 2073 T	65-	5 5	AM 2457 T	35-	5 38	AM 2702 T	105-	15 ..	AM 2941 T	55-	9 2
AM 2086 T	60-	9 3	AM 2461 T	60-	5 10	AM 2707 T	45-	1 2	AM 2942 T	55-	9 5
AM 2087 T	60-	9 6	AM 2462 T	60-	5 15	AM 2707 T	45-	2 8	AM 2943 T	55-	9 11
AM 2091 T	105-	12 2	AM 2464 T	25-	19 2	AM 2707 T	45-	3 5	AM 2943 T	55-	11 1
AM 2092 T	50-	7 ..	AM 2468 T	60-	5 9	AM 2713 T	80-	3 24	AM 2943 T	55-	13 1
AM 2093 T	50-	7 ..	AM 2472 T	80-	3 18	AM 2715 T	80-	3 30	AM 2945 T	41-	9 18
AM 2093 T	50-	11 ..	AM 2473 T	80-	3 24	AM 2723 T	35-	3 34	AM 2945 T	55-	3 18
AM 2094 T	50-	5 34	AM 2474 T	80-	3 30	AM 2724 T	40-	3 10	AM 2945 T	55-	5 14
AM 2094 T	50-	7 19	AM 2483 T	85-	3 3	AM 2724 T	40-	5 10	AM 2945 T	55-	7 13
AM 2095 T	50-	5 ..	AM 2484 T	85-	3 6	AM 2724 T	40-	7 11	AM 2945 T	55-	9 16
AM 2096 T	50-	7 7	AM 2525 T	65-	5 3	AM 2724 T	41-	6 11	AM 2945 T	55-	11 28
AM 2096 T	50-	11 9	AM 2533 T	55-	16 11	AM 2739 T	90-	9 3	AM 2945 T	55-	13 28
AM 2096 T	115-	3 21	AM 2534 T	55-	16 10	AM 2748 T	30-	45 ..	AM 2947 T	55-	3 ..
AM 2097 T	50-	7 2	AM 2542 T	60-	5 34	AM 2750 T	30-	45 18	AM 2950 T	55-	51 22
AM 2097 T	50-	11 4	AM 2543 T	60-	5 37	AM 2753 T	55-	63 25	AM 2950 T	55-	53 22
AM 2098 T	50-	7 6	AM 2547 T	30-	45 ..	AM 2755 T	55-	14 11	AM 2951 T	55-	58 19
AM 2098 T	50-	11 8	AM 2549 T	30-	45 17	AM 2756 T	55-	14 10	AM 2951 T	55-	59 19
AM 2099 T	50-	7 13	AM 2549 T	105-	9 7	AM 2757 T	105-	12 13	AM 2952 T	55-	11 14
AM 2099 T	50-	11 1	AM 2552 T	30-	45 16	AM 2758 T	80-	3 27	AM 2952 T	55-	13 14
AM 2090 T	15-	17 16	AM 2553 T	30-	45 3	AM 2759 T	35-	5 13	AM 2955 T	55-	11 13
AM 2100 T	50-	5 7	AM 2554 T	30-	45 5	AM 2760 T	35-	5 27	AM 2957 T	75-	5 14
AM 2101 T	50-	5 1	AM 2555 T	40-	3 34	AM 2761 T	35-	7 25	AM 2958 T	75-	5 6
AM 2108 T	65-	7 7	AM 2555 T	40-	7 35	AM 2762 T	100-	9 14	AM 2959 T	20-	3 16
AM 2133 T	35-	3 17	AM 2555 T	40-	8 5	AM 2762 T	100-	9 34	AM 2971 T	85-	10 2
AM 2135 T	35-	3 41	AM 2555 T	55-	23 35	AM 2763 T	100-	9 15	AM 2972 T	15-	14 1
AM 2136 T	35-	3 39	AM 2570 T	60-	7 30	AM 2763 T	100-	9 33	AM 2977 T	75-	9 1
AM 2137 T	10-	3 29	AM 2571 T	60-	7 34	AM 2764 T	100-	9 32	AM 2979 T	85-	5 7
AM 2142 T	15-	17 15	AM 2575 T	25-	19 20	AM 2765 T	100-	9 35	AM 2980 T	85-	5 8
AM 2143 T	15-	17 11	AM 2575 T	25-	21 20	AM 2766 T	100-	11 21	AM 2981 T	60-	19 22
AM 2144 T	15-	17 13	AM 2575 T	25-	23 21	AM 2767 T	100-	11 20	AM 2981 T	60-	17 33
AM 2147 T	75-	3 22	AM 2576 T	25-	19 22	AM 2768 T	100-	11 19	AM 2983 T	60-	17 7
AM 2151 T	105-	12 3	AM 2576 T	25-	21 19	AM 2769 T	100-	11 22	AM 2984 T	60-	17 4
AM 2152 T	105-	12 4	AM 2576 T	25-	23 20	AM 2775 T	35-	5 18	AM 2985 T	55-	5 1
AM 2158 T	105-	13 7	AM 2578 T	80-	3 39	AM 2775 T	35-	7 16	AM 2985 T	55-	5 28
AM 2163 T	60-	13 23	AM 2589 T	45-	3 7	AM 2775 T	35-	9 15	AM 2985 T	55-	7 2
AM 2167 T	60-	13 31	AM 2595 T	45-	2 10	AM 2775 T	35-	11 17	AM 2985 T	105-	7 7
AM 2168 T	60-	13 28	AM 2598 T	45-	2 7	AM 2779 T	80-	3 27	AM 2985 T	105-	9 19
AM 2170 T	55-	27 4	AM 2598 T	45-	2 7	AM 2780 T	10-	3 13	AM 2988 T	55-	5 24
AM 2172 T	55-	27 23	AM 2598 T	45-	2 8	AM 2780 T	20-	5 28	AM 2989 T	55-	5 24
AM 2176 T	80-	3 24	AM 2600 T	45-	2 2A	AM 2793 T	60-	9 3	AM 2990 T	55-	5 24
AM 2177 T	80-	3 30	AM 2600 T	45-	3 2	AM 2794 T	60-	9 6	AM 2991 T	55-	5 24
AM 2206 T	85-	6 3	AM 2606 T	15-	13 28	AM 2795 T	60-	7 21	AM 2991 T	55-	7 21
AM 2208 T	85-	6 6	AM 2607 T	15-	13 33	AM 2810 T	105-	11 4	AM 2998 T	55-	5 3
AM 2211 T	90-	7 3	AM 2608 T	15-	13 34	AM 2811 T	105-	11 28	AM 2999 T	55-	5 23
AM 2244 T	35-	7 38	AM 2615 T	30-	7 33	AM 2812 T	105-	11 24	AM 3003 T	55-	47 10
AM 2255 T	100-	7 30	AM 2615 T	30-	9 33	AM 2812 T	115-	3 5	AM 3004 T	55-	29 66
AM 2256 T	100-	7 30	AM 2615 T	30-	30 10	AM 2813 T	105-	11 1	AM 3004 T	55-	31 68
AM 2257 T	100-	7 27	AM 2615 T	30-	31 13	AM 2813 T	105-	11 15	AM 3004 T	55-	33 65
AM 2258 T	100-	7 28	AM 2619 T	85-	7 10	AM 2815 T	105-	11 17	AM 3005 T	55-	19 65
AM 2286 T	90-	7 6	AM 2622 T	85-	7 4	AM 2832 T	100-	3 7	AM 3009 T	15-	3 13
AM 2286 T	90-	9 6	AM 2624 T	75-	15 11	AM 2840 T	20-	5 20	AM 3010 T	15-	14 13
AM 2287 T	85-	4 4	AM 2625 T	75-	15 18	AM 2841 T	55-	63 18	AM 3012 T	10-	5 21
AM 2297 T	80-	3 5	AM 2627 T	80-	3 24	AM 2845 T	10-	7 14	AM 3014 T	10-	8 ..
AM 2307 T	15-	13 7	AM 2628 T	80-	3 18	AM 2847 T	10-	7 18	AM 3015 T	10-	3 4

Part No.	Page	Key	Part No.	Page	Key	Part No.	Page	Key	Part No.	Page	Key
AM 3019 T	50-	2 ..	AM 3168 T	10-	3 34	AM 3362 T	25-	7 4	AM 3462 T	90-	7 1
AM 3025 T	40-	7 32	AM 3168 T	10-	5 17	AM 3363 T	75-	3 20	AM 3462 T	90-	9 1
AM 3039 T	10-	5 1	AM 3169 T	10-	3 34	AM 3364 T	75-	3 4	AM 3463 T	90-	5 2
AM 3043 T	35-	11 37	AM 3169 T	10-	5 17	AM 3365 T	85-	2 16	AM 3463 T	90-	7 2
AM 3047 T	35-	11 10	AM 3170 T	10-	3 24	AM 3366 T	85-	2 10	AM 3463 T	90-	9 2
AM 3048 T	85-	11 15	AM 3170 T	10-	5 20	AM 3367 T	100-	9 1	AM 3464 T	90-	3 2
AM 3049 T	85-	11 15	AM 3171 T	10-	3 24	AM 3368 T	35-	3 15	AM 3465 T	30-	21 51
AM 3050 T	85-	11 15	AM 3171 T	10-	5 20	AM 3371 T	100-	9 14	AM 3465 T	30-	23 57
AM 3055 T	105-	17 2	AM 3172 T	15-	14 4	AM 3371 T	100-	9 17	AM 3466 T	30-	23 50
AM 3056 T	10-	3 8	AM 3182 T	95-	3 2	AM 3371 T	100-	9 34	AM 3469 T	50-	5 7
AM 3058 T	10-	7 27	AM 3183 T	25-	19 20	AM 3371 T	100-	9 37	AM 3478 T	65-	5 5
AM 3060 T	20-	5 ..	AM 3183 T	25-	21 20	AM 3372 T	100-	9 15	AM 3479 T	65-	5 5
AM 3061 T	15-	7 12	AM 3184 T	25-	19 21	AM 3372 T	100-	9 17	AM 3483 T	15-	4 ..
AM 3063 T	70-	5 19	AM 3188 T	110-	4 ..	AM 3372 T	100-	9 33	AM 3491 T	30-	16 12
AM 3064 T	70-	5 15	AM 3189 T	110-	5 ..	AM 3372 T	100-	9 37	AM 3491 T	30-	19 26
AM 3066 T	75-	3 22	AM 3190 T	10-	5 1	AM 3373 T	100-	9 35	AM 3491 T	31-	3 23
AM 3070 T	100-	9 1	AM 3190 T	10-	5 1	AM 3373 T	100-	9 37	AM 3492 T	15-	20 1
AM 3071 T	100-	9 1	AM 3191 T	10-	5 1	AM 3374 T	100-	9 1	AM 3493 T	15-	20 1
AM 3072 T	100-	9 1	AM 3202 T	65-	8 4	AM 3375 T	100-	9 32	AM 3494 T	30-	13 33
AM 3073 T	100-	11 1	AM 3208 T	105-	3 22	AM 3375 T	100-	9 37	AM 3494 T	30-	17 48
AM 3074 T	100-	11 1	AM 3218 T	100-	15 14	AM 3376 T	100-	9 1	AM 3494 T	30-	29 22
AM 3076 T	70-	5 35	AM 3218 T	100-	15 14	AM 3377 T	100-	11 21	AM 3494 T	30-	30 10
AM 3079 T	60-	17 33	AM 3222 T	15-	4 ..	AM 3377 T	100-	11 22	AM 3494 T	30-	31 13
AM 3081 T	60-	17 7	AM 3223 T	15-	5 ..	AM 3379 T	100-	11 1	AM 3495 T	30-	13 33
AM 3082 T	110-	2 ..	AM 3224 T	15-	4 8	AM 3380 T	100-	11 20	AM 3495 T	30-	17 48
AM 3083 T	110-	2 ..	AM 3225 T	35-	3 15	AM 3380 T	100-	11 24	AM 3495 T	30-	30 10
AM 3084 T	110-	2 ..	AM 3227 T	15-	7 12	AM 3381 T	100-	11 19	AM 3495 T	30-	31 13
AM 3085 T	110-	2 ..	AM 3230 T	85-	10 2	AM 3381 T	100-	11 24	AM 3496 T	65-	6 7
AM 3086 T	110-	2 ..	AM 3233 T	10-	7 27	AM 3382 T	100-	11 1	AM 3497 T	30-	45 ..
AM 3087 T	110-	2 ..	AM 3234 T	15-	17 12	AM 3382 T	100-	11 1	AM 3498 T	30-	45 22
AM 3088 T	110-	2 ..	AM 3235 T	85-	10 2	AM 3383 T	100-	9 13	AM 3511 T	75-	13 3
AM 3089 T	85-	10 2	AM 3238 T	115-	3 36	AM 3390 T	30-	21 1	AM 3513 T	65-	5 5
AM 3090 T	105-	17 ..	AM 3239 T	115-	3 29	AM 3391 T	30-	21 28	AM 3514 T	55-	17 10
AM 3092 T	105-	13 2	AM 3240 T	115-	3 37	AM 3391 T	30-	23 28	AM 3514 T	55-	17 11
AM 3094 T	65-	2 12	AM 3241 T	115-	3 18	AM 3392 T	30-	21 10	AM 3514 T	55-	63 17
AM 3098 T	70-	3 12	AM 3242 T	115-	3 18	AM 3392 T	30-	23 10	AM 3515 T	55-	17 10
AM 3098 T	70-	5 12	AM 3243 T	115-	3 ..	AM 3393 T	30-	23 14	AM 3515 T	55-	17 11
AM 3100 T	15-	13 35	AM 3245 T	15-	3 16	AM 3393 T	30-	23 14	AM 3515 T	55-	63 17
AM 3101 T	15-	3 1	AM 3246 T	15-	3 16	AM 3395 T	30-	21 48	AM 3520 T	95-	5 2
AM 3106 T	55-	17 1	AM 3246 T	15-	3 18	AM 3395 T	30-	23 54	AM 3526 T	90-	11 8
AM 3107 T	55-	17 11	AM 3247 T	15-	3 17	AM 3397 T	105-	21 2	AM 3535 T	30-	16 4
AM 3108 T	55-	17 10	AM 3257 T	105-	3 1	AM 3404 T	25-	25 25	AM 3535 T	30-	18 4
AM 3109 T	70-	5 19	AM 3259 T	105-	17 1	AM 3405 T	25-	25 23	AM 3535 T	31-	3 1
AM 3114 T	55-	16 1	AM 3270 T	85-	5 7	AM 3406 T	25-	25 31	AM 3549 T	115-	3 4
AM 3115 T	55-	14 1	AM 3275 T	85-	5 7	AM 3413 T	55-	5 24	AM 3550 T	110-	2 ..
AM 3116 T	55-	15 1	AM 3276 T	85-	6 6	AM 3419 T	25-	25 24	AM 3571 T	25-	25 46
AM 3117 T	55-	15 13	AM 3277 T	85-	4 4	AM 3420 T	80-	2 2	AM 3572 T	30-	17 17
AM 3118 T	55-	15 12	AM 3278 T	85-	3 3	AM 3426 T	55-	23 32	AM 3572 T	30-	19 31
AM 3119 T	55-	11 30	AM 3279 T	85-	7 4	AM 3427 T	55-	23 33	AM 3572 T	31-	3 28
AM 3119 T	55-	13 30	AM 3297 T	80-	5 40	AM 3428 T	55-	23 16	AM 3577 T	15-	15 23
AM 3120 T	105-	3 24	AM 3299 T	80-	5 27	AM 3429 T	55-	23 13	AM 3583 T	110-	6 ..
AM 3121 T	25-	3 23	AM 3300 T	80-	5 22	AM 3432 T	30-	27 51	AM 3584 T	110-	7 ..
AM 3121 T	25-	9 18	AM 3302 T	80-	5 16	AM 3432 T	55-	37 28	AM 3585 T	15-	20 13
AM 3123 T	25-	19 16	AM 3303 T	80-	5 18	AM 3432 T	55-	37 29	AM 3611 T	15-	7 12
AM 3123 T	25-	21 26	AM 3305 T	80-	5 8	AM 3432 T	55-	39 19	AM 3612 T	15-	7 12
AM 3123 T	25-	23 27	AM 3307 T	80-	5 17	AM 3432 T	55-	39 20	AM 3648 T	30-	21 17
AM 3125 T	105-	12 21	AM 3310 T	80-	5 64	AM 3432 T	55-	41 20	AM 3649 T	30-	21 31
AM 3130 T	15-	20 7	AM 3312 T	55-	43 10	AM 3432 T	55-	45 7	AM 3649 T	30-	23 31
AM 3131 T	15-	20 6	AM 3313 T	90-	3 15	AM 3432 T	55-	45 8	AM 3650 T	30-	23 17
AM 3132 T	15-	20 1	AM 3314 T	55-	61 9	AM 3432 T	55-	47 9	AM 3654 T	30-	13 33
AM 3134 T	15-	20 1	AM 3322 T	25-	5 13	AM 3433 T	55-	37 9	AM 3654 T	30-	17 48
AM 3143 T	55-	21 67	AM 3322 T	25-	11 21	AM 3433 T	55-	37 28	AM 3654 T	30-	29 22
AM 3144 T	105-	11 5	AM 3322 T	25-	13 14	AM 3433 T	55-	39 9	AM 3654 T	30-	30 10
AM 3149 T	40-	5 51	AM 3325 T	25-	25 20	AM 3433 T	55-	39 19	AM 3654 T	30-	31 13
AM 3150 T	65-	5 5	AM 3327 T	25-	11 26	AM 3433 T	55-	41 9	AM 3655 T	30-	13 33
AM 3151 T	110-	2 ..	AM 3327 T	25-	13 18	AM 3434 T	85-	11 19B	AM 3655 T	30-	17 48
AM 3152 T	110-	2 ..	AM 3329 T	25-	11 20	AM 3434 T	115-	3 20	AM 3655 T	30-	30 10
AM 3153 T	110-	2 ..	AM 3330 T	25-	11 19	AM 3435 T	15-	19 ..	AM 3655 T	30-	31 13
AM 3154 T	110-	2 ..	AM 3332 T	25-	11 15	AM 3436 T	15-	19 31	AM 3660 T	90-	11 23
AM 3155 T	110-	2 ..	AM 3332 T	30-	3 41	AM 3437 T	15-	13 25	AM 3661 T	90-	11 22
AM 3156 T	110-	2 ..	AM 3333 T	25-	5 23	AM 3438 T	15-	17 16	AM 3663 T	90-	11 3
AM 3157 T	110-	2 ..	AM 3333 T	25-	11 26	AM 3439 T	15-	15 23	AM 3664 T	90-	11 1
AM 3160 T	55-	35 41	AM 3359 T	25-	25 5	AM 3451 T	15-	15 21	AM 3665 T	90-	11 2
AM 3166 T	10-	5 18	AM 3360 T	25-	25 5	AM 3453 T	30-	21 14	AM 3669 T	40-	3 23
AM 3167 T	10-	5 18	AM 3361 T	40-	1 13	AM 3462 T	90-	3 1	AM 3669 T	40-	5 23
			AM 3362 T	25-	5 4	AM 3462 T	90-	5 1			

Part No.	Page Key	Part No.	Page Key	Part No.	Page Key	Part No.	Page Key
AM 3669 T	40- 7 24	AM 3816 T	60-19 26	AM 3948 T	45- 4 14	AP	
AM 3669 T	41- 6 24	AM 3817 T	20- 3 2	AM 3950 T	105-13 2	AP 17671 H	10- 9 17
AM 3672 T	15-14 18	AM 3819 T	30-13 33	AM 3951 T	60- 7 23	AP 19547 H	55-65 36
AM 3676 T	95- 3 32	AM 3819 T	30-17 48	AM 3952 T	60- 7 30	AP 22690 H	41- 9 9
AM 3679 T	100-14 1	AM 3819 T	30-29 22	AM 3954 T	30-23 17	AP 22690 H	41-11 5
AM 3680 T	100-14 6	AM 3819 T	30-30 10	AM 3960 T	30-21 14	AP 22690 H	41-13 12
AM 3715 T	15-20 1	AM 3819 T	30-31 13	AM 3961 T	16-11 10	AP 22690 H	41-13 18
AM 3716 T	15-20 1	AM 3820 T	30-13 33	AM 3964 T	16-11 3		
AM 3717 T	15-20 1	AM 3820 T	30-17 48	AM 3965 T	16- 9 3		
AM 3718 T	15-20 1	AM 3820 T	30-30 10	AM 3965 T	16-11 7		
AM 3728 T	55-23 68	AM 3820 T	30-31 13	AM 3966 T	16- 9 26	AR	
AM 3729 T	55-23 22	AM 3820 T	30-31 13	AM 3967 T	16- 9 28	AR 10075 R	15- 7 18
AM 3730 T	55-57 17	AM 3833 T	105-13 2	AM 3968 T	16- 9 34	AR 10303 R	15- 7 32
AM 3731 T	55- 9 2	AM 3835 T	10- 7 27	AM 3969 T	55- 7 8	AR 10303 R	16- 3 23
AM 3732 T	55- 9 5	AM 3838 T	15-20 12	AM 3970 T	55- 7 26	AR 11062 R	105-21 15
AM 3735 T	110- 2 ..	AM 3839 T	41- 9 6	AM 3971 T	55- 7 32	AR 11062 R	105-23 15
AM 3736 T	110- 2 ..	AM 3844 T	10- 5 37	AM 3974 T	15-15 21	AR 11063 R	105-21 19
AM 3747 T	41- 3 1	AM 3845 T	40- 7 32	AM 3976 T	41- 6 10	AR 11063 R	105-23 19
AM 3747 T	41- 3 ..	AM 3846 T	40- 3 31	AM 3981 T	70- 3 32	AR 11063 R	105-23 19
AM 3749 T	41- 3 30	AM 3848 T	30-21 10	AM 3983 T	25-21 16	AR 11064 R	105-23 22
AM 3751 T	41- 3 3	AM 3848 T	30-23 10	AM 3983 T	25-23 17	AR 11064 R	105-23 22
AM 3751 T	41- 3 ..	AM 3876 T	35- 3 41	AM 3987 T	15-15 20	AR 11065 R	105-21 23
AM 3752 T	41- 3 6	AM 3880 T	25-11 26	AM 3990 T	30-13 33	AR 11065 R	105-23 23
AM 3754 T	41- 9 3	AM 3880 T	25-13 18	AM 3990 T	30-17 48	AR 11066 R	105-21 9
AM 3755 T	41- 9 1	AM 3881 T	25- 5 23	AM 3990 T	30-29 22	AR 11066 R	105-23 9
AM 3758 T	41-11 26	AM 3881 T	25-11 26	AM 3990 T	30-30 10	AR 11103 R	105-15 13
AM 3758 T	41-14 ..	AM 3881 T	25-13 18	AM 3990 T	30-31 13	AR 20467 R	85-11 23
AM 3761 T	41- 7 ..	AM 3882 T	30-23 14	AM 3991 T	30- 7 33	AR 20467 R	115- 3 20
AM 3762 T	41- 5 28	AM 3892 T	15-13 7	AM 3991 T	30- 9 33	AR 21111 R	85-11 23
AM 3762 T	41- 9 8	AM 3893 T	95- 3 38	AM 3991 T	30-29 22	AR 21565 R	85-11 23
AM 3762 T	41- 9 20	AM 3893 T	95- 3 40	AM 3991 T	30-30 10	AR 21690 R	16- 9 7
AM 3762 T	41-11 4	AM 3893 T	95- 3 42	AM 3991 T	30-31 13	AR 21837 R	16- 9 37
AM 3762 T	41-13 10	AM 3893 T	95- 3 43	AM 3992 T	15-13 6	AR 21837 R	20- 3 8
AM 3763 T	41- 9 8	AM 3894 T	95- 3 42	AM 3993 T	15-13 8	AR 21837 R	41-11 9
AM 3764 T	41- 9 9	AM 3895 T	95- 3 38	AM 3994 T	15-13 14	AR 21839 R	16- 9 38
AM 3765 T	41- 9 7	AM 3898 T	30-15 39	AM 3995 T	15-13 2	AR 21840 R	15-14 13
AM 3767 T	41- 9 13	AM 3898 T	30-19 54	AM 3999 T	50- 9 1	AR 21840 R	20- 3 13
AM 3768 T	41- 9 5	AM 3898 T	31- 3 53	AM 4001 T	55-29 36	AT	
AM 3769 T	41- 9 10	AM 3912 T	30-11 37	AM 4001 T	55-31 36	AT 189 T	15-20 12
AM 3770 T	41- 9 14	AM 3912 T	30-15 33	AM 4001 T	55-33 36	AT 237 T	10- 5 37
AM 3772 T	15-14 15	AM 3912 T	30-19 48	AM 4001 T	55-35 55	AT 312 T	20- 5 8
AM 3772 T	15-14 15	AM 3912 T	30-29 22	AM 4001 T	55-49 37	AT 313 T	20- 3 10
AM 3773 T	15-14 15	AM 3912 T	30-30 10	AM 4001 T	55-53 44	AT 514 T	105-25 12
AM 3774 T	15-14 17	AM 3912 T	30-31 13	AM 4001 T	55-55 47	AT 516 T	105-25 13
AM 3777 T	100-11 24	AM 3912 T	31- 3 47	AM 4003 T	55-57 12	AT 517 T	105-25 2
AM 3778 T	100-11 24	AM 3913 T	30-11 37	AM 4003 T	55-58 7	AT 567 T	15- 3 19
AM 3782 T	16- 7 ..	AM 3913 T	30-15 33	AM 4003 T	55-59 7	AT 10094 T	65- 6 1
AM 3782 T	16- 9 42	AM 3913 T	30-19 48	AM 4004 T	41-14 8	AT 10094 T	65- 6 7
AM 3783 T	16- 3 ..	AM 3913 T	30-30 10	AM 4004 T	41-14 8	AT 10101 T	25- 7 26
AM 3787 T	16-11 16	AM 3913 T	30-31 13	AM 4006 T	41- 9 3	AT 10101 T	25-15 21
AM 3787 T	45- 1 2	AM 3913 T	30-31 13	AM 4007 T	41- 9 3	AT 10104 T	30-27 59
AM 3787 T	45- 2 8	AM 3913 T	31- 3 47	AM 4007 T	41- 3 19	AT 10105 T	30-27 35
AM 3787 T	45- 4 9	AM 3914 T	45- 2 2B	AM 4008 T	35-11 37	AT 10106 T	30-27 42
AM 3787 T	45- 8 9	AM 3914 T	45- 4 4	AM 4009 T	55-29 73	AT 10107 T	30-27 31
AM 3791 T	25-19 20	AM 3914 T	45- 7 13	AM 4009 T	55-31 77	AT 10108 T	30-27 45
AM 3791 T	25-21 20	AM 3914 T	45- 8 4	AM 4009 T	55-33 74	AT 10110 T	30-25 11
AM 3791 T	25-23 21	AM 3914 T	45- 8 4	AM 4009 T	55-35 62	AT 10111 T	25- 7 15
AM 3792 T	30-13 33	AM 3915 T	45- 4 11	AM 4009 T	55-35 62	AT 10111 T	25-15 13
AM 3792 T	30-13 44	AM 3915 T	45- 8 11	AM 4009 T	55-49 44	AT 10112 T	30-27 57
AM 3792 T	30-17 48	AM 3920 T	50- 9 14	AM 4009 T	55-53 46	AT 10113 T	30-27 7
AM 3792 T	30-17 59	AM 3921 T	50- 9 7	AM 4009 T	55-55 49	AT 10134 T	41- 9 1
AM 3792 T	30-29 22	AM 3922 T	50- 9 21	AM 4010 T	16- 9 5	AT 10134 T	41-11 23
AM 3792 T	30-30 10	AM 3923 T	50- 9 16	AM 4011 T	16- 7 43	AT 10136 T	90-15 5
AM 3792 T	30-31 13	AM 3924 T	50- 9 24	AM 4012 T	16- 7 25	AT 10138 T	90-15 6
AM 3793 T	105-17 3	AM 3926 T	50- 9 20	AM 4013 T	16- 7 ..	AT 10139 T	90-15 1
AM 3795 T	30-30 14	AM 3927 T	50- 9 23	AM 4014 T	16- 7 40	AT 10140 T	90-15 2
AM 3795 T	30-31 15	AM 3928 T	50- 9 29	AM 4015 T	16- 7 23	AT 10141 T	90-15 14
AM 3796 T	30-29 18	AM 3929 T	15-14 2	AM 4016 T	16- 7 20	AT 10142 T	90-15 15
AM 3804 T	16- 9 2	AM 3934 T	45- 4 9	AM 4016 T	16- 7 22	AT 10193 T	25-17 1
AM 3805 T	16- 5 ..	AM 3934 T	45- 8 9	AM 4016 T	16- 7 24	AT 10193 T	30-27 55
AM 3805 T	16- 9 33	AM 3935 T	45- 4 6	AM 4017 T	16- 7 12	AT 10204 T	10- 7 27
AM 3808 T	41- 9 21	AM 3935 T	45- 7 11	AM 4018 T	16- 3 12	AT 10207 T	35- 7 36
AM 3809 T	16- 9 38	AM 3935 T	45- 8 6	AM 4019 T	16- 3 ..		
AM 3812 T	16- 5 10	AM 3936 T	45- 4 14	AM 4020 T	16- 3 28		
AM 3816 T	60- 9 45	AM 3936 T	45- 8 14	AM 4021 T	16- 3 4		
AM 3816 T	60-17 37	AM 3947 T	85-11 15				
		AM 3948 T	41- 9 1				
		AM 3948 T	41-11 23				

Part No.	Page	Key	Part No.	Page	Key	Part No.	Page	Key	Part No.	Page	Key
AT 10214 T	85-11	15	AT 10535 T	90-13	1	AT 10761 T	15-13	44	AT 11353 T	25-19	29
AT 10222 T	15-13	8	AT 10536 T	90-13	15	AT 10761 T	85-11	25	AT 11353 T	25-21	32
AT 10224 T	105-23	..	AT 10537 T	41-11	18	AT 10762 T	15-13	45	AT 11353 T	25-23	31
AT 10226 T	16- 9	2	AT 10537 T	41-13	5	AT 10762 T	85-11	24	AT 11354 T	25-19	29
AT 10227 T	30-25	16	AT 10537 T	41-15	8	AT 10763 T	45- 5	1	AT 11354 T	25-21	32
AT 10236 T	16- 7	30	AT 10537 T	41-15	..	AT 10763 T	45- 7	18	AT 11354 T	25-23	31
AT 10236 T	16- 7	31	AT 10559 T	25- 5	23	AT 10765 T	55- 5	3	AT 11379 T	45- 4	23
AT 10236 T	16- 7	38	AT 10559 T	25-11	26	AT 10766 T	55- 5	23	AT 11379 T	45- 8	23
AT 10239 T	20- 3	10	AT 10559 T	25-13	18	AT 10767 T	15-14	2	AT 11486 T	30-29	12
AT 10247 T	25-19	11	AT 10565 T	55-29	36	AT 10768 T	45- 7	3	AT 11492 T	30-27	44
AT 10253 T	30-27	44	AT 10565 T	55-31	36	AT 10769 T	105- 3	27	AT 11507 T	85-11	22
AT 10285 T	15- 3	13	AT 10565 T	55-33	36	AT 10772 T	35-11	10	AT 11508 T	85-11	22
AT 10299 T	20- 3	16	AT 10565 T	55-35	55	AT 10783 T	85 '5	12	AT 11554 T	55- 5	3
AT 10301 T	10- 3	50	AT 10565 T	55-49	37	AT 10784 T	85-15	12	AT 11717 T	41-13	13
AT 10308 T	41-11	6	AT 10565 T	55-51	39	AT 10786 T	85-15	17	AT 11717 T	41-19	..
AT 10308 T	41-20	8	AT 10565 T	55-53	44	AT 10791 T	45- 7	6	AT 11717 T	41-21	21
AT 10309 T	85-15	5	AT 10565 T	55-55	47	AT 10798 T	105- 9	7	AT 11745 T	60-21	4
AT 10370 T	16- 5	3	AT 10566 T	95- 3	31	AT 10799 T	105- 7	8	AT 11746 T	40- 8	7
AT 10379 T	55- 5	20	AT 10568 T	16- 9	28	AT 10817 T	45- 7	6	AT 11748 T	60-21	27
AT 10388 T	41-20	7	AT 10568 T	16- 9	31	AT 10819 T	45- 7	9	AT 11750 T	60-21	20
AT 10390 T	41-20	11	AT 10569 T	105- 5	18	AT 10863 T	25- 3	23	AT 11751 T	60-21	31
AT 10394 T	10- 3	8	AT 10569 T	105- 7	1	AT 10863 T	25- 9	18	AT 11752 T	60-21	27
AT 10415 T	10- 9	18	AT 10569 T	105- 9	6	AT 10865 T	25- 5	23	AT 11811 T	41-21	14
AT 10416 T	10- 7	5	AT 10570 T	105- 5	27	AT 10865 T	25-11	26	AT 11813 T	41-21	16
AT 10419 T	41-11	7	AT 10570 T	105- 7	25	AT 10865 T	25-13	18	AT 11814 T	41-21	19
AT 10420 T	41-11	8	AT 10570 T	105- 9	25	AT 10867 T	25-11	26	AT 11815 T	41-13	14
AT 10423 T	10- 7	5	AT 10571 T	105- 3	1	AT 10867 T	25-13	18	AT 11816 T	41-21	6
AT 10427 T	15-21	3	AT 10600 T	41-17	3	AT 10874 T	105- 3	25	AT 11818 T	85-11	21
AT 10431 T	90-15	18	AT 10601 T	41-17	23	AT 10877 T	55-61	16	AT 11819 T	41-19	27
AT 10431 T	90-17	17	AT 10602 T	41-17	10	AT 10879 T	55-13	13	AT 11820 T	41-19	..
AT 10432 T	90-15	16	AT 10603 T	41-17	20	AT 10882 T	105- 5	21	AT 11821 T	41-19	6
AT 10432 T	90-17	8	AT 10603 T	41-17	..	AT 10884 T	41-20	11	AT 11822 T	41-19	7
AT 10438 T	30-27	25	AT 10604 T	41-17	18	AT 10885 T	41-20	7	AT 11823 T	41-19	3
AT 10439 T	30-27	12	AT 10605 T	41-17	26	AT 10906 T	20- 3	10	AT 11824 T	41-19	8
AT 10444 T	30-30	14	AT 10606 T	41-17	24	AT 10907 T	30-25	11	AT 11853 T	30-29	12
AT 10444 T	30-31	15	AT 10607 T	41-11	7	AT 10930 T	100-13	12	AT 11896 T	85-16	..
AT 10453 T	85-13	8	AT 10608 T	85- 8	1	AT 10937 T	100-13	12	AT 11907 T	10- 5	1
AT 10454 T	85-13	25	AT 10611 T	15- 3	19	AT 10938 T	100-13	12	AT 11908 T	10- 5	1
AT 10463 T	25-17	13	AT 10621 T	105-12	22	AT 10943 T	100-13	22	AT 11913 T	100- 3	21
AT 10470 T	55-29	36	AT 10622 T	105-12	25	AT 10946 T	100-13	28	AT 11914 T	100- 3	20
AT 10470 T	55-29	38	AT 10624 T	55- 7	8	AT 10947 T	100-13	28	AT 11932 T	85-16	7
AT 10470 T	55-31	36	AT 10626 T	105-23	28	AT 10951 T	30-27	19	AT 11936 T	85-16	..
AT 10470 T	55-31	38	AT 10627 T	105-23	26	AT 10952 T	30-27	13	AT 11948 T	55-41	19
AT 10470 T	55-33	36	AT 10628 T	105-23	13	AT 10953 T	30-27	47	AT 11949 T	55-39	19
AT 10470 T	55-33	38	AT 10629 T	105-23	52	AT 10961 T	100- 3	22	AT 11950 T	55-37	28
AT 10470 T	55-35	55	AT 10633 T	55-61	9	AT 10972 T	85-11	22	AT 11951 T	55-45	8
AT 10470 T	55-35	57	AT 10646 T	15- 3	20	AT 10973 T	85-11	22	AT 11952 T	55-19	36
AT 10470 T	55-49	37	AT 10658 T	30-47	..	AT 10974 T	15- 4	..	AT 11952 T	55-21	36
AT 10470 T	55-49	39	AT 10664 T	30-45	22	AT 11010 T	90-13	37	AT 11952 T	55-25	1
AT 10470 T	55-51	10	AT 10670 T	30-47	8	AT 11011 T	90-13	32	AT 11952 T	55-27	1
AT 10470 T	55-53	42	AT 10690 T	85-11	21	AT 11014 T	90-13	16	AT 11968 T	10- 3	49
AT 10470 T	55-53	44	AT 10691 T	15-13	25	AT 11015 T	90-13	5	AT 11968 T	10- 3	50
AT 10470 T	55-55	45	AT 10693 T	20- 3	29	AT 11046 T	90-13	28	AT 11970 T	41-11	7
AT 10470 T	55-55	47	AT 10695 T	20- 3	16	AT 11047 T	90-13	21	AT 11970 T	41-13	14
AT 10471 T	55-29	73	AT 10696 T	85-11	22	AT 11048 T	90-13	22	AT 11985 T	80- 3	13
AT 10471 T	55-31	77	AT 10697 T	85-11	22	AT 11049 T	90-13	30	AT 11986 T	55-37	33
AT 10471 T	55-33	74	AT 10698 T	85-11	22	AT 11050 T	90-13	24	AT 11986 T	55-39	24
AT 10471 T	55-35	62	AT 10710 T	15-13	8	AT 11064 T	85-15	12	AT 11986 T	55-41	1
AT 10471 T	55-49	44	AT 10711 T	85-11	22	AT 11065 T	85-15	8	AT 11986 T	55-45	1
AT 10471 T	55-53	46	AT 10711 T	115- 3	18	AT 11066 T	85-15	19	AT 11986 T	55-47	5
AT 10471 T	55-55	49	AT 10729 T	90-13	34	AT 11072 T	85-11	21	AT 11986 T	80- 3	14
AT 10473 T	41-11	9	AT 10731 T	105- 9	7	AT 11073 T	15-17	16	AT 12032 T	25-25	40
AT 10483 T	105- 5	2	AT 10737 T	90-13	13	AT 11074 T	15-17	7	AT 12050 T	105-19	35
AT 10484 T	105- 9	7	AT 10738 T	15-13	43	AT 11076 T	15- 4	..	AT 12067 T	85-13	21
AT 10485 T	30-27	19	AT 10746 T	30- 7	22	AT 11094 T	50- 9	1	AT 12095 T	41-11	5
AT 10486 T	30-27	16	AT 10746 T	30- 9	22	AT 11119 T	105- 3	5	AT 12095 T	41-13	12
AT 10500 T	25-25	20	AT 10746 T	30-11	24	AT 11120 T	105- 3	12	AT 12095 T	41-13	18
AT 10522 T	15- 3	16	AT 10746 T	30-13	22	AT 11121 T	105- 3	9	AT 12096 T	41-11	5
AT 10523 T	15- 3	17	AT 10746 T	30-15	22	AT 11122 T	105- 3	8	AT 12096 T	41-13	12
AT 10523 T	15- 3	21	AT 10746 T	30-17	35	AT 11129 T	30-25	4	AT 12096 T	41-13	18
AT 10524 T	55- 5	9	AT 10746 T	30-19	35	AT 11135 T	16-11	3	AT 12159 T	25-25	25
AT 10524 T	55- 7	1	AT 10746 T	31- 3	32	AT 11137 T	16-11	16	AT 12163 T	25- 7	27
AT 10527 T	15-21	4	AT 10753 T	25-23	4	AT 11142 T	25- 5	23	AT 12196 T	100- 5	30
AT 10533 T	90-13	7	AT 10757 T	15-11	12	AT 11326 T	10- 9	18	AT 12197 T	100- 5	30
AT 10534 T	90-13	8	AT 10760 T	45- 7	9	AT 11339 T	105-15	9	AT 12197 T	100- 7	47

Part No.	Page	Key	Part No.	Page	Key	Part No.	Page	Key	Part No.	Page	Key
AT 12232 T	90-17	..	AT 15598 T	65- 8	17	F 1129 R	16- 5	14			
AT 12233 T	100- 5	..	AT 15598 T	65- 9	7	F 1130 R	16- 5	15			
AT 12233 T	100- 7	..	AT 15917 T	100- 7	27	F 1425 R	55-65	8	JD	16 R	65- 3 5
AT 12234 T	100- 5	..	AT 15917 T	100-15	..	F 1426 R	55-65	16	JD	16 R	65- 5 14
AT 12368 T	41-19	17	AT 16608 T	30-11	37	F 1427 R	55-65	17	JD	16 R	65- 6 9
AT 12369 T	41-19	18	AT 16608 T	30-15	33	F 1428 R	55-65	21	JD	16 R	65- 7 4
AT 12370 T	41-19	31	AT 16608 T	30-19	48	F 1430 R	55-65	19	JD	16 R	65- 8 3
AT 12371 T	41-19	30	AT 16608 T	30-29	22	F 1431 R	55-65	18	JD	16 R	65- 9 4
AT 12529 T	25-17	13	AT 16608 T	30-30	10	F 1432 R	55-65	35	JD	19 R	40- 3 25
AT 12542 T	30-47	3	AT 16608 T	30-31	13	F 1435 R	55-65	38A	JD	19 R	40- 5 25
AT 12542 T	35- 5	12	AT 16608 T	31- 3	47	F 1440 R	55-65	29	JD	19 R	40- 7 26
AT 12542 T	35- 7	12	AT 16776 T	50- 2	8	F 1441 R	55-65	7	JD	19 R	41- 6 26
AT 12665 T	90-13	39	AT 16837 T	15-14	18	F 1977 R	15-20	2	JD	19 R	65- 2 1
AT 12783 T	100-15	11	AT 16840 T	15-14	15	F 2208 R	80- 5	2	JD	151 A	55-51 41
AT 12784 T	100- 7	28	AT 16841 T	15-14	17	F 2300 R	55-65	38B	JD	238	110- 3 1
AT 12784 T	100-15	12	AT 16881 T	105-21	2	F 2439 R	55-65	20	JD	3000 T	65- 2 2
AT 13066 T	70- 5	11	AT 16881 T	105-25	..	F 2632 R	105-17	36	JD	3001 T	65- 6 8
AT 13068 T	70- 3	11	AT 16882 T	105-21	2	F 2632 R	110- 4	1	JD	3002 T	65- 2 2
AT 13105 T	100-17	6	AT 16882 T	105-25	..	F 2632 R	110- 5	1	JD	3003 T	65- 2 2
AT 13110 T	100-17	16	AT 17006 T	41- 9	9	F 2683 R	80- 5	32	JD	3004 T	65- 3 4
AT 13262 T	55-37	29	AT 17208 T	105-17	1	F 2693 R	80- 5	6	JD	3007 T	65- 6 8
AT 13262 T	55-37	30				F 2695 R	80- 5	4	JD	3008 T	65- 6 8
AT 13262 T	55-37	47				F 2821 R	80- 5	19	JD	3009 T	65- 9 3
AT 13262 T	55-37	48				F 2822 R	80- 5	21	JD	5153 R	85-11 29
AT 13262 T	55-39	20				F 2823 R	80- 5	23	JD	7938 T	30- 9 7
AT 13262 T	55-39	21				F 2824 R	80- 5	24	JD	7137 T	30-29 9
AT 13262 T	55-39	38				F 2830 R	75-13	11	JD	7145 N	30-21 2
AT 13262 T	55-39	39				F 3322 R	55-29	46	JD	7145 N	30-22 2
AT 13262 T	55-41	32				F 3322 R	55-29	55	JD	7180 R	105-19 32
AT 13262 T	55-41	34				F 3322 R	55-31	46	JD	7191 T	41- 5 6
AT 13262 T	55-45	6				F 3322 R	55-31	57	JD	7198 T	30-45 6
AT 13262 T	55-45	7				F 3322 R	55-33	46	JD	7207 R	30- 7 20
AT 13262 T	55-47	8				F 3322 R	55-33	54	JD	7207 R	35- 5 9
AT 13262 T	55-47	9				F 3322 R	55-35	1	JD	7207 R	35- 7 9
AT 13981 T	75-13	10				F 3322 R	55-35	43	JD	7259 R	35- 5 6
AT 14388 T	105-19	11				F 3322 R	55-49	23	JD	7259 R	35- 7 6
AT 14465 T	105-17	54				F 3322 R	55-53	6	JD	7262 R	30- 7 19
AT 14466 T	105-17	54				F 3322 R	55-55	19	JD	7272 R	35- 3 33
AT 14467 T	105-17	12				F 3500 R	16- 5	19	JD	7372 T	35- 9 6
AT 14468 T	105-17	11				F 3629 R	45- 2	3	JD	7395 T	35- 3 25
AT 14469 T	105-17	12				F 3629 R	45- 4	1	JD	7409 H	35- 5 10
AT 14577 T	100-17	6				F 3629 R	45- 7	16	JD	7409 H	35- 7 10
AT 14578 T	100-17	6				F 3629 R	45- 8	1	JD	7409 H	35- 9 5
AT 14913 T	110- 6	..				F 3630 R	45- 2	3	JD	7418 R	35- 3 24
AT 14924 T	35- 3	17				F 3630 R	45- 4	1	JD	7432 R	30- 6 1
AT 15056 T	70- 5	35				F 3630 R	45- 7	16	JD	7432 R	30- 9 53
AT 15056 T	70- 5	40				F 3630 R	45- 8	1	JD	7432 R	30-13 48
AT 15106 T	30-15	39							JD	7432 R	30-17 63
AT 15106 T	30-19	54							JD	7432 R	30-21 19
AT 15106 T	31- 3	53							JD	7438 R	30-47 10
AT 15155 T	35- 3	41							JD	7438 R	65- 2 8
AT 15156 T	35- 3	41							JD	7442 T	30- 7 35
AT 15211 T	35- 3	39							JD	7443 T	30- 7 29
AT 15211 T	35- 3	45							JD	7443 T	30- 9 29
AT 15211 T	35- 3	46							JD	7443 T	30-11 33
AT 15561 T	30-37	13							JD	7443 T	30-13 29
AT 15561 T	30-39	26							JD	7443 T	30-15 29
AT 15561 T	30-41	23							JD	7449 D	30-47 24
AT 15561 T	30-42	2							JD	7449 D	35- 3 6
AT 15574 T	50-11	10							JD	7449 D	60- 2 11
AT 15575 T	50- 3	10							JD	7449 D	65- 2 10
AT 15576 T	50- 2	..							JD	7589 T	35- 3 32
AT 15577 T	50- 2	6							JD	7589 T	35- 5 20
AT 15583 T	50- 3	4							JD	7589 T	35- 7 18
AT 15587 T	65- 6	10							JD	7589 T	35- 9 17
AT 15588 T	65- 5	3							JD	7589 T	35-11 14
AT 15589 T	65- 8	17							JD	7590 T	35- 3 25
AT 15589 T	65- 9	7							JD	7590 T	35- 5 35
AT 15590 T	65- 8	17							JD	7590 T	35- 7 33
AT 15590 T	65- 9	7							JD	7590 T	35- 9 23
AT 15591 T	50- 3	4							JD	7590 T	35-11 43
AT 15595 T	65- 6	10							JD	7681 H	30-27 6
AT 15596 T	65- 5	3							JD	7758 T	25-21 28
AT 15597 T	65- 8	17							JD	7759	30-37 4
AT 15597 T	65- 9	7							JD	7759	40- 7 34

NUMERICAL INDEX
Tractors -- 420 and 430 Series

120-11

Part No.	Page	Key	Part No.	Page	Key	Part No.	Page	Key	Part No.	Page	Key
JD 7759	60-	5 11	JD 8179 T	35-	3 9	JD 8801 T	30-23	16	L 307 T	25-	7 3
JD 7759	60-	7 10	JD 8180 T	30-47	19	JD 8803 T	55-	3 15	L 307 T	55-19	24
JD 7759	60-	9 46	JD 8187 A	30-11	4	JD 8804 T	55-	3 11	L 307 T	55-21	24
JD 7759	60-11	43	JD 8187 A	30-12	4	JD 8818 H	30-42	1	L 307 T	55-23	50
JD 7759	60-13	19	JD 8187 A	30-15	4	JD 8819 T	30-17	42	L 307 T	55-29	22
JD 7759	60-15	15	JD 8187 A	30-17	19	JD 8819 T	30-19	42	L 307 T	55-31	22
JD 7759	60-17	32	JD 8187 A	30-18	6	JD 8819 T	30-45	2	L 307 T	55-33	22
JD 7759	60-19	21	JD 8187 A	30-23	20	JD 8820 T	40-	5 32	L 307 T	55-35	30
JD 7759	60-21	19	JD 8187 A	31-	3 3	JD 8820 T	41-	5 22	L 307 T	55-35	33
JD 7763	25-23	15	JD 8194 T	30-	9 20	JD 8820 T	60-	5 8	L 307 T	70-	5 43
JD 7763	41-	3 5	JD 8194 T	30-11	22	JD 8820 T	60-	7 29	L 307 T	95-	3 23
JD 7797	30-25	33	JD 8194 T	30-13	20	JD 8820 T	60-	9 40	L 308 T	25-	3 17
JD 7797	30-36	4	JD 8194 T	30-15	20	JD 8820 T	60-11	8	L 308 T	25-	5 17
JD 7797	30-39	11	JD 8194 T	30-17	33	JD 8820 T	60-13	18	L 308 T	25-	7 8
JD 7797	30-41	18	JD 8194 T	30-19	33	JD 8820 T	60-15	8	L 308 T	25-	9 2
JD 7797	30-42	8				JD 8820 T	60-17	31	L 308 T	25-11	2
JD 7797	30-43	7	JD 8194 T	31-	3 30	JD 8820 T	60-19	20	L 308 T	25-13	2
JD 7797	55-19	44	JD 8194 T	35-11	6	JD 8820 T	60-21	26	L 308 T	25-15	6
JD 7797	55-21	66	JD 8205 T	30-30	7	JD 8823 N	30-12	9	L 308 T	95-	3 10
JD 7797	55-23	66	JD 8205 T	30-31	11	JD 8823 N	30-15	9	L 324 T	30-25	20
JD 7797	55-25	3	JD 8217 T	30-29	15	JD 8823 N	30-17	23	L 324 T	55-57	19
JD 7797	55-27	14	JD 8217 T	95-	5 22	JD 8823 N	30-19	11	L 324 T	55-58	17
JD 7797	80-	3 20	JD 8220 T	30-47	6	JD 8823 N	31-	3 8	L 324 T	55-59	17
JD 7797	80-	5 11	JD 8220 T	35-	3 10	JD 8831 E	30-21	11	L 357 T	25-	9 1
JD 7828	100-	5 1	JD 8221 T	30-47	20	JD 8831 E	30-23	11	L 357 T	25-11	1
JD 7828	100-	7 1	JD 8225 A	30-11	3	JD 8838 T	30-21	3	L 357 T	25-13	1
JD 7828 T	100-13	14	JD 8225 A	30-12	3	JD 8838 T	30-22	3	L 357 T	25-15	5
JD 7828	100-15	3	JD 8225 A	30-15	3	JD 8839 T	30-16	11	L 357 T	30-39	6
JD 7830	100-	5 ..	JD 8225 A	30-17	18	JD 8839 T	30-19	18	L 357 T	70-	3 14
JD 7830	100-	7 ..	JD 8225 A	30-18	5	JD 8839 T	30-27	30	L 357 T	95-	3 9
JD 7831	100-	5 ..	JD 8225 A	30-23	19	JD 8839 T	31-	3 15	L 364 T	25-	3 10
JD 7831	100-	7 ..	JD 8225 A	31-	3 2	JD 8840 T	30-21	5	L 364 T	25-	5 10
JD 7841	25-25	48	JD 8230 T	30-	9 19	JD 8840 T	30-23	5	L 364 T	25-	9 4
JD 7843 T	100-13	14	JD 8230 T	30-11	21	JD 8841 T	30-21	7	L 364 T	25-11	22
JD 7927 R	30-15	8	JD 8230 T	30-13	19	JD 8841 T	30-23	7	L 364 T	25-13	12
JD 7927 R	30-15	9	JD 8230 T	30-15	19	JD 8842 T	30-21	38	L 372 T	25-19	24
JD 7927 R	30-19	10	JD 8230 T	30-17	32	JD 8842 T	30-23	38	L 372 T	25-21	17
JD 7927 R	30-19	11	JD 8230 T	30-19	32	JD 8843 T	30-21	12	L 372 T	25-23	18
JD 7929 R	31-	3 7	JD 8230 T	31-	3 29	JD 8843 T	30-23	12	L 372 T	30-29	13
JD 7938 T	30-	7 7	JD 8230 T	35-11	5	JD 8844 T	30-22	3	L 409 T	41-	3 14
JD 7938 T	30-11	9	JD 8236 T	30-	9 35	JD 8851 T	30-27	34	L 409 T	60-	7 19
JD 7939 T	30-	7 23	JD 8236 T	30-13	35	JD 8852 T	30-27	43	L 409 T	60-11	51
JD 7939 T	30-	9 23	JD 8236 T	30-17	50	JD 8901 T	30-	9 34	L 409 T	60-13	33
JD 7939 T	30-11	25	JD 8240 T	30-11	39	JD 8901 T	30-13	34	L 409 T	60-15	28
JD 7939 T	30-13	23	JD 8240 T	30-15	35	JD 8901 T	30-17	49	L 410 T	41-	3 13
JD 7939 T	30-15	23	JD 8240 T	30-19	50	JD 8907 T	30-11	38	L 410 T	60-	7 20
JD 7939 T	30-17	36	JD 8240 T	31-	3 49	JD 8907 T	30-15	34	L 410 T	60-11	50
JD 7939 T	30-19	36	JD 8314 T	35-	3 24	JD 8907 T	30-19	49	L 410 T	60-13	32
JD 7939 T	31-	3 33	JD 8314 T	35-	5 34	JD 8907 T	31-	3 48	L 410 T	60-15	27
JD 8110 R	30-	7 43	JD 8314 T	35-	7 32				L 425 T	41-	3 10
JD 8110 R	30-	9 43	JD 8314 T	35-	9 24				L 427 T	41-	3 7
JD 8110 T	30-13	49	JD 8314 T	35-11	44				L 428 T	41-	3 8
JD 8110 R	30-17	64	JD 8315 T	35-	3 33				L 467 T	30-	3 9
JD 8117 T	30-	6 2	JD 8315 T	35-	5 19	L 139 T	50-	5 17	L 467 T	30-	5 9
JD 8117 T	30-21	20	JD 8315 T	35-	7 17	L 139 T	75-	3 41	L 467 T	30-21	45
JD 8121 T	35-	5 7	JD 8315 T	35-	9 16	L 139 T	80-	5 38	L 467 T	30-23	45
JD 8121 T	35-	7 7	JD 8315 T	35-11	15	L 139 T	100-14	4	L 467 T	30-32	13
JD 8123 T	30-	7 34	JD 8404 T	40-	5 31	L 273 T	30-	7 44	L 467 T	30-33	14
JD 8124 T	30-	7 28	JD 8407 H	60-	5 12	L 273 T	30-	9 44	L 467 T	30-34	12
JD 8124 T	30-	9 28	JD 8407 H	60-	7 31	L 273 T	60-	9 32	L 467 T	30-35	14
JD 8124 T	30-11	32	JD 8407 H	60-	9 42	L 279 T	30-17	44	L 467 T	100-13	25
JD 8124 T	30-13	28	JD 8407 H	60-13	20	L 279 T	30-19	44	L 468 T	30-	3 8
JD 8124 T	30-15	28	JD 8407 H	60-15	11	L 279 T	31-	3 43	L 468 T	30-	5 8
JD 8134 D	30-47	25	JD 8407 H	60-17	34	L 280 T	30-17	44	L 468 T	30-21	46
JD 8134 D	35-	3 7	JD 8407 H	60-19	23	L 280 T	30-19	44	L 468 T	30-23	46
JD 8134 D	60-	2 12	JD 8407 H	60-21	28	L 280 T	31-	3 43	L 468 T	30-32	12
JD 8134 D	65-	2 11	JD 8511 T	25-19	18	L 281 T	30-17	44	L 468 T	30-33	13
JD 8135 R	30-47	11	JD 8511 T	25-21	23	L 281 T	30-19	44	L 468 T	30-34	11
JD 8135 R	65-	2 7	JD 8511 T	25-23	24	L 281 T	31-	3 43	L 468 T	30-35	13
JD 8144 T	30-30	8	JD 8511 T	25-25	28	L 299 T	25-	3 7	L 495 T	30-29	24
JD 8144 T	30-31	12	JD 8549 T	20-	5 15	L 299 T	25-	5 7	L 495 T	30-30	17
JD 8146 T	35-	3 32	JD 8567 T	30-29	9	L 299 T	25-	7 6	L 495 T	30-31	18
JD 8171 T	30-29	16	JD 8568 T	30-16	15	L 299 T	70-	5 31	L 587 T	15-	7 41
JD 8171 T	95-	5 21	JD 8568 T	30-19	29	L 307 T	25-	3 2	L 587 T	15-13	17
JD 8179 T	30-47	7	JD 8568 T	31-	3 26	L 307 T	25-	5 2	L 587 T	15-17	9
			JD 8801 T	30-21	16						

Part No.	Page	Key	Part No.	Page	Key	Part No.	Page	Key	Part No.	Page	Key	
L 588 T	15-	7 42	L 4177 T	15-15	6	M 49 T	10-	7 45	M 137 T	30-	7 30	
L 588 T	15-13	18	L 4183 T	15-15	19	M 57 T	25-19	11	M 137 T	30-	9 30	
L 588 T	15-17	10	L 4187 T	10-	5 10	M 59 T	10-	9 12	M 137 T	30-	11 34	
L 689 T	25-	3 26	L 4223 T	25-	3 8	M 67 T	10-	5 2	M 137 T	30-	13 30	
L 689 T	25-	5 30	L 4232 T	10-	8 5	M 71 T	10-	8 9	M 137 T	30-	15 30	
L 689 T	25-	9 17	L 4233 T	10-	8 7	M 73 T	10-	8 10	M 138 T	30-	7 30	
L 689 T	25-11	34	L 4256 T	10-	3 12	M 74 T	10-	7 13	M 138 T	30-	9 30	
L 689 T	25-13	26	L 4263 T	10-	3 14	M 80 T	10-	8 15	M 138 T	30-	11 34	
L 689 T	25-17	18	L 4265 T	15-15	14	M 81 T	10-	7 16	M 138 T	30-	13 30	
L 752 T	10-	8 6	L 4266 T	10-	3 16	M 85 T	10-	3 28	M 138 T	30-	15 30	
L 754 T	10-	8 4	L 4266 T	15-15	5	M 85 T	110-	4 ..	M 140 T	30-	7 5	
L 754 T	30-	3 7	L 4266 T	15-19	30	M 85 T	110-	5 ..	M 140 T	30-	11 7	
L 754 T	30-	5 7	L 4353 T	105-	5 1	M 88 T	10-	9 8	M 140 T	30-	12 7	
L 754 T	110-	6 ..	L 4388 T	30-	7 44	M 90 T	10-	9 5	M 140 T	30-	15 7	
L 756 T	10-	3 36	L 4388 T	30-	9 44	M 91 T	10-	9 4	M 140 T	30-	17 21	
L 756 T	30-	45 12	L 4388 T	30-	13 50	M 93 T	10-	9 2	M 140 T	30-	19 9	
L 756 T	100-	7 25	L 4388 T	30-	17 67	M 94 T	10-	9 1	M 143 T	30-	7 10	
L 756 T	105-	17 37	L 4411 T	30-	25 6	M 95 T	10-	9 9	M 143 T	30-	9 10	
L 768 T	10-	5 23	L 4416 T	40-	5 55	M 96 T	10-	9 10	M 143 T	30-	11 12	
L 853 T	25-	19 7	L 4616 T	60-	11 3	M 96 T	110-	4 ..	M 143 T	40-	9 10	
L 853 T	25-	21 6	L 4620 T	60-	11 6	M 96 T	110-	5 ..	M 144 T	30-	7 11	
L 853 T	25-	25 10	L 4622 T	60-	11 4	M 97 T	10-	9 11	M 144 T	30-	9 11	
L 853 T	55-	23 7	L 4666 T	30-	21 50	M 97 T	110-	4 ..	M 144 T	30-	11 13	
L 853 T	55-	25 15	L 4666 T	30-	21 61	M 98 T	10-	3 35	M 144 T	30-	13 12	
L 853 T	55-	27 16	L 4666 T	30-	21 62	M 102 T	10-	7 25	M 144 T	30-	15 12	
L 885 T	15-	13 32	L 4666 T	30-	23 56	M 108 T	10-	3 44	M 144 T	30-	17 26	
L 886 T	15-	13 31	L 4666 T	30-	23 68	M 108 T	10-	7 36	M 144 T	30-	19 15	
L 985 T	15-	9 21	L 4666 T	30-	23 69	M 111 T	10-	3 15	M 144 T	31-	3 12	
L 985 T	15-	11 28	L 4667 T	15-	19 19	M 111 T	110-	4 ..	M 146 T	30-	7 13	
L 987 T	15-	9 20	L 4668 T	30-	25 24	M 112 T	10-	7 41	M 147 T	30-	7 14	
L 987 T	15-	11 27	L 4668 T	55-	57 16	M 112 T	30-	17 46	M 147 T	30-	9 14	
L 1183 T	105-	17 50	L 4668 T	55-	58 15	M 112 T	30-	19 46	M 147 T	30-	11 16	
L 1183 T	105-	19 43	L 4668 T	55-	59 15	M 112 T	31-	3 45	M 147 T	30-	13 14	
L 1196 T	10-	3 10	L 4668 T	55-	60 5	M 112 T	35-	3 2	M 147 T	30-	15 14	
L 1196 T	30-	25 3	L 4668 T	70-	3 9	M 115 T	30-	3 4	M 147 T	30-	16 6	
L 1196 T	55-	31 18	L 4668 T	70-	5 9	M 115 T	30-	5 4	M 147 T	30-	19 23	
L 1196 T	55-	33 18				M 116 T	30-	7 37	M 147 T	31-	3 20	
L 1198 T	10-	5 27				M 117 T	30-	7 37	M 148 T	30-	7 14	
L 1198 T	25-	3 1	M			M 118 T	30-	7 37	M 148 T	30-	9 14	
L 1198 T	25-	5 1				M 119 T	30-	3 5	M 148 T	30-	11 16	
L 1198 T	25-	7 1				M 119 T	30-	5 5	M 148 T	30-	13 14	
L 1198 T	41-	7 13	M	12 T	10-	7 39	M 121 T	30-	3 3	M 148 T	30-	15 14
L 1198 T	85-	13 13	M	13 T	10-	7 40	M 121 T	30-	5 3	M 148 T	30-	16 6
L 1584 C	30-	25 11	M	14 T	25-	11 14	M 122 T	30-	3 10	M 148 T	30-	19 23
L 1670 C	41-	9 11	M	14 T	30-	3 16	M 122 T	30-	5 10	M 148 T	31-	3 20
L 1670 C	55-	9 25	M	14 T	30-	5 19	M 123 T	30-	3 11	M 149 T	30-	7 14
L 1670 C	55-	14 3	M	14 T	55-	45 9	M 123 T	30-	3 11	M 149 T	30-	9 14
L 1670 C	55-	15 11	M	14 T	55-	47 11	M 123 T	30-	5 11	M 149 T	30-	9 14
L 1670 C	55-	17 3	M	14 T	60-	2 1	M 124 T	30-	3 6	M 149 T	30-	11 16
L 4027 T	30-	32 3	M	14 T	60-	3 2	M 124 T	30-	5 6	M 149 T	30-	13 14
L 4027 T	30-	33 4	M	14 T	60-	9 18	M 130 T	30-	7 26A	M 149 T	30-	15 14
L 4027 T	30-	34 3	M	14 T	60-	11 28	M 130 T	30-	9 26A	M 149 T	30-	16 6
L 4027 T	30-	35 4	M	16 T	10-	5 22	M 130 T	30-	11 30A	M 149 T	30-	19 23
L 4035 T	30-	32 2	M	17 T	10-	5 16	M 130 T	30-	13 26B	M 149 T	31-	3 20
L 4035 T	30-	33 3	M	17 T	30-	27 40	M 130 T	30-	15 26B	M 150 T	30-	7 33
L 4035 T	30-	34 2	M	18 T	10-	5 13	M 132 T	30-	7 24	M 150 T	30-	9 33
L 4035 T	30-	35 3	M	19 T	10-	5 15	M 132 T	30-	9 24	M 150 T	30-	29 22
L 4043 T	25-	19 25	M	19 T	110-	4 ..	M 132 T	30-	11 26	M 150 T	30-	30 10
L 4043 T	25-	25 47	M	21 T	25-	19 17	M 132 T	30-	13 24	M 150 T	30-	31 13
L 4115 T	10-	5 26	M	21 T	25-	21 25	M 132 T	30-	15 24	M 152 T	30-	7 39
L 4121 T	10-	3 39	M	21 T	25-	23 26	M 132 T	30-	17 37	M 152 T	30-	9 39
L 4122 T	10-	8 3	M	22 T	10-	7 46	M 132 T	30-	19 37	M 154 T	30-	7 41
L 4126 T	10-	5 14	M	23 T	25-	19 15	M 132 T	31-	3 34	M 154 T	30-	9 41
L 4126 T	30-	3 24	M	23 T	25-	21 22	M 135 T	30-	7 21	M 155 T	30-	7 42
L 4126 T	30-	5 15	M	23 T	25-	23 23	M 135 T	30-	9 21	M 155 T	30-	9 42
L 4128 T	10-	3 18	M	23 T	25-	25 27	M 135 T	30-	11 23	M 155 T	30-	13 47
L 4128 T	15-	15 4	M	26 T	10-	3 25	M 135 T	30-	13 21	M 155 T	30-	17 62
L 4129 T	10-	3 21	M	27 T	10-	7 34	M 135 T	30-	15 21	M 156 T	30-	7 42
L 4129 T	15-	15 2	M	28 T	25-	3 31	M 135 T	30-	17 34	M 156 T	30-	9 42
L 4152 T	10-	5 25	M	28 T	25-	5 25	M 135 T	30-	19 34	M 156 T	30-	13 47
L 4152 T	110-	4 ..	M	28 T	25-	9 21	M 135 T	31-	3 31	M 156 T	30-	17 62
L 4158 T	15-	15 11	M	28 T	25-	11 27	M 136 T	30-	7 30	M 157 T	30-	7 42
L 4168 T	25-	3 24	M	28 T	25-	13 19	M 136 T	30-	9 30	M 157 T	30-	9 42
L 4168 T	25-	9 31	M	28 T	25-	17 14	M 136 T	30-	11 34	M 157 T	30-	13 47
L 4176 T	15-	15 18	M	39 T	10-	8 11	M 136 T	30-	13 30	M 157 T	30-	17 62
			M	47 T	30-	7 15	M 136 T	30-	15 30	M 159 T	30-	7 49

Part No.	Page	Key	Part No.	Page	Key	Part No.	Page	Key	Part No.	Page	Key
M 159 T	30-9	49	M 234 T	30-15	31	M 375 T	65-5	7	M 526 T	55-58	14
M 159 T	30-11	48	M 245 T	105-19	44	M 375 T	75-3	8	M 526 T	55-59	14
M 159 T	30-13	52	M 254 T	30-29	23	M 375 T	95-5	11	M 526 T	55-60	17
M 159 T	30-15	44	M 254 T	30-30	16	M 377 T	15-13	36	M 540 T	55-29	33
M 159 T	110-6	..	M 254 T	30-31	17	M 378 T	85-11	16	M 540 T	55-31	33
M 159 T	110-7	..	M 273 T	15-15	1	M 378 T	115-3	16	M 540 T	55-33	33
M 160 T	30-7	48	M 276 T	15-15	3	M 386 T	105-19	47	M 543 T	55-19	29
M 160 T	30-9	48	M 276 T	110-4	..	M 410 T	15-3	9	M 543 T	55-21	29
M 160 T	30-11	49	M 283 T	10-7	17	M 410 T	15-6	1	M 543 T	55-23	40
M 160 T	30-13	54	M 284 T	10-7	8	M 410 T	15-7	1	M 543 T	55-29	44
M 160 T	30-15	46	M 285 T	10-7	29	M 413 T	55-61	6	M 543 T	55-31	44
M 163 T	30-30	2	M 285 T	40-3	43	M 414 T	105-17	36	M 543 T	55-33	44
M 163 T	30-31	2	M 285 T	40-5	62	M 414 T	110-4	..	M 543 T	55-35	45
M 164 T	30-30	1	M 285 T	40-7	48	M 414 T	110-5	..	M 543 T	55-49	24
M 164 T	30-31	1	M 285 T	40-8	12	M 415 T	105-17	33	M 543 T	55-51	5
M 165 T	30-30	15	M 285 T	55-37	39	M 416 T	105-17	45	M 543 T	55-53	5
M 165 T	30-31	16	M 285 T	55-39	30	M 427 T	60-11	7	M 543 T	55-55	21
M 170 T	30-36	11	M 285 T	55-41	30	M 431 T	40-5	33	M 550 T	60-11	46
M 170 T	30-43	14	M 292 T	80-5	42	M 431 T	60-11	15	M 553 T	55-45	16
M 174 T	30-3	25	M 293 T	10-9	6	M 432 T	60-11	5	M 553 T	55-47	16
M 174 T	30-5	14	M 302 T	15-9	31	M 434 T	40-1	6	M 554 T	55-37	21
M 174 T	110-7	..	M 315 T	15-13	39	M 434 T	40-3	41	M 554 T	55-39	12
M 175 T	110-6	..	M 315 T	16-11	2	M 434 T	40-5	65	M 554 T	55-41	13
M 176 T	30-32	14	M 315 T	20-3	34	M 434 T	40-7	43	M 555 T	30-7	9
M 176 T	30-33	12	M 315 T	50-9	2	M 434 T	40-8	10	M 555 T	30-9	9
M 177 T	30-32	15	M 315 T	85-10	3	M 434 T	115-3	43	M 555 T	30-11	11
M 178 T	30-32	11	M 316 T	15-13	40	M 453 T	90-3	14	M 555 T	60-11	40
M 179 T	30-32	16	M 316 T	16-11	1	M 453 T	90-7	11	M 557 T	60-5	3
M 179 T	30-33	16	M 316 T	20-3	33	M 453 T	90-17	9	M 557 T	60-7	25
M 180 T	30-32	17	M 316 T	50-9	3	M 459 T	105-5	13	M 557 T	60-9	35
M 180 T	30-33	19	M 316 T	85-11	4	M 463 T	10-3	37	M 557 T	60-11	14
M 180 T	30-34	19	M 316 T	85-13	24	M 488 T	95-3	1	M 557 T	60-13	14
M 180 T	30-35	19	M 316 T	85-15	16	M 495 T	50-5	21	M 557 T	60-15	3
M 181 T	30-32	19	M 322 T	15-13	39	M 507 T	55-3	22	M 557 T	60-17	26
M 186 T	30-32	8	M 322 T	20-3	34	M 508 T	55-3	21	M 557 T	60-19	16
M 186 T	30-33	9	M 322 T	50-9	2	M 510 T	10-7	44	M 557 T	60-21	22
M 186 T	30-34	10	M 322 T	85-10	3	M 511 T	10-7	48	M 567 T	55-5	2
M 186 T	30-35	9	M 331 T	25-19	6	M 511 T	65-6	4	M 567 T	55-5	29
M 186 T	110-6	..	M 331 T	25-21	7	M 515 T	55-29	48	M 567 T	55-7	9
M 186 T	110-7	..	M 331 T	25-25	11	M 515 T	55-31	48	M 571 T	30-7	8
M 187 T	30-21	18	M 331 T	41-5	41	M 515 T	55-33	48	M 571 T	30-9	8
M 187 T	30-23	18	M 331 T	55-23	8	M 515 T	55-35	3	M 571 T	30-11	10
M 188 T	30-21	18	M 331 T	55-25	19	M 515 T	55-49	21	M 593 T	35-3	5
M 188 T	30-23	18	M 331 T	55-27	24	M 515 T	55-53	8	M 594 T	41-9	2
M 189 T	30-21	18	M 331 T	55-28	2	M 515 T	55-55	17	M 594 T	41-11	11
M 189 T	30-23	18	M 331 T	55-30	2	M 519 T	55-29	49	M 594 T	41-11	24
M 204 T	35-5	8	M 331 T	55-32	2	M 519 T	55-31	49	M 594 T	41-13	9
M 205 T	35-5	5	M 331 T	70-5	23	M 519 T	55-33	49	M 594 T	45-2	11
M 205 T	35-7	5	M 335 T	25-3	22	M 519 T	55-35	4	M 594 T	45-3	8
M 205 T	55-23	37	M 335 T	25-5	22	M 519 T	55-49	20	M 594 T	45-4	15
M 205 T	70-3	21	M 335 T	25-7	14	M 519 T	55-53	9	M 594 T	45-7	2
M 205 T	70-5	32	M 335 T	25-9	8	M 519 T	55-55	16	M 594 T	45-8	15
M 211 T	35-3	41	M 335 T	25-11	8	M 521 T	40-5	45	M 632 T	105-3	16
M 214 T	110-6	..	M 335 T	25-13	8	M 521 T	55-29	63	M 633 T	15-20	5
M 217 T	25-19	9	M 335 T	25-15	12	M 521 T	55-31	65	M 633 T	50-7	15
M 219 T	25-3	21	M 358 T	90-3	11	M 521 T	55-33	62	M 633 T	50-11	3
M 219 T	25-5	21	M 358 T	90-5	9	M 521 T	55-35	51	M 633 T	105-13	1
M 219 T	25-7	12	M 358 T	90-7	14	M 522 T	55-29	54	M 640 T	105-3	28
M 219 T	25-9	10	M 358 T	90-9	12	M 522 T	55-31	56	M 640 T	105-5	19
M 219 T	25-11	7	M 358 T	90-11	20	M 522 T	55-33	53	M 640 T	105-7	2
M 219 T	25-13	7	M 358 T	90-17	11	M 522 T	55-35	42	M 640 T	105-9	4
M 219 T	25-15	10	M 359 T	90-3	10	M 523 T	30-25	8	M 644 T	105-3	26
M 219 T	30-3	42	M 359 T	90-5	10	M 523 T	55-35	37	M 644 T	105-9	17
M 219 T	30-27	54	M 359 T	90-7	15	M 526 T	30-21	60	M 644 T	105-11	29
M 224 T	30-23	49	M 359 T	90-9	11	M 526 T	30-23	67	M 646 T	105-3	35
M 225 T	25-19	12	M 359 T	90-11	19	M 526 T	30-32	21	M 647 T	105-3	32
M 225 T	25-21	15	M 359 T	90-17	13	M 526 T	30-33	1A	M 648 T	41-3	34
M 226 T	25-19	10	M 360 T	90-3	9	M 526 T	30-34	4	M 648 T	60-13	27
M 226 T	25-21	13	M 360 T	90-5	11	M 526 T	30-35	1A	M 648 T	60-17	1
M 226 T	25-23	14	M 360 T	90-7	16	M 526 T	55-19	10	M 648 T	60-19	3
M 226 T	25-25	17	M 360 T	90-9	10	M 526 T	55-21	10	M 648 T	60-21	1
M 234 T	30-7	31	M 360 T	90-11	18	M 526 T	55-23	12	M 648 T	60-7	13
M 234 T	30-9	31	M 360 T	90-17	14	M 526 T	55-25	25	M 648 T	60-11	42
M 234 T	30-11	35	M 364 T	55-5	10	M 526 T	55-27	22	M 711 T	10-5	5
M 234 T	30-13	31	M 364 T	55-7	22	M 526 T	55-57	11	M 719 T	40-3	20

Part No.	Page	Key	Part No.	Page	Key	Part No.	Page	Key	Part No.	Page	Key
M	719	T 40- 5	M	834	T 70- 5	M	962	T 60- 3	M	1117	T 55-29
M	719	T 40- 7	M	840	T 40- 5	M	979	T 65- 2	M	1117	T 55-31
M	719	T 41- 6	M	841	T 40- 5	M	994	T 35- 9	M	1117	T 55-33
M	720	T 40- 3	M	842	T 40- 3	M	994	T 35-11	M	1151	T 55- 9
M	720	T 40- 5	M	842	T 40- 5	M	995	T 35- 9	M	1151	T 55-11
M	720	T 40- 7	M	842	T 40- 7	M	995	T 35-11	M	1151	T 55-13
M	720	T 41- 6	M	843	T 40- 5	M	996	T 35- 9	M	1166	T 55-11
M	721	T 40- 3	M	844	T 40- 5	M	996	T 35-11	M	1166	T 55-13
M	721	T 40- 5	M	847	T 40- 5	M	998	T 35- 9	M	1166	T 55-14
M	721	T 40- 7	M	847	T 55-23	M	1001	T 35- 9	M	1166	T 55-15
M	721	T 41- 6	M	848	T 40- 5	M	1001	T 35-11	M	1166	T 55-16
M	722	T 40- 3	M	849	T 40- 3	M	1002	T 35- 9	M	1166	T 55-17
M	722	T 40- 5	M	849	T 40- 5	M	1002	T 35-11	M	1166	T 55-19
M	722	T 40- 7	M	852	T 25- 3	M	1003	T 35- 9	M	1167	T 55-11
M	722	T 41- 6	M	856	T 40- 5	M	1003	T 35-11	M	1167	T 55-13
M	723	T 40- 3	M	857	T 40- 5	M	1004	T 35- 9	M	1167	T 55-14
M	723	T 40- 5	M	867	T 30- 7	M	1004	T 35-11	M	1167	T 55-15
M	723	T 40- 7	M	867	T 30- 9	M	1005	T 35- 3	M	1167	T 55-16
M	728	T 40- 3	M	867	T 30-11	M	1005	T 35- 5	M	1167	T 55-17
M	728	T 40- 5	M	867	T 30-13	M	1005	T 35- 7	M	1167	T 55-19
M	728	T 40- 7	M	867	T 30-15	M	1005	T 35- 9	M	1171	T 60- 2
M	728	T 41- 6	M	870	T 30-29	M	1005	T 35-11	M	1172	T 60- 2
M	731	T 105-13	M	872	T 30-29	M	1006	T 35- 9	M	1173	T 60- 2
M	735	T 40- 3	M	882	T 95- 3	M	1006	T 50- 2	M	1174	T 60- 2
M	735	T 40- 5	M	884	T 95- 3	M	1007	T 35- 9	M	1175	T 60- 2
M	735	T 40- 7	M	885	T 95- 5	M	1010	T 35- 9	M	1176	T 60- 2
M	735	T 41- 6	M	886	T 55-29	M	1011	T 35- 9	M	1177	T 60- 2
M	761	T 10- 3	M	886	T 55-31	M	1011	T 35- 9	M	1178	T 60- 2
M	761	T 10- 7	M	886	T 55-33	M	1013	T 35- 9	M	1179	T 60- 2
M	762	T 10- 3	M	886	T 55-35	M	1018	T 40- 1	M	1180	T 60- 2
M	762	T 10- 7	M	886	T 55-49	M	1023	T 40- 1	M	1206	T 10- 3
M	788	T 25- 3	M	886	T 55-51	M	1024	T 40- 1	M	1206	T 35- 7
M	788	T 25- 5	M	886	T 55-53	M	1024	T 50- 5	M	1211	T 55-19
M	788	T 25- 7	M	886	T 55-55	M	1024	T 50- 7	M	1211	T 55-21
M	788	T 25- 9	M	886	T 95- 5	M	1027	T 55- 3	M	1211	T 55-23
M	788	T 25-11	M	889	T 95- 5	M	1029	T 55- 3	M	1211	T 55-25
M	788	T 25-13	M	891	T 95- 5	M	1030	T 55- 3	M	1211	T 55-27
M	788	T 25-15	M	895	T 95- 3	M	1035	T 55- 3	M	1221	T 55- 9
M	803	T 75- 3	M	898	T 55-11	M	1036	T 55- 3	M	1221	T 55-11
M	803	T 80- 5	M	898	T 55-13	M	1038	T 10- 3	M	1221	T 55-13
M	804	T 55-28	M	898	T 55-33	M	1038	T 55-21	M	1221	T 105- 7
M	804	T 55-35	M	899	T 95- 3	M	1038	T 55-49	M	1221	T 105- 9
M	804	T 75- 3	M	902	T 95- 3	M	1038	T 55-51	M	1249	T 60- 5
M	804	T 80- 5	M	903	T 95- 3	M	1038	T 55-53	M	1249	T 60- 7
M	808	T 30-30	M	904	T 95- 3	M	1038	T 55-55	M	1249	T 60- 9
M	808	T 30-31	M	904	T 95- 3	M	1038	T 110- 4	M	1249	T 60-11
M	809	T 30-30	M	905	T 95- 3	M	1039	T 55- 3	M	1249	T 60-13
M	809	T 30-31	M	906	T 95- 3	M	1042	T 35- 9	M	1249	T 60-15
M	810	T 30-30	M	907	T 95- 5	M	1067	T 10- 3	M	1249	T 60-17
M	810	T 30-31	M	926	T 65- 6	M	1068	T 10- 3	M	1249	T 60-19
M	811	T 30-29	M	932	T 40- 3	M	1089	T 55-33	M	1249	T 60-21
M	811	T 95- 5	M	932	T 40- 5	M	1093	T 15- 4	M	1250	T 60- 5
M	811	T 110- 6	M	932	T 40- 7	M	1093	T 20- 3	M	1250	T 60- 7
M	814	T 95- 5	M	932	T 41- 6	M	1093	T 50- 9	M	1250	T 60- 9
M	815	T 30-29	M	933	T 40- 3	M	1093	T 55-11	M	1250	T 60-11
M	824	T 65- 2	M	933	T 40- 5	M	1094	T 15- 4	M	1250	T 60-13
M	825	T 65- 2	M	933	T 40- 7	M	1098	T 15- 4	M	1250	T 60-15
M	827	T 55-37	M	933	T 40- 7	M	1098	T 55-23	M	1250	T 60-17
M	827	T 55-39	M	933	T 41- 6	M	1098	T 55-33	M	1250	T 60-19
M	827	T 55-41	M	934	T 40- 3	M	1098	T 55-29	M	1250	T 60-21
M	827	T 40- 3	M	934	T 40- 5	M	1098	T 55-31	M	1251	T 60-11
M	827	T 40- 5	M	934	T 40- 7	M	1102	T 30-21	M	1252	T 60-11
M	827	T 40- 7	M	937	T 40- 3	M	1102	T 30-23	M	1304	T 10- 9
M	827	T 40- 7	M	937	T 40- 5	M	1102	T 55-29	M	1304	T 55-23
M	827	T 41- 5	M	937	T 40- 7	M	1102	T 55-31	M	1304	T 55-25
M	827	T 70- 5	M	937	T 41- 6	M	1102	T 55-33	M	1304	T 55-27
M	828	T 55-55	M	942	T 35- 3	M	1102	T 55-35	M	1304	T 55-49
M	830	T 70- 3	M	943	T 35- 3	M	1111	T 40- 7	M	1304	T 55-53
M	830	T 70- 5	M	944	T 35- 3	M	1111	T 60- 5	M	1304	T 55-55
M	831	T 70- 3	M	946	T 35- 3	M	1111	T 60- 7	M	1306	T 55-23
M	831	T 70- 5	M	947	T 35- 3	M	1111	T 60- 9	M	1306	T 55-25
M	832	T 70- 3	M	947	T 110- 6	M	1111	T 60- 9	M	1306	T 55-27
M	832	T 70- 5	M	948	T 70- 5	M	1111	T 60-11	M	1306	T 70- 5
M	833	T 70- 3	M	948	T 70- 5	M	1111	T 60-13	M	1307	T 55-49
M	833	T 70- 5	M	949	T 70- 3	M	1111	T 60-15	M	1307	T 55-51
M	833	T 70- 5	M	949	T 70- 5	M	1111	T 60-18			
M	834	T 70- 3	M	952	T 70- 5	M	1111	T 100- 7			
			M	961	T 60- 3	M	1111	T 100-15			

Part No.	Page	Key	Part No.	Page	Key	Part No.	Page	Key	Part No.	Page	Key
M 1307 T	55-53	16	M 1404 T	95- 3	40	M 1615 T	95- 5	28	M 1727 T	85-11	13
M 1307 T	55-55	9	M 1406 T	105- 5	21	M 1616 T	95- 5	29	M 1727 T	115- 3	14
M 1309 T	25-20	3	M 1407 T	105- 5	24	M 1617 T	95- 5	30	M 1728 T	85-11	14
M 1309 T	25-23	3	M 1407 T	105- 7	37	M 1619 T	30-29	7	M 1728 T	115- 3	15
M 1309 T	25-25	3	M 1409 T	105- 5	10	M 1631 T	30- 7	33	M 1729 T	85-11	10
M 1317 T	55-49	5	M 1437 T	10- 5	9	M 1631 T	30- 9	33	M 1729 T	115- 3	..
M 1317 T	55-51	32	M 1437 T	40- 5	56	M 1631 T	30-29	22	M 1730 T	30-43	1
M 1317 T	55-53	32	M 1447 T	95- 5	17	M 1631 T	30-30	10	M 1731 T	70- 5	35
M 1317 T	55-55	25	M 1448 T	95- 5	16	M 1631 T	30-31	13	M 1732 T	70- 5	37
M 1321 T	55-29	42	M 1450 T	30- 7	10	M 1632 T	30-29	17	M 1735 T	70- 5	40
M 1321 T	55-31	42	M 1450 T	30- 9	10	M 1633 T	30-29	17	M 1737 T	80- 3	4
M 1321 T	55-33	42	M 1451 T	30- 7	39	M 1634 T	30-29	17	M 1740 T	55-37	6
M 1321 T	55-35	61	M 1451 T	30- 9	39	M 1635 T	30-29	10	M 1741 T	55-37	31
M 1321 T	55-49	43	M 1452 T	65- 5	13	M 1636 T	95- 5	27	M 1742 T	55-37	5
M 1321 T	55-53	38	M 1460 T	60- 7	7	M 1638 T	25-17	27	M 1744 T	80- 3	39
M 1321 T	55-55	41	M 1460 T	60-13	10	M 1638 T	95- 5	10	M 1746 T	10- 3	31
M 1323 T	55-63	8	M 1470 T	30-29	19	M 1639 T	95- 3	36	M 1746 T	55-21	32
M 1324 T	55-63	10	M 1477 T	55-49	6	M 1640 T	95- 3	37	M 1747 T	100- 2	2
M 1340 T	55-57	3	M 1477 T	55-51	33	M 1641 T	95- 3	11	M 1748 T	100- 2	2
M 1340 T	55-58	3	M 1477 T	55-53	33	M 1645 T	65- 2	9	M 1749 T	100- 2	2
M 1340 T	55-59	3	M 1477 T	55-55	25	M 1646 T	60- 3	1	M 1752 T	30- 7	6
M 1342 T	55-63	15	M 1482 T	105- 3	29	M 1647 T	50- 3	9	M 1752 T	30- 8	6
M 1342 T	55- 9	1	M 1482 T	105- 5	20	M 1647 T	60- 3	2	M 1754 T	95- 3	18
M 1342 T	55-11	31	M 1482 T	105- 7	3	M 1664 T	55-37	2	M 1755 T	95- 3	20
M 1342 T	55-13	31	M 1482 T	105- 9	5	M 1664 T	55-39	2	M 1756 T	70- 5	27
M 1342 T	55-14	2	M 1483 T	35- 7	8	M 1664 T	55-41	3	M 1758 T	15- 9	1A
M 1342 T	55-15	4	M 1484 T	35- 9	33	M 1664 T	55-43	2	M 1759 T	25- 3	5
M 1342 T	55-16	2	M 1487 T	95- 5	6	M 1664 T	55-45	2	M 1762 T	30-39	9
M 1342 T	55-17	2	M 1487 T	110- 6	..	M 1664 T	55-47	2	M 1762 T	30-41	20
M 1342 T	55-31	51	M 1495 T	35- 7	36	M 1664 T	100- 2	1	M 1762 T	30-43	4
M 1345 T	55- 7	25	M 1495 T	35-11	37	M 1665 T	100- 3	6	M 1763 T	75- 8	14
M 1345 T	55- 9	3	M 1501 T	90- 3	12	M 1678 T	75- 3	33	M 1764 T	25- 9	12
M 1345 T	55-15	10	M 1501 T	90- 5	8	M 1679 T	75- 3	37	M 1765 T	35- 9	37
M 1350 T	55- 5	22	M 1501 T	90- 7	13	M 1680 T	35- 9	7	M 1769 T	55- 3	7
M 1350 T	55- 7	31	M 1501 T	90- 9	13	M 1681 T	30-30	14	M 1774 T	30-43	18
M 1369 T	55-11	36	M 1501 T	90-11	21	M 1681 T	30-31	15	M 1780 T	55-35	49
M 1369 T	55-13	36	M 1501 T	90-17	12	M 1682 T	30-30	3	M 1781 T	70- 5	14
M 1370 T	55- 3	6	M 1511 T	25-19	19	M 1682 T	30-31	3	M 1783 T	35- 9	19
M 1370 T	55- 5	16	M 1511 T	25-21	24	M 1683 T	15-15	8	M 1784 T	30-47	4
M 1370 T	55- 7	34	M 1511 T	25-23	25	M 1684 T	30-32	20	M 1785 T	30-47	14
M 1370 T	55- 9	12	M 1511 T	25-25	29	M 1684 T	30-34	20	M 1786 T	30-47	28
M 1370 T	55-11	25	M 1515 T	35- 7	22	M 1685 T	30- 7	38	M 1788 T	30-32	7
M 1370 T	55-13	25	M 1515 T	35- 9	12	M 1685 T	30- 9	38	M 1791 T	30-31	7
M 1370 T	55-14	5	M 1516 T	35- 9	11	M 1685 T	30-13	37	M 1792 T	35- 5	3
M 1370 T	55-15	3	M 1518 T	60- 5	7	M 1685 T	30-17	52	M 1792 T	35- 7	3
M 1370 T	55-16	5	M 1518 T	60- 7	28	M 1686 T	30- 6	3A	M 1797 T	95- 5	2
M 1370 T	55-17	5	M 1518 T	60- 9	39	M 1687 T	30- 7	22	M 1800 T	30-45	21
M 1370 T	55-19	31	M 1518 T	60-11	10	M 1688 T	30- 7	6	M 1805 T	55-19	5
M 1370 T	55-21	31	M 1518 T	60-13	17	M 1689 T	30- 7	12	M 1805 T	55-21	5
M 1370 T	55-23	45	M 1518 T	60-15	7	M 1689 T	30- 9	12	M 1806 T	55-19	61
M 1370 T	55-35	9	M 1518 T	60-17	30	M 1689 T	30-11	14	M 1806 T	55-21	61
M 1370 T	41- 9	12	M 1518 T	60-19	19	M 1690 T	30- 7	40	M 1807 T	55-19	52
M 1371 T	55- 9	21	M 1518 T	60-21	25	M 1690 T	30- 9	40	M 1809 T	55-19	8
M 1371 T	55-11	4	M 1519 T	15- 4	15	M 1691 T	10- 5	6	M 1809 T	55-21	8
M 1371 T	55-13	4	M 1536 T	15-17	6	M 1693 T	25- 3	16	M 1809 T	55-23	11
M 1372 T	55- 9	7	M 1552 T	55-29	64	M 1693 T	25- 9	12	M 1810 T	55-45	12
M 1379 T	60- 9	53	M 1552 T	55-31	66	M 1696 T	30-47	16	M 1810 T	55-47	14
M 1379 T	60-11	45	M 1552 T	55-33	63	M 1699 T	80- 3	38	M 1811 T	70- 3	15
M 1381 T	60- 9	54	M 1552 T	55-35	52	M 1699 T	80- 5	54	M 1814 T	70- 3	18
M 1381 T	60-11	39	M 1552 T	40- 5	43	M 1701 T	80- 3	15	M 1815 T	55-35	35
M 1385 T	60-11	3	M 1554 T	25- 9	27	M 1701 T	80- 5	15	M 1817 T	15-15	7
M 1386 T	60-11	17	M 1554 T	25-11	37	M 1702 T	80- 3	29	M 1820 T	55-19	18
M 1387 T	60- 7	5	M 1554 T	25-13	29	M 1703 T	80- 3	13	M 1820 T	55-21	18
M 1387 T	60-11	32	M 1554 T	35-11	29	M 1709 T	15-15	13	M 1821 T	55-19	1
M 1387 T	60-13	8	M 1554 T	75- 9	6	M 1709 T	15-15	23	M 1821 T	55-21	1
M 1392 T	60- 9	55	M 1554 T	75-11	19	M 1710 T	35- 9	1	M 1822 T	55-25	28
M 1392 T	60-11	38	M 1554 T	75-13	21	M 1711 T	30-30	5	M 1823 T	100- 5	20
M 1393 T	60-11	27	M 1556 T	41- 9	4	M 1712 T	35- 7	11	M 1823 T	100- 7	43
M 1397 T	25- 9	29	M 1568 T	75- 7	3	M 1713 T	70- 3	25	M 1824 T	100- 3	41
M 1398 T	25- 9	33	M 1568 T	75-11	18	M 1714 T	70- 3	30	M 1824 T	100- 5	28
M 1399 T	25- 9	34	M 1568 T	75-13	22	M 1715 T	70- 3	32	M 1826 T	100- 2	3
M 1400 T	25- 9	26	M 1568 T	75-15	5	M 1716 T	55-60	7	M 1827 T	100- 2	4
M 1400 T	25-11	36	M 1577 T	15-21	8	M 1716 T	70- 3	8	M 1828 T	55-25	13
M 1400 T	25-13	28	M 1605 T	85-10	1	M 1726 T	85-11	12	M 1829 T	30-36	13
M 1402 T	95- 3	13	M 1615 T	30-29	21	M 1726 T	115- 3	13	M 1832 T	40- 5	46

Part No.	Page	Key	Part No.	Page	Key	Part No.	Page	Key	Part No.	Page	Key
M 1832 T	55-29	62	M 1926 T	31- 3	35	M 2001 T	30-43	20	M 2058 T	30-15	41
M 1832 T	55-31	64	M 1927 T	55-28	9	M 2002 T	85-11	12	M 2058 T	30-19	56
M 1832 T	55-33	61	M 1927 T	55-30	9	M 2003 T	85-11	13	M 2058 T	30-47	23
M 1832 T	55-35	50	M 1927 T	55-32	9	M 2004 T	55-28	3	M 2058 T	31- 3	55
M 1840 T	55-47	18	M 1930 T	80- 3	45	M 2004 T	55-30	3	M 2059 T	30- 9	30
M 1841 T	55-47	6	M 1931 T	30-32	18	M 2004 T	55-32	3	M 2059 T	30-11	34
M 1842 T	25-19	3	M 1931 T	30-33	18	M 2005 T	55-37	45	M 2059 T	30-13	30
M 1844 T	50- 3	4	M 1931 T	30-34	21	M 2005 T	55-39	36	M 2059 T	30-15	30
M 1845 T	10- 7	47	M 1931 T	30-35	18	M 2005 T	55-41	25	M 2059 T	30-23	51
M 1845 T	55- 3	1	M 1937 T	55-19	38	M 2010 T	95- 3	7	M 2059 T	30-47	21
M 1846 T	10- 5	7	M 1937 T	55-21	38	M 2011 T	55-37	34	M 2060 T	30- 9	30
M 1853 T	15- 9	13	M 1944 T	30-43	6	M 2011 T	55-39	25	M 2060 T	30-11	34
M 1853 T	15-11	19	M 1945 T	25- 9	3	M 2011 T	55-41	37	M 2060 T	30-13	30
M 1853 T	15-15	22	M 1945 T	25-11	13	M 2012 T	55-19	57	M 2060 T	30-15	30
M 1857 T	15- 9	6	M 1945 T	25-13	11	M 2012 T	55-21	57	M 2060 T	30-23	51
M 1857 T	15-11	45	M 1945 T	25-15	7	M 2012 T	55-25	2	M 2060 T	30-47	21
M 1858 T	15- 9	5	M 1948 T	30-30	4	M 2012 T	55-27	2	M 2061 T	30- 9	30
M 1858 T	15-11	44	M 1948 T	30-31	4	M 2014 T	70- 5	26	M 2061 T	30-11	34
M 1859 T	15- 9	4	M 1949 T	70- 5	17	M 2015 T	105- 9	3	M 2061 T	30-13	30
M 1859 T	15-11	8	M 1949 T	85- 5	9	M 2017 T	30-36	10	M 2061 T	30-15	30
M 1859 T	15-11	43	M 1961 T	35- 9	9	M 2017 T	30-43	24	M 2061 T	30-23	51
M 1860 T	15- 9	3	M 1962 T	35- 9	34	M 2017 T	30-45	4	M 2061 T	30-47	21
M 1860 T	15-11	9	M 1963 T	70- 3	20	M 2018 T	30-43	22	M 2064 T	105-12	6
M 1860 T	15-11	42	M 1964 T	55-29	50	M 2019 T	30-43	8	M 2065 T	30-45	22
M 1862 T	105-19	49	M 1964 T	55-31	50	M 2020 T	30-43	11	M 2068 T	105- 9	10
M 1863 T	15- 9	28	M 1964 T	55-33	50	M 2022 T	30-43	23	M 2071 T	30-42	12
M 1863 T	15-11	39	M 1964 T	55-35	5	M 2023 T	30-36	1	M 2071 T	80- 2	1
M 1864 T	15- 9	29	M 1964 T	55-49	19	M 2023 T	30-37	5	M 2072 T	55-43	1
M 1865 T	55- 3	9	M 1964 T	55-53	10	M 2023 T	30-42	15	M 2072 T	80- 3	17
M 1866 T	55- 3	10	M 1964 T	55-55	15	M 2023 T	30-43	17	M 2072 T	80- 5	13
M 1867 T	55- 3	25	M 1965 T	55-35	28	M 2024 T	30-39	5	M 2077 T	75- 8	17
M 1868 T	55- 3	3	M 1970 T	30-32	9	M 2024 T	30-41	22	M 2078 T	80- 3	36
M 1869 T	55- 3	4	M 1970 T	30-33	22	M 2024 T	30-43	2	M 2078 T	80- 5	56
M 1870 T	55- 3	14	M 1970 T	30-34	6	M 2030 T	30- 5	25	M 2081 T	55-29	40
M 1871 T	55- 3	5	M 1970 T	30-35	22	M 2033 T	55-37	15	M 2081 T	55-31	40
M 1873 T	30-21	23	M 1972 T	55-19	53	M 2034 T	70- 5	20	M 2081 T	55-33	40
M 1873 T	30-23	23	M 1972 T	55-21	53	M 2035 T	70- 5	16	M 2081 T	55-35	59
M 1873 T	35- 5	39	M 1975 T	55-37	25	M 2036 T	70- 5	18	M 2081 T	55-49	41
M 1873 T	35- 9	35	M 1975 T	55-39	16	M 2037 T	70- 5	29	M 2081 T	55-51	8
M 1873 T	55-35	40	M 1975 T	55-41	17	M 2038 T	30- 3	35	M 2081 T	55-53	40
M 1873 T	55-41	22	M 1976 T	55-19	37	M 2038 T	30- 5	23	M 2081 T	55-55	43
M 1876 T	35- 9	8	M 1976 T	55-21	37	M 2038 T	35- 9	20	M 2083 T	80- 3	43
M 1879 T	85-13	22	M 1977 T	55-19	15	M 2038 T	70- 3	33	M 2083 T	80- 5	48
M 1880 T	55-37	30	M 1977 T	55-21	15	M 2038 T	70- 5	34	M 2084 T	80- 3	28
M 1880 T	55-37	48	M 1977 T	55-23	18	M 2039 T	70- 5	36	M 2085 T	80- 3	44
M 1880 T	55-39	21	M 1977 T	55-25	31	M 2041 T	55-29	58	M 2086 T	80- 3	47
M 1880 T	55-39	39	M 1979 T	55-19	48	M 2041 T	55-31	60	M 2090 T	80- 3	11
M 1880 T	55-41	34	M 1980 T	55-19	62	M 2041 T	55-33	57	M 2092 T	55-37	37
M 1880 T	55-45	6	M 1980 T	55-21	62	M 2042 T	65- 6	2	M 2092 T	55-39	28
M 1880 T	55-47	8	M 1980 T	55-23	51	M 2047 T	45- 1	8	M 2092 T	55-41	29
M 1886 T	55-37	8	M 1980 T	55-35	38	M 2047 T	45- 2	17	M 2092 T	75-11	21
M 1886 T	55-39	8	M 1980 T	55-63	30	M 2047 T	45- 3	14	M 2092 T	80- 3	8
M 1890 T	85-13	18	M 1984 T	55-29	25	M 2047 T	45- 4	21	M 2092 T	80- 3	54
M 1895 T	50- 7	14	M 1984 T	55-31	25	M 2047 T	45- 5	3	M 2093 T	55-19	36
M 1895 T	50- 9	34	M 1984 T	55-33	25	M 2047 T	45- 7	19	M 2093 T	55-21	36
M 1895 T	50-11	2	M 1991 T	30-39	20	M 2047 T	45- 8	21	M 2093 T	55-25	1
M 1896 T	85-13	9	M 1991 T	30-41	13	M 2049 T	70- 5	22	M 2093 T	55-27	1
M 1898 T	55-29	28	M 1991 T	30-43	12	M 2050 T	30-47	5	M 2095 T	55-19	39
M 1898 T	55-31	28	M 1992 T	55-28	10	M 2051 T	30-47	5	M 2095 T	55-21	39
M 1898 T	55-33	28	M 1992 T	55-30	10	M 2052 T	30-47	5	M 2095 T	55-23	29
M 1906 T	85-11	14	M 1992 T	55-32	10	M 2053 T	30-47	12	M 2095 T	55-25	34
M 1910 T	55-19	7	M 1993 T	75- 4	6	M 2054 T	30-47	12	M 2095 T	55-27	35
M 1910 T	55-21	7	M 1993 T	75- 7	13	M 2054 T	55-43	25	M 2096 T	55-19	41
M 1910 T	55-23	10	M 1993 T	75- 8	3	M 2055 T	30-47	12	M 2096 T	55-21	41
M 1916 T	15-13	22	M 1993 T	75- 9	13	M 2056 T	30-11	45	M 2096 T	55-23	27
M 1921 T	55-25	23	M 1994 T	70- 5	39	M 2056 T	30-15	41	M 2096 T	55-25	37
M 1924 T	30- 7	27	M 1995 T	80- 3	34	M 2056 T	30-19	56	M 2096 T	55-27	38
M 1925 T	75- 8	4	M 1995 T	80- 5	62	M 2056 T	30-47	23	M 2097 T	55-19	4
M 1926 T	30- 7	25	M 1996 T	30-47	13	M 2056 T	31- 3	55	M 2097 T	55-21	4
M 1926 T	30- 9	25	M 1997 T	55-25	36	M 2057 T	30-11	45	M 2097 T	55-23	5
M 1926 T	30-11	27	M 1997 T	55-27	37	M 2057 T	30-15	41	M 2097 T	55-25	21
M 1926 T	30-13	25	M 1977 T	55-27	40	M 2057 T	30-19	56	M 2097 T	55-27	19
M 1926 T	30-15	25	M 2000 T	55-22	3	M 2057 T	30-47	23	M 2101 T	55-19	17
M 1926 T	30-17	38	M 2000 T	55-25	18	M 2057 T	31- 3	55	M 2101 T	55-21	17
M 1926 T	30-19	38	M 2000 T	55-27	27	M 2058 T	30-11	45	M 2101 T	55-23	20

NUMERICAL INDEX
Tractors -- 420 and 430 Series

120-17

Part No.	Page	Key	Part No.	Page	Key	Part No.	Page	Key	Part No.	Page	Key
M 2101 T	55-23	70	M 2157 T	55-19	63	M 2238 T	100- 7	13	M 2333 T	65- 8	12
M 2101 T	55-25	30	M 2157 T	55-21	63	M 2239 T	100- 5	4	M 2334 T	65- 7	5
M 2103 T	55-29	61	M 2159 T	55-23	4	M 2239 T	100- 7	4	M 2334 T	65- 8	5
M 2103 T	55-31	63	M 2159 T	55-25	14	M 2247 T	100- 5	26	M 2335 T	65- 7	6
M 2103 T	55-33	60	M 2159 T	55-27	15	M 2247 T	100- 7	38	M 2335 T	65- 8	6
M 2104 T	30-21	61	M 2160 T	50- 2	2	M 2253 T	65- 5	10	M 2337 T	100- 7	21
M 2104 T	30-23	68	M 2165 T	30-31	8	M 2254 T	65- 5	8	M 2342 T	30- 7	3B
M 2104 T	55-29	30	M 2165 T	110- 7	..	M 2260 T	55-35	24	M 2343 T	30- 7	51
M 2104 T	55-31	30	M 2167 T	90- 7	7	M 2261 T	55-35	26	M 2343 T	30- 9	51
M 2104 T	55-33	30	M 2168 T	90- 7	10	M 2264 T	55-35	18	M 2343 T	30-11	2
M 2105 T	55-29	31	M 2170 T	55-19	40	M 2266 T	100- 5	17	M 2343 T	30-12	2
M 2105 T	55-31	31	M 2170 T	55-21	40	M 2266 T	100- 7	17	M 2343 T	30-15	2
M 2105 T	55-33	31	M 2170 T	55-23	28	M 2267 T	105- 5	11	M 2343 T	30-16	2
M 2106 T	55-28	4	M 2170 T	55-25	35	M 2268 T	50- 5	27	M 2343 T	30-18	2
M 2106 T	55-30	4	M 2170 T	55-27	36	M 2269 T	65- 7	15	M 2345 T	30-39	22
M 2106 T	55-32	4	M 2171 T	60- 9	50	M 2270 T	65- 7	16	M 2345 T	30-42	21
M 2107 T	55-37	29	M 2176 T	35- 5	4	M 2278 T	65- 5	11	M 2346 T	30-39	23
M 2107 T	55-37	47	M 2176 T	35- 7	4	M 2280 T	60- 9	41	M 2346 T	30-41	27
M 2107 T	55-39	20	M 2177 T	35- 5	4	M 2281 T	60- 9	45	M 2346 T	30-42	22
M 2107 T	55-39	38	M 2177 T	35- 7	4	M 2281 T	60-17	37	M 2346 T	31- 4	1
M 2107 T	55-41	33	M 2178 T	35- 5	4	M 2281 T	60-19	26	M 2347 T	30-37	15
M 2107 T	55-45	7	M 2178 T	35- 7	4	M 2282 T	60- 5	14	M 2347 T	30-39	24
M 2107 T	55-47	9	M 2179 T	70- 3	19	M 2282 T	60- 7	33	M 2347 T	30-41	33
M 2108 T	55-37	9	M 2181 T	55-25	20	M 2282 T	60- 9	44	M 2347 T	30-42	23
M 2108 T	55-39	9	M 2181 T	55-27	18	M 2282 T	60-13	22	M 2347 T	31- 4	2
M 2109 T	55-37	20	M 2186 T	105- 7	15	M 2282 T	60-15	13	M 2348 T	31- 4	3
M 2109 T	55-39	11	M 2189 T	50- 5	33	M 2282 T	60-17	35	M 2353 T	30-45	8
M 2109 T	55-41	12	M 2189 T	50- 5	34	M 2282 T	60-19	25	M 2354 T	30-45	7
M 2112 T	55-28	5	M 2189 T	50- 7	18	M 2282 T	60-21	30	M 2359 T	35- 3	18
M 2112 T	55-30	5	M 2189 T	50- 7	19	M 2283 T	60- 5	13	M 2362 T	35- 3	8
M 2112 T	55-32	5	M 2195 T	65- 5	6	M 2283 T	60- 7	32	M 2363 T	35- 3	3
M 2113 T	55-37	1	M 2200 T	30-36	3	M 2283 T	60- 9	43	M 2364 T	35- 3	41
M 2113 T	55-39	1	M 2200 T	30-37	7	M 2283 T	60-13	21	M 2365 T	35- 3	40
M 2113 T	55-41	2	M 2200 T	30-42	5	M 2283 T	60-15	12	M 2365 T	35- 5	14
M 2118 T	55-37	7	M 2201 T	105- 7	14	M 2283 T	60-17	35	M 2366 T	35- 3	36
M 2119 T	55-37	35	M 2203 T	30-36	2	M 2283 T	60-19	24	M 2366 T	35- 5	16
M 2119 T	55-39	26	M 2203 T	30-37	6	M 2283 T	60-21	29	M 2367 T	35- 3	35
M 2119 T	55-41	36	M 2203 T	30-42	14	M 2286 T	60- 9	49	M 2367 T	35- 5	17
M 2122 T	35- 5	26	M 2206 T	30-47	9	M 2287 T	60- 9	48	M 2367 T	110- 6	..
M 2122 T	35-12	1	M 2206 T	40- 7	47	M 2291 T	45- 1	9	M 2368 T	35- 3	31
M 2122 T	55-28	7	M 2207 T	105- 3	18	M 2291 T	45- 2	18	M 2368 T	35- 5	21
M 2122 T	55-32	7	M 2207 T	105-11	11	M 2291 T	45- 3	15	M 2369 T	35- 3	22
M 2123 T	30-47	22	M 2210 T	30-36	8	M 2291 T	45- 4	22	M 2369 T	35- 7	31
M 2124 T	95- 5	2	M 2211 T	30-36	7	M 2291 T	45- 5	5	M 2369 T	35-11	45
M 2127 T	55-63	20	M 2211 T	30-37	21	M 2291 T	45- 7	21	M 2370 T	35- 3	20
M 2133 T	25-17	25	M 2212 T	30-36	6	M 2291 T	45- 8	22	M 2370 T	35- 7	30
M 2133 T	30-25	2	M 2212 T	30-37	8	M 2299 T	60- 9	9	M 2371 T	35- 3	23
M 2133 T	30-27	49	M 2212 T	30-42	6	M 2300 T	41- 3	40	M 2371 T	35- 5	33
M 2133 T	95- 5	14	M 2214 T	30-36	17	M 2300 T	60- 5	25	M 2372 T	35- 3	23
M 2135 T	85-10	3	M 2215 T	30-39	12	M 2300 T	60- 9	15	M 2372 T	35- 5	33
M 2136 T	95- 5	34	M 2215 T	30-41	19	M 2300 T	60-17	15	M 2373 T	35- 5	33
M 2137 T	55-37	23	M 2215 T	30-43	5	M 2300 T	60-19	6	M 2373 T	35- 3	23
M 2137 T	55-39	14	M 2216 T	60- 5	15	M 2300 T	60-21	13	M 2373 T	35- 5	33
M 2137 T	55-41	15	M 2216 T	60- 7	34	M 2301 T	60- 5	33	M 2374 T	30-37	26
M 2138 T	55-37	19	M 2216 T	60-13	23	M 2301 T	60- 9	8	M 2374 T	35- 3	29
M 2138 T	55-39	10	M 2216 T	60-15	14	M 2301 T	60-17	10	M 2374 T	35- 5	32
M 2138 T	55-41	11	M 2217 T	60- 9	36	M 2301 T	60-21	6	M 2374 T	55-43	32
M 2139 T	55-45	13	M 2218 T	60- 9	57	M 2307 T	15-17	22	M 2375 T	35- 3	28
M 2139 T	55-47	21	M 2219 T	60- 9	19	M 2308 T	15-13	3	M 2376 T	30-29	3
M 2140 T	70- 3	29	M 2221 T	70- 3	13	M 2308 T	15-13	27	M 2377 T	30-29	1
M 2141 T	55-25	9	M 2222 T	70- 3	31	M 2308 T	15-20	9	M 2377 T	35- 3	19
M 2142 T	55-45	14	M 2222 T	70- 5	36	M 2314 T	50- 7	1	M 2378 T	30-29	8
M 2142 T	55-47	15	M 2223 T	65- 5	12	M 2314 T	50-11	17	M 2383 T	75- 3	12
M 2143 T	30-36	18	M 2225 T	60- 9	31	M 2321 T	50- 5	19	M 2384 T	75- 3	11
M 2148 T	75- 7	19	M 2226 T	35- 7	37	M 2322 T	50- 5	13	M 2385 T	50- 5	3
M 2149 T	75- 7	12	M 2226 T	110- 7	..	M 2323 T	50- 5	15	M 2385 T	75- 3	28
M 2150 T	80- 2	1	M 2233 T	100- 5	18	M 2326 T	65- 7	3	M 2386 T	75- 3	26
M 2152 T	30-17	28	M 2233 T	100- 7	18	M 2327 T	65- 7	13	M 2387 T	75- 3	23
M 2152 T	30-19	19	M 2235 T	100- 5	12	M 2328 T	65- 7	14	M 2394 T	55- 5	18
M 2152 T	30-36	16	M 2235 T	100- 7	12	M 2329 T	65- 7	12	M 2394 T	55- 5	27
M 2152 T	31- 3	16	M 2236 T	100- 5	11	M 2330 T	65- 7	11	M 2394 T	55- 7	29
M 2152 T	35-11	36	M 2236 T	100- 7	11	M 2331 T	65- 7	8	M 2395 T	55- 5	19
M 2153 T	30- 3	37	M 2237 T	100- 5	10	M 2332 T	65- 7	2	M 2395 T	55- 7	30
M 2153 T	70- 3	16	M 2237 T	100- 7	10	M 2332 T	65- 8	10	M 2396 T	30-21	62
M 2154 T	55-35	29	M 2238 T	100- 5	13	M 2333 T	65- 7	10	M 2396 T	30-23	69

Part No.	Page	Key	Part No.	Page	Key	Part No.	Page	Key	Part No.	Page	Key
M 2396 T	55-29	29	M 2503 T	100- 7	22	M 2620 T	55-53	14	M 2683 T	35- 5	11
M 2396 T	55-31	29	M 2515 T	80- 3	6	M 2620 T	55-55	7	M 2684 T	35- 5	38
M 2396 T	55-33	29	M 2517 T	75-15	16	M 2621 T	55-49	11	M 2685 T	35- 5	38
M 2396 T	55-35	27	M 2517 T	80- 3	10	M 2621 T	55-51	17	M 2686 T	35- 5	40
M 2396 T	55-37	22	M 2517 T	90- 7	5	M 2621 T	55-53	17	M 2687 T	35- 5	41
M 2396 T	55-39	13	M 2517 T	90- 9	5	M 2621 T	55-55	10	M 2689 T	35- 5	31
M 2396 T	55-41	14	M 2517 T	90-11	10	M 2622 T	55-55	15	M 2690 T	65- 3	1
M 2396 T	55-45	15	M 2517 T	90-13	12	M 2623 T	55-29	47	M 2694 T	60- 5	10
M 2396 T	55-47	17	M 2521 T	30-47	28	M 2623 T	55-31	47	M 2695 T	60- 5	15
M 2396 T	55-57	1	M 2523 T	75- 7	4	M 2623 T	55-33	47	M 2696 T	60- 5	19
M 2396 T	55-58	11	M 2524 T	75- 7	21	M 2623 T	55-35	2	M 2696 T	60-17	40
M 2396 T	55-59	11	M 2544 T	15- 9	32	M 2623 T	55-49	22	M 2696 T	60-19	32
M 2396 T	70- 5	21	M 2544 T	15-11	35	M 2623 T	55-53	7	M 2697 T	30- 3	41
M 2399 T	105- 5	17	M 2545 T	75- 8	13	M 2623 T	55-55	18	M 2699 T	30- 3	38
M 2399 T	105- 7	35	M 2546 T	50- 2	6	M 2624 T	55-49	28	M 2700 T	30- 3	39
M 2399 T	105- 9	11	M 2547 T	50- 2	8	M 2624 T	55-51	26	M 2702 T	25- 9	12
M 2401 T	35- 7	38	M 2548 T	50- 2	10	M 2624 T	55-53	26	M 2703 T	30- 3	20
M 2405 T	60-13	23	M 2549 T	75- 3	14	M 2624 T	55-55	11	M 2706 T	60- 5	4
M 2408 T	55-27	13	M 2555 T	55-28	10	M 2625 T	55-49	4	M 2706 T	60-15	4
M 2409 T	55-27	31	M 2555 T	55-29	11	M 2625 T	55-51	34	M 2707 T	60- 5	4
M 2410 T	55-27	34	M 2555 T	55-30	11	M 2625 T	55-53	34	M 2707 T	60-15	4
M 2412 T	55-27	28	M 2555 T	55-33	11	M 2625 T	55-55	26	M 2708 T	30-41	28
M 2414 T	55-45	17	M 2560 T	75- 3	10	M 2626 T	55-49	8	M 2710 T	30-41	6
M 2415 T	55-45	5	M 2560 T	85- 2	5	M 2626 T	55-51	30	M 2711 T	30-37	2
M 2416 T	30-39	15	M 2560 T	95- 5	5	M 2626 T	55-53	30	M 2711 T	30-41	9
M 2417 T	30-39	10	M 2560 T	95- 5	13	M 2626 T	55-55	23	M 2711 T	30-42	11
M 2418 T	30-39	8	M 2561 T	60- 5	36	M 2627 T	35- 7	21	M 2712 T	30-41	5
M 2419 T	30-39	3	M 2561 T	60- 7	17	M 2628 T	35- 7	21	M 2713 T	55-19	48
M 2420 T	55-27	9	M 2561 T	60- 9	5	M 2634 T	55-60	9	M 2714 T	55-19	52
M 2421 T	55-41	8	M 2561 T	60-11	55	M 2635 T	55-60	11	M 2728 T	55-37	10
M 2421 T	55-47	7	M 2561 T	60-13	29	M 2636 T	55-60	3	M 2729 T	65- 5	3
M 2430 T	75-11	3	M 2561 T	60-15	31	M 2637 T	55-60	16	M 2829 T	60-13	5
M 2434 T	75-11	4	M 2561 T	60-17	5	M 2638 T	55-14	9	M 2732 T	75-11	1
M 2434 T	75-15	10	M 2562 T	55-27	9	M 2638 T	55-15	5	M 2733 T	80- 3	51
M 2437 T	80- 3	33	M 2563 T	55-27	3	M 2638 T	55-16	9	M 2734 T	80- 3	52
M 2437 T	80- 5	57	M 2569 T	100- 3	17	M 2638 T	55-17	9	M 2735 T	80- 3	49
M 2438 T	80- 3	35	M 2570 T	60-11	24	M 2642 T	55-15	9	M 2735 T	80- 5	61
M 2438 T	80- 5	53	M 2571 T	60- 9	58	M 2646 T	35- 9	11	M 2740 T	60- 5	31
M 2439 T	80- 3	38	M 2573 T	40- 5	21	M 2647 T	35- 9	11	M 2741 T	40- 3	21
M 2440 T	80- 3	34	M 2573 T	40- 7	22	M 2650 T	65- 6	1	M 2741 T	41- 6	22
M 2457 T	90- 7	10	M 2573 T	41- 6	22	M 2651 T	65- 6	5	M 2742 T	40- 3	35
M 2469 T	80- 3	4	M 2576 T	10- 5	8	M 2652 T	65- 7	1	M 2742 T	60- 5	21
M 2474 T	90- 3	16	M 2581 T	50-11	10	M 2653 T	80- 3	19	M 2742 T	60-15	22
M 2474 T	90- 5	4	M 2582 T	50- 2	1	M 2658 T	55-55	33	M 2743 T	75- 4	16
M 2474 T	90- 7	4	M 2582 T	50-11	11	M 2662 T	35-12	6	M 2744 T	30-45	5
M 2474 T	90- 9	4	M 2593 T	55-41	38	M 2663 T	30- 7	26B	M 2745 T	30-45	9
M 2474 T	90-11	4	M 2593 T	55-45	24	M 2663 T	30- 9	26B	M 2746 T	30- 7	36
M 2474 T	90-17	4	M 2593 T	75- 7	25	M 2663 T	30-11	30B	M 2746 T	30- 9	36
M 2478 T	55-27	29	M 2594 T	75-11	23	M 2663 T	30-13	26A	M 2746 T	30-11	29
M 2479 T	55-41	38	M 2595 T	75-11	2	M 2663 T	30-15	26A	M 2746 T	30-45	10
M 2479 T	75- 7	5	M 2597 T	35- 7	36	M 2665 T	40- 3	31	M 2746 T	31- 3	37
M 2479 T	75- 7	22	M 2598 T	35- 7	21	M 2666 T	60- 5	20	M 2747 T	100- 3	16
M 2479 T	75- 8	15	M 2599 T	35- 7	15	M 2666 T	60- 7	4	M 2749 T	60- 7	34
M 2479 T	75- 9	18	M 2599 T	110- 7	..	M 2666 T	60-13	3	M 2751 T	30-32	4
M 2479 T	75-11	8	M 2600 T	35- 7	14	M 2666 T	60-15	17	M 2751 T	30-34	5
M 2479 T	75-13	1	M 2601 T	35- 7	24	M 2667 T	40- 3	32	M 2756 T	45- 3	3
M 2479 T	75-15	23	M 2602 T	35- 7	28	M 2669 T	40- 3	30	M 2756 T	45- 3	5
M 2479 T	80- 3	25	M 2603 T	35- 7	28	M 2669 T	40- 7	31	M 2757 T	45- 3	4
M 2485 T	75- 9	4	M 2604 T	35- 7	28	M 2669 T	40- 8	1	M 2757 T	45- 3	5
M 2485 T	75-11	6	M 2605 T	35- 7	27	M 2670 T	40- 3	33	M 2767 T	75- 5	12
M 2485 T	75-15	13	M 2606 T	35-12	4	M 2670 T	40- 7	36	M 2772 T	45- 2	6
M 2490 T	50- 5	28	M 2609 T	65- 5	9	M 2670 T	40- 8	6	M 2773 T	15-13	29
M 2492 T	80- 3	49	M 2612 T	55-49	29	M 2671 T	35-11	11	M 2774 T	30- 7	33
M 2494 T	80- 3	50	M 2613 T	55-55	2	M 2671 T	40- 3	39	M 2774 T	30- 9	33
M 2494 T	80- 5	59	M 2614 T	55-55	29	M 2672 T	55-55	34	M 2774 T	30-30	10
M 2497 T	50- 5	14	M 2614 T	55-55	39	M 2673 T	55-60	13	M 2774 T	30-31	13
M 2500 T	100- 7	29	M 2615 T	55-60	4	M 2674 T	55-60	16	M 2775 T	30- 3	26
M 2500 T	100-15	13	M 2616 T	55-60	10	M 2678 T	55-63	12	M 2776 T	30- 7	33
M 2501 T	100- 7	24	M 2617 T	55-60	13	M 2679 T	30-37	1	M 2776 T	30- 9	33
M 2501 T	100-15	9	M 2618 T	55-35	21	M 2679 T	30-41	10	M 2776 T	30-11	37
M 2502 T	30-16	10	M 2619 T	55-49	18	M 2679 T	30-42	9	M 2776 T	30-13	33
M 2502 T	30-19	17	M 2619 T	55-53	28	M 2679 T	100- 3	12	M 2776 T	30-15	33
M 2502 T	31- 3	14	M 2619 T	55-55	12	M 2679 T	100-17	11	M 2776 T	30-17	48
M 2502 T	100- 7	23	M 2620 T	55-49	15	M 2681 T	15- 9	1A	M 2776 T	30-19	48
M 2502 T	100-15	8	M 2620 T	55-51	14	M 2682 T	35- 5	25	M 2776 T	30-30	10

Part No.	Page	Key	Part No.	Page	Key	Part No.	Page	Key	Part No.	Page	Key
M 2776 T	30-31	13	M 2930 T	75-4	13	M 3125 T	35-11	37	M 3190 T	55-3	16
M 2776 T	31-3	47	M 2931 T	75-4	8	M 3126 T	35-11	48	M 3190 T	55-5	12
M 2777 T	30-7	26A	M 2932 T	35-7	25	M 3126 T	110-7	..	M 3190 T	55-7	11
M 2777 T	30-9	26A	M 2933 T	35-5	13	M 3127 T	35-11	13	M 3190 T	55-9	14
M 2777 T	30-11	30A	M 2934 T	35-5	43	M 3127 T	75-9	2	M 3190 T	55-11	21
M 2777 T	30-13	26B	M 2948 T	100-3	7	M 3128 T	35-11	21	M 3190 T	55-11	26
M 2777 T	30-15	26B	M 2949 T	100-3	10	M 3129 T	35-11	3	M 3190 T	55-13	21
M 2779 T	35-7	23	M 2950 T	100-3	13	M 3130 T	35-11	7	M 3190 T	55-13	26
M 2780 T	35-7	38	M 2951 T	100-3	14	M 3131 T	35-11	49	M 3191 T	55-3	20
M 2781 T	85-7	8	M 2952 T	100-3	11	M 3132 T	35-11	34	M 3192 T	41-9	19
M 2782 T	85-7	9	M 2952 T	100-17	10	M 3133 T	35-11	34	M 3192 T	55-3	19
M 2788 T	75-15	6	M 2953 T	75-13	26	M 3139 T	75-9	14	M 3192 T	55-5	15
M 2789 T	75-15	15	M 2954 T	75-13	26	M 3140 T	75-9	12	M 3192 T	55-7	14
M 2790 T	75-15	9	M 2955 T	100-3	9	M 3141 T	60-17	33	M 3192 T	55-9	17
M 2791 T	75-15	1	M 2956 T	100-3	15	M 3141 T	60-19	22	M 3192 T	55-11	29
M 2792 T	75-15	19	M 2961 T	60-9	9	M 3142 T	60-17	28	M 3192 T	55-13	29
M 2802 T	80-3	4	M 2978 T	30-3	32	M 3143 T	30-42	3	M 3193 T	55-9	13
M 2803 T	30-3	29	M 2987 T	105-11	21	M 3144 T	30-42	7	M 3193 T	55-11	22
M 2804 T	55-37	18	M 3035 T	10-7	27	M 3145 T	30-9	26B	M 3194 T	55-9	24
M 2805 T	55-37	17	M 3036 T	10-7	26	M 3146 T	30-5	24	M 3194 T	55-11	23
M 2811 T	60-7	26	M 3037 T	10-3	8	M 3149 T	75-9	3	M 3194 T	55-13	23
M 2811 T	60-13	15	M 3038 T	20-5	9	M 3150 T	55-19	64	M 3195 T	55-61	14
M 2812 T	60-7	26	M 3039 T	20-5	27	M 3150 T	55-21	64	M 3196 T	55-57	13
M 2812 T	60-13	4	M 3042 T	55-35	25	M 3150 T	55-23	48	M 3196 T	55-58	8
M 2814 T	100-5	29	M 3043 T	10-5	4	M 3150 T	55-29	16	M 3196 T	55-59	8
M 2814 T	100-7	33	M 3044 T	10-5	3	M 3150 T	55-31	16	M 3197 T	55-57	7A
M 2817 T	60-15	14	M 3045 T	20-5	5	M 3150 T	55-33	16	M 3198 T	55-51	20
M 2818 T	60-15	19	M 3046 T	20-5	6	M 3150 T	55-49	27	M 3198 T	55-53	20
M 2828 T	55-28	1	M 3047 T	20-5	3	M 3150 T	55-51	27	M 3201 T	55-58	2
M 2828 T	55-30	1	M 3047 T	110-4	..	M 3150 T	55-53	27	M 3201 T	55-59	2
M 2828 T	55-32	1	M 3048 T	20-5	4	M 3150 T	55-55	4	M 3203 T	55-11	18
M 2829 T	60-13	5	M 3049 T	55-49	2	M 3151 T	35-11	25	M 3203 T	55-13	18
M 2833 T	55-49	13	M 3049 T	55-51	36	M 3152 T	15-9	8	M 3206 T	55-63	24
M 2833 T	55-53	15	M 3049 T	55-53	36	M 3153 T	10-7	33	M 3207 T	55-11	12
M 2833 T	55-55	8	M 3049 T	55-55	28	M 3154 T	10-7	32	M 3208 T	55-11	19
M 2834 T	25-21	10	M 3055 T	20-5	11	M 3156 T	10-7	38	M 3208 T	55-13	19
M 2834 T	25-25	14	M 3056 T	20-5	25	M 3158 T	30-5	17	M 3209 T	30-3	17
M 2834 T	41-5	34	M 3057 T	15-11	3	M 3159 T	35-11	8	M 3209 T	30-5	18
M 2834 T	55-37	41	M 3057 T	20-5	13	M 3159 T	110-7	..	M 3210 T	30-3	20
M 2834 T	55-39	32	M 3058 T	15-14	5	M 3160 T	60-17	27	M 3210 T	35-11	28
M 2834 T	55-41	23	M 3058 T	50-9	31	M 3162 T	60-17	39	M 3210 T	75-9	21
M 2837 T	40-3	36	M 3059 T	20-3	35	M 3162 T	60-19	33	M 3211 T	30-3	20
M 2837 T	40-7	39	M 3060 T	15-3	4	M 3163 T	60-17	8	M 3217 T	75-9	11
M 2837 T	40-8	2	M 3061 T	20-5	16	M 3163 T	60-19	9	M 3218 T	16-9	45
M 2837 T	41-5	10	M 3065 T	15-3	12	M 3164 T	60-17	42	M 3218 T	20-3	7
M 2838 T	40-3	5	M 3066 T	10-7	6	M 3164 T	60-19	30	M 3218 T	20-5	10
M 2838 T	40-5	5	M 3066 T	110-4	..	M 3165 T	40-7	32	M 3219 T	20-5	26
M 2838 T	40-7	6	M 3066 T	110-5	..	M 3166 T	55-39	22	M 3219 T	110-4	..
M 2838 T	41-6	6	M 3098 T	100-5	16	M 3167 T	55-39	6	M 3219 T	110-5	..
M 2839 T	40-3	6	M 3098 T	100-7	16	M 3168 T	55-39	7	M 3223 T	100-2	3
M 2839 T	40-5	6	M 3099 T	100-5	16	M 3169 T	55-39	19	M 3228 T	55-31	53
M 2839 T	40-7	7	M 3099 T	100-7	16	M 3170 T	55-21	48	M 3228 T	55-33	51
M 2839 T	41-6	7	M 3106 T	20-3	2	M 3171 T	30-42	19	M 3230 T	70-5	37
M 2851 T	55-39	5	M 3107 T	20-3	14	M 3172 T	55-49	32	M 3231 T	55-30	7
M 2856 T	30-37	12	M 3108 T	16-9	41	M 3173 T	55-49	31	M 3232 T	55-30	8
M 2856 T	30-39	25	M 3108 T	20-3	9	M 3174 T	55-49	30	M 3232 T	55-32	8
M 2856 T	30-41	24	M 3109 T	20-3	1	M 3183 T	55-57	4	M 3233 T	70-5	39
M 2856 T	31-4	4	M 3109 T	110-4	..	M 3183 T	55-58	10	M 3234 T	70-5	45
M 2869 T	75-4	3	M 3109 T	110-5	..	M 3183 T	55-59	10	M 3240 T	50-2	..
M 2876 T	75-9	19	M 3110 T	55-29	14	M 3184 T	55-57	20	M 3241 T	60-17	22
M 2878 T	35-3	36	M 3110 T	55-30	14	M 3184 T	55-58	20	M 3242 T	60-17	11
M 2878 T	35-5	16	M 3110 T	55-33	14	M 3184 T	55-59	20	M 3244 T	10-7	30
M 2886 T	75-4	12	M 3111 T	20-5	19	M 3185 T	55-57	6	M 3244 T	30-41	8
M 2887 T	75-4	15	M 3112 T	10-5	33	M 3185 T	55-58	9	M 3244 T	40-3	42
M 2898 T	30-41	12	M 3113 T	10-5	34	M 3185 T	55-59	9	M 3244 T	40-3	46
M 2909 T	85-6	1	M 3114 T	10-5	21	M 3189 T	41-9	17	M 3244 T	40-5	63
M 2915 T	30-45	18	M 3120 T	20-3	24	M 3189 T	55-3	17	M 3244 T	40-7	44
M 2916 T	30-45	19	M 3120 T	20-5	24	M 3189 T	55-5	13	M 3244 T	40-7	45
M 2919 T	55-19	30	M 3121 T	15-9	12	M 3189 T	55-7	12	M 3244 T	40-8	11
M 2919 T	55-21	30	M 3122 T	15-9	7	M 3189 T	55-9	15	M 3244 T	55-37	38
M 2919 T	55-23	46	M 3122 T	15-11	15	M 3189 T	55-11	20	M 3244 T	55-39	29
M 2926 T	75-5	15	M 3123 T	15-9	15	M 3189 T	55-11	20	M 3244 T	55-41	28
M 2927 T	75-5	4	M 3123 T	15-11	21	M 3189 T	55-13	20	M 3244 T	55-45	23
M 2928 T	75-5	13	M 3124 T	35-11	35	M 3189 T	55-13	27	M 3244 T	55-47	23
M 2929 T	75-5	7	M 3124 T	110-7	..	M 3190 T	41-9	16	M 3245 T	55-21	65

Part No.	Page	Key	Part No.	Page	Key	Part No.	Page	Key	Part No.	Page	Key
M 3246 T	55-	5 5	M 3301 T	100-11	11	M 3413 T	30-	5 13	M 3530 T	30-13	38
M 3246 T	55-	7 6	M 3302 T	100-	9 10	M 3414 T	10-	7 34	M 3530 T	30-17	53
M 3247 T	55-	5 4	M 3302 T	100-11	10	M 3419 T	35-	9 46	M 3531 T	30-12	10
M 3247 T	55-	7 7	M 3304 T	100-	5 19	M 3419 T	35-11	24	M 3531 T	30-17	24
M 3248 T	55-	5 9	M 3304 T	100-	7 37	M 3419 T	65-	8 1	M 3532 T	30-12	8
M 3249 T	55-	5 26	M 3305 T	100-	9 7	M 3419 T	65-	9 2	M 3532 T	30-17	22
M 3250 T	55-	5 6	M 3305 T	100-11	7	M 3420 T	65-	8 20	M 3533 T	30-12	5
M 3250 T	55-	7 5	M 3305 T	100-13	6	M 3421 T	65-	8 2	M 3534 T	30-12	5
M 3251 T	55-	5 11	M 3306 T	100-	9 5	M 3422 T	65-	8 9	M 3534 T	30-15	5
M 3352 T	55-17	6	M 3306 T	100-11	5	M 3423 T	65-	8 7	M 3534 T	31-	3 4
M 3253 T	55-	5 25	M 3306 T	100-13	8	M 3424 T	65-	8 8	M 3535 T	30-13	44
M 3254 T	35-	9 43	M 3307 T	100-	9 3	M 3425 T	35-	9 47	M 3535 T	30-17	59
M 3254 T	55-37	16	M 3307 T	100-11	3	M 3432 T	30-	3 18	M 3536 T	30-13	41
M 3255 T	35-	9 30	M 3308 T	100-	9 8	M 3433 T	60-	5 4	M 3536 T	30-17	56
M 3255 T	55-37	14	M 3308 T	100-11	8	M 3433 T	60-15	4	M 3537 T	30-13	33
M 3257 T	55-	5 25	M 3309 T	100-	9 9	M 3434 T	60-	5 4	M 3537 T	30-17	48
M 3259 T	55-	5 25	M 3309 T	100-11	9	M 3434 T	60-15	4	M 3537 T	30-29	22
M 3261 T	55-	5 25	M 3315 T	40-	7 37	M 3435 T	15-	4 1	M 3537 T	30-20	10
M 3262 T	55-	5 25	M 3316 T	45-	1 6	M 3438 T	15-	4 5	M 3537 T	30-31	13
M 3264 T	55-19	65	M 3316 T	45-	2 15	M 3439 T	15-	5 5	M 3538 T	30-13	33
M 3265 T	55-19	27	M 3316 T	45-	3 12	M 3440 T	15-	5 6	M 3538 T	30-17	48
M 3265 T	55-21	27	M 3316 T	45-	4 19	M 3441 T	15-	5 8	M 3538 T	30-30	10
M 3265 T	55-23	38	M 3318 T	30-	3 2	M 3442 T	15-	5 2	M 3538 T	30-31	13
M 3265 T	55-29	45	M 3318 T	30-	5 2	M 3443 T	15-	5 8	M 3539 T	30-13	13
M 3265 T	55-31	45	M 3319 T	60-	17 33	M 3449 T	35-11	10	M 3539 T	30-17	27
M 3265 T	55-33	45	M 3325 T	100-	9 20	M 3450 T	35-11	10	M 3540 T	30-13	11
M 3265 T	55-35	46	M 3325 T	100-	9 40	M 3451 T	35-11	10	M 3540 T	30-17	25
M 3265 T	55-49	26	M 3325 T	100-11	29	M 3452 T	10-	5 4	M 3541 T	30-12	10
M 3265 T	55-51	3	M 3327 T	55-	45 10	M 3453 T	15-	3 4	M 3542 T	30-12	8
M 3265 T	55-53	3	M 3327 T	55-	47 12	M 3454 T	10-	7 27	M 3543 T	30-13	38
M 3265 T	55-55	22	M 3328 T	85-	11 19A	M 3465 T	15-	19 15	M 3544 T	30-16	5B
M 3266 T	55-19	28	M 3328 T	115-	3 20	M 3475 T	115-	3 35	M 3545 T	30-17	41
M 3266 T	55-21	28	M 3329 T	55-	35 34	M 3476 T	115-	3 42	M 3545 T	30-19	41
M 3266 T	55-23	39	M 3330 T	55-	35 41	M 3477 T	115-	3 27	M 3546 T	30-16	13
M 3266 T	55-29	43	M 3331 T	55-	49 16	M 3482 T	115-	3 32	M 3546 T	30-19	27
M 3266 T	55-31	43	M 3331 T	55-	51 11	M 3483 T	115-	3 31	M 3546 T	31-	3 24
M 3266 T	55-33	43	M 3331 T	55-	53 11	M 3489 T	35-	11 39	M 3547 T	30-16	5A
M 3266 T	55-35	44	M 3331 T	55-	55 5	M 3498 T	100-	9 46	M 3547 T	30-16	5B
M 3266 T	55-49	25	M 3332 T	70-	3 2	M 3498 T	100-11	32	M 3547 T	30-18	7
M 3266 T	55-53	4	M 3332 T	70-	5 2	M 3499 T	105-	3 38	M 3548 T	30-21	17
M 3266 T	55-55	20	M 3333 T	25-	13 18	M 3500 T	30-16	7	M 3549 T	25-	21 14
M 3267 T	55-29	32	M 3340 T	15-	13 30	M 3500 T	30-19	24	M 3552 T	30-	3 18
M 3267 T	55-31	32	M 3348 T	55-	55 36	M 3500 T	31-	3 21	M 3553 T	30-	5 25
M 3267 T	55-33	32	M 3349 T	25-	3 23	M 3501 T	30-17	45	M 3554 T	30-	5 17
M 3268 T	55-29	34	M 3349 T	25-	9 18	M 3501 T	30-19	45	M 3555 T	30-13	42
M 3268 T	55-31	34	M 3350 T	55-	63 17	M 3501 T	31-	3 44	M 3555 T	30-17	57
M 3268 T	55-33	34	M 3364 T	25-	19 16	M 3502 T	30-17	30	M 3556 T	55-	43 5
M 3270 T	55-37	28	M 3356 T	55-	14 6	M 3502 T	30-19	21	M 3557 T	55-	43 21
M 3271 T	55-37	26	M 3356 T	55-	16 6	M 3502 T	31-	3 18	M 3558 T	80-	5 10
M 3271 T	55-39	17	M 3362 T	55-	11 32	M 3504 T	25-	25 18	M 3559 T	80-	5 25
M 3271 T	55-41	10	M 3362 T	55-	13 32	M 3505 T	30-	9 15	M 3560 T	80-	5 35
M 3272 T	55-37	40	M 3365 T	40-	7 42	M 3505 T	30-11	17	M 3561 T	80-	5 33
M 3272 T	55-39	31	M 3365 T	60-	9 49	M 3505 T	30-13	15	M 3562 T	80-	37 3
M 3272 T	55-41	24	M 3366 T	10-	3 42	M 3505 T	30-15	15	M 3563 T	55-	23 6
M 3280 T	55-45	8	M 3366 T	15-	20 8	M 3506 T	55-	23 53	M 3564 T	55-	23 58
M 3283 T	15-	14 13	M 3370 T	55-	21 52	M 3507 T	55-	23 52	M 3565 T	55-	41 7
M 3284 T	10-	7 24	M 3371 T	100-	9 28	M 3508 T	55-	43 31	M 3566 T	55-	41 21
M 3285 T	15-	14 14	M 3371 T	100-11	15	M 3508 T	30-	37 25	M 3567 T	55-	41 6
M 3287 T	10-	7 20	M 3374 T	55-	28 6	M 3510 T	75-	13 10	M 3572 T	55-	43 14
M 3288 T	10-	7 12	M 3374 T	55-	30 6	M 3518 T	75-	3 21	M 3574 T	55-	23 22
M 3289 T	10-	7 11	M 3374 T	55-	32 6	M 3519 T	75-	3 15	M 3575 T	30-	21 31
M 3292 T	40-	7 33	M 3375 T	55-	21 60	M 3520 T	75-	3 14	M 3575 T	30-	23 31
M 3292 T	55-	37 46	M 3376 T	55-	31 52	M 3521 T	30-	8 3A	M 3577 T	55-	41 19
M 3292 T	55-	39 37	M 3377 T	55-	31 55	M 3522 T	30-	11 5	M 3577 T	30-	37 18
M 3292 T	55-41	32	M 3378 T	55-	29 66	M 3523 T	25-	5 16	M 3578 T	25-	11 39
M 3293 T	30-	29 5	M 3378 T	55-	33 65	M 3523 T	25-	11 3	M 3578 T	25-	13 31
M 3295 T	15-	9 25	M 3390 T	55-	23 22	M 3524 T	25-	13 3	M 3579 T	30-	37 9
M 3295 T	15-	11 31	M 3403 T	15-	4 13	M 3524 T	25-	5 5	M 3580 T	65-	8 17
M 3297 T	70-	5 16	M 3407 T	95-	3 30	M 3524 T	25-	7 16	M 3580 T	65-	9 7
M 3298 T	10-	3 41	M 3408 T	95-	3 6	M 3525 T	25-	21 5	M 3581 T	25-	3 36
M 3298 T	10-	3 52	M 3409 T	95-	3 5	M 3525 T	25-	25 9	M 3582 T	30-	34 9
M 3299 T	10-	7 21	M 3410 T	60-	9 45	M 3526 T	25-	13 3	M 3583 T	35-	11 49
M 3300 T	100-	9 12	M 3410 T	60-	17 37	M 3527 T	30-	34 16	M 3584 T	30-	9 13
M 3300 T	100-11	12	M 3410 T	60-	19 26	M 3528 T	30-	34 13	M 3584 T	30-	11 15
M 3301 T	100-	9 11	M 3413 T	30-	3 13	M 3529 T	30-	34 17	M 3587 T	30-	9 37

NUMERICAL INDEX
Tractors -- 420 and 430 Series

120-21

Part No.	Page	Key	Part No.	Page	Key	Part No.	Page	Key	Part No.	Page	Key
M 3587 T	30-13	36	M 3654 T	30-17	54	M 3742 T	15-19	20	M 3874 T	30- 3	10
M 3587 T	30-17	51	M 3655 T	30-13	46	M 3743 T	15-19	29	M 3874 T	30- 5	10
M 3588 T	30- 9	37	M 3655 T	30-17	61	M 3744 T	15-19	24	M 3875 T	105- 9	3
M 3588 T	30-13	36	M 3656 T	30-13	40	M 3745 T	15-19	26	M 3876 T	105- 9	10
M 3588 T	30-17	51	M 3656 T	30-17	55	M 3746 T	15-19	12	M 3878 T	30-23	15
M 3589 T	30- 9	37	M 3658 T	30-17	43	M 3747 T	15-19	11	M 3879 T	30-21	15
M 3589 T	30-13	36	M 3658 T	30-19	43	M 3748 T	15-19	21	M 3880 T	10- 5	4
M 3589 T	30-17	51	M 3658 T	31- 3	42	M 3749 T	15-19	10	M 3881 T	10- 5	4
M 3590 T	30- 7	27	M 3659 T	30-17	29	M 3750 T	15-19	13	M 3882 T	10- 5	4
M 3590 T	30- 9	27	M 3659 T	30-19	20	M 3751 T	15-19	7	M 3883 T	10- 5	4
M 3590 T	30-11	31	M 3659 T	31- 3	17	M 3752 T	15-19	4	M 3885 T	115- 3	45
M 3590 T	30-13	27	M 3659 T	110- 7	..	M 3753 T	15-19	9	M 3893 T	100- 2	3
M 3590 T	30-15	27	M 3660 T	30-17	31	M 3754 T	15-19	23	M 3894 T	100- 2	4
M 3590 T	30-17	40	M 3660 T	30-19	22	M 3766 T	30-23	17	M 3895 T	30-23	15
M 3590 T	30-19	40	M 3660 T	31- 3	19	M 3767 T	30-21	8	M 3896 T	30-21	15
M 3590 T	31- 3	39	M 3661 T	30-17	39B	M 3767 T	30-23	8	M 3909 T	55-49	25
M 3591 T	30- 7	22	M 3662 T	30-17	39A	M 3777 T	30-21	59	M 3909 T	55-53	4
M 3591 T	30- 9	22	M 3663 T	30-17	39B	M 3778 T	30-23	52	M 3909 T	55-55	20
M 3591 T	30-13	22	M 3664 T	30-17	39B	M 3781 T	30-21	52	M 3910 T	25-11	36
M 3591 T	30-17	35	M 3665 T	25-20	1	M 3777 T	30-23	66	M 3910 T	25-13	28
M 3596 T	80- 5	44	M 3665 T	25-23	2	M 3775 T	30-23	59	M 3911 T	30-21	59
M 3597 T	80- 5	41	M 3665 T	25-25	1	M 3774 T	30-23	53	M 3911 T	30-23	66
M 3598 T	80- 5	43	M 3666 T	25-20	4	M 3768 T	30-23	40	M 3915 T	30-13	33
M 3599 T	80- 5	43	M 3667 T	25-20	4	M 3768 T	30-21	40	M 3915 T	30-17	48
M 3600 T	75-13	19	M 3670 T	25-25	8	M 3783 T	30-21	47	M 3915 T	30-29	22
M 3600 T	80- 5	7	M 3671 T	25-25	7	M 3784 T	30-21	13	M 3915 T	30-30	10
M 3605 T	80- 5	28	M 3673 T	25-25	6	M 3784 T	30-23	13	M 3915 T	30-31	13
M 3606 T	80- 5	34	M 3674 T	25-25	4	M 3785 T	100- 5	13	M 3916 T	30-13	33
M 3614 T	80- 5	12	M 3675 T	25-25	4	M 3785 T	100- 7	13	M 3916 T	30-17	48
M 3615 T	80- 5	47	M 3687 T	35- 3	15	M 3786 T	30-21	58	M 3916 T	30-30	10
M 3616 T	41- 3	2	M 3688 T	95- 5	2	M 3786 T	30-23	65	M 3916 T	30-31	13
M 3616 T	80- 5	46	M 3689 T	80- 3	44	M 3796 T	50- 5	7	M 3927 T	90-11	9
M 3617 T	55-43	7	M 3689 T	95- 5	1	M 3796 T	50- 5	9	M 3928 T	90-11	14
M 3617 T	100-13	20	M 3690 T	95- 5	2	M 3799 T	15- 4	1	M 3929 T	90-11	17
M 3618 T	55-43	6	M 3691 T	25- 5	8	M 3800 T	65- 5	10	M 3948 T	100-14	3
M 3618 T	100-13	21	M 3691 T	25- 7	17	M 3801 T	65- 5	10	M 3950 T	100- 3	19
M 3619 T	55-43	24	M 3692 T	75- 3	3	M 3803 T	25-11	16	M 3956 T	15- 3	4
M 3620 T	55-43	20	M 3705 T	95- 5	2	M 3805 T	65- 6	1	M 3957 T	15- 4	1
M 3621 T	55-43	15A	M 3706 T	75- 3	4	M 3806 T	35- 7	23	M 3958 T	30-33	8
M 3627 T	55-43	30	M 3706 T	75- 3	9	M 3807 T	35-11	21	M 3958 T	30-35	8
M 3631 T	105- 5	42	M 3706 T	75- 3	20	M 3808 T	65- 6	1	M 3959 T	115- 3	46
M 3633 T	25-25	19	M 3707 T	30-21	22	M 3810 T	75-13	18	M 3960 T	100- 2	2
M 3634 T	25-21	12	M 3707 T	30-23	22	M 3822 T	75-13	5	M 3961 T	100- 2	3
M 3636 T	25- 5	24	M 3708 T	30-21	21	M 3823 T	75-13	12	M 3962 T	100- 2	4
M 3636 T	25-11	25	M 3708 T	30-23	21	M 3824 T	75-13	25	M 3963 T	55-43	15B
M 3636 T	25-13	17	M 3710 T	30-21	25	M 3827 T	25-25	6	M 3965 T	30-32	15
M 3636 T	25-17	12	M 3710 T	30-23	25	M 3828 T	55-17	10	M 3965 T	30-33	20
M 3637 T	25-25	16	M 3711 T	30-21	27	M 3828 T	55-17	11	M 3966 T	30-32	19
M 3642 T	25-11	17	M 3711 T	30-23	27	M 3828 T	55-63	17	M 3966 T	30-33	15
M 3643 T	25-11	18	M 3712 T	30-21	4	M 3831 T	15-20	10	M 3967 T	30-32	20
M 3644 T	25-11	12	M 3712 T	30-22	4	M 3833 T	25-11	32	M 3967 T	30-33	17
M 3645 T	80- 5	55	M 3713 T	30-21	9	M 3833 T	25-13	24	M 3967 T	30-34	20
M 3646 T	30-34	18	M 3713 T	30-23	9	M 3834 T	80- 5	67	M 3967 T	30-35	17
M 3646 T	30-35	16	M 3714 T	30-21	6	M 3835 T	80- 5	66	M 3968 T	30-34	16
M 3647 T	30-34	15	M 3714 T	30-23	6	M 3840 T	60-13	6	M 3968 T	30-35	20
M 3647 T	30-35	12	M 3715 T	30-21	10	M 3841 T	30- 3	18	M 3969 T	30-34	17
M 3648 T	30-16	16	M 3715 T	30-23	10	M 3842 T	30-16	3	M 3969 T	30-35	15
M 3648 T	30-19	30	M 3718 T	30-21	42	M 3842 T	30-18	3	M 3970 T	30-33	5
M 3648 T	31- 3	27	M 3718 T	30-23	42	M 3853 T	30-21	26	M 3970 T	30-35	5
M 3649 T	30-16	14	M 3719 T	30-21	39	M 3853 T	30-23	26	M 3971 T	100- 7	20
M 3649 T	30-19	28	M 3719 T	30-23	39	M 3857 T	85-11	15	M 3971 T	100-15	1
M 3649 T	31- 3	25	M 3720 T	30-21	37	M 3857 T	85-11	20	M 3973 T	105- 9	3
M 3650 T	30-13	51	M 3720 T	30-23	37	M 3858 T	85-11	29	M 3974 T	30-13	42
M 3650 T	30-17	66	M 3721 T	30-21	41	M 3861 T	25-25	39	M 3974 T	30-17	57
M 3651 T	30-21	24	M 3721 T	30-23	41	M 3862 T	25-25	34	M 3975 T	95- 3	20
M 3651 T	30-23	24	M 3722 T	30-21	43	M 3863 T	25-25	38	M 3976 T	95- 3	18
M 3651 T	30-16	7	M 3722 T	30-23	43	M 3864 T	25-25	36	M 3977 T	30-33	25
M 3651 T	30-16	10	M 3724 T	35-11	50	M 3865 T	25-25	32	M 3977 T	30-35	25
M 3651 T	30-19	17	M 3725 T	25-25	21	M 3866 T	25-25	40	M 3979 T	41- 3	42
M 3651 T	30-19	24	M 3726 T	55- 5	25	M 3867 T	25-25	37	M 3982 T	41- 3	42
M 3651 T	31- 3	14	M 3729 T	80- 3	4	M 3868 T	25-25	41	M 3982 T	60-19	7
M 3652 T	30-17	39A	M 3730 T	55-23	62	M 3869 T	25-25	44	M 3983 T	41- 3	44
M 3653 T	30-13	43	M 3736 T	55-23	31	M 3870 T	25-25	45	M 3983 T	60-19	17A
M 3653 T	30-17	58	M 3737 T	55-23	30	M 3871 T	25-25	43	M 3983 T	60-19	17B
M 3654 T	30-13	39	M 3738 T	75- 7	21	M 3872 T	25-25	35	M 3984 T	30-33	10

Part No.	Page	Key	Part No.	Page	Key	Part No.	Page	Key	Part No.	Page	Key
M 3984 T	30-34	13	M 4099 T	55-29	15	M 4146 T	90- 7	17	M 4230 T	41- 5	17
M 3984 T	30-35	10	M 4099 T	55-30	15	M 4146 T	90- 9	14	M 4231 T	41- 5	8
M 3985 T	30-33	21	M 4099 T	55-33	15	M 4146 T	90-11	24	M 4232 T	41- 5	40
M 3985 T	30-35	21	M 4100 T	15-20	10	M 4146 T	90-17	15	M 4233 T	41- 5	39
M 3993 T	15- 3	9	M 4103 T	30-11	37	M 4147 T	90- 3	22	M 4234 T	41- 5	42
M 3993 T	15- 6	1	M 4103 T	30-15	33	M 4147 T	90- 5	13	M 4235 T	41- 5	36
M 3993 T	16- 3	1	M 4103 T	30-19	48	M 4147 T	90- 7	18	M 4236 T	41- 5	37
M 3993 T	110- 4	..	M 4103 T	30-29	22	M 4147 T	90- 9	15	M 4237 T	41- 5	35
M 3993 T	110- 5	..	M 4103 T	30-30	10	M 4147 T	90-11	25	M 4238 T	41- 5	38
M 3994 T	15- 3	12	M 4103 T	31- 3	47	M 4147 T	90-17	16	M 4239 T	41- 5	33
M 3994 T	110- 4	..	M 4104 T	30- 7	33	M 4148 T	90-11	25	M 4240 T	41- 5	32
M 3994 T	110- 5	..	M 4104 T	30- 9	33	M 4149 T	30- 3	19	M 4241 T	41- 5	27
M 3995 T	10- 7	27	M 4104 T	30-11	37	M 4149 T	30- 3	43	M 4242 T	41- 5	12
M 3996 T	55-33	52	M 4104 T	30-13	33	M 4149 T	30- 5	16	M 4243 T	41- 5	15
M 3997 T	55-41	38	M 4104 T	30-15	33	M 4149 T	30- 5	26	M 4244 T	41- 5	1
M 3997 T	75- 7	23	M 4104 T	30-17	48	M 4150 T	10- 5	34	M 4244 T	41- 6	15
M 4001 T	55- 9	7	M 4104 T	30-19	48	M 4151 T	40- 7	32	M 4245 T	41- 5	11
M 4002 T	30- 3	18	M 4104 T	30-29	22	M 4152 T	40- 3	31	M 4246 T	41- 5	5
M 4003 T	30- 5	25	M 4104 T	30-30	10	M 4153 T	30-21	9	M 4247 T	41- 5	31
M 4004 T	30- 5	17	M 4104 T	30-30	22	M 4153 T	30-23	9	M 4248 T	41- 3	28
M 4005 T	30- 3	18	M 4104 T	30-31	13	M 4154 T	30-21	6	M 4249 T	41- 3	27
M 4006 T	60-17	27	M 4104 T	31- 3	47	M 4154 T	30-23	6	M 4250 T	41- 3	29
M 4006 T	60-19	29	M 4107 T	30-13	45	M 4156 T	60- 9	55	M 4251 T	30-11	37
M 4008 T	41- 3	36	M 4107 T	30-17	60	M 4156 T	60-11	38	M 4251 T	30-15	33
M 4008 T	60-19	17B	M 4110 T	40- 7	47	M 4157 T	60-11	24	M 4251 T	30-19	48
M 4010 T	41- 3	36	M 4111 T	30-33	12	M 4158 T	60- 9	18	M 4251 T	30-30	10
M 4010 T	60-13	15	M 4112 T	30-33	16	M 4158 T	60- 9	55	M 4251 T	30-31	13
M 4011 T	41- 3	12	M 4117 T	41-14	3	M 4158 T	60-11	28	M 4251 T	31- 3	47
M 4011 T	60-13	3	M 4118 T	41-14	4	M 4158 T	60-11	38	M 4256 T	30- 3	18
M 4028 T	41- 9	15	M 4118 T	41-15	4	M 4159 T	60- 9	58	M 4257 T	30- 5	25
M 4029 T	41- 7	8	M 4119 T	41-14	5	M 4195 T	30-15	8	M 4258 T	30- 5	17
M 4038 T	55-43	15B	M 4119 T	41-15	5	M 4195 T	30-19	10	M 4259 T	30-11	46
M 4038 T	55-57	7B	M 4121 T	41-14	7	M 4195 T	31- 3	7	M 4259 T	30-15	42
M 4039 T	55-55	2	M 4121 T	41-15	7	M 4197 T	30-15	10	M 4259 T	30-19	58
M 4042 T	10- 5	4	M 4122 T	41-14	6	M 4197 T	30-19	12	M 4259 T	31- 3	57
M 4043 T	10- 7	27	M 4122 T	41-15	6	M 4197 T	31- 3	9	M 4260 T	30-11	40
M 4044 T	10- 7	49	M 4124 T	41-14	13	M 4202 T	30-11	42	M 4260 T	30-15	36
M 4052 T	41- 3	44	M 4124 T	41-15	13	M 4202 T	30-15	38	M 4260 T	30-19	51
M 4052 T	60-13	4	M 4125 T	41-14	9	M 4202 T	30-19	53	M 4260 T	31- 3	50
M 4053 T	55-23	47	M 4125 T	41-15	9	M 4202 T	31- 3	52	M 4261 T	30-11	40
M 4056 T	30-29	22	M 4126 T	41-14	10	M 4203 T	30-35	20	M 4261 T	30-15	36
M 4056 T	30-30	10	M 4126 T	41-15	10	M 4204 T	30-35	15	M 4261 T	30-19	51
M 4056 T	30-31	13	M 4127 T	41-14	11	M 4205 T	30- 7	22	M 4261 T	31- 3	50
M 4057 T	30-13	33	M 4128 T	30-33	18	M 4205 T	30- 9	22	M 4262 T	30-11	40
M 4057 T	30-17	48	M 4128 T	30-35	18	M 4205 T	30-11	24	M 4262 T	30-15	36
M 4057 T	30-30	10	M 4129 T	30-35	16	M 4205 T	30-13	22	M 4262 T	30-19	51
M 4057 T	30-31	13	M 4130 T	30-35	12	M 4205 T	30-15	22	M 4262 T	31- 3	50
M 4060 T	41- 7	14	M 4131 T	41- 7	18	M 4205 T	30-17	35	M 4263 T	30-11	44
M 4062 T	30-29	24	M 4132 T	41- 7	2	M 4205 T	30-19	35	M 4263 T	30-15	40
M 4062 T	30-30	17	M 4133 T	41- 7	1	M 4206 T	30-11	43	M 4263 T	30-19	55
M 4062 T	30-31	18	M 4134 T	41- 7	3	M 4207 T	35- 3	41	M 4263 T	31- 3	54
M 4063 T	30-29	18	M 4135 T	41- 7	7	M 4208 T	35- 3	8	M 4264 T	30-35	12
M 4075 T	16- 9	31	M 4136 T	41- 7	5	M 4209 T	30-11	41	M 4265 T	30-35	16
M 4088 T	55-49	18	M 4137 T	41- 7	4	M 4209 T	30-15	37	M 4266 T	16- 9	40
M 4088 T	55-51	28	M 4138 T	41- 7	6	M 4209 T	30-19	52	M 4266 T	30-33	10
M 4088 T	55-53	28	M 4141 T	41- 3	9	M 4209 T	31- 3	51	M 4266 T	30-35	10
M 4088 T	55-55	12	M 4142 T	60- 9	29	M 4210 T	30-33	15	M 4267 T	30-35	25
M 4089 T	55-49	13	M 4142 T	60-17	43	M 4211 T	30-33	20	M 4268 T	30- 7	6
M 4089 T	55-49	18	M 4142 T	60-19	10	M 4212 T	25- 5	23	M 4268 T	30-11	8
M 4089 T	55-51	15	M 4142 T	60-21	17	M 4212 T	25- 5	38	M 4270 T	30-15	13
M 4089 T	55-53	15	M 4143 T	60- 5	39	M 4212 T	25-11	26	M 4270 T	30-19	16
M 4089 T	55-53	28	M 4143 T	60- 7	1	M 4212 T	25-11	46	M 4270 T	31- 3	13
M 4089 T	55-55	8	M 4143 T	60-13	1	M 4212 T	25-13	18	M 4271 T	30-15	11
M 4089 T	55-55	12	M 4143 T	60-15	16	M 4212 T	25-13	38	M 4271 T	30-19	13
M 4090 T	55-49	14	M 4144 T	60- 5	38	M 4215 T	25-21	12	M 4271 T	31- 3	10
M 4090 T	55-49	18	M 4144 T	60- 7	2	M 4219 T	25-21	12	M 4272 T	30- 3	20
M 4090 T	55-51	13	M 4144 T	60- 9	52	M 4219 T	25-21	27	M 4278 T	30- 7	26B
M 4090 T	55-53	13	M 4144 T	60-11	41	M 4222 T	95- 3	27	M 4278 T	30- 9	26B
M 4090 T	55-53	28	M 4144 T	60-13	1	M 4223 T	41- 5	16	M 4278 T	30-11	30B
M 4090 T	55-55	6	M 4144 T	60-15	16	M 4224 T	41- 5	29	M 4278 T	30-13	26A
M 4090 T	55-55	12	M 4145 T	60-17	43	M 4225 T	41- 5	19	M 4278 T	30-15	26A
M 4091 T	35- 7	21	M 4145 T	60-19	10	M 4226 T	41- 5	7	M 4279 T	30-17	39A
M 4091 T	65- 9	1	M 4145 T	60-21	17	M 4227 T	41- 5	18	M 4279 T	30-19	39A
M 4097 T	35- 9	11	M 4146 T	90- 3	21	M 4228 T	41- 5	17	M 4280 T	30-17	39B
M 4098 T	15- 4	17	M 4146 T	90- 5	12	M 4229 T	41- 5	17	M 4280 T	30-19	39B

Part No.	Page	Key	Part No.	Page	Key	Part No.	Page	Key	Part No.	Page	Key
M 4281 T	30-17	39A	M 4388 T	41- 3	21	M 4435 T	30-23	54	R 11087 R	105-21	30
M 4281 T	30-19	39A	M 4389 T	41- 3	26	M 4436 T	30-21	50	R 11087 R	105-23	30
M 4282 T	30-17	39B	M 4390 T	41- 3	24	M 4436 T	30-23	56	R 11087 R	105-25	33
M 4282 T	30-19	39B	M 4391 T	41- 3	25	M 4439 T	35- 7	36	R 11088 R	105-19	14
M 4283 T	30-17	39B	M 4392 T	41- 3	23	M 4439 T	35-11	37	R 11089 R	105-19	34
M 4283 T	30-19	39B	M 4394 T	30-13	33	M 4440 T	35-11	7	R 11090 R	105-21	4
M 4284 T	30-33	5	M 4394 T	30-17	48	M 4441 T	16- 7	33	R 11090 R	105-23	4
M 4284 T	30-35	5	M 4394 T	30-29	22	M 4442 T	16- 7	6	R 11091 R	105-21	5
M 4312 T	50- 9	13	M 4394 T	30-30	10	M 4443 T	16- 7	27	R 11091 R	105-23	5
M 4313 T	50- 9	17	M 4394 T	30-31	13	M 4444 T	16- 7	42	R 11092 R	105-21	17
M 4314 T	50- 9	10	M 4395 T	30- 7	33	M 4445 T	16- 7	14	R 11092 R	105-23	17
M 4314 T	50- 9	35	M 4395 T	30- 9	33	M 4446 T	16- 7	15	R 11093 R	105-21	16
M 4315 T	50- 9	6	M 4395 T	30-29	22	M 4447 T	16- 7	8	R 11093 R	105-23	16
M 4316 T	50- 9	26	M 4395 T	30-30	10	M 4448 T	16- 7	20	R 11094 R	105-19	33
M 4319 T	45- 4	9	M 4395 T	30-31	13	M 4449 T	16- 7	29	R 11096 R	105-21	42
M 4319 T	45- 8	9	M 4399 T	15-13	5	M 4450 T	16- 7	13	R 11096 R	105-23	42
M 4320 T	45- 7	10	M 4400 T	15-13	1	M 4451 T	16- 7	39	R 11097 R	105-19	26
M 4322 T	45- 4	5	M 4402 T	15-13	15	M 4452 T	16- 7	24	R 11098 R	105-19	19
M 4322 T	45- 7	12	M 4404 T	15-13	4	M 4453 T	16- 7	31	R 11099 R	105-21	39
M 4322 T	45- 8	5	M 4407 T	55-29	68	M 4454 T	16- 7	26	R 11099 R	105-23	39
M 4323 T	45- 4	12	M 4407 T	55-31	72	M 4455 T	16- 7	18	R 11099 R	105-25	28
M 4323 T	45- 7	4	M 4407 T	55-33	69	M 4456 T	16- 7	41	R 11101 R	105-15	16
M 4323 T	45- 8	12	M 4408 T	55-29	70	M 4457 T	16- 7	5	R 11102 R	105-15	14
M 4324 T	15- 9	1B	M 4408 T	55-31	74	M 4458 T	16- 7	30	R 11103 R	105-15	18
M 4324 T	15-11	40	M 4408 T	55-33	71	M 4459 T	16- 7	37	R 11104 R	105-21	29
M 4325 T	30-33	5	M 4409 T	55-29	71	M 4460 T	16- 7	11	R 11104 R	105-23	29
M 4325 T	30-35	5	M 4409 T	55-31	75	M 4461 T	16- 7	38	R 11104 R	105-25	31
M 4326 T	85-11	14	M 4409 T	55-33	72	M 4462 T	16- 3	7	R 11105 R	105-19	28
M 4331 T	25- 5	16	M 4410 T	55-29	72	M 4463 T	16- 3	11	R 11106 R	105-15	8
M 4331 T	25-11	3	M 4410 T	55-31	76	M 4464 T	16- 3	10	R 11106 R	105-19	9
M 4331 T	25-13	3	M 4410 T	55-33	73	M 4466 T	16- 3	31	R 11107 R	105-21	40
M 4332 T	25-13	3	M 4412 T	50- 9	32	M 4467 T	16- 3	8	R 11107 R	105-23	40
M 4333 T	70- 3	25	M 4415 T	50- 9	5	M 4468 T	16- 3	17	R 11107 R	105-25	29
M 4334 T	70- 3	30	M 4416 T	50- 9	4	M 4469 T	16- 3	29	R 11109 R	105-19	30
M 4335 T	70- 3	32	M 4422 T	55-29	38	M 4470 T	16- 3	30	R 11110 R	105-19	31
M 4336 T	75-13	5	M 4422 T	55-31	38	M 4471 T	16- 7	16	R 11111 R	105-15	19
M 4337 T	30-33	1B	M 4422 T	55-33	38	M 4472 T	16- 7	36	R 11112 R	105-15	10
M 4338 T	30-35	1B	M 4422 T	55-35	51	M 4473 T	16- 7	17	R 11114 R	105-15	15
M 4339 T	30-29	19	M 4422 T	55-35	57	M 4474 T	16- 7	9	R 11115 R	105-15	2
M 4339 T	30-30	18	M 4422 T	55-49	39	M 4475 T	16- 7	28	R 11167 R	105-15	17
M 4339 T	30-31	20	M 4422 T	55-53	42				R 11168 R	105-15	3
M 4347 T	30-21	64	M 4422 T	55-55	45				R 11169 R	105-15	4
M 4350 T	45- 4	9	M 4428 T	55-29	41				R 11170 R	105-15	1
M 4350 T	45- 8	9	M 4428 T	55-31	41				R 21560 R	16- 9	8
M 4358 T	16-11	27	M 4428 T	55-33	41				R 26552 R	40- 3	20
M 4359 T	16- 9	20	M 4428 T	55-35	60	P 44271 H	40- 3	11	R 26552 R	40- 5	20
M 4359 T	16-11	22	M 4428 T	55-49	42	P 44271 H	40- 7	12	R 26552 R	40- 7	21
M 4360 T	16- 5	16	M 4428 T	55-51	7	P 44271 H	41- 6	12	R 26552 R	41- 6	21
M 4361 T	16-11	19	M 4428 T	55-53	39				R 27182 R	15-13	16
M 4362 T	16-11	15	M 4428 T	55-55	42				R 27182 R	15-20	11
M 4363 T	16- 7	4	M 4429 T	55-29	37				R 27182 R	105- 3	40
M 4364 T	16- 9	44	M 4429 T	55-31	37				R 27423 R	55-65	38A
M 4365 T	55- 7	1	M 4429 T	55-33	37				R 27423 R	55-65	38B
M 4366 T	15- 9	15	M 4429 T	55-35	56	R 1529 R	20- 5	12	R 28785 R	55-29	48
M 4366 T	15-11	21	M 4429 T	55-49	38	R 1870 R	55-65	38A	R 28785 R	55-31	48
M 4367 T	55- 7	24	M 4429 T	55-51	38	R 1870 R	55-65	48	R 28785 R	55-33	48
M 4368 T	55- 7	1	M 4429 T	55-53	43	R 10104 R	15- 7	47	R 28785 R	55-35	3
M 4369 T	55- 7	1	M 4429 T	55-55	46	R 10104 R	16- 3	35	R 28785 R	55-49	21
M 4370 T	55- 7	28	M 4430 T	55-19	41	R 10133 R	16- 3	6	R 28785 R	55-53	8
M 4371 T	16- 9	39	M 4430 T	55-21	41	R 10134 R	15- 7	8	R 28785 R	55-55	17
M 4372 T	15- 3	4	M 4430 T	55-23	27	R 10145 R	16- 3	27	R 28786 R	55-29	48
M 4373 T	55- 7	23	M 4430 T	55-25	37	R 10150 R	15- 7	16	R 28786 R	55-31	48
M 4374 T	25-21	14	M 4430 T	55-27	38	R 10150 R	16- 3	13	R 28786 R	55-33	48
M 4375 T	41- 5	7	M 4431 T	55-29	35	R 10160 R	15- 7	18	R 28786 R	55-35	3
M 4376 T	45- 4	7	M 4431 T	55-31	35	R 10160 R	16- 3	14	R 28786 R	55-49	21
M 4376 T	45- 7	10	M 4431 T	55-33	35	R 10160 R	16- 5	21	R 28786 R	55-53	8
M 4376 T	45- 8	7	M 4431 T	55-35	54	R 10185 R	15- 7	34	R 28786 R	55-55	17
M 4377 T	40- 3	28	M 4431 T	55-49	36	R 10185 R	16- 3	26			
M 4377 T	40- 5	30	M 4431 T	55-51	40	R 10188 R	16- 3	26			
M 4377 T	40- 7	29	M 4431 T	55-53	45	R 10188 R	15- 7	28			
M 4378 T	55-47	6	M 4431 T	55-55	48	R 10188 R	15-13	26			
M 4379 T	55-47	18	M 4432 T	55- 7	20	R 10188 R	16- 3	20			
M 4382 T	41- 3	18	M 4433 T	55- 7	19	R 10211 R	15- 7	36	T 186 T	10- 8	2
M 4386 T	41- 3	20	M 4435 T	30-21	48	R 11086 R	105-21	18	T 271 T	20- 3	13
M 4387 T	41- 3	22	M 4435 T	30-21	50	R 11086 R	105-23	18	T 271 T	20- 5	23
						R 11087 R	105-19	27	T 291 T	15-13	16

Part No.	Page	Key	Part No.	Page	Key	Part No.	Page	Key	Part No.	Page	Key
T 291	T 15-20	11	T 10337	T 105-21	52	T 10604	T 55-35	61	T 10815	T 30-19	24
T 291	T 105- 3	40	T 10337	T 105-25	43	T 10604	T 55-49	43	T 10815	T 31- 3	21
T 366	T 105-13	5	T 10341	T 30-25	28	T 10604	T 55-51	6	T 10820	T 75- 7	19
T 379	T 10- 7	3	T 10342	T 15-11	1	T 10604	T 55-53	38	T 10822	T 75- 8	17
T 379	T 110- 4	..	T 10343	T 30-25	27	T 10604	T 55-55	41	T 10823	T 75-13	18
T 379	T 110- 5	..	T 10344	T 30-25	15	T 10608	T 55-49	25	T 10825	T 75-15	19
T 418	T 20- 5	7	T 10345	T 30-25	14	T 10608	T 55-51	4	T 10826	T 75- 9	14
T 421	T 20- 3	12	T 10354	T 30-25	13	T 10608	T 55-53	4	T 10830	T 30-47	28
T 429	T 20- 5	12	T 10369	T 15- 3	4	T 10608	T 55-55	20	T 10859	T 15-11	46
T 432	T 16- 9	36	T 10383	T 25-20	4	T 10610	T 15-11	36	T 10860	T 105- 3	35
T 437	T 20- 3	11	T 10383	T 25-23	4	T 10615	T 100- 3	5	T 10861	T 105- 3	35
T 437	T 110- 4	..	T 10385	T 45- 7	20	T 10619	T 25-25	18	T 10862	T 45- 7	9
T 438	T 16- 9	43	T 10398	T 25-19	11	T 10620	T 25-25	18	T 10863	T 45- 7	18
T 439	T 16- 9	37	T 10399	T 25- 7	22	T 10665	T 45- 1	6	T 10877	T 31- 3	41
T 439	T 20- 3	8	T 10399	T 25-15	17	T 10665	T 45- 2	15	T 10878	T 31- 3	40
T 498	T 10- 7	28	T 10400	T 25- 7	24	T 10665	T 45- 3	12	T 10887	T 90-13	11
T 592	T 16- 9	41	T 10400	T 25-15	19	T 10665	T 45- 4	19	T 10888	T 105- 9	3
T 592	T 20- 3	9	T 10401	T 25-17	2	T 10665	T 45- 8	19	T 10893	T 55-47	6
T 736	T 105-25	11	T 10402	T 25- 7	11	T 10669	T 110- 3	2	T 10896	T 15- 9	8
T 738	T 105-25	5	T 10402	T 25-15	2	T 10670	T 110- 3	2	T 10896	T 15-11	16
T 740	T 105-25	6	T 10403	T 25- 7	9	T 10673	T 25-15	8	T 10897	T 31- 3	38
T 741	T 105-25	1	T 10403	T 25-15	1	T 10674	T 41-11	14	T 10903	T 15-11	7
T 742	T 105-25	3	T 10437	T 15-11	37	T 10674	T 41-13	6	T 10905	T 15-11	5
T 10170	T 35-11	21	T 10472	T 25-23	16	T 10676	T 41-11	16	T 10907	T 15-11	16
T 10171	T 65- 6	7	T 10473	T 25-23	9	T 10676	T 41-13	3	T 10910	T 45- 5	2
T 10172	T 65- 6	1	T 10474	T 10- 3	8	T 10677	T 41-11	15	T 10910	T 45- 7	17
T 10177	T 25-23	13	T 10476	T 10- 3	49	T 10677	T 45- 4	14	T 10911	T 45- 5	1
T 10178	T 25-23	11	T 10510	T 35- 3	46	T 10678	T 41-11	15	T 10914	T 40- 3	14
T 10179	T 25-17	20	T 10510	T 65- 2	6	T 10679	T 41-11	22	T 10914	T 40- 5	14
T 10180	T 25-23	10	T 10514	T 16- 5	2	T 10680	T 41-11	19	T 10914	T 40- 7	15
T 10184	T 25-23	4	T 10519	T 30-21	59	T 10713	T 30-25	31	T 10916	T 55- 5	9
T 10185	T 30-27	8	T 10519	T 30-23	66	T 10717	T 16- 9	28	T 10917	T 35-11	10
T 10186	T 30-27	8	T 10527	T 55- 5	9	T 10717	T 16- 9	31	T 10918	T 35-11	10
T 10187	T 25- 7	21	T 10531	T 55- 5	28	T 10728	T 100- 3	15	T 10919	T 35-11	10
T 10187	T 25-15	16	T 10531	T 55- 7	19	T 10728	T 100-17	14	T 10942	T 85-15	15
T 10188	T 30-27	55	T 10532	T 55- 5	27	T 10732	T 15- 3	4	T 10947	T 15-14	14
T 10189	T 30-27	3	T 10541	T 41-20	4	T 10745	T 105-19	39	T 10950	T 45- 5	4
T 10190	T 30-27	4	T 10542	T 41-20	1	T 10747	T 41-11	17	T 10951	T 45- 7	20
T 10196	T 30-27	32	T 10543	T 41-17	31	T 10747	T 41-13	11	T 10957	T 16- 9	46
T 10197	T 30-27	38	T 10543	T 41-20	13	T 10747	T 41-17	30	T 10958	T 16- 9	46
T 10198	T 30-27	41	T 10547	T 105- 3	35	T 10747	T 41-19	29	T 10959	T 16- 9	48
T 10199	T 30-27	36	T 10552	T 41-20	12	T 10747	T 41-20	9	T 10960	T 16- 9	47
T 10200	T 30-27	33	T 10553	T 40- 7	15	T 10747	T 41-21	20	T 10961	T 41-11	15
T 10201	T 30-27	29	T 10560	T 30-25	30	T 10748	T 41-17	14	T 10963	T 10- 5	4
T 10201	T 30-27	58	T 10564	T 41-11	12	T 10749	T 41-17	13	T 10964	T 10- 5	4
T 10203	T 30-27	52	T 10566	T 41-11	13	T 10750	T 41-17	16	T 10968	T 41-11	15
T 10205	T 30-25	4	T 10566	T 41-11	27	T 10751	T 41-17	15	T 10968	T 41-13	1
T 10206	T 30-25	12	T 10566	T 41-13	7	T 10752	T 41-17	4	T 10968	T 45- 8	14
T 10207	T 30-25	23	T 10567	T 41-11	10	T 10753	T 41-17	2	T 10992	T 45- 7	9
T 10208	T 30-25	21	T 10567	T 41-11	28	T 10754	T 41-17	5	T 11006	T 25- 3	23
T 10211	T 30-25	7	T 10567	T 41-13	4	T 10755	T 41-17	25	T 11006	T 25- 9	18
T 10214	T 30-27	26	T 10567	T 41-15	13	T 10756	T 41-17	7	T 11008	T 30-25	5
T 10217	T 30-27	39	T 10568	T 41-11	29	T 10757	T 41-17	22	T 11008	T 30-25	6
T 10218	T 30-27	53	T 10574	T 90-15	20	T 10758	T 41-17	9	T 11020	T 85-11	27
T 10220	T 100- 3	9	T 10574	T 90-17	18	T 10759	T 41-17	8	T 11021	T 85-11	26
T 10220	T 100-17	8	T 10576	T 45- 5	4	T 10760	T 41-17	11	T 11022	T 105- 3	32
T 10221	T 30-15	5	T 10578	T 30-27	24	T 10761	T 41-17	17	T 11033	T 85- 8	4
T 10222	T 30-11	5	T 10579	T 30-27	23	T 10762	T 41-17	28	T 11034	T 15-13	50
T 10242	T 90-15	7	T 10581	T 30-27	10	T 10763	T 41-17	29	T 11034	T 85-11	28
T 10243	T 90-15	10	T 10582	T 30-27	11	T 10764	T 41-17	19	T 11035	T 75- 3	19
T 10245	T 16-11	30	T 10583	T 30-27	20	T 10765	T 41-17	21	T 11039	T 55-13	12
T 10247	T 30- 7	5	T 10584	T 30-27	28	T 10767	T 41-17	6	T 11040	T 55-13	22
T 10247	T 30-11	7	T 10585	T 30-27	17	T 10768	T 41-17	12	T 11042	T 105- 3	35
T 10247	T 30-12	7	T 10586	T 30-27	21	T 10769	T 41-17	27	T 11090	T 30-25	26
T 10247	T 30-15	7	T 10587	T 30-27	18	T 10769	T 41-19	1	T 11091	T 30-25	28
T 10247	T 30-17	21	T 10588	T 30-27	19	T 10774	T 85- 8	4	T 11092	T 30-25	4
T 10247	T 30-19	9	T 10589	T 30-27	16	T 10784	T 41-15	11	T 11093	T 30-25	12
T 10247	T 31- 3	6	T 10590	T 30-27	22	T 10785	T 41-15	3	T 11094	T 30-25	12
T 10295	T 15-11	15	T 10591	T 30-27	27	T 10788	T 45- 5	4	T 11094	T 30-25	13
T 10297	T 15-11	11	T 10601	T 30-25	29	T 10789	T 45- 7	20	T 11108	T 105- 7	36
T 10308	T 15-13	43	T 10602	T 30-25	31	T 10793	T 105-23	41	T 11112	T 25- 7	9
T 10309	T 25-17	7	T 10603	T 80- 5	44	T 10793	T 105-25	32	T 11113	T 15-11	2
T 10313	T 55-21	56	T 10604	T 55-29	42	T 10794	T 105-23	2	T 11115	T 30-25	27
T 10314	T 55-21	69	T 10604	T 55-31	42	T 10795	T 105-23	38	T 11116	T 30-25	32
T 10318	T 35- 7	8	T 10604	T 55-33	42	T 10812	T 95- 3	33	T 11117	T 100-13	2

Part No.	Page	Key	Part No.	Page	Key	Part No.	Page	Key	Part No.	Page	Key
T 11118	T 100-13	5	T 11424	T 30-41	24	T 12198	T 60-21	23	T 12740	T 55-37	50
T 11119	T 100-13	1	T 11424	T 31- 4	4	T 12199	T 60-21	27	T 12740	T 55-39	41
T 11120	T 100-13	10	T 11439	T 75- 7	10	T 12200	T 60-21	23	T 12740	T 55-41	40
T 11121	T 100-13	13	T 11534	T 15-11	10	T 12201	T 60-21	20	T 12752	T 10- 3	49
T 11122	T 100-13	17	T 11534	T 45- 5	11	T 12202	T 40- 8	4	T 12752	T 10- 3	50
T 11123	T 100-13	18	T 11534	T 45- 7	27	T 12203	T 60-21	5	T 12818	T 30-41	34
T 11124	T 100-13	19	T 11648	T 105-19	37	T 12262	T 85-11	33	T 12824	T 30-29	8
T 11125	T 100-13	13	T 11649	T 105-19	8	T 12263	T 85-11	34	T 12825	T 30-29	27
T 11130	T 30-27	14	T 11650	T 105-19	20	T 12264	T 41-21	22	T 12840	T 30- 3	25
T 11131	T 30-27	47	T 11662	T 105-15	11	T 12265	T 41-21	1	T 12840	T 30- 5	14
T 11133	T 30-27	18	T 11694	T 25-19	30	T 12266	T 41-21	13	T 12840	T 110- 6	..
T 11147	T 41-11	9	T 11694	T 25-21	33	T 12267	T 41-21	10	T 12840	T 110- 7	..
T 11147	T 41-13	15	T 11694	T 25-23	32	T 12268	T 105- 3	35	T 12841	T 30-41	27
T 11148	T 15-11	4	T 11695	T 25-19	31	T 12269	T 41-13	17	T 12842	T 105-19	44
T 11170	T 10- 7	30	T 11695	T 25-21	34	T 12270	T 41-13	16	T 12846	T 75- 3	36
T 11224	T 90-13	19	T 11695	T 25-23	33	T 12271	T 41-19	24	T 12850	T 25-25	40
T 11225	T 90-13	3	T 11696	T 25-19	34	T 12272	T 41-19	23	T 12851	T 25-25	42
T 11226	T 90-13	2	T 11696	T 25-21	37	T 12273	T 41-19	22	T 12867	T 10- 3	51
T 11227	T 90-13	29	T 11696	T 25-23	36	T 12274	T 41-19	28	T 12868	T 105-19	4
T 11228	T 90-13	31	T 11696	T 30-29	29	T 12275	T 41-19	2	T 12869	T 105-19	36
T 11229	T 90-13	17	T 11697	T 25-19	33	T 12276	T 41-19	12	T 12875	T 25-23	42
T 11230	T 90-13	27	T 11697	T 25-21	36	T 12277	T 41-19	15	T 12876	T 25-23	43
T 11231	T 90-13	25	T 11697	T 25-23	35	T 12278	T 41-19	26	T 12877	T 25-23	46
T 11232	T 90-13	23	T 11697	T 30-29	30	T 12279	T 41-19	16	T 12914	T 110- 6	..
T 11233	T 90-13	33	T 11698	T 25-19	35	T 12280	T 41-19	9	T 13001	T 25-23	44
T 11235	T 10- 9	19	T 11698	T 25-21	38	T 12281	T 41-19	14	T 13002	T 25-23	41
T 11266	T 55-21	53	T 11698	T 25-23	37	T 12282	T 41-19	10	T 13119	T 55-19	28
T 11267	T 55-21	52	T 11699	T 25-19	36	T 12283	T 41-19	13	T 13119	T 55-19	29
T 11277	T 85-15	18	T 11699	T 25-21	39	T 12284	T 41-19	21	T 13119	T 55-21	28
T 11293	T 100- 3	8	T 11699	T 25-23	38	T 12285	T 41-19	11	T 13119	T 55-21	29
T 11294	T 100- 3	10	T 11700	T 25-19	26	T 12286	T 41-19	25	T 13119	T 55-23	39
T 11295	T 100- 3	13	T 11700	T 25-21	29	T 12287	T 41-19	20	T 13119	T 55-23	40
T 11296	T 100- 3	14	T 11700	T 25-23	28	T 12288	T 41-19	19	T 13119	T 55-29	43
T 11297	T 55-37	2	T 11700	T 30-29	34	T 12289	T 41-19	4	T 13119	T 55-29	44
T 11297	T 55-39	2	T 11701	T 25-19	27	T 12290	T 41-19	5	T 13119	T 55-31	43
T 11297	T 55-41	3	T 11701	T 25-21	30	T 12471	T 30-17	68	T 13119	T 55-31	44
T 11297	T 55-43	2	T 11701	T 25-23	29	T 12471	T 30-19	61	T 13119	T 55-33	43
T 11297	T 55-45	2	T 11702	T 25-19	28	T 12606	T 15-11	7	T 13119	T 55-33	44
T 11297	T 55-47	2	T 11702	T 25-21	31	T 12607	T 15-11	2	T 13119	T 55-35	44
T 11297	T 100- 2	1	T 11702	T 25-23	30	T 12608	T 15-11	19	T 13119	T 55-35	45
T 11304	T 50- 9	10	T 11716	T 45- 4	24	T 12609	T 15-11	15	T 13119	T 55-49	24
T 11305	T 50- 9	35	T 11716	T 45- 8	24	T 12619	T 55-19	28	T 13119	T 55-49	25
T 11318	T 16-11	27	T 11717	T 45- 4	25	T 12619	T 55-19	29	T 13119	T 55-53	4
T 11321	T 30-35	15	T 11717	T 45- 8	25	T 12619	T 55-21	28	T 13119	T 55-53	5
T 11329	T 40- 3	35	T 11787	T 100- 3	5	T 12619	T 55-21	29	T 13119	T 55-55	20
T 11329	T 60- 5	21	T 11829	T 60-17	8	T 12619	T 55-23	39	T 13119	T 55-25	21
T 11329	T 60-15	22	T 11829	T 60-19	9	T 12619	T 55-23	40	T 13213	T 10- 3	30
T 11330	T 40- 7	37	T 11855	T 85-11	30	T 12619	T 55-29	43	T 13213	T 55-21	33
T 11331	T 105-12	24	T 11856	T 85-11	31	T 12619	T 55-29	44	T 13213	T 55-49	7
T 11332	T 105-12	23	T 11857	T 85-11	32	T 12619	T 55-31	43	T 13213	T 55-51	31
T 11333	T 105-12	26	T 11970	T 15- 4	15	T 12619	T 55-31	44	T 13213	T 55-53	31
T 11335	T 105- 3	11	T 11999	T 30- 7	5	T 12619	T 55-33	43	T 13213	T 55-55	24
T 11340	T 30-27	55	T 11999	T 30- 8	4	T 12619	T 55-33	44	T 13213	T 110- 4	..
T 11341	T 105- 9	3	T 11999	T 30-11	7	T 12619	T 55-35	44	T 13227	T 55-43	5
T 11354	T 16-11	30	T 11999	T 30-12	7	T 12619	T 55-35	45	T 13228	T 55-19	66
T 11355	T 110- 3	2	T 11999	T 30-15	7	T 12722	T 85-16	6	T 13228	T 55-21	70
T 11356	T 110- 3	2	T 11999	T 30-15	8	T 12727	T 40- 5	47	T 13228	T 55-23	72
T 11359	T 110- 3	2	T 11999	T 30-17	21	T 12728	T 40- 5	38	T 13228	T 55-25	39
T 11360	T 110- 3	2	T 11999	T 30-19	9	T 12729	T 40- 5	41	T 13228	T 55-27	45
T 11362	T 100- 9	31	T 11999	T 30-19	10	T 12730	T 40- 5	42	T 13241	T 35- 5	14
T 11362	T 100-11	18	T 11999	T 31- 3	6	T 12731	T 40- 5	40	T 13268	T 25-25	34
T 11392	T 55-23	47	T 11999	T 31- 3	7	T 12732	T 40- 5	39	T 13642	T 41-17	16
T 11397	T 55-23	47	T 12000	T 30-15	8	T 12733	T 55-47	10	T 13734	T 30-29	32
T 11399	T 55-23	47	T 12000	T 30-15	48	T 12734	T 55-41	19	T 13880	T 100-15	6
T 11400	T 30- 7	21	T 12000	T 30-19	10	T 12735	T 55-39	19	T 13883	T 15- 9	15
T 11400	T 30- 9	21	T 12000	T 30-19	60	T 12736	T 55-37	28	T 13883	T 15-11	21
T 11400	T 30-11	23	T 12001	T 30-15	8	T 12736	T 55-37	29	T 14235	T 100-17	15
T 11400	T 30-13	21	T 12001	T 30-19	10	T 12737	T 55-45	8	T 14268	T 100-17	7
T 11400	T 30-15	21	T 12001	T 31- 3	7	T 12738	T 55-37	49	T 14269	T 100-17	9
T 11400	T 30-19	34	T 12016	T 105- 7	7	T 12738	T 55-39	40	T 14270	T 100-17	12
T 11400	T 31- 3	31	T 12016	T 105- 9	19	T 12738	T 55-41	39	T 14271	T 100-17	13
T 11423	T 45- 4	26	T 12180	T 25-25	36	T 12738	T 55-45	25	T 14501	T 30-29	36
T 11423	T 45- 8	26	T 12194	T 60-21	7	T 12738	T 55-47	28	T 14502	T 30-29	37
T 11424	T 30-37	12	T 12195	T 40- 8	7	T 12739	T 55-45	26	T 14503	T 30-29	33
T 11424	T 30-39	25	T 12197	T 60-21	27	T 12739	T 55-47	29	T 14504	T 30-29	38

Part No.	Page	Key	Part No.	Page	Key	Part No.	Page	Key	Part No.	Page	Key
	AH										
AH 11984	16-12	14									
	AR										
AR 44921	16-12	1									
AR 56751	16-3	..									
AR 56751	16-12	9									
AR 56751	16-12	..									
AR 56753	16-12	2									
AR 56754	16-12	11									
	AT										
AT 14311	16-12	15									
AT 14321	16-12	26									
AT 24376	16-12	22									
AT 24376	16-12	24									
AT 24376	16-12	25									
	B										
B 17700	16-12	21									
B 17707	16-12	23									
	R										
R 10104	16-12	4									
R 10182	16-12	7									
R 10184	16-12	17									
R 10185	16-12	16									
R 10194	16-12	8									
R 42715	16-12	5									
R 45666	16-12	27									
R 52191	16-12	13									
R 52192	16-12	32									
R 52193	16-12	10									
R 52194	16-12	19									
	T										
T 16106	16-12	6									
T 26396	16-12	12									
T 26398	16-12	30									
T 26403	16-12	28									
T 26404	16-12	20									
T 26408	16-12	31									