

# 1A2

TRACTOR - 3010

RWP2589 -UN-01JAN94



*John Deere 3010 Row-Crop Tractor*



*John Deere 3010 Standard Tractor*



RWP2589

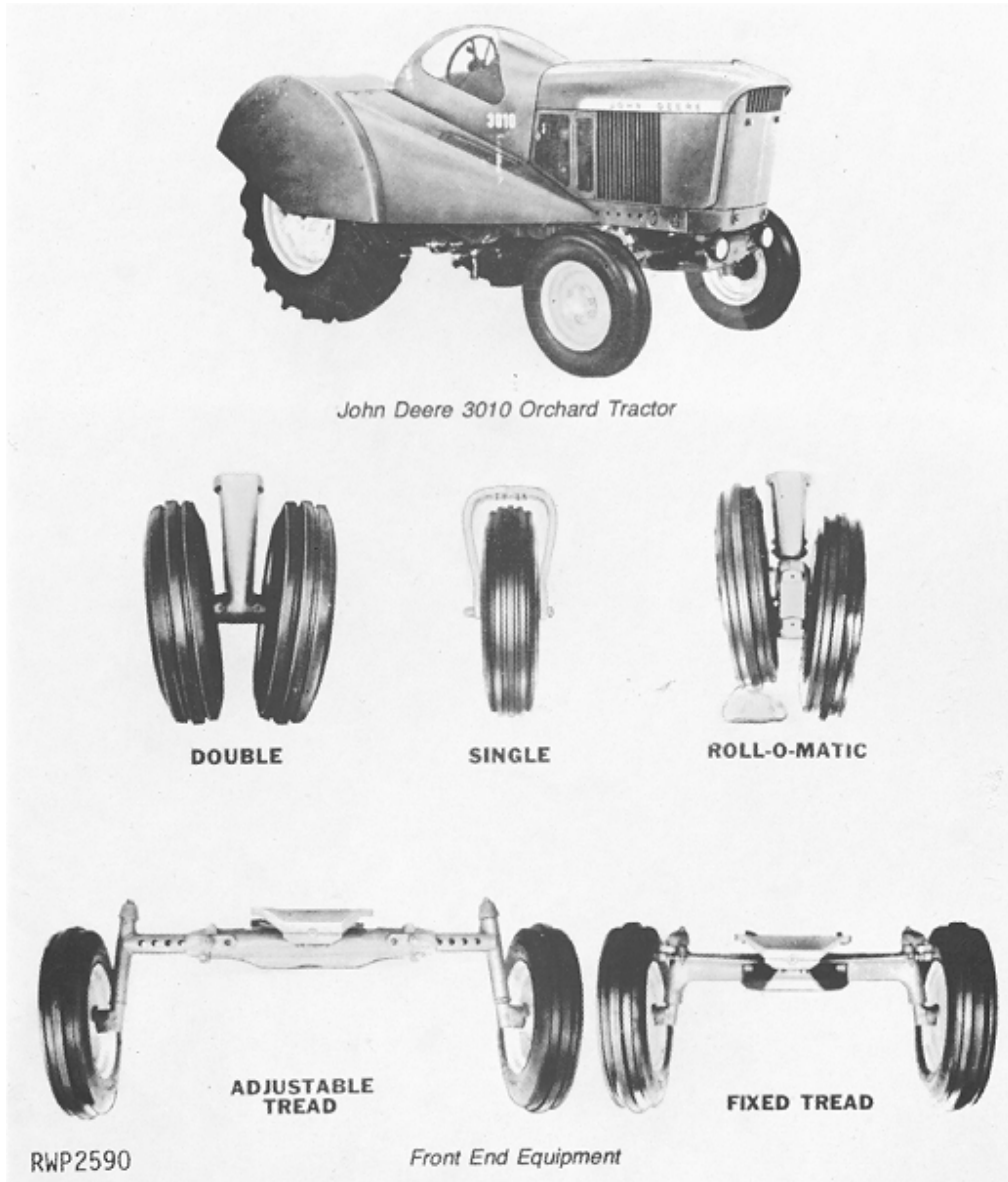
*John Deere 3010 Row-Crop Utility Tractor*

(SPECIFICATIONS AND DESIGN SUBJECT TO CHANGE WITHOUT NOTICE.)  
COPYRIGHT (C) 1994 DEERE & COMPANY, MOLINE, ILLINOIS. ALL RIGHTS RESERVED

# 1A3

TRACTOR - 3010

RWP2590 -UN-01JAN94



*(SPECIFICATIONS AND DESIGN SUBJECT TO CHANGE WITHOUT NOTICE.)*

# 1A4

TRACTOR - 3010

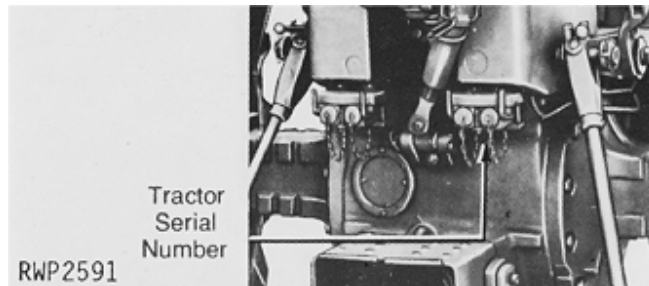
## SERIAL NUMBER PLATE LOCATION

EACH 3010 TRACTOR HAS THE FOLLOWING SERIAL NUMBER PLATES: BASIC TRACTOR AND ENGINE

FURNISH ALL NINE CHARACTERS WHENEVER SERIAL NUMBERS ARE REQUIRED ON WARRANTY CLAIMS OR CORRESPONDENCE PERTAINING TO THIS PRODUCT.

### BASIC TRACTOR SERIAL NUMBER

RWP2591 -UN-01JAN94



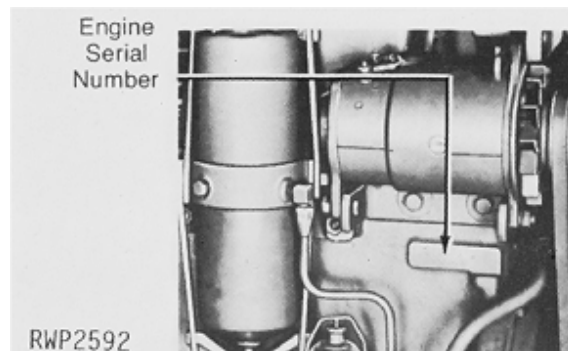
THE BASIC TRACTOR SERIAL NUMBER PLATE IS LOCATED AT THE REAR OF THE TRANSMISSION CASE.

DESIGNATES TYPE OF TRACTOR

11T - ROW-CROP  
12T - STANDARD  
14T - ROW-CROP UTILITY  
18T - ORCHARD

### ENGINE SERIAL NUMBER

RWP2592 -UN-01JAN94



THE ENGINE SERIAL NUMBER PLATE IS LOCATED ON THE RIGHT-HAND SIDE DIRECTLY BELOW THE GENERATOR.

DESIGNATES TYPE OF ENGINE

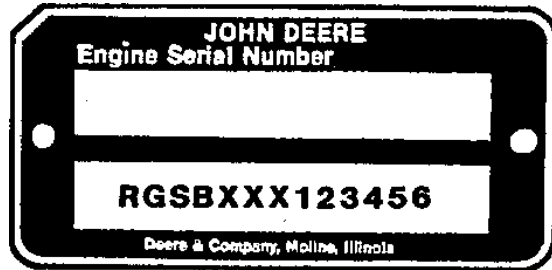
11E - GASOLINE  
12E - LP-GAS  
13E - DIESEL

# 1A5

TRACTOR - 3010

## SHORT BLOCK SERIAL NUMBER PLATE

RGP2856 -UN-01JAN94



RGP2856

A SHORT BLOCK SERIAL NUMBER PLATE PLUS 2-37H44 DRIVE SCREWS ARE USED TO ATTACH TO REPLACEMENT SHORT BLOCK ASSEMBLIES. THIS NUMBER WILL BE REFERRED TO WHEN NEW PARTS AFFECT THE SHORT BLOCK ASSEMBLY. THE PREVIOUS ENGINE SERIAL NUMBER SHOULD BE STAMPED INTO THE BLANK SPACE PROVIDED, AS A REFERENCE FOR YOUR DEALER.

- |                                       |                            |
|---------------------------------------|----------------------------|
| 1. DESIGNATES ENGINE MANUFACTURER     | RG - WATERLOO ENGINE WORKS |
| 2. DESIGNATES REPLACEMENT SHORT BLOCK | SB                         |
| 3. DESIGNATES CUBIC INCH              | XXX                        |
| 4. DESIGNATES THE PRODUCTION DATE     | 1234                       |
| 5. DESIGNATES COMPONENT SEQUENCE      | 56                         |



MEMORANDA

# 1A6

TRACTOR - 3010

## SERIAL NUMBER LISTING INFORMATION

SERIAL NUMBER INFORMATION IS LISTED TO SHOW ON WHICH MACHINES EACH PART CAN BE USED; FOR EXAMPLE:

- THE PART CAN BE USED ON ALL MACHINES.
- 000000- THE PART CAN BE USED ON ALL MACHINES BEGINNING WITH THE SERIAL NUMBER LISTED.
- 000000 THE PART CAN BE USED ON ALL MACHINES UP TO AND INCLUDING THE SERIAL NUMBER LISTED.
- 000000-000000 THE PART CAN BE USED ON ALL MACHINES BETWEEN AND INCLUDING THE SERIAL NUMBERS LISTED.
  
- 15BV1- WHEN A MODEL NUMBER BEGINS WITH 15BV, 14HA, 15PP, 25SC, 2RC, 4RC, 15RS, 3CY, 2SP, OR 31SV, IT REFERS TO THE MODEL NUMBER OF THE BRAKE VALVE, HYDRAULIC ACCUMULATOR, HYDRAULIC PUMP, REMOTE CYLINDER SELECTIVE CONTROL VALVE FOR NO ROCKSHAFT, REMOTE CYLINDER SELECTIVE CONTROL VALVES, REMOTE CYLINDERS, REMOTE CYLINDERS WITH MECHANICAL STOPS, ROCKSHAFT CONTROL VALVE, STEERING CYLINDER, STEERING METERING PUMP, OR STEERING VALVE.

WHEN XXXXXX'S ARE LISTED IN PLACE OF A SERIAL NUMBER, A SERIAL NUMBER CHANGE WAS MADE BUT THE EXACT SERIAL NUMBER WAS NOT AVAILABLE WHEN THE CATALOG WAS PRODUCED.

## MODEL NUMBERS

THE FOLLOWING COMPONENTS HAVE MODEL NUMBERS:

HYDRAULIC PUMP .....	1MP1
REMOTE CYLINDER SELECTIVE CONTROL VALVE .....	1SC1
REMOTE CYLINDERS .....	1RC1
ROCKSHAFT CONTROL VALVE .....	1RS1

EACH OF THE ABOVE COMPONENTS HAS A MODEL NUMBER. WHEN THE DESIGN OF ONE OF THESE COMPONENTS IS CHANGED, THE MODEL NUMBER FOR THE NEWLY DESIGNED COMPONENT IS CHANGED.

## ABBREVIATIONS FOR TRACTOR CHASSIS DESIGN

THE FOLLOWING ABBREVIATIONS ARE USED IN THIS CATALOG TO IDENTIFY THE TRACTOR CHASSIS VERSION:

- RC - ROW-CROP
- RU - ROW-CROP UTILITY
- OR - GROVE AND ORCHARD
- ST - STANDARD

## DIRECTION ARROW

ARROWS ARE USED WITH ILLUSTRATIONS TO INDICATE THE FRONT OF THE UNIT. "RIGHT-HAND" AND "LEFT-HAND" SIDES ARE DETERMINED BY FACING IN THE DIRECTION OF MACHINE FORWARD TRAVEL.

## BOX-ENCLOSED ILLUSTRATIONS

A KEY NUMBER, SHOWN IN THE PARTS LIST, IS ASSIGNED TO A BOX ENCLOSING ALL PARTS SOLD AS A SERVICE ASSEMBLY.

## BOLT AND CAP SCREW STRENGTH IDENTIFICATION

BOLTS AND CAP SCREWS REQUIRED TO HAVE HIGH-STRENGTH QUALITIES EQUIVALENT TO SAE GRADE 8 ARE IDENTIFIED THROUGHOUT THIS CATALOG BY THE DESCRIPTION HS SAE 8. ALL STANDARD BOLTS AND CAP SCREWS ARE SAE GRADE 5 OR LOWER.

## SI UNITS OF MEASURE

METRIC DIMENSIONS ARE GIVEN, WHERE APPLICABLE, THROUGHOUT THIS PARTS CATALOG.

## CHANGE INDICATOR LINE (MICROFICHE CATALOGS ONLY)

CHANGES AFFECTING THE ORDERING OF PARTS ARE IDENTIFIED BY VERTICAL LINES MARKED IN THE LEFT-HAND MARGIN OF REVISED PARTS LISTING IMAGES. A LINE IS ALSO AT THE LEFT-HAND EDGE OF THE SAME PART NUMBER IN THE NUMERICAL INDEX TO SHOW THE LOCATION OF REVISED INFORMATION.

## TRADEMARKS

THROUGHOUT THIS PARTS CATALOG, YOU WILL FIND THE FOLLOWING DEERE AND COMPANY TRADEMARKS:

ROLL-GARD+  
HY-GARD+  
TORQ-SUPREME+

## JDM REMANUFACTURED COMPONENTS

THE SERVICE PARTS LISTED IN THIS CATALOG ARE INTENDED FOR THE REPAIR OF ORIGINAL EQUIPMENT COMPONENTS. ALTHOUGH MOST SERVICE PARTS MAY BE USED TO REPAIR REMANUFACTURED COMPONENTS, THE REMANUFACTURING PROCESS MAY CHANGE PARTS SUFFICIENTLY SO THAT SERVICE PARTS ARE INADEQUATE OR NOT USABLE.

# 1A8

TRACTOR - 3010

---

## SECTION INDEX

GENERAL INFORMATION .....	10
ENGINE .....	20
FUEL AND AIR .....	30
ELECTRICAL .....	40
POWER TRAIN .....	50
STEERING AND BRAKES .....	60
HYDRAULICS .....	70
WHEELS, FRONT AXLES, SHEET METAL .....	80
OPERATOR'S STATION .....	90
NUMERICAL INDEX .....	95

# 1A9

TRACTOR - 3010

## ALPHABETICAL INDEX

GRID		PAGE	GRID		PAGE
<b>A</b>					
3D17	ABSORBER, SHOCK .....	90-14	3C19	BATTERY BOX.....	80-47
3D13	ABSORBER, SHOCK, SEAT .....	90-10	3C9	BATTERY BOX COVER.....	80-36
3E14	ACCESSORY PARTS .....	90-38	3C11	BATTERY BOX COVER.....	80-38
2F21	ADAPTER, IMPLEMENT QUICK COUPLER.....	70-70	3C19	BATTERY BOX COVER.....	80-47
3B1	ADJUSTABLE TREAD FRONT AXLE KIT .....	80-4	3C13	BATTERY BOX SUPPORT .....	80-40
1H11	ADJUSTING STRAP, GENERATOR .....	40-49	3C14	BATTERY BOX SUPPORT .....	80-41
1F7	AID, STARTING .....	30-60	3C18	BATTERY BOX SUPPORT .....	80-46
1D8	AIR CLEANER (DIESEL) .....	30-6	3C18	BATTERY CABLE.....	80-46
1D7	AIR CLEANER (GASOLINE AND LP-GAS) .....	30-5	3C19	BATTERY CABLE.....	80-47
1D6	AIR CLEANER CLEANING GUN.....	30-4	3C15	BATTERY DOOR .....	80-42
1I10	ANTENNA .....	40-72	3C19	BATTERY GROUND STRAP.....	80-47
1I12	ANTENNA .....	40-74	3C18	BATTERY GROUND STRIP.....	80-46
1I14	ANTENNA .....	40-76	1B24	BEARING, CONNECTING ROD (GAS & LP) .....	20-28
2E18	ARM, FRONT ROCKSHAFT .....	70-40	1B19	BEARING, MAIN.....	20-22
1D17	ARM, GOVERNOR (GAS & LP) .....	30-16	1B19	BEARING, MAIN THRUST.....	20-22
2E24	ARM, LOAD CONTROL .....	70-46	1C1	BEARINGS, CONNECTING ROD (4270DR).....	20-30
2H17	ARM, REMOTE CYLINDER.....	70-118	1B20	BEARINGS, MAIN.....	20-24
2B10	ARM, SPEED CHANGE SHIFTER .....	50-16	1B22	BEARINGS, MAIN.....	20-26
3B7	ARM, STEERING .....	80-10	1B20	BEARINGS, MAIN THRUST.....	20-24
3B9	ARM, STEERING .....	80-12	1B22	BEARINGS, MAIN THRUST.....	20-26
3B5	ARM, STEERING GEAR .....	80-8	2B16	BELT PULLEY .....	50-22
1H9	ARMATURE, GENERATOR (4241GR) .....	40-46	1H11	BELT, FAN .....	40-49
1H12	ARMATURE, GENERATOR (4270DR) .....	40-50	1C11	BELT, FAN AND ALTERNATE DRIVE (DIESEL) .....	20-42
1H21	ARMATURE, STARTER (4241GR) .....	40-57	3D5	BELT, SEAL (W/O HI CROP) .....	90-3A
1H24	ARMATURE, STARTER (4270DR) .....	40-60	3D4	BELT, SEAT (HI-CROP).....	90-3
1I1	ARMATURE, STARTER (4270DR) .....	40-62	3D3	BELT, SEAT (ROW-CROP) .....	90-2
2E12	ARMS, IMPLEMENT.....	70-34	2B6	BEVEL PINION SHAFT .....	50-12
2E9	ARMS, LIFT, ROCKSHAFT .....	70-31	1B9	BLOCK, CYLINDER FITTINGS .....	20-12
2E11	ARMS, LIFT, ROCKSHAFT .....	70-33	1B11	BLOCK, CYLINDER FITTINGS .....	20-14
1B5	ARMS, ROCKER (DIESEL) .....	20-8	2G1	BLOCK, SWAY CONTROL .....	70-75
1B3	ARMS, ROCKER (GASOLINE & LP) .....	20-6	1E11	BODY, CARBURETOR (GASOLINE).....	30-38
3C20	ATTACHING BRACKET, IMPLEMENT .....	80-48	1E12	BODY, CARBURETOR (GASOLINE).....	30-39
1J9	AUXILIARY ELECTRICAL OUTLET, 7-TERMINAL.....	40-95	1E13	BODY, CARBURETOR LOWER (ZENITH) .....	30-40
2G18	AUXILIARY OUTLET COUPLER .....	70-93	1E9	BODY, CARBURETOR UPPER (ZENITH) .....	30-36
3A23	AXLE HOUSING, FRONT .....	80-2	2F12	BODY, CENTER LINK .....	70-60
2B24	AXLE HOUSING, REAR.....	50-30	2F14	BODY, LIFT LINK .....	70-62
3B1	AXLE, ADJUSTABLE TREAD FRONT .....	80-4	2B14	BODY, OIL PUMP .....	50-20
3B7	AXLE, FRONT .....	80-10	3C5	BOX, BATTERY .....	80-32
3A24	AXLE, FRONT, HOUSING.....	80-3	3C9	BOX, BATTERY .....	80-36
3B3	AXLE, FRONT, KNEE .....	80-6	3C11	BOX, BATTERY .....	80-38
3B5	AXLE, FRONT, KNEE .....	80-8	3C14	BOX, BATTERY .....	80-41
3A24	AXLE, FRONT, PIVOT BRACKET.....	80-3	3C7	BOX, TOOL.....	80-34
2B24	AXLE, REAR.....	50-30	3C8	BOX, TOOL.....	80-35
3B16	AXLE, SINGLE FRONT .....	80-19	3C20	BRACKET, ATTACHING, IMPLEMENT.....	80-48
<b>B</b>					
3D9	BACK CUSHION, SEAT.....	90-6	2C24	BRACKET, BRAKE LINE (RC AND ST).....	60-22
3D11	BACK CUSHION, SEAT.....	90-8	2D1	BRACKET, BRAKE LINE (RU AND OR).....	60-24
3D21	BACK CUSHION, SEAT.....	90-18	1J1	BRACKET, ELECTRICAL REMOTE CONTROL.....	40-86
3D23	BACK CUSHION, SEAT.....	90-20	1I16	BRACKET, FENDER .....	40-78
3D15	BACK, SEAT.....	90-12	3E13	BRACKET, FIRE EXTINGUISHER.....	90-37
3D19	BACK, SEAT, CUSHION .....	90-16	1H11	BRACKET, GENERATOR .....	40-49
1C15	BAFFLES, RADIATOR .....	20-47	2B12	BRACKET, STEERING VALVE .....	50-18
1C4	BALANCER GEARS.....	20-34	1G15	BRACKET, WARNING LAMP .....	40-28
1C4	BALANCER WEIGHTS.....	20-34	1I22	BRACKET,RADAR SENSOR .....	40-83A
1C4	BALANCER, ENGINE.....	20-34	2C13	BRAKE LINING.....	60-11
1C5	BALANCER, ENGINE.....	20-35	2C24	BRAKE OIL PIPES (RC AND ST).....	60-22
1H3	BATTERY .....	40-40	2D1	BRAKE OIL PIPES (RU AND OR) .....	60-24
3C5	BATTERY BOX.....	80-32	2C22	BRAKE PEDALS.....	60-20
3C9	BATTERY BOX.....	80-36	2C13	BRAKE PLATES AND FACINGS.....	60-11
3C11	BATTERY BOX.....	80-38	2C13	BRAKE PLATES PRESSURE .....	60-11
3C14	BATTERY BOX.....	80-41	2C15	BRAKE VALVE HOUSING.....	60-12
3C18	BATTERY BOX.....	80-46	2C17	BRAKE VALVE HOUSING.....	60-14
			2C20	BRAKE VALVE KIT .....	60-17
			2C20	BRAKE VALVE OPERATING KIT .....	60-17
			2C21	BRAKE VALVE OVERHAUL KIT .....	60-19
			2C19	BRAKE VALVE PLUNGER KIT .....	60-16
			2G21	BREAK-AWAY COUPLER .....	70-96
			2I2	BREAK-AWAY COUPLER .....	70-128

# 1A10

TRACTOR - 3010

## ALPHABETICAL INDEX - CONTINUED

GRID	PAGE	GRID	PAGE		
2G8	BREAKAWAY COUPLER.....	70-82	1E13	CHOKE, CARBURETOR (ZENITH).....	30-40
2G10	BREAKAWAY COUPLER.....	70-84	1G19	CIRCUIT BREAKER KIT (DIESEL).....	40-32
2G13	BREAKAWAY COUPLER.....	70-88	1G18	CIRCUIT BREAKER KIT (LP-GAS).....	40-31
2G12	BREAKAWAY COUPLER (ISO).....	70-87	1G20	CIRCUIT BREAKER KIT (GASOLINE).....	40-33
2G17	BREAKAWAY COUPLER OVERHAUL KIT.....	70-92	1J8	CIRCUIT BREAKER, ELECTRICAL OUTLET.....	40-94
1J3	BREAKER, CIRCUIT, REMOTE CONTROL.....	40-89	1J6	CIRCUIT BREAKER, SUPPLEMENTARY WIRING.....	40-92
1J8	BREAKER, ELECTRICAL OUTLET CIRCUIT.....	40-94	1D8	CLEANER, AIR (DIESEL).....	30-6
1H9	BRUSHES, GENERATOR (4241GR).....	40-46	1D7	CLEANER, AIR (GASOLINE AND LP-GAS).....	30-5
1H12	BRUSHES, GENERATOR (4270DR).....	40-50	2A24	CLUTCH DISK, PTO.....	50-4
2F3	BUSHING KIT, LOAD CONTROL SHAFT.....	70-51	2B1	CLUTCH FORK, PTO.....	50-6
1B7	BUSHING, CAMSHAFT.....	20-10	2A22	CLUTCH HOUSING.....	50-2
2D23	BYPASS KIT, OIL FILTER.....	70-19	3C9	CLUTCH HOUSING SHIELD.....	80-36
2E5	BYPASS VALVE, HYDRAULIC OIL COOLER.....	70-26	3C11	CLUTCH HOUSING SHIELD.....	80-38
			2B1	CLUTCH PEDAL, PTO.....	50-6
			2A24	CLUTCH SHAFT, PTO.....	50-4
			2A24	CLUTCH, PTO.....	50-4
			1H9	COIL, GENERATOR FIELD (4241GR).....	40-46
			1H12	COIL, GENERATOR FIELD (4270DR).....	40-50
			1H4	COIL, IGNITION.....	40-41
			1H22	COIL, STARTER (4241GR).....	40-58
			1H24	COIL, STARTER (4270DR).....	40-60
			1I1	COIL, STARTER (4270DR).....	40-62
			1H22	COMMUTATOR END FRAME, STARTER (4241GR).....	40-58
			1H24	COMMUTATOR END FRAME, STARTER (4270DR).....	40-60
			1I1	COMMUTATOR END FRAME, STARTER (4270DR).....	40-62
			1B24	CONNECTING ROD BEARINGS (GAS & LP).....	20-28
			1C1	CONNECTING ROD BEARINGS (4270DR).....	20-30
			1B24	CONNECTING RODS (GAS & LP).....	20-28
			1C1	CONNECTING RODS (4270DR).....	20-30
			1J16	CONNECTORS, ELECTRICAL, SUPPLEMENTARY.....	40-102
			1J12	CONNECTORS, ELECTRICAL.....	40-98
			1J14	CONNECTORS, ELECTRICAL.....	40-100
			2E20	CONTROL LINKAGE, ROCKSHAFT.....	70-42
			3E5	CONTROL SUPPORT COVER.....	90-28
			3E3	CONTROL SUPPORT INSULATION.....	90-26
			2E3	CONTROL VALVE HOUSING, PRESSURE.....	70-24
			2E4	CONTROL VALVE HOUSING, PRESSURE.....	70-25
			2E7	CONTROL VALVE HOUSING, PRESSURE.....	70-29
			2E14	CONTROL VALVE HOUSING, ROCKSHAFT.....	70-36
			2H8	CONTROL VALVE OIL PIPES.....	70-108
			2H3	CONTROL VALVE, SELECTIVE.....	70-102
			2H5	CONTROL VALVE, SELECTIVE.....	70-104
			2E24	CONTROL, LOAD.....	70-46
			2F1	CONTROL, LOAD.....	70-48
			2F2	CONTROL, LOAD, KIT.....	70-49
			2E24	CONTROL, LOAD, SHAFT.....	70-46
			2H12	CONTROL, SELECTIVE, OIL PIPES.....	70-112
			2H14	CONTROL, SELECTIVE, OIL PIPES.....	70-114
			2H15	CONTROL, SELECTIVE, OIL PIPES.....	70-115
			2H16	CONTROLS RODS, SELECTIVE.....	70-117
			2B12	CONTROLS, GEAR SHIFTER.....	50-18
			2E22	CONTROLS, ROCKSHAFT.....	70-44
			1F5	CONTROLS, THROTTLE (DIESEL).....	30-58
			1F3	CONTROLS, THROTTLE (GASOLINE AND LP-GAS).....	30-56
			2I1	CONVERSION KIT, REMOTE CYLINDER.....	70-127
			1E22	CONVERTOR PARTS, FUEL (LP-GAS).....	30-49
			1E20	CONVERTOR, FUEL (LP-GAS).....	30-47
			1E21	CONVERTOR, FUEL (LP-GAS).....	30-48
			1I19	COOLANT HEATER, EXTERNAL.....	40-81
			2E5	COOLER BYPASS, HYDRAULIC OIL.....	70-26
			2D24	COOLER, OIL.....	70-20
			2E1	COOLER, OIL, HYDRAULIC.....	70-22
			2B5	COUNTERSHAFT, TRANSMISSION.....	50-11
			2G15	COUPLER OVERHAUL KIT (ISO).....	70-90
			2G18	COUPLER, AUXILIARY OUTLET.....	70-93
			2G8	COUPLER, BREAKAWAY.....	70-82
			2G10	COUPLER, BREAKAWAY.....	70-84

### C

3E11	CAB PARTS (ALL STEEL).....	90-34
3E12	CAB, ALL-STEEL.....	90-36
3C18	CABLE, BATTERY.....	80-46
3C19	CABLE, BATTERY.....	80-47
1J10	CABLE, WIRING.....	40-96
1H4	CABLES, SPARK PLUG.....	40-41
1B7	CAM FOLLOWER.....	20-10
2B10	CAM, SPEED CHANGE SHIFTER.....	50-16
1B7	CAMSHAFT.....	20-10
1B7	CAMSHAFT BUSHING.....	20-10
1B7	CAMSHAFT GEAR.....	20-10
3D7	CANOPY.....	90-4
1H5	CAP, DISTRIBUTOR.....	40-42
1H7	CAP, DISTRIBUTOR.....	40-44
1D20	CAP, FUEL FILTER (GASOLINE).....	30-20
1C14	CAP, RADIATOR.....	20-46
1I16	CAPACITOR, RADIO NOISE SUPPRESSOR.....	40-78
1B9	CAPS, MAIN BEARING.....	20-12
1B11	CAPS, MAIN BEARING.....	20-14
1E10	CARBURETOR (GASOLINE).....	30-37
1E17	CARBURETOR (LP-GAS).....	30-44
1E5	CARBURETOR (MARVEL-SCHEBLER).....	30-32
1E11	CARBURETOR BODY (GASOLINE).....	30-38
1E12	CARBURETOR BODY (GASOLINE).....	30-39
1E12	CARBURETOR CHOKE (GASOLINE).....	30-39
1E13	CARBURETOR CHOKE (ZENITH).....	30-40
1E11	CARBURETOR FLOOD (GASOLINE).....	30-38
1E13	CARBURETOR FLOAT (ZENITH).....	30-40
1E7	CARBURETOR GASKET KIT (MARVEL-SCHEBLER).....	30-34
1E15	CARBURETOR GASKET KIT (ZENITH).....	30-42
1E13	CARBURETOR LOWER BODY (ZENITH).....	30-40
1E5	CARBURETOR REPAIR KIT (MARVEL-SCHEBLER).....	30-32
1E8	CARBURETOR REPAIR KIT (MARVEL-SCHEBLER).....	30-35
1E15	CARBURETOR REPAIR KIT (ZENITH).....	30-42
1E12	CARBURETOR SOLENOID (GASOLINE).....	30-39
1E11	CARBURETOR THROTTLE (GASOLINE).....	30-38
1E9	CARBURETOR THROTTLE (ZENITH).....	30-36
1E9	CARBURETOR UPPER BODY (ZENITH).....	30-36
1D17	CARRIER, GOVERNOR WEIGHT (GAS & LP).....	30-16
2B3	CASE, TRANSMISSION.....	50-8
3B17	CAST REAR WHEEL.....	80-20
3B21	CAST REAR WHEEL.....	80-24
3B22	CAST REAR WHEEL.....	80-25
2F16	CENTER LINK (KIT).....	70-65
2F12	CENTER LINK BODY.....	70-60
2F12	CENTER LINK HANDLE.....	70-60
2F12	CENTER LINK HOOK.....	70-60
2F12	CENTER LINK LATCH.....	70-60
2F25	CHAIN, IMPLEMENT SAFETY.....	70-74
1E12	CHOKE, CARBURETOR (GASOLINE).....	30-39



# 1A12

TRACTOR - 3010

## ALPHABETICAL INDEX - CONTINUED

GRID		PAGE	GRID		PAGE
1J17	ELECTRICAL TOOLS.....	40-103	2B24	FINAL DRIVE SHAFT.....	50-30
1J12	ELECTRICAL WIRING.....	40-98	3E13	FIRE EXTINGUISHER.....	90-37
1J14	ELECTRICAL WIRING.....	40-100	1B9	FITTINGS, CYLINDER BLOCK.....	20-12
3E5	ELEMENT LIGHTER.....	90-28	1B11	FITTINGS, CYLINDER BLOCK.....	20-14
1D6	ELEMENT, CLEANING GUN.....	30-4	1G14	FLASHER, WARNING LAMP.....	40-27
2B14	ELEMENT, OIL FILTER.....	50-20	2G21	FLEXIBLE OIL LINE COUPLER.....	70-96
3E9	EMBLEM, SMV.....	90-32	2I2	FLEXIBLE OIL LINE COUPLER.....	70-128
1H22	END FRAME, STARTER COMMUTATOR (4241GR).....	40-58	2I3	FLEXIBLE OIL LINE, BULK.....	70-129
1I1	END FRAME, STARTER COMMUTATOR (4270DR).....	40-62	1E11	FLOAT, CARBURETOR (GASOLINE).....	30-38
1H24	END FRAME, STATER COMMUTATOR (4270DR).....	40-60	1E13	FLOAT, CARBURETOR (ZENITH).....	30-40
3B3	END, TIE ROD.....	80-6	3E14	FLUID, DIESEL STARTING.....	90-38
3B5	END, TIE ROD.....	80-8	1B17	FLYWHEEL.....	20-20
3B7	END, TIE ROD.....	80-10	1B7	FOLLOWER, CAM.....	20-10
1C4	ENGINE BALANCER.....	20-34	3B23	FRAME.....	80-26
1C5	ENGINE BALANCER.....	20-35	3B23	FRAME PLATES.....	80-26
1C5	ENGINE BALANCER GEARS.....	20-35	3D21	FRAME, SEAT.....	90-18
1B9	ENGINE DIPSTICK.....	20-12	3D19	FRAME, SEAT SUPPORT.....	90-16
1B11	ENGINE DIPSTICK.....	20-14	3D23	FRAME, SEAT SUPPORT.....	90-20
1C6	ENGINE OIL FILTER.....	20-36	3D9	FRAME, SEAT, REGULAR.....	90-6
1C6	ENGINE OIL PUMP.....	20-36	3D11	FRAME, SEAT, REGULAR.....	90-8
1B9	ENGINE OVERHAUL KIT.....	20-12	3B23	FRAME, SIDE.....	80-26
1B11	ENGINE OVERHAUL KIT.....	20-14	3B7	FRONT AXLE.....	80-10
1C20	ENGINE REBUILD GASKET KIT (DIESEL).....	20-52	3A23	FRONT AXLE HOUSING.....	80-2
1C18	ENGINE REBUILD GASKET KIT (GAS & LP).....	20-50	3A24	FRONT AXLE HOUSING.....	80-3
3C17	ENGINE SHIELD DOOR.....	80-45	3B3	FRONT AXLE KNEE.....	80-6
1D14	EXHAUST MANIFOLD (DIESEL).....	30-12	3B5	FRONT AXLE KNEE.....	80-8
1D10	EXHAUST MANIFOLD (GASOLINE).....	30-8	3A23	FRONT AXLE PIVOT BRACKET.....	80-2
1D12	EXHAUST MANIFOLD (LP).....	30-10	3B16	FRONT AXLE, SINGLE.....	80-19
1D16	EXHAUST MUFFLER COVER.....	30-15	3B11	FRONT HUB.....	80-14
1B5	EXHAUST VALVES (DIESEL).....	20-8	3B14	FRONT HUB.....	80-17
1B3	EXHAUST VALVES (GASOLINE & LP).....	20-6	1G9	FRONT LAMP.....	40-22
3B3	EXTENSION, KNEE.....	80-6	1G11	FRONT LAMP.....	40-24
3B5	EXTENSION, KNEE.....	80-8	1G12	FRONT LAMP.....	40-25
1D14	EXTENSION, MUFFLER (DIESEL).....	30-12	2E18	FRONT MOUNTED ROCKSHAFT.....	70-40
1D10	EXTENSION, MUFFLER (GASOLINE).....	30-8	3C3	FRONT PLATE.....	80-30
1D12	EXTENSION, MUFFLER (LP).....	30-10	2G1	FRONT SUPPORT, DRAWBAR.....	70-75
3B11	EXTENSION, SPINDLE.....	80-14	3B24	FRONT WEIGHT.....	80-27
3B10	EXTENSION, SPINDLE, FRONT WHEEL.....	80-13	3B23	FRONT WEIGHT SUPPORT.....	80-26
1I19	EXTERNAL COOLANT HEATER.....	40-81	3B24	FRONT WEIGHT SUPPORT.....	80-27
3E13	EXTINGUISHER, FIRE.....	90-37	3B14	FRONT WHEEL.....	80-17
			3B13	FRONT WHEEL, SINGLE.....	80-16
			3B16	FRONT WHEEL, SINGLE.....	80-19
			1E20	FUEL CONVERTOR (LP-GAS).....	30-47
			1E21	FUEL CONVERTOR (LP-GAS).....	30-48
			1E22	FUEL CONVERTOR PARTS (LP-GAS).....	30-49
			1E4	FUEL FILTERS (4270DR).....	30-30
			3E2	FUEL GAUGE.....	90-25
			1D22	FUEL GAUGE SENDER.....	30-22
			1D24	FUEL GAUGE SENDER.....	30-24
			1D20	FUEL GAUGE SENDER (GASOLINE).....	30-20
			1E23	FUEL INJECTION LINES.....	30-51
			1F2	FUEL INJECTION NOZZLE (AMERICAN BOSCH).....	30-55
			1F1	FUEL INJECTION NOZZLE (SCINTILLA).....	30-54
			1E23	FUEL INJECTION NOZZLES.....	30-51
			1E23	FUEL INJECTION PUMP.....	30-51
			1E24	FUEL INJECTION PUMP FITTINGS AND LINKAGE.....	30-52
			1D22	FUEL PUMP.....	30-22
			1E1	FUEL PUMP.....	30-26
			1E2	FUEL PUMP.....	30-27
			1E3	FUEL PUMP.....	30-29
			1E19	FUEL STRAINER (LP-GAS).....	30-46
			1E20	FUEL STRAINER (LP-GAS).....	30-47
			1D22	FUEL TANK.....	30-22
			1D24	FUEL TANK.....	30-24
			1D20	FUEL TANK (GASOLINE).....	30-20

### F

1C14	FAM SHROUD.....	20-46
1C11	FAN (DIESEL).....	20-42
1H11	FAN BELT.....	40-49
1C11	FAN BELT (DIESEL).....	20-42
1C9	FAN BELT GAS & LP.....	20-40
1C9	FAN GAS & LP.....	20-40
1H9	FAN PULLEY (4241GR).....	40-46
1H12	FAN PULLEY (4270DR).....	40-50
1C9	FAN PULLEY GAS & LP.....	20-40
3C13	FENDER SHIELD SUPPORT.....	80-40
3C15	FENDER SHIELDS.....	80-42
3C19	FENDER SUPPORT.....	80-47
3C5	FENDERS.....	80-32
3C7	FENDERS.....	80-34
3C8	FENDERS.....	80-35
3C9	FENDERS.....	80-36
3C11	FENDERS.....	80-38
3C7	FENDERS, SUPPORT.....	80-34
3C8	FENDERS, SUPPORT.....	80-35
2D24	FILTER RELIEF VALVE, OIL.....	70-20
1C6	FILTER, ENGINE OIL.....	20-36
2C1	FILTER, OIL.....	50-32
1E4	FILTERS FUEL (4270DR).....	30-30



# 1A13

TRACTOR - 3010

## ALPHABETICAL INDEX - CONTINUED

GRID		PAGE	GRID		PAGE
<b>G</b>					
1E7	GASKET KIT, CARBURETOR (MARVEL-SCHEBLER) .....	30-34	3D7	HEADLINER .....	90-4
1E15	GASKET KIT, CARBURETOR (ZENITH) .....	30-42	1117	HEADPHONES, RADIO .....	40-79
1C20	GASKET KIT, CYLINDER HEAD (DIESEL) .....	20-52	3E10	HEATER (STEEL CAB) .....	90-33
1C18	GASKET KIT, CYLINDER HEAD (GAS & LP) .....	20-50	1119	HEATER, EXTERNAL COOLANT .....	40-81
1C20	GASKET KIT, ENGINE REBUILD (DIESEL) .....	20-52	2F22	HEAVY-DUTY QUICK COUPLER .....	70-71
1C18	GASKET KIT, ENGINE REBUILD (GAS & LP) .....	20-50	2F23	HEAVY-DUTY QUICK COUPLER .....	70-72
1B15	GASKET KIT, OIL PAN .....	20-18	3C3	HOOD .....	80-30
2E14	GASKET, ROCKSHAFT CONTROL VALVE HOUSING .....	70-36	3E3	HOOD INSULATION .....	90-26
3E2	GAUGE, FUEL .....	90-25	3E3	HOOD SUPPORT .....	90-26
2G7	GAUGE, POWER WEIGHT TRANSFER .....	70-81	2F12	HOOK, CENTER LINK .....	70-60
3E2	GAUGE, WATER TEMPERATURE .....	90-25	117	HORN .....	40-68
2B12	GEAR SHIFTER CONTROLS .....	50-18	118	HORN .....	40-69
1B7	GEAR, CAMSHAFT .....	20-10	119	HORN SWITCH (DUAL) .....	40-71
2B5	GEAR, COUNTERSHAFT .....	50-11	119	HORN, ELECTRIC (DUAL) .....	40-71
1B17	GEAR, CRANKSHAFT .....	20-20	2H19	HOSE IDENTIFICATION KIT, REMOTE CYLINDER .....	70-120
2B22	GEAR, DIFFERENTIAL BEVEL .....	50-28	2H17	HOSE, HYDRAULIC, REMOTE CYLINDER .....	70-118
2B18	GEAR, DRIVE, PTO .....	50-24	1D17	HOUSING GOVERNOR (GAS & LP) .....	30-16
2B21	GEAR, PTO IDLER .....	50-27	2C15	HOUSING, BRAKE VALVE .....	60-12
1B17	GEAR, STARTER .....	20-20	2C17	HOUSING, BRAKE VALVE .....	60-14
1C4	GEARS, BALANCER .....	20-34	2A22	HOUSING, CLUTCH .....	50-2
1C5	GEARS, ENGINE BALANCER .....	20-35	1B16	HOUSING, CRANKSHAFT OIL SEAL .....	20-19
2B14	GEARS, OIL PUMP .....	50-20	2B22	HOUSING, DIFFERENTIAL .....	50-28
2B12	GEARSHIFT LEVER .....	50-18	3A23	HOUSING, FRONT AXLE .....	80-2
1H11	GENERATOR .....	40-49	3A24	HOUSING, FRONT AXLE .....	80-3
1H11	GENERATOR ADJUSTING STRAP .....	40-49	2B18	HOUSING, PTO .....	50-24
1H9	GENERATOR ARMATURE (4241GR) .....	40-46	2B24	HOUSING, REAR AXLE .....	50-30
1H11	GENERATOR BRACKET .....	40-49	2E8	HOUSING, ROCKSHAFT .....	70-30
1H9	GENERATOR BRUSHES (4241GR) .....	40-46	2E14	HOUSING, ROCKSHAFT CONTROL VALVE .....	70-36
1H12	GENERATOR BRUSHES (4270GR) .....	40-50	2C5	HOUSING, STEERING .....	60-2
1H9	GENERATOR FIELD COIL (4241GR) .....	40-46	2C4	HOUSING, STEERING MOTOR .....	60-1
1H12	GENERATOR FIELD COIL (4270DR) .....	40-50	1C16	HOUSING, THERMOSTAT .....	20-48
3E2	GENERATOR LAMP .....	90-25	1C17	HOUSING, THERMOSTAT .....	20-49
1H9	GENERATOR MAIN FRAME (4241GR) .....	40-46	3B11	HUB, FRONT .....	80-14
1H12	GENERATOR MAIN FRAME (4270DR) .....	40-50	3B14	HUB, FRONT .....	80-17
1H14	GENERATOR REGULATOR (4241GR) .....	40-52	2D21	HYDRAULIC AND TRANSMISSION OIL .....	70-16
1H16	GENERATOR REGULATOR (4270DR) .....	40-54	2E1	HYDRAULIC OIL COOLER .....	70-22
1G23	GENERATOR WIRING (GASOLINE) .....	40-36	2E5	HYDRAULIC OIL COOLER BYPASS VALVE .....	70-26
1H1	GENERATOR WIRING (LP-GAS) .....	40-38	2H20	HYDRAULIC OIL LINES, IMPLEMENT .....	70-121
1D17	GOVERNOR (GAS & LP) .....	30-16	2E1	HYDRAULIC OIL RESERVOIR .....	70-22
1D17	GOVERNOR HOUSING (GAS & LP) .....	30-16	2D9	HYDRAULIC PUMP .....	70-4
3C3	GRILLE .....	80-30	2D8	HYDRAULIC PUMP ASSEMBLY .....	70-3
3C19	GROUND STRAP, BATTERY .....	80-47	2D6	HYDRAULIC PUMP DRIVE .....	70-1
3C18	GROUND STRIP, BATTERY .....	80-46	2D13	HYDRAULIC PUMP ELECTRIC DESTROKE KIT .....	70-8
2B18	GUARD, PTO FRONT .....	50-24	2D19	HYDRAULIC PUMP ELECTRIC DESTROKE KIT .....	70-14
2B20	GUARD, PTO REAR .....	50-26	2D15	HYDRAULIC PUMP REPLACEMENT .....	70-10
1D6	GUN, ELEMENT CLEANING .....	30-4	2D11	HYDRAULIC PUMP STROKE CONTROL VALVE .....	70-6
			2D17	HYDRAULIC PUMP STROKE CONTROL VALVE .....	70-12
			2D6	HYDRAULIC PUMP SUPPORT .....	70-1
<b>H</b>					
2F12	HANDLE, CENTER LINK .....	70-60	<b>I</b>		
3E3	HANDLE, MOUNTING .....	90-26	2A22	IDLER GEAR SHAFT, PTO .....	50-2
1G21	HARNESS, WIRING .....	40-34	2B21	IDLER GEARS, PTO .....	50-27
1J6	HARNESS, WIRING, SUPPLEMENTARY WIRING KIT .....	40-92	1H4	IGNITION COIL .....	40-41
1F13	HEAD LAMP WIRING .....	40-2	1G23	IGNITION WIRING (GASOLINE) .....	40-36
1F15	HEAD LAMP WIRING .....	40-4	1H1	IGNITION WIRING (LP-GAS) .....	40-38
1F21	HEAD LAMP WIRING .....	40-10	1C11	IMPELLER, WATER PUMP (DIESEL) .....	20-42
1G1	HEAD LAMP WIRING .....	40-14	2E12	IMPLEMENT ARMS .....	70-34
1G3	HEAD LAMP WIRING .....	40-16	2H20	IMPLEMENT HYDRAULIC OIL LINES .....	70-121
1G7	HEAD LAMP WIRING .....	40-20	2G4	IMPLEMENT LINK, POWER WEIGHT TRANSFER .....	70-78
1F17	HEAD LAMP WIRING (DIESEL) .....	40-6	2F19	IMPLEMENT QUICK COUPLER .....	70-68
1F19	HEAD LAMP WIRING (DIESEL) .....	40-8	2F21	IMPLEMENT QUICK COUPLER .....	70-70
1F23	HEAD LAMP WIRING (DIESEL) .....	40-12	2F21	IMPLEMENT QUICK COUPLER ADAPTER .....	70-70
1B1	HEAD, CYLINDER .....	20-4	2F25	IMPLEMENT SAFETY CHAIN .....	70-74
1G5	HEAD, LAMP WIRING .....	40-18	1G17	IMPLEMENT WARNING LAMP KIT .....	40-30
			3E2	INSTRUMENT PANEL .....	90-25

# 1A14

TRACTOR - 3010

## ALPHABETICAL INDEX - CONTINUED

GRID	PAGE	GRID	PAGE
3E3	INSULATION, CONTROL SUPPORT .....	90-26	
3E3	INSULATION, HOOD .....	90-26	
1D14	INTAKE MANIFOLD (DIESEL).....	30-12	
1D10	INTAKE MANIFOLD (GASOLINE).....	30-8	
1D12	INTAKE MANIFOLD (LP).....	30-10	
1B3	INTAKE VALVES (GASOLINE & LP).....	20-6	
1B5	INTAKE VALVES (DIESEL) .....	20-8	
2G13	ISO COUPLER .....	70-88	
2G15	ISO COUPLER OVERHAUL KIT .....	70-90	
2G13	ISO COUPLER RECEPTACLE .....	70-88	
2G13	ISO TO JOHN DEERE COUPLER CONVERSION .....	70-88	
<b>K</b>			
3E5	KEY, SWITCH.....	90-28	
3C22	KIT (STEPS).....	80-50	
3B1	KIT, ADJUSTABLE TREAD FRONT AXLE .....	80-4	
1J9	KIT, AUXILIARY ELECTRICAL OUTLET SOCKET .....	40-95	
2G18	KIT, AUXILIARY OUTLET COUPLER .....	70-93	
2C20	KIT, BRAKE VALVE OPERATING ROD .....	60-17	
2C21	KIT, BRAKE VALVE OVERHAUL .....	60-19	
2C20	KIT, BRAKE VALVE PLUNGER .....	60-17	
2C19	KIT, BREAK VALVE PLUNGER .....	60-16	
2G17	KIT, BREAKAWAY COUPLER OVERHAUL .....	70-92	
2F16	KIT, CENTER LINK .....	70-65	
1G19	KIT, CIRCUIT BREAKER (DIESEL).....	40-32	
1G18	KIT, CIRCUIT BREAKER (LP-GAS) .....	40-31	
1G20	KIT, CIRCUIT BREAKER(GASOLINE) .....	40-33	
2G3	KIT, CLEVIS, DRAWBAR PIN .....	70-77	
2H19	KIT, CYLINDER HOSE IDENTIFICATION.....	70-120	
3C1	KIT, DECAL .....	80-28	
1J2	KIT, ELECTRICAL REMOTE CONTROL .....	40-87	
1J4	KIT, ELECTRICAL REMOTE CONTROL WIRING .....	40-90	
1B9	KIT, ENGINE OVERHAUL .....	20-12	
1B11	KIT, ENGINE OVERHAUL .....	20-14	
2D13	KIT, HYDRAULIC PUMP ELECTRIC DESTROKE .....	70-8	
2D19	KIT, HYDRAULIC PUMP ELECTRIC DESTROKE .....	70-14	
2D7	KIT, HYDRAULIC PUMP SEAL DRAIN.....	70-2	
1G17	KIT, IMPLEMENT WARNING LAMP .....	40-30	
2F2	KIT, LOAD CONTROL OVERHAUL .....	70-49	
2F3	KIT, LOAD CONTROL SHAFT BUSHING.....	70-51	
2D22	KIT, O-RING .....	70-17	
2D23	KIT, OIL FILTER BYPASS.....	70-19	
1I16	KIT, RADIO MOUNTING .....	40-78	
2I1	KIT, REMOTE CYLINDER CONVERSION .....	70-127	
2H25	KIT, REMOTE CYLINDER OVERHAUL .....	70-126	
2E16	KIT, ROCKSHAFT VALVE HOUSING OVERHAUL .....	70-38	
1H20	KIT, STARTER SOLENOID COVER .....	40-56B	
2C12	KIT, STEERING PISTON, CYLINDER AND VALVE OVERHAUL .....	60-10	
3E14	KIT, STORAGE.....	90-38	
2D11	KIT, STROKE CONTROL VALVE SHUT-OFF .....	70-6	
2D17	KIT, STROKE CONTROL VALVE SHUT-OFF .....	70-12	
1J6	KIT, SUPPLEMENTARY WIRING .....	40-92	
1J10	KIT, TERMINAL AND WIRING .....	40-96	
1C11	KIT, WATER PUMP OVERHAUL .....	20-42	
1G20	KIT, WIRING REPLACEMENT.....	40-33	
1G19	KIT, WIRING REPLACEMENT (DIESEL) .....	40-32	
1G18	KIT, WIRING REPLACEMENT (LP-GAS) .....	40-31	
1J17	KIT,ELECTRICAL CONNECTOR AND TERMINAL.....	40-103	
1H19	KIT,STARTER SOLENOID COVER.....	40-56A	
1F12	KIT,STARTING CIRCUIT RELAY(12-VOLT) .....	40-1	
3B3	KNEE EXTENSION .....	80-6	
3B5	KNEE EXTENSION .....	80-8	
3B11	KNUCKEL, FRONT.....	80-14	
3B7	KNUCKLE WITH SPINDLE .....	80-10	
3B9	KNUCKLE WITH SPINDLE .....	80-12	
2F17	KNUCKLE, LIFT LINK .....	70-66	
<b>L</b>			
1H19	LABEL,STARTER SOLENOID START .....	40-56A	
3C1	LABELS.....	80-28	
3C2	LABELS.....	80-29	
3E3	LAMP SUPPORT .....	90-26	
1G14	LAMP, FLASHER WARNING.....	40-27	
1G9	LAMP, FRONT .....	40-22	
1G11	LAMP, FRONT .....	40-24	
1G12	LAMP, FRONT .....	40-25	
3E2	LAMP, GENERATOR .....	90-25	
3E2	LAMP, OIL PRESSURE .....	90-25	
1G9	LAMP, REAR .....	40-22	
1G11	LAMP, REAR .....	40-24	
1G12	LAMP, REAR .....	40-25	
1G13	LAMP, WARNING .....	40-26	
1G15	LAMP, WARNING .....	40-28	
2F12	LATCH, CENTER LINK .....	70-60	
3D9	LATCH, SEAT.....	90-6	
3D11	LATCH, SEAT.....	90-8	
3D15	LATCH, SEAT.....	90-12	
3D19	LATCH, SEAT.....	90-16	
2B12	LEVER, GEARSHIFT .....	50-18	
2B1	LEVER, PTO.....	50-6	
2E20	LEVER, ROCKSHAFT CONTROL .....	70-42	
2H16	LEVER, SELECTIVE CONTROLS .....	70-117	
2F14	LIFT LINK .....	70-62	
2F17	LIFT LINK .....	70-66	
2F16	LIFT LINK (CENTER) KIT .....	70-65	
2F14	LIFT LINK BODY .....	70-62	
2F17	LIFT LINK KNUCKLE .....	70-66	
3E5	LIGHTER ELEMENT.....	90-28	
3E5	LIGHTER, CIGAR .....	90-28	
1C16	LINE, WATER BYPASS .....	20-48	
1C17	LINE, WATER BYPASS .....	20-49	
1B24	LINERS, CYLINDER (GAS & LP) .....	20-28	
1C1	LINERS, CYLINDER (4270DR) .....	20-30	
2C24	LINES, BRAKE (RC AND ST) .....	60-22	
2D1	LINES, BRAKE (RU AND OR).....	60-24	
1E23	LINES, FUEL INJECTION .....	30-51	
2H20	LINES, OIL, IMPLEMENT HYDRAULIC .....	70-121	
2F8	LINES, ROCKSHAFT OIL .....	70-56	
2C13	LINING, BRAKE .....	60-11	
2G4	LINK, POWER WEIGHT TRANSFER .....	70-78	
2E22	LINKAGE, ROCKSHAFT .....	70-44	
2E20	LINKAGE, ROCKSHAFT CONTROL .....	70-42	
2F1	LOAD CONTROL .....	70-48	
2E24	LOAD CONTROL ARM .....	70-46	
2F2	LOAD CONTROL OVERHAUL KIT .....	70-49	
2E24	LOAD CONTROL SHAFT.....	70-46	
2F1	LOAD CONTROL SHAFT.....	70-48	
2G2	LOAD CONTROL SHAFT.....	70-76	
2F3	LOAD CONTROL SHAFT BUSHING KIT .....	70-51	
3E14	LOCTITE SEALANT .....	90-38	
<b>M</b>			
1B9	MAIN BEARING CAPS.....	20-12	
1B11	MAIN BEARING CAPS.....	20-14	
1B19	MAIN BEARINGS .....	20-22	
1B20	MAIN BEARINGS .....	20-24	
1B22	MAIN BEARINGS .....	20-26	

# 1A15

TRACTOR - 3010

## ALPHABETICAL INDEX - CONTINUED

<i>GRID</i>		<i>PAGE</i>
2G5	MAIN FRAME COUPLER.....	70-79
1H9	MAIN FRAME, GENERATOR (4241GR).....	40-46
1H12	MAIN FRAME, GENERATOR (4270DR).....	40-50
1H22	MAIN FRAME, STARTER (4241GR).....	40-58
1I1	MAIN FRAME, STARTER (4270DR).....	40-62
1B19	MAIN THRUST BEARING.....	20-22
1B20	MAIN THRUST BEARINGS.....	20-24
1B22	MAIN THRUST BEARINGS.....	20-26
1G19	MAIN WIRING HARNESS (DIESEL).....	40-32
1G18	MAIN WIRING HARNESS (LP-GAS).....	40-31
1G20	MAIN WIRING HARNESS(GASOLINE).....	40-33
1H24	MAIN, FRAME STARTER (4270DR).....	40-60
1D14	MANIFOLD, EXHAUST (DIESEL).....	30-12
1D10	MANIFOLD, EXHAUST (GASOLINE).....	30-8
1D12	MANIFOLD, EXHAUST (LP).....	30-10
1D14	MANIFOLD, INTAKE (DIESEL).....	30-12
1D10	MANIFOLD, INTAKE (GASOLINE).....	30-8
1D12	MANIFOLD, INTAKE (LP).....	30-10
2C8	METERING SHAFT, STEERING.....	60-6
1I24	MINI-MONITOR, PERFORMANCE TRAK II.....	40-84
3D25	MIRROR, REAR VIEW.....	90-22
3E1	MIRROR, REAR VIEW.....	90-23
1I24	MONITOR, MINI (PERFORMANCE TRAK II).....	40-84
1H18	MOTOR, STARTING.....	40-56
2C4	MOTOR, STEERING, HOUSING.....	60-1
1D14	MUFFLER (DIESEL).....	30-12
1D10	MUFFLER (GASOLINE).....	30-8
1D12	MUFFLER (LP).....	30-10
1D16	MUFFLER COVER, EXHAUST.....	30-15
1D14	MUFFLER EXTENSION (DIESEL).....	30-12
1D10	MUFFLER EXTENSION (GASOLINE).....	30-8
1D12	MUFFLER EXTENSION (LP).....	30-10

### N

3C3	NAME PLATE.....	80-30
3E3	NEUTRAL-START SWITCH.....	90-26
1I10	NOISE SUPPRESSOR, RADIO.....	40-72
1I12	NOISE SUPPRESSOR, RADIO.....	40-74
1I14	NOISE SUPPRESSOR, RADIO.....	40-76
1F2	NOZZLE, FUEL INJECTION (AMERICAN BOSCH).....	30-55
1F1	NOZZLE, FUEL INJECTION (SCINTILLA).....	30-54
1E23	NOZZLES, FUEL INJECTION.....	30-51

### O

2D22	O-RING PACKING KIT.....	70-17
2D24	OIL COOLER.....	70-20
2E5	OIL COOLER BYPASS VALVE.....	70-26
2D24	OIL COOLER RELIEF VALVE.....	70-20
2E1	OIL COOLER, HYDRAULIC.....	70-22
2C1	OIL FILTER.....	50-32
2D23	OIL FILTER BYPASS KIT.....	70-19
2B14	OIL FILTER ELEMENT.....	50-20
1C6	OIL FILTER, ENGINE.....	20-36
1I18	OIL HEATER.....	40-80
2I3	OIL LINE, BULK FLEXIBLE.....	70-129
2H20	OIL LINES, HYDRAULIC, IMPLEMENT.....	70-121
1B13	OIL PAN.....	20-16
1B15	OIL PAN GASKET KIT.....	20-18
1B14	OIL PAN REPLACEMENT KIT.....	20-17
2C24	OIL PIPES, BRAKE (RC AND ST).....	60-22
2D1	OIL PIPES, BRAKE (RU AND OR).....	60-24
2H8	OIL PIPES, CONTROL VALVE.....	70-108
2H9	OIL PIPES, REMOTE CYLINDER.....	70-109

<i>GRID</i>		<i>PAGE</i>
2F8	OIL PIPES, ROCKSHAFT.....	70-56
2F9	OIL PIPES, ROCKSHAFT.....	70-57
2H12	OIL PIPES, SELECTIVE CONTROL.....	70-112
2H14	OIL PIPES, SELECTIVE CONTROL.....	70-114
2H15	OIL PIPES, SELECTIVE CONTROL.....	70-115
2C10	OIL PIPES, STEERING.....	60-8
3E2	OIL PRESSURE LAMP.....	90-25
1C8	OIL PRESSURE REGULATOR.....	20-39
2B14	OIL PUMP BODY.....	50-20
2B14	OIL PUMP GEARS.....	50-20
1C6	OIL PUMP, ENGINE.....	20-36
2B14	OIL PUMP, TRANSMISSION.....	50-20
2E1	OIL RESERVOIR, HYDRAULIC.....	70-22
1C3	OIL SEAL.....	20-33
1B16	OIL SEAL, CRANKSHAFT.....	20-19
2D21	OIL, HYDRAULIC.....	70-16
2D21	OIL, TRANSMISSION.....	70-16
3C15	OPERATOR SHIELDS.....	80-42
2G18	OUTLET, AUXILIARY, COUPLER.....	70-93
2G19	OUTLET, SELECTIVE CONTROL.....	70-94
2G21	OUTLET, SELECTIVE CONTROL.....	70-96
1B9	OVERHAUL KIT, ENGINE.....	20-12
1B11	OVERHAUL KIT, ENGINE.....	20-14
2G15	OVERHAUL KIT, ISO COUPLER.....	70-90
2F2	OVERHAUL KIT, LOAD CONTROL.....	70-49
2E16	OVERHAUL KIT, ROCKSHAFT VALVE HOUSING.....	70-38
2H7	OVERHAUL KIT, SELECTIVE CONTROL VALVE.....	70-107

### P

1B13	PAN, OIL.....	20-16
3E2	PANEL, INSTRUMENT.....	90-25
2C22	PEDALS, BRAKE.....	60-20
2B6	PINION SHAFT, BEVEL.....	50-12
2C24	PIPES, BRAKE, OIL (RC AND ST).....	60-22
2D1	PIPES, BRAKE, OIL (RU AND OR).....	60-24
2F9	PIPES, OIL, ROCKSHAFT.....	70-57
2F8	PIPES, ROCKSHAFT OIL.....	70-56
2G23	PIPES, SELECTIVE CONTROL OUTLET.....	70-98
2H10	PIPES, SELECTIVE CONTROL OUTLET.....	70-110
2C10	PIPES, STEERING OIL.....	60-8
2E10	PISTON COVER, ROCKSHAFT.....	70-32
1B24	PISTON RINGS (GAS & LP).....	20-28
1C1	PISTON RINGS (4270DR).....	20-30
2C13	PISTON, BRAKE.....	60-11
2E9	PISTON, ROCKSHAFT.....	70-31
2E11	PISTON, ROCKSHAFT.....	70-33
2C5	PISTON, STEERING.....	60-2
1B24	PISTONS (GAS & LP).....	20-28
1C1	PISTONS (4270DR).....	20-30
3A23	PIVOT BRACKET, FRONT AXLE.....	80-2
3A24	PIVOT BRACKET, FRONT AXLE.....	80-3
3C3	PLATE, FRONT.....	80-30
3C3	PLATE, NAME.....	80-30
3B23	PLATES, FRONT.....	80-26
3C5	PLATFORM.....	80-32
3C9	PLATFORM.....	80-36
3C11	PLATFORM.....	80-38
3C14	PLATFORM.....	80-41
1H4	PLUGS, SPARK.....	40-41
1H5	POINTS.....	40-42
1H7	POINTS.....	40-44
2G5	POWER WEIGHT TRANSFER.....	70-79
2G7	POWER WEIGHT TRANSFER GAUGE.....	70-81
2G4	POWER WEIGHT TRANSFER IMPLEMENT LINK.....	70-78
2G7	POWER WEIGHT TRANSFER OIL LINES.....	70-81

# 1A16

TRACTOR - 3010

## ALPHABETICAL INDEX - CONTINUED

GRID		PAGE	GRID		PAGE
2G6	POWER WEIGHT TRANSFER VALVE .....	70-80	1117	RADIO HEADPHONES.....	40-79
1D4	PRE-CLEANER (DIESEL) .....	30-2	1116	RADIO MOUNTING KIT .....	40-78
1D3	PRE-CLEANER (GASOLINE AND LP-GAS) .....	30-1	1110	RADIO NOISE SUPPRESSOR .....	40-72
1D4	PRE-SCREENER (DIESEL) .....	30-2	1112	RADIO NOISE SUPPRESSOR .....	40-74
1D3	PRE-SCREENER (GASOLINE AND LP-GAS) .....	30-1	1114	RADIO NOISE SUPPRESSOR .....	40-76
2E3	PRESSURE CONTROL VALVE HOUSING .....	70-24	2B24	REAR AXLE .....	50-30
2E4	PRESSURE CONTROL VALVE HOUSING .....	70-25	3B17	REAR CAST WHEEL .....	80-20
2E7	PRESSURE CONTROL VALVE HOUSING .....	70-29	1G9	REAR LAMP .....	40-22
2A24	PTO DRIVE SHAFT .....	50-4	1G11	REAR LAMP .....	40-24
2B18	PTO DRIVE SHAFT .....	50-24	1G12	REAR LAMP .....	40-25
2B21	PTO DRIVE SHAFT .....	50-27	1G9	REAR LAMP SUPPORT .....	40-22
2B18	PTO HOUSING .....	50-24	3B19	REAR STEEL WHEEL .....	80-22
2A22	PTO IDLER GEAR SHAFT .....	50-2	3D25	REAR VIEW MIRROR .....	90-22
2B21	PTO IDLER GEARS .....	50-27	3E1	REAR VIEW MIRROR .....	90-23
2B1	PTO LEVER .....	50-6	3B21	REAR WHEEL, CAST .....	80-24
2B20	PTO MASTER SHIELD .....	50-26	3B22	REAR WHEEL, CAST .....	80-25
2B20	PTO REAR GUARD .....	50-26	3B20	REAR WHEEL, STEEL.....	80-23
2B18	PTO, 540 AND 1000 RPM.....	50-24	1H14	REGULATOR, GENERATOR (4241GR) .....	40-52
1H9	PULLEY FAN (4241GR).....	40-46	1H16	REGULATOR, GENERATOR (4270DR) .....	40-54
2B16	PULLEY, BELT .....	50-22	1C8	REGULATOR, OIL PRESSURE.....	20-39
1B17	PULLEY, CRANKSHAFT .....	20-20	1J6	RELAY, SUPPLEMENTARY WIRING .....	40-92
1C11	PULLEY, FAN (DIESEL) .....	20-42	1J3	RELAY, WIRING, ELECTRICAL REMOTE CONTROL.....	40-89
1H12	PULLEY, FAN (4270DR) .....	40-50	1F12	RELAY, STARTING CIRCUIT KIT (12-VOLT) .....	40-1
1C9	PULLEY, FAN GAS & LP .....	20-40	1J3	REMOTE CONTROL CIRCUIT BREAKER .....	40-89
2D6	PUMP DRIVE, HYDRAULIC.....	70-1	1J2	REMOTE CONTROL KIT, ELECTRICAL .....	40-87
2D15	PUMP REPLACEMENT, HYDRAULIC .....	70-10	1J4	REMOTE CONTROL WIRING KIT, ELECTRICAL .....	40-90
2D6	PUMP SUPPORT, HYDRAULIC .....	70-1	1J3	REMOTE CONTROL WIRING, ELECTRICAL.....	40-89
1C6	PUMP, ENGINE OIL.....	20-36	1J1	REMOTE CONTROL, ELECTRICAL .....	40-86
1D22	PUMP, FUEL .....	30-22	2H17	REMOTE CYLINDER .....	70-118
1E1	PUMP, FUEL .....	30-26	2H23	REMOTE CYLINDER .....	70-124
1E2	PUMP, FUEL .....	30-27	2H19	REMOTE CYLINDER HOSE IDENTIFICATION KIT .....	70-120
1E3	PUMP, FUEL .....	30-29	2H9	REMOTE CYLINDER OIL PIPES .....	70-109
1E23	PUMP, FUEL INJECTION .....	30-51	2H25	REMOTE CYLINDER OVERHAUL .....	70-126
2D9	PUMP, HYDRAULIC.....	70-4	2H21	REMOTE CYLINDER PARTS .....	70-122
2B14	PUMP, INTAKE SCREEN .....	50-20	1E5	REPAIR KIT, CARBURETOR (MARVEL-SCHEBLER) .....	30-32
2B14	PUMP, TRANSMISSION OIL.....	50-20	1E8	REPAIR KIT, CARBURETOR (MARVEL-SCHEBLER) .....	30-35
1D19	PUMP, VENTILATOR (DIESEL) .....	30-19	1E15	REPAIR KIT, CARBURETOR (ZENITH) .....	30-42
1D17	PUMP, VENTILATOR (GAS & LP) .....	30-16	1C13	REPAIR KIT, WATER PUMP (DIESEL) .....	20-44
1C11	PUMP, WATER (DIESEL) .....	20-42	1C9	REPAIR KIT, WATER PUMP GAS & LP .....	20-40
1C9	PUMP, WATER GAS & LP .....	20-40	1B14	REPLACEMENT KIT, OIL PAN .....	20-17
1B5	PUSH RODS (DIESEL) .....	20-8	3B17	RIM, DEMOUNTABLE .....	80-20
1B3	PUSH RODS (GASOLINE & LP).....	20-6	3B21	RIM, DEMOUNTABLE .....	80-24
			3B22	RIM, DEMOUNTABLE .....	80-25
			3B16	RIM, FRONT WHEEL.....	80-19
			1B24	RINGS, PISTON (GAS & LP) .....	20-28
			1C1	RINGS, PISTON (4270DR) .....	20-30
			1A25	ROCKER ARM COVER .....	20-3
			1B5	ROCKER ARM SHAFT (DIESEL) .....	20-8
			1B3	ROCKER ARM SHAFT (GASOLINE & LP).....	20-6
			1B5	ROCKER ARMS (DIESEL).....	20-8
			1B3	ROCKER ARMS (GASOLINE & LP) .....	20-6
			2E11	ROCKSHAFT .....	70-33
			2E20	ROCKSHAFT CONTROL LINKAGE .....	70-42
			2E14	ROCKSHAFT CONTROL VALVE HOUSING .....	70-36
			2E22	ROCKSHAFT CONTROLS.....	70-44
			2F4	ROCKSHAFT CYLINDER.....	70-52
			2F6	ROCKSHAFT CYLINDER.....	70-54
			2E8	ROCKSHAFT HOUSING .....	70-30
			2F4	ROCKSHAFT HOUSING .....	70-52
			2F6	ROCKSHAFT HOUSING .....	70-54
			2E13	ROCKSHAFT HOUSING COVERS .....	70-35
			2E9	ROCKSHAFT LIFT ARMS .....	70-31
			2E11	ROCKSHAFT LIFT ARMS .....	70-33
			2E22	ROCKSHAFT LINKAGE .....	70-44
			2F8	ROCKSHAFT OIL PIPES .....	70-56
			2F9	ROCKSHAFT OIL PIPES .....	70-57
			2E9	ROCKSHAFT PISTON .....	70-31

### Q

2B12	QUADRANT, SPEED RANGE .....	50-18
2F19	QUICK COUPLER .....	70-68
2F22	QUICK COUPLER, HEAVY-DUTY.....	70-71
2F23	QUICK COUPLER, HEAVY-DUTY.....	70-72
2F21	QUICK COUPLER, IMPLEMENT.....	70-70
2G21	QUICK-CONNECT COUPLER.....	70-96
2I2	QUICK-CONNECT COUPLER.....	70-128

### R

1I20	RADAR SENSOR .....	40-82
1I22	RADAR SENSOR .....	40-83A
1I22	RADAR SENSOR BRACKET.....	40-83A
1I22	RADAR SENSOR WIRING HARNESS .....	40-83A
1C14	RADIATOR .....	20-46
1C15	RADIATOR BAFFLES AND FOAM PAD KIT .....	20-47
1C14	RADIATOR CAP .....	20-46
1I14	RADIO (BENDIX) .....	40-76
1I10	RADIO (MOTOROLA).....	40-72
1I12	RADIO (MOTOROLA).....	40-74

# 1A17

TRACTOR - 3010

## ALPHABETICAL INDEX - CONTINUED

GRID		PAGE	GRID		PAGE
2E11	ROCKSHAFT PISTON .....	70-33	2H16	SELECTIVE CONTROLS RODS .....	70-117
2E16	ROCKSHAFT PISTON COVER OVERHAUL KIT .....	70-38	1D22	SENDER, FUEL GAUGE .....	30-22
2F4	ROCKSHAFT THROTTLE SHAFT .....	70-52	1D24	SENDER, FUEL GAUGE .....	30-24
2F6	ROCKSHAFT THROTTLE SHAFT .....	70-54	1D20	SENDER, FUEL GAUGE (GASOLINE) .....	30-20
2E16	ROCKSHAFT VALVE HOUSING OVERHAUL KIT .....	70-38	1I20	SENSOR, RADAR .....	40-82
2E18	ROCKSHAFT, FRONT ARM .....	70-40	1I22	SENSOR, RADAR .....	40-83A
2E18	ROCKSHAFT, FRONT MOUNTED .....	70-40	3C2	SET, DECAL .....	80-29
3B9	ROD, DRAG LINK .....	80-12	2B6	SHAFT, BEVEL PINION .....	50-12
1B24	RODS, CONNECTING (GAS & LP) .....	20-28	2A24	SHAFT, CLUTCH, PTO .....	50-4
1B5	RODS, PUSH (DIESEL) .....	20-8	2E24	SHAFT, LOAD CONTROL .....	70-46
1B3	RODS, PUSH (GASOLINE & LP) .....	20-6	2F1	SHAFT, LOAD CONTROL .....	70-48
3D4	ROLL-GARD (HI-CROP) .....	90-3	2A24	SHAFT, PTO DRIVE .....	50-4
3D3	ROLL-GARD (ROW-CROP) .....	90-2	2B21	SHAFT, PTO DRIVE .....	50-27
3D5	ROLL-GARD (W/O HI CROP) .....	90-3A	1B5	SHAFT, ROCKER ARM (DIESEL) .....	20-8
3B11	ROLL-O-MATIC .....	80-14	1B3	SHAFT, ROCKER ARM (GASOLINE & LP) .....	20-6
3D7	ROOF .....	90-4	2B10	SHAFT, SHIFTER .....	50-16
1H5	ROTOR .....	40-42	2C5	SHAFT, STEERING .....	60-2
1H7	ROTOR .....	40-44	2B8	SHAFT, TRANSMISSION DRIVE .....	50-14
			3C9	SHIELD, CLUTCH HOUSING .....	80-36
			3C11	SHIELD, CLUTCH HOUSING .....	80-38
			3C17	SHIELD, DOOR ENGINE .....	80-45
			2B20	SHIELD, PTO MASTER .....	50-26
			3C15	SHIELDS, FENDER .....	80-42
			3C15	SHIELDS, OPERATOR .....	80-42
			2B10	SHIFTER SHAFT .....	50-16
			3D17	SHOCK ABSORBER .....	90-14
			1C14	SHROUD, FAN .....	20-46
			3B23	SIDE FRAME .....	80-26
			3C3	SIDE SHIELD .....	80-30
			3E9	SMV EMBLEM .....	90-32
			1J8	SOCKET, ELECTRICAL OUTLET .....	40-94
			1J9	SOCKET, ELECTRICAL OUTLET, 7-TERMINAL .....	40-95
			1I3	SOLENOID SWITCH STARTER .....	40-64
			1H23	SOLENOID SWITCH, STARTER (4241GR) .....	40-59
			1I4	SOLENOID SWITCH, STARTER (4270DR) .....	40-65
			1I5	SOLENOID SWITCH, STARTER (4270DR) .....	40-66
			1E12	SOLENOID, CARBURETOR (GASOLINE) .....	30-39
			1E10	SOLENOID, FUEL (GASOLINE) .....	30-37
			1H4	SPARK PLUG CABLES .....	40-41
			1H4	SPARK PLUGS .....	40-41
			2B10	SPEED CHANGE SHIFTER ARM .....	50-16
			2B10	SPEED CHANGER SHIFTER CAM .....	50-16
			2B12	SPEED RANGE QUADRANT .....	50-18
			3E2	SPEED-HOUR METER .....	90-25
			3B11	SPINDLE EXTENSION .....	80-14
			3B10	SPINDLE EXTENSION, FRONT WHEEL .....	80-13
			3B7	SPINDLE WITH KNUCKLE .....	80-10
			3B9	SPINDLE WITH KNUCKLE .....	80-12
			1H18	STARTER .....	40-56
			1H21	STARTER ARMATURE (4241GR) .....	40-57
			1H24	STARTER ARMATURE (4270DR) .....	40-60
			1I1	STARTER ARMATURE (4270DR) .....	40-62
			1H22	STARTER COIL (4241GR) .....	40-58
			1H24	STARTER COIL (4270DR) .....	40-60
			1I1	STARTER COIL (4270DR) .....	40-62
			1H22	STARTER COMMUTATOR END FRAME (4241GR) .....	40-58
			1H24	STARTER COMMUTATOR END FRAME (4270DR) .....	40-60
			1I1	STARTER COMMUTATOR END FRAME (4270DR) .....	40-62
			1H21	STARTER DRIVE (4241GR) .....	40-57
			1I1	STARTER DRIVE (4270DR) .....	40-62
			1H24	STARTER DRIVE(4270DR) .....	40-60
			1B17	STARTER GEAR .....	20-20
			1H22	STARTER MAIN FRAME (4241GR) .....	40-58
			1H24	STARTER MAIN FRAME (4270DR) .....	40-60
			1I1	STARTER MAIN FRAME (4270DR) .....	40-62
			1I6	STARTER SEAL KIT .....	40-67
			1H19	STARTER SOLENOID COVER KIT .....	40-56A

### S

2F25	SAFETY CHAIN, IMPLEMENT .....	70-74
2B14	SCREEN, INTAKE, PUMP .....	50-20
1I6	SEAL KIT, STARTER .....	40-67
1C3	SEAL, OIL .....	20-33
1C11	SEAL, WATER PUMP (DIESEL) .....	20-42
3D15	SEAT BACK .....	90-12
3D21	SEAT BACK CUSHION .....	90-18
3D23	SEAT BACK CUSHION .....	90-20
3D11	SEAT BACK, CUSHION .....	90-8
3D4	SEAT BELT (HI-CROP) .....	90-3
3D3	SEAT BELT (ROW-CROP) .....	90-2
3D5	SEAT BELT (W/O HI CROP) .....	90-3A
3D9	SEAT CUSHION .....	90-6
3D11	SEAT CUSHION .....	90-8
3D15	SEAT CUSHION .....	90-12
3D19	SEAT CUSHION .....	90-16
3D21	SEAT CUSHION .....	90-18
3D23	SEAT CUSHION .....	90-20
3D21	SEAT FRAME .....	90-18
3D9	SEAT FRAME, REGULAR .....	90-6
3D11	SEAT FRAME, REGULAR .....	90-8
3D9	SEAT LATCH .....	90-6
3D11	SEAT LATCH .....	90-8
3D15	SEAT LATCH .....	90-12
3D13	SEAT SHOCK ABSORBER .....	90-10
2C1	SEAT SUPPORT COVER .....	50-32
3D23	SEAT SUPPORT FRAME .....	90-20
3D13	SEAT SUPPORT, DELUXE .....	90-10
3D17	SEAT SUPPORT, DELUXE .....	90-14
3D9	SEAT, BACK CUSHION .....	90-6
3D19	SEAT, BACK CUSHION .....	90-16
3D15	SEAT, DELUXE .....	90-12
3D19	SEAT, LATCH .....	90-16
2H1	SELECTIVE CONTROL COUPLERS .....	70-100
2H12	SELECTIVE CONTROL OIL PIPES .....	70-112
2H14	SELECTIVE CONTROL OIL PIPES .....	70-114
2H15	SELECTIVE CONTROL OIL PIPES .....	70-115
2G19	SELECTIVE CONTROL OUTLET .....	70-94
2G21	SELECTIVE CONTROL OUTLET .....	70-96
2G23	SELECTIVE CONTROL OUTLET PIPES .....	70-98
2H10	SELECTIVE CONTROL OUTLET PIPES .....	70-110
2H3	SELECTIVE CONTROL VALVE .....	70-102
2H5	SELECTIVE CONTROL VALVE .....	70-104
2H7	SELECTIVE CONTROL VALVE OVERHAUL KIT .....	70-107
2H16	SELECTIVE CONTROLS LEVERS .....	70-117

# 1A18

TRACTOR - 3010

## ALPHABETICAL INDEX - CONTINUED

GRID	PAGE	GRID	PAGE
1H20	STARTER SOLENOID COVER KIT .....	40-56B	
1H19	STARTER SOLENOID SAFETY START LABEL .....	40-56A	
1H23	STARTER SOLENOID SWITCH (4241GR).....	40-59	
1I4	STARTER SOLENOID SWITCH (4270DR).....	40-65	
1I5	STARTER SOLENOID SWITCH (4270DR).....	40-66	
1G23	STARTER WIRING (GASOLINE).....	40-36	
1H1	STARTER WIRING (LP-GAS) .....	40-38	
1I3	STARTER, SOLENOID SWITCH.....	40-64	
1F7	STARTING AID.....	30-60	
1F12	STARTING CIRCUIT RELAY KIT(12-VOLT).....	40-1	
3E14	STARTING FLUID.....	90-38	
3B19	STEEL REAR WHEEL .....	80-22	
3B20	STEEL REAR WHEEL .....	80-23	
3B7	STEERING ARM.....	80-10	
3B9	STEERING ARM.....	80-12	
2C5	STEERING CYLINDER.....	60-2	
2C12	STEERING CYLINDER OVERHAUL KIT .....	60-10	
3B5	STEERING GEAR ARM.....	80-8	
2C5	STEERING HOUSING .....	60-2	
2C8	STEERING METERING SHAFT.....	60-6	
2C4	STEERING MOTOR HOUSING .....	60-1	
2C10	STEERING OIL PIPES.....	60-8	
2C5	STEERING PISTON .....	60-2	
2C12	STEERING PISTON OVERHAUL KIT.....	60-10	
2C5	STEERING SHAFT.....	60-2	
2C4	STEERING SPINDLE .....	60-1	
2C8	STEERING VALVE .....	60-6	
2B12	STEERING VALVE BRACKET.....	50-18	
2C7	STEERING VALVE CYLINDER COVER .....	60-5	
2C12	STEERING VALVE OVERHAUL KIT.....	60-10	
2C5	STEERING WHEEL .....	60-2	
3C21	STEP, TRACTOR .....	80-49	
3C22	STEPS (KIT).....	80-50	
1E19	STRAINER, FUEL (LP-GAS) .....	30-46	
1E20	STRAINER, FUEL (LP-GAS).....	30-47	
2D11	STROKE CONTROL VALVE .....	70-6	
2D11	STROKE CONTROL VALVE SHUT-OFF KIT.....	70-6	
2D17	STROKE CONTROL VALVE SHUT-OFF KIT.....	70-12	
2D17	STROKE CONTROL VALVE, HYDRAULIC PUMP.....	70-12	
1J9	SUPPLEMENTARY OUTLET, 7-TERMINAL .....	40-95	
1J16	SUPPLEMENTARY TERMINALS AND CONNECTORS.....	40-102	
1J6	SUPPLEMENTARY WIRING KIT.....	40-92	
3C7	SUPPORT FENDERS .....	80-34	
3C8	SUPPORT FENDERS .....	80-35	
3C13	SUPPORT, BATTERY BOX .....	80-40	
3C14	SUPPORT, BATTERY BOX.....	80-41	
3C18	SUPPORT, BATTERY BOX.....	80-46	
2G1	SUPPORT, DRAWBAR FRONT.....	70-75	
3C19	SUPPORT, FENDER .....	80-47	
3C13	SUPPORT, FENDER SHIELD .....	80-40	
3B24	SUPPORT, FRONT WEIGHT.....	80-27	
3E3	SUPPORT, HOOD .....	90-26	
2D6	SUPPORT, HYDRAULIC PUMP .....	70-1	
3E3	SUPPORT, LAMP.....	90-26	
1G9	SUPPORT, REAR LAMP .....	40-22	
2G1	SWAY CONTROL BLOCK .....	70-75	
3E5	SWITCH KEY .....	90-28	
1I3	SWITCH STARTER, SOLENOID.....	40-64	
1I9	SWITCH, DUAL HORN .....	40-71	
1J1	SWITCH, ELECTRICAL REMOTE CONTROL .....	40-86	
3E5	SWITCH, LIGHT .....	90-28	
3E3	SWITCH, NEUTRAL-START .....	90-26	
1H23	SWITCH, STARTER SOLENOID (4241GR) .....	40-59	
1I4	SWITCH, STARTER SOLENOID (4270DR) .....	40-65	
1I5	SWITCH, STARTER SOLENOID (4270DR) .....	40-66	
2B8	SYNCHRONIZER DRIVE .....	50-14	
T			
1C8	TACHOMETER DRIVE.....	20-39	
1D22	TANK, FUEL .....	30-22	
1D24	TANK, FUEL .....	30-24	
1D20	TANK, FUEL (GASOLINE).....	30-20	
1J10	TERMINAL AND WIRING KIT .....	40-96	
1J16	TERMINALS, ELECTRICAL, SUPPLEMENTARY .....	40-102	
1J12	TERMINALS,ELECTRICAL.....	40-98	
1J14	TERMINALS,ELECTRICAL.....	40-100	
2F4	THERMAL RELIEF VALVE .....	70-52	
2F6	THERMAL RELIEF VALVE .....	70-54	
1C16	THERMOSTAT .....	20-48	
1C17	THERMOSTAT .....	20-49	
1F5	THROTTLE CONTROLS (DIESEL) .....	30-58	
1F3	THROTTLE CONTROLS (GASOLINE AND LP-GAS) .....	30-56	
1E11	THROTTLE, CARBURETOR (GASOLINE) .....	30-38	
1E9	THROTTLE, CARBURETOR (ZENITH).....	30-36	
3B3	TIE ROD END .....	80-6	
3B5	TIE ROD END .....	80-8	
3B7	TIE ROD END .....	80-10	
3B7	TIE ROD TUBE .....	80-10	
1C3	TIMING GEAR COVER .....	20-33	
3C7	TOOL BOX .....	80-34	
3C8	TOOL BOX .....	80-35	
3E7	TOOL BOX .....	90-30	
3E8	TOOLS .....	90-31	
3C21	TRACTOR STEP .....	80-49	
2B3	TRANSMISSION CASE .....	50-8	
2B5	TRANSMISSION COUNTERSHAFT .....	50-11	
2B8	TRANSMISSION DRIVE SHAFT .....	50-14	
2C1	TRANSMISSION REAR COVER .....	50-32	
2F10	TRANSMISSION REAR COVER .....	70-58	
2F11	TRANSMISSION REAR COVER .....	70-59	
V			
2C15	VALVE, BRAKE, HOUSING .....	60-12	
2C17	VALVE, BRAKE, HOUSING.....	60-14	
2H8	VALVE, CONTROL, OIL PIPES.....	70-108	
2G6	VALVE, POWER WEIGHT TRANSFER .....	70-80	
2E3	VALVE, PRESSURE CONTROL, HOUSING.....	70-24	
2E4	VALVE, PRESSURE CONTROL, HOUSING.....	70-25	
2E7	VALVE, PRESSURE CONTROL, HOUSING.....	70-29	
2D24	VALVE, RELIEF, OIL FILTER .....	70-20	
2H5	VALVE, SELECTIVE CONTROL .....	70-104	
2C8	VALVE, STEERING .....	60-6	
1B5	VALVES, EXHAUST (DIESEL) .....	20-8	
1B3	VALVES, EXHAUST (GASOLINE & LP) .....	20-6	
1D24	VALVES, FUEL LINE .....	30-24	
1B5	VALVES, INTAKE (DIESEL).....	20-8	
1B3	VALVES, INTAKE (GASOLINE & LP) .....	20-6	
1D19	VENTILATOR PUMP (DIESEL) .....	30-19	
1D17	VENTILATOR PUMP (GAS & LP).....	30-16	
W			
1G13	WARNING LAMP .....	40-26	
1G15	WARNING LAMP .....	40-28	
1G14	WARNING LAMP FLASHER .....	40-27	
1G17	WARNING LAMP KIT, IMPLEMENT .....	40-30	
1C16	WATER BYPASS LINES .....	20-48	
1C17	WATER BYPASS LINES .....	20-49	
1C11	WATER PUMP (DIESEL).....	20-42	
1C9	WATER PUMP GAS & LP.....	20-40	

# 1A19

TRACTOR - 3010

## ALPHABETICAL INDEX - CONTINUED

<i>GRID</i>		<i>PAGE</i>	<i>GRID</i>	<i>PAGE</i>
1C11	WATER PUMP OVERHAUL KIT .....	20-42		
1C13	WATER PUMP REPAIR KIT (DIESEL) .....	20-44		
1C9	WATER PUMP REPAIR KIT GAS & LP .....	20-40		
3E2	WATER TEMPERATURE GAUGE.....	90-25		
3E12	WEATHERSHIELDS .....	90-36		
3B23	WEIGHT SUPPORT, FRONT.....	80-26		
3B24	WEIGHT, FRONT .....	80-27		
3B24	WEIGHT, FRONT SUPPORT.....	80-27		
2G5	WEIGHT, POWER, TRANSFER .....	70-79		
3B16	WHEEL RIM, FRONT .....	80-19		
3B17	WHEEL, CAST REAR .....	80-20		
3B21	WHEEL, CAST REAR .....	80-24		
3B22	WHEEL, CAST REAR .....	80-25		
3B14	WHEEL, DISK.....	80-17		
3B19	WHEEL, DUAL REAR .....	80-22		
3B14	WHEEL, FRONT.....	80-17		
3B13	WHEEL, SINGLE FRONT .....	80-16		
3B16	WHEEL, SINGLE FRONT .....	80-19		
3B19	WHEEL, STEEL REAR.....	80-22		
3B20	WHEEL, STEEL REAR.....	80-23		
2C5	WHEEL, STEERING.....	60-2		
2G2	WIDE SWING DRAWBAR .....	70-76		
1J10	WIRING AND TERMINAL KIT .....	40-96		
1J10	WIRING CRIMPING TOOL .....	40-96		
1G21	WIRING HARNESS .....	40-34		
1G19	WIRING HARNESS, MAIN (DIESEL) .....	40-32		
1G18	WIRING HARNESS, MAIN (LP-GAS) .....	40-31		
1G20	WIRING HARNESS, MAIN(GASOLINE) .....	40-33		
1I24	WIRING HARNESS, MINI-MONITOR (PERFORMANCE TRAK II).....	40-84		
1I22	WIRING HARNESS,RADAR SENSOR .....	40-83A		
1J4	WIRING KIT, ELECTRICAL REMOTE CONTROL .....	40-90		
1G20	WIRING REPLACEMENT KIT .....	40-33		
1G19	WIRING REPLACEMENT KIT (DIESEL).....	40-32		
1G18	WIRING REPLACEMENT KIT (LP-GAS).....	40-31		
1J10	WIRING STRIPPING TOOL .....	40-96		
1J9	WIRING, ELECTRICAL OUTLET, 7-TERMINAL .....	40-95		
1J3	WIRING, ELECTRICAL REMOTE CONTROL.....	40-89		
1G23	WIRING, GENERATOR (GASOLINE) .....	40-36		
1H1	WIRING, GENERATOR (LP-GAS).....	40-38		
1F13	WIRING, HEAD LAMP .....	40-2		
1F15	WIRING, HEAD LAMP .....	40-4		
1F21	WIRING, HEAD LAMP .....	40-10		
1G1	WIRING, HEAD LAMP .....	40-14		
1G3	WIRING, HEAD LAMP .....	40-16		
1G5	WIRING, HEAD LAMP .....	40-18		
1G7	WIRING, HEAD LAMP .....	40-20		
1F17	WIRING, HEAD LAMP (DIESEL).....	40-6		
1F19	WIRING, HEAD LAMP (DIESEL).....	40-8		
1F23	WIRING, HEAD LAMP (DIESEL).....	40-12		
1G23	WIRING, IGNITION (GASOLINE) .....	40-36		
1H1	WIRING, IGNITION (LP-GAS) .....	40-38		
1G23	WIRING, STARTER (GASOLINE) .....	40-36		
1H1	WIRING, STARTER (LP-GAS).....	40-38		
1J6	WIRING, SUPPLEMENTARY .....	40-92		
3E8	WRENCH .....	90-31		

---

MEMORANDA

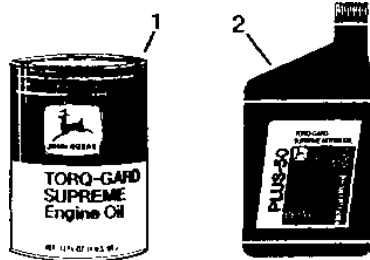


# 1A23

ENGINE

RGP3291 -UN-01JAN94

## TORQ-GARD SUPREME AND PLUS-50 ENGINE OIL



RGP 3291

TORQ-GARD SUPREME ENGINE					
KEY	PART NO.	PART NAME	QTY	SERIAL NO.	REMARKS
1	TY6359	OIL	1	(SAE 5W/30), 0.9 L (1 QUART) CAN	
	TY6360	OIL	1	(SAE 5W/30), 19 L (5 GALLON) CAN	
	TY6361	OIL	1	(SAE 5W/30), 208 L (55 GALLON) DRUM	
	TY6364	OIL	1	(SAE 10W/30), 0.9 L (1 QUART) (BREAKIN)	
	TY6297	OIL	1	(SAE 15W/40), 0.9 L (1 QUART) CAN	
	TY6298	OIL	1	(SAE 15W/40), 19 L (5 GALLON) CAN	
	TY6300	OIL	1	(SAE 15W/40), 114 L (30 GALLON) DRUM	
	TY6301	OIL	1	(SAE 15W/40), 208 L (55 GALLON) DRUM	
	TY6311	OIL	1	(SAE 10W), 0.9 L (1 QUART) CAN	
	TY22009	OIL	1	(SAE 10W), 3.8 L (1 GALLON)	
	TY6312	OIL	1	(SAE 10W), 19 L (5 GALLON) CAN	
	TY6313	OIL	1	(SAE 10W), 208 L (55 GALLON) DRUM	
	AR63979	OIL	1	(SAE 30W), 0.2 L (1 HALF PINT) CAN	
	AR63218	OIL	1	(SAE 30W), 0.9 L (1 QUART) CAN	
	AR63219	OIL	1	(SAE 30W), 19 L (5 GALLON) CAN	
	TY6280	OIL	1	(SAE 30W), 114 L (30 GALLON) DRUM	
	AR63222	OIL	1	(SAE 30W), 208 L (55 GALLON) DRUM	

TORQ-GARD PLUS-50 ENGINE					
KEY	PART NO.	PART NAME	QTY	SERIAL NO.	REMARKS
2	TY6389	OIL	1	(SAE 15W/40), 0.9 L (1 QUART)	
	TY22008	OIL	1	(SAE 15W/40), 3.8 L (1 GALLON)	
	TY6390	OIL	1	(SAE 15W/40), 19 L (5 GALLON)	
	TY22010	OIL	1	(SAE 15W/40), 113.6 L (30 GALLON)	
	TY6391	OIL	1	(SAE 15W/40), 208 L (55 GALLON)	
	TY6392	OIL	1	(SAE 30W), 0.9 L (1 QUART)	
	TY22007	OIL	1	(SAE 30W), 3.8 L (1 GALLON)	
	TY6393	OIL	1	(SAE 30W), 19 L (5 GALLON)	
	TY22011	OIL	1	(SAE 30W), 113.6 L (30 GALLON)	
	TY6394	OIL	1	(SAE 30W), 208 L (55 GALLON)	

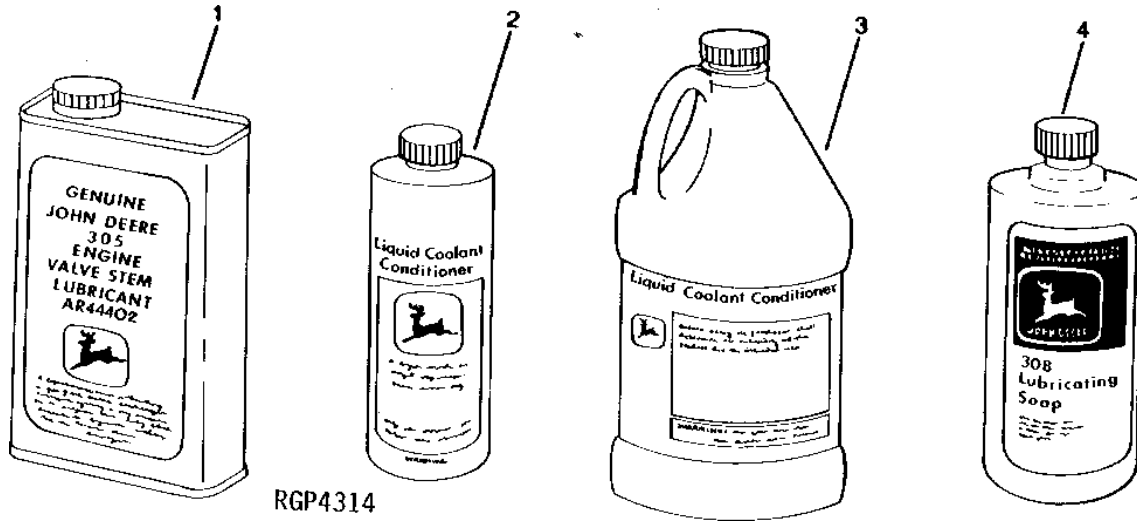
KITS (NOT ILLUSTRATED) ENGINE					
KEY	PART NO.	PART NAME	QTY	SERIAL NO.	REMARKS
..	AR41785	KIT	1		CONTAINS 0.9 L (1 QT.) CAN OF INTERNAL CORROSION INHIBITOR, 1 ROLL OF TAPE, AND 6 PLASTIC BAGS (OFF-SEASON STORAGE)
..	AR41870	RUST INHIBITOR	1		0.9 L (1 QT.) CAN, (SUB AR41785)
..	AR21969	KIT	1		(DUST CAP/COVER KIT)

# 1A24

ENGINE

RGP4314 -UN-01JAN94

## COOLANT CONDITIONER AND ENGINE PART LUBRICANTS



KEY	PART NO.	PART NAME	QTY	SERIAL NO.	REMARKS
1	AR44402	OIL	1		.473 ML (32 OZ.) CAN

### COOLANT CONDITIONER

KEY	PART NO.	PART NAME	QTY	SERIAL NO.	REMARKS
2	RE23182	ENGINE COOLANT CONDITIONER	1		0.473 L (16 OZ.) (PHOSPHATE - FREE) (SUB TY16004)
	TY16004	ENGINE COOLANT CONDITIONER	1		0.472 L (16 OZ.)
3	RE35992	ENGINE COOLANT CONDITIONER	1		3.8 L (1 GAL.) (PHOSPHATE - FREE) (SUB TY16005)
..	TY16005	ENGINE COOLANT CONDITIONER	1		1.9 L (1/2 GAL.)

### CYLINDER LINER PACKING LUBRICANT

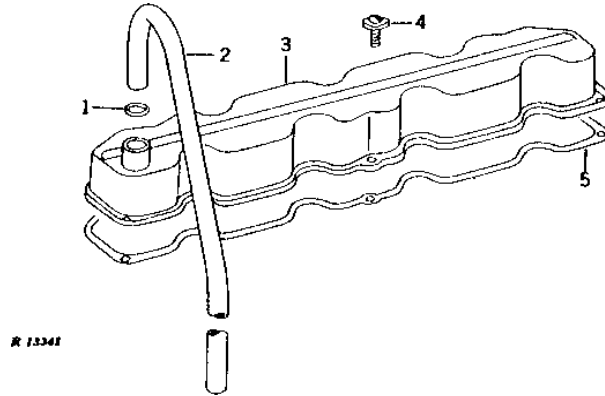
KEY	PART NO.	PART NAME	QTY	ENGINE SERIAL NO.	REMARKS
4	AR54749	LUBRICANT	1		.9 L (1 QT.) CAN

# 1A25

ENGINE

R13341 -UN-01JAN94

## ROCKER ARM COVER



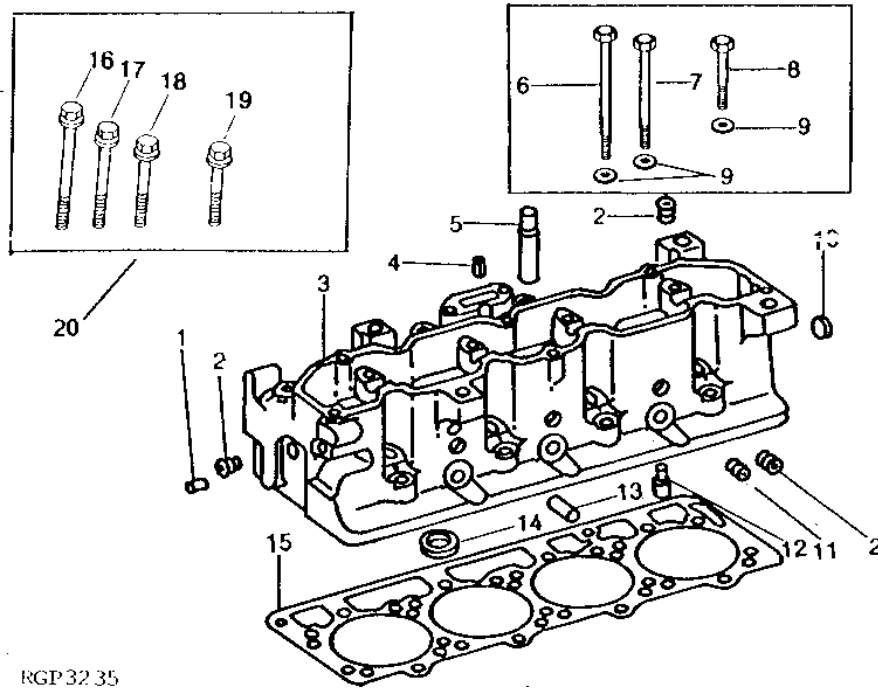
KEY	PART NO.	PART NAME	QTY	ENGINE SERIAL NO.	REMARKS
1	R495R	O-RING	1		
2	R26405	LINE	1		
3	AR34240	COVER	1		(SUB FOR AR26515)
4	AR103811	SCREW, WITH WASHER	6		(SUB FOR AR27702 OR AR45530)
5	R49865	GASKET	1		(SUB FOR R26745 OR R32592)

# 1B1

ENGINE

RGP3235 -UN-01JAN94

## CYLINDER HEAD



RGP 32 35

KEY	PART NO.	PART NAME	QTY	ENGINE SERIAL NO.	REMARKS
1	F1743R	DOWEL PIN	1		
2	15H690	PIPE PLUG	5		3/4", (SUB FOR AR72318)
3	AR32343	CYLINDER HEAD	1		(A) (MARKED R26020) (SUB FOR AR26308 AND AR26309) (USE WITH R26150, R33190 OR R40840) (SUB AR47072 AND (5) R42465)
	AR47072	CYLINDER HEAD	1		(A) (MARKED R42500 OR R45170) (USE WITH R40920 AND R49540)
	AR26310	CYLINDER HEAD	1		(B) (NLA) (MARKED R26030)
	AR31807	CYLINDER HEAD	1	-067999	(B) (MARKED R32040) (3020*) (NLA)
	AR34687	CYLINDER HEAD	1	068000-	(B) (MARKED R34860) (NLA) (3020*)
4	34H387	SPRING PIN	1		3/16" X 3/4"
5	R28653	BUSHING	8		(A) (USE WITH R26020, R42500 OR R45170)
	R28654	BUSHING	8		(B) (USE WITH R26030)
	R28653	BUSHING	8		(A) (USE WITH R42500 OR R45170)
6	R42464	CAP SCREW	11		(A) 14.275 X 152.400 MM (9/16" X 6")
	R42464	CAP SCREW	11	-067999	(A) (B)
	R42464	CAP SCREW	6	068000-	
	R42465	CAP SCREW	5	068000-	(B) 14.275 X 180.848 MM (9/16" X 7.120")
	R62419	SCREW	6		(USE WITH BLOCK MARKED R46430) (SUB R88044)
	R62420	SCREW	5		(USE WITH BLOCK MARKED R46430) (SUB R88045)
7	R42463	CAP SCREW	3		(A) (B) 14.275 X 127 MM (9/16" X 5")
	R62418	SCREW	3		(USE WITH BLOCK MARKED R46430) (USE WITH R42500 OR R45170) (SUB R88043)
8	R42466	CAP SCREW	4		(A) 14.275 X 53.848 MM (9/16" X 2.120")
	R42462	CAP SCREW	4		(B) 14.275 X 76.200 MM (9/16" X 3")
	R62421	SCREW	4		(USE WITH BLOCK MARKED R46430) (SUB R88042)
9	R76126	WASHER	18		(A) 14.681 X 25.400 X 2.667 MM (37/64" X 1" X 0.105") (USE WITH SPECIAL CAP SCREWS) (SUB FOR R42364)
	M3244T	WASHER	18		(USE WITH LOW STRENGTH CAP SCREWS)

# 1B2

ENGINE

CYLINDER HEAD - CONTINUED					
KEY	PART NO.	PART NAME	QTY	ENGINE SERIAL NO.	REMARKS
10	30H37	PLUG	1		(A) 1", (NLA)
11	15H624	PIPE PLUG	1		1/2", (SUB FOR A3125R OR AR72319)
12	R32680	TUBE	3	040455-	
13	R27548	TUBE	3		(B)
14	R33634	VALVE SEAT INSERT	AR		(C) STD (EXHAUST)
	R34593	VALVE SEAT INSERT	AR		(C) 0.25MM (.010") OS (EXHAUST) (SUB FOR R28974)
	R43681	VALVE SEAT INSERT	AR		(B) (EXHAUST)
	R43683	VALVE SEAT INSERT	AR		(B) 0.25MM (.010") OS (EXHAUST)
	R43680	VALVE SEAT INSERT	AR		(B) (INTAKE)
	R43682	VALVE SEAT INSERT	AR		(B) 0.255MM (.010") OS (INTAKE)
15	R45616	GASKET	1		(SUB FOR R26209, R34312, R40943 OR R41988)
16	R88045	SCREW	5		(USE WITH BLOCK MARKED R46430)
17	R88044	SCREW	6		(USE WITH BLOCK MARKED R46430)
18	R88043	SCREW	3		(USE WITH BLOCK MARKED R46430)
19	R88042	SCREW	4		(USE WITH BLOCK MARKED R46430)
20	AR44530	KIT, SCREW AND WASHER	1		(A) (NLA)(ORDER INDIVIDUAL PARTS)
	AR44792	KIT, SCREW AND WASHER	1		(B) (NLA)(ORDER INDIVIDUAL PARTS)
	AR44529	SCREW	1		(B) (NLA)(ORDER INDIVIDUAL PARTS)
	AR47126	SCREW	1		(B) (NLA)(ORDER INDIVIDUAL PARTS)

(A) GASOLINE AND LP-GAS

(B) DIESEL

(C) LP-GAS

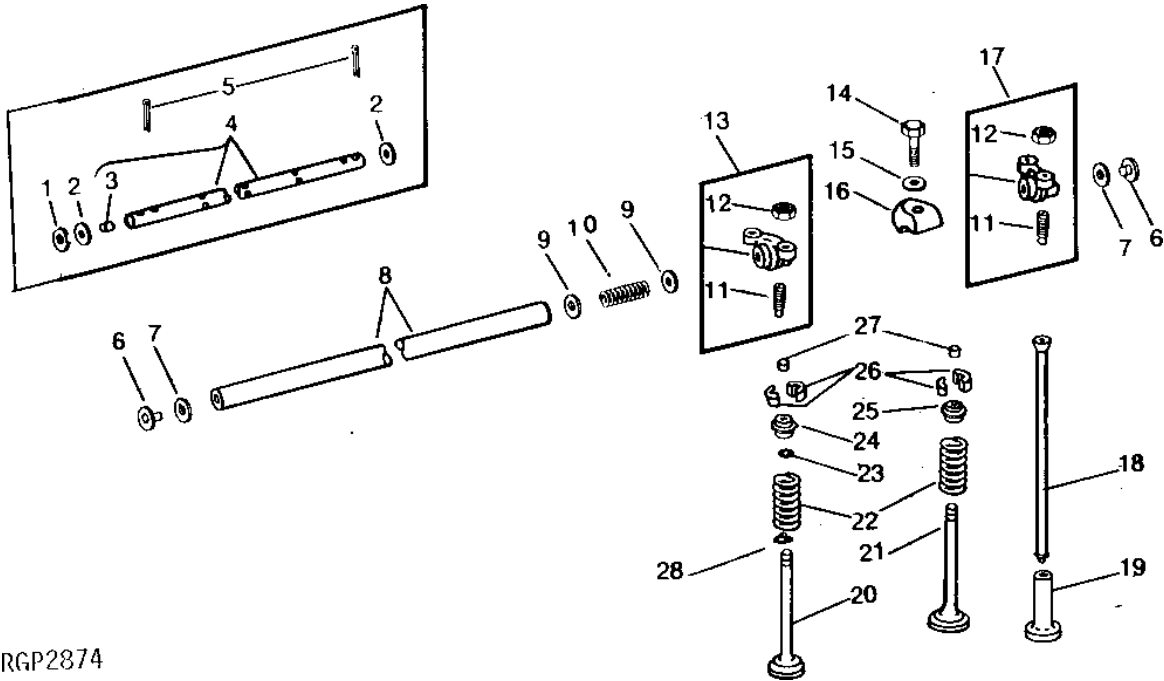
(\*) 3020 ( -122998)

# 1B3

ENGINE

## ROCKER ARMS, SHAFT, VALVES AND PUSH RODS (GASOLINE & LP)

RGP2874 -UN-02JAN94



RGP2874

KEY	PART NO.	PART NAME	QTY	ENGINE SERIAL NO.	REMARKS
1	24H1384	WASHER	12	-287806	49/64" X 1-1/16" X 0.036", (USE WITH AR26514 OR R54563)
2	R71208	WASHER	2	-287806	19.500 X 26 X 0.910MM (0.768" X 1.024" X 0.036")
3	R27529	PLUG	2	-287806	
	R54565	PLUG	2	287807-	
4	AR26514	ROCKER ARM SHAFT	1	-287806	(SUB R70832 AND (2) R54565) (ALSO ORDER R26081)
5	11M7082	COTTER PIN	2	-287806	2.500 X 25 MM
6	R54565	PLUG	2	287807-	
7	R26081	WASHER	2		
8	R70832	ROCKER ARM SHAFT	1	287807-	(SUB FOR AR26514 OR R54563) (ALSO ORDER (2) R54565)
9	R71208	WASHER	6		19.500 X 26 X 0.910 MM (0.768" X 1.024" X 0.036")
10	R26079	SPRING	3		
11	R27443	SET SCREW	8		
12	14H846	NUT	8	3/8"	
13	AR54905	ROCKER ARM	4		(SUB FOR AR26446 OR AR34294)
14	19H1740	CAP SCREW	4		7/16" X 1-3/4"
15	R26559	WASHER	4		
16	R26748	CLAMP	4		
17	AR54904	ROCKER ARM	4		(SUB FOR AR26445 OR AR34293)
18	AR26355	PUSH ROD	8		(USE WITH R26150, R33190 OR R40840) (3020*, 3010)
	AR40679	PUSH ROD	8		(USE WITH R40920 OR R49540) (3020*, 3020&, 3010)
19	R26342	CAM FOLLOWER	8		(SUB FOR R33777) (USE WITH R26150, R33190 OR R40840) (3020*, 3020&, 3010)
	R52773	CAM FOLLOWER	8		(SUB FOR R40906) (USE WITH R40920, R49540, R40690 OR R49510) (3020*, 3020&)

# 1B4

ENGINE

**ROCKER ARMS, SHAFT, VALVES AND PUSH RODS - (CONTINUED)**  
**(GASOLINE & LP)**

KEY	PART NO.	PART NAME	QTY	ENGINE SERIAL NO.	REMARKS
20	R26109	INTAKE VALVE	4		STD (3020*, 3010)
	R41414	INTAKE VALVE	4		STD, (3020&)
	R42149	INTAKE VALVE	4		0.08 MM (.003") OS, (3020&) (NLA)
	R42150	INTAKE VALVE	4		0.40 MM (.015") OS, (3020&) (NLA)
	R42151	INTAKE VALVE	4		0.76 MM (.030") OS, (3020&) (NLA)
21	R42420	EXHAUST VALVE	4		(SUB FOR R26108) (STD) (3020*, 3010)
	R41413	EXHAUST VALVE	4		STANDARD, (3020&)
	R42152	EXHAUST VALVE	4		0.08 MM (.003") OS, (3020&) (NLA)
	R42153	EXHAUST VALVE	4		0.40 MM (.015") OS, (3020&) (NLA)
	R42154	EXHAUST VALVE	4		0.76 MM (.030") OS, (3020&) (NLA)
22	R26110	SPRING	8		
23	R27976	O-RING	4		
24	R26111	CAP	4		(3020*, 3010)
	R41415	CAP	4		(8 USED LP) (3020&)
25	AR26336	ROTATOR	4		(3020*, 3010)
	T20287	ROTATOR	4		(3020&)
26	B367R	LOCK	16		(3020*)
	T20077	RETAINER	16		(3020&)
27	.....	CAP	NA		(NOT USED GAS & LP)
28	R27975	SPACER	4		(3020* 3010)

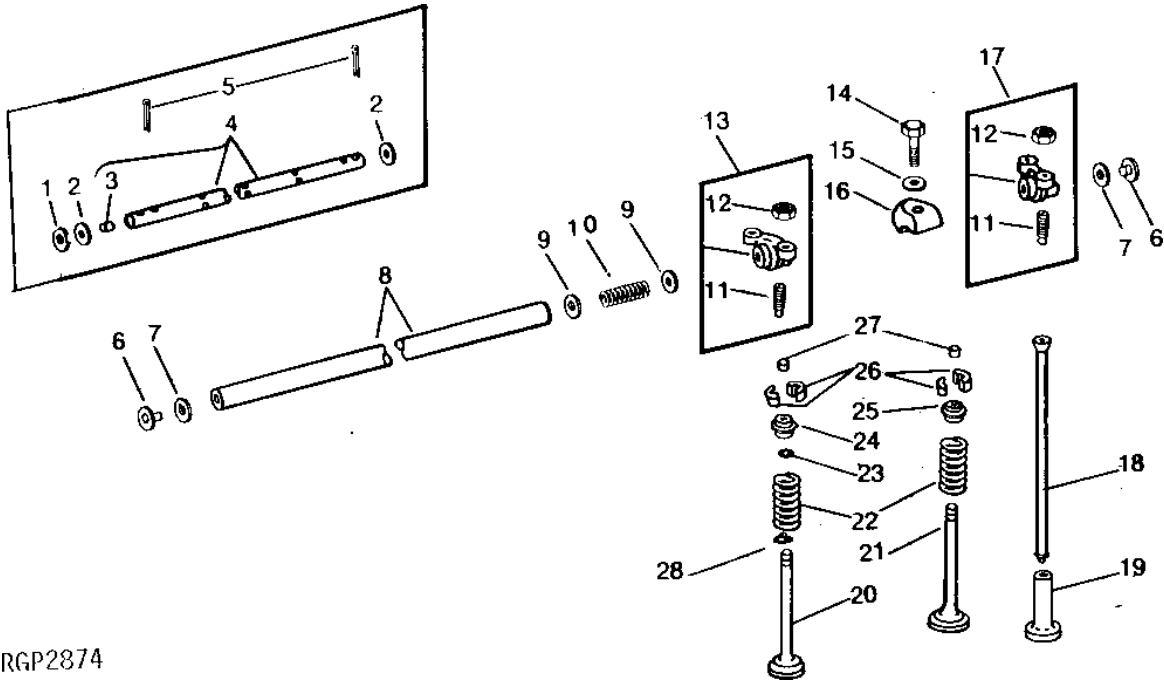
(\*) 3020 ( -122998)  
 (&) 3020 (123000- )

# 1B5

ENGINE

## ROCKER ARMS, SHAFT, VALVES AND PUSH RODS (DIESEL)

RGP2874 -UN-02JAN94



RGP2874

KEY	PART NO.	PART NAME	QTY	ENGINE SERIAL NO.	REMARKS
1	24H1384	WASHER	12	-287806	49/64" X 1-1/16" X 0.036", (USE WITH AR26514 OR R54563)
2	R71208	WASHER	2	-287806	
3	R27529	PLUG	2	-287806	
	R54565	PLUG	2	287807-	
4	AR26514	ROCKER ARM SHAFT	1	-287806	(SUB R70832 AND (2) R54565) (ALSO ORDER R26081)
5	11M7082	COTTER PIN	2	-287806	2.500 X 25 MM
6	R54565	PLUG	2	287807-	
7	R26081	WASHER	2		
8	R70832	ROCKER ARM SHAFT	1	287807-	(SUB FOR AR26514 OR R54563) (ALSO ORDER (2) R54565)
9	R71208	WASHER	8		19.500 X 26 X 0.910 MM (0.768" X 1.024" X 0.036")
10	R26079	SPRING	3		
11	R27443	SET SCREW	8		
12	14H846	NUT	8	3/8"	
13	AR54905	ROCKER ARM	4		(SUB FOR AR26446 OR AR34294)
14	19H1740	CAP SCREW	4	7/16" X 1-3/4"	
15	R26559	WASHER	4		
16	R26748	CLAMP	4		
17	AR54904	ROCKER ARM	4		(SUB FOR AR26645 OR AR34293)
18	AR26356	PUSH ROD	8		(USE WITH R26160, R32020 OR R40850) (3020*, 3010)
	R85027	PUSH ROD	8		(SUB FOR AR40680) (USE WITH R40910, R40920, R46350, R46430 OR R49540) (3010, 3020*, 3020&)



# 1B6

ENGINE

ROCKER ARMS, SHAFT, VALVES, AND PUSH RODS - CONTINUED  
(DIESEL)

KEY	PART NO.	PART NAME	QTY	ENGINE SERIAL NO.	REMARKS
19	R26342	CAM FOLLOWER	8		(SUB FOR R33777) (USE WITH R26160, R32020, R40700, R40850, R40350 OR R48430) (3010, 3020*, 3020&)
	R52773	CAM FOLLOWER	8		(SUB FOR R40906) (USE WITH R40910, R40920, R46350, R47520, R46430 OR R49540) (3010, 3020*, 3020&)
20	R44174	INTAKE VALVE	4		STD, (SUB FOR R32034) (3020*)
	R43883	INTAKE VALVE	4		STD, (3020&)
	R45003	INTAKE VALVE	4		0.08 MM (.003") OS, (3020&)
	R45004	INTAKE VALVE	4		0.40 MM (.015") OS, (3020&)
	R45005	INTAKE VALVE	4		0.76 MM (.030") OS, (3020&)
	R26124	INTAKE VALVE	4		(3010)
21	R44175	EXHAUST VALVE	4		STD, (SUB FOR R32035) (3020*)
	R43679	EXHAUST VALVE	4		STD, (3020&)
	R43787	EXHAUST VALVE	4		0.08 MM (.003") OS, (3020&)
	R43788	EXHAUST VALVE	4		0.40 MM (.015") OS, (3020&)
	R43789	EXHAUST VALVE	4		0.76 MM (.030") OS, (3020&)
	R26123	EXHAUST VALVE	4		(3010)
22	R26125	SPRING	8		
23	R87627	O-RING	4		(SUB FOR R27976, THIS APPLICATION)
24	R40223	CAP	4		(SUB FOR R26126) (3010, 3020*)
	AR40163	SEAL	2		(SET OF 2) (3010, 3020*)
	AR41690	SEAL	2		(SET OF 2) (3020*)
	R41412	CAP	4		(INTAKE) (3020&)
25	AR26337	ROTATOR	4		(3020*, 3010)
	RE11410	ROTATOR	4		(SUB FOR AR41006) (3020&)
26	T20077	RETAINER	16		(3020&)
	B367R	LOCK	16		(3010, 3020*)
27	T20129	CAP	8		(3020&)
28	.....	SPACER	NA		(NOT USED DIESEL)

(\*) 3020 ( -122998)  
(&) 3020 (123000- )

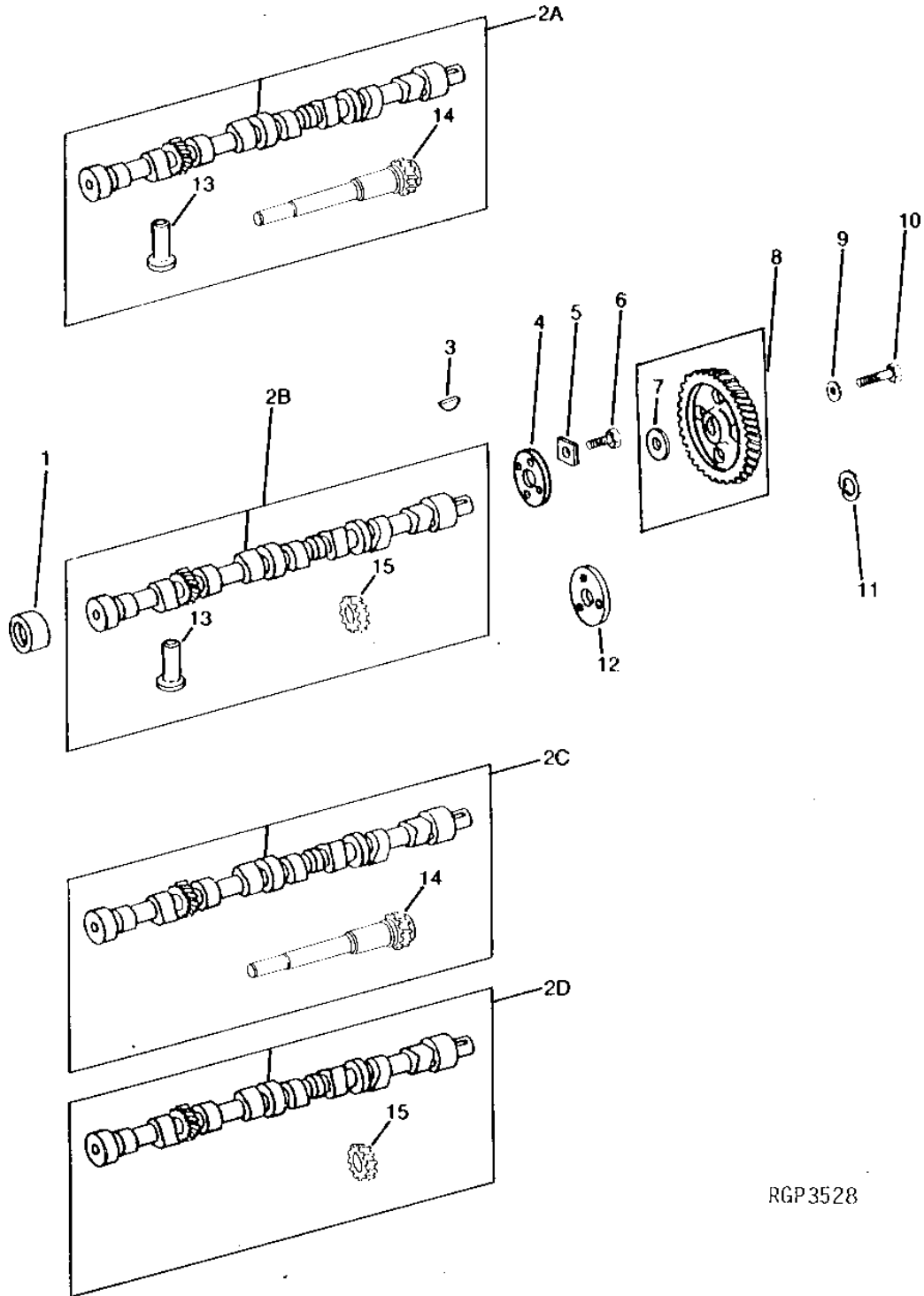
# 1B7

ENGINE

RGP3528

-UN-01JAN94

## CAMSHAFT



RGP3528

# 1B8

ENGINE

CAMSHAFT - CONTINUED					
KEY	PART NO.	PART NAME	QTY	ENGINE SERIAL NO.	REMARKS
1	R46903	BUSHING	3		(SUB FOR R26114, R42339)
2A	AR49142	CAMSHAFT	1		(GAS & LP) (MARKED R46427) (INCLUDES(8) R52773 AND AR31684) (USE WITH R40920 OR R49540) (3020*) (NLA)
	AR44393	CAMSHAFT	1		(C) (D) (DIESEL) (MARKED R42351) (3020*, 3020&) (CONTAINS R45134 AND (8) R52773)
	AR44392	CAMSHAFT	1		(A) (D) (GAS & LP) (MARKED R42351) (3020*, 3020&) (CONTAINS AR31684 AND (8) R52773)
2B	AR49143	CAMSHAFT	1		(B) (D) (DIESEL) (MARKED R46427) (GEAR MARKED R32428) (USE WITH R46350 AND R46430) (3020*, 3010) (CONTAINS R32428 AND (8) R52773)
2C	AR32729	CAMSHAFT	1		(A) (GAS & LP) (MARKED R32424 OR R33777) (CONTAINS AR31684) (ALSO ORDER (8) R26342) (USE WITH R26150, R33190 OR R40840) (SUB FOR R26747 OR R31680) (3010, 3020*)
2D	AR32730	CAMSHAFT	1		(B) (DIESEL) (MARKED R32424 OR R33777) (GEAR MARKED R32428) (ALSO ORDER (8) R26342 AND R32426) (USE WITH R26160, R32020 OR R40850) (SUB FOR R26747 OR AR31681) (3010, 3020*)
3	26H72	SHAFT KEY	1		(CONTAINS R32428)
4	R42355	THRUST WASHER	1		(USE WITH R40910, R40920, R46350 OR R49540)
	R40634	THRUST WASHER	1		(USE WITH R46427, R33777 OR R46430)
5	T13857	LOCK PLATE	3		(SUB FOR R35128) (3010, 3020*)
6	19H1813	CAP SCREW	AR		
7	R43754	WASHER	1		
8	AR43594	GEAR	1		(MARKED R43742) (INCLUDES R43754) (SUB FOR R26077)
9	R35256	WASHER	1		(3020&)
10	19H1721	CAP SCREW	1		1/2" X 1-1/2"
11	F534R	SNAP RING	1		(3020*, 3010)
12	R26078	WASHER	1		(3 HOLES) (USE WITH R26150, R26160, R32020, R33190, R40840 AND R40850) (3010, 3020*)
13	R52773	CAM FOLLOWER	8		(USE WITH AR49142, AR44393, AR44392, AR49143, AR32729 OR AR32730)
14	R45134	GEAR	1		(CONTAINED IN AR44393) (AS SHOWN)
	AR31684	GEAR	1		(CONTAINED IN AR49142, AR44392 AND AR32729) (NOT AS SHOWN)
15	R32428	GEAR	1		(CONTAINED IN AR49143 AND AR32730)

- (A) CONTAINS AR31684 OIL PUMP DRIVE GEAR
- (B) CONTAINS R32428 OIL PUMP DRIVE GEAR (USED WITH EARLY ENGINES ONLY)
- (C) CONTAINS R45132 OIL PUMP DRIVE GEAR
- (D) CONTAINS (8) R52773 CAM FOLLOWER
- (\*) 3020 ( -122998)
- (&) 3020 (123000- )

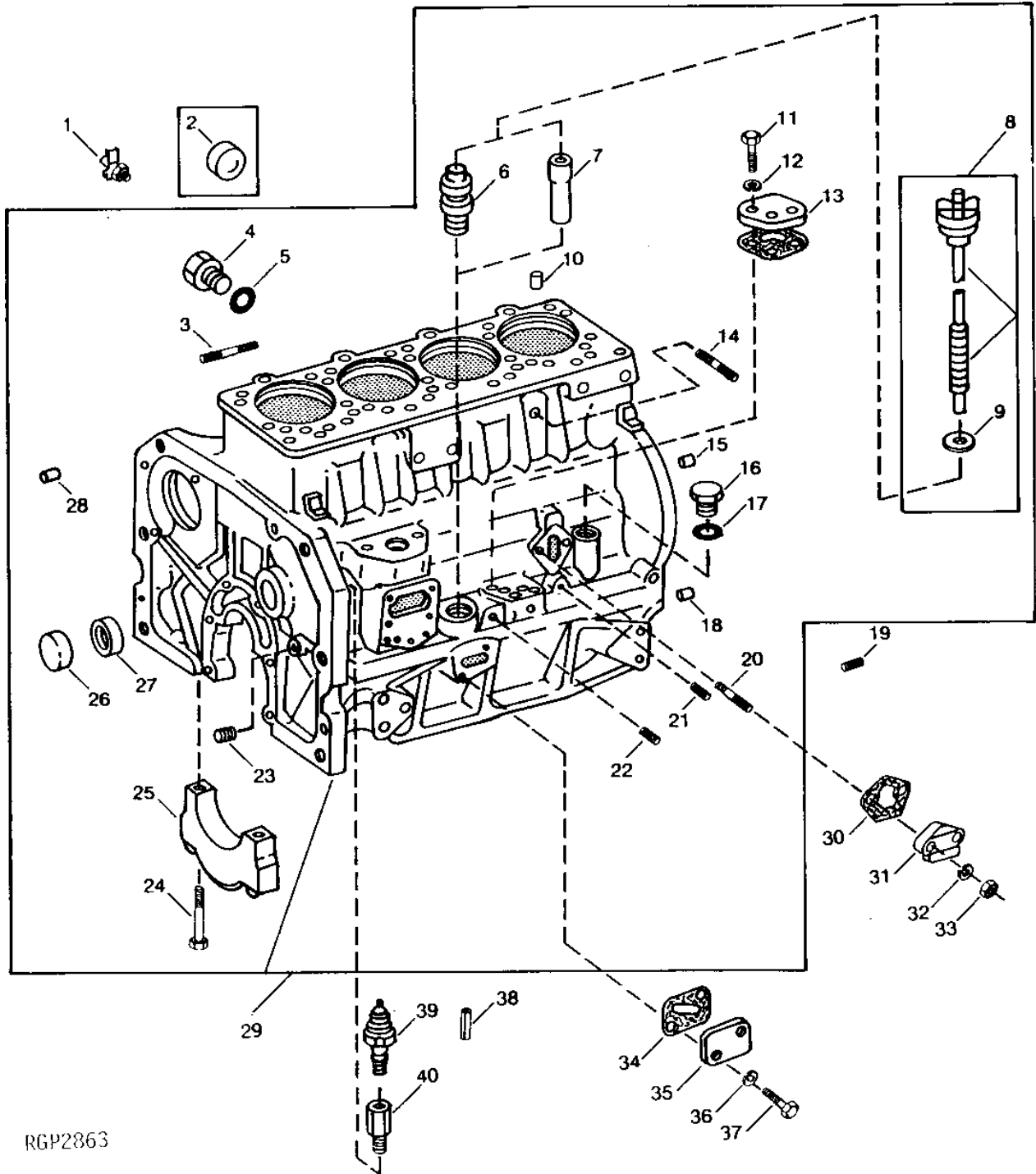
# 1B9

ENGINE

RGP2863

-UN-02JAN94

## CYLINDER BLOCK, FITTINGS AND MAIN BEARING CAPS



RGP2863

# 1B10

ENGINE

## CYLINDER BLOCK, FITTINGS AND MAIN BEARING CAPS - CONTINUED

KEY	PART NO.	PART NAME	QTY	ENGINE SERIAL NO.	REMARKS
1	AT13740	DRAIN VALVE	1		(USE WITH R32020, R33190, R40840 OR R40850) (SUB FOR AT27653 ON 3020* AND AR44382 ON 3010)
2	AR44382	DRAIN VALVE	1		(USE WITH R40920, R46430, R46350, R49540)
	AR80294	PLUG	1		(SUB FOR R47092)
	AR80294	PLUG	1	280001-	(SUB FOR R47092) (3020&)
3	R56481	STUD	2		(SUB FOR M3636T) NOT USED WITH R72127
4	R39741	DRAIN PLUG	1		
5	U13639	O-RING	1		
6	R41883	TUBE	1		(THREADED) (SUB FOR R35152 OR R40603 3010, ON 3020* USE WITH R32020, R33190, R40840 OR R40850)
7	R41070	TUBE	1		(UNTHREADED) (USE WITH R40920, R46350, R46430 OR R49540) (3020*,3020&, 3010)
8	R26116	TUBE	1		(UNTHREADED) (USE WITH R26160)
	AR40512	DIPSTICK	1		(SUB FOR AR27290 OR AR34918) (USE WITH R26150 OR R26160) (3010)
	AR40510	CAP	1		(SUB FOR AR32562 OR AR34916) (USE WITH R32020, R33190, R40840 OR R40850)
	AR40751	DIPSTICK	1		(USE WITH R40910, R40920, R46350, R46430 OR R49540)
9	A4730R	O-RING	2		(USE WITH AR40751)
	R39520	WASHER	1		(USE WITH AR40510)
	R31486	WASHER	1		(SUB FOR R26177) (USE WITH AR32562)
10	R26241	DOWEL PIN	2		
	R42340	BUSHING	2		
11	19H1800	CAP SCREW	3		3/8" X 1-1/2"
12	12H304	LOCK WASHER	3		3/8"
13	R42493	COVER	1		(DIESEL) (NLA)
	R42494	GASKET	1		(DIESEL) (NLA)
14	K3083R	STUD	2		
15	F1743R	DOWEL PIN	AR		(3020*, 3020&)
16	R27175	DRAIN PLUG	1		(OIL COOLER RETURN LINE HOLE IN BLOCK)
17	F3171R	O-RING	1		(OIL COOLER RETURN LINE HOLE IN BLOCK)
18	R1612R	DOWEL PIN	2		
19	15H624	PIPE PLUG	1		(3020*)
20	R48755	STUD	2		(SUB FOR R26934)
21	15H666	PIPE PLUG	1		3/8"
22	R104592	PIPE PLUG	AR		(SUB FOR R21630, THIS APPLICATION)
23	15H255	PIPE PLUG	1		3/8"
	15H624	PIPE PLUG	1		1/2", (3020&)
24	T15539	BOLT	10		
25	R57158	BEARING CAP	4		(MAIN) (SUB FOR R42525)
	R57159	BEARING CAP	1		(MAIN THRUST) (SUB FOR R42526)
	R26115	CAP	1		
27	R46903	BUSHING	3		
28	R43634	DOWEL PIN	1		(USE WITH R40920, R46350, R46430 AND R49540)
29	.....	CYLINDER BLOCK	1		(GAS & LP) ( AR44556 NO LONGER AVAILABLE) (MARKED R33190, R40840 OR R49540) (WITH CYLINDER HEAD & BALANCER)
	.....	CYLINDER BLOCK	1		(GAS & LP) (AR53325 NO LONGER AVAILABLE) (MARKED R26150, R33190, R40840 OR R49540) (SUB FOR AR32922 AND AR40636) (3010)
	.....	CYLINDER BLOCK	1		(GAS & LP) (AR53325 NO LONGER AVAILABLE) (MARKED R40920 OR R49540) (SUB FOR AR40655) (USE ONLY WHEN AR44555 OR AR44556 HAVE BEEN INSTALLED)(3020*)
	.....	CYLINDER BLOCK	1		(GAS & LP) (AR53322 NO LONGER AVAILABLE) (MARKED R40690 OR R49510) (SUB FOR AR42665) (3020&)
	AR48625	CYLINDER BLOCK	1		(DIESEL) (NLA) (MARKED R32020, R40850, R46350 OR R46430) (SUB FOR AR40637, AR50353 OR AR44557) (WITH BALANCER HOUSING)(3020*)
	AR48629	CYLINDER BLOCK	1		(DIESEL) (NLA) (MARKED R26160, R32020, R40850 OR R46430) (SUB FOR AR32923 AND AR40637) (USE ONLY WHEN AR48625 HAS BEEN PREVIOUSLY INSTALLED) (USE W/ AR48522) (3010, 3020*)
	AR54702	CYLINDER BLOCK	1		(DIESEL) (NLA) (MARKED R40700 OR R48430) (SUB AR94839) (ALSO ORDER R54123 AND U13639) (SUB FOR AR52239) (ALSO ORDER (8) 19H3027 AND (8) B3627R) (3020*)

THIS PARTS LISTING IS CONTINUED

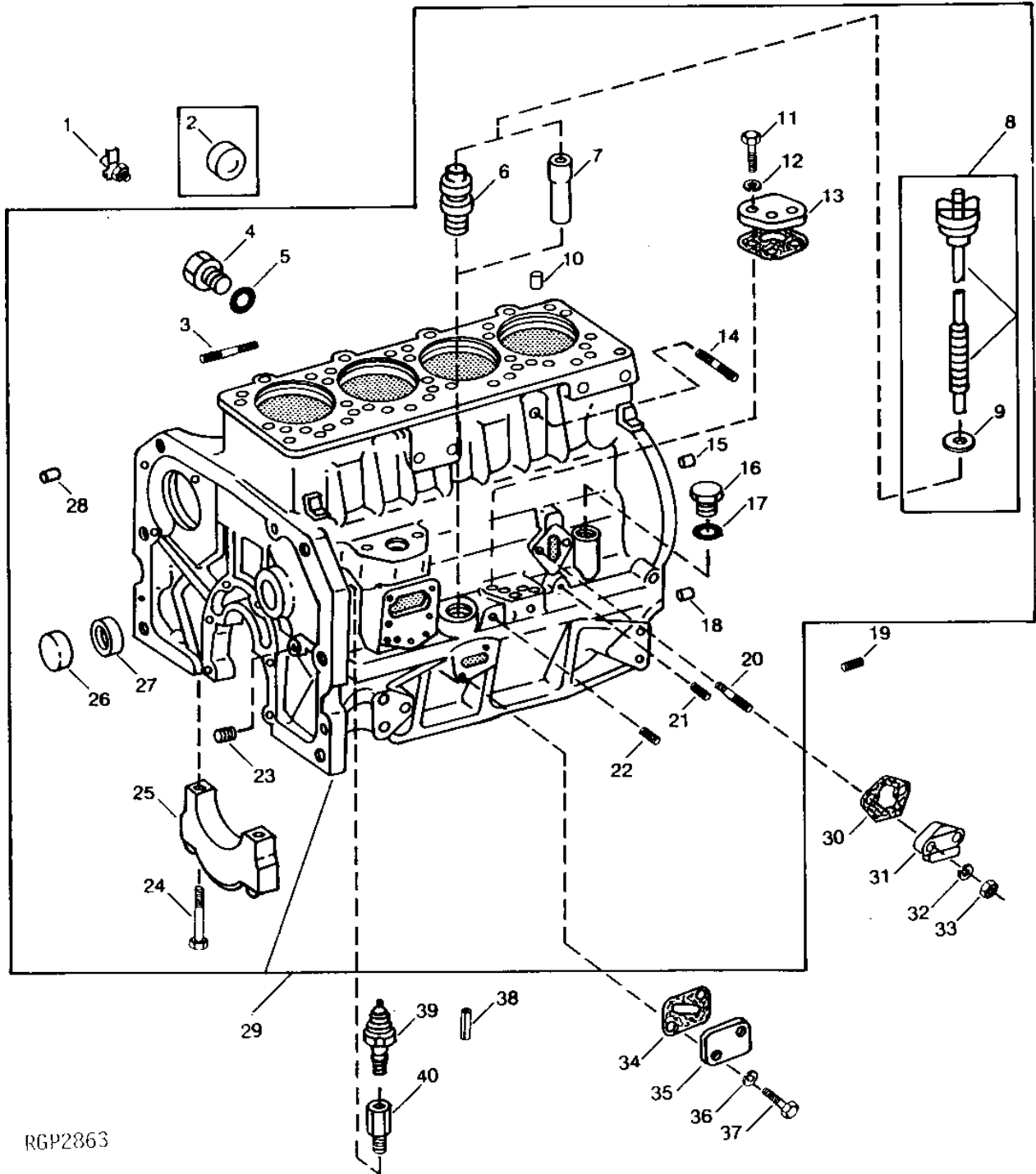
# 1B11

ENGINE

RGP2863

-UN-02JAN94

## CYLINDER BLOCK, FITTINGS AND MAIN BEARING CAPS



RGP2863

# 1B12

ENGINE

## CYLINDER BLOCK, FITTINGS AND MAIN BEARING CAPS - CONTINUED

KEY	PART NO.	PART NAME	QTY	ENGINE SERIAL NO.	REMARKS
29	AR50638	CYLINDER BLOCK	1	280001-	(DIESEL) (MARKED R47520) (SUB AR94839) (ALSO ORDER (8) R75433) (3020&)
	AR52239	CYLINDER BLOCK	1	-280000	(DIESEL) (NLA) (MARKED R40700 OR R48430) (SUB FOR AR42642) (SUB AR94839) (ALSO ORDER (8) R75433) (3020&)
	AR94839	CYLINDER BLOCK	1		(DIESEL) (NLA) (MARKED R72127) (3020*)
30	R97350	GASKET	1		(SUB FOR R27285)
31	R27286	COVER	1		(GAS & LP)
32	12H303	LOCK WASHER	2		5/16"
33	14H785	NUT	2		5/16"
34	R46192	GASKET	1		(DIESEL) (SUB FOR R26826)
35	R26825	COVER	1		(DIESEL)
36	12H304	LOCK WASHER	2		3/8", (DIESEL)
37	19H2284	CAP SCREW	2		3/8" X 7/8", (DIESEL)
38	34H366	SPRING PIN	2		1/2" X 1"
39	AT85174	SWITCH	1		(SUB FOR AR27977) (3020*, 3020&)
40	R53014	FITTING	1		(NOT APPLICABLE)
..	AR53307	SHORT BLOCK ASSEMBLY	1		(GAS & LP) (A) (NLA) (MARKED R26150, R33190, R40840 OR R49540) (SUB FOR AR34376 OR AR47357) (3020*, 3010)
..	AR53308	SHORT BLOCK ASSEMBLY	1		(GAS & LP)(A) (NLA) (SUB FOR AR34377 OR AR47358) (3020*)
..	AR53302	SHORT BLOCK ASSEMBLY	1		(GAS & LP) (MARKED R49510) (SUB FOR AR44061 ON 3020&) (NLA)
..	AR53303	SHORT BLOCK ASSEMBLY	1		(GAS) (NLA) (SUB FOR AR44063) (3020&)
..	AR44065	SHORT BLOCK ASSEMBLY	1	-280000	(DIESEL) (SUB AR94819) (ALSO ORDER (8) R79188) (3020*, 3020&)
..	AR52231	SHORT BLOCK ASSEMBLY	1	280001-	(DIESEL) (MARKED R48430) (SUB AR94819) (ALSO ORDER (8) R79188) (3020*, 3020&)
..	AR48623	SHORT BLOCK ASSEMBLY	1		(C) (DIESEL) (MARKED R32020, R40850, R46350 OR R46430) (ENGINE REPLACEMENT WITH BALANCER HOUSING) (SUB FOR AR34378 OR AR47359) (SUB AR26428, AR48629, AR49143, AR53033 AND AR76545) (3020*, 3010)
..	AR54703	SHORT BLOCK ASSEMBLY	1		(DIESEL) (MARKED R50610) (SUB AR94819) (ALSO ORDER R54123 AND U13639)
..	AR94819	SHORT BLOCK ASSEMBLY	1		(DIESEL) (MARKED R40700, R48430 OR R72127) (SUB FOR AR44065, AR52231 OR AR54703) (ALSO ORDER (8) 19H3027, (8) B3627R, R54123 AND U13639) (3020&)
..	RG23430	ENGINE OVERHAUL KIT	1		(DIESEL) (B) (USE WITH R32020, R26160, R40910, R46350 AND R46430) (SUB FOR RG17898) (ALSO ORDER R66452) (3020*)
..	RG23431	ENGINE OVERHAUL KIT	1		(DIESEL) (B) (USE WITH R40850) (SUB FOR RG17899) (ALSO ORDER R66452 ROD BOLTS) (3020*)
..	RG23432	ENGINE OVERHAUL KIT	1		(DIESEL) (B) (USE WITH R40700, R48430, R50610, R47520 OR R72127) (SUB FOR RG17900) (ALSO ORDER R66452 ROD BOLTS) (3020&)

(A) CONSISTS OF ENGINE REPLACEMENT BLOCK WITH CYLINDER HEAD

(B) CONSISTS OF PISTON LINERS, GASKET KIT, STD BEARINGS, FRONT/REAR OIL SEALS AND SNAP RINGS

(C) A/O (4) RE23170 AND R40634 (THRUST PLATE) WITH/R40910, R46350 OR R46430

OR (4) RE23173 W/R26160, R32020 OR R40850

(\* 3020 ( -122999)

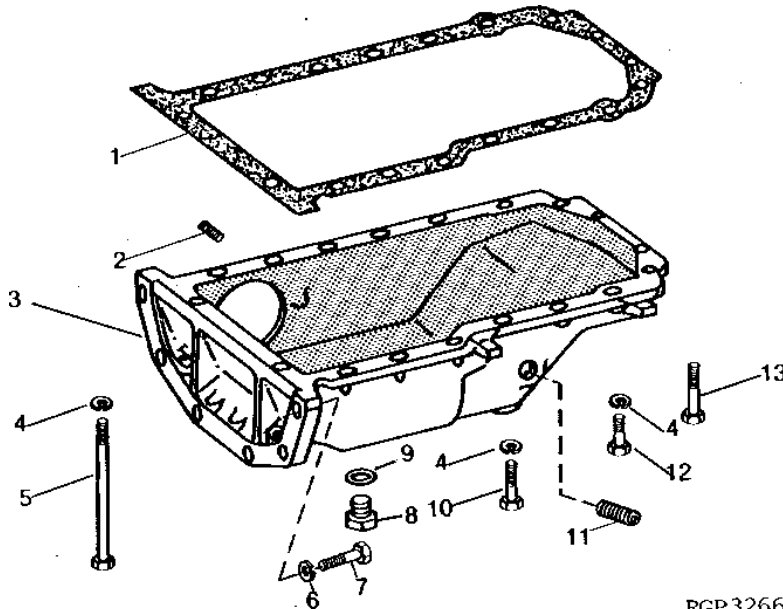
(&) 3020 (123000- )

# 1B13

ENGINE

RGP3266 -UN-01JAN94

## OIL PAN (4270DR-02)



RGP3266

KEY	PART NO.	PART NAME	QTY	ENGINE SERIAL NO.	REMARKS
1	R71917	GASKET	1		(SUB FOR R27314, R34615 OR R42423)
2	D2420R	STUD	4		
3	AR30303	OIL PAN	1	-305635	(MARKED R27316 OR R31221) (SUB AR94559) (SUB FOR AR27557)
	AR94666	OIL PAN	1	305636-	(MARKED R71908) (AR94666 NLA) (SUB R71908 AND (4) D2420R)
	R71908	OIL PAN	1		(ALSO ORDER (4) D2420R)
4	12H304	LOCK WASHER	16		3/8"
5	19H2205	CAP SCREW	2	-305635	(A) 3/8" X 6"
	19H3562	CAP SCREW	2	305636-	(B) 3/8" X 6-1/8", (GR. G)
6	12H301	LOCK WASHER	6		1/2"
7	19H1777	CAP SCREW	6		1/2" X 1-3/4"
8	R51944	FITTING	1		(SUB FOR R26727, THIS APPLICATION)
9	A4827R	WASHER	1		
10	19H2552	CAP SCREW	14	-305635	(A) 3/8" X 1-1/8"
	19H3267	CAP SCREW	13	305636-	(B) 3/8" X 1-5/8"
11	15H690	PIPE PLUG	1		3/4"
12	19H3483	CAP SCREW	1	305636-	(B) 3/8" X 1-1/8"
13	R27693	SCREW	2	-305635	(A)
	R73445	SCREW	2	305636-	(B)

(A) USE WITH R27316 OR R31221

(B) USE WITH R71908

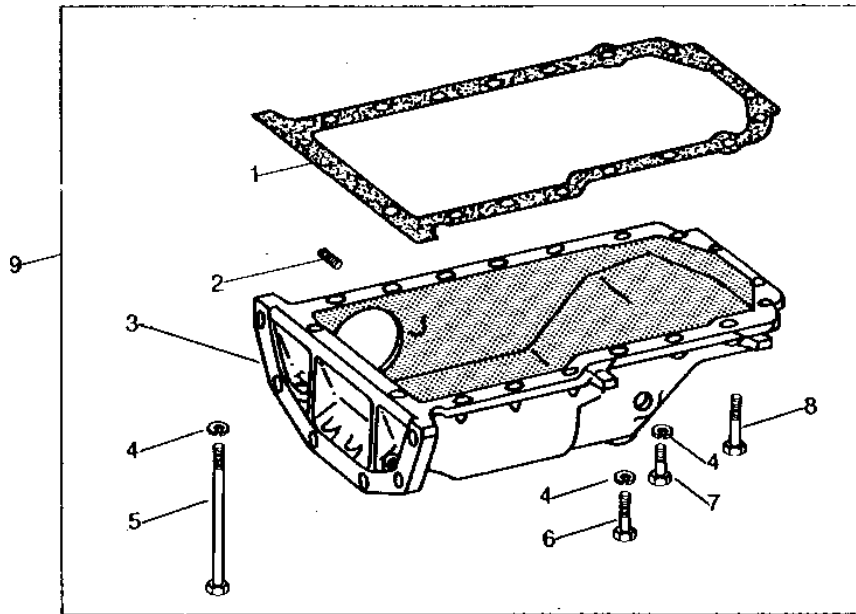


# 1B14

ENGINE

OIL PAN REPLACEMENT KIT  
 (4270DR'S EXCEPT 4270DR-08)  
 (ENGINE SERIAL NO. -305635)  
 (4270DR-08)  
 (ENGINE SERIAL NO. -305826)

RGP3229 -UN-01JAN94



RGP3229

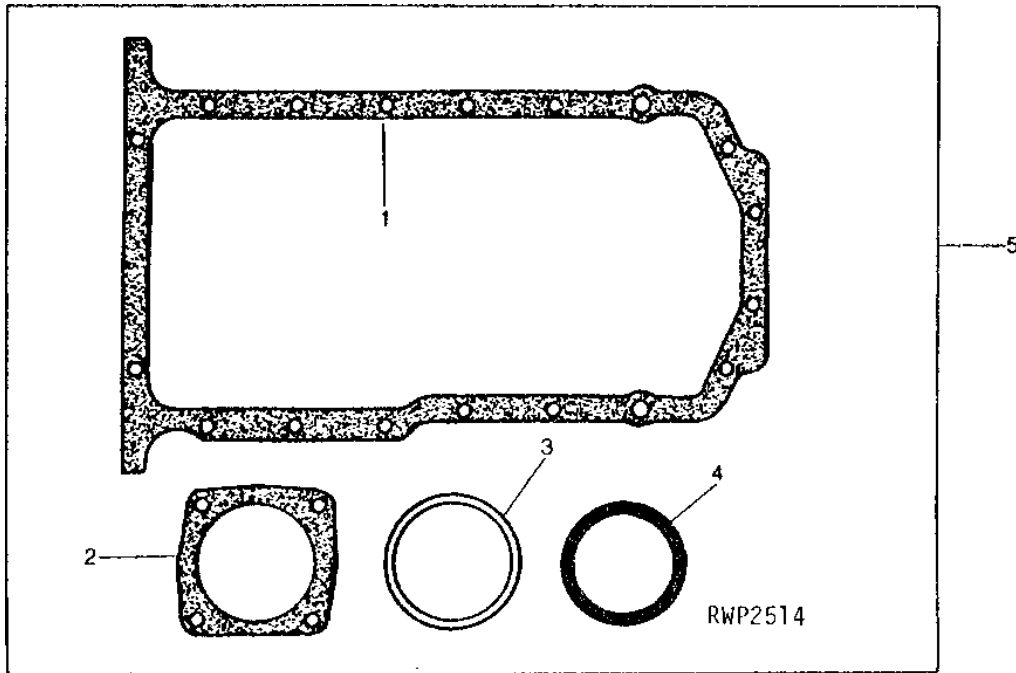
KEY	PART NO.	PART NAME	QTY	ENGINE SERIAL NO.	REMARKS
1	R71917	GASKET	1		
2	D2420R	STUD	4		
3	R71908	OIL PAN	1	-305635	(SUB FOR AR94666) (SUB AR94559)
	AR94668	OIL PAN	1	-305826	(MARKED R71908) (SUB AR94669)
4	12H304	LOCK WASHER	16		3/8"
5	19H3041	CAP SCREW	2		3/8" X 6"
6	19H2633	CAP SCREW	13		3/8" X 1-1/2"
7	19H3483	CAP SCREW	1		3/8" X 1-1/8"
8	R73445	SCREW	2		
9	AR94559	KIT	1	-305635	
	AR94669	KIT	1	-305826	

# 1B15

ENGINE

RWP2514 -UN-01JAN94

## GASKET KIT FOR OIL PAN REPLACEMENT



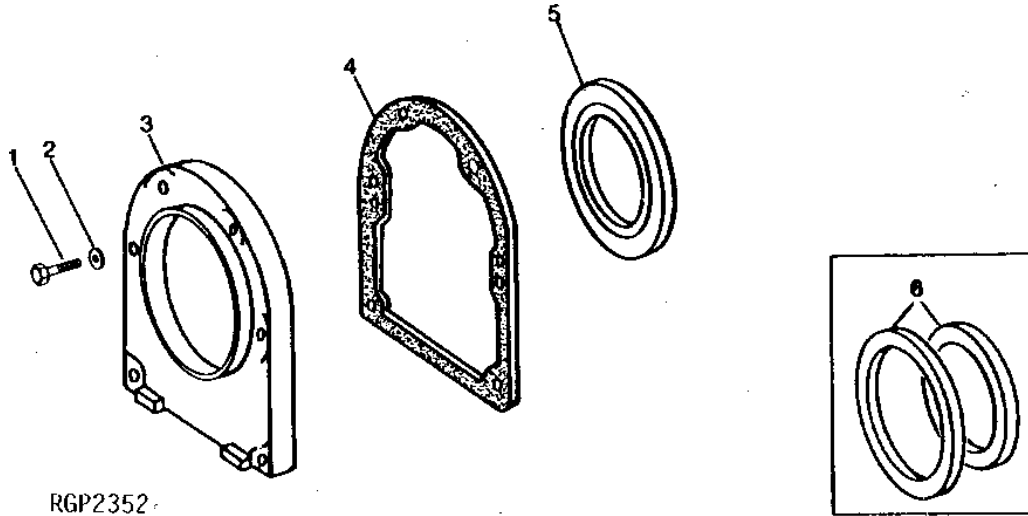
KEY	PART NO.	PART NAME	QTY	ENGINE SERIAL NO.	REMARKS
1	R71917	GASKET	1		(SUB FOR R34615 OR R42423)
2	R26354	GASKET	1		
3	B3586R	WASHER	1		
4	R26163	O-RING	1		
5	AR30544	GASKET KIT	1		

# 1B16

ENGINE

RGP2352 -UN-01JAN94

## CRANKSHAFT OIL SEAL AND HOUSING



KEY	PART NO.	PART NAME	QTY	ENGINE SERIAL NO.	REMARKS
1	19H2117	CAP SCREW	6		5/16" X 1-1/8", (USE WITH R26057)
	R47074	CAP SCREW	6		(USE WITH R41406 OR R78124 ONLY)
2	T27860	WASHER	6		(USE WITH 19H2117 OR R47074 ON R26057) (SUB FOR R35128)
3	R41406	HOUSING	1		(SUB R125027 AND (6) T27860)
	R125027	HOUSING	1		(SUB FOR R26057, R41406, R115050 OR R78124)
4	R26058	GASKET	1		
5	RE22764	SEAL	1		(SUB FOR RE14953 OR RE17352)
6	AR63095	SEAL	1		(SUB RE22764) (SUB FOR AR26438, AR30382, AR34682, AR49650 OR AR49651)

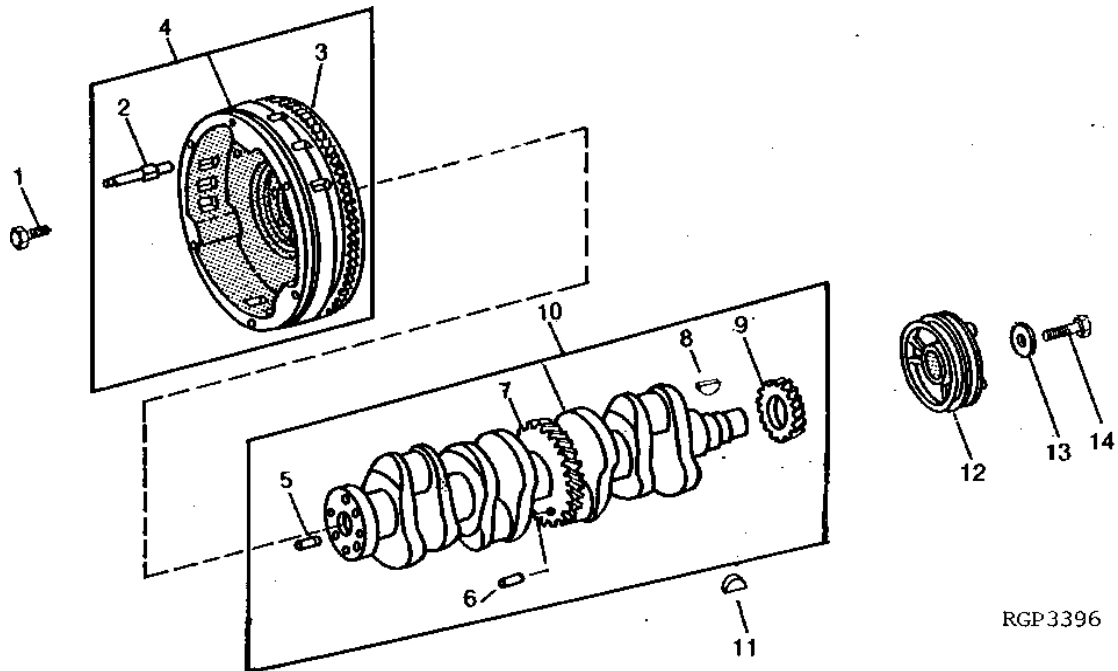
# 1B17

ENGINE

RGP3396

-UN-01JAN94

## CRANKSHAFT AND FLYWHEEL



RGP3396

# 1B18

ENGINE

CRANKSHAFT AND FLYWHEEL					
KEY	PART NO.	PART NAME	QTY	ENGINE SERIAL NO.	REMARKS
1	19H3385	CAP SCREW	4		(SUB FOR R28029)
2	15H690	PIPE PLUG	3		3/4", (USE WITH AR30411 OR AR30412)
	R40731	DOWEL PIN	3		(A) (SUB FOR R34213) (USE WITH AR32246, AR32247, AR40564 OR AR40565)
	R32192	DOWEL PIN	3		(B)
3	R26054	GEAR	1		(GAS & LP)
	R28811	GEAR	1		(DIESEL)
4	AR40564	FLYWHEEL	1		(A) (GAS & LP) (MARKED R26720 OR R40726) (SUB FOR AR26486, AR30411 OR AR32246) (3010, 3020*, 3020&)
	AR40565	FLYWHEEL	1		(A) (DIESEL) (MARKED R28810 OR R40727) (SUB FOR AR28052, AR30412 OR AR32247) (3010, 3020*, 3020&)
	AR53380	FLYWHEEL	1		(B) (DIESEL) (MARKED R31638 OR R40729 OR R49529) (SUB FOR AR34238 OR AR40563) (3010, 3020*, 3020&)
	AR53379	FLYWHEEL	1		(B) (GAS) (MARKED R33530, R40728 OR R49528) (SUB FOR AR34239 OR AR40562) (3010, 3020*, 3020&) (NLA)
5	R41934	DOWEL PIN	AR		(SUB FOR R28999)
6	B2641R	DOWEL PIN	1		
7	R63326	GEAR	1		(SUB FOR R26521)
8	26H72	SHAFT KEY	1		1/8" X 5/8"
9	R26049	GEAR	1		
10	AR26426	CRANKSHAFT	1		(GAS & LP) (NLA) (MARKED R26530) (3010, 3020*)
	AR26428	CRANKSHAFT	1	-122999	(DIESEL) (MARKED R26540 OR R46498) (TWO PIN) (3010,3020*)
	AR40483	CRANKSHAFT	1		(GAS) (MARKED R40720) (3020&) (NLA)
	AR40485	CRANKSHAFT	1	130000-	(DIESEL) (MARKED R40570) (ONE PIN) (3020&)
11	26H85	SHAFT KEY	1		1/4" X 1"
12	R26332	PULLEY	1		(3010)
	R53031	PULLEY	1		(SUB FOR R34366 OR R47624) (3020*,3020&)
13	R26333	WASHER	1		
14	19H2706	CAP SCREW	1		5/8" X 2"

(A) COLLAR SHIFT OR SYNCRO-RANGE

(B) POWER SHIFT

(\*) 3020 ( -122999)

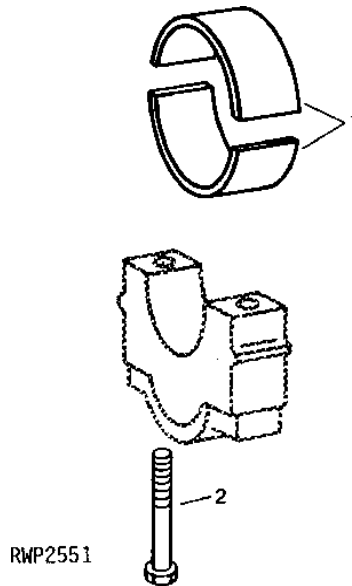
(&) 3020 (130000- )

# 1B19

ENGINE

RWP2551 -UN-06OCT94

## MAIN BEARINGS



KEY	PART NO.	PART NAME	QTY	ENGINE SERIAL NO.	REMARKS
1	AR49243	BEARING	AR	(A) (C) STD, (SUB FOR AR27621) (PKG (2) R61289)	
	AR74814	BEARING	AR	(B) (C) STD, (SUB FOR AR44625) (PKG R61289 AND R57584)	
	AR49244	BEARING	AR	(A) (C) 0.05MM (.002") US, (SUB FOR AR27622) (PKG (2) R61608)	
	AR74815	BEARING	AR	(B) (C) 0.05MM (.002") US, (SUB FOR AR46399) (PKG R61608 AND R60472)	
	AR49245	BEARING	AR	(A) (C) 0.25MM (.010") US, (SUB FOR AR45218) OR (2) R61609)	
	AR74816	BEARING	AR	(B) (C) 0.25MM (.010") US, (SUB FOR AR46400) (PKG R61609 AND R60473)	
	AR49246	BEARING	AR	(A) (C) 0.51MM (.020") US, (SUB FOR AR27624) (PKG (2) R61610)	
	AR74817	BEARING	AR	(B) (C) 0.51MM (.020") US, (SUB FOR AR46401) (PKG R61610 AND R60474)	
	AR49247	BEARING	AR	(A) (C) 0.76MM (.030") US, (PKG (2) R61611	
	AR74818	BEARING	AR	(B) (C) 0.76MM (.030") US, (SUB FOR AR46402) (PKG R61611 AND R60475)	
2	T15539	BOLT	AR	(SUB FOR 19H1497) (6 USED GASOLINE AND LP-GAS) (10 USED DIESEL)	

(A) USE WITH BLOCKS MARKED R26150,R26160,R32020,R33190,R40690,R40840,R40850,R49510 OR R72127  
 (B) USE WITH BLOCKS MARKED R40700,R40910,R40920,R46350,R46430,R47520,R48430,R49540 OR R50610  
 (C) (2 PKGS USED GASOLINE AND LP-GAS) (4 PKGS USED DIESEL)

---

MEMORANDA

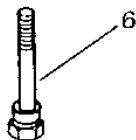
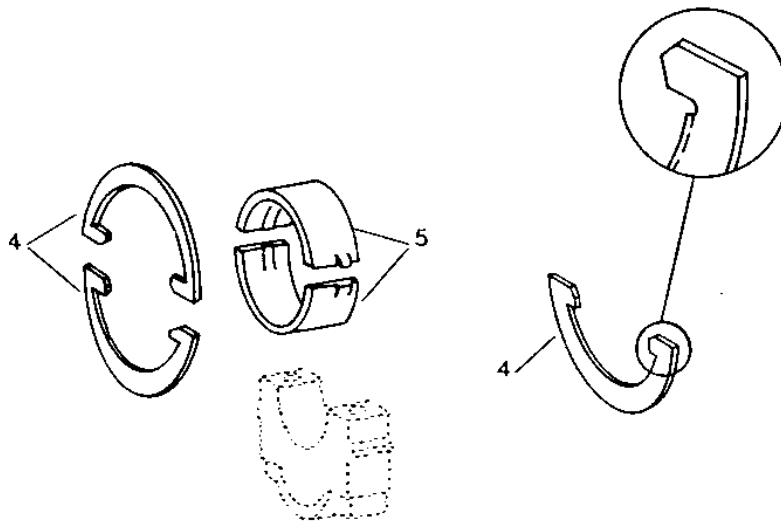
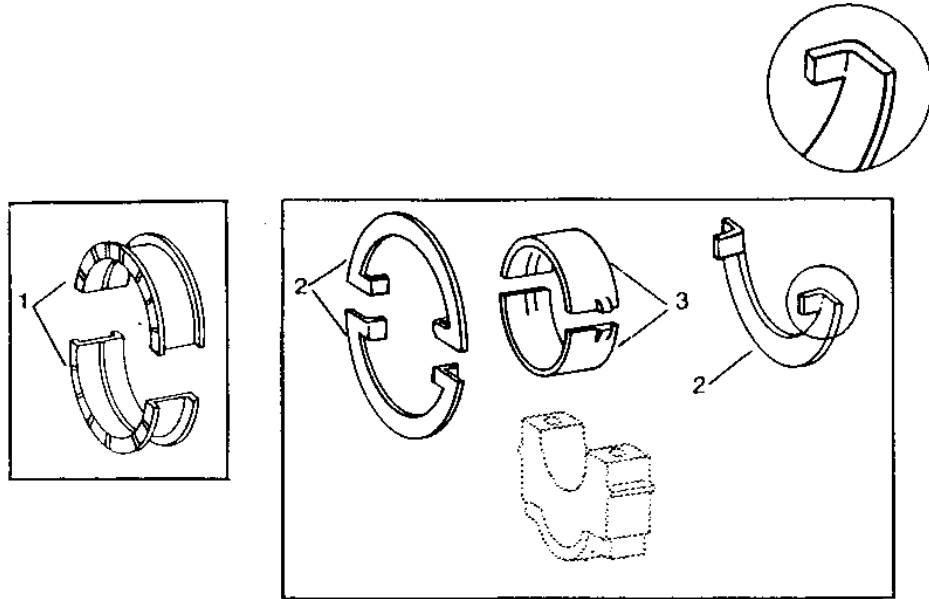
# 1B20

ENGINE

RGP2862

-UN-02JAN94

## MAIN THRUST BEARINGS



RGP2862



# 1B21

ENGINE

## MAIN THRUST BEARINGS - CONTINUED

KEY	PART NO.	PART NAME	QTY	ENGINE SERIAL NO.	REMARKS
1	AR49242	THRUST BEARING	1	-XXXXXX	(A) (SUB FOR AR27631) (SUB AR77754 AND AR77747 OR AR77753) (PKG (1) R26056 AND (1) R26604 OR (1) R40224 AND (1) R40225 OR (2) R46723)
	AR65235	THRUST BEARING	1	-291319	(B) STD (PKG R42521 AND R42524 OR R55596 AND R55597) (SUB AR77748 AND AR77747 OR AR77753) (SUB FOR AR44624 AND AR48940)
	AR49237	THRUST BEARING	1	-XXXXXX	(A) 0.05MM (.002") US, STD FLANGE, (SUB FOR AR27632) (SUB AR77755 AND AR77747 OR AR77753) (PKG (1) R28232 AND (1) R28233 OR (2) R46921)
	AR65236	THRUST BEARING	1	-291319	(B) 0.05 MM (.002") US (PKG R44937 AND R44938 OR R46921 AND R46922 OR R55737 AND R55738) (SUB AR77749 AND AR77747 OR AR77753) (SUB FOR AR46403 OR AR49232)
	AR49238	THRUST BEARING	1	-XXXXXX	(A) 0.25MM (.010") US, STD FLANGE, (SUB AR77756 AND AR77747 OR AR77753) (PKG R42992 AND R42993 OR (2) R46923) (SUB FOR AR45219)
	AR65237	THRUST BEARING	1	-291319	(B) 0.25 MM (.010") US, STD FLANGE (PKG R44939 AND R44940 OR R46923 AND R46924 OR R55739 AND R55740) (SUB AR77750 AND AR77747 OR AR77753) (SUB FOR AR46404 OR AR49233)
	AR45220	THRUST BEARING	1		(A) 0.25MM (.010") US 0.15MM (.007") OS FLANGE, (SUB AR49241) (PKG (1) R42994 AND (1) R42995)
	AR46407	THRUST BEARING	1		(B) 0.25MM (.010") US, 0.15MM(.007") OS FLANGE (PKG (1) R44945 AND (1) R44946) (SUB AR77750 AND AR77747 OR AR77753)
	AR49239	THRUST BEARING	1	-XXXXXX	(A) 0.51MM (.020") US, STD FLANGE, (SUB FOR AR27634) (SUB AR77757 AND AR77747 OR AR77753) (PKG (1) R28236 AND (1) R28237 OR (2) R46925)
	AR49234	THRUST BEARING	1		(B) 0.51MM (.020") US, STD FLANGE, (SUB AR77751 AND AR77747 OR AR77753) (SUB FOR AR46405) (PKG (1) R44941 AND (1) R44942 OR (1) R46925 AND (1) R46926)
	AR65238	THRUST BEARING	1	-291319	(B) 0.51 MM (.020") US (PKG R55741 AND R55742) (SUB AR77751 AND AR77747 OR AR77753) (SUB FOR AR49234)
	AR49240	THRUST BEARING	1	-XXXXXX	(A) 0.76MM (.030") US, STD SIZE, (SUB FOR AR27636) (SUB AR77758 AND AR77747 OR AR77753) (PKG (1) R28240 AND (1) R28241 OR (2) R46927)
	AR65239	THRUST BEARING	1	-291319	(B) 0.76 MM (.030") US (PKG R55743 AND R55744) (SUB AR77752 AND AR77747 OR AR77753) (SUB FOR AR49235)
	AR46406	THRUST BEARING	1		(B) 0.76MM (.030") US, STD FLANGE, (SUB AR77752 AND AR77747 OR AR77753) (PKG (1) R44943 AND (1) R44944)
	AR49241	THRUST BEARING	1	-XXXXXX	(A) 0.25MM (.010") US, 0.18MM (.007") OS FLANGE (PKG (1) R46929 AND (1) R46931)
	AR49236	THRUST BEARING	1	-XXXXXX	(B) 0.25MM (.010") US, (SUB AR77750 AND AR77747 OR AR77753) 0.18MM (.007") OS FLANGE (PKG ONE R46929 AND ONE R46930)
	AR65240	THRUST BEARING	1	-291319	(B) 0.25 MM (.010") US WITH 0.18 MM (.007") OS FLANGE (PKG R55745 AND R55746) (SUB AR77750 AND AR77753) (SUB FOR AR49236)

(A) USE WITH BLOCKS MARKED R26150,R26160,R32020,R33190,R40690,R40850,R49510,R50840 OR R72127

(B) USE WITH BLOCKS MARKED R40700,R40910,R40920,R46350,R46430,R47520,R48430,R49540 OR R50610 R49540, R50610 OR R72127

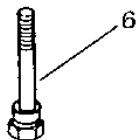
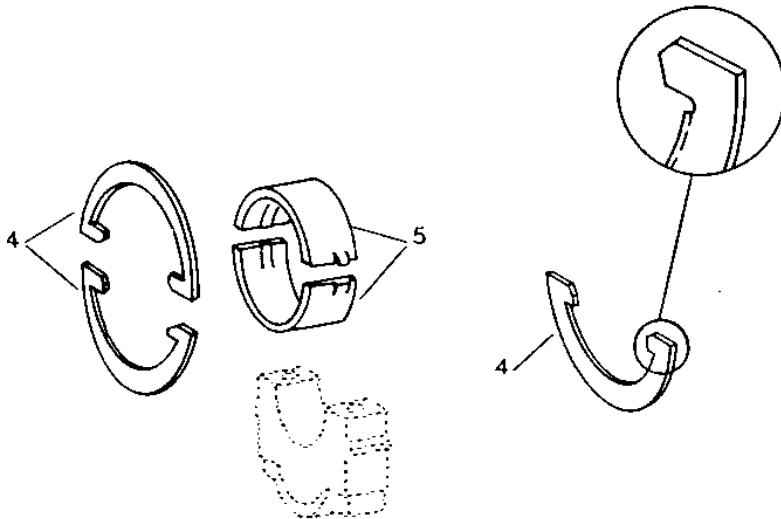
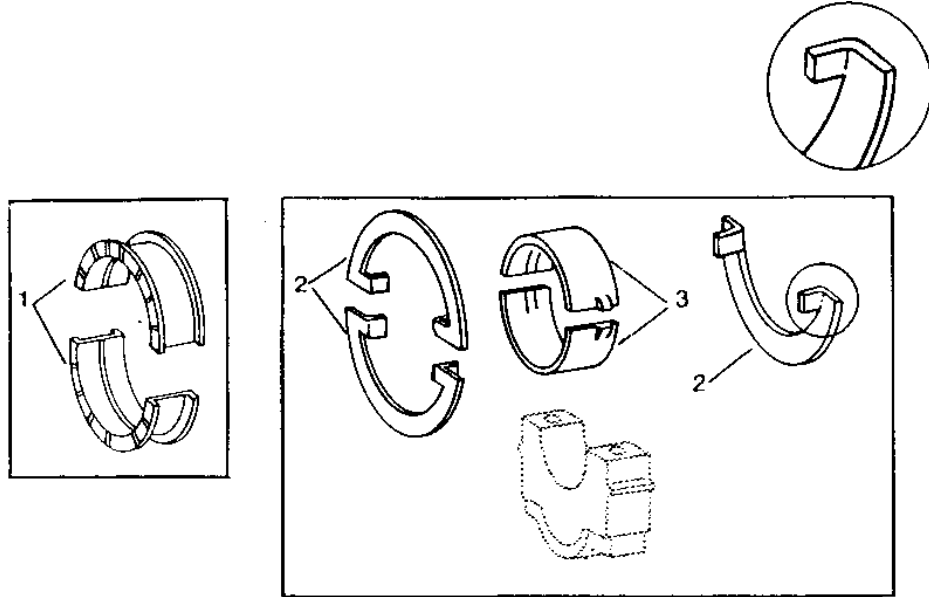
THIS PARTS LISTING IS CONTINUED

# 1B22

ENGINE

RGP2862 -UN-02JAN94

## MAIN THRUST BEARINGS



RGP2862

# 1B23

ENGINE

## MAIN AND MAIN THRUST BEARINGS - CONTINUED

KEY	PART NO.	PART NAME	QTY	ENGINE SERIAL NO.	REMARKS
2	AR73275	THRUST WASHER	1	291320-291426	STD (PKG (3) R57778) (SUB AR77747)
	AR73276	THRUST WASHER	1	291320-291426	0.18 MM (.007") OS FLANGE (PKG (3) R60484) (SUB AR77753)
3	AR72998	THRUST BEARING	1	291320-291426	STD (PKG R57779 AND R57780) (SUB AR77748 AND AR77747 OR AR77753)
	AR73271	THRUST BEARING	1	291320-291426	0.05 MM (.002") US (PKG R60476 AND R60477) (SUB AR77749 AND AR77747 OR AR77753)
	AR73272	THRUST BEARING	1	291320-291426	0.25 MM (.010") US (PKG R60478 AND R60479) (SUB AR77750 AND AR77747 OR AR77753)
	AR73273	THRUST BEARING	1	291320-291426	0.51 MM (.020") US (PKG R60480 AND R60481) (SUB AR77751 AND AR77747 OR AR77753)
	AR73274	THRUST BEARING	1	291320-291426	0.76 MM (.030") US (PKG R60482 AND R60483) (SUB AR77752 AND AR77747 OR AR77753)
	AR77747	THRUST WASHER	1	291427-	STD (PKG (3) R62986)
4	AR77753	THRUST WASHER	1	291427-	0.18 MM (.007") OS FLANGE (PKG (2) R63010 AND R62986)
	AR77748	THRUST BEARING	1	291427-	(B) STD (PKG R62987 AND R62988)
	AR77749	THRUST BEARING	1	291427-	(B) 0.05 MM (.002") US (PKG R63002 AND R63006)
	AR77750	THRUST BEARING	1	291427-	(B) 0.25 MM (.010") US (PKG R63003 AND R63007)
	AR77751	THRUST BEARING	1	291427-	(B) 0.51 MM (.020") US (PKG R63004 AND R63008)
	AR77752	THRUST BEARING	1	291427-	(B) 0.76 MM (.030") US (PKG R63005 AND R63009)
	AR77754	THRUST BEARING	1	XXXXXX-	(A) (PKG (2) R62987)
	AR77755	THRUST BEARING	1	XXXXXX-	(A) 0.05MM (.002") US, (PKG (2) R63002)
	AR77756	THRUST BEARING	1	XXXXXX-	(A) 0.24MM (.010") US, (PKG (2) R63003)
	AR77757	THRUST BEARING	1	XXXXXX-	(A) 0.51MM (.020") US, (PKG (2) R63004)
AR77758	THRUST BEARING	1	XXXXXX-	(A) 0.76MM (.030") US, (PKG (2) R63005)	
6	T15539	BOLT	AR		(6 USED GASOLINE AND LP-GAS) (10 USED DIESEL) (SUB FOR 19H1497)

(A) USE WITH BLOCKS MARKED R26150, R26160, R32020, R33190, R40840, R40850

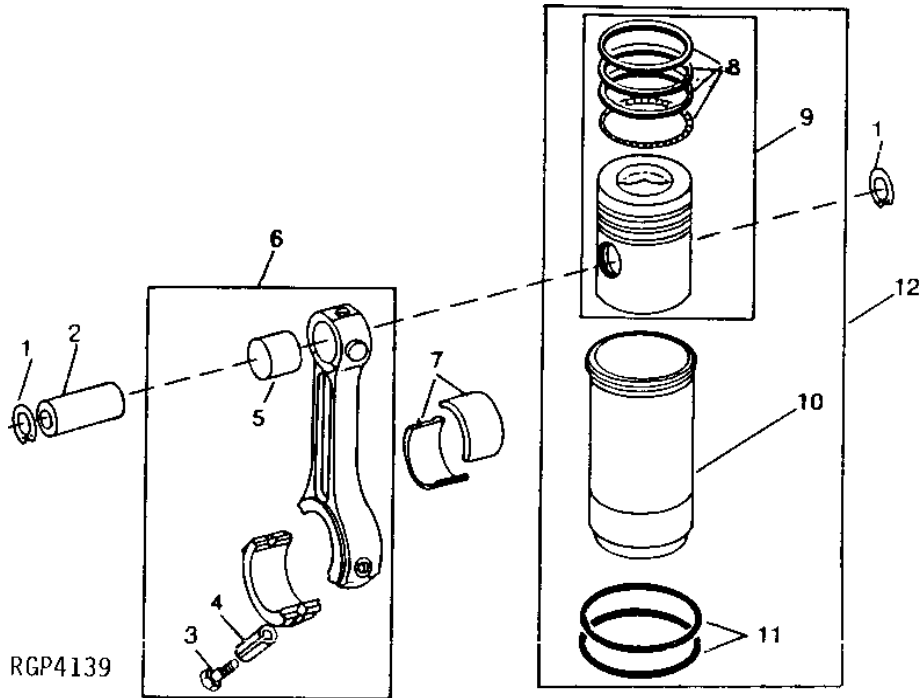
(B) USE WITH BLOCKS MARKED R40690, R40700, R40910, R40920, R46350, R46430, R47520, R48430, R49510, R49540, R50610, OR R72127

# 1B24

ENGINE

PISTONS, RINGS, LINERS AND CONNECTING RODS  
(GASOLINE AND LP-GAS)

RGP4139 -UN-20JAN95



# 1B25

ENGINE

**PISTONS, RINGS, LINERS AND CONNECTING RODS - CONTINUED  
(GASOLINE AND LP-GAS)**

KEY	PART NO.	PART NAME	QTY	ENGINE SERIAL NO.	REMARKS
1	R41707	SNAP RING	8		(SUB FOR R26145)
2	R26088	PISTON PIN	4		
	R28970	PISTON PIN	4		0.08MM (.003") OS (YELLOW) (NLA)
	R28971	PISTON PIN	4		0.13MM (.005") OS, (RED)
3	R66454	CAP SCREW	8		(SUB FOR R26323 OR R53289)
4	R53291	SLEEVE	8		(USE WITH RODS R53284 OR R58879)
5	R30929	BUSHING	4		
6	AR86982	CONNECTING ROD	4		(MARKED R26046, R44257, R53284, R58879 OR R66454) (SUB FOR AR26327, AR45498 OR AR70909)
7	AR45723	BEARING	4		STD (PKG (2) R26087 OR R44378 4 PKGS USED) (SUB FOR AR27628)
	AR46395	BEARING	4		0.05MM (.002") US, (PKG (2) R28226 OR R44925 4 PKGS USED) (SUB FOR AR27629)
	AR46396	BEARING	4		0.25MM (.010") US, (PKG (2) R44926 4 PKGS USED)
	AR46397	BEARING	4		0.51MM (.020") US, (PKG (2) R28228 OR R44927 4 PKGS USED) (SUB FOR AR27640)
	AR46398	BEARING	4		0.76MM (.030") US, (PKG (2) R28230 OR R44928 4 PKGS USED) (SUB FOR AR27642)
8	AR27851	PISTON RING	4		(USE WITH R26089, R26090, R28107, R42185, R42186 OR R42187)
	AR34394	PISTON RING	4		(A) (USE WITH R33372) (SUB FOR AR33994)
	AR45966	PISTON RING	4	-122999	(A) (HEAVY DUTY)
	AR42612	PISTON RING	4	-280184	(A)
	AR54879	PISTON RING	4	280185-	(A) (SUB FOR AR42612, AR44480 AND AR52253)
	AR34394	PISTON RING	4		(B) (USE WITH R33374) (SUB FOR AR33994)
	AR42612	PISTON RING	4		(B)
9	AR39770	PISTON	4		(B) (MARKED R33374 OR R40778) (USE WITH R40920 AND R49540) (SUB FOR AR40616)
	AR42608	PISTON	4	-280184	(A) (MARKED R40795) (SUB AR54878)
	AR44093	PISTON	4		(B) (MARKED R26090 OR R42185) (USE WITH R26150) (SUB FOR AR39765)
	AR44094	PISTON	4		(A) (MARKED R26089 OR R42186) (USE WITH R26150) (SUB FOR AR39764)
	AR45964	PISTON	4		(A) (MARKED R33372 OR R34617) (USE WITH R40920 OR R49540) (SUB FOR AR39769 AND AR39771)
	AR45964	PISTON	4		(A) (MARKED R33372 OR R34617) (USE WITH R33190, R33197 OR AR40155)
	AR52804	PISTON	4		(A) (MARKED R40796 AND R49347) (SUB FOR AR42609)
	AR54878	PISTON	4	280185-	(A) (C) (USE WITH R40690 OR R49510) (MARKED R47863) (SUB FOR AR50786)
10	R26118	CYLINDER LINER	4		(USE WITH R26150) (ALSO ORDER AR40154) (SUB FOR AR28191)
	R40614	CYLINDER LINER	4		(USE WITH R40920, R49540, R40690 OR R49510)
	R33197	CYLINDER LINER	4		(A & B) (USE WITH R33190 OR R40840) (ALSO ORDER AR40155) (SUB FOR AR32194)
11	AR40154	O-RING KIT	4		(SET OF 2) (USE WITH R26150) (SUB FOR (2) R26119, APPL)
	AR70645	O-RING KIT	4		(SET OF 2) (USE WITH R40920, R46350, R46430 OR R49540) (SUB FOR AR48687)
	AR40155	O-RING KIT	4		(SET OF 2)(SUB FOR (2) R26121 ON 3020*)
12	AR52548	KIT	4		(A) (USE WITH R26150) (ALSO ORDER AR53029) (SUB FOR AR52544)
	AR52549	KIT	4		(B) (USE WITH R33190 OR R40840) (ALSO ORDER AR53029) (SUB FOR AR52545)
..	.....	SHIM	AR		0.76MM (.030") ( AR31742 NLA) (USE WITH R26150)
..	.....	SHIM	AR		0.38MM (.015") ( AR39520 NLA) (USE WITH R26150)

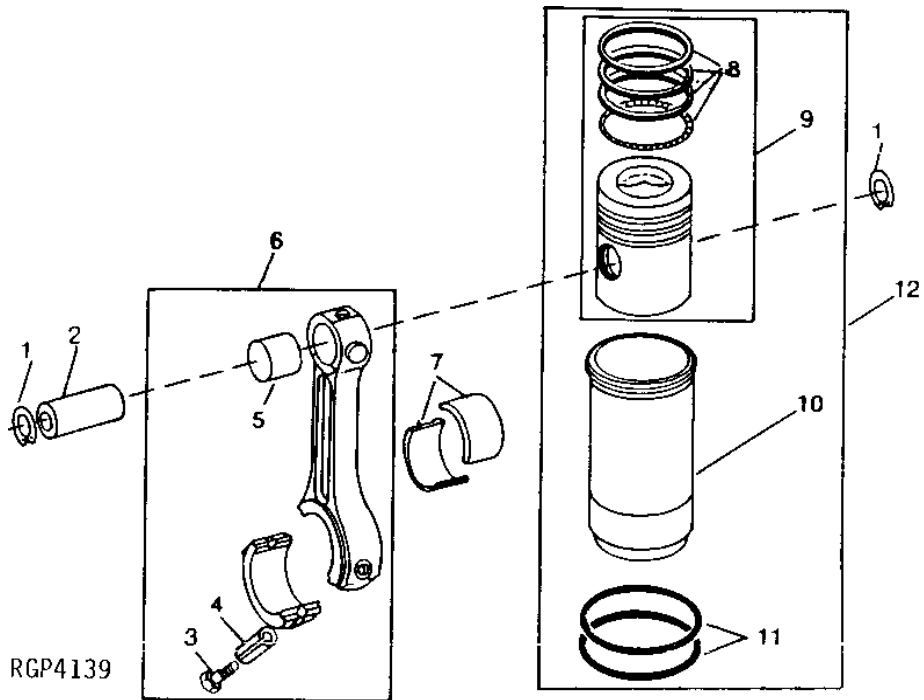
(A) GASOLINE  
(B) LP-GAS  
(C) INCLUDES PISTON RINGS

# 1C1

ENGINE

## PISTONS, RINGS, LINERS AND CONNECTING RODS (DIESEL)

RGP4139 -UN-20JAN95



# 1C2

ENGINE

**PISTONS, RINGS, LINERS AND CONNECTING RODS - CONTINUED**  
(DIESEL)

KEY	PART NO.	PART NAME	QTY	ENGINE SERIAL NO.	REMARKS
1	R26093	SNAP RING	8		
2	R44161	PISTON PIN	4		STD, (SUB FOR R26092)
	R44162	PISTON PIN	4		0.08MM (.003") OS, (SUB FOR R28972)
	R44163	PISTON PIN	4		0.13MM (.005") OS, (SUB FOR R28973)
3	R66452	CAP SCREW	8		(SUB FOR R26325 OR R53290)
4	R53292	SLEEVE	8		
5	R30939	BUSHING	4		
6	AR86981	CONNECTING ROD	4		(MARKED R26047, R53285 OR R58880 OR R66923) (SUB FOR AR26328, AR59419 OR AR70910)
7	AR45723	BEARING	4		STD, (PKG (2) R26087 OR R44378) (SUB FOR AR27628)
	AR46395	BEARING	4		0.05MM (.002") US, (PKG (2) R28226 OR R44925) (SUB FOR AR27629)
	AR46396	BEARING	4		0.25MM (.010") US, (PKG (2) R44926)
	AR46397	BEARING	4		0.51MM (.020") US, (PKG (2) R28228 OR R44927) (SUB FOR AR27640)
	AR46398	BEARING	4		0.76MM (.030") US, (PKG (2) R28230 OR R44928) (SUB FOR AR27642)
8	AR27852	PISTON RING KIT	4		(USE WITH R26091)
	AR39860	PISTON RING KIT	4		(USE WITH R39927)
	AR40145	PISTON RING KIT	4		(4 RING) (USE WITH R32073) (SUB FOR AR33995)
	AR55630	PISTON RING KIT	4		(3 RING) (USE WITH AR46265, AR51799 OR RE23172 OR RE40566) (SUB FOR AR41563 AND AR54732)
9	AR39859	PISTON	4		(MARKED R26091 OR R39927) (SUB RE23173) (USE WITH R26160) (3010)
	AR46264	PISTON	4		(MARKED AR46265 OR R32073) (SUB FOR AR39768, AR40254 AND AR46264) (USE WITH R32020, R26160, R40850, R40910, R46430 OR R46350) (SUB RE23170 OR RE23173) (3010, 3020*, 3020&)
10	R26120	CYLINDER LINER	4		105MM (4-1/8") BORE, (USE WITH R26160) (SUB FOR AR28192) (NLA) (3010)
	R32050	CYLINDER LINER	4		108MM (4-1/4") BORE, (USE WITH R26160) (SUB FOR AR32195) (SUB RE23173) (ALSO ORDER AR40155) (3020*)
	R55851	CYLINDER LINER	4		(USE WITH R40910, R46350 OR R46430) (SUB FOR AR65571 AND AR65572) (SUB RE23170, APPL)(3020*)
11	AR40155	O-RING KIT	4		(SET OF 2) (USE WITH R26160, R32020 OR R40850)
	AR70645	O-RING KIT	4		(SET OF 2) (USE WITH R40910, R46350 OR R46430) (SUB FOR AR48687)
12	AR68650	KIT	4		(MARKED AR51799) (SUB RE23165) (SUB FOR AR41562) (3020&)
	RE23173	KIT	4		(USE WITH R26160, R32020, R40400 OR R40850) (SUB FOR AR49052) (MARKED RE23172 OR RE40566) (O-RINGS INCLUDED)
	RE23170	KIT	4		(USE WITH R40930, R40910, R46350, R46430) (SUB FOR AR40615, R41562, AR68650 AND AR84048) (MARKED RE23172 OR RE40566) (O-RINGS INCLUDED)
	RE23165	KIT	4		(BLOCK MARKED R40700, R48430, R50610, R72127, (SUB FOR AR68650) (MARKED RE23168, AR51799 OR RE40564) (ALSO ORDER AR70645, APPL) (3020&)
	RE23165	KIT	4		(BLOCK MARKED R40700, R48430, R50610) R72127) (SUB FOR AR63967) (ALSO ORDER AR53035 AND (4) AR70645)
	AR28192	PISTON RING KIT	4		(USE WITH R26120) (NLA)
..	AR31744	SHIM	AR		0.10MM (.004") (USE WITH R26160, R32030, R33180, R34340, R40400, R40850 AND R40890)
..	AR31745	SHIM	AR		0.76MM (.030") (USE WITH R26160, R32020, R33180, R34340, R40400, R40850 AND R40890)
..	AR39521	SHIM	AR		0.38MM (.015") (USE WITH R26160, R32020, R33180, R34340, R40400, R40850 AND R40890)

(\* ) 3020 ( -122999)  
(& ) 3020 (130000- )

---

MEMORANDA

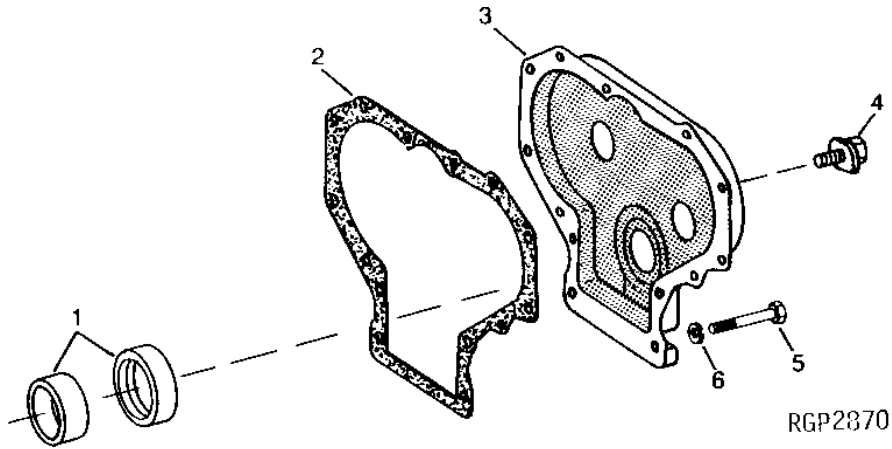


# 1C3

ENGINE

RGP2870 -UN-02JAN94

## TIMING GEAR COVER AND OIL SEAL



RGP2870

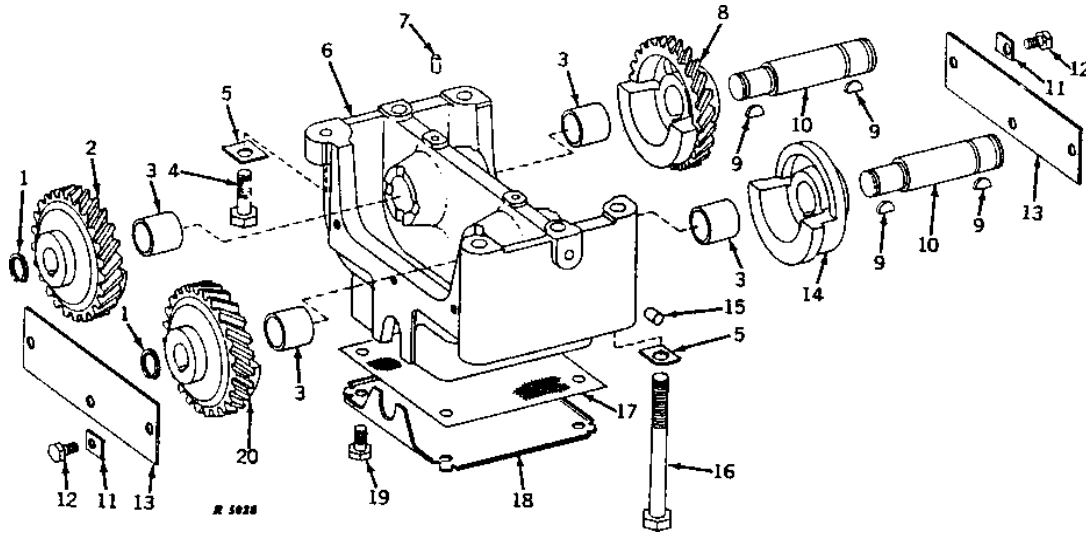
KEY	PART NO.	PART NAME	QTY	ENGINE SERIAL NO.	REMARKS
1	.....	SEAL	1	-036699	(FACE TYPE) ( AR27354 NO LONGER AVAILABLE) (SUB AR69984)
	AR49025	SEAL	1	036700-	(LIP TYPE) (SUB FOR AR31882, AR47891 AND AR48728)
2	R26084	GASKET	1		
3	AR69984	COVER	1		(SUB FOR AR31934, AR44390, AR26636, AR31536 OR AR31537)
4	AR27703	SCREW	11		
5	19H2661	CAP SCREW	2		5/16" X 1-3/8"
6	12H303	LOCK WASHER	2		5/16"

# 1C4

ENGINE

R5028 -UN-12DEC94

## ENGINE BALANCER



KEY	PART NO.	PART NAME	QTY	ENGINE SERIAL NO.	REMARKS
1	B169R	SNAP RING	2		
2	R26846	GEAR	1	(A) L.H.	
	R26848	GEAR	1	(B) L.H.	
3	R30784	BUSHING	4		
4	19H1721	CAP SCREW	1	1/2" X 1-1/2", (USE WITH R26850)	
	19H1777	CAP SCREW	4	1/2" X 1-3/4", (USE WITH R41269)	
5	R32214	WASHER	4		
6	AR48521	HOUSING	1	(A) (B) (MARKED R26850) (SUB FOR AR26537)	(USE WITH R26160, R32020 OR R40850)
	AR48522	HOUSING	1	(B) (MARKED R41269) (USE WITH R46430 OR R49540)	(USE WHEN AR48625 OR AR48629, AR26428, AR49143, AR53033 AND AR76545 HAS BEEN INSTALLED)
	34H366	SPRING PIN	2	1/2" X 1" NOT ILLUSTRATED, (USE WITH R41269)	
7	F1743R	DOWEL PIN	2		
8	R27098	GEAR	1	(A) (DRIVEN) (NLA)	
	R27099	GEAR	1	(B) (DRIVEN)	
9	26H72	SHAFT KEY	4	1/8" X 5/8"	
10	R27096	BALANCER SHAFT	2		
11	R35128	LOCK PLATE	6	(SUB FOR T13857)	
12	19H2020	CAP SCREW	6	5/16" X 1/2"	
13	R27097	PLATE	2		
14	R26851	WEIGHT	1	(A) (NLA)	
	R26852	WEIGHT	1	(B)	
15	R726R	DOWEL PIN	1		
16	R83569	CAP SCREW	3	(USE WITH R26850)	
17	R34182	SCREEN	1	(USE WITH R34183)	
18	R26844	FRAME	1		
19	19H1813	CAP SCREW	4	5/16" X 5/8"	
20	R26845	GEAR	1	(A) R.H. (NLA)	
	R26847	GEAR	1	(B) R.H.	

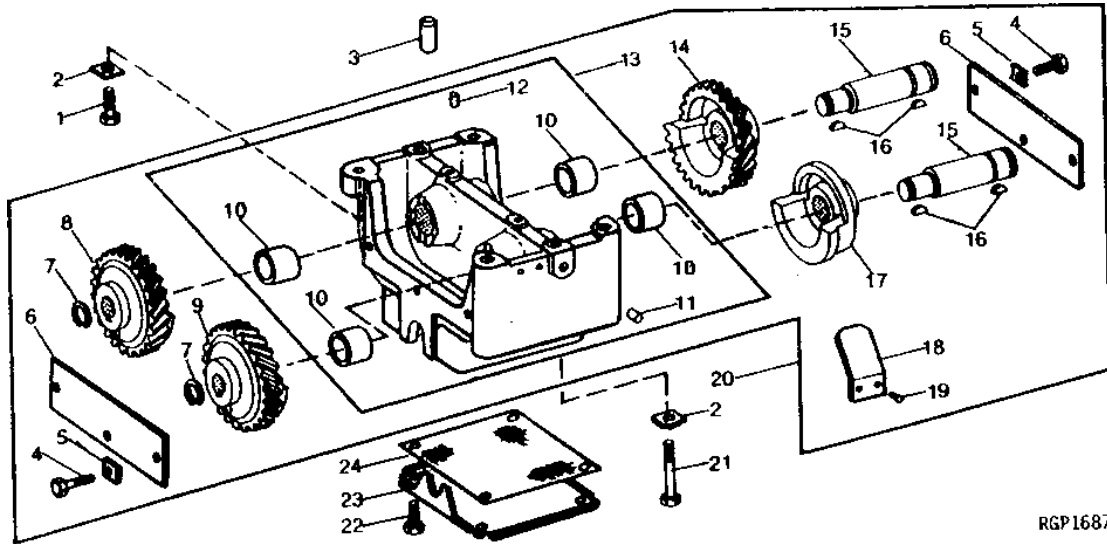
(A) GASOLINE & LP  
(B) DIESEL

# 1C5

ENGINE

RGP1687 -UN-12DEC94

## ENGINE BALANCER



RGP1687

KEY	PART NO.	PART NAME	QTY	ENGINE SERIAL NO.	REMARKS
1	19H1777	CAP SCREW	1		
2	R32214	WASHER	4		1/2" X 1-3/4"
3	34H366	SPRING PIN	2		1/2" X 1"
4	19H2020	CAP SCREW	6		5/16" X 1/2"
5	T13857	LOCK PLATE	6		
6	R27097	PLATE	2		
7	B169R	SNAP RING	2		
8	R41277	GEAR	1		(A) (NLA)
	R41273	GEAR	1		(B)
9	R41276	HELICAL GEAR	1		(A) (NLA)
	R41272	GEAR	1		(B) (SUB FOR R26847)
10	R30784	BUSHING	4		
11	R726R	DOWEL PIN	1		
12	F1743R	DOWEL PIN	2		
13	AR48522	HOUSING	1		(B) (MARKED R41269) (USE WITH R46430 OR R49540) (SUB FOR AR40897)
	AR48521	HOUSING	1		(A) (B) (MARKED R26850) (USE WITH R26160, R32020 OR R40850)
14	R41279	GEAR	1		(A) (NLA)
	R41275	GEAR	1		(B)
15	R27096	BALANCER SHAFT	2		
16	26H72	SHAFT KEY	4		1/8" X 5/8"
17	R41278	WEIGHT	1		(A) (NLA)
	R41274	WEIGHT	1		(B)
18	R41271	DEFLECTOR	1		
19	37H44	SCREW	2		0.151" X 3/8"
20	AR42648	HOUSING	1		(B) (MARKED R41269) (USE WITH R46430 OR R49540)
21	R83569	CAP SCREW	3		1/2" X 4-1/2"
22	19H1813	CAP SCREW	4		5/16" X 5/8"
23	R26844	FRAME	1		
24	R34182	SCREEN	1		(USE WITH R34183)

(A) GASOLINE

(B) DIESEL

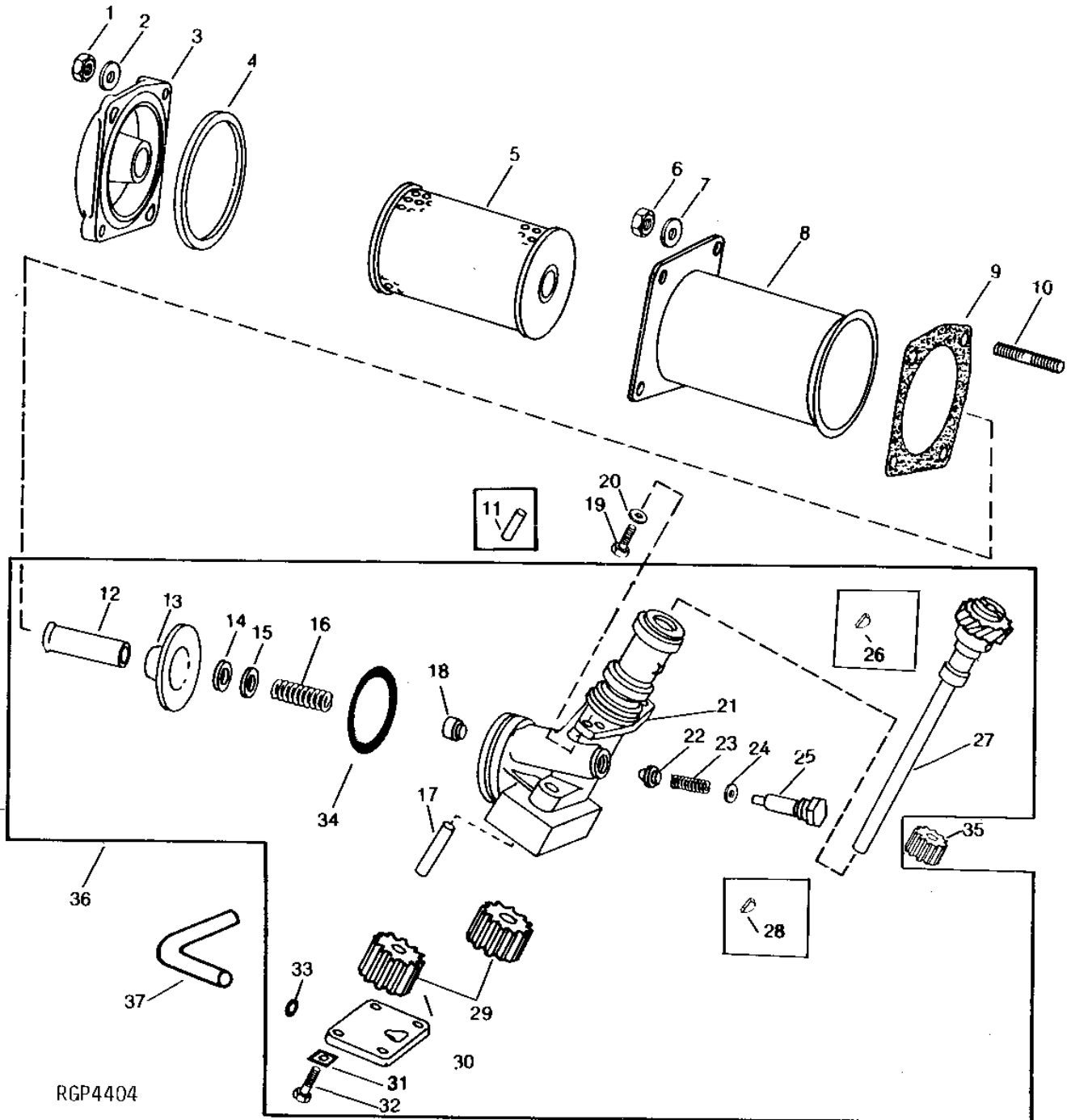
# 1C6

ENGINE

RGP4404

-UN-14DEC94

## ENGINE OIL PUMP AND FILTER



RGP4404

# 1C7

ENGINE

## ENGINE OIL PUMP AND FILTER - CONTINUED

KEY	PART NO.	PART NAME	QTY	ENGINE SERIAL NO.	REMARKS
1	E55662	FLANGE NUT	4		
2	24H1301	WASHER	4		
3	R42054	COVER	1		13/32" X 9/16" X 0.065" (SUB FOR R27261)
4	B3586R	WASHER	1		
5	AR26350	OIL FILTER	1		(SUB FOR AR28110)
6	14H732	NUT	2		3/8"
7	24H1652	WASHER	2		13/32" X 11/16" X 7/64"
8	R26166	HOUSING	1		
9	R26354	GASKET	1		
10	D2420R	STUD	4		
11	.....	DOWEL PIN	1		( H826R NO LONGER USED)
12	R26146	TUBE	1		
13	R26147	PLATE	1		
14	R26149	PACKING	1		
15	24H1388	WASHER	1		25/32" X 15/16" X 0.036"
16	R26151	SPRING	1		
17	R26144	SHAFT	1		
18	R26493	BUSHING	1		
19	AR63865	KIT	2		PKG OF (2) M72490 AND (2) R41920, (3010, 3020*, 3020&)
20	M72490	WASHER	2		(SUB FOR R1888R OR R42729, THIS APPLICATION)
21	AR26347	HOUSING	1		(B) (MARKED R26143) (SUB AR67467, AR36694, R27688 AND AR63865) (3010)
	AR26347	HOUSING	1	-083999	(B) (MARKED R26143) (SUB AR36694, AR67467, R27688 AND AR63865) (3020*)
	AR27232	HOUSING	1	-289195	(C) (MARKED R27919) (SUB AR67467 AND AR63865) (3020&) (USE WITH AR30012)
	AR27232	HOUSING	1	-083999	(C) (MARKED R27919) (SUB AR67467 AND (2) AR63865) (3020*, 3010) (USE WITH AR30012)
	AR67467	HOUSING	1	084000-	(B) (C) (MARKED R56603) (SUB FOR AR68309) (ALSO ORDER AR63865) (3020*)
	AR67467	HOUSING	1	289196-	(C) (MARKED R56603) (SUB FOR AR68309) (ALSO ORDER AR63865) (3020&)
22	R26152	VALVE	1		
23	R36715	SPRING	1		(SUB FOR A655R, THIS APPLICATION)
24	H294R	WASHER	1		
25	R26153	FITTING	1		
26	26H72	SHAFT KEY	1	-XXXXXX	1/8" X 5/8", (3020*) (NOT USE WITH AR30012)
27	AR26459	GEAR	1	-032999	(B) (MARKED R26155) (SUB FOR R26154) (3010) (NOT AS SHOWN)
	AR31684	GEAR	1	033000-	(B) (MARKED R32427) (3010, 3020*, 3020&) (NOT AS SHOWN)
	AR30012	GEAR	1	-032999	(C) (SUB FOR AR26460) (3010) (USE WITH R27919) (15 TOOTH)
	R45134	GEAR	1	033000-	(C) (SUB FOR AR31685, AR45256, R44032 AND AR47335) (3020*, 3020&, 3010) (20 TOOTH) (AS SHOWN)
28	26H73	SHAFT KEY	1	-XXXXXX	5/32" X 5/8", (3020*, 3020&)
29	AR40218	GEAR	1		(B) (SUB FOR AR26517) (3010)
	AR36694	GEAR	1		(A) (C) (SUB FOR AR26705) (3010, 3020*, 3020&)
30	R27688	COVER	1		(B) (SUB FOR R28745)
	R27688	COVER	1		(C)
31	R35128	LOCK PLATE	4		(SUB FOR T13857, THIS APPLICATION)
	R1888R	STRAP	2		(USE WITH R28745) (3020*)
32	19H2127	CAP SCREW	4		5/16" X 7/8"
	19H1800	CAP SCREW	2		(USE WITH R28745) (3020*)
33	R495R	O-RING	1		
34	R26163	O-RING	1		
35	R32428	GEAR	1		(C) (USE WITH R32426, R33777 OR R46427) (3010, 3020*)
36	AR27251	OIL PUMP	1	-032999	(B) (DOESN'T CONTAIN R32428 OR R45134)
	AR31884	OIL PUMP	1	033000-	(B) (DOESN'T CONTAIN R32428 OR R45134)
	AR76546	OIL PUMP	1	-032999	(C) (NLA) (DOESN'T CONTAIN R32428 OR R45134)
	AR76545	OIL PUMP	1	033000-	(C) (SUB FOR AR31885) (CONTAINS R45134)
37	R34183	TUBE	1		(SUB FOR R27689) (USE WITH R34182)

(A) USED ON GASOLINE AND LP-GAS WHEN AR27232 HAS BEEN INSTALLED

(B) GASOLINE AND LP-GAS

(&) 3020 (123000- )

(C) DIESEL

(\*) 3020 ( -122998)

---

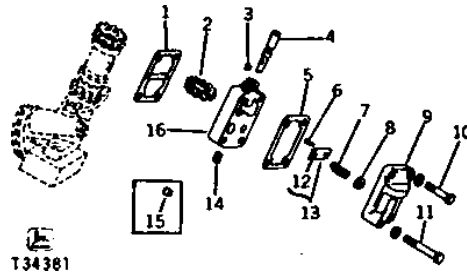
MEMORANDA

# 1C8

ENGINE

T34381 -UN-09DEC94

## OIL PRESSURE REGULATOR AND TACHOMETER DRIVE



KEY	PART NO.	PART NAME	QTY	ENGINE SERIAL NO.	REMARKS
1	R44853	GASKET	1		(SUB FOR R26174)
2	R26171	GEAR	1	-032999	
	R32426	GEAR	1	033000-	(USE WITH R33777 OR R46427)
3	26H3	SHAFT KEY	1		3/32" X 3/8"
4	R26172	SHAFT	1		
5	R26173	GASKET	1		
6	16H644	RIVET	1		1/4" X 1/2"
7	R26169	SPRING	1		
8	24M7096	WASHER	1		0.413" X 0.709" X 0.063"
9	AR26351	HOUSING	1		(MARKED R26167) (3010, 3020*)
	R26168	SCREW	1		(USE WITH R26167) (3010, 3020*)
	A3098	WASHER	2		(USE WITH R26167) (3010, 3020*)
	14H732	NUT	1		3/8", (USE WITH R26167) (3010, 3020*)
	B427R	CAP SCREW, AND NUT	1		(USE WITH R26167) (3010, 3020*)
	AR41108	HOUSING	1		(MARKED R41452) (3020&)
10	19H2549	CAP SCREW	3		3/8" X 1-7/8"
	24H1303	WASHER	3		13/32" X 11/16" X 0.065"
11	19H1944	CAP SCREW	1		3/8" X 2-3/4", (3010, 3020*)
	19H2733	CAP SCREW	1		3/8" X 2-3/8", (SUB FOR R41453; 3020&)
	24H1303	WASHER	1		13/32" X 11/16" X 0.065"
12	D2425R	PIN	1		
13	AB3453R	LEAF SPRING	1		
14	15H559	PIPE PLUG	1		1/4"
15	F1743R	DOWEL PIN	2		(USE WITH AR45952)
16	AR45953	HOUSING	1		(MARKED R26170 OR AR45953) (SUB FOR AR26353 OR AR45952)

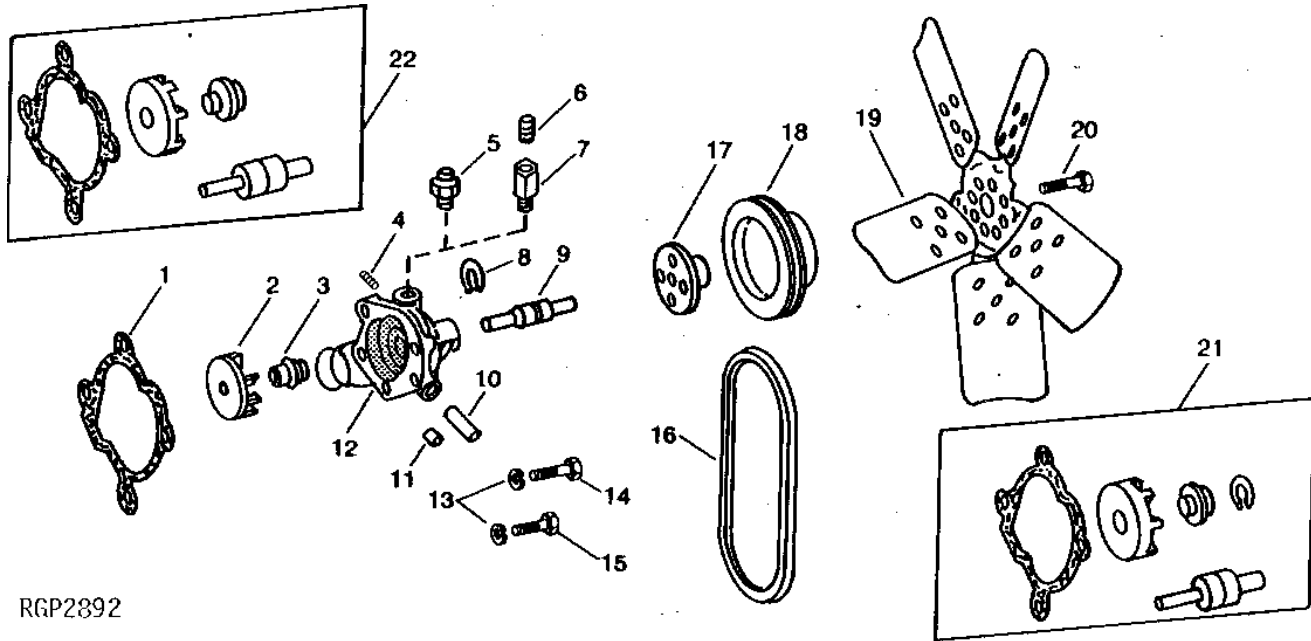
(\*) 3020 ( -122998)  
 (&) 3020 (123000- )

# 1C9

ENGINE

## FAN AND WATER PUMP (GASOLINE AND LP-GAS)

RGP2892 -UN-01JAN94



RGP2892

KEY	PART NO.	PART NAME	QTY	ENGINE SERIAL NO.	REMARKS
1	R26331	GASKET	1		
2	R40978	IMPELLER	1		(A) (USE WITH R26326, R34976 OR R34981) (SUB FOR R26328, AR31896, R26328 OR R31425) (ALSO ORDER AR62933)
3	R41321 AR62933	IMPELLER SEAL KIT	1 1		(B) (USE WITH R41313, R41317 OR R44119) (SUB FOR AR40698, AF2057R OR R32622) (ALSO ORDER R40978)
4	AR101549 15H559 15H559	SEAL KIT PIPE PLUG PIPE PLUG	1 1 1	091618- 068000-112014	(SUB FOR AR41691, THIS APPLICATION) 1/4", (3020*) 1/4", (3020&)
5	R26892 R26892	FITTING FITTING	1 1	-067999	(3010, 3020&) (3020*)
6	15H624	PIPE PLUG	1		1/2", (3020&)
7	R41285	ADAPTER	1		(3020&)
8	R1529R	RETAINER	1		
9	JD9212 JD9355	BALL BEARING BEARING	1 1		(A) (B)
10	R34985 R27548	LINE TUBE	1 1	068000-112014	COMPLETE, (3020*) (3020&)
11	R34987 R28746	CAP CAP	1 1	-067999	(3020*) (NLA) (3020&)
12	AR45330	WATER PUMP	1		(MARKED R26326, R34976, R34981, R41317, R44116 OR R44119) (SUB FOR AR26380, AR31262, AR31894, AR34855 OR AR44378)
13	12H304	LOCK WASHER	4		3/8"
14	19H1801	CAP SCREW	1		3/8" X 2"
15	19H1800	CAP SCREW	3		3/8" X 1-1/2"
16	R41627	BELT	1		(SUB FOR R26606)



# 1C10

ENGINE

## FAN AND WATER PUMP - CONTINUED (GASOLINE AND LP-GAS)

KEY	PART NO.	PART NAME	QTY	ENGINE SERIAL NO.	REMARKS
17	R40662	HUB	1		(SUB FOR R26329)
18	R40211	PULLEY	1		(SUB FOR R26334 OR AR40148)
19	AR34450	FAN	1		(SUB FOR AR26422)
20	19H2284	CAP SCREW	4		3/8" X 7/8"
21	AR55616	KIT	1		(A) REPAIR
22	AR55618	KIT	1		(B) REPAIR, (USE WITH R41313, R41317, R44116, R44119 OR R48742)
..	T13119	O-RING	2		WATER BYPASS TUBE

(A) USE WITH R26326, R34976 OR R34981

(B) USE WITH R41313, R41317, R44116 OR R44119

(\*) 3020 ( -122998)

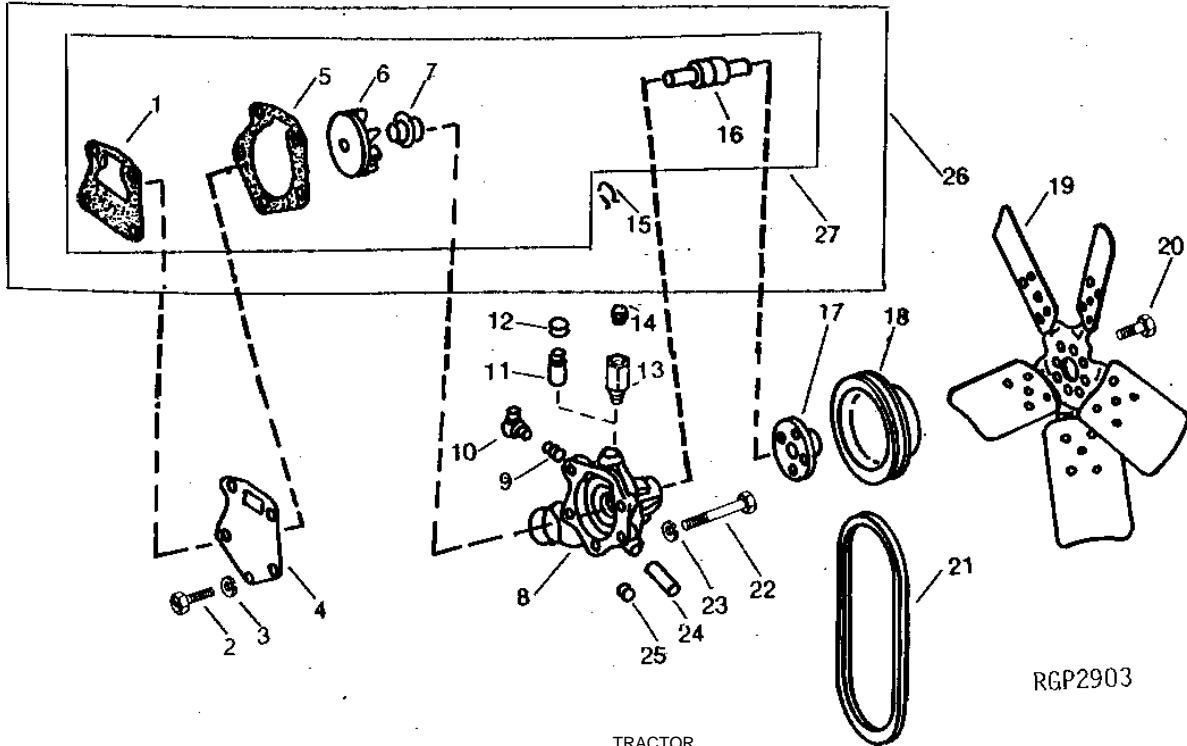
(&) 3020 (123000- )

# 1C11

ENGINE

## FAN AND WATER PUMP (DIESEL)

RGP2903 -UN-01JAN94



KEY	PART NO.	PART NAME	QTY	TRACTOR SERIAL NO.	REMARKS
1	R26341	GASKET	1		
2	21H1225	SCREW	1	5/16" X 3/4"	
3	12H323	LOCK WASHER	1	5/16"	
4	R26340	COVER	1		
5	R26343	GASKET	1		
6	R40979	IMPELLER	1		(ALSO ORDER AR62933) (SUB FOR R26338, AR30519, AR31897 OR R31427)
7	AR62933	SEAL KIT	1		(ALSO ORDER R40979) (SUB FOR AF2057R, R32622 OR AR40698) (CONTAINS RE62290, R32174 AND R40243)
8	RE62290	SEAL	1		(SUB FOR AR62935)
	AR45332	WATER PUMP	1		COMPLETE, (MARKED R26337, R34977, R27547, R34982, R41318, R41315 OR R44122) (SUB FOR AR27933, AR27931, AR31895, AR34856, AR40923, AR31264 OR AR44379)
	TY6740	WATER PUMP	1		(REMANUFACTURED)
9	15H559	PIPE PLUG	1	068000-112014	1/4"
10	M42830	ELBOW FITTING	1	-067999	90°, (SUB FOR AR26635)
11	R34986	TUBE	1	068000-112014	
12	R34987	CAP	1	-067999	(NLA)
13	R41285	ADAPTER	1		(3020&)
14	15H624	PIPE PLUG	1		1/2", (3020&)
15	R1529R	RETAINER	1	-089429	(DO NOT USE W/R40970)
16	JD9212	BALL BEARING	1		(USE WITH R27547, R26337, R34977 OR R34982) (INCLUDED IN AR55617)
	JD9355	BEARING	1		(USE WITH R41315, R41318 OR R44122) (INCLUDED IN AR55619)
17	R40662	HUB	1		(SUB FOR R26329)
18	R40211	PULLEY	1		(SUB FOR R26334)
19	AR34450	FAN	1		
20	19H2284	CAP SCREW	4	3/8" X 7/8"	

# 1C12

ENGINE

## FAN AND WATER PUMP - CONTINUED (DIESEL)

KEY	PART NO.	PART NAME	QTY	ENGINE SERIAL NO.	REMARKS
21	R41627	BELT	1		(SUB FOR R26607, R41628 OR R71459, THIS APPLICATION) (3020*, 3020&)
	R41681	BELT	1		(SUB FOR R26607, R41628 OR R71459) (3010)
22	19H1801	CAP SCREW	4		3/8" X 2"
	19H1765	CAP SCREW	4		3/8" X 1-3/4", (3020*)
23	12H304	LOCK WASHER	4		3/8"
24	R27548	TUBE	1		(3020*, 3020&)
25	R28746	CAP	1		(USE WITH AR31895)
26	AR55617	KIT	1		(USE WITH R27547, R26337, R34977 OR R34982)
27	AR55619	KIT	1		(USE WITH R41318 OR R44122)
..	T13119	O-RING	2		(WATER BYPASS TUBE)

(\*) 3020 ( -122998)

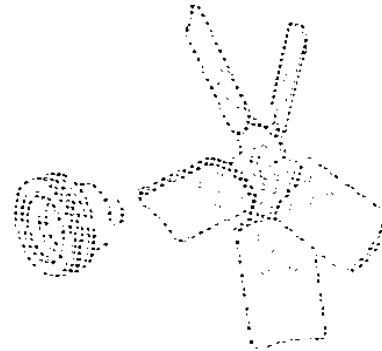
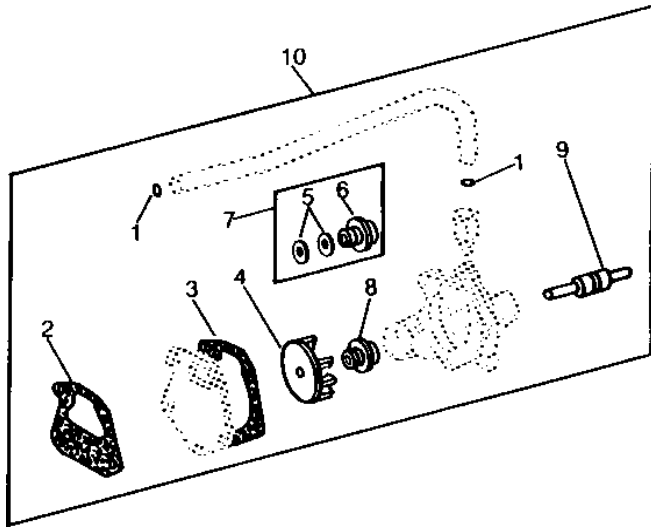
(&) 3020 (123000- )

# 1C13

ENGINE

## WATER PUMP REPAIR KIT (DIESEL)

RGP1134 -UN-02JAN94



RG P11 34

KEY	PART NO.	PART NAME	QTY	ENGINE SERIAL NO.	REMARKS
1	T13119	O-RING	2		
2	R26341	GASKET	1		
3	R26343	GASKET	1		
4	R40979	IMPELLER	1		
5	AR41691	INSERT	1	(SUB AR101549)	
6	T27261	SEAL	1	(SUB AR101549)	
7	AR62934	SEAL	1	(SUB AR101549)	
8	AR101549	SEAL KIT	1		
9	JD9257	BALL BEARING	1		
10	AR98564	KIT	1	(SUB FOR AR55620)	

---

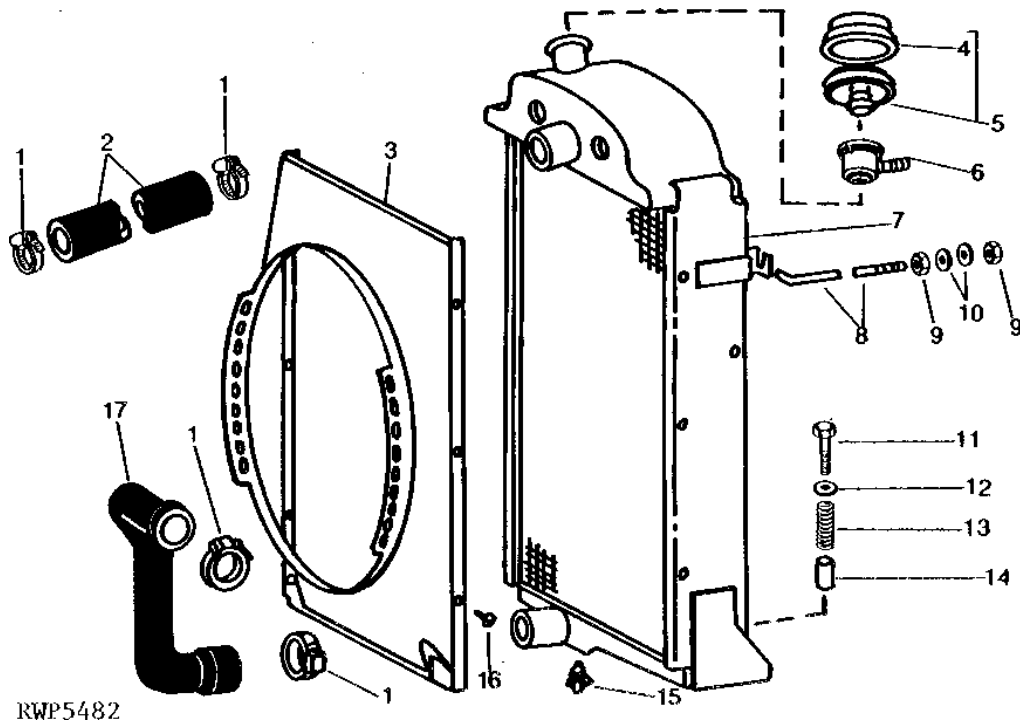
MEMORANDA

# 1C14

ENGINE

RWP5482 -UN-01JAN94

## RADIATOR



KEY	PART NO.	PART NAME	QTY	TRACTOR SERIAL NO.	REMARKS
1	AR21840	CLAMP	4		
2	R26475	HOSE	1		
3	R34255	SHROUD	1		(SUB FOR R27413)
4	R27209	COVER	1		
5	AR28482	CAP	1		
6	RE15427	FILLER NECK	1		
7	AR46437	RADIATOR	1		(SUB FOR AR26797 OR AR31583)
8	R35437	HOOK BOLT	2		(SUB FOR R27414 OR R42961)
9	14H1076	NUT	4		3/8" HS, SAE 8
10	24H1305	WASHER	4		13/32" X 13/16" X 0.065"
11	19H2549	CAP SCREW	2		3/8" X 1-7/8"
12	24H1309	WASHER	2		13/32" X 1-1/16" X 0.120"
13	F2411R	SPRING	2		
14	R26417	SPACER	2		
15	AT13740	DRAIN VALVE	1		
16	37H84	SCREW	6		1/4" X 3/4", (SUB FOR R28291)
17	R26472	HOSE	1		

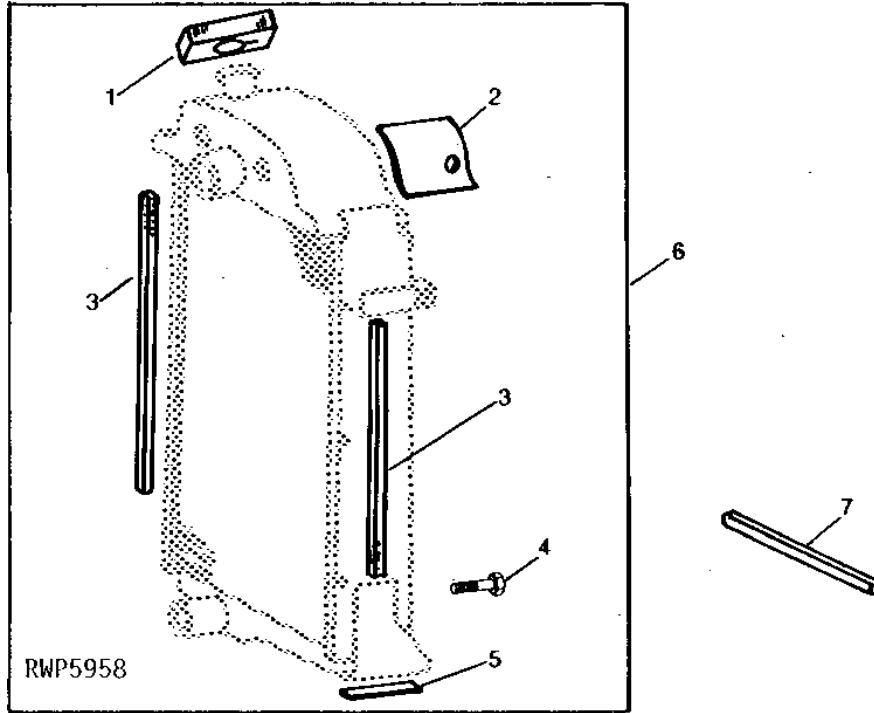
# 1C15

ENGINE

RWP5958

-UN-01JAN94

## RADIATOR BAFFLES AND FOAM PAD KIT



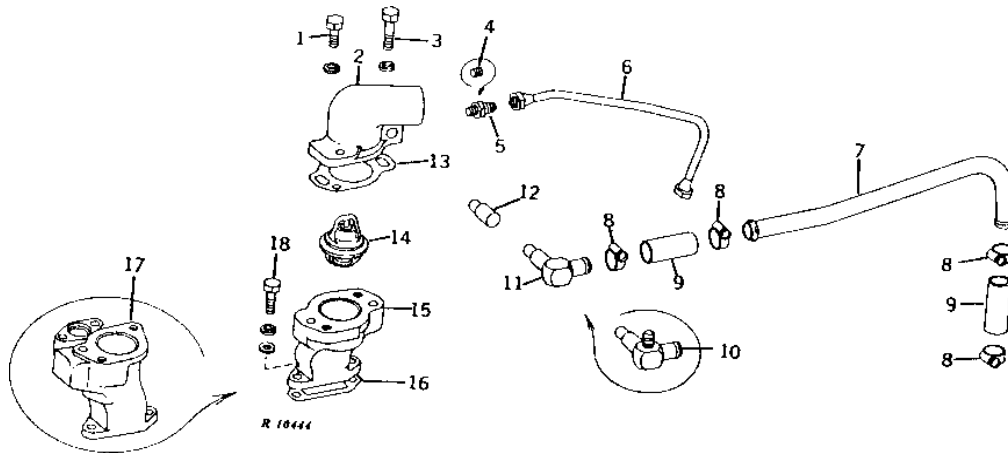
KEY	PART NO.	PART NAME	QTY	TRACTOR SERIAL NO.	REMARKS
1	R28015	FOAM PAD	1		
2	.....	FOAM PAD	1		3 X 102 X 140MM (1/8" X 4" X 5-1/2") (MAKE FROM R30597)
3	.....	ISOLATOR	2		13 X 25 X 470MM (1/2" X 1" X 18-1/2") (MAKE FROM R30936)
4	37H79	SCREW	6		
5	R26413	STRAP	2		
6	AR28476	KIT	1		(NO LONGER AVAILABLE, ORDER COMPONENT PARTS)
7	.....	ISOLATOR	1		13 X 13 X 400MM (1/2" X 1/2" X 15-3/4") (MAKE FROM R30877)

# 1C16

ENGINE

## THERMOSTAT HOUSING, THERMOSTAT AND WATER BYPASS LINE (ENGINE SERIAL NO. -112014)

R10444 -UN-02JAN94



KEY	PART NO.	PART NAME	QTY	ENGINE SERIAL NO.	REMARKS
1	19H1731	CAP SCREW	1	-066499	(A) 3/8" X 1"
	19H1765	CAP SCREW	1	066500-	(A) 3/8" X 1-3/4"
	19H1732	CAP SCREW	1	-066499	(B) 3/8" X 1-1/4"
	19H1800	CAP SCREW	1	066500-	(B) 3/8" X 1-1/2"
2	12H304	LOCK WASHER	1		3/8"
	R27521	COVER	1	-067999	(SUB AR45483)
	AR34873	COVER	1	068000-	(NLA) (MARKED R34988, R34989, R34998, R44233 OR R44234) (SUB FOR AR27521 OR R34244) (SUB AR45483)
3	19H1800	CAP SCREW	1	-066499	3/8" X 1-1/2"
	19H1732	CAP SCREW	1	066500-	(A) 3/8" X 1-1/4"
	19H1800	CAP SCREW	1	066500-	(B) 3/8" X 1-1/2"
	12H304	LOCK WASHER	1		3/8"
4	15H559	PIPE PLUG	1	068000-	1/4"
5	R26892	FITTING	1	-067999	(A)
6	AR26623	LINE	1	-067999	(A)
7	R39504	LINE	1	068000-	
8	AR21839	CLAMP	4	068000-	
9	.....	HOSE	2	068000-	(MAKE FROM R57300) (SUB FOR R26905)
10	AR34875	FITTING	1	068000-	(B) 90°, (NLA)
11	AR34874	FITTING	1	068000-	(A) 90° (NLA)
12	R34993	TERMINAL NIPPLE	1	-067999	(NOT 3010) (NLA)
13	R42694	GASKET	1		(SUB FOR R26474)
14	R34577	THERMOSTAT	1	-067999	RANGE 71°-83° C. (160°-182° F.) (SUB R36846)
	R36847	THERMOSTAT	1	068000-	RANGE 71°-83° C. (160°-182° F.) (SPECIAL APPLICATION ON 3010)
15	R34578	THERMOSTAT	1	-067999	RANGE 82°-99° C. (180°-202° F.) (SUB R36846)
	R36846	THERMOSTAT	1	068000-	RANGE 82°-99° C. (180°-202° F.) (SUB FOR AB4744R, AB4745R, R32675 & R32676 ON 3010)
16	R36814	HOUSING	1	-066499	(A) (SUB FOR R26470 OR AR39598) (SUB AR44840)
	AR44840	HOUSING	1	066500-	(MARKED R39690, R41853 OR R42644) (SUB FOR AR36814, R26470 OR AR39598)
17	R88397	GASKET	1		(SUB FOR R26473 OR R42693)
18	R26469	HOUSING	1		(B) FRONT (NLA)
19	19H1731	CAP SCREW	2	-066499	3/8" X 1"
	19H1731	CAP SCREW	2	066500-	(B) 3/8" X 1"
	19H1732	CAP SCREW	2	066500-	(A) 3/8" X 1-1/4"
	24M7096	WASHER	2	066500-	(A) 0.413" X 0.709" X 0.063"
	12H304	LOCK WASHER	2		3/8"

(A) GASOLINE AND DIESEL  
(B) LP-GAS

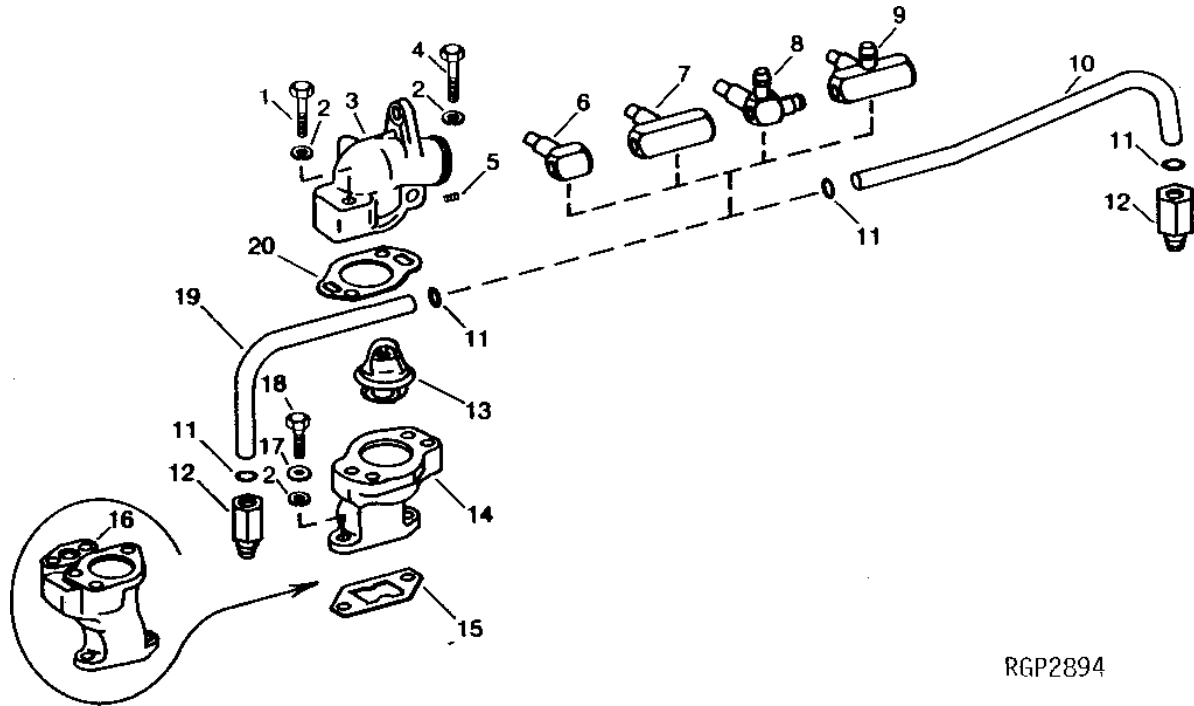


# 1C17

ENGINE

## THERMOSTAT HOUSING, THERMOSTAT AND WATER BYPASS LINE (ENGINE SERIAL NO. 112015- )

RGP2894 -UN-09DEC94



RGP2894

KEY	PART NO.	PART NAME	QTY	ENGINE SERIAL NO.	REMARKS
1	19H1765	CAP SCREW	1	(A) (C) 3/8" X 1-3/4", (FUEL)	
	19H1800	CAP SCREW	1	(B) 3/8" X 1-1/2"	
	19H1801	CAP SCREW	1	3/8" X 2", (USE WITH AR45483)	
2	12H304	LOCK WASHER	4	3/8"	
3	AR45483	COVER	1	(MARKED R34988, R34989, R44233 OR R44234) (SUB FOR AR40898) (NLA)	
4	19H1732	CAP SCREW	1	(A) (C) 3/8" X 1-1/4"	
	19H1800	CAP SCREW	1	(B) 3/8" X 1-1/2"	
	19H1765	CAP SCREW	1	(A) (C) 3/8" X 1-3/4", (USE WITH AR45483)	
5	15H559	PIPE PLUG	1	1/4"	
6	AR40902	ELBOW FITTING	NA	(NLA)	
7	AR45484	TEE FITTING	1	(A) (C) (3020&)	
8	AR40903	ELBOW FITTING	1	(B) 90° (NLA) (3020*)	
9	AR45485	TEE FITTING	1	(B) (3020&) (NLA)	
10	R41283	LINE	1	(A) (B) (SUB FOR R39504 ON 3020&) (NLA)	
	R41284	LINE	1	(C) (SUB FOR R39504 ON 3020&)	
	T13119	O-RING	4		
12	R41285	ADAPTER	1		
13	R36847	THERMOSTAT	1	RANGE 71°-83° C. (160°-182° F.)	
	R36846	THERMOSTAT	1	RANGE 82°-94° C. (180°-202° F.)	
14	AR44840	HOUSING	1	(A) (C) (MARKED R41853 OR R42644)	
15	R88397	GASKET	1	(SUB FOR R42693)	
16	R26469	HOUSING	1	(B) (NLA)	
17	24H1303	WASHER	2	(A) (C) 13/32" X 11/16" X 0.065", (NLA)	
18	19H1731	CAP SCREW	2	(B) 3/8" X 1"	
	19H1732	CAP SCREW	2	(A) (C) 3/8" X 1-1/4"	
19	R44237	LINE	1	(3020&)	
20	R42694	GASKET	1		

(A) GASOLINE  
 (B) LP GAS  
 (C) DIESEL  
 (\*) 3020 ( -122998)  
 (&) 3020 (123000- )

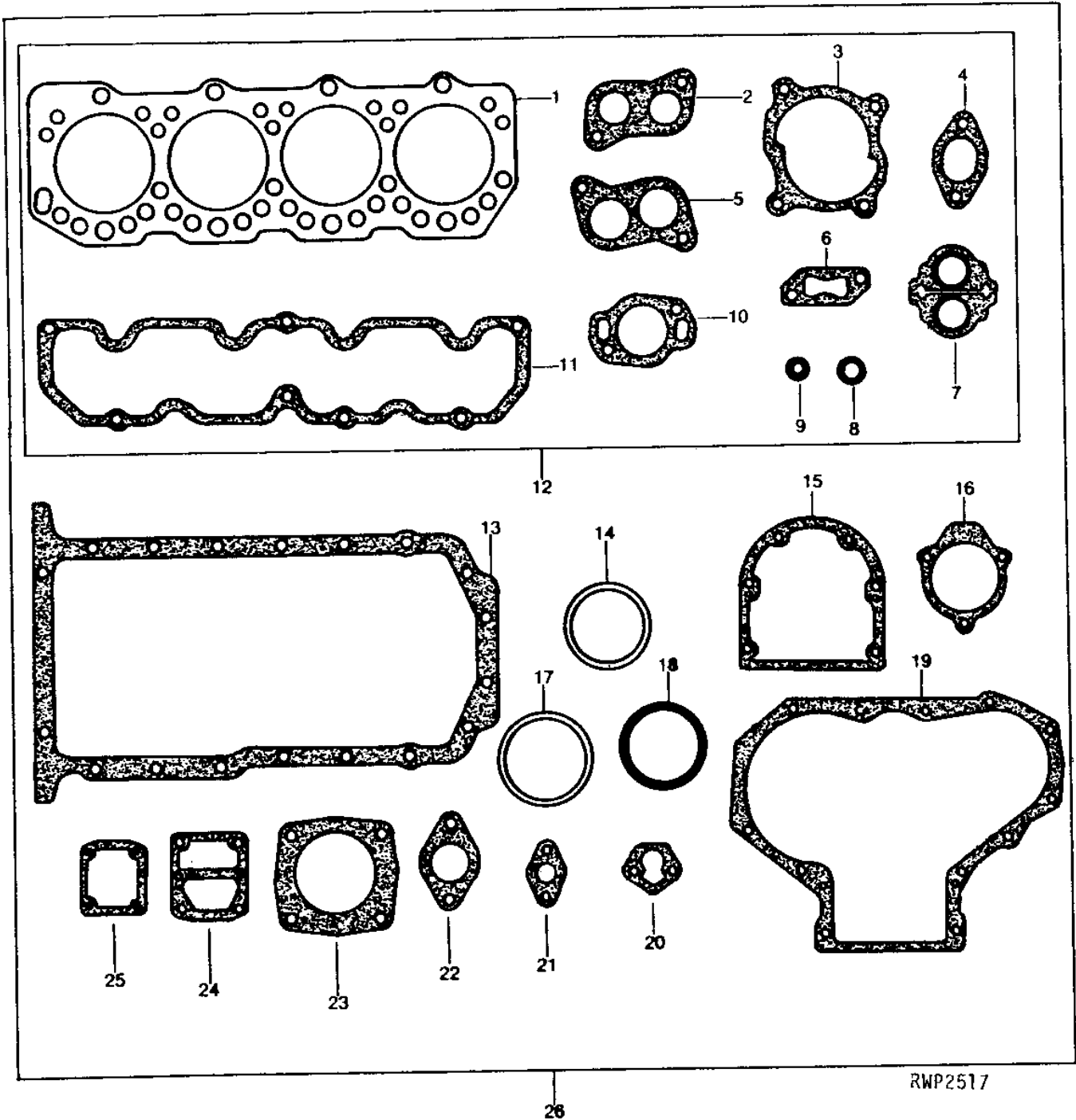
# 1C18

ENGINE

RWP2517 -UN-12DEC94

ENGINE GASKET KITS  
(GASOLINE AND LP-GAS)

17



# 1C19

ENGINE

## ENGINE GASKET KITS - CONTINUED (GASOLINE AND LP-GAS)

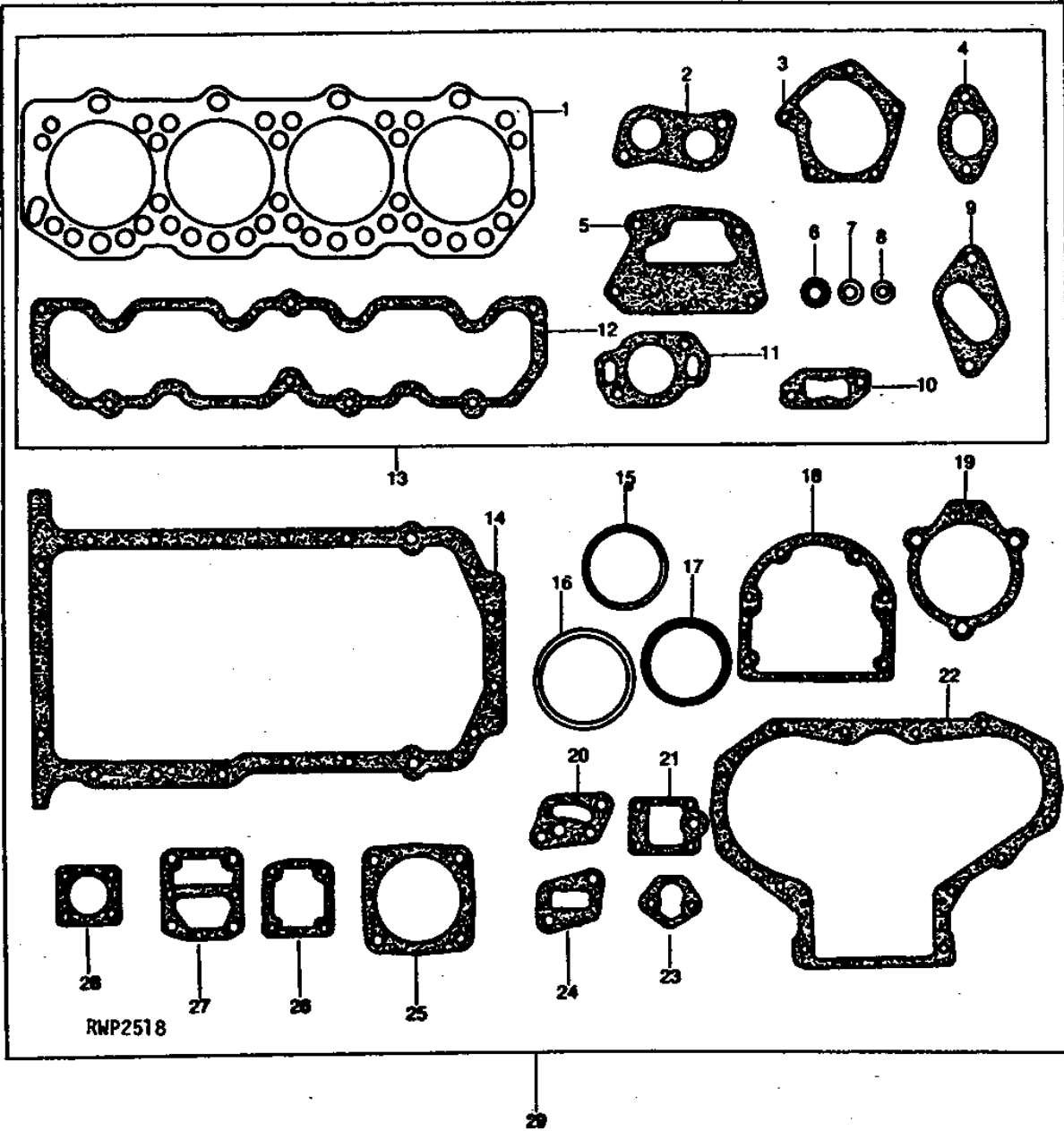
KEY	PART NO.	PART NAME	QTY	ENGINE SERIAL NO.	REMARKS
1	R45616	GASKET	1		(SUB FOR R26209, R34312, R40973 OR R41988)
2	R26291	GASKET	2		
3	R26331	GASKET	1		
4	R83021	GASKET	1		(SUB FOR R26361 OR R44374)
5	R83020	GASKET	1		(SUB FOR R26360 OR R44373)
6	R88397	GASKET	1		(SUB FOR R26473 OR R42693)
7	R31053	GASKET	1		(SUB FOR R27611)
8	R495R	O-RING	1		
9	R87627	O-RING	8		(SUB FOR (4) R27976 OR U40746)
10	R42694	GASKET	1		(SUB FOR R26474)
11	R49865	GASKET	1		(SUB FOR R26745 OR R32592)
12	AR53028	GASKET	1		CYLINDER HEAD, (SUB FOR AR30542, AR34234, AR32331 OR AR47623)
13	R71917	GASKET	1		(SUB FOR R42423)
14	R40777	WASHER	1		
15	R26058	GASKET	1		
16	R31340	GASKET	1		(SUB FOR R26141)
17	B3586R	WASHER	1		
18	R26163	O-RING	1		
19	R26084	GASKET	1		
20	R97350	GASKET	1		(SUB FOR R27285)
21	R26738	GASKET	1		
22	R26499	GASKET	1		
23	R26354	GASKET	1		
24	R44853	GASKET	1		(SUB FOR R26174)
25	R26173	GASKET	1		
26	AR53029	GASKET	1		ENGINE REBUILD

# 1C20

ENGINE

## ENGINE GASKET KITS (DIESEL)

RWP2518 -UN-02JAN94



# 1C21

ENGINE

## ENGINE GASKET KITS - CONTINUED (DIESEL)

KEY	PART NO.	PART NAME	QTY	ENGINE SERIAL NO.	REMARKS
1	R45616	GASKET	1		(SUB FOR R26209, R34312 OR R41988)
2	R83020	GASKET	2		(SUB FOR R44373)
3	R26343	GASKET	1		
4	R83021	GASKET	2		(SUB FOR R44374)
5	R26341	GASKET	1		
6	R495R	O-RING	1		
7	R463R	WASHER	1		
8	T20055	WASHER	8		(SUB FOR T11292)
9	R26297	GASKET	2		
10	R88397	GASKET	2		(SUB FOR R42693)
11	R42694	GASKET	1		
12	R49865	GASKET	1		(SUB FOR R26745 OR R32592)
13	AR53032	GASKET	1		CYLINDER HEAD, (SUB FOR AR30543, AR34235, AR42332 OR AR47624)
14	R71917	GASKET	1		(SUB FOR R42423)
15	B3586R	WASHER	1		
16	R40777	WASHER	1		
17	R26163	O-RING	1		
18	R26058	GASKET	1		
19	R31340	GASKET	1		
20	R34110	GASKET	1		
21	R34109	GASKET	1		
22	R26084	GASKET	1		
23	R97350	GASKET	1		(SUB FOR R27285)
24	R46192	GASKET	1		(SUB FOR R26826)
25	R26354	GASKET	1		
26	R26173	GASKET	1		
27	R44853	GASKET	1		(SUB FOR R26174)
28	R32123	GASKET	1		
29	AR53033	GASKET	1		ENGINE REBUILD

---

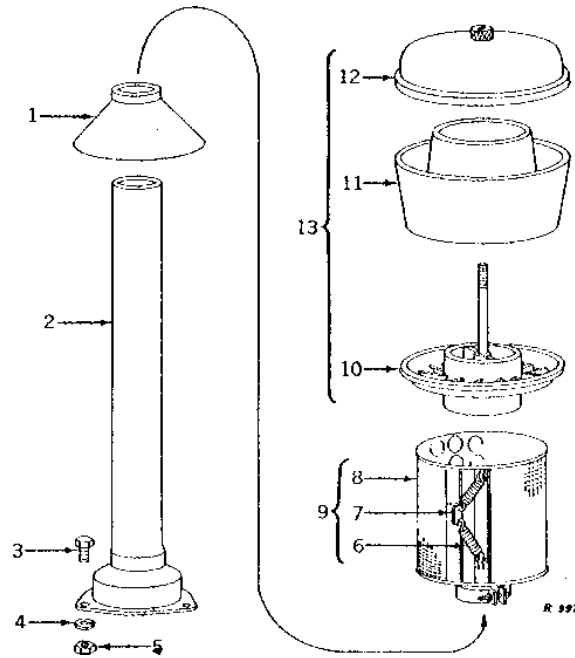
MEMORANDA

# 1D3

FUEL AND AIR

## PRE-CLEANER AND PRE-SCREENER (GASOLINE AND LP-GAS)

R997 -UN-01JAN94



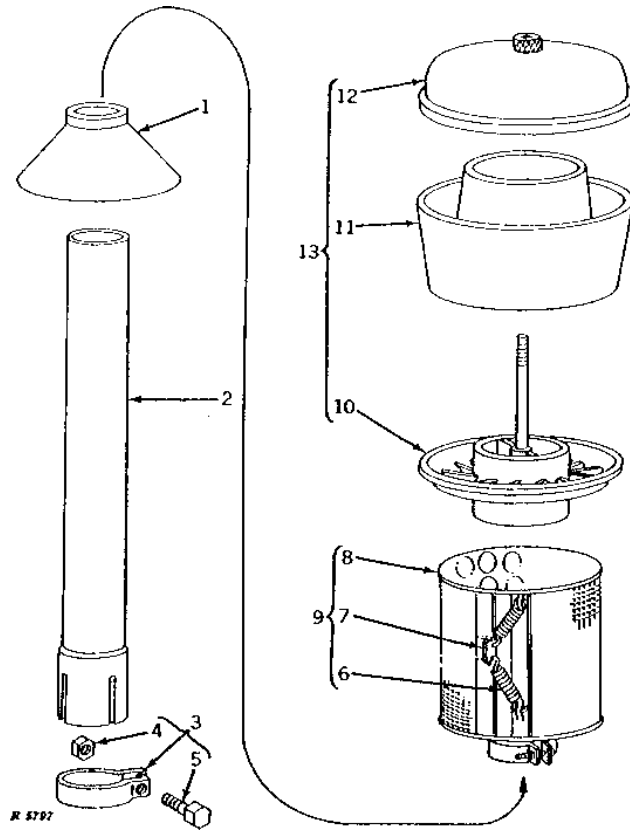
KEY	PART NO.	PART NAME	QTY	TRACTOR SERIAL NO.	REMARKS
1	R28797	SEAL	1		
2	AR26559	AIR INTAKE STACK	1		
3	19H1227	CAP SCREW	3	1/4" X 1/2"	
4	12H302	LOCK WASHER	3	1/4"	
5	14H786	NUT	3	1/4"	
6	R21644	SPRING	2		
7	R21645	RETAINER	1		
8	AR21790	SCREEN	1		
9	AR27156	PRESCREENER	1	(SUB FOR AR28584)	
10	AH13770	BASE	1		
11	R28794	DUST BOWL	1		
12	AF3583R	COVER	1	(SUB AL37364)	
13	AR26416	PRESCREENER	1	(SUB FOR AR28587)	
..	AR27068	PRESCREENER	1	(CONSISTS OF AR26416 AND AR27302)	

# 1D4

FUEL AND AIR

## PRE-CLEANER AND PRE-SCREENER (DIESEL)

R5797 -UN-01JAN94





# 1D5

FUEL AND AIR

**PRE-CLEANER AND PRE-SCREENER - CONTINUED  
(DIESEL)**

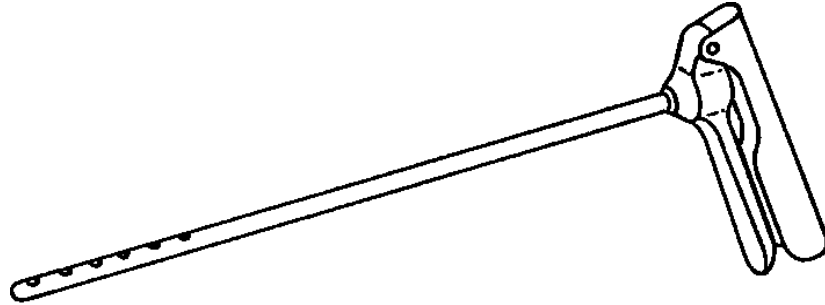
KEY	PART NO.	PART NAME	QTY	TRACTOR SERIAL NO.	REMARKS
1	R28798	SEAL	1		
2	R34604	AIR INTAKE STACK	1		(SUB FOR R27634)
3	AR26929	CLAMP	1		
4	14H1076	NUT	1	3/8"	
5	19H2461	CAP SCREW	1	3/8" X 1-1/4"	
6	R21644	SPRING	2		
7	R21645	RETAINER	1		
8	AR21790	SCREEN	1		
9	AR27158	PRESCREENER	1		(SUB FOR AR28585)
10	AR28073	BASE	1		
11	R28794	DUST BOWL	1		
12	AF3583R	COVER	1		(SUB AL37364)
13	AR26811	PRESCREENER	1		(SUB FOR AR28586)
..	AR34166	PRESCREENER	1		(CONSISTS OF AR26811 AND AR34168) (SUB FOR AR27041)

# 1D6

FUEL AND AIR

RP474 -UN-01JAN94

## DRY AIR CLEANER ELEMENT CLEANING GUN



RP474

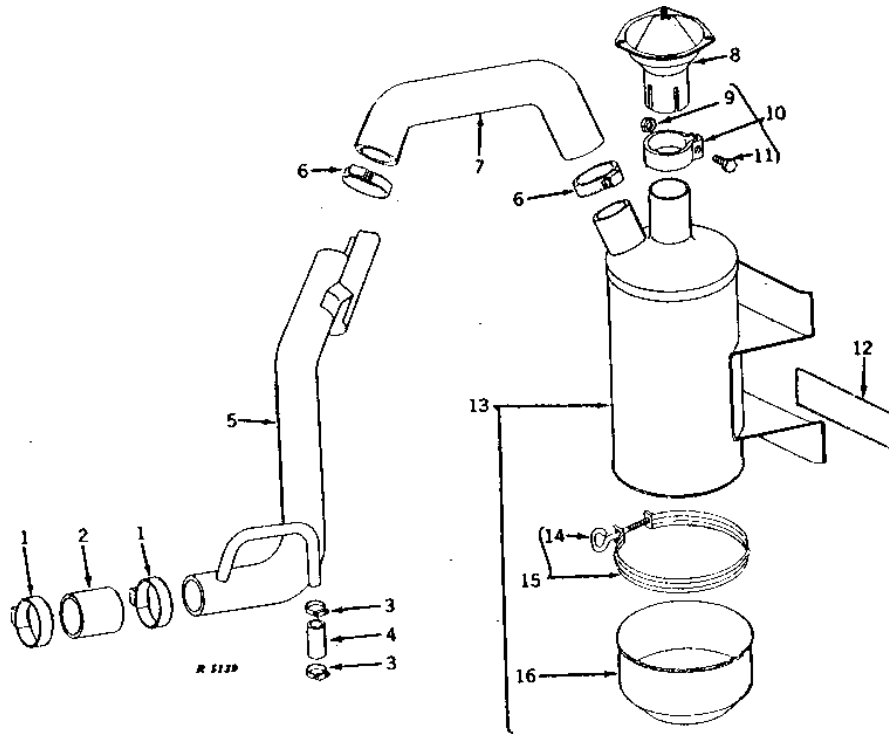
KEY	PART NO.	PART NAME	QTY	TRACTOR SERIAL NO.	REMARKS
..	AR62377	SPRAY GUN	1		(NLA) (MARKED R42726)
..	R36757	AIR CLEANER	1		

# 1D7

FUEL AND AIR

## AIR CLEANER (GASOLINE AND LP-GAS)

R5139 -UN-01JAN94



KEY	PART NO.	PART NAME	QTY	ENGINE SERIAL NO.	REMARKS
1	AR21840	CLAMP	2		
2	R26531	HOSE	1		(SUB FOR R26294)
3	AR21837	CLAMP	2		
4	.....	HOSE	1		62MM (2.44") (MAKE FROM R45847) (SUB FOR R26404 OR R31543)
5	AR26873	PIPE	1	-020071	(SUB AR30447 AND R32641)
	AR30447	PIPE	1	020072-	
6	AR21841	CLAMP	2		
7	R27628	HOSE	1		
8	AR26806	WATER TRAP	1		
9	14H1076	NUT	1		3/8" HS, SAE 8
10	AR26928	CLAMP	1		
11	19H1800	CAP SCREW	1		3/8" X 1-1/2"
12	.....	FOAM PAD	2		1.59 X 51 X 102MM (1/16" X 2" X 4") (MAKE FROM R30596)
13	AR27280	AIR CLEANER	1		
14	B1569R	BOLT	1	-019799	(SUB AR30576, THIS APPLICATION)
	R28633	BOLT	1	019800-	
15	AR30576	CLAMP	1		(SUB FOR AP26477 OR AP20217)
16	AT12533	OIL CUP	1		

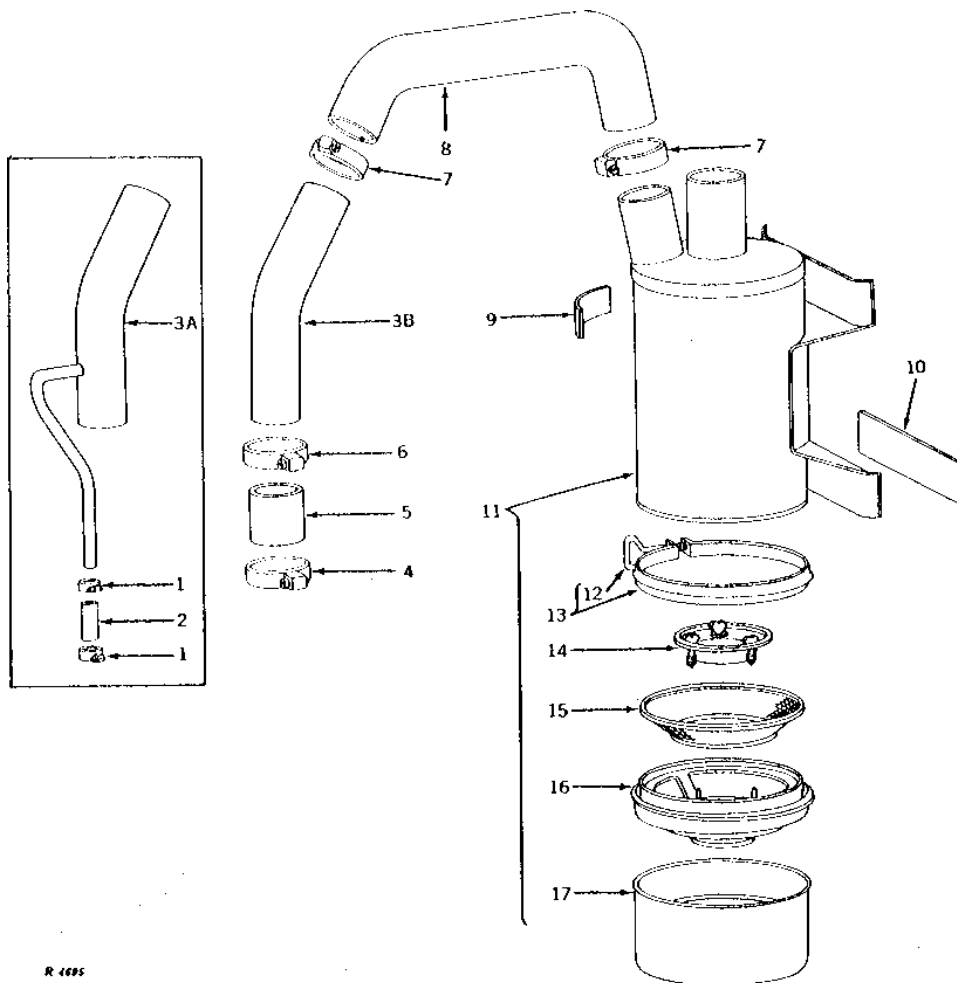
# 1D8

FUEL AND AIR

R4695

-UN-01JAN94

## AIR CLEANER (DIESEL)



R 4695

# 1D9

FUEL AND AIR

## AIR CLEANER - CONTINUED (DIESEL)

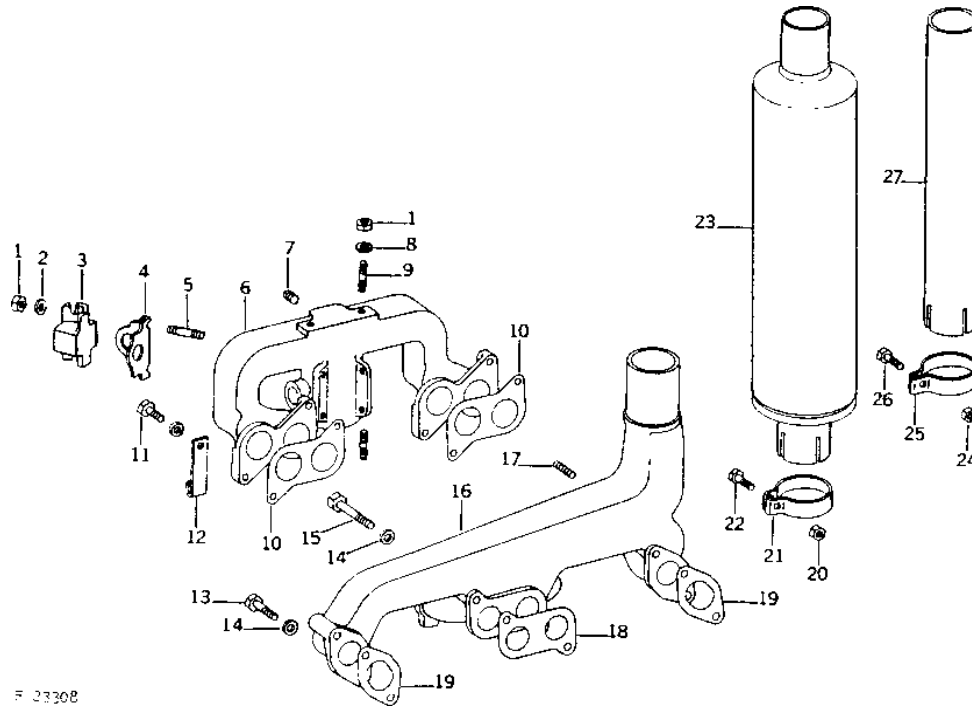
KEY	PART NO.	PART NAME	QTY	ENGINE SERIAL NO.	REMARKS
1	AR21837	CLAMP	2	-020110	
2	.....	HOSE	1	-020110	62MM (2.44") (MAKE FROM R45847) (SUB FOR R26404 OR R31543)
3A	AR26804	PIPE	1	020110-	
3B	R31348	TUBE	1	020111-	
4	AR21841	CLAMP	1		
5	R26531	HOSE	1		(SUB FOR R26294)
6	AR21840	CLAMP	1		
7	AR21841	CLAMP	2		
8	R27631	HOSE	1		
9	.....	FOAM PAD	1		3.18 X 38 X 51MM (1/8" X 1-1/2" X 2") (MAKE FROM R21736)
10	.....	FOAM PAD	2		1.59 X 51 X 127MM (1/16" X 2" X 5") (MAKE FROM R30596)
11	AR27281	AIR CLEANER	1		
12	B1569R	BOLT	1	-001649	(SUB AR30577, THIS APPLICATION)
	R28633	BOLT	1	001650-	(SUB AR30577, THIS APPLICATION)
13	AR30577	CLAMP	1		(SUB FOR AR27854 OR AR30136) (SUB AH20855)
14	AR27855	RETAINER	1		
15	AR27856	SCREEN	6		
16	AR27857	HOUSING	1		
17	R34672	OIL CUP	1		(SUB FOR AR27853)

# 1D10

FUEL AND AIR

## MANIFOLDS AND MUFFLER (GASOLINE)

R23308 -UN-12DEC94



F 23308

KEY	PART NO.	PART NAME	QTY	ENGINE SERIAL NO.	REMARKS
1	A4646R	NUT	6	9.525 MM (3/8")	
2	M72490	WASHER	4	10.300 X 21 X 2.500 MM (0.406" X 0.827" X 0.098")	(SUB FOR R42729)
3	R27610	VALVE	2		(SUB FOR R27611)
4	R31053	GASKET	2		
5	R63431	STUD	4	9.525 X 55.626 MM (3/8" X 2.190")	(SUB FOR R27612)
6	AR56076	INTAKE MANIFOLD	1		(MARKED R27407 OR R33189) (SUB FOR AR30038 OR AR32156) (NLA) (SUB R33189, R56481, R63431 AND 15H638)
7	R33189 R104592	INTAKE MANIFOLD PIPE PLUG	1 1		
8	A4624R	WASHER	2	10.312 X 26.924 X 3.048 MM (13/32" X 1.060" X 0.120")	(SUB FOR R26117 OR M3636T)
9	R56481	STUD	2		
10	R26291	GASKET	2		
11	19H1765	CAP SCREW	4	3/8" X 1-3/4"	
12	12H304	LOCK WASHER	4	3/8"	
13	R28789	CLIP	1		
14	19H1765	CAP SCREW	3	3/8" X 1-3/4"	
15	12H304	LOCK WASHER	3	3/8"	
16	R63845	WASHER	6		
17	19H1944	CAP SCREW	3	3/8" X 2-3/4"	
18	12H304	LOCK WASHER	3	3/8"	
19	R27404	EXHAUST MANIFOLD	1		(RC, ST AND RU) (3010, 3020&)
20	R31744	EXHAUST MANIFOLD	1		(RC, RU AND OR) (MARKED R31744) (ALSO ORDER L851T) (SUB FOR AR31119) (USE WITH R31769) (NOT AS ILLUSTRATED) (3010, 3020&)
21	L851T	STUD	2	11.125 X 41.500 MM (7/16" X 1.634")	(USE WITH R31744 OR R31769) (RC, RU AND OR) (3010, 3020&)
22	R83020	GASKET	1		(SUB FOR R26360 OR R44373)
23	R83021	GASKET	2		(SUB FOR R26361 OR R44374)
24	E55662	FLANGE NUT	1	3/8", (RC, ST AND RU)	

# 1D11

FUEL AND AIR

## MANIFOLDS AND MUFFLER - CONTINUED (GASOLINE)

KEY	PART NO.	PART NAME	QTY	ENGINE SERIAL NO.	REMARKS
21	AR26905	CLAMP	1		(RC, ST AND RU)
22	19H1800	CAP SCREW	1		3/8" X 1-1/2", (RC, ST AND RU)
23	AR26786	MUFFLER	1		(VERTICAL) (RC, ST AND RU) (3010, 3020*)
	R31406	MUFFLER	1		(HORIZONTAL) (NOT ILLUSTRATED) (RC, ST AND RU) (3010) (NLA)
	AR41172	MUFFLER	1		(NOT ILLUSTRATED) (SUB FOR AR26786 ON 3020&)
24	E55662	FLANGE NUT	1		3/8", (HS SAE 8) (RC, ST AND RU)
25	R66684	CLAMP	1		(RC, ST AND RU) (SUB FOR AR26906, THIS APPLICATION) (3010, 3020&)
26	19H1732	CAP SCREW	1		3/8" X 1-1/4" (3020*, 3020&)
	19H1800	CAP SCREW	1		3/8" X 1-1/2" (3010)
27	AR27090	MUFFLER EXTENSION	1		(RC, ST AND RU)
	AR45916	MUFFLER EXTENSION	1		(SUB FOR AR27090 ON 3020&)
	R66683	EXHAUST PIPE	1		(NOT ILLUSTRATED) (SUB FOR AR46357 AND AR86807) (CAB) (ALSO ORDER R66684, 19H1732, 14H812) (3020&)

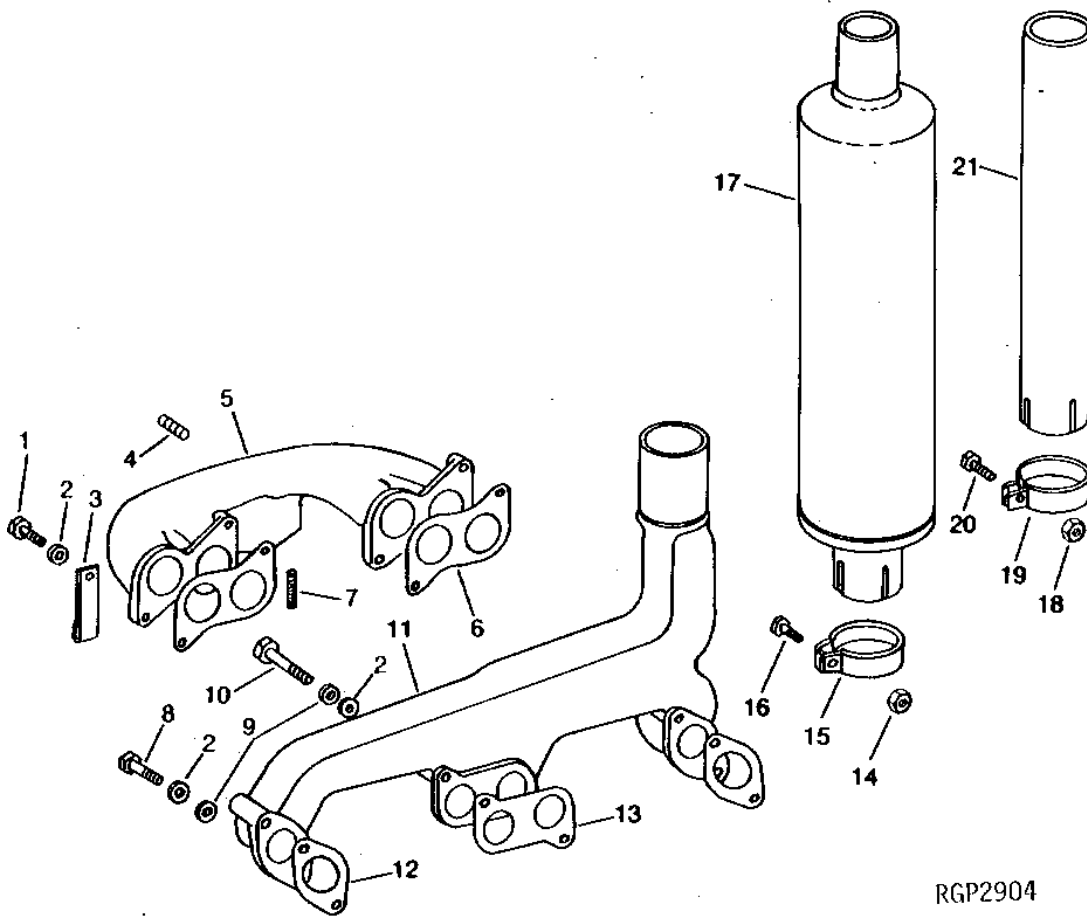
RC - ROW-CROP, ST - STANDARD, RU - ROW-CROP UTILITY, OR - ORCHARD  
 (\*) 3020 ( -122998)  
 (&) 3020 (123000- )

# 1D12

FUEL AND AIR

## MANIFOLDS AND MUFFLER (LP)

RGP2904 -UN-01JAN94



RGP2904



# 1D13

FUEL AND AIR

## MANIFOLDS AND MUFFLER - CONTINUED (LP)

KEY	PART NO.	PART NAME	QTY	ENGINE SERIAL NO.	REMARKS
1	19H1732	CAP SCREW	4		3/8" X 1-1/4"
2	12H304	LOCK WASHER	10		3/8"
3	R28789	CLIP	1		(3010, 3020*)
4	R104592	PIPE PLUG	1	114932-	(3020*, 3020&)
5	AR30039	INTAKE MANIFOLD	1		(MARKED R27408) (NLA)
6	R26291	GASKET	2		
7	R56481	STUD	2		(SUB FOR R26117 OR M3636T) (3010, 3020*)
	19H2929	SCREW	2	114932-	3/8" X 1.120", (3020*, 3020&)
8	19H1765	CAP SCREW	3		3/8" X 1-3/4"
9	R63845	WASHER	6		
10	19H1944	CAP SCREW	3		3/8" X 2-3/4"
11	R27405	EXHAUST MANIFOLD	1		(NLA)
12	R83021	GASKET	2		(SUB FOR R26361 OR R44374)
13	R83020	GASKET	1		(SUB FOR R26360 OR R44373)
14	E55662	FLANGE NUT	1		3/8"
15	AR26905	CLAMP	1		
16	19H1732	CAP SCREW	1		3/8" X 1-1/4"
	19H1800	CAP SCREW	1		3/8" X 1-1/2" (3010)
17	AR26786	MUFFLER	1		(VERTICAL) (3010, 3020*)
	R31406	MUFFLER	1		(HORIZONTAL) (NOT ILLUSTRATED) (3010, 3020*) (NLA)
	AR41172	MUFFLER	1		(VERTICAL)(NOT ILLUSTRATED) (3020&)
18	E55662	FLANGE NUT	1		3/8"
19	AR26906	CLAMP	1		(3010, 3020*)
	R66684	CLAMP	1		(SUB FOR AR45917) (3020&)
20	19H1800	CAP SCREW	1		3/8" X 1-1/2"
	19H1732	CAP SCREW	1		3/8" X 1-1/4", (SUB FOR AR45917) (3020&)
21	AR27090	MUFFLER EXTENSION	1		(3010, 3020*)
	AR45916	MUFFLER EXTENSION	1		(3020&)
	R66683	EXHAUST PIPE	1		(NOT ILLUSTRATED) (SUB FOR AR46357 OR AR86807) (ALSO ORDER R66684, 19H1732 AND E55662) (3020&)

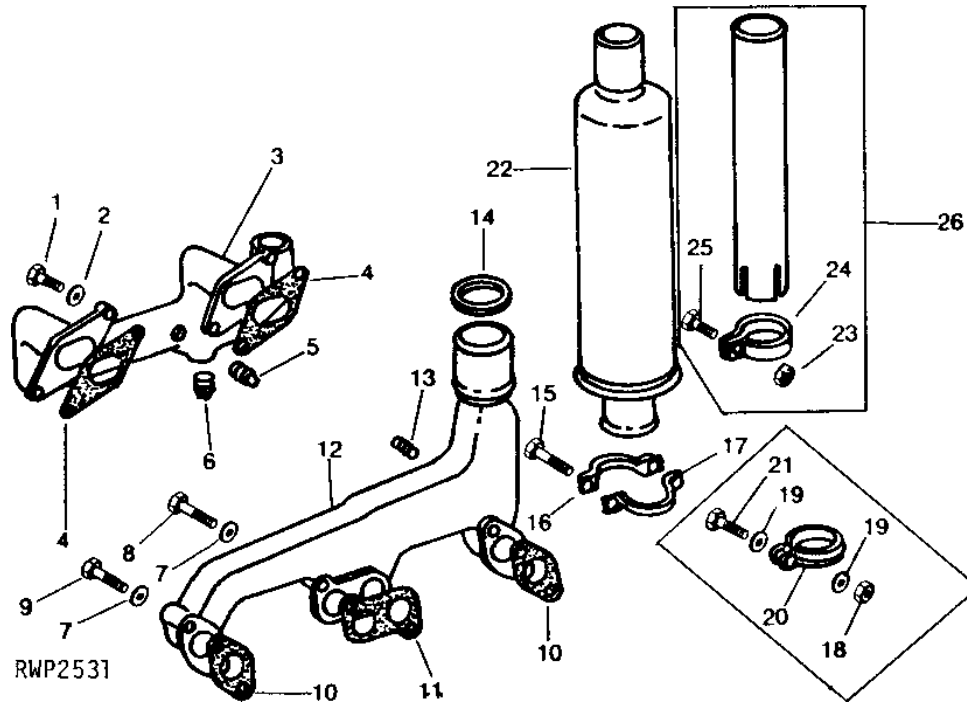
(\*) 3020 ( -122998)  
(&) 3020 (123000- )

# 1D14

FUEL AND AIR

## MANIFOLDS AND MUFFLER (DIESEL)

RWP2531 -UN-12DEC94



KEY	PART NO.	PART NAME	QTY	ENGINE SERIAL NO.	REMARKS
1	19H1732	CAP SCREW	4		3/8" X 1-1/4"
2	12H304	LOCK WASHER	4		3/8"
3	R27409	INTAKE MANIFOLD	1	-021110	(SUB R31349 AND 15H604) (3010)
.....	AR45304	INTAKE MANIFOLD	1	021111-	( R31349 NLA) (3010)
4	R26297	GASKET	2		(MARKED R33217 OR R44084) (3020&, 3020*)
5	15H255	PIPE PLUG	1		3/8"
6	15H584	PIPE PLUG	1		1/2"
7	R63845	WASHER	6		
8	19H1944	CAP SCREW	3		3/8" X 2-3/4"
	12H304	LOCK WASHER	3		3/8"
9	19H1765	CAP SCREW	3		3/8" X 1-3/4"
	12H304	LOCK WASHER	3		3/8"
10	R83021	GASKET	2		(SUB FOR R26361 OR R44374)
11	R83020	GASKET	1		(SUB FOR R26360 OR R44373)
12	R27406	EXHAUST MANIFOLD	1		(RC, ST AND RU)
	AR31120	EXHAUST MANIFOLD	1		(RC, RU AND OR) (MARKED R31745) (USE WITH R31769) (NOT AS ILLUSTRATED) (NLA)
13	L851T	STUD	2		11.125 X 41.500 MM (7/16" X 1.634") (RC, RU AND OR) (USE WITH R31769)
14	R31142	SEALING WASHER	1	006644-	(RC, ST AND RU)
15	19H1849	CAP SCREW	2	032000-	5/16" X 1-1/4"
16	R32235	CLAMP	1	032000-	
17	AR46323	CLAMP	1	032000-	(SUB FOR R32236)
18	E55662	FLANGE NUT	1	-031999	3/8", (RC, ST AND RU)
19	24H1305	WASHER	2	006644-031999	13/32" X 13/16" X 0.065"
20	AR26905	CLAMP	1	-006643	(RC, ST AND RU)
	AR30191	CLAMP	1	006644-031999	(RC, ST AND RU) (SUB R32235, AR46323 AND (2) 19H1849)

# 1D15

FUEL AND AIR

## MANIFOLDS AND MUFFLER - CONTINUED (DIESEL)

KEY	PART NO.	PART NAME	QTY	ENGINE SERIAL NO.	REMARKS
21	19H1800	CAP SCREW	1	-006643	3/8" X 1-1/2", (RC, ST AND RU)
	19H2023	CAP SCREW	1	006644-031999	3/8" X 3-1/4", (RC, ST AND RU)
22	AR26786	MUFFLER	1	-006643	(RC, ST AND RU) (3010)
	AR30189	MUFFLER	1	006644-	(RC, ST AND RU) (3010, 3020*)
	R31407	MUFFLER	1		(RC, ST AND RU) (NOT ILLUSTRATED) (3010, 3020*)
	AR86595	MUFFLER	1		(SUB FOR AR30189 OR AR41171 ON 3020&)
23	E55662	FLANGE NUT	1		3/8", (RC, ST AND RU)
24	AR26906	CLAMP	1		(RC, ST AND RU) (3010, 3020*)
	R66684	CLAMP	1		(SUB FOR AR45917) (ALSO ORDER 19H1732, 14H1074) (3020&)
25	19H1800	CAP SCREW	1		3/8" X 1-1/2", (RC, ST AND RU)
	19H1732	CAP SCREW	1		3/8" X 1-1/4", (USE WITH AR45917 OR R66684 ON 3020&) (3020*, 3020&)
26	AR27090	MUFFLER EXTENSION	1		(INCLUDES AR26906) (RC, ST AND RU) (3010, 3020*)
	AR45916	MUFFLER EXTENSION	1		(3020&)

RC - ROW-CROP, ST - STANDARD, RU - ROW-CROP UTILITY, OR - ORCHARD  
 (\*) 3020 ( -122999) TRACTOR SERIAL NO.  
 (&) 3020 (123000- ) TRACTOR SERIAL NO.

---

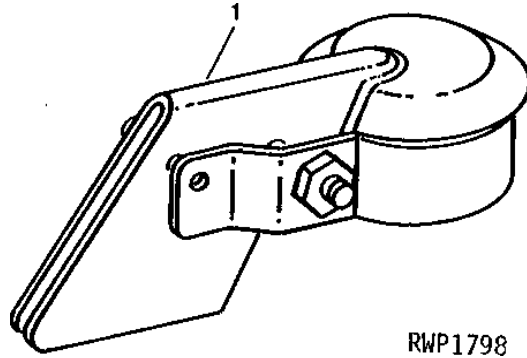
MEMORANDA

# 1D16

FUEL AND AIR

RWP1798 -UN-01JAN94

## EXHAUST MUFFLER COVER



RWP1798

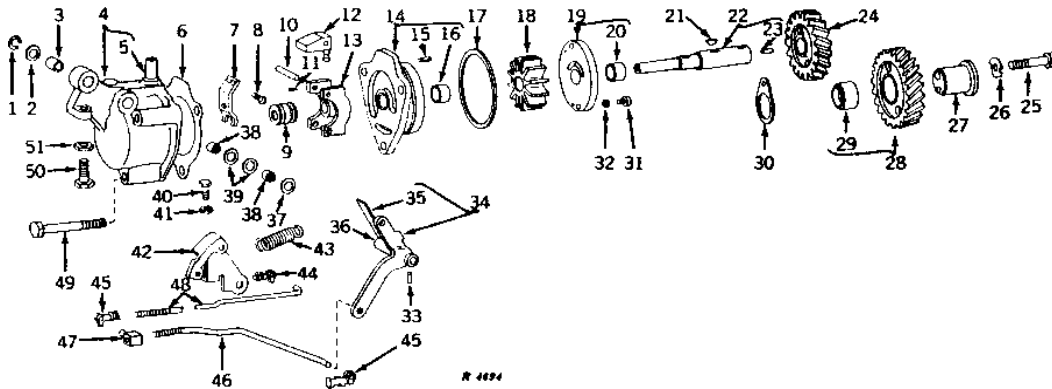
KEY	PART NO.	PART NAME	QTY	TRACTOR SERIAL NO.	REMARKS
1	AR86598	CAP	1		(SUB FOR AR30005, AR41708 OR AT32240)
	AR45689	COVER	1		(USE WITH AR41708)
	AR56784	EXHAUST CAP	1		(SUB FOR AR30753 OR AR41709) (USE WITH AR27090)
	AR45690	CLAMP	1		(USE WITH AR41709)

# 1D17

FUEL AND AIR

## GOVERNOR AND VENTILATOR PUMP (GASOLINE AND LP-GAS)

R4694 -UN-12DEC94



KEY	PART NO.	PART NAME	QTY	ENGINE SERIAL NO.	REMARKS
1	R26517	SNAP RING	1		
2	24H1325	WASHER	1		15/32" X 59/64" X 0.065"
3	R27922	BUSHING	1		
4	AR26418 AR45297	HOUSING HOUSING	1 1	-020071 020072-	(MARKED R26512) (NLA) (MARKED R31338, R44078 OR R44079) (SUB FOR AR30445) (NLA) (ORDER INDIVIDUAL COMPONENTS)
	AR45299	HOUSING	1	020072-	(SUB FOR AR45297) (ALSO ORDER R20423 AND R26127)
5	R26127	BUSHING	1	-020071	
6	R31340	GASKET	1		(SUB FOR R26141)
7	R26129	LEVER	1		
8	19H1227 12H356	CAP SCREW LOCK WASHER	2 2		1/4" X 1/2", (SUB FOR AR28756) 1/4", (SUB FOR AR28756)
9	AL2769T	BALL BEARING	1		(SUB FOR AL2691T)
	L4299T	WASHER	2		(SUB FOR AL2691T)
10	R27205	PIN	2		
11	11H229	COTTER PIN	2		3/32" X 2"
12	AR26421	WEIGHT	2		
13	R26131	CRADLE	1		
14	AR26339	HOUSING	1	-020071	(MARKED R26133) (SUB AR30444)
	AR30444	HOUSING	1	020072-	(MARKED R31337)
	AR45306	HOUSING	1		(MARKED R44083) (3020&)
15	34H245	SPRING PIN	2		1/8" X 5/8"
16	R30713	BUSHING	1		
17	R40777 R40776	WASHER WASHER	1 1		(SUB FOR R39954) (3010) (SUB FOR R26142) (3020*, 3020&)
18	R26135	IMPELLER	1		(NLA)
19	AR26341	COVER	1		(MARKED R26136) (NLA)
20	R30713	BUSHING	1		

# 1D18

FUEL AND AIR

## GOVERNOR AND VENTILATOR PUMP - CONTINUED (GASOLINE AND LP-GAS)

KEY	PART NO.	PART NAME	QTY	ENGINE SERIAL NO.	REMARKS
21	26H70	SHAFT KEY	3		1/8" X 1/2"
22	AR26420	SHAFT	1		
23	B2641R	DOWEL PIN	1		
24	R26138	GEAR	1		
25	19H3181	CAP SCREW	1		3/8" X 2"
26	R26403	LOCK PLATE	1		
27	R26401	SHAFT	1		
28	AR26389	GEAR	1		(MARKED R26399)
29	R30712	BUSHING	1		
30	R26402	WASHER	1		
31	19H2925	SCREW	2		0.190" X 1/2" NO. 10 X 1/2"
32	12H246	LOCK WASHER	2		0.190"
33	34H247	SPRING PIN	1	-021275	1/8" X 3/4"
34	AR27245	ARM	1	-021275	(SUB AR44847)
	AR30828	ARM	1	021276-115366	(SUB AR44847)
	AR44847	ARM	1	115367-	
35	R42624	STRAP	1	-115366	(SUB FOR R27923)
	16H97	RIVET	2		1/8" X 3/8"
	R42624	STRAP	1	115367-	
36	R26128	LEVER	1	-021275	(SUB AR44847)
37	AR26338	SEAL	1		
38	JD8862	NEEDLE BEARING	2		
39	24H1227	WASHER	2		17/32" X 13/16" X 0.060"
40	19H1914	CAP SCREW	1		1/4" X 1"
41	14H850	NUT	1		1/4"
42	AR59651	ARM	1		(SUB FOR AR26342) (NLA)
43	R26518	SPRING	1		
44	R26524	CLIP	1		
45	R26501	CLIP	2		GAS (R.H.)
	R26501	CLIP	1		LP (L.H.)
	R26524	CLIP	1		GAS - LP (R.H.)
46	R26523	ROD	1		(GAS)
	R26523	ROD	1	-115366	(LP)
	R42163	ROD	1	115367-	(LP) (NLA)
	R44899	ROD	1		(GAS) (3020&) (NLA)
47	R26500	SWIVEL	1		
48	R34710	ROD	1		(SUB FOR R27102)
	R41569	ROD	1		(NLA) (3020&)
49	R41920	CAP SCREW	3	-020071	(SUB FOR R27207)
	R31542	BOLT	3	020072-	
50	19H2831	CAP SCREW	1		5/16" X 1-1/2"
51	14H611	NUT	1		5/16"

(\*) 3020 ( -122999) TRACTOR SERIAL NO.  
(&) 3020 (123000- ) TRACTOR SERIAL NO.

---

MEMORANDA

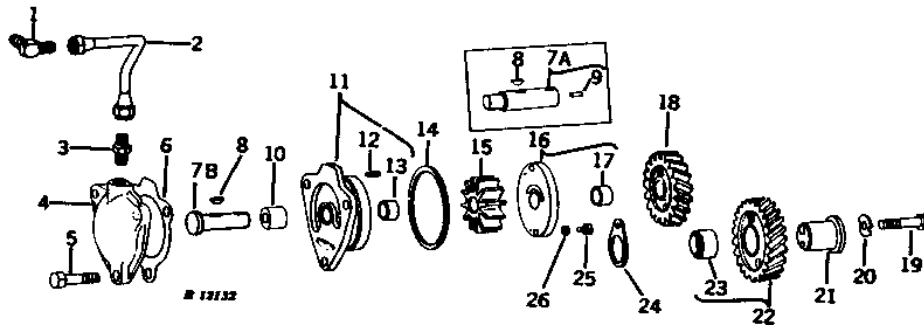


# 1D19

FUEL AND AIR

## VENTILATOR PUMP (DIESEL)

R12132 -UN-12OCT94



KEY	PART NO.	PART NAME	QTY	ENGINE SERIAL NO.	REMARKS
1	M42830	ELBOW FITTING	1	020111-	90°, (SUB FOR AR26635)
2	AR30450	HYDRAULIC LINE	1	020111-	
3	R26127	BUSHING	1	-020110	
4	R26892	FITTING	1	020111-	
	AR26391	COVER	1	-020110	(NLA) (MARKED R26408)
	R31346	COVER	1	020111-	(NLA)
5	R41920	CAP SCREW	3		(SUB FOR R27207)
6	R31340	GASKET	1		(SUB FOR R26141)
7A	AR26390	SHAFT	1	-083999	(SUB AR40405)
7B	AR40405	SHAFT	1	084000-	
8	26H70	SHAFT KEY	2		1/8" X 1/2"
9	B2641R	DOWEL PIN	1		(USED WITH AR26390)
10	R26407	SPACER	1	-083999	(SUB AR40405)
11	AR26339	HOUSING	1	-020110	(MARKED R26133) (SUB AR30444)
	AR30444	HOUSING	1	020111-	(MARKED R31337)
12	34H245	SPRING PIN	2		1/8" X 5/8"
13	R30713	BUSHING	1		(3010)
14	R40777	WASHER	1		(SUB FOR R39954)
	R40776	WASHER	1		(SUB FOR R26142) (3020*)
15	R26135	IMPELLER	1		
16	AR26341	COVER	1		(MARKED R26136) (NLA)
17	R30713	BUSHING	1		
18	R26138	GEAR	1		
19	19H3181	CAP SCREW	1		3/8" X 2"
20	R26403	LOCK PLATE	1		
21	R26401	SHAFT	1		
22	AR26389	GEAR	1		(MARKED R26399)
23	R30712	BUSHING	1		
24	R26402	WASHER	1		
25	19H2925	SCREW	2		NO. 10 X 1/2", (SUB FOR R27206)
26	12H246	LOCK WASHER	2		0.190", (SUB FOR A767R)

(\* ) 3020 ( -122998)

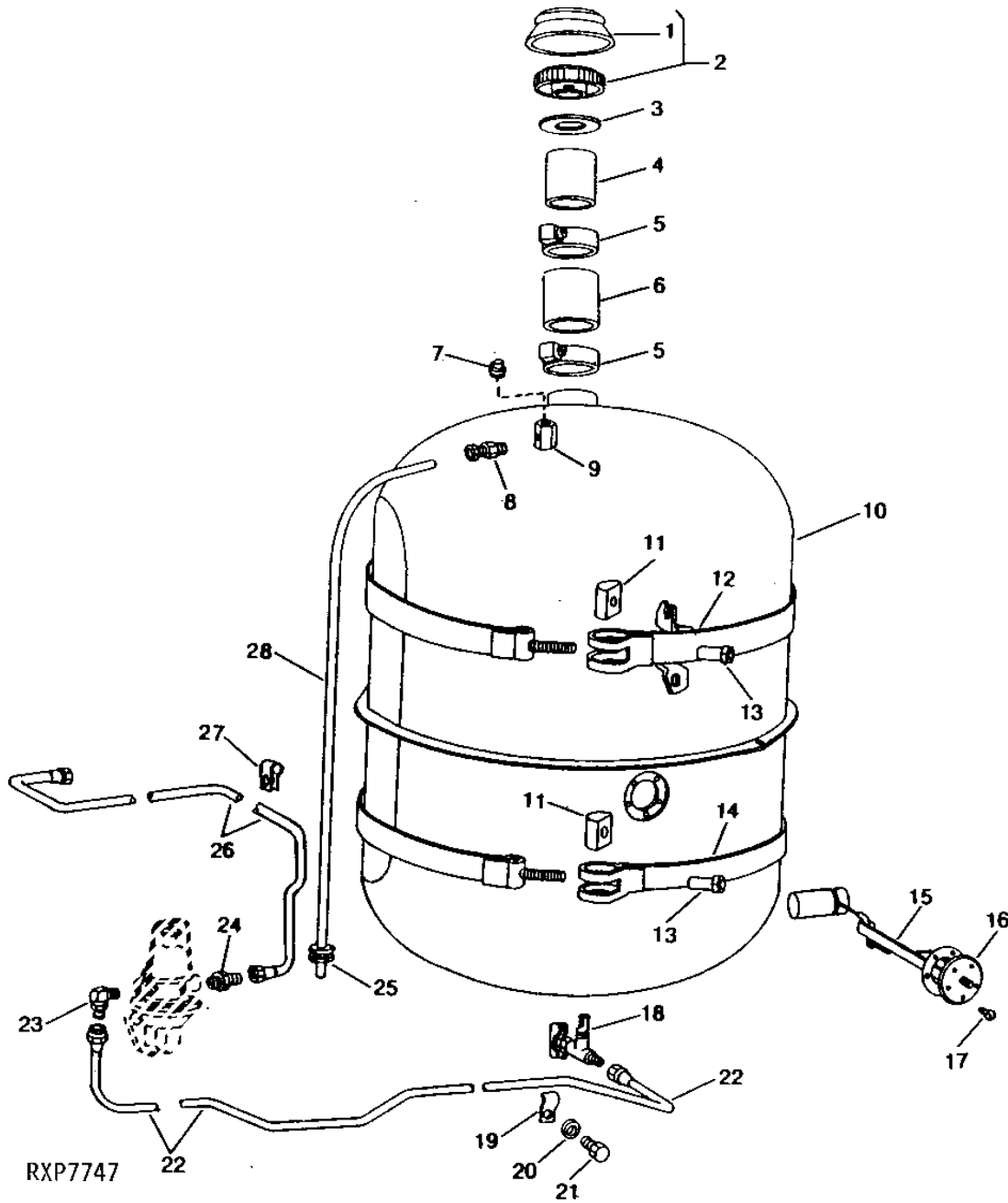
# 1D20

FUEL AND AIR

RXP7747

-UN-01JAN94

FUEL TANK  
(GASOLINE)



# 1D21

FUEL AND AIR

## FUEL TANK AND FUEL PUMP - CONTINUED (GASOLINE)

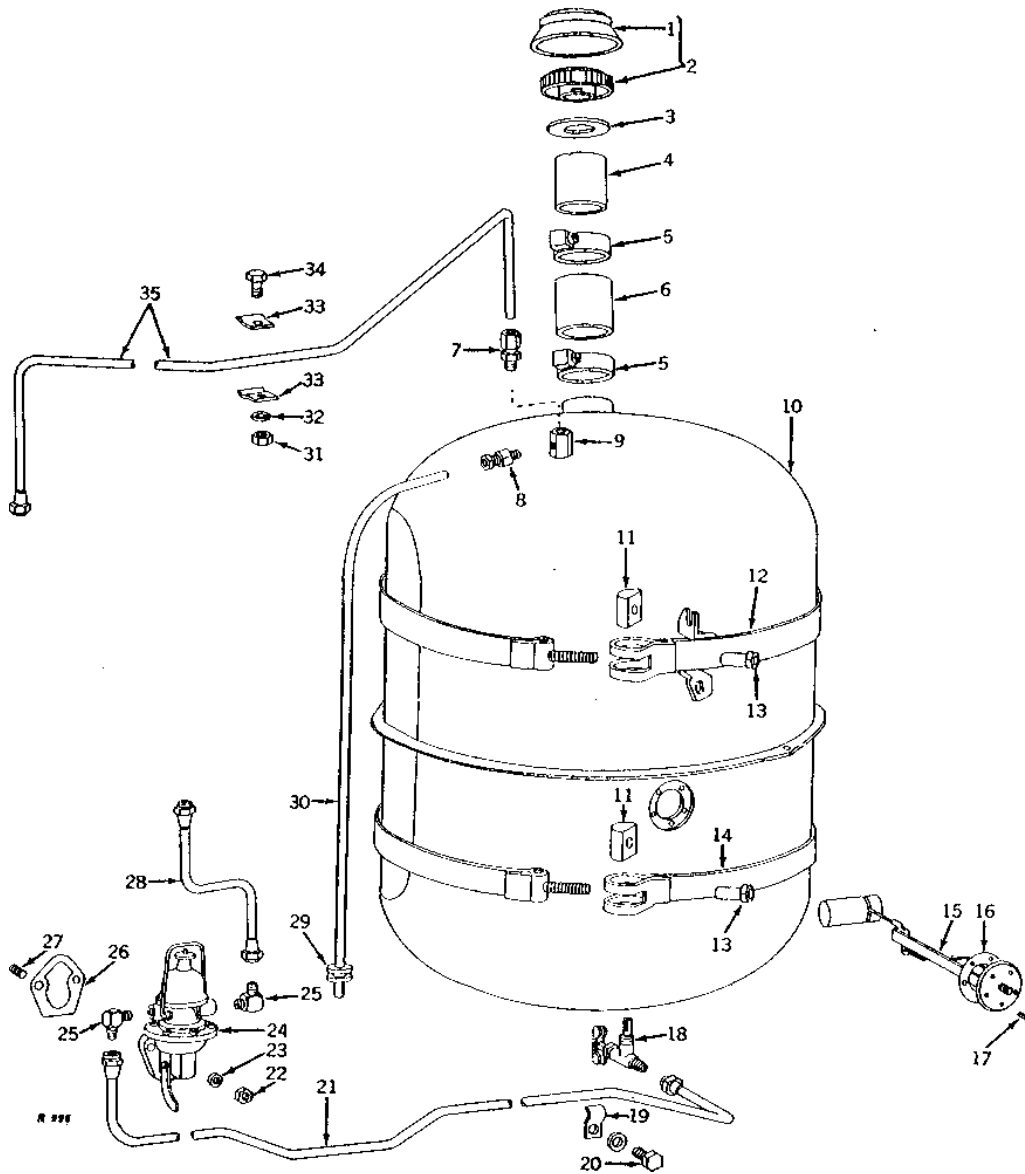
KEY	PART NO.	PART NAME	QTY	TRACTOR SERIAL NO.	REMARKS
1	R27183	COVER	1		
2	AT20911	FILLER CAP	1		(SUB FOR AR28483)
3	F3083R	GASKET	1		(USE WITH AR28483)
	R39615	WASHER	1		(USE WITH AT20911)
4	R39895	FILLER NECK	1		(ALSO ORDER AT20911) (SUB FOR R26528)
5	AR21840	CLAMP	2		
6	R26531	HOSE	1		
7	15H604	PIPE PLUG	1		1/4"
8	AR34099	FITTING	1		(NLA)
9	R26529	BUSHING	1		
10	AR39586	FUEL TANK	1		(SUB FOR AR26738 AND AR34266)
11	R26593	GUIDE	2		
12	AR26736	STRAP	1		
13	R26594	NUT	2		
14	AR26737	STRAP	1		
15	AR26434	SENDER	1		
16	R27181	GASKET	1		
17	37H47	SCREW	5		NO. 8 X 1/2", (SUB FOR R27182)
18	R34656	SHUT-OFF VALVE	1		(SUB FOR AR26435 OR R32508)
19	A4881R	CLIP	1		
20	12H304	LOCK WASHER	1		3/8"
21	19H1936	CAP SCREW	1		3/8" X 3/4"
22	AR26740	FUEL LINE	1		
23	AR26674	ELBOW FITTING	1		
24	R27346	FITTING	1		
25	R27180	GROMMET	1		
26	R27418	TUBE	1		(NLA)
27	AR26567	FUEL LINE	1		
28	R27284	CLIP	1		

# 1D22

FUEL AND AIR

## FUEL TANK AND FUEL PUMP (DIESEL)

R996 -UN-01JAN94



# 1D23

FUEL AND AIR

## FUEL TANK AND FUEL PUMP - CONTINUED (DIESEL)

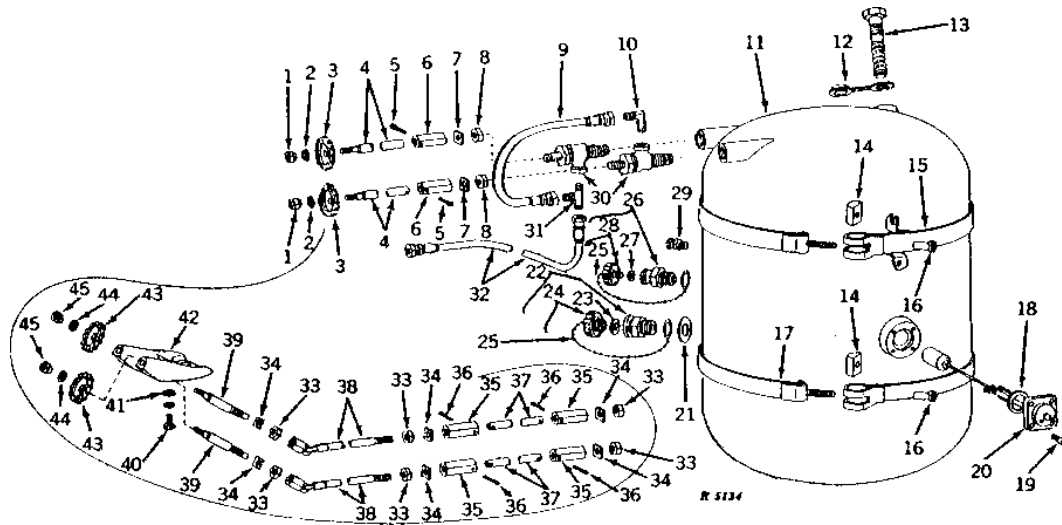
KEY	PART NO.	PART NAME	QTY	TRACTOR SERIAL NO.	REMARKS
1	R27183	COVER	1		
2	AT20911	FILLER CAP	1		(SUB FOR AR28483)
3	F3083R	GASKET	1		(USE WITH AR28483)
	R39615	WASHER	1		(USE WITH AT20911)
4	R39895	FILLER NECK	1		(SUB FOR R26528) (ALSO ORDER AT20911)
5	AR21840	CLAMP	2		
6	R26531	HOSE	1		57 X 64MM (2-1/4" X 2-1/2")
7	AR26649	FITTING	1		
8	AR34099	FITTING	1		
9	R26529	BUSHING	1		
10	AR39586	FUEL TANK	1		(SUB FOR AR26738 OR AR34266)
11	R26593	GUIDE	2		
12	AR26736	STRAP	1		
13	R26594	NUT	2		
14	AR26737	STRAP	1		
15	AR26434	SENDER	1		
16	R27181	GASKET	1		
17	37H47	SCREW	5		NO. 8 X 1/2", (SUB FOR R27182)
18	R34656	SHUT-OFF VALVE	1		(SUB FOR AR26435 OR R32508)
19	A4881R	CLIP	1		
20	12H304	LOCK WASHER	1		3/8"
21	19H1936	CAP SCREW	1		3/8" X 3/4"
22	AR26740	FUEL LINE	1		
23	AR26674	ELBOW FITTING	2		
24	AR26997	FUEL LINE	1		
25	R27180	GROMMET	1	-037999	
26	R27418	TUBE	1	-037999	
	R32489	TUBE	1	038000-	
27	14H786	NUT	1		1/4"
28	12H302	LOCK WASHER	1		1/4"
29	R34838	CLAMP	2		(SUB FOR R27289)
30	19H1948	CAP SCREW	1		1/4" X 3/4"
31	AR26741	FUEL LINE	1		(SUB AR39640 AND (2) R34838)

# 1D24

FUEL AND AIR

## FUEL TANK AND VALVES (LP-GAS)

R5134 -UN-01JAN94



# 1D25

FUEL AND AIR

## FUEL TANK AND VALVES - CONTINUED (LP-GAS)

KEY	PART NO.	PART NAME	QTY	TRACTOR SERIAL NO.	REMARKS
1	BP12232	LOCK NUT	2		(RC AND ST) (SUB FOR M376T)
2	A3030R	WASHER	2		(RC AND ST)
3	A4999R	HANDLE	2		(RC AND ST)
4	R27420	ROD	2		(RC AND ST)
5	11H222	COTTER PIN	2		3/16" X 2", (RC AND ST)
6	R27184	ADAPTER	2		(RC AND ST)
7	R27257	LOCK PLATE	2		(RC AND ST) (NOT USED)
8	14H971	NUT	2		1/2", (RC AND ST)
9	AR26436	HOSE	1		
10	A4928R	ELBOW FITTING	1		45°
11	AR26478	FUEL TANK	1		(NO LONGER AVAILABLE)
12	R21560	CAP	1		
13	AR21690	RELIEF VALVE	1		
14	R26593	GUIDE	2		
15	AR26736	STRAP	1		
16	R26594	NUT	2		
17	AR26737	STRAP	1		
18	A5141R	WASHER	1		
19	21H1170	SCREW	4		5/16" X 7/8"
20	AR26695	SENDER	1		(INCLUDES KEYS 18 AND 19, AR28621 AND R30759)
	AR28621	SENDER	1		(DIAL)
	R30759	SCREW	2		
21	A5297R	REINFORCEMENT	1		
22	AA6001R	VALVE	1		
23	A4996R	WASHER	1		
24	AA6059R	CAP	1		
	A4997R	SCREW	1		
25	AA6058R	CAP	2		(SUB AA6060R)
26	AA6002R	VALVE	1		
27	A4998R	WASHER	1		(NLA)
28	AA6060R	CAP	1		
	A4997R	SCREW	1		
29	AB4847R	GAUGE	1		
	AA6057R	VALVE	1		
	A4993R	INSTRUCTION PLATE	1		
	A4995R	SNAP RING	1		
30	AR26967	VALVE	2		
31	A4929R	TEE FITTING	1		
32	AR27749	HOSE	1		
33	14H971	NUT	6		1/2", (RU)
34	R27257	LOCK PLATE	6		(RU) (NOT USED)
35	R27184	ADAPTER	4		(RU)
36	11H222	COTTER PIN	4		3/16" X 2", (RU)
37	R28050	PIN	2		(RU) (NO LONGER AVAILABLE)
38	AR27370	UNIVERSAL JOINT	2		(RU) (NO LONGER AVAILABLE)
39	R28051	ROD	2		(RU) FUEL CONTROL, REAR (NO LONGER AVAILABLE)
40	19H1227	CAP SCREW	2		1/4" X 1/2", (RU)
	12H302	LOCK WASHER	2		1/4", (RU)
41	24H1287	WASHER	2		9/32" X 5/8" X 0.065"
42	R28052	SUPPORT	1		(RU) (NO LONGER AVAILABLE)
43	A4999R	HANDLE	2		(RU)
44	A3030R	WASHER	2		(RU)
45	BP12232	LOCK NUT	2		(RU) (SUB FOR M376T)

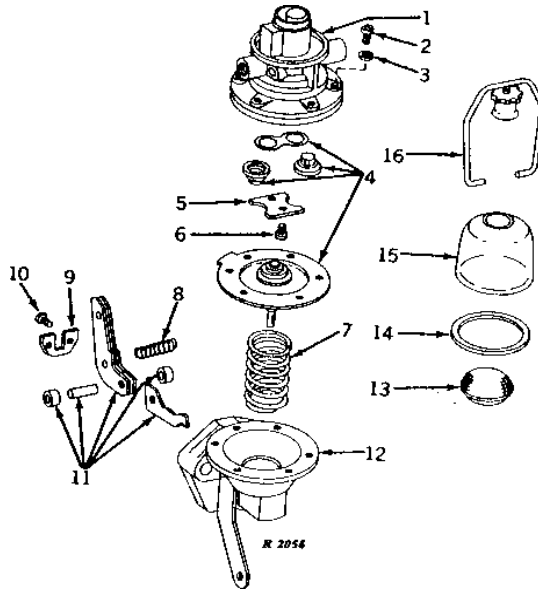
RC - ROW-CROP, ST - STANDARD, RU - ROW-CROP UTILITY

# 1E1

FUEL AND AIR

R2056 -UN-12OCT94

## FUEL PUMP



KEY	PART NO.	PART NAME	QTY	ENGINE SERIAL NO.	REMARKS
1	.....	COVER	1		(SUB RE43273) (ALSO ORDER R97350)
2	21H1295	SCREW	6		0.190" X 5/8"
3	12H246	LOCK WASHER	6		0.190"
4	.....	DIAPHRAGM	1		(SUB RE38578) (SUB FOR AR28326 OR AR30475)
5	.....	RETAINER	1		(SUB RE43273) (ALSO ORDER R97350)
6	21H1308	SCREW	2		0.138" X 3/8"
7	R30410	SPRING	1		
8	T10804	SPRING	1		
9	.....	RETAINER	1		(SUB RE36906) (ALSO ORDER R97350)
10	21H1308	SCREW	2		0.138" X 3/8"
11	.....	KIT	1		(SUB FOR AR28330 OR AR47304) (SUB RE43273) (ALSO ORDER R97350)
12	.....	HOUSING	1		(SUB RE36906) (ALSO ORDER R97350)
13	AT10635	SCREEN	1		
14	R30409	GASKET	1		
15	AT15172	BOWL	1		(SUB FOR T10796 OR AR30783)
16	AT10638	BAIL	1		
..	.....	FUEL PUMP	1		(GASOLINE) (SUB RE43273) (ALSO ORDER R97350) (SUB FOR AR26672)
..	.....	FUEL PUMP	1		(DIESEL) (SUB RE43273) (ALSO ORDER R97350) (SUB FOR AR26675)
..	RE38578	KIT	1		FUEL PUMP OVERHAUL, (SUB FOR AR40482, AR28326 OR AR30475)

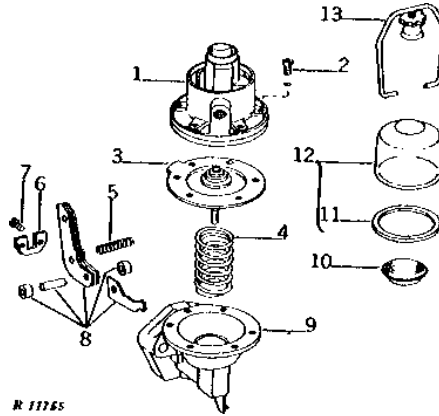


# 1E2

FUEL AND AIR

FUEL PUMP  
(3010)  
(3020 ENGINE SERIAL NO. 079098- )

R11755 -UN-01JAN94



KEY	PART NO.	PART NAME	QTY	ENGINE SERIAL NO.	REMARKS
1	.....	COVER	1	(SUB RE43273 AND R97350 ON 3010)	(SUB RE42211 AND R97350 ON 3020*)
2	21H1295	SCREW	6	0.190" X 5/8"	
	12H246	LOCK WASHER	6	0.190"	
3	.....	DIAPHRAGM	1	(SUB RE38578)	
4	R30410	SPRING	1		
5	T10804	SPRING	1		
6	.....	RETAINER	1	(SUB RE43273 AND R97350 ON 3010)	(SUB RE42211 AND R97350 ON 3020*)
7	21H1308	SCREW	2	0.138" X 3/8"	
8	.....	KIT	1	(SUB RE43273 AND R97350 ON 3010)	(SUB RE42211 AND R97350 ON 3020*) (SUB FOR AR28330 OR AR47304)
9	.....	HOUSING	1	(SUB RE43273 AND R97350 ON 3010)	(SUB RE42211 AND R97350 ON 3020*)
10	AT10635	SCREEN	1		
11	R40565	WASHER	1		
12	AR40407	SEDIMENT BOWL	1		
13	AT10638	BAIL	1		
..	.....	FUEL PUMP	1	(GASOLINE) (SUB RE43273 AND R97350)	(AR40509 NLA)
..	.....	FUEL PUMP	1	(GASOLINE) (SUB RE43274 AND R97350)	(SUB FOR AR52158, AR64120 & AR52159 ON 3020*)
..	.....	FUEL PUMP	1	(GASOLINE) (SUB RE42211 AND R97350)	(SUB FOR AR40258 AND AR52159) (3020*)
..	.....	FUEL PUMP	1	(DIESEL) (SUB RE43273 AND R97350)	(AR40508 NLA)
..	.....	FUEL PUMP	1	(DIESEL) (SUB RE42211 AND R97350)	(SUB FOR AR40259, AR52159 OR RE27667 ON 3020*)
..	RE38578	KIT	1	(SUB FOR AR40482 OR AR30475)	FUEL PUMP OVERHAUL

(\* 5020 ( -024999)

---

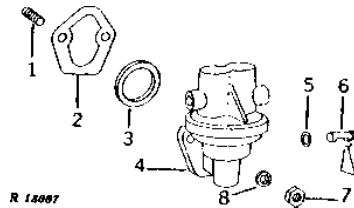
MEMORANDA

# 1E3

FUEL AND AIR

R18007 -UN-01JAN94

## FUEL PUMP



KEY	PART NO.	PART NAME	QTY	ENGINE SERIAL NO.	REMARKS
1	R26934	STUD	2		5/16" X 1-5/8", (USE WITH R26150 AND R26160) (SUB R48755)
	R48755	STUD	2		5/16" X 1-1/2", (USE WITH R40919, R40920, R46350, R46430 AND R49540) (SUB FOR R27285)
2	R97350	GASKET	1		
3	R48399	WASHER	AR		
4	.....	FUEL PUMP	1		(SUB FOR AR53567) (SUB RE43273) (ALSO ORDER R97350) (3010)
	.....	FUEL PUMP	1		(GASOLINE) (SUB RE42211) (ALSO ORDER R97350) (SUB FOR AR32638, AR40258) (3020*)
	.....	FUEL PUMP	1		(GASOLINE) (SUB RE43274) (ALSO ORDER R97350) (SUB FOR AR52158, AR64120) (3020*, 3020&)
	.....	FUEL PUMP	1		(DIESEL) (SUB RE42211) (ALSO ORDER R97350) (SUB FOR AR34415, AR40259, AR52159 OR RE27667) (3020*)
5	A4365R	O-RING	1		(SUB FOR R49139)
6	AR52556	LEVER	1		
7	14H785	NUT	2		5/16"
8	12H303	LOCK WASHER	2		5/16"

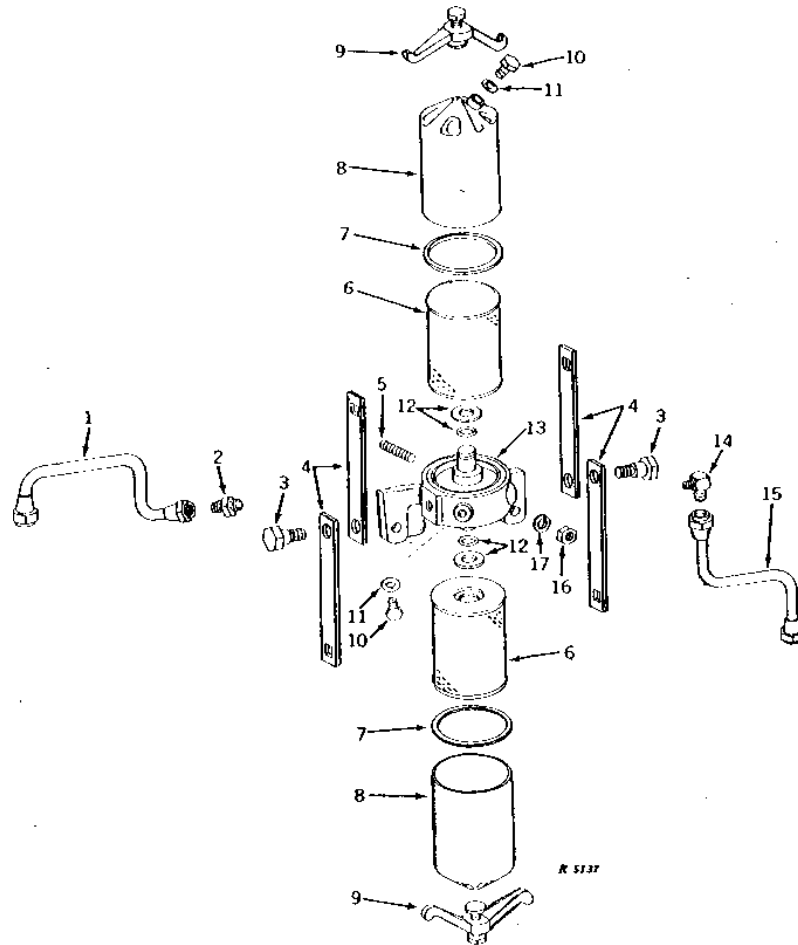
(\*) 3020 ( -122998)

# 1E4

FUEL AND AIR

R5137 -UN-01JAN94

## FUEL FILTERS (DIESEL)



KEY	PART NO.	PART NAME	QTY	ENGINE SERIAL NO.	REMARKS
1	AR26999	FUEL LINE	1		
2	R27346	FITTING	1		
3	R27224	SCREW	2	(NLA)	
4	R27221	BAIL	4	(NLA)	
5	K3083R	STUD	2	7/16" X 1-3/4"	
6	AR44077	FILTER ELEMENT	2	(SUB FOR AR28611)	
7	R1021R	WASHER	2		
8	AR26654	CASE	2		
9	AR26655	CLAMP	2	(NLA)	
10	19H2485	CAP SCREW	2	5/16" X 7/16"	
11	R20498	WASHER	2		
12	AF3435R	KIT	2	(SUB F3334R AND R459R)	
13	AR26653	HOUSING	1	(MARKED R27228) (NLA)	
14	AR26674	ELBOW FITTING	1		
15	AR26997	FUEL LINE	1		
16	14H1047	NUT	2	7/16"	
17	12H293	LOCK WASHER	2	7/16"	

---

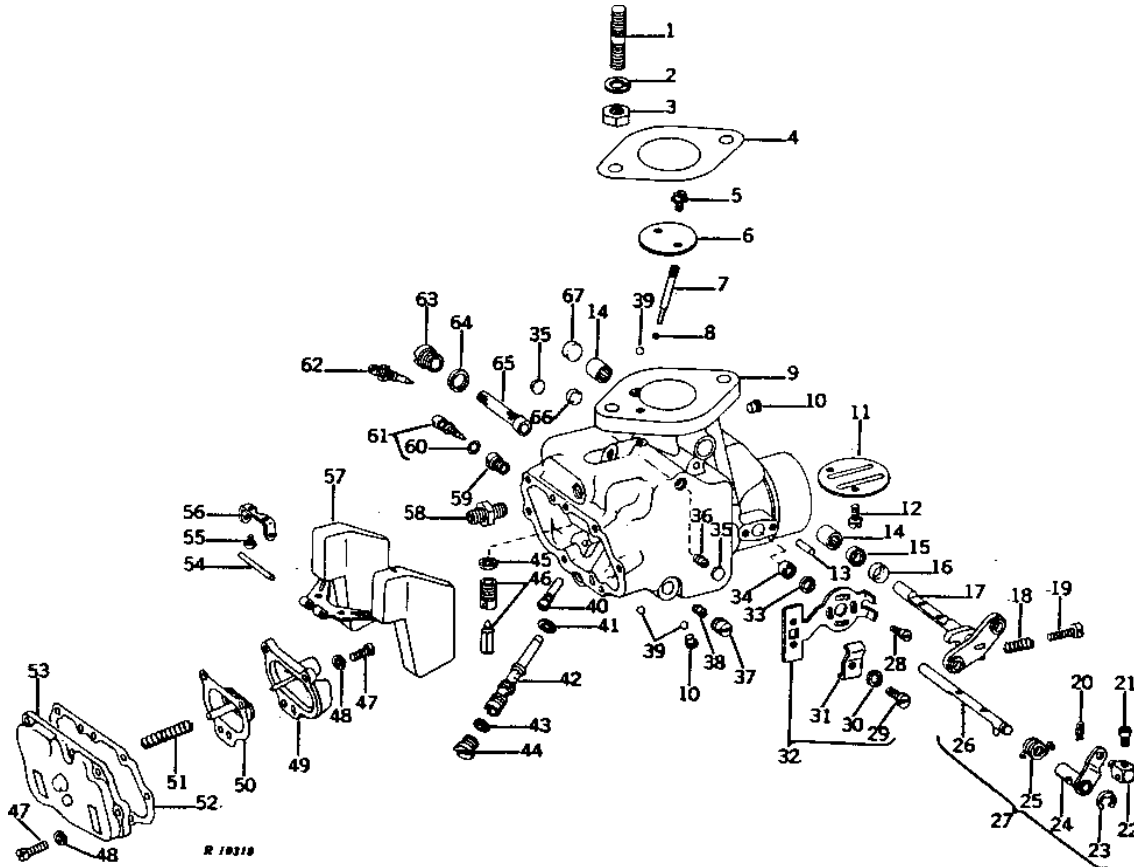
MEMORANDA

# 1E5

FUEL AND AIR

## CARBURETOR (MARVEL-SCHEBLER)

R10319 -UN-12OCT94



KEY	PART NO.	PART NAME	QTY	ENGINE SERIAL NO.	REMARKS
1	R56481	STUD	2		(SUB FOR R26117 OR M3636T)
2	12H304	LOCK WASHER	2		3/8", (NOT REQ. WITH E55662)
3	E55662	FLANGE NUT	2		3/8"
4	R26499	GASKET	1		(SUB FOR R40741)
5	AA6086R	SCREW	2		
6	R10083	DISK	1		
7	R10220	NOZZLE	1		(A) (C) (SUB FOR AR10102)
	AR39831	JET	1		(B) (NLA)
8	R39874	FILTER	1		(B) (MODEL USX-31 AND MODEL USX-36) (NLA)
9	AR34242	CARBURETOR	1		(SUB FOR AR28636) (SUB AR45161) (ALSO ORDER R26499)
10	B17682	PLUG	2		(SUB FOR 80-171)
11	R10181	FAN	1		
12	AR723R	SCREW	2		
13	34H387	SPRING PIN	1		3/16" X 3/4", (SUB FOR R10193)
14	JD8867	NEEDLE BEARING	2		
15	R10194	PACKING	1		
16	R10182	RETAINER	1		
17	AR10101	SHAFT	1		
18	R10104	SPRING	1		
19	21H1315	SCREW	1		0.164" X 3/4"
20	R10185	SPRING PIN	1		
21	21H1293	SCREW	1		0.164" X 5/16"
22	R10184	SWIVEL	1		

# 1E6

FUEL AND AIR

## CARBURETOR - CONTINUED (MARVEL-SCHEBLER)

KEY	PART NO.	PART NAME	QTY	ENGINE SERIAL NO.	REMARKS
23	R72654	SNAP RING	1	(SUB FOR R27507)	
24	AR10096	LEVER	1	(NLA)	
25	R10183	TORSION SPRING	1		
26	AR10095	SHAFT	1		
	34H227	SPRING PIN	1	3/32" X 1/2"	
27	AR10301	SHAFT	1	(NLA)	
28	21H1299	SCREW	2	0.164" X 3/8", (SUB FOR AR10303) (ALSO ORDER	
	12H290	WASHER	2	0.164"	
29	21H1293	SCREW	1	0.164" X 5/16"	
30	12H315	LOCK WASHER	1	0.164"	
31	R10188	CLIP	1		
32	AR10302	BRACKET	1	(NLA)	
33	R10187	SHIM	1		
34	E49906	SEAL	1	(SUB FOR R10186)	
35	30H34	PLUG	2	3/8" BRASS, (SUB FOR R10196) (NLA)	
36	.....	NOZZLE	1	(NO LONGER REQUIRED)	
37	R10202	SET SCREW	1		
38	R10224	NOZZLE	1	(A) (SUB FOR R10201) (NLA)	
	R10189	NOZZLE	1	(B) (NLA)	
39	R10197	PLUG	3	(NLA)	
40	R10204	NOZZLE	1	(NLA)	
41	R10209	WASHER	1		
42	R10208	NOZZLE	1	(C)	
	R10190	NOZZLE	1	(A)	
43	R10170	GASKET	1		
44	R10207	PLUG	1		
45	R10223	GASKET	1	(SUB FOR R10209)	
46	AR10114	VALVE	1	(SUB FOR AR10105)	
47	21H1158	SCREW	10	0.164" X 1/2"	
48	12H315	LOCK WASHER	10	0.164"	
49	AR10112	HOUSING	1	(A) (SUB FOR AR10107) (NLA)	
	AR39835	HOUSING	1	(B) (NLA)	
50	AR10108	DIAPHRAGM	1		
51	R10215	SPRING	1		
52	R10217	GASKET	1		
53	AR10115	COVER	1	(SUB FOR R10216) (NLA)	
54	R10211	SHAFT	1		
55	R59433	SCREW	2	(SUB FOR R10213 OR R10219) (NLA)	
56	R10218	BRACKET	1	(SUB FOR R10212) (NLA)	
57	R10221	FLOAT	1	(SUB FOR AR10106)	
58	R27346	FITTING	1	(SUB FOR R10195)	
59	R10200	SEAT	1	(A)	
	R39879	SEAT	1	(B)	
60	R27490	O-RING	1	(SUB FOR R10199)	
61	AR10103	NEEDLE	1		
62	R10203	NEEDLE ROLLER	1	(A) (SUB AR39833)	
	AR39833	NEEDLE	1	(A) (SUB FOR R10203)	
	AR39833	NEEDLE	1	(B)	
63	R10206	PLUG	1		
64	R10222	GASKET	1	(SUB FOR R10172)	
65	AR10104	FUEL FILTER	1		
66	R10198	CAP	1		
67	R10300	CAP	1		
..	AR10111	KIT	1	CARBURETOR REPAIR (USE ON AR26432 OR AR28636	
				MODEL USX-211)	
..	AR10109	GASKET KIT	1	CARBURETOR REPAIR (USE ON ON MODEL USX-31 AND	
				MODEL USX-36)	
..	AR39836	KIT	1	CARBURETOR REPAIR (USE ON MODEL USX-31 AND	
				MODEL USX-36)	

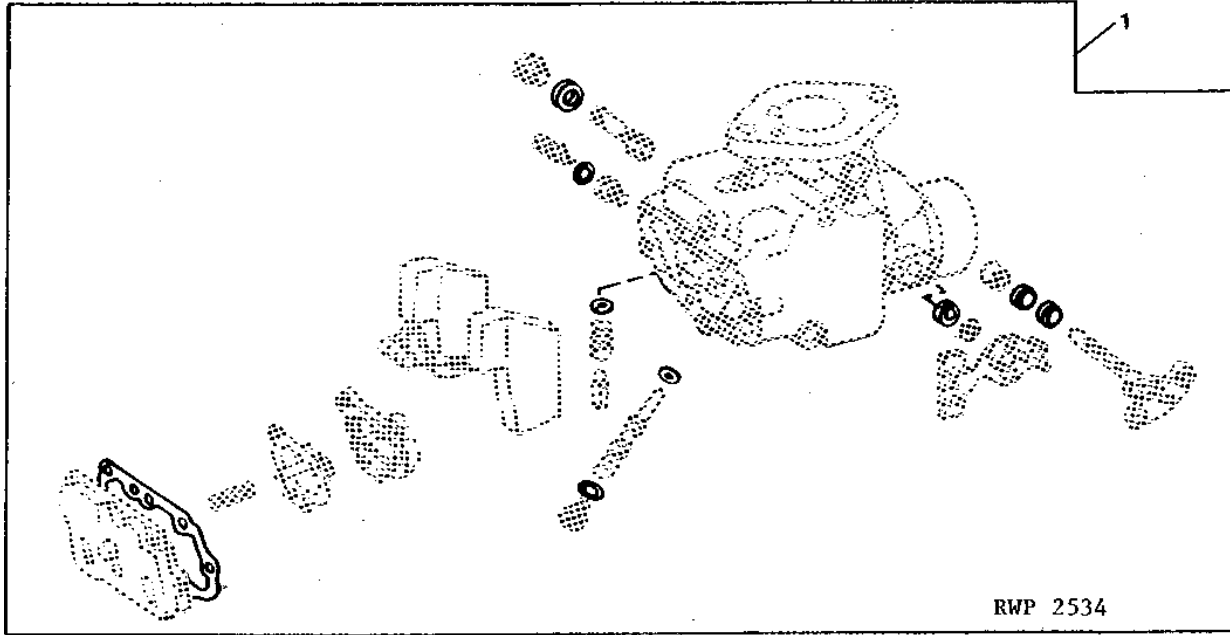
(A) MARVEL-SCHEBLER MODEL USX-31 (3010, 3020\*)  
 (B) MARVEL-SCHEBLER MODEL USX-36 (3010, 3020\*)  
 (C) MARVEL-SCHEBLER MODEL USX-21 (3010) (AR26432 OR AR28636)  
 (\*) 3020 ( -122998)

# 1E7

FUEL AND AIR

RWP2534 -UN-01JAN94

## CARBURETOR GASKET KIT (MARVEL-SCHEBLER)



KEY	PART NO.	PART NAME	QTY	ENGINE SERIAL NO.	REMARKS
1	AR10109	GASKET KIT	1		

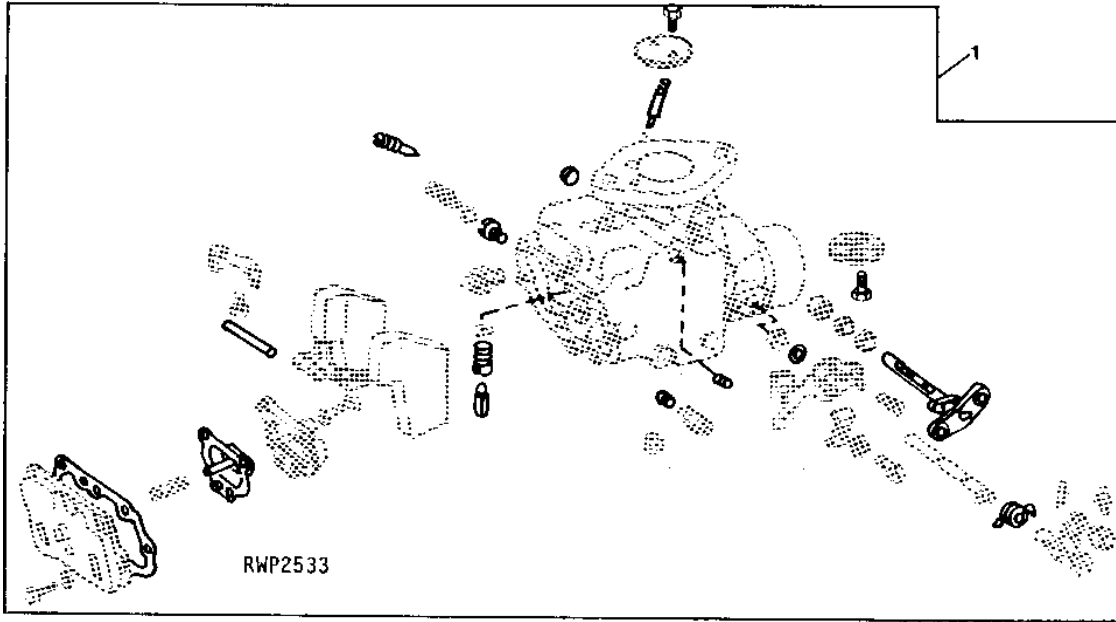


# 1E8

FUEL AND AIR

## CARBURETOR REPAIR KIT (MARVEL-SCHEBLER)

RWP2533 -UN-06OCT94



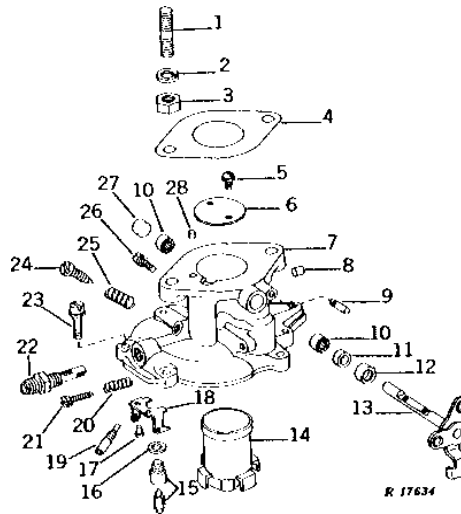
KEY	PART NO.	PART NAME	QTY	ENGINE SERIAL NO.	REMARKS
1	AR39836	KIT	1		(USE WITH MARVEL-SCHEBLER MODEL USX-36)

# 1E9

FUEL AND AIR

## CARBURETOR UPPER BODY AND THROTTLE (ZENITH)

R17634 -UN-01JAN94



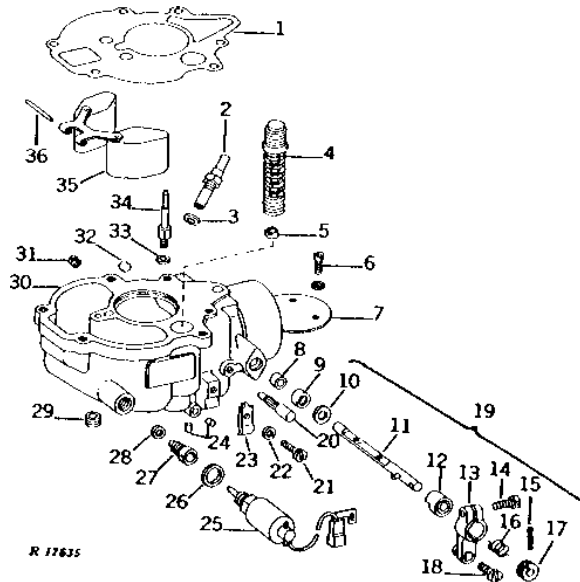
KEY	PART NO.	PART NAME	QTY	ENGINE SERIAL NO.	REMARKS
1	R56481	STUD	2		(SUB FOR M3636T)
2	12H304	LOCK WASHER	2		3/8", (NOT REQUIRED WITH E55662)
3	E55662	FLANGE NUT	2		3/8"
4	R26499	GASKET	1		
5	AT10557	SCREW, WITH WASHER	2		
6	R13038	DISK	1		(NLA)
7	AR13016	HOUSING	1		(NLA)
8	R13051	PLUG	1		(NLA)
9	R13035	PIN	1		(NLA)
10	JD8867	NEEDLE BEARING	2		
11	R13039	SEAL	1		
12	R13040	RETAINER	1		
13	AR13017	SHAFT	1		
14	R13049	VENTURI	1		(USE WITH AR28635) (NLA)
	R13027	VENTURI	1		
15	AH10611	SHUT-OFF VALVE	1		(USE WITH AR34241)
	AR52453	SHUT-OFF VALVE	1		
16	H20925	WASHER	1		
17	R13046	SCREW	2		(NLA)
18	R13043	BRACKET	1		(NLA)
19	R13044	NOZZLE	1		
20	R13036	SPRING	1		(NLA)
21	R13021	SCREW	1		(NLA)
22	AR13019	STRAINER	1		
23	AR13024	SCREW	6		(NLA)
24	H20954	NEEDLE	1		
25	H20923	SPRING	1		(NLA)
26	AR40008	SCREW, WITH WASHER	1		(NLA)
27	R13041	CAP	1		
28	R13050	PLUG	1		(NLA)
..	.....	CARBURETOR	1		(AR52449 NLA) (SUB AR45161) (ALSO ORDER R26499) (SUB FOR AR34241 OR AR28635) (ZENITH MODEL 0-13429)

# 1E10

FUEL AND AIR

R17635 -UN-01JAN94

## CARBURETOR (ZENITH) (GASOLINE)



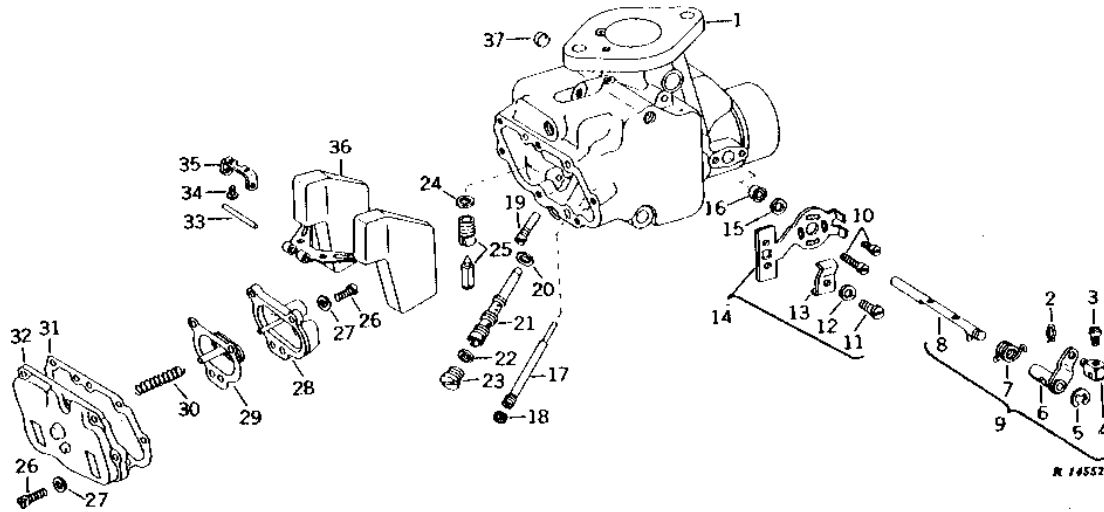
KEY	PART NO.	PART NAME	QTY	ENGINE SERIAL NO.	REMARKS
1	R13052	GASKET	1		
2	R13025	NOZZLE	1		
3	R13020	WASHER	1		
4	AR13022	PUMP	1		
5	AR13030	CHECK VALVE	1		
6	AR723R	SCREW	2		
7	R13065	DISK	1		
8	E10118	WASHER	1		
9	R13064	RETAINER	1		
10	R13058	WASHER	1		
11	AR13027	SHAFT	1		
12	R13055	BUSHING	1		
13	AR13028	LEVER	1		
14	H21048	SCREW	1		
15	11H231	COTTER PIN	1		1/16" X 1"
16	R13056	SPRING	1		
17	R13057	RETAINER	1		
18	E10121	SCREW	1		
19	AR13026	SHAFT	1		
20	R13060	PIN	1		
21	T10702	CAP SCREW	1		
22	12H315	LOCK WASHER	1		0.164"
23	R10188	CLIP	1		
24	R13075	PLUG	2		
25	AR80564	SOLENOID	1		(SUB FOR AR52452)
26	H21058	WASHER	1		
27	R13031	JET	1		
28	H20927	WASHER	1		
29	H21033	PIPE PLUG	1		
30	AR52451	HOUSING	1		
31	H20988	TUBE	1		
32	R13042	CAP	1		
33	H20926	WASHER	1		
34	AR13031	JET	1		
35	AH10620	FLOAT	1		
36	H21000	DOWEL PIN	1		
..	AR52449	CARBURETOR	1		COMPLETE

# 1E11

FUEL AND AIR

## CARBURETOR BODY, THROTTLE, AND FLOAT (GASOLINE)

R14552 -UN-01JAN94



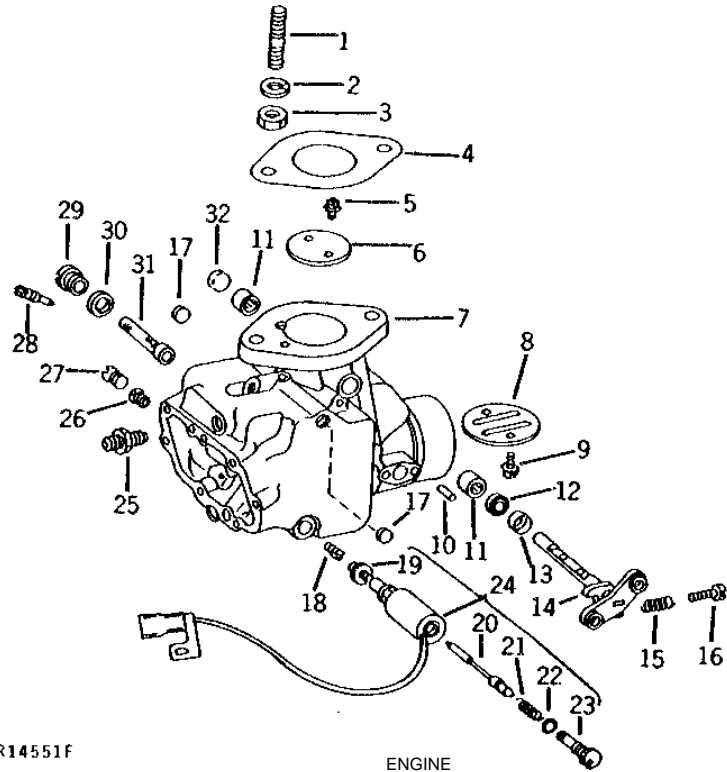
KEY	PART NO.	PART NAME	QTY	ENGINE SERIAL NO.	REMARKS
1	.....	HOUSING	1		(SUB FOR AR45159) (SUB AR52449)
2	R10185	SPRING PIN	1		
3	21H1293	SCREW	1		0.164" X 5/16"
4	R10184	SWIVEL	1		
5	R72654	SNAP RING	1		(SUB FOR R27507)
6	AR10096	LEVER	1		(NLA)
7	R10183	TORSION SPRING	1		
8	AR10095	SHAFT	1		
	34H227	SPRING PIN	1		3/32" X 1/2"
9	AR10301	SHAFT	1		(NLA)
10	21H1299	SCREW	1		0.164" X 3/8"
	R45665	SCREW	1		(NLA)
	12H290	WASHER	2		0.164"
11	21H1293	SCREW	1		0.164" X 5/16"
12	12H315	LOCK WASHER	1		0.164"
13	R10188	CLIP	1		
14	AR10302	BRACKET	1		(NLA)
15	R10187	SHIM	1		
16	E49906	SEAL	1		(SUB FOR R10186)
17	AR39831	JET	1		(NLA)
18	R39874	FILTER	1		(NLA)
19	R10204	NOZZLE	1		(NLA)
20	R10209	WASHER	1		
21	R10190	NOZZLE	1		
22	R10170	GASKET	1		
23	R10207	PLUG	1		
24	R10223	GASKET	1		
25	AR47741	VALVE	1		
26	21H1158	SCREW	10		0.164" X 1/2"
27	12H315	LOCK WASHER	10		0.164"
28	AR10112	HOUSING	1		(MARVEL-SCHEBLER MODEL USX-49SL) (NLA)
29	AR10108	DIAPHRAGM	1		
30	R10215	SPRING	1		
31	R10217	GASKET	1		
32	AR47740	COVER	1		(NLA)
33	R10211	SHAFT	1		
34	R59433	SCREW	2		(NLA)
35	AR10218	BRACKET	1		
36	R10221	FLOAT	1		
37	R10198	CAP	1		
..	AR45161	CARBURETOR	1		(SUB FOR AR45159 OR AR52449) (ALSO ORDER R26499) (MARVEL-SCHEBLER MODEL USX-49SL)
..	AR10109	GASKET KIT	1		(SUB FOR AT30175 AND AR56084)
..	AR47742	KIT	1		(MARVEL-SCHEBLER MODEL USX-49SL)

# 1E12

FUEL AND AIR

## CARBURETOR BODY, SOLENOID AND CHOKE (GASOLINE)

R14551 -UN-01JAN94



R14551F

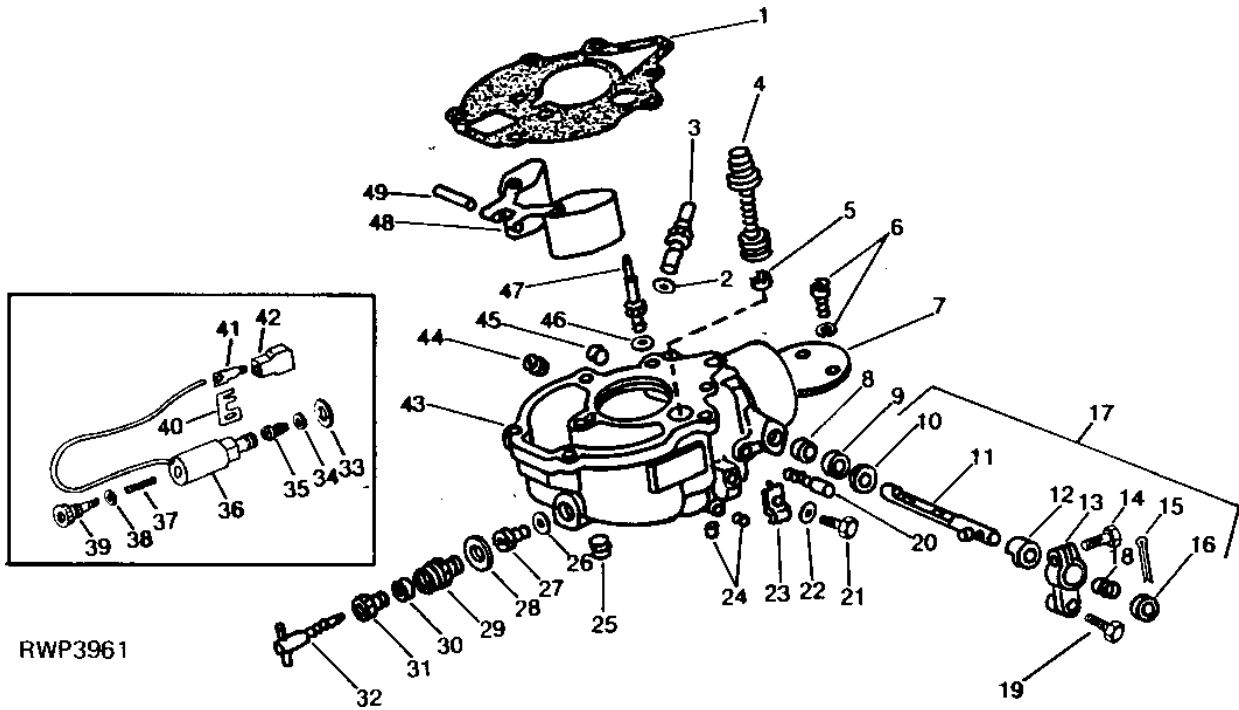
KEY	PART NO.	PART NAME	QTY	ENGINE SERIAL NO.	REMARKS
1	R56481	STUD	2	(SUB FOR M3636T)	
2	12H304	LOCK WASHER	2	3/8", (NOT REQUIRED W/E55662)	
3	E55662	FLANGE NUT	2		
4	R26499	GASKET	1		
5	AA6086R	SCREW	2		
6	R10083	DISK	1		
7	.....	HOUSING	1	(SUB AR45161) (ALSO ORDER R26499)	
8	R10181	FAN	1		
9	AR723R	SCREW	2		
10	34H387	SPRING PIN	1	3/16" X 3/4"	
11	JD8867	NEEDLE BEARING	2		
12	R10194	PACKING	1		
13	R10182	RETAINER	1		
14	AR10101	SHAFT	1		
15	R10104	SPRING	1		
16	21H1315	SCREW	1	0.164" X 3/4"	
17	30H34	PLUG	2	3/8", (NLA)	
18	R45662	SEAT	1	(NLA)	
19	H22548	GASKET	1	(NLA)	
20	T31164	NEEDLE	1	(NLA)	
21	T25152	SPRING	1		
22	R34812	O-RING	1	(SUB FOR T25154)	
23	T35554	STUD	1	(SUB FOR T25151)	
24	AT30178	SOLENOID	1		
25	R27346	FITTING	1		
26	T31157	SET SCREW	1	(NLA)	
27	R10202	SET SCREW	1		
28	AR39833	NEEDLE	1	(SUB FOR R10203)	
29	R10206	PLUG	1		
30	R10222	GASKET	1		
31	AR10104	FUEL FILTER	1		
32	R10300	CAP	1		
..	AR45161	CARBURETOR	1	(MARVEL-SCHEBLER MODEL USX-49SL) (SUB FOR AR45159 OR AR52449) (ALSO ORDER R26499)	
..	AR10109	GASKET KIT	1	(SUB FOR AT30175 AND AR56084)	
..	AR47742	KIT	1	(MARVEL-SCHEBLER MODEL USX-49SL)	
..	.....	WIRING LEAD	1	(MAKE FROM PM797NA)	
..	PM797NA	KIT	AR	(BULK)	

# 1E13

FUEL AND AIR

## CARBURETOR LOWER BODY, FLOAT AND CHOKE (ZENITH)

RWP3961 -UN-19DEC94



RWP3961

# 1E14

FUEL AND AIR

## CARBURETOR LOWER BODY, FLOAT AND CHOKE - CONTINUED (ZENITH)

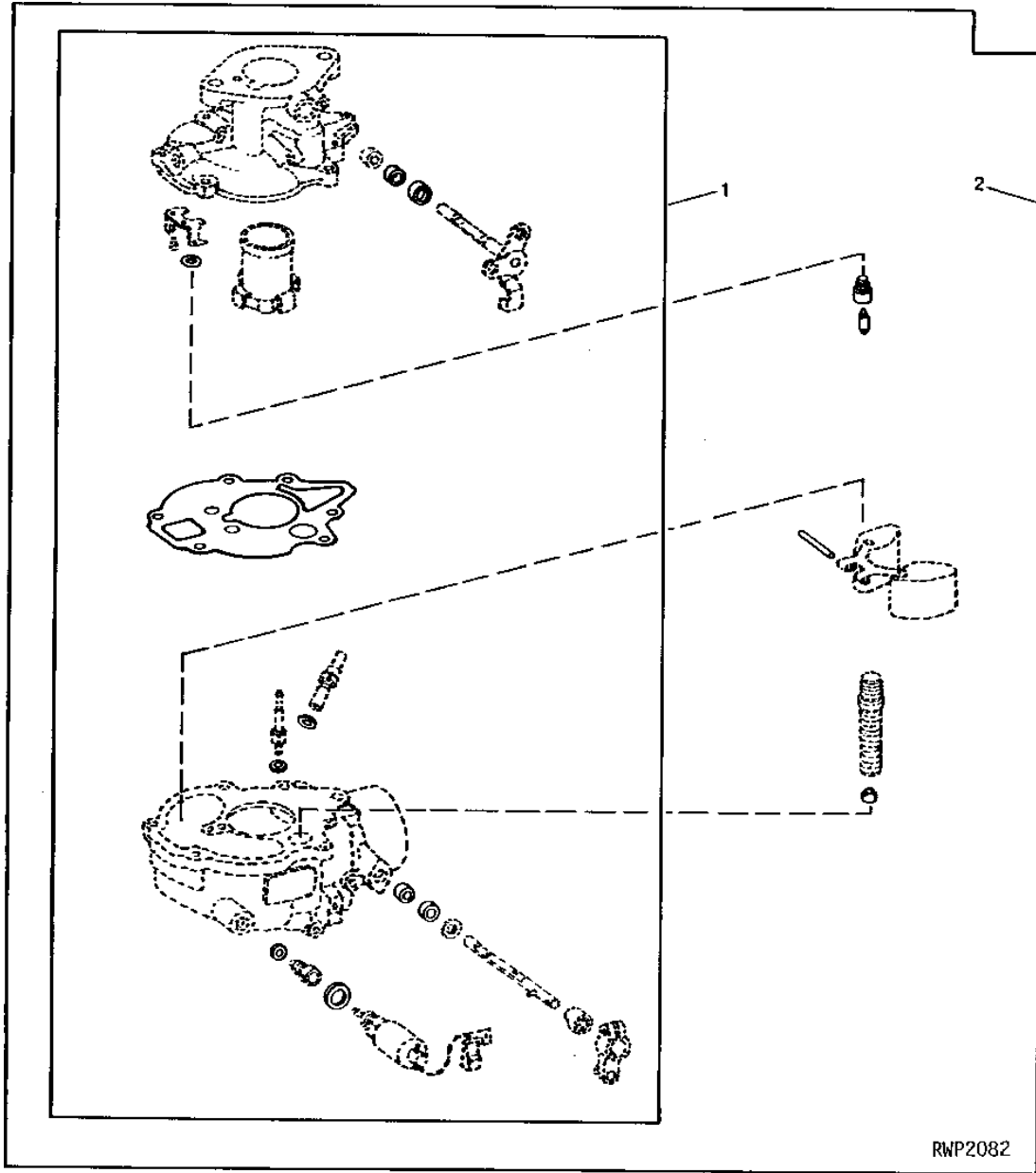
KEY	PART NO.	PART NAME	QTY	ENGINE SERIAL NO.	REMARKS
1	R13052	GASKET	1		
2	R13020	WASHER	1		(SUB FOR H21059)
3	H20985	TUBE	1		(NLA) (SUB FOR AR13032) (USE WITH AR28635)
	R13025	NOZZLE	1		(USE WITH AR34241)
4	AR13022	PUMP	1		
5	AR13030	CHECK VALVE	1		
6	AR723R	SCREW	1		
7	R13065	DISK	1		(NLA) (SUB FOR R13059)
8	GW93T48-9	WASHER	1		(SUB FOR E10118)
9	R13064	RETAINER	1		
10	R13058	WASHER	1		(NLA)
11	AR13027	SHAFT	1		
12	R13055	BUSHING	1		
13	AR13028	LEVER	1		(NLA)
14	H21048	SCREW	1		(NLA)
15	11M7077	COTTER PIN	1		1.600 X 25 MM, (SUB FOR 11H231)
16	R13057	RETAINER	1		(NLA)
17	AR13026	SHAFT	1		
18	R13056	SPRING	1		(NLA)
19	E10121	SCREW	1		(NLA)
20	R13060	PIN	1		(NLA)
21	T10702	CAP SCREW	1		
22	12H315	LOCK WASHER	1		0.164"
23	R10188	CLIP	1		(SUB FOR E10058)
24	R13075	PLUG	2		(NLA)
25	R47038	PIPE PLUG	1		(SUB FOR H21033)
26	H20927	WASHER	1		
27	R13066	JET	1		(USE WITH AR28635)
	R13031	JET	1		(USE WITH AR34241)
28	H21058	WASHER	1		
29	AR46109	INJECTION NOZZLE	1		(SUB FOR R13068)
30	R13069	PACKING	1		
31	AR46109	INJECTION NOZZLE	1		(SUB FOR R13070) (NLA)
32	AR46109	INJECTION NOZZLE	1		(SUB FOR AR13029) (NLA)
33	H21058	WASHER	1		
34	H20927	WASHER	1		
35	R13024	JET	1		
36	AT30178	SOLENOID	1		(SUB AR80564, THIS APPLICATION)
	AR80564	SOLENOID	1		(SUB FOR AR52452) (USE WITH AR52449)
	AT30178	SOLENOID	1		(USE WITH AR52449)
37	T25152	SPRING	1		
38	R34812	O-RING	1		(SUB FOR T25154)
39	T32554	SCREW	1		(SUB FOR T25151)
40	T25153	CLIP	1		(NLA)
41	T25156	TERMINAL	1		(NLA)
42	T25155	CONNECTOR	1		
43	AR13025	HOUSING	1		(USE WITH AR28635)
	AR13038	HOUSING	1		(NLA) (USE WITH AR34241)
	AR52451	HOUSING	1		(NLA) (USE WITH AR52449 OR AR45161)
44	R13074	VENT	1		(NLA) (USE WITH AR28635)
	H20988	TUBE	1		(USE WITH AR34241)
45	R13042	CAP	1		(NLA) (SUB FOR H20928)
46	H20926	WASHER	1		
47	AR13031	JET	1		
48	AH10620	FLOAT	1		
49	H21000	DOWEL PIN	1		(NLA)
..	.....	CARBURETOR	1		(SUB AR45161) (ALSO ORDER R26499) (SUB FOR AR34241, AR28635 OR AR52449) (ZENITH MODEL 0-13429)

# 1E15

FUEL AND AIR

## CARBURETOR KITS (ZENITH)

RWP2082 -UN-06OCT94





# 1E16

FUEL AND AIR

---

CARBURETOR KITS - CONTINUED  
(ZENITH)

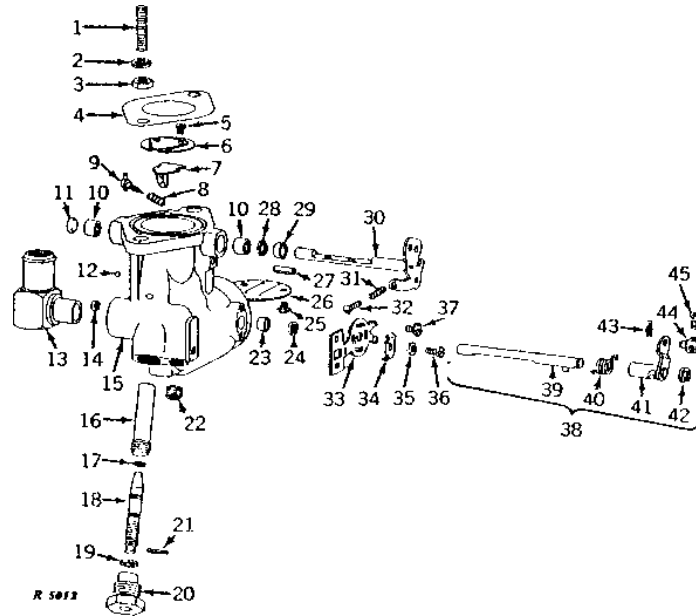
KEY	PART NO.	PART NAME	QTY	ENGINE SERIAL NO.	REMARKS
1	AR13033	GASKET KIT	1		
2	AR52454	KIT	1		

# 1E17

FUEL AND AIR

**CARBURETOR  
(LP-GAS)  
(ENGINE SERIAL NO. -015366)**

R5012 -UN-01JAN94



KEY	PART NO.	PART NAME	QTY	ENGINE SERIAL NO.	REMARKS
1	R56481	STUD	2		9.525 X 38.100 MM (3/8" X 1-1/2") (SUB FOR R26117 OR M3636T)
2	12H304	LOCK WASHER	2		3/8", (NOT REQ. W/E55662)
3	E55662	FLANGE NUT	2		3/8"
4	R26499	GASKET	1		(SUB FOR R40741)
5	AA6086R	SCREW	2		
6	A5192R	DISK	1		(SUB FOR R27524, THIS APPLICATION)
7	R34809	VALVE	1		(SUB FOR B3404R) (NLA)
8	R10098	SPRING	1		
9	AR10073	NEEDLE	1		
10	JD8867	NEEDLE BEARING	2		
11	R10300	CAP	1		
12	A5196R	BALL	2		(NLA)
13	AR26732	ELBOW FITTING	1		
14	R10150	CAP	1		
15	AR26505	HOUSING	1		(NLA) (MARKED R27522 OR R26371) (SUB FOR AR26507)
16	A5195R	NOZZLE	1		(NLA)
17	A4365R	O-RING	1		
18	R27347	SCREW	1		
19	F2222R	WASHER	1		
20	R27348	CAP	1		(NLA)
21	34H212	SPRING PIN	1		5/64" X 5/8"
22	15H559	PIPE PLUG	1		1/4"
23	E49906	SEAL	1		(SUB FOR R10186)
24	R10187	SHIM	1		
25	AR723R	SCREW	2		
26	R10181	FAN	1		
27	34H245	SPRING PIN	1		1/8" X 5/8"
28	R27523	PACKING	1		(NLA)
29	R10182	RETAINER	1		
30	AR26506	SHAFT	1		(NLA)
31	R10098	SPRING	1		
32	21H1315	SCREW	1		0.164" X 3/4"

# 1E18

FUEL AND AIR

**CARBURETOR - CONTINUED**  
**(LP-GAS)**  
**(ENGINE SERIAL NO. -015366)**

KEY	PART NO.	PART NAME	QTY	ENGINE SERIAL NO.	REMARKS
33	AR30435	BRACKET	1		
34	R10188	CLIP	1		
35	12H315	LOCK WASHER	1		0.164", (SUB FOR A766R)
36	21H971	SCREW	1		0.164" X 5/16"
37	AR10303	SCREW	1		(SUB 21H1299 AND 12H290)
38	AR10301	SHAFT	1		
39	AR10095	SHAFT	1		(NLA)
	34H227	SPRING PIN	1		3/32" X 1/2"
40	R10183	TORSION SPRING	1		
41	AR10096	LEVER	1		(NLA)
42	R72654	SNAP RING	1		(SUB FOR R27507)
43	R10185	SPRING PIN	1		
44	R10184	SWIVEL	1		
45	21H1292	SCREW	1		0.164" X 1/4"
..	.....	CARBURETOR	1	-058455	( AR26867 NLA) (3020*)
..	AR34477	CARBURETOR	1	058456-	(SUB FOR AR26912 ON 3010) (3010, 3020*) (NLA)
..	R10198	CAP	1		(NOT ILLUSTRATED)

(\*) 3020 ( -122998)

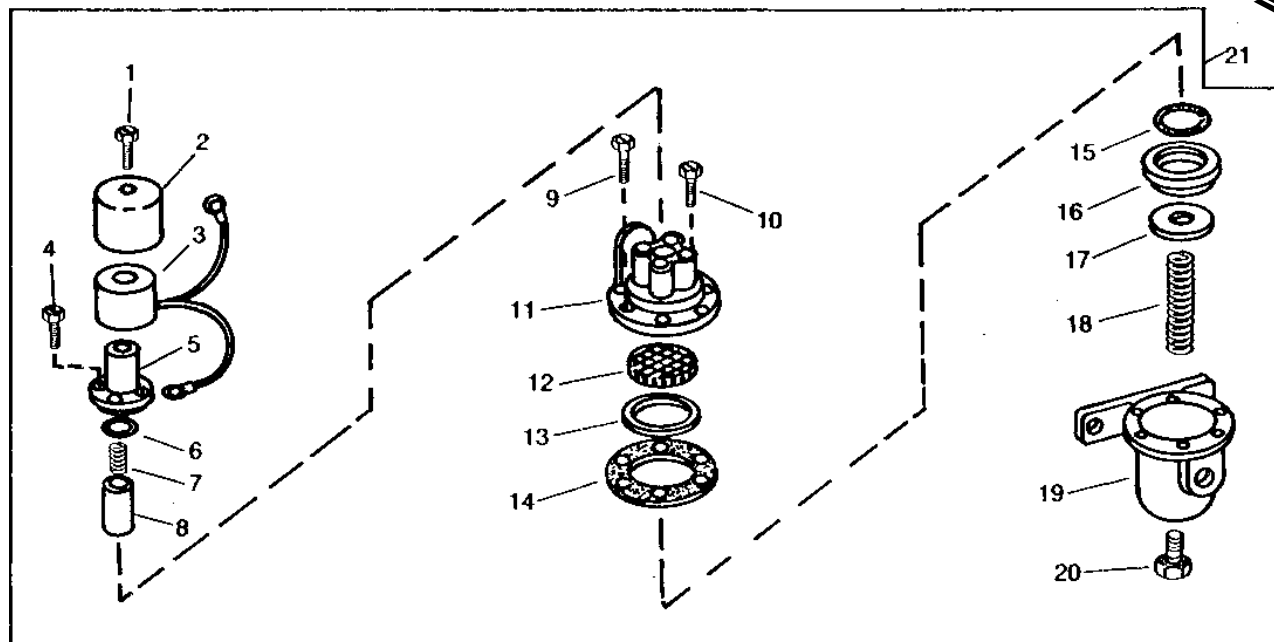
# 1E19

FUEL AND AIR

RWP2543

-UN-01JAN94

## FUEL STRAINER PARTS (LP-GAS)



RWP2543

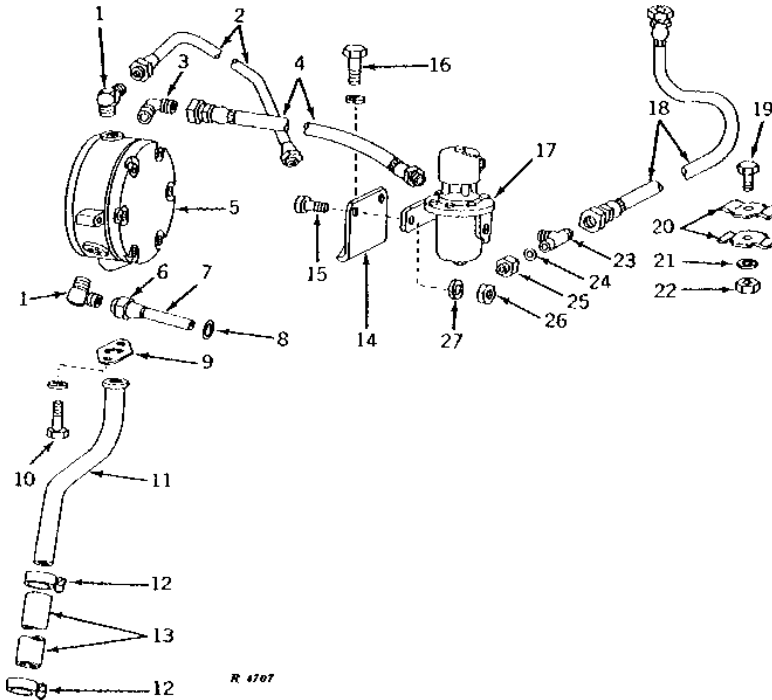
KEY	PART NO.	PART NAME	QTY	ENGINE SERIAL NO.	REMARKS
1	21H1167	SCREW	1	0.190" X 1/4"	
2	R49285	CASE	1	(SUB FOR F1125R OR T10514) (ALSO ORDER AR52766)	
3	AF1395R	ELECTRICAL COIL	1	(SUB AR52766 AND R49285) (ALSO ORDER R49285)	
4	21H1073	SCREW	4	0.190" X 1/2"	
5	AF1396R	HOUSING	1		
6	F1127R	O-RING	1		
7	F1126R	SPRING	1		
8	AF1397R	PLUNGER	1	(NLA)	
9	21H1301	SCREW	1	0.190" X 1/2"	
10	21H1292	SCREW	1	0.164" X 1/4"	
11	AF1398R	COVER	1	(NLA)	
12	AF1399R	FILTER	1		
13	F1129R	WASHER	1		
14	F1130R	GASKET	1	(USE WITH AR26437)	
15	H63858	O-RING	1	(USE WITH AR52765)	
16	R49288	RETAINER	1	(USE WITH AR52765) (NLA)	
17	R49289	WASHER	1	(USE WITH AR52765) (NLA)	
18	R49287	SPRING	1	(USE WITH AR52765) (NLA)	
19	AR52767	HOUSING	1	(NLA) (SUB FOR F3500R)	
20	R10160	PIPE PLUG	1		
21	AR52765	STRAINER	1	(SUB FOR AR26437)	

# 1E20

FUEL AND AIR

## FUEL STRAINER AND CONVERTOR (LP-GAS)

R4707 -UN-01JAN94



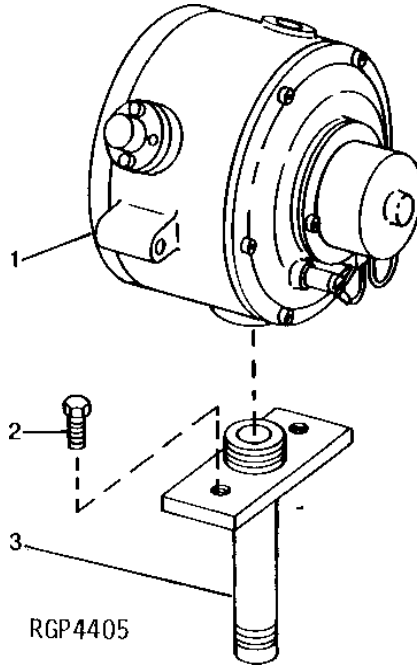
KEY	PART NO.	PART NAME	QTY	ENGINE SERIAL NO.	REMARKS
1	AR26708	FITTING	2	90°	
2	AR26709	FUEL LINE	1	(NLA)	
3	A4928R	ELBOW FITTING	1	45°	
4	AR20846	HOSE	1		
5	AR26508	CONVERTER	1		(NLA) (SUB RE42596, RE43974 AND R57300)
	RE43974	ADAPTER	1		(USE WITH RE42596)
6	R27058	FITTING PLUG	1	37°	
7	R27354	FUEL LINE	1		
8	F3353R	O-RING	1		
9	R26738	GASKET	1		
10	19H2915	CAP SCREW	2	5/16" X 1-1/4"	
	12H303	LOCK WASHER	2	5/16"	
11	R27350	TUBE	1		
12	AR21839	CLAMP	2		
13	R57300	HOSE	1	19 X 86MM (3/4" X 3" X 11/32")	(SUB FOR R34137 AND R27525)
14	R28222	BRACKET	1	(NLA)	
15	19H1948	CAP SCREW	2	1/4" X 3/4"	
16	19H1800	CAP SCREW	1	3/8" X 1-1/2"	
	12H304	LOCK WASHER	1	3/8"	
17	AR52765	STRAINER	1		(SUB FOR AR26437)
18	AR27749	HOSE	1		
19	19H1905	CAP SCREW	1	5/16" X 1"	
20	F1682R	HALF CLAMP	2		
21	12H303	LOCK WASHER	1	5/16"	
22	14H785	NUT	1	5/16"	
23	A4932R	TEE FITTING	1	45°, (NLA)	
24	A4931R	GASKET	1	(NLA)	
25	A4930R	FITTING	1	45°, (NLA)	
26	14H786	NUT	2	1/4"	
27	12H302	LOCK WASHER	2	1/4"	

# 1E21

FUEL AND AIR

RGP4405 -UN-11JAN95

## FUEL CONVERTOR (LP-GAS)



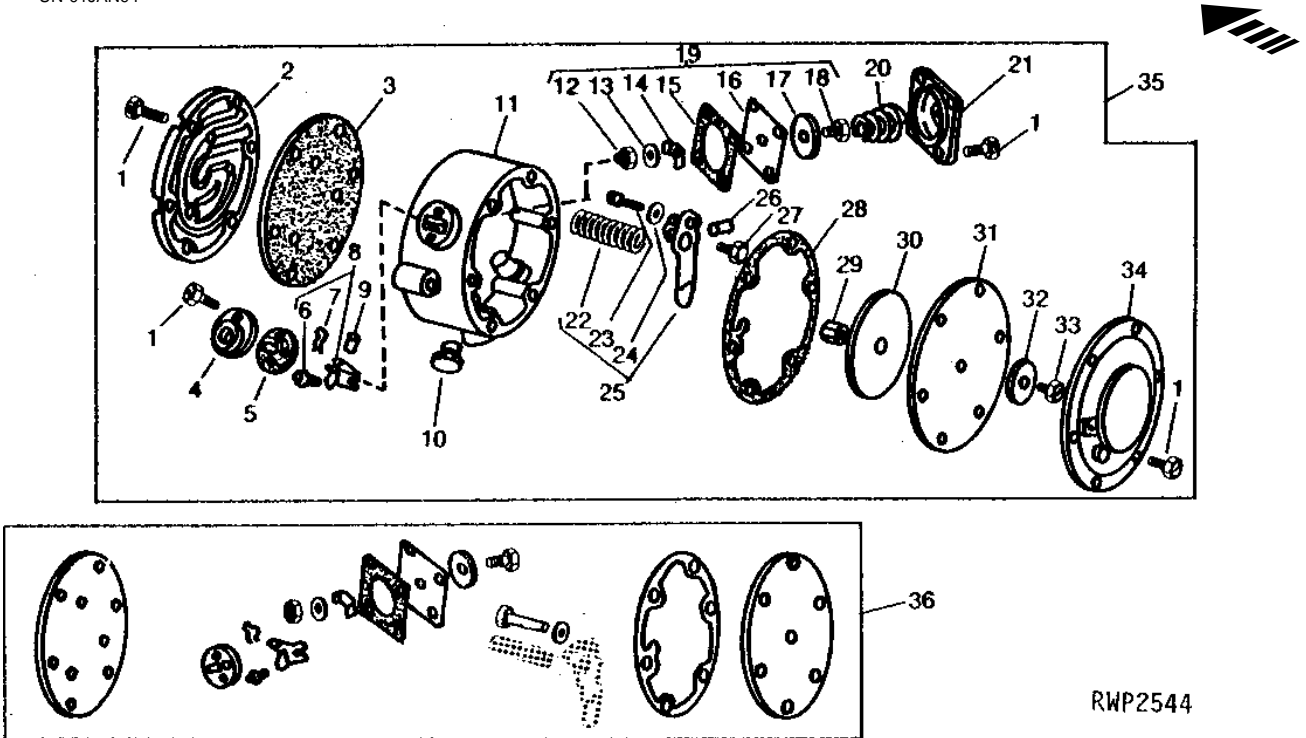
KEY	PART NO.	PART NAME	QTY	ENGINE SERIAL NO.	REMARKS
1	RE42596	CONVERTER	1		(SUB FOR AR26508)
2	RE43974	ADAPTER	1		
3	19H1905	CAP SCREW	2	5/16" X 1"	
..	R57300	HOSE	1		

# 1E22

FUEL AND AIR

## FUEL CONVERTOR PARTS (LP-GAS)

RWP2544 -UN-01JAN94



RWP2544

KEY	PART NO.	PART NAME	QTY	ENGINE SERIAL NO.	REMARKS
1	21H981	SCREW	21		0.190" X 1/2"
2	T10256	COVER	1		(NLA)
3	T10270	GASKET	1		
4	T10279	COVER	1		
5	T10260	GASKET	1		
6	T10280	VALVE SEAT INSERT	1		(SUB AT12031)
7	A5108R	SPRING PIN	1		(NLA)
8	AT10845	LEVER	1		(SUB AT12031)
9	T10264	DOWEL PIN	1		(NLA)
10	T10281	PIPE PLUG	1		(NLA)
11	AR10094	HOUSING	1		(NLA)
12	T10263	LINK	1		(SUB AT10177)
13	T10276	WASHER	1		(SUB AT10177)
14	T10277	RETAINER	1		(SUB AT10177)
15	T10274	GASKET	1		
16	T10259	DIAPHRAGM	1		(NLA) (SUB AT10177)
17	T10265	PLATE	1		(SUB AT10177, THIS APPLICATION) (NLA)
18	21H1072	SCREW	1		0.190" X 1/4", (NLA)
19	AT10177	DIAPHRAGM	1		
20	T10275	SPRING	1		(NLA)
21	T10262	COVER	1		(NLA)
22	T10273	SPRING	1		
23	T10255	PIN	1		(NLA)
24	T10268	WASHER	1		(NLA)
25	AT10599	LEVER	1		
26	T10267	DOWEL PIN	1		(NLA)
27	T11334	SCREW	2		(NLA)
28	T10257	GASKET	1		
29	T10269	PUSH BUTTON	1		(NLA)
30	T10266	PLATE	1		(NLA)
31	T10258	DIAPHRAGM	1		
32	T10265	PLATE	1		(NLA)
33	21H1072	SCREW	1		0.190" X 1/4", (NLA)
34	T10278	COVER	1		(NLA)
35	AR26508	CONVERTER	1		(SUB RE42596, RE43974 AND R57300)
36	AT12031	KIT	1		FUEL CONVERTOR

---

MEMORANDA

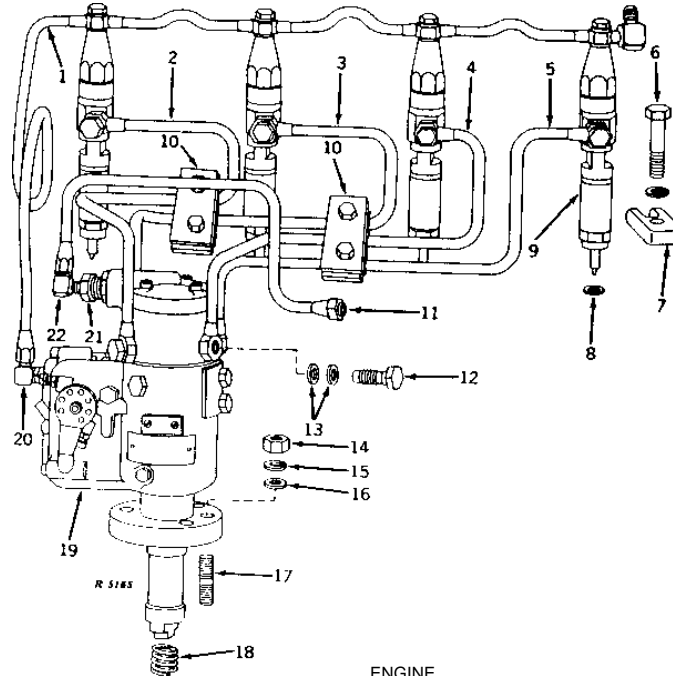


# 1E23

FUEL AND AIR

## FUEL INJECTION PUMP, NOZZLES, AND FUEL LINES (ENGINE SERIAL NO. 050000 - 067999)

R5165 -UN-12DEC94



KEY	PART NO.	PART NAME	QTY	ENGINE SERIAL NO.	REMARKS
1	AR26406	FUEL LINE	1		
2	AR26513	FUEL LINE	1	NO. 4	
3	AR26512	FUEL LINE	1	NO. 3	
4	AR26511	FUEL LINE	1	NO. 2	
5	AR26510	FUEL LINE	1	NO. 1	
6	19H2665	CAP SCREW	4	3/8" X 1-5/8"	
	12H304	LOCK WASHER	4	3/8"	
7	R26300	CLAMP	4		
8	R463R	WASHER	4		
9	.....	INJECTION NOZZLE	4		(SCINTILLA) (SUB AR39997 AND R463R) (SUB FOR AR28619 AND AR34029) (3010, 3020*)
	.....	INJECTION NOZZLE	4		(ROBERT BOSCH) (3010) (SUB AR39997 AND R463R)
	.....	NOZZLE	4		(AMERICAN BOSCH) (SUB AR34028) (3020*)
	.....	NOZZLE	4		(ROBERT BOSCH) (SUB AR33931) (3020*) (NLA)
10	R27781	STRAP	2		
	R27782	STRAP	2		
	R27783	CUSHION	4		
	19H1914	CAP SCREW	4	1/4" X 1"	
11	AR26999	FUEL LINE	1	(3010)	
12	R26726	FITTING	12		
13	T20055	WASHER	24		
14	E55662	FLANGE NUT	2	(SUB FOR R32511)	
15	12H304	LOCK WASHER	2	3/8"	
16	24H1303	WASHER	2	13/32" X 11/16" X 0.065"	
17	R56481	STUD	2	9.525 X 38.100 MM (3/8" X 1-1/2") (SUB FOR R26117 OR M3636T)	
18	F1942R	SPRING	1		
19	AR26509	FUEL INJECTION PUMP	1		(A) (STANADYNE NO. I-DBGVC429-BAJ) (NLA) (3010)
	AR32561	FUEL INJECTION PUMP	1		(A) (ROOSA-MASTER NO. DBGVC431-3AJ) (3020*)
20	AR26670	ELBOW FITTING	1	90°	
21	R27908	ADAPTER	1	(3010)	
	R32136	FITTING	1	(3020*)	
22	T30738	ELBOW FITTING	1		(SUB FOR AR26674, THIS APPLICATION) (3010)
..	AR34368	PLUG	1		ASSORTMENT (NLA) (CONTAINED IN AR21969)

(A) "SEE YOUR AUTHORIZED PUMP REPAIR STATION FOR PARTS NOT LISTED"

(\*) 3020 ( -122998)

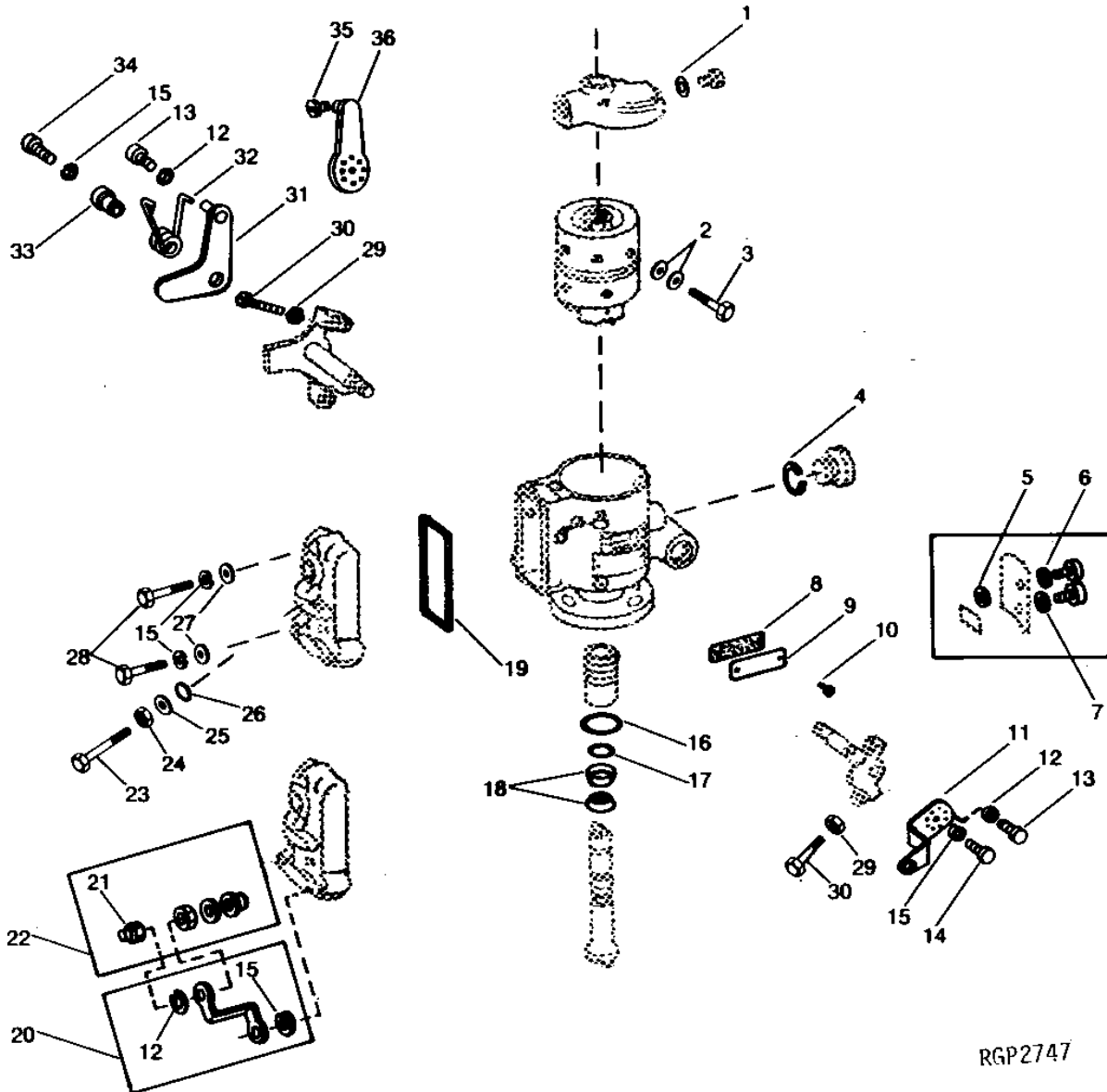
# 1E24

FUEL AND AIR

RGP2747

-UN-12OCT94

## FUEL INJECTION PUMP FITTINGS AND LINKAGE



RGP2747

# 1E25

FUEL AND AIR

## FUEL INJECTION PUMP FITTINGS AND LINKAGE - CONTINUED

KEY	PART NO.	PART NAME	QTY	ENGINE SERIAL NO.	REMARKS
1	A3917R	O-RING	1		(SUB FOR T26256) (3020*)
	R33259	O-RING	1		(SUB FOR T11934) (3010)
2	T20055	WASHER	8		(3010, 3020*)
3	R26726	FITTING	4		(3010, 3020*)
4	T15712	O-RING	1		(3010, 3020*)
5	P46051	O-RING	1	-020414	(3010)
6	T11899	O-RING	2		(3010)
7	T20055	WASHER	1		(SUB FOR T11292 ON 3010)
8	T11883	GASKET	2		(3010, 3020*)
9	T11882	COVER	2		(3010, 3020*)
10	T11884	SCREW	4		(3010, 3020*)
11	R30720	LEVER	1		(3010) (NLA)
12	R47077	LOCK WASHER	1		(3010)
13	T11917	SCREW	1		(3010)
14	T11940	SCREW	1		(3010)
15	12H295	LOCK WASHER	AR		0.190", ((5) 3010, 3020*)
16	R460R	O-RING	1		(SUB FOR T11879) (3010, 3020*)
17	P48347	O-RING	1		(SUB FOR R30717, T12860 OR R34404) (3010, 3020*)
18	T11290	SEAL	2		(3010, 3020*)
19	T11918	GASKET	1		(3010, 3020*)
20	.....	KIT	NA		
21	.....	NUT	NA		
22	.....	KIT	NA		
23	T17953	CAP SCREW	1		(3020*)
24	T11921	NUT	2		(3020*)
25	T17947	WASHER	1		(SUB FOR B1085R) (3020*)
26	R34812	O-RING	1		(SUB FOR T17951 OR T11906) (3020*)
27	T15715	WASHER	3		(3010, 3020*)
28	T15721	SCREW	AR		((1) 3010, (3) 3020*)
	R71851	SCREW	2		(3010)
29	T11921	NUT	4		(3010, 3020*)
30	T11941	SCREW	1		(3010, 3020*)
31	.....	LEVER	NA		
32	.....	SPRING	NA		
33	.....	RETAINER	NA		
34	T11940	SCREW	1		(3010, 3020*)
35	T11939	CAP SCREW	1		(3010)
36	AR28604	LEVER	1		(3010)
	R34621	LEVER	1		(3020*)
..	.....	KIT	1		(SUB RE37089) (ALSO ORDER RE37091) (SUB FOR AR90340)

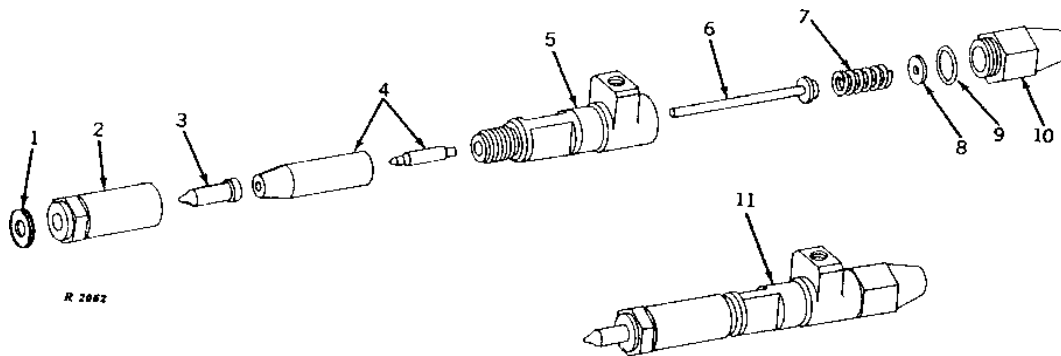
(\* ) 3020 ( -122998)

# 1F1

FUEL AND AIR

## FUEL INJECTION NOZZLE (SCINTILLA)

R2062 -UN-12OCT94



KEY	PART NO.	PART NAME	QTY	ENGINE SERIAL NO.	REMARKS
1	R463R	WASHER	1		
2	R933R	NUT	1	(NLA)	
3	R36710	NOZZLE	1		
4	AR28556	NOZZLE	1		
5	R30653	HOUSING	1		
6	AR28557	PIN	1		
7	R934R	SPRING	1		
8	R30656	SHIM	1	(SUB FOR R30657) .127 MM (.005")	
	R30658	SHIM	1	.203 MM (.008")	
	R30659	SHIM	1	(SUB FOR R30660) .254 MM (.010")	
9	A3190R	O-RING	1		
10	R30655	CAP	1		
11	AR39997	NOZZLE	4		(SUB FOR AR34029 OR AR28620) (ALSO ORDER R463R) (3010)
	AR39997	NOZZLE	4	050000-067999	(SUB FOR AR34029 OR AR28620) (ALSO ORDER R463R) (3020*)

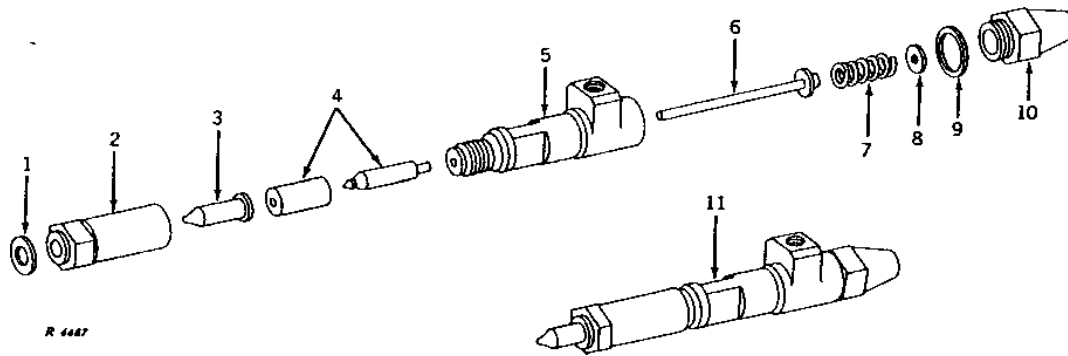
(\* 3020 ( -122998)

# 1F2

FUEL AND AIR

## FUEL INJECTION NOZZLE (AMERICAN BOSCH)

R4467 -UN-12OCT94



KEY	PART NO.	PART NAME	QTY	ENGINE SERIAL NO.	REMARKS
1	R463R	WASHER	1		
2	R1105R	NUT	1	(NLA)	
3	R36711	NOZZLE	1		
4	AR28558	NOZZLE	1		
5	R30661	HOUSING	1		
6	AR28559	PIN	1	(NLA)	
7	R1108R	SPRING	1		
8	R1115R	SHIM	1	.051 MM (.002")	
	R1109R	SHIM	1	.102 MM (.004")	
	R1110R	SHIM	1	.203 MM (.008")	
	R1111R	SHIM	1	.508 MM (.020")	
	R1112R	SHIM	1	1.067 MM (.042") (SUB R1111R)	
	R1113R	SHIM	1	2.10 MM (.083") (SUB R1111R)	
	R1114R	SHIM	1	3.505 MM (.138") (SUB R1111R)	
9	R31304	WASHER	1	004816-	
10	R30663	CAP	1		
11	AR28620	NOZZLE	4	(3010) (SUB AR39997 AND R463R)	
	AR39997	NOZZLE	4	(SUB FOR AR28620) (3010)	
	AR34028	INJECTION NOZZLE	4	050000-067999 (3020*)	

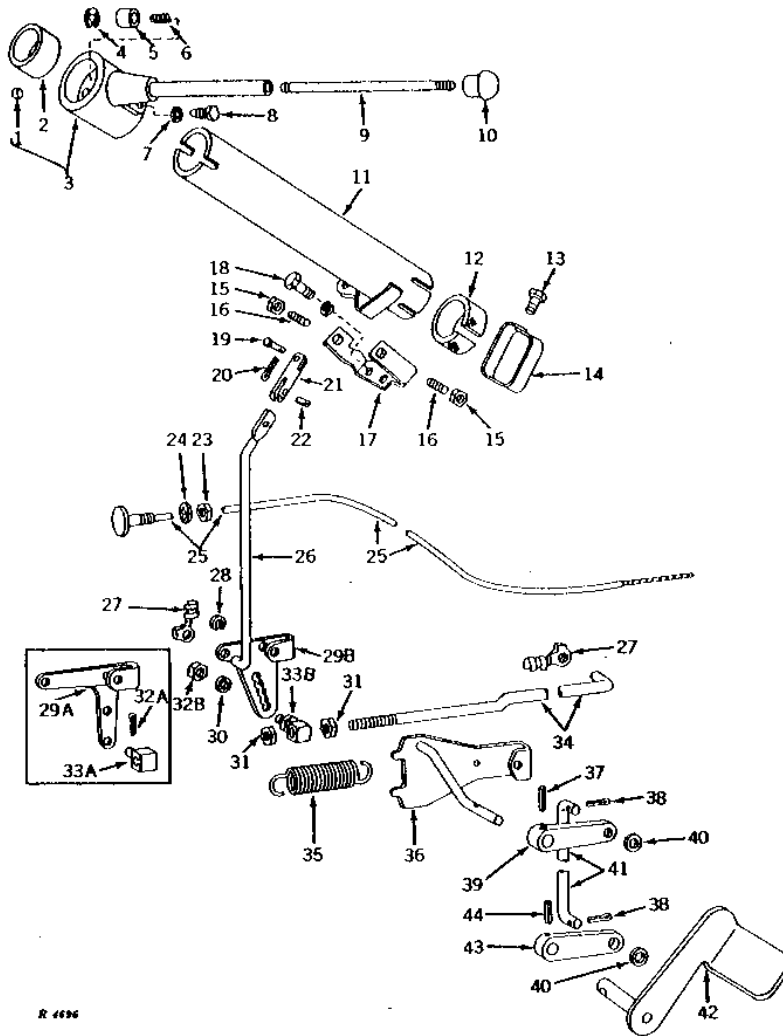
(\* 3020 ( -122998)

# 1F3

FUEL AND AIR

## THROTTLE CONTROLS (GASOLINE AND LP-GAS)

R4696 -UN-01JAN94



R 4696

# 1F4

FUEL AND AIR

## THROTTLE CONTROLS - CONTINUED (GASOLINE AND LP-GAS)

KEY	PART NO.	PART NAME	QTY	ENGINE SERIAL NO.	REMARKS
1	R27074	DOWEL PIN	1		
2	R27075	BUSHING	1		
3	AR30472	HUB	1		(MARKED R27072) (SUB FOR AR26614)
4	R30828	SNAP RING	1		
5	R26952	GUIDE	1		(SUB R38376 AND R38377)
6	R28009	SPRING	1		
7	12H310	LOCK WASHER	1		3/8"
8	R28007	BOLT	1		
9	R26669	SHAFT	1		(SUB R38376 AND R38377)
10	R26670	KNOB	1		
11	AR26592	TUBE	1		(RC AND ST)
	AR27309	TUBE	1		(A) (RU AND OR) (NO LONGER AVAILABLE)
12	R26958	ISOLATOR	1		
13	19H1227	CAP SCREW	1		1/4" X 1/2"
14	AR26613	CLAMP	1		
15	14H611	NUT	2		5/16"
16	R32585	SET SCREW	2		
17	R28008	BRACKET	1		
18	19H1731	CAP SCREW	2		3/8" X 1"
	12H304	LOCK WASHER	2		3/8"
19	R27077	PIN	1		
20	11H231	COTTER PIN	1		1/16" X 1"
21	R26671	LINK	1		
22	34H275	SPRING PIN	1		3/16" X 1/2"
23	14H774	NUT	1		3/8"
24	12H310	LOCK WASHER	1		3/8"
25	AR50707	PUSH PULL CABLE	1		(SUB FOR AR27312)
26	R27100	ROD	1		(RC AND ST)
	R28013	ROD	1		(A) (RU AND OR) (NO LONGER AVAILABLE)
27	R26524	CLIP	2		R.H.
28	F3396R	SNAP RING	1		
29A	R26955	BELLCRANK	1	-001399	(SUB R32304 AND R32305)
29B	R30987	BELLCRANK	1	001400-029716	(SUB R32304 AND R32305)
	R32304	BELLCRANK	1	029717-	
30	24H1287	WASHER	1	-029716	9/32" X 5/8" X 0.065"
	R32305	WASHER	1	029717-	
31	14H850	NUT	2		1/4"
32A	11M7082	COTTER PIN	1	-003444	0.098" X 0.984"
32B	14H649	NUT	1	003445-	1/4"
33A	R27885	SWIVEL	1	-003444	(SUB AA5302R AND 14H649)
33B	AA5302R	BALL JOINT	1	003445-	
34	R27102	ROD	1		(A) (NO LONGER AVAILABLE)
35	R26677	SPRING	1		
36	AR44417	ARM	1		(SUB FOR AR26615)
37	34H312	SPRING PIN	1		1/4" X 1"
38	11H236	COTTER PIN	2		1/8" X 1"
39	R26963	LEVER	1	-019326	(RC AND ST) (SUB R31396 AND R31398) (SUB FOR R26960)
	R31396	LEVER	1	019327-	(RC AND ST)
	R26963	LEVER	1	-019326	(RU AND OR) (SUB R31396)
	R31396	LEVER	1	019327-	(RU AND OR)
40	24H1305	WASHER	2		13/32" X 13/16" X 0.065"
41	R27101	ROD	1	-019326	(RC AND ST) (SUB R31398)
	R31398	PIN	1	019327-	(RC AND ST)
	R28259	ROD	1		(A) (RU AND OR) (NO LONGER AVAILABLE)
42	AR44745	PEDAL	1		(RC AND ST) (SUB FOR AR26775)
	R28258	PEDAL	1		(RU AND OR) (NO LONGER AVAILABLE)
	F3396R	SNAP RING	1		(RU AND OR)
43	R26963	LEVER	1	-019326	(RC AND ST) (SUB R31396 AND R31398)
	R31396	LEVER	1	019327-	(RU AND OR)
44	34H312	SPRING PIN	1		1/4" X 1", (RC AND ST)

RC - ROW CROP, ST - STANDARD, RU - ROW-CROP UTILITY, OR - ORCHARD

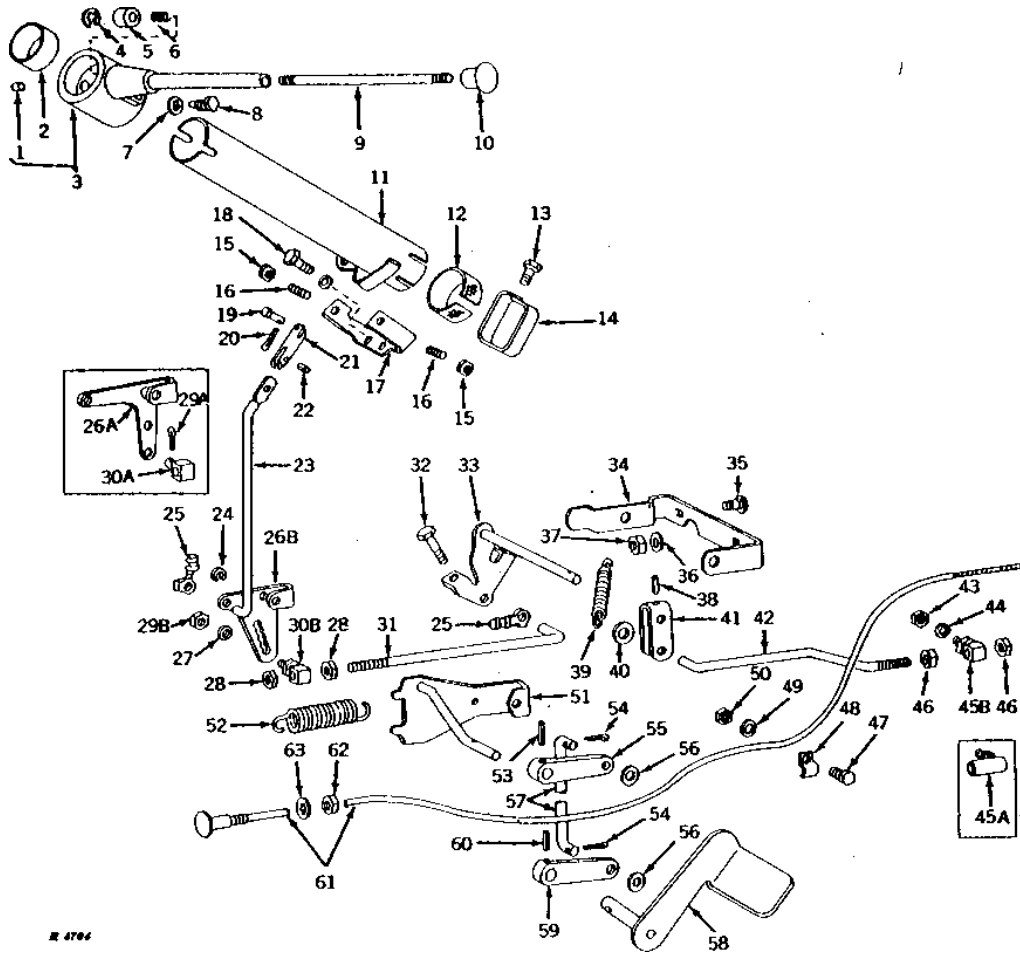
(A) NO LONGER AVAILABLE

# 1F5

FUEL AND AIR

## THROTTLE CONTROLS (DIESEL)

R4704 -UN-01JAN94



KEY	PART NO.	PART NAME	QTY	ENGINE SERIAL NO.	REMARKS
1	R27074	DOWEL PIN	1		
2	R27075	BUSHING	1		
3	AR30472	HUB	1		(MARKED R27072) (SUB FOR AR26614)
4	R30828	SNAP RING	1		
5	R26952	GUIDE	1		(SUB R38376 AND R38377)
6	R28009	SPRING	1		
7	12H310	LOCK WASHER	1		3/8"
8	R28007	BOLT	1		
9	R26669	SHAFT	1		(SUB R38376 AND R38377)
10	R26670	KNOB	1		
11	AR26592	TUBE	1		(RC AND ST)
	AR27309	TUBE	1		(A) (RU AND OR)
12	R26958	ISOLATOR	1		
13	19H1227	CAP SCREW	1		1/4" X 1/2"
14	AR26613	CLAMP	1		
15	14H611	NUT	2		5/16"
16	R32585	SET SCREW	2		5/16" X 1-3/4"
17	R28008	BRACKET	1		
18	19H1731	CAP SCREW	2		3/8" X 1"
	12H304	LOCK WASHER	2		3/8"



# 1F6

FUEL AND AIR

## THROTTLE CONTROLS - CONTINUED (DIESEL)

KEY	PART NO.	PART NAME	QTY	ENGINE SERIAL NO.	REMARKS
19	R27077	PIN	1		
20	11H231	COTTER PIN	1		1/16" X 1"
21	R26671	LINK	1		
22	34H375	SPRING PIN	1		1/2" X 3"
23	R27100	ROD	1		(RC AND ST)
	R28013	ROD	1		(A) (RU AND OR)
24	F3396R	SNAP RING	1		
25	R26524	CLIP	2		R.H.
26A	R26955	BELLCRANK	1	-001399	(SUB 14H649, 24H1287, R32304, R32305, R30988, R30989, (2) AA5302R AND (4) 14H850)
26B	R30987	BELLCRANK	1	001400-029716	(SUB R32304 AND R32305)
	R32304	BELLCRANK	1	029717-	
27	24H1287	WASHER	1	-029716	9/32" X 5/8" X 0.065"
	R32305	WASHER	1	029717-	
28	14H850	NUT	2		1/4"
29A	11M7082	COTTER PIN	1	-001399	0.098" X 0.984"
29B	14H649	NUT	1	001400-	1/4"
30A	R27885	SWIVEL	1	-001399	(SUB 14H649 AND AA5302R)
30B	AA5302R	BALL JOINT	1	001400-	
31	R27569	LINK	1	-003444	(SUB 14H649, 24H1287, R30988, R30989, (2) AA5302R AND (4) 14H850)
	R30988	BOLT	1	003445-	
32	19H1738	CAP SCREW	1		1/4" X 2"
33	AR26991	SHAFT	1		(A) (SUB FOR AR30079)
34	R26966	BRACKET	1		
35	03H1765	BOLT	2		3/8" X 3/4"
36	12H310	LOCK WASHER	2		3/8"
37	14H1076	NUT	2		3/8" HS, SAE 8
38	34H194	SPRING PIN	1		3/16" X 3/4"
39	R27571	SPRING	1		
40	24H1305	WASHER	1	-003444	13/32" X 13/16" X 0.065"
41	R27570	CLEVIS	1		(A)
42	R27572	ROD	1	-003444	(SUB 14H649, 24H1287, R30988, R30989, (2) AA5302R AND (4) 14H850)
	R30989	ROD	1	003445-	
43	14H649	NUT	1		1/4"
44	12H302	LOCK WASHER	1		1/4"
45A	AR26992	BALL JOINT	1	-003444	(SUB 14H850, AA5302R AND R30989)
45B	AA5302R	BALL JOINT	1	003445-	
46	14H850	NUT	2	003445-	1/4"
47	19H1919	CAP SCREW	1		1/4" X 5/8"
48	R27573	CLAMP	1		
49	12H302	LOCK WASHER	1		1/4"
50	14H950	NUT	1		5/8"
51	AR44417	ARM	1		(SUB FOR AR26615)
52	R26677	SPRING	1		
53	34H312	SPRING PIN	1		1/4" X 1"
54	11H236	COTTER PIN	2		1/8" X 1"
55	R26963	ARM	1	-019326	(SUB FOR R26960) (SUB R31396 AND R31398 ON RC AND ST) (SUB R31396 ON RU AND OR)
	R31396	LEVER	1	019327-	(RC AND ST)
56	24H1305	WASHER	2		13/32" X 13/16" X 0.065"
57	R27101	ROD	1	-019326	(RC AND ST) (SUB R31398)
	R31398	PIN	1	019327-	(RC AND ST)
	R28259	ROD	1		(A) (RU AND OR) (NOT AS ILLUSTRATED)
58	AR44745	PEDAL	1		(RC AND ST) (SUB FOR AR26775)
	R28258	PEDAL	1		(A) (RU AND OR) (NOT AS ILLUSTRATED)
	F3396R	SNAP RING	1		(RU AND OR)
59	R26963	ARM	1	-019326	(SUB R31396 AND R31398 ON RC AND ST) (SUB R31396 ON RU AND OR)
	R31396	LEVER	1	019327-	(RU AND OR)
60	34H312	SPRING PIN	1		1/4" X 1", (RC AND ST)
61	AR26785	PUSH PULL CABLE	1		
62	14H774	NUT	1		3/8"
63	12H310	LOCK WASHER	1		3/8"

RC - ROW-CROP, ST - STANDARD, RU - ROW-CROP UTILITY, OR - ORCHARD

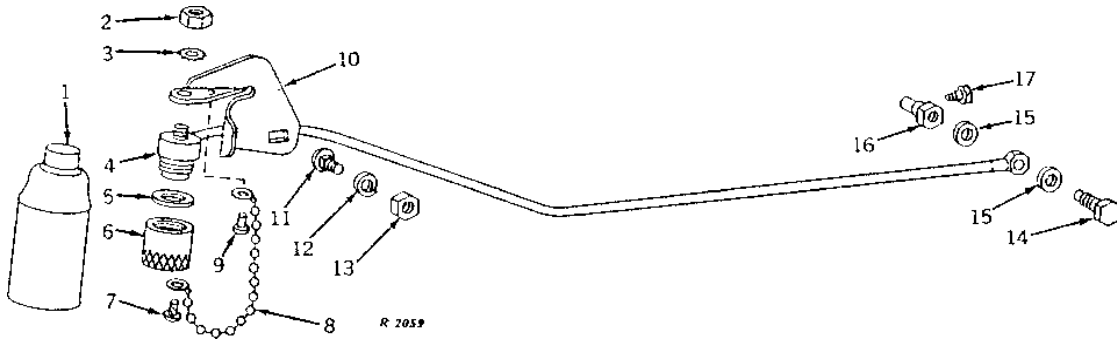
(A) NO LONGER AVAILABLE

# 1F7

FUEL AND AIR

## COLD WEATHER STARTING AID (DIESEL)

R2059 -UN-01JAN94

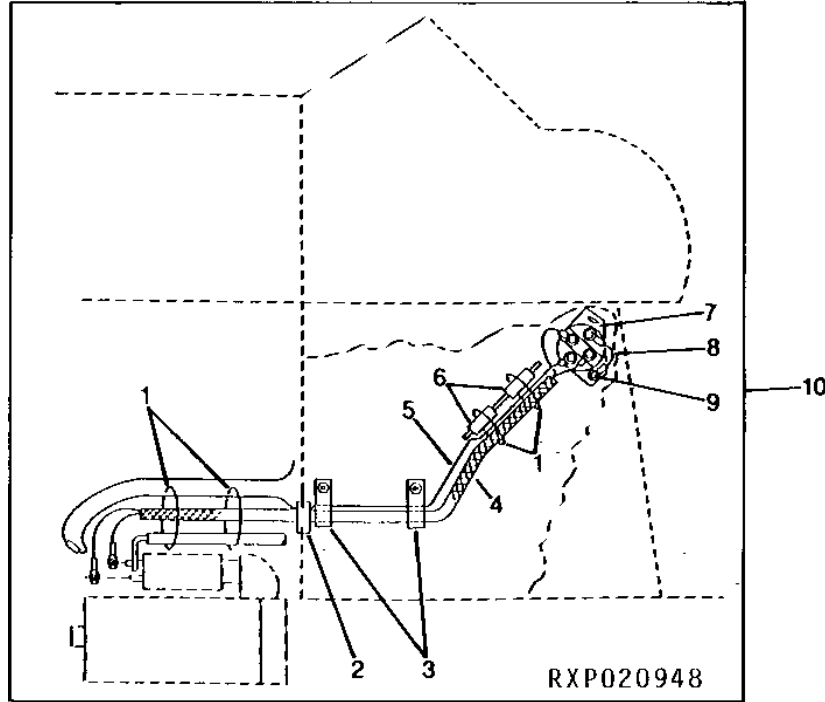


KEY	PART NO.	PART NAME	QTY	TRACTOR SERIAL NO.	REMARKS
1	RE33636	STARTING FLUID	1		(SUB FOR AR27814, RE24561 OR RE30174)
2	14H1047	NUT	1	-032399	7/16"
	14H865	NUT	1	032400-	1/2"
3	12H325	LOCK WASHER	1	-032399	7/16"
	12H292	LOCK WASHER	1	032400-	1/2"
4	AR27935	ADAPTER	1	-032399	(SUB AR31542, R32306, R26149, 14H865 AND 12H292)
	AR31542	LINE	1	032400-	
5	R28819	WASHER	1	-032399	
	R26149	PACKING	1	032400-	
6	R28750	CAP	1	-032399	
	R32306	CAP	1	032400-	
7	37H44	SCREW	1		0.151" X 3/8", (SUB FOR D454R)
8	AR27940	LINK CHAIN	1		
	R31227	COUPLING	1		
9	16H86	RIVET	1		1/8" X 1/4"
10	AR27939	BRACKET	1		
11	03H1268	BOLT	1		5/16" X 3/4"
12	12H303	LOCK WASHER	1		5/16"
13	14H785	NUT	1		5/16"
14	R26726	FITTING	1		
15	T20055	WASHER	2		(SUB FOR T11292)
16	R28584	FITTING	1		
17	R28583	NOZZLE	1		

# 1F12

ELECTRICAL

**STARTING CIRCUIT RELAY KIT**  
RXP020948 -UN-12OCT94



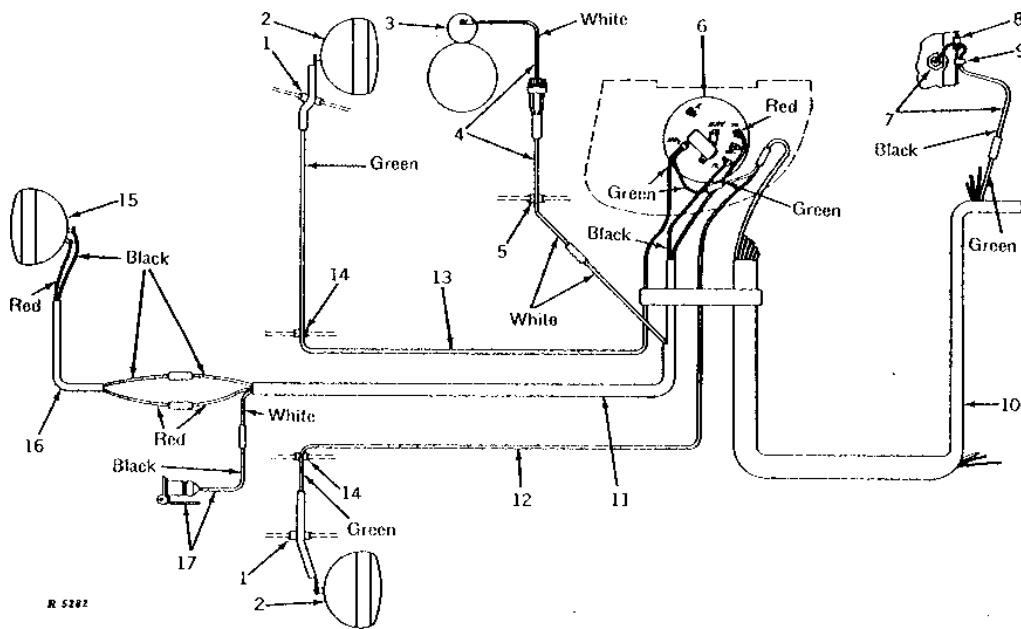
KEY	PART NO.	PART NAME	QTY	TRACTOR SERIAL NO.	REMARKS
1	R44302	TIE BAND	AR		
2	R41439	GROMMET	1		
3	R72853	CLAMP	2		
	19H1919	CAP SCREW	2	1/4" X 5/8"	
	24H1286	WASHER	2	9/32" X 1/2" X 1/16"	
	12H297	LOCK WASHER	2	1/4"	
	14H786	NUT	2	1/4"	
4	AR69980	WIRING HARNESS	1		
5	.....	WIRING LEAD	1		(MAKE FROM R65593, R65599 AND R32027)
6	R45847	HOSE	2		
7	RE38391	RELAY	1		(CONTAINS (2) 12H297, (2) 14H786 AND (2) 24H1286) (ALSO ORDER RE41287) (12-VOLT)
	AT71088	RELAY	1		(ALSO ORDER (2) 12H297, (2) 14H786 AND (2) 24H1286) (24-VOLT)
8	.....	WIRING LEAD	1		(MAKE FROM R65593, R65599 AND R32018) RELAY GROUND
9	19H1919	CAP SCREW	2	1/4" X 5/8"	
	24H1286	WASHER	2	9/32" X 1/2" X 1/16"	
	12H297	LOCK WASHER	2	1/4"	
	14H786	NUT	2	1/4"	
10	RE44536	KIT	1		(FI)(12-VOLT)
	RE42639	KIT	1		(FI)(24-VOLT)

# 1F13

ELECTRICAL

## TWO HEAD LAMP WIRING (GASOLINE AND LP-GAS) (STANDARD SERIAL NO. 001000-019799)

R5282 -UN-01JAN94



# 1F14

ELECTRICAL

**TWO HEAD LAMP WIRING - CONTINUED  
(GASOLINE AND LP-GAS)  
(STANDARD SERIAL NO. 001000-019799)**

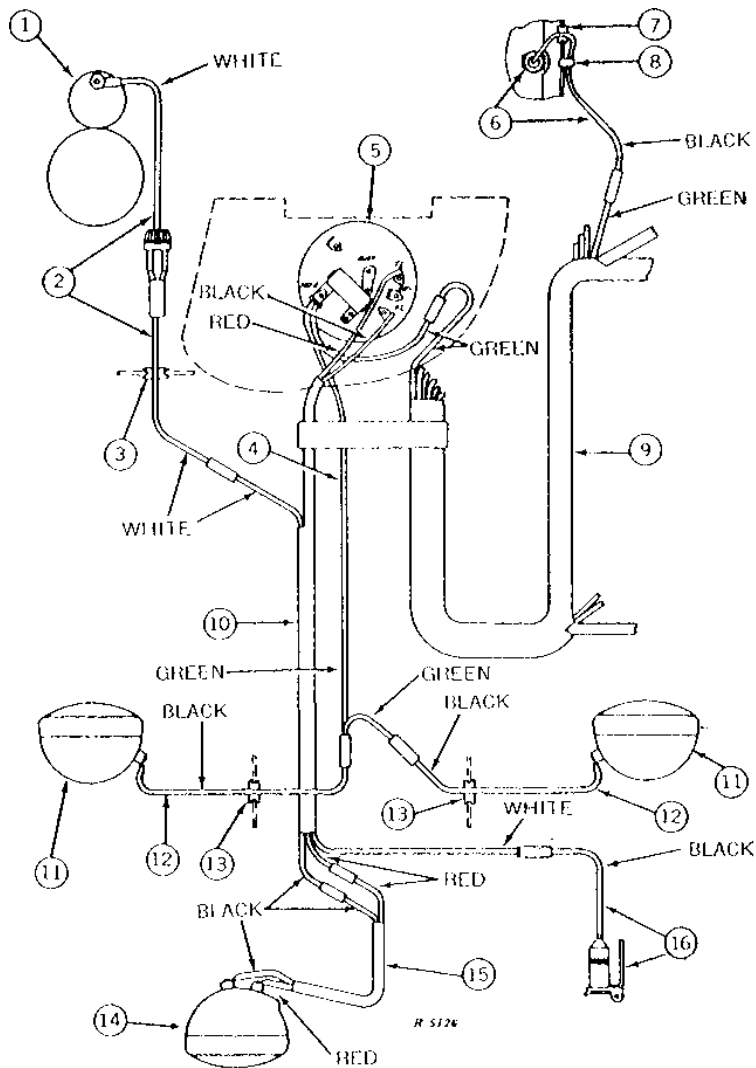
KEY	PART NO.	PART NAME	QTY	TRACTOR SERIAL NO.	REMARKS
1	R2579R	GROMMET	2		
2	AR28166	LAMP	1		(12-VOLT) (SUB FOR AR27574)
	A2743R	WASHER	2		
	24H1355	WASHER	2		(SUB FOR R31892)
	12H301	LOCK WASHER	2		1/2", (SUB FOR R30403)
	14H1040	NUT	2		1/2" HS, SAE 8
3	AR11160	STARTER	1		(12-VOLT) (DELCO-REMY NO. 1107350) (SUB FOR AR11300) (ORDER TY6691)
	TY6691	STARTER	1		REMANUFACTURED (12-VOLT) (SUB FOR AR11300, AR11160 OR TY1435) (CONTAINS RE39838)
4	AR26756	WIRING LEAD	1		
5	R26941	GROMMET	1		
6	AR28401	SWITCH	1		LIGHT
7	AR33479	LAMP	1		(SUB FOR AR26757 OR AR35993)
8	A3411R	GROMMET	1		
9	F2084R	CLIP	1		
10	AR47648	KIT	1		(GASOLINE) (SUB FOR AR28811 OR AR26816)
	AR47647	KIT	1		(LP-GAS) (SUB FOR AR28812 OR AR26817)
	R44302	TIE BAND	4		(SUB FOR R27457)
11	AR26573	WIRING HARNESS	1	-009742	(SUB AR28929)
	AR28929	WIRING HARNESS	1	009743-	(LIGHT SWITCH TO REAR LAMP) (SUB FOR AR26573)
12	AR28419	WIRING HARNESS	1		(LIGHT SWITCH TO R.H. FENDER LAMP) (NO LONGER AVAILABLE)
	B1986R	CLIP	1		
13	AR27616	WIRING HARNESS	1		(LIGHT SWITCH TO L.H. FENDER LAMP)
	B1986R	CLIP	1		
14	A3411R	GROMMET	2		
15	AR77326	FLOODLAMP	1		(12-VOLT) (SUB FOR AR26574, AR34990 OR AT16288)
	12H301	LOCK WASHER	1		1/2", (SUB FOR R30403)
	14H1040	NUT	1		1/2" HS, SAE 8
16	AR26575	WIRING HARNESS	1		(LIGHT SWITCH TO REAR LAMP)
	A5172R	CLIP	1		
	R21551	CLIP	1		
17	AR26571	SOCKET	1		(FI)
	21H1019	SCREW	2		0.190" X 1/2"
	12M7060	WASHER	2		0.209"
	14H778	NUT	2		0.190"
	<b>AR40710</b>	<b>PLUG</b>	1		<b>(SUB FOR AA5691R) (FI)</b>
	AA5692R	ELECTRICAL PLUG	1		

# 1F15

ELECTRICAL

TWO HEAD LAMP WIRING  
(GASOLINE AND LP-GAS)  
(ROW-CROP SERIAL NO. 001000- )  
(STANDARD SERIAL NO. 019800- )

R5126 -UN-01JAN94



# 1F16

ELECTRICAL

**TWO HEAD LAMP WIRING - CONTINUED**  
**(GASOLINE AND LP-GAS)**  
**(ROW-CROP SERIAL NO. 001000- )**  
**(STANDARD SERIAL NO. 019800- )**

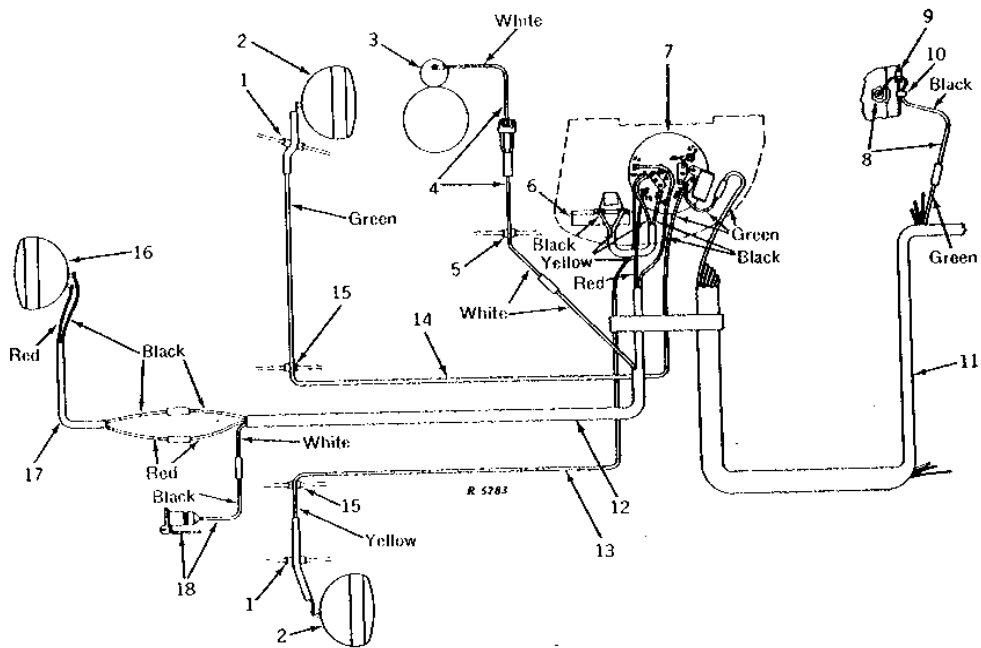
KEY	PART NO.	PART NAME	QTY	TRACTOR SERIAL NO.	REMARKS
1	AR11160	STARTER	1		(12-VOLT) (DELCO-REMY NO. 1107350) (SUB FOR AR11300) (SUB TY6691)
	TY6691	STARTER	1		REMANUFACTURED (12-VOLT) (SUB FOR AR11300, AR11160 OR TY1435) (CONTAINS RE39838)
2	AR26756	WIRING LEAD	1		
3	R26941	GROMMET	1		
4	AR28418	WIRING HARNESS	1		(LIGHT SWITCH TO SIDE LAMPS)
5	AR28401	SWITCH	1		LIGHT
6	AR33479	LAMP	1		(SUB FOR AR26757 OR AR35993)
7	A3411R	GROMMET	1		
8	F2084R	CLIP	1		
9	AR26816	WIRING HARNESS	1	-009769	(GASOLINE) (SUB AR47648)
	AR47648	KIT	1	009770-	(GASOLINE) (SUB FOR AR28811 OR AR26816)
	AR26817	WIRING HARNESS	1	-019478	(LP-GAS) (SUB AR47647) (NO LONGER AVAILABLE)
	AR47647	KIT	1	019479-	(LP-GAS) (SUB FOR AR28812 OR AR26817)
	R44302	TIE BAND	4		(SUB FOR R27457)
10	AR26573	WIRING HARNESS	1	-009742	(LIGHT SWITCH TO REAR LAMP) (SUB AR28929)
	AR28929	WIRING HARNESS	1	009743-	(SUB FOR AR26573)
11	AA7322R	LAMP	1	-020189	(12-VOLT) (SUB AT13381)
	AT13381	LAMP	1	020190-	(12-VOLT) (SUB FOR AA7322R) (NLA)
	24H1111	WASHER	2		(NLA)
	12H301	LOCK WASHER	2		1/2", (SUB FOR R30403)
	14H1040	NUT	2		1/2"
12	.....	WIRING LEAD	2		483MM (19") (SUB FOR AR27239) (MAKE FROM R66319, R32016, R32025 AND R32027)
13	R26941	GROMMET	2		
14	AR34990	LAMP	1	-021673	(12-VOLT) (SUB FOR AR26574) (SUB AR77326)
	AR77326	FLOODLAMP	1	021674-	(12-VOLT) (SUB FOR AR28227, AT16288 OR AR34990)
	12H301	LOCK WASHER	1	021674-	1/2", (SUB FOR R30403)
	14H1040	NUT	1		1/2" HS, SAE 8
15	AR26575	WIRING HARNESS	1		(LIGHT SWITCH TO REAR LAMP)
	R21551	CLIP	1		
16	AR26571	SOCKET	1		
	21H1019	SCREW	2		0.190" X 1/2"
	12M7060	WASHER	2		0.209"
	14H778	NUT	2		0.190"
	<b>AR40710</b>	<b>PLUG</b>	1		<b>(SUB FOR AA5691R) (FI)</b>
	AA5692R	ELECTRICAL PLUG	1		

# 1F17

ELECTRICAL

## TWO HEAD LAMP WIRING (DIESEL) (STANDARD SERIAL NO. 001000-019799)

R5283 -UN-01JAN94





# 1F18

ELECTRICAL

**TWO HEAD LAMP WIRING - CONTINUED  
(DIESEL)  
(STANDARD SERIAL NO. 001000-019799)**

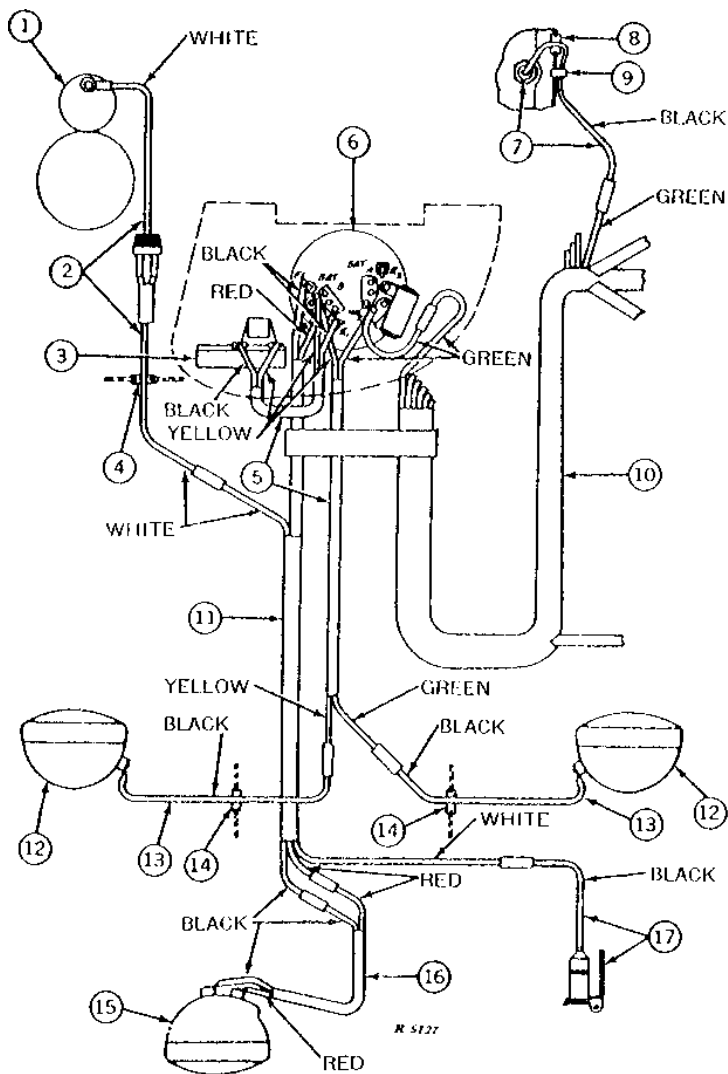
KEY	PART NO.	PART NAME	QTY	TRACTOR SERIAL NO.	REMARKS
1	R2579R	GROMMET	2		
2	AR28166	LAMP	1		(12-VOLT) (SUB FOR AR27574)
	A2743R	WASHER	2		
	24H1355	WASHER	2		(SUB FOR R31892)
	12H301	LOCK WASHER	2		1/2", (SUB FOR R30403)
	14H1040	NUT	2		1/2" HS, SAE 8
3	AR11138	STARTER	1		(24-VOLT) (DELCO-REMY NO. 1113148) (SUB FOR AR28053) (SUB TY6703)
	TY6703	STARTER	1		REMANUFACTURED (24-VOLT) (SUB FOR AR11138, AR28053, AR40134, TY1470 OR TY6622) (CONTAINS RE39061)
4	AR26756	WIRING LEAD	1		
5	R26941	GROMMET	1		
6	AR27238	RESISTOR	1		
7	AR28402	SWITCH	1		LIGHT
8	AR33479	LAMP	1		(SUB FOR AR26757 OR AR35993)
9	A3411R	GROMMET	1		
10	F2084R	CLIP	1		
11	AR26818	WIRING HARNESS	1	-006136	(SUB AR47646)
	AR47646	KIT	1	006137-	(SUB FOR AR28813 OR AR26818)
	R44302	TIE BAND	4		(SUB FOR R27457)
12	AR26573	WIRING HARNESS	1	-009742	(LIGHT SWITCH TO REAR LAMP) (SUB AR28929)
	AR28929	WIRING HARNESS	1	009743-	(LIGHT SWITCH TO REAR LAMP) (SUB FOR AR26573)
13	AR27615	WIRING HARNESS	1		(LIGHT SWITCH TO R.H. FENDER LAMP)
	B1986R	CLIP	1		
14	AR27616	WIRING HARNESS	1		(LIGHT SWITCH TO L.H. FENDER LAMP)
	B1986R	CLIP	1		
15	A3411R	GROMMET	2		
16	AR77326	FLOODLAMP	1		(12-VOLT) (SUB FOR AR26574 OR AR34990)
	12H301	LOCK WASHER	1		1/2", (SUB FOR R30403)
	14H1040	NUT	1		1/2" HS, SAE 8
17	AR26575	WIRING HARNESS	1		(LIGHT SWITCH TO REAR LAMP)
	A5172R	CLIP	1		
	R21551	CLIP	1		
18	AR26571	SOCKET	1		
	21H981	SCREW	2		0.190" X 1/2"
	12M7060	WASHER	2		0.209"
	14H778	NUT	2		0.190"
	<b>AR40710</b>	<b>PLUG</b>	1		<b>(SUB FOR AA5691R) (FI)</b>
	AA5692R	ELECTRICAL PLUG	1		

# 1F19

ELECTRICAL

TWO HEAD LAMP WIRING  
(DIESEL)  
(ROW-CROP SERIAL NO. 001000- )  
(STANDARD SERIAL NO. 019800- )

R5127 -UN-01JAN94



# 1F20

ELECTRICAL

**TWO HEAD LAMP WIRING - CONTINUED**  
**(DIESEL)**  
**(ROW-CROP SERIAL NO. 001000- )**  
**(STANDARD SERIAL NO. 019800- )**

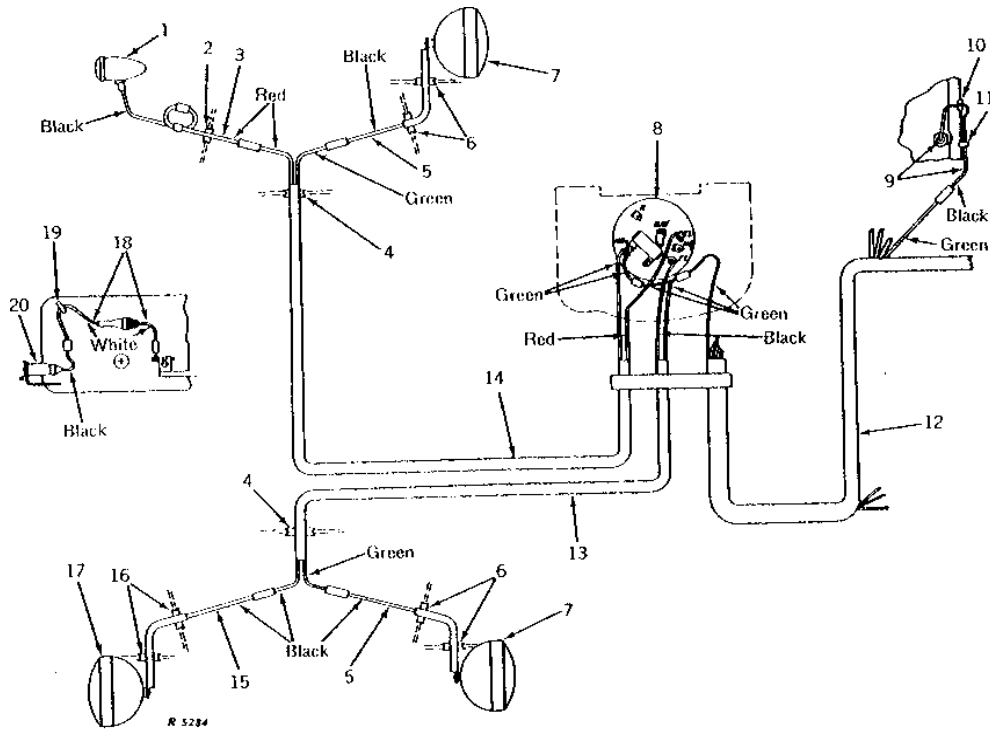
KEY	PART NO.	PART NAME	QTY	TRACTOR SERIAL NO.	REMARKS
1	AR11138	STARTER	1		(24-VOLT) (DELCO-REMY NO. 1113148) (SUB FOR AR28053) (SUB TY6703)
	TY6703	STARTER	1		REMANUFACTURED (24-VOLT) (SUB FOR AR11138, AR28053, AR40134, TY1470 OR TY6622) (CONTAINS RE39061)
2	AR26756	WIRING LEAD	1		
3	AR27238	RESISTOR	1		
4	R26941	GROMMET	1		
5	AR27240	WIRING HARNESS	1		(LIGHT SWITCH TO SIDE LAMPS)
6	AR28402	SWITCH	1		LIGHT
7	AR33479	LAMP	1		(SUB FOR AR26757 OR AR35993)
8	A3411R	GROMMET	1		
9	F2084R	CLIP	1		
10	AR26818	WIRING HARNESS	1	-006136	(SUB AR47646)
	AR47646	KIT	1	006137-	(SUB FOR AR28813 OR AR26818)
	R44302	TIE BAND	4		(SUB FOR R27457)
11	AR26573	WIRING HARNESS	1	-009742	(SUB AR28929)
	AR28929	WIRING HARNESS	1	009743-	(SUB FOR AR26573)
12	AA7322R	LAMP	1	-020189	(12-VOLT) (SUB AT13381)
	AT13381	LAMP	1	020190-	(12-VOLT) (SUB FOR AA7322R)
	24H1111	WASHER	2		(NO LONGER AVAILABLE)
	12H301	LOCK WASHER	2		1/2", (SUB FOR R30403)
	14H1040	NUT	2		1/2" HS, SAE 8
13	.....	WIRING LEAD	2		483MM (19") (SUB FOR AR27239) (MAKE FROM R66319, R32016, R32025 AND R32027)
14	R26941	GROMMET	2		
15	AR34990	LAMP	1	-021673	(12-VOLT) (SUB FOR AR26574) (SUB AR77326)
	AR77326	FLOODLAMP	1	021674-	(12-VOLT) (SUB FOR AR28227, AT16288 OR AR34990)
	12H301	LOCK WASHER	1		1/2", (SUB FOR R30403)
	14H1040	NUT	1		1/2" HS, SAE 8
16	AR26575	WIRING HARNESS	1		(LIGHT SWITCH TO REAR LAMP)
	R21551	CLIP	1		
17	AR26571	SOCKET	1		
	21H1019	SCREW	2		0.190" X 1/2"
	12M7060	WASHER	2		0.209"
	14H778	NUT	2		0.190"
	<b>AR40710</b>	<b>PLUG</b>	1		<b>(SUB FOR AA5691R) (FI)</b>
	AA5692R	ELECTRICAL PLUG	1		

# 1F21

ELECTRICAL

## TWO HEAD LAMP WIRING (GASOLINE AND LP-GAS) (UTILITY)

R5284 -UN-01JAN94



# 1F22

ELECTRICAL

**TWO HEAD LAMP WIRING - CONTINUED  
(GASOLINE AND LP-GAS)  
(UTILITY)**

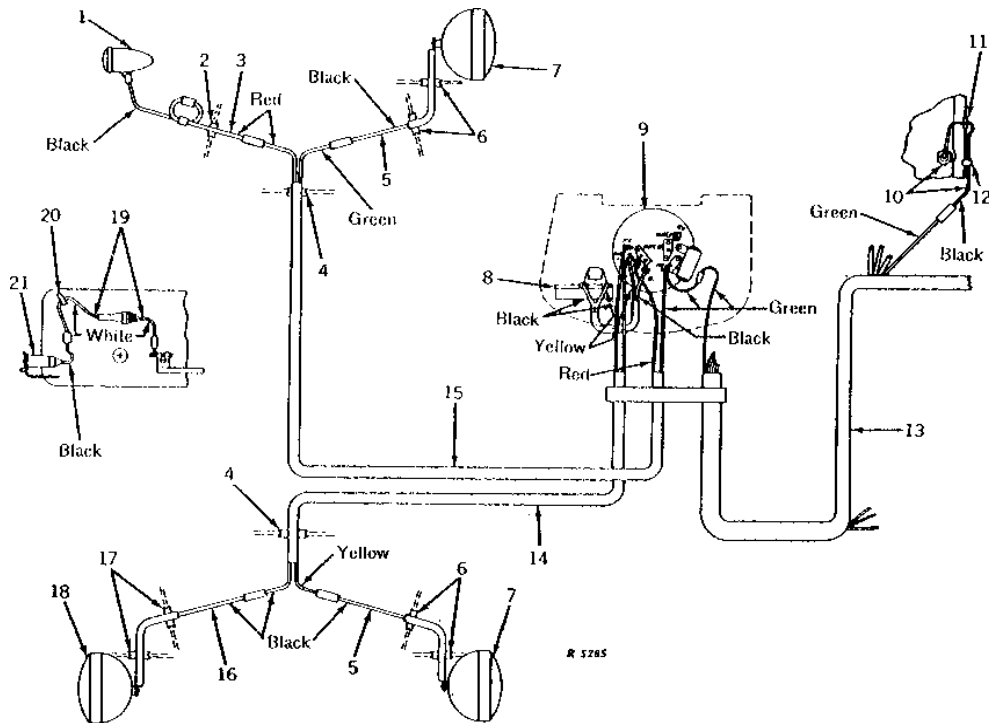
KEY	PART NO.	PART NAME	QTY	TRACTOR SERIAL NO.	REMARKS
1	AT11883	LAMP	1		TAIL, REAR, L.H.
2	R2579R	GROMMET	1		
3	.....	WIRING LEAD	1		533MM (21") (SUB FOR AR27575) (MAKE FROM R66319, R32024, R32025 AND (2) R32027)
	R21551	CLIP	1		
4	R28193	GROMMET	2		
5	.....	WIRING LEAD	2		686MM (27") (SUB FOR AR28077) (MAKE FROM R66319, R32016, R32025 AND R32027)
	R21551	CLIP	2		
6	R2579R	GROMMET	4		
7	AR27574	LAMP	1	-042828	(12-VOLT) (SUB AR28166)
	AR28166	LAMP	1	042829-	(12-VOLT) (SUB FOR AR27574 OR AR27576)
	R28191	WASHER	1		
	R28192	WASHER	2		(NO LONGER AVAILABLE)
	12H301	LOCK WASHER	2		1/2", (SUB FOR R30403)
	14H1040	NUT	2		1/2" HS, SAE 8
8	AR28401	SWITCH	1		LIGHT
9	AR33479	LAMP	1		(SUB FOR AR26657 OR AR35993)
10	A3411R	GROMMET	1		
11	F2084R	CLIP	1		
12	AR26816	WIRING HARNESS	1	-009769	(GASOLINE) (SUB AR47648)
	AR47648	KIT	1	009770-	(GASOLINE) (SUB FOR AR28811 OR AR26816)
	AR26817	WIRING HARNESS	1	-019478	(SUB AR47647) (LP-GAS) (NO LONGER AVAILABLE)
	AR47647	KIT	1	019479-	(LP-GAS) (SUB FOR AR28812 OR AR26817)
	R44302	TIE BAND	4		(SUB FOR R27457)
13	AR28420	WIRING HARNESS	1		SIDE LAMP, R.H. (NO LONGER AVAILABLE)
	R21551	CLIP	1		
14	AR27578	WIRING HARNESS	1		SIDE LAMP, R.H.
	R21551	CLIP	1		
15	.....	WIRING LEAD	1		686MM (27") (SUB FOR AR28077) (MAKE FROM R66319, R32016, R32025 AND R32027)
	R21551	CLIP	1		
16	R2579R	GROMMET	2		
17	AR28166	LAMP	1	-042828	REAR, R.H. (12-VOLT) (SUB FOR AR27576)
	RE27099	LAMP	1	042829-	REAR, R.H. (12-VOLT) (SUB FOR AR28167)
	A2743R	WASHER	1		
	24H1355	WASHER	1		(SUB FOR R31892)
	12H301	LOCK WASHER	1		1/2", (SUB FOR R30403)
	14H1040	NUT	1		1/2" HS, SAE 8
18	AR26756	WIRING LEAD	1		
19	R21551	CLIP	1		
20	AR26571	SOCKET	1		
	21H1017	SCREW	2		0.190" X 3/8"
	12M7060	WASHER	2		0.209"
	14H778	NUT	2		0.190"
	<b>AR40710</b>	<b>PLUG</b>	<b>1</b>		<b>(SUB FOR AA5691R) (FI)</b>
	AA5692R	ELECTRICAL PLUG	1		

# 1F23

ELECTRICAL

## TWO HEAD LAMP WIRING (DIESEL) (UTILITY)

R5285 -UN-01JAN94



# 1F24

ELECTRICAL

**TWO HEAD LAMP WIRING - CONTINUED  
(DIESEL)  
(UTILITY)**

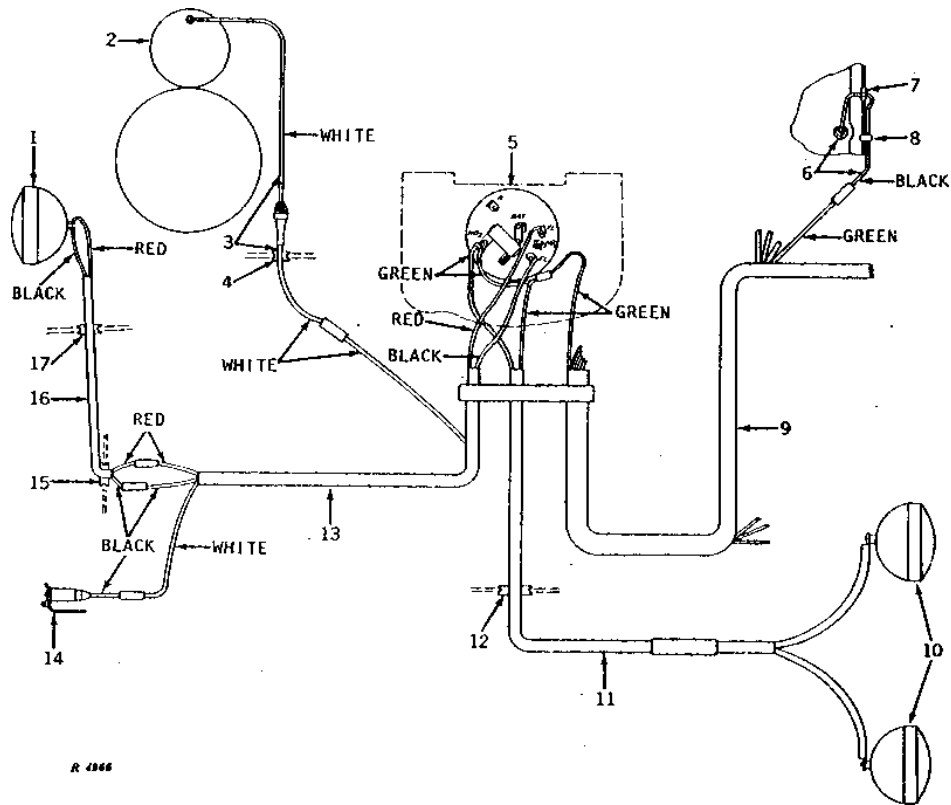
KEY	PART NO.	PART NAME	QTY	TRACTOR SERIAL NO.	REMARKS
1	AT11883	LAMP	1		REAR, L.H.
2	R2579R	GROMMET	1		
3	.....	WIRING LEAD	1		533MM (21") (SUB FOR AR27575) (MAKE FROM R66319, R32016, R32025 AND R32027)
	R21551	CLIP	1		
4	R28193	GROMMET	2		
5	.....	WIRING LEAD	2		686MM (27") (SUB FOR AR28077) (MAKE FROM R66319, R32016, R32025 AND R32027)
	R21551	CLIP	2		
6	R2579R	GROMMET	4		
7	AR27574	LAMP	1	-042828	(12-VOLT) (SUB AR28166)
	AR28166	LAMP	1	042829-	(12-VOLT) (SUB FOR AR27574 OR AR27576)
	R28191	WASHER	2		
	R28192	WASHER	2		(NO LONGER AVAILABLE)
	12H301	LOCK WASHER	1		1/2", (SUB FOR R30403)
	14H1040	NUT	2		1/2" HS, SAE 8
8	AR27238	RESISTOR	1		
9	AR28402	SWITCH	1		LIGHT
10	AR33479	LAMP	1		(SUB FOR AR26757 OR AR35993)
11	A3411R	GROMMET	1		
12	F2084R	CLIP	1		
13	AR26818	WIRING HARNESS	1	-006136	(SUB AR47646)
	AR47646	KIT	1	006137-	(SUB FOR AR28813 OR AR26818)
	R44302	TIE BAND	4		(SUB FOR R27457)
14	AR27577	WIRING HARNESS	1		SIDE LAMP, R.H.
	R21551	CLIP	1		
15	AR27578	WIRING HARNESS	1		SIDE LAMP, L.H.
	R21551	CLIP	1		
16	.....	WIRING LEAD	1		686MM (27") (SUB FOR AR28077) (MAKE FROM R66319, R32016, R32025 AND R32027)
	R21551	CLIP	1		
17	R2579R	GROMMET	2		
18	AR28166	LAMP	1	-042828	REAR, R.H. (12-VOLT) (SUB FOR AR27576)
	RE27099	LAMP	1	042829-	REAR, R.H. (12-VOLT) (SUB FOR AR28167)
	A2743R	WASHER	1		
	24H1355	WASHER	1		(SUB FOR R31892)
	12H301	LOCK WASHER	1		1/2", (SUB FOR R30403)
	14H1040	NUT	1		1/2" HS, SAE 8
19	AR26756	WIRING LEAD	1		
20	R21551	CLIP	1		
21	AR26571	SOCKET	1		
	21H1017	SCREW	2		0.190" X 3/8"
	12M7060	WASHER	2		0.209"
	14H778	NUT	2		0.190"
	<b>AR40710</b>	<b>PLUG</b>	<b>1</b>		<b>(SUB FOR AA5691R) (FI)</b>
	AA5692R	ELECTRICAL PLUG	1		

# 1G1

ELECTRICAL

## TWO HEAD LAMP WIRING (GASOLINE) (ORCHARD)

R4966 -UN-01JAN94





# 1G2

ELECTRICAL

**TWO HEAD LAMP WIRING - CONTINUED  
(GASOLINE)  
(ORCHARD)**

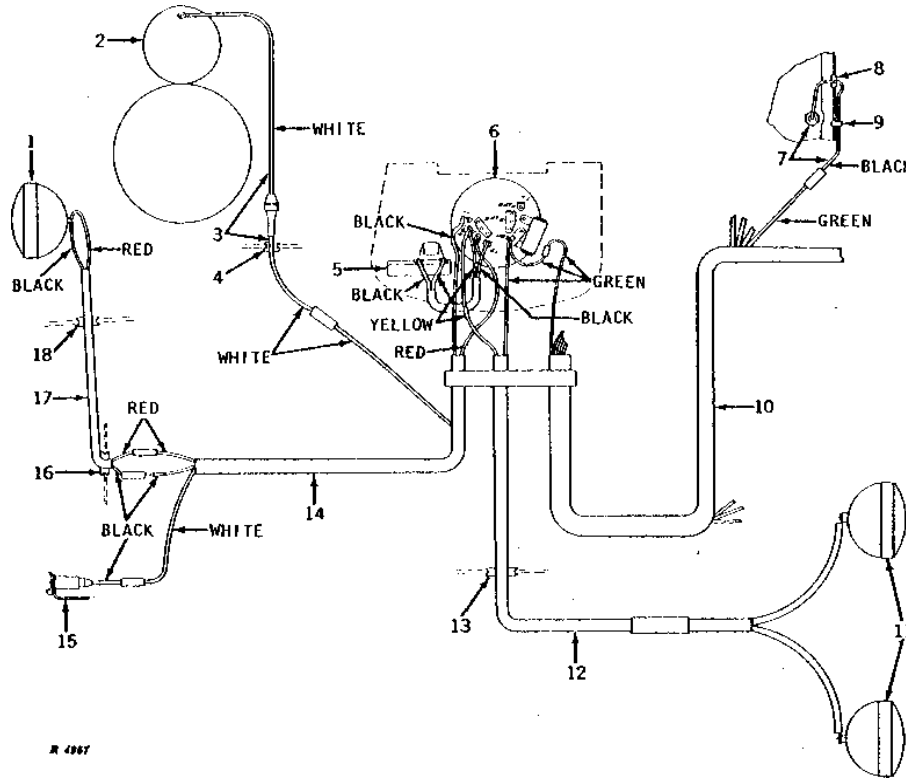
KEY	PART NO.	PART NAME	QTY	TRACTOR SERIAL NO.	REMARKS
1	AR77326	FLOODLAMP	1		(12-VOLT) (SUB FOR AR28227)
	12H301	LOCK WASHER	1		1/2", (SUB FOR R30403)
	14H1040	NUT	2		1/2" HS, SAE 8
2	AR11160	STARTER	1		(12-VOLT) (DELCO-REMY NO. 1107350) (SUB FOR AR11300) (SUB TY6691)
	TY6691	STARTER	1		REMANUFACTURED (12-VOLT) (SUB FOR AR11300, AR11160 OR TY1435) (CONTAINS RE39838)
3	AR26756	WIRING LEAD	1		
4	R26941	GROMMET	1		
5	AR28401	SWITCH	1		LIGHT
6	AR33479	LAMP	1		(SUB FOR AR26757 OR AR35993)
7	A3411R	GROMMET	1		
8	F2084R	CLIP	1		
9	AR47648	KIT	1		(SUB FOR AR28811 OR AR26816)
	R44302	TIE BAND	4		(SUB FOR R27457)
10	AR28166	LAMP	1		(12-VOLT)
	AR30854	SUPPORT	1		(NO LONGER AVAILABLE)
	24H1392	WASHER	4		25/32" X 1-3/8" X 0.120"
	M1482T	CLAMP	2		
	24H1625	WASHER	2		17/32" X 1" X 0.120"
	14H1040	NUT	2		1/2" HS, SAE 8
11	R31767	WIRING HARNESS	1		FRONT LAMP (NO LONGER AVAILABLE)
	R44302	TIE BAND	2		(SUB FOR R27457)
12	R26936	GROMMET	1		
13	R31923	WIRING HARNESS	1		(LIGHT SWITCH TO REAR LAMP) (NO LONGER AVAILABLE)
14	AR26571	SOCKET	1		
	21H981	SCREW	2		0.190" X 1/2"
	24H1283	WASHER	2		7/32" X 1/2" X 0.049"
	12M7060	WASHER	2		0.209"
	14H778	NUT	2		0.190"
	A5172R	CLIP	1		
	B1986R	CLIP	1		
	19H1919	CAP SCREW	1		1/4" X 5/8"
	24H1287	WASHER	2		9/32" X 5/8" X 0.065"
	12H302	LOCK WASHER	1		1/4"
	14H786	NUT	1		1/4"
	<b>AR40710</b>	<b>PLUG</b>	<b>1</b>		<b>(SUB FOR AA5691R) (FI)</b>
	AA5692R	ELECTRICAL PLUG	1		
15	R26936	GROMMET	1		
16	R31922	WIRING HARNESS	1		(LIGHT SWITCH TO REAR LAMP) (NO LONGER AVAILABLE)
17	R28193	GROMMET	1		

# 1G3

ELECTRICAL

## TWO HEAD LAMP WIRING (DIESEL) (ORCHARD)

R4967 -UN-01JAN94



R 4967

# 1G4

ELECTRICAL

**TWO HEAD LAMP WIRING - CONTINUED  
(DIESEL)  
(ORCHARD)**

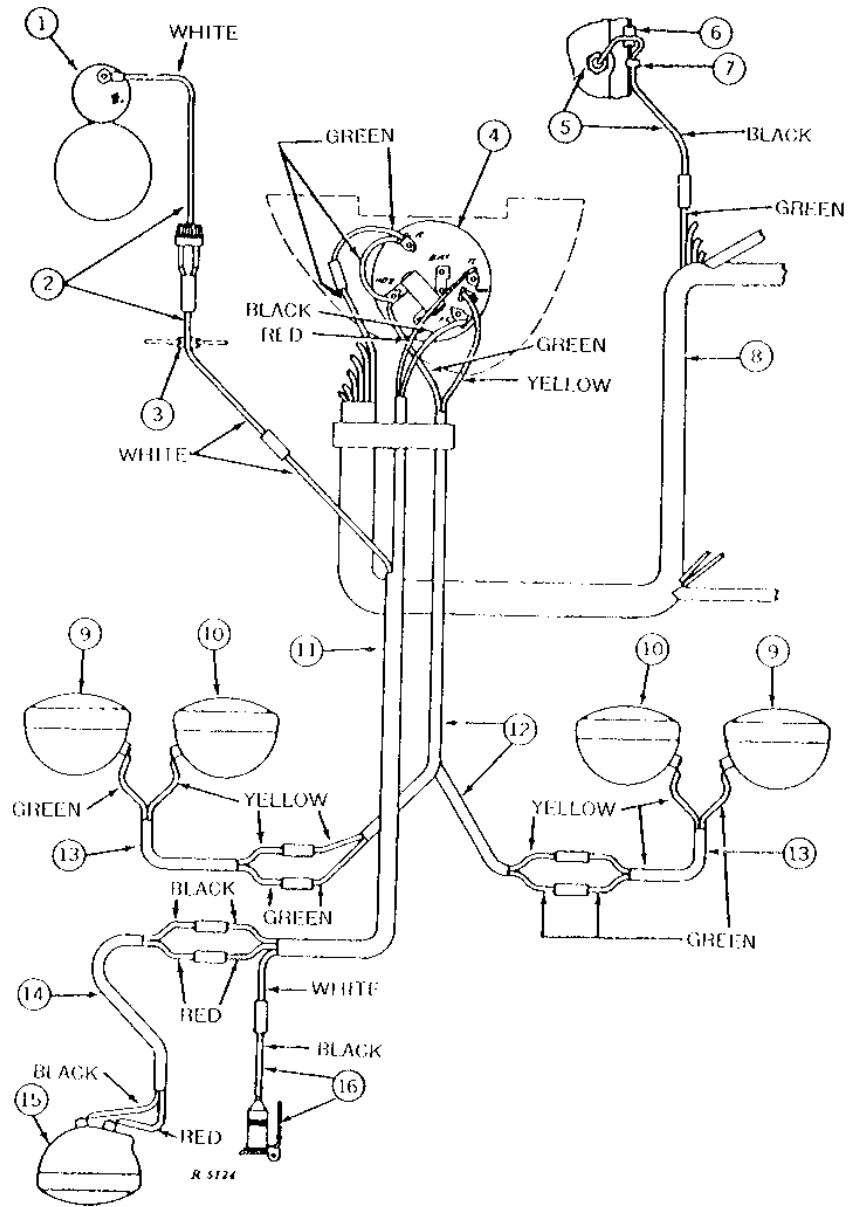
KEY	PART NO.	PART NAME	QTY	TRACTOR SERIAL NO.	REMARKS
1	AR77326	FLOODLAMP	1		(SUB FOR AR28227 OR AT16288)
	12H301	LOCK WASHER	1		1/2", (SUB FOR R30403)
	14H1040	NUT	2		1/2" HS, SAE 8
2	AR11138	STARTER	1		(24-VOLT) (DELCO-REMY NO. 1113148) (SUB TY6703)
	TY6703	STARTER	1		REMANUFACTURED (24-VOLT) (SUB FOR AR11138, AR40134 OR TY6622) (CONTAINS RE39061)
3	AR26756	WIRING LEAD	1		
4	R26941	GROMMET	1		
5	AR27238	RESISTOR	1		
6	AR28402	SWITCH	1		LIGHT
7	AR33479	LAMP	1		(SUB FOR AR26757 OR AR35993)
8	A3411R	GROMMET	1		
9	F2084R	CLIP	1		
10	AR47646	KIT	1		(SUB FOR AR28813 OR AR26813)
	R44302	TIE BAND	4		(SUB FOR R27457)
11	AR28166	LAMP	1		(12-VOLT)
	AR30854	SUPPORT	1		(NO LONGER AVAILABLE)
	24H1392	WASHER	4		25/32" X 1-3/8" X 0.120"
	M1482T	CLAMP	2		
	24H1625	WASHER	2		17/32" X 1" X 0.120"
	14H1040	NUT	2		1/2" HS, SAE 8
12	R31768	WIRING HARNESS	1		(NO LONGER AVAILABLE)
	R44302	TIE BAND	2		(SUB FOR R27457)
13	R26936	GROMMET	1		
14	R31923	WIRING HARNESS	1		(LIGHT SWITCH TO REAR LAMP) (NO LONGER AVAILABLE)
15	AR26571	SOCKET	1		
	21H981	SCREW	2		0.190" X 1/2"
	24H1283	WASHER	1		7/32" X 1/2" X 0.049"
	12M7060	WASHER	2		0.209"
	14H778	NUT	2		0.190"
	A5172R	CLIP	1		
	B1986R	CLIP	1		
	19H1919	CAP SCREW	1		1/4" X 5/8"
	24H1287	WASHER	2		9/32" X 5/8" X 0.065"
	12H302	LOCK WASHER	1		1/4"
	14H786	NUT	1		1/4"
	<b>AR40710</b>	<b>PLUG</b>	1		<b>(SUB FOR AA5691R) (FI)</b>
	AA5692R	ELECTRICAL PLUG	1		
16	R26936	GROMMET	1		
17	R31922	WIRING HARNESS	1		(LIGHT SWITCH TO REAR LAMP) (NO LONGER AVAILABLE)
18	R28193	GROMMET	1		

# 1G5

ELECTRICAL

## FOUR HEAD LAMP WIRING (GASOLINE AND LP-GAS) (ROW-CROP)

R5124 -UN-01JAN94



# 1G6

ELECTRICAL

**FOUR HEAD LAMP WIRING - CONTINUED  
(GASOLINE AND LP-GAS)  
(ROW-CROP)**

KEY	PART NO.	PART NAME	QTY	TRACTOR SERIAL NO.	REMARKS
1	AR11160	STARTER	1		(12-VOLT) (DELCO-REMY NO. 1107350) (SUB FOR AR11300) (SUB TY6691)
	TY6691	STARTER	1		REMANUFACTURED (12-VOLT) (SUB FOR AR11300, AR11160 OR TY1435) (CONTAINS RE39838)
2	AR26756	WIRING LEAD	1		
3	R26941	GROMMET	1		
4	AR28401	SWITCH	1		LIGHT
5	AR33479	LAMP	1		(SUB FOR AR26757 OR AR35993)
6	A3411R	GROMMET	1		
7	F2084R	CLIP	1		
8	AR26816	WIRING HARNESS	1	-009769	(GASOLINE) (SUB AR47648)
	AR47648	KIT	1	009770-	(GASOLINE) (SUB FOR AR28811 OR AR26816)
	AR26817	WIRING HARNESS	1	-019478	(SUB AR47647) (LP-GAS) (NO LONGER AVAILABLE)
	AR47647	KIT	1	019479-	(LP-GAS) (SUB FOR AR28812 OR AR26817)
9	R44302	TIE BAND	4		(SUB FOR R27457)
	AR20443	LAMP	1	-020189	(12-VOLT) (SUB AT13380)
	AT13380	HEADLIGHT	1	020190-	(12-VOLT FLOOD) (SUB FOR AR20443 OR AR20445)
	R20758	WASHER	2		
	F2935R	WASHER	2		(SUB FOR R30402)
	12H301	LOCK WASHER	2		1/2", (SUB FOR R30403)
10	14H1040	NUT	2		1/2" HS, SAE 8
	AA7322R	LAMP	1	-020189	(12-VOLT) (SUB AT13381)
	AT13381	LAMP	1	020190-	(12-VOLT) (SUB FOR AA7322R)
	R20758	WASHER	2		
	F2935R	WASHER	2		(SUB FOR R30402)
	12H301	LOCK WASHER	2		1/2", (SUB FOR R30403)
11	14H1040	NUT	2		1/2" HS, SAE 8
	AR26573	WIRING HARNESS	1	-009742	(A) (SUB AR28929)
	AR28929	WIRING HARNESS	1	009743-	(A) (SUB FOR AR26573)
	AR26572	WIRING HARNESS	1		(B)
	A5172R	CLIP	3		
13	R34045	COVER	2		(SUB FOR R27641)
	19H2020	CAP SCREW	2		5/16" X 1/2"
	12H303	LOCK WASHER	2		5/16"
	AR27359	WIRING HARNESS	2		(B)
	A4881R	CLIP	4		
	19H2487	CAP SCREW	4		5/16" X 9/16"
14	12H303	LOCK WASHER	4		5/16"
	F2084R	CLIP	2		
	A3411R	GROMMET	2		
	AR26575	WIRING HARNESS	1		(A)
	R21551	CLIP	1		
15	AR34990	LAMP	1	-021673	(12-VOLT) (SUB FOR AR26574) (SUB AR77326)
	AR77326	FLOODLAMP	1	021674-	(SUB FOR AT16288, AR26574, AT10569 OR AM1980T)
	12H301	LOCK WASHER	1		1/2", (SUB FOR R30403)
	14H1040	NUT	1		1/2"
16	AR26571	SOCKET	1		
	21H981	SCREW	2		0.190" X 1/2"
	12M7060	WASHER	2		0.209"
	14H778	NUT	2		0.190"
	<b>AR40710</b>	<b>PLUG</b>	1		<b>(SUB FOR AA5691R) (FI)</b>
	AA5692R	ELECTRICAL PLUG	1		

(A) LIGHT SWITCH TO REAR LAMP

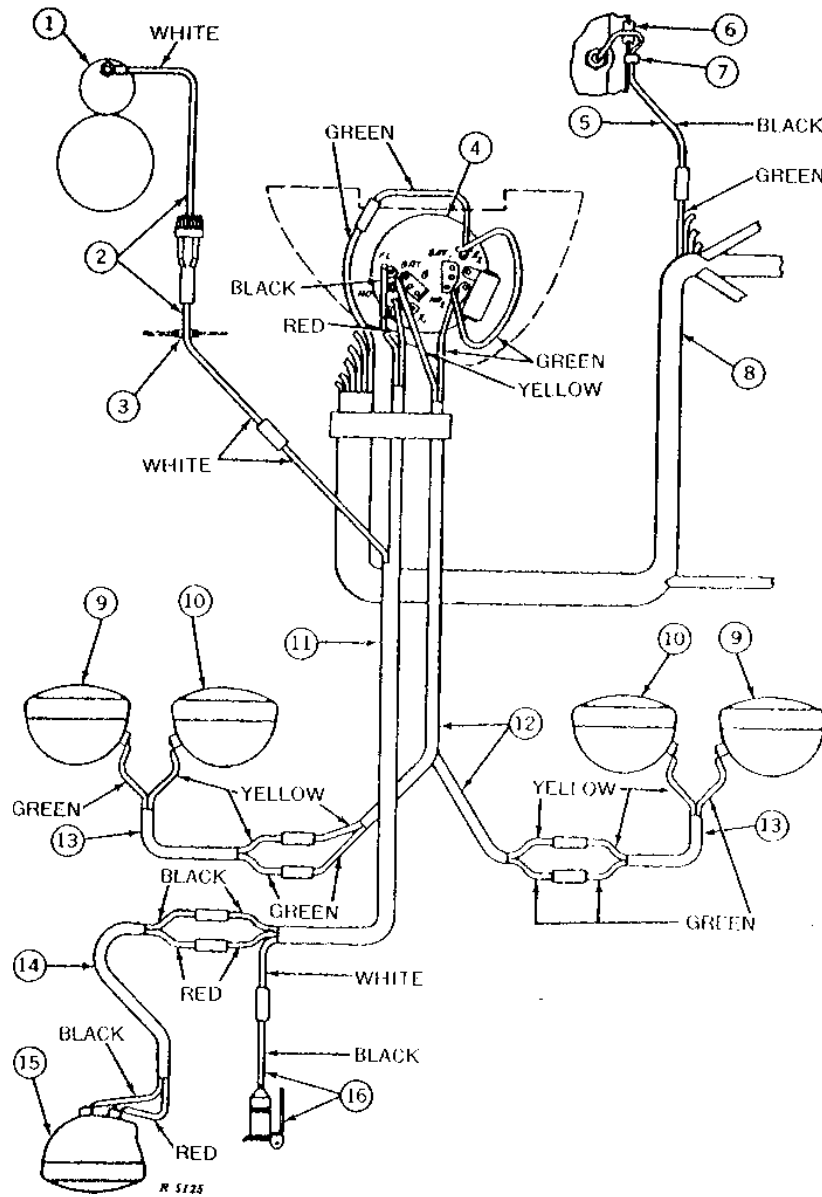
(B) LIGHT SWITCH TO FENDER LAMP

# 1G7

ELECTRICAL

## FOUR HEAD LAMP WIRING (DIESEL) (ROW-CROP)

R5125 -UN-01JAN94



# 1G8

ELECTRICAL

**FOUR HEAD LAMP WIRING - CONTINUED  
(DIESEL)  
(ROW-CROP)**

KEY	PART NO.	PART NAME	QTY	TRACTOR SERIAL NO.	REMARKS
1	AR11138	STARTER	1		(24-VOLT) (DELCO-REMY NO. 1113148) (SUB FOR AR28053) (SUB TY6703)
	TY6703	STARTER	1		REMANUFACTURED (24-VOLT) (SUB FOR AR11138, AR28053, AR40134, TY1470 OR TY6622) (CONTAINS RE39061)
2	AR26756	WIRING LEAD	1		
3	R26941	GROMMET	1		
4	AR28402	SWITCH	1		LIGHT
5	AR33479	LAMP	1		(SUB FOR AR26757 OR AR35993)
6	A3411R	GROMMET	1		
7	F2084R	CLIP	1		
8	AR26818	WIRING HARNESS	1	-006136	(SUB AR47646)
	AR47646	KIT	1	006137-	(SUB FOR AR28813 OR AR26818)
	R44302	TIE BAND	4		(SUB FOR R27457)
9	AR20443	LAMP	1	-020189	(12-VOLT FLOOD) (SUB AT13380)
	AT13380	HEADLIGHT	1	020190-	(12-VOLT FLOOD) (SUB FOR AR20443 OR AR20445)
	R20758	WASHER	2		
	F2935R	WASHER	2		(SUB FOR R30402)
	12H301	LOCK WASHER	2		1/2", (SUB FOR R30403)
	14H1040	NUT	2		1/2" HS, SAE 8
10	AA7322R	LAMP	1	-020189	(12-VOLT) (SUB AT13381)
	AT13381	LAMP	1	020190-	(12-VOLT) (SUB FOR AA7322R)
	R20758	WASHER	2		
	F2935R	WASHER	2		(SUB FOR R30402)
	12H301	LOCK WASHER	2		1/2", (SUB FOR R30403)
	14H1040	NUT	2		1/2" HS, SAE 8
11	AR26573	WIRING HARNESS	1	-009742	(A) (SUB AR28929)
	AR28929	WIRING HARNESS	1	009743-	(A) (SUB FOR AR26573)
12	AR26572	WIRING HARNESS	1		(B)
	A5172R	CLIP	2		
	R34045	COVER	2		(SUB FOR R27641)
	19H2020	CAP SCREW	2		5/16" X 1/2"
	12H303	LOCK WASHER	2		5/16"
13	AR27359	WIRING HARNESS	2		(B)
	A4881R	CLIP	4		(NOT FURNISHED)
	19H2487	CAP SCREW	4		5/16" X 9/16"
	12H303	LOCK WASHER	4		5/16"
	F2084R	CLIP	2		
	A3411R	GROMMET	2		
14	AR26575	WIRING HARNESS	1		(A)
	R21551	CLIP	1		
15	AR34990	LAMP	1	-021673	(12-VOLT) (SUB FOR AR26574) (SUB AR77326)
	AR77326	FLOODLAMP	1	021674-	(SUB FOR AT16288 OR AR28227)
	12H301	LOCK WASHER	1		1/2", (SUB FOR R30403)
	14H1040	NUT	1		1/2"
16	AR26571	SOCKET	1		
	21H981	SCREW	2		0.190" X 1/2"
	12M7060	WASHER	2		0.209"
	14H778	NUT	2		0.190"
	<b>AR40710</b>	<b>PLUG</b>	1		<b>(SUB FOR AA5691R) (FI)</b>
	AA5692R	ELECTRICAL PLUG	1		

(A) LIGHT SWITCH TO REAR LAMP

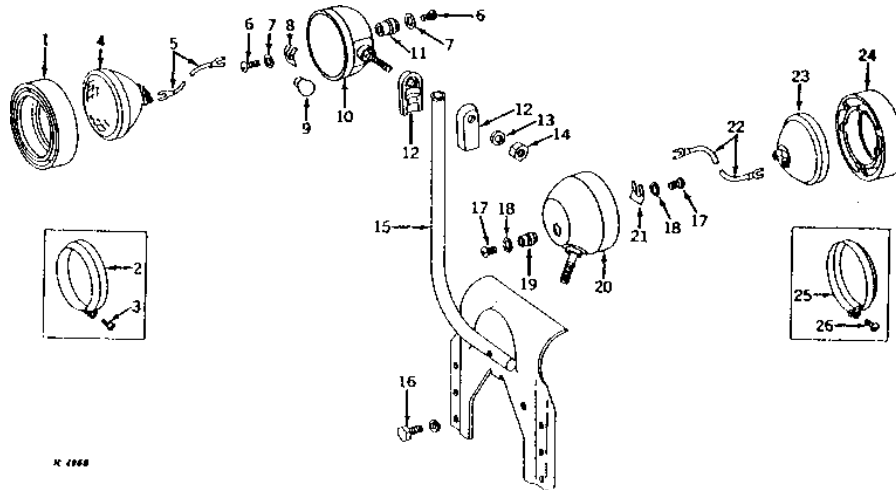
(B) LIGHT SWITCH TO FENDER LAMP

# 1G9

ELECTRICAL

R4968 -UN-01JAN94

## FRONT AND REAR LAMP PARTS AND REAR LAMP SUPPORT





# 1G10

ELECTRICAL

## FRONT AND REAR LAMP PARTS AND REAR LAMP SUPPORT - CONTINUED

KEY	PART NO.	PART NAME	QTY	TRACTOR SERIAL NO.	REMARKS
1	R30182	BEZEL	1	021674-	(A)
	R31250	BEZEL	1	021674-	(B)
2	AF3891R	MOLDING	1	-021673	
3	21H1315	SCREW	1	-021673	0.164" X 3/4"
4	AR21737	LAMP	1		(SUB AR77324, AD2062R AND AR77325) (FOR AR34990 OR AT16288)
	AR77324	LAMP	1		(USE WITH AR77326)
5	.....	WIRING LEAD	1		165MM (6-1/2") (SUB FOR AA4881R) (MAKE FROM R66319 AND (2) R32016)
6	21H972	SCREW	4		0.164" X 5/16"
7	12M7084	LOCK WASHER	4		0.169"
8	A2899R	ASSEMBLY LINE PARTS	2		(B)
9	AR86969	BULB	1		(USE WITH AT16288) (SUB FOR AR21739)
	AD2062R	BULB	1		(C) (USE WITH AR77326)
10	AR34990	LAMP	1	-021673	(C) (SUB FOR AR26574) (SUB AR77326)
	AR77326	FLOODLAMP	1	021674-	(SUB FOR AR28227, AT16288 OR AR34990)
	AR55888	SOCKET	1		(USE WITH AT16288)
	AR77325	SOCKET	1		(USE WITH AR77326)
11	R30181	PLATE	2	021674-	(A)
	AA3495R	SUPPORT	2		(B)
12	R27460	CLAMP	2		(RC AND ST)
13	12H301	LOCK WASHER	1		1/2"
14	14H1040	NUT	1		1/2" HS, SAE 8
15	AR26755	SUPPORT	1		(RC AND ST)
16	19H1936	CAP SCREW	2		3/8" X 3/4"
	12H304	LOCK WASHER	2		3/8"
17	21H972	SCREW	2		0.164" X 5/16"
18	12M7084	LOCK WASHER	2		0.169"
19	R30181	PLATE	1	020190-	(A)
	AA3495R	SUPPORT	1		(B)
20	AA7322R	LAMP	2	-020189	(C) (RC) (SUB AT13381)
	AA7322R	LAMP	2	019800-020189	(C) (ST) (SUB AT13381)
	AT13381	LAMP	2	020190-	(C) (RC AND ST)
	AR20443	LAMP	2	-020189	(C) (RC) (FENDER LAMP) (SUB AT13380)
	AT13380	HEADLIGHT	2	020190-	(C) (RC) (FENDER LAMP)
	AR27574	LAMP	2	-019799	(C) (ST) (SUB AR28166)
	AR28166	LAMP	2		(C) (RU AND OR) (SUB FOR AR27574 OR AR27576)
21	A2899R	ASSEMBLY LINE PARTS	1		(B)
22	.....	WIRING LEAD	1		165MM (6-1/2") (SUB FOR AA4881R) (MAKE FROM R66319 AND (2) R32016)
23	AF3892R	HEADLIGHT	1		(C)
	AR21059	HEADLIGHT	1		(12-VOLT FLOOD) (RC) (FENDER LAMP)
24	R30182	BEZEL	1	020190-	(A)
	R31250	BEZEL	1	020190-	(B)
25	AF3891R	MOLDING	1	-020189	
26	21H1315	SCREW	1	-020189	0.164" X 3/4"

RC - ROW-CROP, ST - STANDARD, RU - ROW-CROP UTILITY, OR - ORCHARD

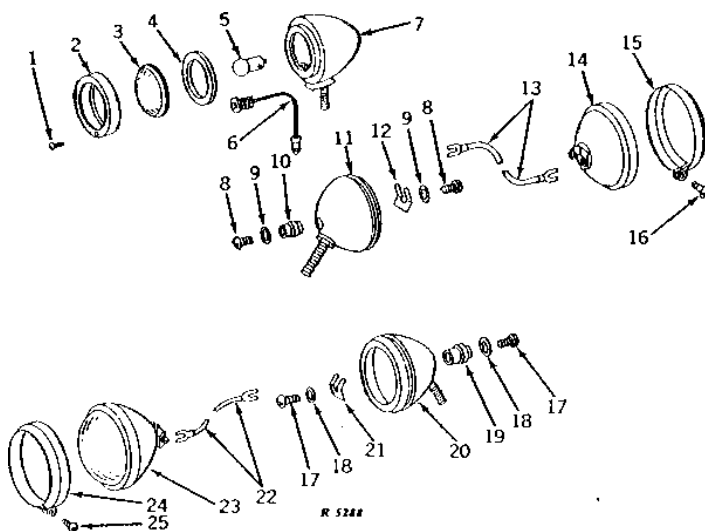
- (A) HOBBS
- (B) GUIDE
- (C) 12-VOLT

# 1G11

ELECTRICAL

FRONT AND REAR LAMP PARTS  
(UTILITY)  
(TRACTOR SERIAL NO. -042828)

R5288 -UN-01JAN94



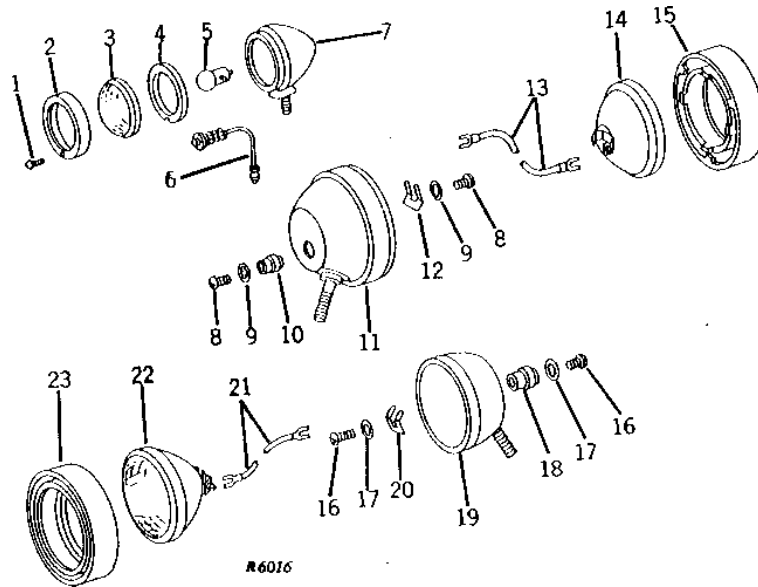
KEY	PART NO.	PART NAME	QTY	TRACTOR SERIAL NO.	REMARKS
1	21H1315	SCREW	1		0.164" X 3/4"
2	.....	DOOR	1		(ORDER AT11883)
3	.....	LENS	1		(ORDER AT11883)
4	T15271	GASKET	1		(NO LONGER AVAILABLE)
5	AT12948	BULB	1		(12-6 VOLT) (6 C.P.) (SUB FOR AR20580)
6	AT13546	WIRING LEAD	1		(NO LONGER AVAILABLE)
7	AT11883	LAMP	1		(NLA)
8	21H972	SCREW	2		0.164" X 5/16"
9	12M7084	LOCK WASHER	2		0.169"
10	AA3495R	SUPPORT	1		
11	AR28166	LAMP	1		(12-VOLT) (SUB FOR AR27574)
12	A2899R	ASSEMBLY LINE PARTS	1		
13	.....	WIRING LEAD	1		165MM (6-1/2") (SUB FOR AA4881R) (MAKE FROM R66319 AND (2) R32016)
14	AF3892R	HEADLIGHT	1		(12-VOLT)
15	AF3891R	MOLDING	1		
16	21H1315	SCREW	1		0.164" X 3/4"
17	21H972	SCREW	2		0.164" X 5/16"
18	12M7084	LOCK WASHER	2		0.169"
19	AA3495R	SUPPORT	1		
20	AR28166	LAMP	1		(12-VOLT) (SUB FOR AR27576)
21	A2899R	ASSEMBLY LINE PARTS	1		
22	.....	WIRING LEAD	1		165MM (6-1/2") (SUB FOR AA4881R) (MAKE FROM R66319 AND (2) R32016)
23	AR21059	HEADLIGHT	1		(12-VOLT FLOOD)
24	AF3891R	MOLDING	1		
25	21H1315	SCREW	1		0.164" X 3/4"

# 1G12

ELECTRICAL

FRONT AND REAR LAMP PARTS  
(UTILITY)  
(TRACTOR SERIAL NO. 042829- )

R6016 -UN-01JAN94



KEY	PART NO.	PART NAME	QTY	TRACTOR SERIAL NO.	REMARKS
1	21H1315	SCREW	1	0.164" X 3/4"	
2	.....	DOOR	1	(ORDER AT11883)	
3	.....	LENS	1	(ORDER AT11883)	
4	T15271	GASKET	1	(NO LONGER AVAILABLE)	
5	AT12948	BULB	1	(12-6 VOLT) (6 C.P.) (SUB FOR AR20580)	
6	AT13546	WIRING LEAD	1	(NO LONGER AVAILABLE)	
7	AT11883	LAMP	1	(NLA)	
8	21H972	SCREW	2	0.164" X 5/16"	
9	12M7084	LOCK WASHER	2	0.169"	
10	R30181	PLATE	1	(A)	
	AA3495R	SUPPORT	1	(B)	
11	AR28166	LAMP	2	(12-VOLT)	
12	A2899R	ASSEMBLY LINE PARTS	1	(B)	
13	.....	WIRING LEAD	1	165MM (6-1/2") (SUB FOR AA4881R) (MAKE FROM R66319 AND (2) R32016)	
14	AF3892R	HEADLIGHT	1	(12-VOLT)	
15	R30182	BEZEL	1	(A)	
	R31250	BEZEL	1	(B)	
16	21H972	SCREW	2	0.164" X 5/16"	
17	12M7084	LOCK WASHER	2	0.169"	
18	R30181	PLATE	1	(A)	
	AA3495R	SUPPORT	1		
19	RE27099	LAMP	1	(12-VOLT) (SUB FOR AR28167)	
20	A2899R	ASSEMBLY LINE PARTS	1	(B)	
21	.....	WIRING LEAD	1	165MM (6-1/2") (SUB FOR AA4881R) (MAKE FROM R66319 AND (2) R32016)	
22	AR21059	HEADLIGHT	1	(12-VOLT FLOOD)	
23	R30182	BEZEL	1	(A)	
	R31250	BEZEL	1	(B)	

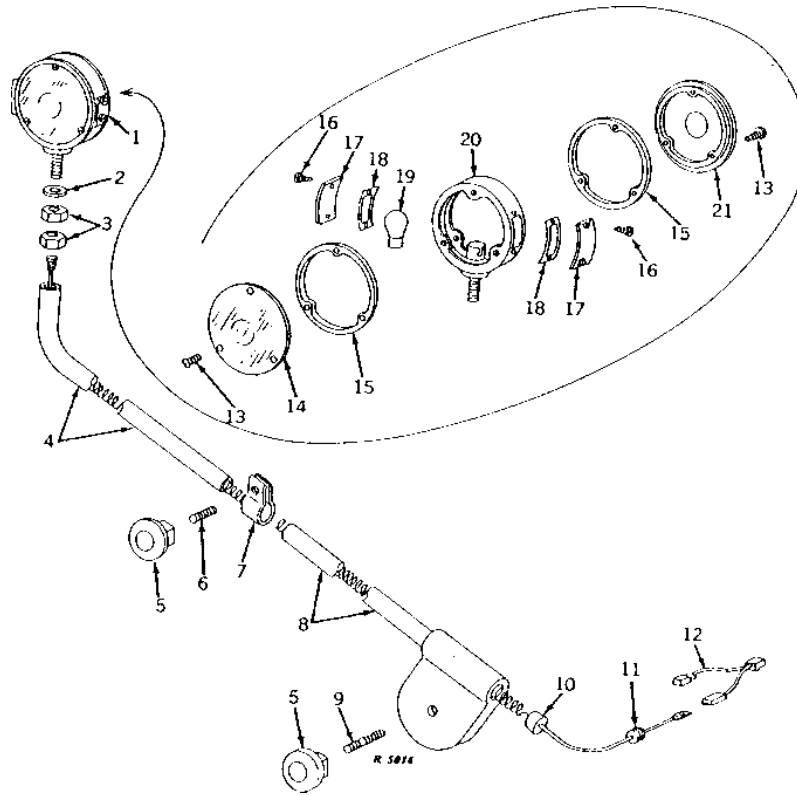
(A) HOBBS  
(B) GUIDE

# 1G13

ELECTRICAL

R5016 -UN-01JAN94

## WARNING LAMP (ROW-CROP AND STANDARD)



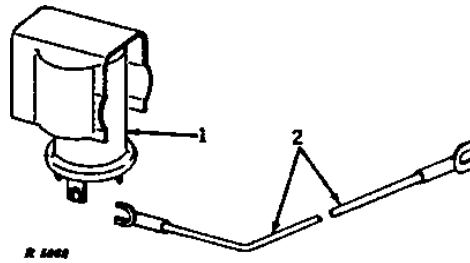
KEY	PART NO.	PART NAME	QTY	TRACTOR SERIAL NO.	REMARKS
1	AR26584	LAMP	1		
2	24H1625	WASHER	1	17/32" X 1" X 0.120"	
3	14H849	NUT	2	7/16"	
4	AR26793	MAST	1		(NO LONGER AVAILABLE)
5	R27580	KNOB	2		
6	C2175R	STUD	1	3/8" X 1-11/16"	
7	AR26794	CLAMP	1		(NO LONGER AVAILABLE)
8	AR26792	BASE	1		
9	R27579	STUD	1	3/8" X 3-1/4", (NO LONGER AVAILABLE)	
10	R27582	BUSHING	1		(NO LONGER AVAILABLE)
11	R27583	GROMMET	1		
12	AR26585	WIRING HARNESS	1		
13	21H964	SCREW	6	0.138" X 1/2"	
14	A5276R	LENS	1	(RED)	
15	.....	GASKET	2	(ORDER AR26584)	
16	37H46	SCREW	4	NO. 6 X 3/8", (SUB FOR R20786)	
17	A5278R	LENS	2	(NLA)	
18	A5279R	GASKET	2	(NLA)	
19	AA6218R	BULB	1	(21 C.P.) (12-14 VOLT)	
20	.....	HOUSING	1	(ORDER AR26584)	
21	A5275R	LENS	1	(AMBER)	
..	AR26791	LAMP	1		(COMPLETE) (NO LONGER AVAILABLE)

# 1G14

ELECTRICAL

R5068 -UN-12OCT94

## WARNING LAMP FLASHER



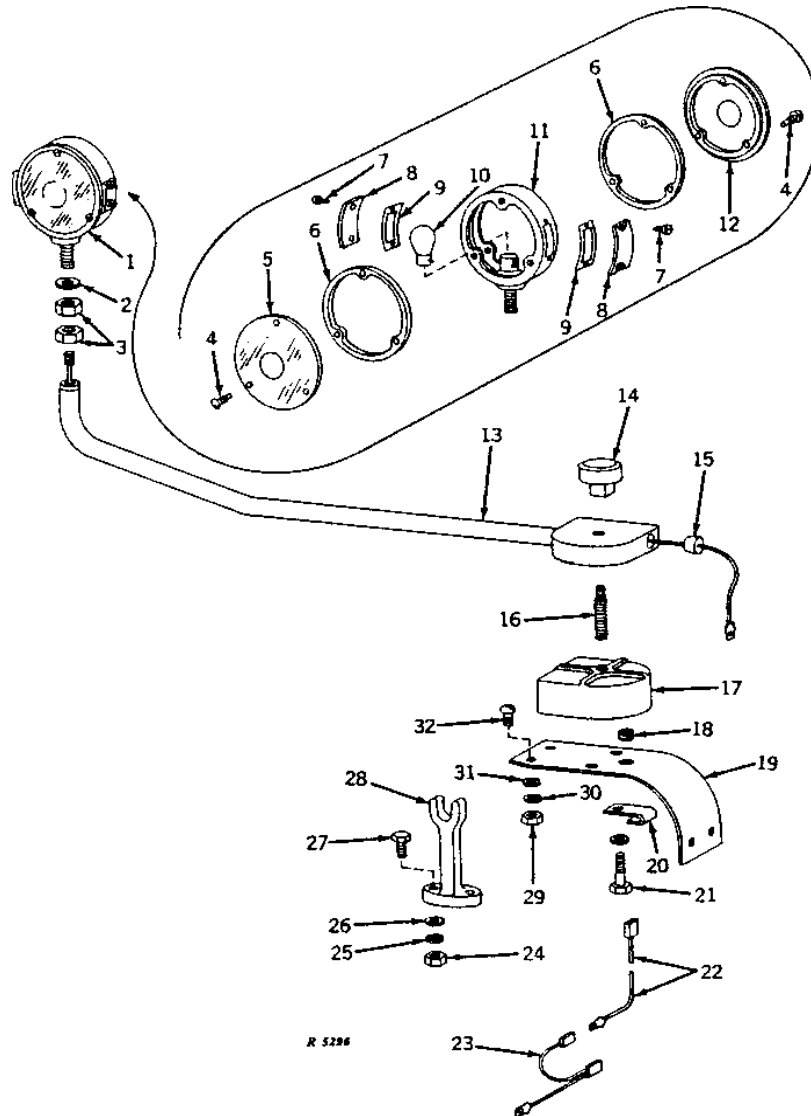
KEY	PART NO.	PART NAME	QTY	TRACTOR SERIAL NO.	REMARKS
1	AR21858	FLASHER	1		(12-VOLT) (SUB FOR AR21856)
2	.....	WIRING LEAD	1		279MM (11") (SUB FOR AA6037R) (MAKE FROM R66320 AND (2) R32016)

# 1G15

ELECTRICAL

R5296 -UN-12DEC94

## WARNING LAMP (UTILITY)



# 1G16

ELECTRICAL

**WARNING LAMP - CONTINUED  
(UTILITY)**

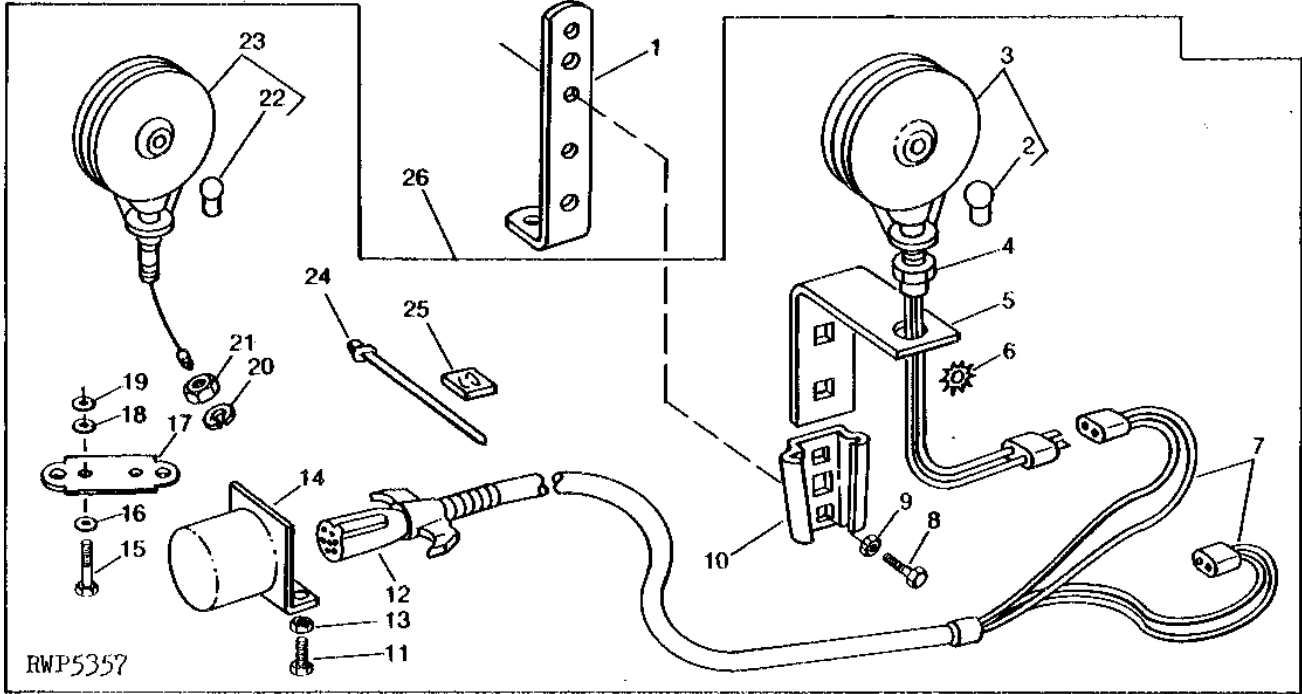
KEY	PART NO.	PART NAME	QTY	TRACTOR SERIAL NO.	REMARKS
1	AR26584	LAMP	1		
2	24H1625	WASHER	1	17/32" X 1" X 0.120"	
3	14H849	NUT	2	7/16"	
4	21H964	SCREW	6	0.138" X 1/2"	
5	A5276R	LENS	1	(RED)	
6	.....	GASKET	2	(ORDER AR26584)	
7	37H46	SCREW	4	NO. 6 X 3/8", (SUB FOR R20786)	
8	A5278R	LENS	2	(OUTLOOK)	
9	A5279R	GASKET	2		
10	AA6218R	BULB	1	(21 C.P.) (12-14 VOLT)	
11	.....	HOUSING	1	(ORDER AR26584)	
12	A5275R	LENS	1	(AMBER)	
13	AT12308	MAST	1	(NO LONGER AVAILABLE)	
14	R27580	KNOB	1		
15	T13215	GROMMET	1	(NO LONGER AVAILABLE)	
16	R699R	STUD	1	3/8" X 2-1/2"	
17	T13206	SUPPORT	1	(NO LONGER AVAILABLE)	
18	R1134R	EYELET	1		
19	T14251	REINFORCEMENT	1	(NO LONGER AVAILABLE)	
20	B1986R	CLIP	1		
21	19H1226	CAP SCREW	2	3/8" X 1-1/4"	
	12H304	LOCK WASHER	2	3/8"	
22	.....	WIRING LEAD	1	533MM (21") (SUB FOR AR27575) (MAKE FROM R66319, R32024, R32025 AND (2) R32027)	
23	AR30093	WIRING HARNESS	1	(NO LONGER AVAILABLE)	
24	14H785	NUT	2	5/16"	
25	12H303	LOCK WASHER	2	5/16"	
26	24H1136	WASHER	2	11/32" X 11/16" X 0.065"	
27	19H1900	CAP SCREW	2	5/16" X 3/4"	
28	T14250	SUPPORT	1	(NO LONGER AVAILABLE)	
29	14H786	NUT	4	1/4"	
30	12H302	LOCK WASHER	4	1/4"	
31	24H1287	WASHER	2	9/32" X 5/8" X 0.065"	
32	21H1023	SCREW	4	1/4" X 5/8"	

# 1G17

ELECTRICAL

RWP5357 -UN-01JAN94

## IMPLEMENT WARNING LAMP KIT



KEY	PART NO.	PART NAME	QTY	TRACTOR SERIAL NO.	REMARKS
1	A39716	BRACKET	2		
2	AD2062R	BULB	2		
3	AA34967	LAMP	2		
	A48331	LENS	2		
4	12H301	LOCK WASHER	2	1/2"	
	14H856	NUT	2	1/2"	
5	PT9319	BRACKET	2		
6	PT9390	WASHER	1		
7	PT9318	WIRING HARNESS	1		
8	37H57	SCREW	5	5/16" X 3/4"	
9	14H785	NUT	5	5/16"	
10	JD126	SOCKET	2		
11	37H3	SCREW	2	1/4" X 5/8"	
12	AH93625	PLUG	1		
13	14H786	NUT	2	1/4"	
14	PT1296	BRACKET	1		
15	37H57	SCREW	5	5/16" X 3/4"	
16	24H1822	WASHER	1	11/32" X 7/8" X 1/16"	
17	PT9320	BRACKET	1		
18	24H1822	WASHER	1	11/32" X 7/8" X 1/16"	
19	14H788	NUT	5	3/8"	
20	12H301	LOCK WASHER	1	1/2"	
21	14H856	NUT	1	1/2"	
22	AR48041	BULB	1		
23	AA34968	TAIL LAMP	1		
	A48332	LENS	1		
24	R44302	TIE BAND	AR		
25	PT9321	SUPPORT	AR		
26	TY15263	WARNING LIGHT KIT	1	(FI)	
..	AA32178	WIRING LEAD	1	ACCESSORY	



# 1G18

ELECTRICAL

MAIN WIRING REPLACEMENT KIT  
(LP-GAS)  
(NOT ILLUSTRATED)

KEY	PART NO.	PART NAME	QTY	TRACTOR SERIAL NO.	REMARKS
..	AR47680	WIRING HARNESS	1		(A) MAIN (NLA)
..	AR28921	WIRING HARNESS	1		(A) START-SAFETY SWITCH
..	AR47710	CIRCUIT BREAKER	1		(A) (B)
..	R45643	BRACKET	1		(A) (B)
..	21H1282	SCREW	2		(A) (B) 0.190" X 7/8"
..	12H246	LOCK WASHER	2		(A) (B) 0.190"
..	14H631	NUT	2		(A) (B) 0.190"
..	R44302	TIE BAND	10		(A) (B)
..	.....	WIRING LEAD	2		(A) (B) 305MM (12") (MAKE FROM R32008, R32019 AND R32022)
..	R41439	GROMMET	5		(A) (B)
..	AR47647	KIT	1		MAIN WIRING REPLACEMENT
..	R45644	TERMINAL	1		(B) (NO LONGER AVAILABLE)
..	AR47675	KIT	1		CIRCUIT BREAKER

(A) INCLUDED IN AR47647

(B) INCLUDED IN AR47675

# 1G19

ELECTRICAL

**MAIN WIRING REPLACEMENT KIT  
(DIESEL)  
(NOT ILLUSTRATED)**

KEY	PART NO.	PART NAME	QTY	TRACTOR SERIAL NO.	REMARKS
..	AR47679	WIRING HARNESS	1	(A) MAIN	
..	AR28921	WIRING HARNESS	1	(A) START-SAFETY SWITCH	
..	AR40409	CABLE	1	(A)	
..	AR47710	CIRCUIT BREAKER	2	(A) (B)	
..	R45642	BRACKET	1	(A) (B)	
..	21H1282	SCREW	4	(A) (B) 0.190" X 7/8"	
..	12H246	LOCK WASHER	4	(A) (B) 0.190"	
..	14H631	NUT	4	(A) (B) 0.190"	
..	R44302	TIE BAND	10	(A) (B)	
..	AR47712	WIRING LEAD	1	(A) (B)	
..	AR47713	FUSE	1	(A) 20 AMP MDL	
..	.....	WIRING LEAD	1	(A) (B) 305MM (12") (MAKE FROM R66320 AND (2) R32019)	
..	.....	WIRING LEAD	1	(A) (B) 305MM (12") (MAKE FROM R66320, R32019 AND R32021)	
..	.....	WIRING LEAD	1	(A) (B) 305MM (12") (MAKE FROM R66320, R32019 AND R32022)	
..	R41439	GROMMET	5	(A) (B)	
..	AR47646	KIT	1	MAIN WIRING REPLACEMENT	
..	R45644	TERMINAL	2	(B) (NO LONGER AVAILABLE)	
..	AR47674	KIT	1	CIRCUIT BREAKER	

(A) INCLUDED IN AR47646  
(B) INCLUDED IN AR47674

# 1G20

ELECTRICAL

MAIN WIRING REPLACEMENT KIT  
(GASOLINE)  
(NOT ILLUSTRATED)

KEY	PART NO.	PART NAME	QTY	TRACTOR SERIAL NO.	REMARKS
..	AR47681	WIRING HARNESS	1		(A) MAIN
..	AR28921	WIRING HARNESS	1		(A) START-SAFETY SWITCH
..	AR47710	CIRCUIT BREAKER	1		(A) (B)
..	R45643	BRACKET	1		(A) (B)
..	21H1282	SCREW	2		(A) (B) 0.190" X 7/8"
..	12H246	LOCK WASHER	2		(A) (B) 0.190"
..	14H631	NUT	2		(A) (B) 0.190"
..	R44302	TIE BAND	10		(A) (B)
..	.....	WIRING LEAD	2		(A) (B) 305MM (12") (MAKE FROM R66320, R32019 AND R32022)
..	R41439	GROMMET	5		(A) (B)
..	AR47648	KIT	1		MAIN WIRING REPLACEMENT
..	R45644	TERMINAL	1		(B) (NO LONGER AVAILABLE)
..	AR47675	KIT	1		CIRCUIT BREAKER

(A) INCLUDED IN AR47648

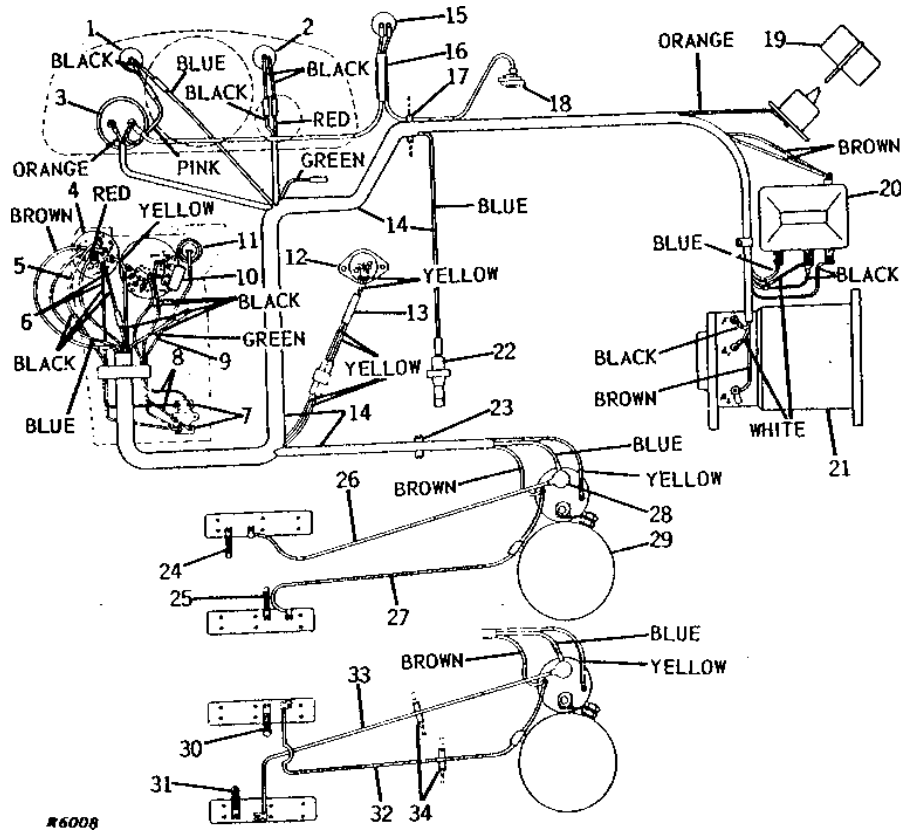
(B) INCLUDED IN AR47675

# 1G21

ELECTRICAL

## GENERATOR AND STARTER WIRING (DIESEL)

R6008 -UN-01JAN94



#6008

KEY	PART NO.	PART NAME	QTY	TRACTOR SERIAL NO.	REMARKS
1	AR27944	LAMP	1		(SUB FOR R34262, AR26716, AT27153 OR AR46271) ENGINE OIL PRESSURE INDICATOR
2	AT14699	LAMP	1		GENERATOR INDICATOR, (SUB FOR AR29350)
3	RE54427	GAUGE	1		FUEL
4	AR26557	SWITCH	1		STARTER
5	.....	WIRING LEAD	1		254MM (10") (SUB FOR AR30048) (MAKE FROM R66319, R32018, R32024 AND R32027) (CIRCUIT BREAKER TO STARTER SWITCH)
6	AR30050	WIRING HARNESS	1		(STARTER SWITCH TO CIRCUIT BREAKER AND MAIN WIRING HARNESS)
7	AR28403	CIRCUIT BREAKER	2		
8	.....	WIRING LEAD	2		254MM (10") (SUB FOR AR30048) (MAKE FROM R66319, R32018, R32024 AND R32027) (CIRCUIT BREAKER TO LIGHT SWITCH)
9	.....	WIRING LEAD	1		318MM (12-1/2") (SUB FOR AR30054) (MAKE FROM R66319 AND R32018) (CIRCUIT BREAKER TO CIGAR LIGHTER)
10	AR28402	SWITCH	1		LIGHT
11	AR48643	LIGHTER	1		(SUB FOR AR30052, AR34556 OR AR46079)
12	RE42069	KIT	1		NEUTRAL START (SUB FOR RE26413, APPL)
13	AR28921	WIRING HARNESS	1	006137-	(NEUTRAL START TO MAIN WIRING)
14	AR26818	WIRING HARNESS	1	-006136	(SUB AR47646)
	AR47646	KIT	1	006137-	MAIN WIRING, (SUB FOR AR28813)
	AR26565	WIRING HARNESS	1	-006136	(GENERATOR TO REGULATOR)
	R44302	TIE BAND	4		(SUB FOR R27457)
15	AR21823	SWITCH	1		(RC, ST, AND RU)
16	R34702	WIRING HARNESS	1		(SUB FOR AR30415) (RC, ST, AND RU)
17	R32555	GROMMET	1		(SUB FOR R26936)
18	AT39043	HIGH NOTE HORN	1		(SUB FOR AR11308 OR R11276) (LOW NOTE, 12-VOLT) (RC, ST AND RU)

# 1G22

ELECTRICAL

## GENERATOR AND STARTER WIRING - CONTINUED (DIESEL)

KEY	PART NO.	PART NAME	QTY	TRACTOR SERIAL NO.	REMARKS
19	AR26434	SENDER	1		FUEL GAUGE
20	AR11008	REGULATOR	1	-006136	(12- VOLT) (DELCO-REMY NO. 1119219) (SUB AR30155)
21	AR30155 TY1447	VOLTAGE REGULATOR GENERATOR	1 1	006137-067999	(24-VOLT) (DELCO-REMY NO. 1119282) (24-VOLT) (11 AMP) REMANUFACTURED, (SUB FOR AR11302 OR AR34567)
22	AR27977	TOUCH SWITCH	1		OIL PRESSURE INDICATOR
23	R26941	GROMMET	1		
24	AR26619	GROUND CABLE	1		(B) L.H. (RC)
	AR26619	GROUND CABLE	1	019800-	(B) L.H. (ST)
	24M7096	WASHER	1		10.500 X 18 X 1.600 MM
	24M7096	WASHER	1	019800-	10.500 X 18 X 1.600 MM
	AM348T	GROUND CABLE	1	-019799	(B) L.H. (ST)
	AM348T	GROUND CABLE	1		(B) L.H. (RU)
	19H1936	CAP SCREW	1	-019799	3/8" X 3/4", (ST)
	19H1936	CAP SCREW	1		3/8" X 3/4", (RU)
	12H304	LOCK WASHER	1	-019799	3/8", (ST)
	12H304	LOCK WASHER	1		3/8", (RU)
	14H1076	NUT	1	-019799	3/8" HS, SAE 8 (ST)
	14H1076	NUT	1		3/8" HS, SAE 8 (RU)
25	AR26622	GROUND CABLE	1		(A) R.H. (RC)
	AR26622	GROUND CABLE	1	019800-	(A) R.H. (ST)
	24M7096	WASHER	1		10.500 X 18 X 1.600 MM, (RC)
	24M7096	WASHER	1	019800-	10.500 X 18 X 1.600 MM, (ST)
	AT18702	GROUND CABLE	1	-019799	(A) R.H. (ST) (SUB FOR AR27367)
	AT18702	GROUND CABLE	1		(A) R.H. (RU) (SUB FOR AR27367)
	19H1936	CAP SCREW	1	-019799	3/8" X 3/4", (ST)
	19H1936	CAP SCREW	1		3/8" X 3/4", (RU)
	12H304	LOCK WASHER	1	-019799	3/8", (ST)
	12H304	LOCK WASHER	1		3/8", (RU)
	14H1076	NUT	1	-019799	3/8" HS, SAE 8 (ST)
	14H1076	NUT	1		3/8" HS, SAE 8 (RU)
26	AR28950	CABLE	1		(A) L.H. (RC)
	AR28950	CABLE	1	019800-	(A) L.H. (ST)
	AR27490	CABLE	1	-019799	(A) L.H. (ST)
	AR27366	CABLE	1		(A) L.H. (RU)
	R27533	GROMMET	1		(RU)
	R183R	CLIP	1		
	19H2038	CAP SCREW	1		3/8" X 1/2"
	12H304	LOCK WASHER	1		3/8"
	R28133	CLIP	1	-019799	(NO LONGER AVAILABLE)
	19H2479	CAP SCREW	1	-019799	1/4" X 3/8", (ST)
27	AR26621	CABLE	1		(B) R.H. (RC)
	AR26621	CABLE	1	019800-	(B) R.H. (ST)
	AR30388	CABLE	1	-019799	(ST) (SUB AR27365)
	AR30388	CABLE	1		(RU) (SUB AR27365)
	R27533	GROMMET	1		(RU)
	R183R	CLIP	1		
	R28133	CLIP	1	-019799	(ST) (NO LONGER AVAILABLE)
	19H2479	CAP SCREW	1		1/4" X 3/8", (ST)
28	R30964	COVER	1		
29	AR11138	STARTER	1		(24-VOLT) (DELCO-REMY NO. 1113148) (SUB FOR AR28053) (SUB TY6703)
	TY6703	STARTER	1		REMANUFACTURED (12-VOLT)
30	AR29100	GROUND CABLE	1		(OR)
	19H1936	CAP SCREW	1		3/8" X 3/4", (OR)
	12H304	LOCK WASHER	1		3/8", (OR)
	14H1076	NUT	1		3/8" HS, SAE 8
31	AR29099	GROUND CABLE	1		(B) R.H. (OR)
	19H1936	CAP SCREW	1		3/8" X 3/4", (OR)
	12H304	LOCK WASHER	1		3/8", (OR)
	14H1076	NUT	1		3/8" HS, SAE 8 (OR)
32	R31797	CABLE	1		(A) R.H. (OR)
33	R32524	CABLE	1		(B) L.H. (OR) (SUB FOR R31798)
34	A3488R	GROMMET	2		(OR)

RC - ROW-CROP, ST - STANDARD, RU - ROW-CROP UTILITY, OR - ORCHARD

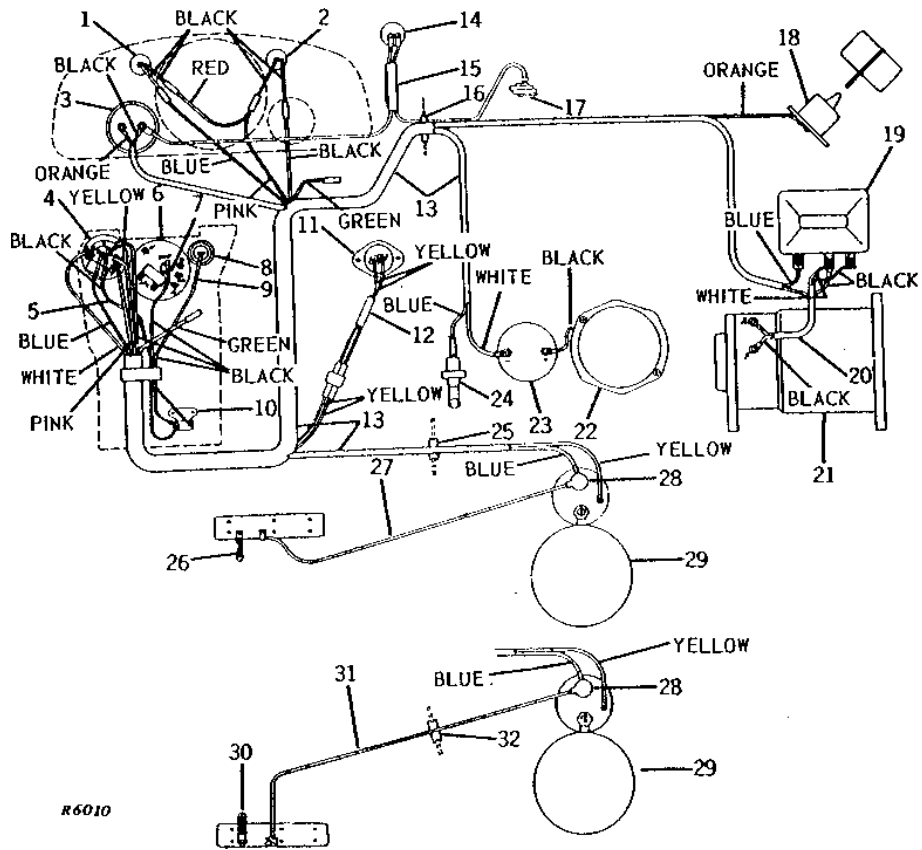
(A) NEGATIVE  
(B) POSITIVE

# 1G23

ELECTRICAL

## GENERATOR, IGNITION AND STARTER WIRING (GASOLINE)

R6010 -UN-01JAN94



KEY	PART NO.	PART NAME	QTY	TRACTOR SERIAL NO.	REMARKS
1	AR27944	LAMP	1		(SUB FOR R34262, AR26716, AT27153 OR AR46271) ENGINE OIL PRESSURE INDICATOR
2	AT14699	LAMP	1		(SUB FOR AR29350) GENERATOR INDICATOR
3	RE54427	GAUGE	1		FUEL
4	AR26528	SWITCH	1		IGNITION AND STARTER
5	.....	WIRING LEAD	1		254MM (10") (SUB FOR AR30048) (MAKE FROM R66319, R32018, R32024 AND R32027)
6	AR28401	SWITCH	1		LIGHT
7	.....	WIRING LEAD	1		254MM (10") (CIRCUIT BREAKER TO LIGHT SWITCH) (SUB FOR AR30048) (MAKE FROM R66319, R32018, R32024 AND R32027) (FROM AR84006)

# 1G24

ELECTRICAL

## GENERATOR, IGNITION AND STARTER WIRING - CONTINUED (GASOLINE)

KEY	PART NO.	PART NAME	QTY	TRACTOR SERIAL NO.	REMARKS
8	AR48643	LIGHTER	1		(SUB FOR AR30052, AR34556 OR AR46079)
9	.....	WIRING LEAD	1		318MM (12-1/2") (CIRCUIT BREAKER TO CIGAR LIGHTER) (SUB FOR AR30054) (MAKE FROM R66319 AND R32018)
10	AR28403	CIRCUIT BREAKER	1		
11	RE42069	KIT	1		(SUB RE42069) NEUTRAL START (SUB FOR AR26413, APPL)
12	AR28921	WIRING HARNESS	1	009770-	(NEUTRAL START TO MAIN WIRING HARNESS)
13	AR26816	WIRING HARNESS	1	-009769	(SUB AR47648)
	AR47648	KIT	1	009770-	(SUB FOR AR28811)
	R44302	TIE BAND	4		(SUB FOR R27457)
14	AR21823	SWITCH	1		HORN
15	R34702	WIRING HARNESS	1		(SUB FOR AR30415)
16	R32555	GROMMET	1		(SUB FOR R26936)
17	AT39043	HIGH NOTE HORN	1		(LOW-NOTE, 12-VOLT) (SUB FOR AR11308, R11276 OR AR39609)
18	AR26434	SENDER	1		FUEL GAUGE
19	AR40170	VOLTAGE REGULATOR	1	-067999	(12-VOLT) (DELCO-REMY NO. 118896) (SUB FOR AR11304)
20	AR26565	WIRING HARNESS	1		(GENERATOR TO REGULATOR)
21	TY1439	GENERATOR	1		(18 AMP) (12-VOLT) REMANUFACTURED, (SUB FOR AR11303, AR33879, AR34404 OR AR59295)
22	AT17366	IGNITION DISTRIBUTOR	1	-032399	(DELCO-REMY NO. 1112623) (SUB AR11162)
	.....	WIRING LEAD	1	-032399	203MM (8") (COIL TO DISTRIBUTOR) (SUB FOR AR26392) (MAKE FROM R66319 AND (2) R32016)
	AR11162	IGNITION DISTRIBUTOR	1	032400-	(DELCO-REMY NO 1112474) (SUB FOR AR11145, AT17366 OR AT361T)
23	AR46064	ELECTRICAL COIL	1		(6-VOLT) (SUB FOR AM791T OR AM373T)
24	AR27977	TOUCH SWITCH	1		OIL PRESSURE
25	R26941	GROMMET	1		
26	AR26619	GROUND CABLE	1	019800-	(A) L.H. (RC)
	AR26619	GROUND CABLE	1		(A) L.H. (ST)
	24M7096	WASHER	1		10.500 X 18 X 1.600 MM, (RC)
	24M7096	WASHER	1	019800-	10.500 X 18 X 1.600 MM, (ST)
	AM348T	GROUND CABLE	1	-019799	(A) L.H. (ST)
	AM348T	GROUND CABLE	1		(A) L.H. (RU)
	19H1936	CAP SCREW	1	-019799	3/8" X 3/4", (ST)
	19H1936	CAP SCREW	1		3/8" X 3/4", (RU)
	12H304	LOCK WASHER	1	-019799	3/8", (ST)
	12H304	LOCK WASHER	1		3/8", (RU)
	14H1076	NUT	1	-019799	3/8" (ST)
	14H1076	NUT	1		3/8" (RU)
27	AR28950	CABLE	1	019800-	(B) L.H. (RC)
	AR28950	CABLE	1		(B) L.H. (ST)
	AR27490	CABLE	1	-019799	(ST)
	AR27366	CABLE	1		(RU)
	R27533	GROMMET	1		(RU)
	R183R	CLIP	1		
	19H2038	CAP SCREW	1		3/8" X 1/2"
	12H304	LOCK WASHER	1		3/8"
	R28133	CLIP	1	-019799	(ST) (NO LONGER AVAILABLE)
	19H2479	CAP SCREW	1	-019799	1/4" X 3/8"
28	R30964	COVER	1		
29	AR11160	STARTER	1		(12-VOLT) (DELCO-REMY NO. 1107350) (SUB FOR AR11300) (ORDER TY6691)
	TY6691	STARTER	1		(SUB FOR TY1435) REMANUFACTURED (12-VOLT)
30	AR29099	GROUND CABLE	1		(A) R.H. (OR)
	19H1936	CAP SCREW	1		3/8" X 3/4", (OR)
	12H304	LOCK WASHER	1		3/8", (OR)
	14H1076	NUT	1		3/8" (OR)
31	R31797	CABLE	1		(B) R.H. (OR)
32	A3488R	GROMMET	1		(OR)

RC - ROW-CROP, ST - STANDARD, RU - ROW-CROP UTILITY, OR - ORCHARD

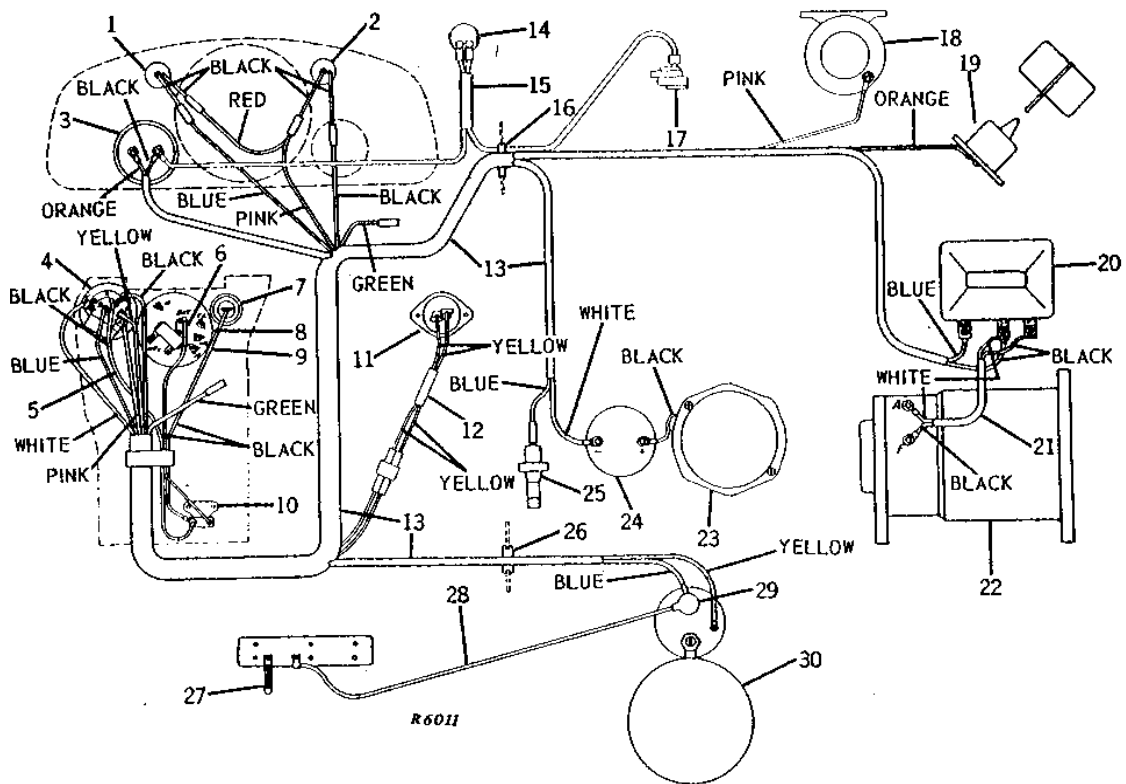
(A) POSITIVE  
(B) NEGATIVE

# 1H1

ELECTRICAL

## GENERATOR, IGNITION AND STARTER WIRING (LP-GAS)

R6011 -UN-01JAN94





# 1H2

ELECTRICAL

## GENERATOR, IGNITION AND STARTER WIRING - CONTINUED (LP-GAS)

KEY	PART NO.	PART NAME	QTY	TRACTOR SERIAL NO.	REMARKS
1	AR27944	LAMP	1		(SUB FOR R34262, AR26716, AT27153 OR AR46271)
2	AT14699	LAMP	1		ENGINE OIL PRESSURE
3	RE54427	GAUGE	1		GENERATOR INDICATOR, (SUB FOR AR29350)
4	AR26528	SWITCH	1		FUEL
5	.....	WIRING LEAD	1		IGNITION AND STARTER
6	.....	WIRING LEAD	1		254MM (10") (CIRCUIT BREAKER TO IGNITION AND STARTER SWITCH) (SUB FOR AR30048) (MAKE FROM R66319, R32018, R32024 AND R32027)
7	AR48643	LIGHTER	1		254MM (10") (SUB FOR AR30048) (MAKE FROM R66319, R32018, R32024 AND R32027)
8	AR28401	SWITCH	1		(SUB FOR AR30052, AR34556, AR46079)
9	.....	WIRING LEAD	1		LIGHT
10	AR28403	CIRCUIT BREAKER	1		318MM (12-1/2") (SUB FOR AR30054) (MAKE FROM R66319 AND R32018)
11	RE42069	KIT	1		(SUB RE42069) NEUTRAL START (SUB FOR AR20413, APPL)
12	AR28921	WIRING HARNESS	1	019479-	
13	AR26817	WIRING HARNESS	1	-019478	(SUB AR47647) (NLA)
	AR47647	KIT	1	019479-	(SUB FOR AR28812)
	R44302	TIE BAND	4		(SUB FOR R27457)
14	AR21823	SWITCH	1		HORN
15	R34702	WIRING HARNESS	1		(SUB FOR AR30415)
16	R32555	GROMMET	1		(SUB FOR R26936)
17	AT39043	HIGH NOTE HORN	1		(LOW-NOTE, 12-VOLT) (SUB FOR AR11308, R11276 OR AR39609)
18	AR52765	STRAINER	1		FUEL, (SUB FOR AR26437)
19	AR26695	SENDER	1		FUEL GAUGE
20	AR40170	VOLTAGE REGULATOR	1	-067999	(12-VOLT) (DELCO-REMY NO. 1118896) (SUB FOR AR11304)
21	AR26565	WIRING HARNESS	1		(GENERATOR TO REGULATOR)
22	TY1439	GENERATOR	1		(12-VOLT) (SUB FOR AR11303, AR33979, AR34404 OR AR59295)
23	AT17366	IGNITION DISTRIBUTOR	1	-032399	(DELCO-REMY NO. 1112623) (SUB AR11162)
	.....	WIRING LEAD	1	-032399	203MM (8") (SUB FOR AR26392) (MAKE FROM R66319 AND (2) R32016)
24	AR11162	IGNITION DISTRIBUTOR	1	032400-	(DELCO-REMY NO. 1112474) (SUB FOR AR11145)
25	AR46064	ELECTRICAL COIL	1		(6-VOLT) (SUB FOR AM791T OR AM373T)
26	AR27977	TOUCH SWITCH	1		
27	R26941	GROMMET	1		(A) L.H. (RC)
	AR26619	GROUND CABLE	1	019800-	(A) L.H. (ST)
	AR26619	GROUND CABLE	1	019800-	10.500 X 18 X 1.600 MM, (RC)
	24M7096	WASHER	1	019800-	10.500 X 18 X 1.600 MM, (ST)
	24M7096	WASHER	1	019800-	
	AM348T	GROUND CABLE	1	-019799	(A) L.H. (ST)
	AM348T	GROUND CABLE	1	-019799	(A) L.H. (ST)
	AM348T	GROUND CABLE	1	-019799	(A) L.H. (RU)
	19H1936	CAP SCREW	1	-019799	3/8" X 3/4", (ST)
	19H1936	CAP SCREW	1	-019799	3/8" X 3/4", (RU)
	12H304	LOCK WASHER	1	-019799	3/8", (ST)
	12H304	LOCK WASHER	1	-019799	3/8", (RU)
	14H1076	NUT	1	-019799	3/8", (ST)
	14H1076	NUT	1	-019799	3/8", (RU)
28	AR28950	CABLE	1	019800-	(B) L.H. (RC)
	AR28950	CABLE	1	019800-	(B) L.H. (ST)
	AR27490	CABLE	1	-019799	(B) L.H. (ST)
	AR27366	CABLE	1	-019799	(RU)
	R27533	GROMMET	1		(RU)
	R183R	CLIP	1		
	19H2038	CAP SCREW	1		3/8" X 1/2"
	12H304	LOCK WASHER	1		3/8"
	R28133	CLIP	1	-019799	(ST) (NO LONGER AVAILABLE)
	19H2205	CAP SCREW	1	-019799	3/8" X 6"
29	R30964	COVER	1		
30	AR11160	STARTER	1		(12-VOLT) (DELCO-REMY NO. 1107350) (SUB FOR AR11300)
	TY6691	STARTER	1		REMANUFACTURED (12-VOLT)

RC - ROW-CROP, ST - STANDARD, RU - ROW-CROP UTILITY

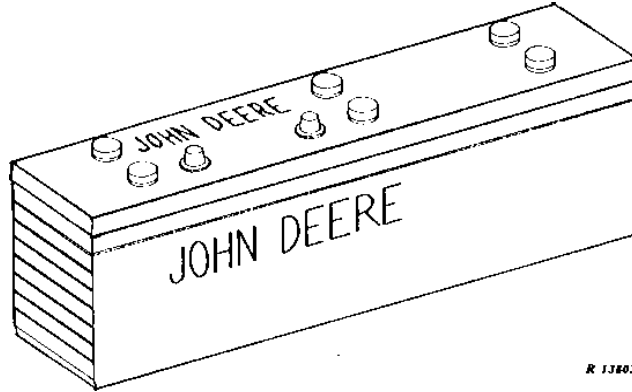
(A) POSITIVE (B) NEGATIVE

# 1H3

ELECTRICAL

R13803 -UN-01JAN94

BATTERY



R 13803

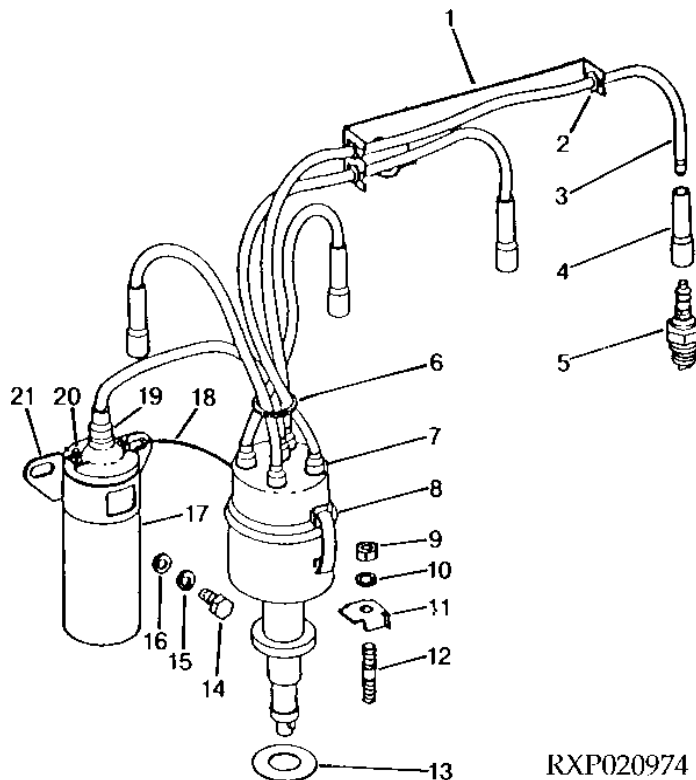
KEY	PART NO.	PART NAME	QTY	TRACTOR SERIAL NO.	REMARKS
..	TY21733	BATTERY	AR		(12-VOLT) 460 COLD CRANKING AMPS AT -18°C (0°F) 130 MINUTE RESERVE CAPACITY AT 120 AMPS (1 USED GASOLINE AND LP-GAS) (2 USED DIESEL) (DO NOT ACTIVATE UNTIL PLACED IN SERVICE) (SUB FOR AR46115 OR TY6121)

# 1H4

ELECTRICAL

RXP020974 -UN-12DEC94

## DISTRIBUTOR, COIL, SPARK PLUG CABLES, AND SPARK PLUGS



RXP020974

KEY	PART NO.	PART NAME	QTY	ENGINE SERIAL NO.	REMARKS
1	R26862	BRACKET	1		
2	R26409	GROMMET	3		
3	AR50270	CABLE	1		(SUB FOR AR28060)
4	R26861	BOOT	4		
5	AA4053R	SPARK PLUG	4		(A) (CHAMPION)
	AR26543	SPARK PLUG	4		(A) (AC)
	TY6074	SPARK PLUG	4		(A) (PRESTOLITE) (SUB FOR AA6332R OR AR14019)
	AR26544	SPARK PLUG	4		(B) (CHAMPION)
	AR26545	SPARK PLUG	4		(B) (AC)
	TY6073	SPARK PLUG	4		(B) (PRESTOLITE) (SUB FOR AR26409 OR AR14021)
6	R1662R	WASHER	1		
7	A3539R	TERMINAL NIPPLE	5		
8	AR11162	IGNITION DISTRIBUTOR	1		(DELCO-REMY NO. 1112474) (SUB FOR AT361T, AT17366 OR AR11145)
9	14H1076	NUT	2		3/8"
10	12H304	LOCK WASHER	2		3/8"
11	A4157R	CLAMP	2		
12	R56481	STUD	2		3/8" X 1-1/2", (SUB FOR R26117 OR M3636T)
13	F2632R	GASKET	1		
14	19H1813	CAP SCREW	2		5/16" X 5/8"
15	12H303	LOCK WASHER	2		5/16"
16	24H1136	WASHER	2		11/32" X 11/16" X 0.065"
17	AR46064	ELECTRICAL COIL	1		(6-VOLT) (DELCO-REMY NO. 1115380 OR 1115202) (SUB FOR AM791T OR AM373T)
18	.....	WIRING LEAD	1		203MM (8") (SUB FOR AR26392 OR AR30963)
19	.....	CAP	1		(NO LONGER FURNISHED)
20	14H631	NUT	2		0.190"
	12H246	LOCK WASHER	2		0.190", (SUB FOR 1909206)
21	R73142	BRACKET	1		

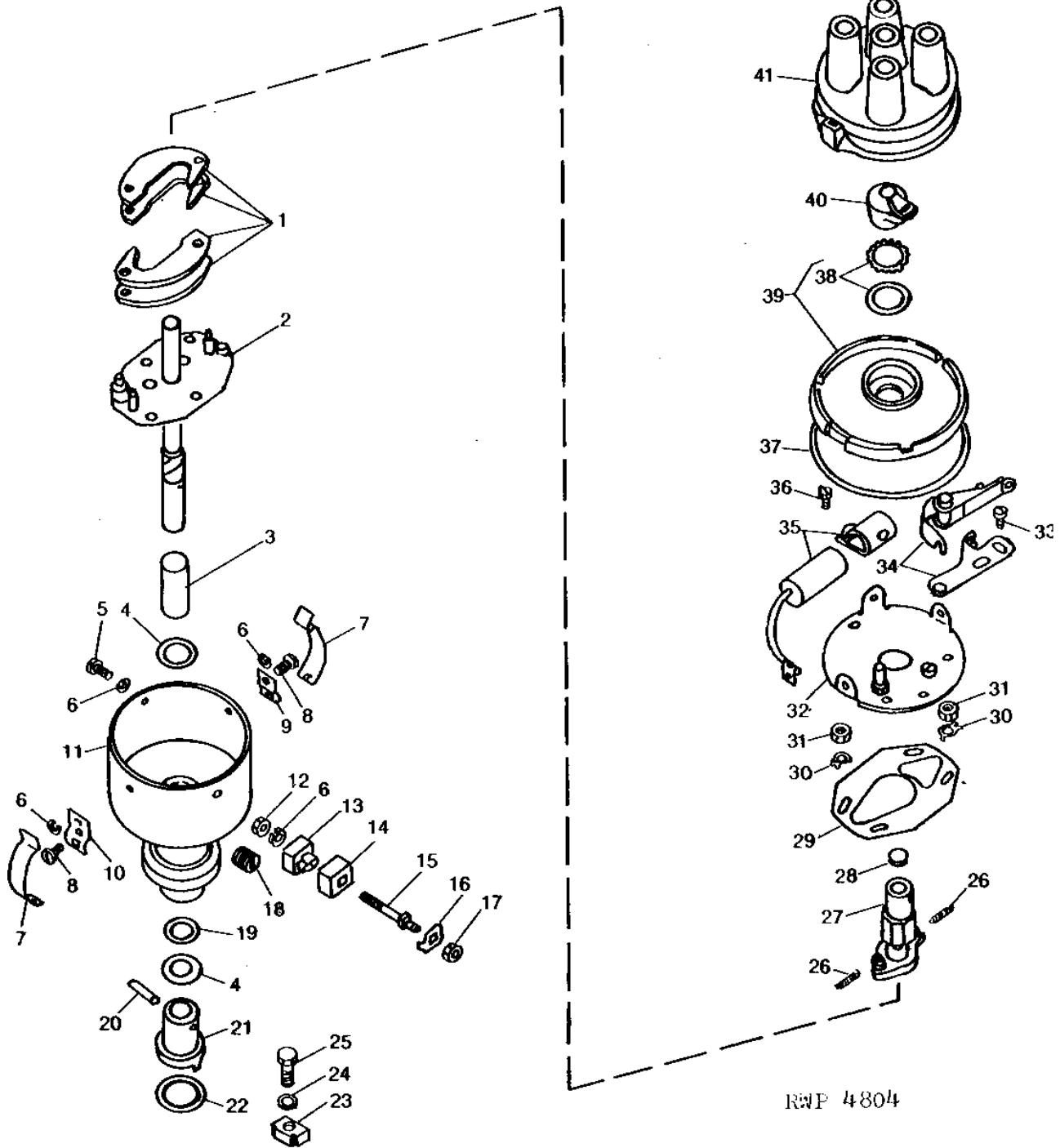
(A) GASOLINE (B) LP-GAS

# 1H5

ELECTRICAL

DISTRIBUTOR  
(ENGINE SERIAL NO. -032999)

RWP4804 -UN-01JAN94



RWP 4804

# 1H6

ELECTRICAL

**DISTRIBUTOR - CONTINUED**  
(ENGINE SERIAL NO. -032999)

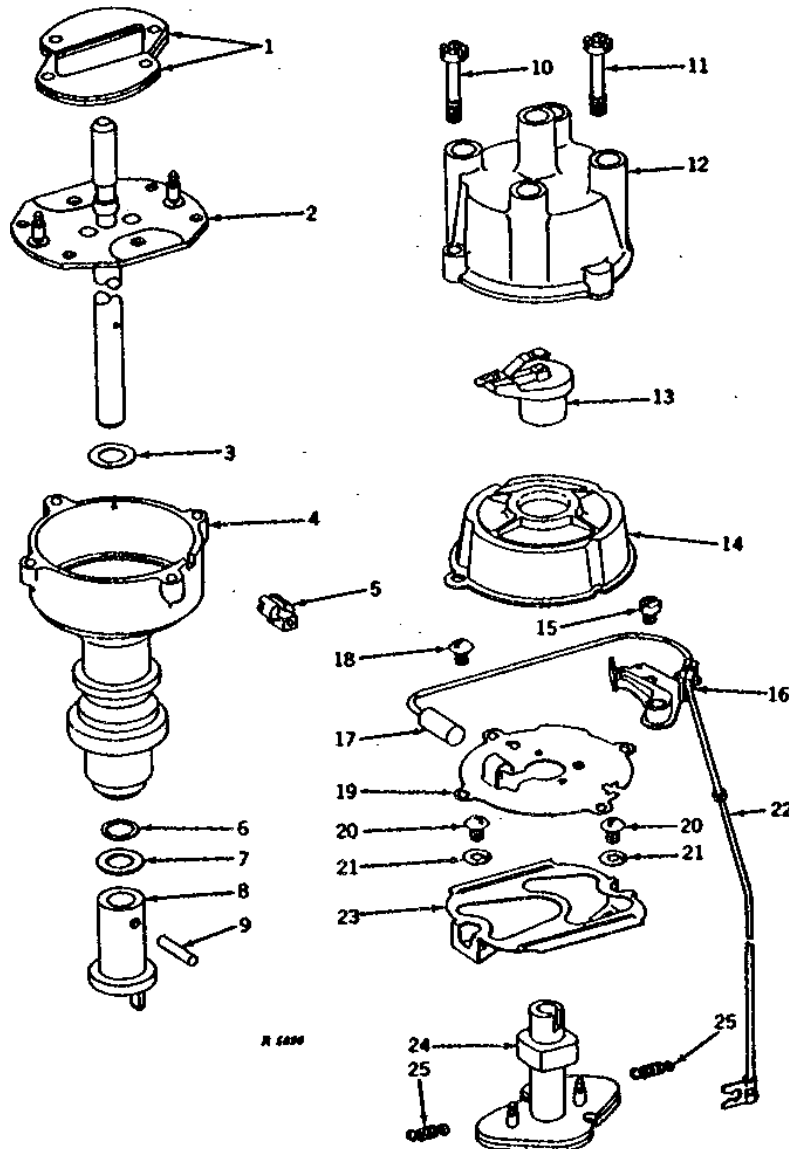
KEY	PART NO.	PART NAME	QTY	ENGINE SERIAL NO.	REMARKS
1	1881371	WEIGHT	4		(NO LONGER AVAILABLE)
2	1923301	SHAFT	1		(NO LONGER AVAILABLE)
3	1909003	BUSHING	1		
4	811912	WASHER	2		(SUB R68625)
5	21H1293	SCREW	1		0.164" X 5/16"
6	12M7084	LOCK WASHER	4		0.169"
7	1889967	CLAMP	2		
8	21H1299	SCREW	2		0.164" X 3/8"
9	1889999	SUPPORT	1		
10	1847289	SUPPORT	1		
11	1917312	HOUSING	1		(NLA)
12	14H1026	NUT	1		0.138", (SUB FOR 817363)
13	AR78929	KIT	1		(SUB FOR 1916805 OR AR80069) (NLA)
14	1914142	BUSHING	1		(NLA)
15	1916806	STUD	1		(NLA)
16	12H246	LOCK WASHER	1		0.190", (SUB FOR 1909206 OR 1914144)
17	14H605	NUT	1		0.164"
18	15H566	PIPE PLUG	1		1/8", (SUB FOR R11085)
19	810074	WASHER	AR		0.13MM (.005")
	T24331	SHIM	AR		0.25MM (0.10") (SUB FOR 810078) (NLA)
20	829421	DOWEL PIN	1		
21	1909273	COUPLING	1		
22	F2632R	GASKET	1		(SUB FOR M414T)
23	T12459	CLIP	2		
24	12H303	LOCK WASHER	2		5/16"
25	19H1905	CAP SCREW	2		5/16" X 1"
26	1904292	SPRING	2		
27	1937455	CAM	1		(ORDER AR11162) (NLA)
28	T24319	WICK	1		(SUB FOR 819639)
29	1885557	PLATE	1		(NLA)
30	12H246	LOCK WASHER	2		0.190", (SUB FOR 1885558)
31	14H631	NUT	2		0.190"
32	1847643	PLATE	1		
33	T19088	SCREW	1		(SUB FOR 816784)
34	AT14469	CONTACT	1		(SUB FOR 1882965) (HEAVY-DUTY)
	AT14467	CONTACT	1		(REGULAR)
	AT14466	POINT	1		(HEAVY DUTY) (INCLUDES AT14468)
35	AT14468	CAPACITOR	1		(SUB FOR 1869704)
36	21H968	SCREW	1		0.164" X 3/16"
37	1889966	GASKET	1		
38	1914309	SEAL	1		(SUB AT139833)
39	1900119	COVER	1		
40	820445	ROTOR	1		(SUB FOR 1905590)
41	811735	CAP	1		
..	AT17366	IGNITION DISTRIBUTOR	1		(DELCO-REMY NO. 1112623) (SUB FOR AT361T) (SUB AR11162)

# 1H7

ELECTRICAL

R5890 -UN-01JAN94

DISTRIBUTOR  
(ENGINE SERIAL NO. 033000- )



R 5890

# 1H8

ELECTRICAL

**DISTRIBUTOR - CONTINUED**  
(ENGINE SERIAL NO. 033000- )

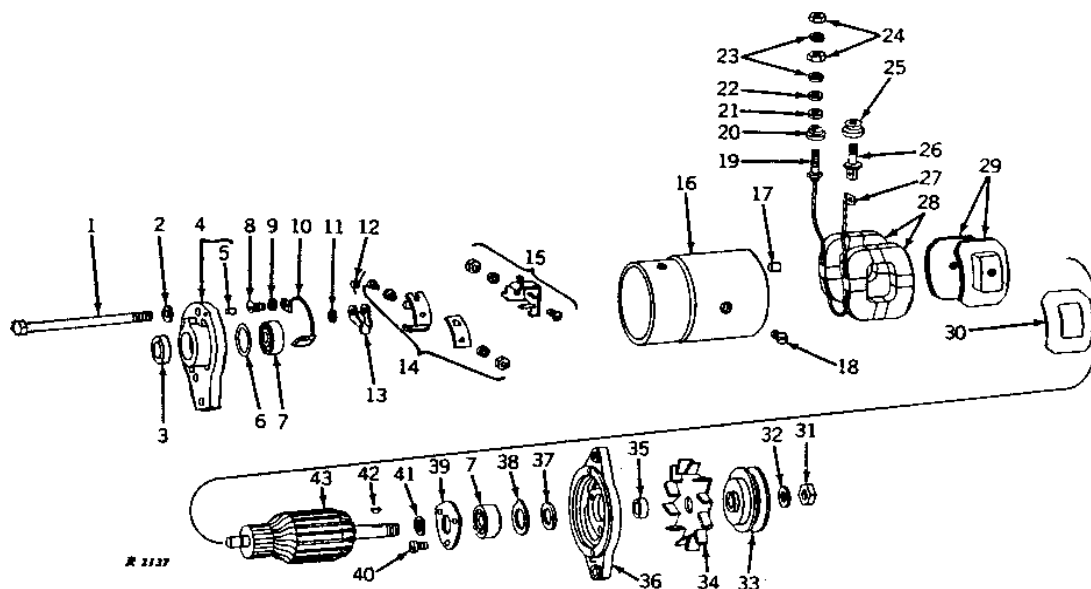
KEY	PART NO.	PART NAME	QTY	ENGINE SERIAL NO.	REMARKS
1	1881371	WEIGHT	2		(NO LONGER AVAILABLE)
2	R11261	PLATE	1		(USE WITH AR11145) (NLA)
	R11299	PLATE	1		(USE WITH AR11162) (NLA)
3	R68625	WASHER	1		(SUB FOR R11265 OR 811912)
4	R11256	HOUSING	1		(NLA)
5	R11270	GROMMET	1		(NO LONGER AVAILABLE)
6	810074	WASHER	AR		(NO LONGER AVAILABLE)
7	R68625	WASHER	1		(SUB FOR R11265 OR 811912)
8	1909273	COUPLING	1		(NO LONGER AVAILABLE)
9	34H279	SPRING PIN	1		3/16" X 13/16"
10	21H1319	SCREW	1		0.164" X 7/8", (SUB FOR R11258)
11	21H1282	SCREW	1		0.190" X 7/8", (SUB FOR R11259)
12	R11257	CAP	1		
13	R11260	ROTOR	1		(NO LONGER AVAILABLE)
14	R11264	COVER	1		
15	T19088	SCREW	1		(SUB FOR 816784)
16	AR31814	POINT	1		(SUB FOR R11266) (HEAVY DUTY)
	AR44864	CONTACT	1		(SUB FOR AR31816)
17	AT14468	CAPACITOR	1		(SUB FOR AR31816 OR R11267)
18	21H1299	SCREW	2		0.164" X 3/8"
19	R11263	PLATE	1		(NO LONGER AVAILABLE)
20	21H1292	SCREW	2		0.164" X 1/4"
21	12H315	LOCK WASHER	2		0.164"
22	R11269	WIRING LEAD	1		(SUB FOR AT17368) (NO LONGER AVAILABLE)
23	R11301	PLATE	1		(USE WITH AR11162) (NLA)
	R11268	PLATE	1		(USE WITH AR11145) (NLA)
24	R11300	CAM	1		(USE WITH AR11162) (NLA)
	R11262	CAM	1		(USE WITH AR11145) (NLA)
25	R11302	EXTENSION SPRING	1		(USE WITH AR11162) (NO LONGER AVAILABLE)
	1904292	SPRING	2		(USE WITH AR11145)
..	AR11162	IGNITION DISTRIBUTOR	1		(DELCO-REMY NO. 1112474) (SUB FOR AR11145, AT17366 OR AT361T)
..	TY15857	IGNITION DISTRIBUTOR	1		(REMANUFACTURED)

# 1H9

ELECTRICAL

**GENERATOR PARTS  
(GASOLINE AND LP-GAS)  
(12-VOLT DELCO-REMY)  
(SERIAL NO. -067999)**

R2137 -UN-12OCT94



KEY	PART NO.	PART NAME	QTY	ENGINE SERIAL NO.	REMARKS
1	R11158	BOLT	2		(NO LONGER AVAILABLE)
2	12H303	LOCK WASHER	2		5/16"
3	R11188	PLUG	1		(NO LONGER AVAILABLE)
4	.....	FRAME	1		( AR11331 NO LONGER AVAILABLE)
5	R11086	DOWEL PIN	1		
6	T11660	O-RING	1		(NO LONGER AVAILABLE)
7	JD9449	BALL BEARING	2		(SUB FOR AT23188)
8	21H1309	SCREW	2		0.138" X 1/4"
9	12H314	LOCK WASHER	2		0.138"
10	AR11074	BRUSH	2		
11	T11651	SHIM	2		(NO LONGER AVAILABLE)
12	T11652	SPRING	2		
13	T11649	ARM	2		
14	AR40217	HOLDER	1		(SUB FOR AR11068)
15	.....	HOLDER	1		( AR11100 NO LONGER AVAILABLE)
16	.....	FRAME	1		(ORDER TY1439)
17	R11087	DOWEL PIN	1		
18	21H1280	SCREW	2		3/8" X 3/4", (SUB FOR R11097 AND T18353)
19	AR40436	STUD	1		(SUB FOR R11042 OR T11650)
20	T11650	INSULATOR	1		(SUB AR40436) (NOT REQUIRED)
21	R11098	WASHER	1		(NO LONGER AVAILABLE)
22	24H1287	WASHER	2		9/32" X 5/8" X 0.065", (SUB FOR A3031R)
23	12H316	LOCK WASHER	4		0.216"
24	14H608	NUT	4		0.216"
25	R11113	WASHER	1		
26	T11656	STUD	1		(SUB FOR R11162)
27	R11043	CLIP	1		
28	.....	FIELD WINDING COIL	1		( AR11101 NO LONGER AVAILABLE) (SUB FOR AR11335)
29	R11161	SHOE	2		(NO LONGER AVAILABLE)
30	R11160	INSULATOR	2		
31	R11049	NUT	1		
32	T10745	WASHER	1		



# 1H10

ELECTRICAL

**GENERATOR PARTS - CONTINUED**  
**(GASOLINE AND LP-GAS)**  
**(12-VOLT DELCO-REMY)**  
**(SERIAL NO. -067999)**

KEY	PART NO.	PART NAME	QTY	ENGINE SERIAL NO.	REMARKS
33	R11189	PULLEY	1		
34	T12870	FAN	1		
35	T11648	LOCKING COLLAR	1		
36	AR11333	FRAME	1		
37	R11089	WASHER	1		
38	R11094	PLATE	1		
39	R11109	PLATE	1		
40	21H1127	SCREW	3		0.190" X 7/16", (SUB FOR R11105)
41	R11088	WASHER	1		
42	26H72	SHAFT KEY	1		1/8" X 5/8"
43	AR11334	ARMATURE	1		
..	AR59295	GENERATOR	1		(DELCO-REMY NO. 1100380) (SUB TY1439)
..	AR33879	GENERATOR	1		(DELCO-REMY NO.1100413) (SUB TY1439)
..	TY1439	GENERATOR	1		(SUB FOR AR33879 OR AR59295) (REMANUFACTURED)

---

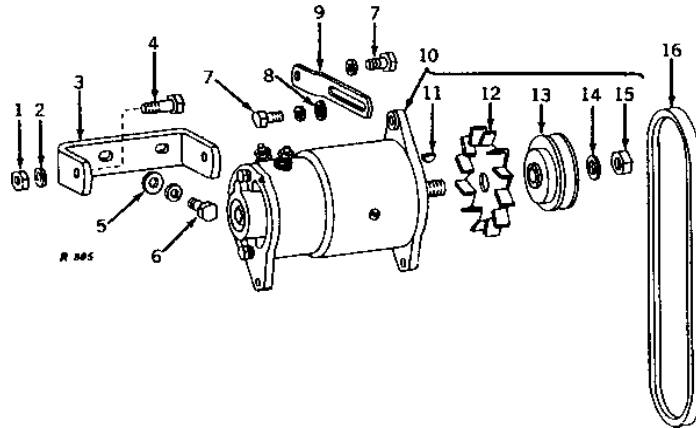
MEMORANDA

# 1H11

ELECTRICAL

R805 -UN-12OCT94

## GENERATOR AND MOUNTING BRACKET



KEY	PART NO.	PART NAME	QTY	ENGINE SERIAL NO.	REMARKS
1	E55662	FLANGE NUT	2	3/8"	
2	12H304	LOCK WASHER	2	3/8", (NOT REQUIRED WITH E55662)	
3	R26602	BRACKET	1		
4	19H1732	CAP SCREW	2	3/8" X 1-1/4"	
5	24H1330	WASHER	2	15/32" X 1-3/8" X 7/64"	
6	19H1821	CAP SCREW	2	7/16" X 1-1/4"	
	12H293	LOCK WASHER	2	7/16"	
7	19H1900	CAP SCREW	2	5/16" X 3/4"	
	12H303	LOCK WASHER	2	5/16"	
8	24H1292	WASHER	1	11/32" X 3/4" X 0.120"	
9	R26603	STRAP	1		
10	.....	GENERATOR	1		(A) (12-VOLT) (DELCO-REMY NO.1100380, 1100413 OR 1102339) (SUB TY1439)
	TY1439	GENERATOR	1		(A) (12 VOLT) (REMANUFACTURED (25 AMP) (SUB FOR AR11303, AR33879, AR34404 OR AR59295)
	.....	GENERATOR	1		(B) (24-VOLT) (DELCO-REMY NO. 1103026) (SUB AR11302)
	TY1447	GENERATOR	1		(B) (24-VOLT) (REMANUFACTURED) (11 AMP) (SUB FOR AR11302 OR AR34567)
11	26H72	SHAFT KEY	1	1/8" X 5/8"	
12	T12870	FAN	1		
13	R11189	PULLEY	1		
14	T10745	WASHER	1		
15	R11049	NUT	1		
16	R41627	BELT	1		(A) (SUB FOR R26606)
	R41681	BELT	1		(B) (SUB FOR R26607, R41628 OR R71459, APPL)
..	R40576	SHIELD	1	084000-	(NOT ILLUSTRATED)(NLA)

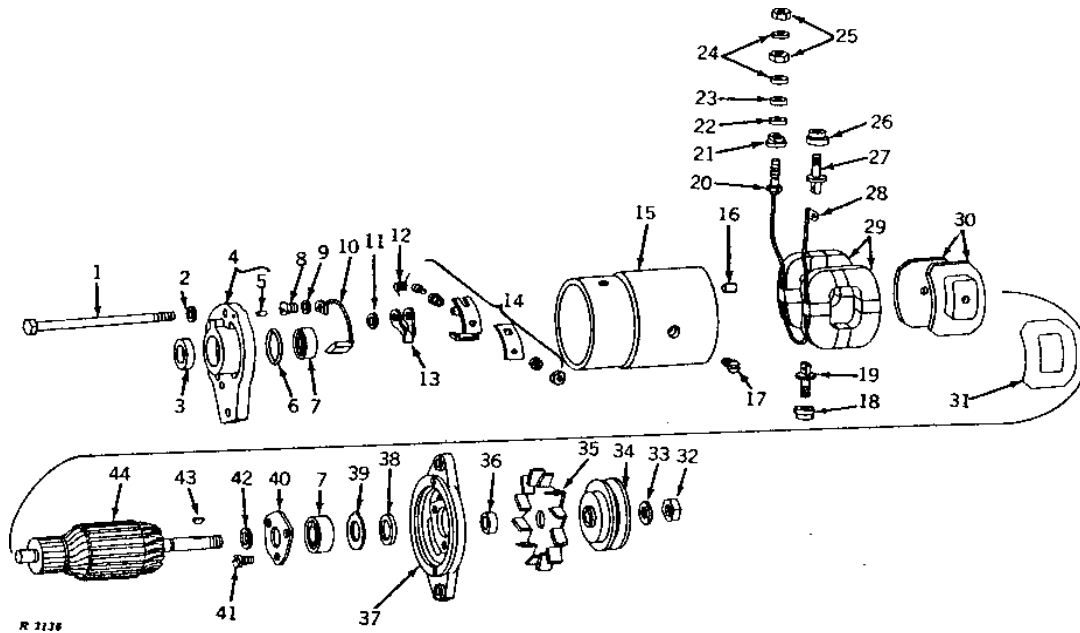
(A) GASOLINE AND LP-GAS  
(B) DIESEL

# 1H12

ELECTRICAL

## GENERATOR (DIESEL) (24-VOLT DELCO-REMY)

R2136 -UN-12OCT94



KEY	PART NO.	PART NAME	QTY	ENGINE SERIAL NO.	REMARKS
1	R11158	BOLT	2		(NO LONGER AVAILABLE)
2	12H303	LOCK WASHER	2		5/16"
3	R11188	PLUG	1		(NO LONGER AVAILABLE)
4	.....	FRAME	1		( AR11331 NO LONGER AVAILABLE)
5	R11086	DOWEL PIN	1		
6	T11660	O-RING	1		(NO LONGER AVAILABLE)
7	JD9449	BALL BEARING	2		(SUB FOR JD8535 OR AT23188)
8	21H1309	SCREW	2		0.138" X 1/4"
9	12H314	LOCK WASHER	2		0.138", (SUB FOR R11106)
10	AR11074	BRUSH	2		
11	T11651	SHIM	2		(NO LONGER AVAILABLE)
12	T11652	SPRING	2		
13	T11649	ARM	2		
14	AR40217	HOLDER	2		(SUB FOR AR11068)
15	.....	FRAME	1		(ORDER TY1447)
16	R11087	DOWEL PIN	1		
17	21H1280	SCREW	2		3/8" X 3/4", (SUB FOR R11097 AND T18353)
18	R11113	WASHER	1		
19	T11656	STUD	1		(SUB FOR R11162)
20	AR40436	STUD	1		(SUB FOR R11042)
21	T11650	INSULATOR	1		(SUB AR40436)
22	R11098	WASHER	3		(NO LONGER AVAILABLE)
23	24H1287	WASHER	3		9/32" X 5/8" X 0.065", (SUB FOR R3031R)
24	12H316	LOCK WASHER	6		0.216"
25	14H608	NUT	6		0.216"
26	R11113	WASHER	1		
27	T11656	STUD	1		(SUB FOR R11162)
28	R11043	CLIP	1		
29	AR11031	ELECTRICAL COIL	1		
30	R11161	SHOE	2		(NO LONGER AVAILABLE)
31	R11160	INSULATOR	2		
32	R11049	NUT	1		
33	T10745	WASHER	1		
34	R11189	PULLEY	1		

# 1H13

ELECTRICAL

**GENERATOR - CONTINUED  
(DIESEL)  
(24-VOLT DELCO-REMY)**

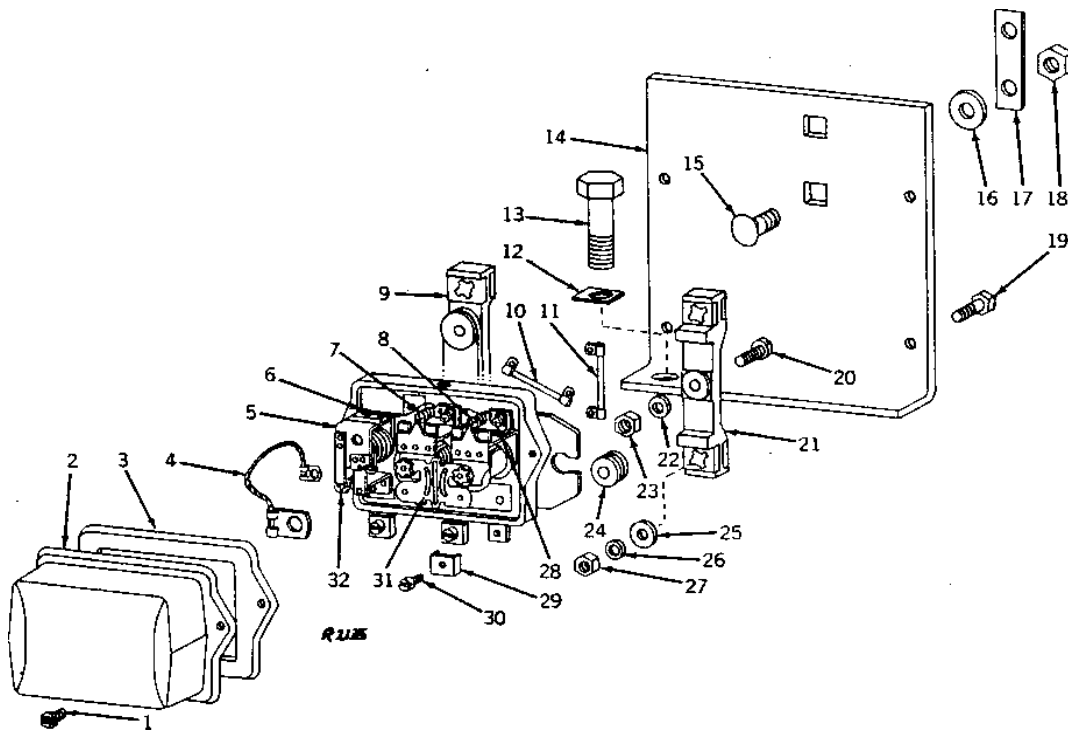
KEY	PART NO.	PART NAME	QTY	ENGINE SERIAL NO.	REMARKS
35	T12870	FAN	1		
36	T11648	LOCKING COLLAR	1		
37	AR11333	FRAME	1		
38	R11089	WASHER	1		
39	R11094	PLATE	1		
40	R11109	PLATE	1		
41	21H1127	SCREW	3		0.190" X 7/16", (SUB FOR R11105)
42	R11088	WASHER	1		
43	26H72	SHAFT KEY	1		1/8" X 5/8"
44	AR11330	ARMATURE	1		
..	AR11302	GENERATOR	1		(DELCO-REMY NO. 1103026) (SUB TY1447)
..	TY1447	GENERATOR	1		(REMANUFACTURED) (11 AMP) (SUB FOR AR11302 OR AR34567)

# 1H14

ELECTRICAL

GENERATOR REGULATOR  
(GASOLINE AND LP-GAS)  
(12-VOLT DELCO-REMY)  
(SERIAL NO. -067999)

R2135 -UN-12OCT94



# 1H15

ELECTRICAL

**GENERATOR REGULATOR - CONTINUED**  
**(GASOLINE AND LP-GAS)**  
**(12-VOLT DELCO REMY)**  
**(SERIAL NO. -067999)**

KEY	PART NO.	PART NAME	QTY	ENGINE SERIAL NO.	REMARKS
1	37H43	SCREW	2		NO. 8 X 3/8", (SUB FOR R11232)
	.....	FOAM PAD	2		(A) (NO LONGER AVAILABLE)
2	.....	COVER	1		(A) ( AR30007 NO LONGER AVAILABLE) (SUB AR40170)
3	R11052	GASKET	1		(A) (NO LONGER AVAILABLE)
4	AR11338	WIRING LEAD	1		(NO LONGER AVAILABLE)
5	.....	ARMATURE	1		( AR11033 NO LONGER AVAILABLE)
6	21H1309	SCREW	2		0.138" X 1/4", (SUB FOR AT11339)
	12H321	WASHER	2		0.138"
7	R11112	SPRING	1		
8	.....	SPRING	1		(R11190 NO LONGER AVAILABLE)
9	AT21632	PACKAGE OF PARTS	1		(SUB FOR AR11041) (NO LONGER AVAILABLE)
10	.....	RESISTOR	1		( AR11067 NO LONGER AVAILABLE)
11	.....	RESISTOR	1		( AR11337 NO LONGER AVAILABLE)
12	.....	LOCK PLATE	1		( R27961 NO LONGER AVAILABLE)
13	19H1356	CAP SCREW	1		5/8" X 1-3/4"
14	R32400	SUPPORT	1		(SUB FOR R26821)
15	03H1519	BOLT	2		3/8" X 1"
16	A147R	LOCK WASHER	2		
17	R27962	STRAP	1		
18	E55662	FLANGE NUT	2		3/8", (HS SAE 8)
19	19H1791	CAP SCREW	4		1/4" X 1-1/4"
20	21H1032	SCREW	3		1/4" X 1"
21	AT21632	PACKAGE OF PARTS	1		(SUB FOR AR11042) (NO LONGER AVAILABLE)
22	12H302	LOCK WASHER	3		1/4"
23	14H850	NUT	3		1/4"
24	AR11039	GROMMET	3		(NO LONGER AVAILABLE)
25	.....	WASHER	4		(NO LONGER AVAILABLE)
26	12H302	LOCK WASHER	4		1/4"
27	14H786	NUT	4		1/4"
28	.....	SCREW	2		( H24106 NO LONGER AVAILABLE)
29	R11084	CLIP	3		(A)
30	21H1316	SCREW	3		0.190" X 1/2", (SUB FOR AR11040)
31	.....	CONTACT	1		( AR11336 NO LONGER AVAILABLE)
32	.....	SCREW	1		(R11111 NO LONGER AVAILABLE)
..	AR40170	VOLTAGE REGULATOR	1		(DELCO-REMY NO. 1119135 OR 1118896) (SUB FOR AR11304)

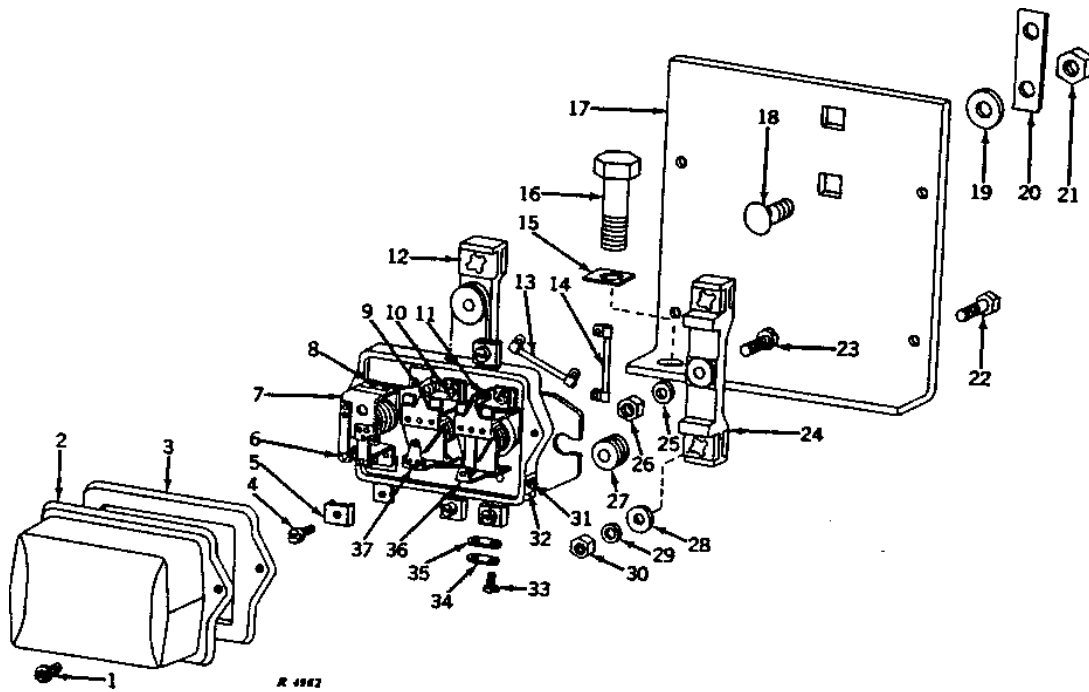
(A) CAN BE USED WITH AR40170

# 1H16

ELECTRICAL

GENERATOR REGULATOR  
(24-VOLT DELCO-REMY)  
(DIESEL)  
(SERIAL NO. -067999)

R4962 -UN-12OCT94





# 1H17

ELECTRICAL

**GENERATOR REGULATOR - CONTINUED**  
**(24-VOLT DELCO-REMY)**  
**(DIESEL)**  
**(SERIAL NO. -067999)**

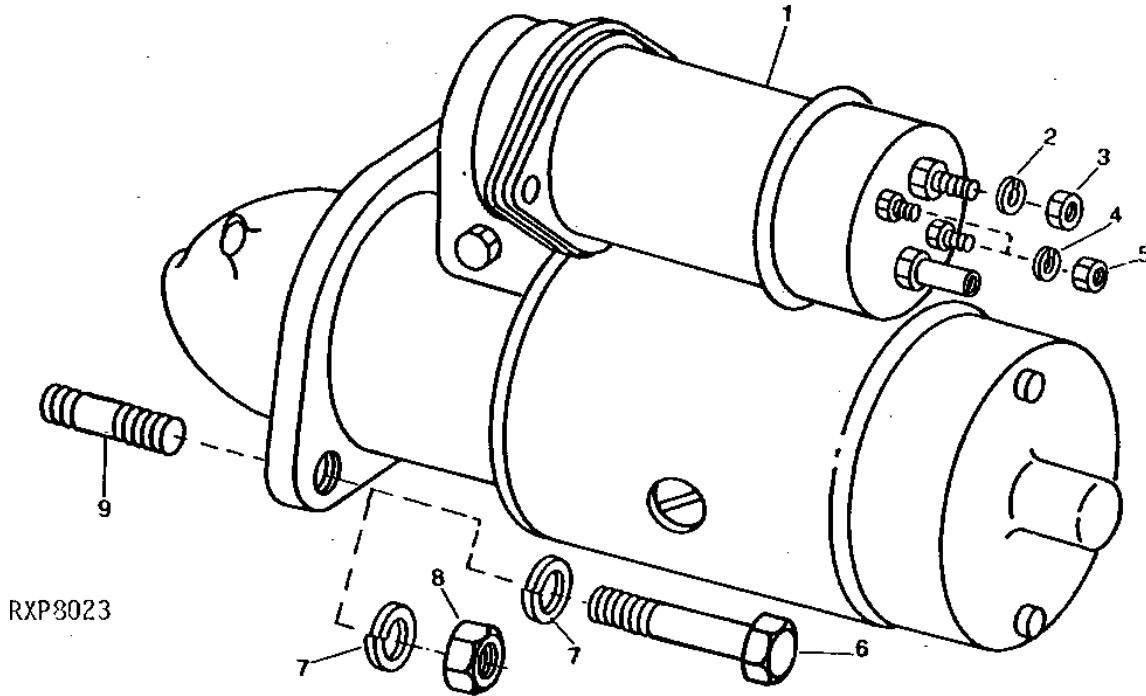
KEY	PART NO.	PART NAME	QTY	TRACTOR SERIAL NO.	REMARKS
1	37H43	SCREW	2		NO. 8 X 3/8", (SUB FOR R11232)
	.....	FOAM PAD	2		(NO LONGER AVAILABLE)
2	AR30007	COVER	1		(SUB AR40170)
3	R11052	GASKET	1		(NO LONGER AVAILABLE)
4	21H1316	SCREW	3	-006136	0.190" X 1/2", (SUB FOR AR11040)
	21H1316	SCREW	4	006137-	0.190" X 1/2", (SUB FOR AR11040)
5	R11084	CLIP	3	-006136	(USE WITH AR11008)
	R11084	CLIP	4	006137-	(USE WITH AR30155)
6	.....	SCREW	1		( R11111 NO LONGER AVAILABLE)
7	.....	ARMATURE	1		( AR11033 NO LONGER AVAILABLE)
8	21H1309	SCREW	2		0.138" X 1/4", (SUB FOR AT11339)
	12H321	WASHER	2		0.138"
9	.....	SPRING	1		( R11112 NO LONGER AVAILABLE)
10	.....	SCREW	2		(NO LONGER AVAILABLE)
11	.....	SPRING	1		( R11054 NO LONGER AVAILABLE)
12	AT21632	PACKAGE OF PARTS	1		(SUB FOR AR11041) (NO LONGER AVAILABLE)
13	.....	RESISTOR	1		( AR11038 NO LONGER AVAILABLE)
14	.....	RESISTOR	1	-006136	( AR11037 NO LONGER AVAILABLE) (USE WITH AR11008)
	.....	RESISTOR	1	006137-	( AR11137 NO LONGER AVAILABLE) (USE WITH AR30155)
15	.....	LOCK PLATE	1		(NO LONGER AVAILABLE)
16	19H1708	CAP SCREW	1		5/8" X 1-3/4"
17	R32400	SUPPORT	1		(SUB FOR R26821)
18	03H1519	BOLT	2		3/8" X 1"
19	A147R	LOCK WASHER	2		
20	R27962	STRAP	1		
21	E55662	FLANGE NUT	2		3/8", (HS SAE 8)
22	19H1791	CAP SCREW	4		1/4" X 1-1/4"
23	21H1032	SCREW	3		1/4" X 1"
24	AT21632	PACKAGE OF PARTS	1		(SUB FOR AR11042) (NO LONGER AVAILABLE)
25	12H302	LOCK WASHER	3		1/4"
26	14H850	NUT	3		1/4"
27	AR11039	GROMMET	3		(NO LONGER AVAILABLE)
28	.....	WASHER	4		(NO LONGER REQUIRED)
29	12H302	LOCK WASHER	4		1/4"
30	14H786	NUT	4		1/4"
31	37H43	SCREW	1	-006136	NO. 8 X 3/8", (SUB FOR R11056)
32	.....	CLIP	1	-006136	( R11057 NO LONGER AVAILABLE) (USE WITH AR11008)
33	21H1288	SCREW	2		0.112" X 1/4", (SUB FOR R11103)
34	12H313	LOCK WASHER	2		0.112", (SUB R11101)
35	.....	INSULATOR	1		( R11102 NO LONGER AVAILABLE)
	.....	FOAM PAD	1		(NO LONGER REQUIRED)
36	AR11036	CONTACT	1		(NO LONGER AVAILABLE)
37	.....	CONTACT	1		( AR11035 NO LONGER AVAILABLE)
..	AR11008	REGULATOR	1	-006136	(SUB AR30155) (DELCO-REMY NO. 1119219)
..	AR30155	VOLTAGE REGULATOR	1	006137-067999	(DELCO-REMY NO. 1119282)
..	.....	SHIELD	1	-006136	( R31043 NO LONGER AVAILABLE)
..	19H1849	CAP SCREW	4		5/16" X 1-1/4", (REGULATOR AND SHIELD TO SUPPORT)
..	24H1287	WASHER	4		9/32" X 5/8" X 0.065"

# 1H18

ELECTRICAL

## STARTING MOTOR AND ATTACHING PARTS

RXP8023 -UN-01JAN94



KEY	PART NO.	PART NAME	QTY	TRACTOR SERIAL NO.	REMARKS
1	TY6703	STARTER	1		(A) (REMANUFACTURED) (SUB FOR AR11138, AR28053, AR40134, TY1470 OR TY6622) (CONTAINS RE39061)
	TY6691	STARTER	1		(B) (C) (REMANUFACTURED) (SUB FOR AR11300, AR11160 OR TY1435) (CONTAINS RE39838)
2	12H303	LOCK WASHER	1		(A) 5/16"
	12H304	LOCK WASHER	1		(B) (C) 3/8"
3	R51671	NUT	1		(A)
	14H1076	NUT	1		(B) (C) 3/8"
4	14H631	NUT	2		(A) 0.190"
	14H605	NUT	2		(B) (C) 0.164"
5	12H246	LOCK WASHER	1		(A) 0.190"
	12M7084	LOCK WASHER	2		(B) (C) 0.169"
6	19H2552	CAP SCREW	2		(A) 3/8" X 1-1/8"
	19H3219	CAP SCREW	2		(B) (C) 3/8" X 1-3/8"
7	12H304	LOCK WASHER	3		(A) (B) (C) 3/8"
8	14H1076	NUT	1		(A) 3/8"
	14H1076	NUT	1		(B) (C) 3/8"
9	R55396	STUD	1		(A) (SUB FOR M3636T, THIS APPLICATION)
	R56481	STUD	1		(B) (C)

(A) DIESEL

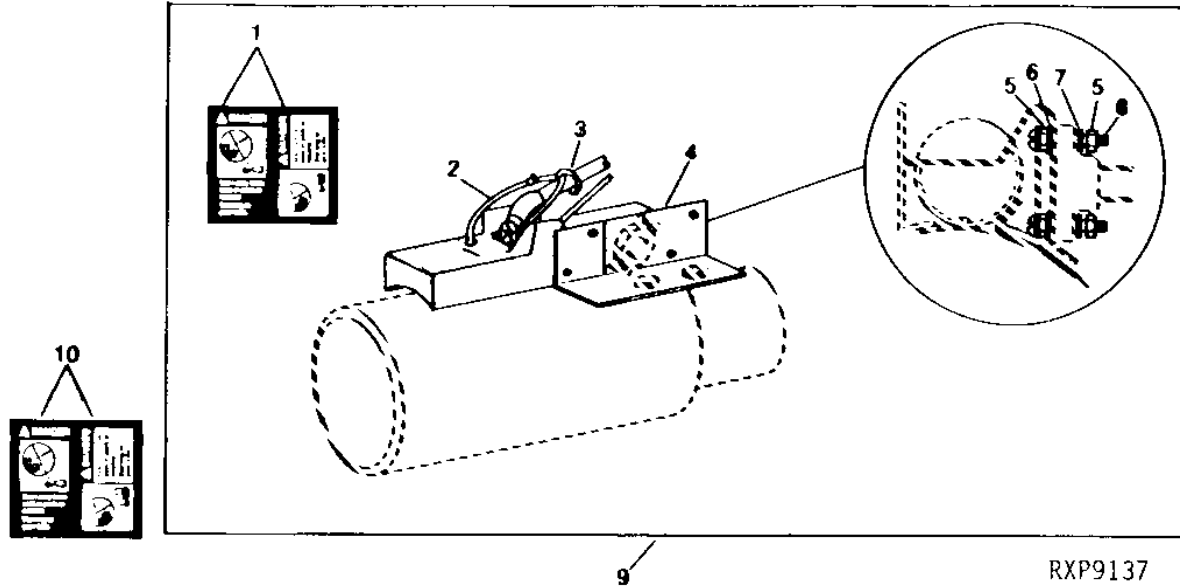
(B) GASOLINE ONLY

(C) GASOLINE AND LP-GAS

# 1H19

ELECTRICAL

STARTER SOLENOID COVER KIT  
RXP9137 -UN-12OCT94



RXP9137

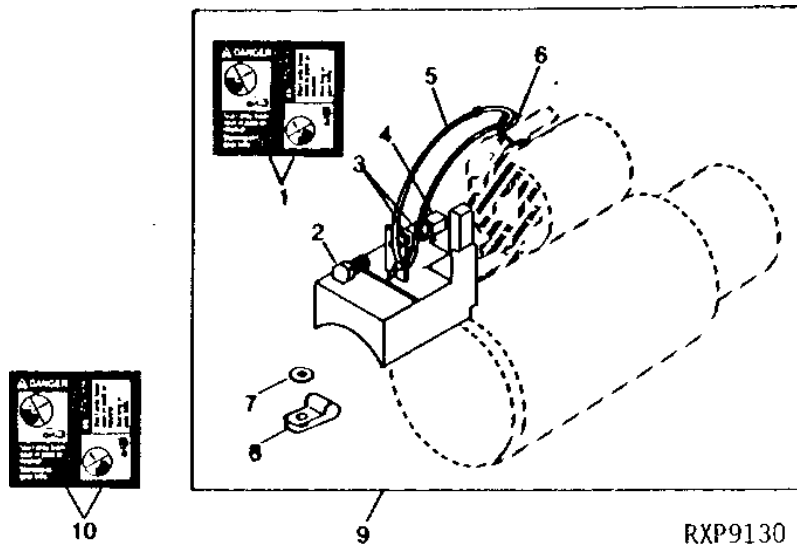
KEY	PART NO.	PART NAME	QTY	ENGINE SERIAL NO.	REMARKS
1	T146102	WARNING LABEL	1		(SUB FOR T84410 OR T134452) (ENGLISH)
2	R76477	TIE BAND	1		(SUB FOR T84409 OR T134459) (ENGLISH)
3	R44302	TIE BAND	1		
4	R45642	BRACKET	1		
5	14H631	NUT	2		
6	24H1283	WASHER	2		
7	12H246	LOCK WASHER	2		
8	21H981	SCREW	2		
9	RE39838	SHIELD	1	(A)	
10	T146106	WARNING LABEL	1		(SUB FOR T84410 OR T134452) (SPANISH)
	T146104	WARNING LABEL	1		(SUB FOR T84411 OR T134453) (FRENCH)
	T146515	WARNING LABEL	1		(SUB FOR T84412 OR T134454) (GERMAN)
	T146516	WARNING LABEL	1		(SUB FOR T84413 OR T134455) (ITALIAN)
	T146517	WARNING LABEL	1		(SUB FOR T84578 OR T134456) (FRENCH/CANADIAN)

(A) USE WITH AR11300,AR11305,AR11160,AR11161,AR68005,TY1435,TY1456,TY6691, TY6694 OR TY6722

# 1H20

ELECTRICAL

**STARTER SOLENOID COVER KIT  
(DIESEL)(DELCO-REMY)**  
RXP9130 -UN-01JAN94



RXP9130

KEY	PART NO.	PART NAME	QTY	ENGINE SERIAL NO.	REMARKS
1	T146102	WARNING LABEL	1		(SUB FOR T84409 OR T134459) (ENGLISH)
2	19H2038	CAP SCREW	1		3/8" X 1/2"
3	24H1305	WASHER	2		13/32" X 13/16" X 0.065"
4	R100380	NUT	1		
5	R76477	TIE BAND	1		
6	R44302	TIE BAND	1		
7	24H1289	WASHER	1		21/64" X 5/8" X 0.049"
8	R46414	CLAMP	1		
9	RE39061	SHIELD	1		(A)
10	T146106	WARNING LABEL	1		(SUB FOR T84410 OR T134452) (SPANISH)
	T146104	WARNING LABEL	1		(SUB FOR T84411 OR T134453) (FRENCH)
	T146515	WARNING LABEL	1		(SUB FOR T84412 OR T134454) (GERMAN)
	T146516	WARNING LABEL	1		(SUB FOR T84413 OR T134455) (ITALIAN)
	T146517	WARNING LABEL	1		(SUB FOR T84578 OR T134456) (ENGLISH/FRENCH)

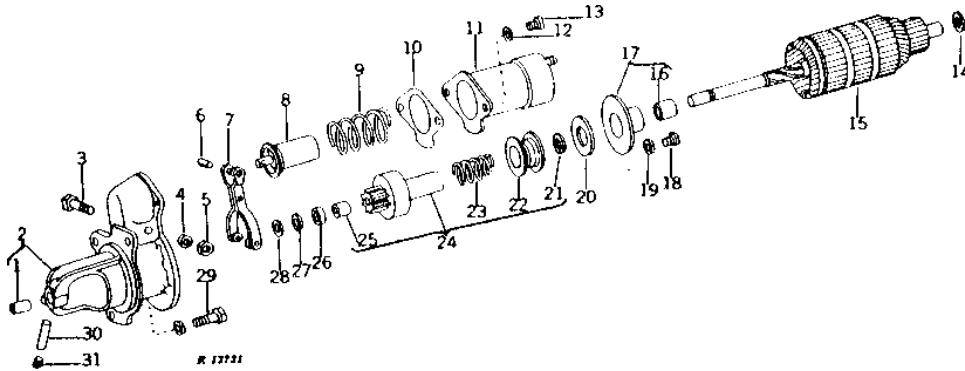
(A) USE ON AR11138, AR40134, AR11141, AR28053, TY1470, TY6622 OR TY6703

# 1H21

ELECTRICAL

## STARTER DRIVE, SOLENOID SWITCH AND ARMATURE (GASOLINE AND LP-GAS) (12-VOLT DELCO-REMY)

R12721 -UN-01JAN94



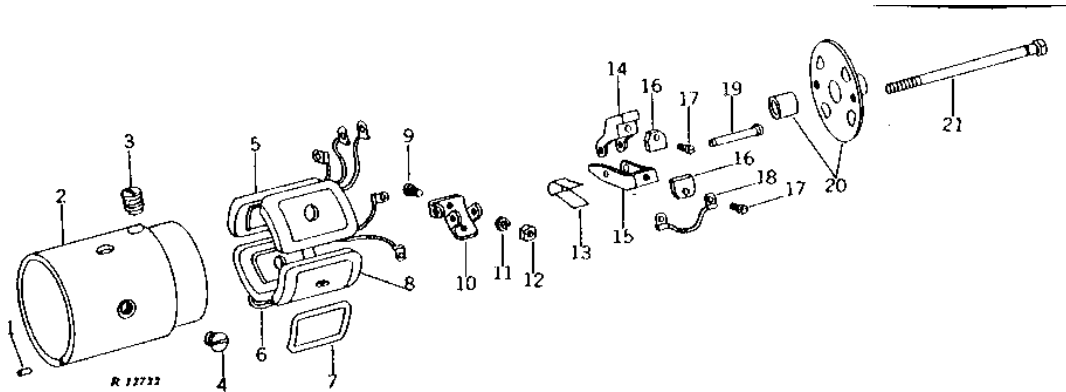
KEY	PART NO.	PART NAME	QTY	ENGINE SERIAL NO.	REMARKS
1	T17987	BUSHING	1		
2	AR11107	HOUSING	1		
3	T11672	CAP SCREW	1		
4	12H303	LOCK WASHER	1	5/16"	
5	T11682	NUT	1		
6	34H279	SPRING PIN	1	3/16" X 13/16"	
7	T18113	SHIFTER	1	(SUB FOR T11674)	
8	T11673	PLUNGER	1	(USE WITH AR11300)	
	AT15147	PLUNGER	1	(USE WITH AR11160)	
9	T11675	SPRING	1		
10	T17058	GASKET	1		
11	AR68304	SOLENOID	1	(SUB FOR AR11109 OR R11240)	
	TY6690	SOLENOID	1	(REMANUFACTURED)	
12	12H302	LOCK WASHER	2	1/4"	
13	21H1310	SCREW	2	1/4" X 1/2"	
14	R11096	WASHER	1		
15	AR11104	ARMATURE	1		
16	820148	BUSHING	1		
17	820149	BEARING	1		
18	21H1298	SCREW	2	0.190" X 3/8"	
19	12H246	LOCK WASHER	2	0.190", (SUB FOR H23195)	
20	R11095	WASHER	1		
21	R11118	WIRE	1		
22	.....	LOCKING COLLAR	1	(NLA) (ORDER AR57094) (SUB FOR 1838436 OR R11225)	
23	37517	SPRING	1		
24	AR57094	DRIVE	1	(SUB FOR AR11108 OR AT15140)	
25	1873796	BUSHING	1		
26	R11116	SPACER	1		
27	R11117	SNAP RING	1		
28	R11080	WASHER	1		
29	19H2552	CAP SCREW	3	3/8" X 1-1/8"	
	12H304	LOCK WASHER	3	3/8"	
30	R40337	WICK	1	(SUB FOR R11108)	
31	15H566	PIPE PLUG	1	1/8", (SUB FOR R11085)	
..	AR11160	STARTER	1	(DELCO-REMY NO. 1108289, 1109434 OR 1107350)	
				(SUB FOR AR11300) (SUB TY6691)	
..	TY6691	STARTER	1	(REMANUFACTURED) (SUB FOR AR11300, AR11160 OR TY1435)	

# 1H22

ELECTRICAL

**STARTER MAIN FRAME, COIL, AND COMMUTATOR END FRAME  
(GASOLINE AND LP-GAS)  
(12-VOLT DELCO-REMY)**

R12722 -UN-01JAN94



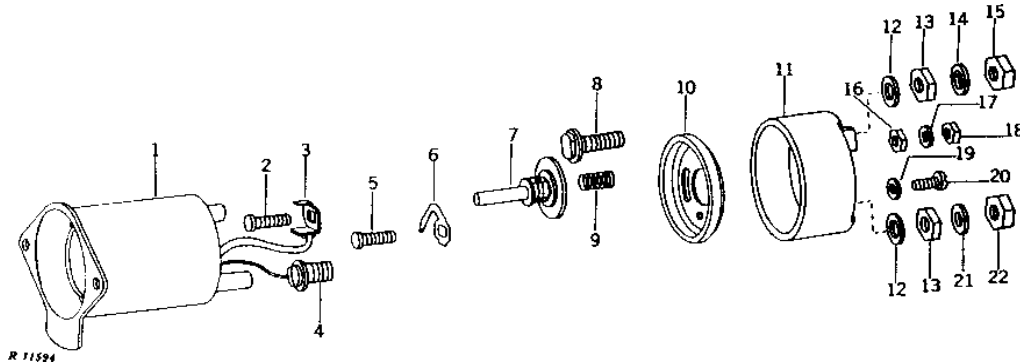
KEY	PART NO.	PART NAME	QTY	ENGINE SERIAL NO.	REMARKS
1	R11087	DOWEL PIN	1		
2	.....	FRAME	1		(SUB AR11160)
3	R11191	GROMMET	1		
4	21H1280	SCREW	4		3/8" X 3/4", (SUB FOR R11097 OR T18353)
5	AR90826	FIELD WINDING COIL	1		(SUB FOR AR11106 OR AR88016)
6	AR90826	FIELD WINDING COIL	1		(SUB FOR AR11105 OR AR88016)
7	T743T	INSULATOR	4		
8	R39857	SHOE	4		(SUB FOR AT515T)
9	21H1301	SCREW	4		0.190" X 1/2"
10	AT516T	KIT	2		
11	12H246	LOCK WASHER	4		0.190"
12	14H778	NUT	4		0.190"
13	T740T	SPRING	2		
14	T739T	HOLDER	2		
15	T738T	HOLDER	2		
16	T735T	BRUSH	4		
17	37H2	SCREW	4		0.164" X 5/8", (SUB FOR T10397)
18	AT514T	WIRING LEAD	2		
19	T736T	PIN	2		
20	AT517T	FRAME	1		
	810620	BUSHING	1		
21	T741T	BOLT	2		
..	AR11160	STARTER	1		(DELCO-REMY NO. 1108289 OR 11009434) (SUB FOR AR11300)
..	TY1435	STARTER	1		(REMANUFACTURED)

# 1H23

ELECTRICAL

## STARTER SOLENOID SWITCH (GASOLINE AND LP-GAS) (12-VOLT DELCO-REMY)

R11594 -UN-12DEC94



KEY	PART NO.	PART NAME	QTY	ENGINE SERIAL NO.	REMARKS
1	.....	CASE	1		(ORDER AR68304 OR TY6690)
2	R11197	STUD	1		(A) (B) (C)
	T19606	STUD	1		(D)
3	R11198	CLIP	1		(NLA)
4	T18354	SCREW	1		(SUB FOR R11193, R11241, T12210 OR T18108)
5	T19606	STUD	1		(D)
6	T19604	CONTACT	1		(D)
7	AT15146	CONTACT	1		(SUB FOR AT11758 OR R11242)
8	R11064	STUD	1		(A) (B) (C)
	T18105	STUD	1		(D)
9	R11066	SPRING	1		
10	R61133	GASKET	1		(D) (SUB FOR T18109 OR R49394)
11	.....	COVER	1		(A) (B) (C) (D) (SUB AR68304) (SUB FOR R11199, R49393 OR T19609)
12	R11194	WASHER	2		(A) (B) (C)
	T18107	WASHER	2		(D)
13	E55662	FLANGE NUT	2		3/8", (SUB FOR R11195)
14	12H304	LOCK WASHER	1		3/8", (NO LONGER REQUIRED FOR E55662)
15	E55662	FLANGE NUT	1		3/8"
16	AR11134	NUT	1		(A) (B) (C)
	AR11131	NUT	2		(D) (NO LONGER AVAILABLE)
17	12H246	LOCK WASHER	1		(A) (B) (C) 0.190"
	12M7084	LOCK WASHER	2		(D) 0.169"
18	14H631	NUT	1		(A) (B) (C) 0.190"
	14H605	NUT	2		(D) 0.164"
19	R11039	WASHER	2		
20	21H1298	SCREW	2		0.190" X 3/8"
21	12H304	LOCK WASHER	1		(B) 3/8"
22	14H732	NUT	1		(B) 3/8"
..	.....	SWITCH	1		(A) (DELCO-REMY NO. 1114264) (SUB AR68304)
..	.....	SWITCH	1	-028015	(B) (DELCO-REMY NO. 1114268) (SUB AR68304)
..	AR68304	SOLENOID	1	028016-	(DELCO-REMY NO. 1114294, 1114356, 1114381 OR 1114458) (SUB FOR R11240)
..	TY6690	SOLENOID	1		(REMANUFACTURED)

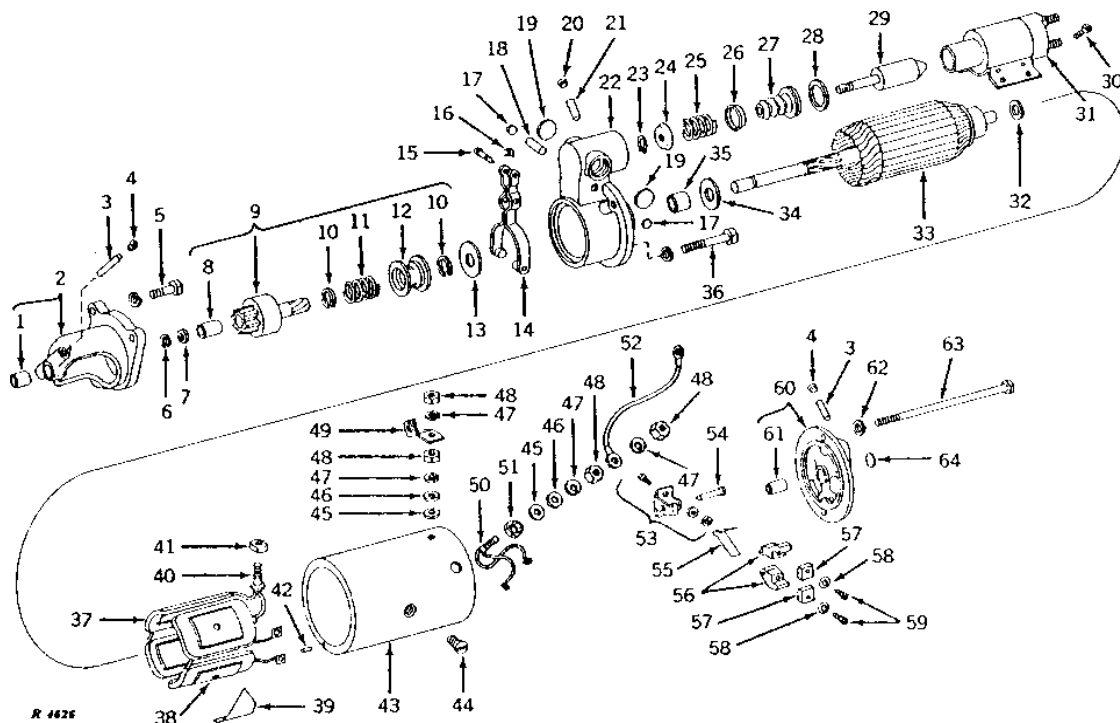
- (A) AR11109 SOLENOID SWITCH (GASOLINE)
- (B) AR11116 SOLENOID SWITCH (LP-GAS)
- (C) DELCO-REMY NO. 1114294 SOLENOID SWITCH (LP-GAS)
- (D) DELCO-REMY NO. 1114356 SOLENOID SWITCH (GASOLINE OR LP-GAS)

# 1H24

ELECTRICAL

**STARTER  
(DIESEL)  
(24-VOLT DELCO-REMY)  
(ENGINE SERIAL NO. -079868)**

R4626 -UN-01JAN94



KEY	PART NO.	PART NAME	QTY	ENGINE SERIAL NO.	REMARKS
1	T11743	BUSHING	1		
2	AR11127	HOUSING	1		
3	R40337	WICK	2		(SUB FOR 1909654)
4	15H566	PIPE PLUG	2		1/8", (SUB FOR R11085)
5	19H2552	CAP SCREW	3		3/8" X 1-1/8"
	12H304	LOCK WASHER	3		3/8"
6	R11117	SNAP RING	1		
7	R11116	SPACER	1		
8	R11119	BUSHING	1		
9	AR88880	BENDIX DRIVE	1		(SUB FOR AR11133 OR AR84239)
10	R11118	WIRE	2		(SUB FOR R11227)
11	R11226	SPRING	1		
12	.....	LOCKING COLLAR	1		( R11225 NLA) (ORDER AR88880)
13	R11095	WASHER	1		
14	AR11128	LEVER	1		
15	R11222	PIN	1		
16	R11223	RETAINER	1		
17	R11213	PLUG	2		(NO LONGER AVAILABLE)
	30H7	PLUG	2		5/8"
18	R11215	DOWEL PIN	1		
19	30H16	PLUG	2		1-3/16"
20	R11016	PIPE PLUG	1		
21	R11201	WICK	1		(SUB FOR R11015)
22	AR11126	HOUSING	1		
23	R11026	SNAP RING	1		(SUB FOR R11224)
24	R11129	CAP	1		
25	R11128	SPRING	1		
26	R11126	RETAINER	1		
27	R11127	BOOT	1		
28	R11221	WASHER	1		
29	AR11132	PLUNGER	1		
30	T19909	BOLT	4		(SUB FOR 1916529)



# 1H25

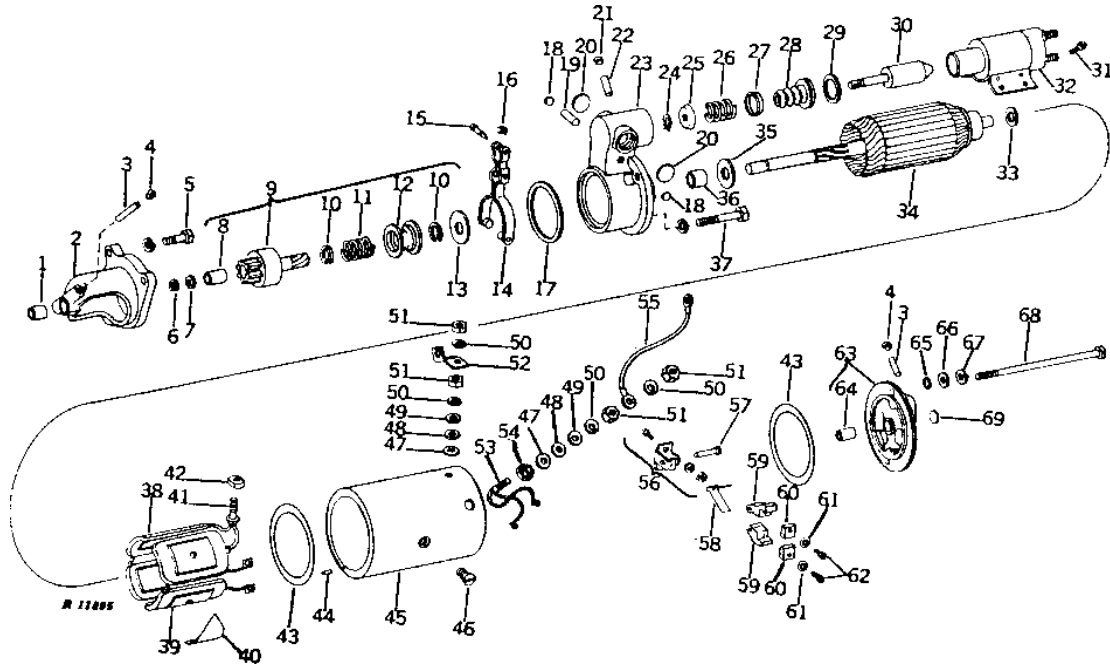
ELECTRICAL

**STARTER - CONTINUED  
(DIESEL)  
(24-VOLT DELCO-REMY)  
(ENGINE SERIAL NO. -079868)**

KEY	PART NO.	PART NAME	QTY	ENGINE SERIAL NO.	REMARKS
31	AR40395	SWITCH	1		(DELCO-REMY NO. 1115543) (SUB FOR AR11129)
	TY6689	SOLENOID	1		(REMANUFACTURED)
32	.....	WASHER	1		(ORDER AR100161) (SUB FOR R11096, THIS APPLICATION)
33	AR11120	ARMATURE	1		
34	R11214	WASHER	1		
35	R11212	BUSHING	1		
36	19H1949	CAP SCREW	4		5/16" X 2-1/2"
	12H303	LOCK WASHER	4		5/16"
37	AR11122	ELECTRICAL COIL	1		
38	1931784	SHOE	4		(NO LONGER AVAILABLE)
39	R11253	INSULATOR	2		(SUB FOR 1913534)
40	R11207	STUD	1		
41	R11058	BUSHING	1		
42	R11087	DOWEL PIN	1		
43	.....	FRAME	1		(SUB TY6703)
44	21H1280	SCREW	4		3/8" X 3/4", (SUB FOR R11097 AND T18353)
45	R11000	WASHER	2		
46	24M7096	WASHER	2		10.500 X 18 X 1.600 MM
47	12H304	LOCK WASHER	4		3/8", (NOT REQUIRED WITH E55662)
48	E55662	FLANGE NUT	4		3/8"
49	R11228	CONNECTOR	1		
50	AR11125	WIRING LEAD	1	-018850	
	AR11139	TERMINAL	1	018851-	
51	R11206	FOAM PAD	1	-018850	(NO LONGER AVAILABLE)
	R11107	WASHER	2	-018850	
	R11058	BUSHING	1	018851-	
52	.....	WIRING LEAD	1		254MM (10") (SUB FOR R11229) (MAKE FROM R66320 AND R32017)
53	AR11124	SUPPORT	2		
54	R11233	PIN	2		
55	R11209	SPRING	2		
56	AR11123	CARBON BRUSH HOLDER	4		
57	R11208	BRUSH	4		
58	12M7084	LOCK WASHER	4		0.169"
59	R11255	SCREW	4		(SUB 37H78 AND 12M7084)
60	AR11121	FRAME	1	-018850	
	AR11140	FRAME	1	018851-	
61	T11739	BUSHING	1		
62	12H303	LOCK WASHER	2		5/16"
63	T11655	BOLT	2		(SUB FOR 1931812) (NO LONGER AVAILABLE)
64	30H9	PLUG	1		3/4"
..	AR11138	STARTER	1		(DELCO-REMY NO. 1113148) (SUB TY6703) (SUB FOR AR28053)
..	TY6703	STARTER	1		(REMANUFACTURED) (SUB FOR AR11138, AR28053, AR40134, TY1470 OR TY6622)

**STARTER  
(DIESEL)  
(24-VOLT DELCO-REMY)  
(ENGINE SERIAL NO. 079869- )**

R11895 -UN-12DEC94



KEY	PART NO.	PART NAME	QTY	ENGINE SERIAL NO.	REMARKS
1	T11743	BUSHING	1		
2	AR11127	HOUSING	1		
3	R40337	WICK	2		
4	15H566	PIPE PLUG	2	1/8", (SUB FOR R11085)	
5	19H2552	CAP SCREW	3	3/8" X 1-1/8"	
	12H304	LOCK WASHER	3	3/8"	
6	R11117	SNAP RING	1		
7	R11116	SPACER	1		
8	R11119	BUSHING	1		
9	AR88880	BENDIX DRIVE	1	(SUB FOR AR11133 OR AR84239)	
10	R11118	WIRE	2		
11	R11226	SPRING	1		
12	.....	LOCKING COLLAR	1	( R11225 NO LONGER AVAILABLE) (ORDER AR88880)	
13	R11095	WASHER	1		
14	AR11128	LEVER	1		
15	R11222	PIN	1		
16	R11223	RETAINER	1		
17	.....	GASKET	1	(ORDER AR100161)	
18	30H7	PLUG	2	5/8"	
19	R11215	DOWEL PIN	1		
20	30H16	PLUG	2	1-3/16"	
21	R11016	PIPE PLUG	1		
22	R11201	WICK	1		
23	AR11126	HOUSING	1		
24	R11026	SNAP RING	1		
25	R11129	CAP	1		
26	R11128	SPRING	1		
27	R11126	RETAINER	1		
28	R11127	BOOT	1		
29	R11221	WASHER	1		
30	AR11132	PLUNGER	1		
31	T19909	BOLT	4	(SUB FOR 1916529)	

# 112

ELECTRICAL

**STARTER - CONTINUED  
(DIESEL)  
(24-VOLT DELCO-REMY)  
(ENGINE SERIAL NO. 079869- )**

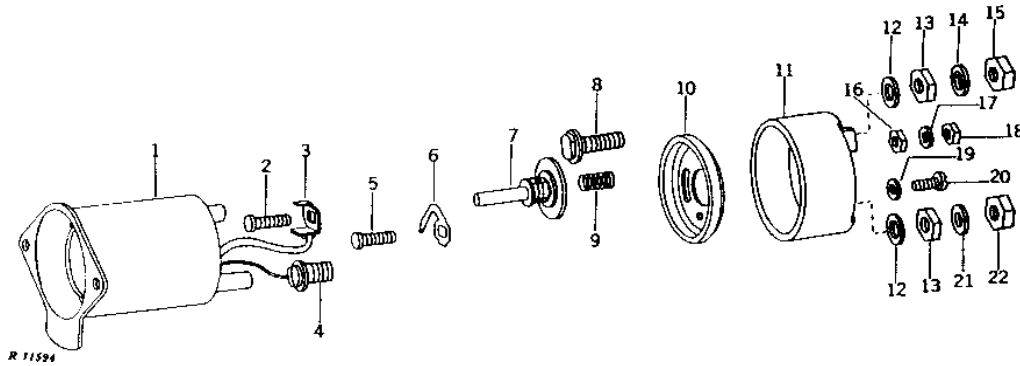
KEY	PART NO.	PART NAME	QTY	ENGINE SERIAL NO.	REMARKS
32	AR40395	SWITCH	1		(DELCO-REMY NO. 1115543) (SUB FOR AR11129)
	TY6689	SOLENOID	1		(REMANUFACTURED)
33	.....	WASHER	1		(ORDER AR100161) (SUB FOR R11096, THIS APPLICATION)
34	AR11120	ARMATURE	1		
35	R11214	WASHER	1		
36	R11212	BUSHING	1		
37	19H1949	CAP SCREW	4		5/16" X 2-1/2"
	12H303	LOCK WASHER	4		5/16"
38	AR11122	ELECTRICAL COIL	1		
39	1931784	SHOE	4		(NO LONGER AVAILABLE)
40	R11253	INSULATOR	2		
41	R11207	STUD	1		
42	R11058	BUSHING	1		
43	.....	GASKET	2		(SUB AR100161)
44	R11087	DOWEL PIN	1		
45	.....	FRAME	1		(ORDER TY6703)
46	21H1280	SCREW	4		3/8" X 3/4", (SUB FOR T18353)
47	R40501	GASKET	2		
48	R11000	WASHER	2		
49	24M7096	WASHER	2		10.500 X 18 X 1.600 MM
50	12H304	LOCK WASHER	4		3/8", (NOT REQUIRED WITH E55662)
51	E55662	FLANGE NUT	4		3/8"
52	R11228	CONNECTOR	1		
53	AR11139	TERMINAL	1		
54	R11058	BUSHING	1		
55	.....	WIRING LEAD	1		254MM (10") (SUB FOR R11229)
56	AR11124	SUPPORT	2		
57	R11233	PIN	2		
58	R11209	SPRING	2		
59	AR11123	CARBON BRUSH HOLDER	4		
60	R11208	BRUSH	4		
61	R11211	SUPPORT	4		(SUB 12M7084 AND 37H78)
62	37H79	SCREW	4		1/4" X 5/8", (SUB FOR R11255)
	12H290	WASHER	4		0.164"
63	AR11140	FRAME	1		
64	R61932	BUSHING	1		(SUB FOR T11739)
65	R27976	O-RING	2		
66	24H1136	WASHER	2		11/32" X 11/16" X 0.065"
67	12H303	LOCK WASHER	2		5/16"
68	T11655	BOLT	2		(NO LONGER AVAILABLE)
69	30H9	PLUG	1		3/4"
..	AR40134	STARTER	1		(DELCO-REMY NO. 1113190) (SUB TY6703)
..	TY6703	STARTER	1		(REMANUFACTURED) (SUB FOR AR11138, AR28053, AR40134, TY1470 OR TY6622)

# 113

ELECTRICAL

## SOLENOID SWITCH (12-VOLT) (GASOLINE AND LP-GAS)

R11594 -UN-12DEC94



KEY	PART NO.	PART NAME	QTY	TRACTOR SERIAL NO.	REMARKS
1	.....	CASE	1		(ORDER AR68304)
	TY6690	SOLENOID	1		(REMANUFACTURED)
2	R11197	STUD	1		(A) (B) (C)
	T19606	STUD	1		(D)
3	R11198	CLIP	1		(A) (B) (C) (D)
4	T12210	SCREW	1		(B) (NO LONGER AVAILABLE)
	T18354	SCREW	1		(A) (SUB FOR R11193)
	T18108	STUD	1		(C) (SUB FOR R11241) (NO LONGER AVAILABLE)
	T18354	SCREW	1		(D)
5	T19606	STUD	1		(D)
6	T19604	CONTACT	1		(D)
7	AT11758	CONTACT	1		(A) (B) (SUB AT15146)
	R11242	CONTACT	1		(C) (SUB AT15146)
	AT15146	CONTACT	1		(D)
8	R11064	STUD	1		(A) (B) (C) (NO LONGER AVAILABLE)
	T18105	STUD	1		(D)
9	R11066	SPRING	1		(A) (B) (C) (D)
10	T18109	GASKET	1		(D) (SUB R49394)
11	AR68304	SOLENOID	1		(A) (B) (C) (D) (SUB FOR R11199)
	T19609	COVER	1		(D) (SUB R49393)
12	R11194	WASHER	2		(A) (B) (C) (D)
13	14H732	NUT	2		(A) (B) (C) (D) 3/8", (SUB FOR R11195)
14	12H304	LOCK WASHER	1		(A) (B) (C) (D) 3/8"
15	14H732	NUT	1		(A) (B) (C) (D) 3/8"
16	AR11134	NUT	1		(A) (B) (C)
	AR11131	NUT	2		(D)
17	12H246	LOCK WASHER	1		(A) (B) (C) 0.190"
	12M7084	LOCK WASHER	2		(D) 0.169"
18	14H631	NUT	1		(A) (B) (C) 0.190"
	14H605	NUT	2		(D) 0.164"
19	R11039	WASHER	2		(A) (B) (C) (D)
20	21H995	SCREW	2		(A) (B) (C) (D) 0.190" X 3/8"
21	12H304	LOCK WASHER	1		(B) 3/8"
22	14H732	NUT	1		(B) 3/8"
..	AR11109	SWITCH	1		(GASOLINE) (DELCO-REMY NO. 1114264) (SUB AR68304)
..	AR11116	SWITCH	1	-028015	(LP-GAS) (DELCO-REMY NO. 1114268) (SUB AR68304)
..	AR68304	SOLENOID	1	028016-	(DELCO-REMY NO. 1114294, 1114356, OR 1114381) (SUB FOR R11240)
..	TY6690	SOLENOID	1		(REMANUFACTURED)

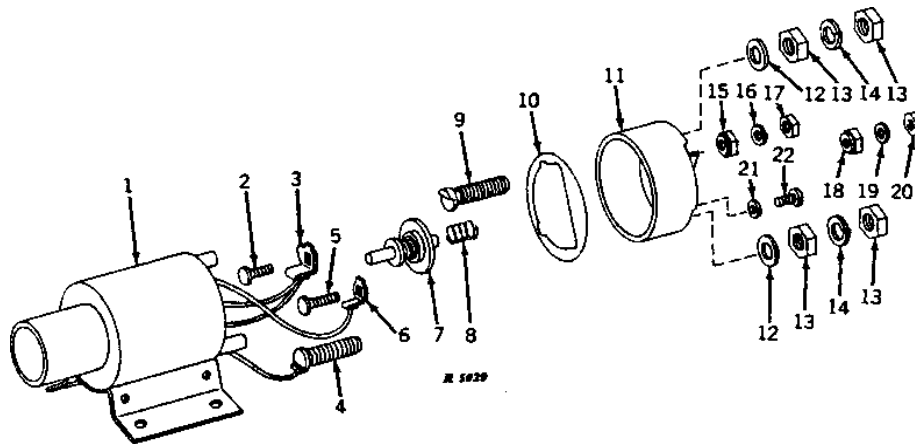
- (A) AR11109 SOLENOID SWITCH (GASOLINE)
- (B) AR11116 SOLENOID SWITCH (LP-GAS)
- (C) DELCO-REMY NO. 1114294 SOLENOID SWITCH (LP-GAS)
- (D) DELCO-REMY NO. 1114356 SOLENOID SWITCH (GASOLINE OR LP-GAS)

# 114

ELECTRICAL

**STARTER SOLENOID SWITCH  
(DIESEL)  
(24-VOLT DELCO-REMY)  
(ENGINE SERIAL NO. -079868)**

R5029 -UN-12OCT94



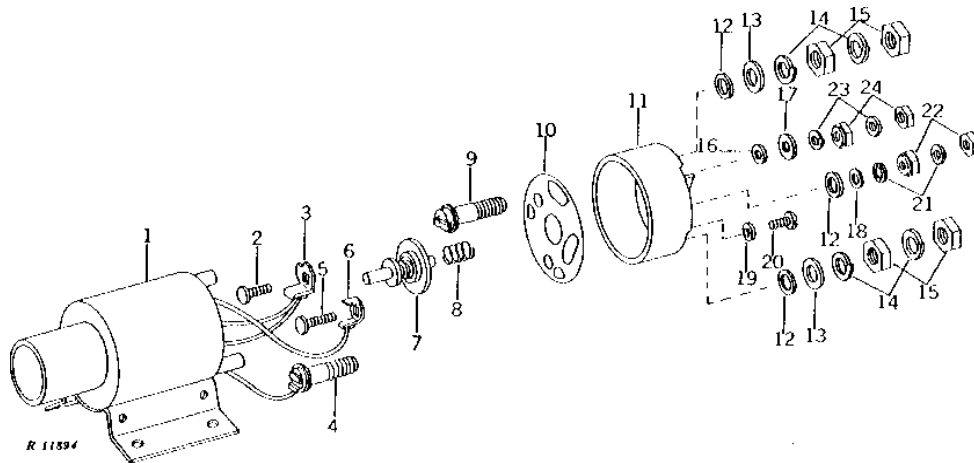
KEY	PART NO.	PART NAME	QTY	ENGINE SERIAL NO.	REMARKS
1	.....	CASE	1		(ORDER AR40395 OR TY6689)
	TY6689	SOLENOID	1		(REMANUFACTURED)
2	R11197	STUD	1		SWITCH TERMINAL
3	R11198	CLIP	1		(NO LONGER AVAILABLE)
4	R11216	STUD	1		MOTOR TERMINAL(NO LONGER AVAILABLE)
5	.....	STUD	1		RETURN TERMINAL ( R11217 NO LONGER AVAILABLE)
6	.....	CLIP	1		( R11218 NO LONGER AVAILABLE)
7	AR11130	CONTACT	1		
8	R11066	SPRING	1		
9	R11220	STUD	1		BATTERY TERMINAL
10	R11067	GASKET	1		(SUB R40548)
11	R11219	COVER	1		(ORDER AR40395 OR TY6689)
12	R11194	WASHER	2		
13	E55662	FLANGE NUT	4	3/8"	
14	12H304	LOCK WASHER	2	3/8", (NOT REQUIRED WITH E55662)	
15	AR11134	NUT	1		
16	12H246	LOCK WASHER	1	0.190", (SUB FOR A767R)	
17	14H631	NUT	1	0.190"	
18	AR11131	NUT	1		(NO LONGER AVAILABLE)
19	12M7084	LOCK WASHER	1	0.169"	
20	14H605	NUT	1	0.164"	
21	R11039	WASHER	2		
22	21H995	SCREW	2	0.190" X 3/8"	
..	AR11129	SWITCH	1		(DELCO-REMY NO. 1119858 OR 1119888) (SUB AR40395)
..	AR40395	SWITCH	1		(DELCO-REMY NO. 115543)
..	TY6689	SOLENOID	1		(REMANUFACTURED)

# 115

ELECTRICAL

**STARTER SOLENOID SWITCH  
(DIESEL)  
(24-VOLT DELCO-REMY)  
(ENGINE SERIAL NO. 079869- )**

R11894 -UN-01JAN94



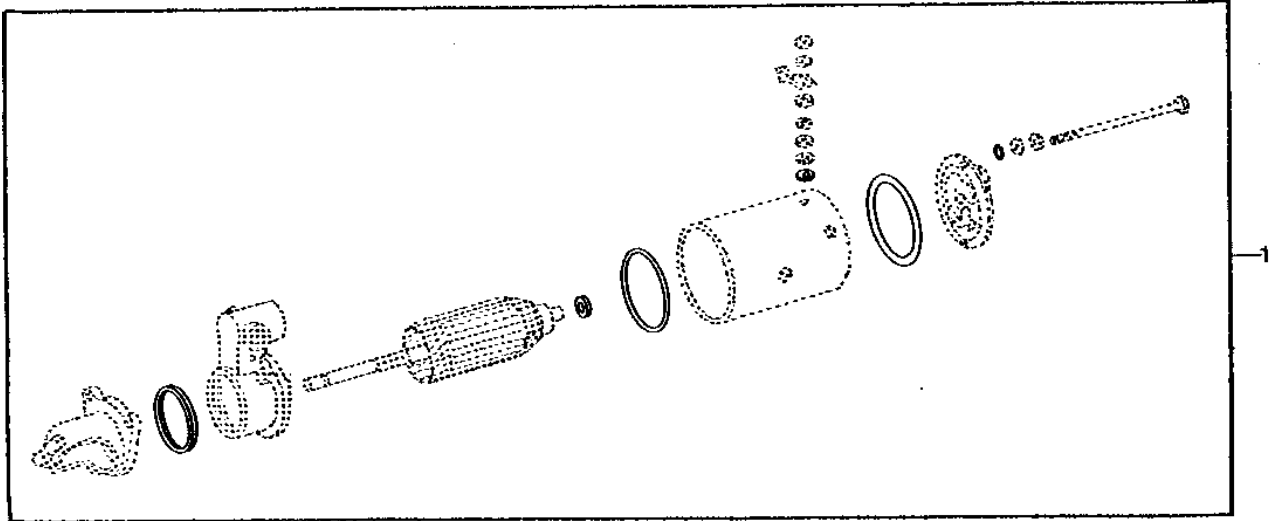
KEY	PART NO.	PART NAME	QTY	ENGINE SERIAL NO.	REMARKS
1	.....	CASE	1		(ORDER AR40395 OR TY6689)
	TY6689	SOLENOID	1		(REMANUFACTURED)
2	R11197	STUD	1		SWITCH TERMINAL, (SUB FOR T18110)
3	R11198	CLIP	1		(NO LONGER AVAILABLE)
4	AR40396	STUD	1		MOTOR TERMINAL
5	R11295	STUD	1		RETURN TERMINAL
6	R40546	CLIP	1		
7	AR11051	CONTACT	1		
8	R11066	SPRING	1		
9	AR40397	STUD	1		BATTERY TERMINAL
10	R40548	GASKET	1		
11	R40547	COVER	1		
12	T18107	WASHER	3		
13	24M7096	WASHER	2		10.500 X 18 X 1.600 MM
14	12H304	LOCK WASHER	4		3/8", (NOT REQUIRED WITH E55662)
15	E55662	FLANGE NUT	4		3/8"
16	T18106	WASHER	1		
17	24H1283	WASHER	1		7/32" X 1/2" X 0.049"
18	24H1281	WASHER	1		5/32" X 3/8" X 0.049"
19	R11039	WASHER	2		
20	21H995	SCREW	2		0.190" X 3/8"
21	12M7084	LOCK WASHER	2		0.169"
22	14H605	NUT	2		0.164"
23	12H246	LOCK WASHER	2		0.190"
24	14H631	NUT	2		0.190"
..	AR40395	SWITCH	1		(DELCO-REMY NO. 1115514)
..	TY6689	SOLENOID	1		(REMANUFACTURED)

# 116

ELECTRICAL

RP1234 -UN-01JAN94

## STARTER SEAL KIT



RP1234

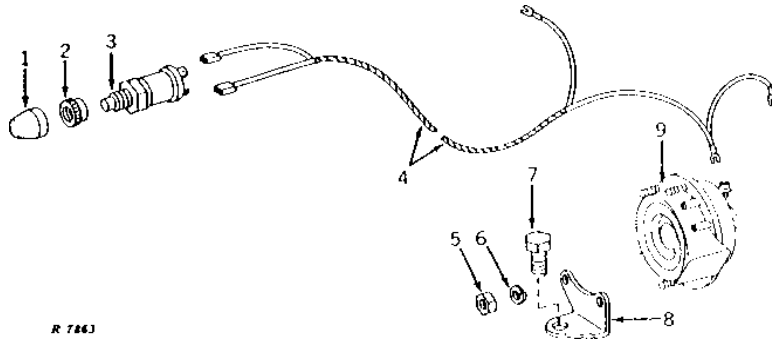
KEY	PART NO.	PART NAME	QTY	ENGINE SERIAL NO.	REMARKS
1	AR100161	SEAL KIT	1		(SUB FOR AR40174 OR AR85407)

# 117

ELECTRICAL

R7863 -UN-01JAN94

## HORN



KEY	PART NO.	PART NAME	QTY	TRACTOR SERIAL NO.	REMARKS
1	T55501	CAP	1		(SUB FOR R21156, R39549 OR AR47374)
2	R21157	CAP	1		(SUB T55501)
3	AR21823	SWITCH	1		
4	R34702	WIRING HARNESS	1		(SUB FOR AR30415)
5	14H860	NUT	2		1/4"
6	12H302	LOCK WASHER	2		1/4"
7	19H2367	CAP SCREW	1		5/8" X 3/4"
8	R32312	BRACKET	1		(NLA)
9	AT39043	HIGH NOTE HORN	1		(SUB FOR AR11308 OR R11276) (LOW NOTE, 12-VOTE)
..	AR102454	HORN	1		(SUB FOR AR31556, AR49032 OR AR81178) (CA)

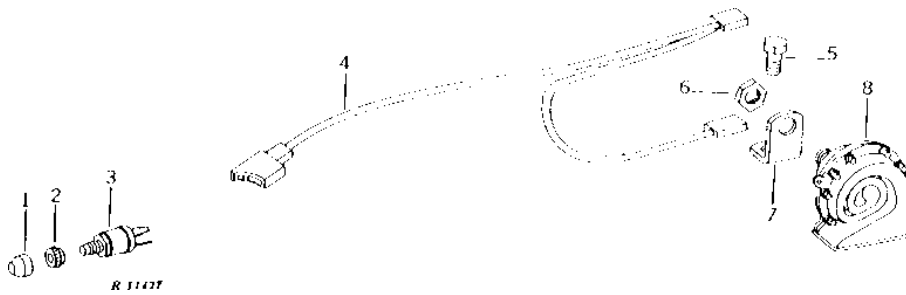


# 118

ELECTRICAL

R11427 -UN-01JAN94

## HORN



KEY	PART NO.	PART NAME	QTY	TRACTOR SERIAL NO.	REMARKS
1	T55501	CAP	1		(SUB FOR R21156, R39549 OR AR47374)
2	R21157	CAP	1		(SUB T55501)
3	AR21823	SWITCH	1		
4	R39650	WIRING HARNESS	1		
5	19H2367	CAP SCREW	1	5/8" X 3/4"	
6	R11278	NUT	1		
7	R34701	BRACKET	1		
8	AT39043	HIGH NOTE HORN	1		(LOW NOTE, 12-VOLT) (SUB FOR R11276)
..	AR102454	HORN	1		(SUB FOR AR39609, AR47093 OR AR81178) (CA)

---

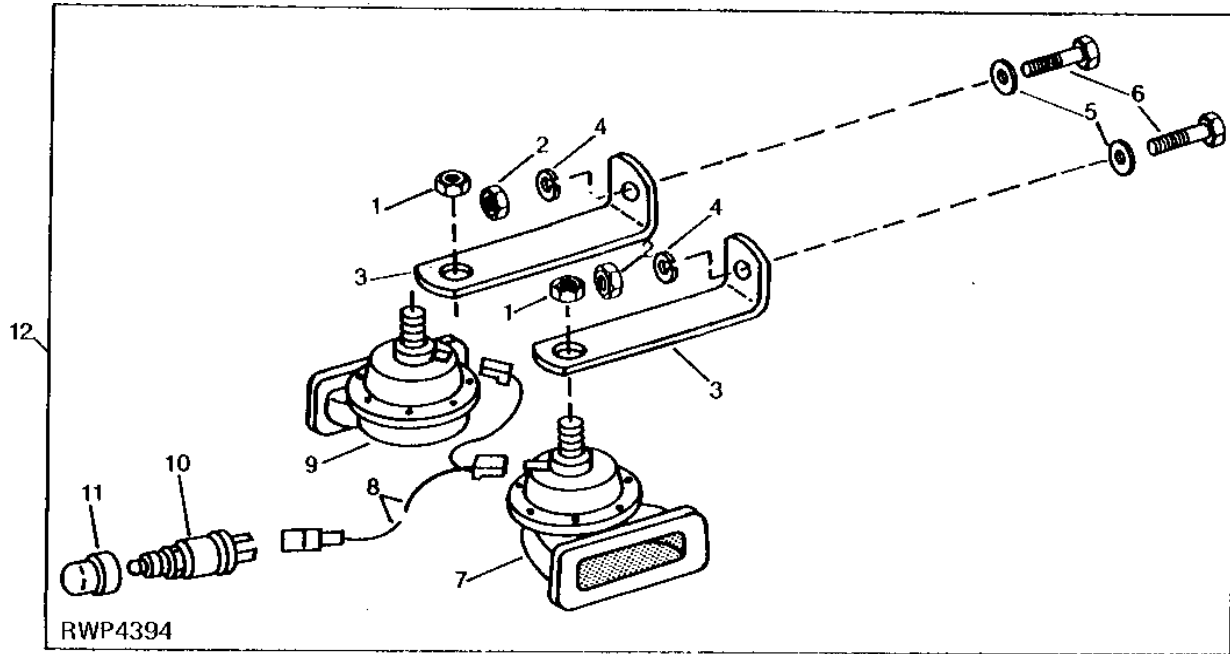
MEMORANDA

# 119

ELECTRICAL

RWP4394 -UN-01JAN94

## DUAL HORN ASSEMBLY



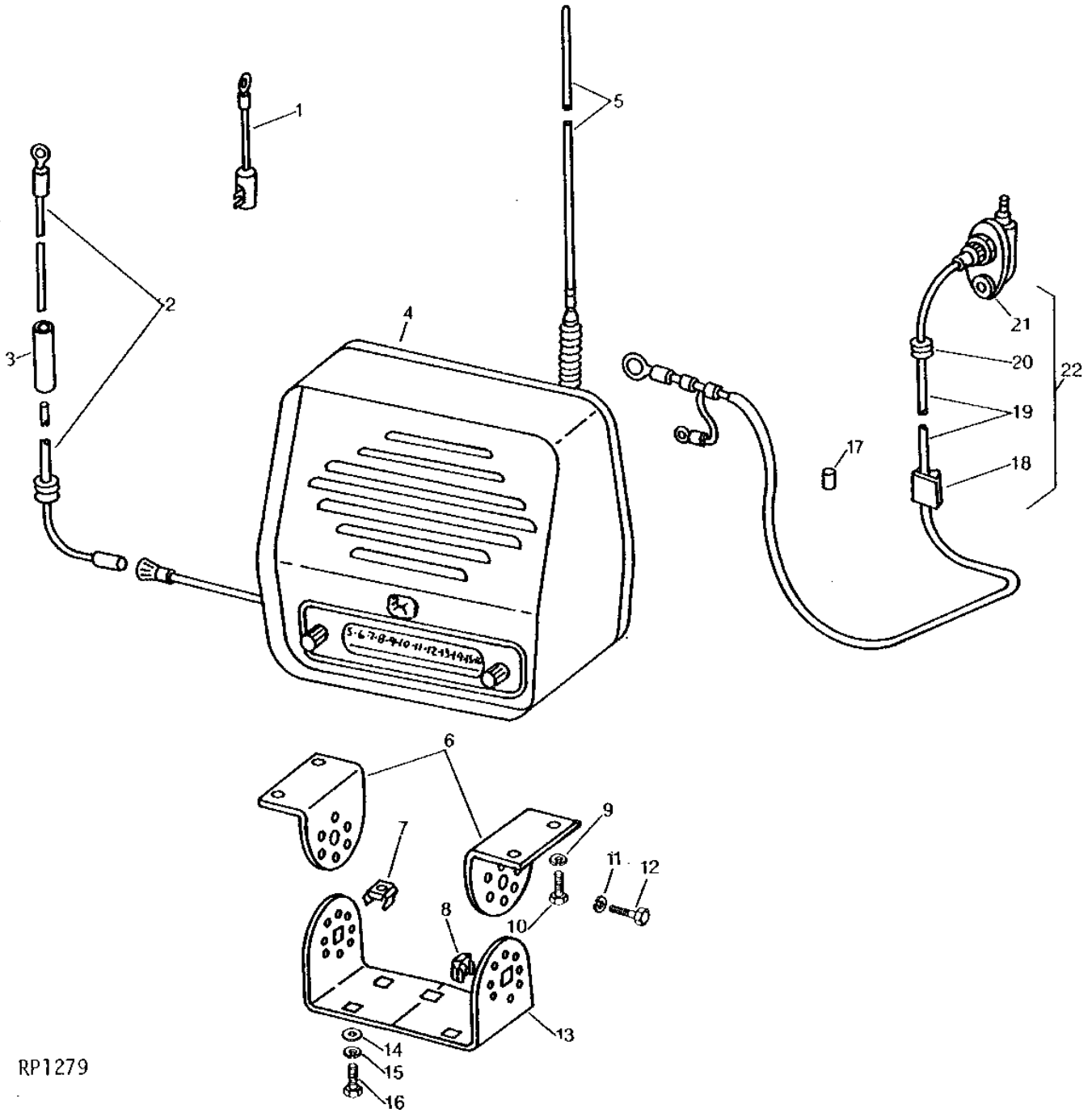
KEY	PART NO.	PART NAME	QTY	TRACTOR SERIAL NO.	REMARKS
1	R11278	NUT	2		
2	14H785	NUT	2	5/16"	
3	R64699	BRACKET	2	(ILLUSTRATED)	
	R75833	BRACKET	2	(SUB FOR R66069)	
4	12H303	LOCK WASHER	2	5/16"	
5	24H1136	WASHER	2	11/32" X 11/16" X 0.065"	
6	19H1849	CAP SCREW	2	5/16" X 1-1/4"	
7	R64700	LOW NOTE HORN	1	(12-VOLT) (HIGH NOTE)	
8	AR85578	WIRING HARNESS	1	508 MM (20")	
9	AT39043	HIGH NOTE HORN	1	(12-VOLT) (LOW NOTE)	
10	AR20235	SWITCH	1		
11	T55501	CAP	1		
12	AR102454	HORN	1	(SUB FOR AR39609, AR47093 OR AR81178) (CA)	

# 1110

ELECTRICAL

RP1279 -UN-01JAN94

RADIO  
(MOTOROLA)



RP1279

# 1111

ELECTRICAL

**RADIO - CONTINUED  
(MOTOROLA)**

KEY	PART NO.	PART NAME	QTY	TRACTOR SERIAL NO.	REMARKS
1	AR41758	CAPACITOR	1		
2	AR41756	WIRING LEAD	1		
3	R42799	RESISTOR	1		
4	TY15276	RADIO	1		(A) (ALSO ORDER AR46986) (SUB FOR AR51973, AR101245 OR TY15155) (NLA)
5	AR46986	ANTENNA	1		
6	R52408	BRACKET	2		
7	AR41951	NUT	3		
8	AR41950	NUT	2		
9	12H297	LOCK WASHER	4	1/4"	
10	19H1227	CAP SCREW	4	1/4" X 1/2"	
11	12H310	LOCK WASHER	2	3/8"	
12	19H1936	CAP SCREW	2	3/8" X 3/4"	
13	R41880	BRACKET	1		
14	24H1294	WASHER	3	11/32" X 1-1/8" X 1/16"	
15	12M7032	LOCK WASHER	3	0.331"	
16	19H1813	CAP SCREW	3	5/16" X 5/8"	
17	R45136	PLUG	1		
18	R47474	CLIP	4		(SUB FOR R45137)
19	AR51484	WIRING LEAD	1		
20	R27583	GROMMET	1		
21	AR46984	BASE	1		
22	AR51483	BASE	1		(WITH CAB)

(A) CHECK AUDIOVOX DIRECT-SHIP PROGRAM GUIDE

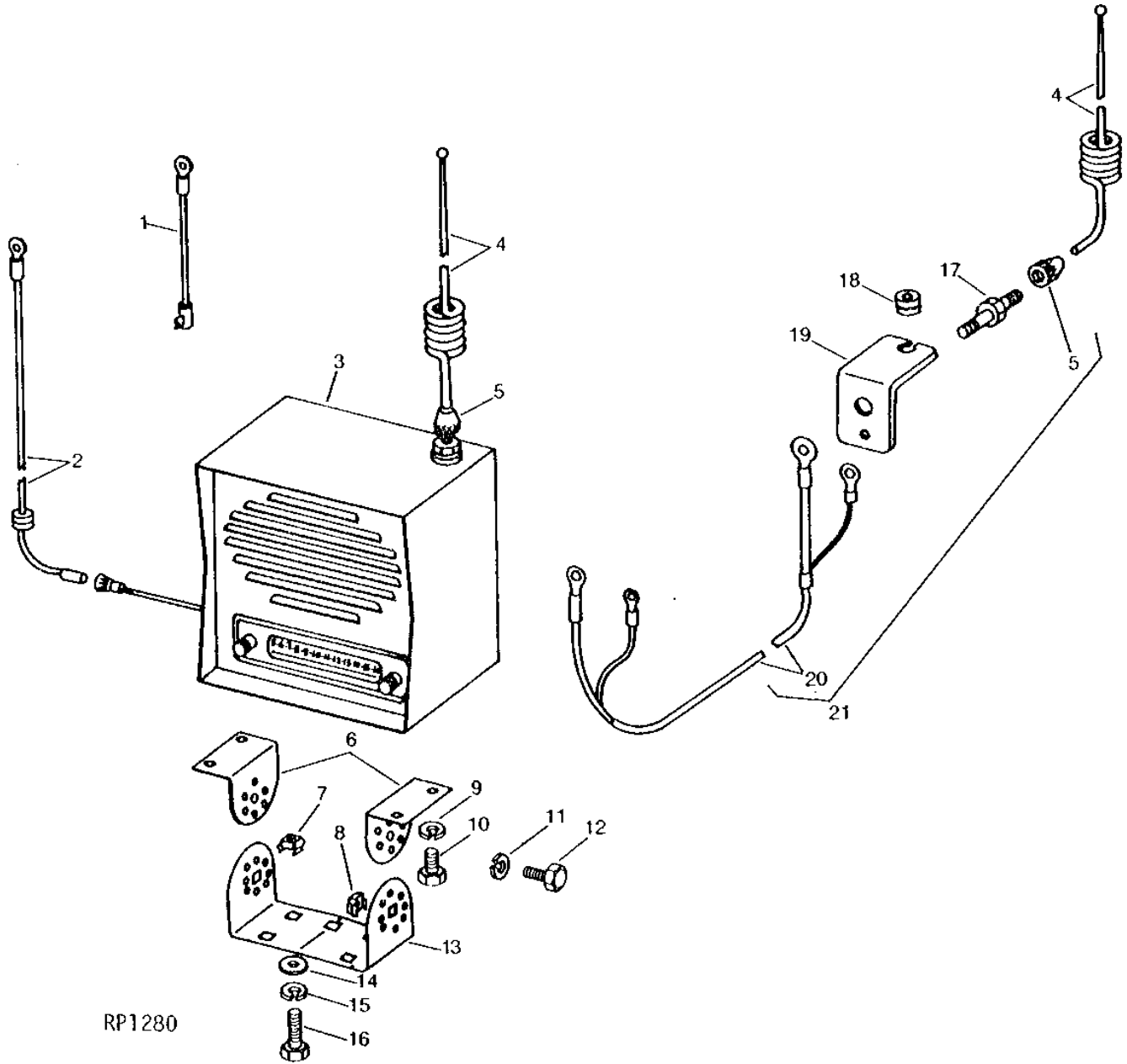
# 1112

ELECTRICAL

RP1280

-UN-01JAN94

RADIO  
(MOTOROLA)



RP1280

# 1113

ELECTRICAL

RADIO - CONTINUED  
(MOTOROLA)

KEY	PART NO.	PART NAME	QTY	TRACTOR SERIAL NO.	REMARKS
1	AR41758	CAPACITOR	1		
2	AR41756	WIRING LEAD	1		
3	TY15155	RADIO	1		(A) (ALSO ORDER AR46986) (SUB FOR AR68361, AR101245 OR AR42431) (NLA)
4	AR45013	MAST	1		
5	R42800	NUT	1		
6	R41879	BRACKET	2		
7	AR41951	NUT	4		
8	AR41950	NUT	2		
9	12H297	LOCK WASHER	4	1/4"	
10	19H1227	CAP SCREW	4	1/4" X 1/2"	
11	12H310	LOCK WASHER	2	3/8"	
12	19H1936	CAP SCREW	2	3/8" X 3/4"	
13	R41880	BRACKET	1		
14	24H1294	WASHER	4	11/32" X 1-1/8" X 1/16"	
15	12M7032	LOCK WASHER	4	0.331"	
16	19H1813	CAP SCREW	4	5/16" X 5/8"	
17	AR45014	COUPLING	1		
18	R42801	GROMMET	1		
19	R42802	BRACKET	1		
20	AR45015	ANTENNA	1		
21	AR42432	BASE	1		(SUB AR51483) (WITH CAB)

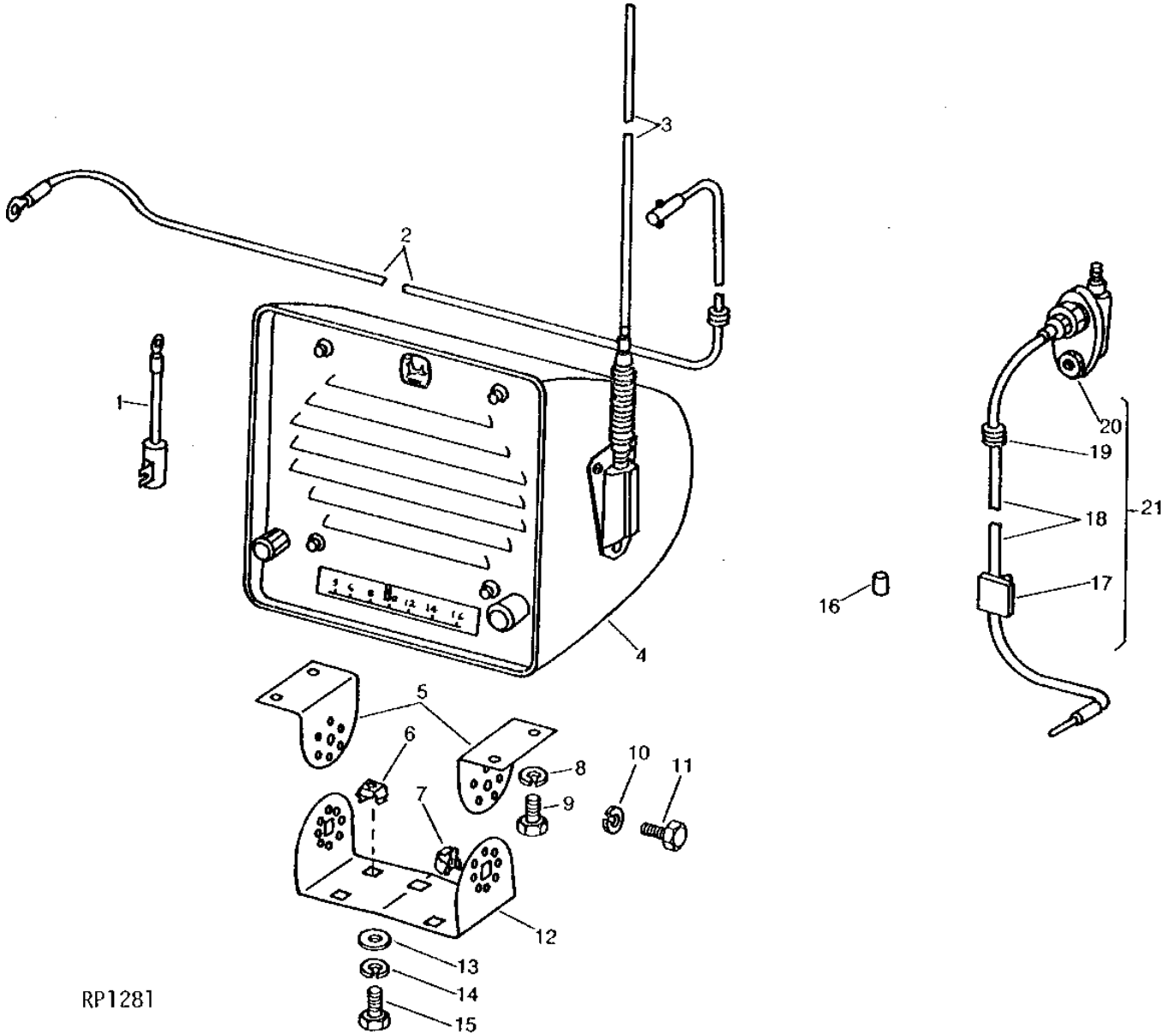
(A) CHECK AUDIOVOX DIRECT-SHIP PROGRAM GUIDE

# 1114

ELECTRICAL

RP1281 -UN-01JAN94

RADIO  
(BENDIX)



RP1281



# 1115

ELECTRICAL

## RADIO - CONTINUED (BENDIX)

KEY	PART NO.	PART NAME	QTY	TRACTOR SERIAL NO.	REMARKS
1	AR41758	CAPACITOR	1		
2	AR41756	WIRING LEAD	1		
3	AR41760	ANTENNA	1		
4	AR46986 AR101245	ANTENNA RADIO	1 1		(THREADED TYPE) (A) (ALSO ORDER AR46986) (SUB FOR AR40947, AR48717, AR68362 OR AR57157) (NLA)
5	R41879	BRACKET	2		
6	AR41951	NUT	4		
7	AR41950	NUT	2		
8	12H302	LOCK WASHER	4	1/4"	
9	19H1227	CAP SCREW	4	1/4" X 1/2"	
10	12H310	LOCK WASHER	2	3/8"	
11	19H1936	CAP SCREW	2	3/8" X 3/4"	
12	R41880	BRACKET	1		
13	24H1294	WASHER	4	11/32" X 1-1/8" X 1/16"	
14	12M7032	LOCK WASHER	4	0.331"	
15	19H1813	CAP SCREW	4	5/16" X 5/8"	
16	R45136	PLUG	1		
17	R47474	CLIP	1		(SUB FOR R45137)
18	AR46985	WIRING LEAD	1		
19	R27583	GROMMET	1		
20	AR46984	BASE	1		
21	AR46983	BASE	1		(WITH CAB) (NLA)

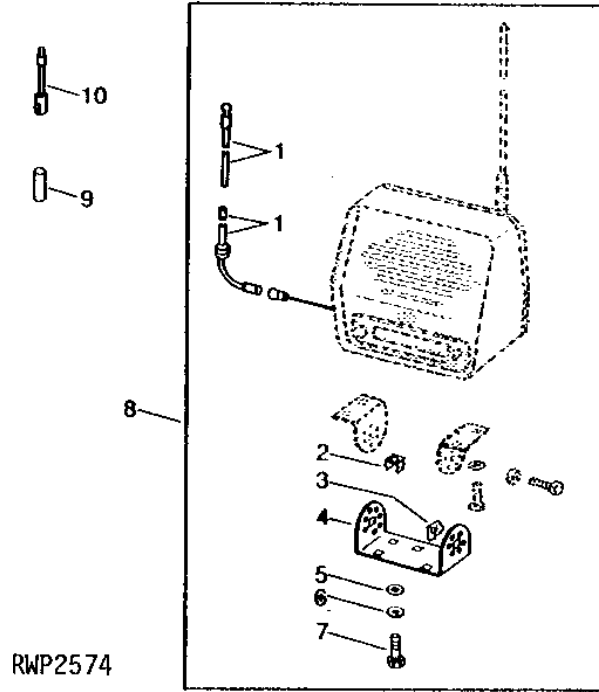
(A) CHECK AUDIOVOX DIRECT-SHIP PROGRAM GUIDE

# 1116

ELECTRICAL

RWP2574 -UN-01JAN94

## RADIO MOUNTING KIT



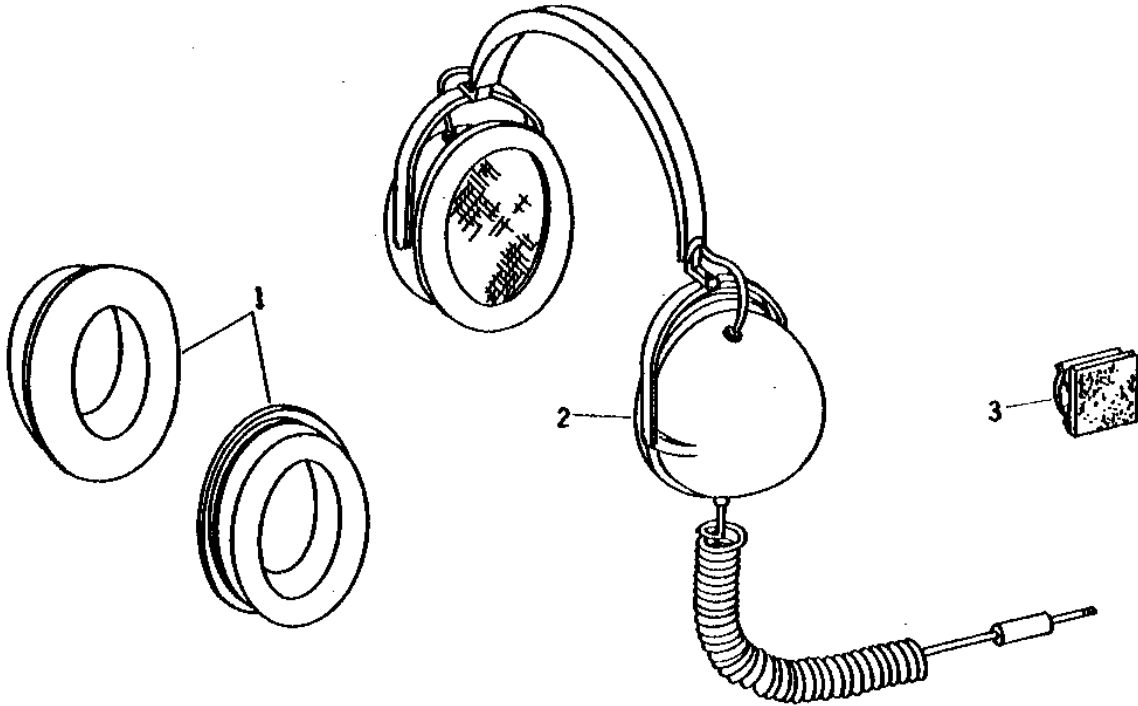
KEY	PART NO.	PART NAME	QTY	TRACTOR SERIAL NO.	REMARKS
1	AR41756	WIRING LEAD	1		
2	AR41951	NUT	3		
3	AR41950	NUT	2		
4	R41880	BRACKET	1		
5	24H1294	WASHER	3	11/32" X 1-1/8" X 1/16"	
6	12M7032	LOCK WASHER	3	0.331"	
7	19H1813	CAP SCREW	3	5/16" X 5/8"	
8	AR41754	KIT	1		
9	R42799	RESISTOR	1		NOISE SUPPRESSOR
10	AR41758	CAPACITOR	1		

# 1117

ELECTRICAL

R33062 -UN-01JAN94

## RADIO HEADPHONES



### R33062

KEY	PART NO.	PART NAME	QTY	TRACTOR SERIAL NO.	REMARKS
1	AR73311	FOAM PAD	2	(A)	(SUB FOR R53409) (PKG OF 2)
2	AR59663	HEADPHONES	1	(NLA)	
3	R53410	CLIP	1	(A)	

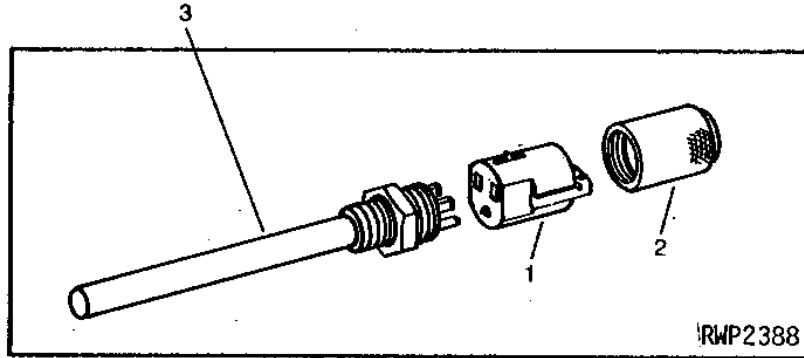
(A) INCLUDED IN AR59663

# 1118

ELECTRICAL

RWP2388 -UN-01JAN94

## OIL HEATER



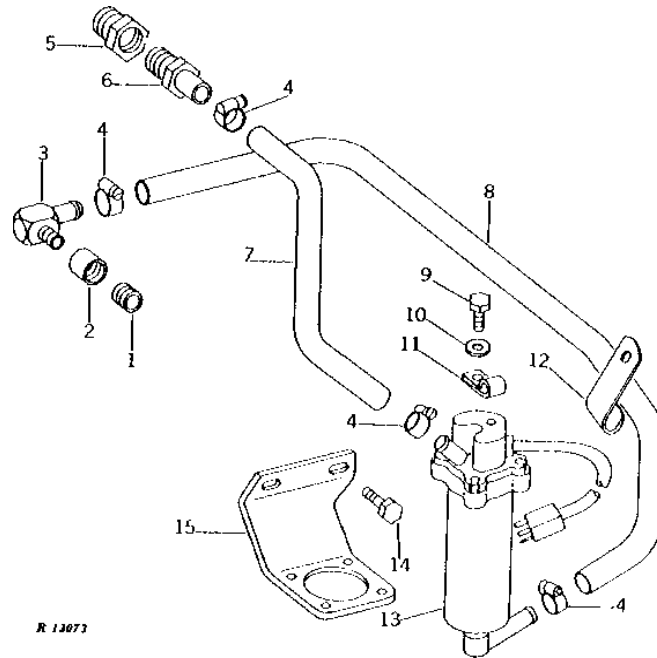
KEY	PART NO.	PART NAME	QTY	TRACTOR SERIAL NO.	REMARKS
1	AR21024	FITTING	1		
2	R20878	PLUG	1		
3	AR27139	HEATING ELEMENT	1		(SUB AR21024, R20878 AND T23925) 240-WATT OIL HEATING

# 1119

ELECTRICAL

R13073 -UN-01JAN94

## EXTERNAL COOLANT HEATER KIT



R 13073

KEY	PART NO.	PART NAME	QTY	TRACTOR SERIAL NO.	REMARKS
1	29H598	THREADED NIPPLE	1	1/4" X 7/8"	
2	15H632	COUPLING	1	1/4"	
3	AR42590	ELBOW FITTING	1	90°	
4	AR21839	CLAMP	4		
5	15H589	PIPE BUSHING	1	3/4" X 1/2"	
6	R41985	FITTING	1		
7	.....	HOSE	1	16 X 24 X 1.68M (5/8" X 15/16" X 66")	OUTLET, (MAKE FROM R42046)
8	.....	HOSE	1	16 X 24 X 1.68M (5/8" X 15/16" X 66")	INLET, (MAKE FROM R42046)
9	19H1914	CAP SCREW	4	1/4" X 1"	
10	24H1287	WASHER	4	9/32" X 5/8" X 0.065"	
11	T22404	CLAMP	1		
12	R42045	CLIP	1		
13	AR42326	HEATER	1		ENGINE COOLANT
	AR42883	COOLANT HEATER	1		ELEMENT
	AR42991	HOUSING	1		
	F1649R	O-RING	1		
14	19H1978	CAP SCREW	2	7/16" X 1-1/2"	
15	R41984	BRACKET	1		
..	AR42325	HEATER	1		EXTERNAL COOLANT HEATER KIT (FI)

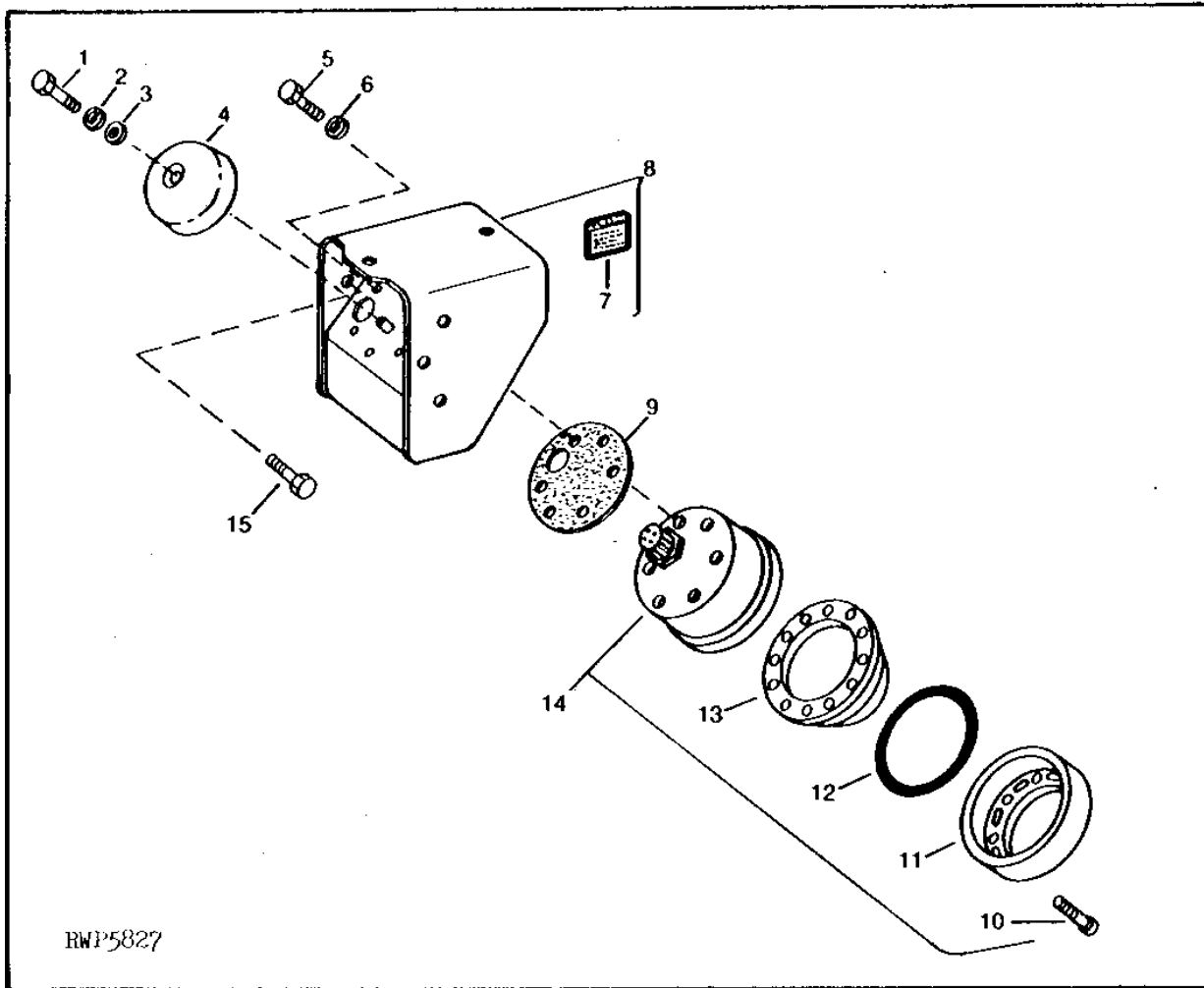
# 1120

ELECTRICAL

RWP5827

-UN-01JAN94

RADAR SENSOR



RWP5827

16

# 1121

ELECTRICAL

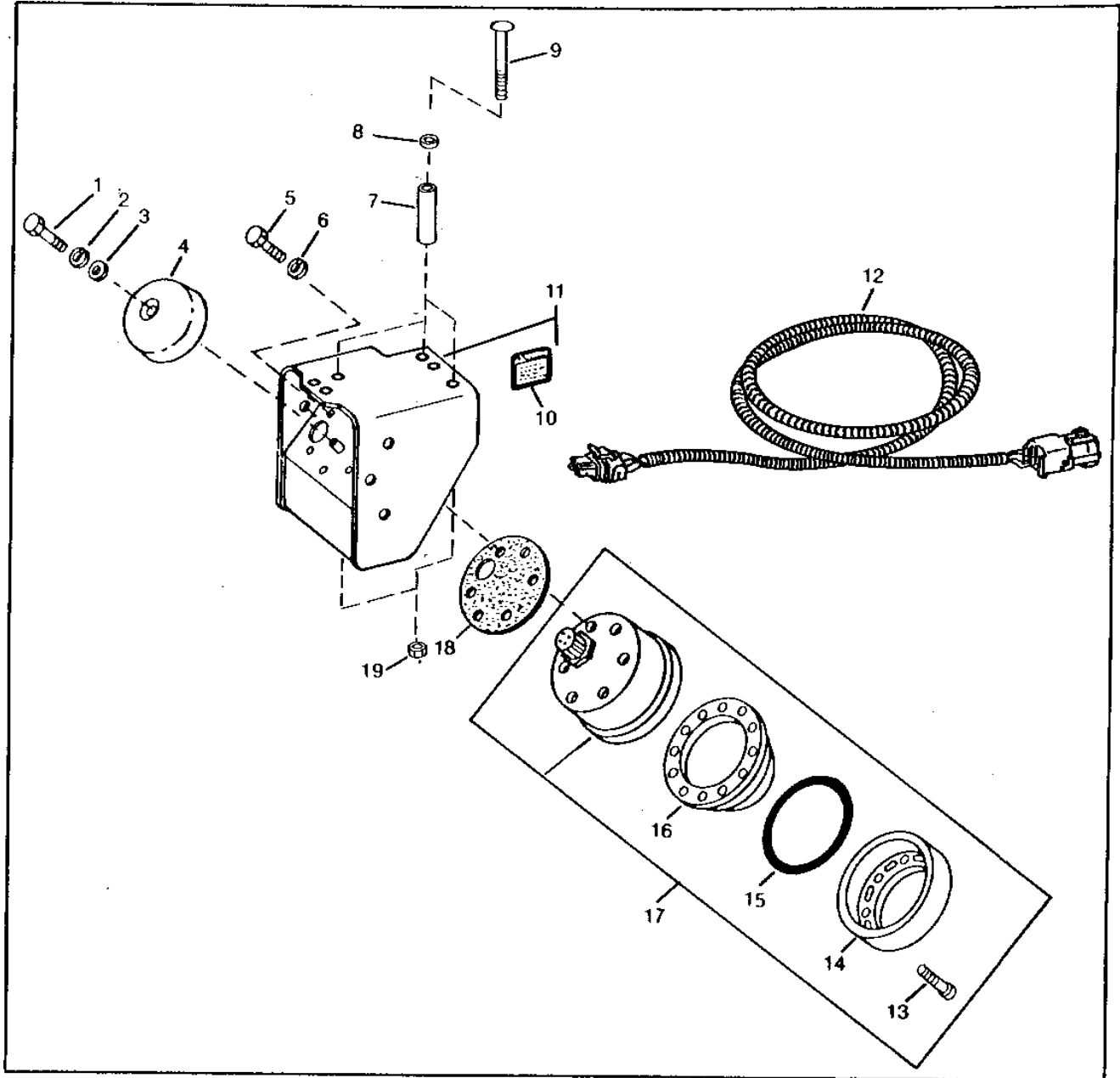
## RADAR SENSOR - CONTINUED

KEY	PART NO.	PART NAME	QTY	TRACTOR SERIAL NO.	REMARKS
1	19H1813	CAP SCREW	1		5/16" X 5/8"
2	12H303	LOCK WASHER	1		5/16"
3	24H1136	WASHER	1		11/32" X 11/16" X 0.065"
4	R82355	SHIELD	1		
5	19H1813	CAP SCREW	6		5/16" X 5/8"
6	12H303	LOCK WASHER	6		5/16"
7	R120107	LABEL	2		(SUB FOR A49853) (ENGLISH)
	R120106	LABEL	1		(SUB FOR R105941) (FRENCH)
	R105942	LABEL	1		(GERMAN)
	R120108	LABEL	1		(SPANISH)
8	RE38707	BRACKET	1		(SUB FOR RE21096)
9	R82243	GASKET	1		
10	R82239	SCREW	12		
11	R82237	SNAP RING	1		
12	R82238	O-RING	1		
13	R82236	COVER	1		
14	RE21073	SENSOR	1		(SUB FOR TY6663) (SUB RE43025)
15	03H1492	BOLT	2		1/2" X 2"
16	RW26466	SENSOR	1		(SUB FOR RE21510) (SUB AR111058)

# 1122

ELECTRICAL

RADAR SENSOR  
RXP9306 -UN-01JAN94



RXP9306

20



# 1123

ELECTRICAL

**RADAR SENSOR - CONTINUED**

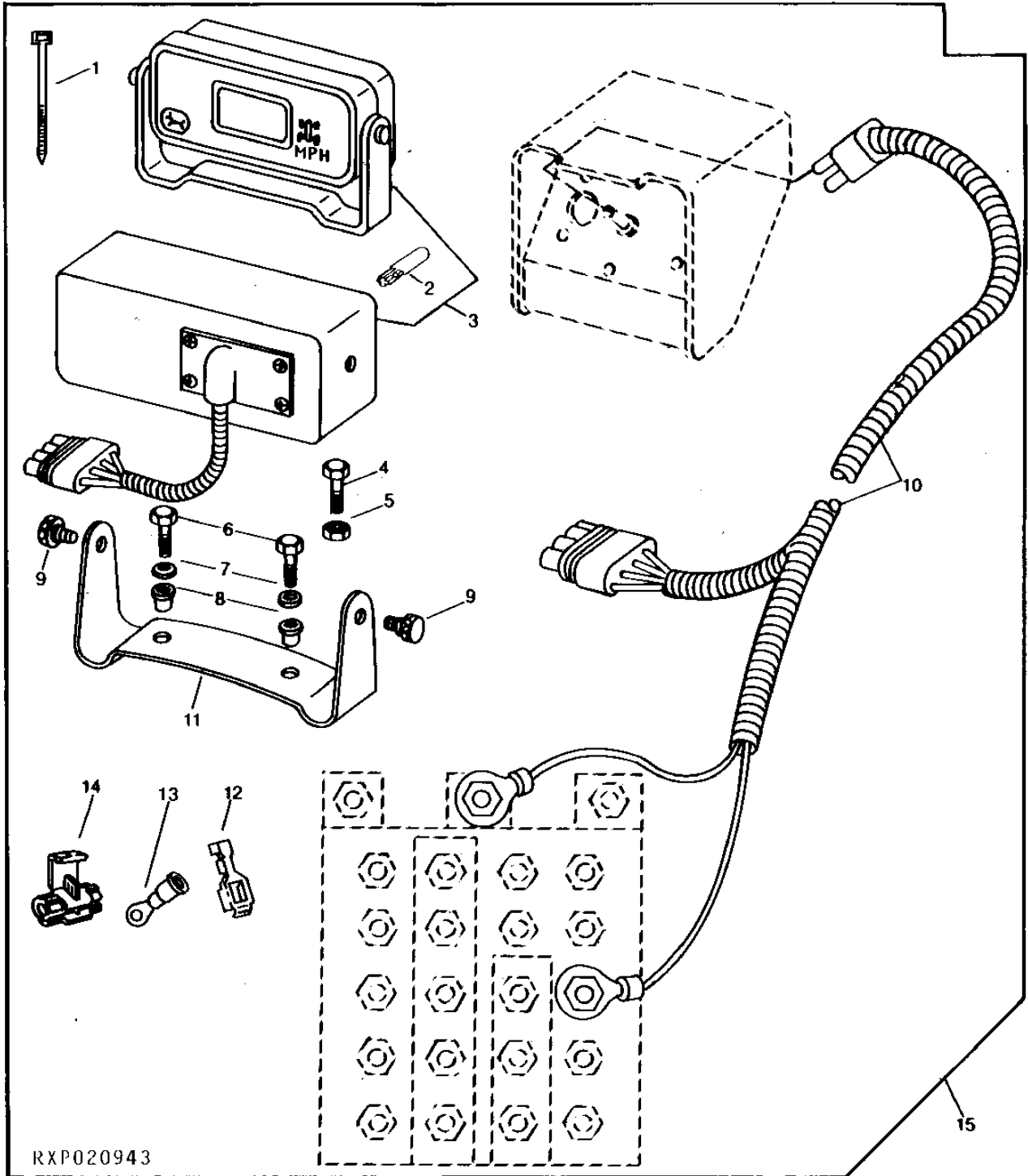
KEY	PART NO.	PART NAME	QTY	TRACTOR SERIAL NO.	REMARKS
1	19H1813	CAP SCREW	1	5/16" X 5/8"	
2	12H303	LOCK WASHER	1	5/16"	
3	24H1136	WASHER	1	11/32" X 11/16" X 0.065"	
4	R82355	SHIELD	1		
5	19H1813	CAP SCREW	6	5/16" X 5/8"	
6	12H303	LOCK WASHER	6	5/16"	
7	28H3343	BUSHING	3	0.546" X 0.840" X 5-3/8"	
8	24H1625	WASHER	2	17/32" X 1" X 0.120"	
9	03H2052	BOLT	3	1/2" X 6-1/2"	
10	R120107	LABEL	1	(ENGLISH)	
	R120106	LABEL	1	(FRENCH)	
	R105942	LABEL	1	(GERMAN)	
	R120108	LABEL	1	(SPANISH)	
	L65000	LABEL	1		
11	RE46317	BRACKET	1	(SUB FOR RE21096 OR RE38707)	
12	RE46414	WIRING HARNESS	1		
13	R82239	SCREW	12		
14	R82237	SNAP RING	1		
15	R82238	O-RING	1		
16	R82236	COVER	1		
17	RE43025	RADAR SENSOR	1	(SUB FOR RE21073)	
18	R82243	GASKET	1		
19	14H1040	NUT	3	1/2"	
20	AR111058	SENSOR	1	(SUB FOR RE21510 OR RW26466) (CA)	

# 1124

ELECTRICAL

## PERFORMANCE TRAK II MINI-MONITOR (ANALOG TACHOMETER)

RXP020943 -UN-12OCT94



RXP020943

# 1125

ELECTRICAL

PERFORMANCE TRAK II MINI-MONITOR - CONTINUED  
(ANALOG TACHOMETER)

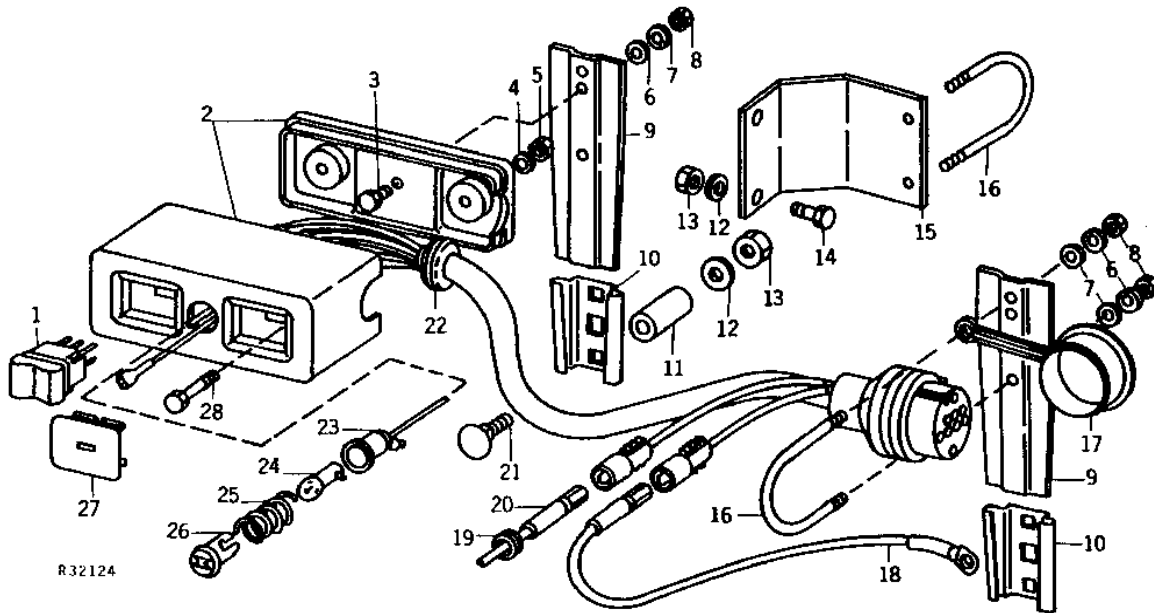
KEY	PART NO.	PART NAME	QTY	TRACTOR SERIAL NO.	REMARKS
1	R44302	TIE BAND	AR		
2	RE22589	LAMP	1		
3	RE21112	MONITOR CONSOLE	1		
4	19H1978	CAP SCREW	3	7/16" X 1-1/2" HS, SAE 8	
	12H293	LOCK WASHER	3	7/16"	
5	14H1047	NUT	3	7/16"	
	14H786	NUT	2	1/4"	
6	19H1914	CAP SCREW	2	1/4" X 1"	
7	24H1287	WASHER	4	9/32" X 5/8" X 0.065", RUBBER	
8	R82423	NUT	2		
9	R83055	WING SCREW	1	3500MM (138")	
10	RE21113	WIRING HARNESS	1		
11	R83109	BRACKET	1		
12	U46662	TERMINAL	1		
13	R77489	TERMINAL	1		
	R84158	TERMINAL	1		
14	AR67855	CONNECTOR	3		
15	RE21738	MONITOR CONSOLE	1	(CA)	
..	RW26466	SENSOR	1	(SUB FOR RE21510) (SUB AR111058)	

# 1J1

ELECTRICAL

R32124 -UN-01JAN94

## ELECTRICAL REMOTE CONTROL



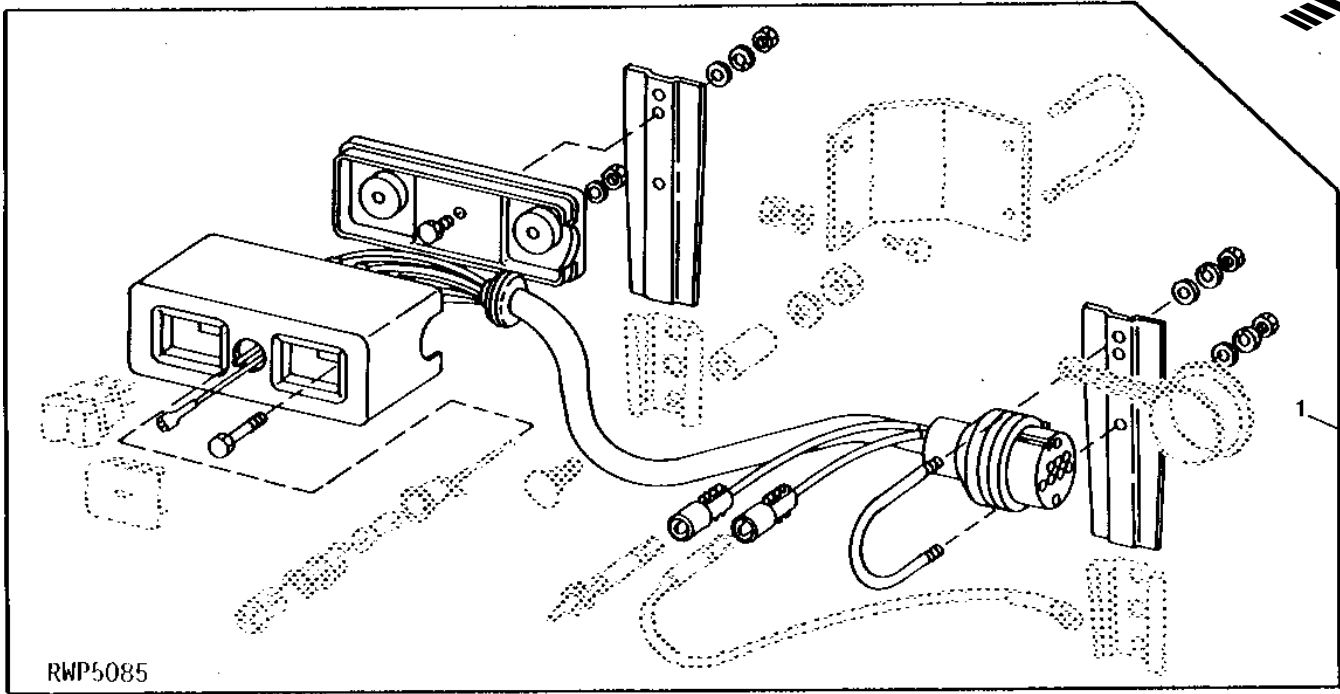
KEY	PART NO.	PART NAME	QTY	TRACTOR SERIAL NO.	REMARKS
1	AR49797	TOGGLE SWITCH	1		MOMENTARY ROCKER (CA)
	AR49798	ROCKER SWITCH	1		DETENT ROCKER (CA)
2	AR50779	WIRING HARNESS	1		(TWO SWITCH AND HARNESS)
	AR50780	WIRING HARNESS	1		(FOUR SWITCH AND HARNESS)
3	19H1914	CAP SCREW	1		1/4" X 1"
4	12H315	LOCK WASHER	2		0.164"
5	14H605	NUT	2		0.164"
6	24H1821	WASHER	3		9/32" X 47/64" X 1/16"
7	12H302	LOCK WASHER	3		1/4"
8	14H786	NUT	3		1/4"
9	R47861	BRACKET	AR		(2 USED, TWO SWITCH) (1 USED, FOUR SWITCH)
	R47860	BRACKET	1		(FOUR SWITCH)
10	JD126	SOCKET	2		
11	28H1495	SPACER	2		3/8" X 1"
12	24M7207	WASHER	4		8.400 X 24 X 2 MM
13	14H785	NUT	4		5/16"
14	21H1029	SCREW	2		5/16" X 3/4"
15	R54467	BRACKET	1		
16	E16050	U-BOLT	1		
17	R48048	CAP	1		
18	AR50928	WIRING LEAD	1		GROUND
19	H987R	GROMMET	4		
20	AR50927	WIRING LEAD	1		
21	03H1515	BOLT	2		5/16" X 2"
22	R36235	GROMMET	1		
23	AT44165	WIRING LEAD	1		
24	AR55694	BULB	1		
25	R30378	SPRING	1		
26	AT48673	LENS	1		
27	R48049	PLUG	1		
28	R48028	SCREW	2		
..	R48026	DECAL	1		WARNING
..	R48027	GROMMET	1		(CAB OPENING)
..	R32276	PLUG	1		(CAB OPENING)

# 1J2

ELECTRICAL

RWP5085 -UN-01JAN94

## ELECTRICAL REMOTE CONTROL KIT



KEY	PART NO.	PART NAME	QTY	TRACTOR SERIAL NO.	REMARKS
1	AR62360	KIT	1		(TWO SWITCHES) (CA)

---

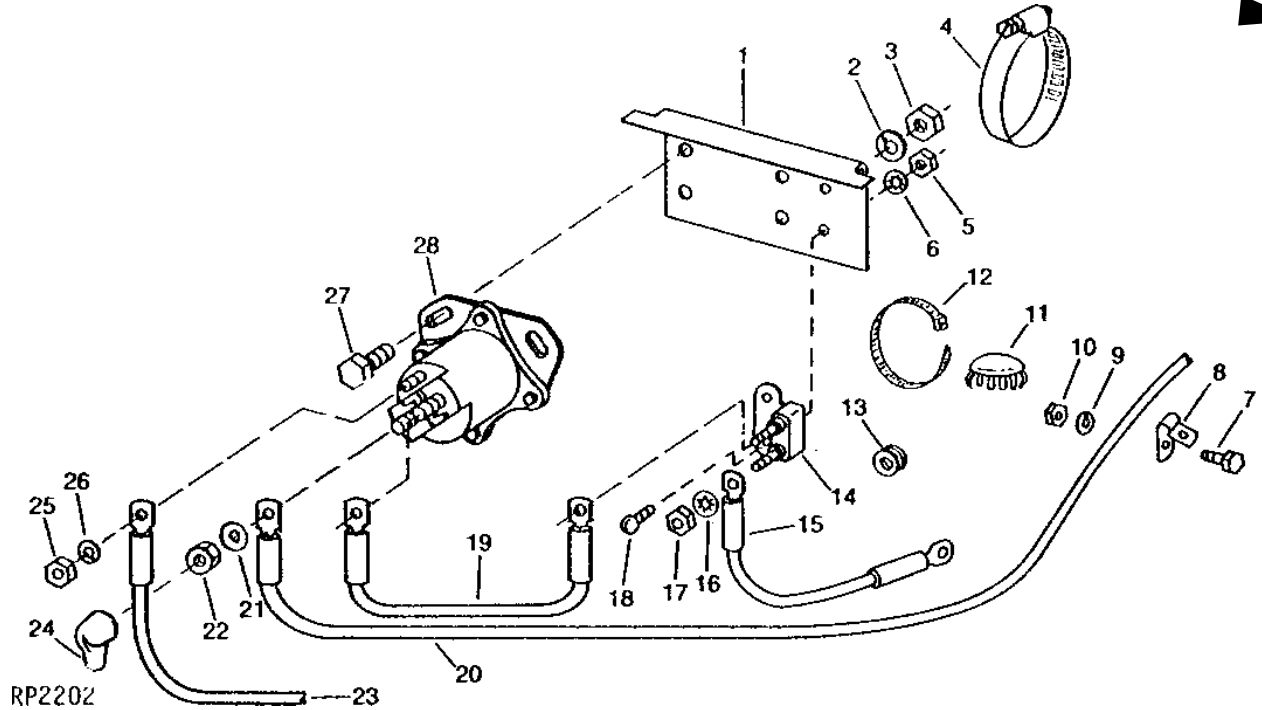
MEMORANDA

# 1J3

ELECTRICAL

RP2202 -UN-01JAN94

## ELECTRICAL REMOTE CONTROL WIRING



KEY	PART NO.	PART NAME	QTY	TRACTOR SERIAL NO.	REMARKS
1	R69109	BRACKET	1	(SUB FOR R47859)	
2	12H297	LOCK WASHER	2	1/4"	
3	14H786	NUT	2	1/4"	
4	AR52392	CLAMP	2		
5	14H631	NUT	2	0.190"	
6	12M7060	WASHER	2	0.209"	
7	19H1731	CAP SCREW	2	3/8" X 1"	
8	T14264	CLAMP	2		
9	12H304	LOCK WASHER	2	3/8"	
10	14H732	NUT	2	3/8"	
11	R32276	PLUG	1	(CAB OPENING)	
12	R44302	TIE BAND	AR		
13	R41439	GROMMET	1		
14	AR50926	CIRCUIT BREAKER	1		
15	AR50930	WIRING LEAD	1	(TO STARTER)	
16	12M7060	WASHER	2	0.209"	
17	14H631	NUT	2	0.190"	
18	21H1295	SCREW	2	0.190" X 5/8"	
19	AR50929	WIRING LEAD	1		
20	AR50927	WIRING LEAD	1	(TO SWITCH BOX)	
21	12H303	LOCK WASHER	2	5/16"	
22	14H785	NUT	2	5/16"	
23	AR50931	WIRING LEAD	1	(TO ACCESSORY CIRCUIT BREAKER)	
24	R36732	BOOT	2		
25	14H631	NUT	1	0.190"	
26	12H246	LOCK WASHER	1	0.190"	
27	19H1919	CAP SCREW	2	1/4" X 5/8"	
28	RE44657	RELAY	1	(CA)	

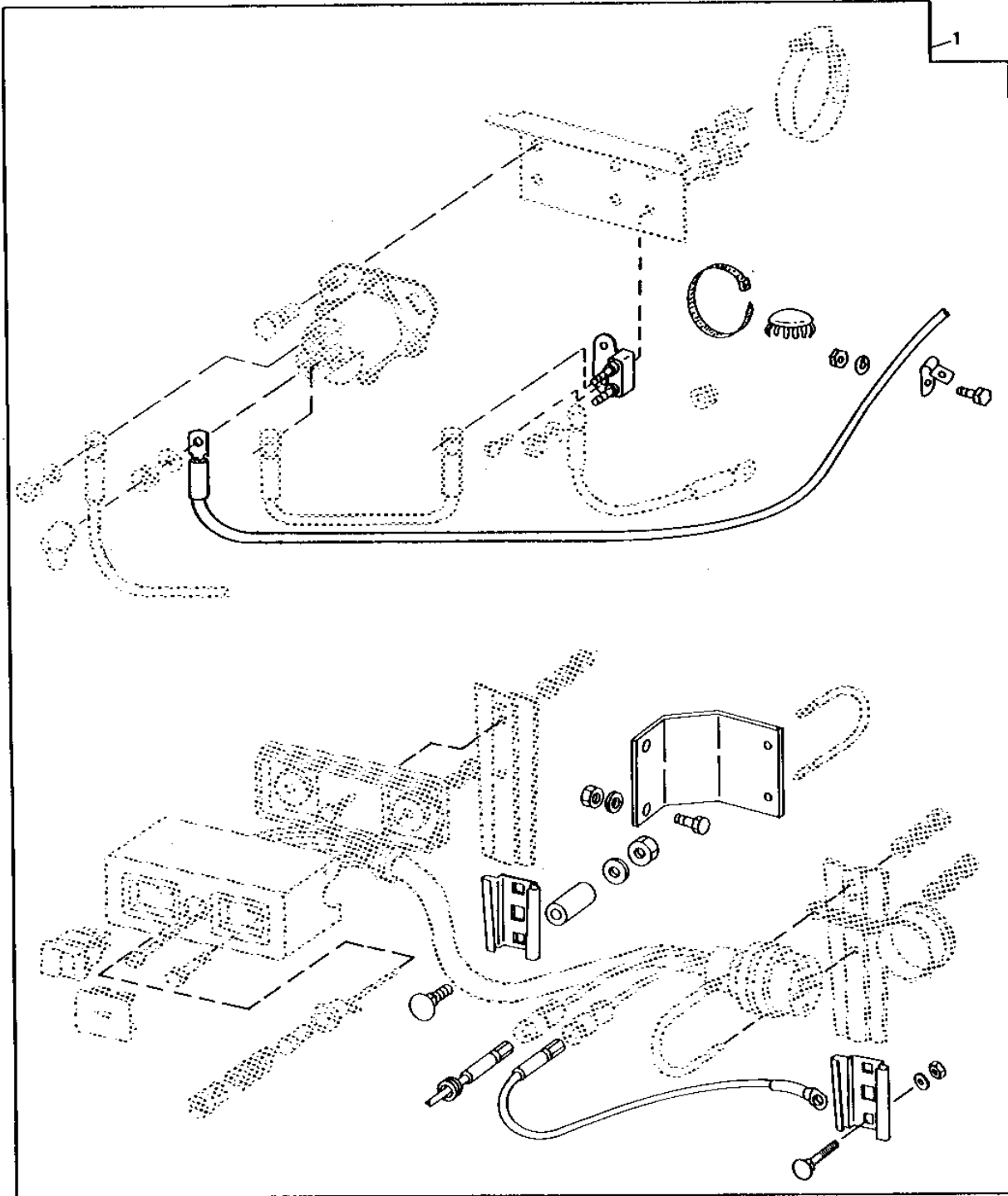
# 1J4

ELECTRICAL

RWP5666

-UN-01JAN94

## ELECTRICAL REMOTE CONTROL WIRING KIT



RWP5666



# 1J5

ELECTRICAL

---

## ELECTRICAL REMOTE CONTROL WIRING KIT - CONTINUED

KEY	PART NO.	PART NAME	QTY	TRACTOR SERIAL NO.	REMARKS
1	RE25621	KIT	1	(FI)	

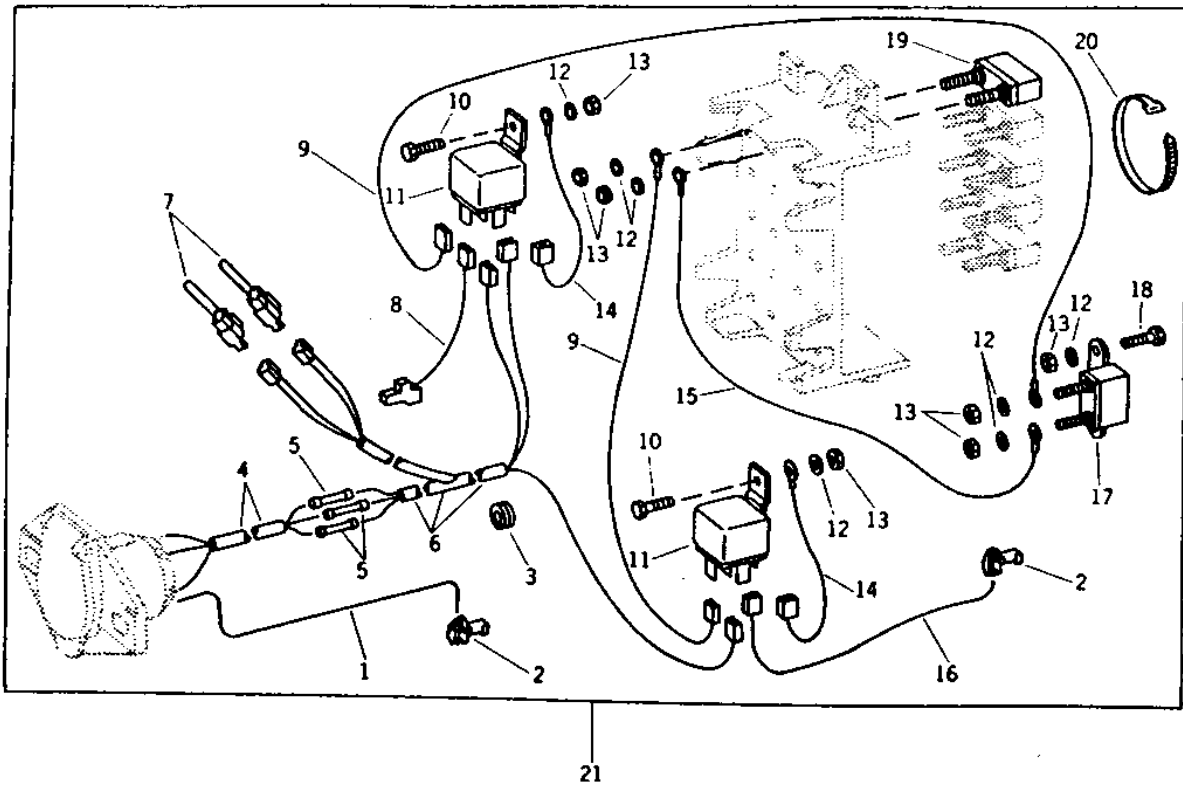
# 1J6

ELECTRICAL

R32129

-UN-07JAN91

## 7-TERMINAL SOCKET (SUPPLEMENTARY WIRING KIT)



# 1J7

ELECTRICAL

## 7-TERMINAL SOCKET - CONTINUED (SUPPLEMENTARY WIRING KIT)

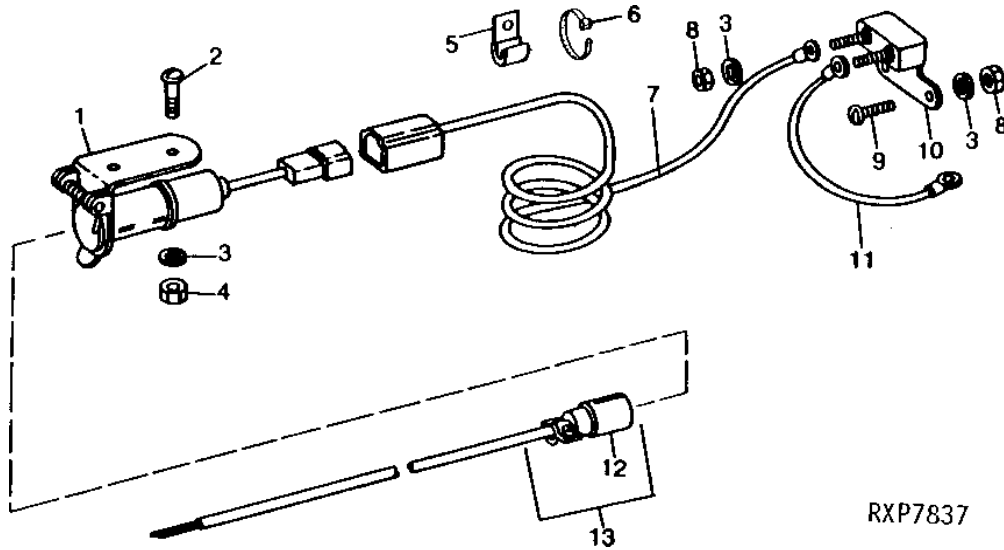
KEY	PART NO.	PART NAME	QTY	TRACTOR SERIAL NO.	REMARKS
1	.....	WIRING LEAD	1		3962MM (156") (MAKE FROM R66319)
2	AR67855	CONNECTOR	2		WIRE TAP
3	R40445	GROMMET	1		
4	AR82910	WIRING HARNESS	1		
5	R32027	CONNECTOR	4		SPLICE
6	AR82912	WIRING HARNESS	1		
7	AR82911	WIRING LEAD	2		
8	AR50834	WIRING LEAD	1		
9	.....	WIRING LEAD	3		311MM (12-1/4") (MAKE FROM R66319, R32018, R32024 AND R32027)
10	21H1282	SCREW	2		0.190" X 7/8"
11	AR74411	RELAY	2		
12	12M7060	WASHER	8		0.209"
13	14H631	NUT	8		0.190"
14	.....	WIRING LEAD	2		152MM (6") (MAKE FROM R66319, R32021, R32025 AND R32027)
15	.....	WIRING LEAD	2		152MM (6") (MAKE FROM R66319 AND (2) R32018)
16	AR82909	WIRING LEAD	1		
17	AR49352	CIRCUIT BREAKER	1		(30 AMP)
18	21H1295	SCREW	2		0.190" X 5/8"
19	AR28403	CIRCUIT BREAKER	1		(20 AMP)
20	R44302	TIE BAND	AR		
21	AR78052	KIT	1		(USE WITH AR75694) (FI)

# 1J8

ELECTRICAL

RXP7837 -UN-23SEP94

## ELECTRICAL OUTLET SOCKET



RXP7837

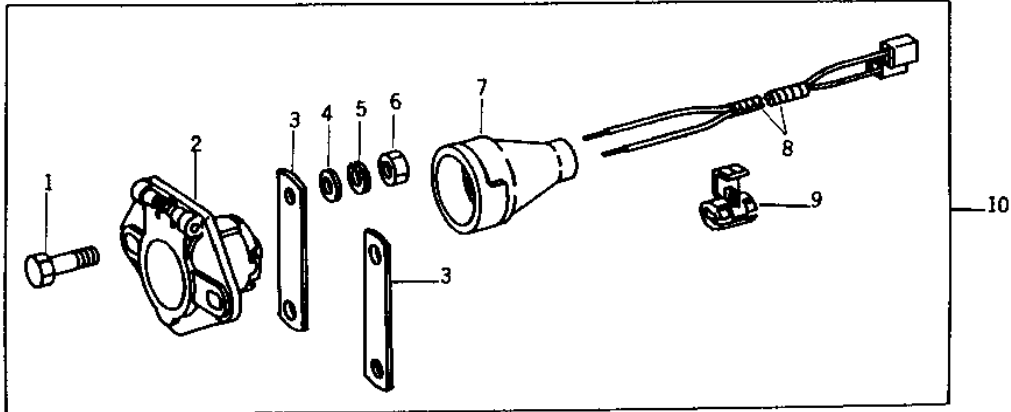
KEY	PART NO.	PART NAME	QTY	TRACTOR SERIAL NO.	REMARKS
1	AR26571	SOCKET	1		
2	21H1301	SCREW	2	0.190" X 1/2"	
3	12H295	LOCK WASHER	6	0.190"	
4	14H778	NUT	2	0.190"	
5	T32231	CLAMP	2	(SUB FOR R55618)	
6	R44302	TIE BAND	5		
7	.....	WIRING LEAD	1	4153MM (163-1/2") (MAKE FROM R66321, T28585, U46662, R77493 AND R77471)	
8	14H631	NUT	4	0.190"	
9	21H1295	SCREW	2	0.190" X 5/8"	
10	AR28403	CIRCUIT BREAKER	1		
11	.....	WIRING LEAD	1	152MM (6") (MAKE FROM R66321 AND (2) R32019)	
12	AA5692R	ELECTRICAL PLUG	1		
13	AR40710	PLUG	1	(FI)	

# 1J9

ELECTRICAL

R32128 -UN-01JAN94

## 7-TERMINAL ELECTRICAL OUTLET SOCKET



R32128

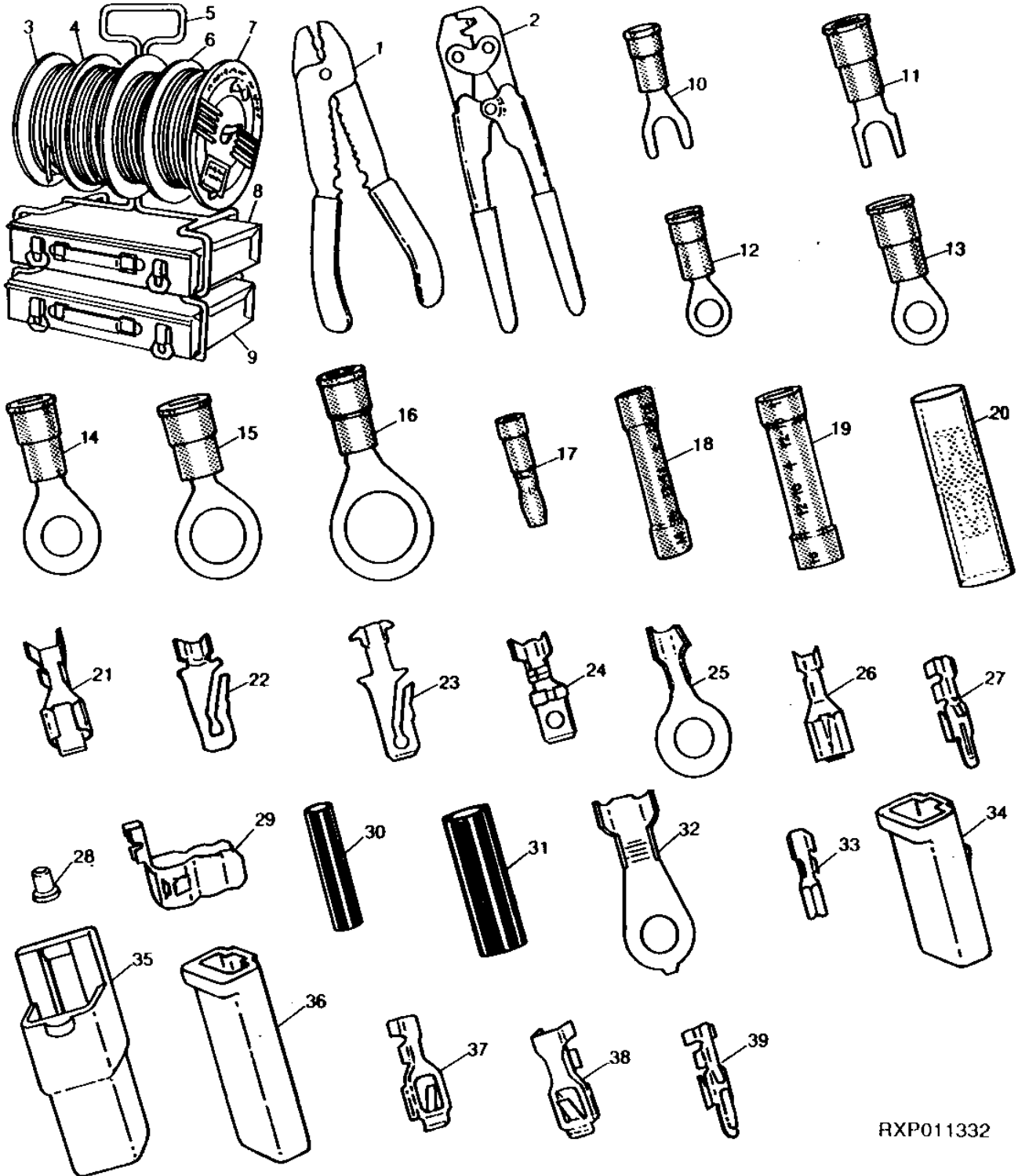
KEY	PART NO.	PART NAME	QTY	TRACTOR SERIAL NO.	REMARKS
1	19H1905	CAP SCREW	4	5/16" X 1"	
2	AR75695	SOCKET OUTLET	1		
3	R61776	STRAP	2		
4	24H1136	WASHER	4	11/32" X 11/16" X 0.065"	
5	12H303	LOCK WASHER	4	5/16"	
6	14H785	NUT	2	5/16"	
7	R61775	BOOT	1		
8	AR75696	WIRING HARNESS	1	3963 MM (156") TAIL LAMP, (MAKE FROM R65593)	
	.....	WIRING LEAD	1	400 MM (16") GROUND, (MAKE FROM R77498 OR R77488)	
9	AR67855	WIRING LEAD CONNECTOR	3		
10	RE17282	KIT	1	(SUB FOR AR75694) (FI)	

# 1J10

ELECTRICAL

RXP011332 -UN-27SEP94

## ELECTRICAL TERMINALS, CONNECTORS AND WIRING



RXP011332

# 1J11

ELECTRICAL

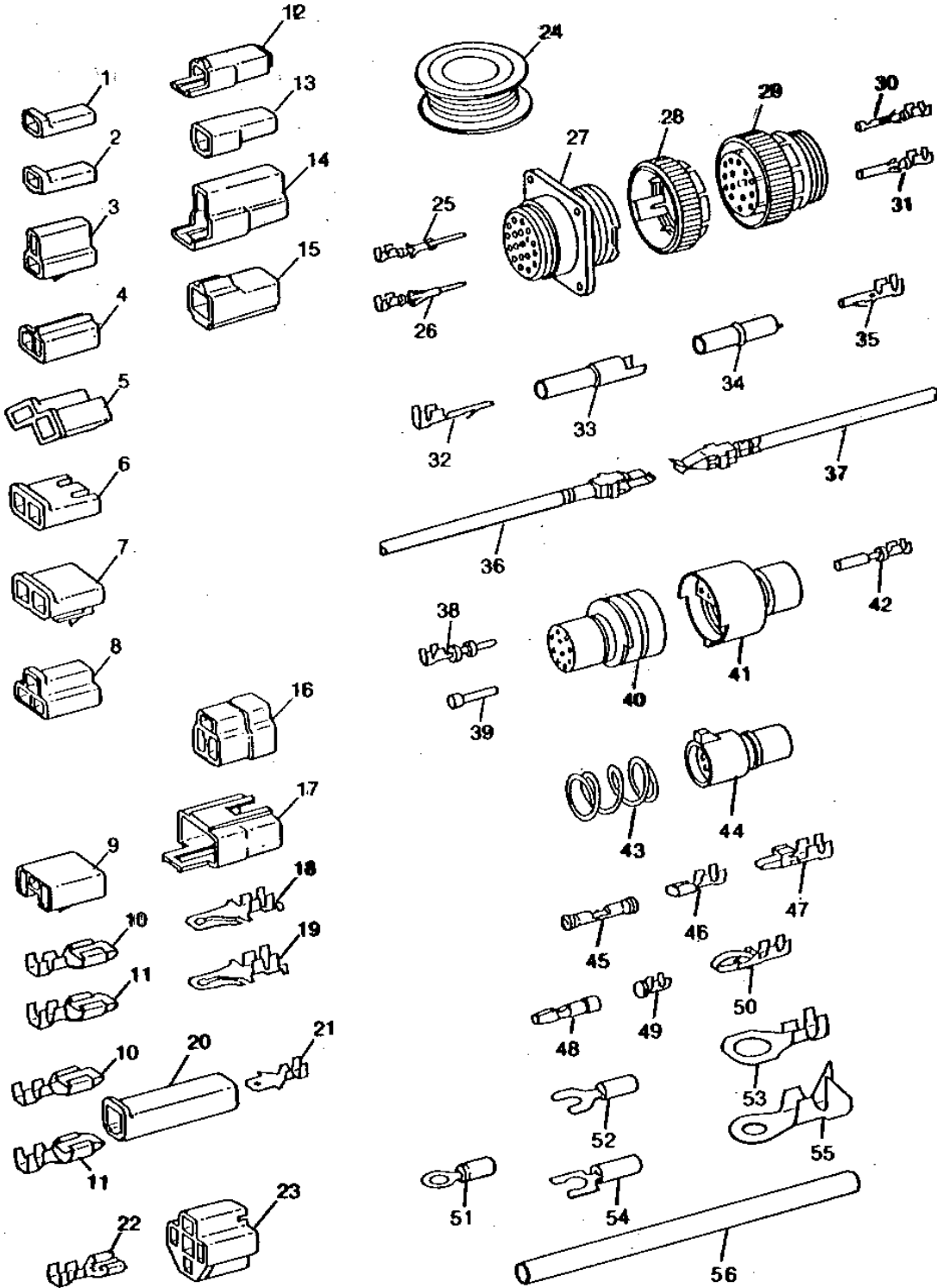
**ELECTRICAL TERMINALS,CONNECTORS AND WIRING - CONTINUED**

KEY	PART NO.	PART NAME	QTY	TRACTOR SERIAL NO.	REMARKS
1	R32011	TOOL	1	(NLA)	
2	R65594	TOOL	1		
3	R66319	WIRING LEAD	1	14 GA., 30.5 M (100 FT.) (1 SPOOL)	
4	R65593	WIRING LEAD	1	16 GA., 30.5 M (100 FT.) (1 SPOOL)	
5	R65608	RACK	1		
6	R66321	WIRING LEAD	1	10 GA., 15 M (50 FT.) (1 SPOOL)	
7	R66320	WIRING LEAD	1	12 GA., 30.5 M (100 FT.) (1 SPOOL)	
8	R65609	CONTAINER	1	(NLA)	
9	R65610	CONTAINER	1		
10	R32016	TERMINAL	1	14-16 GA., NO. 10 SPADE	
11	R32017	TERMINAL	1	10-12 GA., NO. 10 SPADE	
12	R32018	TERMINAL	1	14-16 GA., NO. 10 EYELET	
13	R32019	TERMINAL	1	10-12 GA., NO. 10 EYELET	
14	R32021	TERMINAL	1	10-12 GA., 1/4" EYELET	
15	R32022	TERMINAL	1	10-12 GA., 3/8" EYELET	
16	R32023	TERMINAL	1	10-12 GA., 1/2" EYELET	
17	R32026	TERMINAL	1	MALE BULLETT	
18	R32027	CONNECTOR	1	SPLICE, 14-16 GA.	
19	R32028	TERMINAL	1	SPLICE, 10-12 GA.	
20	AL2976T	CONNECTOR	1	(SUB FOR R32029) 2-WIRE BULLETT CONNECTOR	
21	R65595	TERMINAL	1	FEMALE, 10 GA.	
22	R65596	TERMINAL	1	MALE, 10 GA. OR TWO 14 GA. CABLES	
23	R65597	TERMINAL	1	MALE, 14-16 GA.	
24	R65598	TERMINAL	1	MALE, SHORT, 14-16 GA.	
25	R65599	TERMINAL	1	14-16 GA., 1/4" EYELET	
26	R65600	TERMINAL	1	FEMALE, 14-16 GA.	
27	R65601	TERMINAL	1	TWIN-LOCK, TWO 16 GA. CABLES	
28	R65602	SOCKET CONTACT	1	BULB SOCKET, 16-18 GA.	
29	R65603	TERMINAL NIPPLE	1	FUSE	
30	R65604	INSULATING SLEEVE	1	14-18 GA.	
31	R65605	INSULATING SLEEVE	1	8-12 GA.	
32	R65606	TERMINAL	1	6-8 GA., 1/4" EYELET	
33	R65607	TERMINAL	1	18-20 GA.	
34	T28583	RECEPTACLE	1	ONE CONTACT LOCK-TYPE, MALE	
35	T28585	TERMINAL	1	ONE CONTACT LOCK-TYPE, FEMALE	
36	U46370	CONNECTOR	1	CONNECTOR, ONE CONTACT SINGLE BODY, MALE	
37	U46662	TERMINAL	1	FEMALE	
38	U46663	TERMINAL	1	FEMALE	
39	U46664	TERMINAL	1	FEMALE	

# 1J12

ELECTRICAL

ELECTRICAL CONNECTORS, TERMINALS AND WIRING  
RXP010581 -UN-01JAN94



RXP010581



# 1J13

ELECTRICAL

ELECTRICAL CONNECTORS, TERMINALS AND WIRING - CONTINUED

KEY	PART NO.	PART NAME	QTY	TRACTOR SERIAL NO.	REMARKS
1	T28583	RECEPTACLE	1	(B)	
2	M43835	FLAT CONNECTOR	1	(B)	
3	R77476	CONNECTOR	1	(A)	
4	R77477	CONNECTOR	1	(A)	
5	R77479	CONNECTOR	1	(A)	
6	R77480	CONNECTOR	1	(A)	
7	R77481	CONNECTOR	1	(A)	
8	R77482	CONNECTOR	1		
9	H104855	CONNECTOR	1		
10	U46662	TERMINAL	1	(E) (F)	
11	N115096	TERMINAL	1	(G) (SUB R65595) (PKG. OF 15)	
12	T28585	TERMINAL	1	(B)	
13	R77475	CONNECTOR	1	(B)	
14	T28586	CONNECTOR	1	(A)	
15	R77478	CONNECTOR	1	(A)	
16	R77483	CONNECTOR	1		
17	R48887	RECEPTACLE	1		
18	T34067	TERMINAL	1	(E) (F)	
19	R77484	TERMINAL	1	(G) (PKG. OF 15)	
20	U46370	CONNECTOR	1	(B)	
21	R77485	TAB	1	(C) (F)	
22	R77486	TERMINAL	1	(E) (F)	
23	R77487	CONNECTOR	1	(B)	
24	R66321	WIRING LEAD	1	15M (50 FT.) 10 GA.	
	R66320	WIRING LEAD	1	30.5M (100 FT.) 12 GA.	
	R77501	WIRE	1	30.5M (100 FT.) 14 GA.	
	R77500	WIRE	1	30.5M (100 FT.) 16 GA.	
	R77499	WIRE	1	30.5M (100 FT.) 18 GA.	
	R77498	WIRE	1	30.5M (100 FT.) 20 GA.	
25	R77462	PIN CONTACT	1	(PKG. OF 40) (20-22 OR 24 GA. WIRE)	
26	R77464	PIN CONTACT	1	(H) (PKG. OF 50)	
27	R77456	RECEPTACLE	1	(37 WAY)	
28	R77458	CONNECTOR	1	(A) (SIZE 23)	
	R77459	CONNECTOR	1	(A) (SIZE 17)	
	R77460	CONNECTOR	1	(A) (SIZE 13)	
	R77461	CONNECTOR	1	(A) (SIZE 11)	
29	R77457	ELECTRICAL PLUG	1	(37 WAY)	
30	R77463	SOCKET CONTACT	1	(PKG. OF 40) (20-22 OR 24 GA. WIRE)	
31	R77465	SOCKET CONTACT	1	(H) (PKG. OF 50)	
32	R77468	TERMINAL	1	(PKG. OF 5)	
33	R77466	CONNECTOR	1	(A)	
34	R77467	CONNECTOR	1	(A)	

(A) PKG. OF 2

(B) PKG. OF 3

(C) PKG. OF 10

(D) PKG. OF 20

(E) PKG. OF 25

(F) 14 OR 16 GA. WIRE

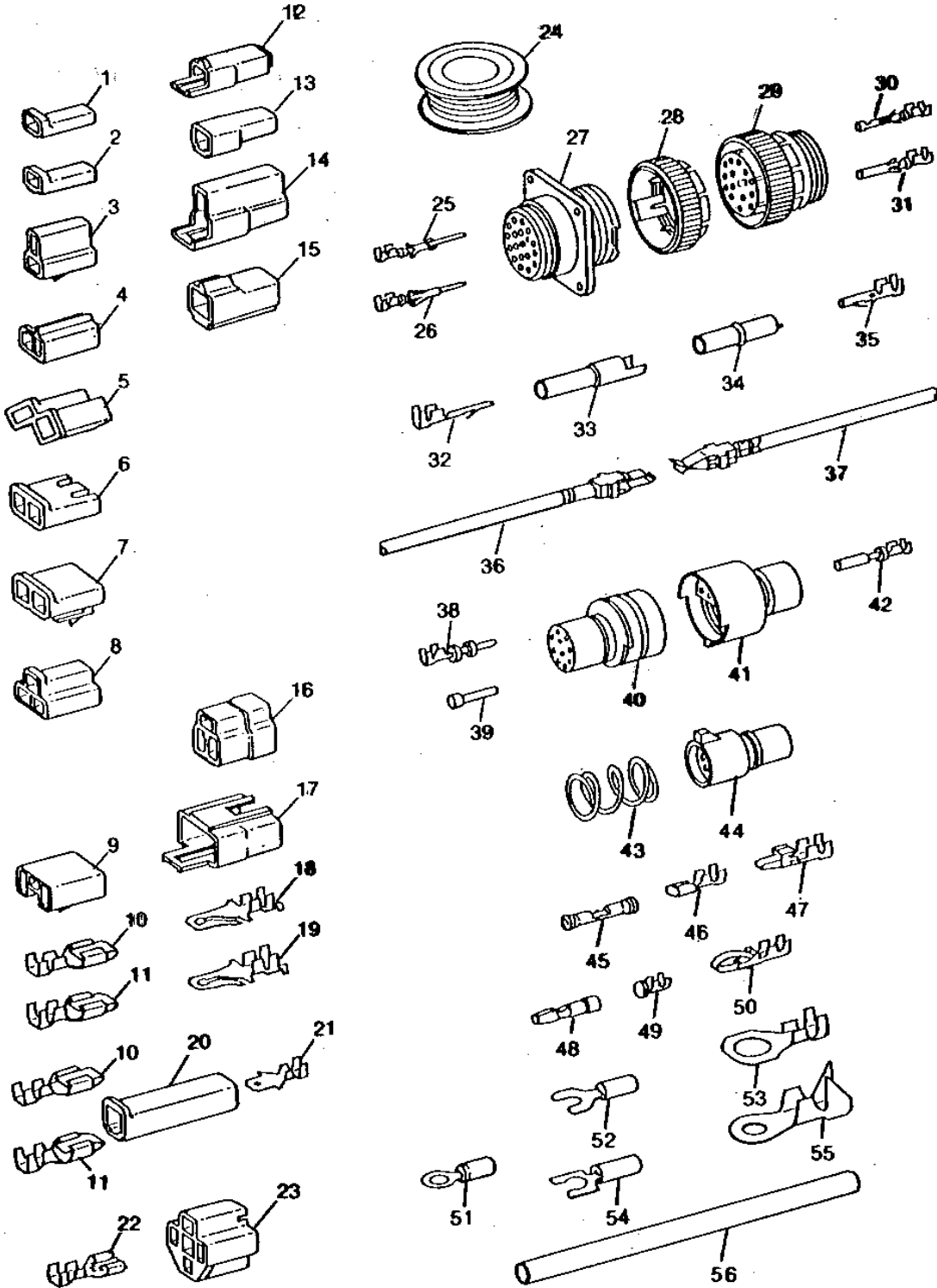
(G) 10 OR 12 GA. WIRE

(H) 14-16 OR 18 GA. WIRE

# 1J14

ELECTRICAL

ELECTRICAL CONNECTORS, TERMINALS AND WIRING - CONTINUED  
RXP010581 -UN-01JAN94



RXP010581

# 1J15

ELECTRICAL

ELECTRICAL CONNECTORS, TERMINALS AND WIRING - CONTINUED

KEY	PART NO.	PART NAME	QTY	TRACTOR SERIAL NO.	REMARKS
35	R77469	TERMINAL	1		(PKG. OF 5)
36	RE11156	TERMINAL	1		(B) (MALE)
37	RE11157	TERMINAL	1		(B) (FEMALE)
38	R70222	PIN CONTACT	1		(D) (H)
39	R70221	ELECTRICAL PLUG	1		(E)
40	R70219	PLUG	1		(A) (10 WAY)
	R70217	PLUG	1		(A) (7 WAY)
	R70215	PLUG	1		(A) (4 WAY)
	R70213	PLUG	1		(A) (3 WAY)
41	R70211	CONNECTOR	1		(A) (2 WAY)
	R70218	RECEPTACLE	1		(A) (10 WAY)
	R70216	RECEPTACLE	1		(A) (7 WAY)
	R70214	RECEPTACLE	1		(A) (4 WAY)
	R70212	RECEPTACLE	1		(A) (3 WAY)
	R70210	RECEPTACLE	1		(A) (2 WAY)
42	AR91793	SOCKET CONTACT	1		(D)
43	R30378	SPRING	1		(C)
44	R77474	CONNECTOR	1		(A) (6 WAY)
45	R77470	TERMINAL	1		SPLICE (PKG. OF 15) (16-18-20 OR 22 GA. WIRE)
	R77471	TERMINAL	1		(C) (G) SPLICE
	R77472	TERMINAL	1		(A) SPLICE (8 GA. WIRE)
	R77473	TERMINAL	1		(A) SPLICE (6 GA. WIRE)
46	R65607	TERMINAL	1		(C) (18 OR 20 GA. WIRE)
47	U46664	TERMINAL	1		(C) (F)
48	R32026	TERMINAL	1		(D) (F)
49	R65602	SOCKET CONTACT	1		(C) (16 OR 18 GA. WIRE)
50	R70220	TERMINAL	1		(C) (18 OR 20 GA. WIRE)
51	R77489	TERMINAL	1		(D) (14-16-18 OR 20 GA. WIRE) (NO. 10 EYELET)
	R77493	TERMINAL	1		(D) (G) (NO. 10 EYELET)
	R77488	TERMINAL	1		(D) (14-16-18 OR 20 GA. WIRE) (3/8" EYELET)
	R77490	TERMINAL	1		(D) (G) (1/2" EYELET)
52	R77496	TERMINAL	1		(D) (F) (NO. 8 SPADE)
	R77495	TERMINAL	1		(D) (18 GA. WIRE) (NO. 10 SPADE)
53	R77497	TERMINAL	1		(D) (F) (NO. 6 SPADE)
54	R77491	TERMINAL	1		(D) (G) (3/8" EYELET)
	R77492	TERMINAL	1		(D) (G) (1/4" EYELET)
55	R77494	TERMINAL	1		(D) (6 OR 8 GA. WIRE) (1/4" EYELET)
56	R77502	TUBE	1		(PKG. OF 8) 3/8" (HEAT SHRINK)
	R77503	TUBE	1		(PKG. OF 8) 3/16" (HEAT SHRINK)

- (A) PKG. OF 2
- (B) PKG. OF 3
- (C) PKG. OF 10
- (D) PKG. OF 20
- (E) PKG. OF 25
- (F) 14 OR 16 GA. WIRE
- (G) 10 OR 12 GA. WIRE
- (H) 14-16 OR 18 GA. WIRE

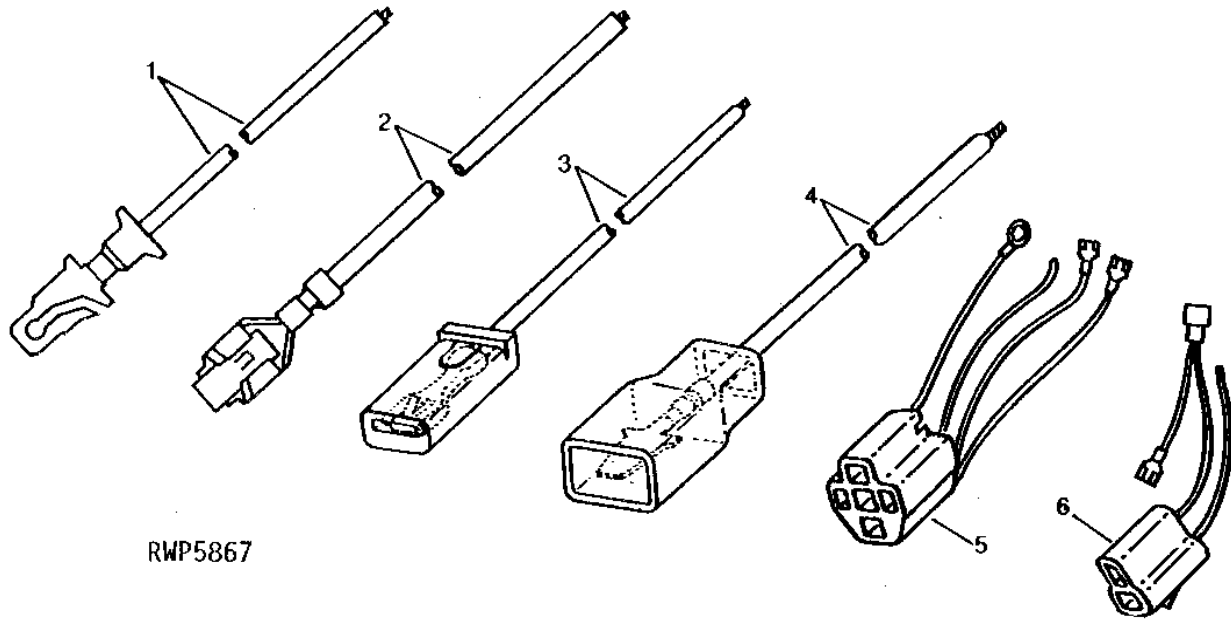
# 1J16

ELECTRICAL

RWP5867

-UN-01JAN94

## SUPPLEMENTARY TERMINALS, CONNECTORS AND REPAIR CONDUIT



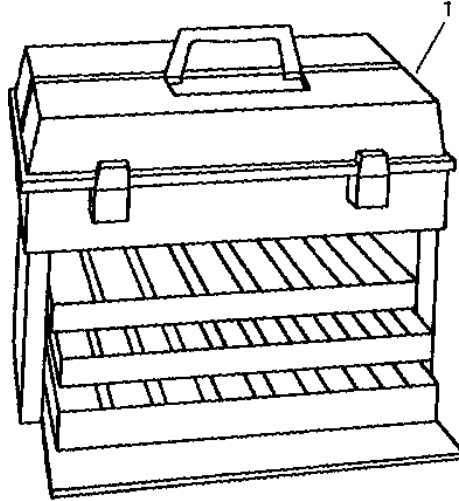
RWP5867

KEY	PART NO.	PART NAME	QTY	TRACTOR SERIAL NO.	REMARKS
1	AR65005	TERMINAL	1		
2	AR65006	TERMINAL	1		
3	R32024	WIRING LEAD	1		
4	R32025	WIRING LEAD	1		
5	RE21730	TERMINAL	1		
	RE21731	TERMINAL	1		
6	RE21732	TERMINAL	1		
..	R93219	CONDUIT	1		6.3 X 3048 MM (1/4" X 120")
..	R93220	CONDUIT	1		10.4 X 3048 MM (13/32" X 120")
..	R93221	CONDUIT	1		15.9 X 3048 MM (5/8" X 120")
..	R93222	CONDUIT	1		25.4 X 3048 MM (1" X 120")

# 1J17

ELECTRICAL

ELECTRICAL CONNECTOR AND TERMINAL KIT  
RXP010001 -UN-01JAN94



RXP010001

KEY	PART NO.	PART NAME	QTY	TRACTOR SERIAL NO.	REMARKS
1	PM797NA	KIT	1	(A)	
(A) KIT INCLUDES CONNECTORS,TERMINALS AND TOOLS					

---

MEMORANDA

---

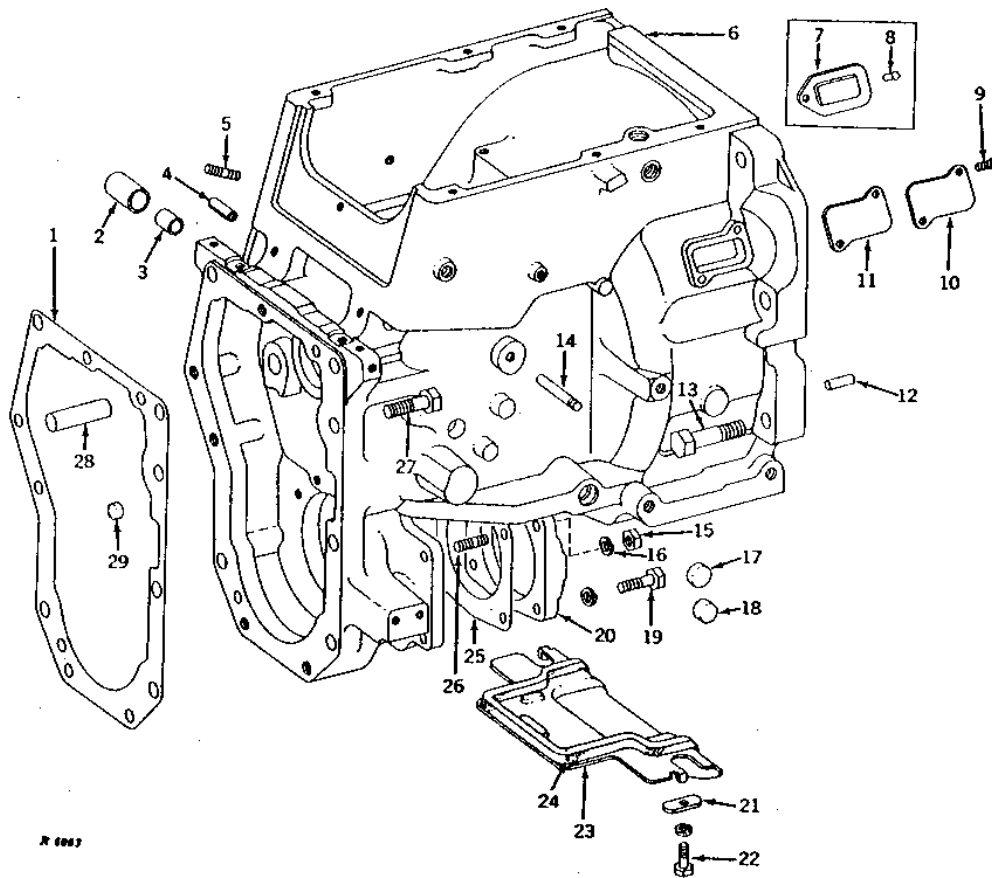
MEMORANDA

# 2A22

POWER TRAIN

R6003 -UN-01JAN94

## CLUTCH HOUSING



R 6003



# 2A23

POWER TRAIN

## CLUTCH HOUSING - CONTINUED

KEY	PART NO.	PART NAME	QTY	TRACTOR SERIAL NO.	REMARKS
1	R31305	GASKET	1		(SUB FOR R27025)
2	R26641	BUSHING	1		R.H.
3	R26642	BUSHING	1		L.H.
4	34H371	SPRING PIN	1		1/2" X 2"
5	C2175R	STUD	1	-019799	3/8" X 1-11/16"
6	AR27541	HOUSING	1	-020297	(RC AND ST) (MARKED R26580) (SUB AR30596 AND AR32575)
	AR30596	HOUSING	1	020298-	(RC AND ST) (MARKED R31510 OR R31670) (NO LONGER AVAILABLE)
	AR28816	HOUSING	1	-009453	(RU) (MARKED R27876) (SUB AR31694 AND AR32576)
	AR30404	HOUSING	1	009454-020354	(RU) (MARKED R31300) (SUB AR31694 AND AR32576)
	AR30597	HOUSING	1	020355-032999	(RU AND OR) (MARKED R31520) (SUB AR31694 AND AR32576)
	AR31694	HOUSING	1	033000-	(RU AND OR) (MARKED R32431) (NO LONGER AVAILABLE)
7	R26668	COVER	1	-020297	(NO LONGER AVAILABLE)
8	R26645	STUD	1	-020297	NO. 1 X 1/2", SPECIAL DRIVE (NO LONGER AVAILABLE)
9	21H1318	SCREW	2	020298-	0.216" X 1/2"
10	R31493	COVER	1	020298-	(SUB R67989)
11	R31494	GASKET	1	020298-	
12	T26565	DOWEL PIN	2		(SUB FOR C1220R)
13	19H1425	CAP SCREW	6		3/4" X 2-3/4"
14	R28841	PIN	1		(RU AND OR) (NO LONGER AVAILABLE)
15	14H1040	NUT	2		1/2", HS, SAE 8
16	12H301	LOCK WASHER	1		1/2"
17	R27036	CAP	2		
18	R27035	CAP	1		
19	19H1721	CAP SCREW	2		1/2" X 1-1/2"
	12H301	LOCK WASHER	2		1/2"
20	R27047	COVER	1		(LESS PTO) (NO LONGER AVAILABLE)
21	R27640	CLAMP	2		
22	19H1731	CAP SCREW	2		3/8" X 1"
	12H304	LOCK WASHER	2		3/8"
23	R26837	COVER	1		(SUB FOR AR30010)
24	R91558	FOAM PAD	1		(SUB FOR R91558)
25	R27048	GASKET	1		
26	R32101	STUD	2		1/2" X 1-3/4", (SUB FOR B1353R)
27	19H2706	CAP SCREW	2		5/8" X 2", HS, SAE 8
	19H1847	CAP SCREW	2		5/8" X 2-1/2"
28	R26663	DOWEL PIN	1		
29	T12083	CAP	1		(LESS PTO) (SUB FOR R27040)
..	R31374	DOWEL PIN	1	033000-	(IN CLUTCH HOUSING)
..	15H638	PIPE PLUG	1	033000-	1/8"

RC - ROW-CROP, ST - STANDARD, RU - ROW-CROP UTILITY, OR - ORCHARD

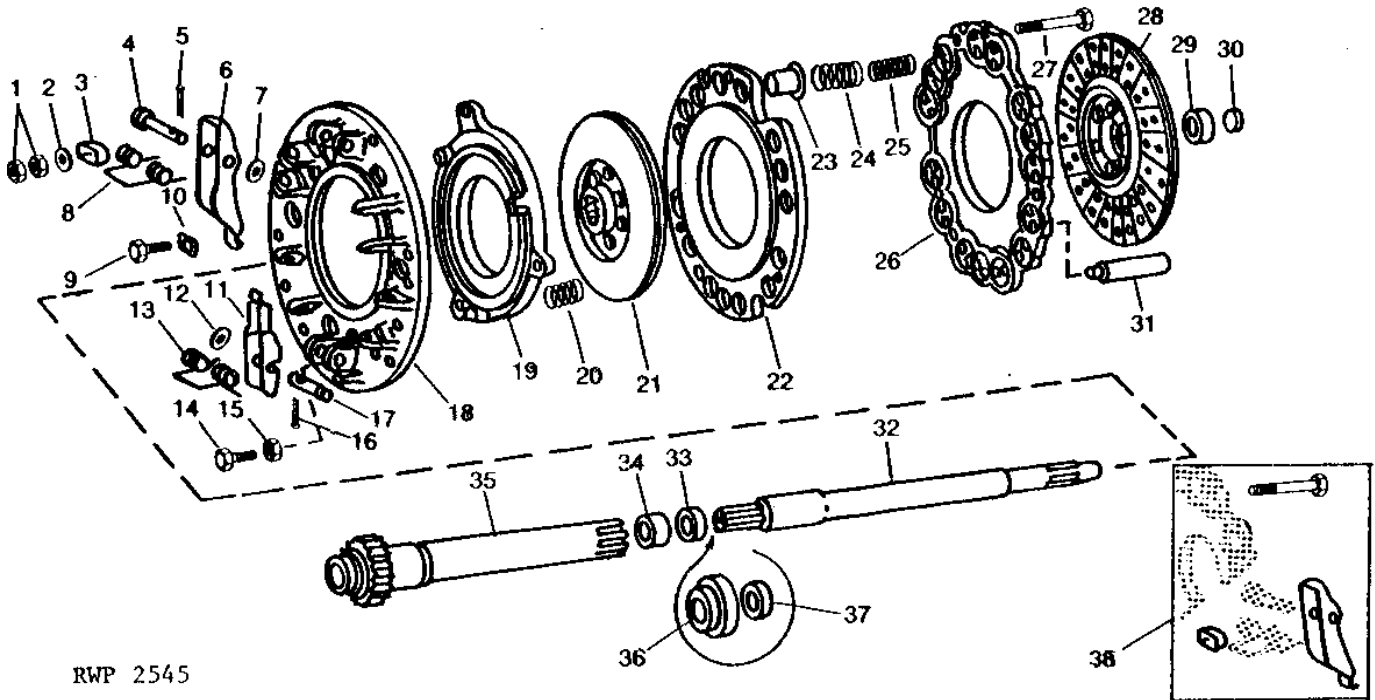
# 2A24

POWER TRAIN

RWP2545

-UN-01JAN94

TRANSMISSION AND PTO CLUTCH



RWP 2545

# 2A25

POWER TRAIN

## TRANSMISSION AND PTO CLUTCH - CONTINUED

KEY	PART NO.	PART NAME	QTY	TRACTOR SERIAL NO.	REMARKS
1	14H774	NUT	6		3/8"
2	R57696	WASHER	3	-005375	(ORDER AR31905) (SUB FOR R1870R)
	R31161	WASHER	3	005376-014895	(SUB AR31905)
3	R27300	BAR	3	-014895	(SUB AR31905)
	R31303	BAR	3	014896-035230	(SUB AR31905)
	R32631	BAR	3	035231-	
4	R58111	SHEAR PIN	3		(SUB FOR R26802 OR R31131) (ALSO ORDER (2) 11M7021 AND (2) 24H1301)
5	11M7015	COTTER PIN	3	-006540	3.200 X 25 MM
	11M7021	COTTER PIN	3	006541-	0.157" X 0.984"
6	R26800	LEVER	3	-035230	(SUB AR31905)
	AR31906	LEVER	3	035231-	
	AR31905	KIT	1	-035230	CLUTCH OPERATING LEVER, WITH MISC. PARTS, (CONSISTS OF (3) R32631, (3) R49579 AND (3) AR31906)
7	24M7096	WASHER	3	002716-	10.500 X 18 X 1.600 MM
8	R26639	SPRING	3		
9	19H2552	CAP SCREW	6		3/8" X 1-1/8"
10	R1888R	STRAP	6		
11	R33550	LEVER	3		(SUB FOR R26661)
12	24H1227	WASHER	3	002716-	(A) 17/32" X 13/16" X 0.060"
13	R26640	SPRING	3		(A)
14	R26804	CAP SCREW	3		(A)
15	14H774	NUT	3		(A) 3/8"
16	11M7015	COTTER PIN	3	-008591	(A) 3.200 X 25 MM
	11M7021	COTTER PIN	3	008592-	(A) 0.157" X 0.984"
17	R31132	PIN	3		(A) (SUB FOR R26662)
18	R26660	COVER	1	-035230	(SUB R46425)
	R41179	COVER	1	035231-	(SUB FOR R32635) (SUB R46425)
19	R41343	PLATE	1		(A) (SUB FOR R26836)
20	R26659	SPRING	3		(A)
21	RE29610	CLUTCH DISK	1		(A) (SUB FOR AR26840)
22	R26835	PLATE	1		
23	R27033	BUSHING	12		
24	R26637	SPRING	12		OUTER
25	R26638	SPRING	12		INNER
26	R26834	PLATE	1		(12" DISK) (SUB R33569, RE29774 AND (3) R40731)
27	R49579	BOLT	3	-010936	(SUB FOR R26806)
	R31162	BOLT	3	010937-	(SUB AR31905)
	R26806	BOLT	3	014896-035230	(SUB R49579)
	R49579	BOLT	3	035231-	(SUB FOR R32632 OR R26806)
28	AR26531	DISK	1	-021862	(SUB R32048)
	RE30211	CLUTCH DISK	1	021863-	280MM (11") (SUB FOR R32048)
	RE29774	CLUTCH DISK	1		305MM (12") (SUB FOR AR42125) (USE IF R33569 HAS BEEN INSTALLED)
29	JD9449	BALL BEARING	1		(SUB FOR AR26487 OR JD9281)
30	R26656	WASHER	1		
31	R26646	PIN	3		(USE WITH R26834)
	R40731	DOWEL PIN	3		(USE WITH R33569)
32	R27030	SHAFT	1	-032999	(SUB R32167)
	R32167	SHAFT	1	033000-	
33	AR26532	SEAL	1		(A)
34	R30854	BUSHING	1		
35	AR26844	SHAFT	1	-032999	(SUB AR31699 AND R32167)
	AR31699	SHAFT	1	033000-	(A)
36	R53585	QUILL	1		(LESS PTO) (SUB FOR R27042)
37	AR26602	SEAL	1		(LESS PTO)
38	AR31905	KIT	1	-035230	CLUTCH OPERATING LEVER

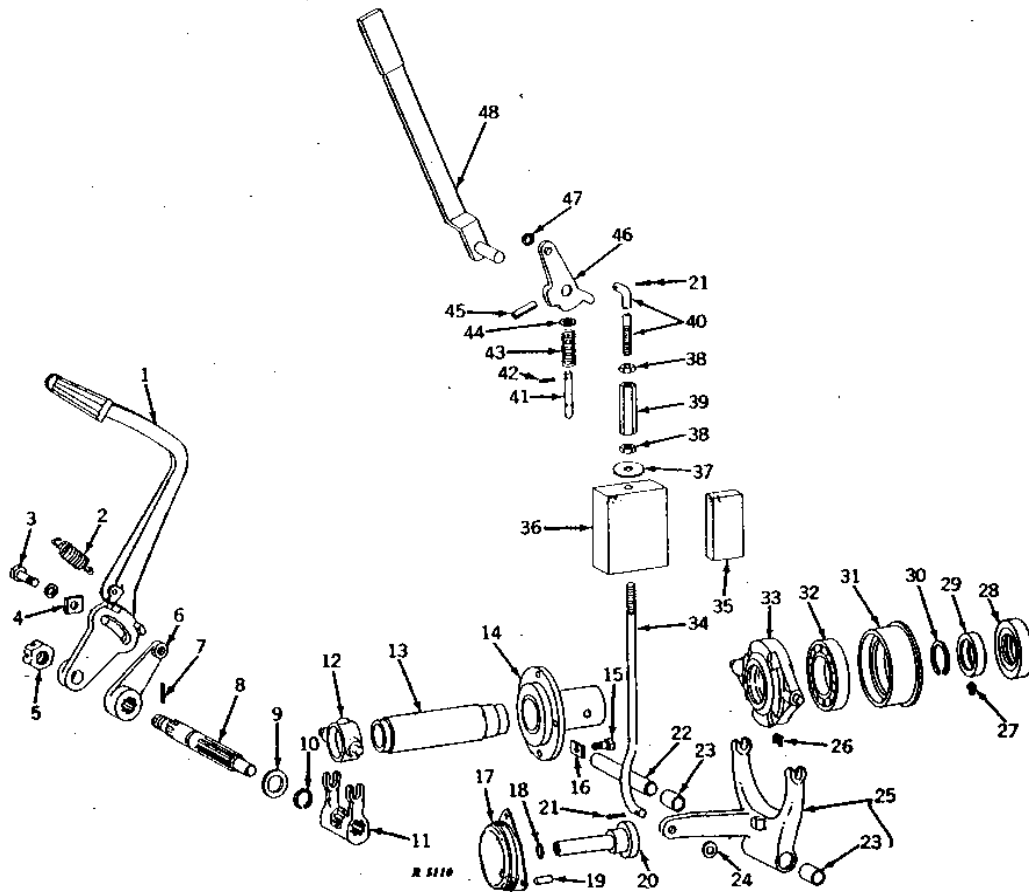
(A) NOT REQUIRED ON TRACTORS LESS PTO

# 2B1

POWER TRAIN

R5110 -UN-01JAN94

## TRANSMISSION AND PTO CLUTCH CONTROLS



# 2B2

POWER TRAIN

## TRANSMISSION AND PTO CLUTCH CONTROLS - CONTINUED

KEY	PART NO.	PART NAME	QTY	TRACTOR SERIAL NO.	REMARKS
1	R27304	PEDAL	1		(RC AND ST)
	R27936	PEDAL	1		(RU AND OR) (NO LONGER AVAILABLE)
2	R26833	EXTENSION SPRING	1		(RC AND ST)
	R27935	SPRING	1		(RU AND OR)
3	19H1721	CAP SCREW	1		1/2" X 1-1/2"
	12H301	LOCK WASHER	1		1/2"
4	R27305	STRAP	1		
5	C1104R	NUT	1		
6	R26652	LEVER	1		
7	11M7083	COTTER PIN	1		0.126" X 1.969"
8	R26803	FORK	1	-016535	(SUB R41180 AND R44277)
	R44277	SHAFT	1	016536-	(SUB FOR R31394)
9	24H1477	WASHER	1		1-5/32" X 1-3/4" X 0.060"
10	R26643	SNAP RING	1		
11	R27034	FORK	1	-016535	(SUB R41180 AND R44277)
	R41180	FORK	1	016536-	(SUB FOR R31393)
12	AR27472	SHIFT COLLAR	1		(MARKED R27660)
13	R27026	TUBE	1		
14	AR31691	SUPPORT	1		(MARKED R27028) (SUB FOR AR26488)
15	19H2284	CAP SCREW	4		3/8" X 7/8"
16	R30958	LOCK PLATE	4		(SUB FOR R1888R)
17	RE20729	SHOE	1		(A) (SUB FOR AR26489)
18	B2762R	O-RING	1		(A)
19	R26650	DOWEL PIN	3		(A)
20	R32271	SHAFT	1		(A) (SUB FOR AR27471)
21	11M7015	COTTER PIN	1		(A) 3.200 X 25 MM
22	R26647	PIN	1		(A)
23	R776R	BUSHING	2		(A)
24	24H1341	WASHER	1		17/32" X 15/16" X 0.060"
25	AR27470	FORK	1		(A) (MARKED R27666)
26	JD7778	LUBRICATION FITTING	1		(A) 30°
27	JD7797	LUBRICATION FITTING	1		
28	AR41794	THRUST BEARING	1		(SUB FOR AR26533)
29	R27027	LOCKING COLLAR	1		
30	A5518R	SNAP RING	1		
31	R27665	SHIFT COLLAR	1		(A)
32	AR26845	BALL BEARING	1		(A)
33	AR27451	SLEEVE	1		(A) (MARKED R26839)
34	R26838	LEVER	1		(A)
35	R28123	FOAM PAD	1		(LESS PTO) (SUB FOR R27041)
36	R26644	FOAM PAD	1		(A)
37	24H1352	WASHER	1		(A) 9/16" X 2" X 0.060"
38	14H971	NUT	2		(A) 1/2"
39	R26685	TURNBUCKLE	1		(A)
40	R26684	BOLT	1		(A)
41	R26683	PIN	1		(A)
42	34H249	SPRING PIN	1		(A) 1/8" X 7/8"
43	R1769R	SPRING	1		(A)
44	24H1325	WASHER	1		(A) 15/32" X 59/64" X 0.065"
45	34H351	SPRING PIN	1		(A) 3/8" X 1-1/2"
46	R26682	ARM	1		(A)
47	24H1227	WASHER	1		(A) 17/32" X 13/16" X 0.060"
48	AR26583	LEVER	1		(A) (NO LONGER AVAILABLE)

RC - ROW-CROP, ST - STANDARD, RU - ROW-CROP UTILITY, OR - ORCHARD

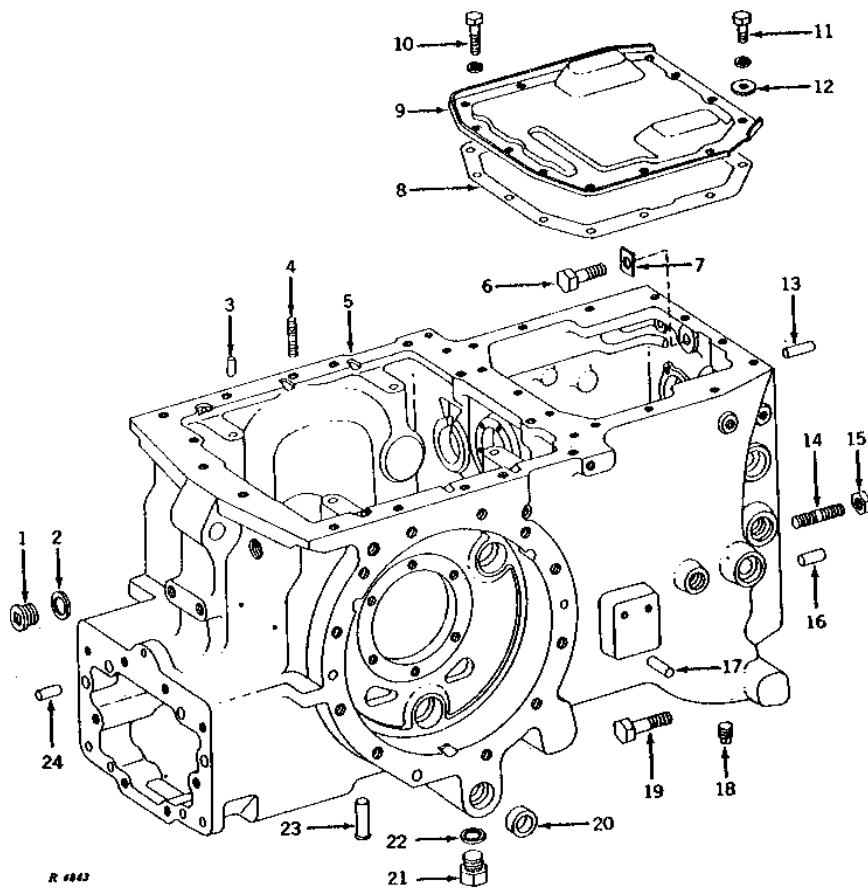
(A) NOT REQUIRED ON TRACTORS LESS PTO

# 2B3

POWER TRAIN

R4843 -UN-01JAN94

## TRANSMISSION CASE AND COVER



# 2B4

POWER TRAIN

## TRANSMISSION CASE AND COVER - CONTINUED

KEY	PART NO.	PART NAME	QTY	TRACTOR SERIAL NO.	REMARKS
1	R27483	PLUG	1		
2	H851R	WASHER	1		
3	R1612R	DOWEL PIN	4		
4	R32101	STUD	4		1/2" X 3/4", (SUB FOR B1353R)
5	AR31116	TRANSMISSION CASE	1		(MARKED R26570 OR R32030) (SUB FOR AR30055)
6	19H1708	CAP SCREW	3		5/8" X 1-3/4"
7	R1887R	STRAP	3		
8	R26655	GASKET	1		
9	R26654	COVER	1		
10	19H1800	CAP SCREW	2		3/8" X 1-1/2", (RU AND OR)
	12H304	LOCK WASHER	2		3/8", (RU AND OR)
11	19H1731	CAP SCREW	AR		3/8" X 1", (13 USED, RC AND ST) (11 USED, RU AND OR)
	12H304	LOCK WASHER	AR		3/8", (13 USED, RC AND ST) (11 USED, RU AND OR)
12	A4624R	WASHER	AR		(13 USED, RC AND ST) (11 USED, RU AND OR)
13	T26565	DOWEL PIN	2		(SUB FOR C1220R)
14	M3210T	STUD	1		5/8" X 2-1/2", (SUB FOR B1333R)
	B2484R	STUD	2		5/8" X 3", (SUB FOR R28947)
15	14H1039	NUT	3		5/8" HS, SAE 8
16	R27315	DOWEL PIN	2		
17	T26565	DOWEL PIN	4		(SUB FOR C1220R)
18	15H638	PIPE PLUG	1		1/8"
19	19H1824	CAP SCREW	2		5/8" X 2-1/4"
20	R27018	BUSHING	2		
	R45513	BUSHING	2		0.08MM (.003") OVERSIZE
	R45514	BUSHING	2		0.15MM (.006") OVERSIZE
	R46799	BUSHING	2		0.23MM (.009") OVERSIZE, (SUB AR89132)
21	F3128R	DRAIN PLUG	1		
22	A4827R	WASHER	1		
23	R35046	DOWEL PIN	1		(SUB FOR R27894 OR R31075)
24	R48685	DOWEL PIN	2		(SUB FOR A120R)

RC - ROW-CROP, ST - STANDARD, RU - ROW-CROP UTILITY, OR - ORCHARD

---

MEMORANDA

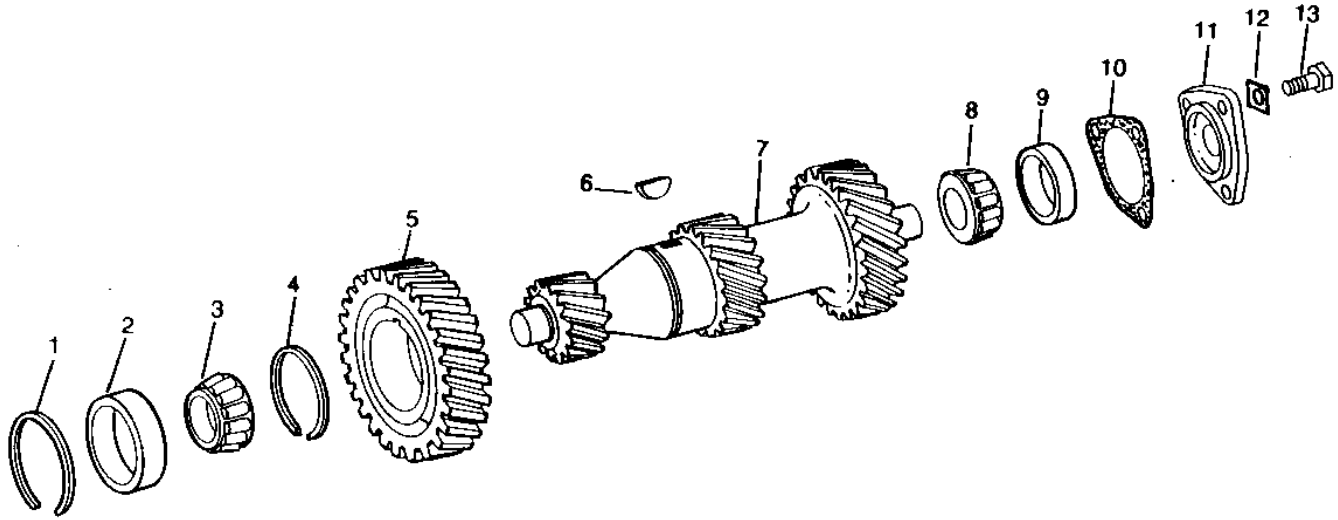


# 2B5

POWER TRAIN

RWP4890 -UN-01JAN94

## COUNTERSHAFT



RWP4890

KEY	PART NO.	PART NAME	QTY	TRACTOR SERIAL NO.	REMARKS
1	R26263	SNAP RING	1	-024128	
2	JD8239	BEARING CUP	1		
3	JD8905	BEARING CONE	1		
4	R26246	SNAP RING	1		
5	R26244	GEAR	1		
6	26H19	SHAFT KEY	1		1/4" X 7/8"
7	R26243	COUNTERSHAFT	1		(SUB R31558, AR39827 AND R39871)
	R31558	COUNTERSHAFT	1		(USE WITH AR39827 AND R39871)
8	JD8194	BEARING CONE	1		
9	JD8230	BEARING CUP	1		
10	R26269	SHIM	AR		0.15MM (.006") (SUB FOR R26271)
	R26270	SHIM	AR		0.25MM (.10")
11	R26245	RETAINER	1		
12	H246R	STRAP	3		
13	19H1731	CAP SCREW	3		3/8" X 1"

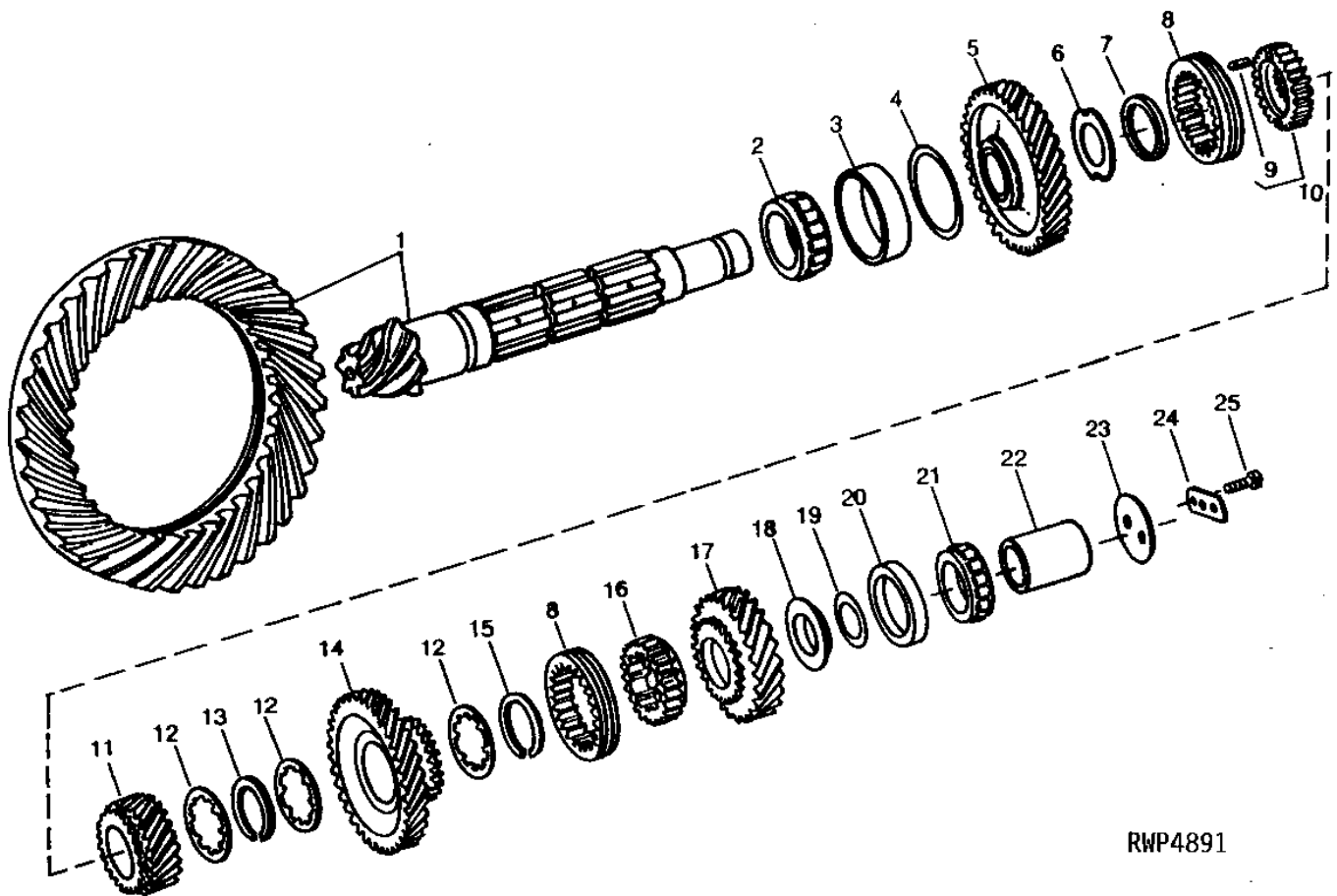
# 2B6

POWER TRAIN

RWP4891

-UN-01JAN94

## DIFFERENTIAL DRIVE AND BEVEL PINION SHAFT ASSEMBLY



RWP4891

# 2B7

POWER TRAIN

## DIFFERENTIAL DRIVE AND BEVEL PINION SHAFT ASSEMBLY - CONTINUED

KEY	PART NO.	PART NAME	QTY	TRACTOR SERIAL NO.	REMARKS
1	AR31184	GEAR	1		(RC AND ST) (SUB FOR AR28645) (WHEN FIRST AND THIRD SPEED GEAR WITH FORGING NO. R26247 IS INSTALLED, ALSO ORDER AR39827, R31558 AND R39871)
	AR31185	GEAR	1		(RU AND OR) (SUB FOR AR28644) (WHEN THIRD SPEED GEAR WITH FORGING NO. R26247 IS INSTALLED, ALSO ORDER AR39827, R31558 AND R39871) (NO LONGER AVAILABLE)
2	JD8920	BEARING CONE	1		
3	JD8246	BEARING CUP	1		
4	R26227	SHIM	AR		0.08MM (.003")
	R26228	SHIM	AR		0.13MM (.005") (SUB FOR R26229)
5	AR31186	GEAR	1		(1ST AND 3RD SPEED) (SUB FOR AR26457) (SUB AR39827, R31558 AND R39871)
	AR39827	GEAR	1		(1ST AND 3RD SPEED) (USE WITH R31558 AND R39871)
6	R26248	THRUST WASHER	1		
7	R26264	SNAP RING	1		
8	T23519	SHIFT COLLAR	2		(SUB FOR R26251)
9	34H241	SPRING PIN	2		1/8" X 3/8"
10	AR26367	STEERING GEAR	1		(MARKED R26249)
11	R26252	GEAR	1		
12	R26253	THRUST WASHER	3		
13	R26265	SNAP RING	1		
14	R26254	GEAR	1		(2ND AND 5TH SPEED)
15	R26266	SNAP RING	1		
16	R26255	GEAR	1		
17	R26990	GEAR	1		(4TH AND 7TH SPEED)
18	R26819	THRUST WASHER	1		
19	R26230	SHIM	AR		0.08MM (.003")
	R26231	SHIM	AR		0.13MM (.005") (SUB FOR R26232)
20	JD7425	BEARING CUP	1		
21	JD8924	BEARING CONE	1		
22	R27046	SPACER	1		(LESS PTO)
23	R26071	PLATE	1		(LESS PTO)
24	R26072	STRAP	1		
25	19H1731	CAP SCREW	2		3/8" X 1"

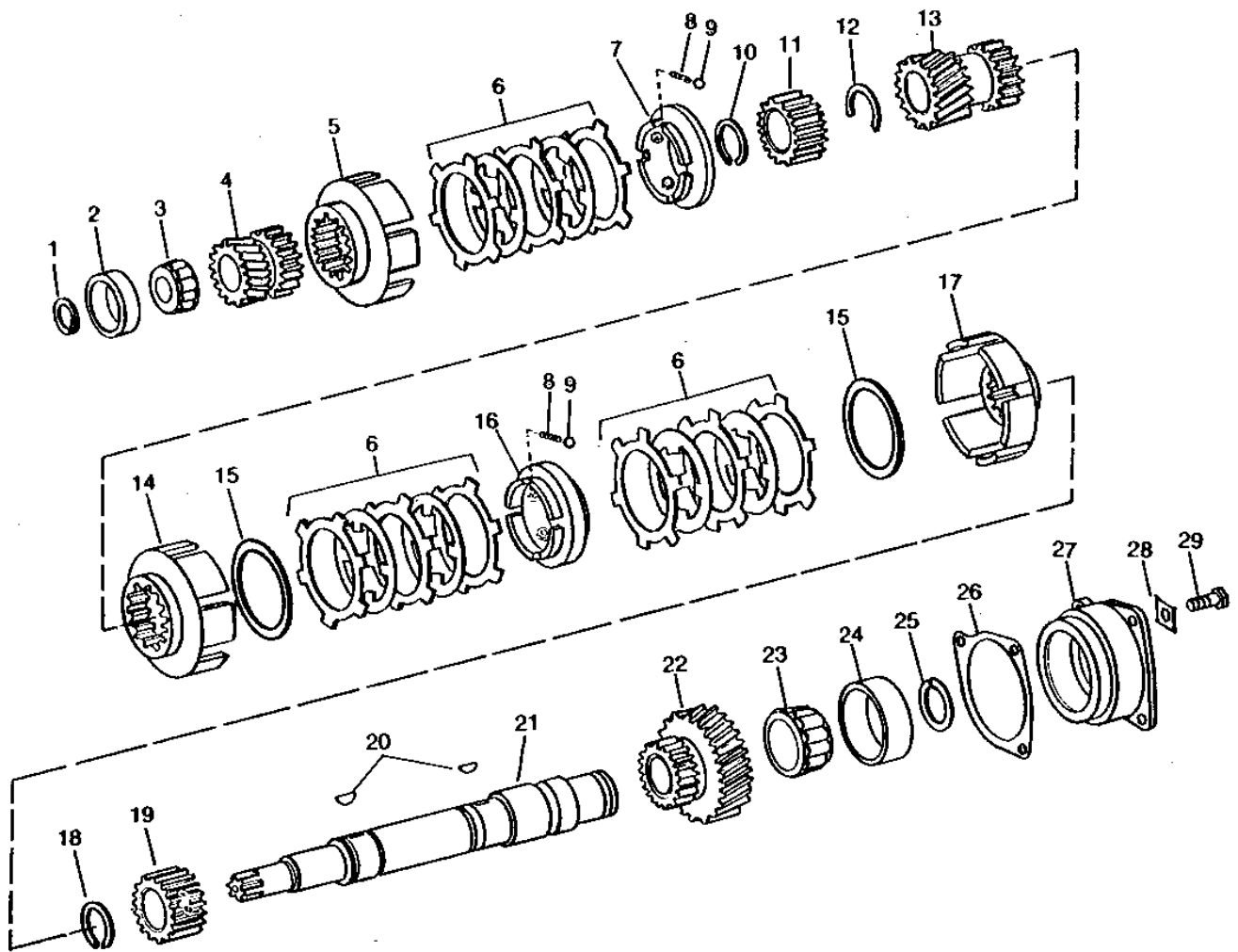
RC - ROW-CROP, ST - STANDARD, RU - ROW-CROP UTILITY, OR - ORCHARD

# 2B8

POWER TRAIN

RWP4892 -UN-01JAN94

## TRANSMISSION DRIVE SHAFT ASSEMBLY



RWP4892

# 2B9

POWER TRAIN

## TRANSMISSION DRIVE SHAFT ASSEMBLY - CONTINUED

KEY	PART NO.	PART NAME	QTY	TRACTOR SERIAL NO.	REMARKS
1	R26220	SNAP RING	1		1.93MM (.076")
	R26221	SNAP RING	1		2.01MM (.079")
	R26222	SNAP RING	1		2.08MM (.082")
	R26223	SNAP RING	1		2.16MM (.085")
2	JD7449	BEARING CUP	1		
3	JD8190	BEARING CONE	1		
4	R26261	GEAR	1		
	R39871	PINION	1		(USE WITH AR39827 AND R31558)
5	R27726	DRUM	1	-005341	(SUB R52499 AND AR30099)
	R31027	DRUM	1	005342-	(SUB R52499)
6	AR69154	SYNCHRONIZER	3		(SUB FOR AR26570, AR44997 OR AR48673) (SET OF 3)
7	R52498	STOP	1		(ALSO ORDER R52499) (SUB FOR R27729)
8	R59860	SPRING	8		(SUB FOR R27730)
9	A4742R	BALL	8		4MM (5/32")
10	R26267	RING	1		
11	R27907	SHIFT COLLAR	1		
12	R26268	SNAP RING	1		
13	R44642	PINION	1		(SUB FOR R26258)
14	R27726	DRUM	1	-005341	(SUB (2) R31026 AND R31028)
	R31026	DRUM	1	005342-	
15	R30902	WASHER	2	-005341	
16	R27728	RETAINER	1	-005341	(SUB (2) R31026 AND R31028)
	R31028	SYNCHRONIZER	1	005342-	
17	R27726	DRUM	1	-005341	(SUB (2) R31026 AND R31028)
	R31026	DRUM	1	005342-	
18	R26218	SNAP RING	1		
19	R33383	SHIFT COLLAR	1		(SUB FOR R26074)
20	26H77	SHAFT KEY	2		3/16" X 3/4"
21	R26256	SHAFT	1		
22	R44639	PINION	1		(SUB FOR R26257 OR R33477)
23	JD8928	BEARING CONE	1		
24	JD8219	BEARING CUP	1		
25	R49430	SNAP RING	1		1.93MM (.076") (SUB FOR R26214)
	R49431	SNAP RING	1		2.01MM (.079") (SUB FOR R26215)
	R49432	SNAP RING	1		2.08MM (.082") (SUB FOR R26216)
	R49433	SNAP RING	1		2.16MM (.085") (SUB FOR R26217)
26	R26233	SHIM	AR		0.15MM (.006") (SUB FOR R26235)
	R26234	SHIM	AR		0.25MM (.010")
27	R26262	HOUSING	1		
28	H246R	STRAP	3		
29	19H1731	CAP SCREW	3		3/8" X 1"

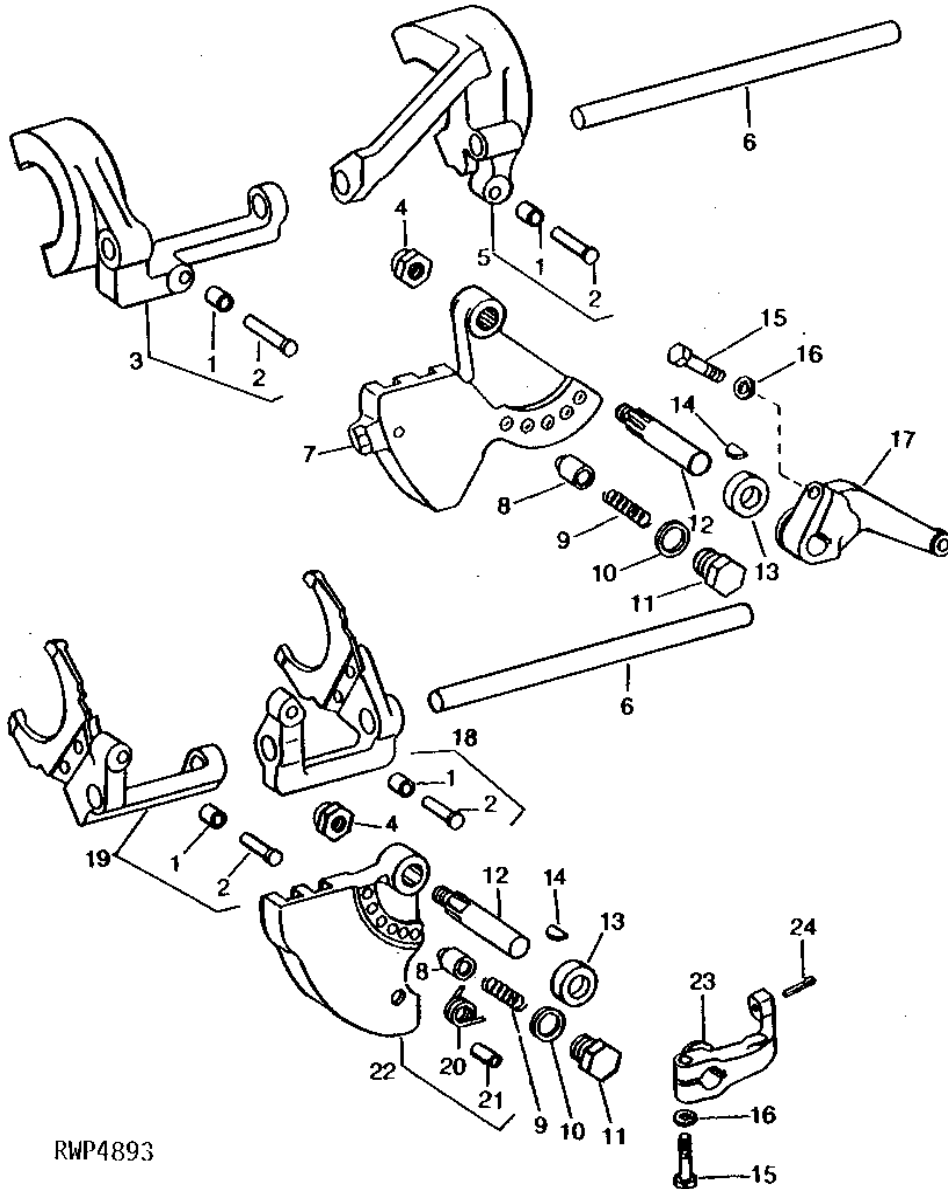
# 2B10

POWER TRAIN

RWP4893

-UN-01JAN94

## GEAR SHIFTER AND SHIFTER SHAFTS



RWP4893

# 2B11

POWER TRAIN

## GEAR SHIFTER AND SHIFTER SHAFTS - CONTINUED

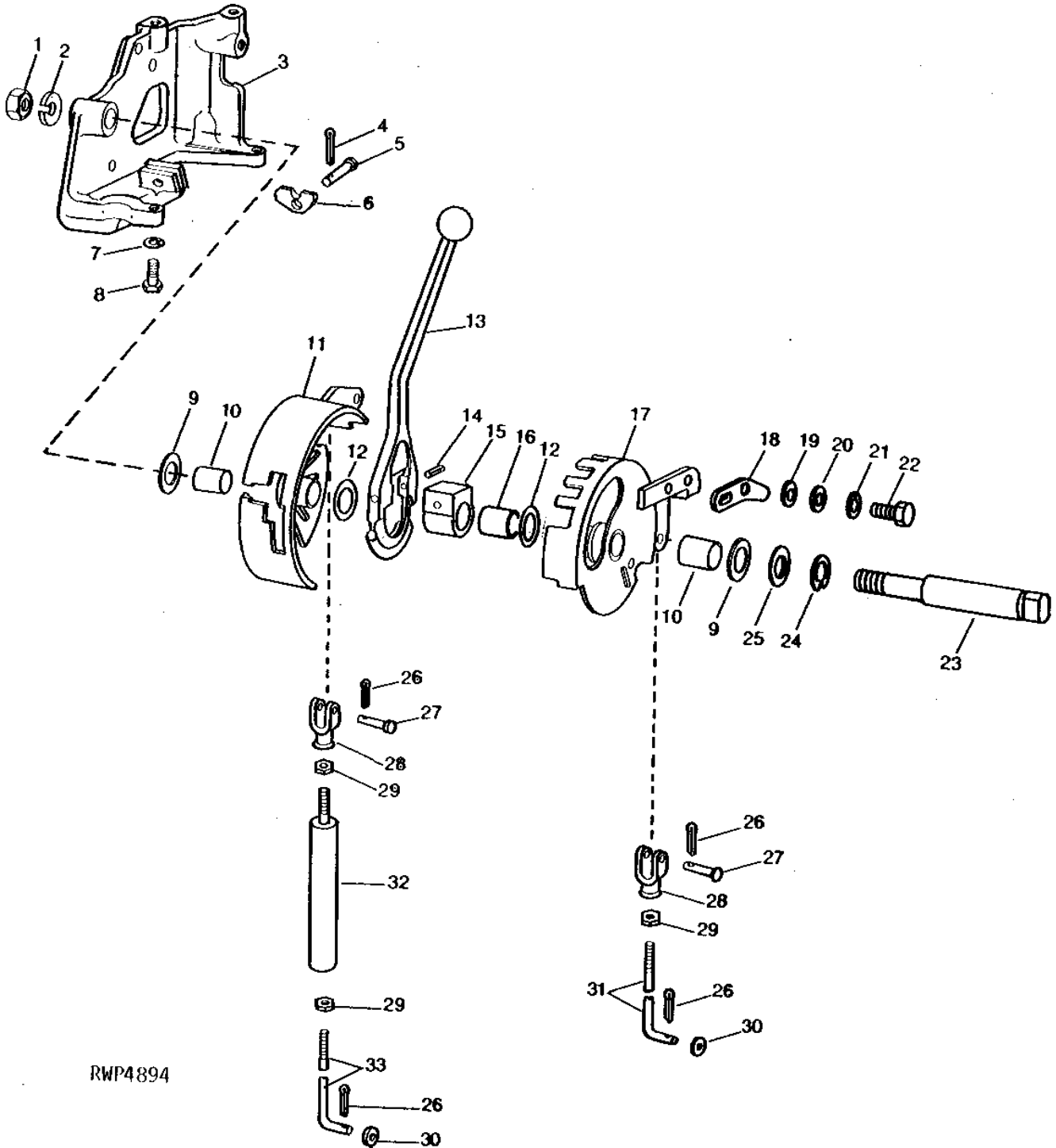
KEY	PART NO.	PART NAME	QTY	TRACTOR SERIAL NO.	REMARKS
1	R26207	ROLLER	4		
2	R36666	DOWEL PIN	4	-005341	(SUB FOR R26198)
	R26206	PIN	4	005342-	
3	AR27271	SHIFTER	1	-005341	(MARKED R27958)
	AR30099	SHIFTER	1	005342-	(MARKED R31029)
4	C2072R	NUT	2	-040779	
	E17421	LOCK NUT	2	040780-	(SUB FOR R32629)
5	AR27270	SHIFTER	1		(MARKED R27957)
6	R26395	DOWEL PIN	2		
7	R33443	CAM	1		(SUB FOR R27831)
8	R26202	PAWL	2		
9	R26203	SPRING	2		
10	A4827R	WASHER	2		
11	R34844	RETAINER	1		(SUB FOR R26204)
12	R26396	SHAFT	2	-040779	(SUB AR31903)
	11M7083	COTTER PIN	2	-040779	0.126" X 1.969"
	AR31903	SHAFT	2	040780-	(SUB FOR R26396)
13	AR389R	SEAL	2		
14	26H17	SHAFT KEY	2		3/16" X 7/8"
15	19H1800	CAP SCREW	2		3/8" X 1-1/2"
16	12H304	LOCK WASHER	2		3/8"
17	R26398	LEVER	1		
18	AR26442	LEVER	1		(2ND AND 5TH, 4TH AND 7TH SPEED) (MARKED R26535)
19	AR26443	LEVER	1		(1ST AND 3RD, 6TH AND 8TH SPEED) (MARKED R26536)
20	R109478	SPRING	1		(SUB FOR R27243, R55910 OR R73444)
21	34H365	SPRING PIN	1		1/2" X 7/8"
22	AR26979	CAM	1		(MARKED R27832)
23	R26397	ARM	1		
24	11M7015	COTTER PIN	1		3.200 X 25 MM

# 2B12

POWER TRAIN

RWP4894 -UN-01JAN94

## GEAR SHIFTER CONTROLS





# 2B13

POWER TRAIN

## GEAR SHIFTER CONTROLS - CONTINUED

KEY	PART NO.	PART NAME	QTY	TRACTOR SERIAL NO.	REMARKS
1	14H1039	NUT	1		5/8"
2	12H294	LOCK WASHER	1		5/8"
3	R26951	BRACKET	1	-001855	R.H. (SUB R47079, A3376R AND 11M7081)
	R30860	BRACKET	1	001856-032399	R.H. (SUB R47079, A3376R AND 11M7081)
	R32390	BRACKET	1	032400-	R.H. (SUB R47079)
4	11M7081	COTTER PIN	1		0.098" X 0.787"
5	A3376R	PIN	1		
6	R52882	LATCH	1		(SUB FOR R26188, R40148 OR R42128)
7	12H304	LOCK WASHER	1		3/8"
8	19H1731	CAP SCREW	1		3/8" X 1"
9	R42127	WASHER	2		(SUB FOR R26183)
10	R26182	BUSHING	2		
11	AR45240	QUADRANT	1		(SUB FOR AR26361)
12	R26187	WASHER	2		
13	R27633	GEARSHIFT LEVER	1		(RC AND ST)
	R28788	GEARSHIFT LEVER	1		(RU)
	R31779	GEARSHIFT LEVER	1		(OR) (NO LONGER AVAILABLE)
14	34H314	SPRING PIN	2		1/4" X 1-1/4"
15	R53247	PIVOT	1		(MARKED R26185) (SUB FOR R47203 OR AR26360) (ALSO ORDER (2) R26187)
16	R26186	BUSHING	1		
17	AR26357	QUADRANT	1	-019799	(SUB AR45342)
	AR45342	QUADRANT	1	019800-032399	(SUB FOR AR30252)
	AR45342	QUADRANT	1	032400-	(SUB FOR AR33935 OR AR31855)
18	R26712	ARM	1		(SUB RE42069 AND R32113) (STEEL)
	R32113	ARM	1		(PLASTIC)
19	24H1312	WASHER	1		13/32" X 1-3/8" X 0.105"
20	24H1287	WASHER	2		9/32" X 5/8" X 0.065"
21	12H302	LOCK WASHER	2		1/4"
22	19H1948	CAP SCREW	2		1/4" X 3/4"
23	R26178	SHAFT	1		
24	R26192	SNAP RING	1		
25	24H1423	WASHER	AR		29/32" X 1-1/2" X 0.036"
	24H1422	SHIM	AR		29/32" X 1-3/8" X 0.018"
	24H1660	WASHER	AR		57/64" X 1-3/8" X 0.060"
26	11M7015	COTTER PIN	3		3.200 X 25 MM
27	R65563	PIN	2		(SUB FOR C1067R)
28	C284R	YOKE	2		
29	14H732	NUT	3		3/8"
30	24H1302	WASHER	2		13/32" X 11/16" X 0.035"
31	R46303	HOOK BOLT	1		(SUB FOR R27830)
32	AR31657	SPRING ASSEMBLY	1	-032399	(SUB AR49457, R32396 AND 14H732)
	AR49457	SPRING ASSEMBLY	1	032400-	(SUB FOR AR31649)
33	R26538	HOOK BOLT	1	-032399	
	R32396	BOLT	1	032400-	

RC - ROW-CROP, ST - STANDARD, RU - ROW-CROP UTILITY, OR - ORCHARD

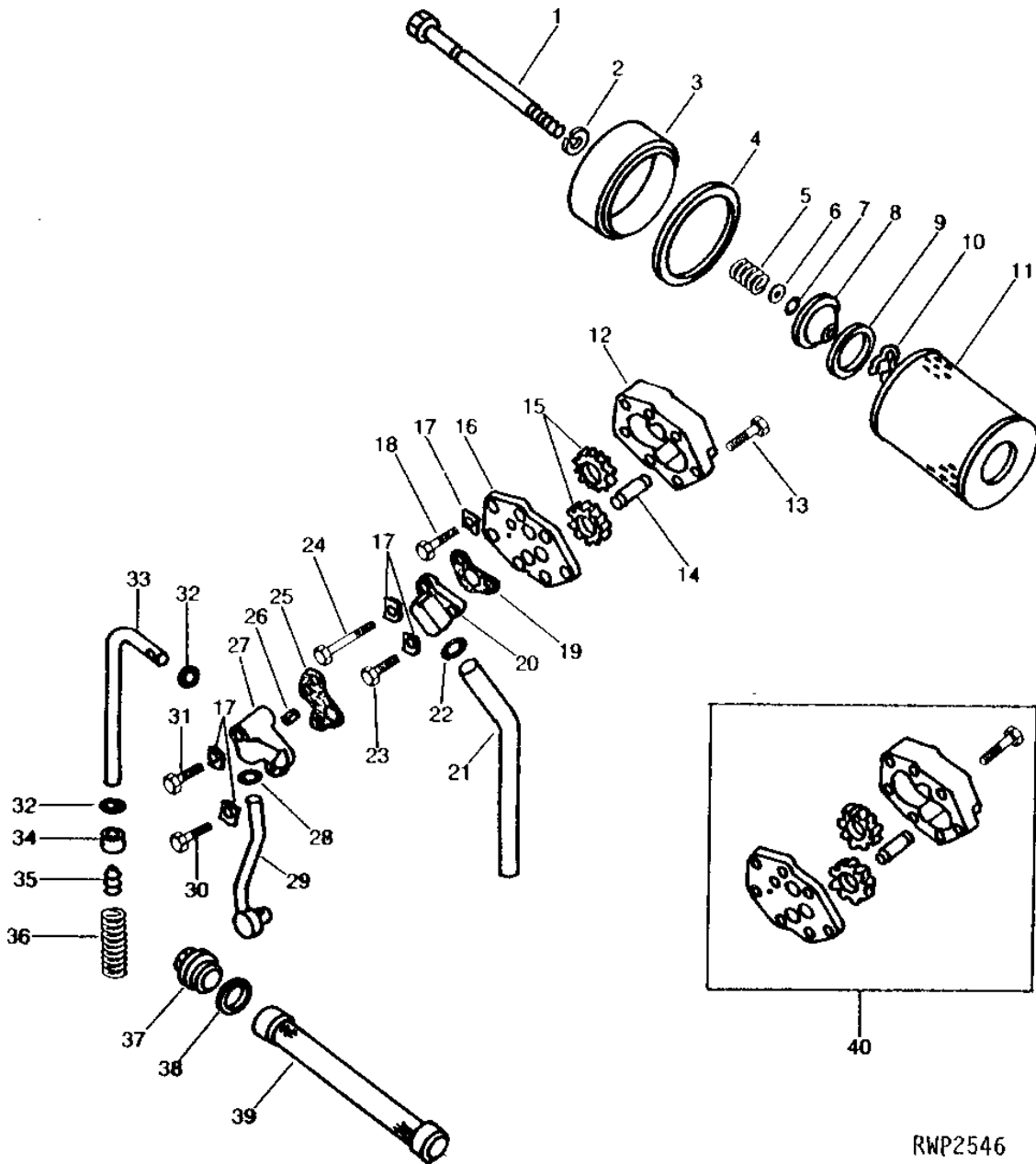
# 2B14

POWER TRAIN

RWP2546

-UN-01JAN94

## TRANSMISSION OILING SYSTEM



# 2B15

POWER TRAIN

## TRANSMISSION OILING SYSTEM - CONTINUED

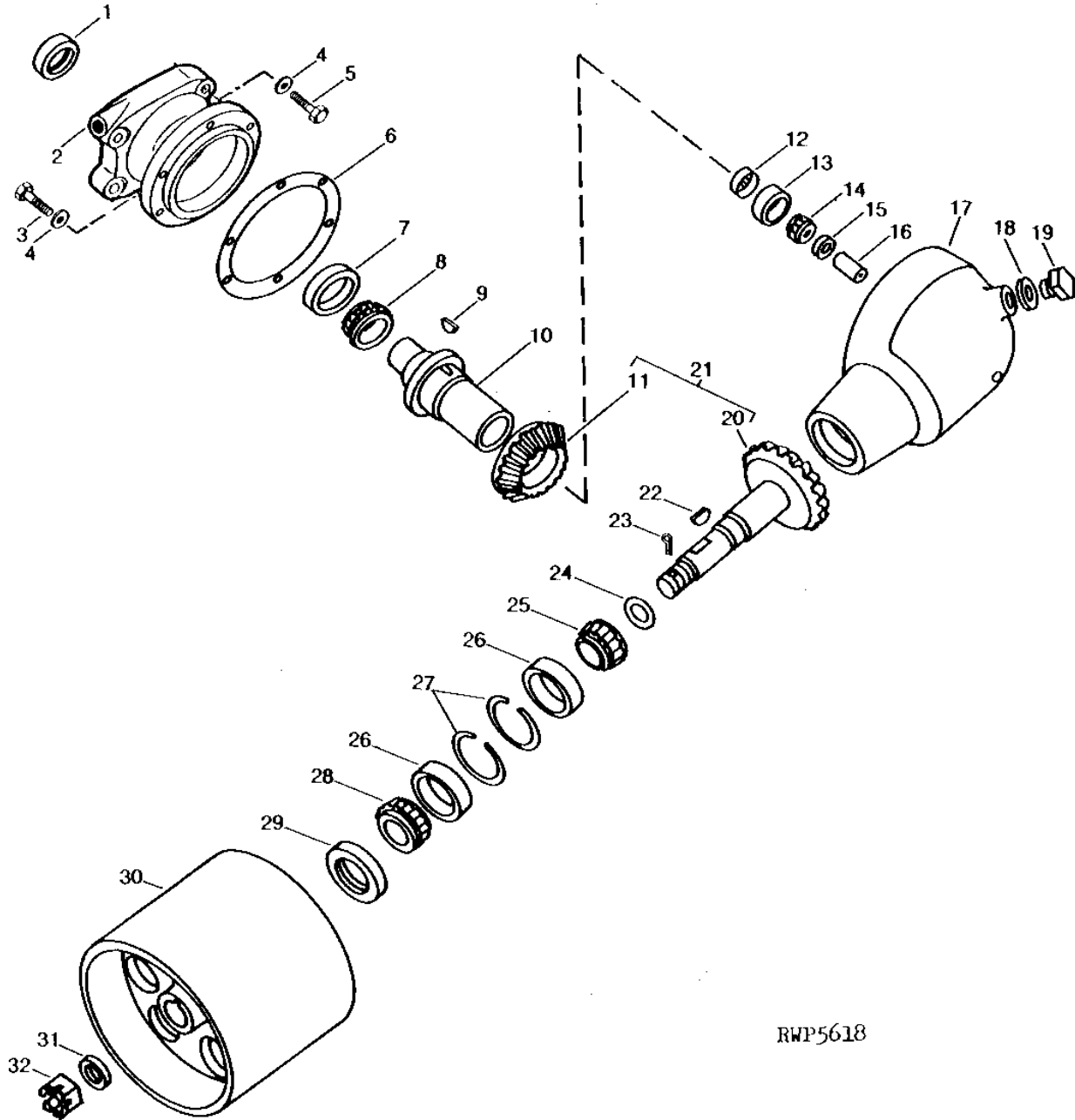
KEY	PART NO.	PART NAME	QTY	TRACTOR SERIAL NO.	REMARKS
1	R54750	CAP SCREW	1		(SUB FOR R26322 OR R39795)
2	R32403	SEAL	1		(SUB FOR F2223R)
3	R26319	COVER	1		(SUB R394R, R34733, R39794 AND R54750)
4	R39596	WASHER	1		(SUB FOR R1572R)
5	H819R	SPRING	1		
6	24H1227	WASHER	1		17/32" X 13/16" X 0.060"
7	R394R	O-RING	1		
8	R28593	RETAINER	1		
9	R28594	WASHER	1		
10	R32507	SNAP RING	1		
11	AR75603	FILTER ELEMENT	1		(SUB FOR AR28271)
12	AR26943	HOUSING	1		(MARKED R26302)
13	19H1849	CAP SCREW	2		5/16" X 1-1/4"
14	T25317	DOWEL PIN	1		(SUB FOR R26015)
15	AR79582	GEAR	1		(SUB FOR AR26942)
16	R26305	COVER	1		
17	T13857	LOCK PLATE	6		
18	19H1901	CAP SCREW	2		5/16" X 2"
19	R33441	GASKET	1		(SUB FOR R26316)
20	R26315	PUMP	1		INLET
21	R26314	HYDRAULIC LINE	1		
22	R56462	O-RING	1		
23	19H1849	CAP SCREW	1		5/16" X 1-1/4"
24	19H1949	CAP SCREW	1		5/16" X 2-1/2"
25	R26312	GASKET	1		
26	34H257	SPRING PIN	1		5/32" X 3/8"
27	R26311	PUMP	1		OUTLET, (ALSO ORDER 34H257)
28	R56756	O-RING	1		(SUB FOR A3917R, THIS APPLICATION)
29	AR26476	HYDRAULIC LINE	1		
30	19H1949	CAP SCREW	1		5/16" X 2-1/2"
31	19H1901	CAP SCREW	1		5/16" X 2"
32	R394R	O-RING	2		
33	R26739	OIL TUBE	1		
34	R26313	BUSHING	1		
35	R26308	VALVE	1		
36	R26309	SPRING	1		
37	A4806R	PLUG	1		
38	A4808R	WASHER	1		
39	R53169	SCREEN	1		(NYLON)
	AR26375	SCREEN	1		(STEEL)
40	AR26374	OIL PUMP	1		

# 2B16

POWER TRAIN

BELT PULLEY  
(1000 RPM PTO)

RWP5618 -UN-01JAN94



RWP5618

# 2B17

POWER TRAIN

## BELT PULLEY - CONTINUED (1000 RPM PTO)

KEY	PART NO.	PART NAME	QTY	TRACTOR SERIAL NO.	REMARKS
1	AT12431	SEAL	1		
2	T13328	COVER	1		(NO LONGER AVAILABLE)
3	19H3579	CAP SCREW	6		1/2" X 1-3/8"
4	12H301	LOCK WASHER	10		1/2"
5	19H1990	CAP SCREW	4		1/2" X 2-1/4"
6	R44372	SHIM	AR		0.13MM (.005") PAPER, (SUB FOR T13339)
	R44361	SHIM	AR		0.13MM (.005") (SUB FOR T13340)
	T13341	SHIM	AR		0.25MM (.010")
7	JD8247	BEARING CUP	1		(SUB FOR JD8256)
8	JD8922	BEARING CONE	1		(SUB FOR JD8944)
9	26H85	SHAFT KEY	1		1/4" X 1"
10	T13329	HUB	1		DRIVE GEAR
11	R63692	GEAR	1		(SUB T13330)
12	M2206T	CAP	1		
13	JD7438	BEARING CUP	1		
14	JD8135	BEARING CONE	1		
15	T13331	SHIM	AR		0.08MM (.003")
	T13332	SHIM	AR		0.13MM (.005")
	T13333	SHIM	AR		0.25MM (.010")
16	T13471	PIN	1		
17	T29242	CASE	1		(SUB FOR T13326)
18	A4827R	WASHER	1		
19	F3128R	DRAIN PLUG	1		
20	T13327	SHAFT	1		(SUB FOR T18717) (USE WITH AT12426) (SUB R63691, JD8982, T18718 AND JD8969)
	T18717	DRIVE SHAFT	1		(USE WITH AT16885) (NO LONGER AVAILABLE)
21	.....	SHAFT	1		(ORDER COMPONENT PARTS)
22	26H93	SHAFT KEY	1		1/4" X 1-1/4"
23	11M7032	COTTER PIN	1		0.197" X 1.969"
24	T13336	SHIM	AR		0.08MM (.003") (USE WITH AT12426)
	T13337	SHIM	AR		0.13MM (.005") (USE WITH AT12426)
	T13338	SHIM	AR		0.25MM (.010") (SUB T13337) (USE WITH AT12426)
	T13335	WASHER	1		(USE WITH AT12426)
25	JD7395	BEARING CONE	1		(USE WITH AT12426)
	JD8969	BEARING CONE	1		(USE WITH AT16885)
26	JD7418	BEARING CUP	2		
27	T13325	SNAP RING	2		
28	JD8943	BEARING CONE	1		(USE WITH AT12426)
	JD8982	BEARING CONE	1		(USE WITH AT16885)
29	AT12427	SEAL	1		(USE WITH AT12426)
	AT16887	SEAL	1		(USE WITH AT16885)
30	T13334	PULLEY	1		(SUB T18718) (USE WITH AT12426)
	T18718	PULLEY	1		(USE WITH AT16885)
31	A1522R	WASHER	1		(USE WITH AT12426)
	R30399	WASHER	1		(USE WITH AT16885) (SUB FOR T18996)
32	F562R	NUT	1		(USE WITH AT12426)
	14H920	NUT	1		1"

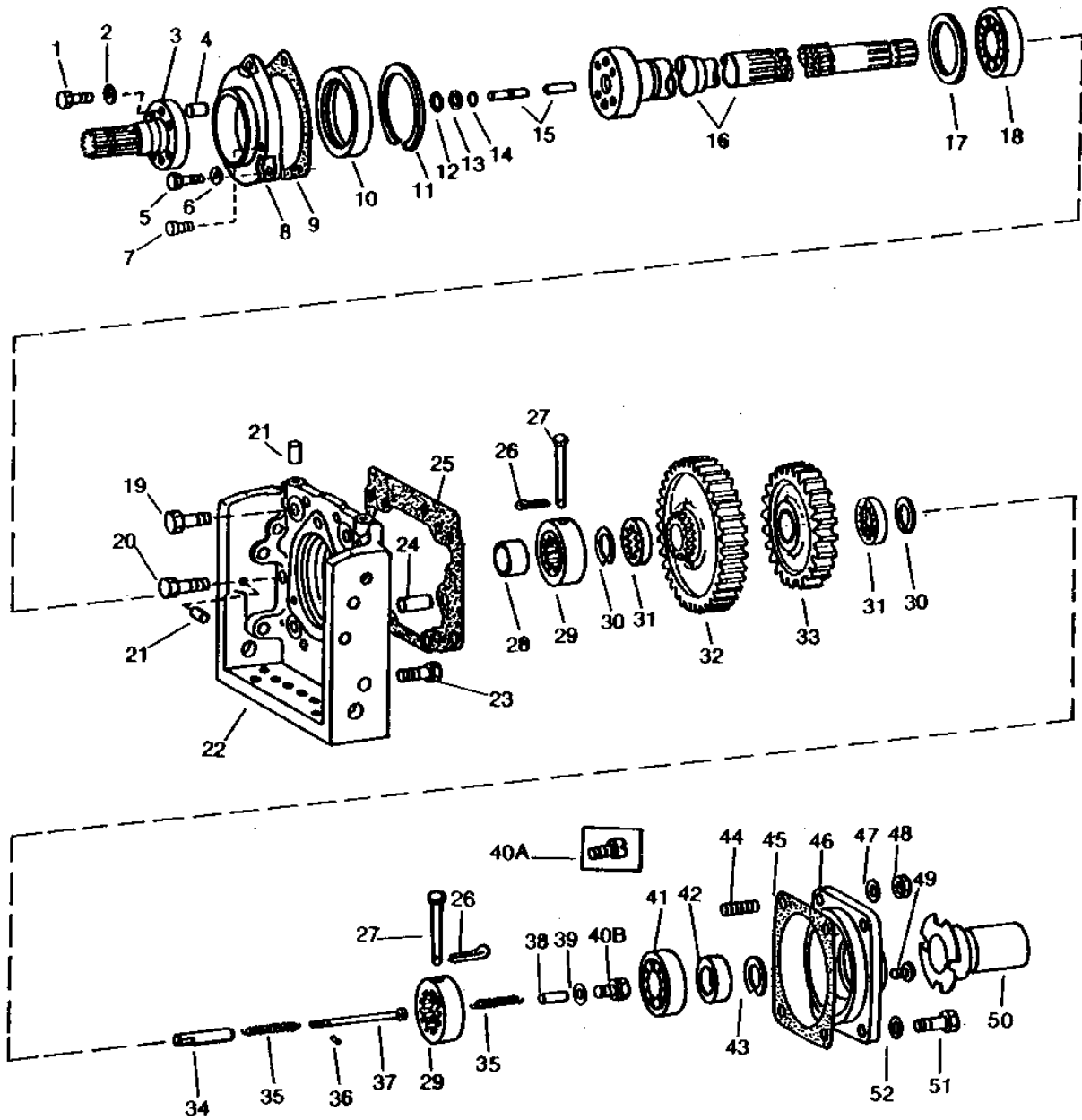
# 2B18

POWER TRAIN

RWP4895

-UN-01JAN94

540 RPM AND 1000 RPM PTO DRIVE GEARS, SHAFTS, AND FRONT GUARD



RWP4895

# 2B19

POWER TRAIN

## 540 RPM AND 1000 RPM PTO DRIVE GEARS, SHAFTS, AND FRONT GUARD - CONTINUED

KEY	PART NO.	PART NAME	QTY	TRACTOR SERIAL NO.	REMARKS
1	19H2552	CAP SCREW	4		3/8" X 1-1/8"
2	12H304	LOCK WASHER	4		3/8"
3	AR28572	SHAFT	1		(540 RPM)
	AR28573	SHAFT	1		(1000 RPM)
4	R27315	DOWEL PIN	2		
5	19H1731	CAP SCREW	3		3/8" X 1"
6	12H304	LOCK WASHER	3		3/8"
7	R27329	SCREW	2		
8	AR27247	QUILL	1		(MARKED R27342)
	R26994	COVER	1		(LESS PTO) (NO LONGER AVAILABLE)
9	R27328	GASKET	1		
10	AR26706	SEAL	1		
11	A1160R	SNAP RING	1		(SUB FOR A542R)
12	B474R	SNAP RING	1	-019799	(SUB R31415)
	R31415	SNAP RING	1	019800-	
13	24H1821	WASHER	1		9/32" X 47/64" X 1/16"
14	R26287	O-RING	1		(SUB FOR R26689)
15	R27057	PIN	1		
16	R27623	SHAFT	1	-020632	(SUB R32608)
	R31560	SHAFT	1	020633-	(SUB R32608)
17	R26795	WASHER	1		
18	JD7123	BALL BEARING	1		
19	19H3579	CAP SCREW	4		1/2" X 1-3/8"
20	19H1708	CAP SCREW	2		5/8" X 1-3/4"
21	34H348	SPRING PIN	4		3/8" X 1", (SUB FOR R26650 OR R32223)
22	AR26805	HOUSING	1		(RC, ST, AND RU) (MARKED R27616) (WITH REGULAR DRAWBAR)
	AR27612	HOUSING	1		(RC AND ST) (MARKED R28214) (WITH WIDE SWING DRAWBAR) (NO LONGER AVAILABLE)
	AR30817	HOUSING	1		(OR) (MARKED R31742) (NO LONGER AVAILABLE)
23	19H3579	CAP SCREW	4		1/2" X 1-3/8"
24	T25317	DOWEL PIN	2		(SUB FOR R26015)
25	R27615	GASKET	1		
26	11M7077	COTTER PIN	2		0.063" X 0.984"
27	R26687	PIN	2		
28	R27001	BUSHING	1		
29	R26797	SHIFT COLLAR	2		
30	R27000	SNAP RING	2		
31	R26798	WASHER	2		
32	R27055	GEAR	1		(540 RPM)
33	R27056	GEAR	1		(1000 RPM)
34	R27624	TUBE	1		
35	R26686	SPRING	2		
36	34H225	SPRING PIN	1		3/32" X 3/8"
37	R27625	PIN	1		
38	R36666	DOWEL PIN	1		(SUB FOR F3406R OR R26198, THIS APPLICATION)
39	R27003	WASHER	1		
40A	R27006	SCREW	1	-025278	(SUB R32121)
40B	R32121	SCREW	1	025279-	
41	JD9270	BALL BEARING	1		(SUB FOR JD7670)
42	AA2296R	SEAL	1		
43	R28640	SNAP RING	1		
44	R32101	STUD	2		1/2" X 1-3/4", (SUB FOR B1353R)
45	R27048	GASKET	1		
46	AR28059	QUILL	1		(MARKED R27618)
47	12H301	LOCK WASHER	2		1/2"
48	14H1040	NUT	2		1/2" HS, SAE 8
49	R27329	SCREW	2		
50	AR26701	GUARD	1		
51	19H1721	CAP SCREW	2		1/2" X 1-1/2"
52	12H301	LOCK WASHER	2		1/2"

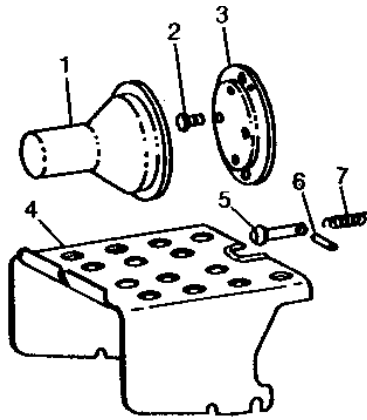
RC - ROW-CROP, ST - STANDARD, RU - ROW-CROP UTILITY, OR - ORCHARD

# 2B20

POWER TRAIN

RWP4896 -UN-01JAN94

## PTO MASTER SHIELD AND REAR GUARD



RWP4896

KEY	PART NO.	PART NAME	QTY	TRACTOR SERIAL NO.	REMARKS
1	AR26782	GUARD	1		
2	R27329	SCREW	1		
3	AR26707	RETAINER	1		
4	R27562	SHIELD	1		
5	F1462R	PIN	1		
6	34H286	SPRING PIN	1		
7	F1463R	SPRING	1		3/16" X 1-1/2"

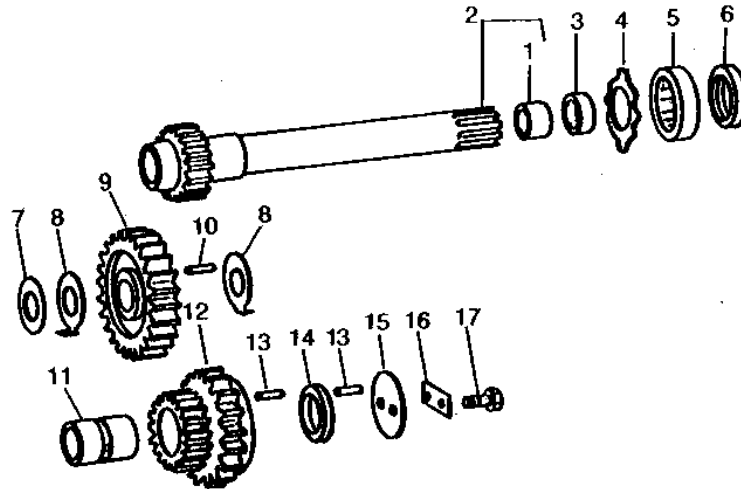


# 2B21

POWER TRAIN

RWP4897 -UN-01JAN94

## 540 RPM AND 1000 RPM PTO DRIVE SHAFT AND IDLER GEAR



RWP4897

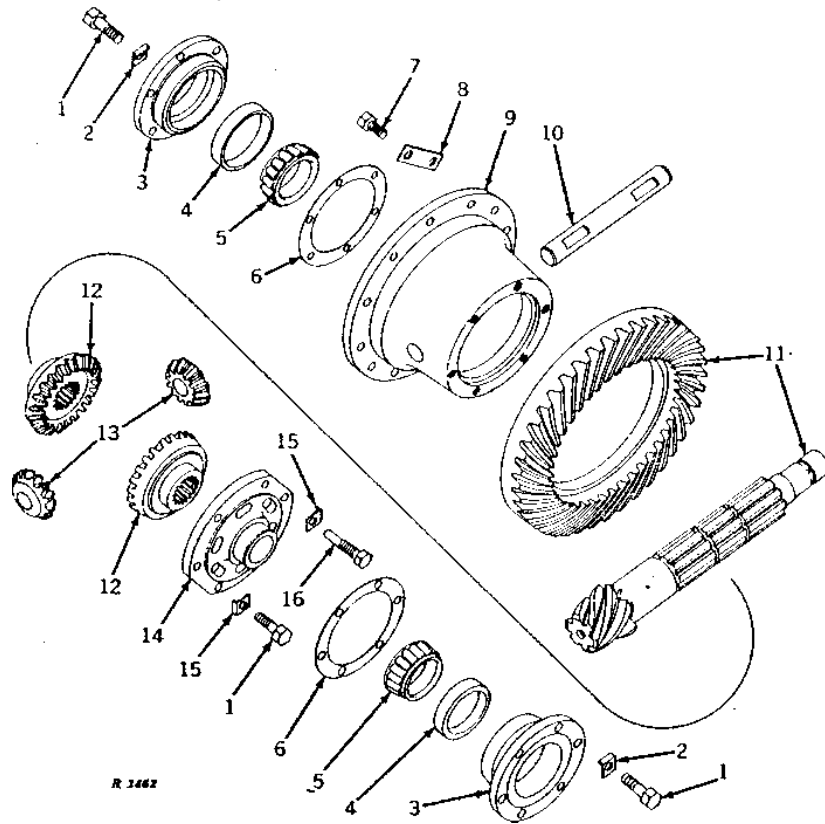
KEY	PART NO.	PART NAME	QTY	TRACTOR SERIAL NO.	REMARKS
1	R30854	BUSHING	1		
2	AR26844 AR31699	SHAFT SHAFT	1 1	-032399 032400-	(SUB AR31699 AND R32167)
3	AR26532	SEAL	1		
4	R30855	WASHER	1		
5	JD8720	ROLLER BEARING	1		(SUB FOR JD8308)
6	AR72992	SEAL	1		(SUB FOR AR26482)
7	R26679	WASHER	1		
8	R33345	THRUST WASHER	2		(SUB FOR R26680)
9	R27052	GEAR	1		(NO LONGER AVAILABLE)
10	R26006	NEEDLE ROLLER	18		
11	R27622	BUSHING	1		
12	R27621	GEAR	1		
13	R27053	NEEDLE ROLLER	66		
14	R27054	WASHER	1		
15	R26071	PLATE	1		
16	R26072	STRAP	1		
17	19H1731	CAP SCREW	2		3/8" X 1"

# 2B22

POWER TRAIN

R2462 -UN-01JAN94

DIFFERENTIAL



# 2B23

POWER TRAIN

## DIFFERENTIAL - CONTINUED

KEY	PART NO.	PART NAME	QTY	TRACTOR SERIAL NO.	REMARKS
1	19H3579	CAP SCREW	17		1/2" X 1-3/8"
2	R26038	LOCK PLATE	12		
3	R26105	QUILL	2		
4	JD8206	BEARING CUP	2		
5	JD8162	BEARING CONE	2	-014306	
	JD8946	BEARING CONE	2	014307-	
6	R46323	SHIM	AR		0.08MM (.003") (SUB FOR R26042)
	R26043	SHIM	AR		0.13MM (.005") (SUB FOR R26044)
7	19H3697	CAP SCREW	10		1/2" X 1-3/16"
8	R34488	PLATE	5		(SUB FOR R26100)
9	R26099	HOUSING	1	-014306	(SUB R31412 AND JD8946)
	R31412	HOUSING	1	014307-	
10	R38419	SHAFT	1		(SUB FOR R26101)
11	AR31184	GEAR	1		(RC AND ST) (SUB FOR AR28645) (WHEN FIRST AND THIRD SPEED GEAR WITH FORGING NO. R26247 IS INSTALLED, ALSO ORDER AR39827, R31558, AND R39871)
	AR31185	GEAR	1		(RU AND OR) (SUB FOR AR28644) (WHEN FIRST AND THIRD SPEED GEAR WITH FORGING NO. R26247 IS INSTALLED, ALSO ORDER AR39827, R31558, AND R39871) (NO LONGER AVAILABLE)
12	R26102	BEVEL GEAR	2		
13	R26103	PINION	2		
14	R26104	COVER	1	-014306	(SUB R31413 AND JD8946)
	R31413	COVER	1	014307-	
15	R26038	LOCK PLATE	6		
16	R41050	SCREW	1		(SUB FOR R26037) (SUB R70236)

RC - ROW-CROP, ST - STANDARD, RU - ROW-CROP UTILITY, OR - ORCHARD

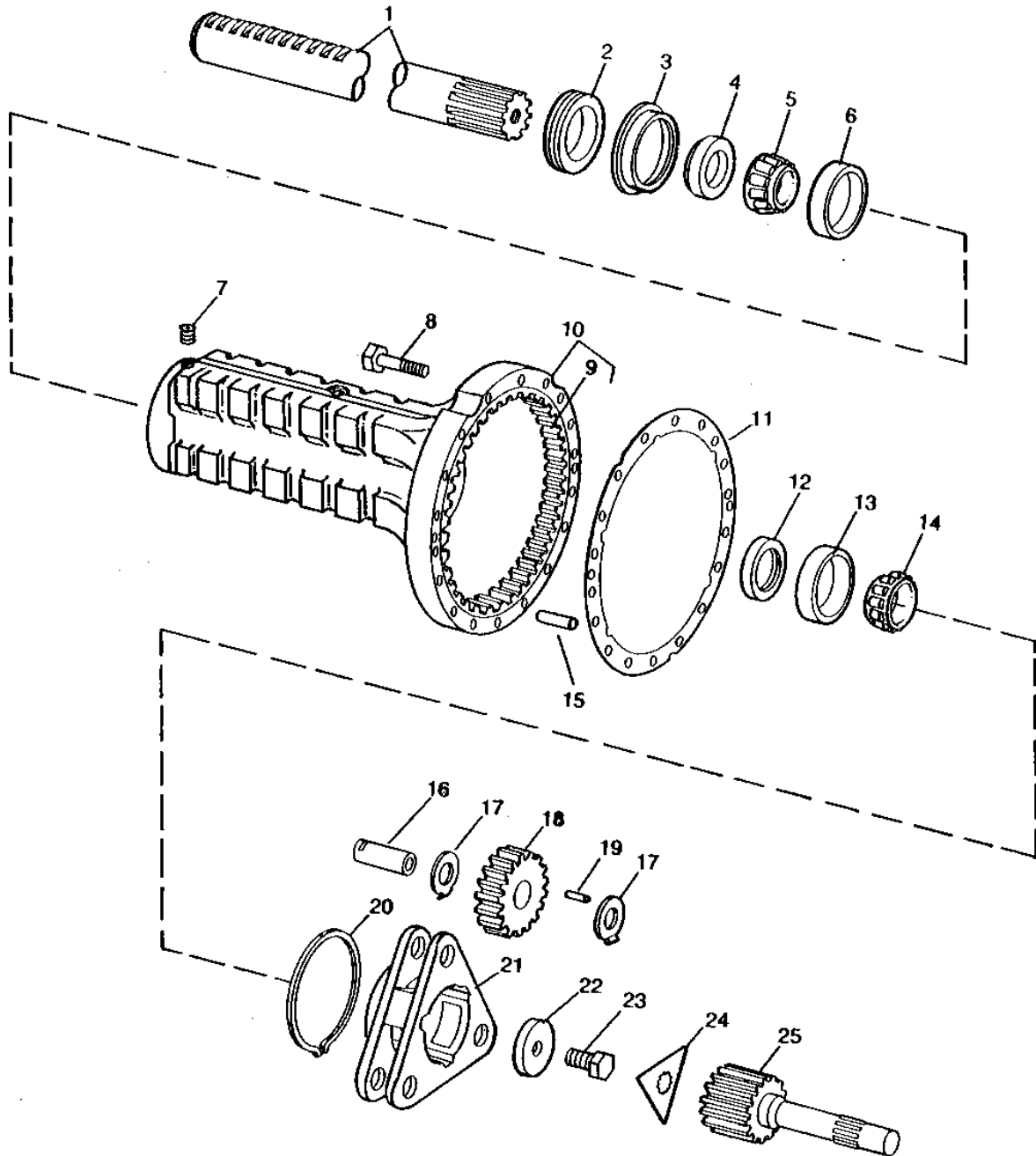
# 2B24

POWER TRAIN

RWP4898

-UN-01JAN94

PLANETARY AND REAR AXLE



RWP4898

# 2B25

POWER TRAIN

## PLANETARY AND REAR AXLE - CONTINUED

KEY	PART NO.	PART NAME	QTY	TRACTOR SERIAL NO.	REMARKS
1	R28167	SHAFT	1	-021222	683MM (26.88") (LONG) (RU) (NO LONGER AVAILABLE)
	R26017	SHAFT	1		2235MM (88") (TREAD); 858MM (33.75") (LONG) (RC) (SUB R31970)
	R31970	SHAFT	1		2311MM (91") (TREAD); 895MM (35.25") (LONG) (ST AND RU)
	R26080	SPINDLE	1		2642MM (104") (TREAD); 975MM (38.38") (LONG) (RC AND ST) (NO LONGER AVAILABLE)
	R27488	SHAFT	1		3048MM (120") (TREAD); 1178MM (46.38") (LONG) (RC) (NO LONGER AVAILABLE)
	R31893	SHAFT	1		1803MM (71") (TREAD) 683MM (26.88") (LONG) (OR) (NO LONGER AVAILABLE)
2	AR27446	SEAL	1		
3	R57269	OIL CUP	1		(SUB FOR R28128)
4	R26148	LOCK WASHER	1		
5	JD8165	BEARING CONE	1		
6	JD8213	BEARING CUP	1		
7	15H559	PIPE PLUG	1		1/4"
8	19H2358	CAP SCREW	AR		9/16" X 2-1/4" (12 USED, LESS REMOTE CYLINDER SELECTIVE CONTROL) (11 USED, WITH REMOTE CYLINDER SELECTIVE CONTROL)
9	R26016	GEAR	1		(SUB AR30387 OR AR31725)
10	AR26319	HOUSING	1	-021222	(MARKED R26000) (SUB AR30387)
	AR30387	HOUSING	1	021223-	(MARKED R31310)
11	R34184	GASKET	1		(SUB FOR R26028)
12	AR42330	SEAL	1		(SUB FOR AR26321)
13	JD8206	BEARING CUP	1		
14	JD8162	BEARING CONE	1		
15	R26027	PIN	3		
16	R26021	SHAFT	3		
17	R26007	THRUST WASHER	6		(SUB R38064)
18	R26019	PINION	3		
19	R26022	NEEDLE ROLLER	93		
20	R26023	SNAP RING	1		
21	R26018	PLANET PINION CARRIER	1		
22	R26024	WASHER	1		
23	R60033	CAP SCREW	1		(SUB FOR R26025) (SUB R69210)
24	R26026	PLATE	1		
25	R26106	SHAFT	1	-020142	(SUB R31245)
	R31245	SHAFT	1	020143-	

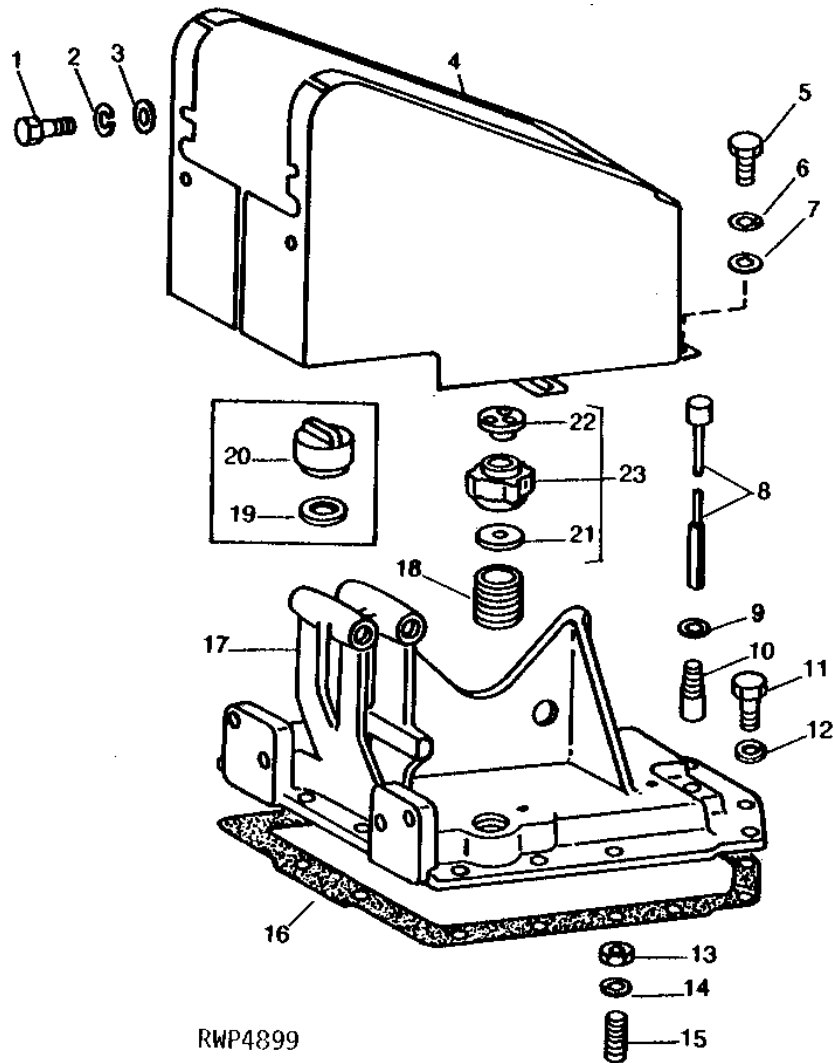
RC - ROW-CROP, ST - STANDARD, RU - ROW-CROP UTILITY, OR - ORCHARD

# 2C1

POWER TRAIN

## TRANSMISSION REAR COVER AND SEAT SUPPORT COVER (LESS ROCKSHAFT) (ROW-CROP AND STANDARD)

RWP4899 -UN-01JAN94



# 2C2

POWER TRAIN

**TRANSMISSION REAR COVER AND SEAT SUPPORT COVER - CONTINUED  
(LESS ROCKSHAFT)  
(ROW-CROP AND STANDARD)**

KEY	PART NO.	PART NAME	QTY	TRACTOR SERIAL NO.	REMARKS
1	19H1936	CAP SCREW	4		3/8" X 3/4"
2	12H304	LOCK WASHER	4		3/8"
3	24H1305	WASHER	4		13/32" X 13/16" X 0.065"
4	AR26846	COVER	1		
5	19H1900	CAP SCREW	4		5/16" X 3/4"
6	12H303	LOCK WASHER	4		5/16"
7	24H1136	WASHER	4		11/32" X 11/16" X 0.065"
8	AR26824	DIPSTICK	1	-018905	(SUB AR30692 AND R31566)
	AR30692	DIPSTICK	1	018906-	
9	R1590R	WASHER	1		
10	R27363	TUBE	1	-018905	(SUB AR30692 AND R31566)
	R31566	TUBE	1	018906-	
11	19H3579	CAP SCREW	7		1/2" X 1-3/8"
	19H1990	CAP SCREW	7		1/2" X 2-1/4"
12	12H301	LOCK WASHER	8		1/2"
13	14H1040	NUT	4		1/2" HS, SAE 8
14	12H301	LOCK WASHER	4		1/2"
15	R32101	STUD	4		1/2" X 1-3/4", (SUB FOR B1353R)
16	R34161	GASKET	1		(SUB FOR R27650)
17	AR32903	COVER	1		(SUB FOR R27653)
	F1737R	FILTER	1	-017189	
18	A4234R	ASSEMBLY LINE PARTS	1		
19	A4235R	GASKET	1	-017189	
20	A4233R	ASSEMBLY LINE PARTS	1	-017189	
21	R31486	WASHER	1	017190-	
22	AM1074T	BREATHER	1	017190-	
23	AR30697	CAP	1	017190-	(MARKED R31487 OR R32715)

---

MEMORANDA

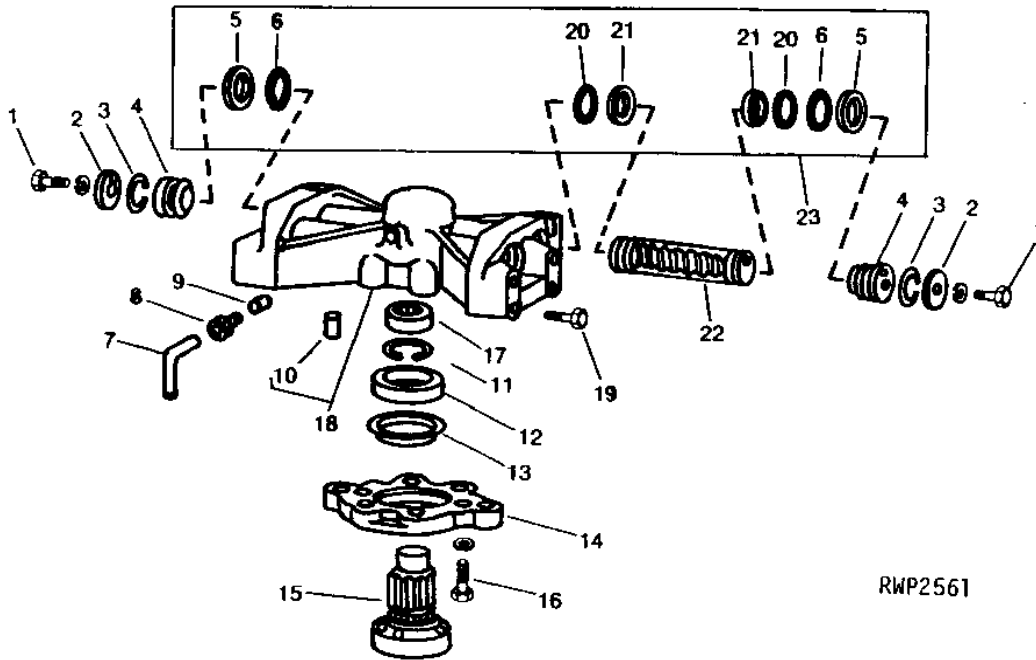


# 2C4

STEERING AND BRAKES

RWP2561 -UN-01JAN94

## STEERING MOTOR



RWP2561

KEY	PART NO.	PART NAME	QTY	TRACTOR SERIAL NO.	REMARKS
1	19H1732	CAP SCREW	4	3/8" X 1-1/4"	
	12H304	LOCK WASHER	4	3/8"	
2	R26281	WASHER	4		
3	R26283	SNAP RING	4		
4	R26280	PLUG	4		
5	R26290	BACK-UP RING	4		
6	R26282	O-RING	4		
7	R33732	OIL TUBE	1	(SUB FOR R27002)	
8	R28676	FITTING	1		
9	R28677	SLEEVE	1		
10	R26277	DOWEL PIN	2		
11	R26285	SNAP RING	1		
12	AR26981	BALL BEARING	1		
13	R34748	SEAL	1	(SUB FOR R32627)	
14	R31561	RETAINER	1	(SUB FOR R26284)	
15	AR26586	SPINDLE	1		
16	19H2550	CAP SCREW	6	1/2" X 1-5/8"	
	12H301	LOCK WASHER	6	1/2"	
17	R31530	BUSHING	1	(SUB FOR R28754)	
18	AR34824	HOUSING	1	(MARKED R34980 OR R26275)	
19	R31505	BOLT	8	(SUB FOR R26288)	
20	B3685R	O-RING	4		
21	R47083	BACK-UP RING	4	(SUB FOR R40761 OR R28136)	
22	R26278	PISTON	2		
23	AR52016	O-RING KIT	1	O-RING	

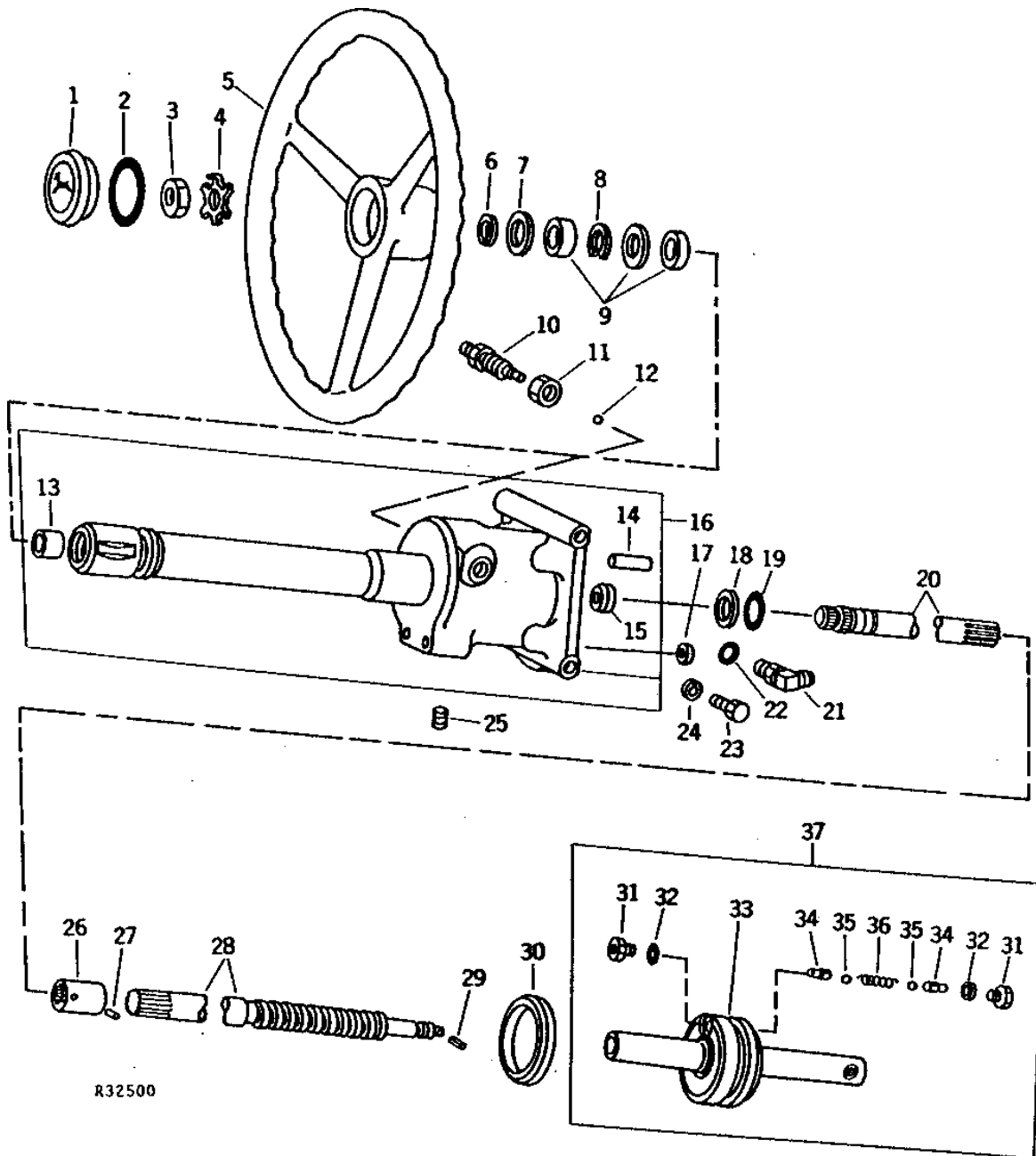
# 2C5

STEERING AND BRAKES

R32500

-UN-01JAN94

## STEERING VALVE CYLINDER, SHAFT, AND PISTON



# 2C6

## STEERING AND BRAKES

### STEERING VALVE CYLINDER, SHAFT, AND PISTON - CONTINUED

KEY	PART NO.	PART NAME	QTY	TRACTOR SERIAL NO.	REMARKS
1	R47998	CAP	1		(SUB FOR R26673, R34324 OR R45792)
2	B3690R	O-RING	1		
3	14H904	NUT	1		3/4"
4	T17148	LOCK WASHER	1		
5	AR26625	STEERING WHEEL	1		
6	B169R	SNAP RING	1		
7	24H1659	WASHER	1		29/32" X 1-5/8" X 0.120"
8	R26933	SNAP RING	1		
9	AR34172	SEAL KIT	1		(SUB FOR AR26447)
10	R27299	SCREW	1		
11	R27453	NUT	1		
12	400R	BALL	1		6MM (1/4")
13	R27320	BUSHING	1		
14	R32186	DOWEL PIN	2		
15	R27087	WASHER	1		
16	AR47289	CYLINDER	1		(RC AND ST) (MARKED R27508, R34118 OR R45297) (SUB FOR AR26908 OR AR32700) (ALSO ORDER R26287, AR42009 AND R27216)
	AR32699	CYLINDER	1		(RU AND OR) (MARKED R26713 OR R34117) (SUB FOR AR27951) (ALSO ORDER R26287, AR42009 AND R27216)
17	AR67783	O-RING KIT	1		PACKING, (SUB FOR R26760, R41708 OR AR42009)
18	R26441	BACK-UP RING	1		(SUB FOR F1432R)
19	A3606R	O-RING	1		
20	R37426	SHAFT	1		(RC AND ST) (SUB FOR R27318) (SUB R73737)
	R28137	STEERING WHEEL SHAFT	1		(RU AND OR)
21	AT35121	ELBOW FITTING	1		90°, (SUB FOR AR26725)
22	R26448	O-RING	1		
23	19H1732	CAP SCREW	4		3/8" X 1-1/4"
24	12H304	LOCK WASHER	4		3/8"
25	15H558	PIPE PLUG	1		1/8"
26	R27319	SPLINED COUPLING	1		
27	34H282	SPRING PIN	1		3/16" X 1"
28	AR32756	STEERING WHEEL SHAFT	1		(SUB FOR R27518)
29	11M7081	COTTER PIN	1		0.098" X 0.787"
30	R26754	BACK-UP RING	2	-XXXXXX	(SUB R40567, THIS APPLICATION)
	R26543	O-RING	1	-XXXXXX	(SUB R40567, THIS APPLICATION)
	R40567	WASHER	1	XXXXXX-	
31	R31202	VALVE	2		
32	R26287	O-RING	2		
33	R34554	PISTON	1		(SUB FOR R31200) (SUB AR30297)
	R31579	SPACER	1		(USE WITH R31200)
34	R31201	SHAFT	2		
35	H871R	BALL	2		5MM (3/16")
36	A4816R	SPRING	1		
37	AR30297	PISTON	1		(SUB FOR AR28949)

RC - ROW-CROP, ST - STANDARD, RU - ROW-CROP UTILITY, OR - ORCHARD

---

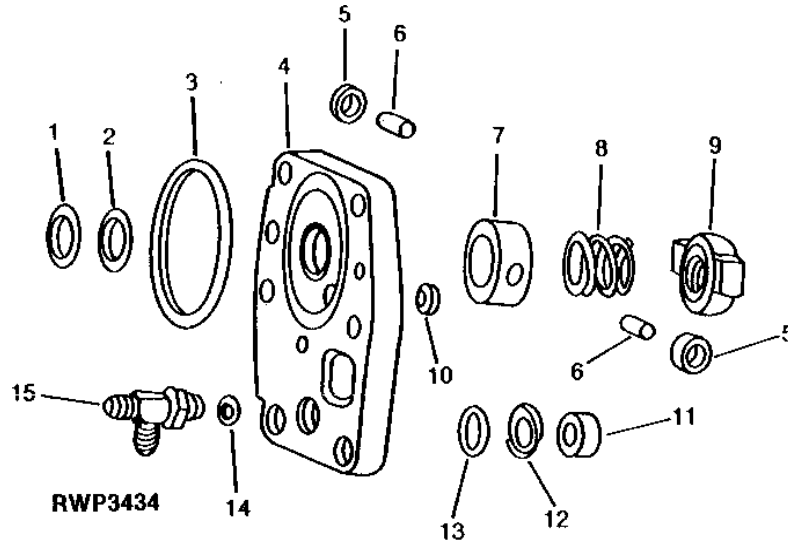
MEMORANDA

# 2C7

STEERING AND BRAKES

RWP3434 -UN-01JAN94

## STEERING VALVE CYLINDER COVER



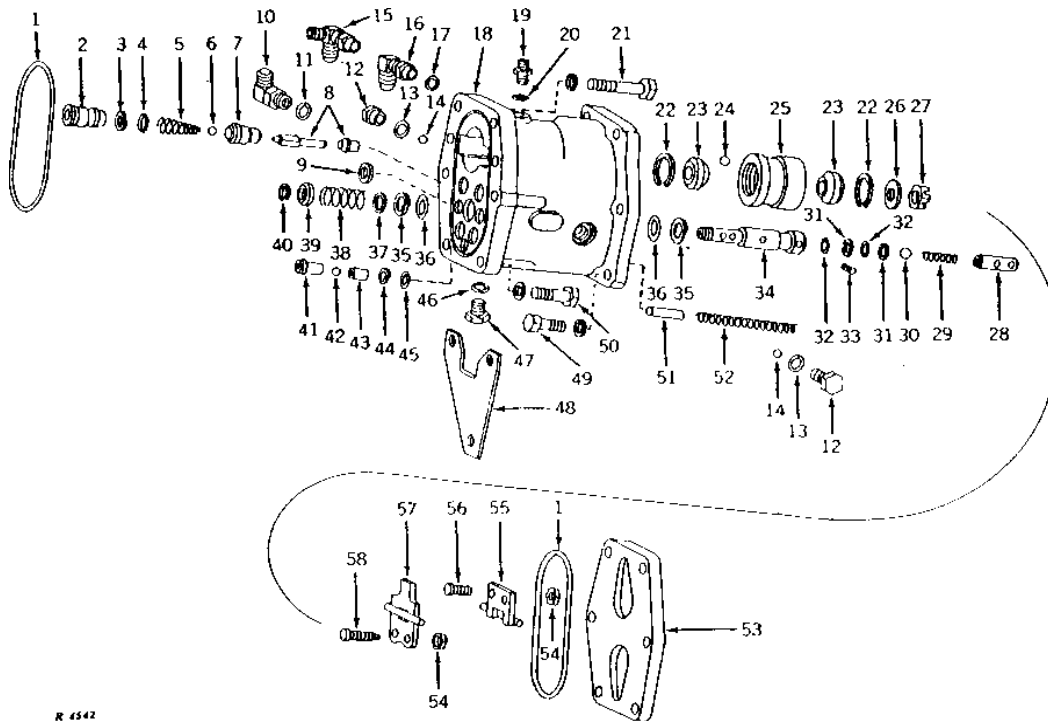
KEY	PART NO.	PART NAME	QTY	TRACTOR SERIAL NO.	REMARKS
1	A3606R	O-RING	1		
2	R26441	BACK-UP RING	1		
3	AR67783	O-RING KIT	1		(SUB FOR R34896 OR AR42009)
4	R26756	COVER	1	001000-016887	(ALSO ORDER (4) R459R, (4) R32588, (4) R26565 AND (4) R31448) (NOT AS ILLUSTRATED)
5	R26755	WASHER	2		
6	R27091	PIN	2		
7	R40149	LOCKING COLLAR	1		(SUB FOR R27090)
8	R40531	SPRING	1		(SUB FOR R26419)
9	R27089	NUT	1		
10	AR67783	O-RING KIT	1		(SUB FOR R26760, R41708 OR AR42009)
11	.....	PISTON	1		(NOT USED THIS APPLICATION)
12	.....	BACK-UP RING	1		(NOT USED THIS APPLICATION)
13	R31489	WASHER	1		
14	R26286	O-RING	1		
15	AR30762	TEE FITTING	1		

# 2C8

STEERING AND BRAKES

R4542 -UN-01JAN94

## STEERING VALVE ASSEMBLY



R 4542

KEY	PART NO.	PART NAME	QTY	TRACTOR SERIAL NO.	REMARKS
1	R34733	WASHER	2		(SUB FOR R26423)
2	R31448	PLUG	4		
3	R32588	BACK-UP RING	4		(SUB FOR R26551)
4	R459R	O-RING	4		
5	R26565	SPRING	4		
6	400R	BALL	4		6MM (1/4")
7	R28124	VALVE	4		
8	AR49535	SHAFT	2		(SUB FOR R26759 OR AR30589)
	AR49536	SHAFT	2		(SUB FOR R26758 OR AR30590)

# 2C9

## STEERING AND BRAKES

### STEERING VALVE ASSEMBLY - CONTINUED

KEY	PART NO.	PART NAME	QTY	TRACTOR SERIAL NO.	REMARKS
9	R31488	WASHER	2		
10	AT35121	ELBOW FITTING	1		90°, (SUB FOR AR26725)
11	R26448	O-RING	1		
12	R26429	PLUG	2		(SUB R40338 AND R27296)
13	R26286	O-RING	2		(SUB FOR R28785)
14	R32637	SHIM	AR		0.08MM (.003")
	R28785	SHIM	AR		0.13MM (.005")
	R28786	SHIM	AR		0.25MM (.25")
	R28505	SHIM	AR		0.76MM (.030")
15	AR30811	TEE FITTING	1	-019489	(RC AND ST)
	AT32335	ELBOW FITTING	1	-019489	90°, (RC AND ST) (SUB FOR AR26746)
	R26287	O-RING	1	-019489	(RC AND ST)
	AR30814	TEE FITTING	1	-019489	(RU)
	R31736	FITTING	1	-019489	(LESS SELECTIVE CONTROL)
	AR26767	TEE FITTING	1	019490-	(SELECTIVE CONTROL)
16	AT32334	FITTING	1	019490-	90°, (LESS SELECTIVE CONTROL) (SUB FOR AR26773)
17	R26286	O-RING	1		
18	AR30754	HOUSING	1		(MARKED R31623) (SUB FOR R26757 OR AR30584) (SUB AR30744, (2) R40359 AND (2) R40360)
19	R27216	DRAIN PLUG	1	-019489	
	R27527	ADAPTER	1	019490-	(RC AND ST) (SUB FOR R27139)
	AT32335	ELBOW FITTING	1		90°, (RU AND OR) (SUB FOR AR26746)
20	R26287	O-RING	1		
21	19H1990	CAP SCREW	4		1/2" X 2-1/4"
	12H301	LOCK WASHER	4		1/2"
22	R26425	SNAP RING	2		
23	R26737	BEARING RACE	2		
	R40595	BEARING RACE	2		(USE WITH AR32756)
24	R26552	BALL	13		8MM (5/16")
25	R40757	BUSHING	1		(SUB FOR R27093 OR R31197)
26	R34128	WASHER	4	-017599	(SUB FOR R26426)
27	R31535	NUT	1		1/2" FINE THREAD
	R40597	LOCK NUT	1		9/16" FINE THREAD
28	R32172	PLUG	1		(SUB FOR R27519)
29	R26421	SPRING	1		
30	R42849	BALL	1		10MM (3/8") (SUB FOR 405R)
31	R26547	WASHER	2	-017599	PAPER
32	R26286	O-RING	2		
33	34H249	SPRING PIN	1		1/8" X 7/8"
34	R26736	RELIEF VALVE	1		(SUB R32171 AND R32172)
35	R26546	BACK-UP RING	2		
36	B2762R	O-RING	2		
37	R26763	WASHER	1		
38	R26422	SPRING	1		
39	R62955	RETAINER	1		(SUB FOR R27092)
40	R26548	SNAP RING	1		
41	R27514	SLEEVE	1		REAR
42	R26552	BALL	1		8MM (5/16")
43	R27513	SLEEVE	1		FRONT
44	R32588	BACK-UP RING	1		(SUB FOR R26551)
45	R394R	O-RING	1		
46	R26286	O-RING	1		
47	R27094	DRAIN PLUG	1		
48	AR30755	BRACKET	1	019490-	(NO LONGER FURNISHED)
49	19H2552	CAP SCREW	6		3/8" X 1-1/8"
	12H304	LOCK WASHER	6		3/8"
50	19H1721	CAP SCREW	2	-019489	1/2" X 1-1/2"
	12H301	LOCK WASHER	2		1/2"
51	R26761	DOWEL PIN	1		
52	R26424	SPRING	1		
53	R57034	COVER	1		(SUB R26553)
54	14H649	NUT	4		1/4"
55	AR26402	LEVER	1		UPPER
56	R31217	SCREW	2		(SUB FOR R26762, THIS APPLICATION)
57	AR26448	LEVER	1		LOWER
58	R26554	SET SCREW	2		

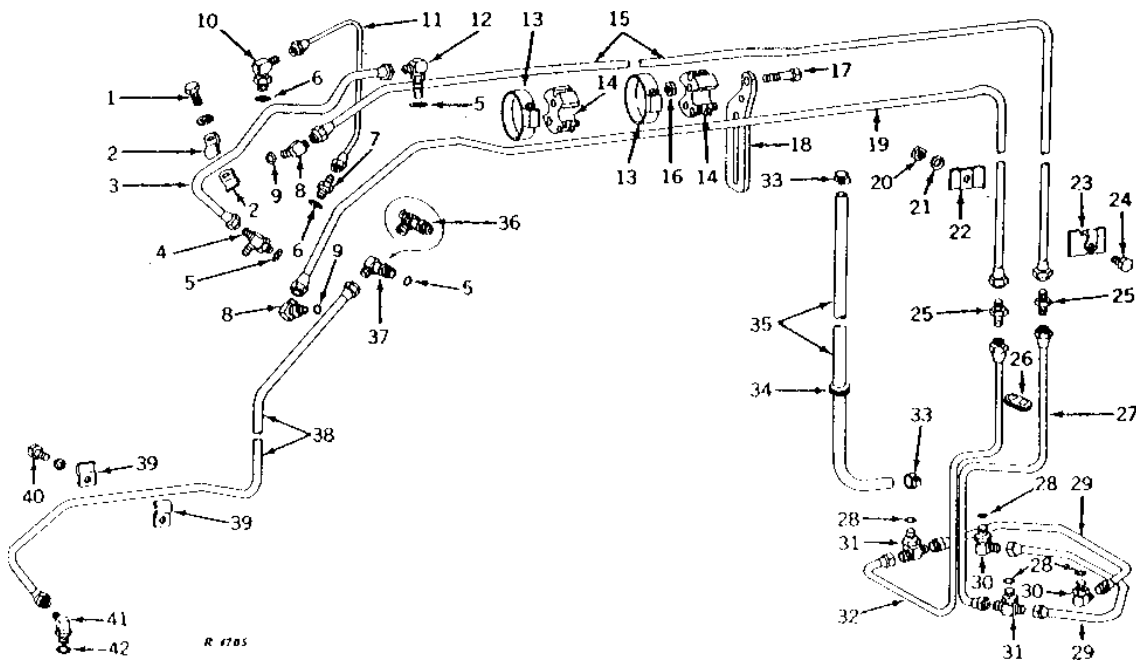
RC - ROW-CROP, ST - STANDARD, RU - ROW-CROP UTILITY, OR - ORCHARD

# 2C10

STEERING AND BRAKES

R4705 -UN-01JAN94

## STEERING OIL PIPES



KEY	PART NO.	PART NAME	QTY	TRACTOR SERIAL NO.	REMARKS
1	19H1731	CAP SCREW	1		3/8" X 1"
	12H304	LOCK WASHER	1		3/8"
2	R27545	CLAMP	2		(SUB R42357)
3	AR31111	PIPE	1	-042458	(RC AND ST) (SUB AR31989)
	AR31989	LINE	1	-042458	(RC AND ST)
	AR31988	HYDRAULIC LINE	1	042459-	(RC AND ST)
	R27720	CLAMP	2	042459-	
	12H304	LOCK WASHER	1	042459-	3/8"
	14H1076	NUT	1	042459-	3/8"
	AR34003	LINE	1		(RU AND OR) (SUB FOR AR30768)



# 2C11

STEERING AND BRAKES

## STEERING OIL PIPES - CONTINUED

KEY	PART NO.	PART NAME	QTY	TRACTOR SERIAL NO.	REMARKS
4	AR30762	TEE FITTING	1		
5	R26286	O-RING	3		
6	R26287	O-RING	2		
7	R27527	ADAPTER	1	019490-	(RC AND ST) (SUB FOR R27139)
	AT32335	ELBOW FITTING	1	019490-	90°, (RU AND OR) (SUB FOR AR26746)
8	AT35121	ELBOW FITTING	2		90°, (SUB FOR AR26725)
9	R26448	O-RING	2		
10	AT32335	ELBOW FITTING	1		90°, (SUB FOR AR26746)
11	AR48233	KIT	1		BLEED LINE, (SUB FOR AR30810, AR44043, AR30813 AND AR30788) (CONSISTS OF (2) AR48234, (2) AR48235, (2) AR48236 AND R46141)
12	AR30742	ELBOW FITTING	1		90°
13	AR21840	CLAMP	2		
14	AR41016	SPACER	2		(SUB FOR R27924)
15	AR26812	HYDRAULIC LINE	1		(A) TOP R.H. (RC AND ST)
	AR27597	HYDRAULIC LINE	1		(A) TOP R.H. (RU AND OR)
16	14H786	NUT	2		1/4"
17	19H1898	CAP SCREW	2		1/4" X 1-1/2"
18	R27925	SUPPORT	1		
19	AR26813	HYDRAULIC LINE	1		(A) TOP L.H. (RC AND ST)
	AR27598	LINE	1		(A) TOP L.H. (RU AND OR) (NO LONGER AVAILABLE)
20	14H786	NUT	1		1/4"
21	12H302	LOCK WASHER	1		1/4"
22	R27323	CLAMP	1		
23	R27324	CLIP	1		
24	19H1914	CAP SCREW	1		1/4" X 1"
25	R27095	FITTING	2		
26	R26418	GROMMET	1		
27	AR26814	HYDRAULIC LINE	1		(A) BOTTOM R.H. (RC, ST, AND RU-LONG WHEEL BASE)
	AR27653	LINE	1		(A) BOTTOM R.H. (ST, RU, AND OR-SHORT WHEEL BASE)
28	R26286	O-RING	4		
29	AR26679	OIL LINE	2		
30	AT32333	ELBOW FITTING	2		90°, (SUB FOR AR26771)
31	AR27254	TEE FITTING	2		
32	AR26815	HYDRAULIC LINE	1		(A) BOTTOM L.H. (RC, ST, AND RU-LONG WHEEL BASE)
	AR27654	LINE	1		(A) BOTTOM L.H. (ST, RU, AND OR-SHORT WHEEL BASE)
33	AR21836	CLAMP	2		
34	R26941	GROMMET	1		
35	R33733	HOSE	1		(SUB FOR R27281)
36	AR30811	TEE FITTING	1	-019489	(RC AND ST)
	AT32335	ELBOW FITTING	1	-019489	90°, (RC AND ST) (SUB FOR AR26746)
	R26287	O-RING	1	-019489	(RC AND ST)
	AR30814	TEE FITTING	1	-019489	(RU)
	R31736	FITTING	1	-019489	(RU) (LESS SELECTIVE CONTROL)
	AR26767	TEE FITTING	1	019490-	(SELECTIVE CONTROL)
37	AT32334	FITTING	1	019490-	90°, (LESS SELECTIVE CONTROL) (SUB FOR AR26773)
38	AR32575	HYDRAULIC LINE	1		(B) (RC AND ST) (SUB FOR AR30080 OR AR30903)
	AR32576	LINE	1		(B) (RU AND OR) (SUB FOR AR30101 OR AR30904)
39	R27539	CLAMP	2		
40	19H1936	CAP SCREW	1		3/8" X 3/4"
	12H304	LOCK WASHER	1		3/8"
41	AR27699	ELBOW FITTING	1		90°
42	R26375	O-RING	1		

RC - ROW-CROP, ST - STANDARD, RU - ROW-CROP UTILITY, OR - ORCHARD

(A) STEERING VALVE TO STEERING MOTOR  
 (B) STEERING VALVE TO OIL FILTER RELIEF VALVE

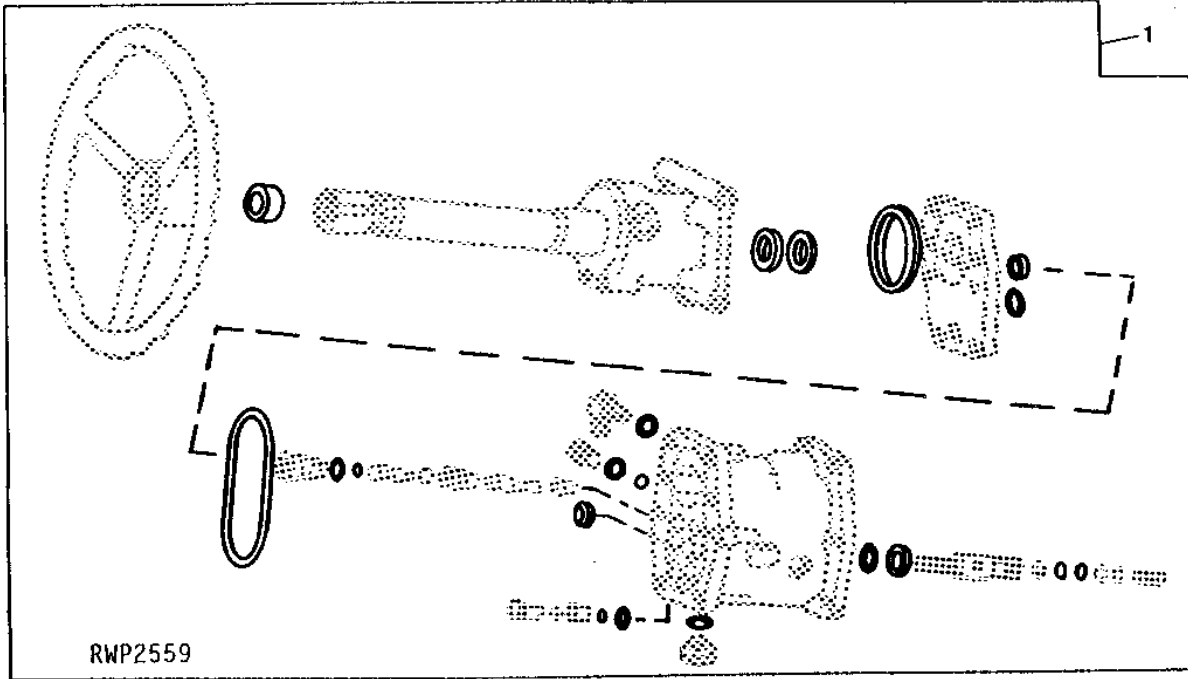
# 2C12

STEERING AND BRAKES

RWP2559

-UN-01JAN94

## STEERING PISTON, CYLINDER AND VALVE ASSEMBLY OVERHAUL KIT



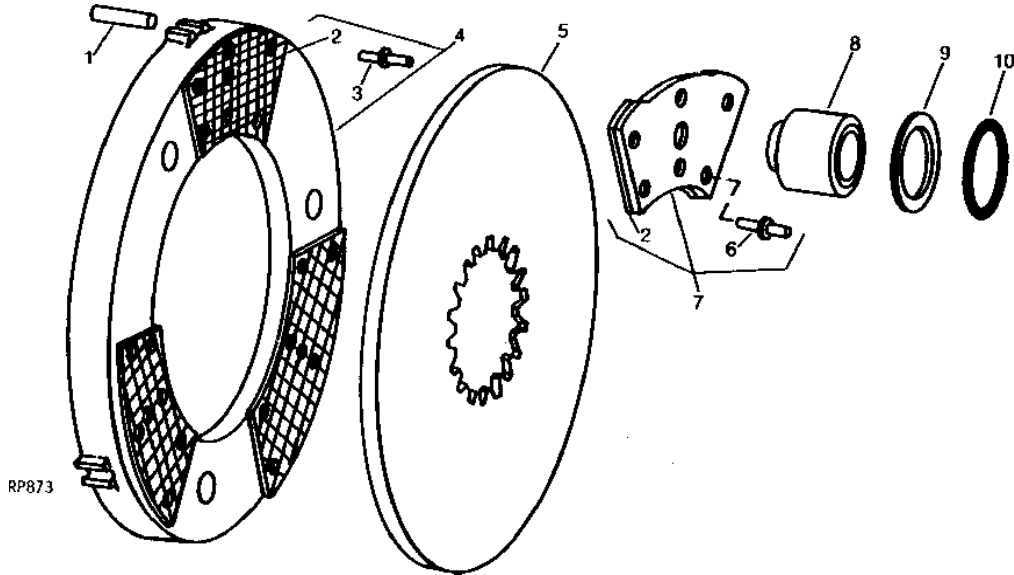
KEY	PART NO.	PART NAME	QTY	TRACTOR SERIAL NO.	REMARKS
1	AR39585	KIT	1	(SUB FOR AR30684, AR30541 OR AR30691)	

# 2C13

STEERING AND BRAKES

RP873 -UN-06OCT94

## BRAKE PLATES AND FACINGS



KEY	PART NO.	PART NAME	QTY	TRACTOR SERIAL NO.	REMARKS
1	R26027	PIN	6		
2	R26969	BRAKE SHOE	12		(SUB FOR AR28487) (SUB R111122)
3	R26301	RIVET	18		1-11/32"
	D2593R	RIVET	18		43/64"
4	AR26593	PLATE	2	-020632	(MARKED R26968) (SUB RE46337 AND (3) RE46330)
	AR31121	PLATE	2	020633-	(MARKED R32002) (SUB RE46337 AND (3) RE46330)
5	R26971	BRAKE DISK	2		
6	D1761R	RIVET	36		
7	AR32441	PLATE	6		(SUB FOR AR26909) (SUB RE46337 AND (3) RE46330)
8	R42225	PISTON	6		(SUB FOR R26972)
9	R26973	WASHER	6		
10	F1056R	O-RING	6		

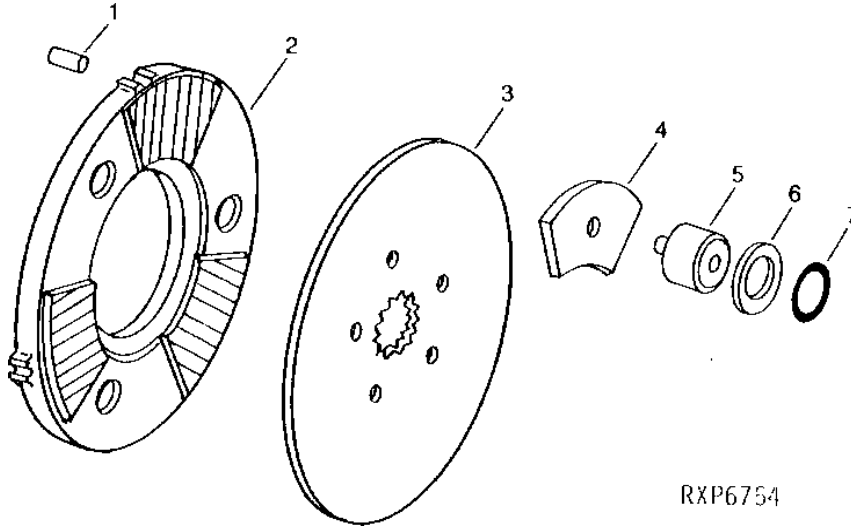
NOTE: 2 PART SUBS ARE DUE TO INTRODUCTION OF NON-ASBESTOS LININGS

# 2C14

STEERING AND BRAKES

RXP6754 -UN-01JAN94

## PLATES AND FACINGS



RXP6754

KEY	PART NO.	PART NAME	QTY	TRACTOR SERIAL NO.	REMARKS
1	R26027	PIN	6		
2	RE46337	PLATE	2		(MARKED R32002) (SUB FOR RE39945)
3	R26971	BRAKE DISK	2		
4	RE46330	PLATE	6		(SUB FOR RE36657)
5	R42225	PISTON	6		
6	R26973	WASHER	6		
7	F1056R	O-RING	6		

---

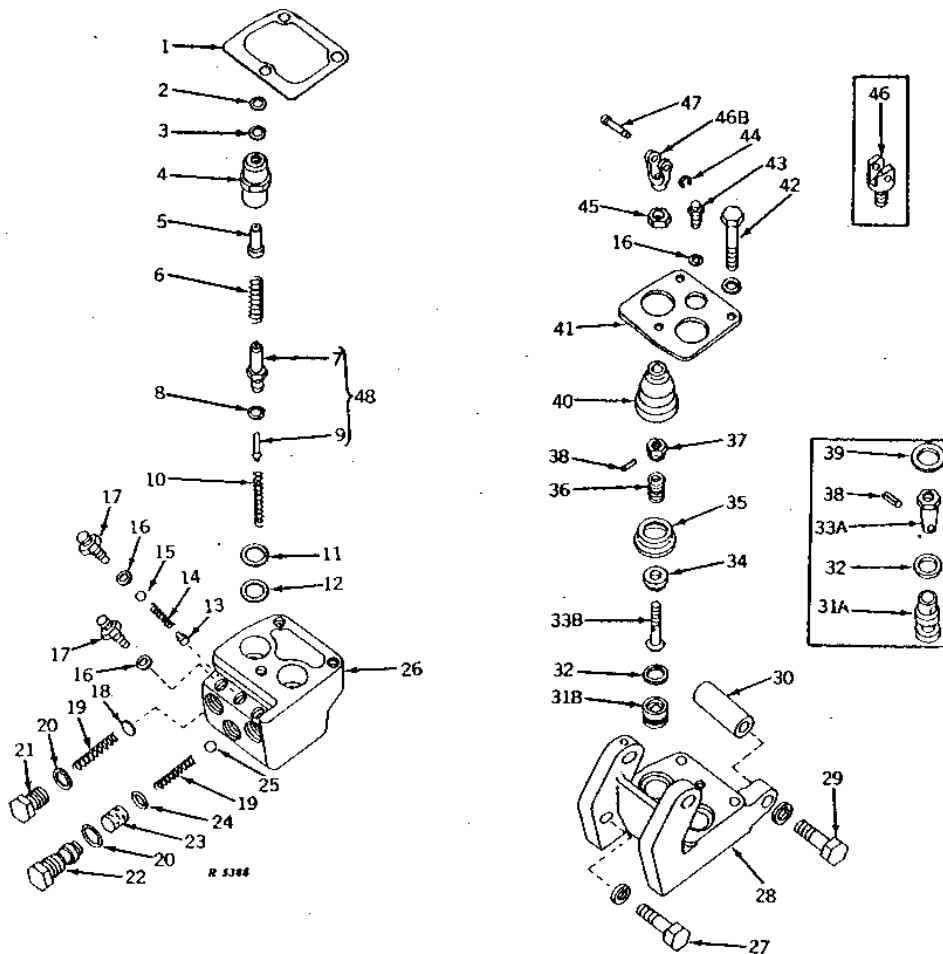
MEMORANDA

# 2C15

STEERING AND BRAKES

## BRAKE VALVE (TRACTOR SERIAL NO. 001000-019799)

R5388 -UN-01JAN94



# 2C16

STEERING AND BRAKES

**BRAKE VALVE - CONTINUED**  
(TRACTOR SERIAL NO. 001000-019799)

KEY	PART NO.	PART NAME	QTY	TRACTOR SERIAL NO.	REMARKS
1	R31455	GASKET	1		(SUB FOR R26378)
2	R26370	WASHER	2		PAPER
3	F3353R	O-RING	2		
4	R27135	PISTON	2	-019799	
5	R26368	PLUNGER	2	-019799	
	R32435	PLUNGER	2	-019799	
6	R26369	SPRING	2		
7	R26366	THREADED NIPPLE	2	-019799	INLET VALVE, (SUB AR30357)
8	R26286	O-RING	2		
9	R26365	VALVE	2	-019799	(SUB AR30357)
10	R26367	SPRING	2		
11	R27137	BACK-UP RING	2		
12	R27149	O-RING	2		
13	R26374	STOP	1		
14	R26373	SPRING	1		
15	400R	BALL	1		6MM (1/4")
16	R26287	O-RING	4		
17	R27139	FITTING	3	-002118	(SUB R27527)
	R27527	ADAPTER	1	002119-	
18	R26376	DISK	2		
19	R26372	SPRING	3		
20	R26375	O-RING	3		
21	R39112	FITTING	2		(SUB FOR R28095)
22	R28774	FITTING	1		
23	R28775	SCREEN	1		(SUB R42684)
24	R28776	O-RING	1		
25	R42849	BALL	1		10MM (3/8") (SUB FOR 405R)
26	R27526	HOUSING	1	-019799	(SUB AR87631)
27	19H2550	CAP SCREW	1		1/2" X 1-5/8"
	12H301	LOCK WASHER	1		1/2"
28	R26377	BRACKET	1	-019799	
29	19H1721	CAP SCREW	1		1/2" X 1-1/2"
	19H3550	CAP SCREW	1		1/2" X 4"
	12H301	LOCK WASHER	1		1/2"
30	R28037	SPACER	1		(RU)
31A	R26380	GUIDE	2	-012111	(NO LONGER AVAILABLE)
31B	R31268	GUIDE	2	-019799	
32	R31633	SEAL	2	-019799	(SUB FOR R26381)
33A	R26379	ROD	2	-012111	(NO LONGER AVAILABLE)
33B	R31267	ROD	2		(SUB AR39901)
34	R31269	STOP	2	012112-019799	
35	R31270	BUSHING	2	012112-019799	
36	R31271	SPRING	2	012112-	
37	R31272	SLEEVE	2	012112-	(SUB AR39901)
38	34H245	SPRING PIN	2		1/8" X 5/8"
39	24H1382	WASHER	2	-012111	3/4" X 1-7/16" X 0.090"
40	R31449	BOOT	2		(SUB FOR R26383) (SUB AR39901)
41	R26384	RETAINER	1		
42	19H1733	CAP SCREW	3		3/8" X 2-1/2"
	12H304	LOCK WASHER	3		3/8"
43	R27527	ADAPTER	1		
44	R26386	SNAP RING	2		
45	14H732	NUT	2		3/8"
46A	R27140	YOKE	2	-012111	(NO LONGER AVAILABLE)
46B	R31273	YOKE	2		
47	R26385	PIN	2		
48	AR30357	NEEDLE	2	-019799	(SUB FOR R26365 OR R26366)

RC - ROW-CROP, ST - STANDARD, RU - ROW-CROP UTILITY

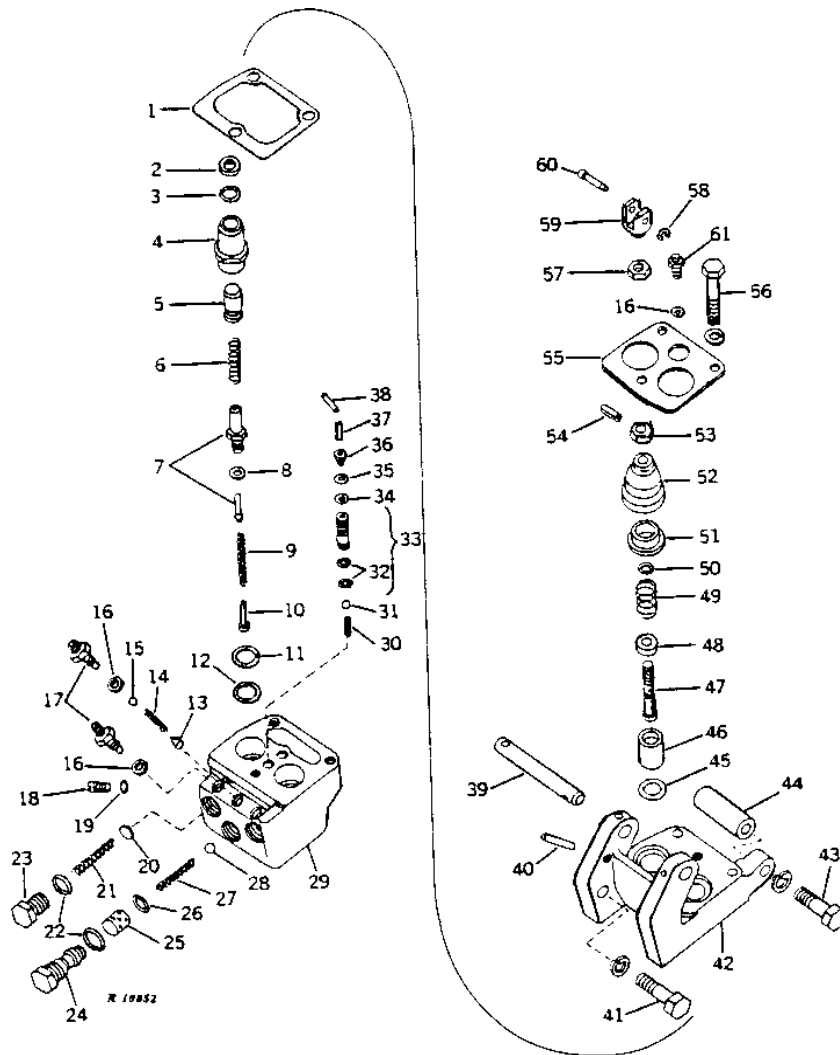
ON TRACTOR SERIAL NO. 001000-002118, SPECIAL CONNECTOR R31094 WAS USED TO CONNECT L.H. AND R.H. BRAKE PIPES TO OUTSIDE HOLES IN R27526 VALVE HOUSING. R31094 REPLACED R27139 ON THESE TRACTORS.

# 2C17

STEERING AND BRAKES

## BRAKE VALVE (TRACTOR SERIAL NO. 019800- )

R10852 -UN-12DEC94



KEY	PART NO.	PART NAME	QTY	TRACTOR SERIAL NO.	REMARKS
1	R31455	GASKET	1		
2	R26370	WASHER	2	-022443	PAPER
3	R32092	WASHER	2	022444-	PAPER
3	F3353R	O-RING	2	-022443	
3	R459R	O-RING	2	022444-	
4	R31461	PISTON	2	019800-022443	MANUAL BRAKE
4	R32091	PISTON	2	022444-	MANUAL BRAKE
5	R41201	PLUNGER	2	019800-022443	(SUB FOR R31456)
5	R32090	PLUNGER	2	022444-	



# 2C18

STEERING AND BRAKES

**BRAKE VALVE - CONTINUED**  
(TRACTOR SERIAL NO. 019800- )

KEY	PART NO.	PART NAME	QTY	TRACTOR SERIAL NO.	REMARKS
6	R26369	SPRING	2		
7	AR52498	VALVE	2	019800-	(SUB FOR AR30855 OR AR45634) (INCLUDES R26826)
8	R26286	O-RING	2		
9	R26367	SPRING	2		
10	R31639	PIN	2	019800-XXXXXX	(NOT USED WITH AR52498)
11	R27137	BACK-UP RING	2		
12	R27149	O-RING	2		
13	R26374	STOP	1		
14	R26373	SPRING	1		
15	400R	BALL	1		
16	R26287	O-RING	4		
17	R27527	ADAPTER	3		
18	R31463	PLUG	1	019800-041433	
	H871R	BALL	1	041434-	
19	R26976	O-RING	1	019800-041433	
20	R26376	DISK	2		
21	R26372	SPRING	2		
22	R26375	O-RING	3		
23	R39112	FITTING	2		(SUB FOR R28095)
24	R28774	FITTING	1		
25	R28775	SCREEN	1		(SUB R42684)
26	R28776	O-RING	1		
27	R26372	SPRING	1		
28	R42849	BALL	1		(SUB FOR 405R)
29	AR42400	HOUSING	1	019800-	(MARKED R31454) (SUB FOR R31454 OR AR31940)
30	A4816R	SPRING	2	019800-	
31	400R	BALL	2	019800-	
32	R30903	O-RING	4	019800-	(SUB FOR R26287)
33	AR31016	GUIDE	1	019800-	(SUB FOR R31466)
34	R31468	O-RING	2	019800-	
35	R31469	SHIM	2	019800-	
36	R31465	SLEEVE	2	019800-	
37	R31467	PIN	2	019800-	
38	R31464	PIN	2	019800-	
39	R34746	GROOVE PIN	1		(SUB FOR R28036) (RU AND OR)
40	34H245	SPRING PIN	1		1/8" X 5/8" (RU AND OR)
41	19H2550	CAP SCREW	1		1/2" X 1-5/8"
	12H301	LOCK WASHER	1		1/2"
42	R40789	BRACKET	1	029800-	(SUB FOR R31453 OR R34642) (SUB R57815, R45929 AND 34H286)
43	19H1721	CAP SCREW	1		1/2" X 1-1/2", (RC AND ST)
	19H3550	CAP SCREW	1		1/2" X 4", (RU AND OR)
	12H301	LOCK WASHER	1		1/2"
44	R28037	SPACER	1		(RU AND OR)
45	A3606R	O-RING	2	019800-	
46	R31457	GUIDE	2	019800-	
47	R31267	ROD	2		(SUB AR39901)
48	R31458	STOP	2	019800-	
49	R31271	SPRING	2		
50	R30903	O-RING	2		
51	R31459	RETAINER	2	019800-	
52	R31449	BOOT	2		(SUB AR39901)
53	R31272	SLEEVE	2		(SUB AR39901)
54	34H245	SPRING PIN	3		1/8" X 5/8"
55	R26384	RETAINER	1		
56	19H1733	CAP SCREW	3		3/8" X 2-1/2"
	12H304	LOCK WASHER	3		3/8"
57	14H732	NUT	2		3/8"
58	R26386	SNAP RING	2		
59	R31273	YOKE	2		
60	R26385	PIN	2		
61	R27527	ADAPTER	1		

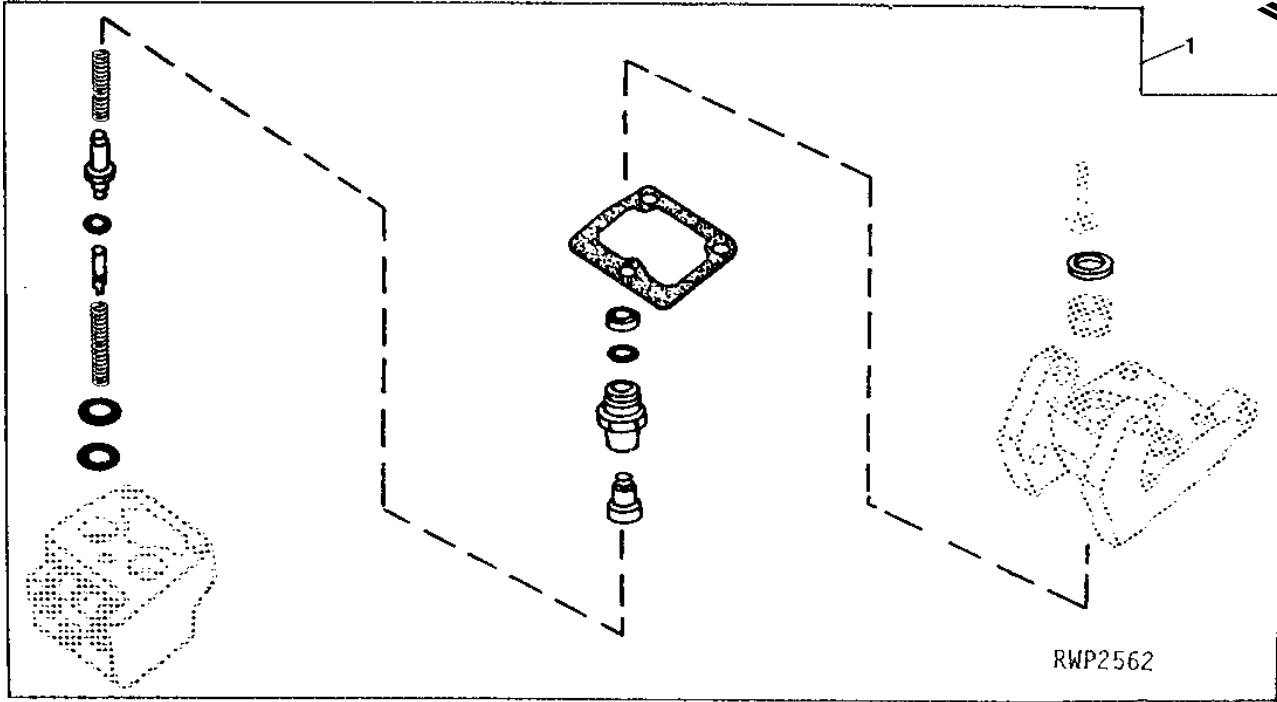
RC - ROW-CROP, ST - STANDARD, RU - ROW-CROP UTILITY, OR - ORCHARD

# 2C19

STEERING AND BRAKES

RWP2562 -UN-01JAN94

## BRAKE VALVE PLUNGER KIT



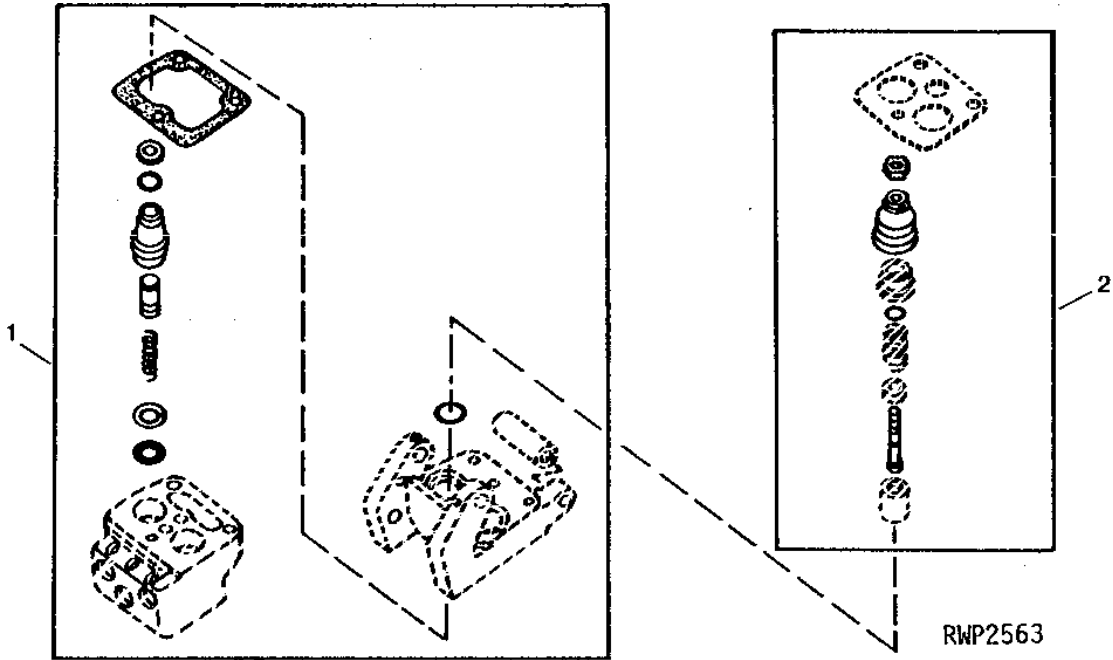
KEY	PART NO.	PART NAME	QTY	TRACTOR SERIAL NO.	REMARKS
1	AR31700	KIT	1	-019799	

# 2C20

STEERING AND BRAKES

RWP2563 -UN-01JAN94

## BRAKE VALVE KIT



KEY	PART NO.	PART NAME	QTY	TRACTOR SERIAL NO.	REMARKS
1	AR58165	KIT	1	019800-022443	BRAKE VALVE PLUNGER
2	AR39901	KIT	1		BRAKE OPERATING ROD

---

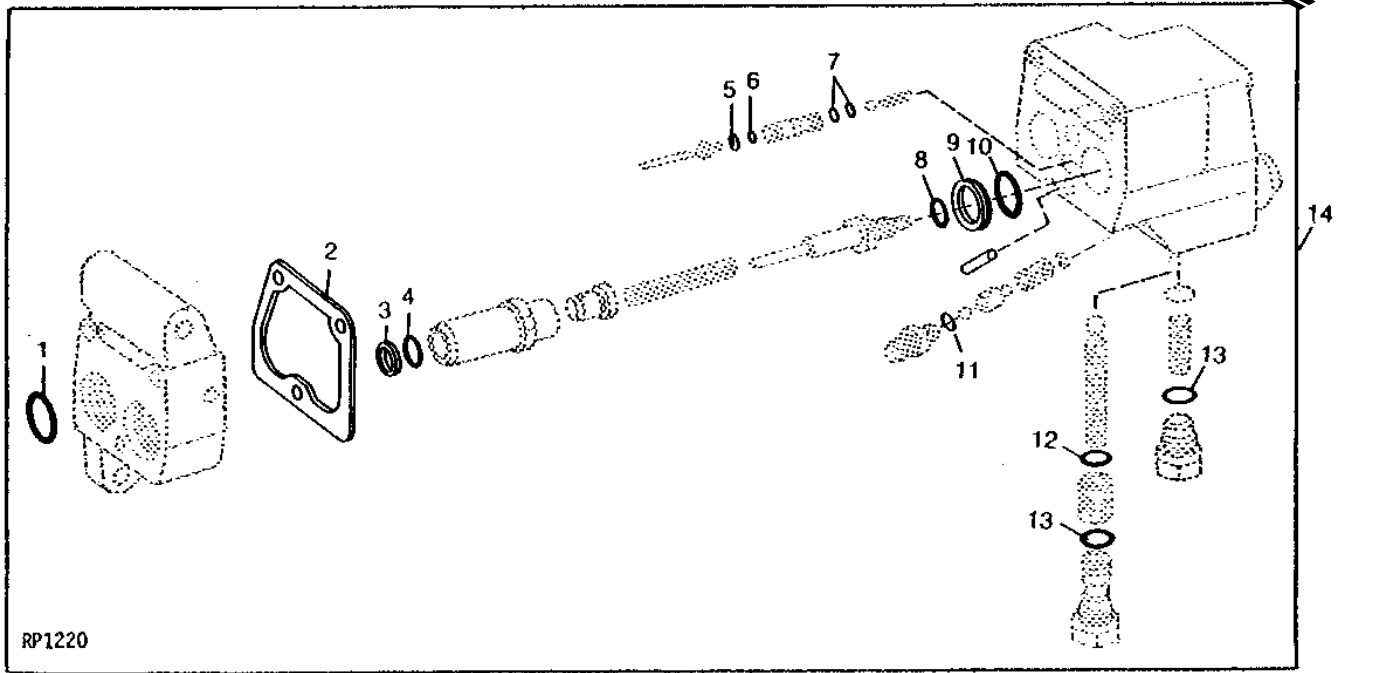
MEMORANDA

# 2C21

STEERING AND BRAKES

RP1220 -UN-01JAN94

## BRAKE VALVE OVERHAUL KIT



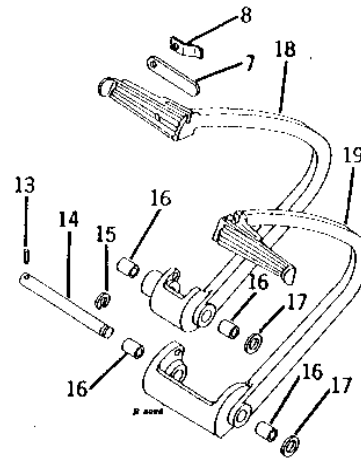
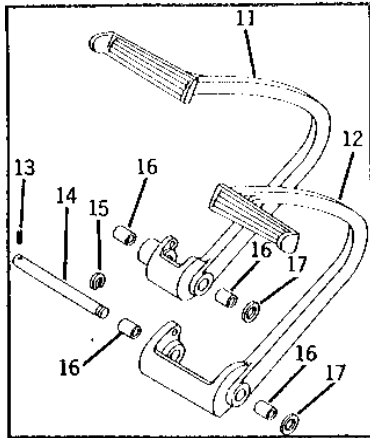
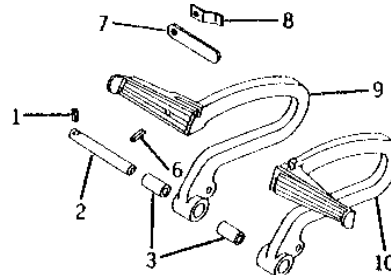
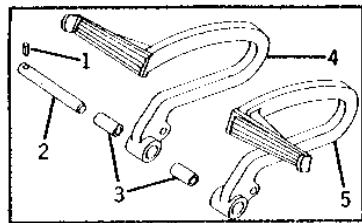
RP1220

KEY	PART NO.	PART NAME	QTY	TRACTOR SERIAL NO.	REMARKS
1	A3606R	O-RING	2		
2	R31455	GASKET	1		
3	R32092	WASHER	2		
4	R495R	O-RING	2		
5	R31469	SHIM	2		
6	R31468	O-RING	2		
7	R30903	O-RING	4		
8	R26286	O-RING	2		
9	R27137	BACK-UP RING	2		
10	R27149	O-RING	2		
11	R26287	O-RING	1		
12	R28776	O-RING	1		
13	R26375	O-RING	3		
14	AR31946	KIT	1	(SUB FOR AR30687)	

# 2C22

R6006 -UN-01JAN94

## BRAKE PEDALS



# 2C23

STEERING AND BRAKES

## BRAKE PEDALS - CONTINUED

KEY	PART NO.	PART NAME	QTY	TRACTOR SERIAL NO.	REMARKS
1	34H245	SPRING PIN	1		1/8" X 5/8", (RC AND ST)
2	R34747	GROOVE PIN	1		(RC AND ST) (SUB FOR R26768)
3	B177R	BUSHING	2		(RC AND ST)
4	AR26877	PEDAL	1	-012111	(RC AND ST) L.H. (MARKED R27134) (SUB AR30362)
	AR30362	PEDAL	1	012112-019799	(RC AND ST) L.H. (MARKED R31275) (NO LONGER AVAILABLE)
5	AR26876	PEDAL	1	-012111	(RC AND ST) R.H. (MARKED R27133) (SUB AR30361)
	AR30361	PEDAL	1	012112-019799	(RC AND ST) R.H. (MARKED R31274) (NO LONGER AVAILABLE)
6	34H312	SPRING PIN	1	019800-	1/4" X 1"
7	R32376	BAR	1	019800-	(SUB FOR R31504)
8	R31602	LEAF SPRING	1	019800-	
9	AR33976	PEDAL	1	019800-	(RC AND ST) L.H. (MARKED R31503 OR R34532) (SUB FOR AR30602) (NO LONGER AVAILABLE)
10	AR33975	PEDAL	1	019800-	(RC AND ST) R.H. (MARKED R31502 OR R34531) (SUB FOR AR30601)
11	AR27980	PEDAL	1	-032399	(RU AND OR) L.H. (MARKED R28033) (NO LONGER AVAILABLE)
12	AR27979	PEDAL	1	-032399	(RU AND OR) R.H. (MARKED R28032) (NO LONGER AVAILABLE)
13	34H245	SPRING PIN	1		1/8" X 5/8", (RU AND OR)
14	R34746	GROOVE PIN	1		(RU AND OR) (SUB FOR R28036)
15	H392R	SNAP RING	1		(RU AND OR)
16	R28035	BUSHING	4		(RU AND OR)
17	24H1301	WASHER	2		13/32" X 9/16" X 0.065", (RU AND OR)
18	AR34761	PEDAL	1	032400-	(RU AND OR) L.H. (MARKED R32375 AND R34907) (SUB FOR AR31631) (NO LONGER AVAILABLE)
19	AR34759	PEDAL	1	032400-	R.H. (MARKED R32373 AND R34905) (SUB FOR AR31628)

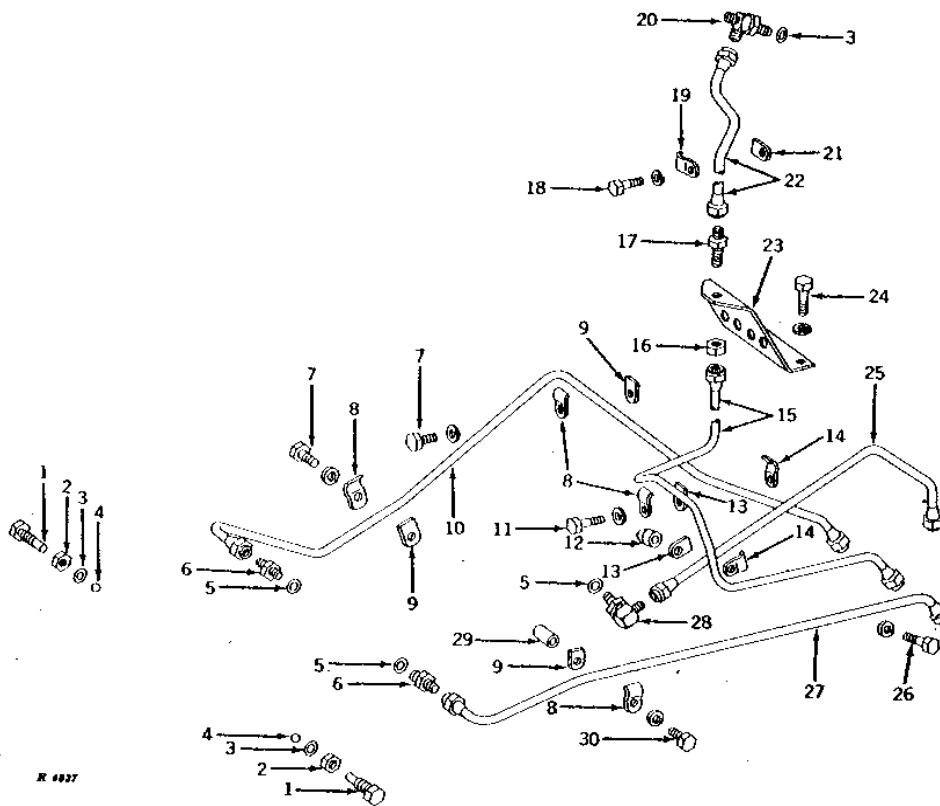
RC - ROW-CROP, ST - STANDARD, RU - ROW-CROP UTILITY, OR - ORCHARD

# 2C24

STEERING AND BRAKES

R4827 -UN-01JAN94

## BRAKE OIL PIPES (ROW-CROP AND STANDARD)





# 2C25

STEERING AND BRAKES

## BRAKE OIL PIPES - CONTINUED (ROW-CROP AND STANDARD)

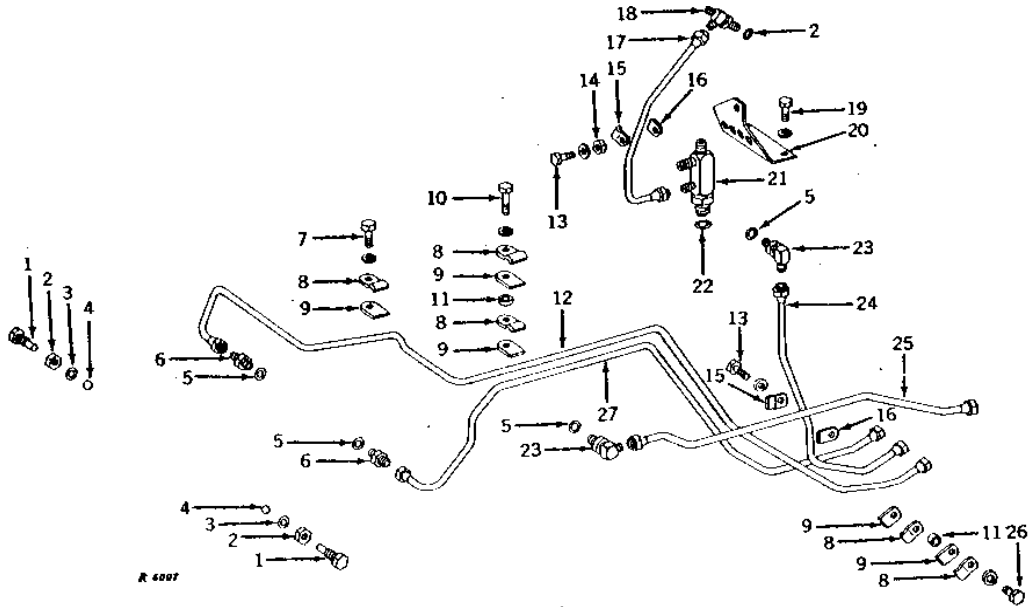
KEY	PART NO.	PART NAME	QTY	TRACTOR SERIAL NO.	REMARKS
1	R27906	SCREW	2		
2	R27296	NUT	2		
3	R26286	O-RING	3		
4	R42849	BALL	2		10MM (3/8") (SUB FOR 405R)
5	R26287	O-RING	3		
6	R27527	ADAPTER	2		(SUB FOR R27139)
7	19H1936	CAP SCREW	2		3/8" X 3/4"
	12H304	LOCK WASHER	2		3/8"
8	R27528	CLAMP	4		
9	R27256	STRAP	3		
10	AR26848	HYDRAULIC LINE	1		L.H.
11	19H1731	CAP SCREW	1		3/8" X 1"
	12H304	LOCK WASHER	1		3/8"
12	R31666	BUSHING	1		(NO LONGER AVAILABLE)
13	R31655	STRAP	2		
14	R31654	CLAMP	2		
15	AR30765	HYDRAULIC LINE	1		(LOWER)
16	R27453	NUT	1		
17	R31653	UNION FITTING	1		
18	19H1900	CAP SCREW	1	-032399	5/16" X 3/4"
	12H303	LOCK WASHER	1	-032399	5/16"
19	R31654	CLAMP	1	-032399	(SUB FOR R27540)
20	AR30762	TEE FITTING	1		
21	R31655	STRAP	1	-032399	(SUB FOR R27541)
22	AR30764	HYDRAULIC LINE	1		(UPPER)
23	R31643	BRACKET	1		
24	19H1936	CAP SCREW	2		3/8" X 3/4"
	12H304	LOCK WASHER	2		3/8"
25	AR33973	HYDRAULIC LINE	1		(SUB FOR AR26839)
26	19H1765	CAP SCREW	1		3/8" X 1-3/4", (LESS ROCKSHAFT)
	19H2023	CAP SCREW	1		3/8" X 3-1/4", (LESS ROCKSHAFT)
	12H304	LOCK WASHER	1		3/8"
27	AR33970	HYDRAULIC LINE	1		R.H. (SUB FOR AR26847)
28	AT32335	ELBOW FITTING	1		90°, (SUB FOR AR26746)
29	28H1530	BUSHING	1		3/8" X 13/16"
30	19H1944	CAP SCREW	1		3/8" X 2-3/4"

# 2D1

STEERING AND BRAKES

## BRAKE OIL PIPES (UTILITY AND ORCHARD)

R6007 -UN-01JAN94



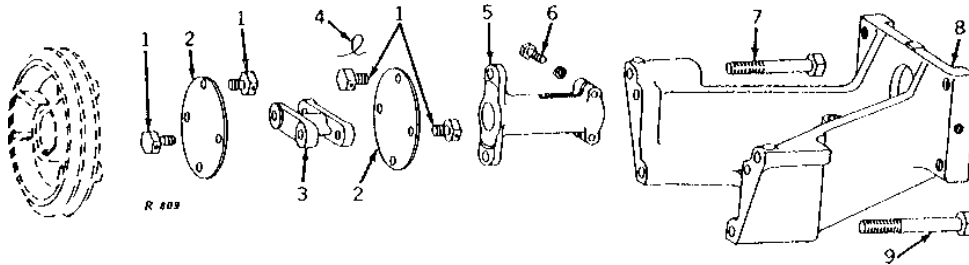
KEY	PART NO.	PART NAME	QTY	TRACTOR SERIAL NO.	REMARKS
1	R27906	SCREW	2		
2	R27296	NUT	2		
3	R26286	O-RING	3		
4	R42849	BALL	2	10MM (3/8") (SUB FOR 405R)	
5	R26287	O-RING	4		
6	R27527	ADAPTER	2	(SUB FOR R27139)	
7	19H1731	CAP SCREW	1	3/8" X 1"	
	12H304	LOCK WASHER	1	3/8"	
8	R27528	CLAMP	7		
9	R27256	STRAP	7		
10	19H1800	CAP SCREW	2	3/8" X 1-1/2"	
	12H304	LOCK WASHER	2	3/8"	
11	R28040	WASHER	3		
12	AR34766	HYDRAULIC LINE	1	L.H. (SUB FOR AR27361)	
13	19H1900	CAP SCREW	2	5/16" X 3/4"	
	12H303	LOCK WASHER	2	5/16"	
14	14H785	NUT	1	5/16"	
15	R31654	CLAMP	2	(SUB FOR R27540)	
16	R31655	STRAP	2	(SUB FOR R27541)	
17	AR30769	LINE	1	(UPPER)	
18	AR30762	TEE FITTING	1		
19	19H1936	CAP SCREW	2	3/8" X 3/4"	
	12H304	LOCK WASHER	2	3/8"	
20	R31642	BRACKET	1	(NO LONGER AVAILABLE)	
21	AR30770	ELBOW FITTING	1	(NO LONGER AVAILABLE)	
22	R26906	O-RING	1		
23	AT32335	ELBOW FITTING	2	90°, (SUB FOR AR26746)	
24	AR27694	HYDRAULIC LINE	1		
25	AR27902	HYDRAULIC LINE	1		
26	19H2552	CAP SCREW	1	3/8" X 1-1/8"	
	12H304	LOCK WASHER	1	3/8"	
27	AR34765	HYDRAULIC LINE	1	R.H. (SUB FOR AR27360)	

# 2D6

HYDRAULICS

R809 -UN-01JAN94

## HYDRAULIC PUMP DRIVE AND SUPPORT



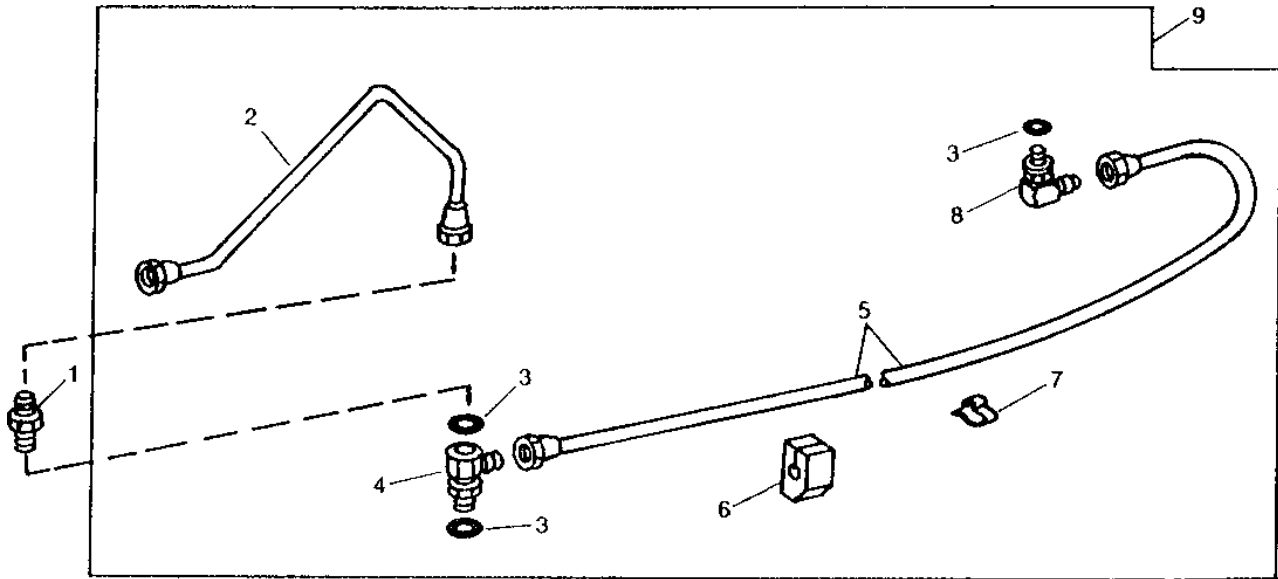
KEY	PART NO.	PART NAME	QTY	TRACTOR SERIAL NO.	REMARKS
1	R28055	SCREW	8		
2	R27482	DISK	2		
3	R27481	LINK	1		
4	.....	WIRE	4		
5	R27487	SHAFT	1	-032999	
	R32333	SHAFT	1	033000-	(NO LONGER AVAILABLE)
6	19H1849	CAP SCREW	2	-032999	5/16" X 1-1/4"
	12H303	LOCK WASHER	2	-032999	5/16"
	19H1732	CAP SCREW	2	033000-	3/8" X 1-1/4"
	12H304	LOCK WASHER	2	033000-	3/8"
7	19H3544	CAP SCREW	2		1/2" X 4-1/2" HS, SAE 8
8	R46774	SUPPORT	1		(SUB FOR R27480 OR R34358)
9	19H1868	CAP SCREW	2		1/2" X 3-3/4"

# 2D7

HYDRAULICS

RWP2550 -UN-01JAN94

## HYDRAULIC PUMP SEAL DRAIN KIT



RWP2550

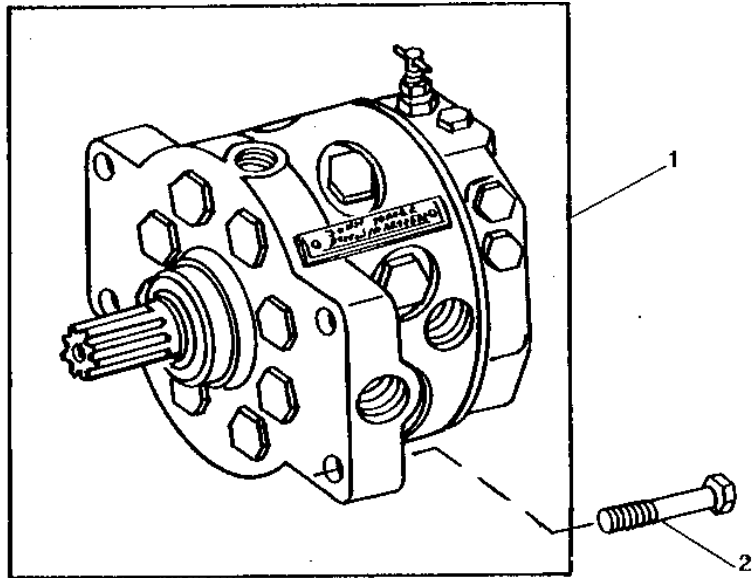
KEY	PART NO.	PART NAME	QTY	TRACTOR SERIAL NO.	REMARKS
1	R27527	ADAPTER	1		
2	AR33990	HYDRAULIC LINE	1		BRAKE RETURN
3	R26287	O-RING	3		
4	AR33988	TEE FITTING	1		
5	AR42284	LINE	1		(SUB FOR AR36381) (SUB AR79710 AND (2) R64170)
6	R34542	GROMMET	1		
7	R21551	CLIP	1		
8	AT32335	ELBOW FITTING	1		90°, (SUB FOR AR26746)
9	AR39810	KIT	1		

# 2D8

HYDRAULICS

RP3196 -UN-01JAN94

## HYDRAULIC PUMP ASSEMBLY



RP3196

KEY	PART NO.	PART NAME	QTY	TRACTOR SERIAL NO.	REMARKS
1	AR97872	HYDRAULIC PUMP	1	-032399	(A) 40 CM3 (2.4 IN.3) (MODEL EA1) (ALSO ORDER AT49331, P47908, R39741, U13639 AND F3171R) (SUB FOR AR26947, AR39695 OR AR90459)
	AR94660	HYDRAULIC PUMP	1	032400-	(A) (B) 50 CM3 (3 IN.3) (MODEL GA1) (ALSO ORDER AT49331, P47908, R39741, U13639 AND F3171R) (SUB FOR AR47802 OR AR56161)
2	19H1990	CAP SCREW	4		1/2" X 2-1/4"

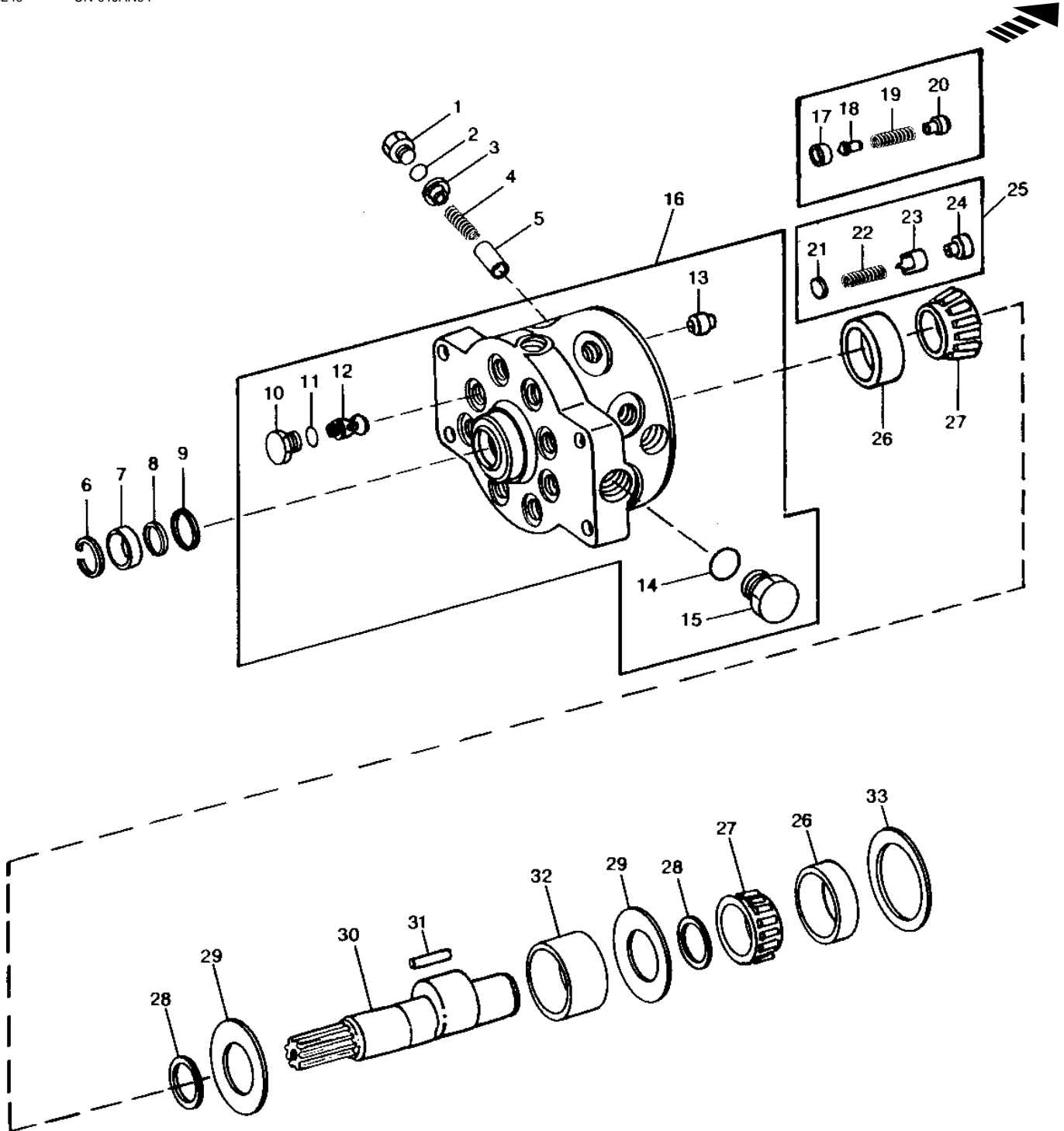
(A) ALSO ORDER AR39810 IF ORIGINAL PUMP HOUSING IS MARKED R32291 OR R32441  
 (B) AR101807 (MODEL GH1) INCLUDES DESTROKE SOLENOID PORT - CAN BE USED IN PLACE OF AR94660

# 2D9

HYDRAULICS

HYDRAULIC PUMP  
39 CM3 (2.4 IN.3) - 49 CM3 (3 IN.3)  
(LESS SERIAL PLATE)

RP3249 -UN-01JAN94



RP3249

# 2D10

HYDRAULICS

**HYDRAULIC PUMP - CONTINUED  
39 CM3 (2.4 IN.3) - 49 CM3 (3 IN.3)  
(LESS SERIAL PLATE)**

KEY	PART NO.	PART NAME	QTY	TRACTOR SERIAL NO.	REMARKS
1	R27152	FITTING	8	-XXXXXX	(SUB (8) R45438 AND AR76762)
	R45438	FITTING	8	XXXXXX-	(SUB FOR R27152 OR R34353)
2	R495R	O-RING	8	-XXXXXX	(A) (SUB (8) R56463 AND AR101236)
	R56463	O-RING	8	XXXXXX-	(B) (D)
3	AR101236	SHIELD	1	XXXXXX-	(B) (D) (SET OF 8) (SUB FOR R56749)
4	AR76762	SPRING	1		(SET OF 8) (SUB FOR AR33821 OR AR55186) (USE WITH (8) R45438) (SUB FOR AR28041)
5	R27150	PISTON	8		
6	R26137	SNAP RING	1		
7	AR52224	SEAL	1		(B) (D) (SUB FOR AR26639 OR AR40398)
	AR52224	SEAL	1		(A) (ALSO ORDER (2) R27166 AND (2) R41057) (IF STROKE CONTROL VALVE HAS BEEN REPLACED)
8	R56753	SHIM	1	XXXXXX-	(B) (D)
9	R39729	O-RING	1		(B) (D) (SUB FOR R27147)
10	R78293	FITTING	8		(SUB FOR R27148 OR R44823)
11	R27149	O-RING	8		(B) (D)
12	AR53301	VALVE	8		(INLET) (SUB FOR AR26758)
13	R105583	SEAT	8		(B) (SUB FOR R39067)
14	U13639	O-RING	1		(D) (USE WITH R34354 OR R45228)
	F3171R	O-RING	1		(D) (USE WITH R45227)
15	R39741	DRAIN PLUG	1		(USE WITH R34354 OR R45228)
	R27175	DRAIN PLUG	1		(USE WITH R45227)
16	AR31921	HOUSING	1	-032399	(A) (MARKED R32291 OR R32441) (SUB AR97872 AND AR39810) (ALSO ORDER AT49331, P47908, R39741, U13639 AND F3171R)
	AR31921	HOUSING	1	032400-	(A) (MARKED R32291 OR R32441) (SUB AR94660 OR AR101807 AND AR39810) (ALSO ORDER AT49331, P47908 AND F3171R, U13639 AND F3171R)
	AR47580	HOUSING	1	-032399	(B) (MARKED R34354, R45227 OR R45228) (SUB AR97872) (ALSO ORDER AT49331, P47908, R39741, U13639 AND F3171R)
	AR47580	HOUSING	1	032400-	(B) (MARKED R34354, R45227 OR R45228) (SUB AR94660 OR AR101807) (ALSO ORDER AT49331, P47908, R39741, U13639 AND F3171R) (SUB FOR AR31921, AR39696 OR AR47170)
17	R27155	WASHER	8		(A)
18	R27154	POPPET	8		(A)
19	R38531	SPRING	8		(A) (SUB FOR R27156)
20	R27157	GUIDE	8		(A)
21	R49297	DISK	8		(B) (SUB FOR R39074)
22	R39228	SPRING	8		(B)
23	R48738	GUIDE	8		(B) (SUB FOR R39174)
24	R83508	STOP	8		(B) (SUB FOR R39175, R48298 OR R72886)
25	RE23382	VALVE	8		(OUTLET) (SUB FOR AR39026, AR52099, AR52785 OR AR96613)
26	JD8223	BEARING CUP	2		
27	JD8192	BEARING CONE	2		(SUB FOR JD8931)
28	R34349	WASHER	2		(SUB FOR R27144)
29	R60732	WASHER	2		(SUB FOR R27463, R34351 OR R42467)
30	R39843	SHAFT	1	-032399	(SUB FOR R27486)
	R34348	SHAFT	1	032400-	
31	R27145	NEEDLE ROLLER	36		
32	R45874	BEARING RACE	1		(SUB FOR R27146)
33	R27478	SHIM	AR		0.15MM (.006")
	R27479	SHIM	AR		0.25MM (.010")
..	AR26947	HYDRAULIC PUMP	1	-032399	(C) (SUB AR97872) (ALSO ORDER AT49331, P47908, R39741, U13639 AND F3171R)
..	AR56161	HYDRAULIC PUMP	1	032400-	(C) (SUB AR94660 OR AR101807) (ALSO ORDER AT49331, P47908, R39741, U13639 AND F3171R) (SUB FOR AR47802)

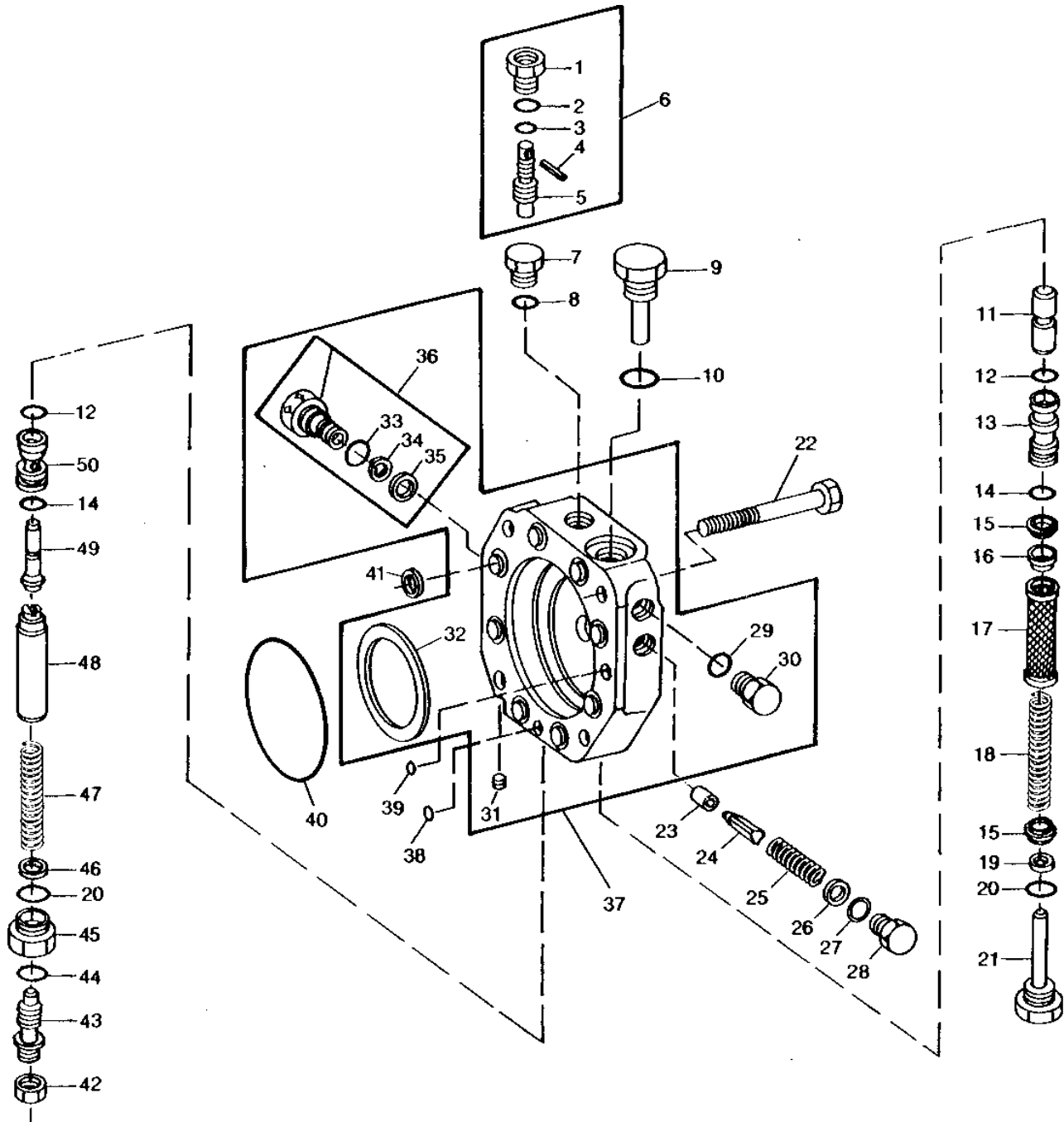
- (A) ORIGINAL PUMP LESS SERIAL PLATE
- (B) REPLACEMENT PUMP LESS SERIAL PLATE
- (C) ALSO ORDER AR39810 IF ORIGINAL PUMP WITHOUT SEAL DRAIN IS BEING REPLACED
- (D) RE29103 OVERHAUL KIT - ALSO INCLUDES O-RINGS FOR HYDRAULIC CONNECTORS

# 2D11

HYDRAULICS

## HYDRAULIC PUMP STROKE CONTROL VALVE 39 CM3 (2.4 IN.3) - 49 CM3 (3 IN.3) (PUMP LESS SERIAL PLATE)

RP3716 -UN-01JAN94



RP3716



# 2D12

HYDRAULICS

HYDRAULIC PUMP STROKE CONTROL VALVE - CONTINUED  
 39 CM3 (2.4 IN.3) - 49 CM3 (3 IN.3)  
 (PUMP LESS SERIAL PLATE)

KEY	PART NO.	PART NAME	QTY	MODEL NO.	REMARKS
1	R27475	FITTING	1		
2	R26448	O-RING	1	(A)	
3	A4365R	O-RING	1	(A)	
4	34H244	SPRING PIN	1	1/8" X 9/16"	
5	R27171	SCREW	1		
6	AR33249	SCREW	1	(MANUAL DESTROKE)	
7	R27218	FITTING PLUG	1		(USE WITHOUT MANUAL DESTROKE)
8	R26448	O-RING	1	(A)	(USE WITHOUT MANUAL DESTROKE)
9	AR51745	PLUG	1		(SUB FOR AR26761)
10	R26906	O-RING	1	(A)	
11	R27172	VALVE	1		
12	R27564	O-RING	2	(A)	
13	R70351	SLEEVE	1		(SUB FOR R27476)
14	R27166	O-RING	2	(A)	
15	R27174	PACKING	2	(A)	
16	R27167	GUIDE	1		
17	R27173	FILTER ELEMENT	1		
18	R27159	SPRING	1		
19	R27170	SHIM	AR	0.010"	
	24H1298	WASHER	AR	3/8" X 5/8" X 0.032"	
20	F3171R	O-RING	2	(A)	
21	AR26646	PLUG	1		
22	19H3520	CAP SCREW	4	1/2" X 3-1/4"	
23	.....	SEAT	1	-1MP1	(NO LONGER AVAILABLE)
24	R26864	VALVE	1	-1MP1	
25	R26477	SPRING	1	-1MP1	
26	R26478	SHIM	1	-1MP1	0.51MM (.020")
	R26479	SHIM	1	-1MP1	0.76MM (.030")
27	R26448	O-RING	1	(A)	
28	.....	FITTING PLUG	1	-1MP1	(NO LONGER AVAILABLE)
	R27218	FITTING PLUG	1	1MP2-	
29	R26287	O-RING	2	(A)	
30	R27216	PLUG	2		
31	15H560	PIPE PLUG	1		1/16", (USE WITH R49071)
32	R49072	WASHER	1		(NOT USED IN ALL APPLICATIONS)
33	R26375	O-RING	1		(USE WITH R49071)
34	T40308	O-RING	1		(USE WITH R49071)
35	T57374	BACK-UP RING	1		(USE WITH R49071)
36	AR90378	PLUG	1		(USE WITH R49071)
37	AR38714	HOUSING	1		(MARKED R27470, R31747, R32442, R42663, R44802 OR R49071) (SUB FOR AR26759, AR30927, AR39829 OR R32195)
38	R56755	WASHER	1	(A)	(SUB FOR A4847R)
39	R56756	O-RING	1	(A)	(SUB FOR A3917R)
40	R56757	O-RING	1	(A)	(SUB FOR R26621)
41	R69279	WASHER	8	(A)	(SUB FOR R26149 OR R56754)
42	14H1021	NUT	1		7/16"
43	AR52254	SET SCREW	1		(SUB FOR AR27982 OR AR31710)
44	R28782	O-RING	1	(A)	
45	R28781	FITTING	1		
46	R48808	WASHER	1		(SUB FOR A680R)
47	R31781	SPRING	1		(SUB FOR F2773R)
48	R71321	GUIDE	1		(SUB FOR R31025 OR R32344)
49	R70559	CONTROL VALVE	1		(SUB RE10712, R27166 AND R41057) (SUB FOR R27472 OR R65194)
50	R69262	SLEEVE	1		(SUB RE10712, R27166 AND R41057) (SUB FOR R27471, R58499 OR R65192)

(A) RE29103 OVERHAUL KIT (ALSO ORDER (2)R27166 &(2)R41057, IF STROKE CONTROL VALVE WAS REPLACED

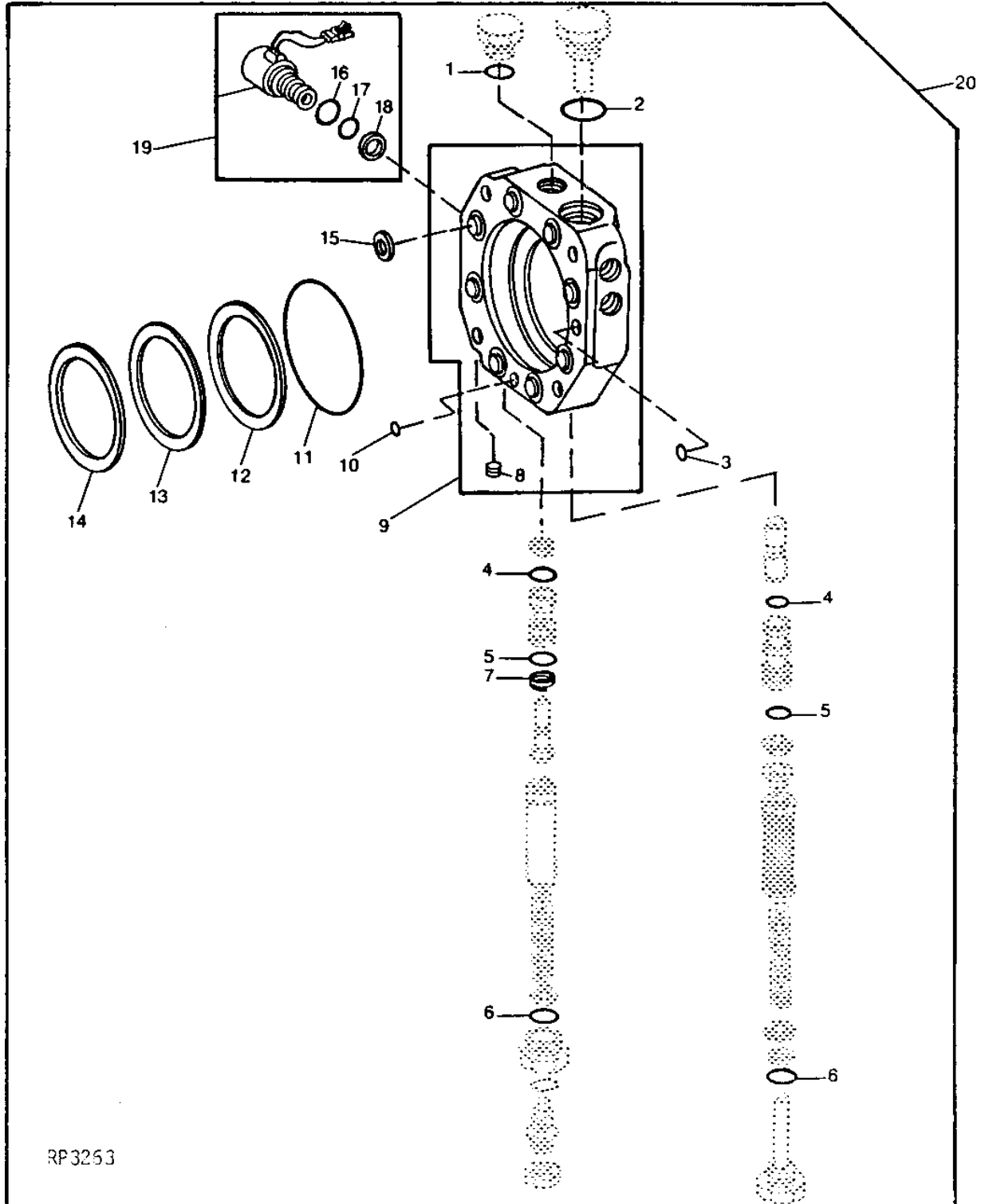
# 2D13

HYDRAULICS

## HYDRAULIC PUMP ELECTRIC DESTROKE KIT 39 CM3 (2.4 IN.3) - 49 CM3 (3 IN.3) (PUMP LESS SERIAL PLATE)

RP3263

-UN-01JAN94



# 2D14

HYDRAULICS

HYDRAULIC PUMP ELECTRIC DESTROKE KIT - CONTINUED  
39 CM3 (2.4 IN.3) - 49 CM3 (3 IN.3)  
(PUMP LESS SERIAL PLATE)

KEY	PART NO.	PART NAME	QTY	TRACTOR SERIAL NO.	REMARKS
1	R26448	O-RING	1		
2	R26906	O-RING	1		
3	R56756	O-RING	1		
4	R27564	O-RING	2		
5	R27166	O-RING	2		
6	F3171R	O-RING	2		
7	R41057	BACK-UP RING	1		
8	15H560	PIPE PLUG	1		1/16"
9	AR52494	HOUSING	1		(MARKED R49071)
10	R56755	WASHER	1		
11	R56757	O-RING	1		
12	R27478	SHIM	2		0.15MM (.006")
13	R27479	SHIM	2		0.25MM (.010")
14	R49072	WASHER	1		(NOT USED IN ALL APPLICATIONS)
15	R69279	WASHER	8		
16	R26375	O-RING	1		
17	T40308	O-RING	1		
18	T57374	BACK-UP RING	1		
19	RE32529	SOLENOID VALVE	1		(SUB FOR RE21725)
20	RE40463	KIT	1		(A) (SUB FOR RE14868)

(A) INCLUDES RE12330 WIRE CONNECTORS

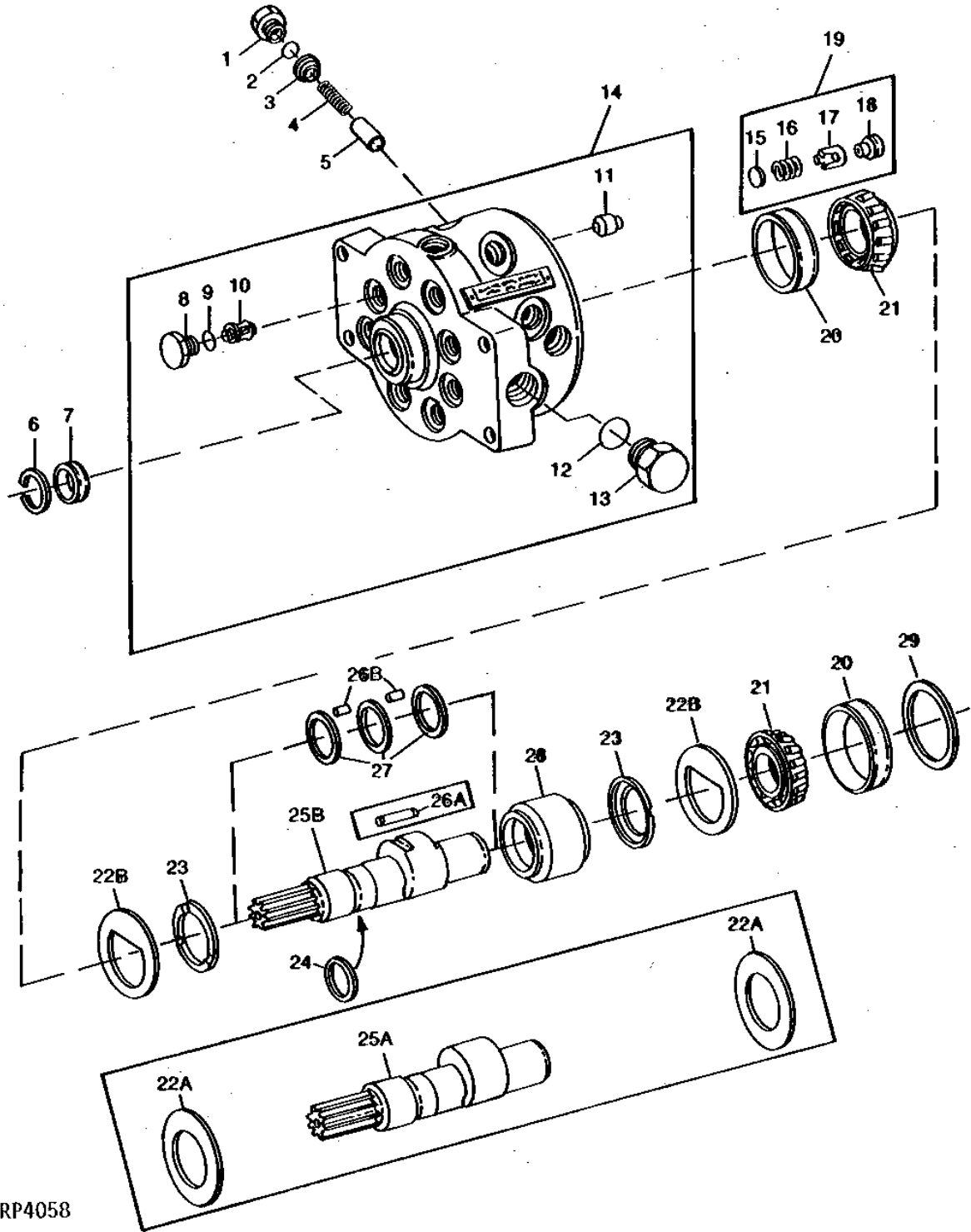
# 2D15

HYDRAULICS

HYDRAULIC PUMP - MODEL EA1-GA1-GH1  
40 CM3 (2.4 IN.3) - 50 CM3 (3 IN.3)  
(REPLACEMENT PUMP WITH SERIAL PLATE)

RP4058

-UN-01JAN94



RP4058

# 2D16

HYDRAULICS

**HYDRAULIC PUMP - MODEL EA1-GA1-GH1 - CONTINUED**  
**40 CM3 (2.4 IN.3) - 50 CM3 (3 IN.3)**  
**(REPLACEMENT PUMP WITH SERIAL PLATE)**

KEY	PART NO.	PART NAME	QTY	PUMP SERIAL NO.	REMARKS
1	R45438	FITTING	8		
2	R56463	O-RING	8	(D)	
3	AR101236	SHIELD	1	(D) (SET OF 8)	
4	AR76762	SPRING	1	(SET OF 8)	
5	R27150	PISTON	8		
6	R26137	SNAP RING	1		
7	RE28790	SEAL	1	(D) (E)	
8	R78293	FITTING	8		
9	R27149	O-RING	8	(D)	
10	AR53301	VALVE	8	(INLET)	
11	R105583	SEAT	8	(SUB FOR R39067)	
12	F3171R	O-RING	1	(D) (USE WITH R71586)	
	U13639	O-RING	1	(D) (USE WITH R73741)	
13	R27175	PLUG	1	(USE WITH R71586)	
	R39741	PLUG	1	(USE WITH R73741)	
14	RE11804	HOUSING	1	(MODEL PJ1) (MARKED R71586 OR R73741)	
15	R49297	DISK	8		
16	R39228	SPRING	8		
17	R48738	GUIDE	8		
18	R83508	STOP	8	(SUB FOR R49298 OR R72886)	
19	RE23382	VALVE	8	(OUTLET) (SUB FOR AR96613)	
20	JD8223	BEARING CUP	2		
21	JD8192	BEARING CONE	2		
22A	R77903	WASHER	2	-014818 (A) (SUB FOR R45425)	
	R77903	WASHER	2	-023628 (B) (SUB FOR R45425)	
	R77903	WASHER	2	-004674 (C) (SUB FOR R45425)	
22B	R79151	LOCK WASHER	2	014819- (A) (USE WITH R79150)	
	R79151	LOCK WASHER	2	023629- (B) (USE WITH R79152)	
	R79151	LOCK WASHER	2	004675- (C) (USE WITH R79152)	
23	R72507	THRUST WASHER	2		
24	R77611	RING	1	(D) (SEALING) (SUB FOR R68252 OR RE11777)	
25A	R73228	SHAFT	1	-014818 (A) (SUB R79150) (ALSO ORDER (2) R79151)	
	R71598	SHAFT	1	-023628 (B) (SUB R79152) (ALSO ORDER (2) R79151)	
	R71598	SHAFT	1	-004674 (C) (SUB R79152) (ALSO ORDER (2) R79151)	
25B	R79150	SHAFT	1	014819- (A)	
	R79152	SHAFT	1	023629- (B)	
	R79152	SHAFT	1	004675- (C)	
26A	R45422	NEEDLE ROLLER	25	(A) (B)	
	R45422	NEEDLE ROLLER	25	-009896 (C) (SUB (50) R85558 AND (3) R85557)	
26B	R85558	NEEDLE ROLLER	50	009897- (C)	
27	R85557	WASHER	3	009897- (C)	
28	R80558	BEARING RACE	1	(SUB FOR R72506)	
29	R27478	SHIM	AR	0.15MM (.006")	
	R27479	SHIM	AR	0.25MM (.010")	
..	AR97872	HYDRAULIC PUMP	1	(A) (MODEL EA1)	
..	AR94660	HYDRAULIC PUMP	1	(B) (MODEL GA1)	
..	AR101807	HYDRAULIC PUMP	1	(C) (MODEL GH1)	

(A) 40 CM3 (2.4 IN.3) - MODEL EA1

(B) 50 CM3 (3 IN.3) - MODEL GA1

(C) 50 CM3 (3 IN.3) - MODEL GH1

(D) RE29107 OVERHAUL KIT - ALSO INCLUDES O-RINGS FOR HYDRAULIC CONNECTORS

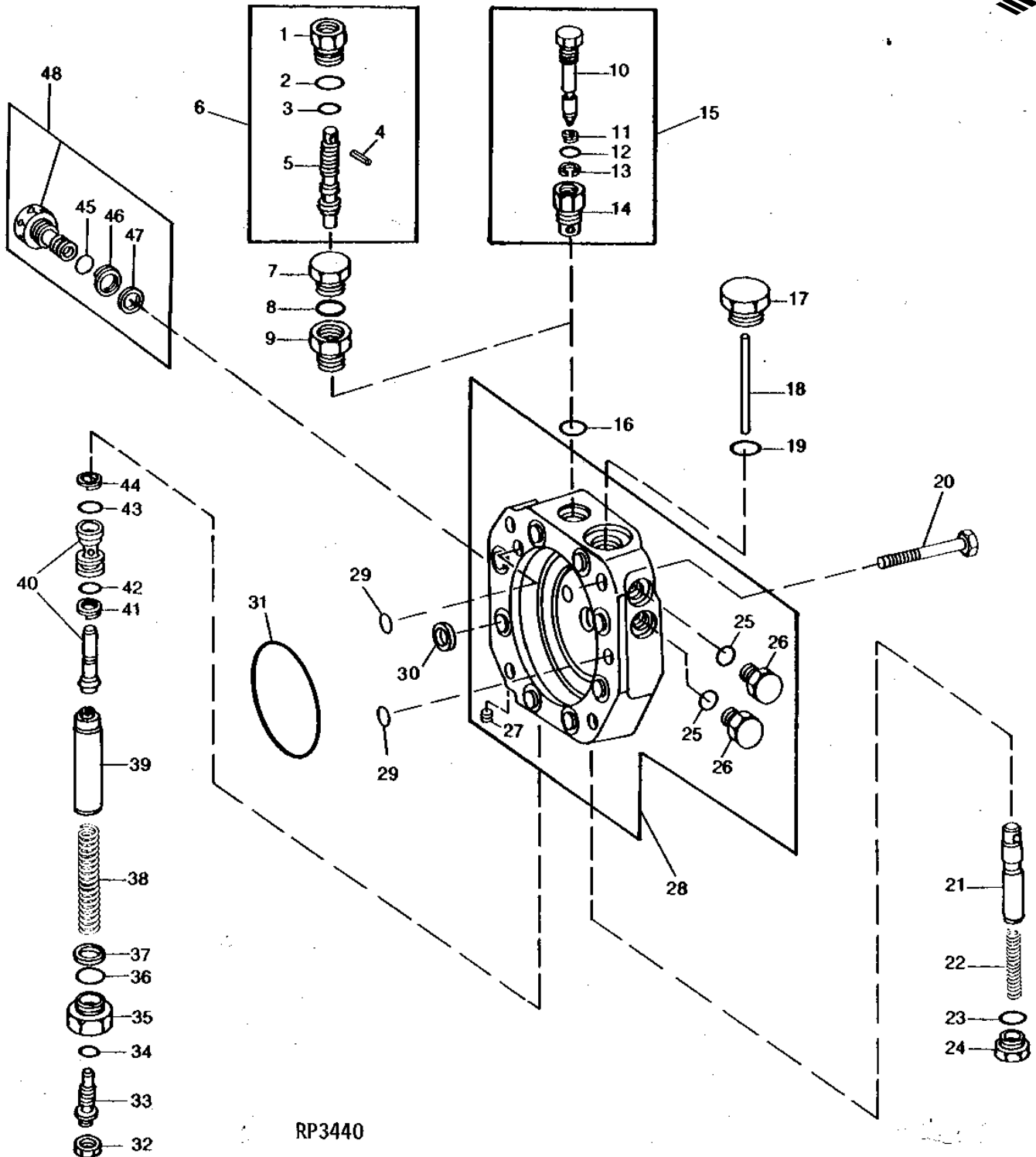
(E) IF ORIGINAL PUMP IS STILL INSTALLED, REPLACE SEAL RE28790 WITH AR52224

# 2D17

HYDRAULICS

HYDRAULIC PUMP STROKE CONTROL VALVE  
40 CM3 (2.4 IN.3) - 50 CM3 (3 IN.3)  
(REPLACEMENT PUMP WITH SERIAL PLATE)

RP3440 -UN-01JAN94



RP3440

# 2D18

HYDRAULICS

**HYDRAULIC PUMP STROKE CONTROL VALVE - CONTINUED**  
**40 CM3 (2.4 IN.3) - 50 CM3 (3 IN.3)**  
**(REPLACEMENT PUMP WITH SERIAL PLATE)**

KEY	PART NO.	PART NAME	QTY	PUMP SERIAL NO.	REMARKS
1	R27475	FITTING	1		
2	R26448	O-RING	1	(A)	
3	A4365R	O-RING	1	(A)	
4	34H254	SPRING PIN	1	1/8" X 1-1/2"	
5	R75879	SCREW	1		
6	AR96625	SCREW	1	(B) (MANUAL DESTROKE)	
7	R27218	FITTING PLUG	1	(USE WITHOUT MANUAL DESTROKE)	
8	R26448	O-RING	1	(A) (USE WITHOUT MANUAL DESTROKE)	
9	R70617	PIPE PLUG	1		
10	R79266	SCREW	1		
11	R36358	BACK-UP RING	1		
12	R34802	O-RING	1		
13	R79268	SNAP RING	1		
14	R79267	PLUG	1		
15	RE13271	SCREW	1	(B) (MANUAL DESTROKE)	
16	R26906	O-RING	1	(A)	
17	R75642	PLUG	1		
18	R75564	PIN	1		
19	R56751	O-RING	1	(A)	
20	19H3520	CAP SCREW	4	1/2" X 3-1/4"	
21	R70867	VALVE	1		
22	R70868	SPRING	1		
23	R26375	O-RING	1	(A)	
24	R73736	PLUG	1		
25	R26448	O-RING	2	(A)	
26	R75376	PLUG	2		
27	15H560	PIPE PLUG	1	1/16", (USE WITH R77712)	
28	AR101632	HOUSING	1	(MARKED R77712) (MODEL GH1) (INCLUDES (2) R26448, (2) R75376 AND 15H560)	
	RE12470	HOUSING	1	(MARKED R77714) (MODEL EA1-GA1) (INCLUDES (2) R26448 AND (2) R75376) (LESS ELECTRIC DESTROKE PORT)	
29	R56755	WASHER	2	(A)	
30	R69279	WASHER	8	(A)	
31	R56757	O-RING	1	(A)	
32	14H1021	NUT	1	7/16"	
33	AR52254	SET SCREW	1		
34	R28782	O-RING	1	(A)	
35	R28781	FITTING	1		
36	F3171R	O-RING	1	(A)	
37	R42260	WASHER	1		
38	R31781	SPRING	1		
39	R71321	GUIDE	1		
40	RE10712	CONTROL VALVE	1		
41	R41057	BACK-UP RING	1	(A)	
42	R27166	O-RING	1	(A)	
43	R27564	O-RING	1	(A)	
44	R75938	WASHER	1	(A)	
45	R26375	O-RING	1	(A) (USE WITH R77712)	
46	T40308	O-RING	1	(A) (USE WITH R77712)	
47	T57374	BACK-UP RING	1	(A) (USE WITH R77712)	
48	AR90378	PLUG	1	(USE WITH R77712)	
..	AR97872	HYDRAULIC PUMP	1	40 CM3 (2.4 IN.3) (MODEL EA1)	
..	AR94660	HYDRAULIC PUMP	1	50 CM3 (3 IN.3) (MODEL GA1)	
..	AR101807	HYDRAULIC PUMP	1	50 CM3 (3 IN.3) (MODEL GH1)	

(A) RE29107 - OVERHAUL KIT  
 (B) DESIGNS INTERCHANGEABLE

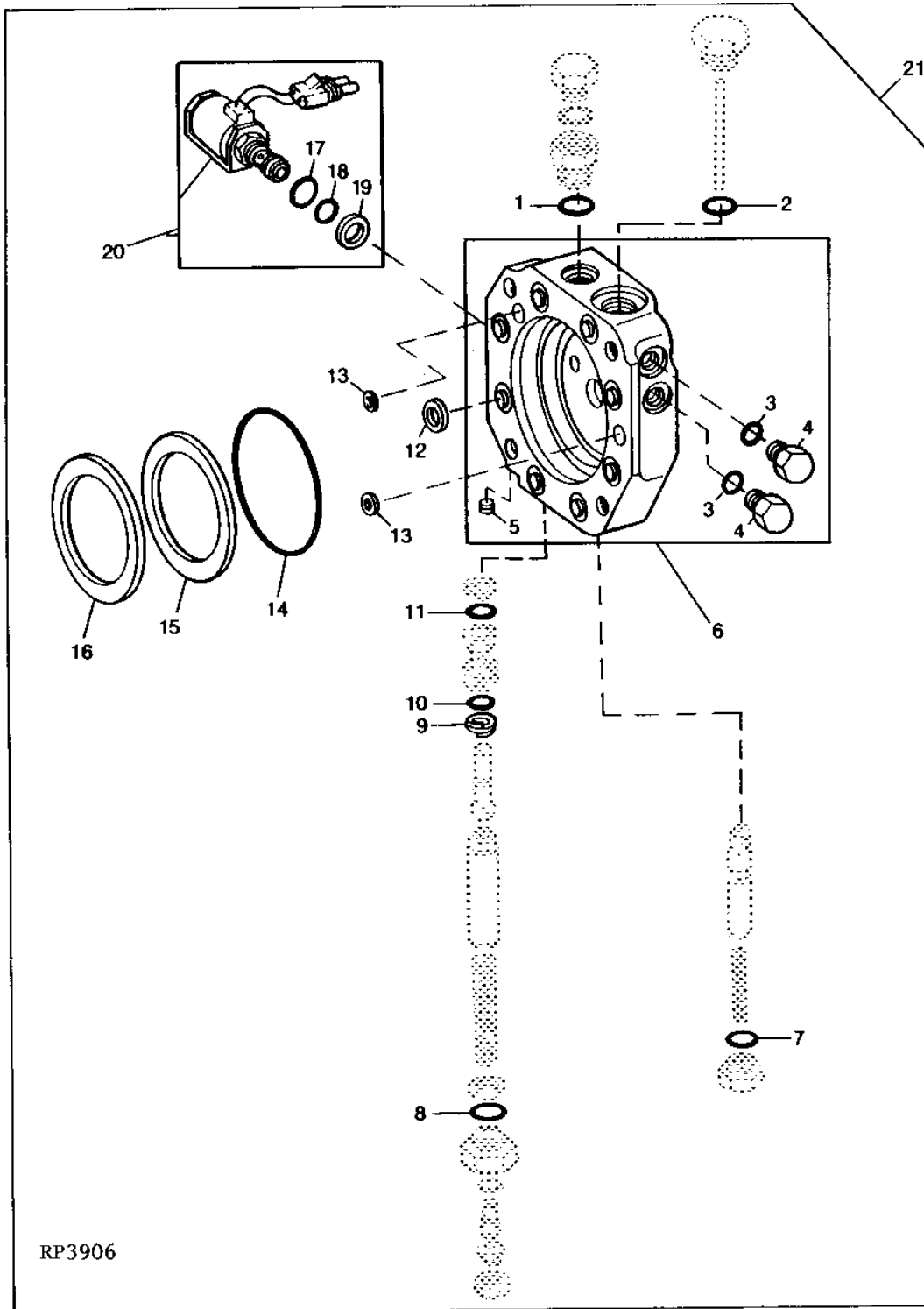
# 2D19

HYDRAULICS

## HYDRAULIC PUMP ELECTRIC DESTROKE KIT 40 CM3 (2.4 IN.3) - 50 CM3 (3 IN.3) (PUMP WITH SERIAL PLATE)

RP3906

-UN-12OCT94





# 2D20

HYDRAULICS

HYDRAULIC PUMP ELECTRIC DESTROKE KIT - CONTINUED  
40 CM3 (2.4 IN.3) - 50 CM3 (3 IN.3)  
(PUMP WITH SERIAL PLATE)

KEY	PART NO.	PART NAME	QTY	PUMP SERIAL NO.	REMARKS
1	R26906	O-RING	1		
2	R56751	O-RING	1		
3	R26448	O-RING	2		
4	R75376	PLUG	2		
5	15H560	PIPE PLUG	1	1/16"	
6	AR101632	HOUSING	1	(MARKED R77712)	
7	R26375	O-RING	1		
8	F3171R	O-RING	1		
9	R41057	BACK-UP RING	1		
10	R27166	O-RING	1		
11	R27564	O-RING	1		
12	R69279	WASHER	8		
13	R56755	WASHER	2		
14	R56757	O-RING	1		
15	R27478	SHIM	2	0.15MM (.006")	
16	R27479	SHIM	2	0.25MM (.010")	
17	R26375	O-RING	1		
18	T40308	O-RING	1		
19	T57374	BACK-UP RING	1		
20	RE32529	SOLENOID VALVE	1	(SUB FOR RE21725)	
21	RE40463	KIT	1	(A) (SUB FOR RE24647)	

(A) INCLUDES RE12330 WIRE CONNECTORS

# 2D21

HYDRAULICS

R32261 -UN-01JAN94

TRANSMISSION AND HYDRAULIC OIL



R32261F

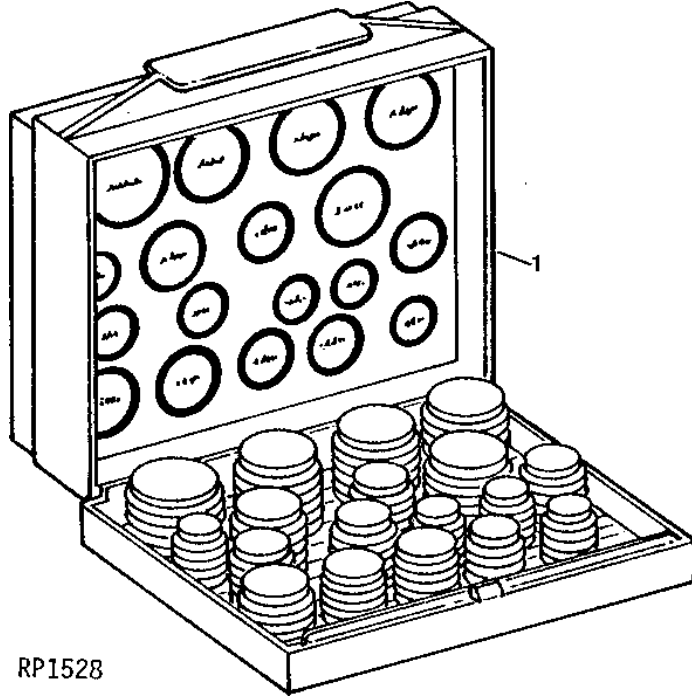
KEY	PART NO.	PART NAME	QTY	TRACTOR SERIAL NO.	REMARKS
1	AR69444	HY-GARD	1		19 L (5 GAL)
	AR69445	HY-GARD	1		208 L (55 GAL) (EMPTY DRUMS NOT RETURNABLE)

# 2D22

HYDRAULICS

RP1528 -UN-01JAN94

O-RING KIT



RP1528

KEY	PART NO.	PART NAME	QTY	TRACTOR SERIAL NO.	REMARKS
1	AR73500	KIT	1	(SUB FOR AR34473)	

---

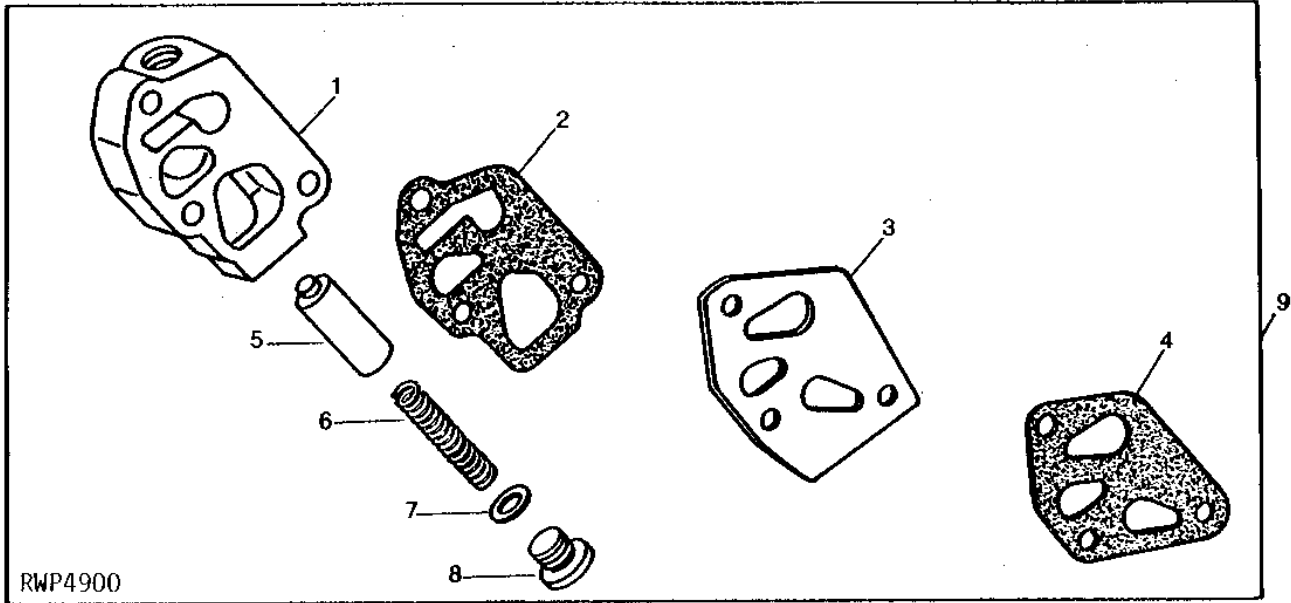
MEMORANDA

# 2D23

HYDRAULICS

RWP4900 -UN-01JAN94

## OIL FILTER BYPASS KITS



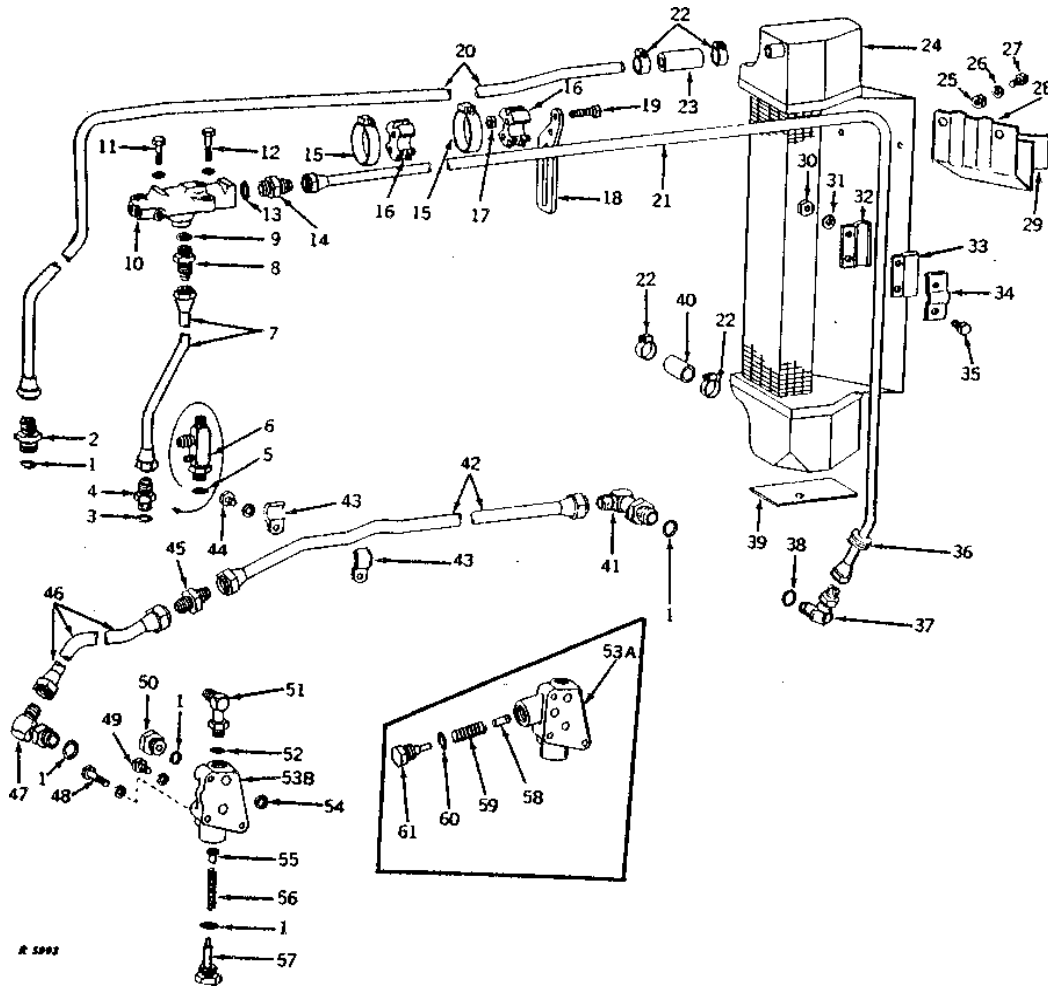
KEY	PART NO.	PART NAME	QTY	TRACTOR SERIAL NO.	REMARKS
1	R34301	HOUSING	1	-028972	
	R34236	HOUSING	1	028973-	
2	R34302	GASKET	1	-028972	
	R34237	GASKET	1	028973-	
3	R39989	PLATE	1		
4	R39990	GASKET	1		
5	R57559	VALVE	1		(ALSO ORDER R33259) (SUB FOR R33162)
6	R26686	SPRING	1		
7	R26375	O-RING	1		
8	R33138	FITTING	1		
9	AR39933	KIT	1	-028972	(NO LONGER AVAILABLE)
	AR39932	KIT	1	028973-	(NO LONGER AVAILABLE)

# 2D24

HYDRAULICS

R5993 -UN-01JAN94

## OIL FILTER RELIEF VALVE, OIL COOLER AND OIL PIPES



KEY	PART NO.	PART NAME	QTY	TRACTOR SERIAL NO.	REMARKS
1	F3171R	O-RING	6		
2	R27267	FITTING	1		37° FLARE
3	R26906	O-RING	1		(A) (RC AND ST)
4	R27270	FITTING	1		(A) (RC AND ST) 37° FLARE
5	R26906	O-RING	1		(RU AND OR)
6	AR30770	ELBOW FITTING	1		(RU AND OR) (NO LONGER AVAILABLE)
7	AR26834	TUBE	1		(A) (RC AND ST)
	AR30771	LINE	1		(A) (RU AND OR) (NO LONGER AVAILABLE)
8	R27270	FITTING	1		(A) 37° FLARE
9	R26906	O-RING	1		(A)
10	RE13273	CONTROL VALVE	1		(MARKED R31624, R34851, R40154 OR R78495) (SUB FOR AR31125, AR34662, AR40130, AR40403 OR AR51732)
11	19H1732	CAP SCREW	1		3/8" X 1-1/4"
	12H304	LOCK WASHER	1		3/8"

# 2D25

HYDRAULICS

## OIL FILTER RELIEF VALVE, OIL COOLER AND OIL PIPES - CONTINUED

KEY	PART NO.	PART NAME	QTY	TRACTOR SERIAL NO.	REMARKS
12	19H1800	CAP SCREW	1		3/8" X 1-1/2"
	12H304	LOCK WASHER	1		3/8"
13	R26906	O-RING	1		
14	R27270	FITTING	1		37° FLARE
15	AR21840	CLAMP	2		
16	AR41016	SPACER	2		(SUB FOR R27924)
17	14H786	NUT	2		1/4"
18	R27925	SUPPORT	1		
19	19H1898	CAP SCREW	2		1/4" X 1-1/2"
20	AR26832	HYDRAULIC LINE	1		
21	AR33793	HYDRAULIC LINE	1		(SUB FOR AR26833)
22	AR21839	CLAMP	4		
23	.....	HOSE	1		19 X 64MM (3/4" X 2-1/2") (MAKE FROM R57300)
24	AR31150	OIL COOLER	1		(LESS BYPASS VALVE) (SUB AR44283, AR50591 AND AR53119) (SUB FOR AR28045) (ALSO ORDER AR39932 OR AR39933)
25	14H785	NUT	2		5/16"
26	12H303	LOCK WASHER	2		5/16"
27	19H2020	CAP SCREW	2		5/16" X 1/2"
28	AR41719	BRACKET	1		(SUB FOR AR27924)
29	.....	FOAM PAD	1		2 X 51 X 152MM (1/16" X 2" X 6") (MAKE FROM R30596)
30	14H786	NUT	2		1/4"
31	12H302	LOCK WASHER	2		1/4"
32	R27534	CLAMP	1		
33	R27546	PLATE	1		
34	R27251	CLAMP	1		
35	19H1820	CAP SCREW	2		1/2" X 3"
36	R27533	GROMMET	1		
37	AT32338	FITTING	1		45°, (SUB FOR AR26828)
38	R26906	O-RING	1		
39	.....	FOAM PAD	1		3 X 102 X 140MM (1/8" X 4" X 5-1/2") (MAKE FROM R30597)
40	.....	HOSE	1		57MM (2-1/4") (MAKE FROM T61939) (SUB FOR R27930 OR T35695)
41	AR26747	ELBOW FITTING	1		90°
42	AR26825	HYDRAULIC LINE	1		(RC AND ST)
	AR27887	HYDRAULIC LINE	1		(RU AND OR)
43	R27531	CLAMP	2		
44	19H1936	CAP SCREW	1		3/8" X 3/4"
	12H304	LOCK WASHER	1		3/8"
45	R27266	FITTING	1		
46	AR26826	HYDRAULIC LINE	1		(RC AND ST)
	AR27886	LINE	1		(RU AND OR)
47	AT32331	ELBOW FITTING	1		90° (RC AND ST) (SUB FOR AR26723)
	AR27888	ELBOW FITTING	1		90°, (RU AND OR)
48	19H1733	CAP SCREW	2		3/8" X 2-1/2"
	12H304	LOCK WASHER	2		3/8"
49	19H1732	CAP SCREW	1		3/8" X 1-1/4"
	12H304	LOCK WASHER	1		3/8"
50	R27175	DRAIN PLUG	1		(LESS ROCKSHAFT)
51	AR27699	ELBOW FITTING	1		90°
52	R26375	O-RING	1		
53A	R30775	HOUSING	1	-028972	(SUB AR39933)
53B	R27246	HOUSING	1	028973-	(SUB AR39932)
54	R1837R	WASHER	3		
55	R40976	VALVE	1		(SUB FOR R27247)
56	F1332R	SPRING	1		
57	AR28088	PLUG	1		(NO LONGER AVAILABLE)
58	R40976	VALVE	1	-028972	(SUB FOR R27247)
59	R30776	SPRING	1	-028972	
60	F3171R	O-RING	1	-028972	
61	AR40697	PLUG	1	-028972	(SUB FOR AR28654)

RC - ROW-CROP, ST - STANDARD, RU - ROW-CROP UTILITY, OR - ORCHARD

(A) ROCKSHAFT

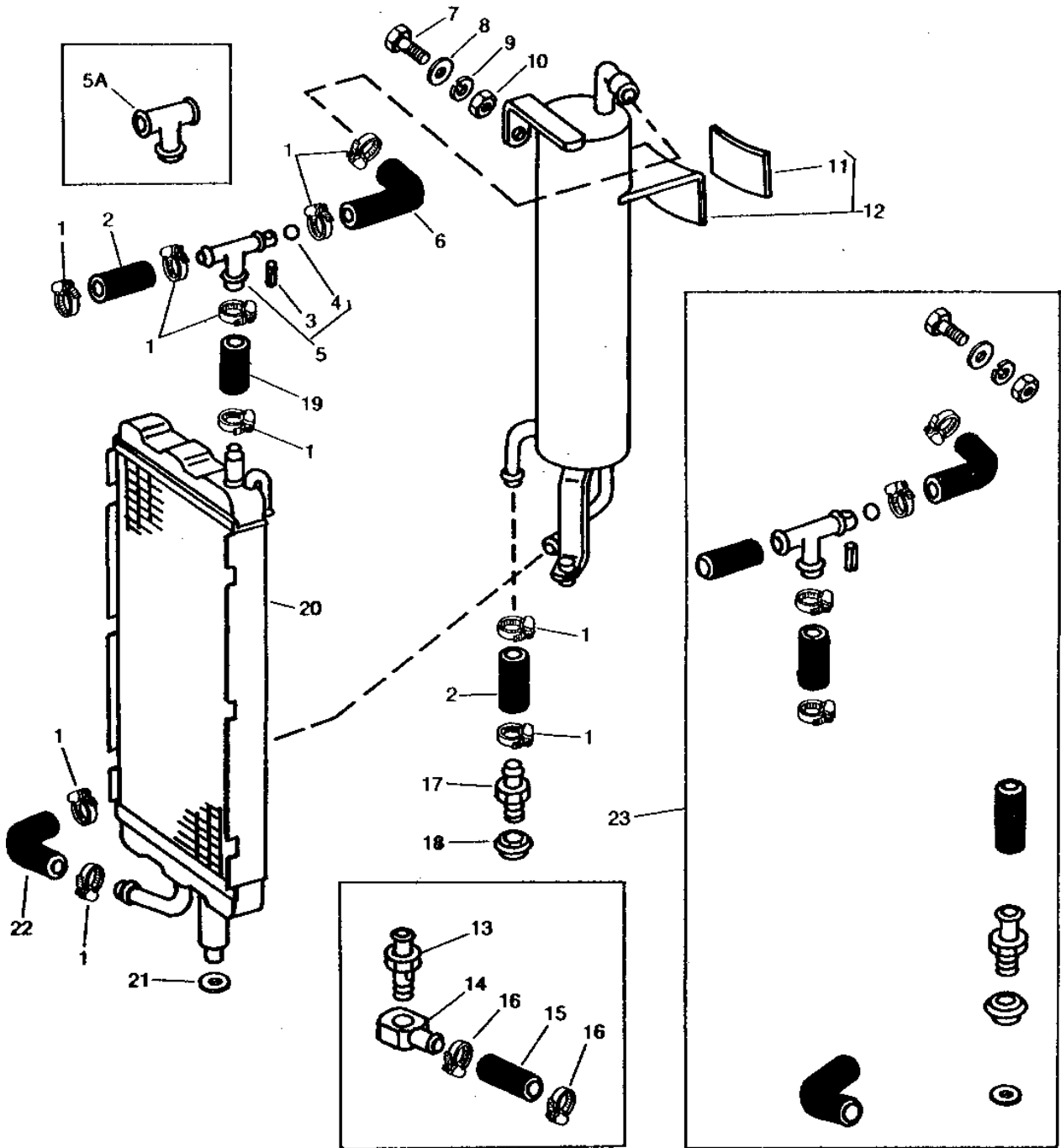
# 2E1

HYDRAULICS

RWP2558

-UN-01JAN94

## HYDRAULIC OIL COOLER AND RESERVOIR



RWP2558



# 2E2

HYDRAULICS

## HYDRAULIC OIL COOLER AND RESERVOIR - CONTINUED

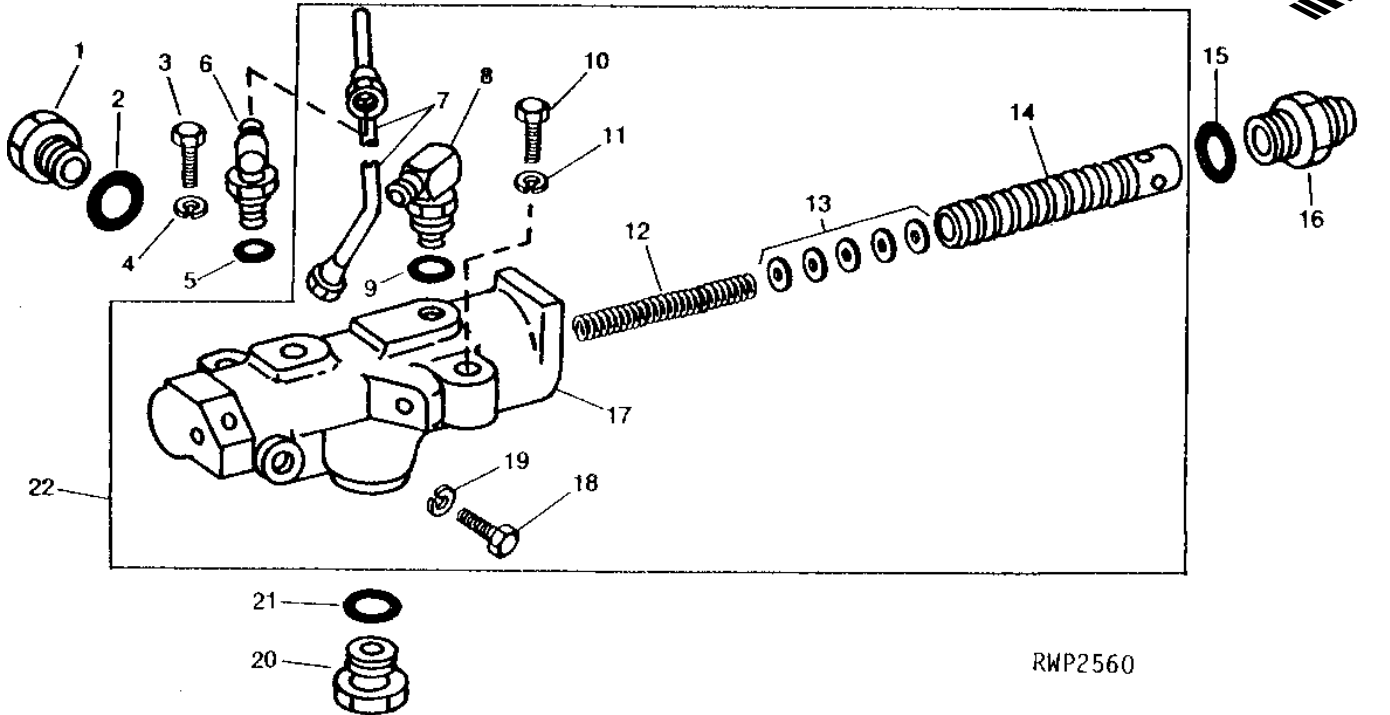
KEY	PART NO.	PART NAME	QTY	TRACTOR SERIAL NO.	REMARKS
1	AR21839	CLAMP	10		
2	.....	HOSE	2		19 X 64MM (3/4" X 2-1/2") (MAKE FROM R57300)
3	34H231	SPRING PIN	1	XXXXXX-	3/32" X 3/4"
4	R48084	BALL	1	XXXXXX-	
5A	R44140	TEE FITTING	1	-XXXXXX	
5B	AR49751	CHECK VALVE	1	XXXXXX-	
6	R46485	HOSE	1		(SUB FOR R44141)
7	19H2127	CAP SCREW	1		5/16" X 7/8"
8	24H1136	WASHER	1		11/32" X 11/16" X 0.065"
9	12H303	LOCK WASHER	1		5/16"
10	14H785	NUT	1		5/16"
11	.....	FOAM PAD	1		2 X 51 X 102MM (1/16" X 2" X 4") (MAKE FROM R30596)
12	AR50591	RESERVOIR	1		(ALSO ORDER AR49751, R35827, R39215 AND R47756) (SUB FOR AR45626)
13	R43737	FITTING	1	-XXXXXX	
14	R27926	FITTING	1	-XXXXXX	
15	.....	HOSE	1	-XXXXXX	19 X 64MM (3/4" X 2-1/2") (MAKE FROM R57300)
16	AR21839	CLAMP	2	-XXXXXX	
17	R39215	FITTING	1	XXXXXX-	
18	R35827	WASHER	1	XXXXXX-	
19	.....	HOSE	1		57MM (2-1/4") (MAKE FROM T61939) (SUB FOR R27930 OR T35695)
20	AR44283	OIL COOLER	1		(SUB FOR AR31150 OR AR28045) (LESS BYPASS VALVE ALSO INSTALL AR50591 AND AR53119) RUBBER
21	T22381	WASHER	1		
22	R47756	HOSE	1	XXXXXX-	
23	AR53119	KIT	1		

# 2E3

HYDRAULICS

RWP2560 -UN-01JAN94

## PRESSURE CONTROL VALVE



RWP2560

KEY	PART NO.	PART NAME	QTY	TRACTOR SERIAL NO.	REMARKS
1	R27474	DRAIN PLUG	1	(A)	
2	R26906	O-RING	1	(A)	
3	19H1800	CAP SCREW	1	3/8" X 1-1/2"	
4	12H304	LOCK WASHER	1	3/8"	
5	R26287	O-RING	1		
6	AR26746	ELBOW FITTING	1	90°	
7	AR48233	KIT	1		BLEED LINE, (CONSISTS OF (2) AR48234, (2) AR48235, (2) AR48236 AND R46141) (SUB FOR AR40035 OR AR40036)
8	AT32333	ELBOW FITTING	1	90°, (SUB FOR AR26771)	
9	R26286	O-RING	1		
10	19H1801	CAP SCREW	1	3/8" X 2"	
11	12H304	LOCK WASHER	1	3/8"	
12	R40072	SPRING	1		
13	R33521	SHIM	AR		
14	R40145	VALVE	1		(SUB AR65881 AND R40562)
15	R26906	O-RING	1		
16	R27270	FITTING	1		
17	AR40029	HOUSING	1		(MARKED R40154) (SUB FOR AR40403 OR AR51732) (SUB RE13273)
18	19H1936	CAP SCREW	1	3/8" X 3/4"	
19	12H304	LOCK WASHER	1	3/8"	
20	R27474	DRAIN PLUG	1	(B)	
21	R26906	O-RING	1	(B)	
22	AR40130	KIT	1		(SUB RE13273)

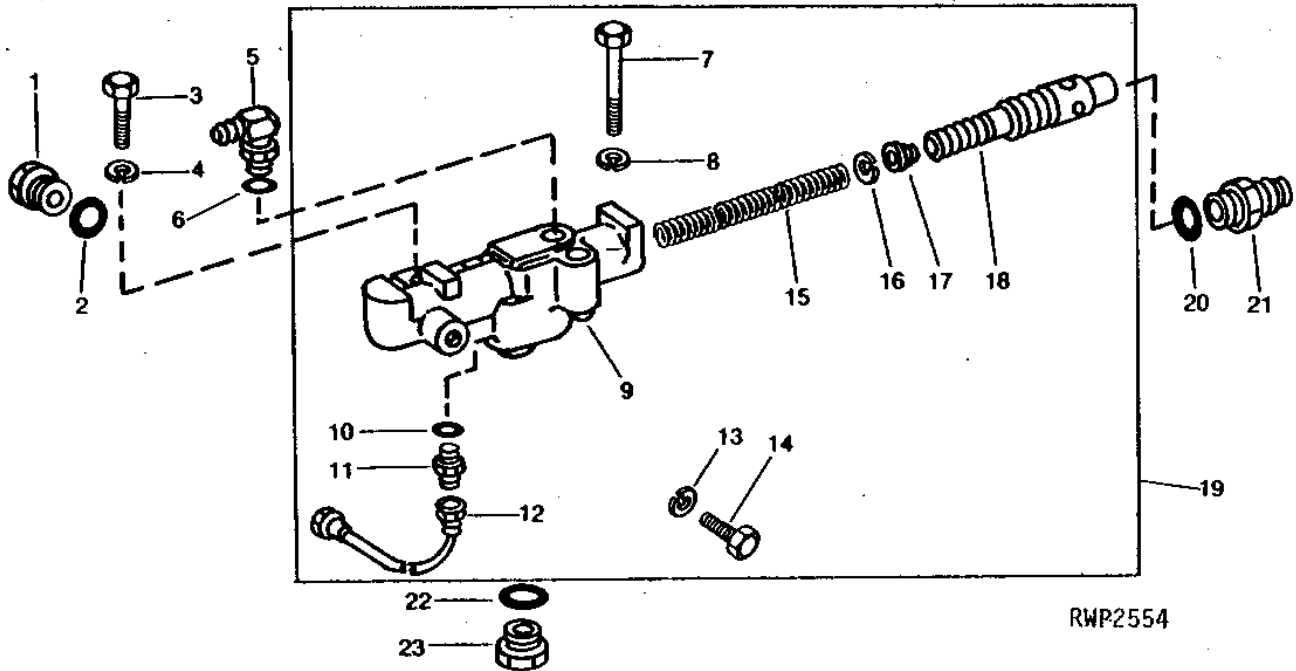
(A) LESS SELECTIVE CONTROL  
(B) LESS ROCKSHAFT

# 2E4

HYDRAULICS

RWP2554 -UN-01JAN94

## PRESSURE CONTROL VALVE



RWP2554

KEY	PART NO.	PART NAME	QTY	TRACTOR SERIAL NO.	REMARKS
1	R27474	DRAIN PLUG	1	(A)	
2	R26906	O-RING	1	(A)	
3	19H1800	CAP SCREW	1	3/8" X 1-1/2"	
4	12H304	LOCK WASHER	1	3/8"	
5	AT32333	ELBOW FITTING	1	(SUB FOR AR26771)	
6	R26286	O-RING	1		
7	19H1801	CAP SCREW	1	3/8" X 2"	
8	12H304	LOCK WASHER	1	3/8"	
9	R40559	HOUSING	1	(SUB R78495)	
10	R26287	O-RING	1		
11	R27527	ADAPTER	1		
12	AR44632	HYDRAULIC LINE	1	(SUB FOR AR44043 OR AR40404)	
13	12H304	LOCK WASHER	1	3/8"	
14	19H1936	CAP SCREW	1	3/8" X 3/4"	
15	R40072	SPRING	1		
16	R33521	SHIM	AR	0.76MM (.030")	
17	R40562	APERTURE	1		
18	AR65881	VALVE	1	(SUB FOR R40561)	
19	AR51732	CONTROL VALVE	1	(SUB FOR AR31125, AR34662, AR40029, AR40130 OR AR40403) (SUB RE13273)	
20	R26906	O-RING	1		
21	R27270	FITTING	1		
22	R26906	O-RING	1	(B)	
23	R27474	DRAIN PLUG	1	(B)	

(A) LESS SELECTIVE CONTROL

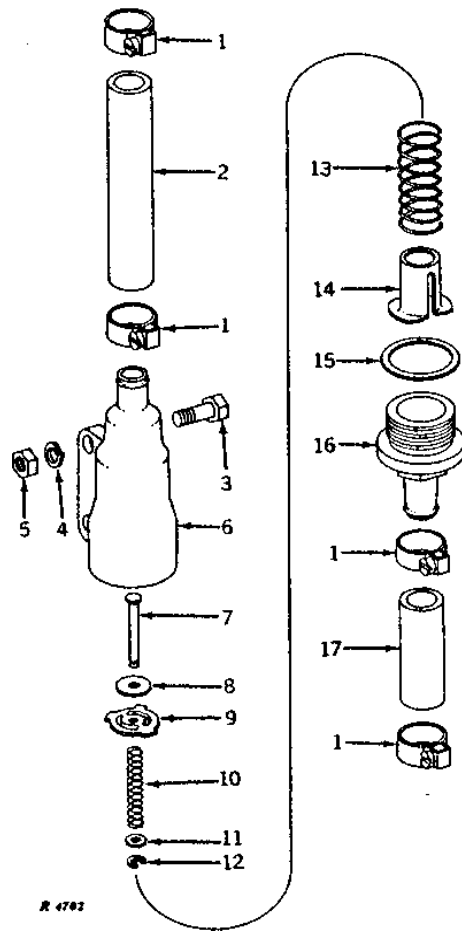
(B) LESS ROCKSHAFT

# 2E5

HYDRAULICS

R4702 -UN-01JAN94

HYDRAULIC OIL COOLER BYPASS VALVE  
(TRACTOR SERIAL NO. 023334- )



# 2E6

HYDRAULICS

HYDRAULIC OIL COOLER BYPASS VALVE - CONTINUED  
(TRACTOR SERIAL NO. 023334- )

KEY	PART NO.	PART NAME	QTY	TRACTOR SERIAL NO.	REMARKS
1	AR21839	CLAMP	4		
2	R32087	HOSE	1		19 X 129MM (3/4" X 5/32")
3	19H2284	CAP SCREW	2		3/8" X 7/8"
4	12H304	LOCK WASHER	2		3/8"
5	14H1076	NUT	2		3/8" HS, SAE 8
6	AR31152	HOUSING	1		(A) (MARKED R31931)
7	R31939	PIN	1		
8	R31933	WASHER	1		
9	R31932	VALVE	1		
10	H837R	SPRING	1		
11	24H1283	WASHER	1		7/32" X 1/2" X 0.049"
12	R31935	SNAP RING	1		
13	R31934	SPRING	1		
14	R31936	GUIDE	1		
15	R31378	O-RING	1		
16	R31937	FITTING	1		
17	.....	HOSE	1		19 X 64MM (3/4" X 2-1/2") (MAKE FROM R57300)

(A) CAN BE INSTALLED ON TRACTOR SERIAL NO. 001000-023333 EQUIPPED WITH AR31150 OR AR44283

---

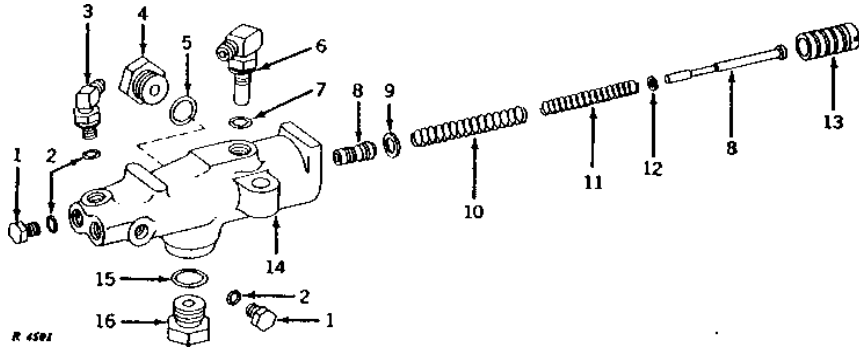
MEMORANDA

# 2E7

HYDRAULICS

R4591 -UN-01JAN94

## JUNCTION BLOCK WITH STEERING AND BRAKE PRESSURE CONTROL VALVE



KEY	PART NO.	PART NAME	QTY	TRACTOR SERIAL NO.	REMARKS
1	R27216	DRAIN PLUG	3	-042458	(SUB FOR R31631)
	R27216	DRAIN PLUG	2	042459-	(SUB FOR R31631)
	R32728	FITTING	1	042459-	
2	R26287	O-RING	4		
3	AT32335	ELBOW FITTING	1		90°, (SUB FOR AR26746)
4	R27474	DRAIN PLUG	1		(A)
5	R26906	O-RING	1		(A)
6	AR30742	ELBOW FITTING	1		90°
7	R26286	O-RING	1		
8	AR31124	SHAFT	1		(SUB AR40403)
9	24H1652	WASHER	1		13/32" X 11/16" X 7/64"
10	R31629	SPRING	1		
11	R68390	SPRING	1		(SUB FOR R31630)
12	R31632	SHIM	AR		
13	R31627	CONTROL VALVE	1		
14	AR51732	CONTROL VALVE	1		(MARKED R31624, R34851 OR R40154) (SUB FOR AR31125, AR34662, AR40130 OR AR40403) (SUB RE13273)
15	R26906	O-RING	1		(B)
16	R27474	DRAIN PLUG	1		(B)

(A) LESS SELECTIVE CONTROL

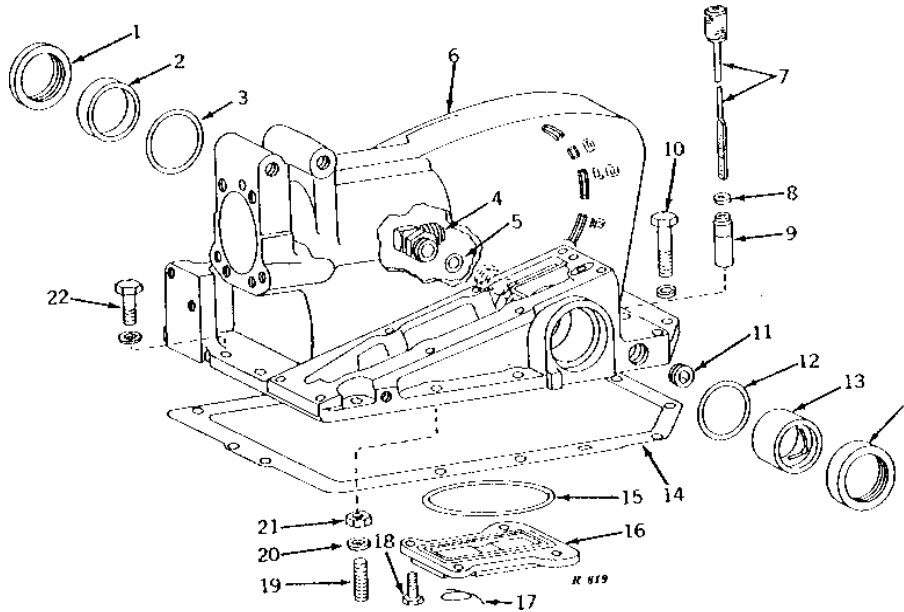
(B) LESS ROCKSHAFT

# 2E8

HYDRAULICS

## ROCKSHAFT HOUSING WITH BUSHINGS AND OIL SEALS (ROW-CROP AND STANDARD)

R819 -UN-01JAN94



KEY	PART NO.	PART NAME	QTY	TRACTOR SERIAL NO.	REMARKS
1	AF2643R	SEAL	2		
2	R26842	BUSHING	1		L.H.
3	A4728R	O-RING	1		
4	AT32331	ELBOW FITTING	1		90°, (SUB FOR AR26723)
5	F3171R	O-RING	1		
6	AR40417	HOUSING	1		(MARKED R27780 OR R34670) (SUB FOR AR28172 OR AR32901)
7	AR26824	DIPSTICK	1	-018905	(SUB AR30692 AND R31566)
8	AR30692	DIPSTICK	1	018906-	
8	R1590R	WASHER	1		
9	R27363	TUBE	1	-018905	(SUB AR30692 AND R31566)
9	R31566	TUBE	1	018906-	
10	19H1990	CAP SCREW	4		1/2" X 2-1/4"
	12H301	LOCK WASHER	4		1/2"
11	15H665	PIPE PLUG	1		3/4"
12	R26863	O-RING	1		
13	R26841	BUSHING	1		R.H.
14	R34161	GASKET	1		(SUB FOR R27650)
15	R26769	WASHER	1		
16	R55079	COVER	1		(SUB FOR R27210) (ALSO ORDER (4) 24M7096) (ON 001000-XXXXXX)
17	.....	WIRE	1		16 GAUGE X 12" LONG (DRILLED)
18	D459R	BOLT	4		
19	R32101	STUD	4		1/2" X 1-3/4", (SUB FOR B1353R)
20	12H301	LOCK WASHER	4		1/2"
21	14H1040	NUT	4		1/2" HS, SAE 8
22	19H3579	CAP SCREW	4		1/2" X 1-3/8"
	12H301	LOCK WASHER	4		1/2"

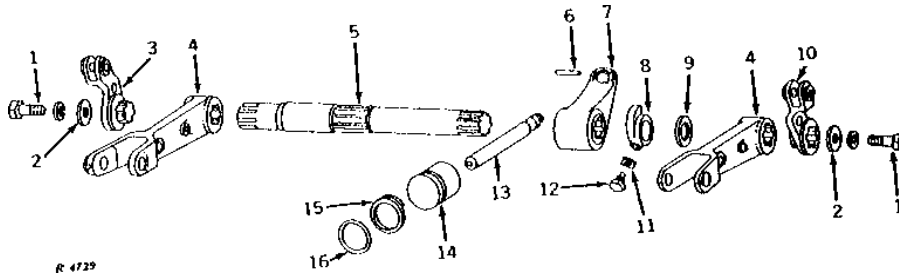


# 2E9

HYDRAULICS

## ROCKSHAFT, ROCKSHAFT PISTON AND LIFT ARMS (ROW-CROP AND STANDARD)

R4729 -UN-01JAN94



KEY	PART NO.	PART NAME	QTY	TRACTOR SERIAL NO.	REMARKS
1	19H1782 19H2113 12H236	CAP SCREW CAP SCREW LOCK WASHER	2 2 2	3/4" X 2-1/4" (A) 3/4" X 3-1/4" 3/4"	
2	R20136	WASHER	2		
3	AR40976	ARM	1		(A) (MARKED R26465 OR R41361) (SUB FOR AR26408)
4	AR30725	LIFT ARM	2		(MARKED R31595) (SUB FOR R26463)
5	R34487	SHAFT	1		(SUB FOR R26561)
6	34H320	SPRING PIN	1		1/4" X 2-1/4"
7	R26562	ARM	1		
8	R26865	CAM	1		
9	24H1602	WASHER	AR		2-17/64" X 2-3/4" X 0.060"
10	AR44765	ARM	1		(A) R.H. (MARKED R26464 OR R41360) (SUB FOR AR26404 OR AR40975) (ALSO ORDER R42644)
11	F3173R	LOCK PLATE	1		
12	R69642	CAP SCREW	1		(SUB FOR R26626)
13	AR44356	ROD	1		(SUB FOR R26456)
14	R42298	PISTON	1		(SUB FOR R27648)
15	R27649	BACK-UP RING	1		
16	A4728R	O-RING	1		
..	AR44872	ARM	1		(SUB FOR AR27031 OR AR41748) (LESS ROLL-GARD)

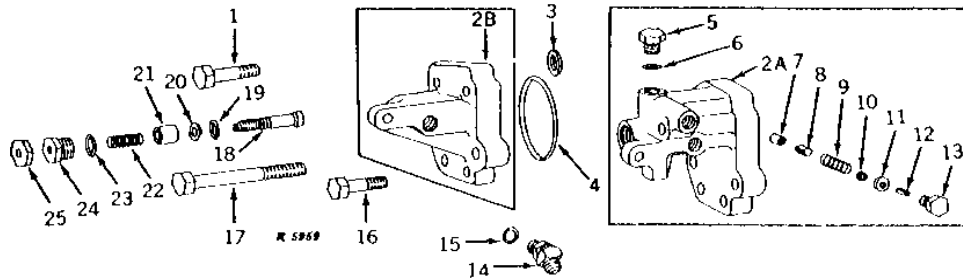
(A) INCLUDED IN AR44872

# 2E10

HYDRAULICS

## ROCKSHAFT PISTON COVER AND ASSOCIATED PARTS (ROW-CROP AND STANDARD)

R5959 -UN-01JAN94



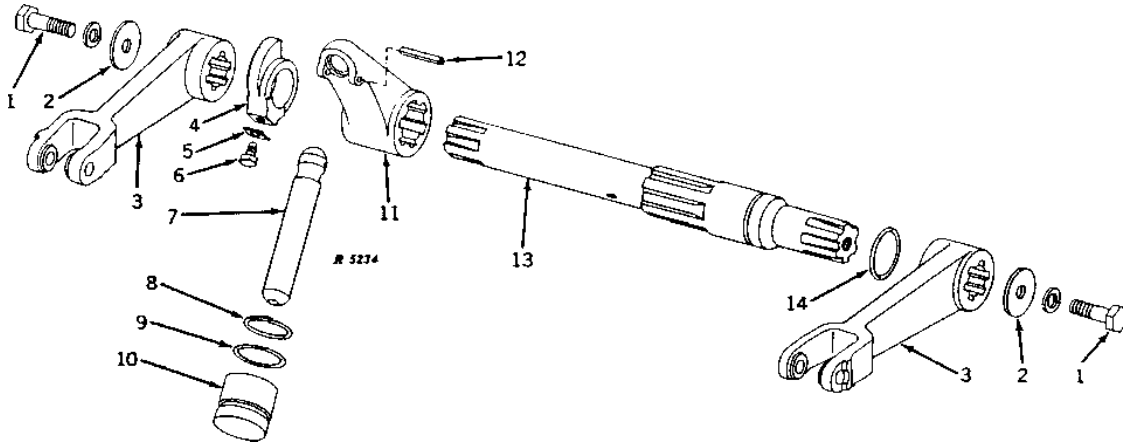
KEY	PART NO.	PART NAME	QTY	TRACTOR SERIAL NO.	REMARKS
1	19H2357	CAP SCREW	1		9/16" X 2"
2A	R27778	COVER	1	-032399	(SUB 19H2357, R32386 AND AR31754)
2B	R32386	COVER	1	032400-	
3	R26919	WASHER	1		
4	R26544	WASHER	1		(SUB FOR R26623)
5	R27218	FITTING PLUG	1	-032399	
6	R26448	O-RING	1	-032399	
7	R27211	VALVE SEAT	1	-032399	(SUB AR31754)
8	R26864	VALVE	1	-032399	(SUB AR31754)
9	R26477	SPRING	1	-032399	(SUB AR31754)
10	R26478	SHIM	AR	-032399	0.51MM (.020")
	R26479	SHIM	AR	-032399	0.76MM (.030")
11	R26287	O-RING	1	-032399	
12	34H247	SPRING PIN	1	-032399	1/8" X 3/4"
13	R27216	DRAIN PLUG	1	-032399	
14	AR26722	ELBOW FITTING	1		45°, (SUB AT38033)
15	R26448	O-RING	1		
16	19H2473	CAP SCREW	4		1/2" X 1-3/4"
17	19H2044	CAP SCREW	1	-032399	5/16" X 4"
	19H2357	CAP SCREW	1	032400-	9/16" X 2"
18	R26625	SHAFT	1		
19	A4365R	O-RING	1		
20	R31136	BACK-UP RING	1		
21	R26457	VALVE	1		
22	B3686R	SPRING	1		
23	R26906	O-RING	1		
24	R26458	FITTING	1		
25	14H774	NUT	1		3/8"

# 2E11

HYDRAULICS

## ROCKSHAFT, PISTON AND LIFT ARMS (UTILITY AND ORCHARD)

R5234 -UN-12DEC94



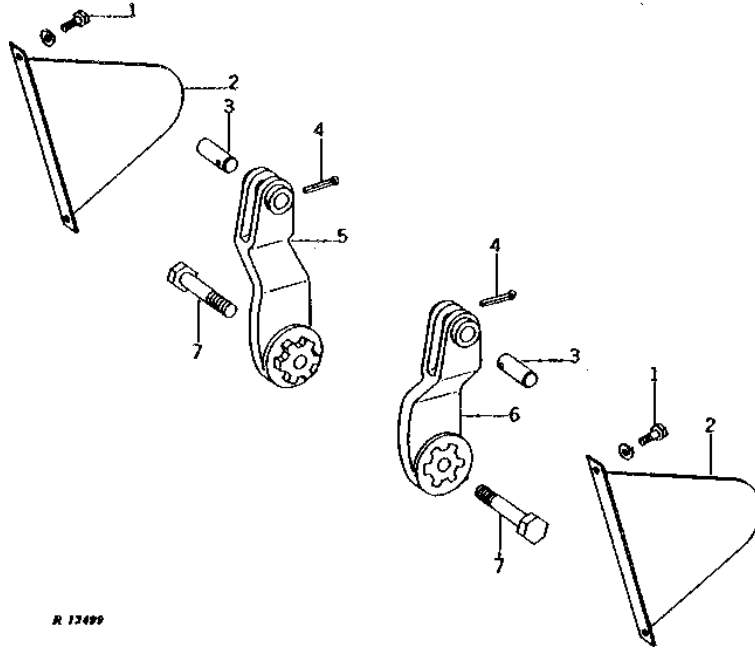
KEY	PART NO.	PART NAME	QTY	TRACTOR SERIAL NO.	REMARKS
1	19H1782	CAP SCREW	2	3/4" X 2-1/4"	
	12H236	LOCK WASHER	2	3/4"	
2	R20136	WASHER	2		
3	R33935	LIFT ARM	1	(SUB FOR R28279)	
4	R26865	CAM	1		
	24H1292	WASHER	AR	11/32" X 3/4" X 0.120"	
5	F3173R	LOCK PLATE	1		
6	R69642	CAP SCREW	1	(SUB FOR R26626)	
7	AR44356	ROD	1	(SUB FOR R26456)	
8	R27649	BACK-UP RING	1		
9	A4728R	O-RING	1		
10	R42298	PISTON	1	(SUB FOR R27648)	
11	R26562	ARM	1		
12	34H320	SPRING PIN	1	1/4" X 2-1/4"	
13	R28533	SHAFT	1	(NO LONGER AVAILABLE)	
14	F1649R	O-RING	1		

# 2E12

HYDRAULICS

R12499 -UN-01JAN94

## IMPLEMENT ARMS (ROLL-GARD)



KEY	PART NO.	PART NAME	QTY	TRACTOR SERIAL NO.	REMARKS
1	19H1900	CAP SCREW	4	(A) 5/16" X 3/4"	
	12H303	LOCK WASHER	4	(A) 5/16"	
2	AR40977	GUARD	2	(A)	
3	R42644	PIN	2	(SUB FOR R41362)	
4	11M7096	COTTER PIN	2	(A) 5 X 80 MM	
5	AR40976	ARM	1	(MARKED R26465 OR R41361)	
6	AR44765	ARM	1	(MARKED R26464 OR R41360) (SUB FOR AR26404 OR AR40975) (ALSO ORDER R42644)	
7	19H2113	CAP SCREW	2	3/4" X 3-1/4"	
..	AR47483	GUARD	1		

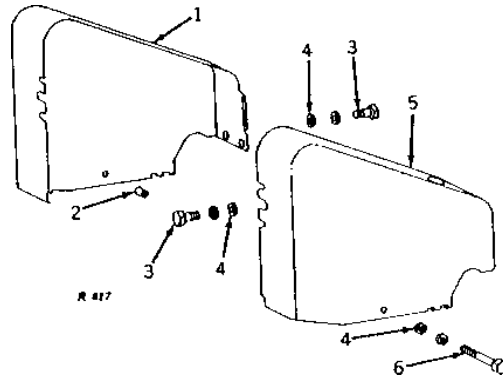
(A) INCLUDED IN AR47483

# 2E13

HYDRAULICS

## ROCKSHAFT HOUSING COVERS (ROW-CROP AND STANDARD)

R817 -UN-01JAN94



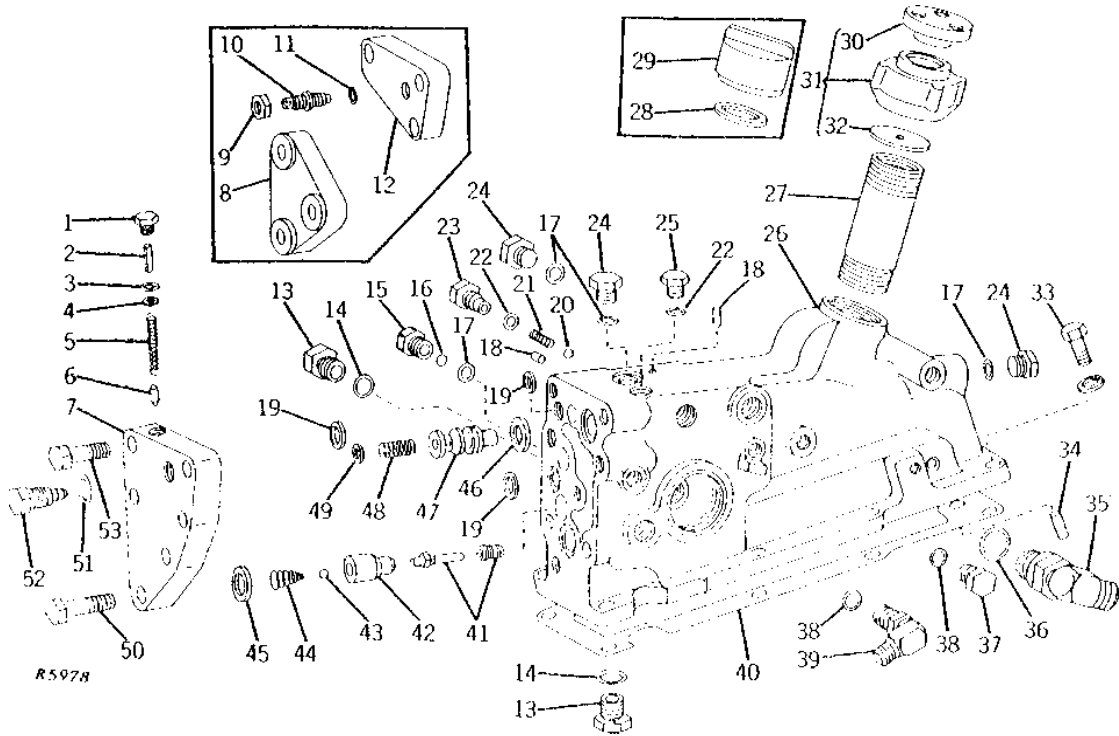
KEY	PART NO.	PART NAME	QTY	TRACTOR SERIAL NO.	REMARKS
1	R27544	COVER	1		
2	R27168	BUSHING	2		
3	19H1936	CAP SCREW	8	3/8" X 3/4"	
	12H304	LOCK WASHER	8	3/8"	
4	24H1305	WASHER	10	13/32" X 13/16" X 0.065"	
5	R27543	COVER	1		
6	19H2791	CAP SCREW	1	3/8" X 1-3/4"	
	12H304	LOCK WASHER	1	3/8"	

# 2E14

HYDRAULICS

## ROCKSHAFT CONTROL VALVE HOUSING (ROW-CROP AND STANDARD)

R5978 -UN-01JAN94



# 2E15

HYDRAULICS

## ROCKSHAFT CONTROL VALVE HOUSING - CONTINUED (ROW-CROP AND STANDARD)

KEY	PART NO.	PART NAME	QTY	TRACTOR SERIAL NO.	REMARKS
1	R27216	DRAIN PLUG	1		
2	34H247	SPRING PIN	1	032400-	1/8" X 3/4"
3	R26287	O-RING	3	032400-	
4	R26478	SHIM	AR	032400-	0.51MM (.020")
	R26479	SHIM	AR	032400-	0.76MM (.030")
5	R26477	SPRING	1	032400-	
6	R31565	VALVE	1	032400-	(SUB R55678)
7	AR31754	COVER	1	032400-	(MARKED R32387)
8	R26777	COVER	1	-032399	(NO LONGER AVAILABLE)
9	14H1080	NUT	1	-032399	3/8"
10	AR28661	SCREW, WITH WASHER	1	-032399	(SUB R26448, R32245, R40799 AND (2) B1664R)
11	R26287	O-RING	1	-032399	
12	R27217	COVER	1	-032399	(SUB R32245, R40799, R26448 AND (2) B1664R)
	R32245	COVER	1	-032399	(SUB FOR R27217 OR AR28661, THIS APPLICATION)
13	R39112	FITTING	3		(SUB FOR R28095)
14	R26375	O-RING	3		
15	R27094	DRAIN PLUG	2		(SUB FOR R26429)
16	R28785	SHIM	AR		0.13MM (.005")
	R28786	SHIM	AR		0.25MM (.010")
	R28505	SHIM	AR		0.76MM (.030")
17	R26286	O-RING	5		
18	F1840R	DOWEL PIN	2		
19	F2741R	PACKING	3	-038059	
	F2741R	PACKING	2	038060-	
20	H871R	BALL	1		5MM (3/16")
21	R27981	SPRING	1		
22	R26287	O-RING	2		
23	R27979	FITTING	1		
24	R27094	DRAIN PLUG	3		
25	R27216	DRAIN PLUG	1		
26	AR30256	HOUSING	1	-038059	(MARKED R27213 OR R31619) (SUB AR32608)
	AR32608	HOUSING	1	038060-	(MARKED R34011) (SUB FOR AR28171)
	F1737R	FILTER	1	1RS1-1RS1	
27	R27606	THREADED NIPPLE	1		
28	A4235R	GASKET	1	-017189	
29	A4233R	ASSEMBLY LINE PARTS	1	-017189	(SUB AR30697)
30	AM1074T	BREATHER	1	017190-	
31	AR30697	CAP	1	017190-	(MARKED R31487 OR R32715)
32	R31486	WASHER	1	017190-	
33	19H1731	CAP SCREW	8	-019367	3/8" X 1"
	19H1732	CAP SCREW	8	019368-	3/8" X 1-1/4"
	12H304	LOCK WASHER	8		3/8"
34	R26650	DOWEL PIN	1		(SUB FOR A4879R)
35	AR26724	ELBOW FITTING	1	-038059	90°
	AR30110	ELBOW FITTING	1	038060-	90°
36	R26906	O-RING	1	-038059	
	R26375	O-RING	1	038060-	
37	R27218	FITTING PLUG	1		
38	R26448	O-RING	1		
39	AT35121	ELBOW FITTING	1		90°, (SUB FOR AR26725)
40	R26573	GASKET	1		
41	AR30094	SHAFT	1		(RETURN) (SUB FOR R26758)
	AR39777	SHAFT	1		(PRESSURE)
42	R59083	VALVE	2		(SUB FOR R27512 OR R44299)
43	400R	BALL	2		6MM (1/4")
44	R26565	SPRING	2		
45	R26149	PACKING	2		
46	R26149	PACKING	1		
47	R26460	CONTROL VALVE	1		
48	R26566	SPRING	1		
49	24H1286	WASHER	1	-032399	9/32" X 1/2" X 1/16"
	B1664R	SHIM	2	032400-	
50	19H1721	CAP SCREW	3		1/2" X 1-1/2"
51	R26448	O-RING	1	032400-	
52	R32246	PLUG	1		(SUB R40799 AND (2) B1664R)
53	19H1978	CAP SCREW	3		7/16" X 1-1/2"

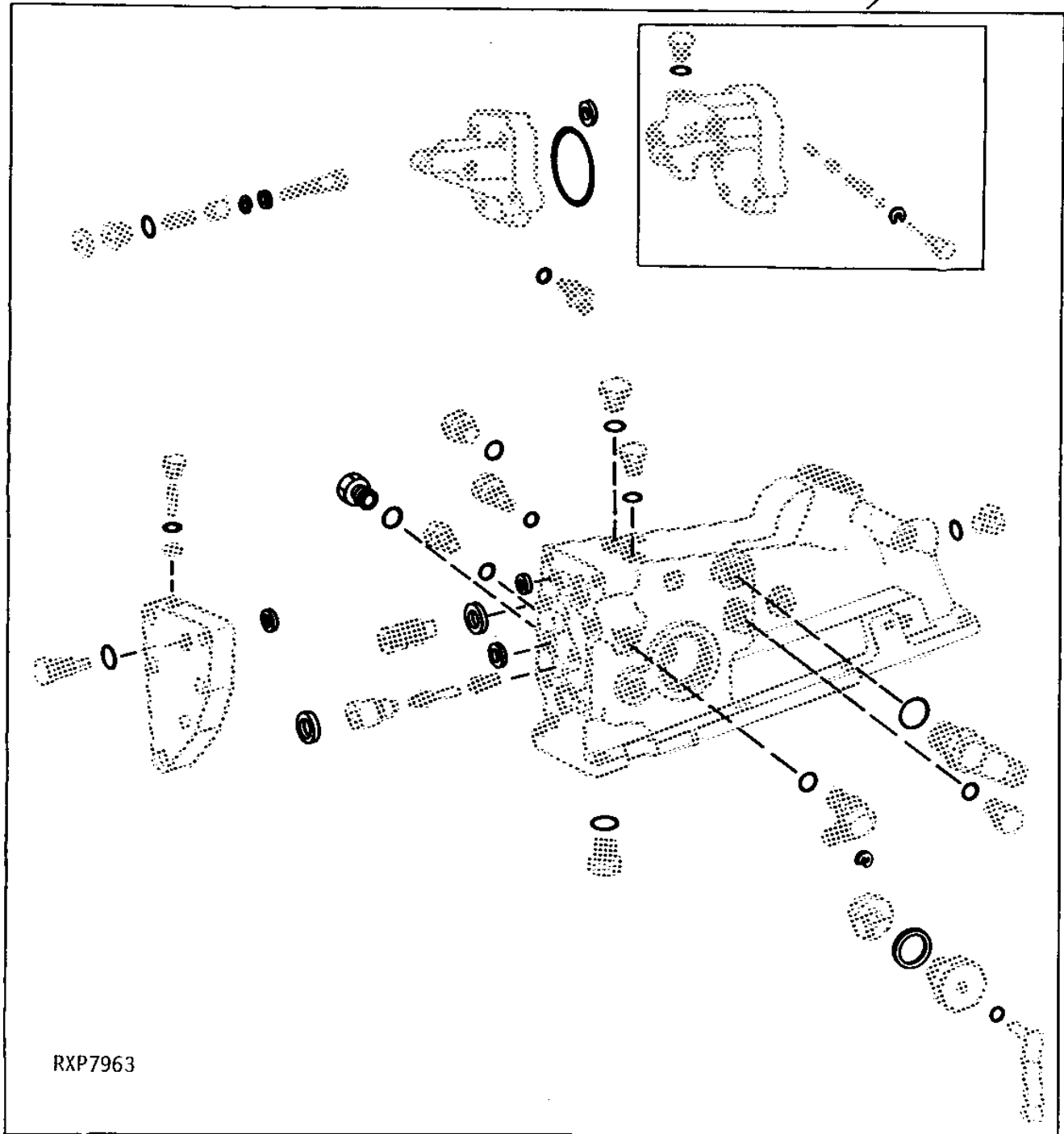
# 2E16

HYDRAULICS

RXP7963

-UN-01JAN94

## ROCKSHAFT CONTROL VALVE HOUSING OVERHAUL KIT





# 2E17

HYDRAULICS

---

## ROCKSHAFT CONTROL VALVE HOUSING OVERHAUL KIT - CONTINUED

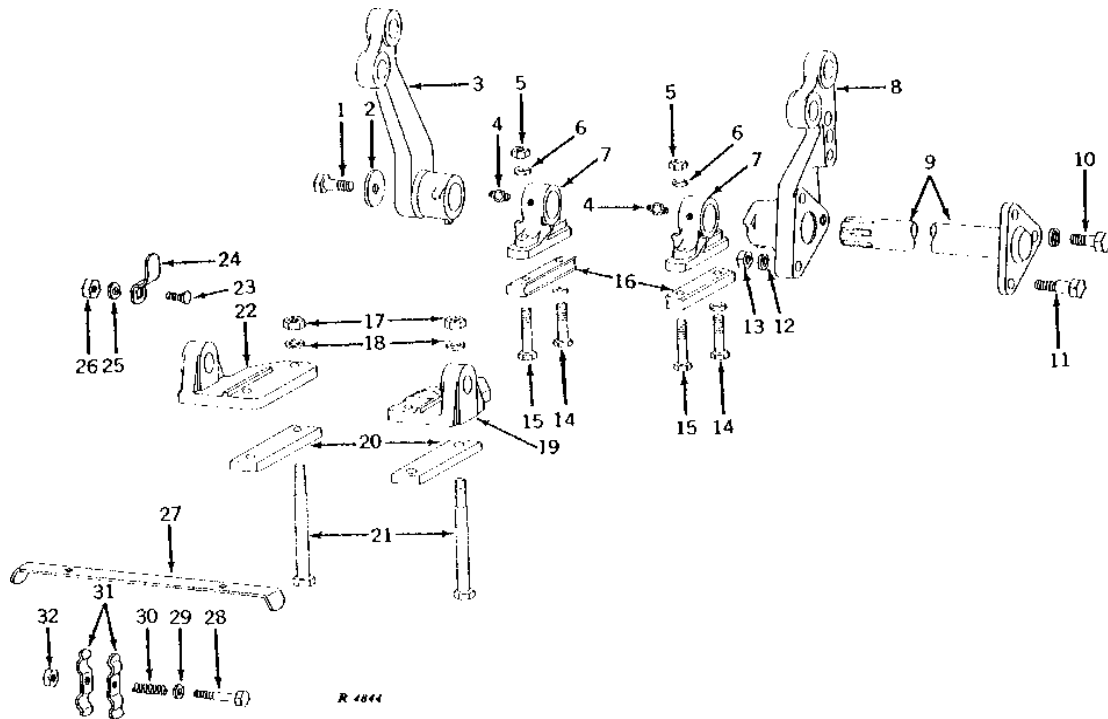
KEY	PART NO.	PART NAME	QTY	TRACTOR SERIAL NO.	REMARKS
1	AR30689	KIT	1		ROCKSHAFT PISTON COVER AND CONTROL VALVE HOUSING OVERHAUL

# 2E18

HYDRAULICS

## FRONT-MOUNTED ROCKSHAFT (ROW-CROP AND UTILITY)

R4844 -UN-01JAN94



# 2E19

HYDRAULICS

## FRONT-MOUNTED ROCKSHAFT - CONTINUED (ROW-CROP AND UTILITY)

KEY	PART NO.	PART NAME	QTY	TRACTOR SERIAL NO.	REMARKS
1	19H1756	CAP SCREW	1		5/8" X 1-1/2"
2	R20135	WASHER	1		
3	R38089	ARM	1		L.H. (SUB FOR R26709)
4	JD7778	LUBRICATION FITTING	2		30°
5	14H1040	NUT	2		1/2"
6	12H301	LOCK WASHER	2		1/2"
7	R26704	BRACKET	2	-019799	
	R31403	BRACKET	2	019800-	
8	R26708	ARM	1		R.H.
9	AR34350	ROCKSHAFT	1	019800-	(SUB FOR AR26492 OR AR30471) (ALSO ORDER (2) R31403)
10	19H1756	CAP SCREW	1		5/8" X 1-1/2"
	12H294	LOCK WASHER	1		5/8"
11	R27819	BOLT	2		
12	12H294	LOCK WASHER	2		5/8"
13	14H1083	NUT	2		5/8"
14	19H1990	CAP SCREW	2		1/2" X 2-1/4"
	12H301	LOCK WASHER	2		1/2"
15	19H1974	CAP SCREW	2		1/2" X 2-3/4"
16	R28755	SUPPORT	2		
17	14H1039	NUT	4		5/8"
18	12H294	LOCK WASHER	4		5/8"
19	R26710	BRACKET	1		R.H.(NO LONGER AVAILABLE)
20	R38093	STRAP	2		(SUB FOR R27549)
21	R26784	BOLT	4		
22	R26711	BRACKET	1		L.H.
23	03H1765	BOLT	2		3/8" X 3/4", (RU)
24	R31432	HOLDER	2		(RU) (NO LONGER AVAILABLE)
25	12H304	LOCK WASHER	2		3/8", (RU)
26	14H1076	NUT	2		3/8", (RU)
27	R31431	BRACKET	1		(RU) (NO LONGER AVAILABLE)
28	19H1733	CAP SCREW	2		3/8" X 2-1/2", (RU)
29	24H1301	WASHER	2		13/32" X 9/16" X 0.065", (RU)
30	R26823	SPRING	2		(RU)
31	R31433	HALF CLAMP	4		(RU)
32	14H1076	NUT	2		3/8", (RU)
..	AR34348	ROCKSHAFT	1		(RU) (SUB FOR AR30522) (CONSISTS OF AR34345, AR30525 AND AR26852) (NO LONGER AVAILABLE)
..	AR34349	ROCKSHAFT	1		(RU) (SUB FOR AR30523) (CONSISTS OF AR34345, AR30525, AR26852 AND AR26853) (NO LONGER AVAILABLE)

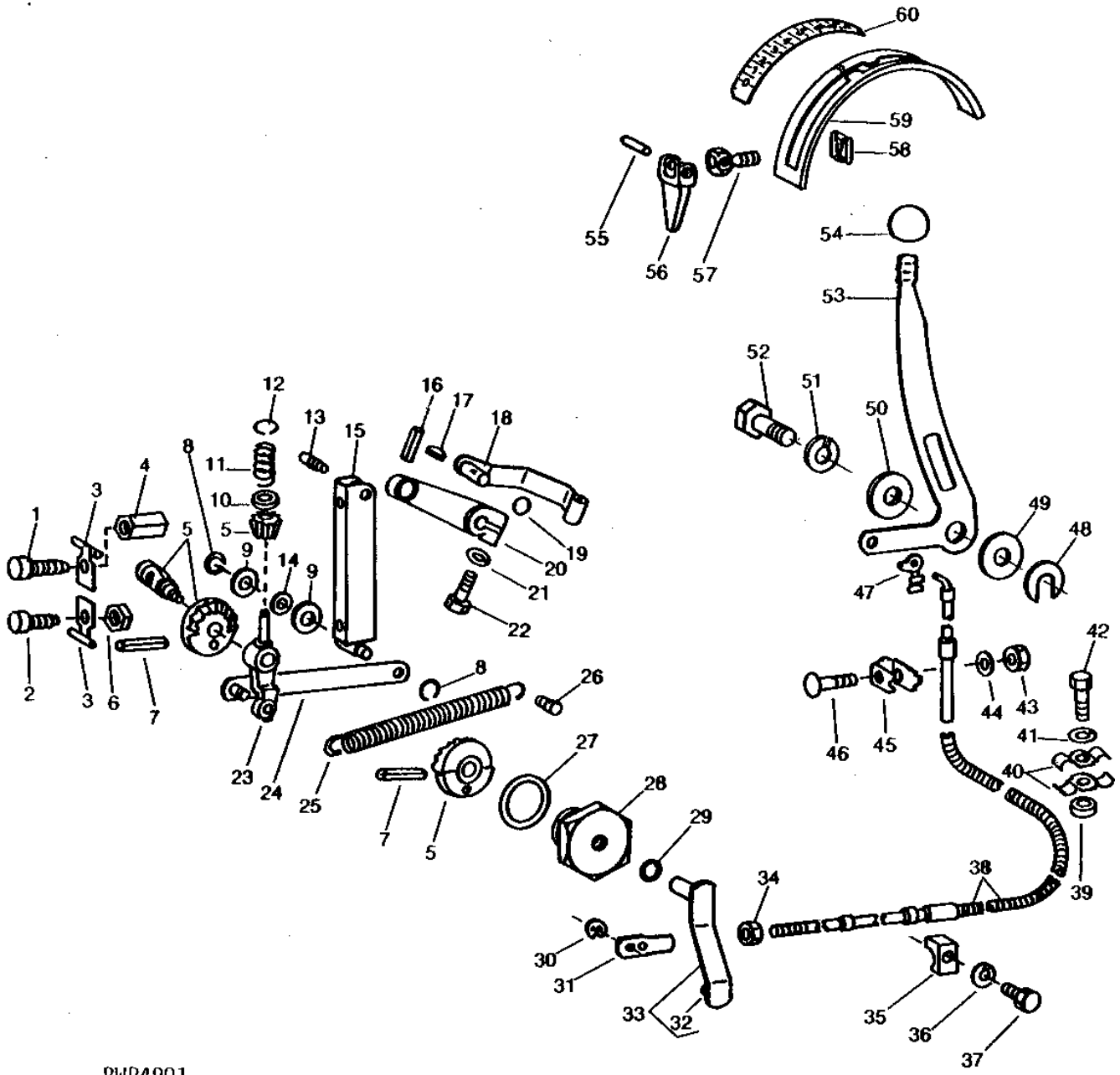
RU - ROW-CROP UTILITY

# 2E20

HYDRAULICS

## ROCKSHAFT LINKAGE AND CONTROL (ROW-CROP AND STANDARD)

RWP4901 -UN-01JAN94



RWP4901

# 2E21

HYDRAULICS

## ROCKSHAFT LINKAGE AND CONTROL - CONTINUED (ROW-CROP AND STANDARD)

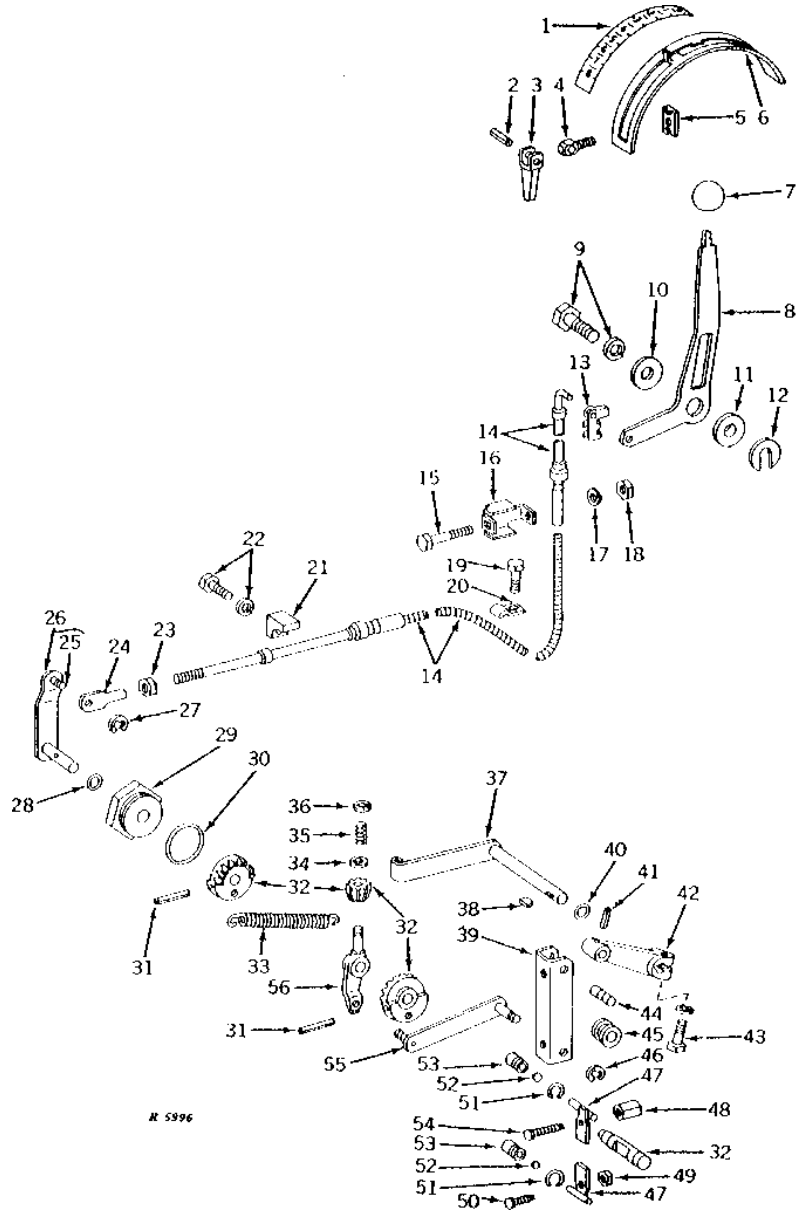
KEY	PART NO.	PART NAME	QTY	TRACTOR SERIAL NO.	REMARKS
1	R26554	SET SCREW	1		
2	R26762	BOLT	1		
3	AR26546	LEVER	2		
4	R26567	NUT	1		
5	AR31272	GEAR	1		(SUB FOR AR27431 OR R27377) (SUB AR31274, R27674 AND R27675)
6	14H649	NUT	1		1/4"
7	34H329	SPRING PIN	2	-032387	5/16" X 1-1/4"
8	M2396T	SNAP RING	2		(SUB FOR R28034 OR R26386) (SUB R72653)
9	24M7207	WASHER	2		8.400 X 24 X 2 MM
10	24H1289	WASHER	1		21/64" X 5/8" X 0.049"
11	R26487	SPRING	1		
12	R26386	SNAP RING	1		
13	R27372	PIN	1		
14	R27215	WASHER	1		
15	AR26711	LINK	1		
16	34H231	SPRING PIN	1		3/32" X 3/4"
17	26H67	SHAFT KEY	1		1/8" X 3/8"
18	AR26450	LEVER	1		
19	R394R	O-RING	1		
20	R26571	LEVER	1		
21	12H303	LOCK WASHER	1		5/16"
22	19H1905	CAP SCREW	1		5/16" X 1"
23	R26772	ARM	1		
24	AR26523	LINK	1		
25	R26776	SPRING	1		
26	R26564	PIN	1		
27	R26773	O-RING	1		
28	R27214	QUILL	1		
29	R394R	O-RING	1		
30	R27507	SNAP RING	1		
31	R31422	END	1		(SUB FOR R26577)
32	R26461	PIN	1		
33	AR26524	LEVER	1		
34	14H850	NUT	1		1/4"
35	R26629	CLAMP	1		
36	12H303	LOCK WASHER	1		5/16"
37	19H1849	CAP SCREW	1		5/16" X 1-1/4"
38	AR26810	PUSH PULL CABLE	1		
	R39725	SEAL	1		
	R39726	SEAL	1		
	R39727	SEAL	1		
39	R27370	WASHER	1		
40	R27369	CLAMP	2		(SUB R27256, R183R AND 24H1287)
41	12H302	LOCK WASHER	1		1/4"
42	19H1914	CAP SCREW	1		1/4" X 1"
43	14H785	NUT	1		5/16"
44	12H303	LOCK WASHER	1		5/16"
45	R26870	CLAMP	1		
46	19H1849	CAP SCREW	1		5/16" X 1-1/4"
47	R26491	CLIP	1		L.H.
48	R27603	WASHER	AR		1.52MM (.060") (SUB FOR R27604)
49	R26574	WASHER	1		
50	R63024	WASHER	1		
51	12H317	LOCK WASHER	1		9/16"
52	19H2356	CAP SCREW	1		9/16" X 1-3/4"
53	R27364	LEVER	1		
54	R28164	KNOB	1		
55	R27959	SPRING PIN	1	-015743	(SUB 34H387)
	34H387	SPRING PIN	1	015744-	3/16" X 3/4"
56	R34537	CAM	1		(SUB FOR R27366)
57	R27365	SCREW	1	-015743	(SUB R31222 AND 34H194)
	R31222	BOLT	1	015744-	
58	R27605	NUT	1		
59	R40476	STRAP	1		(SUB FOR R26576)
60	R40509	LABEL	1		(SUB FOR R27893 OR R39754)

# 2E22

HYDRAULICS

## ROCKSHAFT LINKAGE AND CONTROL (UTILITY AND ORCHARD)

R5996 -UN-01JAN94



# 2E23

HYDRAULICS

## ROCKSHAFT LINKAGE AND CONTROL - CONTINUED (UTILITY AND ORCHARD)

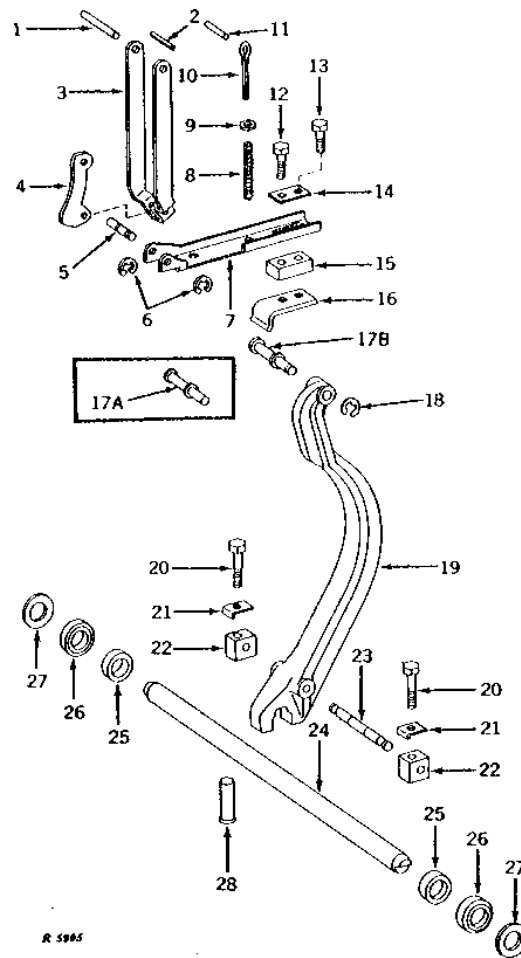
KEY	PART NO.	PART NAME	QTY	TRACTOR SERIAL NO.	REMARKS
1	R40509	LABEL	1		(SUB FOR R27893 OR R39754)
2	R27959	SPRING PIN	1	-015744	(SUB 34H194)
	34H194	SPRING PIN	1	015745-	3/16" X 3/4"
3	R34537	CAM	1		(SUB FOR R27366)
4	R27365	EYEBOLT	1	-015744	(SUB R31222 AND 34H194)
	R31222	BOLT	1	015745-	
5	R27605	NUT	1		
6	R40476	STRAP	1		(SUB FOR R26576)
7	R28164	KNOB	1		
8	R28536	LEVER	1		
9	19H2350	CAP SCREW	1		7/16" X 6"
	12H317	LOCK WASHER	1		9/16"
10	R63024	WASHER	1		
11	R26574	WASHER	1		
12	R27603	WASHER	AR		1.52MM (.060") (SUB FOR R27604)
13	R26491	CLIP	1		L.H.
14	AR26810	PUSH PULL CABLE	1		
15	03H1815	BOLT	1		1/4" X 2-1/4"
16	AR30211	CLAMP	1		
	28H1495	SPACER	1		3/8" X 1"
17	12H302	LOCK WASHER	1		1/4"
18	14H786	NUT	1		1/4"
19	19H2205	CAP SCREW	1		3/8" X 6"
20	R27747	CLAMP	1		
21	R26629	CLAMP	1		
22	19H1849	CAP SCREW	1		5/16" X 1-1/4"
	12H303	LOCK WASHER	1		5/16"
23	14H850	NUT	1		1/4"
24	R31422	END	1		(SUB FOR R26577)
25	R26461	PIN	1		
26	AR26955	LEVER	1		(NO LONGER AVAILABLE)
27	R27507	SNAP RING	1		
28	R394R	O-RING	1		
29	R27214	QUILL	1		
30	R26773	O-RING	1		
31	34H239	SPRING PIN	2	-028326	3/32" X 1-1/2"
32	AR31273	GEAR	1		(SUB FOR AR27431 OR R27377)
33	R28441	SPRING	1		(NO LONGER AVAILABLE)
34	24H1289	WASHER	1		21/64" X 5/8" X 0.049"
35	R26487	SPRING	1		
36	R26386	SNAP RING	1		
37	AR27742	LEVER	1		(SUB AR31161 AND R32071)
	AR31161	LEVER	1	022840-	
38	26H67	SHAFT KEY	1		1/8" X 3/8"
39	R28445	LINK	1		(NO LONGER AVAILABLE)
40	R394R	O-RING	1		
41	34H231	SPRING PIN	1		3/32" X 3/4"
42	R26571	LEVER	1		
43	19H1905	CAP SCREW	1		5/16" X 1"
	12H303	LOCK WASHER	1		5/16"
44	R27372	PIN	1		
45	R28444	ROLLER	1		(NO LONGER AVAILABLE)
46	R72653	SNAP RING	1		(SUB FOR M2396T)
47	AR26546	LEVER	2		
48	R26567	NUT	1		
49	14H649	NUT	1		1/4"
50	R26762	BOLT	1		
51	R446R	SNAP RING	2		
52	R28785	SHIM	AR		0.13MM (.005")
	R28786	SHIM	AR		0.25MM (.010")
	R28505	SHIM	AR		0.76MM (.030")
53	R28504	BUSHING	2		(NO LONGER AVAILABLE)
54	R26554	SET SCREW	1		
55	AR27741	LINK	1		(NO LONGER AVAILABLE)
56	R26772	ARM	1		

# 2E24

HYDRAULICS

## LOAD CONTROL (UTILITY AND ORCHARD)

R5995 -UN-01JAN94





# 2E25

HYDRAULICS

## LOAD CONTROL - CONTINUED (UTILITY AND ORCHARD)

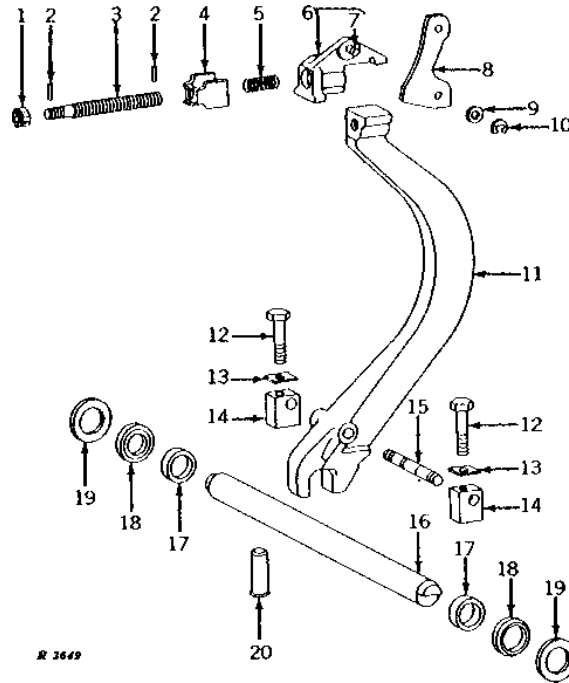
KEY	PART NO.	PART NAME	QTY	TRACTOR SERIAL NO.	REMARKS
1	R28431	DOWEL PIN	1		(NO LONGER AVAILABLE)
2	R32334	BUSHING	1		(NO LONGER AVAILABLE)
3	R28534	LINK	1		(NO LONGER AVAILABLE)
4	R28507	FOLLOWER	1		
5	R28449	GROOVE PIN	1		(NO LONGER AVAILABLE)
6	R72653	SNAP RING	2		(SUB FOR M2396T)
7	R28448	LINK	1		(SUB FOR AR28930) (SUB AR34369)
8	R28434	SPRING	1		(NO LONGER AVAILABLE)
9	24H1283	WASHER	1		7/32" X 1/2" X 0.049"
10	11M7025	COTTER PIN	1		0.157" X 2.480"
11	34H252	SPRING PIN	1		1/8" X 1-1/4"
12	19H1732	CAP SCREW	1		3/8" X 1-1/4"
13	B550R	BOLT	1		(NO LONGER AVAILABLE)
14	F3319R	ADJUSTING STRAP	1		
15	R28541	STRAP	1		(NO LONGER AVAILABLE)
16	R28435	FOLLOWER	1		
17A	R28436	PIN	1	-032399	(SUB R32240 AND R30437)
17B	R32240	PIN	1	-032400	
18	T12351	SNAP RING	1	032400-	(SUB R30437)
19	R34549	ARM	1		(SUB FOR R28540)
20	08H4086	CAP SCREW	2		5/8" X 6-3/4"
21	R30958	LOCK PLATE	2		
22	R27652	SUPPORT	2		
23	R26630	SHAFT	1		
24	R27017	SHAFT	1		(SUB R33883 AND (2) R33884)
25	R27018	BUSHING	2		
	R45513	BUSHING	AR		0.08MM (.003") OVERSIZE
	R45514	BUSHING	AR		0.15MM (.006") OVERSIZE
	R46799	BUSHING	AR		0.23MM (.009") OVERSIZE, (SUB AR89132)
26	AR78337	KIT	1		(SUB FOR AR27371)
27	R28961	WASHER	2		
28	R35046	DOWEL PIN	1		(SUB FOR R27894)

# 2F1

HYDRAULICS

R3649 -UN-01JAN94

## LOAD CONTROL (ROW-CROP AND STANDARD)



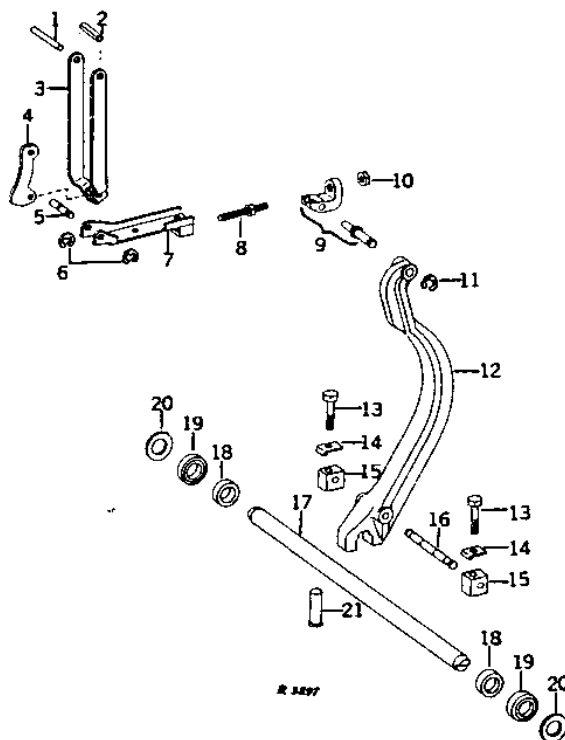
KEY	PART NO.	PART NAME	QTY	TRACTOR SERIAL NO.	REMARKS
1	14H936	NUT	1	3/8"	
2	34H244	SPRING PIN	2	1/8" X 9/16"	
3	R26628	STUD	1		
4	R46443	LOCK PLATE	1	(SUB R27127)	
5	F1463R	SPRING	1		
6	AR26547	EXTENSION	1	(MARKED R26868)	
7	R26869	PIN	1		
8	R26779	FOLLOWER	1		
9	24H1287	WASHER	1	9/32" X 5/8" X 0.065"	
10	R27507	SNAP RING	1		
11	R27651	ARM	1		
12	19H1800	CAP SCREW	2	3/8" X 1-1/2"	
13	R30958	LOCK PLATE	2		
14	R27652	SUPPORT	2		
15	R26630	SHAFT	1		
16	R27017	SHAFT	1	(SUB R33883 AND (2) R33884)	
17	R27018	BUSHING	2		
18	AR84791	SEAL	2	(SUB FOR AR27371 OR AR78337)	
19	R28961	WASHER	2		
20	R35046	DOWEL PIN	1	(SUB FOR R27894)	

# 2F2

HYDRAULICS

## LOAD CONTROL OVERHAUL KIT (UTILITY AND ORCHARD)

R9897 -UN-19DEC94



KEY	PART NO.	PART NAME	QTY	TRACTOR SERIAL NO.	REMARKS
1	R28431	DOWEL PIN	1		(NO LONGER AVAILABLE)
2	R32334	BUSHING	1		(NO LONGER AVAILABLE)
3	R28534	LINK	1		(NO LONGER AVAILABLE)
4	R28507	FOLLOWER	1		
5	R28449	GROOVE PIN	1		(NO LONGER AVAILABLE)
6	R72653	SNAP RING	2		(SUB FOR M2396T)
7	AR34384	LINK	1		(NO LONGER AVAILABLE)
8	R34732	SCREW	1		
9	AR34383	END	1		
10	T11234	LOCK NUT	1		
11	R30437	SNAP RING	1		
12	R34549	ARM	1		
13	19H1800	CAP SCREW	2	3/8" X 1-1/2"	
14	R30958	LOCK PLATE	2		
15	R27652	SUPPORT	2		
16	R26630	SHAFT	1		
17	R33883	PIN	1		
18	R27018	BUSHING	2		
	R45513	BUSHING	AR		0.08MM (.003") OVERSIZE
	R45514	BUSHING	AR		0.15MM (.006") OVERSIZE
	R46799	BUSHING	AR		0.23MM (.009") OVERSIZE, (SUB AR89132)
19	AR84791	SEAL	1		(SUB FOR AR27371 OR AR78337)
20	R28961	WASHER	2		
21	R31075	PIN	1		
..	AR34369	KIT	1		LOAD SIGNAL LINK AND OVERHAUL

---

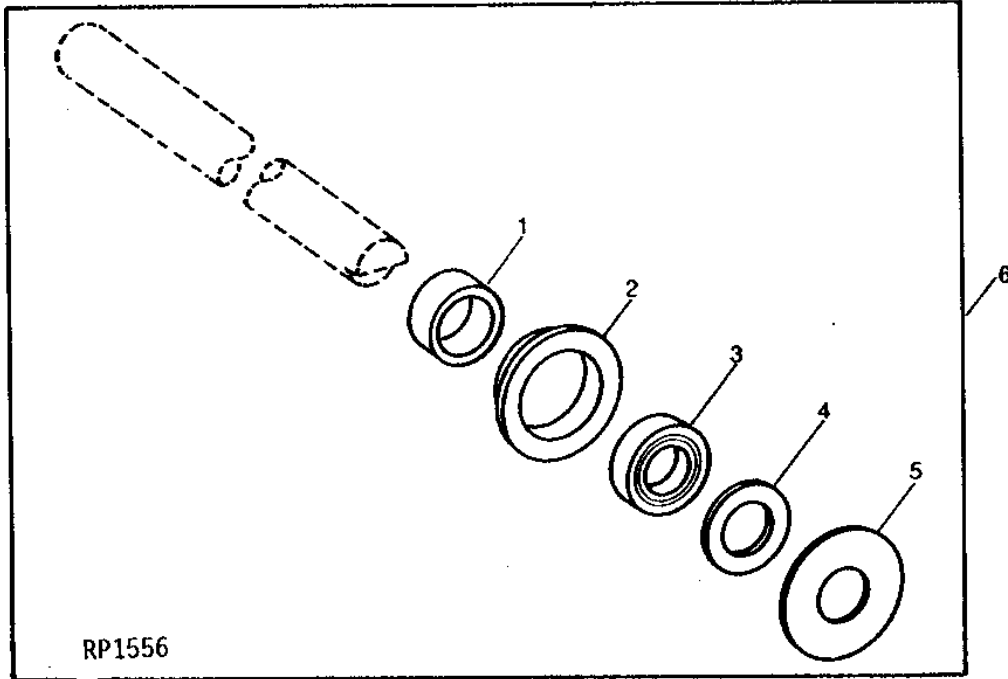
MEMORANDA

# 2F3

HYDRAULICS

RP1556 -UN-01JAN94

## LOAD CONTROL SHAFT BUSHING KIT



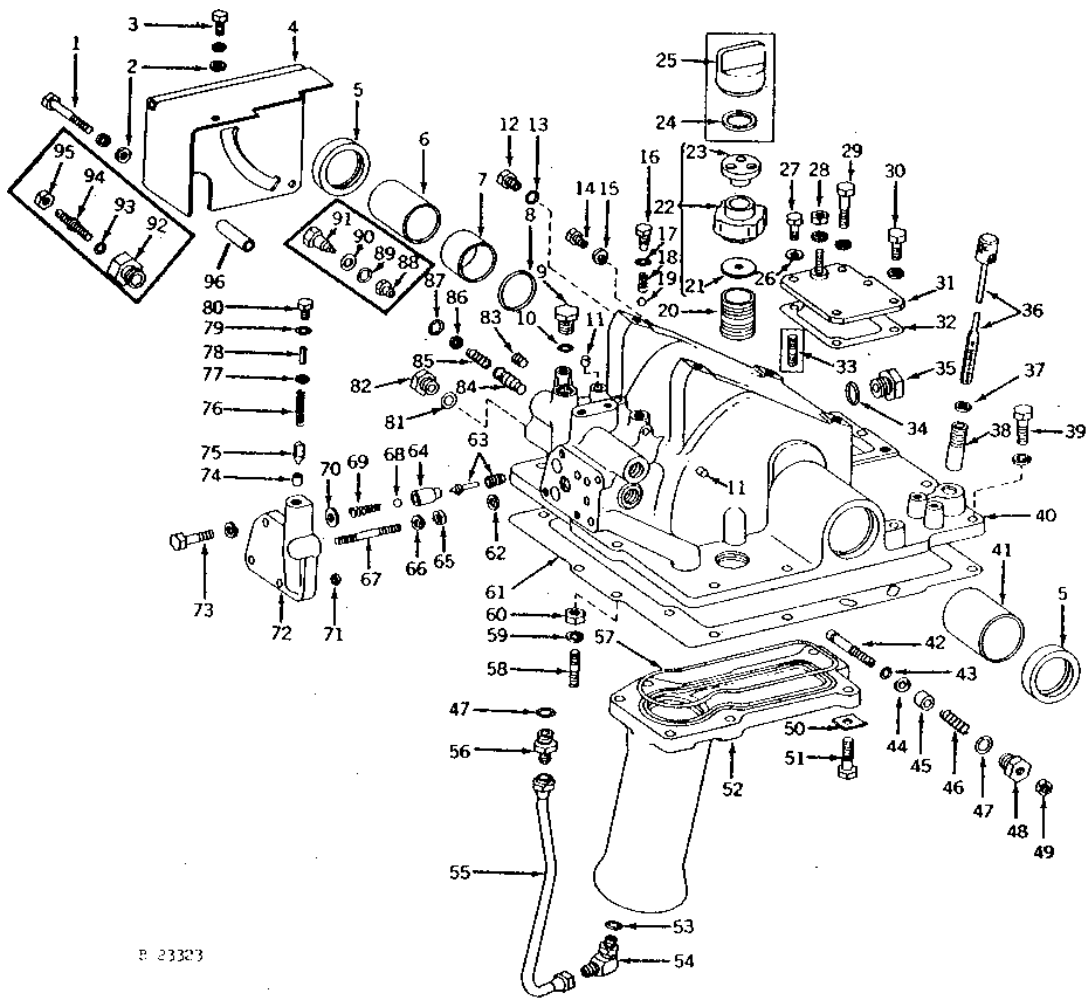
KEY	PART NO.	PART NAME	QTY	TRACTOR SERIAL NO.	REMARKS
1	R68424	BUSHING	2		0.8MM (.030") OVERSIZE
2	R68428	BUSHING	2		
3	AR27371	SEAL	2		
4	R28961	WASHER	2		
5	R68425	WASHER	AR		1.22MM (.048")
	R68426	WASHER	AR		0.91MM (.036")
	R68427	WASHER	AR		1.57MM (.062")
6	AR89132	KIT	1		

# 2F4

HYDRAULICS

## ROCKSHAFT HOUSING AND ASSOCIATED PARTS (UTILITY AND ORCHARD)

R23323 -UN-01JAN94



R 23323

# 2F5

HYDRAULICS

## ROCKSHAFT HOUSING AND ASSOCIATED PARTS - CONTINUED (UTILITY AND ORCHARD)

KEY	PART NO.	PART NAME	QTY	TRACTOR SERIAL NO.	REMARKS
1	19H1904	CAP SCREW	1		5/16" X 3"
	12H303	LOCK WASHER	1		5/16"
2	24H1290	WASHER	3		21/64" X 3/4" X 0.035"
3	19H1813	CAP SCREW	2		5/16" X 5/8"
	12H303	LOCK WASHER	2		5/16"
4	R28535	COVER	1	-022839	(SUB R32071 AND AR31161)
	R32071	COVER	1	022840-	
5	AF2643R	SEAL	2		
6	R28276	BUSHING	1		L.H. (NO LONGER AVAILABLE)
7	R28277	BUSHING	1		INNER
8	R26863	O-RING	1		
9	R39112	FITTING	1	-032399	(SUB FOR R28095)
	R27216	DRAIN PLUG	1	032400-	
10	R26375	O-RING	1	-032399	
	R26287	O-RING	1	032400-	
11	F1840R	DOWEL PIN	3		
12	R27094	DRAIN PLUG	1		(SUB FOR R26429)
13	R26286	O-RING	1		
14	R28433	CAP SCREW	1		(NO LONGER AVAILABLE)
15	A3098R	WASHER	1		
16	R27979	FITTING	1		
17	R26287	O-RING	1		
18	R27981	SPRING	1		
19	H871R	BALL	1		5MM (3/16")
20	A4234R	ASSEMBLY LINE PARTS	1		
21	R31486	WASHER	1	017190-	
22	AR30697	CAP	1	017190-	(MARKED R31487 OR R32715)
23	AM1074T	BREATHER	1	017190-	
24	A4235R	GASKET	1	-017189	
25	A4233R	ASSEMBLY LINE PARTS	1	-017189	
26	A3098R	WASHER	2	021097-	
27	19H1936	CAP SCREW	2	021097-	3/8" X 3/4"
28	14H1076	NUT	2	-021096	3/8" HS, SAE 8
	12H304	LOCK WASHER	2	-021096	3/8"
	14H1076	NUT	2	021097-	3/8" HS, SAE 8
	12H304	LOCK WASHER	2	021097-	3/8"
29	19H1936	CAP SCREW	1		3/8" X 3/4"
	12H304	LOCK WASHER	1		3/8"
30	19H1731	CAP SCREW	1		3/8" X 1"
	12H304	LOCK WASHER	1		3/8"
31	R28452	COVER	1	-021096	
	AR30619	COVER	1	021097-	(SUB R28452)
32	R28453	GASKET	1		
33	R32042	STUD	2	-021096	3/8" X 1-3/8", (SUB FOR A119R)
34	F3171R	O-RING	1		
35	R27175	DRAIN PLUG	1		
36	AR26824	DIPSTICK	1	-018905	(RU) (SUB AR30692 AND R31566)
	AR30692	DIPSTICK	1	018906-	(RU)
	AR31129	DIPSTICK	1		(OR) (NO LONGER AVAILABLE)
37	R1590R	WASHER	1		
38	R27363	TUBE	1	-018905	(RU) (SUB AR30692 AND R31566)
	R31566	TUBE	1	018906-	(RU)
	R32032	TUBE	1		(OR) (NO LONGER AVAILABLE)
39	19H3579	CAP SCREW	11	-021096	1/2" X 1-3/8", (RU)
	19H3579	CAP SCREW	10	021097-	1/2" X 1-3/8", (RU)
	19H3579	CAP SCREW	8		1/2" X 1-3/8", (OR)
	19H1974	CAP SCREW	11	021097-	1/2" X 2-3/4", (RU)
	19H1974	CAP SCREW	3		1/2" X 2-3/4", (OR)
	12H301	LOCK WASHER	11		1/2"
	24H1625	WASHER	11		17/32" X 1" X 0.120", (OR)

RU - ROW-CROP UTILITY, OR - ORCHARD

THIS PARTS LISTING IS CONTINUED

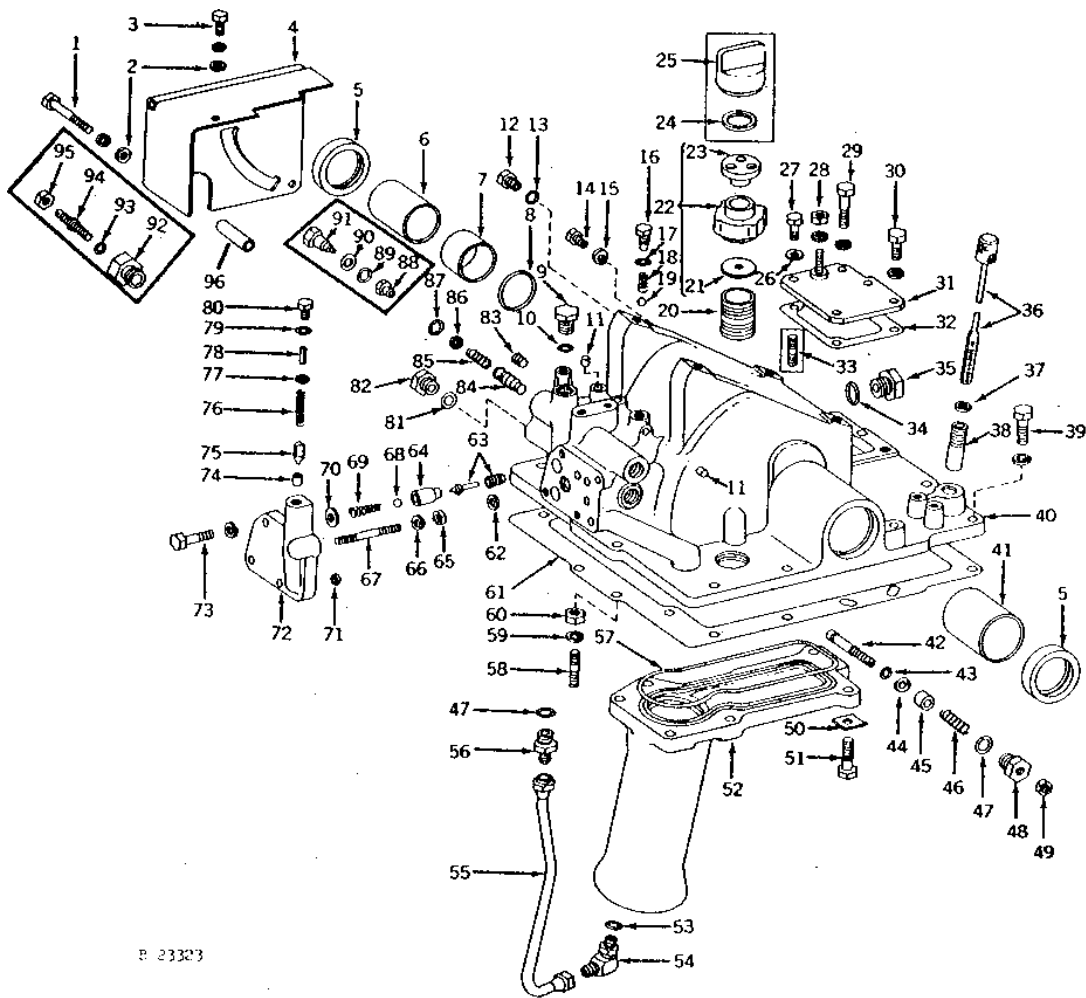
# 2F6

HYDRAULICS

## ROCKSHAFT HOUSING AND ASSOCIATED PARTS (UTILITY AND ORCHARD)

R23323

-UN-01JAN94



R 23323



# 2F7

HYDRAULICS

## ROCKSHAFT HOUSING AND ASSOCIATED PARTS - CONTINUED (UTILITY AND ORCHARD)

KEY	PART NO.	PART NAME	QTY	TRACTOR SERIAL NO.	REMARKS
40	AR32718	HOUSING	1		(MARKED R28280, R34170, R31508 OR R31514) (SUB FOR AR30611) (ALSO ORDER AR30772) (SUB FOR AR27655 OR AR30312) (ON ORCHARD, INSTALL R32032)
41	F1737R R28275	FILTER BUSHING	1 1	-017189	
42	R26625	SHAFT	1		
43	A4365R	O-RING	1		
44	R31136	BACK-UP RING	1	004769-	
45	R26457	VALVE	1		
46	B3686R	SPRING	1		
47	R26906	O-RING	2		
48	R26458	FITTING	1		
49	14H774	NUT	1		3/8"
50	F3173R	LOCK PLATE	6		
51	B1152R	CAP SCREW	6		
52	R40646	CYLINDER	1		(SUB FOR R28278)
53	R26448	O-RING	1		
54	AT35121	ELBOW FITTING	1		90°, (SUB FOR AR26725)
55	AR27743	OIL LINE	1		
56	R28450	FITTING	1		
57	R28502	WASHER	1		
58	R32101	STUD	1		1/2" X 1-3/4", (SUB FOR B1353R)
59	12H301	LOCK WASHER	1		1/2"
60	14H1040	NUT	1		1/2" HS, SAE 8
61	R34161	GASKET	1		(SUB FOR R27650)
62	R26919	WASHER	1		
63	AR30094	SHAFT	1		(SUB FOR R26758)
	AR39777	SHAFT	1		
64	R27512	VALVE	2		(SUB R44299)
65	14H1076	NUT	1		3/8" HS, SAE 8
66	12H304	LOCK WASHER	1		3/8"
67	R106859	STUD	1		3/8" X 3-1/4", (SUB FOR R26622)
68	400R	BALL	2		6MM (1/4")
69	R26565	SPRING	2		
70	R26149	PACKING	2		
71	F2741R	PACKING	4		
72	R28838	COVER	1		(SUB R32043 AND 19H2228)
73	19H1978	CAP SCREW	3		7/16" X 1-1/2"
	12H293	LOCK WASHER	3		7/16"
74	R27211	VALVE SEAT	1		
75	R26864	VALVE	1		
76	R26477	SPRING	1		
77	R26478	SHIM	AR		0.51MM (.020")
	R26479	SHIM	AR		0.76MM (.030")
78	34H247	SPRING PIN	1		1/8" X 3/4"
79	R26287	O-RING	1		
80	R27216	DRAIN PLUG	1		
81	R26375	O-RING	1	032400-	
82	R39112	FITTING	1	032400-	(SUB FOR R28095)
83	15H571	PIPE PLUG	2		3/8"
84	R26460	CONTROL VALVE	1		
85	R26566	SPRING	1		
86	24H1286	WASHER	1		9/32" X 1/2" X 1/16"
87	R26906	O-RING	1		
88	R32247	ADAPTER	1	032400-	
89	R26448	O-RING	1	032400-	
90	B1664R	SHIM	1	032400-	
91	R32246	PLUG	1	032400-	(SUB R40799 AND (2) B1664R)
92	R27293	SCREW, WITH WASHER	1	-032399	(SUB R26448, R40799, R32247 AND (4) B1664R)
93	R26287	O-RING	1	-32399	
94	AR28661	SCREW	1	-032399	(SUB R26448, R40799, R32247 AND (2) B1664R)
95	14H1080	NUT	1	-032399	3/8"
96	28H2013	SPACER	1		(NO LONGER REQUIRED)

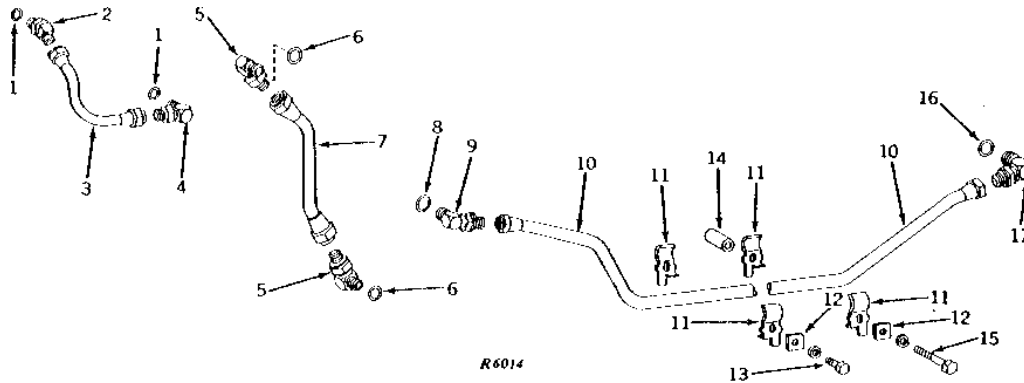
RU - ROW-CROP UTILITY, OR - ORCHARD

# 2F8

HYDRAULICS

## ROCKSHAFT OIL PIPES (ROW-CROP AND STANDARD)

R6014 -UN-01JAN94



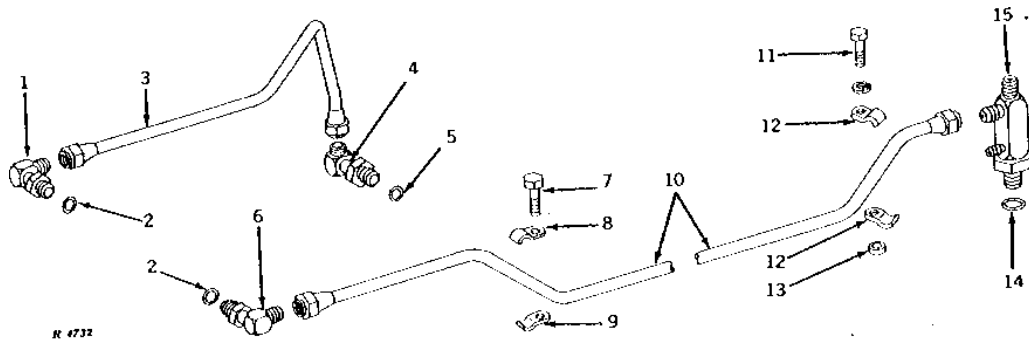
KEY	PART NO.	PART NAME	QTY	TRACTOR SERIAL NO.	REMARKS
1	R26448	O-RING	2		
2	AT38033 R27212	ELBOW FITTING FITTING	1 1	-028688 028689-	45°, (SUB FOR AR26722)
3	AR26714 AR31512	HYDRAULIC LINE HYDRAULIC LINE	1 1	-028688 028689-	(VALVE HOUSING TO PISTON COVER) (VALVE HOUSING TO PISTON COVER)
4	AT35121	ELBOW FITTING	1		90°, (SUB FOR AR26725)
5	AT32331	ELBOW FITTING	2		90°, (SUB FOR AR26723)
6	F3171R	O-RING	2		
7	AR26836	LINE	1		(RETURN)
8	R26906	O-RING	1		
9	AR26724	ELBOW FITTING	1		90°
10	AR26835	HYDRAULIC LINE	1		
11	R27536	CLAMP	4		
12	R27929	STRAP	2		
13	19H1800	CAP SCREW	1		3/8" X 1-1/2"
	12H304	LOCK WASHER	1		3/8"
14	R31666	BUSHING	1		(NO LONGER AVAILABLE)
15	19H2023	CAP SCREW	1		3/8" X 3-1/4"
	12H304	LOCK WASHER	1		3/8"
16	R26906 R26375	O-RING O-RING	1 1	-038059 038060-	
17	AR26724 AR30110	ELBOW FITTING ELBOW FITTING	1 1	-038059 038060-	90° 90°

# 2F9

HYDRAULICS

## ROCKSHAFT OIL PIPES (UTILITY AND ORCHARD)

R4732 -UN-01JAN94



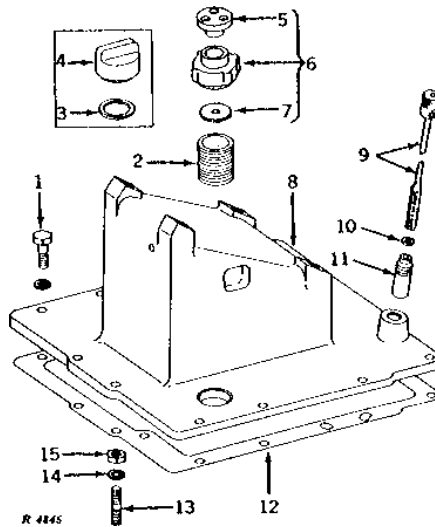
KEY	PART NO.	PART NAME	QTY	TRACTOR SERIAL NO.	REMARKS
1	AR27738	ELBOW FITTING	1	-021096	90°
	AR27699	ELBOW FITTING	1	021097-	90°
2	R26375	O-RING	2		
3	AR27773	OIL LINE	1	-021096	(RETURN) (SUB AR30624 AND AR27699)
	AR30624	LINE	1	021097-	(RETURN)
4	AR27774	FITTING	1		90°
5	F3171R	O-RING	1		
6	AT32332	ELBOW FITTING	1		90°, (SUB FOR AR26763)
7	19H3579	CAP SCREW	1		1/2" X 1-3/8"
8	R28538	CLAMP	1		
9	R28539	CLAMP	1		
10	AR30772	LINE	1		
11	19H2461	CAP SCREW	1		3/8" X 1-1/4"
	12H304	LOCK WASHER	1		3/8"
12	R27539	CLAMP	2		
13	R21483	WASHER	1		
14	R26906	O-RING	1		
15	AR30770	ELBOW FITTING	1		(NO LONGER AVAILABLE)

# 2F10

HYDRAULICS

R4845 -UN-01JAN94

## TRANSMISSION REAR COVER (LESS ROCKSHAFT) (UTILITY)



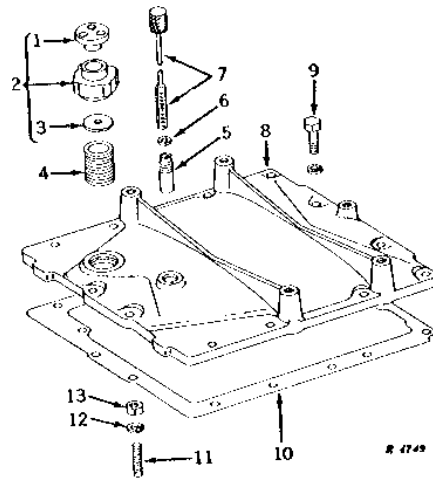
KEY	PART NO.	PART NAME	QTY	TRACTOR SERIAL NO.	REMARKS
1	19H3579	CAP SCREW	11		1/2" X 1-3/8"
	12H301	LOCK WASHER	11		1/2"
2	A4234R	ASSEMBLY LINE PARTS	1		
3	A4235R	GASKET	1	-017189	
4	A4233R	ASSEMBLY LINE PARTS	1	-017189	
5	AM1074T	BREATHER	1	017190-	
6	AR30697	CAP	1	017190-	(MARKED R31487 OR R32715)
7	R31486	WASHER	1	017190-	
8	AR33924	COVER	1		(MARKED R34158) (SUB FOR R28807)
	F1737R	FILTER	1	-017189	
9	AR26824	DIPSTICK	1	-018905	(SUB AR30692 AND R31566)
	AR30692	DIPSTICK	1	018906-	
10	R1590R	WASHER	1		
11	R27363	TUBE	1	-018905	(SUB AR30692 AND R31566)
	R31566	TUBE	1	018906-	
12	R34161	GASKET	1		(SUB FOR R27650)
13	R32101	STUD	1		1/2" X 1-3/4", (SUB FOR B1353R)
14	12H301	LOCK WASHER	1		1/2"
15	14H1040	NUT	1		1/2" HS, SAE 8

# 2F11

HYDRAULICS

## TRANSMISSION REAR COVER (LESS ROCKSHAFT) (ORCHARD)

R4749 -UN-01JAN94



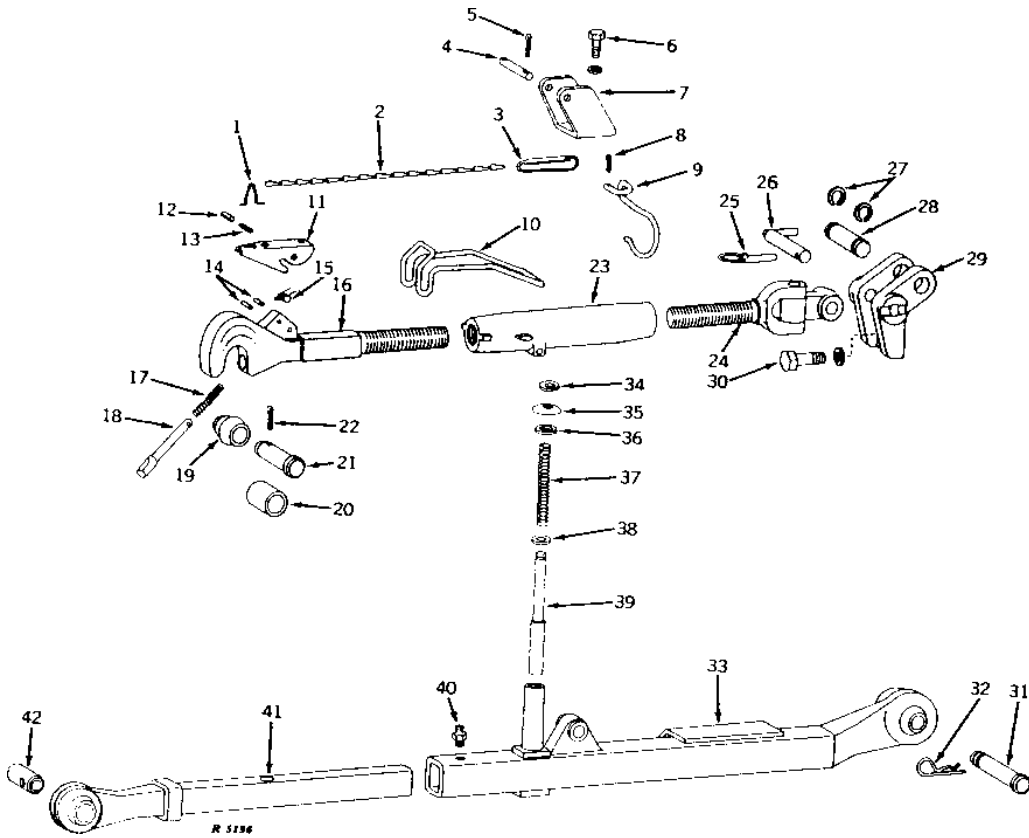
KEY	PART NO.	PART NAME	QTY	TRACTOR SERIAL NO.	REMARKS
1	AM1074T	BREATHER	1		
2	AR30697	CAP	1		(MARKED R31487 OR R32715)
3	R31486	WASHER	1		
4	A4234R	ASSEMBLY LINE PARTS	1		
5	R32032	TUBE	1		(NO LONGER AVAILABLE)
6	R1590R	WASHER	1		
7	AR31129	DIPSTICK	1		(NO LONGER AVAILABLE)
8	AR33925	COVER	1		(MARKED R34159) (SUB FOR R31780)
9	19H3579	CAP SCREW	11		1/2" X 1-3/8"
10	12H301	LOCK WASHER	11		1/2"
10	R34161	GASKET	1		(SUB FOR R27650)
11	R32101	STUD	1		1/2" X 1-3/4"
12	12H301	LOCK WASHER	1		1/2"
13	14H1040	NUT	1		1/2" HS, SAE 8

# 2F12

HYDRAULICS

R5196 -UN-12DEC94

## DRAFT LINKS AND CENTER LINK



# 2F13

HYDRAULICS

## DRAFT LINKS AND CENTER LINK - CONTINUED

KEY	PART NO.	PART NAME	QTY	TRACTOR SERIAL NO.	REMARKS
1	F2949R	CLIP	1		
2	R26814	LINK CHAIN	1		
3	F2827R	CLIP	1		
4	R28549	PIN	1		(RU AND OR) (NO LONGER AVAILABLE)
5	11M7082	COTTER PIN	2		2.500 X 25 MM, (RU AND OR)
6	19H2284	CAP SCREW	2		3/8" X 7/8", (RU AND OR)
	12H304	LOCK WASHER	2		3/8", (RU AND OR)
7	R28548	BRACKET	1		(RU AND OR) (NO LONGER AVAILABLE)
8	11M7015	COTTER PIN	1		3.200 X 25 MM, (RC AND ST)
9	R53762	HOOK	1		(RC AND ST) (SUB FOR R26901, R32119 OR R47072)
10	R42495	HANDLE	1		(SUB FOR R27007)
11	F2824R	HANDLE	1		
12	34H299	SPRING PIN	1		7/32" X 1-1/4"
13	34H252	SPRING PIN	1		1/8" X 1-1/4"
14	34H283	SPRING PIN	2		3/16" X 1-1/8"
15	F2823R	SPRING	1		
16	R26813	HOOK	1		
17	F2822R	SPRING	1		
18	R53196	LATCH	1		(SUB FOR F2821R)
19	F2680R	BALL STUD	1		(A)
	F2681R	BALL	1		(B)
20	28H1753	BUSHING	1		(B)
21	R58262	PIN	1		(A) (SUB FOR F2682R, R28061 OR R44917)
	R53296	PIN	1		(B) (SUB FOR F2683R OR R44918)
22	11M7040	COTTER PIN	1		0.248" X 1.969"
23	R47524	LINK BODY	1		(ALSO ORDER R53762) (SUB FOR R26811)
24	AR26527	UNIVERSAL JOINT	1		
25	B11182	QUICK LOCK PIN	1		(SUB AR62151)
26	AR26599	PIN	1		
27	A602R	SNAP RING	1		
28	R27804	PIN	1		
29	R27803	BRACKET	1		
30	19H1824	CAP SCREW	2		5/8" X 2-1/4"
	12H294	LOCK WASHER	2		5/8"
31	F2781R	PIN	2		(SUB R53562 AND B11182)
32	A3581R	SPRING LOCKING PIN	2		
33	AR27241	TUBE	1		R.H.
	AR27242	TUBE	1		L.H.
34	F2208R	SNAP RING	2		
35	B2477R	WASHER	2		
36	F2694R	WASHER	2		
37	F2695R	SPRING	2		
38	D2865R	WASHER	2		(NO LONGER AVAILABLE)
39	F2693R	PIN	2		
40	JD7759	LUBRICATION FITTING	2		
41	AR28570	BAR	2		
42	R66432	BUSHING	2		(A) SHORT, (SUB FOR F2684R)
	R66433	BUSHING	2		(A) LONG, (SUB FOR F2685R)
..	AF2710R	BALL	1		(A) (CONSISTS OF F2680R, F2682R, (2) F2684R, (2) F2685R AND 11M7040) (BALL INNER DIAMETER, 49/64")
..	AF2711R	BALL	1		(B) (CONSISTS OF F2681R, R53296, 28H1753 AND 11M7040) (BALL INNER DIAMETER, 1-1/64")
..	AF3147R	BAR	1		(NOT ILLUSTRATED)

RC - ROW-CROP, ST - STANDARD, RU - ROW-CROP UTILITY, OR - ORCHARD

(A) CATEGORY I

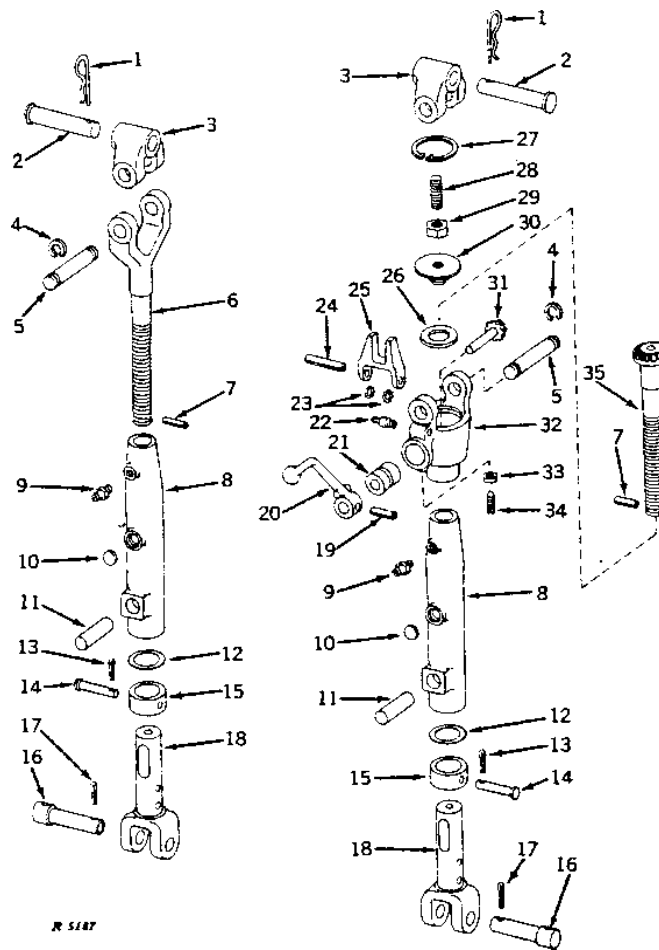
(B) CATEGORY II

# 2F14

HYDRAULICS

R5187 -UN-19DEC94

## LIFT LINKS (UTILITY AND ORCHARD)





# 2F15

HYDRAULICS

## LIFT LINKS - CONTINUED (UTILITY AND ORCHARD)

KEY	PART NO.	PART NAME	QTY	TRACTOR SERIAL NO.	REMARKS
1	A3581R	SPRING LOCKING PIN	2		
2	R28556	PIN	2		
3	R28455	KNUCKLE	2		
4	R73380	SNAP RING	4		
5	R28553	PIN	2		
6	R28459	LIFT LINK	1		L.H.(NO LONGER AVAILABLE)
7	34H283	SPRING PIN	2		3/16" X 1-1/8"
8	R28456	LINK BODY	2		
9	JD7759	LUBRICATION FITTING	2		
10	30H9	PLUG	4		3/4"
11	R28554	DOWEL PIN	2		
12	R28551	WASHER	AR		
	R28552	WASHER	AR		
13	11M7082	COTTER PIN	2		2.500 X 25 MM
14	R28555	PIN	2		
15	R28550	BUSHING	2		
16	R54170	PIN	2		(SUB FOR R26618)
17	11M7032	COTTER PIN	2		0.197" X 1.969"
18	R28460	YOKE	2		
19	34H299	SPRING PIN	1		7/32" X 1-1/4"
20	M2438T	CRANK	1		LEVELING
21	M1995T	BUSHING	1		LEVELING CRANK PINION
22	JD7797	LUBRICATION FITTING	1		
23	M2494T	WASHER	2		
24	34H335	SPRING PIN	1		5/16" X 2-1/8"
25	M2735T	LOCK	1		LEVELING CRANK
26	M2078T	WASHER	1		
27	R28557	SNAP RING	1		
28	22H1022	SET SCREW	1		1/2" X 1-1/2"
29	14H856	NUT	1		1/2"
30	AM1900T	PLATE	1		
31	M1699T	PINION	1		
32	R28457	HOUSING	1		(NO LONGER AVAILABLE)
33	14H882	NUT	1		5/16"
34	22H1015	SET SCREW	1		5/16" X 7/8"
35	R28454	LIFT LINK	1		R.H.

---

MEMORANDA

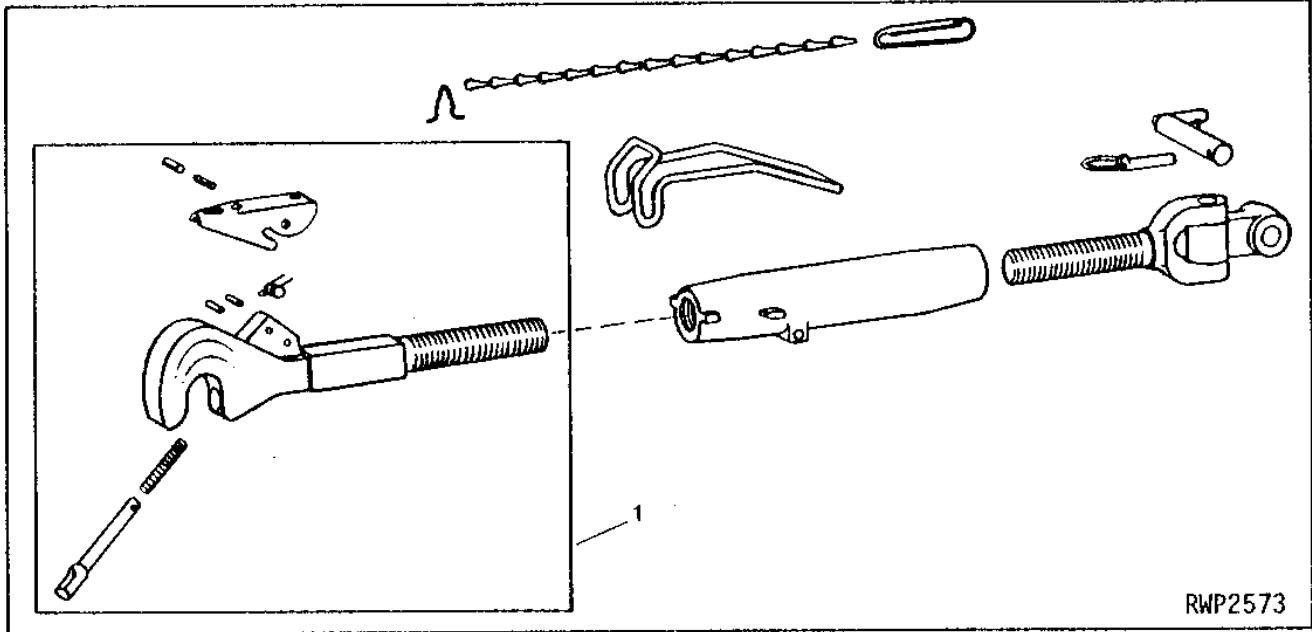
# 2F16

HYDRAULICS

RWP2573

-UN-01JAN94

## CENTER LINK KITS



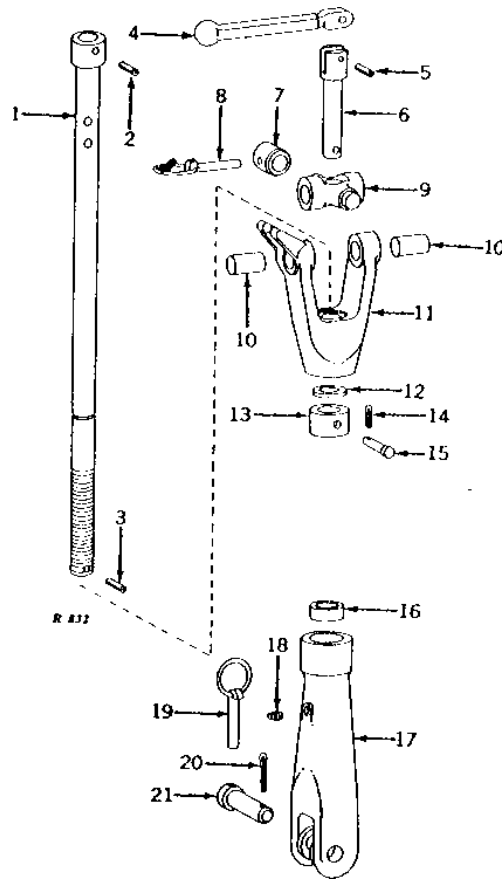
KEY	PART NO.	PART NAME	QTY	TRACTOR SERIAL NO.	REMARKS
1	AR46298	HOOK	1		
2	AR30830	LINK	1		

# 2F17

HYDRAULICS

R832 -UN-01JAN94

## LIFT LINKS (ROW-CROP AND STANDARD)



# 2F18

HYDRAULICS

## LIFT LINKS - CONTINUED (ROW-CROP AND STANDARD)

KEY	PART NO.	PART NAME	QTY	TRACTOR SERIAL NO.	REMARKS
1	R27712	LIFT LINK	2		
2	34H316	SPRING PIN	2	1/4" X 1-1/2"	
3	34H283	SPRING PIN	2	3/16" X 1-1/8"	
4	T13858	GRIP	2		
5	34H282	SPRING PIN	2	3/16" X 1"	
6	T13859	SHAFT	2		
7	R26619	BUSHING	2		
8	AR62152	QUICK LOCK PIN	2	(SUB FOR AR26556)	
9	AR26691	KNUCKLE	2	(MARKED R26612)	
10	R26616	DOWEL PIN	4		
11	R26613	YOKE	1	UPPER, R.H.	
	R26614	YOKE	1	UPPER, L.H.	
12	R26808	WASHER	AR		
	R26809	WASHER	AR		
13	R26714	BUSHING	2		
14	11M7082	COTTER PIN	2	2.500 X 25 MM	
15	R26810	PIN	2		
16	AR26616	SEAL	2		
17	R26615	YOKE	2		
18	15H638	PIPE PLUG	2	1/8"	
19	AR62149	QUICK LOCK PIN	2	(SUB FOR R32638 OR DA5883A)	
20	11M7032	COTTER PIN	2	0.197" X 1.969"	
21	R54170	PIN	2	(SUB FOR R26618)	

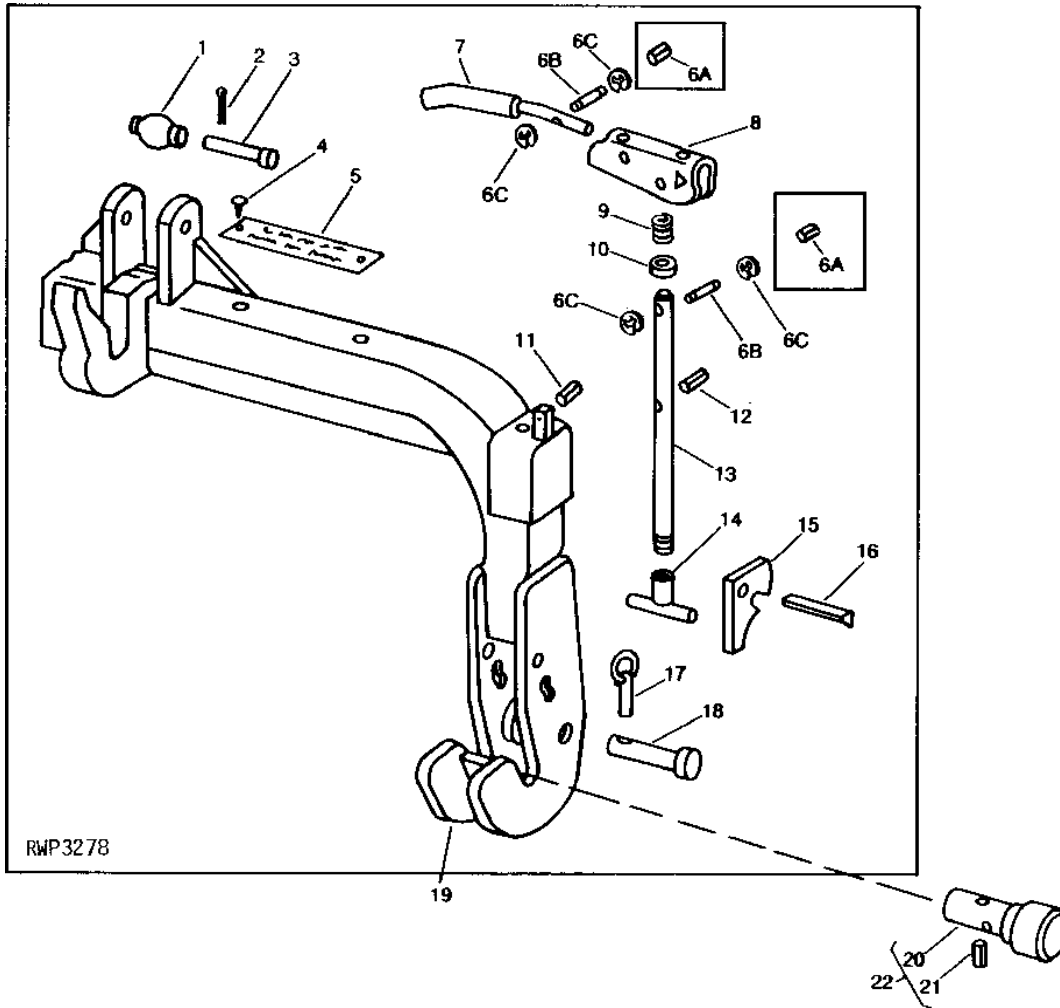
# 2F19

HYDRAULICS

RWP3278

-UN-06OCT94

## REGULAR IMPLEMENT QUICK COUPLER



# 2F20

HYDRAULICS

## REGULAR IMPLEMENT QUICK COUPLER - CONTINUED

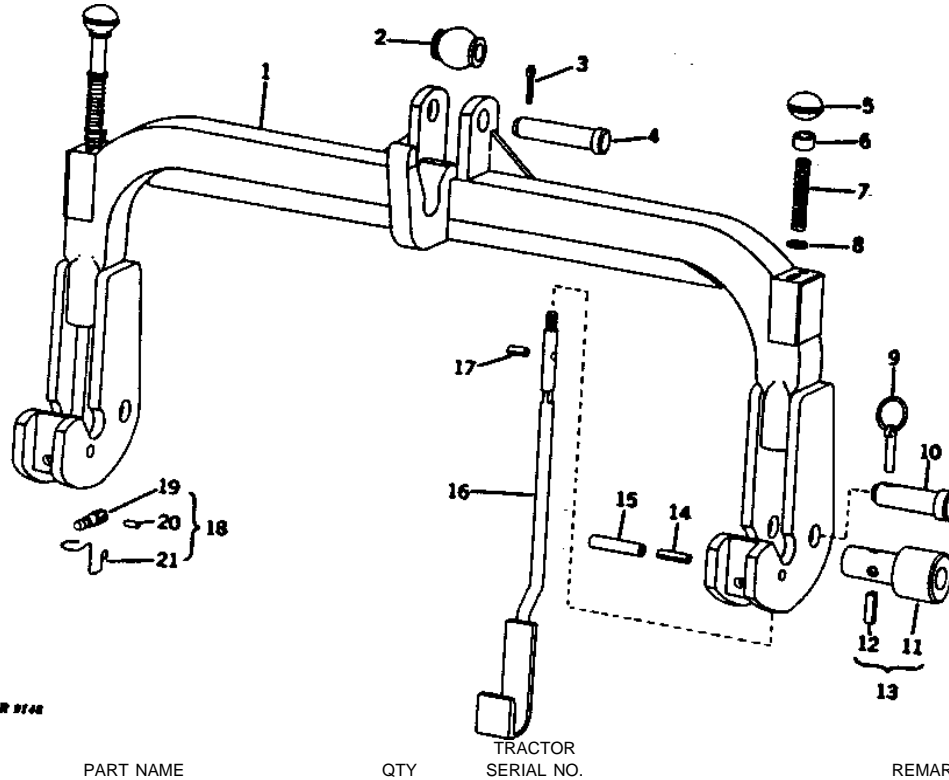
KEY	PART NO.	PART NAME	QTY	TRACTOR SERIAL NO.	REMARKS
1	F2681R	BALL	1		
2	11M7040	COTTER PIN	1	0.248" X 1.969"	
3	R53296	PIN	1	(SUB FOR R44918)	
4	37H44	SCREW	2	0.151" X 3/8"	
5	R56039	DECAL	1	(SUB R83535)	
6A	34H311	SPRING PIN	4	1/4" X 7/8"	
6B	R66901	SPRING PIN	4		
6C	R27507	SNAP RING	8		
7	R48163	HANDLE	2		
8	R48164	LEVER	2		
9	R43444	SPRING	2		
10	R46890	SLEEVE	2		
11	34H311	SPRING PIN	2	1/4" X 7/8"	
12	34H277	SPRING PIN	2	3/16" X 5/8"	
13	R46889	STUD	2		
14	AR49206	PIN	2		
15	R46893	LATCH	2		
16	34H373	SPRING PIN	2	1/2" X 2-1/2"	
17	AR62151	QUICK LOCK PIN	2	(SUB FOR B11182)	
18	R58268	PIN	2	(SUB FOR R27997)	
19	TY15269	HITCH	1	(SUB FOR AR49202)	
20	R27998	HALF SLEEVE	2		
21	R27999	SPRING PIN	2		
22	AR27093	ADAPTER	2		

# 2F21

HYDRAULICS

R9148 -UN-12OCT94

## IMPLEMENT QUICK COUPLER



KEY	PART NO.	PART NAME	QTY	TRACTOR SERIAL NO.	REMARKS
1	AR49202	QUICK COUPLER	1		(SUB FOR AR27047)
2	F2681R	BALL	1		
3	11M7040	COTTER PIN	1		0.248" X 1.969"
4	R53296	PIN	1		(SUB FOR F2683R OR R44918)
5	F2861R	KNOB	2		(SUB R60458)
6	R30778	BUSHING	2		
7	R1826R	SPRING	2		
8	24H1227	WASHER	2		17/32" X 13/16" X 0.060"
9	AR62151	QUICK LOCK PIN	2		(SUB FOR B11182)
10	R27997	PIN	2		
11	R27998	HALF SLEEVE	2		
12	R27999	SPRING PIN	2		
13	AR27093	ADAPTER	1		
14	34H331	SPRING PIN	2		5/16" X 1-1/2"
15	34H307	SPRING PIN	2		7/32" X 2-1/2"
16	AR27288	ROD	2		
17	34H227	SPRING PIN	2		3/32" X 1/2"
18	AR31984	PIN	1		(SUB AR31985)
19	R32717	PIN	2		
20	34H309	SPRING PIN	2		1/4" X 5/8"
21	R32718	HOOK	2		

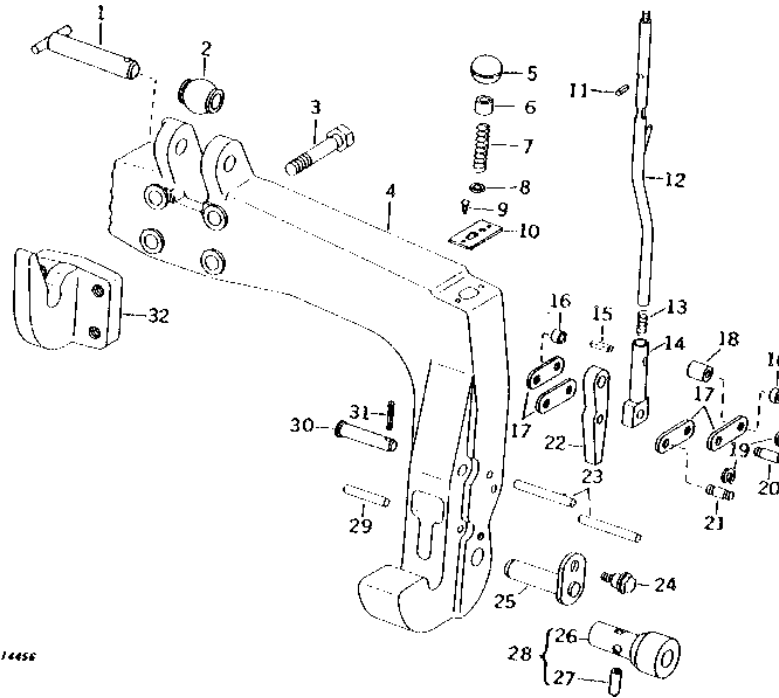


# 2F22

HYDRAULICS

R14456 -UN-01JAN94

## HEAVY-DUTY IMPLEMENT QUICK COUPLER



R 14456

KEY	PART NO.	PART NAME	QTY	TRACTOR SERIAL NO.	REMARKS
1	AR39784	PIN	1		
2	F2681R	BALL	1		
3	19H2026	CAP SCREW	4	3/4" X 4"	
4	AR50368	QUICK COUPLER	1	(SUB FOR R41860) (SUB TY15269)	
5	F2861R	KNOB	2	(SUB R60458)	
6	R39814	SLEEVE	2		
7	M60409	SPRING	2		
8	24H1658	WASHER	2	21/32" X 1" X 0.060"	
9	37H71	SCREW	4	NO. 12 X 5/8"	
10	R39815	BRACKET	2		
11	34H279	SPRING PIN	2	3/16" X 13/16"	
12	AR40194	ROD	1	R.H.	
	AR39786	ROD	1	L.H.	
13	B3686R	SPRING	2		
14	AR41933	END	2		
15	34H282	SPRING PIN	2	3/16" X 1"	
16	F2206R	WASHER	4		
17	R65242	STRAP	8	(SUB FOR R36439 OR R47590)	
18	28H1919	BUSHING	2	1/2" X 15/16"	
19	F2208R	SNAP RING	8		
20	R119275	PIN	2	(SUB FOR R36613 OR R47679)	
21	R119276	PIN	2	(SUB FOR R36440 OR R47678)	
22	R40424	LATCH	2		
23	34H377	SPRING PIN	4	1/2" X 3-1/2"	
24	AR40865	CAP SCREW	2	(USE WITH PIN WITH 1/4" THICK HANDLE)	
	AR48110	CAP SCREW	2	(USE WITH PIN WITH 3/8" THICK HANDLE)	
25	AR48111	PIN	2	(SUB FOR AR39783) (ALSO ORDER AR48110)	
26	R27998	HALF SLEEVE	2		
27	R27999	SPRING PIN	2		
28	AR27093	ADAPTER	2		
29	34H373	SPRING PIN	2	1/2" X 2-1/2"	
30	R40425	PIN	2		
31	11M7087	COTTER PIN	2	0.157" X 1.575"	
32	R41861	HOOK	1	(SUB R59478)	
..	AR50368	QUICK COUPLER	1	(SUB FOR AR39781) (SUB TY15269)	

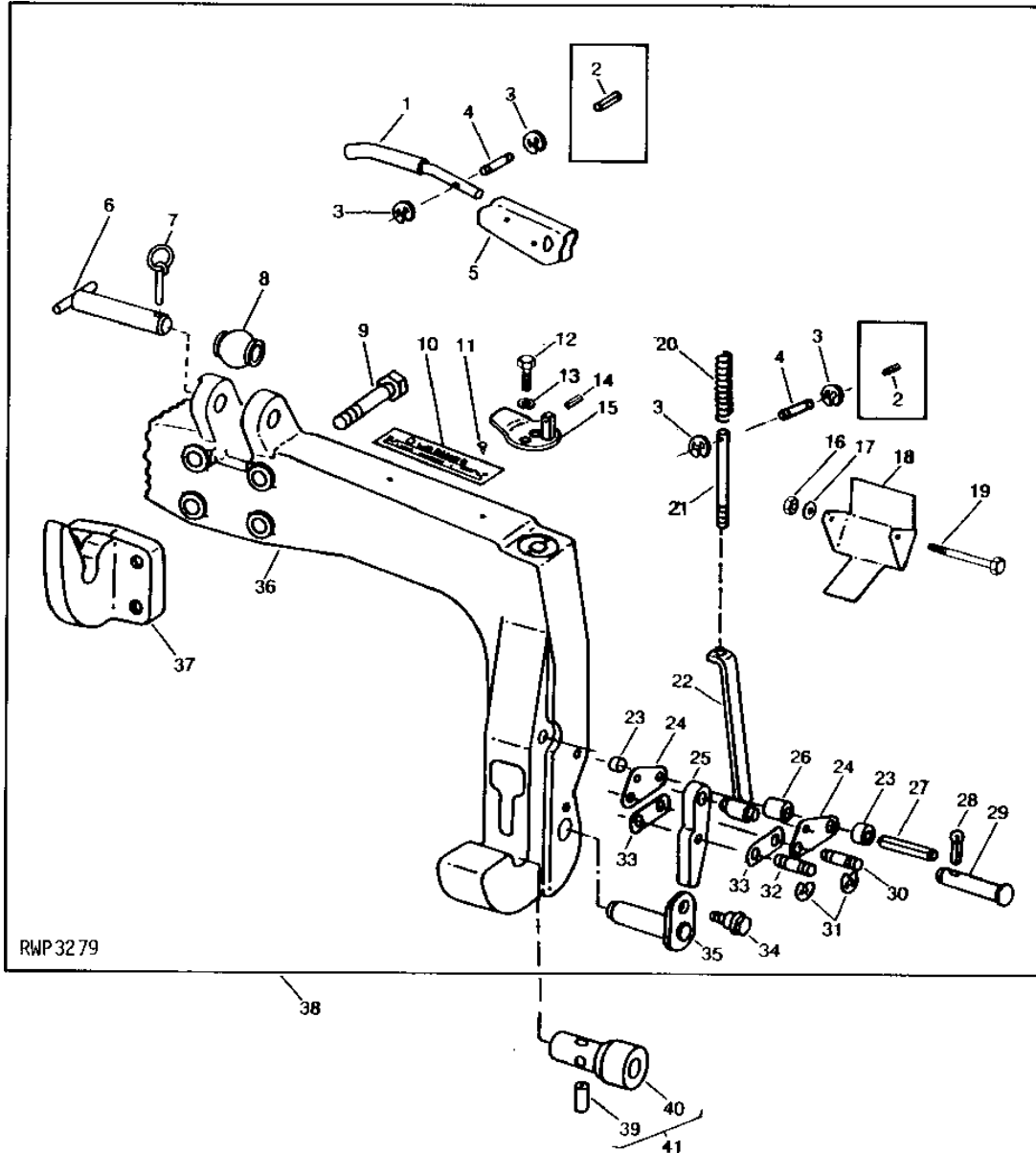
# 2F23

HYDRAULICS

RWP3279

-UN-06OCT94

## HEAVY-DUTY IMPLEMENT QUICK COUPLER



# 2F24

HYDRAULICS

## HEAVY-DUTY IMPLEMENT QUICK COUPLER - CONTINUED

KEY	PART NO.	PART NAME	QTY	TRACTOR SERIAL NO.	REMARKS
1	R48163	HANDLE	2		
2	34H311	SPRING PIN	4	-XXXXXX	1/4" X 7/8"
3	R27507	SNAP RING	8	XXXXXX-	
4	R66901	SPRING PIN	4	XXXXXX-	
5	R48164	LEVER	2		
6	AR67881	PIN	1		(SUB FOR AR51867)
7	AR62151	QUICK LOCK PIN	1		(SUB FOR B11182)
8	F2681R	BALL	1		
9	19H2026	CAP SCREW	4		3/4" X 4"
10	R56038	DECAL	1		
11	37H44	SCREW	2		0.151" X 3/8"
12	19H1731	CAP SCREW	4		3/8" X 1"
13	12H304	LOCK WASHER	4		3/8"
14	34H311	SPRING PIN	4		1/4" X 7/8"
15	AR50374	BRACKET	2		
16	14H786	NUT	2		1/4"
17	12H302	LOCK WASHER	2		1/4"
18	R53295	SHIELD	2		
19	19H2338	CAP SCREW	2		1/4" X 4-1/2"
20	R43444	SPRING	2		
21	R47578	STUD	2		
22	AR50372	BAR	1		R.H.
	AR50373	BAR	1		L.H.
23	F2206R	WASHER	4		
24	R65243	LINK	4		(SUB FOR R47581 OR R58203)
25	R40424	LATCH	2		
26	28H1919	BUSHING	2		1/2" X 15/16"
27	34H377	SPRING PIN	2		1/2" X 3-1/2"
28	11M7087	COTTER PIN	2		0.157" X 1.575"
29	R63736	PIN	2		(SUB FOR R40425)
30	R119275	PIN	2		(SUB FOR R47679)
31	F2208R	SNAP RING	8		
32	R119276	PIN	2		(SUB FOR R47678)
33	R65242	STRAP	4		(SUB FOR R47590)
34	AR74673	CAP SCREW	2		(SUB FOR AR48110)
35	AR48111	PIN	2		
36	R47577	FRAME	1		
37	R41861	HOOK	1		(SUB R59478)
38	AR50368	QUICK COUPLER	1		(SUB TY15269)
39	R27999	SPRING PIN	2		
40	R27998	HALF SLEEVE	2		
41	AR27093	ADAPTER	1		

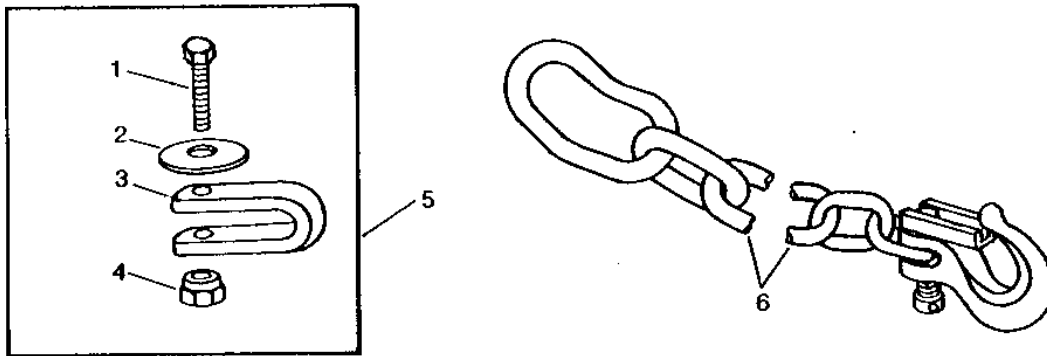
# 2F25

HYDRAULICS

RWP5796

-UN-01JAN94

## IMPLEMENT SAFETY CHAIN



RWP5796

KEY	PART NO.	PART NAME	QTY	TRACTOR SERIAL NO.	REMARKS
1	19H1768	CAP SCREW	1	(A) (B)	
	19H2084	CAP SCREW	1	(A)	
	19H2174	CAP SCREW	1	(B)	
2	R36402	WASHER	1	(A) (B)	
3	R69408	CLEVIS	1	(A)	
	R69409	CLEVIS	1	(B)	
4	T25879	NUT	2	(A) (B)	
5	AR90577	SAFETY CHAIN ADAPTER KIT	1		CATEGORY IV DRAWBARS
	AR90578	CHAIN KIT	1		CATEGORY II AND III DRAWBARS
6	RE26739	LINK CHAIN	1		61 LINKS 6.4MM (1/4") DIA CHAIN (6,000 LB)
	AR90581	LINK CHAIN	1		61 LINKS 6.4MM (1/4") DIA CHAIN (10,000 LB)
	AR90579	LINK CHAIN	1		42 LINKS 9.5MM (3/8") DIA CHAIN
	AR90583	LINK CHAIN	1		43 LINKS 11.1MM (7/16") DIA CHAIN
	RE26740	LINK CHAIN	1		42 LINKS 12.7MM (1/2") DIA CHAIN

(A) INCLUDED IN AR90577

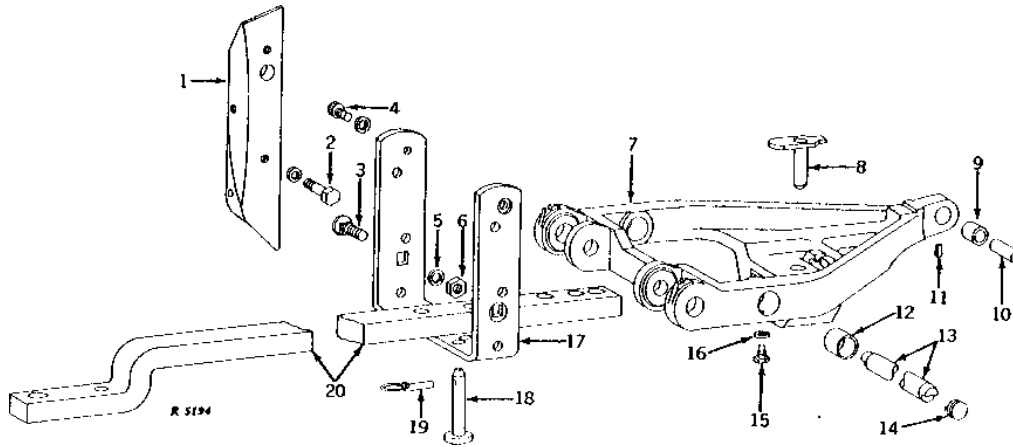
(B) INCLUDED IN AR90578

# 2G1

HYDRAULICS

R5194 -UN-01JAN94

## REGULAR DRAWBAR



KEY	PART NO.	PART NAME	QTY	TRACTOR SERIAL NO.	REMARKS
1	R27710	SWAY BLOCK	1	R.H.	
	R27711	SWAY BLOCK	1	L.H.	
2	19H1820	CAP SCREW	2	1/2" X 3"	
	12H301	LOCK WASHER	2	1/2"	
3	10H1040	BOLT	2	5/8" X 2"	
4	R41015	BOLT	2	(SUB FOR R26508)	
	12H292	LOCK WASHER	2	1/2"	
5	12H294	LOCK WASHER	2	5/8"	
6	14H1039	NUT	2	5/8" HS, SAE 8	
7	AR31276	SUPPORT	1	(MARKED R27020 OR R32179)	(SUB FOR AR26600)
8	AR26415	PIN	1		
9	R31438	BUSHING	1		(SUB FOR R27325)
10	R26503	DOWEL PIN	1		
11	34H309	SPRING PIN	1	1/4" X 5/8"	
12	R27016	BUSHING	2		
13	R27017	SHAFT	1		(SUB R33883 AND (2) R33884)
14	R33884	RETAINER	2		(SUB FOR R28125)
15	R40928	BOLT	2		(SUB FOR R27196)
16	12H303	LOCK WASHER	2	5/16"	
17	R27019	SUPPORT	1		(NO LONGER AVAILABLE)
	R31817	SUPPORT	1		(OR WITH HEAVY-DUTY DRAWBAR) (NO LONGER AVAILABLE)
18	R26511	PIN	2		
19	AR62151	QUICK LOCK PIN	2		(SUB FOR B11182)
20	R27692	DRAWBAR	1		(RC AND ST)
	R31816	DRAWBAR	1		(OR WITH HEAVY-DUTY DRAWBAR) (NO LONGER AVAILABLE)
	R27909	DRAWBAR	1		(RU) (SUB R27692)

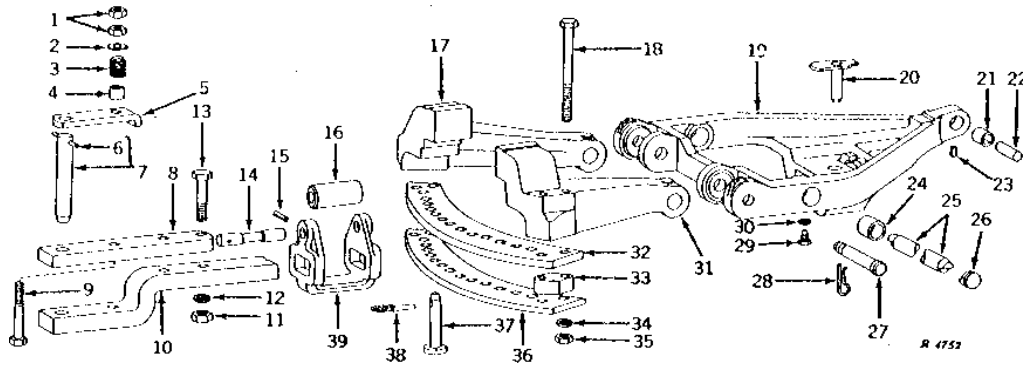
RC - ROW-CROP, ST - STANDARD, RU - ROW-CROP UTILITY, OR - ORCHARD

# 2G2

HYDRAULICS

## WIDE SWING DRAWBAR (ROW-CROP AND STANDARD)

R4752 -UN-01JAN94



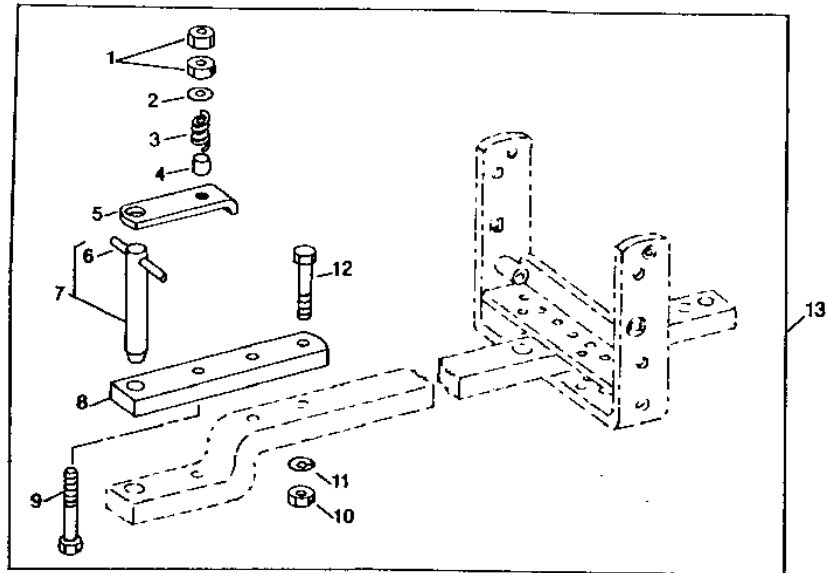
KEY	PART NO.	PART NAME	QTY	TRACTOR SERIAL NO.	REMARKS
1	14H1039	NUT	2		5/8" HS, SAE 8
2	24H1372	WASHER	1		21/32" X 1-1/2" X 0.060"
3	F3541R	SPRING	1		
4	F3542R	BUSHING	1		
5	F3539R	RETAINER	1		
6	34H363	SPRING PIN	1		3/8" X 4"
7	AR26462	PIN	1		
8	R26584	STRAP	1		
9	19H2124	CAP SCREW	1		5/8" X 4-1/4"
10	R28057	DRAWBAR	1		(SUB RE20662)
11	14H794	NUT	2		3/4"
12	12H236	LOCK WASHER	2		3/4"
13	19H2113	CAP SCREW	2		3/4" X 3-1/4"
14	R28064	PIN	1		(SUB R32439 AND JD7759)
	R32439	PIN	1		
	JD7759	LUBRICATION FITTING	1	032400-032400-	
15	34H385	SPRING PIN	1		1/4" X 1-3/4"
16	R28063	BUSHING	1		
17	R28826	SUPPORT	1		L.H. (NO LONGER AVAILABLE)
18	19H3309	CAP SCREW	4		5/8" X 7-1/4"
19	AR28135	SUPPORT	1		(MARKED R28165) (NO LONGER AVAILABLE)
20	AR27599	PIN	1		
21	R31438	BUSHING	1		(SUB FOR R27325)
22	R26503	DOWEL PIN	1		
23	34H309	SPRING PIN	1		1/4" X 5/8"
24	R27016	BUSHING	2		
25	R27017	SHAFT	1		(SUB R33883 AND (2) R33884)
26	R33884	RETAINER	2		(SUB FOR R28125 OR R27017)
27	F2781R	PIN	2		(SUB R58261)
28	A3581R	SPRING LOCKING PIN	2		
29	R40928	BOLT	2		(SUB FOR R27196)
30	12H303	LOCK WASHER	2		5/16"
31	R28825	SUPPORT	1		R.H. (NO LONGER AVAILABLE)
32	R28058	SUPPORT	1		REAR (NO LONGER AVAILABLE)
33	R28802	SPACER	2		
34	12H294	LOCK WASHER	4		5/8"
35	14H1039	NUT	4		5/8" HS, SAE 8
36	R28059	STRAP	1		
37	R58262	PIN	2		(SUB FOR R28061)
38	AR62151	QUICK LOCK PIN	2		(SUB FOR B11182)
39	R28062	HANGER	1		(NO LONGER AVAILABLE)

# 2G3

HYDRAULICS

RWP1907 -UN-06OCT94

## DRAWBAR CLEVIS PIN KIT



RWP1907

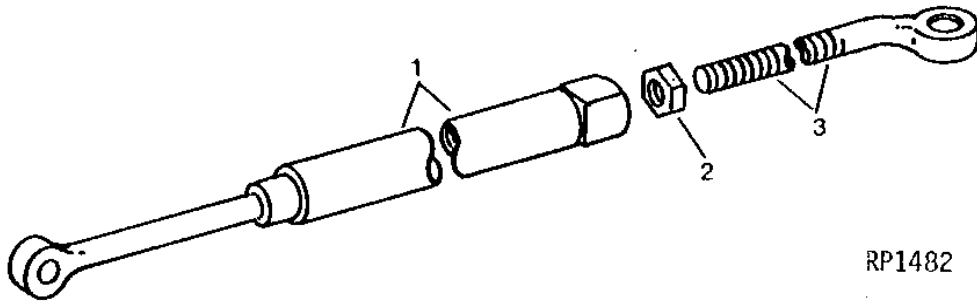
KEY	PART NO.	PART NAME	QTY	TRACTOR SERIAL NO.	REMARKS
1	14H1039	NUT	2	5/8" HS, SAE 8	
2	24H1372	WASHER	1	21/32" X 1-1/2" X 0.060"	
3	F3541R	SPRING	1		
4	F3542R	BUSHING	1		
5	F3539R	RETAINER	1		
6	34H363	SPRING PIN	1	3/8" X 4"	
7	AR26462	PIN	1		
8	R26584	STRAP	1		
9	19H2124	CAP SCREW	1	5/8" X 4-1/4"	
10	14H794	NUT	2	3/4"	
11	12H236	LOCK WASHER	2	3/4"	
12	19H2113	CAP SCREW	2	3/4" X 3-1/4"	
13	AR27033	CLEVIS	1		

# 2G4

HYDRAULICS

RP1482 -UN-01JAN94

IMPLEMENT LINK  
(POWER WEIGHT TRANSFER HITCH)



RP1482

KEY	PART NO.	PART NAME	QTY	TRACTOR SERIAL NO.	REMARKS
1	AR47490	LINK	1		
2	14H887	NUT	1	1-1/8"	
3	R45447	EYEBOLT	1		

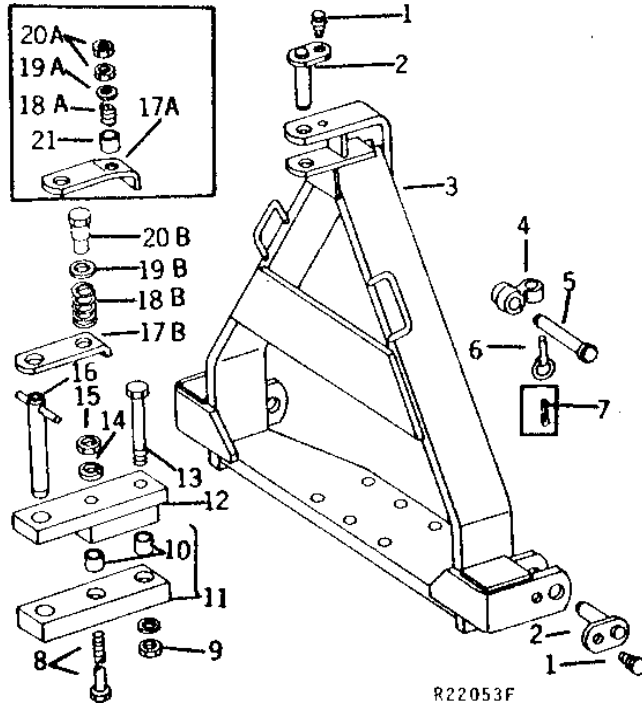


# 2G5

HYDRAULICS

R22053 -UN-01JAN94

## POWER WEIGHT TRANSFER COUPLER



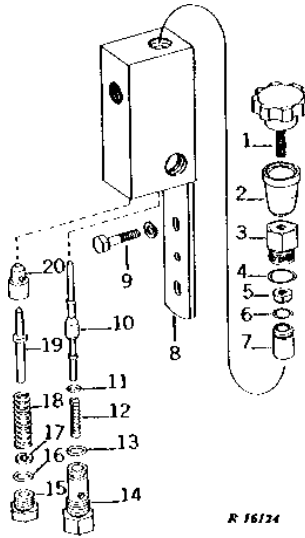
KEY	PART NO.	PART NAME	QTY	TRACTOR SERIAL NO.	REMARKS
1	AR40865	CAP SCREW	3		(USE WITH PIN WITH 6.4MM (1/4") THICK HANDLE)
	AR48110	CAP SCREW	3		(USE WITH PIN WITH 9.5MM (3/8") THICK HANDLE)
2	AR48111	PIN	3		(ALSO ORDER AR48110) (SUB FOR AR39783)
3	AR46828	COUPLING	1		(SUB AR99336)
4	R44848	PIVOT	2		
5	R58261	PIN	1		(ALSO ORDER AR60372) (SUB FOR R40516 OR R53562)
6	AR60372	QUICK LOCK PIN	1	XXXXX-	
7	11M7038	COTTER PIN	1	-XXXXX	0.248" X 1.575"
8	19H3234	CAP SCREW	1	-XXXXX	3/4" X 8-1/2"
	19H1988	CAP SCREW	1	XXXXX-	3/4" X 6"
9	14H794	NUT	1		3/4"
	12H236	LOCK WASHER	1		3/4"
10	R35479	BUSHING	2		
11	AR47567	DRAWBAR	1		
12	AR46256	STRAP	1		
13	19H1988	CAP SCREW	1		3/4" X 6"
14	12H236	LOCK WASHER	1		3/4"
15	14H794	NUT	1	-XXXXX	3/4"
16	AR69988	PIN	1		(SUB FOR AR937R)
17A	R36609	RETAINER	1	-XXXXX	(SUB R54064, R72433, F304R, 19H1988 AND 24H1513)
17B	R54064	RETAINER	1	XXXXX-	
18A	A350R	SPRING	1	-XXXXX	
18B	F304R	SPRING	1	XXXXX-	
19A	24H1395	WASHER	1	-XXXXX	25/32" X 1-7/16" X 0.060"
19B	24H1513	WASHER	1	XXXXX-	1-13/32" X 2" X 0.060"
20A	R40121	LOCK NUT	2	-XXXXX	
20B	R54065	NUT	1	XXXXX-	(SUB R72433)
21	R47044	BUSHING	1	-XXXXX	

# 2G6

HYDRAULICS

R16124 -UN-01JAN94

## POWER WEIGHT TRANSFER CONTROL VALVE



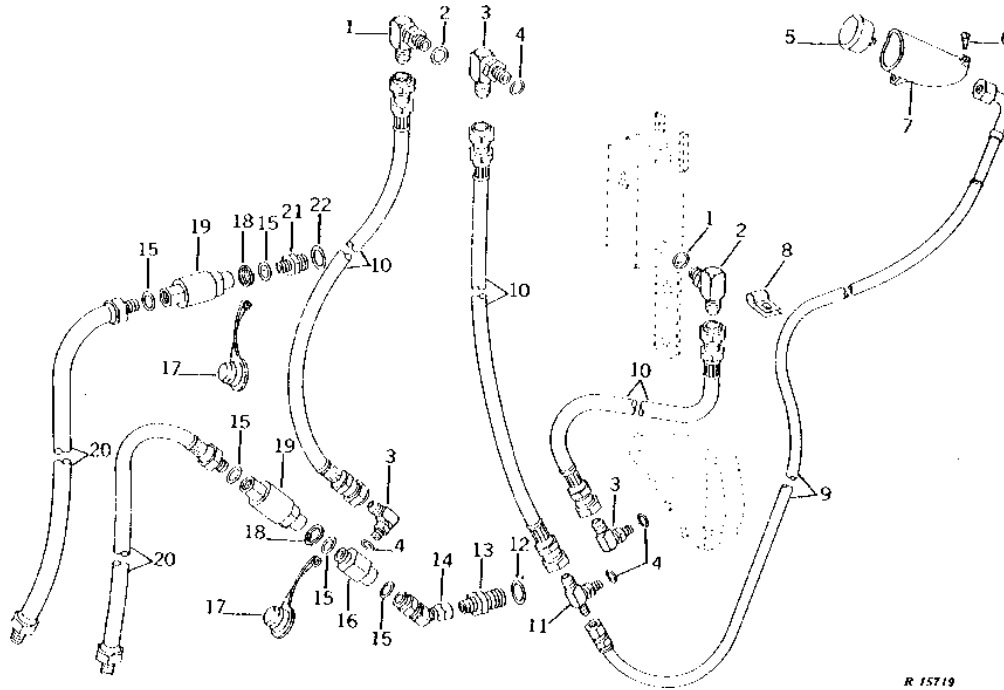
KEY	PART NO.	PART NAME	QTY	TRACTOR SERIAL NO.	REMARKS
1	AR49578	KNOB	1		
2	R54059	BOOT	1		(SUB FOR R39981)
3	R47016	ADAPTER	1		
4	F3171R	O-RING	1		
5	F3220R	LOCK NUT	1		
6	R26375	O-RING	1		
7	R47018	SHAFT	1		
8	AR49622	HOUSING	1		
9	19H1765	CAP SCREW	2	3/8" X 1-3/4"	
	12H304	LOCK WASHER	2	3/8"	
10	R44840	VALVE	1		
11	R375R	O-RING	1		
12	R26477	SPRING	1		
13	R495R	O-RING	1		
14	R47095	PLUG	1		
15	R27474	DRAIN PLUG	1		
16	R26906	O-RING	1		
17	R45189	SHIM	AR	0.51MM (.020")	
18	R35871	SPRING	1		
19	R45215	GUIDE	1		
20	R38543	VALVE	1		

# 2G7

HYDRAULICS

R15719 -UN-01JAN94

## POWER WEIGHT TRANSFER HYDRAULIC OIL PRESSURE GAUGE AND LINES



R 15719

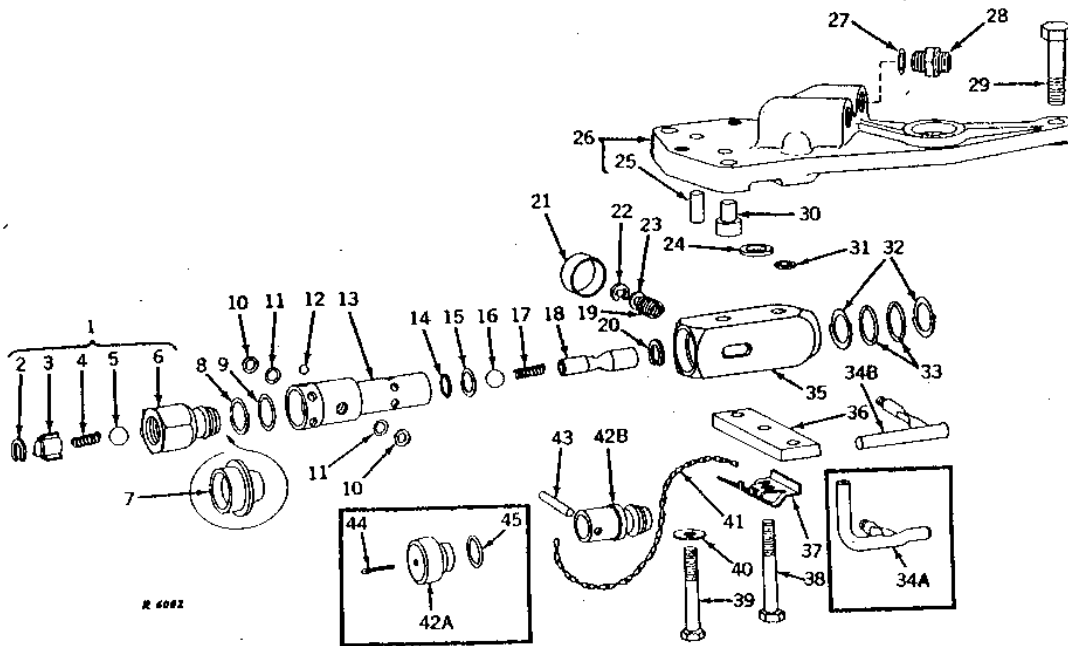
KEY	PART NO.	PART NAME	QTY	TRACTOR SERIAL NO.	REMARKS
1	AT32332	ELBOW FITTING	2		90°, (SUB FOR AR26763)
2	R26375	O-RING	2		
3	AT35120	ELBOW FITTING	3		90°, (SUB FOR AR37017 OR AT32337)
4	R26448	O-RING	4		
5	AR47486	PRESSURE GAUGE	1		
6	37H78	SCREW	2		0.164" X 3/4"
7	R46335	SUPPORT	1		
8	R34557	CLAMP	5		
9	AR43795	HYDRAULIC HOSE	1		
10	AR40465	HYDRAULIC HOSE	3		
11	AR47603	TEE FITTING	1		
12	H851R	WASHER	1		
13	A15532	ADAPTER	1		
14	AA14850	ELBOW FITTING	1		45°
15	R26375	O-RING	5		
16	R45106	FITTING	1		
17	R32419	COVER	2		
18	R36946	SPRING	2		
19	AR31611	COUPLING	2		(SUB RE15361)
20	.....	HOSE	1		
21	R36945	FITTING	1		
22	F3171R	O-RING	1		

# 2G8

HYDRAULICS

R6002 -UN-01JAN94

## BREAKAWAY COUPLER AND BRACKET (UTILITY AND ORCHARD)



# 2G9

HYDRAULICS

## BREAKAWAY COUPLER AND BRACKET - CONTINUED (UTILITY AND ORCHARD)

KEY	PART NO.	PART NAME	QTY	TRACTOR SERIAL NO.	REMARKS
1	AR30210	INTERNAL HALF COUPLER	1		(PRESSURE) (SUB AR93819)
	AR47643	BREAKAWAY COUPLER	1		(RETURN) (SUB AR93820)
2	R59633	WEAR RING	1		(SUB FOR R28204)
3	R28085	GUIDE	1		(SUB AR93819 PRESSURE OR AR93820 RETURN)
4	R28084	SPRING	1		
5	D2361R	BALL	1		13MM (1/2")
6	R27430	HYD. QUICK-CONNECT COUPLER	1		(PRESSURE) (SUB AR93819)
	R45630	HYD. QUICK-CONNECT COUPLER	1		(RETURN) (SUB AR93820)
7	R28006	CAP	AR		(B)
8	R26485	BACK-UP RING	1		
9	R59343	RING	1		
10	R26484	BACK-UP RING	2		
11	R65286	O-RING	1		(SUB R78436, THIS APPLICATION)
12	400R	BALL	6		6MM (1/4")
13	R28815	SOCKET OUTLET	1		(SUB R34397 AND R34400)
14	R375R	O-RING	1		
15	R26482	RING	1		
16	D2361R	BALL	1		13MM (1/2")
17	R28084	SPRING	1		
18	R28816	PLUG	1		(SUB R34400) (WHEN R34397 HAS BEEN INSTALLED)
19	R31890	SPRING	1		(SUB FOR R28669)
20	R26483	SNAP RING	1		
21	R28672	BUSHING	AR		(A)
22	M2396T	SNAP RING	1		(SUB FOR R28034) (SUB R72653)
23	24H1289	WASHER	1	-020016	21/64" X 5/8" X 0.049"
24	R26919	WASHER	1		(D)
25	R28671	DOWEL PIN	AR		(B)
26	AR28011	BRACKET	1	-028098	(D) R.H. (MARKED R28735) (SUB R33956, (2) R26375, (2) R28671, (2) R36426 AND (2) F2741R)
	AR31469	BRACKET	1	028099-	(D) R.H. (MARKED R32243) (SUB (2) F2741R, (2) R26375, (2) R28671, R33956 AND (2) R36426)
	AR28012	BRACKET	1	-028098	(D) L.H. (MARKED R28736) (SUB R33957, (2) F2741R, (2) R26375, (2) R28671 AND (2) R36426)
	AR31470	BRACKET	1	028099-	(D) L.H. (MARKED R32244) (SUB R33957, (2) F2741R, (2) R26375, (2) R28671 AND (2) R36426)
27	R26448	O-RING	AR		(B)
28	R27212	FITTING	AR		(B)
29	19H1831	CAP SCREW	AR		(B) 1/2" X 2"
30	R28673	CAM	AR		(B)
31	A4847R	WASHER	AR	-028098	(A)
	F2741R	PACKING	1	028099-	
32	R26480	BACK-UP RING	2		
33	A4730R	O-RING	2		
34A	AR27880	LEVER	1	-016590	R.H. (SUB AR31584)
	AR27881	LEVER	1	-016590	L.H. (SUB AR31584)
34B	AR31584	LEVER	2	016591-	
35	R28813	BREAKAWAY COUPLER	1		R.H.
	R28814	BREAKAWAY COUPLER	1		L.H.
36	R28674	STRAP	AR		(A) (NO LONGER AVAILABLE)
37	R30818	SPRING	AR		(A)
38	19H1944	CAP SCREW	AR		(C) 3/8" X 2-3/4"
39	19H1733	CAP SCREW	AR		(A) 3/8" X 2-1/2"
40	A4231R	WASHER	AR		(A) (SUB FOR 24H1309)
41	R49193	LINK CHAIN	AR		(B) (SUB FOR A3184R)
42A	AR28257	COVER	AR	-032399	(B) (SUB FOR R28959) (SUB AR52623)
42B	AR52623	PLUG	AR	032400-	(B) (SUB FOR AR31637 OR AR34059)
43	34H282	SPRING PIN	AR	032400-	(B) 3/16" X 1"
44	11M7084	COTTER PIN	AR	-032399	(B) 5 X 25 MM
45	A3190R	O-RING	AR	-032399	(B)
..	AR30779	BREAKAWAY COUPLER	1		R.H. (NO LONGER AVAILABLE)
..	AR30780	BREAKAWAY COUPLER	1		L.H. (NO LONGER AVAILABLE)
..	AR30781	BREAKAWAY COUPLER	1		R.H.
..	AR30782	BREAKAWAY COUPLER	1		L.H.

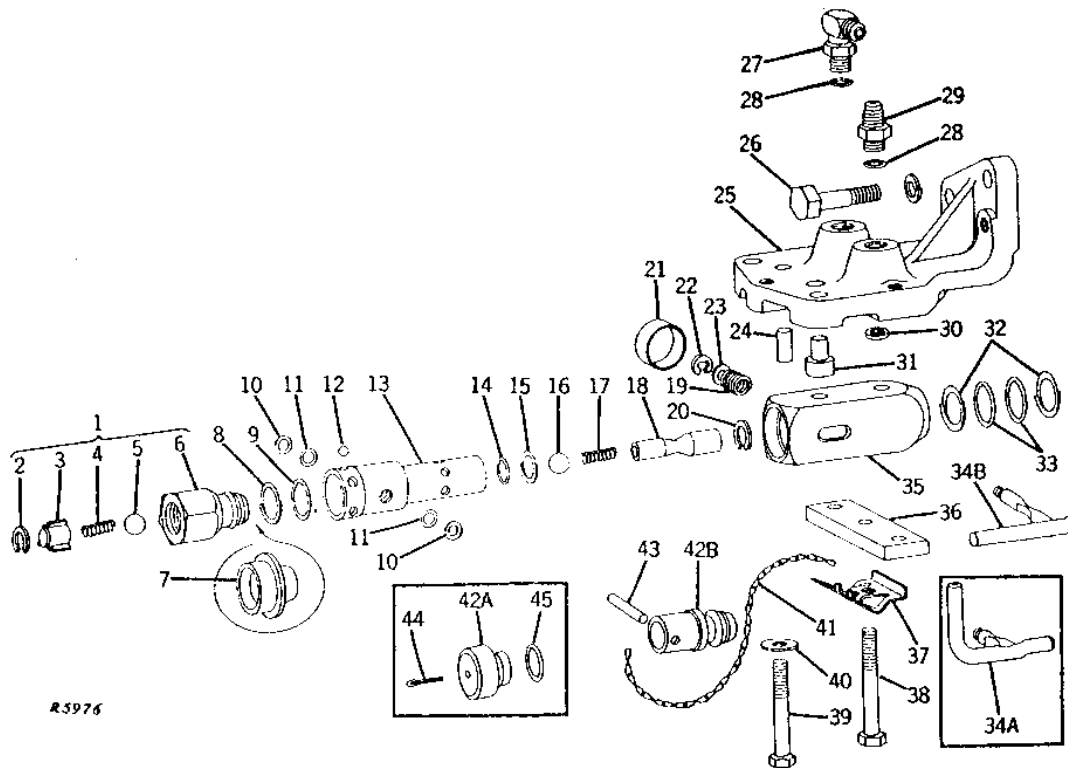
(A) 1 USED SINGLE SELECTIVE CONTROL, 2 USED DUAL SELECTIVE CONTROL  
 (B) 2 USED SINGLE SELECTIVE CONTROL, 4 USED DUAL SELECTIVE CONTROL  
 (C) 3 USED SINGLE SELECTIVE CONTROL, 6 USED DUAL SELECTIVE CONTROL  
 (D) SINGLE OR DUAL SELECTIVE CONTROL

# 2G10

HYDRAULICS

R5976 -UN-01JAN94

## BREAKAWAY COUPLER AND BRACKET (ROW-CROP AND STANDARD)



# 2G11

HYDRAULICS

## BREAKAWAY COUPLER AND BRACKET - CONTINUED (ROW-CROP AND STANDARD)

KEY	PART NO.	PART NAME	QTY	TRACTOR SERIAL NO.	REMARKS
1	AR30210	INTERNAL HALF COUPLER	1		(PRESSURE) (SUB AR93819)
	AR47643	BREAKAWAY COUPLER	1		(RETURN) (SUB AR93820)
2	R59633	WEAR RING	1		(SUB FOR R28204)
3	R28085	GUIDE	1		(SUB AR93818 PRESSURE OR AR93820 RETURN)
4	R28084	SPRING	1		
5	D2361R	BALL	1		13MM (1/2")
6	R27430	HYD. QUICK-CONNECT COUPLER	1		(PRESSURE) (SUB AR93819)
	R45630	HYD. QUICK-CONNECT COUPLER	1		(RETURN) (SUB AR93820)
7	R28006	CAP	AR		(B)
8	R26485	BACK-UP RING	1		
9	R59343	RING	1		
10	R26484	BACK-UP RING	2		
11	R65286	O-RING	2		(SUB R78436, THIS APPLICATION)
12	400R	BALL	6		6MM (1/4")
13	R28815	SOCKET OUTLET	1		(SUB R34397 AND R34400)
14	R375R	O-RING	1		
15	R26482	RING	1		
16	D2361R	BALL	1		13MM (1/2")
17	R28084	SPRING	1		
18	R28816	PLUG	1		(SUB R34400) (WHEN R34397 HAS BEEN INSTALLED)
19	R31890	SPRING	1		(SUB FOR R28669)
20	R26483	SNAP RING	1		
21	R28672	BUSHING	AR		(A)
22	M2396T	SNAP RING	1		(SUB FOR R28034) (SUB R72653)
23	24H1289	WASHER	1	-020016	21/64" X 5/8" X 0.049"
24	R28671	DOWEL PIN	AR		(B)
25	AR28079	BRACKET	1	-028098	R.H. (MARKED R28817) (SUB AR31467 AND F2741R)
	AR31467	BRACKET	1	028099-	(SINGLE OR DUAL SELECTIVE CONTROL) R.H. (MARKED R32241) (SINGLE OR DUAL SELECTIVE CONTROL)
	AR28080	BRACKET	1	-028098	L.H. (MARKED R28818) (SUB AR31468 AND F2741R)
	AR31468	BRACKET	1	028099-	(DUAL SELECTIVE CONTROL) L.H. (MARKED R32242) (SINGLE OR DUAL SELECTIVE CONTROL)
26	19H1721	CAP SCREW	AR		(B) 1/2" X 1-1/2"
	12H301	LOCK WASHER	AR		(B) 1/2"
27	AT35121	ELBOW FITTING	AR		(A) 90°, (SUB FOR AR26725)
28	R26448	O-RING	AR		(B)
29	R27212	FITTING	AR		(A)
30	A4847R	WASHER	AR	-028098	(B)
	F2741R	PACKING	1	028099-	
31	R28673	CAM	AR		(B)
32	R26480	BACK-UP RING	2		
33	A4730R	O-RING	2		
34A	AR27880	LEVER	1	-016590	(SUB AR31584)
	AR27881	LEVER	1	-016590	(SUB AR31584)
34B	AR31584	LEVER	2	016591-	
35	R28813	BREAKAWAY COUPLER	1		R.H.
	R28814	BREAKAWAY COUPLER	1		L.H.
36	R28674	STRAP	AR		(A) (NO LONGER AVAILABLE)
37	R30818	SPRING	AR		(A)
38	19H1944	CAP SCREW	AR		(C) 3/8" X 2-3/4"
39	19H1733	CAP SCREW	AR		(A) 3/8" X 2-1/2"
40	A4231R	WASHER	AR		(A) (SUB FOR 24H1309)
41	R49193	LINK CHAIN	AR		(B) (SUB FOR A3184R)
42A	AR28257	COVER	AR	-032399	(B) (SUB FOR R28959) (SUB AR52623)
42B	AR52623	PLUG	AR	032400-	(B) (SUB FOR AR31637, AR28257 OR AR34059)
43	34H282	SPRING PIN	AR	032400-	(B) 3/16" X 1"
44	11M7084	COTTER PIN	AR	-032399	(B) 5 X 25 MM
45	A3190R	O-RING	AR	-032399	(B)
..	AR30685	KIT	1		
..	AR30777	BREAKAWAY COUPLER	1		R.H.
..	AR30778	BREAKAWAY COUPLER	1		L.H.
..	AR30781	BREAKAWAY COUPLER	1		R.H.
..	AR30782	BREAKAWAY COUPLER	1		L.H.

(A) 1 USED SINGLE SELECTIVE CONTROL, 2 USED DUAL SELECTIVE CONTROL  
 (B) 2 USED SINGLE SELECTIVE CONTROL, 4 USED DUAL SELECTIVE CONTROL  
 (C) 3 USED SINGLE SELECTIVE CONTROL, 6 USED DUAL SELECTIVE CONTROL

---

MEMORANDA

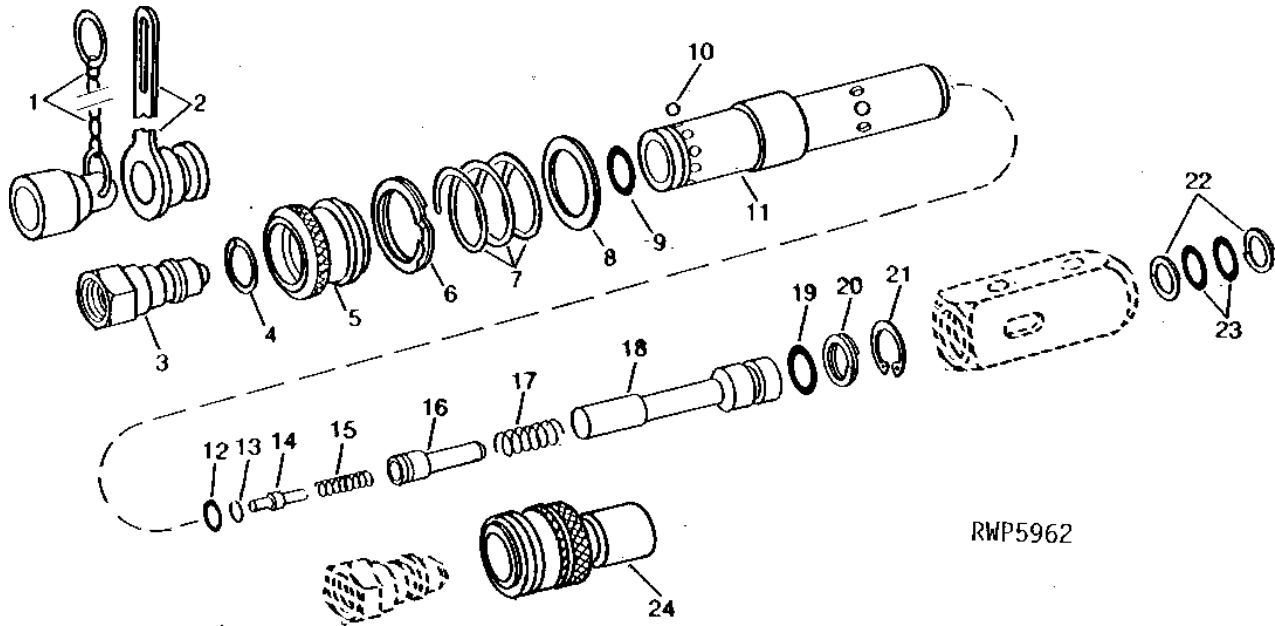


# 2G12

HYDRAULICS

RWP5962 -UN-01JAN94

## ISO BREAKAWAY COUPLER



RWP5962

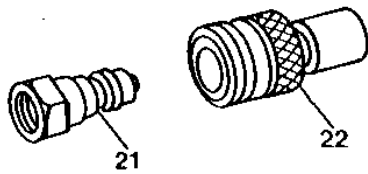
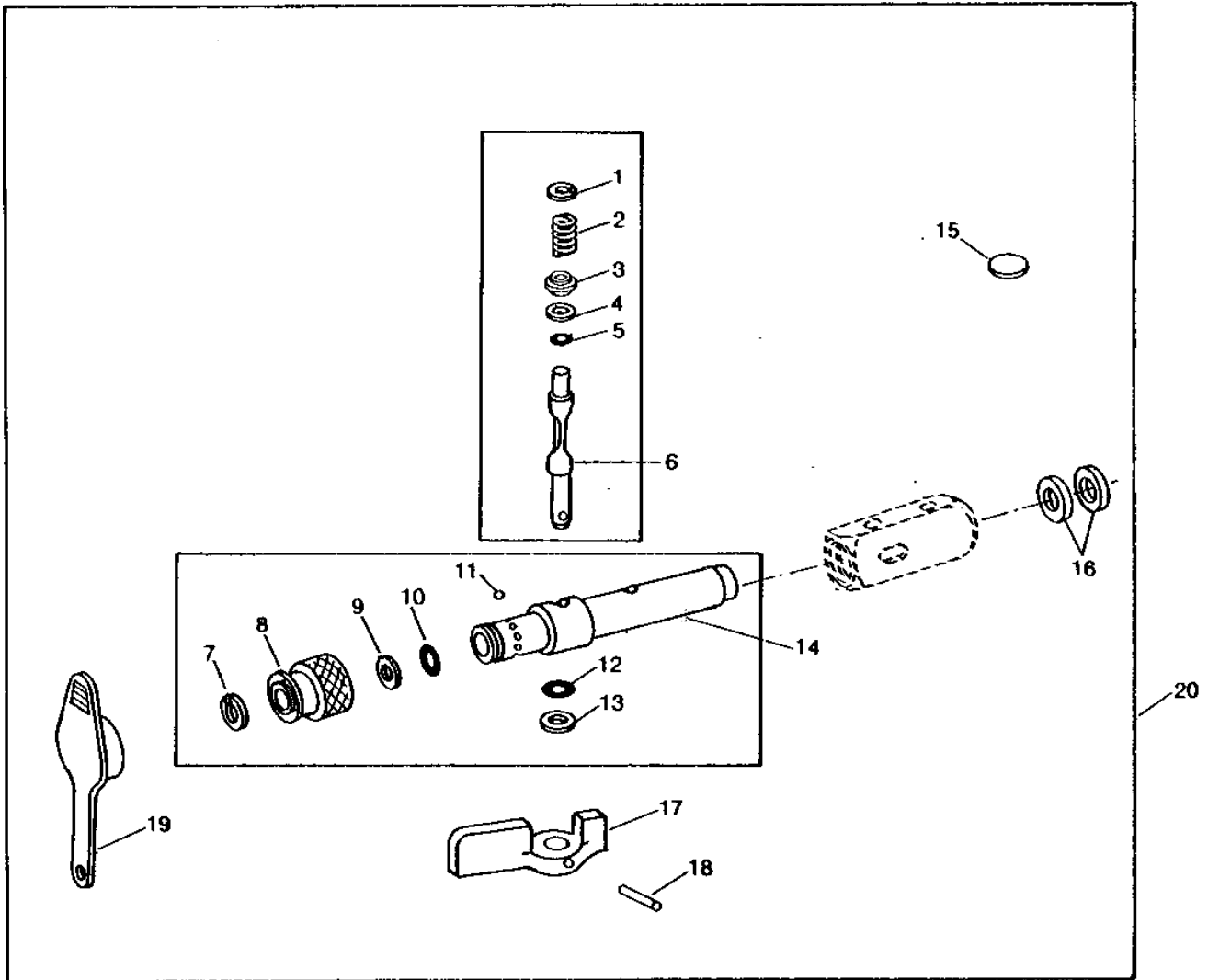
KEY	PART NO.	PART NAME	QTY	TRACTOR SERIAL NO.	REMARKS
1	A15898	CAP	1		
2	A15899	CAP	1		
3	AR94522	INTERNAL HALF COUPLER	1		(SUB FOR AL26973)
4	R64617	SNAP RING	1		
5	R64618	SLEEVE	1		
6	R64615	SNAP RING	1		
7	R64609	SPRING	1		
8	R64608	WASHER	1		
9	R21722	O-RING	1		
10	H871R	BALL	8		5MM (3/16")
11	R64605	EXTERNAL HALF COUPLER	1		
12	R64613	O-RING	1		
13	R64614	SNAP RING	1		
14	R64612	PIN	1		
15	R64611	SPRING	1		
16	R64610	POPPET	1		
17	R64607	SPRING	1		
18	R64606	GUIDE	1		
19	R375R	O-RING	1		
20	R26482	RING	1		
21	U15969	SNAP RING	1		
22	R26480	BACK-UP RING	2		
23	A4730R	O-RING	2		
24	AL26972	EXTERNAL HALF COUPLER	1		

# 2G13

HYDRAULICS

JOHN DEERE TO ISO COUPLER CONVERSION KIT  
(TRACTOR SERIAL NO. 016591- )

RWP5959 -UN-01JAN94



RWP5959

# 2G14

HYDRAULICS

JOHN DEERE TO ISO COUPLER CONVERSION KIT - CONTINUED  
(TRACTOR SERIAL NO. 016591- )

KEY	PART NO.	PART NAME	QTY	TRACTOR SERIAL NO.	REMARKS
1	R54242	SNAP RING	2		
2	R78767	SPRING	2		
3	R48698	WASHER	2		
4	R31136	BACK-UP RING	2		
5	R10093	O-RING	2		
6	RE13814	SHAFT	2		
7	40M4378	SNAP RING	2		
8	R78765	SLEEVE	2		
9	R71387	WASHER	2		
10	R74210	O-RING	2		
11	H871R	BALL	16		
12	P51212	O-RING	2		
13	R78766	BACK-UP RING	2		
14	RE13813	RECEPTACLE	2		
15	30H15	PLUG	2		1-1/8", (NOT USED THIS APPLICATION)
16	R79311	SEAL	2		(SUB FOR R74530) (SUB (2) A4730R AND (2) R26480, THIS APPLICATION)
17	R78769	HANDLE	2		
18	34H247	SPRING PIN	2		1/8" X 3/4"
19	R78768	COVER	2		
20	RE12121	RECEIVER	1		
21	AR94522	INTERNAL HALF COUPLER	AR		(SUB FOR AL26973)
22	AL26972	EXTERNAL HALF COUPLER	AR		

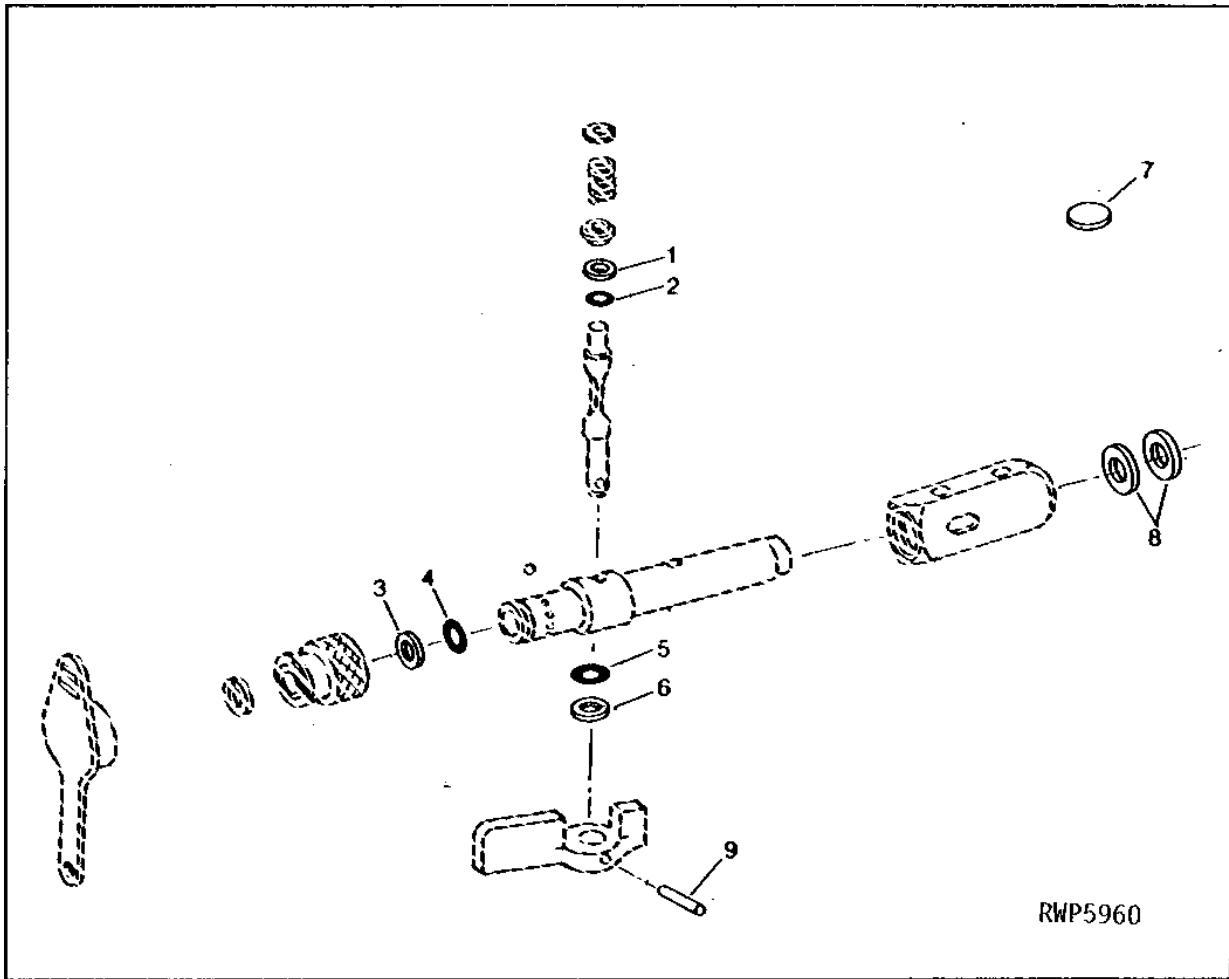
# 2G15

HYDRAULICS

RWP5960

-UN-01JAN94

ISO COUPLER OVERHAUL KIT



# 2G16

HYDRAULICS

## ISO COUPLER OVERHAUL KIT - CONTINUED

KEY	PART NO.	PART NAME	QTY	TRACTOR SERIAL NO.	REMARKS
1	R31136	BACK-UP RING	2		
2	R10093	O-RING	2		
3	R71387	WASHER	2		
4	R74210	O-RING	2		
5	P51212	O-RING	2		
6	R78766	BACK-UP RING	2		
7	30H15	PLUG	2		1-1/8", (NOT USED THIS APPLICATION)
8	R79311	SEAL	4		(SUB FOR R74530) (SUB (2) A4730R AND (2) R26480, THIS APPLICATION)
9	34H247	SPRING PIN	2		1/8" X 3/4"
10	RE13815	KIT	1		

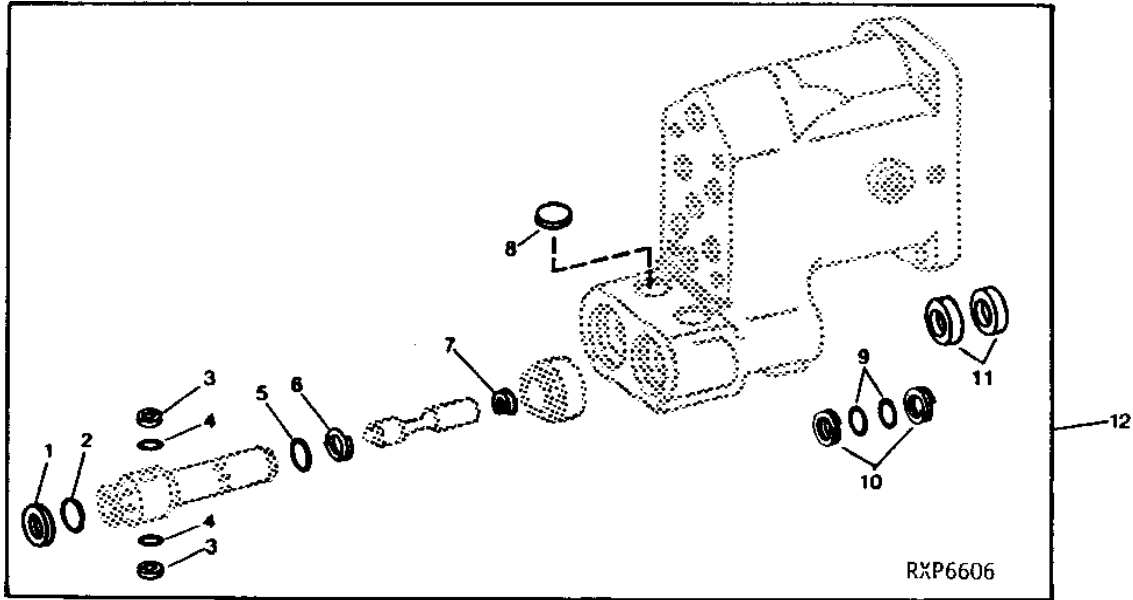
# 2G17

HYDRAULICS

RXP6606

-UN-06OCT94

## BREAKAWAY COUPLER OVERHAUL KIT



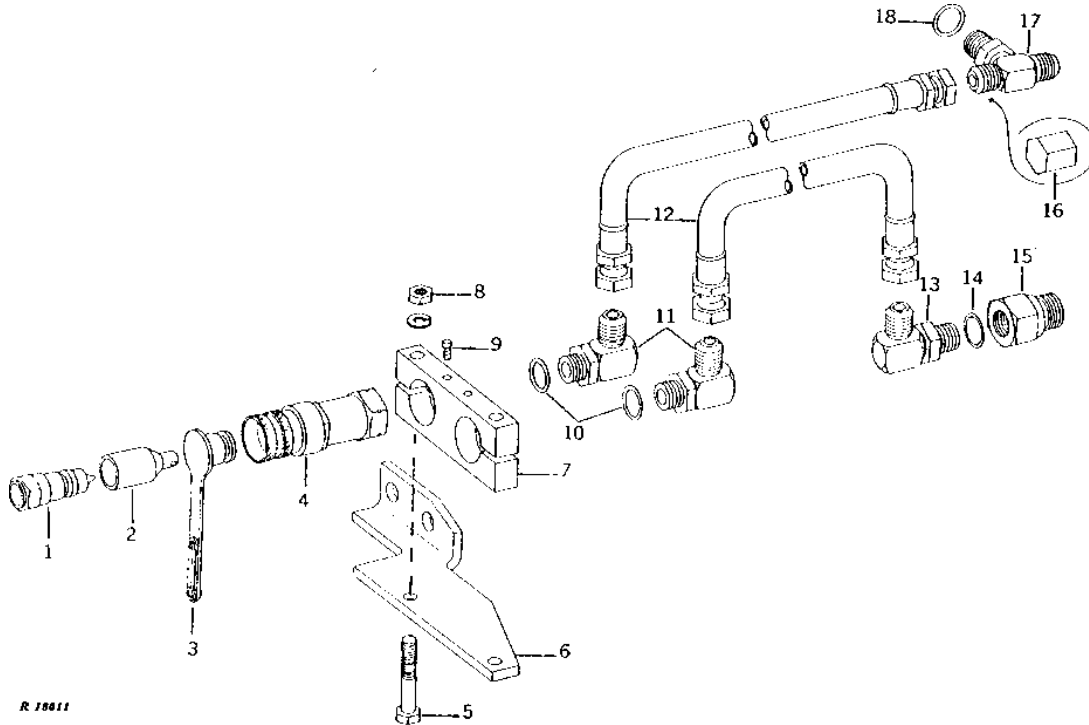
KEY	PART NO.	PART NAME	QTY	TRACTOR SERIAL NO.	REMARKS
1	R26485	BACK-UP RING	2		
2	R59343	RING	2		
3	R26484	BACK-UP RING	4		
4	R65286	O-RING	4		
5	R375R	O-RING	2		
6	R26482	RING	2		
7	R26483	SNAP RING	2		
8	30H15	PLUG	2	28.575 MM	
9	A4730R	O-RING	4	(EARLY DESIGN)	
10	R26480	BACK-UP RING	4	(EARLY DESIGN)	
11	R79311	SEAL	4	(SUB FOR R65285 AND R74530)	
12	AR82570	KIT	1	(SUB FOR AR30685)	

# 2G18

HYDRAULICS

R18011 -UN-01JAN94

## AUXILIARY OUTLET COUPLER KIT



R 18011

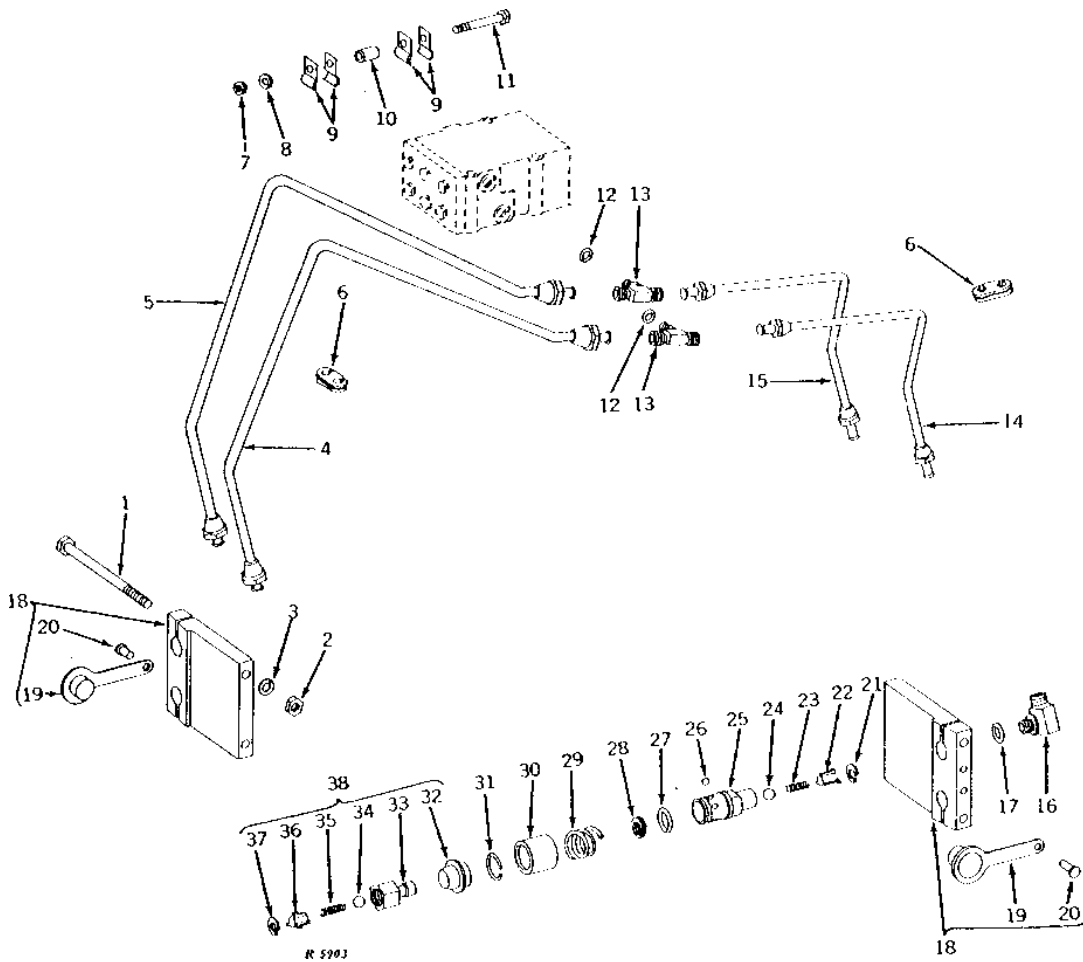
KEY	PART NO.	PART NAME	QTY	TRACTOR SERIAL NO.	REMARKS
1	AA15042	HYD. QUICK-CONNECT COUPLER	2		
2	A15898	CAP	2		
3	A15899	CAP	2		
4	AA15043	HYD. QUICK-CONNECT COUPLER	2		
5	19H1944	CAP SCREW	2	3/8" X 2-3/4"	
6	R49667	SUPPORT	1		
7	R49668	BRACKET	1		
8	14H1076	NUT	2	3/8"	
	12H304	LOCK WASHER	2	3/8"	
9	A5748R	STUD	2	NO. 12 X 5/8"	
10	R26375	O-RING	2		
11	AT32332	ELBOW FITTING	2	90°, (SUB FOR AR26763)	
12	AN140274	HYDRAULIC HOSE	2		
13	AT32332	ELBOW FITTING	1	90°, (SUB FOR AR26763)	
14	R26375	O-RING	1		
15	N140476	FITTING	1		
16	R31736	FITTING	1		
17	AN140263	TEE FITTING	AR		
	AN140264	TEE FITTING	AR		
	AN140265	TEE FITTING	AR		
18	R26375	O-RING	1		

# 2G19

HYDRAULICS

## RIGHT-HAND AND LEFT-HAND PARALLEL DUAL FRONT OUTLET (SINGLE SELECTIVE CONTROL VALVE)

R5903 -UN-01JAN94



R 5903



# 2G20

HYDRAULICS

RIGHT-HAND AND LEFT-HAND PARALLEL DUAL FRONT OUTLET - CONTINUED  
(SINGLE SELECTIVE CONTROL VALVE)

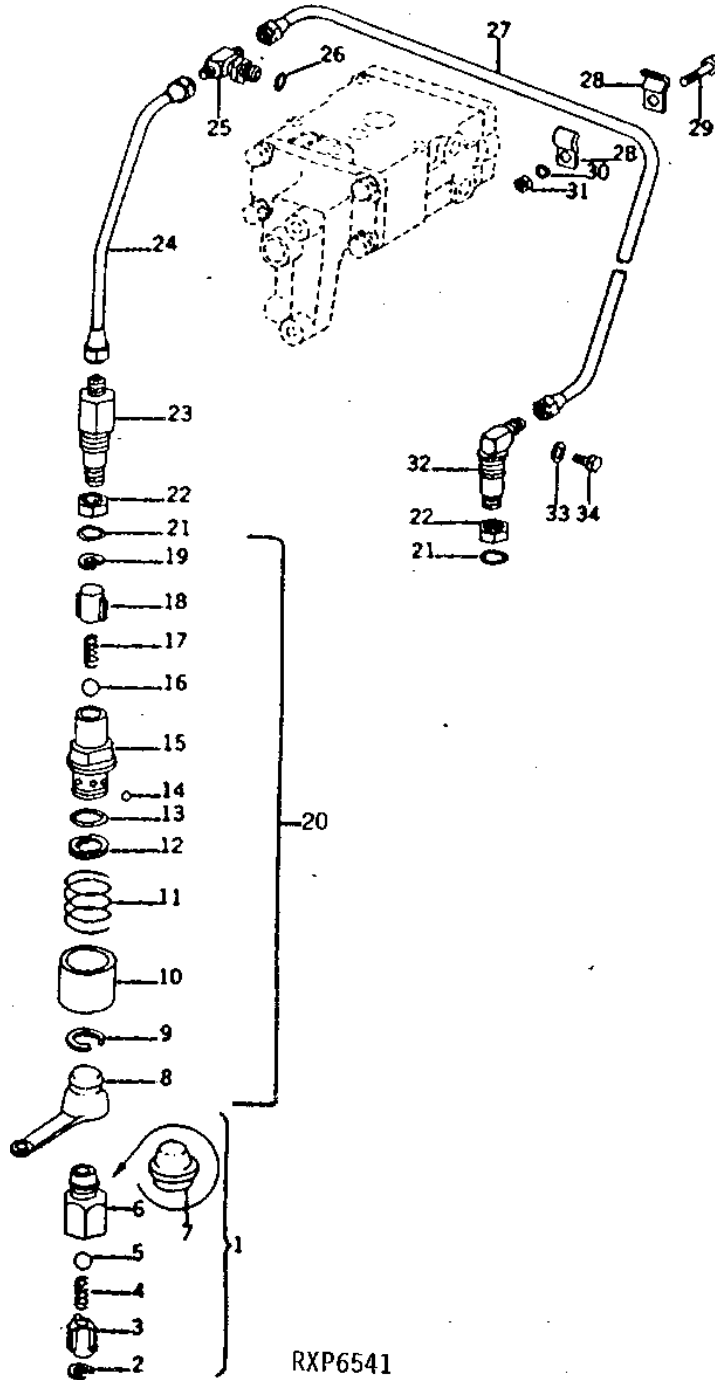
KEY	PART NO.	PART NAME	QTY	TRACTOR SERIAL NO.	REMARKS
1	08H4732	CAP SCREW	4		3/8" X 6-3/4"
2	14H1076	NUT	4		3/8" HS, SAE 8
3	12H304	LOCK WASHER	4		3/8"
4	AR31670	LINE	1		LOWER R.H.
5	AR31669	HYDRAULIC LINE	1		UPPER R.H.
6	R26418	GROMMET	2		
7	14H786	NUT	1		1/4"
8	12H302	LOCK WASHER	1		1/4"
9	R27720	CLAMP	4		
10	28H1697	SPACER	1		3/8" X 3/4"
11	19H2334	CAP SCREW	1		1/4" X 2-1/2"
12	R26448	O-RING	2		(USE WITH AR28997 OR AT36465)
	R26375	O-RING	2		(USE WITH AR32667)
13	AT36465	TEE FITTING	2		(USE WITH R27584) (SUB FOR AR28997)
	AR32667	TEE FITTING	2		(USE WITH R32410)
14	AR31671	OIL LINE	1		UPPER L.H.
15	AR31672	OIL LINE	1		LOWER L.H. (NO LONGER AVAILABLE)
16	AR31674	FITTING	4		90°
17	R26375	O-RING	4		
18	AR31673	BRACKET	2		
19	R32419	COVER	4		
20	A5748R	STUD	4		NO. 12 X 5/8"
21	R59633	WEAR RING	4		(SUB FOR R28204)
22	R28085	GUIDE	4		(SUB RE15361)
23	R28084	SPRING	4		
24	D2361R	BALL	4		13MM (1/2")
25	R32353	SOCKET OUTLET	4		
26	400R	BALL	24		6MM (1/4")
27	R495R	O-RING	4		
28	R26485	BACK-UP RING	4		
29	R32354	SPRING	4		
30	R32355	SLEEVE	4		
31	R32356	SNAP RING	4		
32	R28006	CAP	4		
33	R27430	HYD. QUICK-CONNECT COUPLER	4		(SUB AR93819)
34	D2361R	BALL	4		13MM (1/2")
35	R28084	SPRING	4		
36	R28085	GUIDE	4		(SUB AR93819)
37	R59633	WEAR RING	4		(SUB FOR R28204)
38	AR30210	INTERNAL HALF COUPLER	4		(SUB AR93819)

# 2G21

HYDRAULICS

RIGHT-HAND AND LEFT-HAND PARALLEL SINGLE FRONT OUTLET WITH COUPLERS  
(SINGLE OR DUAL SELECTIVE CONTROL)

RXP6541 -UN-01JAN94



# 2G22

HYDRAULICS

**RIGHT-HAND AND LEFT-HAND PARALLEL SINGLE FRONT OUTLET WITH COUPLERS - CONTINUED  
(SINGLE OR DUAL SELECTIVE CONTROL)**

KEY	PART NO.	PART NAME	QTY	TRACTOR SERIAL NO.	REMARKS
1	AR30210	INTERNAL HALF COUPLER	1		(PRESSURE) (SUB AR93819)
	AR47643	BREAKAWAY COUPLER	1		(RETURN) (SUB AR93820)
2	R59633	WEAR RING	2		(SUB FOR R28204)
3	R28085	GUIDE	2		(SUB AR93819 PRESSURE OR AR93820 RETURN)
4	R28084	SPRING	2		
5	D2361R	BALL	2		13MM (1/2")
6	R27430	HYD. QUICK-CONNECT COUPLER	1		(PRESSURE) (SUB AR93819)
	R45630	HYD. QUICK-CONNECT COUPLER	1		(RETURN) (SUB AR93820)
7	R28006	CAP	2		
8	R32419	COVER	2		
9	R32356	SNAP RING	2		
10	R32355	SLEEVE	2		(ORDER RE15361)
11	R32354	SPRING	2		(ORDER RE15361)
12	R26485	BACK-UP RING	2		
13	R495R	O-RING	2		
14	400R	BALL	12		6MM (1/4")
15	R32353	SOCKET OUTLET	2		(ORDER RE15361)
16	D2361R	BALL	2		
17	R28084	SPRING	2		
18	R28085	GUIDE	2		(ORDER RE15361)
19	R59633	WEAR RING	2		(SUB FOR R28204)
20	AR47331	SOCKET OUTLET	1		(SUB RE15361)
21	R26375	O-RING	2		
22	14H876	NUT	2		1"
23	R39785	FITTING	1		(NO LONGER AVAILABLE)
24	AR30001	OIL LINE	1		L.H. (CONTROL VALVE TO CONTROL SUPPORT)
25	AR32667	TEE FITTING	1		(USE WITH R32410)
	AT36465	TEE FITTING	1		(USE WITH R27584) (SUB FOR AR28997)
26	R26375	O-RING	1		(USE WITH AR32667)
	R26448	O-RING	1		(USE WITH AR28997 OR AT36465)
27	AR30000	LINE	1		R.H. (CONTROL VALVE TO CONTROL SUPPORT)
28	R27720	CLAMP	2		
29	19H1898	CAP SCREW	1		1/4" X 1-1/2"
30	12H302	LOCK WASHER	1		1/4"
31	14H786	NUT	1		1/4"
32	AR39763	ELBOW FITTING	1		90°, (NO LONGER AVAILABLE)
33	24H1136	WASHER	1		11/32" X 11/16" X 0.065", R.H.
34	19H2020	CAP SCREW	1		5/16" X 1/2"

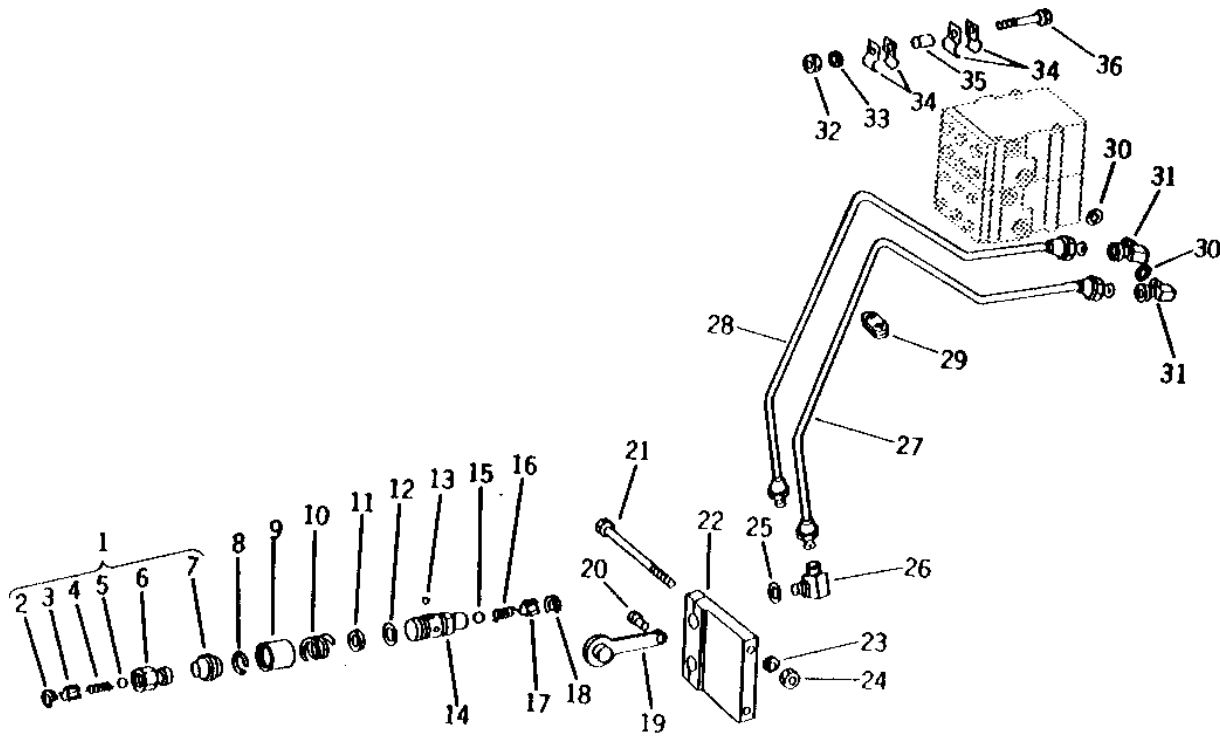
# 2G23

HYDRAULICS

## RIGHT-HAND DUAL FRONT OUTLET WITH COUPLERS (SINGLE OR DUAL SELECTIVE CONTROL)

R10219

-UN-01JAN94



R10219

# 2G24

HYDRAULICS

**RIGHT-HAND DUAL FRONT OUTLET WITH COUPLERS - CONTINUED  
(SINGLE OR DUAL SELECTIVE CONTROL)**

KEY	PART NO.	PART NAME	QTY	TRACTOR SERIAL NO.	REMARKS
1	AR30210	INTERNAL HALF COUPLER	1		(PRESSURE) (SUB AR93819)
	AR47643	BREAKAWAY COUPLER	1		(RETURN) (SUB AR93820)
2	R59633	WEAR RING	2		(SUB FOR R28204)
3	R28085	GUIDE	2		(SUB AR93819 PRESSURE OR AR93820 RETURN)
4	R28084	SPRING	2		
5	D2361R	BALL	2		13MM (1/2")
6	R27430	HYD. QUICK-CONNECT COUPLER	1		(PRESSURE) (SUB AR93819)
	R45630	HYD. QUICK-CONNECT COUPLER	1		(RETURN) (SUB AR93820)
7	R28006	CAP	2		
8	R32356	SNAP RING	2		
9	R32355	SLEEVE	2		
10	R32354	SPRING	2		
11	R26485	BACK-UP RING	2		
12	R495R	O-RING	2		
13	400R	BALL	12		6MM (1/4")
14	R32353	SOCKET OUTLET	2		
15	D2361R	BALL	2		13MM (1/2")
16	R28084	SPRING	2		
17	R28085	GUIDE	2		(SUB RE15361)
18	R59633	WEAR RING	2		(SUB FOR R28204)
19	R32419	COVER	2		
20	A5748R	STUD	2		NO. 12 X 5/8"
21	08H4732	CAP SCREW	2		3/8" X 6-3/4"
22	AR31673	BRACKET	1		(MARKED R32418)
23	12H304	LOCK WASHER	2		3/8"
24	14H1076	NUT	2		3/8" HS, SAE 8
25	R26375	O-RING	2		
26	AR31674	FITTING	2		90°
27	AR31670	LINE	1		LOWER R.H. (CONTROL VALVE TO FRONT COUPLER)
28	AR31669	HYDRAULIC LINE	1		UPPER R.H. (CONTROL VALVE TO FRONT COUPLER)
29	R26418	GROMMET	1		
30	R26375	O-RING	2		(USE WITH AR31674)
	R26448	O-RING	2		(USE WITH AT35121)
31	AR31674	FITTING	2		90°, (USE WITH R32410)
	AT35121	ELBOW FITTING	2		90°, (SUB FOR AR26725) (USE WITH R27584)
32	14H786	NUT	1		1/4"
33	12H302	LOCK WASHER	1		1/4"
34	R27720	CLAMP	4		
35	28H1697	SPACER	1		3/8" X 3/4"
36	19H2334	CAP SCREW	1		1/4" X 2-1/2"

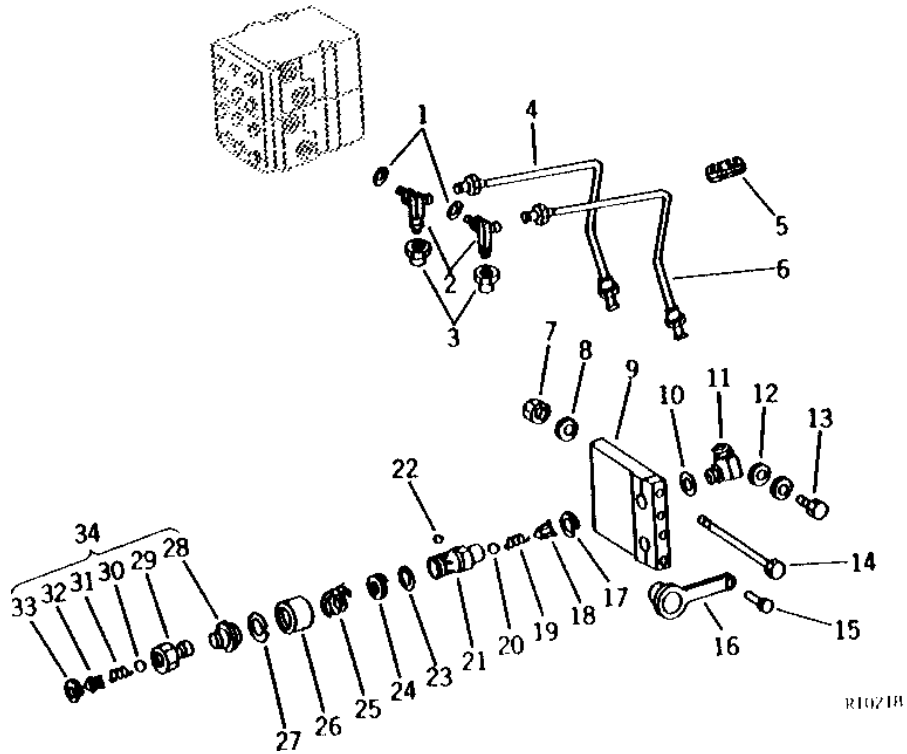
# 2H1

HYDRAULICS

## LEFT-HAND DUAL FRONT OUTLET WITH COUPLERS (DUAL SELECTIVE CONTROL)

R10218

-UN-01JAN94



# 2H2

HYDRAULICS

LEFT-HAND DUAL FRONT OUTLET WITH COUPLERS - CONTINUED  
(DUAL SELECTIVE CONTROL)

KEY	PART NO.	PART NAME	QTY	TRACTOR SERIAL NO.	REMARKS
1	R26375	O-RING	2		(USE WITH AR32665)
	R26448	O-RING	2		(USE WITH AR28997 OR AT36465)
2	AR32665	TEE FITTING	2		(USE WITH R32410)
	AT36465	TEE FITTING	2		(USE WITH R27584) (SUB FOR AR28997)
3	R31736	FITTING	2		
4	AR31678	OIL LINE	1		UPPER L.H.
5	R26418	GROMMET	1		
6	AR31679	OIL LINE	1		LOWER L.H.
7	14H1076	NUT	2		3/8" HS, SAE 8
8	12H304	LOCK WASHER	2		3/8"
9	AR31673	BRACKET	1		(MARKED R32418)
10	R26375	O-RING	2		
11	AR31674	FITTING	2		90°
12	24H1136	WASHER	1		11/32" X 11/16" X 0.065"
13	19H1813	CAP SCREW	1		5/16" X 5/8"
14	08H4732	CAP SCREW	2		3/8" X 6-3/4"
15	A5748R	STUD	2		NO. 12 X 5/8"
16	R32419	COVER	2		
17	R59633	WEAR RING	2		(SUB FOR R28204)
18	R28085	GUIDE	2		(SUB RE15361)
19	R28084	SPRING	2		
20	D2361R	BALL	2		13MM (1/2")
21	R32353	SOCKET OUTLET	2		
22	400R	BALL	12		6MM (1/4")
23	R495R	O-RING	2		
24	R26485	BACK-UP RING	2		
25	R32354	SPRING	2		
26	R32355	SLEEVE	2		
27	R32356	SNAP RING	2		
28	R28006	CAP	2		
29	R27430	HYD. QUICK-CONNECT COUPLER	1		(PRESSURE) (SUB AR93819)
	R45630	HYD. QUICK-CONNECT COUPLER	1		(RETURN) (SUB AR93820)
30	D2361R	BALL	2		13MM (1/2")
31	R28084	SPRING	2		
32	R28085	GUIDE	2		(SUB AR93819 PRESSURE OR AR93820 RETURN)
33	R59633	WEAR RING	2		(SUB FOR R28204)
34	AR30210	INTERNAL HALF COUPLER	1		(PRESSURE) (SUB AR93819)
	AR47643	BREAKAWAY COUPLER	1		(RETURN) (SUB AR93820)

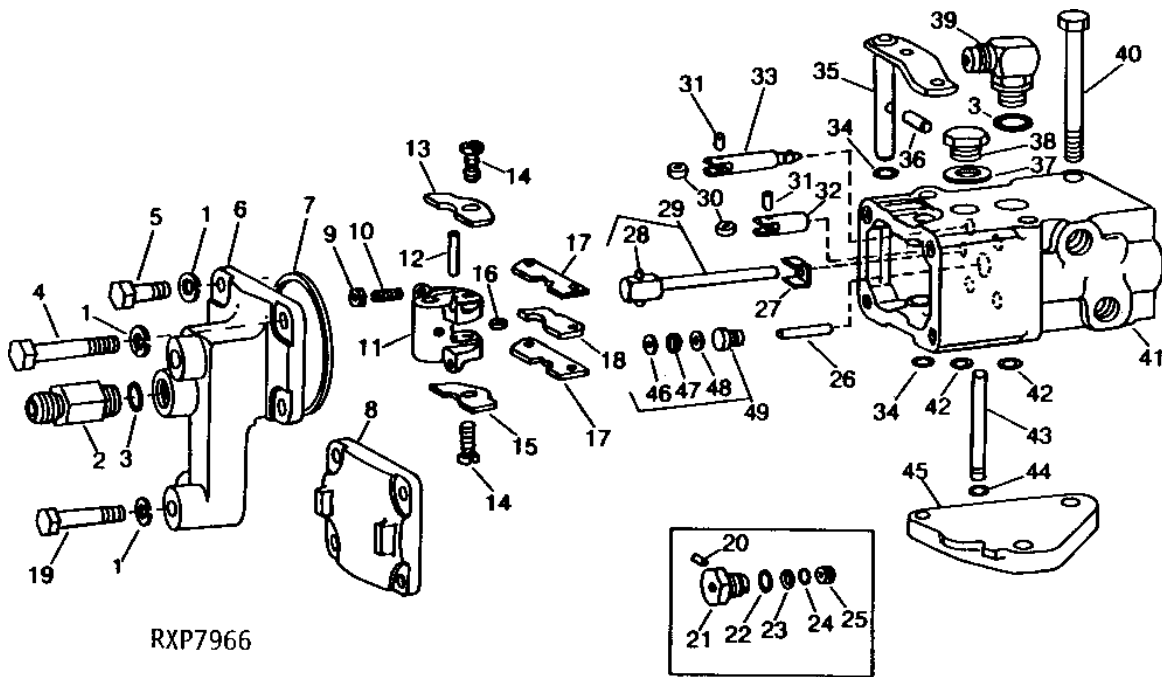
# 2H3

HYDRAULICS

RXP7966

-UN-01JAN94

## SELECTIVE CONTROL VALVE



RXP7966



# 2H4

HYDRAULICS

## SELECTIVE CONTROL VALVE - CONTINUED

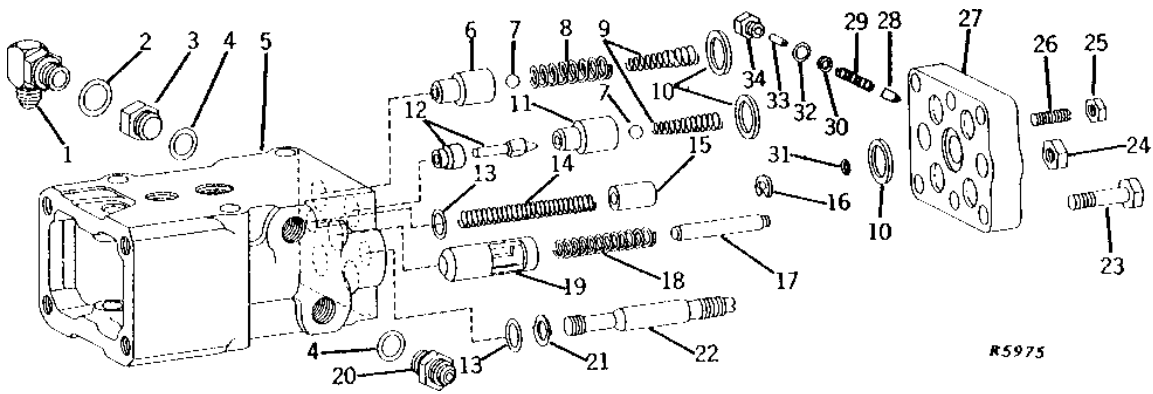
KEY	PART NO.	PART NAME	QTY	MODEL NO.	REMARKS
1	12H304	LOCK WASHER	6	3/8"	
2	R28717	FITTING	1	37° FLARE	
3	R26375	O-RING	2		
4	19H1726	CAP SCREW	1	3/8" X 2-1/4"	
5	19H1731	CAP SCREW	4	3/8" X 1"	
6	R49188	BRACKET	1		(ALSO ORDER R49187) (SUB FOR R27595)
7	R26544	WASHER	1		
	R49187	WASHER	1		
8	R49186	COVER	1		(SUB FOR R27593) (ALSO ORDER R49187) (DUAL SELECTIVE CONTROL)
9	14H850	NUT	4	1/4"	
10	22H1012	SET SCREW	4	1/4" X 3/4"	
11	R27587	ROCKER	1		
12	R28744	PIN	1		
13	R51414	CAM	1		(SUB FOR R27588 OR R41931)
14	R27233	SCREW	2		
15	R51415	CAM	1		(SUB FOR R27589 OR R41932)
16	R51409	SPACER	1		(SUB FOR R26980 OR R41613)
17	R32389	DETENT	2		(SUB FOR R26979 OR AR31813)
18	R26978	CAM	1		
19	19H1765	CAP SCREW	1	3/8" X 1-3/4"	
20	34H380	SPRING PIN	1	-1SC1	1/16" X 3/8"
21	R27230	GUIDE	1	-1SC1	
22	R26448	O-RING	1	-1SC1	
23	R26977	BACK-UP RING	1	-1SC1	
24	R26976	O-RING	1	-1SC1	
25	R26975	SLEEVE	1	-1SC1	
26	R28744	PIN	1		
27	R28635	CLIP	1		
28	R28634	PIN	1		
29	AR27867	GUIDE	1		
30	R51409	SPACER	4		(SUB FOR R26980 OR R41613)
31	34H241	SPRING PIN	4		1/8" X 3/8"
32	R26982	CAM FOLLOWER	2		
33	R27678	CAM FOLLOWER	2		
34	R394R	O-RING	2		
35	AR26657	ARM	1		
36	34H297	SPRING PIN	1		7/32" X 1"
37	AR26697	SEALING WASHER	1		
38	R41155	PLUG	1		(SUB FOR R26986)
39	AT32332	ELBOW FITTING	1		90°, (SUB FOR AR26763)
40	19H1912	CAP SCREW	3		3/8" X 3-1/2", (SINGLE SELECTIVE CONTROL)
	08H4451	CAP SCREW	3		3/8" X 6-1/2", (DUAL SELECTIVE CONTROL)
41	AR30586	HOUSING	1	-1SC1	(MARKED R27584) (NO LONGER AVAILABLE)
	AR40823	HOUSING	1	1SC2-	(MARKED R32410) (SUB FOR AR31661) (NO LONGER AVAILABLE)
42	R26149	PACKING	2		
43	R27060	PIN	1		
44	T17951	O-RING	1		(SUB FOR R27490)
45	R27492	COVER	1		
46	R26976	O-RING	1		
47	R26977	BACK-UP RING	1		
48	R41337	WASHER	1		
49	AR78483	GUIDE	1	1SC2--	
	AR41037	KIT	1		(SUB AR26697, AR41052, R26149, R26375 AND R26544) (SINGLE SELECTIVE CONTROL LESS BRACKET AND EXTERNAL FITTINGS)
	AR42085	VALVE	1		DUAL SELECTIVE CONTROL LESS BRACKET AND EXTERNAL FITTINGS)

# 2H5

HYDRAULICS

R5975 -UN-01JAN94

## SELECTIVE CONTROL VALVE



# 2H6

HYDRAULICS

## SELECTIVE CONTROL VALVE - CONTINUED

KEY	PART NO.	PART NAME	QTY	MODEL NO.	REMARKS
1	AT35121	ELBOW FITTING	2		90°, (SUB FOR AR26725) (DUAL SELECTIVE CONTROL)
2	R26375	O-RING	2		(DUAL SELECTIVE CONTROL)
3	R27218	FITTING PLUG	2		
4	R26448	O-RING	4		
5	AR30586	HOUSING	1	-1SC1	(MARKED R27584) (SUB AR40823, AR31663 AND A4365R)
6	AR40823	HOUSING	1	1SC2-	(MARKED R32410) (SUB FOR AR31661)
	R28124	VALVE	2		(SUB FOR R26824) (USE WITH AR30586 OR AR31661)
7	R41175	VALVE	2		(USE WITH AR40823)
	400R	BALL	2		6MM (1/4")
8	R26823	SPRING	2		(A)
9	R26565	SPRING	4		
10	R26149	PACKING	5		
11	R28124	VALVE	2		(SUB FOR R27512) (USE WITH AR30586 OR AR31661)
	R41175	VALVE	2		(USE WITH AR40823)
12	AR30588	SHAFT	2	-1SC1	(SUB FOR R27585 AND R27586)
	AR40744	GUIDE	2	1SC2-	(SUB FOR AR31820) (ALSO ORDER R32412)
13	R394R	O-RING	2		
14	R42334	SPRING	1		(SUB FOR R28561)
15	R28563	PIN	1		
16	R72653	SNAP RING	1		(SUB FOR M2396T)
17	R26822	PIN	1		
18	R26974	SPRING	1		
19	R27489	VALVE	1		
20	R27212	FITTING	2		37° FLARE
21	R26551	BACK-UP RING	1		
22	R27231	VALVE	1		
23	19H1849	CAP SCREW	6		5/16" X 1-1/4"
24	14H774	NUT	1		3/8"
25	14H850	NUT	1		1/4"
26	22H1012	SET SCREW	1		1/4" X 3/4"
27	AR30680	CAP	1	-1SC1	(MARKED R31564) (SUB FOR R27232 AND AR30739)
	AR31663	COVER	1	1SC2-	(MARKED R32411)
28	R31565	VALVE	1	1SC1-	(SUB R55678)
29	R26477	SPRING	1	1SC1-	
30	R26478	SHIM	AR	1SC1-	0.51MM (.020")
	R26479	SHIM	AR	1SC1-	0.76MM (.030")
31	A4365R	O-RING	1	1SC1-	
32	R26287	O-RING	1	1SC1-	
33	34H247	SPRING PIN	1	1SC1-	1/8" X 3/4"
34	R27216	DRAIN PLUG	1	1SC1-	
..	AR41037	KIT	1		SINGLE SELECTIVE CONTROL, LESS BRACKET AND EXTERNAL FITTINGS

(A) WHEN R28124 HAS BEEN INSTALLED, R26823 IS NO LONGER REQUIRED.

---

MEMORANDA

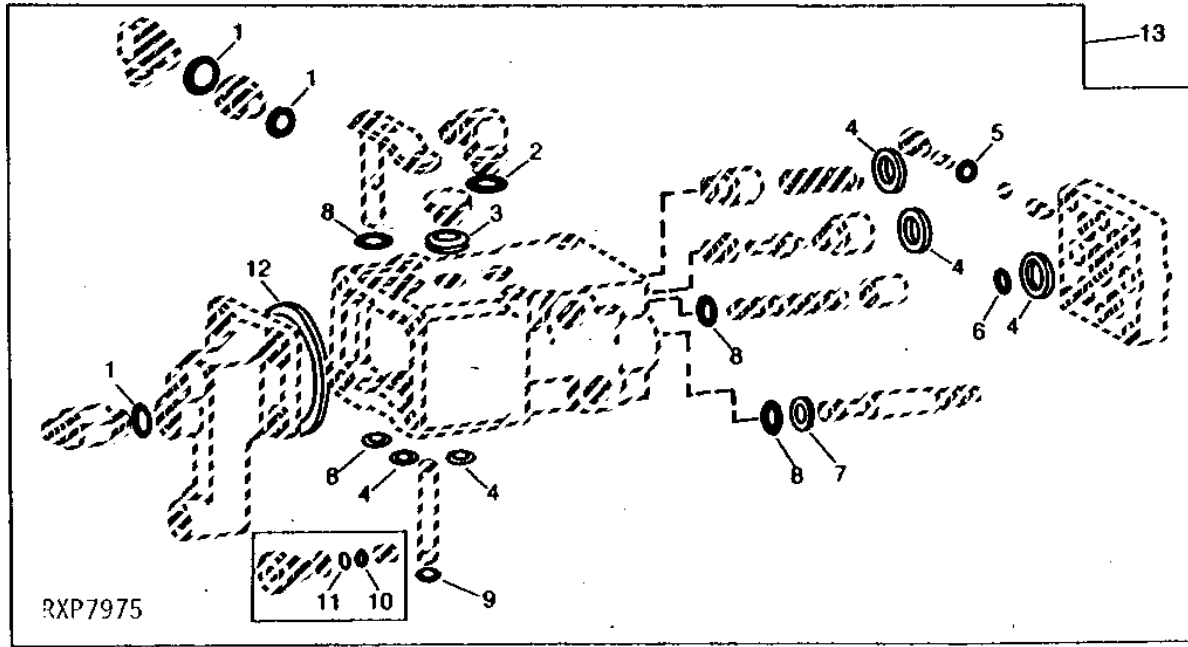
# 2H7

HYDRAULICS

RXP7975

-UN-01JAN94

## SELECTIVE CONTROL VALVE OVERHAUL KIT



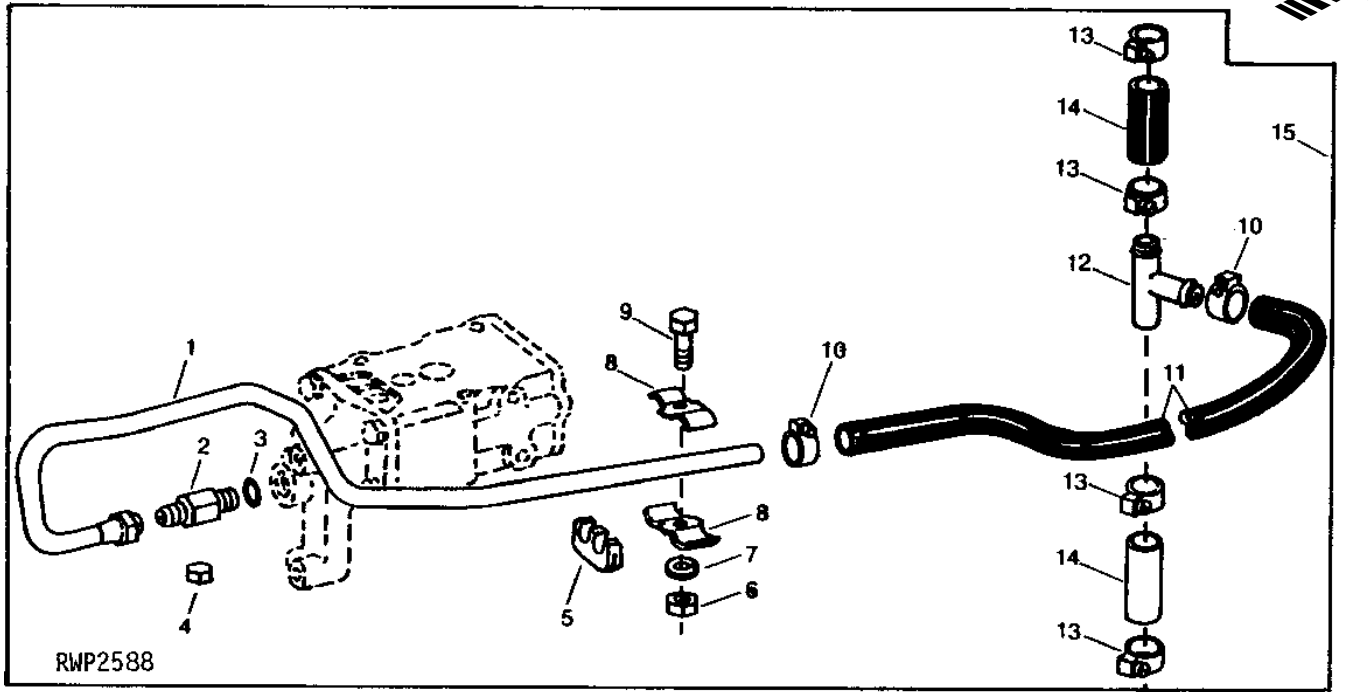
KEY	PART NO.	PART NAME	QTY	TRACTOR SERIAL NO.	REMARKS
1	R26375	O-RING	4		(SUB FOR AR30690)
2	R26375	O-RING	2		
	R26448	O-RING	2		
3	AR26697	SEALING WASHER	1		
4	R26149	PACKING	7		
5	R26287	O-RING	1		
6	A4365R	O-RING	1		
7	R26551	BACK-UP RING	7		
8	R394R	O-RING	4		
9	R27490	O-RING	1		
10	R26977	BACK-UP RING	1		
11	R26976	O-RING	1		
12	R26544	WASHER	1		
13	AR34295	KIT	1		(SUB FOR AR30690)

# 2H8

HYDRAULICS

## SELECTIVE CONTROL VALVE TO OIL COOLER RETURN PIPE (TRACTOR SERIAL NO. 023334- )

RWP2588 -UN-01JAN94



KEY	PART NO.	PART NAME	QTY	TRACTOR SERIAL NO.	REMARKS
1	AR31170	LINE	1		(NO LONGER AVAILABLE)
2	R32082	FITTING	1		
3	R26375	O-RING	1		
4	R31736	FITTING	1		
5	R32081	GROMMET	1		
6	14H785	NUT	2	5/16"	
7	12H303	LOCK WASHER	2	5/16"	
8	F1682R	HALF CLAMP	4		
9	19H1849	CAP SCREW	2	5/16" X 1-1/4"	
10	AR21837	CLAMP	2		
11	.....	HOSE	1		813MM (32") (MAKE FROM R45847) (SUB FOR R32083 OR R32642)
12	R32084	TEE FITTING	1		(NO LONGER AVAILABLE)
13	AR21839	CLAMP	4		
14	.....	HOSE	2		19 X 64MM (3/4" X 2-1/2") (MAKE FROM R57300)
15	AR31168	LINE	1		

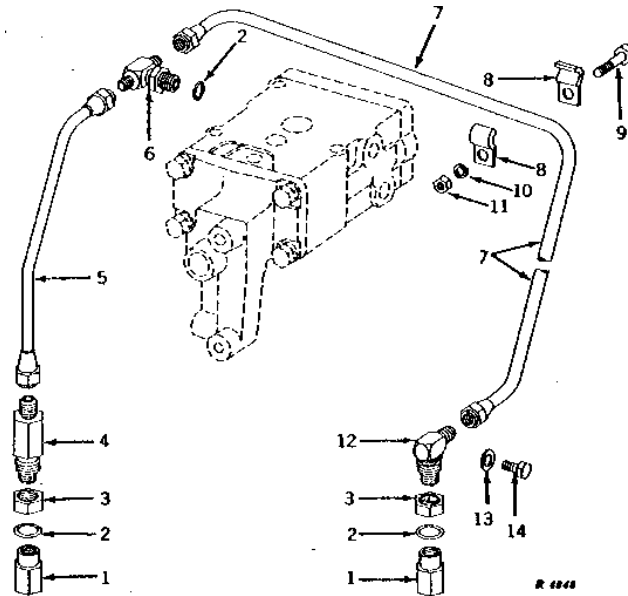
TRACTORS LESS OIL COOLER BYPASS VALVE ALSO ORDER AR45626 AND AR47770.

# 2H9

HYDRAULICS

## SINGLE SELECTIVE CONTROL VALVE PIPING (FOR SINGLE ACTION REMOTE CYLINDER)

R4848 -UN-01JAN94



R 4848

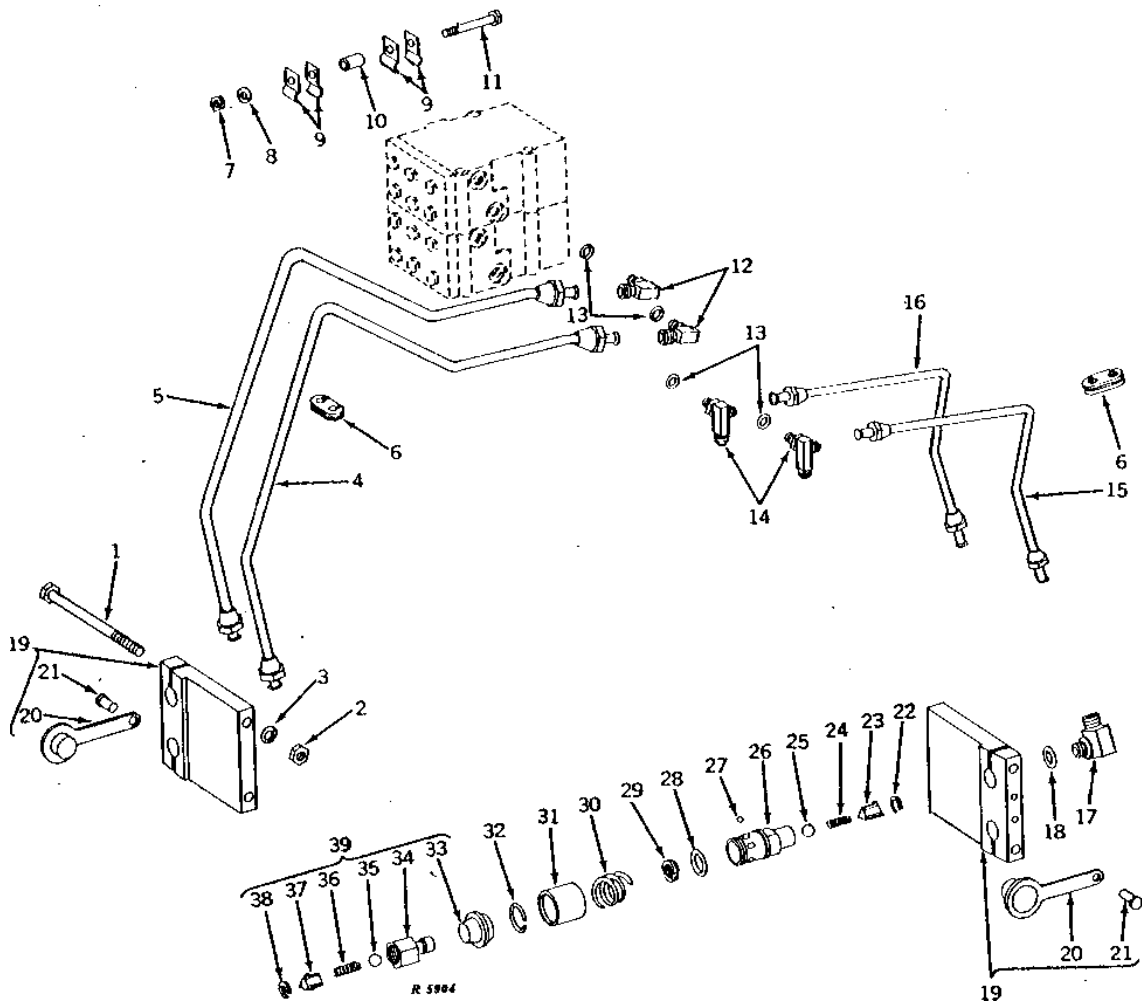
KEY	PART NO.	PART NAME	QTY	TRACTOR SERIAL NO.	REMARKS
1	R30886	FITTING	2		
2	R26448	O-RING	3		
3	R26627	NUT	2		
4	R30888	FITTING	1		(NO LONGER AVAILABLE)
5	AR30001	OIL LINE	1		
6	AT36465	TEE FITTING	1		(SUB FOR AR28997)
7	AR30000	LINE	1		
8	R27720	CLAMP	2		
9	19H1898	CAP SCREW	1	1/4" X 1-1/2"	
10	12H302	LOCK WASHER	1	1/4"	
11	14H786	NUT	1	1/4"	
12	AR28999	FITTING	1	90°	
13	24H1136	WASHER	1	11/32" X 11/16" X 0.065"	
14	19H2020	CAP SCREW	1	5/16" X 1/2"	

# 2H10

HYDRAULICS

R5904 -UN-01JAN94

## SELECTIVE CONTROL VALVE OUTLET (DUAL SELECTIVE CONTROL VALVE)





# 2H11

HYDRAULICS

SELECTIVE CONTROL VALVE OUTLET - CONTINUED  
(DUAL SELECTIVE CONTROL VALVE)

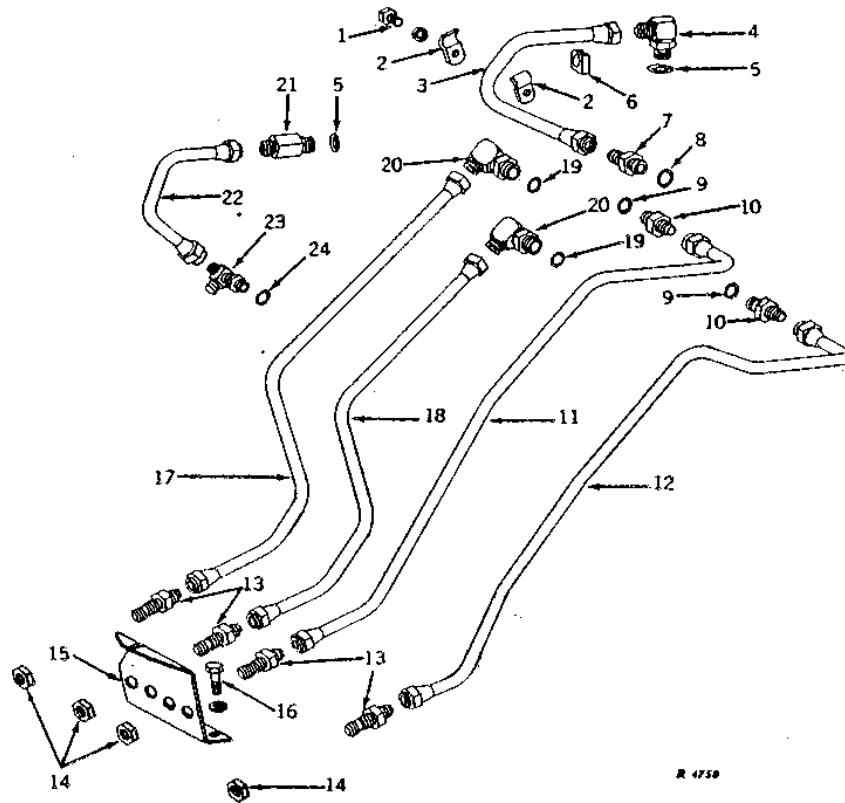
KEY	PART NO.	PART NAME	QTY	TRACTOR SERIAL NO.	REMARKS
1	08H4732	CAP SCREW	4		3/8" X 6-3/4"
2	14H1076	NUT	4		3/8" HS, SAE 8
3	12H304	LOCK WASHER	4		3/8"
4	AR31670	LINE	1		
5	AR31669	HYDRAULIC LINE	1		
6	R26418	GROMMET	1		
7	14H786	NUT	1		1/4"
8	12H302	LOCK WASHER	1		1/4"
9	R27720	CLAMP	1		
10	28H1697	SPACER	1		3/8" X 3/4"
11	19H2334	CAP SCREW	1		1/4" X 2-1/2"
12	AT35121	ELBOW FITTING	2		90°, (SUB FOR AR26725) (USE WITH R27584)
	AR31674	FITTING	2		90°, (USE WITH R32410)
13	R26448	O-RING	4		(USE WITH AT35121)
	R26375	O-RING	2		(USE WITH AR31674)
14	AR31676	TEE FITTING	2		
15	AR31678	OIL LINE	1		
16	AR31679	OIL LINE	1		
17	AR31674	FITTING	4		90°
18	R26375	O-RING	1		
19	AR31673	BRACKET	1		
20	R32419	COVER	1		
21	A5748R	STUD	1		NO. 12 X 5/8"
22	R59633	WEAR RING	4		(SUB FOR R28204)
23	R28085	GUIDE	4		(SUB (4) RE15361)
24	R28084	SPRING	4		
25	D2361R	BALL	4		13MM (1/2")
26	R32353	SOCKET OUTLET	4		
27	400R	BALL	24		6MM (1/4")
28	R495R	O-RING	4		
29	R26485	BACK-UP RING	4		
30	R32354	SPRING	4		
31	R32355	SLEEVE	4		
32	R32356	SNAP RING	4		
33	R28006	CAP	4		
34	R27430	HYD. QUICK-CONNECT COUPLER	1		(PRESSURE) (SUB AR93819)
	R45630	HYD. QUICK-CONNECT COUPLER	1		(RETURN) (SUB AR93820)
35	D2361R	BALL	4		13MM (1/2")
36	R28084	SPRING	4		
37	R28085	GUIDE	4		(SUB AR93819 PRESSURE OR AR93820 RETURN)
38	R59633	WEAR RING	4		(SUB FOR R28204)
39	AR30210	INTERNAL HALF COUPLER	2		(PRESSURE) (SUB AR93819)
	AR47643	BREAKAWAY COUPLER	2		(RETURN) (SUB AR93820)

# 2H12

HYDRAULICS

R4750 -UN-01JAN94

## SELECTIVE CONTROL OIL PIPES AND VALVE HOUSING TO BRACKET



# 2H13

HYDRAULICS

## SELECTIVE CONTROL OIL PIPES AND VALVE HOUSING TO BRACKET - CONTINUED

KEY	PART NO.	PART NAME	QTY	TRACTOR SERIAL NO.	REMARKS
1	19H1936	CAP SCREW	1		3/8" X 3/4"
	12H304	LOCK WASHER	1		3/8"
2	R27539	CLAMP	2		
3	AR26765	HYDRAULIC LINE	1		
4	AT32332	ELBOW FITTING	1		90°, (SUB FOR AR26763)
5	R26375	O-RING	2		
6	R26989	GROMMET	1		
7	R31665	FITTING	1		
8	R26906	O-RING	1		
9	R26448	O-RING	2		
10	R27212	FITTING	2		37° FLARE
11	AR26960	HYDRAULIC LINE	1		FRONT R.H. INNER
12	AR26959	HYDRAULIC LINE	1		FRONT R.H. OUTER
13	R27238	FITTING	AR		37° FLARE, (2 USED SINGLE SELECTIVE CONTROL, 4 USED DUAL SELECTIVE CONTROL)
14	R26572	NUT	AR		(2 USED SINGLE SELECTIVE CONTROL, 4 USED DUAL SELECTIVE CONTROL)
15	R31643	BRACKET	1		(RC AND ST)
	R31642	BRACKET	1		(RU AND OR) (NO LONGER AVAILABLE)
16	19H1936	CAP SCREW	2		3/8" X 3/4"
	12H304	LOCK WASHER	2		3/8"
17	AR26963	HYDRAULIC LINE	1		FRONT L.H. OUTER, (DUAL SELECTIVE CONTROL)
18	AR26964	HYDRAULIC LINE	1		FRONT L.H. INNER, (DUAL SELECTIVE CONTROL)
19	R26448	O-RING	2		(DUAL SELECTIVE CONTROL)
20	AT35121	ELBOW FITTING	2		90°, (SUB FOR AR26725) (DUAL SELECTIVE CONTROL)
21	R28717	FITTING	1		37° FLARE
22	AR26766	HYDRAULIC LINE	1		(RC AND ST)
	AR27668	LINE	1		(RU AND OR) (NO LONGER AVAILABLE)
23	AR30811	TEE FITTING	1	-019489	(RC AND ST)
	AT32335	ELBOW FITTING	1	-019489	90°, (SUB FOR AR26746) (RC AND ST)
	R26287	O-RING	1	-019489	(RC AND ST)
	AR30814	TEE FITTING	1	-019489	(RU)
	R31736	FITTING	1	-019489	(LESS SELECTIVE CONTROL) (RU)
	AR26767	TEE FITTING	1	019490-	
24	R26286	O-RING	1		

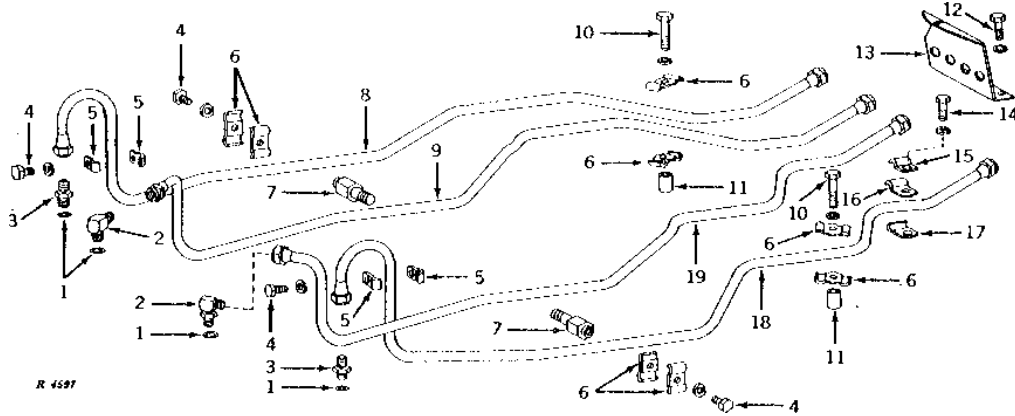
RC - ROW-CROP, ST - STANDARD, RU - ROW-CROP UTILITY, OR - ORCHARD

# 2H14

HYDRAULICS

## SELECTIVE CONTROL OIL PIPES AND BRACKET TO BREAKAWAY COUPLERS (ROW-CROP AND STANDARD)

R4597 -UN-01JAN94



KEY	PART NO.	PART NAME	QTY	TRACTOR SERIAL NO.	REMARKS
1	R26448	O-RING	AR	(B)	
2	AT35121	ELBOW FITTING	AR	(A) 90°, (SUB FOR AR26725)	
3	R27212	FITTING	AR	(A) 37° FLARE	
4	19H1936	CAP SCREW	AR	(B) 3/8" X 3/4"	
	12H304	LOCK WASHER	AR	(B) 3/8"	
5	R27720	CLAMP	AR	(B)	
6	R27491	CLAMP	AR	(C)	
7	R27972	SCREW	AR	(A)	
8	AR26965	HYDRAULIC LINE	1	REAR L.H. OUTER, (DUAL SELECTIVE CONTROL)	
9	AR26966	HYDRAULIC LINE	1	REAR L.H. INNER, (DUAL SELECTIVE CONTROL)	
10	19H1726	CAP SCREW	AR	(A) 3/8" X 2-1/4"	
	12H304	LOCK WASHER	AR	(A) 3/8"	
11	F2719R	BUSHING	AR	(A)	
12	19H1936	CAP SCREW	2	3/8" X 3/4"	
	12H304	LOCK WASHER	2	3/8"	
13	R31643	BRACKET	1		
14	19H1731	CAP SCREW	AR	(A) 3/8" X 1"	
	12H304	LOCK WASHER	AR	(A) 3/8"	
15	R27590	CLAMP	AR	(A)	
16	R27591	CLAMP	AR	(A)	
17	R27592	CLAMP	AR	(A)	
18	AR26961	HYDRAULIC LINE	1	REAR R.H. OUTER	
19	AR26962	HYDRAULIC LINE	1	REAR R.H. INNER	

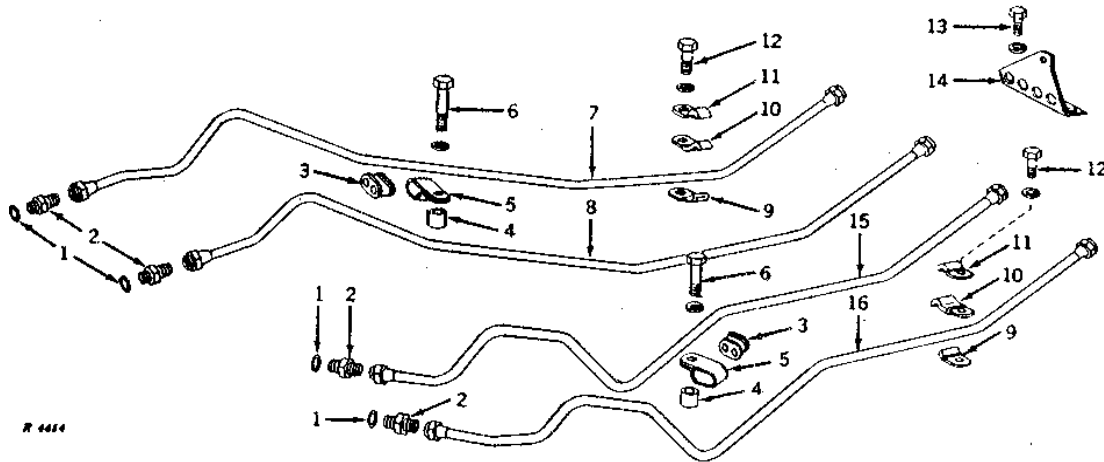
(A) 1 USED SINGLE SELECTIVE CONTROL, 2 USED DUAL SELECTIVE CONTROL  
 (B) 2 USED SINGLE SELECTIVE CONTROL, 4 USED DUAL SELECTIVE CONTROL  
 (C) 4 USED SINGLE SELECTIVE CONTROL, 8 USED DUAL SELECTIVE CONTROL

# 2H15

HYDRAULICS

## SELECTIVE CONTROL OIL PIPES AND BRACKET TO BREAKAWAY COUPLERS (UTILITY AND ORCHARD)

R4414 -UN-01JAN94



KEY	PART NO.	PART NAME	QTY	TRACTOR SERIAL NO.	REMARKS
1	R26448	O-RING	AR	(B)	
2	R27212	FITTING	AR	(B) 37° FLARE	
3	R28734	GROMMET	AR	(A)	
4	A4119R	SPACER	AR	(A)	
5	R28733	CLAMP	AR	(A)	
6	19H1990	CAP SCREW	AR	(A) 1/2" X 2-1/4"	
7	AR27894	LINE	1		REAR L.H. OUTER, (DUAL SELECTIVE CONTROL) (NO LONGER AVAILABLE)
8	AR27896	LINE	1		REAR L.H. INNER, (DUAL SELECTIVE CONTROL)
9	R27592	CLAMP	AR	(A)	
10	R27591	CLAMP	AR	(A)	
11	R27590	CLAMP	AR	(A)	
12	19H1731	CAP SCREW	AR	(A) 3/8" X 1"	
	12H304	LOCK WASHER	AR	(A) 3/8"	
13	19H1936	CAP SCREW	2	3/8" X 3/4"	
	12H304	LOCK WASHER	2	3/8"	
14	R31642	BRACKET	1		(NO LONGER AVAILABLE)
15	AR30627	LINE	1		REAR R.H. INNER, (SUB FOR AR27895) (RU AND OR - WITH REGULAR SEAT)
	AR30941	LINE	1		REAR R.H. INNER, (OR - WITH LOW SEAT) (NO LONGER AVAILABLE)
16	AR30626	LINE	1		REAR R.H. OUTER, (SUB FOR AR27893) (RU AND OR - WITH REGULAR SEAT) (NO LONGER AVAILABLE)
	AR30940	LINE	1		REAR R.H. OUTER, (OR - WITH LOW SEAT) (NO LONGER AVAILABLE)

RU - ROW-CROP UTILITY, OR - ORCHARD

(A) 1 USED SINGLE SELECTIVE CONTROL, 2 USED DUAL SELECTIVE CONTROL  
(B) 2 USED SINGLE SELECTIVE CONTROL, 4 USED DUAL SELECTIVE CONTROL

---

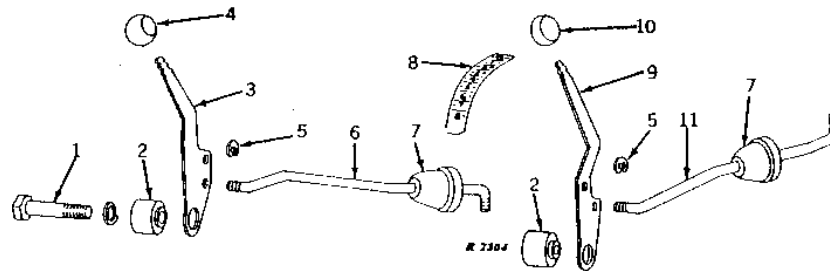
MEMORANDA

# 2H16

HYDRAULICS

R2304 -UN-01JAN94

## SELECTIVE CONTROL LEVERS



KEY	PART NO.	PART NAME	QTY	TRACTOR SERIAL NO.	REMARKS
1	19H2360	CAP SCREW	1		(A) 9/16" X 2-3/4", (SUB FOR M2396T)
	19H2659	CAP SCREW	1		(B) 9/16" X 3-3/4"
	12H317	LOCK WASHER	1		9/16"
2	R27203	BUSHING	AR		(1 USED WITH (A), 2 USED WITH (B))
3	R34482	LEVER	1		(B) (SUB FOR R27500)
4	R28164	KNOB	1		(B)
5	R72653	SNAP RING	AR		(SUB FOR M2396T) (4 USED WITH (A), 8 USED WITH (B))
6	R45306	ROD	1		(B) (SUB FOR R27241)
7	R26988	BOOT	AR	-019799	(1 USED WITH (A), 2 USED WITH (B))
8	R40509	LABEL	1		(SUB FOR R27893 OR R39754)
9	R27494	LEVER	1		(A) (B) (RC AND ST)
	R28308	LEVER	1		(A) (B) (RU AND OR) (NO LONGER AVAILABLE)
10	R27829	KNOB	1		(A) (B) (NO LONGER AVAILABLE)
11	R45305	ROD	1		(A) (B) (SUB FOR R27240)

RC - ROW-CROP, ST - STANDARD, RU - ROW-CROP UTILITY, OR - ORCHARD

(A) SINGLE SELECTIVE CONTROL  
(B) DUAL SELECTIVE CONTROL

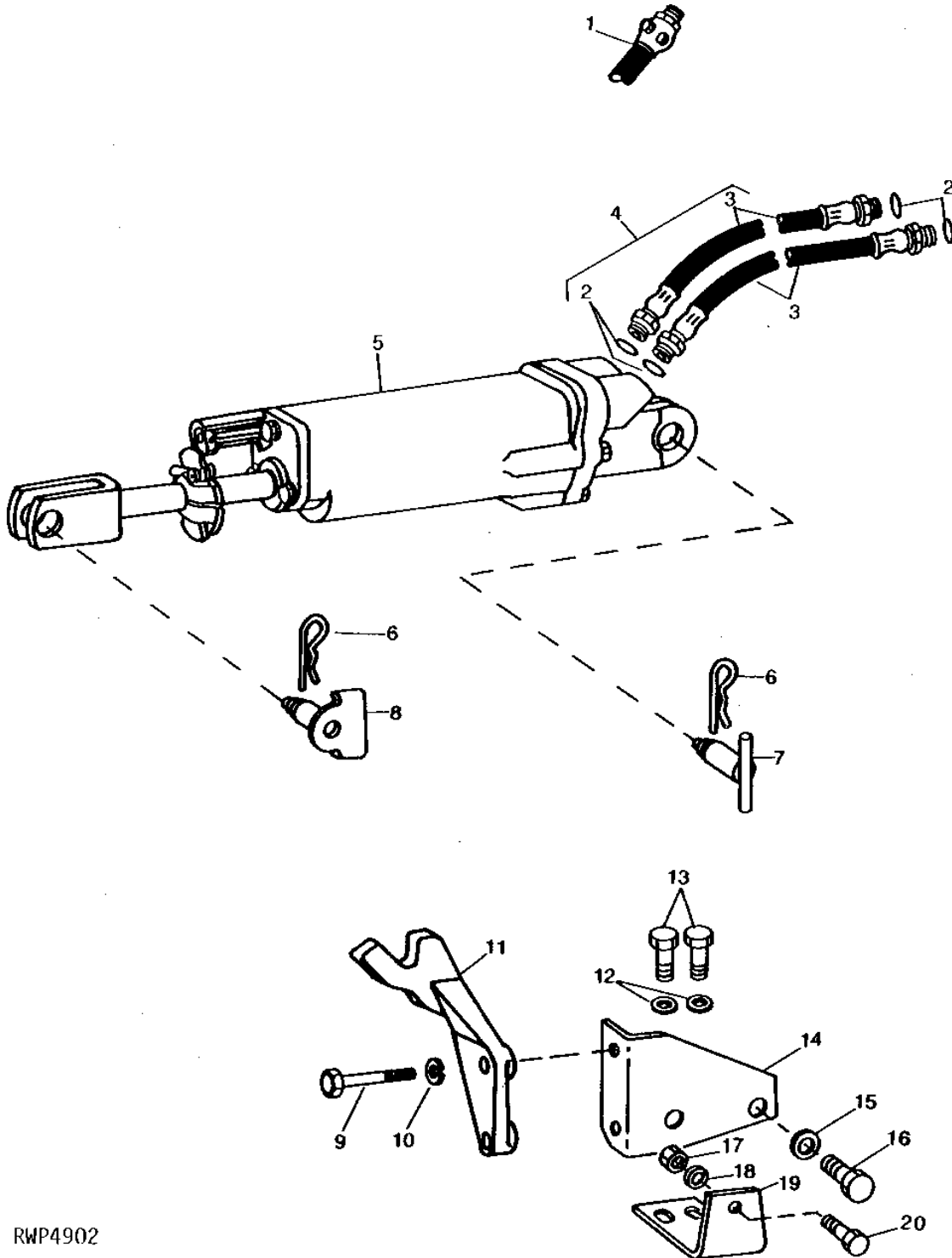
# 2H17

HYDRAULICS

RWP4902

-UN-01JAN94

REMOTE CYLINDER, HOSES AND ARM



RWP4902



# 2H18

HYDRAULICS

## REMOTE CYLINDER, HOSES AND ARM - CONTINUED

KEY	PART NO.	PART NAME	QTY	TRACTOR SERIAL NO.	REMARKS
1	AR30784	TEE FITTING	1		
2	R26375	O-RING	4		
3	AR26407	HYDRAULIC HOSE	2	2337MM (92")	
	R32183	HYDRAULIC HOSE	2		
4	AR27440	HYDRAULIC HOSE	1	(SUB (2) AR26407 AND (4) R26375)	
5	AR27437	CYLINDER	1	(HYDRAULIC STOP) (ORDER AR27062) (NO LONGER AVAILABLE)	
	AR34829	CYLINDER	1	(MECHANICAL STOP) (ORDER AR34827) (NO LONGER AVAILABLE)	
6	A3581R	SPRING LOCKING PIN	2		
7	AR47825	PIN	1		(USE WITH AR27437) (SUB FOR AA6309R)
8	AA6307R	PIN	1	-XXXXXX	(USE WITH AR27437) (SUB AR71902)
	AR71902	PIN	1	XXXXXX-	
	AR47825	PIN	2		(USE WITH AR34829) (SUB FOR AA6309R)
9	19H2665	CAP SCREW	1		3/8" X 1-5/8"
10	24H1309	WASHER	1		13/32" X 1-1/16" X 0.120"
11	R32118	ARM	1		L.H. (SINGLE OR DUAL SELECTIVE CONTROL) (RC AND ST)
	R32117	ARM	1		R.H. (DUAL SELECTIVE CONTROL) (RC AND ST)
	R32117	ARM	1		(ROCKSHAFT) (RU AND OR)
12	12H304	LOCK WASHER	2		3/8", (RU AND OR)
13	19H1731	CAP SCREW	2		3/8" X 1", (RU AND OR)
14	R39809	BRACKET	1		(RU AND OR) (SUB FOR R32589) (NO LONGER AVAILABLE)
15	12H301	LOCK WASHER	1		1/2", (RU AND OR)
16	19H1815	CAP SCREW	1		1/2" X 1-1/4", (RU AND OR)
17	14H1040	NUT	1		1/2"
18	12H301	LOCK WASHER	1		1/2", (RU AND OR)
19	R32590	SUPPORT	1		(RU AND OR) (NO LONGER AVAILABLE)
20	19H1815	CAP SCREW	1		1/2" X 1-1/4", (RU AND OR)

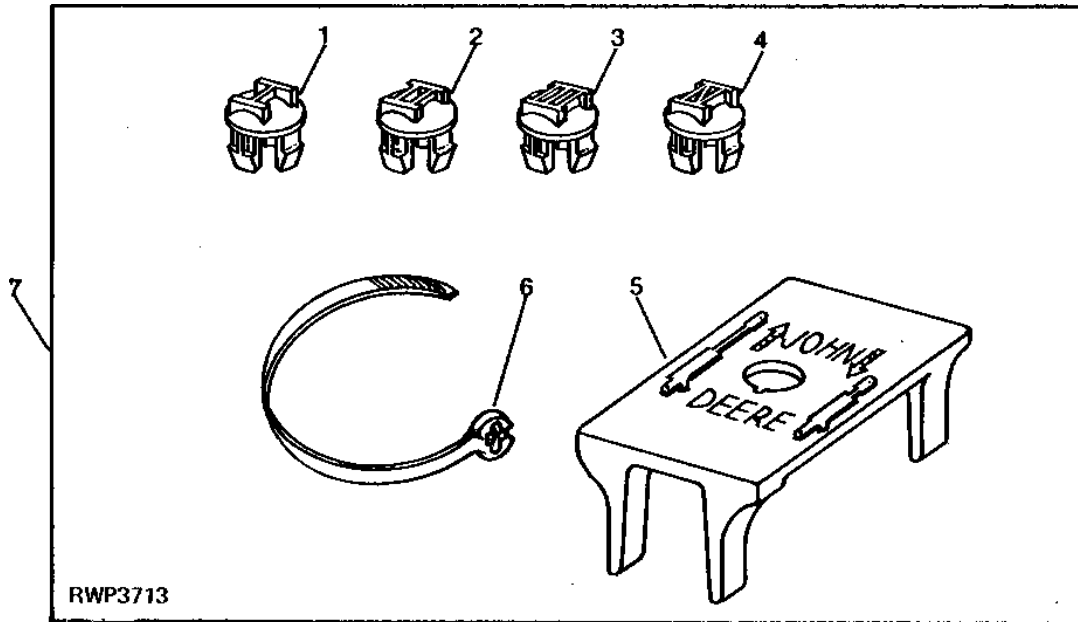
RC - ROW-CROP, RU - ROW-CROP UTILITY, OR - ORCHARD, ST - STANDARD

# 2H19

HYDRAULICS

RWP3713 -UN-01JAN94

## REMOTE CYLINDER HOSE IDENTIFICATION KIT



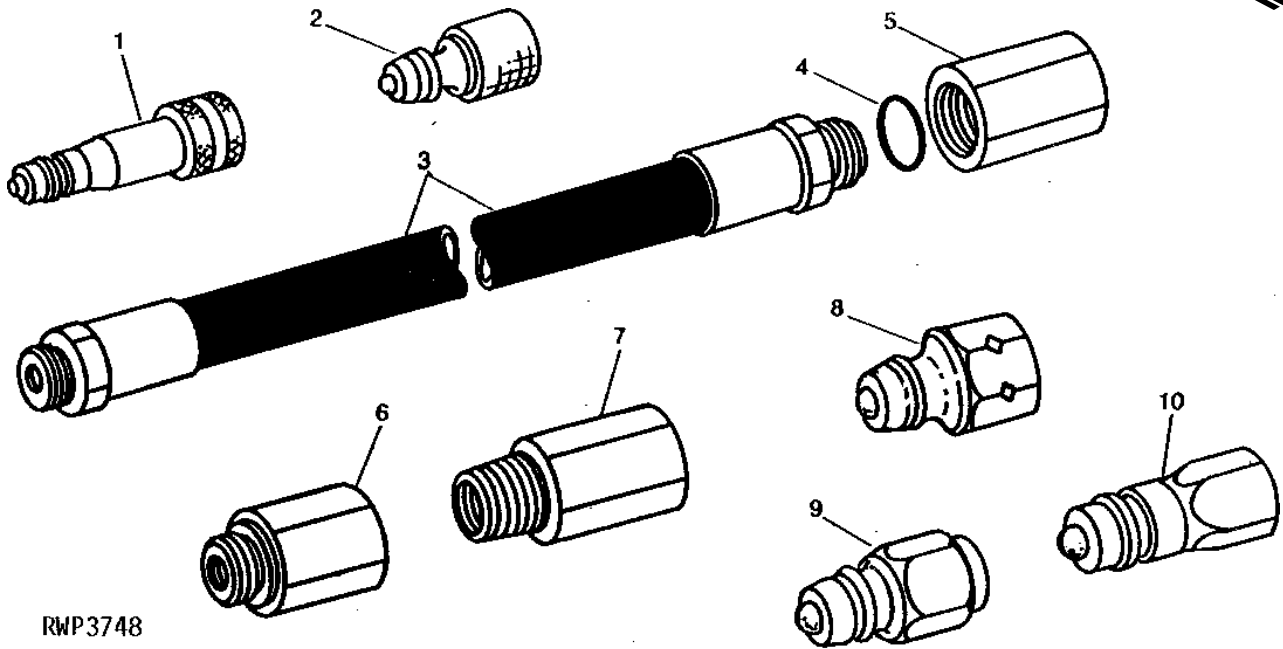
KEY	PART NO.	PART NAME	QTY	TRACTOR SERIAL NO.	REMARKS
1	R74242	PLUG	1		
2	R74243	PLUG	1		
3	R74244	PLUG	1		
4	R74246	PLUG	1		
5	R76459	TAG	1		
6	R76477	TIE BAND	2		
7	AR103808	KIT	1		

# 2H20

HYDRAULICS

RWP3748 -UN-01JAN94

## IMPLEMENT HYDRAULIC OIL LINES AND FITTINGS



RWP3748

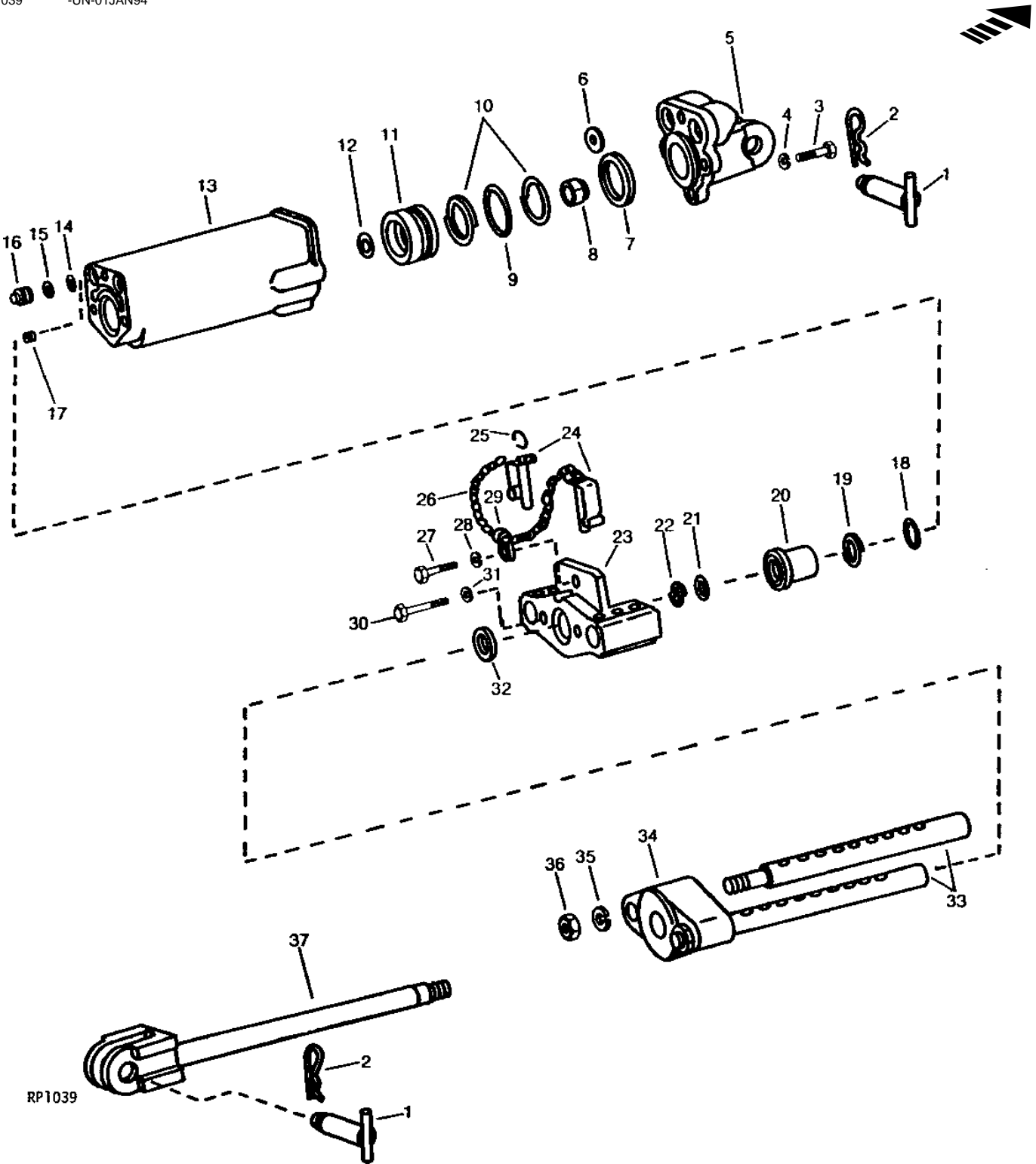
KEY	PART NO.	PART NAME	QTY	TRACTOR SERIAL NO.	REMARKS
1	AR98202	HYD. QUICK-CONNECT COUPLER	1	JOHN DEERE TO ISO	
	R21722	O-RING	1	(INCLUDED IN AR98202)	
	RE11457	ADAPTER	1	IHC TO ISO	
2	U11647	O-RING	1	(INCLUDED IN RE11457)	
	AR98201	HYD. QUICK-CONNECT COUPLER	1	ISO TO JOHN DEERE	
	R21722	O-RING	1	(INCLUDED IN AR98201, RE11458 AND RE11463)	
3	R71387	WASHER	1	(INCLUDED IN AR98201)	
	RE11456	ADAPTER	1	IHC TO JOHN DEERE	
	RE11458	ADAPTER	1	JOHN DEERE TO IHC	
	RE11463	ADAPTER	1	ISO TO IHC	
	AR28754	HYDRAULIC HOSE	1	10 X 610MM (3/8" X 24") (SUB TY3018)	
4	AR28755	HYDRAULIC HOSE	1	10 X 914MM (3/8" X 36")	
	R36658	HYDRAULIC HOSE	1	13 X 610MM (1/2" X 24")	
	R36659	HYDRAULIC HOSE	1	13 X 914MM (1/2" X 36")	
5	R26375	O-RING	1		
6	R30815	FITTING	1	3/4" THREAD	
7	R30817	ADAPTER	1	3/4"-16UNF MALE X 1/2"-14NPT FEMALE	
8	R30816	ADAPTER	1	1/2"-14NPT MALE X 3/4"-16UNF FEMALE	
9	AR93820	FITTING	1	JOHN DEERE, 3/4"-16 UNF	
10	RE11447	FITTING	1	JOHN DEERE, 1/2"-14NPT	
	AR94522	INTERNAL HALF COUPLER	1	ISO, 3/4"-16UNF	

# 2H21

HYDRAULICS

RP1039 -UN-01JAN94

## REMOTE CYLINDER PARTS (MECHANICAL STOP)



RP1039

# 2H22

HYDRAULICS

## REMOTE CYLINDER PARTS - CONTINUED (MECHANICAL STOP)

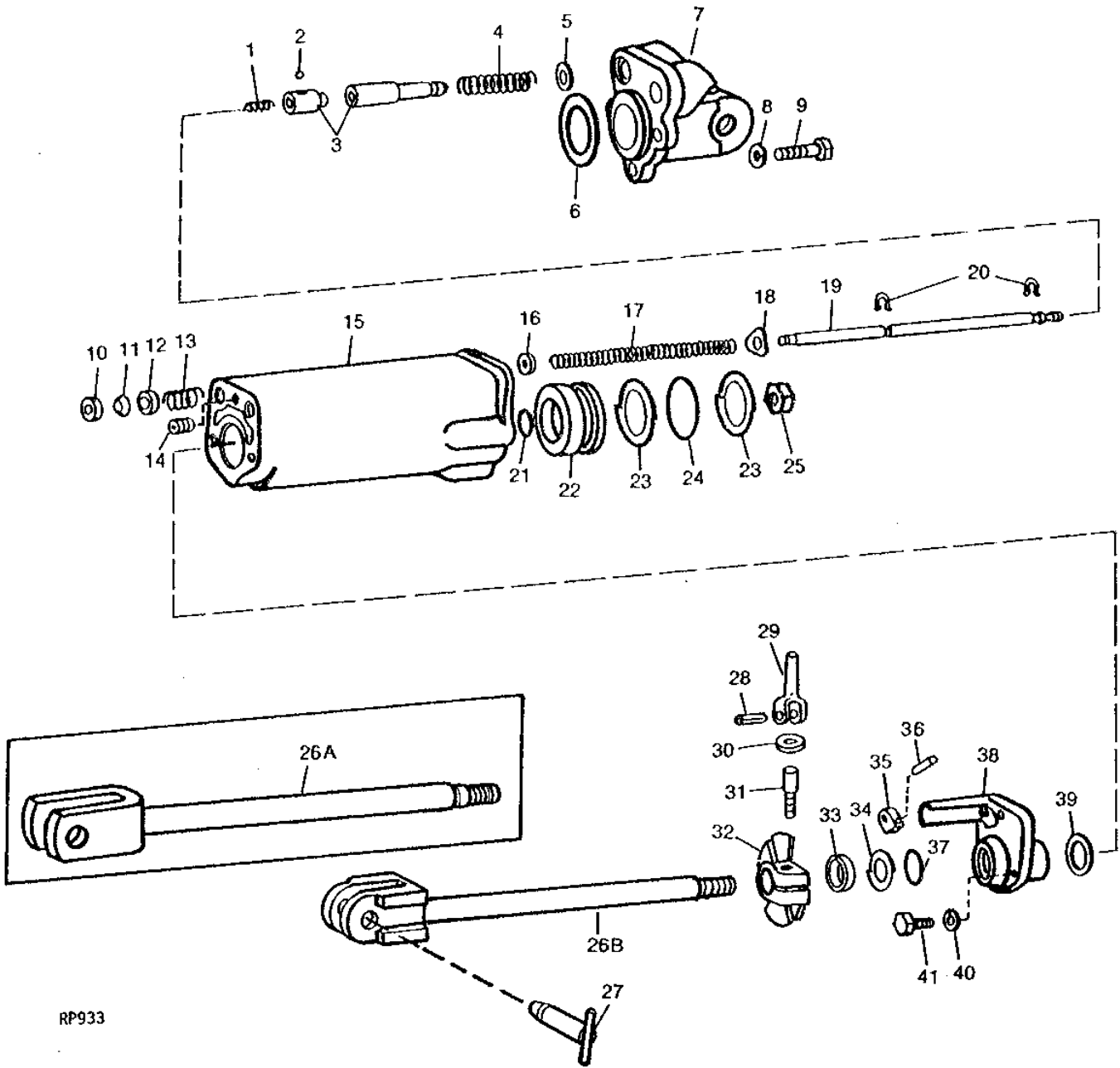
KEY	PART NO.	PART NAME	QTY	MODEL NO.	REMARKS
1	AR47825	PIN	2		(SUB FOR AA6309R)
2	A3581R	SPRING LOCKING PIN	2		
3	19H2473	CAP SCREW	4		1/2" X 1-3/4"
4	12H301	LOCK WASHER	4		1/2"
5	R27427	HYDRAULIC CYLINDER CAP	1		
6	A4723R	WASHER	2		
7	A4722R	WASHER	1		
8	R45620	LOCK NUT	1		(SUB FOR F2439R OR R41198)
9	A4728R	O-RING	1		
10	R27649	BACK-UP RING	2		
11	R27422	PISTON	1	-3RC1	(SUB R44296)
	R44296	PISTON	1	3RC2-	
12	R27564	O-RING	1		
13	R27421	CYLINDER	1		
14	R459R	O-RING	1		
15	R32588	BACK-UP RING	1		
16	R34131	PLUG	1		
17	15H624	PIPE PLUG	1		1/2"
18	R1138R	O-RING	1		
19	R34966	BACK-UP RING	1		
20	R34965	GUIDE	1		
21	A3606R	O-RING	1		
22	R26441	BACK-UP RING	1		
23	R34963	GUIDE	1	-3RC1	(SUB R44285, (2) R44287 AND (2) AR45536)
	R44285	GUIDE	1	3RC2-	
24	AR68146	PIN	2	-3RC1	(SUB FOR AR36308)
	AR68145	QUICK LOCK PIN	2	3RC2-	(SUB FOR AR45536)
25	D2913R	LINK	1		
26	R49193	LINK CHAIN	1		(SUB FOR A3184R)
27	19H2552	CAP SCREW	1		3/8" X 1-1/8"
28	12H304	LOCK WASHER	1		3/8"
29	T13073	CLIP	1		
30	19H1726	CAP SCREW	2		3/8" X 2-1/4"
31	12H304	LOCK WASHER	2		3/8"
32	AP19547	SEAL	1		
33	R36954	ROD	2	-3RC1	
	R44287	ROD	2	3RC2-	
34	R36952	STOP	1		
35	12H236	LOCK WASHER	2		3/4"
36	14H905	NUT	2		3/4"
37	AR34838	ROD	1	-3RC1	(SUB AR45545)
	AR45545	ROD	1	3RC2-	

# 2H23

HYDRAULICS

RP933 -UN-01JAN94

## REMOTE CYLINDER PARTS (HYDRAULIC STOP)



RP933

# 2H24

HYDRAULICS

## REMOTE CYLINDER PARTS - CONTINUED (HYDRAULIC STOP)

KEY	PART NO.	PART NAME	QTY	MODEL NO.	REMARKS
1	A4741R	SPRING	1	1RC1-1RC2	
2	A4742R	BALL	1	1RC1-1RC2	
3	AA5731R	VALVE	1	1RC1-1RC2	(ILLUSTRATED)
	R39012	VALVE	1	1RC3-	
4	R49352	SPRING	1		
5	A4723R	WASHER	2		
6	A4722R	WASHER	1		
7	R27427	HYDRAULIC CYLINDER CAP	1		
8	12H301	LOCK WASHER	4		1/2"
9	19H2473	CAP SCREW	4		1/2" X 1-3/4" HS, SAE 8
10	A4746R	ADAPTER	1		
11	A4745R	PACKING	3		
12	A4747R	WASHER	1		
13	A4748R	SPRING ASSEMBLY	1		
14	15H624	PIPE PLUG	1		1/2"
15	R27421	CYLINDER	1		
16	24H1301	WASHER	1		13/32" X 9/16" X 0.065"
17	A4737R	SPRING	1		
18	R57696	WASHER	1		(SUB FOR A4738R)
19	A4736R	ROD	1		
20	A4739R	RING	2		
21	R27564	O-RING	1	1RC2-	
22	R27422	PISTON	1	-1RC1	(SUB R44296)
	R44296	PISTON	1	1RC2-	
23	R27649	BACK-UP RING	2		
24	A4728R	O-RING	1		
25	R45620	LOCK NUT	1		(SUB FOR R41198)
26A	AF2331R	STEM	1	-1RC1	(SUB AR45545 AND AR47825)
	AR45543	ROD	1	1RC2-	(SUB AR45545 AND AR47825)
26B	AR45545	ROD	1		
27	AR47825	PIN	1		
28	34H264	SPRING PIN	1		5/32" X 7/8"
29	A5302R	YOKE	1		
30	R57696	WASHER	1		(SUB FOR R1870R)
31	A5301R	SCREW	1		
32	R27423	STOP	1		
33	AP19547	SEAL	1		
34	R26441	BACK-UP RING	1		
35	R27426	ARM	1		
36	25H760	GROOVE PIN	1		7/32" X 1-1/4"
37	A3606R	O-RING	1		
38	R40218	GUIDE	1		
39	F1441R	WASHER	1		
40	12H304	LOCK WASHER	3		3/8"
41	19H1731	CAP SCREW	3		3/8" X 1"

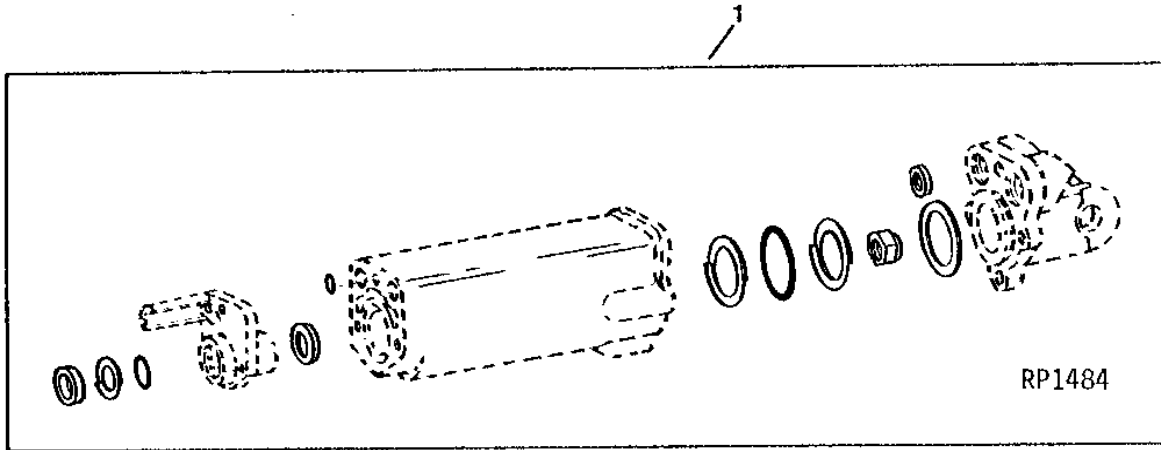
# 2H25

HYDRAULICS

RP1484

-UN-01JAN94

## REMOTE CYLINDER OVERHAUL KIT (3" X 8" HYDRAULIC STOP)



KEY	PART NO.	PART NAME	QTY	TRACTOR SERIAL NO.	REMARKS
1	AR67389	KIT	1	(SUB FOR AR30686)	

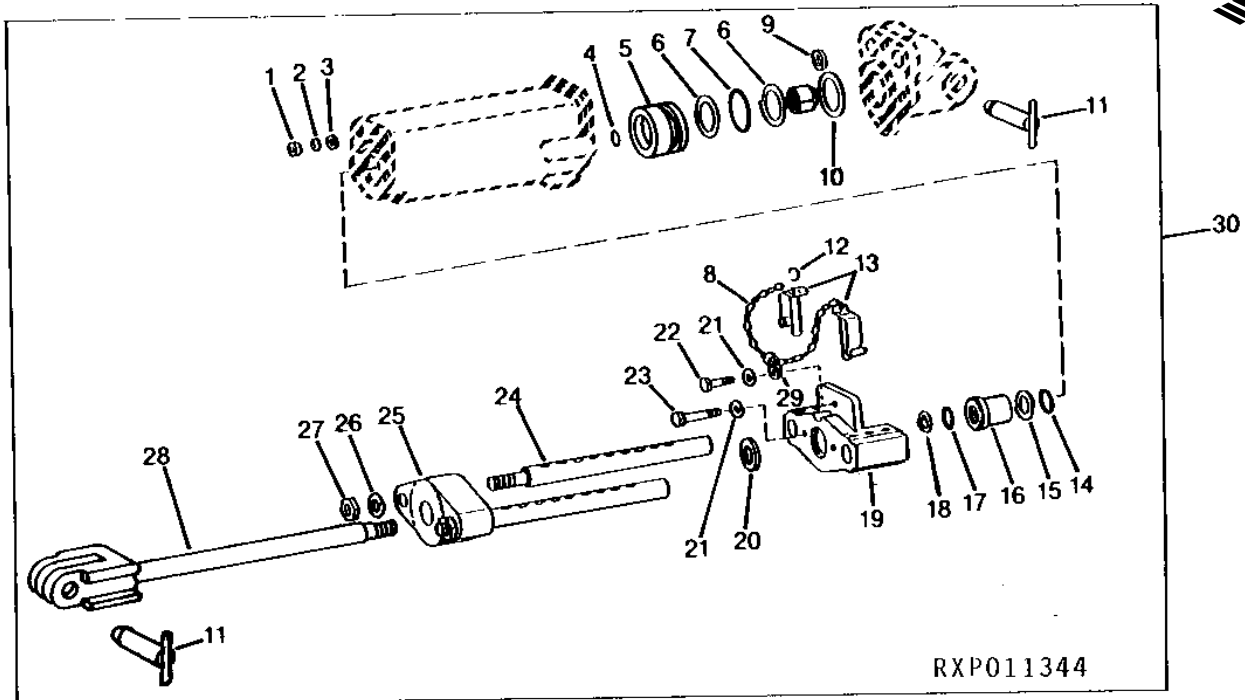


# 211

HYDRAULICS

RXP011344 -UN-12OCT94

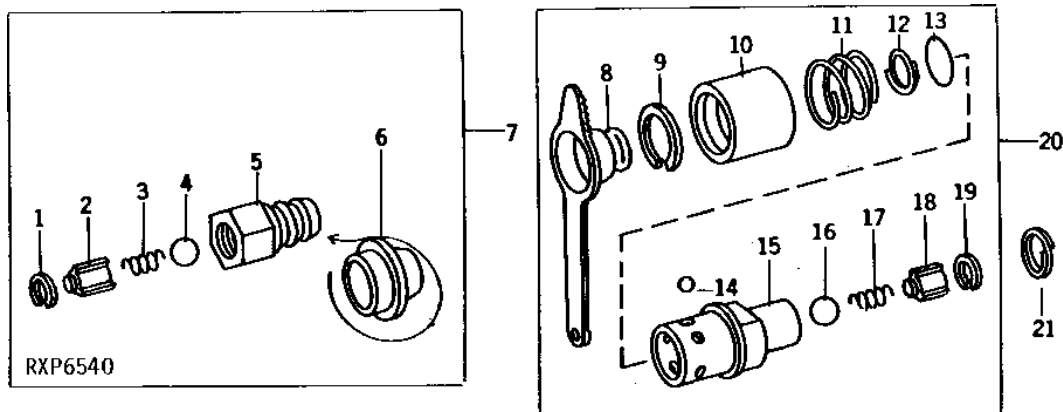
## REMOTE CYLINDER CONVERSION KIT (3" X 8" HYDRAULIC STOP TO MECHANICAL STOP)



KEY	PART NO.	PART NAME	QTY	TRACTOR SERIAL NO.	REMARKS
1	R34131	PLUG	1		
2	R32588	BACK-UP RING	1		
3	R56464	O-RING	1		
4	R27564	O-RING	1		
5	R44296	PISTON	1		
6	R27649	BACK-UP RING	2		
7	A4728R	O-RING	1		
8	R49193	LINK CHAIN	1		
9	A4723R	WASHER	2		
10	A4722R	WASHER	1		
11	AR47825	PIN	2		
12	D2913R	LINK	2		
13	AR68145	QUICK LOCK PIN	2		
14	R1138R	O-RING	1		
15	R34966	BACK-UP RING	1		
16	R34965	GUIDE	1		
17	A3606R	O-RING	1		
18	R26441	BACK-UP RING	1		
19	R44285	GUIDE	1		
20	AP19547	SEAL	1		
21	12H304	LOCK WASHER	3	3/8"	
22	19H2552	CAP SCREW	1	3/8" X 1-1/8"	
23	19H1726	CAP SCREW	2	3/8" X 2-1/4"	
24	R44287	ROD	2		
25	R36952	STOP	1		
26	12H236	LOCK WASHER	2	3/4"	
27	14H905	NUT	2	3/4"	
28	AR45545	ROD	1		
29	T13073	CLIP	1		
30	AR45535	KIT	1	(FI)	

RXP6540 -UN-06OCT94

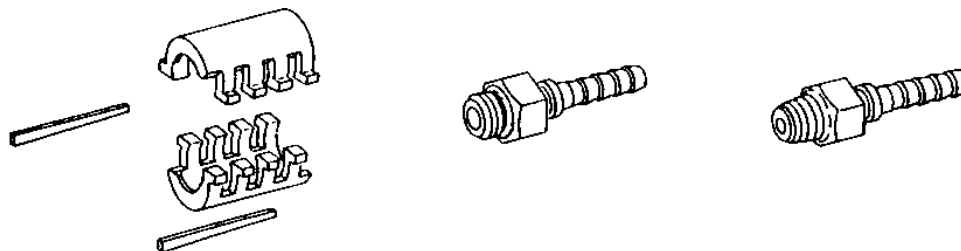
## FLEXIBLE OIL LINE COUPLER



KEY	PART NO.	PART NAME	QTY	TRACTOR SERIAL NO.	REMARKS
1	R59633	WEAR RING	1		(SUB FOR R28204)
2	R28085	GUIDE	1		(SUB AR93819 PRESSURE OR AR93820 RETURN)
3	R28084	SPRING	1		
4	D2361R	BALL	1	13MM (1/2")	
5	R27430	HYD. QUICK-CONNECT COUPLER	1		(PRESSURE) (SUB AR93819)
	R45630	HYD. QUICK-CONNECT COUPLER	1		(RETURN) (SUB AR93820)
6	R28006	CAP	1		
7	AR30210	INTERNAL HALF COUPLER	1		(PRESSURE) (SUB AR93819)
	AR47643	BREAKAWAY COUPLER	1		(RETURN) (SUB AR93820)
8	R32419	COVER	1		
9	R32356	SNAP RING	1		
10	R32355	SLEEVE	1		(ORDER RE15361)
11	R32354	SPRING	1		(ORDER RE15361)
12	R26485	BACK-UP RING	1		
13	R495R	O-RING	1		
14	400R	BALL	6	6MM (1/4")	
15	R32353	SOCKET OUTLET	1		(ORDER RE15361)
16	D2361R	BALL	1	13MM (1/2")	
17	R28084	SPRING	1		
18	R28085	GUIDE	1		(ORDER RE15361)
19	R59633	WEAR RING	1		(SUB FOR R28204)
20	AR47331	SOCKET OUTLET	1		(SUB RE15361)
21	R36946	SPRING	1		

RXP7733 -UN-23SEP94

## BULK FLEXIBLE OIL LINE AND REUSABLE LOK-PIN COUPLINGS



Oil Line (Length) Approx. 50 ft.)		Set of Ferrules with Pins*	Stem-Straight Thread with O-ring	Stem-Pipe Thread
R 34790	3/8" I.D. — 1 Wire	.....	AR 39635* *	R 39687
R 34791	1/2" I.D. — 1 Wire	.....	AR 39636* *	R 39688
R 34792	3/4" I.D. — 1 Wire	.....	AR 39637#	R 39689
R 34793	3/8" I.D. — 2 Wire	AR 39632	AR 39635* *	R 39687
R 34794	1/2" I.D. — 2 Wire	.....	AR 39636* *	R 39688
R 34795	3/4" I.D. — 2 Wire	.....	AR 39637#	R 39689

\* Each set of ferrules includes two R39681 pins - extra pins may be ordered, packed 20 in a package.  
 \*\*Includes R26375 O-ring.  
 # Includes F3171R O-ring.

## REUSABLE COUPLINGS (Use With Braid Flexible Oil Line)



1 WR Single Wire		2 WR Double Wire		I.D.	Thread
Coupling No.		Coupling No.			
AF 3585	R	AR 21629		3/8"	3/8" — 18 NPTF
AF 3586	R	AR 21630		1/2"	1/2" — 14 NPTF
AF 3587	R	.....		5/8"	3/4" — 14 NPTF
AF 3588	R	AR 21632		3/4"	3/4" — 14 NPTF
R 34644		AR 21634		1"	1" — 11-1/2" NPTF
R 34646		.....		3/8"	3/4" — 16 O-ring type thread
		R 34647		1/2"	3/4" — 16 O-ring type thread

## BULK SINGLE WIRE BRAID FLEXIBLE OIL LINE (Use With Reusable Coupling for Single Wire Braid Flexible Oil Line)

Part No.	I.D.	O.D.	Length
A 5776 R	1/2"	29/32"	Approx. 50 ft.
A 5777 R	5/8"	1-1/32"	Approx. 50 ft.

## BULK DOUBLE WIRE BRAID FLEXIBLE OIL LINE (Use with Reusable Coupling for Double Wire Braid Flexible Oil Line)

Part No.	I.D.	O.D.	Length
R 21531	3/8"	29/32"	Approx. 50 ft.
R 21532 RXP7733	1/2"	31/32"	Approx. 50 ft.

---

MEMORANDA

---

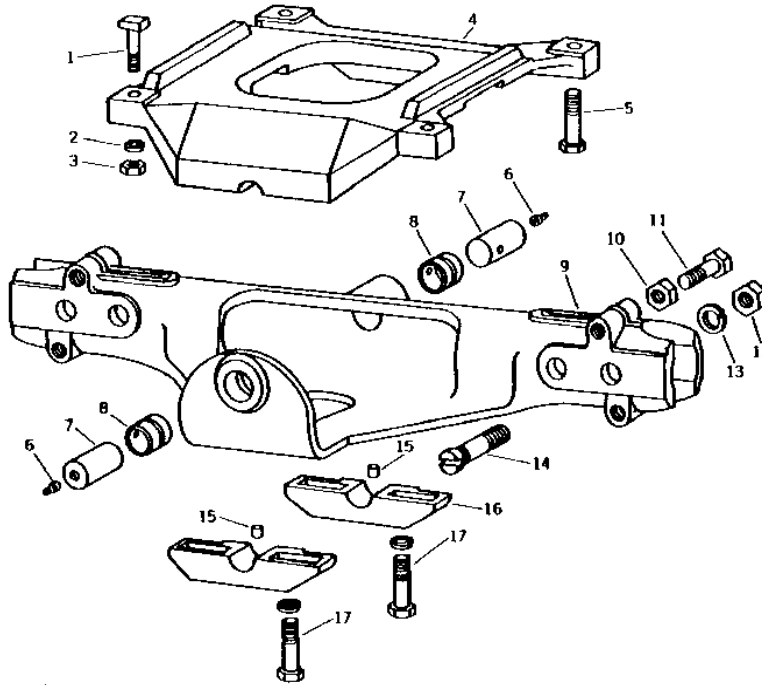
MEMORANDA

# 3A23

WHEELS, FRONT AXLES, SHEET METAL

R4846 -UN-01JAN94

## FRONT AXLE HOUSING AND PIVOT BRACKET



KEY	PART NO.	PART NAME	QTY	TRACTOR SERIAL NO.	REMARKS
1	R27818	BOLT	2	(SUB R49098 AND 19H1847)	
2	12H294	LOCK WASHER	2	5/8"	
3	14H1039	NUT	2	5/8" HS, SAE 8	
4	AR69836	BRACKET	1	(MARKED R27810 OR R44020)	(SUB FOR AR28134 OR AR45677) (ALSO ORDER R48659, (2) 12H304 AND (2) 19H1731)
5	19H1862	CAP SCREW	2	3/4" X 2-1/2"	
6	JD7759	LUBRICATION FITTING	2		
7	R27817	PIN	2		
8	A877R	BUSHING	2		
9	AR50865	HOUSING	1	(MARKED R27820, R42851, R47736 OR R51305)	(SUB FOR AR27433 OR AR30968)
10	14H794	NUT	4	3/4"	
11	19H2026	CAP SCREW	4	3/4" X 4"	
12	14H854	NUT	2	1"	
13	12H234	LOCK WASHER	2	1"	
14	B2694R	BOLT	2	(SUB FOR B2846R)	
15	R726R	DOWEL PIN	2		
16	AR30154	CLAMP	2	(MARKED R27809)	
17	19H1707	CAP SCREW	4	3/4" X 2-3/4", (RC, ST AND RU)	
	19H1707	CAP SCREW	2	3/4" X 2-3/4", (OR)	
	19H1471	CAP SCREW	2	3/4" X 3-1/2", (OR)	
	12H236	LOCK WASHER	4	3/4"	

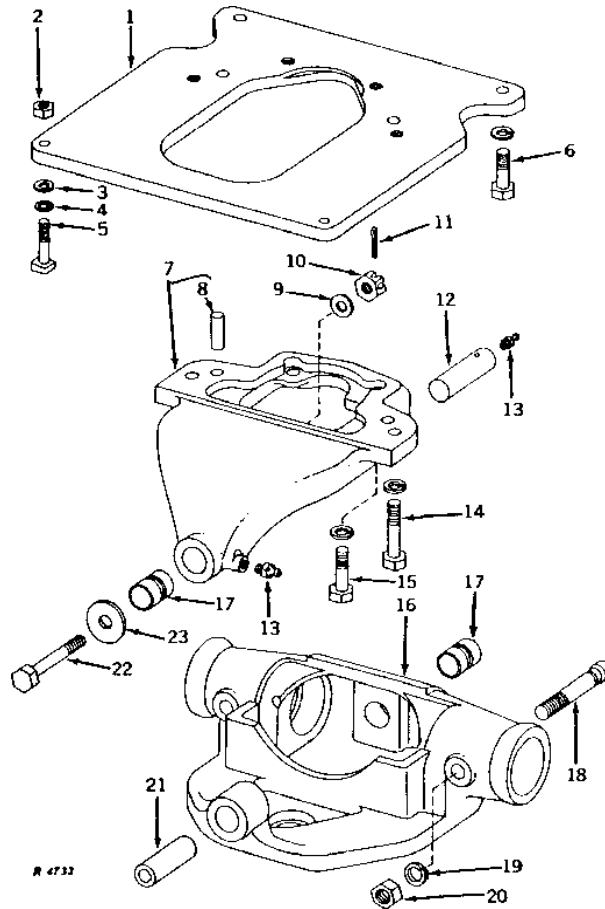
RC - ROW-CROP, ST - STANDARD, RU - ROW-CROP UTILITY, OR - ORCHARD

# 3A24

WHEELS, FRONT AXLES, SHEET METAL

## FRONT AXLE HOUSING AND PIVOT BRACKET (38" FIXED TREAD)

R4733 -UN-01JAN94



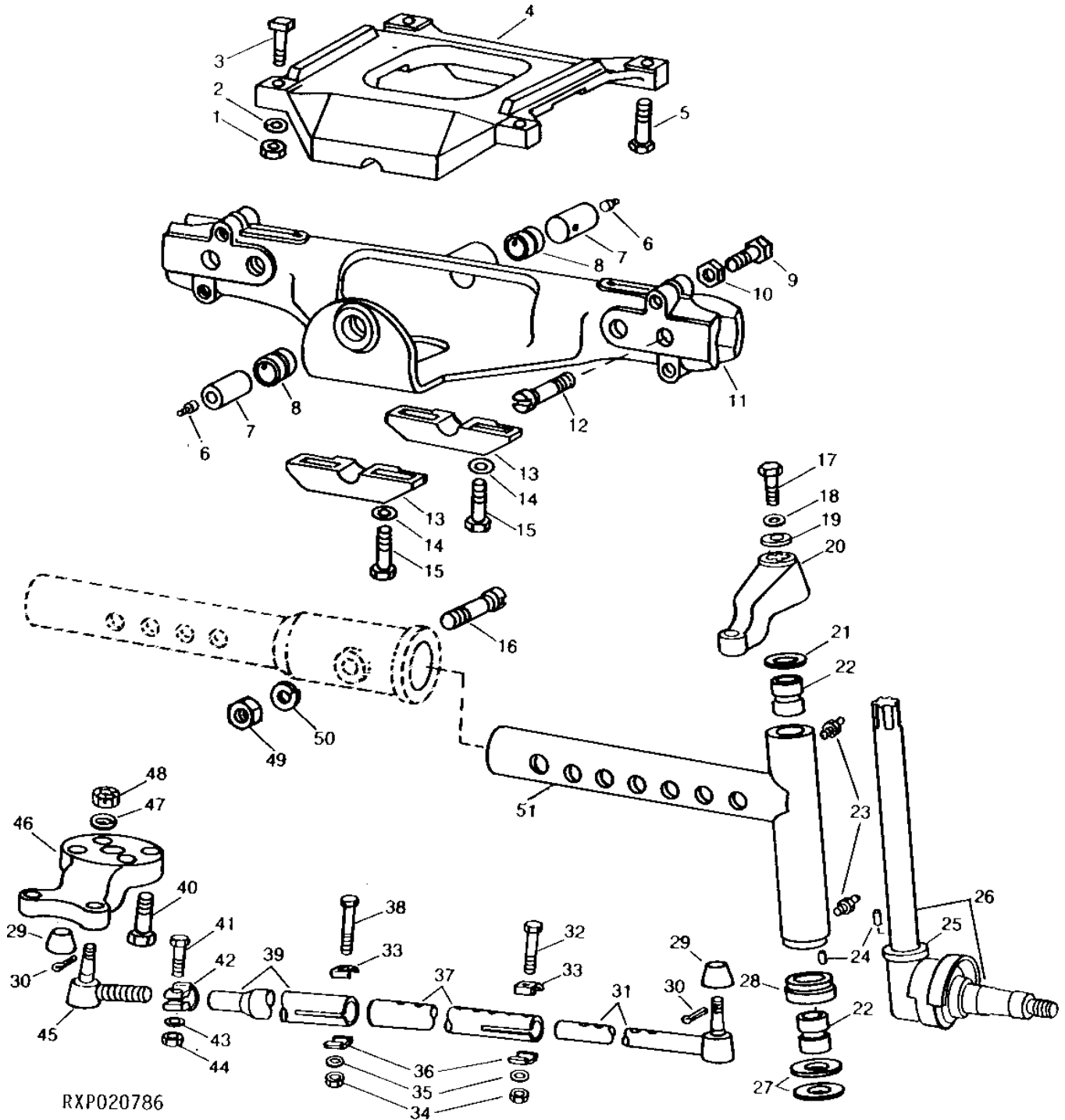
KEY	PART NO.	PART NAME	QTY	TRACTOR SERIAL NO.	REMARKS
1	R31599	ADAPTER	1		(NO LONGER AVAILABLE)
2	14H1039	NUT	2		5/8" HS, SAE 8
3	24H1367	WASHER	2		21/32" X 1-1/4" X 1/4"
4	12H294	LOCK WASHER	2		5/8"
5	R27818	BOLT	2		(SUB R49098 AND 19H1847)
6	19H2663	CAP SCREW	2		3/4" X 2-1/8"
	12H236	LOCK WASHER	2		3/4"
7	AF968R	BRACKET	1		(MARKED F862R)
8	R31076	DOWEL PIN	2		(SUB FOR R27314)
9	24H1402	WASHER	1		25/32" X 1-7/8" X 1/4"
10	F2664R	NUT	1		
11	11M7083	COTTER PIN	1		0.126" X 1.969"
12	B2688R	PIN	1		
13	JD7759	LUBRICATION FITTING	2		
14	19H2113	CAP SCREW	2		3/4" X 3-1/4"
	12H236	LOCK WASHER	2		3/4"
15	19H1782	CAP SCREW	2		3/4" X 2-1/4"
	12H236	LOCK WASHER	2		3/4"
16	AB4045R	HOUSING	1		(MARKED B2840R) (NO LONGER AVAILABLE)
17	A877R	BUSHING	2		
18	B2694R	BOLT	2		
19	12H234	LOCK WASHER	2		1"
20	14H1024	NUT	2		5/8"
21	B2700R	BUSHING	1		
22	H27851	BOLT	1		(SUB FOR F2663R)
23	R20136	WASHER	1		

# 3B1

WHEELS, FRONT AXLES, SHEET METAL

## ADJUSTABLE TREAD FRONT AXLE PARTS

RXP020786 -UN-28FEB95





# 3B2

WHEELS, FRONT AXLES, SHEET METAL

## ADJUSTABLE TREAD FRONT AXLE PARTS - CONTINUED

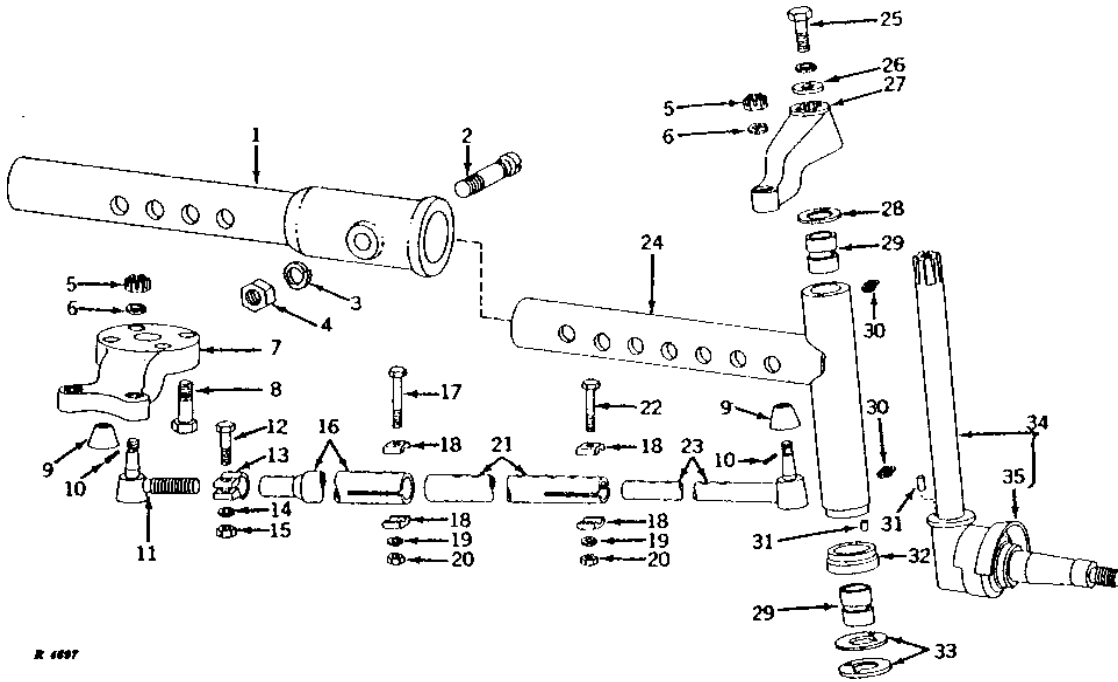
KEY	PART NO.	PART NAME	QTY	SERIAL NO.	REMARKS
1	R49098	NUT	2		
2	12H294	LOCK WASHER	2	5/8"	
3	19H1847	CAP SCREW	2	5/8" X 2-1/2"	
4	AR69836	BRACKET	1	(MARKED R27810 OR R44020) (SUB FOR AR28134 OR AR45677)	
5	19H1862	CAP SCREW	2	3/4" X 2-1/2"	
6	JD7759	LUBRICATION FITTING	2		
7	R27817	PIN	2		
8	A877R	BUSHING	2		
9	19H2026	CAP SCREW	4	3/4" X 4"	
10	14H794	NUT	4	3/4"	
11	AR50865	HOUSING	1		
12	B2694R	BOLT	2		
13	AR30154	CLAMP	2		
14	12H236	LOCK WASHER	4	3/4"	
15	19H1707	CAP SCREW	4	3/4" X 2-3/4"	
16	B2694R	BOLT	1		
17	19H1890	CAP SCREW	2	5/8" X 2-3/4"	
18	12H236	LOCK WASHER	2	3/4"	
19	R20135	WASHER	2		
20	R47765	STEERING ARM	1	R.H.	
	R47766	STEERING ARM	1	L.H.	
21	D467R	WASHER	2		
	R34757	SHIM	2		
22	A877R	BUSHING	4		
23	JD7759	LUBRICATION FITTING	4		
24	34H308	SPRING PIN	2	1/4" X 1/2"	
25	R20255	DUST SHIELD	2		
26	AR55180	KNUCKLE	2		
27	A890R	THRUST WASHER	4		
28	B2693R	DUST SHIELD	2		
29	R40589	COVER	2		
30	11M7015	COTTER PIN	4	3.200 X 25 MM	
31	AR51584	TIE ROD END	2		
32	19H268	CAP SCREW	1	3/8" X 2-1/2"	
33	R28024	CLAMP	4		
34	K40003	LOCK NUT	2		
35	12H304	LOCK WASHER	2	3/8"	
36	R28024	CLAMP	4		
37	R28022	TUBE	1	INNER	
38	19H2128	CAP SCREW	1	3/8" X 3"	
39	R28021	TUBE	1		
40	19H2663	CAP SCREW	4	3/4" X 2-1/8"	
41	19H1740	CAP SCREW	1	7/16" X 1-3/4"	
42	R28023	CLAMP	1		
43	12H293	LOCK WASHER	1	7/16"	
44	14H813	NUT	1	7/16"	
45	AR27351	UNIVERSAL JOINT	1		
46	R27808	ARM	1		
47	12H294	LOCK WASHER	4	5/8"	
48	14H918	NUT	4	5/8"	
49	14H854	NUT	2	1"	
50	12H234	LOCK WASHER	2	1"	
51	AR50962	AXLE KNEE	2		

# 3B3

WHEELS, FRONT AXLES, SHEET METAL

## FRONT AXLE KNEE AND KNUCKLE (ROW-CROP, STANDARD AND UTILITY WITH LONG WHEEL BASE)

R4697 -UN-01JAN94



# 3B4

WHEELS, FRONT AXLES, SHEET METAL

FRONT AXLE KNEE AND KNUCKLE - CONTINUED  
(ROW-CROP, STANDARD AND UTILITY WITH LONG WHEEL BASE)

KEY	PART NO.	PART NAME	QTY	TRACTOR SERIAL NO.	REMARKS
1	R30747	EXTENSION	1	(RC)	
2	B2694R	BOLT	1	(RC)	
3	12H234	LOCK WASHER	1	1", (RC)	
4	14H854	NUT	1	1", (RC)	
5	14H918	NUT	4	5/8"	
6	12H294	LOCK WASHER	4	5/8"	
7	R27808	ARM	1		
8	19H2663	CAP SCREW	4	3/4" X 2-1/8"	
9	R40589	COVER	4	(SUB FOR R28019)	
10	11M7083	COTTER PIN	4	0.126" X 1.969"	
11	AR27351	UNIVERSAL JOINT	2		
12	19H1990	CAP SCREW	2	1/2" X 2-1/4"	
13	R28023	CLAMP	2		
14	12H301	LOCK WASHER	2	1/2"	
15	14H809	NUT	2	1/2"	
16	R28021	TUBE	2		
	R30748	TUBE	1	(RC) (USE WITH KNEE EXTENSION)	
17	19H2128	CAP SCREW	2	3/8" X 3"	
18	R28024	CLAMP	8		
19	12H304	LOCK WASHER	4	3/8"	
20	M63440	LOCK NUT	4	(SUB FOR R31555 OR C744DN, THIS APPLICATION)	
21	R28022	TUBE	2		
	R31573	TUBE	2	(RC-WITH 88" ADJUSTABLE TREAD FRONT AXLE)	
22	19H1733	CAP SCREW	2	3/8" X 2-1/2"	
23	AR51584	TIE ROD END	2	(SUB FOR AR27350)	
24	AR50962	AXLE KNEE	2	(RC) (SUB FOR AR27434)	
	AR50963	AXLE KNEE	2	(RC-WITH 88" ADJUSTABLE TREAD FRONT AXLE)	
				(SUB FOR AR30538)	
	AR27536	KNUCKLE	2	(ST)	
	AR27604	AXLE KNEE	2	(RU) (SUB AR69834)	
25	19H1798	CAP SCREW	2	-XXXXXX 3/4" X 1-3/4"	
	19H1890	CAP SCREW	2	XXXXXX- 5/8" X 2-3/4"	
	12H236	LOCK WASHER	2	3/4"	
26	B3310R	WASHER	2	-XXXXXX 21/32" I.D.	
	R20135	WASHER	2	XXXXXX- 25/32" I.D.	
27	R47765	STEERING ARM	1	R.H. (SUB FOR R27806)	
	R47766	STEERING ARM	1	L.H. (SUB FOR R27807)	
28	D467R	WASHER	2		
	R34757	SHIM	2		
29	A877R	BUSHING	4		
30	JD7759	LUBRICATION FITTING	4		
31	34H308	SPRING PIN	4	1/4" X 1/2"	
32	B2693R	DUST SHIELD	2		
33	A890R	THRUST WASHER	4		
34	AR55180	KNUCKLE	2	(RC) (ALSO ORDER R20135 AND 19H1890) (SUB FOR AR28050 OR AR50984)	
	AR55179	KNUCKLE	2	(ST) (ALSO ORDER R20135 AND 19H1890) (SUB FOR AR28545 OR AR50982)	
	AR50983	KNUCKLE	2	(RU) (ALSO ORDER R20135 AND 19H1890) (SUB FOR AR28546)	
35	R20255	DUST SHIELD	2		

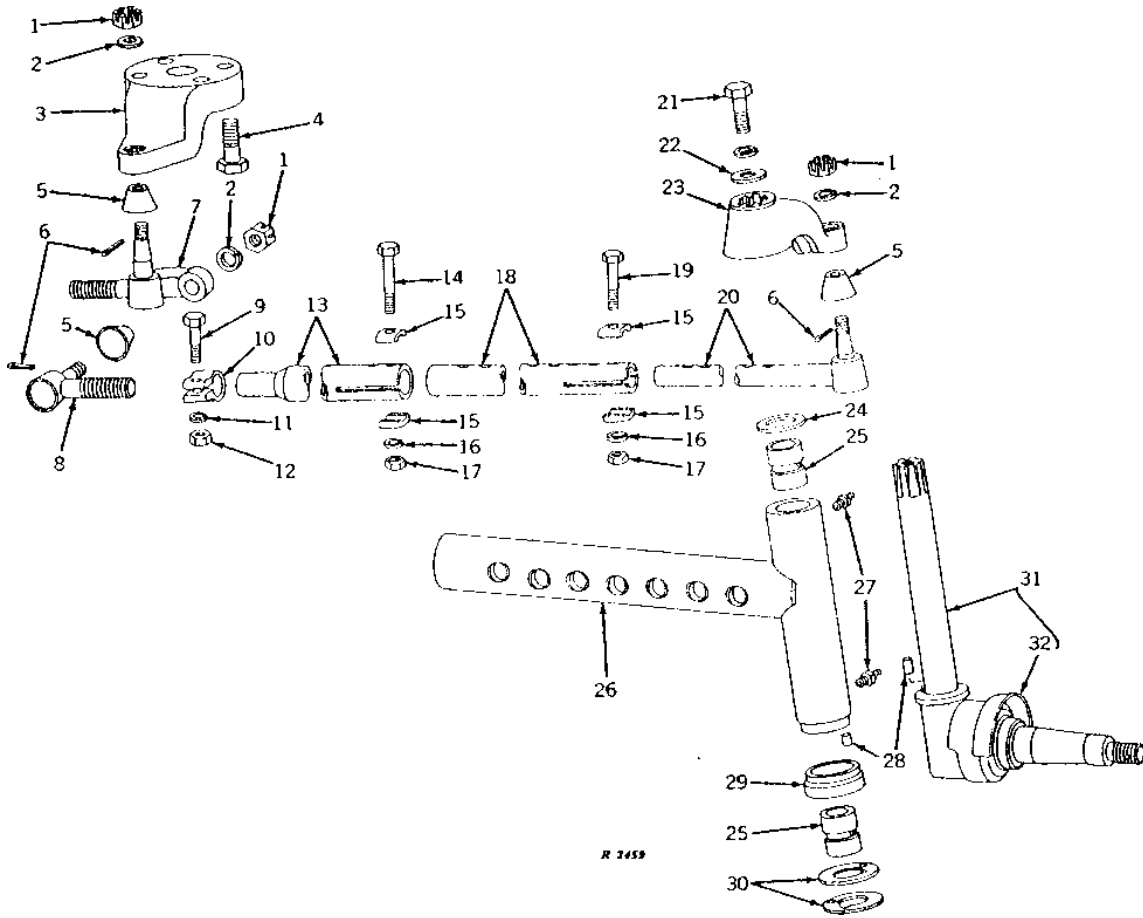
RC - ROW-CROP, ST - STANDARD, RU - ROW-CROP UTILITY

# 3B5

WHEELS, FRONT AXLES, SHEET METAL

## FRONT AXLE KNEE AND KNUCKLE (STANDARD, UTILITY AND ORCHARD WITH SHORT WHEEL BASE)

R2459 -UN-01JAN94



# 3B6

WHEELS, FRONT AXLES, SHEET METAL

FRONT AXLE KNEE AND KNUCKLE - CONTINUED  
(STANDARD, UTILITY AND ORCHARD WITH SHORT WHEEL BASE)

KEY	PART NO.	PART NAME	QTY	TRACTOR SERIAL NO.	REMARKS
1	14H918	NUT	4		5/8"
2	12H294	LOCK WASHER	4		5/8"
3	R31181	ARM	1		(SUB FOR R28116)
4	19H2663	CAP SCREW	4		3/4" X 2-1/8"
5	R40589	COVER	4		(SUB FOR R28019)
6	11M7083	COTTER PIN	4		0.126" X 1.969"
7	AR40592	TIE ROD END	1		(SUB FOR AR27429)
8	AR27351	UNIVERSAL JOINT	1		
9	19H1990	CAP SCREW	2		1/2" X 2-1/4"
10	R28023	CLAMP	2		
11	12H301	LOCK WASHER	2		1/2"
12	14H1040	NUT	2		1/2" HS, SAE 8
13	R28021	TUBE	2		
14	19H2128	CAP SCREW	2		3/8" X 3"
15	R28024	CLAMP	8		
16	12H304	LOCK WASHER	4		3/8"
17	M63440	LOCK NUT	4		(SUB FOR R31555 OR C7440N, THIS APPLICATION)
18	R28022	TUBE	2		
19	19H1733	CAP SCREW	2		3/8" X 2-1/2"
20	AR51584	TIE ROD END	2		(SUB FOR AR27350)
21	19H1798	CAP SCREW	2	-XXXXXX	3/4" X 1-3/4"
	19H1890	CAP SCREW	2	XXXXXX-	5/8" X 2-3/4"
	12H236	LOCK WASHER	3		3/4"
22	B3310R	WASHER	2	-XXXXXX	21/32" I.D.
	R20135	WASHER	2	XXXXXX-	25/32" I.D.
23	R47765	STEERING ARM	1		R.H. (SUB FOR R27806)
	R47766	STEERING ARM	1		L.H. (SUB FOR R27807)
24	D467R	WASHER	2		
	R34757	SHIM	2		
25	A877R	BUSHING	4		
26	AR27536	KNUCKLE	2		(ST)
	AR27604	AXLE	2		(RU AND OR)
27	JD7759	LUBRICATION FITTING	4		
28	34H308	SPRING PIN	4		1/4" X 1/2"
29	B2693R	DUST SHIELD	2		
30	A890R	THRUST WASHER	4		
31	AR55179	KNUCKLE	2		(ST) (ALSO ORDER R20135 AND 19H1890) (SUB FOR AR28545 OR AR50982)
	AR50983	KNUCKLE	2		(RU AND OR) (SUB FOR AR28546) (ALSO ORDER R20135 AND 19H1890)
32	R20255	DUST SHIELD	2		

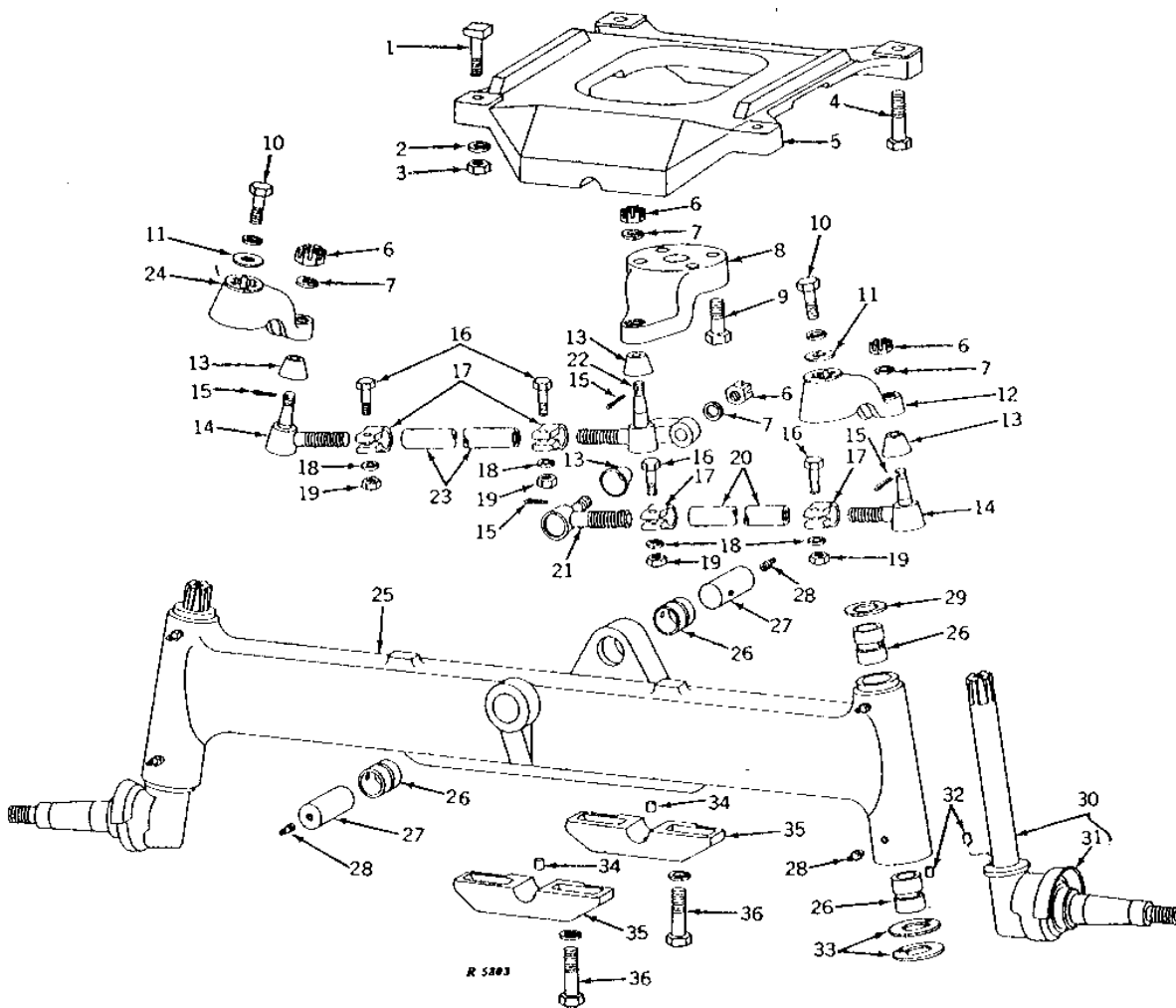
ST - STANDARD, RU - ROW-CROP UTILITY, OR - ORCHARD

# 3B7

WHEELS, FRONT AXLES, SHEET METAL

## FIXED TREAD FRONT AXLE (STANDARD AND UTILITY WITH SHORT AND LONG WHEEL BASE) (ORCHARD WITH SHORT WHEEL BASE)

R5803 -UN-01JAN94



# 3B8

WHEELS, FRONT AXLES, SHEET METAL

**FIXED TREAD FRONT AXLE - CONTINUED  
(STANDARD AND UTILITY WITH SHORT AND LONG WHEEL BASE)  
(ORCHARD WITH SHORT WHEEL BASE)**

KEY	PART NO.	PART NAME	QTY	TRACTOR SERIAL NO.	REMARKS
1	R27818	BOLT	2		(SUB R49098 AND 19H1847)
2	12H294	LOCK WASHER	2		5/8"
3	14H1039	NUT	2		5/8" HS, SAE 8
4	19H1862	CAP SCREW	2		3/4" X 2-1/2"
5	AR69836	BRACKET	1		(MARKED R27810 OR R44020) (SUB FOR AR28134 OR AR45677)
6	14H918	NUT	4		5/8"
7	12H294	LOCK WASHER	4		5/8"
8	R31181	ARM	1		(ST, RU AND OR-SHORT BASE) (SUB FOR R28166)
	R27808	ARM	1		(NOT AS ILLUSTRATED) (ST AND RU-LONG BASE)
9	19H2663	CAP SCREW	4		3/4" X 2-1/8"
10	19H1798	CAP SCREW	2		3/4" X 1-3/4"
	12H236	LOCK WASHER	2		3/4"
11	B3310R	WASHER	2		
12	R47765	STEERING ARM	1		R.H. (SUB FOR R27806)
13	R40589	COVER	4		(SUB FOR R28019)
14	AR27430	TIE ROD END	2		
15	11M7083	COTTER PIN	4		0.126" X 1.969"
16	19H1990	CAP SCREW	4		1/2" X 2-1/4"
17	R28023	CLAMP	4		
18	12H301	LOCK WASHER	4		1/2"
19	14H1040	NUT	4		1/2" HS, SAE 8
20	R28114	TUBE	1		
21	AR27351	UNIVERSAL JOINT	1		R.H.
22	AR40592	TIE ROD END	1		L.H. (ST, RU AND OR-SHORT BASE) (SUB FOR AR27429)
	AR27351	UNIVERSAL JOINT	1		L.H. (NOT AS ILLUSTRATED) (ST AND RU-LONG BASE)
23	R28115	TUBE	1		L.H. (ST, RU, AND OR-SHORT BASE)
	R28114	TUBE	1		L.H. (ST AND RU-LONG BASE)
24	R47766	STEERING ARM	1		L.H. (SUB FOR R27807)
25	AR27555	FRONT AXLE	1		(ST) (MARKED R27950)
	AR27914	FRONT AXLE	1		(RU) (MARKED R27690)
	AR30902	FRONT AXLE	1		(OR) (MARKED R31790) (NO LONGER AVAILABLE)
26	A877R	BUSHING	6		
27	R27817	PIN	2		
28	JD7759	LUBRICATION FITTING	6		
29	D467R	WASHER	2		
	R34757	SHIM	2		
30	AR55179	KNUCKLE	2		(ST AND OR) (ALSO ORDER R20135 AND 19H1890) (SUB FOR AR28545 OR AR50982)
	AR50983	KNUCKLE	2		(RU) (SUB FOR AR28546) (ALSO ORDER R20135 AND 19H1890)
31	R20255	DUST SHIELD	2		
32	34H308	SPRING PIN	4		1/4" X 1/2"
33	A890R	THRUST WASHER	4		
34	R726R	DOWEL PIN	2		
35	AR30154	CLAMP	2		(MARKED R27809)
36	19H1425	CAP SCREW	4		3/4" X 2-3/4", (ST AND RU)
	19H1425	CAP SCREW	2		3/4" X 2-3/4", (OR)
	19H1471	CAP SCREW	2		3/4" X 3-1/2", (OR)
	12H236	LOCK WASHER	4		3/4"

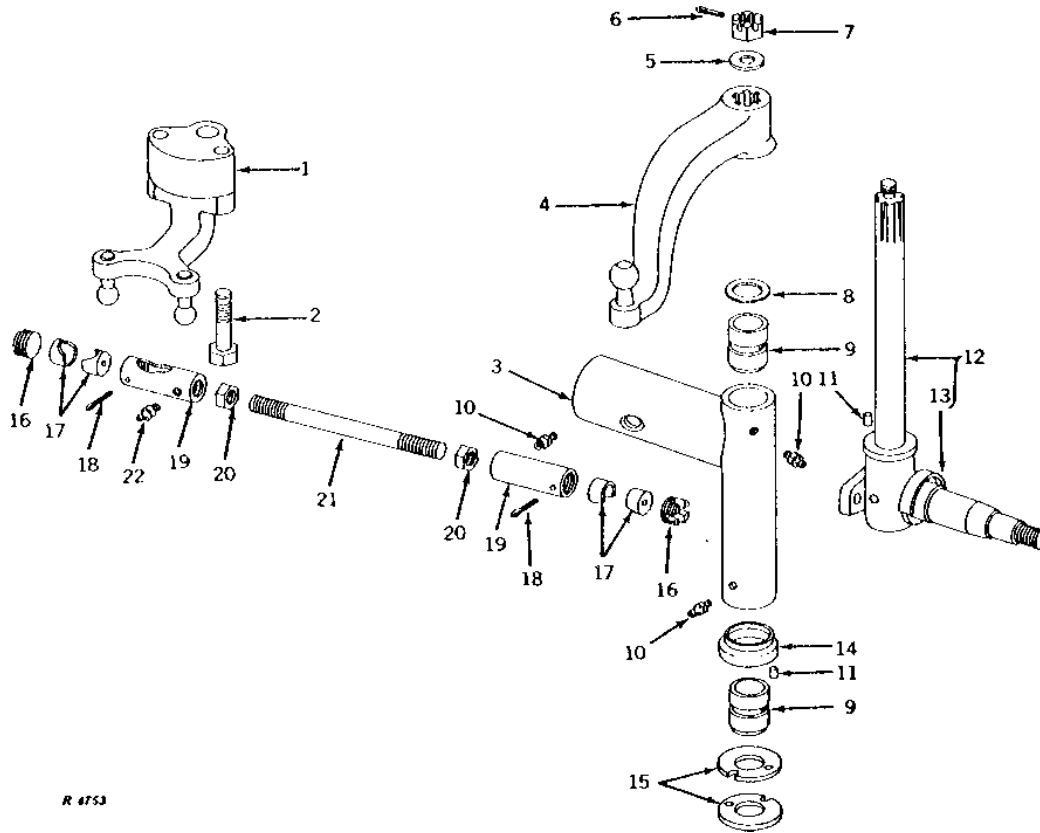
ST - STANDARD, RU - ROW-CROP UTILITY, OR - ORCHARD

# 3B9

WHEELS, FRONT AXLES, SHEET METAL

## FRONT AXLE KNEE AND KNUCKLE (38" FIXED TREAD)

R4753 -UN-01JAN94



R 4753

KEY	PART NO.	PART NAME	QTY	TRACTOR SERIAL NO.	REMARKS
1	AR30733	ARM	1		(MARKED B2698R) (NO LONGER AVAILABLE)
2	19H1909	CAP SCREW	2		3/4" X 3-3/4"
3	AB4046R	AXLE KNEE	2		(NO LONGER AVAILABLE)
4	AB4685R	STEERING ARM	1		R.H. (MARKED B3245R)
	AB4686R	STEERING ARM	1		L.H. (MARKED B3246R)
5	B3310R	WASHER	2		
6	11M7083	COTTER PIN	2		0.126" X 1.969"
7	F2664R	NUT	2		
8	D467R	WASHER	2		
	R34757	SHIM	2		
9	A877R	BUSHING	4		
10	JD7759	LUBRICATION FITTING	6		1/8"
11	34H308	SPRING PIN	4		1/4" X 1/2"
12	AB4013R	KNUCKLE	2		
13	A1424R	ASSEMBLY LINE PARTS	2		
14	B2693R	DUST SHIELD	2		
15	A890R	THRUST WASHER	2		
16	C840R	SCREW	4		
17	C838R	BEARING	8		
18	11M7083	COTTER PIN	4		0.126" X 1.969"
19	H982R	ASSEMBLY LINE PARTS	4		
20	C985R	NUT	4		
21	B2842R	ROD	2		
22	JD7760	LUBRICATION FITTING	2		1/8"

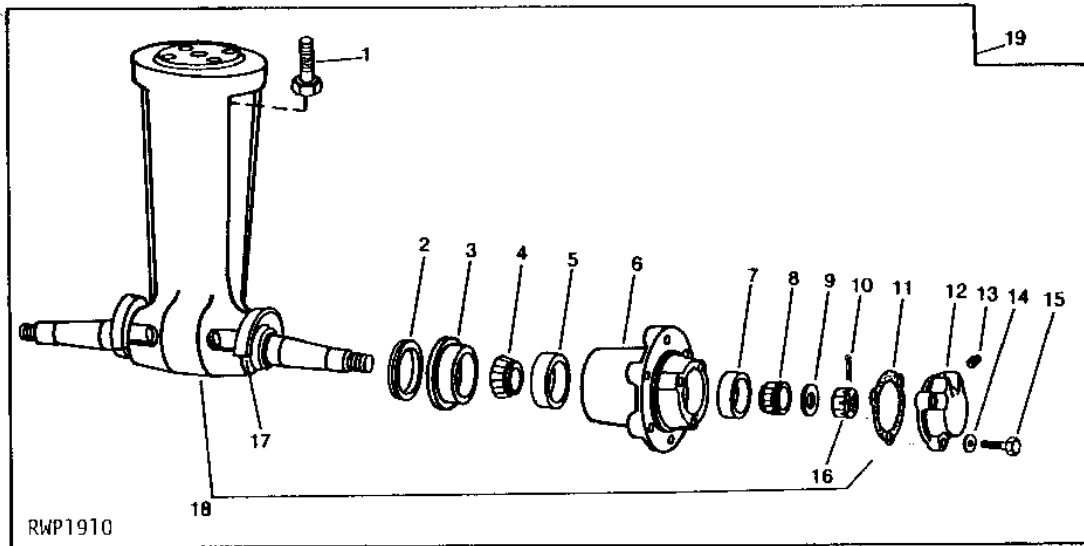


# 3B10

WHEELS, FRONT AXLES, SHEET METAL

## SPINDLE EXTENSION AND HUBS (DOUBLE FRONT WHEEL)

RWP1910 -UN-06OCT94



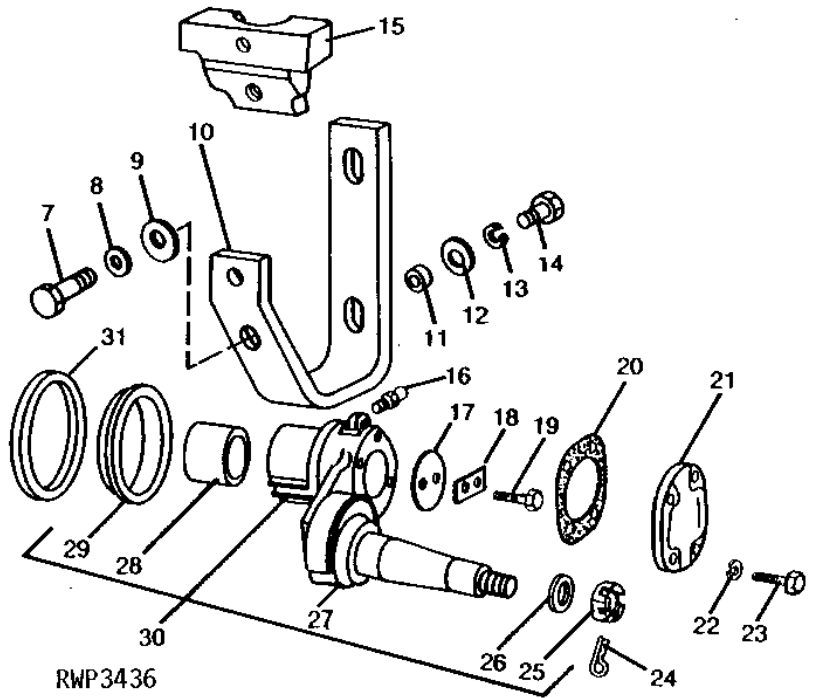
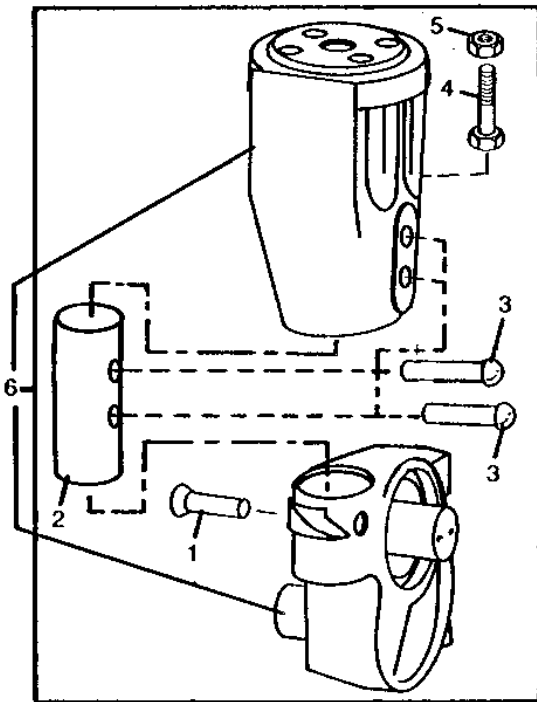
KEY	PART NO.	PART NAME	QTY	TRACTOR SERIAL NO.	REMARKS
1	19H2663	CAP SCREW	4	3/4" X 2-1/8"	
2	AR26480	SEAL	2		
3	R26632	BUSHING	2		
4	JD8913	BEARING CONE	2		
5	JD7445	BEARING CUP	2		
6	R48763	HUB	2		
7	JD8251	BEARING CUP	2		
8	JD8929	BEARING CONE	2		
9	R28575	WASHER	2	(SUB FOR A5146R)	
10	11M7030	COTTER PIN	2	0.197" X 1.575"	
11	A1556R	GASKET	2		
12	A1555R	CAP	2		
13	15H638	PIPE PLUG	2	1/8"	
14	24H1136	WASHER	6	11/32" X 11/16" X 0.065"	
15	19H2915	CAP SCREW	6	5/16" X 1-1/4"	
16	14H920	NUT	2	1"	
17	R20255	DUST SHIELD	2		
18	AR26823	EXTENSION	1	(MARKED R26860)	
19	AR27054	KNUCKLE	1		

# 3B11

WHEELS, FRONT AXLES, SHEET METAL

RWP3436 -UN-01JAN94

ROLL-O-MATIC



# 3B12

WHEELS, FRONT AXLES, SHEET METAL

## ROLL-O-MATIC - CONTINUED

KEY	PART NO.	PART NAME	QTY	TRACTOR SERIAL NO.	REMARKS
1	17H716	RIVET	1	(A) 5/8" X 4"	
	17H204	RIVET	1	1/2" X 4"	
2	R20253	DOWEL PIN	1		
3	17H249	RIVET	2	1/2" X 5"	
	17H760	RIVET	2	(A) 5/8" X 5"	
4	19H2663	CAP SCREW	4	3/4" X 2-1/8"	
5	14H794	NUT	4	3/4"	
6	AR28247	EXTENSION	1	(MARKED A3470 OR R32618 AND R28002 OR R28001)	
	AR28249	EXTENSION	1	(A) (MARKED R28002 OR R20252)	
7	19H1708	CAP SCREW	2	5/8" X 1-3/4"	
8	12H294	LOCK WASHER	2	5/8"	
9	24H1106	WASHER	2	11/16" X 1-3/4" X 0.134"	
10	A4118R	SUPPORT	1		
11	A4119R	SPACER	2		
12	24H1211	WASHER	2	9/16" X 1-3/8" X 0.105"	
13	12H301	LOCK WASHER	2	1/2"	
14	19H2473	CAP SCREW	2	1/2" X 1-3/4"	
15	A4117R	LOCK	1		
16	JD7778	LUBRICATION FITTING	2	30°	
17	A3476R	THRUST WASHER	2		
	R20260	WASHER	2	(A)	
18	F3319R	ADJUSTING STRAP	2		
	R20261	PLATE	2	(A)	
19	19H1936	CAP SCREW	4	3/8" X 3/4"	
	19H1822	CAP SCREW	4	(A) 7/16" X 1"	
20	R26947	GASKET	2		
	R30392	GASKET	2	(A)	
21	AR39858	CAP	2	(MARKED R39925) (SUB FOR R26946)	
	R30391	CAP	2	(A)	
22	12H303	LOCK WASHER	8	5/16", (USE WITH R26946)	
	24H1136	WASHER	8	11/32" X 11/16" X 0.065", (USE WITH R39925)	
	12H304	LOCK WASHER	8	3/8"	
23	19H1905	CAP SCREW	8	5/16" X 1", (USE WITH R26946)	
	19H2661	CAP SCREW	8	5/16" X 1-3/8", (USE WITH R39925)	
	19H2461	CAP SCREW	8	3/8" X 1-1/4"	
24	11M7030	COTTER PIN	2	0.197" X 1.575"	
25	14H920	NUT	2	1"	
26	R28575	WASHER	2	(SUB FOR A5146R)	
27	R20255	DUST SHIELD	2		
28	A3481R	BUSHING	1	(SUB FOR AA4074R)	
	R20942	BUSHING	4	(A)	
29	A3475R	ASSEMBLY LINE PARTS	2		
	R20256	RETAINER	2	(A)	
30	AR27316	KNUCKLE	1	R.H. (MARKED R30389)	
	AR27314	KNUCKLE	1	(A) R.H. (MARKED R30387)	
	AR27317	KNUCKLE	1	L.H. (MARKED R30390)	
	AR27315	KNUCKLE	1	(A) L.H. (MARKED R30388)	
31	A3474R	WASHER	2		
	R20259	BUSHING	2	(A)	

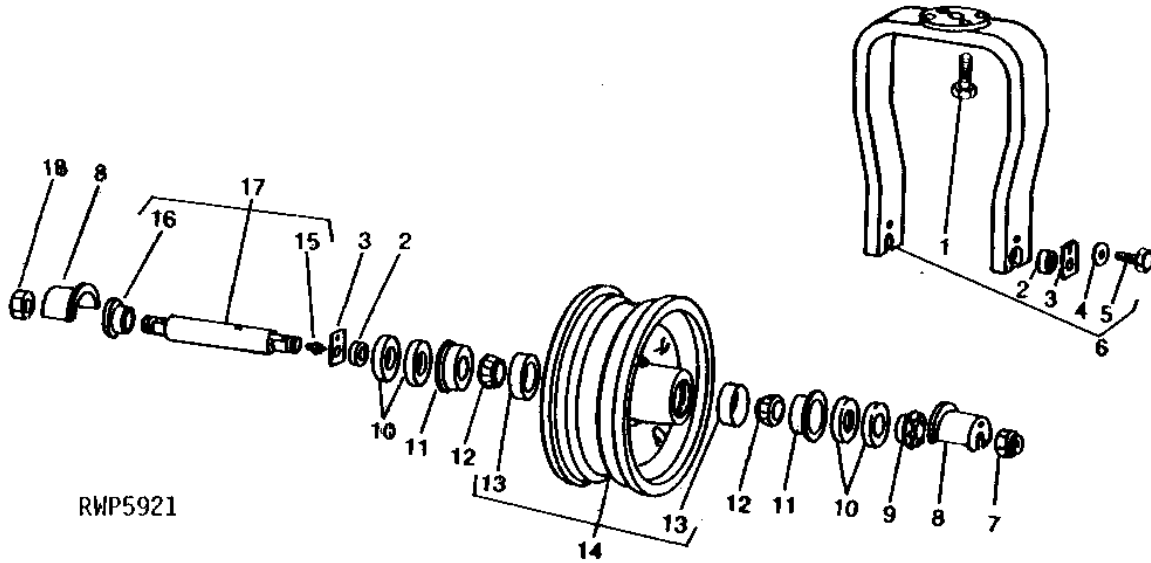
(A) HEAVY-DUTY

# 3B13

WHEELS, FRONT AXLES, SHEET METAL

SINGLE FRONT WHEEL  
(6.50 X 16" AND 7.50 X 16")

RWP5921 -UN-01JAN94



RWP5921

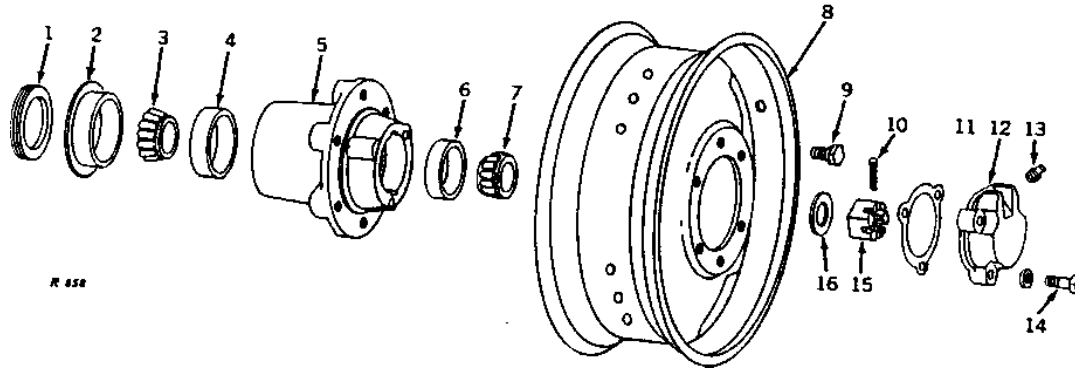
KEY	PART NO.	PART NAME	QTY	TRACTOR SERIAL NO.	REMARKS
1	19H2663	CAP SCREW	4		
2	F3127R	SPACER	2		
3	F3126R	PLATE	2		
4	12H304	LOCK WASHER	1	3/8"	
5	H772R	SET SCREW	1		
6	AR27298	YOKE	1		(USE WITH WHEEL FOR 6.50-16" TIRE) (NO LONGER AVAILABLE)
	AR28242	YOKE	1		(USE WITH WHEEL FOR 7.50-16" TIRE)
7	B551R	NUT	1		
8	H773R	DUST SHIELD	2		
9	B548R	NUT	1		
10	B90R	WASHER	4		
11	B89R	RETAINER	2		
12	JD7222	BEARING CONE	2		
13	JD7266	BEARING CUP	2		
14	AB3686R	WHEEL	1	(MARKED B2681R)	
15	JD7759	LUBRICATION FITTING	1		
16	B2683R	BUSHING	1		
17	AB4259R	AXLE	1		
18	14H876	NUT	1	1"	
..	.....	YOKE	1		AR27078 KIT (NO LONGER AVAILABLE)

# 3B14

WHEELS, FRONT AXLES, SHEET METAL

## FRONT WHEELS (EXCEPT SINGLE FRONT WHEEL)

R858 -UN-19DEC94



KEY	PART NO.	PART NAME	QTY	TRACTOR SERIAL NO.	REMARKS
1	AR26480	SEAL	1		
	D636R	WASHER	2	(A)	
2	R26632	BUSHING	1		
	D635R	RETAINER	1	(A)	
3	JD8913	BEARING CONE	1		
	JD7224	BEARING CONE	1	(A)	
4	JD7445	BEARING CUP	1		
	JD7270	BEARING CUP	1	(A)	
5	R48763	HUB	1	(ALSO ORDER (6) JD16) (SUB FOR R26631)	
	AF912R	HUB	1	(A) (MARKED F843R)	
6	JD8251	BEARING CUP	1		
	JD7266	BEARING CUP	1	(A)	
7	JD8929	BEARING CONE	1		
	JD8186	BEARING CONE	1	(A)	
8	JD1299	WHEEL	1		(6.00X16", 6-PLY TIRE) (ROW-CROP WITH DOUBLE KNUCKLE, REGULAR OR HEAVY-DUTY ROLL-O-MATIC AND ADJUSTABLE TREAD FRONT AXLE)
	JD1091	WHEEL	1		(7.50X15", 6-PLY TIRE) (ROW-CROP WITH DOUBLE KNUCKLE, HEAVY-DUTY ROLL-O-MATIC AND ADJUSTABLE TREAD FRONT AXLE)
	JD3211	WHEEL	1		(7.50X18" 6-PLY TIRE) (ROW-CROP WITH ADJUSTABLE TREAD FRONT AXLE AND STANDARD WITH ADJUSTABLE OR FIXED TREAD FRONT AXLE)
	JD3210	WHEEL	1		(9.00X16", 10.00X16" OR 11.00X16", 8-PLY TIRE) (ROW-CROP AND STANDARD)
	JD3039	WHEEL	1		(7.50X16", 6-PLY TIRE) (ROW-CROP WITH HEAVY-DUTY ROL-O-MATIC AND ADJUSTABLE TREAD FRONT AXLE) (SUB FOR JD1293) (SUB JD1291)
	JD1290	WHEEL	1	(A) (SUB JD1291)	
	JD3227	RIM	1	(SUB FOR JD1298) (SUB JD1291) (7.50X20", 6-PLY TIRE) (HI-CROP)	
9	JD22	WHEEL BOLT	6		
	JD16	WHEEL BOLT	6	(USE WITH R48763)	
10	11H222	COTTER PIN	1	3/16" X 2"	
11	A1556R	GASKET	1		
12	A1555R	CAP	1		
13	15H638	PIPE PLUG	1	1/8"	
14	19H2915	CAP SCREW	3	5/16" X 1-1/4"	
	24H1136	WASHER	6	11/32" X 11/16" X 0.065"	
15	14H920	NUT	1	1"	
16	R28575	WASHER	1	(SUB FOR A5146R)	
	AM30347	TIRE VALVE STEM	1	(SUB FOR AR55282) (USE WITH TUBELESS TIRES)	

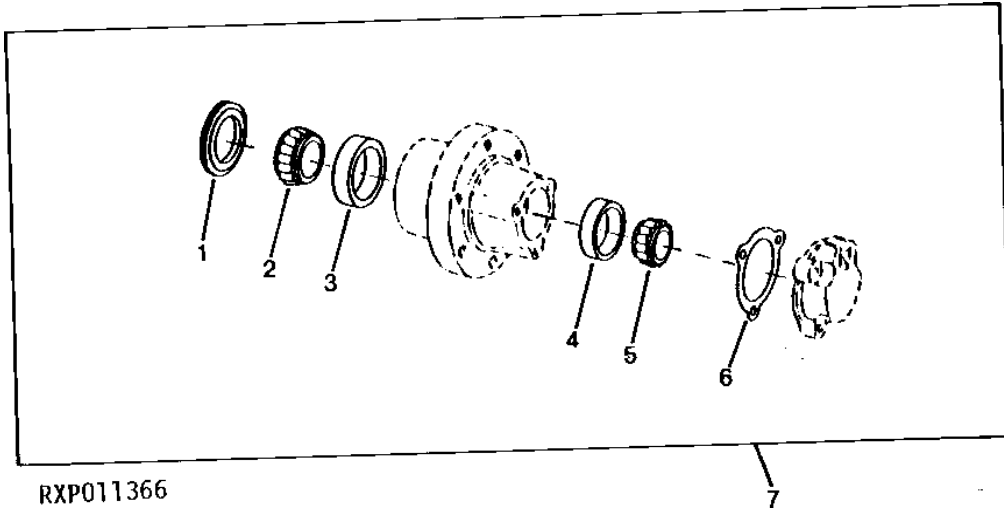
(A) WITH 965MM (38") FIXED TREAD

# 3B15

WHEELS, FRONT AXLES, SHEET METAL

RXP011366 -UN-12OCT94

## FRONT WHEEL BEARING KIT



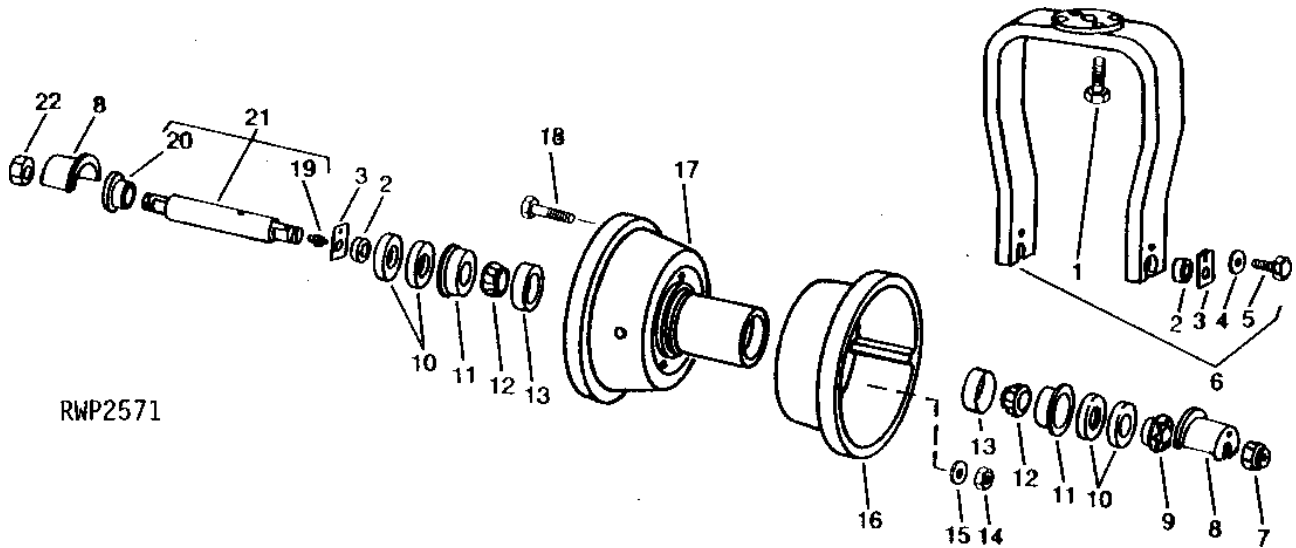
KEY	PART NO.	PART NAME	QTY	TRACTOR SERIAL NO.	REMARKS
1	AR26480	SEAL	1		
2	JD8913	BEARING CONE	1		
3	JD7445	BEARING CUP	1		
4	JD8251	BEARING CUP	1		
5	JD8929	BEARING CONE	1		
6	A1556R	GASKET	1		
7	RE54814	BEARING KIT	1		(USE WITH R48763)

# 3B16

WHEELS, FRONT AXLES, SHEET METAL

SINGLE FRONT WHEEL  
(11.00 X 12" AND 9.00 X 10")

RWP2571 -UN-01JAN94



RWP2571

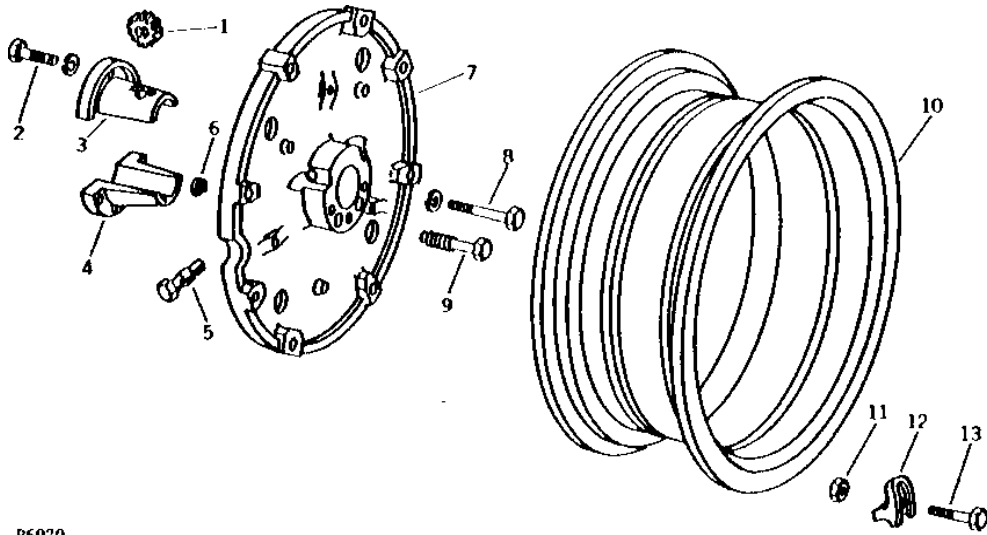
KEY	PART NO.	PART NAME	QTY	TRACTOR SERIAL NO.	REMARKS
1	19H2663	CAP SCREW	4		3/4" X 2-1/8"
2	R20656	SPACER	2		(NO LONGER AVAILABLE)
3	R20648	STRAP	2		
4	12H304	LOCK WASHER	1		3/8"
5	H772R	SET SCREW	1		
6	AR27299	YOKE	1		(9.00-10" TIRE) (HEAVY-DUTY)
	AR28243	YOKE	1		(11.00-12" TIRE)
7	B551R	NUT	1		
	14H1019	NUT	1		1-1/4"
8	R20655	DUST SHIELD	2		
9	B548R	NUT	1		
	R20653	NUT	1		
10	R3R	WASHER	4		
11	R2R	RETAINER	2		
12	JD8913	BEARING CONE	2		
13	JD7445	BEARING CUP	2		
14	14H800	NUT	4		5/8"
15	12H294	LOCK WASHER	4		5/8"
16	R31226	RIM	1		(11.00 X 12" TIRE)
	AA847R	WHEEL	1		(9.00-10" TIRE) (MARKED A1235R AND A1236R)
17	R31225	HUB	1		(11.00 X 12" TIRE)
18	19H2706	CAP SCREW	4		5/8" X 2", HS, SAE 8
	19H1824	CAP SCREW	4		5/8" X 2-1/4"
19	JD7759	LUBRICATION FITTING	1		1/8"
20	R20654	SPACER	1		
21	AR20750	FRONT AXLE	1		(NO LONGER AVAILABLE)
22	14H975	NUT	1		1-1/4"

# 3B17

WHEELS, FRONT AXLES, SHEET METAL

R6020 -UN-01JAN94

REAR WHEELS



R6020



# 3B18

WHEELS, FRONT AXLES, SHEET METAL

## REAR WHEELS - CONTINUED

KEY	PART NO.	PART NAME	QTY	TRACTOR SERIAL NO.	REMARKS
1	A4379R	PINION	1		
2	19H2600	CAP SCREW	3		3/4" X 2-5/8"
	12H236	LOCK WASHER	3		3/4"
3	A4384R	HALF SLEEVE	1		
4	R32224	HALF SLEEVE	1		(SUB FOR A4386R)
5	A4380R	PINION SHAFT	1		(SUB R73380 AND R83588)
6	A4883R	RING	2		
7	B3800R	WHEEL	1		(RC) (12.4-36 OR 13.9-36 TIRE AND RIM) (NO LONGER AVAILABLE)
	F1500R	WHEEL	1		(RC) (13.6-38, 14.9-38, OR 15.5-38 TIRE AND RIM)
	R71392	WHEEL	1		(RC) (SPECIAL OFFSET) (12.4-36 OR 13.9-36 TIRE AND RIM) (SUB FOR B3801R)
	F1478R	WHEEL	1		(RC) (SPECIAL OFFSET) (13.6-38, 14.9-38 OR 15.5-38 TIRE AND RIM) (NO LONGER AVAILABLE)
	F1590R	WHEEL	1		(ST) (16.9-30 OR 18.4-30 TIRE AND RIM) (NO LONGER AVAILABLE)
	R21480	WHEEL	1		(ST) (18.4-34 TIRE AND RIM)
	R31610	WHEEL	1		(RC) (13.6-38, 14.9-38 AND 15.5-38 TIRE AND RIM) (SUB B3014R, R48954, R33539, R33540, (2) R58303 AND (3) 08H4419)
	R32000	WHEEL	1		(RU AND OR) (16.9-26 TIRE AND RIM) (OR) (18.4-26 TIRE AND RIM)
	R32010	WHEEL	1		(RU) (14.9-28 OR 16.9-28 TIRE AND RIM)
	R32230	WHEEL	1		(ST) (16.9-30 OR 18.4-30 TIRE AND RIM)
8	A4387R	BOLT	3	-029270	(SUB R34828)
	R34828	CAP SCREW	3	029271-	(SUB FOR R32225 OR A4387R)
	12H245	LOCK WASHER	3		7/8"
9	R39758	SCREW	2		(SUB FOR A4882R)
10	B3772R	RIM	1		(RC) (12.4-36 TIRE)
	B3773R	RIM	1		(RC) (13.9-36 TIRE) (NO LONGER AVAILABLE)
	R31490	RIM	1		(RC) (13.6-38 OR 14.9-38 TIRE) (SUB FOR F1480R)
	R31491	RIM	1		(RC) (15.5-38 TIRE)
	AD2636R	RIM	1		(ST) (16.9-30 TIRE) (NO LONGER AVAILABLE)
	F3337R	RIM	1		(ST) (18.4-30 TIRE) (NO LONGER AVAILABLE)
	R31993	RIM	1		(16.9-26 TIRE) (RU AND OR) (18.4-26 (RU AND OR) (16.9-26 TIRE) (OR) (18.4-26 TIRE)
	R31994	RIM	1		(RU) (14.8-28 TIRE)
	R31995	RIM	1		(RU) (16.9-28 TIRE)
	R32072	RIM	1		(ST) (18.4-34 TIRE)
	R32231	RIM	1		(ST) (16.9-30 TIRE)
	R32232	RIM	1		(ST) (18.4-30 TIRE)
11	14H800	NUT	AR		5/8", (8 USED RC AND ST) (9 USED RU AND OR)
12	A4388R	CLAMP	AR		(8 USED RC) (9 USED RU AND OR)
	B634R	CLAMP	8		(ST)
13	08H4694	BOLT	AR		5/8" X 4", (SUB FOR A4389R) (8 USED RC) (9 USED RU AND OR)
	A4064R	BOLT	8		(ST) (SUB R34801)

NOTE: RACK TYPE WHEELS ALSO FOR ROW-CROP UTILITY TRACTORS SERIAL NO. 1T21223 AND UP

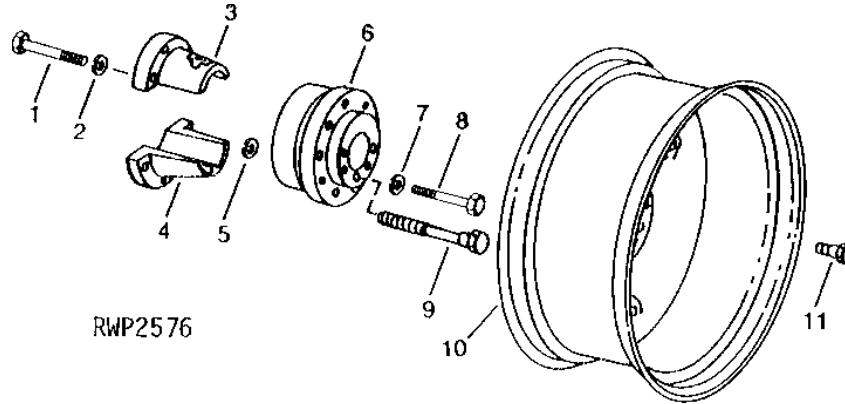
RC - ROW-CROP, ST - STANDARD, RU - ROW-CROP UTILITY, OR - ORCHARD

# 3B19

WHEELS, FRONT AXLES, SHEET METAL

## DUAL REAR WHEELS (ROW-CROP)

RWP2576 -UN-01JAN94



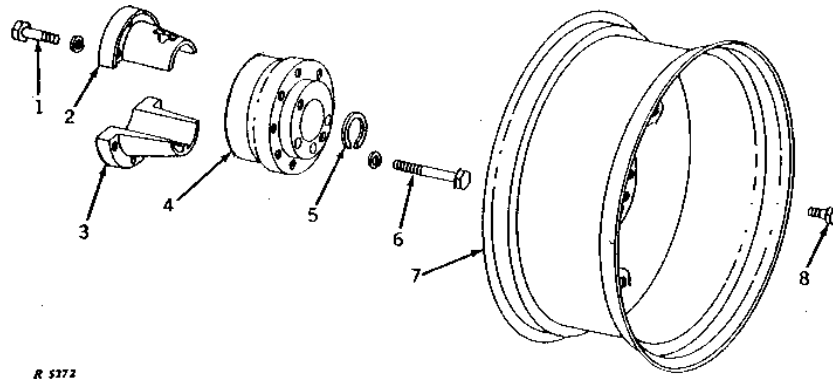
KEY	PART NO.	PART NAME	QTY	TRACTOR SERIAL NO.	REMARKS
1	19H2600	CAP SCREW	3		3/4" X 2-5/8"
2	12H236	LOCK WASHER	3		3/4"
3	A4384R	HALF SLEEVE	1		
4	R32224	HALF SLEEVE	1		(SUB FOR A4386R)
5	A4883R	RING	2		
6	R28490	HUB	1		
7	12H245	LOCK WASHER	3		7/8"
8	A4387R	CAP SCREW	3	-029270	(SUB R34828)
	R34828	CAP SCREW	3		(SUB FOR R32225)
9	R39758	SCREW	2		
10	JD3019	WHEEL	1		
11	JD27	SCREW	9		

# 3B20

WHEELS, FRONT AXLES, SHEET METAL

REAR WHEELS  
(UTILITY)  
(TRACTOR SERIAL NO. 001000-021222)

R5272 -UN-01JAN94



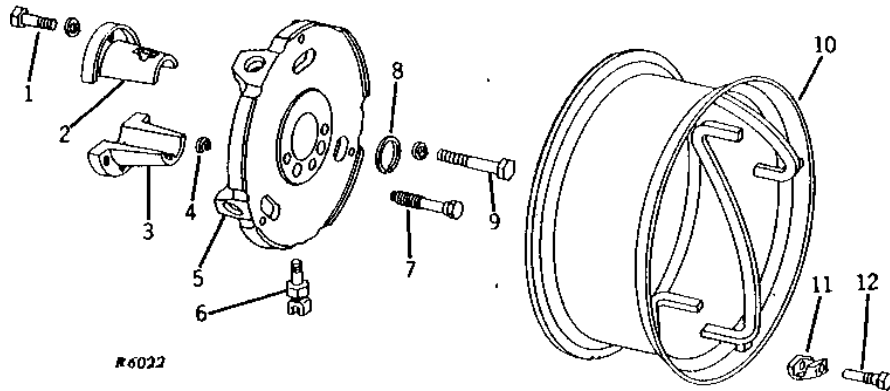
KEY	PART NO.	PART NAME	QTY	TRACTOR SERIAL NO.	REMARKS
1	19H2600	CAP SCREW	3	3/4" X 2-5/8"	
	12H236	LOCK WASHER	3	3/4"	
2	A4384R	HALF SLEEVE	1		
3	R32224	HALF SLEEVE	1		(SUB FOR A4386R)
4	R28490	HUB	1		
5	R28213	SNAP RING	1		
6	R34828	CAP SCREW	3		(SUB FOR A4387R)
	12H245	LOCK WASHER	3	7/8"	
7	JD3202	RIM	1		(13.6-28 TIRE) (NO LONGER AVAILABLE)
	JD1296	WHEEL	1		(16.9-24 TIRE) (NO LONGER AVAILABLE)
	JD3016	RIM	1		(14.9-28 TIRE)
8	JD27	SCREW	9		(SUB FOR R30622)

# 3B21

WHEELS, FRONT AXLES, SHEET METAL

POWER ADJUSTED REAR WHEELS  
(UTILITY)  
(TRACTOR SERIAL NO. 001000-021222)

R6022 -UN-01JAN94



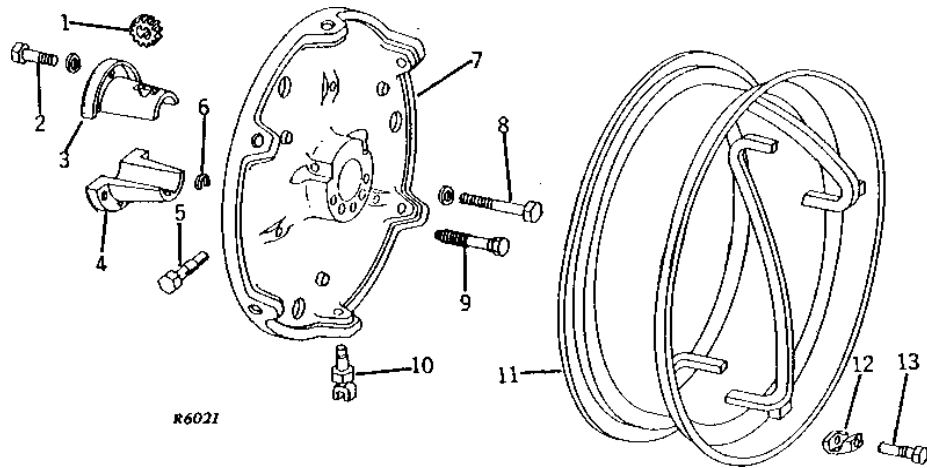
KEY	PART NO.	PART NAME	QTY	TRACTOR SERIAL NO.	REMARKS
1	19H2600	CAP SCREW	3	3/4" X 2-5/8"	
	12H236	LOCK WASHER	3	3/4"	
2	A4384R	HALF SLEEVE	1		
3	R32224	HALF SLEEVE	1	(SUB FOR A4386R)	
4	A4883R	RING	2		
5	R28500	WHEEL	1	(13.6-28 OR 14.9-28 TIRE AND RIM) (NO LONGER AVAILABLE)	
	R28510	WHEEL	1	(16.9-24 TIRE AND RIM) (NO LONGER AVAILABLE)	
6	AF3797R	SELF-LOCKING SCREW	5		
7	R39758	SCREW	2	(SUB FOR A4882R)	
8	R28213	SNAP RING	1		
9	R34828	CAP SCREW	3	(SUB FOR A4387R OR R32225)	
	12H245	LOCK WASHER	3	7/8"	
10	AR27609	RIM	1	(13.6-28 OR 14.9-28 TIRE) (NO LONGER AVAILABLE)	
11	M2334T	STOP	2		
12	M2335T	SCREW	2	(SUB FOR F3583R)	

# 3B22

WHEELS, FRONT AXLES, SHEET METAL

## POWER ADJUSTED REAR WHEELS (ROW-CROP)

R6021 -UN-01JAN94



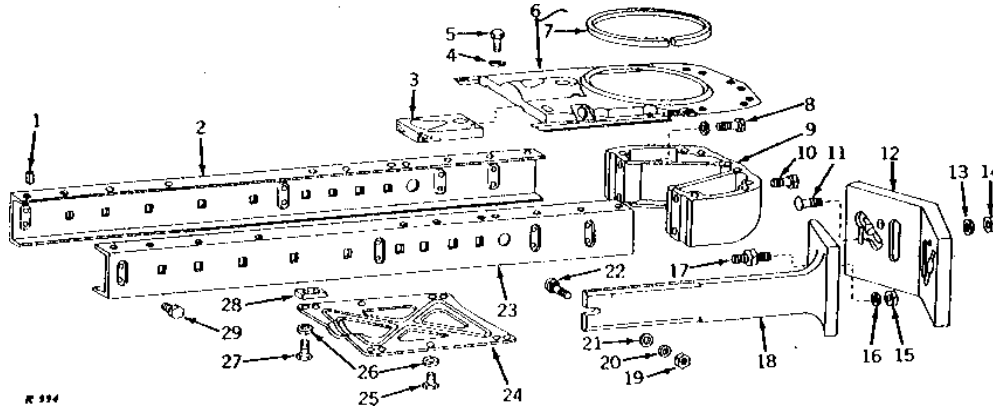
KEY	PART NO.	PART NAME	QTY	TRACTOR SERIAL NO.	REMARKS
1	A4379R	PINION	1		
2	19H2600	CAP SCREW	3		3/4" X 2-5/8"
	12H236	LOCK WASHER	3		3/4"
3	A4384R	HALF SLEEVE	1		
4	R32224	HALF SLEEVE	1		(SUB FOR A4386R)
5	A4380R	PINION SHAFT	1		(SUB R73380 AND R83588)
6	A4883R	RING	2		
7	B3965R	WHEEL	1		(12.4-36 OR 13.9-36 TIRE AND RIM) (NO LONGER AVAILABLE)
	F3534R	WHEEL	1		(13.6-38, 14.9-38, OR 15.5-38 TIRE AND RIM) (NO LONGER AVAILABLE)
8	A4387R	BOLT	3	-029270	(SUB R34828)
	R34828	CAP SCREW	3	029271-	(SUB FOR R32225)
	12H245	LOCK WASHER	3		7/8"
9	R39758	SCREW	2		(SUB FOR A4882R)
10	AF3797R	SELF-LOCKING SCREW	6		
11	AB5506R	RIM	1		(13.9-36 TIRE) (NO LONGER AVAILABLE)
	AF3739R	RIM	1		(13.6-38 OR 14.9-38 TIRE) (NO LONGER AVAILABLE)
	AF3740R	RIM	1		(15.5-38 TIRE) (NO LONGER AVAILABLE)
12	M2334T	STOP	2		
13	M2335T	SCREW	2		(SUB FOR F3583R)

# 3B23

WHEELS, FRONT AXLES, SHEET METAL

R994 -UN-01JAN94

## FRAME, FRAME PLATES, AND FRONT WEIGHTS



KEY	PART NO.	PART NAME	QTY	TRACTOR SERIAL NO.	REMARKS
1	34H309	SPRING PIN	4	1/4" X 5/8"	
2	R27022	FRAME	1	L.H. (SUB AR65369)	
3	R27898	ISOLATOR	1		
4	R26559	WASHER	8		
5	19H1924	CAP SCREW	8	7/16" X 3/4"	
6	AR45193	PLATE	1	(SUB FOR AR26799, AR39601 OR AR41718)	
7	.....	FOAM PAD	1	13 X 25 X 1083MM (1/2" X 1" X 42-5/8") (MAKE FROM R30936) (SUB FOR R27131)	
8	19H2706	CAP SCREW	4	5/8" X 2", HS, SAE 8	
	12H294	LOCK WASHER	4	5/8"	
9	R38029	SUPPORT	1	(SUB FOR R27023, R34329 OR R41107)	
10	19H2009	CAP SCREW	2	3/4" X 1-5/8"	
11	03H1857	BOLT	2	5/8" X 2-3/4", (SUB FOR R27644)	
12	R27643	WEIGHT	1		
13	12H294	LOCK WASHER	2	5/8"	
14	14H800	NUT	2	5/8"	
15	14H794	NUT	2	3/4"	
16	12H236	LOCK WASHER	2	3/4"	
17	R27645	STUD	2		
18	R54114	SNAP RING	2	(SUB FOR R27642) (NO LONGER AVAILABLE)	
19	14H800	NUT	2	5/8"	
20	12H294	LOCK WASHER	2	5/8"	
21	F2783R	WASHER	2		
22	03H1857	BOLT	2	5/8" X 2-3/4", (SUB FOR R27644)	
23	R27021	FRAME	1	(SUB AR65368)	
24	.....	PLATE	1	(A) (SUB FOR R26558) (AR27456 NO LONGER AVAILABLE)	
25	19H1924	CAP SCREW	6	7/16" X 3/4"	
26	R26559	WASHER	10	(A)	
27	19H2964	CAP SCREW	4	(A) 7/16" X 1-1/8"	
28	R27598	STRAP	2	(A)	
29	R31505	BOLT	16	(SUB FOR R26288)	

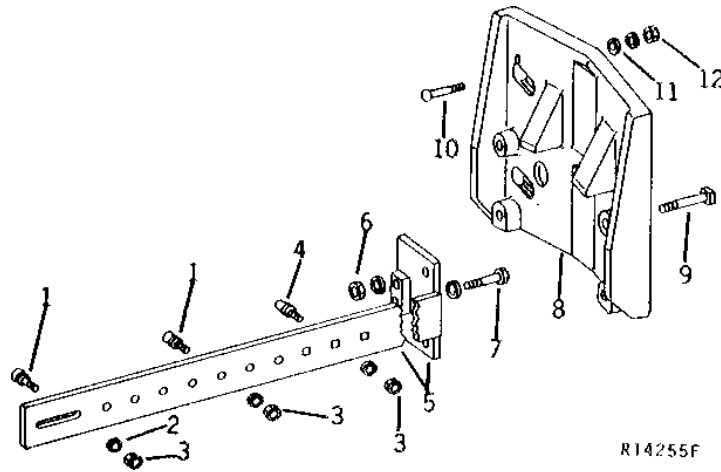
(A) EXCEPT TRACTORS WITH WIDE FRONT AXLES

# 3B24

WHEELS, FRONT AXLES, SHEET METAL

R14255 -UN-01JAN94

## DOUBLE FRONT WEIGHT



KEY	PART NO.	PART NAME	QTY	TRACTOR SERIAL NO.	REMARKS
1	03H1399	BOLT	4	5/8" X 1-3/4"	
2	24H1367	WASHER	2	21/32" X 1-1/4" X 1/4"	
3	14H1039	NUT	6	5/8" HS, SAE 8	
	12H294	LOCK WASHER	4	5/8"	
4	03H1399	BOLT	2	5/8" X 1-3/4"	
5	.....	SUPPORT	2	(SUB FOR AR46289) (AR58357 NO LONGER AVAILABLE)	
6	14H794	NUT	4	3/4"	
	12H236	LOCK WASHER	4	3/4"	
7	19H1909	CAP SCREW	2	3/4" X 3-3/4"	
	12H236	LOCK WASHER	2	3/4"	
8	R44350	WEIGHT	1	(NO LONGER AVAILABLE)	
9	08H4222	BOLT	4	3/4" X 3-3/4"	
10	03H1858	BOLT	4	5/8" X 3-1/2"	
11	R44890	NUT	4		
12	14H1039	NUT	4	5/8" HS, SAE 8	
	12H294	LOCK WASHER	4	5/8"	

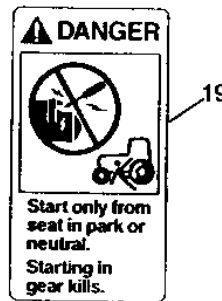
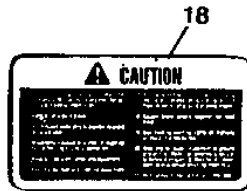
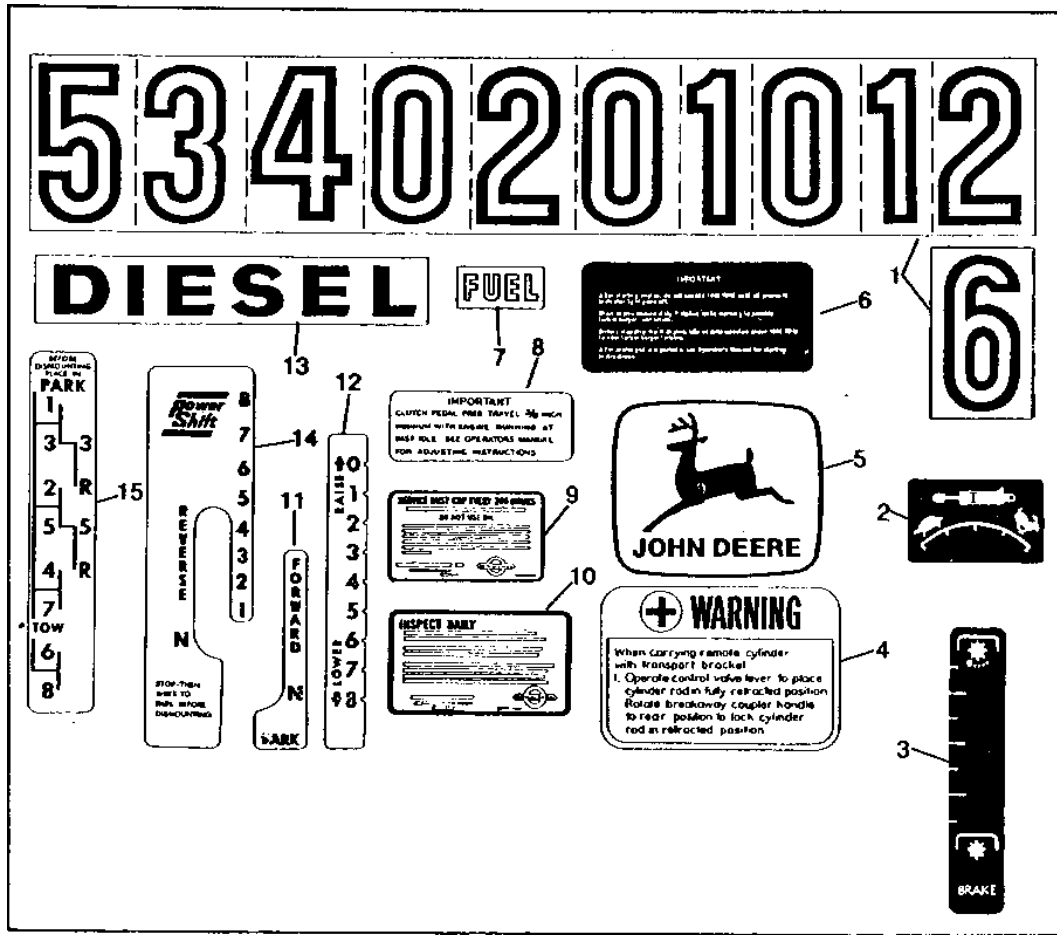
# 3C1

WHEELS, FRONT AXLES, SHEET METAL

RXP8088

-UN-01JAN94

DECAL SET



RXP8088



# 3C2

WHEELS, FRONT AXLES, SHEET METAL

## DECAL SET - CONTINUED

KEY	PART NO.	PART NAME	QTY	TRACTOR SERIAL NO.	REMARKS
1	R48361	DECAL	2		(SUB FOR R45957)
2	R44315	LABEL	1		REMOTE CYLINDER, R.H.
	R41933	LABEL	1		REMOTE CYLINDER, L.H.
3	R53293	LABEL	1		(A) PTO, (SUB FOR R44951)
	R53294	LABEL	1		(B) (SUB FOR R44952) PTO
4	R36689	DECAL	1		REMOTE CYLINDER WARNING
5	JD5234	DECAL	1		SEAT POST
6	R51908	LABEL	1		LABEL, INSTRUCTION
7	R31287	DECAL	1		
8	R34483	LABEL	1		CLUTCH PEDAL
9	R36756	DECAL	1		AIR CLEANER INDICATOR
	R44710	LABEL	1		AIR CLEANER INDICATOR
10	R34608	DECAL	1		AIR CLEANER, (SUB AR52393)
11	R40505	LABEL	1		(B) PARK
12	R40509	LABEL	1		SELECTIVE CONTROL
13	R30694	DECAL	2		
14	R40504	LABEL	1		(B) QUADRANT
15	R40676	LABEL	1		(A) QUADRANT
16	AR52393	DECAL	1		(SUB FOR AR47091) (ALSO ORDER T84409)
17	R83103	LABEL	1		(SUB FOR R64391) (SUB R120111) PTO SAFETY
18	R87529	LABEL	1		(SUB FOR R47739, R51821, R69270, R76341 OR R82425) SAFETY
19	T84409	WARNING LABEL	1		(SUB T134459) BYPASS START (ENGLISH)
	T84410	LABEL	1		(SUB T134452) BYPASS START (SPANISH)
	T84411	LABEL	1		(SUB T134453) BYPASS START (FRENCH)
	T84412	LABEL	1		(SUB T134454) BYPASS START (GERMAN)
	T84413	LABEL	1		(SUB T134455) BYPASS START (ITALIAN)
	T84578	LABEL	1		(SUB T134456) BYPASS START (ENGLISH/FRENCH)

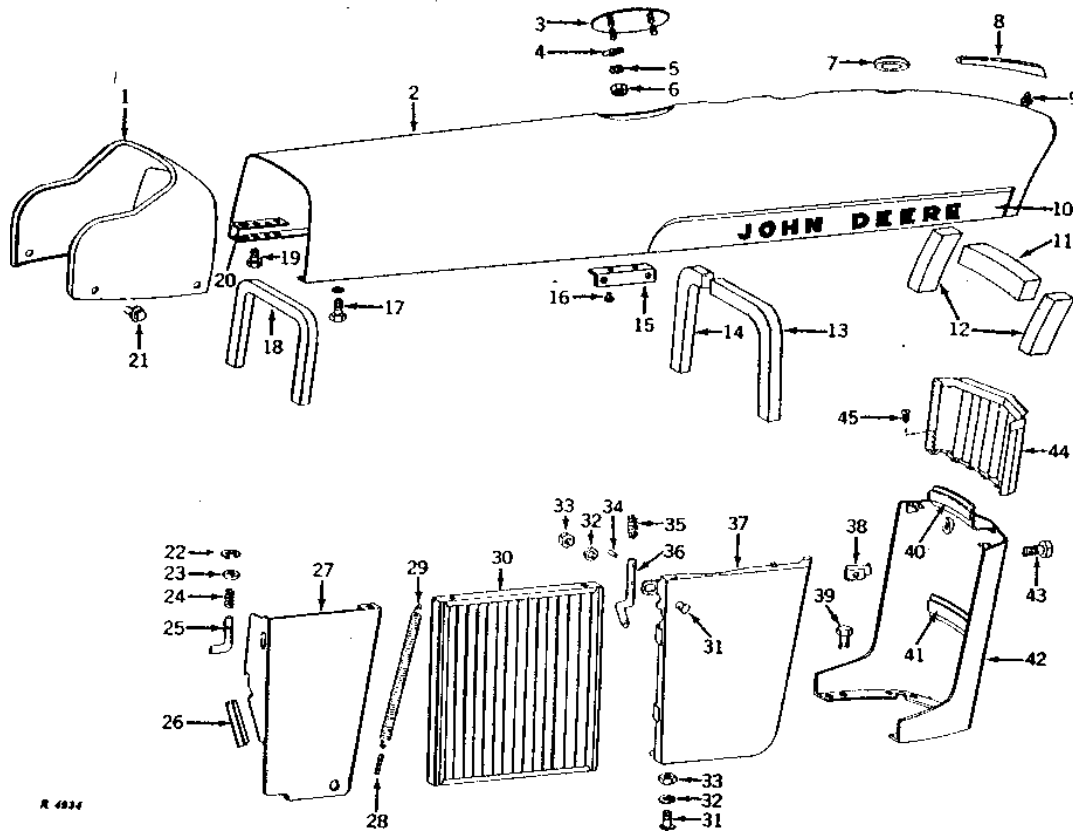
(A) SYNCRO-RANGE TRANSMISSION  
(B) POWER SHIFT TRANSMISSION

# 3C3

WHEELS, FRONT AXLES, SHEET METAL

R4934 -UN-01JAN94

## HOOD AND ASSOCIATED PARTS



R 4934

KEY	PART NO.	PART NAME	QTY	TRACTOR SERIAL NO.	REMARKS
1	AR41584	COWL	1		(SUB FOR R26898, AR32765 OR AR45371)
2	AR41148	HOOD	1		(RC, ST, AND RU) (SUB FOR AR26564, AR32512 OR AR40338)
	AR41150	HOOD	1		(OR) (SUB FOR AR31175, AR33933 OR AR40369) (NO LONGER AVAILABLE)
3	R31771	COVER	1		(OR)
4	A471R	CLAMP	4		(OR)
5	12H297	LOCK WASHER	4		1/4", (OR)

THIS PARTS LISTING IS CONTINUED

# 3C4

WHEELS, FRONT AXLES, SHEET METAL

## HOOD AND ASSOCIATED PARTS - CONTINUED

KEY	PART NO.	PART NAME	QTY	TRACTOR SERIAL NO.	REMARKS
6	14H786	NUT	4		1/4", (OR)
7	R39613	GROMMET	1		(GASOLINE AND DIESEL) (SUB FOR A5157R)
	R28010	GROMMET	1		(LP-GAS)
8	AR28047	MEDALLION	1		
9	37H42	SCREW	2		NO. 10 X 3/8", (SUB FOR R31286) (WHEN AR28047 HAS BEEN INSTALLED)
10	AR28048	MOLDING	1		
	AR28049	MOLDING	1		
	R42662	NUT	10		(SUB FOR R27888)
11	.....	FOAM PAD	1		25 X 51 X 406MM (1" X 2" X 16") FRONT GRILLE SCREEN, UPPER, (MAKE FROM R28123)
12	.....	FOAM PAD	2		51 X 51 X 203MM (2" X 2" X 8") FRONT GRILLE SCREEN, SIDE, (MAKE FROM R35340)
13	.....	FOAM PAD	1		25 X 25 X 565MM (1" X 1" X 22-1/4") RADIATOR, R.H. (MAKE FROM R30937)
14	.....	FOAM PAD	1		25 X 25 X 292MM (1" X 1" X 11-1/2") RADIATOR, L.H. (MAKE FROM R30937)
15	AR30820	BRACKET	2		(OR) ENGINE SHIELD, UPPER, (NO LONGER AVAILABLE)
16	16H246	RIVET	4		3/16" X 3/8", (OR)
17	19H1732	CAP SCREW	2		3/8" X 1-1/4"
	12H310	LOCK WASHER	2		3/8"
18	.....	FOAM PAD	1		25 X 25 X 737MM (1" X 1" X 29") HOOD, REAR, (MAKE FROM R30937)
19	AR26566	SCREW	4		
20	R26894	PLATE	2		
21	AR26568	SCREW	4		
22	R27507	SNAP RING	4		
23	24H1286	WASHER	4		9/32" X 1/2" X 1/16"
24	R28783	SPRING	4		
25	R27506	PIN	4		SIDE SHIELD LATCH
26	.....	FOAM PAD	2		13 X 13 X 124MM (1/2" X 1/2" X 4-7/8") (MAKE FROM R91558)
27	AR26850	SHIELD	1		R.H. (RC, ST AND RU)
	AR26851	SHIELD	1		L.H. (RC, ST AND RU)
	AR26852	SHIELD	1		R.H. (RC AND RU) (FRONT MOUNTED ROCKSHAFT WITH SINGLE OR DUAL CONTROL)
	AR26853	SHIELD	1		L.H. (RC AND RU) (FRONT MOUNTED ROCKSHAFT WITH DUAL CONTROL)
	AR30911	SHIELD	1		R.H. (OR) (SUB AR30909)
	AR30913	SHIELD	1		R.H. (OR) (SUB AR30909)
	AR30912	SHIELD	1		L.H. (OR) (SUB AR30910)
	AR30914	SHIELD	1		L.H. (OR) (SUB AR30910)
	R31807	PIN	2		(OR) (NO LONGER AVAILABLE)
28	11M7084	COTTER PIN	2		5 X 25 MM
29	R26858	SPRING	2		
30	AR26849	GRILLE	2		
31	03H1765	BOLT	4		3/8" X 3/4"
32	12H304	LOCK WASHER	4		3/8"
33	14H1076	NUT	4		3/8" HS, SAE 8
34	34H387	SPRING PIN	2		3/16" X 3/4"
35	B161R	SPRING	2		
36	R26702	ROD	1		HOOD LATCH, R.H.
	R26703	ROD	1		HOOD LATCH, L.H.
37	AR26497	PANEL	1		R.H.
	AR26498	PANEL	1		L.H.
38	R26694	CLIP	6		
39	19H1815	CAP SCREW	8		1/2" X 1-1/4"
40	.....	FOAM PAD	1		3 X 38 X 292MM (1/8" X 1-1/2" X 11-1/2") UPPER, (MAKE FROM R21736)
41	.....	FOAM PAD	1		3 X 38 X 264MM (1/8" X 1-1/2" X 10-3/8") LOWER, (MAKE FROM R21736)
42	AR26493	PLATE	1		
43	19H2009	CAP SCREW	2		3/4" X 1-5/8"
44	AR26494	GRILLE	1		
45	37H84	SCREW	6		1/4" X 3/4", (SUB FOR R28291)

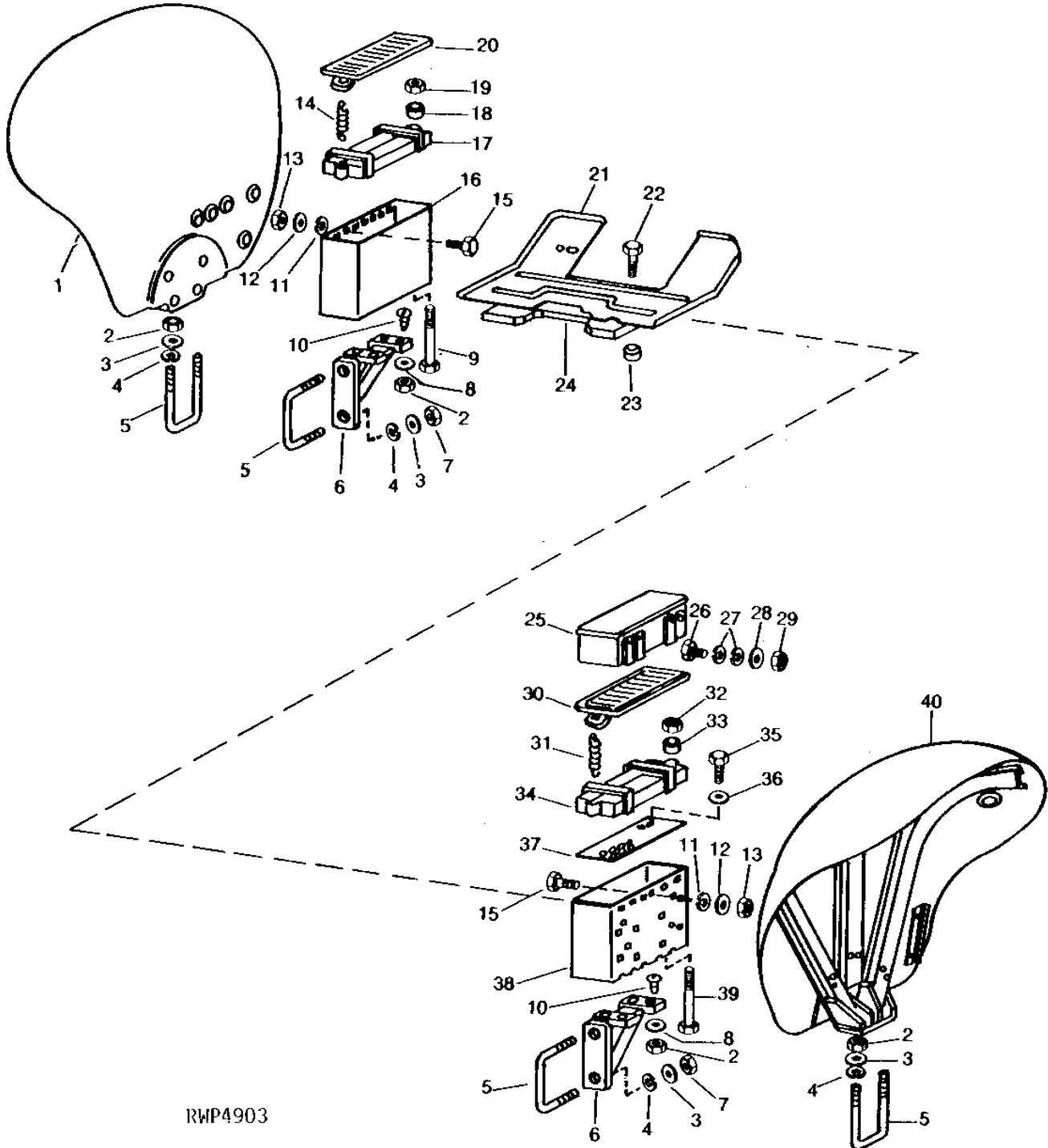
RC - ROW-CROP, ST - STANDARD, RU - ROW-CROP UTILITY, OR - ORCHARD

# 3C5

WHEELS, FRONT AXLES, SHEET METAL

## FENDERS, PLATFORM AND BATTERY BOX (STANDARD) (TRACTOR SERIAL NO. 001000-019799)

RWP4903 -UN-01JAN94



RWP4903

# 3C6

WHEELS, FRONT AXLES, SHEET METAL

**FENDERS, PLATFORM AND BATTERY BOX - CONTINUED**  
**(STANDARD)**  
**(TRACTOR SERIAL NO. 001000-019799)**

KEY	PART NO.	PART NAME	QTY	TRACTOR SERIAL NO.	REMARKS
1	AR42721	FENDER	1		(SUB FOR AR27388, AR32909 OR AR40459) (NO LONGER AVAILABLE)
2	14H1039	NUT	8		5/8" HS, SAE 8
3	12H294	LOCK WASHER	8		5/8"
4	24H1139	WASHER	8		11/16" X 1-1/4" X 0.105"
5	R26992	U-BOLT	4		
6	R34106	SUPPORT	2		(SUB FOR R28701) (NO LONGER AVAILABLE)
7	14H1040	NUT	8		1/2" HS, SAE 8
8	12H301	LOCK WASHER	8		1/2"
9	03H2173	BOLT	2		1/4" X 9-3/4"
10	21H1099	SCREW	8		1/2" X 1-1/2"
11	24M7096	WASHER	10		10.500 X 18 X 1.600 MM
12	12H304	LOCK WASHER	10		3/8"
13	14H1076	NUT	10		3/8" HS, SAE 8
14	R2577R	SPRING	2		
15	03H1480	BOLT	10		3/8" X 1-1/4"
16	AR40039	BATTERY BOX	1		(SUB FOR AR27362 OR AR34613)
17	AR26469	HOLD-DOWN CLIP	1		
18	R20522	BUSHING	2		
19	14H786	NUT	2		1/4"
20	AR30468	COVER	1		(SUB FOR AR27363)
21	R28014	PLATFORM	1		(SUB FOR AR27310) (NO LONGER AVAILABLE)
22	19H1733	CAP SCREW	4		3/8" X 2-1/2"
23	28H1530	BUSHING	4		3/8" X 1-13/16"
24	.....	FOAM PAD	1		(NO LONGER AVAILABLE)
25	AR34684	TOOLBOX	1		(B) (SUB FOR AR27750)
26	19H1936	CAP SCREW	2		3/8" X 3/4"
27	24H1305	WASHER	4		(B) 13/32" X 13/16" X 0.065"
28	12H304	LOCK WASHER	2		(B) 3/8"
29	14H1076	NUT	2		(B) 3/8"
30	AR30468	COVER	1		(B) BATTERY BOX, (SUB FOR AR27363)
	AR30468	COVER	1		(A) TOOL BOX, (SUB FOR AR27363)
31	R2577R	SPRING	2		
32	14H786	NUT	2		1/4"
33	R20522	BUSHING	2		(B)
34	AR26469	HOLD-DOWN CLIP	1		(B)
35	19H2479	CAP SCREW	2		(A) 1/4" X 3/8"
36	24H1136	WASHER	2		(A) 11/32" X 11/16" X 0.065"
37	R28790	SCREEN	1		(A)
38	AR40039	BATTERY BOX	1		(B) BATTERY, (SUB FOR AR27362)
	AR40039	BATTERY BOX	1		(A) TOOL
39	03H2173	BOLT	2		(B) 1/4" X 9-3/4"
40	AR42720	FENDER	1		(SUB FOR AR27387 OR AR34795)

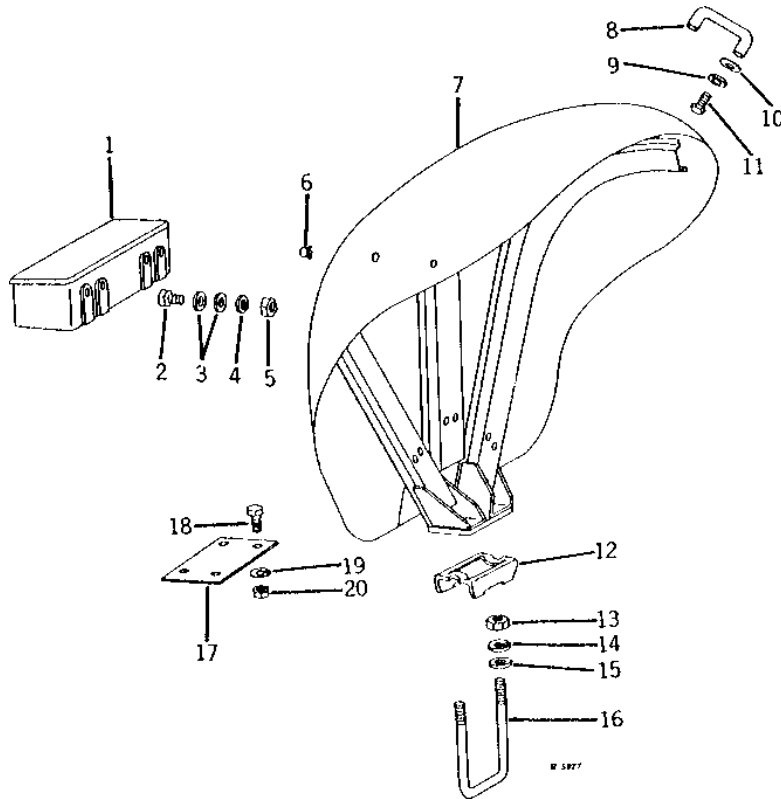
(A) GASOLINE AND LP-GAS  
 (B) DIESEL

# 3C7

WHEELS, FRONT AXLES, SHEET METAL

## FENDERS AND TOOL BOX (STANDARD) (TRACTOR SERIAL NO. 019800- )

R5977 -UN-01JAN94



KEY	PART NO.	PART NAME	QTY	TRACTOR SERIAL NO.	REMARKS
1	AR34684	TOOLBOX	1	(A) (SUB FOR AR27750)	
2	19H1936	CAP SCREW	2	(A) 3/8" X 3/4"	
3	24H1305	WASHER	4	(A) 13/32" X 13/16" X 0.065"	
4	12H304	LOCK WASHER	2	(A) 3/8"	
5	14H1076	NUT	2	(A) 3/8" HS, SAE 8	
6	R42451	PLUG	2	(SUB FOR R31420)	
7	AR40496	FENDER	1	(SUB FOR AR30487)	
8	R31618	HANDLE	1	(SUB FOR R35774)	
9	R27441	WASHER	1		
10	24H1309	WASHER	4	13/32" X 1-1/16" X 0.120"	
11	19H1936	CAP SCREW	2	3/8" X 3/4"	
12	R39766	SPACER	2	(SUB FOR R31635)	
13	14H1039	NUT	2	5/8" HS, SAE 8	
14	12H294	LOCK WASHER	2	5/8"	
15	24H1139	WASHER	2	11/16" X 1-1/4" X 0.105"	
16	R26992	U-BOLT	1		
	R39767	U-BOLT	1	(SUB FOR R31636)	
17	R31634	PLATE	1	(NOT REQUIRED) (NO LONGER AVAILABLE)	
18	19H1708	CAP SCREW	2	5/8" X 1-3/4"	
19	24H1139	WASHER	2	11/16" X 1-1/4" X 0.105"	
20	14H1039	NUT	2	5/8" HS, SAE 8	

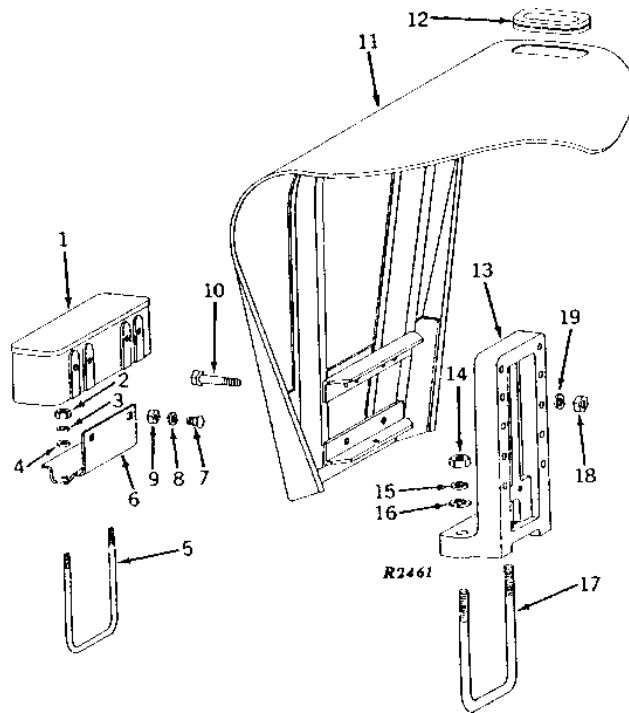
(A) LESS ROCKSHAFT

# 3C8

WHEELS, FRONT AXLES, SHEET METAL

## FENDERS AND TOOL BOX (ROW-CROP)

R2461 -UN-01JAN94



KEY	PART NO.	PART NAME	QTY	TRACTOR SERIAL NO.	REMARKS
1	AR34684	TOOLBOX	1	(A) (SUB FOR AR27750)	
2	14H1076	NUT	2	(A) 3/8" HS, SAE 8	
3	12H304	LOCK WASHER	2	(A) 3/8"	
4	24M7096	WASHER	2	(A) 10.500 X 18 X 1.600 MM	
5	R28482	U-BOLT	1	(A)	
6	T14415	SUPPORT	1	(A)	
7	03H1765	BOLT	2	(A) 3/8" X 3/4"	
8	12H304	LOCK WASHER	2	(A) 3/8"	
9	14H1076	NUT	2	(A) 3/8"	
10	19H1974	CAP SCREW	4	1/2" X 2-3/4"	
11	AR48872	FENDER	1	R.H. (SUB FOR AR26595) (SUB RE13878)	
	AR48873	FENDER	1	L.H. (SUB FOR AR20870, AR38451 AND AR45453) (SUB RE13879)	
12	R20759	GROMMET	1		
13	R41296	SUPPORT	1	(SUB FOR R26991 OR R32120)	
14	14H1039	NUT	2	5/8"	
15	12H294	LOCK WASHER	2	5/8"	
16	24H1139	WASHER	2	11/16" X 1-1/4" X 0.105"	
17	R26992	U-BOLT	1		
18	14H1040	NUT	4	1/2" HS, SAE 8	
19	12H301	LOCK WASHER	4	1/2"	

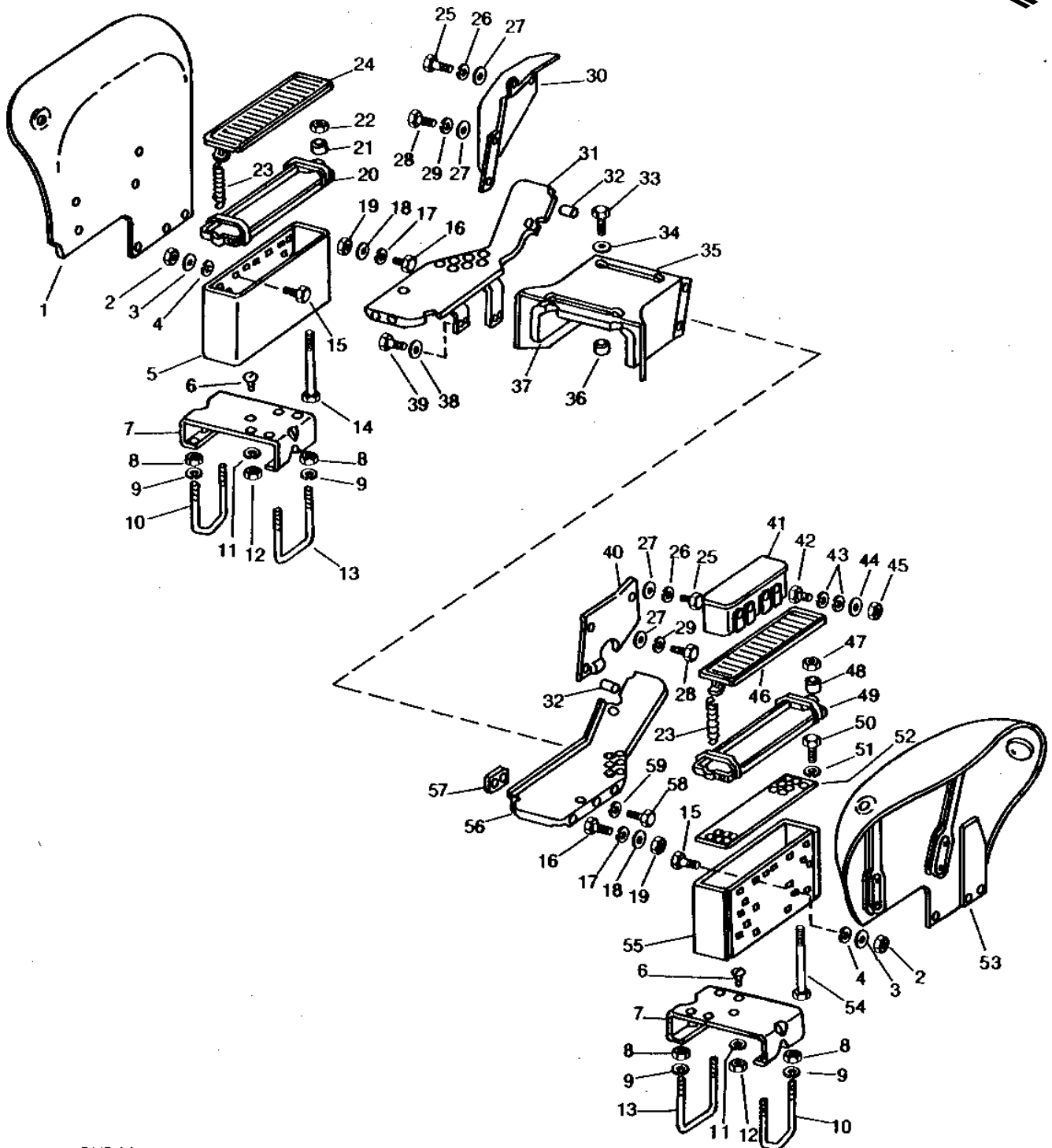
(A) LESS ROCKSHAFT

# 3C9

WHEELS, FRONT AXLES, SHEET METAL

## FENDERS, PLATFORM, BATTERY BOXES AND SHIELDS (UTILITY)

RWP4904 -UN-01JAN94



RWP4904



# 3C10

WHEELS, FRONT AXLES, SHEET METAL

## FENDERS, PLATFORM, BATTERY BOXES AND SHIELDS - CONTINUED (UTILITY)

KEY	PART NO.	PART NAME	QTY	TRACTOR SERIAL NO.	REMARKS
1	AR40458	FENDER	1		(SUB FOR AR27583 OR AR34986) (NO LONGER AVAILABLE)
2	14H1076	NUT	8		3/8" HS, SAE 8
3	12H304	LOCK WASHER	8		3/8"
4	24M7096	WASHER	8		10.500 X 18 X 1.600 MM
5	AR40039	BATTERY BOX	1		(SUB FOR AR27362)
6	21H1251	SCREW	8		1/2" X 1"
7	R33808	SUPPORT	2		(NO LONGER AVAILABLE) (SUB FOR R28044)
8	14H1039	NUT	8		5/8" HS, SAE 8
9	12M7038	LOCK WASHER	8		0.650"
10	R28046	U-BOLT	2		(NO LONGER AVAILABLE)
11	12H292	LOCK WASHER	8		1/2"
12	14H1040	NUT	8		1/2" HS, SAE 8
13	R28045	U-BOLT	2		
14	03H2173	BOLT	2		1/4" X 9-3/4"
15	03H1519	BOLT	8		3/8" X 1"
16	19H1731	CAP SCREW	6		3/8" X 1"
17	24M7096	WASHER	2		10.500 X 18 X 1.600 MM
18	12H304	LOCK WASHER	6		3/8"
19	14H1076	NUT	6		3/8" HS, SAE 8
20	AR26469	HOLD-DOWN CLIP	1		
21	R20522	BUSHING	2		
22	14H786	NUT	2		1/4"
23	R2577R	SPRING	4		
24	AR30468	COVER	1		(SUB FOR AR27363)
25	19H2487	CAP SCREW	3		5/16" X 9/16"
26	12H303	LOCK WASHER	3		5/16"
27	24H1290	WASHER	7		21/64" X 3/4" X 0.035"
28	19H2485	CAP SCREW	4		5/16" X 7/16"
29	12H303	LOCK WASHER	4		5/16"
30	AR28015	SHIELD	1		CLUTCH HOUSING, L.H.
31	AR27407	PLATFORM	1		(NO LONGER AVAILABLE)
32	34H336	SPRING PIN	2		5/16" X 2-1/4"
33	19H1726	CAP SCREW	4		3/8" X 2-1/4"
34	12H304	LOCK WASHER	4		3/8"
35	AR30465	SHIELD	1		TRANSMISSION CASE, (SUB FOR AR27394) (NO LONGER AVAILABLE)
36	28H1497	BUSHING	4		3/8" X 1-1/2"
37	R28098	FOAM PAD	1		(NO LONGER AVAILABLE)
38	12H304	LOCK WASHER	6		3/8"
39	19H1936	CAP SCREW	6		3/8" X 3/4"
40	AR28014	SHIELD	1	-032399	(SUB AR31697)
41	AR31697	SHIELD	1	032400-	(SUB FOR AR28014)
42	AR34684	TOOLBOX	1		(B) (SUB FOR AR27750)
43	19H1936	CAP SCREW	2		3/8" X 3/4"
44	24H1305	WASHER	4		13/32" X 13/16" X 0.065"
45	12H304	LOCK WASHER	2		3/8"
46	14H1076	NUT	2		3/8" HS, SAE 8
47	AR30468	COVER	1		(B)
48	AR30468	COVER	1		(A)
49	14H786	NUT	2		1/4"
50	R20522	BUSHING	2		(B)
51	AR26469	HOLD-DOWN CLIP	1		(B)
52	19H2479	CAP SCREW	2		(A) 1/4" X 3/8"
53	24H1136	WASHER	2		(A) 11/32" X 11/16" X 0.065"
54	R28790	SCREEN	1		(A)
55	AR27582	FENDER	1		
56	03H2173	BOLT	2		(B) 1/4" X 9-3/4"
57	AR40039	BATTERY BOX	1		(B) BATTERY, (SUB FOR AR27362)
58	AR40039	BATTERY BOX	1		(A) TOOL, (SUB FOR AR27362)
59	AR27406	PLATFORM	1		
60	.....	SPACER	1		(NO LONGER AVAILABLE)
61	19H1732	CAP SCREW	2		3/8" X 1-1/4"
62	12H304	LOCK WASHER	2		3/8"

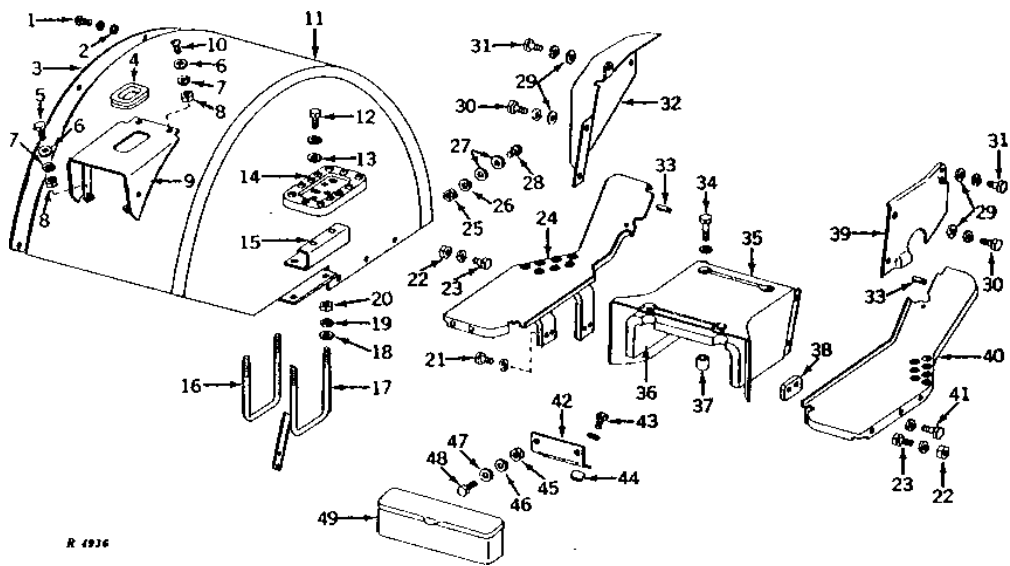
(A) GASOLINE AND LP-GAS  
(B) DIESEL

# 3C11

WHEELS, FRONT AXLES, SHEET METAL

## FENDERS, PLATFORM AND SHIELDS (ORCHARD)

R4936 -UN-01JAN94



# 3C12

WHEELS, FRONT AXLES, SHEET METAL

## FENDERS, PLATFORM AND SHIELDS - CONTINUED (ORCHARD)

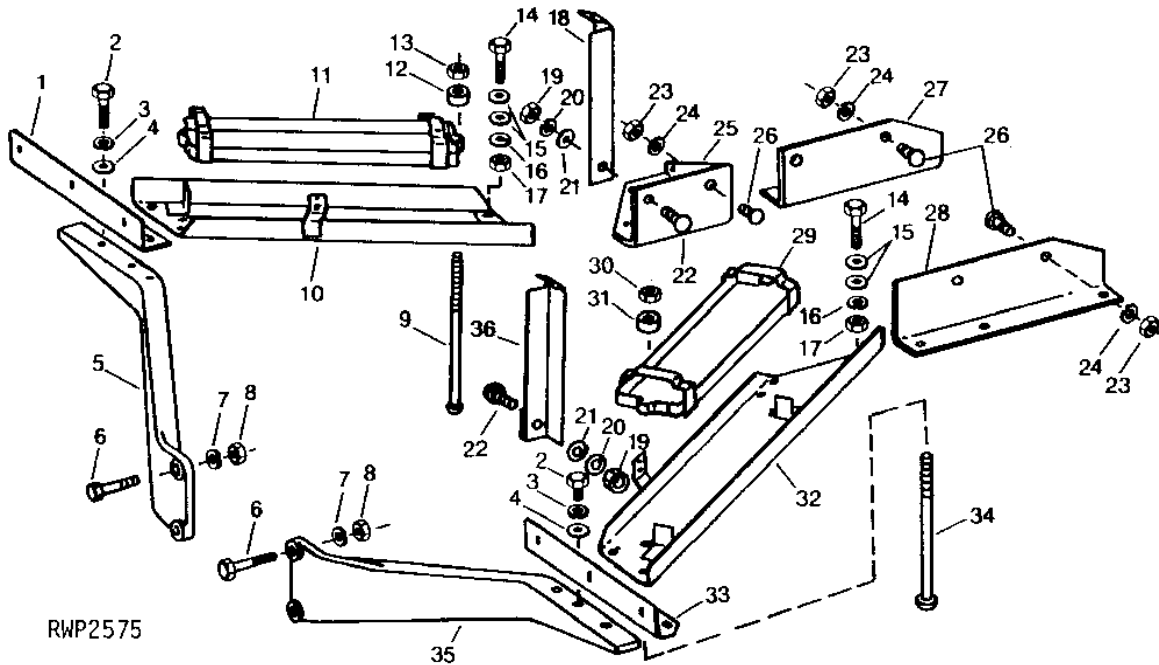
KEY	PART NO.	PART NAME	QTY	TRACTOR SERIAL NO.	REMARKS
1	21H1029	SCREW	16		5/16" X 3/4"
	12M7032	LOCK WASHER	16		0.331"
2	24H1290	WASHER	16		21/64" X 3/4" X 0.035"
3	AR30964	FENDER	2		SIDE (NO LONGER AVAILABLE)
4	R20759	GROMMET	1		
5	19H1900	CAP SCREW	2		5/16" X 3/4"
6	24H1136	WASHER	4		11/32" X 11/16" X 0.065"
7	12H303	LOCK WASHER	4		5/16"
8	14H785	NUT	4		5/16"
9	AR30851	GUARD	1		(NO LONGER AVAILABLE)
10	21H1029	SCREW	2		5/16" X 3/4"
11	AR30962	FENDER	1		L.H. (NO LONGER AVAILABLE)
	AR30961	FENDER	1		R.H. (NO LONGER AVAILABLE)
12	19H1731	CAP SCREW	2		3/8" X 1"
	12H304	LOCK WASHER	2		3/8"
13	24H1305	WASHER	2		13/32" X 13/16" X 0.065"
14	F3195R	STEP	1		
15	AR30917	SUPPORT	1		STEP (NO LONGER AVAILABLE)
16	R26992	U-BOLT	3		
17	AR30842	U-BOLT	1		(NO LONGER AVAILABLE)
18	24H1139	WASHER	8		11/16" X 1-1/4" X 0.105"
19	12H294	LOCK WASHER	8		5/8"
20	14H1039	NUT	8		5/8" HS, SAE 8
21	19H1936	CAP SCREW	6		3/8" X 3/4"
	12H304	LOCK WASHER	6		3/8"
22	14H1076	NUT	6		3/8" HS, SAE 8
23	19H1731	CAP SCREW	6		3/8" X 1"
	12H304	LOCK WASHER	6		3/8"
24	AR30906	PLATFORM	1		L.H. (NO LONGER AVAILABLE)
25	14H1076	NUT	6		3/8" HS, SAE 8
26	12H304	LOCK WASHER	6		3/8"
27	24M7096	WASHER	12		10.500 X 18 X 1.600 MM
28	19H1731	CAP SCREW	6		3/8" X 1"
29	24H1290	WASHER	7		21/64" X 3/4" X 0.035"
30	19H2485	CAP SCREW	4		5/16" X 7/16"
	12H303	LOCK WASHER	4		5/16"
31	19H2487	CAP SCREW	3		5/16" X 9/16"
	12H303	LOCK WASHER	3		5/16"
32	AR28015	SHIELD	1		L.H.
33	34H336	SPRING PIN	2		5/16" X 2-1/4"
34	19H1726	CAP SCREW	4		3/8" X 2-1/4"
	12H304	LOCK WASHER	4		3/8"
35	AR30916	SHIELD	1		(SUB FOR AR30915) (NO LONGER AVAILABLE)
36	.....	FOAM PAD	1		(NO LONGER AVAILABLE)
37	28H1497	BUSHING	4		3/8" X 1-1/2"
38	.....	SPACER	1		(NO LONGER AVAILABLE)
39	AR28014	SHIELD	1	-032399	(SUB AR31697)
	AR31697	SHIELD	1	032400-	R.H.
40	AR30905	PLATFORM	1		R.H. (NO LONGER AVAILABLE)
41	19H1732	CAP SCREW	2		3/8" X 1-1/4"
	12H304	LOCK WASHER	2		3/8"
42	R32726	SUPPORT	1		(ROCKSHAFT) (SUB FOR R32036) (NO LONGER AVAILABLE)
43	19H1800	CAP SCREW	2		3/8" X 1-1/2"
	12H304	LOCK WASHER	2		3/8"
44	A4119R	SPACER	2		(ROCKSHAFT)
45	14H1076	NUT	2		3/8" HS, SAE 8
46	12H304	LOCK WASHER	2		3/8"
47	24H1305	WASHER	2		13/32" X 13/16" X 0.065"
48	19H1936	CAP SCREW	2		3/8" X 3/4"
49	AR34684	TOOLBOX	1		(SUB FOR AR27750)

# 3C13

WHEELS, FRONT AXLES, SHEET METAL

## FENDER AND BATTERY SUPPORTS (ORCHARD)

RWP2575 -UN-17NOV94



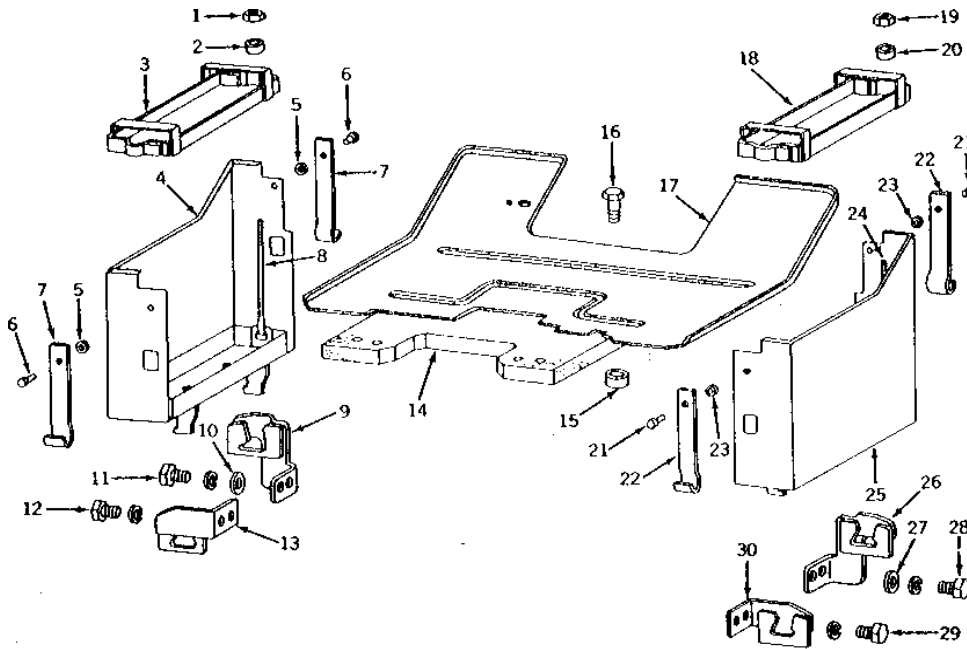
KEY	PART NO.	PART NAME	QTY	TRACTOR SERIAL NO.	REMARKS
1	R34435	ANGLE	1	L.H. (SUB FOR R31846)	
2	19H1731	CAP SCREW	6	3/8" X 1"	
3	12H304	LOCK WASHER	6	3/8"	
4	24M7096	WASHER	6	10.500 X 18 X 1.600 MM	
5	R34437	SUPPORT	1	FRONT, L.H. (SUB FOR R31756) (NO LONGER AVAILABLE)	
6	19H1990	CAP SCREW	4	1/2" X 2-1/4"	
7	12H301	LOCK WASHER	4	1/2"	
8	14H1040	NUT	4	1/2" HS, SAE 8	
9	03H2173	BOLT	2	1/4" X 9-3/4", (DIESEL)	
10	AR30908	SUPPORT	1	BATTERY, L.H. (NO LONGER AVAILABLE)	
11	AR26469	HOLD-DOWN CLIP	1	(DIESEL)	
12	R20522	BUSHING	2	(DIESEL)	
13	14H786	NUT	2	1/4", (DIESEL)	
14	19H1731	CAP SCREW	4	3/8" X 1"	
15	24M7096	WASHER	8	10.500 X 18 X 1.600 MM	
16	12H304	LOCK WASHER	4	3/8"	
17	14H1076	NUT	4	3/8" HS, SAE 8	
18	R32005	SUPPORT	1	SHIELD, REAR, L.H. (NO LONGER AVAILABLE)	
19	14H1039	NUT	2	5/8" HS, SAE 8	
20	12H294	LOCK WASHER	2	5/8"	
21	24H1139	WASHER	2	11/16" X 1-1/4" X 0.105"	
22	03H1399	BOLT	2	5/8" X 1-3/4"	
23	14H1039	NUT	5	5/8" HS, SAE 8	
24	12H294	LOCK WASHER	5	5/8"	
25	AR30899	BRACKET	1	BATTERY SUPPORT, L.H. (NO LONGER AVAILABLE)	
26	03H1779	BOLT	5	5/8" X 1-1/4"	
27	R31847	SUPPORT	1	SHIELD, FRONT, L.H. (NO LONGER AVAILABLE)	
28	R31921	SUPPORT	1	SHIELD, FRONT, R.H. (NO LONGER AVAILABLE)	
29	AR26469	HOLD-DOWN CLIP	1		
30	14H786	NUT	2	1/4"	
31	R20522	BUSHING	2		
32	AR30907	SUPPORT	1	BATTERY, R.H. (NO LONGER AVAILABLE)	
33	R34434	ANGLE	1	R.H. (SUB FOR R31920) (NO LONGER AVAILABLE)	
34	03H2173	BOLT	2	1/4" X 9-3/4"	
35	R34436	SUPPORT	1	R.H. (SUB FOR R31755) (NO LONGER AVAILABLE)	
36	R32004	SUPPORT	1	(NO LONGER AVAILABLE)	

# 3C14

WHEELS, FRONT AXLES, SHEET METAL

PLATFORM AND BATTERY BOXES  
(ROW-CROP SERIAL NO. 001000- ) (STANDARD SERIAL NO. 019800- )

R4935 -UN-01JAN94



KEY	PART NO.	PART NAME	QTY	TRACTOR SERIAL NO.	REMARKS
1	14H786	NUT	2	(A) 1/4"	
2	R20522	BUSHING	2	(A)	
3	AR26469	HOLD-DOWN CLIP	1	(A)	
4	AR26888	BATTERY BOX	1	(A)	
5	24H1283	WASHER	2	(A) 7/32" X 1/2" X 0.049"	
6	R27085	RIVET	2	(A)	
7	R27084	CLAMP	1	(A) FRONT	
	R34958	LATCH	1	(A) REAR	
8	R30805	ROD	2	(A)	
9	AR26890	SUPPORT	1	(A) BATTERY BOX, FRONT L.H. (NO LONGER AVAILABLE)	
10	R1870R	WASHER	2	(A) (SUB R57696)	
11	19H1731	CAP SCREW	2	(A) 3/8" X 1"	
	12H304	LOCK WASHER	2	(A) 3/8"	
12	19H2284	CAP SCREW	2	(A) 3/8" X 7/8"	
	12H304	LOCK WASHER	2	(A) 3/8"	
13	AR32503	SUPPORT	1	(A) BATTERY BOX, REAR L.H. (SUB FOR AR26473)	
14	.....	FOAM PAD	1	(NO LONGER REQUIRED)	
15	28H1530	BUSHING	4	(A)	
16	19H1733	CAP SCREW	4	(A) 3/8" X 2-1/2"	
17	AR32849	PLATFORM	1	(A) (SUB FOR AR26807 OR AR32611) (NO LONGER AVAILABLE)	
18	AR26469	HOLD-DOWN CLIP	1	(B)	
19	14H786	NUT	2	(B) 1/4"	
20	R20522	BUSHING	2	(B)	
21	R27085	RIVET	2	(B)	
22	R27084	CLAMP	1	(B) FRONT	
	R34958	LATCH	1	(B) REAR	
23	24H1283	WASHER	2	(B) 7/32" X 1/2" X 0.049"	
24	R30805	ROD	2	(B)	
25	AR26887	BATTERY BOX	1	(B)	
26	AR26889	SUPPORT	1	(B) BATTERY BOX FRONT, R.H.	
27	R1870R	WASHER	2	(B) (SUB R57696)	
28	19H1731	CAP SCREW	2	(B) 3/8" X 1"	
	12H304	LOCK WASHER	2	(B) 3/8"	
29	19H2284	CAP SCREW	2	(B) 3/8" X 7/8"	
	12H304	LOCK WASHER	2	(B) 3/8"	
30	AR32479	SUPPORT	1	(B) BATTERY BOX, REAR R.H. (SUB FOR AR26472)	

(A) GASOLINE, LP-GAS, AND DIESEL

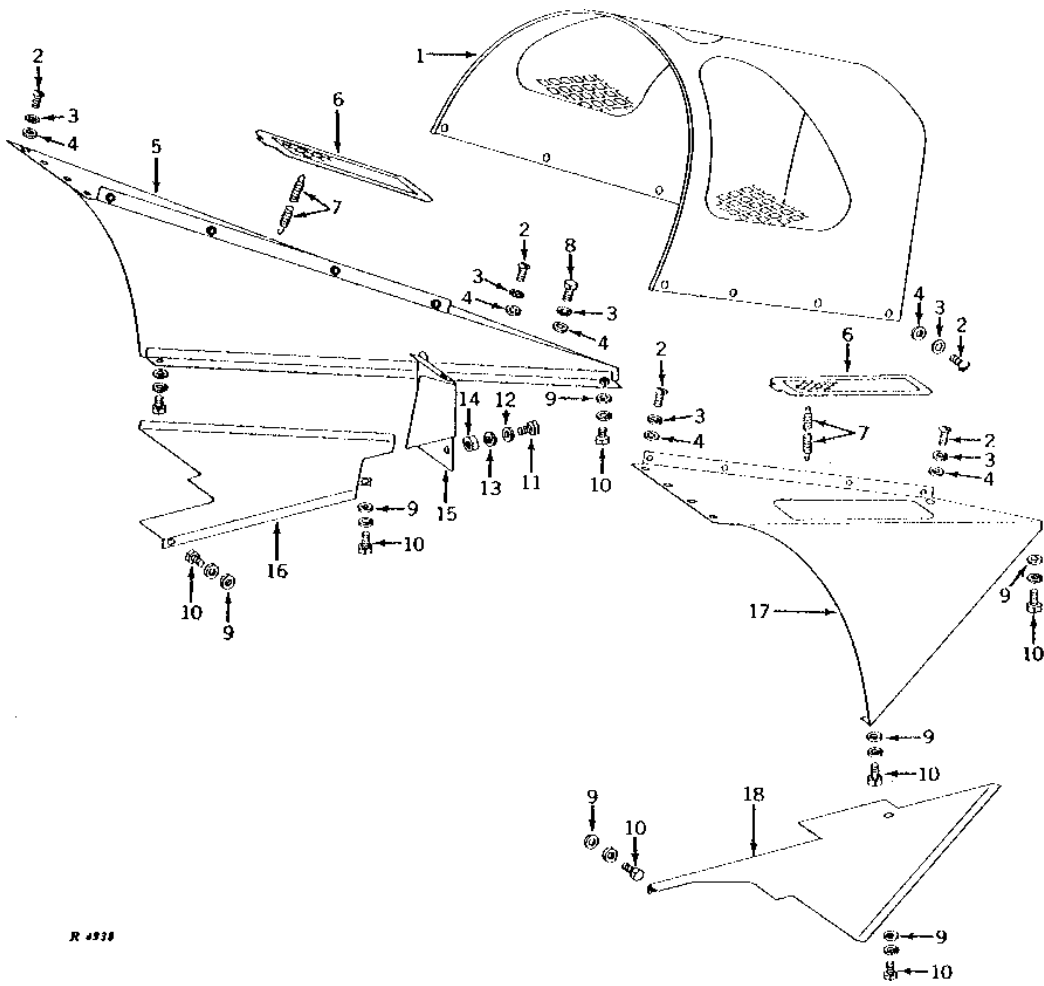
(B) DIESEL

# 3C15

WHEELS, FRONT AXLES, SHEET METAL

## OPERATOR AND FENDER SHIELDS (ORCHARD)

R4938 -UN-01JAN94



# 3C16

WHEELS, FRONT AXLES, SHEET METAL

## OPERATOR AND FENDER SHIELDS - CONTINUED (ORCHARD)

KEY	PART NO.	PART NAME	QTY	TRACTOR SERIAL NO.	REMARKS
1	AR30934	SHIELD	1		
2	21H1029	SCREW	18		5/16" X 3/4"
3	12M7032	LOCK WASHER	19		0.331"
4	24H1290	WASHER	19		21/64" X 3/4" X 0.035"
5	AR30933	SHIELD	1		L.H. (NO LONGER AVAILABLE)
6	R31968	DOOR	2		BATTERY (NO LONGER AVAILABLE)
7	R26858	SPRING	2		
8	19H1813	CAP SCREW	1		5/16" X 5/8"
9	24M7096	WASHER	8		10.500 X 18 X 1.600 MM
10	19H1731	CAP SCREW	8		3/8" X 1"
	12H304	LOCK WASHER	8		3/8"
11	19H1900	CAP SCREW	2		5/16" X 3/4"
12	24M7207	WASHER	2		8.400 X 24 X 2 MM
13	12H303	LOCK WASHER	2		5/16"
14	14H785	NUT	2		5/16"
15	R31969	ISOLATOR	1		HEAT (NO LONGER AVAILABLE)
16	AR33894	DUST SHIELD	1		L.H. (SUB FOR AR30935) (NO LONGER AVAILABLE)
17	AR30932	SHIELD	1		FENDER, R.H. (NO LONGER AVAILABLE)
18	R34432	DUST SHIELD	1		R.H. (SUB FOR R31843) (NO LONGER AVAILABLE)

---

MEMORANDA

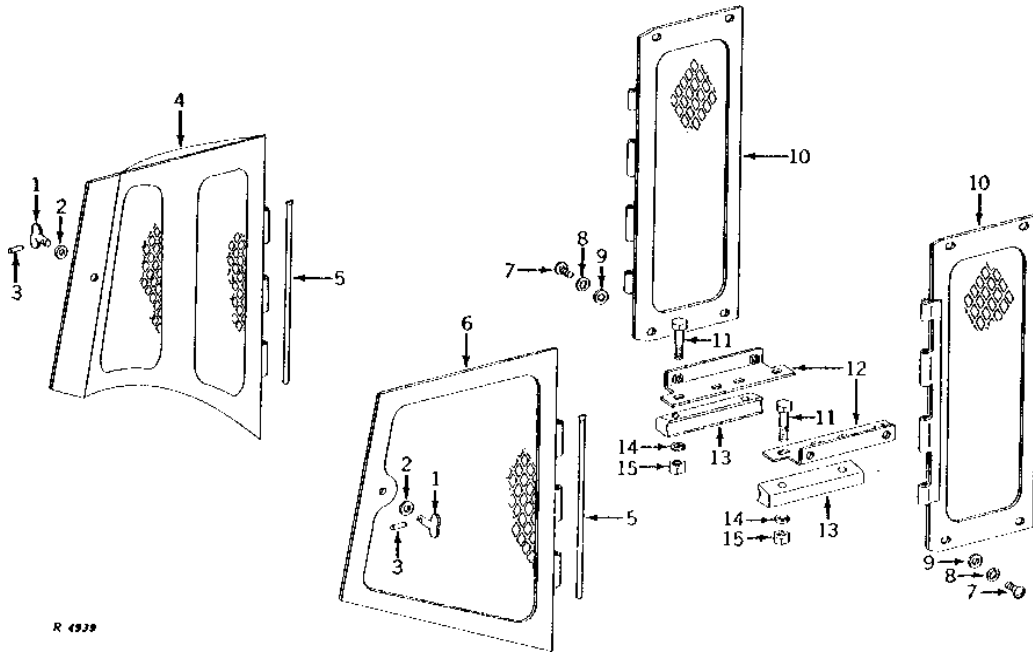


# 3C17

WHEELS, FRONT AXLES, SHEET METAL

## ENGINE SHIELDS (ORCHARD)

R4939 -UN-01JAN94



R 4939

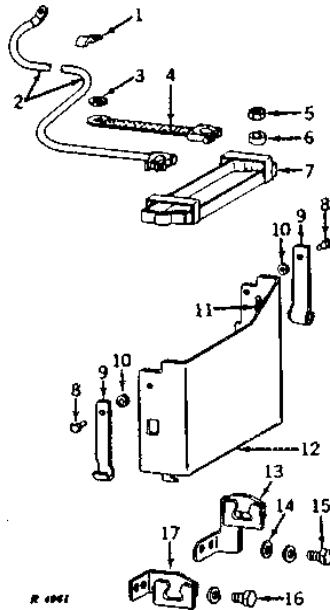
KEY	PART NO.	PART NAME	QTY	TRACTOR SERIAL NO.	REMARKS
1	R31857	WING NUT	2		
2	24H1290	WASHER	4	21/64" X 3/4" X 0.035"	(NO LONGER AVAILABLE)
3	R31858	PIN	2		L.H. (NO LONGER AVAILABLE)
4	AR30939	DOOR	1		R.H. (NO LONGER AVAILABLE)
5	M399T	PIN	2		
6	AR30938	DOOR	1		
7	21H1029	SCREW	8	5/16" X 3/4"	
8	12M7032	LOCK WASHER	8	0.331"	
9	24H1290	WASHER	8	21/64" X 3/4" X 0.035"	(NO LONGER AVAILABLE)
10	AR30936	SHIELD	2		
11	19H2473	CAP SCREW	4	1/2" X 1-3/4"	
12	AR30937	BRACKET	2		LOWER
13	R28755	SUPPORT	2		
14	12H301	LOCK WASHER	4	1/2"	
15	14H1040	NUT	4	1/2" HS, SAE 8	

# 3C18

WHEELS, FRONT AXLES, SHEET METAL

## BATTERY BOX FOR COLD WEATHER STARTING (ROW-CROP) (GASOLINE AND LP-GAS)

R4961 -UN-01JAN94



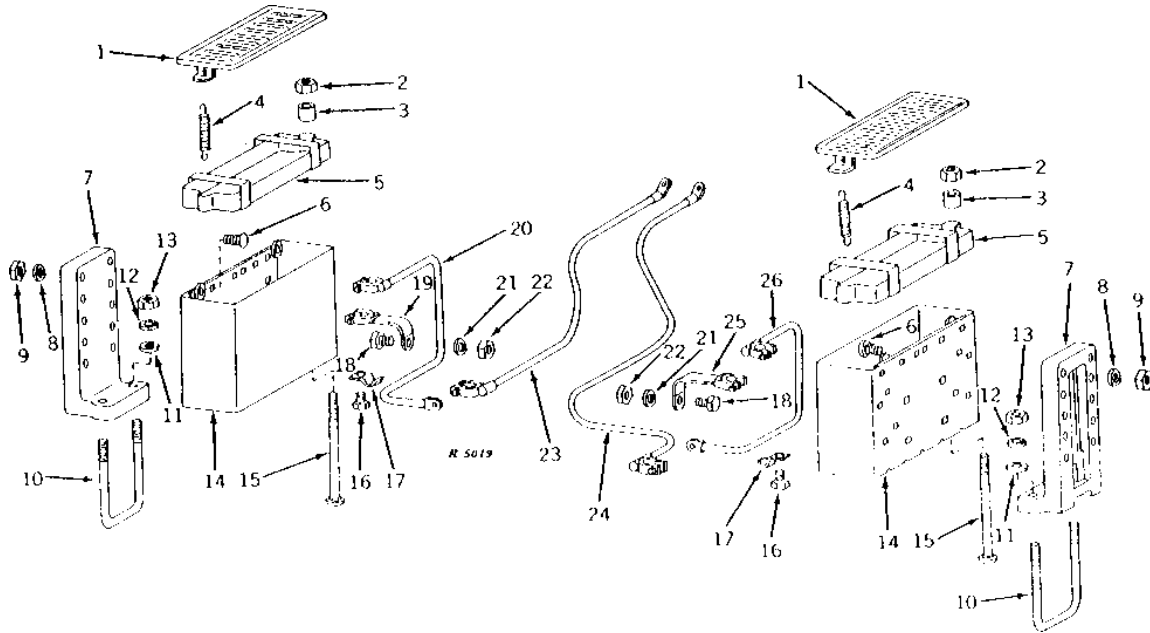
KEY	PART NO.	PART NAME	QTY	TRACTOR SERIAL NO.	REMARKS
1	R183R	CLIP	1		
2	AR28232	CABLE	1		R.H. (BATTERY NEGATIVE TERMINAL TO STARTER)
3	24M7096	WASHER	1		10.500 X 18 X 1.600 MM
4	AR26619	GROUND CABLE	1		R.H. (BATTERY POSITIVE TERMINAL TO TRANSMISSION CASE)
5	14H786	NUT	2		1/4"
6	R20522	BUSHING	2		
7	AR26469	HOLD-DOWN CLIP	1		
8	R27085	RIVET	2		
9	R27084	CLAMP	1		FRONT
	R34958	LATCH	1		REAR
10	24H1283	WASHER	2		7/32" X 1/2" X 0.049"
11	R30805	ROD	2		
12	AR26887	BATTERY BOX	1		
13	AR26889	SUPPORT	1		
14	R1870R	WASHER	2		(SUB R57696)
15	19H1731	CAP SCREW	2		3/8" X 1"
	12H304	LOCK WASHER	2		3/8"
16	19H2284	CAP SCREW	2		3/8" X 7/8"
	12H304	LOCK WASHER	2		3/8"
17	AR32479	SUPPORT	1		(SUB FOR AR26472)

# 3C19

WHEELS, FRONT AXLES, SHEET METAL

## BATTERY BOXES FOR COLD WEATHER STARTING (ROW-CROP) (DIESEL)

R5019 -UN-01JAN94



KEY	PART NO.	PART NAME	QTY	TRACTOR SERIAL NO.	REMARKS
1	AR30468	COVER	2	(SUB FOR AR27363)	
2	14H786	NUT	4	1/4"	
3	R20522	BUSHING	4		
4	R2577R	SPRING	4		
5	AR26469	HOLD-DOWN CLIP	2		
6	03H1596	BOLT	8	1/2" X 3"	
7	R70588	SUPPORT	2	(A) (SUB FOR R26991, R32120, R41296 OR R54541)	
8	12H301	LOCK WASHER	8	(A) 1/2"	
9	14H1040	NUT	8	(A) 1/2"	
10	R26992	U-BOLT	2	(A)	
11	24H1139	WASHER	4	(A) 11/16" X 1-1/4" X 0.105"	
12	12H294	LOCK WASHER	4	(A) 5/8"	
13	14H1039	NUT	4	(A) 5/8"	
14	AR40039	BATTERY BOX	2	(SUB FOR AR27362)	
15	03H2173	BOLT	4	1/4" X 9-3/4"	
16	19H2205	CAP SCREW	2	3/8" X 6"	
17	R28133	CLIP	2	(NO LONGER AVAILABLE)	
18	19H1936	CAP SCREW	2	3/8" X 3/4"	
19	AM348T	GROUND CABLE	1	L.H. (BATTERY POSITIVE TERMINAL TO BATTERY BOX)	
20	AR28234	CABLE	1	L.H. (AUXILIARY BATTERY TO REGULAR BATTERY, NEGATIVE TERMINAL)	
21	12H304	LOCK WASHER	2	3/8"	
22	14H1076	NUT	2	3/8"	
23	AR28235	CABLE	1	L.H. (REGULAR BATTERY NEGATIVE TERMINAL TO STARTER)	
24	AR28237	CABLE	1	R.H. (REGULAR BATTERY POSITIVE TERMINAL TO STARTER)	
25	AT18702	GROUND CABLE	1	(SUB FOR AR27367)	
26	AR28236	CABLE	1	R.H. (AUXILIARY BATTERY TO REGULAR BATTERY, POSITIVE TERMINAL)	

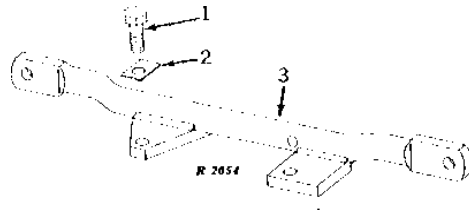
(A) LESS FENDERS

# 3C20

WHEELS, FRONT AXLES, SHEET METAL

R2054 -UN-01JAN94

## IMPLEMENT ATTACHING BRACKET



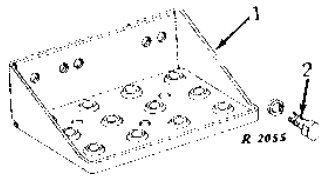
KEY	PART NO.	PART NAME	QTY	TRACTOR SERIAL NO.	REMARKS
1	19H1756	CAP SCREW	1		
2	.....	LOCK PLATE	1		5/8" X 1-1/2" (NO LONGER AVAILABLE)
3	AR27091	BRACKET	1		(GASOLINE AND LP-GAS) (NO LONGER AVAILABLE)
	AR27092	BRACKET	1		(DIESEL)

# 3C21

WHEELS, FRONT AXLES, SHEET METAL

R2055 -UN-01JAN94

## TRACTOR STEP

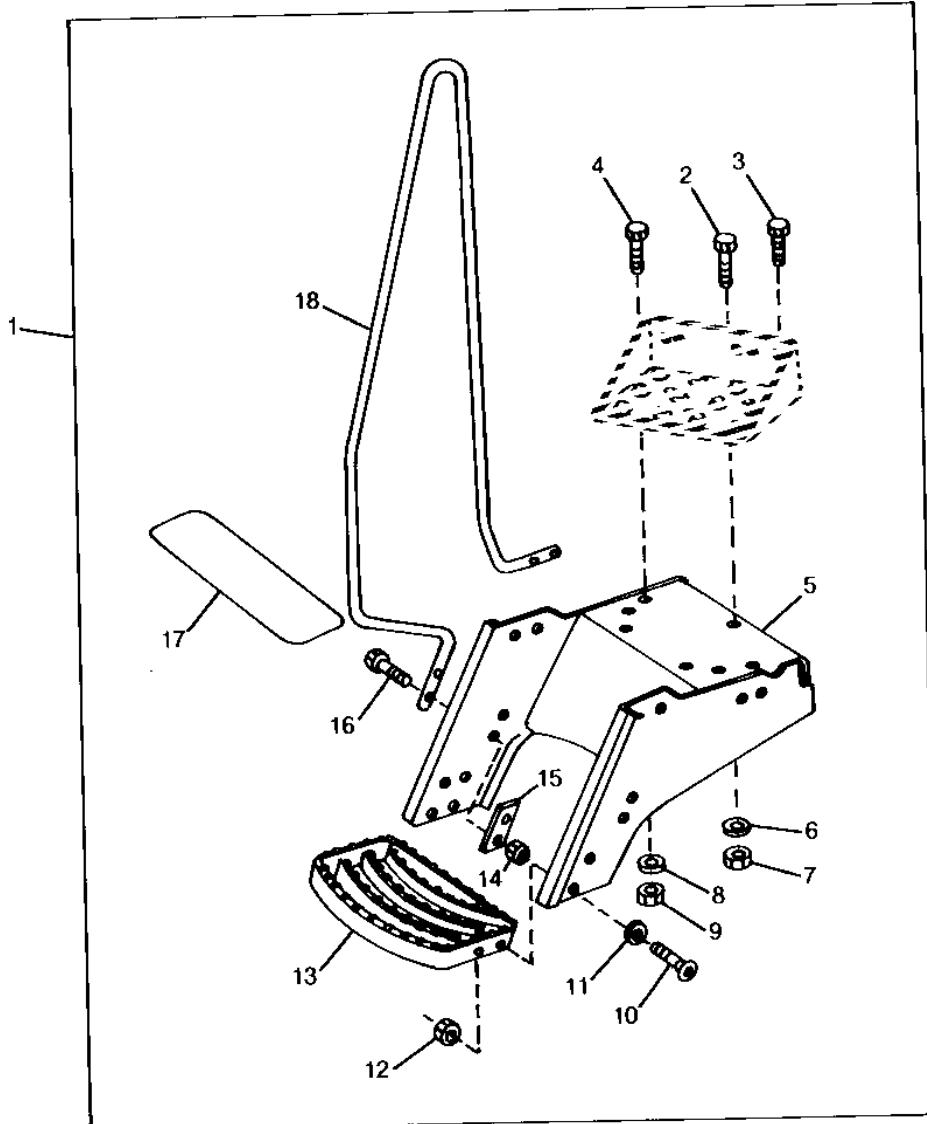


KEY	PART NO.	PART NAME	QTY	TRACTOR SERIAL NO.	REMARKS
1	R27883	STEP	2		
2	19H1815	CAP SCREW	4	1/2" X 1-1/4"	
	12H301	LOCK WASHER	4	1/2"	

# 3C22

WHEELS, FRONT AXLES, SHEET METAL

STEPS KIT (AFTER-MARKET)  
RXP021106 -UN-27FEB95



RXP021106

# 3C23

WHEELS, FRONT AXLES, SHEET METAL

KEY	PART NO.	PART NAME	QTY	TRACTOR SERIAL NO.	REMARKS
1	RE62856	KIT	1		
2	03H1399	BOLT	2		5/8" X 1-3/4"
3	03H1558	BOLT	4		3/8" X 1-1/2"
4	03H1522	BOLT	3		1/2" X 1-1/4"
5	RE48040	SUPPORT	1		
6	24M7241	WASHER	2		17 X 34 X 4 MM
7	14H1039	NUT	2		5/8"
8	24H1254	WASHER	6		17/32" X 1-1/8" X 0.105"
9	14H1040	NUT	3		1/2"
10	19H1731	CAP SCREW	12		3/8" X 1"
11	24H1305	WASHER	2		13/32" X 13/16" X 0.065"
12	14H1076	NUT	12		3/8"
13	RE49428	STEP	3		
14	14H1039	NUT	2		5/8"
15	R113614	STRAP	2		
16	03H1558	BOLT	4		3/8" X 1-1/2"
17	R65514	STRIP	2		

---

MEMORANDA



---

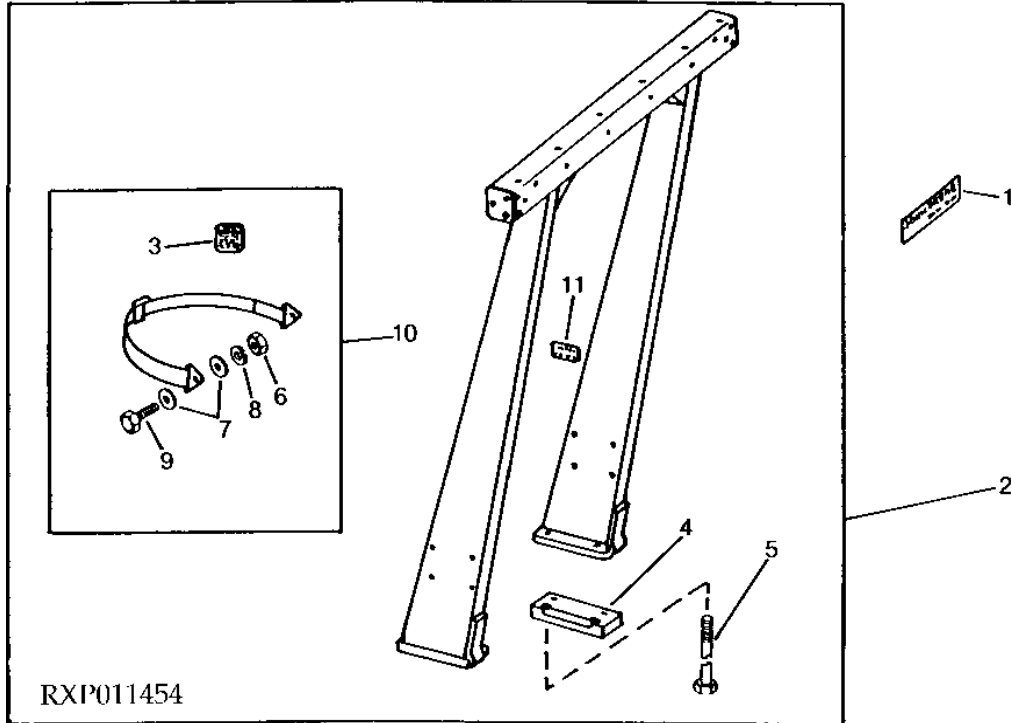
MEMORANDA

# 3D3

OPERATOR'S STATION

## ROLL-GARD AND SEAT BELT (ROW-CROP)

RXP011454 -UN-12DEC94



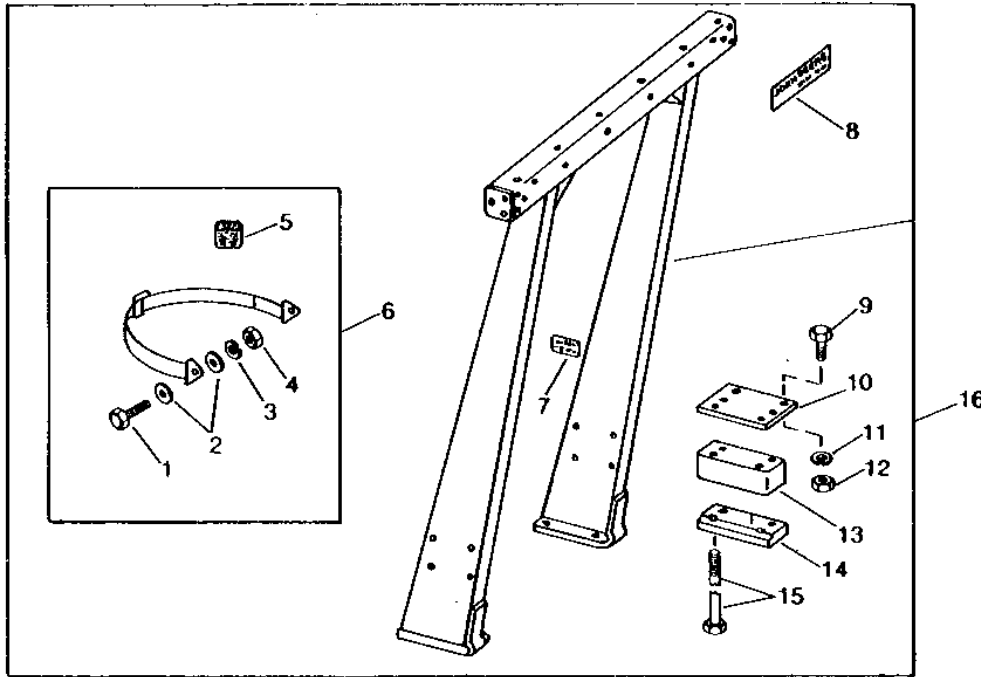
KEY	PART NO.	PART NAME	QTY	TRACTOR SERIAL NO.	REMARKS
1	T27155	LABEL	1		
2	AR51416	ROLL-GARD	1		(FI)
3	R81424	LABEL	1		SEAT BELT CAUTION
4	R41355	PLATE	2		
5	R42439	BOLT	8		
6	14H807	NUT	2		
7	24H1226	WASHER	4		
8	12H293	LOCK WASHER	2		
9	R41778	BOLT	2		
10	AR41761	SEAT BELT	1		(ROLL-GARD) (2" WIDTH ILLUSTRATED) (FI)
11	R120124	LABEL	1		WARNING

# 3D4

OPERATOR'S STATION

## ROLL-GARD AND SEAT BELT (HI-CROP)

RWP5711 -UN-01JAN94



RWP5711

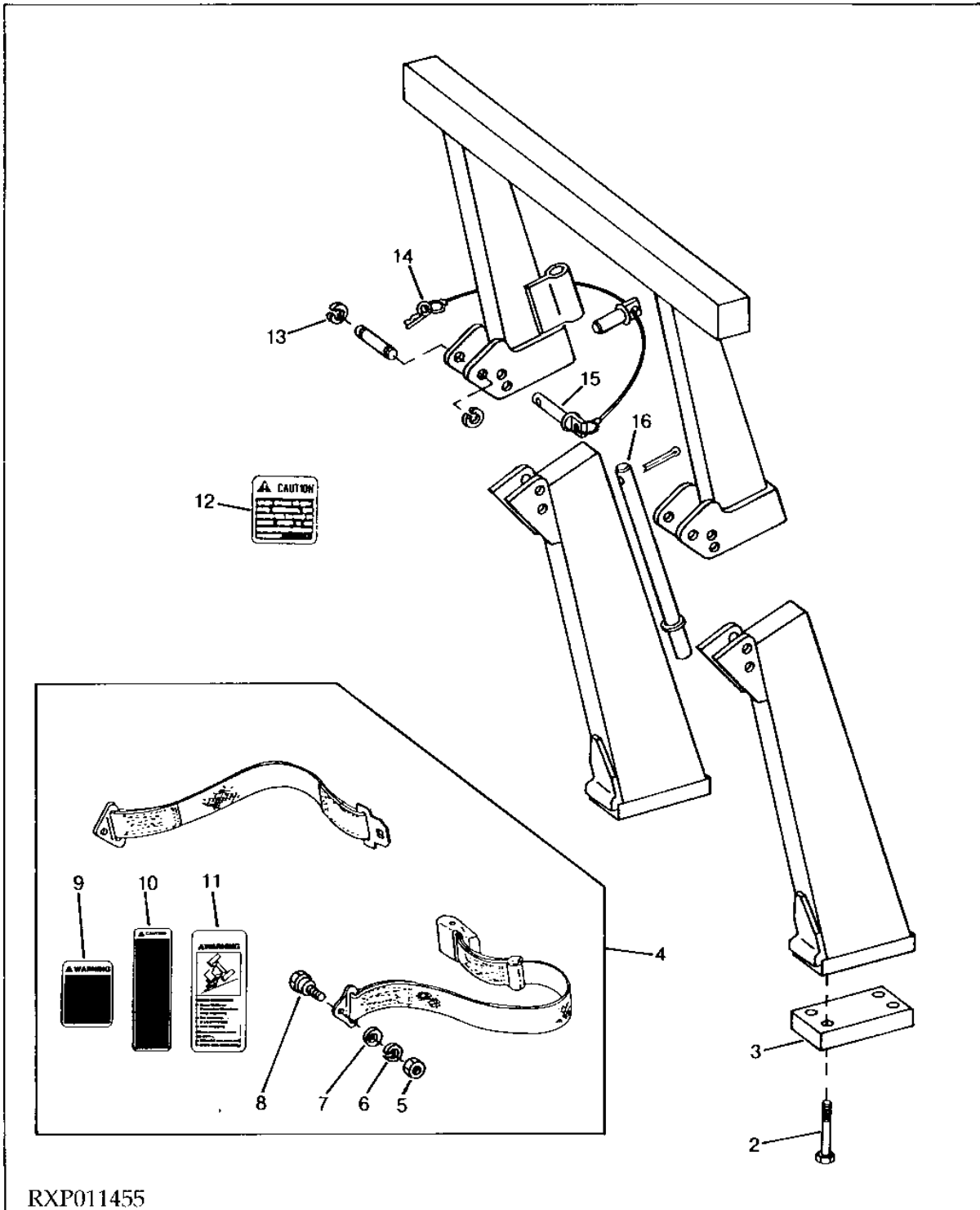
KEY	PART NO.	PART NAME	QTY	TRACTOR SERIAL NO.	REMARKS
1	R41778	BOLT	2		
2	24H1226	WASHER	4	1/2" X 1-1/4" X 0.083"	
3	12H293	LOCK WASHER	2	7/16"	
4	14H807	NUT	2	7/16"	
5	R81424	LABEL	1		SEAT BELT CAUTION, (SUB FOR R42732)
6	AR41761	SEAT BELT	1		(ROLL-GARD)
7	R41781	DECAL	1		CAUTION
8	T27155	LABEL	1		
9	19H2369	CAP SCREW	4	3/4" X 1"	
10	R42580	PLATE	2		
11	12H236	LOCK WASHER	4	3/4"	
12	14H794	NUT	4	3/4"	
13	R42579	SPACER	2		
14	R41355	PLATE	2		
15	R42581	BOLT	8		
16	AR44707	ROLL-GARD	1		(SUB FOR AR44708)

# 3D5

OPERATOR'S STATION

## ROLL-GARD AND SEAT BELT (W/O HI CROP)

RXP011455 -UN-12DEC94



# 3D6

OPERATOR'S STATION

## ROLL-GARD AND SEAT BELT - CONTINUED (W/O HI CROP)

KEY	PART NO.	PART NAME	QTY	CAB SERIAL NO.	REMARKS
1	RE58257	ROLL-GARD	1	(FI)	
2	R42439	BOLT	8		
3	R41355	PLATE	2		
4	AR41761	SEAT BELT	1		
5	14H807	NUT	2	7/16"	
6	12H293	LOCK WASHER	2	7/16"	
7	24H1226	WASHER	2	1/2" X 1-1/4" X 0.083"	
8	R41778	BOLT	2		
9	R117491	DECAL	1		
10	R120124	LABEL	1		
11	R120128	LABEL	1		
12	R81424	LABEL	1		
13	40M7195	SNAP RING	4		
14	99M7080	SPRING LOCKING PIN	1		
15	RE58679	HINGE	2		
16	RE58612	ROD	2		
..	37M7131	SCREW	1		

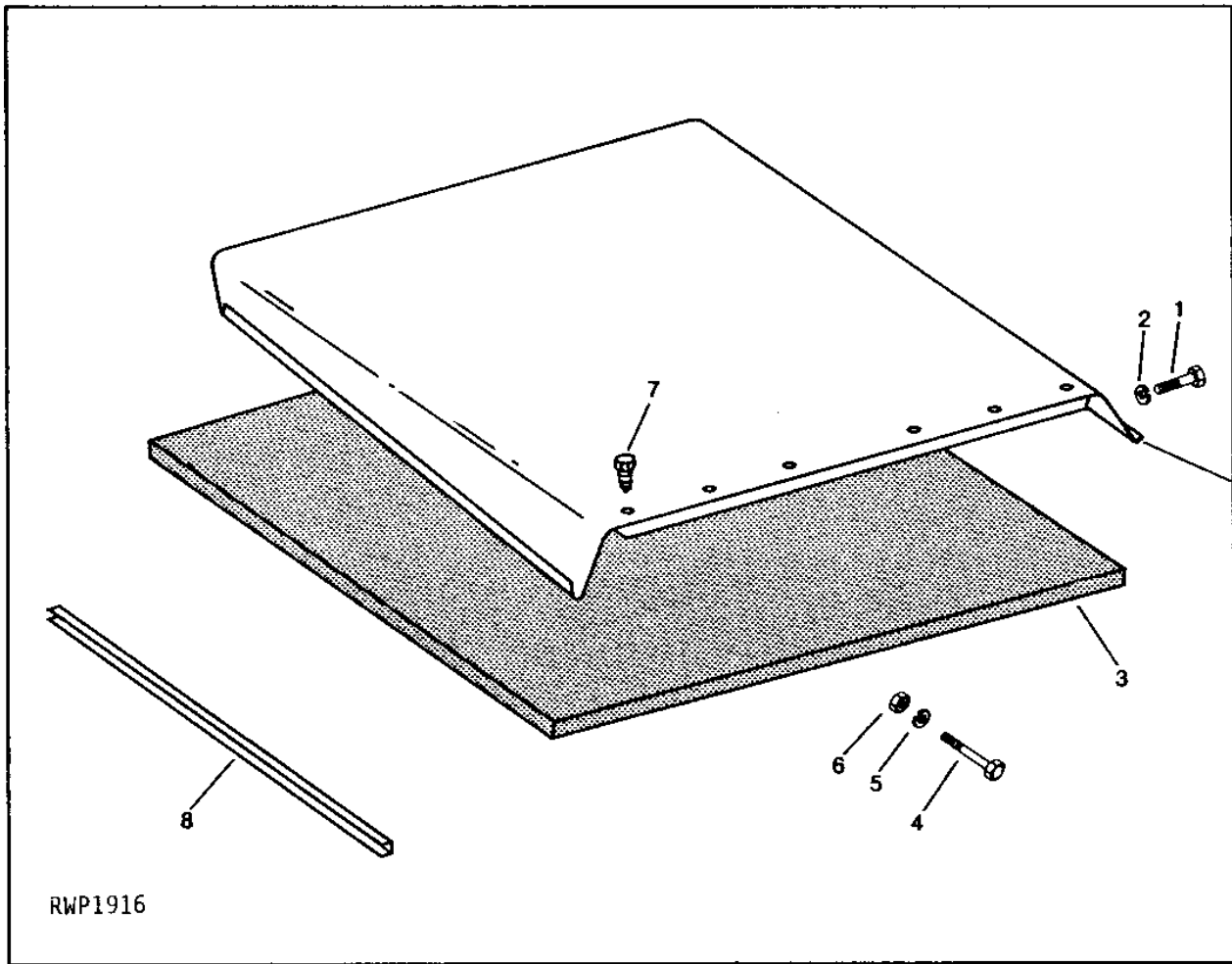
# 3D7

OPERATOR'S STATION

RWP1916

-UN-01JAN94

CANOPY



# 3D8

OPERATOR'S STATION

## CANOPY - CONTINUED

KEY	PART NO.	PART NAME	QTY	TRACTOR SERIAL NO.	REMARKS
1	19H1731	CAP SCREW	6	3/8" X 1"	
2	12H304	LOCK WASHER	6	3/8"	
3	R47197	FOAM PAD	1		
4	19H2054	CAP SCREW	6	3/8" X 4-3/4"	
5	12H304	LOCK WASHER	6	3/8"	
6	14H1076	NUT	6	3/8" HS, SAE 8	
7	37H27	SCREW	10	5/16" X 7/8"	
8	R41358	ISOLATOR	2		
9	AR51452	CANOPY	1		
..	R52195	BRACKET	2		WARNING LAMP

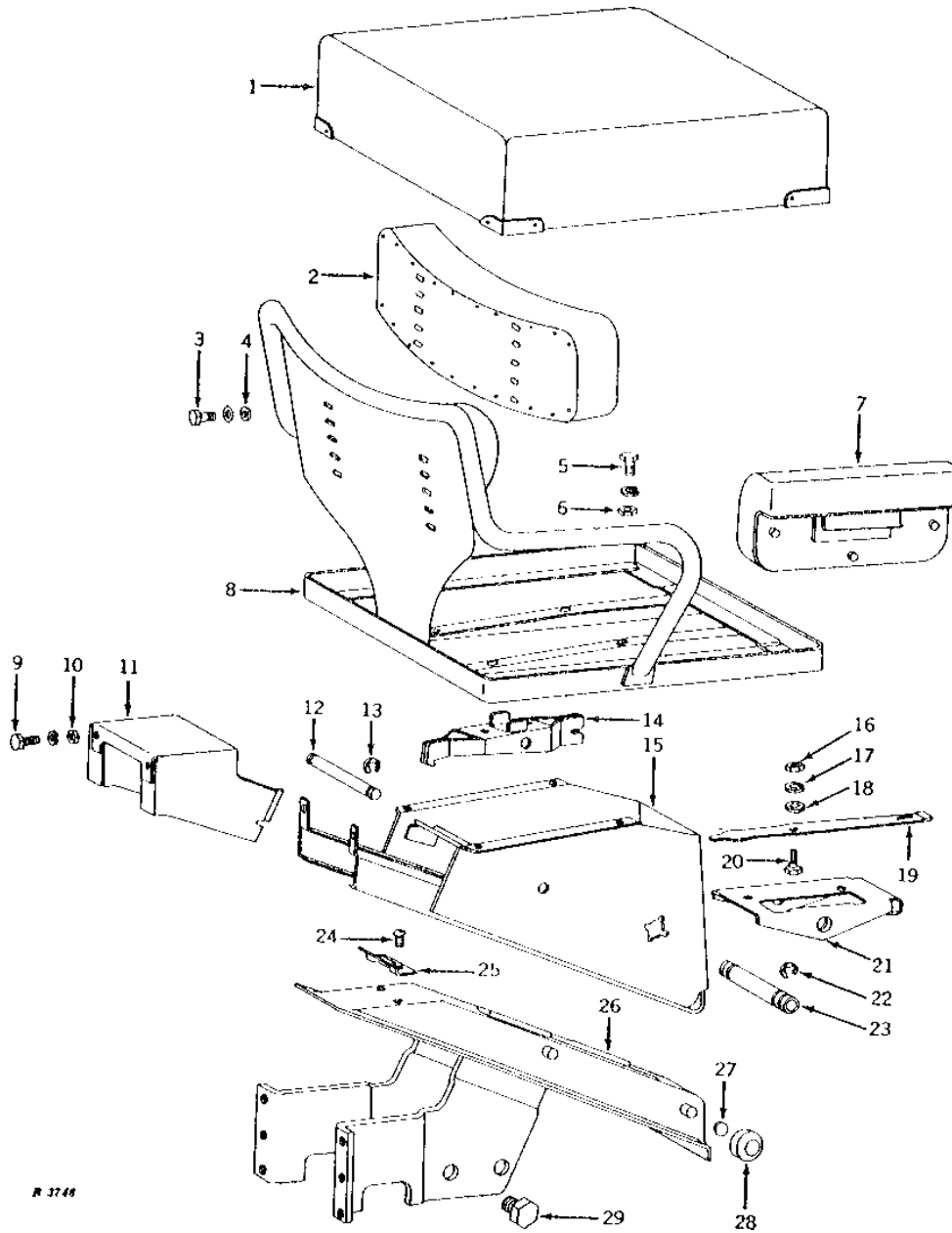
# 3D9

OPERATOR'S STATION

R3748

-UN-01JAN94

## REGULAR SEAT (ROW-CROP AND STANDARD)





# 3D10

OPERATOR'S STATION

**REGULAR SEAT - CONTINUED  
(ROW-CROP AND STANDARD)**

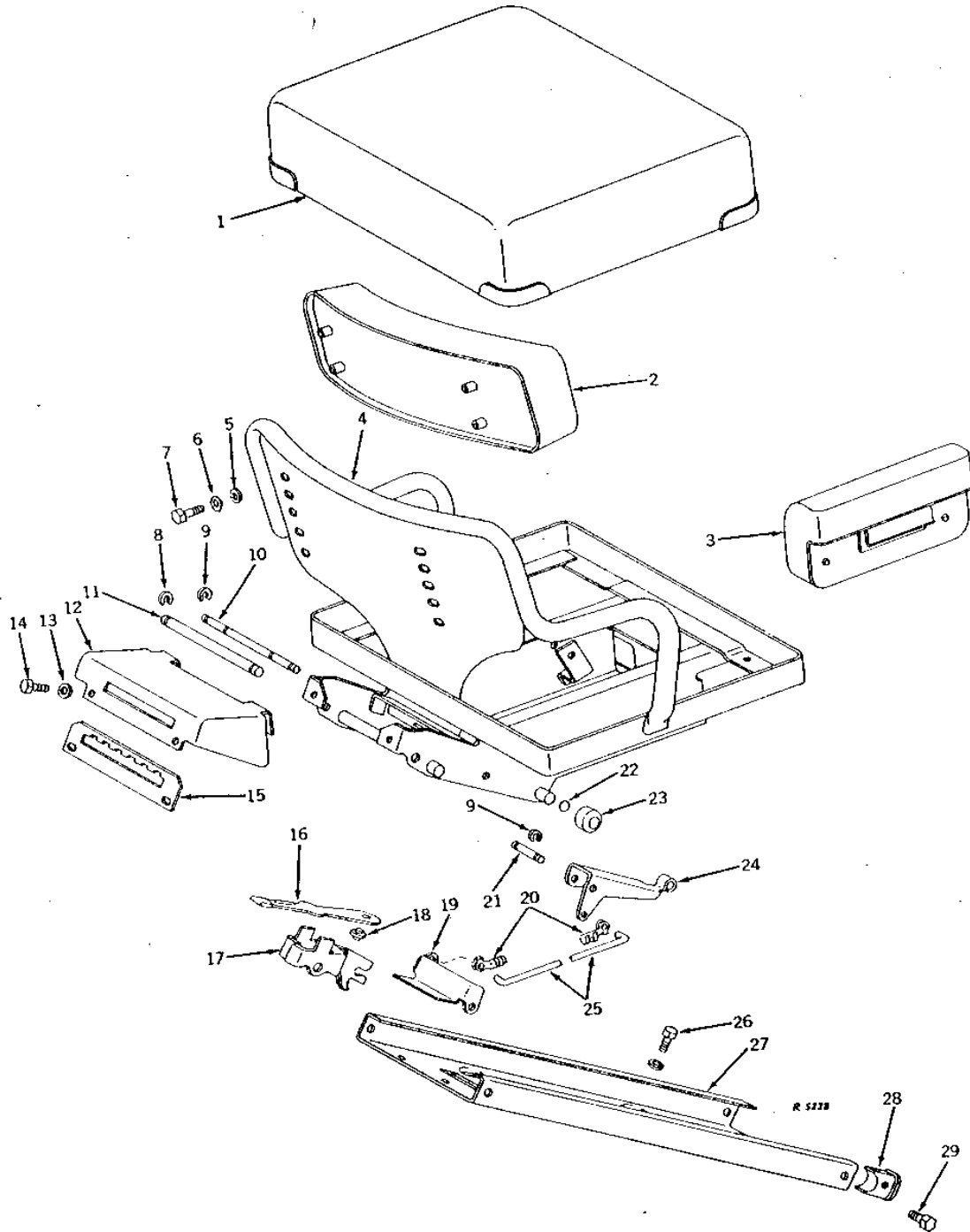
KEY	PART NO.	PART NAME	QTY	TRACTOR SERIAL NO.	REMARKS
1	AR30181	CUSHION	1		(SUB FOR AR26932)
	R32736	COVER	1		(SUB FOR AB3984R)
2	AR21966	CUSHION	1		(SUB FOR AF3271R)
3	19H1919	CAP SCREW	4		1/4" X 5/8"
	12H297	LOCK WASHER	4		1/4"
4	24H1286	WASHER	4		9/32" X 1/2" X 1/16", (SUB FOR R31577)
5	19H1813	CAP SCREW	4		5/16" X 5/8"
	12H303	LOCK WASHER	4		5/16"
6	14H785	NUT	4		5/16"
7	AA6022R	CUSHION	1		(SET OF 2)
8	AR47794	FRAME	1		(SUB FOR AR26628)
9	19H1900	CAP SCREW	2		5/16" X 3/4"
	12H303	LOCK WASHER	2		5/16"
10	14H785	NUT	2		5/16"
11	R26831	STOP	1		
12	R26829	PIN	1		
13	R26871	SNAP RING	2		(SUB FOR P44982)
14	R26828	LATCH	1		
15	AR65883	SUPPORT	1		(SUB FOR AR26627) (ALSO ORDER R56064 AND 19H1905)
16	14H786	NUT	1		1/4"
17	12H302	LOCK WASHER	1		1/4"
18	24H1287	WASHER	1		9/32" X 5/8" X 0.065"
19	R27439	LEVER	1		
20	R26431	SCREW	1		
21	R26830	HANDLE	1		
22	R27434	SNAP RING	4		
23	R27435	SHAFT	1		
24	37H84	SCREW	2		1/4" X 3/4", (SUB FOR R28291)
25	R27433	BRACKET	1		
26	AR32688	FRAME	1		(SUB FOR AR26743)
27	R26872	SHIM	AR		0.12MM (.010")
	R26873	SHIM	AR		0.51MM (.020")
28	R26436	ROLLER	4		
29	19H1833	CAP SCREW	4		5/8" X 1-1/4"

# 3D11

OPERATOR'S STATION

R5238 -UN-01JAN94

## REGULAR SEAT (UTILITY)



# 3D12

OPERATOR'S STATION

## REGULAR SEAT - CONTINUED (UTILITY)

KEY	PART NO.	PART NAME	QTY	TRACTOR SERIAL NO.	REMARKS
1	AR30181	CUSHION	1		(SUB FOR AR26932)
	R32736	COVER	1		(SUB FOR AB3984R)
2	AR21966	CUSHION	1		(SUB FOR AF3271R)
3	AF3272R	CUSHION	1		(SET OF 2)
4	AT12844	FRAME	1		(NO LONGER AVAILABLE)
5	24H1286	WASHER	4		9/32" X 1/2" X 1/16", (SUB FOR R31577)
6	12H297	LOCK WASHER	4		1/4", (SUB FOR R31578)
7	19H1919	CAP SCREW	4		1/4" X 5/8"
8	F2208R	SNAP RING	2		
9	F3396R	SNAP RING	6		
10	T14036	PIN	1		(NO LONGER AVAILABLE)
11	T12590	PIN	1		(NO LONGER AVAILABLE)
12	T14664	COVER	1		(NO LONGER AVAILABLE)
13	24H1286	WASHER	2		9/32" X 1/2" X 1/16"
14	19H1919	CAP SCREW	2		1/4" X 5/8"
15	T14038	GAUGE	1		
16	R28791	LEVER	1		
17	T14032	LATCH	1		
18	T14031	PIN	1		
19	T14035	FITTING	1		
20	R26524	CLIP	2		(SUB FOR R27723)
21	T14034	PIN	1		
22	R26872	SHIM	AR		0.25MM (.010")
	R26873	SHIM	AR		0.51MM (.020")
23	R26436	ROLLER	4		
24	T14033	HANDLE	1		
25	T14037	PIN	1		
26	19H1936	CAP SCREW	4		3/8" X 3/4"
	12H304	LOCK WASHER	4		3/8"
27	AT12845	SEAT	1		(NO LONGER AVAILABLE)
28	R28157	STOP	4		
29	19H1936	CAP SCREW	4		3/8" X 3/4"

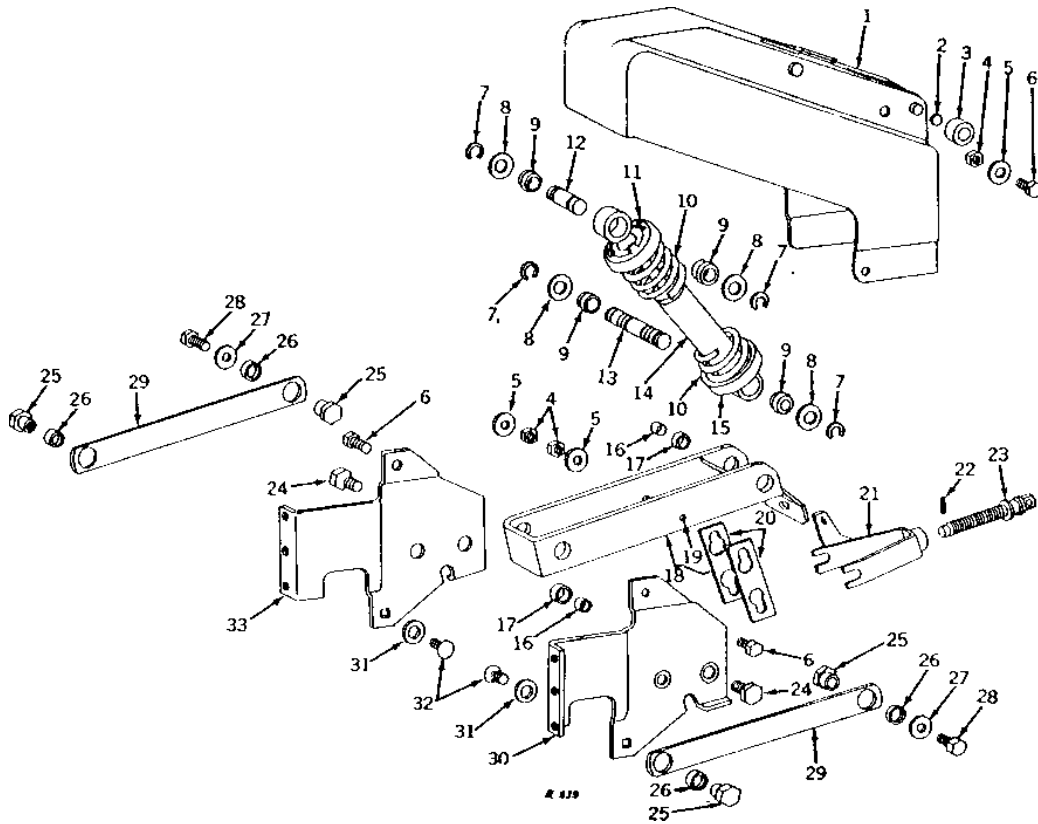
# 3D13

OPERATOR'S STATION

R839

-UN-01JAN94

## DELUXE SEAT SUPPORT (ROW-CROP AND STANDARD)



# 3D14

OPERATOR'S STATION

**DELUXE SEAT SUPPORT - CONTINUED  
(ROW-CROP AND STANDARD)**

KEY	PART NO.	PART NAME	QTY	TRACTOR SERIAL NO.	REMARKS
1	AR26632	FRAME	1		
2	R26872	SHIM	AR		0.25MM (.010")
	R26873	SHIM	AR		0.51MM (.020")
3	R26436	ROLLER	4		
4	14H1076	NUT	4		3/8"
5	R27441	WASHER	4		
6	19H2552	CAP SCREW	4		3/8" X 1-1/8"
7	F2863R	SNAP RING	4		
8	R1836R	WASHER	4		
9	R26832	BUSHING	4		
10	R26877	SPRING	1		
11	R27442	CAP	1		
12	R26875	PIN	1		
13	R26876	SHAFT	1		
14	AR69854	ABSORBER	1		(SUB FOR AR26529)
15	R26879	CAP	1		
16	R27440	BUSHING	4		
17	R36704	WASHER	4		(SUB FOR R27116) (SUB R51648)
18	AR26629	ARM	1	-06877	(SUB AR60029)
	AR36048	ARM	1	006878-	(SUB FOR AR30102) (SUB AR60029)
19	R27117	PIN	2	-006877	(SUB AR60029)
20	R26878	LINK	2		
21	AR69271	YOKE	1		(SUB FOR AR26530)
22	34H247	SPRING PIN	1		1/8" X 3/4"
23	R27121	SCREW	1		
24	R31505	BOLT	4		(SUB FOR R26288)
25	R26880	NUT	4		
26	R36704	WASHER	4		(SUB FOR R27116) (SUB R51648)
27	R27441	WASHER	2		
28	19H1936	CAP SCREW	2		3/8" X 3/4"
29	AR31977	LINK	2		(SUB FOR AR26631)
30	R27118	SUPPORT	1		
31	R26113	WASHER	2		
32	10H1026	BOLT	2		3/8" X 1"
33	R27119	SUPPORT	1		

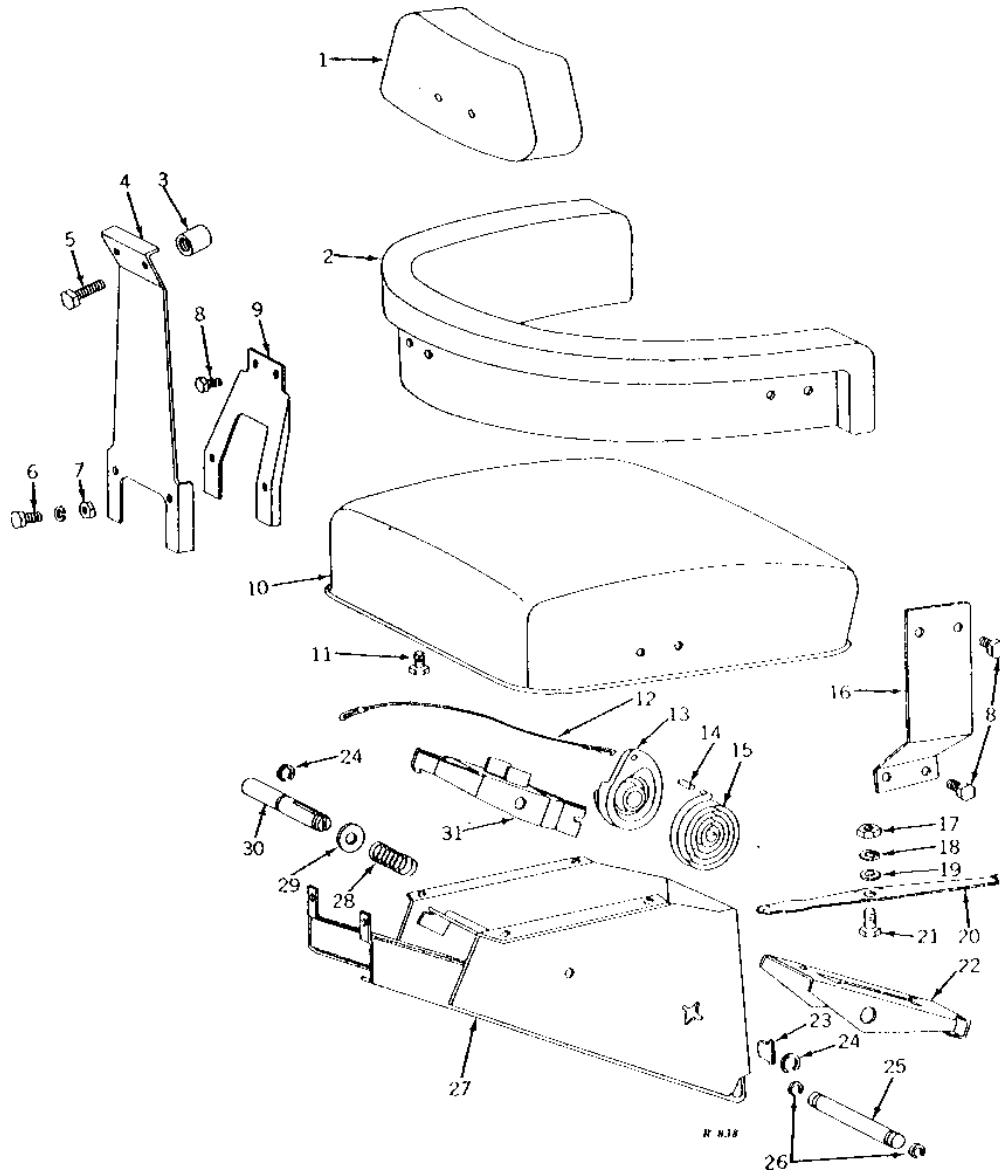
# 3D15

OPERATOR'S STATION

R838

-UN-01JAN94

## DELUXE SEAT (ROW-CROP AND STANDARD)



# 3D16

OPERATOR'S STATION

**DELUXE SEAT - CONTINUED  
(ROW-CROP AND STANDARD)**

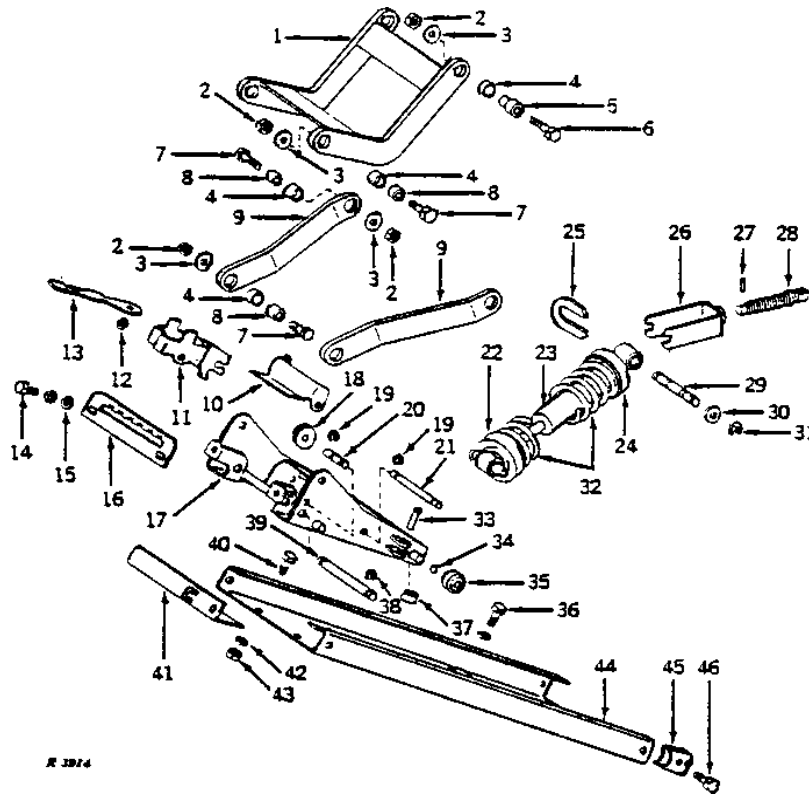
KEY	PART NO.	PART NAME	QTY	TRACTOR SERIAL NO.	REMARKS
1	AR59679	SEAT BACK	1		(SUB FOR AR26934 OR R34267)
	R34619	CUSHION COVER	1		(SUB FOR AR30790)
2	R34268	SEAT BACK	1		(SUB FOR AR26935) (SUB AR59680)
	AR30791	COVER	1		
3	R27627	SPACER	1		
4	R27786	SUPPORT	1		(ON 001000-032099) (ALSO ORDER (2) 24H448 AND (2) 19H1813) (SUB (2) R27627, (2) R34272 AND (2) 19H3552)
5	19H1813	CAP SCREW	2		5/16" X 5/8"
6	19H1900	CAP SCREW	2		5/16" X 3/4"
	12H303	LOCK WASHER	2		5/16"
7	14H785	NUT	2		5/16"
8	19H1813	CAP SCREW	10		5/16" X 5/8"
9	R27785	SUPPORT	1		
10	R34266	CUSHION	1		(SUB FOR AR26933) (SUB AR44763)
	R34618	CUSHION COVER	1		(SUB FOR AR30789, AR30006 OR R34609)
11	19H1813	CAP SCREW	4		5/16" X 5/8"
12	AR26403	CABLE	1		SEAT COUNTER BALANCE REEL, (SUB R78257)
13	R26432	REEL	1		COUNTER BALANCE
14	34H282	SPRING PIN	1		3/16" X 1"
15	R31260	SPRING	1		(SUB FOR R26433)
16	R31512	SUPPORT	1		R.H. (SUB FOR R27784)
	R31513	SUPPORT	1		L.H. (SUB FOR R27964)
17	14H786	NUT	1		1/4"
18	12H302	LOCK WASHER	1		1/4"
19	24H1287	WASHER	1		9/32" X 5/8" X 0.065"
20	R27439	LEVER	1		
21	R26431	SCREW	1		
22	R26830	HANDLE	1		
23	R26434	LATCH	1		
24	R73380	SNAP RING	2		(SUB FOR A369R)
25	R26829	PIN	1		
26	R26871	SNAP RING	2		(SUB FOR P44982)
27	AR65883	SUPPORT	1		(SUB FOR AR26627) (ALSO ORDER R56064 AND 19H1905)
28	A4744R	SPRING	1		
29	24H1395	WASHER	1		25/32" X 1-7/16" X 0.060"
30	R26874	SHAFT	1		
31	R26828	LATCH	1		

# 3D17

OPERATOR'S STATION

## DELUXE SEAT SUPPORT (UTILITY)

R3914 -UN-12DEC94





# 3D18

OPERATOR'S STATION

## DELUXE SEAT SUPPORT - CONTINUED (UTILITY)

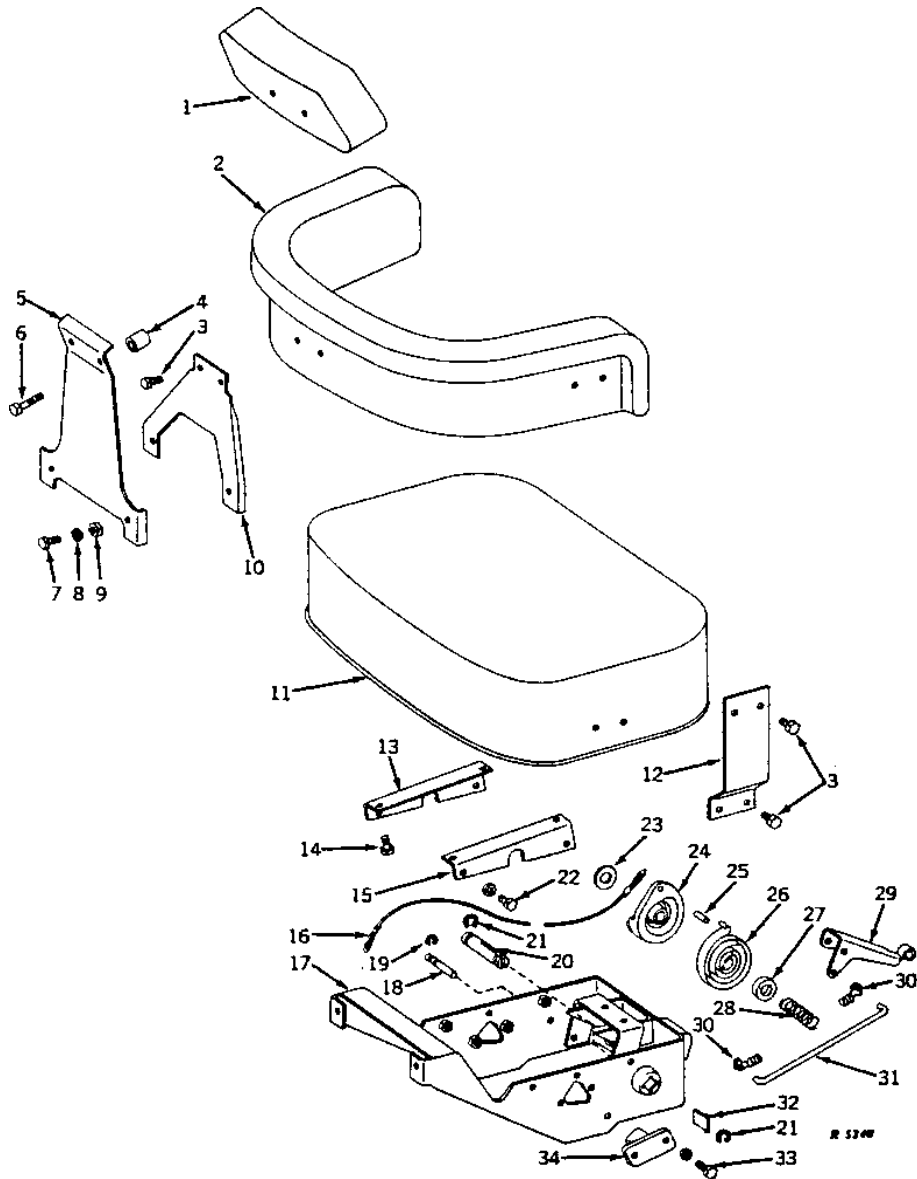
KEY	PART NO.	PART NAME	QTY	TRACTOR SERIAL NO.	REMARKS
1	AR31979	ARM	1		(SUB FOR AR28336)
2	M63440	LOCK NUT	8		(SUB FOR C744DN) (NO LONGER AVAILABLE)
3	R27441	WASHER	8		
4	R36704	WASHER	8		(SUB FOR R27116) (SUB R51648)
5	R30429	BUSHING	2		
6	19H1765	CAP SCREW	2		3/8" X 1-3/4"
7	19H2552	CAP SCREW	8		3/8" X 1-1/8"
8	R27440	BUSHING	6		
9	AR31978	LINK	2		(SUB FOR AR28338)
10	T14035	FITTING	1		
11	T14032	LATCH	1		
12	T14031	PIN	1		
13	R28791	LEVER	1		
14	19H1227	CAP SCREW	2		1/4" X 1/2"
	12H302	LOCK WASHER	2		1/4"
15	24H1287	WASHER	2		9/32" X 5/8" X 0.065"
16	T14038	GAUGE	1		
17	AR28335	FRAME	1	-013498	(SUB AR30317, (2) R31262, (2) R72660 AND (4) R31261)
	AR30317	FRAME	1	013499-	
18	R30433	PULLEY	1		
19	F3396R	SNAP RING	4		
20	R30434	PIN	1		
21	R30426	PIN	1		
22	R27442	CAP	1		
23	AR27572	ABSORBER	1		
24	R28937	CAP	1		
25	R28938	RETAINER	1		
26	AR28340	YOKE	1		
27	34H247	SPRING PIN	1		1/8" X 3/4"
28	R30439	SCREW	1		
29	R30436	SHAFT	1		
30	R30610	WASHER	2		
31	R30437	SNAP RING	2		(SUB FOR T12351)
32	R26877	SPRING	1		(SUB FOR R662R)
33	R72660	PIN	2	013499-	
34	R26872	SHIM	AR	-013498	0.25MM (.010")
	R26873	SHIM	AR	-013498	0.51MM (.020")
35	R26436	ROLLER	4	-013498	
	R31261	BUSHING	4	013499-	
36	19H1936	CAP SCREW	4		3/8" X 3/4"
	12H304	LOCK WASHER	4		3/8"
37	R31262	WASHER	2	013499-	
38	R26871	SNAP RING	2		(SUB FOR P44982)
39	R30425	PIN	1		
40	19H1919	CAP SCREW	2		1/4" X 5/8"
41	R30445	BRACKET	1		(SUB AR34660)
42	12H302	LOCK WASHER	2		1/4"
43	14H786	NUT	2		1/4"
44	AT13140	RAIL	1		
45	R28157	STOP	4		
46	19H1936	CAP SCREW	4		3/8" X 3/4"
..	R31411	SHIM	AR		0.25MM (.010") SEAT ROLLER SHAFT, RIGHT REAR AND LEFT FRONT

# 3D19

OPERATOR'S STATION

R5240 -UN-12DEC94

## DELUXE SEAT (UTILITY)



# 3D20

OPERATOR'S STATION

## DELUXE SEAT - CONTINUED (UTILITY)

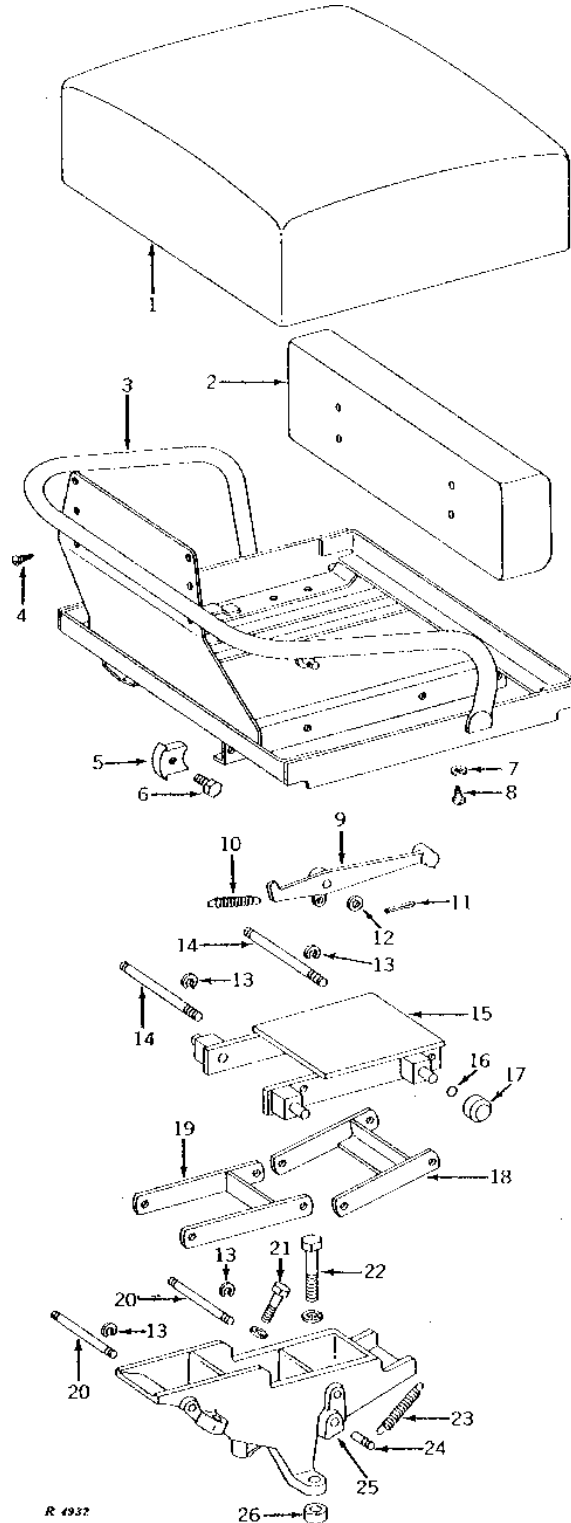
KEY	PART NO.	PART NAME	QTY	TRACTOR SERIAL NO.	REMARKS
1	AR59679	SEAT BACK	1		(SUB FOR AR26934 OR R34267)
	R34619	CUSHION COVER	1		(SUB FOR AR30790)
2	R34268	SEAT BACK	1		(SUB FOR AR26935)
	AR30791	COVER	1		
3	19H1813	CAP SCREW	10		5/16" X 5/8"
4	R27627	SPACER	2		
5	R34282	SUPPORT	1		(SUB FOR R30444)
6	19H3552	CAP SCREW	2		5/16" X 1-1/2"
7	19H1900	CAP SCREW	2		5/16" X 3/4"
8	12H303	LOCK WASHER	2		5/16"
9	14H785	NUT	2		5/16"
10	R30443	SUPPORT	1		
11	R34266	CUSHION	1		(SUB FOR AR26933)
	R34618	CUSHION COVER	1		(SUB FOR AR30789)
	R34609	COVER	1		(SUB FOR AR30006)
12	R31512	SUPPORT	1		R.H. (SUB FOR R27784)
	R31513	SUPPORT	1		L.H. (SUB FOR R27964)
13	R30442	SUPPORT	1		L.H.
14	19H1813	CAP SCREW	4		5/16" X 5/8"
15	R30441	SUPPORT	1		R.H.
16	AR28339	CABLE	1		
17	AR28341	FRAME	1		
18	R30435	PIN	1		
19	F3396R	SNAP RING	2		
20	R30431	SHAFT	1		
21	R73380	SNAP RING	2		(SUB FOR A369R)
22	19H1813	CAP SCREW	4		5/16" X 5/8"
	12H303	LOCK WASHER	4		5/16"
23	24H1395	WASHER	1		25/32" X 1-7/16" X 0.060"
24	R26432	REEL	1		
25	34H282	SPRING PIN	1		3/16" X 1"
26	R31260	SPRING	1		
27	R30432	WASHER	1		
28	A4744R	SPRING	1		
29	T14033	HANDLE	1		
30	R26524	CLIP	2		(SUB FOR R27723)
31	T14037	PIN	1		
32	R26434	LATCH	1		
33	19H2127	CAP SCREW	4		5/16" X 7/8"
	12H303	LOCK WASHER	4		5/16"
34	R30440	STOP	2		

# 3D21

OPERATOR'S STATION

R4932 -UN-01JAN94

## SEAT (ROCKSHAFT) (ORCHARD)



# 3D22

OPERATOR'S STATION

SEAT - CONTINUED  
(ROCKSHAFT) (ORCHARD)

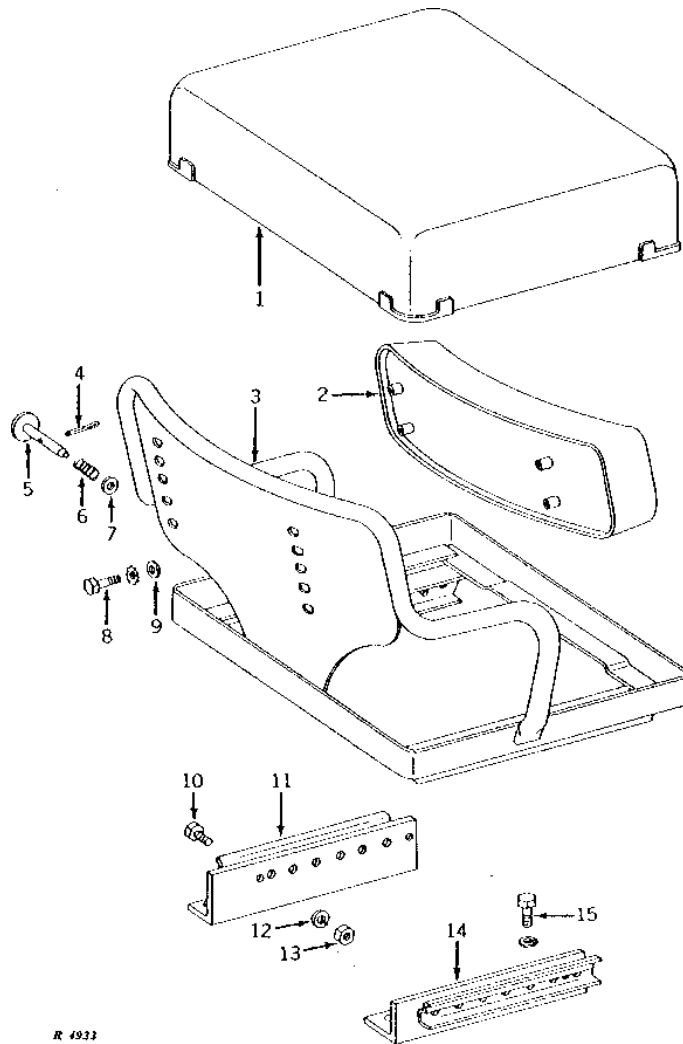
KEY	PART NO.	PART NAME	QTY	TRACTOR SERIAL NO.	REMARKS
1	AT13222	CUSHION	1		
2	AT13223	CUSHION	1		
3	AR30930	FRAME	1		(NO LONGER AVAILABLE)
4	37H19	SCREW	4		NO. 10 X 1"
5	R28157	STOP	3		
6	19H1936	CAP SCREW	3		3/8" X 3/4"
7	24H1283	WASHER	2		7/32" X 1/2" X 0.049"
8	37H19	SCREW	2		NO. 10 X 1"
9	R31876	LATCH	1		(NO LONGER AVAILABLE)
10	R31877	SPRING	1		
11	11M7081	COTTER PIN	1		0.098" X 0.787"
12	24M7096	WASHER	3		10.500 X 18 X 1.600 MM
13	F3396R	SNAP RING	8		
14	R31874	PIN	2		(NO LONGER AVAILABLE)
15	AR30928	SUPPORT	1		(NO LONGER AVAILABLE)
16	R26872	SHIM	AR		0.25MM (.010")
	R26873	SHIM	AR		0.51MM (.020")
17	R26436	ROLLER	4		
18	R31872	LINK	1		(NO LONGER AVAILABLE)
19	R31873	LINK	1		(NO LONGER AVAILABLE)
20	R31879	PIN	2		(NO LONGER AVAILABLE)
21	19H1732	CAP SCREW	2		3/8" X 1-1/4"
	12H304	LOCK WASHER	2		3/8"
22	19H1990	CAP SCREW	2		1/2" X 2-1/4"
	12H301	LOCK WASHER	2		1/2"
23	R27571	SPRING	1		
24	F3014R	PIN	1		
25	R31878	SUPPORT	1		(SUB R34813, 19H1781 AND 28H1628)
26	28H1498	BUSHING	2		1/2" X 1/2"

# 3D23

OPERATOR'S STATION

SEAT  
(LESS ROCKSHAFT)  
(ORCHARD)

R4933 -UN-01JAN94



R 4933

# 3D24

OPERATOR'S STATION

SEAT - CONTINUED  
(LESS ROCKSHAFT)  
(ORCHARD)

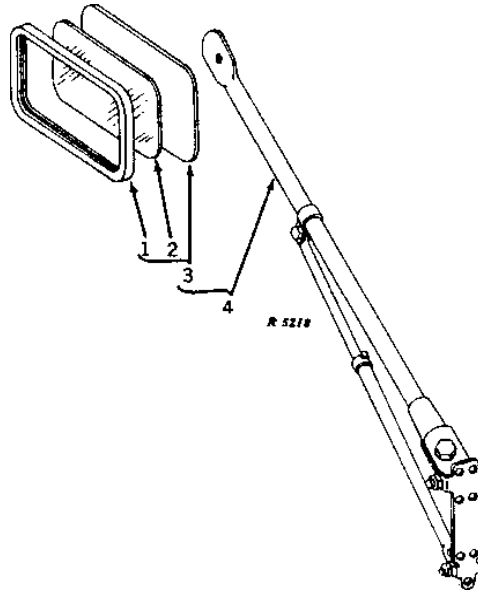
KEY	PART NO.	PART NAME	QTY	TRACTOR SERIAL NO.	REMARKS
1	AR30181	CUSHION	1		(SUB FOR AR26932)
	R32736	COVER	1		(SUB FOR AB3984R)
2	AF3271R	CUSHION	1		(SUB AR21966)
	AR21966	CUSHION	1		ECONOMY
3	AR31115	FRAME	1		(SUB FOR AR30945) (NO LONGER AVAILABLE)
4	11M7081	COTTER PIN	1		0.098" X 0.787"
5	AR20086	PIN	1		
6	F1463R	SPRING	1		
7	24H1321	SHIM	1		29/64" X 13/16" X 0.018"
8	19H1919	CAP SCREW	4		1/4" X 5/8"
	12H297	LOCK WASHER	4		1/4"
9	24H1286	WASHER	4		9/32" X 1/2" X 1/16", (SUB FOR R31577)
10	19H2284	CAP SCREW	2		3/8" X 7/8"
11	AR30947	SEAT	1		
12	12H304	LOCK WASHER	2		3/8"
13	14H1076	NUT	2		3/8" HS, SAE 8
14	AR30946	SEAT	1		(NO LONGER AVAILABLE)
15	19H1822	CAP SCREW	4		7/16" X 1"
	12H293	LOCK WASHER	4		7/16"

# 3D25

OPERATOR'S STATION

R5218 -UN-12DEC94

## REAR VIEW MIRROR



KEY	PART NO.	PART NAME	QTY	TRACTOR SERIAL NO.	REMARKS
1	R21686	BEZEL	1	(A)	
2	R21685	WINDOWPANE	1	(A)	
3	AR21860	REAR VIEW MIRROR	1	(A)	
4	AR30003	REAR VIEW MIRROR	1	(SUB (3) AH85483, AR89137 AND (6) H78354)	

(A) NO LONGER AVAILABLE

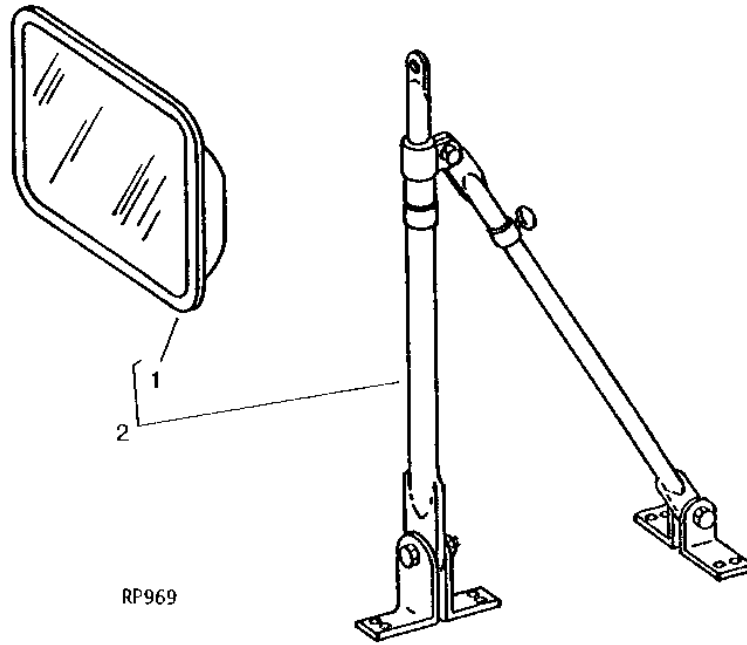


# 3E1

OPERATOR'S STATION

RP969 -UN-01JAN94

## REAR VIEW MIRROR



RP969

KEY	PART NO.	PART NAME	QTY	TRACTOR SERIAL NO.	REMARKS
1	AR89137	REAR VIEW MIRROR	1		(SUB FOR AR44255)
2	AR44254	REAR VIEW MIRROR	1		(SUB FOR AR30003) (SUB (3) AH85483, AR89137 AND (6) H78354)

---

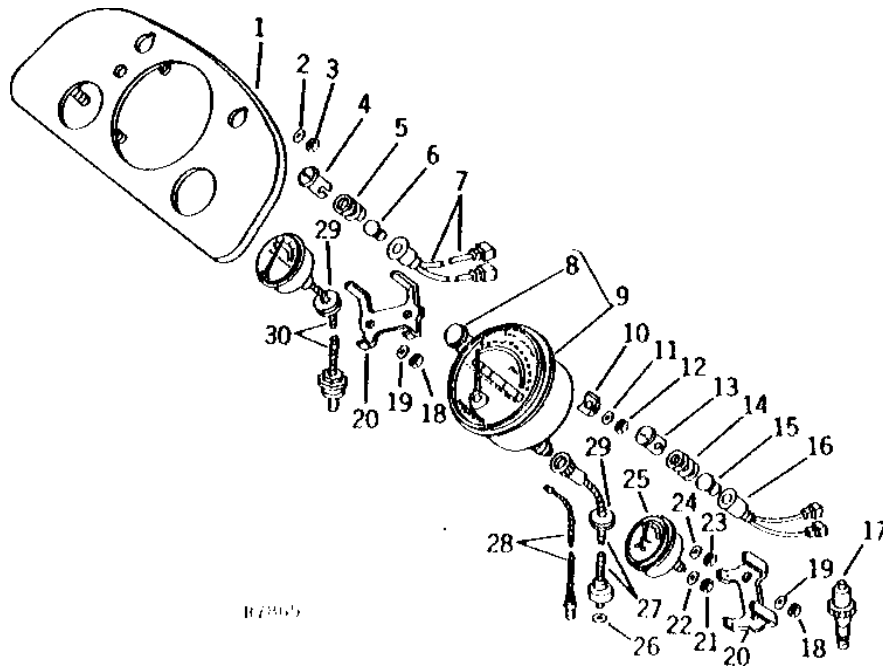
MEMORANDA

# 3E2

OPERATOR'S STATION

R7865 -UN-01JAN94

## INSTRUMENT PANEL AND INSTRUMENTS



KEY	PART NO.	PART NAME	QTY	TRACTOR SERIAL NO.	REMARKS
1	AR26715	INSTRUMENT PANEL	1		
2	12M7060	WASHER	4	0.209"	
3	14H631	NUT	4	0.190"	
4	AR29615	LENS	1		GENERATOR INDICATOR
5	R30378	SPRING	1		
6	AR55694	BULB	1		2 C.P., 12-16 VOLT, (SUB FOR R30379)
7	AT14699	LAMP	1		GENERATOR INDICATOR, (SUB FOR AR29350)
8	AR40802	KNOB	1		(SUB FOR AR30282)
9	AR50402	TACHOMETER	1		(SUB FOR AR26718 OR AR39906) (SUB AR50406)
	AR50406	TACHOMETER	1		(KILOMETERS) (SUB FOR AR30143, AR39908 OR AR48029)
	AR40437	DEVICE	1		SPEED DRUM INDEXING MECHANISM, (USE WITH AR39906 AND AR39908)
10	R27381	CLIP	4		
11	12M7060	WASHER	4	0.209"	
12	14H631	NUT	4	0.190"	
13	AR28552	LENS	1		OIL PRESSURE INDICATOR LAMP
14	R30378	SPRING	1		
15	AR55694	BULB	1		2 C.P. (12-16 VOLT) (SUB FOR R30379)
16	AR27944	LAMP	1		OIL PRESSURE INDICATOR, (SUB AR55694, AT44165, AT48674 AND R30378)
17	AR27977	TOUCH SWITCH	1		
18	14H631	NUT	4	0.190"	
19	12M7060	WASHER	4	0.209"	
20	R34338	CLAMP	2		(SUB FOR R27384)
21	14H605	NUT	1	0.164"	
22	12H315	LOCK WASHER	1	0.164"	
23	14H631	NUT	1	0.190"	
24	12H246	LOCK WASHER	1	0.190"	
25	R34262	GAUGE	1		FUEL, (SUB FOR AR26716)
26	B3285R	WASHER	1		
27	AR26721	CABLE	1		SPEED-HOUR METER
28	AR28588	CABLE	1		SPEED-HOUR METER, (SUB AR26721) (AC)
	AR28589	CABLE	1		SPEED-HOUR METER, (STEWART-WARNER)
29	R26936	GROMMET	2		
30	AR31901	GAUGE	1		WATER TEMPERATURE, (SUB FOR AR26720)

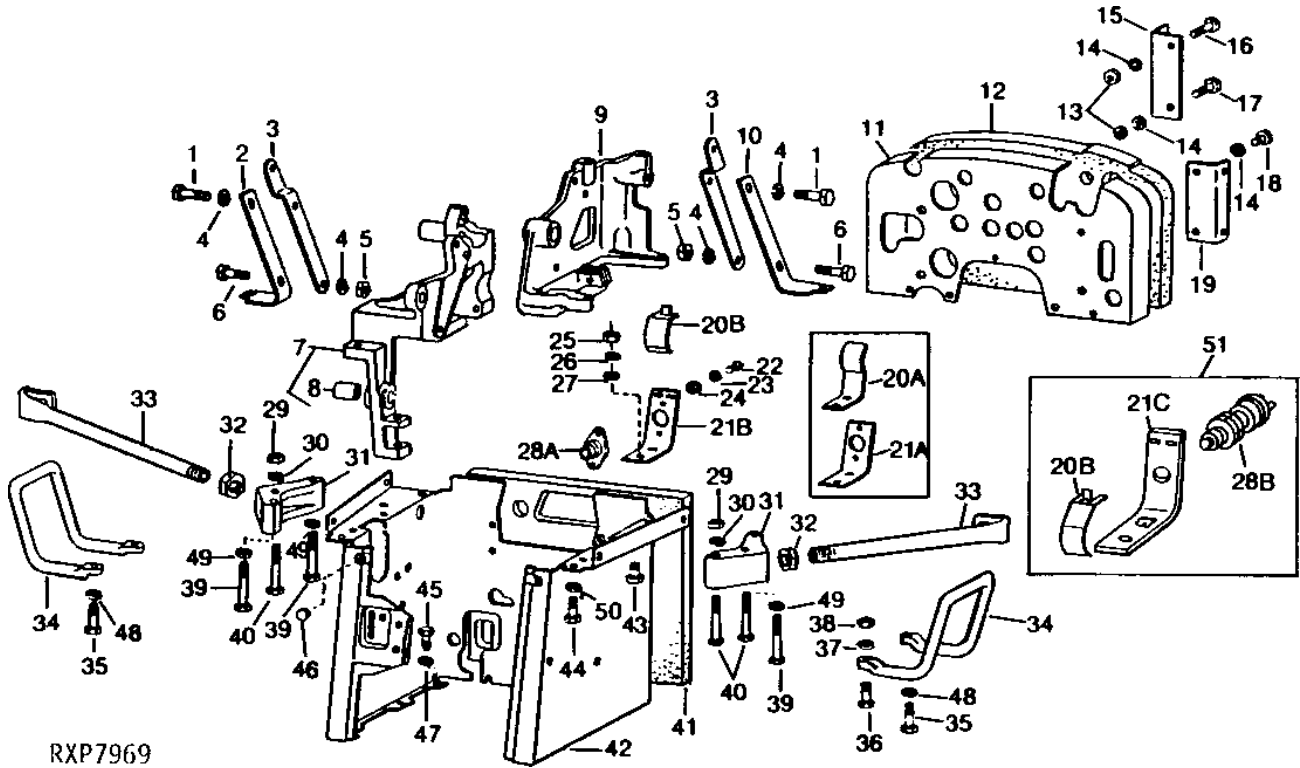
# 3E3

OPERATOR'S STATION

RXP7969

-UN-01JAN94

## CONTROL SUPPORT AND ASSOCIATED PARTS



RXP7969

KEY	PART NO.	PART NAME	QTY	TRACTOR SERIAL NO.	REMARKS
1	19H2552	CAP SCREW	2		
2	R31231	SUPPORT	1		(SUB FOR R26897) (ALSO ORDER R31229 AND 19H2552) HOOD, L.H.
3	R31229	SUPPORT	2		DASH
4	12H310	LOCK WASHER	4		3/8"
5	14H1076	NUT	2		3/8"
6	19H1731	CAP SCREW	2		3/8" X 1"
7	AR31492	BRACKET	1		L.H. (MARKED R27566 OR R32265) (SUB FOR AR26784)
8	R27567	BUSHING	1		
9	R47079	BRACKET	1	-032399	R.H. (SUB FOR R26951) (SUB R47079, A3376R AND 11H206)
	R47079	BRACKET	1	032400-	(SUB FOR R32390)

# 3E4

OPERATOR'S STATION

## CONTROL SUPPORT AND ASSOCIATED PARTS - CONTINUED

KEY	PART NO.	PART NAME	QTY	TRACTOR SERIAL NO.	REMARKS
1	19H2552	CAP SCREW	2		3/8" X 1-1/8"
2	R31231	SUPPORT	1		HOOD, L.H. (SUB FOR R26897) (ALSO ORDER R31229 AND 19H2552)
3	R31229	SUPPORT	2		DASH
4	12H310	LOCK WASHER	4		3/8"
5	14H1076	NUT	2		3/8"
6	19H1731	CAP SCREW	2		3/8" X 1"
7	AR31492	BRACKET	1		L.H. (MARKED R27566 OR R32265) (SUB FOR AR26784)
8	R27567	BUSHING	1		
9	R47079	BRACKET	1	001000-038199	R.H. (SUB FOR R26951, R30860 AND R32390) (ALSO ORDER A3376R AND 11H206)
10	R31230	SUPPORT	1		R.H. (SUB FOR R26896) (ALSO ORDER R31229 AND 19H2552)
11	AR34927	ISOLATOR	1		(SUB FOR AR27211 OR AR30305) (NO LONGER AVAILABLE)
12	R56059	FOAM PAD	1		(SUB FOR R27403, R32401 OR R34562)
13	14H1076	NUT	2		(A) 3/8"
14	12H304	LOCK WASHER	4		(A) 3/8"
15	R26895	ANGLE	1		(A)
16	19H1726	CAP SCREW	1		(A) 3/8" X 2-1/4"
17	19H1765	CAP SCREW	1		(A) 3/8" X 1-3/4"
18	19H2284	CAP SCREW	2		3/8" X 7/8"
19	R26895	ANGLE	1		
20A	R26705	SPRING	1		(STEEL NEUTRAL-START SWITCH ARM) (SUB RE42069)
20B	R32115	GUARD	1		(PLASTIC NEUTRAL-START SWITCH ARM)
21A	R26674	BRACKET	1		(STEEL NEUTRAL-START SWITCH ARM) (SUB RE42069 AND R32113)
21B	R32114	BRACKET	1		(PLASTIC NEUTRAL-START SWITCH ARM) (SUB RE42069 AND R32113)
21C	R100723	BRACKET	1		
22	21H1298	SCREW	2		0.190" X 3/8"
23	12H246	LOCK WASHER	2		0.190"
24	14H631	NUT	2		0.190"
25	14H1076	NUT	1		3/8"
26	12H304	LOCK WASHER	1		3/8"
27	24H1305	WASHER	1		13/32" X 13/16" X 0.065"
28A	AR26413	SWITCH	1		(SUB RE42069, THIS APPLICATION)
28B	AH98872	SWITCH	1		
29	14H1076	NUT	2		3/8"
30	12H304	LOCK WASHER	2		3/8"
31	R27942	BRACKET	2		
32	C985R	NUT	2		
33	R27941	SUPPORT	2		
34	R27884	PIN	2		
35	19H1732	CAP SCREW	3		3/8" X 1-1/4"
36	19H1731	CAP SCREW	1		3/8" X 1"
37	12H304	LOCK WASHER	1		3/8"
38	14H1076	NUT	1		3/8"
39	19H1733	CAP SCREW	3		3/8" X 2-1/2"
40	19H1733	CAP SCREW	3		3/8" X 2-1/2"
41	R26675	FOAM PAD	1		(GASOLINE AND LP-GAS)
	R44586	FOAM PAD	1		(SUB FOR R26676 OR R34565) (DIESEL)
42	AR32818	SUPPORT	1		(SUB FOR AR26591) (NO LONGER AVAILABLE)
43	19H1936	CAP SCREW	1		3/8" X 3/4"
44	19H1731	CAP SCREW	2		3/8" X 1", (RC AND ST)
45	19H1936	CAP SCREW	6		3/8" X 3/4"
46	R28473	PLUG	1		
47	12H304	LOCK WASHER	6		3/8"
48	12H304	LOCK WASHER	3		3/8"
49	12H304	LOCK WASHER	3		3/8"
50	12H304	LOCK WASHER	2		3/8"
51	RE42069	KIT	1		

(A) LESS SELECTIVE CONTROLS

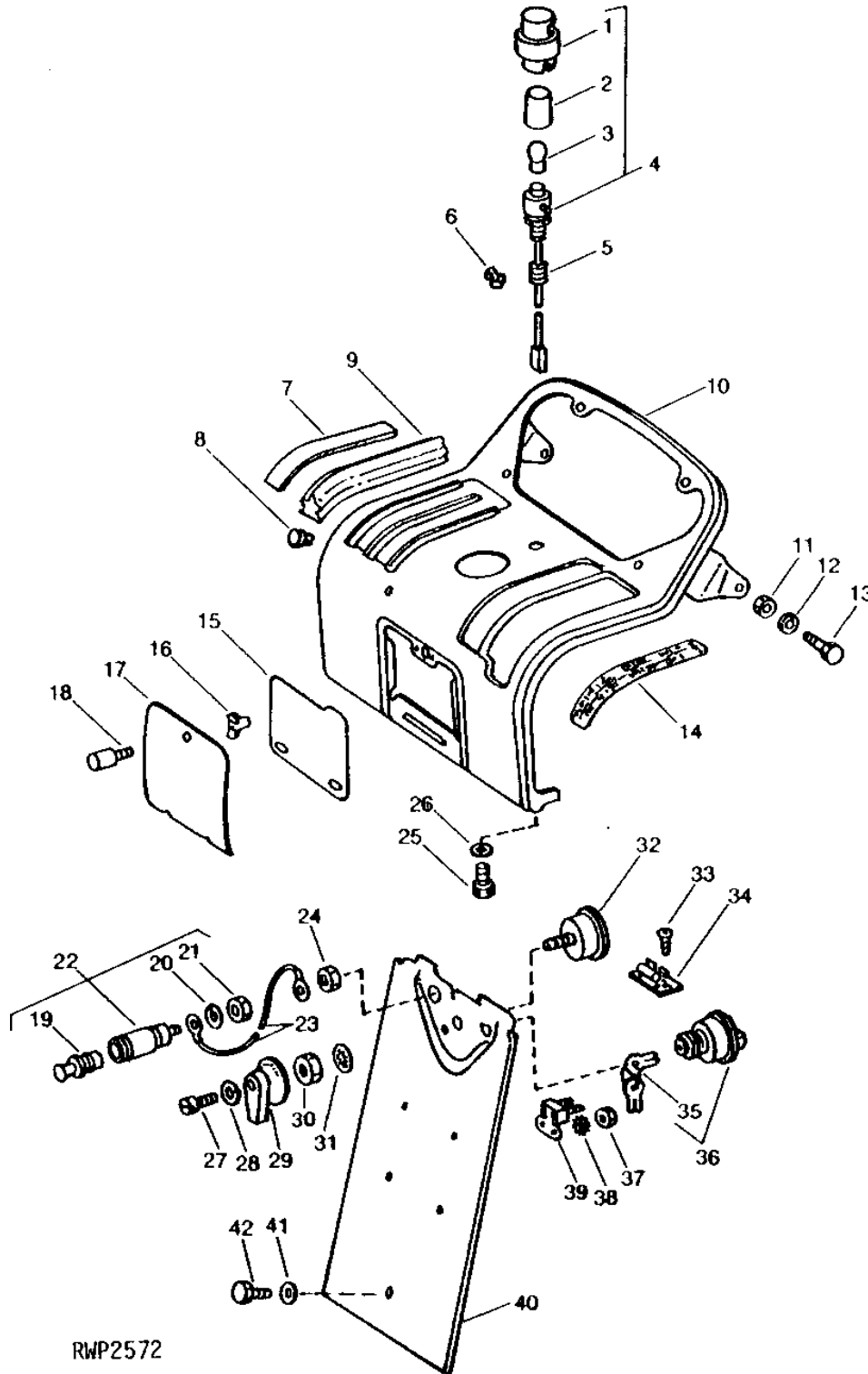
# 3E5

OPERATOR'S STATION

RWP2572

-UN-01JAN94

## CONTROL SUPPORT COVER, SWITCHES, DASH AND DASH LAMP



RWP2572

# 3E6

OPERATOR'S STATION

## CONTROL SUPPORT COVER, SWITCHES, DASH AND DASH LAMP - CONTINUED

KEY	PART NO.	PART NAME	QTY	TRACTOR SERIAL NO.	REMARKS
1	R40192	COVER	1		(SUB FOR R28793) (USE WITH AR35993)
	R40192	COVER	1		(USE WITH AR33479 OR RE13195)
2	R28792	LENS	1		
3	AT12948	BULB	1		6 C.P. (12-14 VOLT) (SUB FOR AR20580)
4	AR33479	LAMP	1		(SUB FOR AR26757 OR AR35993) (SUB RE13195)
5	A3411R	GROMMET	1		
6	R21551	CLIP	1		
7	R27361	ISOLATOR	1		
8	R27983	PLUG	1		
9	AR91941	STOP	1		(SUB R70281) SELECTIVE CONTROL VALVE
10	AR68197	INSTRUMENT PANEL	1		(A) (C) (RC AND ST) (SUB FOR AR26730 OR AR34959)
	AR34967	INSTRUMENT PANEL	1		(A) (C) (RU AND OR) (SUB FOR AR27209)
	AR34961	INSTRUMENT PANEL	1		(B) (RC AND ST) (SUB FOR AR26731)
	AR34969	INSTRUMENT PANEL	1		(B) (RU) (SUB FOR AR27210 OR AR32776) (SUB AR34967)
11	14H1076	NUT	2		3/8" HS, SAE 8
12	12H310	LOCK WASHER	2		3/8"
13	19H1732	CAP SCREW	2		3/8" X 1-1/4"
14	R40676	LABEL	1		(SUB FOR R27892 OR R34246)
15	.....	INSTRUCTIONS	1		(NO LONGER AVAILABLE)
16	R28056	NUT	1		
17	AR26996	DOOR	1		SERVICE INSTRUCTIONS
18	R27890	KNOB	1		
19	AR60937	LIGHTER	1		(SUB FOR AA5787R)
20	12M7084	LOCK WASHER	1		0.169"
21	14H605	NUT	1		0.164"
22	AR48643	LIGHTER	1		(12-VOLT) (SUB FOR AR26561, AR30052, AR34556 OR AR46079)
	AR30394	CIRCUIT BREAKER	1		
23	AR94130	WIRING LEAD	1		(MAKE FROM R32007 AND R32018)
24	14H631	NUT	1		0.190"
25	19H1936	CAP SCREW	2		3/8" X 3/4"
26	12H304	LOCK WASHER	2		3/8"
27	21H1299	SCREW	1		0.164" X 3/8"
28	12H315	LOCK WASHER	1		0.164", (SUB FOR A766R)
29	R27963	KNOB	1		(SUB AT65316)
30	A4655R	NUT	1		(SUB FOR 1902692)
31	12H292	LOCK WASHER	1		1/2"
32	AR28401	SWITCH	1		(A) (B) LIGHT
	AR28402	SWITCH	1		(C) LIGHT
33	37H48	SCREW	2		(C) NO. 7 X 3/8", (SUB FOR R28030)
34	AR27238	RESISTOR	1		(C)
35	A4700R	KEY	1		
36	AR26528	SWITCH	1		(A) (B) IGNITION AND STARTER
	AR26557	SWITCH	1		(C) STARTER
37	14H631	NUT	AR		0.190", (2 USED GASOLINE AND LP GAS) (3 USED DIESEL)
38	12M7060	WASHER	AR		0.209", (2 USED GASOLINE AND LP GAS) (3 USED DIESEL)
39	AR28403	CIRCUIT BREAKER	AR		(1 USED GASOLINE AND LP-GAS) (2 USED DIESEL)
40	AR34886	COVER	1		(SUB FOR AR26783 OR AR30049) (NO LONGER AVAILABLE)
41	24H1305	WASHER	1		13/32" X 13/16" X 0.065"
42	19H1731	CAP SCREW	1		3/8" X 1"

RC - ROW-CROP, ST - STANDARD, RU - ROW-CROP UTILITY, OR - ORCHARD

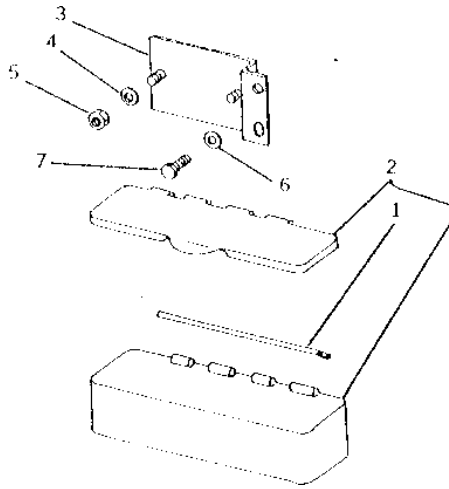
- (A) GASOLINE
- (B) LP-GAS
- (C) DIESEL

# 3E7

OPERATOR'S STATION

T9410 -UN-01JAN94

## TOOL BOX



T 8410

KEY	PART NO.	PART NAME	QTY	TRACTOR SERIAL NO.	REMARKS
1	M399T	PIN	1		
2	AR34684	TOOLBOX	1		(SUB FOR AR27750)
3	AT20568	BRACKET	1		
4	12H301	LOCK WASHER	2	1/2"	
5	14H1040	NUT	2	1/2"	
6	12H294	LOCK WASHER	2	5/8"	
7	19H1833	CAP SCREW	2	5/8" X 1-1/4"	

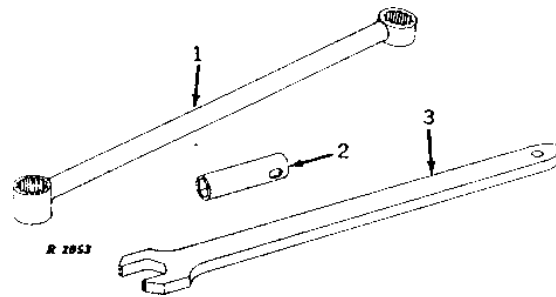


# 3E8

OPERATOR'S STATION

R2053 -UN-01JAN94

## TOOLS



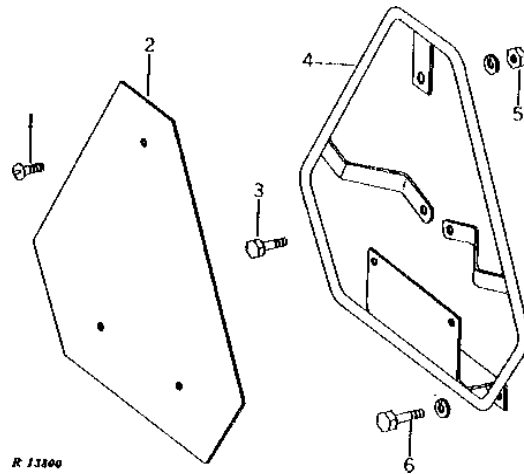
KEY	PART NO.	PART NAME	QTY	TRACTOR SERIAL NO.	REMARKS
1	B353R	WRENCH	1		DOUBLE END BOX
2	F3338R	WRENCH	1		SPARK PLUG (NO LONGER AVAILABLE)
3	F3537R	WRENCH	1		POWER ADJUSTABLE RIM

# 3E9

OPERATOR'S STATION

R13800 -UN-01JAN94

## SLOW MOVING VEHICLE EMBLEM



KEY	PART NO.	PART NAME	QTY	TRACTOR SERIAL NO.	REMARKS
1	21H1301	SCREW	3		
2	JD5403	SMV EMBLEM	1		
3	19H1900	CAP SCREW	2		
4	AR46282	SUPPORT	1		
5	14H778	NUT	3		0.190"
	12H246	LOCK WASHER	3		0.190"
6	19H1849	CAP SCREW	2		5/16" X 1-1/4"
	12H303	LOCK WASHER	2		5/16"

# 3E10

OPERATOR'S STATION

**PARTS FOR AR30758 HEATER FOR ALL-STEEL CAB  
(NOT ILLUSTRATED)**

KEY	PART NO.	PART NAME	QTY	TRACTOR SERIAL NO.	REMARKS
..	R31644	MOTOR	1	(A)	
..	R31645	FILTER	1	(A)	
..	R31646	CORE	1	(A)	

(A) NO LONGER AVAILABLE

# 3E11

OPERATOR'S STATION

**PARTS FOR ALL-STEEL CAB  
(NOT ILLUSTRATED)**

KEY	PART NO.	PART NAME	QTY	TRACTOR SERIAL NO.	REMARKS
..	AR21333	HANDLE	1		(A) INTERIOR
..	AR30580	ARM	2		(A) WINDOW ADJUSTMENT, R.H.
..	AR30581	ARM	2		(A) WINDOW ADJUSTMENT, L.H.
..	AR30582	LATCH	1		DOOR
..	R21135	HANDLE	1		(A) EXTERIOR
..	R31471	WINDOWPANE	2		(A) SIDE FRONT
..	R31472	WINDOWPANE	2		(A) ADJUSTABLE
..	R31473	WINDOWPANE	2		(A) SIDE REAR
..	R31474	GASKET	2		(A) COWL

(A) NO LONGER AVAILABLE

---

MEMORANDA

# 3E12

OPERATOR'S STATION

## PARTS FOR WEATHERSHIELDS (NOT ILLUSTRATED)

KEY	PART NO.	PART NAME	QTY	TRACTOR SERIAL NO.	REMARKS
..	AR20143	WINDOWPANE	2		SIDE (RC)
..	AR20143	WINDOWPANE	1	001000-019799	SIDE (ST)
..	AR20143	WINDOWPANE	2	019800-	SIDE (ST)
..	AR20143	WINDOWPANE	1		SIDE, (RU)
..	AR30514	PANEL	1		(A) ENGINE, R.H. (RC, ST AND RU)
..	AR30515	PANEL	1		(A) ENGINE, L.H. (RC, ST AND RU)
..	AR30516	WINDOW	1		SIDE, L.H. (RC, ST AND RU)
..	AR30517	FRAME	1		(A) WINDSHIELD, FRONT, (RU)
..	R20123	WINDSHIELD	1		FRONT (RC AND ST)
..	R20124	FRAME	1		WINDSHIELD, FRONT (RC AND ST)
..	R31424	WINDSHIELD	1		(A) FRONT (RU)

RC - ROW-CROP, ST - STANDARD, RU - ROW-CROP UTILITY

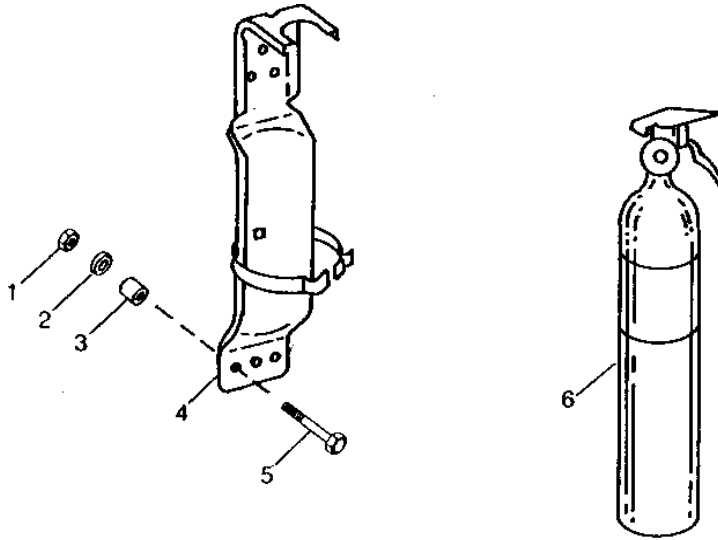
(A) NO LONGER AVAILABLE

# 3E13

OPERATOR'S STATION

RWP2787 -UN-01JAN94

## FIRE EXTINGUISHER



### RWP2787

KEY	PART NO.	PART NAME	QTY	SG BODY SERIAL NO.	REMARKS
1	14H786	NUT	2	1/4"	
2	24H1287	WASHER	2	9/32" X 5/8" X 0.065"	
3	28H3423	BUSHING	2	(SUB FOR 28H1914)	
4	AT62019	BRACKET	1		
5	21H1035	SCREW	2	1/4" X 1-1/2"	
6	AT81764	FIRE EXTINGUISHER	1	(SUB FOR AT62018) (SUB AT141924)	

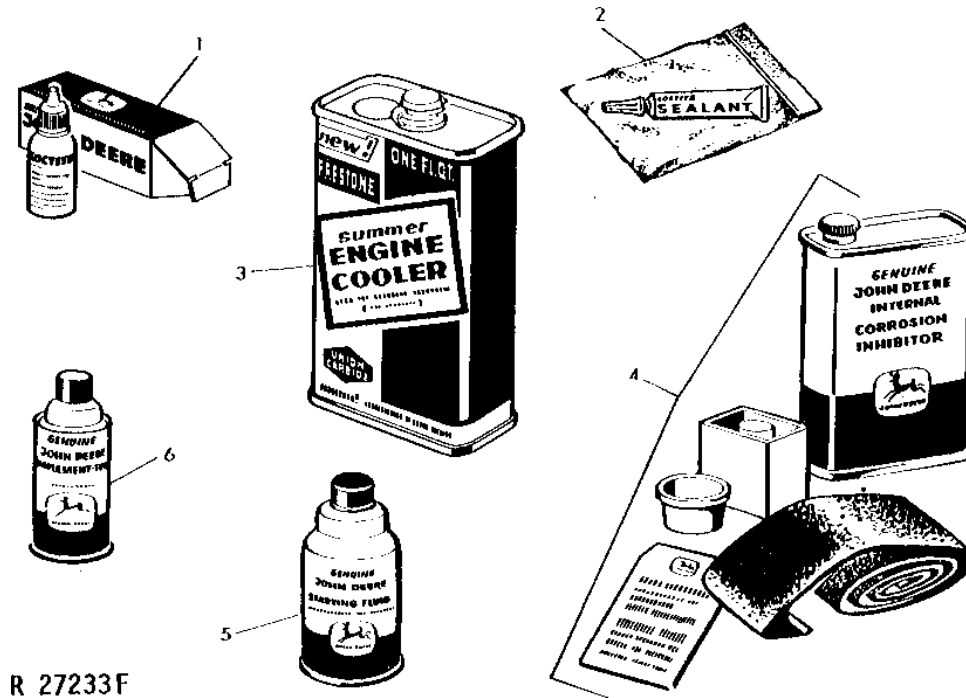
# 3E14

OPERATOR'S STATION

R27233

-UN-01JAN94

## ACCESSORY PARTS



R 27233F

KEY	PART NO.	PART NAME	QTY	TRACTOR SERIAL NO.	REMARKS
1	TY9371	ADHESIVE	1		(BOTTLE OF 10 CC) (SUB FOR AT24538)
	AT26340	SEALANT	1		(BOTTLE OF 2 FL. OZ.) (SUB T43514)
2	TY9371	ADHESIVE	1		(TUBE OF 6 CC) (SUB FOR AT14927)
3	T19566	COOLANT	1		0.9L (1 QT.) (SUB RE23182) CAN
4	AR41785	KIT	1		CONTAINS 0.9L (1 QT.) CAN OF INTERNAL CORROSION INHIBITOR, (1) ROLL OF TAPE, AND (6) PLASTIC BAGS
5	RE30174	STARTING FLUID	1		(SUB FOR AR27814 OR RE24561)
6	L94772	PAINT	1		(SUB PT99) SPRAY CAN OF JOHN DEERE GREEN



# 1J24

TRACTOR - 3010

## NUMERICAL INDEX

PART NO.	GRID	KEY	PAGE	PART NO.	GRID	KEY	PAGE	PART NO.	GRID	KEY	PAGE
AA14850	2G7	14	70 - 81	AA6307R	2H18	8	70 - 119	AH20855	1D9	13	30 - 7
AA15042	2G18	1	70 - 93	AA6309R	2H18	7	70 - 119	AH85483	3D25	4	90 - 22
AA15043	2G18	4	70 - 93	AA6309R	2H18	8	70 - 119	AH85483	3E1	2	90 - 23
AA2296R	2B19	42	50 - 25	AA6309R	2H22	1	70 - 123	AH93625	1G17	12	40 - 30
AA32178	1G17	..	40 - 30	AA6332R	1H4	5	40 - 41	AH98872	3E4	28B	90 - 27
AA3495R	1G10	11	40 - 23	AA7322R	1F16	11	40 - 5	AL2691T	1D17	9	30 - 16
AA3495R	1G10	19	40 - 23	AA7322R	1F20	12	40 - 9	AL26972	2G12	24	70 - 87
AA3495R	1G11	10	40 - 24	AA7322R	1G6	10	40 - 19	AL26972	2G14	22	70 - 89
AA3495R	1G11	19	40 - 24	AA7322R	1G8	10	40 - 21	AL26973	2G12	3	70 - 87
AA3495R	1G12	10	40 - 25	AA7322R	1G10	20	40 - 23	AL26973	2G14	21	70 - 89
AA3495R	1G12	18	40 - 25	AA847R	3B16	16	80 - 19	AL2769T	1D17	9	30 - 16
AA34967	1G17	3	40 - 30	AB3453R	1C8	13	20 - 39	AL2976T	1J11	20	40 - 97
AA34968	1G17	23	40 - 30	AB3686R	3B13	14	80 - 16	AL37364	1D3	12	30 - 1
AA4053R	1H4	5	40 - 41	AB3984R	3D10	1	90 - 7	AL37364	1D5	12	30 - 3
AA4074R	3B12	28	80 - 15	AB3984R	3D12	1	90 - 9	AM1074T	2C2	22	50 - 33
AA4881R	1G10	5	40 - 23	AB3984R	3D24	1	90 - 21	AM1074T	2E15	30	70 - 37
AA4881R	1G10	22	40 - 23	AB4013R	3B9	12	80 - 12	AM1074T	2F5	23	70 - 53
AA4881R	1G11	13	40 - 24	AB4045R	3A24	16	80 - 3	AM1074T	2F10	5	70 - 58
AA4881R	1G11	22	40 - 24	AB4046R	3B9	3	80 - 12	AM1074T	2F11	1	70 - 59
AA4881R	1G12	13	40 - 25	AB4259R	3B13	17	80 - 16	AM1900T	2F15	30	70 - 63
AA4881R	1G12	21	40 - 25	AB4685R	3B9	4	80 - 12	AM1980T	1G6	15	40 - 19
AA5302R	1F4	33A	30 - 57	AB4686R	3B9	4	80 - 12	AM30347	3B14	16	80 - 17
AA5302R	1F4	33B	30 - 57	AB4744R	1C16	14	20 - 48	AM348T	1G22	24	40 - 35
AA5302R	1F6	26A	30 - 59	AB4745R	1C16	14	20 - 48	AM348T	1G24	26	40 - 37
AA5302R	1F6	30A	30 - 59	AB4847R	1D25	29	30 - 25	AM348T	1H2	27	40 - 39
AA5302R	1F6	30B	30 - 59	AB5506R	3B22	11	80 - 25	AM348T	3C19	19	80 - 47
AA5302R	1F6	31	30 - 59	AD2062R	1G10	4	40 - 23	AM373T	1G24	23	40 - 37
AA5302R	1F6	42	30 - 59	AD2062R	1G10	9	40 - 23	AM373T	1H2	24	40 - 39
AA5302R	1F6	45A	30 - 59	AD2062R	1G17	2	40 - 30	AM373T	1H4	17	40 - 41
AA5302R	1F6	45B	30 - 59	AD2636R	3B18	10	80 - 21	AM791T	1G24	23	40 - 37
AA5691R	1F14	17	40 - 3	AF1395R	1E19	3	30 - 46	AM791T	1H2	24	40 - 39
AA5691R	1F16	16	40 - 5	AF1396R	1E19	5	30 - 46	AM791T	1H4	17	40 - 41
AA5691R	1F18	18	40 - 7	AF1397R	1E19	8	30 - 46	AN140263	2G18	17	70 - 93
AA5691R	1F20	17	40 - 9	AF1398R	1E19	11	30 - 46	AN140264	2G18	17	70 - 93
AA5691R	1F22	20	40 - 11	AF1399R	1E19	12	30 - 46	AN140265	2G18	17	70 - 93
AA5691R	1F24	21	40 - 13	AF2057R	1C9	3	20 - 40	AN140274	2G18	12	70 - 93
AA5691R	1G2	14	40 - 15	AF2057R	1C11	7	20 - 42	AP19547	2H22	32	70 - 123
AA5691R	1G4	15	40 - 17	AF2331R	2H24	26A	70 - 125	AP19547	2H24	33	70 - 125
AA5691R	1G6	16	40 - 19	AF2643R	2E8	1	70 - 30	AP19547	2I1	20	70 - 127
AA5691R	1G8	16	40 - 21	AF2643R	2F5	5	70 - 53	AP20217	1D7	15	30 - 5
AA5692R	1F14	17	40 - 3	AF2710R	2F13	..	70 - 61	AP26477	1D7	15	30 - 5
AA5692R	1F16	16	40 - 5	AF2711R	2F13	..	70 - 61	AR100161	1H25	32	40 - 61
AA5692R	1F18	18	40 - 7	AF3147R	2F13	..	70 - 61	AR100161	1I1	17	40 - 62
AA5692R	1F20	17	40 - 9	AF3271R	3D10	2	90 - 7	AR100161	1I2	33	40 - 63
AA5692R	1F22	20	40 - 11	AF3271R	3D12	2	90 - 9	AR100161	1I2	43	40 - 63
AA5692R	1F24	21	40 - 13	AF3271R	3D24	2	90 - 21	AR100161	1I6	1	40 - 67
AA5692R	1G2	14	40 - 15	AF3272R	3D12	3	90 - 9	AR10073	1E17	9	30 - 44
AA5692R	1G4	15	40 - 17	AF3435R	1E4	12	30 - 30	AR10094	1E22	11	30 - 49
AA5692R	1G6	16	40 - 19	AF3583R	1D3	12	30 - 1	AR10095	1E6	26	30 - 33
AA5692R	1G8	16	40 - 21	AF3583R	1D5	12	30 - 3	AR10095	1E11	8	30 - 38
AA5692R	1J8	12	40 - 94	AF3739R	3B22	11	80 - 25	AR10095	1E18	39	30 - 45
AA5731R	2H24	3	70 - 125	AF3740R	3B22	11	80 - 25	AR10096	1E6	24	30 - 33
AA5787R	3E6	19	90 - 29	AF3797R	3B21	6	80 - 24	AR10096	1E11	6	30 - 38
AA6001R	1D25	22	30 - 25	AF3797R	3B22	10	80 - 25	AR10096	1E18	41	30 - 45
AA6002R	1D25	26	30 - 25	AF3891R	1G10	2	40 - 23	AR10101	1E5	17	30 - 32
AA6022R	3D10	7	90 - 7	AF3891R	1G10	25	40 - 23	AR10101	1E12	14	30 - 39
AA6037R	1G14	2	40 - 27	AF3891R	1G11	15	40 - 24	AR10102	1E5	7	30 - 32
AA6057R	1D25	29	30 - 25	AF3891R	1G11	24	40 - 24	AR10103	1E6	61	30 - 33
AA6058R	1D25	25	30 - 25	AF3892R	1G10	23	40 - 23	AR10104	1E6	65	30 - 33
AA6059R	1D25	24	30 - 25	AF3892R	1G11	14	40 - 24	AR10104	1E12	31	30 - 39
AA6060R	1D25	25	30 - 25	AF3892R	1G12	14	40 - 25	AR10105	1E6	46	30 - 33
AA6060R	1D25	28	30 - 25	AF912R	3B14	5	80 - 17	AR10106	1E6	57	30 - 33
AA6086R	1E5	5	30 - 32	AF968R	3A24	7	80 - 3	AR10107	1E6	49	30 - 33
AA6086R	1E12	5	30 - 39	AH10611	1E9	15	30 - 36	AR10108	1E6	50	30 - 33
AA6086R	1E17	5	30 - 44	AH10620	1E10	35	30 - 37	AR10108	1E11	29	30 - 38
AA6218R	1G13	19	40 - 26	AH10620	1E14	48	30 - 41	AR10109	1E6	..	30 - 33
AA6218R	1G16	10	40 - 29	AH13770	1D3	10	30 - 1	AR10109	1E7	1	30 - 34

# 1J25

TRACTOR - 3010

## NUMERICAL INDEX - CONTINUED

PART NO.	GRID	KEY	PAGE	PART NO.	GRID	KEY	PAGE	PART NO.	GRID	KEY	PAGE
AR10109	1E11	..	30 - 38	AR11105	1H22	6	40 - 58	AR11160	1G24	29	40 - 37
AR10109	1E12	..	30 - 39	AR111058	1I21	16	40 - 83	AR11160	1H2	30	40 - 39
AR10111	1E6	..	30 - 33	AR111058	1I23	20	40 - 83B	AR11160	1H18	1	40 - 56
AR10112	1E6	49	30 - 33	AR111058	1I25	..	40 - 85	AR11160	1H21	8	40 - 57
AR10112	1E11	28	30 - 38	AR11106	1H22	5	40 - 58	AR11160	1H21	..	40 - 57
AR10114	1E6	46	30 - 33	AR11107	1H21	2	40 - 57	AR11160	1H22	2	40 - 58
AR10115	1E6	53	30 - 33	AR11108	1H21	24	40 - 57	AR11160	1H22	..	40 - 58
AR101236	2D10	2	70 - 5	AR11109	1H21	11	40 - 57	AR11162	1G24	22	40 - 37
AR101236	2D10	3	70 - 5	AR11109	1I3	..	40 - 64	AR11162	1H2	23	40 - 39
AR101236	2D16	3	70 - 11	AR11116	1I3	..	40 - 64	AR11162	1H4	8	40 - 41
AR101245	1I11	4	40 - 73	AR11120	1H25	33	40 - 61	AR11162	1H6	27	40 - 43
AR101245	1I13	3	40 - 75	AR11120	1I2	34	40 - 63	AR11162	1H6	..	40 - 43
AR101245	1I15	4	40 - 77	AR11121	1H25	60	40 - 61	AR11162	1H8	2	40 - 45
AR101549	1C9	3	20 - 40	AR11122	1H25	37	40 - 61	AR11162	1H8	23	40 - 45
AR101549	1C13	5	20 - 44	AR11122	1I2	38	40 - 63	AR11162	1H8	24	40 - 45
AR101549	1C13	6	20 - 44	AR11123	1H25	56	40 - 61	AR11162	1H8	25	40 - 45
AR101549	1C13	7	20 - 44	AR11123	1I2	59	40 - 63	AR11162	1H8	..	40 - 45
AR101549	1C13	8	20 - 44	AR11124	1H25	53	40 - 61	AR11300	1F14	3	40 - 3
AR101632	2D18	28	70 - 13	AR11124	1I2	56	40 - 63	AR11300	1F16	1	40 - 5
AR101632	2D20	6	70 - 15	AR11125	1H25	50	40 - 61	AR11300	1G2	2	40 - 15
AR101807	2D8	..	70 - 3	AR11126	1H24	22	40 - 60	AR11300	1G6	1	40 - 19
AR101807	2D10	16	70 - 5	AR11126	1I1	23	40 - 62	AR11300	1G24	29	40 - 37
AR101807	2D10	..	70 - 5	AR11127	1H24	2	40 - 60	AR11300	1H2	30	40 - 39
AR101807	2D16	..	70 - 11	AR11127	1I1	2	40 - 62	AR11300	1H18	1	40 - 56
AR101807	2D18	..	70 - 13	AR11128	1H24	14	40 - 60	AR11300	1H21	8	40 - 57
AR10218	1E11	35	30 - 38	AR11128	1I1	14	40 - 62	AR11300	1H21	..	40 - 57
AR102454	1I7	..	40 - 68	AR11129	1H25	31	40 - 61	AR11300	1H22	..	40 - 58
AR102454	1I8	..	40 - 69	AR11129	1I2	32	40 - 63	AR11302	1G22	21	40 - 35
AR102454	1I9	12	40 - 71	AR11129	1I4	..	40 - 65	AR11302	1H11	10	40 - 49
AR10301	1E6	27	30 - 33	AR11130	1I4	7	40 - 65	AR11302	1H13	..	40 - 51
AR10301	1E11	9	30 - 38	AR11131	1H23	16	40 - 59	AR11303	1G24	21	40 - 37
AR10301	1E18	38	30 - 45	AR11131	1I3	16	40 - 64	AR11303	1H2	22	40 - 39
AR10302	1E6	32	30 - 33	AR11131	1I4	18	40 - 65	AR11303	1H11	10	40 - 49
AR10302	1E11	14	30 - 38	AR11132	1H24	29	40 - 60	AR11304	1G24	19	40 - 37
AR10303	1E6	28	30 - 33	AR11132	1I1	30	40 - 62	AR11304	1H2	20	40 - 39
AR10303	1E18	37	30 - 45	AR11133	1H24	9	40 - 60	AR11304	1H15	..	40 - 53
AR103808	2H19	7	70 - 120	AR11133	1I1	9	40 - 62	AR11308	1G21	18	40 - 34
AR103811	1A25	4	20 - 3	AR11134	1H23	16	40 - 59	AR11308	1G24	17	40 - 37
AR11008	1G22	20	40 - 35	AR11134	1I3	16	40 - 64	AR11308	1H2	17	40 - 39
AR11008	1H17	5	40 - 55	AR11134	1I4	15	40 - 65	AR11308	1I7	9	40 - 68
AR11008	1H17	14	40 - 55	AR11137	1H17	14	40 - 55	AR11330	1H13	44	40 - 51
AR11008	1H17	32	40 - 55	AR11138	1F18	3	40 - 7	AR11331	1H9	4	40 - 46
AR11008	1H17	..	40 - 55	AR11138	1F20	1	40 - 9	AR11331	1H12	4	40 - 50
AR11031	1H12	29	40 - 50	AR11138	1G4	2	40 - 17	AR11333	1H10	36	40 - 47
AR11033	1H15	5	40 - 53	AR11138	1G8	1	40 - 21	AR11333	1H13	37	40 - 51
AR11033	1H17	7	40 - 55	AR11138	1G22	29	40 - 35	AR11334	1H10	43	40 - 47
AR11035	1H17	37	40 - 55	AR11138	1H18	1	40 - 56	AR11335	1H9	28	40 - 46
AR11036	1H17	36	40 - 55	AR11138	1H20	..	40 - 56B	AR11336	1H15	31	40 - 53
AR11037	1H17	14	40 - 55	AR11138	1H25	..	40 - 61	AR11337	1H15	11	40 - 53
AR11038	1H17	13	40 - 55	AR11138	1I2	..	40 - 63	AR11338	1H15	4	40 - 53
AR11039	1H15	24	40 - 53	AR11139	1H25	50	40 - 61	AR13016	1E9	7	30 - 36
AR11039	1H17	27	40 - 55	AR11139	1I2	53	40 - 63	AR13017	1E9	13	30 - 36
AR11040	1H15	30	40 - 53	AR11140	1H25	60	40 - 61	AR13019	1E9	22	30 - 36
AR11040	1H17	4	40 - 55	AR11140	1I2	63	40 - 63	AR13022	1E10	4	30 - 37
AR11041	1H15	9	40 - 53	AR11141	1H20	..	40 - 56B	AR13022	1E14	4	30 - 41
AR11041	1H17	12	40 - 55	AR11145	1G24	22	40 - 37	AR13024	1E9	23	30 - 36
AR11042	1H15	21	40 - 53	AR11145	1H2	23	40 - 39	AR13025	1E14	43	30 - 41
AR11042	1H17	24	40 - 55	AR11145	1H4	8	40 - 41	AR13026	1E10	19	30 - 37
AR11051	1I5	7	40 - 66	AR11145	1H8	2	40 - 45	AR13026	1E14	17	30 - 41
AR11067	1H15	10	40 - 53	AR11145	1H8	23	40 - 45	AR13027	1E10	11	30 - 37
AR11068	1H9	14	40 - 46	AR11145	1H8	24	40 - 45	AR13027	1E14	11	30 - 41
AR11068	1H12	14	40 - 50	AR11145	1H8	25	40 - 45	AR13028	1E10	13	30 - 37
AR11074	1H9	10	40 - 46	AR11145	1H8	..	40 - 45	AR13028	1E14	13	30 - 41
AR11074	1H12	10	40 - 50	AR11160	1F14	3	40 - 3	AR13029	1E14	32	30 - 41
AR11100	1H9	15	40 - 46	AR11160	1F16	1	40 - 5	AR13030	1E10	5	30 - 37
AR11101	1H9	28	40 - 46	AR11160	1G2	2	40 - 15	AR13030	1E14	5	30 - 41
AR11104	1H21	15	40 - 57	AR11160	1G6	1	40 - 19	AR13031	1E10	34	30 - 37

# 1K1

TRACTOR - 3010

## NUMERICAL INDEX - CONTINUED

PART NO.	GRID	KEY	PAGE	PART NO.	GRID	KEY	PAGE	PART NO.	GRID	KEY	PAGE
AR13031	1E14	47	30 - 41	AR26309	1B1	3	20 - 4	AR26437	1E20	17	30 - 47
AR13032	1E14	3	30 - 41	AR26310	1B1	3	20 - 4	AR26437	1H2	18	40 - 39
AR13033	1E16	1	30 - 43	AR26319	2B25	10	50 - 31	AR26438	1B16	6	20 - 19
AR13038	1E14	43	30 - 41	AR26321	2B25	12	50 - 31	AR26442	2B11	18	50 - 17
AR14019	1H4	5	40 - 41	AR26327	1B25	6	20 - 29	AR26443	2B11	19	50 - 17
AR14021	1H4	5	40 - 41	AR26328	1C2	6	20 - 31	AR26445	1B3	17	20 - 6
AR20086	3D24	5	90 - 21	AR26336	1B4	25	20 - 7	AR26446	1B3	13	20 - 6
AR20143	3E12	..	90 - 36	AR26337	1B6	25	20 - 9	AR26446	1B5	13	20 - 8
AR20235	1I9	10	40 - 71	AR26338	1D18	37	30 - 17	AR26447	2C6	9	60 - 3
AR20413	1H2	11	40 - 39	AR26339	1D17	14	30 - 16	AR26448	2C9	57	60 - 7
AR20443	1G6	9	40 - 19	AR26339	1D19	11	30 - 19	AR26450	2E21	18	70 - 43
AR20443	1G8	9	40 - 21	AR26341	1D17	19	30 - 16	AR26457	2B7	5	50 - 13
AR20443	1G10	20	40 - 23	AR26341	1D19	16	30 - 19	AR26459	1C7	27	20 - 37
AR20445	1G6	9	40 - 19	AR26342	1D18	42	30 - 17	AR26460	1C7	27	20 - 37
AR20445	1G8	9	40 - 21	AR26347	1C7	21	20 - 37	AR26462	2G2	7	70 - 76
AR20580	1G11	5	40 - 24	AR26350	1C7	5	20 - 37	AR26462	2G3	7	70 - 77
AR20580	1G12	5	40 - 25	AR26351	1C8	9	20 - 39	AR26469	3C6	17	80 - 33
AR20580	3E6	3	90 - 29	AR26353	1C8	16	20 - 39	AR26469	3C6	34	80 - 33
AR20750	3B16	21	80 - 19	AR26355	1B3	18	20 - 6	AR26469	3C10	20	80 - 37
AR20846	1E20	4	30 - 47	AR26356	1B5	18	20 - 8	AR26469	3C10	49	80 - 37
AR20870	3C8	11	80 - 35	AR26357	2B13	17	50 - 19	AR26469	3C13	11	80 - 40
AR21024	1I18	1	40 - 80	AR26360	2B13	15	50 - 19	AR26469	3C13	29	80 - 40
AR21024	1I18	3	40 - 80	AR26361	2B13	11	50 - 19	AR26469	3C14	3	80 - 41
AR21059	1G10	23	40 - 23	AR26367	2B7	10	50 - 13	AR26469	3C14	18	80 - 41
AR21059	1G11	23	40 - 24	AR26374	2B15	40	50 - 21	AR26469	3C18	7	80 - 46
AR21059	1G12	22	40 - 25	AR26375	2B15	39	50 - 21	AR26469	3C19	5	80 - 47
AR21333	3E11	..	90 - 34	AR26380	1C9	12	20 - 40	AR26472	3C14	30	80 - 41
AR21690	1D25	13	30 - 25	AR26389	1D18	28	30 - 17	AR26472	3C18	17	80 - 46
AR21737	1G10	4	40 - 23	AR26389	1D19	22	30 - 19	AR26473	3C14	13	80 - 41
AR21739	1G10	9	40 - 23	AR26390	1D19	7A	30 - 19	AR26476	2B15	29	50 - 21
AR21790	1D3	8	30 - 1	AR26390	1D19	9	30 - 19	AR26478	1D25	11	30 - 25
AR21790	1D5	8	30 - 3	AR26391	1D19	4	30 - 19	AR26480	3B10	2	80 - 13
AR21823	1G21	15	40 - 34	AR26392	1G24	22	40 - 37	AR26480	3B14	1	80 - 17
AR21823	1G24	14	40 - 37	AR26392	1H2	23	40 - 39	AR26480	3B15	1	80 - 18
AR21823	1H2	14	40 - 39	AR26392	1H4	18	40 - 41	AR26482	2B21	6	50 - 27
AR21823	1I7	3	40 - 68	AR26402	2C9	55	60 - 7	AR26486	1B18	4	20 - 21
AR21823	1I8	3	40 - 69	AR26403	3D16	12	90 - 13	AR26487	2A25	29	50 - 5
AR21836	2C11	33	60 - 9	AR26404	2E9	10	70 - 31	AR26488	2B2	14	50 - 7
AR21837	1D7	3	30 - 5	AR26404	2E12	6	70 - 34	AR26489	2B2	17	50 - 7
AR21837	1D9	1	30 - 7	AR26406	1E23	1	30 - 51	AR26492	2E19	9	70 - 41
AR21837	2H8	10	70 - 108	AR26407	2H18	3	70 - 119	AR26493	3C4	42	80 - 31
AR21839	1C16	8	20 - 48	AR26407	2H18	4	70 - 119	AR26494	3C4	44	80 - 31
AR21839	1E20	12	30 - 47	AR26408	2E9	3	70 - 31	AR26497	3C4	37	80 - 31
AR21839	1I19	4	40 - 81	AR26409	1H4	5	40 - 41	AR26498	3C4	37	80 - 31
AR21839	2D25	22	70 - 21	AR26413	1G24	11	40 - 37	AR26505	1E17	15	30 - 44
AR21839	2E2	1	70 - 23	AR26413	3E4	28A	90 - 27	AR26506	1E17	30	30 - 44
AR21839	2E2	16	70 - 23	AR26415	2G1	8	70 - 75	AR26507	1E17	15	30 - 44
AR21839	2E6	1	70 - 27	AR26416	1D3	13	30 - 1	AR26508	1E20	5	30 - 47
AR21839	2H8	13	70 - 108	AR26416	1D3	..	30 - 1	AR26508	1E21	1	30 - 48
AR21840	1C14	1	20 - 46	AR26418	1D17	4	30 - 16	AR26508	1E22	35	30 - 49
AR21840	1D7	1	30 - 5	AR26420	1D18	22	30 - 17	AR26509	1E23	19	30 - 51
AR21840	1D9	6	30 - 7	AR26421	1D17	12	30 - 16	AR26510	1E23	5	30 - 51
AR21840	1D21	5	30 - 21	AR26422	1C10	19	20 - 41	AR26511	1E23	4	30 - 51
AR21840	1D23	5	30 - 23	AR26426	1B18	10	20 - 21	AR26512	1E23	3	30 - 51
AR21840	2C11	13	60 - 9	AR26428	1B12	..	20 - 15	AR26513	1E23	2	30 - 51
AR21840	2D25	15	70 - 21	AR26428	1B18	10	20 - 21	AR26514	1B3	1	20 - 6
AR21841	1D7	6	30 - 5	AR26428	1C4	6	20 - 34	AR26514	1B3	4	20 - 6
AR21841	1D9	4	30 - 7	AR26432	1E6	..	30 - 33	AR26514	1B3	8	20 - 6
AR21841	1D9	7	30 - 7	AR26434	1D21	15	30 - 21	AR26514	1B5	1	20 - 8
AR21856	1G14	1	40 - 27	AR26434	1D23	15	30 - 23	AR26514	1B5	4	20 - 8
AR21858	1G14	1	40 - 27	AR26434	1G22	19	40 - 35	AR26514	1B5	8	20 - 8
AR21860	3D25	3	90 - 22	AR26434	1G24	18	40 - 37	AR26515	1A25	3	20 - 3
AR21966	3D10	2	90 - 7	AR26435	1D21	18	30 - 21	AR26517	1C7	29	20 - 37
AR21966	3D12	2	90 - 9	AR26435	1D23	18	30 - 23	AR26523	2E21	24	70 - 43
AR21966	3D24	2	90 - 21	AR26436	1D25	9	30 - 25	AR26524	2E21	33	70 - 43
AR21969	1A23	..	20 - 1	AR26437	1E19	14	30 - 46	AR26527	2F13	24	70 - 61
AR26308	1B1	3	20 - 4	AR26437	1E19	21	30 - 46	AR26528	1G23	4	40 - 36

# 1K2

TRACTOR - 3010

## NUMERICAL INDEX - CONTINUED

PART NO.	GRID	KEY	PAGE	PART NO.	GRID	KEY	PAGE	PART NO.	GRID	KEY	PAGE
AR26528	1H2	4	40 - 39	AR26585	1G13	12	40 - 26	AR26716	1G23	1	40 - 36
AR26528	3E6	36	90 - 29	AR26586	2C4	15	60 - 1	AR26716	1H2	1	40 - 39
AR26529	3D14	14	90 - 11	AR26591	3E4	42	90 - 27	AR26716	3E2	25	90 - 25
AR26530	3D14	21	90 - 11	AR26592	1F4	11	30 - 57	AR26718	3E2	9	90 - 25
AR26531	2A25	28	50 - 5	AR26592	1F5	11	30 - 58	AR26720	3E2	30	90 - 25
AR26532	2A25	33	50 - 5	AR26593	2C13	4	60 - 11	AR26721	3E2	27	90 - 25
AR26532	2B21	3	50 - 27	AR26595	3C8	11	80 - 35	AR26721	3E2	28	90 - 25
AR26533	2B2	28	50 - 7	AR26599	2F13	26	70 - 61	AR26722	2E10	14	70 - 32
AR26537	1C4	6	20 - 34	AR26600	2G1	7	70 - 75	AR26722	2F8	2	70 - 56
AR26543	1H4	5	40 - 41	AR26602	2A25	37	50 - 5	AR26723	2D25	47	70 - 21
AR26544	1H4	5	40 - 41	AR26613	1F4	14	30 - 57	AR26723	2E8	4	70 - 30
AR26545	1H4	5	40 - 41	AR26613	1F5	14	30 - 58	AR26723	2F8	5	70 - 56
AR26546	2E21	3	70 - 43	AR26614	1F4	3	30 - 57	AR26724	2E15	35	70 - 37
AR26546	2E23	47	70 - 45	AR26614	1F5	3	30 - 58	AR26724	2F8	9	70 - 56
AR26547	2F1	6	70 - 48	AR26615	1F4	36	30 - 57	AR26724	2F8	17	70 - 56
AR26556	2F18	8	70 - 67	AR26615	1F6	51	30 - 59	AR26725	2C6	21	60 - 3
AR26557	1G21	4	40 - 34	AR26616	2F18	16	70 - 67	AR26725	2C9	10	60 - 7
AR26557	3E6	36	90 - 29	AR26619	1G22	24	40 - 35	AR26725	2C11	8	60 - 9
AR26559	1D3	2	30 - 1	AR26619	1G24	26	40 - 37	AR26725	2E15	39	70 - 37
AR26561	3E6	22	90 - 29	AR26619	1H2	27	40 - 39	AR26725	2F7	54	70 - 55
AR26564	3C3	2	80 - 30	AR26619	3C18	4	80 - 46	AR26725	2F8	4	70 - 56
AR26565	1G21	14	40 - 34	AR26621	1G22	27	40 - 35	AR26725	2G11	27	70 - 85
AR26565	1G24	20	40 - 37	AR26622	1G22	25	40 - 35	AR26725	2G24	31	70 - 99
AR26565	1H2	21	40 - 39	AR26623	1C16	6	20 - 48	AR26725	2H6	1	70 - 105
AR26566	3C4	19	80 - 31	AR26625	2C6	5	60 - 3	AR26725	2H11	12	70 - 111
AR26567	1D21	27	30 - 21	AR26627	3D10	15	90 - 7	AR26725	2H13	20	70 - 113
AR26568	3C4	21	80 - 31	AR26627	3D16	27	90 - 13	AR26725	2H14	2	70 - 114
AR26570	2B9	6	50 - 15	AR26628	3D10	8	90 - 7	AR26730	3E6	10	90 - 29
AR26571	1F14	17	40 - 3	AR26629	3D14	18	90 - 11	AR26731	3E6	10	90 - 29
AR26571	1F16	16	40 - 5	AR26631	3D14	29	90 - 11	AR26732	1E17	13	30 - 44
AR26571	1F18	18	40 - 7	AR26632	3D14	1	90 - 11	AR26736	1D21	12	30 - 21
AR26571	1F20	17	40 - 9	AR26635	1C11	10	20 - 42	AR26736	1D23	12	30 - 23
AR26571	1F22	20	40 - 11	AR26635	1D19	1	30 - 19	AR26736	1D25	15	30 - 25
AR26571	1F24	21	40 - 13	AR26636	1C3	3	20 - 33	AR26737	1D21	14	30 - 21
AR26571	1G2	14	40 - 15	AR26639	2D10	7	70 - 5	AR26737	1D23	14	30 - 23
AR26571	1G4	15	40 - 17	AR26645	1B5	17	20 - 8	AR26737	1D25	17	30 - 25
AR26571	1G6	16	40 - 19	AR26646	2D12	21	70 - 7	AR26738	1D21	10	30 - 21
AR26571	1G8	16	40 - 21	AR26649	1D23	7	30 - 23	AR26738	1D23	10	30 - 23
AR26571	1J8	1	40 - 94	AR26653	1E4	13	30 - 30	AR26740	1D21	22	30 - 21
AR26572	1G6	12	40 - 19	AR26654	1E4	8	30 - 30	AR26740	1D23	22	30 - 23
AR26572	1G8	12	40 - 21	AR26655	1E4	9	30 - 30	AR26741	1D23	31	30 - 23
AR26573	1F14	11	40 - 3	AR26657	1F22	9	40 - 11	AR26743	3D10	26	90 - 7
AR26573	1F16	10	40 - 5	AR26657	2H4	35	70 - 103	AR26746	2C9	15	60 - 7
AR26573	1F18	12	40 - 7	AR26670	1E23	20	30 - 51	AR26746	2C9	19	60 - 7
AR26573	1F20	11	40 - 9	AR26672	1E1	..	30 - 26	AR26746	2C11	7	60 - 9
AR26573	1G6	11	40 - 19	AR26674	1D21	23	30 - 21	AR26746	2C11	10	60 - 9
AR26573	1G8	11	40 - 21	AR26674	1D23	23	30 - 23	AR26746	2C11	36	60 - 9
AR26574	1F14	15	40 - 3	AR26674	1E4	14	30 - 30	AR26746	2C25	28	60 - 23
AR26574	1F16	14	40 - 5	AR26674	1E23	22	30 - 51	AR26746	2D1	23	60 - 24
AR26574	1F18	16	40 - 7	AR26675	1E1	..	30 - 26	AR26746	2D7	8	70 - 2
AR26574	1F20	15	40 - 9	AR26679	2C11	29	60 - 9	AR26746	2E3	6	70 - 24
AR26574	1G6	15	40 - 19	AR26691	2F18	9	70 - 67	AR26746	2E7	3	70 - 29
AR26574	1G8	15	40 - 21	AR26695	1D25	20	30 - 25	AR26746	2H13	23	70 - 113
AR26574	1G10	10	40 - 23	AR26695	1H2	19	40 - 39	AR26747	2D25	41	70 - 21
AR26575	1F14	16	40 - 3	AR26697	2H4	37	70 - 103	AR26755	1G10	15	40 - 23
AR26575	1F16	15	40 - 5	AR26697	2H4	49	70 - 103	AR26756	1F14	4	40 - 3
AR26575	1F18	17	40 - 7	AR26697	2H7	3	70 - 107	AR26756	1F16	2	40 - 5
AR26575	1F20	16	40 - 9	AR26701	2B19	50	50 - 25	AR26756	1F18	4	40 - 7
AR26575	1G6	14	40 - 19	AR26705	1C7	29	20 - 37	AR26756	1F20	2	40 - 9
AR26575	1G8	14	40 - 21	AR26706	2B19	10	50 - 25	AR26756	1F22	18	40 - 11
AR26583	2B2	48	50 - 7	AR26707	2B20	3	50 - 26	AR26756	1F24	19	40 - 13
AR26584	1G13	1	40 - 26	AR26708	1E20	1	30 - 47	AR26756	1G2	3	40 - 15
AR26584	1G13	15	40 - 26	AR26709	1E20	2	30 - 47	AR26756	1G4	3	40 - 17
AR26584	1G13	20	40 - 26	AR26711	2E21	15	70 - 43	AR26756	1G6	2	40 - 19
AR26584	1G16	1	40 - 29	AR26714	2F8	3	70 - 56	AR26756	1G8	2	40 - 21
AR26584	1G16	6	40 - 29	AR26715	3E2	1	90 - 25	AR26757	1F14	7	40 - 3
AR26584	1G16	11	40 - 29	AR26716	1G21	1	40 - 34	AR26757	1F16	6	40 - 5

# 1K3

TRACTOR - 3010

## NUMERICAL INDEX - CONTINUED

PART NO.	GRID	KEY	PAGE	PART NO.	GRID	KEY	PAGE	PART NO.	GRID	KEY	PAGE
AR26757	1F18	8	40 - 7	AR26818	1F18	11	40 - 7	AR26947	2D10	..	70 - 5
AR26757	1F20	7	40 - 9	AR26818	1F20	10	40 - 9	AR26955	2E23	26	70 - 45
AR26757	1F24	10	40 - 13	AR26818	1F24	13	40 - 13	AR26959	2H13	12	70 - 113
AR26757	1G2	6	40 - 15	AR26818	1G8	8	40 - 21	AR26960	2H13	11	70 - 113
AR26757	1G4	7	40 - 17	AR26818	1G21	14	40 - 34	AR26961	2H14	18	70 - 114
AR26757	1G6	5	40 - 19	AR26823	3B10	18	80 - 13	AR26962	2H14	19	70 - 114
AR26757	1G8	5	40 - 21	AR26824	2C2	8	50 - 33	AR26963	2H13	17	70 - 113
AR26757	3E6	4	90 - 29	AR26824	2E8	7	70 - 30	AR26964	2H13	18	70 - 113
AR26758	2D10	12	70 - 5	AR26824	2F5	36	70 - 53	AR26965	2H14	8	70 - 114
AR26759	2D12	37	70 - 7	AR26824	2F10	9	70 - 58	AR26966	2H14	9	70 - 114
AR26761	2D12	9	70 - 7	AR26825	2D25	42	70 - 21	AR26967	1D25	30	30 - 25
AR26763	2F9	6	70 - 57	AR26826	2D25	46	70 - 21	AR26979	2B11	22	50 - 17
AR26763	2G7	1	70 - 81	AR26828	2D25	37	70 - 21	AR26981	2C4	12	60 - 1
AR26763	2G18	11	70 - 93	AR26832	2D25	20	70 - 21	AR26991	1F6	33	30 - 59
AR26763	2G18	13	70 - 93	AR26833	2D25	21	70 - 21	AR26992	1F6	45A	30 - 59
AR26763	2H4	39	70 - 103	AR26834	2D24	7	70 - 20	AR26996	3E6	17	90 - 29
AR26763	2H13	4	70 - 113	AR26835	2F8	10	70 - 56	AR26997	1D23	24	30 - 23
AR26765	2H13	3	70 - 113	AR26836	2F8	7	70 - 56	AR26997	1E4	15	30 - 30
AR26766	2H13	22	70 - 113	AR26839	2C25	25	60 - 23	AR26999	1E4	1	30 - 30
AR26767	2C9	15	60 - 7	AR26840	2A25	21	50 - 5	AR26999	1E23	11	30 - 51
AR26767	2C11	36	60 - 9	AR26844	2A25	35	50 - 5	AR27031	2E9	..	70 - 31
AR26767	2H13	23	70 - 113	AR26844	2B21	2	50 - 27	AR27033	2G3	13	70 - 77
AR26771	2C11	30	60 - 9	AR26845	2B2	32	50 - 7	AR27041	1D5	..	30 - 3
AR26771	2E3	8	70 - 24	AR26846	2C2	4	50 - 33	AR27047	2F21	1	70 - 70
AR26771	2E4	5	70 - 25	AR26847	2C25	27	60 - 23	AR27054	3B10	19	80 - 13
AR26773	2C9	16	60 - 7	AR26848	2C25	10	60 - 23	AR27062	2H18	5	70 - 119
AR26773	2C11	37	60 - 9	AR26849	3C4	30	80 - 31	AR27068	1D3	..	30 - 1
AR26775	1F4	42	30 - 57	AR26850	3C4	27	80 - 31	AR27090	1D11	27	30 - 9
AR26775	1F6	58	30 - 59	AR26851	3C4	27	80 - 31	AR27090	1D13	21	30 - 11
AR26782	2B20	1	50 - 26	AR26852	2E19	..	70 - 41	AR27090	1D15	26	30 - 13
AR26783	3E6	40	90 - 29	AR26852	3C4	27	80 - 31	AR27090	1D16	1	30 - 15
AR26784	3E3	7	90 - 26	AR26853	2E19	..	70 - 41	AR27091	3C20	3	80 - 48
AR26784	3E4	7	90 - 27	AR26853	3C4	27	80 - 31	AR27092	3C20	3	80 - 48
AR26785	1F6	61	30 - 59	AR26867	1E18	..	30 - 45	AR27093	2F20	22	70 - 69
AR26786	1D11	23	30 - 9	AR26873	1D7	5	30 - 5	AR27093	2F21	13	70 - 70
AR26786	1D13	17	30 - 11	AR26876	2C23	5	60 - 21	AR27093	2F22	28	70 - 71
AR26786	1D15	22	30 - 13	AR26877	2C23	4	60 - 21	AR27093	2F24	41	70 - 73
AR26791	1G13	..	40 - 26	AR26887	3C14	25	80 - 41	AR27139	1118	3	40 - 80
AR26792	1G13	8	40 - 26	AR26887	3C18	12	80 - 46	AR27156	1D3	9	30 - 1
AR26793	1G13	4	40 - 26	AR26888	3C14	4	80 - 41	AR27158	1D5	9	30 - 3
AR26794	1G13	7	40 - 26	AR26889	3C14	26	80 - 41	AR27209	3E6	10	90 - 29
AR26797	1C14	7	20 - 46	AR26889	3C18	13	80 - 46	AR27210	3E6	10	90 - 29
AR26799	3B23	6	80 - 26	AR26890	3C14	9	80 - 41	AR27211	3E4	11	90 - 27
AR26804	1D9	3A	30 - 7	AR26905	1D11	21	30 - 9	AR27232	1C7	21	20 - 37
AR26805	2B19	22	50 - 25	AR26905	1D13	15	30 - 11	AR27238	1F18	6	40 - 7
AR26806	1D7	8	30 - 5	AR26905	1D14	20	30 - 12	AR27238	1F20	3	40 - 9
AR26807	3C14	17	80 - 41	AR26906	1D11	25	30 - 9	AR27238	1F24	8	40 - 13
AR26810	2E21	38	70 - 43	AR26906	1D13	19	30 - 11	AR27238	1G4	5	40 - 17
AR26810	2E23	14	70 - 45	AR26906	1D15	24	30 - 13	AR27238	3E6	34	90 - 29
AR26811	1D5	13	30 - 3	AR26906	1D15	26	30 - 13	AR27239	1F16	12	40 - 5
AR26811	1D5	..	30 - 3	AR26908	2C6	16	60 - 3	AR27239	1F20	13	40 - 9
AR26812	2C11	15	60 - 9	AR26909	2C13	7	60 - 11	AR27240	1F20	5	40 - 9
AR26813	1G4	10	40 - 17	AR26912	1E18	..	30 - 45	AR27241	2F13	33	70 - 61
AR26813	2C11	19	60 - 9	AR26928	1D7	10	30 - 5	AR27242	2F13	33	70 - 61
AR26814	2C11	27	60 - 9	AR26929	1D5	3	30 - 3	AR27245	1D18	34	30 - 17
AR26815	2C11	32	60 - 9	AR26932	3D10	1	90 - 7	AR27247	2B19	8	50 - 25
AR26816	1F14	10	40 - 3	AR26932	3D12	1	90 - 9	AR27251	1C7	36	20 - 37
AR26816	1F16	9	40 - 5	AR26932	3D24	1	90 - 21	AR27254	2C11	31	60 - 9
AR26816	1F22	12	40 - 11	AR26933	3D16	10	90 - 13	AR27270	2B11	5	50 - 17
AR26816	1G2	9	40 - 15	AR26933	3D20	11	90 - 17	AR27271	2B11	3	50 - 17
AR26816	1G6	8	40 - 19	AR26934	3D16	1	90 - 13	AR27280	1D7	13	30 - 5
AR26816	1G24	13	40 - 37	AR26934	3D20	1	90 - 17	AR27281	1D9	11	30 - 7
AR26817	1F14	10	40 - 3	AR26935	3D16	2	90 - 13	AR27288	2F21	16	70 - 70
AR26817	1F16	9	40 - 5	AR26935	3D20	2	90 - 17	AR27290	1B10	8	20 - 13
AR26817	1F22	12	40 - 11	AR26942	2B15	15	50 - 21	AR27298	3B13	6	80 - 16
AR26817	1G6	8	40 - 19	AR26943	2B15	12	50 - 21	AR27299	3B16	6	80 - 19
AR26817	1H2	13	40 - 39	AR26947	2D8	1	70 - 3	AR27302	1D3	..	30 - 1

# 1K4

TRACTOR - 3010

## NUMERICAL INDEX - CONTINUED

PART NO.	GRID	KEY	PAGE	PART NO.	GRID	KEY	PAGE	PART NO.	GRID	KEY	PAGE
AR27309	1F4	11	30 - 57	AR27541	2A23	6	50 - 3	AR27750	3C7	1	80 - 34
AR27309	1F5	11	30 - 58	AR27555	3B8	25	80 - 11	AR27750	3C8	1	80 - 35
AR27310	3C6	21	80 - 33	AR27557	1B13	3	20 - 16	AR27750	3C10	41	80 - 37
AR27312	1F4	25	30 - 57	AR27572	3D18	23	90 - 15	AR27750	3C12	49	80 - 39
AR27314	3B12	30	80 - 15	AR27574	1F14	2	40 - 3	AR27750	3E7	2	90 - 30
AR27315	3B12	30	80 - 15	AR27574	1F18	2	40 - 7	AR27773	2F9	3	70 - 57
AR27316	3B12	30	80 - 15	AR27574	1F22	7	40 - 11	AR27774	2F9	4	70 - 57
AR27317	3B12	30	80 - 15	AR27574	1F24	7	40 - 13	AR27814	1F7	1	30 - 60
AR27350	3B4	23	80 - 7	AR27574	1G10	20	40 - 23	AR27814	3E14	5	90 - 38
AR27350	3B6	20	80 - 9	AR27574	1G11	11	40 - 24	AR27851	1B25	8	20 - 29
AR27351	3B2	45	80 - 5	AR27575	1F22	3	40 - 11	AR27852	1C2	8	20 - 31
AR27351	3B4	11	80 - 7	AR27575	1F24	3	40 - 13	AR27853	1D9	17	30 - 7
AR27351	3B6	8	80 - 9	AR27575	1G16	22	40 - 29	AR27854	1D9	13	30 - 7
AR27351	3B8	21	80 - 11	AR27576	1F22	7	40 - 11	AR27855	1D9	14	30 - 7
AR27351	3B8	22	80 - 11	AR27576	1F22	17	40 - 11	AR27856	1D9	15	30 - 7
AR27354	1C3	1	20 - 33	AR27576	1F24	7	40 - 13	AR27857	1D9	16	30 - 7
AR27359	1G6	13	40 - 19	AR27576	1F24	18	40 - 13	AR27867	2H4	29	70 - 103
AR27359	1G8	13	40 - 21	AR27576	1G10	20	40 - 23	AR27880	2G9	34A	70 - 83
AR27360	2D1	27	60 - 24	AR27576	1G11	20	40 - 24	AR27880	2G11	34A	70 - 85
AR27361	2D1	12	60 - 24	AR27576	1G11	20	40 - 24	AR27880	2G11	34A	70 - 85
AR27362	3C6	16	80 - 33	AR27577	1F24	14	40 - 13	AR27881	2G9	34A	70 - 83
AR27362	3C6	38	80 - 33	AR27578	1F22	14	40 - 11	AR27881	2G11	34A	70 - 85
AR27362	3C10	5	80 - 37	AR27578	1F24	15	40 - 13	AR27886	2D25	46	70 - 21
AR27362	3C10	55	80 - 37	AR27582	3C10	53	80 - 37	AR27887	2D25	42	70 - 21
AR27362	3C19	14	80 - 47	AR27583	3C10	1	80 - 37	AR27888	2D25	47	70 - 21
AR27363	3C6	20	80 - 33	AR27597	2C11	15	60 - 9	AR27888	2H15	16	70 - 115
AR27363	3C6	30	80 - 33	AR27598	2C11	19	60 - 9	AR27893	2H15	7	70 - 115
AR27363	3C10	24	80 - 37	AR27599	2G2	20	70 - 76	AR27894	2H15	7	70 - 115
AR27363	3C19	1	80 - 47	AR27604	3B4	24	80 - 7	AR27895	2H15	15	70 - 115
AR27365	1G22	27	40 - 35	AR27604	3B6	26	80 - 9	AR27896	2H15	8	70 - 115
AR27366	1G22	26	40 - 35	AR27609	3B21	10	80 - 24	AR27902	2D1	25	60 - 24
AR27366	1G24	27	40 - 37	AR27612	2B19	22	50 - 25	AR27914	3B8	25	80 - 11
AR27366	1H2	28	40 - 39	AR27615	2B19	22	50 - 25	AR27924	2D25	28	70 - 21
AR27367	1G22	25	40 - 35	AR27616	1F18	13	40 - 7	AR27931	1C11	8	20 - 42
AR27367	3C19	25	80 - 47	AR27616	1F14	13	40 - 3	AR27933	1C11	8	20 - 42
AR27370	1D25	38	30 - 25	AR27621	1F18	14	40 - 7	AR27935	1F7	4	30 - 60
AR27371	2E25	26	70 - 47	AR27622	1B19	1	20 - 22	AR27939	1F7	10	30 - 60
AR27371	2F1	18	70 - 48	AR27624	1B19	1	20 - 22	AR27940	1F7	8	30 - 60
AR27371	2F2	19	70 - 49	AR27628	1B19	1	20 - 22	AR27944	1G21	1	40 - 34
AR27371	2F3	3	70 - 51	AR27628	1B25	7	20 - 29	AR27944	1G23	1	40 - 36
AR27387	3C6	40	80 - 33	AR27628	1C2	7	20 - 31	AR27944	1H2	1	40 - 39
AR27388	3C6	1	80 - 33	AR27629	1B25	7	20 - 29	AR27944	3E2	16	90 - 25
AR27394	3C10	35	80 - 37	AR27629	1C2	7	20 - 31	AR27951	2C6	16	60 - 3
AR27406	3C10	56	80 - 37	AR27631	1B21	1	20 - 25	AR27977	1B12	39	20 - 15
AR27407	3C10	31	80 - 37	AR27632	1B21	1	20 - 25	AR27977	1G22	22	40 - 35
AR27429	3B6	7	80 - 9	AR27634	1B21	1	20 - 25	AR27977	1G24	24	40 - 37
AR27429	3B8	22	80 - 11	AR27636	1B21	1	20 - 25	AR27977	1H2	25	40 - 39
AR27430	3B8	14	80 - 11	AR27640	1B25	7	20 - 29	AR27977	3E2	17	90 - 25
AR27431	2E21	5	70 - 43	AR27640	1C2	7	20 - 31	AR27979	2C23	12	60 - 21
AR27431	2E23	32	70 - 45	AR27642	1B25	7	20 - 29	AR27980	2C23	11	60 - 21
AR27433	3A23	9	80 - 2	AR27642	1C2	7	20 - 31	AR27982	2D12	43	70 - 7
AR27434	3B4	24	80 - 7	AR27653	2C11	27	60 - 9	AR28011	2G9	26	70 - 83
AR27437	2H18	5	70 - 119	AR27654	2C11	32	60 - 9	AR28012	2G9	26	70 - 83
AR27437	2H18	7	70 - 119	AR27655	2F7	40	70 - 55	AR28014	3C10	40	80 - 37
AR27437	2H18	8	70 - 119	AR27668	2H13	22	70 - 113	AR28014	3C12	39	80 - 39
AR27440	2H18	4	70 - 119	AR27694	2D1	24	60 - 24	AR28015	3C10	30	80 - 37
AR27446	2B25	2	50 - 31	AR27699	2C11	41	60 - 9	AR28015	3C12	32	80 - 39
AR27451	2B2	33	50 - 7	AR27699	2D25	51	70 - 21	AR28041	2D10	4	70 - 5
AR27470	2B2	25	50 - 7	AR27699	2F9	1	70 - 57	AR28045	2D25	24	70 - 21
AR27471	2B2	20	50 - 7	AR27702	2F9	3	70 - 57	AR28045	2E2	20	70 - 23
AR27472	2B2	12	50 - 7	AR27703	1A25	4	20 - 3	AR28047	3C4	8	80 - 31
AR27490	1G22	26	40 - 35	AR27738	1C3	4	20 - 33	AR28047	3C4	9	80 - 31
AR27490	1G24	27	40 - 37	AR27741	2F9	1	70 - 57	AR28048	3C4	10	80 - 31
AR27490	1H2	28	40 - 39	AR27742	2E23	55	70 - 45	AR28049	3C4	10	80 - 31
AR27521	1C16	2	20 - 48	AR27742	2E23	37	70 - 45	AR28050	3B4	34	80 - 7
AR27536	3B4	24	80 - 7	AR27743	2F7	55	70 - 55	AR28052	1B18	4	20 - 21
AR27536	3B6	26	80 - 9	AR27749	1D25	32	30 - 25	AR28053	1F18	3	40 - 7
AR27536	3B6	26	80 - 9	AR27750	1E20	18	30 - 47	AR28053	1F20	1	40 - 9
					3C6	25	80 - 33	AR28053	1G8	1	40 - 21

# 1K5

TRACTOR - 3010

## NUMERICAL INDEX - CONTINUED

PART NO.	GRID	KEY	PAGE	PART NO.	GRID	KEY	PAGE	PART NO.	GRID	KEY	PAGE
AR28053	1G22	29	40 - 35	AR28340	3D18	26	90 - 15	AR28644	2B7	1	50 - 13
AR28053	1H18	1	40 - 56	AR28341	3D20	17	90 - 17	AR28644	2B23	11	50 - 29
AR28053	1H20	..	40 - 56B	AR28401	1F14	6	40 - 3	AR28645	2B7	1	50 - 13
AR28053	1H25	..	40 - 61	AR28401	1F16	5	40 - 5	AR28645	2B23	11	50 - 29
AR28053	1I2	..	40 - 63	AR28401	1F22	8	40 - 11	AR28654	2D25	61	70 - 21
AR28059	2B19	46	50 - 25	AR28401	1G2	5	40 - 15	AR28661	2E15	10	70 - 37
AR28060	1H4	3	40 - 41	AR28401	1G6	4	40 - 19	AR28661	2E15	12	70 - 37
AR28073	1D5	10	30 - 3	AR28401	1G23	6	40 - 36	AR28661	2F7	94	70 - 55
AR28077	1F22	5	40 - 11	AR28401	1H2	8	40 - 39	AR28754	2H20	3	70 - 121
AR28077	1F22	15	40 - 11	AR28401	3E6	32	90 - 29	AR28755	2H20	3	70 - 121
AR28077	1F24	5	40 - 13	AR28402	1F18	7	40 - 7	AR28756	1D17	8	30 - 16
AR28077	1F24	16	40 - 13	AR28402	1F20	6	40 - 9	AR28811	1F14	10	40 - 3
AR28079	2G11	25	70 - 85	AR28402	1F24	9	40 - 13	AR28811	1F16	9	40 - 5
AR28080	2G11	25	70 - 85	AR28402	1G4	6	40 - 17	AR28811	1F22	12	40 - 11
AR28088	2D25	57	70 - 21	AR28402	1G8	4	40 - 21	AR28811	1G2	9	40 - 15
AR28110	1C7	5	20 - 37	AR28402	1G21	10	40 - 34	AR28811	1G6	8	40 - 19
AR28134	3A23	4	80 - 2	AR28402	3E6	32	90 - 29	AR28811	1G24	13	40 - 37
AR28134	3B2	4	80 - 5	AR28403	1G21	7	40 - 34	AR28812	1F14	10	40 - 3
AR28134	3B8	5	80 - 11	AR28403	1G24	10	40 - 37	AR28812	1F16	9	40 - 5
AR28135	2G2	19	70 - 76	AR28403	1H2	10	40 - 39	AR28812	1F22	12	40 - 11
AR28166	1F14	2	40 - 3	AR28403	1J7	19	40 - 93	AR28812	1G6	8	40 - 19
AR28166	1F18	2	40 - 7	AR28403	1J8	10	40 - 94	AR28812	1H2	13	40 - 39
AR28166	1F22	7	40 - 11	AR28403	3E6	39	90 - 29	AR28813	1F18	11	40 - 7
AR28166	1F22	17	40 - 11	AR28418	1F16	4	40 - 5	AR28813	1F20	10	40 - 9
AR28166	1F24	7	40 - 13	AR28419	1F14	12	40 - 3	AR28813	1F24	13	40 - 13
AR28166	1F24	18	40 - 13	AR28420	1F22	13	40 - 11	AR28813	1G4	10	40 - 17
AR28166	1G2	10	40 - 15	AR28476	1C15	6	20 - 47	AR28813	1G8	8	40 - 21
AR28166	1G4	11	40 - 17	AR28482	1C14	5	20 - 46	AR28813	1G21	14	40 - 34
AR28166	1G10	20	40 - 23	AR28483	1D21	2	30 - 21	AR28816	2A23	6	50 - 3
AR28166	1G11	11	40 - 24	AR28483	1D21	3	30 - 21	AR28921	1G18	..	40 - 31
AR28166	1G11	20	40 - 24	AR28483	1D23	2	30 - 23	AR28921	1G19	..	40 - 32
AR28166	1G12	11	40 - 25	AR28483	1D23	3	30 - 23	AR28921	1G20	..	40 - 33
AR28167	1F22	17	40 - 11	AR28487	2C13	2	60 - 11	AR28921	1G21	13	40 - 34
AR28167	1F24	18	40 - 13	AR28545	3B4	34	80 - 7	AR28921	1G24	12	40 - 37
AR28167	1G12	19	40 - 25	AR28545	3B6	31	80 - 9	AR28921	1H2	12	40 - 39
AR28171	2E15	26	70 - 37	AR28545	3B8	30	80 - 11	AR28929	1F14	11	40 - 3
AR28172	2E8	6	70 - 30	AR28546	3B4	34	80 - 7	AR28929	1F16	10	40 - 5
AR28191	1B25	10	20 - 29	AR28546	3B6	31	80 - 9	AR28929	1F18	12	40 - 7
AR28192	1C2	10	20 - 31	AR28546	3B8	30	80 - 11	AR28929	1F20	11	40 - 9
AR28192	1C2	12	20 - 31	AR28552	3E2	13	90 - 25	AR28929	1G6	11	40 - 19
AR28227	1F16	14	40 - 5	AR28556	1F1	4	30 - 54	AR28929	1G8	11	40 - 21
AR28227	1F20	15	40 - 9	AR28557	1F1	6	30 - 54	AR28930	2E25	7	70 - 47
AR28227	1G2	1	40 - 15	AR28558	1F2	4	30 - 55	AR28949	2C6	37	60 - 3
AR28227	1G4	1	40 - 17	AR28559	1F2	6	30 - 55	AR28950	1G22	26	40 - 35
AR28227	1G8	15	40 - 21	AR28570	2F13	41	70 - 61	AR28950	1G24	27	40 - 37
AR28227	1G10	10	40 - 23	AR28572	2B19	3	50 - 25	AR28950	1H2	28	40 - 39
AR28232	3C18	2	80 - 46	AR28573	2B19	3	50 - 25	AR28997	2G20	12	70 - 95
AR28234	3C19	20	80 - 47	AR28584	1D3	9	30 - 1	AR28997	2G20	13	70 - 95
AR28235	3C19	23	80 - 47	AR28585	1D5	9	30 - 3	AR28997	2G22	25	70 - 97
AR28236	3C19	26	80 - 47	AR28586	1D5	13	30 - 3	AR28997	2G22	26	70 - 97
AR28237	3C19	24	80 - 47	AR28587	1D3	13	30 - 1	AR28997	2H2	1	70 - 101
AR28242	3B13	6	80 - 16	AR28588	3E2	28	90 - 25	AR28997	2H2	2	70 - 101
AR28243	3B16	6	80 - 19	AR28589	3E2	28	90 - 25	AR28997	2H9	6	70 - 109
AR28247	3B12	6	80 - 15	AR28604	1E25	36	30 - 53	AR28999	2H9	12	70 - 109
AR28249	3B12	6	80 - 15	AR28611	1E4	6	30 - 30	AR29099	1G22	31	40 - 35
AR28257	2G9	42A	70 - 83	AR28619	1E23	9	30 - 51	AR29099	1G24	30	40 - 37
AR28257	2G11	42A	70 - 85	AR28620	1F1	11	30 - 54	AR29100	1G22	30	40 - 35
AR28257	2G11	42B	70 - 85	AR28620	1F2	11	30 - 55	AR29350	1G21	2	40 - 34
AR28271	2B15	11	50 - 21	AR28621	1D25	20	30 - 25	AR29350	1G23	2	40 - 36
AR28326	1E1	4	30 - 26	AR28635	1E9	14	30 - 36	AR29350	1H2	2	40 - 39
AR28326	1E1	..	30 - 26	AR28635	1E9	..	30 - 36	AR29350	3E2	7	90 - 25
AR28330	1E1	11	30 - 26	AR28635	1E14	3	30 - 41	AR29615	3E2	4	90 - 25
AR28330	1E2	8	30 - 27	AR28635	1E14	27	30 - 41	AR30000	2G22	27	70 - 97
AR28335	3D18	17	90 - 15	AR28635	1E14	43	30 - 41	AR30000	2H9	7	70 - 109
AR28336	3D18	1	90 - 15	AR28635	1E14	44	30 - 41	AR30001	2G22	24	70 - 97
AR28338	3D18	9	90 - 15	AR28635	1E14	..	30 - 41	AR30001	2H9	5	70 - 109
AR28339	3D20	16	90 - 17	AR28636	1E5	9	30 - 32	AR30003	3D25	4	90 - 22

# 1K6

TRACTOR - 3010

## NUMERICAL INDEX - CONTINUED

PART NO.	GRID	KEY	PAGE	PART NO.	GRID	KEY	PAGE	PART NO.	GRID	KEY	PAGE
AR30003	3E1	2	90 - 23	AR30303	1B13	3	20 - 16	AR30588	2H6	12	70 - 105
AR30005	1D16	1	30 - 15	AR30305	3E4	11	90 - 27	AR30589	2C8	8	60 - 6
AR30006	3D16	10	90 - 13	AR30312	2F7	40	70 - 55	AR30590	2C8	8	60 - 6
AR30006	3D20	11	90 - 17	AR30317	3D18	17	90 - 15	AR30596	2A23	6	50 - 3
AR30007	1H15	2	40 - 53	AR30357	2C16	7	60 - 13	AR30597	2A23	6	50 - 3
AR30007	1H17	2	40 - 55	AR30357	2C16	9	60 - 13	AR30601	2C23	10	60 - 21
AR30010	2A23	23	50 - 3	AR30357	2C16	48	60 - 13	AR30602	2C23	9	60 - 21
AR30012	1C7	21	20 - 37	AR30361	2C23	5	60 - 21	AR30611	2F7	40	70 - 55
AR30012	1C7	26	20 - 37	AR30362	2C23	4	60 - 21	AR30619	2F5	31	70 - 53
AR30012	1C7	27	20 - 37	AR30382	1B16	6	20 - 19	AR30624	2F9	3	70 - 57
AR30038	1D10	6	30 - 8	AR30387	2B25	9	50 - 31	AR30626	2H15	16	70 - 115
AR30039	1D13	5	30 - 11	AR30387	2B25	10	50 - 31	AR30627	2H15	15	70 - 115
AR30048	1G21	5	40 - 34	AR30388	1G22	27	40 - 35	AR30680	2H6	27	70 - 105
AR30048	1G21	8	40 - 34	AR30394	3E6	22	90 - 29	AR30684	2C12	1	60 - 10
AR30048	1G23	5	40 - 36	AR30404	2A23	6	50 - 3	AR30685	2G11	..	70 - 85
AR30048	1G23	7	40 - 36	AR30411	1B18	2	20 - 21	AR30685	2G17	12	70 - 92
AR30048	1H2	5	40 - 39	AR30411	1B18	4	20 - 21	AR30686	2H25	1	70 - 126
AR30048	1H2	6	40 - 39	AR30412	1B18	2	20 - 21	AR30687	2C21	14	60 - 19
AR30049	3E6	40	90 - 29	AR30412	1B18	4	20 - 21	AR30689	2E17	1	70 - 39
AR30050	1G21	6	40 - 34	AR30415	1G21	16	40 - 34	AR30690	2H7	1	70 - 107
AR30052	1G21	11	40 - 34	AR30415	1G24	15	40 - 37	AR30690	2H7	13	70 - 107
AR30052	1G24	8	40 - 37	AR30415	1H2	15	40 - 39	AR30691	2C12	1	60 - 10
AR30052	1H2	7	40 - 39	AR30415	1I7	4	40 - 68	AR30692	2C2	8	50 - 33
AR30052	3E6	22	90 - 29	AR30435	1E18	33	30 - 45	AR30692	2C2	10	50 - 33
AR30054	1G21	9	40 - 34	AR30444	1D17	14	30 - 16	AR30692	2E8	7	70 - 30
AR30054	1G24	9	40 - 37	AR30444	1D19	11	30 - 19	AR30692	2E8	9	70 - 30
AR30054	1H2	9	40 - 39	AR30445	1D17	4	30 - 16	AR30692	2F5	36	70 - 53
AR30055	2B4	5	50 - 9	AR30447	1D7	5	30 - 5	AR30692	2F5	38	70 - 53
AR30079	1F6	33	30 - 59	AR30450	1D19	2	30 - 19	AR30692	2F10	9	70 - 58
AR30080	2C11	38	60 - 9	AR30465	3C10	35	80 - 37	AR30692	2F10	11	70 - 58
AR30093	1G16	23	40 - 29	AR30468	3C6	20	80 - 33	AR30697	2C2	23	50 - 33
AR30094	2E15	41	70 - 37	AR30468	3C6	30	80 - 33	AR30697	2E15	29	70 - 37
AR30094	2F7	63	70 - 55	AR30468	3C10	24	80 - 37	AR30697	2E15	31	70 - 37
AR30099	2B9	5	50 - 15	AR30468	3C10	46	80 - 37	AR30697	2F5	22	70 - 53
AR30099	2B11	3	50 - 17	AR30468	3C19	1	80 - 47	AR30697	2F10	6	70 - 58
AR30101	2C11	38	60 - 9	AR30471	2E19	9	70 - 41	AR30697	2F11	2	70 - 59
AR30102	3D14	18	90 - 11	AR30472	1F4	3	30 - 57	AR30725	2E9	4	70 - 31
AR30110	2E15	35	70 - 37	AR30472	1F5	3	30 - 58	AR30733	3B9	1	80 - 12
AR30110	2F8	17	70 - 56	AR30475	1E1	4	30 - 26	AR30739	2H6	27	70 - 105
AR30136	1D9	13	30 - 7	AR30475	1E1	..	30 - 26	AR30742	2C11	12	60 - 9
AR30143	3E2	9	90 - 25	AR30475	1E2	..	30 - 27	AR30742	2E7	6	70 - 29
AR30154	3A23	16	80 - 2	AR30487	3C7	7	80 - 34	AR30744	2C9	18	60 - 7
AR30154	3B2	13	80 - 5	AR30514	3E12	..	90 - 36	AR30753	1D16	1	30 - 15
AR30154	3B8	35	80 - 11	AR30515	3E12	..	90 - 36	AR30754	2C9	18	60 - 7
AR30155	1G22	20	40 - 35	AR30516	3E12	..	90 - 36	AR30755	2C9	48	60 - 7
AR30155	1H17	5	40 - 55	AR30517	3E12	..	90 - 36	AR30762	2C7	15	60 - 5
AR30155	1H17	14	40 - 55	AR30519	1C11	6	20 - 42	AR30762	2C11	4	60 - 9
AR30155	1H17	..	40 - 55	AR30522	2E19	..	70 - 41	AR30762	2C25	20	60 - 23
AR30181	3D10	1	90 - 7	AR30523	2E19	..	70 - 41	AR30762	2D1	18	60 - 24
AR30181	3D12	1	90 - 9	AR30525	2E19	..	70 - 41	AR30764	2C25	22	60 - 23
AR30181	3D24	1	90 - 21	AR30538	3B4	24	80 - 7	AR30765	2C25	15	60 - 23
AR30189	1D15	22	30 - 13	AR30541	2C12	1	60 - 10	AR30768	2C10	3	60 - 8
AR30191	1D14	20	30 - 12	AR30542	1C19	12	20 - 51	AR30769	2D1	17	60 - 24
AR30210	2G9	1	70 - 83	AR30543	1C21	13	20 - 53	AR30770	2D1	21	60 - 24
AR30210	2G11	1	70 - 85	AR30544	1B15	5	20 - 18	AR30770	2D24	6	70 - 20
AR30210	2G20	38	70 - 95	AR30576	1D7	14	30 - 5	AR30770	2F9	15	70 - 57
AR30210	2G22	1	70 - 97	AR30576	1D7	15	30 - 5	AR30771	2D24	7	70 - 20
AR30210	2G24	1	70 - 99	AR30577	1D9	12	30 - 7	AR30772	2F7	40	70 - 55
AR30210	2H2	34	70 - 101	AR30577	1D9	13	30 - 7	AR30772	2F9	10	70 - 57
AR30210	2H11	39	70 - 111	AR30580	3E11	..	90 - 34	AR30777	2G11	..	70 - 85
AR30210	2I2	7	70 - 128	AR30581	3E11	..	90 - 34	AR30778	2G11	..	70 - 85
AR30211	2E23	16	70 - 45	AR30582	3E11	..	90 - 34	AR30779	2G9	..	70 - 83
AR30252	2B13	17	50 - 19	AR30584	2C9	18	60 - 7	AR30780	2G9	..	70 - 83
AR30256	2E15	26	70 - 37	AR30586	2H4	41	70 - 103	AR30781	2G9	..	70 - 83
AR30282	3E2	8	90 - 25	AR30586	2H6	5	70 - 105	AR30781	2G11	..	70 - 85
AR30297	2C6	33	60 - 3	AR30586	2H6	6	70 - 105	AR30782	2G9	..	70 - 83
AR30297	2C6	37	60 - 3	AR30586	2H6	11	70 - 105	AR30782	2G11	..	70 - 85



# 1K7

TRACTOR - 3010

## NUMERICAL INDEX - CONTINUED

PART NO.	GRID	KEY	PAGE	PART NO.	GRID	KEY	PAGE	PART NO.	GRID	KEY	PAGE
AR30783	1E1	15	30 - 26	AR31116	2B4	5	50 - 9	AR31673	2G20	18	70 - 95
AR30784	2H18	1	70 - 119	AR31119	1D10	16	30 - 8	AR31673	2G24	22	70 - 99
AR30788	2C11	11	60 - 9	AR31120	1D14	12	30 - 12	AR31673	2H2	9	70 - 101
AR30789	3D16	10	90 - 13	AR31121	2C13	4	60 - 11	AR31673	2H11	19	70 - 111
AR30789	3D20	11	90 - 17	AR31124	2E7	8	70 - 29	AR31674	2G20	16	70 - 95
AR30790	3D16	1	90 - 13	AR31125	2D24	10	70 - 20	AR31674	2G24	26	70 - 99
AR30790	3D20	1	90 - 17	AR31125	2E4	19	70 - 25	AR31674	2G24	30	70 - 99
AR30791	3D16	2	90 - 13	AR31125	2E7	14	70 - 29	AR31674	2G24	31	70 - 99
AR30791	3D20	2	90 - 17	AR31129	2F5	36	70 - 53	AR31674	2H2	11	70 - 101
AR30810	2C11	11	60 - 9	AR31129	2F11	7	70 - 59	AR31674	2H11	12	70 - 111
AR30811	2C9	15	60 - 7	AR31150	2D25	24	70 - 21	AR31674	2H11	13	70 - 111
AR30811	2C11	36	60 - 9	AR31150	2E2	20	70 - 23	AR31674	2H11	17	70 - 111
AR30811	2H13	23	70 - 113	AR31150	2E6	..	70 - 27	AR31676	2H11	14	70 - 111
AR30813	2C11	11	60 - 9	AR31152	2E6	6	70 - 27	AR31678	2H2	4	70 - 101
AR30814	2C9	15	60 - 7	AR31161	2E23	37	70 - 45	AR31678	2H11	15	70 - 111
AR30814	2C11	36	60 - 9	AR31161	2F5	4	70 - 53	AR31679	2H2	6	70 - 101
AR30814	2H13	23	70 - 113	AR31168	2H8	15	70 - 108	AR31679	2H11	16	70 - 111
AR30817	2B19	22	50 - 25	AR31170	2H8	1	70 - 108	AR31681	1B8	2D	20 - 11
AR30820	3C4	15	80 - 31	AR31175	3C3	2	80 - 30	AR31684	1B8	2A	20 - 11
AR30828	1D18	34	30 - 17	AR31184	2B7	1	50 - 13	AR31684	1B8	2C	20 - 11
AR30830	2F16	2	70 - 65	AR31184	2B23	11	50 - 29	AR31684	1B8	14	20 - 11
AR30842	3C12	17	80 - 39	AR31185	2B7	1	50 - 13	AR31684	1C7	27	20 - 37
AR30851	3C12	9	80 - 39	AR31185	2B23	11	50 - 29	AR31685	1C7	27	20 - 37
AR30854	1G2	10	40 - 15	AR31186	2B7	5	50 - 13	AR31691	2B2	14	50 - 7
AR30854	1G4	11	40 - 17	AR31262	1C9	12	20 - 40	AR31694	2A23	6	50 - 3
AR30855	2C18	7	60 - 15	AR31264	1C11	8	20 - 42	AR31697	3C10	40	80 - 37
AR30899	3C13	25	80 - 40	AR31272	2E21	5	70 - 43	AR31697	3C12	39	80 - 39
AR30902	3B8	25	80 - 11	AR31273	2E23	32	70 - 45	AR31699	2A25	35	50 - 5
AR30903	2C11	38	60 - 9	AR31274	2E21	5	70 - 43	AR31699	2B21	2	50 - 27
AR30904	2C11	38	60 - 9	AR31276	2G1	7	70 - 75	AR31700	2C19	1	60 - 16
AR30905	3C12	40	80 - 39	AR31467	2G11	25	70 - 85	AR31710	2D12	43	70 - 7
AR30906	3C12	24	80 - 39	AR31468	2G11	25	70 - 85	AR31725	2B25	9	50 - 31
AR30907	3C13	32	80 - 40	AR31469	2G9	26	70 - 83	AR31742	1B25	..	20 - 29
AR30908	3C13	10	80 - 40	AR31470	2G9	26	70 - 83	AR31744	1C2	..	20 - 31
AR30909	3C4	27	80 - 31	AR31492	3E3	7	90 - 26	AR31745	1C2	..	20 - 31
AR30910	3C4	27	80 - 31	AR31492	3E4	7	90 - 27	AR31754	2E10	2A	70 - 32
AR30911	3C4	27	80 - 31	AR31512	2F8	3	70 - 56	AR31754	2E10	7	70 - 32
AR30912	3C4	27	80 - 31	AR31536	1C3	3	20 - 33	AR31754	2E10	8	70 - 32
AR30913	3C4	27	80 - 31	AR31537	1C3	3	20 - 33	AR31754	2E10	9	70 - 32
AR30914	3C4	27	80 - 31	AR31542	1F7	4	30 - 60	AR31754	2E15	7	70 - 37
AR30915	3C12	35	80 - 39	AR31556	1I7	..	40 - 68	AR31807	1B1	3	20 - 4
AR30916	3C12	35	80 - 39	AR31583	1C14	7	20 - 46	AR31813	2H4	17	70 - 103
AR30917	3C12	15	80 - 39	AR31584	2G9	34A	70 - 83	AR31814	1H8	16	40 - 45
AR30927	2D12	37	70 - 7	AR31584	2G9	34B	70 - 83	AR31816	1H8	16	40 - 45
AR30928	3D22	15	90 - 19	AR31584	2G11	34A	70 - 85	AR31816	1H8	17	40 - 45
AR30930	3D22	3	90 - 19	AR31584	2G11	34B	70 - 85	AR31820	2H6	12	70 - 105
AR30932	3C16	17	80 - 43	AR31611	2G7	19	70 - 81	AR31855	2B13	17	50 - 19
AR30933	3C16	5	80 - 43	AR31628	2C23	19	60 - 21	AR31882	1C3	1	20 - 33
AR30934	3C16	1	80 - 43	AR31631	2C23	18	60 - 21	AR31884	1C7	36	20 - 37
AR30935	3C16	16	80 - 43	AR31637	2G9	42B	70 - 83	AR31885	1C7	36	20 - 37
AR30936	3C17	10	80 - 45	AR31637	2G11	42B	70 - 85	AR31894	1C9	12	20 - 40
AR30937	3C17	12	80 - 45	AR31649	2B13	32	50 - 19	AR31895	1C11	8	20 - 42
AR30938	3C17	6	80 - 45	AR31657	2B13	32	50 - 19	AR31895	1C12	25	20 - 43
AR30939	3C17	4	80 - 45	AR31661	2H4	41	70 - 103	AR31896	1C9	2	20 - 40
AR30940	2H15	16	70 - 115	AR31661	2H6	5	70 - 105	AR31897	1C11	6	20 - 42
AR30941	2H15	15	70 - 115	AR31661	2H6	6	70 - 105	AR31901	3E2	30	90 - 25
AR30945	3D24	3	90 - 21	AR31661	2H6	11	70 - 105	AR31903	2B11	12	50 - 17
AR30946	3D24	14	90 - 21	AR31663	2H6	5	70 - 105	AR31905	2A25	2	50 - 5
AR30947	3D24	11	90 - 21	AR31663	2H6	27	70 - 105	AR31905	2A25	3	50 - 5
AR30961	3C12	11	80 - 39	AR31669	2G20	5	70 - 95	AR31905	2A25	6	50 - 5
AR30962	3C12	11	80 - 39	AR31669	2G24	28	70 - 99	AR31905	2A25	27	50 - 5
AR30963	1H4	18	40 - 41	AR31669	2H11	5	70 - 111	AR31905	2A25	38	50 - 5
AR30964	3C12	3	80 - 39	AR31670	2G20	4	70 - 95	AR31906	2A25	6	50 - 5
AR30968	3A23	9	80 - 2	AR31670	2G24	27	70 - 99	AR31921	2D10	16	70 - 5
AR31016	2C18	33	60 - 15	AR31670	2H11	4	70 - 111	AR31934	1C3	3	20 - 33
AR31111	2C10	3	60 - 8	AR31671	2G20	14	70 - 95	AR31940	2C18	29	60 - 15
AR31115	3D24	3	90 - 21	AR31672	2G20	15	70 - 95	AR31946	2C21	14	60 - 19

# 1K8

TRACTOR - 3010

## NUMERICAL INDEX - CONTINUED

PART NO.	GRID	KEY	PAGE	PART NO.	GRID	KEY	PAGE	PART NO.	GRID	KEY	PAGE
AR31977	3D14	29	90 - 11	AR33479	1G6	5	40 - 19	AR34384	2F2	7	70 - 49
AR31978	3D18	9	90 - 15	AR33479	1G8	5	40 - 21	AR34394	1B25	8	20 - 29
AR31979	3D18	1	90 - 15	AR33479	3E6	1	90 - 29	AR34404	1G24	21	40 - 37
AR31984	2F21	18	70 - 70	AR33479	3E6	4	90 - 29	AR34404	1H2	22	40 - 39
AR31985	2F21	18	70 - 70	AR33793	2D25	21	70 - 21	AR34404	1H11	10	40 - 49
AR31988	2C10	3	60 - 8	AR33821	2D10	4	70 - 5	AR34415	1E3	4	30 - 29
AR31989	2C10	3	60 - 8	AR33879	1G24	21	40 - 37	AR34450	1C10	19	20 - 41
AR32156	1D10	6	30 - 8	AR33879	1H10	..	40 - 47	AR34450	1C11	19	20 - 42
AR32194	1B25	10	20 - 29	AR33879	1H11	10	40 - 49	AR34473	2D22	1	70 - 17
AR32195	1C2	10	20 - 31	AR33894	3C16	16	80 - 43	AR34477	1E18	..	30 - 45
AR32246	1B18	2	20 - 21	AR33924	2F10	8	70 - 58	AR34556	1G21	11	40 - 34
AR32246	1B18	4	20 - 21	AR33925	2F11	8	70 - 59	AR34556	1G24	8	40 - 37
AR32247	1B18	2	20 - 21	AR33931	1E23	9	30 - 51	AR34556	1H2	7	40 - 39
AR32247	1B18	4	20 - 21	AR33933	3C3	2	80 - 30	AR34556	3E6	22	90 - 29
AR32331	1C19	12	20 - 51	AR33935	2B13	17	50 - 19	AR34567	1G22	21	40 - 35
AR32343	1B1	3	20 - 4	AR33970	2C25	27	60 - 23	AR34567	1H11	10	40 - 49
AR32441	2C13	7	60 - 11	AR33973	2C25	25	60 - 23	AR34567	1H13	..	40 - 51
AR32479	3C14	30	80 - 41	AR33975	2C23	10	60 - 21	AR34613	3C6	16	80 - 33
AR32479	3C18	17	80 - 46	AR33976	2C23	9	60 - 21	AR34660	3D18	41	90 - 15
AR32503	3C14	13	80 - 41	AR33979	1H2	22	40 - 39	AR34662	2D24	10	70 - 20
AR32512	3C3	2	80 - 30	AR33988	2D7	4	70 - 2	AR34662	2E4	19	70 - 25
AR32561	1E23	19	30 - 51	AR33990	2D7	2	70 - 2	AR34662	2E7	14	70 - 29
AR32562	1B10	8	20 - 13	AR33994	1B25	8	20 - 29	AR34682	1B16	6	20 - 19
AR32562	1B10	9	20 - 13	AR33995	1C2	8	20 - 31	AR34684	3C6	25	80 - 33
AR32575	2A23	6	50 - 3	AR34003	2C10	3	60 - 8	AR34684	3C7	1	80 - 34
AR32575	2C11	38	60 - 9	AR34028	1E23	9	30 - 51	AR34684	3C8	1	80 - 35
AR32576	2A23	6	50 - 3	AR34028	1F2	11	30 - 55	AR34684	3C10	41	80 - 37
AR32576	2C11	38	60 - 9	AR34029	1E23	9	30 - 51	AR34684	3C12	49	80 - 39
AR32608	2E15	26	70 - 37	AR34029	1F1	11	30 - 54	AR34684	3E7	2	90 - 30
AR32611	3C14	17	80 - 41	AR34059	2G9	42B	70 - 83	AR34687	1B1	3	20 - 4
AR32638	1E3	4	30 - 29	AR34059	2G11	42B	70 - 85	AR34759	2C23	19	60 - 21
AR32665	2H2	1	70 - 101	AR34099	1D21	8	30 - 21	AR34761	2C23	18	60 - 21
AR32665	2H2	2	70 - 101	AR34099	1D23	8	30 - 23	AR34765	2D1	27	60 - 24
AR32667	2G20	12	70 - 95	AR34166	1D5	..	30 - 3	AR34766	2D1	12	60 - 24
AR32667	2G20	13	70 - 95	AR34168	1D5	..	30 - 3	AR34795	3C6	40	80 - 33
AR32667	2G22	25	70 - 97	AR34172	2C6	9	60 - 3	AR34824	2C4	18	60 - 1
AR32667	2G22	26	70 - 97	AR34234	1C19	12	20 - 51	AR34827	2H18	5	70 - 119
AR32688	3D10	26	90 - 7	AR34235	1C21	13	20 - 53	AR34829	2H18	5	70 - 119
AR32699	2C6	16	60 - 3	AR34238	1B18	4	20 - 21	AR34829	2H18	8	70 - 119
AR32700	2C6	16	60 - 3	AR34239	1B18	4	20 - 21	AR34838	2H22	37	70 - 123
AR32718	2F7	40	70 - 55	AR34240	1A25	3	20 - 3	AR34855	1C9	12	20 - 40
AR32729	1B8	2C	20 - 11	AR34241	1E9	15	30 - 36	AR34856	1C11	8	20 - 42
AR32729	1B8	13	20 - 11	AR34241	1E9	..	30 - 36	AR34873	1C16	2	20 - 48
AR32729	1B8	14	20 - 11	AR34241	1E14	3	30 - 41	AR34874	1C16	11	20 - 48
AR32730	1B8	2D	20 - 11	AR34241	1E14	27	30 - 41	AR34875	1C16	10	20 - 48
AR32730	1B8	13	20 - 11	AR34241	1E14	43	30 - 41	AR34886	3E6	40	90 - 29
AR32730	1B8	15	20 - 11	AR34241	1E14	44	30 - 41	AR34916	1B10	8	20 - 13
AR32756	2C6	28	60 - 3	AR34241	1E14	..	30 - 41	AR34918	1B10	8	20 - 13
AR32756	2C9	23	60 - 7	AR34242	1E5	9	30 - 32	AR34927	3E4	11	90 - 27
AR32765	3C3	1	80 - 30	AR34266	1D21	10	30 - 21	AR34959	3E6	10	90 - 29
AR32776	3E6	10	90 - 29	AR34266	1D23	10	30 - 23	AR34961	3E6	10	90 - 29
AR32818	3E4	42	90 - 27	AR34293	1B3	17	20 - 6	AR34967	3E6	10	90 - 29
AR32849	3C14	17	80 - 41	AR34293	1B5	17	20 - 8	AR34969	3E6	10	90 - 29
AR32901	2E8	6	70 - 30	AR34294	1B3	13	20 - 6	AR34986	3C10	1	80 - 37
AR32903	2C2	17	50 - 33	AR34294	1B5	13	20 - 8	AR34990	1F14	15	40 - 3
AR32909	3C6	1	80 - 33	AR34295	2H7	13	70 - 107	AR34990	1F16	14	40 - 5
AR32922	1B10	29	20 - 13	AR34345	2E19	..	70 - 41	AR34990	1F18	16	40 - 7
AR32923	1B10	29	20 - 13	AR34348	2E19	..	70 - 41	AR34990	1F20	15	40 - 9
AR33249	2D12	6	70 - 7	AR34349	2E19	..	70 - 41	AR34990	1G6	15	40 - 19
AR33479	1F14	7	40 - 3	AR34350	2E19	9	70 - 41	AR34990	1G8	15	40 - 21
AR33479	1F16	6	40 - 5	AR34368	1E23	..	30 - 51	AR34990	1G10	4	40 - 23
AR33479	1F18	8	40 - 7	AR34369	2E25	7	70 - 47	AR34990	1G10	10	40 - 23
AR33479	1F20	7	40 - 9	AR34369	2F2	..	70 - 49	AR35993	1F14	7	40 - 3
AR33479	1F22	9	40 - 11	AR34376	1B12	..	20 - 15	AR35993	1F16	6	40 - 5
AR33479	1F24	10	40 - 13	AR34377	1B12	..	20 - 15	AR35993	1F18	8	40 - 7
AR33479	1G2	6	40 - 15	AR34378	1B12	..	20 - 15	AR35993	1F20	7	40 - 9
AR33479	1G4	7	40 - 17	AR34383	2F2	9	70 - 49	AR35993	1F22	9	40 - 11

# 1K9

TRACTOR - 3010

## NUMERICAL INDEX - CONTINUED

PART NO.	GRID	KEY	PAGE	PART NO.	GRID	KEY	PAGE	PART NO.	GRID	KEY	PAGE
AR35993	1F24	10	40 - 13	AR39901	2C16	37	60 - 13	AR40395	1I2	32	40 - 63
AR35993	1G2	6	40 - 15	AR39901	2C16	40	60 - 13	AR40395	1I4	1	40 - 65
AR35993	1G4	7	40 - 17	AR39901	2C18	47	60 - 15	AR40395	1I4	11	40 - 65
AR35993	1G6	5	40 - 19	AR39901	2C18	52	60 - 15	AR40395	1I4	..	40 - 65
AR35993	1G8	5	40 - 21	AR39901	2C18	53	60 - 15	AR40395	1I5	1	40 - 66
AR35993	3E6	1	90 - 29	AR39901	2C20	2	60 - 17	AR40395	1I5	..	40 - 66
AR35993	3E6	4	90 - 29	AR39906	3E2	9	90 - 25	AR40396	1I5	4	40 - 66
AR36048	3D14	18	90 - 11	AR39908	3E2	9	90 - 25	AR40397	1I5	9	40 - 66
AR36308	2H22	24	70 - 123	AR39932	2D23	9	70 - 19	AR40398	2D10	7	70 - 5
AR36381	2D7	5	70 - 2	AR39932	2D25	24	70 - 21	AR40403	2D24	10	70 - 20
AR36694	1C7	21	20 - 37	AR39932	2D25	53B	70 - 21	AR40403	2E3	17	70 - 24
AR36694	1C7	29	20 - 37	AR39933	2D23	9	70 - 19	AR40403	2E4	19	70 - 25
AR36814	1C16	15	20 - 48	AR39933	2D25	24	70 - 21	AR40403	2E7	8	70 - 29
AR37017	2G7	3	70 - 81	AR39933	2D25	53A	70 - 21	AR40403	2E7	14	70 - 29
AR38451	3C8	11	80 - 35	AR39997	1E23	9	30 - 51	AR40404	2E4	12	70 - 25
AR38714	2D12	37	70 - 7	AR39997	1F1	11	30 - 54	AR40405	1D19	7A	30 - 19
AR389R	2B11	13	50 - 17	AR39997	1F2	11	30 - 55	AR40405	1D19	7B	30 - 19
AR39026	2D10	25	70 - 5	AR40008	1E9	26	30 - 36	AR40405	1D19	10	30 - 19
AR39520	1B25	..	20 - 29	AR40029	2E3	17	70 - 24	AR40407	1E2	12	30 - 27
AR39521	1C2	..	20 - 31	AR40029	2E4	19	70 - 25	AR40409	1G19	..	40 - 32
AR39585	2C12	1	60 - 10	AR40035	2E3	7	70 - 24	AR40417	2E8	6	70 - 30
AR39586	1D21	10	30 - 21	AR40036	2E3	7	70 - 24	AR40436	1H9	19	40 - 46
AR39586	1D23	10	30 - 23	AR40039	3C6	16	80 - 33	AR40436	1H9	20	40 - 46
AR39598	1C16	15	20 - 48	AR40039	3C6	38	80 - 33	AR40436	1H12	20	40 - 50
AR39601	3B23	6	80 - 26	AR40039	3C10	5	80 - 37	AR40436	1H12	21	40 - 50
AR39609	1G24	17	40 - 37	AR40039	3C10	55	80 - 37	AR40437	3E2	9	90 - 25
AR39609	1H2	17	40 - 39	AR40039	3C19	14	80 - 47	AR40458	3C10	1	80 - 37
AR39609	1I8	..	40 - 69	AR40130	2D24	10	70 - 20	AR40459	3C6	1	80 - 33
AR39609	1I9	12	40 - 71	AR40130	2E3	22	70 - 24	AR40465	2G7	10	70 - 81
AR39640	1D23	31	30 - 23	AR40130	2E4	19	70 - 25	AR40482	1E1	..	30 - 26
AR39695	2D8	1	70 - 3	AR40130	2E7	14	70 - 29	AR40482	1E2	..	30 - 27
AR39696	2D10	16	70 - 5	AR40134	1F18	3	40 - 7	AR40483	1B18	10	20 - 21
AR39763	2G22	32	70 - 97	AR40134	1F20	1	40 - 9	AR40485	1B18	10	20 - 21
AR39764	1B25	9	20 - 29	AR40134	1G4	2	40 - 17	AR40496	3C7	7	80 - 34
AR39765	1B25	9	20 - 29	AR40134	1G8	1	40 - 21	AR40510	1B10	8	20 - 13
AR39768	1C2	9	20 - 31	AR40134	1H18	1	40 - 56	AR40510	1B10	9	20 - 13
AR39769	1B25	9	20 - 29	AR40134	1H20	..	40 - 56B	AR40512	1B10	8	20 - 13
AR39770	1B25	9	20 - 29	AR40134	1H25	..	40 - 61	AR40562	1B18	4	20 - 21
AR39771	1B25	9	20 - 29	AR40134	1I2	..	40 - 63	AR40563	1B18	4	20 - 21
AR39777	2E15	41	70 - 37	AR40145	1C2	8	20 - 31	AR40564	1B18	2	20 - 21
AR39777	2F7	63	70 - 55	AR40148	1C10	18	20 - 41	AR40564	1B18	4	20 - 21
AR39781	2F22	..	70 - 71	AR40154	1B25	10	20 - 29	AR40565	1B18	2	20 - 21
AR39783	2F22	25	70 - 71	AR40154	1B25	11	20 - 29	AR40565	1B18	4	20 - 21
AR39783	2G5	2	70 - 79	AR40155	1B25	9	20 - 29	AR40592	3B6	7	80 - 9
AR39784	2F22	1	70 - 71	AR40155	1B25	10	20 - 29	AR40592	3B8	22	80 - 11
AR39786	2F22	12	70 - 71	AR40155	1B25	11	20 - 29	AR40615	1C2	12	20 - 31
AR39810	2D7	9	70 - 2	AR40155	1C2	10	20 - 31	AR40616	1B25	9	20 - 29
AR39810	2D8	..	70 - 3	AR40155	1C2	11	20 - 31	AR40636	1B10	29	20 - 13
AR39810	2D10	16	70 - 5	AR40163	1B6	24	20 - 9	AR40637	1B10	29	20 - 13
AR39810	2D10	..	70 - 5	AR40170	1G24	19	40 - 37	AR40655	1B10	29	20 - 13
AR39827	2B5	7	50 - 11	AR40170	1H2	20	40 - 39	AR40679	1B3	18	20 - 6
AR39827	2B7	1	50 - 13	AR40170	1H15	2	40 - 53	AR40680	1B5	18	20 - 8
AR39827	2B7	5	50 - 13	AR40170	1H15	..	40 - 53	AR40697	2D25	61	70 - 21
AR39827	2B9	4	50 - 15	AR40170	1H17	2	40 - 55	AR40698	1C9	3	20 - 40
AR39827	2B23	11	50 - 29	AR40174	1I6	1	40 - 67	AR40698	1C11	7	20 - 42
AR39829	2D12	37	70 - 7	AR40194	2F22	12	70 - 71	AR40710	1F14	17	40 - 3
AR39831	1E5	7	30 - 32	AR40217	1H9	14	40 - 46	AR40710	1F16	16	40 - 5
AR39831	1E11	17	30 - 38	AR40217	1H12	14	40 - 50	AR40710	1F18	18	40 - 7
AR39833	1E6	62	30 - 33	AR40218	1C7	29	20 - 37	AR40710	1F20	17	40 - 9
AR39833	1E12	28	30 - 39	AR40254	1C2	9	20 - 31	AR40710	1F22	20	40 - 11
AR39835	1E6	49	30 - 33	AR40258	1E2	..	30 - 27	AR40710	1F24	21	40 - 13
AR39836	1E6	..	30 - 33	AR40258	1E3	4	30 - 29	AR40710	1G2	14	40 - 15
AR39836	1E8	1	30 - 35	AR40259	1E2	..	30 - 27	AR40710	1G4	15	40 - 17
AR39858	3B12	21	80 - 15	AR40259	1E3	4	30 - 29	AR40710	1G6	16	40 - 19
AR39859	1C2	9	20 - 31	AR40338	3C3	2	80 - 30	AR40710	1G8	16	40 - 21
AR39860	1C2	8	20 - 31	AR40369	3C3	2	80 - 30	AR40710	1J8	13	40 - 94
AR39901	2C16	33B	60 - 13	AR40395	1H25	31	40 - 61	AR40744	2H6	12	70 - 105

# 1K10

TRACTOR - 3010

## NUMERICAL INDEX - CONTINUED

PART NO.	GRID	KEY	PAGE	PART NO.	GRID	KEY	PAGE	PART NO.	GRID	KEY	PAGE
AR40751	1B10	8	20 - 13	AR41951	1116	2	40 - 78	AR44745	1F6	58	30 - 59
AR40751	1B10	9	20 - 13	AR42009	2C6	16	60 - 3	AR44763	3D16	10	90 - 13
AR40802	3E2	8	90 - 25	AR42009	2C6	17	60 - 3	AR44765	2E9	10	70 - 31
AR40823	2H4	41	70 - 103	AR42009	2C7	3	60 - 5	AR44765	2E12	6	70 - 34
AR40823	2H6	5	70 - 105	AR42009	2C7	10	60 - 5	AR44792	1B2	20	20 - 5
AR40823	2H6	6	70 - 105	AR42085	2H4	49	70 - 103	AR44840	1C16	15	20 - 48
AR40823	2H6	11	70 - 105	AR42125	2A25	28	50 - 5	AR44840	1C17	14	20 - 49
AR40865	2F22	24	70 - 71	AR42284	2D7	5	70 - 2	AR44847	1D18	34	30 - 17
AR40865	2G5	1	70 - 79	AR42325	1119	..	40 - 81	AR44847	1D18	36	30 - 17
AR40897	1C5	13	20 - 35	AR42326	1119	13	40 - 81	AR44864	1H8	16	40 - 45
AR40898	1C17	3	20 - 49	AR42330	2B25	12	50 - 31	AR44872	2E9	..	70 - 31
AR40902	1C17	6	20 - 49	AR42332	1C21	13	20 - 53	AR44997	2B9	6	50 - 15
AR40903	1C17	8	20 - 49	AR42400	2C18	29	60 - 15	AR45013	1113	4	40 - 75
AR40923	1C11	8	20 - 42	AR42431	1113	3	40 - 75	AR45014	1113	17	40 - 75
AR40947	1115	4	40 - 77	AR42432	1113	21	40 - 75	AR45015	1113	20	40 - 75
AR40975	2E9	10	70 - 31	AR42590	1119	3	40 - 81	AR45159	1E11	1	30 - 38
AR40975	2E12	6	70 - 34	AR42608	1B25	9	20 - 29	AR45159	1E11	..	30 - 38
AR40976	2E9	3	70 - 31	AR42609	1B25	9	20 - 29	AR45159	1E12	..	30 - 39
AR40976	2E12	5	70 - 34	AR42612	1B25	8	20 - 29	AR45161	1E5	9	30 - 32
AR40977	2E12	2	70 - 34	AR42642	1B12	29	20 - 15	AR45161	1E9	..	30 - 36
AR41006	1B6	25	20 - 9	AR42648	1C5	20	20 - 35	AR45161	1E11	..	30 - 38
AR41016	2C11	14	60 - 9	AR42665	1B10	29	20 - 13	AR45161	1E12	7	30 - 39
AR41016	2D25	16	70 - 21	AR42720	3C6	40	80 - 33	AR45161	1E12	..	30 - 39
AR41037	2H4	49	70 - 103	AR42721	3C6	1	80 - 33	AR45161	1E14	43	30 - 41
AR41037	2H6	..	70 - 105	AR42883	1119	13	40 - 81	AR45161	1E14	..	30 - 41
AR41052	2H4	49	70 - 103	AR42991	1119	13	40 - 81	AR45193	3B23	6	80 - 26
AR41108	1C8	9	20 - 39	AR43594	1B8	8	20 - 11	AR45218	1B19	1	20 - 22
AR41148	3C3	2	80 - 30	AR43795	2G7	9	70 - 81	AR45219	1B21	1	20 - 25
AR41150	3C3	2	80 - 30	AR44043	2C11	11	60 - 9	AR45220	1B21	1	20 - 25
AR41172	1D11	23	30 - 9	AR44043	2E4	12	70 - 25	AR45240	2B13	11	50 - 19
AR41172	1D13	17	30 - 11	AR44061	1B12	..	20 - 15	AR45256	1C7	27	20 - 37
AR41562	1C2	12	20 - 31	AR44063	1B12	..	20 - 15	AR45297	1D17	4	30 - 16
AR41563	1C2	8	20 - 31	AR44065	1B12	..	20 - 15	AR45299	1D17	4	30 - 16
AR41584	3C3	1	80 - 30	AR44077	1E4	6	30 - 30	AR45304	1D14	3	30 - 12
AR41690	1B6	24	20 - 9	AR44093	1B25	9	20 - 29	AR45306	1D17	14	30 - 16
AR41691	1C9	3	20 - 40	AR44094	1B25	9	20 - 29	AR45330	1C9	12	20 - 40
AR41691	1C13	5	20 - 44	AR44254	3E1	2	90 - 23	AR45332	1C11	8	20 - 42
AR41708	1D16	1	30 - 15	AR44255	3E1	1	90 - 23	AR45342	2B13	17	50 - 19
AR41709	1D16	1	30 - 15	AR44283	2D25	24	70 - 21	AR45371	3C3	1	80 - 30
AR41718	3B23	6	80 - 26	AR44283	2E2	20	70 - 23	AR45453	3C8	11	80 - 35
AR41719	2D25	28	70 - 21	AR44283	2E6	..	70 - 27	AR45483	1C16	2	20 - 48
AR41748	2E9	..	70 - 31	AR44356	2E9	13	70 - 31	AR45483	1C17	1	20 - 49
AR41754	1116	8	40 - 78	AR44356	2E11	7	70 - 33	AR45483	1C17	3	20 - 49
AR41756	1111	2	40 - 73	AR44378	1C9	12	20 - 40	AR45483	1C17	4	20 - 49
AR41756	1113	2	40 - 75	AR44379	1C11	8	20 - 42	AR45484	1C17	7	20 - 49
AR41756	1115	2	40 - 77	AR44382	1B10	1	20 - 13	AR45485	1C17	9	20 - 49
AR41756	1116	1	40 - 78	AR44390	1C3	3	20 - 33	AR45498	1B25	6	20 - 29
AR41758	1111	1	40 - 73	AR44392	1B8	2A	20 - 11	AR45530	1A25	4	20 - 3
AR41758	1113	1	40 - 75	AR44392	1B8	13	20 - 11	AR45535	2H1	30	70 - 127
AR41758	1115	1	40 - 77	AR44392	1B8	14	20 - 11	AR45536	2H22	23	70 - 123
AR41758	1116	10	40 - 78	AR44393	1B8	2A	20 - 11	AR45536	2H22	24	70 - 123
AR41760	1115	3	40 - 77	AR44393	1B8	13	20 - 11	AR45543	2H24	26A	70 - 125
AR41761	3D3	10	90 - 2	AR44393	1B8	14	20 - 11	AR45545	2H22	37	70 - 123
AR41761	3D4	6	90 - 3	AR44402	1A24	1	20 - 2	AR45545	2H24	26A	70 - 125
AR41761	3D6	4	90 - 3B	AR44417	1F4	36	30 - 57	AR45545	2H24	26B	70 - 125
AR41785	1A23	..	20 - 1	AR44417	1F6	51	30 - 59	AR45545	211	28	70 - 127
AR41785	3E14	4	90 - 38	AR44480	1B25	8	20 - 29	AR45626	2E2	12	70 - 23
AR41794	2B2	28	50 - 7	AR44529	1B2	20	20 - 5	AR45626	2H8	..	70 - 108
AR41870	1A23	..	20 - 1	AR44530	1B2	20	20 - 5	AR45634	2C18	7	60 - 15
AR41933	2F22	14	70 - 71	AR44556	1B10	29	20 - 13	AR45677	3A23	4	80 - 2
AR41950	1111	8	40 - 73	AR44557	1B10	29	20 - 13	AR45677	3B2	4	80 - 5
AR41950	1113	8	40 - 75	AR44624	1B21	1	20 - 25	AR45677	3B8	5	80 - 11
AR41950	1115	7	40 - 77	AR44625	1B19	1	20 - 22	AR45689	1D16	1	30 - 15
AR41950	1116	3	40 - 78	AR44632	2E4	12	70 - 25	AR45690	1D16	1	30 - 15
AR41951	1111	7	40 - 73	AR44707	3D4	16	90 - 3	AR45723	1B25	7	20 - 29
AR41951	1113	7	40 - 75	AR44708	3D4	16	90 - 3	AR45723	1C2	7	20 - 31
AR41951	1115	6	40 - 77	AR44745	1F4	42	30 - 57	AR45916	1D11	27	30 - 9

# 1K11

TRACTOR - 3010

## NUMERICAL INDEX - CONTINUED

PART NO.	GRID	KEY	PAGE	PART NO.	GRID	KEY	PAGE	PART NO.	GRID	KEY	PAGE
AR45916	1D13	21	30 - 11	AR47093	1I9	12	40 - 71	AR47802	2D10	..	70 - 5
AR45916	1D15	26	30 - 13	AR47126	1B2	20	20 - 5	AR47825	2H18	7	70 - 119
AR45917	1D13	19	30 - 11	AR47170	2D10	16	70 - 5	AR47825	2H18	8	70 - 119
AR45917	1D13	20	30 - 11	AR47289	2C6	16	60 - 3	AR47825	2H22	1	70 - 123
AR45917	1D15	24	30 - 13	AR47304	1E1	11	30 - 26	AR47825	2H24	26A	70 - 125
AR45917	1D15	25	30 - 13	AR47304	1E2	8	30 - 27	AR47825	2H24	27	70 - 125
AR45952	1C8	15	20 - 39	AR47331	2G22	20	70 - 97	AR47825	2I1	11	70 - 127
AR45952	1C8	16	20 - 39	AR47331	2I2	20	70 - 128	AR47891	1C3	1	20 - 33
AR45953	1C8	16	20 - 39	AR47335	1C7	27	20 - 37	AR48029	3E2	9	90 - 25
AR45964	1B25	9	20 - 29	AR47357	1B12	..	20 - 15	AR48041	1G17	22	40 - 30
AR45966	1B25	8	20 - 29	AR47358	1B12	..	20 - 15	AR48110	2F22	24	70 - 71
AR46064	1G24	23	40 - 37	AR47359	1B12	..	20 - 15	AR48110	2F22	25	70 - 71
AR46064	1H2	24	40 - 39	AR47374	1I7	1	40 - 68	AR48110	2F24	34	70 - 73
AR46064	1H4	17	40 - 41	AR47374	1I8	1	40 - 69	AR48110	2G5	1	70 - 79
AR46079	1G21	11	40 - 34	AR47483	2E12	..	70 - 34	AR48110	2G5	2	70 - 79
AR46079	1G24	8	40 - 37	AR47486	2G7	5	70 - 81	AR48111	2F22	25	70 - 71
AR46079	1H2	7	40 - 39	AR47490	2G4	1	70 - 78	AR48111	2F24	35	70 - 73
AR46079	3E6	22	90 - 29	AR47567	2G5	11	70 - 79	AR48111	2G5	2	70 - 79
AR46109	1E14	29	30 - 41	AR47580	2D10	16	70 - 5	AR48233	2C11	11	60 - 9
AR46109	1E14	31	30 - 41	AR47603	2G7	11	70 - 81	AR48233	2E3	7	70 - 24
AR46109	1E14	32	30 - 41	AR47623	1C19	12	20 - 51	AR48234	2C11	11	60 - 9
AR46115	1H3	..	40 - 40	AR47624	1C21	13	20 - 53	AR48234	2E3	7	70 - 24
AR46256	2G5	12	70 - 79	AR47643	2G9	1	70 - 83	AR48235	2C11	11	60 - 9
AR46264	1C2	9	20 - 31	AR47643	2G11	1	70 - 85	AR48235	2E3	7	70 - 24
AR46265	1C2	8	20 - 31	AR47643	2G22	1	70 - 97	AR48236	2C11	11	60 - 9
AR46265	1C2	9	20 - 31	AR47643	2G24	1	70 - 99	AR48236	2E3	7	70 - 24
AR46271	1G21	1	40 - 34	AR47643	2H2	34	70 - 101	AR48521	1C4	6	20 - 34
AR46271	1G23	1	40 - 36	AR47643	2H11	39	70 - 111	AR48521	1C5	13	20 - 35
AR46271	1H2	1	40 - 39	AR47643	2I2	7	70 - 128	AR48522	1B10	29	20 - 13
AR46282	3E9	4	90 - 32	AR47646	1F18	11	40 - 7	AR48522	1C4	6	20 - 34
AR46289	3B24	5	80 - 27	AR47646	1F20	10	40 - 9	AR48522	1C5	13	20 - 35
AR46298	2F16	1	70 - 65	AR47646	1F24	13	40 - 13	AR48623	1B12	..	20 - 15
AR46323	1D14	17	30 - 12	AR47646	1G4	10	40 - 17	AR48625	1B10	29	20 - 13
AR46323	1D14	20	30 - 12	AR47646	1G8	8	40 - 21	AR48625	1C4	6	20 - 34
AR46357	1D11	27	30 - 9	AR47646	1G19	..	40 - 32	AR48629	1B10	29	20 - 13
AR46357	1D13	21	30 - 11	AR47646	1G21	14	40 - 34	AR48629	1B12	..	20 - 15
AR46395	1B25	7	20 - 29	AR47647	1F14	10	40 - 3	AR48629	1C4	6	20 - 34
AR46395	1C2	7	20 - 31	AR47647	1F16	9	40 - 5	AR48643	1G21	11	40 - 34
AR46396	1B25	7	20 - 29	AR47647	1F22	12	40 - 11	AR48643	1G24	8	40 - 37
AR46396	1C2	7	20 - 31	AR47647	1G6	8	40 - 19	AR48643	1H2	7	40 - 39
AR46397	1B25	7	20 - 29	AR47647	1G18	..	40 - 31	AR48643	3E6	22	90 - 29
AR46397	1C2	7	20 - 31	AR47647	1H2	13	40 - 39	AR48673	2B9	6	50 - 15
AR46398	1B25	7	20 - 29	AR47648	1F14	10	40 - 3	AR48687	1B25	11	20 - 29
AR46398	1C2	7	20 - 31	AR47648	1F16	9	40 - 5	AR48687	1C2	11	20 - 31
AR46399	1B19	1	20 - 22	AR47648	1F22	12	40 - 11	AR48717	1I15	4	40 - 77
AR46400	1B19	1	20 - 22	AR47648	1G2	9	40 - 15	AR48728	1C3	1	20 - 33
AR46401	1B19	1	20 - 22	AR47648	1G6	8	40 - 19	AR48872	3C8	11	80 - 35
AR46402	1B19	1	20 - 22	AR47648	1G20	..	40 - 33	AR48873	3C8	11	80 - 35
AR46403	1B21	1	20 - 25	AR47648	1G24	13	40 - 37	AR48940	1B21	1	20 - 25
AR46404	1B21	1	20 - 25	AR47674	1G19	..	40 - 32	AR49025	1C3	1	20 - 33
AR46405	1B21	1	20 - 25	AR47675	1G18	..	40 - 31	AR49032	1I7	..	40 - 68
AR46406	1B21	1	20 - 25	AR47675	1G20	..	40 - 33	AR49052	1C2	12	20 - 31
AR46407	1B21	1	20 - 25	AR47679	1G19	..	40 - 32	AR49142	1B8	2A	20 - 11
AR46437	1C14	7	20 - 46	AR47680	1G18	..	40 - 31	AR49142	1B8	13	20 - 11
AR46828	2G5	3	70 - 79	AR47681	1G20	..	40 - 33	AR49142	1B8	14	20 - 11
AR46983	1I15	21	40 - 77	AR47710	1G18	..	40 - 31	AR49143	1B8	2B	20 - 11
AR46984	1I11	21	40 - 73	AR47710	1G19	..	40 - 32	AR49143	1B8	13	20 - 11
AR46984	1I15	20	40 - 77	AR47710	1G20	..	40 - 33	AR49143	1B8	15	20 - 11
AR46985	1I15	18	40 - 77	AR47712	1G19	..	40 - 32	AR49143	1B12	..	20 - 15
AR46986	1I11	4	40 - 73	AR47713	1G19	..	40 - 32	AR49143	1C4	6	20 - 34
AR46986	1I11	5	40 - 73	AR47740	1E11	32	30 - 38	AR49202	2F20	19	70 - 69
AR46986	1I13	3	40 - 75	AR47741	1E11	25	30 - 38	AR49202	2F21	1	70 - 70
AR46986	1I15	3	40 - 77	AR47742	1E11	..	30 - 38	AR49206	2F20	14	70 - 69
AR46986	1I15	4	40 - 77	AR47742	1E12	..	30 - 39	AR49232	1B21	1	20 - 25
AR47072	1B1	3	20 - 4	AR47770	2H8	..	70 - 108	AR49233	1B21	1	20 - 25
AR47091	3C2	16	80 - 29	AR47794	3D10	8	90 - 7	AR49234	1B21	1	20 - 25
AR47093	1I8	..	40 - 69	AR47802	2D8	1	70 - 3	AR49235	1B21	1	20 - 25

# 1K12

TRACTOR - 3010

## NUMERICAL INDEX - CONTINUED

PART NO.	GRID	KEY	PAGE	PART NO.	GRID	KEY	PAGE	PART NO.	GRID	KEY	PAGE
AR49236	1B21	1	20 - 25	AR51584	3B2	31	80 - 5	AR53029	1C19	26	20 - 51
AR49237	1B21	1	20 - 25	AR51584	3B4	23	80 - 7	AR53032	1C21	13	20 - 53
AR49238	1B21	1	20 - 25	AR51584	3B6	20	80 - 9	AR53033	1B12	..	20 - 15
AR49239	1B21	1	20 - 25	AR51732	2D24	10	70 - 20	AR53033	1C4	6	20 - 34
AR49240	1B21	1	20 - 25	AR51732	2E3	17	70 - 24	AR53033	1C21	29	20 - 53
AR49241	1B21	1	20 - 25	AR51732	2E4	19	70 - 25	AR53035	1C2	12	20 - 31
AR49242	1B21	1	20 - 25	AR51732	2E7	14	70 - 29	AR53119	2D25	24	70 - 21
AR49243	1B19	1	20 - 22	AR51745	2D12	9	70 - 7	AR53119	2E2	20	70 - 23
AR49244	1B19	1	20 - 22	AR51799	1C2	8	20 - 31	AR53119	2E2	23	70 - 23
AR49245	1B19	1	20 - 22	AR51799	1C2	12	20 - 31	AR53301	2D10	12	70 - 5
AR49246	1B19	1	20 - 22	AR51867	2F24	6	70 - 73	AR53301	2D16	10	70 - 11
AR49247	1B19	1	20 - 22	AR51973	1111	4	40 - 73	AR53302	1B12	..	20 - 15
AR49352	1J7	17	40 - 93	AR52016	2C4	23	60 - 1	AR53303	1B12	..	20 - 15
AR49457	2B13	32	50 - 19	AR52099	2D10	25	70 - 5	AR53307	1B12	..	20 - 15
AR49535	2C8	8	60 - 6	AR52158	1E2	..	30 - 27	AR53308	1B12	..	20 - 15
AR49536	2C8	8	60 - 6	AR52158	1E3	4	30 - 29	AR53379	1B18	4	20 - 21
AR49578	2G6	1	70 - 80	AR52159	1E2	..	30 - 27	AR53380	1B18	4	20 - 21
AR49622	2G6	8	70 - 80	AR52159	1E3	4	30 - 29	AR53567	1E3	4	30 - 29
AR49650	1B16	6	20 - 19	AR52224	2D10	7	70 - 5	AR54702	1B10	29	20 - 13
AR49651	1B16	6	20 - 19	AR52231	1B12	..	20 - 15	AR54703	1B12	..	20 - 15
AR49751	2E2	5B	70 - 23	AR52239	1B10	29	20 - 13	AR54732	1C2	8	20 - 31
AR49751	2E2	12	70 - 23	AR52239	1B12	29	20 - 15	AR54749	1A24	4	20 - 2
AR49797	1J1	1	40 - 86	AR52253	1B25	8	20 - 29	AR54878	1B25	9	20 - 29
AR49798	1J1	1	40 - 86	AR52254	2D12	43	70 - 7	AR54879	1B25	8	20 - 29
AR50270	1H4	3	40 - 41	AR52254	2D18	33	70 - 13	AR54904	1B3	17	20 - 6
AR50353	1B10	29	20 - 13	AR52392	1J3	4	40 - 89	AR54904	1B5	17	20 - 8
AR50368	2F22	4	70 - 71	AR52393	3C2	10	80 - 29	AR54905	1B3	13	20 - 6
AR50368	2F22	..	70 - 71	AR52393	3C2	16	80 - 29	AR54905	1B5	13	20 - 8
AR50368	2F24	38	70 - 73	AR52449	1E10	..	30 - 37	AR55179	3B4	34	80 - 7
AR50372	2F24	22	70 - 73	AR52449	1E11	1	30 - 38	AR55179	3B6	31	80 - 9
AR50373	2F24	22	70 - 73	AR52449	1E11	..	30 - 38	AR55179	3B8	30	80 - 11
AR50374	2F24	15	70 - 73	AR52449	1E12	..	30 - 39	AR55180	3B2	26	80 - 5
AR50402	3E2	9	90 - 25	AR52449	1E14	36	30 - 41	AR55180	3B4	34	80 - 7
AR50406	3E2	9	90 - 25	AR52449	1E14	43	30 - 41	AR55186	2D10	4	70 - 5
AR50591	2D25	24	70 - 21	AR52449	1E14	..	30 - 41	AR55282	3B14	16	80 - 17
AR50591	2E2	12	70 - 23	AR52451	1E10	30	30 - 37	AR55616	1C10	21	20 - 41
AR50591	2E2	20	70 - 23	AR52451	1E14	43	30 - 41	AR55617	1C12	26	20 - 43
AR50638	1B12	29	20 - 15	AR52452	1E10	25	30 - 37	AR55618	1C10	22	20 - 41
AR50707	1F4	25	30 - 57	AR52452	1E14	36	30 - 41	AR55619	1C12	27	20 - 43
AR50779	1J1	2	40 - 86	AR52453	1E9	15	30 - 36	AR55620	1C13	10	20 - 44
AR50780	1J1	2	40 - 86	AR52454	1E16	2	30 - 43	AR55630	1C2	8	20 - 31
AR50786	1B25	9	20 - 29	AR52494	2D14	9	70 - 9	AR55694	1J1	24	40 - 86
AR50834	1J7	8	40 - 93	AR52498	2C18	7	60 - 15	AR55694	3E2	6	90 - 25
AR50865	3A23	9	80 - 2	AR52498	2C18	10	60 - 15	AR55694	3E2	15	90 - 25
AR50865	3B2	11	80 - 5	AR52544	1B25	12	20 - 29	AR55694	3E2	16	90 - 25
AR50926	1J3	14	40 - 89	AR52545	1B25	12	20 - 29	AR55888	1G10	10	40 - 23
AR50927	1J1	20	40 - 86	AR52548	1B25	12	20 - 29	AR56076	1D10	6	30 - 8
AR50927	1J3	20	40 - 89	AR52549	1B25	12	20 - 29	AR56084	1E11	..	30 - 38
AR50928	1J1	18	40 - 86	AR52556	1E3	6	30 - 29	AR56084	1E12	..	30 - 39
AR50929	1J3	19	40 - 89	AR52623	2G9	42A	70 - 83	AR56161	2D8	1	70 - 3
AR50930	1J3	15	40 - 89	AR52623	2G9	42B	70 - 83	AR56161	2D10	..	70 - 5
AR50931	1J3	23	40 - 89	AR52623	2G11	42A	70 - 85	AR56784	1D16	1	30 - 15
AR50962	3B2	51	80 - 5	AR52623	2G11	42B	70 - 85	AR57094	1H21	22	40 - 57
AR50962	3B4	24	80 - 7	AR52765	1E19	15	30 - 46	AR57094	1H21	24	40 - 57
AR50963	3B4	24	80 - 7	AR52765	1E19	16	30 - 46	AR57157	1115	4	40 - 77
AR50982	3B4	34	80 - 7	AR52765	1E19	17	30 - 46	AR58165	2C20	1	60 - 17
AR50982	3B6	31	80 - 9	AR52765	1E19	18	30 - 46	AR59295	1G24	21	40 - 37
AR50982	3B8	30	80 - 11	AR52765	1E19	21	30 - 46	AR59295	1H2	22	40 - 39
AR50983	3B4	34	80 - 7	AR52765	1E20	17	30 - 47	AR59295	1H10	..	40 - 47
AR50983	3B6	31	80 - 9	AR52765	1H2	18	40 - 39	AR59295	1H11	10	40 - 49
AR50983	3B8	30	80 - 11	AR52766	1E19	2	30 - 46	AR59419	1C2	6	20 - 31
AR50984	3B4	34	80 - 7	AR52766	1E19	3	30 - 46	AR59651	1D18	42	30 - 17
AR51416	3D3	2	90 - 2	AR52767	1E19	19	30 - 46	AR59663	1117	2	40 - 79
AR51452	3D8	9	90 - 5	AR52785	2D10	25	70 - 5	AR59679	3D16	1	90 - 13
AR51483	1111	22	40 - 73	AR52804	1B25	9	20 - 29	AR59679	3D20	1	90 - 17
AR51483	1113	21	40 - 75	AR53028	1C19	12	20 - 51	AR59680	3D16	2	90 - 13
AR51484	1111	19	40 - 73	AR53029	1B25	12	20 - 29	AR60029	3D14	18	90 - 11

# 1K13

TRACTOR - 3010

## NUMERICAL INDEX - CONTINUED

PART NO.	GRID	KEY	PAGE	PART NO.	GRID	KEY	PAGE	PART NO.	GRID	KEY	PAGE
AR60029	3D14	19	90 - 11	AR68361	1113	3	40 - 75	AR77326	1G6	15	40 - 19
AR60372	2G5	5	70 - 79	AR68362	1115	4	40 - 77	AR77326	1G8	15	40 - 21
AR60372	2G5	6	70 - 79	AR68650	1C2	12	20 - 31	AR77326	1G10	4	40 - 23
AR60937	3E6	19	90 - 29	AR69154	2B9	6	50 - 15	AR77326	1G10	9	40 - 23
AR62149	2F18	19	70 - 67	AR69271	3D14	21	90 - 11	AR77326	1G10	10	40 - 23
AR62151	2F13	25	70 - 61	AR69444	2D21	1	70 - 16	AR77747	1B21	1	20 - 25
AR62151	2F20	17	70 - 69	AR69445	2D21	1	70 - 16	AR77747	1B23	2	20 - 27
AR62151	2F21	9	70 - 70	AR69834	3B4	24	80 - 7	AR77747	1B23	3	20 - 27
AR62151	2F24	7	70 - 73	AR69836	3A23	4	80 - 2	AR77747	1B23	4	20 - 27
AR62151	2G1	19	70 - 75	AR69836	3B2	4	80 - 5	AR77748	1B21	1	20 - 25
AR62151	2G2	38	70 - 76	AR69836	3B8	5	80 - 11	AR77748	1B23	3	20 - 27
AR62152	2F18	8	70 - 67	AR69854	3D14	14	90 - 11	AR77748	1B23	5	20 - 27
AR62360	1J2	1	40 - 87	AR69980	1F12	4	40 - 1	AR77749	1B21	1	20 - 25
AR62377	1D6	..	30 - 4	AR69984	1C3	1	20 - 33	AR77749	1B23	3	20 - 27
AR62933	1C9	2	20 - 40	AR69984	1C3	3	20 - 33	AR77749	1B23	5	20 - 27
AR62933	1C9	3	20 - 40	AR69988	2G5	16	70 - 79	AR77750	1B21	1	20 - 25
AR62933	1C11	6	20 - 42	AR70645	1B25	11	20 - 29	AR77750	1B23	3	20 - 27
AR62933	1C11	7	20 - 42	AR70645	1C2	11	20 - 31	AR77750	1B23	5	20 - 27
AR62934	1C13	7	20 - 44	AR70645	1C2	12	20 - 31	AR77751	1B21	1	20 - 25
AR62935	1C11	7	20 - 42	AR70909	1B25	6	20 - 29	AR77751	1B23	3	20 - 27
AR63095	1B16	6	20 - 19	AR70910	1C2	6	20 - 31	AR77751	1B23	5	20 - 27
AR63218	1A23	1	20 - 1	AR71902	2H18	8	70 - 119	AR77752	1B21	1	20 - 25
AR63219	1A23	1	20 - 1	AR723R	1E5	12	30 - 32	AR77752	1B23	3	20 - 27
AR63222	1A23	1	20 - 1	AR723R	1E10	6	30 - 37	AR77752	1B23	5	20 - 27
AR63865	1C7	19	20 - 37	AR723R	1E12	9	30 - 39	AR77753	1B21	1	20 - 25
AR63865	1C7	21	20 - 37	AR723R	1E14	6	30 - 41	AR77753	1B23	2	20 - 27
AR63967	1C2	12	20 - 31	AR723R	1E17	25	30 - 44	AR77753	1B23	3	20 - 27
AR63979	1A23	1	20 - 1	AR72318	1B1	2	20 - 4	AR77753	1B23	4	20 - 27
AR64120	1E2	..	30 - 27	AR72319	1B2	11	20 - 5	AR77754	1B21	1	20 - 25
AR64120	1E3	4	30 - 29	AR72992	2B21	6	50 - 27	AR77754	1B23	5	20 - 27
AR65005	1J16	1	40 - 102	AR72998	1B23	3	20 - 27	AR77755	1B21	1	20 - 25
AR65006	1J16	2	40 - 102	AR73271	1B23	3	20 - 27	AR77755	1B23	5	20 - 27
AR65235	1B21	1	20 - 25	AR73272	1B23	3	20 - 27	AR77756	1B21	1	20 - 25
AR65236	1B21	1	20 - 25	AR73273	1B23	3	20 - 27	AR77756	1B23	5	20 - 27
AR65237	1B21	1	20 - 25	AR73274	1B23	3	20 - 27	AR77757	1B21	1	20 - 25
AR65238	1B21	1	20 - 25	AR73275	1B23	2	20 - 27	AR77757	1B23	5	20 - 27
AR65239	1B21	1	20 - 25	AR73276	1B23	2	20 - 27	AR77758	1B21	1	20 - 25
AR65240	1B21	1	20 - 25	AR73311	1117	1	40 - 79	AR77758	1B23	5	20 - 27
AR65368	3B23	23	80 - 26	AR73500	2D22	1	70 - 17	AR78052	1J7	21	40 - 93
AR65369	3B23	2	80 - 26	AR74411	1J7	11	40 - 93	AR78337	2E25	26	70 - 47
AR65571	1C2	10	20 - 31	AR74673	2F24	34	70 - 73	AR78337	2F1	18	70 - 48
AR65572	1C2	10	20 - 31	AR74814	1B19	1	20 - 22	AR78337	2F2	19	70 - 49
AR65881	2E3	14	70 - 24	AR74815	1B19	1	20 - 22	AR78483	2H4	49	70 - 103
AR65881	2E4	18	70 - 25	AR74816	1B19	1	20 - 22	AR78929	1H6	13	40 - 43
AR65883	3D10	15	90 - 7	AR74817	1B19	1	20 - 22	AR79582	2B15	15	50 - 21
AR65883	3D16	27	90 - 13	AR74818	1B19	1	20 - 22	AR79710	2D7	5	70 - 2
AR67389	2H25	1	70 - 126	AR75603	2B15	11	50 - 21	AR80069	1H6	13	40 - 43
AR67467	1C7	21	20 - 37	AR75694	1J7	21	40 - 93	AR80294	1B10	2	20 - 13
AR67783	2C6	17	60 - 3	AR75694	1J9	10	40 - 95	AR80564	1E10	25	30 - 37
AR67783	2C7	3	60 - 5	AR75695	1J9	2	40 - 95	AR80564	1E14	36	30 - 41
AR67783	2C7	10	60 - 5	AR75696	1J9	8	40 - 95	AR81178	117	..	40 - 68
AR67855	1125	14	40 - 85	AR76545	1B12	..	20 - 15	AR81178	118	..	40 - 69
AR67855	1J7	2	40 - 93	AR76545	1C4	6	20 - 34	AR81178	119	12	40 - 71
AR67855	1J9	9	40 - 95	AR76545	1C7	36	20 - 37	AR82570	2G17	12	70 - 92
AR67881	2F24	6	70 - 73	AR76546	1C7	36	20 - 37	AR82909	1J7	16	40 - 93
AR68145	2H22	24	70 - 123	AR76762	2D10	1	70 - 5	AR82910	1J7	4	40 - 93
AR68145	2H1	13	70 - 127	AR76762	2D10	4	70 - 5	AR82911	1J7	7	40 - 93
AR68146	2H22	24	70 - 123	AR76762	2D16	4	70 - 11	AR82912	1J7	6	40 - 93
AR68197	3E6	10	90 - 29	AR77324	1G10	4	40 - 23	AR84006	1G23	7	40 - 36
AR68304	1H21	11	40 - 57	AR77325	1G10	4	40 - 23	AR84048	1C2	12	20 - 31
AR68304	1H23	1	40 - 59	AR77325	1G10	10	40 - 23	AR84239	1H24	9	40 - 60
AR68304	1H23	11	40 - 59	AR77326	1F14	15	40 - 3	AR84239	111	9	40 - 62
AR68304	1H23	..	40 - 59	AR77326	1F16	14	40 - 5	AR84791	2F1	18	70 - 48
AR68304	113	1	40 - 64	AR77326	1F18	16	40 - 7	AR84791	2F2	19	70 - 49
AR68304	113	11	40 - 64	AR77326	1F20	15	40 - 9	AR85407	116	1	40 - 67
AR68304	113	..	40 - 64	AR77326	1G2	1	40 - 15	AR85578	119	8	40 - 71
AR68309	1C7	21	20 - 37	AR77326	1G4	1	40 - 17	AR86595	1D15	22	30 - 13

# 1K14

TRACTOR - 3010

## NUMERICAL INDEX - CONTINUED

PART NO.	GRID	KEY	PAGE	PART NO.	GRID	KEY	PAGE	PART NO.	GRID	KEY	PAGE
AR86598	1D16	1	30 - 15	AR93820	2I2	7	70 - 128	AT12426	2B17	28	50 - 23
AR86807	1D11	27	30 - 9	AR94130	3E6	23	90 - 29	AT12426	2B17	29	50 - 23
AR86807	1D13	21	30 - 11	AR94522	2G12	3	70 - 87	AT12426	2B17	30	50 - 23
AR86969	1G10	9	40 - 23	AR94522	2G14	21	70 - 89	AT12426	2B17	31	50 - 23
AR86981	1C2	6	20 - 31	AR94522	2H20	10	70 - 121	AT12426	2B17	32	50 - 23
AR86982	1B25	6	20 - 29	AR94559	1B13	3	20 - 16	AT12427	2B17	29	50 - 23
AR87631	2C16	26	60 - 13	AR94559	1B14	3	20 - 17	AT12431	2B17	1	50 - 23
AR88016	1H22	5	40 - 58	AR94559	1B14	9	20 - 17	AT12533	1D7	16	30 - 5
AR88016	1H22	6	40 - 58	AR94660	2D8	1	70 - 3	AT12844	3D12	4	90 - 9
AR88880	1H24	9	40 - 60	AR94660	2D8	..	70 - 3	AT12845	3D12	27	90 - 9
AR88880	1H24	12	40 - 60	AR94660	2D10	16	70 - 5	AT12948	1G11	5	40 - 24
AR88880	1I1	9	40 - 62	AR94660	2D10	..	70 - 5	AT12948	1G12	5	40 - 25
AR88880	1I1	12	40 - 62	AR94660	2D16	..	70 - 11	AT12948	3E6	3	90 - 29
AR89132	2B4	20	50 - 9	AR94660	2D18	..	70 - 13	AT13140	3D18	44	90 - 15
AR89132	2E25	25	70 - 47	AR94666	1B13	3	20 - 16	AT13222	3D22	1	90 - 19
AR89132	2F2	18	70 - 49	AR94666	1B14	3	20 - 17	AT13223	3D22	2	90 - 19
AR89132	2F3	6	70 - 51	AR94668	1B14	3	20 - 17	AT13380	1G6	9	40 - 19
AR89137	3D25	4	90 - 22	AR94669	1B14	3	20 - 17	AT13380	1G8	9	40 - 21
AR89137	3E1	1	90 - 23	AR94669	1B14	9	20 - 17	AT13380	1G10	20	40 - 23
AR89137	3E1	2	90 - 23	AR94819	1B12	..	20 - 15	AT13381	1F16	11	40 - 5
AR90340	1E25	..	30 - 53	AR94839	1B10	29	20 - 13	AT13381	1F20	12	40 - 9
AR90378	2D12	36	70 - 7	AR94839	1B12	29	20 - 15	AT13381	1G6	10	40 - 19
AR90378	2D18	48	70 - 13	AR96613	2D10	25	70 - 5	AT13381	1G8	10	40 - 21
AR90459	2D8	1	70 - 3	AR96613	2D16	19	70 - 11	AT13381	1G10	20	40 - 23
AR90577	2F25	5	70 - 74	AR96625	2D18	6	70 - 13	AT13546	1G11	6	40 - 24
AR90577	2F25	..	70 - 74	AR97872	2D8	1	70 - 3	AT13546	1G12	6	40 - 25
AR90578	2F25	5	70 - 74	AR97872	2D10	16	70 - 5	AT13740	1B10	1	20 - 13
AR90578	2F25	..	70 - 74	AR97872	2D10	..	70 - 5	AT13740	1C14	15	20 - 46
AR90579	2F25	6	70 - 74	AR97872	2D16	..	70 - 11	AT139833	1H6	38	40 - 43
AR90581	2F25	6	70 - 74	AR97872	2D18	..	70 - 13	AT141924	3E13	6	90 - 37
AR90583	2F25	6	70 - 74	AR98201	2H20	2	70 - 121	AT14466	1H6	34	40 - 43
AR90826	1H22	5	40 - 58	AR98202	2H20	1	70 - 121	AT14467	1H6	34	40 - 43
AR90826	1H22	6	40 - 58	AR98564	1C13	10	20 - 44	AT14468	1H6	34	40 - 43
AR91793	1J15	42	40 - 101	AR99336	2G5	3	70 - 79	AT14468	1H6	35	40 - 43
AR91941	3E6	9	90 - 29	AT10177	1E22	12	30 - 49	AT14468	1H8	17	40 - 45
AR937R	2G5	16	70 - 79	AT10177	1E22	13	30 - 49	AT14469	1H6	34	40 - 43
AR93819	2G9	1	70 - 83	AT10177	1E22	14	30 - 49	AT14699	1G21	2	40 - 34
AR93819	2G9	6	70 - 83	AT10177	1E22	16	30 - 49	AT14699	1G23	2	40 - 36
AR93819	2G11	1	70 - 85	AT10177	1E22	17	30 - 49	AT14699	1H2	2	40 - 39
AR93819	2G11	6	70 - 85	AT10177	1E22	19	30 - 49	AT14699	3E2	7	90 - 25
AR93819	2G20	33	70 - 95	AT10557	1E9	5	30 - 36	AT14927	3E14	2	90 - 38
AR93819	2G20	36	70 - 95	AT10569	1G6	15	40 - 19	AT15140	1H21	24	40 - 57
AR93819	2G20	38	70 - 95	AT10599	1E22	25	30 - 49	AT15146	1H23	7	40 - 59
AR93819	2G22	1	70 - 97	AT10635	1E1	13	30 - 26	AT15146	1I3	7	40 - 64
AR93819	2G22	6	70 - 97	AT10635	1E2	10	30 - 27	AT15147	1H21	8	40 - 57
AR93819	2G24	1	70 - 99	AT10638	1E1	16	30 - 26	AT15172	1E1	15	30 - 26
AR93819	2G24	6	70 - 99	AT10638	1E2	13	30 - 27	AT16288	1F14	15	40 - 3
AR93819	2H2	29	70 - 101	AT10845	1E22	8	30 - 49	AT16288	1F16	14	40 - 5
AR93819	2H2	34	70 - 101	AT11339	1H15	6	40 - 53	AT16288	1F20	15	40 - 9
AR93819	2H11	34	70 - 111	AT11339	1H17	8	40 - 55	AT16288	1G4	1	40 - 17
AR93819	2H11	39	70 - 111	AT11758	1H23	7	40 - 59	AT16288	1G6	15	40 - 19
AR93819	2I2	5	70 - 128	AT11758	1I3	7	40 - 64	AT16288	1G8	15	40 - 21
AR93819	2I2	7	70 - 128	AT11883	1F22	1	40 - 11	AT16288	1G10	4	40 - 23
AR93820	2G9	1	70 - 83	AT11883	1F24	1	40 - 13	AT16288	1G10	9	40 - 23
AR93820	2G9	6	70 - 83	AT11883	1G11	2	40 - 24	AT16288	1G10	10	40 - 23
AR93820	2G11	1	70 - 85	AT11883	1G11	3	40 - 24	AT16885	2B17	20	50 - 23
AR93820	2G11	6	70 - 85	AT11883	1G11	7	40 - 24	AT16885	2B17	25	50 - 23
AR93820	2G22	1	70 - 97	AT11883	1G12	2	40 - 25	AT16885	2B17	28	50 - 23
AR93820	2G22	6	70 - 97	AT11883	1G12	3	40 - 25	AT16885	2B17	29	50 - 23
AR93820	2G24	1	70 - 99	AT11883	1G12	7	40 - 25	AT16885	2B17	30	50 - 23
AR93820	2G24	6	70 - 99	AT12031	1E22	6	30 - 49	AT16885	2B17	31	50 - 23
AR93820	2H2	29	70 - 101	AT12031	1E22	8	30 - 49	AT16887	2B17	29	50 - 23
AR93820	2H2	34	70 - 101	AT12031	1E22	36	30 - 49	AT17366	1G24	22	40 - 37
AR93820	2H11	34	70 - 111	AT12308	1G16	13	40 - 29	AT17366	1H2	23	40 - 39
AR93820	2H11	39	70 - 111	AT12426	2B17	20	50 - 23	AT17366	1H4	8	40 - 41
AR93820	2H20	8	70 - 121	AT12426	2B17	24	50 - 23	AT17366	1H6	..	40 - 43
AR93820	2I2	5	70 - 128	AT12426	2B17	25	50 - 23	AT17366	1H8	..	40 - 45



# 1K15

TRACTOR - 3010

## NUMERICAL INDEX - CONTINUED

PART NO.	GRID	KEY	PAGE	PART NO.	GRID	KEY	PAGE	PART NO.	GRID	KEY	PAGE
AT17368	1H8	22	40 - 45	AT361T	1G24	22	40 - 37	A3031R	1H9	22	40 - 46
AT18702	1G22	25	40 - 35	AT361T	1H4	8	40 - 41	A3098	1C8	9	20 - 39
AT18702	3C19	25	80 - 47	AT361T	1H6	..	40 - 43	A3098R	2F5	15	70 - 53
AT20568	3E7	3	90 - 30	AT361T	1H8	..	40 - 45	A3098R	2F5	26	70 - 53
AT20911	1D21	2	30 - 21	AT36465	2G20	12	70 - 95	A3125R	1B2	11	20 - 5
AT20911	1D21	3	30 - 21	AT36465	2G20	13	70 - 95	A3184R	2G9	41	70 - 83
AT20911	1D21	4	30 - 21	AT36465	2G22	25	70 - 97	A3184R	2G11	41	70 - 85
AT20911	1D23	2	30 - 23	AT36465	2G22	26	70 - 97	A3184R	2H22	26	70 - 123
AT20911	1D23	3	30 - 23	AT36465	2H2	1	70 - 101	A3190R	1F1	9	30 - 54
AT20911	1D23	4	30 - 23	AT36465	2H2	2	70 - 101	A3190R	2G9	45	70 - 83
AT21632	1H15	9	40 - 53	AT36465	2H9	6	70 - 109	A3190R	2G11	45	70 - 85
AT21632	1H15	21	40 - 53	AT38033	2E10	14	70 - 32	A3376R	2B13	3	50 - 19
AT21632	1H17	12	40 - 55	AT38033	2F8	2	70 - 56	A3376R	2B13	5	50 - 19
AT21632	1H17	24	40 - 55	AT39043	1G21	18	40 - 34	A3376R	3E3	9	90 - 26
AT23188	1H9	7	40 - 46	AT39043	1G24	17	40 - 37	A3376R	3E4	9	90 - 27
AT23188	1H12	7	40 - 50	AT39043	1H2	17	40 - 39	A3411R	1F14	8	40 - 3
AT24538	3E14	1	90 - 38	AT39043	1I7	9	40 - 68	A3411R	1F14	14	40 - 3
AT26340	3E14	1	90 - 38	AT39043	1I8	8	40 - 69	A3411R	1F16	7	40 - 5
AT27153	1G21	1	40 - 34	AT39043	1I9	9	40 - 71	A3411R	1F18	9	40 - 7
AT27153	1G23	1	40 - 36	AT44165	1J1	23	40 - 86	A3411R	1F18	15	40 - 7
AT27153	1H2	1	40 - 39	AT44165	3E2	16	90 - 25	A3411R	1F20	8	40 - 9
AT30175	1E11	..	30 - 38	AT48673	1J1	26	40 - 86	A3411R	1F22	10	40 - 11
AT30175	1E12	..	30 - 39	AT48674	3E2	16	90 - 25	A3411R	1F24	11	40 - 13
AT30178	1E12	24	30 - 39	AT49331	2D8	1	70 - 3	A3411R	1G2	7	40 - 15
AT30178	1E14	36	30 - 41	AT49331	2D10	16	70 - 5	A3411R	1G4	8	40 - 17
AT32240	1D16	1	30 - 15	AT49331	2D10	..	70 - 5	A3411R	1G6	6	40 - 19
AT32331	2D25	47	70 - 21	AT514T	1H22	18	40 - 58	A3411R	1G6	13	40 - 19
AT32331	2E8	4	70 - 30	AT515T	1H22	8	40 - 58	A3411R	1G8	6	40 - 21
AT32331	2F8	5	70 - 56	AT516T	1H22	10	40 - 58	A3411R	1G8	13	40 - 21
AT32332	2F9	6	70 - 57	AT517T	1H22	20	40 - 58	A3411R	3E6	5	90 - 29
AT32332	2G7	1	70 - 81	AT62018	3E13	6	90 - 37	A3470	3B12	6	80 - 15
AT32332	2G18	11	70 - 93	AT62019	3E13	4	90 - 37	A3474R	3B12	31	80 - 15
AT32332	2G18	13	70 - 93	AT65316	3E6	29	90 - 29	A3475R	3B12	29	80 - 15
AT32332	2H4	39	70 - 103	AT71088	1F12	7	40 - 1	A3476R	3B12	17	80 - 15
AT32332	2H13	4	70 - 113	AT81764	3E13	6	90 - 37	A3481R	3B12	28	80 - 15
AT32333	2C11	30	60 - 9	AT85174	1B12	39	20 - 15	A3488R	1G22	34	40 - 35
AT32333	2E3	8	70 - 24	A1160R	2B19	11	50 - 25	A3488R	1G24	32	40 - 37
AT32333	2E4	5	70 - 25	A119R	2F5	33	70 - 53	A350R	2G5	18A	70 - 79
AT32334	2C9	16	60 - 7	A120R	2B4	24	50 - 9	A3539R	1H4	7	40 - 41
AT32334	2C11	37	60 - 9	A1235R	3B16	16	80 - 19	A3581R	2F13	32	70 - 61
AT32335	2C9	15	60 - 7	A1236R	3B16	16	80 - 19	A3581R	2F15	1	70 - 63
AT32335	2C9	19	60 - 7	A1424R	3B9	13	80 - 12	A3581R	2G2	28	70 - 76
AT32335	2C11	7	60 - 9	A147R	1H15	16	40 - 53	A3581R	2H18	6	70 - 119
AT32335	2C11	10	60 - 9	A147R	1H17	19	40 - 55	A3581R	2H22	2	70 - 123
AT32335	2C11	36	60 - 9	A1522R	2B17	31	50 - 23	A3606R	2C6	19	60 - 3
AT32335	2C25	28	60 - 23	A15532	2G7	13	70 - 81	A3606R	2C7	1	60 - 5
AT32335	2D1	23	60 - 24	A1555R	3B10	12	80 - 13	A3606R	2C18	45	60 - 15
AT32335	2D7	8	70 - 2	A1555R	3B14	12	80 - 17	A3606R	2C21	1	60 - 19
AT32335	2E7	3	70 - 29	A1556R	3B10	11	80 - 13	A3606R	2H22	21	70 - 123
AT32335	2H13	23	70 - 113	A1556R	3B14	11	80 - 17	A3606R	2H24	37	70 - 125
AT32337	2G7	3	70 - 81	A1556R	3B15	6	80 - 18	A3606R	2I1	17	70 - 127
AT32338	2D25	37	70 - 21	A15898	2G12	1	70 - 87	A369R	3D16	24	90 - 13
AT35120	2G7	3	70 - 81	A15898	2G18	2	70 - 93	A369R	3D20	21	90 - 17
AT35121	2C6	21	60 - 3	A15899	2G12	2	70 - 87	A3917R	1E25	1	30 - 53
AT35121	2C9	10	60 - 7	A15899	2G18	3	70 - 93	A3917R	2B15	28	50 - 21
AT35121	2C11	8	60 - 9	A2743R	1F14	2	40 - 3	A3917R	2D12	39	70 - 7
AT35121	2E15	39	70 - 37	A2743R	1F18	2	40 - 7	A39716	1G17	1	40 - 30
AT35121	2F7	54	70 - 55	A2743R	1F22	17	40 - 11	A4064R	3B18	13	80 - 21
AT35121	2F8	4	70 - 56	A2743R	1F24	18	40 - 13	A4117R	3B12	15	80 - 15
AT35121	2G11	27	70 - 85	A2899R	1G10	8	40 - 23	A4118R	3B12	10	80 - 15
AT35121	2G24	30	70 - 99	A2899R	1G10	21	40 - 23	A4119R	2H15	4	70 - 115
AT35121	2G24	31	70 - 99	A2899R	1G11	12	40 - 24	A4119R	3B12	11	80 - 15
AT35121	2H6	1	70 - 105	A2899R	1G11	21	40 - 24	A4119R	3C12	44	80 - 39
AT35121	2H11	12	70 - 111	A2899R	1G12	12	40 - 25	A4157R	1H4	11	40 - 41
AT35121	2H11	13	70 - 111	A2899R	1G12	20	40 - 25	A4231R	2G9	40	70 - 83
AT35121	2H13	20	70 - 113	A3030R	1D25	2	30 - 25	A4231R	2G11	40	70 - 85
AT35121	2H14	2	70 - 114	A3030R	1D25	44	30 - 25	A4233R	2C2	20	50 - 33

# 1K16

TRACTOR - 3010

## NUMERICAL INDEX - CONTINUED

PART NO.	GRID	KEY	PAGE	PART NO.	GRID	KEY	PAGE	PART NO.	GRID	KEY	PAGE
A4233R	2E15	29	70 - 37	A4737R	2H24	17	70 - 125	A5275R	1G13	21	40 - 26
A4233R	2F5	25	70 - 53	A4738R	2H24	18	70 - 125	A5275R	1G16	12	40 - 29
A4233R	2F10	4	70 - 58	A4739R	2H24	20	70 - 125	A5276R	1G13	14	40 - 26
A4234R	2C2	18	50 - 33	A4741R	2H24	1	70 - 125	A5276R	1G16	5	40 - 29
A4234R	2F5	20	70 - 53	A4742R	2B9	9	50 - 15	A5278R	1G13	17	40 - 26
A4234R	2F10	2	70 - 58	A4742R	2H24	2	70 - 125	A5278R	1G16	8	40 - 29
A4234R	2F11	4	70 - 59	A4744R	3D16	28	90 - 13	A5279R	1G13	18	40 - 26
A4235R	2C2	19	50 - 33	A4744R	3D20	28	90 - 17	A5279R	1G16	9	40 - 29
A4235R	2E15	28	70 - 37	A4745R	2H24	11	70 - 125	A5297R	1D25	21	30 - 25
A4235R	2F5	24	70 - 53	A4746R	2H24	10	70 - 125	A5301R	2H24	31	70 - 125
A4235R	2F10	3	70 - 58	A4747R	2H24	12	70 - 125	A5302R	2H24	29	70 - 125
A4365R	1E3	5	30 - 29	A4748R	2H24	13	70 - 125	A542R	2B19	11	50 - 25
A4365R	1E17	17	30 - 44	A4806R	2B15	37	50 - 21	A5518R	2B2	30	50 - 7
A4365R	2D12	3	70 - 7	A4808R	2B15	38	50 - 21	A5748R	2G18	9	70 - 93
A4365R	2D18	3	70 - 13	A4816R	2C6	36	60 - 3	A5748R	2G20	20	70 - 95
A4365R	2E10	19	70 - 32	A4816R	2C18	30	60 - 15	A5748R	2G24	20	70 - 99
A4365R	2F7	43	70 - 55	A4827R	1B13	9	20 - 16	A5748R	2H2	15	70 - 101
A4365R	2H6	5	70 - 105	A4827R	2B4	22	50 - 9	A5748R	2H11	21	70 - 111
A4365R	2H6	31	70 - 105	A4827R	2B11	10	50 - 17	A602R	2F13	27	70 - 61
A4365R	2H7	6	70 - 107	A4827R	2B17	18	50 - 23	A655R	1C7	23	20 - 37
A4379R	3B18	1	80 - 21	A48331	1G17	3	40 - 30	A680R	2D12	46	70 - 7
A4379R	3B22	1	80 - 25	A48332	1G17	23	40 - 30	A766R	1E18	35	30 - 45
A4380R	3B18	5	80 - 21	A4847R	2D12	38	70 - 7	A766R	3E6	28	90 - 29
A4380R	3B22	5	80 - 25	A4847R	2G9	31	70 - 83	A767R	1D19	26	30 - 19
A4384R	3B18	3	80 - 21	A4847R	2G11	30	70 - 85	A767R	1I4	16	40 - 65
A4384R	3B19	3	80 - 22	A4879R	2E15	34	70 - 37	A877R	3A23	8	80 - 2
A4384R	3B20	2	80 - 23	A4881R	1D21	19	30 - 21	A877R	3A24	17	80 - 3
A4384R	3B21	2	80 - 24	A4881R	1D23	19	30 - 23	A877R	3B2	8	80 - 5
A4384R	3B22	3	80 - 25	A4881R	1G6	13	40 - 19	A877R	3B2	22	80 - 5
A4386R	3B18	4	80 - 21	A4881R	1G8	13	40 - 21	A877R	3B4	29	80 - 7
A4386R	3B19	4	80 - 22	A4882R	3B18	9	80 - 21	A877R	3B6	25	80 - 9
A4386R	3B20	3	80 - 23	A4882R	3B21	7	80 - 24	A877R	3B8	26	80 - 11
A4386R	3B21	3	80 - 24	A4882R	3B22	9	80 - 25	A877R	3B9	9	80 - 12
A4386R	3B22	4	80 - 25	A4883R	3B18	6	80 - 21	A890R	3B2	27	80 - 5
A4387R	3B18	8	80 - 21	A4883R	3B19	5	80 - 22	A890R	3B4	33	80 - 7
A4387R	3B19	8	80 - 22	A4883R	3B21	4	80 - 24	A890R	3B6	30	80 - 9
A4387R	3B20	6	80 - 23	A4883R	3B22	6	80 - 25	A890R	3B8	33	80 - 11
A4387R	3B21	9	80 - 24	A4928R	1D25	10	30 - 25	A890R	3B9	15	80 - 12
A4387R	3B22	8	80 - 25	A4928R	1E20	3	30 - 47	BP12232	1D25	1	30 - 25
A4388R	3B18	12	80 - 21	A4929R	1D25	31	30 - 25	BP12232	1D25	45	30 - 25
A4389R	3B18	13	80 - 21	A4930R	1E20	25	30 - 47	B1085R	1E25	25	30 - 53
A4624R	1D10	8	30 - 8	A4931R	1E20	24	30 - 47	B11182	2F13	25	70 - 61
A4624R	2B4	12	50 - 9	A4932R	1E20	23	30 - 47	B11182	2F13	31	70 - 61
A4646R	1D10	1	30 - 8	A49853	1I21	7	40 - 83	B11182	2F20	17	70 - 69
A4655R	3E6	30	90 - 29	A4993R	1D25	29	30 - 25	B11182	2F21	9	70 - 70
A4700R	3E6	35	90 - 29	A4995R	1D25	29	30 - 25	B11182	2F24	7	70 - 73
A471R	3C3	4	80 - 30	A4996R	1D25	23	30 - 25	B11182	2G1	19	70 - 75
A4722R	2H22	7	70 - 123	A4997R	1D25	24	30 - 25	B11182	2G2	38	70 - 76
A4722R	2H24	6	70 - 125	A4997R	1D25	28	30 - 25	B1152R	2F7	51	70 - 55
A4722R	2I1	10	70 - 127	A4998R	1D25	27	30 - 25	B1333R	2B4	14	50 - 9
A4723R	2H22	6	70 - 123	A4999R	1D25	3	30 - 25	B1353R	2A23	26	50 - 3
A4723R	2H24	5	70 - 125	A4999R	1D25	43	30 - 25	B1353R	2B4	4	50 - 9
A4723R	2I1	9	70 - 127	A5108R	1E22	7	30 - 49	B1353R	2B19	44	50 - 25
A4728R	2E8	3	70 - 30	A5141R	1D25	18	30 - 25	B1353R	2C2	15	50 - 33
A4728R	2E9	16	70 - 31	A5146R	3B10	9	80 - 13	B1353R	2E8	19	70 - 30
A4728R	2E11	9	70 - 33	A5146R	3B12	26	80 - 15	B1353R	2F7	58	70 - 55
A4728R	2H22	9	70 - 123	A5146R	3B14	16	80 - 17	B1353R	2F10	13	70 - 58
A4728R	2H24	24	70 - 125	A5157R	3C4	7	80 - 31	B1569R	1D7	14	30 - 5
A4728R	2I1	7	70 - 127	A5172R	1F14	16	40 - 3	B1569R	1D9	12	30 - 7
A4730R	1B10	9	20 - 13	A5172R	1F18	17	40 - 7	B161R	3C4	35	80 - 31
A4730R	2G9	33	70 - 83	A5172R	1G2	14	40 - 15	B1664R	2E15	10	70 - 37
A4730R	2G11	33	70 - 85	A5172R	1G4	15	40 - 17	B1664R	2E15	12	70 - 37
A4730R	2G12	23	70 - 87	A5172R	1G6	12	40 - 19	B1664R	2E15	49	70 - 37
A4730R	2G14	16	70 - 89	A5172R	1G8	12	40 - 21	B1664R	2E15	52	70 - 37
A4730R	2G16	8	70 - 91	A5192R	1E17	6	30 - 44	B1664R	2F7	90	70 - 55
A4730R	2G17	9	70 - 92	A5195R	1E17	16	30 - 44	B1664R	2F7	91	70 - 55
A4736R	2H24	19	70 - 125	A5196R	1E17	12	30 - 44	B1664R	2F7	92	70 - 55

# 1K17

TRACTOR - 3010

## NUMERICAL INDEX - CONTINUED

PART NO.	GRID	KEY	PAGE	PART NO.	GRID	KEY	PAGE	PART NO.	GRID	KEY	PAGE
B1664R	2F7	94	70 - 55	B548R	3B13	9	80 - 16	E49906	1E6	34	30 - 33
B169R	1C4	1	20 - 34	B548R	3B16	9	80 - 19	E49906	1E11	16	30 - 38
B169R	1C5	7	20 - 35	B550R	2E25	13	70 - 47	E49906	1E17	23	30 - 44
B169R	2C6	6	60 - 3	B551R	3B13	7	80 - 16	E55662	1C7	1	20 - 37
B17682	1E5	10	30 - 32	B551R	3B16	7	80 - 19	E55662	1D10	20	30 - 8
B177R	2C23	3	60 - 21	B634R	3B18	12	80 - 21	E55662	1D11	24	30 - 9
B1986R	1F14	12	40 - 3	B89R	3B13	11	80 - 16	E55662	1D13	14	30 - 11
B1986R	1F14	13	40 - 3	B90R	3B13	10	80 - 16	E55662	1D13	18	30 - 11
B1986R	1F18	13	40 - 7	C1067R	2B13	27	50 - 19	E55662	1D13	21	30 - 11
B1986R	1F18	14	40 - 7	C1104R	2B2	5	50 - 7	E55662	1D14	18	30 - 12
B1986R	1G2	14	40 - 15	C1220R	2A23	12	50 - 3	E55662	1D15	23	30 - 13
B1986R	1G4	15	40 - 17	C1220R	2B4	13	50 - 9	E55662	1E5	3	30 - 32
B1986R	1G16	20	40 - 29	C1220R	2B4	17	50 - 9	E55662	1E9	3	30 - 36
B2477R	2F13	35	70 - 61	C2072R	2B11	4	50 - 17	E55662	1E12	3	30 - 39
B2484R	2B4	14	50 - 9	C2175R	1G13	6	40 - 26	E55662	1E17	3	30 - 44
B2641R	1B18	6	20 - 21	C2175R	2A23	5	50 - 3	E55662	1E23	14	30 - 51
B2641R	1D18	23	30 - 17	C284R	2B13	28	50 - 19	E55662	1H11	1	40 - 49
B2641R	1D19	9	30 - 19	C744DN	3B4	20	80 - 7	E55662	1H15	18	40 - 53
B2681R	3B13	14	80 - 16	C744DN	3D18	2	90 - 15	E55662	1H17	21	40 - 55
B2683R	3B13	16	80 - 16	C7440N	3B6	17	80 - 9	E55662	1H23	13	40 - 59
B2688R	3A24	12	80 - 3	C838R	3B9	17	80 - 12	E55662	1H23	15	40 - 59
B2693R	3B2	28	80 - 5	C840R	3B9	16	80 - 12	E55662	1H25	48	40 - 61
B2693R	3B4	32	80 - 7	C985R	3B9	20	80 - 12	E55662	1I2	51	40 - 63
B2693R	3B6	29	80 - 9	C985R	3E4	32	90 - 27	E55662	1I4	13	40 - 65
B2693R	3B9	14	80 - 12	DA5883A	2F18	19	70 - 67	E55662	1I5	15	40 - 66
B2694R	3A23	14	80 - 2	D1761R	2C13	6	60 - 11	F1056R	2C13	10	60 - 11
B2694R	3A24	18	80 - 3	D2361R	2G9	5	70 - 83	F1056R	2C14	7	60 - 11A
B2694R	3B2	12	80 - 5	D2361R	2G9	16	70 - 83	F1125R	1E19	2	30 - 46
B2694R	3B2	16	80 - 5	D2361R	2G11	5	70 - 85	F1126R	1E19	7	30 - 46
B2694R	3B4	2	80 - 7	D2361R	2G11	16	70 - 85	F1127R	1E19	6	30 - 46
B2698R	3B9	1	80 - 12	D2361R	2G20	24	70 - 95	F1129R	1E19	13	30 - 46
B2700R	3A24	21	80 - 3	D2361R	2G20	34	70 - 95	F1130R	1E19	14	30 - 46
B2762R	2B2	18	50 - 7	D2361R	2G22	5	70 - 97	F1332R	2D25	56	70 - 21
B2762R	2C9	36	60 - 7	D2361R	2G22	16	70 - 97	F1432R	2C6	18	60 - 3
B2840R	3A24	16	80 - 3	D2361R	2G24	5	70 - 99	F1441R	2H24	39	70 - 125
B2842R	3B9	21	80 - 12	D2361R	2G24	15	70 - 99	F1462R	2B20	5	50 - 26
B2846R	3A23	14	80 - 2	D2361R	2H2	20	70 - 101	F1463R	2B20	7	50 - 26
B3014R	3B18	7	80 - 21	D2361R	2H2	30	70 - 101	F1463R	2F1	5	70 - 48
B3245R	3B9	4	80 - 12	D2361R	2H11	25	70 - 111	F1463R	3D24	6	90 - 21
B3246R	3B9	4	80 - 12	D2361R	2H11	35	70 - 111	F1478R	3B18	7	80 - 21
B3285R	3E2	26	90 - 25	D2361R	2I2	4	70 - 128	F1480R	3B18	10	80 - 21
B3310R	3B4	26	80 - 7	D2361R	2I2	16	70 - 128	F1500R	3B18	7	80 - 21
B3310R	3B6	22	80 - 9	D2420R	1B13	2	20 - 16	F1590R	3B18	7	80 - 21
B3310R	3B8	11	80 - 11	D2420R	1B13	3	20 - 16	F1649R	1I19	13	40 - 81
B3310R	3B9	5	80 - 12	D2420R	1B14	2	20 - 17	F1649R	2E11	14	70 - 33
B3404R	1E17	7	30 - 44	D2420R	1C7	10	20 - 37	F1682R	1E20	20	30 - 47
B353R	3E8	1	90 - 31	D2425R	1C8	12	20 - 39	F1682R	2H8	8	70 - 108
B3586R	1B15	3	20 - 18	D2593R	2C13	3	60 - 11	F1737R	2C2	17	50 - 33
B3586R	1C7	4	20 - 37	D2865R	2F13	38	70 - 61	F1737R	2E15	26	70 - 37
B3586R	1C19	17	20 - 51	D2913R	2H22	25	70 - 123	F1737R	2F7	40	70 - 55
B3586R	1C21	15	20 - 53	D2913R	2I1	12	70 - 127	F1737R	2F10	8	70 - 58
B3627R	1B10	29	20 - 13	D454R	1F7	7	30 - 60	F1743R	1B1	1	20 - 4
B3627R	1B12	..	20 - 15	D459R	2E8	18	70 - 30	F1743R	1B10	15	20 - 13
B367R	1B4	26	20 - 7	D467R	3B2	21	80 - 5	F1743R	1C4	7	20 - 34
B367R	1B6	26	20 - 9	D467R	3B4	28	80 - 7	F1743R	1C5	12	20 - 35
B3685R	2C4	20	60 - 1	D467R	3B6	24	80 - 9	F1743R	1C8	15	20 - 39
B3686R	2E10	22	70 - 32	D467R	3B8	29	80 - 11	F1840R	2E15	18	70 - 37
B3686R	2F7	46	70 - 55	D467R	3B9	8	80 - 12	F1840R	2F5	11	70 - 53
B3686R	2F22	13	70 - 71	D635R	3B14	2	80 - 17	F1942R	1E23	18	30 - 51
B3690R	2C6	2	60 - 3	D636R	3B14	1	80 - 17	F2084R	1F14	9	40 - 3
B3772R	3B18	10	80 - 21	E10058	1E14	23	30 - 41	F2084R	1F16	8	40 - 5
B3773R	3B18	10	80 - 21	E10118	1E10	8	30 - 37	F2084R	1F18	10	40 - 7
B3800R	3B18	7	80 - 21	E10118	1E14	8	30 - 41	F2084R	1F20	9	40 - 9
B3801R	3B18	7	80 - 21	E10121	1E10	18	30 - 37	F2084R	1F22	11	40 - 11
B3965R	3B22	7	80 - 25	E10121	1E14	19	30 - 41	F2084R	1F24	12	40 - 13
B427R	1C8	9	20 - 39	E16050	1J1	16	40 - 86	F2084R	1G2	8	40 - 15
B474R	2B19	12	50 - 25	E17421	2B11	4	50 - 17	F2084R	1G4	9	40 - 17

# 1K18

TRACTOR - 3010

## NUMERICAL INDEX - CONTINUED

PART NO.	GRID	KEY	PAGE	PART NO.	GRID	KEY	PAGE	PART NO.	GRID	KEY	PAGE
F2084R	1G6	7	40 - 19	F3126R	3B13	3	80 - 16	H20927	1E14	34	30 - 41
F2084R	1G6	13	40 - 19	F3127R	3B13	2	80 - 16	H20928	1E14	45	30 - 41
F2084R	1G8	7	40 - 21	F3128R	2B4	21	50 - 9	H20954	1E9	24	30 - 36
F2084R	1G8	13	40 - 21	F3128R	2B17	19	50 - 23	H20985	1E14	3	30 - 41
F2206R	2F22	16	70 - 71	F3171R	1B10	17	20 - 13	H20988	1E10	31	30 - 37
F2206R	2F24	23	70 - 73	F3171R	2D8	1	70 - 3	H20988	1E14	44	30 - 41
F2208R	2F13	34	70 - 61	F3171R	2D10	14	70 - 5	H21000	1E10	36	30 - 37
F2208R	2F22	19	70 - 71	F3171R	2D10	16	70 - 5	H21000	1E14	49	30 - 41
F2208R	2F24	31	70 - 73	F3171R	2D10	..	70 - 5	H21033	1E10	29	30 - 37
F2208R	3D12	8	90 - 9	F3171R	2D12	20	70 - 7	H21033	1E14	25	30 - 41
F2222R	1E17	19	30 - 44	F3171R	2D14	6	70 - 9	H21048	1E10	14	30 - 37
F2223R	2B15	2	50 - 21	F3171R	2D16	12	70 - 11	H21048	1E14	14	30 - 41
F2411R	1C14	13	20 - 46	F3171R	2D18	36	70 - 13	H21058	1E10	26	30 - 37
F2439R	2H22	8	70 - 123	F3171R	2D20	8	70 - 15	H21058	1E14	28	30 - 41
F2632R	1H4	13	40 - 41	F3171R	2D24	1	70 - 20	H21058	1E14	33	30 - 41
F2632R	1H6	22	40 - 43	F3171R	2D25	60	70 - 21	H21059	1E14	2	30 - 41
F2663R	3A24	22	80 - 3	F3171R	2E8	5	70 - 30	H22548	1E12	19	30 - 39
F2664R	3A24	10	80 - 3	F3171R	2F5	34	70 - 53	H23195	1H21	19	40 - 57
F2664R	3B9	7	80 - 12	F3171R	2F8	6	70 - 56	H24106	1H15	28	40 - 53
F2680R	2F13	19	70 - 61	F3171R	2F9	5	70 - 57	H246R	2B5	12	50 - 11
F2680R	2F13	..	70 - 61	F3171R	2G6	4	70 - 80	H246R	2B9	28	50 - 15
F2681R	2F13	19	70 - 61	F3171R	2G7	22	70 - 81	H27851	3A24	22	80 - 3
F2681R	2F13	..	70 - 61	F3173R	2E9	11	70 - 31	H294R	1C7	24	20 - 37
F2681R	2F20	1	70 - 69	F3173R	2E11	5	70 - 33	H392R	2C23	15	60 - 21
F2681R	2F21	2	70 - 70	F3173R	2F7	50	70 - 55	H63858	1E19	15	30 - 46
F2681R	2F22	2	70 - 71	F3195R	3C12	14	80 - 39	H772R	3B13	5	80 - 16
F2681R	2F24	8	70 - 73	F3220R	2G6	5	70 - 80	H772R	3B16	5	80 - 19
F2682R	2F13	21	70 - 61	F3319R	2E25	14	70 - 47	H773R	3B13	8	80 - 16
F2682R	2F13	..	70 - 61	F3319R	3B12	18	80 - 15	H78354	3D25	4	90 - 22
F2683R	2F13	21	70 - 61	F3334R	1E4	12	30 - 30	H78354	3E1	2	90 - 23
F2683R	2F21	4	70 - 70	F3337R	3B18	10	80 - 21	H819R	2B15	5	50 - 21
F2684R	2F13	42	70 - 61	F3338R	3E8	2	90 - 31	H826R	1C7	11	20 - 37
F2684R	2F13	..	70 - 61	F3353R	1E20	8	30 - 47	H837R	2E6	10	70 - 27
F2685R	2F13	42	70 - 61	F3353R	2C16	3	60 - 13	H851R	2B4	2	50 - 9
F2685R	2F13	..	70 - 61	F3353R	2C17	3	60 - 14	H851R	2G7	12	70 - 81
F2693R	2F13	39	70 - 61	F3396R	1F4	28	30 - 57	H871R	2C6	35	60 - 3
F2694R	2F13	36	70 - 61	F3396R	1F4	42	30 - 57	H871R	2C18	18	60 - 15
F2695R	2F13	37	70 - 61	F3396R	1F6	24	30 - 59	H871R	2E15	20	70 - 37
F2719R	2H14	11	70 - 114	F3396R	1F6	58	30 - 59	H871R	2F5	19	70 - 53
F2741R	2E15	19	70 - 37	F3396R	3D12	9	90 - 9	H871R	2G12	10	70 - 87
F2741R	2F7	71	70 - 55	F3396R	3D18	19	90 - 15	H871R	2G14	11	70 - 89
F2741R	2G9	26	70 - 83	F3396R	3D20	19	90 - 17	H982R	3B9	19	80 - 12
F2741R	2G9	31	70 - 83	F3396R	3D22	13	90 - 19	H987R	1J1	19	40 - 86
F2741R	2G11	25	70 - 85	F3406R	2B19	38	50 - 25	JD1091	3B14	8	80 - 17
F2741R	2G11	30	70 - 85	F3500R	1E19	19	30 - 46	JD126	1G17	10	40 - 30
F2773R	2D12	47	70 - 7	F3534R	3B22	7	80 - 25	JD126	1J1	10	40 - 86
F2781R	2F13	31	70 - 61	F3537R	3E8	3	90 - 31	JD1290	3B14	8	80 - 17
F2781R	2G2	27	70 - 76	F3539R	2G2	5	70 - 76	JD1291	3B14	8	80 - 17
F2783R	3B23	21	80 - 26	F3539R	2G3	5	70 - 77	JD1296	3B20	7	80 - 23
F2821R	2F13	18	70 - 61	F3541R	2G2	3	70 - 76	JD1298	3B14	8	80 - 17
F2822R	2F13	17	70 - 61	F3541R	2G3	3	70 - 77	JD1299	3B14	8	80 - 17
F2823R	2F13	15	70 - 61	F3542R	2G2	4	70 - 76	JD16	3B14	5	80 - 17
F2824R	2F13	11	70 - 61	F3542R	2G3	4	70 - 77	JD16	3B14	9	80 - 17
F2827R	2F13	3	70 - 61	F3583R	3B21	12	80 - 24	JD22	3B14	9	80 - 17
F2861R	2F21	5	70 - 70	F3583R	3B22	13	80 - 25	JD27	3B19	11	80 - 22
F2861R	2F22	5	70 - 71	F534R	1B8	11	20 - 11	JD27	3B20	8	80 - 23
F2863R	3D14	7	90 - 11	F562R	2B17	32	50 - 23	JD3016	3B20	7	80 - 23
F2935R	1G6	9	40 - 19	F843R	3B14	5	80 - 17	JD3019	3B19	10	80 - 22
F2935R	1G6	10	40 - 19	F862R	3A24	7	80 - 3	JD3039	3B14	8	80 - 17
F2935R	1G8	9	40 - 21	GW93T48-9	1E14	8	30 - 41	JD3202	3B20	7	80 - 23
F2935R	1G8	10	40 - 21	H104855	1J13	9	40 - 99	JD3210	3B14	8	80 - 17
F2949R	2F13	1	70 - 61	H20923	1E9	25	30 - 36	JD3211	3B14	8	80 - 17
F3014R	3D22	24	90 - 19	H20925	1E9	16	30 - 36	JD3227	3B14	8	80 - 17
F304R	2G5	17A	70 - 79	H20926	1E10	33	30 - 37	JD5234	3C2	5	80 - 29
F304R	2G5	18B	70 - 79	H20926	1E14	46	30 - 41	JD5403	3E9	2	90 - 32
F3083R	1D21	3	30 - 21	H20927	1E10	28	30 - 37	JD7123	2B19	18	50 - 25
F3083R	1D23	3	30 - 23	H20927	1E14	26	30 - 41	JD7222	3B13	12	80 - 16

# 1K19

TRACTOR - 3010

## NUMERICAL INDEX - CONTINUED

PART NO.	GRID	KEY	PAGE	PART NO.	GRID	KEY	PAGE	PART NO.	GRID	KEY	PAGE
JD7224	3B14	3	80 - 17	JD8913	3B15	2	80 - 18	M3636T	1E12	1	30 - 39
JD7266	3B13	13	80 - 16	JD8913	3B16	12	80 - 19	M3636T	1E17	1	30 - 44
JD7266	3B14	6	80 - 17	JD8920	2B7	2	50 - 13	M3636T	1E23	17	30 - 51
JD7270	3B14	4	80 - 17	JD8922	2B17	8	50 - 23	M3636T	1H4	12	40 - 41
JD7395	2B17	25	50 - 23	JD8924	2B7	21	50 - 13	M3636T	1H18	9	40 - 56
JD7418	2B17	26	50 - 23	JD8928	2B9	23	50 - 15	M376T	1D25	1	30 - 25
JD7425	2B7	20	50 - 13	JD8929	3B10	8	80 - 13	M376T	1D25	45	30 - 25
JD7438	2B17	13	50 - 23	JD8929	3B14	7	80 - 17	M399T	3C17	5	80 - 45
JD7445	3B10	5	80 - 13	JD8929	3B15	5	80 - 18	M399T	3E7	1	90 - 30
JD7445	3B14	4	80 - 17	JD8931	2D10	27	70 - 5	M414T	1H6	22	40 - 43
JD7445	3B15	3	80 - 18	JD8943	2B17	28	50 - 23	M42830	1C11	10	20 - 42
JD7445	3B16	13	80 - 19	JD8944	2B17	8	50 - 23	M42830	1D19	1	30 - 19
JD7449	2B9	2	50 - 15	JD8946	2B23	5	50 - 29	M43835	1J13	2	40 - 99
JD7670	2B19	41	50 - 25	JD8946	2B23	9	50 - 29	M60409	2F22	7	70 - 71
JD7759	2F13	40	70 - 61	JD8946	2B23	14	50 - 29	M63440	3B4	20	80 - 7
JD7759	2F15	9	70 - 63	JD8969	2B17	20	50 - 23	M63440	3B6	17	80 - 9
JD7759	2G2	14	70 - 76	JD8969	2B17	25	50 - 23	M63440	3D18	2	90 - 15
JD7759	3A23	6	80 - 2	JD8982	2B17	20	50 - 23	M72490	1C7	19	20 - 37
JD7759	3A24	13	80 - 3	JD8982	2B17	28	50 - 23	M72490	1C7	20	20 - 37
JD7759	3B2	6	80 - 5	JD9212	1C9	9	20 - 40	M72490	1D10	2	30 - 8
JD7759	3B2	23	80 - 5	JD9212	1C11	16	20 - 42	N115096	1J13	11	40 - 99
JD7759	3B4	30	80 - 7	JD9257	1C13	9	20 - 44	N140476	2G18	15	70 - 93
JD7759	3B6	27	80 - 9	JD9270	2B19	41	50 - 25	PM797NA	1E12	..	30 - 39
JD7759	3B8	28	80 - 11	JD9281	2A25	29	50 - 5	PM797NA	1J17	1	40 - 103
JD7759	3B9	10	80 - 12	JD9355	1C9	9	20 - 40	PT1296	1G17	14	40 - 30
JD7759	3B13	15	80 - 16	JD9355	1C11	16	20 - 42	PT9318	1G17	7	40 - 30
JD7759	3B16	19	80 - 19	JD9449	1H9	7	40 - 46	PT9319	1G17	5	40 - 30
JD7760	3B9	22	80 - 12	JD9449	1H12	7	40 - 50	PT9320	1G17	17	40 - 30
JD7778	2B2	26	50 - 7	JD9449	2A25	29	50 - 5	PT9321	1G17	25	40 - 30
JD7778	2E19	4	70 - 41	K3083R	1B10	14	20 - 13	PT9390	1G17	6	40 - 30
JD7778	3B12	16	80 - 15	K3083R	1E4	5	30 - 30	PT99	3E14	6	90 - 38
JD7797	2B2	27	50 - 7	K40003	3B2	34	80 - 5	P44982	3D10	13	90 - 7
JD7797	2F15	22	70 - 63	L4299T	1D17	9	30 - 16	P44982	3D16	26	90 - 13
JD8135	2B17	14	50 - 23	L65000	1I23	10	40 - 83B	P44982	3D18	38	90 - 15
JD8162	2B23	5	50 - 29	L851T	1D10	16	30 - 8	P46051	1E25	5	30 - 53
JD8162	2B25	14	50 - 31	L851T	1D10	17	30 - 8	P47908	2D8	1	70 - 3
JD8165	2B25	5	50 - 31	L851T	1D14	13	30 - 12	P47908	2D10	16	70 - 5
JD8186	3B14	7	80 - 17	L94772	3E14	6	90 - 38	P47908	2D10	..	70 - 5
JD8190	2B9	3	50 - 15	M1482T	1G2	10	40 - 15	P48347	1E25	17	30 - 53
JD8192	2D10	27	70 - 5	M1482T	1G4	11	40 - 17	P51212	2G14	12	70 - 89
JD8192	2D16	21	70 - 11	M1699T	2F15	31	70 - 63	P51212	2G16	5	70 - 91
JD8194	2B5	8	50 - 11	M1995T	2F15	21	70 - 63	RE10712	2D12	49	70 - 7
JD8206	2B23	4	50 - 29	M2078T	2F15	26	70 - 63	RE10712	2D12	50	70 - 7
JD8206	2B25	13	50 - 31	M2206T	2B17	12	50 - 23	RE10712	2D18	40	70 - 13
JD8213	2B25	6	50 - 31	M2334T	3B21	11	80 - 24	RE11156	1J15	36	40 - 101
JD8219	2B9	24	50 - 15	M2334T	3B22	12	80 - 25	RE11157	1J15	37	40 - 101
JD8223	2D10	26	70 - 5	M2335T	3B21	12	80 - 24	RE11410	1B6	25	20 - 9
JD8223	2D16	20	70 - 11	M2335T	3B22	13	80 - 25	RE11447	2H20	9	70 - 121
JD8230	2B5	9	50 - 11	M2396T	2E21	8	70 - 43	RE11456	2H20	2	70 - 121
JD8239	2B5	2	50 - 11	M2396T	2E23	46	70 - 45	RE11457	2H20	1	70 - 121
JD8246	2B7	3	50 - 13	M2396T	2E25	6	70 - 47	RE11458	2H20	2	70 - 121
JD8247	2B17	7	50 - 23	M2396T	2F2	6	70 - 49	RE11463	2H20	2	70 - 121
JD8251	3B10	7	80 - 13	M2396T	2G9	22	70 - 83	RE11777	2D16	24	70 - 11
JD8251	3B14	6	80 - 17	M2396T	2G11	22	70 - 85	RE11804	2D16	14	70 - 11
JD8251	3B15	4	80 - 18	M2396T	2H6	16	70 - 105	RE12121	2G14	20	70 - 89
JD8256	2B17	7	50 - 23	M2396T	2H16	1	70 - 117	RE12330	2D20	..	70 - 15
JD8308	2B21	5	50 - 27	M2396T	2H16	5	70 - 117	RE12470	2D18	28	70 - 13
JD8535	1H12	7	40 - 50	M2438T	2F15	20	70 - 63	RE13195	3E6	1	90 - 29
JD8720	2B21	5	50 - 27	M2494T	2F15	23	70 - 63	RE13195	3E6	4	90 - 29
JD8862	1D18	38	30 - 17	M2735T	2F15	25	70 - 63	RE13271	2D18	15	70 - 13
JD8867	1E5	14	30 - 32	M3210T	2B4	14	50 - 9	RE13273	2D24	10	70 - 20
JD8867	1E9	10	30 - 36	M3244T	1B1	9	20 - 4	RE13273	2E3	17	70 - 24
JD8867	1E12	11	30 - 39	M3636T	1B10	3	20 - 13	RE13273	2E3	22	70 - 24
JD8867	1E17	10	30 - 44	M3636T	1D10	9	30 - 8	RE13273	2E4	19	70 - 25
JD8905	2B5	3	50 - 11	M3636T	1D13	7	30 - 11	RE13273	2E7	14	70 - 29
JD8913	3B10	4	80 - 13	M3636T	1E5	1	30 - 32	RE13813	2G14	14	70 - 89
JD8913	3B14	3	80 - 17	M3636T	1E9	1	30 - 36	RE13814	2G14	6	70 - 89

# 1K20

TRACTOR - 3010

## NUMERICAL INDEX - CONTINUED

PART NO.	GRID	KEY	PAGE	PART NO.	GRID	KEY	PAGE	PART NO.	GRID	KEY	PAGE
RE13815	2G16	10	70-91	RE27667	1E3	4	30-29	RE43025	1I23	17	40-83B
RE13878	3C8	11	80-35	RE28790	2D16	7	70-11	RE43273	1E1	1	30-26
RE13879	3C8	11	80-35	RE29103	2D10	..	70-5	RE43273	1E1	5	30-26
RE14868	2D14	20	70-9	RE29103	2D12	..	70-7	RE43273	1E1	11	30-26
RE14953	1B16	5	20-19	RE29107	2D16	..	70-11	RE43273	1E1	..	30-26
RE15361	2G7	19	70-81	RE29107	2D18	..	70-13	RE43273	1E2	1	30-27
RE15361	2G20	22	70-95	RE29610	2A25	21	50-5	RE43273	1E2	6	30-27
RE15361	2G22	10	70-97	RE29774	2A25	26	50-5	RE43273	1E2	8	30-27
RE15361	2G22	11	70-97	RE29774	2A25	28	50-5	RE43273	1E2	9	30-27
RE15361	2G22	15	70-97	RE30174	1F7	1	30-60	RE43273	1E2	..	30-27
RE15361	2G22	18	70-97	RE30174	3E14	5	90-38	RE43273	1E3	4	30-29
RE15361	2G22	20	70-97	RE30211	2A25	28	50-5	RE43274	1E2	..	30-27
RE15361	2G24	17	70-99	RE32529	2D14	19	70-9	RE43274	1E3	4	30-29
RE15361	2H2	18	70-101	RE32529	2D20	20	70-15	RE43974	1E20	5	30-47
RE15361	2H11	23	70-111	RE33636	1F7	1	30-60	RE43974	1E21	2	30-48
RE15361	2I2	10	70-128	RE35992	1A24	3	20-2	RE43974	1E22	35	30-49
RE15361	2I2	11	70-128	RE36657	2C14	4	60-11A	RE44536	1F12	10	40-1
RE15361	2I2	15	70-128	RE36906	1E1	9	30-26	RE44657	1J3	28	40-89
RE15361	2I2	18	70-128	RE36906	1E1	12	30-26	RE46317	1I23	11	40-83B
RE15361	2I2	20	70-128	RE37089	1E25	..	30-53	RE46330	2C13	4	60-11
RE15427	1C14	6	20-46	RE37091	1E25	..	30-53	RE46330	2C13	7	60-11
RE17282	1J9	10	40-95	RE38391	1F12	7	40-1	RE46330	2C14	4	60-11A
RE17352	1B16	5	20-19	RE38578	1E1	4	30-26	RE46337	2C13	4	60-11
RE20662	2G2	10	70-76	RE38578	1E1	..	30-26	RE46337	2C13	7	60-11
RE20729	B2	17	50-7	RE38578	1E2	3	30-27	RE46337	2C14	2	60-11A
RE21073	1I21	14	40-83	RE38578	1E2	..	30-27	RE46414	1I23	12	40-83B
RE21073	1I23	17	40-83B	RE38707	1I21	8	40-83	RE48040	3C23	5	80-51
RE21096	1I21	8	40-83	RE38707	1I23	11	40-83B	RE49428	3C23	13	80-51
RE21096	1I23	11	40-83B	RE39061	1F18	3	40-7	RE54427	1G21	3	40-34
RE21112	1I25	3	40-85	RE39061	1F20	1	40-9	RE54427	1G23	3	40-36
RE21113	1I25	10	40-85	RE39061	1G4	2	40-17	RE54427	1H2	3	40-39
RE21510	1I21	16	40-83	RE39061	1G8	1	40-21	RE54814	3B15	7	80-18
RE21510	1I23	20	40-83B	RE39061	1H18	1	40-56	RE58257	3D6	1	90-3B
RE21510	1I25	..	40-85	RE39061	1H20	9	40-56B	RE58612	3D6	16	90-3B
RE21725	2D14	19	70-9	RE39838	1F14	3	40-3	RE58679	3D6	15	90-3B
RE21725	2D20	20	70-15	RE39838	1F16	1	40-5	RE62290	1C11	7	20-42
RE21730	1J16	5	40-102	RE39838	1G2	2	40-15	RE62856	3C23	1	80-51
RE21731	1J16	5	40-102	RE39838	1G6	1	40-19	RG17898	1B12	..	20-15
RE21732	1J16	6	40-102	RE39838	1H18	1	40-56	RG17899	1B12	..	20-15
RE21738	1I25	15	40-85	RE39838	1H19	9	40-56A	RG17900	1B12	..	20-15
RE22589	1I25	2	40-85	RE39945	2C14	2	60-11A	RG23430	1B12	..	20-15
RE22764	1B16	5	20-19	RE40463	2D14	20	70-9	RG23431	1B12	..	20-15
RE22764	1B16	6	20-19	RE40463	2D20	21	70-15	RG23432	1B12	..	20-15
RE23165	1C2	12	20-31	RE40564	1C2	12	20-31	RW26466	1I21	16	40-83
RE23168	1C2	12	20-31	RE40566	1C2	8	20-31	RW26466	1I23	20	40-83B
RE23170	1C2	9	20-31	RE40566	1C2	12	20-31	RW26466	1I25	..	40-85
RE23170	1C2	10	20-31	RE41287	1F12	7	40-1	R100380	1H20	4	40-56B
RE23170	1C2	12	20-31	RE42069	1G21	12	40-34	R100723	3E4	21C	90-27
RE23172	1C2	8	20-31	RE42069	1G24	11	40-37	R10083	1E5	6	30-32
RE23172	1C2	12	20-31	RE42069	1H2	11	40-39	R10083	1E12	6	30-39
RE23173	1C2	9	20-31	RE42069	2B13	18	50-19	R10093	2G14	5	70-89
RE23173	1C2	10	20-31	RE42069	3E4	20A	90-27	R10093	2G16	2	70-91
RE23173	1C2	12	20-31	RE42069	3E4	21A	90-27	R10098	1E17	8	30-44
RE23182	1A24	2	20-2	RE42069	3E4	21B	90-27	R10098	1E17	31	30-44
RE23182	3E14	3	90-38	RE42069	3E4	28A	90-27	R10104	1E5	18	30-32
RE23382	2D10	25	70-5	RE42069	3E4	51	90-27	R10104	1E12	15	30-39
RE23382	2D16	19	70-11	RE42211	1E2	1	30-27	R10150	1E17	14	30-44
RE24561	1F7	1	30-60	RE42211	1E2	6	30-27	R10160	1E19	20	30-46
RE24561	3E14	5	90-38	RE42211	1E2	8	30-27	R10170	1E6	43	30-33
RE24647	2D20	21	70-15	RE42211	1E2	9	30-27	R10170	1E11	22	30-38
RE25621	1J5	1	40-91	RE42211	1E2	..	30-27	R10172	1E6	64	30-33
RE26413	1G21	12	40-34	RE42211	1E3	4	30-29	R10181	1E5	11	30-32
RE26739	2F25	6	70-74	RE42596	1E20	5	30-47	R10181	1E12	8	30-39
RE26740	2F25	6	70-74	RE42596	1E21	1	30-48	R10181	1E17	26	30-44
RE27099	1F22	17	40-11	RE42596	1E22	35	30-49	R10182	1E5	16	30-32
RE27099	1F24	18	40-13	RE42639	1F12	10	40-1	R10182	1E12	13	30-39
RE27099	1G12	19	40-25	RE43025	1I21	14	40-83	R10182	1E17	29	30-44

# 1K21

TRACTOR - 3010

## NUMERICAL INDEX - CONTINUED

PART NO.	GRID	KEY	PAGE	PART NO.	GRID	KEY	PAGE	PART NO.	GRID	KEY	PAGE
R10183	1E6	25	30 - 33	R10223	1E11	24	30 - 38	R11089	1H10	37	40 - 47
R10183	1E11	7	30 - 38	R10224	1E6	38	30 - 33	R11089	1H13	38	40 - 51
R10183	1E18	40	30 - 45	R10300	1E6	67	30 - 33	R1109R	1F2	8	30 - 55
R10184	1E5	22	30 - 32	R10300	1E12	32	30 - 39	R11094	1H10	38	40 - 47
R10184	1E11	4	30 - 38	R10300	1E17	11	30 - 44	R11094	1H13	39	40 - 51
R10184	1E18	44	30 - 45	R104592	1B10	22	20 - 13	R11095	1H21	20	40 - 57
R10185	1E5	20	30 - 32	R104592	1D10	7	30 - 8	R11095	1H24	13	40 - 60
R10185	1E11	2	30 - 38	R104592	1D13	4	30 - 11	R11095	1I1	13	40 - 62
R10185	1E18	43	30 - 45	R105583	2D10	13	70 - 5	R11096	1H21	14	40 - 57
R10186	1E6	34	30 - 33	R105583	2D16	11	70 - 11	R11096	1H25	32	40 - 61
R10186	1E11	16	30 - 38	R105941	1I21	7	40 - 83	R11096	1I2	33	40 - 63
R10186	1E17	23	30 - 44	R105942	1I21	7	40 - 83	R11097	1H9	18	40 - 46
R10187	1E6	33	30 - 33	R105942	1I23	10	40 - 83B	R11097	1H12	17	40 - 50
R10187	1E11	15	30 - 38	R106859	2F7	67	70 - 55	R11097	1H22	4	40 - 58
R10187	1E17	24	30 - 44	R109478	2B11	20	50 - 17	R11097	1H25	44	40 - 61
R10188	1E6	31	30 - 33	R11000	1H25	45	40 - 61	R11098	1H9	21	40 - 46
R10188	1E10	23	30 - 37	R11000	1I2	48	40 - 63	R11098	1H12	22	40 - 50
R10188	1E11	13	30 - 38	R11015	1H24	21	40 - 60	R1110R	1F2	8	30 - 55
R10188	1E14	23	30 - 41	R11016	1H24	20	40 - 60	R11101	1H17	34	40 - 55
R10188	1E18	34	30 - 45	R11016	1I1	21	40 - 62	R11102	1H17	35	40 - 55
R10189	1E6	38	30 - 33	R11026	1H24	23	40 - 60	R11103	1H17	33	40 - 55
R10190	1E6	42	30 - 33	R11026	1I1	24	40 - 62	R11105	1H10	40	40 - 47
R10190	1E11	21	30 - 38	R11039	1H23	19	40 - 59	R11105	1H13	41	40 - 51
R10193	1E5	13	30 - 32	R11039	1I3	19	40 - 64	R11106	1H12	9	40 - 50
R10194	1E5	15	30 - 32	R11039	1I4	21	40 - 65	R11107	1H25	51	40 - 61
R10194	1E12	12	30 - 39	R11039	1I5	19	40 - 66	R11108	1H21	30	40 - 57
R10195	1E6	58	30 - 33	R11042	1H9	19	40 - 46	R11109	1H10	39	40 - 47
R10196	1E6	35	30 - 33	R11042	1H12	20	40 - 50	R11109	1H13	40	40 - 51
R10197	1E6	39	30 - 33	R11043	1H9	27	40 - 46	R1111R	1F2	8	30 - 55
R10198	1E6	66	30 - 33	R11043	1H12	28	40 - 50	R11111	1H17	6	40 - 55
R10198	1E11	37	30 - 38	R11049	1H9	31	40 - 46	R11112	1H15	7	40 - 53
R10198	1E18	..	30 - 45	R11049	1H11	15	40 - 49	R11112	1H17	9	40 - 55
R10199	1E6	60	30 - 33	R11049	1H12	32	40 - 50	R111122	2C13	2	60 - 11
R10200	1E6	59	30 - 33	R1105R	1F2	2	30 - 55	R11113	1H9	25	40 - 46
R10201	1E6	38	30 - 33	R11052	1H15	3	40 - 53	R11113	1H12	18	40 - 50
R10202	1E6	37	30 - 33	R11052	1H17	3	40 - 55	R11113	1H12	26	40 - 50
R10202	1E12	27	30 - 39	R11054	1H17	11	40 - 55	R11116	1H21	26	40 - 57
R10203	1E6	62	30 - 33	R11056	1H17	31	40 - 55	R11116	1H24	7	40 - 60
R10203	1E12	28	30 - 39	R11057	1H17	32	40 - 55	R11116	1I1	7	40 - 62
R10204	1E6	40	30 - 33	R11058	1H25	41	40 - 61	R11117	1H21	27	40 - 57
R10204	1E11	19	30 - 38	R11058	1H25	51	40 - 61	R11117	1H24	6	40 - 60
R10206	1E6	63	30 - 33	R11058	1I2	42	40 - 63	R11117	1I1	6	40 - 62
R10206	1E12	29	30 - 39	R11058	1I2	54	40 - 63	R11118	1H21	21	40 - 57
R10207	1E6	44	30 - 33	R11064	1H23	8	40 - 59	R11118	1H24	10	40 - 60
R10207	1E11	23	30 - 38	R11064	1I3	8	40 - 64	R11118	1I1	10	40 - 62
R10208	1E6	42	30 - 33	R11066	1H23	9	40 - 59	R11119	1H24	8	40 - 60
R10209	1E6	41	30 - 33	R11066	1I3	9	40 - 64	R11119	1I1	8	40 - 62
R10209	1E6	45	30 - 33	R11066	1I4	8	40 - 65	R1112R	1F2	8	30 - 55
R10209	1E11	20	30 - 38	R11066	1I5	8	40 - 66	R11126	1H24	26	40 - 60
R1021R	1E4	7	30 - 30	R11067	1I4	10	40 - 65	R11126	1I1	27	40 - 62
R10211	1E6	54	30 - 33	R1108R	1F2	7	30 - 55	R11127	1H24	27	40 - 60
R10211	1E11	33	30 - 38	R11080	1H21	28	40 - 57	R11127	1I1	28	40 - 62
R10212	1E6	56	30 - 33	R11084	1H15	29	40 - 53	R11128	1H24	25	40 - 60
R10213	1E6	55	30 - 33	R11084	1H17	5	40 - 55	R11128	1I1	26	40 - 62
R10215	1E6	51	30 - 33	R11085	1H6	18	40 - 43	R11129	1H24	24	40 - 60
R10215	1E11	30	30 - 38	R11085	1H21	31	40 - 57	R11129	1I1	25	40 - 62
R10216	1E6	53	30 - 33	R11085	1H24	4	40 - 60	R1113R	1F2	8	30 - 55
R10217	1E6	52	30 - 33	R11085	1I1	4	40 - 62	R1114R	1F2	8	30 - 55
R10217	1E11	31	30 - 38	R11086	1H9	5	40 - 46	R1115R	1F2	8	30 - 55
R10218	1E6	56	30 - 33	R11086	1H12	5	40 - 50	R11158	1H9	1	40 - 46
R10219	1E6	55	30 - 33	R11087	1H9	17	40 - 46	R11158	1H12	1	40 - 50
R10220	1E5	7	30 - 32	R11087	1H12	16	40 - 50	R11160	1H9	30	40 - 46
R10221	1E6	57	30 - 33	R11087	1H22	1	40 - 58	R11160	1H12	31	40 - 50
R10221	1E11	36	30 - 38	R11087	1H25	42	40 - 61	R11161	1H9	29	40 - 46
R10222	1E6	64	30 - 33	R11087	1I2	44	40 - 63	R11161	1H12	30	40 - 50
R10222	1E12	30	30 - 39	R11088	1H10	41	40 - 47	R11162	1H9	26	40 - 46
R10223	1E6	45	30 - 33	R11088	1H13	42	40 - 51	R11162	1H12	19	40 - 50

# 1K22

TRACTOR - 3010

## NUMERICAL INDEX - CONTINUED

PART NO.	GRID	KEY	PAGE	PART NO.	GRID	KEY	PAGE	PART NO.	GRID	KEY	PAGE
R11162	1H12	27	40 - 50	R11240	1H21	11	40 - 57	R13031	1E10	27	30 - 37
R11188	1H9	3	40 - 46	R11240	1H23	..	40 - 59	R13031	1E14	27	30 - 41
R11188	1H12	3	40 - 50	R11240	1I3	..	40 - 64	R13035	1E9	9	30 - 36
R11189	1H10	33	40 - 47	R11241	1H23	4	40 - 59	R13036	1E9	20	30 - 36
R11189	1H11	13	40 - 49	R11241	1I3	4	40 - 64	R13038	1E9	6	30 - 36
R11189	1H12	34	40 - 50	R11242	1H23	7	40 - 59	R13039	1E9	11	30 - 36
R11191	1H22	3	40 - 58	R11242	1I3	7	40 - 64	R13040	1E9	12	30 - 36
R11193	1H23	4	40 - 59	R11253	1H25	39	40 - 61	R13041	1E9	27	30 - 36
R11193	1I3	4	40 - 64	R11253	1I2	40	40 - 63	R13042	1E10	32	30 - 37
R11194	1H23	12	40 - 59	R11255	1H25	59	40 - 61	R13042	1E14	45	30 - 41
R11194	1I3	12	40 - 64	R11255	1I2	62	40 - 63	R13043	1E9	18	30 - 36
R11194	1I4	12	40 - 65	R11256	1H8	4	40 - 45	R13044	1E9	19	30 - 36
R11195	1H23	13	40 - 59	R11257	1H8	12	40 - 45	R13046	1E9	17	30 - 36
R11195	1I3	13	40 - 64	R11258	1H8	10	40 - 45	R13049	1E9	14	30 - 36
R11197	1H23	2	40 - 59	R11259	1H8	11	40 - 45	R13050	1E9	28	30 - 36
R11197	1I3	2	40 - 64	R11260	1H8	13	40 - 45	R13051	1E9	8	30 - 36
R11197	1I4	2	40 - 65	R11261	1H8	2	40 - 45	R13052	1E10	1	30 - 37
R11197	1I5	2	40 - 66	R11262	1H8	24	40 - 45	R13052	1E14	1	30 - 41
R11198	1H23	3	40 - 59	R11263	1H8	19	40 - 45	R13055	1E10	12	30 - 37
R11198	1I3	3	40 - 64	R11264	1H8	14	40 - 45	R13055	1E14	12	30 - 41
R11198	1I4	3	40 - 65	R11265	1H8	3	40 - 45	R13056	1E10	16	30 - 37
R11198	1I5	3	40 - 66	R11265	1H8	7	40 - 45	R13056	1E14	18	30 - 41
R11199	1H23	11	40 - 59	R11266	1H8	16	40 - 45	R13057	1E10	17	30 - 37
R11199	1I3	11	40 - 64	R11267	1H8	17	40 - 45	R13057	1E14	16	30 - 41
R11201	1H24	21	40 - 60	R11268	1H8	23	40 - 45	R13058	1E10	10	30 - 37
R11201	1I1	22	40 - 62	R11269	1H8	22	40 - 45	R13058	1E14	10	30 - 41
R11206	1H25	51	40 - 61	R11270	1H8	5	40 - 45	R13059	1E14	7	30 - 41
R11207	1H25	40	40 - 61	R11276	1G21	18	40 - 34	R13060	1E10	20	30 - 37
R11207	1I2	41	40 - 63	R11276	1G24	17	40 - 37	R13060	1E14	20	30 - 41
R11208	1H25	57	40 - 61	R11276	1H2	17	40 - 39	R13064	1E10	9	30 - 37
R11208	1I2	60	40 - 63	R11276	1I7	9	40 - 68	R13064	1E14	9	30 - 41
R11209	1H25	55	40 - 61	R11276	1I8	8	40 - 69	R13065	1E10	7	30 - 37
R11209	1I2	58	40 - 63	R11278	1I8	6	40 - 69	R13065	1E14	7	30 - 41
R11211	1I2	61	40 - 63	R11278	1I9	1	40 - 71	R13066	1E14	27	30 - 41
R11212	1H25	35	40 - 61	R11295	1I5	5	40 - 66	R13068	1E14	29	30 - 41
R11212	1I2	36	40 - 63	R11299	1H8	2	40 - 45	R13069	1E14	30	30 - 41
R11213	1H24	17	40 - 60	R11300	1H8	24	40 - 45	R13070	1E14	31	30 - 41
R11214	1H25	34	40 - 61	R11301	1H8	23	40 - 45	R13074	1E14	44	30 - 41
R11214	1I2	35	40 - 63	R11302	1H8	25	40 - 45	R13075	1E10	24	30 - 37
R11215	1H24	18	40 - 60	R1134R	1G16	18	40 - 29	R13075	1E14	24	30 - 41
R11215	1I1	19	40 - 62	R113614	3C23	15	80 - 51	R1529R	1C9	8	20 - 40
R11216	1I4	4	40 - 65	R1138R	2H22	18	70 - 123	R1529R	1C11	15	20 - 42
R11217	1I4	5	40 - 65	R1138R	2I1	14	70 - 127	R1572R	2B15	4	50 - 21
R11218	1I4	6	40 - 65	R115050	1B16	3	20 - 19	R1590R	2C2	9	50 - 33
R11219	1I4	11	40 - 65	R117491	3D6	9	90 - 3B	R1590R	2E8	8	70 - 30
R11220	1I4	9	40 - 65	R119275	2F22	20	70 - 71	R1590R	2F5	37	70 - 53
R11221	1H24	28	40 - 60	R119275	2F24	30	70 - 73	R1590R	2F10	10	70 - 58
R11221	1I1	29	40 - 62	R119276	2F22	21	70 - 71	R1590R	2F11	6	70 - 59
R11222	1H24	15	40 - 60	R119276	2F24	32	70 - 73	R1612R	1B10	18	20 - 13
R11222	1I1	15	40 - 62	R120106	1I21	7	40 - 83	R1612R	2B4	3	50 - 9
R11223	1H24	16	40 - 60	R120106	1I23	10	40 - 83B	R1662R	1H4	6	40 - 41
R11223	1I1	16	40 - 62	R120107	1I21	7	40 - 83	R1769R	2B2	43	50 - 7
R11224	1H24	23	40 - 60	R120107	1I23	10	40 - 83B	R1826R	2F21	7	70 - 70
R11225	1H21	22	40 - 57	R120108	1I21	7	40 - 83	R183R	1G22	26	40 - 35
R11225	1H24	12	40 - 60	R120108	1I23	10	40 - 83B	R183R	1G22	27	40 - 35
R11225	1I1	12	40 - 62	R120111	3C2	17	80 - 29	R183R	1G24	27	40 - 37
R11226	1H24	11	40 - 60	R120124	3D3	11	90 - 2	R183R	1H2	28	40 - 39
R11226	1I1	11	40 - 62	R120124	3D6	10	90 - 3B	R183R	2E21	40	70 - 43
R11227	1H24	10	40 - 60	R120128	3D6	11	90 - 3B	R183R	3C18	1	80 - 46
R11228	1H25	49	40 - 61	R125027	1B16	3	20 - 19	R1836R	3D14	8	90 - 11
R11228	1I2	52	40 - 63	R13020	1E10	3	30 - 37	R1837R	2D25	54	70 - 21
R11229	1H25	52	40 - 61	R13020	1E14	2	30 - 41	R1870R	2A25	2	50 - 5
R11229	1I2	55	40 - 63	R13021	1E9	21	30 - 36	R1870R	2H24	30	70 - 125
R11232	1H15	1	40 - 53	R13024	1E14	35	30 - 41	R1870R	3C14	10	80 - 41
R11232	1H17	1	40 - 55	R13025	1E10	2	30 - 37	R1870R	3C14	27	80 - 41
R11233	1H25	54	40 - 61	R13025	1E14	3	30 - 41	R1870R	3C18	14	80 - 46
R11233	1I2	57	40 - 63	R13027	1E9	14	30 - 36	R1887R	2B4	7	50 - 9





# 1K24

TRACTOR - 3010

## NUMERICAL INDEX - CONTINUED

PART NO.	GRID	KEY	PAGE	PART NO.	GRID	KEY	PAGE	PART NO.	GRID	KEY	PAGE
R26120	1C2	10	20-31	R26160	1B8	12	20-11	R26235	2B9	26	50-15
R26120	1C2	12	20-31	R26160	1B10	7	20-13	R26241	1B10	10	20-13
R26121	1B25	11	20-29	R26160	1B10	8	20-13	R26243	2B5	7	50-11
R26123	1B6	21	20-9	R26160	1B10	29	20-13	R26244	2B5	5	50-11
R26124	1B6	20	20-9	R26160	1B12	..	20-15	R26245	2B5	11	50-11
R26125	1B6	22	20-9	R26160	1C2	9	20-31	R26246	2B5	4	50-11
R26126	1B6	24	20-9	R26160	1C2	10	20-31	R26247	2B7	1	50-13
R26127	1D17	4	30-16	R26160	1C2	11	20-31	R26247	2B23	11	50-29
R26127	1D17	5	30-16	R26160	1C2	12	20-31	R26248	2B7	6	50-13
R26127	1D19	3	30-19	R26160	1C2	..	20-31	R26249	2B7	10	50-13
R26128	1D18	36	30-17	R26160	1C4	6	20-34	R26251	2B7	8	50-13
R26129	1D17	7	30-16	R26160	1C5	13	20-35	R26252	2B7	11	50-13
R26131	1D17	13	30-16	R26160	1E3	1	30-29	R26253	2B7	12	50-13
R26133	1D17	14	30-16	R26163	1B15	4	20-18	R26254	2B7	14	50-13
R26133	1D19	11	30-19	R26163	1C7	34	20-37	R26255	2B7	16	50-13
R26135	1D17	18	30-16	R26163	1C19	18	20-51	R26256	2B9	21	50-15
R26135	1D19	15	30-19	R26163	1C21	17	20-53	R26257	2B9	22	50-15
R26136	1D17	19	30-16	R26166	1C7	8	20-37	R26258	2B9	13	50-15
R26136	1D19	16	30-19	R26167	1C8	9	20-39	R26261	2B9	4	50-15
R26137	2D10	6	70-5	R26168	1C8	9	20-39	R26262	2B9	27	50-15
R26137	2D16	6	70-11	R26169	1C8	7	20-39	R26263	2B5	1	50-11
R26138	1D18	24	30-17	R26170	1C8	16	20-39	R26264	2B7	7	50-13
R26138	1D19	18	30-19	R26171	1C8	2	20-39	R26265	2B7	13	50-13
R26141	1C19	16	20-51	R26172	1C8	4	20-39	R26266	2B7	15	50-13
R26141	1D17	6	30-16	R26173	1C8	5	20-39	R26267	2B9	10	50-15
R26141	1D19	6	30-19	R26173	1C19	25	20-51	R26268	2B9	12	50-15
R26142	1D17	17	30-16	R26173	1C21	26	20-53	R26269	2B5	10	50-11
R26142	1D19	14	30-19	R26174	1C8	1	20-39	R26270	2B5	10	50-11
R26143	1C7	21	20-37	R26174	1C19	24	20-51	R26271	2B5	10	50-11
R26144	1C7	17	20-37	R26174	1C21	27	20-53	R26275	2C4	18	60-1
R26145	1B25	1	20-29	R26177	1B10	9	20-13	R26277	2C4	10	60-1
R26146	1C7	12	20-37	R26178	2B13	23	50-19	R26278	2C4	22	60-1
R26147	1C7	13	20-37	R26182	2B13	10	50-19	R26280	2C4	4	60-1
R26148	2B25	4	50-31	R26183	2B13	9	50-19	R26281	2C4	2	60-1
R26149	1C7	14	20-37	R26185	2B13	15	50-19	R26282	2C4	6	60-1
R26149	1F7	4	30-60	R26186	2B13	16	50-19	R26283	2C4	3	60-1
R26149	1F7	5	30-60	R26187	2B13	12	50-19	R26284	2C4	14	60-1
R26149	2D12	41	70-7	R26187	2B13	15	50-19	R26285	2C4	11	60-1
R26149	2E15	45	70-37	R26188	2B13	6	50-19	R26286	2C7	14	60-5
R26149	2E15	46	70-37	R26192	2B13	24	50-19	R26286	2C9	13	60-7
R26149	2F7	70	70-55	R26198	2B11	2	50-17	R26286	2C9	17	60-7
R26149	2H4	42	70-103	R26198	2B19	38	50-25	R26286	2C9	32	60-7
R26149	2H4	49	70-103	R26202	2B11	8	50-17	R26286	2C9	46	60-7
R26149	2H6	10	70-105	R26203	2B11	9	50-17	R26286	2C11	5	60-9
R26149	2H7	4	70-107	R26204	2B11	11	50-17	R26286	2C11	28	60-9
R26150	1B1	3	20-4	R26206	2B11	2	50-17	R26286	2C16	8	60-13
R26150	1B3	18	20-6	R26207	2B11	1	50-17	R26286	2C18	8	60-15
R26150	1B3	19	20-6	R26209	1B2	15	20-5	R26286	2C21	8	60-19
R26150	1B8	2C	20-11	R26209	1C19	1	20-51	R26286	2C25	3	60-23
R26150	1B8	12	20-11	R26209	1C21	1	20-53	R26286	2D1	3	60-24
R26150	1B10	8	20-13	R26214	2B9	25	50-15	R26286	2E3	9	70-24
R26150	1B10	29	20-13	R26215	2B9	25	50-15	R26286	2E4	6	70-25
R26150	1B12	..	20-15	R26216	2B9	25	50-15	R26286	2E7	7	70-29
R26150	1B25	9	20-29	R26217	2B9	25	50-15	R26286	2E15	17	70-37
R26150	1B25	10	20-29	R26218	2B9	18	50-15	R26286	2F5	13	70-53
R26150	1B25	11	20-29	R26220	2B9	1	50-15	R26286	2H13	24	70-113
R26150	1B25	12	20-29	R26221	2B9	1	50-15	R26287	2B19	14	50-25
R26150	1B25	..	20-29	R26222	2B9	1	50-15	R26287	2C6	16	60-3
R26150	1E3	1	30-29	R26223	2B9	1	50-15	R26287	2C6	32	60-3
R26151	1C7	16	20-37	R26227	2B7	4	50-13	R26287	2C9	15	60-7
R26152	1C7	22	20-37	R26228	2B7	4	50-13	R26287	2C9	20	60-7
R26153	1C7	25	20-37	R26229	2B7	4	50-13	R26287	2C11	6	60-9
R26154	1C7	27	20-37	R26230	2B7	19	50-13	R26287	2C11	36	60-9
R26155	1C7	27	20-37	R26231	2B7	19	50-13	R26287	2C16	16	60-13
R26160	1B5	18	20-8	R26232	2B7	19	50-13	R26287	2C18	16	60-15
R26160	1B6	19	20-9	R26233	2B9	26	50-15	R26287	2C18	32	60-15
R26160	1B8	2D	20-11	R26234	2B9	26	50-15	R26287	2C21	11	60-19















# 1L6

TRACTOR - 3010

## NUMERICAL INDEX - CONTINUED

PART NO.	GRID	KEY	PAGE	PART NO.	GRID	KEY	PAGE	PART NO.	GRID	KEY	PAGE
R27548	1C9	10	20 - 40	R27625	2B19	37	50 - 25	R27782	1E23	10	30 - 51
R27548	1C12	24	20 - 43	R27627	3D16	3	90 - 13	R27783	1E23	10	30 - 51
R27549	2E19	20	70 - 41	R27627	3D16	4	90 - 13	R27784	3D16	16	90 - 13
R27562	2B20	4	50 - 26	R27627	3D20	4	90 - 17	R27784	3D20	12	90 - 17
R27564	2D12	12	70 - 7	R27628	1D7	7	30 - 5	R27785	3D16	9	90 - 13
R27564	2D14	4	70 - 9	R27631	1D9	8	30 - 7	R27786	3D16	4	90 - 13
R27564	2D18	43	70 - 13	R27633	2B13	13	50 - 19	R27803	2F13	29	70 - 61
R27564	2D20	11	70 - 15	R27634	1D5	2	30 - 3	R27804	2F13	28	70 - 61
R27564	2H22	12	70 - 123	R27640	2A23	21	50 - 3	R27806	3B4	27	80 - 7
R27564	2H24	21	70 - 125	R27641	1G6	12	40 - 19	R27806	3B6	23	80 - 9
R27564	2I1	4	70 - 127	R27641	1G8	12	40 - 21	R27806	3B8	12	80 - 11
R27566	3E3	7	90 - 26	R27642	3B23	18	80 - 26	R27807	3B4	27	80 - 7
R27566	3E4	7	90 - 27	R27643	3B23	12	80 - 26	R27807	3B6	23	80 - 9
R27567	3E3	8	90 - 26	R27644	3B23	11	80 - 26	R27807	3B8	24	80 - 11
R27567	3E4	8	90 - 27	R27644	3B23	22	80 - 26	R27808	3B2	46	80 - 5
R27569	1F6	31	30 - 59	R27645	3B23	17	80 - 26	R27808	3B4	7	80 - 7
R27570	1F6	41	30 - 59	R27648	2E9	14	70 - 31	R27808	3B8	8	80 - 11
R27571	1F6	39	30 - 59	R27648	2E11	10	70 - 33	R27809	3A23	16	80 - 2
R27571	3D22	23	90 - 19	R27649	2E9	15	70 - 31	R27809	3B8	35	80 - 11
R27572	1F6	42	30 - 59	R27649	2E11	8	70 - 33	R27810	3A23	4	80 - 2
R27573	1F6	48	30 - 59	R27649	2H22	10	70 - 123	R27810	3B2	4	80 - 5
R27579	1G13	9	40 - 26	R27649	2H24	23	70 - 125	R27810	3B8	5	80 - 11
R27580	1G13	5	40 - 26	R27649	2I1	6	70 - 127	R27817	3A23	7	80 - 2
R27580	1G16	14	40 - 29	R27650	2C2	16	50 - 33	R27817	3B2	7	80 - 5
R27582	1G13	10	40 - 26	R27650	2E8	14	70 - 30	R27817	3B8	27	80 - 11
R27583	1G13	11	40 - 26	R27650	2F7	61	70 - 55	R27818	3A23	1	80 - 2
R27583	1I11	20	40 - 73	R27650	2F10	12	70 - 58	R27818	3A24	5	80 - 3
R27583	1I15	19	40 - 77	R27650	2F11	10	70 - 59	R27818	3B8	1	80 - 11
R27584	2G20	13	70 - 95	R27651	2F1	11	70 - 48	R27819	2E19	11	70 - 41
R27584	2G22	25	70 - 97	R27652	2E25	22	70 - 47	R27820	3A23	9	80 - 2
R27584	2G24	31	70 - 99	R27652	2F1	14	70 - 48	R27829	2H16	10	70 - 117
R27584	2H2	2	70 - 101	R27652	2F2	15	70 - 49	R27830	2B13	31	50 - 19
R27584	2H4	41	70 - 103	R27653	2C2	17	50 - 33	R27831	2B11	7	50 - 17
R27584	2H6	5	70 - 105	R27660	2B2	12	50 - 7	R27832	2B11	22	50 - 17
R27584	2H11	12	70 - 111	R27665	2B2	31	50 - 7	R27876	2A23	6	50 - 3
R27585	2H6	12	70 - 105	R27666	2B2	25	50 - 7	R27883	3C21	1	80 - 49
R27586	2H6	12	70 - 105	R27674	2E21	5	70 - 43	R27884	3E4	34	90 - 27
R27587	2H4	11	70 - 103	R27675	2E21	5	70 - 43	R27885	1F4	33A	30 - 57
R27588	2H4	13	70 - 103	R27678	2H4	33	70 - 103	R27885	1F6	30A	30 - 59
R27589	2H4	15	70 - 103	R27688	1C7	21	20 - 37	R27888	3C4	10	80 - 31
R27590	2H14	15	70 - 114	R27688	1C7	30	20 - 37	R27890	3E6	18	90 - 29
R27590	2H15	11	70 - 115	R27689	1C7	37	20 - 37	R27892	3E6	14	90 - 29
R27591	2H14	16	70 - 114	R27690	3B8	25	80 - 11	R27893	2E21	60	70 - 43
R27591	2H15	10	70 - 115	R27692	2G1	20	70 - 75	R27893	2E23	1	70 - 45
R27592	2H14	17	70 - 114	R27693	1B13	13	20 - 16	R27893	2H16	8	70 - 117
R27592	2H15	9	70 - 115	R27710	2G1	1	70 - 75	R27894	2B4	23	50 - 9
R27593	2H4	8	70 - 103	R27711	2G1	1	70 - 75	R27894	2E25	28	70 - 47
R27595	2H4	6	70 - 103	R27712	2F18	1	70 - 67	R27894	2F1	20	70 - 48
R27598	3B23	28	80 - 26	R27720	2C10	3	60 - 8	R27898	3B23	3	80 - 26
R27603	2E21	48	70 - 43	R27720	2G20	9	70 - 95	R27906	2C25	1	60 - 23
R27603	2E23	12	70 - 45	R27720	2G22	28	70 - 97	R27906	2D1	1	60 - 24
R27604	2E21	48	70 - 43	R27720	2G24	34	70 - 99	R27907	2B9	11	50 - 15
R27604	2E23	12	70 - 45	R27720	2H9	8	70 - 109	R27908	1E23	21	30 - 51
R27605	2E21	58	70 - 43	R27720	2H11	9	70 - 111	R27909	2G1	20	70 - 75
R27605	2E23	5	70 - 45	R27720	2H14	5	70 - 114	R27919	1C7	21	20 - 37
R27606	2E15	27	70 - 37	R27723	3D12	20	90 - 9	R27919	1C7	27	20 - 37
R27610	1D10	3	30 - 8	R27723	3D20	30	90 - 17	R27922	1D17	3	30 - 16
R27611	1C19	7	20 - 51	R27726	2B9	5	50 - 15	R27923	1D18	35	30 - 17
R27611	1D10	4	30 - 8	R27726	2B9	14	50 - 15	R27924	2C11	14	60 - 9
R27612	1D10	5	30 - 8	R27726	2B9	17	50 - 15	R27924	2D25	16	70 - 21
R27615	2B19	25	50 - 25	R27728	2B9	16	50 - 15	R27925	2C11	18	60 - 9
R27616	2B19	22	50 - 25	R27729	2B9	7	50 - 15	R27925	2D25	18	70 - 21
R27618	2B19	46	50 - 25	R27730	2B9	8	50 - 15	R27926	2E2	14	70 - 23
R27621	2B21	12	50 - 27	R27747	2E23	20	70 - 45	R27929	2F8	12	70 - 56
R27622	2B21	11	50 - 27	R27778	2E10	2A	70 - 32	R27930	2D25	40	70 - 21
R27623	2B19	16	50 - 25	R27780	2E8	6	70 - 30	R27930	2E2	19	70 - 23
R27624	2B19	34	50 - 25	R27781	1E23	10	30 - 51	R27935	2B2	2	50 - 7

# 1L7

TRACTOR - 3010

## NUMERICAL INDEX - CONTINUED

PART NO.	GRID	KEY	PAGE	PART NO.	GRID	KEY	PAGE	PART NO.	GRID	KEY	PAGE
R27936	2B2	1	50 - 7	R28023	3B6	10	80 - 9	R28095	2E15	13	70 - 37
R27941	3E4	33	90 - 27	R28023	3B8	17	80 - 11	R28095	2F5	9	70 - 53
R27942	3E4	31	90 - 27	R28024	3B2	33	80 - 5	R28095	2F7	82	70 - 55
R27950	3B8	25	80 - 11	R28024	3B2	36	80 - 5	R28098	3C10	37	80 - 37
R27957	2B11	5	50 - 17	R28024	3B4	18	80 - 7	R28107	1B25	8	20 - 29
R27958	2B11	3	50 - 17	R28024	3B6	15	80 - 9	R28114	3B8	20	80 - 11
R27959	2E21	55	70 - 43	R28029	1B18	1	20 - 21	R28114	3B8	23	80 - 11
R27959	2E23	2	70 - 45	R28030	3E6	33	90 - 29	R28115	3B8	23	80 - 11
R27961	1H15	12	40 - 53	R28032	2C23	12	60 - 21	R28116	3B6	3	80 - 9
R27962	1H15	17	40 - 53	R28033	2C23	11	60 - 21	R28123	2B2	35	50 - 7
R27962	1H17	20	40 - 55	R28034	2E21	8	70 - 43	R28123	3C4	11	80 - 31
R27963	3E6	29	90 - 29	R28034	2G9	22	70 - 83	R28124	2C8	7	60 - 6
R27964	3D16	16	90 - 13	R28034	2G11	22	70 - 85	R28124	2H6	6	70 - 105
R27964	3D20	12	90 - 17	R28035	2C23	16	60 - 21	R28124	2H6	11	70 - 105
R27972	2H14	7	70 - 114	R28036	2C18	39	60 - 15	R28124	2H6	..	70 - 105
R27975	1B4	28	20 - 7	R28036	2C23	14	60 - 21	R28125	2G1	14	70 - 75
R27976	1B4	23	20 - 7	R28037	2C16	30	60 - 13	R28125	2G2	26	70 - 76
R27976	1B6	23	20 - 9	R28037	2C18	44	60 - 15	R28128	2B25	3	50 - 31
R27976	1C19	9	20 - 51	R28040	2D1	11	60 - 24	R28133	1G22	26	40 - 35
R27976	1I2	65	40 - 63	R28044	3C10	7	80 - 37	R28133	1G22	27	40 - 35
R27979	2E15	23	70 - 37	R28045	3C10	13	80 - 37	R28133	1G24	27	40 - 37
R27979	2F5	16	70 - 53	R28046	3C10	10	80 - 37	R28133	1H2	28	40 - 39
R27981	2E15	21	70 - 37	R28050	1D25	37	30 - 25	R28133	3C19	17	80 - 47
R27981	2F5	18	70 - 53	R28051	1D25	39	30 - 25	R28136	2C4	21	60 - 1
R27983	3E6	8	90 - 29	R28052	1D25	42	30 - 25	R28137	2C6	20	60 - 3
R27997	2F20	18	70 - 69	R28055	2D6	1	70 - 1	R28157	3D12	28	90 - 9
R27997	2F21	10	70 - 70	R28056	3E6	16	90 - 29	R28157	3D18	45	90 - 15
R27998	2F20	20	70 - 69	R28057	2G2	10	70 - 76	R28157	3D22	5	90 - 19
R27998	2F21	11	70 - 70	R28058	2G2	32	70 - 76	R28164	2E21	54	70 - 43
R27998	2F22	26	70 - 71	R28059	2G2	36	70 - 76	R28164	2E23	7	70 - 45
R27998	2F24	40	70 - 73	R28061	2F13	21	70 - 61	R28164	2H16	4	70 - 117
R27999	2F20	21	70 - 69	R28061	2G2	37	70 - 76	R28165	2G2	19	70 - 76
R27999	2F21	12	70 - 70	R28062	2G2	39	70 - 76	R28166	3B8	8	80 - 11
R27999	2F22	27	70 - 71	R28063	2G2	16	70 - 76	R28167	2B25	1	50 - 31
R27999	2F24	39	70 - 73	R28064	2G2	14	70 - 76	R28191	1F22	7	40 - 11
R28001	3B12	6	80 - 15	R28084	2G9	4	70 - 83	R28191	1F24	7	40 - 13
R28002	3B12	6	80 - 15	R28084	2G9	17	70 - 83	R28192	1F22	7	40 - 11
R28006	2G9	7	70 - 83	R28084	2G11	4	70 - 85	R28192	1F24	7	40 - 13
R28006	2G11	7	70 - 85	R28084	2G11	17	70 - 85	R28193	1F22	4	40 - 11
R28006	2G20	32	70 - 95	R28084	2G20	23	70 - 95	R28193	1F24	4	40 - 13
R28006	2G22	7	70 - 97	R28084	2G20	35	70 - 95	R28193	1G2	17	40 - 15
R28006	2G24	7	70 - 99	R28084	2G22	4	70 - 97	R28193	1G4	18	40 - 17
R28006	2H2	28	70 - 101	R28084	2G22	17	70 - 97	R28204	2G9	2	70 - 83
R28006	2H11	33	70 - 111	R28084	2G24	4	70 - 99	R28204	2G11	2	70 - 85
R28006	2I2	6	70 - 128	R28084	2G24	16	70 - 99	R28204	2G20	21	70 - 95
R28007	1F4	8	30 - 57	R28084	2H2	19	70 - 101	R28204	2G20	37	70 - 95
R28007	1F5	8	30 - 58	R28084	2H2	31	70 - 101	R28204	2G22	2	70 - 97
R28008	1F4	17	30 - 57	R28084	2H11	24	70 - 111	R28204	2G22	19	70 - 97
R28008	1F5	17	30 - 58	R28084	2H11	36	70 - 111	R28204	2G24	2	70 - 99
R28009	1F4	6	30 - 57	R28084	2I2	3	70 - 128	R28204	2G24	18	70 - 99
R28009	1F5	6	30 - 58	R28084	2I2	17	70 - 128	R28204	2H2	17	70 - 101
R28010	3C4	7	80 - 31	R28085	2G9	3	70 - 83	R28204	2H2	33	70 - 101
R28013	1F4	26	30 - 57	R28085	2G11	3	70 - 85	R28204	2H11	22	70 - 111
R28013	1F6	23	30 - 59	R28085	2G20	22	70 - 95	R28204	2H11	38	70 - 111
R28014	3C6	21	80 - 33	R28085	2G20	36	70 - 95	R28204	2I2	1	70 - 128
R28015	1C15	1	20 - 47	R28085	2G22	3	70 - 97	R28204	2I2	19	70 - 128
R28019	3B4	9	80 - 7	R28085	2G22	18	70 - 97	R28213	3B20	5	80 - 23
R28019	3B6	5	80 - 9	R28085	2G24	3	70 - 99	R28213	3B21	8	80 - 24
R28019	3B8	13	80 - 11	R28085	2G24	17	70 - 99	R28214	2B19	22	50 - 25
R28021	3B2	39	80 - 5	R28085	2H2	18	70 - 101	R28222	1E20	14	30 - 47
R28021	3B4	16	80 - 7	R28085	2H2	32	70 - 101	R28226	1B25	7	20 - 29
R28021	3B6	13	80 - 9	R28085	2H11	23	70 - 111	R28226	1C2	7	20 - 31
R28022	3B2	37	80 - 5	R28085	2H11	37	70 - 111	R28228	1B25	7	20 - 29
R28022	3B4	21	80 - 7	R28085	2I2	2	70 - 128	R28228	1C2	7	20 - 31
R28022	3B6	18	80 - 9	R28085	2I2	18	70 - 128	R28230	1B25	7	20 - 29
R28023	3B2	42	80 - 5	R28095	2C16	21	60 - 13	R28230	1C2	7	20 - 31
R28023	3B4	13	80 - 7	R28095	2C18	23	60 - 15	R28232	1B21	1	20 - 25

# 1L8

TRACTOR - 3010

## NUMERICAL INDEX - CONTINUED

PART NO.	GRID	KEY	PAGE	PART NO.	GRID	KEY	PAGE	PART NO.	GRID	KEY	PAGE
R28233	1B21	1	20 - 25	R28553	2F15	5	70 - 63	R28785	2E23	52	70 - 45
R28236	1B21	1	20 - 25	R28554	2F15	11	70 - 63	R28786	2C9	14	60 - 7
R28237	1B21	1	20 - 25	R28555	2F15	14	70 - 63	R28786	2E15	16	70 - 37
R28240	1B21	1	20 - 25	R28556	2F15	2	70 - 63	R28786	2E23	52	70 - 45
R28241	1B21	1	20 - 25	R28557	2F15	27	70 - 63	R28788	2B13	13	50 - 19
R28258	1F4	42	30 - 57	R28561	2H6	14	70 - 105	R28789	1D10	12	30 - 8
R28258	1F6	58	30 - 59	R28563	2H6	15	70 - 105	R28789	1D13	3	30 - 11
R28259	1F4	41	30 - 57	R28575	3B10	9	80 - 13	R28790	3C6	37	80 - 33
R28259	1F6	57	30 - 59	R28575	3B12	26	80 - 15	R28790	3C10	52	80 - 37
R28275	2F7	41	70 - 55	R28575	3B14	16	80 - 17	R28791	3D12	16	90 - 9
R28276	2F5	6	70 - 53	R28583	1F7	17	30 - 60	R28791	3D18	13	90 - 15
R28277	2F5	7	70 - 53	R28584	1F7	16	30 - 60	R28792	3E6	2	90 - 29
R28278	2F7	52	70 - 55	R28593	2B15	8	50 - 21	R28793	3E6	1	90 - 29
R28279	2E11	3	70 - 33	R28594	2B15	9	50 - 21	R28794	1D3	11	30 - 1
R28280	2F7	40	70 - 55	R28633	1D7	14	30 - 5	R28794	1D5	11	30 - 3
R28291	1C14	16	20 - 46	R28633	1D9	12	30 - 7	R28797	1D3	1	30 - 1
R28291	3C4	45	80 - 31	R28634	2H4	28	70 - 103	R28798	1D5	1	30 - 3
R28291	3D10	24	90 - 7	R28635	2H4	27	70 - 103	R28802	2G2	33	70 - 76
R28308	2H16	9	70 - 117	R28640	2B19	43	50 - 25	R28807	2F10	8	70 - 58
R28431	2E25	1	70 - 47	R28653	1B1	5	20 - 4	R28810	1B18	4	20 - 21
R28431	2F2	1	70 - 49	R28654	1B1	5	20 - 4	R28811	1B18	3	20 - 21
R28433	2F5	14	70 - 53	R28669	2G9	19	70 - 83	R28813	2G9	35	70 - 83
R28434	2E25	8	70 - 47	R28669	2G11	19	70 - 85	R28813	2G11	35	70 - 85
R28435	2E25	16	70 - 47	R28671	2G9	25	70 - 83	R28814	2G9	35	70 - 83
R28436	2E25	17A	70 - 47	R28671	2G9	26	70 - 83	R28814	2G11	35	70 - 85
R28441	2E23	33	70 - 45	R28671	2G11	24	70 - 85	R28815	2G9	13	70 - 83
R28444	2E23	45	70 - 45	R28672	2G9	21	70 - 83	R28815	2G11	13	70 - 85
R28445	2E23	39	70 - 45	R28672	2G11	21	70 - 85	R28816	2G9	18	70 - 83
R28448	2E25	7	70 - 47	R28673	2G9	30	70 - 83	R28816	2G11	18	70 - 85
R28449	2E25	5	70 - 47	R28673	2G11	31	70 - 85	R28817	2G11	25	70 - 85
R28449	2F2	5	70 - 49	R28674	2G9	36	70 - 83	R28818	2G11	25	70 - 85
R28450	2F7	56	70 - 55	R28674	2G11	36	70 - 85	R28819	1F7	5	30 - 60
R28452	2F5	31	70 - 53	R28676	2C4	8	60 - 1	R28825	2G2	31	70 - 76
R28453	2F5	32	70 - 53	R28677	2C4	9	60 - 1	R28826	2G2	17	70 - 76
R28454	2F15	35	70 - 63	R28701	3C6	6	80 - 33	R28838	2F7	72	70 - 55
R28455	2F15	3	70 - 63	R28717	2H4	2	70 - 103	R28841	2A23	14	50 - 3
R28456	2F15	8	70 - 63	R28717	2H13	21	70 - 113	R28937	3D18	24	90 - 15
R28457	2F15	32	70 - 63	R28733	2H15	5	70 - 115	R28938	3D18	25	90 - 15
R28459	2F15	6	70 - 63	R28734	2H15	3	70 - 115	R28947	2B4	14	50 - 9
R28460	2F15	18	70 - 63	R28735	2G9	26	70 - 83	R28959	2G9	42A	70 - 83
R28473	3E4	46	90 - 27	R28736	2G9	26	70 - 83	R28959	2G11	42A	70 - 85
R28482	3C8	5	80 - 35	R28744	2H4	12	70 - 103	R28961	2E25	27	70 - 47
R28490	3B19	6	80 - 22	R28744	2H4	26	70 - 103	R28961	2F1	19	70 - 48
R28490	3B20	4	80 - 23	R28745	1C7	30	20 - 37	R28961	2F2	20	70 - 49
R28500	3B21	5	80 - 24	R28745	1C7	31	20 - 37	R28961	2F3	4	70 - 51
R28502	2F7	57	70 - 55	R28745	1C7	32	20 - 37	R28970	1B25	2	20 - 29
R28504	2E23	53	70 - 45	R28746	1C9	11	20 - 40	R28971	1B25	2	20 - 29
R28505	2C9	14	60 - 7	R28746	1C12	25	20 - 43	R28972	1C2	2	20 - 31
R28505	2E15	16	70 - 37	R28750	1F7	6	30 - 60	R28973	1C2	2	20 - 31
R28505	2E23	52	70 - 45	R28754	2C4	17	60 - 1	R28974	1B2	14	20 - 5
R28507	2E25	4	70 - 47	R28755	2E19	16	70 - 41	R28999	1B18	5	20 - 21
R28507	2F2	4	70 - 49	R28755	3C17	13	80 - 45	R3R	3B16	10	80 - 19
R28510	3B21	5	80 - 24	R28774	2C16	22	60 - 13	R30181	1G10	11	40 - 23
R28533	2E11	13	70 - 33	R28774	2C18	24	60 - 15	R30181	1G10	19	40 - 23
R28534	2E25	3	70 - 47	R28775	2C16	23	60 - 13	R30181	1G12	10	40 - 25
R28534	2F2	3	70 - 49	R28775	2C18	25	60 - 15	R30181	1G12	18	40 - 25
R28535	2F5	4	70 - 53	R28776	2C16	24	60 - 13	R30182	1G10	1	40 - 23
R28536	2E23	8	70 - 45	R28776	2C18	26	60 - 15	R30182	1G10	24	40 - 23
R28538	2F9	8	70 - 57	R28776	2C21	12	60 - 19	R30182	1G12	15	40 - 25
R28539	2F9	9	70 - 57	R28781	2D12	45	70 - 7	R30182	1G12	23	40 - 25
R28540	2E25	19	70 - 47	R28781	2D18	35	70 - 13	R3031R	1H12	23	40 - 50
R28541	2E25	15	70 - 47	R28782	2D12	44	70 - 7	R30378	1J1	25	40 - 86
R28548	2F13	7	70 - 61	R28782	2D18	34	70 - 13	R30378	1J15	43	40 - 101
R28549	2F13	4	70 - 61	R28783	3C4	24	80 - 31	R30378	3E2	5	90 - 25
R28550	2F15	15	70 - 63	R28785	2C9	13	60 - 7	R30378	3E2	14	90 - 25
R28551	2F15	12	70 - 63	R28785	2C9	14	60 - 7	R30378	3E2	16	90 - 25
R28552	2F15	12	70 - 63	R28785	2E15	16	70 - 37	R30379	3E2	6	90 - 25

# 1L9

TRACTOR - 3010

## NUMERICAL INDEX - CONTINUED

PART NO.	GRID	KEY	PAGE	PART NO.	GRID	KEY	PAGE	PART NO.	GRID	KEY	PAGE
R30379	3E2	15	90 - 25	R30658	1F1	8	30 - 54	R31025	2D12	48	70 - 7
R30387	3B12	30	80 - 15	R30659	1F1	8	30 - 54	R31026	2B9	14	50 - 15
R30388	3B12	30	80 - 15	R30660	1F1	8	30 - 54	R31026	2B9	16	50 - 15
R30389	3B12	30	80 - 15	R30661	1F2	5	30 - 55	R31026	2B9	17	50 - 15
R30390	3B12	30	80 - 15	R30663	1F2	10	30 - 55	R31027	2B9	5	50 - 15
R30391	3B12	21	80 - 15	R30694	3C2	13	80 - 29	R31028	2B9	14	50 - 15
R30392	3B12	20	80 - 15	R30712	1D18	29	30 - 17	R31028	2B9	16	50 - 15
R30399	2B17	31	50 - 23	R30712	1D19	23	30 - 19	R31028	2B9	17	50 - 15
R30402	1G6	9	40 - 19	R30713	1D17	16	30 - 16	R31029	2B11	3	50 - 17
R30402	1G6	10	40 - 19	R30713	1D17	20	30 - 16	R31043	1H17	..	40 - 55
R30402	1G8	9	40 - 21	R30713	1D19	13	30 - 19	R31053	1C19	7	20 - 51
R30402	1G8	10	40 - 21	R30713	1D19	17	30 - 19	R31053	1D10	4	30 - 8
R30403	1F14	2	40 - 3	R30717	1E25	17	30 - 53	R31075	2B4	23	50 - 9
R30403	1F14	15	40 - 3	R30720	1E25	11	30 - 53	R31075	2F2	21	70 - 49
R30403	1F16	11	40 - 5	R30747	3B4	1	80 - 7	R31076	3A24	8	80 - 3
R30403	1F16	14	40 - 5	R30748	3B4	16	80 - 7	R31094	2C16	..	60 - 13
R30403	1F18	2	40 - 7	R30759	1D25	20	30 - 25	R31131	2A25	4	50 - 5
R30403	1F18	16	40 - 7	R30775	2D25	53A	70 - 21	R31132	2A25	17	50 - 5
R30403	1F20	12	40 - 9	R30776	2D25	59	70 - 21	R31136	2E10	20	70 - 32
R30403	1F20	15	40 - 9	R30778	2F21	6	70 - 70	R31136	2F7	44	70 - 55
R30403	1F22	7	40 - 11	R30784	1C4	3	20 - 34	R31136	2G14	4	70 - 89
R30403	1F22	17	40 - 11	R30784	1C5	10	20 - 35	R31136	2G16	1	70 - 91
R30403	1F24	7	40 - 13	R30805	3C14	8	80 - 41	R31142	1D14	14	30 - 12
R30403	1F24	18	40 - 13	R30805	3C14	24	80 - 41	R31161	2A25	2	50 - 5
R30403	1G2	1	40 - 15	R30805	3C18	11	80 - 46	R31162	2A25	27	50 - 5
R30403	1G4	1	40 - 17	R30815	2H20	5	70 - 121	R31181	3B6	3	80 - 9
R30403	1G6	9	40 - 19	R30816	2H20	7	70 - 121	R31181	3B8	8	80 - 11
R30403	1G6	10	40 - 19	R30817	2H20	6	70 - 121	R31197	2C9	25	60 - 7
R30403	1G6	15	40 - 19	R30818	2G9	37	70 - 83	R31200	2C6	33	60 - 3
R30403	1G8	9	40 - 21	R30818	2G11	37	70 - 85	R31201	2C6	34	60 - 3
R30403	1G8	10	40 - 21	R30828	1F4	4	30 - 57	R31202	2C6	31	60 - 3
R30403	1G8	15	40 - 21	R30828	1F5	4	30 - 58	R31217	2C9	56	60 - 7
R30409	1E1	14	30 - 26	R30854	2A25	34	50 - 5	R31221	1B13	3	20 - 16
R30410	1E1	7	30 - 26	R30854	2B21	1	50 - 27	R31222	2E21	57	70 - 43
R30410	1E2	4	30 - 27	R30855	2B21	4	50 - 27	R31222	2E23	4	70 - 45
R30425	3D18	39	90 - 15	R30860	2B13	3	50 - 19	R31225	3B16	17	80 - 19
R30426	3D18	21	90 - 15	R30860	3E4	9	90 - 27	R31226	3B16	16	80 - 19
R30429	3D18	5	90 - 15	R30877	1C15	7	20 - 47	R31227	1F7	8	30 - 60
R30431	3D20	20	90 - 17	R30886	2H9	1	70 - 109	R31229	3E3	2	90 - 26
R30432	3D20	27	90 - 17	R30888	2H9	4	70 - 109	R31229	3E3	3	90 - 26
R30433	3D18	18	90 - 15	R30902	2B9	15	50 - 15	R31229	3E4	2	90 - 27
R30434	3D18	20	90 - 15	R30903	2C18	32	60 - 15	R31229	3E4	3	90 - 27
R30435	3D20	18	90 - 17	R30903	2C18	50	60 - 15	R31229	3E4	10	90 - 27
R30436	3D18	29	90 - 15	R30903	2C21	7	60 - 19	R31230	3E4	10	90 - 27
R30437	2E25	17A	70 - 47	R30929	1B25	5	20 - 29	R31231	3E3	2	90 - 26
R30437	2E25	18	70 - 47	R30936	1C15	3	20 - 47	R31231	3E4	2	90 - 27
R30437	2F2	11	70 - 49	R30936	3B23	7	80 - 26	R31245	2B25	25	50 - 31
R30437	3D18	31	90 - 15	R30937	3C4	13	80 - 31	R31250	1G10	1	40 - 23
R30439	3D18	28	90 - 15	R30937	3C4	14	80 - 31	R31250	1G10	24	40 - 23
R30440	3D20	34	90 - 17	R30937	3C4	18	80 - 31	R31250	1G12	15	40 - 25
R30441	3D20	15	90 - 17	R30939	1C2	5	20 - 31	R31250	1G12	23	40 - 25
R30442	3D20	13	90 - 17	R30958	2B2	16	50 - 7	R31260	3D16	15	90 - 13
R30443	3D20	10	90 - 17	R30958	2E25	21	70 - 47	R31260	3D20	26	90 - 17
R30444	3D20	5	90 - 17	R30958	2F1	13	70 - 48	R31261	3D18	17	90 - 15
R30445	3D18	41	90 - 15	R30958	2F2	14	70 - 49	R31261	3D18	35	90 - 15
R30596	1D7	12	30 - 5	R30964	1G22	28	40 - 35	R31262	3D18	17	90 - 15
R30596	1D9	10	30 - 7	R30964	1G24	28	40 - 37	R31262	3D18	37	90 - 15
R30596	2D25	29	70 - 21	R30964	1H2	29	40 - 39	R31267	2C16	33B	60 - 13
R30596	2E2	11	70 - 23	R30987	1F4	29B	30 - 57	R31267	2C18	47	60 - 15
R30597	1C15	2	20 - 47	R30987	1F6	26B	30 - 59	R31268	2C16	31B	60 - 13
R30597	2D25	39	70 - 21	R30988	1F6	26A	30 - 59	R31269	2C16	34	60 - 13
R30610	3D18	30	90 - 15	R30988	1F6	31	30 - 59	R31270	2C16	35	60 - 13
R30622	3B20	8	80 - 23	R30988	1F6	42	30 - 59	R31271	2C16	36	60 - 13
R30653	1F1	5	30 - 54	R30989	1F6	26A	30 - 59	R31271	2C18	49	60 - 15
R30655	1F1	10	30 - 54	R30989	1F6	31	30 - 59	R31272	2C16	37	60 - 13
R30656	1F1	8	30 - 54	R30989	1F6	42	30 - 59	R31272	2C18	53	60 - 15
R30657	1F1	8	30 - 54	R30989	1F6	45A	30 - 59	R31273	2C16	46B	60 - 13

# 1L10

TRACTOR - 3010

## NUMERICAL INDEX - CONTINUED

PART NO.	GRID	KEY	PAGE	PART NO.	GRID	KEY	PAGE	PART NO.	GRID	KEY	PAGE
R31273	2C18	59	60 - 15	R31461	2C17	4	60 - 14	R31566	2F5	38	70 - 53
R31274	2C23	5	60 - 21	R31463	2C18	18	60 - 15	R31566	2F10	9	70 - 58
R31275	2C23	4	60 - 21	R31464	2C18	38	60 - 15	R31566	2F10	11	70 - 58
R31286	3C4	9	80 - 31	R31465	2C18	36	60 - 15	R31573	3B4	21	80 - 7
R31287	3C2	7	80 - 29	R31466	2C18	33	60 - 15	R31577	3D10	4	90 - 7
R31300	2A23	6	50 - 3	R31467	2C18	37	60 - 15	R31577	3D12	5	90 - 9
R31303	2A25	3	50 - 5	R31468	2C18	34	60 - 15	R31577	3D24	9	90 - 21
R31304	1F2	9	30 - 55	R31468	2C21	6	60 - 19	R31578	3D12	6	90 - 9
R31305	2A23	1	50 - 3	R31469	2C18	35	60 - 15	R31579	2C6	33	60 - 3
R31310	2B25	10	50 - 31	R31469	2C21	5	60 - 19	R31595	2E9	4	70 - 31
R31337	1D17	14	30 - 16	R31471	3E11	..	90 - 34	R31599	3A24	1	80 - 3
R31337	1D19	11	30 - 19	R31472	3E11	..	90 - 34	R31602	2C23	8	60 - 21
R31338	1D17	4	30 - 16	R31473	3E11	..	90 - 34	R31610	3B18	7	80 - 21
R31340	1C19	16	20 - 51	R31474	3E11	..	90 - 34	R31618	3C7	8	80 - 34
R31340	1C21	19	20 - 53	R31486	1B10	9	20 - 13	R31619	2E15	26	70 - 37
R31340	1D17	6	30 - 16	R31486	2C2	21	50 - 33	R31623	2C9	18	60 - 7
R31340	1D19	6	30 - 19	R31486	2E15	32	70 - 37	R31624	2D24	10	70 - 20
R31346	1D19	4	30 - 19	R31486	2F5	21	70 - 53	R31624	2E7	14	70 - 29
R31348	1D9	3B	30 - 7	R31486	2F10	7	70 - 58	R31627	2E7	13	70 - 29
R31349	1D14	3	30 - 12	R31486	2F11	3	70 - 59	R31629	2E7	10	70 - 29
R31374	2A23	..	50 - 3	R31487	2C2	23	50 - 33	R31630	2E7	11	70 - 29
R31378	2E6	15	70 - 27	R31487	2E15	31	70 - 37	R31631	2E7	1	70 - 29
R31393	2B2	11	50 - 7	R31487	2F5	22	70 - 53	R31632	2E7	12	70 - 29
R31394	2B2	8	50 - 7	R31487	2F10	6	70 - 58	R31633	2C16	32	60 - 13
R31396	1F4	39	30 - 57	R31487	2F11	2	70 - 59	R31634	3C7	17	80 - 34
R31396	1F4	43	30 - 57	R31488	2C9	9	60 - 7	R31635	3C7	12	80 - 34
R31396	1F6	55	30 - 59	R31489	2C7	13	60 - 5	R31636	3C7	16	80 - 34
R31396	1F6	59	30 - 59	R31490	3B18	10	80 - 21	R31638	1B18	4	20 - 21
R31398	1F4	39	30 - 57	R31491	3B18	10	80 - 21	R31639	2C18	10	60 - 15
R31398	1F4	41	30 - 57	R31493	2A23	10	50 - 3	R31642	2D1	20	60 - 24
R31398	1F4	43	30 - 57	R31494	2A23	11	50 - 3	R31642	2H13	15	70 - 113
R31398	1F6	55	30 - 59	R31502	2C23	10	60 - 21	R31642	2H15	14	70 - 115
R31398	1F6	57	30 - 59	R31503	2C23	9	60 - 21	R31643	2C25	23	60 - 23
R31398	1F6	59	30 - 59	R31504	2C23	7	60 - 21	R31643	2H13	15	70 - 113
R31403	2E19	7	70 - 41	R31505	2C4	19	60 - 1	R31643	2H14	13	70 - 114
R31403	2E19	9	70 - 41	R31505	3B23	29	80 - 26	R31644	3E10	..	90 - 33
R31406	1D11	23	30 - 9	R31505	3D14	24	90 - 11	R31645	3E10	..	90 - 33
R31406	1D13	17	30 - 11	R31508	2F7	40	70 - 55	R31646	3E10	..	90 - 33
R31407	1D15	22	30 - 13	R31510	2A23	6	50 - 3	R31653	2C25	17	60 - 23
R31411	3D18	..	90 - 15	R31512	3D16	16	90 - 13	R31654	2C25	14	60 - 23
R31412	2B23	9	50 - 29	R31512	3D20	12	90 - 17	R31654	2C25	19	60 - 23
R31413	2B23	14	50 - 29	R31513	3D16	16	90 - 13	R31654	2D1	15	60 - 24
R31415	2B19	12	50 - 25	R31513	3D20	12	90 - 17	R31655	2C25	13	60 - 23
R31420	3C7	6	80 - 34	R31514	2F7	40	70 - 55	R31655	2C25	21	60 - 23
R31422	2E21	31	70 - 43	R31520	2A23	6	50 - 3	R31655	2D1	16	60 - 24
R31422	2E23	24	70 - 45	R31530	2C4	17	60 - 1	R31665	2H13	7	70 - 113
R31424	3E12	..	90 - 36	R31535	2C9	27	60 - 7	R31666	2C25	12	60 - 23
R31425	1C9	2	20 - 40	R31542	1D18	49	30 - 17	R31666	2F8	14	70 - 56
R31427	1C11	6	20 - 42	R31543	1D7	4	30 - 5	R31670	2A23	6	50 - 3
R31431	2E19	27	70 - 41	R31543	1D9	2	30 - 7	R31680	1B8	2C	20 - 11
R31432	2E19	24	70 - 41	R31555	3B4	20	80 - 7	R31736	2C9	15	60 - 7
R31433	2E19	31	70 - 41	R31555	3B6	17	80 - 9	R31736	2C11	36	60 - 9
R31438	2G1	9	70 - 75	R31558	2B5	7	50 - 11	R31736	2G18	16	70 - 93
R31438	2G2	21	70 - 76	R31558	2B7	1	50 - 13	R31736	2H2	3	70 - 101
R31448	2C7	4	60 - 5	R31558	2B7	5	50 - 13	R31736	2H8	4	70 - 108
R31448	2C8	2	60 - 6	R31558	2B9	4	50 - 15	R31736	2H13	23	70 - 113
R31449	2C16	40	60 - 13	R31558	2B23	11	50 - 29	R31742	2B19	22	50 - 25
R31449	2C18	52	60 - 15	R31560	2B19	16	50 - 25	R31744	1D10	16	30 - 8
R31453	2C18	42	60 - 15	R31561	2C4	14	60 - 1	R31744	1D10	17	30 - 8
R31454	2C18	29	60 - 15	R31564	2H6	27	70 - 105	R31745	1D14	12	30 - 12
R31455	2C16	1	60 - 13	R31565	2E15	6	70 - 37	R31747	2D12	37	70 - 7
R31455	2C17	1	60 - 14	R31565	2H6	28	70 - 105	R31755	3C13	35	80 - 40
R31455	2C21	2	60 - 19	R31566	2C2	8	50 - 33	R31756	3C13	5	80 - 40
R31456	2C17	5	60 - 14	R31566	2C2	10	50 - 33	R31767	1G2	11	40 - 15
R31457	2C18	46	60 - 15	R31566	2E8	7	70 - 30	R31768	1G4	12	40 - 17
R31458	2C18	48	60 - 15	R31566	2E8	9	70 - 30	R31769	1D10	16	30 - 8
R31459	2C18	51	60 - 15	R31566	2F5	36	70 - 53	R31769	1D10	17	30 - 8

# 1L11

TRACTOR - 3010

## NUMERICAL INDEX - CONTINUED

PART NO.	GRID	KEY	PAGE	PART NO.	GRID	KEY	PAGE	PART NO.	GRID	KEY	PAGE
R31769	1D14	12	30 - 12	R32016	1F24	5	40 - 13	R32025	1F20	13	40 - 9
R31769	1D14	13	30 - 12	R32016	1F24	16	40 - 13	R32025	1F22	3	40 - 11
R31771	3C3	3	80 - 30	R32016	1G10	5	40 - 23	R32025	1F22	5	40 - 11
R31779	2B13	13	50 - 19	R32016	1G10	22	40 - 23	R32025	1F22	15	40 - 11
R31780	2F11	8	70 - 59	R32016	1G11	13	40 - 24	R32025	1F24	3	40 - 13
R31781	2D12	47	70 - 7	R32016	1G11	22	40 - 24	R32025	1F24	5	40 - 13
R31781	2D18	38	70 - 13	R32016	1G12	13	40 - 25	R32025	1F24	16	40 - 13
R31790	3B8	25	80 - 11	R32016	1G12	21	40 - 25	R32025	1G16	22	40 - 29
R31797	1G22	32	40 - 35	R32016	1G14	2	40 - 27	R32025	1J7	14	40 - 93
R31797	1G24	31	40 - 37	R32016	1G24	22	40 - 37	R32025	1J16	4	40 - 102
R31798	1G22	33	40 - 35	R32016	1H2	23	40 - 39	R32026	1J11	17	40 - 97
R31807	3C4	27	80 - 31	R32016	1J11	10	40 - 97	R32026	1J15	48	40 - 101
R31816	2G1	20	70 - 75	R32017	1H25	52	40 - 61	R32027	1F12	5	40 - 1
R31817	2G1	17	70 - 75	R32017	1J11	11	40 - 97	R32027	1F16	12	40 - 5
R31843	3C16	18	80 - 43	R32018	1F12	8	40 - 1	R32027	1F20	13	40 - 9
R31846	3C13	1	80 - 40	R32018	1G21	5	40 - 34	R32027	1F22	3	40 - 11
R31847	3C13	27	80 - 40	R32018	1G21	8	40 - 34	R32027	1F22	5	40 - 11
R31857	3C17	1	80 - 45	R32018	1G21	9	40 - 34	R32027	1F22	15	40 - 11
R31858	3C17	3	80 - 45	R32018	1G23	5	40 - 36	R32027	1F24	3	40 - 13
R31872	3D22	18	90 - 19	R32018	1G23	7	40 - 36	R32027	1F24	5	40 - 13
R31873	3D22	19	90 - 19	R32018	1G24	9	40 - 37	R32027	1F24	16	40 - 13
R31874	3D22	14	90 - 19	R32018	1H2	5	40 - 39	R32027	1G16	22	40 - 29
R31876	3D22	9	90 - 19	R32018	1H2	6	40 - 39	R32027	1G21	5	40 - 34
R31877	3D22	10	90 - 19	R32018	1H2	9	40 - 39	R32027	1G21	8	40 - 34
R31878	3D22	25	90 - 19	R32018	1J7	9	40 - 93	R32027	1G23	5	40 - 36
R31879	3D22	20	90 - 19	R32018	1J7	15	40 - 93	R32027	1G23	7	40 - 36
R31890	2G9	19	70 - 83	R32018	1J11	12	40 - 97	R32027	1H2	5	40 - 39
R31890	2G11	19	70 - 85	R32018	3E6	23	90 - 29	R32027	1H2	6	40 - 39
R31892	1F14	2	40 - 3	R32019	1G18	..	40 - 31	R32027	1J7	5	40 - 93
R31892	1F18	2	40 - 7	R32019	1G19	..	40 - 32	R32027	1J7	9	40 - 93
R31892	1F22	17	40 - 11	R32019	1G20	..	40 - 33	R32027	1J7	14	40 - 93
R31892	1F24	18	40 - 13	R32019	1J8	11	40 - 94	R32027	1J11	18	40 - 97
R31893	2B25	1	50 - 31	R32019	1J11	13	40 - 97	R32028	1J11	19	40 - 97
R31920	3C13	33	80 - 40	R32020	1B5	18	20 - 8	R32029	1J11	20	40 - 97
R31921	3C13	28	80 - 40	R32020	1B6	19	20 - 9	R32030	1C2	..	20 - 31
R31922	1G2	16	40 - 15	R32020	1B8	2D	20 - 11	R32030	2B4	5	50 - 9
R31922	1G4	17	40 - 17	R32020	1B8	12	20 - 11	R32032	2F5	38	70 - 53
R31923	1G2	13	40 - 15	R32020	1B10	1	20 - 13	R32032	2F7	40	70 - 55
R31923	1G4	14	40 - 17	R32020	1B10	6	20 - 13	R32032	2F11	5	70 - 59
R31931	2E6	6	70 - 27	R32020	1B10	8	20 - 13	R32034	1B6	20	20 - 9
R31932	2E6	9	70 - 27	R32020	1B10	29	20 - 13	R32035	1B6	21	20 - 9
R31933	2E6	8	70 - 27	R32020	1B12	..	20 - 15	R32036	3C12	42	80 - 39
R31934	2E6	13	70 - 27	R32020	1C2	9	20 - 31	R32040	1B1	3	20 - 4
R31935	2E6	12	70 - 27	R32020	1C2	11	20 - 31	R32042	2F5	33	70 - 53
R31936	2E6	14	70 - 27	R32020	1C2	12	20 - 31	R32043	2F7	72	70 - 55
R31937	2E6	16	70 - 27	R32020	1C2	..	20 - 31	R32048	2A25	28	50 - 5
R31939	2E6	7	70 - 27	R32020	1C4	6	20 - 34	R32050	1C2	10	20 - 31
R31968	3C16	6	80 - 43	R32020	1C5	13	20 - 35	R32071	2E23	37	70 - 45
R31969	3C16	15	80 - 43	R32021	1G19	..	40 - 32	R32071	2F5	4	70 - 53
R31970	2B25	1	50 - 31	R32021	1J7	14	40 - 93	R32072	3B18	10	80 - 21
R31993	3B18	10	80 - 21	R32021	1J11	14	40 - 97	R32073	1C2	8	20 - 31
R31994	3B18	10	80 - 21	R32022	1G18	..	40 - 31	R32073	1C2	9	20 - 31
R31995	3B18	10	80 - 21	R32022	1G19	..	40 - 32	R32081	2H8	5	70 - 108
R32000	3B18	7	80 - 21	R32022	1G20	..	40 - 33	R32082	2H8	2	70 - 108
R32002	2C13	4	60 - 11	R32022	1J11	15	40 - 97	R32083	2H8	11	70 - 108
R32002	2C14	2	60 - 11A	R32023	1J11	16	40 - 97	R32084	2H8	12	70 - 108
R32004	3C13	36	80 - 40	R32024	1F22	3	40 - 11	R32087	2E6	2	70 - 27
R32005	3C13	18	80 - 40	R32024	1G16	22	40 - 29	R32090	2C17	5	60 - 14
R32007	3E6	23	90 - 29	R32024	1G21	5	40 - 34	R32091	2C17	4	60 - 14
R32008	1G18	..	40 - 31	R32024	1G21	8	40 - 34	R32092	2C17	2	60 - 14
R32010	3B18	7	80 - 21	R32024	1G23	5	40 - 36	R32092	2C21	3	60 - 19
R32011	1J11	1	40 - 97	R32024	1G23	7	40 - 36	R32101	2A23	26	50 - 3
R32016	1F16	12	40 - 5	R32024	1H2	5	40 - 39	R32101	2B4	4	50 - 9
R32016	1F20	13	40 - 9	R32024	1H2	6	40 - 39	R32101	2B19	44	50 - 25
R32016	1F22	5	40 - 11	R32024	1J7	9	40 - 93	R32101	2C2	15	50 - 33
R32016	1F22	15	40 - 11	R32024	1J16	3	40 - 102	R32101	2E8	19	70 - 30
R32016	1F24	3	40 - 13	R32025	1F16	12	40 - 5	R32101	2F7	58	70 - 55

# 1L12

TRACTOR - 3010

## NUMERICAL INDEX - CONTINUED

PART NO.	GRID	KEY	PAGE	PART NO.	GRID	KEY	PAGE	PART NO.	GRID	KEY	PAGE
R32101	2F10	13	70 - 58	R32304	1F6	26A	30 - 59	R32419	2G20	19	70 - 95
R32101	2F11	11	70 - 59	R32304	1F6	26B	30 - 59	R32419	2G22	8	70 - 97
R32113	2B13	18	50 - 19	R32305	1F4	29A	30 - 57	R32419	2G24	19	70 - 99
R32113	3E4	21A	90 - 27	R32305	1F4	29B	30 - 57	R32419	2H2	16	70 - 101
R32113	3E4	21B	90 - 27	R32305	1F4	30	30 - 57	R32419	2H11	20	70 - 111
R32114	3E4	21B	90 - 27	R32305	1F6	26A	30 - 59	R32419	2I2	8	70 - 128
R32115	3E4	20B	90 - 27	R32305	1F6	26B	30 - 59	R32424	1B8	2C	20 - 11
R32117	2H18	11	70 - 119	R32305	1F6	27	30 - 59	R32424	1B8	2D	20 - 11
R32118	2H18	11	70 - 119	R32306	1F7	4	30 - 60	R32426	1B8	2D	20 - 11
R32119	2F13	9	70 - 61	R32306	1F7	6	30 - 60	R32426	1C7	35	20 - 37
R32120	3C8	13	80 - 35	R32312	1I7	8	40 - 68	R32426	1C8	2	20 - 39
R32120	3C19	7	80 - 47	R32333	2D6	5	70 - 1	R32427	1C7	27	20 - 37
R32121	2B19	40A	50 - 25	R32334	2E25	2	70 - 47	R32428	1B8	2B	20 - 11
R32121	2B19	40B	50 - 25	R32334	2F2	2	70 - 49	R32428	1B8	2D	20 - 11
R32123	1C21	28	20 - 53	R32344	2D12	48	70 - 7	R32428	1B8	15	20 - 11
R32136	1E23	21	30 - 51	R32353	2G20	25	70 - 95	R32428	1C7	35	20 - 37
R32167	2A25	32	50 - 5	R32353	2G22	15	70 - 97	R32428	1C7	36	20 - 37
R32167	2A25	35	50 - 5	R32353	2G24	14	70 - 99	R32431	2A23	6	50 - 3
R32167	2B21	2	50 - 27	R32353	2H2	21	70 - 101	R32435	2C16	5	60 - 13
R32171	2C9	34	60 - 7	R32353	2H11	26	70 - 111	R32439	2G2	14	70 - 76
R32172	2C9	28	60 - 7	R32353	2I2	15	70 - 128	R32441	2D8	..	70 - 3
R32172	2C9	34	60 - 7	R32354	2G20	29	70 - 95	R32441	2D10	16	70 - 5
R32179	2G1	7	70 - 75	R32354	2G22	11	70 - 97	R32442	2D12	37	70 - 7
R32183	2H18	3	70 - 119	R32354	2G24	10	70 - 99	R32489	1D23	26	30 - 23
R32186	2C6	14	60 - 3	R32354	2H2	25	70 - 101	R32507	2B15	10	50 - 21
R32192	1B18	2	20 - 21	R32354	2H11	30	70 - 111	R32508	1D21	18	30 - 21
R32195	2D12	37	70 - 7	R32354	2I2	11	70 - 128	R32508	1D23	18	30 - 23
R32214	1C4	5	20 - 34	R32355	2G20	30	70 - 95	R32511	1E23	14	30 - 51
R32214	1C5	2	20 - 35	R32355	2G22	10	70 - 97	R32524	1G22	33	40 - 35
R32223	2B19	21	50 - 25	R32355	2G24	9	70 - 99	R32555	1G21	17	40 - 34
R32224	3B18	4	80 - 21	R32355	2H2	26	70 - 101	R32555	1G24	16	40 - 37
R32224	3B19	4	80 - 22	R32355	2H11	31	70 - 111	R32555	1H2	16	40 - 39
R32224	3B20	3	80 - 23	R32355	2I2	10	70 - 128	R32585	1F4	16	30 - 57
R32224	3B21	3	80 - 24	R32356	2G20	31	70 - 95	R32585	1F5	16	30 - 58
R32224	3B22	4	80 - 25	R32356	2G22	9	70 - 97	R32588	2C7	4	60 - 5
R32225	3B18	8	80 - 21	R32356	2G24	8	70 - 99	R32588	2C8	3	60 - 6
R32225	3B19	8	80 - 22	R32356	2H2	27	70 - 101	R32588	2C9	44	60 - 7
R32225	3B21	9	80 - 24	R32356	2H11	32	70 - 111	R32588	2H22	15	70 - 123
R32225	3B22	8	80 - 25	R32356	2I2	9	70 - 128	R32588	2I1	2	70 - 127
R32230	3B18	7	80 - 21	R32373	2C23	19	60 - 21	R32589	2H18	14	70 - 119
R32231	3B18	10	80 - 21	R32375	2C23	18	60 - 21	R32590	2H18	19	70 - 119
R32232	3B18	10	80 - 21	R32376	2C23	7	60 - 21	R32592	1A25	5	20 - 3
R32235	1D14	16	30 - 12	R32386	2E10	2A	70 - 32	R32592	1C19	11	20 - 51
R32235	1D14	20	30 - 12	R32386	2E10	2B	70 - 32	R32592	1C21	12	20 - 53
R32236	1D14	17	30 - 12	R32387	2E15	7	70 - 37	R32608	2B19	16	50 - 25
R32240	2E25	17A	70 - 47	R32389	2H4	17	70 - 103	R32618	3B12	6	80 - 15
R32240	2E25	17B	70 - 47	R32390	2B13	3	50 - 19	R32622	1C9	3	20 - 40
R32241	2G11	25	70 - 85	R32390	3E3	9	90 - 26	R32622	1C11	7	20 - 42
R32242	2G11	25	70 - 85	R32390	3E4	9	90 - 27	R32627	2C4	13	60 - 1
R32243	2G9	26	70 - 83	R32396	2B13	32	50 - 19	R32629	2B11	4	50 - 17
R32244	2G9	26	70 - 83	R32396	2B13	33	50 - 19	R32631	2A25	3	50 - 5
R32245	2E15	10	70 - 37	R32400	1H15	14	40 - 53	R32631	2A25	6	50 - 5
R32245	2E15	12	70 - 37	R32400	1H17	17	40 - 55	R32632	2A25	27	50 - 5
R32246	2E15	52	70 - 37	R32401	3E4	12	90 - 27	R32635	2A25	18	50 - 5
R32246	2F7	91	70 - 55	R32403	2B15	2	50 - 21	R32637	2C9	14	60 - 7
R32247	2F7	88	70 - 55	R32410	2G20	13	70 - 95	R32638	2F18	19	70 - 67
R32247	2F7	92	70 - 55	R32410	2G22	25	70 - 97	R32641	1D7	5	30 - 5
R32247	2F7	94	70 - 55	R32410	2G24	31	70 - 99	R32642	2H8	11	70 - 108
R32265	3E3	7	90 - 26	R32410	2H2	2	70 - 101	R32675	1C16	14	20 - 48
R32265	3E4	7	90 - 27	R32410	2H4	41	70 - 103	R32680	1B2	12	20 - 5
R32271	2B2	20	50 - 7	R32410	2H6	5	70 - 105	R32715	2C2	23	50 - 33
R32276	1J1	..	40 - 86	R32410	2H11	12	70 - 111	R32715	2E15	31	70 - 37
R32276	1J3	11	40 - 89	R32411	2H6	27	70 - 105	R32715	2F5	22	70 - 53
R32291	2D8	..	70 - 3	R32412	2H6	12	70 - 105	R32715	2F10	6	70 - 58
R32291	2D10	16	70 - 5	R32418	2G24	22	70 - 99	R32715	2F11	2	70 - 59
R32304	1F4	29A	30 - 57	R32418	2H2	9	70 - 101	R32717	2F21	19	70 - 70
R32304	1F4	29B	30 - 57	R32419	2G7	17	70 - 81	R32718	2F21	21	70 - 70

# 1L13

TRACTOR - 3010

## NUMERICAL INDEX - CONTINUED

PART NO.	GRID	KEY	PAGE	PART NO.	GRID	KEY	PAGE	PART NO.	GRID	KEY	PAGE
R32726	3C12	42	80 - 39	R33935	2E11	3	70 - 33	R34397	2G9	18	70 - 83
R32728	2E7	1	70 - 29	R33956	2G9	26	70 - 83	R34397	2G11	13	70 - 85
R32736	3D10	1	90 - 7	R33957	2G9	26	70 - 83	R34397	2G11	18	70 - 85
R32736	3D12	1	90 - 9	R34011	2E15	26	70 - 37	R34400	2G9	13	70 - 83
R32736	3D24	1	90 - 21	R34045	1G6	12	40 - 19	R34400	2G9	18	70 - 83
R33138	2D23	8	70 - 19	R34045	1G8	12	40 - 21	R34400	2G11	13	70 - 85
R33162	2D23	5	70 - 19	R34106	3C6	6	80 - 33	R34400	2G11	18	70 - 85
R33180	1C2	..	20 - 31	R34109	1C21	21	20 - 53	R34404	1E25	17	30 - 53
R33189	1D10	6	30 - 8	R34110	1C21	20	20 - 53	R34432	3C16	18	80 - 43
R33190	1B1	3	20 - 4	R34117	2C6	16	60 - 3	R34434	3C13	33	80 - 40
R33190	1B3	18	20 - 6	R34118	2C6	16	60 - 3	R34435	3C13	1	80 - 40
R33190	1B3	19	20 - 6	R34128	2C9	26	60 - 7	R34436	3C13	35	80 - 40
R33190	1B8	2C	20 - 11	R34131	2H22	16	70 - 123	R34437	3C13	5	80 - 40
R33190	1B8	12	20 - 11	R34131	2I1	1	70 - 127	R34482	2H16	3	70 - 117
R33190	1B10	1	20 - 13	R34137	1E20	13	30 - 47	R34483	3C2	8	80 - 29
R33190	1B10	6	20 - 13	R34158	2F10	8	70 - 58	R34487	2E9	5	70 - 31
R33190	1B10	8	20 - 13	R34159	2F11	8	70 - 59	R34488	2B23	8	50 - 29
R33190	1B10	29	20 - 13	R34161	2C2	16	50 - 33	R34531	2C23	10	60 - 21
R33190	1B12	..	20 - 15	R34161	2E8	14	70 - 30	R34532	2C23	9	60 - 21
R33190	1B25	9	20 - 29	R34161	2F7	61	70 - 55	R34537	2E21	56	70 - 43
R33190	1B25	10	20 - 29	R34161	2F10	12	70 - 58	R34537	2E23	3	70 - 45
R33190	1B25	12	20 - 29	R34161	2F11	10	70 - 59	R34542	2D7	6	70 - 2
R33197	1B25	9	20 - 29	R34170	2F7	40	70 - 55	R34549	2E25	19	70 - 47
R33197	1B25	10	20 - 29	R34182	1C4	17	20 - 34	R34549	2F2	12	70 - 49
R33217	1D14	3	30 - 12	R34182	1C5	24	20 - 35	R34554	2C6	33	60 - 3
R33259	1E25	1	30 - 53	R34182	1C7	37	20 - 37	R34557	2G7	8	70 - 81
R33259	2D23	5	70 - 19	R34183	1C4	17	20 - 34	R34562	3E4	12	90 - 27
R33345	2B21	8	50 - 27	R34183	1C5	24	20 - 35	R34565	3E4	41	90 - 27
R33372	1B25	8	20 - 29	R34183	1C7	37	20 - 37	R34577	1C16	14	20 - 48
R33372	1B25	9	20 - 29	R34184	2B25	11	50 - 31	R34578	1C16	14	20 - 48
R33374	1B25	8	20 - 29	R34213	1B18	2	20 - 21	R34593	1B2	14	20 - 5
R33374	1B25	9	20 - 29	R34236	2D23	1	70 - 19	R34604	1D5	2	30 - 3
R33383	2B9	19	50 - 15	R34237	2D23	2	70 - 19	R34608	3C2	10	80 - 29
R33441	2B15	19	50 - 21	R34244	1C16	2	20 - 48	R34609	3D16	10	90 - 13
R33443	2B11	7	50 - 17	R34246	3E6	14	90 - 29	R34609	3D20	11	90 - 17
R33477	2B9	22	50 - 15	R34255	1C14	3	20 - 46	R34615	1B13	1	20 - 16
R33521	2E3	13	70 - 24	R34262	1G21	1	40 - 34	R34615	1B15	1	20 - 18
R33521	2E4	16	70 - 25	R34262	1G23	1	40 - 36	R34617	1B25	9	20 - 29
R33530	1B18	4	20 - 21	R34262	1H2	1	40 - 39	R34618	3D16	10	90 - 13
R33539	3B18	7	80 - 21	R34262	3E2	25	90 - 25	R34618	3D20	11	90 - 17
R33540	3B18	7	80 - 21	R34266	3D16	10	90 - 13	R34618	3D16	1	90 - 13
R33550	2A25	11	50 - 5	R34266	3D20	11	90 - 17	R34619	3D20	1	90 - 17
R33569	2A25	26	50 - 5	R34267	3D16	1	90 - 13	R34621	1E25	36	30 - 53
R33569	2A25	28	50 - 5	R34267	3D20	1	90 - 17	R34642	2C18	42	60 - 15
R33569	2A25	31	50 - 5	R34268	3D16	2	90 - 13	R34656	1D21	18	30 - 21
R33634	1B2	14	20 - 5	R34268	3D20	2	90 - 17	R34656	1D23	18	30 - 23
R33732	2C4	7	60 - 1	R34272	3D16	4	90 - 13	R34670	2E8	6	70 - 30
R33733	2C11	35	60 - 9	R34282	3D20	5	90 - 17	R34672	1D9	17	30 - 7
R33777	1B3	19	20 - 6	R34301	2D23	1	70 - 19	R34701	1I8	7	40 - 69
R33777	1B6	19	20 - 9	R34302	2D23	2	70 - 19	R34702	1G21	16	40 - 34
R33777	1B8	2C	20 - 11	R34312	1B2	15	20 - 5	R34702	1G24	15	40 - 37
R33777	1B8	2D	20 - 11	R34312	1C19	1	20 - 51	R34702	1H2	15	40 - 39
R33777	1B8	4	20 - 11	R34312	1C21	1	20 - 53	R34702	1I7	4	40 - 68
R33777	1C7	35	20 - 37	R34324	2C6	1	60 - 3	R34710	1D18	48	30 - 17
R33777	1C8	2	20 - 39	R34329	3B23	9	80 - 26	R34732	2F2	8	70 - 49
R33808	3C10	7	80 - 37	R34338	3E2	20	90 - 25	R34733	2B15	3	50 - 21
R33883	2E25	24	70 - 47	R34340	1C2	..	20 - 31	R34733	2C8	1	60 - 6
R33883	2F1	16	70 - 48	R34348	2D10	30	70 - 5	R34746	2C18	39	60 - 15
R33883	2F2	17	70 - 49	R34349	2D10	28	70 - 5	R34746	2C23	14	60 - 21
R33883	2G1	13	70 - 75	R34351	2D10	29	70 - 5	R34747	2C23	2	60 - 21
R33883	2G2	25	70 - 76	R34353	2D10	1	70 - 5	R34748	2C4	13	60 - 1
R33884	2E25	24	70 - 47	R34354	2D10	14	70 - 5	R34757	3B2	21	80 - 5
R33884	2F1	16	70 - 48	R34354	2D10	15	70 - 5	R34757	3B4	28	80 - 7
R33884	2G1	13	70 - 75	R34354	2D10	16	70 - 5	R34757	3B6	24	80 - 9
R33884	2G1	14	70 - 75	R34358	2D6	8	70 - 1	R34757	3B8	29	80 - 11
R33884	2G2	25	70 - 76	R34366	1B18	12	20 - 21	R34757	3B9	8	80 - 12
R33884	2G2	26	70 - 76	R34397	2G9	13	70 - 83	R34801	3B18	13	80 - 21



# 1L14

TRACTOR - 3010

## NUMERICAL INDEX - CONTINUED

PART NO.	GRID	KEY	PAGE	PART NO.	GRID	KEY	PAGE	PART NO.	GRID	KEY	PAGE
R34802	2D18	12	70 - 13	R36235	1J1	22	40 - 86	R39228	2D10	22	70 - 5
R34809	1E17	7	30 - 44	R36358	2D18	11	70 - 13	R39228	2D16	16	70 - 11
R34812	1E12	22	30 - 39	R36402	2F25	2	70 - 74	R394R	2B15	3	50 - 21
R34812	1E14	38	30 - 41	R36426	2G9	26	70 - 83	R394R	2B15	7	50 - 21
R34812	1E25	26	30 - 53	R36439	2F22	17	70 - 71	R394R	2B15	32	50 - 21
R34813	3D22	25	90 - 19	R36440	2F22	21	70 - 71	R394R	2C9	45	60 - 7
R34828	3B18	8	80 - 21	R36609	2G5	17A	70 - 79	R394R	2E21	19	70 - 43
R34828	3B19	8	80 - 22	R36613	2F22	20	70 - 71	R394R	2E21	29	70 - 43
R34828	3B20	6	80 - 23	R36658	2H20	3	70 - 121	R394R	2E23	28	70 - 45
R34828	3B21	9	80 - 24	R36659	2H20	3	70 - 121	R394R	2E23	40	70 - 45
R34828	3B22	8	80 - 25	R36666	2B11	2	50 - 17	R394R	2H4	34	70 - 103
R34838	1D23	29	30 - 23	R36666	2B19	38	50 - 25	R394R	2H6	13	70 - 105
R34838	1D23	31	30 - 23	R36689	3C2	4	80 - 29	R394R	2H7	8	70 - 107
R34844	2B11	11	50 - 17	R36704	3D14	17	90 - 11	R39504	1C16	7	20 - 48
R34851	2D24	10	70 - 20	R36704	3D14	26	90 - 11	R39504	1C17	10	20 - 49
R34851	2E7	14	70 - 29	R36704	3D18	4	90 - 15	R39520	1B10	9	20 - 13
R34860	1B1	3	20 - 4	R36710	1F1	3	30 - 54	R39549	1I7	1	40 - 68
R34896	2C7	3	60 - 5	R36711	1F2	3	30 - 55	R39549	1I8	1	40 - 69
R34905	2C23	19	60 - 21	R36715	1C7	23	20 - 37	R39596	2B15	4	50 - 21
R34907	2C23	18	60 - 21	R36732	1J3	24	40 - 89	R39613	3C4	7	80 - 31
R34958	3C14	7	80 - 41	R36756	3C2	9	80 - 29	R39615	1D21	3	30 - 21
R34958	3C14	22	80 - 41	R36757	1D6	..	30 - 4	R39615	1D23	3	30 - 23
R34958	3C18	9	80 - 46	R36814	1C16	15	20 - 48	R39650	1I8	4	40 - 69
R34963	2H22	23	70 - 123	R36846	1C16	14	20 - 48	R39690	1C16	15	20 - 48
R34965	2H22	20	70 - 123	R36846	1C17	13	20 - 49	R39725	2E21	38	70 - 43
R34965	2I1	16	70 - 127	R36847	1C16	14	20 - 48	R39726	2E21	38	70 - 43
R34966	2H22	19	70 - 123	R36847	1C17	13	20 - 49	R39727	2E21	38	70 - 43
R34966	2I1	15	70 - 127	R36945	2G7	21	70 - 81	R39729	2D10	9	70 - 5
R34976	1C9	2	20 - 40	R36946	2G7	18	70 - 81	R39741	1B10	4	20 - 13
R34976	1C9	12	20 - 40	R36946	2I2	21	70 - 128	R39741	2D8	1	70 - 3
R34976	1C10	..	20 - 41	R36952	2H22	34	70 - 123	R39741	2D10	15	70 - 5
R34977	1C11	8	20 - 42	R36952	2I1	25	70 - 127	R39741	2D10	16	70 - 5
R34977	1C11	16	20 - 42	R36954	2H22	33	70 - 123	R39741	2D10	..	70 - 5
R34977	1C12	26	20 - 43	R37426	2C6	20	60 - 3	R39741	2D16	13	70 - 11
R34980	2C4	18	60 - 1	R375R	2G6	11	70 - 80	R39754	2E21	60	70 - 43
R34981	1C9	2	20 - 40	R375R	2G9	14	70 - 83	R39754	2E23	1	70 - 45
R34981	1C9	12	20 - 40	R375R	2G11	14	70 - 85	R39754	2H16	8	70 - 117
R34981	1C10	..	20 - 41	R375R	2G12	19	70 - 87	R39758	3B18	9	80 - 21
R34982	1C11	8	20 - 42	R375R	2G17	5	70 - 92	R39758	3B19	9	80 - 22
R34982	1C11	16	20 - 42	R38029	3B23	9	80 - 26	R39758	3B21	7	80 - 24
R34982	1C12	26	20 - 43	R38064	2B25	17	50 - 31	R39758	3B22	9	80 - 25
R34985	1C9	10	20 - 40	R38089	2E19	3	70 - 41	R39766	3C7	12	80 - 34
R34986	1C11	11	20 - 42	R38093	2E19	20	70 - 41	R39767	3C7	16	80 - 34
R34987	1C9	11	20 - 40	R38376	1F4	5	30 - 57	R39785	2G22	23	70 - 97
R34987	1C11	12	20 - 42	R38376	1F4	9	30 - 57	R39794	2B15	3	50 - 21
R34988	1C16	2	20 - 48	R38376	1F5	5	30 - 58	R39795	2B15	1	50 - 21
R34988	1C17	3	20 - 49	R38376	1F5	9	30 - 58	R39809	2H18	14	70 - 119
R34989	1C16	2	20 - 48	R38377	1F4	5	30 - 57	R39814	2F22	6	70 - 71
R34989	1C17	3	20 - 49	R38377	1F4	9	30 - 57	R39815	2F22	10	70 - 71
R34993	1C16	12	20 - 48	R38377	1F5	5	30 - 58	R39843	2D10	30	70 - 5
R34998	1C16	2	20 - 48	R38377	1F5	9	30 - 58	R39857	1H22	8	40 - 58
R35046	2B4	23	50 - 9	R38419	2B23	10	50 - 29	R39871	2B5	7	50 - 11
R35046	2E25	28	70 - 47	R38531	2D10	19	70 - 5	R39871	2B7	1	50 - 13
R35046	2F1	20	70 - 48	R38543	2G6	20	70 - 80	R39871	2B7	5	50 - 13
R35128	1B8	5	20 - 11	R39012	2H24	3	70 - 125	R39871	2B9	4	50 - 15
R35128	1B16	2	20 - 19	R39067	2D10	13	70 - 5	R39871	2B23	11	50 - 29
R35128	1C4	11	20 - 34	R39067	2D16	11	70 - 11	R39874	1E5	8	30 - 32
R35128	1C7	31	20 - 37	R39074	2D10	21	70 - 5	R39874	1E11	18	30 - 38
R35152	1B10	6	20 - 13	R39112	2C16	21	60 - 13	R39879	1E6	59	30 - 33
R35256	1B8	9	20 - 11	R39112	2C18	23	60 - 15	R39895	1D21	4	30 - 21
R35340	3C4	12	80 - 31	R39112	2E15	13	70 - 37	R39895	1D23	4	30 - 23
R35437	1C14	8	20 - 46	R39112	2F5	9	70 - 53	R39925	3B12	21	80 - 15
R35479	2G5	10	70 - 79	R39112	2F7	82	70 - 55	R39925	3B12	22	80 - 15
R35774	3C7	8	80 - 34	R39174	2D10	23	70 - 5	R39925	3B12	23	80 - 15
R35827	2E2	12	70 - 23	R39175	2D10	24	70 - 5	R39927	1C2	8	20 - 31
R35827	2E2	18	70 - 23	R39215	2E2	12	70 - 23	R39927	1C2	9	20 - 31
R35871	2G6	18	70 - 80	R39215	2E2	17	70 - 23	R39954	1D17	17	30 - 16

# 1L15

TRACTOR - 3010

## NUMERICAL INDEX - CONTINUED

PART NO.	GRID	KEY	PAGE	PART NO.	GRID	KEY	PAGE	PART NO.	GRID	KEY	PAGE
R39954	1D19	14	30 - 19	R40662	1C11	17	20 - 42	R40890	1C2	..	20 - 31
R39981	2G6	2	70 - 80	R40676	3C2	15	80 - 29	R40906	1B3	19	20 - 6
R39989	2D23	3	70 - 19	R40676	3E6	14	90 - 29	R40906	1B6	19	20 - 9
R39990	2D23	4	70 - 19	R40690	1B3	19	20 - 6	R40910	1B5	18	20 - 8
R40072	2E3	12	70 - 24	R40690	1B10	29	20 - 13	R40910	1B6	19	20 - 9
R40072	2E4	15	70 - 25	R40690	1B25	9	20 - 29	R40910	1B8	4	20 - 11
R40121	2G5	20A	70 - 79	R40690	1B25	10	20 - 29	R40910	1B10	8	20 - 13
R40145	2E3	14	70 - 24	R40700	1B6	19	20 - 9	R40910	1B12	..	20 - 15
R40148	2B13	6	50 - 19	R40700	1B10	29	20 - 13	R40910	1C2	9	20 - 31
R40149	2C7	7	60 - 5	R40700	1B12	29	20 - 15	R40910	1C2	10	20 - 31
R40154	2D24	10	70 - 20	R40700	1B12	..	20 - 15	R40910	1C2	11	20 - 31
R40154	2E3	17	70 - 24	R40700	1C2	12	20 - 31	R40910	1C2	12	20 - 31
R40154	2E7	14	70 - 29	R40720	1B18	10	20 - 21	R40919	1E3	1	30 - 29
R40192	3E6	1	90 - 29	R40726	1B18	4	20 - 21	R40920	1B1	3	20 - 4
R40211	1C10	18	20 - 41	R40727	1B18	4	20 - 21	R40920	1B3	18	20 - 6
R40211	1C11	18	20 - 42	R40728	1B18	4	20 - 21	R40920	1B3	19	20 - 6
R40218	2H24	38	70 - 125	R40729	1B18	4	20 - 21	R40920	1B5	18	20 - 8
R40223	1B6	24	20 - 9	R40731	1B18	2	20 - 21	R40920	1B6	19	20 - 9
R40224	1B21	1	20 - 25	R40731	2A25	26	50 - 5	R40920	1B8	2A	20 - 11
R40225	1B21	1	20 - 25	R40731	2A25	31	50 - 5	R40920	1B8	4	20 - 11
R40337	1H21	30	40 - 57	R40741	1E5	4	30 - 32	R40920	1B10	1	20 - 13
R40337	1H24	3	40 - 60	R40741	1E17	4	30 - 44	R40920	1B10	7	20 - 13
R40337	1I1	3	40 - 62	R40757	2C9	25	60 - 7	R40920	1B10	8	20 - 13
R40338	2C9	12	60 - 7	R40761	2C4	21	60 - 1	R40920	1B10	28	20 - 13
R40350	1B6	19	20 - 9	R40776	1D17	17	30 - 16	R40920	1B10	29	20 - 13
R40359	2C9	18	60 - 7	R40776	1D19	14	30 - 19	R40920	1B25	9	20 - 29
R40360	2C9	18	60 - 7	R40777	1C19	14	20 - 51	R40920	1B25	10	20 - 29
R40400	1C2	12	20 - 31	R40777	1C21	16	20 - 53	R40920	1B25	11	20 - 29
R40400	1C2	..	20 - 31	R40777	1D17	17	30 - 16	R40920	1E3	1	30 - 29
R40424	2F22	22	70 - 71	R40777	1D19	14	30 - 19	R40928	2G1	15	70 - 75
R40424	2F24	25	70 - 73	R40778	1B25	9	20 - 29	R40928	2G2	29	70 - 76
R40425	2F22	30	70 - 71	R40789	2C18	42	60 - 15	R40930	1C2	12	20 - 31
R40425	2F24	29	70 - 73	R40795	1B25	9	20 - 29	R40943	1B2	15	20 - 5
R40445	1J7	3	40 - 93	R40796	1B25	9	20 - 29	R40973	1C19	1	20 - 51
R40476	2E21	59	70 - 43	R40799	2E15	10	70 - 37	R40976	2D25	55	70 - 21
R40476	2E23	6	70 - 45	R40799	2E15	12	70 - 37	R40976	2D25	58	70 - 21
R40501	1I2	47	40 - 63	R40799	2E15	52	70 - 37	R40978	1C9	2	20 - 40
R40504	3C2	14	80 - 29	R40799	2F7	91	70 - 55	R40978	1C9	3	20 - 40
R40505	3C2	11	80 - 29	R40799	2F7	92	70 - 55	R40979	1C11	6	20 - 42
R40509	2E21	60	70 - 43	R40799	2F7	94	70 - 55	R40979	1C11	7	20 - 42
R40509	2E23	1	70 - 45	R40840	1B1	3	20 - 4	R40979	1C13	4	20 - 44
R40509	2H16	8	70 - 117	R40840	1B3	18	20 - 6	R41015	2G1	4	70 - 75
R40509	3C2	12	80 - 29	R40840	1B3	19	20 - 6	R41050	2B23	16	50 - 29
R40516	2G5	5	70 - 79	R40840	1B8	2C	20 - 11	R41057	2D10	7	70 - 5
R40531	2C7	8	60 - 5	R40840	1B8	12	20 - 11	R41057	2D12	49	70 - 7
R40546	1I5	6	40 - 66	R40840	1B10	1	20 - 13	R41057	2D12	50	70 - 7
R40547	1I5	11	40 - 66	R40840	1B10	6	20 - 13	R41057	2D14	7	70 - 9
R40548	1I4	10	40 - 65	R40840	1B10	8	20 - 13	R41057	2D18	41	70 - 13
R40548	1I5	10	40 - 66	R40840	1B10	29	20 - 13	R41057	2D20	9	70 - 15
R40559	2E4	9	70 - 25	R40840	1B12	..	20 - 15	R41070	1B10	7	20 - 13
R40561	2E4	18	70 - 25	R40840	1B25	10	20 - 29	R41107	3B23	9	80 - 26
R40562	2E3	14	70 - 24	R40840	1B25	12	20 - 29	R41155	2H4	38	70 - 103
R40562	2E4	17	70 - 25	R40850	1B5	18	20 - 8	R41175	2H6	6	70 - 105
R40565	1E2	11	30 - 27	R40850	1B6	19	20 - 9	R41175	2H6	11	70 - 105
R40567	2C6	30	60 - 3	R40850	1B8	2D	20 - 11	R41179	2A25	18	50 - 5
R40570	1B18	10	20 - 21	R40850	1B8	12	20 - 11	R41180	2B2	8	50 - 7
R40576	1H11	..	40 - 49	R40850	1B10	1	20 - 13	R41180	2B2	11	50 - 7
R40589	3B2	29	80 - 5	R40850	1B10	6	20 - 13	R41198	2H22	8	70 - 123
R40589	3B4	9	80 - 7	R40850	1B10	8	20 - 13	R41198	2H24	25	70 - 125
R40589	3B6	5	80 - 9	R40850	1B10	29	20 - 13	R41201	2C17	5	60 - 14
R40589	3B8	13	80 - 11	R40850	1B12	..	20 - 15	R41269	1C4	4	20 - 34
R40595	2C9	23	60 - 7	R40850	1C2	9	20 - 31	R41269	1C4	6	20 - 34
R40597	2C9	27	60 - 7	R40850	1C2	11	20 - 31	R41269	1C5	13	20 - 35
R40614	1B25	10	20 - 29	R40850	1C2	12	20 - 31	R41269	1C5	20	20 - 35
R40634	1B8	4	20 - 11	R40850	1C2	..	20 - 31	R41271	1C5	18	20 - 35
R40646	2F7	52	70 - 55	R40850	1C4	6	20 - 34	R41272	1C5	9	20 - 35
R40662	1C10	17	20 - 41	R40850	1C5	13	20 - 35	R41273	1C5	8	20 - 35

# 1L16

TRACTOR - 3010

## NUMERICAL INDEX - CONTINUED

PART NO.	GRID	KEY	PAGE	PART NO.	GRID	KEY	PAGE	PART NO.	GRID	KEY	PAGE
R41274	1C5	17	20 - 35	R41781	3D4	7	90 - 3	R42466	1B1	8	20 - 4
R41275	1C5	14	20 - 35	R41853	1C16	15	20 - 48	R42467	2D10	29	70 - 5
R41276	1C5	9	20 - 35	R41853	1C17	14	20 - 49	R42493	1B10	13	20 - 13
R41277	1C5	8	20 - 35	R41860	2F22	4	70 - 71	R42494	1B10	13	20 - 13
R41278	1C5	17	20 - 35	R41861	2F22	32	70 - 71	R42495	2F13	10	70 - 61
R41279	1C5	14	20 - 35	R41861	2F24	37	70 - 73	R42500	1B1	3	20 - 4
R41283	1C17	10	20 - 49	R41879	1113	6	40 - 75	R42500	1B1	5	20 - 4
R41284	1C17	10	20 - 49	R41879	1115	5	40 - 77	R42500	1B1	7	20 - 4
R41285	1C9	7	20 - 40	R41880	1111	13	40 - 73	R42521	1B21	1	20 - 25
R41285	1C11	13	20 - 42	R41880	1113	13	40 - 75	R42524	1B21	1	20 - 25
R41285	1C17	12	20 - 49	R41880	1115	12	40 - 77	R42525	1B10	25	20 - 13
R41296	3C8	13	80 - 35	R41880	1116	4	40 - 78	R42526	1B10	25	20 - 13
R41296	3C19	7	80 - 47	R41883	1B10	6	20 - 13	R42579	3D4	13	90 - 3
R41313	1C9	2	20 - 40	R41920	1D18	49	30 - 17	R42580	3D4	10	90 - 3
R41313	1C10	22	20 - 41	R41920	1D19	5	30 - 19	R42581	3D4	15	90 - 3
R41313	1C10	..	20 - 41	R41931	2H4	13	70 - 103	R42624	1D18	35	30 - 17
R41315	1C11	8	20 - 42	R41932	2H4	15	70 - 103	R42644	1C16	15	20 - 48
R41315	1C11	16	20 - 42	R41933	3C2	2	80 - 29	R42644	1C17	14	20 - 49
R41317	1C9	2	20 - 40	R41934	1B18	5	20 - 21	R42644	2E9	10	70 - 31
R41317	1C9	12	20 - 40	R41984	1119	15	40 - 81	R42644	2E12	3	70 - 34
R41317	1C10	22	20 - 41	R41985	1119	6	40 - 81	R42644	2E12	6	70 - 34
R41317	1C10	..	20 - 41	R41988	1B2	15	20 - 5	R42662	3C4	10	80 - 31
R41318	1C11	8	20 - 42	R41988	1C19	1	20 - 51	R42663	2D12	37	70 - 7
R41318	1C11	16	20 - 42	R41988	1C21	1	20 - 53	R42684	2C16	23	60 - 13
R41318	1C12	27	20 - 43	R42045	1119	12	40 - 81	R42684	2C18	25	60 - 15
R41321	1C9	2	20 - 40	R42046	1119	7	40 - 81	R42693	1C16	16	20 - 48
R41337	2H4	48	70 - 103	R42046	1119	8	40 - 81	R42693	1C17	15	20 - 49
R41343	2A25	19	50 - 5	R42054	1C7	3	20 - 37	R42693	1C19	6	20 - 51
R41355	3D3	4	90 - 2	R42127	2B13	9	50 - 19	R42693	1C21	10	20 - 53
R41355	3D4	14	90 - 3	R42128	2B13	6	50 - 19	R42694	1C16	13	20 - 48
R41355	3D6	3	90 - 3B	R42149	1B4	20	20 - 7	R42694	1C17	20	20 - 49
R41358	3D8	8	90 - 5	R42150	1B4	20	20 - 7	R42694	1C19	10	20 - 51
R41360	2E9	10	70 - 31	R42151	1B4	20	20 - 7	R42694	1C21	11	20 - 53
R41360	2E12	6	70 - 34	R42152	1B4	21	20 - 7	R42726	1D6	..	30 - 4
R41361	2E9	3	70 - 31	R42153	1B4	21	20 - 7	R42729	1C7	20	20 - 37
R41361	2E12	5	70 - 34	R42154	1B4	21	20 - 7	R42729	1D10	2	30 - 8
R41362	2E12	3	70 - 34	R42163	1D18	46	30 - 17	R42732	3D4	5	90 - 3
R41406	1B16	1	20 - 19	R42185	1B25	8	20 - 29	R42799	1111	3	40 - 73
R41406	1B16	3	20 - 19	R42185	1B25	9	20 - 29	R42799	1116	9	40 - 78
R41412	1B6	24	20 - 9	R42186	1B25	8	20 - 29	R42800	1113	5	40 - 75
R41413	1B4	21	20 - 7	R42186	1B25	9	20 - 29	R42801	1113	18	40 - 75
R41414	1B4	20	20 - 7	R42187	1B25	8	20 - 29	R42802	1113	19	40 - 75
R41415	1B4	24	20 - 7	R42225	2C13	8	60 - 11	R42849	2C9	30	60 - 7
R41439	1F12	2	40 - 1	R42225	2C14	5	60 - 11A	R42849	2C16	25	60 - 13
R41439	1G18	..	40 - 31	R42260	2D18	37	70 - 13	R42849	2C18	28	60 - 15
R41439	1G19	..	40 - 32	R42298	2E9	14	70 - 31	R42849	2C25	4	60 - 23
R41439	1G20	..	40 - 33	R42298	2E11	10	70 - 33	R42849	2D1	4	60 - 24
R41439	1J3	13	40 - 89	R42334	2H6	14	70 - 105	R42851	3A23	9	80 - 2
R41452	1C8	9	20 - 39	R42339	1B8	1	20 - 11	R42961	1C14	8	20 - 46
R41453	1C8	11	20 - 39	R42340	1B10	10	20 - 13	R42992	1B21	1	20 - 25
R41562	1C2	12	20 - 31	R42351	1B8	2A	20 - 11	R42993	1B21	1	20 - 25
R41569	1D18	48	30 - 17	R42355	1B8	4	20 - 11	R42994	1B21	1	20 - 25
R41613	2H4	16	70 - 103	R42357	2C10	2	60 - 8	R42995	1B21	1	20 - 25
R41613	2H4	30	70 - 103	R42364	1B1	9	20 - 4	R43444	2F20	9	70 - 69
R41627	1C9	16	20 - 40	R42420	1B4	21	20 - 7	R43444	2F24	20	70 - 73
R41627	1C12	21	20 - 43	R42423	1B13	1	20 - 16	R43634	1B10	28	20 - 13
R41627	1H11	16	40 - 49	R42423	1B15	1	20 - 18	R43679	1B6	21	20 - 9
R41628	1C12	21	20 - 43	R42423	1C19	13	20 - 51	R43680	1B2	14	20 - 5
R41628	1H11	16	40 - 49	R42423	1C21	14	20 - 53	R43681	1B2	14	20 - 5
R41681	1C12	21	20 - 43	R42439	3D3	5	90 - 2	R43682	1B2	14	20 - 5
R41681	1H11	16	40 - 49	R42439	3D6	2	90 - 3B	R43683	1B2	14	20 - 5
R41707	1B25	1	20 - 29	R42451	3C7	6	80 - 34	R43737	2E2	13	70 - 23
R41708	2C6	17	60 - 3	R42462	1B1	8	20 - 4	R43742	1B8	8	20 - 11
R41708	2C7	10	60 - 5	R42463	1B1	7	20 - 4	R43754	1B8	7	20 - 11
R41778	3D3	9	90 - 2	R42464	1B1	6	20 - 4	R43754	1B8	8	20 - 11
R41778	3D4	1	90 - 3	R42465	1B1	3	20 - 4	R43787	1B6	21	20 - 9
R41778	3D6	8	90 - 3B	R42465	1B1	6	20 - 4	R43788	1B6	21	20 - 9

# 1L17

TRACTOR - 3010

## NUMERICAL INDEX - CONTINUED

PART NO.	GRID	KEY	PAGE	PART NO.	GRID	KEY	PAGE	PART NO.	GRID	KEY	PAGE
R43789	1B6	21	20 - 9	R44302	1I25	1	40 - 85	R45170	1B1	5	20 - 4
R43883	1B6	20	20 - 9	R44302	1J3	12	40 - 89	R45170	1B1	7	20 - 4
R44020	3A23	4	80 - 2	R44302	1J7	20	40 - 93	R45189	2G6	17	70 - 80
R44020	3B2	4	80 - 5	R44302	1J8	6	40 - 94	R45215	2G6	19	70 - 80
R44020	3B8	5	80 - 11	R44315	3C2	2	80 - 29	R45227	2D10	14	70 - 5
R44032	1C7	27	20 - 37	R44350	3B24	8	80 - 27	R45227	2D10	15	70 - 5
R44078	1D17	4	30 - 16	R44361	2B17	6	50 - 23	R45227	2D10	16	70 - 5
R44079	1D17	4	30 - 16	R44372	2B17	6	50 - 23	R45228	2D10	14	70 - 5
R44083	1D17	14	30 - 16	R44373	1C19	5	20 - 51	R45228	2D10	15	70 - 5
R44084	1D14	3	30 - 12	R44373	1C21	2	20 - 53	R45228	2D10	16	70 - 5
R44116	1C9	12	20 - 40	R44373	1D10	18	30 - 8	R45297	2C6	16	60 - 3
R44116	1C10	22	20 - 41	R44373	1D13	13	30 - 11	R45305	2H16	11	70 - 117
R44116	1C10	..	20 - 41	R44373	1D14	11	30 - 12	R45306	2H16	6	70 - 117
R44119	1C9	2	20 - 40	R44374	1C19	4	20 - 51	R45422	2D16	26A	70 - 11
R44119	1C9	12	20 - 40	R44374	1C21	4	20 - 53	R45425	2D16	22A	70 - 11
R44119	1C10	22	20 - 41	R44374	1D10	19	30 - 8	R45438	2D10	1	70 - 5
R44119	1C10	..	20 - 41	R44374	1D13	12	30 - 11	R45438	2D10	4	70 - 5
R44122	1C11	8	20 - 42	R44374	1D14	10	30 - 12	R45438	2D16	1	70 - 11
R44122	1C11	16	20 - 42	R44378	1B25	7	20 - 29	R45447	2G4	3	70 - 78
R44122	1C12	27	20 - 43	R44378	1C2	7	20 - 31	R45513	2B4	20	50 - 9
R44140	2E2	5A	70 - 23	R44586	3E4	41	90 - 27	R45513	2E25	25	70 - 47
R44141	2E2	6	70 - 23	R446R	2E23	51	70 - 45	R45513	2F2	18	70 - 49
R44161	1C2	2	20 - 31	R44639	2B9	22	50 - 15	R45514	2B4	20	50 - 9
R44162	1C2	2	20 - 31	R44642	2B9	13	50 - 15	R45514	2E25	25	70 - 47
R44163	1C2	2	20 - 31	R44710	3C2	9	80 - 29	R45514	2F2	18	70 - 49
R44174	1B6	20	20 - 9	R44802	2D12	37	70 - 7	R45616	1B2	15	20 - 5
R44175	1B6	21	20 - 9	R44823	2D10	10	70 - 5	R45616	1C19	1	20 - 51
R44233	1C16	2	20 - 48	R44840	2G6	10	70 - 80	R45616	1C21	1	20 - 53
R44233	1C17	3	20 - 49	R44848	2G5	4	70 - 79	R45620	2H22	8	70 - 123
R44234	1C16	2	20 - 48	R44853	1C8	1	20 - 39	R45620	2H24	25	70 - 125
R44234	1C17	3	20 - 49	R44853	1C19	24	20 - 51	R45630	2G9	6	70 - 83
R44237	1C17	19	20 - 49	R44853	1C21	27	20 - 53	R45630	2G11	6	70 - 85
R44257	1B25	6	20 - 29	R44890	3B24	11	80 - 27	R45630	2G22	6	70 - 97
R44277	2B2	8	50 - 7	R44899	1D18	46	30 - 17	R45630	2G24	6	70 - 99
R44277	2B2	11	50 - 7	R44917	2F13	21	70 - 61	R45630	2H2	29	70 - 101
R44285	2H22	23	70 - 123	R44918	2F13	21	70 - 61	R45630	2H11	34	70 - 111
R44285	2I1	19	70 - 127	R44918	2F20	3	70 - 69	R45630	2I2	5	70 - 128
R44287	2H22	23	70 - 123	R44918	2F21	4	70 - 70	R45642	1G19	..	40 - 32
R44287	2H22	33	70 - 123	R44925	1B25	7	20 - 29	R45642	1H19	4	40 - 56A
R44287	2I1	24	70 - 127	R44925	1C2	7	20 - 31	R45643	1G18	..	40 - 31
R44296	2H22	11	70 - 123	R44926	1B25	7	20 - 29	R45643	1G20	..	40 - 33
R44296	2H24	22	70 - 125	R44926	1C2	7	20 - 31	R45644	1G18	..	40 - 31
R44296	2I1	5	70 - 127	R44927	1B25	7	20 - 29	R45644	1G19	..	40 - 32
R44299	2E15	42	70 - 37	R44927	1C2	7	20 - 31	R45644	1G20	..	40 - 33
R44299	2F7	64	70 - 55	R44928	1B25	7	20 - 29	R45662	1E12	18	30 - 39
R44302	1F12	1	40 - 1	R44928	1C2	7	20 - 31	R45665	1E11	10	30 - 38
R44302	1F14	10	40 - 3	R44937	1B21	1	20 - 25	R45792	2C6	1	60 - 3
R44302	1F16	9	40 - 5	R44938	1B21	1	20 - 25	R45847	1D7	4	30 - 5
R44302	1F18	11	40 - 7	R44939	1B21	1	20 - 25	R45847	1D9	2	30 - 7
R44302	1F20	10	40 - 9	R44940	1B21	1	20 - 25	R45847	1F12	6	40 - 1
R44302	1F22	12	40 - 11	R44945	1B21	1	20 - 25	R45847	2H8	11	70 - 108
R44302	1F24	13	40 - 13	R44946	1B21	1	20 - 25	R45874	2D10	32	70 - 5
R44302	1G2	9	40 - 15	R44951	3C2	3	80 - 29	R459R	1E4	12	30 - 30
R44302	1G2	11	40 - 15	R44952	3C2	3	80 - 29	R459R	2C7	4	60 - 5
R44302	1G4	10	40 - 17	R45003	1B6	20	20 - 9	R459R	2C8	4	60 - 6
R44302	1G4	12	40 - 17	R45004	1B6	20	20 - 9	R459R	2C17	3	60 - 14
R44302	1G6	8	40 - 19	R45005	1B6	20	20 - 9	R459R	2H22	14	70 - 123
R44302	1G8	8	40 - 21	R45106	2G7	16	70 - 81	R45929	2C18	42	60 - 15
R44302	1G17	24	40 - 30	R45134	1B8	2A	20 - 11	R45957	3C2	1	80 - 29
R44302	1G18	..	40 - 31	R45134	1B8	14	20 - 11	R460R	1E25	16	30 - 53
R44302	1G19	..	40 - 32	R45134	1C7	27	20 - 37	R46141	2C11	11	60 - 9
R44302	1G20	..	40 - 33	R45134	1C7	36	20 - 37	R46141	2E3	7	70 - 24
R44302	1G21	14	40 - 34	R45136	1I11	17	40 - 73	R46192	1B12	34	20 - 15
R44302	1G24	13	40 - 37	R45136	1I15	16	40 - 77	R46192	1C21	24	20 - 53
R44302	1H2	13	40 - 39	R45137	1I11	18	40 - 73	R463R	1C21	7	20 - 53
R44302	1H19	3	40 - 56A	R45137	1I15	17	40 - 77	R463R	1E23	8	30 - 51
R44302	1H20	6	40 - 56B	R45170	1B1	3	20 - 4	R463R	1E23	9	30 - 51

# 1L18

TRACTOR - 3010

## NUMERICAL INDEX - CONTINUED

PART NO.	GRID	KEY	PAGE	PART NO.	GRID	KEY	PAGE	PART NO.	GRID	KEY	PAGE
R463R	1F1	1	30-54	R46923	1B21	1	20-25	R48361	3C2	1	80-29
R463R	1F1	11	30-54	R46924	1B21	1	20-25	R48399	1E3	3	30-29
R463R	1F2	1	30-55	R46925	1B21	1	20-25	R48430	1B6	19	20-9
R463R	1F2	11	30-55	R46927	1B21	1	20-25	R48430	1B10	29	20-13
R46303	2B13	31	50-19	R46929	1B21	1	20-25	R48430	1B12	29	20-15
R46323	2B23	6	50-29	R46930	1B21	1	20-25	R48430	1B12	..	20-15
R46335	2G7	7	70-81	R46931	1B21	1	20-25	R48430	1C2	12	20-31
R46350	1B5	18	20-8	R47016	2G6	3	70-80	R48659	3A23	4	80-2
R46350	1B6	19	20-9	R47018	2G6	7	70-80	R48685	2B4	24	50-9
R46350	1B8	2B	20-11	R47038	1E14	25	30-41	R48698	2G14	3	70-89
R46350	1B8	4	20-11	R47044	2G5	21	70-79	R48738	2D10	23	70-5
R46350	1B10	1	20-13	R47072	2F13	9	70-61	R48738	2D16	17	70-11
R46350	1B10	7	20-13	R47074	1B16	1	20-19	R48742	1C10	22	20-41
R46350	1B10	8	20-13	R47074	1B16	2	20-19	R48755	1B10	20	20-13
R46350	1B10	28	20-13	R47077	1E25	12	30-53	R48755	1E3	1	30-29
R46350	1B10	29	20-13	R47079	2B13	3	50-19	R48763	3B10	6	80-13
R46350	1B12	..	20-15	R47079	3E3	9	90-26	R48763	3B14	5	80-17
R46350	1B25	11	20-29	R47079	3E4	9	90-27	R48763	3B14	9	80-17
R46350	1C2	9	20-31	R47083	2C4	21	60-1	R48763	3B15	7	80-18
R46350	1C2	10	20-31	R47092	1B10	2	20-13	R48808	2D12	46	70-7
R46350	1C2	11	20-31	R47095	2G6	14	70-80	R48887	1J13	17	40-99
R46350	1C2	12	20-31	R47197	3D8	3	90-5	R48954	3B18	7	80-21
R46350	1E3	1	30-29	R47203	2B13	15	50-19	R49071	2D12	31	70-7
R46414	1H20	8	40-56B	R47474	1111	18	40-73	R49071	2D12	33	70-7
R46425	2A25	18	50-5	R47474	1115	17	40-77	R49071	2D12	34	70-7
R46427	1B8	2A	20-11	R47520	1B6	19	20-9	R49071	2D12	35	70-7
R46427	1B8	2B	20-11	R47520	1B12	29	20-15	R49071	2D12	36	70-7
R46427	1B8	4	20-11	R47520	1B12	..	20-15	R49071	2D12	37	70-7
R46427	1C7	35	20-37	R47524	2F13	23	70-61	R49071	2D14	9	70-9
R46427	1C8	2	20-39	R47577	2F24	36	70-73	R49072	2D12	32	70-7
R46430	1B1	6	20-4	R47578	2F24	21	70-73	R49072	2D14	14	70-9
R46430	1B1	7	20-4	R47581	2F24	24	70-73	R49098	3A23	1	80-2
R46430	1B1	8	20-4	R47590	2F22	17	70-71	R49098	3A24	5	80-3
R46430	1B5	18	20-8	R47590	2F24	33	70-73	R49098	3B2	1	80-5
R46430	1B6	19	20-9	R47624	1B18	12	20-21	R49098	3B8	1	80-11
R46430	1B8	2B	20-11	R47678	2F22	21	70-71	R49139	1E3	5	30-29
R46430	1B8	4	20-11	R47678	2F24	32	70-73	R49186	2H4	8	70-103
R46430	1B10	1	20-13	R47679	2F22	20	70-71	R49187	2H4	6	70-103
R46430	1B10	7	20-13	R47679	2F24	30	70-73	R49187	2H4	7	70-103
R46430	1B10	8	20-13	R47736	3A23	9	80-2	R49187	2H4	8	70-103
R46430	1B10	28	20-13	R47739	3C2	18	80-29	R49188	2H4	6	70-103
R46430	1B10	29	20-13	R47756	2E2	12	70-23	R49193	2G9	41	70-83
R46430	1B12	..	20-15	R47756	2E2	22	70-23	R49193	2G11	41	70-85
R46430	1B25	11	20-29	R47765	3B2	20	80-5	R49193	2H22	26	70-123
R46430	1C2	9	20-31	R47765	3B4	27	80-7	R49193	2I1	8	70-127
R46430	1C2	10	20-31	R47765	3B6	23	80-9	R49285	1E19	2	30-46
R46430	1C2	11	20-31	R47765	3B8	12	80-11	R49285	1E19	3	30-46
R46430	1C2	12	20-31	R47766	3B2	20	80-5	R49287	1E19	18	30-46
R46430	1C4	6	20-34	R47766	3B4	27	80-7	R49288	1E19	16	30-46
R46430	1C5	13	20-35	R47766	3B6	23	80-9	R49289	1E19	17	30-46
R46430	1C5	20	20-35	R47766	3B8	24	80-11	R49297	2D10	21	70-5
R46430	1E3	1	30-29	R47859	1J3	1	40-89	R49297	2D16	15	70-11
R46443	2F1	4	70-48	R47860	1J1	9	40-86	R49298	2D16	18	70-11
R46485	2E2	6	70-23	R47861	1J1	9	40-86	R49347	1B25	9	20-29
R46498	1B18	10	20-21	R47863	1B25	9	20-29	R49352	2H24	4	70-125
R46723	1B21	1	20-25	R47998	2C6	1	60-3	R49393	1H23	11	40-59
R46774	2D6	8	70-1	R48026	1J1	..	40-86	R49393	1I3	11	40-64
R46799	2B4	20	50-9	R48027	1J1	..	40-86	R49394	1H23	10	40-59
R46799	2E25	25	70-47	R48028	1J1	28	40-86	R49394	1I3	10	40-64
R46799	2F2	18	70-49	R48048	1J1	17	40-86	R49430	2B9	25	50-15
R46889	2F20	13	70-69	R48049	1J1	27	40-86	R49431	2B9	25	50-15
R46890	2F20	10	70-69	R48084	2E2	4	70-23	R49432	2B9	25	50-15
R46893	2F20	15	70-69	R48163	2F20	7	70-69	R49433	2B9	25	50-15
R46903	1B8	1	20-11	R48163	2F24	1	70-73	R495R	1A25	1	20-3
R46903	1B10	27	20-13	R48164	2F20	8	70-69	R495R	1C7	33	20-37
R46921	1B21	1	20-25	R48164	2F24	5	70-73	R495R	1C19	8	20-51
R46922	1B21	1	20-25	R48298	2D10	24	70-5	R495R	1C21	6	20-53

# 1L19

TRACTOR - 3010

## NUMERICAL INDEX - CONTINUED

PART NO.	GRID	KEY	PAGE	PART NO.	GRID	KEY	PAGE	PART NO.	GRID	KEY	PAGE
R495R	2C21	4	60 - 19	R53014	1B12	40	20 - 15	R55745	1B21	1	20 - 25
R495R	2D10	2	70 - 5	R53031	1B18	12	20 - 21	R55746	1B21	1	20 - 25
R495R	2G6	13	70 - 80	R53169	2B15	39	50 - 21	R55851	1C2	10	20 - 31
R495R	2G20	27	70 - 95	R53196	2F13	18	70 - 61	R55910	2B11	20	50 - 17
R495R	2G22	13	70 - 97	R53247	2B13	15	50 - 19	R56038	2F24	10	70 - 73
R495R	2G24	12	70 - 99	R53284	1B25	4	20 - 29	R56039	2F20	5	70 - 69
R495R	2H2	23	70 - 101	R53284	1B25	6	20 - 29	R56059	3E4	12	90 - 27
R495R	2H11	28	70 - 111	R53285	1C2	6	20 - 31	R56064	3D10	15	90 - 7
R495R	2I2	13	70 - 128	R53289	1B25	3	20 - 29	R56064	3D16	27	90 - 13
R49510	1B3	19	20 - 6	R53290	1C2	3	20 - 31	R56462	2B15	22	50 - 21
R49510	1B10	29	20 - 13	R53291	1B25	4	20 - 29	R56463	2D10	2	70 - 5
R49510	1B12	..	20 - 15	R53292	1C2	4	20 - 31	R56463	2D16	2	70 - 11
R49510	1B25	9	20 - 29	R53293	3C2	3	80 - 29	R56464	2I1	3	70 - 127
R49510	1B25	10	20 - 29	R53294	3C2	3	80 - 29	R56481	1B10	3	20 - 13
R49528	1B18	4	20 - 21	R53295	2F24	18	70 - 73	R56481	1D10	6	30 - 8
R49529	1B18	4	20 - 21	R53296	2F13	21	70 - 61	R56481	1D10	9	30 - 8
R49540	1B1	3	20 - 4	R53296	2F13	..	70 - 61	R56481	1D13	7	30 - 11
R49540	1B3	18	20 - 6	R53296	2F20	3	70 - 69	R56481	1E5	1	30 - 32
R49540	1B3	19	20 - 6	R53296	2F21	4	70 - 70	R56481	1E9	1	30 - 36
R49540	1B5	18	20 - 8	R53409	1I17	1	40 - 79	R56481	1E12	1	30 - 39
R49540	1B6	19	20 - 9	R53410	1I17	3	40 - 79	R56481	1E17	1	30 - 44
R49540	1B8	2A	20 - 11	R53562	2F13	31	70 - 61	R56481	1E23	17	30 - 51
R49540	1B8	4	20 - 11	R53562	2G5	5	70 - 79	R56481	1H4	12	40 - 41
R49540	1B10	1	20 - 13	R53585	2A25	36	50 - 5	R56481	1H18	9	40 - 56
R49540	1B10	7	20 - 13	R53762	2F13	9	70 - 61	R56603	1C7	21	20 - 37
R49540	1B10	8	20 - 13	R53762	2F13	23	70 - 61	R56749	2D10	3	70 - 5
R49540	1B10	28	20 - 13	R54059	2G6	2	70 - 80	R56751	2D18	19	70 - 13
R49540	1B10	29	20 - 13	R54064	2G5	17A	70 - 79	R56751	2D20	2	70 - 15
R49540	1B12	..	20 - 15	R54064	2G5	17B	70 - 79	R56753	2D10	8	70 - 5
R49540	1B25	9	20 - 29	R54065	2G5	20B	70 - 79	R56754	2D12	41	70 - 7
R49540	1B25	10	20 - 29	R54114	3B23	18	80 - 26	R56755	2D12	38	70 - 7
R49540	1B25	11	20 - 29	R54123	1B10	29	20 - 13	R56755	2D14	10	70 - 9
R49540	1C4	6	20 - 34	R54123	1B12	..	20 - 15	R56755	2D18	29	70 - 13
R49540	1C5	13	20 - 35	R54170	2F15	16	70 - 63	R56755	2D20	13	70 - 15
R49540	1C5	20	20 - 35	R54170	2F18	21	70 - 67	R56756	2B15	28	50 - 21
R49540	1E3	1	30 - 29	R54242	2G14	1	70 - 89	R56756	2D12	39	70 - 7
R49579	2A25	6	50 - 5	R54467	1J1	15	40 - 86	R56756	2D14	3	70 - 9
R49579	2A25	27	50 - 5	R54541	3C19	7	80 - 47	R56757	2D12	40	70 - 7
R49667	2G18	6	70 - 93	R54563	1B3	1	20 - 6	R56757	2D14	11	70 - 9
R49668	2G18	7	70 - 93	R54563	1B3	8	20 - 6	R56757	2D18	31	70 - 13
R49865	1A25	5	20 - 3	R54563	1B5	1	20 - 8	R56757	2D20	14	70 - 15
R49865	1C19	11	20 - 51	R54563	1B5	8	20 - 8	R57034	2C9	53	60 - 7
R49865	1C21	12	20 - 53	R54565	1B3	3	20 - 6	R57158	1B10	25	20 - 13
R50610	1B12	..	20 - 15	R54565	1B3	4	20 - 6	R57159	1B10	25	20 - 13
R50610	1C2	12	20 - 31	R54565	1B3	6	20 - 6	R57269	2B25	3	50 - 31
R51305	3A23	9	80 - 2	R54565	1B3	8	20 - 6	R57300	1C16	9	20 - 48
R51409	2H4	16	70 - 103	R54565	1B5	3	20 - 8	R57300	1E20	5	30 - 47
R51409	2H4	30	70 - 103	R54565	1B5	4	20 - 8	R57300	1E20	13	30 - 47
R51414	2H4	13	70 - 103	R54565	1B5	6	20 - 8	R57300	1E21	..	30 - 48
R51415	2H4	15	70 - 103	R54565	1B5	8	20 - 8	R57300	1E22	35	30 - 49
R51648	3D14	17	90 - 11	R54750	2B15	1	50 - 21	R57300	2D25	23	70 - 21
R51648	3D14	26	90 - 11	R54750	2B15	3	50 - 21	R57300	2E2	2	70 - 23
R51648	3D18	4	90 - 15	R55079	2E8	16	70 - 30	R57300	2E2	15	70 - 23
R51671	1H18	3	40 - 56	R55396	1H18	9	40 - 56	R57300	2E6	17	70 - 27
R51821	3C2	18	80 - 29	R55596	1B21	1	20 - 25	R57300	2H8	14	70 - 108
R51908	3C2	6	80 - 29	R55597	1B21	1	20 - 25	R57559	2D23	5	70 - 19
R51944	1B13	8	20 - 16	R55618	1J8	5	40 - 94	R57584	1B19	1	20 - 22
R52195	3D8	..	90 - 5	R55678	2E15	6	70 - 37	R57696	2A25	2	50 - 5
R52408	1I11	6	40 - 73	R55678	2H6	28	70 - 105	R57696	2H24	18	70 - 125
R52498	2B9	7	50 - 15	R55737	1B21	1	20 - 25	R57696	2H24	30	70 - 125
R52499	2B9	5	50 - 15	R55738	1B21	1	20 - 25	R57696	3C14	10	80 - 41
R52499	2B9	7	50 - 15	R55739	1B21	1	20 - 25	R57696	3C14	27	80 - 41
R52773	1B3	19	20 - 6	R55740	1B21	1	20 - 25	R57696	3C18	14	80 - 46
R52773	1B6	19	20 - 9	R55741	1B21	1	20 - 25	R57778	1B23	2	20 - 27
R52773	1B8	2A	20 - 11	R55742	1B21	1	20 - 25	R57779	1B23	3	20 - 27
R52773	1B8	13	20 - 11	R55743	1B21	1	20 - 25	R57780	1B23	3	20 - 27
R52882	2B13	6	50 - 19	R55744	1B21	1	20 - 25	R57815	2C18	42	60 - 15

# 1L20

TRACTOR - 3010

## NUMERICAL INDEX - CONTINUED

PART NO.	GRID	KEY	PAGE	PART NO.	GRID	KEY	PAGE	PART NO.	GRID	KEY	PAGE
R58111	2A25	4	50 - 5	R62988	1B23	5	20 - 27	R65605	1J11	31	40 - 97
R58203	2F24	24	70 - 73	R63002	1B23	5	20 - 27	R65606	1J11	32	40 - 97
R58261	2G2	27	70 - 76	R63003	1B23	5	20 - 27	R65607	1J11	33	40 - 97
R58261	2G5	5	70 - 79	R63004	1B23	5	20 - 27	R65607	1J15	46	40 - 101
R58262	2F13	21	70 - 61	R63005	1B23	5	20 - 27	R65608	1J11	5	40 - 97
R58262	2G2	37	70 - 76	R63006	1B23	5	20 - 27	R65609	1J11	8	40 - 97
R58268	2F20	18	70 - 69	R63007	1B23	5	20 - 27	R65610	1J11	9	40 - 97
R58303	3B18	7	80 - 21	R63008	1B23	5	20 - 27	R66069	1I9	3	40 - 71
R58499	2D12	50	70 - 7	R63009	1B23	5	20 - 27	R662R	3D18	32	90 - 15
R58879	1B25	6	20 - 29	R63024	2E21	50	70 - 43	R66319	1F16	12	40 - 5
R58880	1C2	6	20 - 31	R63024	2E23	10	70 - 45	R66319	1F20	13	40 - 9
R59083	2E15	42	70 - 37	R63326	1B18	7	20 - 21	R66319	1F22	3	40 - 11
R59343	2G9	9	70 - 83	R63431	1D10	5	30 - 8	R66319	1F22	5	40 - 11
R59343	2G11	9	70 - 85	R63431	1D10	6	30 - 8	R66319	1F22	15	40 - 11
R59343	2G17	2	70 - 92	R63691	2B17	20	50 - 23	R66319	1F24	3	40 - 13
R59433	1E6	55	30 - 33	R63692	2B17	11	50 - 23	R66319	1F24	5	40 - 13
R59433	1E11	34	30 - 38	R63736	2F24	29	70 - 73	R66319	1F24	16	40 - 13
R59478	2F22	32	70 - 71	R63845	1D10	14	30 - 8	R66319	1G10	5	40 - 23
R59478	2F24	37	70 - 73	R63845	1D13	9	30 - 11	R66319	1G10	22	40 - 23
R59633	2G9	2	70 - 83	R63845	1D14	7	30 - 12	R66319	1G11	13	40 - 24
R59633	2G11	2	70 - 85	R64170	2D7	5	70 - 2	R66319	1G11	22	40 - 24
R59633	2G20	21	70 - 95	R64391	3C2	17	80 - 29	R66319	1G12	13	40 - 25
R59633	2G20	37	70 - 95	R64605	2G12	11	70 - 87	R66319	1G12	21	40 - 25
R59633	2G22	2	70 - 97	R64606	2G12	18	70 - 87	R66319	1G16	22	40 - 29
R59633	2G22	19	70 - 97	R64607	2G12	17	70 - 87	R66319	1G21	5	40 - 34
R59633	2G24	2	70 - 99	R64608	2G12	8	70 - 87	R66319	1G21	8	40 - 34
R59633	2G24	18	70 - 99	R64609	2G12	7	70 - 87	R66319	1G21	9	40 - 34
R59633	2H2	17	70 - 101	R64610	2G12	16	70 - 87	R66319	1G23	5	40 - 36
R59633	2H2	33	70 - 101	R64611	2G12	15	70 - 87	R66319	1G23	7	40 - 36
R59633	2H11	22	70 - 111	R64612	2G12	14	70 - 87	R66319	1G24	9	40 - 37
R59633	2H11	38	70 - 111	R64613	2G12	12	70 - 87	R66319	1G24	22	40 - 37
R59633	2I2	1	70 - 128	R64614	2G12	13	70 - 87	R66319	1H2	5	40 - 39
R59633	2I2	19	70 - 128	R64615	2G12	6	70 - 87	R66319	1H2	6	40 - 39
R59860	2B9	8	50 - 15	R64617	2G12	4	70 - 87	R66319	1H2	9	40 - 39
R60033	2B25	23	50 - 31	R64618	2G12	5	70 - 87	R66319	1H2	23	40 - 39
R60458	2F21	5	70 - 70	R64699	1I9	3	40 - 71	R66319	1J7	1	40 - 93
R60458	2F22	5	70 - 71	R64700	1I9	7	40 - 71	R66319	1J7	9	40 - 93
R60472	1B19	1	20 - 22	R65192	2D12	50	70 - 7	R66319	1J7	14	40 - 93
R60473	1B19	1	20 - 22	R65194	2D12	49	70 - 7	R66319	1J7	15	40 - 93
R60474	1B19	1	20 - 22	R65242	2F22	17	70 - 71	R66319	1J11	3	40 - 97
R60475	1B19	1	20 - 22	R65242	2F24	33	70 - 73	R66320	1G14	2	40 - 27
R60476	1B23	3	20 - 27	R65243	2F24	24	70 - 73	R66320	1G19	..	40 - 32
R60477	1B23	3	20 - 27	R65285	2G17	11	70 - 92	R66320	1G20	..	40 - 33
R60478	1B23	3	20 - 27	R65286	2G9	11	70 - 83	R66320	1H25	52	40 - 61
R60479	1B23	3	20 - 27	R65286	2G11	11	70 - 85	R66320	1J11	7	40 - 97
R60480	1B23	3	20 - 27	R65286	2G17	4	70 - 92	R66320	1J13	24	40 - 99
R60481	1B23	3	20 - 27	R65514	3C23	17	80 - 51	R66321	1J8	7	40 - 94
R60482	1B23	3	20 - 27	R65563	2B13	27	50 - 19	R66321	1J8	11	40 - 94
R60483	1B23	3	20 - 27	R65593	1F12	5	40 - 1	R66321	1J11	6	40 - 97
R60484	1B23	2	20 - 27	R65593	1F12	8	40 - 1	R66321	1J13	24	40 - 99
R60732	2D10	29	70 - 5	R65593	1J9	8	40 - 95	R66432	2F13	42	70 - 61
R61133	1H23	10	40 - 59	R65593	1J11	4	40 - 97	R66433	2F13	42	70 - 61
R61289	1B19	1	20 - 22	R65594	1J11	2	40 - 97	R66452	1B12	..	20 - 15
R61608	1B19	1	20 - 22	R65595	1J11	21	40 - 97	R66452	1C2	3	20 - 31
R61609	1B19	1	20 - 22	R65595	1J13	11	40 - 99	R66454	1B25	3	20 - 29
R61610	1B19	1	20 - 22	R65596	1J11	22	40 - 97	R66454	1B25	6	20 - 29
R61611	1B19	1	20 - 22	R65597	1J11	23	40 - 97	R66683	1D11	27	30 - 9
R61775	1J9	7	40 - 95	R65598	1J11	24	40 - 97	R66683	1D13	21	30 - 11
R61776	1J9	3	40 - 95	R65599	1F12	5	40 - 1	R66684	1D11	25	30 - 9
R61932	1I2	64	40 - 63	R65599	1F12	8	40 - 1	R66684	1D11	27	30 - 9
R62418	1B1	7	20 - 4	R65599	1J11	25	40 - 97	R66684	1D13	19	30 - 11
R62419	1B1	6	20 - 4	R65600	1J11	26	40 - 97	R66684	1D13	21	30 - 11
R62420	1B1	6	20 - 4	R65601	1J11	27	40 - 97	R66684	1D15	24	30 - 13
R62421	1B1	8	20 - 4	R65602	1J11	28	40 - 97	R66901	2F20	6B	70 - 69
R62955	2C9	39	60 - 7	R65602	1J15	49	40 - 101	R66901	2F24	4	70 - 73
R62986	1B23	4	20 - 27	R65603	1J11	29	40 - 97	R66923	1C2	6	20 - 31
R62987	1B23	5	20 - 27	R65604	1J11	30	40 - 97	R67989	2A23	10	50 - 3

# 1L21

TRACTOR - 3010

## NUMERICAL INDEX - CONTINUED

PART NO.	GRID	KEY	PAGE	PART NO.	GRID	KEY	PAGE	PART NO.	GRID	KEY	PAGE
R68252	2D16	24	70 - 11	R71917	1B13	1	20 - 16	R76459	2H19	5	70 - 120
R68390	2E7	11	70 - 29	R71917	1B14	1	20 - 17	R76477	1H19	2	40 - 56A
R68424	2F3	1	70 - 51	R71917	1B15	1	20 - 18	R76477	1H20	5	40 - 56B
R68425	2F3	5	70 - 51	R71917	1C19	13	20 - 51	R76477	2H19	6	70 - 120
R68426	2F3	5	70 - 51	R71917	1C21	14	20 - 53	R77456	1J13	27	40 - 99
R68427	2F3	5	70 - 51	R72127	1B12	29	20 - 15	R77457	1J13	29	40 - 99
R68428	2F3	2	70 - 51	R72127	1B12	..	20 - 15	R77458	1J13	28	40 - 99
R68625	1H6	4	40 - 43	R72127	1C2	12	20 - 31	R77459	1J13	28	40 - 99
R68625	1H8	3	40 - 45	R72433	2G5	17A	70 - 79	R77460	1J13	28	40 - 99
R68625	1H8	7	40 - 45	R72433	2G5	20B	70 - 79	R77461	1J13	28	40 - 99
R69109	1J3	1	40 - 89	R72506	2D16	28	70 - 11	R77462	1J13	25	40 - 99
R69210	2B25	23	50 - 31	R72507	2D16	23	70 - 11	R77463	1J13	30	40 - 99
R69262	2D12	50	70 - 7	R726R	1C4	15	20 - 34	R77464	1J13	26	40 - 99
R69270	3C2	18	80 - 29	R726R	1C5	11	20 - 35	R77465	1J13	31	40 - 99
R69279	2D12	41	70 - 7	R726R	3A23	15	80 - 2	R77466	1J13	33	40 - 99
R69279	2D14	15	70 - 9	R726R	3B8	34	80 - 11	R77467	1J13	34	40 - 99
R69279	2D18	30	70 - 13	R72653	2E21	8	70 - 43	R77468	1J13	32	40 - 99
R69279	2D20	12	70 - 15	R72653	2E23	46	70 - 45	R77469	1J15	35	40 - 101
R69408	2F25	3	70 - 74	R72653	2E25	6	70 - 47	R77470	1J15	45	40 - 101
R69409	2F25	3	70 - 74	R72653	2F2	6	70 - 49	R77471	1J8	7	40 - 94
R69642	2E9	12	70 - 31	R72653	2G9	22	70 - 83	R77471	1J15	45	40 - 101
R69642	2E11	6	70 - 33	R72653	2G11	22	70 - 85	R77472	1J15	45	40 - 101
R699R	1G16	16	40 - 29	R72653	2H6	16	70 - 105	R77473	1J15	45	40 - 101
R70210	1J15	41	40 - 101	R72653	2H16	5	70 - 117	R77474	1J15	44	40 - 101
R70211	1J15	40	40 - 101	R72654	1E6	23	30 - 33	R77475	1J13	13	40 - 99
R70212	1J15	41	40 - 101	R72654	1E11	5	30 - 38	R77476	1J13	3	40 - 99
R70213	1J15	40	40 - 101	R72654	1E18	42	30 - 45	R77477	1J13	4	40 - 99
R70214	1J15	41	40 - 101	R72660	3D18	17	90 - 15	R77478	1J13	15	40 - 99
R70215	1J15	40	40 - 101	R72660	3D18	33	90 - 15	R77479	1J13	5	40 - 99
R70216	1J15	41	40 - 101	R72853	1F12	3	40 - 1	R77480	1J13	6	40 - 99
R70217	1J15	40	40 - 101	R72886	2D10	24	70 - 5	R77481	1J13	7	40 - 99
R70218	1J15	41	40 - 101	R72886	2D16	18	70 - 11	R77482	1J13	8	40 - 99
R70219	1J15	40	40 - 101	R73142	1H4	21	40 - 41	R77483	1J13	16	40 - 99
R70220	1J15	50	40 - 101	R73228	2D16	25A	70 - 11	R77484	1J13	19	40 - 99
R70221	1J15	39	40 - 101	R73380	2F15	4	70 - 63	R77485	1J13	21	40 - 99
R70222	1J15	38	40 - 101	R73380	3B18	5	80 - 21	R77486	1J13	22	40 - 99
R70236	2B23	16	50 - 29	R73380	3B22	5	80 - 25	R77487	1J13	23	40 - 99
R70281	3E6	9	90 - 29	R73380	3D16	24	90 - 13	R77488	1J9	8	40 - 95
R70351	2D12	13	70 - 7	R73380	3D20	21	90 - 17	R77488	1J15	51	40 - 101
R70559	2D12	49	70 - 7	R73444	2B11	20	50 - 17	R77489	1I25	13	40 - 85
R70588	3C19	7	80 - 47	R73445	1B13	13	20 - 16	R77489	1J15	51	40 - 101
R70617	2D18	9	70 - 13	R73445	1B14	8	20 - 17	R77490	1J15	51	40 - 101
R70832	1B3	4	20 - 6	R73736	2D18	24	70 - 13	R77491	1J15	54	40 - 101
R70832	1B3	8	20 - 6	R73737	2C6	20	60 - 3	R77492	1J15	54	40 - 101
R70832	1B5	4	20 - 8	R73741	2D16	12	70 - 11	R77493	1J8	7	40 - 94
R70832	1B5	8	20 - 8	R73741	2D16	13	70 - 11	R77493	1J15	51	40 - 101
R70867	2D18	21	70 - 13	R73741	2D16	14	70 - 11	R77494	1J15	55	40 - 101
R70868	2D18	22	70 - 13	R74210	2G14	10	70 - 89	R77495	1J15	52	40 - 101
R71208	1B3	2	20 - 6	R74210	2G16	4	70 - 91	R77496	1J15	52	40 - 101
R71208	1B3	9	20 - 6	R74242	2H19	1	70 - 120	R77497	1J15	53	40 - 101
R71208	1B5	2	20 - 8	R74243	2H19	2	70 - 120	R77498	1J9	8	40 - 95
R71208	1B5	9	20 - 8	R74244	2H19	3	70 - 120	R77498	1J13	24	40 - 99
R71321	2D12	48	70 - 7	R74246	2H19	4	70 - 120	R77499	1J13	24	40 - 99
R71321	2D18	39	70 - 13	R74530	2G14	16	70 - 89	R77500	1J13	24	40 - 99
R71387	2G14	9	70 - 89	R74530	2G16	8	70 - 91	R77501	1J13	24	40 - 99
R71387	2G16	3	70 - 91	R74530	2G17	11	70 - 92	R77502	1J15	56	40 - 101
R71387	2H20	2	70 - 121	R75376	2D18	26	70 - 13	R77503	1J15	56	40 - 101
R71392	3B18	7	80 - 21	R75376	2D18	28	70 - 13	R776R	2B2	23	50 - 7
R71459	1C12	21	20 - 43	R75376	2D20	4	70 - 15	R77611	2D16	24	70 - 11
R71459	1H11	16	40 - 49	R75433	1B12	29	20 - 15	R77712	2D18	27	70 - 13
R71586	2D16	12	70 - 11	R75564	2D18	18	70 - 13	R77712	2D18	28	70 - 13
R71586	2D16	13	70 - 11	R75642	2D18	17	70 - 13	R77712	2D18	45	70 - 13
R71586	2D16	14	70 - 11	R75833	1I9	3	40 - 71	R77712	2D18	46	70 - 13
R71598	2D16	25A	70 - 11	R75879	2D18	5	70 - 13	R77712	2D18	47	70 - 13
R71851	1E25	28	30 - 53	R75938	2D18	44	70 - 13	R77712	2D18	48	70 - 13
R71908	1B13	3	20 - 16	R76126	1B1	9	20 - 4	R77712	2D20	6	70 - 15
R71908	1B14	3	20 - 17	R76341	3C2	18	80 - 29	R77714	2D18	28	70 - 13



# 1L22

TRACTOR - 3010

## NUMERICAL INDEX - CONTINUED

PART NO.	GRID	KEY	PAGE	PART NO.	GRID	KEY	PAGE	PART NO.	GRID	KEY	PAGE
R77903	2D16	22A	70 - 11	R83588	3B18	5	80 - 21	TY15155	1111	4	40 - 73
R78124	1B16	1	20 - 19	R83588	3B22	5	80 - 25	TY15155	1113	3	40 - 75
R78124	1B16	3	20 - 19	R84158	1I25	13	40 - 85	TY15263	1G17	26	40 - 30
R78257	3D16	12	90 - 13	R85027	1B5	18	20 - 8	TY15269	2F20	19	70 - 69
R78293	2D10	10	70 - 5	R85557	2D16	26A	70 - 11	TY15269	2F22	4	70 - 71
R78293	2D16	8	70 - 11	R85557	2D16	27	70 - 11	TY15269	2F22	..	70 - 71
R78436	2G9	11	70 - 83	R85558	2D16	26A	70 - 11	TY15269	2F24	38	70 - 73
R78436	2G11	11	70 - 85	R85558	2D16	26B	70 - 11	TY15276	1111	4	40 - 73
R78495	2D24	10	70 - 20	R87529	3C2	18	80 - 29	TY15857	1H8	..	40 - 45
R78495	2E4	9	70 - 25	R87627	1B6	23	20 - 9	TY16004	1A24	2	20 - 2
R78765	2G14	8	70 - 89	R87627	1C19	9	20 - 51	TY16005	1A24	3	20 - 2
R78766	2G14	13	70 - 89	R88042	1B1	8	20 - 4	TY16005	1A24	..	20 - 2
R78766	2G16	6	70 - 91	R88042	1B2	19	20 - 5	TY21733	1H3	..	40 - 40
R78767	2G14	2	70 - 89	R88043	1B1	7	20 - 4	TY22007	1A23	2	20 - 1
R78768	2G14	19	70 - 89	R88043	1B2	18	20 - 5	TY22008	1A23	2	20 - 1
R78769	2G14	17	70 - 89	R88044	1B1	6	20 - 4	TY22009	1A23	1	20 - 1
R79150	2D16	22B	70 - 11	R88044	1B2	17	20 - 5	TY22010	1A23	2	20 - 1
R79150	2D16	25A	70 - 11	R88045	1B1	6	20 - 4	TY22011	1A23	2	20 - 1
R79150	2D16	25B	70 - 11	R88045	1B2	16	20 - 5	TY2615	3E9	2	90 - 32
R79151	2D16	22B	70 - 11	R88397	1C16	16	20 - 48	TY3018	2H20	3	70 - 121
R79151	2D16	25A	70 - 11	R88397	1C17	15	20 - 49	TY6073	1H4	5	40 - 41
R79152	2D16	22B	70 - 11	R88397	1C19	6	20 - 51	TY6074	1H4	5	40 - 41
R79152	2D16	25A	70 - 11	R88397	1C21	10	20 - 53	TY6121	1H3	..	40 - 40
R79152	2D16	25B	70 - 11	R91558	2A23	24	50 - 3	TY6280	1A23	1	20 - 1
R79188	1B12	..	20 - 15	R91558	3C4	26	80 - 31	TY6297	1A23	1	20 - 1
R79266	2D18	10	70 - 13	R93219	1J16	..	40 - 102	TY6298	1A23	1	20 - 1
R79267	2D18	14	70 - 13	R93220	1J16	..	40 - 102	TY6300	1A23	1	20 - 1
R79268	2D18	13	70 - 13	R93221	1J16	..	40 - 102	TY6301	1A23	1	20 - 1
R79311	2G14	16	70 - 89	R93222	1J16	..	40 - 102	TY6311	1A23	1	20 - 1
R79311	2G16	8	70 - 91	R933R	1F1	2	30 - 54	TY6312	1A23	1	20 - 1
R79311	2G17	11	70 - 92	R934R	1F1	7	30 - 54	TY6313	1A23	1	20 - 1
R80558	2D16	28	70 - 11	R97350	1B12	30	20 - 15	TY6359	1A23	1	20 - 1
R81424	3D3	3	90 - 2	R97350	1C19	20	20 - 51	TY6360	1A23	1	20 - 1
R81424	3D4	5	90 - 3	R97350	1C21	23	20 - 53	TY6361	1A23	1	20 - 1
R81424	3D6	12	90 - 3B	R97350	1E1	1	30 - 26	TY6364	1A23	1	20 - 1
R82236	1I21	13	40 - 83	R97350	1E1	5	30 - 26	TY6389	1A23	2	20 - 1
R82236	1I23	16	40 - 83B	R97350	1E1	9	30 - 26	TY6390	1A23	2	20 - 1
R82237	1I21	11	40 - 83	R97350	1E1	11	30 - 26	TY6391	1A23	2	20 - 1
R82237	1I23	14	40 - 83B	R97350	1E1	12	30 - 26	TY6392	1A23	2	20 - 1
R82238	1I21	12	40 - 83	R97350	1E1	..	30 - 26	TY6393	1A23	2	20 - 1
R82238	1I23	15	40 - 83B	R97350	1E2	..	30 - 27	TY6394	1A23	2	20 - 1
R82239	1I21	10	40 - 83	R97350	1E3	2	30 - 29	TY6622	1F18	3	40 - 7
R82239	1I23	13	40 - 83B	R97350	1E3	4	30 - 29	TY6622	1F20	1	40 - 9
R82243	1I21	9	40 - 83	TY1435	1F14	3	40 - 3	TY6622	1G4	2	40 - 17
R82243	1I23	18	40 - 83B	TY1435	1F16	1	40 - 5	TY6622	1G8	1	40 - 21
R82355	1I21	4	40 - 83	TY1435	1G2	2	40 - 15	TY6622	1H18	1	40 - 56
R82355	1I23	4	40 - 83B	TY1435	1G6	1	40 - 19	TY6622	1H20	..	40 - 56B
R82423	1I25	8	40 - 85	TY1435	1G24	29	40 - 37	TY6622	1H25	..	40 - 61
R82425	3C2	18	80 - 29	TY1435	1H18	1	40 - 56	TY6622	1I2	..	40 - 63
R83020	1C19	5	20 - 51	TY1435	1H21	..	40 - 57	TY6663	1I21	14	40 - 83
R83020	1C21	2	20 - 53	TY1435	1H22	..	40 - 58	TY6689	1H25	31	40 - 61
R83020	1D10	18	30 - 8	TY1439	1G24	21	40 - 37	TY6689	1I2	32	40 - 63
R83020	1D13	13	30 - 11	TY1439	1H2	22	40 - 39	TY6689	1I4	1	40 - 65
R83020	1D14	11	30 - 12	TY1439	1H9	16	40 - 46	TY6689	1I4	11	40 - 65
R83021	1C19	4	20 - 51	TY1439	1H10	..	40 - 47	TY6689	1I4	..	40 - 65
R83021	1C21	4	20 - 53	TY1439	1H11	10	40 - 49	TY6689	1I5	1	40 - 66
R83021	1D10	19	30 - 8	TY1447	1G22	21	40 - 35	TY6689	1I5	..	40 - 66
R83021	1D13	12	30 - 11	TY1447	1H11	10	40 - 49	TY6690	1H21	11	40 - 57
R83021	1D14	10	30 - 12	TY1447	1H12	15	40 - 50	TY6690	1H23	1	40 - 59
R83055	1I25	9	40 - 85	TY1447	1H13	..	40 - 51	TY6690	1H23	..	40 - 59
R83103	3C2	17	80 - 29	TY1470	1F18	3	40 - 7	TY6690	1I3	1	40 - 64
R83109	1I25	11	40 - 85	TY1470	1F20	1	40 - 9	TY6690	1I3	..	40 - 64
R83508	2D10	24	70 - 5	TY1470	1G8	1	40 - 21	TY6691	1F14	3	40 - 3
R83508	2D16	18	70 - 11	TY1470	1H18	1	40 - 56	TY6691	1F16	1	40 - 5
R83535	2F20	5	70 - 69	TY1470	1H20	..	40 - 56B	TY6691	1G2	2	40 - 15
R83569	1C4	16	20 - 34	TY1470	1H25	..	40 - 61	TY6691	1G6	1	40 - 19
R83569	1C5	21	20 - 35	TY1470	1I2	..	40 - 63	TY6691	1G24	29	40 - 37

# 1L23

TRACTOR - 3010

## NUMERICAL INDEX - CONTINUED

PART NO.	GRID	KEY	PAGE	PART NO.	GRID	KEY	PAGE	PART NO.	GRID	KEY	PAGE
TY6691	1H2	30	40 - 39	T11652	1H9	12	40 - 46	T13340	2B17	6	50 - 23
TY6691	1H18	1	40 - 56	T11652	1H12	12	40 - 50	T13341	2B17	6	50 - 23
TY6691	1H21	..	40 - 57	T11655	1H25	63	40 - 61	T134452	1H19	1	40 - 56A
TY6703	1F18	3	40 - 7	T11655	1I2	68	40 - 63	T134452	1H19	10	40 - 56A
TY6703	1F20	1	40 - 9	T11656	1H9	26	40 - 46	T134452	1H20	10	40 - 56B
TY6703	1G4	2	40 - 17	T11656	1H12	19	40 - 50	T134452	3C2	19	80 - 29
TY6703	1G8	1	40 - 21	T11656	1H12	27	40 - 50	T134453	1H19	10	40 - 56A
TY6703	1G22	29	40 - 35	T11660	1H9	6	40 - 46	T134453	1H20	10	40 - 56B
TY6703	1H18	1	40 - 56	T11660	1H12	6	40 - 50	T134453	3C2	19	80 - 29
TY6703	1H20	..	40 - 56B	T11672	1H21	3	40 - 57	T134454	1H19	10	40 - 56A
TY6703	1H25	43	40 - 61	T11673	1H21	8	40 - 57	T134454	1H20	10	40 - 56B
TY6703	1H25	..	40 - 61	T11674	1H21	7	40 - 57	T134454	3C2	19	80 - 29
TY6703	1I2	45	40 - 63	T11675	1H21	9	40 - 57	T134455	1H19	10	40 - 56A
TY6703	1I2	..	40 - 63	T11682	1H21	5	40 - 57	T134455	1H20	10	40 - 56B
TY6740	1C11	8	20 - 42	T11739	1H25	61	40 - 61	T134455	3C2	19	80 - 29
TY9371	3E14	1	90 - 38	T11739	1I2	64	40 - 63	T134456	1H19	10	40 - 56A
TY9371	3E14	2	90 - 38	T11743	1H24	1	40 - 60	T134456	1H20	10	40 - 56B
T10255	1E22	23	30 - 49	T11743	1I1	1	40 - 62	T134456	3C2	19	80 - 29
T10256	1E22	2	30 - 49	T11879	1E25	16	30 - 53	T134459	1H19	2	40 - 56A
T10257	1E22	28	30 - 49	T11882	1E25	9	30 - 53	T134459	1H20	1	40 - 56B
T10258	1E22	31	30 - 49	T11883	1E25	8	30 - 53	T134459	3C2	19	80 - 29
T10259	1E22	16	30 - 49	T11884	1E25	10	30 - 53	T13471	2B17	16	50 - 23
T10260	1E22	5	30 - 49	T11899	1E25	6	30 - 53	T13857	1B8	5	20 - 11
T10262	1E22	21	30 - 49	T11906	1E25	26	30 - 53	T13857	1C4	11	20 - 34
T10263	1E22	12	30 - 49	T11917	1E25	13	30 - 53	T13857	1C5	5	20 - 35
T10264	1E22	9	30 - 49	T11918	1E25	19	30 - 53	T13857	1C7	31	20 - 37
T10265	1E22	17	30 - 49	T11921	1E25	24	30 - 53	T13857	2B15	17	50 - 21
T10265	1E22	32	30 - 49	T11921	1E25	29	30 - 53	T13858	2F18	4	70 - 67
T10266	1E22	30	30 - 49	T11934	1E25	1	30 - 53	T13859	2F18	6	70 - 67
T10267	1E22	26	30 - 49	T11939	1E25	35	30 - 53	T14031	3D12	18	90 - 9
T10268	1E22	24	30 - 49	T11940	1E25	14	30 - 53	T14031	3D18	12	90 - 15
T10269	1E22	29	30 - 49	T11940	1E25	34	30 - 53	T14032	3D12	17	90 - 9
T10270	1E22	3	30 - 49	T11941	1E25	30	30 - 53	T14032	3D18	11	90 - 15
T10273	1E22	22	30 - 49	T12083	2A23	29	50 - 3	T14033	3D12	24	90 - 9
T10274	1E22	15	30 - 49	T12210	1H23	4	40 - 59	T14033	3D20	29	90 - 17
T10275	1E22	20	30 - 49	T12210	1I3	4	40 - 64	T14034	3D12	21	90 - 9
T10276	1E22	13	30 - 49	T12351	2E25	18	70 - 47	T14035	3D12	19	90 - 9
T10277	1E22	14	30 - 49	T12351	3D18	31	90 - 15	T14035	3D18	10	90 - 15
T10278	1E22	34	30 - 49	T12459	1H6	23	40 - 43	T14036	3D12	10	90 - 9
T10279	1E22	4	30 - 49	T12590	3D12	11	90 - 9	T14037	3D12	25	90 - 9
T10280	1E22	6	30 - 49	T12860	1E25	17	30 - 53	T14037	3D20	31	90 - 17
T10281	1E22	10	30 - 49	T12870	1H10	34	40 - 47	T14038	3D12	15	90 - 9
T10397	1H22	17	40 - 58	T12870	1H11	12	40 - 49	T14038	3D18	16	90 - 15
T10514	1E19	2	30 - 46	T12870	1H13	35	40 - 51	T14250	1G16	28	40 - 29
T10702	1E10	21	30 - 37	T13073	2H22	29	70 - 123	T14251	1G16	19	40 - 29
T10702	1E14	21	30 - 41	T13073	2I1	29	70 - 127	T14264	1J3	8	40 - 89
T10745	1H9	32	40 - 46	T13119	1C10	..	20 - 41	T14415	3C8	6	80 - 35
T10745	1H11	14	40 - 49	T13119	1C12	..	20 - 43	T146102	1H19	1	40 - 56A
T10745	1H12	33	40 - 50	T13119	1C13	1	20 - 44	T146102	1H20	1	40 - 56B
T10796	1E1	15	30 - 26	T13119	1C17	11	20 - 49	T146104	1H19	10	40 - 56A
T10804	1E1	8	30 - 26	T13206	1G16	17	40 - 29	T146104	1H20	10	40 - 56B
T10804	1E2	5	30 - 27	T13215	1G16	15	40 - 29	T146106	1H19	10	40 - 56A
T11234	2F2	10	70 - 49	T13325	2B17	27	50 - 23	T146106	1H20	10	40 - 56B
T11290	1E25	18	30 - 53	T13326	2B17	17	50 - 23	T146105	1H19	10	40 - 56A
T11292	1C21	8	20 - 53	T13327	2B17	20	50 - 23	T146515	1H20	10	40 - 56B
T11292	1E25	7	30 - 53	T13328	2B17	2	50 - 23	T146515	1H19	10	40 - 56A
T11292	1F7	15	30 - 60	T13329	2B17	10	50 - 23	T146516	1H20	10	40 - 56B
T11334	1E22	27	30 - 49	T13330	2B17	11	50 - 23	T146517	1H19	10	40 - 56A
T11648	1H10	35	40 - 47	T13331	2B17	15	50 - 23	T146517	1H20	10	40 - 56B
T11648	1H13	36	40 - 51	T13332	2B17	15	50 - 23	T14664	3D12	12	90 - 9
T11649	1H9	13	40 - 46	T13333	2B17	15	50 - 23	T15271	1G11	4	40 - 24
T11649	1H12	13	40 - 50	T13334	2B17	30	50 - 23	T15271	1G12	4	40 - 25
T11650	1H9	19	40 - 46	T13335	2B17	24	50 - 23	T15539	1B10	24	20 - 13
T11650	1H9	20	40 - 46	T13336	2B17	24	50 - 23	T15539	1B19	2	20 - 22
T11650	1H12	21	40 - 50	T13337	2B17	24	50 - 23	T15539	1B23	6	20 - 27
T11651	1H9	11	40 - 46	T13338	2B17	24	50 - 23	T15712	1E25	4	30 - 53
T11651	1H12	11	40 - 50	T13339	2B17	6	50 - 23	T15715	1E25	27	30 - 53

# 1L24

TRACTOR - 3010

## NUMERICAL INDEX - CONTINUED

PART NO.	GRID	KEY	PAGE	PART NO.	GRID	KEY	PAGE	PART NO.	GRID	KEY	PAGE
T15721	1E25	28	30 - 53	T25317	2B15	14	50 - 21	T84413	3C2	19	80 - 29
T17058	1H21	10	40 - 57	T25317	2B19	24	50 - 25	T84578	1H19	10	40 - 56A
T17148	2C6	4	60 - 3	T25879	2F25	4	70 - 74	T84578	1H20	10	40 - 56B
T17947	1E25	25	30 - 53	T26256	1E25	1	30 - 53	T84578	3C2	19	80 - 29
T17951	1E25	26	30 - 53	T26565	2A23	12	50 - 3	U11647	2H20	1	70 - 121
T17951	2H4	44	70 - 103	T26565	2B4	13	50 - 9	U13639	1B10	5	20 - 13
T17953	1E25	23	30 - 53	T26565	2B4	17	50 - 9	U13639	1B10	29	20 - 13
T17987	1H21	1	40 - 57	T27155	3D3	1	90 - 2	U13639	1B12	..	20 - 15
T18105	1H23	8	40 - 59	T27155	3D4	8	90 - 3	U13639	2D8	1	70 - 3
T18105	1I3	8	40 - 64	T27261	1C13	6	20 - 44	U13639	2D10	14	70 - 5
T18106	1I5	16	40 - 66	T27860	1B16	2	20 - 19	U13639	2D10	16	70 - 5
T18107	1H23	12	40 - 59	T27860	1B16	3	20 - 19	U13639	2D10	..	70 - 5
T18107	1I5	12	40 - 66	T28583	1J11	34	40 - 97	U13639	2D16	12	70 - 11
T18108	1H23	4	40 - 59	T28583	1J13	1	40 - 99	U15969	2G12	21	70 - 87
T18108	1I3	4	40 - 64	T28585	1J8	7	40 - 94	U40746	1C19	9	20 - 51
T18109	1H23	10	40 - 59	T28585	1J11	35	40 - 97	U46370	1J11	36	40 - 97
T18109	1I3	10	40 - 64	T28585	1J13	12	40 - 99	U46370	1J13	20	40 - 99
T18110	1I5	2	40 - 66	T28586	1J13	14	40 - 99	U46662	1I25	12	40 - 85
T18113	1H21	7	40 - 57	T29242	2B17	17	50 - 23	U46662	1J8	7	40 - 94
T18353	1H9	18	40 - 46	T30738	1E23	22	30 - 51	U46662	1J11	37	40 - 97
T18353	1H12	17	40 - 50	T31157	1E12	26	30 - 39	U46662	1J13	10	40 - 99
T18353	1H22	4	40 - 58	T31164	1E12	20	30 - 39	U46663	1J11	38	40 - 97
T18353	1H25	44	40 - 61	T32231	1J8	5	40 - 94	U46664	1J11	39	40 - 97
T18353	1I2	46	40 - 63	T32554	1E14	39	30 - 41	U46664	1J15	47	40 - 101
T18354	1H23	4	40 - 59	T34067	1J13	18	40 - 99	1838436	1H21	22	40 - 57
T18354	1I3	4	40 - 64	T35554	1E12	23	30 - 39	1847289	1H6	10	40 - 43
T18717	2B17	20	50 - 23	T35695	2D25	40	70 - 21	1847643	1H6	32	40 - 43
T18718	2B17	20	50 - 23	T35695	2E2	19	70 - 23	1869704	1H6	35	40 - 43
T18718	2B17	30	50 - 23	T40308	2D12	34	70 - 7	1873796	1H21	25	40 - 57
T18996	2B17	31	50 - 23	T40308	2D14	17	70 - 9	1881371	1H6	1	40 - 43
T19088	1H6	33	40 - 43	T40308	2D18	46	70 - 13	1881371	1H8	1	40 - 45
T19088	1H8	15	40 - 45	T40308	2D20	18	70 - 15	1882965	1H6	34	40 - 43
T19566	3E14	3	90 - 38	T43514	3E14	1	90 - 38	1885557	1H6	29	40 - 43
T19604	1H23	6	40 - 59	T55501	1I7	1	40 - 68	1885558	1H6	30	40 - 43
T19604	1I3	6	40 - 64	T55501	1I7	2	40 - 68	1889966	1H6	37	40 - 43
T19606	1H23	2	40 - 59	T55501	1I8	1	40 - 69	1889967	1H6	7	40 - 43
T19606	1H23	5	40 - 59	T55501	1I8	2	40 - 69	1889999	1H6	9	40 - 43
T19606	1I3	2	40 - 64	T55501	1I9	11	40 - 71	1900119	1H6	39	40 - 43
T19606	1I3	5	40 - 64	T57374	2D12	35	70 - 7	1902692	3E6	30	90 - 29
T19609	1H23	11	40 - 59	T57374	2D14	18	70 - 9	1904292	1H6	26	40 - 43
T19609	1I3	11	40 - 64	T57374	2D18	47	70 - 13	1904292	1H8	25	40 - 45
T19909	1H24	30	40 - 60	T57374	2D20	19	70 - 15	1905590	1H6	40	40 - 43
T19909	1I1	31	40 - 62	T61939	2D25	40	70 - 21	1909003	1H6	3	40 - 43
T20055	1C21	8	20 - 53	T61939	2E2	19	70 - 23	1909206	1H4	20	40 - 41
T20055	1E23	13	30 - 51	T735T	1H22	16	40 - 58	1909206	1H6	16	40 - 43
T20055	1E25	2	30 - 53	T736T	1H22	19	40 - 58	1909273	1H6	21	40 - 43
T20055	1E25	7	30 - 53	T738T	1H22	15	40 - 58	1909273	1H8	8	40 - 45
T20055	1F7	15	30 - 60	T739T	1H22	14	40 - 58	1909654	1H24	3	40 - 60
T20077	1B4	26	20 - 7	T740T	1H22	13	40 - 58	1913534	1H25	39	40 - 61
T20077	1B6	26	20 - 9	T741T	1H22	21	40 - 58	1914142	1H6	14	40 - 43
T20129	1B6	27	20 - 9	T743T	1H22	7	40 - 58	1914144	1H6	16	40 - 43
T20287	1B4	25	20 - 7	T84409	1H19	2	40 - 56A	1914309	1H6	38	40 - 43
T22381	2E2	21	70 - 23	T84409	1H20	1	40 - 56B	1916529	1H24	30	40 - 60
T22404	1I19	11	40 - 81	T84409	3C2	16	80 - 29	1916529	1I1	31	40 - 62
T23519	2B7	8	50 - 13	T84409	3C2	19	80 - 29	1916805	1H6	13	40 - 43
T23925	1I18	3	40 - 80	T84410	1H19	1	40 - 56A	1916806	1H6	15	40 - 43
T24319	1H6	28	40 - 43	T84410	1H19	10	40 - 56A	1917312	1H6	11	40 - 43
T24331	1H6	19	40 - 43	T84410	1H20	10	40 - 56B	1923301	1H6	2	40 - 43
T25151	1E12	23	30 - 39	T84410	3C2	19	80 - 29	1931784	1H25	38	40 - 61
T25151	1E14	39	30 - 41	T84411	1H19	10	40 - 56A	1931784	1I2	39	40 - 63
T25152	1E12	21	30 - 39	T84411	1H20	10	40 - 56B	1931812	1H25	63	40 - 61
T25152	1E14	37	30 - 41	T84411	3C2	19	80 - 29	1937455	1H6	27	40 - 43
T25153	1E14	40	30 - 41	T84412	1H19	10	40 - 56A	37517	1H21	23	40 - 57
T25154	1E12	22	30 - 39	T84412	1H20	10	40 - 56B	400R	2C6	12	60 - 3
T25154	1E14	38	30 - 41	T84412	3C2	19	80 - 29	400R	2C8	6	60 - 6
T25155	1E14	42	30 - 41	T84413	1H19	10	40 - 56A	400R	2C16	15	60 - 13
T25156	1E14	41	30 - 41	T84413	1H20	10	40 - 56B	400R	2C18	15	60 - 15

# 1L25

TRACTOR - 3010

## NUMERICAL INDEX - CONTINUED

PART NO.	GRID	KEY	PAGE	PART NO.	GRID	KEY	PAGE	PART NO.	GRID	KEY	PAGE
400R	2C18	31	60 - 15								
400R	2E15	43	70 - 37								
400R	2F7	68	70 - 55								
400R	2G9	12	70 - 83								
400R	2G11	12	70 - 85								
400R	2G20	26	70 - 95								
400R	2G22	14	70 - 97								
400R	2G24	13	70 - 99								
400R	2H2	22	70 - 101								
400R	2H6	7	70 - 105								
400R	2H11	27	70 - 111								
400R	2I2	14	70 - 128								
405R	2C9	30	60 - 7								
405R	2C16	25	60 - 13								
405R	2C18	28	60 - 15								
405R	2C25	4	60 - 23								
405R	2D1	4	60 - 24								
80-171	1E5	10	30 - 32								
810074	1H6	19	40 - 43								
810074	1H8	6	40 - 45								
810078	1H6	19	40 - 43								
810620	1H22	20	40 - 58								
811735	1H6	41	40 - 43								
811912	1H6	4	40 - 43								
811912	1H8	3	40 - 45								
811912	1H8	7	40 - 45								
816784	1H6	33	40 - 43								
816784	1H8	15	40 - 45								
817363	1H6	12	40 - 43								
819639	1H6	28	40 - 43								
820148	1H21	16	40 - 57								
820149	1H21	17	40 - 57								
820445	1H6	40	40 - 43								
829421	1H6	20	40 - 43								