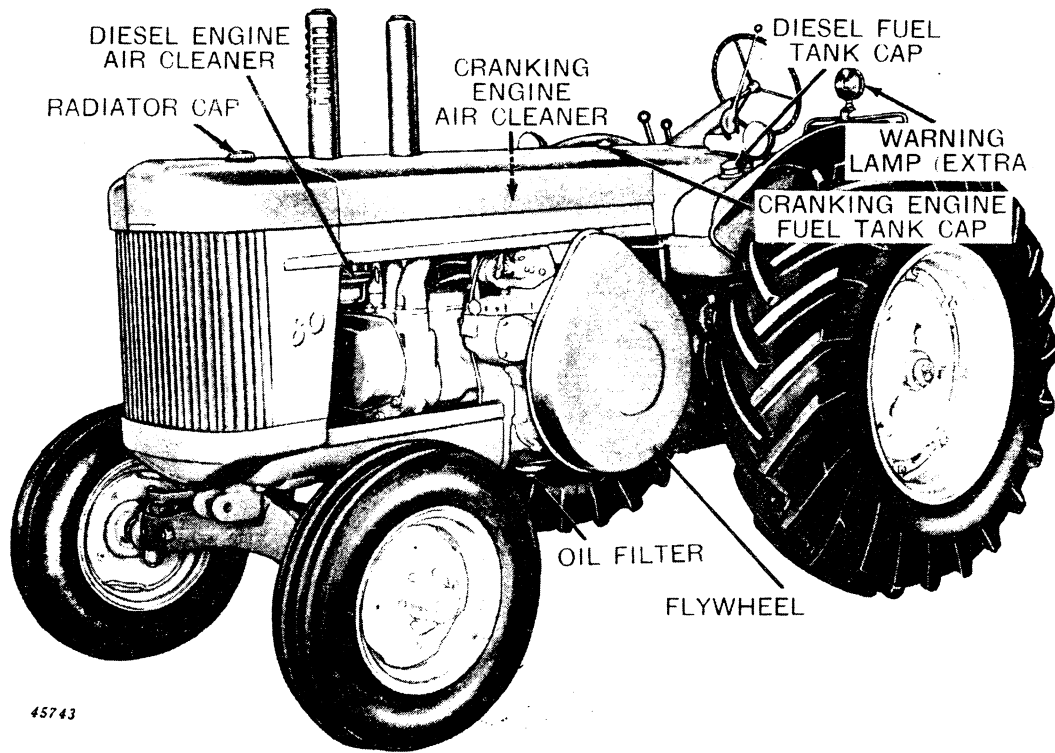




JOHN DEERE
Parts Catalog

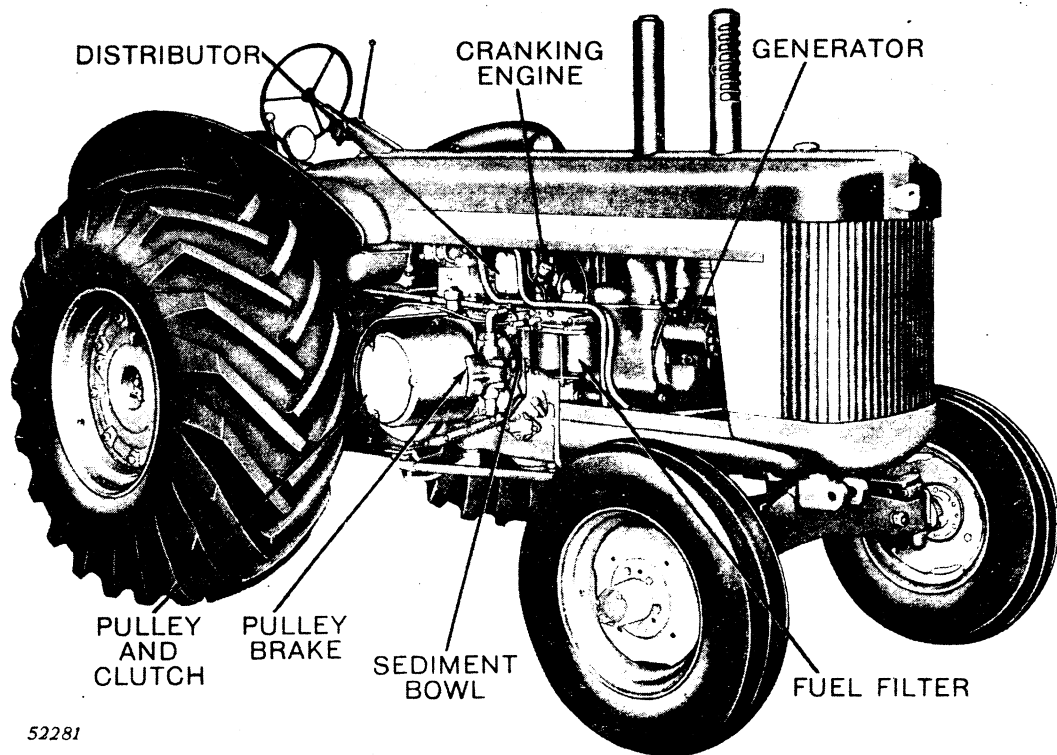
80, 820, 830 AND 830I TRACTORS

PC766



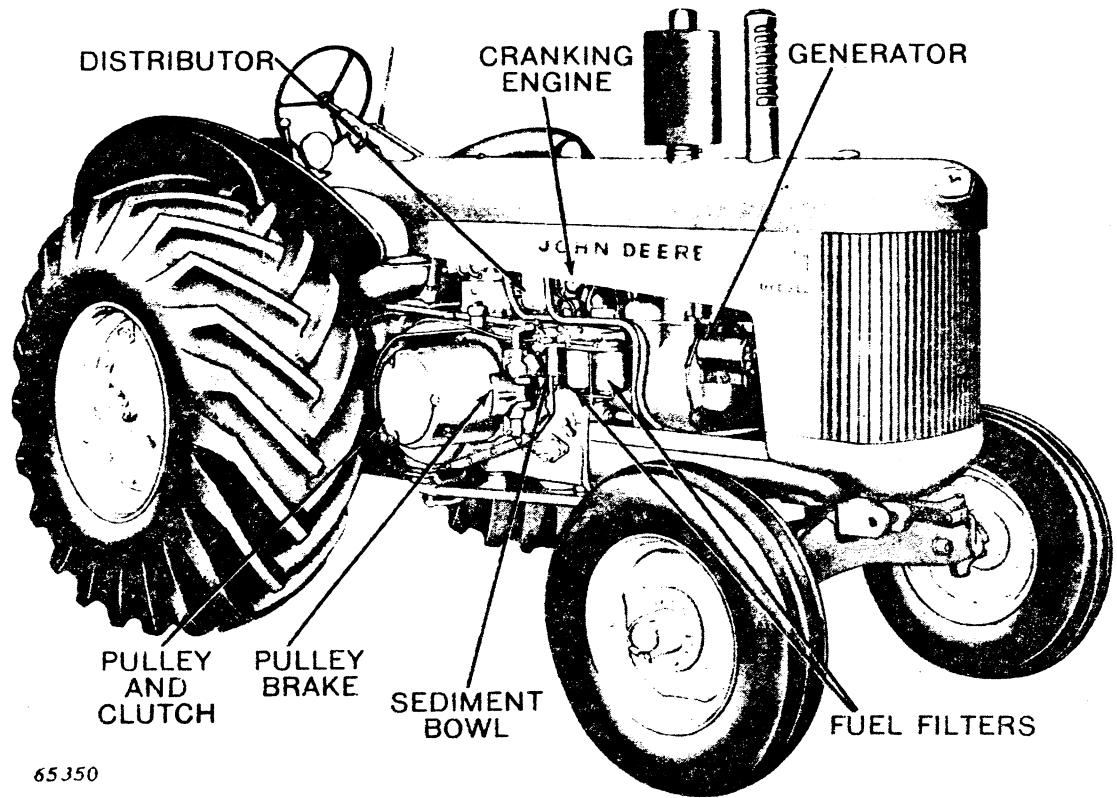
45743

John Deere 80 Tractor
(Serial No. 8000001-8199999)



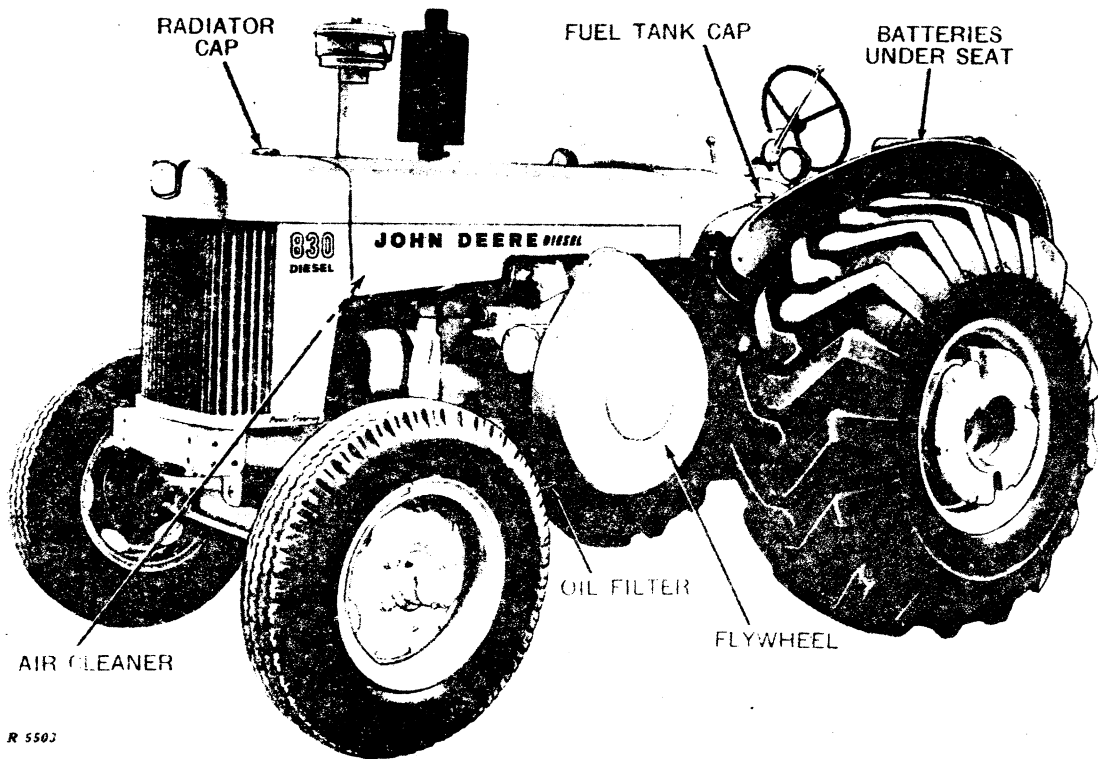
52281

John Deere 820 Tractor
(Serial No. 8200000-8299999)



65350

John Deere 830 Tractor with V-4 Gasoline Cranking Engine--
(Serial No. 8300000-)



R 5503

John Deere 830-I Tractor with V-4 Gasoline Cranking Engine--
(Serial No. 8300000-)

EXPLANATION OF SERIAL NUMBERS

80 Series Tractors bear Serial Numbers 8000001-8199999.

820 Series Tractors bear Serial Numbers 8200000-8299999.

830 and 830-I Tractors bear Serial Numbers 8300000 and up.

Cranking engines have separate Serial Numbers on 820, 830, and 830-I Tractors, beginning with Serial Number 8203100.

Serial number information given on any page is applicable only to parts listed and illustrated on that page.

When the parentheses include only the dash..... (-)
the part is used on all 80, 820, 830, and 830-I Tractors.

When a serial number appears before the dash (0000000-)
the part was introduced beginning with that serial number and is still being used.

When a serial number appears after the dash (-0000000)
the part was used up to and including that serial number but was not used after that serial number.

When serial numbers appear both before and after the dash..... (0000000-0000000)
the part was used beginning with the first serial number but was not used after the second serial number.

When a serial number begins with DRCV, SRCV, or 4RC (DRCV000-)
it refers to the Powr-Trol or remote cylinder, and not to the tractor.

830 TRACTOR STARTING METHODS

830 Tractors are started by one of two methods:

- (1) Gasoline cranking engine starting.
- (2) Electric cranking motor starting.

In this catalog, parts or assemblies which apply only to tractors started by gasoline cranking engine are identified by (C.E.) in the heading or description column. Parts or assemblies which apply only to tractors started by electric cranking motor are identified by (ELEC.).

EXPLANATION OF PACKAGED PARTS

For added protection and ease of handling between the factory and branch houses and between the branch houses and most dealers, some parts which appear in this catalog, such as gaskets, are packed in packages which contain more than one of the part—usually five or ten. Dealers may order either the packages or the individual parts from the branch houses. However, when possible the package or multiples of the package should be specified.

These parts should not be confused with other packaged items which are packaged in certain quantities but cannot be ordered individually.

Both types of packaged parts are identified by a statement which appears in the Description Column.

When the statement reads "Packed 5 in a pkg." or "Packed 10 in a pkg.," etc., dealers may order either the packages or the individual parts from the branch houses. The packages bear the same part number as the individual parts.

When the statement reads "Pkg. of 2" or "Pkg. of 6," etc., the parts cannot be ordered individually. The number which appears in the Part Number Column is a "package" number and not the part number of the individual part.

SECTIONAL INDEX

	Pages		Pages
Section 5—General Information..	5-1 to 5-5	Section 55—Steering Mechanism,	
Section 10—Front End Support		Front Axle and Wheels.....	55-2 to 55-15
and Engine and Transmission		Section 60—Instrument Panel,	
Case	10-2 to 10-9	Gauges, Speed-Hour Meter,	
Section 15—Engine	15-2 to 15-15	Hood, Grille, and Fenders	60-2 to 60-13
Section 20—Pulley and Clutch....	20-2 to 20-7	Section 65—Drawbar, Step, and	
Section 25—Cooling System	25-2 to 25-7	Seats.....	65-2 to 65-12
Section 30—Governor.....	30-2 to 30-7	Section 70—Powershaft and	
Section 35—Fuel System.....	35-2 to 35-14	Powershaft Clutch.....	70-1 to 70-11
Section 40—Electrical System	40-1 to 40-41	Section 75—Hydraulic Mechan-	
Section 45—Transmission, Differ-		ism	75-2 to 75-14
ential, Final Drive, and		Section 80—Decals and Gasket	
Brakes	45-2 to 45-13	Kits.....	80-1 to 80-11
Section 50—Power Steering	50-2 to 50-11	Section 85—Cranking Engine.....	85-2 to 85-28
		Section 90—Numerical Index	90-1 to 90-14

TRACTOR AND DIESEL ENGINE
ALPHABETICAL INDEX

A	Page		Page
Air cleaner	35-2	Cranking motor (Parts)	40-18
Auxiliary reservoir	70-1	Crankshaft	15-6
		Cylinder block	15-10
		Cylinder head	15-12
		Cylinder, remote	75-12
		D	
		Dash	60-10
		Decalcomania sets	80-7, 8, 9, 10
		Differential	45-8
		Distributor, cranking engine	85-22
		Drag link	55-5, 6
		Drawbar	65-10
		E	
		Electrical outlet socket	40-22, 30, 32
		Engine replacement assemblies	10-1
		Exhaust pipe	15-14, 15
		F	
		Fan	25-4
		Fan drive, front (Manual steering).....	25-5
		Fan drive, rear	25-4
		Fan shaft support.....	25-4
		Fenders and extensions.....	60-10, 12
		Final drive	45-10
		Flasher, warning lamp.....	40-41
		Flywheel	15-8
		Frame, float ride seat	65-6
		Front axle.....	55-8
		Front bumper (830-I)	10-3
		Front end support	10-4
		Front end support (830-I).....	10-5
		Front fan drive and power steering pump	50-2
		Front wheels	55-10, 11, 12, 13
		Fuel filters	35-6
		Fuel gauge	35-14
		Fuel injection pump.....	35-8, 10, 11
		Fuel injection system.....	35-8
		Fuel pump	35-6
		Fuel tank	35-4

ALPHABETICAL INDEX -- Continued

	Page		Page
G		R	
Gasket kits	80-1, 2, 3, 4, 5, 6	Pump, water	25-3
Gauge, fuel	35-14	S	
Gauges	60-2, 3, 4	Seat, Float-Ride	65-7, 8
Gear, camshaft	15-13	Seat, regular	65-2
Gearshift	45-2	Shifter shafts	45-3
Gearshift forks	45-3	Shutter	25-6
Gear, sliding gear shaft drive	45-4	Sliding gear shaft	45-4
Generator and mounting bracket	40-2, 3	Socket, electrical outlet	40-22, 30, 32
Generator (Parts)	40-4, 6, 8	Solenoid switch (Elec.)	40-16, 17
Governor	30-2	Speed-hour meter	60-5
Grille	60-8, 9	Starting controls	30-6
H		Starting motor (Parts)	40-12
Hood	60-6, 7	Steering arm	55-5, 6
Hose clamps, worm drive type	75-14	Steering gear and shaft (Manual steering)	55-4
Hose, remote cylinder	75-10, 12, 14	Steering gear and shaft (Power steering)	50-8
Housing, dual Powr-Trol valve	75-6	Steering valve (Power steering)	50-6
Housing, powershaft and Powr-Trol	70-4, 10	Steering wheels and shaft (Manual steering)	55-2
Housing, single Powr-Trol valve	75-8	Steering wheel, shaft, and worm (Power steering)	50-4
Housing, timing gear	15-8	Step	65-12
I		Switch, ignition	40-27, 28, 29
Implement warning lamp	39-40	T	
Injector nozzle	35-8, 12, 13	Tappets	15-13
Instrument panel	60-2, 3, 4	Thermostat	25-2
Instrument panel wiring	40-24, 25	Tie rods	55-5, 6
L-M-N		Tool box	60-1C
Lamp, dash	40-27, 28, 29	Tools	65-12
Lamp, implement warning	40-39, 40	Tractor cabs	60-13
Lamps, front and rear (Parts)	40-36, 37, 38	Transmission	45-4, 5
Main bearings	15-6	Truss rods	65-10
Mirror, rear view	80-11	Tubes, oil, power steering	50-1C
Muffler and exhaust pipe	15-14, 15	Tubes, oil, Powr-Trol pump	75-4
Nozzle, injector	35-8, 12, 13	V-W	
O		Valve housing, dual Powr-Trol	75-6
Oil filter and oil pipes	15-4	Valve housing, single Powr-Trol	75-8
Oil heater	10-9	Valves	15-12
Oil line, flexible, bulk	75-14	Voltage regulator	40-2, 4, 10, 11
Oil pump drive, engine	15-2	Warning lamp	40-39, 40
Oil pump drive, transmission	70-2	Warning lamp flasher	40-41
Oil pump, engine	15-3	Water heater	10-9
Oil pump, transmission	45-6	Water pump	25-3
Oil tubes, power steering	50-10	Weather brake	60-13
Oil tubes, Powr-Trol pump	75-4	Weight, front bumper	10-3
Operator's manual	80-11	Weight, front end support	10-4
P		Wheels, front	55-10, 11, 12, 13, 14
Piston rings	15-10	Wheels, rear	55-12
Pistons	15-10	Wiring	40-22, 24, 25, 30, 32, 34, 35
Platform	60-10		
Powershaft	70-11		
Powershaft clutch	70-6		
Powershaft drive	70-2		
Pre-cleaner	35-2		
Pulley	20-6		
Pump, fuel	35-6		
Pump, fuel injection	35-8, 10, 11		
Pump, oil, engine	15-3		
Pump, oil, transmission	45-6		
Pump, powershaft	70-4		
Pump, power steering	50-2		
Pump, Powr-Trol	75-2		

CRANKING ENGINE
ALPHABETICAL INDEX -- Continued

	Page		Page
Air cleaner	85-16, 17	Fuel tank	85-11, 12
Cam followers	85-9	Gasket set	80-6
Camshaft	85-9	Governor	85-20
Carburetor	85-14	Main bearing	85-6
Choke lever	85-20	Manifold	85-10
Clutch	85-24	Oil pump	85-4
Connecting rods	85-6	Piston rings	85-6
Control, throttle	85-20	Pistons	85-6
Cooling system	85-18	Pumps, oil	85-4
Cover, crankcase	85-2	Pump, water	85-18
Cover, timing gear	85-2	Spark plugs	85-22
Crankshaft	85-6	Starting motor	40-6
Cylinder block	85-2	Switch, ignition	40-27, 28
Cylinder head	85-8	Tappets	85-8
Distributor	85-22	Transmission	85-26
Exhaust pipe	85-10	Valves	85-8
Flywheel	85-6	Water pump	85-18

MEMORANDA

ENGINE REPLACEMENT ASSEMBLIES

Crankshaft with Bearing Group

This group is made up of three assemblies—(1) of crankshaft, (2) of main bearing housing with bushings and connecting rod bushings, (3) of gaskets.

Crankshaft with Bearing Group

- Order: 1—AR 1402R Crankshaft
 1—AR 1432R Main Bearing Housing with Bushings and Connecting Rod Bushings (8000001-8299999)
 1—AR20594R Main Bearing Housing with Bushings, Connecting Rod Bushings, and Center Main Bearing Bushings (8300000-)
 1—AR 1420R Gasket Set*

Cylinder Block, Pistons, Rings, and Gasket Set

This group is made up of three assemblies—(1) of cylinder block, (2) of pistons with rings and pins, (3) of gaskets.

Cylinder Block, Pistons, Rings, and Gasket Group

- Order: 1—AR 1380R Cylinder Block (8000001-8203099) (Sub. AR1807R)
 1—AR 1807R Cylinder Block (8203100-)
 1—AR 1820R Pistons, with Rings and Pins (8000001-8203099) (Sub. for AR1385R)
 1—AR 1821R Pistons, with Rings and Pins (8203100-)
 1—AR 1419R Gasket Set* (8000001-8203099)
 1—AR 1889R Gasket Set* (8203100-)

Combination Cylinder Block and Crankshaft Group

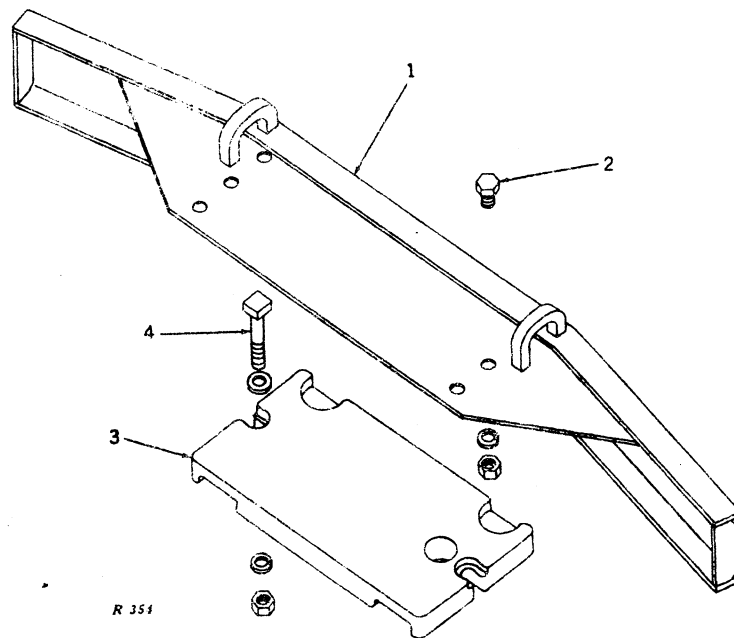
This group is made up of six assemblies (or two groups)—Crankshaft with bearings and cylinder block with pistons, rings, gaskets, etc., (1) crankshaft, (2) main bearing housing with bushings and connecting rod bushings, (3) of cylinder block, (4) pistons with rings and pins, (5 and 6) gaskets.

Cylinder Block and Crankshaft Group

- Order: 1—AR 1380R Cylinder Block (8000001-8203099) (Sub. AR1807R)
 1—AR 1807R Cylinder Block (8203100-)
 1—AR 1820R Pistons, with Rings and Pins (8000001-8203099) (Sub. for AR1385R)
 1—AR 1821R Pistons, with Rings and Pins (8203100-)
 1—AR 1402R Crankshaft
 1—AR 1432R Main Bearing Housing with Bushings and Connecting Rod Bushings (8000001-8299999)
 1—AR20594R Main Bearing Housing with Bushings, Connecting Rod Bushings, and Center Main Bearing Bushings (8300000-)
 1—AR 1419R Gasket Set* (8000001-8203099) (Sub. AR1889R)
 1—AR 1420R Gasket Set*
 1—AR 1889R Gasket Set* (8203100-)

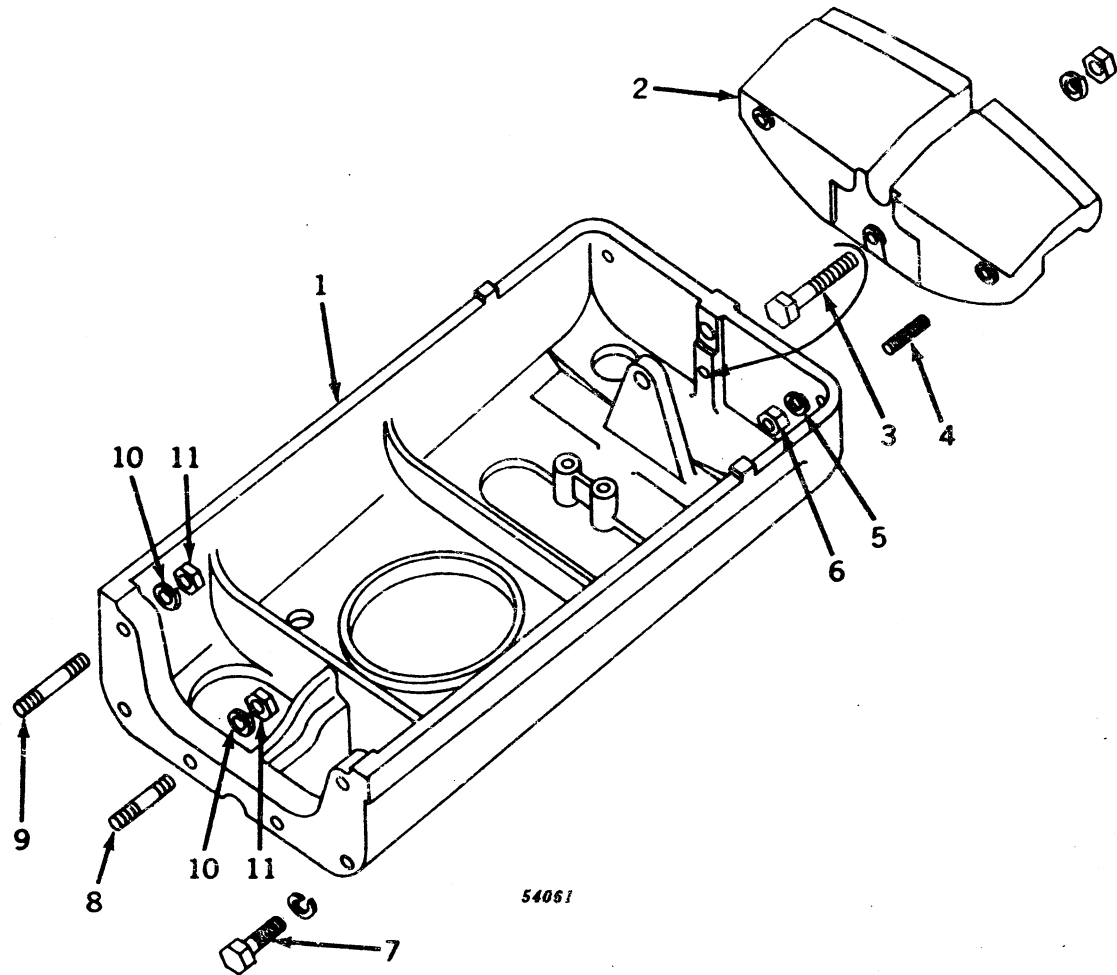
*For Illustrations and Contents of Gasket Sets, See Gasket Set Groupings.

FRONT BUMPER (830-I Only)



Key	Part No.	Serial No.	Description
1	AR 21417 R	(-)	Bumper with plate (do not stock)
2	19H 1363 R	(-)	Screw, cap, high-strength, 3/4" x 1-7/8" (6 used)
	14H 404 R	(-)	Nut, hex., 3/4" (6 used)
	12H 75 R	(-)	Washer, lock, 3/4" (6 used)
3	R 21520 R	(-)	Weight, front (3 used) (do not stock)
4	8H 1590 R	(-)	Bolt, square, 3/4" x 7-1/2" (2 used)
	14H 400 R	(-)	Nut, hex., front weight to front weight support screw, 3/4" (2 used)
	12H 17 R	(-)	Washer, lock, 3/4" (2 used)
	24H 1022 R	(-)	Washer, 25/32" x 1-7/8" x .250" (2 used)
Parts listed below are not illustrated.			
	AR 21820 R	(-)	Support, front bumper, R.H. (do not stock)
	AR 21821 R	(-)	Support, front bumper, L.H. (do not stock)
	12H 19 R	(-)	Washer, lock, 7/8" (15 used)
	19H 1637 R	(-)	Screw, cap, 7/8" x 2", bumper support to frame, front (8 used)
	A 2476 R	(-)	Screw, special cap, bumper support to frame, rear (7 used)
	19H 1667 R	(-)	Screw, cap, 7/8" x 2-3/4", R.H. truss rod bracket to frame

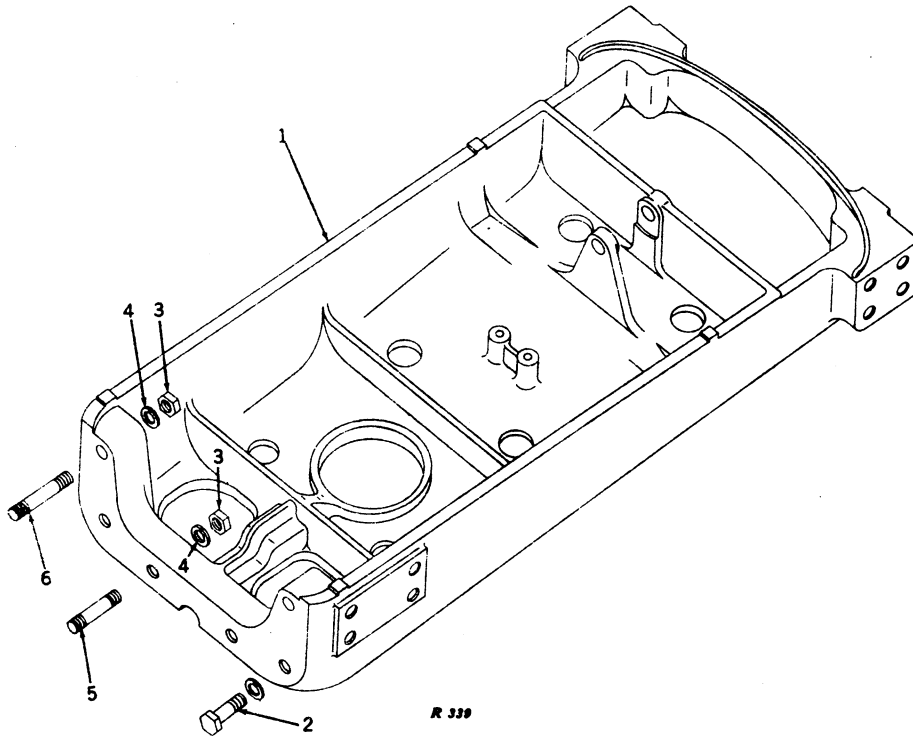
FRONT END SUPPORT



Key	Part No.	Serial No.	Description
1	R 1530 R	(-)	Support, front end (on 8000001-8000800 also furnish one 14H760R and one 19H1650R) (on 8000001-8199999 also furnish one 19H1116N, one 19H988N, and two 14H812C)
2	R 1871 R	(-)	WEIGHT, FRONT END SUPPORT (DO NOT STOCK) (ATTACHMENT)
3	19H 1373 R	(-8000800)	Screw, cap, 5/8" x 2" (sub. for 19H1365R)
	19H 1650 R	(8000801-)	Screw, cap, 5/8" x 5-1/4"
	14H 760 R	(8000801-)	Nut, 5/8", special hex. (sub. for A5772R)
	12H 15 R	(-)	Washer, lock, 5/8"
4	B 1333 R	(-)	Stud, 5/8" x 2-1/2" (2 used)
5	12H 15 R	(-)	Washer, lock, 5/8" (2 used)
6	14H 760 R	(-)	Nut, 5/8", special hex. (2 used) (sub. for A5772R)
7	19H 1425 R	(-)	Screw, cap, 3/4" x 2-3/4" (2 used)
	12H 17 R	(-)	Washer, lock, 3/4" (2 used)
8	D 2266 R	(-)	Stud, 3/4" x 3-3/4" (2 used)
9	F 2236 R	(-)	Stud, 3/4" x 4-1/2" (2 used)
10	12H 17 R	(-)	Washer, lock, 3/4" (4 used)
11	14H 400 R	(-)	Nut, 3/4" (4 used) (sub. for A5405R)

Capital letters indicate an attachment. Attachments must be listed on separate orders from replacement parts.

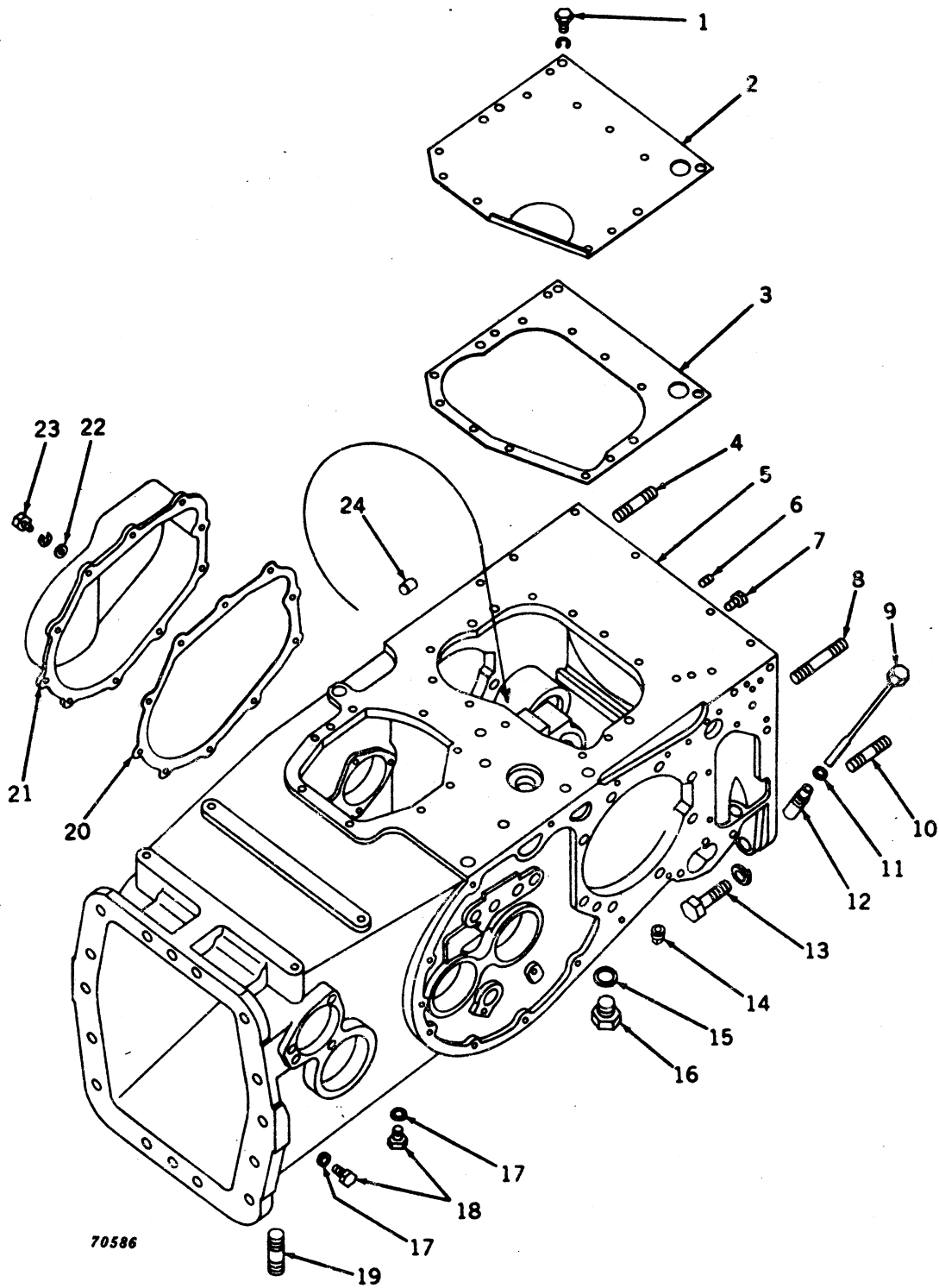
FRONT END SUPPORT (830-I Only)



R 330

Key	Part No.	Serial No.	Description
1	R 20040 R	(-)	Support, front end
2	19H 1425 R	(-)	Screw, cap, high-strength, 3/4" x 2-3/4" (2 used)
	12H 17 R	(-)	Washer, lock, 3/4" (2 used)
3	14H 400 R	(-)	Nut, 3/4" (4 used) (sub. for A5405R)
4	12H 17 R	(-)	Washer, lock, 3/4" (4 used)
5	D 2266 R	(-)	Stud, 3/4" x 3-3/4" (2 used)
6	F 2236 R	(-)	Stud, 3/4" x 4-1/2" (2 used)

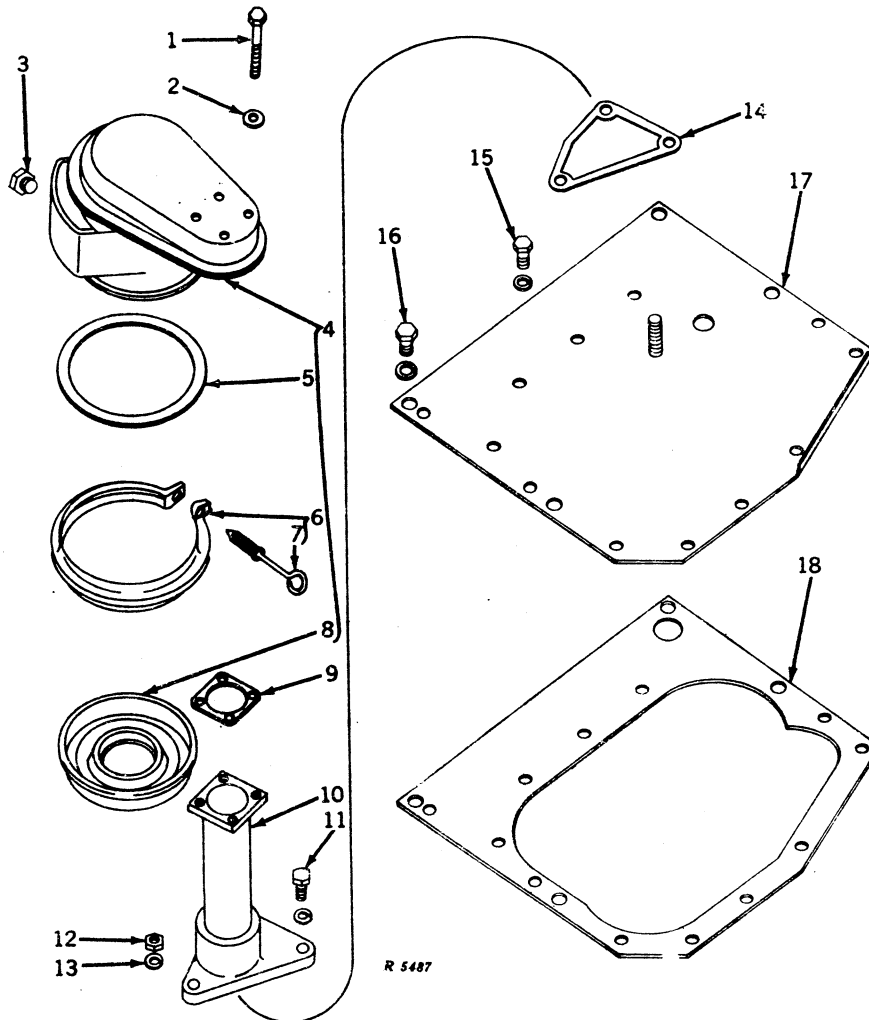
ENGINE AND TRANSMISSION CASE AND COVERS



ENGINE AND TRANSMISSION CASE AND COVERS -- Continued

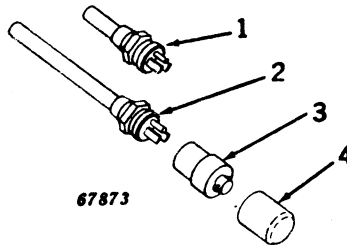
Key	Part No.	Serial No.	Description
1	19H 1112 H	(-)	Screw, cap, 5/16" x 3/4" (10 used)
	12H 10 R	(-)	Washer, lock, 5/16" (10 used)
2	R 1442 R	(-)	Cover, crankcase (C.E.)
	AR 20469 R	(8300000-)	Cover, crankcase (elec.)
3	R 1443 R	(-)	Gasket (packed 5 in a pkg.)
4	R 1548 R	(-)	Stud, 3/4" x 3-1/2" (8 used)
5	AR 1396 R	(-8199999)	Case, R1300R, engine and transmission (sub. AR20562R, AF20563R, F3128R, R2526R, and JD7951R)
	AR 1567 R	(8200000-8299999)	Case, R2500R, engine and transmission (sub. AR20562R and AR20563R)
	AR 20562 R	(8300000-)	Case, R20470R, engine and transmission
6	R 21630 R	(-)	Plug, special pipe (sub. for 15H558R)
7	R 10160 R	(-)	Plug (2 used) (sub. for S98 and 99-7)
8	F 2236 R	(-)	Stud, 3/4" x 4-1/2" (4 used)
9	AR 1231 R	(-)	Rod, oil level, with cap
10	JD 2266 R	(-)	Stud, 3/4" x 3-3/4" (2 used)
	F 2236 R	(-)	Stud, 3/4" x 4-1/2" (2 used)
11	R 1590 R	(-)	Gasket (packed 5 in a pkg.)
12	R 1589 R	(-)	Tube, crankcase oil level rod
13	19H 1425 R	(-)	Screw, cap, 3/4" x 2-3/4" (2 used)
	12H 17 R	(-)	Washer, lock, 3/4" (2 used)
14	15H 238 R	(8300000-)	Plug, pipe, 3/4"
15	A 4827 R	(-)	Washer
16	F 1250 R	(-8199999)	Plug (sub. F3128R)
	F 3128 R	(8200000-)	Plug
17	A 3439 R	(-)	Washer (2 used) (packed 10 in a pkg.)
18	19H 314 R	(-)	Screw, cap, 7/16" x 1-1/2" (2 used)
19	R 2519 R	(-)	Stud, 7/8" x 3-11/16" (4 used) (sub. for R580R)
20	R 1502 R	(-)	Gasket (packed 5 in a pkg.)
21	R 1501 R	(-)	Cover, first speed gear
22	24H 550 R	(-)	Washer, 13/32" x 1-1/16" x 11 gauge (10 used)
23	F 2272 R	(-)	Screw, special cap (10 used)
	12H 11 R	(-)	Washer, lock, 3/8" (10 used)
24	R 20423 R	(8300000-)	Pin, dowel

CRANKCASE COVER AND BREATHER (Elec.)
(Serial No. 8300000-)



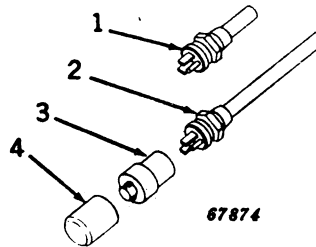
Key	Part No.	Serial No.	Description
1	19H 1780 R	(8300000-)	Screw, cap, high-strength, 1/4" x 2-3/8" (4 used)
2	F 2116 R	(8300000-)	Washer (copper) (4 used) (packed 2 in a pkg.)
3	B 2986 R	(8300000-)	Plug, cap
4	AF 3737 R	(8300000-)	Breather, crankcase and air cleaner (sub. for AR20326R and AR21524R)
5	F 2190 R	(8300000-)	Gasket
6	AB 1629 R	(8300000-)	Clamp, with bolt
7	B 1569 R	(8300000-)	Bolt, clamp
8	R 1906 R	(8300000-)	Cup, oil
9	F 2115 R	(8300000-)	Gasket (packed 2 in a pkg.)
10	AR 21691 R	(8300000-)	Support
11	F 2270 R	(8300000-)	Screw, special cap (packed 10 in a pkg.)
12	12H 10 R	(8300000-)	Washer, lock, 5/16"
12	14H 785 R	(8300000-)	Nut, 5/16" (2 used)
13	12H 10 R	(8300000-)	Washer, lock, 5/16" (2 used)
14	R 20226 R	(8300000-)	Gasket (packed 2 in a pkg.)
15	19H 1112 H	(8300000-)	Screw, cap, high-strength, 5/16" x 3/4" (2 used)
15	12H 10 R	(8300000-)	Washer, lock, 5/16" (2 used)
16	19H 317 R	(8300000-)	Screw, cap, 7/16" x 3/4" (2 used)
16	12H 12 R	(8300000-)	Washer, lock, 7/16" (2 used)
17	AR 20469 R	(8300000-)	Cover, crankcase, with weld screws
18	R 1443 R	(8300000-)	Gasket (packed 2 in a pkg.)

OIL HEATER
(Serial No. 8200000-)



Key	Part No.	Serial No.	Description
1	AR 21021 R	(8200000-)	ELEMENT, 140-WATT OIL HEATING, WITH CAP AND CONNECTOR (ATTACHMENT)
2	AR 21019 R	(8300000-)	ELEMENT, 240-WATT OIL HEATING, WITH CAP AND CONNECTOR (ATTACHMENT) (830 and 830-I only)
3	AR 21024 R	(8200000-)	Connector, heating element
4	R 20878 R	(8200000-)	Cap, heating element

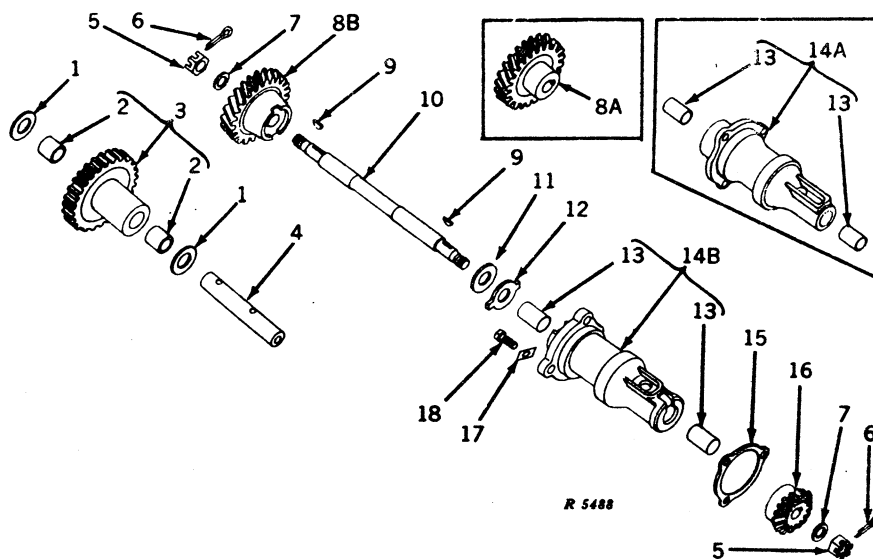
WATER HEATER
(Serial No. 8200000-)



Key	Part No.	Serial No.	Description
1	AR 21022 R	(8200000-)	ELEMENT, 500-WATT WATER HEATING, WITH CAP AND CONNECTOR (ATTACHMENT)
2	AR 21020 R	(8300000-)	ELEMENT, 1000-WATT WATER HEATING, WITH CAP AND CONNECTOR (ATTACHMENT) (830 and 830-I only)
3	AR 21024 R	(8200000-)	Connector, heating element
4	R 20878 R	(8200000-)	Cap, heating element

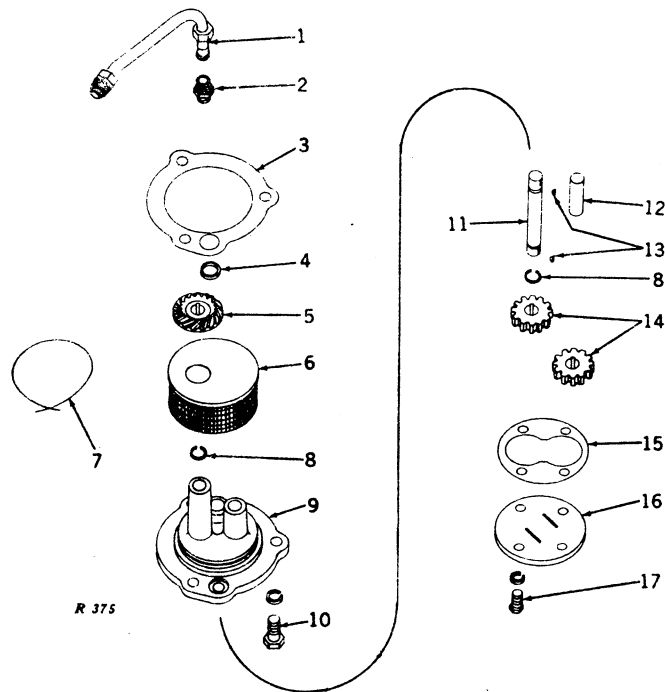
Capital letters indicate an attachment. Attachments must be listed on separate orders from replacement parts.

FAN AND ENGINE OIL PUMP DRIVE



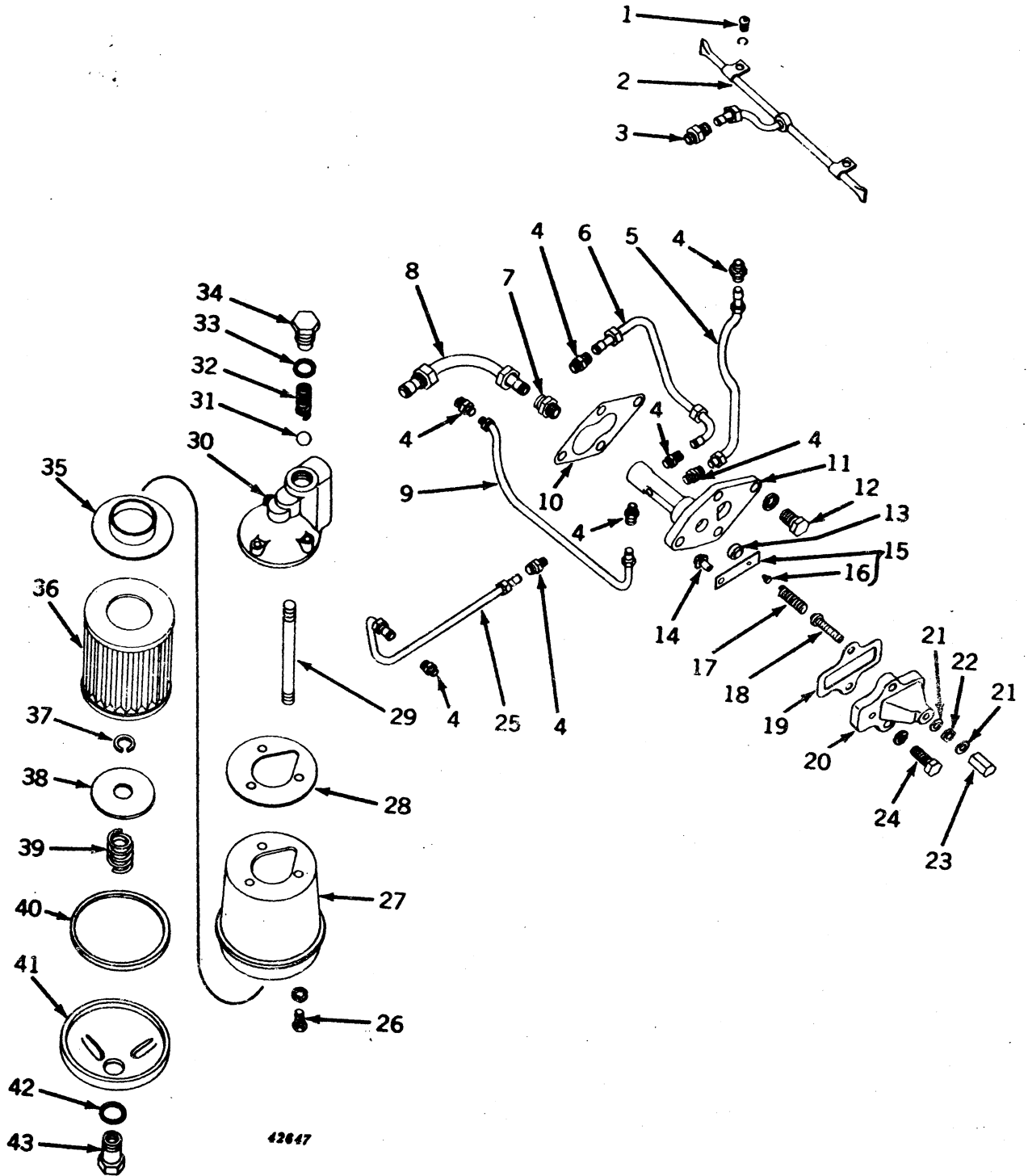
Key	Part No.	Serial No.	Description
1	R 781 R	(-)	Washer, thrust (2 used)
2	AR 1479 R	(-)	Bushing (set of 2) (one set used) (sub. for two R192R)
3	AR 384 R	(-)	Gear, R191R, fan and oil pump drive idler, with bushings
4	R 366 R	(-)	Shaft, fan and oil pump drive idler gear
5	C 1387 R	(-)	Nut (2 used) (packed 10 in a pkg.)
6	11H 236 R	(-)	Pin, cotter, 1/8" x 1" (2 used) (sub. for 11H41R)
7	B 2274 R	(-)	Washer (2 used)
8A	R 1325 R	(-8203099)	Gear, fan and oil pump drive (sub. R2715R and AR1828R)
8B	R 2715 R	(8203100-)	Gear, fan and oil pump drive
9	26H 17 R	(-)	Key, Woodruff, 3/16" x 7/8" (2 used)
10	AR 1122 R	(-)	Shaft, fan and oil pump drive, with nut
11	R 198 R	(-)	Washer, shim, .0025" (2 used)
12	R 197 R	(-)	Washer, thrust
13	F 3162 R	(-)	Bushing (2 used) (sub. for R192R)
14A	AR 1354 R	(-8203099)	Quill, R1868R, fan and oil pump drive shaft, with bushings (sub. R2715R and AR1828R)
14B	AR 1828 R	(8203100-)	Quill, R2714R, fan and oil pump drive shaft, with bushings
15	R 202 R	(-)	Shim, .005", paper (packed 2 in a pkg.)
	R 204 R	(-)	Shim, .018", steel
16	F 1822 R	(-)	Gear, fan and oil pump drive bevel
17	H 246 R	(-)	Plate, lock (3 used)
18	19H 218 N	(-)	Screw, cap, 3/8" x 1" (3 used) (sub. for 19H211R)

DIESEL ENGINE OIL PUMP



Key	Part No.	Serial No.	Description
1	AR 1225 R	(-)	Pipe, oil pump discharge
2	D 2440 R	(-)	Connector
3	R 1575 R	(-)	Shim, .005" (paper) (packed 10 in a pkg.)
	R 1577 R	(-)	Gasket (packed 10 in a pkg.)
4	R 1578 R	(-)	Gasket (packed 5 in a pkg.)
5	R 220 R	(-)	Gear, bevel, oil pump drive
6	AR 1223 R	(-)	Screen, oil pump
7	(-)	Wire, 16 gauge x 15" long
8	B 387 R	(-)	Snap ring (2 used) (packed 5 in a pkg.)
9	R 1573 R	(-)	Body, oil pump
10	19H 456 R	(-)	Screw, special cap, 1/2" x 1-3/8" (3 used)
	12H 13 R	(-)	Washer, lock, 1/2" (3 used)
11	R 1574 R	(-)	Shaft, oil pump drive
12	R 400 R	(-)	Shaft, oil pump idler gear
13	26H 70 R	(-)	Key, Woodruff, 1/8" x 1/2" (2 used)
14	AR 881 R	(-)	Gear, oil pump (pkg. of 2) (1 pkg. used) (sub. for R398R)
15	B 246 R	(-)	Gasket (packed 5 in a pkg.)
16	B 247 R	(-)	Cover, oil pump
17	19H 218 N	(-)	Screw, cap, high-strength, 3/8" x 1" (4 used)
	12H 11 R	(-)	Washer, lock, 3/8" (4 used)

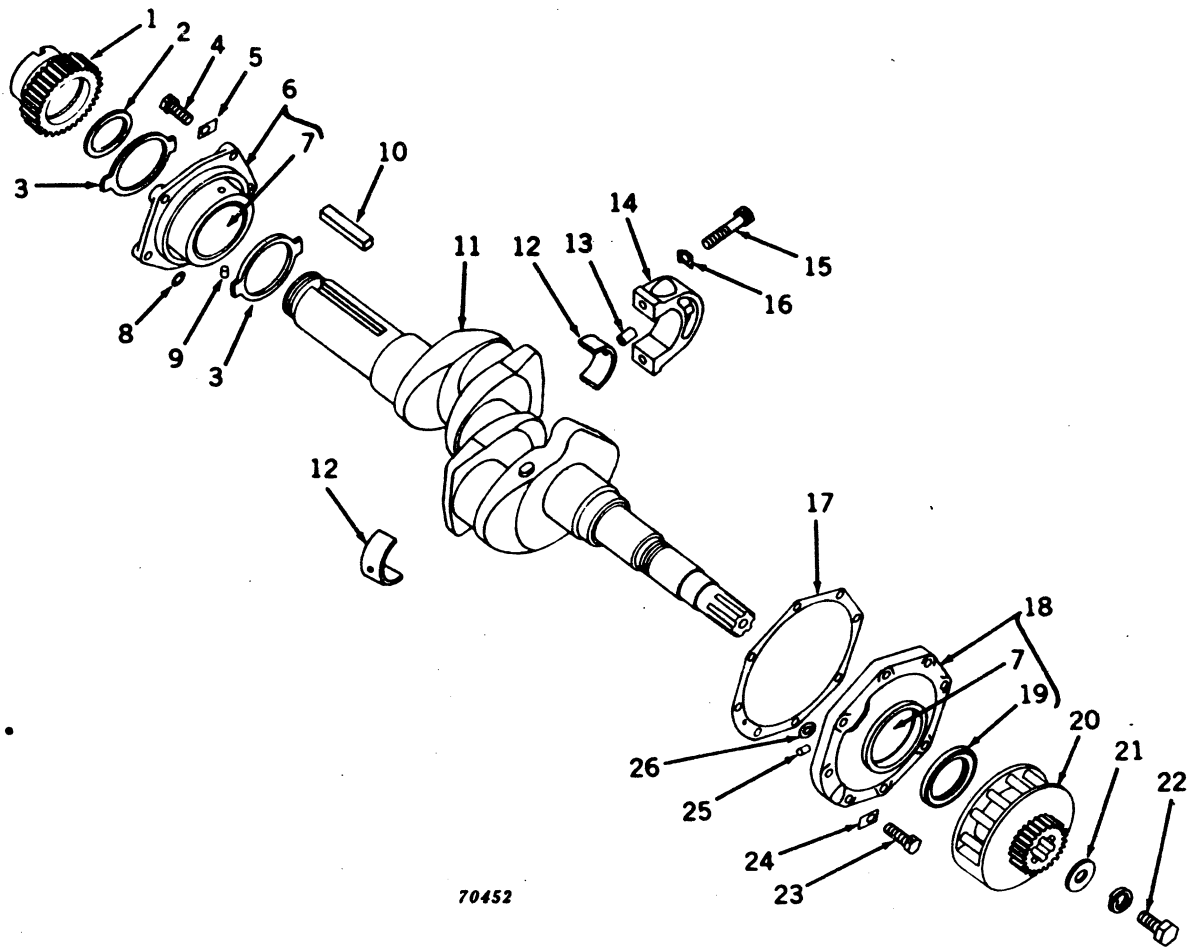
OIL FILTER, OIL MANIFOLD, AND OIL PIPES



OIL FILTER, OIL MANIFOLD, AND OIL PIPES -- Continued

Key	Part No.	Serial No.	Description
1	21H 597 R	(-)	Screw, mach., 1/4" x 1/2" (2 used)
	12H 9 R	(-)	Washer, lock, 1/4" (2 used)
2	AR 1132 R	(-)	Pipe, oiler, tappet lever, with clips
3	E 1994 R	(-)	Connector
4	A 258 R	(-)	Connector (8 used)
5	AR 1230 R	(-)	Pipe, oil, camshaft
6	AR 1229 R	(-)	Pipe, oil, center main bearing
7	D 2440 R	(-)	Connector
8	AR 1226 R	(-)	Pipe, oil filter discharge
9	AR 1228 R	(-)	Pipe, oil, main bearing, L. H.
10	R 1580 R	(-)	Gasket (packed 5 in a pkg.)
11	R 1579 R	(-)	Manifold, oil
12	19H 337 N	(-)	Screw, cap, 7/16" x 1-1/4" (2 used)
	12H 12 R	(-)	Washer, lock, 7/16" (2 used)
13	F 3468 R	(-)	Bushing, oil pressure relief valve (sub. for B2568R)
14	16H 663 A	(-)	Rivet, 1/4" x 5/8"
15	AB 3453 R	(-)	Spring, leaf, oil pressure relief valve, with pilot
16	D 2425 R	(-)	Pilot, oil pressure relief valve spring
17	R 741 R	(-)	Spring, oil pressure adjusting
18	B 2307 R	(-)	Screw, oil pressure adjusting
19	B 2308 R	(-)	Gasket (packed 2 in a pkg.)
20	AR 452 R	(-)	Housing, B2305R, oil pressure relief valve, with spring and adjusting screw
21	A 3098 R	(-8000774)	Washer (2 used) (packed 2 in a pkg.)
	A 5364 R	(8000775-)	Washer (2 used) (packed 5 in a pkg.)
22	14H 732 R	(-)	Nut, jam, 3/8"
23	B 427 R	(-)	Nut, cap (packed 10 in a pkg.)
24	19H 352 T	(-)	Screw, cap, 7/16" x 1-3/4" (2 used) (sub. for 19H345T)
	12H 12 R	(-)	Washer, lock, 7/16" (2 used)
25	AR 1227 R	(-)	Pipe, oil, main bearing, R. H.
26	19H 99 R	(-)	Screw, cap, 5/16" x 9/16" (3 used)
	12H 10 R	(-)	Washer, lock, 5/16" (3 used)
27	R 1566 R	(-)	Body, oil filter
28	R 1568 R	(-)	Gasket (packed 5 in a pkg.)
29	R 1569 R	(-)	Stud, 1/2" x 7-1/8"
30	R 1567 R	(-)	Head, oil filter
31	A 174 R	(-)	Ball, oil filter bypass valve
32	F 3463 R	(-8304063)	Spring, oil filter bypass valve (sub. for D2001R) (sub. R21635R, B439R, and 24H156R)
	B 439 R	(8304064-)	Spring, oil filter bypass valve
	24H 156 R	(8304064-)	Washer, oil filter bypass valve
33	A 521 R	(-)	Washer (copper)
34	D 2428 R	(-8304063)	Cap, oil filter bypass valve (sub. R21635R, B439R, and 24H156R)
	R 21635 R	(8304064-)	Cap, oil filter bypass valve
35	R 1570 R	(-)	Outlet, oil filter
36	AR 1400 R	(-)	Element, oil filter (carton of 2)
37	A 2444 R	(-)	Snap ring (packed 10 in a pkg.)
38	A 2529 R	(-)	Plate, oil filter bottom
39	F 2105 R	(-)	Spring
40	R 1572 R	(-)	Gasket (packed 5 in a pkg.)
41	R 1571 R	(-)	Cover, oil filter
42	A 521 R	(-)	Washer (copper)
43	AF 2889 R	(-)	Nut (sub. for A2575R)

CRANKSHAFT AND MAIN BEARINGS

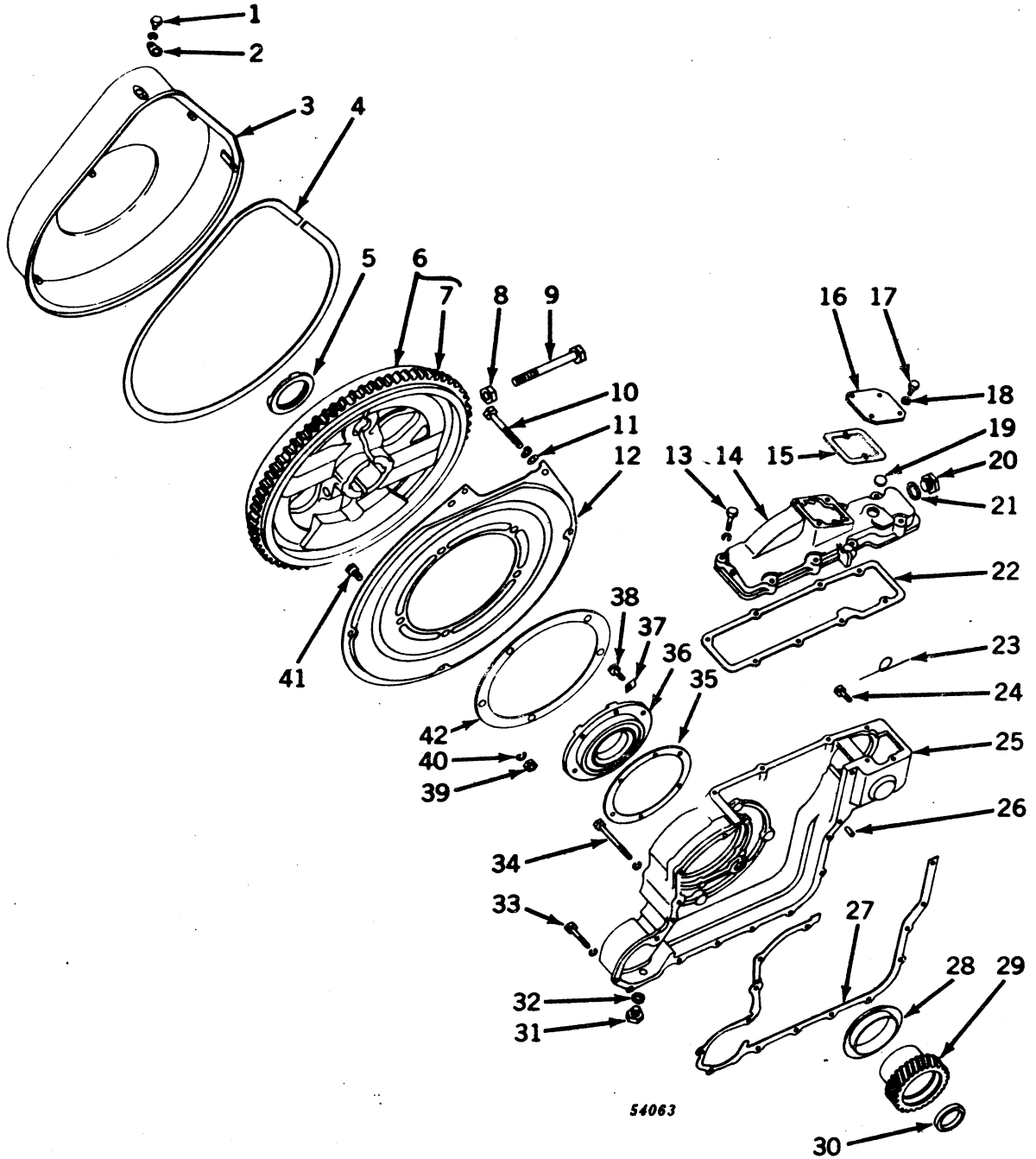


70452

CRANKSHAFT AND MAIN BEARINGS -- Continued

Key	Part No.	Serial No.	Description
1	R 1408 R	(-)	Gear, crankshaft
2	R 353 R	(-)	Packing (rubber) crankshaft gear (packed 2 in a pkg.)
3	R 1407 R	(-)	Washer, thrust (2 used)
4	19H 1356 R	(-)	Screw, cap, 5/8" x 1-3/4" (5 used)
5	R 1887 R	(-)	Plate, lock (5 used)
6	AR 1153 R	(-)	Housing, R1403R, L.H., main bearing, with bushing (exchange credit allowable)
	AR 1415 R	(-)	Housing, R1403R, L.H., main bearing, with .002" undersize bushing (exchange credit allowable)
	AR 1417 R	(-)	Housing, R1403R, L.H., main bearing, with .004" undersize bushing (exchange credit allowable)
7	R 1404 R	(-)	Bushing, main bearing (2 used) (To be sized after installing in housing. Always provide .0055" to .0075" clearance.)
8	A 4847 R	(-)	Gasket (packed 5 in a pkg.)
9	A 3959 R	(-)	Pin, dowel
10	R 343 R	(-)	Key (2 used)
11	AR 1402 R	(-)	Crankshaft, R1303R, with nut
12	AR 1403 R	(-8299999)	Bearing, center main (pkg. of 2 halves) (1 pkg. used)
	AR 1404 R	(-8299999)	Bearing, center main, .002" undersize (pkg. of 2 halves) (1 pkg. used)
	AR 1405 R	(-8299999)	Bearing, center main, .004" undersize (pkg. of 2 halves) (1 pkg. used)
	AR 1406 R	(-8299999)	Bearing, center main, .020" undersize (pkg. of 2 halves) (1 pkg. used)
	AR 1407 R	(-8299999)	Bearing, center main, .022" undersize (pkg. of 2 halves) (1 pkg. used)
	AR 1408 R	(-8299999)	Bearing, center main, .030" undersize (pkg. of 2 halves) (1 pkg. used)
	AR 1409 R	(-8299999)	Bearing, center main, .032" undersize (pkg. of 2 halves) (1 pkg. used)
	AR 20563 R	(8300000-)	Bearing, center main (pkg. of 2 halves) (1 pkg. used)
	AR 20597 R	(8300000-)	Bearing, center main, .002" undersize (pkg. of 2 halves) (1 pkg. used)
	AR 20598 R	(8300000-)	Bearing, center main, .004" undersize (pkg. of 2 halves) (1 pkg. used)
	AR 20599 R	(8300000-)	Bearing, center main, .020" undersize (pkg. of 2 halves) (1 pkg. used)
	AR 20600 R	(8300000-)	Bearing, center main, .022" undersize (pkg. of 2 halves) (1 pkg. used)
	AR 20601 R	(8300000-)	Bearing, center main, .030" undersize (pkg. of 2 halves) (1 pkg. used)
	AR 20602 R	(8300000-)	Bearing, center main, .032" undersize (pkg. of 2 halves) (1 pkg. used)
13	R 20422 R	(-)	Pin, hollow dowel
14	(-)	Cap, center main bearing (not furnished)
15	R 1302 R	(-8000492)	Screw, special cap (2 used) (sub. 19H1470R and A5361R)
	19H 1470 R	(8000493-8299999)	Screw, cap, 5/8" x 3-1/2" (2 used)
	B 568 R	(8300000-)	Screw, special cap (2 used)
16	(-8000492)	Wire, 16 gauge x 15" long
	A 5361 R	(-)	Plate, lock (2 used) (packed 5 in a pkg.)
17	R 1406 R	(-)	Gasket (packed 5 in a pkg.)
18	AR 1410 R	(-)	Housing, R1402R, R.H., main bearing, with bushing and oil seals (also furnish one A4847R gasket) (exchange credit allowable)
	AR 1414 R	(-)	Housing, R1402R, R.H., main bearing, with .002" undersize bushing and oil seals (also furnish one A4847R gasket) (exchange credit allowable)
	AR 1416 R	(-)	Housing, R1402R, R.H., main bearing, with .004" undersize bushing and oil seals (also furnish one A4847R gasket) (exchange credit allowable)
19	AF 2426 R	(-)	Seal, oil (2 used) (sub. for AF2046R)
20	R 1853 R	(-)	Disk, clutch drive
21	R 20136 R	(-)	Washer (sub. for D141R and F2646R)
22	19H 1391 R	(-)	Screw, cap, 3/4" x 2-1/4"
	12H 17 R	(-)	Washer, lock, 3/4"
23	19H 1356 R	(-)	Screw, cap, 5/8" x 1-3/4" (7 used)
24	R 1887 R	(-)	Plate, lock (8 used)
25	A 3959 R	(-)	Pin, dowel
26	A 4847 R	(8200000-)	Gasket (packed 2 in a pkg.)
	Part listed below is not illustrated.		
	AR 1420 R	(-)	Gasket kit, crankshaft and bearing replacement (see gasket kit grouping for illustrations and contents)

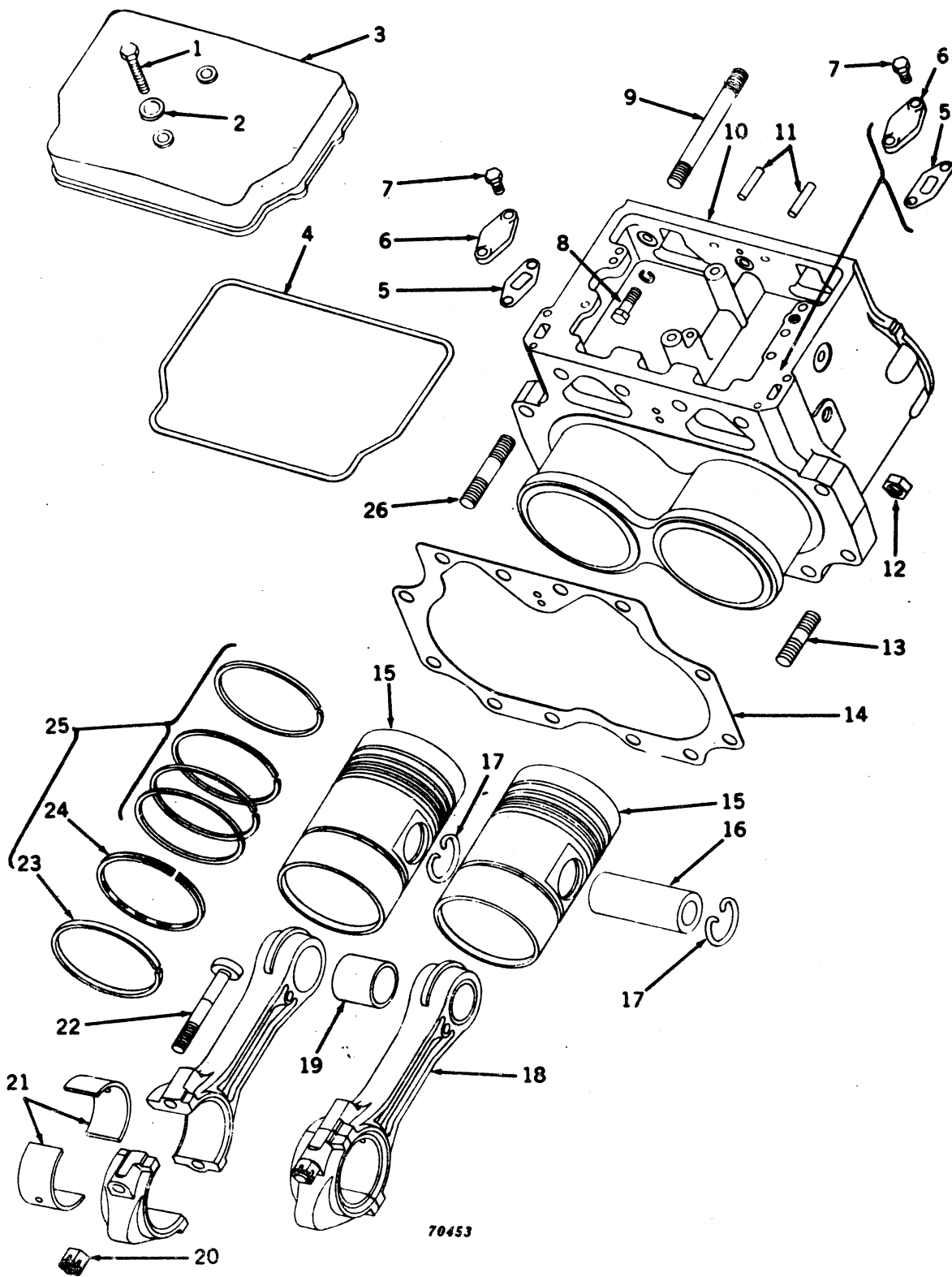
FLYWHEEL, FLYWHEEL COVER, AND TIMING GEAR HOUSING



FLYWHEEL, FLYWHEEL COVER, AND TIMING GEAR HOUSING -- Continued

Key	Part No.	Serial No.	Description
1	19H 11 R	(-)	Screw, cap, 1/4" x 3/8"
	12H 9 R	(-)	Washer, lock, 1/4"
2	A 4272 R	(-)	Cover, oil hole
3	AR 1151 R	(-)	Cover, flywheel
4	R 1411 R	(-8002163)	Felt, flywheel cover
	R 1937 R	(8002164-)	Felt, flywheel cover
5	R 345 R	(-)	Nut, lock, flywheel
6	AR 1104 R	(-)	Flywheel, R1304R, with starter gear (C.E.)
	AR 20491 R	(-)	Flywheel, R1304R, with starter gear (elec.)
7	R 342 R	(-)	Gear, flywheel starter (C.E.)
	R 20360 R	(-)	Gear, flywheel starter (elec.)
8	14H 801 R	(-)	Nut, 7/8" (2 used)
9	8H 2375 R	(-)	Bolt, mach., 7/8" x 7" (2 used)
10	19H 1112 H	(-)	Screw, cap, 5/16" x 3/4" (2 used)
	12H 10 R	(-)	Washer, lock, 5/16" (2 used)
11	24H 143 R	(-)	Washer, 21/64" x 3/4" x 16 gauge (2 used)
12	R 1409 R	(-)	Plate, flywheel cover back (C.E.)
	R 20361 R	(-)	Plate, flywheel cover back (elec.)
13	19H 255 N	(-)	Screw, cap, 3/8" x 2" (8 used) (sub. for 19H256R)
	12H 11 R	(-)	Washer, lock, 3/8" (8 used)
14	R 1342 R	(-)	Cover, timing gear housing
15	R 1657 R	(-)	Gasket (packed 2 in a pkg.)
16	R 1546 R	(-)	Cover (tractors without Powr-Trol)
17	19H 1255 T	(-)	Screw, cap, 3/8" x 5/8" (4 used) (tractors without Powr-Trol) (sub. for 19H199R)
18	A 3098 R	(-)	Washer (aluminum) (4 used) (packed 5 in a pkg.) (tractors without Powr-Trol)
19	30H 21 T	(-)	Plug, expansion, 1-1/2"
20	R 20168 R	(-)	Plug, timing gear housing cover (sub. for R1866R)
21	H 356 R	(-)	Washer (aluminum)
22	R 1343 R	(-)	Gasket (packed 5 in a pkg.)
23	(-)	Wire, 16 gauge x 9" long
24	A 310 R	(-)	Screw, cap, 7/16" x 1-1/4" (drilled)
25	R 1340 R	(-)	Housing, timing gear
26	A 120 R	(-)	Pin, dowel (2 used)
27	R 1341 R	(-)	Gasket (packed 2 in a pkg.)
28	R 354 R	(-)	Slinger, crankshaft oil
29	R 1408 R	(-)	Gear, crankshaft
30	R 353 R	(-)	Packing (rubber) crankshaft gear (packed 2 in a pkg.)
31	R 228 R	(-)	Plug
32	R 229 R	(-)	Washer
33	19H 1092 M	(-)	Screw, cap, 7/16" x 2-1/4" (10 used) (sub. for 19H363R)
	12H 12 R	(-)	Washer, lock, 7/16" (10 used)
34	19H 1687 R	(-)	Screw, cap, high-strength, 7/16" x 4-3/4" (2 used)
	12H 12 R	(-)	Washer, lock, 7/16"
35	R 356 R	(-)	Gasket (packed 2 in a pkg.)
36	R 355 R	(-)	Housing, crankshaft oil slinger
37	R 1888 R	(-)	Plate, lock (6 used)
38	19H 218 N	(-)	Screw, cap, 3/8" x 1" (6 used) (sub. for 19H211R)
39	14H 812 C	(-)	Nut, 3/8" (5 used) (sub. for 14H255R)
40	12H 11 R	(-)	Washer, lock, 3/8" (5 used)
41	JD 19 R	(-)	Bolt (6 used) (packed 20 in a pkg.)
42	R 1938 R	(8003426-)	Gasket (packed 5 in a pkg.)

CYLINDER BLOCK, CONNECTING RODS, AND PISTONS



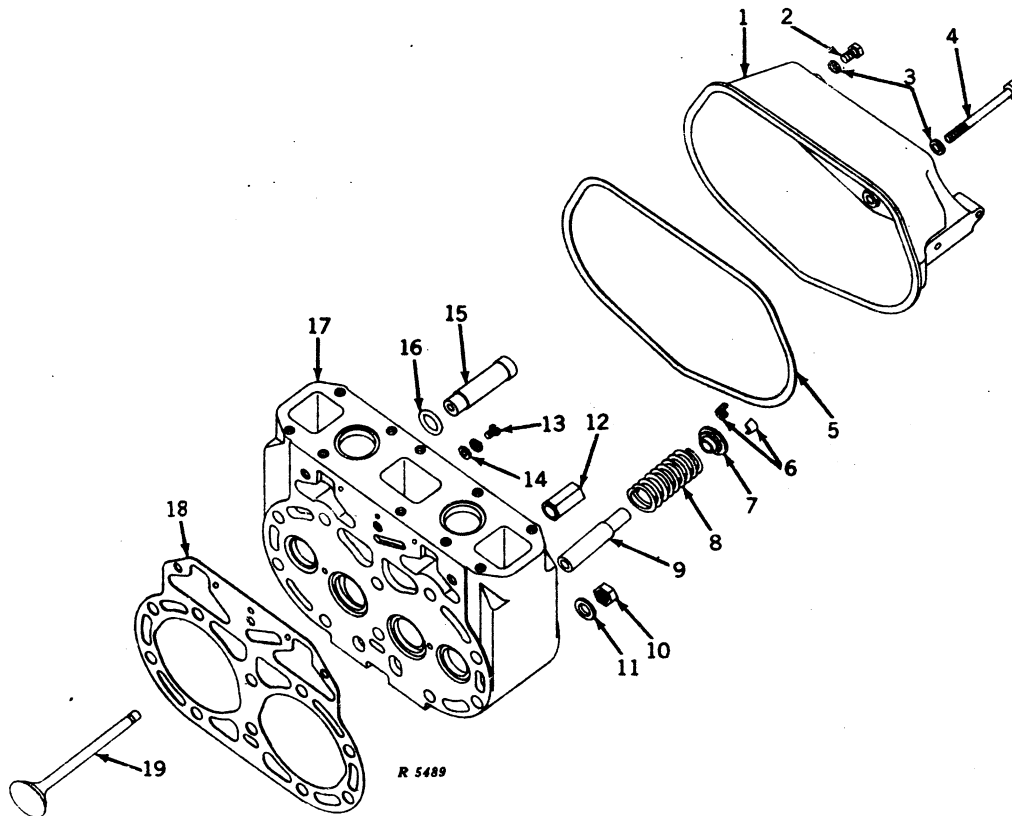
70453

Key	Part No.	Serial No.	Description
1	19H 1253 R	(-)	Screw, cap, 7/16" x 3-1/2" (2 used)
2	A 3439 R	(-8199999)	Washer (2 used) (sub. for B214R)
	A 3439 R	(8200000-)	Washer (2 used) (packed 10 in a pkg.)
.3	R 1332 R	(-8299999)	Cover, cylinder
	R 21063 R	(8300000-)	Cover, cylinder

CYLINDER BLOCK, CONNECTING RODS, AND PISTONS -- Continued

Key	Part No.	Serial No.	Description
4	R 1335 R	(-)	Gasket (packed 2 in a pkg.)
5	R 1535 R	(-)	Gasket (2 used) (packed 10 in a pkg.) (elec.)
6	R 20481 R	(-)	Cover (2 used) (elec.)
7	19H 218 N	(-)	Screw, cap, high-strength, 3/8" x 1" (4 used) (elec.)
	12H 11 R	(-)	Washer, lock, 3/8" (4 used) (elec.)
8	19H 462 N	(-)	Screw, cap, 1/2" x 1-1/2" (3 used) (sub. for 19H457R)
	12H 13 R	(-)	Washer, lock, 1/2" (3 used)
9	R 1254 R	(-)	Stud, 3/4" x 7-7/16" (10 used) (packed 5 in a pkg.)
10	AR 1380 R	(-8203099)	Cylinder, R1330R, with studs and guide (sub. AR1807R)
	AR 1807 R	(8203100-)	Cylinder, R2702R, with studs, pins, and guide
11	A 4879 R	(8203100-)	Pin, dowel (2 used)
12	14H 400 R	(-)	Nut, 3/4" (12 used) (sub. for A5405R)
13	R 1548 R	(-)	Stud, 3/4" x 3-1/2" (8 used)
14	R 1333 R	(-)	Gasket (packed 5 in a pkg.)
15	AR 1820 R	(-8203099)	Piston, two AR1824R, with rings and pins (sub. for AR1385R and AR1352R)
	AR 1822 R	(-8203099)	Piston, two AR1826R, .045" oversize, with rings (sub. for AR1386R and AR1387R)
	AR 1821 R	(8203100-)	Piston, two AR1825R, with rings and pins
	AR 1823 R	(8203100-)	Piston, two AR1827R, .045" oversize, with rings
	AR 1824 R	(-8203099)	Piston (one piston only)
	AR 1825 R	(8203100-)	Piston (one piston only)
16	F 1794 R	(-)	Pin, piston (2 used) (packed 2 in a pkg.) (sub. two for one AF2221R)
	F 2178 R	(-)	Pin, piston, .003" oversize (marked with yellow) (2 used) (packed 2 in a pkg.) (sub. two for one AF2222R)
	F 2179 R	(-)	Pin, piston, .005" oversize (marked with red) (2 used) (packed 2 in a pkg.) (sub. two for one AF2223R)
17	R 239 R	(-)	Snap ring (4 used)
18	AR 1142 R	(-8199999)	Rod, R1386R, connecting, with piston pin bushing only (2 used)
	AR 1526 R	(8200000-)	Rod, R2511R, connecting, with piston pin bushing only (2 used)
19	R 1884 R	(-)	Bushing, piston pin (2 used) (sub. two for one AR1395R)
20	R 1236 R	(-)	Nut, special lock (4 used) (packed 10 in a pkg.)
21	AR 1388 R	(-)	Bearing, connecting rod (pkg. of 2 halves) (2 pkgs. used)
	AR 1389 R	(-)	Bearing, connecting rod, .002" undersize (pkg. of 2 halves) (2 pkgs. used)
	AR 1390 R	(-)	Bearing, connecting rod, .004" undersize (pkg. of 2 halves) (2 pkgs. used)
	AR 1391 R	(-)	Bearing, connecting rod, .020" undersize (pkg. of 2 halves) (2 pkgs. used)
	AR 1392 R	(-)	Bearing, connecting rod, .022" undersize (pkg. of 2 halves) (2 pkgs. used)
	AR 1393 R	(-)	Bearing, connecting rod, .030" undersize (pkg. of 2 halves) (2 pkgs. used)
	AR 1394 R	(-)	Bearing, connecting rod, .032" undersize (pkg. of 2 halves) (2 pkgs. used)
22	AR 1020 R	(-)	Bolt, connecting rod, with nut (4 used)
23	AF 2276 R	(-)	Ring, piston, oil control, skirt end (pkg. of 2) (1 pkg. used)
	AF 2278 R	(-)	Ring, piston, .045" oversize, oil control, skirt end (pkg. of 2) (1 pkg. used)
24	AF 2275 R	(-)	Ring, piston, oil control, slotted (pkg. of 2) (1 pkg. used)
	AF 2277 R	(-)	Ring, piston, .045" oversize, oil control, slotted (pkg. of 2) (1 pkg. used)
25	AF 2224 R	(-8203099)	Ring, piston (set of 4 oil control and 8 compression) (use with piston marked AR1352R)
	AF 2225 R	(-8203099)	Ring, piston, .045" oversize (set of 4 oil control and 8 compression) (use with piston marked AR1387R)
	AF 3768 R	(8203100-)	Ring, piston (set of 4 oil control and 8 compression) (use with piston marked AR1824R or AR1825R)
	AF 3769 R	(8203100-)	Ring, piston, .045" oversize (set of 4 oil control and 8 compression) (use with piston marked AR1826R or AR1827R)
	AR 21887 R	(-8203099)	Ring, piston, heavy duty (set of 4 oil control, 8 compression and 4 expanders)
	AR 21888 R	(8203100-)	Ring, piston, heavy duty (set of 4 oil control, 8 compression and 4 expanders)
	AR 21983 R	(-)	Ring, piston, heavy duty oil control (pkg. of 4 rings and 2 expanders) (1 pkg. used)
26	F 2236 R	(-)	Stud, 3/4" x 4-1/2" (4 used)
Parts listed below are not illustrated.			
	AR 1419 R	(-8203099)	Gasket kit, ring and cylinder replacement (see gasket kit grouping for illustration and contents) (sub. AR1889R)
	AR 1889 R	(8203100-)	Gasket kit, ring and cylinder replacement (see gasket kit grouping for illustration and contents)

CYLINDER HEAD, VALVES, AND TAPPET COVER



Key	Part No.	Serial No.	Description
1	R 1362 R	(-)	Cover, tappet lever
2	19H 360 T	(-)	Screw, cap, 7/16" x 2" (2 used) (sub. for 19H353R)
3	B 214 R	(-8199999)	Washer (3 used) (sub. A3439R)
	A 3439 R	(8200000-)	Washer (3 used) (packed 10 in a pkg.)
4	19H 414 T	(-)	Screw, cap, 7/16" x 6"
5	R 1363 R	(-8199999)	Gasket (packed 5 in a pkg.) (sub. R2606R)
	R 2606 R	(8200000-)	Gasket (packed 5 in a pkg.)
6	A 2332 R	(-)	Lock, retainer (8 used)
7	R 1917 R	(-)	Cap, valve spring (4 used)
8	R 1338 R	(-)	Spring, valve (4 used) (packed 2 in a pkg.)
9	A 2467 R	(-)	Guide, valve (2 used) (packed 4 in a pkg.) (sub. four for one AA4897R)
10	14H 400 R	(-)	Nut, 3/4" (8 used) (sub. for A5405R)
11	R 264 R	(-)	Washer, lead (10 used) (packed 100 in a pkg.)
12	R 59 R	(-)	Nut, coupling (2 used)
13	21H 991 R	(-8203099)	Screw, mach., 1/4" x 3/8" (2 used)
	12H 9 R	(-8203099)	Washer, lock, 1/4" (2 used)
14	24H 846 R	(-8203099)	Washer, 17/64" x 16 gauge (2 used)
15	AR 354 R	(-8199999)	Sleeve, injector nozzle (2 used) (sub. AF3190R)
	AF 3190 R	(8200000-8203099)	Sleeve, injector nozzle (2 used)
16	R 1225 R	(-8203099)	Packing, O-ring (2 used) (packed 5 in a pkg.)
17	AR 1382 R	(-8203099)	Head, R1331R, cylinder, with valve guides and injector nozzle sleeves and pins (sub. AR1806R)
	AR 1806 R	(8203100-)	Head, R2703R, cylinder, with valve guides and pins
18	R 1334 R	(-8203099)	Gasket (packed 5 in a pkg.) (sub. R2704R)
	R 2704 R	(8203100-)	Gasket (packed 5 in a pkg.)
19	R 1336 R	(-)	Valve, intake (2 used) (sub. two for one AR1384R)
	R 1337 R	(-)	Valve, exhaust (2 used) (sub. two for one AR1383R)

Parts listed below are not illustrated.

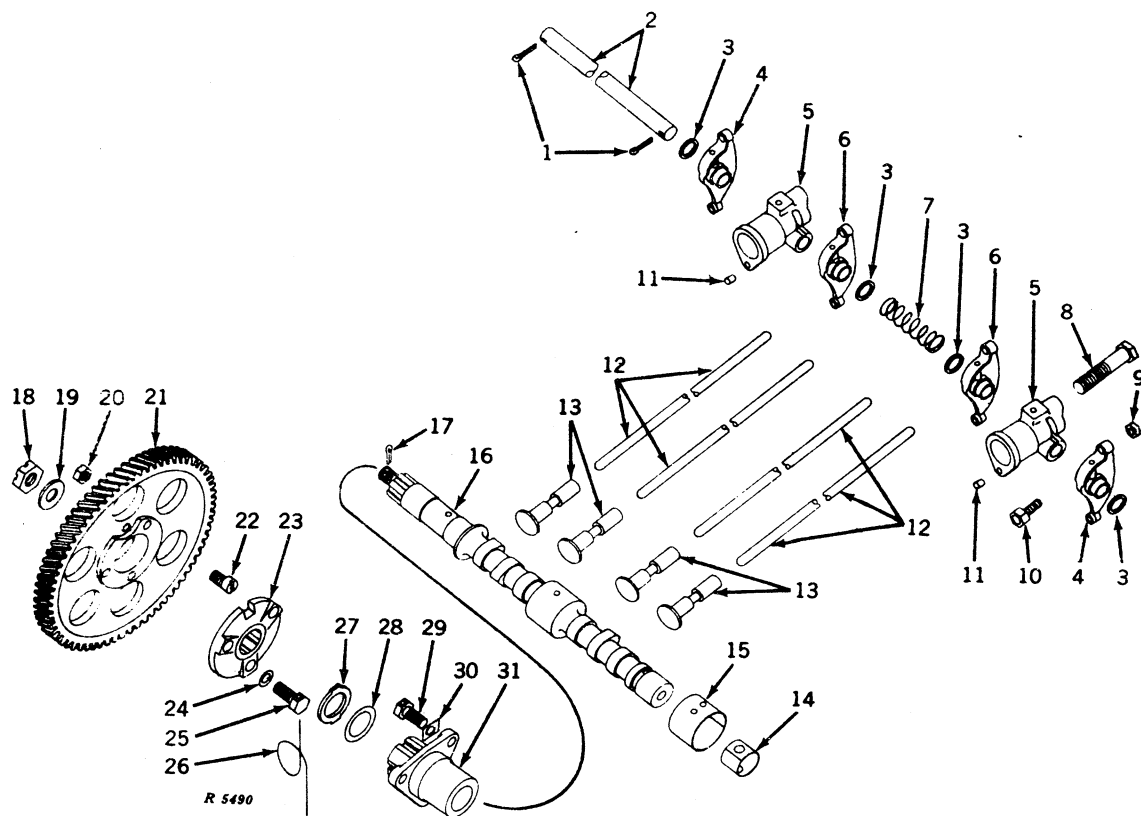
AR 1418 R (-8203099)

Gasket kit, valve replacement (see gasket kit grouping for illustration and contents)

AR 1888 R (8203100-)

Gasket kit, valve replacement (see gasket kit grouping for illustration and contents)

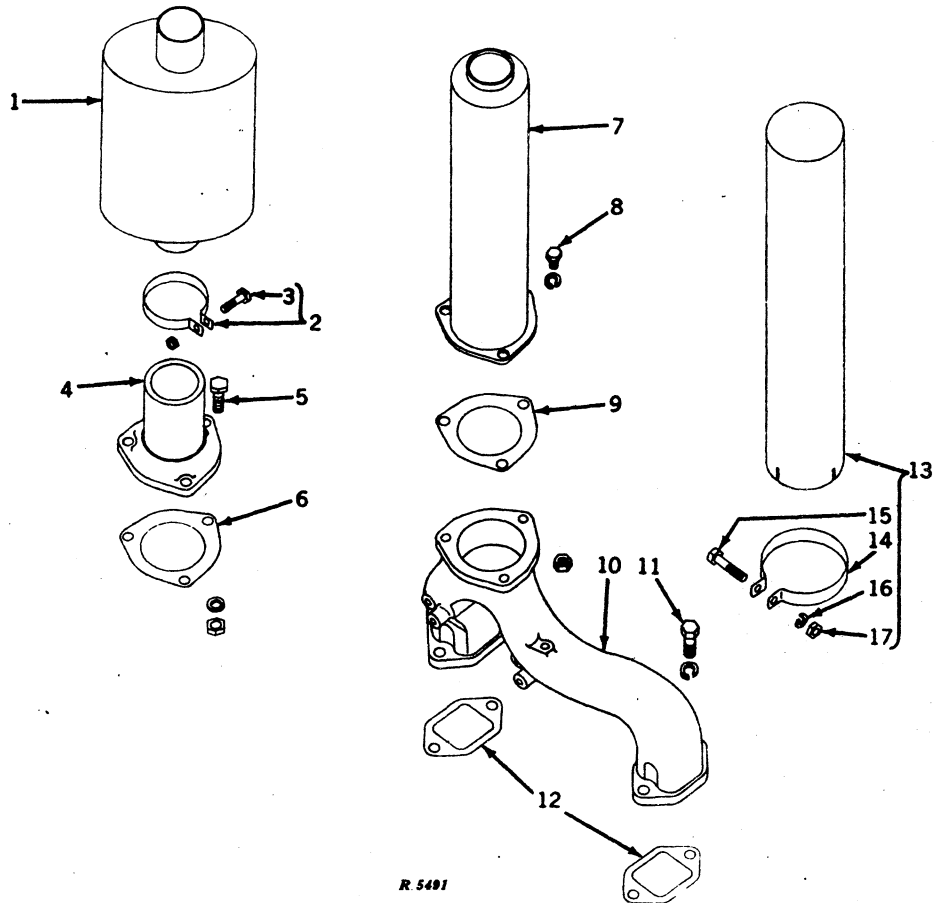
CAMSHAFT AND TAPPET ASSEMBLY



Key	Part No.	Serial No.	Description
1	11H 218 R	(-)	Pin, cotter, 3/16" x 1-1/2" (2 used) (sub. for 11H82R)
2	R 1358 R	(-)	Shaft, tappet lever
3	24H 233 R	(-)	Washer, 57/64" x 1-1/4" x 16 gauge (4 used)
4	AR 1351 R	(-)	Lever, exhaust tappet (2 used)
5	R 1359 R	(-)	Bracket (2 used)
6	AR 1350 R	(-)	Lever, inlet tappet (2 used)
7	R 1360 R	(-)	Spring
8	19H 1425 R	(-)	Screw, cap, 3/4" x 2-3/4" (2 used)
9	14H 383 R	(-)	Nut, 3/8" (4 used)
10	F 2559 R	(-)	Screw, adjusting (4 used) (sub. for A1291R)
11	F 1743 R	(-8299999)	Pin, dowel (2 used) (sub. for D186R)
	R 20168 R	(8300000-)	Pin, dowel (2 used)
12	R 1355 R	(-)	Rod, tappet (4 used)
13	R 1354 R	(-)	Follower, cam (4 used)
14	R 1017 R	(-8203099)	Bushing, camshaft, R.H. (sub. R2609R)
	R 2609 R	(8203100-)	Bushing, camshaft, R.H.
15	R 1019 R	(-8203099)	Bushing, camshaft, center (sub. R2608R)
	R 2608 R	(8203100-)	Bushing, camshaft, center
16	R 1353 R	(-8299999)	Camshaft
	R 20330 R	(8300000-)	Camshaft
17	11H 237 R	(-)	Pin, cotter, 1/8" x 2" (sub. for 11H43R)
18	B 235 R	(-)	Nut, special slotted (packed 25 in a pkg.)
19	B 3310 R	(-)	Washer
20	14H 473 R	(-)	Nut, 1/2"
21	R 137 R	(-)	Gear, camshaft
22	R 140 R	(-)	Lock, camshaft gear eccentric
23	R 138 R	(-)	Hub, camshaft gear
24	24H 892 R	(-)	Washer, 17/32" x 1" x 10 gauge (3 used)
25	B 1152 R	(-)	Screw, special cap (3 used)
26	(-)	Wire, 16 gauge x 12" long
27	R 141 R	(-)	Washer, thrust
28	R 142 R	(-)	Washer, shim, .005" (3 used)
29	19H 1131 N	(-)	Screw, cap, 1/2" x 1-1/4" (3 used)
30	F 262 R	(-)	Plate, lock (3 used)
31	R 136 R	(-)	Bearing, camshaft, L.H.

EXHAUST PIPE AND MUFFLER

(Serial No. 8000001-8299999)

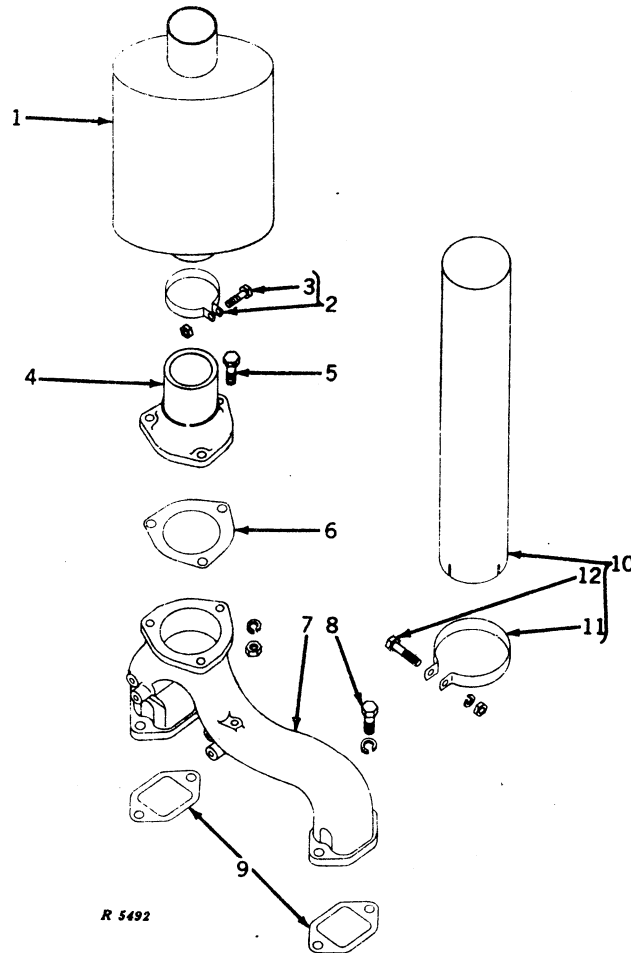


R 5401

Key	Part No.	Serial No.	Description
1	AR 21805 R	(-8299999)	Muffler (special)
2	AR 21807 R	(-8299999)	Clamp
3	19H 1116 N	(-8299999)	Screw, cap, 3/8" x 1-1/2"
	14H 812 C	(-8299999)	Nut, 3/8"
4	R 21650 R	(-8299999)	Support
5	19H 246 T	(-8299999)	Screw, cap, 3/8" x 1-3/4" (3 used)
	12H 11 R	(-8299999)	Washer, lock, 3/8" (3 used)
	14H 812 C	(-8299999)	Nut, 3/8" (3 used)
6	R 25 R	(-8299999)	Gasket (packed 2 in a pkg.)
7	AR 327 R	(-8299999)	Muffler
8	F 2272 R	(-8203099)	Screw, special cap (3 used)
	19H 988 N	(8203100-8299999)	Screw, cap, 3/8" x 1-1/4" (3 used)
	12H 11 R	(-)	Washer, lock, 3/8" (3 used)
	14H 812 C	(8203100-)	Nut, 3/8" (3 used) (sub. for 14H255R)
9	R 25 R	(-)	Gasket (packed 5 in a pkg.)
10	R 1412 R	(-8203099)	Outlet, exhaust (sub. for R2705R)
	R 2705 R	(8203100-8299999)	Outlet, exhaust
11	19H 462 N	(-)	Screw, cap, 1/2" x 1-1/2" (4 used) (sub. for 19H457R)
	12H 13 R	(-)	Washer, lock, 1/2" (4 used)
12	R 1413 R	(-)	Gasket (2 used) (packed 10 in a pkg.)
13	AR 1032 R	(-)	EXTENSION, MUFFLER, WITH CLAMP (ATTACHMENT)
14	R 1243 R	(-)	Clamp
15	19H 255 N	(-)	Screw, cap, 3/8" x 2" (sub. for 7H386R)
16	12H 11 R	(-)	Washer, lock, 3/8"
17	14H 812 C	(-)	Nut, 3/8" (sub. for 14H255R)

Capital letters indicate an attachment. Attachments must be listed on separate orders from replacement parts.

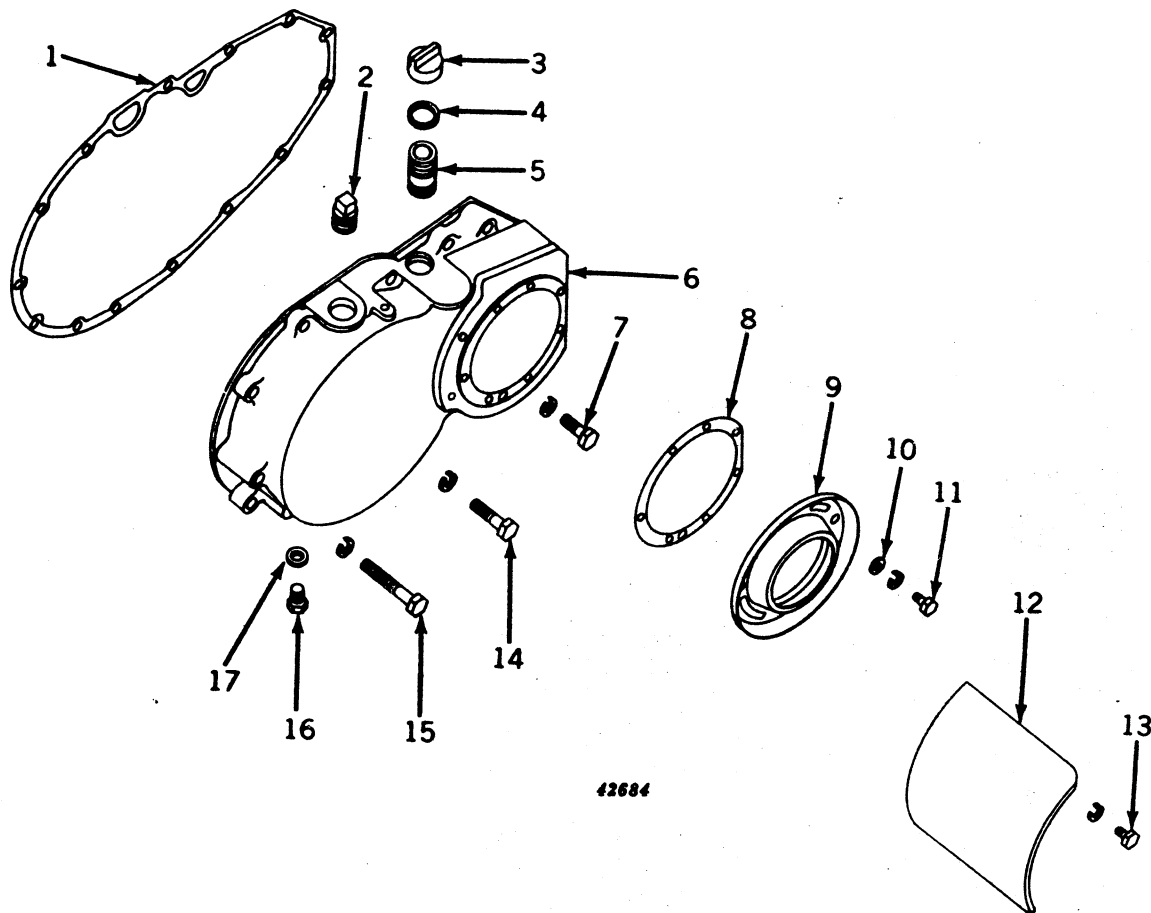
EXHAUST PIPE AND MUFFLER
(Serial No. 8300000-)



Key	Part No.	Serial No.	Description
1	AR 20819 R	(8300000-8304857)	Muffler (sub. AR21805R)
	AR 21805 R	(8304858-)	Muffler, with clamp
2	AR 21807 R	(8304858-)	Clamp
3	14H 812 C	(8304858-)	Nut, 3/8"
	19H 1116 N	(8304858-)	Screw, cap, 3/8" x 1-1/2"
4	R 20114 R	(8300000-8304857)	Support (sub. R21650R)
	R 21650 R	(8304858-)	Support
5	19H 246 T	(8300000-)	Screw, cap, 3/8" x 1-3/4" (3 used)
	12H 11 R	(8300000-)	Washer, lock, 3/8" (3 used)
	14H 812 C	(8300000-)	Nut, 3/8" (3 used) (sub. for 14H255R)
6	R 25 R	(8300000-)	Gasket (packed 2 in a pkg.)
7	R 2705 R	(8300000-)	Outlet, exhaust (sub. for R20482R)
8	19H 462 N	(8300000-)	Screw, cap, 1/2" x 1-1/2" (4 used) (sub. for 19H457R)
	12H 13 R	(8300000-)	Washer, lock, 1/2" (4 used)
9	R 1413 R	(8300000-)	Gasket (2 used) (packed 10 in a pkg.)
10	AR 21086 R	(8300000-)	EXTENSION, MUFFLER, WITH CLAMP (ATTACHMENT)
11	AR 21087 R	(8300000-)	Clamp, with screw, nut and lock washer
12	19H 255 N	(8300000-)	Screw, cap, 3/8" x 2" (sub. for 19H256R)
	12H 11 R	(8300000-)	Washer, lock, 3/8"
	14H 812 C	(8300000-)	Nut, 3/8" (sub. for 14H255R)

Capital letters indicate an attachment. Attachments must be listed on separate orders from replacement parts.

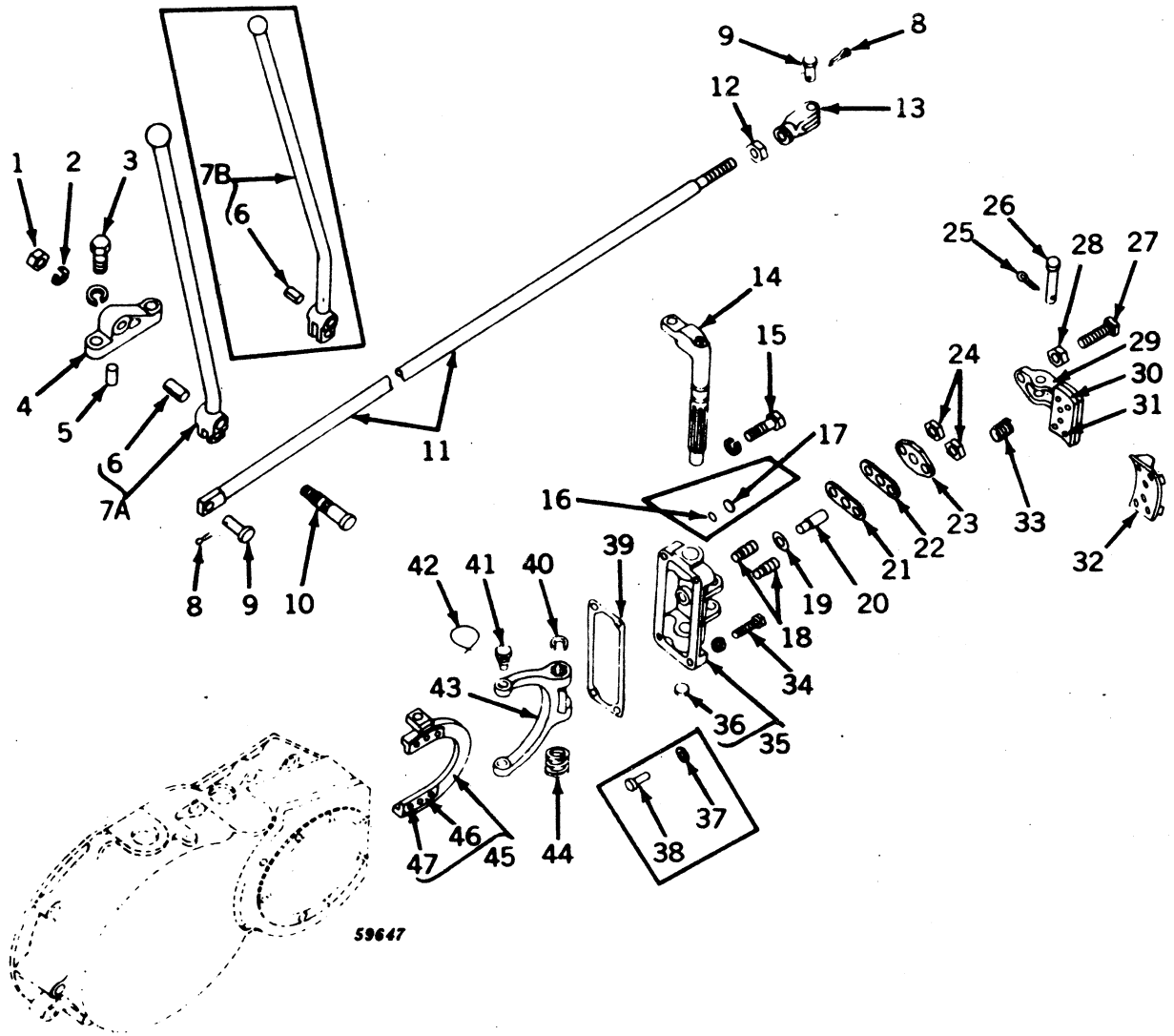
FIRST REDUCTION GEAR COVER



Key	Part No.	Serial No.	Description
1	R 264 R	(-)	Gasket (packed 2 in a pkg.)
4	A 4235 R	(-)	Gasket (packed 2 in a pkg.)
5	R 1445 R	(-)	Nipple
6	AR 1429 R	(-)	Cover, R1444R, with oil filler nipple, cap, and plug
7	19H 360 T	(-)	Screw, cap, high-strength, 7/16" x 2" (5 used)
	12H 12 R	(-)	Washer, lock, 7/16" (5 used)
8	R 267 R	(-)	Gasket (packed 2 in a pkg.)
2	15H 241 R	(-)	Plug, pipe, 1-1/2"
3	A 4233 R	(-)	Cap
9	AR 404 R	(-)	Shield, pulley dust
10	24H 930 R	(-)	Washer, 11/32" x 3/4" x 11 gauge (7 used)
11	19H 1112 H	(-)	Screw, cap, 5/16" x 3/4" (7 used)
	12H 10 R	(-)	Washer, lock, 5/16" (7 used)
12	R 268 R	(-)	Guard, pulley
13	F 2272 R	(-)	Screw, special cap (3 used)
	12H 11 R	(-)	Washer, lock, 3/8" (3 used)
14	19H 1242 M	(-)	Screw, cap, 7/16" x 2-3/4" (8 used)
	12H 12 R	(-)	Washer, lock, 7/16" (8 used)
15	19H 403 R	(-)	Screw, cap, 7/16" x 4-1/2"
	12H 12 R	(-)	Washer, lock, 7/16"
16	R 228 R	(-)	Plug
17	R 229 R	(-)	Washer

MEMORANDA

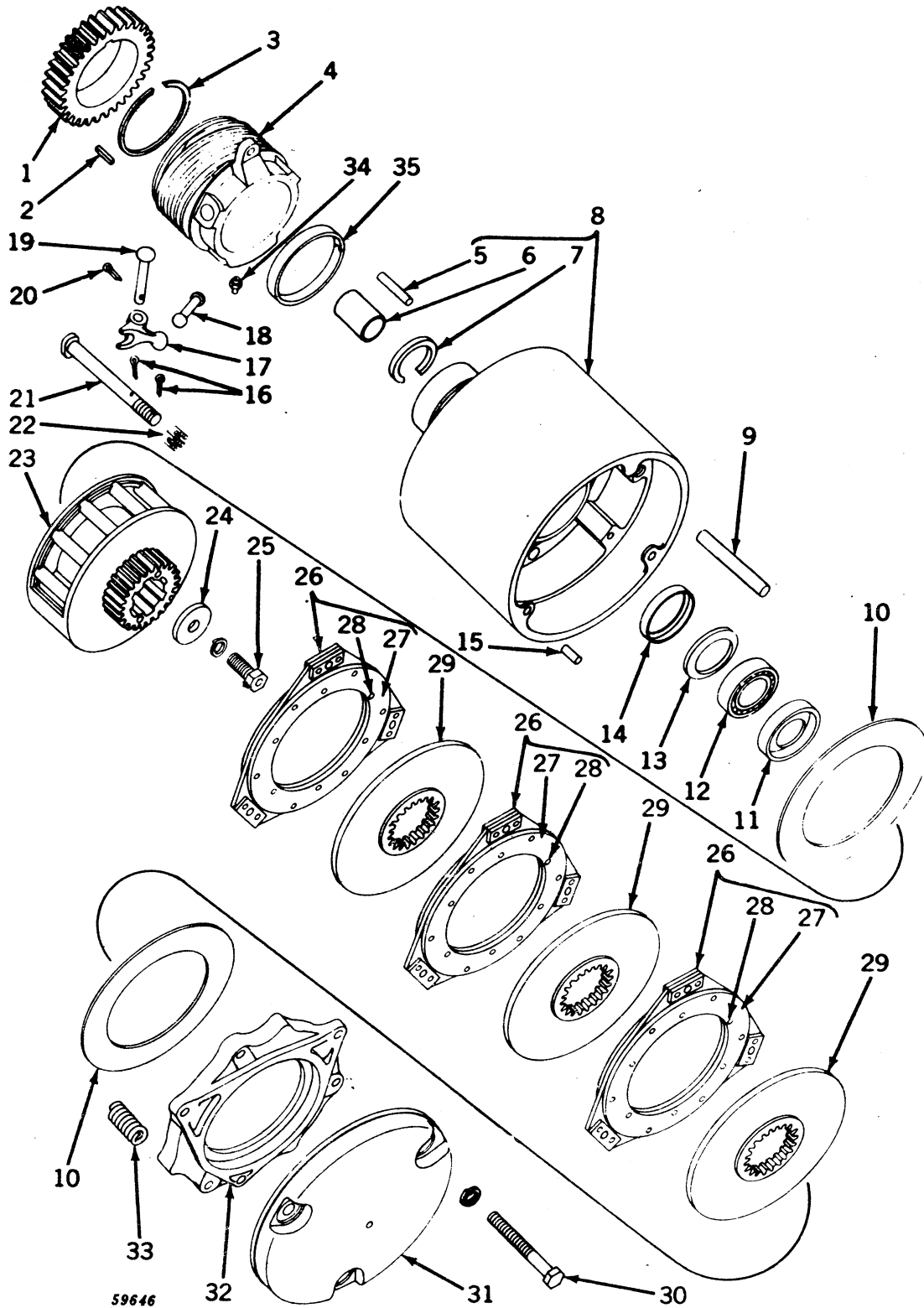
CLUTCH OPERATING PARTS



CLUTCH OPERATING PARTS -- Continued

Key	Part No.	Serial No.	Description
1	14H 800 R	(-)	Nut, 5/8" (sub. for 14H399R)
2	12H 15 R	(-)	Washer, lock, 5/8"
3	19H 1373 R	(-)	Screw, cap, high-strength, 5/8" x 2" (2 used)
	12H 15 R	(-)	Washer, lock, 5/8" (2 used)
4	R 2650 R	(-)	Bracket, clutch lever (sub. for R281R)
5	C 1220 R	(-)	Pin, dowel
6	A 1197 R	(-)	Bushing
7A	AR 409 R	(-)	Lever, R282R, clutch operating, with bushing
7B	AR 1871 R	(8203100-)	Lever, R2746R, clutch operating, with bushing (used with foot-operated speed control)
8	11H 236 R	(-)	Pin, cotter, 1/8" x 1" (2 used) (sub. for 11H41R)
9	D 1994 R	(-)	Pin (2 used) (packed 5 in a pkg.)
10	D 2031 R	(-)	Bolt, pivot
11	R 284 R	(-)	Rod, operating
12	14H 395 R	(-)	Nut, 9/16"
13	D 393 R	(-)	Yoke
14	R 270 R	(-)	Shaft, clutch fork
15	19H 255 N	(-)	Screw, cap, 3/8" x 2" (2 used) (sub. for 19H256R)
	12H 11 R	(-)	Washer, lock, 3/8" (2 used)
16	A 3917 R	(-8203099)	Packing, O-ring (packed 5 in a pkg.)
17	R 1472 R	(-8203099)	Plug, special expansion
18	F 2884 R	(8203100-)	Stud (2 used)
19	R 459 R	(8203100-)	Packing, O-ring (packed 5 in a pkg.)
20	A 6112 R	(8203100-)	Pin, operating, pulley brake
21	F 3590 R	(8203100-)	Shim, .062" steel
22	F 3587 R	(8203100-)	Shim, .005" steel (packed 2 in a pkg.)
23	F 3586 R	(8203100-)	Stop, pulley brake operating pin
24	14H 813 C	(8203100-)	Nut, 7/16" (2 used) (sub. for 14H257R)
25	11H 211 R	(-)	Pin, cotter, 1/8" x 3/4" (sub. for 11H39R)
26	R 20448 R	(-)	Pin, pivot (sub. for F1446R)
27	22H 178 R	(-8203099)	Screw, set, 1/2" x 2-1/4"
	22H 169 R	(8203100-)	Screw, set, 1/2" x 1-3/4"
28	14H 473 R	(-)	Nut, jam, 1/2"
29	AR 1170 R	(-8203099)	Brake, R1470R, pulley, with lining (sub. R2510R and AB4748R)
	R 2736 R	(8203100-)	Brake, pulley, less lining and rivets
30	D 1932 R	(-)	Lining, brake (packed 5 in a pkg.)
31	A 4363 R	(-)	Rivet (6 used) (packed 100 in a pkg.)
32	AB 4748 R	(-)	Lining, brake, with adapter (packed 20 in a pkg.)
33	R 673 R	(-)	Spring
34	F 2273 R	(-)	Screw, special cap (2 used)
	12H 11 R	(-)	Washer, lock, 3/8" (2 used)
35	AR 1360 R	(-8203099)	Bearing, R1467R, clutch fork, with plug (sub. two 14H813C, one 22H169R, one A6112R, one F3586R, twelve F3587R, one F3590R, one R459R, one R2736R, and one AR1849R)
	AR 1849 R	(8203100-)	Bearing, R2735R, clutch fork, with plug and studs
36	30H 11 R	(-)	Plug, expansion, 7/8"
37	24H 156 R	(-8203099)	Washer, 13/32" x 11/16" x 16 gauge
	24H 41 H	(-8203099)	Washer, 13/32" x 3/4" x 20 gauge
	24H 1 R	(-8203099)	Washer, 27/64" x 3/4" x 26 gauge
	R 1820 R	(-8203099)	Washer, 25/64" x 11/16" x .010"
38	R 1471 R	(-8203099)	Pin, operating, pulley brake
39	R 1468 R	(-)	Gasket (packed 2 in a pkg.)
40	R 271 R	(-)	Snap ring
41	D 178 R	(-)	Pivot, fork (2 used)
42	(-)	Wire, 16 gauge x 6" long (2 used)
43	R 1466 R	(-)	Fork, clutch
44	R 273 R	(-)	Spring
45	AR 406 R	(-)	Collar, clutch
46	R 276 R	(-)	Plate, clutch collar thrust (4 used)
47	R 277 R	(-)	Rivet (6 used) (packed 10 in a pkg.)

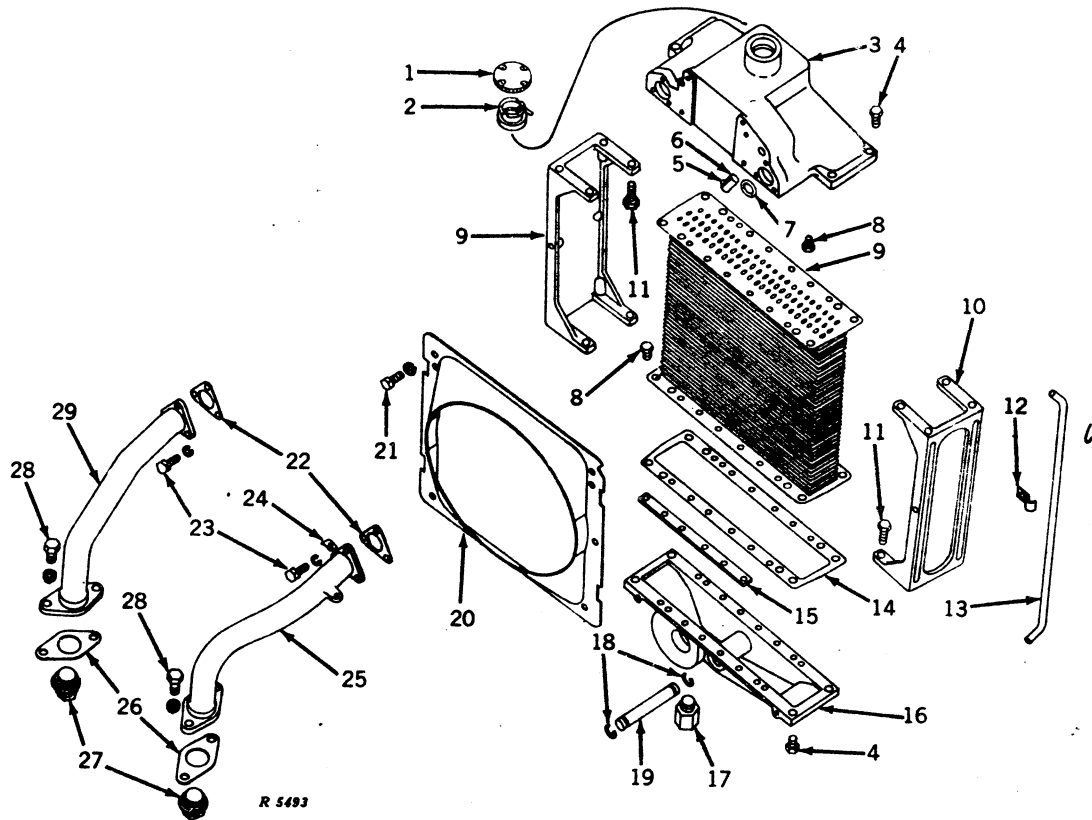
PULLEY AND CLUTCH



PULLEY AND CLUTCH -- Continued

Key	Part No.	Serial No.	Description
1	R 249 R	(-)	Gear, pulley
2	D 659 R	(-)	Key
3	R 250 R	(-)	Snap ring
4	R 1856 R	(-8203099)	Sleeve, clutch operating (sub. AR1877R)
	AR 1877 R	(8203100-)	Sleeve, R2757R, clutch operating, with retainer and grease fitting
5	R 1964 R	(-)	Pin, drive (sub. for R247R)
6	R 1070 R	(-)	Bushing
7	D 461 R	(-)	Snap ring
8	AR 1361 R	(-)	Pulley, R1855R, belt, with bushing, snap ring, and drive pin
9	R 1869 R	(-)	Pin (3 used)
10	R 256 R	(-)	Facing, clutch (2 used) (packed 10 in a pkg.)
11	R 251 R	(-)	Retainer, bearing
12	JD 7488 R	(-)	Bearing, outer race and roller
13	F 186 R	(-)	Washer, bearing
14	R 1214 R	(-)	Retainer, pulley oil
15	A 4879 R	(-)	Pin, dowel (2 used)
16	11H 236 R	(-)	Pin, cotter, 1/8" x 1" (6 used) (sub. for 11H41R)
17	R 1857 R	(-)	Dog, clutch (3 used)
18	R 253 R	(-)	Toggle, clutch dog (3 used)
19	D 355 R	(-)	Pin, clutch dog (3 used)
20	11H 216 R	(-)	Pin, cotter, 3/16" x 1" (3 used) (sub. for 11H78R)
21	R 1859 R	(-)	Bolt, clutch operating (3 used)
22	R 20228 R	(-)	Nut, slotted, 9/16" (3 used) (packed 25 in a pkg.) (sub. for C1200R)
23	R 1853 R	(-)	Disk, clutch drive
24	R 20136 R	(-)	Washer (sub. for 24H890R, F2646R, and D141R)
25	19H 1391 R	(-)	Screw, cap, 3/4" x 2-1/4"
	12H 17 R	(-)	Washer, lock, 3/4"
26	AR 1052 R	(-)	Disk, clutch facing, with facing (3 used)
27	R 259 R	(-)	Facing (6 used) (packed 2 in a pkg.)
28	D 2309 R	(-)	Rivet (45 used) (packed 100 in a pkg.)
29	R 260 R	(-)	Disk, sliding drive (3 used)
30	19H 1244 N	(-)	Screw, cap, 7/16" x 5" (3 used)
	12H 12 R	(-)	Washer, lock, 7/16" (3 used)
31	R 1862 R	(-)	Cover, pulley dust
32	R 261 R	(-)	Disk, clutch adjusting
33	R 1860 R	(-)	Spring (3 used)
34	JD 7760	(8203100-)	Fitting, grease, in sleeve
35	R 2740 R	(8203100-)	Retainer, grease

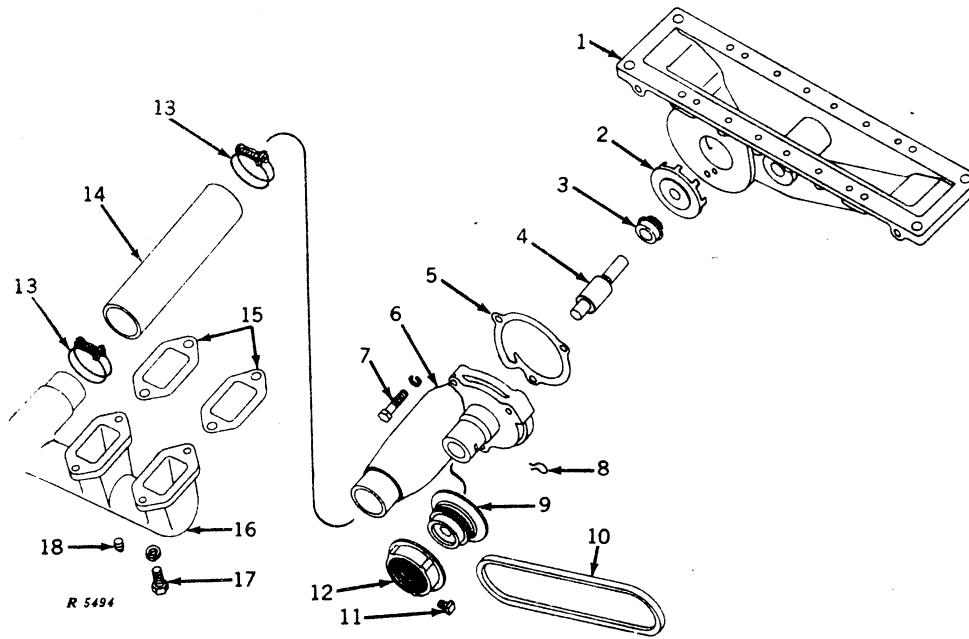
RADIATOR AND PIPING



R 5493

Key	Part No.	Serial No.	Description
1	AA 5757 R	(-)	Cap, radiator
2	AA 5756 R	(-)	Flange, filler, with adapter and tube
3	R 2590 R	(-)	Tank, top (sub. for R1550R)
4	19H 1166 H	(-)	Screw, cap, 7/16" x 1-1/2" (8 used)
5	34H 41 H	(-)	Pin, roll (elec.)
6	R 20483 R	(-)	Pin (elec.) (sub. for AR20604R)
7	R 495 R	(-)	Packing, O-ring (packed 10 in a pkg.)
8	19H 1112 H	(-)	Screw, cap, 5/16" x 3/4" (24 used)
9	AF 2101 R	(-8199999)	Core, radiator (sub. AR1627R)
	AR 1627 R	(8200000 -)	Core, radiator
10	R 2591 R	(-)	Side, radiator (2 used)
11	19H 218 N	(-)	Screw, cap, high-strength, 3/8" x 1" (8 used)
12	R 183 R	(-)	Clip, vent drain tube (2 used)
13	R 1558 R	(-)	Tube, vent drain
14	F 661 R	(-)	Gasket (2 used) (packed 5 in a pkg.)
15	A 192 R	(-)	Strap (4 used)
16	R 1551 R	(-)	Tank, bottom
17	C 1865 R	(-)	Plug, drain (packed 5 in a pkg.)
18	A 602 R	(-)	Snap ring (2 used)
19	R 184 R	(-)	Pin, radiator pivot
20	F 455 R	(-)	Shroud, fan
21	19H 1255 T	(-)	Screw, cap, high-strength, 3/8" x 5/8" (4 used)
	12H 11 R	(-)	Washer, lock, 3/8" (4 used)
	21H 769 H	(-)	Screw, mach., 3/8" x 3/4", R.H. side (2 used)
22	R 1562 R	(-)	Gasket (2 used) (packed 2 in a pkg.)
23	19H 337 N	(-)	Screw, cap, 7/16" x 1-1/4" (6 used)
	12H 12 R	(-)	Washer, lock, 7/16" (6 used)
24	F 1373 R	(-)	Plate, lock (elec.)
25	R 1554 R	(-)	Pipe, upper water, R.H.
26	R 1563 R	(-)	Gasket (2 used) (packed 10 in a pkg.)
27	AB 4744 R	(-)	Thermostat (range 162°-182° F.) (2 used)
	AB 4745 R	(-)	Thermostat (range 180°-202° F.) (2 used)
	AA 6292 R	(-)	Thermostat (range 195°-212° F.) (2 used)
28	19H 462 N	(-)	Screw, cap, 1/2" x 1-1/2" (4 used)
	12H 13 R	(-)	Washer, lock, 1/2" (4 used)
29	R 1555 R	(-)	Pipe, upper water, L.H.

WATER PUMP

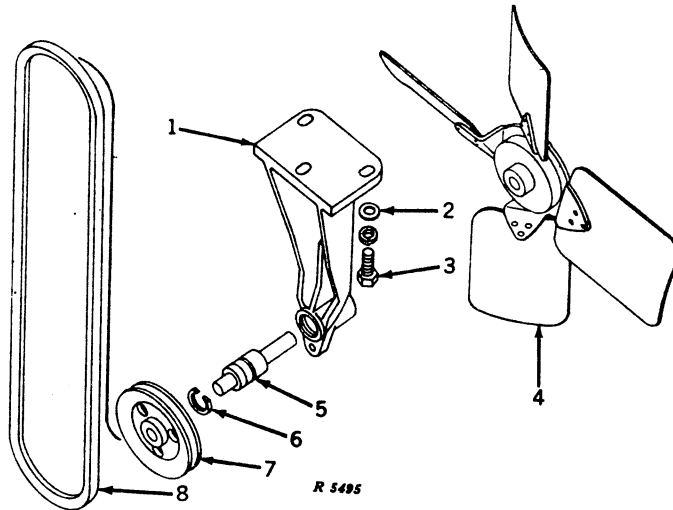


Key	Part No.	Serial No.	Description
1	R 1551 R	(-)	Tank, bottom
2	R 1525 R	(-)	Impeller, water pump
3	AF 2057 R	(-)	Seal, oil
4	JD 8515 R	(-)	Bearing
5	R 1524 R	(-)	Gasket (packed 5 in a pkg.)
6	R 1523 R	(-)	Housing, water pump
7	F 2274 R	(-)	Screw, special cap, 3/8" x 1-3/4" (3 used)
	12H 11 R	(-)	Washer, lock, 3/8" (3 used)
8	R 1529 R	(-)	Retainer, spring, water pump bearing
9	R 1526 R	(-)	Hub, pulley
10	R 1528 R	(-)	Belt, water pump
11	22H 6 R	(-)	Screw, set, 1/4" x 1/2"
12	R 1527 R	(-)	Ring, pulley adjusting
13	AR 21840 R	(-)	Clamp, hose (2 used) (packed 2 in a pkg.) (sub. for B2373R)
14	R 1565 R	(-)	Hose, lower water
15	R 1564 R	(-)	Gasket (2 used) (packed 10 in a pkg.)
16	R 1556 R	(-8199999)	Inlet, cylinder head water (sub. A2093R and R2512R)
	R 2512 R	(8200000-8299999)	Inlet, cylinder head water
	R 20595 R	(8300000-)	Inlet, cylinder head water
17	F 2273 R	(-)	Screw, special cap, 3/8" x 1-1/4" (4 used)
	12H 11 R	(-)	Washer, lock, 3/8" (4 used)
18	15H 255 R	(-8199999)	Plug, pipe, 3/8"
	A 2093 R	(8200000-)	Plug, pipe (packed 5 in a pkg.)

(Part listed below is an assembly of some of the parts in this grouping.)

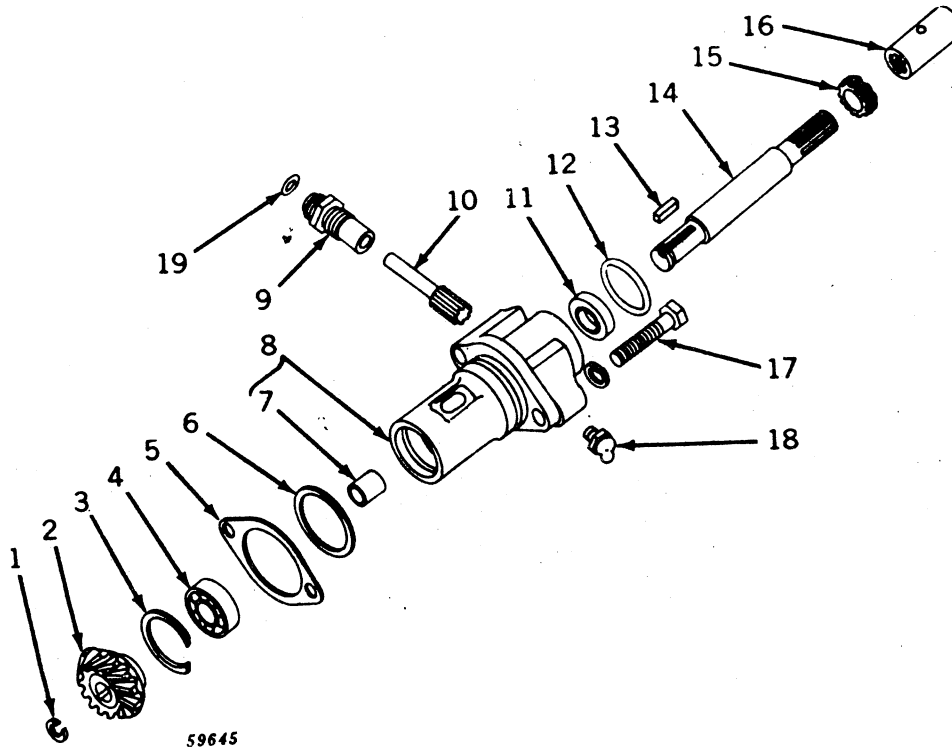
AR 1194 R	(-)	Water pump replacement assembly, consisting of housing, impeller, oil seal, bearing, pulley hub, adjusting ring, and spring retainer
-----------	-------	--

FAN AND FAN SUPPORT



Key	Part No.	Serial No.	Description
1	R 1552 R	(-)	Housing, fan shaft bearing
2	24H 154 R	(-)	Washer, 25/64" x 7/8" x 16 gauge (3 used)
3	F 2273 R	(-)	Screw, special cap (3 used)
	12H 11 R	(-)	Washer, lock, 3/8" (3 used)
4	AR 1692 R	(-)	Fan (sub. for AR1198R)
5	JD 8515 R	(-)	Bearing
6	A 4275 R	(-)	Snap ring
7	R 1553 R	(-)	Pulley, fan
8	R 1561 R	(-)	Belt, fan and generator drive

REAR FAN DRIVE ASSEMBLY



Key	Part No.	Serial No.	Description
1	A 369 R	(-)	Snap ring (packed 10 in a pkg.)
2	R 1687 R	(-)	Pinion, fan drive bevel
3	D 398 R	(-)	Snap ring
4	JD 7677 R	(-)	Bearing
5	R 1831 R	(-)	Shim (steel) (.006")
	R 951 R	(-)	Shim (steel) (.018")
6	F 1870 R	(-)	Packing, O-ring (packed 4 in a pkg.)

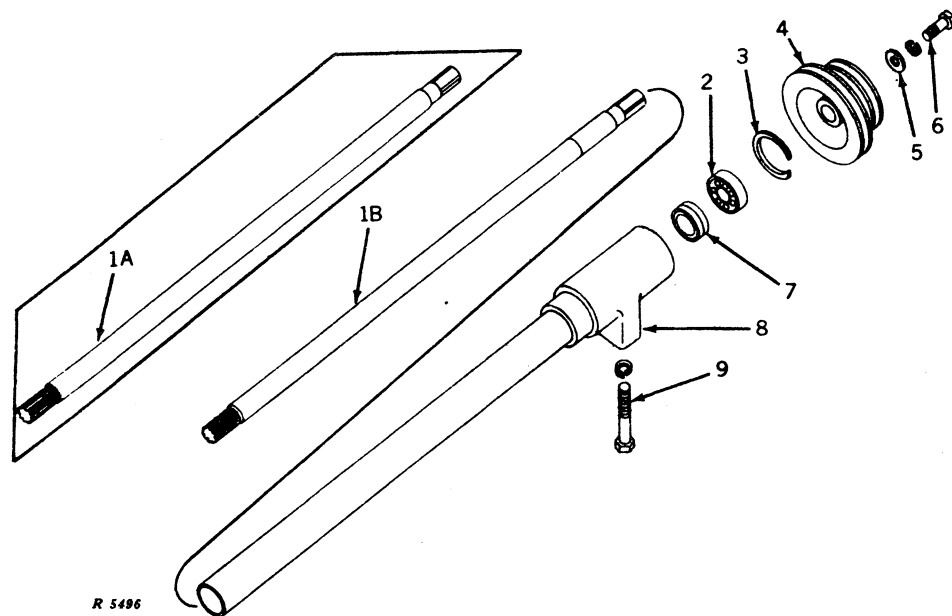
REAR FAN DRIVE ASSEMBLY -- Continued

Key	Part No.	Serial No.	Description
7	A 4130 R	(-)	Bushing
8	AR 1279 R*	(-8203099)	Housing, R1685R, fan drive shaft rear bearing, with bushing
	AR 1843 R	(8203100-)	Housing, R2730R, fan drive shaft rear bearing, with bushing
9	R 1690 R	(-8203099)	Connector, speed-hour meter cable
	R 2732 R	(8203100-)	Connector, speed-hour meter cable
10	R 1689 R	(-8203099)	Pinion, speed-hour meter drive (sub. R2731R, R2732R, and AR1844R)
	R 2731 R	(8203100-)	Pinion, speed-hour meter drive
11	AF 1925 R	(-8203099)	Seal, oil (sub. two AR21900R)
12	B 293 R	(-8203099)	Packing, O-ring (packed 5 in a pkg.)
	A 4540 R	(8203100-)	Packing, O-ring (packed 5 in a pkg.)
13	D 403 R	(-)	Key
14	R 1683 R	(-)	Shaft, fan drive, rear
15	R 1688 R	(-)	Gear, speed-hour meter drive
16	AF 1902 R	(-)	Coupling
17	19H 506 H	(-)	Screw, cap, 1/2" x 2-3/4" (2 used) (sub. for 19H500R)
	12H 13 R	(-)	Washer, lock, 1/2" (2 used)
18	JD 7760	(-8203099)	Fitting, grease
19	AR 1844 R	(8203100-)	Seal, oil

*On manual steering tractor, sub. AR1843R, AR1844R, AR1846R, and AR21263R for R2731R, R2732R, and R2733R.

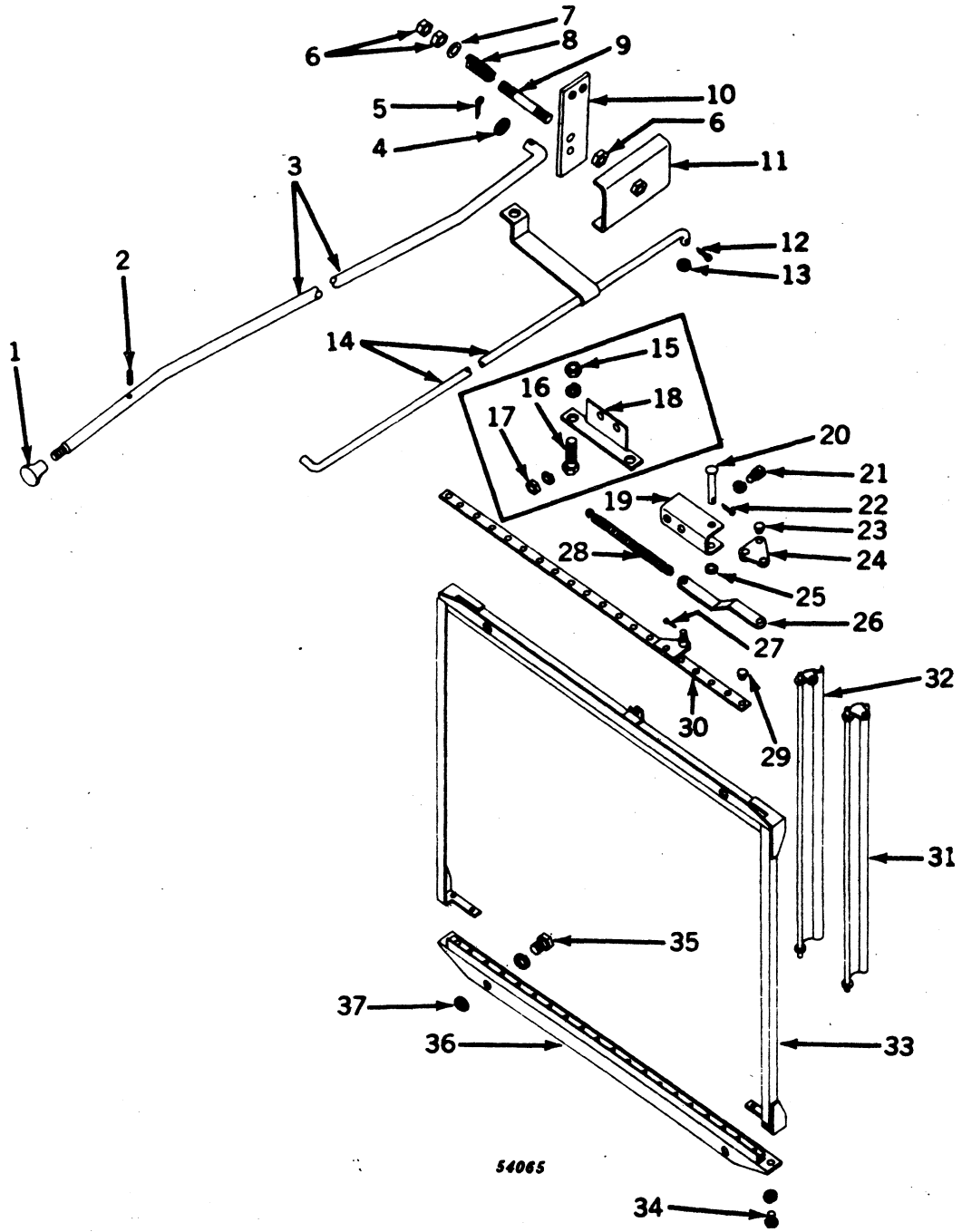
*On power steering tractor, sub. AR1843R, AR1844R, R2731R, and R2732R.

FRONT FAN DRIVE ASSEMBLY (Manual Steering)



Key	Part No.	Serial No.	Description
1A	R 1682 R	(-8203099)	Shaft, fan drive, front
1B	R 2733 R	(8203100-)	Shaft, fan drive, front
2	JD 7142 R	(-)	Bearing
3	D 398 R	(-)	Snap ring
4	R 1557 R	(-)	Pulley, fan and water pump drive
5	24H 550 R	(-)	Washer, 13/32" x 1-1/16" x 11 gauge
6	19H 218 N	(-)	Screw, cap, 3/8" x 1" (sub. for 19H211R)
	12H 11 R	(-)	Washer, lock, 3/8"
7	AF 1925 R	(8203100-)	Seal, oil (sub. two AR21900R oil seals and one R21720R spacer)
8	AR 1278 R	(-8203099)	Housing, R1684R, front fan bearing, with tube (sub. AR1846R)
	AR 1846 R	(8203100-)	Housing, R2734R, front fan bearing, with tube
9	19H 1211 N	(-)	Screw, cap, 3/8" x 3-1/4" (2 used) (sub. for 19H281R)
	12H 11 R	(-)	Washer, lock, 3/8" (2 used)

RADIATOR SHUTTER AND CONTROLS



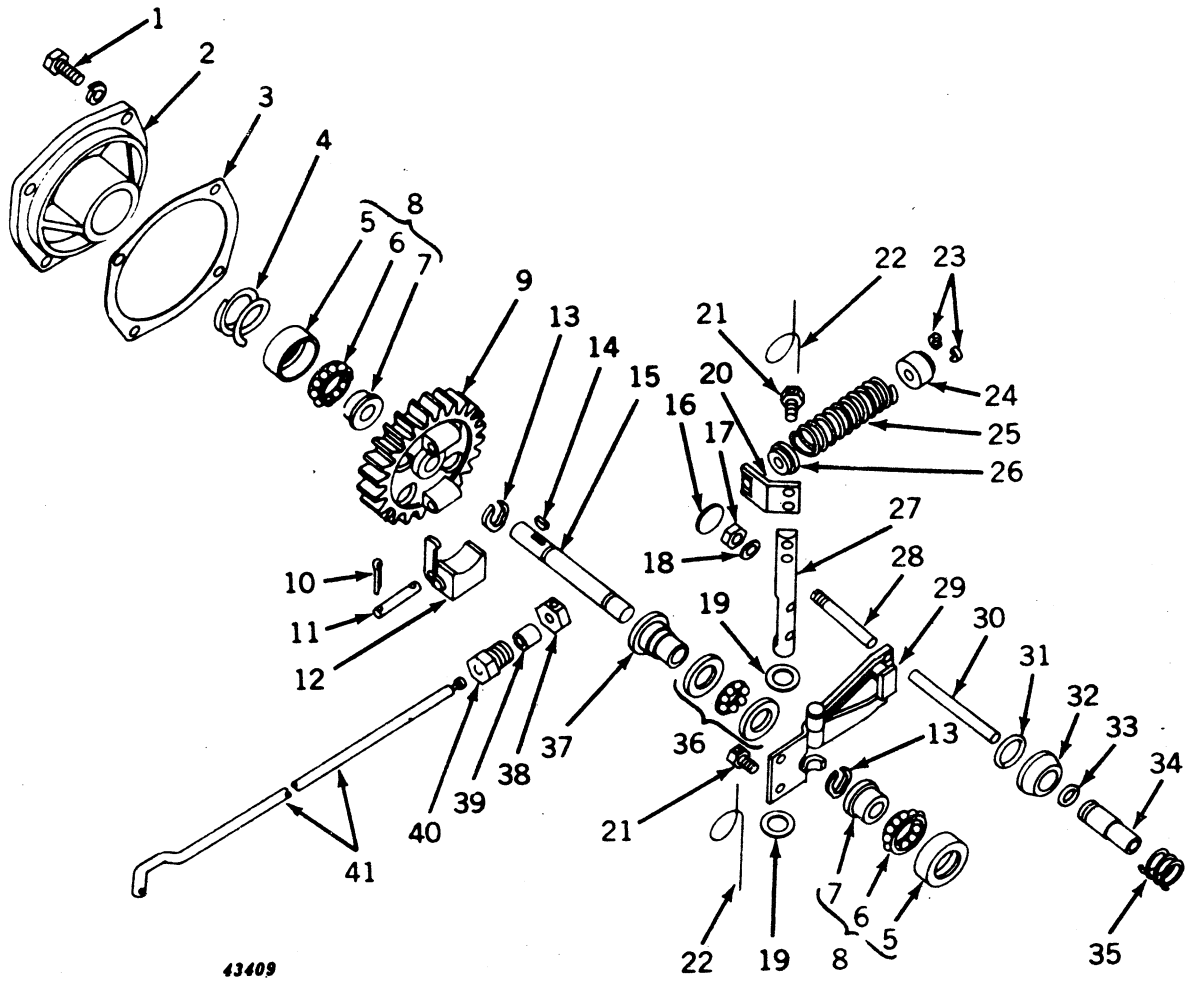
RADIATOR SHUTTER AND CONTROLS -- Continued

Key	Part No.	Serial No.	Description
1	B 1951 R	(-)	Knob, shutter control
2	34H 39 H	(-)	Pin, roll, 1/8" x 5/8"
3	R 2598 R	(-)	Rod, shutter control
4	24H 39 R	(-)	Washer, 21/64" x 3/4" x 20 gauge
5	11H 211 R	(-)	Pin, cotter, 1/8" x 3/4" (sub. for 11H38R)
6	14H 732 R	(-)	Nut, 3/8" (3 used)
7	24H 154 R	(-)	Washer, 25/64" x 7/8" x 16 gauge
8	D 699 R	(-)	Spring
9	R 826 R	(-)	Stud
10	R 2597 R	(-)	Lever, shutter control
11	AR 1643 R	(-)	Bracket, shutter control lever, with nut
12	11H 233 R	(-)	Pin, cotter, 3/32" x 1/2" (sub. for 11H18R)
13	24H 132 R	(-)	Washer, 9/32" x 1/2" x 16 gauge
14	AR 21215 R	(-)	Link, shutter control, with guide (sub. for AR1644R)
15	14H 812 C	(-8200410)	Nut, 3/8" (sub. for 14H255R)
	12H 11 R	(-8200410)	Washer, lock, 3/8"
16	19H 255 N	(-8200410)	Screw, cap, 3/8" x 2" (sub. for 19H256R)
17	14H 785 R	(-8200410)	Nut, 5/16"
	12H 10 R	(-8200410)	Washer, lock, 5/16"
18	R 2599 R	(-8200410)	Support, shutter bracket
19	R 2594 R	(-)	Bracket, shutter control
20	R 821 R	(-)	Rivet
21	19H 99 R	(-)	Screw, cap, 5/16" x 9/16" (2 used)
	12H 10 R	(-)	Washer, lock, 5/16" (2 used)
22	11H 233 R	(-)	Pin, cotter, 3/32" x 1/2" (sub. for 11H18R)
23	A 1854 R	(-)	Rivet
24	AA 1522 R	(-)	Bell crank and bushing
25	24H 132 R	(-)	Washer, 9/32" x 1/2" x 16 gauge
26	R 845 R	(-)	Link, operating
27	11H 231 R	(-)	Pin, cotter, 1/16" x 1" (sub. for 11H3R)
28	A 1999 R	(-)	Spring
29	A 1855 R	(-)	Rivet (20 used)
30	AR 667 R	(-)	Bar, operating, and stud
31	AR 669 R	(-)	Blade, shutter and pivot pins (19 used)
32	AR 670 R	(-)	Blade, shutter and pivot pins (L. H. side)
33	AR 668 R	(-)	Frame and bearing bar
34	21H 597 R	(-)	Screw, machine (4 used)
	12H 9 R	(-)	Washer, lock, 1/4" (4 used)
35	19H 99 R	(-)	Screw, cap, 5/16" x 9/16" (4 used)
	12H 10 R	(-)	Washer, lock, 5/16" (4 used)
36	AR 671 R	(-)	Bar, bottom tie, and bearing bar
37	24H 143 R	(-)	Washer, 21/64" x 3/4" x 16 gauge (2 used)

Part listed below is an assembly of most of the parts in this grouping.

AR 594 R (-) Shutter, complete

GOVERNOR

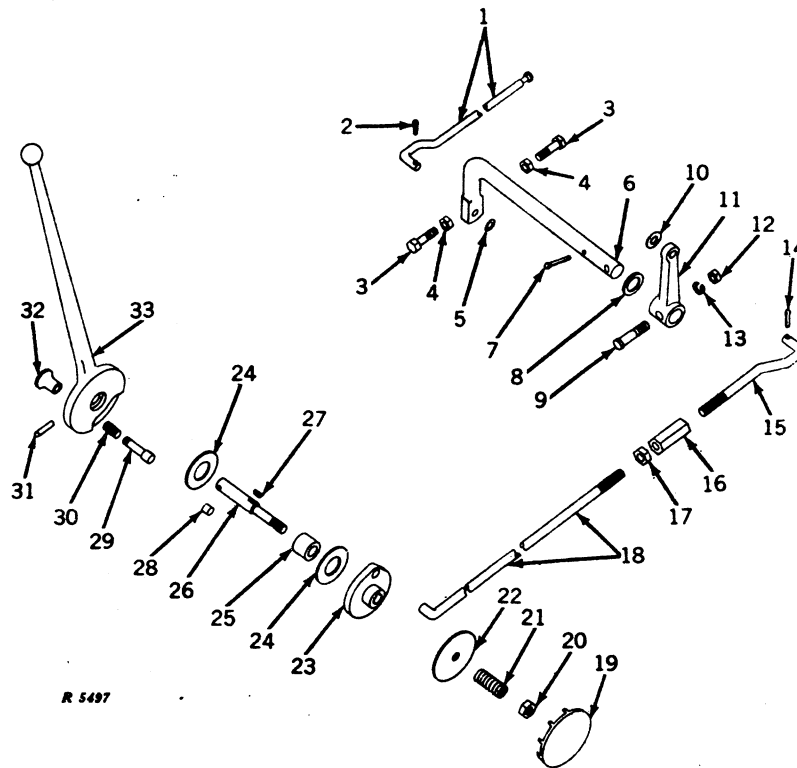


43409

GOVERNOR -- Continued

Key	Part No.	Serial No.	Description
1	19H 218 D	(-)	Screw, cap, 3/8" x 1" (4 used) (sub. for 19H211R)
	12H 11 R	(-)	Washer, lock, 3/8" (4 used)
2	R 305 R	(-)	Housing, governor bearing
3	R 306 R	(-)	Gasket (packed 2 in a pkg.)
4	H 393 R	(-)	Spring
5	JD 7151 R	(-)	Cup, bearing (2 used)
6	JD 7153 R	(-)	Retainer, with balls (2 used)
7	JD 7152 R	(-)	Cone, bearing (2 used)
8	JD 7150 R	(-)	Bearing, complete (2 used)
9	R 303 R	(-)	Gear, governor drive
10	11H 233 R	(-)	Pin, cotter, 3/32" x 1/2" (4 used) (sub. for 11H18A)
11	F 3326 R	(-)	Pin, governor weight (2 used) (packed 10 in a pkg.) (sub. for C902R)
12	AC 667 R	(-)	Weight, governor (2 used) (packed 2 in a pkg.)
13	H 392 R	(-)	Snap ring (2 used)
14	26H 10 R	(-)	Key, Woodruff, 5/32" x 5/8"
15	R 947 R	(-)	Shaft, governor
16	30H 15 N	(-)	Plug, expansion, 1-1/8"
17	14H 732 R	(-)	Nut, jam, 3/8"
18	A 3098 R	(-8000774)	Washer (packed 5 in a pkg.)
	A 5364 R	(8000775-)	Washer (packed 5 in a pkg.)
19	B 2274 R	(-)	Washer (2 used)
20	R 309 R	(-)	Lever, governor loading
21	R 310 R	(-)	Screw, cap, 1/4" x 1/2" (drilled) (4 used)
22	(-)	Wire, 16 gauge x 5" long (2 used)
23	R 313 R	(-)	Keeper, speed control spring end (2 used)
24	R 1865 R	(-)	End, speed control spring
25	R 1349 R	(-)	Spring, speed control
26	R 312 R	(-)	Fulcrum, speed control spring
27	R 308 R	(-)	Shaft, governor lever
28	R 1899 R	(-)	Screw, adjusting, governor lever stop
29	AR 801 R	(-)	Lever, governor
30	R 1477 R	(-)	Rod, injection pump control
31	R 460 R	(-)	Packing, O-ring (packed 5 in a pkg.)
32	R 461 R	(-)	Retainer, injection pump control rod packing
33	R 459 R	(-)	Packing, O-ring (packed 5 in a pkg.)
34	R 1478 R	(-)	Guide, injection pump control rod
35	A 2441 R	(-)	Spring (packed 5 in a pkg.)
36	C 998 R	(-)	Bearing, thrust
37	AR 922 R	(-)	Sleeve, governor
38	AR 1344 R	(-)	Stop, speed control rod, with screw
39	R 316 R	(-)	Packing, speed control rod
40	R 317 R	(-)	Gland, packing, speed control rod
41	R 1347 R	(-)	Rod, speed control

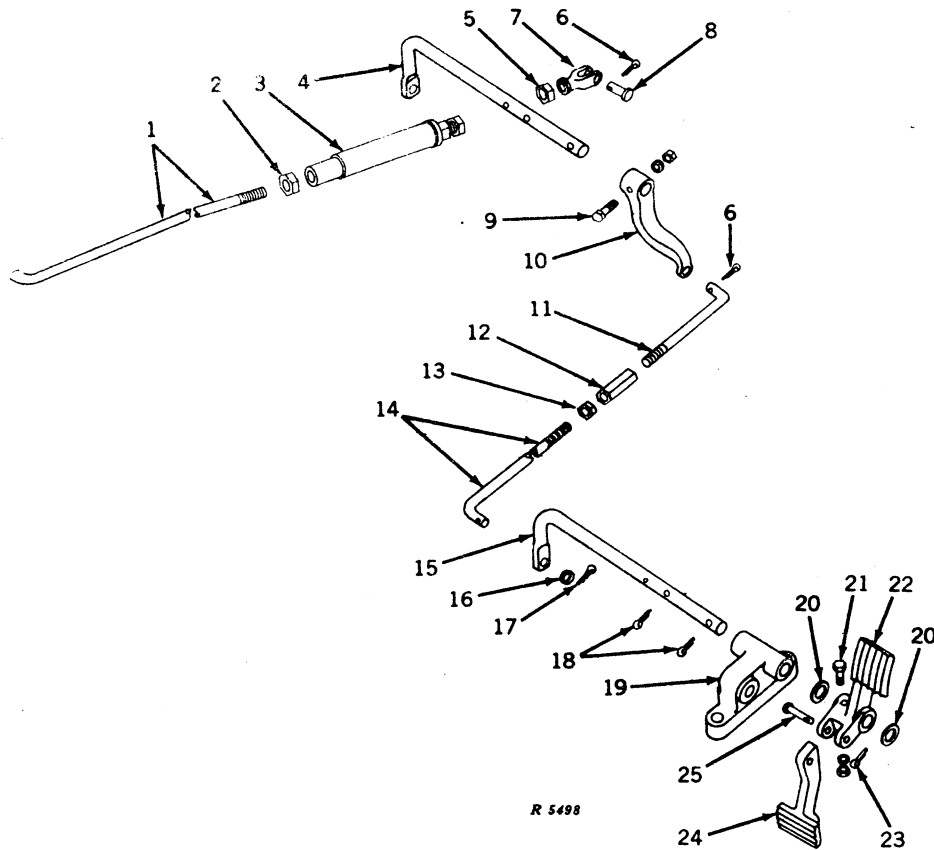
THROTTLE CONTROL



R 5497

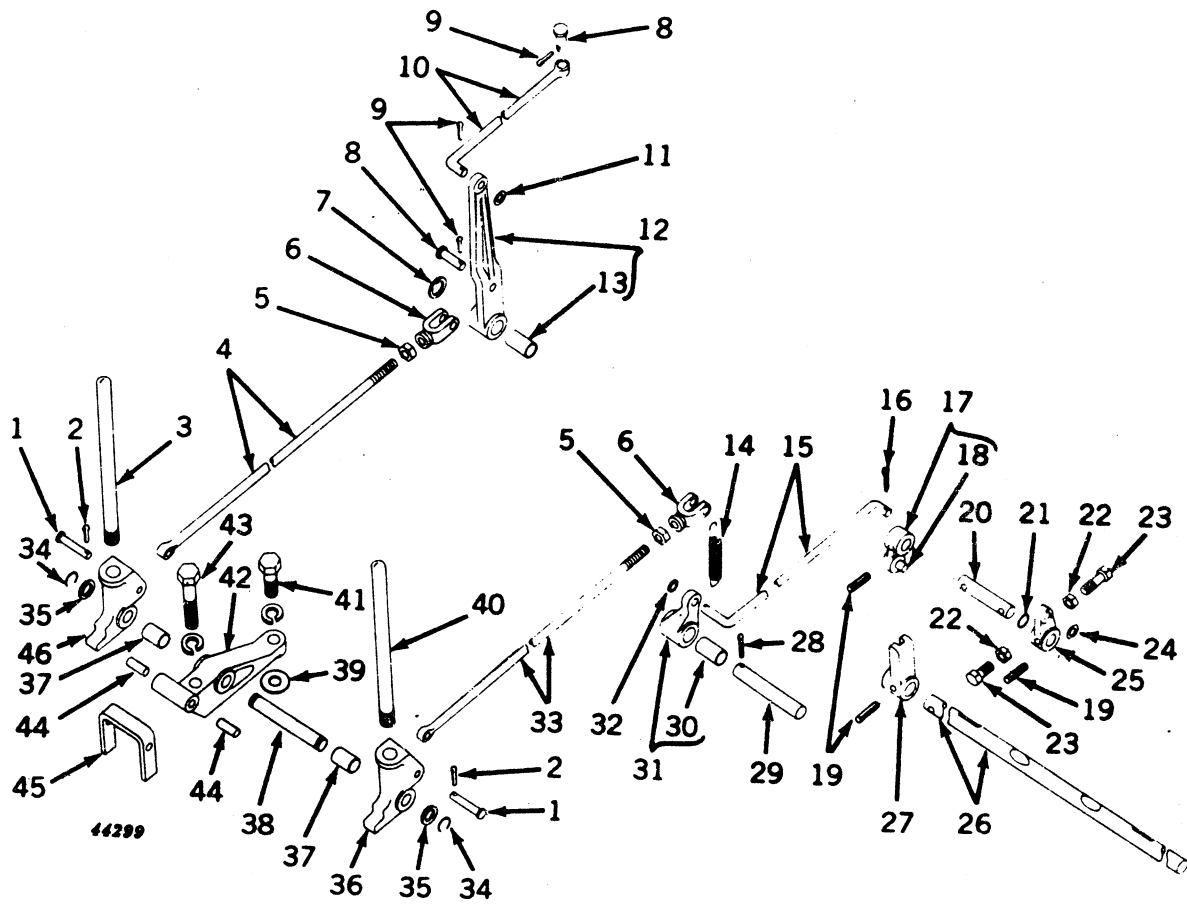
Key	Part No.	Serial No.	Description
1	R 1347 R	(-)	Rod, speed control
2	11H 233 R	(-)	Pin, cotter, 3/32" x 1/2" (sub. for 11H18R)
3	F 2270 R	(-)	Screw, special cap (2 used)
4	14H 785 R	(-)	Nut, 5/16" (2 used)
5	24H 132 R	(-)	Washer, 9/32" x 1/2" x 16 gauge
6	R 1427 R	(-)	Shaft, speed control
7	11H 236 R	(-)	Pin, cotter, 1/8" x 1" (sub. for 11H41R)
8	24H 448 R	(-)	Washer, 25/32" x 1-1/8" x 13 gauge
9	H 983 R	(-)	Bolt, taper
10	24H 154 R	(-)	Washer, 25/64" x 7/8" x 16 gauge
11	R 1909 R	(-)	Arm, speed control
12	14H 785 R	(-)	Nut, 5/16"
13	12H 10 R	(-)	Washer, lock, 5/16"
14	11H 206 R	(-)	Pin, cotter, 3/32" x 3/4" (sub. for 11H19R)
15	R 1148 R	(-8203099)	End, speed control lever
	R 2741 R	(8203100-)	End, speed control lever
16	R 1149 R	(-)	Coupling, speed control lever rod
17	14H 732 R	(-)	Nut, jam, 3/8"
18	R 1644 R	(-8203099)	Rod, speed control lever (sub. R2741R and R2743R)
	R 2743 R	(8203100-)	Rod, speed control lever
19	R 1680 R	(-)	Plug, button speed control opening
20	14H 812 C	(-)	Nut, 3/8" (sub. for 14H255R)
21	K 2172 R	(-)	Spring
22	24H 1062 R	(-)	Washer, 13/32" x 2-3/4" x 16 gauge
23	R 1643 R	(-)	Plate, speed control
24	A 5037 R	(-8199999)	Washer, friction (2 used) (sub. R1954R)
	R 1954 R	(8200000-)	Washer, friction (2 used) (packed 2 in a pkg.)
25	R 1640 R	(-)	Spacer
26	R 1641 R	(-8204617)	Shaft, speed control lever (sub. R20175R, R20176R, and 34H77T)
	R 20176 R	(8204618-)	Shaft, speed control lever
27	26H 7 R	(-)	Key, woodruff, 1/8" x 1/2"
28	R 726 R	(-)	Pin, dowel, speed control lever stop
29	R 1642 R	(-)	Pin, speed control stop
30	A 4741 R	(-)	Spring
31	34H 60 N	(-8204617)	Pin, roll
	34H 77 T	(8204618-)	Pin, roll
32	B 1951 R	(-)	Knob, speed control stop pin
33	R 1639 R	(-8204617)	Lever, speed control (sub. R20175R, R20176R, and 34H77T)
	R 20175 R	(8204618-)	Lever, speed control

FOOT-OPERATED SPEED CONTROL



Key	Part No.	Serial No.	Description
1	R 2743 R	(-)	End, speed control lever
2	14H 742 R	(-)	Nut
3	AR 1872 R	(-)	Spring, accelerator
4	R 2744 R	(-)	Shaft, speed control
5	14H 732 R	(-)	Nut, 3/8"
6	11H 206 R	(-)	Pin, cotter, 3/32" x 3/4" (2 used) (sub. for 11H19R)
7	C 284 R	(-)	Yoke
8	C 1067 R	(-)	Pin
9	H 983 R	(-)	Bolt, taper
	12H 10 R	(-)	Washer, lock, 5/16"
	14H 785 R	(-)	Nut, 5/16"
10	R 2745 R	(-)	Arm, accelerator control
11	R 1148 R	(-)	End, control rod
12	R 1149 R	(-)	Coupling
13	14H 732 R	(-)	Nut, jam, 3/8"
14	R 2750 R	(-)	Rod, accelerator control
15	R 2749 R	(-)	Shaft, accelerator pedal
16	24H 156 R	(-)	Washer
17	11H 211 R	(-)	Pin, cotter, 1/8" x 3/4" (sub. for 11H39R)
18	11H 236 R	(-)	Pin, cotter, 1/8" x 1" (2 used) (sub. for 11H41R)
19	R 2747 R	(-)	Bracket, clutch lever
20	24H 448 R	(-)	Washer (2 used)
21	H 983 R	(-)	Bolt, taper
	12H 10 R	(-)	Washer, lock, 5/16"
	14H 785 R	(-)	Nut, 5/16"
22	R 2748 R	(-)	Pedal, accelerator
23	11H 233 R	(-)	Pin, cotter, 3/32" x 1/2" (sub. for 11H18R)
24	R 2751 R	(-)	Pedal, decelerator
25	F 1673 R	(-)	Pin

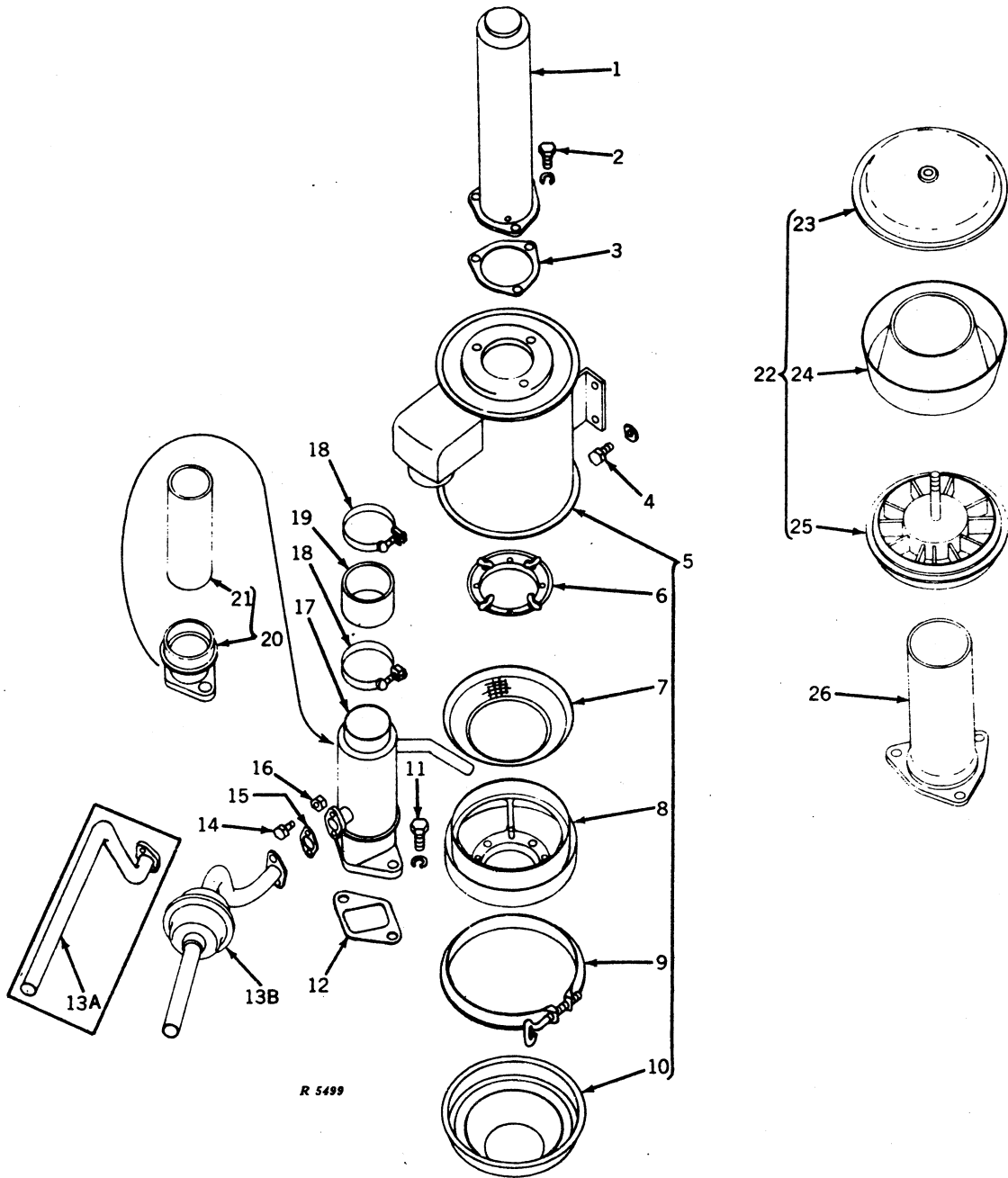
STARTING CONTROLS



STARTING CONTROLS -- Continued

Key	Part No.	Serial No.	Description
1	B 2290 R	(-)	Pin (2 used)
2	11H 206 R	(-)	Pin, cotter, 3/32" x 3/4" (2 used) (sub. for 11H19R)
3	R 1028 R	(-)	Handle, starting control lever (C.E.)
4	R 1697 R	(-)	Rod, starting control (C.E.)
5	14H 732 R	(-)	Nut, jam, 3/8" (2 used)
6	C 284 R	(-)	Yoke (2 used)
7	C 1246 R	(-)	Washer
8	C 1067 R	(-)	Pin (2 used)
9	11H 211 R	(-)	Pin, cotter, 1/8" x 3/4" (3 used) (sub. for 11H39R)
10	R 1705 R	(-)	Link, starting control (C.E.)
11	24H 156 R	(-)	Washer, 13/32" x 11/16" x 16 gauge
12	AR 1283 R	(-)	Arm, R1846R, starting control, with bushing (C.E.)
13	B 177 R	(-)	Bushing
14	R 1919 R	(-)	Spring (sub. for R830R)
15	R 1699 R	(-)	Link, decompression control
16	11H 211 R	(-)	Pin, cotter, 1/8" x 3/4" (sub. for 11H39R)
17	AR 1125 R	(-)	Arm, R1345R, decompression control shaft, with pin
18	A 4879 R	(-)	Pin, dowel
19	34H 103 H	(-)	Pin, roll, 1/4" x 1-1/4" (3 used)
20	R 1344 R	(-)	Shaft, decompression control
21	R 375 R	(-)	Packing, O-ring (packed 2 in a pkg.)
22	14H 732 R	(-)	Nut, jam, 3/8" (2 used)
23	F 2273 R	(-)	Screw, special cap (2 used)
24	24H 156 R	(-)	Washer, 13/32" x 11/16" x 16 gauge
25	R 1346 R	(-)	Lever, decompression control shaft
26	R 1364 R	(-)	Shaft, decompression
27	R 1365 R	(-)	Lever, decompression shaft
28	11H 237 R	(-)	Pin, cotter, 1/8" x 2" (sub. for 11H43R)
29	R 1847 R	(-)	Pin, control arm pivot
30	B 177 R	(-)	Bushing
31	AR 1282 R	(-)	Arm, R1845R, decompression control, with bushing
32	24H 156 R	(-)	Washer, 13/32" x 11/16" 16 gauge
33	R 1697 R	(-)	Rod, decompression control
34	B 387 R	(-)	Snap ring (2 used) (packed 5 in a pkg.)
35	24H 204 R	(-)	Washer, 21/32" x 1" x 16 gauge (2 used)
36	R 1844 R	(-)	Lever, decompression control
37	R 653 R	(-)	Bushing (2 used)
38	R 650 R	(-)	Shaft, control lever (C.E.)
	R 20264 R	(8300000-)	Shaft, control lever (elec.)
39	24H 554 D	(-)	Washer, 17/32" x 1-3/8" x 11 gauge
40	R 1028 R	(-)	Handle, decompression lever
41	19H 472 N	(-)	Screw, cap, high-strength, 1/2" x 1-3/4"
	12H 13 R	(-)	Washer, lock, 1/2"
42	R 1843 R	(-)	Bracket, control lever
43	19H 1120 N	(-)	Screw, cap, high-strength, 1/2" x 3-1/4"
	12H 13 R	(-)	Washer, lock, 1/2"
44	A 4879 R	(-)	Pin, dowel (2 used)
45	R 649 R	(-)	Stop, control lever
46	R 1844 R	(-)	Lever, starting control

AIR INTAKE SYSTEM AND CRANKING ENGINE EXHAUST

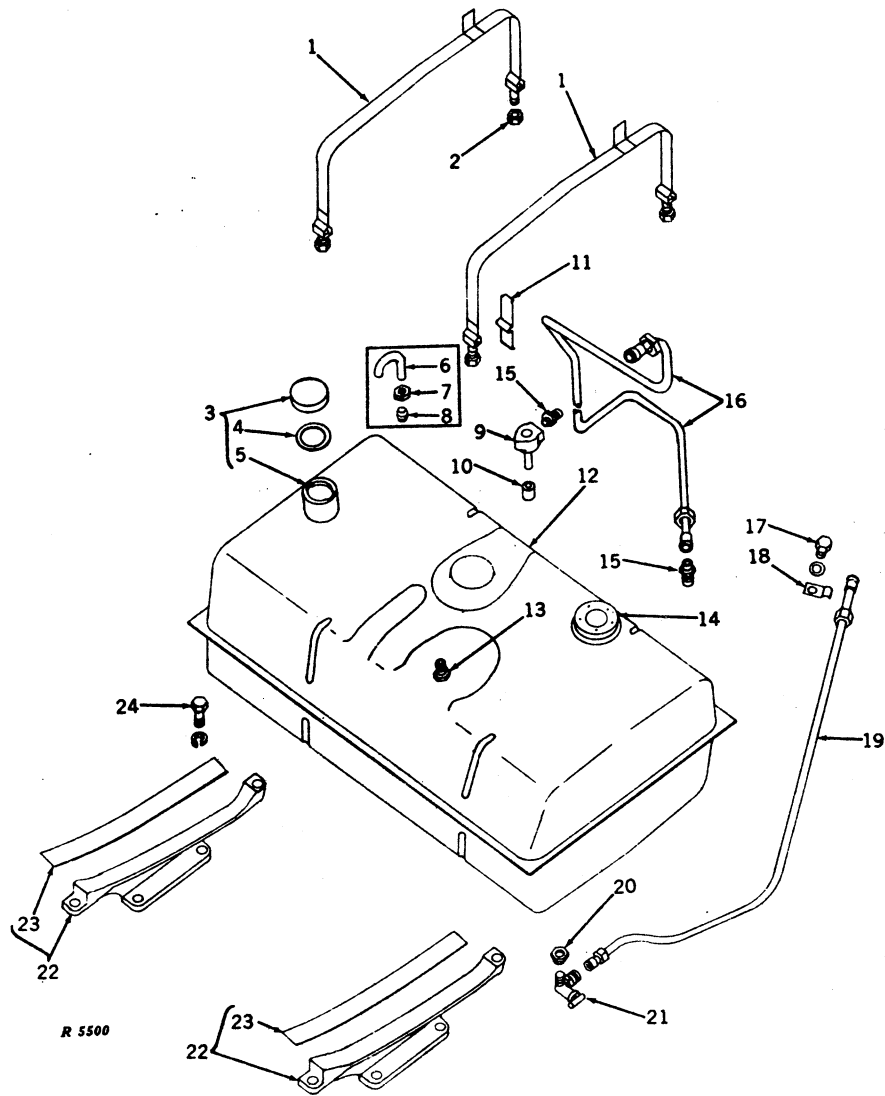


AIR INTAKE SYSTEM AND CRANKING ENGINE EXHAUST -- Continued

Key	Part No.	Serial No.	Description
1	AR 319 R	(-)	Stack, air, with flange
2	F 2272 R	(-)	Screw, special cap (3 used)
	12H 11 R	(-)	Washer, lock, 3/8" (3 used)
3	R 13 R	(-)	Gasket (packed 2 in a pkg.)
4	19H 1056 H	(-)	Screw, cap, 7/16" x 1" (4 used)
	12H 12 R	(-)	Washer, lock, 7/16" (4 used)
5	AR 1156 R	(-)	Air cleaner
6	AR 1367 R	(-)	Retainer, air cleaner tray screen
7	AR 1369 R	(-)	Screen, air cleaner tray (6 used)
8	AR 1368 R	(-)	Housing, air cleaner tray screen
9	AR 1366 R	(-)	Clamp, with screw
10	AR 1365 R	(-)	Cup, oil
11	19H 462 N	(-)	Screw, cap, 1/2" x 1-1/2" (2 used) (sub. for 19H457R)
	12H 13 R	(-)	Washer, lock, 1/2" (2 used)
12	R 1420 R	(-)	Gasket (packed 5 in a pkg.)
13A	AR 1130 R	(-8199999)	Pipe, cranking engine exhaust, with flange
13B	AR 1594 R	(8200000-)	Pipe, cranking engine exhaust, with flange and muffler (C.E.)
14	19H 1112 H	(-)	Screw, cap, 5/16" x 3/4" (2 used) (C.E.)
15	R 1351 R	(-)	Gasket (packed 5 in a pkg.) (C.E.)
16	14H 785 R	(-)	Nut, 5/16" (2 used) (C.E.)
17	AR 1154 R	(-8199999)	Heater, air intake (sub. AR1597R)
	AR 1597 R	(8200000-)	Heater, air intake (C.E.)
18	R 1422 R	(-)	Clamp, hose (2 used)
19	R 1421 R	(-)	Hose
20	AR 20603 R	(8300000-)	Base, air intake heater (elec.)
21	R 1418 R	(8300000-)	Pipe, air intake heater (elec.)
22	AR 1745 R	(-)	PRE-CLEANER AND R13R GASKET (ATTACHMENT)
23	AR 1729 R	(-)	Cover, pre-cleaner, with wing-nut
24	R 28795 R	(-)	Bowl, pre-cleaner (sub. for R2660R)
25	AR 1730 R	(-)	Base, pre-cleaner
26	AR 1728 R	(-)	STACK, AIR, PRE-CLEANER (ATTACHMENT)

Capital letters indicate an attachment. Attachments must be listed on separate orders from replacement parts.

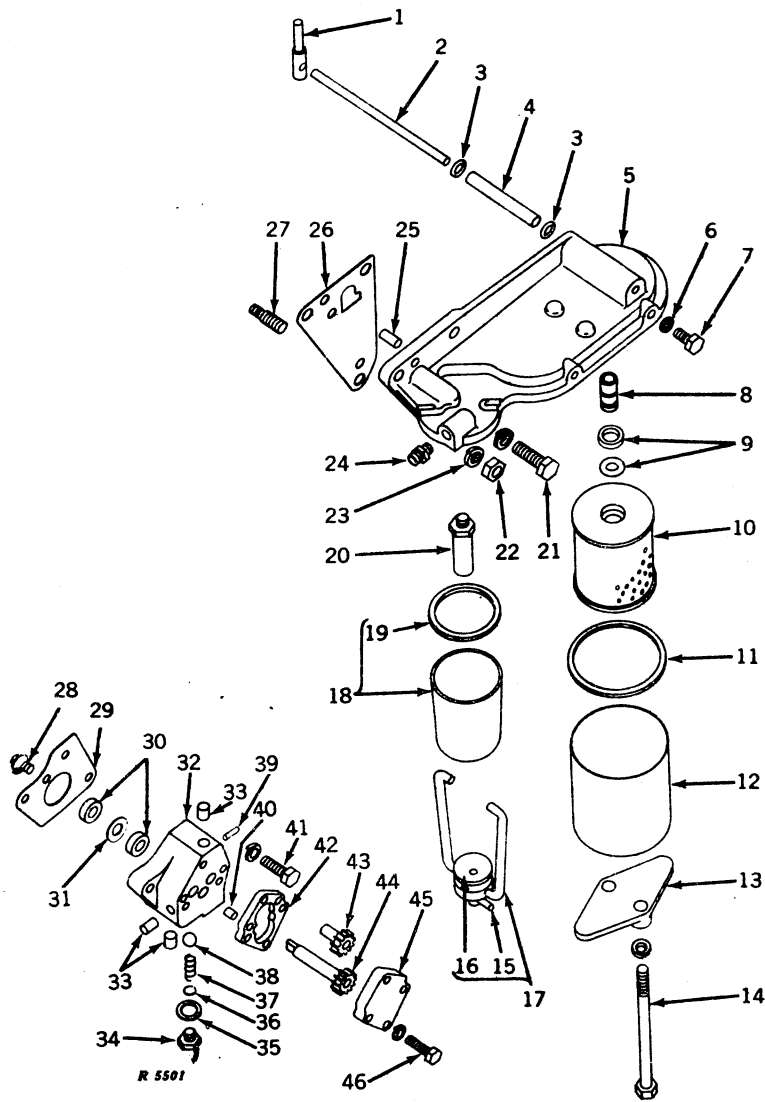
FUEL TANK AND BRACKETS



FUEL TANK AND BRACKETS -- Continued

Key	Part No.	Serial No.	Description
1	AR 1111 R	(-)	Strap, fuel tank (2 used)
2	14H 812 C	(-)	Nut, 3/8" (4 used) (sub. for 14H255R)
3	AR 369 R	(-)	Cap, fuel filler, with gasket
4	R 1027 R	(-)	Gasket (packed 2 in a pkg.)
5	B 1539 R	(-)	Neck, fuel filler
6	R 1312 R	(-8299999)	Tube, fuel tank vent
7	A 2500 R	(-8299999)	Nut, fuel tank vent tube (packed 5 in a pkg.)
8	A 2499 R	(-8299999)	Sleeve, fuel tank vent tube (packed 5 in a pkg.)
9	AR 21069 R	(8300000-)	Adapter, with tube
10	29H 485 C	(8300000-)	Nipple, pipe
11	R 111 R	(-)	Support, fuel tank strap (4 used)
12	AR 1109 R	(-8299999)	Tank, fuel
	AR 21665 R	(8300000-)	Tank, fuel (sub. for AR21068R)
13	R 902 R	(-)	Bushing, fuel tank vent
14	F 2150 R	(-)	Adapter, fuel gauge sender
15	E 1994 R	(8300000-)	Connector (2 used)
16	AR 21071 R	(8300000-)	Pipe, vent
17	19H 1710 T	(-)	Screw, cap, 3/8" x 1/2"
	12H 11 R	(-)	Washer, lock, 3/8"
18	A 4881 R	(-)	Clip (not furnished)
19	AR 1113 R	(-)	Pipe, fuel
20	F 3433 R	(-)	Bushing, fuel tank outlet (sub. for A3068R)
21	AR 973 R	(-)	Valve, needle, fuel pipe to tank
22	AR 1110 R	(-)	Support, R1310R, fuel tank, with cushion (2 used)
23	D 3014 R	(-)	Cushion, fuel tank support, 1/8" x 1-1/2" x 18" (2 used) (sub. R21736R, 1/8" x 1-1/2" x 60")
24	19H 337 N	(-)	Screw, cap, 7/16" x 1-1/4" (4 used)
	12H 12 R	(-)	Washer, lock, 7/16" (4 used)

FUEL PUMP AND FUEL FILTERS



FUEL PUMP AND FUEL FILTERS -- Continued

Key	Part No.	Serial No.	Description
1	AR 1173 R	(-8299999)	Tube, injection bleed, with union
2	R 1509 R	(-8299999)	Tube, injection bleed, long
3	R 394 R	(-)	Packing, O-ring (2 used)
4	R 1510 R	(-)	Tube, fuel filter head to cylinder
5	AR 21072 R	(-)	Head, R1507R or R20919R, fuel filter, with tubes (sub. for AR1143R)
6	A 3098 R	(-8299999)	Washer (3 used) (packed 5 in a pkg.)
7	19H 1710 T	(-8299999)	Screw, cap, high-strength, 3/4" x 1/2" (3 used) (sub. for 19H196H)
8	R 471 R	(-)	Tube, fuel filter element (2 used)
9	AF 3435 R	(-)	Filter kit (set of two O-rings and two felt washers) (sub. for R459R)
10	AR 344 R	(-)	Element, fuel filter, with O-ring and felt washer (2 used)
11	R 1021 R	(-)	Gasket (2 used) (packed 10 in a pkg.)
12	R 473 R	(-)	Case, fuel filter (2 used)
13	R 475 R	(-)	Clamp, fuel filter case
14	8H 2376 R	(-)	Bolt, mach., 7/16" x 7-1/4" (2 used)
	12H 12 R	(-)	Washer, lock, 7/16" (2 used)
15	25H 300 R	(-)	Pin, groove
16	R 485 R	(-)	Plate, fuel filter bail
17	AR 474 R	(-)	Bail, fuel filter
18	AR 799 R	(-)	Bowl, fuel filter, and gasket
19	R 481 R	(-)	Gasket (packed 2 in a pkg.)
20	AR 473 R	(-)	Strainer, fuel
21	19H 462 N	(-)	Screw, cap, 1/2" x 1-1/2" (2 used) (sub. for 19H457R)
	12H 13 R	(-)	Washer, lock, 1/2" (2 used)
22	14H 809 T	(-)	Nut, 1/2" (sub. for 14H259R)
23	12H 13 R	(-)	Washer, lock, 1/2"
24	A 258 R	(-)	Connector
25	A 4879 R	(-)	Pin, dowel (2 used)
26	R 1508 R	(-)	Gasket (packed 2 in a pkg.)
27	B 1353 R	(-)	Stud, 1/2 x 1-3/4"
28	R 230 R	(-)	Plug, fuel pump driver
29	R 1539 R	(-)	Gasket (packed 2 in a pkg.)
30	AR 1201 R	(-8003151)	Seal, oil (marked C-R) (2 used) (packed 2 in a pkg.) (sub. for AR1488R)
	AR 395 R	(8003152-)	Seal, oil (marked C-R) (2 used) (packed 2 in a pkg.) (sub. for AF2443R)
31	R 20139 R	(8200000-)	Washer, felt
32	AR 1430 R	(-8003151)	Housing, R1538R, fuel pump, with pins (sub. one AR1504R and two AR395R)
	AR 1504 R	(8003152-8203099)	Housing, R1960R, fuel pump, with pins
	AR 1880 R	(8203100-)	Housing, R2758R, fuel pump, with pins
33	R 726 R	(-)	Pin, dowel (3 used)
34	R 228 R	(-)	Plug, fuel pump by-pass
35	R 229 R	(-)	Washer, fuel pump by-pass plug
36	24H 845 R	(-)	Washer, 5/32" x 3/8" x 22 gauge
37	R 227 R	(-)	Spring, fuel pump by-pass
38	405 R	(-)	Ball, fuel pump by-pass
39	B 2641 R	(8203100-8206690)	Pin, dowel
40	F 1743 R	(-)	Pin, dowel (2 used) (sub. for D186R)
41	19H 1116 N	(-)	Screw, cap, high-strength, 3/8" x 1-1/2" (2 used)
	12H 11 R	(-)	Washer, lock, 3/8" (2 used)
42	R 223 R	(-)	Body, fuel pump
43	R 226 R	(-)	Gear, fuel pump idler
44	R 225 R	(-8203099)	Gear, fuel pump drive (sub. R2759R)
	R 2759 R	(8203100-)	Gear, fuel pump drive
45	R 224 R	(-)	Cover, fuel pump
46	19H 1683 T	(-)	Screw, cap, high-strength, 1/4" x 1-1/4" (4 used) (sub. for 19H32T)
	12H 9 R	(-)	Washer, lock, 1/4" (4 used)

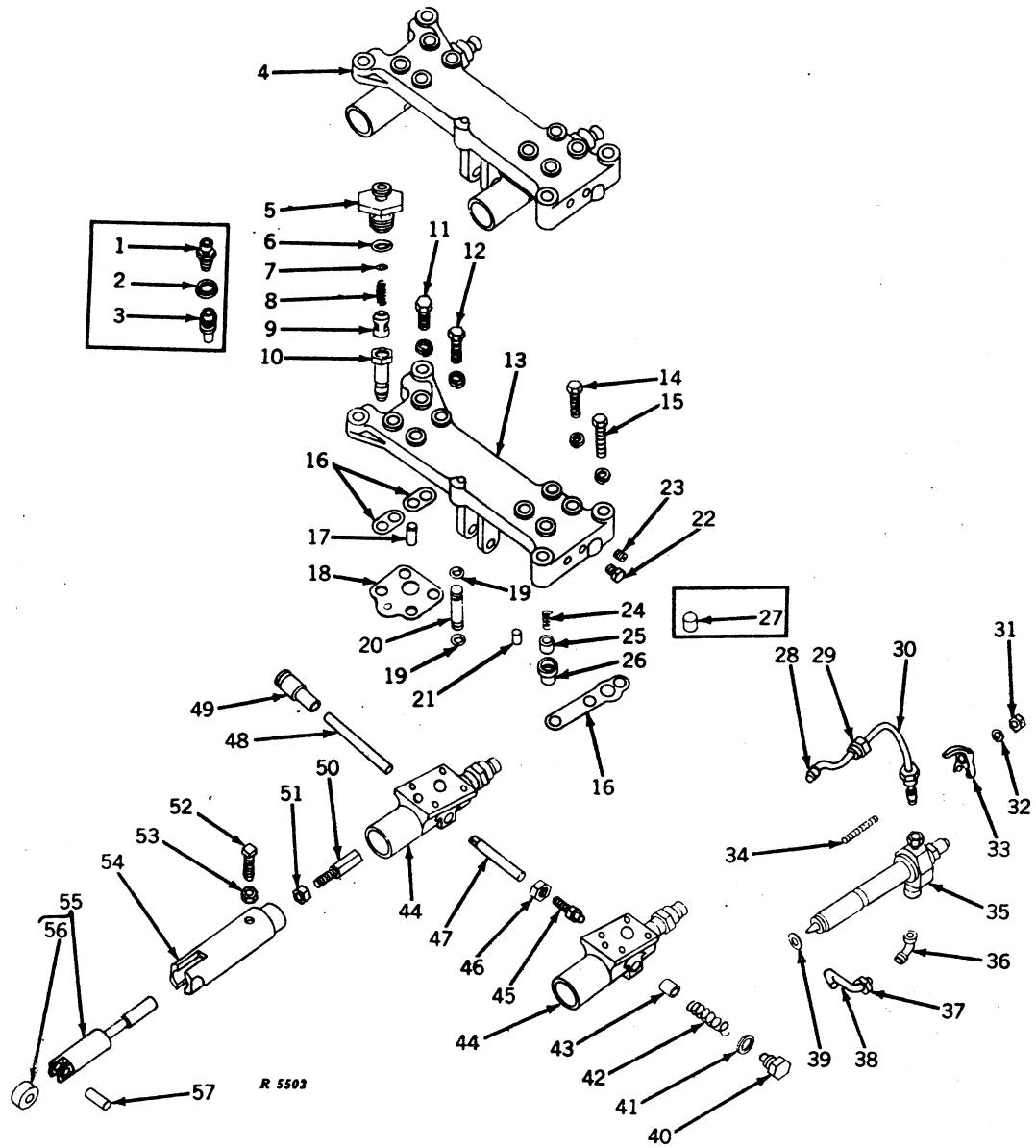
Part listed below is not illustrated.

R 20139 R (-) Washer, felt, between fuel pump housing oil seals

Parts listed below are an assembly of some of the parts in this grouping.

AR 1200 R (-8003151) Pump, fuel, complete (sub. AR1878R)
 AR 1502 R (8003152-8203099) Pump, fuel, complete (sub. AR1878R)
 AR 1878 R (8203100-) Pump, fuel, complete

FUEL INJECTION SYSTEM



Key	Part No.	Serial No.	Description
1	E 1994 R	(-8306882)	Connector (2 used)
2	R 375 R	(-8306882)	Packing, O-ring (packed 5 in a pkg.)
3	R 20594 R	(-8306882)	Adapter (sub. AR21903R)**
4	AR 1374 R	(-8199999)	Pumps, injection, with R1473R bracket (scintilla)
	AR 1528 R	(8200000-8203099)	Pumps, injection, with R2513R bracket (scintilla)
	AR 1375 R	(-8199999)	Pumps, injection, with R1473R bracket (bosch) (sub. AR1529R)
	AR 1529 R	(8200000-8203099)	Pumps, injection, with R2513R bracket (bosch) (sub. AR1532R and two AR1694R)
5	R 21724 R*	(8306883-)	Cap, pressure relief valve
6	R 21727 R*	(8306883-)	Washer, pressure relief valve cap to body
7	R 21729 R*	(8306883-)	Washer, pressure relief valve (2 used)
8	R 21728 R*	(8306883-)	Spring, pressure relief valve
9	R 21726 R*	(8306883-)	Piston, pressure relief valve
10	R 21725 R*	(8306883-)	Body, pressure relief valve
11	19H 246 T	(-)	Screw, special cap, 3/8" x 1-3/4" (2 used)
	12H 11 R	(-)	Washer, lock, 3/8" (2 used)
12	19H 1096 H	(-8199999)	Screw, cap, high-strength, 5/16" x 1-1/2" (4 used) (sub. for 19H130R)
	19H 1096 H	(8200000-)	Screw, cap, high-strength, 5/16" x 1-1/2" (2 used) (sub. for 19H130R)
	19H 1286 H	(8200000-)	Screw, cap, high-strength, 5/16" x 2" (2 used) (sub. for 19H143R)
	12H 10 R	(-)	Washer, lock, 5/16" (4 used)

**AR21903R pressure relief valve kits can be used on tractors 8300000-8306882 and consists of parts marked *, and two 24H485R washer, one F1759R piston, one R375R O ring, one R21233R plug and one R21723R spring.

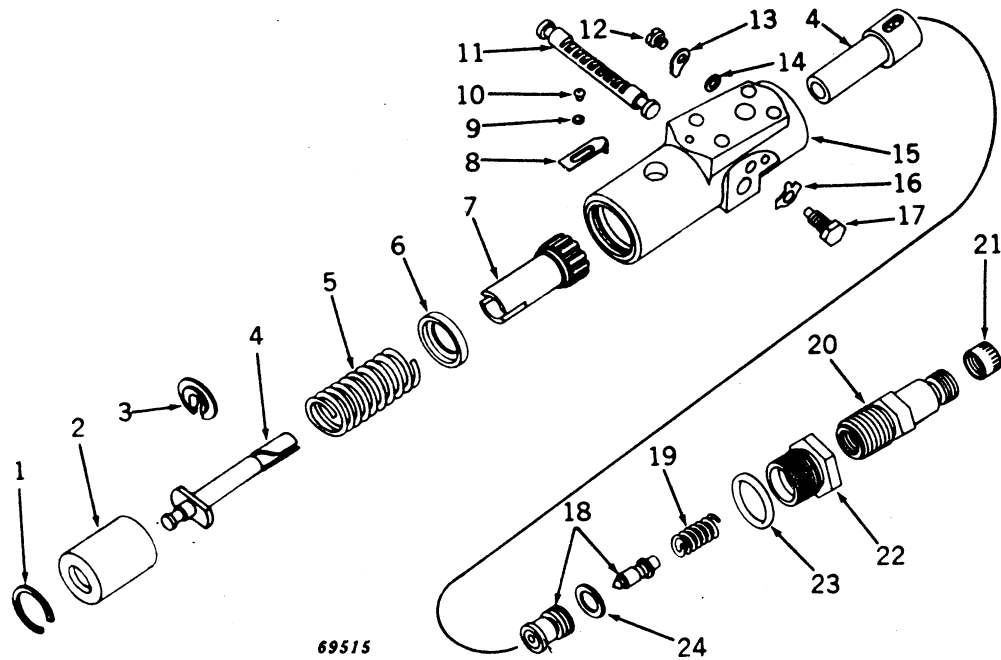
FUEL INJECTION SYSTEM -- Continued

Key	Part No.	Serial No.	Description
13	AR 1172 R	(-8199999)	Bracket, R1473R, injection pump, with tubes and pins (sub. AR1532R)
	AR 1532 R	(8200000-8299999)	Bracket, R2513R, injection pump, with tubes and filters
	AR 21198 R	(8300000-)	Bracket, R2513R or R20164, injection pump, with tubes and filters
14	19H 1286 R	(-)	Screw, cap, high-strength, 5/16" x 2" (4 used) (sub. for 19H143R)
	12H 10 R	(-)	Washer, lock, 5/16" (4 used)
15	19H 1164 R	(-)	Screw, cap, 3/8" x 2-1/4" (2 used)
	12H 11 R	(-)	Washer, lock, 3/8" (2 used)
16	AR 1481 R	(-)	Gasket (2 used) (set of three) (one set used) (sub. for one R1475R and two R1476R)
17	A 4879 R	(-)	Pin, dowel (2 used)
18	R 437 R	(-)	Gasket (2 used) (packed 5 in a pkg.)
19	A 4365 R	(-)	Packing, O-ring (2 used) (packed 2 in a pkg.)
20	F 1881 R	(-)	Tube, injection pump bracket oil inlet
21	R 438 R	(-)	Tube, injection pump oil inlet (2 used)
22	R 10160 R	(-)	Plug (4 used) (sub. for S-98 and S99-7)
23	R 21630 R	(8300000-)	Plug, pipe (sub. for 15H558R)
24	R 2516 R	(8200000-)	Spring, injection pump fuel inlet filter (2 used)
25	R 2515 R	(8200000-)	Filter, injection pump fuel inlet (2 used)
26	R 2514 R	(8200000-)	Tube, injection pump fuel inlet (2 used)
27	R 487 R	(-8199999)	Tube, injection pump fuel inlet (2 used)
28	R 468 R	(-)	Sleeve, ermeto, fuel injection pipe (4 used)
29	R 469 R	(-)	Nut, ermeto, fuel injection pipe (4 used)
30	AR 1174 R	(-)	Pipe, fuel injection, R. H.
	AR 1175 R	(-)	Pipe, fuel injection, L. H.
31	14H 392 R	(-)	Nut, 1/2" (2 used)
32	12H 13 R	(-)	Washer, lock, 1/2" (2 used)
33	R 464 R	(-)	Clamp, injector nozzle (2 used)
34	R 465 R	(-)	Stud, 1/2" x 3-1/2" (2 used)
35	AF 2156 R	(-8203099)	Nozzle, injection (scintilla) (2 used) (see page 35-12 for parts)
	AF 2157 R	(-8203099)	Nozzle, injection (bosch) (2 used) (see page 35-13 for parts)
	AR 1804 R	(8203100-)	Nozzle, injection (scintilla) (2 used) (see page 35-12 for parts)
	AR 1805 R	(8203100-)	Nozzle, injection (bosch) (2 used) (see page 35-13 for parts)
36	H 315 R	(-)	Elbow (2 used)
37	A 2875 R	(-)	Nut, bushing (2 used)
38	AR 466 R	(-)	Pipe, injector leak-off, R. H.
	AR 467 R	(-)	Pipe, injector leak-off, L. H.
39	R 463 R	(-)	Washer, injection nozzle (2 used) (packed 10 in a pkg.)
40	F 2141 R	(-)	Plug, injection pump rack spring
41	R 229 R	(-)	Washer
42	F 3322 R	(-)	Spring, injection pump rack
43	R 1044 R	(-8200857)	Guide, injection pump rack spring (sub. F3305R)
	F 3305 R	(8200858-)	Guide, injection pump rack spring
44	AR 1694 R	(-8203099)	Pump, injection, with gasket (bosch) (2 used) (see page 35-11 for parts)
	AR 1695 R	(-8203099)	Pump, injection, with gasket (scintilla) (2 used) (see page 35-10 for parts)
	AR 1801 R	(8203100-)	Pump, injection, with gasket (scintilla) (2 used) (see page 35-10 for parts)
	AR 1802 R	(8203100-)	Pump, injection, with gasket (bosch) (2 used) (see page 35-11 for parts)
45	R 1153 R	(-8200857)	Screw, injection pump rack adjusting (sub. F3307R and R20940R)
	R 20940 R	(8200858-)	Screw, special cap, injection pump rack adjusting (sub. for 19H28R)
46	14H 649 R	(-)	Nut, jam, 1/4"
47	F 1879 R	(-8200857)	Rod, injection pump adjusting (sub. F3307R and R20940R)
	F 3307 R	(8200858-)	Rod, injection pump adjusting
48	R 1477 R	(-)	Rod, injection pump control
49	R 1478 R	(-)	Guide, injection pump control rod
50	R 434 R	(-)	Screw, injection pump adjusting (2 used)
51	14H 383 R	(-)	Nut, 3/8" (2 used)
52	R 435 R	(-)	Screw, set, injection cam follower guide (2 used)
53	14H 732 R	(-)	Nut, jam, 3/8" (2 used)
54	R 433 R	(-)	Guide, injection cam follower (2 used)
55	AR 456 R	(-)	Follower, injection cam, with roller (2 used)
56	R 431 R	(-)	Roller, injection cam follower (2 used)
57	R 432 R	(-)	Pin, injection cam follower roller (2 used)

Part listed below is an assembly of some of the parts in this grouping.

AR 1050 R	(-8203999)	Kit, injector nozzle sleeve, consisting of sleeves, packing, washers, and screws
-----------	--------------	--

FUEL INJECTION PUMP (Scintilla)



69515

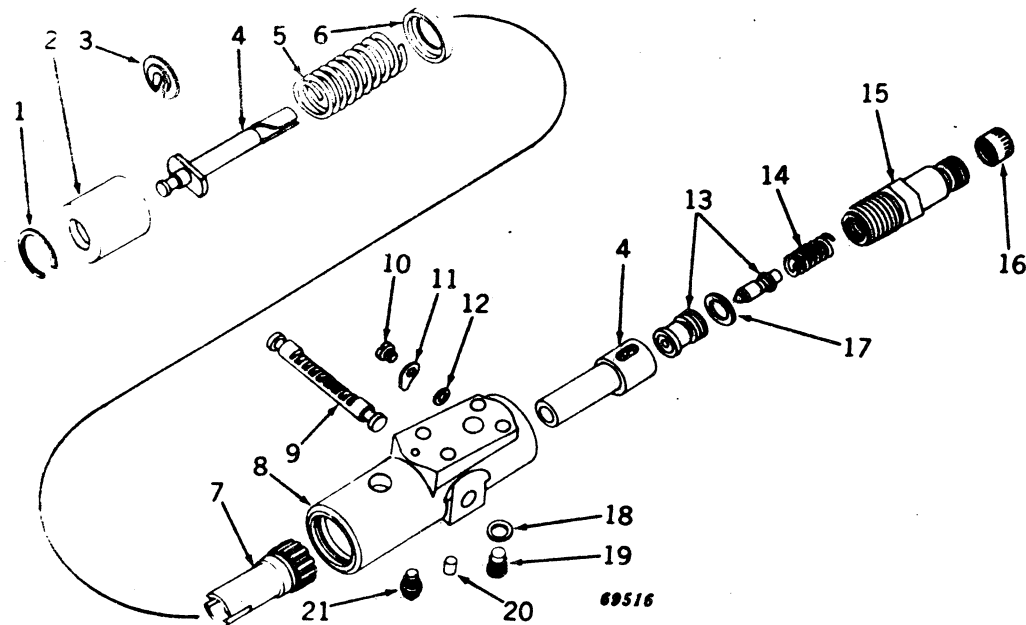
Key	Part No.	Serial No.	Description
1	R 916 R	(-)	Snap ring, follower retaining*
2	R 915 R	(-8203099)	Follower, plunger*
	R 2770 R	(8203100-)	Follower, plunger* (sub. R915R)
3	R 914 R	(-)	Plate, spring, lower*
4	AR 734 R	(-8203099)	Plunger and barrel*
	AF 3279 R	(8203100-)	Plunger and barrel*
5	R 913 R	(-)	Spring, plunger*
6	R 912 R	(-)	Plate, spring, upper*
7	R 911 R	(-)	Sleeve, control*
8	R 925 R	(-8203099)	Indicator, timing
9	R 926 R	(-8203099)	Washer, lock, internal tooth*
10	R 927 R	(-8203099)	Screw, timing indicator to body*
11	R 922 R	(-)	Rack, control*
12	21H 979 R	(-)	Screw, indicator to body*
13	R 921 R	(-)	Indicator, control rack*
14	R 917 R	(-)	Shim, indicator, .005"*
	R 918 R	(-)	Shim, indicator, .016"* (sub. R917R)
	R 919 R	(-)	Shim, indicator, .031"* (sub. R917R)
	R 920 R	(-)	Shim, indicator, .042"* (sub. R917R)
15	R 910 R	(-8203099)	Housing*
	F 3258 R	(8203100-)	Housing*
16	R 923 R	(-)	Washer, lock, and seal
17	R 924 R	(-8203099)	Screw, pressure
	F 3260 R	(8203100-)	Screw, pressure
18	AR 735 R	(-)	Valve, delivery
19	R 929 R	(-)	Spring, delivery valve
20	R 930 R	(-8203099)	Holder, delivery valve
	F 3261 R	(8203100-)	Holder, delivery valve
21	B 2979 R	(-)	Cap, protector (packed 2 in a pkg.) (sub. for R1119R)
22	F 3263 R	(8203100-)	Sleeve, adapter
23	F 3262 R	(8203100-)	Packing, preformed
24	R 928 R	(-)	Gasket, delivery valve (packed 2 in a pkg.)

(Parts listed below are an assembly of most of the parts in this grouping.)

AR 1695 R	(-8203099)	Pump, injection, with gasket
AR 1801 R	(8203100-)	Pump, injection, with gasket

*Special equipment required when these parts are serviced.

FUEL INJECTION PUMP (Bosch)



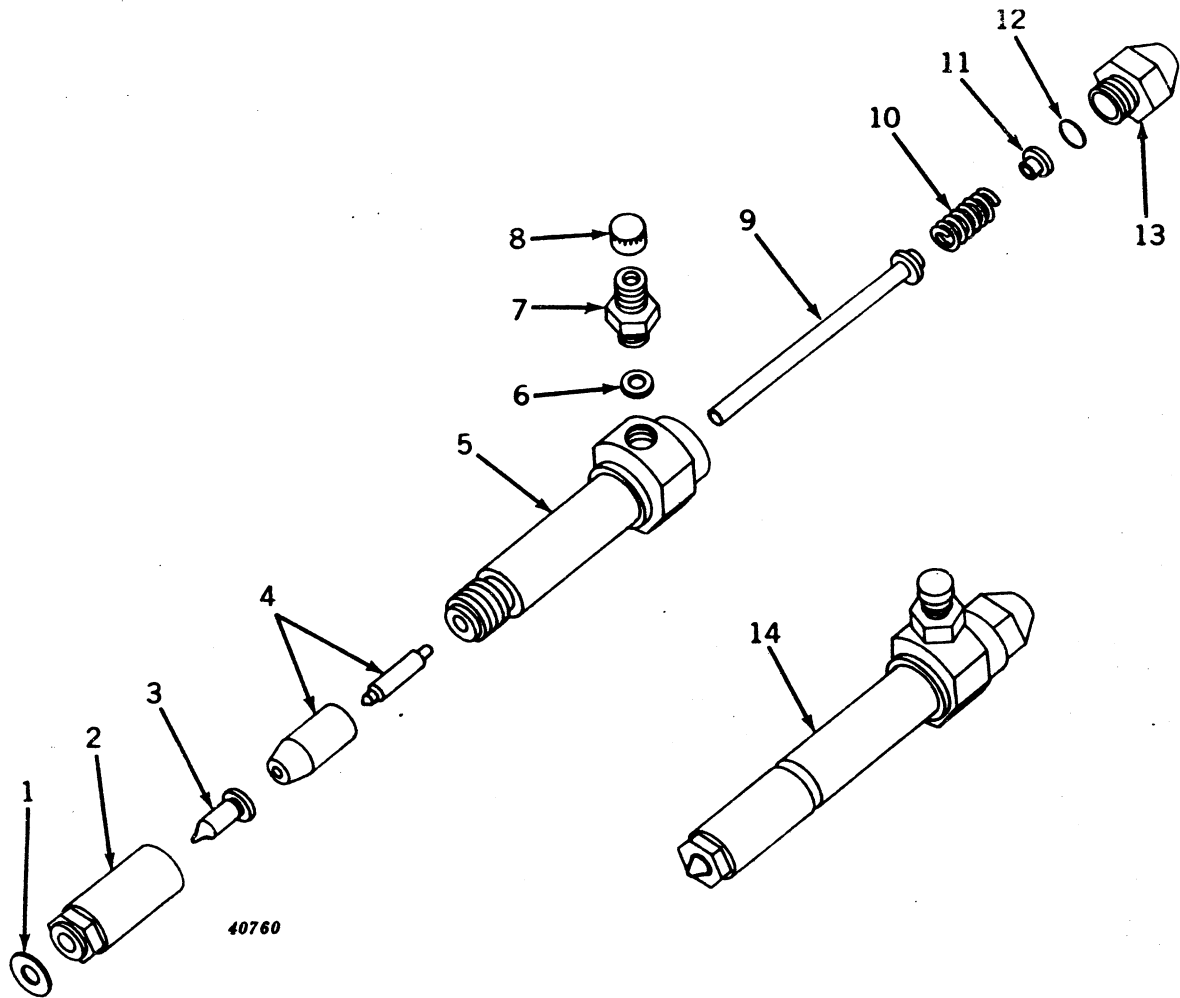
Key	Part No.	Serial No.	Description
1	R 1095 R	(-8203099)	Snap ring, follower retaining*
	F 3429 R	(8203100-)	Snap ring, follower retaining*
2	R 1094 R	(-8203099)	Follower, plunger*
	R 2771 R	(8203100-)	Follower, plunger*
3	R 1093 R	(-8203099)	Plate, spring, lower*
	F 3428 R	(8203100-)	Plate, spring, lower*
4	AR 832 R	(-8203099)	Plunger and barrel*
	AF 3614 R	(8203100-)	Plunger and barrel*
5	R 1092 R	(-8203099)	Spring, plunger*
	F 3427 R	(8203100-)	Spring, plunger*
6	R 1091 R	(-8203099)	Plate, spring, upper*
	F 3426 R	(8203100-)	Plate, spring, upper*
7	R 1090 R	(-8203099)	Sleeve, control*
	F 3425 R	(8203100-)	Sleeve, control*
8	R 1081 R	(-8203099)	Housing*
	F 3419 R	(8203100-)	Housing*
9	F 2259 R	(-)	Rack, control*
10	R 1102 R	(-8203099)	Screw, indicator* (sub. R2772R)
	R 2772 R	(8203100-)	Screw, indicator*
11	R 1101 R	(-)	Indicator, control rack*
12	R 1096 R	(-)	Shim, indicator, .008"*
	R 1097 R	(-)	Shim, indicator, .012"*
	R 1098 R	(-)	Shim, indicator, .020"*
	R 1099 R	(-)	Shim, indicator, .065"*
	R 1100 R	(-)	Shim, indicator, .035"*
13	AR 833 R	(-8203099)	Valve, delivery
	AF 3615 R	(8203100-)	Valve, delivery
14	R 1083 R	(-8203099)	Spring, delivery valve
	F 3436 R	(8203100-)	Spring, delivery valve
15	R 1082 R	(-8203099)	Holder, delivery valve
	F 3420 R	(8203100-)	Holder, delivery valve
16	B 2979 R	(-)	Cap, protector (sub. for R1119R)
17	R 1084 R	(-8203099)	Gasket, delivery valve (packed 2 in a pkg.)
	F 3422 R	(8203100-)	Gasket, delivery valve (packed 2 in a pkg.)
18	R 1087 R	(-8203099)	Gasket, locating screw* (packed 2 in a pkg.)
	F 3424 R	(8203100-)	Gasket, locating screw* (packed 2 in a pkg.)
19	R 1085 R	(-8203099)	Screw, barrel locating*
	F 3423 R	(8203100-)	Screw, barrel locating*
20	R 1086 R	(-)	Plug*
21	R 1089 R	(-)	Screw, rack stop*

(Parts listed below are an assembly of most of the parts in this grouping.)

AR 1694 R	(-8203099)	Pump, injection, with gasket
AR 1802 R	(8203100-)	Pump, injection, with gasket

*Special equipment required when these parts are serviced.

INJECTOR NOZZLE (Scintilla)



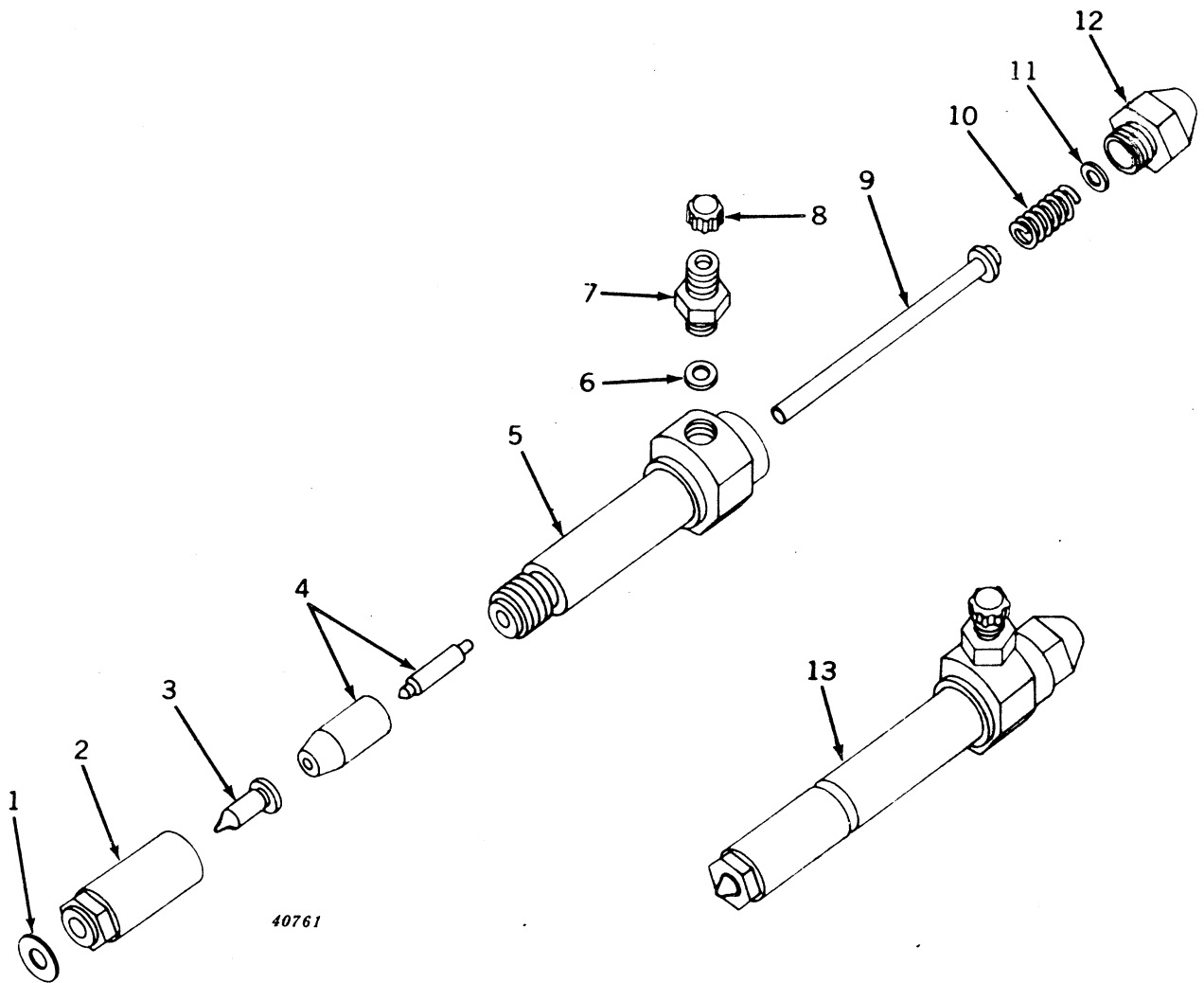
Key	Part No.	Serial No.	Description
1	R 463 R	(-)	Washer (copper) (packed 10 in a pkg.)
2	R 933 R	(-)	Nut, spray tip retaining
3	F 2139 R	(-8203099)	Tip, spray
	R 2700 R	(8203100-)	Tip, spray
4	AR 736 R	(-)	Valve, nozzle*
5	R 931 R	(-)	Body, nozzle holder*
6	R 941 R	(-)	Washer, inlet nipple
7	R 942 R	(-)	Nipple, inlet
8	B 2979 R	(-)	Cap, protector (packed 5 in a pkg.) (sub. for R1119R)
9	AR 737 R	(-)	Pin, pressure*
10	R 934 R	(-)	Spring, nozzle*
11	R 939 R	(-)	Seat, spring*
12	R 1048 R	(-)	Shim, pressure adjusting, .003**
	R 1234 R	(-)	Shim, pressure adjusting, .004**
	R 935 R	(-)	Shim, pressure adjusting, .005** (packed 2 in a pkg.)
	R 936 R	(-)	Shim, pressure adjusting, .010**
	R 937 R	(-)	Shim, pressure adjusting, .016**
	R 938 R	(-)	Shim, pressure adjusting, .031**
13	R 940 R	(-)	Cap, spring*
14	AF 2156 R	(-8203099)	Nozzle, injector, complete (scintilla) (2 used)
	AR 1804 R	(8203100-)	Nozzle, injector, complete (scintilla) (2 used)

(Parts listed below are not illustrated.)

AF 2291 R	(-8203099)	Broach, cleaning, nozzle spray tip (0.0098" dia.) (set of 5)
AR 20148 R	(8203100-)	Broach, cleaning, nozzle spray tip (0.0118" dia.) (set of 5)

*Special equipment required when these parts are serviced.

INJECTOR NOZZLE (Bosch)



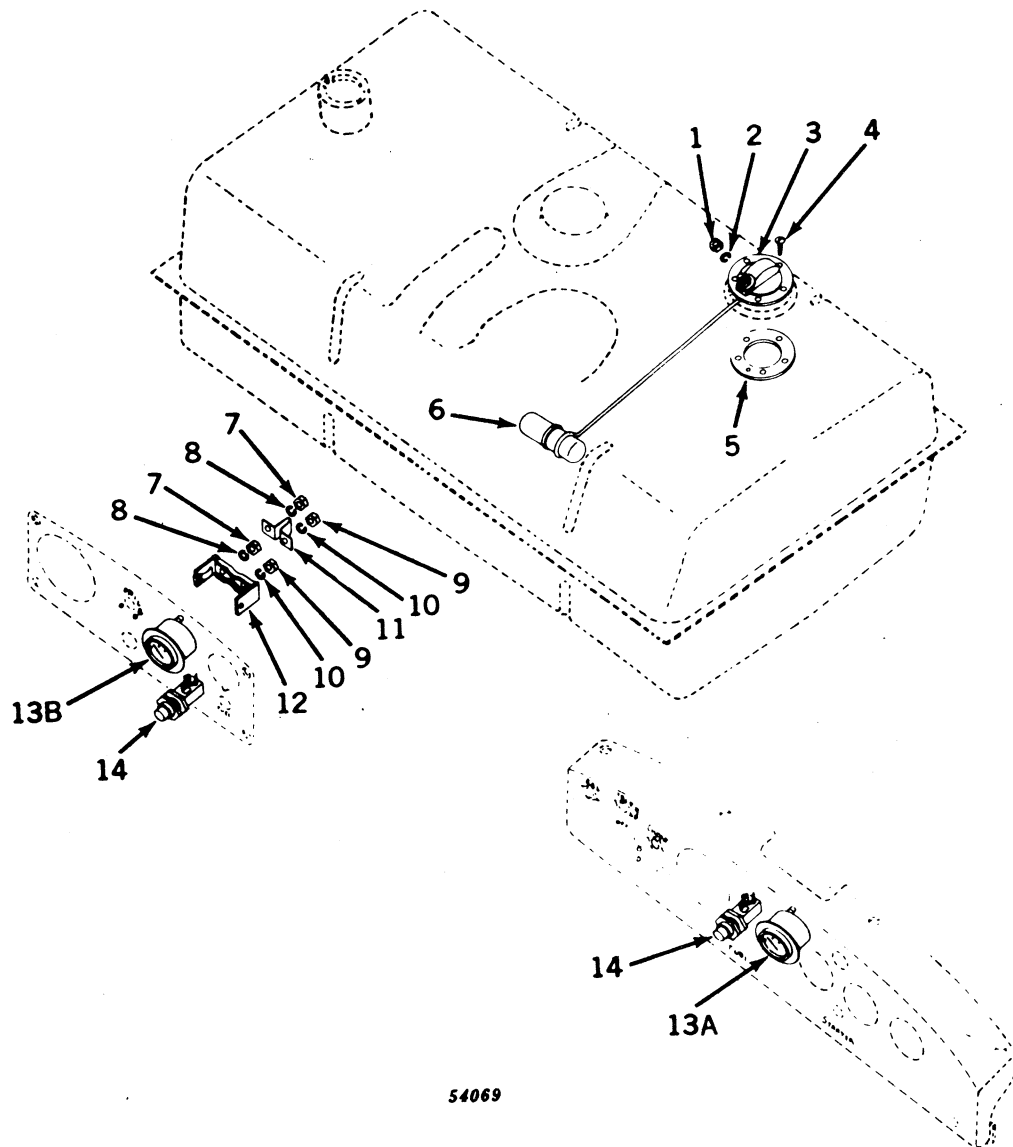
Key	Part No.	Serial No.	Description
1	R 463 R	(-)	Washer (copper) (packed 10 in a pkg.)
2	R 1105 R	(-)	Nut, spray tip retaining
3	R 2587 R	(-8203099)	Tip, spray (sub. for F2140R)
	R 2701 R	(8203100-)	Tip, spray
4	AR 834 R	(-)	Valve, nozzle*
5	R 1103 R	(-)	Body, nozzle holder*
6	R 1107 R	(-)	Washer, inlet nipple (packed 2 in a pkg.)
7	R 1106 R	(-)	Nipple, inlet
8	B 2979 R	(-)	Cap, protector (packed 5 in a pkg.) (sub. for R1119R)
9	AR 835 R	(-)	Pin, pressure*
10	R 1108 R	(-)	Spring, nozzle*
11	R 1109 R	(-)	Shim, pressure adjusting, .004"* (packed 5 in a pkg.)
	R 1110 R	(-)	Shim, pressure adjusting, .008"*
	R 1111 R	(-)	Shim, pressure adjusting, .020"*
	R 1112 R	(-)	Shim, pressure adjusting, .042"*
	R 1113 R	(-)	Shim, pressure adjusting, .083"*
	R 1114 R	(-)	Shim, pressure adjusting, 3.5 mm*
	R 1115 R	(-)	Shim, pressure adjusting, .002"*
12	R 1116 R	(-)	Cap, spring*
13	AF 2157 R	(-8203099)	Nozzle, injector, complete (bosch) (2 used)
	AR 1805 R	(8203100-)	Nozzle, injector, complete (bosch) (2 used)

(Parts listed below are not illustrated.)

AF 2291 R	(-8203099)	Broach, cleaning, nozzle spray tip (0.0098" dia.) (set of 5)
AR 20148 R	(8203100-)	Broach, cleaning, nozzle spray tip (0.0118" dia.) (set of 5)

*Special equipment required when these parts are serviced.

FUEL GAUGE



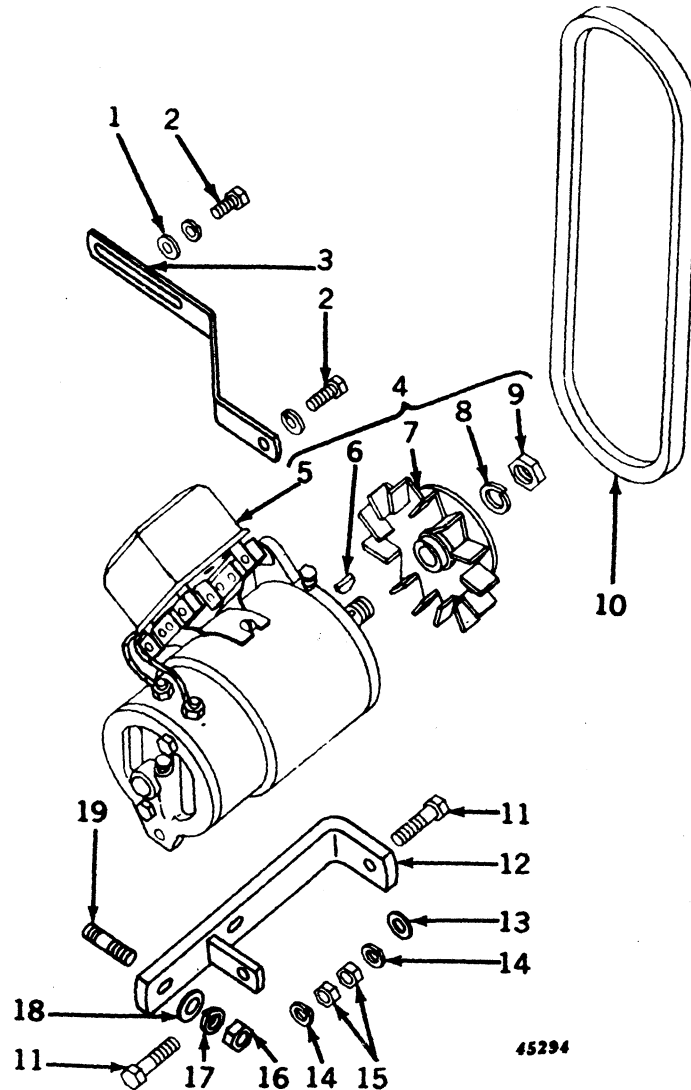
54069

Key	Part No.	Serial No.	Description
1	14H 631 R	(-)	Nut, no. 10
2	A 767 R	(-)	Washer, lock (packed 50 in a pkg.)
3	AR 1112 R	(-)	Sender, fuel gauge, with float
4	F 2149 R	(-)	Screw, self-tapping, no. 8 x 3/8" (5 used)
5	R 27181 R	(-)	Gasket (packed 5 in a pkg.) (sub. for F2148R)
6	F 2167 R	(-)	Float, fuel gauge sender
7	14H 605 R	(-)	Nut, no. 8 (2 used)
8	12H 35 R	(-)	Washer, lock, no. 8 (2 used)
9	14H 631 R	(-)	Nut, no. 10 (2 used)
10	12H 36 R	(-)	Washer, lock, no. 10 (2 used)
11	F 2147 R	(-)	Separator, terminal, fuel gauge receiver
12	F 2146 R	(-)	Clamp, fuel gauge receiver
13A	AF 2170 R	(-819999)	Receiver, fuel gauge (6-volt) (sub. AF2739R)
13B	AF 2739 R	(8200000-)	Receiver, fuel gauge (6-volt) (C.E.)
	AF 2721 R	(8300000-)	Receiver, fuel gauge (12-volt) (elec.)
14	AF 2171 R	(-)	Switch, fuel gauge (C.E.)
	R 21156 R	(8301267-)	Cap, fuel gauge switch (rubber)
	R 21157 R	(8301267-)	Nut, fuel gauge switch

NOTE: For fuel gauge wiring, see "instrument panel wiring."

MEMORANDA

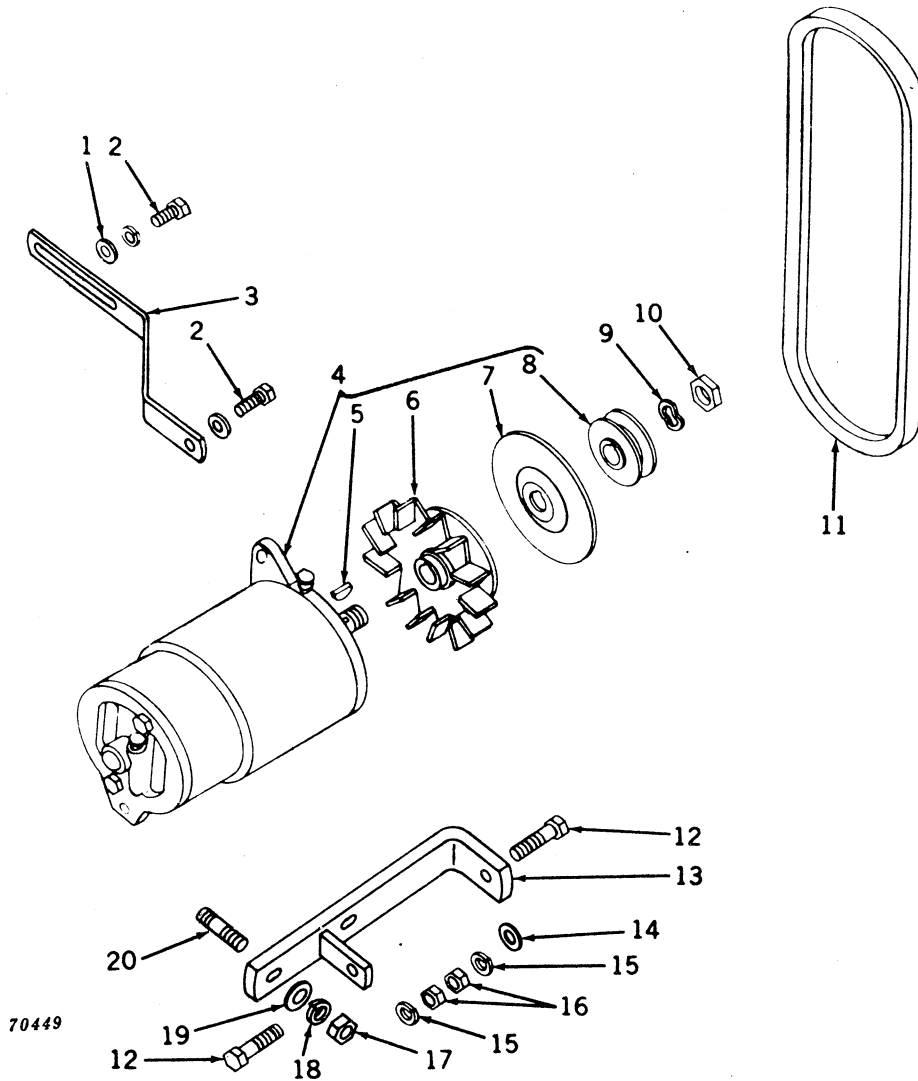
GENERATOR, REGULATOR, AND MOUNTING BRACKET (C.E.)



45294

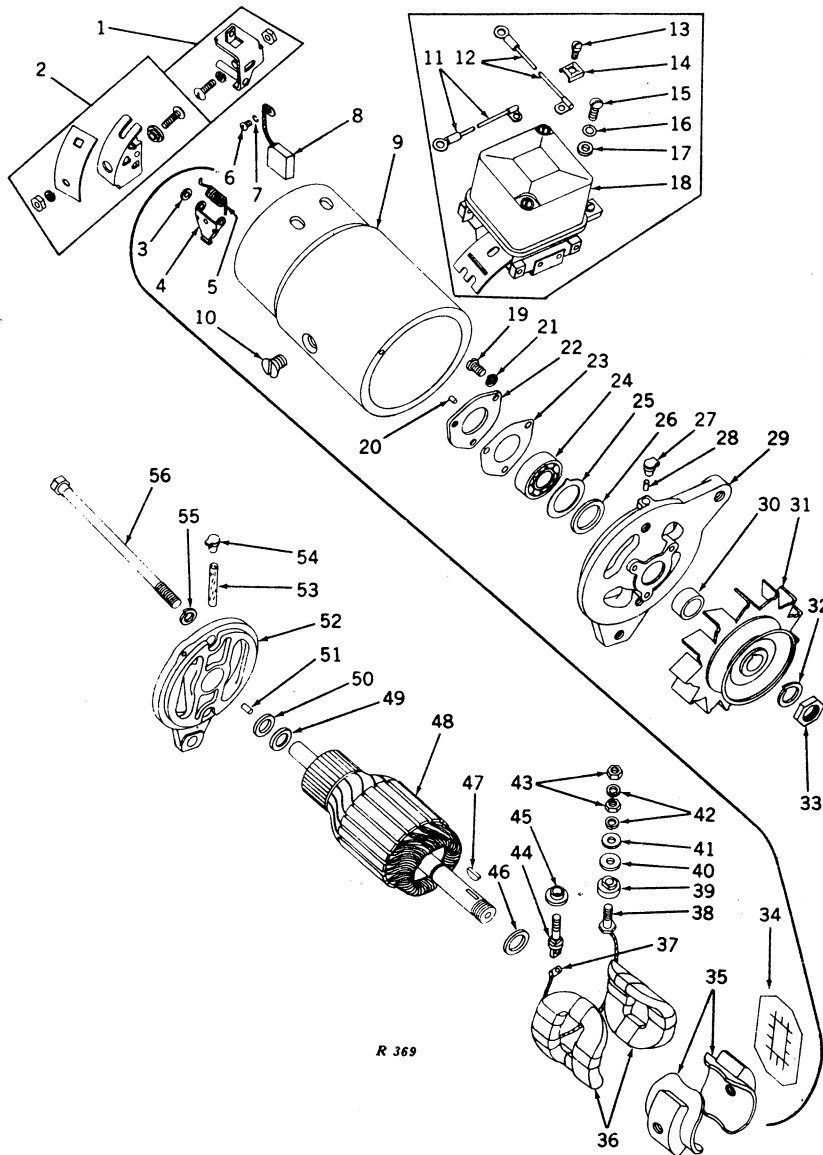
Key	Part No.	Serial No.	Description
1	24H 143 R	(-)	Washer, 21/64" x 3/4" x 16 gauge
2	19H 1112 H	(-)	Screw, cap, 5/16" x 3/4" (2 used)
	12H 10 R	(-)	Washer, lock, 5/16" (2 used)
3	R 1647 R	(-)	Strap, adjusting
4	AF 2080 R	(-)	Generator, with regulator, fan, and pulley (6-volt) (Delco-Remy No. 1100027) (see page 40-4 for parts) (sub. AR21907 R, Delco-Remy No. 1947580) (see page 40-7 for parts)
5	1118786	(-)	Regulator, voltage (for parts, see page 40-10)
6	26H 72 R	(-)	Key, Woodruff, 1/8" x 5/8"
7	AR 11097 R	(-)	Pulley and fan (sub. for 1924689)
8	804000	(-)	Washer, lock
9	806915	(-)	Nut
10	R 1561 R	(-)	Belt, fan and generator
11	F 2273 R	(-)	Screw, special cap (2 used)
12	AR 371 R	(-8299999)	Bracket, mounting
	AR 20429 R	(8300000-)	Bracket, mounting
13	24H 43 R	(-)	Washer, 7/16" x 1" x 20 gauge
14	12H 11 R	(-)	Washer, lock, 3/8" (2 used)
15	14H 812 C	(-)	Nut, 3/8" (2 used) (sub. for 14H255R)
16	14H 813 C	(-)	Nut, 7/16" (2 used) (sub. for 14H257R)
17	12H 12 R	(-)	Washer, lock, 7/16" (2 used)
18	24H 169 R	(-)	Washer, 15/32" x 15/16" x 16 gauge (2 used)
19	K 3083 R	(-)	Stud, 7/16" x 1-3/4" (2 used)

GENERATOR, AND MOUNTING BRACKET (Elec.)
(Serial No. 8300000-)



Key	Part No.	Serial No.	Description
1	24H 143 R	(8300000-)	Washer, 21/64" x 3/4" x 16 gauge
2	19H 1112 H	(8300000-)	Screw, cap, 5/16" x 3/4" (2 used)
	12H 10 R	(8300000-)	Washer, lock, 5/16" (2 used)
3	R 1647 R	(8300000-)	Strap, adjusting
4	AR 11007 R	(8300000-)	Generator, with fan, and pulley (24-volt) (Delco-Remy No. 1103021) (see page 40-8 for parts)
5	26H 72 R	(8300000-)	Key, Woodruff, 1/8" x 5/8"
6	R 11047 R	(8300000-)	Fan
7	R 11048 R	(8300000-)	Baffle, fan
8	R 11046 R	(8300000-)	Pulley
9	T 10745 T	(8300000-)	Washer, spring
10	R 11049 R	(8300000-)	Nut
11	R 1561 R	(8300000-)	Belt, fan and generator
12	F 2273 R	(8300000-)	Screw, special cap (2 used)
13	AR 20429 R	(8300000-)	Bracket, mounting
14	24H 43 R	(8300000-)	Washer, 7/16" x 1" x 20 gauge
15	12H 11 R	(8300000-)	Washer, lock, 3/8" (2 used)
16	14H 812 C	(8300000-)	Nut, 3/8" (2 used) (sub. for 14H255R)
17	14H 813 C	(8300000-)	Nut, 7/16" (2 used) (sub. for 14H257R)
18	12H 12 R	(8300000-)	Washer, lock, 7/16" (2 used)
19	24H 169 R	(8300000-)	Washer, 15/32" x 15/16" x 16 gauge (2 used)
20	K 3083 R	(8300000-)	Stud, 7/16" x 1-3/4" (2 used)

AF2080R GENERATOR AND VOLTAGE REGULATOR (6-Volt) (C.E.) (Delco-Remy)



R 369

AF2080R GENERATOR AND VOLTAGE REGULATOR (6-Volt)
(C. E.) (Delco-Remy) -- Continued

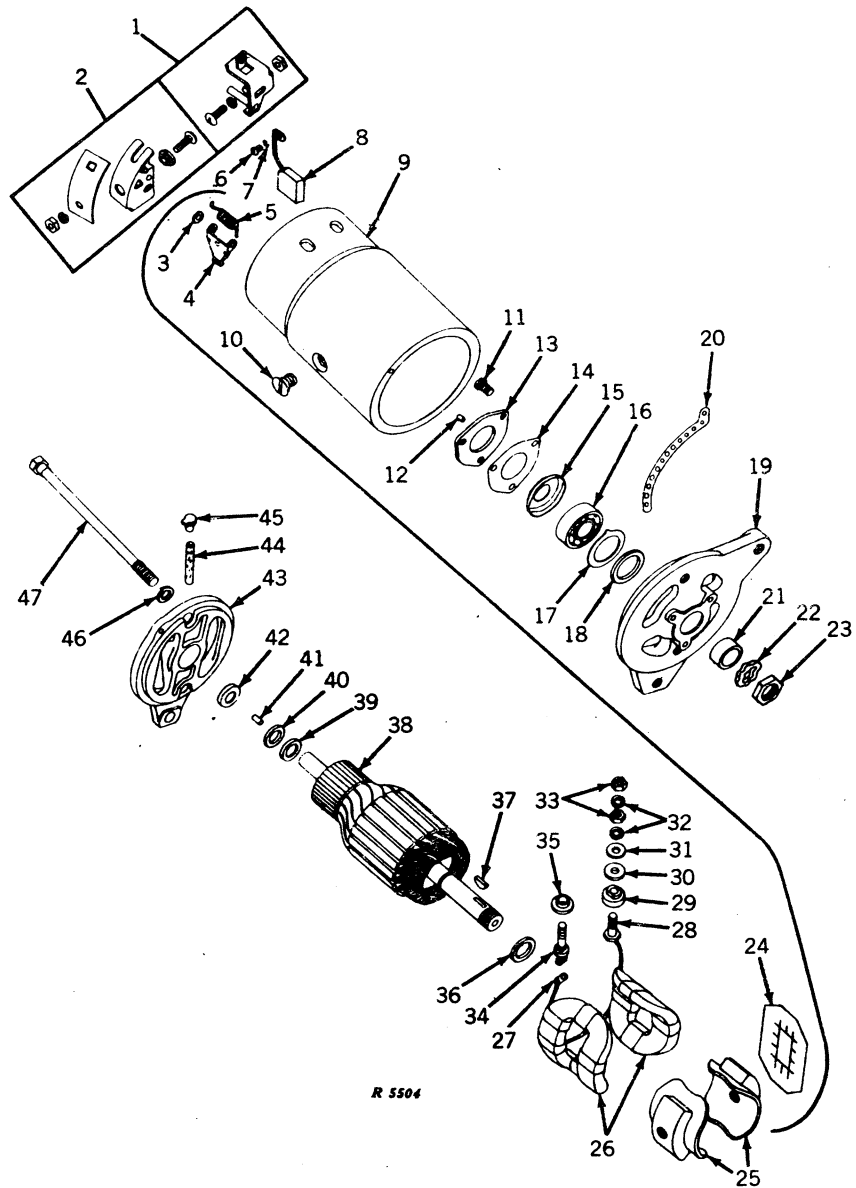
Key	Part No.	Serial No.	Description
1	AR 11100 R	(-)	Holder, ground brush (set) (sub. for 1922288)
2	AR 11068 R	(-)	Holder, insulated brush (set) (sub. for 1922289)
3	1857412*	(-)	Washer, brush arm spacer (2 used)
4	1878183*	(-)	Arm, main brush (2 used)
5	T 11652 T	(-)	Spring, brush (2 used) (sub for 1908829)
6	132688*	(-)	Screw, special mach., brush lead attaching (2 used)
7	R 11106 R	(-)	Washer, lock, brush lead attaching screw (2 used) (sub. for 1904377)
8	AR 11074 R	(-)	Brush (2 used) (sub. for 1906946)
9	(-)	Frame, main
10	R 11097 R	(-)	Screw, pole shoe (2 used) (sub. for 1843646)
11	1911485	(-)	Lead, regulator to "F" terminal
12	1917571	(-)	Lead, regulator to "A" terminal
13	R 11100 R	(-)	Screw, mach., terminal (3 used) (sub. for 1864099)
14	R 11084 R	(-)	Clip, terminal (3 used) (sub. for 1868137)
15	21H 995 R	(-)	Screw, regulator mounting (2 used)
16	12H 251 R	(-)	Washer, lock (2 used) (sub. for A3010R)
17	24H 91 R	(-)	Washer, mounting screw, 13/64" x 1/2" x 18 gauge (2 used)
18	1118786	(-)	Regulator, voltage (for parts, see page 40-10)
19	R 11105 R	(-)	Screw, plate attaching (3 used) (sub. for 1904370)
20	R 11087 R	(-)	Pin, dowel (sub. for 809593)
21	A 3009 R	(-)	Washer, lock, plate attaching screw (3 used)
22	R 11109 R	(-)	Plate, bearing retainer (sub. for 1911263)
23	R 11110 R	(-)	Gasket, bearing retainer plate (sub. for 1912008)
24	JD 7695 R	(-)	Bearing
25	R 11094 R	(-)	Plate, felt washer retaining (sub. for 819104)
26	R 11089 R	(-)	Washer, felt (sub. for 809961)
27	1880641*	(-)	Cup, oil
28	823551	(-)	Plug, felt
29	1925097*	(-)	Frame, drive end
30	1858603*	(-)	Collar, shaft
31	AR 11097 R	(-)	Pulley and fan (sub. for 1924689)
32	804000	(-)	Washer, lock
33	806915	(-)	Nut
34	R 11160 R	(-)	Insulator, field coil (2 used) (sub. for 1914491)
35	R 11161 R	(-)	Shoe, pole (2 used) (sub. for 1914618)
36	1921356	(-)	Coil, field
37	200362	(-)	Terminal (sub. for 200182)
38	R 11163 R	(-)	Stud, field terminal (sub. for 1921860)
39	1885090*	(-)	Insulator, terminal stud
40	R 11098 R	(-)	Washer, insulating (sub. for 1858753)
41	A 3031 R	(-)	Washer, special, terminal stud (2 used)
42	A 3011 R	(-)	Washer, lock, terminal stud (4 used)
43	14H 608 R	(-)	Nut, hex., terminal stud (4 used)
44	R 11162 R	(-)	Stud, armature terminal (sub. for 1921369)
45	R 11113 R	(-)	Bushing, insulating (sub. for 1921362)
46	R 11088 R	(-)	Washer, inside spacing (sub. for 809945)
47	26H 72 R	(-)	Key, Woodruff, 1/8" x 5/8"
48	1921351	(-)	Armature
49	R 11165 R	(-)	Cup, washer retainer (sub. for 1927448)
50	R 11164 R	(-)	Washer, felt (sub. for 1927447)
51	R 11086 R	(-)	Pin, dowel (sub. for 809062)
52	AR 11102 R	(-)	Frame, commutator end (sub. for 1928061)
53	804080*	(-)	Wick, commutator end
54	E 2302 RT	(-)	Cup, oil
55	12H 10 R	(-)	Washer, lock, 5/16" (2 used)
56	R 11158 R	(-)	Bolt, thru (2 used) (sub. for 815018)

Part listed below is an assembly of parts in this grouping.

AF 2080 R (-) Generator (6-volt) (Delco-Remy No. 1100027) (sub. AR21907R
Delco-Remy No. 1947580)

*Furnished by John Deere Dubuque Works.

AR21907R GENERATOR (6-Volt) (C.E.) (Delco-Remy)



AR21907R GENERATOR* (6-Volt) (C. E.) (Delco-Remy) -- Continued

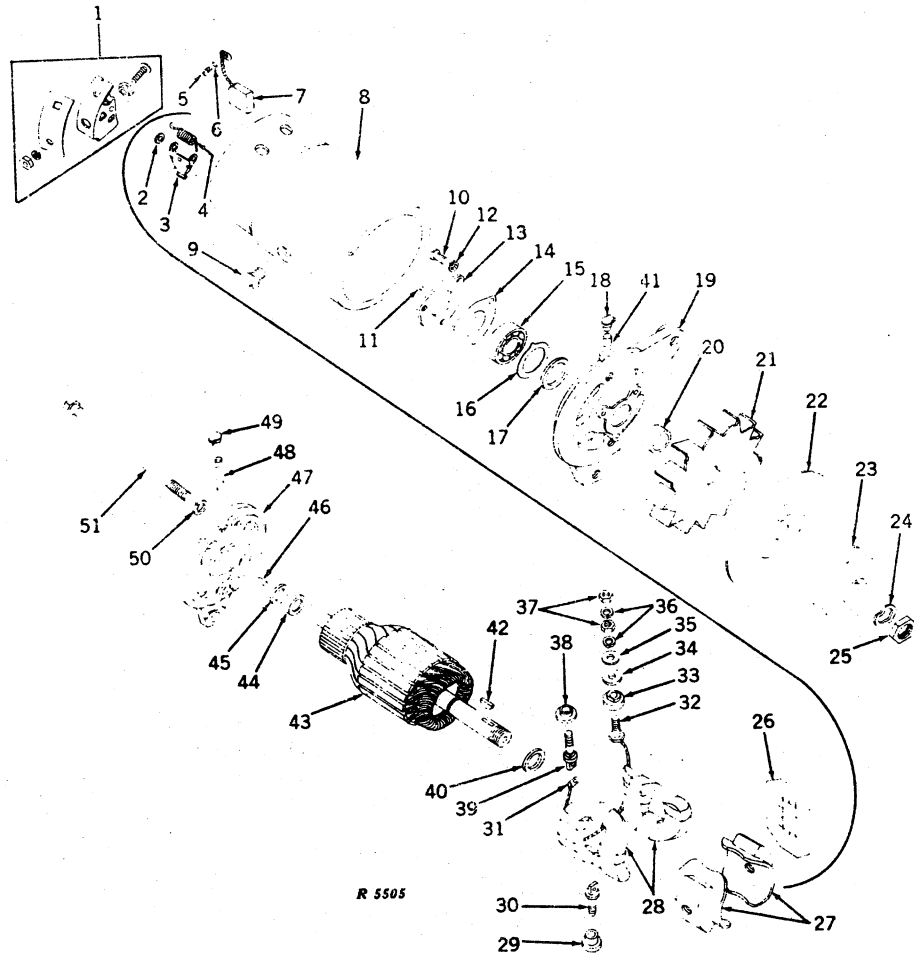
Key	Part No.	Serial No.	Description
1	AR 11100 R	(-)	Holder, ground brush (set)
2	AR 11068 R	(-)	Holder, insulated brush (set)
3	T 11651 T	(-)	Washer, brush arm spacer (2 used)
4	T 11649 T	(-)	Arm, main brush (2 used)
5	T 11652 T	(-)	Spring, brush (2 used)
6	21H 1114 T	(-)	Screw, special mach., brush lead attaching (2 used)
7	R 11106 R	(-)	Washer, lock, brush lead attaching screw (2 used)
8	AR 11074 R	(-)	Brush (2 used)
9	(-)	Frame, main
10	R 11097 R	(-)	Screw, pole shoe (2 used)
11	R 11105 R	(-)	Screw, plate attaching (3 used)
12	R 11037 R	(-)	Pin, dowel
13	R 11109 R	(-)	Plate, bearing retainer
14	R 11110 R	(-)	Gasket, bearing retainer plate
15	R 11205 R	(-)	Slinger, oil
16	JD 7695 R	(-)	Bearing
17	R 11204 R	(-)	Plate, felt washer retaining
18	R 11089 R	(-)	Washer, felt
19	R 11203 R	(-)	Frame, drive end
20	R 11200 R	(-)	Bracket, adjusting
21	T 11648 T	(-)	Collar, shaft
22	T 10745 T	(-)	Washer, spring
23	R 11049 R	(-)	Nut
24	R 11160 R	(-)	Insulator, field coil (2 used)
25	R 11161 R	(-)	Shoe, pole (2 used)
26	1921356	(-)	Coil, field
27	R 11043 R	(-)	Terminal, screw lock clip
28	R 11163 R	(-)	Stud, field terminal
29	T 11650 T	(-)	Insulator, terminal stud
30	R 11098 R	(-)	Washer, insulating
31	A 3031 R	(-)	Washer, special, terminal stud (2 used)
32	A 3011 R	(-)	Washer, lock, terminal stud (4 used)
33	14H 608 R	(-)	Nut, hex., terminal stud (4 used)
34	R 11162 R	(-)	Stud, armature terminal
35	R 11113 R	(-)	Bushing, insulating
36	R 11088 R	(-)	Washer, inside spacing
37	26H 72 R	(-)	Key, Woodruff, 1/8" x 5/8"
38	AR 11119 R	(-)	Armature
39	R 11165 R	(-)	Cup, washer retainer
40	R 11164 R	(-)	Washer, felt
41	R 11086 R	(-)	Pin, dowel
42	R 11202 R	(-)	Retainer, wick
43	AR 11117 R	(-)	Frame, commutator end
44	R 11201 R	(-)	Wick, commutator end
45	E 2302 RT	(-)	Cup, oil
46	12H 10 R	(-)	Washer, lock, 5/16" (2 used)
47	R 11158 R	(-)	Bolt, thru (2 used)

Part listed below is an assembly of parts in this grouping.

AR 21907 R (-) Generator (6-volt) (Delco-Remy No. 1947580) (sub. for AF2080R)

*For regulator, fan or pulley, see original equipment generator.

AR11007R GENERATOR PARTS (24-Volt) (Delco-Remy) (Elec.)
(Serial No. 8300000-)



AR11007R GENERATOR PARTS (24-Volt) (Delco-Remy) (Elec.) -- Continued
(Serial No. 8300000-)

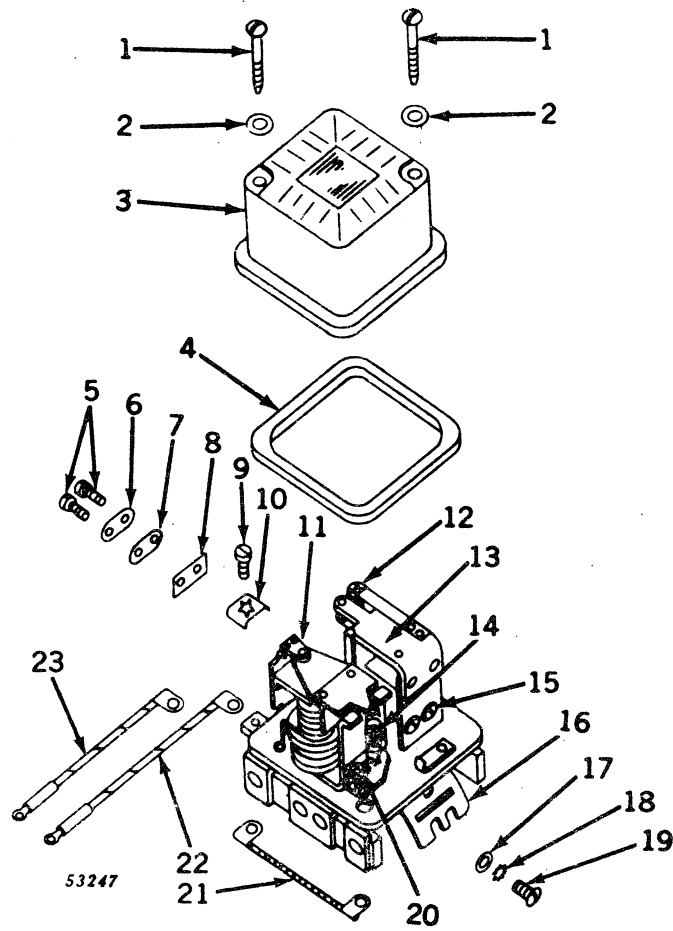
Key	Part No.	Serial No.	Description
1	AR 11068 R	(8300000-)	Holder, insulated brush (set) (2 used) (sub. for 1922289)
2	1857412*	(8300000-)	Washer, brush arm spacer (2 used)
3	1878183*	(8300000-)	Arm, main brush (2 used)
4	1916324*	(8300000-)	Spring, brush (2 used)
5	132688*	(8300000-)	Screw, special mach., brush lead attaching (2 used)
6	R 11106 R	(8300000-)	Washer, lock, brush lead attaching screw (2 used) (sub. for 1904377)
7	1923295	(8300000-)	Brush (2 used)
8	(8300000-)	Frame, main
9	R 11097 R	(8300000-)	Screw, pole shoe (2 used) (sub. for 1843646)
10	R 11105 R	(8300000-)	Screw, plate attaching (3 used) (sub. for 1904370)
11	R 11087 R	(8300000-)	Pin, dowell (sub. for 809593)
12	A 3009 R	(8300000-)	Washer, lock, plate attaching screw (3 used)
13	R 11109 R	(8300000-)	Plate, bearing retainer (sub. for 1911263)
14	R 11110 R	(8300000-)	Gasket, bearing retainer plate (sub. for 1212008)
15	JD 7180 R	(8300000-)	Bearing
16	R 11094 R	(8300000-)	Plate, felt washer retaining (sub. for 819104)
17	R 11089 R	(8300000-)	Washer, felt (sub. for 809961)
18	1880641*	(8300000-)	Cup, oil
19	1925097*	(8300000-)	Frame, drive end
20	1858603*	(8300000-)	Collar, shaft
21	R 11047 R	(8300000-)	Fan, pulley
22	R 11048 R	(8300000-)	Baffle, fan
23	R 11046 R	(8300000-)	Pulley
24	T 10745 T	(8300000-)	Washer, spring
25	R 11049 R	(8300000-)	Nut
26	R 11160 R	(8300000-)	Insulator, field coil (2 used) (sub. for 1914491)
27	R 11161 R	(8300000-)	Shoe, pole (2 used) (sub. for 1914618)
28	AR 11031 R	(8300000-)	Coil, field
29	R 11113 R	(8300000-)	Bushing, insulating (sub. for 1921362)
30	R 11162 R	(8300000-)	Stud, field return terminal (sub. for 1921369)
31	R 11043 R	(8300000-)	Clip, terminal screw lock
32	R 11042 R	(8300000-)	Stud, field terminal
33	1885090*	(8300000-)	Insulator, field terminal stud
34	R 11098 R	(8300000-)	Washer, terminal stud insulation (3 used) (sub. for 1858753)
35	A 3031 R	(8300000-)	Washer, special, terminal stud (3 used)
36	A 3011 R	(8300000-)	Washer, lock, terminal stud (6 used)
37	14H 608 R	(8300000-)	Nut, no. 10, terminal stud (6 used)
38	R 11113 R	(8300000-)	Bushing, insulating (sub. for 1921362)
39	R 11162 R	(8300000-)	Stud, armature terminal (sub. for 1921369)
40	R 11088 R	(8300000-)	Washer, inside spacing (sub. for 809945)
41	823551	(8300000-)	Plug, felt
42	26H 72 R	(8300000-)	Key, Woodruff, 1/8" x 5/8"
43	AR 11030 R	(8300000-)	Armature
44	R 11165 R	(8300000-)	Cup, washer retainer (sub. for 1927448)
45	R 11164 R	(8300000-)	Washer, felt (sub. for 1927447)
46	R 11086 R	(8300000-)	Pin, dowel (sub. for 809062)
47	AR 11102 R	(8300000-)	Frame, commutator end (sub. for 1928061)
48	804080*	(8300000-)	Wick, commutator end
49	E 2302 RT	(8300000-)	Cup, oil
50	12H 10 R	(8300000-)	Washer, lock, 5/16" (2 used)
51	R 11158 R	(8300000-)	Bolt, thru (2 used) (sub. for 815018)

Part listed below is an assembly of parts in this grouping.

AR 11007 R (8300000-) Generator (24-volt) (Delco-Remy No. 1103021)

*Furnished by John Deere Dubuque Tractor Works.

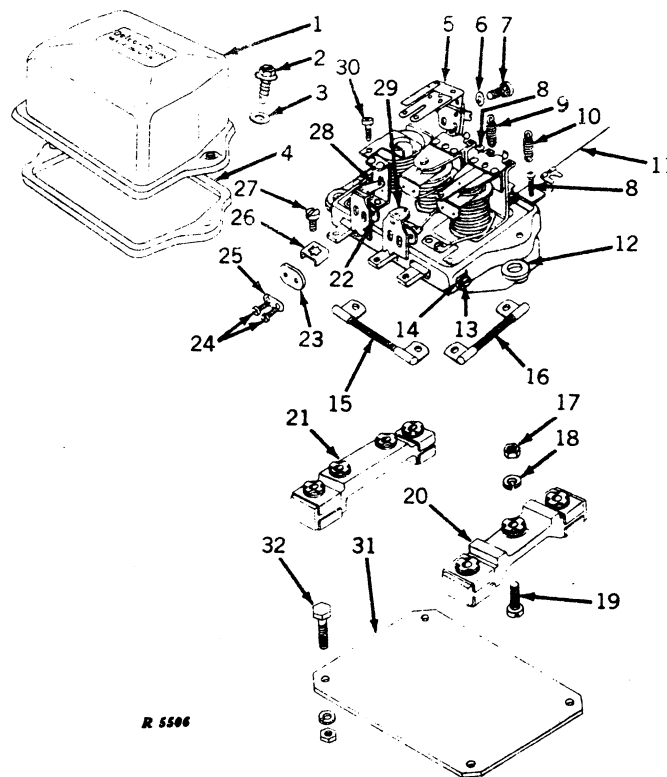
VOLTAGE REGULATOR (6-Volt) (C. E.)



Key	Part No.	Serial No.	Description
1	R 11170 R	(-)	Screw, special mach., (2 used) (sub. for 1927982)
2	R 11115 R	(-)	Washer, special insulating (2 used) (sub. for 1922996)
3	R 11168 R	(-)	Cover (sub. for 1927980)
4	R 11169 R	(-)	Gasket (sub. for 1927981)
5	R 11103 R	(-)	Screw, contact attaching (2 used) (sub. for 1878516)
6	R 11101 R	(-)	Plate, lock, contact attaching screw (sub. for 1878505)
7	R 11114 R	(-)	Insulator (sub. for 1922599)
8	R 11102 R	(-)	Insulator (sub. for 1878507)
9	R 11100 R	(-)	Screw, terminal (3 used) (sub. for 1864099)
10	R 11084 R	(-)	Clip, terminal (3 used) (sub. for 1868137)
11	AR 11103 R	(-)	Support, contact (sub. for 1878517)
12	R 11111 R	(-)	Screw, adjusting (sub. for 1912159)
13	1878780*	(-)	Armature (furnished by Harvester)
14	R 11112 R	(-)	Spring (sub. for 1912176)
15	1904817	(-)	Screw, relay armature attaching (2 used)
	R 11106 R	(-)	Washer, lock, relay armature attaching screw (2 used) (sub. for 1904377)
16	(-)	Base, mounting (not furnished) (order 1118786)
17	24H 91 R	(-)	Washer, 13/64" x 1/2" x 18 gauge, mounting screw (2 used)
18	12H 251 R	(-)	Washer, lock (shakeproof) no. 10 (2 used)
19	21H 995 R	(-)	Screw, mach., rd. hd., no. 10 x 3/8", regulator mounting (2 used)
20	1922408	(-)	Screw, adjusting
21	1910183	(-)	Resistor
22	1911485	(-)	Lead, regulator to "F" terminal on generator
23	1917571	(-)	Lead, regulator to "A" terminal on generator

Part listed below is an assembly of parts in this grouping.
 1118786 (-) Regulator, voltage, with cover, less leads (6-volt)

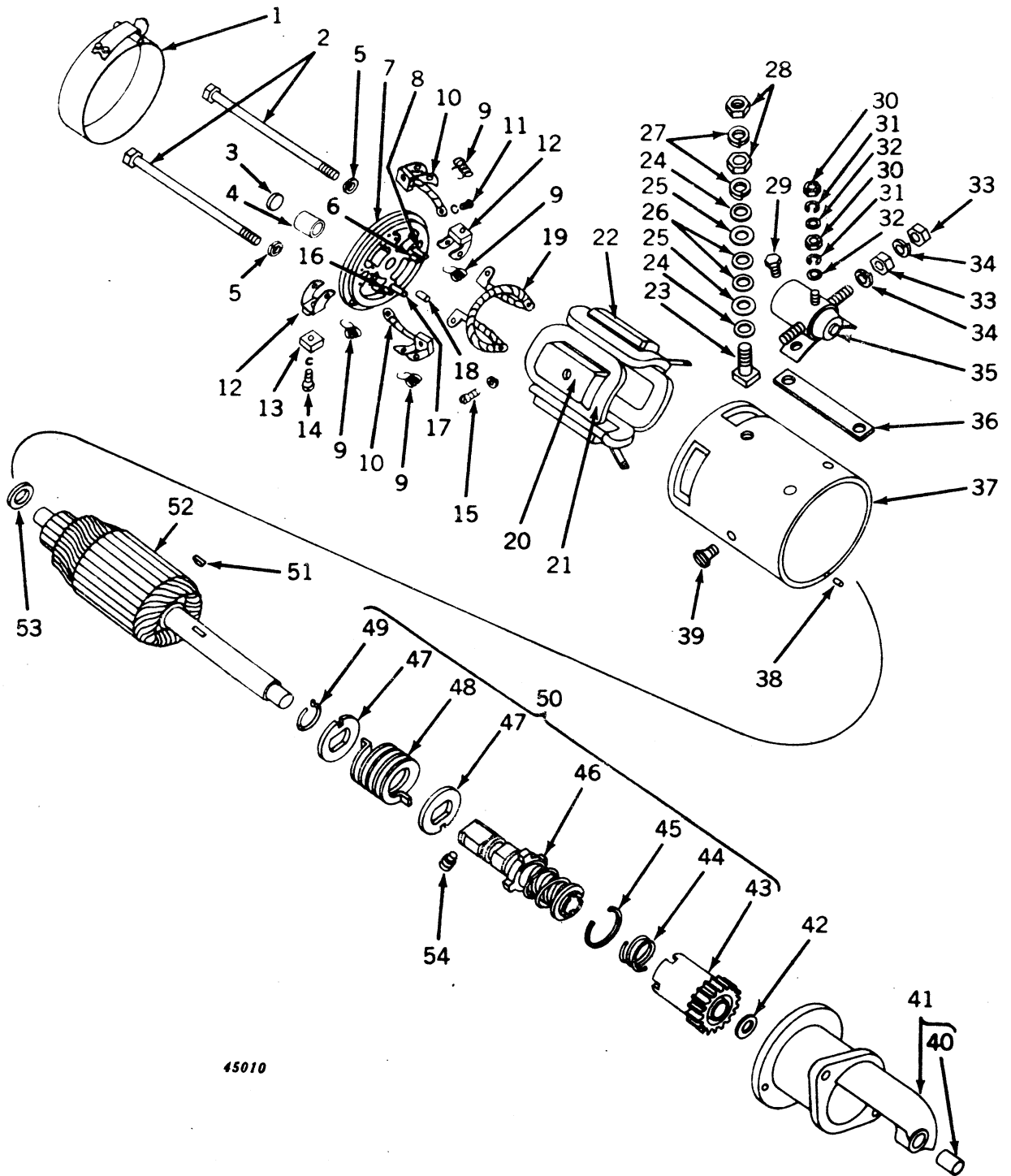
AR11008R and AR30155R VOLTAGE REGULATORS (24-Volt) (Elec.)
(Serial No. 8300000-)



R 5506

Key	Part No.	Serial No.	Description
1	R 11051 R	(-)	Cover (sub. AR30007 R cover with two R11231R insulators and two R11232R screws) (AR11008R)
	AR 30007 R	(-)	Cover (AR30155R and sub for R11051R cover)
2	R 11232 R	(-)	Screw, special (2 used) (packed 5 in a pkg.) (sub. for R11053R)
3	R 11231 R	(-)	Insulator, regulator cover (AR30155R)
4	R 11052 R	(-)	Gasket (packed 2 in a pkg.)
5	AR 11033 R	(-)	Armature
6	R 11106 R	(-)	Washer, lock, relay armature attaching screw (2 used) (sub. for 1904377) (AR11008R)
7	AT 11339 T	(-)	Screw, relay armature attaching (2 used) (sub. for 1924764)
8	H 24106 H	(-)	Screw, regulator armature adjusting (2 used) (sub. for 1922408)
9	R 11112 R	(-)	Spring (sub. for 1912176)
10	R 11054 R	(-)	Spring
11	AR 30156 R	(-)	Lead (AR30155R)
12	AR 11039 R	(-)	Grommet and ferrule (3 used)
13	R 11056 R	(-)	Screw, ground (packed 5 in a pkg.) (AR11008R)
14	R 11057 R	(-)	Clip, ground screw (AR11008R)
15	AR 11038 R	(-)	Resistor, relay core to current contact
16	AR 11037 R	(-)	Resistor, "F" terminal to ground (AR11008R)
	AR 11137 R	(-)	Resistor (AR30155R)
17	14H 772 N	(-)	Nut, jam, 1/4" (3 used)
18	12H 9 R	(-)	Washer, lock, 1/4" (3 used)
19	21H 1032 E	(-)	Screw, mach., rd. hd., 1/4" x 1" (3 used) (sub. for 21H619R)
20	AR 11042 R	(-)	Mount, shock
21	AR 11041 R	(-)	Mount, shock
22	R 11102 R	(-)	Insulator (sub. for 1878507)
23	R 11114 R	(-)	Insulator (sub. for 1922599)
24	R 11103 R	(-)	Screw, contact attaching (2 used) (sub. for 1878516)
25	R 11101 R	(-)	Plate, lock, contact attaching screw (sub. for 1878505)
26	R 11084 R	(-)	Clip, terminal (3 used) (sub. for 1878503)
27	AR 11040 R	(-)	Screw, terminal (3 used) (packed 5 in a pkg.)
28	AR 11035 R	(-)	Support, contact
29	AR 11036 R	(-)	Support, contact
30	R 11111 R	(-)	Screw, relay armature adjusting (sub. for 1912159)
31	R 20320 R	(-)	Bracket
32	19H 1683 T	(-)	Screw, cap, 1/4" x 1-1/4" (4 used) (sub. for 19H32T)
	12H 9 R	(-)	Washer, lock, 1/4" (4 used)
	14H 786 M	(-)	Nut, 1/4" (4 used) (sub. for 14H251R)
Part listed below is an assembly of parts in this grouping.			
	AR 11008 R	(-)	Regulator, voltage (sub. AR30155R regulator)
	AR 30155 R	(-)	Regulator, voltage with AR30156R lead (sub. for AR11008R)

AR1203R STARTING MOTOR (Delco-Remy) (C.E.)



AR1203R STARTING MOTOR (Delco-Remy) (C.E.) -- Continued

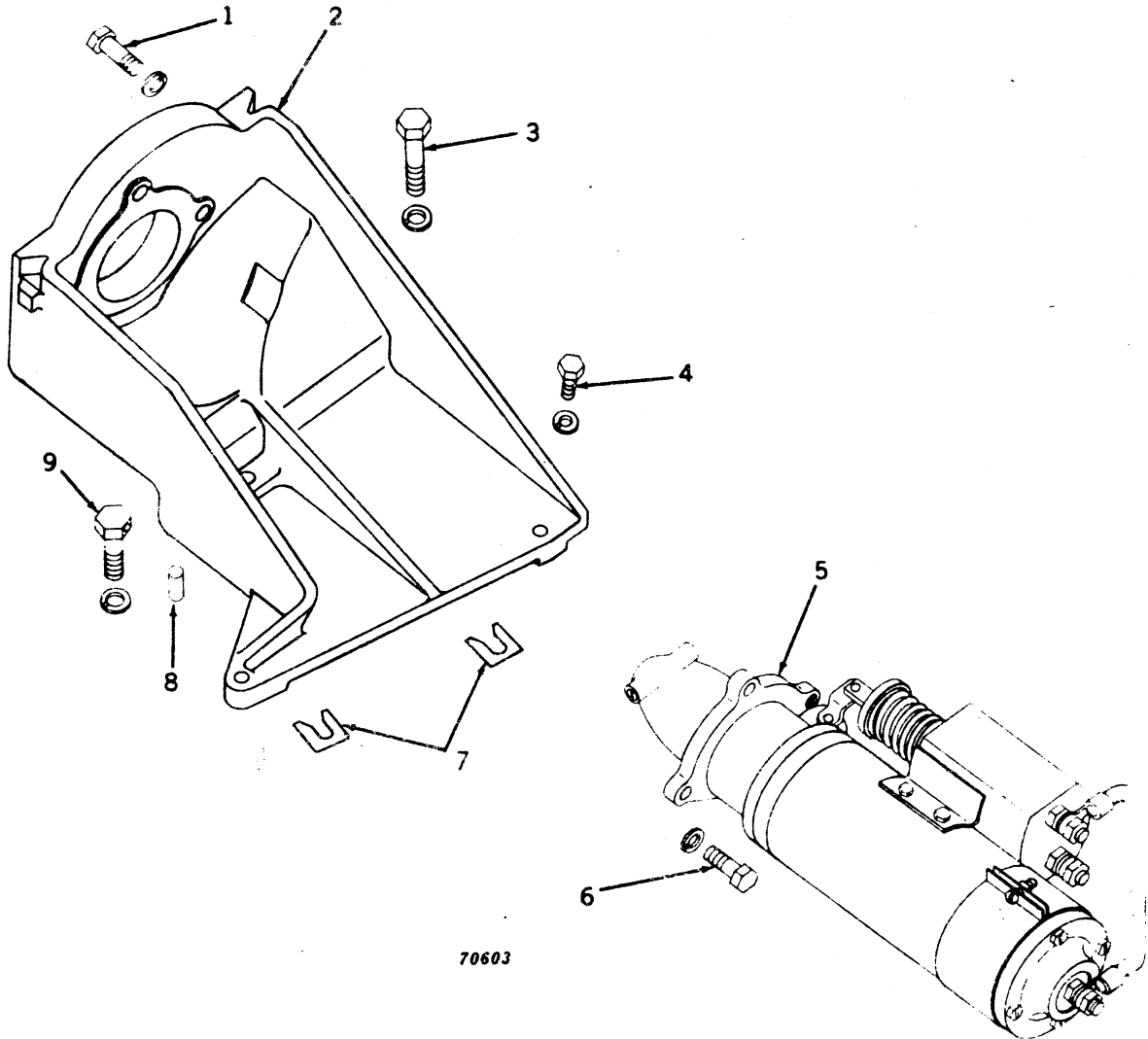
Key	Part No.	Serial No.	Description
1	817114	(-)	Band, commutator cover
2	809053	(-)	Bolt, thru (2 used)
3	(-)	Plug, expansion
4	(-)	Bushing, commutator end frame
5	12H 9 R	(-)	Washer, lock, 1/4" (2 used)
6	R 11093 R	(-)	Pin, brush hold stop (2 used) (sub. for 817314)
7	1907038	(-)	Frame, commutator end
8	AR 11062 R	(-)	Pin, brush holder stop and insulation assembly (2 used) (sub. for 812015)
9	R 11091 R	(-)	Spring, brush (4 used) (sub. for 813521)
10	AR 11064 R	(-)	Lead, ground brush (2 used) (sub. for 813554)
11	21H 969 R	(-)	Screw, special mach., ground brush lead to frame (2 used)
	A 766 R	(-)	Washer, lock (2 used)
12	R 11090 R	(-)	Holder, brush (4 used) (sub. for 810226)
13	811553	(-)	Brush (4 used)
14	21H 964 R	(-)	Screw, special mach., brush attaching (4 used)
	A 765 R	(-)	Washer, lock (4 used)
15	21H 395 R	(-)	Screw, mach., lead to field coil (2 used)
	A 767 R	(-)	Washer, lock (2 used) (packed 50 in a pkg.)
16	R 11092 R	(-)	Pin, brush holder hinge (2 used) (sub. for 817313)
17	AR 11063 R	(-)	Pin, brush holder hinge and insulation assembly (2 used) (sub. for 812016)
18	R 11086 R	(-)	Pin, dowel (sub. for 809062)
19	AR 11065 R	(-)	Lead, brush connector (sub. for 819362)
20	810601	(-)	Shoe, pole (4 used)
21	1921196	(-)	Coil, field, L.H.
22	1921195	(-)	Coil, field, R.H.
23	826938	(-)	Screw, special, starting motor terminal
24	24H 156 R	(-)	Washer, 13/32" x 11/16" x 16 gauge (2 used)
25	R 11099 R	(-)	Washer, insulating (2 used) (sub. for 1861076)
26	R 11107 R	(-)	Washer, insulating (2 used) (sub. for 1904669)
27	12H 11 R	(-)	Washer, lock, 3/8" (2 used)
28	14H 732 R	(-)	Nut, jam, 3/8" (2 used)
29	1930611	(-)	Screw, special, magnetic switch to frame (2 used)
30	14H 605 R	(-)	Nut (2 used)
31	804485	(-)	Washer, lock (2 used)
32	B 1085 R	(-)	Washer (2 used)
33	14H 812 C	(-)	Nut, 3/8" (4 used) (sub. for 14H255R)
34	12H 11 R	(-)	Washer, lock, 3/8" (4 used)
35	1119799	(-)	Switch, magnetic (sub. for 1465)
36	1932513	(-)	Connector, switch
37	(-)	Frame, main
38	R 11087 R	(-)	Pin, dowel (sub. for 809593)
39	R 11104 R	(-)	Screw, pole shoe (4 used) (sub. for 1881869)
40	810620	(-)	Bushing
41	1932102	(-)	Housing, motor drive
42	R 11096 R	(-)	Washer (sub. for 833602)
43	1932442	(-)	Pinion
44	1848528	(-)	Spring, anti-drift
45	1859033	(-)	Snap ring
46	1902342	(-)	Shaft, Bendix drive
47	1916461	(-)	Washer, special (2 used)
48	1878421	(-)	Spring, drive
49	1878418	(-)	Snap ring
50	1932103	(-)	Drive, Bendix
51	26H 10 R	(-)	Key, Woodruff, 5/32" x 5/8"
52	1878077	(-)	Armature
53	818265	(-)	Washer, leather brake
54	1878419	(-)	Screw, special

Part listed below is an assembly of parts in this grouping.

AR 1203 R (-) Motor, starting (6-volt) (Delco-Remy no. 1107155)

MEMORANDA

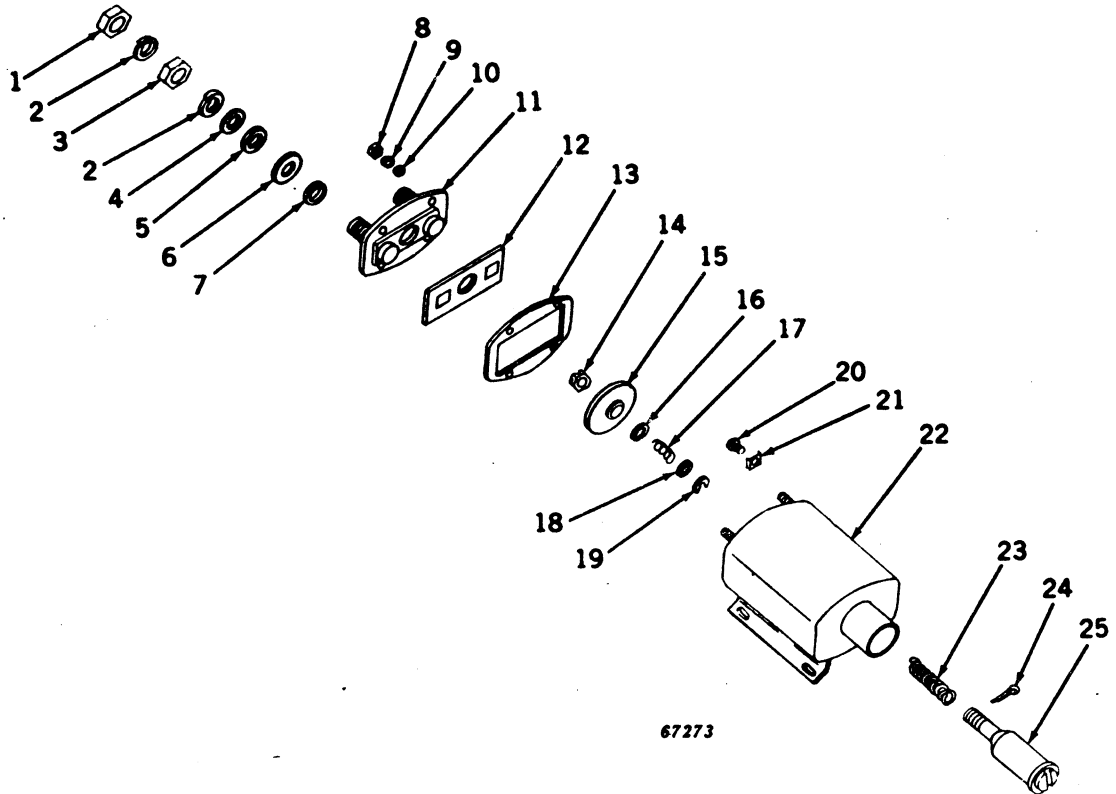
CRANKING MOTOR AND BRACKET (Elec.)
(Serial No. 8300000-)



70603

Key	Part No.	Serial No.	Description
1	19H 456 R	(8300000-)	Screw, cap, high-strength, 1/2" x 1-3/8"
	12H 13 R	(8300000-)	Washer, lock, 1/2"
2	R 20863 R	(8300000-)	Bracket (sub. for R20265R)
3	19H 352 T	(8300000-)	Screw, cap, high-strength, 7/16" x 1-3/4"
	12H 12 R	(8300000-)	Washer, lock, 7/16"
4	19H 1125 N	(8300000-)	Screw, cap, high-strength, 5/16" x 1-3/4" (2 used)
	12H 10 R	(8300000-)	Washer, lock, 5/16" (2 used)
5	AR 11009 R	(8300000-8303395)	Motor, cranking (Delco-Remy no. 1113801) (sub. AR11073R)
	AR 11073 R	(8303396-)	Motor, cranking (Delco-Remy no. 1113830)
6	19H 456 R	(8300000-)	Screw, cap, high-strength, 1/2" x 1-3/8" (2 used)
	12H 13 R	(8300000-)	Washer, lock, 1/2" (2 used)
7	R 21084 R	(8300000-)	Shim, .006" (as required)
8	A 4879 R	(8300000-)	Pin, dowel (2 used)
9	19H 1092 M	(8300000-)	Screw, cap, high-strength, 7/16" x 2-1/4"
	12H 12 R	(8300000-)	Washer, lock, 7/16"

SOLENOID SWITCH (Elec.)
(Serial No. 8300000-8303395)



Key	Part No.	Serial No.	Description
1	14H 809 T	(8300000-8303395)	Nut, 1/2" (2 used) (sub. for 14H259R)
2	12H 13 R	(8300000-8303395)	Washer, lock, 1/2" (4 used)
3	14H 473 R	(8300000-8303395)	Nut, jam, 1/2" (2 used)
4	811912*	(8300000-8303395)	Washer (2 used)
5	R 11011 R	(8300000-8303395)	Washer, insulating (2 used)
6	R 11038 R	(8300000-8303395)	Washer, insulating (2 used)
7	R 11037 R	(8300000-8303395)	Washer, insulating (2 used)
8	14H 631 R	(8300000-8303395)	Nut, no. 10 (4 used)
9	A 767 R	(8300000-8303395)	Washer, lock, no. 10 (4 used)
10	R 11039 R	(8300000-8303395)	Washer (4 used)
11	AR 11027 R	(8300000-8303395)	Plate, terminal
12	R 11036 R	(8300000-8303395)	Insulation, terminal
13	R 11009 R	(8300000-8303395)	Gasket, terminal plate
14	R 11035 R	(8300000-8303395)	Nut, special slotted
15	AR 11026 R	(8300000-8303395)	Disk, contact
16	R 11034 R	(8300000-8303395)	Washer
17	R 11033 R	(8300000-8303395)	Spring, contact cushion
18	R 11032 R	(8300000-8303395)	Washer
19	R 11031 R	(8300000-8303395)	Washer, slotted
20	R 11041 R	(8300000-8303395)	Screw, special mach.
21	1878503**	(8300000-8303395)	Clip, lock, terminal
22	AR 11024 R	(8300000-8303395)	Case and coil
23	R 11010 R	(8300000-8303395)	Spring, plunger return
24	11H 231 R	(8300000-8303395)	Pin, cotter, 1/16" x 1" (sub. for 11H3R)
25	AR 11025 R	(8300000-8303395)	Plunger

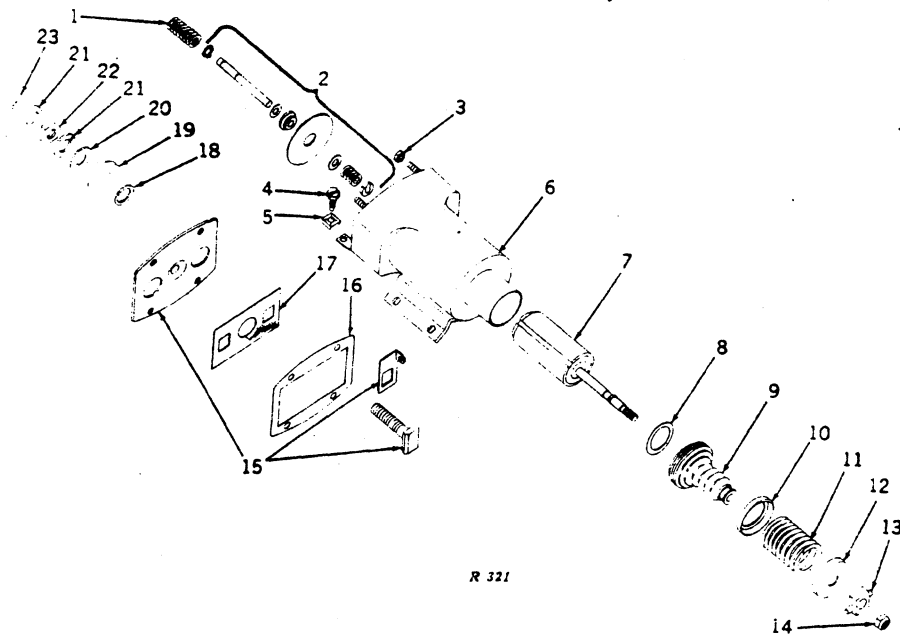
Part listed below is an assembly of parts in this grouping.

AR 11023 R (8300000-8303395) Switch, solenoid (Delco-Remy no. 1119803)

*Furnished by John Deere Dubuque Tractor Works.

**Furnished by John Deere Harvester Works.

SOLENOID SWITCH (Elec.)
(Serial No. 8303396-)



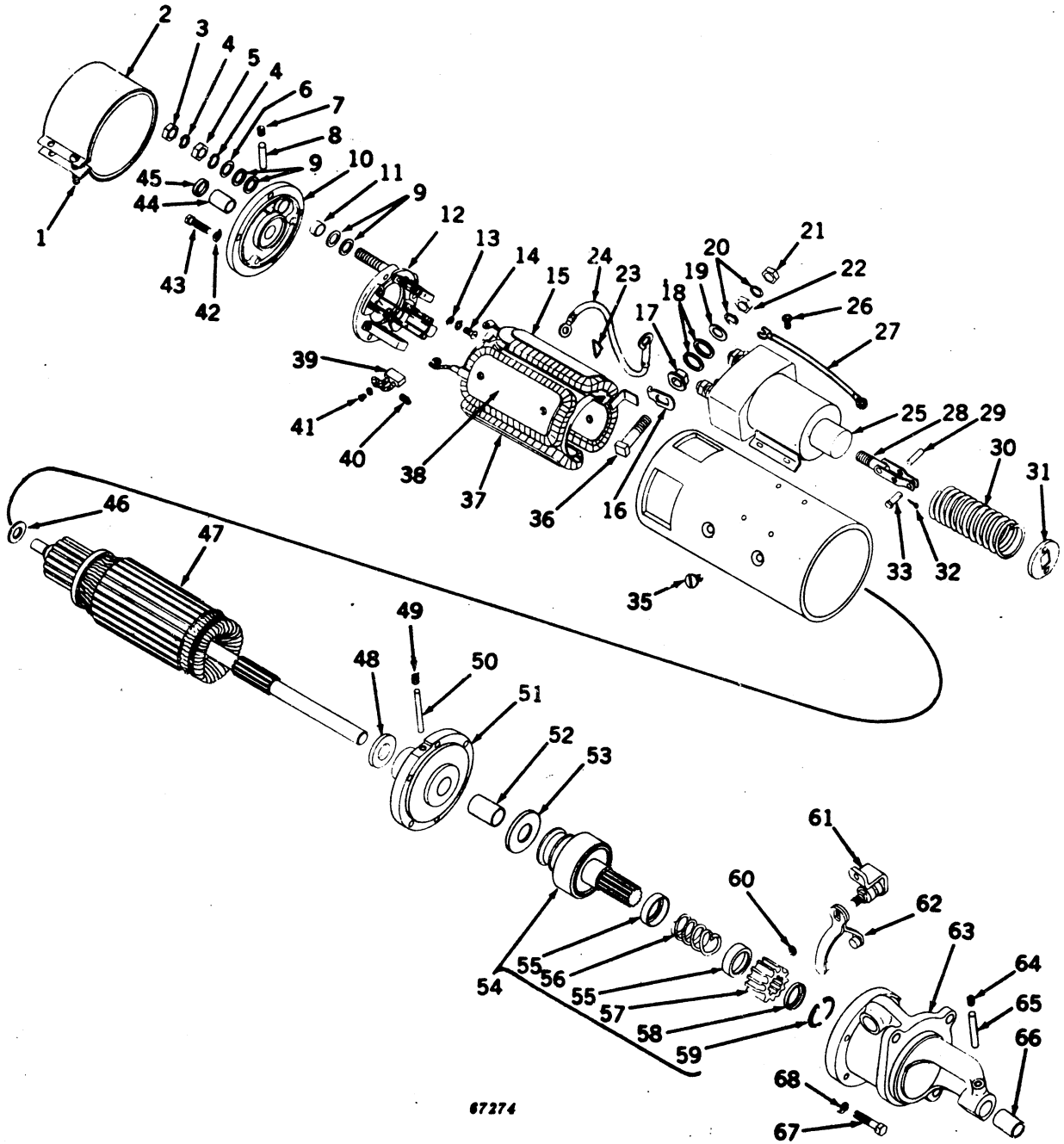
Key	Part No.	Serial No.	Description
1	R 11134 R	(8303396-)	Spring
2	AR 11079 R	(8303396-)	Disk, contact
3	AR 11134 R	(8303396-)	Nut, sealing (4 used) (packed 5 in a pkg.) (sub. for R11132R)
4	R 11041 R	(8303396-)	Screw, special slotted mach. (2 used)
5	R 11084 R	(8303396-)	Clip, lock (2 used)
6	AR 11077 R	(8303396-)	Case and coil
7	AR 11080 R	(8303396-)	Plunger
8	R 11138 R	(8303396-)	Washer (packed 2 in a pkg.)
9	R 11127 R	(8303396-)	Boot
10	R 11126 R	(8303396-)	Retainer, spring
11	R 11128 R	(8303396-)	Spring, shift lever
12	R 11129 R	(8303396-)	Retainer, spring
13	R 11139 R	(8303396-)	Guide, plunger rod
14	R 11151 R	(8303396-)	Nut, special jam lock
15	AR 11078 R	(8303396-)	Plate and terminal
16	R 11009 R	(8303396-)	Gasket, terminal plate
17	R 11036 R	(8303396-)	Insulation, terminal
18	R 11130 R	(8303396-)	Packing (2 used) (packed 2 in a pkg.)
19	R 11131 R	(8303396-)	Insulator (2 used)
20	S11912*	(8303396-)	Washer (2 used)
21	12H 13 R	(8303396-)	Washer, lock, 1/2" (4 used) (packed 5 in a pkg.)
22	14H 473 R	(8303396-)	Nut, jam, 1/2" (2 used) (packed 5 in a pkg.)
23	14H 309 T	(8303396-)	Nut, hex., 1/2" (2 used) (sub. for 14H259R)

Part listed below is an assembly of parts in this grouping.

AR 11075 R (8303396-) Switch, solenoid (Delco-Remy no. 1119832)

*Furnished by John Deere Dubuque Tractor Works.

CRANKING MOTOR (Delco-Remy) (Elec.)
(Serial No. 8300000-8303395)



67274

CRANKING MOTOR (Delco-Remy) (Elec.) -- Continued
(Serial No. 8300000-8303395)

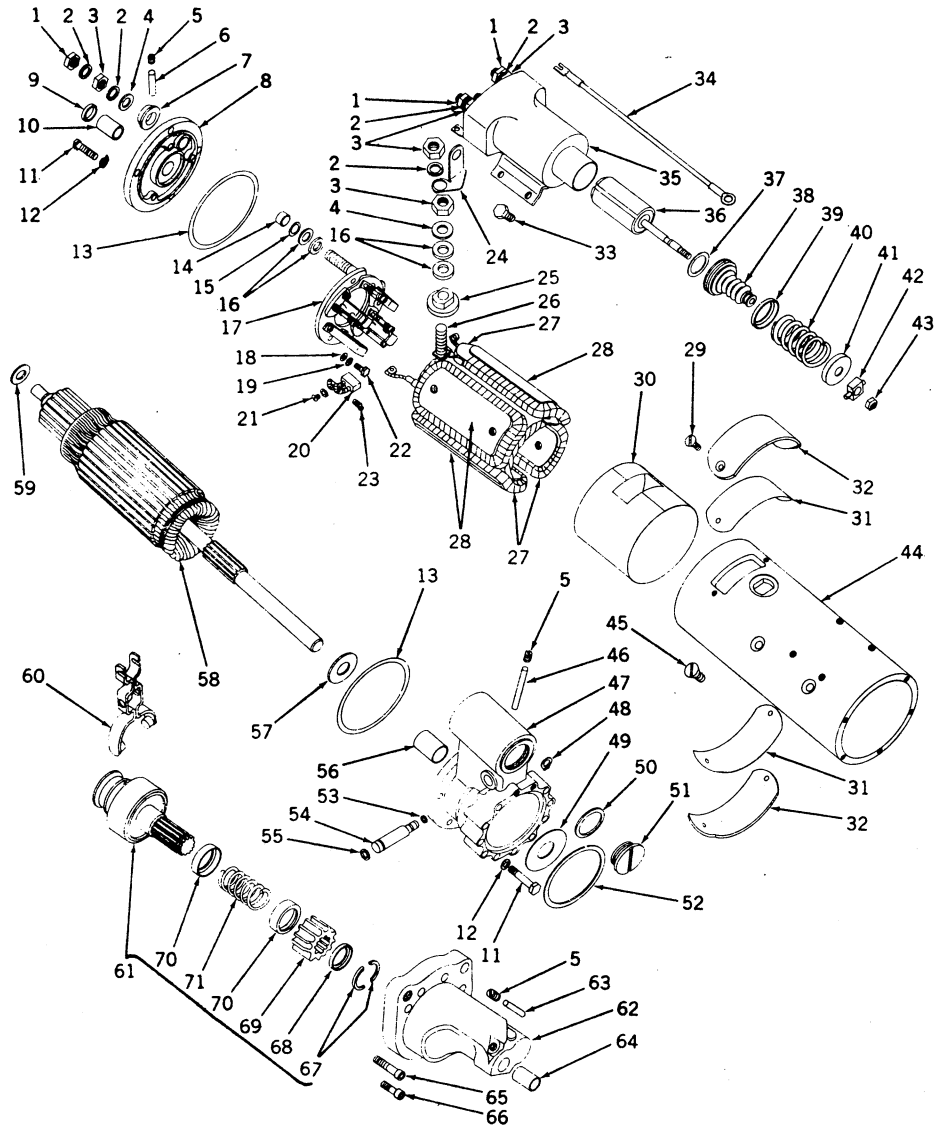
Key	Part No.	Serial No.	Description
1	21H 986 R	(8300000-8303395)	Screw, mach., rd. hd., no. 10 x 1-1/4" (2 used)
2	AR 11017 R	(8300000-8303395)	Band, cover
3	14H 809 T	(8300000-8303395)	Nut, 1/2" (sub. for 14H259R)
4	12H 13 R	(8300000-8303395)	Washer, lock, 1/2" (2 used)
5	14H 473 R	(8300000-8303395)	Nut, jam, 1/2"
6	811912*	(8300000-8303395)	Washer
7	R 11085 R	(8300000-8303395)	Plug, pipe (sub. for 125947)
8	R 11108 R	(8300000-8303395)	Wick, commutator end frame (sub. for 1909560)
9	R 11011 R	(8300000-8303395)	Washer, insulating (4 used)
10	R 11007 R	(8300000-8303395)	Frame, commutator end
11	R 11012 R	(8300000-8303395)	Bushing, insulating
12	AR 11016 R	(8300000-8303395)	Plate, brush, assembly
13	24H 845 R	(8300000-8303395)	Washer, 5/32" x 3/8" x 22 gauge (3 used)
14	21H 975 R	(8300000-8303395)	Screw, mach., fill. hd., no. 8 x 1/2" (3 used)
	12H 64 R	(8300000-8303395)	Washer, lock, no. 8 (3 used)
15	AR 11014 R	(8300000-8303395)	Coil, field, R.H.
16	R 11006 R	(8300000-8303395)	Clip, terminal
17	R 11005 R	(8300000-8303395)	Insulator, terminal screw
18	R 11011 R	(8300000-8303395)	Washer, insulating (2 used)
19	811912*	(8300000-8303395)	Washer
20	12H 13 R	(8300000-8303395)	Washer, lock, 1/2" (2 used)
21	14H 809 T	(8300000-8303395)	Nut, 1/2" (sub. for 14H259R)
22	14H 473 R	(8300000-8303395)	Nut, jam, 1/2"
23	1913534	(8300000-8303395)	Insulator, field coil (2 used)
24	AR 11029 R	(8300000-8303395)	Cable, solenoid switch to motor
25	AR 11023 R	(8300000-8303395)	Switch, solenoid (for parts, see page 40-13)
26	1930611	(8300000-8303395)	Screw, special cap, with lock washer (4 used)
27	AR 11028 R	(8300000-8303395)	Lead, wiring, solenoid switch to field terminal
28	AR 11022 R	(8300000-8303395)	Link, adjusting screw and lever
29	R 11029 R	(8300000-8303395)	Pin, spring retainer
30	R 11030 R	(8300000-8303395)	Spring, compression
31	R 11028 R	(8300000-8303395)	Retainer, spring
32	11H 231 R	(8300000-8303395)	Pin, cotter, 1/16" x 1" (sub. for 11H3R)
33	R 11027 R	(8300000-8303395)	Pin, clevis, lever link
34	(8300000-8303395)	Frame, main
35	R 11097 R	(8300000-8303395)	Screw, pole shoe (8 used) (sub. for 1843646)
36	R 11004 R	(8300000-8303395)	Screw, terminal
37	AR 11015 R	(8300000-8303395)	Coil, field, L.H.
38	R 11002 R	(8300000-8303395)	Shoe, pole (2 used)
	R 11003 R	(8300000-8303395)	Shoe, pole (2 used)
39	1906909	(8300000-8303395)	Brush (8 used)
40	R 11148 R	(8300000-8303395)	Spring, brush (8 used) (sub. for 1861785)
41	21H 971 R	(8300000-8303395)	Screw, mach., fill. hd., no. 8 x 5/16" (8 used)
	A 766 R	(8300000-8303395)	Washer, lock (8 used)
42	R 11014 R	(8300000-8303395)	Washer, special lock (4 used)
43	R 11013 R	(8300000-8303395)	Bolt, special (4 used)
44	R 11008 R	(8300000-8303395)	Bushing
45	30H 11 R	(8300000-8303395)	Plug, expansion, 7/8"
46	R 11096 R	(8300000-8303395)	Washer, special (sub. for 833602)
47	AR 11013 R	(8300000-8303395)	Armature
48	R 11018 R	(8300000-8303395)	Spacer, center bearing
49	R 11016 R	(8300000-8303395)	Plug, pipe
50	R 11015 R	(8300000-8303395)	Wick, center bearing
51	AR 11018 R	(8300000-8303395)	Bearing, center
52	R 11017 R	(8300000-8303395)	Bushing, center bearing
53	1911644	(8300000-8303395)	Washer, brake
54	AR 11019 R	(8300000-8303395)	Drive, motor
55	R 11021 R	(8300000-8303395)	Cup, spring retainer (2 used)
56	R 11022 R	(8300000-8303395)	Spring, motor clutch (also order one R11024R pinion stop cup)
57	R 11023 R	(8300000-8303395)	Pinion (also order one R11024R pinion stop cup)
58	R 11024 R	(8300000-8303395)	Cup, pinion stop
59	R 11025 R	(8300000-8303395)	Washer, split (2 used)
60	R 11026 R	(8300000-8303395)	Ring, retaining
61	AR 11021 R	(8300000-8303395)	Lever and shaft
62	AR 11020 R	(8300000-8303395)	Lever, shift
63	R 11019 R	(8300000-8303395)	Housing, motor drive
64	R 11085 R	(8300000-8303395)	Plug, pipe (sub. for 125947)
65	1909654	(8300000-8303395)	Wick, drive end
66	1904083	(8300000-8303395)	Bushing, drive end
67	R 11020 R	(8300000-8303395)	Bolt, special (5 used)
68	R 11014 R	(8300000-8303395)	Washer, special lock (5 used)

Part listed below is an assembly of parts in this grouping.

AR 11009 R (8300000-8303395) Motor, cranking (Delco-Remy no. 1113801) (sub. AR11073R)

*Furnished by John Deere Dubuque Tractor Works.

CRANKING MOTOR (24-Volt) (Delco-Remy) (Elec.)
(Serial No. 8303396-)



Key	Part No.	Serial No.	Description
1	14H 809 T	(8303396-	Nut, hex., 1/2" (3 used)
2	12H 13 R	(8303396-	Washer, lock, 1/2" (7 used) (packed 5 in a pkg.)
3	14H 473 R	(8303396-	Nut, jam, 1/2" (5 used) (packed 5 in a pkg.)
4	811912*	(8303396-	Washer (4 used)
5	R 11085 R	(8303396-	Plug, pipe (3 used)
6	R 11122 R	(8303396-	Wick
7	R 11123 R	(8303396-	Insulator
8	AR 11085 R	(8303396-	Frame, commutator end
9	30H 11 R	(8303396-	Plug, expansion, commutator end (packed 5 in a pkg.)
10	R 11008 R	(8303396-	Bushing, commutator end
11	R 11013 R	(8303396-	Bolt, special hex. (9 used)
12	12H 9 R	(8303396-	Washer, lock, 1/4" (9 used) (packed 5 in a pkg.)
13	R 11120 R	(8303396-	Packing O-ring, motor frame (2 used) (packed 2 in a pkg.)
14	R 11124 R	(8303396-	Bushing, insulator
15	R 394 R	(8303396-	Packing, O-ring, commutator end terminal
16	R 11011 R	(8303396-	Washer, insulating (4 used) (packed 5 in a pkg.)

CRANKING MOTOR (24-Volt) (Delco-Remy) (Elec.) -- Continued
(Serial No. 8303396-)

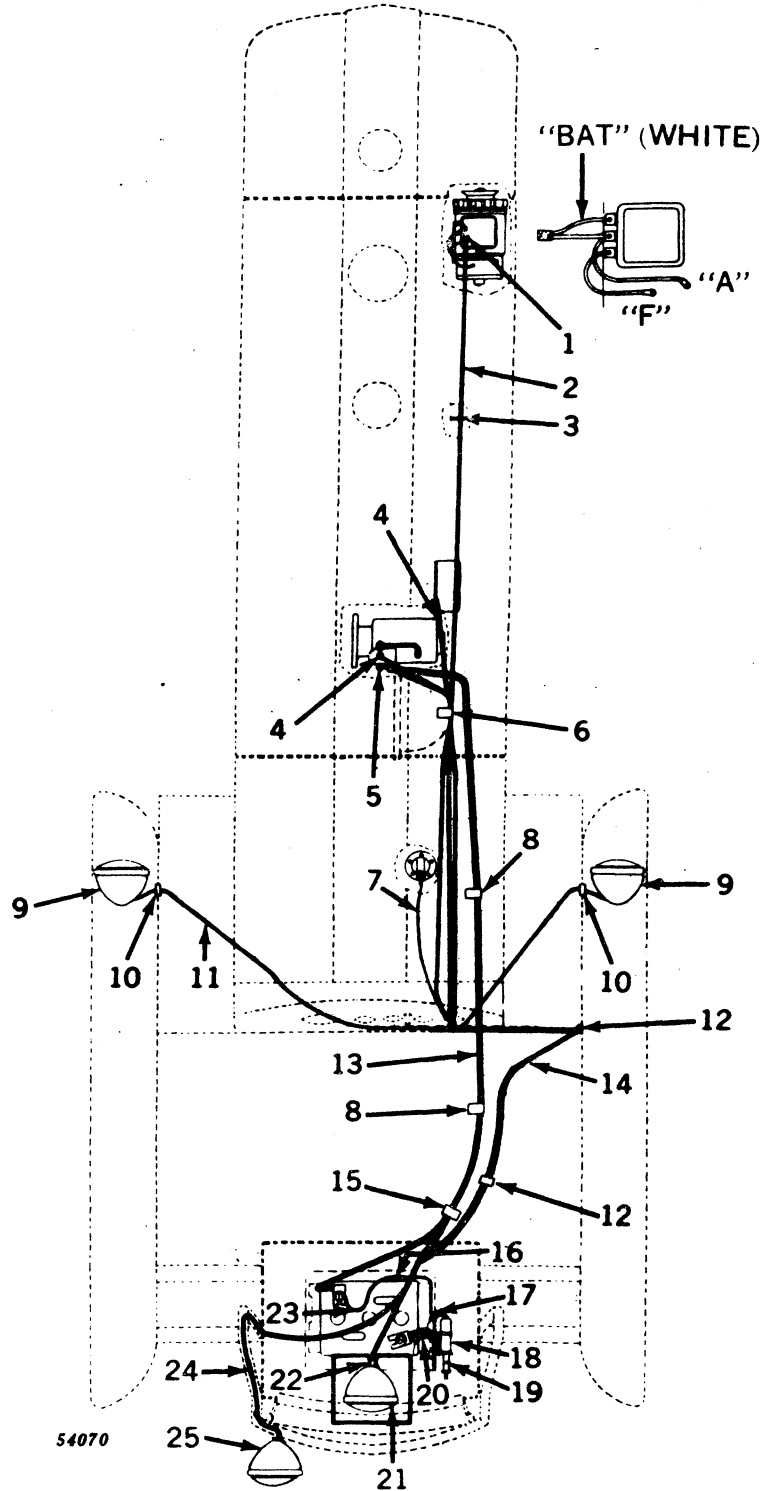
Key	Part No.	Serial No.	Description
17	AR 11084 R	(8303396-)	Plate, brush
18	24H 845 R	(8303396-)	Washer, 5/32" x 3/8" x 22 gauge (3 used) (packed 5 in a pkg.)
19	12H 64 R	(8303396-)	Washer, lock (3 used) (packed 50 in a pkg.)
20	AR 11076 R	(8303396-)	Brush (8 used)
21	21H 971 R	(8303396-)	Screw, special mach (8 used) (packed 5 in a pkg.)
	A 766 R	(8303396-)	Washer, special lock (8 used)
22	21H 975 R	(8303396-)	Screw, special mach. (3 used) (packed 5 in a pkg.)
23	R 11148 R	(8303396-)	Spring, brush (8 used) (packed 2 in a pkg.)
24	R 11135 R	(8303396-)	Connector
25	R 11005 R	(8303396-)	Insulator
26	R 11146 R	(8303396-)	Screw, terminal (packed 5 in a pkg.)
27	AR 11082 R	(8303396-)	Coil, field
28	R 11003 R	(8303396-)	Shoe, pole (4 used)
29	R 11152 R	(8303396-)	Screw, special mach. (4 used) (packed 5 in a pkg.)
30	R 11143 R	(8303396-)	Insulator, field coil, and commutator end (packed 2 in a pkg.)
31	R 11141 R	(8303396-)	Gasket, cover plate (2 used) (packed 2 in a pkg.)
32	R 11142 R	(8303396-)	Plate, cover (2 used)
33	1930611	(8303396-)	Screw, special cap, with L. W. (4 used)
34	AR 11028 R	(8303396-)	Lead, wiring
35	AR 11077 R	(8303396-)	Case and coil, solenoid
36	AR 11080 R	(8303396-)	Plunger
37	R 11138 R	(8303396-)	Washer (packed 2 in a pkg.)
38	R 11127 R	(8303396-)	Boot, plunger
39	R 11126 R	(8303396-)	Retainer, spring
40	R 11128 R	(8303396-)	Spring, shift lever
41	R 11129 R	(8303396-)	Retainer, spring
42	R 11139 R	(8303396-)	Guide, plunger rod
43	R 11151 R	(8303396-)	Nut, special jam lock (packed 5 in a pkg.)
44	(8303396-)	Not furnished
45	R 11097 R	(8303396-)	Screw, special mach. (8 used)
46	R 11125 R	(8303396-)	Wick, lever housing
47	AR 11088 R	(8303396-)	Housing, lever
48	R 11026 R	(8303396-)	Ring, retainer (2 used)
49	1911644	(8303396-)	Washer, brake
50	R 11121 R	(8303396-)	Gasket (packed 2 in a pkg.)
51	R 11133 R	(8303396-)	Plug
52	R 11140 R	(8303396-)	Gasket (packed 2 in a pkg.)
53	A 4365 R	(8303396-)	Packing, O-ring
54	R 11136 R	(8303396-)	Shaft, shift lever
55	A 3917 R	(8303396-)	Packing, O-ring (packed 2 in a pkg.)
56	R 11017 R	(8303396-)	Bushing
57	R 11018 R	(8303396-)	Spacer
58	AR 11083 R	(8303396-)	Armature
59	R 11096 R	(8303396-)	Washer
60	AR 11081 R	(8303396-)	Lever, shift
61	AR 11086 R	(8303396-)	Drive, motor
62	AR 11087 R	(8303396-)	Housing, drive
63	1909654	(8303396-)	Wick, drive end
64	R 11147 R	(8303396-)	Bushing, drive end
65	R 11137 R	(8303396-)	Screw, special cap (5 used) (packed 5 in a pkg.)
66	R 11149 R	(8303396-)	Screw, special cap (packed 5 in a pkg.)
67	R 11145 R	(8303396-)	Washer, split (2 used) (packed 5 in a pkg.)
68	R 11024 R	(8303396-)	Cup, pinion stop
69	R 11150 R	(8303396-)	Pinion
70	1911628	(8303396-)	Cup, outer spring (2 used)
71	R 11144 R	(8303396-)	Spring, motor clutch

Parts listed below is an assembly of parts in this grouping.

AR 11073 R (8303396-) Motor, cranking (Delco-Remy no. 1113830)

*Furnished by John Deere Dubuque Tractor Works.

ELECTRICAL WIRING
(Serial No. 8000001-8299999)



Key	Part No.	Serial No.	Description
1	A 2610 R	{ -8199999)	Clip
	B 1986 R	{ 8200000-8299999)	Clip
	19H 103 H	{ -8299999)	Screw, cap, 5/16" x 5/8" (sub. for 19H100T)
	12H 10 R	{ -8299999)	Washer, lock, 5/16"
	24H 143 R	{ -8299999)	Washer, 21/64" x 3/4" x 16 gauge (sub. for 24H39R)
2	AR 1315 R	{ -8199999)	Harness, wiring, generator
	AR 1558 R	{ 8200000-8299999)	Harness, wiring, generator

ELECTRICAL WIRING -- Continued
(Serial No. 8000001-8299999)

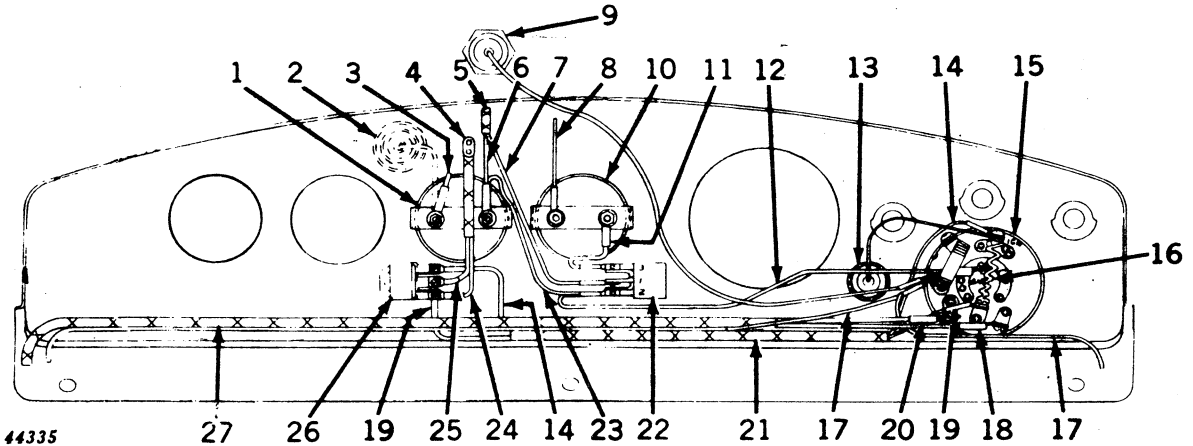
Key	Part No.	Serial No.	Description
3	R 1646 R	(-8299999)	Clamp, wiring
4	AR 1322 R	(-8299999)	Harness, wiring, starter switch to distributor and starting motor (sub. AR1562R)
	AR 1562 R	(8200000-8299999)	Harness, wiring, starter switch to distributor and starting motor
5	AR 1314 R	(-8199999)	Lead, wiring, ammeter to starting motor (sub. AR1557R)
	AR 1557 R	(8200000-8299999)	Lead, wiring, ammeter to starting motor
6	B 1588 R	(-8299999)	Clip
	19H 99 R	(-8299999)	Screw, special cap, 5/16" x 9/16"
	12H 10 R	(-8299999)	Washer, lock 5/16"
	24H 143 R	(-8299999)	Washer, 21/64" x 3/4" gauge (sub. for 24H39R)
7	AR 1320 R	(-8299999)	Lead, wiring, fuel gauge receiver to sender (sub. AR1560R)
	AR 1560 R	(8200000-8299999)	Lead, wiring, fuel gauge receiver to sender
8	B 989 R	(-8299999)	Clip (2 used)
9	AA 3075 R	(-8203099)	Lamp, R. H. and L. H. (6-volt) (for parts, see page 40-36) (sub. AF3817R)
	AF 3817 R	(8203100-8299999)	Lamp, R. H. and L. H. (6-volt, sealed beam) (for parts, see page 40-37)
	A 2743 R	(-8299999)	Washer (2 used)
	24H 991 R	(-8299999)	Washer, 37/64" x 1-1/8" x 11 gauge (2 used)
	12H 13 R	(-8299999)	Washer, lock, 1/2" (2 used)
	14H 392 R	(-8299999)	Nut, 1/2" (2 used)
10	B 1580 R	(-8199999)	Grommet (2 used) (packed 2 in a pkg.) (sub. R2579R)
	R 2579 R	(8200000-8299999)	Grommet (2 used) (packed 2 in a pkg.)
11	AR 1316 R	(-8199999)	Harness, wiring, combination switch to R. H. and L. H. lamp
	AR 1559 R	(8200000-8299999)	Harness, wiring, combination switch to R. H. and L. H. lamp
12	B 2571 R	(-8299999)	Clip (2 used)
13	AR 1353 R	(-8299999)	Cable, battery to starting motor
14	AR 1321 R	(-8199999)	Harness, wiring, combination switch to rear lamp
	AR 1561 R	(8200000-8203099)	Harness, wiring, combination switch to rear lamp (switch end) (sub. AR1851R and AF3814R)
	AR 1851 R	(8203100-8299999)	Harness, wiring, combination switch to rear lamp (switch end)
15	B 1588 R	(-8299999)	Clip
16	AL 2976 T	(-8203099)	Connector, two wire
17	R 2579 R	(-8299999)	Grommet (packed 2 in a pkg.)
18	AM 2049 T	(-8299999)	Socket, electrical outlet
	21H 404 R	(-8299999)	Screw, mach. (2 used)
	12H 251 R	(-8299999)	Washer (2 used) (packed 10 in a pkg.) (sub. for A3010R)
	14H 778 C	(-8299999)	Nut, Hex. (2 used) (sub. for 14H606R)
19	AA 5691 R	(-8299999)	PLUG, ELECTRICAL OUTLET, WITH CABLE (ATTACHMENT)
	AA 5692 R	(-8299999)	Plug, electrical outlet, less cable
20	AB 4100 R	(-8299999)	Strap, battery ground
	F 2272 R	(-8299999)	Screw, special cap
	12H 11 R	(-8299999)	Washer, lock, 3/8"
	14H 190 R	(-8299999)	Nut, sq., 3/8"
21	AF 2082 R	(-8199999)	Lamp, rear and warning (6-volt) (sub. AR21734R)
	B 2295 R	(-8199999)	Washer, outside
	B 2477 R	(-8199999)	Washer, inside
	12H 13 R	(-8199999)	Washer, lock, 1/2"
	14H 473 R	(-8199999)	Nut, jam, 1/2"
22	R 2579 R	(-8199999)	Grommet (packed 2 in a pkg.)
23	AA 5673 R	(-8299999)	Lead, wiring, electrical outlet socket
24	AA 5652 R	(8200000-8203099)	Harness, rear lamp wiring (lamp end)
	AF 3814 R	(8203100-8299999)	Harness, rear lamp wiring (lamp end)
25	AF 3088 R	(8200000-8299999)	Lamp, rear and warning (6-volt) (for parts, see page 40-37) (sub. AR21734R)
	B 2295 R	(8200000-8299999)	Washer, outside
	F 2935 R	(8200000-8299999)	Washer, inside
	12H 13 R	(8200000-8299999)	Washer, lock, 1/2"
	14H 473 R	(8200000-8299999)	Nut, jam, 1/2"

Parts listed below are not illustrated.

AR 1423 R	(-8199999)	Wiring, replacement kit, consisting of: one AA4881R, one AA5673R, one AR1315R, one AR1316R, one AR1321R, one AR1323R, one AR1557R, one AR1560R, and one AR1562R
AR 1581 R	(8200000-8299999)	Wiring, replacement kit, consisting of: two AA4881R, one AF3814R, one AA5673R, one AR1557R, one AR1558R, one AR1559R, one AR1560R, one AR1851R, and one AR1562R

Capital letters indicate an attachment. Attachments must be listed on separate orders from replacement parts.

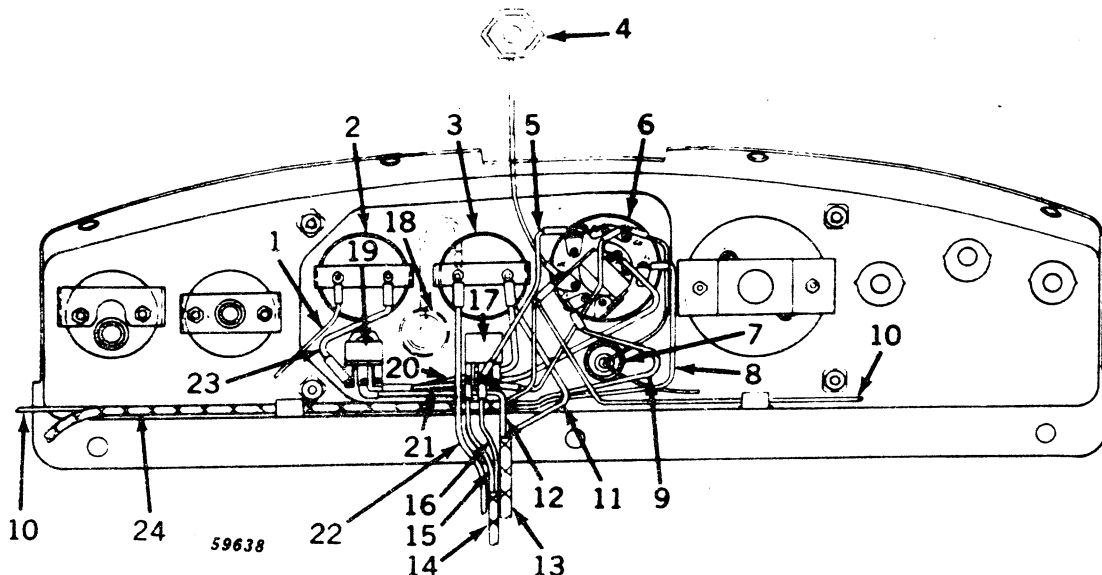
INSTRUMENT PANEL WIRING
(Serial No. 8000001-8199999)



Key	Part No.	Serial No.	Description
1	AF 2749 R	(-8199999)	Ammeter (sub. for AB2568R)
2	AM 1949 T	(-8199999)	LIGHTER, CIGARETTE (6-VOLT) (ATTACHMENT)
3	AR 1557 R	(-8199999)	Lead, wiring, ammeter to starting motor (white) (sub. for AR1314)
4	AR 1562 R	(-8199999)	Harness, wiring, starter switch to distributor and starting motor (sub. for AR1322R)
5	AR 1315 R	(-8199999)	Harness, wiring, generator
6	(-8199999)	Wire, generator to ammeter (white) (not sold separately) (part of AR1315R)
7	(-8199999)	Wire, generator to fuel gauge switch (black) (not sold separately) (part of AR1315R)
8	AR 1560 R	(-8199999)	Lead, wiring, fuel gauge receiver to fuel gauge sender (sub. for AR1320R)
9	AR 1274 R	(-8199999)	Lamp, dash
10	AF 2739 R	(-8199999)	Receiver, fuel gauge (6-volt) (sub. for AF2170R)
11	AA 4881 R	(-8199999)	Lead, wiring, fuel gauge switch to fuel gauge receiver (sub. for AR1319R)
12	(-8199999)	Wire, fuel gauge switch to combination switch (black) (not sold separately) (part of AR1315R)
13	(-8199999)	Light, indicator (order one AA4925R, one AA4926R and one AB4059R) (see page 40-11)
14	(-8199999)	Wire, combination switch to starting switch (black) (not sold separately) (part of AR1323R)
15	AF 2460 R	(-8199999)	Switch, combination, ignition and light, with resistor (sub. for AF2065R)
16	AF 2143 R	(-8199999)	Resistor, ignition
17	AR 1316 R	(-8199999)	Harness, wiring, combination switch to R. H. and L. H. lamp (black)
18	(-8199999)	Wire, combination switch to rear warming lamp (red) (not sold separately) (part of AR1321R)
19	(-8199999)	Wire, combination switch to starting switch (green) (not sold separately) (part of AR13223R)
20	(-8199999)	Wire, combination switch to rear lamp (black) (not sold separately) (part of AR1321R)
21	AR 1323 R	(-8199999)	Harness, wiring, combination switch to starting switch
22	AF 2171 R	(-8199999)	Switch, fuel gauge
23	(-8199999)	Wire, ammeter to fuel gauge switch (black) (not sold separately) (part of AR1315R)
24	(-8199999)	Wire, starting switch to distributor (green) (not sold separately) (part of AR1562R)
25	(-8199999)	Wire, starting switch to starting motor (black) (not sold separately) (part of AR1562R)
26	AR 1324 R	(-8199999)	Switch, starter
27	AR 1321 R	(-8199999)	Harness, wiring, rear lamp

Capital letters indicate an attachment. Attachments must be listed on separate orders from replacement parts.

INSTRUMENT PANEL WIRING
(Serial No. 8200000-8299999)

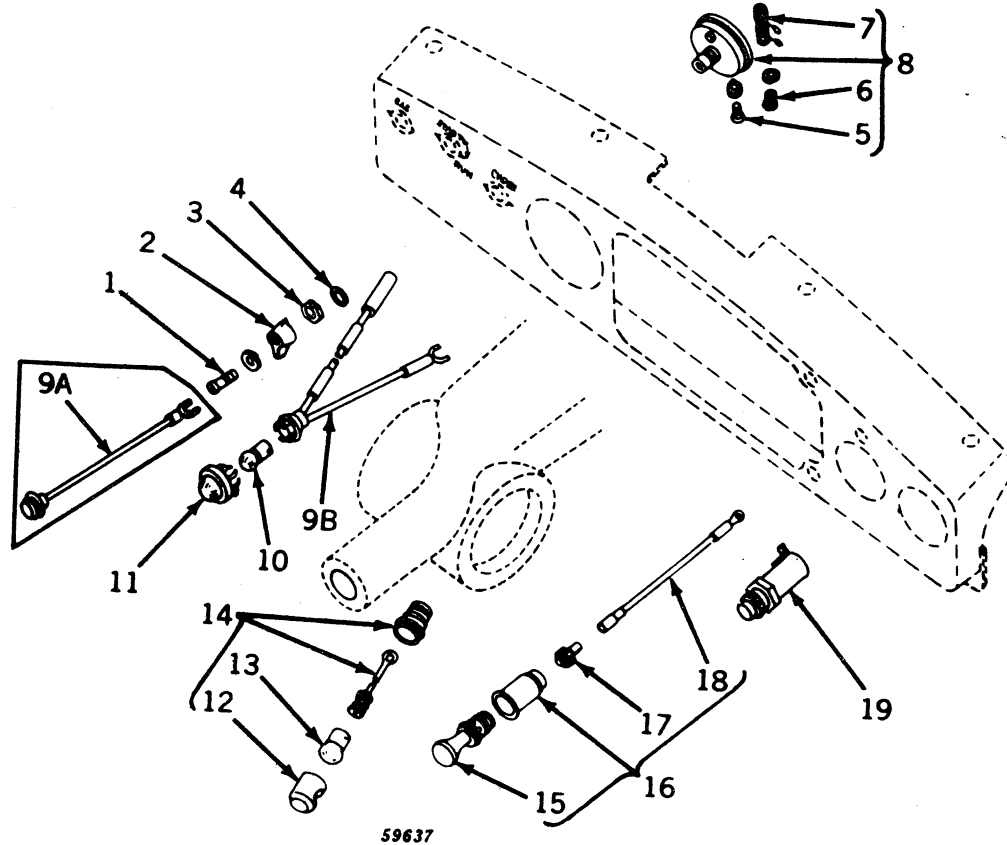


Key	Part No.	Serial No.	Description
1	AR 1560 R	(8200000-8299999)	Lead, wiring, fuel gauge receiver to fuel gauge sender
2	AF 2739 R	(8200000-8299999)	Receiver, fuel gauge (6-volt)
3	AF 2749 R	(8200000-8299999)	Ammeter
4	AR 1563 R	(8200000-8299999)	Lamp, dash
5	AA 4881 R	(8200000-8299999)	Lead, wiring, combination switch to starter switch (black)
6	AF 2460 R	(8200000-8299999)	Switch, combination, with resistor
7	(8200000-8203099)	Light, indicator (order one AA4925R, one AA4926R and one AB4059R)
		(8203100-8299999)	Light, indicator (order one AA4925R, one AB4059R and one AR1886R)
8	(8200000-8299999)	Wire, switch to rear lamp (black) (not sold separately) (part of AF3814R and AR1851R)
9	(8200000-8299999)	Wire, switch to rear warming lamp (red) (not sold separately) (part of AF3814R and AR1851R)
10	AR 1559 R	(8200000-8299999)	Harness, wiring, combination switch to R. H. and L. H. lamps (black)
11	(8200000-8299999)	Wire, generator to ammeter (white) (not sold separately) (part of AR1558R)
12	(8200000-8299999)	Wire, generator to fuel gauge switch (black) (not sold separately) (part of AR1558R)
13	AR 1558 R	(8200000-8299999)	Harness, wiring, generator
14	AR 1562 R	(8200000-8299999)	Harness, wiring, starter switch to distributor and starting motor
15	(8200000-8299999)	Wire, starter switch to starting motor (black) (not sold separately) (part of AR1562R)
16	(8200000-8299999)	Wire, starter, switch to distributor (green) (not sold separately) (part of AR1562R)
17	AR 1324 R	(8200000-8299999)	Switch, starter
18	AM 1949 T	(8200000-8299999)	LIGHTER, CIGARETTE (6-VOLT) (ATTACHMENT)
19	AF 2171 R	(8200000-8299999)	Switch, fuel gauge
20	(8200000-8299999)	Wire, ammeter to fuel gauge switch (black) (not sold separately) (part of AR1558R)
21	(8200000-8299999)	Wire, switch to fuel gauge switch (black) (not sold separately) (part of AR1558R)
22	AR 1557 R	(8200000-8299999)	Lead, ammeter to starting motor (white)
23	AA 4881 R	(8200000-8299999)	Lead, wiring, fuel gauge switch to fuel gauge receiver
24	AR 1561 R	(8200000-8299999)	Harness, wiring, rear lamp (switch end) (sub. AF3814R and AR1851R)

Capital letters indicate an attachment. Attachments must be listed on separate orders from replacement parts.

MEMORANDA

DASH LAMP, SWITCHES, INDICATOR LIGHT, AND CIGARETTE LIGHTER
(Serial No. 8000001-8299999)

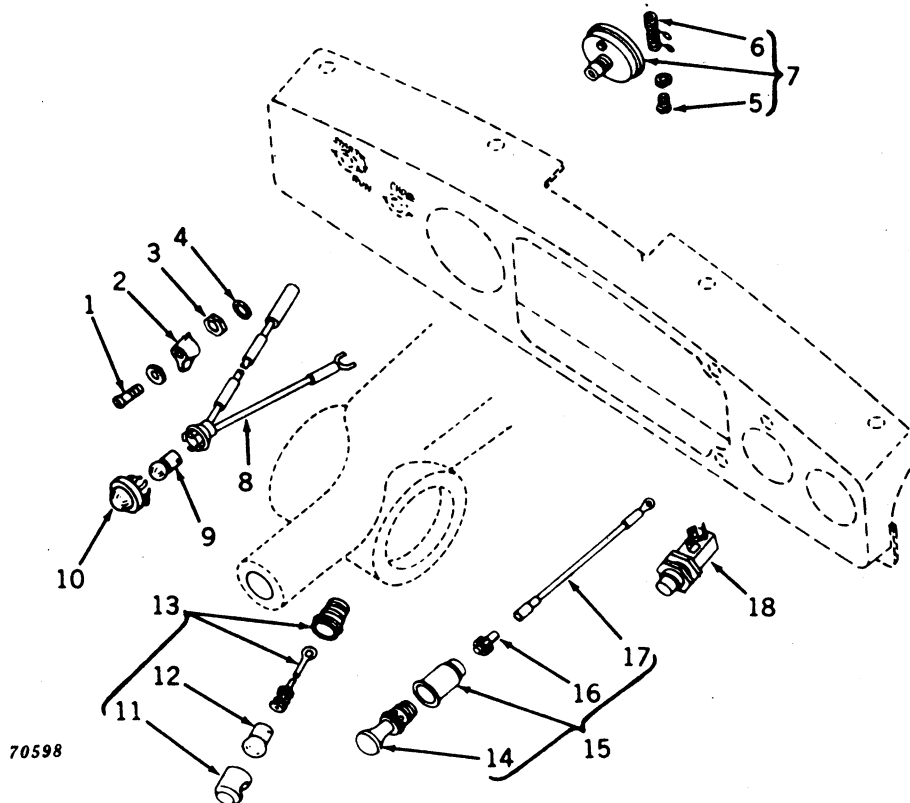


Key	Part No.	Serial No.	Description
1	21H 973 R	(-8299999)	Screw, mach.
	A 766 R	(-8299999)	Washer, lock
2	1902694	(-8299999)	Lever, switch
3	1902692*	(-8299999)	Nut, 1/2", switch to panel
4	138549*	(-8299999)	Washer, lock, 1/2"
5	R 11100 R	(-8299999)	Screw, mach. (3 used) (sub. for 1864099)
	1886496	(-8299999)	Screw, mach. (2 used)
	12H 290 R	(-8299999)	Washer (5 used) (sub. for A2734R)
6	1886496	(-8299999)	Screw, mach. (2 used)
	A 766 R	(-8299999)	Washer, lock (2 used)
7	1929666	(-8299999)	Resistor
8	AF 2460 R	(-8299999)	Switch, combination ignition and light, with resistor, less lever (6-volt) (sub. for AF2065R)
9A	AA 4926 R	(-8299999)	Socket and wire
9B	AR 1886 R	(8203100-8299999)	Socket and wires
10	AB 4059 R	(-8299999)	Bulb, 1 candlepower, 6-8-volt (packed 10 in a pkg.)
11	AA 4925 R	(-8299999)	Jewel
12	A 3032 R	(-8299999)	Hood, dash lamp
13	AB 2582 R	(-8299999)	Bulb, 3 candlepower, 6-8-volt (packed 10 in a pkg.)
14	AR 1274 R	(-8199999)	Lamp, dash
	AR 1563 R	(8200000-8299999)	Lamp, dash
15	AM 2091 T	(-8299999)	Element, cigarette lighter
16	AM 1949 T	(-8299999)	LIGHTER, CIGARETTE (6-VOLT) (ATTACHMENT)
17	AM 2151 T	(-8299999)	Fuse, cigarette lighter
18	AR 21164 R	(-8299999)	Wire assembly, cigarette lighter (sub. for AM2152T)
19	AR 1324 R	(-8299999)	Switch, starter

*Furnished by John Deere Dubuque Tractor Works.

Capital letters indicate an attachment. Attachments must be listed on separate orders from replacement parts.

DASH LAMP, SWITCHES, INDICATOR LIGHT, AND CIGARETTE LIGHTER (C.E.)
(Serial No. 8300000-)



Key	Part No.	Serial No.	Description
1	21H 973 R	(8300000-)	Screw, mach.
	A 766 R	(8300000-)	Washer, lock
2	1902694*	(8300000-)	Lever, switch
3	1902692*	(8300000-)	Nut, 1/2", switch to panel
4	138549*	(8300000-)	Washer, lock, 1/2"
5	1886496	(8300000-)	Screw, mach.
	A 766 R	(8300000-)	Washer, lock
6	AF 2143 R	(8300000-)	Resistor
7	AR 21162 R	(8300000-)	Switch, combination ignition and light, with ignition resistor, less lever (6-volt)
8	AR 1886 R	(8300000-)	Socket and wires
9	AB 4059 R	(8300000-)	Bulb, 1 candlepower, 6-8-volt (packed 10 in a pkg.)
10	AA 4925 R	(8300000-)	Jewel
11	A 3032 R	(8300000-)	Hood, dash lamp
12	AB 2582 R	(8300000-)	Bulb, 3 candlepower, 6-8-volt (packed 10 in a pkg.)
13	AR 20447 R	(8300000-)	Lamp, dash, less bulb
14	AM 2091 T	(8300000-)	Element, cigarette lighter
15	AM 1949 T	(8300000-)	LIGHTER, CIGARETTE (6-VOLT) (ATTACHMENT)
16	AM 2151 T	(8300000-)	Fuse, cigarette lighter
17	AR 21164 R	(8300000-)	Wire assembly, cigarette lighter (sub. for AM2152T)
18	AR 20431 R	(8300000-8301266)	Switch, starter (sub. AR21823R)
	AR 21823 R	(8301267-)	Switch, starter
	R 21156 R	(8301267-)	Cap, starter switch (rubber)
	R 21157 R	(8301267-)	Nut, starter switch

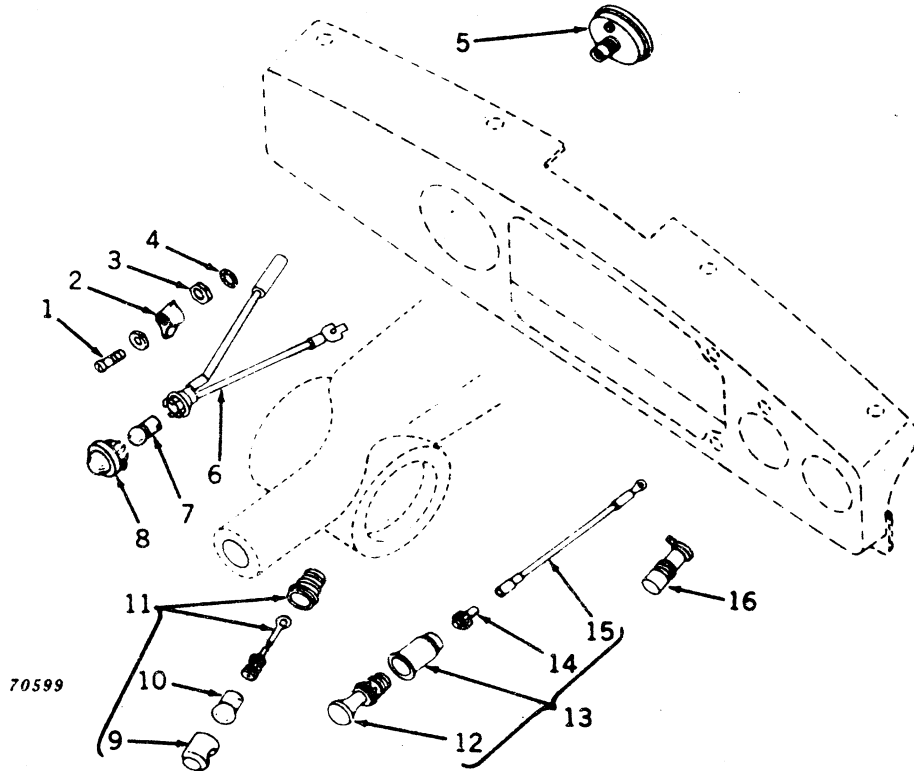
Parts listed below are not illustrated.

AA 5592 R	(8300000-)	Switch, with keys and mounting nuts
AA 4881 R	(8300000-)	Lead, wiring, key switch to ammeter
AF 2172 R	(8300000-)	Lead, wiring, key switch to fuel gauge switch

*Furnished by John Deere Dubuque Tractor Works.

Capital letters indicate an attachment. Attachments must be listed on separate orders from replacement parts.

DASH LAMP, SWITCHES, INDICATOR LIGHT, AND CIGARETTE LIGHTER (Elec.)
(Serial No. 8300000-)



Key	Part No.	Serial No.	Description
1	21H 973 R	(8300000-)	Screw, mach.
	A 766 R	(8300000-)	Washer, lock
2	1902694*	(8300000-)	Lever, switch
3	1902692*	(8300000-)	Nut, 1/2", switch to panel
4	138549*	(8300000-)	Washer, lock, 1/2"
5	AR 20234 R	(8300000-)	Switch, combination starting and light, less lever (24-volt)
6	AR 20959 R	(8300000-)	Socket and wires, generator indicator
7	AA 4927 R	(8300000-)	Bulb, 1 candlepower, 12-16-volt (packed 10 in a pkg.)
8	AA 4925 R	(8300000-)	Jewel
9	A 3032 R	(8300000-)	Hood, dash lamp
10	AR 20580 R	(8300000-)	Bulb, 6 candlepower, 12-16-volt (packed 10 in a pkg.)
11	AR 20447 R	(8300000-)	Lamp, dash, less bulb
12	AA 5787 R	(8300000-)	Element, cigarette lighter
13	AR 20438 R	(8300000-)	LIGHTER, CIGARETTE (12-VOLT) (ATTACHMENT) (SUB. FOR AA5734R)
14	AM 2151 T	(8300000-)	Fuse, cigarette lighter
15	AR 21164 R	(8300000-)	Wire, assembly, cigarette lighter (sub. for AM2152T)
16	AR 20235 R	(8300000-8301266)	Switch, starter (sub. AR21823R)
	AR 21823 R	(8301267-)	Switch, starter
	R 21156 R	(8301267-)	Cap, starter switch (rubber)
	R 21157 R	(8301267-)	Nut, starter switch

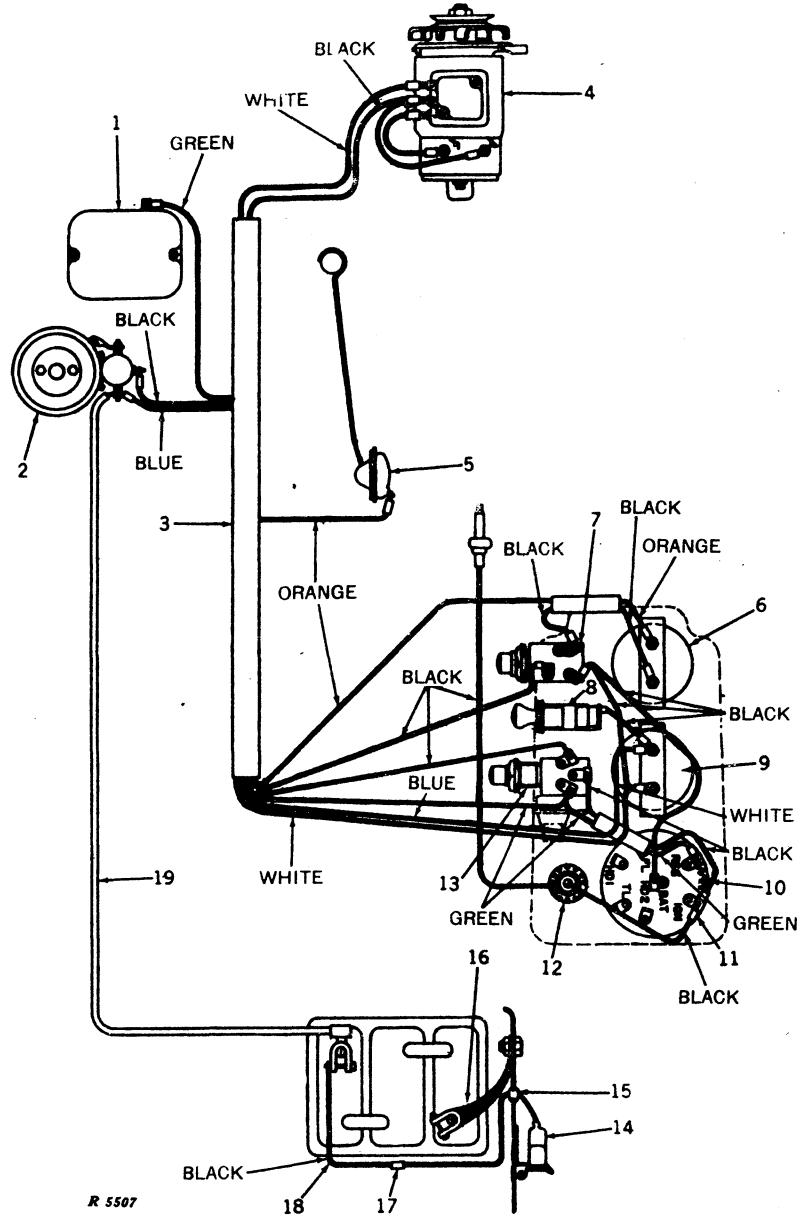
*Furnished by John Deere Dubuque Tractor Works.

Parts listed below are not illustrated.

AA 5592 R	(8300000-)	Switch, with keys and mounting nuts
AF 2172 R	(8300000-)	Lead, wiring, key switch

Capital letters indicate an attachment. Attachments must be listed on separate orders from replacement parts.

GENERATOR, IGNITION, AND STARTING WIRING (C.E.)
(Serial No. 8300000-)

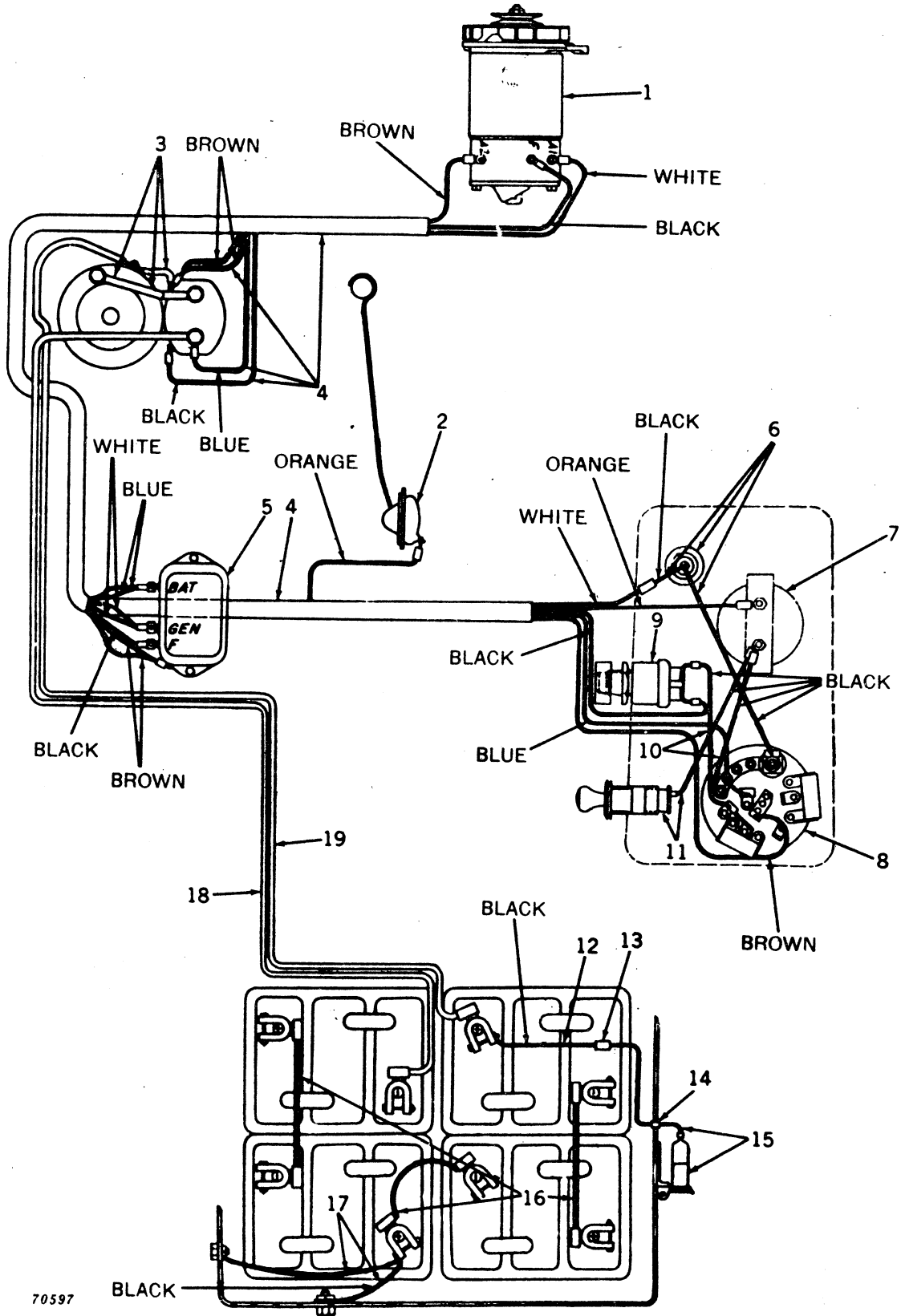


GENERATOR, IGNITION, AND STARTING WIRING (C.E.) -- Continued
(Serial No. 8300000-)

Key	Part No.	Serial No.	Description
1	AR 1370 R	(8300000-)	Distributor
2	AR 1203 R	(8300000-)	Motor, cranking (6-volt) (Delco-Remy no. 1107155)
3	AR 20549 R	(8300000-)	Harness, wiring
	B 1986 R	(8300000-)	Clip
	R 1646 R	(8300000-)	Clamp
4	AF 2080 R	(8300000-)	Generator, with fan and pulley (6-volt) (Delco-Remy no. 1100027) (sub. AR29107R)
5	AR 1112 R	(8300000-)	Sender, fuel gauge
6	AF 2739 R	(8300000-)	Receiver, fuel gauge
7	AF 2171 R	(8300000-)	Switch, fuel gauge
8	AM 1949 T	(8300000-)	LIGHTER CIGARETTE (6-VOLT) (ATTACHMENT)
9	AF 2749 R	(8300000-)	Ammeter
10	AF 2143 R	(8300000-)	Resistor, ignition
11	AR 20434 R	(8300000-)	Switch, with ignition resistor
12	(8300000-)	Light, indicator (order one AA4925R, one AB4059R, and one AR1886R)
13	AR 21823 R	(8300000-)	Switch, starter (sub. for AR20431R and AR21219R)
	R 21156 R	(8301267-)	Cap, fuel gauge switch (rubber)
	R 21157 R	(8301267-)	Nut, fuel gauge switch
14	AM 2049 T	(8300000-)	Socket, electrical outlet
	21H 404 R	(8300000-)	Screw, mach., (2 used)
	12H 251 R	(8300000-)	Washer (2 used)
	14H 778 H	(8300000-)	Nut, hex. (2 used) (sub. for 14H606R)
15	R 2579 R	(8300000-)	Grommet (packed 2 in a pkg.)
16	AB 4100 R	(8300000-)	Strap, ground
17	AL 2976 T	(8300000-)	Connector, two-wire
18	AA 5673 R	(8300000-)	Lead, wiring, electrical outlet socket, battery end
19	AR 1353 R	(8300000-)	Cable, battery
	B 989 R	(8300000-)	Clip
Parts listed below are not illustrated.			
	AR 21317 R	(8300000-)	Wiring replacement set consisting of one AA5673R, one AF3814R, one AR20549R, one AR20550R, and one AR20551R
	A 2610 R	(8300000-)	Clip, wiring harness and heat indicator tube to timing gear cover
	B 989 R	(8300000-)	Clip, starting motor cable to platform screw
	B 989 R	(8300000-)	Clip, starting motor cable to fuel tank support
	B 1588 R	(8300000-)	Clip, conduit starting motor cable to platform screw
	B 1588 R	(8300000-)	Clip, generator and C.E. wiring to steering gear housing
	C 1749 R	(8300000-)	Clip, starting motor cable to transmission cover cable
	AA 4881 R	(8300000-)	Lead, wiring, key switch to ammeter
	AA 5592 R	(8300000-)	Switch, with keys and mounting nuts
	AF 2172 R	(8300000-)	Lead, wiring, key switch to fuel gauge switch
	AR 21219 R	(8300000-)	Switch

Capital letters indicate an attachment. Attachments must be listed on separate orders from replacement parts.

GENERATOR, IGNITION, AND STARTING (Elec.)
(Serial No. 8300000-)

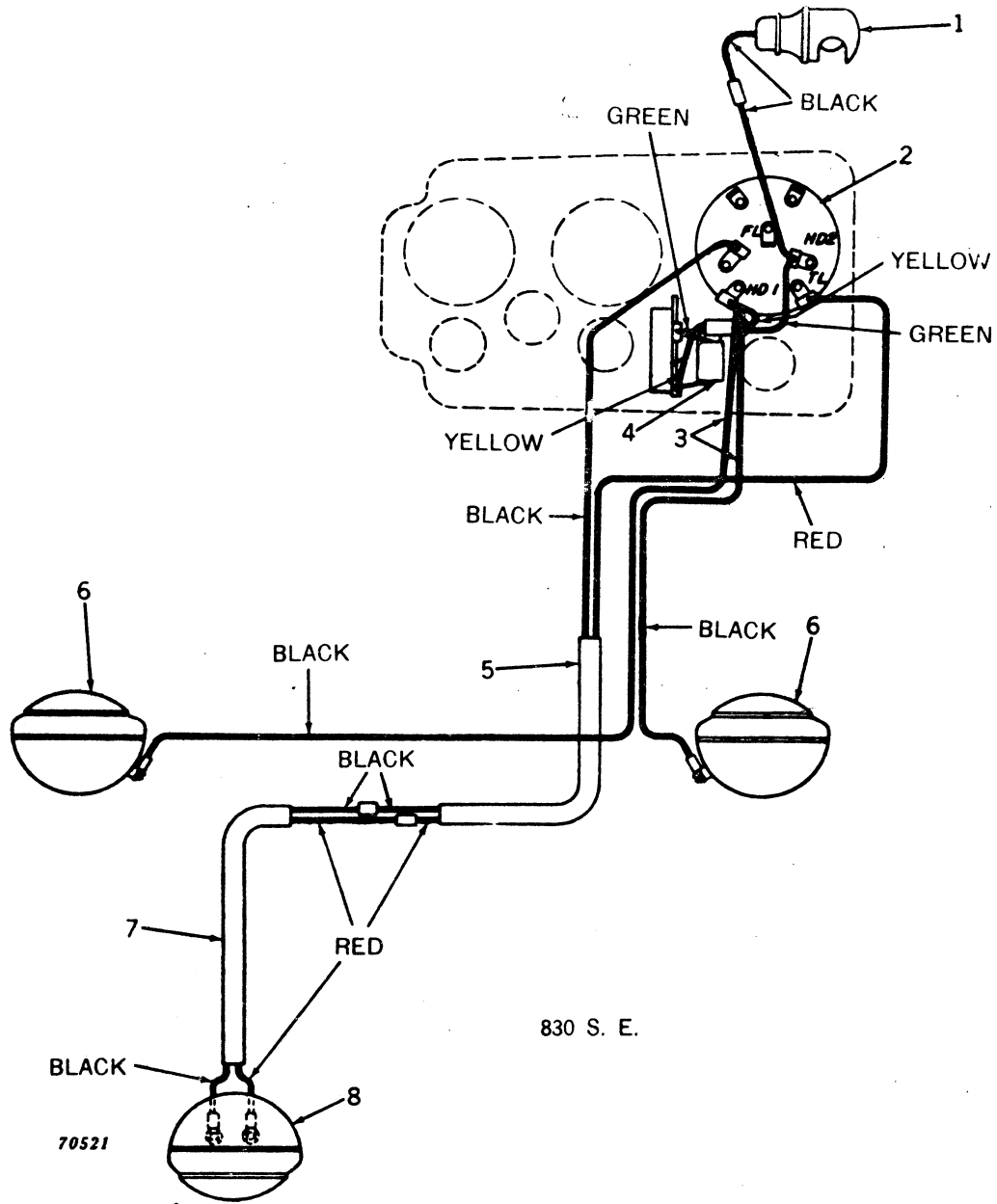


GENERATOR, IGNITION, AND STARTING (Elec.) -- Continued
(Serial No. 8300000-)

Key	Part No.	Serial No.	Description
1	AR 11007 R	(8300000-)	Generator, with fan and pulley (24-volt) (Delco-Remy no. 1103021)
2	AR 1112 R	(8300000-)	Sender, fuel gauge
3	AR 11109 R	(8300000-)	Motor, cranking, with solenoid switch (24-volt) (Delco-Remy no. 1113801)
4	AR 20576 R	(8300000-8303395)	Harness, wiring
	AR 11073 R	(8303396-)	Motor, cranking (Delco-Remy no. 1113830)
	A 5172 R	(8300000-)	Clip
	R 1646 R	(8300000-)	Clamp
5	AR 30155 R	(8300000-)	Regulator, voltage (sub. for AR11108R)
6	(8300000-)	Light, indicator (order one AA4925R, one AA4927R, and one AR20959R)
7	AF 2721 R	(8300000-)	Receiver, fuel gauge (12-volt)
8	AR 20234 R	(8300000-)	Switch, combination, starting and lighting (24-volt)
9	AR 21823 R	(8300000-)	Switch, starter (sub. for AR20235R)
10	AR 20713 R	(8300000-)	Harness, wiring, combination switch, starter switch and fuel receiver
11	AR 20438 R	(8300000-)	LIGHTER, CIGARETTE (12-VOLT) (ATTACHMENT)
12	AA 5673 R	(8300000-)	Lead, wiring, electrical outlet socket, battery end
13	AL 2976 T	(8300000-)	Connector, two-wire
14	R 2579 R	(8300000-)	Grommet (packed 5 in a pkg.)
15	AM 2049 T	(8300000-)	Socket, electrical outlet
	21H 404 R	(8300000-)	Screw, mach., rd. hd., no. 10 x 3/8" (2 used)
	12H 251 R	(8300000-)	Washer, lock (shake-proof) (no. 10) (2 used)
	14H 778 H	(8300000-)	Nut (no. 10) (2 used) (sub. for 14H606R)
16	AA 4039 R	(8300000-)	Cable, battery connector (3 used)
17	AR 20218 R	(8300000-)	Lead, battery ground (attached to rear of battery box where regular seat is installed and to side of battery box where float-ride seat is installed)
18	AR 20566 R	(8300000-)	Cable, battery, negative terminal to solenoid on cranking motor
19	AR 20565 R	(8300000-)	Cable, battery, positive terminal to cranking motor
Parts listed below are not illustrated.			
	12H 11 R	(8300000-)	Washer, lock, 3/8", starting motor cable clip to platform screw
	14H 785 R	(8300000-)	Nut, 5/16", starting motor cables to trans. case cover clamp screw (sub. for 14H253R)
	14H 812 C	(8300000-)	Nut, 3/8", starting motor cable clip to platform screw (2 used) (sub. for 14H255R)
	19H 118 T	(8300000-)	Screw, cap, 5/16" x 1", starting motor cables to trans. case cover clamp (sub. for 19H112R)
	B 989 R	(8300000-)	Clip, starting motor cable to platform screw (4 used)
	B 1588 R	(8300000-)	Clip, conduit starting motor cable to platform screw (2 used)
	F 1682 R	(8300000-)	Clamp, half, starting motor cables to trans. case cover
	F 1683 R	(8300000-)	Clamp, half, starting motor cables to trans. case cover
	AR 21318 R	(8300000-)	Wiring replacement set consisting of one AA5673R, one AF3814R, one AR20551R, one AR20576R, one AR20577R, one AR20578R, and one AR20713R
	R 21156 R	(8301267-)	Cap, starter switch (rubber)
	R 21157 R	(8301267-)	Nut, starter switch

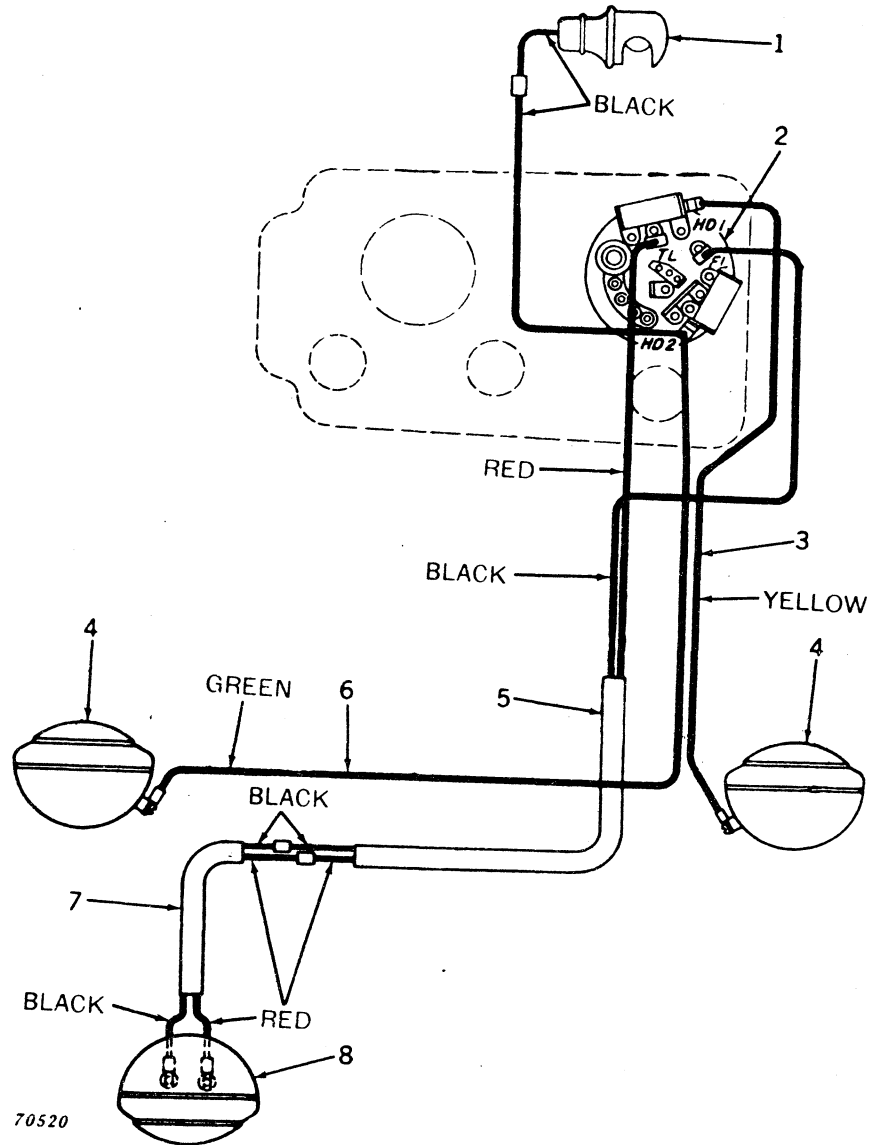
Capital letters indicate an attachment. Attachments must be listed on separate orders from replacement parts.

LAMP WIRING (C.E.)
(Serial No. 8300000-)



Key	Part No.	Serial No.	Description
1	AR 20447 R	(8300000-)	Lamp, dash
2	AR 21162 R	(8300000-)	Switch, combination, with ignition resistor (6-volt)
3	AR 20550 R	(8300000-)	Harness, wiring, side lamp
4	AR 20878 R	(8300000-)	Resistor, light, with clip (6-volt)
5	AR 20551 R	(8300000-)	Harness, wiring, rear lamp, switch end
6	AF 3817 R	(8300000-)	Lamp, R.H. and L.H. (6-volt, sealed beam) (for parts see page 40-37)
	A 2743 R	(8300000-)	Washer (2 used)
	24H 991 R	(8300000-)	Washer, 37/64" x 1-1/8" x 11 gauge (2 used)
	12H 13 R	(8300000-)	Washer, lock, 1/2" (2 used)
	14H 392 R	(8300000-)	Nut, 1/2" (2 used)
	R 2579 R	(8300000-)	Grommet (2 used) (packed 2 in a pkg.)
7	AF 3814 R	(8300000-)	Harness, wiring, rear lamp, lamp end
8	AF 3088 R	(8300000-8305004)	Lamp, rear and warning (6-volt) (for parts see page 40-37) (sub. AR21734R)
	AR 21734 R	(8305005-)	Lamp, rear and warning (6-volt) (for parts see page 40-38)
	B 2295 R	(8300000-)	Washer, outside
	F 2935 R	(8300000-)	Washer, inside
	12H 13 R	(8300000-)	Washer, lock, 1/2"
	14H 473 R	(8300000-)	Nut, jam, 1/2"

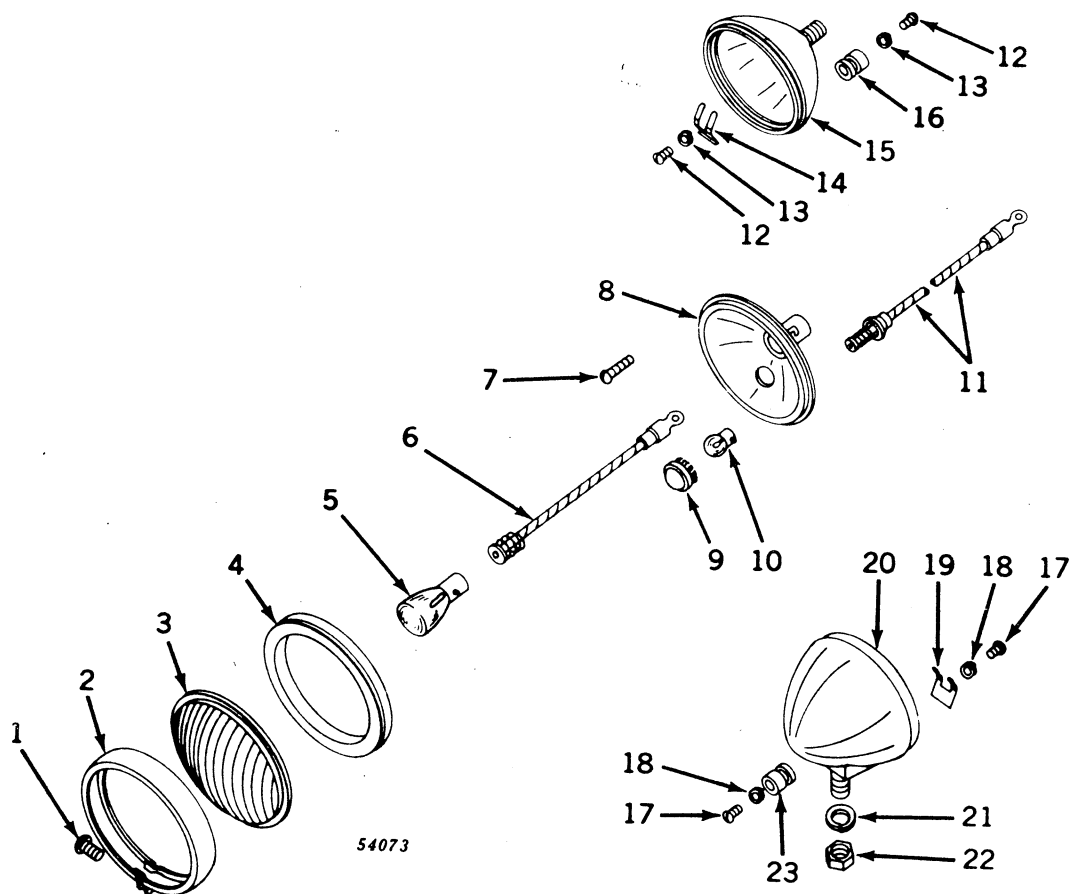
LAMP WIRING (Elec.)
(Serial No. 8300000-)



70520

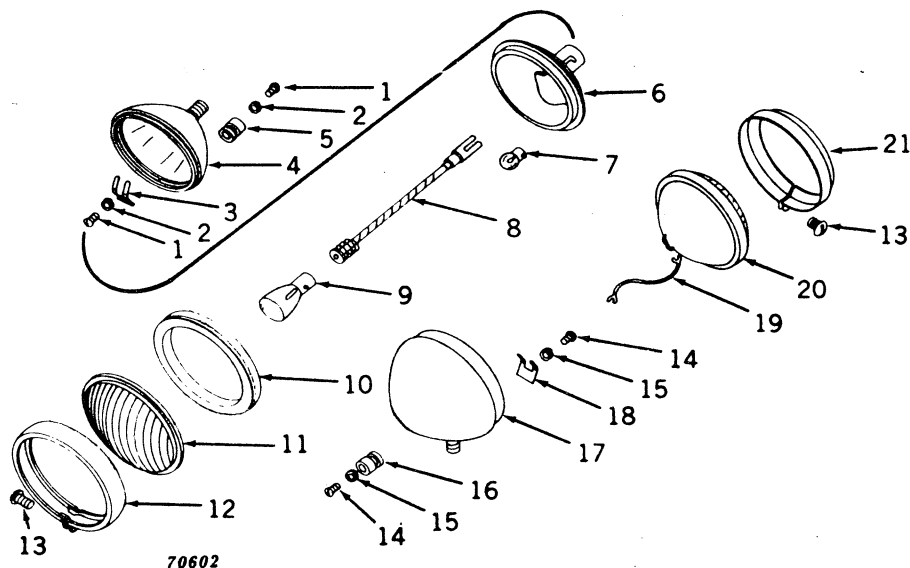
Key	Part No.	Serial No.	Description
1	AR 20447 R	(8300000-)	Lamp, dash
2	AR 20234 R	(8300000-)	Switch, combination, starting and light (24-volt)
3	AR 20577 R	(8300000-)	Harness, wiring, R.H. lamp to switch
4	AF 3816 R	(8300000-)	Lamp, R.H. and L.H. (12-volt, sealed beam) (for parts see page 40-37)
	A 2743 R	(8300000-)	Washer (2 used)
	24H 991 R	(8300000-)	Washer, 37/64" x 1-1/8" x 11 gauge (2 used)
	12H 13 R	(8300000-)	Washer, lock, 1/2" (2 used)
	14H 392 R	(8300000-)	Nut, 1/2" (2 used)
	R 2579 R	(8300000-)	Grommet (2 used) (packed 2 in a pkg.)
5	AR 20551 R	(8300000-)	Harness, wiring, switch to rear lamp
6	AR 20578 R	(8300000-)	Harness, wiring, L.H. lamp and dash lamp to switch
7	AF 3814 R	(8300000-)	Harness, wiring, rear lamp, lamp end
8	AA 6733 R	(8300000-8304429)	Lamp, rear and warning (12-volt) (for parts see page 40-37) (sub. AR21735R)
	AR 21735 R	(8304430-)	Lamp, rear and warning (12-volt) (for parts see page 40-38)
	B 2295 R	(8300000-)	Washer, outside
	F 2935 R	(8300000-)	Washer, inside
	12H 13 R	(8300000-)	Washer, lock, 1/2"
	14H 473 R	(8300000-)	Nut, jam, 1/2"

PARTS FOR AA3075R AND AF2082R FRONT AND REAR LAMPS
(Serial No. 8000001-8203099)



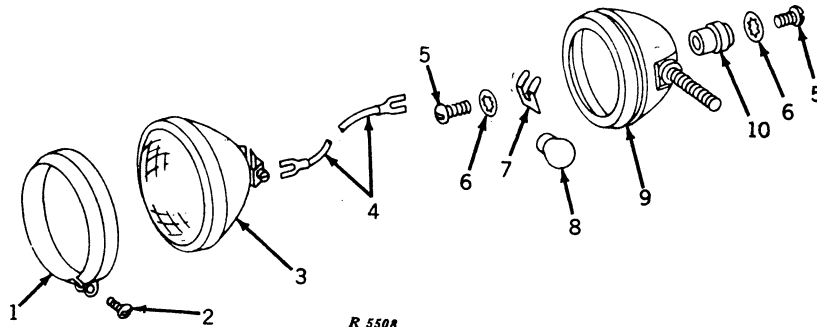
Key	Part No.	Serial No.	Quantity Used		Description
			Front	Rear	
1	A 2729 R	(-8203099)	1	1	Screw
2	AA 3241 R	(-8203099)	1	1	Molding
3	A 2731 R	(-8203099)	1	1	Lens
4	AA 3239 R	(-8203099)	1	1	Gasket, lens (rubber)
5	AB 2820 R	(-8203099)	1	1	Bulb, 6-8-volt (packed 10 in a pkg.)
6	AA 3240 R	(-8203099)	1	..	Wiring
	AA 4666 R	(-8199999)	..	1	Wiring, switch to large bulb
7	A 2883 R	(-8203099)	1	..	Screw
8	AA 3238 R	(-8203099)	1	..	Reflector
	AA 4924 R	(-8199999)	..	1	Reflector
9	AA 4925 R	(-8199999)	..	1	Jewel, red
10	AB 4059 R	(-8199999)	..	1	Bulb, warning, 1 candlepower, 6-8-volt (packed 10 in a pkg.)
11	AA 4926 R	(-8199999)	..	1	Socket and wire (warning lamp)
12	21H 972 R	(-8199999)	..	4	Screw, rd. hd., no. 8 x 5/16" (4 used)
13	12H 290 R	(-8199999)	..	4	Washer (4 used) (sub. for A2734R)
14	A 2899 R	(-8199999)	..	2	Spring, terminal plate (2 used)
15	AF 2082 R	(-8199999)	..	1	Lamp, combination rear and warning, 6-volt (sub. AR21734R)
16	AB 3739 R	(-8199999)	..	2	Plate, terminal, with screws, spring, and lock washers (Bakelite) (2 used) (sub. AA3495R)
17	21H 972 R	(-8203099)	2	..	Screw, rd. hd., no. 8 x 5/16" (2 used)
18	12H 290 R	(-8203099)	2	..	Washer, lock (2 used) (sub. for A2734R)
19	A 2899 R	(-8203099)	1	..	Spring, terminal
20	AA 3243 R	(-8203099)	1	..	Body only, 12-volt (sub. AF3816R)
	AA 3075 R	(-8203099)	1	..	Lamp, front, 6-volt (sub. AF3817R)
21	12H 13 R	(-8203099)	1	..	Washer, lock, 1/2"
22	14H 392 R	(-8203099)	1	..	Nut, 1/2"
23	AA 3495 R	(-8203099)	1	..	Plate, terminal, with spring, screws, and lock washers (Bakelite)

AF3816R, AF3817R FRONT AND AA6733R, AF3088R REAR LAMP PARTS
(Serial No. 8203100-)



Key	Part No.	Serial No.	Description
1	21H 972 R	(8203100-8304429)	Screw, mach., rd. hd., no. 8 x 5/16" (4 used) (rear lamp)
2	12H 290 R	(8203100-8304429)	Washer, lock (shake-proof), no. 8 (4 used) (rear lamp)
3	A 2899 R	(8203100-8304429)	Spring, terminal plate (2 used) (rear lamp)
4	AF 3088 R	(8203100-8304429)	Lamp, combination rear and warning, 6-volt (C.E.) (sub. AR21734R)
	AA 6733 R	(8203100-8304429)	Lamp, combination rear and warning, 12-volt (elec.) (sub. AR21735R)
5	AA 3495 R	(8203100-8304429)	Plate, terminal, with spring, screws, and lock washers (2 used) (rear lamp)
6	AA 6734 R	(8203100-8304429)	Reflector (rear lamp)
7	AR 21738 R	(8203100-8304429)	Bulb, 15 C.P., 6-volt (rear lamp) (packed 10 in a pkg.) (C.E.) (sub. for AF3089R)
	AR 21739 R	(8203100-8304429)	Bulb, 15 C.P., 12-volt (rear lamp) (packed 10 in a pkg.) (elec.) (sub. for AA6735R)
8	AA 4666 R	(8203100-8304429)	Wiring (rear lamp)
9	AB 2820 R	(8203100-8304429)	Bulb, 6-8-volt (rear lamp) (packed 10 in a pkg.) (C.E.)
	AD 2062 R	(8203100-8304429)	Bulb, 12-16-volt (rear lamp) (packed 10 in a pkg.) (elec.)
10	AA 3239 R	(8203100-8304429)	Gasket, lens (rubber) (rear lamp)
11	A 2731 R	(8203100-8304429)	Lens (rear lamp)
12	AA 3241 R	(8203100-8304429)	Molding (rear lamp)
13	A 2729 R	(8203100-)	Screw, special mach.
14	21H 972 R	(8203100-)	Screw, mach., rd. hd., no. 8 x 5/16" (2 used) (front lamp)
15	12H 290 R	(8203100-)	Washer, lock (shake-proof), no. 8 (2 used) (front lamp)
16	AA 3495 R	(8203100-)	Plate, terminal, with spring, screws, and lock washers (front lamp)
17	AF 3817 R	(8203100-)	Lamp, front, 6-volt sealed beam (C.E.)
	AF 3816 R	(8203100-)	Lamp, front, 12-volt sealed beam (elec.)
18	A 2899 R	(8203100-)	Spring, terminal plate (front lamp)
19	AA 4881 R	(8203100-)	Lead, wiring terminal plate screw to sealed unit screw (front lamp)
20	AF 3893 R	(8203100-)	Unit, sealed, with screws, 6-volt (front lamp) (C.E.)
	AF 3892 R	(8203100-)	Unit, sealed, with screws, 12-volt (front lamp) (elec.)
21	AF 3891 R	(8203100-)	Molding (front lamp)

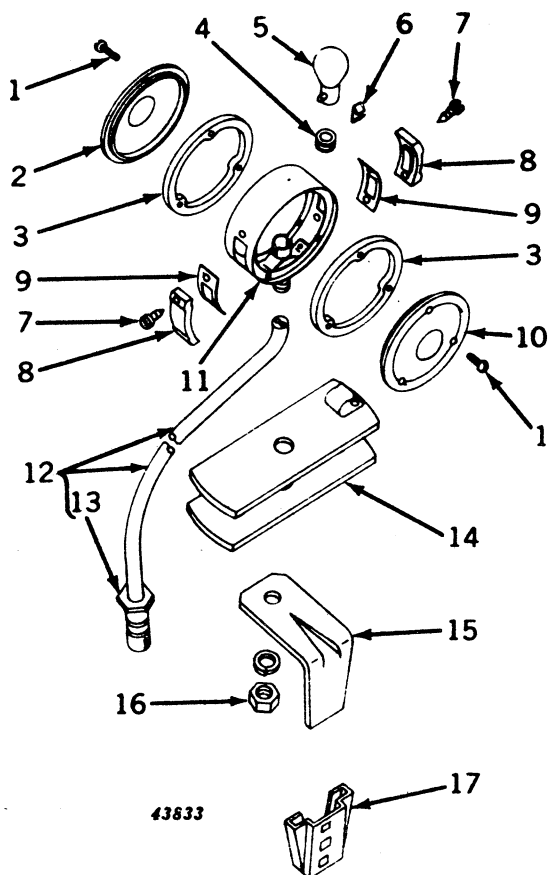
AR21734R AND AR21735R REAR LAMP PARTS
(Serial No. 8304430-)



R 5508

Key	Part No.	Serial No.	Description
1	AF 3891 R	(8304430-)	Molding
2	A 2729 R	(8304430-)	Screw, special mach.
3	AR 21737 R	(8304430-)	Unit, sealed beam, with screws (12-volt)
	AR 21736 R	(8304430-)	Unit, sealed beam, with screws (6-volt)
4	AA 4881 R	(8304430-)	Lead, wiring, sealed unit to terminal plate
5	21H 972 R	(8304430-)	Screw, mach., rd. hd., no. 8 x 5/16" (4 used)
6	12H 290 R	(8304430-)	Washer, lock, internal tooth, no. 8 (4 used)
7	A 2899 R	(8304430-)	Spring, terminal plate (2 used)
8	AR 21739 R	(8304430-)	Bulb, 15 C.P., 12-volt (packed 10 in a pkg.)
	AR 21738 R	(8304430-)	Bulb, 15 C.P., 6-volt (packed 10 in a pkg.) (sub. for AF3089R)
9	AR 21734 R	(8304430-)	Lamp, combination rear and warning (6-volt) (C.E.)
	AR 21735 R	(8304430-)	Lamp, combination rear and warning (12-volt) (elec.)
10	AA 3495 R	(8304430-)	Plate, terminal, with spring, screws, and lock washers (2 used)

WARNING LAMP FOR TOWED IMPLEMENT



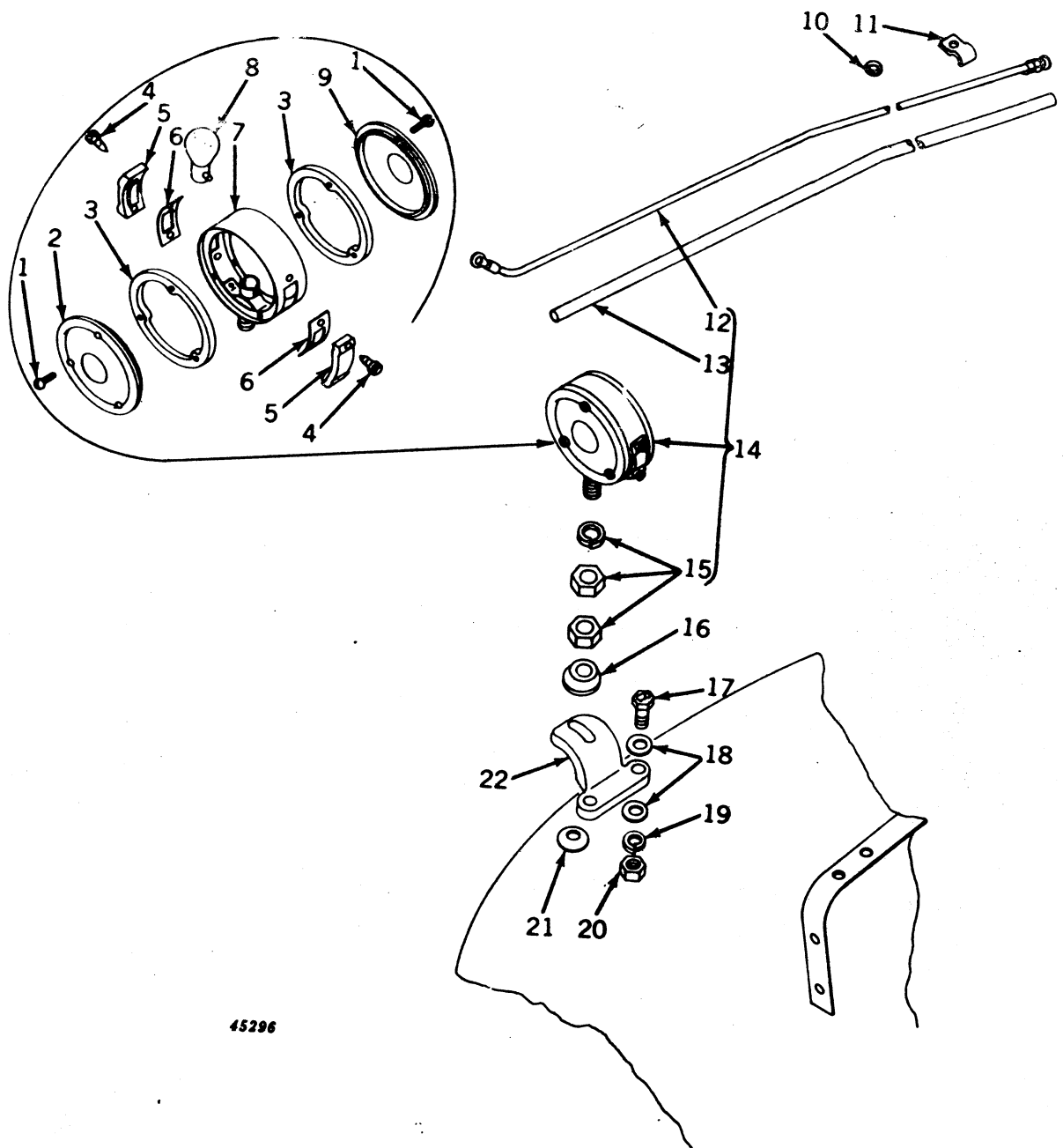
Key	Part No.	Serial No.	Description
1	21H 964 R	(-)	Screw, special mach. (6 used)
2	A 5276 R	(-)	Lens, red
3	A 5277 R	(-)	Gasket, lens (2 used) (packed 5 in a pkg.)
4	R 2579 R	(-)	Grommet (packed 2 in a pkg.) (sub. for B1580R)
5	AA 6165 R	(-)	Bulb, 21-candlepower, 6-8-volt, single-contact (packed 10 in a pkg.)
6	A 5280 R	(-)	Clip
7	M 2207 T	(-)	Screw, self-tapping (4 used)
8	A 5278 R	(-)	Lens, outlook (2 used)
9	A 5279 R	(-)	Gasket, outlook lens (2 used) (packed 5 in a pkg.)
10	A 5275 R	(-)	Lens, amber
11	(-)	Not furnished (order AA6145R)
12	AA 5691 R	(-)	PLUG, ELECTRICAL OUTLET, WITH CABLE (ATTACHMENT)
13	AA 5692 R	(-)	Plug, electrical outlet, less cable
14	AA 6217 R	(-)	Reel
15	A 5273 R	(-)	Bracket
16	14H 813 C	(-)	Nut, hex., 7/16" (sub. for 14H257R)
	12H 12 R	(-)	Washer, lock, 7/16"
17	JD 126 B	(-)	Socket, lamp bracket

Part listed below is an assembly of parts in this grouping.

AA 6145 R (-) LAMP, WARNING, WITH CABLE AND REEL, FOR TOWED IMPLEMENTS (ATTACHMENT)

Capital letters indicate an attachment. Attachments must be listed on separate orders from replacement parts.

IMPLEMENT WARNING LAMP



45296

IMPLEMENT WARNING LAMP -- Continued

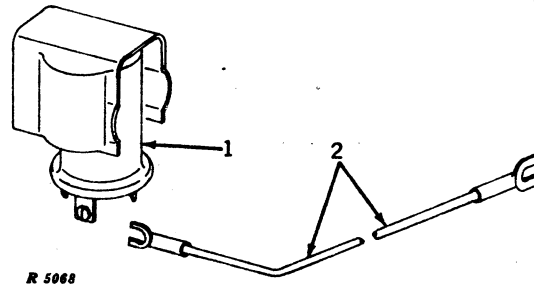
Key	Part No.	Serial No.	Description
1	21H 964 R	(-)	Screw, special mach. (6 used)
2	A 5276 R	(-)	Lens, red
3	A 5277 R	(-)	Gasket, lens (2 used) (packed 5 in a pkg.)
4	M 2207 T	(-)	Screw, self-tapping (4 used)
5	A 5278 R	(-)	Lens, outlook (2 used)
6	A 5279 R	(-)	Gasket, outlook lens (2 used) (packed 5 in a pkg.)
7	(-)	Not furnished (order AF1772R)
8	AA 6165 R	(-)	Bulb, 21 candlepower, 6-8-volt, single-contact (packed 10 in a pkg.) (C.E.)
	AA 6218 R	(-)	Bulb, 21 candlepower, 12-14-volt, single-contact (packed 10 in a pkg.) (elec.)
9	A 5275 R	(-)	Lens, amber
10	R 2579 R	(-)	Grommet, on lead in cowl side (packed 5 in a pkg.) (sub. for B1580R)
11	A 2421 R	(-)	Clip, lead, on fender to cowl side screw (2 used)
12	AA 6219 R	(-)	Lead, wiring, warning lamp
13	A 5281 R	(-)	Tubing, on lead
14	AF 1772 R	(-)	Lamp, with lead, tubing, washer, and nuts
15	14H 849 R	(-)	Nut, jam, 7/16" (2 used) (sub. for 14H344R)
	24H 892 R	(-)	Washer, 17/32" x 1" x 10 gauge
16	A 2743 R	(-)	Washer, lamp
17	A 4125 R	(-)	Screw, special mach. (2 used) (packed 50 in a pkg.)
18	24H 930 R	(-)	Washer, 11/32" x 3/4" x 11 gauge (4 used)
19	12H 10 R	(-)	Washer, lock, 5/16" (2 used)
20	14H 785 R	(-)	Nut, 5/16" (2 used)
21	B 1727 R	(-)	Washer, bearing
22	D 2914 R	(-)	Bracket

Part listed below is an assembly of parts in this grouping.

AR 1049 R (-) LAMP, IMPLEMENT WARNING (ON FENDER) (ATTACHMENT)

Capital letters indicate an attachment. Attachments must be listed on separate orders from replacement parts.

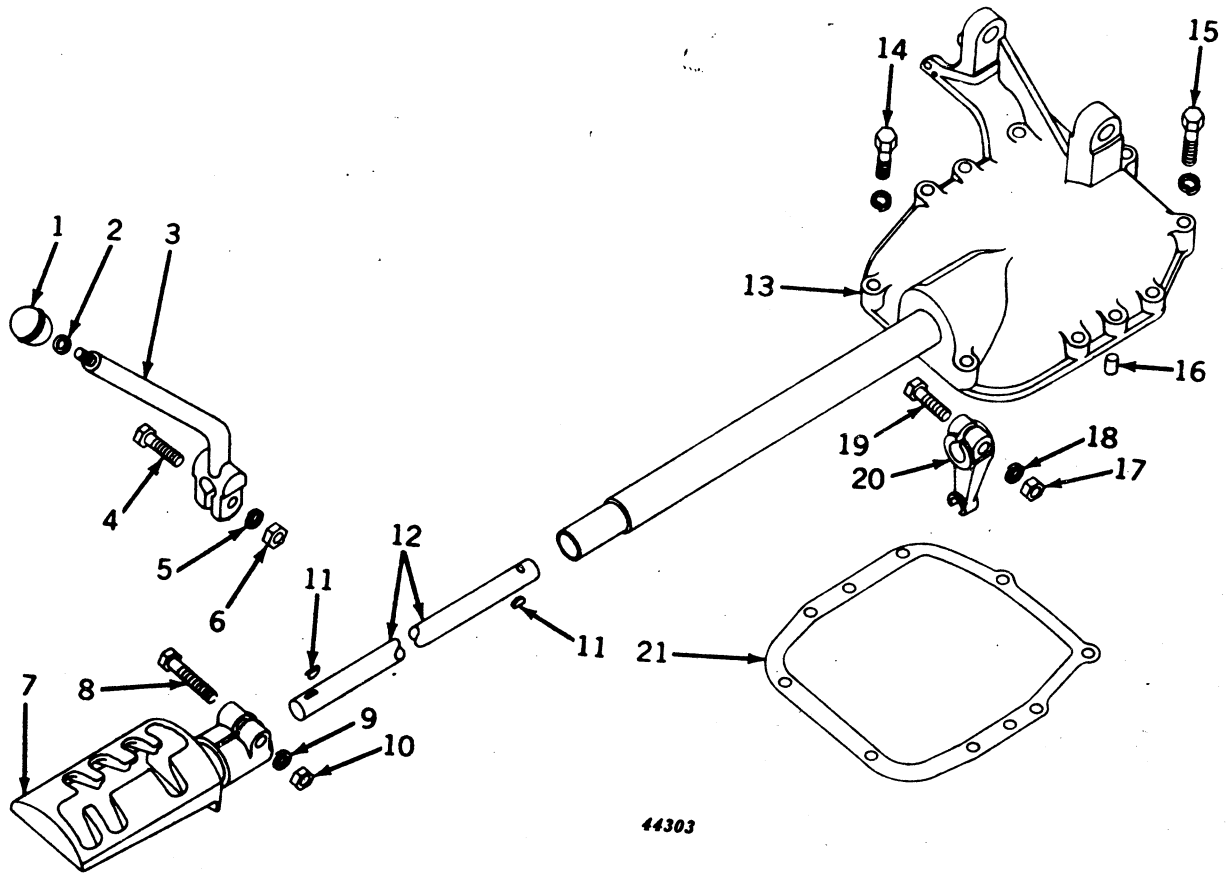
WARNING LAMP FLASHER



Key	Part No.	Serial No.	Description
1	AR 21855 R	(-)	FLASHER, WARNING LAMP, WITH LEAD (6-VOLT) (ATTACHMENT)
	AR 21856 R	(-)	FLASHER, WARNING LAMP, WITH LEAD (12-VOLT) (ATTACHMENT)
2	AA 6037 R	(-)	Lead, wiring

Capital letters indicate an attachment. Attachments must be listed on separate orders from replacement parts.

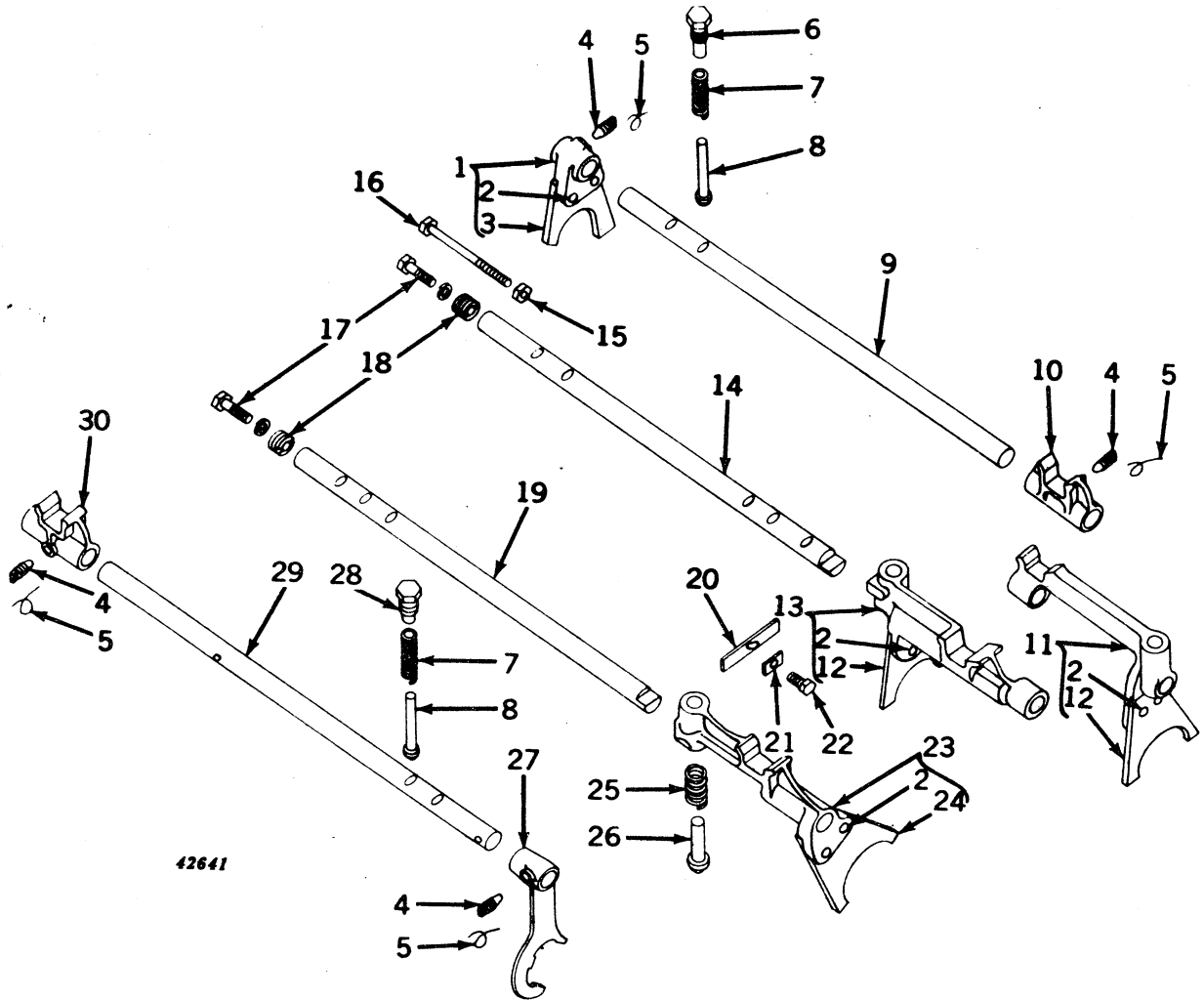
TRANSMISSION CASE COVER AND GEAR SHIFT



44303

Key	Part No.	Serial No.	Description
1	AP 17808 H	(-)	Ball, gear shift lever
2	12H 11 R	(-)	Washer, lock, 3/8"
3	R 510 R	(-)	Lever, gear shift
4	19H 482 B	(-)	Bolt, mach., 1/2" x 2" (sub. for 7H795H)
5	12H 13 R	(-)	Washer, lock, 1/2"
6	14H 809 T	(-)	Nut, 1/2" (sub. for 14H259R)
7	R 1426 R	(-8199999)	Quadrant, gear shift
	R 2548 R	(8200000-)	Quadrant, gear shift
8	19H 506 H	(-)	Bolt, mach., 1/2" x 2-3/4" (sub. for 7H1496R)
9	12H 13 R	(-)	Washer, lock, 1/2"
10	14H 809 T	(-)	Nut, 1/2" (sub. for 14H259R)
11	26H 14 R	(-)	Key, Woodruff, 3/16" x 3/4" (2 used)
12	R 1425 R	(-)	Shaft, gear shift lever
13	AR 1157 R	(-)	Cover, R1423R, transmission case, with tube
14	F 2274 R	(-)	Screw, special cap (6 used)
	12H 11 R	(-)	Washer, lock, 3/8" (6 used)
15	19H 1164 R	(-)	Screw, cap, 3/8" x 2-1/4" (2 used) (sub. for 19H257R)
	12H 11 R	(-)	Washer, lock, 3/8" (2 used)
16	A 4879 R	(-)	Pin, dowel (2 used)
17	14H 809 T	(-)	Nut, 1/2" (sub. for 14H259R)
18	12H 13 R	(-)	Washer, lock, 1/2"
19	19H 482 B	(-)	Bolt, mach., 1/2" x 2" (sub. for 7H795H)
20	R 512 R	(-8199999)	Arm, gear shifter
	R 1955 R	(8200000-)	Arm, gear shifter
21	R 1424 R	(-)	Gasket (packed 5 in a pkg.)

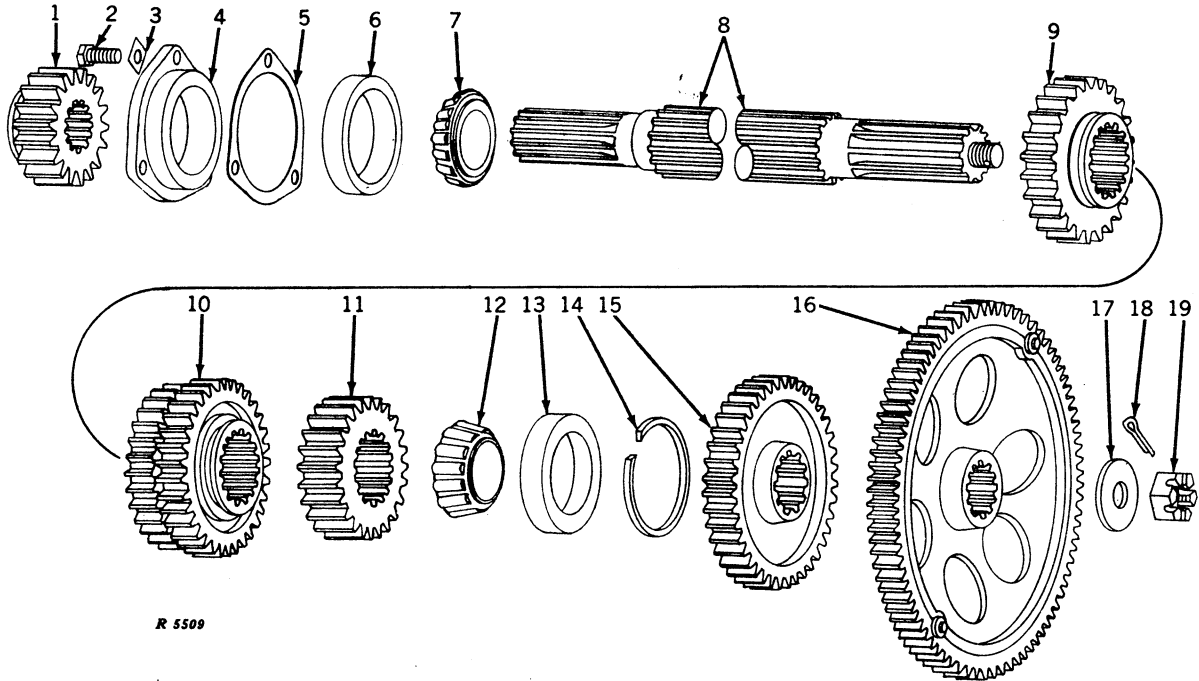
GEAR SHIFT FORKS AND SHIFTER SHAFTS



42641

Key	Part No.	Serial No.	Description
1	AR 1158 R	(-)	Arm, R1436R, first speed gear shifter, with yoke
2	16H 1346 A	(-)	Rivet, 3/8" x 1-1/4" (8 used)
3	R 1437 R	(-)	Yoke, first speed gear shifter arm
4	B 1914 R	(-)	Screw, special set (4 used)
5	(-)	Wire, 16" gauge x 6" long (4 used)
6	R 1440 R	(-)	Retainer, first speed gear shifter pawl
7	A 597 R	(-)	Spring (2 used)
8	A 598 R	(-)	Pawl (2 used)
9	R 1429 R	(-)	Shaft, first speed gear shifter
10	R 1432 R	(-)	Shifter, first speed gear
11	AR 1159 R	(-)	Shifter, R1433R, second speed and reverse gear, with yoke
12	R 1438 R	(-)	Yoke, second and reverse and third speed gear shifter (2 used)
13	AR 1160 R	(-)	Shifter, R1434R, third speed gear, with yoke
14	R 1430 R	(-)	Shaft, second and third speed gear shifter
15	14H 611 R	(-)	Nut, jam, 5/16" (sub. for 14H340H)
16	19H 1705 T	(-)	Screw, cap, 5/16" x 4-1/2"
17	F 2273 R	(-)	Screw, special cap (2 used)
18	12H 11 R	(-)	Washer, lock, 3/8" (2 used)
19	D 678 R	(-)	Screw, shifter shaft adjusting (2 used)
20	R 1431 R	(-)	Shaft, fourth and fifth speed gear shifter
21	R 1441 R	(-)	Plate, lock, shifter shaft
22	H 246 R	(-)	Plate, lock
23	F 2272 R	(-)	Screw, special cap
24	AR 1161 R	(-)	Shifter, R1435R, fourth and fifth speed gear, with yoke
25	R 1439 R	(-)	Yoke, fourth and fifth speed gear shifter
26	B 374 R	(-)	Spring, gear shifter pawl (3 used)
27	R 526 R	(-)	Pawl, gear shifter (3 used)
28	R 527 R	(-)	Fork, sixth speed gear shifter
29	F 625 R	(-)	Retainer, sixth speed gear shifter pawl
30	R 1886 R	(-)	Shaft, sixth speed gear shifter
	R 1256 R	(-)	Shaft, sixth speed gear

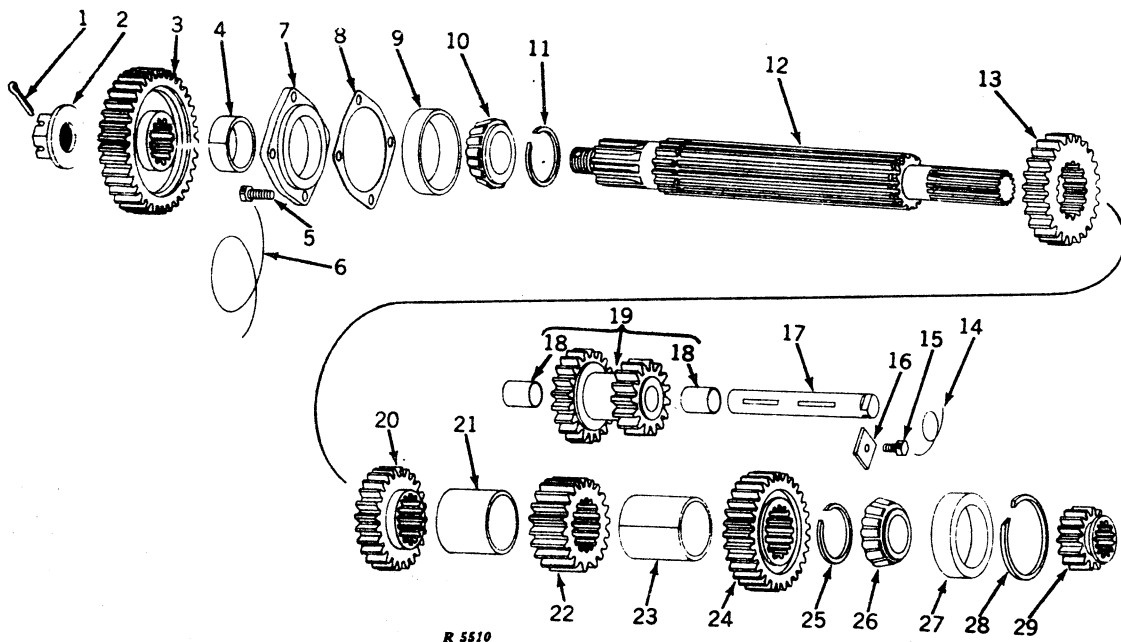
SLIDING GEAR SHAFT ASSEMBLY
(Transmission)



R 5509

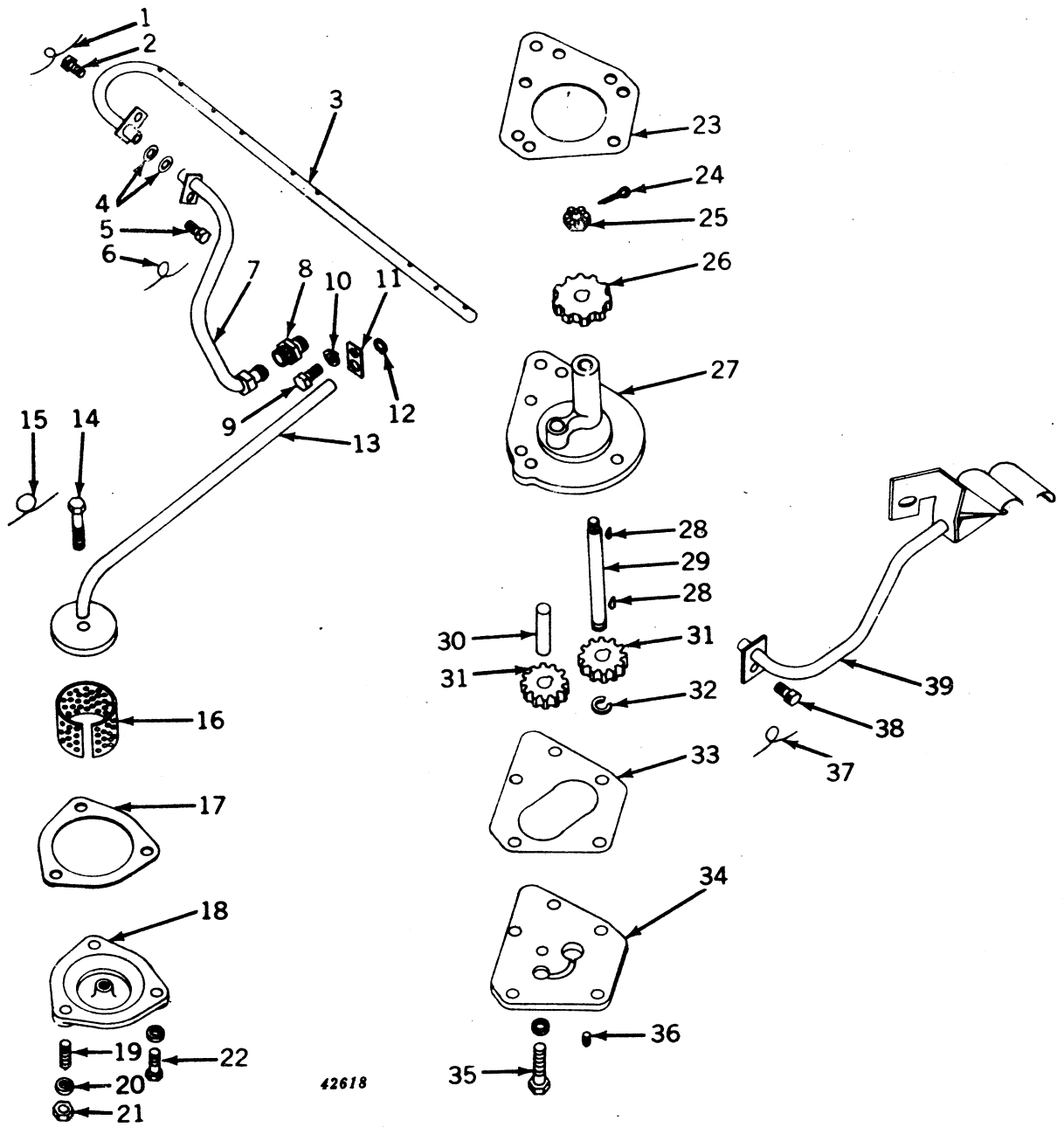
Key	Part No.	Serial No.	Description
1	R 1494 R	(-)	Pinion, first speed sliding (18 teeth)
	R 1506 R	(-)	Pinion, first speed sliding creeper (16 teeth)
2	19H 337 N	(-)	Screw, cap, 7/16" x 1-1/4" (3 used)
3	A 4605 R	(-)	Plate, lock (3 used)
4	R 1497 R	(-8199999)	Retainer, sliding gear shaft bearing, L. H.
	R 2517 R	(8200000-)	Retainer, sliding gear shaft bearing, L. H.
5	R 1498 R	(-)	Shim (steel) .006"
6	JD 7272 R	(-8199999)	Cup, bearing
	JD 8235 R	(8200000-)	Cup, bearing
7	JD 7359 H	(8200000-)	Cone, with rollers
	JD 7365 R	(-8199999)	Cone, with rollers
8	AR 1183 R	(-8199999)	Shaft, sliding gear, with nut
	AR 1527 R	(8200000-)	Shaft, sliding gear, with nut
9	R 1495 R	(-)	Pinion, third speed sliding (25 teeth)
10	R 1496 R	(-)	Pinion, fourth and fifth speed sliding (28 and 31 teeth)
11	R 96 R	(-)	Pinion, second speed sliding (23 teeth)
12	JD 8140 R	(-)	Cone, with rollers
13	JD 7444 R	(-)	Cup, bearing
14	R 81 R	(-)	Snap ring
15	R 101 R	(-)	Gear, sixth speed drive (42 teeth)
16	AR 874 R	(-)	Gear, sliding gear shaft drive, with R104R spider
17	R 105 R	(-)	Washer
18	11H 218 R	(-)	Pin, cotter, 3/16" x 1-1/2" (sub. for 11H84R)
19	B 1916 R	(-)	Nut, slotted

COUNTERSHAFT ASSEMBLY AND REVERSE GEAR
(Transmission)



Key	Part No.	Serial No.	Description
1	11H 249 R	(-)	Pin, cotter, 1/4" x 2" (sub. for 11H117R)
2	A 76 R	(-)	Nut
3	R 1482 R	(-)	Gear, countershaft first speed (34 teeth)
	R 1505 R	(-)	Gear, countershaft first speed creeper (41 teeth)
4	AR 1178 R	(-)	Spacer, countershaft first speed gear
5	A 310 R	(-)	Screw, cap, 7/16" x 1-1/4" (drilled) (4 used)
6	(-)	Wire, 16 gauge x 18" long
7	R 1491 R	(-)	Retainer, countershaft bearing, L. H.
8	R 1503 R	(-)	Shim (steel), .006"
	R 92 R	(-)	Shim (steel), .018"
9	JD 7446 R	(-)	Cup, bearing
10	JD 8193 R	(-)	Cone, with rollers
11	R 80 R	(-)	Snap ring
12	AR 1177 R	(-)	Countershaft, with nut
13	R 1484 R	(-)	Gear, countershaft third speed (25 teeth)
14	(-)	Wire, 16 gauge x 5" long
15	D 916 R	(-)	Screw, cap, 3/8" x 3/4", drilled
16	H 151 R	(-)	Plate, lock
17	R 35 R	(-)	Shaft, reverse gear
18	R 34 R	(-)	Bushing (2 used)
19	AR 890 R	(-)	Gear, reverse, with bushing
20	R 1485 R	(-)	Gear, countershaft fourth speed (23 teeth)
21	AR 1181 R	(-)	Spacer, countershaft fourth and differential pinion
22	R 1492 R	(-)	Pinion, differential drive (20 teeth)
23	AR 1179 R	(-)	Spacer, countershaft second and differential pinion
24	R 1483 R	(-)	Gear, countershaft second speed (28 teeth)
25	R 80 R	(-)	Snap ring
26	JD 8138 R	(-)	Cone, with rollers
27	JD 7444 R	(-)	Cup, bearing
28	R 81 R	(-)	Snap ring
29	R 102 R	(-)	Pinion, sixth speed sliding

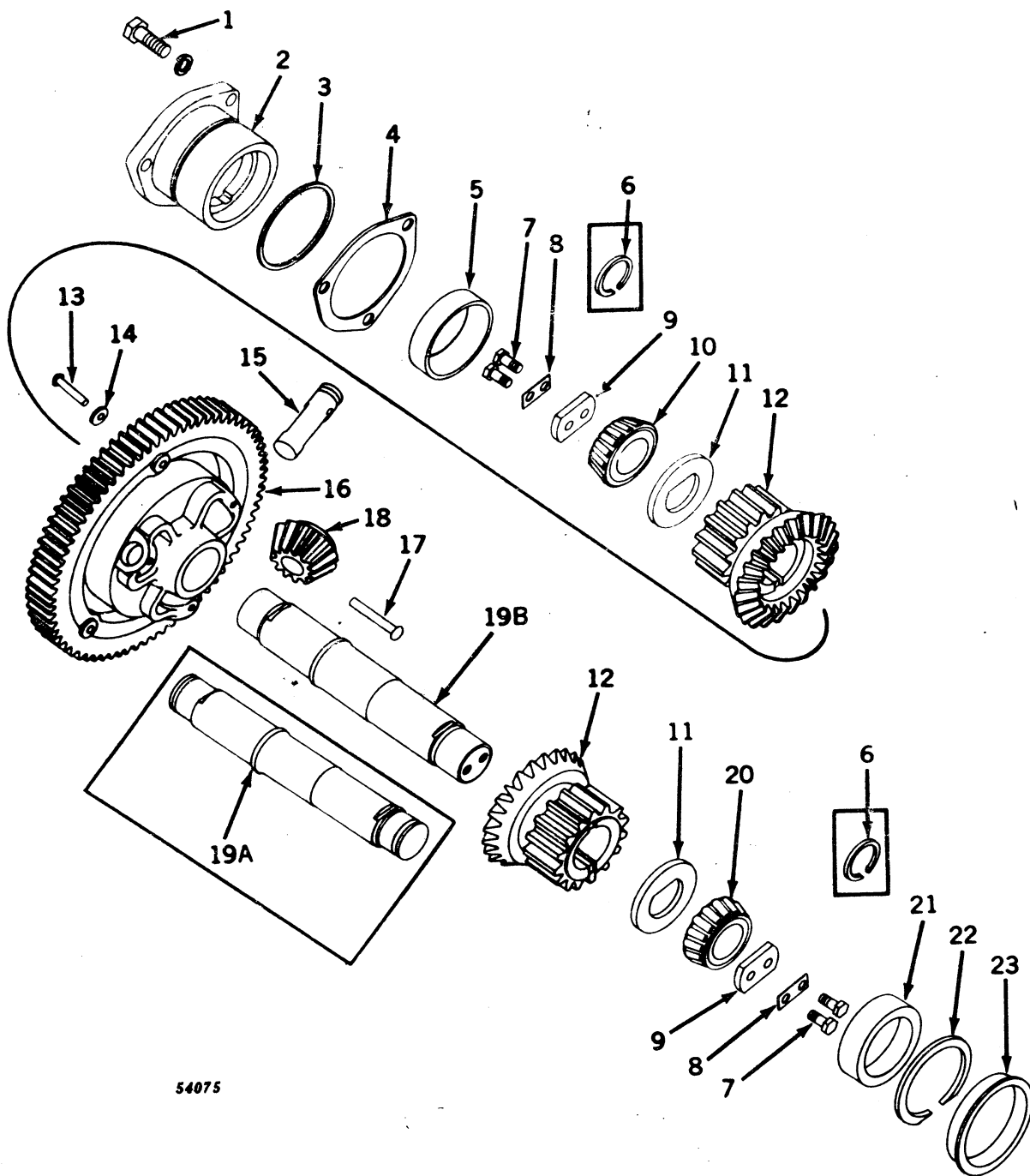
TRANSMISSION OIL PUMP



TRANSMISSION OIL PUMP -- Continued

Key	Part No.	Serial No.	Description
1	(-)	Wire, 16 gauge x 5" long
2	R 2507 R	(-)	Screw, cap, 5/16" x 1/2", drilled
3	AR 1107 R	(-)	Pipe, transmission oil, with plate
4	R 394 R	(-)	Packing, O-ring (2 used)
5	R 2507 R	(-)	Screw, cap, 5/16" x 1/2", drilled
6	(-)	Wire, 16 gauge x 5" long
7	AR 1106 R	(-)	Pipe, transmission oil pump discharge
8	D 2440 R	(-)	Connector
9	19H 99 R	(-)	Screw, special cap, 5/16" x 9/16"
10	12H 291 R	(-)	Washer, lock (snakeproof) (sub. for A3546R)
11	R 395 R	(-)	Plate, O-ring packing, retaining
12	R 394 R	(-)	Packing, O-ring
13	AR 437 R	(-)	Pipe, transmission oil pump intake
14	R 393 R	(-)	Screw, cap, 5/16" x 2-1/4", drilled
15	(-)	Wire, 16 gauge x 5" long
16	R 390 R	(-)	Screen, transmission oil sump
17	R 396 R	(-)	Gasket (packed 2 in a pkg.)
18	R 389 R	(-)	Cover, transmission oil sump
19	C 2175 R	(-)	Stud, 3/8" x 1-11/16"
20	12H 11 R	(-)	Washer, lock, 3/8"
21	14H 812 C	(-)	Nut, 3/8" (sub. for 14H255R)
22	F 2273 R	(-)	Screw, special cap (2 used)
	12H 11 R	(-)	Washer, lock, 3/8" (2 used)
23	R 1058 R	(-)	Gasket (packed 2 in a pkg.)
24	11H 236 R	(-)	Pin, cotter, 1/8" x 1" (sub. for 11H41R)
25	14H 524 R	(-)	Nut, slotted, 1/2"
26	R 190 R	(-)	Gear, transmission oil pump drive
27	R 1054 R	(-)	Body, transmission oil pump
28	26H 70 R	(-)	Key, Woodruff, 1/8" x 1/2" (2 used)
29	R 1055 R	(-)	Shaft, transmission oil pump drive
30	R 400 R	(-)	Shaft, transmission oil pump idler gear
31	AR 881 R	(-)	Gear, R398R, transmission oil pump (pkg. of 2) (1 pkg. used)
32	B 387 R	(-)	Snap ring (packed 5 in a pkg.)
33	R 1057 R	(-)	Gasket (packed 5 in a pkg.)
34	R 1056 R	(-)	Cover, transmission oil pump
35	19H 1092 M	(-)	Screw, cap, 7/16" x 2-1/4" (5 used) (sub. for 19H363R)
	12H 12 R	(-)	Washer, lock, 7/16" (5 used)
36	15H 253 R	(-)	Plug, pipe, 1/8"
37	(-)	Wire, 16 gauge x 5" long
38	R 2507 R	(-)	Screw, cap, 5/16" x 1/2", drilled
39	AR 1000 R	(-)	Pipe, transmission oil return

DIFFERENTIAL

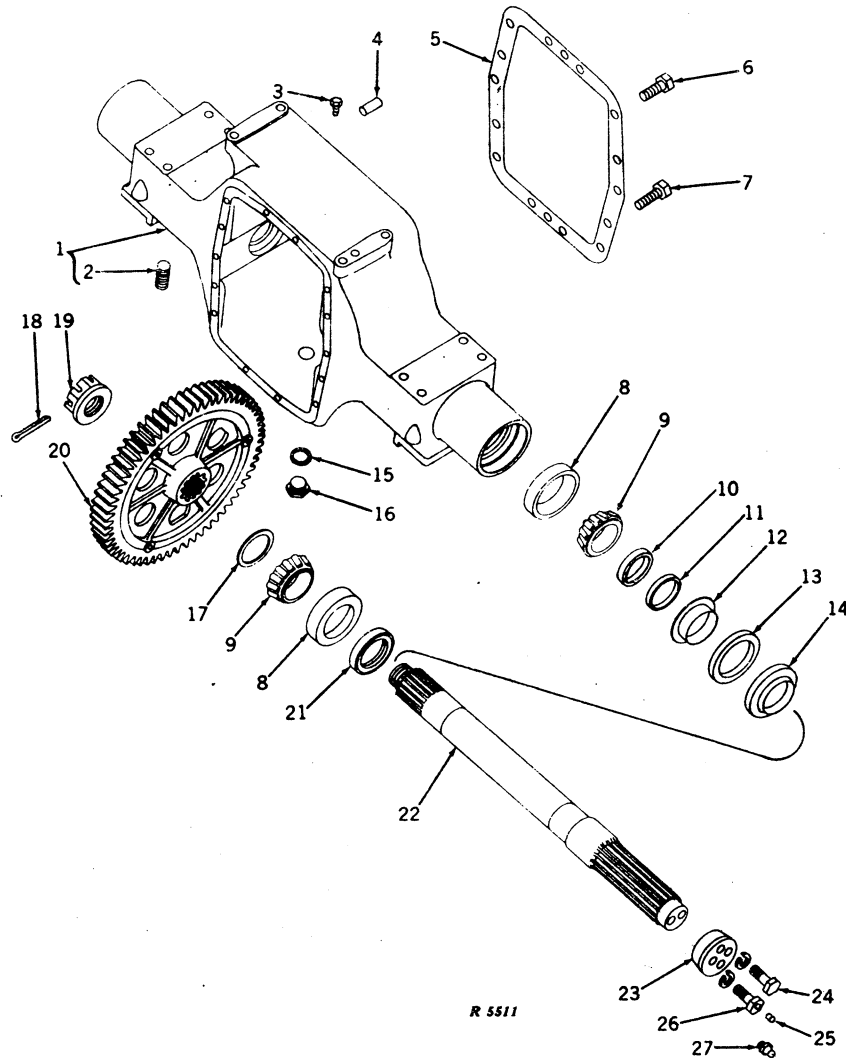


54075

DIFFERENTIAL -- Continued

Key	Part No.	Serial No.	Description
1	19H 1356 R	(-)	Screw, cap, 5/8" x 1-3/4" (3 used)
	12H 15 R	(-)	Washer, lock, 5/8" (3 used)
2	R 1397 R	(-8199999)	Housing, differential bearing, L.H.
	R 2501 R	(8200000-)	Housing, differential bearing, L.H.
3	R 1401 R	(-)	Packing (packed 5 in a pkg.)
4	R 1398 R	(-)	Shim (steel), .005"
5	JD 8229 R	(-)	Cup, bearing
6	R 71 R	(-8199999)	Snap ring, .113"-.115" thick
7	19H 1056 H	(8200000-)	Screw, cap, 7/16" x 1" (4 used)
8	R 2529 R	(8200000-)	Plate, lock (2 used)
9	R 2528 R	(8200000-)	Retainer, differential bearing (2 used)
10	JD 8136 R	(-)	Cone, with rollers
11	R 68 R	(-)	Washer, thrust (2 used)
12	R 1147 R	(-8199999)	Gear, differential bevel, and spur pinion (2 used) (sub. R2567R)
	R 2567 R	(8200000-)	Gear, differential bevel, and spur pinion (2 used)
13	16H 1152 A	(-)	Rivet, 5/16" x 1-7/8" (3 used)
14	R 31 R	(-)	Washer (6 used)
15	R 1912 R	(-)	Shaft, differential bevel pinion (3 used)
16	AR 1149 R	(-)	Gear, differential, with R1395R spider
17	16H 1422 H	(-)	Rivet, 3/8" x 3" (3 used)
18	R 66 R	(-)	Pinion, differential bevel (3 used)
19A	R 1396 R	(-8199999)	Shaft, differential (sub. one R2527R, two R2528R and two R2529R)
19B	R 2527 R	(8200000-)	Shaft, differential
20	JD 8136 R	(-)	Cone, with rollers
21	JD 8229 R	(-)	Cup, bearing
22	C 1919 R	(-)	Snap ring
23	R 77 R	(-)	Cover, bearing

FINAL DRIVE, HOUSING, AND REAR AXLE SHAFTS



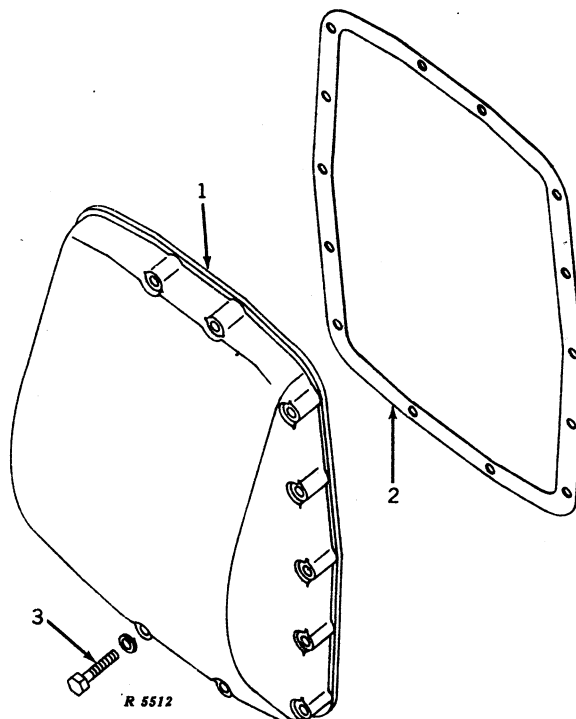
Key	Part No.	Serial No.	Description
1	AR 1378 R	(-8199999)	Housing, R1366R, with studs
	AR 20642 R	(8200000-)	Housing, R20530R, with studs and pins (sub. for AR1533R)
	AR 20039 R*	(- - -)	Housing, R20050R, with studs and pins
2	A 2158 R	(- - -)	Stud, 7/8" x 3-1/8" (6 used)
3	22H 688 R*	(- - -)	Screw, special set (4 used)
4	R 27314 R	(- - -)	Pin, dowel (2 used) (sub. for A776R)
5	R 1367 R	(- - -)	Gasket (packed 5 in a pkg.)
6	19H 1374 R	(- - -)	Screw, special cap, 3/4" x 2" (6 used)
7	19H 1405 R	(- - -)	Screw, cap, 3/4" 2-1/2" (8 used)
8	JD 7448 R	(- - -)	Cup, bearing (4 used)
	JD 8242 R*	(- - -)	Cup, bearing (4 used)
9	JD 8112 R	(- - -)	Cone, with rollers (4 used)
	JD 8909 R*	(- - -)	Cone, with rollers (4 used)
10	R 28 R	(- - -)	Spacer (2 used)
11	R 20061 R*	(- - -)	Adapter (2 used)
12	F 787 R	(- - -)	Retainer, felt, inner (2 used)
13	D 2455 R	(- - -)	Washer, felt (2 used)
14	F 786 R	(- - -)	Retainer, felt, outer (2 used)
15	H 356 R	(- - -)	Washer

FINAL DRIVE, HOUSING, AND REAR AXLE SHAFTS -- Continued

Key	Part No.	Serial No.	Description
16	R 1866 R	(-8205259)	Plug, drain
	R 20168 R	(8205260-)	Plug, drain
17	R 2545 R	(8200000-)	Washer, thrust (2 used)
18	11H 252 R	(-)	Pin, cotter, 1/4" x 3-1/2" (2 used) (sub. for 11H126R)
19	R 27 R	(-)	Nut (2 used)
20	AR 818 R	(-8219999)	Gear, final drive, with R30R spider (2 used) (sub. AR1549R and 2545R)
	AR 1549 R	(8200000-)	Gear, final drive, with R2544R spider (2 used)
21	AF 316 R	(-)	Seal, oil (2 used)
22	AR 1136 R	(-)	Shaft, rear axle, with nut
	AR 21962 R*	(-)	Shaft, rear axle, with nut
23	R 14 R	(-)	Retainer, drive wheel (2 used)
24	19H 1391 R	(-)	Screw, special cap, 3/4" x 2-1/4" (2 used)
	12H 17 R	(-)	Washer, lock, 3/4" (2 used)
25	15H 253 R	(-)	Plug, pipe, 1/8" (2 used)
26	R 1168 R	(-)	Screw, special cap (2 used)
	12H 17 R	(-)	Washer, lock, 3/4" (2 used)
27	JD 7759	(-)	Fitting, grease (2 used) (rice field tractors)

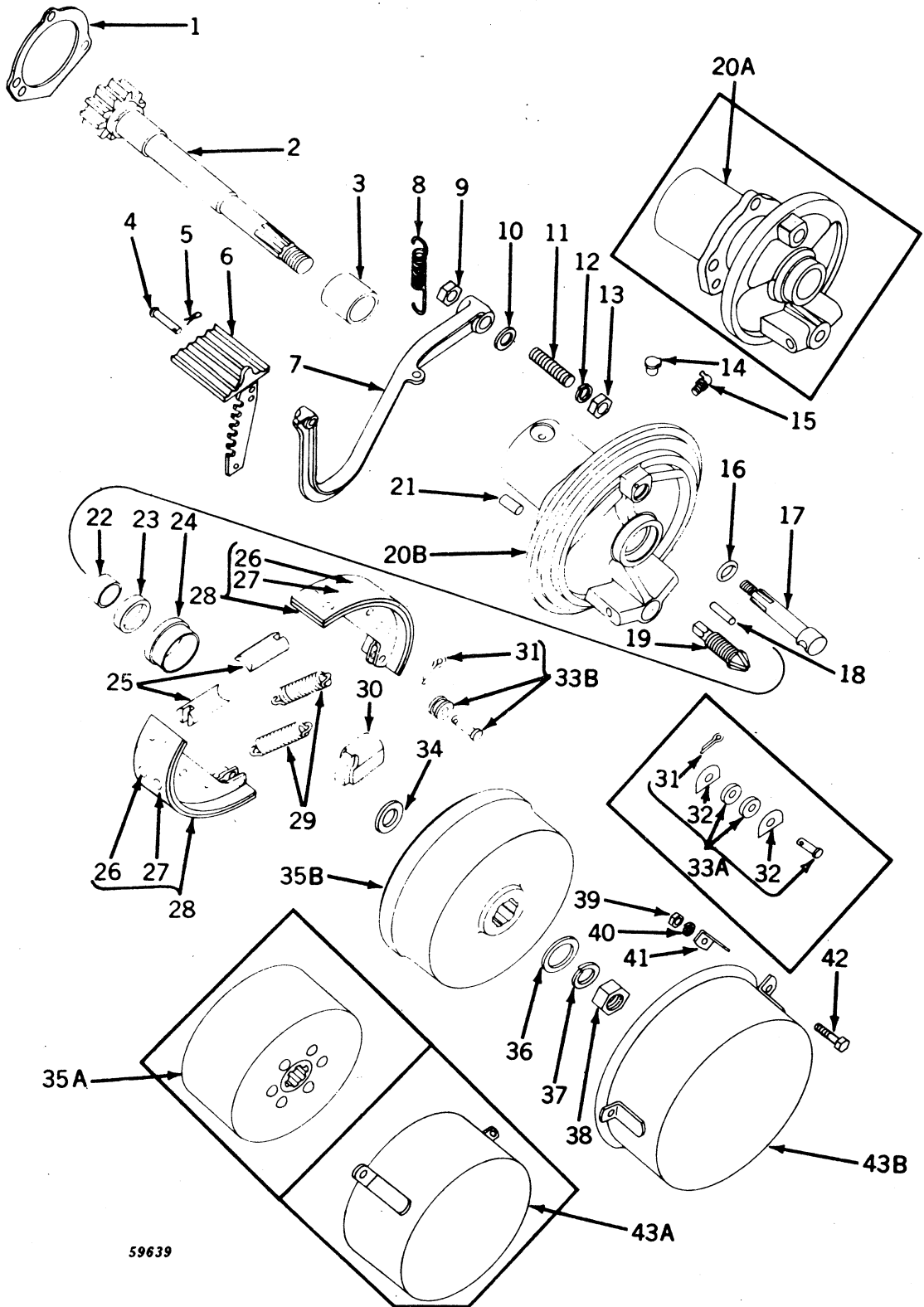
*Parts for heavy-duty equipment and 830-I.

REAR AXLE HOUSING COVER
(Tractors, Less Powr-Trol and Power Shaft)



Key	Part No.	Serial No.	Description
1	R 300 R	(-)	Cover
2	R 301 R	(-)	Gasket (packed 5 in a pkg.)
3	19H 256 R	(-)	Screw, cap, 3/8" x 2" (14 used)
	12H 11 R	(-)	Washer, lock, 3/8" (14 used)

BRAKES

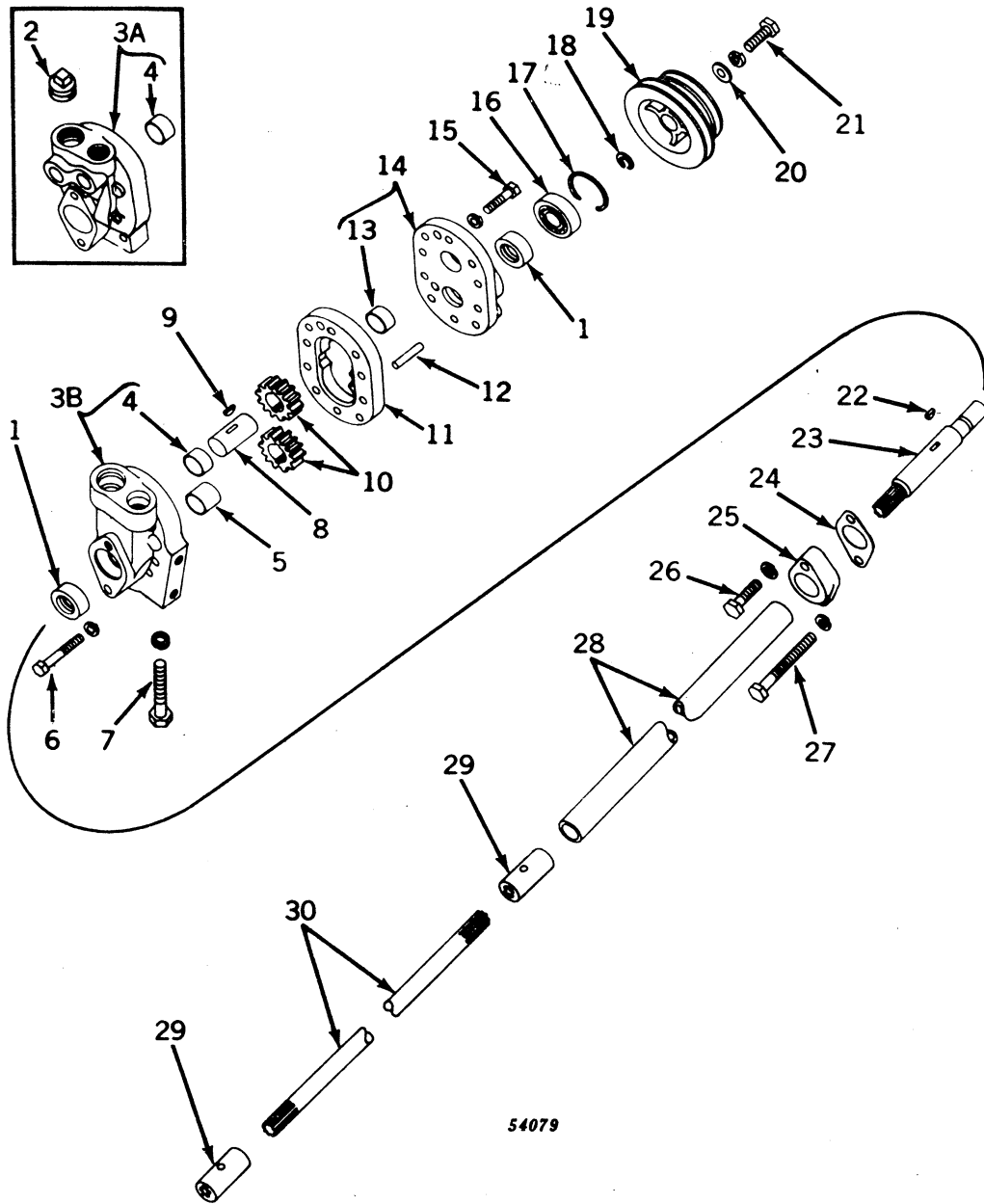


59639

BRAKES -- Continued

Key	Part No.	Serial No.	Description
1	R 498 R	(-)	Gasket (packed 5 in a pkg.)
2	AR 486 R	(-8199999)	Shaft, brake, with nut
	AR 1586 R	(8200000-)	Shaft, brake, with nut
3	F 1526 R	(-8199999)	Bushing, inner
	F 2801 R	(8200000-)	Bushing, inner
4	A 986 R	(-)	Rivet, drilled
5	11H 233 R	(-)	Pin, cotter, 3/32" x 1/2" (sub. for 11H18R)
6	AR 1116 R	(-8203099)	Pedal, brake, with latch, R.H. (sub. AR1866R)
	AR 1866 R	(8203100-)	Pedal, R2742R, brake, with latch, R.H.
	AR 1117 R	(-)	Pedal, brake, with latch, L.H.
7	R 496 R	(-8199999)	Lever, brake, R.H. (sub. R2575R)
	R 2575 R	(8200000-)	Lever, brake, R.H.
	R 497 R	(-8199999)	Lever, brake, L.H. (sub. R2576R)
	R 2576 R	(8200000-)	Lever, brake, L.H.
8	H 449 R	(-8199999)	Spring, brake lever
	R 2577 R	(8200000-)	Spring
9	14H 800 R	(-)	Nut, 5/8"
10	24H 56 R	(-)	Washer, 29/32" x 1-1/2" x 20 gauge (2 used)
11	A 5292 R	(-)	Stud, 5/8" x 2-1/4" (3 used) (packed 25 in a pkg.)
12	12H 15 R	(-)	Washer, lock, 5/8" (3 used)
13	14H 800 R	(-8199999)	Nut, 5/8" (3 used)
14	AA 811 R	(-8199999)	Cup, oiler
15	JD 7778	(-8199999)	Fitting, grease (tractors with rice field brakes)
	JD 7778	(8200000-)	Fitting, grease
16	R 495 R	(-)	Packing, O-ring (packed 10 in a pkg.)
17	A 152 R	(-)	Shaft, lever
18	H 826 R	(-8203099)	Pin, dowel, brake cam stop
19	A 151 R	(-)	Screw, adjusting
20A	AR 1114 R	(-8199999)	Housing, R1314R, brake, with bushing and oiler, R.H.
	AR 1220 R	(-8199999)	Housing, R1598R, brake, with bushing and oiler, R.H. (tractors with rice field brakes)
	AR 1115 R	(-8199999)	Housing, R1315R, brake, with bushing and oiler, L.H.
	AR 1221 R	(-8199999)	Housing, R1599R, brake, with bushing and oiler, L.H. (tractors with rice field brakes)
20B	AR 1588 R	(8200000-8203099)	Housing, R2570R, R2571R or R2578R, brake, with bushings, guard, and dowel pin (2 used) (sub. AR1834R)
	AR 1834 R	(8203100-)	Housing, R2722R, R2723R, or R2724R, brake, with bushings and guard
21	A 120 R	(-)	Pin, dowel
22	A 1163 R	(-8199999)	Bushing, outer
	R 2607 R	(8200000-)	Bushing, outer
23	AR 1587 R	(8200000-)	Seal, oil
24	A 510 R	(-8199999)	Guard, dust, inner
	R 2572 R	(8200000-)	Guard, dust, inner (not furnished)
25	A 134 R	(-)	Pin, adjusting (2 used)
26	D 2309 R	(-)	Rivet, brass, 3/16" x 5/16" (10 used) (packed 100 in a pkg.)
27	AR 604 R	(-8199999)	Lining (set of four linings and forty rivets)
	AF 2866 R	(8200000-)	Lining (set of four linings and forty rivets)
28	AR 483 R	(-8199999)	Shoe, with lining (2 used)
	AF 2789 R	(8200000-)	Shoe, with lining (2 used)
29	R 21753 R	(-)	Spring (2 used) (sub. for A348R)
30	A 321 R	(-)	Cam
31	11H 211 R	(-)	Pin, cotter, 1/8" x 3/4" (2 used) (sub. for 11H38R)
32	A 2299 R	(-8199999)	Washer (4 used)
33A	AA 4837 R	(-8199999)	Pins (two), with rollers and washers
33B	AF 2867 R	(8200000-)	Pins (two), with rollers
34	24H 77 R	(-8199999)	Washer, 1-5/8" x 2-3/32" x 20 gauge (2 used)
	24H 1097 R	(8200000-)	Washer
35A	AR 482 R	(-8199999)	Drum, brake, with hub
	F 154 R	(-8199999)	Guard, dust, outer
	16H 1339 A	(-8199999)	Rivet, drum to hub, 3/8" x 1-1/8", R. I. O. H. (6 used)
35B	R 2573 R	(8200000-)	Drum, brake
36	D 136 R	(-)	Washer
	R 105 R	(8200000-)	Washer
37	12H 21 R	(-)	Washer, lock, 1"
38	14H 655 R	(-)	Nut, jam, 1"
39	14H 785 R	(-)	Nut, 5/16" (3 used) (tractors with rice field brakes)
40	12H 10 R	(-)	Washer, lock, 5/16" (3 used) (tractors with rice field brakes)
41	R 1210 R	(-)	Clip (3 used) (tractors with rice field brakes)
42	19H 1096 H	(-)	Screw, cap, high-strength, 5/16" x 1-1/2" (3 used) (tractors with rice field brakes (sub. for 19H130R)
43A	AR 992 R	(-8199999)	Cover, brake, with brackets (tractors with rice field brakes)
	AR 1566 R	(8200000-8203099)	Cover, brake, with brackets (tractors with rice field brakes)
43B	AR 1838 R	(8203100-)	Cover, brake, with brackets (tractors with rice field brakes)

FRONT FAN DRIVE AND POWER STEERING PUMP
(Power Steering)



54079

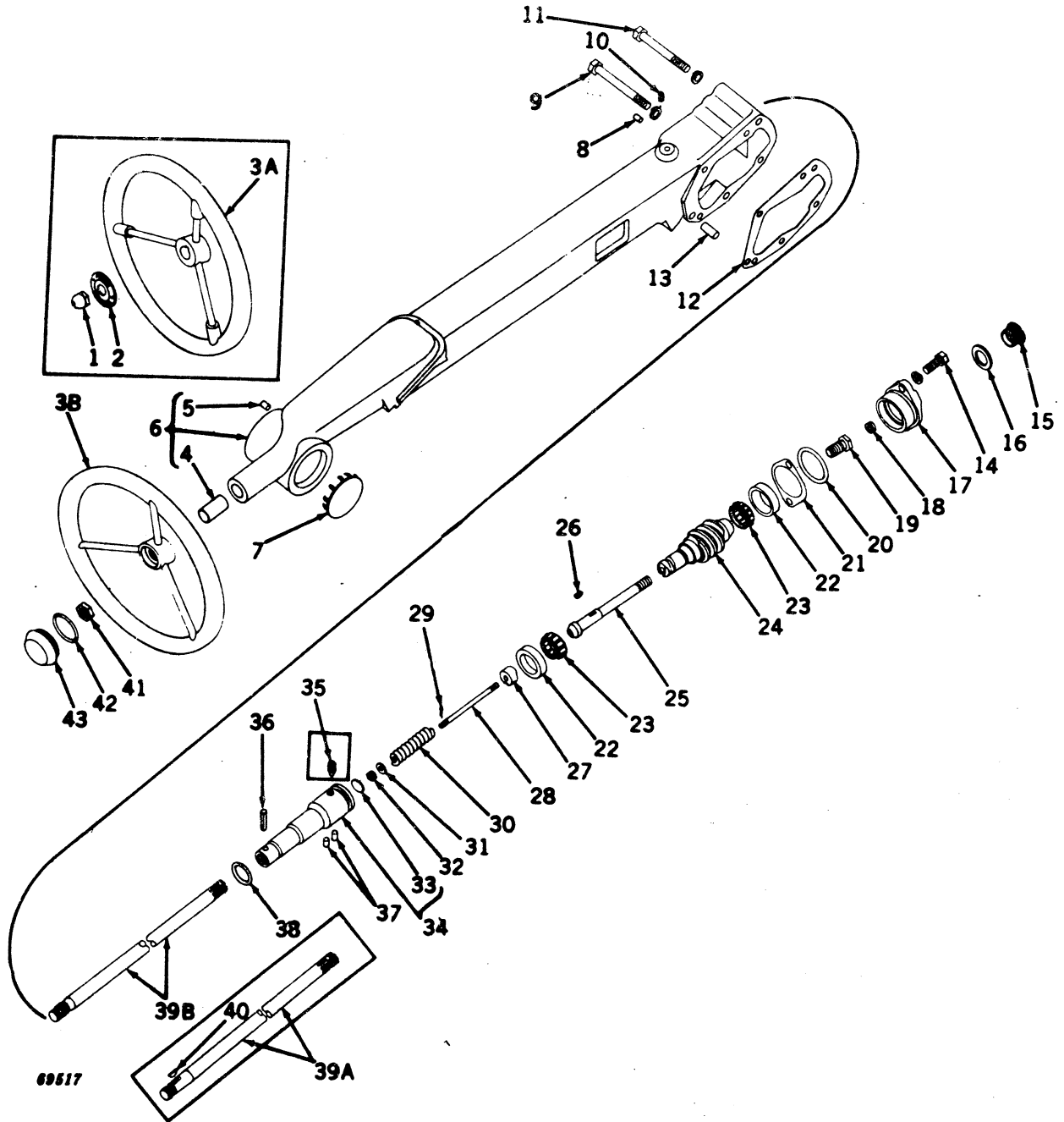
FRONT FAN DRIVE AND POWER STEERING PUMP -- Continued
(Power Steering)

Key	Part No.	Serial No.	Description
1	AF 1925 R	()	Seal, oil (sub. two AR21900R oil seals in cover) (sub. two AR21900R oil seals and one R21720R spacer in housing)
2	15H 237 R	(-8199999)	Plug, pipe, 1/2" (2 used)
3A	AR 1239 R	(-8199999)	Housing, R1592R, steering pump, with bushings (sub. AR1590R and AR1591R)
3B	AR 1590 R	(8200000-)	Housing, R2580 R, steering pump, with bushings
4	F 1747 R	(-)	Bushing
5	A 4130 R	(-)	Bushing
6	19H 1164 R	(-)	Screw, cap, high-strength, 3/8" x 2-1/4" (4 used) (sub. for 19H257H)
	12H 11 R	(-8199999)	Washer, lock, 3/8" (4 used)
7	19H 1192 N	(-)	Screw, cap, high-strength, 3/8" x 3" (2 used) (sub. for 19H277R)
	12H 11 R	(-8199999)	Washer, lock, 3/8" (2 used)
8	F 1685 R	(-)	Shaft, steering pump gear
9	26H 70 R	(-)	Key, Woodruff, 1/8" x 1/2"
10	AF 1329 R	(-)	Gear, steering pump (set of two F1684R) (one set used)
11	F 2324 R	(-)	Body, steering pump
12	R 1800 R	(-)	Pin (2 used)
13	F 1747 R	(-)	Bushing
14	AF 2338 R	(-)	Cover F2313R steering pump, with bushing
15	19H 246 T	(-)	Screw, cap, high-strength, 3/8" x 1-3/4" (5 used) (sub. for F2274R)
	12H 11 R	(-8199999)	Washer, lock, 3/8" (5 used)
16	JD 7142 R	(-)	Bearing
17	D 398 R	(-)	Snap ring
18	A 369 R	(-)	Snap ring (packed 10 in a pkg.)
19	R 1557 R	(-)	Pulley, fan and water pump drive (packed 10 in a pkg.)
20	24H 550 R	(-)	Washer, 13/32" x 1-1/16" x 11 gauge
21	19H 218 N	(-)	Screw, cap, high-strength, 3/8" x 1" (sub. for 19H211R)
	12H 11 R	(-)	Washer, lock, 3/8"
22	26H 70 R	(-)	Key, Woodruff, 1/8" x 1/2"
23	R 1593 R	(-)	Shaft, steering pump
24	F 1667 R	(-)	Gasket (packed 2 in a pkg.)
25	F 1666 R	(-)	Flange, steering pump
26	19H 246 T	(-)	Screw, cap, high-strength, 3/8" x 1-3/4" (sub. for F2274R)
	12H 11 R	(-8199999)	Washer, lock, 3/8"
27	19H 1697 R	(-)	Screw, cap, 3/8" x 4" (sub. for 19H292T)
	12H 11 R	(-8199999)	Washer, lock, 3/8"
28	R 1686 R	(-)	Tube, fan drive shaft
29	AF 1902 R	(-)	Coupling (2 used)
30	R 1749 R	(-)	Shaft, fan drive coupling

(Part listed below is an assembly of most of the parts listed above)

AR 1238 R (8200000-) Pump, steering, complete

STEERING WHEEL, SHAFT, AND WORM
(Power Steering)



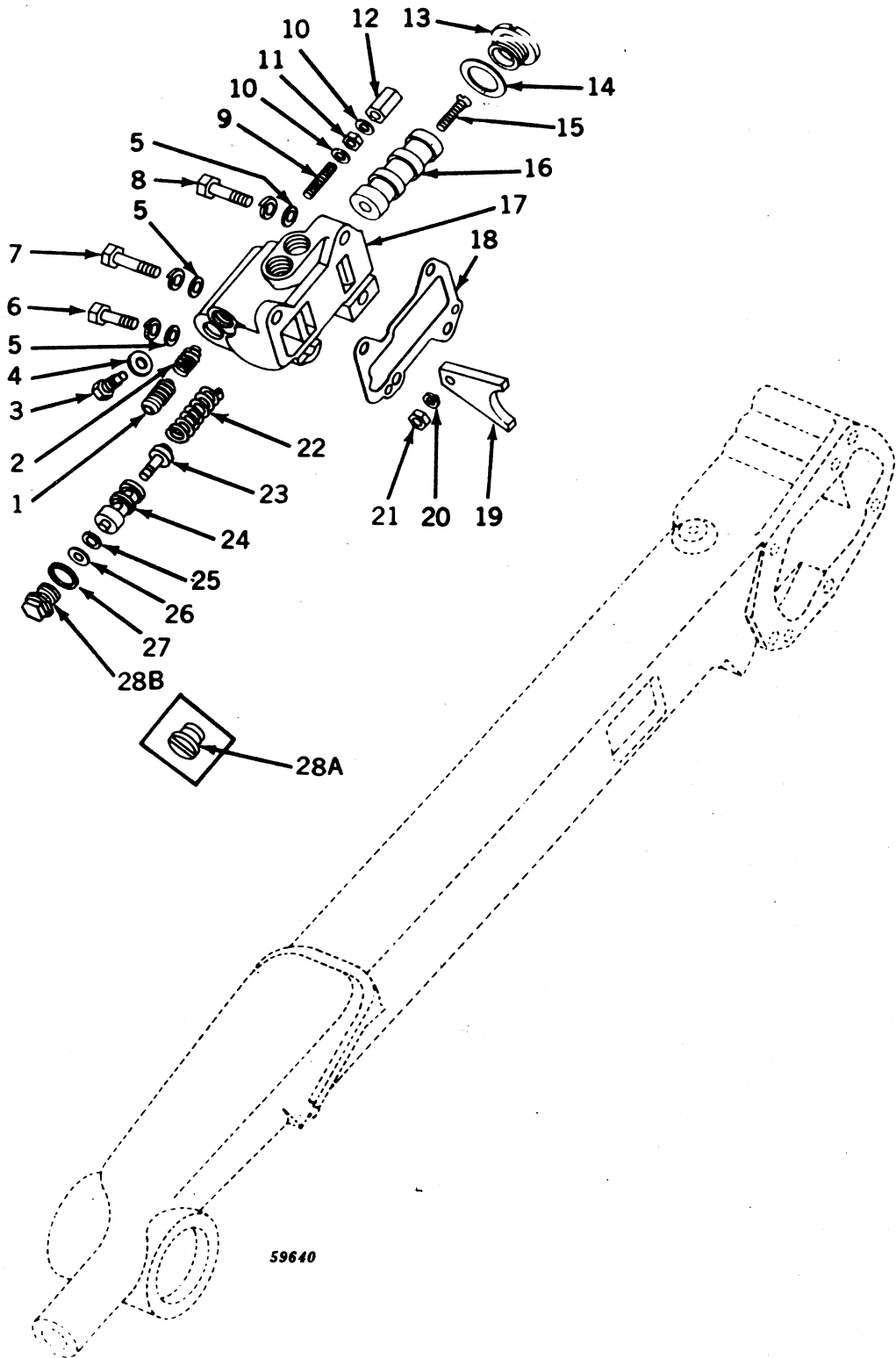
STEERING WHEEL, SHAFT, AND WORM -- Continued
(Power Steering)

Key	Part No.	Serial No.	Description
1	F 1745 R	(-8203099)	Nut, cap
2	F 1744 R	(-8203099)	Emblem, power steering
3A	AA 380 R	(-8203099)	Wheel, steering
3B	AF 3856 R	(8203100-)	Wheel, steering
4	B 37 R	(-)	Bushing
5	R 726 R	(-)	Pin, dowel
6	AR 1236 R	(-8205349)	Housing, R1740R, steering shaft and worm, with bushing and pin (sub. AR20250R)
	AR 20250 R	(8205350-8299999)	Housing, R20213R, steering shaft and worm, with bushing, pin and plug
	AR 20486 R	(8300000-)	Housing, R20353R, steering shaft and worm, with bushing, pin and plug
7	R 1680 R	(-)	Plug, button, speed control opening
8	F 1743 R	(-)	Pin, dowel (2 used) (sub. for D186R)
9	19H 1258 T	(-)	Screw, cap, high-strength, 1/2" x 4-3/4" (3 used) (sub. for 19H537R)
	12H 13 R	(-)	Washer, lock, 1/2" (3 used)
10	15H 255 R	(-8205349)	Plug, pipe, 3/8"
11	19H 1195 E	(-)	Screw, cap, high-strength, 1/2" x 4-1/4" (sub. for 19H531R)
	12H 13 R	(-)	Washer, lock, 1/2"
12	R 1635 R	(-)	Shim, rubber (packed 10 in a pkg.)
	R 1928 R	(-)	Shim, .005" paper (used as required) (packed 5 in a pkg.)
13	A 120 R	(-)	Pin, dowel (2 used)
14	19H 1131 N	(-)	Screw, cap, high-strength, 1/2" x 1-1/4" (2 used) (sub. for 19H448R)
	12H 13 R	(-)	Washer, lock, 1/2" (2 used)
15	R 20214 R	(8205350-)	Plug
16	F 1734 R	(8205350-)	Gasket (packed 2 in a pkg.)
17	R 1634 R	(-8205349)	Housing, bearing
	R 20212 R	(8205350-)	Housing, bearing
18	R 20162 R	(8205350-)	Screw, thru socket set
19	R 20161 R	(8205350-)	Bushing, adjusting
20	F 1649 R	(-)	Packing, O-ring (packed 5 in a pkg.)
21	F 1648 R	(-)	Shim (steel) (packed 5 in a pkg.)
22	JD 7253 R	(-)	Cup, bearing (2 used)
23	JD 8172 R	(-)	Cone, with rollers (2 used)
24	R 1737 R	(-8002834)	Worm, steering (sub. one R1922R and one R1923R)
	R 1923 R	(8002835-8205349)	Worm, steering
	R 20210 R	(8205350-)	Worm, steering
25	R 20211 R	(8205350-)	Shaft, steering worm
26	26H 72 R	(8205350-)	Key, Woodruff
27	F 1719 R	(-8205349)	Cam, steering worm
	R 20165 R	(8205350-)	Cam, steering, worm
28	F 2334 R	(-)	Rod, steering worm cam
29	11H 233 R	(-)	Pin, cotter, 3/32" x 1/2" (sub. for 11H18R)
30	F 2335 R	(-)	Spring
31	24H 39 R	(-)	Washer, 21/64" x 3/4" x 20 gauge (2 used)
	24H 143 R	(-)	Washer, 21/64" x 3/4" x 16 gauge (2 used)
32	14H 511 R	(-)	Nut, slotted, 5/16"
33	30H 13 R	(-)	Plug, expansion, 1"
34	AF 1938 R	(-8205349)	Sleeve, steering valve actuating, with pins
	AR 20168 R	(8205350-)	Sleeve, steering valve actuating, with pins
35	R 20913 R	(-8205349)	Screw, special set (sub. for F1717R and F3359R)
36	34H 103 H	(-)	Pin, roll
	(8001690-)	Wire in roll pin
37	F 1743 R	(-8205349)	Pin (2 used)
	R 20164 R	(8205350-)	Pin (2 used)
38	R 1138 R	(-)	Packing, O-ring (packed 5 in a pkg.)
39A	AR 1371 R	(-8203099)	Shaft, steering, with nut
39B	AR 1881 R	(8203100-)	Shaft, steering, with nut
40	26H 17 R	(-8203099)	Key, Woodruff, 3/16" x 7/8"
41	14H 798 R	(8203100-)	Nut, jam, 3/4"
42	B 3690 R	(8203100-)	Packing, O-ring (packed 2 in a pkg.)
43	F 3629 R	(8203100-)	Emblem, power steering

Part listed below is an assembly of some of the parts in this grouping.

AR 21670 R (-8205349) Kit, service, power steering adjustable helix (on 8000001-8199999, also furnish R1922R steering gear, if not previously installed)

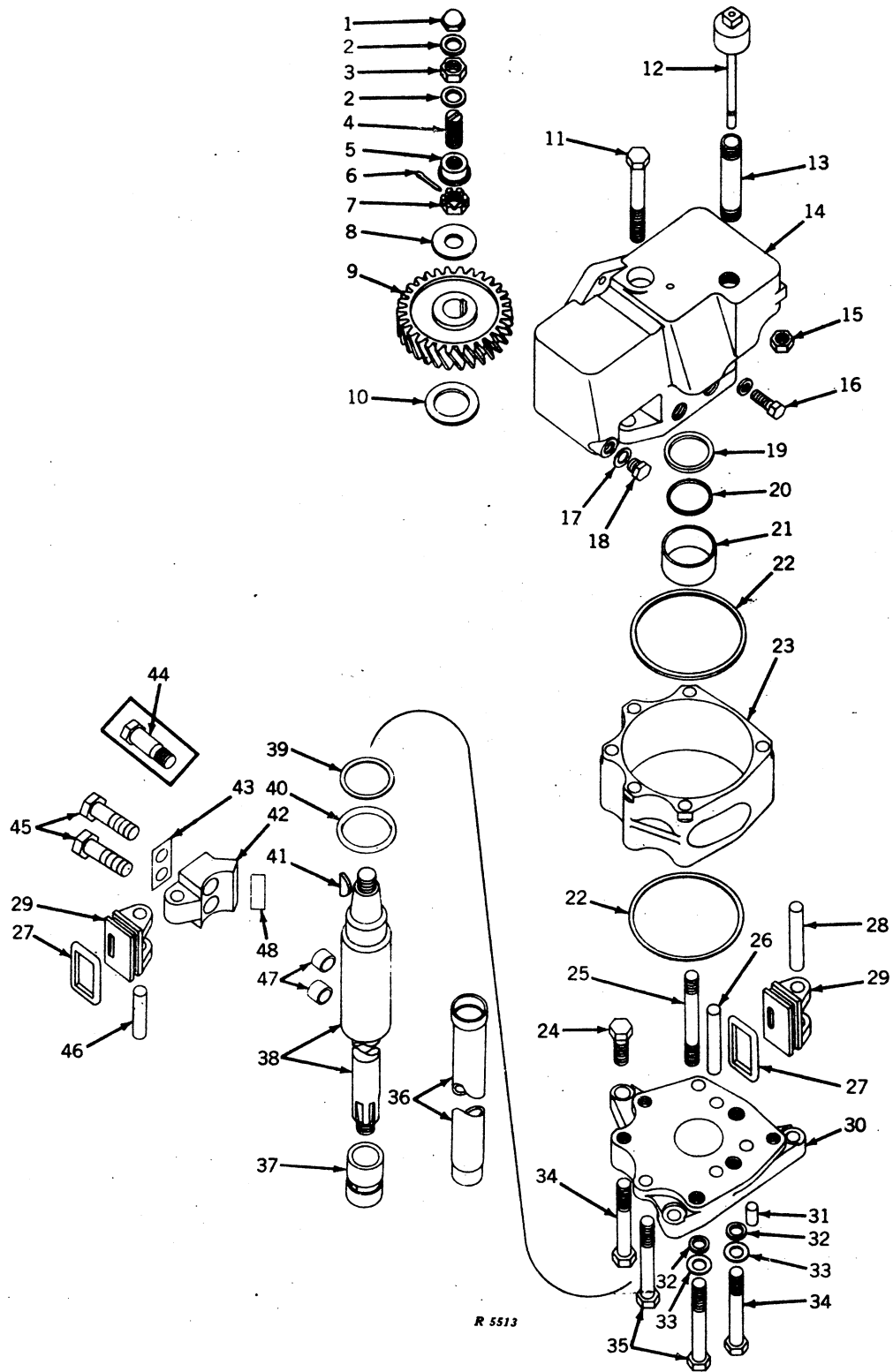
STEERING VALVE
(Power Steering)



STEERING VALVE -- Continued
(Power Steering)

Key	Part No.	Serial No.	Description
1	F 1739 R	(-)	Valve, flow control
2	F 1740 R	(-)	Spring
3	F 2372 R	(-)	Screw, special, steering flow control valve stop
4	R 463 R	(-)	Washer (copper) (packed 10 in a pkg.)
5	24H 454 R	(-)	Washer, 13/32" x 11/16" x 12 gauge (4 used)
6	19H 218 N	(-)	Screw, cap, high-strength, 3/8" x 1" (sub. for 19H211R)
	12H 11 R	(-)	Washer, lock, 3/8"
7	F 2274 R	(-)	Screw, special cap
	12H 11 R	(-)	Washer, lock, 3/8"
8	19H 1116 N	(-)	Screw, cap, high-strength, 3/8" x 1-1/2" (2 used) (sub. for 19H230H)
	12H 11 R	(-)	Washer, lock, 3/8"
9	F 1741 R	(-)	Screw, adjusting
10	A 3098 R	(-8000774)	Washer (2 used) (packed 5 in a pkg.)
	A 5364 R	(8000775-)	Washer (2 used) (packed 5 in a pkg.)
11	14H 732 R	(-)	Nut, jam, 3/8" (sub. for 14H342R)
12	B 427 R	(-)	Nut, cap (packed 10 in a pkg.)
13	F 1733 R	(-8205349)	Plug (sub. R20214R)
	R 20214 R	(8205350-)	Plug
14	F 1734 R	(-)	Gasket (packed 5 in a pkg.)
15	21H 706 H	(-)	Screw, mach., 5/16" x 1-1/4"
16	F 1729 R	(-)	Valve, steering
17	F 2320 R	(-)	Housing, steering valve
18	F 2321 R	(-)	Gasket (packed 5 in a pkg.)
19	F 2323 R	(-)	Arm, steering valve
20	12H 10 R	(-)	Washer, lock, 5/16"
21	14H 785 R	(-)	Nut, 5/16"
22	A 4546 R	(-)	Spring
23	F 2232 R	(-)	Valve, relief
24	F 2371 R	(-)	Sleeve, relief valve
25	R 1820 R	(-)	Washer (6 used)
26	24H 143 R	(-)	Washer, 21/64" x 3/4" x 16 gauge (2 used)
27	D 465 R	(-)	Gasket (packed 2 in a pkg.)
28A	F 2317 R	(-8203099)	Plug (sub. AF3799R)
28B	AF 3799 R	(8203100-)	Plug

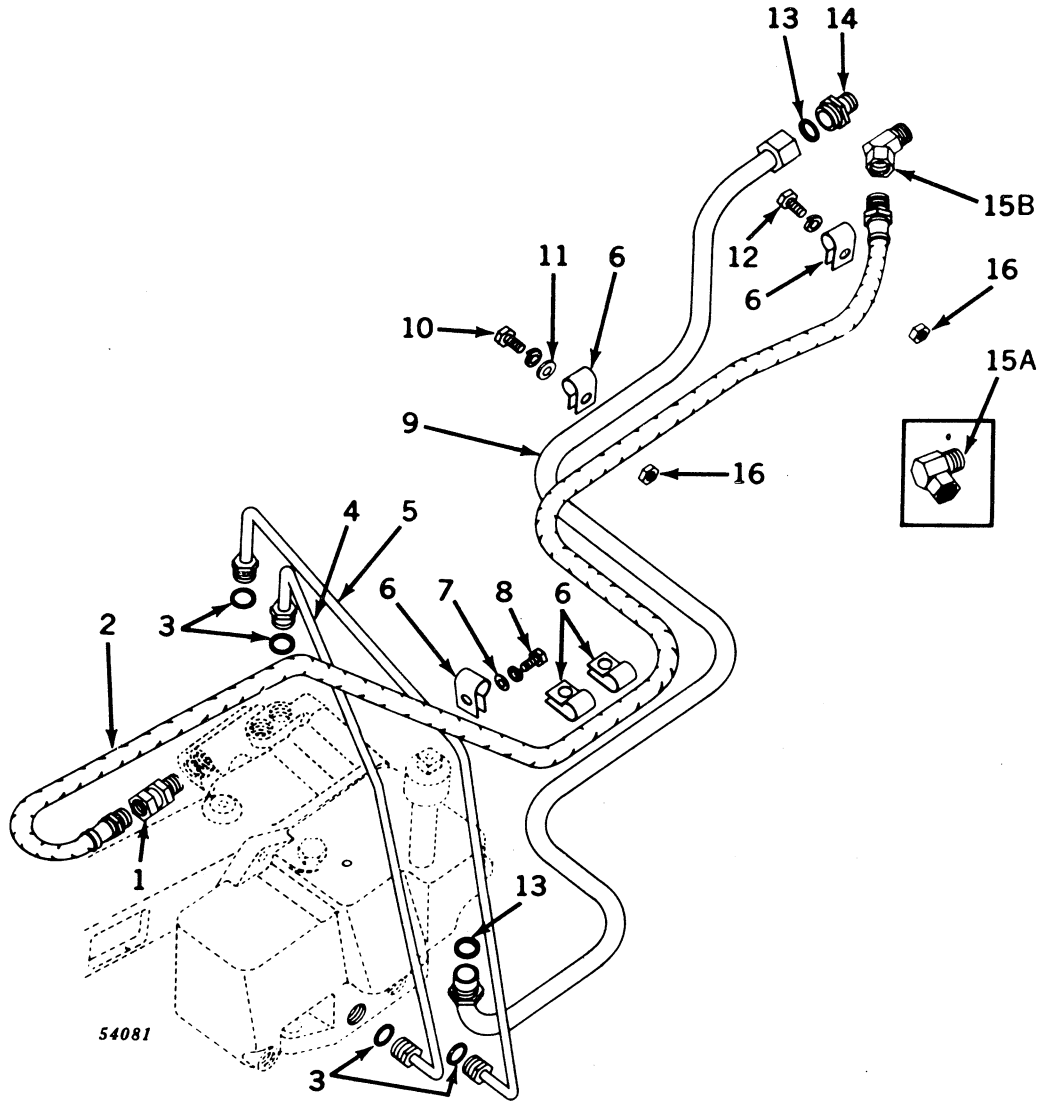
STEERING GEAR HOUSING, CYLINDER, AND SHAFT
(Power Steering)



STEERING GEAR HOUSING, CYLINDER, AND SHAFT -- Continued
(Power Steering)

Key	Part No.	Serial No.	Description
1	F 1745 R	(-)	Nut, cap
2	R 1742 R	(-)	Washer (2 used)
3	14H 402 R	(-)	Nut, 3/4"
4	R 1739 R	(-)	Screw, special
5	R 1741 R	(-)	Adapter, adjusting screw
6	11H 237 R	(-)	Pin, cotter, 1/8" x 2" (sub. for 11H45R)
7	C 1104 R	(-)	Nut, slotted, 7/8" (packed 25 in a pkg.)
8	24H 685 R	(-)	Washer, 29/32" x 1-3/4" x 6 gauge
9	R 1834 R	(-8002834)	Gear, steering (sub. one R1922R and one R1923R)
	R 1922 R	(8002835-)	Gear, steering
10	24H 1090 R	(8204256-8299999)	Washer, spacer, between gear and housing
	24H 290 R	(8204256-8204832)	Washer
11	19H 1574 R	(-)	Screw, special cap, 5/8" x 5-3/4" (2 used)
12	AR 1298 R	(-8299999)	Cap, filler, with oil level rod
	AR 20952 R	(8300000-)	Cap, filler, with oil level rod
13	29H 324 R	(-8299999)	Nipple
	29H 590 R	(8300000-)	Nipple
14	AR 1345 R	(-)	Housing, R1750R, steering gear, with bushing
15	14H 760 R	(-)	Nut, 5/8" (2 used) (sub. for A5772R)
16	19H 1127 R	(-)	Screw, cap, high-strength, 1/2" x 1-5/8" (sub. for 19H1060R)
	12H 13 R	(-)	Washer, lock, 1/2"
17	R 229 R	(-)	Washer
18	R 228 R	(-)	Plug
19	R 2624 R	(8200475-)	Packing, O-ring (packed 2 in a pkg.)
20	R 2625 R	(8200475-)	Gasket (packed 2 in a pkg.)
21	F 2278 R	(-)	Bushing
22	F 1694 R	(-)	Gasket (2 used) (packed 10 in a pkg.)
23	R 1744 R	(-)	Cylinder, steering
24	19H 1373 R	(-)	Screw, cap, high-strength, 5/8" x 2" (3 used)
25	R 1746 R	(-)	Stud, 5/8" x 6-1/2" (2 used)
26	R 21129 R	(-)	Pin, steering gear shaft stop (2 used) (sub. for F1701R)
27	F 1697 R	(-)	Packing, steering vane (2 used) (packed 10 in a pkg.)
28	R 21129 R	(-)	Pin, steering vane (sub. for F1701R)
29	F 1696 R	(-)	Vane, steering (2 used)
30	R 1745 R	(-8203099)	Quill, steering gear shaft (sub. R2712R)
	R 2712 R	(8203100-)	Quill, steering gear shaft
31	A 120 R	(-)	Pin, dowel (2 used)
32	R 1837 R	(-)	Packing (2 used) (packed 2 in a pkg.)
33	R 1836 R	(-)	Washer (2 used)
34	19H 1650 R	(-)	Screw, cap, 5/8" x 5-1/4" (2 used)
35	19H 1569 R	(-)	Screw, cap, 5/8" x 5-1/2" (2 used)
36	R 1339 R	(-)	Tube, steering gear shaft
37	R 854 R	(-)	Bushing
38	AR 1237 R	(-8203099)	Shaft, steering gear, with nuts (sub. AR1818R, AR1819R, and two 19H1405R)
	AR 1818 R	(8203100-)	Shaft, steering gear, with nuts
39	F 1695 R	(-)	Gasket (packed 10 in a pkg.)
40	F 1319 R	(-8200474)	Packing, O-ring (sub. F3450R)
	F 3450 R	(8200475-)	Packing, O-ring (packed 10 in a pkg.)
41	26H 105 R	(-)	Key, Woodruff, 3/8" x 2-1/8"
42	R 1835 R	(-8203099)	Bracket, steering vane
	AR 1819 R	(8203100-)	Bracket, R2713R, with dowels
43	F 1699 R	(-)	Plate, lock
44	A 5165 R	(-8203099)	Screw, special (2 used)
45	19H 1405 R	(8203100-)	Screw, cap, 3/4" x 2-1/2" (2 used)
46	F 1700 R	(-)	Pin, steering vane
47	F 3515 R	(8203100-)	Pin, dowel (hollow) (2 used)
48	R 21231 R	(-)	Shim
Parts listed below are not illustrated.			
	AF 2235 R	(-)	Oil, power steering (1 qt.)
	AF 3290 R	(-)	Oil, power steering (5 gals.)

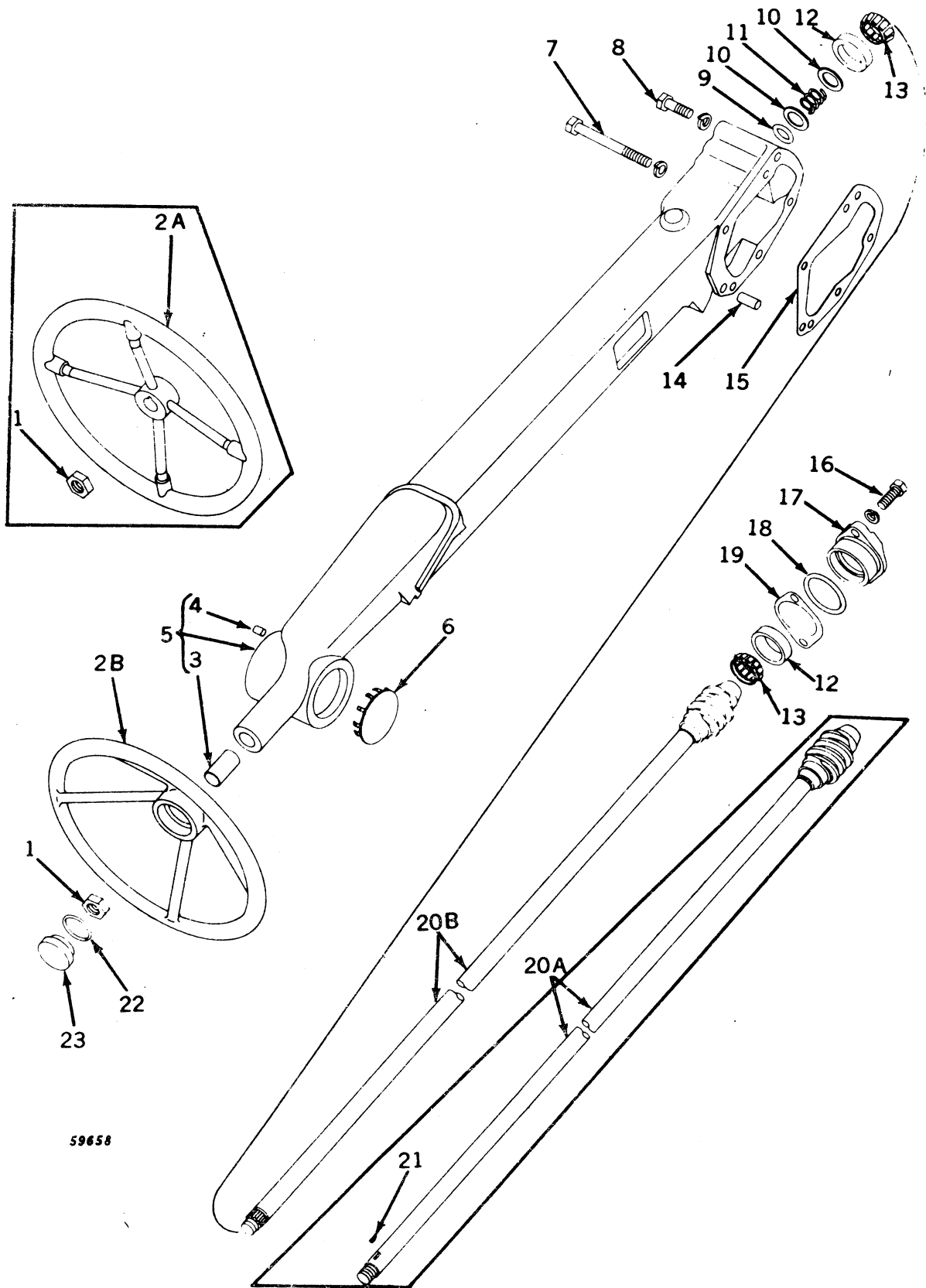
OIL TUBES
(Power Steering)



OIL TUBES -- Continued
(Power Steering)

Key	Part No.	Serial No.	Description
1	JD 151 A	(-)	Union, adapter, steering valve to steering valve line
2	AR 1480 R	(-)	Line, flexible oil, steering pump to steering valve (sub. for JD181R)
3	F 2223 R	(-)	Washer, aluminum (4 used) (packed 10 in a pkg.)
4	AR 21341 R	(-)	Tube, oil, steering valve to cylinder, rear (sub. for AR1300R and AR21089R)
5	AR 21340 R	(-)	Tube, oil, steering valve to cylinder, front (sub. for AR1299R and AR21088R)
6	B 1588 R	(-)	Clip (5 used)
7	24H 143 R	(-)	Washer, 21/64" x 3/4" x 16 gauge
8	19H 103 H	(-)	Screw, cap, 5/16" x 5/8" (sub. for 19H100T)
	12H 10 R	(-)	Washer, lock, 5/16"
9	AR 1303 R	(-8199999)	Tube, oil, steering pump to steering gear housing
	AR 1591 R	(8200000-)	Tube, oil, steering pump to steering gear housing
10	F 2272 R	(-8199999)	Screw, special cap
	19H 1116 N	(8200000-)	Screw, cap, 3/8" x 1-1/8" (sub. for 19H230H)
	12H 11 R	(-)	Washer, lock, 3/8"
11	A 147 R	(8200000-)	Washer
12	F 2272 R	(-8199999)	Screw, special cap
	19H 988 N	(8200000-)	Screw, cap, 3/8" 1-1/4"
	12H 11 R	(-)	Washer, lock, 3/8"
	19H 988 N	(8200000-)	Screw, cap, 3/8" x 1-1/4"
13	F 2222 R	(-)	Washer (aluminum) (2 used) (packed 5 in a pkg.)
14	R 1595 R	(-8199999)	Connector
15A	JD 172 R	(-8199999)	Union, adapter
15B	JD 184 R	(8200000-)	Union, adapter
16	14H 812 C	(8200000-)	Nut (2 used) (sub for 14H255R)

STEERING WHEEL AND SHAFT
(Manual Steering)

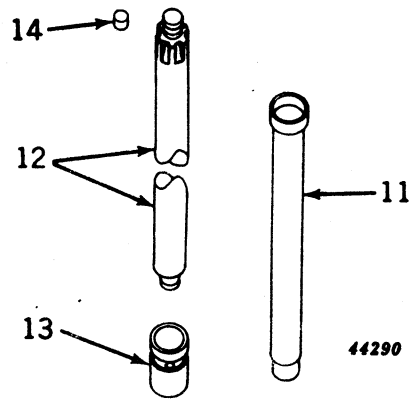
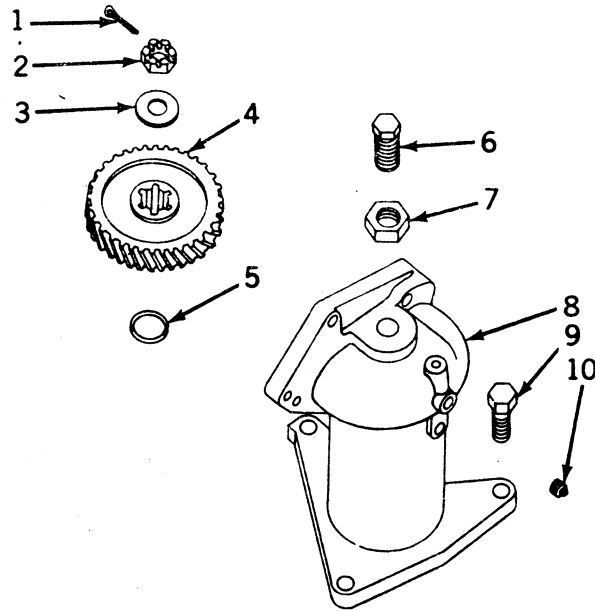


59658

STEERING WHEEL AND SHAFT -- Continued
(Manual Steering)

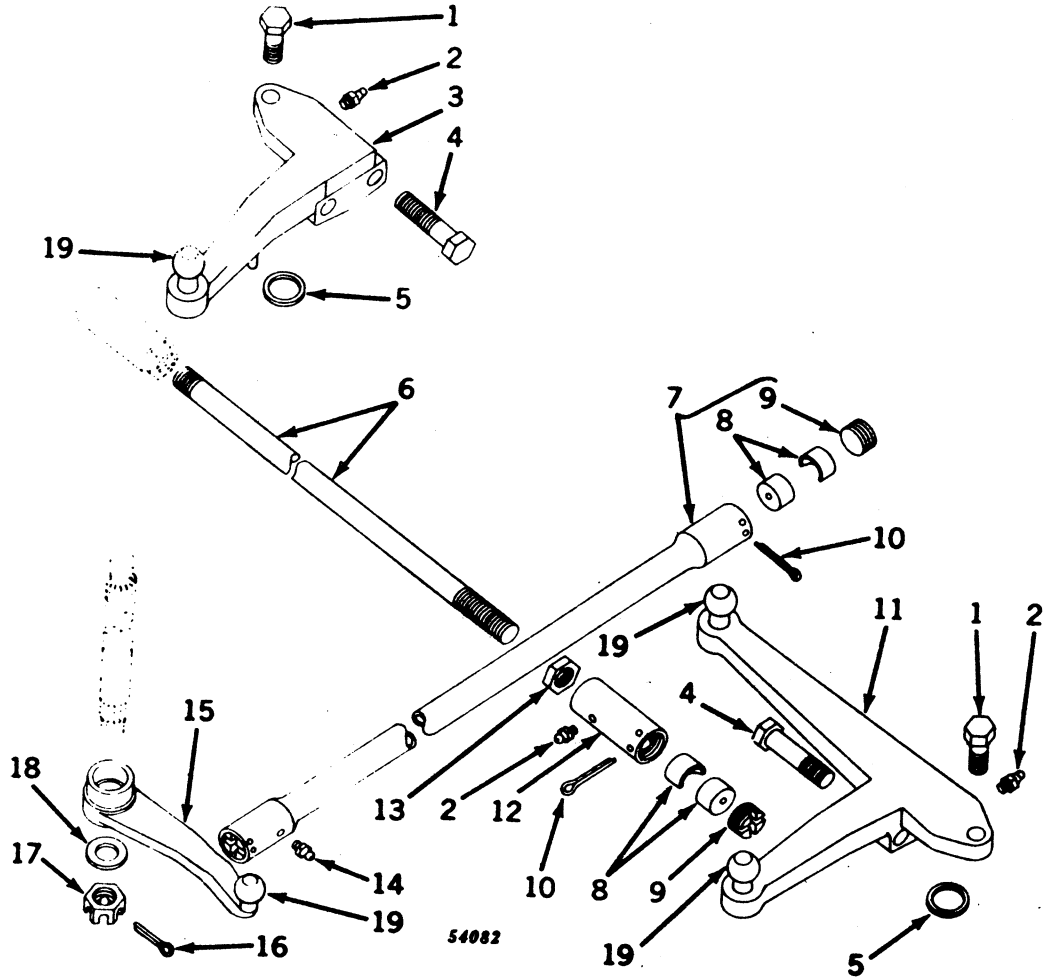
Key	Part No.	Serial No.	Description
1	14H 798 R	(-)	Nut, jam, 3/4"
2A	AR 505 R	(-8203099)	Wheel, steering
2B	AF 3867 R	(8203100-)	Wheel, steering
3	B 37 R	(-)	Bushing
4	R 726 R	(-)	Pin, dowel
5	AR 1272 R	(-8299999)	Housing, R1633R, steering shaft and worm, with bushing and pin
	AR 20485 R	(8300000-)	Housing, R20352R, steering shaft and worm with bushing and pin
6	R 1680 R	(-)	Plug, button, speed control opening
7	19H 1258 T	(-)	Screw, special cap, 1/2" x 4-3/4" (4 used) (sub. for 19H537R)
	12H 13 R	(-)	Washer, lock, 1/2" (4 used)
8	19H 1127 H	(-)	Screw, special cap, 1/2" x 1-5/8" (sub. for 19H 1060 R)
	12H 13 R	(-)	Washer, lock, 1/2"
9	R 495 R	(-)	Packing, O-ring (packed 10 in a pkg.)
10	24H 247 H	(-)	Washer, 31/32" x 1-3/8" x 16 gauge (2 used)
11	A 4313 R	(-)	Spring
12	JD 7253 R	(-)	Cup, bearing (2 used)
13	JD 8172 R	(-)	Cone, with rollers (2 used)
14	A 120 R	(-)	Pin, dowel (2 used)
15	R 1635 R	(-)	Shim, rubber (packed 10 in a pkg.)
	R 1928 R	(-)	Shim, .005" paper (packed 5 in a pkg.) (use as required)
16	19H 456 R	(-)	Screw, special cap, 1/2" x 1-3/8" (2 used) (sub. for 19H455R)
	12H 13 R	(-)	Washer, lock, 1/2" (2 used)
17	R 1634 R	(-)	Housing, bearing
18	F 1649 R	(-)	Packing, O-ring (packed 5 in a pkg.)
19	F 1648 R	(-)	Shim (steel) (packed 5 in a pkg.)
20A	AR 1271 R	(-8203099)	Shaft, steering, with worm and nut
20B	AR 1883 R	(8203100-)	Shaft, steering, with worm and nut
21	26H 17 R	(-8203099)	Key, Woodruff, 3/16" x 7/8"
22	B 3690 R	(8203100-)	Packing, O-ring (packed 2 in a pkg.)
23	F 3630 R	(8203100-)	Emblem, manual steering

STEERING GEAR AND SHAFT (Manual Steering)



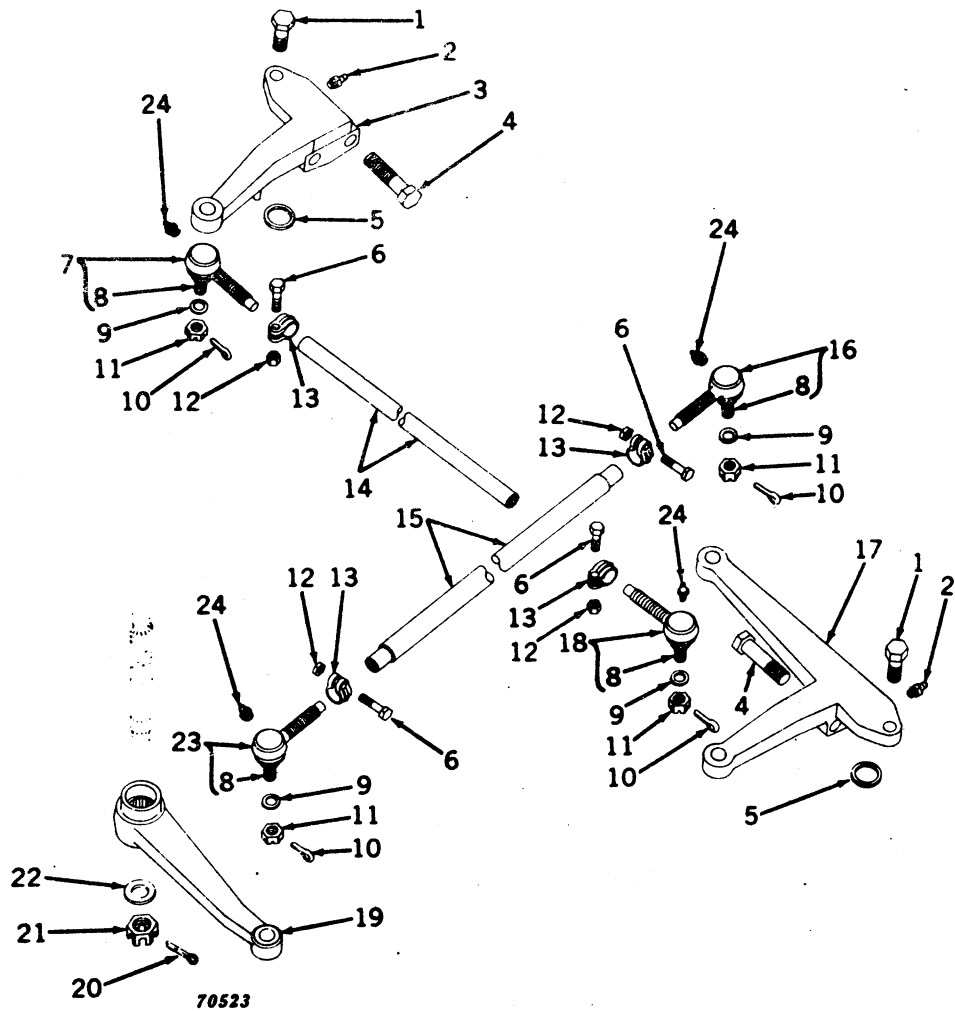
Key	Part No.	Serial No.	Description
1	11H 237 R	(-)	Pin, cotter, 1/8" x 2" (sub. for 11H45R)
2	C 1104 R	(-)	Nut, slotted, 7/8" (packed 25 in a pkg.)
3	24H 685 R	(-)	Washer, 29/32" x 1-3/4" x 6 gauge
4	R 536 R	(-)	Gear, steering
5	R 1138 R	(-)	Packing, O-ring (packed 5 in a pkg.)
6	R 540 R	(-)	Screw, adjusting
7	14H 655 R	(-)	Nut, jam, 1"
8	R 1637 R	(-)	Housing, steering gear
9	19H 1373 R	(-)	Screw, cap, 5/8" x 2" (3 used)
10	15H 254 R	(-)	Plug, pipe, 1/4" (2 used)
11	R 1539 R	(-)	Tube, steering gear shaft
12	AR 1273 R	(-)	Shaft, steering gear, with nuts
13	R 854 R	(-)	Bushing
14	A 120 R	(-)	Pin, dowel (2 used)

STEERING ARMS AND TIE RODS (80 Tractor)
(Serial No. 8000001-8199999)



Key	Part No.	Serial No.	Description
1	19H 1356 R	(-8199999)	Screw, cap, 5/8" x 1-3/4" (2 used)
2	JD 7759	(-8199999)	Fitting, grease (4 used)
3	AR 1191 R	(-8199999)	Arm, R1543R, with ball, L.H.
4	19H 1439 N	(-8199999)	Screw, cap, 5/8" x 3" (4 used)
5	A 4733 R	(-8199999)	Gasket (2 used) (packed 5 in a pkg.)
6	F 1631 R	(-8199999)	Rod, tie
7	AR 1192 R	(-8199999)	Link, drag, complete
8	C 838 R	(-8199999)	Bearing, ball stud (8 used) (packed 10 in a pkg.)
9	C 840 R	(-8199999)	Plug, screw (4 used)
10	11H 237 R	(-8199999)	Pin, cotter, 1/8" x 2" (4 used) (sub. for 11H49R)
11	AR 1190 R	(-8199999)	Arm, R1542R, steering, with balls, R.H.
12	H 982 R	(-8199999)	End, tie rod
13	A 4268 R	(-8199999)	End, tie rod, L.H. thread
	C 985 R	(-8199999)	Nut, jam, 7/8" (packed 10 in a pkg.)
	A 4269 R	(-8199999)	Nut, jam, 7/8", L.H. thread (packed 10 in a pkg.)
14	JD 7760	(-8199999)	Fitting, grease (2 used)
15	AR 1193 R	(-8199999)	Arm, R1544R, steering gear, with ball
16	11H 237 R	(-8199999)	Pin, cotter, 1/8" x 2" (sub. for 11H45R)
17	C 1104 R	(-8199999)	Nut, slotted, 7/8" (packed 25 in a pkg.)
18	24H 685 R	(-8199999)	Washer, 29/32" x 1-3/4" x 6 gauge
19	F 1617 R	(-8199999)	Ball, steering, arm (3 used)

STEERING ARMS AND TIE RODS (820, 830, 830-I Tractors)
(Serial No. 820000-)

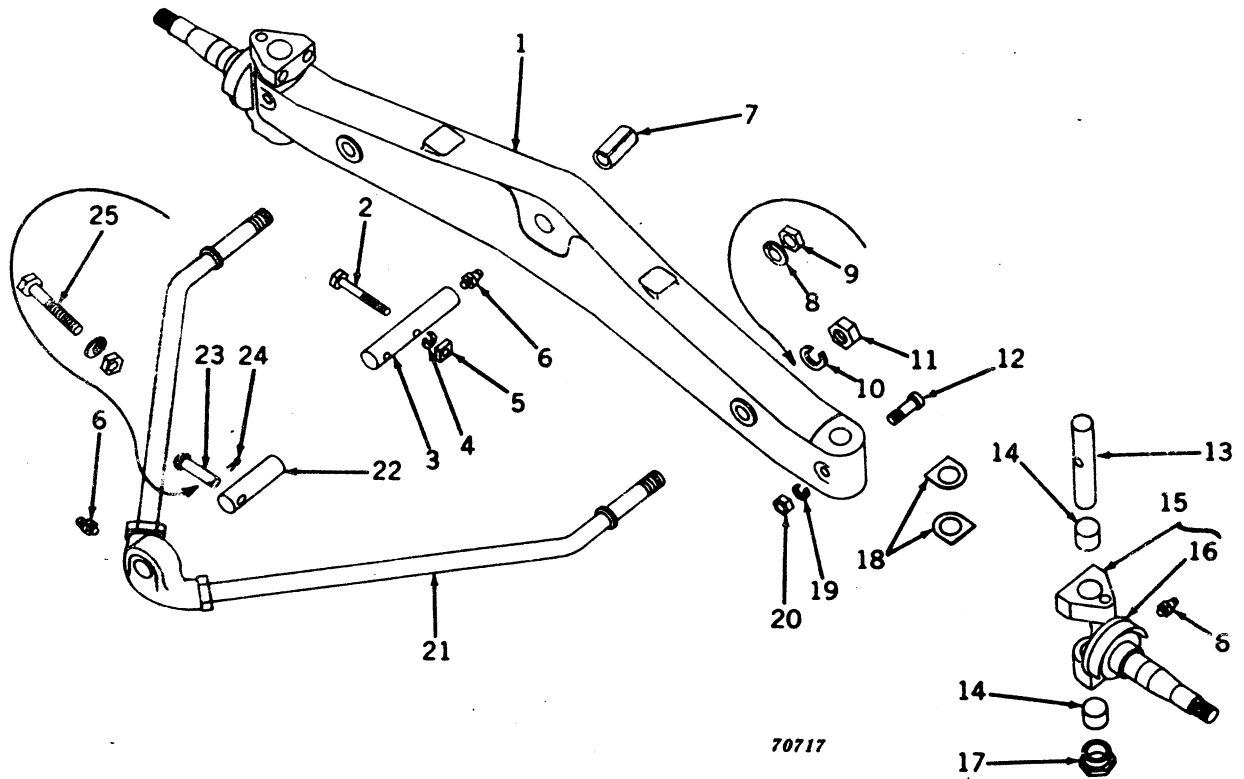


STEERING ARMS AND TIE RODS (820, 830, 830-I Tractors) -- Continued
(Serial No. 8200000-)

Key	Part No.	Serial No.	Description
1	19H 1356 R	(8200000-)	Screw, cap, 5/8" x 1-3/4" (2 used)
2	JD 7759	(8200000-)	Fitting, grease (2 used)
3	R 2563 R	(8200000-)	Arm, steering, L.H.
	R 20054 R*	(8300000-)	Arm, steering, L.H.
4	19H 1439 N	(8200000-)	Screw, cap, 5/8" x 3" (4 used)
	19H 1655 H*	(8300000-)	Screw, cap, high-strength, 5/8" x 3-1/4" (4 used)
5	A 4733 R	(8200000-)	Gasket (2 used) (packed 5 in a pkg.)
6	19H 1137 N	(8200000-)	Screw, cap, high-strength, 5/16" x 1-1/4" (4 used)
	19H 1004 T*	(8300000-)	Screw, cap, 1/2" x 2-1/4" (4 used) (sub. for 19H484R)
7	AR 21945 R	(8200000-)	Socket, tie rod end, L.H. (sub. for AF3178R)
	AR 20033 R*	(8300000-)	Socket, tie rod end, L.H.
8	F 3208 R	(8200000-)	Boot, rod end socket (4 used)
9	12H 14 R	(8200000-)	Washer, lock, 9/16" (4 used)
10	11H 234 R	(8200000-)	Pin, cotter, 3/32" x 1" (4 used) (sub. for 11H22R)
	11H 236 R*	(8300000-)	Pin, cotter, 1/8" x 1" (4 used) (sub. for 11H41R)
11	C 1783 R	(8200000-)	Nut, slotted, 9/16" (4 used)
	14H 531 H*	(8300000-)	Nut, 5/8" (4 used)
12	14H 785 R	(8200000-)	Nut, 5/16" (4 used)
	14H 809 T*	(8300000-)	Nut, 1/2" (4 used) (sub. for 14H259R)
13	L 409 T	(8200000-)	Clamp (4 used)
	M 2301 T*	(8300000-)	Clamp (4 used) (sub. for R20018R)
14	F 3207 R	(8200000-)	Rod, tie
	R 20022 R*	(8300000-)	Rod, tie
15	R 2564 R	(8200000-)	Link, drag
	R 20021 R*	(8300000-)	Link, drag
16	AR 21944 R	(8200000-)	Socket, rod end, drag link, front (sub. for AF3177R)
	AR 20032 R*	(8300000-)	Socket, rod end, drag link, front
17	R 2562 R	(8200000-)	Arm, steering, R.H.
	R 20053 R*	(8300000-)	Arm, steering, R.H.
18	AR 21944 R	(8200000-)	Socket, tie rod end, R.H. (sub. for AF3177R)
	AR 20032 R*	(8300000-)	Socket, tie rod end, R.H.
19	R 2565 R	(8200000-)	Arm, steering gear
	R 20055 R*	(8300000-)	Arm, steering gear
20	11H 237 R	(8200000-)	Pin, cotter, 1/8" x 2" (sub. for 11H45R)
21	C 1104 R	(8200000-)	Nut, slotted, 7/8" (packed 25 in a pkg.)
22	24H 685 R	(8200000-)	Washer, 29/32" x 1-3/4" x 6 gauge
23	AR 21945 R	(8200000-)	Socket, rod end, drag link, rear (sub. for AF3178R)
	AR 20033 R*	(8300000-)	Socket, rod end, drag link, rear
24	JD 7759*	(8300000-)	Fitting, grease (4 used)

*Parts for heavy-duty equipment and 830-I

FRONT AXLE ASSEMBLY

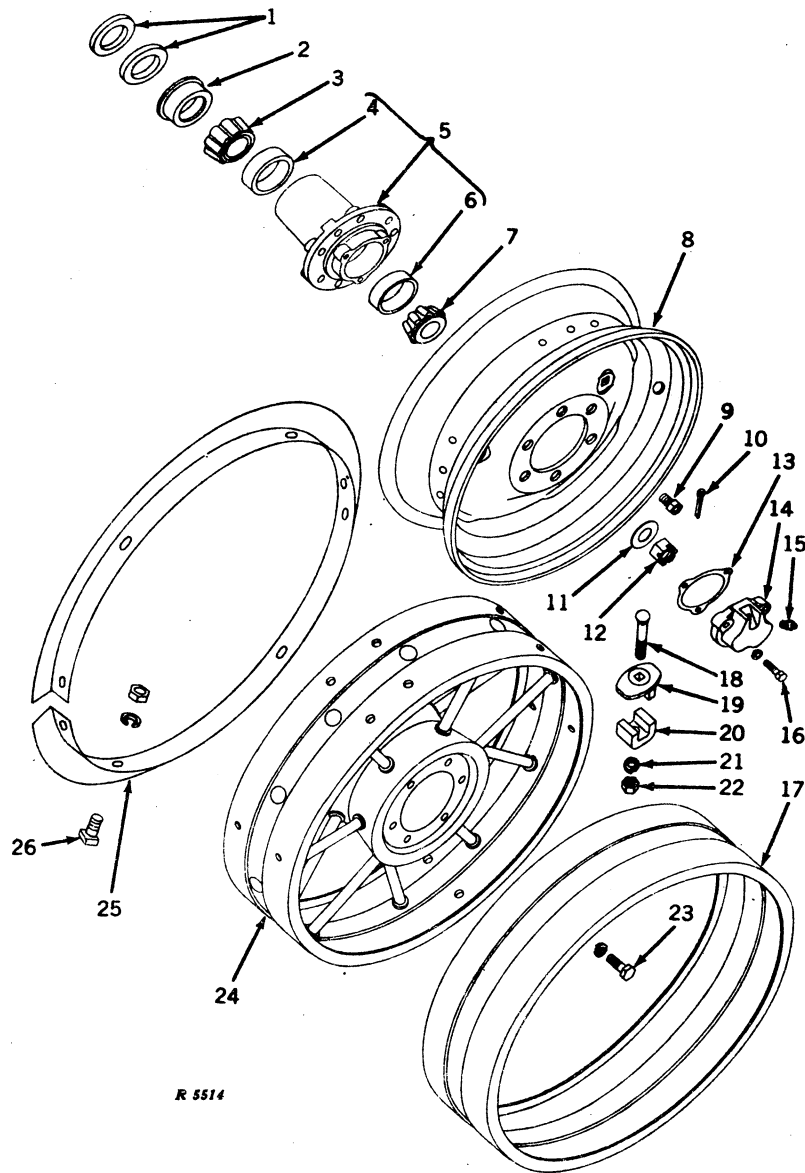


Key	Part No.	Serial No.	Description
1	R 1540 R	(-8203099)	Axle, front (sub. AR1829R)
	AR 1829 R	(8202100-)	Axle, R2720R, front, with bushing
	AR 21628 R*	(8300000-)	Axle, R21530R, front, with bushing (sub. for AR20072R and R20025R)
2	19H 1219 R	(-)	Screw, cap, 3/8" x 4-1/4"
	19H 1183 R*	(8300000-)	Screw, cap, high-strength, 1/2" x 5-1/2"
3	R 46 R	(-)	Pin, front axle pivot
	R 20023 R*	(8300000-)	Pin, front axle pivot
4	12H 11 R	(-)	Washer, lock, 3/8"
	12H 13 R*	(8300000-)	Washer, lock, 1/2"
5	14H 812 C	(-)	Nut, hex., 3/8" (sub. for 14H255R)
	14H 809 T*	(8300000-)	Nut, 1/2" (sub. for 14H259R)
6	JD 7759	(-)	Fitting, grease (4 used)
7	R 2721 R	(8203100-)	Bushing
	R 20024 R*	(8300000-)	Bushing
8	A 1522 R*	(8300000-)	Washer (2 used)
9	F 562 R*	(8300000-)	Nut (2 used)
10	12H 21 R	(-)	Washer, lock, 1" (2 used)
11	14H 411 R	(-)	Nut, 1" (2 used) (sub. for 14H272R)
12	D 156 R	(-)	Bolt, taper (2 used)
13	D 1701 R	(-)	Pin, spindle (2 used)
14	D 1888 R	(-)	Bushing, front wheel knuckle (4 used)
15	AR 1364 R	(-)	Knuckle, R1541R, front wheel, with bushings and dust excluder (2 used)
	AR 20073 R*	(8300000-)	Knuckle, R20026R, front wheel, with bushings and dust shield (2 used)
16	R 42 R	(-)	Excluder, dust (2 used)
17	D 1881 R	(-)	Cap, front wheel knuckle (2 used)
18	A 5325 R	(-)	Washer, thrust (4 used) (packed 2 in a pkg.)
19	12H 10 R	(-)	Washer, lock, 5/16" (2 used)
20	14H 785 R	(-)	Nut, 5/16" (2 used)
21	AR 345 R	(-)	Rod, radius
	AR 20031 R*	(8300000-)	Rod, radius
22	R 47 R	(-)	Pin, radius rod pivot
	R 20039 R*	(8300000-)	Pin, radius rod pivot
23	B 817 R	(-)	Rivet, radius rod pivot pin
24	11H 211 R	(-)	Pin, cotter, 1/8" x 3/4" (sub. for 11H39R)
25	19H 1264 T*	(8300000-)	Screw, cap
	12H 13 R*	(8300000-)	Washer, lock
	14H 809 T*	(8300000-)	Nut (sub. for 14H259R)

*Parts for Heavy-Duty Equipment and 830-I

MEMORANDA

FRONT WHEELS



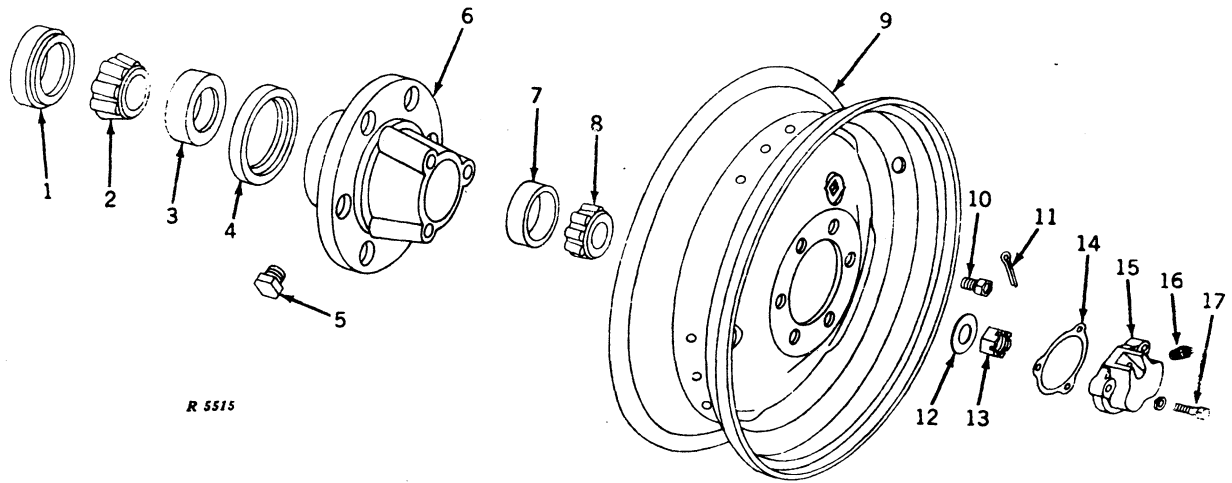
R 5514

FRONT WHEELS -- Continued

Key	Part No.	Serial No.	Description
1	R 3 R	(-)	Washer, felt (2 used) (sub. for AR573R)
2	R 2 R	(-)	Retainer, felt
3	JD 8133 R	(-)	Cone, with rollers
4	JD 7278 H	(-)	Cup, bearing
5	AR 358 R	(-)	Hub, R1R, with cups
6	JD 7266 R	(-)	Cup, bearing
7	JD 8186 R	(-)	Cone, with rollers
8	JD 1276 R	(-)	Wheel, disk (for 7.50 x 18, 4-or 6-ply rating tires)
9	JD 19 R	(-)	Bolt (6 used) (packed 20 in a pkg.)
10	11H 218 R	(-)	Pin, cotter, 3/16" x 1-1/2" (sub. for 11H84R)
11	A 5146 R	(-)	Washer
12	14H 540 R	(-)	Nut, special slotted, 1"
13	A 1556 R	(-)	Gasket (packed 10 in a pkg.)
14	A 1555 R	(-)	Cap (sub. for AA1407R)
15	JD 7759	(-)	Fitting, grease, 1/8", straight
16	F 2270 R	(-)	Screw, cap, 5/16" x 1-1/4" (3 used) (sub. for 19H124R)
	12H 10 R	(-)	Washer, lock, 5/16" (3 used)
17	AR 665 R	(-)	RIM, FRONT WHEEL EXTENSION, WITH FASTENINGS (SET OF TWO R833R, TWELVE D583R, D584R, 2H680R AND 14H809T) (ATTACHMENT)
18	2H 680 R	(-)	Bolt, cge., 1/2" x 3-1/4" (6 used) (order 2P681R, pkg. of 25)
19	D 584 R	(-)	Washer, extension rim clip (6 used)
20	D 583 R	(-)	Clip, extension rim (6 used)
21	12H 13 R	(-)	Washer, lock, 1/2" (6 used)
22	14H 809 T	(-)	Nut, 1/2" (6 used) (sub. for 14H259R)
23	19H 1084 R	(-)	Screw, cap, 1/2" x 1-3/8" (6 used)
	12H 13 R	(-)	Washer, lock, 1/2" (6 used)
24	JD 1279 R	(-)	Wheel (steel spoke type)
25	AR 664 R	(-)	BAND, FRONT WHEEL GUIDE (SET OF TWO R832R) (ATTACHMENT)
26	AA 388 R	(-)	BOLTS, GUIDE BAND, WITH NUTS AND LOCK WASHERS (PKG. OF SIXTEEN 19H444A, 12H13R AND 14H809T) (ATTACHMENT)
Parts listed below are not illustrated.			
	B 2016 R	(-)	WEIGHT, FRONT WHEEL 100 LB. (ATTACHMENT)
	AB 4265 R	(-)	BOLTS (FOR PAIR OF B2016R) (PKG. OF SIX 19H1218C, 12H13R, 14H809T AND 24H991R) (ATTACHMENT)

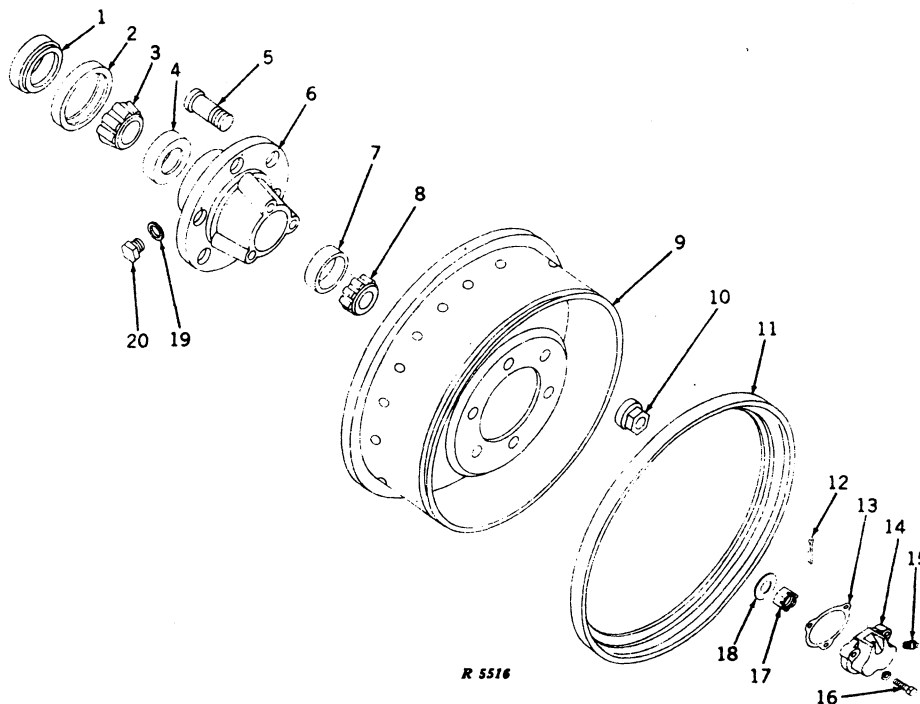
Capital letters indicate an attachment. Attachments must be listed on separate orders from replacement parts.

FRONT WHEELS (Heavy-Duty Equipment and 830-I)
(Serial No. 8300000-)



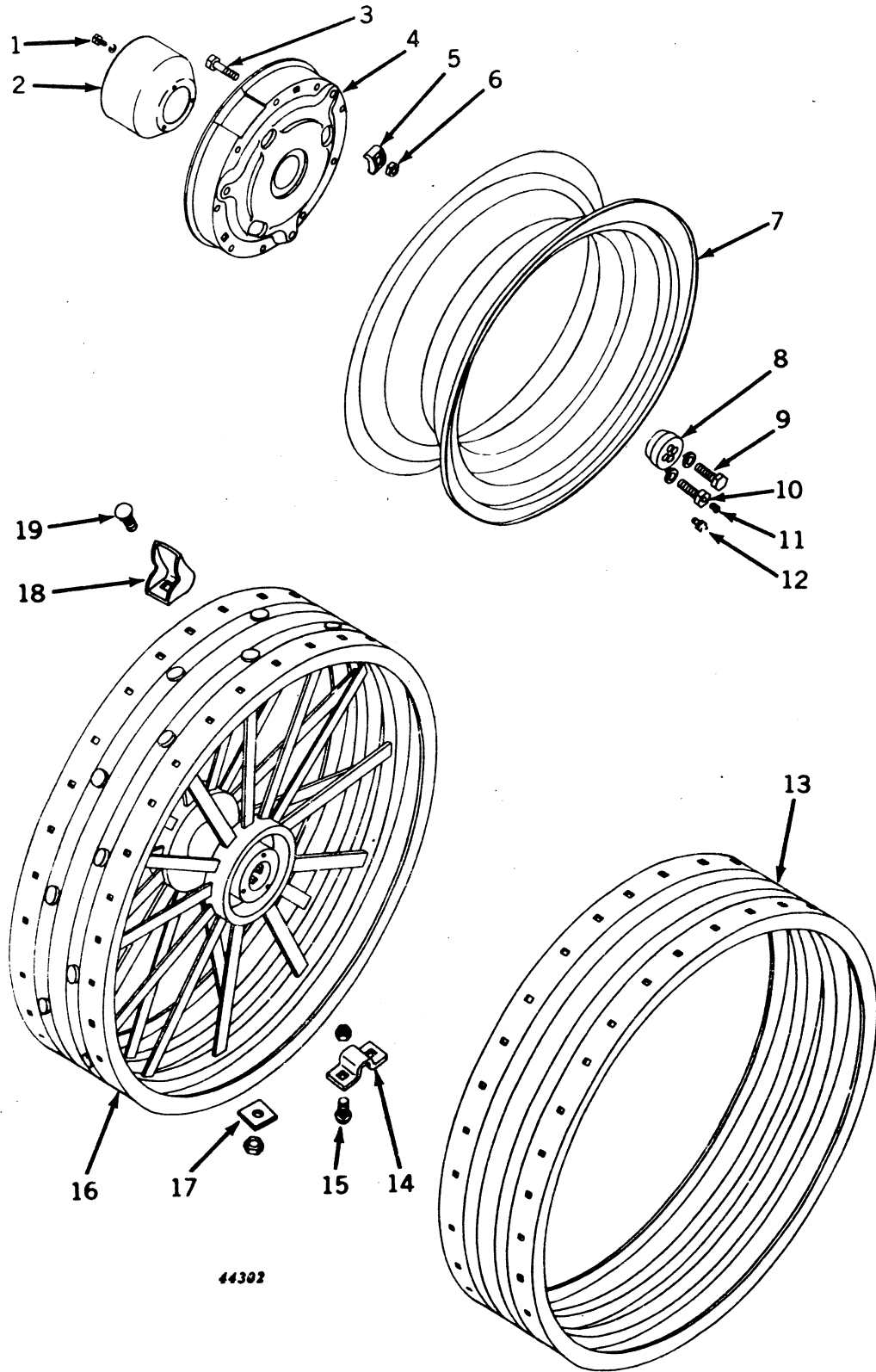
Key	Part No.	Serial No.	Description
1	AR 20016 R	(8300000-)	Seal, oil
2	JD 8908 R	(8300000-)	Cone, with rollers
3	JD 7439 H	(8300000-)	Cup, bearing
4	R 29034 R	(8300000-)	Spacer
5	15H 276 T	(8300000-)	Plug, pipe
6	R 21633 R	(8300000-)	Hub, less cups
7	JD 7266 R	(8300000-)	Cup, bearing
8	JD 8186 R	(8300000-)	Cone, with rollers
9	JD 1276 R	(8300000-)	Wheel, disk (for 7.50-18, 6-ply rating tires)
	AR 21765 R	(8300000-)	Wheel, disk (for 11.00-16, 8-ply rating tires)
10	JD 16 R	(8300000-)	Bolt (6 used) (packed 10 in a pkg.)
11	11H 218 R	(8300000-)	Pin, cotter, 3/16" x 1-1/2"
12	A 5146 R	(8300000-)	Washer
13	14H 540 R	(8300000-)	Nut, special slotted, 1"
14	A 1556 R	(8300000-)	Gasket (packed 10 in a pkg.)
15	A 1555 R	(8300000-)	Cap, hub
16	JD 7759	(8300000-)	Fitting, grease, 1/8", straight
17	F 2270 R	(8300000-)	Screw, cap, 5/16" x 1-1/4" (3 used)
	12H 10 R	(8300000-)	Washer, lock, 5/16" (3 used)

TRUCK TYPE FRONT WHEELS (Heavy-Duty Equipment and 830-I)
(Serial No. 8300000-)



Key	Part No.	Serial No.	Description
1	AR 20016 R	(8300000-)	Seal, oil
2	R 20034 R	(8300000-)	Spacer
3	JD 8908 R	(8300000-)	Cone, with rollers
4	JD 7439 H	(8300000-)	Cup, bearing
5	R 20033 R	(8300000-)	Stud (6 used)
6	AR 20017 R	(8300000-)	Hub, R20032R, with studs, less cups
7	JD 7266 R	(8300000-)	Cup, bearing
8	JD 8186 R	(8300000-)	Cone, with rollers
9	AR 20034 R	(8300000-)	Wheel, disk (for 8.25 x 20, 10-ply rating tires)
	JD 3203 R	(8300000-)	Wheel, disk, heavy duty truck type (for 11:00-16, 8-ply rating tires)
10	AR 20013 R	(8300000-)	Nut, locking (6 used)
11	R 20019 R	(8300000-)	Ring, side (use with AR20034R wheel)
	R 21764 R	(8300000-)	Ring, side (use with JD3203R wheel)
12	11H 218 R	(8300000-)	Pin, cotter, 3/16" x 1-1/2" (sub. for 11H84R)
13	A 1556 R	(8300000-)	Gasket (packed 5 in a pkg.)
14	A 1555 R	(8300000-)	Cap, hub (sub. for AA1407R)
15	JD 7759 R	(8300000-)	Fitting, grease, 1/8", straight
16	F 2270 R	(8300000-)	Screw, cap, 5/16" x 1-1/4" (3 used)
	12H 10 R	(8300000-)	Washer, lock, 5/16" (3 used)
17	14H 540 R	(8300000-)	Nut, special slotted, 1"
18	A 5146 R	(8300000-)	Washer
19	R 229 R	(8300000-)	Washer, aluminum
20	19H 1303 R	(8300000-)	Screw, cap, 5/8" x 3/4"

REAR WHEELS



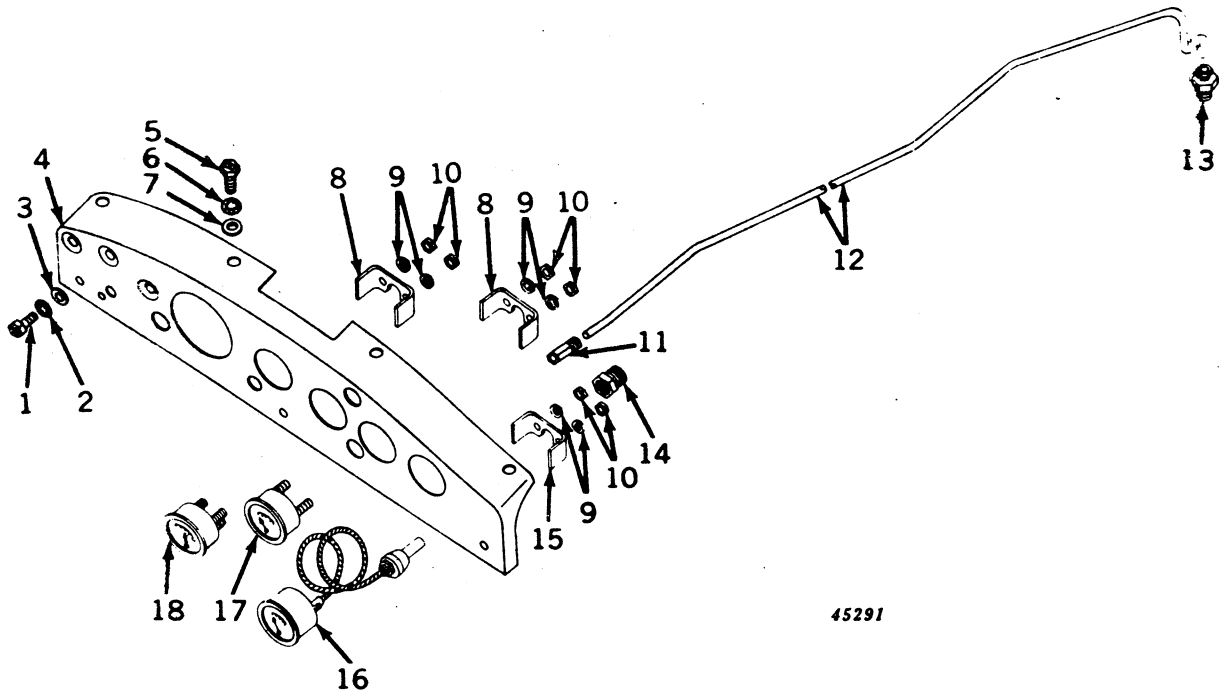
44302

REAR WHEELS -- Continued

Key	Part No.	Serial No.	Description
1	F 2272 R	(-)	Screw, special cap (3 used) (rice field tractors) (packed 10 in a pkg.)
	12H 11 R	(-)	Washer, lock, 3/8" (3 used) (rice field tractors)
2	R 837 R	(-)	Guard, mud (rice field tractors)
3	AA 4029 R	(-)	Bolt, mach., with nuts, 5/8" x 2-3/4" (pkg. of 6) (8 used with R15R and R838R, 9 used with R1600R and R2522R)
4	R 838 R	(-)	Wheel, cast disk, rear (for 14-34 or 15-34 tire and rim)
	R 1600 R	(-)	Wheel, cast disk, rear (for 18-26 tire and rim)
	R 2522 R	(-)	Wheel, cast disk, rear (for 18-26 tire and 20" rim) (used in pairs provides 67-1/4" or 83-1/4" tread setting only)
	R 21760 R	(-)	Wheel, cast disk, rear (for 18-26 tire and 20" rim) (used in pairs provides 70-1/2" tread setting only)
5	B 634 R	(-)	Clamp, rim (8 used with R15R and R838R, 9 used with R1600R and R2522R)
6	14H 800 R	(-)	Nut, 5/8" (8 used with R15R and R838R, 9 used with R1600R and R2522R)
7	AR 649 R	(-)	Rim, demountable (14") (for 14-34 or 15-34, 6-ply rating tires) (use with R838R)
	AR 771 R	(-)	Rim, demountable (16") (for 18-26, 8-ply rating tires) (use with R1600R)
	AP 22529 H	(-)	Rim, demountable (20") (for 18-26, 8-ply rating tires) (use with R2522R)
	R 2589 R	(-)	Rim, demountable (16") (for 14-34 or 15-34, 6-ply rating tires) (use with R838R)
	AR 21249 R	(8300000-	Rim, demountable, with drive plate (for 18.00-26, 10-ply rating tires) (use with R2522R on 831I)
8	R 14 R	(-)	Retainer, drive wheel
9	19H 1391 R	(-)	Screw, special cap, 3/4" x 2-1/4"
	12H 17 R	(-)	Washer, lock, 3/4"
10	R 1168 R	(-)	Screw, special cap
	12H 17 R	(-)	Washer, lock, 3/4"
11	15H 253 R	(-)	Plug, pipe, 1/8"
12	JD 7759	(-)	Fitting, grease (rice field tractors)
13	R 834 R	(-)	Rim, extension
14	AD 632 R	(-)	CLIP, EXTENSION RIM (SET OF SIX D713R) (ATTACHMENT)
15	AD 2803 R	(-)	BOLT, LUG, WITH NUT (PKG. OF TWENTY-FIVE D411R AND 14H404R) (ATTACHMENT)
16	JD 1280 R	(-)	Wheel, rear (spoke type)
17	AD 2856 R	(-)	WASHER, SPADE LUG (PKG. OF EIGHT D938R) (ATTACHMENT)
18	AD 2855 R	(-)	LUG, HEAVY-DUTY, 5" SPADE (SET OF EIGHT) (ATTACHMENT)
	AD 2484 R	(-)	LUG, 6" SPADE (SET OF TWELVE D573R) (ATTACHMENT)
19	AD 2803 R	(-)	BOLT, LUG, WITH NUT (PKG. OF TWENTY-FIVE D411R AND 14H404R) (ATTACHMENT)
Parts for Steel Rim Assembly - Not Illustrated.			
	AR 1470 R	(-)	Rim, steel wheel, 14" (2 used) (used with R1600R)
	AA 4029 R	(-)	Bolt, special square, with nut (set of 6) (3 sets used per tractor rim to wheel)
	12H 15 R	(-)	Washer, lock (9 used)
	AD 2855 R	(-)	Lug, heavy-duty spade (set of eight D2121R) (6 sets used) (also furnish one AA342R bolt and one AD2856R washer)
	AD 2484 R	(-)	Lug, 6" spade (set of twelve D573R) (4 sets used) (also furnish one AA342R bolt and one AD2856R washer)
	AD 1465 R	(-)	Lug, 6" A-shape (set of twelve D2627R) (4 sets used) (also furnish one AA342R bolts and two AD2803R bolts and fifty 12H17R lock washers)

Capital letters indicate an attachment. Attachments must be listed on separate orders from replacement parts.

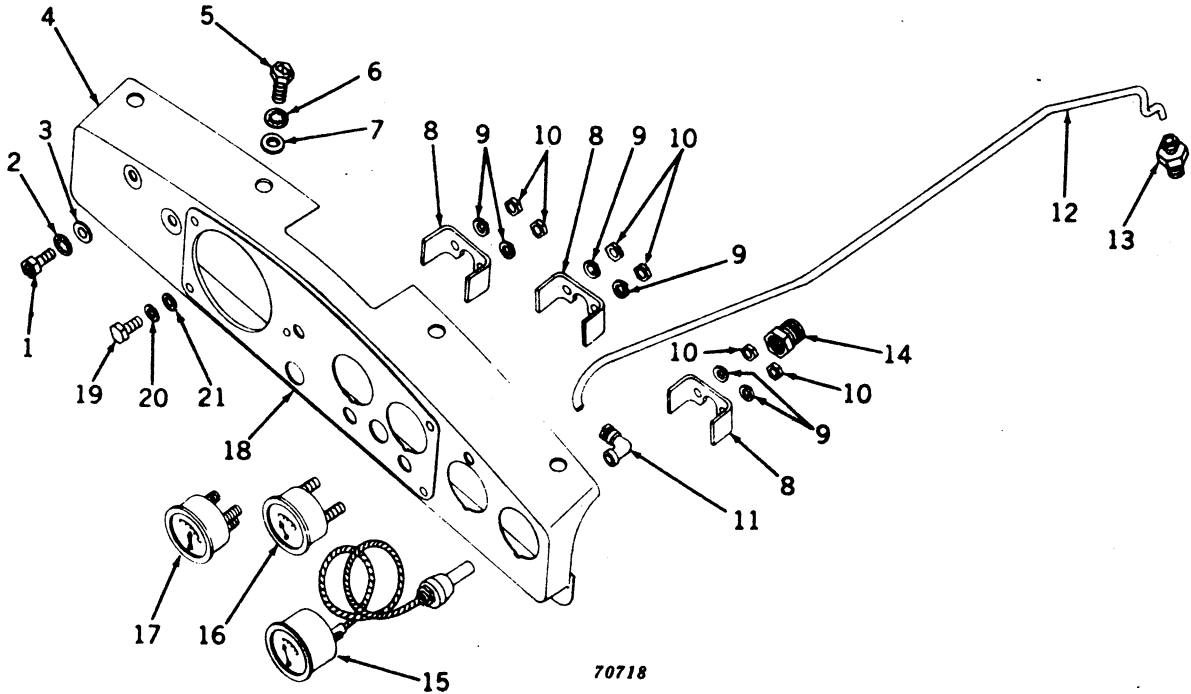
INSTRUMENT PANEL AND GAUGES
(Serial No. 8000001-8199999)



45291

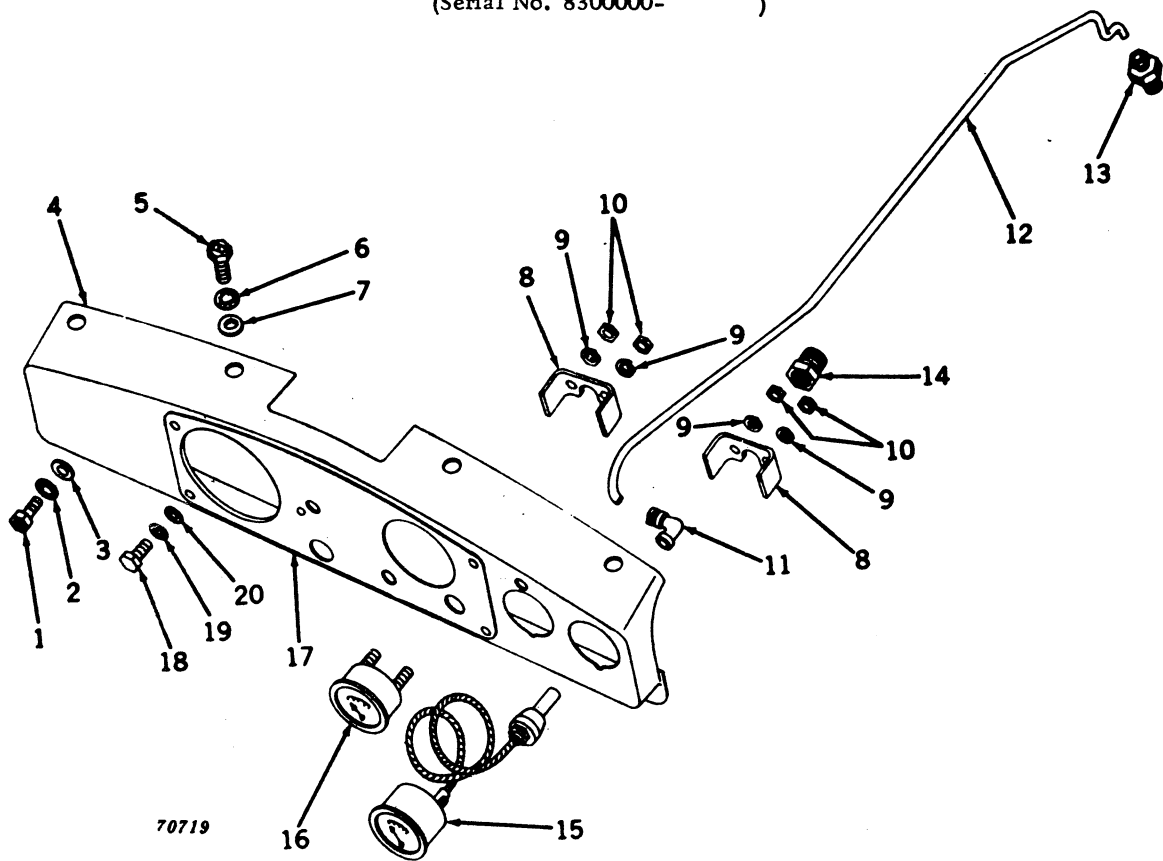
Key	Part No.	Serial No.	Description
1	H 1085 R	(-8199999)	Screw, special mach. (3 used) (packed 50 in a pkg.)
2	12H 291 R	(-8199999)	Washer, lock (shakeproof) (3 used) (sub. for A3546R)
3	24H 143 R	(-8199999)	Washer, 21/64" x 3/4" x 16 gauge (3 used)
4	AR 1311 R	(-8199999)	Panel, instrument
5	H 1085 R	(-8199999)	Screw, special mach. (4 used) (packed 50 in a pkg.)
6	12H 291 R	(-8199999)	Washer, lock (shakeproof) (4 used) (sub. for A3546R)
7	24H 143 R	(-8199999)	Washer, 21/64" x 3/4" x 16 gauge (4 used)
8	A 1712 R	(-8199999)	Clamp (2 used)
9	A 767 R	(-8199999)	Washer, lock (6 used)
10	14H 631 R	(-8199999)	Nut (5 used)
11	AR 1312 R	(-8199999)	Connector
12	R 1586 R	(-8199999)	Pipe, oil pressure gauge
13	AR 858 R	(-8199999)	Connector
14	A 1248 R	(-8199999)	Bushing, heat indicator tube
15	A 1712 R	(-8199999)	Clamp
16	AR 490 R	(-8199999)	Heat indicator, with bushing, nuts, and lock washers
17	AF 2729 R	(-8199999)	Gauge, oil pressure, with clamp, nuts, and lock washers (sub. for AR492R and AF2868R)
	AF 3395 R	(-8199999)	Gauge, oil pressure, with clamp, nuts, and lock washers (Spanish)
18	AF 2749 R	(-8199999)	Ammeter, with clamp, nuts, and lock washers (sub. for AB2568R)
	AR 1672 R	(-8199999)	Heat indicator, with bushing, nuts, and lock washers (Spanish)

INSTRUMENT PANEL AND GAUGES (C.E.)
(Serial No. 8200000-)



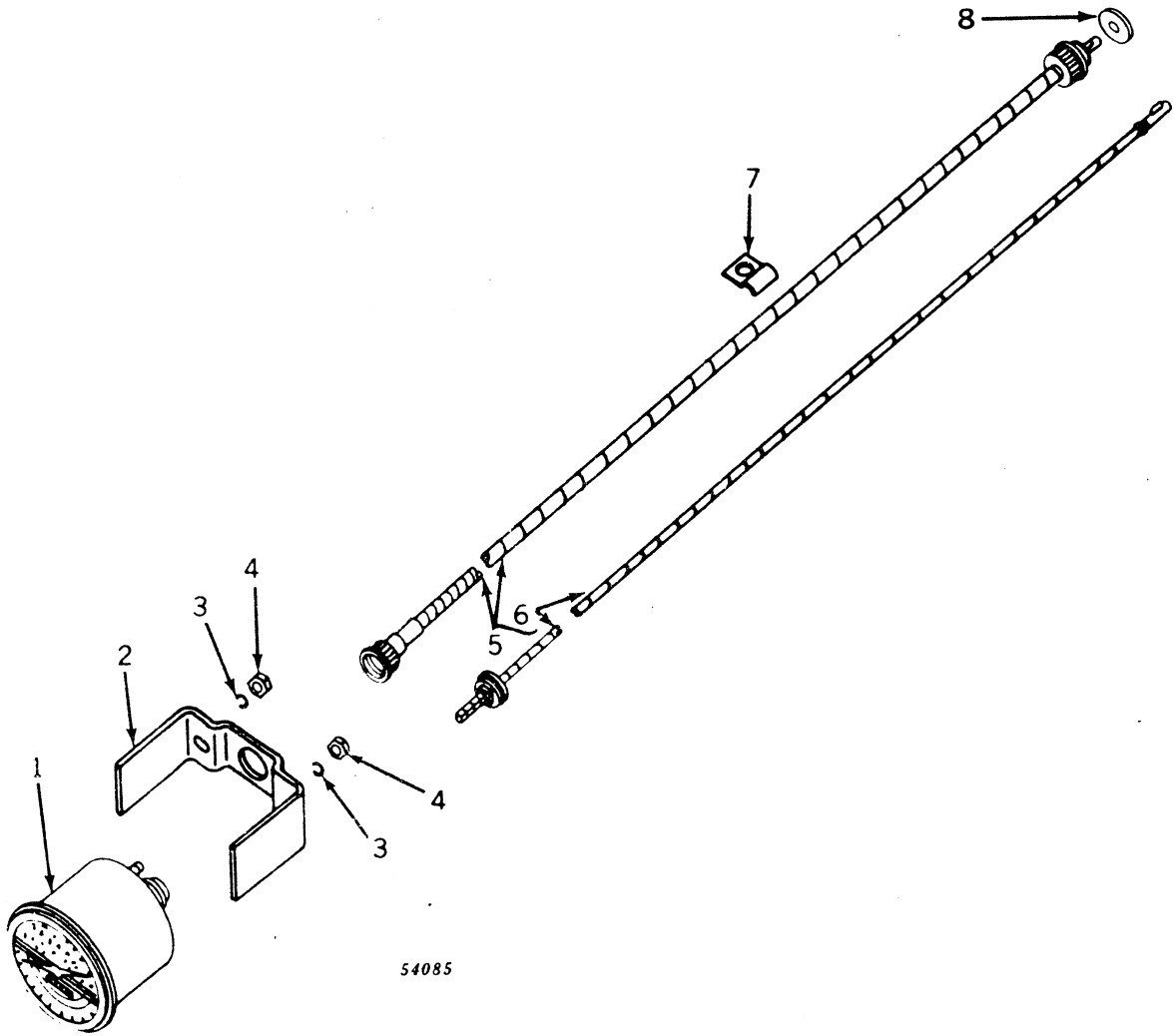
Key	Part No.	Serial No.	Description
1	H 1085 R	(8200000-)	Screw, special mach. (3 used) (packed 50 in a pkg.)
2	12H 291 R	(8200000-)	Washer, lock (shakeproof) (3 used)
3	24H 143 R	(8200000-)	Washer, 21/64" x 3/4" x 16 gauge (3 used)
4	AR 20412 R	(8200000-)	Panel, instrument (sub. for AR1555R)
5	H 1085 R	(8200000-)	Screw, special mach. (4 used) (packed 50 in a pkg.)
6	12H 291 R	(8200000-)	Washer, lock (shakeproof) (4 used)
7	24H 143 R	(8200000-)	Washer, 21/64" x 3/4" x 16 gauge (4 used)
8	A 1712 R	(8200000-)	Clamp (3 used)
9	A 767 R	(8200000-)	Washer, lock (6 used)
10	14H 631 R	(8200000-)	Nut (6 used)
11	AA 4936 R	(8200000-)	Elbow
12	R 2542 R	(8200000-)	Pipe, oil pressure gauge
13	AR 858 R	(8200000-)	Connector
14	A 1248 R	(8200000-)	Bushing, heat indicator tube
15	AR 490 R	(8200000-)	Heat indicator, with bushing, nuts, and lock washers
	AR 1672 R	(8200000-)	Heat indicator, with bushing, nuts, and lock washers (Spanish)
16	AF 2729 R	(8200000-)	Gauge, oil pressure, with clamp, nuts, and lock washers (sub. for AF2868R)
	AF 3395 R	(8200000-)	Gauge, oil pressure, with clamp, nuts, and lock washers (Spanish)
17	AF 2749 R	(8200000-)	Ammeter, with clamp, nuts, and lock washers
18	R 2541 R	(8200000-)	Panel, electrical instrument
19	H 1085 R	(8200000-)	Screw, special mach. (4 used) (packed 50 in a pkg.)
20	12H 291 R	(8200000-)	Washer, lock (shakeproof) (4 used)
21	24H 143 R	(8200000-)	Washer, 21/64" x 3/4" x 16 gauge (4 used)

INSTRUMENT PANEL AND GAUGES (Elec.)
(Serial No. 8300000-)



Key	Part No.	Serial No.	Description
1	H 1085 R	(8300000-)	Screw, special mach. (3 used) (packed 50 in a pkg.)
2	12H 291 R	(8300000-)	Washer, lock (shakeproof) (3 used)
3	24H 143 R	(8300000-)	Washer, 21/64" x 3/4" x 16 gauge (3 used)
4	AR 20581 R	(8300000-)	Panel, instrument
5	H 1085 R	(8300000-)	Screw, special mach. (4 used) (packed 50 in a pkg.)
6	12H 291 R	(8300000-)	Washer, lock (shakeproof) (4 used)
7	24H 143 R	(8300000-)	Washer, 21/64" x 3/4" x 16 gauge (4 used)
8	A 1712 R	(8300000-)	Clamp (3 used)
9	A 767 R	(8300000-)	Washer, lock (6 used)
10	14H 631 R	(8300000-)	Nut (6 used)
11	AA 4936 R	(8300000-)	Elbow
12	R 2542 R	(8300000-)	Pipe, oil pressure gauge
13	AR 858 R	(8300000-)	Connector
14	A 1248 R	(8300000-)	Bushing, heat indicator tube
15	AR 490 R	(8300000-)	Heat indicator, with bushing, nuts, and lock washers
	AR 1672 R	(8300000-)	Heat indicator, with bushing, nuts, and lock washers (Spanish)
16	AF 2729 R	(8300000-)	Gauge, oil pressure, with clamp, nuts, and lock washers (sub. for AF2868R)
	AF 3395 R	(8300000-)	Gauge, oil pressure, with clamp, nuts, and lock washers (Spanish)
17	R 20446 R	(8300000-)	Panel, electrical instrument
18	H 1085 R	(8300000-)	Screw, special mach. (4 used) (packed 50 in a pkg.)
19	12H 291 R	(8300000-)	Washer, lock (shakeproof) (4 used)
20	24H 143 R	(8300000-)	Washer, 21/64" x 3/4" x 16 gauge (4 used)

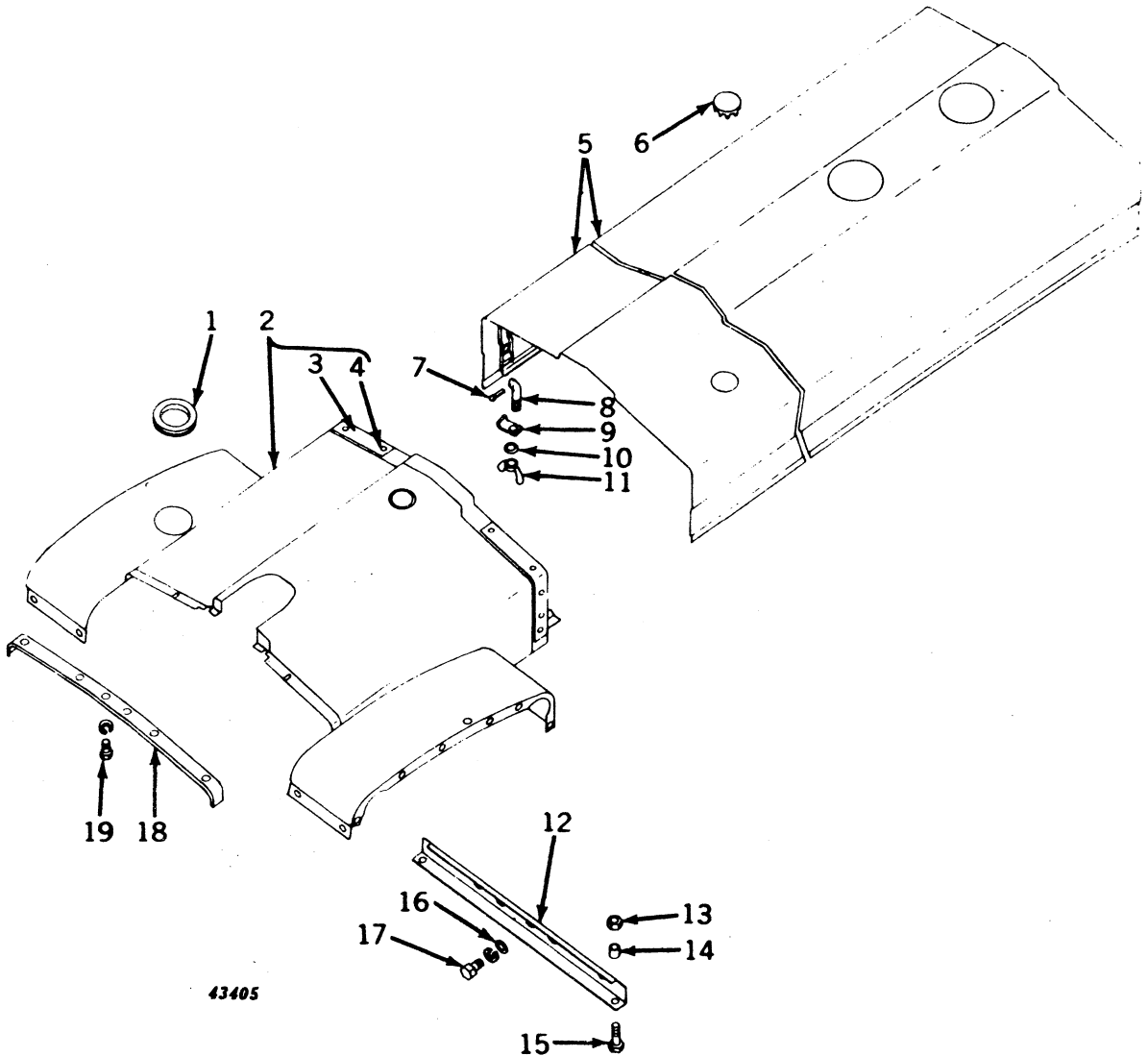
SPEED-HOUR METER



54085

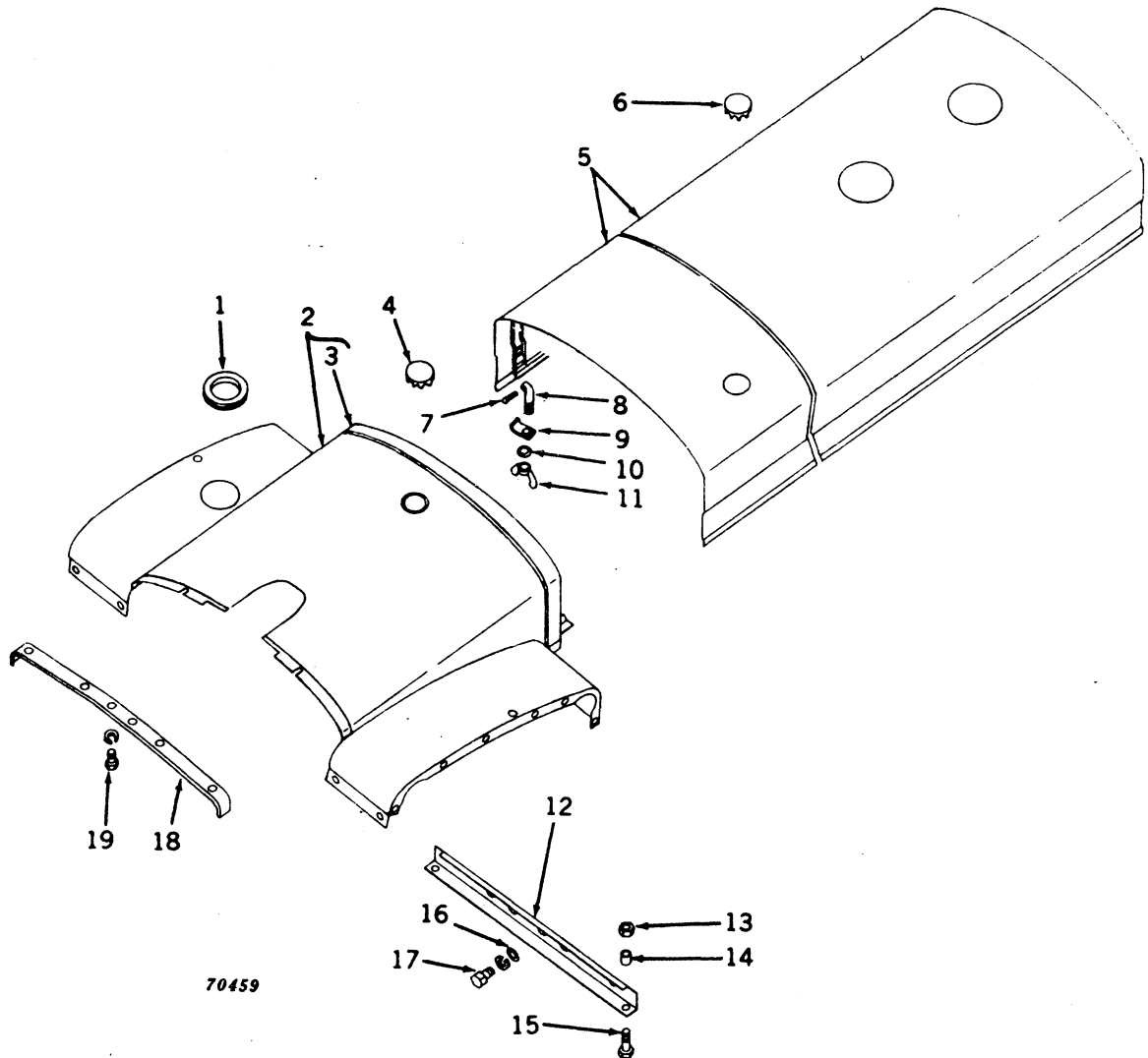
Key	Part No.	Serial No.	Description
1	AR 1317 R	(-)	Speed-hour meter
	AR 1458 R	(-)	Speed-hour meter (kilometers)
2	F 1977 R	(-)	Clamp, speed-hour meter
3	12H 36 R	(-)	Washer, lock (2 used)
4	14H 631 R	(-)	Nut (2 used)
5	AR 1318 R	(-)	Shaft, flexible, speed-hour meter, with cable
6	AR 1358 R	(-)	Cable, speed-hour meter (Stewart-Warner)
	AR 1357 R	(-)	Cable, speed-hour meter (AC Spark Plug Div.)
7	A 2421 R	(-)	Clip
8	B 3285 R	(-)	Gasket

HOOD AND COWL
(Serial No. 8000001-8299999)



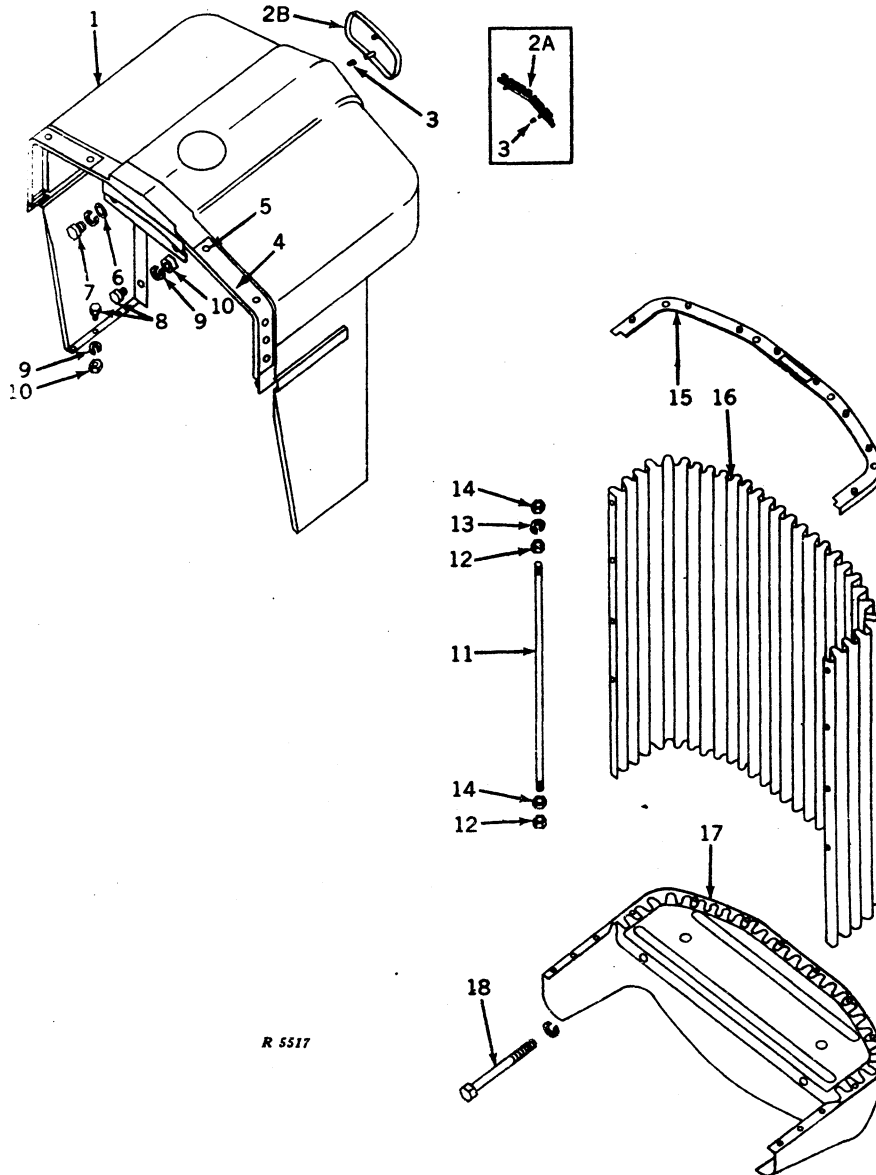
Key	Part No.	Serial No.	Description
1	R 1385 R	(-8299999)	Grommet
2	AR 1642 R	(-8299999)	Cowl (sub. for AR1138R)
3	R 170 R	(-8299999)	Cushion, 1/8" x 1-1/2" x 14-7/8" (2 used) (sub. R21736R, 1/8" x 1-1/2" x 60")
4	D 1520 R	(-8299999)	Rivet, 9/64" x 5/16" (10 used) (packed 100 in a pkg.)
5	AR 1166 R	(-8299999)	Hood
6	F 1676 R	(-8299999)	Plug
7	11H 206 R	(-8299999)	Pin, cotter, 3/32" x 3/4" (4 used) (sub. for 11H19R)
8	R 1068 R	(-8299999)	Bolt, hood clamp (4 used)
9	R 21652 R	(-8299999)	Clip (4 used) (sub. for R1117R)
10	24H 143 R	(-8299999)	Washer, 21/64" x 3/4" x 16 gauge (4 used)
11	A 4735 R	(-8299999)	Nut, wing (4 used) (packed 10 in a pkg.)
12	R 1384 R	(-8299999)	Support, cowl side
13	14H 812 C	(-8299999)	Nut, 3/8" (2 used) (sub. for 14H255R)
14	F 671 R	(-8299999)	Spacer (2 used)
15	19H 1216 R	(-8299999)	Screw, cap, 3/8" x 2-3/4" (2 used)
16	D 2865 R	(-8299999)	Washer (2 used)
17	19H 438 R	(-8299999)	Screw, special cap, 1/2" x 1" (2 used)
	12H 13 R	(-8299999)	Washer, lock, 1/2" (2 used)
18	AR 1140 R	(-8299999)	Support, cowl rear
19	F 2272 R	(-8299999)	Screw, special cap (2 used)
	12H 11 R	(-8299999)	Washer, lock, 3/8" (2 used)

HOOD AND COWL
(Serial No. 8300000-)



Key	Part No.	Serial No.	Description
1	R 1385 R	(8300000-)	Grommet
2	AR 20410 R	(8300000-)	Cowl
3	R 20297 R	(8300000-)	Cushion, 1/8" x 1-1/2" x 43" (sub. R21736R, 1/8" x 1-1/2" x 60")
4	R 20513 R	(8300000-)	Plug, button
5	AR 20405 R	(8300000-)	Hood
	AR 21367 R	(8300000-)	Hood (830-I) (do not stock)
6	F 1676 R	(8300000-)	Plug
7	11H 206 R	(8300000-)	Pin, cotter, 3/32" x 3/4" (4 used) (sub. for 11H19R)
8	R 1068 R	(8300000-)	Bolt, hood clamp (4 used)
9	R 21562 R	(8300000-)	Clip (4 used) (sub. for R1117R)
10	24H 143 R	(8300000-)	Washer, 21/64" x 3/4" x 16 gauge (4 used)
11	A 4735 R	(8300000-)	Nut, wing (4 used) (packed 10 in a pkg.)
12	R 1384 R	(8300000-)	Support, cowl side
13	14H 812 C	(8300000-)	Nut, 3/8" (2 used) (sub. for 14H255R)
14	F 671 R	(8300000-)	Spacer (2 used)
15	19H 1216 R	(8300000-)	Screw, cap, 3/8" x 2-3/4" (2 used)
16	D 2865 R	(8300000-)	Washer (2 used)
17	19H 438 R	(8300000-)	Screw, special cap, 1/2" x 1" (2 used)
	12H 13 R	(8300000-)	Washer, lock, 1/2" (2 used)
18	AR 1140 R	(8300000-)	Support, cowl rear
19	F 2272 R	(8300000-)	Screw, special cap (2 used)
	12H 11 R	(8300000-)	Washer, lock, 3/8" (2 used)

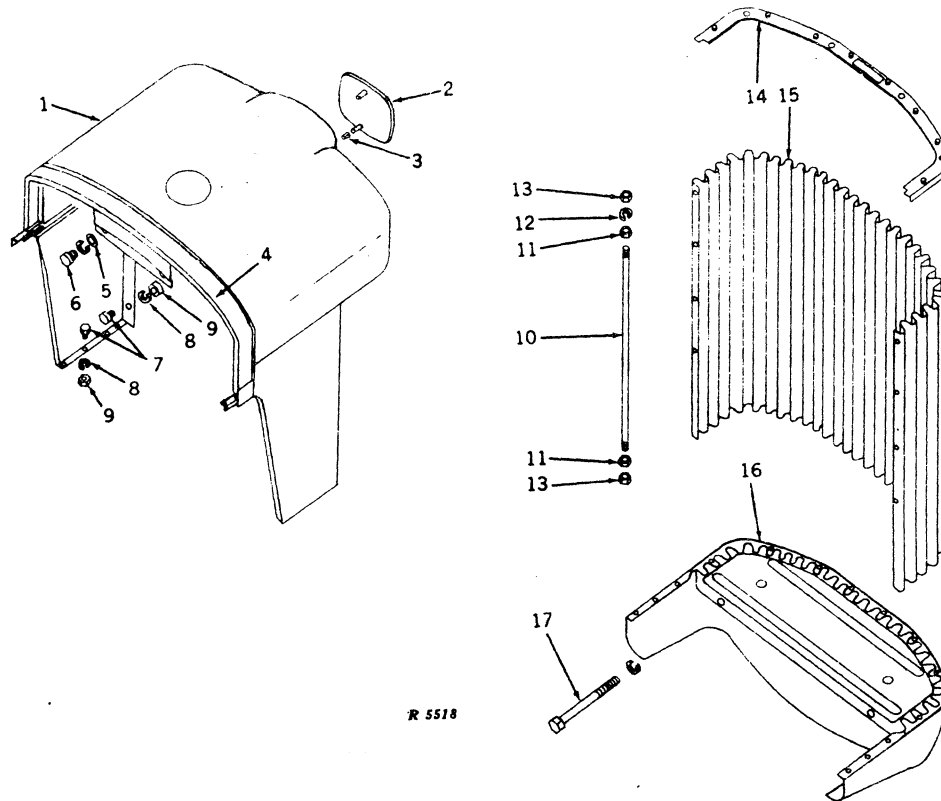
GRILLE
(Serial No. 8000001-8299999)



R 5517

Key	Part No.	Serial No.	Description
1	AR 1168 R	(-8299999)	Top, grille, and sides
2A	AA 5383 R	(-8199999)	Plate, name, with clips
2B	AF 3261 R	(8200000-8299999)	Medallion, with clips
3	A 4679 R	(-8299999)	Clip, speed (2 used)
4	R 170 R	(-8299999)	Cushion, 1/8" x 1-1/2" x 14-7/8" (2 used) (sub. R21736R, 1/8" x 1-1/2" x 60")
5	D 1520 R	(-8299999)	Rivet, 9/64" x 5/16" (10 used) (packed 100 in a pkg.)
6	24H 169 R	(-8299999)	Washer, 15/32" x 15/16" x 16 gauge (2 used)
7	19H 1056 H	(-8299999)	Screw, cap, 7/16" x 1" (2 used)
8	12H 12 R	(-8299999)	Washer, lock, 7/16" (2 used)
9	19H 1227 M	(-8299999)	Screw, cap, 1/4" x 1/2" (14 used) (sub. for 19H13R)
10	12H 9 R	(-8299999)	Washer, lock, 1/4" (14 used)
11	14H 786 M	(-8299999)	Nut, 1/4" (14 used) (sub. for 14H251R)
12	R 1189 R	(-8299999)	Rod, grille (4 used)
13	14H 611 R	(-8299999)	Nut, jam, 5/16" (8 used) (sub. for 14H340H)
14	12H 10 R	(-8299999)	Washer, lock, 5/16" (4 used)
15	14H 785 R	(-8299999)	Nut, 5/16" (8 used)
16	AR 1189 R	(-8299999)	Retainer, grille
17	R 293 R	(-8299999)	Screen, grille
18	AR 1169 R	(-8299999)	Bottom, grille
19	19H 1249 R	(-8299999)	Screw, cap, 3/8" x 6-3/8" (2 used) (sub. for 8H3789R)
20	12H 11 R	(-8299999)	Washer, lock, 3/8" (2 used)

GRILLE
(Serial No. 8300000-)

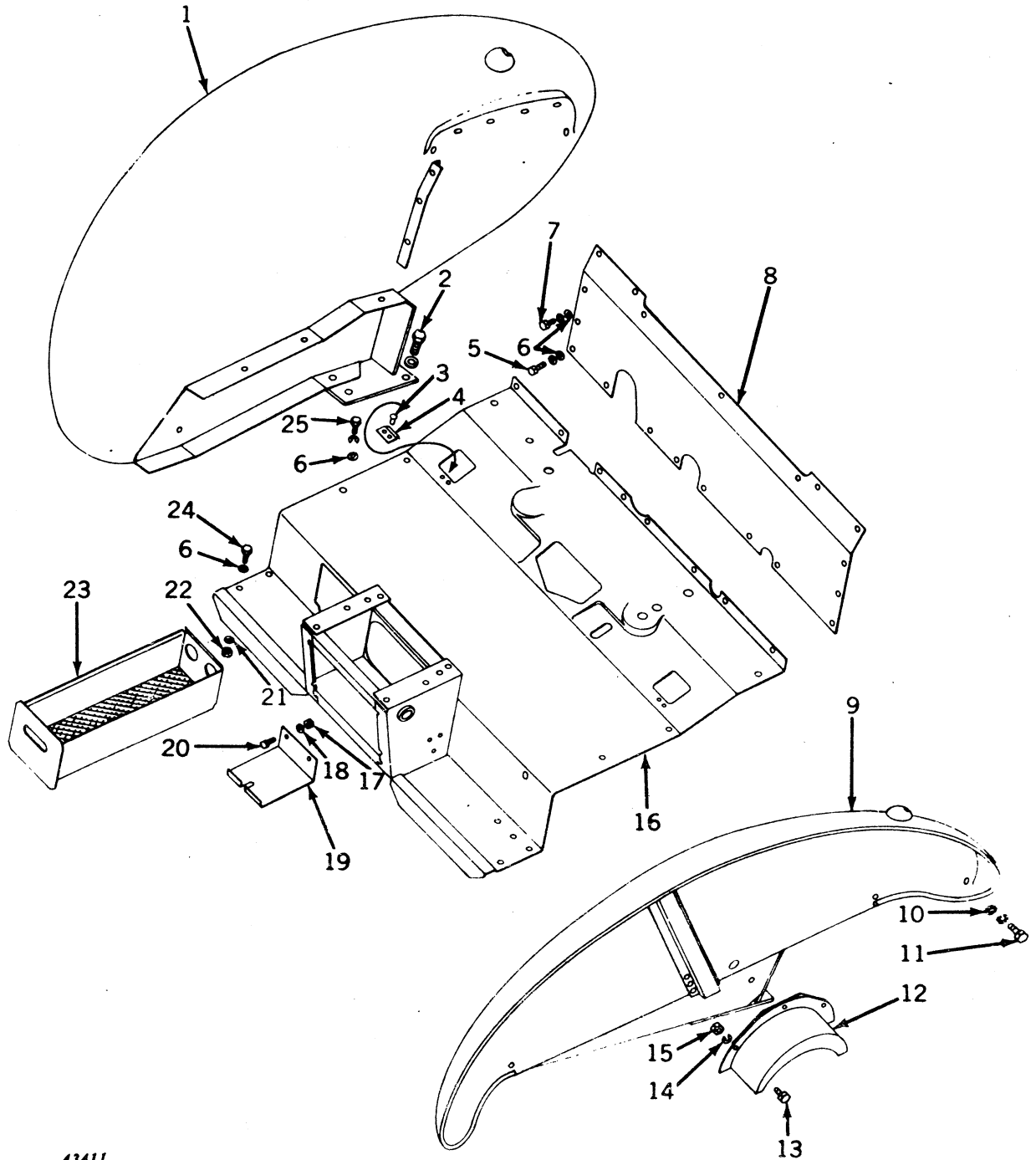


R 5518

Key	Part No.	Serial No.	Description
1	AR 20681 R	(8300000-)	Top, grille, and sides
2	AR 21112 R	(8300000-)	Medallion, with clips
	AR 21565 R	(8300000-)	Medallion, with clips (830-I)
3	A 4679 R	(8300000-)	Clip, speed (2 used)
4	R 20287 R	(8300000-)	Cushion, 1/8" x 1-1/2" x 49-3/4" (sub. R21736R, 1/8" x 1" x 60")
5	24H 169 R	(8300000-)	Washer, 15/32" x 15/16" gauge (2 used)
6	19H 1056 H	(8300000-)	Screw, cap, 7/16" x 1" (2 used)
	12H 12 R	(8300000-)	Washer, lock, 7/16" (2 used)
7	19H 13 R	(8300000-)	Screw, cap, 1/4" x 1/2" (14 used)
8	12H 9 R	(8300000-)	Washer, lock, 1/4" (14 used)
9	14H 786 M	(8300000-)	Nut, 1/4" (14 used) (sub. for 14H251R)
10	R 1189 R	(8300000-)	Rod, grille (4 used)
11	14H 611 R	(8300000-)	Nut, jam, 5/16" (8 used) (sub. for 14H340H)
12	12H 10 R	(8300000-)	Washer, lock, 5/16" (4 used)
13	14H 785 R	(8300000-)	Nut, 5/16" (8 used)
14	AR 718 R	(8300000-)	Retainer, grille
15	R 293 R	(8300000-)	Screen, grille
16	AR 1169 R	(8300000-)	Bottom, grille
	AR 21197 R*	(8300000-)	Bottom, grille
17	19H 1249 R	(8300000-)	Bolt, mach., 3/8" x 6-3/8" (2 used) (sub. for 8H3789R)
	12H 11 R	(8300000-)	Washer, lock, 3/8" (2 used)

*Parts for heavy-duty equipment and 830-I.

FENDERS, PLATFORM, AND DASH

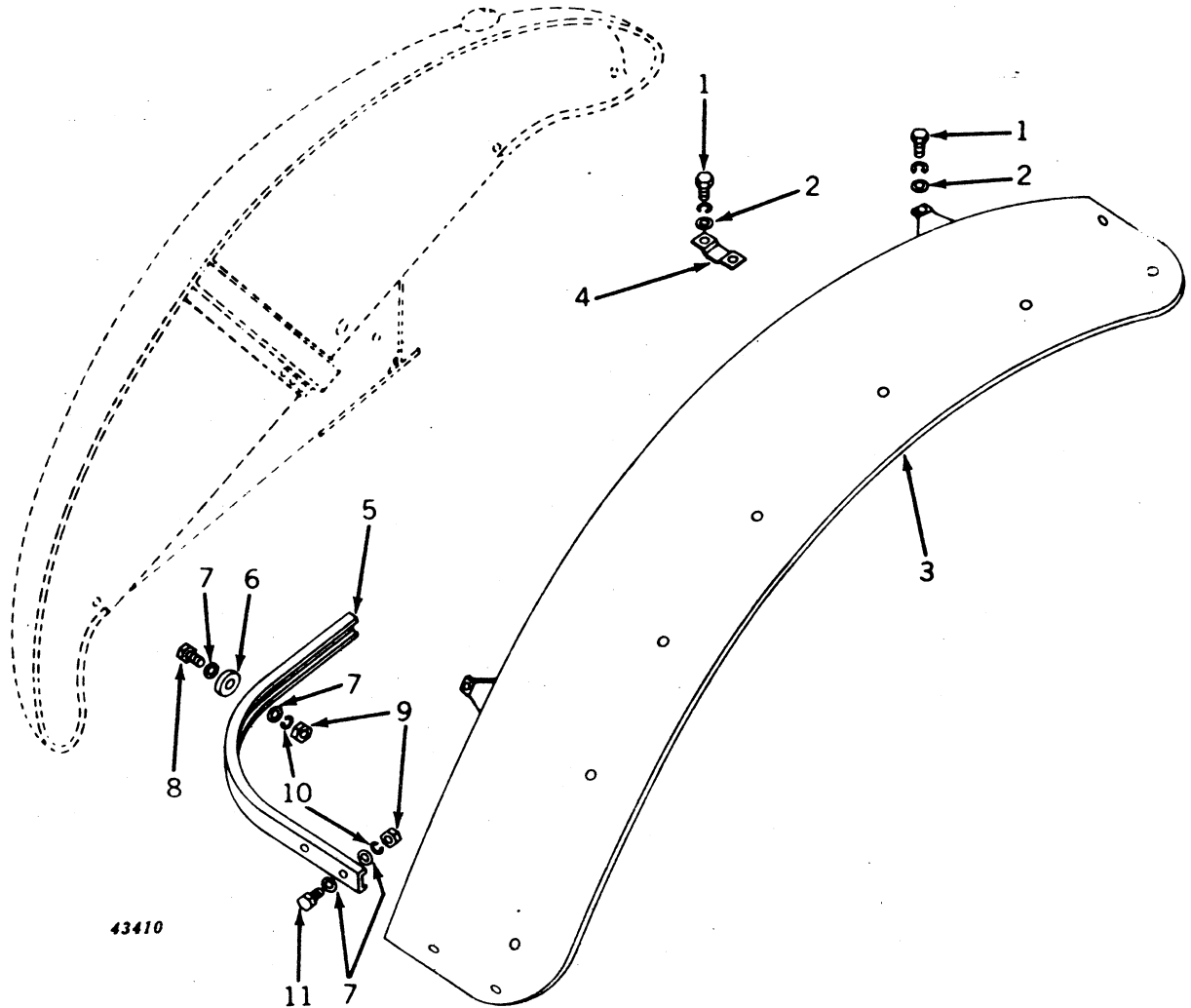


43411

FENDERS, PLATFORM, AND DASH -- Continued

Key	Part No.	Serial No.	Description
1	AR 1145 R	(-8199999)	Fender, L.H.
	AR 1551 R	(8200000-)	Fender, L.H.
2	19H 1335 R	(-)	Screw, cap, 5/8" x 1-1/2" (8 used)
	12H 15 R	(-)	Washer, lock, 5/8" (8 used)
3	16H 648 A	(-)	Rivet, 1/4" x 1/2" (4 used)
4	R 1455 R	(-)	Stop, brake latch (2 used)
5	A 3232 R	(-)	Screw, special mach., 5/16" x 1/2" (12 used) (packed 50 in a pkg.)
	12H 10 R	(-)	Washer, lock, 5/16" (12 used)
6	24H 143 R	(-)	Washer, 21/64" x 3/4" 16 gauge (26 used) (sub. for 24H39R)
7	H 1085 R	(-)	Screw, special mach., 5/16" x 3/4" (2 used) (packed 50 in a pkg.)
	12H 10 R	(-)	Washer, lock, 5/16" (2 used)
8	AR 1163 R	(-8299999)	Dash
	AR 20411 R	(8300000-)	Dash
9	AR 1144 R	(-8199999)	Fender, R.H.
	AR 1550 R	(8200000-)	Fender, R.H.
10	24H 143 R	(-)	Washer, 21/64" x 3/4" x 16 gauge (12 used)
11	19H 99 R	(-)	Screw, special cap, 5/16" x 9/16" (12 used)
	12H 10 R	(-)	Washer, lock, 5/16" (12 used)
12	AR 1217 R	(-)	Shield, mud (2 used) (cane and rice equipment)
13	21H 1023 E	(-)	Screw, mach., 1/4" x 5/8" (4 used) (cane and rice equipment) (sub. for 21H605R)
14	12H 9 R	(-)	Washer, lock, 1/4" (4 used) (cane and rice equipment)
15	14H 786 M	(-)	Nut, 1/4" (4 used) (cane and rice equipment) (sub. for 14H251R)
16	AR 1162 R	(-8199999)	Platform (sub. AR1564R)
	AR 1564 R	(8200000-)	Platform (C.E.)
	AR 20779 R	(8300000-)	Platform (elec.)
17	14H 785 R	(-)	Nut, 5/16" (2 used)
18	12H 10 R	(-)	Washer, lock, 5/16" (2 used)
19	R 1679 R	(-8301897)	Plate, universal shield pivot (sub. AR21407R)
	AR 21407 R	(8301898-)	Plate, universal shield pivot, with brace
	R 21238 R	(8301898-)	Brace, pivot plate
20	19H 1118 N	(-)	Screw, cap, 5/16" x 7/8" (2 used) (sub. for 19H110R)
21	12H 10 R	(-)	Washer, lock, 5/16" (4 used)
22	14H 785 R	(-)	Nut, 5/16" (4 used)
23	AR 1714 R	(-)	Box, tool (sub. for AR1164R)
24	H 1085 R	(-)	Screw, special mach., 5/16" x 3/4" (4 used) (packed 50 in a pkg.)
25	H 1085 R	(-)	Screw, special mach., 5/16" x 3/4" (6 used) (packed 50 in a pkg.)
	12H 10 R	(-)	Washer, lock, 5/16" (6 used)

FENDER EXTENSION
(Serial No. 8000001-8199999)



Key	Part No.	Serial No.	Description
1	19H 1112 H	(-8199999)	Screw, cap, 5/16" x 3/4" (8 used)
	12H 10 R	(-8199999)	Washer, lock, 5/16" (8 used)
2	24H 39 R	(-8199999)	Washer, 21/64" x 3/4" x 20 gauge (8 used)
3	AR 982 R	(-8199999)	Extension, fender (2 used)
4	AA 4573 R	(-8199999)	Clamp, with nuts (2 used)
5	R 1205 R	(-8199999)	Support, fender extension (4 used)
6	B 2167 R	(-8199999)	Spacer (4 used)
7	24H 154 R	(-8199999)	Washer, 25/64" x 7/8" x 16 gauge (40 used)
8	19H 1116 N	(-8199999)	Screw, cap, 3/8" x 1-1/2" (4 used) (sub. for 19H230H)
9	14H 812 C	(-8199999)	Nut, 3/8" (20 used) (sub. for 14H255R)
10	12H 11 R	(-8199999)	Washer, lock, 3/8" (20 used)
11	19H 218 D	(-8199999)	Screw, cap, 3/8" x 1" (16 used) (sub. for 19H211R)

Part listed below is an assembly of parts in this grouping.

AR 981 R (-8199999) EXTENSION, FENDER (SET OF TWO, WITH CLAMP, SUPPORT, AND HDW.) (ATTACHMENT)

Capital letters indicate an attachment. Attachments must be listed on separate orders from replacement parts.

TRACTOR CAB AND WEATHERBRAKE

Parts listed below are not illustrated.

Parts for AR1473R and AR1474R Tractor Cabs for 80 Tractors (Sub. for AR1030R and AR1031R)
(Cab Serial No. 5148-6849)

Part No.	Serial No.	Description
AR 997 R	(-8199999)	CURTAIN, TRACTOR CAB (ATTACHMENT)
AR 1017 R	(-8199999)	Weatherstrip, cab windshield (rubber) (2 used)
AR 1473 R	(-8199999)	FRAME, TRACTOR CAB (ATTACHMENT) (SUB. FOR AR1031R)
AR 1474 R	(-8199999)	TOP, TRACTOR CAB (ATTACHMENT) (SUB. FOR AR1030R)
R 1226 R	(-8199999)	Glass, cab windshield (2 used)
R 1251 R	(-8199999)	Glass, cab side (2 used)
R 1921 R	(-8199999)	Weatherstrip, cab to cowl (rubber) (sub. for R1229R)

Parts for AR21326R and AR21335R Tractor Cabs for 820 and 830 Tractors (Sub. for AR1706R and AR1707R)
(Cab Serial No. 6850-)

AR 997 R	(8200000-)	CURTAIN, TRACTOR CAB (ATTACHMENT)
AR 1017 R	(8200000-)	Weatherstrip, cab windshield (rubber) (2 used)
AR 21326 R	(8200000-)	FRAME, TRACTOR CAB (ATTACHMENT) (SUB. FOR AR1706R)
AR 21335 R	(8200000-)	TOP, TRACTOR CAB (ATTACHMENT) (SUB. FOR AR1707R)
R 1226 R	(8200000-8299999)	Glass, cab windshield (2 used)
R 1251 R	(8200000-)	Glass, cab side (2 used)
R 1921 R	(8200000-)	Weatherstrip, cab to cowl (rubber)
R 2588 R	(8200000-)	Weatherstrip, cab side to fender (rubber) (2 used)
R 21162 R	(8200000-)	Glass, cab windshield (2 used) (cab serial no. 8916-)
AR 21391 R	(8200000-8299999)	Bracket, cab, field service kit (cab serial no. 6850-)

Parts for AR21236R Tractor Weatherbrake (Sub. for AR1887R)

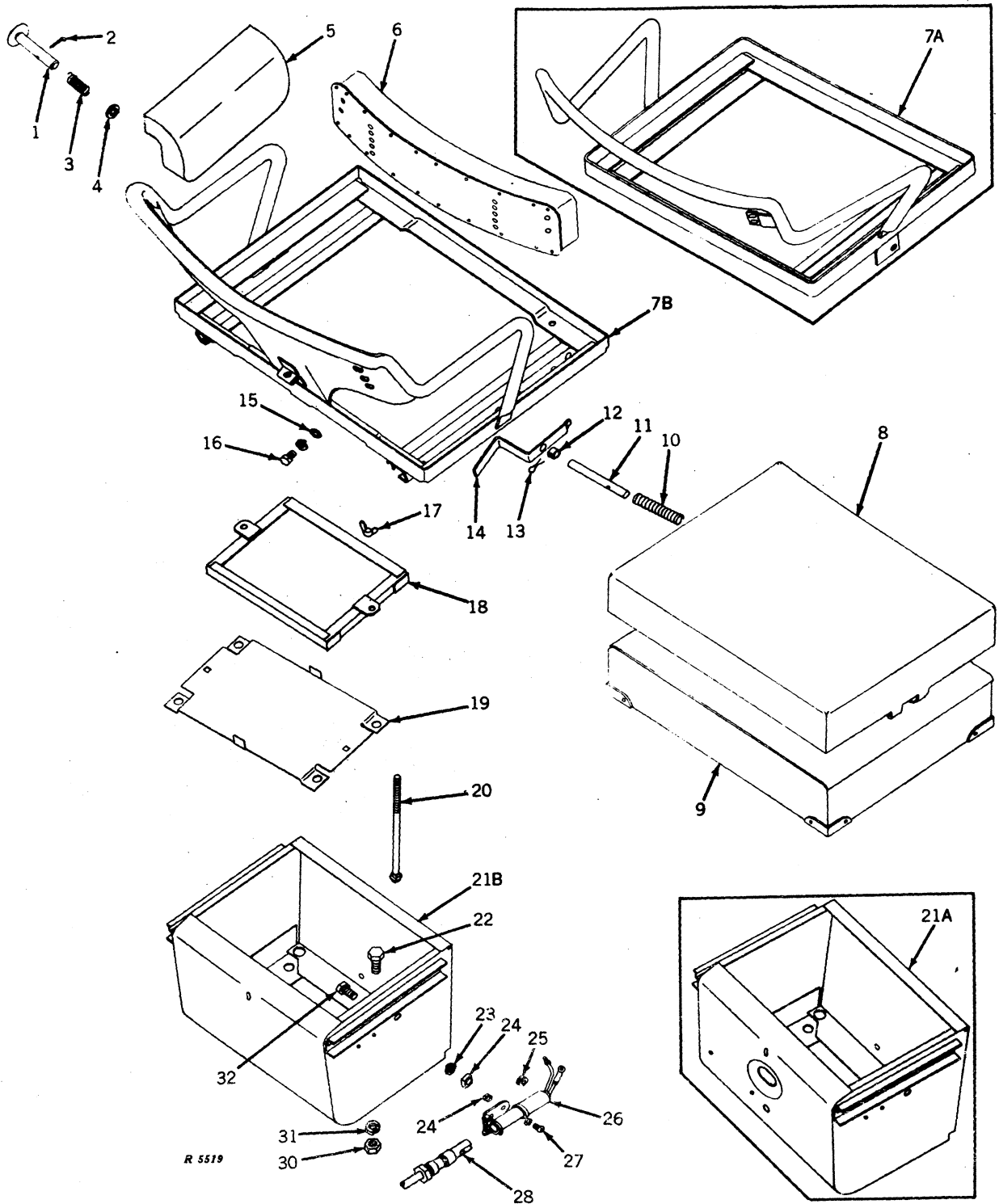
AR 20143 R	(-)	Windshield, tractor weatherbrake, side, with frame (2 used)
R 20123 R	(-)	Windshield, tractor weatherbrake, front, less frame (2 used)
R 20124 R	(-)	Frame, tractor, weatherbrake windshield, front (2 used)
AR 21733 R	(-)	PANELS, ENGINE, WEATHERBRAKE, USE WITH WEATHERBRAKE AND WEATHERBRAKE CAB (ATTACHMENT)

Parts for AR21237R and AR20236R Tractor Weatherbrake Cabs (Sub. for AR1749R)

AR 20146 R	(-)	Window, weatherbrake cab side, with frame (4 used)
R 20127 R	(-)	Windshield, weatherbrake cab, front, less frame
R 20128 R	(-)	Windshield, weatherbrake cab, side, less frame (2 used)
AR 21733 R	(-)	PANELS, ENGINE, WEATHERBRAKE, USE WITH WEATHERBRAKE AND WEATHERBRAKE CAB (ATTACHMENT)
AR 21843 R	(-)	WINDOW, CAB SIDE, WITH FRAME (4 USED) (ATTACHMENT)

Capital letters indicate an attachment. Attachments must be listed on separate orders from replacement parts.

REGULAR SEAT (C.E. and Elec.) AND BATTERY BOX (C.E.)



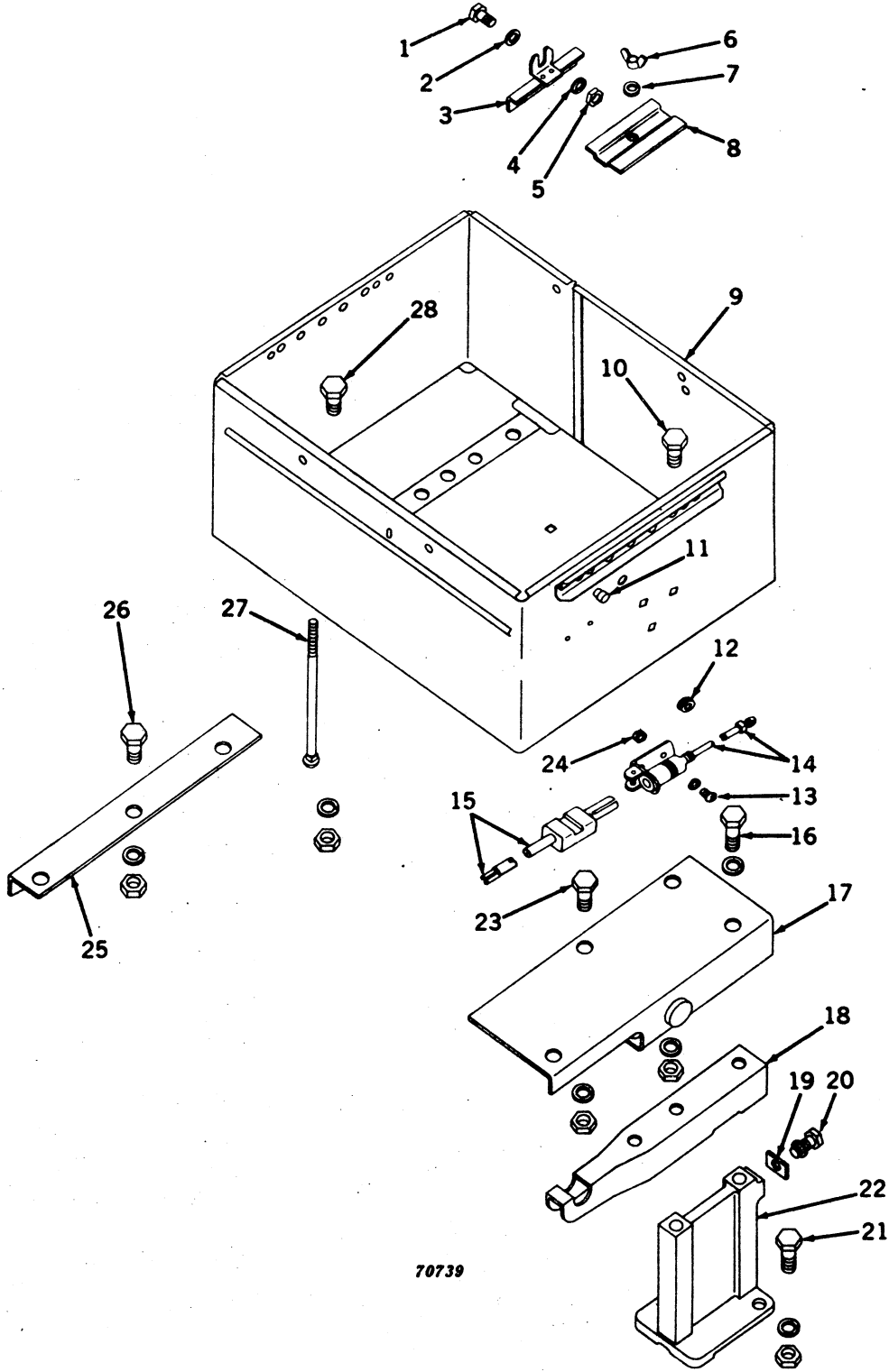
R 5519

REGULAR SEAT (C.E. and Elec.) AND BATTERY BOX (C.E.) -- Continued

Key	Part No.	Serial No.	Description
1	AR 20086 R	(8300000-)	Pin, with washer, seat lock (elec.)
2	11H 206 R	(8300000-)	Pin, cotter, 3/32" (elec.) (sub. for 11H19R)
3	F 1463 R	(8300000-)	Spring, seat lock pin (elec.)
4	24H 2 R	(8300000-)	Washer, 29/64" x 13/16" x 26 gauge (elec.)
5	AA 6022 R	(-)	CUSHION, SEAT ARM (BLACK) (SET OF 2) (ATTACHMENT)
	AF 3272 R	(-)	CUSHION, SEAT ARM (YELLOW) (SET OF 2) (ATTACHMENT)
6	AB 3624 R	(-8199999)	Cushion, seat back
	AA 5357 R	(8200000-)	Cushion, seat back (black)
	AF 3271 R	(8200000-)	Cushion, seat back (yellow)
7A	AB 3930 R	(-8199999)	Frame, seat
7B	AR 1539 R	(8200000-)	Frame, seat (C.E.)
	AR 20231 R	(8300000-)	Frame, seat, with adjusting pin (elec.)
8	AB 3984 R	(-)	COVER, SEAT (WHITE CANVAS) (ATTACHMENT)
9	AB 4035 R	(-)	Cushion, seat (black)
	AR 26932 R	(-)	Cushion, seat (yellow) (sub. for AF3268R)
	AA 4847 R	(-)	Cushion, seat (black) (special all-rubber)
	AF 3269 R	(-)	Cushion, seat (yellow) (special all-rubber)
	AR 30180 R	(-)	Cushion, economy seat (black) (packed 5 in a pkg.) (can be used to replace AB4035R) (not a substitute)
	AR 30181 R	(-)	Cushion, economy seat (yellow) (can be used to replace AF3268R) (not a substitute)
10	B 2672 R	(-)	Spring, seat-adjusting pin (C.E.)
11	B 2670 R	(-)	Pin, seat-adjusting (C.E.)
12	B 2671 R	(-)	Spacer (C.E.)
13	11H 236 R	(-)	Pin, cotter, 1/8" x 1" (C.E.) (sub. for 11H41R)
14	B 2669 R	(-)	Lever, seat-adjusting (C.E.)
15	12H 253 R	(-)	Washer, lock (4 used) (sub. for A3012R)
16	19H 1115 N	(-)	Screw (4 used) (packed 50 in a pkg.) (sub. for A4192R)
	12H 132 R	(8300000-)	Washer, 9/32" x 1/2" x 16 gauge (4 used)
17	C 1572 R	(-)	Nut, wing (2 used) (packed 25 in a pkg.) (C.E.)
18	AB 3586 R	(-)	Clamp, battery (C.E.)
19	AR 1326 R	(-)	Base, battery (C.E.)
20	B 2566 R	(-)	Bolt, special cge., 1/4" x 9" (2 used) (C.E.)
21A	AB 4101 R	(-8199999)	Box, battery (C.E.)
21B	AR 1565 R	(8200000-)	Box, battery (C.E.)
22	19H 218 N	(-)	Screw, cap, 3/8" x 1" (4 used) (C.E.) (sub. for 19H211R)
23	12H 11 R	(-)	Washer, lock, 3/8" (C.E.)
24	14H 190 R	(-)	Nut, sq., 3/8" (C.E.)
25	R 2579 R	(-)	Grommet (packed 2 in a pkg.) (C.E.) (sub. for B1580R)
26	AM 2049 T	(-)	Socket, electrical outlet (C.E.)
27	21H 404 R	(-)	Screw, mach. (2 used) (C.E.)
	12H 251 R	(-)	Washer, lock (2 used) (C.E.) (sub. for A3010R)
28	AA 5691 R	(-)	PLUG, ELECTRICAL OUTLET, WITH CABLE (ATTACHMENT) (C.E.)
	AA 5692 R	(-)	Plug, electrical outlet, less cable (C.E.)
29	14H 778 C	(-)	Nut (2 used) (C.E.) (sub. for 14H606R)
30	14H 812 C	(-)	Nut, 3/8" (4 used) (C.E.) (sub. for 14H255R)
31	12H 11 R	(-)	Washer, lock, 3/8" (4 used) (C.E.)
32	F 2272 R	(-)	Screw, special cap (packed 10 in a pkg.) (C.E.)
Parts listed below are not illustrated.			
	AA 4932 R	(-)	Kit, seat cushion parts, consisting of: cover assembly, corner brackets, and nails for attaching corner brackets (for AA4847R and AB4035R seat cushions)
	AB 4095 R	(-)	Kit, seat cushion parts, consisting of: cover assembly, molded foam rubber topper, corner brackets, and nails for attaching corner brackets (for AB4035R seat cushion)
	AF 3458 R	(-)	PAD, SEAT (COIL SPRING) (ATTACHMENT)
	AF 3459 R	(-)	PAD, SEAT BACK (COIL SPRING) (ATTACHMENT)
	AR 21913 R	(-)	Cover, yellow seat back cushion (for use on AF3271R yellow seat back cushion) (packed 5 in a pkg.)
	AR 21914 R	(-)	Cover, black seat back cushion (for use on AA5357R black seat back cushion) (packed 5 in a pkg.)

Capital letters indicate an attachment. Attachments must be listed on separate orders from replacement parts.

BATTERY BOX (Elec.)
(Serial No. 8300000-)

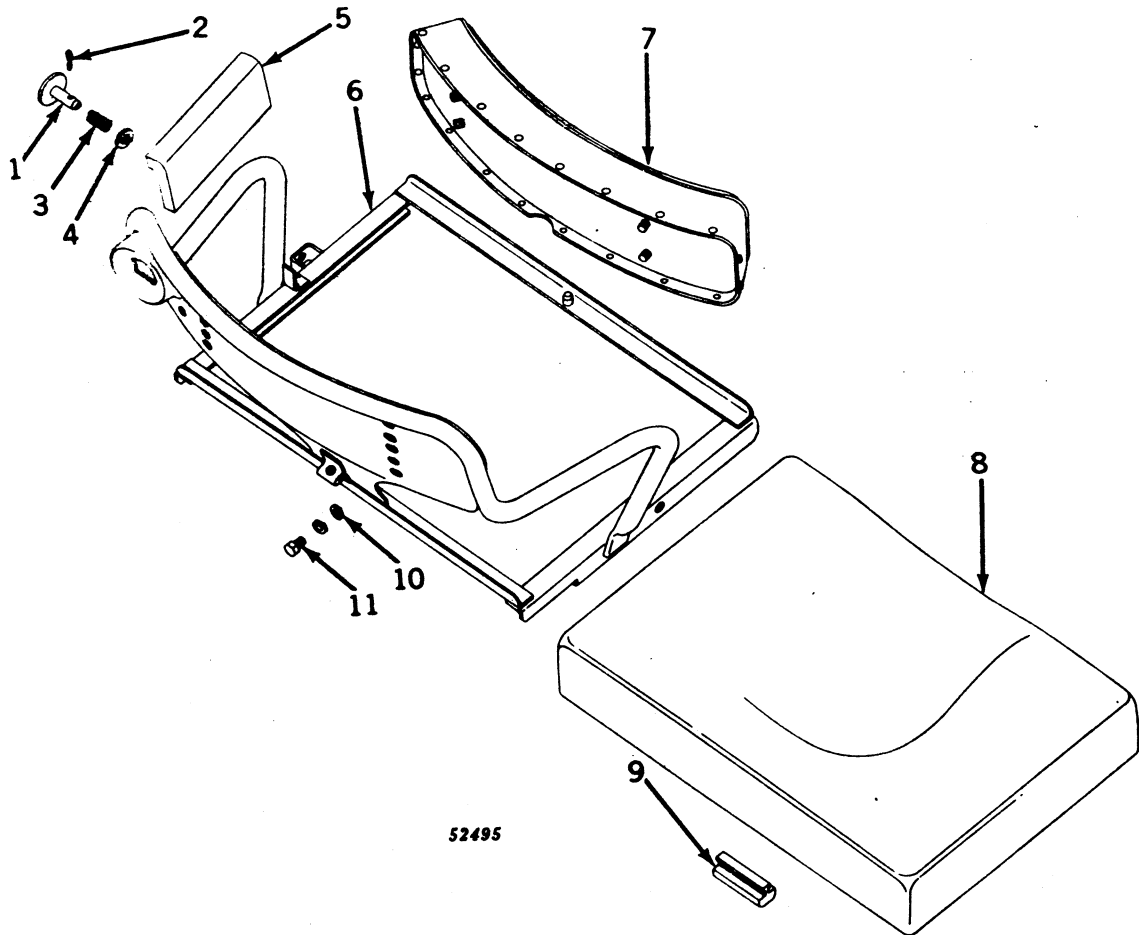


BATTERY BOX (Elec.) -- Continued
(Serial No. 8300000-)

Key	Part No.	Serial No.	Description
1	19H 99 R	(8300000-)	Screw, cap, 5/16" x 9/16" (4 used)
2	24H 143 R	(8300000-)	Washer, 21/64" x 3/4" x 16 gauge (4 used)
3	AR 20193 R	(8300000-)	Clamp, battery, with clip (4 used)
4	12H 10 R	(8300000-)	Washer, lock, 5/16" (4 used)
5	14H 785 R	(8300000-)	Nut, 5/16" (4 used)
6	C 1572 R	(8300000-)	Nut, wing (2 used) (packed 25 in a pkg.)
7	24H 131 R	(8300000-)	Washer, 17/64" x 5/8" x 16 gauge (2 used)
8	R 20172 R	(8300000-)	Clamp, battery (2 used)
9	AR 20196 R	(8300000-)	Box, battery (tractor equipped with float-ride seat)
	AR 20197 R	(8300000-)	Box, battery (tractor equipped with regular seat)
10	19H 438 R	(8300000-)	Screw, cap, 1/2" x 1" (2 used)
	12H 13 R	(8300000-)	Washer, lock, 1/2" (2 used)
	14H 809 T	(8300000-)	Nut, 1/2" (2 used) (sub. for 14H259R)
11	F 2272 R	(8300000-)	Rivet, special, seat carriage stop (2 used) (tractor equipped with regular seat) (sub. for B2579R)
12	R 2579 R	(8300000-)	Grommet (packed 5 in a pkg.) (tractor equipped with regular seat)
13	21H 404 R	(8300000-)	Screw, mach., rd. hd., no. 10 x 3/8" (2 used)
	12H 251 R	(8300000-)	Washer, lock (shakeproof) (no. 10) (2 used)
14	AM 2049 T	(8300000-)	Socket, electrical outlet
15	AA 5691 R	(8300000-)	PLUG, ELECTRICAL OUTLET, WITH CABLE (ATTACHMENT)
	AA 5692 R	(8300000-)	Plug, electrical outlet, less cable (part of AAS691R)
16	19H 1136 H	(8300000-)	Screw, cap, 7/16" x 2-1/2" (2 used)
	12H 12 R	(8300000-)	Washer, lock (2 used)
17	AR 20780 R	(8300000-)	Bracket, battery box, R.H.
18	R 21116 R	(8300000-)	Arm, transport
19	R 1191 R	(8300000-)	Spacer
20	19H 1056 H	(8300000-)	Screw, cap, 7/16" x 1"
	12H 12 R	(8300000-)	Washer, 7/16"
21	19H 1166 H	(8300000-)	Screw, cap, high-strength, 7/16" x 1-1/2" (2 used)
	12H 12 R	(8300000-)	Washer, lock, 7/16" (2 used)
	14H 813 C	(8300000-)	Nut, 7/16" (2 used) (sub. for 14H257R)
22	R 20671 R	(8300000-)	Support, transport arm
23	19H 438 R	(8300000-)	Screw, cap, 1/2" x 1" (2 used)
	12H 13 R	(8300000-)	Washer, lock, 1/2" (2 used)
	14H 809 T	(8300000-)	Nut, 1/2" (2 used) (sub. for 14H259R)
24	14H 778 H	(8300000-)	Nut, no. 10 (2 used) (sub. for 14H606R)
25	AR 20781 R	(8300000-)	Bracket, battery box, L.H.
26	19H 1056 H	(8300000-)	Screw, cap, 7/16" x 1"
	12H 12 R	(8300000-)	Washer, lock, 7/16"
	14H 813 C	(8300000-)	Nut, 7/16" (sub. for 14H257R)
27	B 2566 R	(8300000-)	Bolt, cge., 1/4" x 9" (2 used)
28	19H 438 R	(8300000-)	Screw, cap, 1/2" x 1" (3 used)
	12H 13 R	(8300000-)	Washer, lock, 1/2" (3 used)
	14H 809 T	(8300000-)	Nut, 1/2" (3 used) (sub. for 14H259R)

Capital letters indicate an attachment. Attachments must be listed on separate orders from replacement parts.

FLOAT-RIDE SEAT FRAME AND CUSHIONS

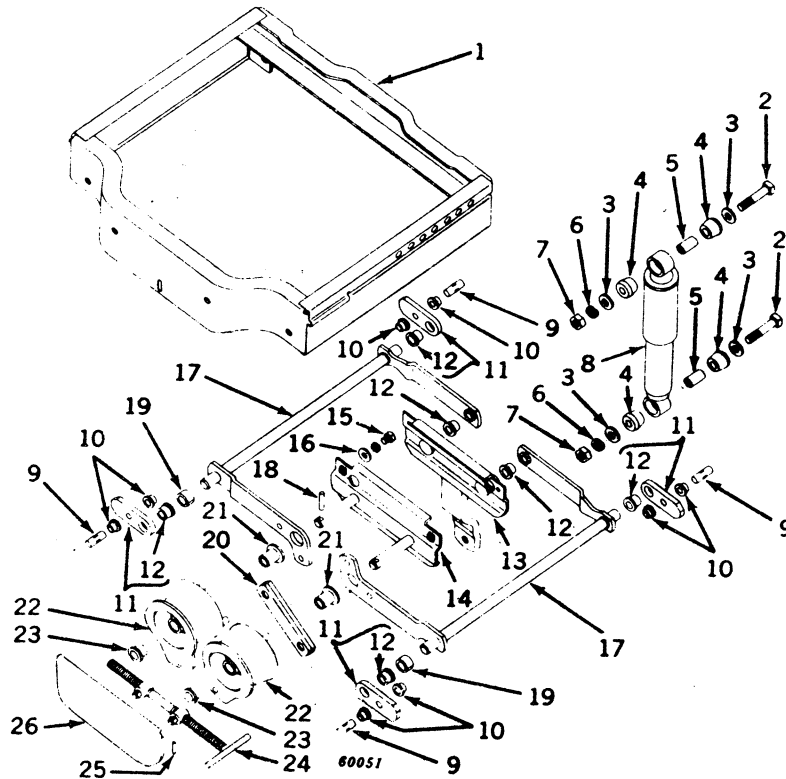


52495

Key	Part No.	Serial No.	Description
1	AF 3097 R	(-)	Pin, with washer, seat lock
2	11H 206 R	(-)	Pin, cotter, 3/32" x 3/4" (sub. for 11H19R)
3	H 312 R	(-)	Spring, seat lock pin
4	24H 154 R	(-)	Washer, 25/64" x 7/8" x 16 gauge
5	AA 6022 R	(-)	CUSHION, SEAT ARM (BLACK) (SET OF 2) (ATTACHMENT)
	AF 3272 R	(-)	CUSHION, SEAT ARM (YELLOW) (SET OF 2) (ATTACHMENT)
6	AF 3094 R	(-)	Frame, float-ride seat, with adjusting pin (C.E.)
	AR 20190 R	(8300000-)	Frame, float-ride seat, with adjusting pin (elec.)
7	AA 5357 R	(-)	Cushion, seat back (black)
	AF 3271 R	(-)	Cushion, seat back (yellow)
8	AF 3096 R	(-)	Cushion, seat (black) (C.E.)
	AR 20237 R	(8300000-)	Cushion, seat (black) (elec.)
	AF 3270 R	(-)	Cushion, seat (yellow) (C.E.)
	AR 20238 R	(8300000-)	Cushion, seat (yellow) (elec.)
9	AF 3859 R	(-)	Bumper, rubber, service kit
10	24H 132 R	(-)	Washer, 9/32" x 1/2" x 16 gauge (4 used)
11	19H 1115 N	(-)	Screw, cap, high-strength, 1/4" x 5/8" (4 used)
	12H 253 R	(-)	Washer, lock (shakeproof), 1/4" (4 used)
Parts listed below are not illustrated.			
	AR 20134 R	(-)	Kit, seat cushion parts, consisting of cover assembly, corner brackets, and nails for attaching corner brackets (for AF3096R and AF3270R seat cushions)
	AR 21761 R	(-)	Kit, seat repair, consisting of cover (yellow) and attaching tacks (for AR20237R and AR20238R seat cushions)
	AR 21750 R	(-)	COVER, SEAT (C.E.) (ATTACHMENT)
	AR 21751 R	(-)	COVER, SEAT (ELEC.) (ATTACHMENT)
	AR 21913 R	(-)	Cover, yellow seat back cushion (for use on AF3271R yellow seat back cushion) (packed 5 in a pkg.)
	AR 21914 R	(-)	Cover, black seat back cushion (for use on AA5357R black seat back cushion) (packed 5 in a pkg.)
	AF 3458 R	(-)	PAD, SEAT (COIL SPRING) (ATTACHMENT)
	AF 3459 R	(-)	PAD, SEAT BACK (COIL SPRING) (ATTACHMENT)

Capital letters indicate an attachment. Attachments must be listed on separate orders from replacement parts.

FLOAT-RIDE SEAT
(Serial No. 8000001-8299999)



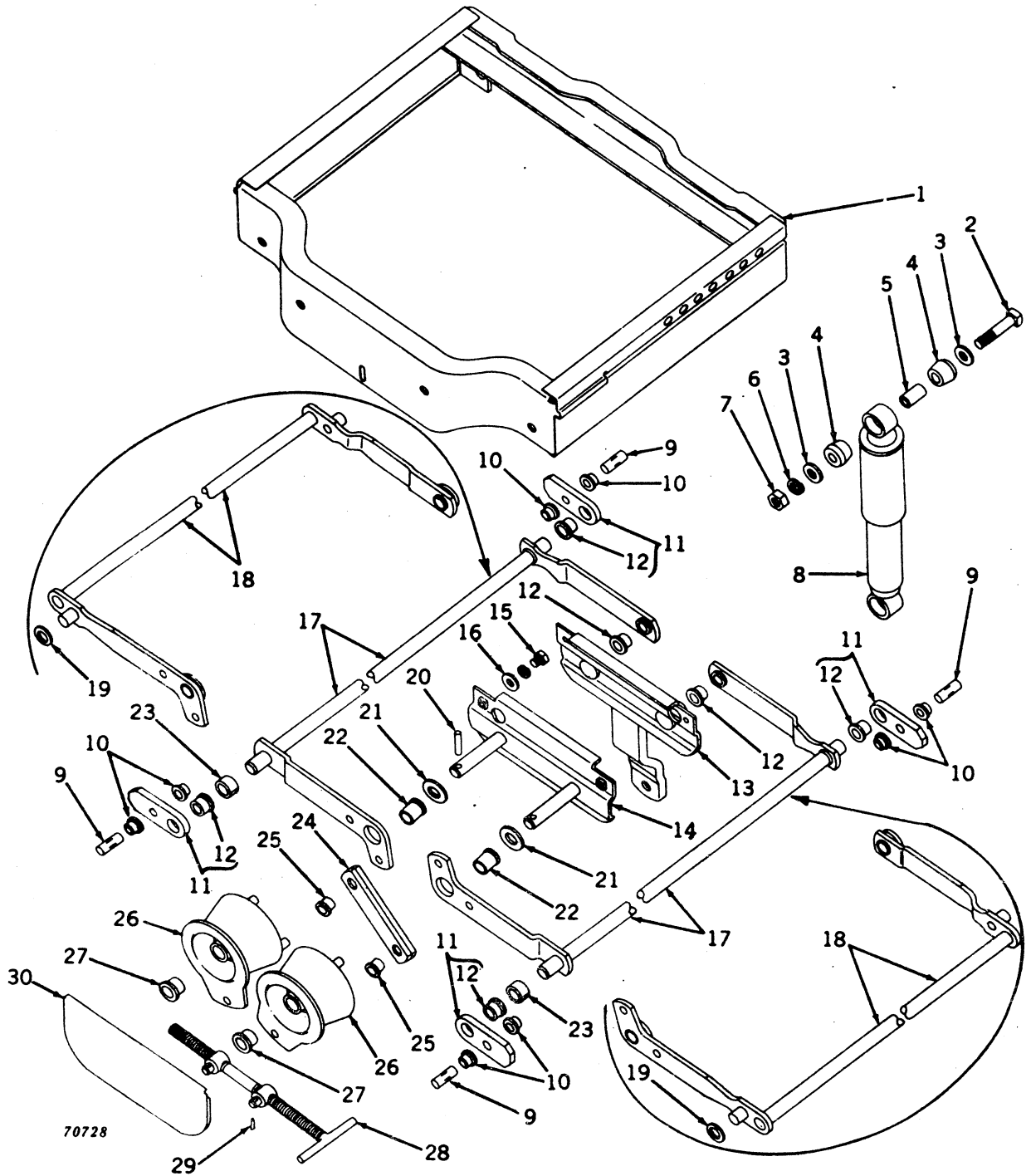
Key	Part No.	Serial No.	Description
1	(-8299999)	Skirt, float ride seat (furnished only as a part of AR20358R float-ride seat)
2	19H 482 B	(-8299999)	Screw, cap, 1/2" x 2" (2 used) (sub. for 19H475R)
3	24H 184 R	(-8203099)	Washer, 17/32" x 15/16" x 16 gauge (4 used)
	24H 554 D	(8203100-8299999)	Washer, 17/32" x 1-3/8" x 11 gauge (4 used)
4	F 3296 R	(-8299999)	Bushing, rubber, shock absorber (4 used) (packed 2 in a pkg.)
5	F 3297 R	(-8299999)	Spacer, shock absorber (2 used)
6	12H 13 R	(-8299999)	Washer, lock (2 used) (not required)
7	14H 473 R	(-8299999)	Nut, jam, 1/2" (2 used)
8	AF 3426 R	(-8299999)	Shock absorber
9	F 3302 R	(-8299999)	Pin, drive, short link to skirt (4 used)
10	F 3298 R	(-8299999)	Bearing, flanged, skirt short link support (8 used) (packed 2 in a pkg.)
11	AF 3421 R	(-8299999)	Link, short, with bearing (4 used)
12	F 3293 R	(-8299999)	Bearing, flanged (6 used) (packed 2 in a pkg.)
13	AR 20354 R	(-8299999)	Bulkhead, front (sub. for AF3419R)
14	AR 20359 R	(-8299999)	Bulkhead, rear (sub. for AR1648R)
15	19H 103 H	(-8299999)	Screw, cap, high-strength, 5/16" x 5/8" (4 used)
	12H 10 R	(-8299999)	Washer, lock, 5/16" (4 used)
16	24H 145 R	(-8299999)	Washer, 11/32" x 1" x 16 gauge (4 used)
17	AA 6799 R	(-8299999)	Shaft, cross, with lever arms (2 used)
18	34H 81 N	(-8299999)	Pin, roll, 3/16" x 1-1/2" (2 used)
19	F 3299 R	(-8299999)	Spacer (2 used)
20	AR 20353 R	(-8299999)	Link, stabilizing (sub. for AF3425R)
21	F 3295 R	(-8203099)	Bearing, flanged, rubber torsion spring, inner (2 used) (packed 2 in a pkg.) (sub. F3451R and F3452R)
	F 3452 R	(8203100-8299999)	Bearing, flanged, rubber torsion spring, inner (2 used) (packed 2 in a pkg.)
	F 3451 R	(8203100-8299999)	Washer, thrust, lever arm to rear bulkhead (2 used) (packed 2 in a pkg.)
22	AR 20350 R	(-8299999)	Spring, torsion, rubber (sub. for AF3422R)
23	R 20937 R	(-8299999)	Bearing, flanged, rubber torsion spring, outer (2 used) (packed 2 in a pkg.) (sub. for F3294R)
24	AF 3427 R	(-8299999)	Handle, adjusting
25	34H 41 H	(-8299999)	Pin, roll, 1/8" x 3/4" (2 used)
26	AF 3428 R	(-8299999)	Bar, tie, with seat adjustment instructions

Part listed below is an assembly of parts in this grouping.

AR 20358 R (-8299999) SEAT, FLOAT RIDE ASSEMBLY, LESS FRAME AND CUSHIONS (ATTACHMENT) (SUB. FOR AR1632R)

Capital letters indicate an attachment. Attachments must be listed on separate order from replacement parts.

FLOAT-RIDE SEAT
(Serial No. 8300000-)



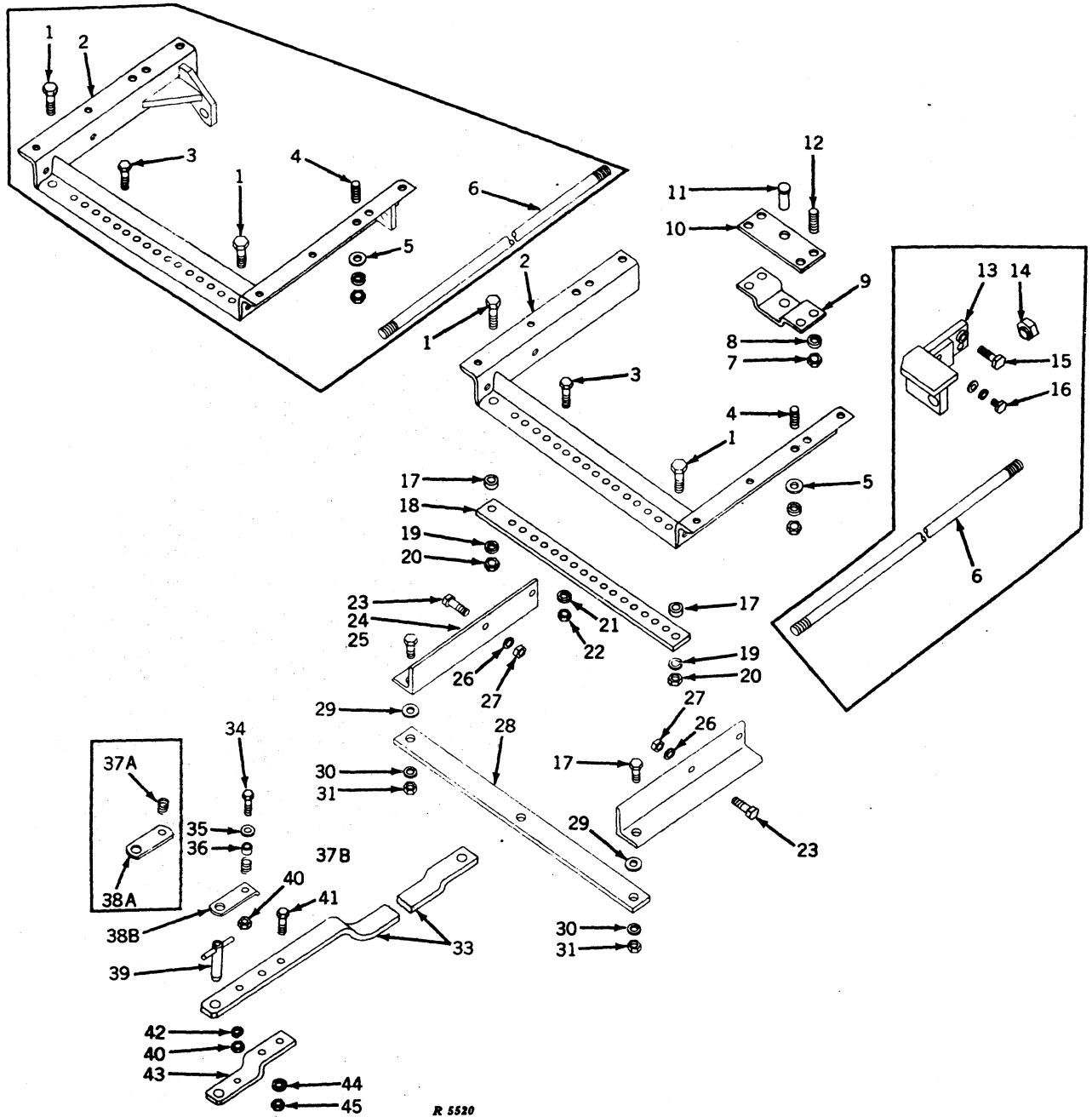
FLOAT-RIDE SEAT -- Continued
(Serial No. 8300000-)

Key	Part No.	Serial No.	Description
1	(8300000-)	Skirt, float-ride seat (furnished only as a part of AR20215R or AR20358R float-ride seat)
2	19H 482 B	(8300000-)	Screw, cap, high-strength, 1/2" x 2-1/4" (2 used)
3	24H 554 D	(8300000-)	Washer, 17/32" x 1-3/8" x 11 gauge (4 used)
4	F 3296 R	(8300000-)	Bushing, rubber, shock absorber (4 used) (packed 2 in a pkg.)
5	F 3297 R	(8300000-)	Spacer, shock absorber (2 used)
6	12H 13 R	(8300000-)	Washer, lock, 1/2" (2 used) (not required)
7	14H 473 R	(8300000-)	Nut, jam, 1/2" (2 used)
8	AF 3426 R	(8300000-)	Shock absorber
9	F 3302 R	(8300000-)	Pin, drive, short link to skirt (4 used)
10	F 3298 R	(8300000-)	Bearing, flanged, skirt short link support (8 used) (packed 2 in a pkg.)
11	AF 3421 R	(8300000-)	Link, short, with bearing (4 used)
12	F 3293 R	(8300000-)	Bearing, flanged (6 used) (packed 2 in a pkg.)
13	AR 20354 R	(8300000-)	Bulkhead, front
14	AR 20359 R	(8300000-)	Bulkhead, rear (C.E.)
	AR 20355 R	(8300000-)	Bulkhead, rear (elec.)
15	19H 1255 T	(8300000-)	Screw, cap, high-strength, 3/8" x 5/8" (4 used)
	12H 11 R	(8300000-)	Washer, lock, 3/8" (4 used)
16	24H 154 R	(8300000-)	Washer, 25/64" x 7/8" x 16 gauge (4 used)
17	AA 6799 R	(8300000-)	Shaft, cross, with lever arms (2 used) (C.E.)
18	AR 20426 R	(8300000-)	Shaft, cross, with lever arms (2 used) (elec.)
19	R 20317 R	(8300000-)	Spacer (2 used) (elec.)
20	34H 81 N	(8300000-)	Pin, roll, 3/16" x 1-1/2" (2 used)
21	F 3451 R	(8300000-)	Washer, thrust (2 used) (packed 2 in a pkg.)
22	F 3452 R	(8300000-)	Bearing, flanged, rubber torsion spring, inner (2 used) (packed 2 in a pkg.)
23	F 3299 R	(8300000-)	Spacer (2 used) (C.E.)
24	AR 20353 R	(8300000-)	Link, stabilizing
25	R 20236 R	(8300000-)	Bearing, stabilizing link (2 used)
26	AR 20350 R	(8300000-)	Springs, torsion, rubber, R.H. and L.H.
27	R 20937 R	(8300000-)	Bearing, flanged, rubber torsion spring, outer (2 used) (packed 2 in a pkg.)
28	AF 3427 R	(8300000-)	Handle, adjusting
29	34H 41 H	(8300000-)	Pin, roll, 1/8" x 3/4" (2 used)
30	AF 3428 R	(8300000-)	Bar, tie, with seat adjustment instructions

Parts listed below are an assembly of parts in this grouping.

AR 20358 R	(8300000-)	Seat, float-ride (C.E.), less frame and cushions
AR 20215 R	(8300000-)	Seat, float-ride (elec.), less frame and cushions

DRAWBAR, SUPPORT, EXTENSION, AND TRUSS RODS



DRAWBAR, SUPPORT, EXTENSION, AND TRUSS RODS -- Continued

Key	Part No.	Serial No.	Description
1	19H 1499 K	(-)	Screw, cap, 7/8" x 4" (2 used)
2	AR 1118 R	(-8203849)	Support, drawbar (sub. AR20098R)
	AR 20098 R	(8203850-)	Support, drawbar
	AR 21509 R	(8300000-)	Support, drawbar**
3	8H 1436 H	(-)	Bolt, mach., 3/4" x 3-3/4" (2 used)
4	A 2158 R	(-)	Stud, 7/8" x 3-1/8" (4 used)
5	A 5542 R	(-)	Washer, special (4 used)*
	12H 19 R	(-)	Washer, lock, 7/8" (4 used)
	14H 408 R	(-)	Nut, 7/8" (4 used)
6	R 21281 R	(8300000-)	Rod, drawbar truss (2 used)**
7	14H 408 R	(-)	Nut, 7/8" (4 used)
8	12H 19 R	(-8199999)	Washer, lock, 7/8" (4 used)
9	R 1321 R	(-)	Support, drawbar front
10	R 1320 R	(-)	Strap, drawbar front
11	R 1319 R	(-)	Pin, drawbar pivot
12	R 580 R	(-8199999)	Stud, 7/8" x 3-11/16" (4 used) (sub. R2519R)
	R 2519 R	(8200000-)	Stud, 7/8" x 3-1/2" (4 used)
13	AR 21510 R	(8300000-)	Bracket, truss rod assembly, R.H.**
14	2214 R	(8300000-)	Nut, special slotted, 1-1/4" (4 used)**
15	19H 1637 R	(8300000-)	Screw, cap, high-strength, 7/8" x 2", R.H., truss rod bracket to frame**
16	19H 1667 R	(8300000-)	Screw, cap, high-strength, 7/8" x 2-3/4" (3 used)**
	12H 19 R	(8300000-)	Washer, lock, 7/8"**
	24H 154 R	(8300000-)	Washer, 25/64" x 7/8" x .060" (packed 5 in a pkg.)*
17	R 581 R	(-)	Spacer (2 used)
18	R 575 R	(-)	Support, drawbar rear, bottom
19	12H 19 R	(-)	Washer, lock, 7/8" (2 used)
20	14H 406 T	(-)	Nut, 7/8" (2 used)
21	12H 17 R	(-)	Washer, lock, 3/4" (2 used)
22	14H 400 R	(-)	Nut, 3/4" (2 used) (sub. for A5405R)
23	19H 1667 R	(-)	Screw, cap, 7/8" x 2-3/4", Extension to support (4 used)*
24	R 20110 R	(-)	Extension, drawbar side, L.H.*
25	19H 1667 R	(-)	Screw, cap, 7/8" x 2-3/4" (2 used)*
26	12H 19 R	(-)	Washer, lock (4 used)*
27	14H 408 R	(-)	Nut, 7/8" (4 used)*
28	R 20111 R	(-)	Support, drawbar extension*
29	A 5542 R	(-)	Washer, special (2 used)*
30	12H 19 R	(-)	Washer, lock, 7/8" (2 used)*
31	14H 408 R	(-)	Nut, 7/8" (2 used)*
32	R 20109 R	(-)	Extension, drawbar side, R.H.*
33	R 1318 R	(-)	Drawbar
34	19H 1665 T	(-)	Screw, cap, 5/8" x 4-1/4"
35	24H 106 R	(8203100-)	Washer, 21/32" x 1-1/2" x 18 gauge
36	F 3542 R	(8203100-)	Spacer
37A	C 784 R	(-8203099)	Spring
37B	F 3541 R	(8203100-)	Spring
38A	R 1160 R	(-8203099)	Retainer, drawbar pin
38B	F 3539 R	(8203100-)	Retainer, drawbar pin
39	AR 937 R	(-)	Pin, drawbar, with handle
40	14H 760 R	(-)	Nut, hex., 5/8" (2 used) (sub. for A5771R)
41	19H 1455 R	(-)	Screw, cap, 3/4" x 3-1/4" (2 used)
	19H 1526 R	(-)	Screw, cap, 3/4" x 4-1/2" (2 used)*
42	12H 15 R	(-)	Washer, lock, 5/8"
43	R 576 R	(-)	Strap, hammer
44	12H 17 R	(-)	Washer, lock, 3/4" (2 used)
45	14H 400 R	(-)	Nut, 3/4" (2 used) (sub. for A5405R)

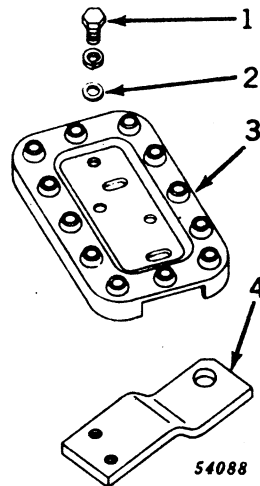
Part listed below is not illustrated.

AR 21511 R (8300000-) Bracket, front, truss rod, L.H.**

*Parts for 830-I.

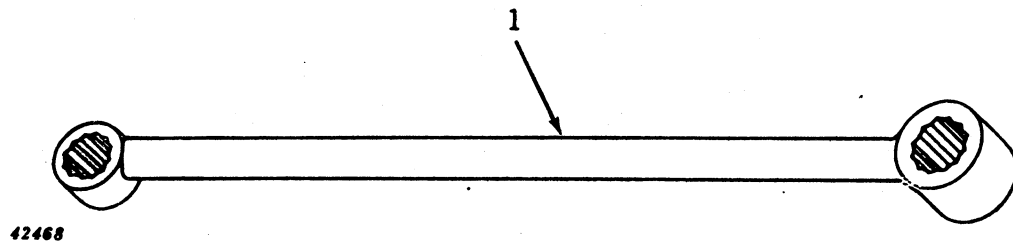
**Use with front bumper on 830-I.

TRACTOR STEP



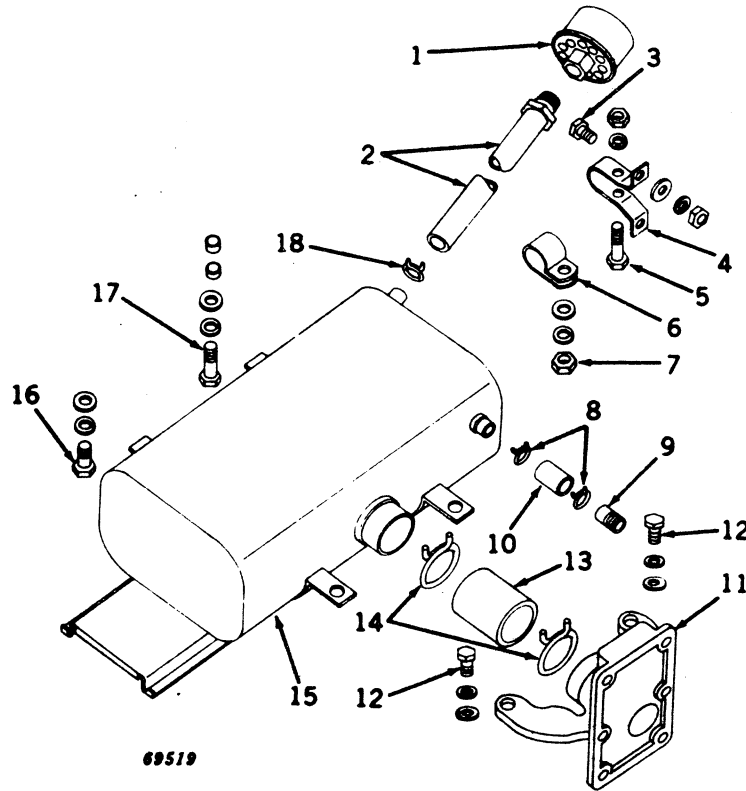
Key	Part No.	Serial No.	Description
1	F 2272 R	(-)	Screw, special cap (2 used)
	12H 11 R	(-)	Washer, lock, 3/8" (2 used)
2	24H 154 R	(8200000-)	Washer
3	A 5233 R	(-8199999)	Step, tractor
	F 3195 R	(8200000-)	Step, tractor
4	R 1897 R	(-)	Support

TOOLS



Key	Part No.	Serial No.	Description
1	B 353 R	(-)	Wrench, lug and flywheel

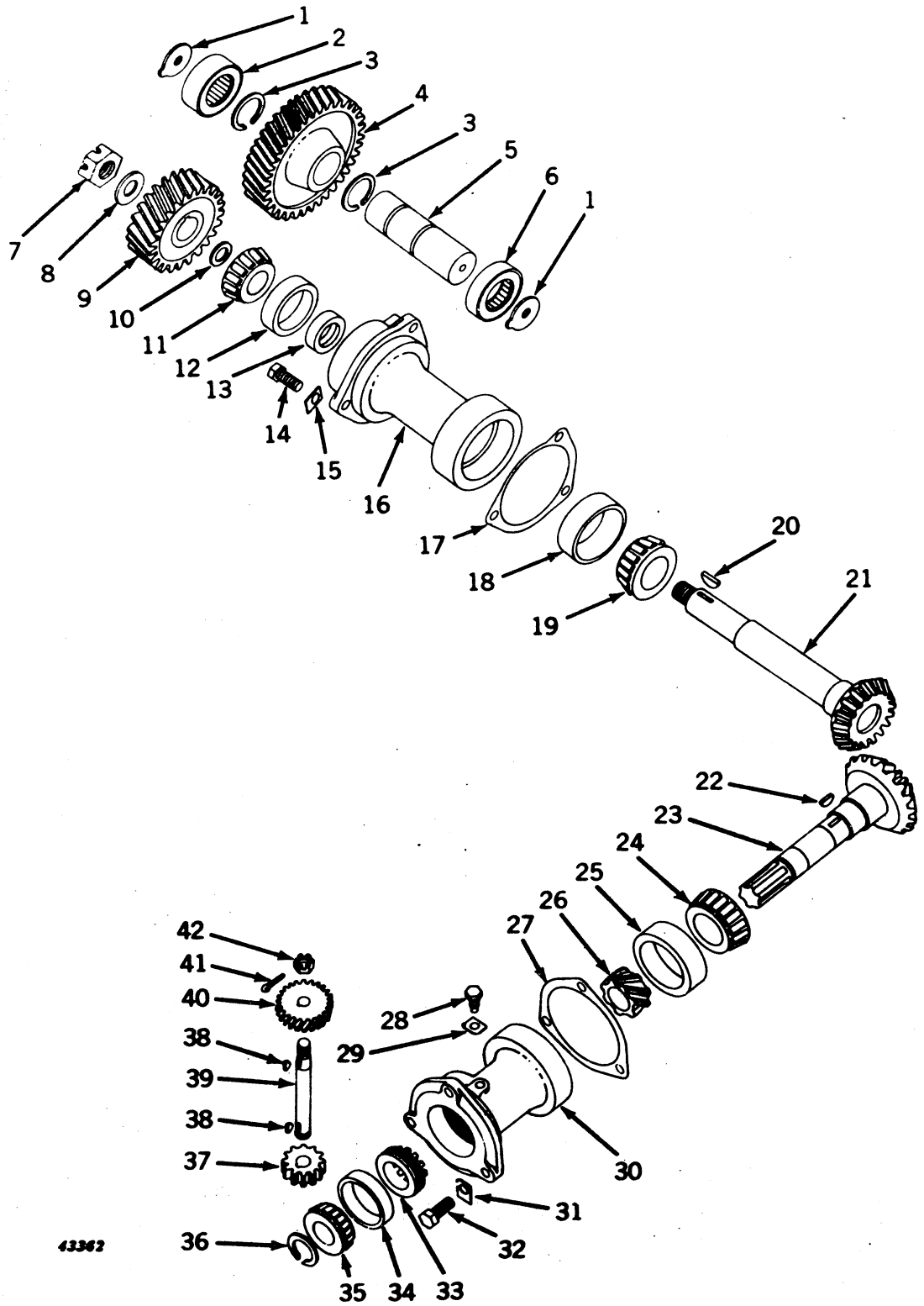
AUXILIARY RESERVOIR
(Serial No. 8205210-)



69519

Key	Part No.	Serial No.	Description
1	AR 20206 R	(8205210-)	Breather
2	AR 20207 R	(8205210-)	Line, flexible oil, 5/8" I.D. x 39-1/2"
3	19H 1112 H	(8205210-)	Screw, cap, high-strength, 5/16" x 3/4" (2 used)
	24H 145 R	(8205210-)	Washer, 11/32" x 1" x 16 gauge (2 used)
	12H 10 R	(8205210-)	Washer, lock, 5/16" (2 used)
	14H 785 R	(8205210-)	Nut, 5/16" (2 used)
4	R 20191 R	(8205210-)	Bracket
5	F 2271 R	(8205210-)	Screw, special cap (packed 10 in a pkg.)
	12H 10 R	(8205210-)	Washer, lock, 5/16"
	14H 785 R	(8205210-)	Nut, 5/16"
6	A 4773 R	(8205210-)	Clamp
7	24H 154 R	(8205210-)	Washer, 25/64" x 7/8" x 16 gauge
	12H 11 R	(8205210-)	Washer, lock, 3/8"
	14H 812 C	(8205210-)	Nut, 3/8" (sub. for 14H255D)
8	R 20190 R	(8205210-)	Clamp (2 used) (packed 2 in a pkg.)
9	R 20187 R	(8205210-)	Nipple, special pipe
10	R 20189 R	(8205210-)	Hose
11	R 20185 R	(8205210-)	Cover, Powr-Trol valve housing
12	19H 218 D	(8205210-)	Screw, cap, high-strength, 3/8" x 1" (2 used)
	12H 11 R	(8205210-)	Washer, lock, 3/8" (2 used)
	24H 550 R	(8205210-)	Washer, 13/32" x 1-1/16" x 11 gauge (2 used)
13	R 20186 R	(8205210-)	Hose
14	R 20188 R	(8205210-)	Clamp (2 used) (packed 2 in a pkg.)
15	AR 21347 R	(8205210-)	Reservoir, auxiliary (sub. for AR20205R)
16	19H 218 D	(8205210-)	Screw, cap, high-strength, 3/8" x 1"
	12H 11 R	(8205210-)	Washer, lock, 3/8"
	24H 550 R	(8205210-)	Washer, 11/32" x 1-1/16" x 11 gauge
17	19H 246 T	(8205210-)	Screw, cap, high-strength, 3/8" x 1-3/4"
	12H 11 R	(8205210-)	Washer, lock, 3/8"
	24H 550 R	(8205210-)	Washer, 3/8" x 1-1/16" x 11 gauge
	B 3682 R	(8205210-)	Spacer (2 used)
18	R 20190 R	(8205210-)	Clamp (packed 2 in a pkg.)
Part listed below is not illustrated.			
	AR 20204 R	(8205210-)	Housing, R20192R, Powr-Trol and powershaft (see pages 70-5 and 70-10)

POWERSHAFT AND TRANSMISSION OIL PUMP DRIVE

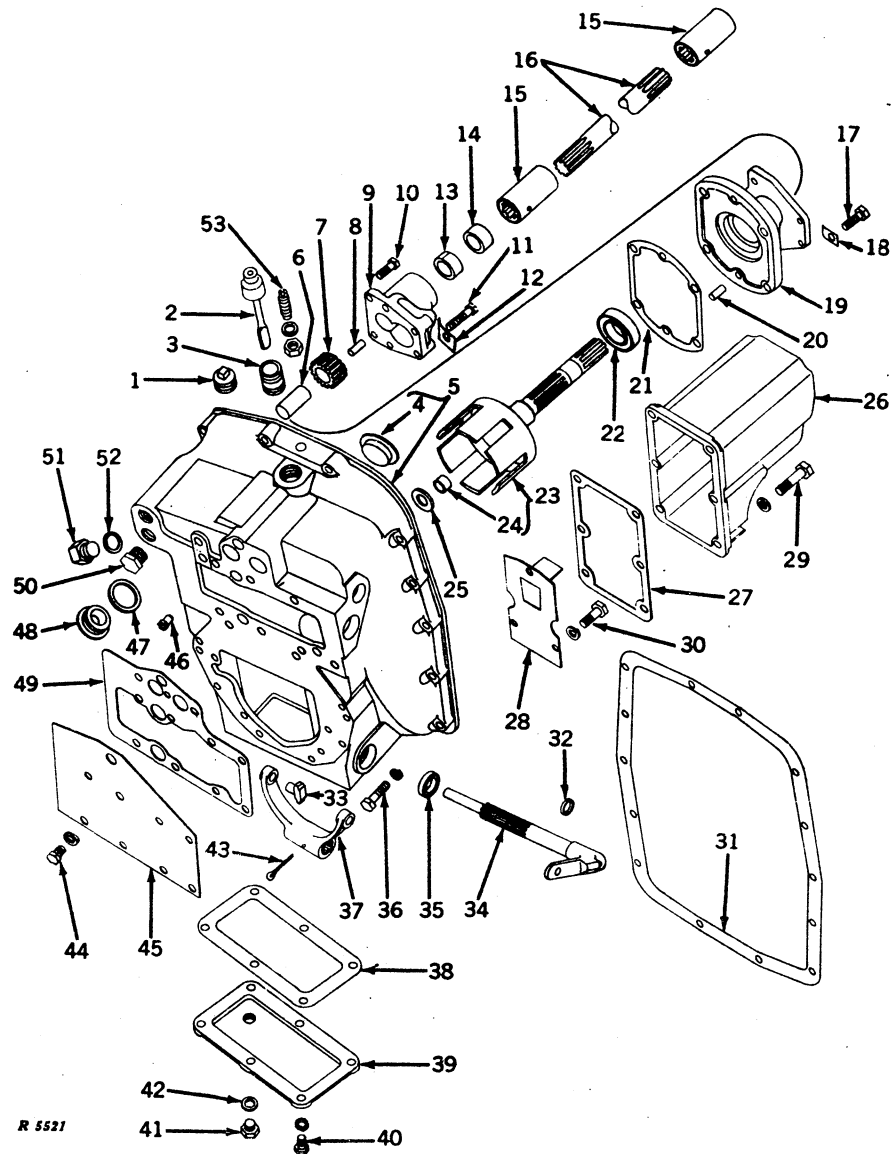


43362

POWERSHAFT AND TRANSMISSION OIL PUMP DRIVE -- Continued

Key	Part No.	Serial No.	Description
1	R 1619 R	(-)	Washer, thrust (2 used)
2	JD 7951 R	(-)	Bearing
3	A 2597 R	(-)	Snap ring (2 used)
4	R 1618 R	(-)	Gear, powershaft idler
5	R 1329 R	(-8199999)	Shaft, powershaft idler gear
	R 2526 R	(8200000-)	Shaft, powershaft idler gear
6	JD 7502 R	(-8199999)	Bearing
	JD 7951 R	(8200000-)	Bearing
7	C 535 R	(-)	Nut, slotted, 1" (packed 25 in a pkg.)
8	24H 61 R	(-)	Washer, 1-1/64" x 2" x 20 gauge
9	R 1621 R	(-)	Gear, powershaft drive
10	R 1839 R	(-)	Shim (steel), .060"
11	JD 8100 R	(-)	Cone, with rollers
12	JD 7424 R	(-)	Cup, bearing
13	AR 1337 R	(-8000999)	Seal, oil (sub. AR20077R)
	AR 1471 R	(8001000-8300525)	Seal, oil (sub. AR20077R)
	AR 20077 R	(8300526-)	Seal, oil
14	19H 337 N	(-)	Screw, cap, 7/16" x 1-1/4" (3 used)
15	A 4605 R	(-)	Plate, lock (3 used)
16	R 1620 R	(-)	Housing, powershaft drive shaft
17	R 1622 R	(-)	Shim (paper) (packed 10 in a pkg.)
	R 1624 R	(-)	Shim (steel)
18	JD 8223 E	(-)	Cup, bearing
19	JD 8182 E	(-)	Cone, with rollers
20	26H 85 R	(-)	Key, Woodruff, 1/4" x 1"
21	AR 1258 R	(-)	Shaft, powershaft drive and bevel pinion, with nut
22	26H 14 R	(-)	Key, Woodruff, 3/16" x 3/4"
23	R 1512 R	(-)	Gear, powershaft bevel
24	JD 7225 R	(-)	Cone, with rollers
25	JD 7275 R	(-)	Cup, bearing
26	R 1630 R	(-)	Pinion, transmission oil pump drive
27	R 1627 R	(-)	Shim (steel), .005"
28	R 1649 R	(-)	Screw, special cap
29	H 246 R	(-)	Plate, lock
30	R 1625 R	(-)	Housing, powershaft bevel gear
31	A 4605 R	(-)	Plate, lock (3 used)
32	19H 337 N	(-)	Screw, cap, 7/16" x 1-1/4" (3 used)
33	R 1626 R	(-)	Collar, bearing adjusting
34	JD 8202 R	(-)	Cup, bearing
35	JD 8189 R	(-)	Cone, with rollers
36	F 215 R	(-)	Snap ring (packed 2 in a pkg.)
37	AR 881 R	(-)	Gear, R398R, transmission oil pump (pkg. of 2) (1 pkg. used)
38	26H 70 R	(-)	Key, Woodruff, 1/8" x 1/2" (2 used)
39	R 1055 R	(-)	Shaft, transmission oil pump drive
40	R 190 R	(-)	Gear, transmission oil pump drive
41	11H 236 R	(-)	Pin, cotter, 1/8" x 1" (sub. for 11H41R)
42	14H 524 R	(-)	Nut, slotted, 1/2"

POWR-TROL AND POWERSHAFT HOUSING, POWERSHAFT CLUTCH DRUM WITH SHAFT,
AND POWERSHAFT PUMP

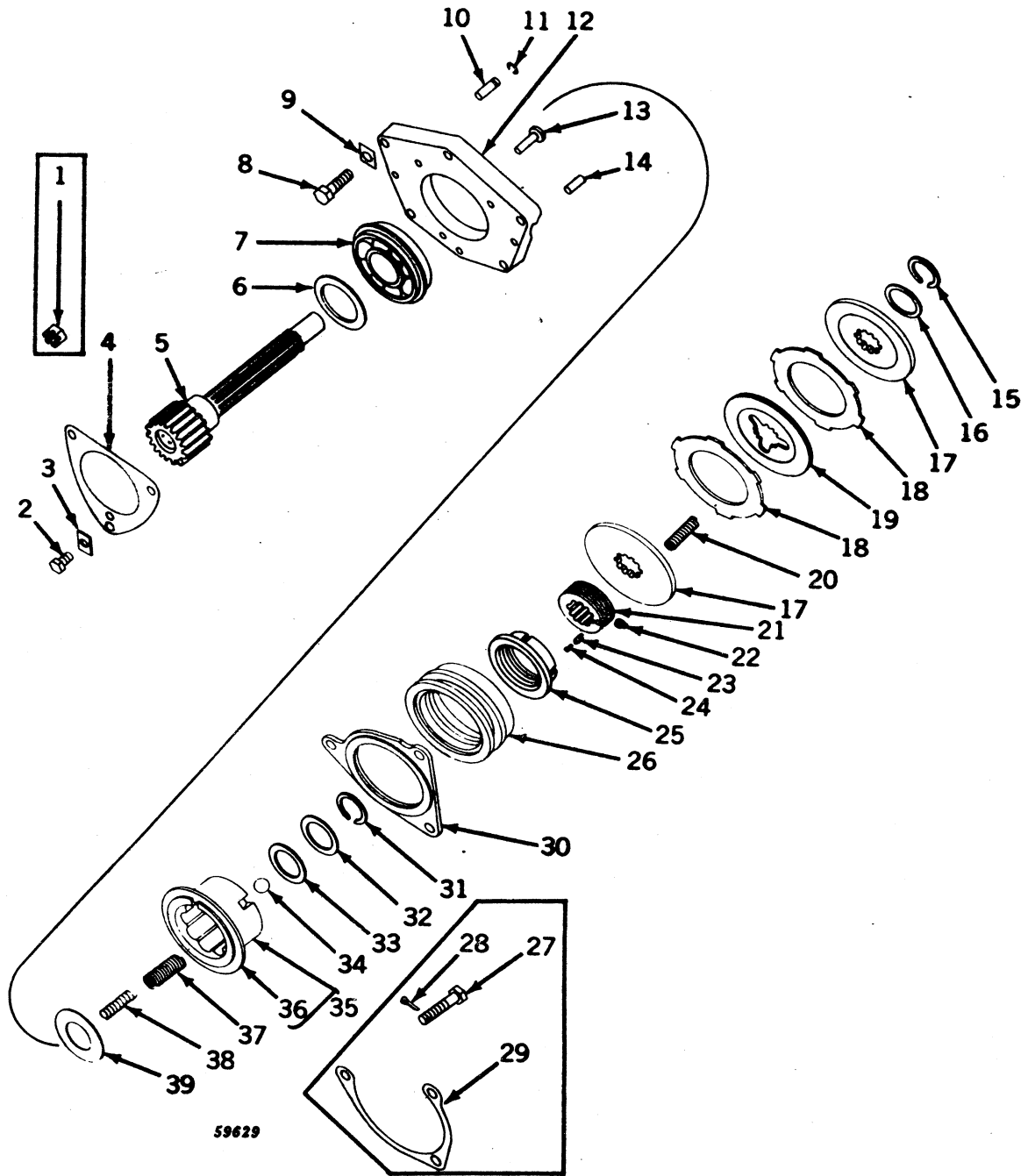


Key	Part No.	Serial No.	Description
1	15H 239 R	(-8199999)	Plug, pipe, 1" without powr-trol
	15H 241 R	(8200000-)	Plug, pipe, 1-1/2", without powr-trol
2	AR 1263 R	(-8199999)	Cap, A4683R, powr-trol oil filler, with rod
	AR 1577 R	(8200000-)	Cap, R750R, powr-trol oil filler, with rod
3	29H 488 T	(-8199999)	Nipple, pipe, powr-trol oil filler
	29H 406 R	(8200000-)	Nipple, pipe, powr-trol oil filler (sub. for R745R)
4	A 3256 R	(-8199999)	Plug

POWR-TROL AND POWERSHAFT HOUSING, POWERSHAFT CLUTCH DRUM WITH SHAFT,
AND POWERSHAFT PUMP -- Continued

Key	Part No.	Serial No.	Description
5	AR 1379 R	(-8199999)	Housing, R1650R, powr-trol and powershaft, with plug (sub. six 19H337N, six 24H45R, one 29H406R, one AR1577R, two AR1685R, one AR20204R, three F2272R, two F3171R, one R2555R, one F2556R and one R2557R)
	R 2530 R	(8200000-8203099)	Housing, powr-trol and powershaft (sub. AR20204R, F2223R, F3078R and 14H390R)
	AR 20204 R	(8203100-)	Housing, R20192R, powr-trol and powershaft (sub. for R2728R)
6	A 3909 R	(-)	Shaft, idler gear
7	AA 5281 R	(-)	Gear, pump idler, with bushing
8	A 4879 R	(-)	Pin, dowel (2 used)
9	AR 1290 R	(-)	Housing, R1711R, pump, with shaft and bushing
10	D 459 R	(-8200478)	Screw, cap, 3/8" x 1", drilled (2 used) (sub. 19H218D and R1888R)
	19H 218 N	(8200479-)	Screw, cap, high-strength, 3/8" x 1" (2 used)
11	A 4569 R	(-8200478)	Screw, cap, 3/8" x 1-3/4", drilled (2 used) (sub. 19H246T and R1888R)
	19H 246 T	(8200479-)	Screw, cap, high-strength, 3/8" x 1-3/4" (2 used)
12	(-8200478)	Wire, 16 gauge x 9" long (2 used) (sub. R1888R lock plate)
	R 1888 R	(8200479-)	Plate, lock (4 used)
13	A 4795 R	(-)	Bushing
14	AR 1337 R	(-8000999)	Seal, oil (sub. AR20077R)
	AR 20077 R	(8001000-)	Seal, oil (sub. for AR1471R)
15	A 2428 R	(-)	Coupling (2 used)
16	R 1654 R	(-)	Shaft, powershaft coupling
17	19H 337 N	(-)	Screw, cap, high-strength, 7/16" x 1-1/4" (4 used)
18	A 4605 R	(-)	Plate, lock (4 used)
19	R 1709 R	(-)	Quill, powershaft clutch drum shaft
20	A 4879 R	(-)	Pin, dowel (2 used)
21	R 1710 R	(-)	Gasket (packed 5 in a pkg.)
22	JD 8514 R	(-)	Bearing
23	AR 1289 R	(-)	Drum, powershaft clutch, with shaft and bushing
24	A 4797 R	(-)	Bushing
25	A 4798 R	(-)	Washer, thrust
26	R 2555 R	(8200000-)	Reservoir
27	R 2556 R	(8200000-)	Gasket, reservoir (packed 5 in a pkg.)
28	R 2557 R	(8200000-)	Baffle, reservoir
29	19H 337 N	(8200000-)	Screw, cap, high-strength, 7/16" x 1-1/4" (6 used)
	24H 45 R	(8200000-8200478)	Washer, 1/2" x 1-1/8" x .036" (6 used) (sub. A4605R lock plate)
30	F 2272 R	(8200000-)	Screw, cap, 3/8" x 3/4" (3 used)
	12H 11 R	(8200000-)	Washer, lock, 3/8" (3 used)
31	R 301 R	(-)	Gasket (packed 5 in a pkg.)
32	A 3910 R	(-)	Plug in clutch fork shaft opening without powershaft
33	A 4570 R	(-)	Shoe, clutch fork (2 used)
34	R 1712 R	(-)	Shaft, clutch fork
35	AR 613 R	(-)	Seal, oil
36	19H 255 N	(-)	Screw, cap, 3/8" x 2" (14 used) (sub. for 19H256R)
	12H 11 R	(-)	Washer, lock, 3/8" (14 used)
37	A 4557 R	(-)	Fork, clutch
38	R 1732 R	(-)	Gasket (packed 5 in a pkg.)
39	R 1731 R	(-)	Cover, bottom
40	19H 218 N	(-)	Screw, cap, high-strength, 3/8" x 1" (6 used) (sub. for 19H211R)
	12H 11 R	(-)	Washer, lock, 3/8" (6 used)
41	R 228 R	(-)	Plug
42	R 229 R	(-)	Washer
43	11H 222 R	(-)	Pin, cotter, 3/16" x 2" (sub. for 11H88R)
44	19H 314 R	(-8001416)	Screw, cap, 7/16" x 1/2" (4 used) without powr-trol
	12H 12 R	(-8001416)	Washer, lock, 7/16" (4 used) without powr-trol
	19H 314 R	(8001417-)	Screw, cap, 7/16" x 1/2" (8 used) without powr-trol
	12H 12 R	(8001417-)	Washer, lock, 7/16" (8 used) without powr-trol
	19H 1303 R	(8001417-)	Screw, cap, 5/8" x 3/4", without powr-trol
	12H 15 R	(8001417-)	Washer, lock, 5/8", without powr-trol
45	R 1733 R	(-8001416)	Cover, without powr-trol (sub. one R1652R, one R1936R, four 19H314R, and one 19H1303R)
	R 1936 R	(8001417-)	Cover, without powr-trol
46	AA 6314 R	(-8199999)	Valve, thermal relief (2 used)
47	A 4809 R	(-)	Washer
48	A 4807 R	(-)	Plug
49	R 1652 R	(8001417-)	Gasket, without powr-trol (packed 2 in a pkg.)
50	F 3191 R	(8200000-)	Plug in oil line holes (2 used) (single control valve)
51	F 3128 R	(-)	Plug (sub. for F1250R)
52	A 4827 R	(-)	Washer
53	F 3078 R	(8203100-)	Screw, special
	F 2223 R	(8203100-)	Washer (packed 10 in a pkg.)
	14H 390 R	(8203100-)	Nut, hex., 1/2"

POWERSHAFT CLUTCH

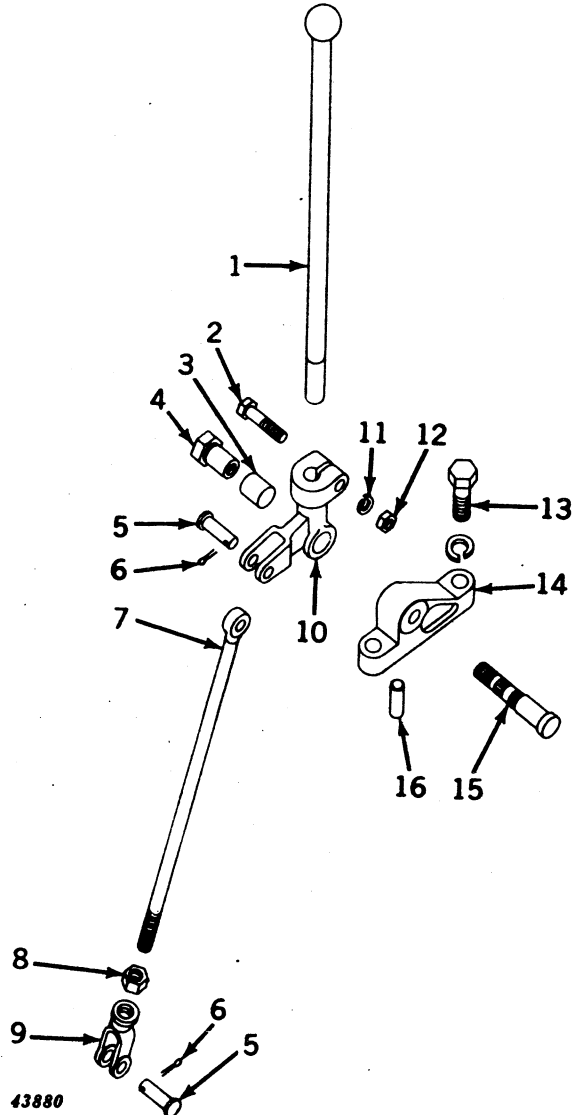


POWERSHAFT CLUTCH -- Continued

Key	Part No.	Serial No.	Description
1	14H 514 N	(-8202143)	Nut, slotted, 3/8" (3 used)
2	F 2272 R*	(8202144-)	Screw, special cap (3 used)
3	R 1888 R*	(8202144-)	Plate, lock (3 used)
4	R 1715 R	(-8202143)	Retainer, clutch bearing
	R 2646 R*	(8202144-)	Retainer, clutch bearing
5	R 1714 R	(-8202143)	Shaft, clutch, and gear
	R 2644 R*	(8202144-)	Shaft, clutch, and gear
6	R 2645 R*	(8202144-)	Washer, bearing shield
7	JD 8541 R	(-8202143)	Bearing, with snap ring
	JD 8574 R*	(8202144-)	Bearing, with snap ring
8	19H 360 T	(-)	Screw, cap, high-strength, 7/16" x 2" (5 used) (sub. 19H353R)
9	A 4605 R	(-)	Plate, lock (5 used)
10	F 3392 R*	(8202144-)	Pin, brake plate (3 used)
11	F 3396 R*	(8202144-)	Ring, retaining (3 used)
12	R 1713 R	(-8202143)	Cover, clutch
	AR 1719 R*	(8202144-)	Cover, R2643R, clutch, with pins
13	AR 1720 R*	(8202144-)	Rod, with washer, clutch adjustment indicator
14	A 4879 R	(-)	Pin, dowel (2 used)
15	A 562 R	(-)	Snap ring
16	B 280 R	(-)	Washer (quantity as required)
17	AR 1293 R	(-)	Plate, clutch, with facing (2 used) (packed 2 in a pkg.)
18	R 1902 R	(-)	Disk, clutch drive (12 used)
19	AR 1294 R	(-)	Disk, clutch, with facings (11 used)
20	R 1722 R	(-)	Spring (3 used)
21	A 4814 R	(-8202143)	Hub, clutch adjusting cam (sub. F3401R)
	F 3401 R*	(8202144-)	Hub, clutch adjusting cam
22	A 4817 R	(-)	Screw, special set
23	A 4816 R	(-)	Spring
24	16H 90 H	(-)	Rivet, 1/8" x 1/4"
25	R 1719 R	(-8199999)	Cam, clutch adjusting (sub. AR20511R, F3397R, F3398R and two A4680R)
	F 3047 R	(8200000-8202143)	Cam, clutch adjusting
	F 3398 R*	(8202144-)	Cam, clutch adjusting
26	R 1718 R	(-8199999)	Collar, clutch (sub. AR20511R, F3397R, F3398R, and two A4680R)
	F 3048 R	(8200000-8202143)	Collar, clutch (sub. F3397R)
	F 3397 R*	(8202144-)	Collar, clutch
27	R 1723 R	(-8202143)	Screw, special cap (3 used)
28	11H 206 R	(-8202143)	Pin, cotter, 3/32" x 3/4" (3 used) (sub. for 11H19R)
29	A 4680 R	(-8202143)	Shim, brake plate (4 used)
30	AR 1295 R	(-8003262)	Plate, brake, with facing (sub. AF2768R)
	AF 2768 R	(8003264-)	Plate, brake, with facing
31	A 562 R*	(8202144-)	Snap ring cam retaining
32	F 3395 R*	(8202144-)	Washer, clutch cam
33	24H 1013 R*	(8202144-)	Shim, clutch cam (packed 25 in a pkg.)
34	A 174 R	(-)	Ball (3 used)
35	AR 1292 R	(-8199999)	Cam, clutch, with disk (sub. AR20511R, F3397R, F3398R, and two A4680R)
	AF 2612 R	(8200000-8202143)	Cam, clutch, with disk (sub. one AR20511R and two A4680R)
	AF 3597 R*	(8202144-8299999)	Cam, clutch, with disk (sub. AR20511R)
	AR 20511 R	(8300000-)	Cam, clutch, with disk
36	A 4574 R	(-)	Disk, clutch cam
37	A 4546 R*	(-)	Spring (9 used)
38	R 1901 R*	(-)	Spring (9 used)
39	A 4705 R*	(-)	Washer

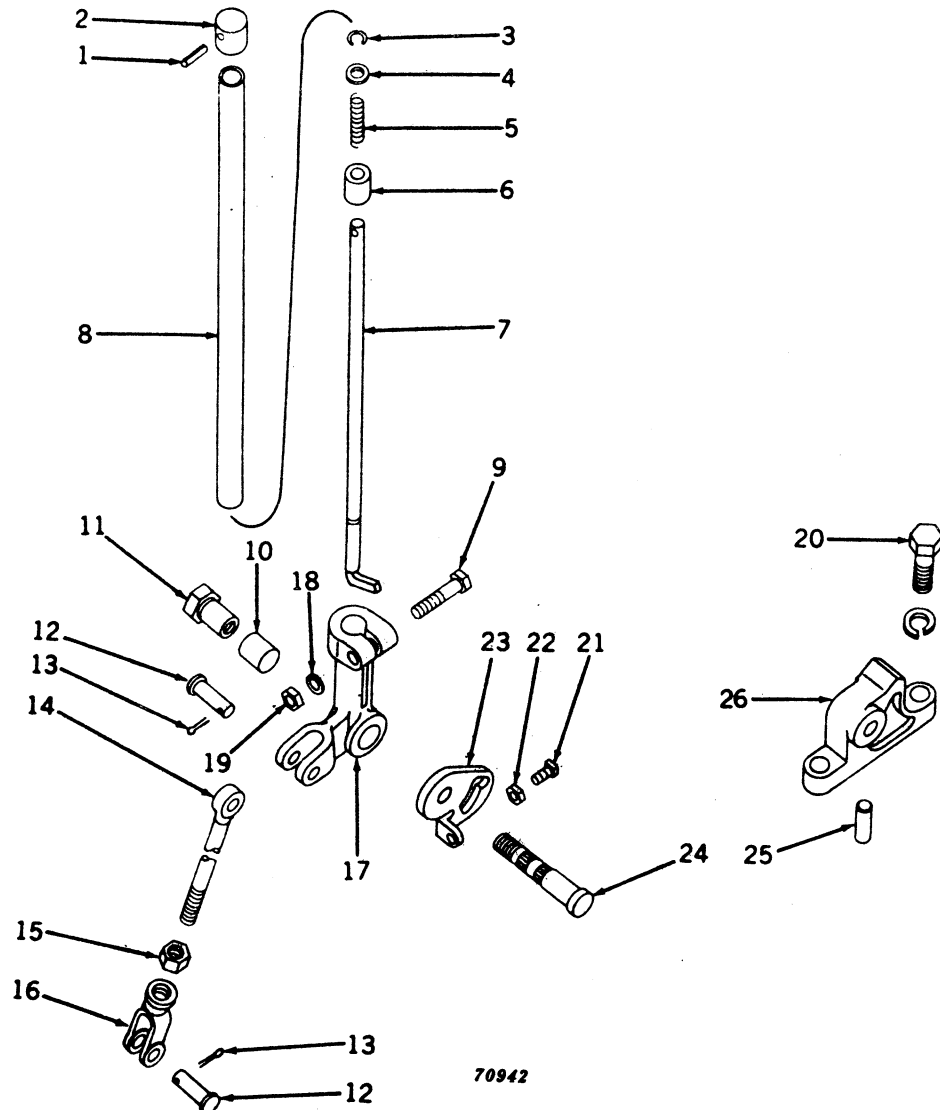
*Parts for 8000001-8202143 when AR1736R Powershaft Conversion Assembly has been installed.

POWERSHAFT CLUTCH CONTROL
(Serial No. 8000001-8202143)



Key	Part No.	Serial No.	Description
1	R 1735 R	(-8202143)	Handle, powershaft clutch
2	19H 360 T	(-8202143)	Screw, cap, 7/16" x 2" (sub. for 19H353R)
3	R 776 R	(-8202143)	Bushing
4	F 2597 R	(-8202143)	Nut, special (sub. for R777R)
5	D 1994 R	(-8202143)	Pin (2 used)
6	11H 236 R	(-8202143)	Pin, cotter, 1/8" x 1" (2 used) (sub. for 11H41R)
7	R 1655 R	(-8202143)	Rod, clutch-operating
8	14H 261 R	(-8202143)	Nut, 9/16"
9	D 393 R	(-8202143)	Yoke
10	R 1734 R	(-8202143)	Lever, powershaft clutch
11	12H 12 R	(-8202143)	Washer, lock, 7/16"
12	14H 813 C	(-8202143)	Nut, 7/16" (sub. for 14H257R)
13	19H 1373 R	(-8202143)	Screw, cap, 5/8" x 2" (2 used) (sub. for 19H1365R)
	12H 15 R	(-8202143)	Washer, lock, 5/8" (2 used)
14	R 2650 R	(-8202143)	Bracket, clutch lever (sub. for R281R)
15	D 2031 R	(-8202143)	Bolt, pivot
16	C 1220 R	(-8202143)	Pin, dowel

POWERSHAFT CLUTCH CONTROL
(Serial No. 8202144-)

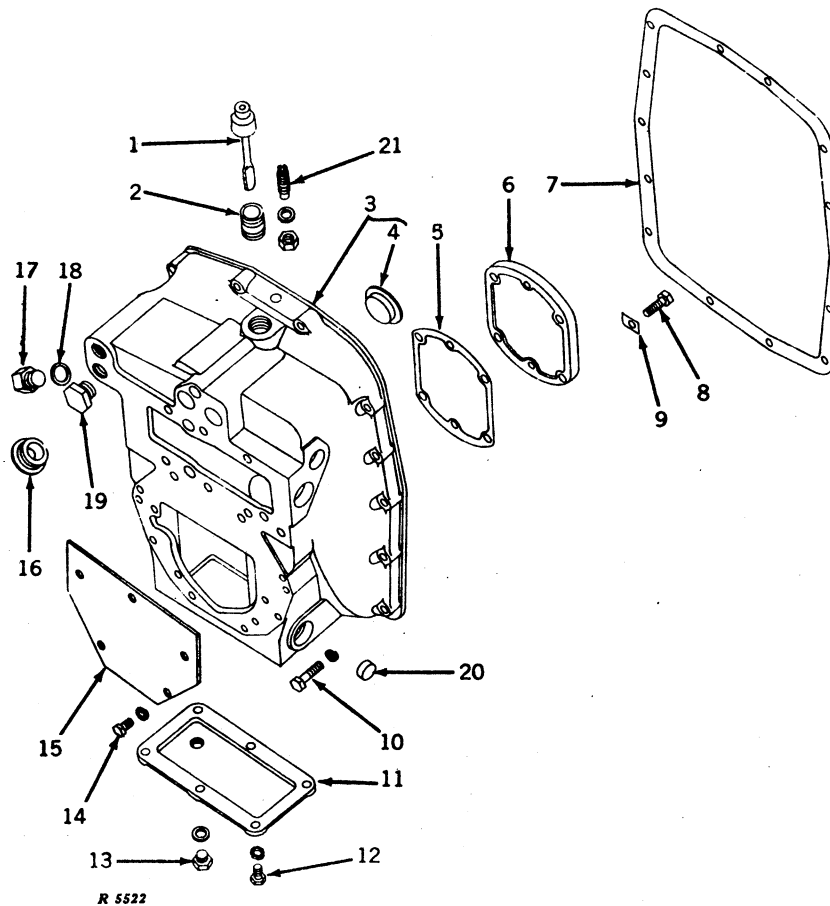


70942

Key	Part No.	Serial No.	Description
1	34H 28 N*	(8202144-)	Pin, roll
2	R 2654 R*	(8202144-)	Cap, brake latch rod
3	F 3396 R*	(8202144-)	Ring, retaining
4	24H 1017 R*	(8202144-)	Washer
5	R 2657 R*	(8202144-)	Spring
6	R 2656 R*	(8202144-)	Bushing
7	R 2653 R*	(8202144-)	Rod, brake latch
8	R 2652 R*	(8202144-)	Tube, lever handle
9	19H 1092 M*	(8202144-)	Screw, cap, 7/16" x 2"
10	R 776 R*	(8202144-)	Bushing
11	F 2597 R	(8202144-)	Nut, special (sub. for R777R)
12	D 1994 R	(8202144-)	Pin (2 used)
13	11H 236 R	(8202144-)	Pin, cotter, 1/8" x 1" (2 used) (sub. for 11H41R)
14	R 1655 R	(8202144-)	Rod, clutch operating
15	14H 261 R	(8202144-)	Nut, 9/16"
16	D 393 R	(8202144-)	Yoke
17	R 2651 R*	(8202144-)	Lever, clutch
18	12H 12 R*	(8202144-)	Washer, lock, 7/16"
19	14H 813 C*	(8202144-)	Nut, 7/16" (sub. for 14H257R)
20	19H 1373 R	(8202144-)	Screw, cap, 5/8" x 2" (2 used) (sub. for 19H1365R)
	12H 15 R	(8202144-)	Washer, lock, 5/8" (2 used)
21	22H 711 R*	(8202144-)	Screw, set latch adjusting
22	14H 812 C*	(8202144-)	Nut, 3/8" (sub. for 14H255R)
23	R 2655 R	(8202144-)	Latch, brake
24	D 2031 R	(8202144-)	Bolt, pivot
25	C 1220 R	(8202144-)	Pin, dowel
26	R 2650 R*	(8202144-)	Bracket, clutch lever

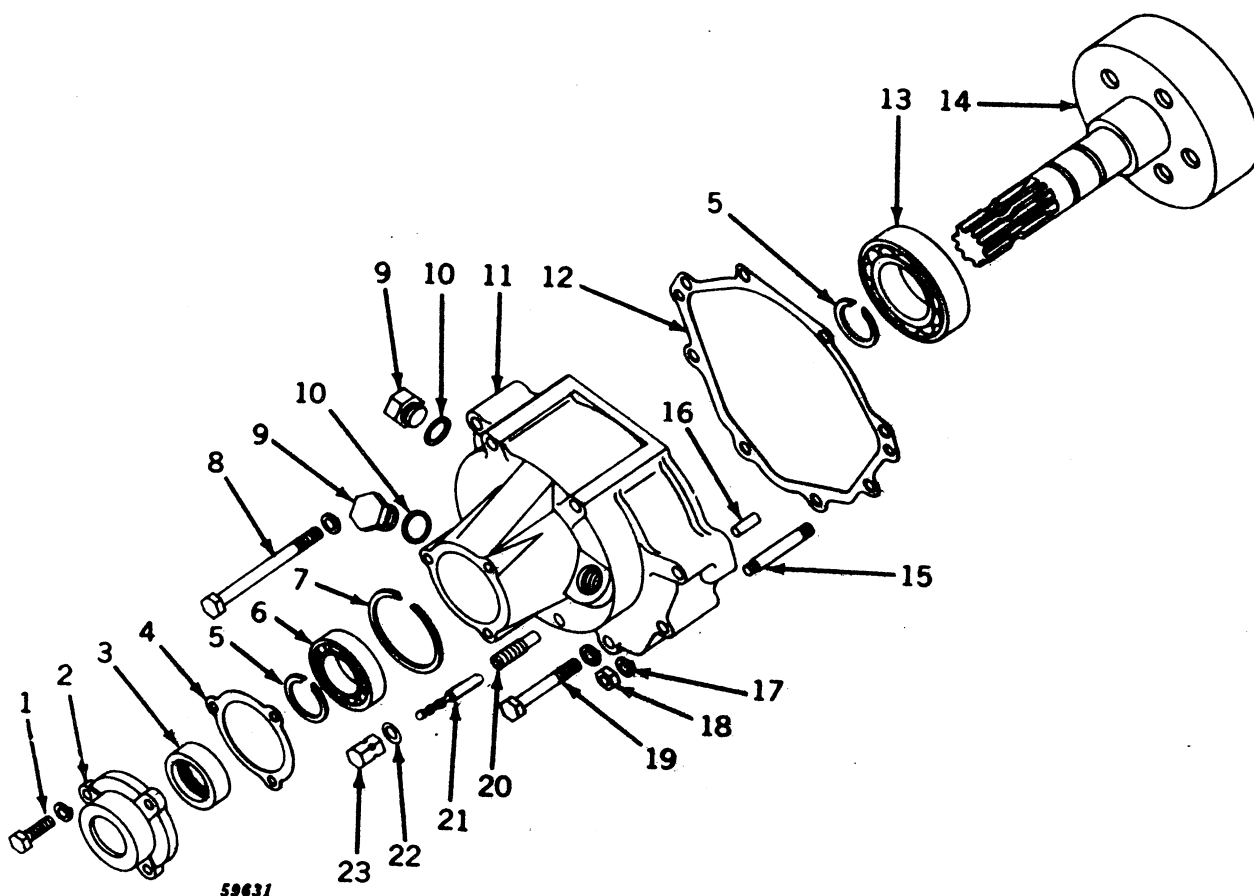
*Parts for 8000001-8202143 when AR1736R powershaft conversion assembly has been installed.

POWR-TROL AND POWERSHAFT HOUSING, LESS POWERSHAFT



Key	Part No.	Serial No.	Description
1	AR 1263 R	(-8199999)	Cap, A4683R, powr-trol oil filler, with rod
	AR 1577 R	(8200000-)	Cap, R750R, powr-trol oil filler, with rod
2	29H 488 T	(-8199999)	Nipple, pipe, powr-trol oil filler
	29H 406 R	(8200000-)	Nipple, pipe, powr-trol oil filler (sub. for R745R)
3	AR 1379 R	(-8199999)	Housing, R1650R, powr-trol and powershaft, with plug (sub. six 19H337N, six 24H45R, one 29H406R, one AR1577R, two AR1685R one AR20204R, three F2272R, two F3171R, one R2555R, one R2557R, one F3078R, and one F2556R)
	R 2530 R	(8200000-8203099)	Housing (sub. AR20204R, F3078R, F2223R and 14H390R)
	AR 20204 R	(8203100-)	Housing, R20192R (sub. for R2728R)
4	A 3256 R	(- -)	Plug
5	R 1710 R	(- -)	Gasket (packed 5 in a pkg.)
6	R 1785 R	(- -)	Cover, front
7	R 301 R	(- -)	Gasket (packed 5 in a pkg.)
8	19H 337 N	(- -)	Screw, cap, high-strength, 7/16" x 1-1/4" (4 used)
9	A 4605 R	(- -)	Plate, lock (4 used)
10	19H 255 N	(- -)	Screw, cap, 3/8" x 2" (14 used) (sub. for 19H256R)
	12H 11 R	(- -)	Washer, lock, 3/8" (14 used)
11	R 1731 R	(- -)	Cover, bottom
12	19H 218 N	(- -)	Screw, cap, high-strength, 3/8" x 1" (6 used) (sub. for 19H211R)
	12H 11 R	(- -)	Washer, lock, 3/8" (6 used)
13	R 228 R	(- -)	Plug
14	19H 317 T	(- -)	Screw, cap, 7/16" x 3/4" (5 used)
	12H 12 R	(- -)	Washer, lock, 7/16" (5 used)
15	R 1786 R	(- -)	Cover, rear
16	A 4807 R	(- -)	Plug
17	F 3128 R	(- -)	Plug (sub. for F1250R)
18	A 4827 R	(- -)	Washer
19	F 3191 R	(8200000-)	Plug in oil line (2 used) (single control valve)
20	A 3910 R	(- -)	Plug
21	F 3078 R	(8203100-)	Screw, special
	F 2223 R	(8203100-)	Washer (packed 10 in a pkg.)
	14H 390 R	(8203100-)	Nut, hex., 1/2"

POWERSHAFT

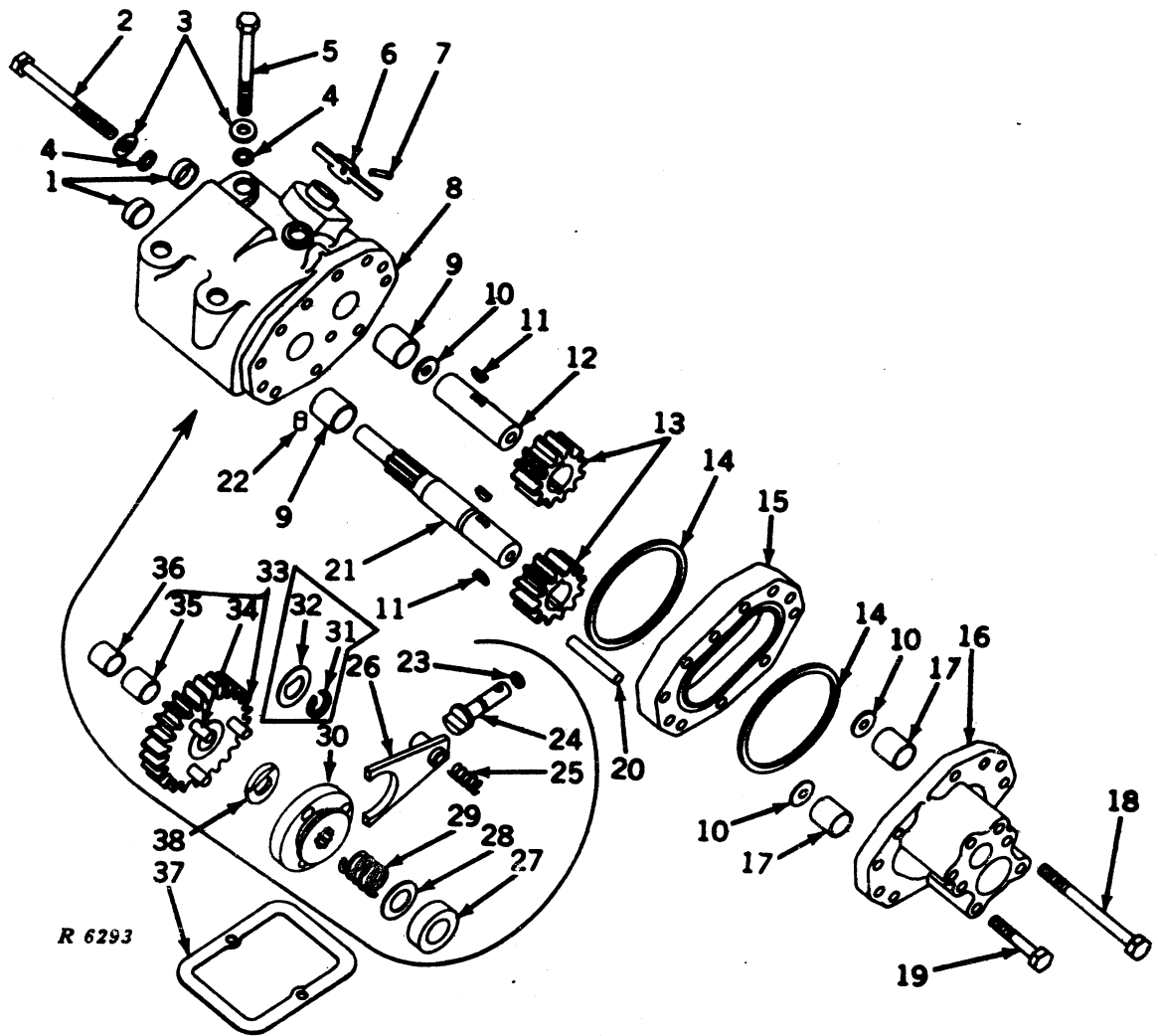


59631

Key	Part No.	Serial No.	Description
1	F 2273 R	(-)	Screw, special cap (3 used) (packed 10 in a pkg.)
	12H 304	(-)	Washer, lock, 3/8" (3 used)
2	R 1728 R	(-)	Housing, powershaft oil seal
3	AF 545 R	(-)	Seal, oil
4	R 1729 R	(-)	Gasket (packed 2 in a pkg.)
5	F 267 R	(-)	Ring, snap (2 used)
6	JD 7682	(-)	Bearing
7	F 564 R	(-)	Ring, snap (sub. for A371R)
8	19H 2348	(-)	Screw, cap, high-strength, 7/16" x 5" (2 used)
	12H 293	(-)	Washer, lock, 7/16" (2 used)
9	F 3128 R	(-)	Plug (2 used) (sub. for F1250R)
10	A 4827 R	(-)	Washer (2 used) (packed 2 in a pkg.)
11	AR 1721 R*	(-)	Housing, R2648R or R2649R, with plugs and guide (sub. for R1725R)
12	R 1730 R	(-)	Gasket (packed 2 in a pkg.)
13	JD 8712	(-)	Bearing
14	AR 1297 R	(-)	Gear, powershaft internal, with shaft
15	F 3646 R	(-)	Stud, 3/8" x 3" (2 used)
16	R 26630 R	(-)	Pin, dowel (sub. for A4879R)
17	12H 304	(-)	Washer, lock, 3/8" (2 used)
18	14H 812	(-)	Nut, 3/8" (2 used)
19	19H 2347	(-)	Screw, cap, high-strength, 7/16" x 3" (4 used)
	12H 293	(-)	Washer, lock, 7/16" (4 used)
20	F 3403 R*	(8202144-	Guide, clutch adjustment indicator
21	A 5850 R*	(8202144-	Indicator, clutch adjustment
22	A 3098 R*	(8202144-	Washer, clutch adjustment indicator (packed 5 in a pkg.)
23	F 3431 R*	(8202144-	Nut, cap, clutch adjustment indicator

*Parts for 8000001-8202143 when AR1736R powershaft conversion assembly has been installed.

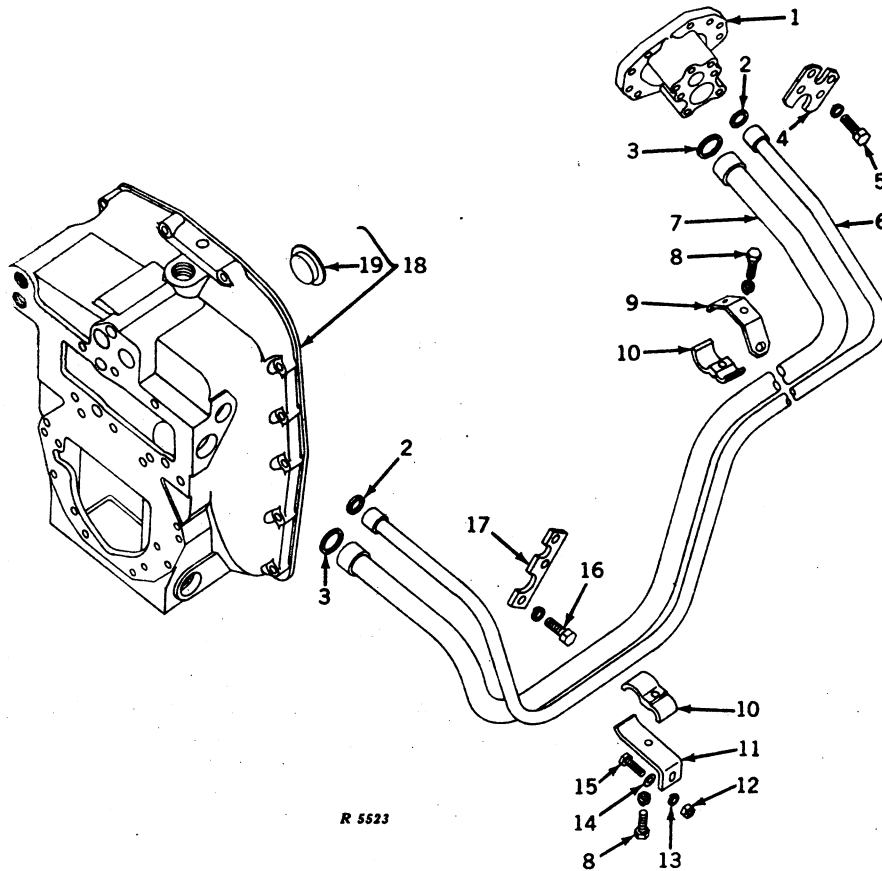
POWR-TROL PUMP



POWR-TROL PUMP -- Continued

Key	Part No.	Serial No.	Description
1	A 3910 R	(-)	Plug (2 used)
2	19H 1145 R	(-)	Screw, cap, 3/8" x 4-1/2"
3	A 147 R	(-)	Washer (5 used) (sub. for R1870R)
4	A 4847 R	(-)	Gasket (5 used) (packed 2 in a pkg.)
5	19H 1145 R	(-8000655)	Screw, cap, 3/8" x 4-1/2" (4 used)
	19H 1145 R	(8000656-	Screw, cap, 3/8" x 4-1/2" (3 used)
	19H 1148 R	(8000656-	Screw, cap, 3/8" x 3/4"
6	F 2210 R	(-)	Handle, shifter
7	34H 58 R	(-)	Pin, roll
8	AR 1253 R	(-)	Housing, R1601R, powr-trol pump, with bushings
9	A 4130 R	(-)	Bushing (2 used) (sub. for AA4794R)
10	F 2102 R	(-)	Washer, thrust (3 used) (packed 5 in a pkg.)
11	26H 12 H	(-)	Key, Woodruff, 1/8" x 3/4" (3 used)
12	R 1606 R	(-)	Shaft, pump idler
13	R 21721 R	(-)	Gear (2 used) (sub. for R1605R and R20938R)
14	R 1608 R	(-)	Packing (2 used) (packed 10 in a pkg.)
15	R 1607 R	(-)	Body, pump
16	AR 1254 R	(-)	Cover, R1610R, pump, with bushings
17	A 4130 R	(-)	Bushing (2 used) (sub. for AA4794R)
18	19H 1145 R	(-)	Screw, cap, 3/8" x 4-1/2" (3 used)
19	19H 1164 R	(-)	Screw, cap, 3/8" x 2-1/4" (6 used)
20	R 1603 R	(-)	Pin, dowel (2 used)
21	R 1604 R	(-8001878)	Shaft, pump drive (sub. one R1924R and one R1925R)
	R 1924 R	(8001879-	Shaft, pump drive
22	F 1743 R	(-)	Pin, dowel (2 used) (sub. for D186R)
23	A 3917 R	(-)	Packing, O-ring (packed 5 in a pkg.)
24	R 1615 R	(-)	Shaft, pump shifter
25	A 354 R	(-)	Spring
26	AR 1256 R	(-)	Yoke, pump shifter, with guide
27	AF 1925 R	(-)	Seal, oil (sub. two AR21900R oil seals and one R21720R spacer) (sub. for AR1925R and AR21263R)
28	24H 56 R	(-)	Washer, 29/32" x 1-1/2" x 20 gauge
29	R 1614 R	(-)	Spring
30	R 1609 R	(-)	Collar, pump shifter
31	B 169 R	(-8001878)	Snap ring
32	R 1613 R	(-8001878)	Spacer
33	AR 1255 R	(-)	Gear, R1611R, Pump drive, with bushing and pins
34	R 1612 R	(-)	Pin, dowel (3 used)
35	R 1872 R	(-)	Bushing
36	R 1872 R	(-)	Bushing
37	R 1657 R	(-)	Gasket (packed 2 in a pkg.)
38	R 1925 R	(8001879-	Washer, thrust

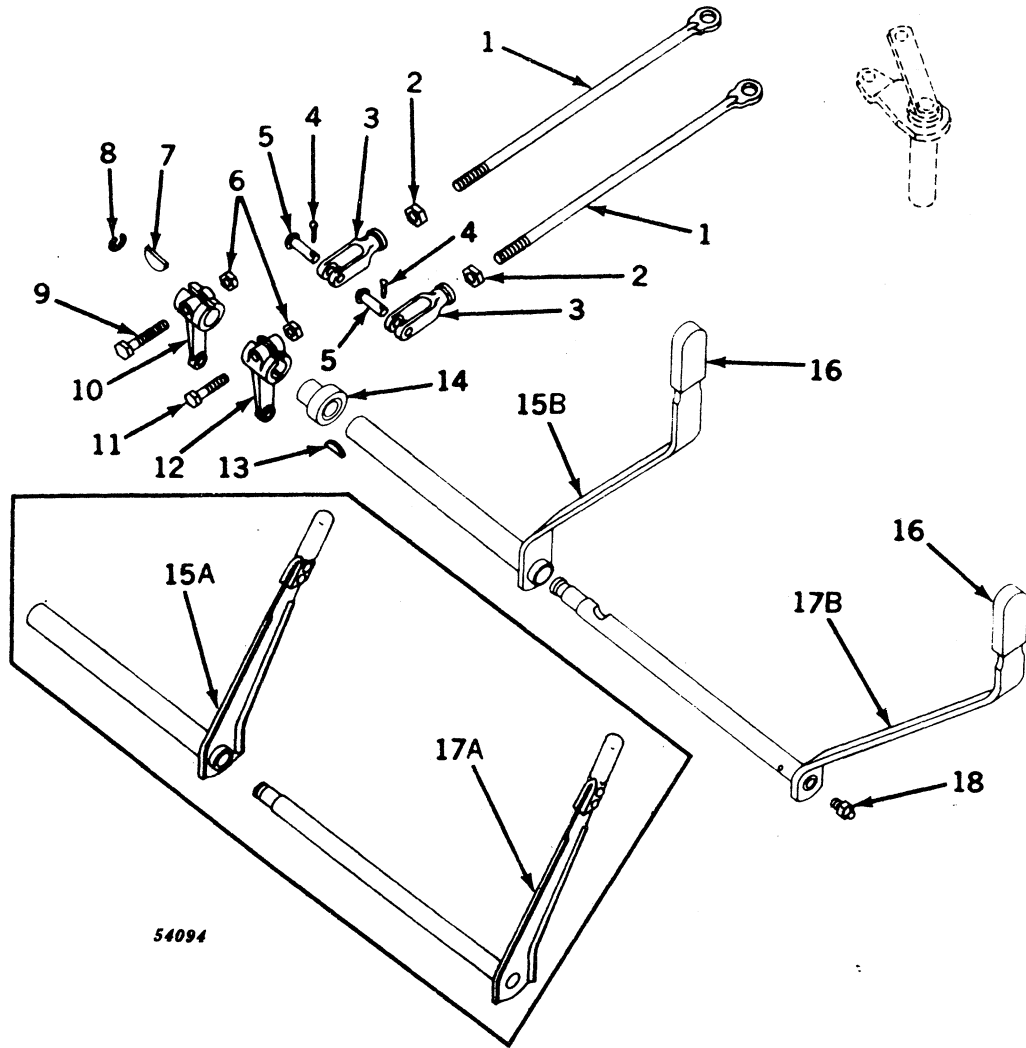
POWR-TROL OIL TUBES



R 5523

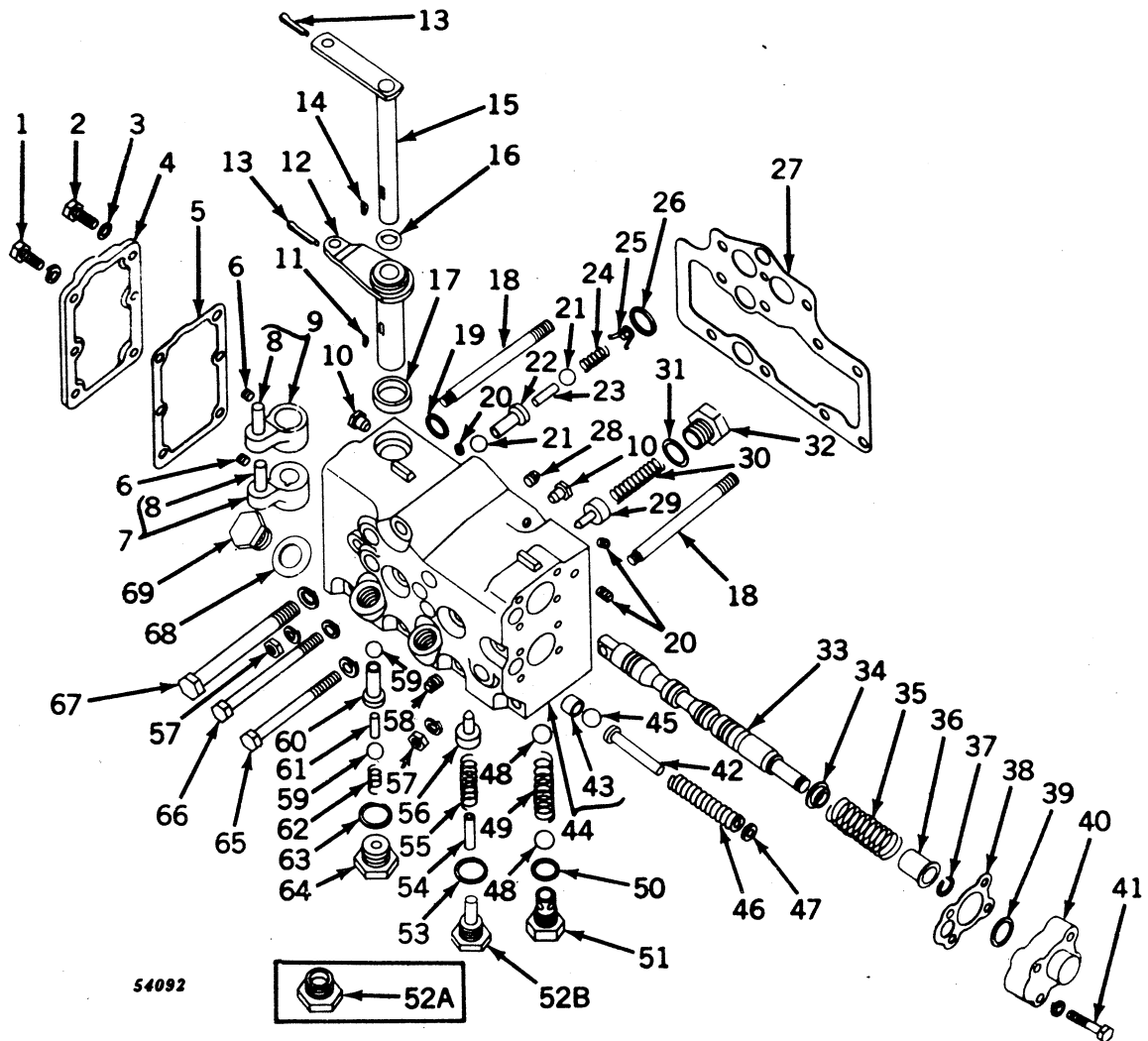
Key	Part No.	Serial No.	Description
1	AR 1254 R	(-)	Cover, R1610R, pump, with bushings
2	R 1662 R	(-)	Packing (2 used) (packed 2 in a pkg.)
3	R 1663 R	(-)	Packing (2 used) (packed 10 in a pkg.)
4	R 1664 R	(-)	Retainer
5	19H 337 N	(-)	Screw, cap, high-strength, 7/16" x 1-1/4" (4 used)
	12H 12 R	(-)	Washer, lock, 7/16" (4 used)
6	AR 1265 R	(-)	Tube, pressure
7	AR 1266 R	(-)	Tube, suction
8	19H 1096 H	(-)	Screw, cap, high-strength, 5/16" x 1-1/2" (2 used) (sub. for 19H130R)
	12H 10 R	(-)	Washer, lock, 5/16" (2 used)
9	R 1666 R	(-)	Bracket
10	R 1668 R	(-)	Clamp, half (2 used)
11	R 1667 R	(-)	Bracket
12	14H 786 M	(-8001699)	Nut, 1/4" (sub. for 14H251R)
	14H 812 C	(8001700-)	Nut, 3/8" (sub. for 14H255R)
13	12H 9 R	(-8001699)	Washer, lock, 1/4"
	12H 11 R	(8001700-)	Washer, lock, 3/8"
14	24H 131 A	(-8001699)	Washer, 17/64" x 5/8" x 16 gauge
	24H 154 R	(8001700-)	Washer, 25/64" x 7/8" x 16 gauge
15	19H 1683 T	(-8001699)	Screw, cap, high-strength, 1/4" x 1-1/4" (sub. for 19H32T)
	19H 1116 N	(8001700-)	Screw, cap, high-strength, 3/8" x 1-1/2" (sub. for 19H230E)
16	19H 337 N	(-)	Screw, cap, high-strength, 7/16" x 1-1/4" (3 used)
	12H 12 R	(-)	Washer, lock, 7/16" (3 used)
17	R 1665 R	(-)	Retainer
18	AR 1379 R	(-8199999)	Housing, R1650R, powr-trol and powershaft, with plug (sub. six 19H337N, six 24H45R, one 29H406R, one AR1577R, two AR1685R, one AR20204R, three F2272R, two F3171R, one R2555R, one F2556R, one R2557R and F3078R)
	R 2530 R	(8200000-8203099)	Housing (sub. AR2020R, F3078R, F2223R, and 14H390R)
	AR 20204 R	(8203100-)	Housing, R20192R (sub. for R2728R)
19	A 3256 R	(-)	Plug

POWER-TROL CONTROLS



Key	Part No.	Serial No.	Description
1	R 1669 R	(-)	Rod, operating (2 used)
2	14H 732 R	(-)	Nut, jam, 3/8" (2 used)
3	C 284 R	(-)	Yoke (2 used)
4	11H 236 R	(-)	Pin, cotter, 1/8" x 1" (2 used) (sub. for 11H41R)
5	R 769 R	(-)	Pin (2 used)
6	14H 812 C	(-)	Nut, 3/8" (2 used) (sub. for 14H255R)
7	26H 14 R	(8001967-)	Key, Woodruff
8	A 369 R	(-)	Snap ring (packed 10 in a pkg.)
9	19H 1164 R	(-8001966)	Screw, cap, high-strength, 3/8" x 2-1/4" (sub. for 19H257H)
	19H 246 T	(8001967-)	Screw, cap, high-strength, 3/8" x 1-3/4" (sub. for 19H239T)
10	R 1674 R	(-)	Arm, powr-trol operating shaft
11	19H 255 N	(-)	Screw, cap, 3/8" x 2" (sub. for 19H256R)
12	R 1677 R	(-)	Arm, powr-trol operating tube (dual control only)
13	R 1678 R	(-)	Key, special
14	R 2553 R	(8200000-)	Adapter (single control only)
15A	AR 1269 R	(-8199999)	Lever, powr-trol operating, with tube (sub. AR1571R and AR1572R)
15B	AR 1572 R	(8200000-)	Lever, powr-trol operating, with tube and grip (inner) (C. E.)
	AR 20457 R	(8300000-)	Lever, powr-trol operating, with tube and grip (inner) (elec.)
16	F 2948 R	(8200000-)	Grip (2 used)
17A	AR 1268 R	(-8199999)	Lever, powr-trol operating, with shaft (sub. AR1571R and AR1572R)
17B	AR 1571 R	(8200000-)	Lever, powr-trol operating, with shaft and grip (outer) (dual control only) (C. E.)
	AR 20456 R	(8300000-)	Lever, powr-trol operating, with shaft and grip (outer) (dual control only) (elec.)
18	JD 7781	(8200000-)	Fitting, grease

DUAL POWR-TROL VALVE HOUSING

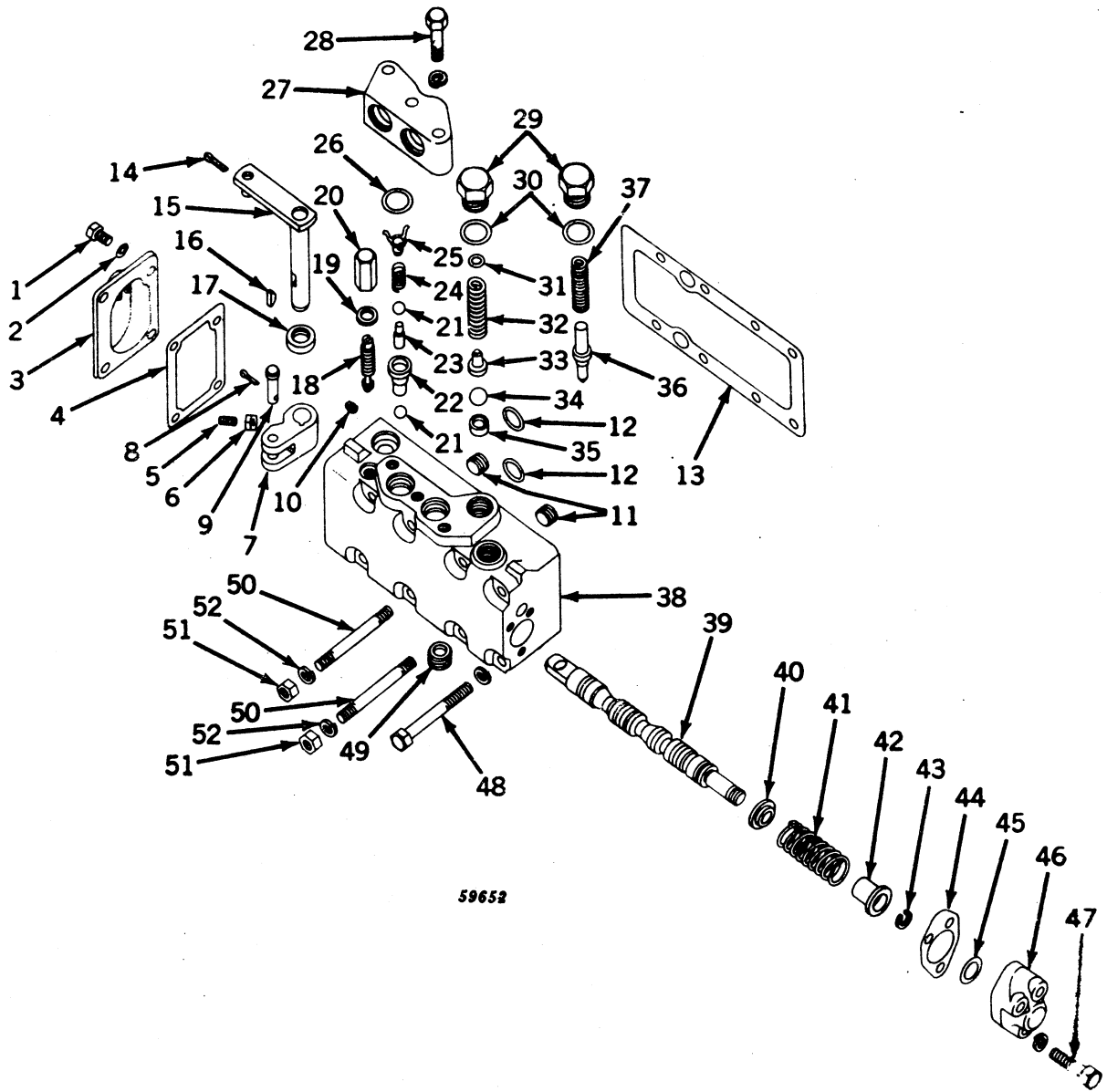


Key	Part No.	Valve Housing Serial No.	Description
1	19H 218 N	(DRCV100-	Screw, cap, high-strength, 3/8" x 1" (4 used)
	12H 11 R	(DRCV100-	Washer, lock, 3/8" (4 used)
	F 2272 R	(DRCV100-	Screw, cap, high-strength, center front (packed 10 in a pkg.)
2	19H 218 N	(DRCV100-	Screw, cap, high-strength, 3/8" x 1"
3	A 3098 R	(DRCV100-	Washer (6 used) (packed 5 in a pkg.)
4	R 1809 R	(DRCV100-	Cover
	R 20185 R	(DRCV100-	Cover (used with auxillary reservoir)
5	R 1810 R	(DRCV100-	Gasket (packed 5 in a pkg.)
6	22H 715 R	(DRCV100-349	Screw, set (2 used) (sub. 22H719R)
	22H 719 R	(DRCV350-	Screw, set
	22H 720 R	(DRCV350-	Screw, set
	14H 774 R	(DRCV350-	Nut, jam, 3/8"
7	AR 1331 R	(DRCV100-	Arm, R1799R, control valve, with pin, L. H.
8	R 1800 R	(DRCG100-	Pin (2 used)
9	AR 1330 R	(DRCV100-	Arm, R1798R, control valve, with pin, R. H.
10	AA 6314 R	(DRCV100-	Valve, thermal relief (2 used)
11	R 1678 R	(DRCV100-	Key, special
12	AR 1333 R	(DRCV100-	Sleeve, control, with arm
	D 1828 R	(DRCV100-	Spacer
13	11H 236 R	(DRCV100-	Pin, cotter, 1/8" x 1" (2 used) (sub. for 11H41R)
14	26H 14 R	(DRCV100-	Key, Woodruff, 3/16" x 3/4"
15	AR 1332 R	(DRCV100-	Shaft, control, with arm
16	B 2762 R	(DRCV100-	Packing, O-ring (packed 2 in a pkg.)
17	AR 1335 R	(DRCV100-	Seal, oil

DUAL POWR-TROL VALVE HOUSING -- Continued

Key	Part No.	Valve Housing Serial No.	Description
18	R 2623 R	(DRCV3700-)	Stud, 7/16" x 6-1/8" (2 used) (sub. for A117R)
19	R 495 R	(DRCV100-)	Packing, O-ring (2 used) (packed 10 in a pkg.)
20	R 21630 R	(DRCV100-2135)	Plug, pipe, 1/8" (3 used) (sub. for 15H558R)
	R 21630 R	(DRCV2136-)	Plug, pipe, 1/8" (sub. for 15H558R)
	R 21629 R	(DRCV2136-)	Plug, pipe, 1/16" (sub. for 15H560R)
21	D 2361 R	(DRCV100-)	Ball, check valve (4 used)
22	R 1811 R	(DRCV100-)	Valve, check (2 used)
23	R 1812 R	(DRCV100-)	Shaft, check valve metering (2 used)
24	A 1280 R	(DRCV100-)	Spring (2 used)
25	AR 1336 R	(DRCV100-)	Spring, check valve retainer, with pin (2 used)
26	A 3606 R	(DRCV100-)	Packing, O-ring (2 used) (packed 10 in a pkg.)
27	R 1652 R	(DRCV100-)	Gasket (packed 2 in a pkg.)
28	A 3125 R	(DRCV100-)	Plug, pipe, 1/2" (2 used) (sub. for 15H561R)
29	R 1821 R	(DRCV100-)	Detent, control valve
30	R 1822 R	(DRCV100-)	Spring, detent
31	H 851 R	(DRCV100-)	Washer
32	R 1824 R	(DRCV100-)	Plug
33	R 1792 R	(DRCV100-)	Valve, control (2 used)
34	R 1794 R	(DRCV100-)	Retainer, control valve spring, upper (2 used)
35	R 1793 R	(DRCV100-)	Spring, control valve (2 used)
36	R 1795 R	(DRCV100-)	Retainer, control valve spring, lower (2 used)
37	B 387 R	(DRCV100-)	Snap ring (2 used) (packed 5 in a pkg.)
38	R 1797 R	(DRCV100-)	Gasket (2 used) (packed 2 in a pkg.)
39	R 1839 R	(DRCV100-)	Shim (steel) .006" (quantity used as required) (sub. for R1840R)
40	R 1796 R	(DRCV100-2433)	Cover (2 used) (sub. R1952R and R1953R)
	R 1952 R	(DRCV2434-)	Cover (2 used)
41	F 2271 R	(DRCV100-)	Screw, special cap (8 used)
	12H 10 R	(DRCV100-)	Washer, lock, 5/16" (8 used)
42	R 1953 R	(DRCV2434-)	Guide, relief valve spring (2 used)
43	R 1791 R	(DRCV100-)	Seat, relief valve (2 used)
44	AR 1329 R	(DRCV100-3699)	Housing, R1790R, dual powr-trol, with seats (on DRCV100-2135 furnish also one 15H260R) (sub. AF3211R)
	AF 3211 R	(DRCV3700-)	Housing, R3190R, dual powr-trol with seats
45	R 1818 R	(DRCV100-)	Ball, relief valve (2 used)
46	R 1819 R	(DRCV100-)	Spring, relief valve (2 used) (one DRCV100-2433 also furnish one R1952R and one R1953R)
47	R 1820 R	(DRCV100-)	Washer, shim (sub. twenty R1820R and two 24H156R)
48	R 1818 R	(DRCV100-)	Ball, detent relief valve (2 used)
49	R 1826 R	(DRCV100-)	Spring, detent relief valve
50	D 465 R	(DRCV100-)	Gasket (packed 5 in a pkg.)
51	R 1827 R	(DRCV100-)	Seat, detent relief valve
52A	R 1825 R	(DRCV100-2433)	Plug (sub. AR1487R)
52B	AR 1487 R	(DRCV2434-)	Plug, with pin
53	H 851 R	(DRCV100-)	Washer
54	AR 1487 R	(DRCV100-2433)	Spacer, detent stop (sub. for 28H1698R)
55	R 1822 R	(DRCV100-)	Spring, detent
56	R 1821 R	(DRCV100-)	Detent, control valve
57	14H 813 C	(DRCV3700-)	Nut, 7/16" (2 used) (sub. for 14H257R)
	12H 12 R	(DRCV3700-)	Washer, lock, 7/16" (2 used)
58	A 3125 R	(DRCV100-)	Plug, pipe, 1/2" (6 used) (sub. for 15H561R)
59	D 2361 R	(DRCV100-)	Ball, check valve (4 used)
60	R 1811 R	(DRCV100-)	Valve, check (2 used)
61	R 1812 R	(DRCV100-)	Shaft, check valve metering (2 used)
62	A 1280 R	(DRCV100-)	Spring (2 used)
63	A 3606 R	(DRCV100-)	Packing, O-ring (2 used) (packed 10 in a pkg.)
64	R 1814 R	(DRCV100-)	Plug (2 used)
65	19H 1687 R	(DRCV100-)	Screw, cap, high-strength, 7/16" x 4-3/4" (4 used) (sub. for 19H405R)
	12H 12 R	(DRCV100-)	Washer, lock, 7/16" (4 used)
66	19H 1688 R	(DRCV100-3699)	Screw, cap, high-strength, 7/16" x 5-1/2" (4 used) (sub. for 19H410R)
	12H 12 R	(DRCV100-3699)	Washer, lock, 7/16" (4 used)
	19H 1688 R	(DRCV3700-)	Screw, cap, high-strength, 7/16" x 5-1/2" (2 used)
	12H 12 R	(DRCV3700-)	Washer, lock, 7/16" (2 used)
67	19H 1574 R	(DRCV100-)	Screw, special cap, 5/8" x 5-3/4"
	12H 15 R	(DRCV100-)	Washer, lock, 5/8"
68	F 3171 R	(DRCV3700-)	Packing, O-ring (2 used) (packed 2 in a pkg.)
69	15H 238 R	(DRCV100-3699)	Plug, pipe, 3/4" (2 used)
	F 3191 R	(DRCV3700-)	Plug (2 used)

SINGLE POWR-TROL VALVE HOUSING

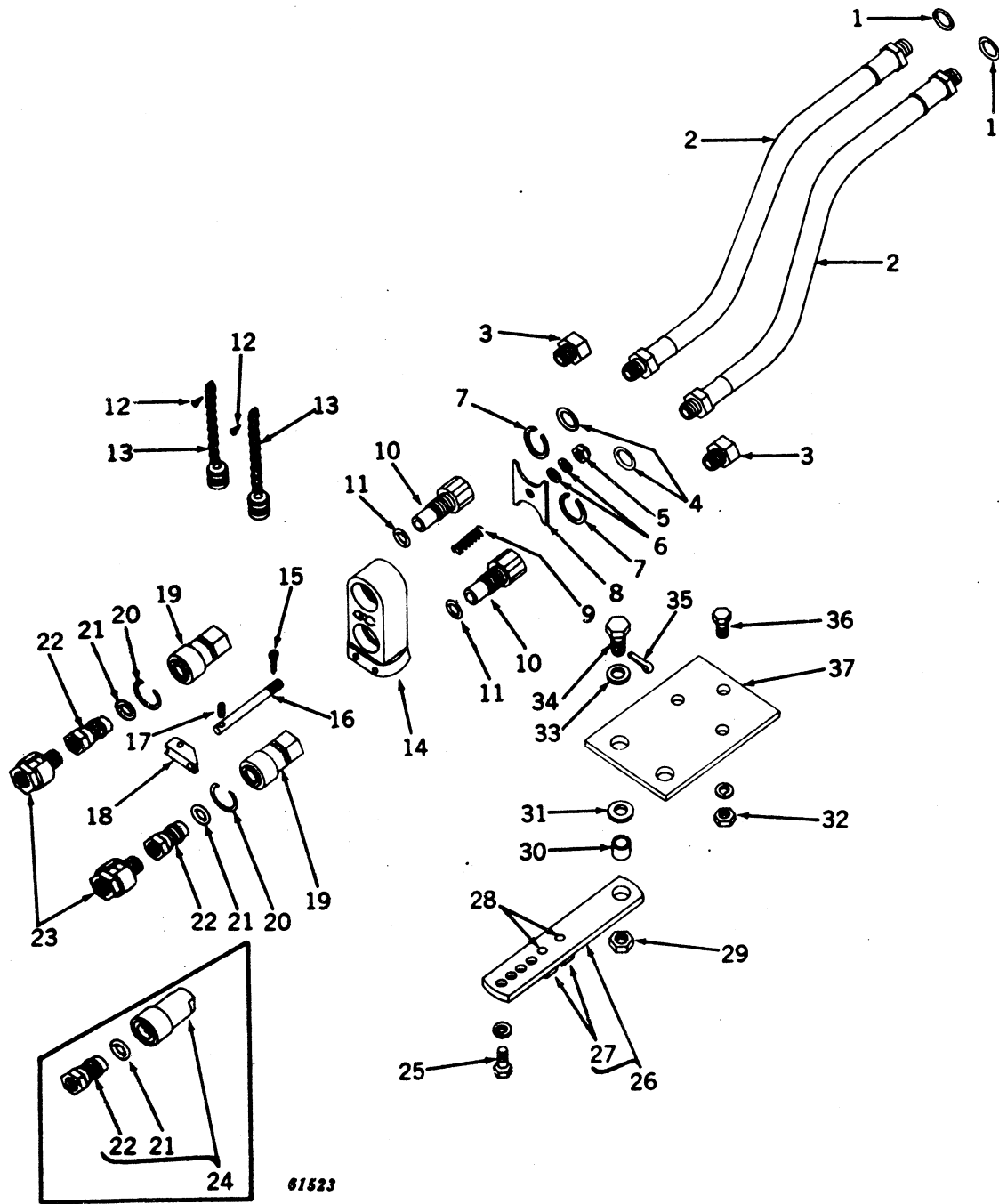


59652

SINGLE POWR-TROL VALVE HOUSING -- Continued

Key	Part No.		Valve Housing		Description
			Serial No.		
1	19H	1255 T	(SRCV100-)	Screw, cap, 3/8" x 5/8" (4 used) (sub. for 19H199R)
2	A	3098 R	(SRCV100-)	Washer (aluminum) (4 used) (packed 5 in a pkg.)
3	F	3095 R	(SRCV100-)	Cover
4	F	3096 R	(SRCV100-)	Gasket (packed 5 in a pkg.)
5	22H	720 R	(SRCV100-)	Screw, set, 3/8" x 3/4"
6	14H	774 R	(SRCV100-)	Nut, jam, 3/8"
7	F	2836 R	(SRCV100-)	Arm, control valve
8	11H	211 R	(SRCV100-)	Pin, cotter, 1/8" x 3/4" (sub. for 11H38R)
9	F	2353 R	(SRCV100-)	Pin
10	15H	559 R	(SRCV100-)	Plug, pipe, countersunk headless
11	A	3125 R	(SRCV100-)	Plug, special pipe (2 used) (sub. for 15H561R)
12	R	495 R	(SRCV100-)	Packing, O-ring (2 used) (packed 10 in a pkg.)
13	F	2881 R	(SRCV100-)	Gasket (packed 2 in a pkg.)
14	11H	236 R	(SRCV100-)	Pin, cotter, 1/8" x 1" (sub. for 11H41R)
15	AF	2906 R	(SRCV100-)	Shaft, control, with arm
16	26H	14 R	(SRCV100-)	Key, Woodruff, 3/16" x 3/4"
17	AF	2907 R	(SRCV100-)	Seal, oil
18	F	2845 R	(SRCV100-)	Screw, control by-pass
19	F	2846 R	(SRCV100-)	Washer (aluminum) (packed 5 in a pkg.)
20	F	2847 R	(SRCV100-)	Nut, cap
21	D	2361 R	(SRCV100-)	Ball, check valve (4 used)
22	R	1811 R	(SRCV100-)	Valve, check (2 used)
23	R	1812 R	(SRCV100-)	Shaft, check valve metering (2 used)
24	A	1280 R	(SRCV100-)	Spring (2 used)
25	AF	2908 R	(SRCV100-)	Spring, with pin
26	A	3606 R	(SRCV100-)	Packing, O-ring (2 used) (packed 10 in a pkg.)
27	R	2554 R	(SRCV100-)	Adapter, oil line
28	19H	1242 M	(SRCV100-)	Screw, cap, 7/16" x 2-3/4" (3 used)
	12H	12 R	(SRCV100-)	Washer, lock, 7/16" (3 used)
29	R	1824 R	(SRCV100-)	Plug (2 used)
30	H	851 R	(SRCV100-)	Washer (aluminum) (2 used)
31	R	1820 R	(SRCV100-)	Washer (6 used) (sub. ten R1820R and one 24H156R)
32	F	2843 R	(SRCV100-)	Spring, relief valve
33	F	2842 R	(SRCV100-)	Guide, relief valve spring
34	F	2841 R	(SRCV100-)	Ball, relief valve
35	F	2832 R	(SRCV100-)	Seat, relief valve
36	F	2844 R	(SRCV100-)	Detent, control valve
37	R	1822 R	(SRCV100-)	Spring, control valve detent
38	AF	3213 R	(SRCV100-)	Housing, F2831, powr-trol valve, with seat
39	R	1792 R	(SRCV100-)	Valve, control
40	R	1794 R	(SRCV100-)	Retainer, valve spring, upper
41	R	1793 R	(SRCV100-)	Spring, control valve
42	R	1795 R	(SRCV100-)	Retainer, valve spring, lower
43	B	387 R	(SRCV100-)	Snap ring (packed 5 in a pkg.)
44	F	2834 R	(SRCV100-)	Gasket (packed 2 in a pkg.)
45	R	1839 R	(SRCV100-)	Shim (steel) (8 used) (sub. for R1840R)
46	F	2833 R	(SRCV100-)	Cover, control valve
47	19H	255 N	(SRCV100-)	Screw, cap, 3/8" x 2" (2 used) (sub. for 19H256R)
	19H	246 T	(SRCV100-)	Screw, cap, 3/8" x 1-3/4"
	12H	11 R	(SRCV100-)	Washer, lock, 3/8" (3 used)
48	19H	1686 R	(SRCV100-)	Screw, cap, 7/16" x 4" (6 used) (sub. for 19H398T)
	12H	12 R	(SRCV100-)	Washer, lock, 7/16" (6 used)
49	15H	562 R	(SRCV100-)	Plug, pipe, 1"
50	R	2622 R	(SRCV100-)	Stud, 7/16" x 4-3/8" (2 used) (sub. for A126R)
51	14H	813 C	(SRCV100-)	Nut, 7/16" (2 used) (sub. for 14H257R)
52	12H	12 R	(SRCV100-)	Washer, lock, 7/16" (2 used)

BREAKAWAY COUPLINGS (Pioneer) AND BRACKETS



BREAKAWAY COUPLINGS (Pioneer) AND BRACKETS -- Continued

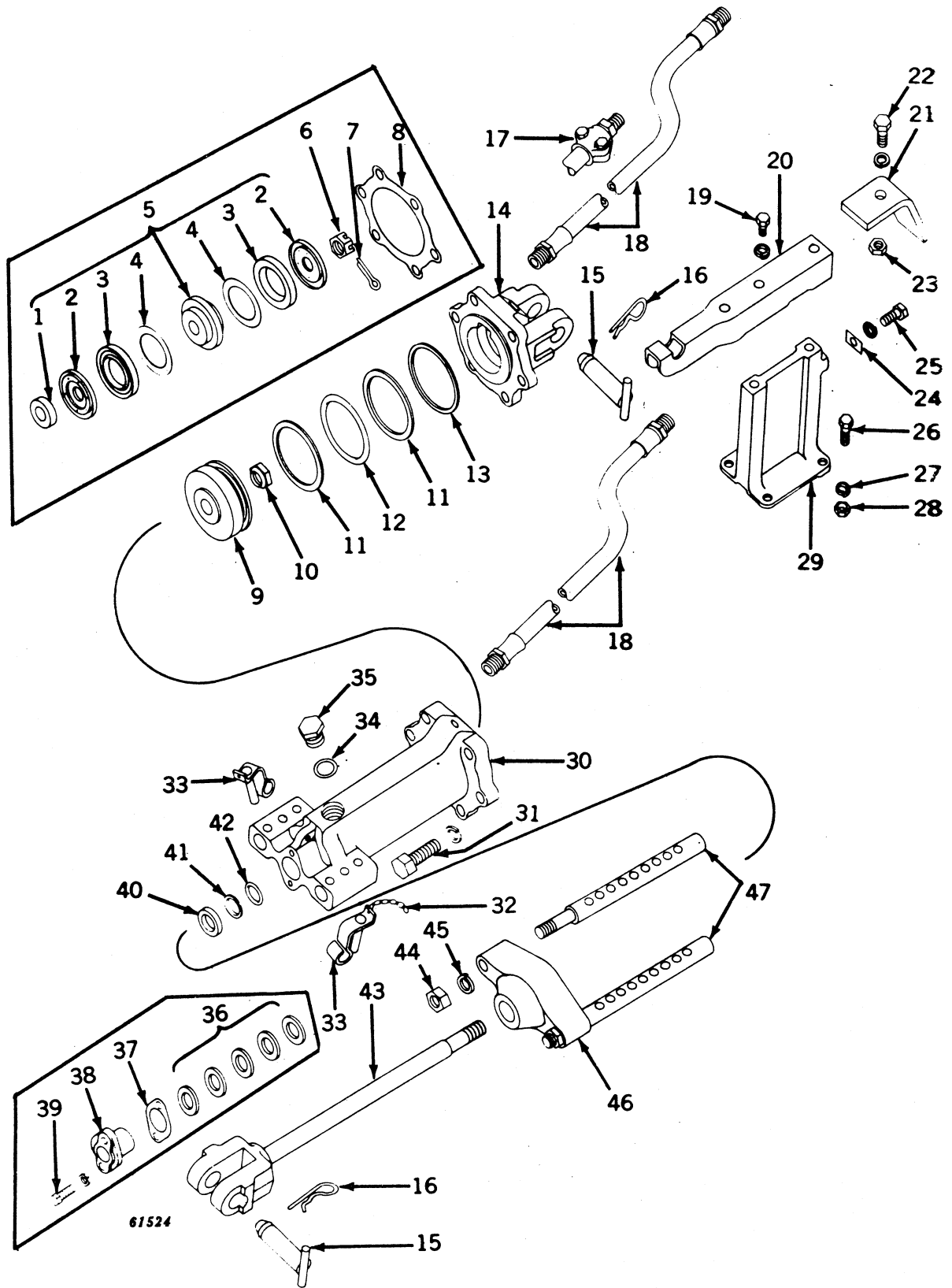
Key	Part No.	Serial No.	Description
1	F 3171 R	(-)	Packing, O-ring (2 used) (packed 2 in a pkg.)
2	AR 1342 R	(-8199999)	Line, flexible oil (5/8" I.D. x 24" long) (2 used with no. 1 cylinder)
	JD 175 R	(-8199999)	Line, flexible oil (5/8" I.D. x 20" long) (2 used with no. 2 cylinder)
	AR 1684 R*	(8200000-)	Line, flexible oil (5/8" I.D. x 20" long) (2 used) (single control) (on 8200000-8200900 also furnish one AR1683R bracket)
	AR 1685 R*	(8200000-)	Line, flexible oil (5/8" I.D. x 25" long) (2 used) (no. 1 circuit L.H., dual control)
3	R 1961 R	(-8199999)	Adapter (2 used)
4	F 3171 R	(-)	Packing, O-ring (2 used) (packed 2 in a pkg.)
5	14H 514 N	(-)	Nut, slotted, 3/8"
6	24H 154 R	(-)	Washer, 21/64" x 7/8" x 16 gauge (quantity used as required)
7	F 2370 R	(-)	Snap ring (2 used)
8	R 2612 R	(-)	Retainer, coupler
9	B 161 R	(-)	Spring, retainer (packed 5 in a pkg.)
10	AR 20128 R	(8203850-)	Tip, coupler, male screw (2 used)
11	R 495 R	(8203850-)	Packing, O-ring (2 used)
12	D 454 R	(-)	Screw, drive (2 used)
13	AF 3001 R	(-)	Plug, dust, with chain (2 used)
14	R 2610 R	(-8203849)	Carrier, coupler (sub. one R20005R, one A4119R, and two 24H41H)
	R 20005 R	(8203850-)	Carrier, coupler
	AR 4119 R	(8203850-)	Spacer
	24H 41 H	(8203850-)	Washer (2 used)
15	11H 234 R	(-)	Pin, cotter, 3/32" x 1" (2 used) (sub. for 11H22R)
16	R 2613 R	(-8203849)	Rod, coupler retainer
	R 20004 R	(8203850-)	Rod, coupler retainer
17	34H 41 H	(-)	Pin, roll, 1/8" x 3/4"
18	R 2614 R	(-)	Lever, coupler retainer rod
19	AR 20127 R	(8203850-)	Body, breakaway coupler (2 used)
	AR 20002 R	(8203850-)	Coupler, breakaway, pressure coupled, consisting of body, two coupler tips, and two O-rings (2 used)
20	F 3069 R	(-)	Snap ring (2 used)
21	R 21772 R	(-)	Packing, O-ring (2 used) (sub. for F3145R)
22	AR 1649 R	(-)	Tip, coupler, male (2 used)
23	AR 1681 R	(-8203099)	Valve, relief (2 used) (sub. AR1839R)
	AR 1839 R	(8203100-)	Valve, relief (2 used)
24	AR 1680 R	(-8203849)	Coupler, breakaway (2 used)
25	19H 988 N	(-8301897)	Screw, cap, 3/8" x 1-1/4" (2 used)
	19H 1116 N	(8301898-)	Screw, cap, 3/8" x 1-1/2" (2 used)
	12H 11 R	(-)	Washer, lock, 3/8" (2 used)
26	AR 1514 R	(-8199999)	Bracket, with spring clips, 9" (dual control)
	AR 1683 R	(-8199999)	Bracket, with spring clips, 8" (single control) (also one used on dual control) (sub. AR21408R single control)
	AR 1683 R	(8200000-8203849)	Bracket, with spring clips, 8" (single control) (sub. AR21408R)
	AR 1514 R	(8203850-8301897)	Bracket, with spring clips, 8" (dual control) (2 used) (sub. AR21409R)
	AR 1514 R	(8203850-8301897)	Bracket, with spring clips, 9" (single control)**
	AR 1514 R	(8203850-8301897)	Bracket, with spring clips, 9" (dual control) (2 used)**
	AR 21410 R	(8301898-)	Bracket, with spring clips (1 used single control, 2 used dual control)
	AR 21409 R	(-8301897)	Bracket, with spring clips, 10" (used on 8000001-8199999 equipped with pressure coupled breakaway) (sub. for AR20004R)
27	R 2618 R	(-)	Clip, spring (2 used)
28	16H 277 A	(-)	Rivet, 1/4" x 3/4" (2 used)
29	14H 524 R	(-8301897)	Nut, slotted, 1/2"
	14H 404 R	(8301898-)	Nut, 3/4"
	14H 793 T	(8301898-)	Nut, jam, 3/4" (sub. for 14H481R)
30	A 4119 R	(-8301897)	Spacer
31	24H 223 R	(-8301897)	Washer
32	14H 809 T	(-)	Nut, 1/2" (3 used) (sub. for 14H259R)
	12H 13 R	(-)	Washer, lock, 1/2" (3 used)
33	D 2865 R	(-8301897)	Washer
34	R 2619 R	(-8301897)	Screw, cap, special
	19H 1391 R	(8301898-)	Screw, cap, 3/4" x 2-1/4"
35	11H 211 R	(-)	Pin, cotter, 1/8" x 3/4" (sub. for 11H39R)
36	19H 438 R	(-)	Screw, cap, 1/2" x 1" (2 used)
	19H 1131 N	(-)	Screw, cap, front, 1/2" x 1-1/4"
37	R 2615 R	(-8301897)	Support, coupler (sub. AR21408R single control and AR21409R dual control)
	R 21236 R	(8301898-)	Support, coupler

Quantities shown are for single control or one cylinder on dual control.

*For reusable oil line couplings and bulk oil lines, see page 75-14.

**Also parts on 8200000-8203849 equipped with pressure coupled breakaway.

REMOTE CONTROL CYLINDER



REMOTE CONTROL CYLINDER -- Continued

Key	Part No.	Remote Cylinder Serial No.	Description
1	F 833 R	(4RC10100-55636)	Spacer
2	F 1027 R	(4RC23653-55636)	Retainer, piston packing (2 used)
3	F 834 R	(4RC10100-55636)	Packing, U-cup (2 used) (packed 5 in a pkg.)
4	F 919 R	(4RC10100-55636)	Washer, treated paper (2 used) (packed 5 in a pkg.)
5	AF 1105 R	(4RC10100-55636)	Piston, F916R, with packing, retainers, and spacer
6	C 1104 R	(4RC100-55636)	Nut, slotted, 7/8" (packed 25 in a pkg.)
7	11H 237 R	(4RC100-55636)	Pin, cotter, 1/8" x 2" (sub. for 11H43R)
8	F 829 R	(4RC100-55636)	Gasket (packed 5 in a pkg.)
9	R 2638 R	(4RC55637-)	Piston
10	F 2439 R	(4RC55637-)	Nut, special hex. lock
11	R 2639 R	(4RC55637-)	Washer, backing, paper (2 used) (packed 2 in a pkg.)
12	A 5598 R	(4RC55637-)	Packing, O-ring (packed 2 in a pkg.)
13	R 2637 R	(4RC55637-)	Packing (packed 2 in a pkg.)
14	F 898 R	(4RC6903-55636)	Cap, remote cylinder
	R 2636 R	(4RC55637-)	Cap, remote cylinder
15	AR 1362 R	(4RC6903-)	Pin, attaching (2 used)
16	A 3581 R	(4RC6903-)	Pin, spring locking (2 used) (packed 25 in a pkg.) for AR1051R)
17	AR 1058 R*	(4RC100-)	Coupling, service, for flexible oil line
18	AR 1448 R*	(4RC100-)	Line, flexible oil, 5/8" I. D. x 94" long (2 used) (sub. for AR1051R)
19	19H 1056 H	(4RC100-)	Screw, cap, 7/16" x 1" (2 used)
	12H 12 R	(4RC100-)	Washer, lock, 7/16" (2 used)
20	A 4452 R	(4RC100-)	Arm, transport (C. E.)
	R 21116 R	(-)	Arm, transport (elec.)
21	R 2568 R	(4RC100-)	Bracket, transport arm
22	19H 1189 T	(4RC100-)	Screw, cap, high-strength, 7/16" x 3-1/4"
	12H 12 R	(4RC100-)	Washer, lock, 7/16"
23	14H 813 C	(4RC100-)	Nut, 7/16" (sub. for 14H257R)
24	R 1191 R	(4RC100-)	Plate, lock (2 used)
25	19H 1056 H	(4RC100-)	Screw, cap, 7/16" x 1"
	12H 12 R	(4RC100-)	Washer, lock, 7/16"
26	19H 1166 H	(4RC100-)	Screw, cap, 7/16" x 1-1/2" (2 used)
27	12H 12 R	(4RC100-)	Washer, lock, 7/16" (2 used)
28	14H 813 C	(4RC100-)	Nut, 7/16" (2 used) (Sub. for 14H257R)
29	R 1161 R	(4RC100-53257)	Support (C. E.) (sub. R2620R)
	R 2620 R	(4RC53258-)	Support (C. E.)
	R 20671 R	(-)	Support (elec.)
30	F 827 R	(4RC100-55636)	Cylinder
	R 2635 R	(4RC55637-)	Cylinder
31	19H 1356 R	(4RC100-)	Screw, cap, 5/8" x 1-3/4" (6 used)
	12H 15 R	(4RC100-)	Washer, lock, 5/8" (6 used)
32	A 3184 R	(4RC100-)	Chain
	D 2913 R	(4RC100-)	Link, chain end (2 used)
33	AF 871 R	(4RC100-)	Pin, stop, with spring (2 used)
34	D 465 R	(4RC100-)	Gasket (packed 2 in a pkg.)
35	H 945 R	(4RC100-)	Plug
36	AF 872 R	(4RC100-55636)	V-seal assembly
37	F 837 R	(4RC100-55636)	Shim (thin) (packed 5 in a pkg.)
38	F 836 R	(4RC100-55636)	Retainer, seal
39	F 2273 R	(4RC27459-55636)	Screw, special cap (2 used)
	12H 11 R	(4RC100-55636)	Washer, lock, 3/8" (2 used)
40	AP 19547 H	(4RC55637-)	Seal, oil, piston rod wiper
41	F 1432 R	(4RC55637-)	Washer, piston rod packing (packed 2 in a pkg.)
42	A 3606 R	(4RC55637-)	Packing, O-ring, piston rod (packed 10 in a pkg.)
43	AF 1073 R	(4RC100-55636)	Rod, piston, with F899R yoke
	AR 1717 R	(4RC55637-)	Rod, piston, with F899R yoke
44	14H 483 R	(4RC100-)	Nut, jam, 3/4" (2 used)
45	12H 17 R	(4RC100-)	Washer, lock, 3/4" (2 used)
46	F 839 R	(4RC100-)	Stop, piston rod
47	F 840 R	(4RC100-)	Rod (2 used)
Parts listed below are an assembly of parts in this grouping			
	AF 1304 R	(4RC100-55636)	CYLINDER, REMOTE CONTROL (ATTACHMENT) (SUB. AR1716R)
	AR 947 R	(4RC100-)	ARM, REMOTE CYLINDER TRANSPORT, WITH SUPPORT AND ATTACHING HARDWARE (ATTACHMENT) (SUB. AR1657R)
	AR 1716 R	(4RC55637-)	CYLINDER, REMOTE CONTROL (ATTACHMENT)
	AR 21773 R	(4RC100-RC55636)	Kit, remote cylinder overhaul (to service 4" cylinders)
	AR 21774 R	(4RC55637-)	Kit, remote cylinder overhaul (to service 4" cylinders)

*For reusable oil line couplings and bulk oil lines, see page 75-14.

Capital letters indicate an attachment. Attachments must be listed on separate orders from replacement parts.

REUSABLE COUPLINGS (Use with Single Wire Braid Flexible Oil Line)

Coupling No.	I.D.	Thread
AF 3585 R	3/8"	3/8" -- 18 NPTF (packed 2 in a pkg.)
AF 3586 R	1/2"	1/2" -- 14NPTF (packed 2 in a pkg.)
AF 3587 R	5/8"	3/4" -- 14NPTF (packed 2 in a pkg.)
AF 3588 R	3/4"	3/4" -- 14NPTF (packed 2 in a pkg.)
AF 3589 R*	5/8"	1-1/16" -- 12 UN (packed 2 in a pkg.)

*Used on "820" and "830" series only with O-ring between remote cylinder valve housing and breakaway couplings.

REUSABLE COUPLINGS (Use with Double Wire Braid Flexible Oil Line)

Coupling No.	I.D.	Thread
AR 21629 R	3/8"	3/8" -- 18 NPTF (packed 2 in a pkg.)
AR 21630 R	1/2"	1/2" -- 14 NPTF (packed 2 in a pkg.)
AR 21631 R	5/8"	3/4" -- 14 NPTF (packed 2 in a pkg.)
AR 21632 R	3/4"	3/4" -- 14 NPTF (packed 2 in a pkg.)
AR 21633 R*	5/8"	1-1/16" -- 12 UN (packed 2 in a pkg.)
AR 21634 R	1"	1" -- 11-1/2 NPTF (packed 2 in a pkg.)

*Used on "820" and "830" series only with O-ring between remote cylinder valve housing and breakaway cylinder.

BULK SINGLE WIRE BRAID FLEXIBLE OIL LINE

(Use with Reusable Coupling for Single Wire Braid Flexible Oil Line)

Part No.	I.D.	O.D.	Length
A 5775 R	3/8"	25/32"	Approx. 50 ft.
A 5776 R	1/2"	29/32"	Approx. 50 ft.
A 5777 R	5/8"	1-1/32"	Approx. 50 ft.
A 5778 R	3/4"	1-3/16"	Approx. 50 ft.

BULK DOUBLE WIRE BRAID FLEXIBLE OIL LINE

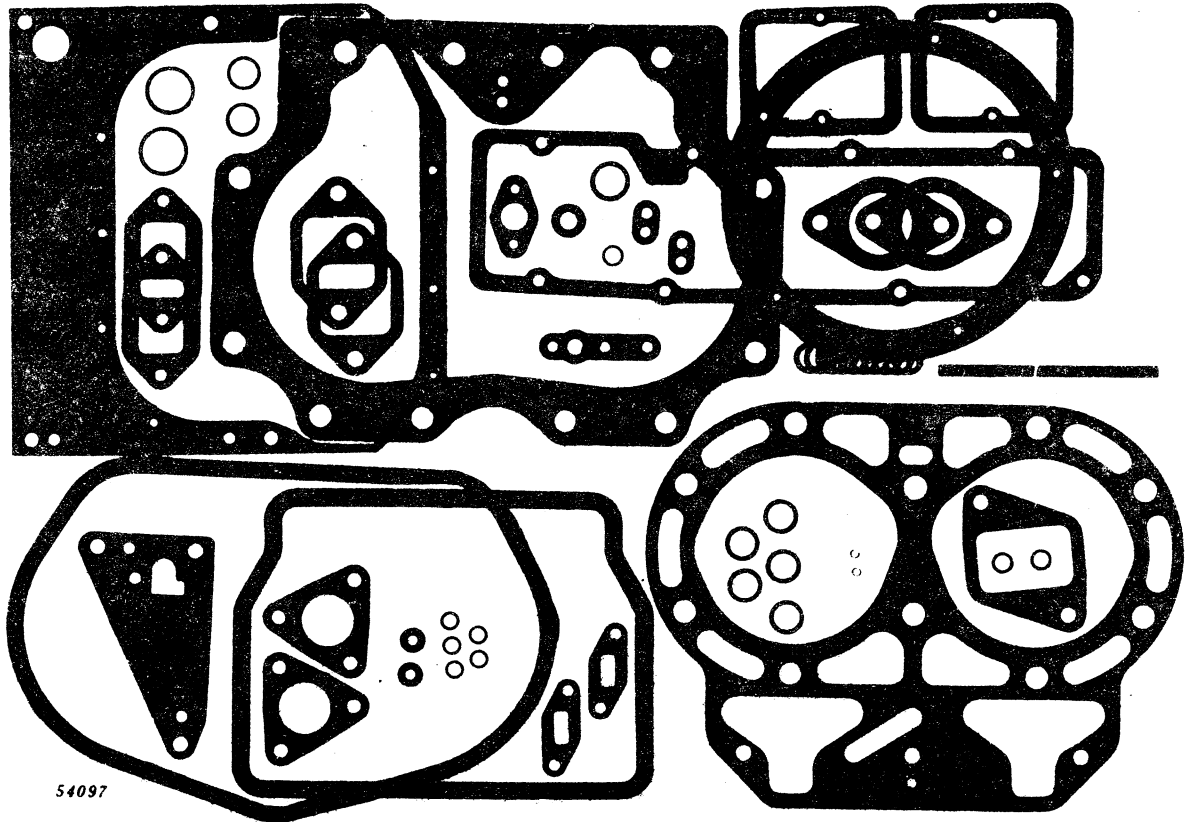
(Use with Reusable Coupling for Double Wire Braid Flexible Oil Line)

Part No.	I.D.	O.D.	Length
R 21531 R	3/8"	29/32"	Approx. 50 ft.
R 21532 R	1/2"	31/32"	Approx. 50 ft.
R 21533 R	5/8"	1-3/32"	Approx. 50 ft.
R 21534 R	3/4"	1-1/4"	Approx. 50 ft.
R 21535 R	1"	1-9/16"	Approx. 50 ft.

WORM DRIVE TYPE HOSE CLAMPS

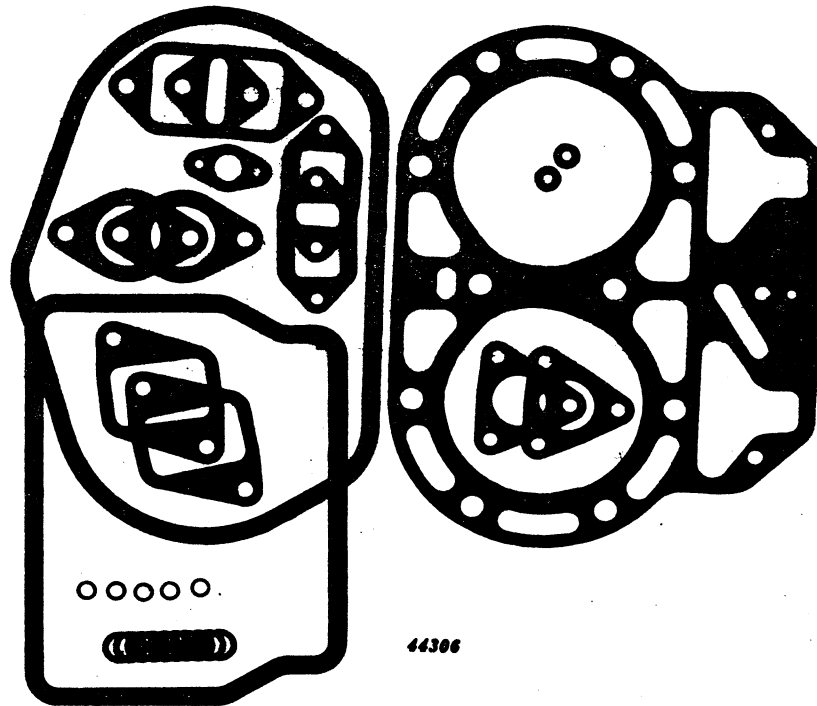
Part No.	Description
AR 21837 R	Clamp, hose, for 1/2" - 1-1/2" O.D. hose
AR 21839 R	Clamp, hose, for 3/4" - 1-11/16" O.D. hose
AR 21840 R	Clamp, hose, for 1-3/4" - 2-11/16" O.D. hose
AR 21841 R	Clamp, hose, for 2-3/4" - 3-11/16" O.D. hose
AR 21842 R	Clamp, hose, for 3-1/2" - 4-7/16" O.D. hose

GASKET KIT FOR RING AND CYLINDER REPLACEMENT



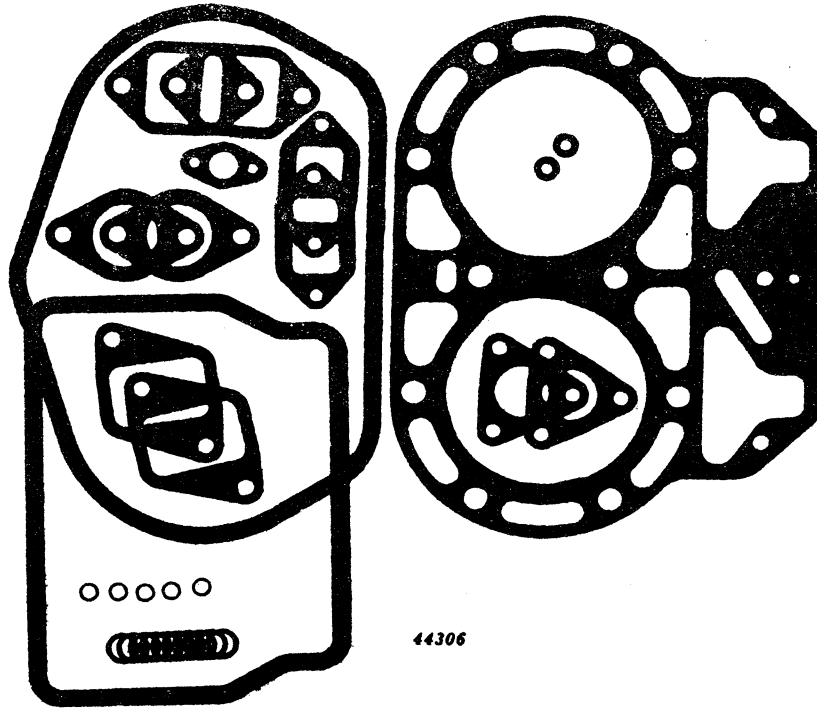
Part No.	Serial No.	Description
AR 1889 R		Gasket kit, consisting of:
(sub. for AR1419R)		
10--	264 R (-)	Washer, lead, cylinder head stud
1--AR	1481 R (-)	Gasket, injection pump bracket to cylinder head (set of 3)
1--A	3439 R (-)	Gasket, tappet lever to cylinder head cap screw
2--A	3439 R (-)	Gasket, tappet lever cover to tappet lever shaft bracket
2--A	3439 R (-)	Gasket, cylinder cover to cylinder screw
2--A	4365 R (-)	Packing, O-ring, injection pump bracket oil inlet tube
1--F	1791 R (-)	Gasket, cranking engine oil drain hole
2--R	394 R (-)	Packing, O-ring, fuel filter head to cylinder tube
1--R	459 R (-)	Packing, O-ring, injection pump control rod guide
1--R	460 R (-)	Packing, O-ring, injection pump control rod guide
2--R	463 R (-)	Washer (copper) injector nozzle
1--R	495 R (-)	Packing, O-ring, cranking engine water outlet pipe
2--R	495 R (-)	Packing, O-ring, cranking engine water inlet pipe
2--R	495 R (-)	Packing, O-ring, cranking engine water vent pipe
1--R	1333 R (-)	Gasket, cylinder to case
1--R	1335 R (-)	Gasket, cylinder cover
1--R	1343 R (-)	Gasket, timing gear housing cover
1--R	1351 R (-)	Gasket, cranking engine exhaust pipe
2--R	1413 R (-)	Gasket, exhaust outlet
1--R	1420 R (-)	Gasket, air intake heater
1--R	1443 R (-)	Gasket, crankcase cover
1--R	1508 R (-)	Gasket, fuel filter head
2--R	1535 R (-)	Gasket, cranking engine inlet and outlet to cylinder
2--R	1562 R (-)	Gasket, upper water pipe to top tank
2--R	1563 R (-)	Gasket, upper water pipe to cylinder head
2--R	1564 R (-)	Gasket, cylinder head water inlet
2--R	1657 R (-)	Gasket, powr-trol pump housing
2--R	1662 R (-)	Packing, powr-trol pressure line
2--R	1663 R (-)	Packing, powr-trol suction line
1--R	1937 R (-)	Felt, flywheel cover
1--R	1938 R (8003426 -)	Gasket, flywheel cover back plate
1--R	2606 R (-)	Gasket, tappet lever cover
1--R	2704 R (-)	Gasket, cylinder head

GASKET KIT FOR VALVE REPLACEMENT
(Serial No. 8000001-8203099)



Part No.		Serial No.	Description
AR 1418 R	Gasket kit, consisting of:		
	10-- 264 R (-8203099)	Washer, lead, cylinder head stud
	1--A 3439 R (-8203099)	Gasket, tappet lever cover to cylinder head screw
	2--A 3439 R (-8203099)	Gasket, tappet lever cover to tappet lever shaft bracke
	2--A 3439 R (-8203099)	Gasket, cylinder cover to cylinder screw
	2--R 463 R (-8203099)	Washer (copper) injector nozzle
	1--R 1334 R (-8203099)	Gasket, cylinder head
	1--R 1335 R (-8203099)	Gasket, cylinder cover
	1--R 1351 R (-8203099)	Gasket, cranking engine exhaust pipe
	2--R 1413 R (-8203099)	Gasket, exhaust outlet
	1--R 1420 R (-8203099)	Gasket, air intake heater
	2--R 1562 R (-8203099)	Gasket, upper water pipe to top tank
	2--R 1563 R (-8203099)	Gasket, upper water pipe to cylinder head
	2--R 1564 R (-8203099)	Gasket, cylinder head water inlet
	1--R 2606 R (-8203099)	Gasket, tappet lever cover

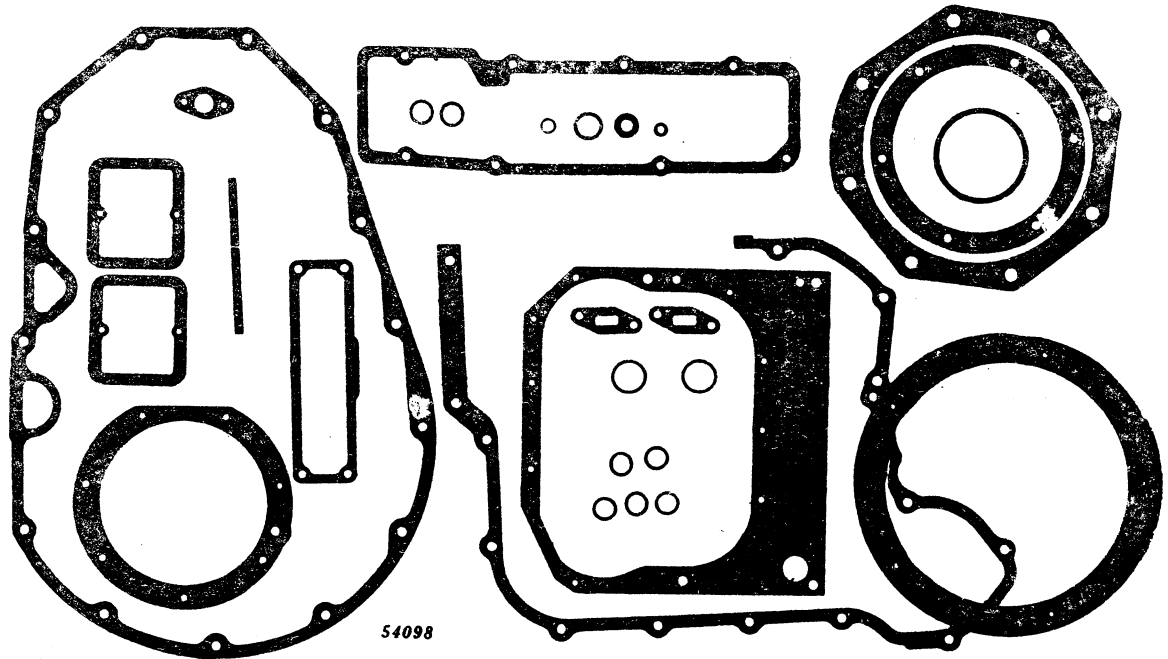
GASKET KIT FOR VALVE REPLACEMENT
(Serial No. 8203100-)



44306

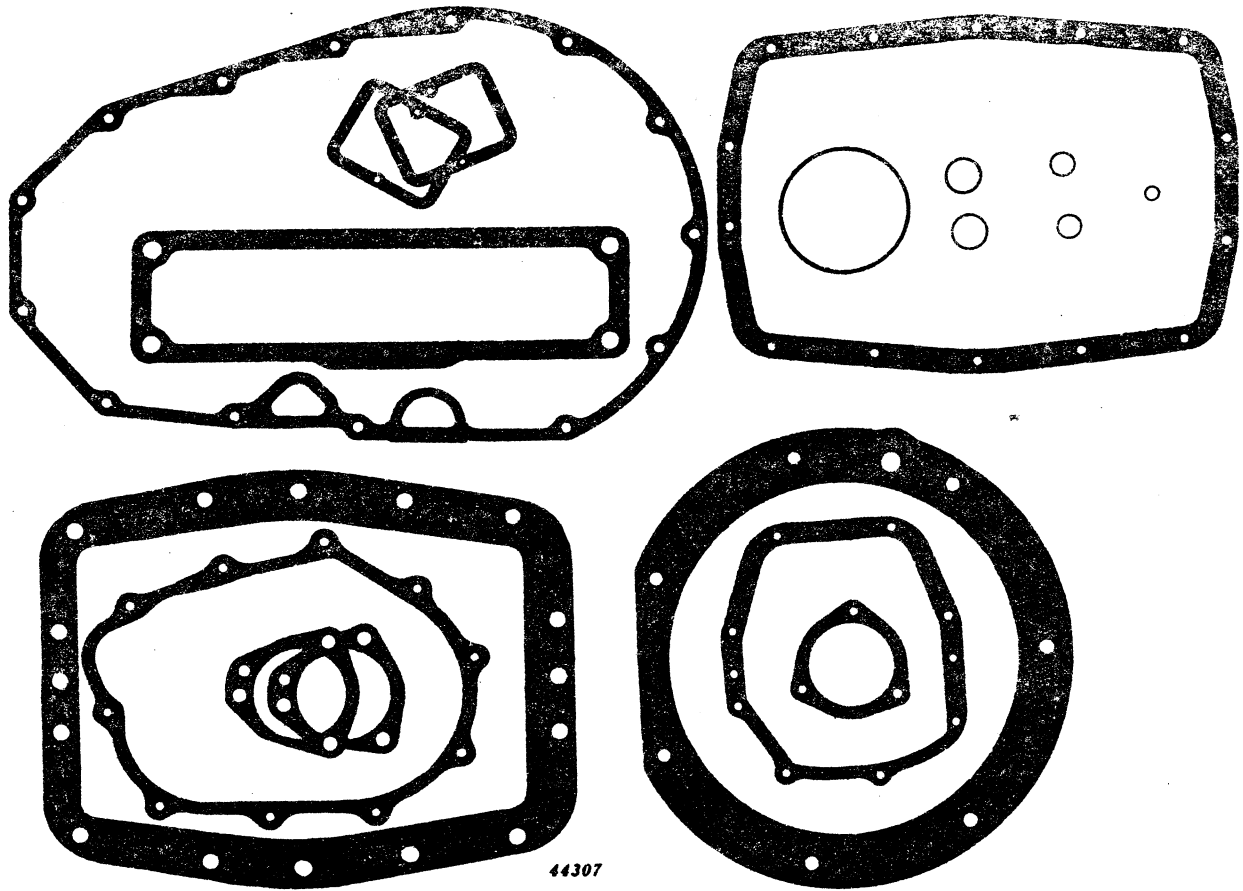
Part No.	Serial No.	Description
AR 1888 R	Gasket kit, consisting of:	
10--	264 R (8203100-) Washer, lead, cylinder head stud
1--A	3439 R (8203100-) Gasket, tappet lever cover to cylinder head screw
2--A	3439 R (8203100-) Gasket, tappet lever cover to tappet lever shaft bracket
2--A	3439 R (8203100-) Gasket, cylinder cover to cylinder screw
2--R	463 R (8203100-) Washer (copper) injector nozzle
1--R	1335 R (8203100-) Gasket, cylinder cover
1--R	1351 R (8203100-) Gasket, cranking engine exhaust pipe
2--R	1413 R (8203100-) Gasket, exhaust outlet
1--R	1420 R (8203100-) Gasket, air intake heater
2--R	1562 R (8203100-) Gasket, upper water pipe to top tank
2--R	1563 R (8203100-) Gasket, upper water pipe to cylinder head
2--R	1564 R (8203100-) Gasket, cylinder head water inlet
1--R	2606 R (8203100-) Gasket, tappet lever cover
1--R	2704 R (8203100-) Gasket, cylinder head

GASKET KIT FOR CRANKSHAFT AND BEARING REPLACEMENT



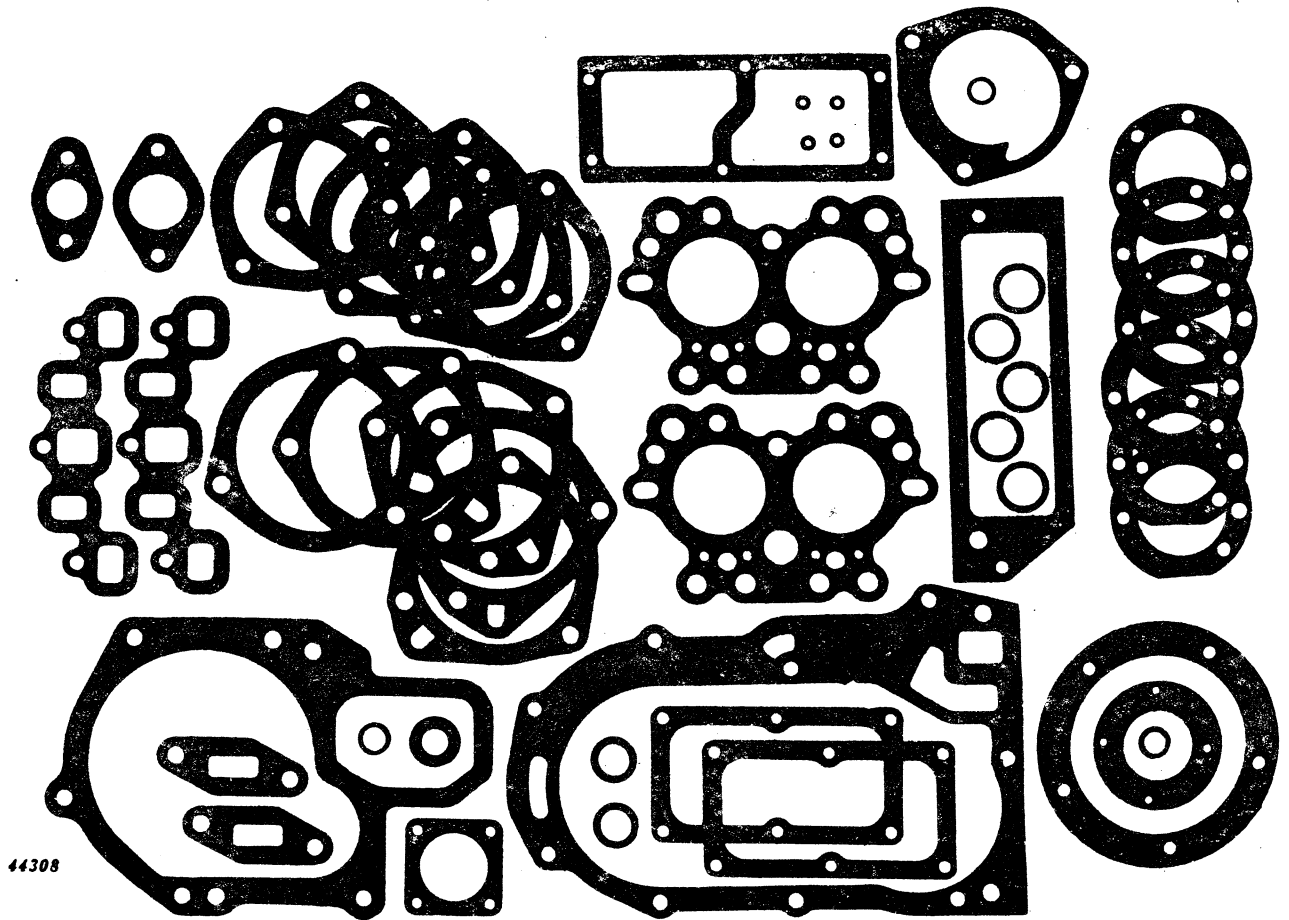
Part No.	Serial No.	Description
AR 1420 R	Gasket kit, consisting of:	
1--A 4847 R	(-)	Gasket, main bearing oil hole, L. H.
1--F 1791 R	(-)	Gasket, cranking engine oil drain hole
1--R 264 R	(-)	Gasket, first reduction gear cover
1--R 267 R	(-)	Gasket, pulley dust shield
1--R 353 R	(-)	Packing, crankshaft gear
1--R 356 R	(-)	Gasket, crankshaft oil slinger housing
1--R 459 R	(-)	Packing, O-ring, injection pump control rod guide
1--R 460 R	(-)	Packing, O-ring, injection pump control rod guide
1--R 495 R	(-)	Packing, O-ring, cranking engine water outlet pipe
2--R 495 R	(-)	Packing, O-ring, cranking engine water inlet pipe
2--R 495 R	(-)	Packing, O-ring, cranking engine water vent pipe
1--R 1341 R	(-)	Gasket, timing gear housing
1--R 1343 R	(-)	Gasket, timing gear housing cover
1--R 1351 R	(-)	Gasket, cranking engine exhaust pipe
1--R 1406 R	(-)	Gasket, main bearing housing, R. H.
1--R 1443 R	(-)	Gasket, crankcase cover
1--R 1468 R	(-)	Gasket, clutch fork bearing
2--R 1535 R	(-)	Gasket, cranking engine water inlet and outlet
2--R 1657 R	(-)	Gasket, power-trol pump housing
2--R 1662 R	(-)	Packing, power-trol pressure line
2--R 1663 R	(-)	Packing, power-trol suction line
1--R 1937 R	(-)	Felt, flywheel cover
1--R 1938 R	(8003426-	Gasket, flywheel cover back plate

GASKET KIT FOR TRANSMISSION AND REAR END OVERHAUL



Part No.	Gasket kit, consisting of:	Serial No.	Description
AR 1421 R			
	1--R 264 R (-)	Gasket, first reduction gear cover
	1--R 267 R (-)	Gasket, pulley dust shield
	1--R 301 R (-)	Gasket, rear axle housing cover
	1--R 394 R (-)	Packing, O-ring, transmission oil intake pipe
	1--R 396 R (-)	Gasket, transmission oil sump cover
	2--R 498 R (-)	Gasket, brake housing
	1--R 1367 R (-)	Gasket, rear axle housing to case
	1--R 1401 R (-)	Packing, differential bearing housing, L. H.
	1--R 1424 R (-)	Gasket, transmission case cover
	1--R 1468 R (-)	Gasket, clutch fork bearing
	1--R 1502 R (-)	Gasket, first speed gear cover
	2--R 1657 R (-)	Gasket, Powr-Trol pump housing
	2--R 1662 R (-)	Packing, Powr-Trol pressure line
	2--R 1663 R (-)	Packing, Powr-Trol suction line

GASKET KIT FOR CRANKING ENGINE OVERHAUL



44308

Part No.		Tractor Serial No.	Cranking Engine Serial No.	Description
AR 1422 R	Gasket kit, consisting of:			
	1--A 4365 R	(-)	(-)	Packing, O-ring, governor arm
	2--B 2762 R	(-)	(-)	Packing, O-ring, water pump to cylinder tube
	1--F 1787 R	(-)	(-)	Gasket, timing gear cover
	1--F 1791 R	(-)	(-)	Gasket, oil drain hole
	2--F 1845 R	(-)	(-)	Gasket, cylinder head
	10--F 1856 R	(-)	(-)	Shim, oil pump body to cylinder
	1--F 1861 R	(-)	(-)	Gasket, crankcase cover
	1--F 1872 R	(-)	(-)	Gasket, cylinder cover
	4--F 1941 R	(-)	(-)	Washer, packing, tappet lever shaft
	2--F 1944 R	(-)	(-)	Gasket, tappet lever control
	10--F 1965 R	(-)	(-)	Shim water pump to cylinder
	1--F 1969 R	(-)	(-)	Gasket, water pump housing cover
	1--F 2083 R	(-)	(-)	Gasket, distributor
	2--F 2087 R	(-)	(-)	Gasket, manifold
	1--F 2115 R	(-)	(-)	Gasket, air cleaner
	5--F 3520 R	(-)	(-)	Shim, main bearing (sub. for F1841R)
	1--R 394 R	(-)	(-)	Packing, O-ring, ventilator pipe
	1--R 459 R	(-)	(-)	Packing, O-ring, oil drain plug
	1--R 495 R	(-)	(-)	Packing, O-ring, water outlet pipe
	2--R 495 R	(-)	(-)	Packing, O-ring, water inlet pipe
	2--R 495 R	(-)	(-)	Packing, O-ring, water vent pipe
	1--R 640 R	(-)	(-)	Gasket, carburetor
	1--R 1351 R	(-)	(-)	Gasket, exhaust pipe
	2--R 1535 R	(-)	(-)	Gasket, water inlet and outlet to cylinder
	1--R 1783 R	(-)	(-)	Gasket, transmission housing
	1--R 1842 R	(-)	(-)	Gasket, transmission housing cover

NOTE: Cranking engines have separate serial numbers on tractors 8203100-

DECALCOMANIA KIT FOR 80 TRACTORS

JOHN DEERE

JOHN DEERE



Power Steering



DIESEL

45292

Part No.	Description
AR 1359 R	Decalcomania kit, consisting of: "John Deere" for sides of hood (2 used) "John Deere" for seat "Diesel" for sides of hood (2 used) "Model Designation" (2 used) "Power Steering" (2 used) "Air Cleaner Instructions" (diesel engine) "Air Cleaner Instructions" (cranking engine) "6-Volt" for battery box "Powr-Trol"

DECALCOMANIA KIT FOR 820 TRACTORS (Not Illustrated)

Part No.	Description
AR 21141 R (sub. for AR1623R)	Decalcomania kit, consisting of: "John Deere" for seat "Power Steering" (2 used) "Air Cleaner Instructions" (diesel engine) "Air Cleaner Instructions" (cranking engine) "6-Volt" for battery box "Powr-Trol" "Float-Ride Seat Adjustment Instructions" "Grille Side, R.H." "Grille Side, L.H." "Hood Side, R.H." "Hood Side, L.H."

DECALCOMANIA KIT FOR 820 TRACTORS
(Tractors Painted Other Than John Deere Green)

JOHN DEERE

Power Steering

JOHN DEERE

820



DIESEL

59653

Part No.
AR 1725 R

Description
Decalcomania kit, consisting of:
"John Deere" for sides of hood (2 used)
"John Deere" for seat
"Series Designation" (2 used)
"Power Steering" (2 used)
"Suspension Seat Adjustment Instructions"
Diesel (2 used)

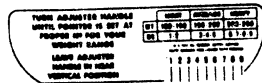
DECALCOMANIA KIT FOR 830 TRACTORS
(Tractors Painted Other Than John Deere Green)

JOHN DEERE

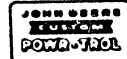
JOHN DEERE

830

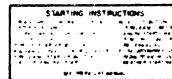
DIESEL



Power Steering

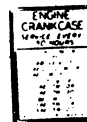
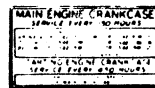


6V



12V

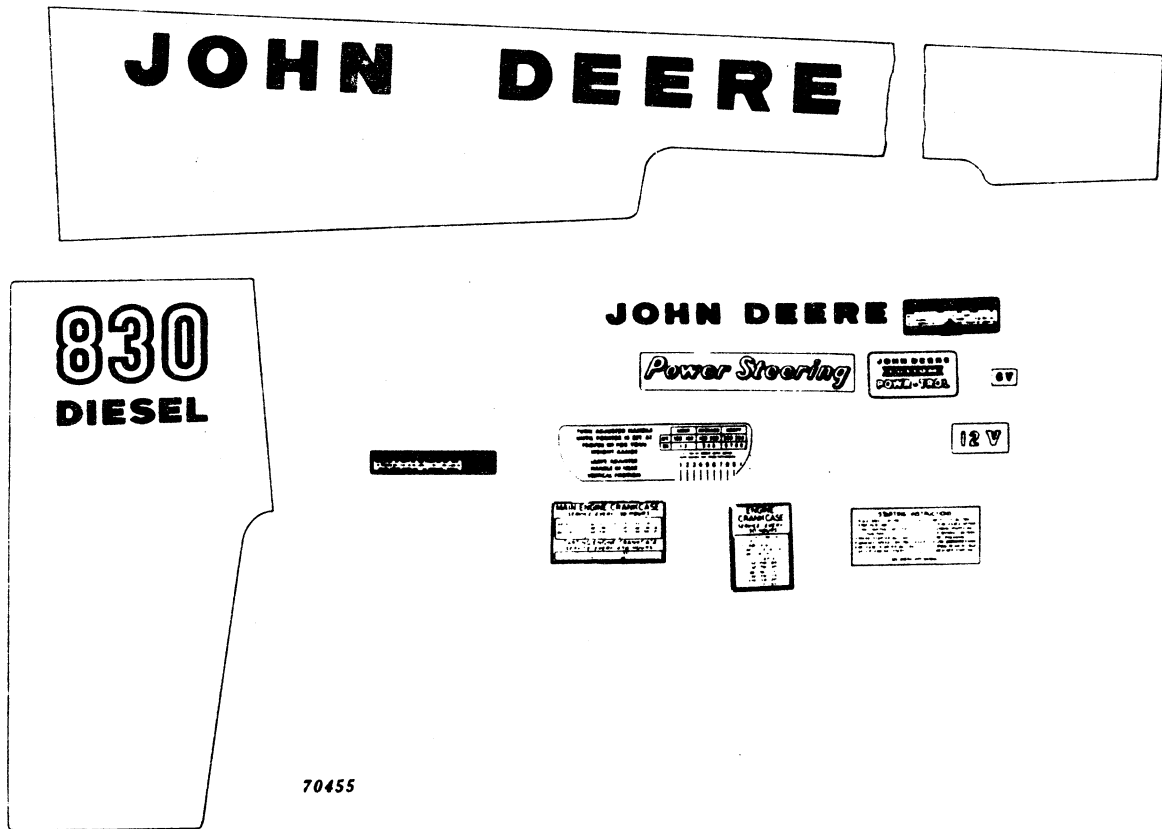
70738



Part No.
AR 21285 R

Description
Decalcomania kit, consisting of:
"John Deere" for sides of hood (2 used)
"John Deere" for seat
"Series Designation" (2 used)
"6-Volt" for battery box (C.E.)
"12-Volt" for battery box (elec.)
"Power Steering" (2 used)
"Air Cleaner Instructions" (diesel engine)
"Air Cleaner Instructions" (cranking engine)
"Power-Trol"
"Starting Instructions" (elec.)
"Crankcase Oil Specifications" (diesel engine)
"Crankcase Oil Specifications" (cranking engine)
"Float-Ride Seat Adjustment Instructions"

DECALCOMANIA KIT FOR 830 TRACTORS



70455

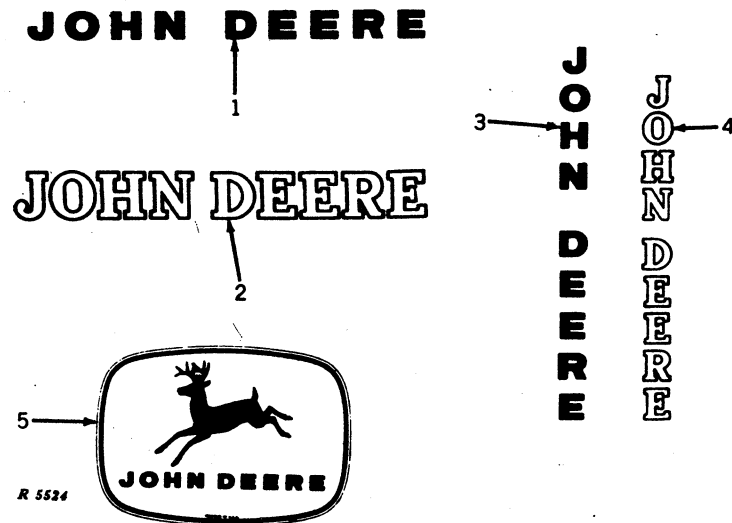
Part No.	Description
AR 21149 R	Decalcomania kit, consisting of: "John Deere" for sides of hood, R.H. and L.H. "John Deere" for seat "Series Designation" for sides of grille, R.H. and L.H. "6-Volt" for battery box (C.E.) "12-Volt" for battery box (elec.) "Power Steering" (2 used) "Air Cleaner Instructions" (diesel engine) "Air Cleaner Instructions" (cranking engine) "Powr-Trol" "Starting Instructions" (elec.) "Crankcase Oil Specifications" (diesel engine) "Crankcase Oil Specifications" (cranking engine) "Float-Ride Seat Adjustment Instructions"

DECALCOMANIAS AND NAME PLATE FOR 830-I TRACTORS (Not Illustrated)

Part No.	Description
JD 235 R	Decalcomania, horizontal, for seat
R 2115 R	Decalcomania, series designation (2 used)
T 10551 T	Plate, name (2 used)
T 10671 T	Screw (6 used)

ADDITIONAL DECALCOMANIAS

(The Following Decalcomanias Are Available in Packages of 5 Each)



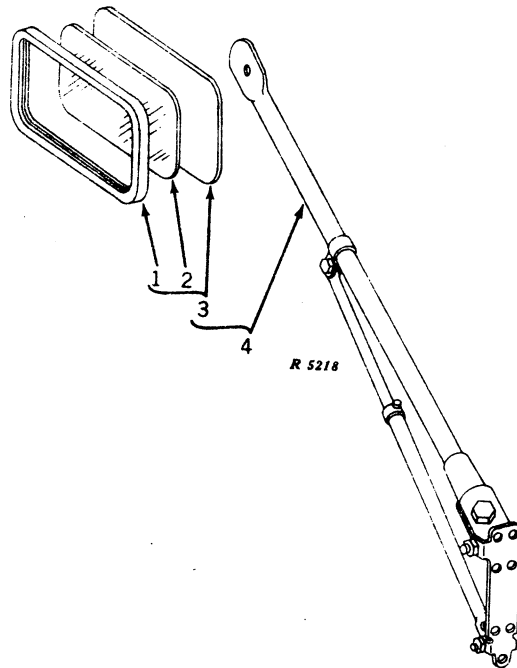
Key	Part No.	Size	Key	Part No.	Size
1	JD 250 R	1/2" x 7-1/8"	5	JD 116 R	1" x 10-3/4"
	JD 251 R	11/16" x 10"		JD 118 R	1/2" x 5-3/8"
	JD 235 R*	11/16" x 10"		JD 119 R	3/4" x 8-1/16"
	JD 252 R	1" x 14-1/4"		JD 260 R (sub. for JD120R)	1-7/16" x 2"
	JD 236 R*	1" x 14-1/4"		JD 5260 R***	1-7/16" x 2"
	JD 5152 R (dark green)	1" x 14-1/4"		JD 261 R (sub. for JD121R)	2-1/8" x 3"
	JD 253 R	1-1/4" x 17-3/4"		JD 5202 R* (sub. for JD245R)	2-1/8" x 3"
	JD 237 R*	1-1/4" x 17-3/4"		JD 5261 R**	2-1/8" x 3"
	JD 267 R	1-1/2" x 21-3/8"		JD 5240 R***	2-1/8" x 3"
	JD 238 R*	1-1/2" x 21-3/8"		JD 262 R (sub. for JD122R)	2-7/8" x 4"
	JD 254 R	1-3/4" x 25"		JD 246 R*	2-7/8" x 4"
	JD 239 R*	1-3/4" x 25"		JD 5262 R**	2-7/8" x 4"
	JD 255 R	2-1/4" x 32"		JD 5241 R***	2-7/8" x 4"
	JD 5206 R*	5-3/4" x 8"		JD 263 R (sub. for JD123R)	3-9/16" x 5"
	JD 5208 R*	2-1/2" x 35-5/8"		JD 5204 R* (sub. for JD247R)	3-9/16" x 5"
	JD 256 R	4" x 57"		JD 5263 R**	3-9/16" x 5"
	JD 5155 R (dark green)	2-1/4" x 32"		JD 5242 R***	3-9/16" x 5"
2	JD 110 R	3/4" x 6"	JD 264 R (sub. for JD124R)	4-1/4" x 6"	
	JD 111 R	1" x 8"	JD 5205 R* (sub. for JD248R)	4-1/4" x 6"	
	JD 112 R	1-1/4" x 10"	JD 5264 R**	4-1/4" x 6"	
	JD 113 R	1-1/2" x 12"	JD 5243 R***	4-1/4" x 6"	
	JD 114 R	2-1/2" x 20"	JD 5244 R***	5-3/4" x 8"	
	JD 115 R	2" x 16"	JD 265 R	6-3/8" x 9"	
	JD 257 R	1/2" x 6"	JD 5265 R**	6-3/8" x 9"	
3	JD 258 R	3/4" x 9"	JD 5165 R (yellow deer)	6-3/8" x 9"	
	JD 243 R*	3/4" x 9"	JD 268 R	8-1/2" x 12"	
	JD 259 R	1" x 12"	JD 5207 R*	8-1/2" x 12"	
			JD 269 R	11-3/4" x 16-5/8"	

*Black decals for machines painted other than John Deere green.

**Leaping deer decals for South and Central America.

***Leaping deer decals for South and Central America. (Industrial, black and yellow)

REAR VIEW MIRROR



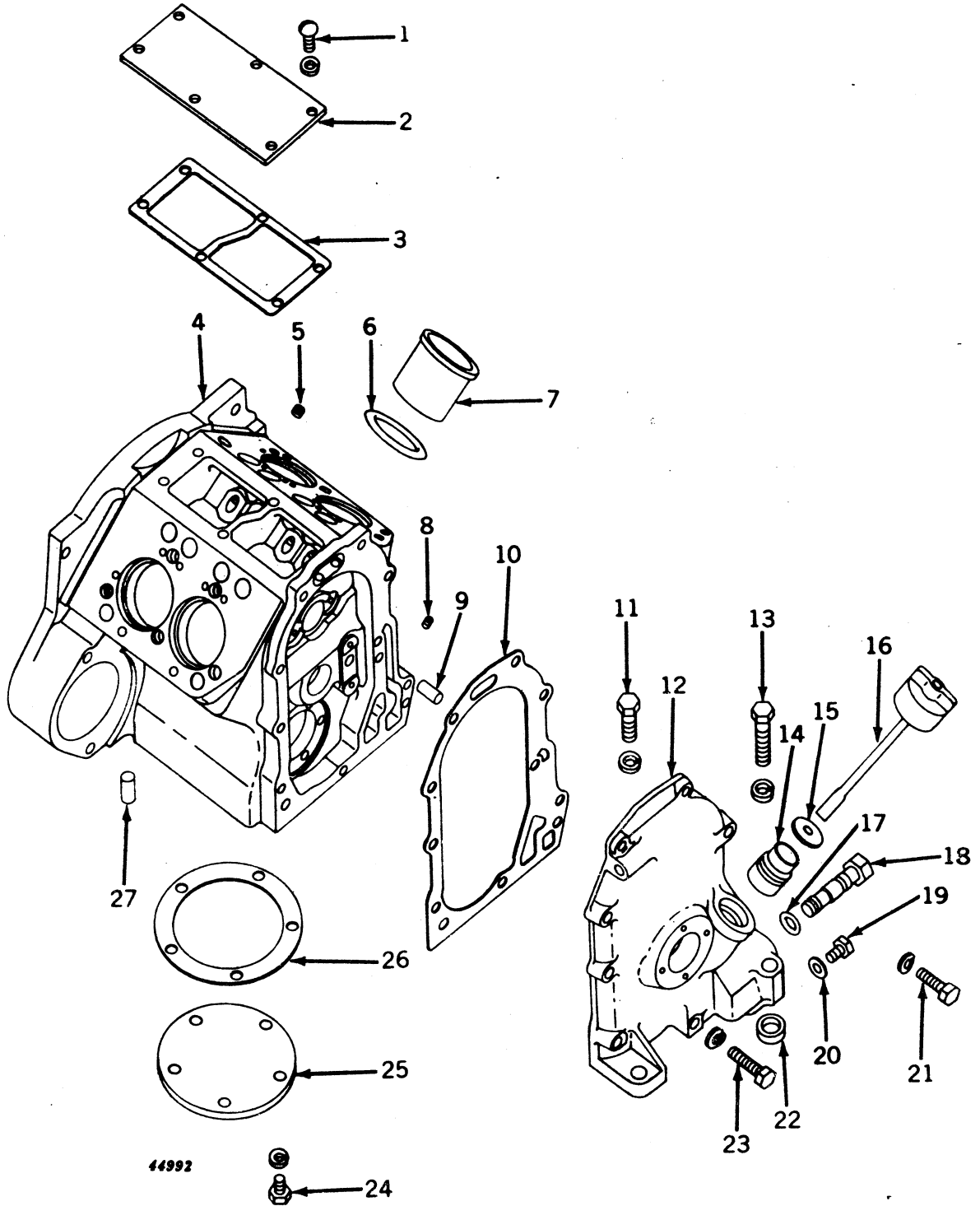
Key	Part No.	Serial No.	Description
1	R 21686 R	(-)	Bezel
2	R 21685 R	(-)	Glass
3	AR 21860 R	(-)	Mirror, rear view
4	AR 21859 R	(-)	MIRROR, REAR VIEW, WITH MOUNTING BRACKET (ATTACHMENT)

Capital letters indicate an attachment. Attachments must be listed on separate orders from replacement parts.

OPERATOR'S MANUALS (Not Illustrated)

Part No.	Serial No.	Description
R 2046 R	(-8199999)	Manual, operator's (80 series)
R 2088 R	(8200000-8299999)	Manual, operator's (820 series)
R 20688 R	(8300000-)	Manual, operator's (830 series, with gasoline cranking engine)
R 20820 R	(8300000-)	Manual, operator's (830 series, with electric starting motor)

CRANKING ENGINE CYLINDER BLOCK AND COVERS



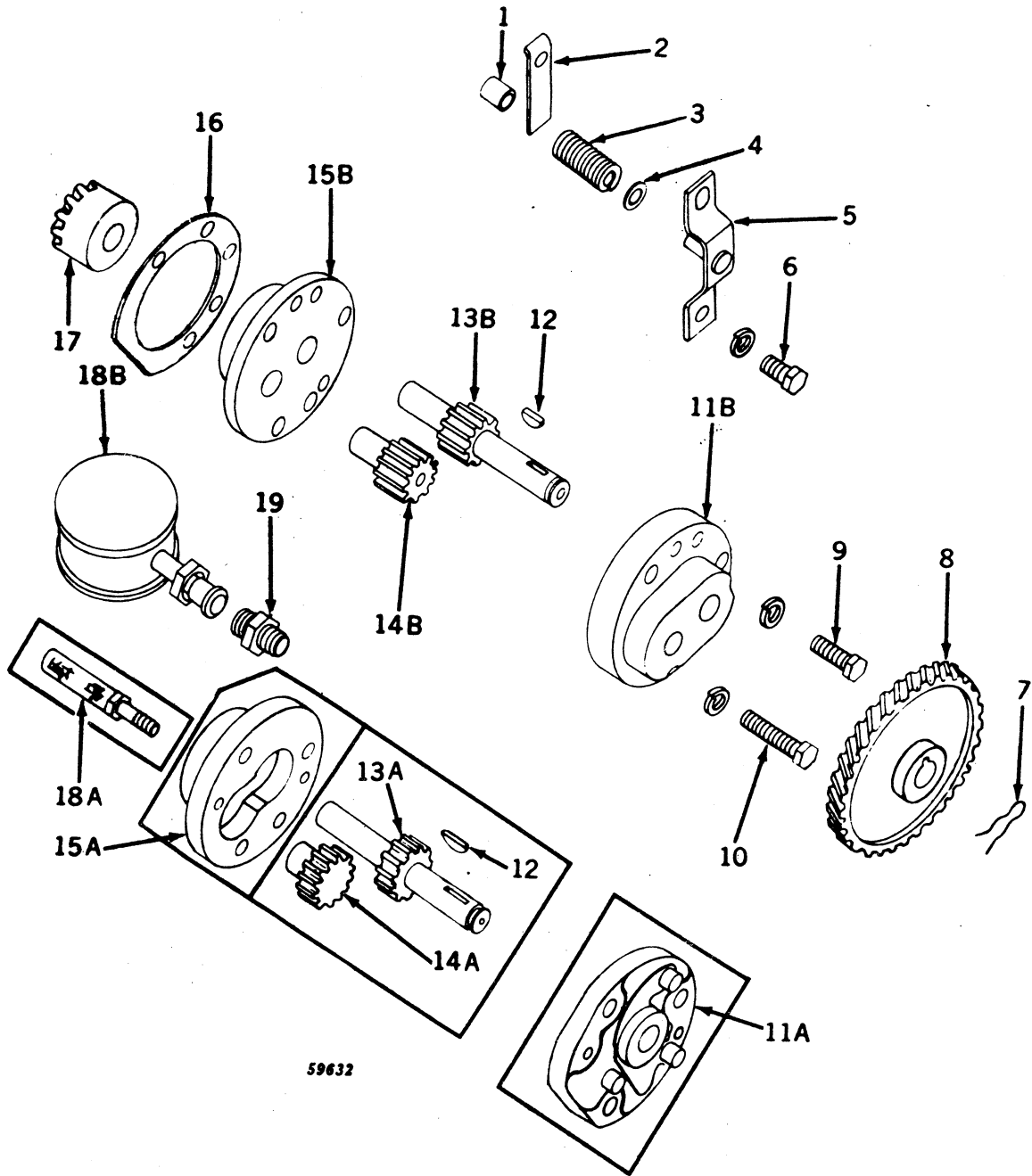
NOTE: Cranking engines have separate serial numbers on tractors 8203100-

CRANKING ENGINE CYLINDER BLOCK AND COVERS -- Continued

Key	Part No.	Tractor Serial No.	Cranking Engine Serial No.	Description
1	21H 1023 E	(-)	(-)	Screw, mach., 1/4" x 5/8" (6 used) (sub. for 21H605R)
	12H 9 R	(-)	(-)	Washer, lock, 1/4" (6 used)
2	AF 2168 R	(-)	(-)	Cover, cylinder
3	F 1872 R	(-)	(-)	Gasket (packed 5 in a pkg.)
4	AF 2215 R	(-8203099)	Cylinder, F1865R, with liners and bushings (sub. AR21763R cylinder block (F3516R), AF3715R main bearing housing (F3517R), and AF3722R crankshaft (F3518R))
	AR 21763 R	(SE1000-)	Cylinder, F3516R, with liners, bushings, dowel pins, and oil relief tube
	AF 2358 R	(-8203099)	Short block engine replacement, consisting of: engine assembly, less flywheel, clutch, transmission, carburetor, distributor, cranking motor, etc. (use with AR1422R cranking engine overhaul gasket kit) (sub. AF3723R)
	AF 3723 R	(SE1000-)	Short block engine replacement, consisting of: engine assembly, less flywheel, clutch, transmission, carburetor, distributor, cranking motor, etc. (use with AR1422R cranking engine overhaul gasket kit)
5	15H 253 R	(-8203099)	Plug, pipe, 1/8"
6	F 1870 R	(-)	(-)	Packing, O-ring (4 used) (packed 2 in a pkg.)
7	F 1869 R	(-)	(-)	Liner, cylinder (4 used)
8	R 21630 R	(-)	(-)	Plug, pipe, 1/8" (sub. for 15H558R)
9	A 4879 R	(-)	(-)	Pin, dowel (2 used)
10	F 1787 R	(-)	(-)	Gasket (packed 5 in a pkg.)
11	19H 1166 H	(-)	(-)	Screw, cap, 7/16" x 1-1/2"
	12H 12 R	(-)	(-)	Washer, lock, 7/16"
12	AF 1989 R	(-8203099)	Cover, F1786R, timing gear, with tube (sub. AF3745R, F3551R, F3552R, and two 21H415R)
	AF 3745 R	(SE1000-)	Cover, F3550R, timing gear, with tube
13	19H 1092 M	(-)	(-)	Screw, cap, 7/16" x 2-1/4"
	12H 12 R	(-)	(-)	Washer, lock, 7/16"
14	R 693 R	(-)	(-)	Tube, oil level rod
15	R 793 R	(-)	(-)	Gasket (packed 5 in a pkg.)
16	AF 2021 R	(-)	(-)	Cap, oil filler and level
17	R 459 R	(-)	(-)	Packing, O-ring (packed 10 in a pkg.)
18	F 1788 R	(-)	(-)	Plug, oil drain
19	19H 1227 M	(-)	(-)	Screw, cap, 1/4" x 1/2" (sub. for 19H13R)
20	24H 846 R	(-)	(-)	Washer, 17/64" x 3/4" x 16 gauge
21	F 2270 R	(-)	(-)	Screw, special cap (6 used)
	12H 10 R	(-)	(-)	Washer, lock, 5/16" (6 used)
22	F 1791 R	(-)	(-)	Gasket (packed 5 in a pkg.)
23	19H 1096 H	(-)	(-)	Screw, cap, 5/16" x 1-1/2" (3 used) (sub. for 19H130R)
	12H 10 R	(-)	(-)	Washer, lock, 5/16" (3 used)
24	19H 1227 M	(-8200100)	Screw, cap, 1/4" x 1/2" (5 used) (sub. for 19H13R)
	19H 1115 N	(8200101-)	(-)	Screw, cap, 1/4" x 5/8" (5 used) (sub. for 19H16T)
	12H 9 R	(-)	(-)	Washer, lock, 1/4" (5 used)
25	F 1860 R	(-8200100)	Cover, crankcase (sub. F3321R)
	F 3321 R	(8200101-)	(-)	Cover, crankcase
26	F 1861 R	(-)	(-)	Gasket (packed 2 in a pkg.)
27	A 4879 R	(-)	(-)	Pin, dowel (2 used)

NOTE: Cranking engines have separate serial numbers on tractors 8203100-

CRANKING ENGINE OILING SYSTEM



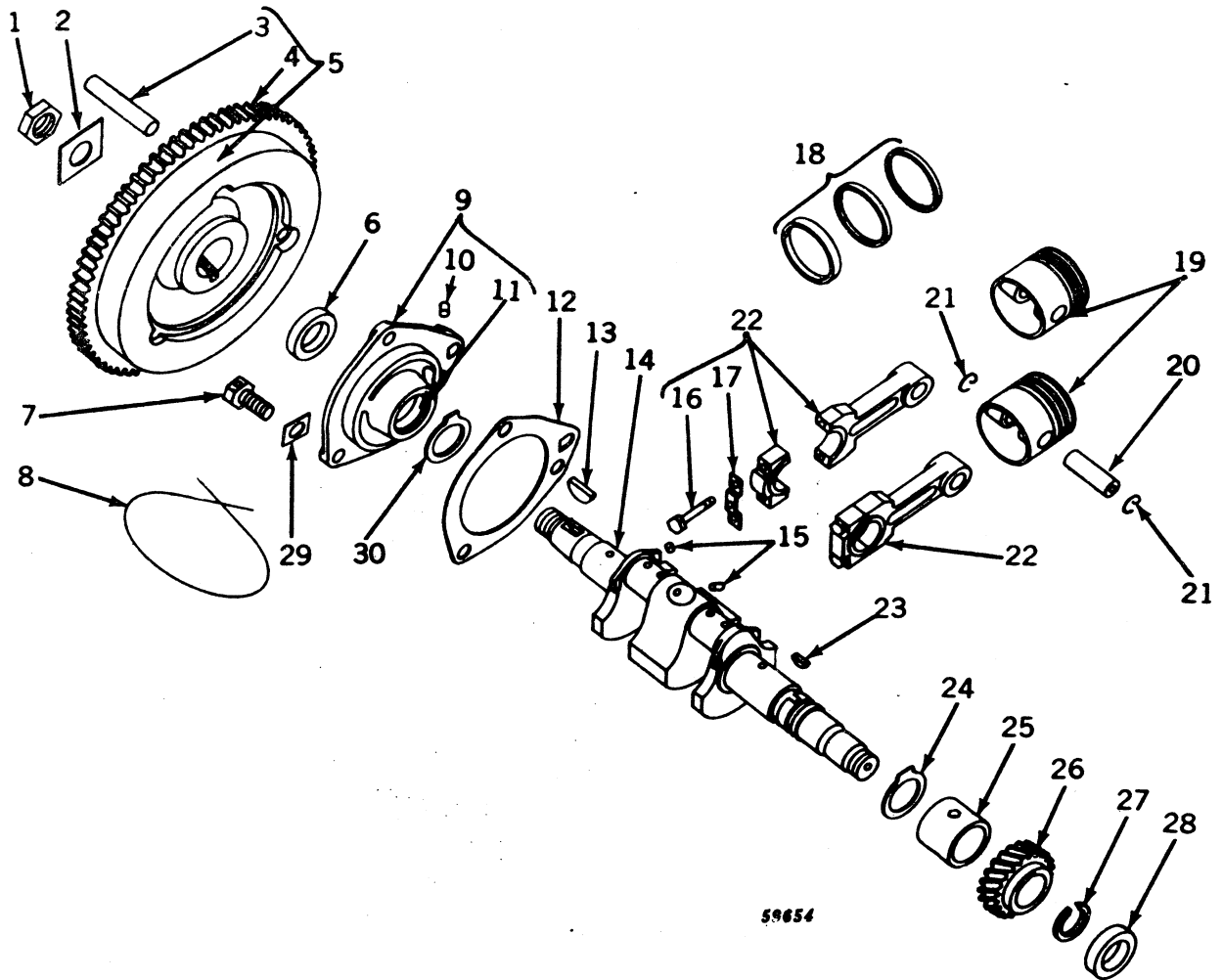
NOTE: Cranking engines have separate serial numbers on tractors 8203100-

CRANKING ENGINE OILING SYSTEM -- Continued

Key	Part No.	Tractor Serial No.	Cranking Engine Serial No.	Description
1	R 623 R	(-)	(-SE1179)	Tube, oil relief
	F 3667 R	(SE1180-)	Tube, oil relief
2	R 568 R	(-8203099)	Spring, leaf, oil relief
	AF 3874 R	(SE1000-SE1179)	Spring, leaf, with pilot (sub. AF3911R)*
	D 2425 R	(SE1000-SE1179)	Pilot
	R 568 R	(SE1180-)	Spring, leaf, oil relief
3	A 1280 R	(-)	(-SE1179)	Spring, oil pressure adjusting
	F 2580 R	(SE1180-)	Spring, oil pressure adjusting
4	24H 132 R	(-)	(-SE1179)	Washer, 9/32" x 1/2" x 16 gauge (as required)
	24H 1017 R	(SE1180-)	Washer, 13/32" x 9/16" x 16 gauge (as re- quired)
5	AR 515 R	(-8203099)	Bracket, oil relief spring, with pin (sub. AF3911R)*
	AF 3875 R	(SE1000-SE1179)	Bracket, oil relief spring, with pin (sub. AF3911R)*
	AF 3912 R	(SE1180-)	Bracket, oil relief spring, with pin
6	21H 597 R	(-)	(-)	Screw, mach., 1/4" x 1/2" (2 used)
	12H 9 R	(-)	(-)	Washer, lock, 1/4"
7	R 446 R	(-)	(-)	Snap ring
8	F 1858 R	(-8203099)	Gear, oil pump drive
	F 3637 R	(SE1000-)	Gear, oil pump drive
9	19H 24 N	(-)	(-)	Screw, cap, 1/4" x 3/4" (2 used) (sub. for 19H18H)
	12H 9 R	(-)	(-)	Washer, lock, 1/4" (2 used)
10	F 2270 R	(-)	(-)	Screw, special cap (3 used)
	12H 10 R	(-)	(-)	Washer, lock, 5/16" (3 used)
11A	F 1855 R	(-8203099)	Cover, oil pump body
11B	F 3636 R	(SE1000-)	Cover, oil pump body
12	26H 7 R	(-)	(-)	Key, Woodruff, 1/8" x 1/2"
13A	F 1854 R	(-8203099)	Gear, oil pump driver
13B	F 3634 R	(SE1000-)	Gear, oil pump driver
14A	R 561 R	(-8203099)	Gear, oil pump idler
14B	F 3635 R	(SE1000-)	Gear, oil pump idler
15A	F 1852 R	(-8203099)	Body, oil pump
15B	F 3633 R	(SE1000-)	Body, oil pump
16	F 1856 R	(-)	(-)	Shim, paper (packed 10 in a pkg.)
17	F 1853 R	(-)	(-)	Gear, bevel
18A	AF 2320 R	(-8203099)	Screen, oil pump (sub. A258R and AF3871R)
18B	AF 3871 R	(SE1000-)	Strainer, oil pump
19	A 258 R	(SE1000-)	Connector, strainer tube to cylinder

NOTE: Cranking engines have separate serial numbers on tractors 8203100-

*AF3911R consists of AF3912R, F2580R, F3667R, R568R, and 24H1017R.

CRANKING ENGINE FLYWHEEL, MAIN BEARING, CRANKSHAFT,
CONNECTING RODS, AND PISTONS

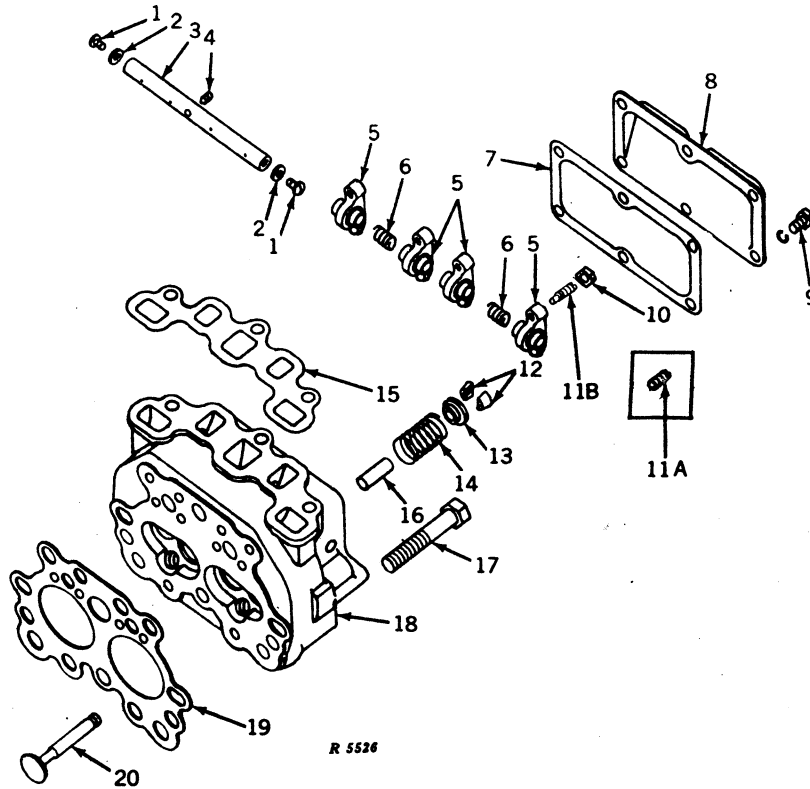
NOTE: Cranking engines have separate serial numbers on tractors 8203100-

**CRANKING ENGINE FLYWHEEL, MAIN BEARING, CRANKSHAFT,
CONNECTING RODS, AND PISTONS -- Continued**

Key	Part No.	Tractor Serial No.	Cranking Engine Serial No.	Description
1	14H 793 T	(-)	(-)	Nut, jam, 3/4" (sub. for 14H481R)
2	F 1836 R	(-)	(-)	Plate, lock
3	R 619 R	(-)	(-)	Pin, clutch drive (3 used)
4	F 2265 R	(-)	(-)	Gear, starter ring
5	AF 2012 R	(-)	(-)	Flywheel, F1835R, with starter gear and pins
6	AF 2167 R	(-8203099)	(-)	Seal, oil
	AF 3717 R	(-)	(SE1000-)	Seal, oil
7	D 459 R	(-8000358)	(-)	Screw, cap, 3/8" x 1", drilled (3 used) (sub. A487R and H246R)
	A 487 R	(8000358-8203099)	(-)	Screw, cap, special (3 used)
8	(-8000358)	(-)	Wire, 16 gauge x 15" long
9	AF 2013 R	(-8203099)	(-)	Housing, F1838R, main bearing, with bushing and pin
	AF 3715 R	(-)	(SE1000-)	Housing, F3517R, main bearing, with bushing, washer, and oil seal
10	F 1840 R	(-8203099)	(-)	Pin, dowel
11	AF 2175 R	(-8203099)	(-)	Bushing (pkg. of 2)
	AR 697 R	(-)	(SE1000-)	Bushing (pkg. of 2)
12	F 1841 R	(-8203099)	(-)	Shim (paper) (packed 5 in a pkg.) (sub. F3520R)
	F 2420 R	(-8203099)	(-)	Shim, steel, .010" (sub. F3519R)
	F 3519 R	(-)	(SE1000-)	Shim, steel, .010"
	F 3520 R	(-)	(SE1000-)	Shim, paper (packed 5 in a pkg.)
13	26H 19 R	(-)	(-)	Key, Woodruff, 1/4" x 7/8"
14	AF 2010 R	(-8203099)	(-)	Crankshaft, F1833R, with pins (sub. AF3720R crankshaft and main bearing housing)
	AF 3722 R	(-)	(SE1000-)	Crankshaft, F3518R, with pins
15	F 1837 R	(-)	(-)	Pin (2 used)
16	F 1807 R	(-)	(-)	Bolt, connecting rod (8 used) (packed 2 in a pkg.)
17	F 1808 R	(-)	(-)	Plate, lock (4 used)
18	AF 1994 R	(-)	(-)	Ring, piston (set of 4 oil control and 8 compression)
19	AF 1992 R	(-)	(-)	Pistons, four F1810R, with rings and pins
	AR 20852 R	(-)	(-)	Piston, one F1810R, with rings
20	F 1811 R	(-)	(-)	Pin, piston (4 used) (packed 4 in a pkg.) (sub. for AF1993R)
21	F 1812 R	(-)	(-)	Snap ring (8 used)
22	AF 1991 R	(-8199999)	(-)	Rod, F1806R, connecting (4 used) (sub. AF3418R)
	AF 3418 R	(8200000-)	(-)	Rod, F3300R, connecting (4 used)
23	26H 10 R	(-)	(-)	Key, Woodruff, 5/32" x 5/8"
24	F 1843 R	(-8203099)	(-)	Washer, thrust
	R 622 R	(-)	(SE1000-)	Washer, thrust
25	AF 2175 R	(-8203099)	(-)	Bushing (pkg. of 2)
	AR 697 R	(-)	(SE1000-)	Bushing (pkg. of 2)
26	F 1834 R	(-)	(-)	Gear, crankshaft
27	A 602 R	(-)	(-)	Snap ring
28	AF 2167 R	(-)	(-)	Seal, oil
29	H 246 R	(8000358-)	(-)	Plate, lock (3 used)
30	R 622 R	(-)	(SE1000-)	Washer, thrust

NOTE: Cranking engines have separate serial numbers on tractors 8203100-

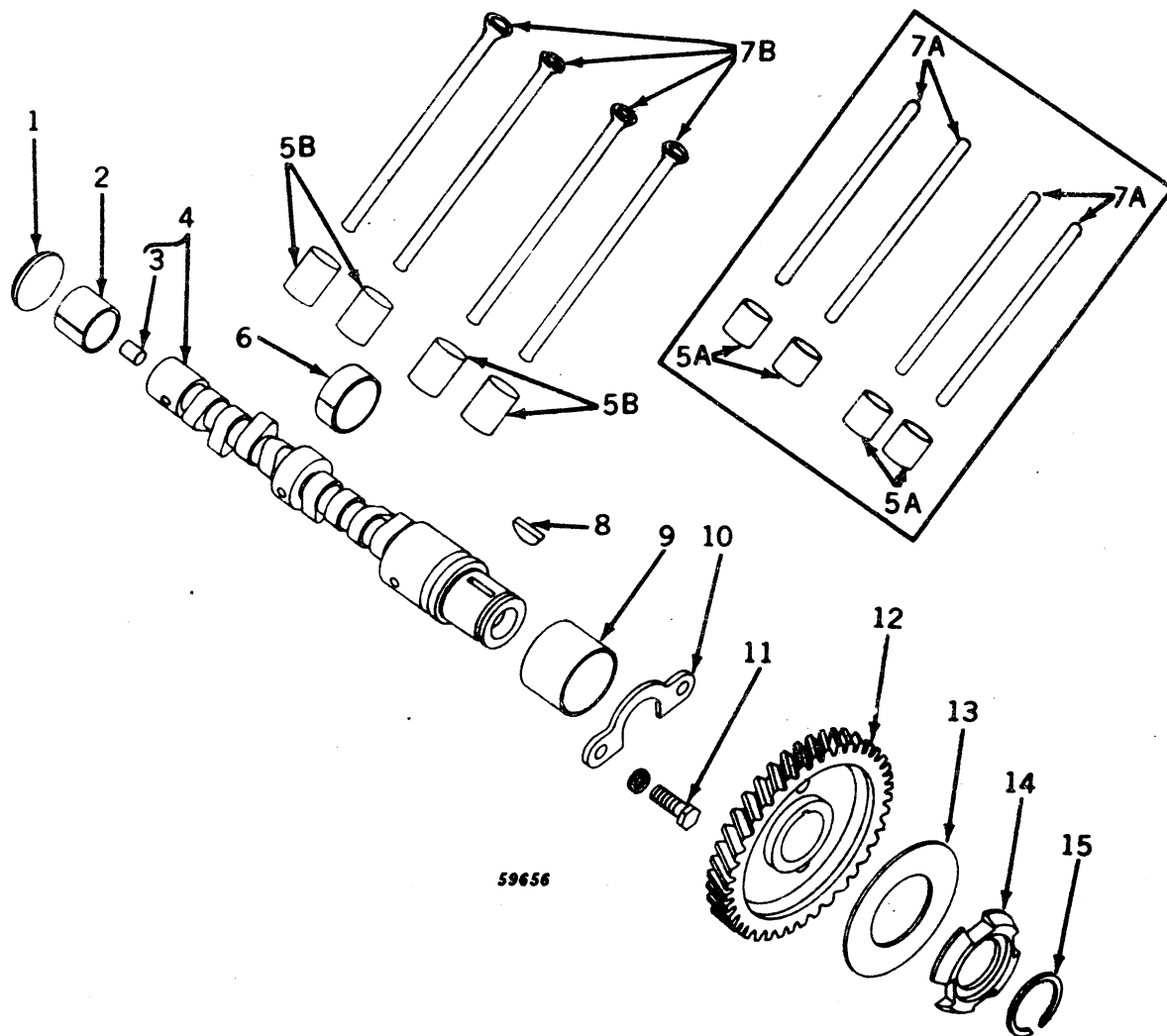
CRANKING ENGINE CYLINDER HEAD, VALVES, AND TAPPETS



Key	Part No.	Tractor Serial No.	Cranking Engine Serial No.	Description
1	21H 981 R	(-)	(-)	Screw, mach. (4 used)
2	F 1941 R	(-)	(-)	Washer, packing (4 used) (packed 20 in a pkg.)
3	F 1940 R	(-)	(-)	Shaft, tappet lever (2 used)
4	22H 710 R	(-)	(-)	Screw, set (2 used)
5	AF 3620 R	(-)	(-)	Lever, tappet (8 used) (sub. for AF2178R)
6	F 1942 R	(-)	(-)	Spring, tappet lever spacer (4 used)
7	F 1944 R	(-)	(-)	Gasket (2 used) (packed 10 in a pkg.)
8	F 1943 R	(-)	(-)	Cover, tappet lever (2 used)
9	19H 1227 M	(-)	(-)	Screw, cap, 1/4" x 1/2" (12 used) (sub. for 19H13R)
	12H 9 R	(-)	(-)	Washer, lock, 1/4" (12 used)
10	14H 795 R	(-)	(-)	Nut (8 used)
11A	F 1939 R	(-8203099)	Screw, special set, tappet lever adjusting (8 used)
11B	F 3579 R	(SE1000-)	Screw, tappet lever adjusting (8 used)
12	F 1851 R	(-)	(-)	Lock, valve spring retainer (16 used) (packed 2 in a pkg.)
13	F 1850 R	(-)	(-)	Cap, valve spring (8 used)
14	R 20129 R	(-)	(-)	Spring, valve (8 used) (packed 2 in a pkg.) (sub. for F1849R)
15	F 2087 R	(-)	(-)	Gasket, manifold (2 used) (packed 10 in a pkg.)
16	F 3531 R	(-8203099)	Guide, valve (8 used) (packed 8 in a pkg.) (sub. for AF2083R)
	F 3531 R	(SE1000-)	Guide, valve (packed 4 in a pkg.) (2 pkgs. used)
17	19H 1146 M	(-)	(-)	Screw, cap, 7/16" x 2-1/2" (10 used)
18	AF 2015 R	(-8203099)	Head, F1844R, cylinder, with valve guides (2 used) (sub. AF3736R)
	AF 3736 R	(SE1000-)	Head, F3530R, cylinder, with valve guides (2 used)
19	F 1845 R	(-)	(-)	Gasket (2 used) (packed 10 in a pkg.)
20	F 3217 R	(-)	(-)	Valve, exhaust (4 used) (sub. for AF2016R and AF3148R)
	F 1848 R	(-)	(-)	Valve, intake (4 used) (sub. for AF2017R)

NOTE: Cranking engines have separate serial numbers on tractors 8203100-

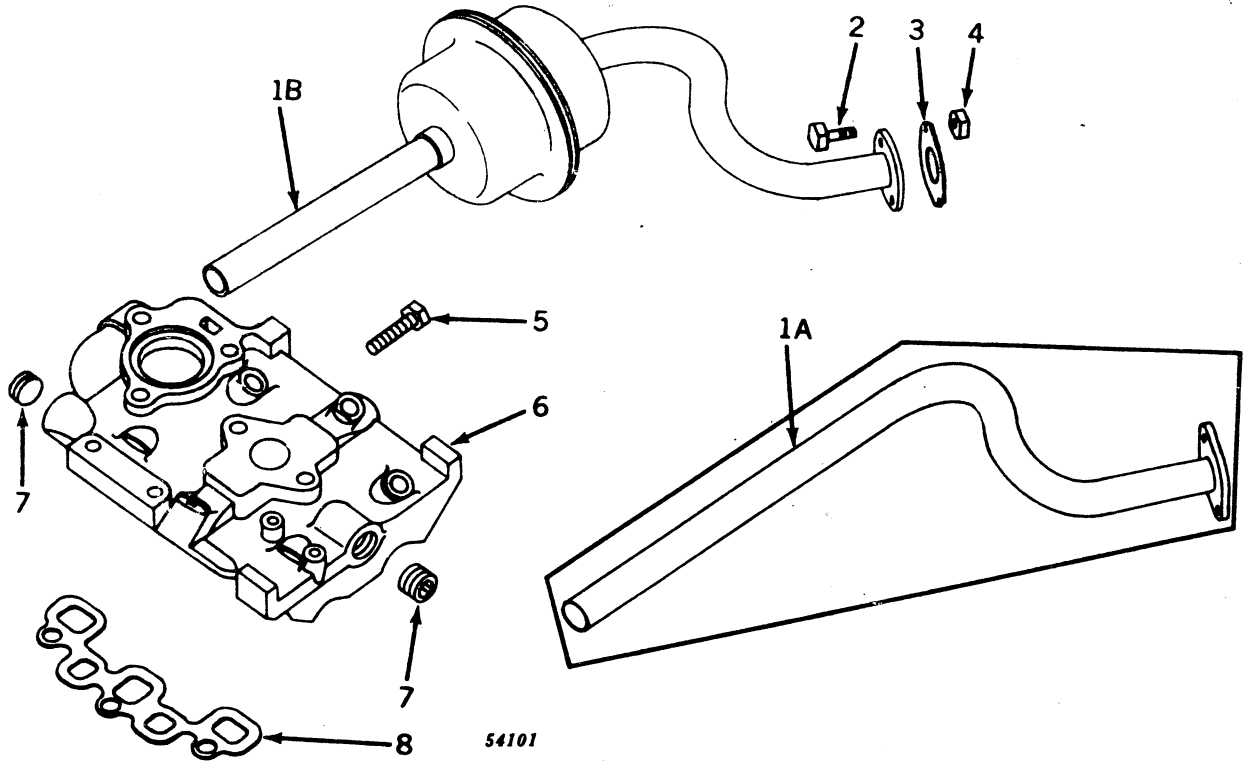
CRANKING ENGINE CAMSHAFT AND CAM FOLLOWERS



Key	Part No.	Tractor Serial No.	Cranking Engine Serial No.	Description
1	30H 15 N	(-)	(-)	Plug, expansion, 1-1/8"
2	F 2218 R	(-)	(-)	Bushing, rear
3	F 1840 R	(-)	(-)	Pin, dowel
4	AF 2138 R	(-8203099)	Camshaft, with pin (sub. AF3743R, F3547R, F3548R, F3549R, and 26H14R)
5A	AF 3743 R F 1936 R (-8203099)	(SE1000-)	Camshaft, with pin Follower, cam (8 used) (sub. F3577R, F3578R, and F3579R)
5B	F 3577 R	(SE1000-)	Follower, cam (8 used)
6	F 2219 R	(-)	(-)	Bushing, center
7A	F 1937 R	(-8203099)	Rod, tappet (8 used)
7B	F 3578 R	(SE1000-)	Rod, tappet (8 used)
8	26H 72 R 26H 14 R	(-8203099)	Key, Woodruff, 1/8" x 5/8"
9	F 2217 R	(-)	(-)	Key, Woodruff
10	F 1934 R	(-)	(-)	Bushing, front
11	19H 24 N	(-)	(-)	Plate, thrust
	12H 9 R	(-)	(-)	Screw, cap, 1/4" x 3/4" (2 used) (sub. for 19H18H)
12	F 1935 R	(-8203099)	Washer, lock, 1/4" (2 used)
	F 3547 R	(SE1000-)	Gear, camshaft
13	F 3548 R	(SE1000-)	Gear, camshaft
14	F 1783 R	(-8203099)	Washer, thrust
	F 3549 R	(SE1000-)	Retainer, governor ball
15	A 602 R	(-)	(-)	Retainer, governor ball Snap ring

NOTE: Cranking engines have separate serial numbers on tractors 8203100-

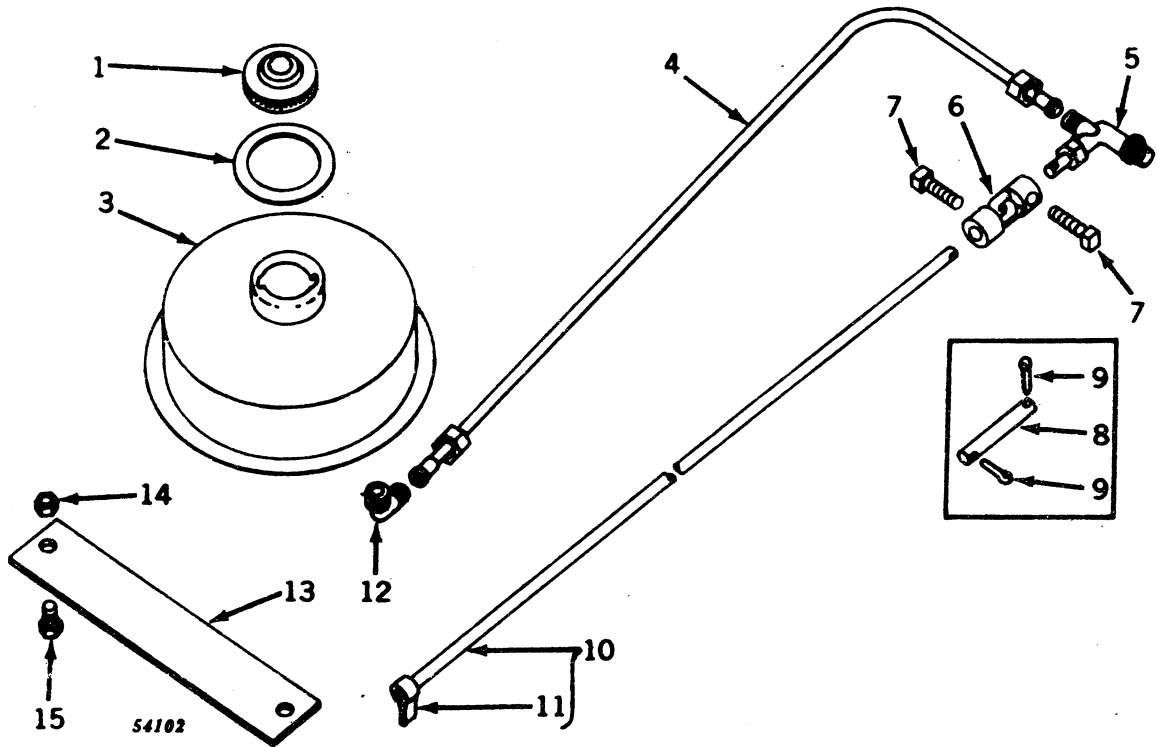
CRANKING ENGINE MANIFOLD AND EXHAUST PIPE



Key	Part No.	Tractor Serial No.	Cranking Engine Serial No.	Description
1A	AR 1130 R	(-8199999)	Pipe, exhaust, with flange
1B	AR 1594 R	(8200000-)	Muffler
2	19H 1112 H	(- -)	Screw, cap, 5/16" x 3/4" (2 used)
3	R 1351 R	(- -)	Gasket (packed 5 in a pkg.)
4	14H 785 R	(- -)	Nut, 5/16" (2 used)
5	19H 1096 H	(- -)	(- -)	Screw, cap, 5/16" x 1-1/2" (6 used) (sub. for 19H130R)
6	F 2388 R	(- -)	(- -)	Manifold
7	A 3125 R	(- -)	(- -)	Plug (2 used)
8	F 2087 R	(- -)	(- -)	Gasket (2 used) (packed 2 in a pkg.)

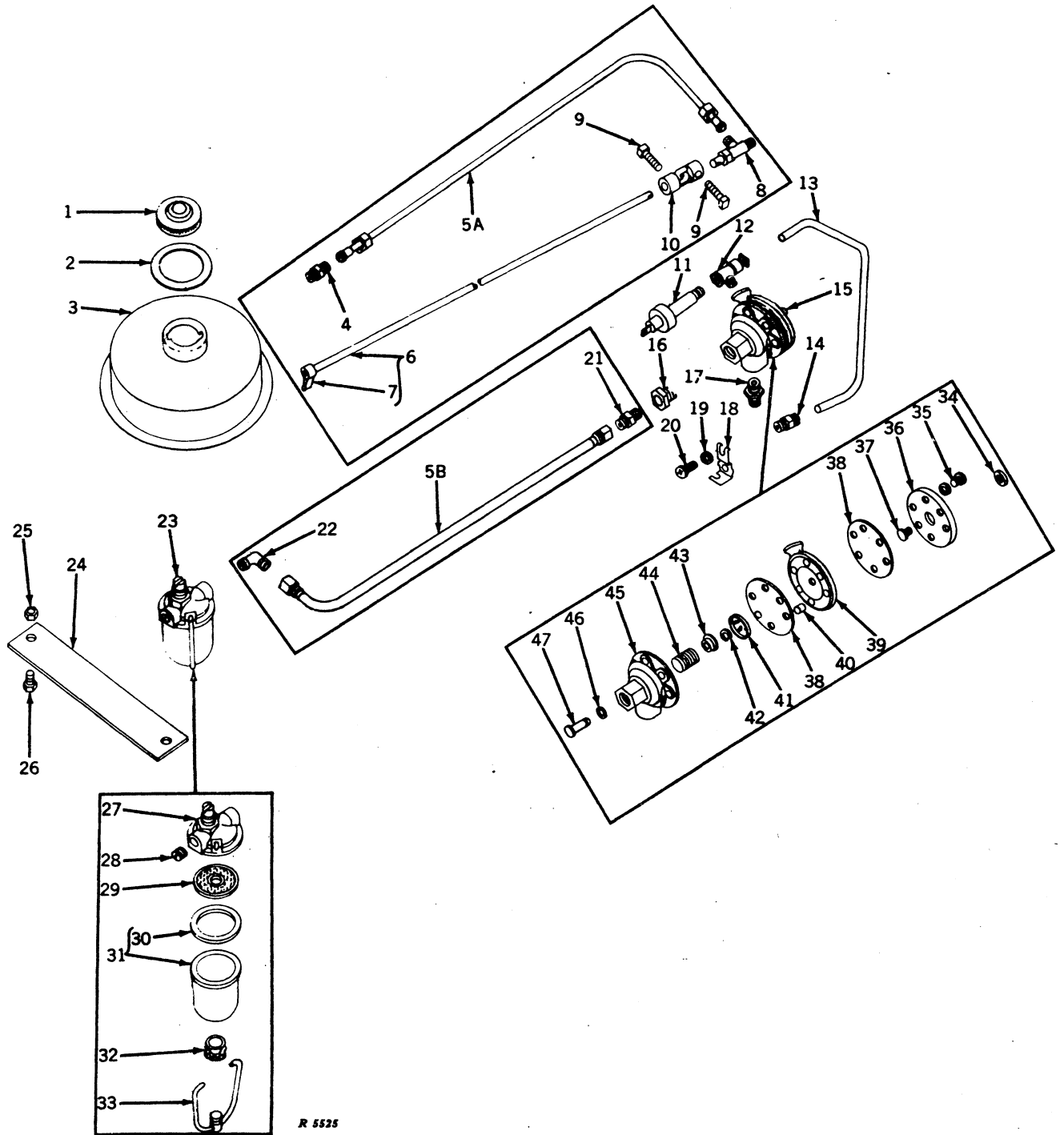
NOTE: Cranking engines have separate serial numbers on tractors 8203100-

CRANKING ENGINE FUEL SYSTEM
(Serial No. 8000001-8203099)



Key	Part No.	Tractor Serial No.	Description
1	AF 2155 R	(-8203099)	Cap, filler
2	R 1382 R	(-8203099)	Gasket (packed 5 in a pkg.)
3	AR 1139 R	(-8203099)	Tank, gasoline (sub. AR1830R, AF3778R, and E1994R)
4	AR 1127 R	(-8203099)	Pipe, gasoline
5	AR 1128 R	(-8203099)	Valve, needle, gasoline shut-off
6	AF 3209 R	(8200000-8203099)	Joint, universal shut-off rod
7	R 638 R	(8200000-8203099)	Screw, set, in universal joint (2 used)
8	R 1328 R	(-8199999)	Coupling (sub. one AF3209R, one AR1578R, and two R638R)
9	11H 206 R	(-8199999)	Pin, cotter, 3/32" x 3/4" (2 used) (sub. for 11H19R)
10	AR 1129 R	(-8199999)	Rod, gasoline shut-off, with handle (sub. AF3209R, AR1578R, and two R638R)
	AR 1578 R	(8200000-8203099)	Rod, gasoline shut-off, with handle
11	R 1156 R	(-8203099)	Handle
12	F 357 R	(-8203099)	Elbow
13	R 1381 R	(-8203099)	Support, gasoline tank
14	14H 786 M	(-8203099)	Nut, 1/4" (2 used) (sub. for 14H251R)
15	19H 24 N	(-8203099)	Screw, cap, 1/4" x 3/4" (2 used) (sub. for 19H18H)

CRANKING ENGINE FUEL SYSTEM
(Serial No. 8203100-)

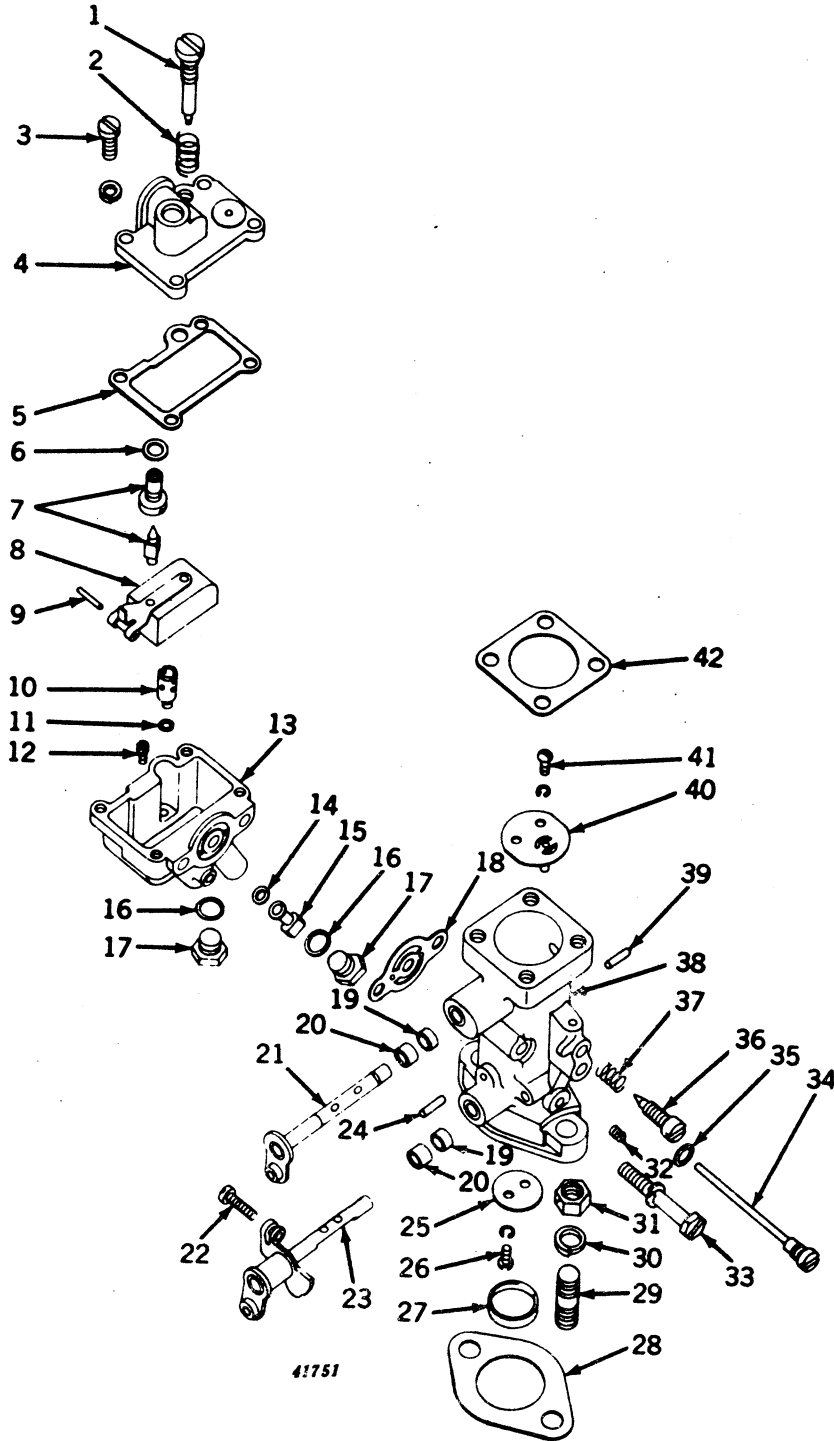


R 5525

CRANKING ENGINE FUEL SYSTEM -- Continued
(Serial No. 8203100-)

Key	Part No.	Tractor Serial No.	Description
1	AF 2155 R	(8203100-)	Cap, filler
2	R 1382 R	(8203100-)	Gasket (packed 5 in a pkg.)
3	AR 1830 R	(8203100-)	Tank, gasoline
4	E 1994 R	(8203100-8299999)	Connector
5A	AR 1833 R	(8203100-8299999)	Pipe, gasoline (sub. AR2152R)
5B	AF 2152 R	(8300000-)	Pipe, gasoline
6	AR 1578 R	(8203100-8299999)	Rod, gasoline shut-off, with handle
7	R 1156 R	(8203100-8299999)	Handle
8	AF 2153 R	(8203100-8299999)	Valve, needle, gasoline shut-off
9	R 638 R	(8203100-8299999)	Screw, set, in universal joint (2 used)
10	AF 3209 R	(8203100-8299999)	Joint, universal shut-off rod
11	AF 3882 R	(8203100-)	Switch, pressure
12	AF 3883 R	(8203100-)	Tee, gasoline shut-off
13	F 3576 R	(8203100-)	Pipe, gasoline shut-off oil
14	AA 4937 R	(8203100-)	Connector, gasoline shut-off oil pipe to cylinder
15	AF 3774 R	(8203100-)	Shut-off, gasoline, automatic
16	15H 522 R	(8203100-)	Bushing, reducer
17	F 3575 R	(8203100-)	Connector, shut-off to carburetor
18	F 3648 R	(8203100-)	Support
19	B 1085 R	(8203100-)	Washer
20	21H 994 R	(8203100-)	Screw, mach.
21	E 1994 R	(8300000-)	Connector
22	F 357 R	(8300000-)	Elbow
23	AF 3778 R	(8203100-)	Strainer, fuel
24	R 1381 R	(8203100-)	Support
25	14H 786 M	(8203100-)	Nut, 1/4" (2 used) (sub. for 14H251R)
26	19H 24 N	(8203100-)	Screw, cap, 1/4" x 3/4" (2 used)
27	AF 3876 R	(8203100-)	Body
28	F 3643 R	(8203100-)	Plug
29	AF 3877 R	(8203100-)	Screen
30	F 3644 R	(8203100-)	Gasket (packed 2 in a pkg.)
31	AF 3878 R	(8203100-)	Bowl and gasket
32	AF 3880 R	(8203100-)	Nut, adjusting
33	AF 3879 R	(8203100-)	Bail
34	A 4987 R	(8203100-)	Nut, primer bolt (packed 5 in a pkg.)
35	21H 976 R	(8203100-)	Screw, mach. (5 used)
	A 766 R	(8203100-)	Washer, lock (5 used)
36	A 4985 R	(8203100-)	Cover
37	A 4986 R	(8203100-)	Bolt, primer (packed 5 in a pkg.)
38	A 4983 R	(8203100-)	Diaphragm (2 used) (packed 10 in a pkg.)
39	A 4984 R	(8203100-)	Spacer, diaphragm
40	A 4988 R	(8203100-)	Pin, valve (packed 5 in a pkg.)
41	A 4982 R	(8203100-)	Plate, pressure
42	A 4981 R	(8203100-)	Ring, retaining, valve spring (packed 10 in a pkg.)
43	A 4980 R	(8203100-)	Retainer, valve spring (packed 5 in a pkg.)
44	A 4979 R	(8203100-)	Spring, valve
45	F 3574 R	(8203100-)	Body
46	F 3621 R	(8203100-)	Washer, rubber, valve seat
47	F 3620 R	(8203100-)	Valve

CRANKING ENGINE CARBURETOR



41751

Key	Part No.	Tractor Serial No.	Cranking Engine Serial No.	Description
1	AR 13014 R	(-)	(-)	Needle, main jet adjusting (packed 2 in a pkg.) (sub. for AZN11R)
2	R 13013 R	(-)	(-)	Spring, main jet adjusting needle (packed 2 in a pkg.) (sub. for ZN12R)
3	21H 982 R**	(-)	(-)	Screw, mach., fill. hd., no. 10 x 1/2" (4 used)
	12H 36 R	(-)	(-)	Washer, lock, no. 10 (4 used)
4	AR 13012 R	(-)	(-)	Cover, fuel bowl, with plugs (sub. for AZN8R)
5*	(-)	(-)	Gasket, fuel bowl cover
6*	(-)	(-)	Gasket, fuel valve
7	AR 13002 R**	(-)	(-)	Valve, float, with seat (sub. for AZN9R)
8	AR 13013 R	(-)	(-)	Float, with lever (sub. for AZN10R)
9	R 13011 R**	(-)	(-)	Pin, float (packed 2 in a pkg.) (sub. for ZN10R)

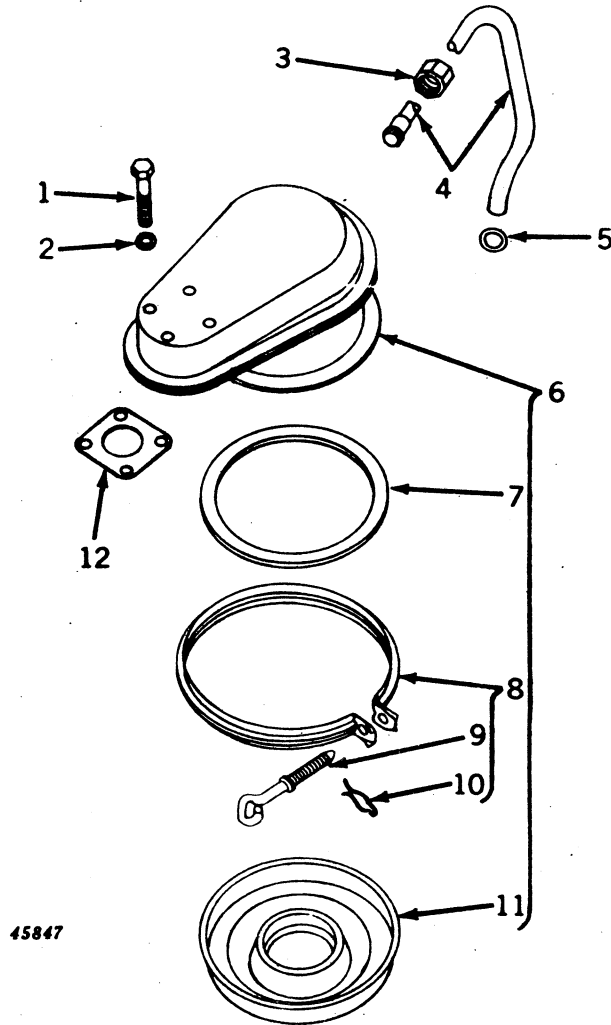
CRANKING ENGINE CARBURETOR -- Continued

Key	Part No.	Tractor Serial No.	Cranking Engine Serial No.	Description
10	R 13012 R** R 13004 R**	(-8203099)	(.....) (SE1000-)	Jet, main (packed 2 in a pkg.) (sub. for ZN11R) Jet, main (packed 2 in a pkg.)
11*	(-)	(-)	Gasket, main jet
12	R 13015 R** R 13005 R**	(-8203099)	(.....) (SE1000-)	Jet, compensator (packed 2 in a pkg.) (sub. for ZN14R) Jet, compensator (packed 2 in a pkg.)
13	AR 13010 R	(-)	(-)	Bowl, fuel, with plugs (sub. for AZN6R)
14*	(-)	(-)	Gasket, metering well
15	R 13014 R	(-)	(-)	Well, metering (packed 2 in a pkg.) (sub. for ZN13R)
16*	(-)	(-)	Gasket (2 used)
17	ZN 15 H H 21008 H	(-8203099)	(.....) (SE1000-)	Plug (2 used) (sub. H21008H) Plug (2 used) (sub. for R13006R)
18*	(-)	(-)	Gasket
19	H 20921 H**	(-)	(-)	Washer, felt (sub. for ZN2H)
20	H 20922 H**	(-)	(-)	Retainer, felt washer (2 used) (sub. for ZN3H)
21	AR 13007 R	(-)	(-)	Shaft, choke, with lever (sub. for AZN3R)
22	21H 1079 R R 13000 R AR 13004 R	(-8203099) (-8203099)	(.....) (SE1000-)	Screw, mach., fill. hd., no. 8 x 5/8" (sub. R13000R) Screw, special mach. Shaft, throttle, with lever and adjusting screw (sub. for AZN2R)
23	AR 13001 R ZN 1 H	(.....) (-8203099)	(SE1000-)	Shaft, throttle, with lever and adjusting screw Pin, throttle stop (sub. R13001R)
24	R 13001 R	(.....)	(SE1000-)	Pin, throttle stop
25	R 13008 R R 13002 R 21H 959 R**	(-8203099) (-)	(.....) (SE1000-) (-)	Disk, throttle (packed 2 in a pkg.) (sub. for ZN4R) Disk, throttle (packed 2 in a pkg.) Screw, mach., fill. hd., no. 5 x 3/16" (2 used)
26	12H 4 H R 13009 R**	(-) (-8203099)	(-)	Washer, lock, no. 5 (2 used) Ring, deflecting (packed 2 in a pkg.) (sub. for ZN8R) (not used)
27	R 640 R	(-)	(-)	Gasket (packed 2 in a pkg.)
28	A 3612 R	(-)	(-)	Stud, 5/16" x 1-1/4" (2 used) (sub. for H172R)
29	12H 10 R 14H 785 R	(-) (-)	(-) (-)	Washer, lock, 5/16" (2 used) Nut, 5/16" (2 used)
30	R 13010 R	(-)	(-)	Plug, priming (packed 2 in a pkg.) (sub. for ZN9R)
31	AR 13011 R	(-)	(-)	Screw, special cap, with lock washer (2 used) (packed 2 in a pkg.) (sub. for AZN7R)
32	AR 13009 R***	(-) (-)	(-) (-)	Jet, idle (sub. for AZN5R) Gasket, idle jet
33	R 13007 R**	(-)	(-)	Needle, idle adjusting (sub. for ZN6R)
34	H 20923 H	(-)	(-)	Spring, idle adjusting needle (sub. for ZN7H)
35	AR 13006 R AR 13000 R	(-8203099) (SE1000-)	(.....) (.....) (SE1000-)	Body, carburetor, with bushings and discharge nozzle (sub. for AZN1R) Body, carburetor, with bushings and discharge nozzle
36	ZN 5 R	(-8203099)	(.....)	Pin, choke stop (packed 2 in a pkg.) (sub. R13003R)
37	R 13003 R AR 13008 R	(.....) (-)	(SE1000-) (-)	Pin, choke stop (packed 2 in a pkg.) Disk, choke (packed 2 in a pkg.) (sub. for AZN4R)
38	21H 959 R**	(-)	(-)	Screw, mach., fill. hd., no. 5 x 3/16" (2 used)
39	12H 4 H F 2115 R	(-) (-)	(-) (-)	Washer, lock, no. 5 (2 used) Gasket (packed 2 in a pkg.)
40	AF 2146 R	(-8203099)	(.....)	Carburetor (remove R13009R ring before in- stalling) (sub. AF3775R)
41	AF 3775 R	(.....)	(SE1000-)	Carburetor
42	*AR 13015 R	(-)	(-)	Kit, carburetor gasket (individual gaskets not sold) (sub. for AZN12R)
43	**AR 13005 R	(-8203099)	(.....)	Kit, carburetor service (this kit also includes gaskets marked*) (sub. for AZN13R)
44	AR 13003 R	(.....)	(SE1000-)	Kit, carburetor service (this kit also includes gaskets marked*) (sub. for AZN13R)

Parts listed below are assemblies of parts in this grouping.

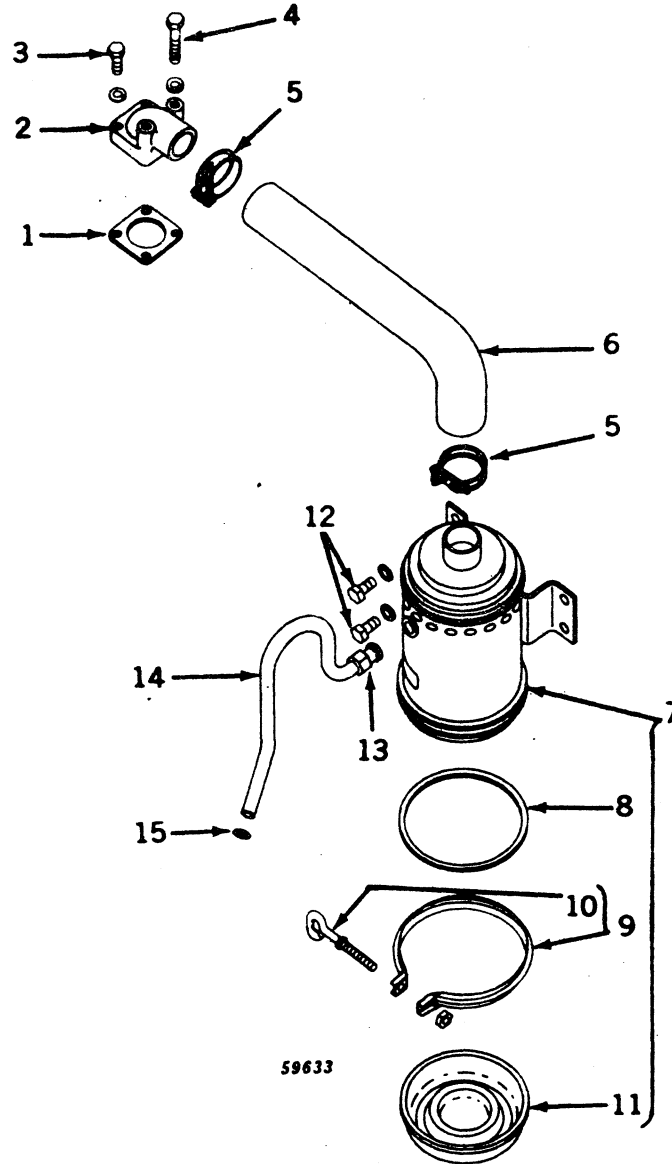
NOTE: Cranking engines have separate serial numbers on tractors 8203100.

CRANKING ENGINE AIR CLEANER
(Serial No. 8000001-8203099)



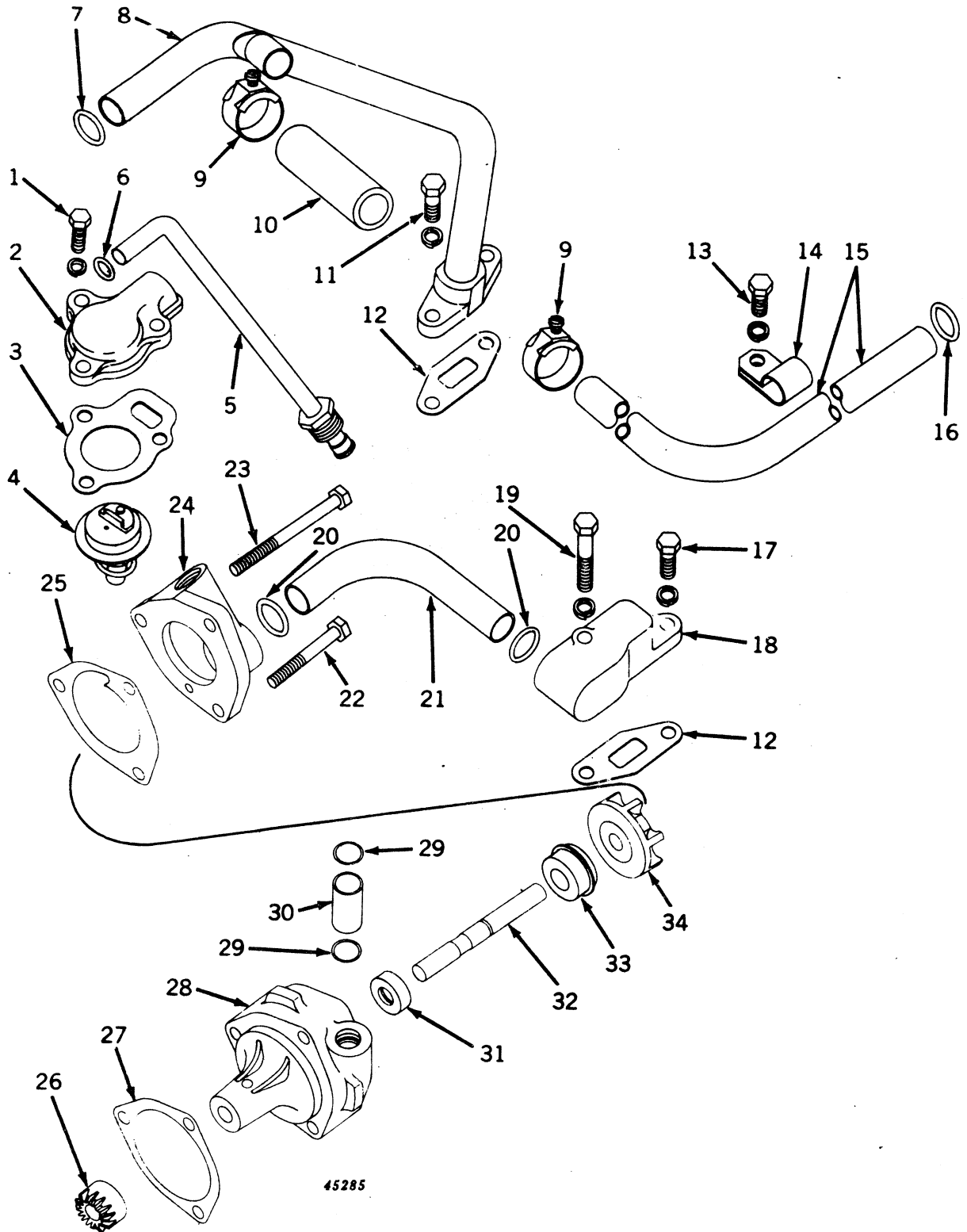
Key	Part No.	Tractor Serial No.	Description
1	19H 1272 R	(-8203099)	Screw, special cap, 1/4" x 2-3/8" (4 used)
2	F 2116 R	(-8203099)	Washer (copper) (4 used) (packed 5 in a pkg.)
3	A 2880 R	(-8203099)	Nut
4	AF 2181 R	(-8203099)	Tube, ventilator
5	R 394 R	(-8203099)	Packing, O-ring
6	AR 1426 R	(-8203099)	Air cleaner
7	F 2190 R	(-8203099)	Gasket (packed 2 in a pkg.)
8	AR 1428 R	(-8203099)	Clamp, with bolt
9	R 1910 R	(-8203099)	Bolt, clamp
10	R 1911 R	(-8203099)	Lock, spring
11	R 1906 R	(-8203099)	Cup, oil
12	F 2115 R	(-8203099)	Gasket (packed 5 in a pkg.)

CRANKING ENGINE AIR CLEANER
(Serial No. 8203100-)



Key	Part No.	Tractor Serial No.	Description
1	F 2115 R	(8203100-)	Gasket (packed 2 in a pkg.)
2	R 2707 R	(8203100-)	Adapter
3	19H 1683 T	(8203100-)	Screw, cap, 1/4" x 1-1/4" (2 used) (sub. for 19H32T)
	12H 9 R	(8203100-)	Washer, lock, 1/4" (2 used)
4	19H 1272 R	(8203100-)	Screw, cap, 1/4" x 2-3/8" (2 used)
	12H 9 R	(8203100-)	Washer, lock, 1/4" (2 used)
5	AR 1815 R	(8203100-)	Clamp, hose (2 used)
6	R 2773 R	(8203100-)	Hose, rubber
7	AR 1813 R	(8203100-)	Air cleaner
8	F 2190 R	(8203100-)	Gasket (sub. for R2768R)
9	AB 1629 R	(8203100-)	Clamp
10	B 1569 R	(8203100-)	Bolt, clamp
11	R 1906 R	(8203100-)	Cup, oil
12	19H 1255 T	(8203100-)	Screw, cap, 3/8" x 5/8" (4 used) (sub. for 19H199R)
	24H 154 R	(8203100-)	Washer, 25/64" x 7/8" x 16 gauge (4 used)
13	A 2880 R	(8203100-)	Nut
14	AR 1814 R	(8203100-)	Tube, ventilator
15	R 394 R	(8203100-)	Packing, O-ring

CRANKING ENGINE COOLING SYSTEM



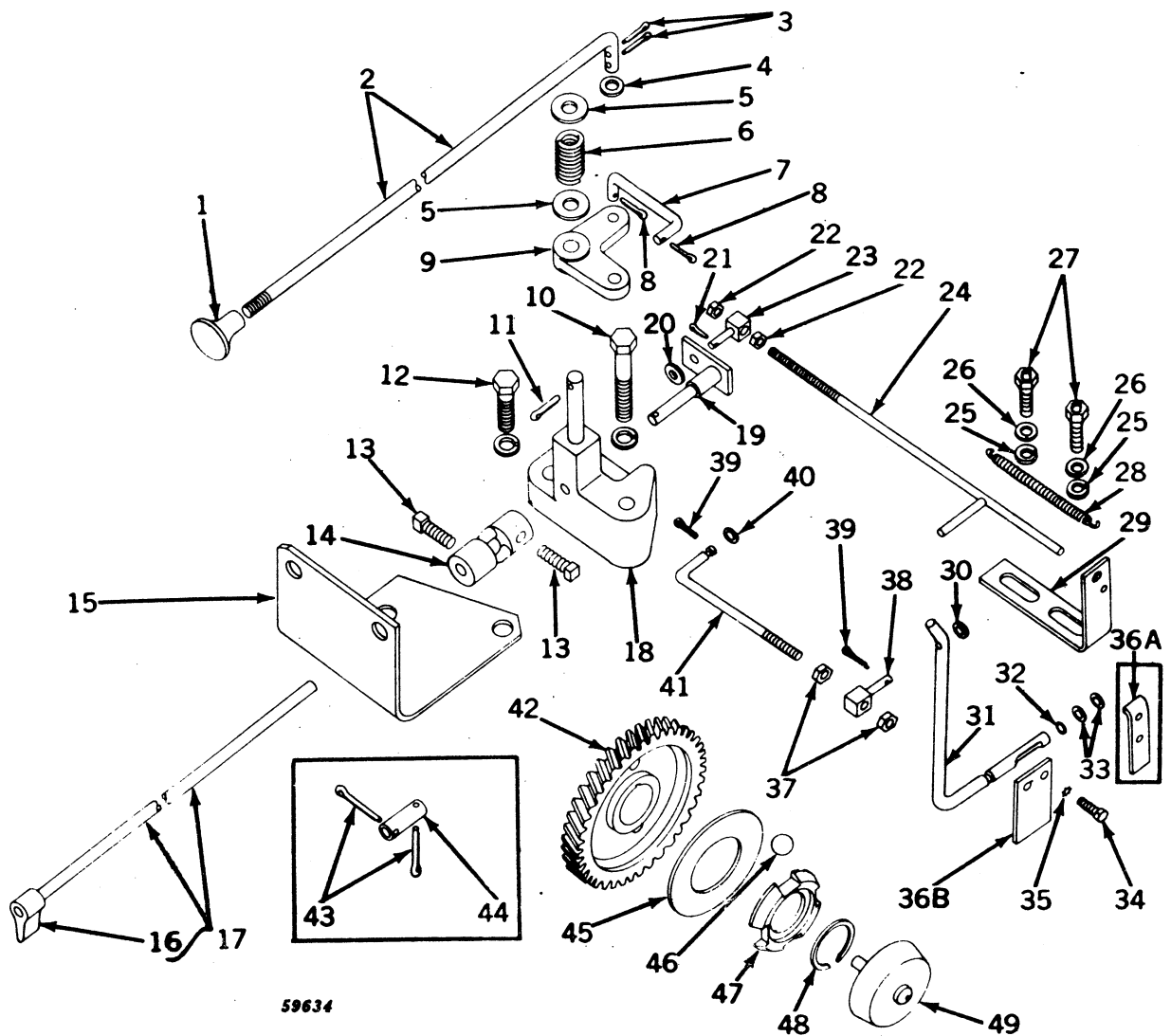
NOTE: Cranking engines have separate serial numbers on tractors 8203100-

CRANKING ENGINE COOLING SYSTEM -- Continued

Key	Part No.	Tractor Serial No.	Cranking Engine Serial No.	Description
1	19H 118 T	(-)	(-)	Screw, cap, 5/16" x 1" (3 used) (sub. for 19H112R)
	12H 10 R	(-)	(-)	Washer, lock, 5/16" (3 used)
2	F 2390 R	(-)	(-)	Cover, thermostat
3	F 2391 R	(-)	(-)	Gasket (packed 5 in a pkg.)
4	AF 2415 R	(-)	(-)	Thermostat (range 100°F. - 115°F.)
5	AF 2416 R	(-)	(-)	Pipe, water by-pass
6	R 394 R	(-)	(-)	Packing, O-ring
7	R 495 R	(-)	(-)	Packing, O-ring (packed 10 in a pkg.)
8	AR 1433 R	(-8203099)	(-)	Outlet, water, with pipe (sub. AR1850R and R2738R)
	AR 1850 R	(8203100-)	(-)	Outlet, water, with pipe
9	A 4934 R	(-)	(-)	Clamp, hose (2 used)
10	A 5203 R	(-)	(-)	Hose
11	19H 218 N	(-)	(-)	Screw, cap, 3/8" x 1" (2 used) (sub. for 19H211R)
	12H 11 R	(-)	(-)	Washer, lock, 3/8" (2 used)
12	R 1535 R	(-)	(-)	Gasket (2 used) (packed 10 in a pkg.)
13	F 2272 R	(-)	(-)	Screw, special cap (packed 10 in a pkg.)
	12H 11 R	(-)	(-)	Washer, lock, 3/8"
14	A 4656 R	(-)	(-)	Clamp
15	R 1915 R	(-8203099)	(-)	Pipe, water vent (AR1850R and R2738R)
	R 2738 R	(8203100-)	(-)	Pipe, water vent
16	R 495 R	(-)	(-)	Packing, O ring (packed 10 in a pkg.)
17	19H 218 N	(-)	(-)	Screw, cap, 3/8" x 1" (sub. for 19H211R)
	12H 11 R	(-)	(-)	Washer, lock, 3/8"
18	R 1531 R	(-)	(-)	Inlet, water
19	19H 1164 R	(-)	(-)	Screw, cap, 3/8" x 2-1/4" (sub. for 19H257H)
	12H 11 R	(-)	(-)	Washer, lock, 3/8"
20	R 495 R	(-)	(-)	Packing, O ring (2 used) (packed 10 in a pkg.)
21	R 1533 R	(-)	(-)	Pipe, water inlet
22	19H 1188 M	(-)	(-)	Screw, cap, 5/16" x 2-1/2" (2 used) (sub. for 19H154H)
23	19H 172 E	(-)	(-)	Screw, cap, 5/16" x 3-3/4"
24	F 2389 R	(-)	(-)	Cover, water pump
25	F 1969 R	(-)	(-)	Gasket (packed 2 in a pkg.)
26	F 1853 R	(-)	(-)	Gear, bevel, water pump
27	F 1965 R	(-)	(-)	Shim (paper) (packed 10 in a pkg.)
28	F 1960 R	(-8203099)	(-)	Housing, water pump (sub. for F3504R)
	F 3504 R	(-)	(SE1000-)	Housing, water pump
29	B 2762 R	(-)	(-)	Packing, O ring (2 used) (packed 2 in a pkg.)
30	F 1967 R	(-)	(-)	Tube, water pump to cylinder
31	AF 2056 R	(-)	(-)	Seal, oil
32	F 1962 R	(-)	(-)	Shaft, water pump
33	AF 2057 R	(-)	(-)	Seal, water pump
34	F 1964 R	(-)	(-)	Impeller, water pump

NOTE: Cranking engines have separate serial numbers on tractors 8203100-

CRANKING ENGINE GOVERNOR AND CONTROLS



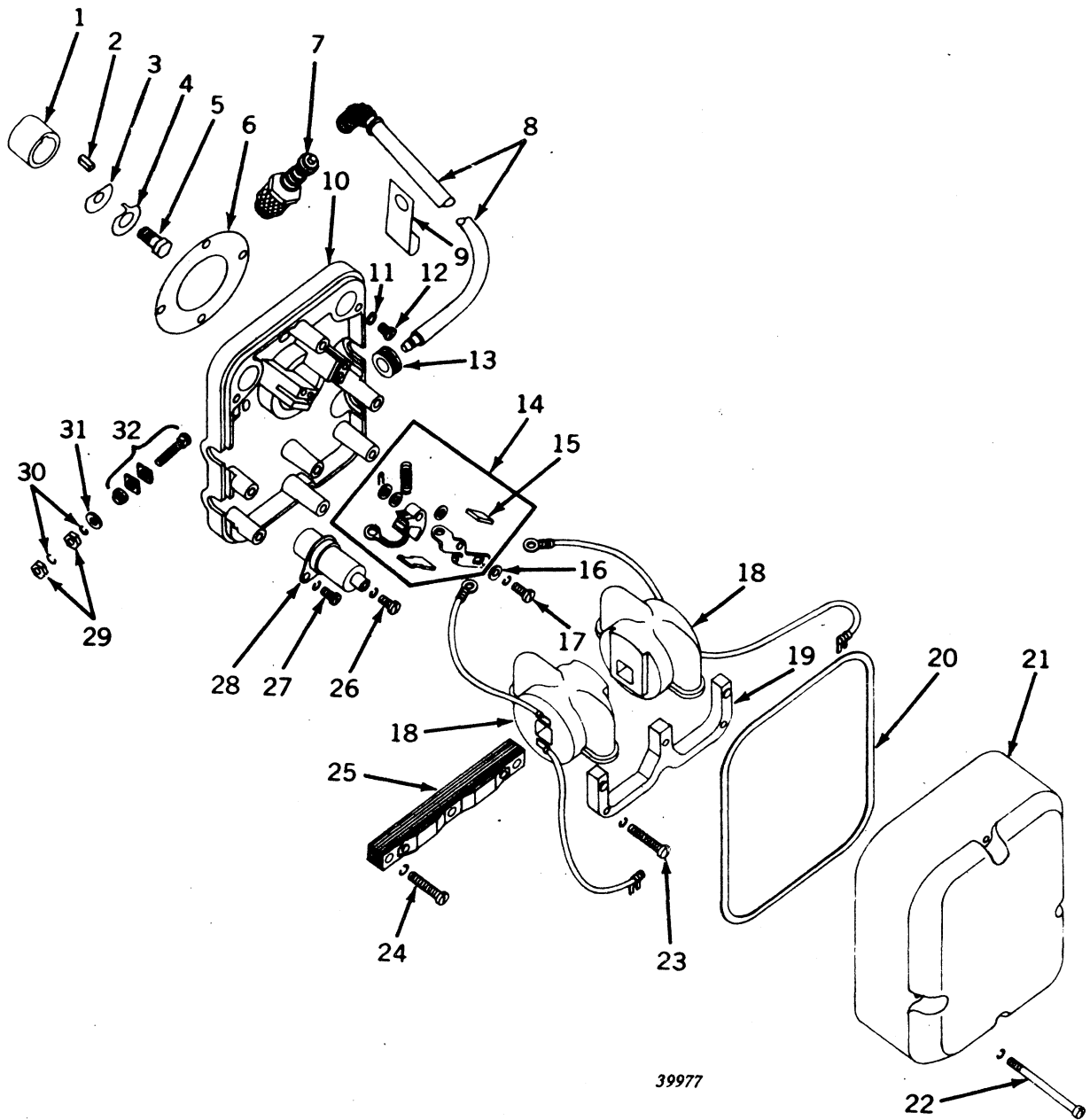
NOTE: Cranking engines have separate serial numbers on tractors 8203100-

CRANKING ENGINE GOVERNOR AND CONTROLS -- Continued

Key	Part No.	Tractor Serial No.	Cranking Engine Serial No.	Description
1	B 1951 R	(-)	(-)	Knob, choke rod
2	R 1518 R	(-)	(-)	Rod, choke
3	11H 233 R	(-)	(-)	Pin, cotter, 3/32" x 1/2" (2 used) (sub. for 11H18R)
4	24H 132 R	(-)	(-)	Washer, 9/32" x 1/2" x 16 gauge
5	24H 39 R	(-)	(-)	Washer, 21/64" x 3/4" x 20 gauge (2 used)
6	H 343 R	(-)	(-)	Spring
7	R 1519 R	(-)	(-)	Link, choke
8	11H 231 R	(-)	(-)	Pin, cotter, 1/16" x 1" (2 used) (sub. for 11H3R)
9	R 1516 R	(-)	(-)	Bell crank, choke
10	19H 150 R	(-)	(-)	Screw, cap, 5/16" x 2-1/4"
	12H 10 R	(-)	(-)	Washer, lock, 5/16"
11	11H 233 R	(-)	(-)	Pin, cotter, 3/32" x 1/2" (sub. for 11H18R)
12	F 2270 R	(-)	(-)	Screw, special cap
	12H 10 R	(-)	(-)	Washer, lock, 5/16"
13	R 638 R	(8200000-)	(-)	Screw, set (2 used)
14	AF 3209 R	(8200000-)	(-)	Joint, universal, speed control rod
15	AR 1431 R	(-8203099)	(-)	Support, control rod, with nuts
	AR 1832 R	(8203100-)	(-)	Support, control rod, with nuts
16	R 1156 R	(-)	(-)	Handle, speed control rod
17	AR 1129 R	(-8199999)	(-)	Rod, speed control, with handle (sub. AF3209R, AR1578R, and two R638R)
	AR 1578 R	(8200000-)	(-)	Rod, speed control, with handle
18	AR 1248 R	(-)	(-)	Bracket, R1513R, speed control, with pin
19	AR 1187 R	(-8199999)	(-)	Arm, speed control, with shaft (sub. AF3209R, AR1580R, and two R638R)
	AR 1580 R	(8200000-)	(-)	Arm, speed control, with shaft
20	24H 91 R	(-)	(-)	Washer, 13/64" x 1/2" x 18 gauge
21	11H 231 R	(-)	(-)	Pin, cotter, 1/16" x 1" (sub. for 11H3R)
22	14H 778 H	(-)	(-)	Nut (2 used) (sub. for 14H606R)
23	F 2119 R	(-)	(-)	Swivel, speed control shaft
24	AR 1188 R	(-)	(-)	Shaft, speed control, with pin
25	12H 9 R	(-)	(-)	Washer, lock, 1/4" (2 used)
26	24H 131 A	(-)	(-)	Washer, 17/64" x 5/8" x 16 gauge (2 used)
27	19H 1115 N	(-)	(-)	Screw, special mach. (2 used) (packed 50 in a pkg.) (sub. for A4192R)
28	F 2120 R	(-8203099)	(-)	Spring, governor (sub. F3553R)
	F 3553 R	(8203100-)	(-)	Spring, governor
29	R 1522 R	(-)	(-)	Bracket, governor spring
30	24H 91 R	(-)	(-)	Washer, 13/64" x 1/2" x 18 gauge
31	F 1789 R	(-8203099)	(-)	Arm, governor
	F 3551 R	(-)	(SE1000-)	Arm, governor
32	A 4365 R	(-)	(-)	Packing, O-ring (packed 2 in a pkg.)
33	24H 1017 R	(-)	(-)	Washer, 13/32" x 9/16" x 16 gauge (2 used)
34	21H 415 R	(-8203099)	(-)	Screw, mach.
	21H 415 R	(-)	(SE1000-)	Screw, mach. (2 used)
35	12H 251 R	(-8203099)	(-)	Washer, lock (sub. for A3010R)
36A	F 1790 R	(-8203099)	(-)	Lever, governor
36B	F 3552 R	(-)	(SE1000-)	Lever, governor
37	14H 778 H	(-)	(-)	Nut (2 used) (sub. for 14H606R)
38	F 2119 R	(-)	(-)	Swivel, throttle rod
39	11H 231 R	(-)	(-)	Pin, cotter, 1/16" x 1" (2 used) (sub. for 11H3R)
40	24H 91 R	(-)	(-)	Washer, 13/64" x 1/2" x 18 gauge
41	F 2118 R	(-)	(-)	Rod, throttle
42	F 1935 R	(-8203099)	(-)	Gear, camshaft
	F 3547 R	(-)	(SE1000-)	Gear, camshaft
43	11H 234 R	(-8199999)	(-)	Pin, cotter, 3/32" x 1" (2 used) (sub. for 11H22R)
44	R 1132 R	(-8199999)	(-)	Coupling, speed control rod (sub. AF3209R and two R638R)
45	F 3548 R	(-)	(SE1000-)	Washer, thrust
46	D 2361 R	(-)	(-)	Ball, governor (4 used)
47	F 1783 R	(-8203099)	(-)	Retainer, governor ball
	F 3549 R	(-)	(SE1000-)	Retainer, governor ball
48	A 602 R	(-)	(-)	Snap ring
49	AF 1987 R	(-)	(-)	Race, governor ball, with plunger

NOTE: Cranking engines have separate serial numbers on tractors 8203100-

CRANKING ENGINE DISTRIBUTOR
(Distributor Serial No. 001000-)



39977

NOTE: Cranking engines have separate serial numbers on tractors 8203100-

CRANKING ENGINE DISTRIBUTOR -- Continued
(Distributor Serial No. 001000-)

Key	Part No.	Distributor Serial No.	Description
1	9261 B	(001000-)	Cam, breaker (sub. for 9261)
2	F 2080 R	(001000-)	Key (packed 2 in a pkg.)
3	F 2081 R	(001000-)	Washer, special (packed 2 in a pkg.)
4	F 2082 R	(001000-)	Plate, lock (packed 2 in a pkg.)
5	F 2199 R	(001000-)	Screw, special cap
6	F 2083 R	(001000-)	Gasket (packed 5 in a pkg.)
7	AP 19170 HR	(001000-)	Spark plug (Champion J-8-64F) (4 used)
	AF 2180 R	(001000-)	Spark plug (AC45M) (4 used)
	AP 23316 HR	(001000-)	Spark plug (Auto-Lite) (4 used)
8	X 9652	(001000-031071)	Cable, spark plug, upper (2 used) (sub. AR12004R)
	AR 12004 R	(031072-)	Cable, spark plug, upper (2 used)
	X 9653	(001000-031071)	Cable, spark plug, lower (2 used) (sub. AR12005R)
	AR 12005 R	(031072-)	Cable, spark plug, lower (2 used)
9	B 1986 R	(001000-)	Clip, cable (2 used)
10	9268	(001000-)	Plate, back
11	24H 91 R	(001000-)	Washer, distributor to timing gear cover screw (4 used)
12	21H 981 R	(001000-)	Screw, special mach., distributor to timing gear cover (4 used)
13	2179	(001000-)	Grommet, spark plug cable (4 used)
14	X 9021	(001000-)	Point, breaker, set (2 used)
15	5446*	(001000-)	Felt, cam wiper (2 used)
16	2965	(001000-)	Washer (brass) (2 used)
17	21H 238 R	(001000-)	Screw, special mach. (2 used)
	A 765 R	(001000-)	Washer, special lock (2 used)
18	X 9295	(001000-)	Coil (2 used)
19	(001000-)	Not furnished
20	9262	(001000-)	Gasket
21	X 9299	(001000-)	Cover, distributor
22	21H 986 R	(001000-)	Screw, special mach. (2 used)
	12H 36 R	(001000-)	Washer, lock, no. 10 (2 used)
23	21H 994 R	(001000-)	Screw, special mach. (2 used)
	12H 35 R	(001000-)	Washer, lock, no. 8 (2 used)
24	21H 994 R	(001000-)	Screw, special mach. (2 used)
	12H 35 R	(001000-)	Washer, lock, no. 8 (2 used)
25	X 9257	(001000-)	Coil, core
26	21H 238 R	(001000-)	Screw, special mach. (2 used)
	A 765 R	(001000-)	Washer, special lock (2 used)
27	21H 238 R	(001000-)	Screw, special mach. (2 used)
	A 765 R	(001000-)	Washer, special lock (2 used)
28	X 9263	(001000-)	Condenser (2 used)
29	14H 605 R	(001000-)	Nut, no. 8 (2 used)
30	12H 35 R	(001000-)	Washer, lock, no. 8 (2 used)
31	M-33X	(001000-)	Washer
32	AF 2177 R	(001000-)	Stud, connector, with insulators

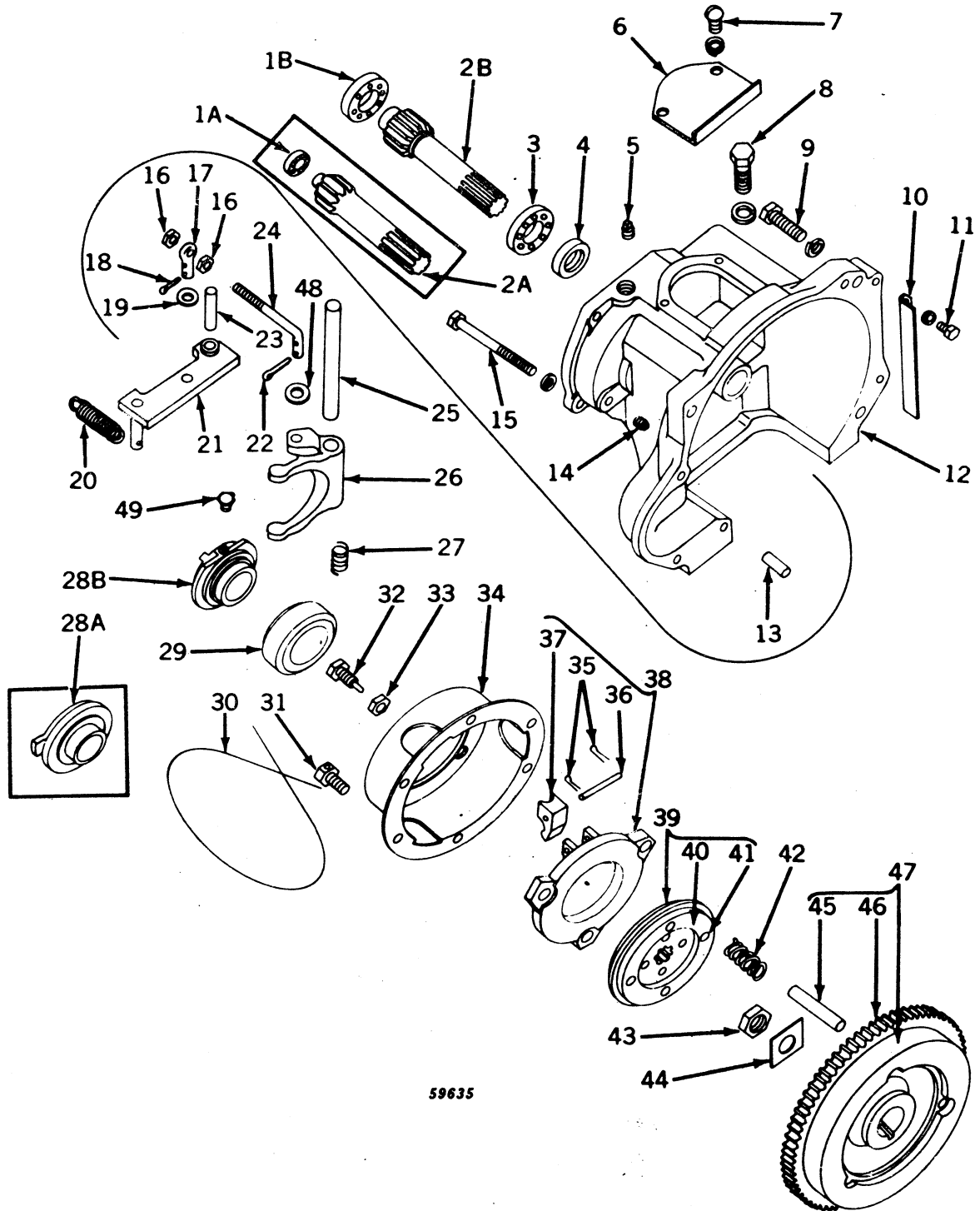
Part listed below is an assembly of most of the parts in this grouping.

AR 1370 R (-) Distributor (Wico) (6-volt)

*Furnished by Dubuque Tractor Works.

NOTE: Cranking engines have separate serial numbers on tractors 8203100-

CRANKING ENGINE CLUTCH

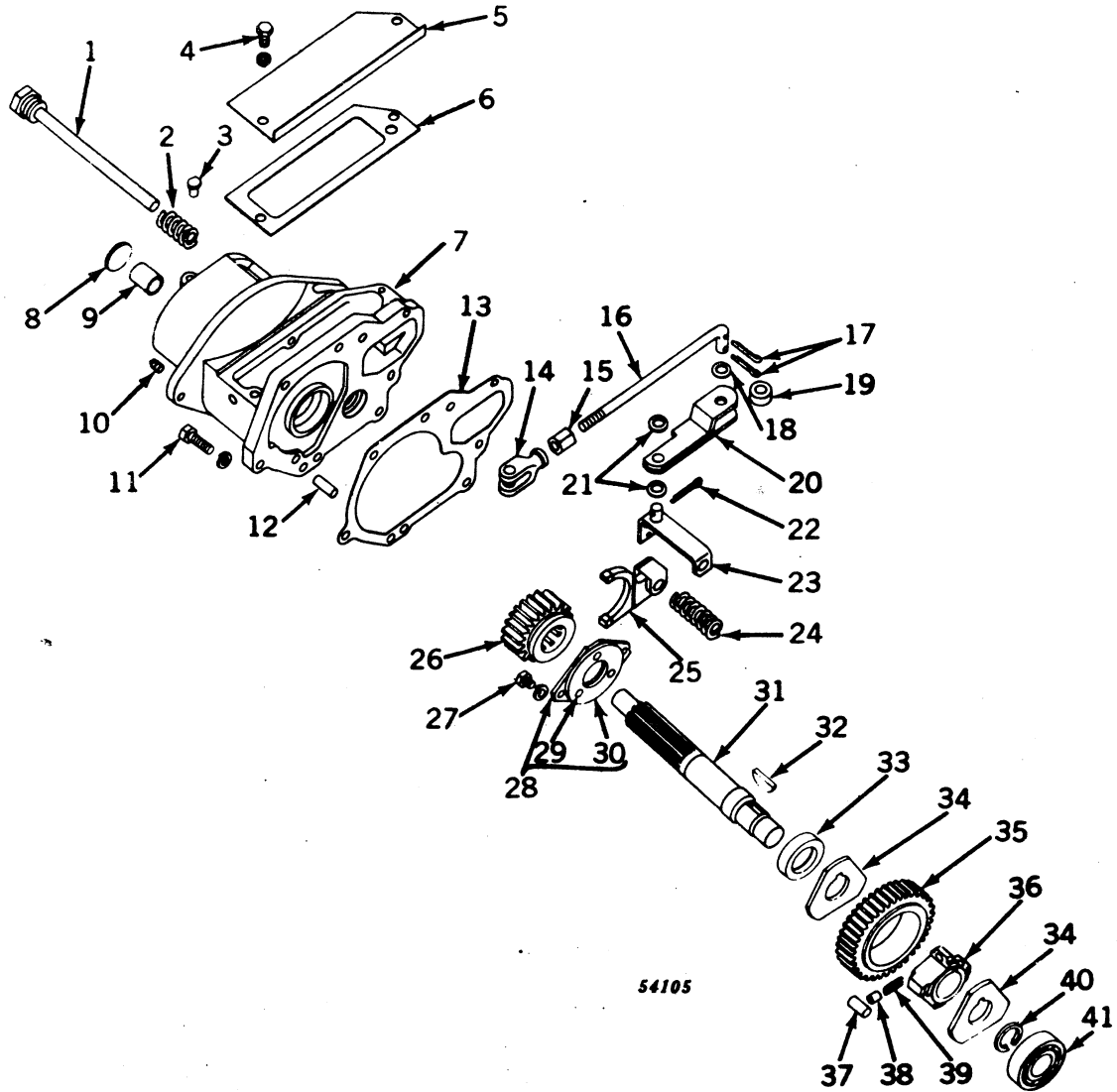


59635

CRANKING ENGINE CLUTCH -- Continued

Key	Part No.	Tractor Serial No.	Description
1A	JD 8511 T	(-8203099)	Bearing, outer
1B	JD 7678 R	(8203100-)	Bearing, outer
2A	F 1986 R	(-8203099)	Shaft, clutch and gear
2B	F 3507 R	(8203100-)	Shaft, clutch and gear
3	JD 8533 R	(-)	Bearing, inner
4	AF 2167 R	(-)	Seal, oil
5	AF 3453 R	(-)	Plug, with filler
6	F 2011 R	(-)	Cover, clutch adjusting
7	21H 597 R	(-)	Screw, mach., 1/4" x 1/2" (2 used)
	12H 9 R	(-)	Washer, lock, 1/4" (2 used)
8	19H 352 T	(-)	Screw, cap, 7/16" x 1-3/4" (2 used)
	12H 12 R	(-)	Washer, lock, 7/16" (2 used)
9	19H 1166 H	(-)	Screw, cap, 7/16" x 1-1/2" (3 used)
	12H 12 R	(-)	Washer, lock, 7/16" (3 used)
10	R 1784 R	(-)	Cover, clutch housing
11	19H 1227 M	(-)	Screw, cap, 1/4" x 1/2" (2 used) (sub. for 19H13R)
	12H 9 R	(-)	Washer, lock, 1/4" (2 used)
12	R 1760 R	(-)	Housing, clutch
13	A 4879 R	(-)	Pin, dowel (2 used)
14	15H 253 R	(-)	Plug, pipe, 1/8"
15	19H 1296 H	(-)	Screw, cap, 3/8" x 3-3/4" (2 used) (sub. for 19H288R)
	12H 11 R	(-)	Washer, lock, 3/8" (2 used)
16	14H 611 R	(-8199999)	Nut, jam, 5/16" (2 used) (sub. for 14H340H)
	14H 342 A	(8200000-)	Nut, jam, 3/8" (2 used)
17	R 1782 R	(-8199999)	Swivel, shifter link (sub. R2524R)
	R 2524 R	(8200000-)	Swivel, shifter link
18	11H 206 R	(-)	Pin, cotter, 3/32" x 3/4" (2 used) (sub. for 11H19R)
19	24H 156 R	(-)	Washer, 13/32" x 11/16" x 16 gauge
20	R 1696 R	(-)	Spring
21	AR 1309 R	(-)	Follower, shifter, with pin and spacer
22	11H 211 R	(-)	Pin, cotter, 1/8" x 3/4" (2 used) (sub. for 11H39R)
23	A 819 R	(-)	Pin, dowel
24	R 1781 R	(-8199999)	Link, shifter
	R 2523 R	(8200000-)	Link, shifter
25	R 1761 R	(-)	Shaft, clutch fork
26	R 1759 R	(-8199999)	Fork, clutch (sub. R2523R, R2524R and R2525R)
	R 2525 R	(8200000-)	Fork, clutch
27	R 447 R	(-)	Spring
28A	F 1987 R	(-8001699)	Collar, clutch release bearing (sub. F2387R)
28B	F 2387 R	(8001700-)	Collar, clutch release bearing
29	AR 555 R	(-8001699)	Bearing, clutch release (sub. AF2408R)
	AF 2408 R	(8001700-)	Bearing, clutch release
30	(-)	Wire, 16 gauge x 30" long
31	D 916 R	(-)	Screw, cap, 3/8" x 3/4", drilled (6 used)
32	R 675 R	(-)	Screw, clutch adjusting
33	14H 732 R	(-)	Nut, jam, 3/8" (3 used)
34	AR 548 R	(-)	Cover, clutch, with nuts
35	11H 233 R	(-)	Pin, cotter, 3/32" x 1/2" (6 used) (sub. for 11H18R)
36	R 672 R	(-)	Pin, clutch toggle (3 used)
37	R 671 R	(-)	Toggle, clutch (3 used)
38	AR 905 R	(-)	Disk, clutch adjusting, with toggles
39	AR 20327 R	(-)	Disk, clutch, with facings (sub. for AR546R)
40	R 669 R	(-8299999)	Facing, clutch (2 used) (packed 2 in a pkg.)
41	D 1761 R	(-8299999)	Rivet (4 used) (packed 100 in a pkg.)
42	R 673 R	(-)	Spring (3 used)
43	14H 793 T	(-)	Nut, jam, 3/4" (sub. for 14H481D)
44	F 1836 R	(-)	Plate, lock
45	R 619 R	(-)	Pin, clutch drive (3 used)
46	F 2265 R	(-)	Gear, starter ring
47	AF 2012 R	(-)	Flywheel, with starter gear
48	24H 154 R	(-)	Washer on shifter link
49	JD 7788	(8001700-)	Fitting, grease, release bearing collar

CRANKING ENGINE TRANSMISSION
(Tractor Serial No. 8000001-)



CRANKING ENGINE TRANSMISSION -- Continued
(Tractor Serial No. 800001-)

Key	Part No.	Tractor Serial No.	Description
1	AR 1347 R	(-8203099)	Shaft, transmission shifter, with plug
	AR 1817 R	(8203100-)	Shaft, transmission shifter, with plug
2	R 1829 R	(-)	Spring
3	E 2302 RT	(-)	Cup, oiler
4	19H 1227 M	(-)	Screw, cap, 1/4" x 1/2" (2 used) (sub. for 19H13R)
	12H 9 R	(-)	Washer, lock, 1/4" (2 used)
5	R 1764 R	(-)	Cover
6	R 1842 R	(-)	Gasket (packed 5 in a pkg.)
7	AR 1306 R	(-8203099)	Housing, R1770R, transmission, with bushing and oiler
	AR 1816 R	(8203100-)	Housing, R2709R, transmission, with bushing and oiler
8	30H 13 R	(-)	Plug, expansion, 1"
9	R 796 R	(-)	Bushing
10	15H 253 R	(-)	Plug, pipe, 1/8"
11	19H 218 N	(-)	Screw, cap, 3/8" x 1" (7 used) (sub. for 19H211R)
	12H 11 R	(-)	Washer, lock, 3/8" (7 used)
12	A 4879 R	(-)	Pin, dowel (2 used)
13	R 1783 R	(-)	Gasket (packed 5 in a pkg.)
14	C 284 R	(-)	Yoke
15	R 1874 R	(-)	Nut, special
16	R 1775 R	(-)	Rod, transmission shifter
17	11H 211 R	(-)	Pin, cotter, 1/8" x 3/4" (2 used) (sub. for 11H39R)
18	24H 156 R	(-)	Washer, 13/32" x 11/16" x 16 gauge
19	A 3108 R	(-)	Roller, transmission shifter yoke
20	AR 1308 R	(-)	Yoke, transmission shifter
21	24H 156 R	(-)	Washer, 13/32" x 11/16" x 16 gauge (2 used)
22	11H 211 R	(-)	Pin, cotter, 1/8" x 3/4" (sub. for 11H39R)
23	AR 1307 R	(-)	Bracket, transmission shifter, with pin
24	R 1769 R	(-)	Spring
25	R 1766 R	(-)	Shifter, transmission
26	R 1765 R	(-)	Pinion, transmission sliding
27	19H 1170 N	(-)	Screw, cap, 1/4" x 1" (2 used) (sub. for 19H27T)
	12H 9 R	(-)	Washer, lock, 1/4" (2 used)
28	AF 2075 R	(-)	Plate, transmission brake, with facing
29	D 2309 R	(-)	Rivet (3 used) (packed 100 in a pkg.)
30	R 805 R	(-)	Facing, brake
31	R 1763 R	(-)	Shaft, transmission drive
32	26H 30 H	(-)	Key, Woodruff
33	AR 531 R	(-)	Seal, oil
34	F 2001 R	(-)	Plate, over-running clutch (2 used) (packed 2 in a pkg.)
35	F 2000 R	(-)	Gear, transmission drive
36	F 1999 R	(-)	Hub, over-running clutch
37	R 820 R	(-)	Roller, over-running clutch (4 used) (packed 2 in a pkg.)
38	R 800 R	(-)	Plunger, over-running clutch (4 used)
39	R 801 R	(-)	Spring (4 used)
40	A 378 R	(-)	Snap ring
41	JD 7681 H	(-)	Bearing

MEMORANDA

Part No.	Page	Key	Part No.	Page	Key	Part No.	Page	Key	Part No.	Page	Key
22H 710 R	85- 8	4	30H 21 T	15- 9	19	1103021	40- 3	4	1909654	40-19	65
22H 711 R	70- 9	21				40- 9	..			40-21	63
22H 715 R	75- 6	6	34H 28 N	70- 9	1	40-33	1	1910183		40-10	21
22H 719 R	75- 6	6	34H 39 H	25- 7	2	40-13	..	1911263		40- 5	22
22H 720 R	75- 6	6	34H 41 H	25- 2	5	40-31	2			40- 9	13
			34H 58 R	75- 3	7	40-19	..	1911485		40- 5	11
			34H 60 N	30- 4	31	40-33	3			40-10	22
24H 1 R	20- 5	37	34H 77 T	30- 4	31	40-21	..	1911628		40-21	70
24H 2 R	65- 3	4	34H 81 N	65- 7	18	40-33	4	1911644		40-19	53
24H 39 R	25- 7	4	34H 103 H	30- 7	19	40- 2	5			40-21	49
24H 41 H	20- 5	37				40- 5	18	1912008		40- 5	23
24H 43 R	40- 2	13	218 N	85-19	17	40-10	16	1912159		40-10	12
24H 45 R	70- 5	5	264 R	15-12	11	40-10	..			40-11	30
24H 56 R	45-13	10	405 R	35- 7	38	40-13	35	1912176		40-10	14
24H 61 R	70- 3	8	1465	40-13	35	40-16	..			40-11	9
24H 77 R	45-13	34	2179	85-23	13	40-17	..	1913534		40-19	23
24H 91 R	40- 5	17	2214 R	65-11	14	40- 9	14	1914491		40- 5	34
24H 106 R	65-11	35	2965	85-23	16	40- 5	10			40- 9	26
24H 131 A	75- 4	14	5446	85-23	15	40- 9	9	1914618		40- 5	35
24H 132 R	25- 7	13	9261	85-23	1	40-19	35			40- 9	27
24H 143 R	15- 9	11	9261 B	85-23	1	40-13	44	1916324		40- 9	4
24H 145 R	65- 7	16	9262	85-23	20	40- 5	3	1916461		40-13	47
24H 154 R	25- 4	2	9268	85-23	10	40- 9	2	1917571		40- 5	12
24H 156 R	15- 5	32	125947	40-19	7	40- 5	30			40-10	23
24H 169 R	40- 2	18		40-19	64	40- 9	20	1921195		40-13	22
24H 184 R	65- 7	3	132688	40- 5	6	40- 5	40	1921196		40-13	21
24H 204 R	30- 7	35		40- 9	5	40- 9	34	1921351		40- 5	48
24H 223 R	75-11	31	138549	40-27	4	40-13	45	1921356		40- 5	36
24H 233 R	15-13	3		40-28	4	40-13	25			40- 7	26
24H 247 H	55- 3	10		40-29	4	40-19	40	1921362		40- 5	45
24H 290 R	50- 9	10	200182	40- 5	37	40- 5	13			40- 9	29
24H 448 R	30- 4	8	200362	40- 5	37	40-10	9			40- 9	38
24H 454 R	50- 7	5	804000	40- 2	8	40-27	5	1921369		40- 5	44
24H 485 R	35- 8	..		40- 5	32	40- 5	14			40- 9	30
24H 550 R	10- 7	22	804080	40- 5	53	40-10	10			40- 9	39
24H 554 D	30- 7	39		40- 9	48	40-13	52	1921860		40- 5	38
24H 685 R	55- 4	3	804485	40-13	31	40- 5	4	1922288		40- 5	1
24H 845 R	35- 7	36	806915	40- 2	9	40- 9	3	1922289		40- 5	2
24H 846 R	15-12	14		40- 5	33	40-13	49			40- 9	1
24H 890 R	20- 7	24	809053	40-13	2	40-13	54	1922408		40-10	20
24H 892 R	15-13	24	809062	40- 5	51	40-13	48			40-11	8
24H 930 R	20- 2	10		40- 9	46	40-11	26	1922599		40-10	7
24H 991 R	40-23	9		40-13	18	40-16	21			40-11	23
24H 1013 R	70- 7	33	809593	40- 5	20	40-10	6	1922996		40-10	2
24H 1017 R	70- 9	4		40- 9	11	40-11	25	1923295		40- 9	7
24H 1022 R	10- 3	4		40-13	38	40-10	8	1924689		40- 2	7
24H 1062 R	30- 4	22	809945	40- 5	46	40-11	22			40- 5	31
24H 1090 R	50- 9	10		40- 9	40	40-10	5	1924764		40-11	7
24H 1097 R	45-13	34	809961	40- 5	26	40-11	24	1925097		40- 5	29
				40- 9	17	40-10	11			40- 9	19
			810226	40-13	12	40-10	13	1927447		40- 5	50
			810601	40-13	20	40- 5	27			40- 9	45
			810620	40-13	40	40- 9	18	1927448		40- 5	49
			811553	40-13	13	40-13	39			40- 9	44
			811912	40-16	4	40- 5	39	1927980		40-10	3
				40-17	20	40- 9	33	1927981		40-10	4
				40-19	6	40-27	5	1927982		40-10	1
				40-19	19	40-27	6	1928061		40- 5	52
				40-20	4	40-28	5			40- 9	47
			812015	40-13	8	40-13	46	1929666		40-27	7
			812016	40-13	17	40-27	3	1930611		40-13	29
			813521	40-13	9	40-28	3			40-19	26
			813554	40-13	10	40-29	3			40-21	33
			815018	40- 5	56	40-27	2	1932102		40-13	41
				40- 9	51	40-28	2	1932103		40-13	50
			817114	40-13	1	40-29	2	1932442		40-13	43
			817313	40-13	16	40-19	66	1932513		40-13	36
			817314	40-13	6	40- 5	19	1947580		40- 2	4
			818265	40-13	53	40- 9	10			40- 5	..
			819104	40- 5	25	40- 5	7			40- 7	..
				40- 9	16	40- 9	6				
			819362	40-13	19	40-10	15				
			823551	40- 5	28	40-11	6				
				40- 9	41	40-13	26				
			826938	40-13	23	1904669	40-10	15	A 76 R	45- 5	2
			833602	40-13	42	1904817	40-19	39	A 117 R	75- 7	18
				40-19	46	1906909	40- 5	8	A 120 R	15- 9	26
				40- 2	4	1906946	40-13	7		45-13	21
			1100027	40- 5	..	1907038	40- 5	5		50- 5	13
				40-31	4	1908829	40- 5	5		50- 9	31
						1909560	40-19	8		55- 3	14
										55- 4	14

Numerical Index
Tractors -- 80, 820, 830, and 830-I

Part No.	Page	Key	Part No.	Page	Key	Part No.	Page	Key	Part No.	Page	Key
AF 3261 R	60-8	2B	AF 3877 R	85-13	29	AR 486 R	45-13	2	AR 1114 R	45-13	20A
AF 3268 R	65-3	9	AF 3878 R	85-13	31	AR 490 R	60-2	16	AR 1115 R	45-13	20A
	65-3	9	AF 3879 R	85-13	33		60-3	15	AR 1116 R	45-13	6
AF 3269 R	65-3	9	AF 3880 R	85-13	32		60-4	15	AR 1117 R	45-13	6
AF 3270 R	65-6	8	AF 3882 R	85-13	11	AR 492 R	60-2	17	AR 1118 R	65-11	2
AF 3271 R	65-3	6	AF 3883 R	85-13	12	AR 805 R	55-3	2A	AR 1122 R	15-2	10
	65-3	..	AF 3891 R	40-37	21	AR 515 R	85-5	5	AR 1125 R	30-7	17
	65-6	7		40-38	1	AR 531 R	85-27	33	AR 1127 R	85-11	4
AF 3272 R	65-3	5	AF 3892 R	40-37	20	AR 546 R	85-25	39	AR 1128 R	85-11	5
	65-6	5	AF 3893 R	40-37	20	AR 548 R	85-25	34	AR 1129 R	85-11	10
AF 3279 R	35-10	4	AF 3911 R	85-5	2	AR 555 R	85-25	29		85-21	17
AF 3290 R	50-9	..	AF 3912 R	85-5	5	AR 573 R	55-11	1	AR 1130 R	35-3	13A
AF 3395 R	60-2	17				AR 594 R	25-7	..		85-10	1A
	60-3	16				AR 604 R	45-13	27	AR 1132 R	15-5	2
	60-4	16				AR 613 R	70-5	35	AR 1136 R	45-11	22
						AR 649 R	55-15	7	AR 1138 R	60-6	2
AF 3418 R	85-7	22				AR 664 R	55-11	25	AR 1139 R	85-11	3
AF 3419 R	65-7	13				AR 665 R	55-11	17	AR 1140 R	60-6	18
AF 3421 R	65-7	11	AL 2976 T	40-23	16	AR 667 R	25-7	30		60-7	18
	65-9	11		40-31	17	AR 668 R	25-7	33	AR 1142 R	15-11	18
AF 3422 R	65-7	22		40-33	13	AR 669 R	25-7	31	AR 1143 R	35-7	5
AF 3425 R	65-7	20				AR 670 R	25-7	32	AR 1144 R	60-11	9
AF 3426 R	65-7	8				AR 671 R	25-7	36	AR 1145 R	60-11	1
	65-9	8				AR 697 R	85-7	11	AR 1149 R	45-9	16
AF 3427 R	65-7	24					85-7	25	AR 1151 R	15-9	3
	65-9	28				AR 718 R	60-8	15	AR 1153 R	15-7	6
AF 3428 R	65-7	26	AM 1949 T	40-24	2		60-9	14	AR 1154 R	35-3	17
	65-9	30		40-25	18	AR 734 R	35-10	4	AR 1156 R	35-3	5
AF 3435 R	35-7	9		40-27	16	AR 735 R	35-10	18	AR 1157 R	45-2	13
AF 3453 R	85-25	5		40-28	15	AR 736 R	35-12	4	AR 1158 R	45-3	1
AF 3458 R	65-3	..		40-31	8	AR 737 R	35-12	0	AR 1159 R	45-3	11
	65-6	..	AM 2049 T	40-23	18	AR 771 R	55-15	7	AR 1160 R	45-3	13
AF 3459 R	65-3	..		40-31	14	AR 799 R	35-7	18	AR 1161 R	45-3	23
	65-6	..		40-33	15	AR 801 R	30-3	29	AR 1162 R	60-11	16
AF 3585 R	75-14	..		65-3	26	AR 818 R	45-11	20	AR 1163 R	60-11	8
AF 3586 R	75-14	..		65-5	14	AR 832 R	35-11	4	AR 1164 R	60-11	23
AF 3587 R	75-14	..	AM 2091 T	40-27	15	AR 833 R	35-11	13	AR 1166 R	60-6	5
AF 3588 R	75-14	..		40-28	14	AR 834 R	35-13	4	AR 1168 R	60-8	1
AF 3589 R	75-14	..	AM 2151 T	40-27	17	AR 835 R	35-13	9	AR 1169 R	60-8	17
AF 3597 R	70-7	35		40-28	16	AR 858 R	60-2	13		60-9	16
AF 3614 R	35-11	4		40-29	14		60-3	13	AR 1170 R	20-5	29
AF 3615 R	35-11	13	AM 2152 T	40-27	19		60-4	13	AR 1172 R	35-9	13
AF 3620 R	85-8	5		40-28	17	AR 874 R	45-4	16	AR 1173 R	35-7	1
AF 3715 R	85-3	4		40-29	15	AR 881 R	15-3	14	AR 1174 R	35-9	30
	85-7	9					45-7	31	AR 1175 R	35-9	30
AF 3717 R	85-7	6					70-3	37	AR 1177 R	45-5	12
AF 3720 R	85-7	14				AR 890 R	45-5	19	AR 1178 R	45-5	4
AF 3722 R	85-3	4				AR 905 R	85-25	38	AR 1179 R	45-5	23
	85-7	14				AR 922 R	30-3	37	AR 1181 R	45-5	21
AF 3723 R	85-3	4	AP 17808 H	45-2	1	AR 937 R	65-11	39	AR 1183 R	45-4	8
AF 3736 R	85-8	18	AP 19170 HR	85-23	7	AR 947 R	75-13	..	AR 1187 R	85-21	19
AF 3737 R	10-8	4	AP 19547 H	75-13	40	AR 973 R	35-5	21	AR 1188 R	85-21	24
AF 3743 R	85-9	4	AP 22529 H	55-15	7	AR 981 R	60-12	..	AR 1190 R	55-5	11
AF 3745 R	85-3	12	AP 23316 HR	85-23	7	AR 982 R	60-12	3	AR 1191 R	55-5	3
AF 3768 R	15-11	25				AR 992 R	45-13	43A	AR 1192 R	55-5	7
AF 3769 R	15-11	25				AR 997 R	60-13	..	AR 1193 R	55-5	15
AF 3774 R	85-13	15				AR 1000 R	45-7	39	AR 1194 R	25-3	..
AF 3775 R	85-15	..				AR 1017 R	60-13	..	AR 1198 R	25-4	4
AF 3778 R	85-11	3				AR 1020 R	15-11	22	AR 1200 R	35-7	..
	85-13	23	AR 319 R	35-3	1	AR 1030 R	60-13	..	AR 1201 R	35-7	30
AF 3799 R	50-7	28B	AR 327 R	15-14	7		60-13	..	AR 1203 R	40-13	..
AF 3814 R	40-23	24	AR 344 R	35-7	10	AR 1031 R	60-13	..		40-31	2
	40-25	8	AR 345 R	55-8	21		60-13	..	AR 1217 R	60-11	12
	40-31	..	AR 354 R	15-12	15	AR 1032 R	15-14	13	AR 1220 R	45-13	20A
	40-33	..	AR 358 R	55-11	5	AR 1049 R	40-41	..	AR 1221 R	45-13	20A
	40-34	7	AR 369 R	35-5	3	AR 1050 R	35-9	..	AR 1223 R	15-3	6
	40-35	7	AR 371 R	40-2	12	AR 1051 R	75-13	16	AR 1225 R	15-3	1
AF 3816 R	40-35	4	AR 384 R	15-2	3		75-13	18	AR 1226 R	15-5	8
	40-36	20	AR 395 R	35-7	30	AR 1052 R	20-7	26	AR 1227 R	15-5	25
	40-37	17	AR 404 R	20-2	9	AR 1058 R	75-13	17	AR 1228 R	15-5	9
AF 3817 R	40-23	9	AR 406 R	20-5	45	AR 1104 R	15-9	6	AR 1229 R	15-5	6
	40-34	6	AR 409 R	20-5	7A	AR 1106 R	45-7	7	AR 1230 R	15-5	5
	40-36	20	AR 437 R	45-7	13	AR 1107 R	45-7	3	AR 1231 R	10-7	9
	40-37	17	AR 452 R	15-5	20	AR 1109 R	35-5	12	AR 1236 R	50-5	6
AF 3856 R	50-5	3B	AR 456 R	35-9	5F	AR 1110 R	35-5	22	AR 1237 R	50-9	38
AF 3859 R	65-6	9	AR 466 R	35-9	3E	AR 1111 R	35-5	1	AR 1238 R	50-3	..
AF 3867 R	65-3	2B	AR 467 R	35-9	3B	AR 1112 R	35-14	3	AR 1239 R	50-3	3A
AF 3871 R	85-5	18R	AR 473 R	35-7	2C		40-31	5	AR 1248 R	85-21	18
AF 3874 R	85-5	2	AR 474 R	35-7	17		40-33	2	AR 1253 R	75-3	8
AF 3875 R	85-5	5	AR 482 R	45-13	35A	AR 1113 R	35-5	10			
AF 3876 R	85-13	37	AR 483 R	45-13	28						

Part No.	Page	Key	Part No.	Page	Key	Part No.	Page	Key	Part No.	Page	Key
F 3145 R	75-11	21	F 3518 R	CONT		H 1085 R	CONT		JD 5202 R	80-10	5
F 3162 R	15- 2	13		85- 7	14		60- 4	1	JD 5204 R	80-10	5
F 3171 R	70- 5	5	F 3519 R	85- 7	12		60- 4	5	JD 5205 R	80-10	5
	70-10	3	F 3520 R	85- 7	12		60- 4	18	JD 5206 R	80-10	1
	75- 4	18	F 3531 R	85- 8	16		60-11	7	JD 5207 R	80-10	5
	75- 7	68	F 3539 R	65-11	38B		60-11	24	JD 5208 R	80-10	1
	75-11	1	F 3541 R	65-11	37B		60-11	25	JD 5240 R	80-10	5
	75-11	4	F 3542 R	65-11	36	H 20921 H	85-15	19	JD 5241 R	80-10	5
F 3191 R	70- 5	50	F 3547 R	85- 9	12	H 20922 H	85-15	20	JD 5242 R	80-10	5
	70-10	19		85-21	42	H 20923 H	85-15	37	JD 5243 R	80-10	5
	75- 7	69	F 3548 R	85- 9	13	H 21008 H	85-15	17	JD 5244 R	80-10	5
F 3195 R	65-12	3		85-21	45	H 24106 H	40-11	8	JD 5260 R	80-10	5
F 3207 R	55- 7	14	F 3549 R	85- 9	14				JD 5261 R	80-10	5
F 3208 R	55- 7	8		85-21	47				JD 5262 R	80-10	5
F 3217 R	85- 8	20	F 3550 R	85- 3	12				JD 5263 R	80-10	5
F 3258 R	35-10	15	F 3551 R	85- 3	12				JD 5264 R	80-10	5
F 3260 R	35-10	17		85-21	31				JD 5265 R	80-10	5
F 3261 R	35-10	20	F 3552 R	85- 3	12	JD 16 R	55-12	10	JD 7142 R	25- 5	2
F 3262 R	35-10	23		85-21	36B	JD 19 R	15- 9	41		50- 3	16
F 3263 R	35-10	22	F 3553 R	85-21	28		55-11	9	JD 7150 R	30- 3	8
F 3293 R	65- 7	12	F 3574 R	85-13	45	JD 110 R	80-10	2	JD 7151 R	30- 3	5
	65- 9	12	F 3575 R	85-13	17	JD 111 R	80-10	2	JD 7152 R	30- 3	7
F 3294 R	65- 7	23	F 3576 R	85-13	13	JD 112 R	80-10	2	JD 7153 R	30- 3	6
F 3295 R	65- 7	21	F 3577 R	85- 9	5B	JD 113 R	80-10	2	JD 7180 R	40- 9	15
F 3296 R	65- 7	4	F 3578 R	85- 9	5A	JD 114 R	80-10	2	JD 7225 R	70- 3	24
	65- 9	4		85- 9	7B	JD 115 R	80-10	2	JD 7253 R	50- 5	22
F 3297 R	65- 7	5	F 3579 R	85- 8	11B	JD 116 R	80-10	4		55- 3	12
	65- 9	5		85- 9	5A	JD 118 R	80-10	4	JD 7266 R	55-11	6
F 3298 R	65- 7	10	F 3586 R	20- 5	23	JD 119 R	80-10	4		55-12	7
	65- 9	10	F 3587 R	20- 5	22	JD 120 R	80-10	5		55-13	7
F 3299 R	65- 7	19	F 3590 R	20- 5	21	JD 121 R	80-10	5	JD 7272 R	45- 4	6
	65- 9	23	F 3620 R	85-13	47	JD 122 R	80-10	5	JD 7275 R	70- 3	25
F 3300 R	85- 7	22	F 3621 R	85-13	46	JD 123 R	80-10	5	JD 7278 H	55-11	4
F 3302 R	65- 7	9	F 3629 R	50- 5	43	JD 124 R	80-10	5	JD 7359 H	45- 4	7
	65- 9	9	F 3630 R	55- 3	23	JD 126 B	40-39	17	JD 7365 R	45- 4	7
F 3305 R	35- 9	43	F 3633 R	85- 5	15B	JD 151 A	50-11	1	JD 7424 R	70- 3	12
F 3307 R	35- 9	47	F 3634 R	85- 5	13B	JD 172 R	50-11	15A	JD 7439 H	55-12	3
F 3321 R	85- 3	25	F 3635 R	85- 5	14B	JD 175 R	75-11	2		55-13	4
F 3322 R	35- 9	42	F 3636 R	85- 5	11B	JD 181 R	50-11	2	JD 7444 R	45- 4	13
F 3326 R	30- 3	11	F 3637 R	85- 5	8	JD 184 R	50-11	15B		45- 5	27
F 3359 R	50- 5	35	F 3643 R	85-13	28	JD 235 R	80- 9	••	JD 7446 R	45- 5	9
F 3392 R	70- 7	10	F 3644 R	85-13	30		80-10	1	JD 7448 R	45-10	8
F 3395 R	70- 7	32	F 3646 R	70-11	15	JD 236 R	80-10	1	JD 7488 R	20- 7	12
F 3396 R	70- 7	11	F 3648 R	85-13	18	JD 237 R	80-10	1	JD 7502 R	70- 3	6
	70- 9	3		85- 5	1	JD 238 R	80-10	1	JD 7677 R	25- 4	4
F 3397 R	70- 7	26				JD 239 R	80-10	1	JD 7678 R	85-25	1B
F 3398 R	70- 7	25				JD 243 R	80-10	3	JD 7681 H	85-27	41
F 3401 R	70- 7	21				JD 245 R	80-10	5	JD 7682 R	70-11	6
F 3403 R	70-11	20				JD 246 R	80-10	5	JD 7695 R	40- 5	24
F 3419 R	35-11	8				JD 247 R	80-10	5		40- 7	16
F 3420 R	35-11	15				JD 248 R	80-10	5	JD 7759	45-11	27
F 3422 R	35-11	17	H 151 R	45- 5	16	JD 250 R	80-10	1		55- 5	2
F 3423 R	35-11	19	H 172 R	85-15	29	JD 251 R	80-10	1		55- 7	2
F 3424 R	35-11	18	H 246 R	15- 2	17	JD 252 R	80-10	1		55- 7	24
F 3425 R	35-11	7		45- 3	21	JD 253 R	80-10	1		55- 8	6
F 3426 R	35-11	6		70- 3	29	JD 254 R	80-10	1		55-11	15
F 3427 R	35-11	5		85- 7	7	JD 255 R	80-10	1		55-12	16
F 3428 R	35-11	3		85- 7	29	JD 256 R	80-10	1		55-13	15
F 3429 R	35-11	1	H 312 R	65- 6	3	JD 257 R	80-10	3		55-15	12
F 3431 R	70-11	23	H 315 R	35- 9	36	JD 258 R	80-10	3	JD 7760	20- 7	34
F 3433 R	35- 5	20	H 343 R	85-21	6	JD 259 R	80-10	3		25- 5	18
F 3436 R	35-11	14	H 356 R	15- 9	21	JD 260 R	80-10	5		55- 5	14
F 3450 R	50- 9	40		45-10	15	JD 261 R	80-10	5	JD 7778	45-13	15
F 3451 R	65- 7	21	H 392 R	30- 3	13	JD 262 R	80-10	5	JD 7781	75- 5	18
	65- 9	21	H 393 R	30- 3	4	JD 263 R	80-10	5	JD 7788	85-25	49
F 3452 R	65- 7	21	H 449 R	45-13	8	JD 264 R	80-10	5	JD 7951 R	10- 7	5
	65- 9	22	H 826 R	45-13	18	JD 265 R	80-10	5		70- 3	2
F 3463 R	15- 5	32	H 851 R	75- 7	31	JD 267 R	80-10	1		70- 3	6
F 3468 R	15- 5	13		75- 7	53	JD 268 R	80-10	5	JD 8100 R	70- 3	11
F 3504 R	85-19	28		75- 9	30	JD 269 R	80-10	5	JD 8112 R	45-10	9
F 3507 R	85-25	2B	H 945 R	75-13	35	JD 1276 R	55-11	3	JD 8133 R	55-11	3
F 3515 R	50- 9	47	H 982 R	55- 5	12		55-12	9	JD 8136 R	45- 9	10
F 3516 R	85- 3	4	H 983 R	30- 4	9		55-11	24		45- 9	20
	85- 3	4		30- 5	9	JD 1279 R	55-11	24	JD 8138 R	45- 5	26
F 3517 R	85- 3	4		30- 5	21	JD 1280 R	55-15	16	JD 8140 R	45- 4	12
	85- 7	9	H 1085 R	60- 2	1	JD 2266 R	10- 7	10	JD 8172 R	50- 5	23
F 3518 R	85- 3	4		60- 2	5	JD 3203 R	55-13	9		55- 3	13
				60- 3	1		55-13	11	JD 8182 E	70- 3	19
				60- 3	5	JD 5152 R	80-10	1			
				60- 3	19	JD 5155 R	80-10	1			
						JD 5165 R	80-10	5			

Part No.	Page	Key	Part No.	Page	Key	Part No.	Page	Key	Part No.	Page	Key
JD 8186 R	55-11	7	R 102 R	45- 5	29	R 316 R	30- 3	39	R 575 R	65-11	18
	55-12	8	R 104 R	45- 4	16	R 317 R	30- 3	40	R 576 R	65-11	43
	55-13	8	R 105 R	45- 4	17	R 342 R	15- 9	7	R 580 R	10- 7	19
JD 8189 R	70- 3	35		45-13	36	R 343 R	15- 7	10		65-11	12
JD 8193 R	45- 5	10	R 111 R	35- 5	11	R 345 R	15- 9	5	R 581 R	65-11	17
JD 8202 R	70- 3	34	R 136 R	15-13	31	R 353 R	15- 7	2	R 619 R	85- 7	3
JD 8223 E	70- 3	18	R 137 R	15-13	21		15- 9	30		85-25	45
JD 8229 R	45- 9	5	R 138 R	15-13	23	R 354 R	15- 9	28	R 622 R	85- 7	24
	45- 9	21	R 140 R	15-13	22	R 355 R	15- 9	36		85- 7	30
JD 8235 R	45- 4	6	R 141 R	15-13	27	R 356 R	15- 9	35	R 623 R	85- 5	1
JD 8242 R	45-10	8	R 142 R	15-13	28	R 366 R	15- 2	4	R 638 R	85-11	7
JD 8511 T	85-25	1A	R 170 R	60- 6	3	R 375 R	30- 7	21		85-13	9
JD 8514 R	70- 5	22		60- 8	4		35- 8	2		85-21	13
JD 8515 R	25- 3	4	R 183 R	25- 2	12		45- 7	18	R 640 R	85-15	28
	25- 4	5	R 184 R	25- 2	19	R 389 R	45- 7	16	R 649 R	30- 7	45
JD 8533 R	85-25	3	R 190 R	45- 7	26	R 390 R	45- 7	16	R 650 R	30- 7	38
JD 8541 R	70- 7	7		70- 3	40	R 393 R	45- 7	14	R 653 R	30- 7	37
JD 8574 R	70- 7	7	R 191 R	15- 2	3	R 394 R	35- 7	3	R 669 R	85-25	40
JD 8712 R	70-11	13	R 192 R	15- 2	2		40-20	15	R 671 R	85-25	37
JD 8908 R	55-12	2	R 195 R	15- 2	13		45- 7	4	R 672 R	85-25	36
	55-13	3	R 197 R	15- 2	12		45- 7	12	R 673 R	20- 5	33
JD 8909 R	45-10	9	R 198 R	15- 2	11		85-16	5		85-25	42
			R 202 R	15- 2	15		85-17	15		85-25	32
			R 204 R	15- 2	15		85-19	6	R 675 R	85- 3	14
			R 220 R	15- 3	5	R 395 R	45- 7	11	R 693 R	30- 4	28
			R 223 R	35- 7	42	R 396 R	45- 7	17	R 726 R	35- 7	33
			R 224 R	35- 7	45	R 398 R	15- 3	14		50- 5	5
			R 225 R	35- 7	44		70- 3	37		55- 3	4
K 2172 R	30- 4	21	R 226 R	35- 7	43	R 400 R	15- 3	12	R 741 R	15- 5	17
K 3083 R	40- 2	19	R 227 R	35- 7	37		45- 7	30	R 745 R	70- 4	3
	40- 3	20	R 228 R	15- 9	31	R 431 R	35- 9	56	R 750 R	70- 4	2
				20- 2	16	R 432 R	35- 9	57		70-10	1
				35- 7	34	R 433 R	35- 9	54		75- 5	5
				50- 9	18	R 434 R	35- 9	50	R 769 R	70- 8	3
				70- 5	41	R 435 R	35- 9	52	R 776 R	70- 9	10
				70-10	13	R 437 R	35- 9	18	R 777 R	70- 8	4
L 409 T	55- 7	13	R 229 R	15- 9	32	R 438 R	35- 9	21		70- 9	11
				20- 2	17	R 446 R	85- 5	7		15- 2	1
				35- 7	35	R 447 R	85-25	27	R 781 R	85- 3	15
				35- 9	41	R 459 R	20- 5	19	R 793 R	85-27	9
				50- 9	17		30- 3	33	R 796 R	85-27	38
				55-13	19		35- 7	9	R 800 R	85-27	39
				70- 5	42		85- 3	17	R 801 R	85-27	30
M 33X	85-23	31	R 230 R	35- 7	28	R 460 R	30- 3	31	R 805 R	85-27	37
M 2207 T	40-39	7	R 239 R	15-11	17	R 461 R	30- 3	32	R 820 R	85-27	20
	40-41	4	R 247 R	20- 7	5	R 463 R	35- 9	39	R 821 R	25- 7	9
M 2301 T	55- 7	13	R 249 R	20- 7	1		35-12	1	R 826 R	30- 7	14
			R 250 R	20- 7	3		35-13	1	R 830 R	55-11	25
			R 251 R	20- 7	11		50- 7	4	R 832 R	55-11	17
			R 253 R	20- 7	18	R 464 R	35- 9	33	R 833 R	55-15	13
			R 256 R	20- 7	10	R 465 R	35- 9	34	R 834 R	55-15	2
R 1 R	55-11	5	R 259 R	20- 7	27	R 468 R	35- 9	28	R 837 R	55-15	4
R 2 R	55-11	2	R 260 R	20- 7	29	R 469 R	35- 9	29	R 838 R	55-15	26
R 3 R	55-11	1	R 261 R	20- 7	32	R 471 R	35- 7	8	R 845 R	50- 9	37
R 13 R	35- 3	3	R 264 R	20- 2	1	R 473 R	35- 7	12	R 854 R	55- 4	13
R 14 R	45-11	23	R 267 R	20- 2	8	R 475 R	35- 7	13		35- 5	13
	55-15	8	R 268 R	20- 2	12	R 481 R	35- 7	19	R 902 R	35-10	15
R 15 R	55-15	3	R 270 R	20- 5	14	R 485 R	35- 7	16	R 910 R	35-10	7
R 25 R	15-14	6	R 271 R	20- 5	40	R 487 R	35- 9	27	R 911 R	35-10	6
	15-14	9	R 273 R	20- 5	44	R 495 R	25- 2	7	R 912 R	35-10	5
	15-15	6	R 276 R	20- 5	46		45-13	16	R 913 R	35-10	3
R 27 R	45-11	19	R 277 R	20- 5	47		55- 3	9	R 914 R	35-10	2
R 28 R	45-10	10	R 281 R	20- 5	4		75- 7	19	R 915 R	35-10	1
R 31 R	45- 9	14		70- 5	14		75- 9	12	R 916 R	35-10	14
R 34 R	45- 5	18	R 282 R	20- 5	7A		75-11	11	R 917 R	35-10	14
R 35 R	45- 5	17	R 284 R	20- 5	11		85-19	7	R 918 R	35-10	14
R 42 R	55- 8	16	R 293 R	60- 9	16		85-19	16	R 919 R	35-10	14
R 46 R	55- 8	3		60- 9	15		85-19	20	R 920 R	35-10	13
R 47 R	55- 8	22	R 300 R	45-11	1	R 496 R	45-13	7	R 921 R	35-10	11
R 59 R	15-12	12	R 301 R	45-11	2	R 497 R	45-13	7	R 922 R	35-10	16
R 66 R	45- 9	18		70- 5	31	R 498 R	45-13	1	R 923 R	35-10	17
R 68 R	45- 9	11		70-10	7	R 510 R	45- 2	3	R 924 R	35-10	17
R 71 R	45- 9	6	R 303 R	30- 3	9	R 512 R	45- 2	20	R 925 R	35-10	17
R 77 R	45- 9	23	R 305 R	30- 3	2	R 526 R	45- 3	26	R 926 R	35-10	17
R 80 R	45- 5	11	R 306 R	30- 3	3	R 527 R	45- 3	27	R 927 R	35-10	17
	45- 5	25	R 308 R	30- 3	27	R 536 R	55- 4	4	R 928 R	35-10	24
R 91 R	45- 4	14	R 309 R	30- 3	20	R 540 R	55- 4	5	R 929 R	35-10	17
	45- 5	28	R 310 R	30- 3	21	R 561 R	85- 5	14A	R 930 R	35-12	5
R 92 R	45- 5	8	R 312 R	30- 3	26	R 568 R	85- 5	2	R 931 R	35-12	5
R 96 R	45- 4	11	R 313 R	30- 3	23				R 933 R	35-12	5
R 101 R	45- 4	15							R 934 R	35-12	10

Part No.	Page	Key	Part No.	Page	Key	Part No.	Page	Key	Part No.	Page	Key
R 935 R	35-12	12	R 1161 R	75-13	29	R 1397 R	45-9	2	R 1518 R	85-21	2
R 936 R	35-12	12	R 1168 R	45-11	26	R 1398 R	45-9	4	R 1519 R	85-21	7
R 937 R	35-12	12		55-15	10	R 1401 R	45-9	3	R 1522 R	85-21	29
R 938 R	35-12	12	R 1189 R	60-8	11	R 1402 R	15-7	18	R 1523 R	25-3	6
R 939 R	35-12	11		60-9	10	R 1403 R	15-7	6	R 1524 R	25-3	5
R 940 R	35-12	13	R 1191 R	65-5	19	R 1404 R	15-7	7	R 1525 R	25-3	2
R 941 R	35-12	6		75-13	24	R 1406 R	15-7	17	R 1526 R	25-3	9
R 942 R	35-12	7	R 1205 R	60-12	5	R 1407 R	15-7	3	R 1527 R	25-3	12
R 947 R	30-3	15	R 1210 R	45-13	41	R 1408 R	15-7	1	R 1528 R	25-3	10
R 951 R	25-4	5	R 1214 R	20-7	14		15-9	29	R 1529 R	25-3	8
R 1017 R	15-13	14	R 1225 R	15-12	16	R 1409 R	15-9	12	R 1530 R	10-4	1
R 1019 R	15-13	15	R 1226 R	60-13	••	R 1411 R	15-9	4	R 1531 R	85-19	18
R 1021 R	35-7	11	R 1229 R	60-13	••	R 1412 R	15-14	10	R 1533 R	85-19	21
R 1027 R	35-5	4	R 1234 R	35-12	12	R 1413 R	15-14	12	R 1535 R	15-11	5
R 1028 R	30-7	3	R 1236 R	15-11	20		15-15	9		85-19	12
	30-7	40	R 1243 R	15-14	14	R 1418 R	35-3	21	R 1538 R	35-7	32
R 1044 R	35-9	43	R 1251 R	60-13	••	R 1420 R	35-3	12	R 1539 R	35-7	29
R 1048 R	35-12	12	R 1254 R	15-11	9	R 1421 R	35-3	19	R 1540 R	55-8	1
R 1054 R	45-7	27	R 1256 R	45-3	30	R 1422 R	35-3	18	R 1541 R	55-8	15
R 1055 R	45-7	29	R 1300 R	10-7	5	R 1424 R	45-2	21	R 1542 R	55-5	11
	70-3	39	R 1302 R	15-7	15	R 1425 R	45-2	12	R 1543 R	55-5	3
R 1056 R	45-7	34	R 1303 R	15-7	11	R 1426 R	45-2	7	R 1544 R	55-5	15
R 1057 R	45-7	33	R 1304 R	15-9	6	R 1427 R	30-4	6	R 1546 R	15-9	16
R 1058 R	45-7	23	R 1310 R	35-5	22	R 1429 R	45-3	9	R 1548 R	10-7	4
R 1068 R	60-6	8	R 1312 R	35-5	6	R 1430 R	45-3	14		15-11	13
	60-7	8	R 1314 R	45-13	20A	R 1431 R	45-3	19	R 1550 R	25-2	3
R 1070 R	20-7	6	R 1315 R	45-13	20A	R 1432 R	45-3	10	R 1551 R	25-2	16
R 1081 R	35-11	8	R 1318 R	65-11	33	R 1433 R	45-3	11		25-3	1
R 1082 R	35-11	15	R 1319 R	65-11	11	R 1434 R	45-3	13	R 1552 R	25-4	1
R 1083 R	35-11	14	R 1320 R	65-11	10	R 1435 R	45-3	23	R 1553 R	25-4	7
R 1084 R	35-11	17	R 1321 R	65-11	9	R 1436 R	45-3	1	R 1554 R	25-2	25
R 1085 R	35-11	19	R 1325 R	15-2	8A	R 1437 R	45-3	3	R 1555 R	25-2	29
R 1086 R	35-11	20	R 1328 R	85-11	8	R 1438 R	45-3	17	R 1556 R	25-3	16
R 1087 R	35-11	18	R 1329 R	70-3	5	R 1439 R	45-3	24	R 1557 R	25-5	4
R 1089 R	35-11	21	R 1330 R	15-11	10	R 1440 R	45-3	6		50-3	19
R 1090 R	35-11	7	R 1331 R	15-12	17	R 1441 R	45-3	20	R 1558 R	25-2	13
R 1091 R	35-11	6	R 1332 R	15-10	3	R 1442 R	10-7	2	R 1561 R	25-4	8
R 1092 R	35-11	5	R 1333 R	15-11	14	R 1443 R	10-7	3		40-2	10
R 1093 R	35-11	3	R 1334 R	15-12	18		10-8	18		40-3	11
R 1094 R	35-11	2	R 1335 R	15-11	4	R 1444 R	20-2	6	R 1562 R	25-2	22
R 1095 R	35-11	1	R 1336 R	15-12	19	R 1445 R	20-2	5	R 1563 R	25-2	26
R 1096 R	35-11	12	R 1337 R	15-12	19	R 1455 R	60-11	4	R 1564 R	25-3	15
R 1097 R	35-11	12	R 1338 R	15-12	8	R 1466 R	20-5	43	R 1565 R	25-3	14
R 1098 R	35-11	12	R 1339 R	50-9	36	R 1467 R	20-5	35	R 1566 R	15-5	27
R 1099 R	35-11	12		55-4	11	R 1468 R	20-5	39	R 1567 R	15-5	30
R 1100 R	35-11	12	R 1340 R	15-9	25	R 1470 R	20-5	29	R 1568 R	15-5	28
R 1101 R	35-11	11	R 1341 R	15-9	27	R 1471 R	20-5	38	R 1569 R	15-5	29
R 1102 R	35-11	10	R 1342 R	15-9	14	R 1472 R	20-5	17	R 1570 R	15-5	35
R 1103 R	35-13	5	R 1343 R	15-9	22	R 1473 R	35-8	4	R 1571 R	15-5	41
R 1105 R	35-13	2	R 1344 R	30-7	20		35-9	13	R 1572 R	15-5	40
R 1106 R	35-13	7	R 1345 R	30-7	17	R 1475 R	35-9	16	R 1573 R	15-3	9
R 1107 R	35-13	6	R 1346 R	30-7	25	R 1476 R	35-9	16	R 1574 R	15-3	11
R 1108 R	35-13	10	R 1347 R	30-3	41	R 1477 R	30-3	30	R 1575 R	15-3	3
R 1109 R	35-13	11		30-4	1		35-9	48	R 1577 R	15-3	3
R 1110 R	35-13	11	R 1349 R	30-3	25	R 1478 R	30-3	34	R 1578 R	15-3	4
R 1111 R	35-13	11	R 1351 R	35-3	15		35-9	49	R 1579 R	15-5	11
R 1112 R	35-13	11		85-10	3	R 1482 R	45-5	3	R 1580 R	15-5	10
R 1113 R	35-13	11	R 1353 R	15-13	16	R 1483 R	45-5	24	R 1586 R	60-2	12
R 1114 R	35-13	11	R 1354 R	15-13	13	R 1484 R	45-5	13	R 1589 R	10-7	12
R 1115 R	35-13	11	R 1355 R	15-13	12	R 1485 R	45-5	20	R 1590 R	10-7	11
R 1116 R	35-13	12	R 1358 R	15-13	2	R 1491 R	45-5	7	R 1592 R	50-3	3A
R 1117 R	60-6	9	R 1359 R	15-13	5	R 1492 R	45-5	22	R 1593 R	50-3	23
	60-7	9	R 1360 R	15-13	7	R 1494 R	45-4	1	R 1595 R	50-11	14
R 1119 R	35-10	21	R 1362 R	15-12	1	R 1495 R	45-4	9	R 1598 R	45-13	20A
	35-11	16	R 1363 R	15-12	5	R 1496 R	45-4	10	R 1599 R	45-13	20A
	35-12	8	R 1364 R	30-7	26	R 1497 R	45-4	4	R 1600 R	55-15	4
	35-13	8	R 1365 R	30-7	27	R 1498 R	45-4	5	R 1601 R	75-3	8
R 1132 R	85-21	44	R 1366 R	45-10	1	R 1501 R	10-7	21	R 1603 R	75-3	20
R 1138 R	50-5	38	R 1367 R	45-10	5	R 1502 R	10-7	20	R 1604 R	75-3	21
	55-4	5	R 1381 R	85-11	13	R 1503 R	45-5	8	R 1605 R	75-3	13
R 1147 R	45-9	12		85-13	24	R 1505 R	45-5	3	R 1606 R	75-3	12
R 1148 R	30-4	15	R 1382 R	85-11	2	R 1506 R	45-4	1	R 1607 R	75-3	15
	30-5	11		85-13	2	R 1507 R	35-7	••	R 1608 R	75-3	14
R 1149 R	30-4	16	R 1384 R	60-6	12	R 1508 R	35-7	26	R 1609 R	75-3	30
	30-5	12		60-7	12	R 1509 R	35-7	2	R 1610 R	75-3	16
R 1153 R	35-9	45	R 1385 R	60-6	1		35-7	4		75-4	1
R 1156 R	85-11	11		60-7	1	R 1510 R	70-3	23	R 1611 R	75-3	33
	85-13	7	R 1386 R	15-11	18	R 1512 R	85-21	18	R 1612 R	75-3	34
	85-21	16	R 1395 R	45-9	16	R 1513 R	85-21	9	R 1613 R	75-3	32
R 1160 R	65-11	38A	R 1396 R	45-9	19A	R 1516 R	85-21	9	R 1614 R	75-3	29

Part No.	Page	Key	Part no.	Page	Key	Part No.	Page	Key	Part No.	Page	Key
R 13004	R	85-15	10	R 20228	R	20- 7	22	R 21720	R	25- 5	7
R 13005	R	85-15	12	R 20236	R	65- 9	25			50- 3	1
R 13006	R	85-15	17	R 20264	R	30- 7	38			75- 3	27
R 13007	R	85-15	36	R 20265	R	40-15	2	R 21721	R	75- 3	13
R 13008	R	85-15	25	R 20287	R	60- 9	4	R 21723	R	35- 8	..
R 13009	R	85-15	27	R 20297	R	60- 7	3	R 21724	R	35- 8	5
		85-15	..	R 20317	R	65- 9	19	R 21725	R	35- 8	10
R 13010	R	85-15	32	R 20320	R	40-11	31	R 21726	R	35- 8	9
R 13011	R	85-14	9	R 20330	R	15-13	16	R 21727	R	35- 8	6
R 13012	R	85-15	10	R 20352	R	55- 3	5	R 21728	R	35- 8	8
R 13013	R	85-14	2	R 20353	R	50- 5	6	R 21729	R	35- 8	7
R 13014	R	85-15	15	R 20360	R	15- 9	7	R 21736	R	35- 5	23
R 13015	R	85-15	12	R 20361	R	15- 9	12			60- 6	3
P 20004	R	75-11	16	R 20422	R	15- 7	13			60- 7	3
R 20005	R	75-11	14	R 20423	R	10- 7	24			60- 8	4
R 20018	R	55- 7	13	R 20446	R	60- 4	17			60- 9	4
R 20019	R	55-13	11	R 20448	R	20- 5	26	R 21753	R	45-13	29
R 20021	R	55- 7	15	R 20470	R	10- 7	5	R 21760	R	55-15	4
R 20022	R	55- 7	14	R 20481	R	15-11	5	R 21764	R	55-13	11
R 20023	R	55- 8	3	R 20482	R	15-15	7	R 21772	R	75-11	21
R 20024	R	55- 8	7	R 20483	R	25- 2	6	R 27181	R	35-14	5
R 20025	R	55- 8	1	R 20513	R	60- 7	4	R 27314	R	45-10	4
R 20026	R	55- 8	15	R 20530	R	45-10	1	R 28795	R	35- 3	24
R 20032	R	55-13	6	R 20594	R	35- 8	3				
R 20033	R	55-13	5	R 20595	R	25- 3	16				
R 20034	R	55-12	4	R 20671	R	65- 5	22				
		55-13	2			75-13	29				
R 20039	R	55- 8	22	R 20688	R	80-11	..				
R 20040	R	10- 5	1	R 20820	R	80-11	..	S 98		35- 9	22
R 20050	R	45-10	1	R 20863	R	40-15	2	S 99	7	35- 9	22
R 20053	R	55- 7	17	R 20878	R	10- 9	4				
P 20054	R	55- 7	3	R 20913	R	50- 5	35				
P 20055	R	55- 7	19	R 20919	R	35- 7	5				
P 20061	R	45-10	11	R 20937	R	65- 7	23				
R 20109	R	65-11	32			65- 9	27				
R 20110	R	65-11	24	R 20938	R	75- 3	13	T 10551	T	80- 9	..
R 20111	R	65-11	28	R 20940	R	35- 9	45	T 10671	T	80- 9	..
R 20114	R	15-15	4	R 21063	R	15-10	2	T 10745	T	40- 3	9
R 20123	R	60-13	..	R 21084	R	40-15	7			40- 7	22
R 20124	R	60-13	..	R 21116	R	65- 5	18			40- 9	24
R 20127	R	60-13	..			75-13	20	T 11648	T	40- 7	21
R 20128	R	60-13	..	R 21129	R	50- 9	26	T 11649	T	40- 7	4
R 20129	R	85- 8	14			50- 9	28	T 11650	T	40- 7	29
R 20136	R	15- 7	21	R 21156	R	35-14	14	T 11651	T	40- 7	3
		20- 7	24			40-28	18	T 11652	T	40- 5	5
R 20139	R	35- 7	31			40-29	16			40- 7	5
		35- 7	..			40-31	13				
R 20161	R	50- 5	19			40-33	..				
R 20162	R	50- 5	18	R 21157	R	35-14	14				
R 20164	R	35- 9	13			40-28	18				
		50- 5	37			40-29	15				
R 20165	R	50- 5	27			40-31	13	X 9021		85-23	14
R 20168	R	15- 9	20			40-33	..	X 9257		85-23	25
		15-13	11	R 21162	R	60-13	..	X 9263		85-23	28
		45-11	16	R 21231	R	50- 9	48	X 9295		85-23	18
R 20172	R	65- 5	8	R 21233	R	35- 8	..	X 9299		85-23	21
R 20175	R	30- 4	33	R 21236	R	75-11	37	X 9652		85-23	8
R 20176	R	30- 4	26	R 21238	R	60-11	19	X 9653		85-23	8
R 20185	R	70- 1	11	R 21281	R	65-11	6				
		75- 6	4	R 21520	R	10- 3	3				
P 20186	R	70- 1	13	R 21530	R	55- 8	1				
R 20187	R	70- 1	9	R 21531	R	75-14	..				
R 20188	R	70- 1	14	R 21532	R	75-14	..				
R 20189	R	70- 1	10	R 21533	R	75-14	..				
R 20190	R	70- 1	8	R 21534	R	75-14	..	ZN 1	H	85-15	24
		70- 1	18	R 21535	R	75-14	..	ZN 2	H	85-15	19
R 20191	R	70- 1	4	R 21562	R	60- 7	9	ZN 3	H	85-15	20
R 20192	R	70- 1	..	R 21629	R	75- 7	20	ZN 5	R	85-15	39
		70- 5	5	R 21630	R	10- 7	5	ZN 6	R	85-15	36
		70-10	3			35- 9	23	ZN 7	H	85-15	37
		75- 4	18			75- 7	20	ZN 8	R	85-15	27
P 20210	R	50- 5	24			85- 9	6	ZN 10	R	85-14	9
P 20211	R	50- 5	25	R 21633	R	55-12	6	ZN 11	R	85-15	10
P 20212	R	50- 5	17	R 21635	R	15- 5	34	ZN 12	R	85-14	2
P 20213	R	50- 5	6	R 21650	R	15-14	4	ZN 13	R	85-15	15
P 20214	R	50- 5	15			15-15	1	ZN 14	R	85-15	12
		50- 7	13	R 21652	R	60- 6	9	ZN 15	H	85-15	17
R 20226	R	10- 8	14	R 21685	R	80-11	2				
				R 21686	R	80-11	1				

