

1A2

5010 TRACTOR

RWP2392 -UN-01JAN94



JOHN DEERE 5010 STANDARD TRACTOR (LEFT-HAND SIDE)

RWP2393 -UN-01JAN94



JOHN DEERE 5010 STANDARD TRACTOR (RIGHT HAND SIDE)

(SPECIFICATIONS AND DESIGN SUBJECT TO CHANGE WITHOUT NOTICE)

COPYRIGHT (C) 1996. DEERE & COMPANY, MOLINE, ILLINOIS. ALL RIGHTS RESERVED.

1A3

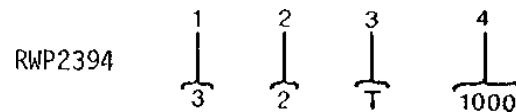
5010 TRACTOR

SERIAL NUMBERS

EACH 5010 TRACTOR HAS THE FOLLOWING SERIAL NUMBER PLATES: BASIC TRACTOR, ENGINE AND SHORT BLOCK.

TRACTOR SERIAL NUMBER PRIOR TO 8000

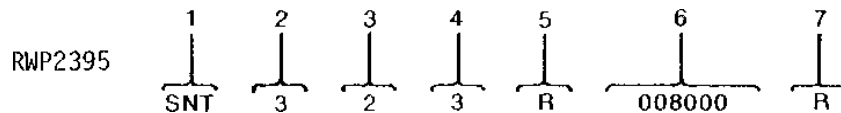
RWP2394 -UN-01JAN94



1. DESIGNATES TRACTOR SERIES AS FOLLOWS: 3 - 5010
2. DESIGNATES CHASSIS DESIGNS AS FOLLOWS: 2 - STANDARD
3. T INDICATES BASIC TRACTOR
4. SERIAL NUMBER OF TRACTOR

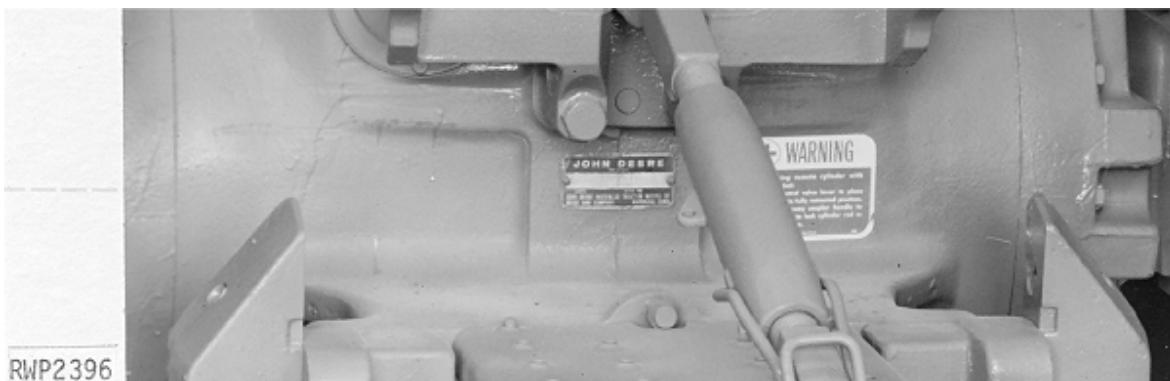
TRACTOR SERIAL NUMBER BEGINNING WITH 8000

RWP2395 -UN-01JAN94



1. DESIGNATES SERIAL NUMBER, TRACTOR
2. DESIGNATES TRACTOR SERIES AS FOLLOWS: 3 - 5010
3. DESIGNATES CHASSIS DESIGN AS FOLLOWS: 2 - STANDARD
4. DESIGNATES TYPE OF ENGINE AS FOLLOWS: 3 - DIESEL
5. DESIGNATES TYPES OF TRANSMISSION AS FOLLOWS: R - SYNCHRO-RANGE
6. SERIAL NUMBER OF TRACTOR
7. MANUFACTURER - JOHN DEERE WATERLOO TRACTOR WORKS

RWP2396 -UN-01JAN94



THE BASIC TRACTOR SERIAL NUMBER PLATE IS LOCATED AT THE REAR OF THE TRANSMISSION CASE.

1A4

5010 TRACTOR

ENGINE SERIAL NUMBER

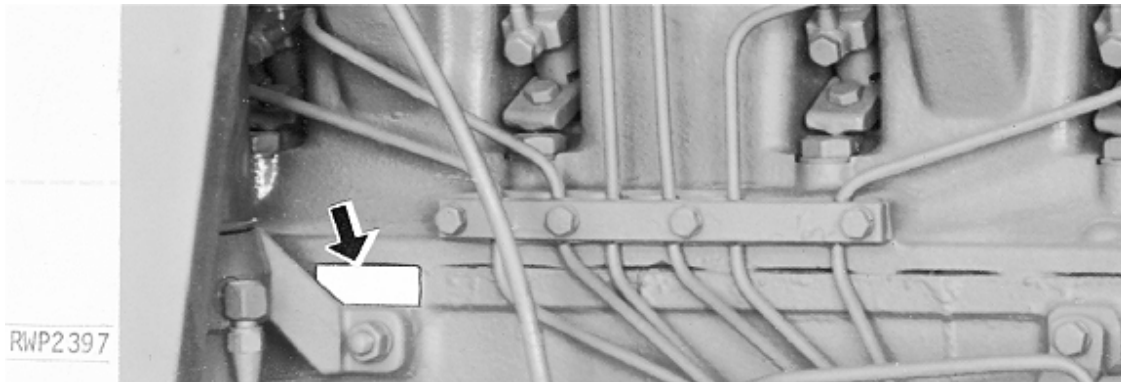
THE ENGINE SERIAL NUMBER IDENTIFIES THE TYPE OF ENGINE AS FOLLOWS:

RWP6100 -UN-01JAN94

1. DESIGNATES ENGING SERIES AS FOLLOWS
2. DESIGNATES TYPE OF FUEL AS FOLLOWS
3. DESIGNATES ENGINE
4. SERIAL NUMBER OF ENGINE

1 2 3 4
3 3 E 001000
3 - 5010
3 - DIESEL
E - ENGINE

RWP2397 -UN-01JAN94



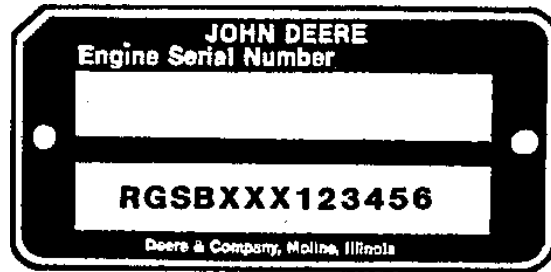
THE ENGINE SERIAL NUMBER IS STAMPED ON THE RIGHT-HAND SIDE OF THE CYLINDER BLOCK, JUST AHEAD OF THE FUEL FILTERS.

1A5

5010 TRACTOR

SHORT BLOCK SERIAL NUMBER

RGP2856 -UN-01JAN94



RGP2856

- | | |
|---------------------------------------|-----------------------------|
| 1. DESIGNATES ENGINE MANUFACTURER | ^RG - WATERLOO ENGINE WORKS |
| 2. DESIGNATES REPLACEMENT SHORT BLOCK | SB |
| 3. DESIGNATES CUBIC INCH | 466 |
| 4. DESIGNATES PRODUCT DATE | 6688 |
| 5. DESIGNATES COMPONENT SEQUENCE | 16 |

THE REPLACEMENT SHORT BLOCK ASSEMBLY HAS A SERIAL NUMBER PLATE ATTACHED. THE ORIGINAL ENGINE SERIAL NUMBER MUST BE STAMPED ONTO THE NEW PLATE IN THE BLANK SPACE PROVIDED. THE PLATE CAN BE ATTACHED WITH (2) 37H44 DRIVE SCREWS.

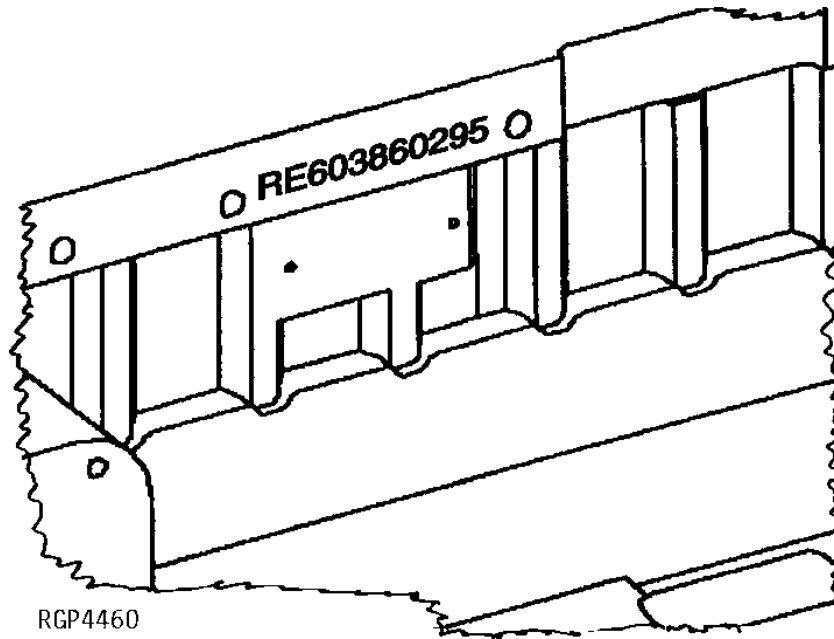
1A6

5010 TRACTOR

SHORT BLOCK SERIAL NUMBER IDENTIFICATION

(RE603860295-) (EXAMPLE ONLY)

RGP4460 -UN-04MAR95



SERIAL NUMBER STAMPED INTO CASTING OF BLOCK NEAR PREVIOUS SERIAL NUMBER PLATE.

EXAMPLE: RE603860295

- | | |
|-----------------------------------|---------|
| 1. DESIGNATES SERVICE PART NUMBER | RE60386 |
| 2. DESIGNATES MONTH ASSEMBLED | 02 |
| 3. DESIGNATES YEAR ASSEMBLED | 95 |

1A7

5010 TRACTOR

SERIAL NUMBER LISTING INFORMATION

SERIAL NUMBER INFORMATION IS LISTED TO SHOW ON WHICH MACHINES EACH PART CAN BE USED; FOR EXAMPLE:

- THE PART CAN BE USED ON ALL MACHINES.
- 000000- THE PART CAN BE USED ON ALL MACHINES BEGINNING WITH THE SERIAL NUMBER LISTED.
- 000000 THE PART CAN BE USED ON ALL MACHINES UP TO AND INCLUDING THE SERIAL NUMBER LISTED.
- 000000-000000 THE PART CAN BE USED ON ALL MACHINES BETWEEN AND INCLUDING THE SERIAL NUMBERS LISTED.

- 15BV1- WHEN A MODEL NUMBER BEGINS WITH 15BV, 14HA, 15PP, 25SC, 2RC, 4RC, 15RS, 3CY, 2SP, OR 31SV, IT REFERS TO THE MODEL NUMBER OF THE BRAKE VALVE, HYDRAULIC ACCUMULATOR, HYDRAULIC PUMP, REMOTE CYLINDER SELECTIVE CONTROL VALVE FOR NO ROCKSHAFT, REMOTE CYLINDER SELECTIVE CONTROL VALVES, REMOTE CYLINDERS, REMOTE CYLINDERS WITH MECHANICAL STOPS, ROCKSHAFT CONTROL VALVE, STEERING CYLINDER, STEERING METERING PUMP, OR STEERING VALVE.

WHEN XXXXXX'S ARE LISTED IN PLACE OF A SERIAL NUMBER, A SERIAL NUMBER CHANGE WAS MADE BUT THE EXACT SERIAL NUMBER WAS NOT AVAILABLE WHEN THE CATALOG WAS PRODUCED.

MODEL NUMBERS

THE FOLLOWING COMPONENTS HAVE MODEL NUMBERS:

BRAKE VALVE	15BV1
HYDRAULIC ACCUMULATOR	14HA2
HYDRAULIC PUMP (100 CM3 (6 IN3))	1
REMOTE CYLINDER SELECTIVE CONTROL VALVE FOR NO ROCKSHAFT - TRIPLE OR QUAD	39SC1
REMOTE CYLINDER SELECTIVE CONTROL VALVE FOR ROCKSHAFT - TRIPLE OR QUAD	41SC1
REMOTE CYLINDER (89 X 203 MM (3-1/2" X 8"))	2RC4
REMOTE CYLINDER WITH MECHANICAL STOP (89 X 203 MM (3-1/2" X 8"))	4RC3
ROCKSHAFT CONTROL VALVE	1
STEERING CYLINDER	3CY1
STEERING METERING PUMP	2SP1
STEERING VALVE	31SV1

EACH OF THE ABOVE COMPONENTS HAS A MODEL NUMBER. WHEN THE DESIGN OF ONE OF THESE COMPONENTS IS CHANGED, THE MODEL NUMBER FOR THE NEWLY DESIGNED COMPONENT IS CHANGED.

DIRECTION ARROW

ARROWS ARE USED WITH ILLUSTRATIONS TO INDICATE THE FRONT OF THE UNIT. "RIGHT-HAND" AND "LEFT-HAND" SIDES ARE DETERMINED BY FACING IN THE DIRECTION OF MACHINE FORWARD TRAVEL.

BOX-ENCLOSED ILLUSTRATIONS

A KEY NUMBER, SHOWN IN THE PARTS LIST, IS ASSIGNED TO A BOX ENCLOSING ALL PARTS SOLD AS A SERVICE ASSEMBLY.

BOLT AND CAP SCREW STRENGTH IDENTIFICATION

U.S. CUSTOMARY DIMENSIONED PRODUCT: BOLTS AND CAP SCREWS REQUIRED TO HAVE HIGH-STRENGTH QUALITIES EQUIVALENT TO SAE GRADE 8 ARE IDENTIFIED THROUGHOUT THIS CATALOG BY THE DESCRIPTION HS SAE 8. ALL STANDARD BOLTS AND CAP SCREWS ARE SAE GRADE 5 OR LOWER.

METRIC DIMENSIONED PRODUCT: BOLTS AND CAP SCREWS REQUIRED TO HAVE HIGH-STRENGTH QUALITIES EQUIVALENT TO PROPERTY CLASS 10.9 ARE IDENTIFIED THROUGHOUT THIS CATALOG BY THE DESCRIPTION HS 10.9. ALL STANDARD BOLTS AND CAP SCREWS ARE PROPERTY CLASS 8.8 OR LOWER.

JDM REMANUFACTURED COMPONENTS

THE SERVICE PARTS LISTED IN THIS CATALOG ARE INTENDED FOR THE REPAIR OF ORIGINAL EQUIPMENT COMPONENTS. ALTHOUGH MOST SERVICE PARTS MAY BE USED TO REPAIR REMANUFACTURED COMPONENTS, THE REMANUFACTURING PROCESS MAY CHANGE PARTS SUFFICIENTLY SO THAT SERVICE PARTS ARE INADEQUATE OR NOT USABLE.

TRADEMARKS

THROUGHOUT THIS PARTS CATALOG, YOU WILL FIND THE FOLLOWING TRADEMARKS:

HYDRACUSHIONED™
INTELLITRAK®
PERSONAL-POSTURE™
QUAD-RANGE™
PERFORMANCE TRAK™ II

ROLL-GARD®
SOUND-GARD®
TORQ-GARD PLUS 50®
HY-GARD®
QUIK-TATCH®
LOCTITE®

CHANGE INDICATOR LINE (MICROFICHE CATALOGS ONLY)

CHANGES AFFECTING THE ORDERING OF PARTS ARE IDENTIFIED BY VERTICAL LINES MARKED IN THE LEFT-HAND MARGIN OF REVISED PARTS LISTING IMAGES. A LINE IS ALSO AT THE LEFT-HAND EDGE OF THE SAME PART NUMBER IN THE NUMERICAL INDEX TO SHOW THE LOCATION OF REVISED INFORMATION.

1A9

5010 TRACTOR

QUANTITY COLUMN OR REMARKS COLUMN

GENERALLY THE QUANTITY SHOWN IS FOR THE ENTIRE TRACTOR AT ANY GIVEN LOCATION. THERE ARE EXCEPTIONS AS IN WHEEL HARDWARE WHERE ONLY ENOUGH IS SHOWN FOR ONE WHEEL.

THE FOLLOWING ABBREVIATIONS ARE USED IN THE REMARKS COLUMN:

NLR - NO LONGER REQUIRED

NA - NOT APPLICABLE

NLA - NO LONGER AVAILABLE

FI - FIELD INSTALLED

CA - CONVENIENCE ASSEMBLY

CA AND FI ARE OPTIONS THAT MUST BE ORDERED DIRECT FROM THE PRODUCING FACTORY.

1A10

5010 TRACTOR

SECTION INDEX

GENERAL INFORMATION	10
ENGINE	20
FUEL AND AIR	30
ELECTRICAL	40
POWER TRAIN	50
STEERING AND BRAKES	60
HYDRAULICS	70
WHEELS, FRONT AXLES, SHEET METAL	80
OPERATOR'S STATION	90
NUMERICAL INDEX	95

1A11

5010 TRACTOR

ALPHABETICAL INDEX

GRID		PAGE	GRID		PAGE
A					
1J20	ACCUMULATOR, BRAKE	60-22	1G21	BREAKER, CIRCUIT, REMOTE CONTROL	40-86
1D5	ADAPTER, COLD WEATHER STARTING	30-18	1G13	BREAKER, ELECTRICAL OUTLET CIRCUIT	40-78
1D6	ADAPTER, COLD WEATHER STARTING	30-19	2C19	BUSHING KIT, LOAD CONTROL SHAFT	70-50
2F4	ADDITIONAL DECALS	80-20	C		
1C15	AIR CLEANER	30-2	1D14	CABLE, BATTERY	40-2
1C15	AIR INTAKE PIPE	30-2	1D18	CABLE, BATTERY	40-6
1C14	AIR STACK	30-1	1I7	CABLE, CONTROL, PTO CLUTCH	50-26
1E2	ALTERNATOR	40-15	1I9	CABLE, PTO CLUTCH CONTROL	50-28
1E6	ALTERNATOR	40-19	1F19	CABLE, SPEED-HOUR METER	40-60
1E4	ALTERNATOR PARTS	40-17	1F20	CABLE, SPEED-HOUR METER	40-61
1D14	ALTERNATOR WIRING	40-2	1F1	CABLE, STARTING MOTOR GROUND (6531)	40-42
1D18	ALTERNATOR WIRING	40-6	1B3	CAMSHAFT (6531D)	20-8
1E5	ALTERNATOR WIRING PARTS	40-18	1B3	CAMSHAFT GEAR (6531D)	20-8
1G3	ANALOG TACHOMETER	40-68	1C19	CAP, FUEL FILTER	30-6
2C10	ARM, LIFT	70-40	1C5	CAP, RADIATOR	20-36
2C15	ARM, LOAD CONTROL	70-46	1H11	CARRIER, CLUTCH RELEASE	50-4
2E12	ARM, STEERING	80-2	1I20	CARRIER, PLANETARY	50-38
1E14	ARMATURE, STARTER (6531)	40-27	2D24	CARRIER, REMOTE CYLINDER	70-79
1A24	ARMS, ROCKER	20-5	1H18	CASE, TRANSMISSION	50-12
2A24	ASSEMBLY, HYDRAULIC PUMP REPLACEMENT	70-4	2E16	CAST DISK REAR WHEEL	80-5
1I20	AXLE HOUSING, REAR	50-38	2C21	CENTER LINK	70-52
1I20	AXLE SHAFT, REAR	50-38	2C20	CHAIN, IMPLEMENT SAFETY	70-51
2E12	AXLE, FRONT	80-2	1J22	CHECK VALVE, BRAKE ACCUMULATOR	60-24
B					
1E1	BATTERY	40-14	1F15	CIGAR LIGHTER	40-56
2E22	BATTERY BOX	80-12	1F17	CIGAR LIGHTER	40-58
1B18	BEARING, THRUST (6531)	20-24	1D14	CIRCUIT BREAKER	40-2
1B18	BEARINGS, MAIN (6531)	20-24	1D18	CIRCUIT BREAKER	40-6
2E12	BELLCRANK, STEERING	80-2	1F15	CIRCUIT BREAKER	40-56
1E2	BELT, FAN	40-15	1F17	CIRCUIT BREAKER	40-58
1C3	BELTS, FAN (6531D)	20-32	1G13	CIRCUIT BREAKER, ELECTRICAL OUTLET	40-78
1I12	BEVEL GEAR, DIFFERENTIAL	50-30	1C15	CLEANER, AIR	30-2
1I14	BEVEL GEAR, DIFFERENTIAL	50-32	1I11	CLUTCH CONTROL, PTO	50-29A
1H20	BEVEL PINION SHAFT	50-14	1H11	CLUTCH CONTROL, TRANSMISSION	50-4
1I12	BEVEL PINION, DIFFERENTIAL	50-30	1H13	CLUTCH DISK	50-7
1I14	BEVEL PINION, DIFFERENTIAL	50-32	1H9	CLUTCH HOUSING	50-2
1B6	BLOCK, CYLINDER (6531D)	20-12	1H13	CLUTCH PLATE	50-7
1B8	BLOCK, ENGINE SHORT (6531D)	20-14	1H11	CLUTCH RELEASE, TRANSMISSION	50-4
1H22	BLOCKERS, TRANSMISSION	50-16	1H13	CLUTCH SHAFT	50-7
2E22	BOX, BATTERY	80-12	1I5	CLUTCH, PTO	50-24
2F15	BOX, TOOL	90-10	1H13	CLUTCH, TRANSMISSION	50-7
2F19	BOX, TOOL	90-14	1E14	COIL, STARTER (6531)	40-27
1G17	BRACKET, ELECTRICAL REMOTE CONTROL	40-82	1D5	COLD WEATHER STARTING AID	30-18
2F21	BRACKET, FIRE EXTINGUISHER	90-16	1D6	COLD WEATHER STARTING AID	30-19
1G1	BRACKET,RADAR SENSOR	40-66	1H11	COLLAR, CLUTCH RELEASE BEARING	50-4
1J20	BRAKE ACCUMULATOR	60-22	1E15	COMMUTATOR END FRAME, STARTER (EARLY DESIGN)	40-28
1J22	BRAKE ACCUMULATOR CHECK VALVE	60-24	1B16	CONNECTING ROD (6531D)	20-22
1J22	BRAKE ACCUMULATOR OIL PIPE	60-24	1B16	CONNECTING ROD BEARINGS (6531D)	20-22
1J12	BRAKE FACING	60-15	2B16	CONNECTORS, HYDRAULIC PUMP	70-22
1J13	BRAKE FACING	60-15A	1G23	CONNECTORS,ELECTRICAL	40-88
1J23	BRAKE OIL PIPES	60-25	1H1	CONNECTORS,ELECTRICAL	40-90
1J18	BRAKE PEDALS	60-20	1H3	CONNECTORS,ELECTRICAL	40-92
1J13	BRAKE PLATE	60-15A	1G23	CONTAINER,ELECTRICAL PARTS	40-88
1J12	BRAKE PRESSURE PLATE	60-15	2F13	CONTROL SUPPORT	90-8
1J14	BRAKE VALVE	60-16	1F17	CONTROL SUPPORT COVER	40-58
1J16	BRAKE VALVE OVERHAUL KIT	60-18	2B20	CONTROL VALVE	70-27
2D13	BREAKAWAY COUPLER	70-68	2B21	CONTROL VALVE	70-28
2D15	BREAKAWAY COUPLER	70-70	2B20	CONTROL VALVE, JUNCTION BLOCK	70-27
2D17	BREAKAWAY COUPLER OVERHAUL KIT	70-72	2B21	CONTROL VALVE, JUNCTION BLOCK	70-28
1D14	BREAKER, CIRCUIT	40-2	1I2	CONTROL, TRANSMISSION SHIFTER	50-21
1D18	BREAKER, CIRCUIT	40-6	2E6	CONVERSION KIT, REMOTE CYLINDER	70-85
1F15	BREAKER, CIRCUIT	40-56	1C1	COOLER, ENGINE OIL (6531D)	20-30
			2B24	COOLER, HYDRAULIC OIL	70-30
			2C1	COOLER, HYDRAULIC OIL (SYNCR0-RANGE)	70-32

1A12

5010 TRACTOR

ALPHABETICAL INDEX - CONTINUED

GRID		PAGE	GRID		PAGE
1A22	COOLING FLUID, ENGINE	20-3	2A23	DRIVE SHAFT, HYDRAULIC PUMP	70-3
1H21	COUNTERSHAFT, TRANSMISSION	50-15	1E19	DRIVE, STARTER	40-34
2D13	COUPLER, BREAKAWAY	70-68	1E21	DRIVE, STARTER (DELCO-REMY)	40-36
2D15	COUPLER, BREAKAWAY	70-70	1E16	DRIVE, STARTER (EARLY DESIGN)	40-30
2D18	COUPLER, FLEXIBLE OIL LINE	70-73	1B4	DRIVE, TACHOMETER (6531D)	20-9
2A22	COUPLER, HYDRAULIC PUMP DRIVE	70-2	1I5	DRUM, PTO CLUTCH	50-24
2D3	COUPLER, IMPLEMENT QUIK	70-56	1H22	DRUM, SYNCHRONIZER	50-16
2E8	COUPLINGS, REUSABLE	70-87	1F24	DUAL HORN	40-65
1H9	COVER, CLUTCH INSPECTION	50-2	1F23	DUAL HORN ASSEMBLY	40-64
2D13	COVER, DUST, BREAKAWAY COUPLER	70-68	2D18	DUST COVER, BREAKAWAY COUPLER	70-73
2D18	COVER, DUST, BREAKAWAY COUPLER	70-73			
1B1	COVER, ROCKER ARM	20-6		E	
2E19	COVER, ROCKSHAFT HOUSING	80-9			
2C6	COVER, SEAT SUPPORT	70-36			
1E18	COVER, SOLENOID STARTER SWITCH (DELCO-REMY)	40-32	2B15	ELECTRIC DESTROKE SOLENOID	70-20
1B20	COVER, TIMING GEAR (6531D)	20-26	1F24	ELECTRIC HORN	40-65
2C6	COVER, TRANSMISSION REAR	70-36	1G22	ELECTRICAL CONNECTOR AND TERMINAL KIT	40-87
2F16	COWL	90-11	1G23	ELECTRICAL CONNECTORS	40-88
1B14	CRANKSHAFT	20-20	1H1	ELECTRICAL CONNECTORS	40-90
1B15	CRANKSHAFT (6531)	20-21	1H3	ELECTRICAL CONNECTORS	40-92
1B15	CRANKSHAFT GEAR (6531)	20-21	1G23	ELECTRICAL CRIMPING TOOL	40-88
1B13	CRANKSHAFT REAR OIL SEAL (6531)	20-19	1G13	ELECTRICAL OUTLET CIRCUIT BREAKER	40-78
1B13	CRANKSHAFT REAR OIL SEAL HOUSING (6531)	20-19	1G13	ELECTRICAL OUTLET PLUG	40-78
1B6	CYLINDER BLOCK (6531D)	20-12	1G13	ELECTRICAL OUTLET SOCKET	40-78
1A23	CYLINDER HEAD	20-4	1G14	ELECTRICAL OUTLET SOCKET KIT	40-79
1A23	CYLINDER HEAD GASKET	20-4	1G23	ELECTRICAL PARTS CONTAINER	40-88
1C9	CYLINDER HEAD GASKET KIT (6531D)	20-40	1G17	ELECTRICAL REMOTE CONTROL	40-82
2E9	CYLINDER HOSE IDENTIFICATION KIT	70-88	1G17	ELECTRICAL REMOTE CONTROL BRACKETS	40-82
2D23	CYLINDER, REMOTE	70-78	1G18	ELECTRICAL REMOTE CONTROL KIT	40-83
2E1	CYLINDER, REMOTE	70-80	1G17	ELECTRICAL REMOTE CONTROL SWITCH	40-82
2E3	CYLINDER, REMOTE	70-82	1G21	ELECTRICAL REMOTE CONTROL WIRING	40-86
2C11	CYLINDER, ROCKSHAFT	70-41	1G19	ELECTRICAL REMOTE CONTROL WIRING KIT	40-84
1J10	CYLINDER, STEERING	60-13	1G21	ELECTRICAL REMOTE CONTROL WIRING RELAY	40-86
1I23	CYLINDER, STEERING SHAFT	60-2	1G23	ELECTRICAL TERMINALS	40-88
	D		1H1	ELECTRICAL TERMINALS	40-90
			1H3	ELECTRICAL TERMINALS	40-92
1B14	DAMPER, CRANKSHAFT	20-20	1G22	ELECTRICAL TOOLS	40-87
1F15	DASH ASSEMBLY	40-56	1G23	ELECTRICAL WIRING	40-88
1F17	DASH ASSEMBLY	40-58	1H1	ELECTRICAL WIRING	40-90
1D14	DASH LAMP	40-2	1H3	ELECTRICAL WIRING	40-92
1D18	DASH LAMP	40-6	2F22	EMBLEM, SLOW MOVING VEHICLE	90-17
1F15	DASH LAMP	40-56	1I23	EMBLEM, STEERING WHEEL	60-2
2F13	DASH SUPPORT	90-8	1E15	END FRAME, STARTER COMMUTATOR (EARLY DESIGN)	40-28
2F2	DECALS	80-18	1A22	ENGINE COOLING FLUID	20-3
2F4	DECALS, ADDITIONAL	80-20	1C1	ENGINE OIL COOLER (6531D)	20-30
2F9	DELUXE SEAT	90-4	1B5	ENGINE OIL DIPSTICK	20-10
2E16	DEMOUNTABLE RIM	80-5	1B21	ENGINE OIL FILTER	20-27
1I12	DIFFERENTIAL	50-30	1C11	ENGINE OIL HEATER	20-42
1I14	DIFFERENTIAL	50-32	1F20	ENGINE OIL PRESSURE SWITCH	40-61
1I19	DIFFERENTIAL BEVEL PINION KIT	50-37	1B22	ENGINE OIL PUMP	20-28
1H20	DIFFERENTIAL DRIVE SHAFT	50-14	1B24	ENGINE OIL PUMP INTAKE (LATE DESIGN) (6531)	20-29A
1I16	DIFFERENTIAL LOCK VALVE	50-34	1C9	ENGINE REBUILD GASKET KIT (6531D)	20-40
1B5	DIPSTICK, ENGINE OIL	20-10	1B8	ENGINE SHORT BLOCK (6531D)	20-14
1B6	DIPSTICK, ENGINE OIL (6531D)	20-12	1B6	ENGINE, OIL DIPSTICK (6531D)	20-12
1H22	DISK TRANSMISSION SYNCHRONIZER	50-16	1C17	EXHAUST MANIFOLD	30-4
1H13	DISK, ENGINE CLUTCH	50-7	1A24	EXHAUST VALVES	20-5
2A22	DISK, HYDRAULIC PUMP DRIVE	70-2	1C18	EXTENSION, MUFFLER	30-5
1I5	DISK, PTO CLUTCH DRIVE	50-24	2F21	EXTINGUISHER, FIRE	90-16
2C17	DRAFT LINK SUPPORT	70-48			
2C21	DRAFT LINKS	70-52		F	
2D5	DRAWBAR FRONT SUPPORT	70-59			
2D6	DRAWBAR, HEAVY-DUTY (REGULAR)	70-60	1J12	FACING, BRAKE	60-15
2D6	DRAWBAR, REGULAR	70-60	1J13	FACING, BRAKE	60-15A
2D8	DRAWBAR, WIDE SWING	70-62	1C3	FAN (6531D)	20-32

1A14

5010 TRACTOR

ALPHABETICAL INDEX - CONTINUED

GRID		PAGE	GRID		PAGE
2B1	HYDRAULIC PUMP	70-6	2B3	KIT, STROKE CONTROL VALVE SHUT-OFF	70-8
2A24	HYDRAULIC PUMP ASSEMBLY REPLACEMENT	70-4	2B11	KIT, STROKE CONTROL VALVE SHUT-OFF	70-16
2B16	HYDRAULIC PUMP CONNECTORS	70-22	1G15	KIT, 7-TERMINAL SUPPLEMENTARY WIRING	40-80
2A22	HYDRAULIC PUMP DRIVE	70-2	1G22	KIT,ELECTRICAL CONNECTOR AND TERMINAL.....	40-87
2A23	HYDRAULIC PUMP DRIVE SHAFT	70-3	1D8	KNOB, HAND SPEED CONTROL	30-22
2B5	HYDRAULIC PUMP ELECTRIC DESTROKE KIT.....	70-10	2E12	KNUCKLE, FRONT WHEEL.....	80-2
2B13	HYDRAULIC PUMP ELECTRIC DESTROKE KIT.....	70-18			
2B15	HYDRAULIC PUMP ELECTRIC-DESTROKE KIT.....	70-20		L	
2B7	HYDRAULIC PUMP OVERHAUL KIT	70-12			
2B18	HYDRAULIC PUMP OVERHAUL KIT	70-24	2F2	LABEL KIT	80-18
2B9	HYDRAULIC PUMP REPLACEMENT	70-14	1D14	LAMP, DASH	40-2
2B3	HYDRAULIC PUMP STROKE CONTROL VALVE	70-8	1D18	LAMP, DASH	40-6
2B11	HYDRAULIC PUMP STROKE CONTROL VALVE	70-16	1F15	LAMP, DASH	40-56
2A23	HYDRAULIC PUMP SUPPORT	70-3	1F14	LAMP, FLASHING WARNING	40-55
			1F9	LAMP, FRONT AND REAR	40-50
	I		1F7	LAMP, REAR AND WARNING	40-48
			1F11	LAMP, WARNING	40-52
2C23	IMPLEMENT ADAPTER KIT	70-53A	1D20	LAMPS, FRONT	40-8
2E7	IMPLEMENT HYDRAULIC OIL LINES	70-86	1D22	LAMPS, FRONT	40-10
2D3	IMPLEMENT QUIK-COUPLER.....	70-56	1D24	LAMPS, FRONT	40-12
2C20	IMPLEMENT SAFETY CHAIN	70-51	1F7	LAMPS, FRONT	40-48
1F12	IMPLEMENT WARNING LAMP KIT	40-53	1F19	LAMPS, INDICATOR	40-60
1F19	INDICATOR LIGHTS	40-60	1F20	LAMPS, INDICATOR	40-61
1F20	INDICATOR LIGHTS	40-61	1I2	LEVER, GEARSHIFT	50-21
1C23	INJECTION NOZZLES	30-10	2C13	LEVER, LOAD SELECTOR CONTROL.....	70-44
1D3	INJECTION NOZZLES	30-16	1I7	LEVER, PTO CLUTCH.....	50-26
1D4	INJECTION NOZZLES	30-17	1I9	LEVER, PTO CLUTCH CONTROL	50-28
1C23	INJECTION PUMP	30-10	2C13	LEVER, ROCKSHAFT CONTROL	70-44
1F19	INSTRUMENT PANEL	40-60	2D10	LEVERS, SELECTIVE CONTROL	70-64
1F20	INSTRUMENT PANEL	40-61	2D1	LIFT LINK	70-54
1C17	INTAKE MANIFOLD	30-4	1F15	LIGHT SWITCH	40-56
1A24	INTAKE VALVES	20-5	1F17	LIGHT SWITCH	40-58
1B24	INTAKE, ENGINE OIL PUMP (LATE DESIGN) (6531)	20-29A	1F17	LIGHTER, CIGAR	40-58
			2E7	LINES, OIL, IMPLEMENT HYDRAULIC	70-86
			2C21	LINK, CENTER	70-52
	K		2C21	LINK, DRAFT	70-52
			2D1	LINK, LIFT	70-54
1F17	KEY SWITCH	40-58	1D8	LINKAGE, SPEED CONTROL	30-22
2D17	KIT, BREAKAWAY COUPLER OVERHAUL	70-72	2C15	LOAD CONTROL	70-46
2E6	KIT, CONVERSION, REMOTE CYLINDER.....	70-85	2C15	LOAD CONTROL ARM	70-46
2E9	KIT, CYLINDER HOSE IDENTIFICATION.....	70-88	2C17	LOAD CONTROL SHAFT.....	70-48
2F2	KIT, DECAL	80-18	2C19	LOAD CONTROL SHAFT BUSHING KIT	70-50
1I19	KIT, DIFFERENTIAL BEVEL PINION	50-37	2C17	LOAD CONTROL SHAFT OIL SEAL KIT	70-48
1G14	KIT, ELECTRICAL OUTLET SOCKET	40-79	2F20	LOCTITE SEALANT	90-15
1G18	KIT, ELECTRICAL REMOTE CONTROL	40-83			
1G19	KIT, ELECTRICAL REMOTE CONTROL WIRING	40-84		M	
1F14	KIT, FLASHING WARNING LAMP	40-55			
2B13	KIT, HYDRAULIC PUMP ELECTRIC DESTORKE	70-18	1B18	MAIN BEARINGS (6531)	20-24
2B5	KIT, HYDRAULIC PUMP ELECTRIC DESTROKE	70-10	1C17	MANIFOLD, EXHAUST.....	30-4
2B15	KIT, HYDRAULIC PUMP ELECTRIC DESTROKE	70-20	1C17	MANIFOLD, INTAKE.....	30-4
2B7	KIT, HYDRAULIC PUMP OVERHAUL.....	70-12	1C22	MASTER FUEL FILTER KIT (DIESEL)	30-9
2B18	KIT, HYDRAULIC PUMP OVERHAUL.....	70-24	1F20	METER, SPEED-HOUR	40-61
2C23	KIT, IMPLEMENT ADAPTER	70-53A	2F17	MIRROR, REAR VIEW.....	90-12
1F12	KIT, IMPLEMENT WARNING LAMP	40-53	1E11	MOTOR, STARTING.....	40-24
2C19	KIT, LOAD CONTROL SHAFT BUSHING.....	70-50	1G11	MOUNTING KIT, RADIO	40-76
1C22	KIT, MASTER FUEL FILTER (DIESEL).....	30-9	1C18	MUFFLER	30-5
1F6	KIT, NEUTRAL-START SWITCH	40-47			
2E10	KIT, O-RING	70-89		N	
2E5	KIT, OVERHAUL, REMOTE CYLINDER	70-84			
1C7	KIT, RADIATOR OVERFLOW	20-38	2E24	NAME PLATE	80-14
1G11	KIT, RADIO MOUNTING	40-76	1F6	NEUTRAL-START SWITCH KIT	40-47
1E12	KIT, STARTER SOLENOID COVER	40-25	1C23	NOZZLE, INJECTOR	30-10
1F2	KIT, STARTER SOLENOID COVER	40-43	1D3	NOZZLE, INJECTOR	30-16
1E13	KIT, STARTER SOLENOID COVER (DELCO-REMY)	40-26	1D4	NOZZLE, INJECTOR	30-17
1D7	KIT, STARTING FLUID TUBE	30-21			

1A15

5010 TRACTOR

ALPHABETICAL INDEX - CONTINUED

GRID		PAGE	GRID		PAGE
O					
2E10	O-RING PACKING KIT.....	70-89	1B16	PISTON ENGINE (6531D).....	20-22
2C3	OIL COOLER BYPASS VALVE.....	70-33A	1B16	PISTON RINGS (6531D).....	20-22
1C1	OIL COOLER, ENGINE (6531D).....	20-30	2C10	PISTON, ROCKSHAFT.....	70-40
2B24	OIL COOLER, HYDRAULIC.....	70-30	1I23	PISTON, STEERING VALVE.....	60-2
2C1	OIL COOLER, HYDRAULIC (SYNCRO-RANGE).....	70-32	2E12	PIVOT BRACKET, FRONT AXLE.....	80-2
1B6	OIL DIPSTICK, ENGINE (6531D).....	20-12	1I20	PLANET PINION.....	50-38
1H14	OIL FILTER ELEMENT, TRANSMISSION.....	50-8	1I20	PLANETARY CARRIER.....	50-38
1H14	OIL FILTER RELIEF VALVE.....	50-8	1J13	PLATE, BRAKE.....	60-15A
1B21	OIL FILTER, ENGINE.....	20-27	1J12	PLATE, BRAKE PRESSURE.....	60-15
1C11	OIL HEATER, ENGINE.....	20-42	2E24	PLATE, NAME.....	80-14
2E7	OIL LINES, HYDRAULIC, IMPLEMENT.....	70-86	1H22	PLATE, SYNCHRONIZER.....	50-16
1B10	OIL PAN.....	20-16	2F15	PLATFORM.....	90-10
1J22	OIL PIPE, BRAKE ACCUMULATOR.....	60-24	1C14	PRE-CLEANER.....	30-1
1J23	OIL PIPES, BRAKE.....	60-25	1C14	PRE-SCREENER.....	30-1
2B24	OIL PIPES, HYDRAULIC.....	70-30	2B20	PRESSURE CONTROL VALVE.....	70-27
2C12	OIL PIPES, ROCKSHAFT.....	70-42	2B21	PRESSURE CONTROL VALVE.....	70-28
2D11	OIL PIPES, SELECTIVE CONTROL.....	70-65	2B22	PRESSURE CONTROL VALVE.....	70-29
2D12	OIL PIPES, SELECTIVE CONTROL.....	70-66	2B23	PRESSURE CONTROL VALVE.....	70-29A
1I23	OIL PIPES, STEERING.....	60-2	1I6	PTO BRAKE PISTON.....	50-25
1J7	OIL PIPES, STEERING.....	60-10	1H22	PTO CLUTCH.....	50-16
1F20	OIL PRESSURE SWITCH, ENGINE.....	40-61	1I7	PTO CLUTCH CONTROL.....	50-26
1B24	OIL PUMP INTAKE GASKET (LATE DESIGN) (6531).....	20-29A	1I9	PTO CLUTCH CONTROL CABLE.....	50-28
1B22	OIL PUMP, ENGINE.....	20-28	1I9	PTO CLUTCH CONTROL LEVER.....	50-28
1H14	OIL PUMP, TRANSMISSION.....	50-8	1I5	PTO CLUTCH DRUM.....	50-24
2C1	OIL RESERVOIR, HYDRAULIC (SYNCRO-RANGE).....	70-32	1I11	PTO CLUTCH VALVE.....	50-29A
2A21	OIL, HYDRAULIC.....	70-1	1I5	PTO DRIVE GEAR.....	50-24
2A21	OIL, TRANSMISSION.....	70-1	1I6	PTO GUARD.....	50-25
2F15	OPERATOR SHIELDS.....	90-10	1I6	PTO MASTER SHIELD.....	50-25
2E24	ORNAMENT, HOOD.....	80-14	1I6	PTO SHAFT.....	50-25
1C7	OVERFLOW KIT, RADIATOR.....	20-38	1E6	PULLEY, ALTERNATOR.....	40-19
2D17	OVERHAUL KIT, BREAKAWAY COUPLER.....	70-72	1B14	PULLEY, CRANKSHAFT.....	20-20
1D2	OVERHAUL KIT, FUEL TRANSFER PUMP.....	30-15	1C3	PULLEY, FAN (6531D).....	20-32
2B7	OVERHAUL KIT, HYDRAULIC PUMP.....	70-12	2A22	PUMP DRIVE COUPLER, HYDRAULIC.....	70-2
2B18	OVERHAUL KIT, HYDRAULIC PUMP.....	70-24	2A22	PUMP DRIVE DISK, HYDRAULIC.....	70-2
2E5	OVERHAUL KIT, REMOTE CYLINDER.....	70-84	2B9	PUMP REPLACEMENT, HYDRAULIC.....	70-14
1C4	OVERHAUL KIT, WATER PUMP (6531D).....	20-33	1B22	PUMP, ENGINE OIL.....	20-28
P					
1B10	PAN, OIL.....	20-16	1C19	PUMP, FUEL.....	30-6
1F19	PANEL, INSTRUMENT.....	40-60	1C23	PUMP, FUEL INJECTION.....	30-10
2E24	PANEL, SIDE.....	80-14	1D1	PUMP, FUEL TRANSFER.....	30-14
1H24	PARK PAWL, TRANSMISSION.....	50-18	2B1	PUMP, HYDRAULIC.....	70-6
1H24	PAWL, PARK, TRANSMISSION.....	50-18	1H14	PUMP, OIL, TRANSMISSION.....	50-8
1H11	PEDAL, CLUTCH.....	50-4	1B12	PUMP, VENTILATOR.....	20-18
1D8	PEDAL, FOOT SPEED.....	30-22	1C3	PUMP, WATER (6531D).....	20-32
1J18	PEDALS, BRAKE.....	60-20	Q		
1G3	PERFORMANCE TRAK II MINI-MONITOR.....	40-68	1I2	QUADRANT, SPEED CHANGE.....	50-21
2D6	PIN, DRAWBAR (REGULAR).....	70-60	1I2	QUADRANT, SPEED RANGE.....	50-21
1H20	PINION SHAFT.....	50-14	2D3	QUIK-COUPLER.....	70-56
1I12	PINION, BEVEL, DIFFERENTIAL.....	50-30	R		
1I14	PINION, BEVEL, DIFFERENTIAL.....	50-32	1G1	RADAR SENSOR.....	40-66
1H22	PINION, HIGH RANGE, TRANSMISSION.....	50-16	1G1	RADAR SENSOR BRACKET.....	40-66
1H22	PINION, LOW RANGE, TRANSMISSION.....	50-16	1G1	RADAR SENSOR WIRING HARNESS.....	40-66
1I20	PINION, PLANET.....	50-38	1C5	RADIATOR.....	20-36
1C15	PIPE, AIR INTAKE.....	30-2	1C5	RADIATOR CAP.....	20-36
1C8	PIPE, WATER BYPASS (6531D).....	20-39	1C7	RADIATOR OVERFLOW KIT.....	20-38
1C19	PIPES, FUEL.....	30-6	1G5	RADIO (BENDIX).....	40-70
1C23	PIPES, FUEL INJECTION.....	30-10	1G7	RADIO (MOTOROLA).....	40-72
1J23	PIPES, OIL, BRAKES.....	60-25	1G9	RADIO (MOTOROLA).....	40-74
2B24	PIPES, OIL, HYDRAULIC.....	70-30	1G12	RADIO HEADPHONES.....	40-77
1I23	PIPES, OIL, STEERING.....	60-2	1G11	RADIO MOUNTING KIT.....	40-76
1J7	PIPES, STEERING OIL.....	60-10	1H25	RANGE SHIFTERS.....	50-19
			1D20	REAR AND WARNING LAMP.....	40-8

1A16

5010 TRACTOR

ALPHABETICAL INDEX - CONTINUED

GRID		PAGE	GRID		PAGE
1D22	REAR AND WARNING LAMP	40-10	2A23	SHAFT, HYDRAULIC PUMP DRIVE	70-3
1D24	REAR AND WARNING LAMP	40-12	2C17	SHAFT, LOAD CONTROL	70-48
1F7	REAR AND WARNING LAMP	40-48	1I6	SHAFT, PTO	50-25
1I20	REAR AXLE SHAFT	50-38	1I20	SHAFT, REAR AXLE	50-38
1F9	REAR LAMPS	40-50	1A24	SHAFT, ROCKER ARM	20-5
2F17	REAR VIEW MIRROR	90-12	1I23	SHAFT, STEERING	60-2
2E16	REAR WHEELS	80-5	1H22	SHAFT, TRANSMISSION DRIVE	50-16
2F7	REGULAR SEAT	90-2	2F15	SHIELD, OPERATOR	90-10
1E2	REGULATOR	40-15	1I6	SHIELD, PTO MASTER	50-25
1E9	REGULATOR, GENERATOR	40-22	2E24	SHIELD, SIDE	80-14
1E6	REGULATOR, VOLTAGE	40-19	1H25	SHIFTER SHAFT, HIGH AND LOW	50-19
1G21	RELAY, WIRING, ELECTRICAL REMOTE CONTROL	40-86	1H25	SHIFTER, LOW AND HIGH	50-19
1H14	RELIEF VALVE, OIL FILTER	50-8	1H25	SHIFTER, REVERSE	50-19
1G21	REMOTE CONTROL CIRCUIT BREAKER	40-86	1I1	SHIFTER, SHAFT, GEAR	50-20
1G18	REMOTE CONTROL KIT, ELECTRICAL	40-83	1I1	SHIFTERS, GEAR	50-20
1G19	REMOTE CONTROL WIRING KIT, ELECTRICAL	40-84	1H25	SHIFTERS, RANGE	50-19
1G21	REMOTE CONTROL WIRING, ELECTRICAL	40-86	1B8	SHORT BLOCK, ENGINE (6531D)	20-14
1G17	REMOTE CONTROL, ELECTRICAL	40-82	1C5	SHROUD, FAN	20-36
2D23	REMOTE CYLINDER	70-78	2E24	SIDE PANEL	80-14
2D24	REMOTE CYLINDER CARRIER	70-79	1H11	SLEEVE, CLUTCH RELEASE BEARING	50-4
2E6	REMOTE CYLINDER CONVERSION KIT	70-85	2F22	SLOW MOVING VEHICLE EMBLEM	90-17
2E9	REMOTE CYLINDER HOSE IDENTIFICATION KIT	70-88	1G13	SOCKET, ELECTRICAL OUTLET	40-78
2E5	REMOTE CYLINDER OVERHAUL KIT	70-84	1E12	SOLENOID COVER STARTER KIT	40-25
2E1	REMOTE CYLINDER PARTS	70-80	1F2	SOLENOID COVER STARTER KIT	40-43
2E3	REMOTE CYLINDER PARTS	70-82	1E18	SOLENOID SWITCH COVER, STARTER (DELCO-REMY)	40-32
2A24	REPLACEMENT HYDRAULIC PUMP ASSEMBLY	70-4	1E24	SOLENOID SWITCH, STARTER	40-40
2C1	RESERVOIR, HYDRAULIC OIL (SYNCRO-RANGE)	70-32	1E23	SOLENOID SWITCH, STARTER (DELCO-REMY)	40-38
2E16	RIM, DEMOUNTABLE	80-5	2B15	SOLENOID, DESTROKE (ELECTRIC)	70-20
1B16	RINGS, PISTON (6531D)	20-22	1D8	SPEED CONTROL LINKAGE	30-22
1B1	ROCKER ARM COVER	20-6	1F19	SPEED-HOUR METER	40-60
1A24	ROCKER ARM SHAFT	20-5	1F20	SPEED-HOUR METER	40-61
1A24	ROCKER ARMS	20-5	1F3	STARTER (24-VOLT)(PRESTOLITE)	40-44
2C4	ROCKSHAFT	70-34	1E14	STARTER ARMATURE (6531)	40-27
2C10	ROCKSHAFT	70-40	1E14	STARTER COIL (6531)	40-27
2C11	ROCKSHAFT	70-41	1E15	STARTER COMMUTATOR END FRAME (EARLY DESIGN)	40-28
2C13	ROCKSHAFT CONTROL LEVER	70-44	1E19	STARTER DRIVE	40-34
2C8	ROCKSHAFT CONTROL VALVE HOUSING	70-38	1E21	STARTER DRIVE (DELCO-REMY)	40-36
2C10	ROCKSHAFT CYLINDER	70-40	1E16	STARTER DRIVE (EARLY DESIGN)	40-30
2C4	ROCKSHAFT HOUSING	70-34	1E19	STARTER DRIVE END HOUSING	40-34
2E19	ROCKSHAFT HOUSING COVER	80-9	1E21	STARTER DRIVE END HOUSING (DELCO-REMY)	40-36
2C13	ROCKSHAFT LINKAGE	70-44	1E16	STARTER DRIVE END HOUSING (EARLY DESIGN)	40-30
2C12	ROCKSHAFT OIL PIPES	70-42	1E12	STARTER SOLENOID COVER KIT	40-25
2C10	ROCKSHAFT PISTON	70-40	1F2	STARTER SOLENOID COVER KIT	40-43
1B16	ROD, CONNECTING (6531D)	20-22	1E13	STARTER SOLENOID COVER KIT (DELCO-REMY)	40-26
1I3	RODS, GEAR SHIFTER	50-22	1E24	STARTER SOLENOID SWITCH	40-40
			1E23	STARTER SOLENOID SWITCH (DELCO-REMY)	40-38
			1E18	STARTER SOLENOID SWITCH COVER (DELCO-REMY)	40-32
			1F15	STARTER SWITCH	40-56
			1F17	STARTER SWITCH	40-58
			1D14	STARTER WIRING	40-2
			1D16	STARTER WIRING	40-4
			1D18	STARTER WIRING	40-6
			1D5	STARTING FLUID	30-18
			1D6	STARTING FLUID	30-19
			1D7	STARTING FLUID TUBE KIT	30-21
			1E11	STARTING MOTOR	40-24
			1F1	STARTING MOTOR GROUND CABLE (6531)	40-42
			1J10	STEERING CYLINDER	60-13
			1J11	STEERING CYLINDER OVERHAUL KIT	60-14
			1I23	STEERING OIL PIPES	60-2
			1J7	STEERING OIL PIPES	60-10
			1J1	STEERING VALVE ASSEMBLY	60-4
			1J3	STEERING VALVE ASSEMBLY	60-6
			1I23	STEERING VALVE CYLINDER	60-2

S

2C20	SAFETY CHAIN, IMPLEMENT	70-51
1B13	SEAL, CRANKSHAFT REAR OIL (6531)	20-19
2F20	SEALANT, LOCTITE	90-15
2C10	SEAT SUPPORT	70-40
2C6	SEAT SUPPORT COVER	70-36
2F9	SEAT, DELUXE	90-4
2F11	SEAT, DELUXE	90-6
2F11	SEAT, DELUXE SUPPORT	90-6
2F7	SEAT, REGULAR	90-2
2D10	SELECTIVE CONTROL LEVERS	70-64
2D11	SELECTIVE CONTROL OIL PIPES	70-65
2D12	SELECTIVE CONTROL OIL PIPES	70-66
2D19	SELECTIVE CONTROL VALVE	70-74
2D21	SELECTIVE CONTROL VALVE	70-76
1G1	SENSOR, RADAR	40-66
1H13	SHAFT, CLUTCH	50-7
1I20	SHAFT, FINAL DRIVE	50-38
1H25	SHAFT, HIGH AND LOW SHIFTER	50-19

1A17

5010 TRACTOR

ALPHABETICAL INDEX - CONTINUED

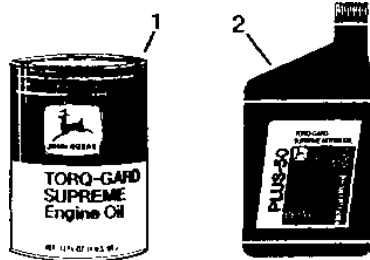
GRID		PAGE	GRID		PAGE
1J5	STEERING VALVE CYLINDER OVERHAUL KIT	60-8	1I3	TRANSMISSION SHIFTER CONTROLS	50-22
1I23	STEERING VALVE PISTON	60-2	1B1	TUBE, VENTILATOR OUTLET	20-6
1I23	STEERING WHEEL	60-2	1H16	TUBES, TRANSMISSION	50-10
1I23	STEERING WHEEL EMBLEM	60-2			
2F1	STEP, TRACTOR	80-16		V	
2B3	STROKE CONTROL VALVE SHUT-OFF KIT	70-8	2D19	VALVE SELECTIVE CONTROL	70-74
2B11	STROKE CONTROL VALVE SHUT-OFF KIT	70-16	2D21	VALVE SELECTIVE CONTROL	70-76
2B3	STROKE CONTROL VALVE, HYDRAULIC PUMP	70-8	1J14	VALVE, BRAKE	60-16
2B11	STROKE CONTROL VALVE, HYDRAULIC PUMP	70-16	1J16	VALVE, BRAKE, OVERHAUL KIT	60-18
1H5	SUPPLEMENTARY TERMINALS AND CONNECTORS	40-94	1J22	VALVE, CHECK, BRAKE ACCUMULATOR	60-24
1G15	SUPPLEMENTARY WIRING KIT, 7-TERMINAL	40-80	1I16	VALVE, DIFFERENTIAL LOCK	50-34
2F13	SUPPORT, CONTROL	90-8	2C3	VALVE, OIL COOLER BYPASS	70-33A
2F13	SUPPORT, DASH	90-8	2B22	VALVE, PRESSURE CONTROL	70-29
2C17	SUPPORT, DRAFT LINK	70-48	2B23	VALVE, PRESSURE CONTROL	70-29A
2D5	SUPPORT, DRAWBAR, FRONT	70-59	1I7	VALVE, PTO CLUTCH	50-26
2A23	SUPPORT, HYDRAULIC PUMP	70-3	1I11	VALVE, PTO CLUTCH	50-29A
2F19	SUPPORT, TOOL BOX	90-14	1J1	VALVE, STEERING ASSEMBLY	60-4
1G17	SWITCH, ELECTRICAL REMOTE CONTROL	40-82	1J3	VALVE, STEERING ASSEMBLY	60-6
1F20	SWITCH, ENGINE OIL PRESSURE	40-61	1A24	VALVES, EXHAUST	20-5
1F24	SWITCH, HORN	40-65	1A24	VALVES, INTAKE	20-5
1F15	SWITCH, KEY	40-56	1B1	VENTILATOR OUTLET TUBE	20-6
1F17	SWITCH, KEY	40-58	1B12	VENTILATOR PUMP	20-18
1F15	SWITCH, LIGHT	40-56	1E6	VOLTAGE REGULATOR	40-19
1F17	SWITCH, LIGHT	40-58			
1F5	SWITCH, NEUTRAL-START	40-46		W	
1F19	SWITCH, PRESSURE	40-60	1D20	WARNING LAMP	40-8
1F5	SWITCH, STARTER	40-46	1D22	WARNING LAMP	40-10
1F15	SWITCH, STARTER	40-56	1D24	WARNING LAMP	40-12
1F17	SWITCH, STARTER	40-58	1F7	WARNING LAMP	40-48
1E24	SWITCH, STARTER SOLENOID	40-40	1F11	WARNING LAMP	40-52
1E23	SWITCH, STARTER SOLENOID (DELCO-REMY)	40-38	1F13	WARNING LAMP FLASHER	40-54
1H22	SYNCHRONIZER DRUM	50-16	1F12	WARNING LAMP KIT, IMPLEMENT	40-53
			1F14	WARNING LAMP, FLASHING	40-55
	T		1B18	WASHERS, THRUST (6531)	20-24
1F20	TACHOMETER	40-61	1C3	WATER PUMP (6531D)	20-32
1B4	TACHOMETER DRIVE (6531D)	20-9	1C4	WATER PUMP OVERHAUL KIT (6531D)	20-33
1F9	TAIL LAMP	40-50	1F19	WATER TEMPERATURE GAUGE	40-60
1C19	TANK, FUEL	30-6	1F20	WATER TEMPERATURE GAUGE	40-61
1F20	TEMPERATURE GAUGE, WATER	40-61	2F23	WEATHERSHIELD	90-18
1H5	TERMINALS AND CONNECTORS, SUPPLEMENTARY	40-94	2E17	WEIGHT, FRAME	80-6
1G23	TERMINALS, ELECTRICAL	40-88	2E14	WHEEL, FRONT	80-4
1H1	TERMINALS, ELECTRICAL	40-90	2E16	WHEEL, REAR	80-5
1H3	TERMINALS, ELECTRICAL	40-92	1I23	WHEEL, STEERING	60-2
1C8	THERMOSTAT (6531D)	20-39	2D8	WIDE SWING DRAWBAR	70-62
2C21	THREE-POINT HITCH	70-52	2F23	WINDSHIELD	90-18
2D1	THREE-POINT HITCH	70-54	1D20	WIRING HARNESS	40-8
1B18	THRUST BEARING (6531)	20-24	1D22	WIRING HARNESS	40-10
1B18	THRUST WASHERS (6531)	20-24	1D24	WIRING HARNESS	40-12
1B20	TIMING GEAR COVER (6531D)	20-26	1G1	WIRING HARNESS, RADAR SENSOR	40-66
2F15	TOOL BOX	90-10	1G19	WIRING KIT, ELECTRICAL REMOTE CONTROL	40-84
2F19	TOOL BOX	90-14	1G21	WIRING, ELECTRICAL REMOTE CONTROL	40-86
2F18	TOOLS	90-13			
2F1	TRACTOR STEP	80-16			
1D1	TRANSFER PUMP, FUEL	30-14			
1H18	TRANSMISSION CASE	50-12			
1H11	TRANSMISSION CLUTCH CONTROL	50-4			
1H11	TRANSMISSION CLUTCH RELEASE	50-4			
1H21	TRANSMISSION COUNTERSHAFT	50-15			
1H22	TRANSMISSION DRIVE SHAFT	50-16			
1I5	TRANSMISSION OIL PUMP DRIVE SHAFT	50-24			
1H16	TRANSMISSION OIL TUBES	50-10			
1H14	TRANSMISSION OILING SYSTEM	50-8			
1H24	TRANSMISSION PARK PAWL	50-18			
2C6	TRANSMISSION REAR COVER	70-36			
2C10	TRANSMISSION REAR COVER	70-40			

1A20

ENGINE

RGP3291 -UN-01JAN94

TORQ-GARD SUPREME AND PLUS-50 ENGINE OIL



RGP 3291

TORQ-GARD SUPREME ENGINE					
KEY	PART NO.	PART NAME	QTY	SERIAL NO.	REMARKS
1	TY6359	OIL	1	(SAE 5W/30), 0.9 L (1 QUART) CAN	
	TY6360	OIL	1	(SAE 5W/30), 19 L (5 GALLON) CAN	
	TY6361	OIL	1	(SAE 5W/30), 208 L (55 GALLON) DRUM	
	TY6364	OIL	1	(SAE 10W/30), 0.9 L (1 QUART) (BREAKIN)	
	TY6297	OIL	1	(SAE 15W/40), 0.9 L (1 QUART) CAN	
	TY6298	OIL	1	(SAE 15W/40), 19 L (5 GALLON) CAN	
	TY6300	OIL	1	(SAE 15W/40), 114 L (30 GALLON) DRUM	
	TY6301	OIL	1	(SAE 15W/40), 208 L (55 GALLON) DRUM	
	TY6311	OIL	1	(SAE 10W), 0.9 L (1 QUART) CAN	
	TY22009	OIL	1	(SAE 10W), 3.8 L (1 GALLON)	
	TY6312	OIL	1	(SAE 10W), 19 L (5 GALLON) CAN	
	TY6313	OIL	1	(SAE 10W), 208 L (55 GALLON) DRUM	
	AR63979	OIL	1	(SAE 30W), 0.2 L (1 HALF PINT) CAN	
	AR63218	OIL	1	(SAE 30W), 0.9 L (1 QUART) CAN	
	AR63219	OIL	1	(SAE 30W), 19 L (5 GALLON) CAN	
	TY6280	OIL	1	(SAE 30W), 114 L (30 GALLON) DRUM	
	AR63222	OIL	1	(SAE 30W), 208 L (55 GALLON) DRUM	

TORQ-GARD PLUS-50 ENGINE					
KEY	PART NO.	PART NAME	QTY	SERIAL NO.	REMARKS
2	TY6389	OIL	1	(SAE 15W/40), 0.9 L (1 QUART)	
	TY22008	OIL	1	(SAE 15W/40), 3.8 L (1 GALLON)	
	TY6390	OIL	1	(SAE 15W/40), 19 L (5 GALLON)	
	TY22010	OIL	1	(SAE 15W/40), 113.6 L (30 GALLON)	
	TY6391	OIL	1	(SAE 15W/40), 208 L (55 GALLON)	
	TY6392	OIL	1	(SAE 30W), 0.9 L (1 QUART)	
	TY22007	OIL	1	(SAE 30W), 3.8 L (1 GALLON)	
	TY6393	OIL	1	(SAE 30W), 19 L (5 GALLON)	
	TY22011	OIL	1	(SAE 30W), 113.6 L (30 GALLON)	
	TY6394	OIL	1	(SAE 30W), 208 L (55 GALLON)	
..	TY22041	OIL	1	(SAE 10W/30), 3.8L (1 GALLON) (BREAKIN)	
..	TY22042	OIL	1	(SAE 10W/30), 208L (55 GALLON) (BREAKIN)	

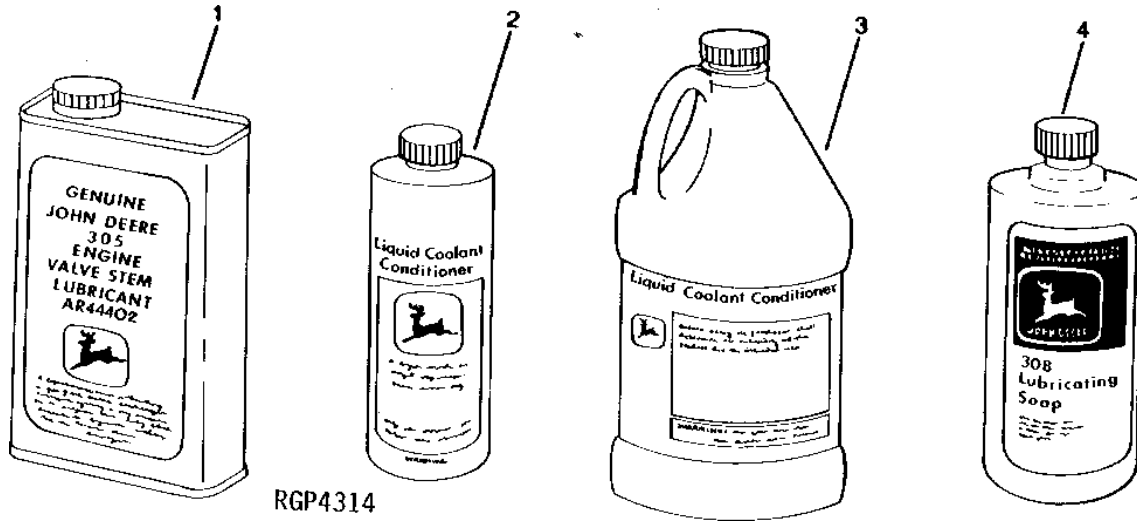
KITS (NOT ILLUSTRATED) ENGINE					
KEY	PART NO.	PART NAME	QTY	SERIAL NO.	REMARKS
..	AR41785	KIT	1		CONTAINS 0.9 L (1 QT.) CAN OF INTERNAL CORROSION INHIBITOR, 1 ROLL OF TAPE, AND 6 PLASTIC BAGS (OFF-SEASON STORAGE)
..	AR41870	RUST INHIBITOR	1		0.9 L (1 QT.) CAN, (SUB AR41785)
..	AR21969	KIT	1		(DUST CAP/COVER KIT)

1A21

ENGINE

RGP4314 -UN-01JAN94

COOLANT CONDITIONER AND ENGINE PART LUBRICANTS



VALVE STEM LUBRICANT

KEY	PART NO.	PART NAME	QTY	SERIAL NO.	REMARKS
1	AR44402	OIL	1		0.9 L (1 QT.)

COOLANT CONDITIONER

KEY	PART NO.	PART NAME	QTY	SERIAL NO.	REMARKS
2	RE23182	ENGINE COOLANT CONDITIONER	1		0.473 L (16 OZ.) (PHOSPHATE - FREE) (SUB TY16004)
	TY16004	ENGINE COOLANT CONDITIONER	1		0.472 L (16 OZ.)
3	RE35992	ENGINE COOLANT CONDITIONER	1		3.8 L (1 GAL.) (PHOSPHATE - FREE) (SUB TY16005)
..	TY16005	ENGINE COOLANT CONDITIONER	1		1.9 L (1/2 GAL.)

CYLINDER LINER PACKING LUBRICANT

KEY	PART NO.	PART NAME	QTY	ENGINE SERIAL NO.	REMARKS
4	AR54749	LUBRICANT	1		0.9 L (1 QT.)

1A22

ENGINE

TP6956 -UN-01JAN94

ENGINE COOLING FLUID



TP6956

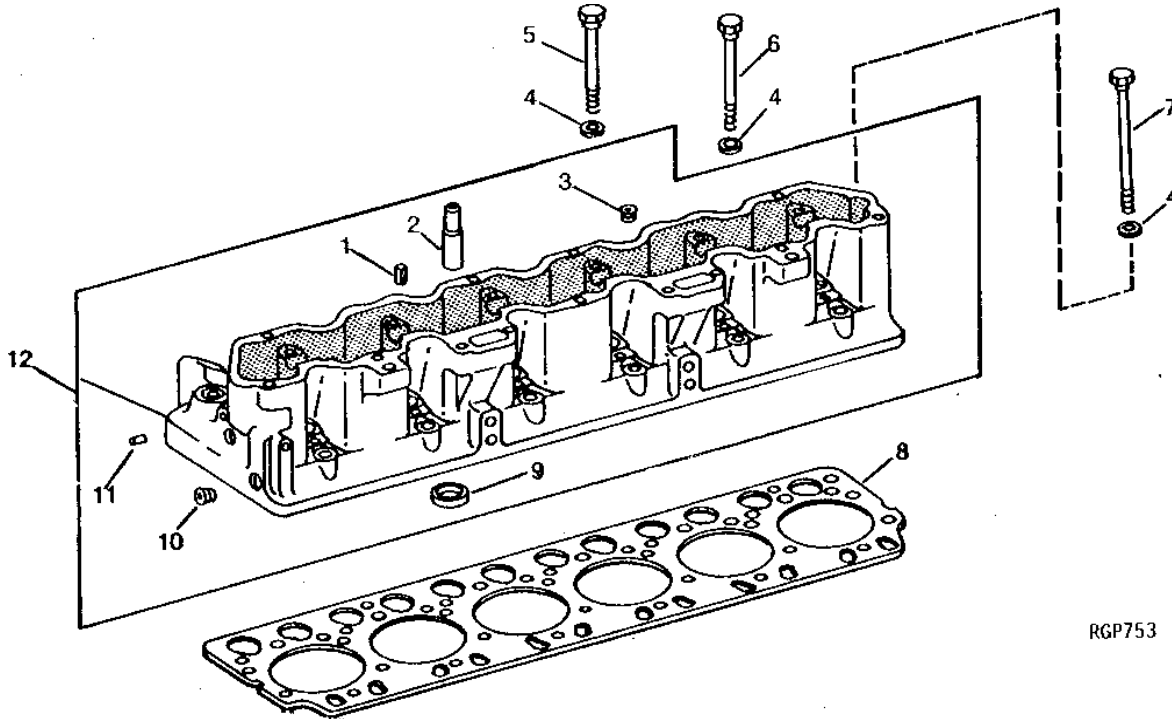
KEY	PART NO.	PART NAME	QTY	SERIAL NO.	REMARKS
1	DD14134	FLUID	1	5L (1.3 U.S. GAL.)	
	DD14345	FLUID	1	20L (5.3 U.S. GAL.)	
	DD14136	FLUID	1	60L (15.9 U.S. GAL.)	
	DD14346	FLUID	1	210L (52.5 U.S. GAL.)	

1A23

ENGINE

CYLINDER HEAD AND GASKET (6531D)

RGP753 -UN-01JAN94



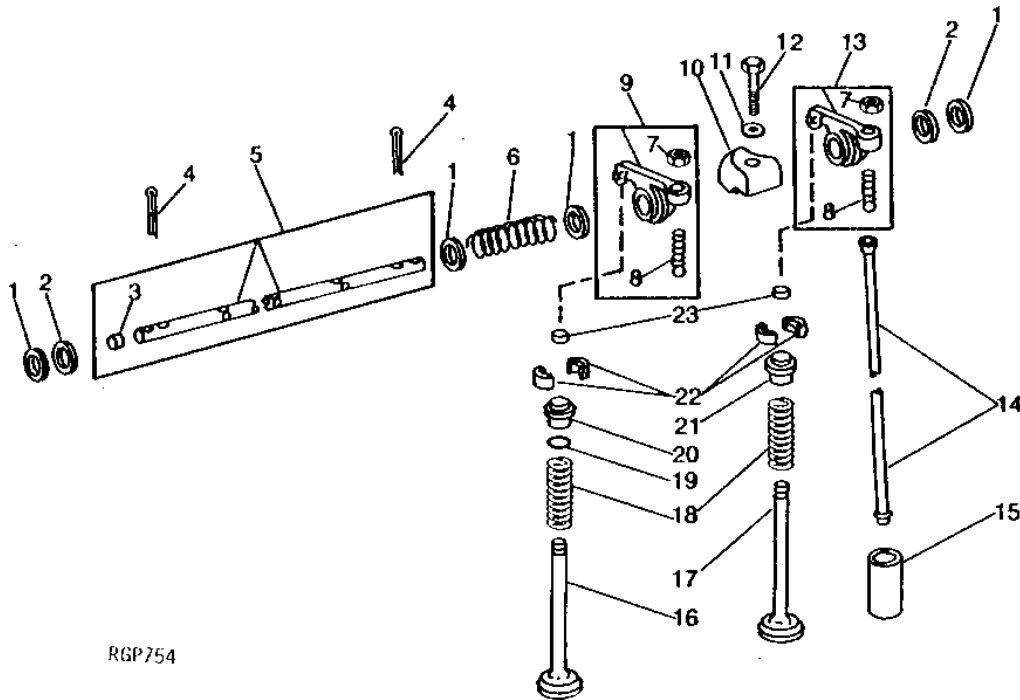
KEY	PART NO.	PART NAME	QTY	ENGINE SERIAL NO.	REMARKS
1	34H387	SPRING PIN	1		3/16" X 3/4"
2	R53192	BUSHING	12		(SUB FOR R36340 AND R40357)
3	15H624	PIPE PLUG	5		1/2", (SUB FOR AR72319 OR A3125R)
4	R70268	WASHER	26		(SUB FOR R35160, R36995 OR R42363)
5	R42368	CAP SCREW	15		15.875 X 130.048 MM (5/8" X 5.120") (USE WITH R35130, R40270 OR R42370)
	R80574	CAP SCREW	21		15.875 X 139.700 MM (5/8" X 5-1/2") (USE WITH R45300 OR R47510) (SUB FOR R45266, R67346, R70264, R60117 OR R92368) (ALSO ORDER R70268)
6	R42369	CAP SCREW	3		15.875 X 155.448 MM (5/8" X 6.120") (USE WITH R40270, OR R42370)
	R42372	BOLT	6	-021789	15.875 X 82.550 MM (5/8" X 3-1/4") (USE WITH R35130, R40270 OR 42370)
	R42368	CAP SCREW	6	021790-	15.875 X 130.048 MM (5/8" X 5.120") (USE WITH R35130, R40270 OR R42370)
	R81006	CAP SCREW	3		(USE WITH R45300 OR R47510) (SUB FOR R45267, R60118, R67345 OR R70265) (ALSO ORDER R70268)
7	R42371	CAP SCREW	2		15.875 X 187.452 MM (5/8" X 7.380") (USE WITH R35130, R40270 OR R42370)
	R80576	CAP SCREW	2		15.875 X 196.850 MM (5/8" X 7-3/4") (USE WITH R45300 OR R47510) (SUB FOR R45268, R70266, R67344, R60119) (ALSO ORDER R70268)
8	R78513	GASKET	1		(SUB FOR R35159, R40365, R44022 OR R49688)
9	R41868	INSERT	6	019145-	INTAKE, STANDARD
	R41870	INSERT	6	019145-	INTAKE 0.25MM (.010") OVERSIZE
	R41869	VALVE SEAT INSERT	6	019145-	EXHAUST, STANDARD
	R41871	VALVE SEAT INSERT	6	019145-	EXHAUST 0.25MM (.010") OVERSIZE
10	15H690	PIPE PLUG	4		3/4", (SUB FOR AR72318)
11	F1743R	DOWEL PIN	2		
12	AR35033	CYLINDER HEAD	1		(NO LONGER AVAILABLE) (MARKED R35140)
	AR41940	CYLINDER HEAD	1		(MARKED R40100 OR R41867) (SUB FOR AR36537 OR AR81620)

1A24

ENGINE

ROCKER ARMS, SHAFT AND VALVES (6531D)

RGP754 -UN-01JAN94



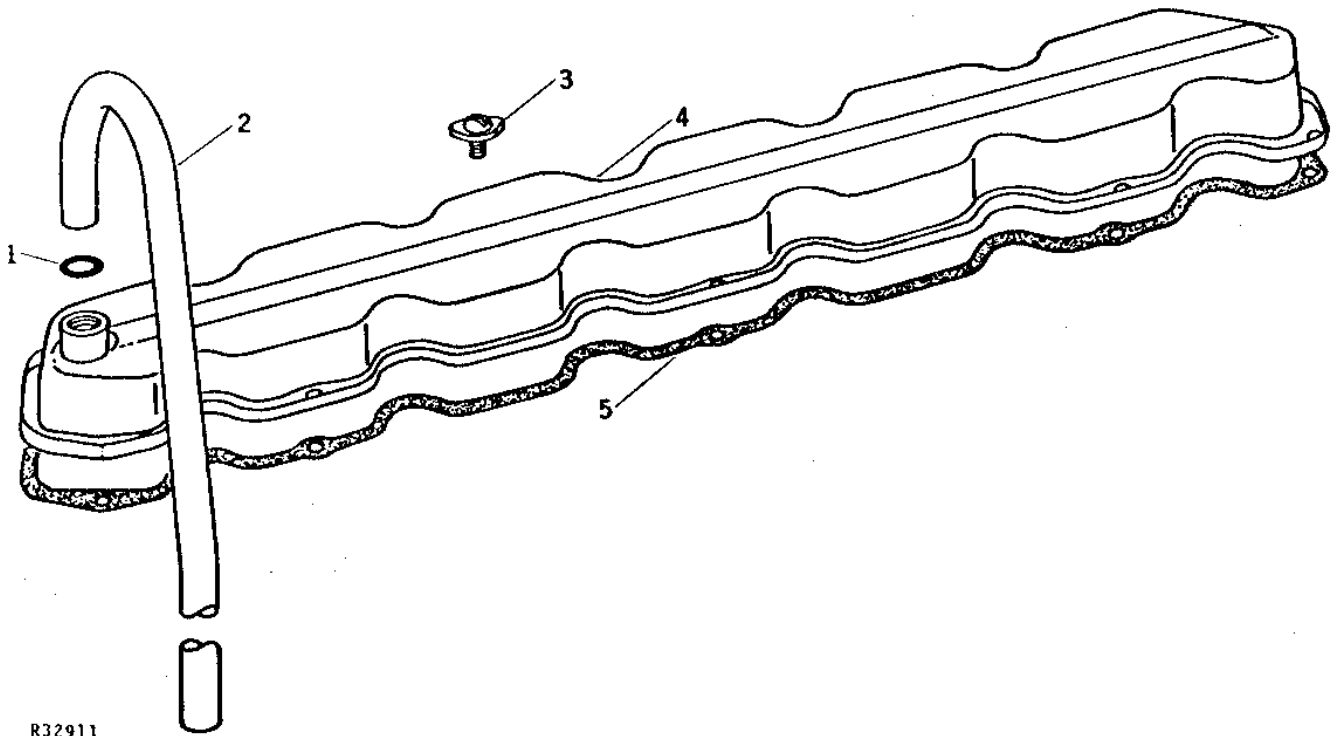
KEY	PART NO.	PART NAME	QTY	ENGINE SERIAL NO.	REMARKS
1	R61266	WASHER	12		
2	R35022	WASHER	2		
3	R35019	PLUG	2		
4	11M7086	COTTER PIN	2		
5	AR92514	ROCKER ARM SHAFT	1		0.098" X 1.969" (SUB FOR AR35006 OR AR74545)
6	R35020	SPRING	5		
7	14H1080	NUT	12		3/8"
8	R27443	SET SCREW	12		
9	AR69901	ARM	6		(SUB FOR AR36181 OR R36528)
10	R35023	CLAMP	6		
11	R26559	WASHER	6		
12	19H1899	CAP SCREW	6		7/16" X 2"
13	AR69902	ARM	6		(SUB FOR AR36182 OR R36529)
14	R35635	PUSH ROD	12	-015499	(USE WITH R35025)
	AR41292	PUSH ROD	12	015500-	(USE WITH AR41291)
15	AR41291	CAM FOLLOWER	12		(SUB FOR R35025) (ALSO ORDER AR41292)
16	R35154	INTAKE VALVE	6		(5010)
	R42182	INTAKE VALVE	6		(SUB FOR R40362 AND R41640)
17	R35156	EXHAUST VALVE	6		(5010)
	R45823	EXHAUST VALVE	6		(SUB FOR R40363 OR R42181)
18	R35157	SPRING	12		
19	R35155	O-RING	6		
20	R35158	CAP	6		(5010) (NLA)
	R41173	CAP	6		(INTAKE)
21	R42305	ROTATOR	6		(EXHAUST) (SUB FOR R35640)
22	R35431	LOCK	24		
23	R40366	CAP	12		

1B1

ENGINE

ROCKER ARM COVER (6531D)

R32911 -UN-01JAN94



R32911

1B2

ENGINE

**ROCKER ARM COVER - CONTINUED
(6531D)**

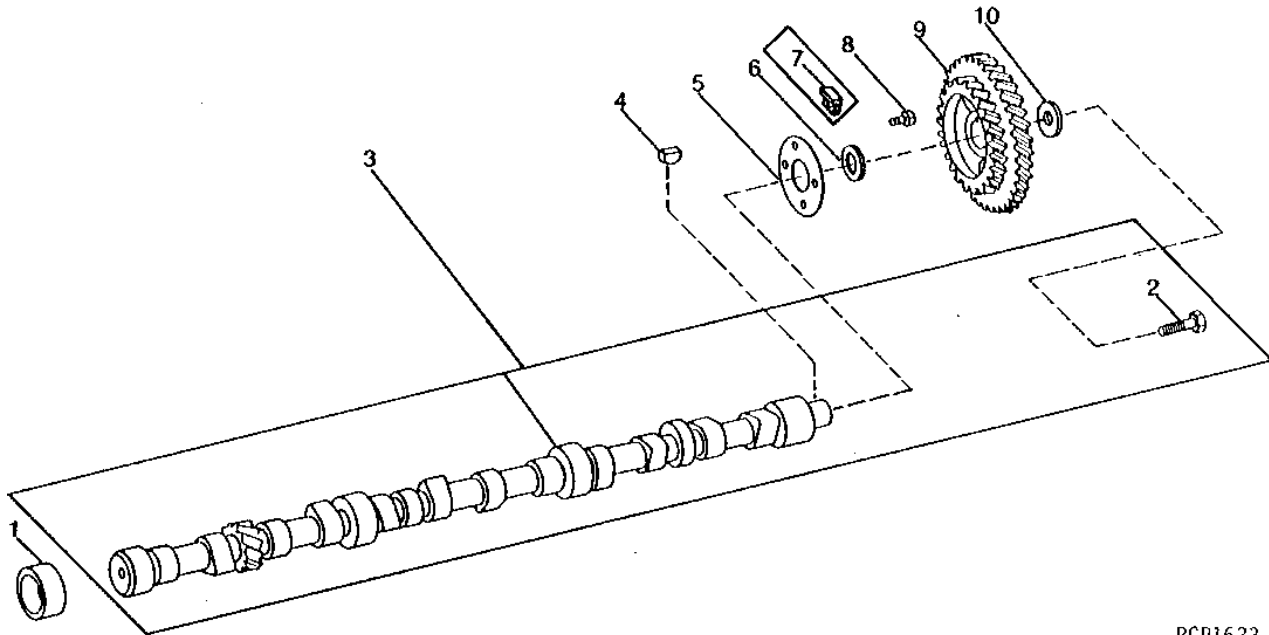
KEY	PART NO.	PART NAME	QTY	ENGINE SERIAL NO.	REMARKS
1	R495R	O-RING	1		
2	R35017	LINE	1	(NLA)	
3	AR103811	SCREW, WITH WASHER	9	(SUB FOR AR27702 OR AR45530)	
4	AR35007	COVER	1		
5	R74365	GASKET	1	(SUB FOR R35024, R36652, R49867)	

1B3

ENGINE

CAMSHAFT AND GEAR (6531D)

RGP1623 -UN-01JAN94



RGP1623

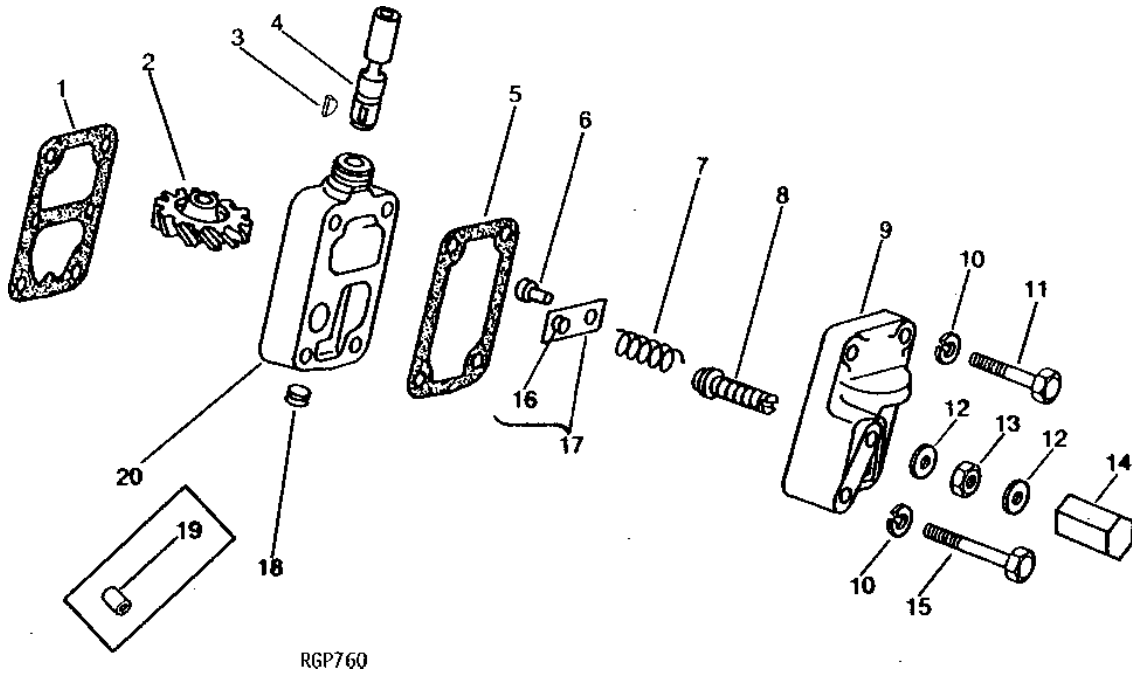
KEY	PART NO.	PART NAME	QTY	ENGINE SERIAL NO.	REMARKS
1	R46903	BUSHING	4		(SUB FOR R26114)
2	19H1721	CAP SCREW	1		1/2" X 1-1/2", (USE WITH R44982)
	19H1990	CAP SCREW	1	-282914	1/2" X 2-1/4", (USE WITH R54843 OR R64306)
3	R83569	CAP SCREW	1	282915-	1/2" X 4-1/2", (USE WITH R77447)
	R63406	CAMSHAFT	1	-015499	(SUB RE11137) (ALSO ORDER (12) AR41291, (12) AR41292 AND R83569) (SUB FOR AR36822, R40469 OR R54843)
	R63406	CAMSHAFT	1	015500-282914	(SUB RE11137) (ALSO ORDER R83569) (SUB FOR AR36822, R44982, R40469 OR R54843)
	RE11137	KIT	1	282915-	(MARKED R77447)
4	26H13	SHAFT KEY	1		5/32" X 3/4"
5	R26078	WASHER	1	-XXXXXX	((3) HOLE NOT ILLUSTRATED)
	R40634	THRUST WASHER	1	XXXXXX-	
6	R35127	WASHER	1		
7	R35128	LOCK PLATE	3		(USE WITH R26078)
8	19H1813	CAP SCREW	4		5/16" X 5/8", (USE (3) WITH R26078)
9	AR35092	GEAR	1		
10	R35256	WASHER	1		

1B4

ENGINE

TACHOMETER DRIVE (6531D)

RGP760 -UN-01JAN94



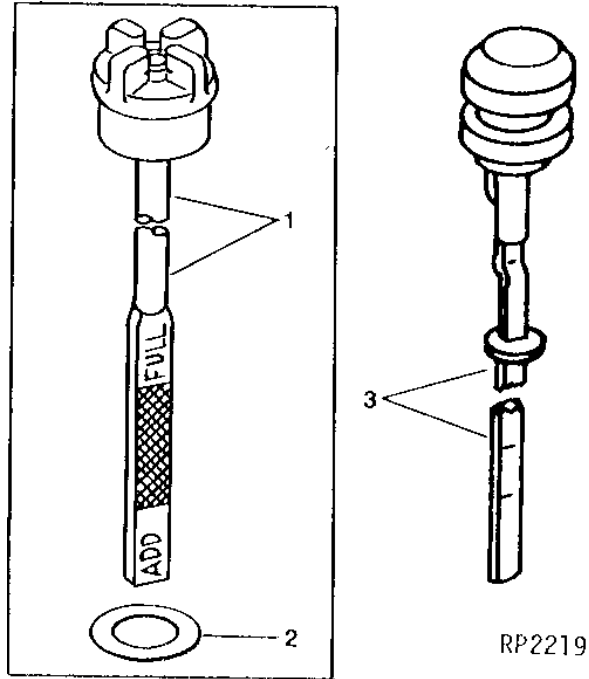
KEY	PART NO.	PART NAME	QTY	ENGINE SERIAL NO.	REMARKS
1	R44853	GASKET	1		(SUB FOR R26174)
2	R32426	GEAR	1		(NOT INCLUDED W/ AR45953)
3	26H3	SHAFT KEY	1		3/32" X 3/8"
4	R26172	SHAFT	1		
5	R26173	GASKET	1		
6	16H644	RIVET	1		1/4" X 1/2"
7	R26169	SPRING	1		
8	R26168	SCREW	1		
9	AR26351	HOUSING	1		(MARKED R26167)
10	24H1303	WASHER	4		13/32" X 11/16" X 0.065"
11	19H2549	CAP SCREW	3		3/8" X 1-7/8"
12	A3098R	WASHER	2		
13	14H732	NUT	1		3/8"
14	B427R	CAP SCREW, AND NUT	1		
15	19H1944	CAP SCREW	1		3/8" X 2-3/4"
16	D2425R	PIN	1		
17	AB3453R	LEAF SPRING	1		
18	15H559	PIPE PLUG	1		1/4"
19	F1743R	DOWEL PIN	2		(USE WITH AR45952) (NOT INCLUDED IN AR45953)
20	AR45953	HOUSING	1		(SUB FOR AR26353, AR45952) (MARKED R26170 OR AR45953) (NOT W/ F1743 OR R32426)

1B5

ENGINE

RP2219 -UN-01JAN94

ENGINE OIL DIPSTICK



RP2219

KEY	PART NO.	PART NAME	QTY	ENGINE SERIAL NO.	REMARKS
1	AR36889	DIPSTICK	1	-XXXXXX	(USE WITH R35130, R40270 OR R42370) (SUB FOR AR35008 OR AR36314)
2	R31486	WASHER	1	-005912	(USE WITH R35130, R40270 OR R42370)
	R39520	WASHER	1	005913-XXXXXX	(USE WITH R35130, R40270 OR R42370)
3	AR47249	DIPSTICK	1	XXXXXX-	(USE WITH R47510)

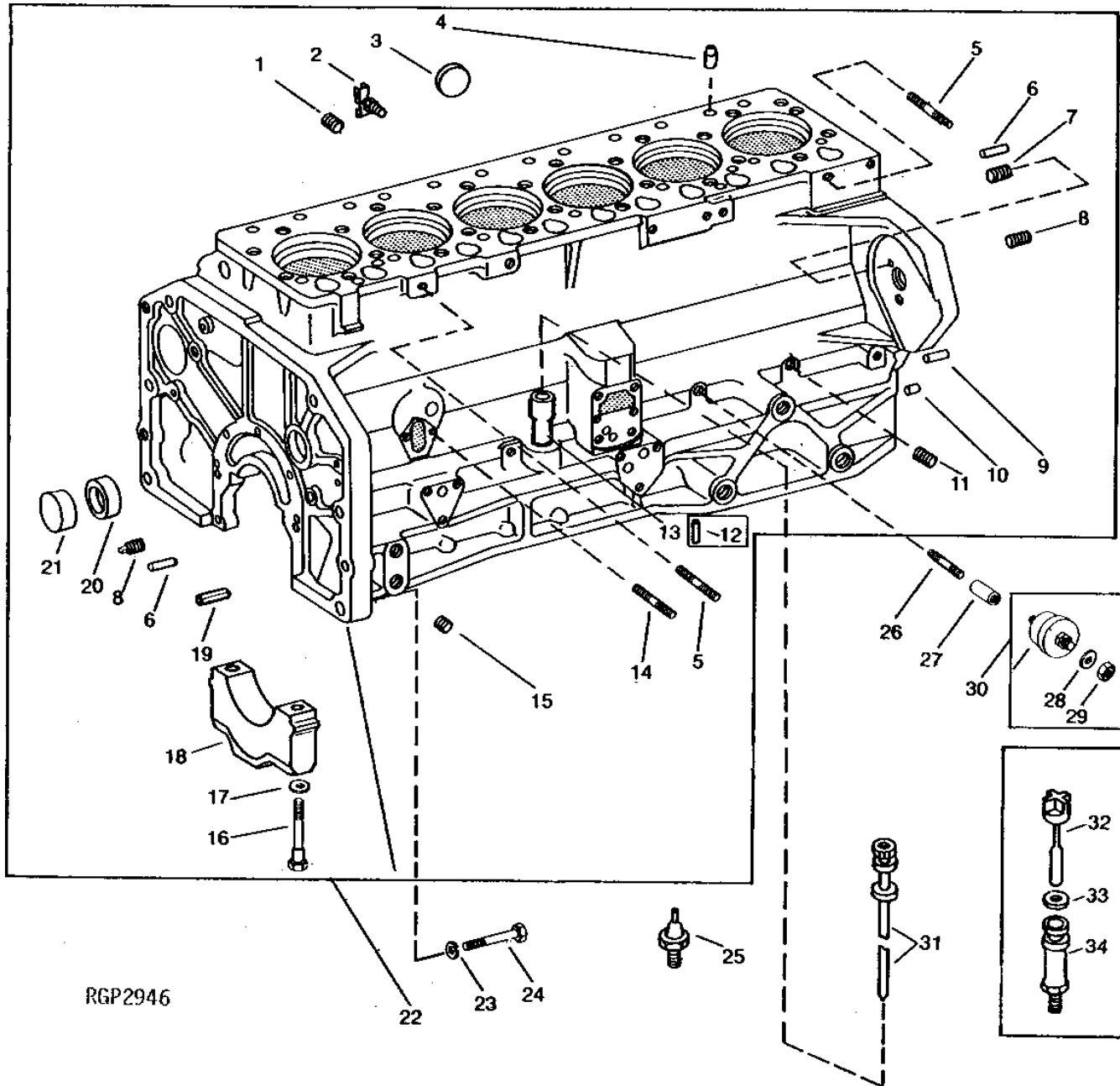
MEMORANDA

1B6

ENGINE

CYLINDER BLOCK (6531D)

RGP2946 -UN-01JAN94



RGP2946

1B7

ENGINE

CYLINDER BLOCK - CONTINUED (6531D)

KEY	PART NO.	PART NAME	QTY	ENGINE SERIAL NO.	REMARKS
1	15H562	PIPE PLUG	2		1", (SUB FOR AR78522) (USE WITH R35130, R40270 OR R42370)
2	AR44382	DRAIN VALVE	1		3/8", (USE WITH R45300, R42370 OR R47510)
	AT13740	DRAIN VALVE	1		1/4", (USE WITH R40270 OR R35130)
3	AR80294	PLUG	2	280001-XXXXXX	(LESS COOLANT HEATER) (SUB FOR R47092)
	AR80294	PLUG	1	XXXXXX-	(USE WITH R47510)
4	R26241	DOWEL PIN	2		
5	K3083R	STUD	3	-280000	7/16" X 1-3/4"
	F2884R	STUD	2	280001-	
6	F1743R	DOWEL PIN	3		
7	R56481	STUD	2		(SUB FOR M3636T OR R26117)
8	15H571	PIPE PLUG	2		3/8"
9	R36666	DOWEL PIN	2		(SUB FOR R26198)
10	R28671	DOWEL PIN	2		
11	15H638	PIPE PLUG	1	008000-	1/8"
12	DOWEL PIN	1		(H826 NO LONGER USED)
13	R41070	TUBE	1		(USE WITH R45300 AND R47510)
	R41883	TUBE	1		(USE WITH R35130, R40270 OR R42370) (SUB FOR R35152 OR R40603)
14	R48755	STUD	2		5/16" X 1-1/2"
15	15H638	PIPE PLUG	6	-007999	1/8"
	15H638	PIPE PLUG	5	008000-	1/8", (SUB FOR R21630, THIS APPLICATION)
16	R42365	BOLT	14		
17	R70268	WASHER	14		(SUB FOR R42363)
18	R48256	BEARING CAP	6		(MAIN)
	R48257	BEARING CAP	1		(MAIN THRUST)
19	R39253	DOWEL PIN	1	XXXXXX-	
20	R46903	BUSHING	4		
21	R26115	CAP	1		
22	AR35147	CYLINDER BLOCK	1		(MARKED R35130) (SUB AR50525) (ALSO ORDER AR47249, AR47250, (6) AR55950 AND (6) R42368)
	AR47247	CYLINDER BLOCK	1		(MARKED R42370) (SUB AR50525) (ALSO ORDER (6) AR55950)
	AR36649	CYLINDER BLOCK	1	-XXXXXX	(MARKED R40270) (SUB AR50525, (6) AR55950, AR47249 AND AR47250)
	AR47246	CYLINDER BLOCK	1	-280000	(MARKED R42370 OR R45300) (SUB AR50525 AND (6) AR55950)
	AR50525	CYLINDER BLOCK	1	280001-	(MARKED R47510) (SUB FOR AR35147, AR36649, AR44412 AND AR47246) (ALSO ORDER (6) AR55950, AR47249, (21) R80574, (3) R81006, (2) R80576 AND (26) R70268)
23	12H236	LOCK WASHER	6		3/4"
24	19H1862	CAP SCREW	6		3/4" X 2-1/2"
25	AT85174	SWITCH	1		ENGINE OIL PRESSURE, (SUB FOR AR27977)
26	29H13	THREADED NIPPLE	1		1/8", NOT APPLICABLE
27	15H73	COUPLING	1		1/8", NOT APPLICABLE
28	12M7060	WASHER	1		0.209", NOT APPLICABLE
29	14H631	NUT	1		0.190", NOT APPLICABLE
30	AT84200	SENDER	1		NOT APPLICABLE
31	AR47249	DIPSTICK	1		(USE WITH R47510)
32	AR36889	DIPSTICK	1		(USE WITH R35130, R40270, R40370 OR R41883) (SUB FOR AR35008 OR AR36314)
33	R31486	WASHER	1	-005912	(USE WITH R35130, R40270 OR R42370)
	R39520	WASHER	1	005913-XXXXXX	(USE WITH R41883, R35130, R40270 OR R42370)
34	R41883	TUBE	1		(USE WITH R40270, R35130 OR R42370) (SUB FOR R35152 OR R40603)

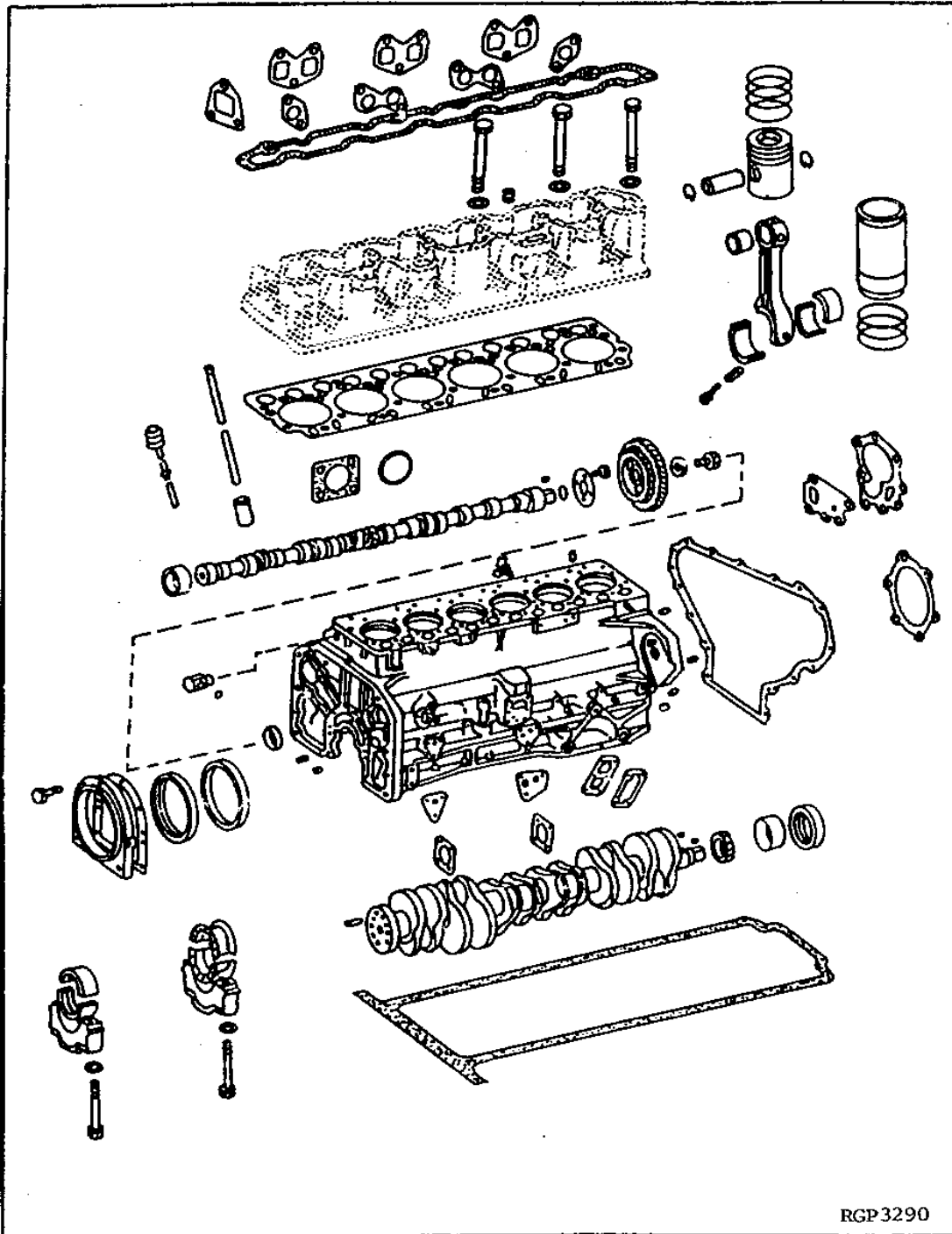
1B8

ENGINE

ENGINE SHORT BLOCK (6531D)

RGP3290

-UN-01JAN94



1B9

ENGINE

ENGINE SHORT BLOCK - CONTINUED
(6531D)

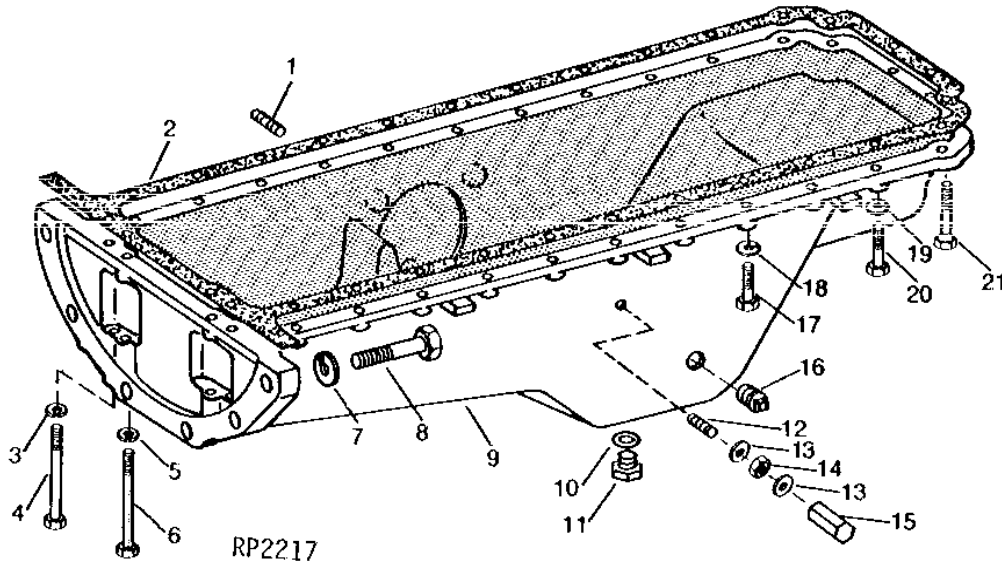
KEY	PART NO.	PART NAME	QTY	ENGINE SERIAL NO.	REMARKS
1	AR48226	SHORT BLOCK ASSEMBLY	1		(MARKED R47510) (ALSO ORDER AR36702, (2)
	AR48729	SHORT BLOCK ASSEMBLY	1		R38614 AND (2) AR63865) (NO LONGER AVAILABLE)

1B10

ENGINE

RP2217 -UN-01JAN94

OIL PAN



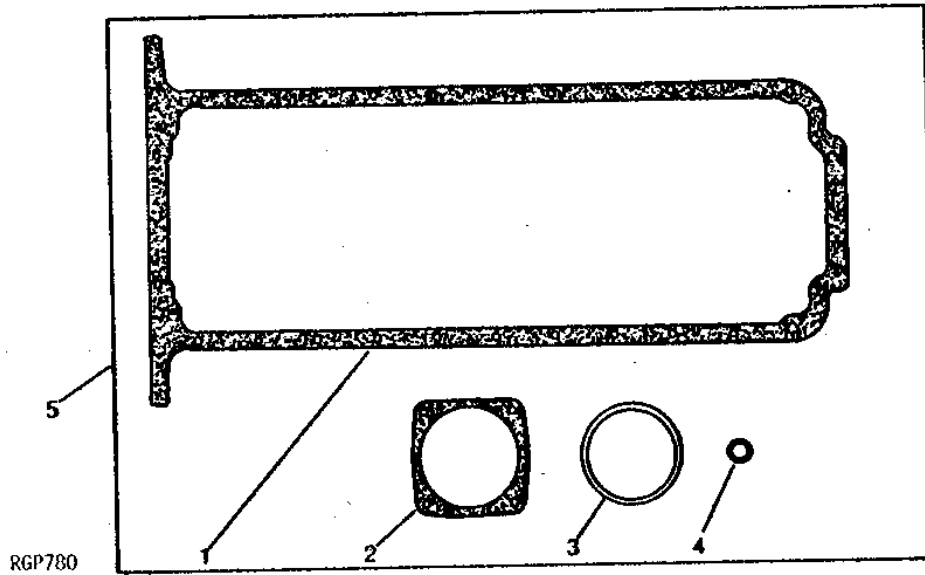
KEY	PART NO.	PART NAME	QTY	ENGINE SERIAL NO.	REMARKS
1	D2420R	STUD	4	3/8" X 1-7/8"	
2	R71919	GASKET	1	(SUB FOR R35139, R61670 OR R47248)	
3	12H304	LOCK WASHER	2	3/8"	
4	19H3328	CAP SCREW	2	3/8" X 6-1/2"	
5	12H304	LOCK WASHER	2	3/8"	
6	19H3481	CAP SCREW	2	3/8" X 7-1/2"	
7	12H236	LOCK WASHER	6	3/4"	
8	19H2663	CAP SCREW	6	3/4" X 2-1/8"	
9	AR36886	OIL PAN	1	(MARKED R35070, R36720 OR R40810) (SUB FOR AR35663 OR AR36054) (NLA)	
10	A4827R	WASHER	1		
11	R26727	DRAIN PLUG	1		
12	22H1019	SET SCREW	1	3/8" X 1-3/4"	
13	A3098R	WASHER	2		
14	14H812	NUT	1	3/8"	
15	B427R	CAP SCREW, AND NUT	1		
16	15H690	PIPE PLUG	1	3/4"	
17	19H1800	CAP SCREW	23	3/8" X 1-1/2"	
18	12H304	LOCK WASHER	23	3/8"	
19	12H304	LOCK WASHER	1	3/8"	
20	19H2552	CAP SCREW	1	3/8" X 1-1/8"	
21	R35141	SCREW	2		
..	AR36073	GASKET KIT	1		

1B11

ENGINE

OIL PAN REPLACEMENT GASKET KIT (6531D)

RGP780 -UN-01JAN94



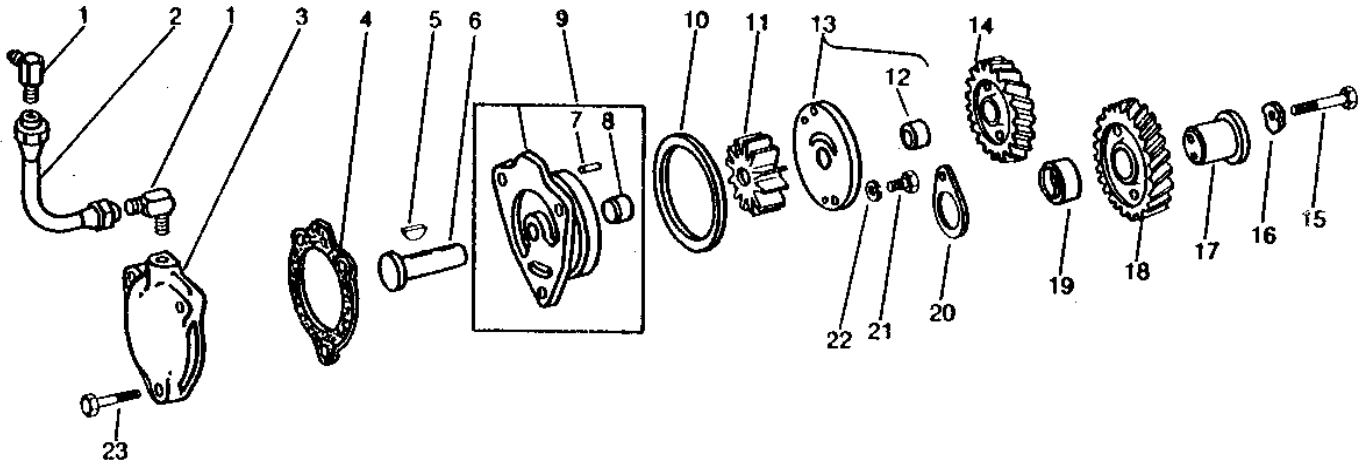
KEY	PART NO.	PART NAME	QTY	ENGINE SERIAL NO.	REMARKS
1	R71919	GASKET	1		(SUB FOR R35139, R47248 AND R61670)
2	R35032	GASKET	1		
3	R35034	PACKING	1		
4	R26121	O-RING	1		
5	AR36073	GASKET KIT	1		

1B12

ENGINE

VENTILATOR PUMP (ENGINE SERIAL NO. -030375)

RGP761 -UN-01JAN94



RGP761

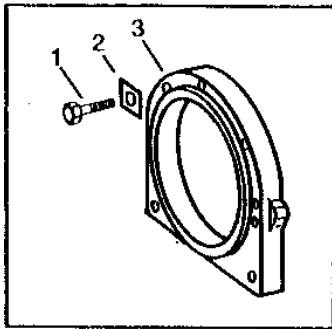
KEY	PART NO.	PART NAME	QTY	ENGINE SERIAL NO.	REMARKS
1	M42830	ELBOW FITTING	2		
2	AR35003	LINE	1		90°, (SUB FOR AR26635)
	AR36671	LINE	1		(NLA)
3	R31346	COVER	1		
4	R31340	GASKET	1		
5	26H70	SHAFT KEY	2		1/8" X 1/2"
6	AR40405	SHAFT	1		(MARKED R40564) (SUB FOR AR26390 OR R26407)
	B2641R	DOWEL PIN	1		(USE WITH AR26390)
7	34H245	SPRING PIN	2		1/8" X 5/8"
8	R30713	BUSHING	1		
9	AR30444	HOUSING	1		(MARKED R31337)
10	R40776	WASHER	1		(SUB FOR R26142)
11	R26135	IMPELLER	1		
12	R30713	BUSHING	1		
13	AR26341	COVER	1		(MARKED R26136) (NLA)
14	R26138	GEAR	1		
15	19H1819	CAP SCREW	1		3/8" X 2-1/8"
16	R26403	LOCK PLATE	1		
17	R26401	SHAFT	1		
18	AR35004	GEAR	1		(MARKED R35016)
19	R30712	BUSHING	1		
20	R26402	WASHER	1		
21	19H2925	SCREW	2		NO. 10 X 1/2", (SUB FOR R27206)
22	12H246	LOCK WASHER	2		0.190"
23	R41920	CAP SCREW	3		(SUB FOR R27207)

1B13

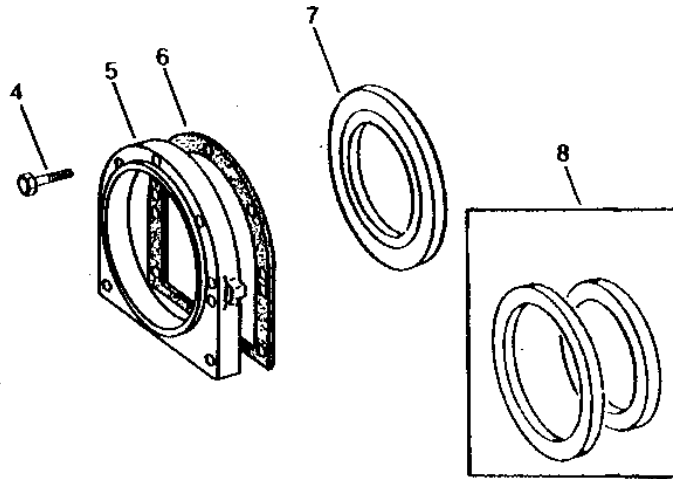
ENGINE

CRANKSHAFT REAR OIL SEAL AND HOUSING (6531)

RGP2793 -UN-01JAN94



RGP2793



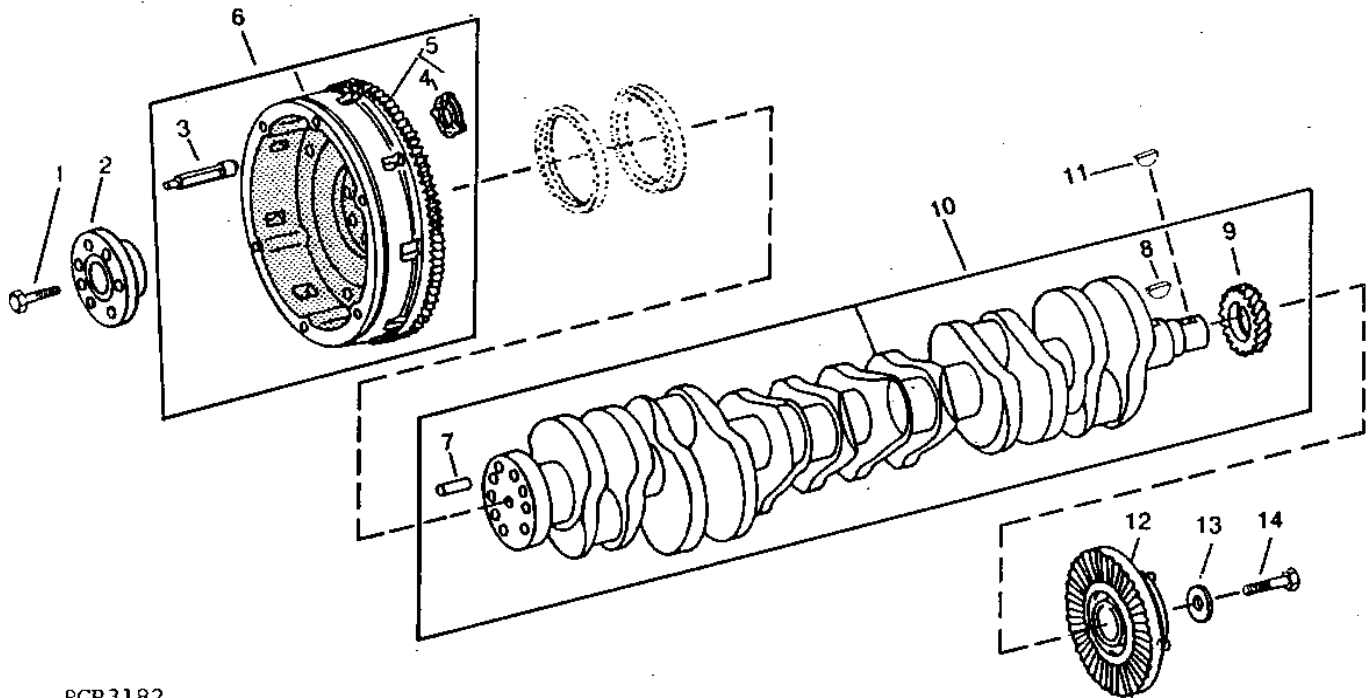
KEY	PART NO.	PART NAME	QTY	ENGINE SERIAL NO.	REMARKS
1	19H2661	CAP SCREW	7	-030841	5/16" X 1-3/8"
2	R35128	LOCK PLATE	7	-030841	
3	AR45347	HOUSING	1	-030841	(SUB RE13310, R73791 AND (2) 19H3564)
4	R41035	CAP SCREW	7	030842-	7.925 X 35.052 MM (5/16" X 1.380") (USE WITH R46577)
5	R46577	HOUSING	1	030842-	(SUB R110212 AND (2) 19H3564)
	R110212	HOUSING	1		(SUB FOR R73791)
6	R35043	GASKET	1		
7	RE13310	SEAL	1		(SUB FOR RE13312)
8	AR101833	SEAL	1		(SUB RE13310) (SUB FOR AR48942)

1B14

ENGINE

CRANKSHAFT AND FLYWHEEL (6531A & D)

RGP3182 -UN-01JAN94



RGP 3182

KEY	PART NO.	PART NAME	QTY	ENGINE SERIAL NO.	REMARKS
1	R35044	SELF-LOCKING SCREW	6	(5010, 5020*, 5020&, 6030)	
	R54099	CAP SCREW	6	(SUB FOR R42364 OR R63789) (5400)	
2	E48686	HUB	1	(5400)	
3	R26646	PIN	3	-004499	
	R36675	PIN	3	004500-	
	R55274	PIN	3	(SUB FOR R49215) (6030)	
4	R57480	GASKET	1	(5020*, 5020&, 6030)	
5	AR103044	KIT	1	(MARKED R76000) (SUB FOR R35047)	
6	AR103108	FLYWHEEL	1	(MARKED R35060, R42200, R42210, R40190 OR R40820) (SUB FOR AR36904, AR35800, AR36092, AR40936, AR36619, AR44104 OR AR44105) (5020*, 5020&) (NLA)	
	AR103112	FLYWHEEL	1	(MARKED R44070) (SUB FOR AR45278)	
	AR103109	FLYWHEEL	1	(MARKED R49220 OR R54780) (SUB FOR AR52639, AR63261 OR AR64672) (5010)	
	AR52802	FLYWHEEL	1	-293817 (MARKED R49350) (SUB AR103322) (5400)	
	AR103322	KIT	1	293818- (MARKED R63349) (SUB FOR AR78264) (5400)	
7	R60161	DOWEL PIN	2	(SUB FOR R35046 OR T23740)	
8	26H12	SHAFT KEY	1	1/8" X 3/4"	
9	R35045	GEAR	1		
10	AR69263	CRANKSHAFT	1	(MARKED R36350 OR R63476) (SUB FOR AR35010) (SUB AR92533)	
11	26H85	SHAFT KEY	1	1/4" X 1"	
12	AR58180	ABSORBER	1	-004499 (A) (SUB FOR R35646) (NOT SHOWN) (5010)	
	AR58177	ABSORBER	1	004500- (A) (SUB FOR R34365, AR53023 OR AR50397) (5010, 5020*, 5020&, 6030)	
	AR58178	ABSORBER	1	030581- (A) AIR CONDITIONING, (NOT SHOWN) (5020&, 6030) (NLA) (7520)	
	ABSORBER	NA		
13	R26333	WASHER	1		
14	19H2706	CAP SCREW	1	5/8" X 2", HS, SAE 8	

(*) 5020 (-024999)

(&) 5020 (025000-)

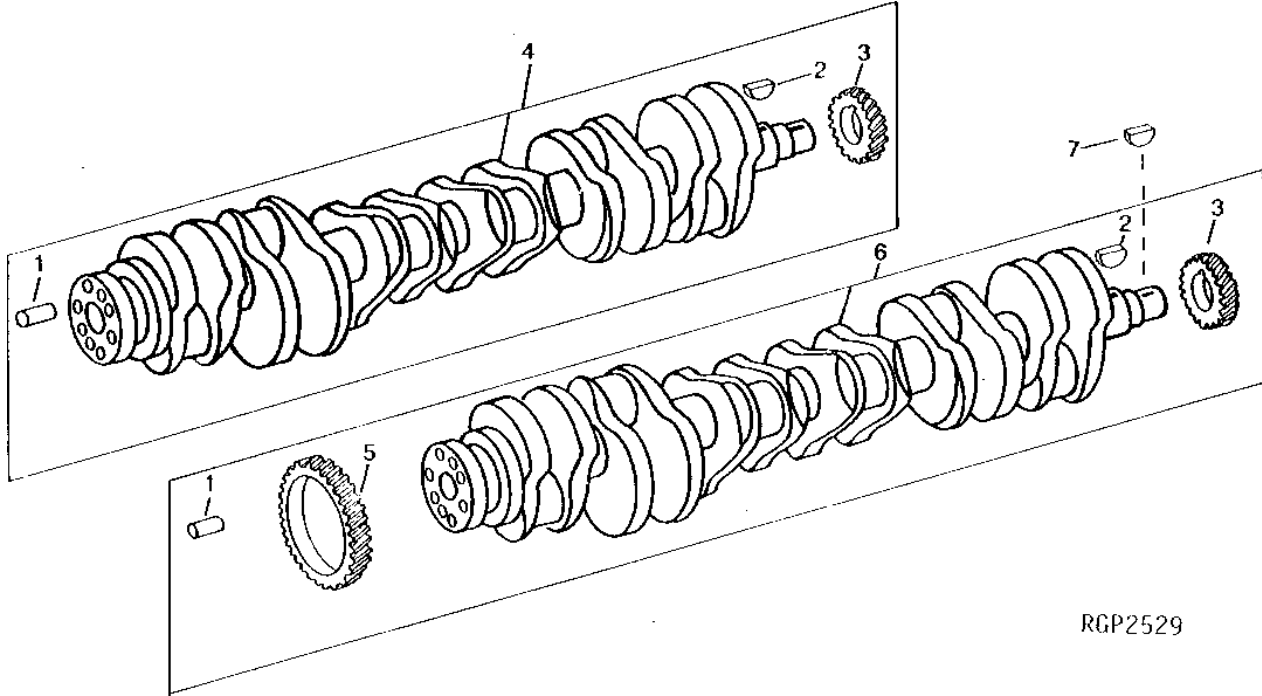
(A) USE ON NATURALLY ASPIRATED ENGINES ONLY

1B15

ENGINE

RGP2529 -UN-01JAN94

CRANKSHAFT



RGP2529

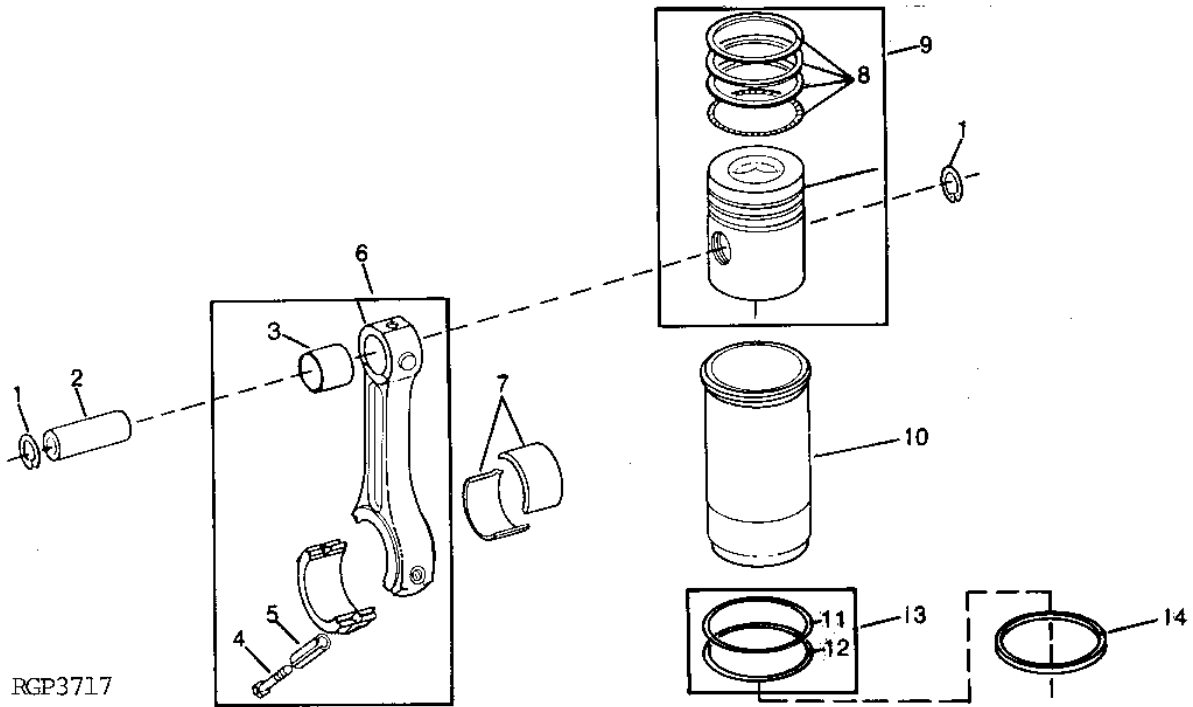
KEY	PART NO.	PART NAME	QTY	SHORT BLOCK SERIAL NO.	REMARKS
1	R60161	DOWEL PIN	AR		
2	26H12	SHAFT KEY	1		1/8" X 3/4"
3	R35045	GEAR	1		
4	AR69263	CRANKSHAFT	1	-223644	(MARKED R36350) (SUB AR92533)
5	R63326	GEAR	1	223645-	
6	AR92533	CRANKSHAFT	1	223645-	(MARKED R63476)
7	26H85	SHAFT KEY	1		1/4" X 1"

1B16

ENGINE

PISTONS, RINGS, CONNECTING ROD AND LINERS (6531D)

RGP3717 -UN-10JAN96



1B17

ENGINE

PISTONS, RINGS, CONNECTING ROD, AND LINERS - CONTINUED
(6531D)

KEY	PART NO.	PART NAME	QTY	ENGINE SERIAL NO.	REMARKS
1	D2824R	SNAP RING	12		
2	R35053	PISTON PIN	6		STD
	R36413	BUSHING	6		.003" OS (MARKED YELLOW)
	R36414	PISTON PIN	6		.005" OS (MARKED RED)
3	R36328	BUSHING	6		
4	R66453	CAP SCREW	12		(SUB FOR R35049 OR R48316)
5	R48317	SLEEVE	12	290635-	(USE WITH AR59420) (MARKED R53286)
6	AR36666	CONNECTING ROD	6	-290634	(MARKED R35048, R40238 OR R58881) (SUB AR86987) (SUB FOR AR35012)
	AR86987	CONNECTING ROD	6	290635-	(MARKED R53286, R58881 OR R66927) (SUB FOR AR59420 OR AR70911)
7	AR53020	BEARING	AR		STD (PKG (2) R49385) (SUB FOR AR35661)
	AR57207	BEARING	AR		.002" US, (PKG (2) R52541) (SUB FOR AR35191)
	AR57208	BEARING	AR		.010" US, (PKG (2) R52542) (SUB FOR AR45221)
	AR57209	BEARING	AR		.020" US, (PKG (2) R52543) (SUB FOR AR35193)
	AR57210	BEARING	AR		.030" US, (PKG (2) R52544) (SUB FOR AR35195)
8	AR41295	PISTON RING	6		(USE WITH AR41294, AR61897, R44506 OR RE16548) (4 RING PISTON)
	AR36210	PISTON RING	6		(USE WITH PISTON R40339, R36801, R40627 OR R40951) (3 RING PISTON) (USE WITH R40339, R36801, R40627 OR R40951)
9	AR44505	PISTON	6		(MARKED R36801, R40627, R40951 OR AR44506) (USE WITH R47510) (SUB FOR AR36145 OR AR36872)
	AR41293	PISTON	6	-011999	(MARKED AR41294 OR 39025) (SUB RE16549)
	AR61896	PISTON	6	012000-025386	(MARKED AR61897) (SUB RE16549)
	AR41293	PISTON	6	025387-	(MARKED AR41294) (SUB RE16549)
	AR36836	PISTON	6		(A) (MARKED R40339 - 3 RING) (SUB (6) RE16549)
	RE16549	PISTON	6		(A) (MARKED R40339) (SUB (6) RE16549) (3 RING)
10	R35124	CYLINDER LINER	6		(ALSO ORDER AR35992) (SUB FOR AR35662) (USE WITH R35130) (5010-5020)
	R42366	CYLINDER LINER	6	-280000	(ALSO ORDER AR55950) (SUB FOR R40232) (USE WITH R40270, R42370 OR R45300)
	R42366	CYLINDER LINER	6	280001-	(ALSO ORDER AR55951) (SUB FOR R40232) (USE WITH R47510 OR R45300 BLOCK OR AR44506 PISTON)
11	R40233	WASHER	6		(USE WITH R40232, R40270, R42370, R45300 OR R47510)
12	PACKING	6		(SUB AR55950)
13	AR55950	PACKING	6		(5020*, 5010)
	AR55950	PACKING	6	-280000	(USE WITH (1) O-RING GROOVE IN BLOCK) (5020&)
	AR55951	PACKING	6	280001-	(3 PC SET) (USE W/(2) O-RING GROOVES IN BLOCK) (SUB FOR AR51957) (5020&, 5010, 6030)
	AR35992	O-RING	6		(USE WITH R35124 OR R35130) (5010)
14	AR35842	SHIM	AR		.10 MM (.004") (5020*, 5010)
	AR36353	SHIM	AR		.38 MM (.015") (5020*, 5010)
	AR35843	SHIM	AR		.72 MM (.030") (5020*, 5010)
	R116254	SHIM	AR		1.27 MM (.050")

(*) 5020 (-024999)

(&) 5020 (025000-)

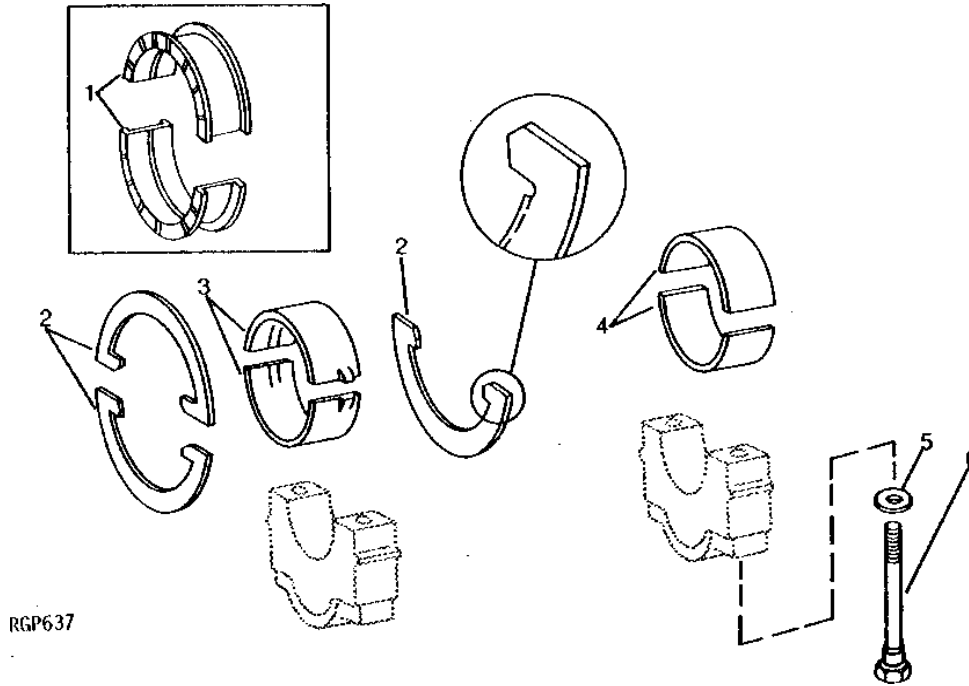
(A) RECOMMENDED TO REPLACE ALL SIX PISTONS WHEN GOING FROM THREE RING (MARKED R40339) TO FOUR RING PISTON (MARKED RE16548) DUE TO DIFFERENCE IN PISTON WEIGHT.

1B18

ENGINE

MAIN AND MAIN THRUST BEARINGS (6531)

RGP637 -UN-01JAN94



KEY	PART NO.	PART NAME	QTY	ENGINE SERIAL NO.	REMARKS
1	AR53019	THRUST BEARING	1	-306439	STD (PKG R40228, R80229 OR R49383 AND R49384) (SUB FOR AR35176) (SUB AR101267) (ALSO ORDER AR89622 OR AR89971)
	AR57203	THRUST BEARING	1	-306439	0.05MM (.002") US, STD FLANGE (PKG R35561 AND R35562, R52533 AND R52534) (SUB AR104563) (SUB FOR R35177) (ALSO ORDER AR89622 OR AR89971)
	AR35178	THRUST BEARING	1		0.08MM (.003") US (PKG R35563 & R35564) (NLA)
	AR57204	THRUST BEARING	1	-306439	0.25MM (.010") US, STD FLANGE (PKG R52535 AND R52536) (SUB AR104564) (ALSO ORDER AR89622 OR AR89971)
	AR57205	THRUST BEARING	1	-306439	0.51MM (.020") US, STD FLANGE (PKG R35565 & R35566, R52537 & R52538) (SUB FOR AR35179) (SUB AR104565) (ALSO ORDER AR89622 OR AR89971)
	AR35180	THRUST BEARING	1		0.56MM (.022") US (PKG R35567 AND R35568) (NLA)
	AR57206	THRUST BEARING	1	-306539	0.76MM (.030") US, STD FLANGE (PKG R35569 & R35570, R52539 & R52540) (SUB FOR AR35181) (SUB AR104566) (ALSO ORDER AR89622 OR AR89971)
	AR35182	THRUST BEARING	1		0.81MM (.032") US (PKG R35571 AND R35572) (NLA)
	AR63214	THRUST BEARING	1	-306439	0.25MM (.010") US, 0.18 MM (.007") OS FLANGE, (SUB AR104564) (ALSO ORDER AR89622 OR AR89971) (PKG R54754 AND R54755)
	AR35183	THRUST BEARING	1		STD. WITH 0.38MM (.015") OS FLANGE (PKG R35573 & R35574) (NLA)
	AR35184	THRUST BEARING	1		0.81MM (.032") US W/ 0.63MM (.025") OS FLANGE (PKG R35575 & R35576) (NLA)
	AR35314	THRUST BEARING	1		0.81MM (.032") US WITH 0.63MM (.025) OS FLANGE (PKG R35785 & R35786) (NLA)

1B19

ENGINE

MAIN AND THRUST BEARINGS - CONTINUED

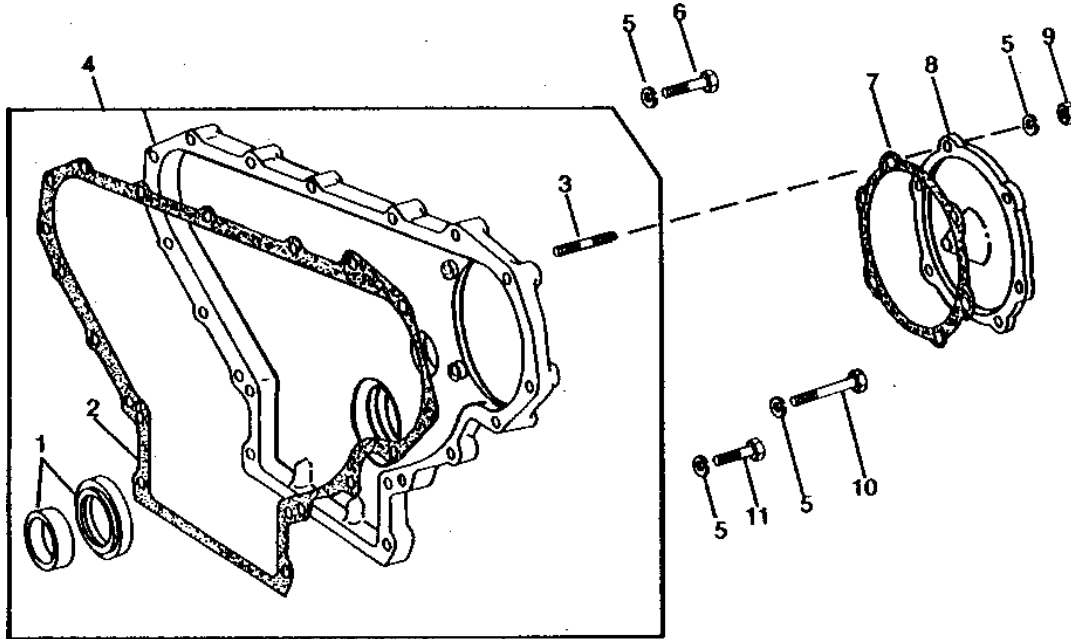
KEY	PART NO.	PART NAME	QTY	ENGINE SERIAL NO.	REMARKS
2	AR89622	THRUST WASHER	1	306440-	STD (PKG (3) R62910)
	AR89971	THRUST WASHER	1	306440-	0.18MM (.007") OS, (PKG R62910 AND (2) R69040)
3	AR101267	THRUST BEARING	1	306440-	STD (PKG R40228 AND R40229 OR R49383 AND R49384 OR (2) R66339, (2) R75146 OR (2) R74669) (SUB FOR AR101408, AR94645, AR53019 OR AR35176) (ALSO ORDER AR89622 OR AR89971)
	AR104563	THRUST BEARING	1	306440-	0.05MM (.002") US (PKG R35561 AND R35562 OR R52533 AND R52534 AND AR94646 OR (2) R69032, (2) R75157 OR (2) R76641, (SUB FOR AR35177, AR101409, AR94646 OR AR57203) (ALSO ORDER AR89622 OR AR89971)
	AR104564	THRUST BEARING	1	306440-	0.25MM (.010") US (PKG (2) R69034, (2) R75159 OR (2) R76643) (SUB FOR AR101410, AR57204, AR63214 OR AR94647)
	AR104565	THRUST BEARING	1	306440-	0.51MM (.020") US, (PKG R35565 AND R35566 OR (2) R69036, (2) R75161 OR (2) R76645 OR R52537 AND R52538) (SUB FOR AR35179, AR101411, AR94648 OR AR57205) (ALSO ORDER AR89622 OR AR89971)
	AR104566	THRUST BEARING	1	306440-	0.76MM (.030") US, (PKG R35569 AND R35570 OR (2) R69038, (2) R75163 OR (2) R76647, R52539 OR R52540) (SUB FOR AR35181, AR101412, AR94649 OR AR57206) (ALSO ORDER AR89622 OR AR89971)
	AR104567	BEARING	AR		STD (PKG (2) R40227 OR (2) R49382, (2) R66337, (2) R75144 OR (2) R74667) (SUB FOR AR53018, AR101403 OR AR35660)
4	AR104567	BEARING	AR		0.05MM (.002") US (PKG (2) R52529, (2) R69024, (2) R75149, (2) R76633 OR (2) R35577) (SUB FOR AR57199, AR35185 OR AR90642)
	AR35186	BEARING	AR		0.08MM (.003") US (PKG (2) R35578) (NLA)
	AR104568	BEARING	AR		0.25MM (.010") US, (PKG (2) R52530, (2) R69026, (2) R75151, OR (2) R76635) (SUB FOR AR57200 OR AR90641)
	AR104569	BEARING	AR		0.51MM (.020") US, (PKG (2) R35579, (2) R52531, (2) R69028, (2) R75153 OR (2) R76637) (SUB FOR AR57201, AR35187 OR AR90644)
	AR35188	BEARING	AR		0.56MM (.022") US (PKG (2) R35580) (NLA)
5	AR104570	BEARING	AR		0.76MM (.030") US, (PKG (2) R35581, (2) R52532, (2) R69030, (2) R75155 OR (2) R76639) (SUB FOR AR57202, AR35187 OR AR90645)
	AR35190	BEARING	AR		0.81MM (.032") US (PKG (2) R35582) (NLA)
6	R70268	WASHER	14		16.662 X 27.940 X 4.394 MM (21/32" X 1.100" X 0.173") (SUB FOR R42363 OR R36995)
	R42365	BOLT	14		15.875 X 120.650MM (5/8" X 4-3/4") (SUB FOR R40231) (USE WITH R35130, R40270, R45300 OR R47510)
	R63952	CAP SCREW	14		15.875 X 133.350 MM (5/8" X 5-1/4") (USE WITH R48260, R72129 OR R80401) (SUB FOR R60117)

1B20

ENGINE

TIMING GEAR COVER (6531D)

RGP1539 -UN-01JAN94



RGP1539

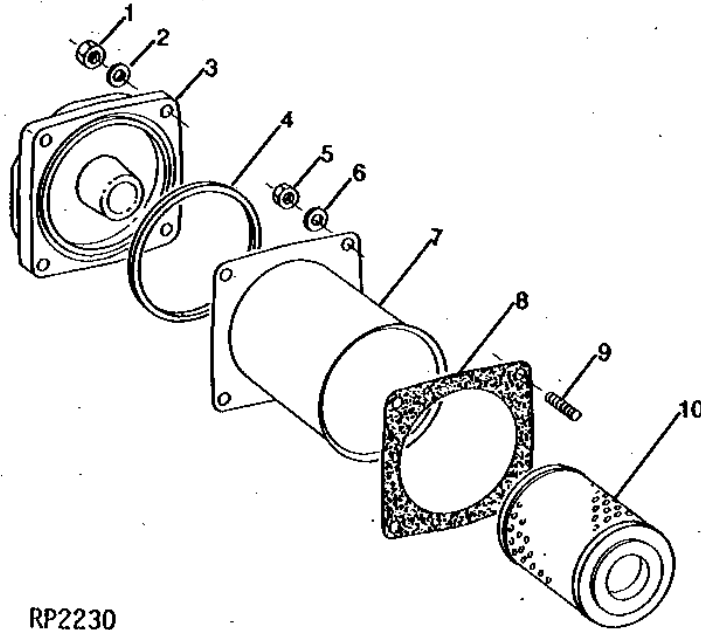
KEY	PART NO.	PART NAME	QTY	ENGINE SERIAL NO.	REMARKS
1	AR49025	SEAL	1		(SUB FOR AR47891, AR44949, AR31882 AND AR48728)
2	R35126	GASKET	1		
3	R32042	STUD	2		
4	AR36057	COVER	1		(MARKED R36655) (NOT REQUIRED W/E55662) (NLA)
5	12H304	LOCK WASHER	17		3/8"
6	19H1801	CAP SCREW	7		3/8" X 2"
7	R35349	GASKET	1		
8	R35348	COVER	1		
9	E55662	FLANGE NUT	2		
10	19H1733	CAP SCREW	4		3/8" X 2-1/2"
11	19H1800	CAP SCREW	4		3/8" X 1-1/2"

1B21

ENGINE

RP2230 -UN-01JAN94

ENGINE OIL FILTER



RP2230

KEY	PART NO.	PART NAME	QTY	ENGINE SERIAL NO.	REMARKS
1	E55662	FLANGE NUT	4		
2	24H1301	WASHER	4	13/32" X 9/16" X 0.065"	
3	R36828	COVER	1	(SUB FOR R36712)	
4	R35034	PACKING	1		
5	14H732	NUT	2	3/8"	
6	24H1652	WASHER	2	13/32" X 11/16" X 7/64"	
7	R35031	HOUSING	1	(NLA)	
8	R35032	GASKET	1		
9	D2420R	STUD	4	3/8" X 1-7/8"	
10	AR75603	FILTER ELEMENT	1	(SUB FOR AR28271 OR AR75601)	

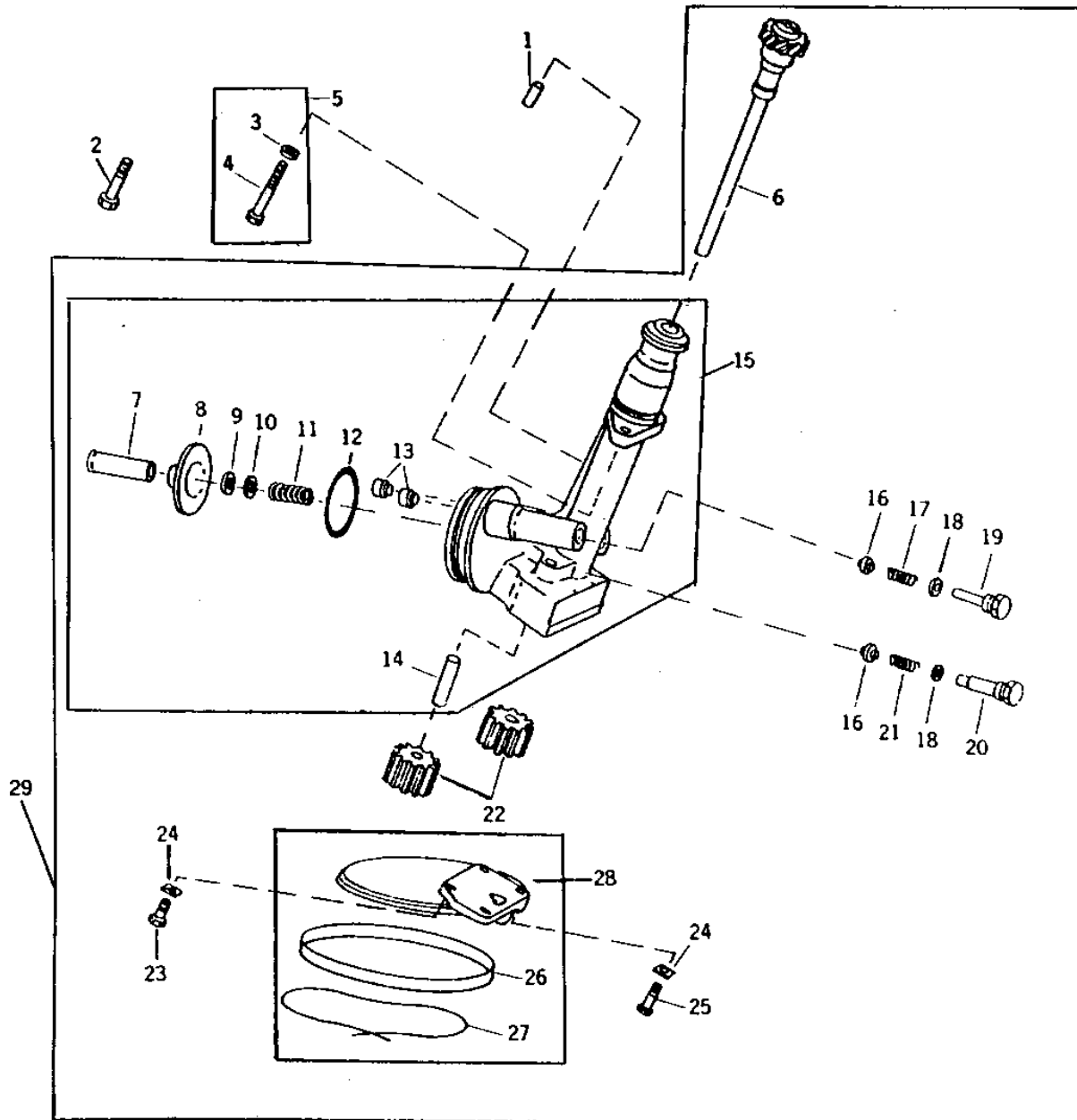
1B22

ENGINE

ENGINE OIL PUMP (6531D)

RGP3288

-UN-01JAN94



RGP3288

1B23

ENGINE

ENGINE OIL PUMP - CONTINUED

KEY	PART NO.	PART NAME	QTY	ENGINE SERIAL NO.	REMARKS
1	H826R	DOWEL PIN	1	(5010)	
2	R38614	CAP SCREW	2	(USE WITH R56604)	
3	R42729	WASHER	2	(USE WITH R40217) (SUB FOR R1888R, THIS APPLICATION)	
4	19H1800	CAP SCREW	2	(5010)	
	R38614	CAP SCREW	2	(USE WITH R56604) (5020*)	
	R41920	CAP SCREW	2	(USE WITH R40217)	
5	AR63865	KIT	1	(USE WITH R40217)	
6	26H73	SHAFT KEY	1	-XXXXXX	
	AR35035	GEAR	1	(MARKED R32427)	
7	R26146	TUBE	1	(5010)	
	R40269	OIL TUBE	1		
8	PLATE	NA	(R35136 AVAILABLE ONLY IN ASSEMBLY) (5010)	
	R40271	PLATE	1		
9	R26149	PACKING	1	(5010)	
	R40273	WASHER	1		
10	24H1388	WASHER	1	25/32" X 15/16" X 0.036", (5010)	
	24H1707	WASHER	1	1-1/32" X 1-3/16" X 0.036"	
11	R26151	SPRING	1	(5010)	
	R40272	SPRING	1		
12	R26121	O-RING	1		
13	R26493	BUSHING	2	005273-	
14	R26144	SHAFT	1		
15	HOUSING	NA	(AR36240 NO LONGER AVAILABLE) (SUB AR36239) (MARKED R36716 OR R36863) (ALSO ORDER R26152, R36864, R36865 AND H294R) (SUB FOR AR36056) (5010)	
	AR67468	HOUSING	1	(MARKED R40217 OR R56604) (SUB FOR AR36693 OR AR68310) (ALSO ORDER (2) R38614, (2) R41920 AND (2) R42729)	
16	R26152	VALVE	2	005273-	
17	R36864	SPRING	1	005273-	
18	H294R	WASHER	2	005273-	
19	R36865	FITTING	1	005273-	
20	R26153	FITTING	1		
21	R36715	SPRING	1		
22	AR36694	GEAR	1	(SUB FOR AR26705)	
23	19H2127	CAP SCREW	2	5/16" X 7/8"	
24	R35128	LOCK PLATE	4		
25	19H3552	CAP SCREW	1	5/16" X 1-1/2", (5010)	
	19H3552	CAP SCREW	1	5/16" X 1-1/2"	
	19H1849	CAP SCREW	1	5/16" X 1-1/4"	
26	R35138	SCREEN	1		
27	WIRE	1	16 GAUGE 622MM (24-1/2")	
28	AR35164	OIL PUMP INTAKE	1	(MARKED R35028) (NLA)	
29	OIL PUMP	1	(AR36239 NO LONGER AVAILABLE) (SUB FOR AR36055) (5010)	
	AR36702	OIL PUMP	1	(SUB FOR AR76542) (ALSO ORDER (2) R38614, (2) R41920 AND (2) R42729)	

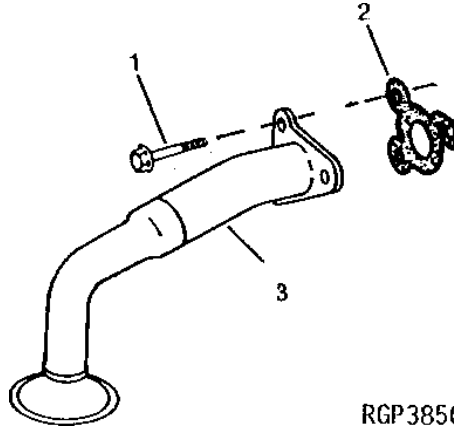
(*) 5020 (-024999)
 (&) 5020 (025000-)

1B24

ENGINE

REPLACEMENT ENGINE OIL PUMP INTAKE (LATE DESIGN) (6531) (CRANKSHAFT DRIVEN OIL PUMP)

RGP3850 -UN-01JAN94



KEY	PART NO.	PART NAME	QTY	ENGINE SERIAL NO.	REMARKS
1	R104628	CAP SCREW	3		
2	R100569	GASKET	1		
3	RE43168	OIL PUMP INTAKE	1		(USE WITH RE44118 OR RE60622) (USE WITH R48850, R72352, AR36886, R73192 OIL PANS OR PREVIOUS AR69040 OIL PUMP)

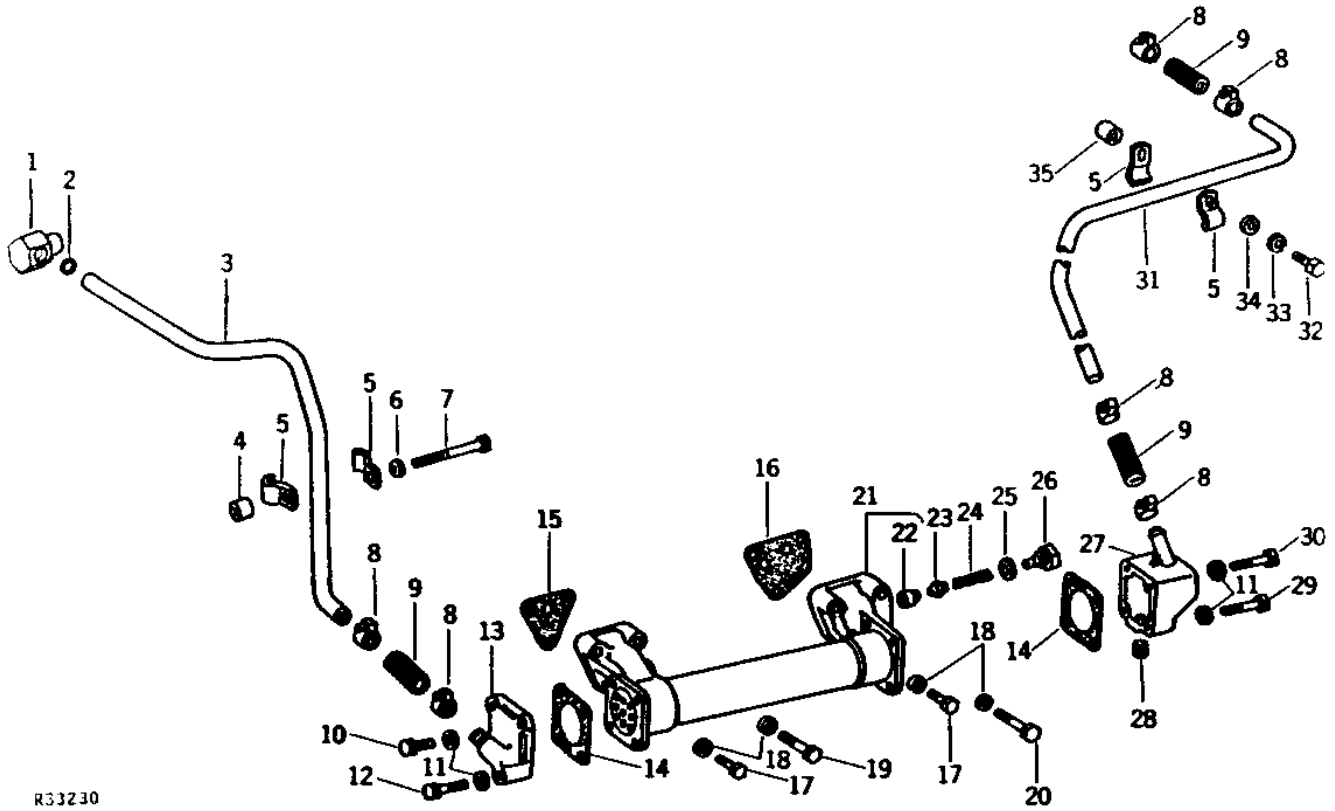
MEMORANDA

1C1

ENGINE

ENGINE OIL COOLER (6531D)

R33230 -UN-01JAN94



R33230

1C2

ENGINE

ENGINE OIL COOLER - CONTINUED (6531D)

KEY	PART NO.	PART NAME	QTY	ENGINE SERIAL NO.	REMARKS
1	R35800	ADAPTER	1		
2	R375R	O-RING	1		
3	R35799	LINE	1		WATER INLET
4	28H1697	SPACER	1		(5010, 5020*, 6030)
	28H1535	SPACER	1		(5020&)
5	R35726	CLAMP	4		
6	12H304	LOCK WASHER	1		3/8"
7	19H1912	CAP SCREW	1		3/8" X 3-1/2"
8	AR21837	CLAMP	6		(SUB TY22465)
9	R20922	HOSE	3		(SUB FOR A5334R)
10	19H1849	CAP SCREW	3		5/16" X 1-1/4"
11	12H303	LOCK WASHER	8		5/16"
12	19H1901	CAP SCREW	1		5/16" X 2"
13	R35059	CAP	1		REAR
14	R27948	GASKET	2		
15	R35104	GASKET	1		
16	R35105	GASKET	1		
17	19H2552	CAP SCREW	2		3/8" X 1-1/8"
18	12H304	LOCK WASHER	4		3/8"
19	19H3181	CAP SCREW	2		3/8" X 2"
20	19H1726	CAP SCREW	2		3/8" X 2-1/4"
21	AR36929	OIL COOLER	1		(SUB FOR AR35027)
22	R26493	BUSHING	1		
23	R26152	VALVE	1		(BY PASS)
24	A354R	SPRING	1		(SUB FOR R26169)
25	H294R	WASHER	1		
26	R34788	FITTING	1		
27	R35058	CAP	1		FRONT
28	15H559	PIPE PLUG	1		1/4"
29	19H1875	CAP SCREW	2		5/16" X 1-3/4"
30	19H1907	CAP SCREW	2		5/16" X 2-3/4"
31	R35062	LINE	1		WATER OUTLET
32	19H1732	CAP SCREW	1		3/8" X 1-1/4"
33	12H304	LOCK WASHER	1		3/8"
34	24H1652	WASHER	1		13/32" X 11/16" X 7/64"
35	28H1519	WASHER	1		0.493" X 0.675" X 3/8"

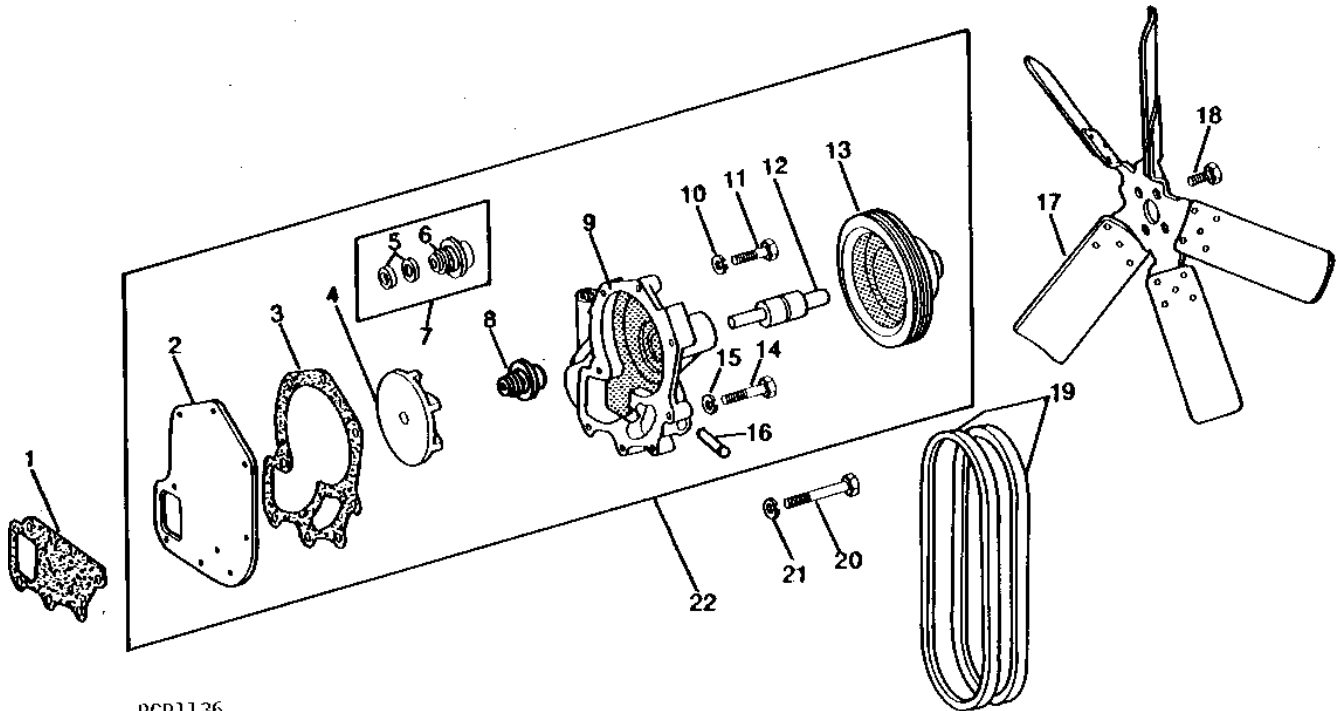
(*) 5020 (-024999)
(&) 5020 (025000-)

1C3

ENGINE

FAN AND WATER PUMP (6531D)

RGP1136 -UN-01JAN94



RGP1136

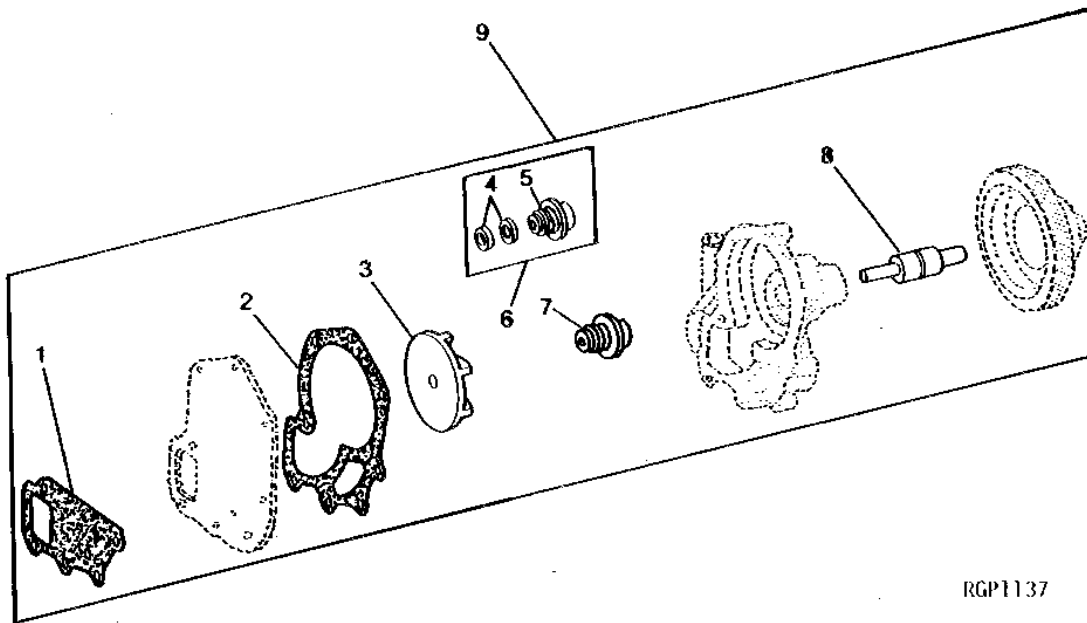
KEY	PART NO.	PART NAME	QTY	ENGINE SERIAL NO.	REMARKS
1	R35263	GASKET	1		
2	R35261	COVER	1		
3	R35262	GASKET	1		
4	R40242	IMPELLER	1		
5	AR41691	INSERT	1	(SUB RE20776)	
6	T27261	SEAL	1	(SUB RE20776)	
7	AR62934	SEAL	1	(SUB RE20776) (SUB FOR AR36668, THIS APPLICATION)	
8	RE20776	KIT	1	(SUB FOR AR101549, THIS APPLICATION)	
9	R36812	HOUSING	1		
10	12H303	LOCK WASHER	3	5/16"	
11	19H3552	CAP SCREW	3	5/16" X 1-1/2"	
12	JD9257	BALL BEARING	1		
13	R40244	PULLEY	1		
	R45118	SHEAVE	1	AIR CONDITIONING	
14	19H1801	CAP SCREW	1	3/8" X 2"	
15	12H304	LOCK WASHER	1	3/8"	
16	R27548	TUBE	1		
17	AR46805	FAN	1	(SUB FOR AR36188)	
18	19H1732	CAP SCREW	4	3/8" X 1-1/4"	
19	AR56638	BELT SET	1	(SUB FOR AR41574)	
	AR46970	BELT SET	1	AIR CONDITIONING	
20	19H1801	CAP SCREW	3	3/8" X 2"	
	19H1733	CAP SCREW	1	3/8" X 2-1/2"	
21	12H304	LOCK WASHER	4	3/8"	
22	AR36667	WATER PUMP	1		
	AR46972	WATER PUMP	1	AIR CONDITIONING	

1C4

ENGINE

WATER PUMP OVERHAUL KIT (6531D)

RGP1137 -UN-01JAN94



RGPI137

KEY	PART NO.	PART NAME	QTY	ENGINE SERIAL NO.	REMARKS
1	R35263	GASKET	1		
2	R35262	GASKET	1		
3	R40242	IMPELLER	1		
4	AR41691	INSERT	1	(SUB RE20776, THIS APPLICATION)	
5	T27261	SEAL	1	(SUB RE20776, THIS APPLICATION)	
6	AR62934	SEAL	1	(SUB RE20776, THIS APPLICATION) (SUB FOR AR36668)	
7	RE20776	KIT	1	(SUB FOR AR101549, THIS APPLICATION)	
8	JD9257	BALL BEARING	1		
9	AR98567	KIT	1	(SUB FOR AR55623)	

MEMORANDA

MEMORANDA

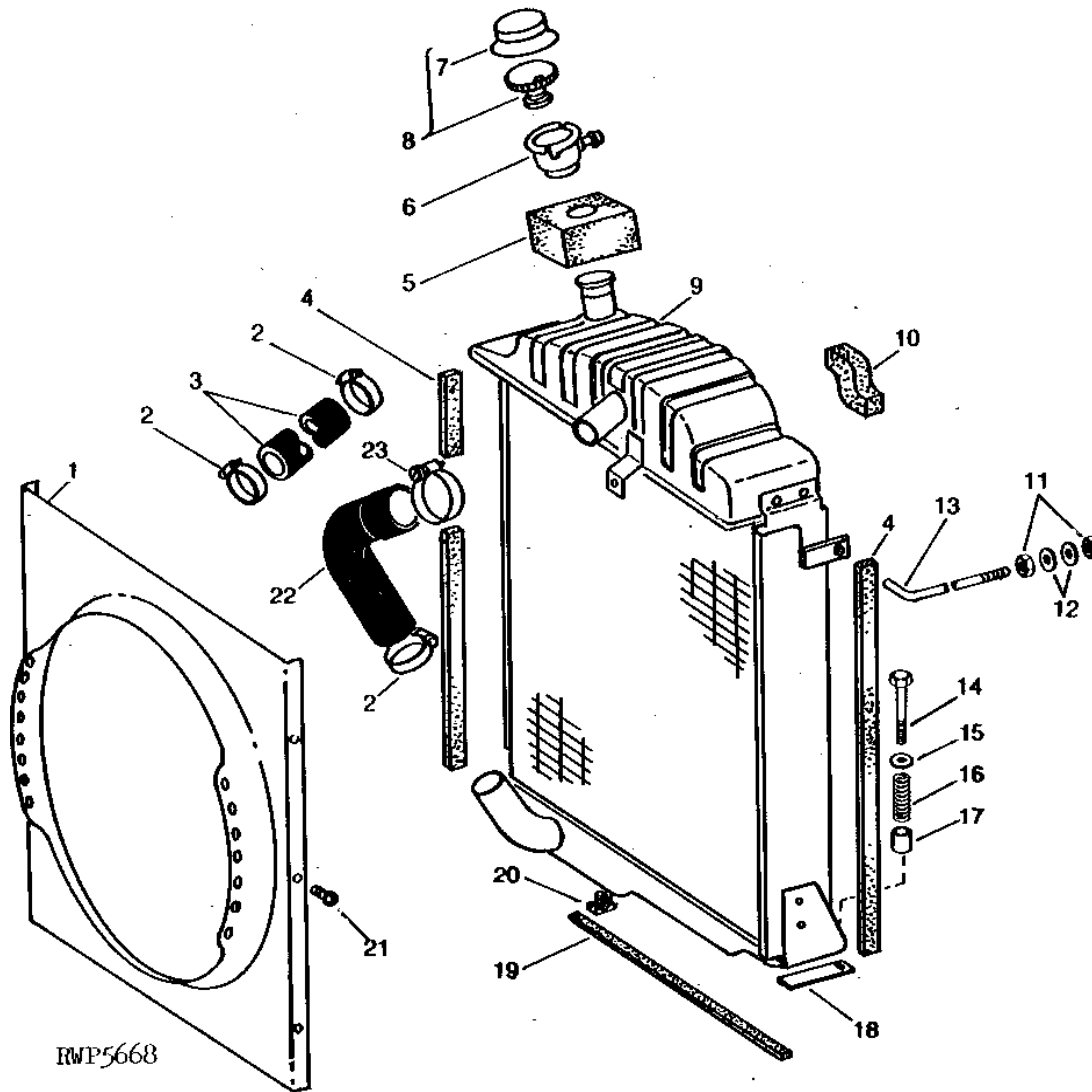
1C5

ENGINE

RWP5668

-UN-01JAN94

RADIATOR



1C6

ENGINE

RADIATOR - CONTINUED

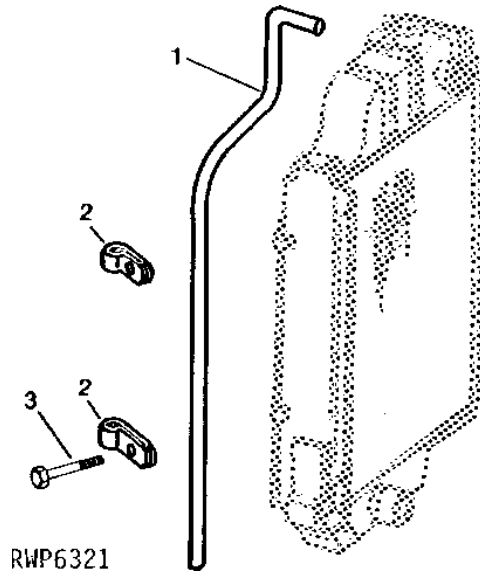
KEY	PART NO.	PART NAME	QTY	ENGINE SERIAL NO.	REMARKS
1	R35338	SHROUD	1		(NO LONGER AVAILABLE)
2	AR21840	CLAMP	3		(SUB TY22470)
3	R35304	HOSE	1		(SUB TY22336)
4	FOAM PAD	2		13 X 25 X 635MM (1/2" X 1" X 25") (MAKE FROM R30936)
5	R35741	ISOLATOR	1		
6	RE15427	FILLER NECK	1		
7	R27209	COVER	1		
8	AR28482	CAP	1		
9	RADIATOR	1		(SUB FOR AR35667 OR AR36187) (SUB AR46439) (NLA)
10	FOAM PAD	1		13 X 13 X 124MM (1/2" X 1/2" X 4-7/8") (MAKE FROM R91558)
11	14H1076	NUT	4		3/8"
12	24H1305	WASHER	4		13/32" X 13/16" X 0.065"
13	R35437	HOOK BOLT	2		
14	19H1123	CAP SCREW	2		3/8" X 1-7/8"
15	24H1309	WASHER	2		13/32" X 1-1/16" X 0.120"
16	F2411R	SPRING	2		
17	R26417	SPACER	2		
18	R26413	STRAP	2		
19	FOAM PAD	1		13 X 13 X 559MM (1/2" X 1/2" X 22") (MAKE FROM R91558)
20	AT13740	DRAIN VALVE	1		
21	37H78	SCREW	6		0.164" X 3/4", (SUB FOR R26416)
22	R35305	HOSE	1		
23	AR21841	CLAMP	1		(NLA)

1C7

ENGINE

RWP6321 -UN-01JAN94

RADIATOR OVERFLOW KIT



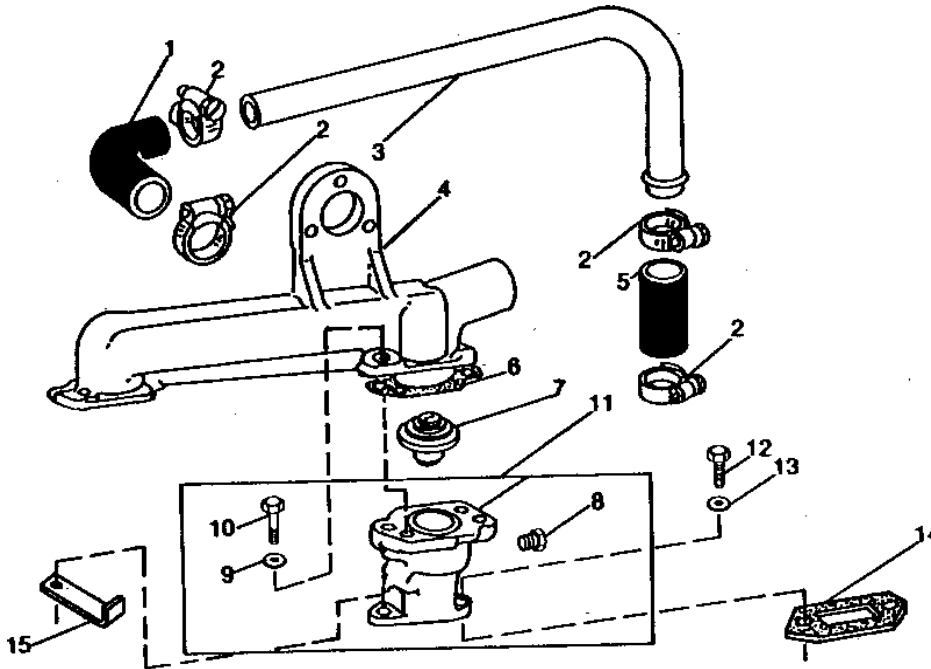
KEY	PART NO.	PART NAME	QTY	TRACTOR SERIAL NO.	REMARKS
1	R67035	HOSE	1		
2	T12250	CLIP	2		
3	19H1900	CAP SCREW	1	5/16" X 3/4"	

1C8

ENGINE

WATER MANIFOLD AND THERMOSTATS (6531D)

RGP1685 -UN-01JAN94



RGP1685

KEY	PART NO.	PART NAME	QTY	ENGINE SERIAL NO.	REMARKS
1	R81585	HOSE	1	(SUB FOR R36819)	
2	AR21999	CLAMP	4	(SUB FOR AR21840)	
3	R36816	LINE	1		
4	R36813	MANIFOLD	1	(NLA)	
5	R36815	HOSE	1	(SUB TY22333)	
6	R42694	GASKET	2	(SUB FOR R26474)	
7	R36846	THERMOSTAT	2	(180° - 202°F.)	
	R36847	THERMOSTAT	2	(160° - 182°F.)	
	AR72852	THERMOSTAT	2	89°C (192°F)(OPTIONAL)	
8	15H559	PIPE PLUG	1	1/4"	
9	12H304	LOCK WASHER	4	3/8"	
10	19H1731	CAP SCREW	4	3/8" X 1"	
11	AR44840	HOUSING	2	(MARKED R36814, R39690 OR R41853) (SUB FOR AR39598)	
12	19H1732	CAP SCREW	4	3/8" X 1-1/4"	
13	24M7096	WASHER	4	10.500 X 18 X 1.600 MM	
14	R88397	GASKET	2	(SUB FOR R26473 OR R42693)	
15	R21478	CLIP	1	(NO LONGER AVAILABLE)	

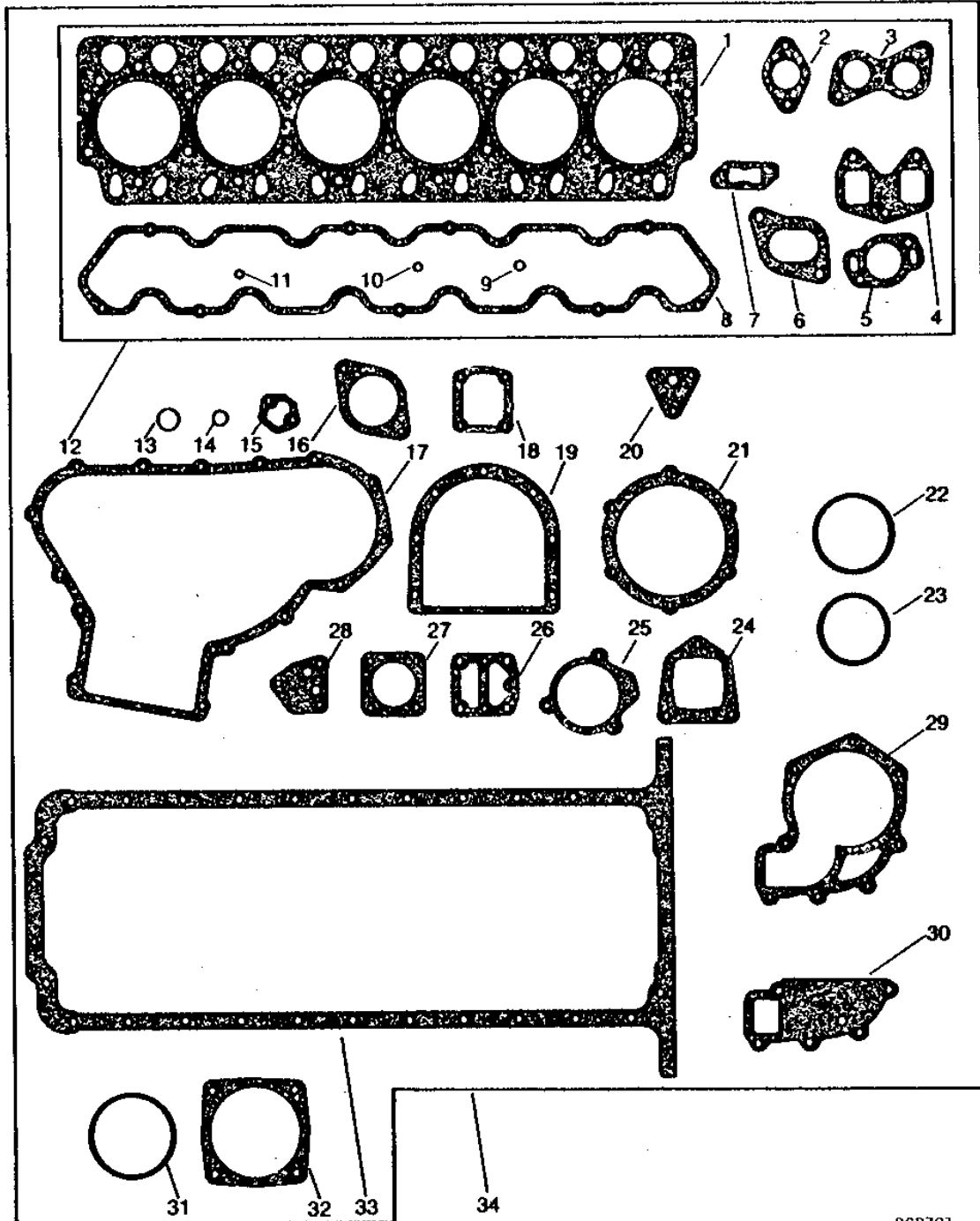
1C9

ENGINE

ENGINE REBUILD AND CYLINDER HEAD GASKET SETS (6531D)

RGP781

-UN-01JAN94



RGP781

1C10

ENGINE

ENGINE REBUILD AND CYLINDER HEAD GASKET SETS - CONTINUED

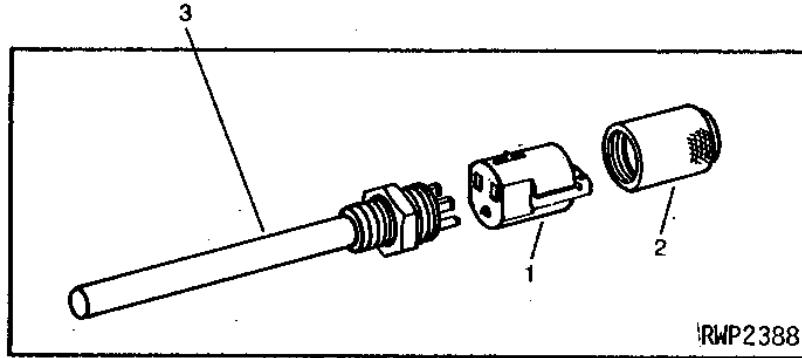
KEY	PART NO.	PART NAME	QTY	ENGINE SERIAL NO.	REMARKS
1	R78513	GASKET	1		CYLINDER HEAD, (SUB FOR R49688)
2	R35068	GASKET	2		EXHAUST MANIFOLD, OUTER
3	R35067	GASKET	2		EXHAUST MANIFOLD, INNER
4	R40088	GASKET	3		INTAKE MANIFOLD
5	R42694	GASKET	2		WATER OUTLET MANIFOLD
6	R35293	GASKET	3		INTAKE MANIFOLD
7	R88397	GASKET	2		THERMOSTAT HOUSING, (SUB FOR R42693)
8	R74365	GASKET	1		ROCKER ARM COVER, (SUB FOR R36652 AND R49867)
9	R35155	O-RING	6		INTAKE VALVE SPRING CAP
10	T20055	WASHER	36		FUEL INJECTION PIPE CONNECTOR
11	R463R	WASHER	6		COPPER, INJECTION NOZZLE
12	AR53613	GASKET KIT	1		CYLINDER HEAD
13	R495R	O-RING	1		VENTILATOR OUTLET TUBE
14	R375R	O-RING	1		WATER INLET PIPE
15	R97350	GASKET	1		FUEL PUMP, (SUB FOR R27285)
16	R35291	GASKET	2		INTAKE MANIFOLD COVER AND ELBOW (NLA)
17	R35126	GASKET	1		TIMING GEAR COVER
18	R26173	GASKET	1		TACHOMETER DRIVE GEAR HOUSING COVER
19	R35043	GASKET	1		CRANKSHAFT OIL SEAL HOUSING
20	R35104	GASKET	1		OIL COOLER TO CYLINDER BLOCK, REAR
21	R35349	GASKET	1		INJECTION PUMP GEAR COVER
22	R26121	O-RING	1		OIL FILTER BODY
23	R40777	WASHER	1		VENT PUMP
24	R40090	GASKET	2		INTAKE MANIFOLD COVER AND ELBOW
25	R31340	GASKET	1		VENT PUMP COVER
26	R44853	GASKET	1		SPEED-HOUR METER DRIVE GEAR HOUSING
27	R27948	GASKET	2		OIL COOLER CAP
28	R35105	GASKET	1		OIL COOLER TO CYLINDER BLOCK, FRONT
29	R35262	GASKET	1		WATER PUMP COVER
30	R35263	GASKET	1		WATER PUMP COVER
31	R35034	PACKING	1		OIL FILTER COVER
32	R35032	GASKET	1		OIL FILTER BODY
33	R71919	GASKET	1		OIL PAN, (SUB FOR R35139, R47248 OR R61670)
34	AR53614	GASKET KIT	1		ENGINE REBUILD

1C11

ENGINE

RWP2388 -UN-01JAN94

ENGINE OIL HEATER



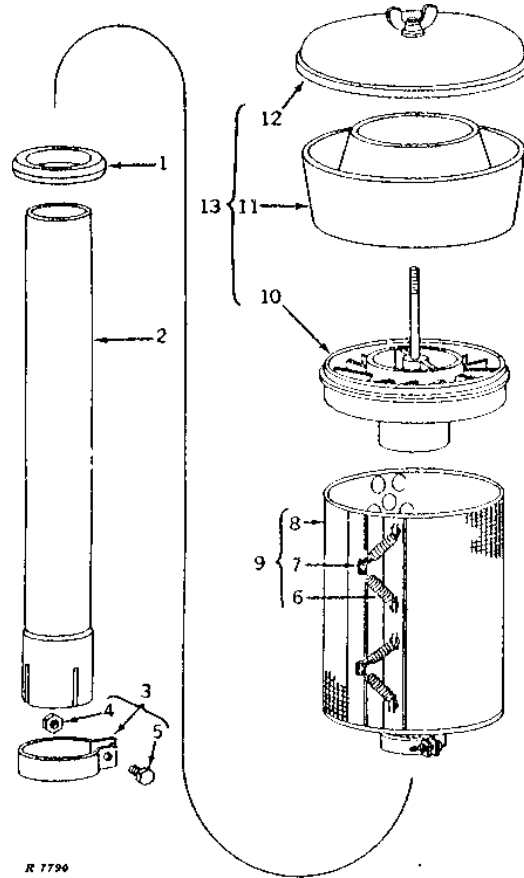
KEY	PART NO.	PART NAME	QTY	TRACTOR SERIAL NO.	REMARKS
1	AR21024	FITTING	1		
2	R20878	PLUG	1		
3	AR27139	HEATING ELEMENT	1		240-WATT, (SUB AR21024, R20878 AND T23925)

1C14

FUEL AND AIR

R7790 -UN-01JAN94

PRE-CLEANER AND PRE-SCREENER



R 1790

KEY	PART NO.	PART NAME	QTY	TRACTOR SERIAL NO.	REMARKS
1	R35811	GROMMET	1	(NLA)	
2	AIR DUCT	1	(SUB AR36128) (NLA)	
3	AR21842	CLAMP	1	(SUB TY22474)	
4	14H1076	NUT	1	3/8"	
5	19H3483	CAP SCREW	1	3/8" X 1-1/8"	
6	R21644	SPRING	4	(NLA)	
7	R21645	RETAINER	2		
8	AR27808	SCREEN	1		
9	AR35586	PRESCREENER	1		
10	AR1730R	BASE	1	(NLA)	
11	R28795	DUST BOWL	1		
12	AR1729R	COVER	1		
13	AR1745R	PRESCREENER	1	(NLA)	

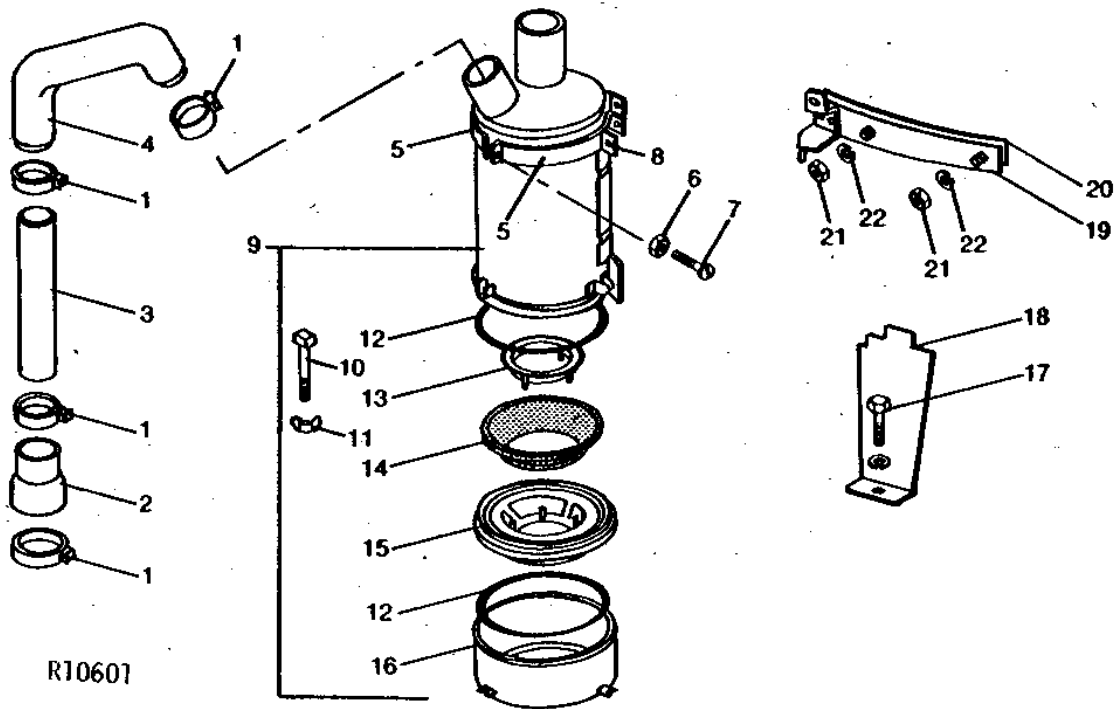
1C15

FUEL AND AIR

R10601

-UN-01JAN94

AIR CLEANER



1C16

FUEL AND AIR

AIR CLEANER - CONTINUED

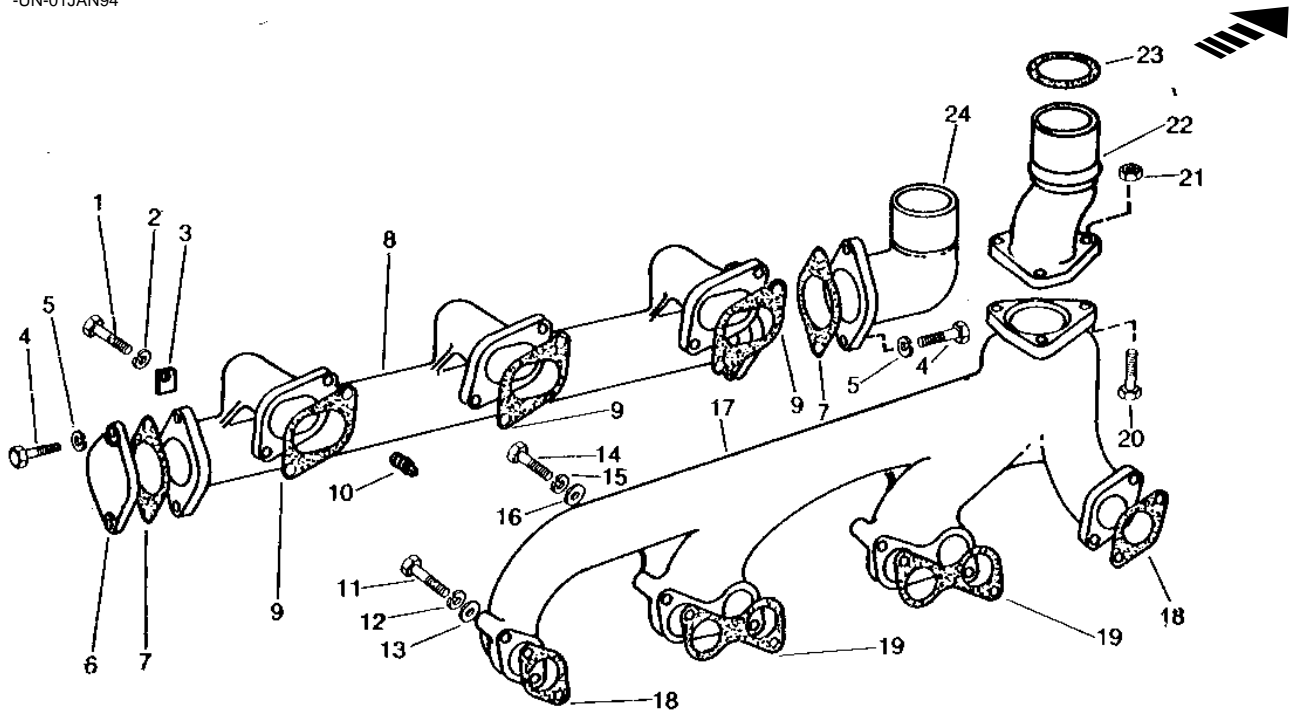
KEY	PART NO.	PART NAME	QTY	TRACTOR SERIAL NO.	REMARKS
1	AR21842	CLAMP	4		(SUB TY22474)
2	R35294	HOSE	1		
3	AR47181	PIPE	1		(SUB FOR R35295 OR AR36456)
4	R36984	HOSE	1		(SUB FOR R35083) (NO LONGER AVAILABLE)
5	R39805	STRAP	2	006680-	(NO LONGER AVAILABLE)
6	14H818	NUT	1	006680-	5/16"
7	21H1332	SCREW	1	006680-	5/16" X 1-1/2"
8	R39806	STRAP	2	006680-	(NO LONGER AVAILABLE)
9	AR35150	AIR CLEANER	1		(NO LONGER AVAILABLE)
10	BOLT	3		5/16" X 5-1/2" SQ. HD.
11	R29815	WING NUT	3		(NO LONGER AVAILABLE)
12	R36500	O-RING	2		(NO LONGER AVAILABLE)
13	AR1367R	RETAINER	1		(NO LONGER AVAILABLE)
14	AR1369R	SCREEN	6		
15	R36502	HOUSING	1		(NO LONGER AVAILABLE)
16	R36499	OIL CUP	1		(NO LONGER AVAILABLE)
17	19H1936	CAP SCREW	1		3/8" X 3/4"
	12H304	LOCK WASHER	1		3/8"
18	R35822	BRACKET	1		(NO LONGER AVAILABLE)
19	AR35019	SUPPORT	1		(NO LONGER AVAILABLE)
20	ISOLATOR	1		1.6 X 51 X 370MM (1/16" X 2" X 14-9/16") (MAKE FROM R30596)
21	14H1076	NUT	2		3/8"
22	12H304	LOCK WASHER	2		3/8"

1C17

FUEL AND AIR

RP2232 -UN-01JAN94

MANIFOLDS



RP2232

KEY	PART NO.	PART NAME	QTY	TRACTOR SERIAL NO.	REMARKS
1	19H2731	CAP SCREW	6	7/16" X 1-3/8"	
2	12H293	LOCK WASHER	6	7/16"	
3	A2610R	CLEVIS	1		
4	19H1139	CAP SCREW	4	3/8" X 1-1/8"	
5	12H304	LOCK WASHER	4	3/8"	
6	R35292	COVER	1	(NO LONGER AVAILABLE)	
7	R35291	GASKET	4		
8	R35218	INTAKE MANIFOLD	1	(NO LONGER AVAILABLE)	
9	R35293	GASKET	3		
10	15H571	PIPE PLUG	1	3/8"	
11	19H2347	CAP SCREW	3	7/16" X 3"	
12	12H293	LOCK WASHER	3	7/16"	
13	R63489	WASHER	3		
14	19H1978	CAP SCREW	5	7/16" X 1-1/2"	
15	12H293	LOCK WASHER	5	7/16"	
16	R63489	WASHER	5		
17	R35071	EXHAUST MANIFOLD	1	(NLA)	
18	R35068	GASKET	2		
19	R35067	GASKET	2		
20	19H1726	CAP SCREW	3	3/8" X 2-1/4"	
21	14H1076	NUT	3	3/8"	
22	R35072	EXTENSION	1		
23	R35175	GASKET	1		
24	R35290	ELBOW FITTING	1	(NO LONGER AVAILABLE)	

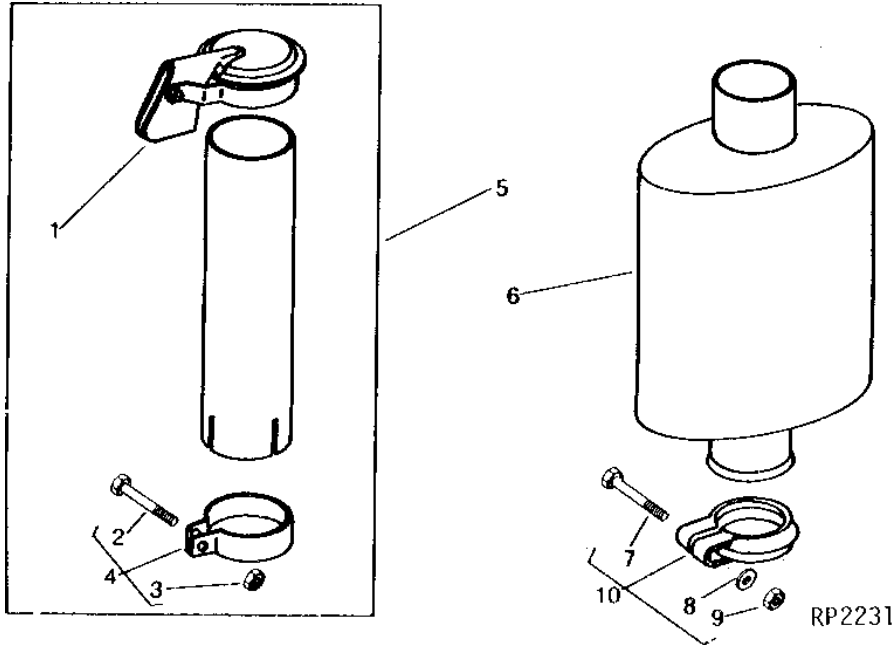
1C18

FUEL AND AIR

RP2231

-UN-01JAN94

MUFFLER, EXTENSION AND COVER



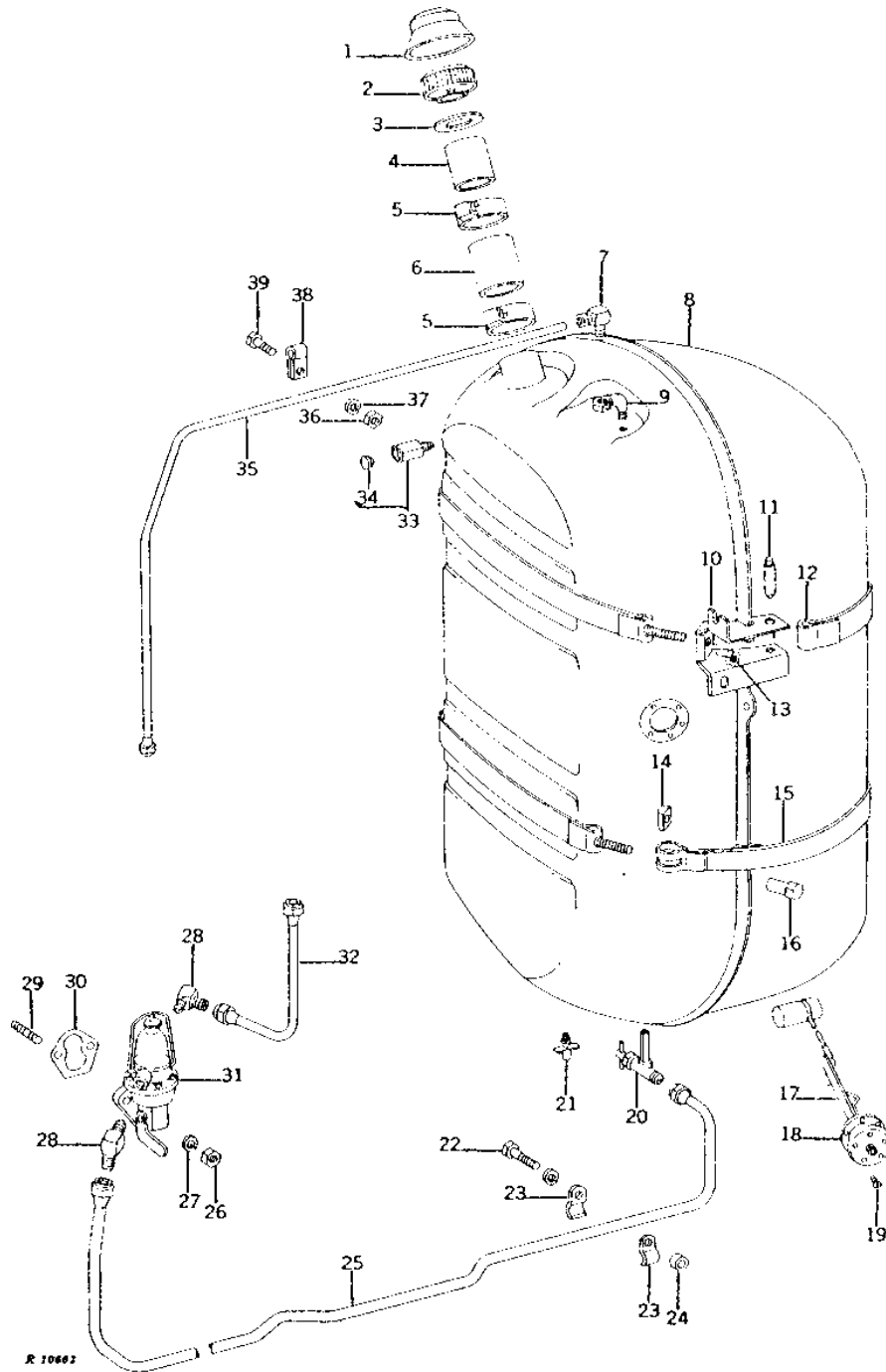
KEY	PART NO.	PART NAME	QTY	TRACTOR SERIAL NO.	REMARKS
1	AR56786	EXHAUST CAP	1		(EXTENSION)
	AR86600	CAP	1		(MUFFLER)
2	19H2791	CAP SCREW	1		3/8" X 1-3/4"
3	14H1076	NUT	1		3/8"
4	AR35017	CLAMP	1		
5	AR47303	MUFFLER EXTENSION	1		(SUB FOR AR35080 OR AR36288)
6	AR61074	MUFFLER	1		(SUB FOR R35637)
7	19H2023	CAP SCREW	1		3/8" X 3-1/4"
8	24H1305	WASHER	1		13/32" X 13/16" X 0.065"
9	14H1076	NUT	1		3/8"
10	AR35666	CLAMP	1		(SUB R35641 AND 19H2023)

1C19

FUEL AND AIR

R10602 -UN-01JAN94

FUEL TANK AND FUEL PUMP



1C20

FUEL AND AIR

FUEL TANK AND FUEL PUMP - CONTINUED

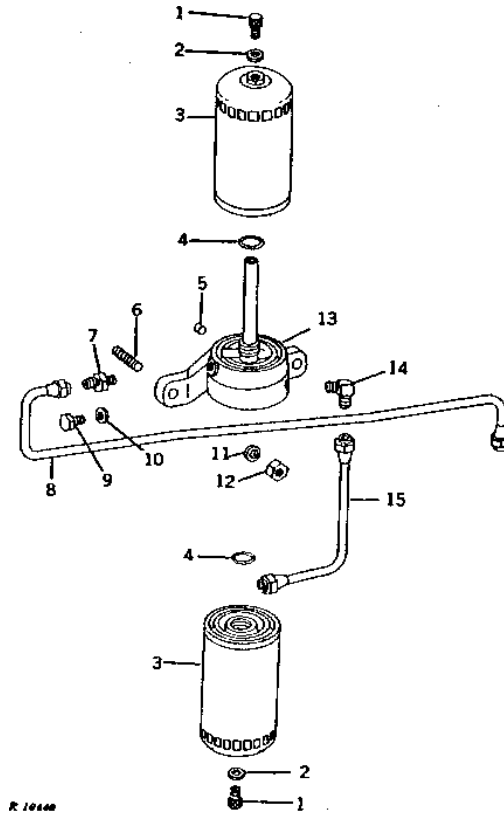
KEY	PART NO.	PART NAME	QTY	TRACTOR SERIAL NO.	REMARKS
1	R27183	COVER	1	-007999	
2	AR28483	CAP	1	-007999	
	AT20911	FILLER CAP	1	008000-	(SUB FOR AR39595)
3	F3083R	GASKET	1	-007999	
	R39615	WASHER	1	008000-	
4	R39895	FILLER NECK	1		(SUB FOR R26528)
5	AR21840	CLAMP	2		(SUB TY22470)
6	R26531	HOSE	1		
7	AR46281	ELBOW FITTING	1		(SUB FOR AR27728)
8	AR36359	FUEL TANK	1		(SUB FOR AR35091 OR AR36183) (NO LONGER AVAILABLE)
9	15H197	ELBOW FITTING	1	-007999	90°
10	AR35109	BRACKET	1		(NO LONGER AVAILABLE)
11	R35414	PIN	1		(NO LONGER AVAILABLE)
12	AR35108	STRAP	1		(NO LONGER AVAILABLE)
13	14H1076	NUT	1		3/8"
14	R26593	GUIDE	1		
15	AR35110	STRAP	1		(NO LONGER AVAILABLE)
16	R26594	NUT	1		
17	R35648	SENDER	1		
18	R27181	GASKET	1		
19	37H95	SCREW	5		NO. 8 X 1/2", (SUB FOR R27182)
20	R34656	SHUT-OFF VALVE	1		(SUB FOR R32508)
21	AT13740	DRAIN VALVE	1		
22	19H1765	CAP SCREW	3		3/8" X 1-3/4"
	12H304	LOCK WASHER	3		3/8"
23	R27720	CLAMP	6		
24	28H1519	WASHER	2		0.493" X 0.675" X 3/8"
	28H1495	SPACER	1		0.493" X 0.675" X 1"
25	AR35111	FUEL LINE	1		(NO LONGER AVAILABLE)
26	14H785	NUT	2		5/16"
27	12H303	LOCK WASHER	2		5/16"
28	AR26674	ELBOW FITTING	2		
29	R26934	STUD	2		
30	R97350	GASKET	1		(SUB FOR R27285)
31	AR55730	FUEL PUMP	1		(SUB FOR AR31176, AR34415 OR AR40259) (SUB RE27667 AND R97350)
32	AR35079	FUEL LINE	1		PUMP TO FILTER
33	AR36194	HOUSING	1	-007999	(NO LONGER AVAILABLE)
34	AR28329	VALVE	1	-007999	
35	AR35112	FUEL LINE	1		LEAK-OFF TO TANK (NO LONGER AVAILABLE)
36	14H1076	NUT	1		3/8"
37	12H304	LOCK WASHER	1		3/8"
38	R35422	CLAMP	1		
39	19H2021	CAP SCREW	1		3/8" X 5/8"

1C21

FUEL AND AIR

R10440 -UN-01JAN94

FUEL FILTERS



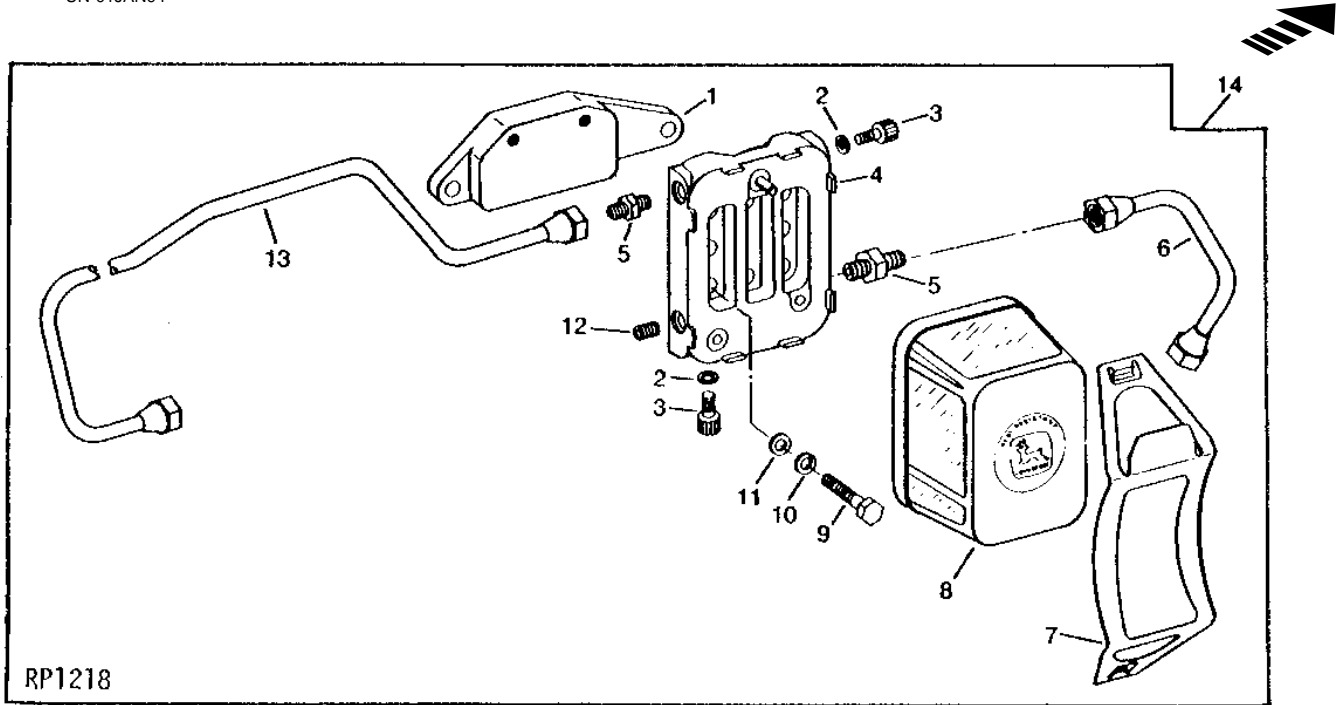
KEY	PART NO.	PART NAME	QTY	TRACTOR SERIAL NO.	REMARKS
1	R34446	DRAIN PLUG	2	004500-	
2	R26287	O-RING	2	004500-	(SUB FOR R34447)
3	AR45097	FUEL FILTER	2		(SUB FOR AR33926 OR AR31627)
4	R44101	WASHER	2		(SUB FOR R32111)
5	R27074	DOWEL PIN	1	-005079	
6	K3083R	STUD	2		
7	R27346	FITTING	1		
8	AR35087	FUEL LINE	1		FILTER TO INJECTION PUMP
9	19H95	CAP SCREW	1	005080-007999	5/16" X 7/16"
10	R20498	WASHER	1	005080-007999	
11	12H293	LOCK WASHER	2		7/16"
12	14H1047	NUT	2		7/16"
13	AR46144	HOUSING	1		(MARKED R32151, R34754 OR R39531) (SUB FOR AR31550, AR34475 OR AR34930) (SUB AR55222, THIS APPLICATION)
14	AR26674	ELBOW FITTING	1		
15	AR35079	FUEL LINE	1		FILTER TO PUMP

1C22

FUEL AND AIR

**MASTER FUEL FILTER KIT
(DIESEL)
(ENGINE SERIAL NO. -215499)**

RP1218 -UN-01JAN94



RP1218

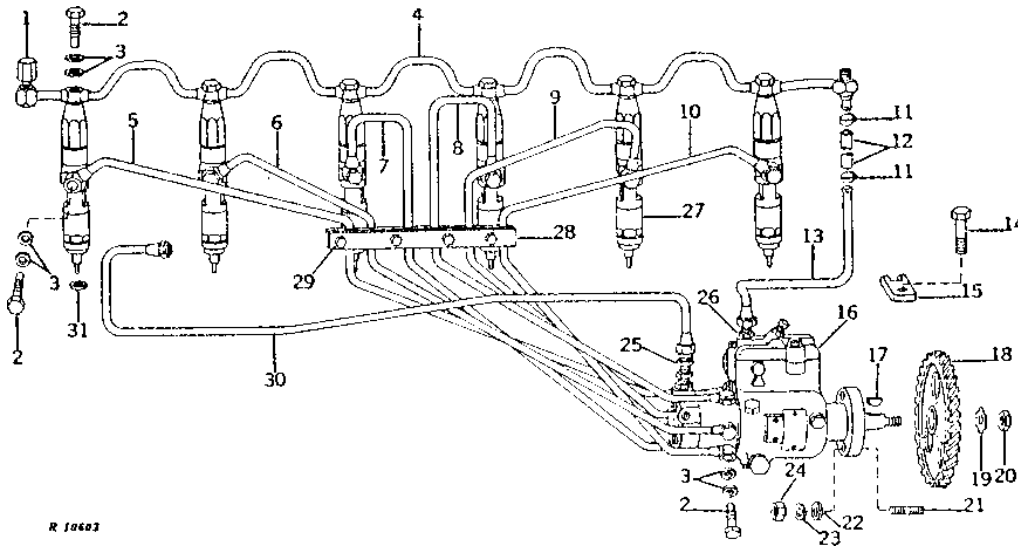
KEY	PART NO.	PART NAME	QTY	ENGINE SERIAL NO.	REMARKS
1	R47433	SUPPORT	1		
2	R34447	WASHER	2		
3	R48071	DRAIN PLUG	2		
4	AR50040	HOUSING	1		
5	R27346	FITTING	2		
6	AR61965	FUEL LINE	1		
7	R66821	CLAMP	1		(SUB FOR R47358 OR R57258)
8	AR50041	FUEL FILTER	1		
9	19H1905	CAP SCREW	2	5/16" X 1"	
10	12H303	LOCK WASHER	2	5/16"	
11	24H1289	WASHER	2	21/64" X 5/8" X 0.049"	
12	R104592	PIPE PLUG	1		
13	AR50265	FUEL LINE	1		
14	AR55222	KIT	1		

1C23

FUEL AND AIR

R10603 -UN-01JAN94

FUEL INJECTION PUMP, NOZZLES, AND FUEL PIPES



KEY	PART NO.	PART NAME	QTY	ENGINE SERIAL NO.	REMARKS
1	R31147	FITTING	1		
2	R26726	FITTING	18		
3	T20055	WASHER	36		(SUB FOR T11292)
4	FUEL LINE	1	-007999	LEAK-OFF, (ORDER AR36357, AR36358, R32639 AND (2) AR21836) (SUB FOR AR35105 OR AR36356)
	AR36357	FUEL LINE	1	008000-	LEAK-OFF
5	AR35098	FUEL LINE	1		NO. 6
6	AR35097	FUEL LINE	1		NO. 5 (NO LONGER AVAILABLE)
7	AR35096	FUEL LINE	1		NO. 4
8	FUEL LINE	1		NO. 3 (AR35095 NO LONGER AVAILABLE)
9	AR35094	FUEL LINE	1		NO. 2
10	AR35093	FUEL LINE	1		NO. 1
11	AR21836	CLAMP	2	008000-	
12	R32639	HOSE	1	008000-	
13	FUEL LINE	1	-007999	(AR35244 NO LONGER AVAILABLE)
	AR36358	FUEL LINE	1	008000-	
14	19H1800	CAP SCREW	6		3/8" X 1-1/2"
15	R26300	CLAMP	6		
16	FUEL INJECTION PUMP	1		(A) (AR35081 NO LONGER AVAILABLE)
17	SHAFT KEY	1		(NO LONGER AVAILABLE)
18	R35354	GEAR	1		
19	R35355	PLATE	1		
20	14H888	NUT	1		9/16"
21	R56481	STUD	2		(SUB FOR R26117 OR M3636T)
22	24M7096	WASHER	2		10.500 X 18 X 1.600 MM
23	12H304	LOCK WASHER	2		3/8"
24	14H1076	NUT	2		3/8"
25	R32136	FITTING	1		(SUB FOR R27346 OR R27908)
26	R35352	FITTING	1		
27	AR36052	NOZZLE	6		(AMERICAN BOSCH) (SUB FOR AR35623) (NO LONGER AVAILABLE)
	NOZZLE	6		(SUB AR36053 AND R463R) (ROBERT BOSCH)
28	R35353	CLAMP	1		
	R39622	CUSHION	2		(SUB FOR R35356 OR R36713)
29	19H1849	CAP SCREW	4		5/16" X 1-1/4"
30	AR35087	FUEL LINE	1		TO FUEL FILTER
31	R463R	WASHER	6		

(A) SEE YOUR AUTHORIZED PUMP REPAIR STATION FOR INTERNAL PARTS NOT AVAILABLE (NA).

MEMORANDA

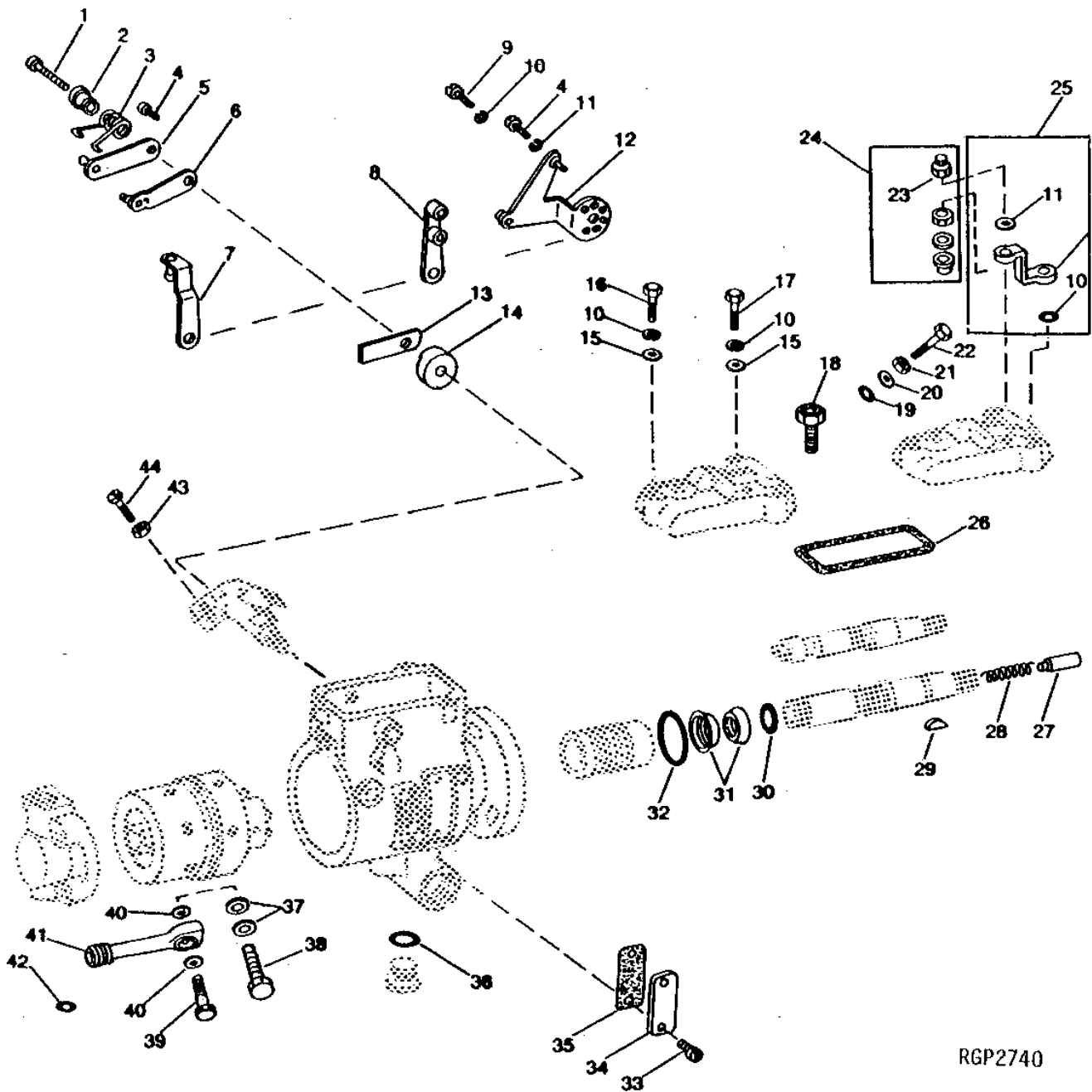
1C24

FUEL AND AIR

RGP2740

-UN-01JAN94

FUEL INJECTION PUMP FITTINGS AND LINKAGE



RGP2740

1C25

FUEL AND AIR

FUEL INJECTION PUMP FITTINGS AND LINKAGE - CONTINUED

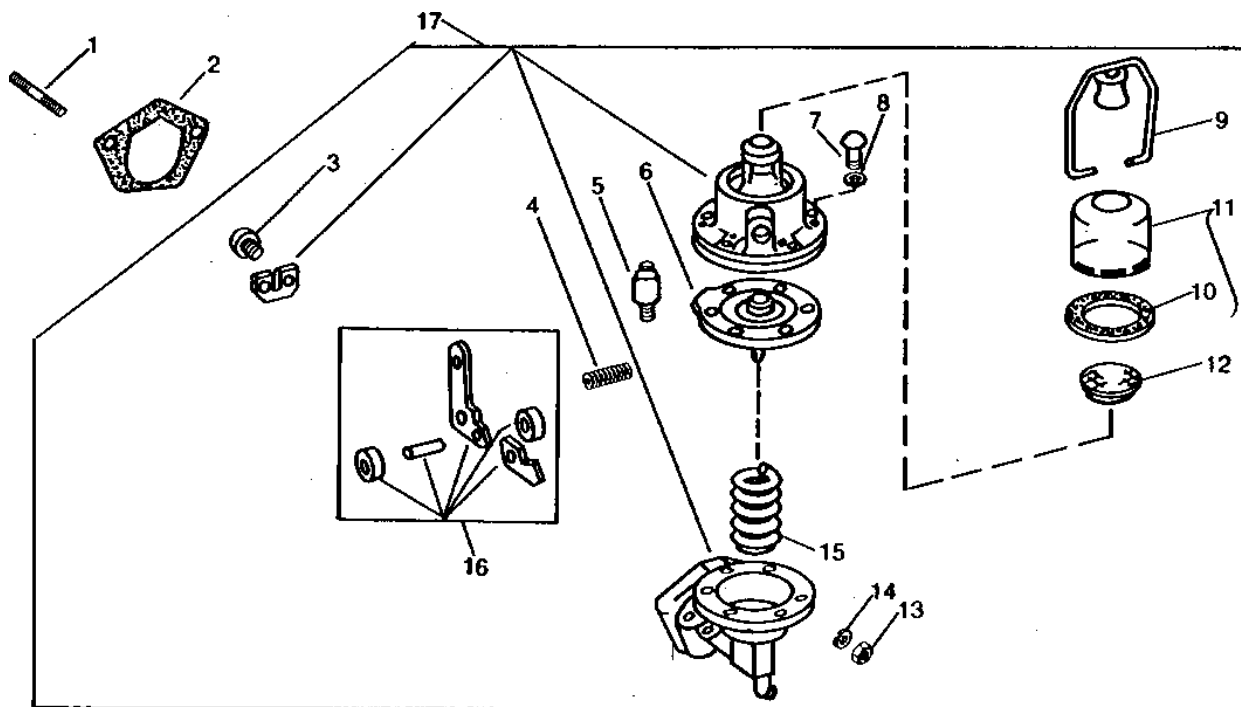
KEY	PART NO.	PART NAME	QTY	ENGINE SERIAL NO.	REMARKS
1	SCREW	NA		
	T11940	SCREW	1		
2	RETAINER	NA		
3	SPRING	NA		
4	T11917	SCREW	1		
5	LEVER	NA		
6	LEVER	NA		
7	LEVER	NA		
8	LEVER	NA		
9	SCREW	NA		
10	12M7060	WASHER	4	0.209"	
11	R47077	LOCK WASHER	1		
12	R36543	LEVER	1		
13	ADJUSTING STRAP	NA		
14	SPACER	NA		
15	T15715	WASHER	3		
16	T15721	SCREW	3		
17	SCREW	NA		
18	R36535	CHECK VALVE	1		
19	R34812	O-RING	1		
20	T17947	WASHER	1		
21	NUT	NA		
22	T17953	CAP SCREW	1		
23	NUT	NA		
24	KIT	NA		
25	KIT	NA		
26	T11918	GASKET	1		
27	PIN	NA		
	R36539	PUSH BUTTON	1		
28	R36540	SPRING	1		
29	26H10	SHAFT KEY	1		
30	R460R	O-RING	1		
	R33259	O-RING	1		
31	T11290	SEAL	2		
32	O-RING	NA		
33	T11884	SCREW	4		
34	T11882	COVER	2		
35	T11883	GASKET	2		
36	T15712	O-RING	1		
37	T20055	WASHER	12		
38	R26726	FITTING	6		
39	FITTING	NA		
40	WASHER	NA		
41	FITTING	NA		
42	O-RING	NA		
43	T11921	NUT	2		
44	T11941	SCREW	1		
..	KIT	NA		

1D1

FUEL AND AIR

FUEL TRANSFER PUMP (ENGINE SERIAL NO. -280000)

RGP3274 -UN-01JAN94



RGP3274

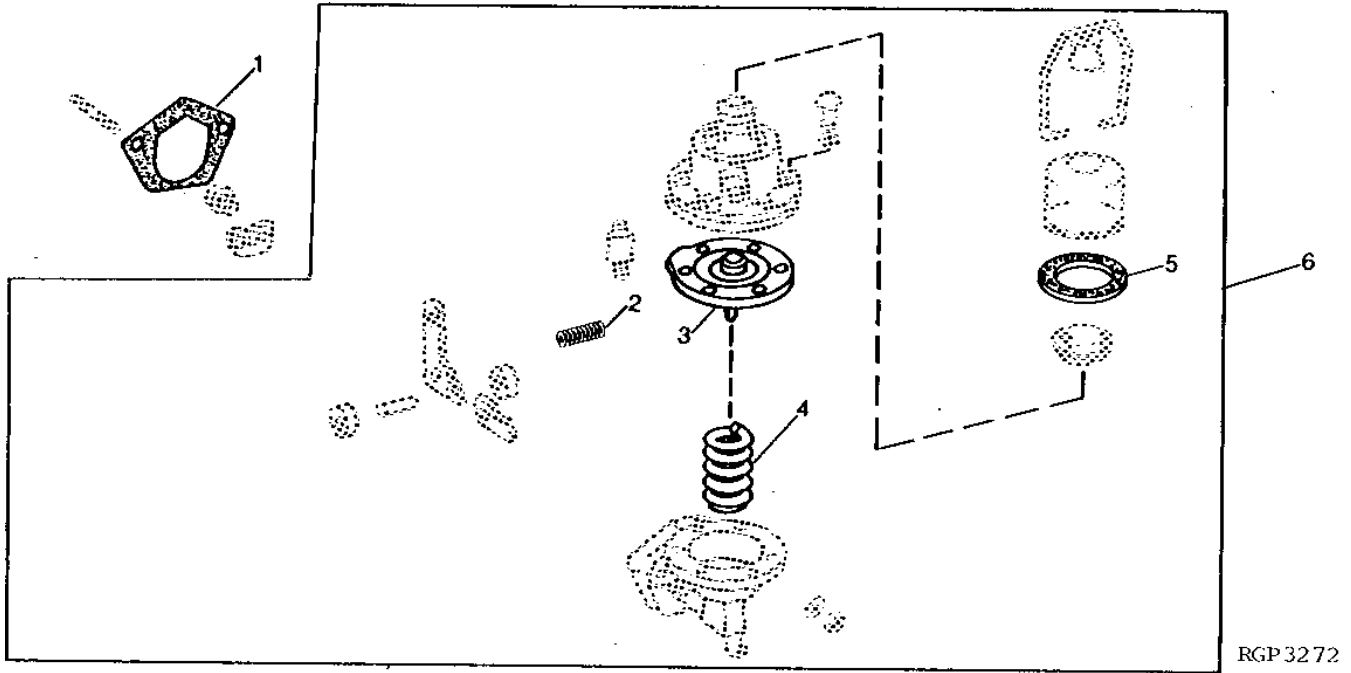
KEY	PART NO.	PART NAME	QTY	ENGINE SERIAL NO.	REMARKS
1	R48755	STUD	2	(SUB FOR R26934)	
2	R97350	GASKET	1	(SUB FOR R27285)	
3	21H1308	SCREW	2	0.138" X 3/8"	
4	T10804	SPRING	1		
5	AR26674	ELBOW FITTING	1	(SUB T30738, THIS APPLICATION)	
	T30738	ELBOW FITTING	1	(SUB AR26674, THIS APPLICATION)	
6	DIAPHRAGM	1	(SUB RE38578) (SUB FOR AR40482)	
7	21H1295	SCREW	6	0.190" X 5/8"	
8	12H246	LOCK WASHER	6	0.190"	
9	AT10638	BAIL	1		
10	R30409	GASKET	1	(USE WITH AR34415)	
	R40565	WASHER	1	(USE WITH AR40259)	
11	AT15172	BOWL	1	(USE WITH AR34415)	
	AR40407	SEDIMENT BOWL	1	(USE WITH AR40259)	
12	AT10635	SCREEN	1		
13	14H785	NUT	2	5/16"	
14	12H303	LOCK WASHER	2	5/16"	
15	R30410	SPRING	1		
16	KIT	1	(SUB RE42211) (ALSO ORDER R97350) (SUB FOR AR47304)	
17	FUEL PUMP	1	(SUB FOR AR34415, AR31176, AR40259 OR RE27667) (SUB RE42211) (ALSO ORDER R97350)	

1D2

FUEL AND AIR

RGP3272 -UN-01JAN94

FUEL TRANSFER PUMP OVERHAUL KIT



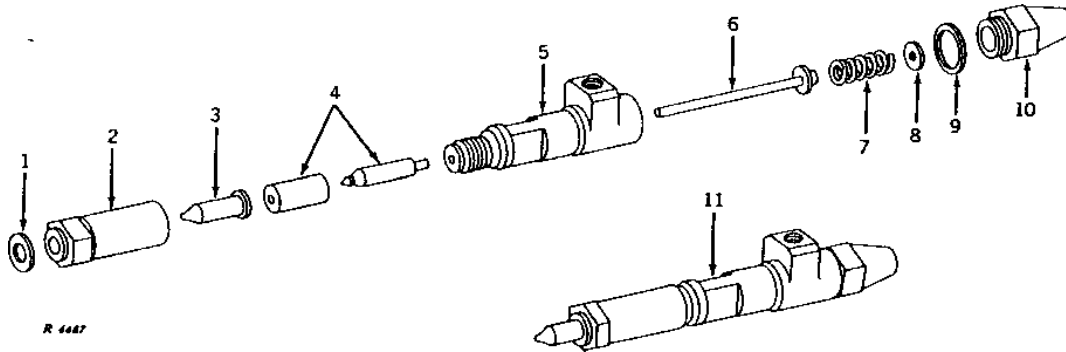
KEY	PART NO.	PART NAME	QTY	ENGINE SERIAL NO.	REMARKS
1	R97350	GASKET	1		(SUB FOR R27285)
2	T10804	SPRING	1		
3	DIAPHRAGM	1		(SUB RE38578)
4	R30410	SPRING	1		
5	R40565	WASHER	1		
6	RE38578	KIT	1		(SUB FOR AR40482)

1D3

FUEL AND AIR

R4467 -UN-12OCT94

INJECTOR NOZZLE (AMERICAN BOSCH)



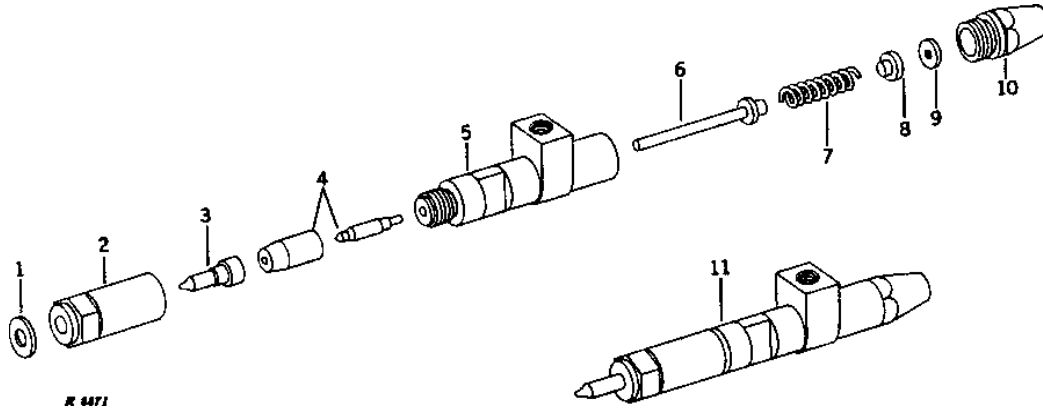
KEY	PART NO.	PART NAME	QTY	TRACTOR SERIAL NO.	REMARKS
1	R463R	WASHER	1		
2	R1105R	NUT	1		(NO LONGER AVAILABLE)
3	R36711	NOZZLE	1		(SUB FOR R36289)
4	AR28558	NOZZLE	1		
5	R30661	HOUSING	1		
6	AR28559	PIN	1		
7	R1108R	SPRING	1		
8	R1115R	SHIM	1	0.05MM (.002")	
	R1109R	SHIM	1	0.10MM (.004")	
	R1110R	SHIM	1	0.20MM (.008")	
	R1111R	SHIM	1	0.51MM (.020")	
9	R31304	WASHER	1		
10	R36291	CAP	1		(NLA)
11	AR36052	NOZZLE	6		(SUB FOR AR35623) (NO LONGER AVAILABLE)

1D4

FUEL AND AIR

R8871 -UN-12OCT94

INJECTOR NOZZLE (ROBERT BOSCH)



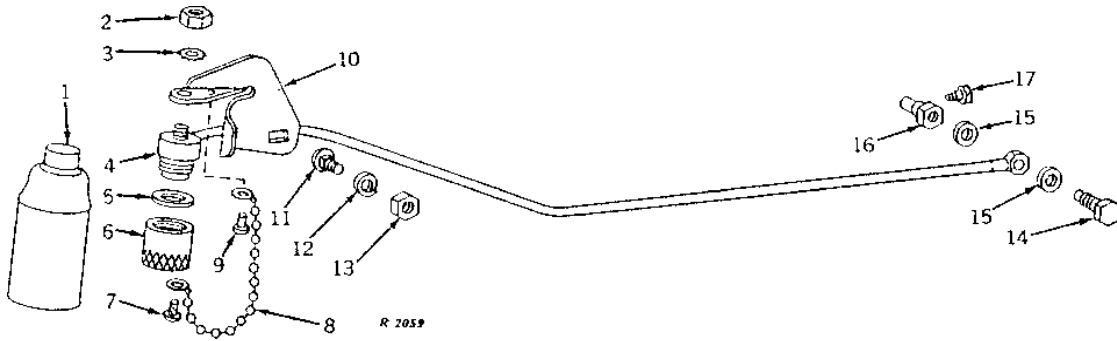
KEY	PART NO.	PART NAME	QTY	TRACTOR SERIAL NO.	REMARKS
1	R463R	WASHER	1		
2	R32545	NUT	1		(NO LONGER AVAILABLE)
3	R34575	NOZZLE	1		
4	R34574	VALVE	1		
5	R32542	HOUSING	1		(SUB AR36053 AND R463R)
6	R32541	PIN	1		(NO LONGER AVAILABLE)
7	R32540	SPRING	1		(NO LONGER AVAILABLE)
8	R32539	GUIDE	1		
9	R32529	SHIM	1		0.10MM (.004") (SUB FOR R32528)
	R32531	SHIM	1		0.36MM (.014")
	R32535	WASHER	1		1.00MM (.039")
10	R36798	CAP	1		(NO LONGER AVAILABLE)
11	AR36213	NOZZLE	6		(SUB AR36053 AND R463R)

1D5

FUEL AND AIR

**COLD WEATHER STARTING AID
(TRACTOR SERIAL NO. -007999)**

R2059 -UN-01JAN94



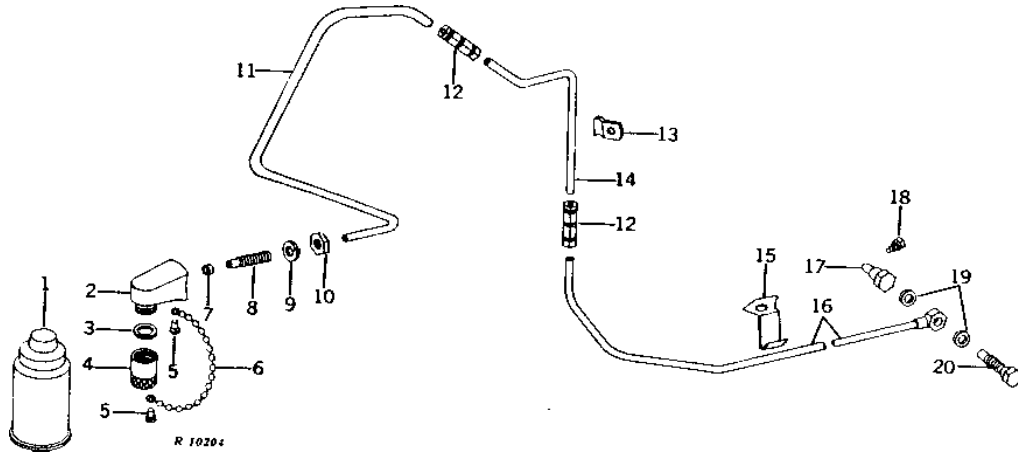
KEY	PART NO.	PART NAME	QTY	TRACTOR SERIAL NO.	REMARKS
1	RE30174	STARTING FLUID	1		(SUB FOR AR27814 OR RE24561)
2	14H865	NUT	1		1/2"
3	12H292	LOCK WASHER	1		1/2"
4	AR35732	LINE	1		
5	R26149	PACKING	1		
6	R32306	CAP	1		
7	37H44	SCREW	1		0.151" X 3/8", (SUB FOR D454R)
8	AR27940	LINK CHAIN	1		
9	16H86	RIVET	1		1/8" X 1/4"
10	AR27939	BRACKET	1		
11	03H1268	BOLT	1		5/16" X 3/4"
12	12H303	LOCK WASHER	1		5/16"
13	14H785	NUT	1		5/16"
14	R26726	FITTING	1		
15	T20055	WASHER	2		(SUB FOR T11292)
16	R28584	FITTING	1		
17	R28583	NOZZLE	1		

1D6

FUEL AND AIR

R10204 -UN-12OCT94

COLD WEATHER STARTING AID
(TRACTOR SERIAL NO. 008000-)



KEY	PART NO.	PART NAME	QTY	TRACTOR SERIAL NO.	REMARKS
1	RE30174	STARTING FLUID	1		(SUB FOR AR27814 OR RE24561)
2	R39534	ADAPTER	1		
3	R26149	PACKING	1		
4	R32306	CAP	1		
5	37H44	SCREW	2		0.151" X 3/8", (SUB FOR D454R)
6	AR27940	LINK CHAIN	1		
7	R34394	WASHER	1		
8	R34395	ADAPTER	1		
9	12H301	LOCK WASHER	1		1/2"
10	14H1040	NUT	1		1/2"
11	TUBE	1		(SUB RE16181)
12	R34388	UNION FITTING	2		
13	R31654	CLAMP	1		
14	TUBE	1		(SUB RE16181)
15	R39571	CLAMP	2		
16	LINE	1		(SUB RE16181)
17	R28584	FITTING	1		
18	R28583	NOZZLE	1		
19	T20055	WASHER	2		
20	R26726	FITTING	1		

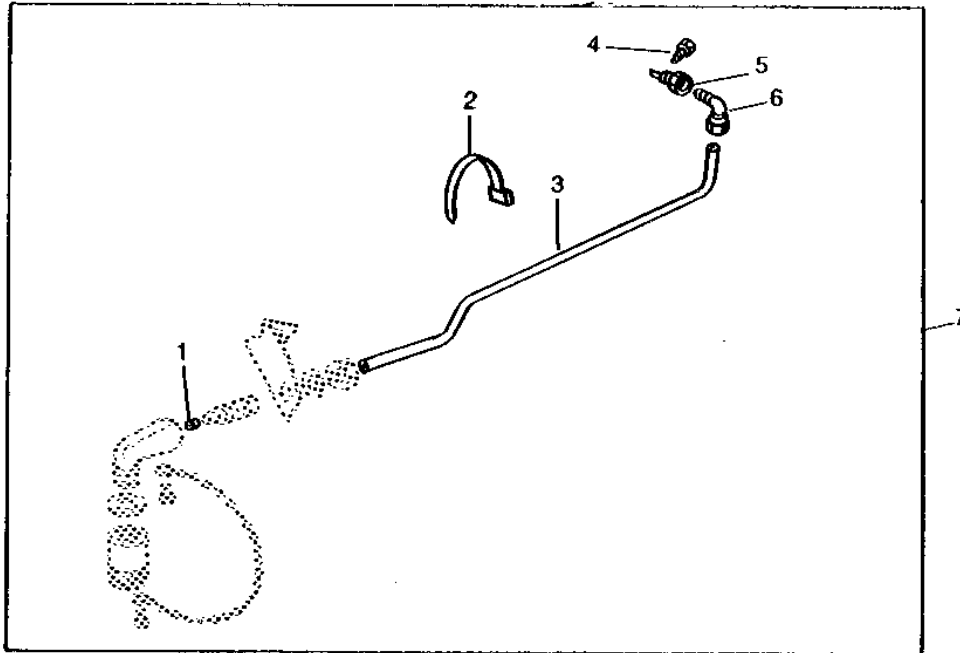
MEMORANDA

1D7

FUEL AND AIR

RWP5037 -UN-01JAN94

STARTING FLUID TUBE KIT



RWP5037

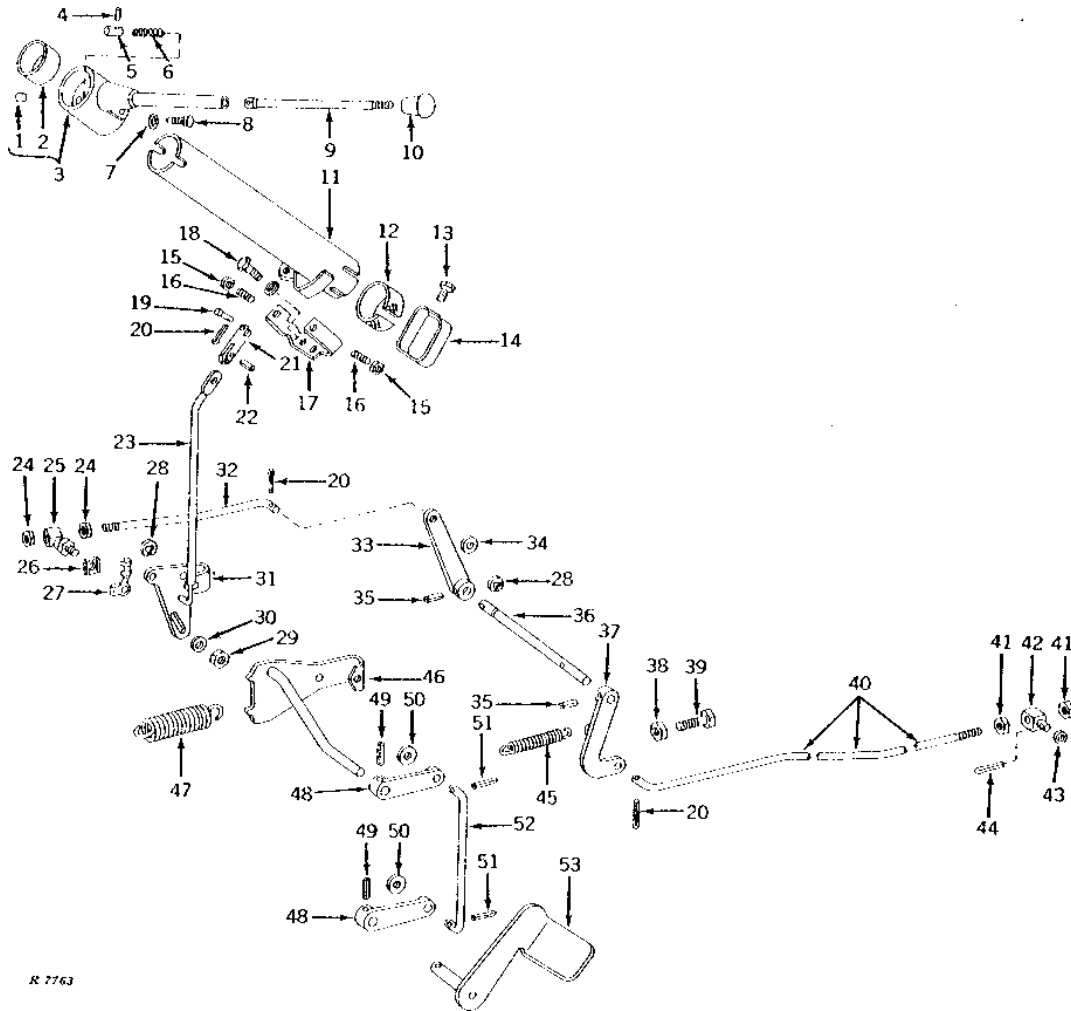
KEY	PART NO.	PART NAME	QTY	TRACTOR SERIAL NO.	REMARKS
1	R34394	WASHER	1		
2	R44302	TIE BAND	5		
3	TUBE	1		(ORDER RE16181)
4	R28583	NOZZLE	1		
5	R47160	NOZZLE HOLDER	1		
6	RE21790	ELBOW FITTING	1		(SUB FOR AT25266)
7	RE16181	KIT	1		

1D8

FUEL AND AIR

R7763 -UN-01JAN94

SPEED CONTROL LINKAGE



1D9

FUEL AND AIR

SPEED CONTROL LINKAGE - CONTINUED

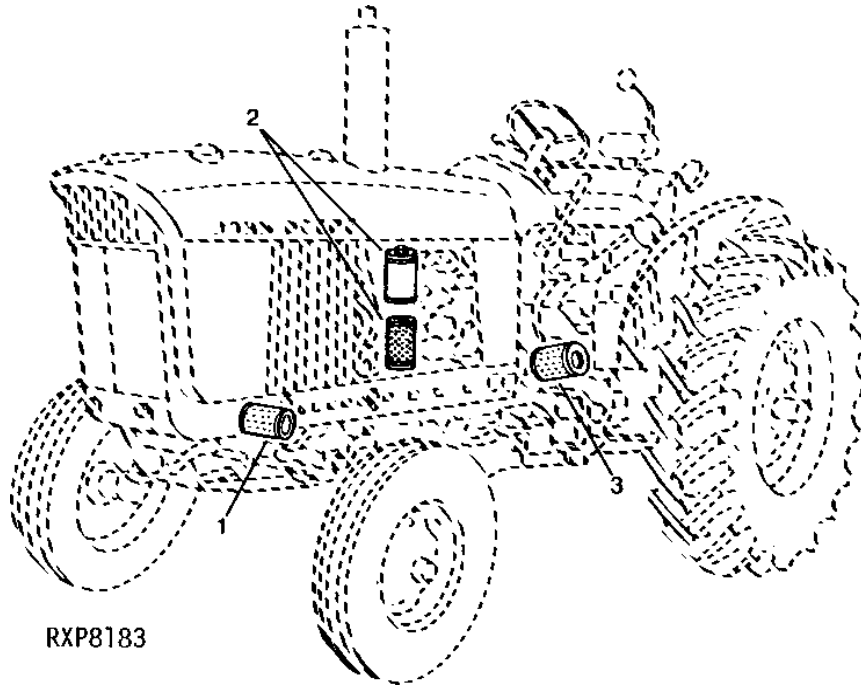
KEY	PART NO.	PART NAME	QTY	TRACTOR SERIAL NO.	REMARKS
1	R27074	DOWEL PIN	1		
2	R27075	BUSHING	1		
3	AR30472	HUB	1		(MARKED R27072)
4	R36310	NEEDLE ROLLER	1		(NO LONGER AVAILABLE)
5	R36309	STOP	1		
6	R28009	SPRING	1		
7	12H310	LOCK WASHER	1		3/8"
8	R28007	BOLT	1		
9	R36308	ARM	1		(NO LONGER AVAILABLE)
10	R26670	KNOB	1		
11	AR26592	TUBE	1		(NO LONGER AVAILABLE)
12	R26958	ISOLATOR	1		
13	19H1948	CAP SCREW	1		1/4" X 3/4"
14	AR26613	CLAMP	1		
15	14H611	NUT	2		5/16"
16	R32585	SET SCREW	2		
17	R28008	BRACKET	1		
18	19H1731	CAP SCREW	2		3/8" X 1"
	12H304	LOCK WASHER	2		3/8"
19	R27077	PIN	1		
20	11M7077	COTTER PIN	3		0.063" X 0.984"
21	R26671	LINK	1		
22	34H275	SPRING PIN	1		3/16" X 1/2"
23	R27076	ROD	1	-007999	(NO LONGER AVAILABLE)
	R36985	ROD	1	008000-	
24	14H850	NUT	2		1/4"
25	AA5302R	BALL JOINT	1		(SUB AH77100)
26	R32305	WASHER	1		
27	R26501	CLIP	1		
28	F3396R	SNAP RING	2		
29	14H649	NUT	1		1/4"
30	24H1287	WASHER	1		9/32" X 5/8" X 0.065"
31	R32304	BELLCRANK	1		
32	R35556	BOLT	1		
33	R35558	LEVER	1		(NO LONGER AVAILABLE)
34	24H1287	WASHER	1		9/32" X 5/8" X 0.065"
35	34H279	SPRING PIN	2		3/16" X 13/16"
36	R35557	SHAFT	1		
37	R35559	ARM	1		(NO LONGER AVAILABLE)
38	14H785	NUT	1		5/16"
39	19H1758	CAP SCREW	1		5/16" X 1-1/4"
40	R35560	ROD	1		(NO LONGER AVAILABLE)
41	14H850	NUT	2		1/4"
42	R36084	SWIVEL	1		
43	B1664R	SHIM	1		
44	11M7081	COTTER PIN	1		0.098" X 0.787"
45	R27571	SPRING	1		
46	AR44417	ARM	1		(SUB FOR AR26615)
47	R26677	SPRING	1		
48	R31396	LEVER	2		
49	34H312	SPRING PIN	2		1/4" X 1"
50	24H1305	WASHER	2		13/32" X 13/16" X 0.065"
51	11M7059	COTTER PIN	2		3.200 X 20 MM
52	R35555	PIN	1		
53	AR44745	PEDAL	1		(SUB FOR AR26775)

1D10

FUEL AND AIR

RXP8183 -UN-01JAN94

FILTERS



RXP8183

KEY	PART NO.	PART NAME	QTY	TRACTOR SERIAL NO.	REMARKS
1	AR75603	FILTER ELEMENT	1	ENGINE	
2	AR45097	FUEL FILTER	2		
3	AR75603	FILTER ELEMENT	1	TRANSMISSION	

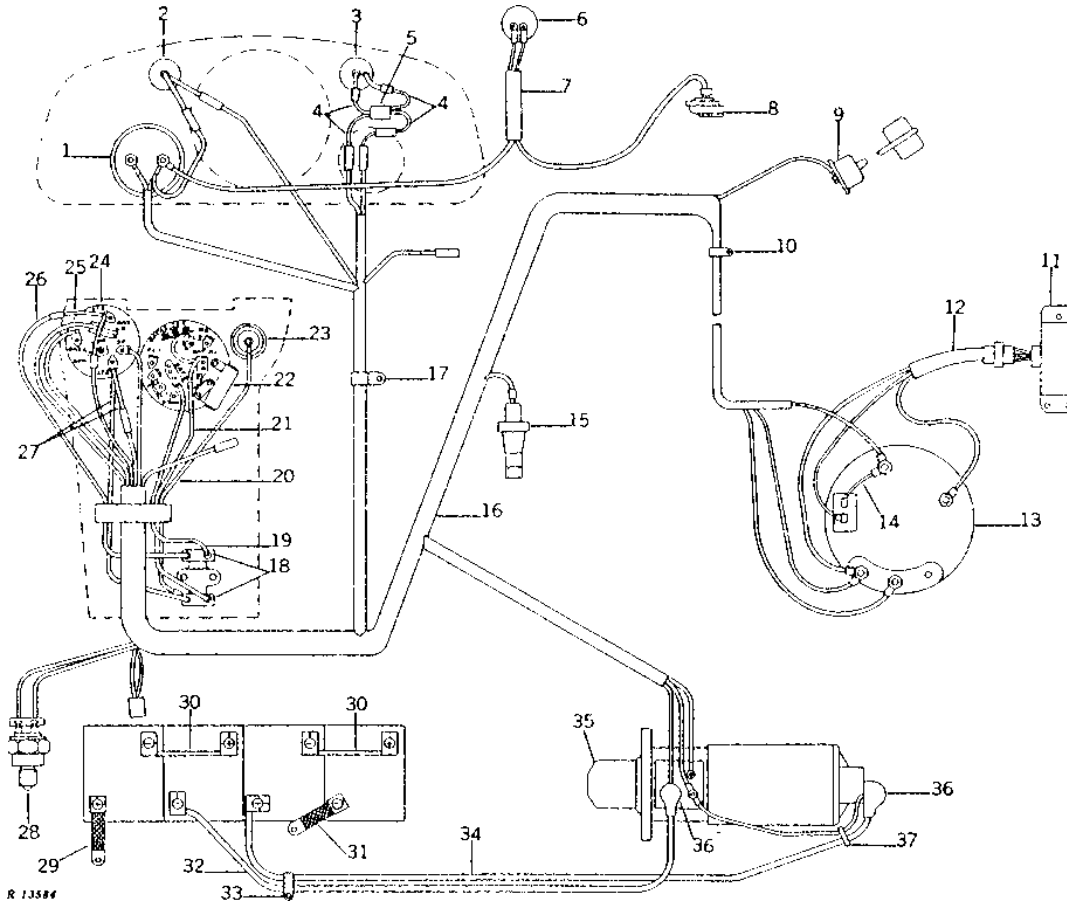
MEMORANDA

1D14

ELECTRICAL

ALTERNATOR AND STARTER WIRING (TRACTOR SERIAL NO. -005573)

R13584 -UN-01JAN94



KEY	PART NO.	PART NAME	QTY	TRACTOR SERIAL NO.	REMARKS
1	AR46271	GAUGE	1		FUEL, (SUB FOR AR26716, R34262 OR AT27153)
2	AR27944	LAMP	1		ENGINE OIL PRESSURE, (SUB AT48674, AR55694, AT44165 AND R30378)
3	AT14699	LAMP	1		ALTERNATOR INDICATOR, (SUB FOR AR29350)
4	AR39839	WIRING HARNESS	2		
5	R15005	RESISTOR	1		
6	AR21823	SWITCH	1		
7	R34702	WIRING HARNESS	1		(SUB FOR AR30415)
8	AT39043	HIGH NOTE HORN	1		(SUB FOR AR11308 OR R11276)
9	R35648	SENDER	1		FUEL
10	R183R	CLIP	1		
	24H1287	WASHER	1		9/32" X 5/8" X 0.065"
11	AR36977	VOLTAGE REGULATOR	1		(MOTOROLA) (SUB FOR R15017) (NLA)
12	AR39845	WIRING HARNESS	1		(NLA)
13	AR40419	ALTERNATOR	1		(24-VOLT) (MOTOROLA) (SUB FOR AR15007) (SUB TY1448)
	TY1448	ALTERNATOR	1		(24-VOLT) (REMANUFACTURED) (SUB FOR AR15007 OR AR40419)
14	WIRING LEAD	1		102MM (4") (MAKE FROM R66319, R32018, R65600 AND T28585)
15	AT85174	SWITCH	1		OIL PRESSURE, (SUB FOR AR27977)
16	AR47668	WIRING HARNESS	1		(NLA)
	B1986R	CLIP	2		
	R44302	TIE BAND	2		(SUB FOR R27457)
	T13814	CLAMP	1		
17	T13814	CLAMP	1		

THIS PARTS LISTING IS CONTINUED

1D15

ELECTRICAL

ALTERNATOR AND STARTER WIRING - CONTINUED
(TRACTOR SERIAL NO. -005573)

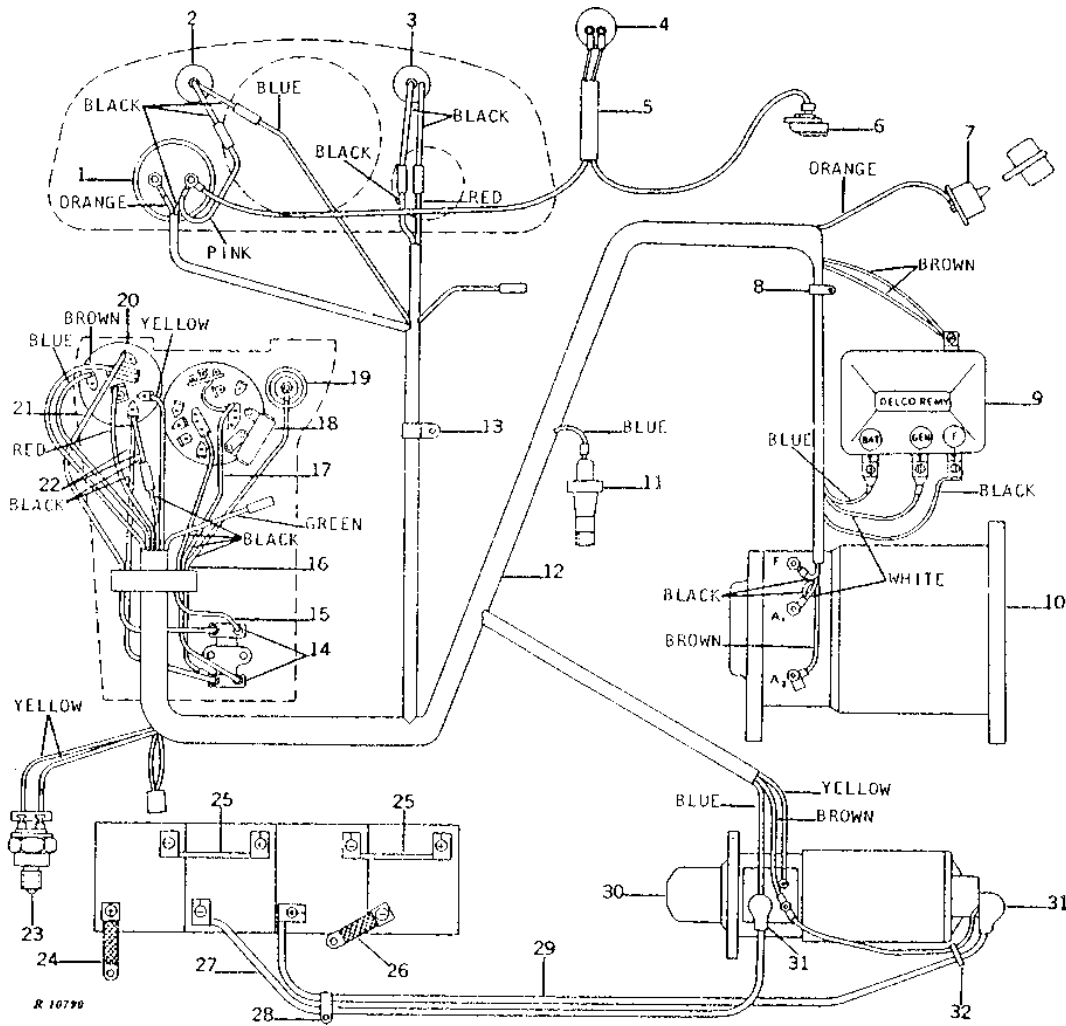
KEY	PART NO.	PART NAME	QTY	TRACTOR SERIAL NO.	REMARKS
18	AR28403	CIRCUIT BREAKER	2		
19	WIRING LEAD	1		254MM (10") (SUB FOR AR30048) (MAKE FROM R66319, R32018, R65600, T28585 AND R32027)
20	WIRING LEAD	1		318MM (12-1/2") (SUB FOR AR30054) (MAKE FROM R66319 AND (2) R32018)
21	WIRING LEAD	1	-004499	254MM (10") (SUB FOR AR30048) (MAKE FROM R66319, R32018, R65600, T28585 AND R32027)
22	R36838	WIRING HARNESS	1	004500-	(NLA)
	AR28402	SWITCH	1	-004499	LIGHT
	R37270	SWITCH	1	004500-	LIGHT
23	AR48643	LIGHTER	1		(SUB FOR AR30052 OR AR34556)
24	AR26557	SWITCH	1		STARTER
25	AR39851	WIRING HARNESS	1		STARTER SWITCH (NLA)
26	WIRING LEAD	1		254MM (10") (SUB FOR AR30048) (MAKE FROM R66319, R32018, R65600, T28585 AND R32027)
27	AR30050	WIRING HARNESS	1		(NLA)
28	RE38390	SWITCH	1		NEUTRAL START, (SUB FOR R36265, AR85323, AR89691 OR AT85123)
29	T16911	SHIM	2		
	AR26619	GROUND CABLE	1		(SUB FOR AB1833R)
	24H1305	WASHER	1		13/32" X 13/16" X 0.065"
	19H2284	CAP SCREW	1		3/8" X 7/8"
	12H304	LOCK WASHER	1		3/8"
30	AA4039R	CABLE	2		
31	AR26622	GROUND CABLE	1		NEGATIVE
	24H1305	WASHER	1		13/32" X 13/16" X 0.065"
	19H2284	CAP SCREW	1		3/8" X 7/8"
	12H304	LOCK WASHER	1		3/8"
32	AR35212	CABLE	1		NEGATIVE
33	R35668	CLAMP	1		
	19H1936	CAP SCREW	1		3/8" X 3/4"
	12H304	LOCK WASHER	1		3/8"
34	AR35213	CABLE	1		POSITIVE
35	AR45036	STARTER	1		(24-VOLT) (PRESTOLITE) (SUB FOR AR14006 OR AR36849) (SUB TY6721)
	TY6721	STARTER	1		(24-VOLT) (REMANUFACTURED) (PRESTOLITE) (SUB FOR TY6610, AR14006, AR36849 OR AR45036)
	RE43047	STARTER	1		(24-VOLT) (DELCO-REMY) (SUB FOR AR55313, AR102770 OR AR102771)
	TY6699	STARTER	1		(24-VOLT) (REMANUFACTURED) (DELCO-REMY) (SUB FOR TY6611, AR55313, AR102770 OR AR102771)
	TY6747	ALTERNATOR	1		(24-VOLT) (REMANUFACTURED) (DELCO-REMY)
36	R30964	COVER	2		
37	R44302	TIE BAND	1		(SUB FOR R27457)

1D16

ELECTRICAL

GENERATOR AND STARTER WIRING (TRACTOR SERIAL NO. 005574-007999)

R10790 -UN-01JAN94



1D17

ELECTRICAL

GENERATOR AND STARTER WIRING - CONTINUED
(TRACTOR SERIAL NO. 005574-007999)

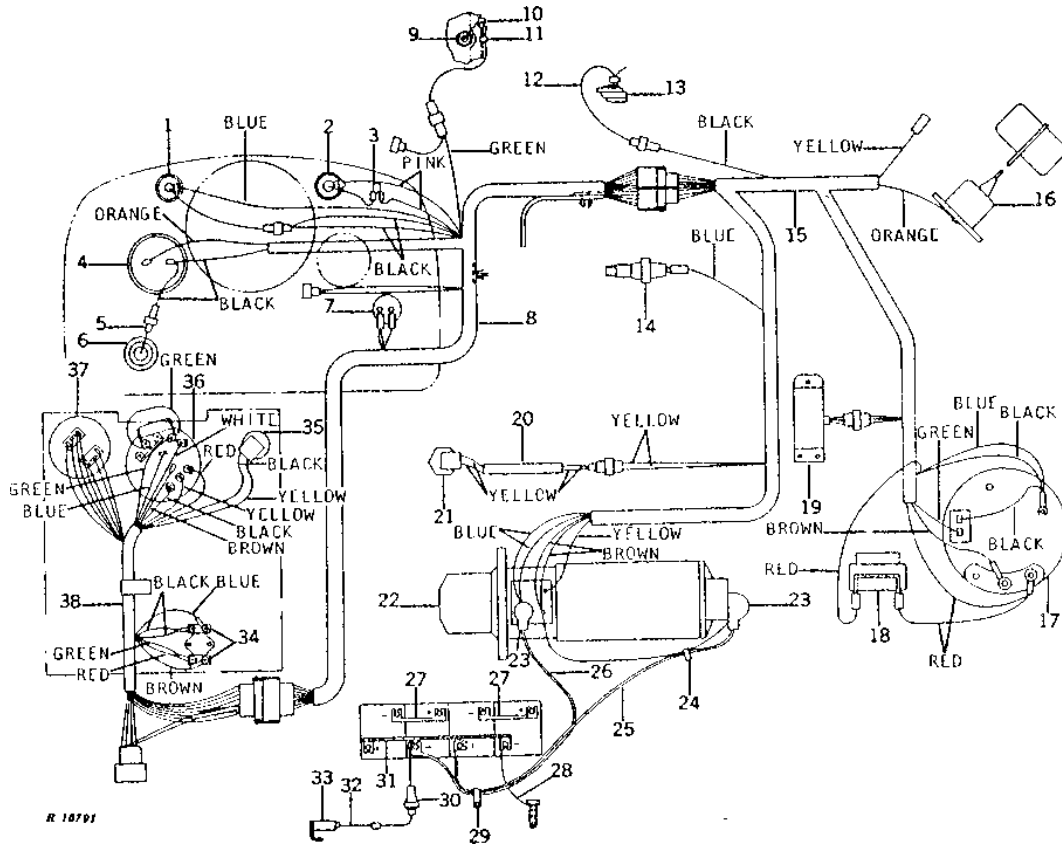
KEY	PART NO.	PART NAME	QTY	TRACTOR SERIAL NO.	REMARKS
1	AR46271	GAUGE	1		FUEL, (SUB FOR AR26716, R34262 OR AT27153)
2	AR27944	LAMP	1		ENGINE OIL PRESSURE, (SUB AT48674, AR55694, AT44165 AND R30378)
3	AT14699	LAMP	1		GENERATOR INDICATOR, (SUB FOR AR29350)
4	AR21823	SWITCH	1		
5	R34702	WIRING HARNESS	1		
6	AT39043	HIGH NOTE HORN	1		(SUB FOR R11276)
7	R35648	SENDER	1		FUEL
8	R183R	CLIP	1		
	24H1287	WASHER	1		9/32" X 5/8" X 0.065"
9	AR30155	VOLTAGE REGULATOR	1		(24-VOLT) (DELCO-REMY NO. 1119282)
10	AR34567	GENERATOR	1		(24-VOLT) (DELCO-REMY NO. 1103026) (SUB TY1447)
	TY1447	GENERATOR	1		(24-VOLT) (REMANUFACTURED) (SUB FOR AR34567)
11	AT85174	SWITCH	1		OIL PRESSURE, (SUB FOR AR27977)
12	AR47669	WIRING HARNESS	1		(NLA)
	B1986R	CLIP	2		
	R44302	TIE BAND	2		(SUB FOR R27457)
	T13814	CLAMP	1		
13	T13814	CLAMP	1		
14	AR28403	CIRCUIT BREAKER	2		
15	WIRING LEAD	1		254MM (10") (SUB FOR AR30048) (MAKE FROM R66319, R32018, R65600, T28585 AND R32027)
16	WIRING LEAD	1		318MM (12-1/2") (SUB FOR AR30054) (MAKE FROM R66319 AND (2) R32018)
17	R36838	WIRING HARNESS	1		(NLA)
18	R37270	SWITCH	1		LIGHT
19	AR48643	LIGHTER	1		(SUB FOR AR30052 OR AR34556)
20	AR26557	SWITCH	1		KEY
21	WIRING LEAD	1		254MM (10") (SUB FOR AR30048) (MAKE FROM R66319, R32018, R65600, T28585 AND R32027)
22	AR30050	WIRING HARNESS	1		(NLA)
23	RE38390	SWITCH	1		NEUTRAL START, (SUB FOR R36265, AR85323, AR89691 OR AT85153)
	T16911	SHIM	2		
24	AR26619	GROUND CABLE	1		(SUB FOR AB1833R)
	24H1305	WASHER	1		13/32" X 13/16" X 0.065"
	19H2284	CAP SCREW	1		3/8" X 7/8"
	12H304	LOCK WASHER	1		3/8"
25	AA4039R	CABLE	2		
26	AR26622	GROUND CABLE	1		NEGATIVE
	24H1305	WASHER	1		13/32" X 13/16" X 0.065"
	19H2284	CAP SCREW	1		3/8" X 7/8"
	12H304	LOCK WASHER	1		3/8"
27	AR35212	CABLE	1		NEGATIVE
28	R35668	CLAMP	1		
	19H1936	CAP SCREW	1		3/8" X 3/4"
	12H304	LOCK WASHER	1		3/8"
29	AR35213	CABLE	1		POSITIVE
30	AR45036	STARTER	1		(24-VOLT) (PRESTOLITE) (SUB FOR AR14006 OR AR36849) (SUB TY6721)
	TY6721	STARTER	1		(24-VOLT) (REMANUFACTURED) (PRESTOLITE) (SUB FOR TY6610, AR14006, AR36849 OR AR45036)
	RE43047	STARTER	1		(24-VOLT) (DELCO-REMY) (SUB FOR AR55313, AR102770 OR AR102771)
	TY6699	STARTER	1		(24-VOLT) (REMANUFACTURED) (DELCO-REMY) (SUB FOR TY6611, AR55313, AR102770 OR AR102771)
	TY6747	ALTERNATOR	1		(24-VOLT) (REMANUFACTURED) (DELCO-REMY)
31	R30964	COVER	2		
32	R44302	TIE BAND	1		(SUB FOR R27457)

1D18

ELECTRICAL

ALTERNATOR AND STARTER WIRING (TRACTOR SERIAL NO. 008000-)

R10791 -UN-01JAN94



KEY	PART NO.	PART NAME	QTY	TRACTOR SERIAL NO.	REMARKS
1	AR27944	LAMP	1		ENGINE OIL PRESSURE, (SUB AT48674, AR55694, AT44165 AND R30378)
2	AT14699	LAMP	1		ALTERNATOR INDICATOR
3	R39550	RESISTOR	1		
4	AR46271	GAUGE	1		FUEL, (SUB FOR AT27153 AND R34262)
5	WIRING LEAD	1		305MM (12") (MAKE FROM R66319, R32018, R65597, T28583 AND R32027)
6	AR48643	LIGHTER	1		(SUB FOR AR34556)
7	AR21823	SWITCH	1		HORN
8	AR47686	WIRING HARNESS	1		(SUB FOR R39641 OR AR44953)
	R27539	CLAMP	1		
	21H1304	SCREW	1		5/16" X 3/4"
	12M7032	LOCK WASHER	1		0.331"
	T13814	CLAMP	1		
	B1828R	BUSHING	1		
	24H1302	WASHER	1		13/32" X 11/16" X 0.035"
9	AR33479	LAMP	1		DASH, (SUB FOR RE13195)
10	A3411R	GROMMET	1		
11	R21551	CLIP	1		(SUB FOR F2084R)
12	R39650	WIRING HARNESS	1		
13	AT39043	HIGH NOTE HORN	1		(SUB FOR R11276)
14	AT85174	SWITCH	1		ENGINE OIL PRESSURE, (SUB FOR AR27977)

1D19

ELECTRICAL

ALTERNATOR AND STARTER WIRING - CONTINUED
(TRACTOR SERIAL NO. 008000-)

KEY	PART NO.	PART NAME	QTY	TRACTOR SERIAL NO.	REMARKS
15	AR47670	WIRING HARNESS	1	(NLA)	
	R44302	TIE BAND	4	(SUB FOR R27457)	
	R32320	CLIP	2		
	B1986R	CLIP	2		
	R36976	CLAMP	1	(NLA)	
16	R35648	SENDER	1	FUEL	
17	AR40419	ALTERNATOR	1	(24-VOLT) (MOTOROLA) (SUB FOR AR15007) (SUB TY1448)	
	TY1448	ALTERNATOR	1	(24-VOLT) (REMANUFACTURED) (SUB FOR AR40419)	
18	R15005	RESISTOR	1		
19	AR40779	VOLTAGE REGULATOR	1	(24-VOLT) (MOTOROLA) (SUB FOR R15017)	
20	R36975	WIRING LEAD	1		
	R44302	TIE BAND	1	(SUB FOR R27457 OR R1646R)	
21	RE38390	SWITCH	1	NEUTRAL START, (SUB FOR R36265, AR85323, AR89691 OR AT85153)	
	T16911	SHIM	2		
22	AR45036	STARTER	1	(24-VOLT) (PRESTOLITE) (SUB FOR AR14006 OR AR36849) (SUB TY6721)	
	TY6721	STARTER	1	(24-VOLT) (REMANUFACTURED) (PRESTOLITE) (SUB FOR TY6610, AR14006, AR36849 OR AR45036)	
	AR45037	STARTER	1	(24-VOLT) (DELCO-REMY) (SUB FOR AR55313, AR102770 OR AR102771)	
	TY6699	STARTER	1	(24-VOLT) (REMANUFACTURED) (DELCO-REMY) (SUB FOR AR55313, AR102770 OR AR102771)	
	TY6747	ALTERNATOR	1	(24-VOLT) (REMANUFACTURED) (DELCO-REMY)	
23	R30964	COVER	2		
24	R44302	TIE BAND	1	(SUB FOR R27457)	
25	AR35213	CABLE	1	POSITIVE	
26	AR35212	CABLE	1	NEGATIVE	
27	AA4039R	CABLE	2		
28	R39713	WIRING LEAD	1	GROUND	
	19H1936	CAP SCREW	1	3/8" X 3/4"	
	12H304	LOCK WASHER	1	3/8"	
29	R35668	CLAMP	1		
	19H1936	CAP SCREW	1	-008999 3/8" X 3/4"	
	12H304	LOCK WASHER	1	-008999 3/8"	
	19H1936	CAP SCREW	1	009000- (A) 3/8" X 3/4"	
	12H304	LOCK WASHER	1	009000- (A) 3/8"	
	19H1800	CAP SCREW	1	009000- (B) 3/8" X 1-1/2"	
	12H304	LOCK WASHER	1	009000- (B) 3/8"	
	28H1697	SPACER	1	009000- (B)	
	T13073	CLIP	1	009000- (B)	
30	AR26756	WIRING LEAD	1	FUSEHOLDER	
31	AA4423R	CABLE	1		
32	WIRING LEAD	1	432MM (17") (MAKE FROM R66319, R65600, T28585, R65597, T28583 AND (2) R32027)	
	R21551	CLIP	1		
33	AR26571	SOCKET	1		
	21H1301	SCREW	2	0.190" X 1/2"	
	12M7060	WASHER	2	0.209"	
	14H778	NUT	2	0.190"	
	AR40710	PLUG	1	WITH CABLE, (SUB FOR AA5691R)	
	AA5692R	ELECTRICAL PLUG	1	LESS CABLE	
34	AR28403	CIRCUIT BREAKER	2		
35	AR46184	SWITCH	1	STARTER, (SUB FOR R39554)	
36	R39551	SWITCH	1	LIGHT	
37	AR39505	SWITCH	1	KEY	
38	AR47685	WIRING HARNESS	1	(SUB FOR R39555 OR AR44952)	

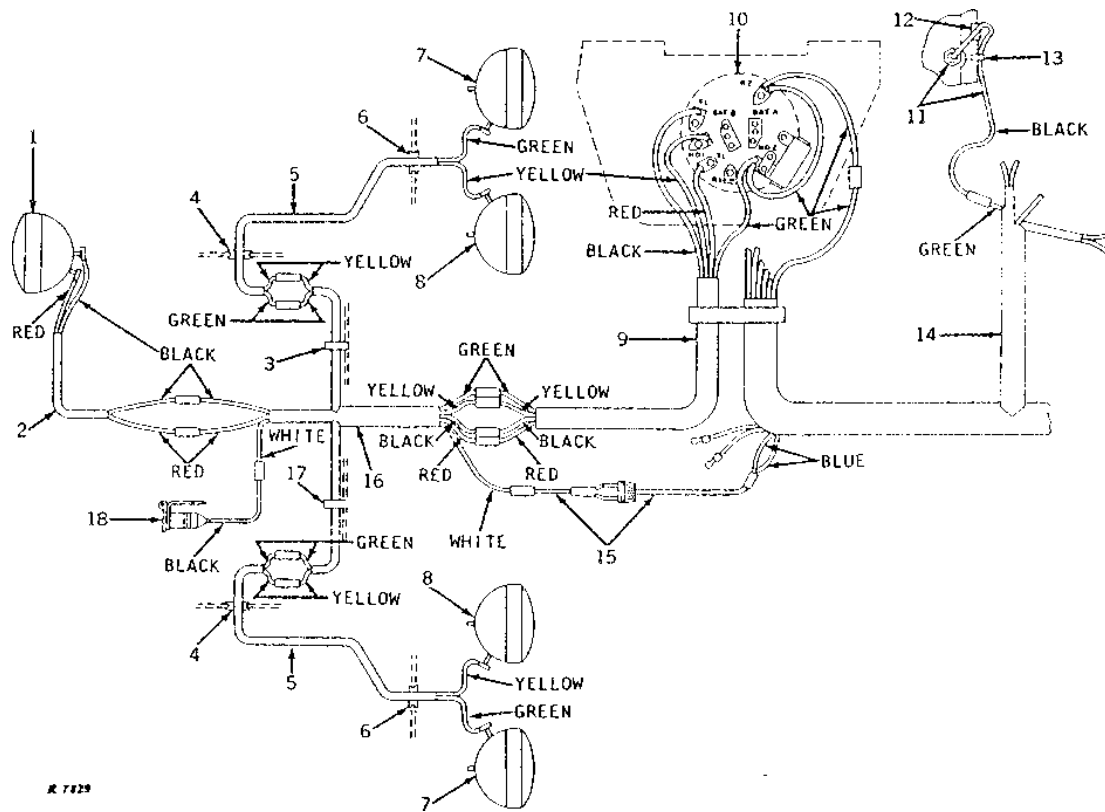
(A) LESS PTO
(B) WITH PTO

1D20

ELECTRICAL

LAMP WIRING (TRACTOR SERIAL NO. -004499)

R7829 -UN-01JAN94



R 7829

1D21

ELECTRICAL

LAMP WIRING - CONTINUED
(TRACTOR SERIAL NO. -004499)

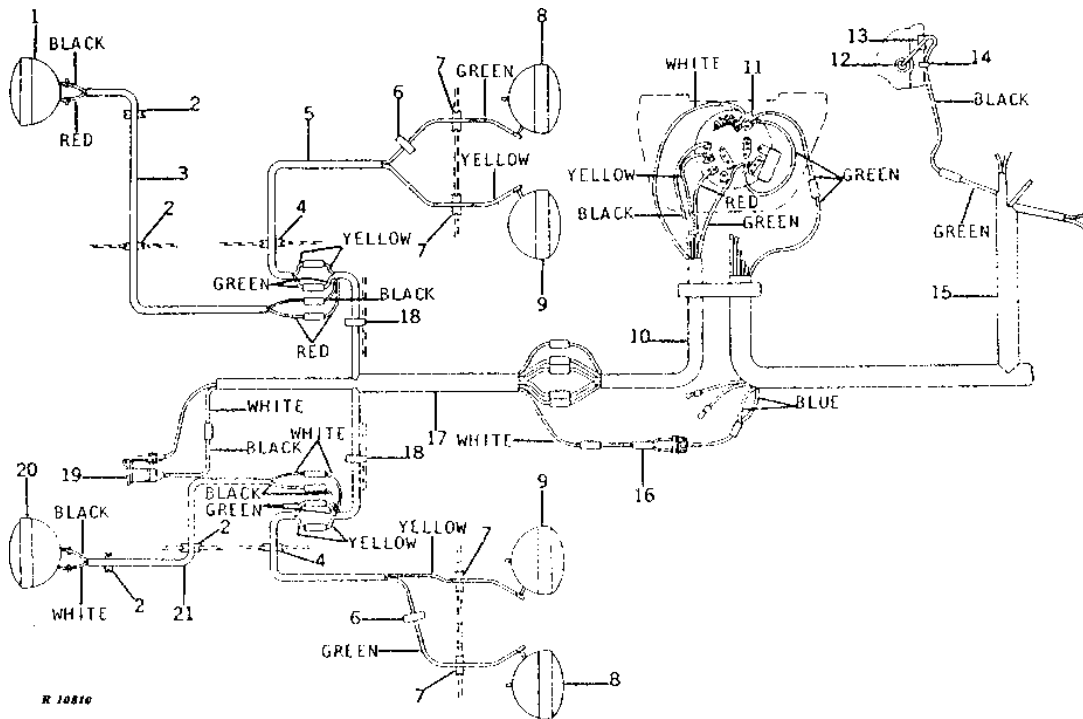
KEY	PART NO.	PART NAME	QTY	TRACTOR SERIAL NO.	REMARKS
1	AR77326	FLOODLAMP	1		(SUB FOR AR28227 OR AT16288)
	12H301	LOCK WASHER	1		1/2"
	14H809	NUT	1		1/2", (NLA)
2	AR26575	WIRING HARNESS	1		
	R21551	CLIP	1		
3	R21551	CLIP	2		(SUB FOR F2084R)
4	R26936	GROMMET	2		
5	R39661	WIRING HARNESS	2		(SUB FOR R35652 OR R36782)
6	A3411R	GROMMET	2		
7	AT13380	HEADLIGHT	2		
	R20758	WASHER	2		
	F2935R	WASHER	2		
	12H301	LOCK WASHER	2		1/2"
	14H1040	NUT	2		1/2"
8	AT13381	LAMP	2		
	R20758	WASHER	2		
	F2935R	WASHER	2		
	12H301	LOCK WASHER	2		1/2"
	14H1040	NUT	2		1/2"
9	R35651	WIRING HARNESS	1		(NLA)
10	AR28402	SWITCH	1		LIGHT
11	AR33479	LAMP	1		DASH, (SUB FOR AR35993 AND RE13195)
12	A3411R	GROMMET	1		
13	R21551	CLIP	1		(SUB FOR F2084R)
14	AR47668	WIRING HARNESS	1		(NLA)
	B1986R	CLIP	2		
	R44302	TIE BAND	2		(SUB FOR R27457)
	T13814	CLAMP	1		
15	AT12928	FUSE HOLDER	1		FUSEHOLDER
16	R36292	WIRING HARNESS	1		(NLA)
17	R21551	CLIP	2		(SUB FOR F2084R)
18	AR26571	SOCKET	1		
	21H981	SCREW	2		0.190" X 1/2"
	12M7060	WASHER	2		0.209"
	14H778	NUT	2		0.190"
	AR40710	PLUG	1		WITH CABLE, (SUB FOR AA5691R)
	AA5692R	ELECTRICAL PLUG	1		LESS CABLE

1D22

ELECTRICAL

LAMP WIRING (TRACTOR SERIAL NO. 004500-007999)

R10810 -UN-01JAN94



R 10810

1D23

ELECTRICAL

LAMP WIRING - CONTINUED
(TRACTOR SERIAL NO. 004500-007999)

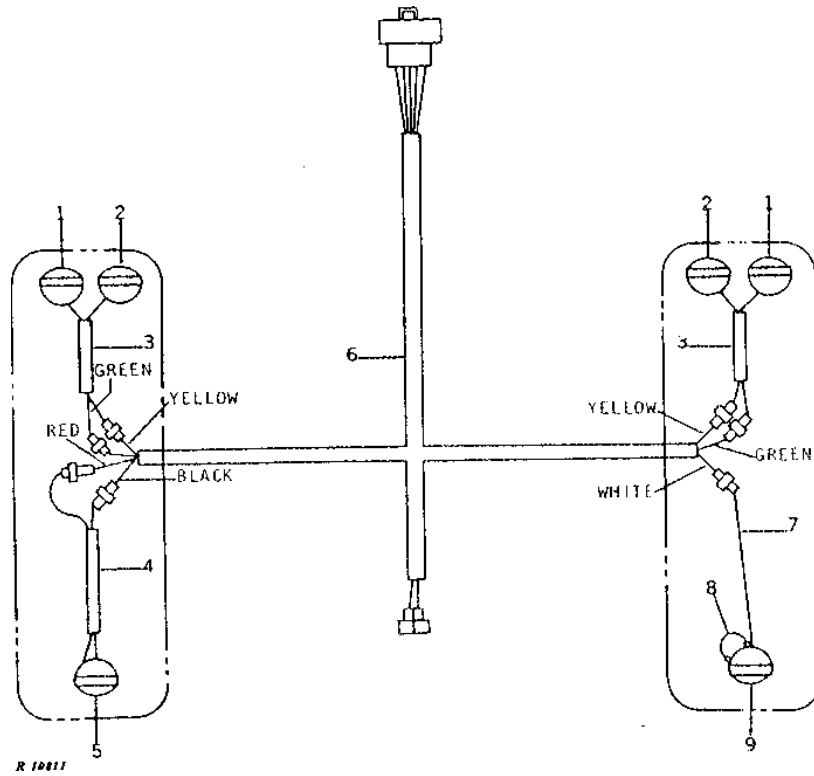
KEY	PART NO.	PART NAME	QTY	TRACTOR SERIAL NO.	REMARKS
1	AR77326	FLOODLAMP	1		(SUB FOR AT16288)
	12H301	LOCK WASHER	1		1/2"
	14H1040	NUT	1		1/2"
2	R26936	GROMMET	4		
3	R39662	WIRING HARNESS	1		L.H. (SUB FOR R36843) (NLA)
4	R26936	GROMMET	2		
5	R39661	WIRING HARNESS	2		(SUB FOR R36782)
6	R21551	CLIP	2		
7	R27180	GROMMET	4		
8	AT13380	HEADLIGHT	2		(INNER)
	R20758	WASHER	2		
	F2935R	WASHER	2		
	12H301	LOCK WASHER	2		1/2"
	14H1040	NUT	2		1/2"
9	AT13381	LAMP	2		(OUTER)
	R20758	WASHER	2		
	F2935R	WASHER	2		
	12H301	LOCK WASHER	2		1/2"
	14H1040	NUT	2		1/2"
10	R36839	WIRING HARNESS	1		(NLA)
11	R37270	SWITCH	1		LIGHT
12	AR33479	LAMP	1		DASH, (SUB FOR RE13195)
13	A3411R	GROMMET	1		
14	R21551	CLIP	1		(SUB FOR F2084R)
15	AR47668	WIRING HARNESS	1	-005573	(NLA)
	AR47669	WIRING HARNESS	1	005574-	(NLA)
	B1986R	CLIP	2		
	R44302	TIE BAND	2		(SUB FOR R27457)
	T13814	CLAMP	1		
16	AT12928	FUSE HOLDER	1		FUSEHOLDER
17	R36841	WIRING HARNESS	1		
18	R21551	CLIP	2		
19	AR26571	SOCKET	1		
	21H1301	SCREW	2		0.190" X 1/2"
	12M7060	WASHER	2		0.209"
	14H778	NUT	2		0.190"
	AR40710	PLUG	1		WITH CABLE, (SUB FOR AA5691R)
	AA5692R	ELECTRICAL PLUG	1		LESS CABLE
20	AR35782	LAMP	1		
	12H301	LOCK WASHER	1		1/2"
	14H1040	NUT	1		1/2"
21	R36842	WIRING HARNESS	1		(NLA)

1D24

ELECTRICAL

LAMP WIRING
(TRACTOR SERIAL NO. 008000-)

R10811 -UN-01JAN94



1D25

ELECTRICAL

LAMP WIRING - CONTINUED
(TRACTOR SERIAL NO. 008000-)

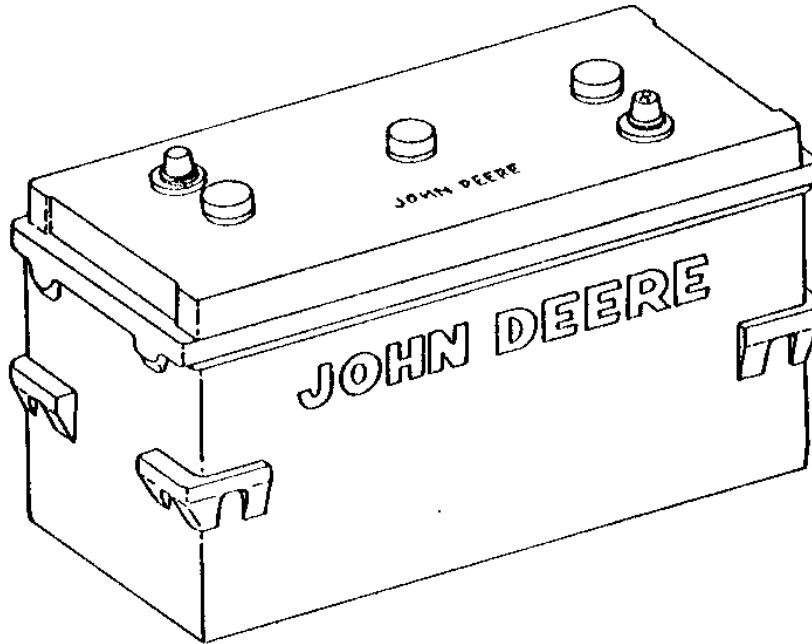
KEY	PART NO.	PART NAME	QTY	TRACTOR SERIAL NO.	REMARKS
1	AT13380	HEADLIGHT	2		
	R20758	WASHER	2		
	F2935R	WASHER	2		
	12H301	LOCK WASHER	2	1/2"	
	14H1040	NUT	2	1/2"	
2	AT13381	LAMP	2		
	R20758	WASHER	2		
	F2935R	WASHER	2		
	12H301	LOCK WASHER	2	1/2"	
	14H1040	NUT	2	1/2"	
3	R39661	WIRING HARNESS	2		
	R27180	GROMMET	4		
	R21551	CLIP	2		
4	R39662	WIRING HARNESS	1	(NLA)	
	R26936	GROMMET	2		
5	AR77326	FLOODLAMP	1	(SUB FOR AT16288)	
	12H301	LOCK WASHER	1	1/2"	
	14H1040	NUT	1	1/2"	
6	AR41284	WIRING HARNESS	1	(SUB FOR R39617)	
	B1986R	CLIP	1		
7	WIRING LEAD	1		1448MM (57") (MAKE FROM R66319, R32016, R65597, T28583 AND R32027)
8	WIRING LEAD	1		152MM (6") (MAKE FROM R66319, R32016 AND R32028)
9	AR35782	LAMP	1		
	12H301	LOCK WASHER	1	1/2"	
	14H1040	NUT	1	1/2"	

1E1

ELECTRICAL

R33050 -UN-01JAN94

STORAGE BATTERY



R33050

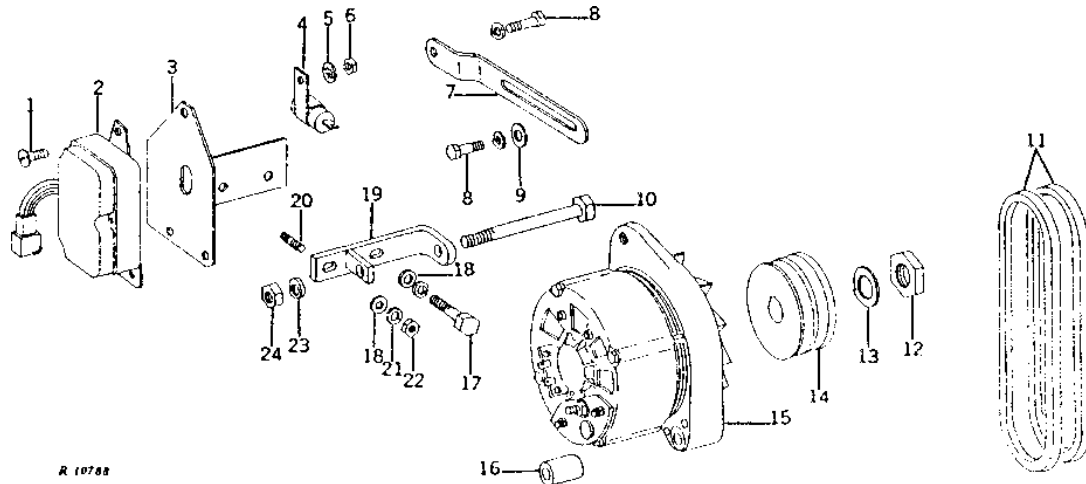
KEY	PART NO.	PART NAME	QTY	TRACTOR SERIAL NO.	REMARKS
1	TY21731	BATTERY	4		(6-VOLT) 625 COLD CRANKING AMPS AT -18°C (0°F), 160 MINUTE RESERVE CAPACITY AT 25 AMPS, (SUB FOR AR46114 OR TY6117)

1E2

ELECTRICAL

ALTERNATOR, REGULATOR, AND MOUNTING BRACKET
(TRACTOR SERIAL NO. -005573)
(TRACTOR SERIAL NO. 008000-)

R10788 -UN-01JAN94



R 10788

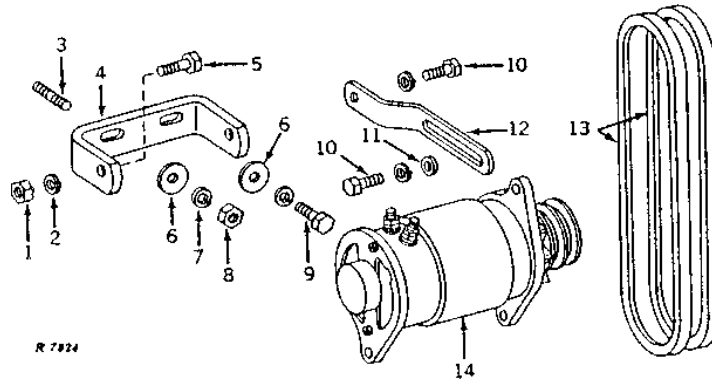
KEY	PART NO.	PART NAME	QTY	TRACTOR SERIAL NO.	REMARKS
1	21H1316	SCREW	3		0.190" X 1/2"
2	AR36977	KIT	1	001000-005573	(24-VOLT) (MOTOROLA) (SUB FOR R15017) (NLA)
	AR39845	WIRING HARNESS	1	001000-005573	REGULATOR TO ALTERNATOR (NLA)
	AR40779	VOLTAGE REGULATOR	1	008000-	(24-VOLT) (MOTOROLA) (SUB AR40780, 12H302, 14H786, 21H1302 AND 24M7207) (NLA)
3	R34967	BRACKET	1		
4	R15005	RESISTOR	1		
5	12M7060	WASHER	3		0.209"
6	14H631	NUT	3		0.190"
7	R40775	STRAP	1		(SUB FOR R36953)
8	19H1900	CAP SCREW	2		5/16" X 3/4"
	12H303	LOCK WASHER	2		5/16"
9	24H1292	WASHER	1		11/32" X 3/4" X 0.120"
10	19H1925	CAP SCREW	1		3/8" X 4-1/4"
11	AR56638	BELT SET	1		(SUB FOR AR35042 OR AR41574)
12	14H866	NUT	1		5/8"
13	12H294	LOCK WASHER	1		5/8"
14	R15022	PULLEY	1		
15	AR40419	ALTERNATOR	1		(24-VOLT) (MOTOROLA) (SUB FOR AR15007) (SUB TY1448)
	TY1448	ALTERNATOR	1		(24-VOLT) REMANUFACTURED (MOTOROLA NO. RA2AJD902S) (SUB FOR AR40419)
16	R34969	SPACER	1		
17	19H1821	CAP SCREW	1		7/16" X 1-1/4"
	12H293	LOCK WASHER	1		7/16"
18	24M7044	WASHER	2		13 X 20 X 2 MM
19	AR40416	BRACKET	1		(SUB FOR AR34837)
20	K3083R	STUD	1		
21	12H293	LOCK WASHER	1		7/16"
22	14H813	NUT	1		7/16", (SUB FOR A5236R)
23	12H304	LOCK WASHER	1		3/8"
24	14H732	NUT	1		3/8"

1E3

ELECTRICAL

R7824 -UN-01JAN94

GENERATOR AND MOUNTING BRACKET (TRACTOR SERIAL NO. 005574-007999)



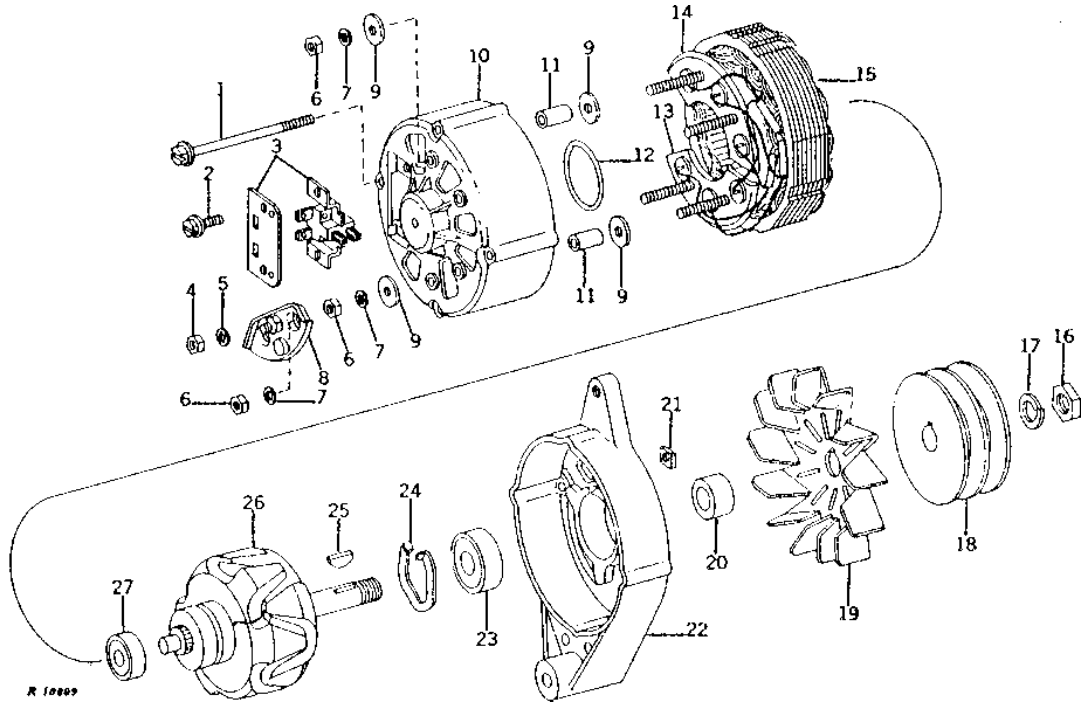
KEY	PART NO.	PART NAME	QTY	TRACTOR SERIAL NO.	REMARKS
1	14H1076	NUT	2	3/8"	
2	12H304	LOCK WASHER	2	3/8"	
3	K3083R	STUD	1		
4	R26602	BRACKET	1		
5	19H1732	CAP SCREW	2	3/8" X 1-1/4"	
6	24H1330	WASHER	2	15/32" X 1-3/8" X 7/64"	
7	12H293	LOCK WASHER	1	7/16"	
8	14H813	NUT	1	7/16"	
9	19H1821	CAP SCREW	1	7/16" X 1-1/4"	
	12H293	LOCK WASHER	1	7/16"	
10	19H1900	CAP SCREW	2	5/16" X 3/4"	
	12H303	LOCK WASHER	2	5/16"	
11	24H1292	WASHER	1	11/32" X 3/4" X 0.120"	
12	R40775	STRAP	1	(SUB FOR R35177 OR R36953)	
13	AR56638	BELT SET	1	(SUB FOR AR35042 OR AR41574)	
14	AR34567	GENERATOR	1	(24-VOLT) (DELCO-REMY NO. 1103026) (SUB TY1447)	
	TY1447	GENERATOR	1	(24-VOLT) (REMANUFACTURED) (DELCO-REMY) (SUB FOR AR34567)	

1E4

ELECTRICAL

R10809 -UN-01JAN94

ALTERNATOR PARTS (24-VOLT)
(TRACTOR SERIAL NO. -005573)
(TRACTOR SERIAL NO. 008000-)



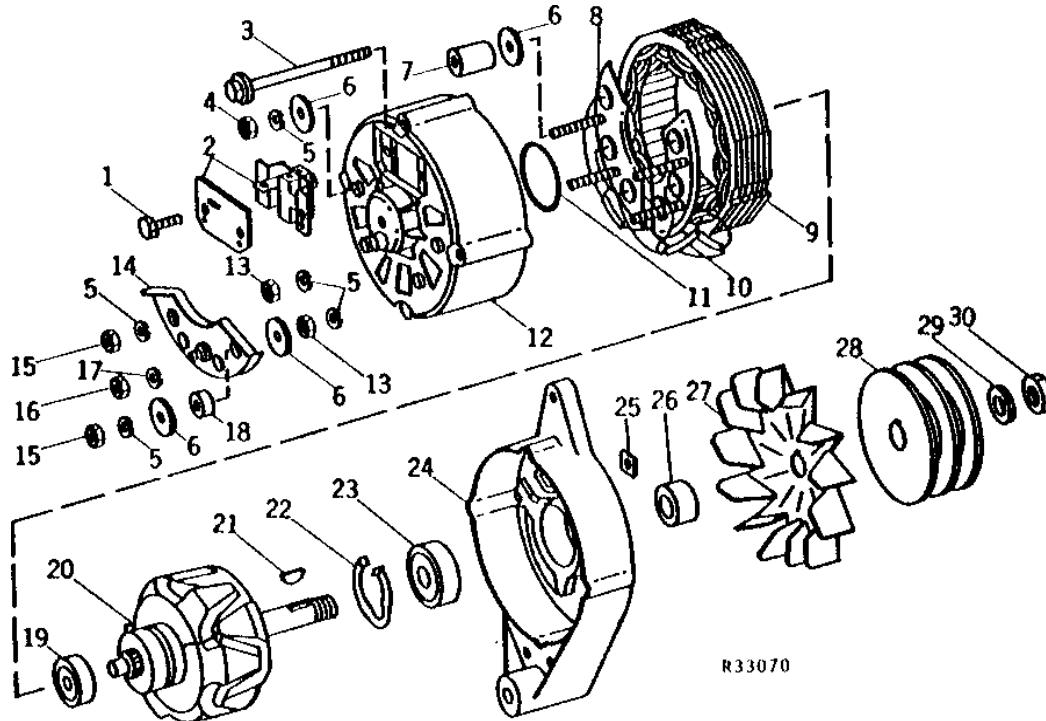
KEY	PART NO.	PART NAME	QTY	TRACTOR SERIAL NO.	REMARKS
1	R15045	BOLT	4		
2	37H95	SCREW	2		NO. 8 X 1/2", (SUB FOR R27182)
3	R15041	BRUSH	1		
4	14H786	NUT	1	1/4"	
5	12H297	LOCK WASHER	1	1/4"	
6	14H778	NUT	8	NO. 10	
7	12M7060	WASHER	8	0.209"	
8	R15025	DIODE	1	ISOLATION	
9	R15036	WASHER	8		
10	R15044	HOUSING	1		(ORDER TY1448)
11	R15035	SLEEVE	4		
12	R15030	O-RING	1		
13	R15039	DIODE	1	POSITIVE	
14	R15040	DIODE	1	NEGATIVE	
15	R15043	STATOR	1		
16	14H866	NUT	1	5/8"	
17	12H294	LOCK WASHER	1	5/8"	
18	R15022	PULLEY	1		
19	R15027	FAN	1		
20	T25343	BUSHING	1		(SUB FOR R15038)
21	14H631	NUT	4	NO. 10	
22	R15033	HOUSING	1		
23	JD9449	BALL BEARING	1		(SUB FOR JD8535 OR AT23188)
24	R15029	RETAINER	1		
25	26H72	SHAFT KEY	1	1/8" X 5/8"	
26	R15042	ROTOR	1		
27	AT23189	BALL BEARING	1		(SUB FOR R15028)
..	AR15007	ALTERNATOR	1		(24-VOLT) (MOTOROLA) (SUB TY1448)
..	TY1448	ALTERNATOR	1		(24-VOLT) (REMANUFACTURED) (MOTOROLA NO. RA2AJD902S) (SUB FOR AR15007 OR AR40419)

1E5

ELECTRICAL

ALTERNATOR PARTS (24-VOLT)(35 AMP) (MOTOROLA)

R33070 -UN-01JAN94



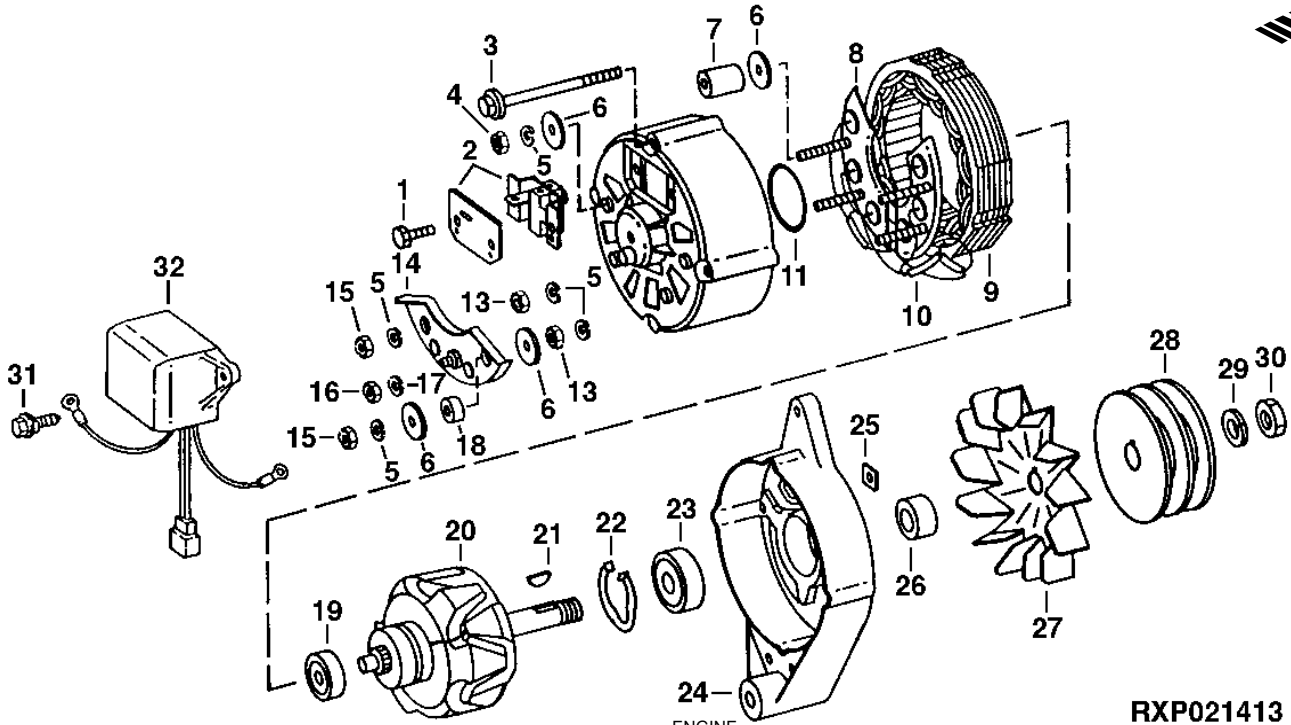
KEY	PART NO.	PART NAME	QTY	TRACTOR SERIAL NO.	REMARKS
1	37H10	SCREW	2	0.164" X 3/8"	
2	R15041	BRUSH	1		
3	R15045	BOLT	4		
4	14H778	NUT	2	0.190"	
5	12M7060	WASHER	6	0.209"	
6	R15036	WASHER	6		
7	R15035	SLEEVE	4		
8	R15039	DIODE	1	POSITIVE	
9	R15043	STATOR	1		
10	R15040	DIODE	1	NEGATIVE	
11	R15030	O-RING	1		
12	R40606	HOUSING	1	REAR, (ORDER TY1448)	
13	AR40489	WIRING LEAD	1		
14	14H778	NUT	3	0.190"	
15	AR40471	DIODE	1		
16	14H778	NUT	2	0.190"	
17	14H786	NUT	1	1/4"	
18	12H297	LOCK WASHER	1	1/4"	
19	R39803	WASHER	1		
20	AT23189	BALL BEARING	1	(SUB FOR R15028)	
21	R15042	ROTOR	1		
22	26H72	SHAFT KEY	1	1/8" X 5/8"	
23	R15029	RETAINER	1		
24	JD9449	BALL BEARING	1	(SUB FOR JD8535 OR AT23188)	
25	R15033	HOUSING	1	FRONT	
26	T23610	NUT	4		
27	T25343	BUSHING	1	(SUB FOR R15038)	
28	R15027	FAN	1		
29	R15022	PULLEY	1		
30	12H294	LOCK WASHER	1	5/8"	
..	14H866	NUT	1	5/8"	
..	AR40419	ALTERNATOR	1	(24-VOLT) (MOTOROLA NO. RA2AJD902S) (SUB TY1448)	
..	TY1448	ALTERNATOR	1	(24-VOLT) (REMANUFACTURED) (MOTOROLA) (SUB FOR AR40419)	

1E6

ELECTRICAL

RXP021413 -UN-09JAN96

ALTERNATOR (12-VOLT) (55 AMP) (MOTOROLA)



RXP021413

KEY	PART NO.	PART NAME	QTY	ENGINE SERIAL NO.	REMARKS
1	37H10	SCREW	2	0.164" X 3/8"	
2	AT27128	HOLDER	1	(SUB FOR R15026)	
3	R15045	BOLT	4		
4	14H778	NUT	2	0.190"	
5	12M7060	WASHER	6	0.209"	
6	R15036	WASHER	6		
7	R15035	SLEEVE	2		
8	R15023	DIODE	1	POSITIVE	
9	R39802	STATOR	1		
10	R15024	DIODE	1	NEGATIVE	
11	R15030	O-RING	1		
12	R38374	HOUSING	1		
13	14H778	NUT	2	0.190"	
14	R39800	DIODE	1		
15	14H778	NUT	2	0.190"	
	12M7060	WASHER	2	0.209"	
16	14H786	NUT	1	1/4"	
17	12H297	LOCK WASHER	2	1/4"	
18	R39803	WASHER	1		
19	AT23189	BALL BEARING	1	(SUB FOR R15028)	
20	R39801	ROTOR	1		
21	26H72	SHAFT KEY	1	1/8" X 5/8"	
22	R15029	RETAINER	1		
23	JD8535	BALL BEARING	1		
24	R15033	HOUSING	1		
25	T23610	NUT	4		
26	T25343	BUSHING	1	(SUB FOR R15038)	
27	R15027	FAN	1		
28	R43828	PULLEY	1		
29	12H294	LOCK WASHER	1	5/8"	
30	14H866	NUT	1	5/8"	
31	R44008	SCREW	3		
32	AR78298	VOLTAGE REGULATOR	1	(A) (12-VOLT) (SUB FOR AR52927)	
..	AR40420	ALTERNATOR	1	(A) (LESS PULLEY) (12-VOLT) (MOTOROLA NO. RA12NJD604)	
..	TY1430	ALTERNATOR	1	(A) (12-VOLT) (REMANUFACTURED)	

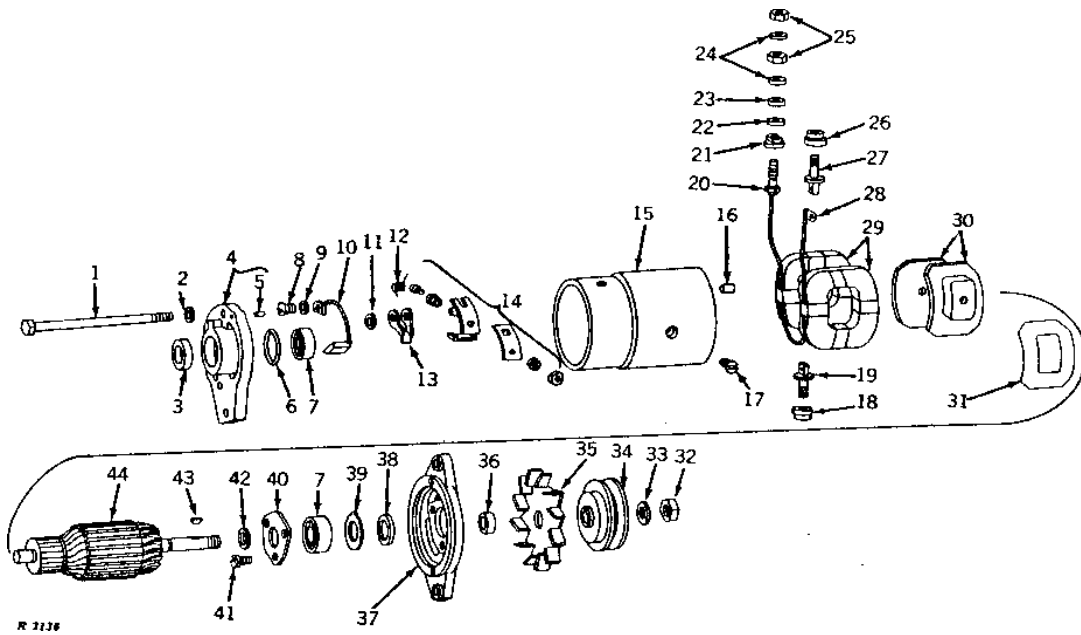
(A) 24-VOLT TO 12-VOLT START/CHARGE CONVERSION KIT

1E7

ELECTRICAL

R2136 -UN-12OCT94

GENERATOR PARTS (24-VOLT) (DELCO-REMY)
(TRACTOR SERIAL NO. 005574-007999)



R 2136

1E8

ELECTRICAL

**GENERATOR PARTS (24-VOLT) (DELCO-REMY) - CONTINUED
(TRACTOR SERIAL NO. 005574-007999)**

KEY	PART NO.	PART NAME	QTY	TRACTOR SERIAL NO.	REMARKS
1	R11158	BOLT	2		
2	12H303	LOCK WASHER	2	5/16"	
3	R11188	PLUG	1		
4	AR11331	FRAME	1	(NLA)	
5	R11086	DOWEL PIN	1		
6	T11660	O-RING	1		
7	JD9449	BALL BEARING	2	(SUB FOR JD8535 OR AT23188)	
8	21H1309	SCREW	2	0.138" X 1/4"	
9	12H314	LOCK WASHER	2	0.138"	
10	AR11074	BRUSH	2		
11	T11651	SHIM	2		
12	T11652	SPRING	2		
13	T11649	ARM	2		
14	AR40217	HOLDER	2	(SUB FOR AR11068)	
15	FRAME	1		
16	R11087	DOWEL PIN	1		
17	21H1280	SCREW	2	3/8" X 3/4", (SUB FOR T18353)	
18	R11113	WASHER	1		
19	T11656	STUD	1	(SUB FOR R11162)	
20	AR40436	STUD	1	(SUB FOR R11042)	
21	INSULATOR	1		
22	R11098	WASHER	3	(NLA)	
23	24H1287	WASHER	3	9/32" X 5/8" X 0.065", (SUB FOR A3031R)	
24	12H316	LOCK WASHER	6	0.216"	
25	14H608	NUT	6	NO. 12	
26	R11113	WASHER	1		
27	T11656	STUD	1	(SUB FOR R11162)	
28	R32018	TERMINAL	1	(SUB FOR R11043)	
29	AR11031	ELECTRICAL COIL	1		
30	R11161	SHOE	2		
31	R11160	INSULATOR	2		
32	R11049	NUT	1		
33	T10745	WASHER	1		
34	R11234	SHEAVE	1		
35	T12870	FAN	1		
36	T11648	LOCKING COLLAR	1		
37	AR11333	FRAME	1		
38	R11089	WASHER	1		
39	R11094	PLATE	1		
40	R11109	PLATE	1		
41	21H1127	SCREW	3	0.190" X 7/16"	
42	R11088	WASHER	1		
43	26H72	SHAFT KEY	1	1/8" X 5/8"	
44	AR11330	ARMATURE	1		
..	AR34567	GENERATOR	1	(24-VOLT) (DELCO-REMY NO. 1103026) (SUB TY1447)	

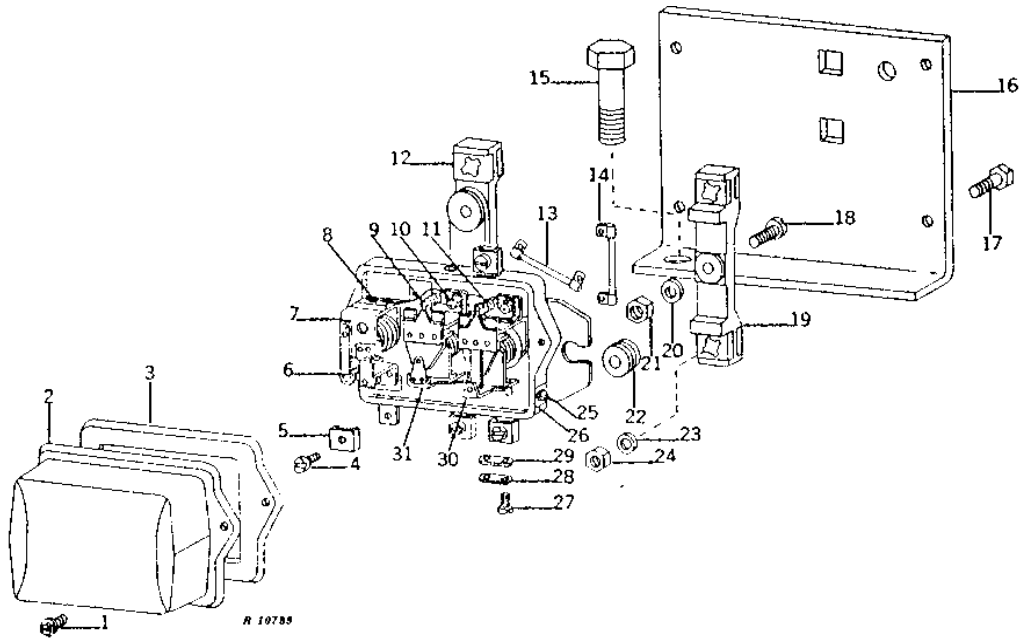
1E9

ELECTRICAL

R10789

-UN-01JAN94

GENERATOR REGULATOR (24-VOLT)
(TRACTOR SERIAL NO. 005574-007999)



1E10

ELECTRICAL

GENERATOR REGULATOR (24-VOLT) - CONTINUED
(TRACTOR SERIAL NO. 005574-007999)

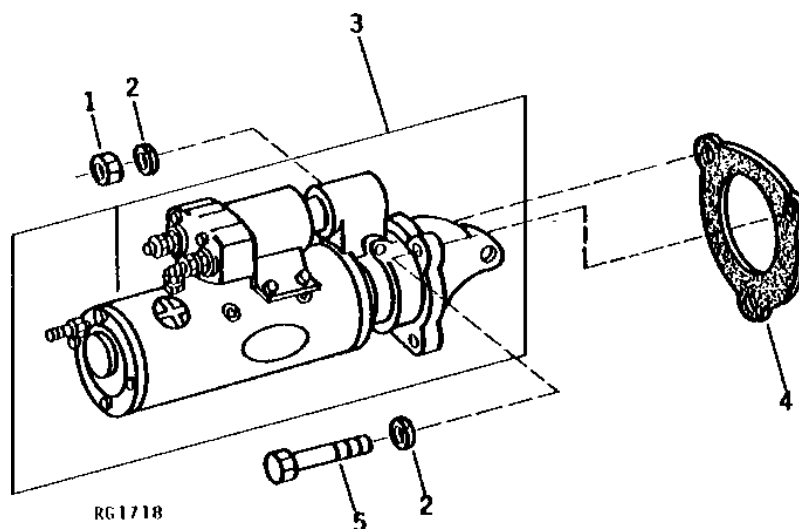
KEY	PART NO.	PART NAME	QTY	TRACTOR SERIAL NO.	REMARKS
1	37H43	SCREW	2		NO. 8 X 3/8", (SUB FOR R11232)
	INSULATOR	2		(NLA)
2	AR30007	COVER	1		(NLA) (ORDER AR30155)
3	R11052	GASKET	1		(NLA)
4	21H1316	SCREW	4		0.190" X 1/2", (SUB FOR AR11040)
5	R11084	CLIP	4		
6	R11111	SCREW	1		(NLA)
7	AR11033	ARMATURE	1		(NLA)
8	21H1309	SCREW	2		0.138" X 1/4"
	12H321	WASHER	2		0.138"
9	R11112	SPRING	1		
10	H24106	SCREW	2		(NLA)
11	R11054	SPRING	1		(NLA)
12	AT21632	PACKAGE OF PARTS	1		(SUB FOR AR11041)
13	AR11038	RESISTOR	1		(NLA)
14	AR11137	RESISTOR	1		(NLA)
15	19H1356	CAP SCREW	1		5/8" X 1-3/4"
16	R32400	SUPPORT	1		
17	19H1898	CAP SCREW	4		1/4" X 1-1/2"
18	21H1305	SCREW	3		1/4" X 1"
19	AT21632	PACKAGE OF PARTS	1		(SUB FOR AR11042)
20	12H302	LOCK WASHER	3		1/4"
21	14H850	NUT	3		1/4"
22	AR11039	GROMMET	3		
23	12H302	LOCK WASHER	4		1/4"
24	14H786	NUT	3		1/4"
25	37H43	SCREW	1		NO. 8 X 3/8", (SUB FOR R11056) (NOT USED)
26	R11057	CLIP	1		(NOT USED) (NLA)
27	21H1288	SCREW	2		0.112" X 1/4", (SUB FOR R11103)
28	12M7084	LOCK WASHER	1		0.169"
29	R11102	INSULATOR	1		(NLA)
	INSULATOR	1		(NLA)
30	AR11036	CONTACT	1		(NLA)
31	AR11035	CONTACT	1		(NLA) (ORDER AR30155)
..	AR30155	VOLTAGE REGULATOR	1		(24-VOLT) (DELCO-REMY NO. 1119282)

1E11

ELECTRICAL

STARTING MOTOR (12-VOLT) (24-VOLT)

RG1718 -UN-01JAN94



KEY	PART NO.	PART NAME	QTY	ENGINE SERIAL NO.	REMARKS
1	14H1040	NUT	2	1/2"	
2	12H301	LOCK WASHER	3	1/2"	
3	AR55313	STARTER	1		(24-VOLT) (DELCO-REMY NO. 1113827) (MARKED AR55314) (SUB RE43047, TY6699 OR TY6746)
	AR102770	STARTER	1		(24-VOLT) (DELCO-REMY NO. 1114896) (SUB RE43047, TY6699 OR TY6746)
	AR102771	STARTER	1		(24-VOLT) (DELCO REMY NO. 1114843) (SUB RE43047, TY6699 OR TY6746)
	RE43047	STARTER	1		(24-VOLT) (DELCO-REMY NO. 1993936) (MARKED RE38634) (SUB FOR AR55313, AR102770 OR AR102771)
	RE41756	STARTER	1		(A) (12-VOLT) (DELCO-REMY NO. 1993935) (MARKED RE38633)
	TY6730	STARTER	1		(A) (12-VOLT) (REMANUFACTURED) (DELCO-REMY)
	TY6699	STARTER	1		(24-VOLT) (REMANUFACTURED) (DELCO-REMY) (SUB FOR TY6611, AR55313, AR102770 OR AR102771)
	TY6746	STARTER	1		(24-VOLT) (REMANUFACTURED) (DELCO-REMY)
	AR14006	STARTER	1		(24-VOLT) (PRESTOLITE NO. MFY-8001A) (SUB TY6721)
	AR36849	STARTER	1		(24-VOLT) (PRESTOLITE NO. MFY-8001B) (SUB TY6721)
	AR45036	STARTER	1		(24-VOLT) (PRESTOLITE NO. MFY-8001C) (SUB TY6721)
	TY6721	STARTER	1		(24-VOLT) (REMANUFACTURED) (PRESTOLITE) (SUB FOR TY6610, AR14006, AR36849 OR AR45036)
4	R57480	GASKET	1		
5	19H1721	CAP SCREW	1	1/2" X 1-1/2"	

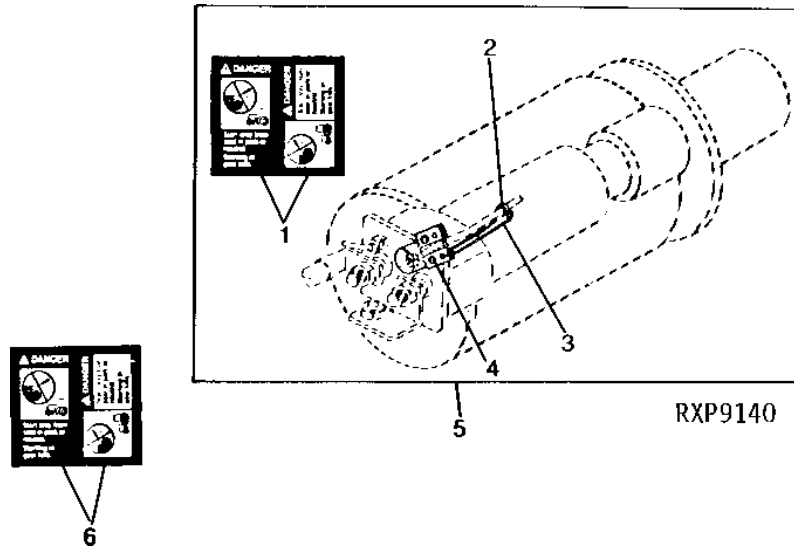
(A) 24-VOLT TO 12-VOLT START/CHARGE CONVERSION KIT

1E12

ELECTRICAL

STARTER SOLENOID COVER KIT (DELCO-REMY)

RXP9140 -UN-11NOV94



KEY	PART NO.	PART NAME	QTY	ENGINE SERIAL NO.	REMARKS
1	T146102	WARNING LABEL	1		(ENGLISH) (SUB FOR T84409 OR T134459)
2	R44302	TIE BAND	1		
3	R76477	TIE BAND	1		
4	R66117	SCREW	2		
5	RE39063	SHIELD	1		(A) (B)
6	T146106	WARNING LABEL	1		(ESPANOL) (SUB FOR T84410 OR T134452)
	T146104	WARNING LABEL	1		(FRANCAIS) (SUB FOR T84411 OR T134453)
	T146515	WARNING LABEL	1		(DEUTSCH) (SUB FOR T84412 OR T134454)
	T146516	WARNING LABEL	1		(ITALIANO) (SUB FOR T84413 OR T134455)
	T146517	WARNING LABEL	1		(ENGLISH/FRANCAIS) (SUB FOR T84578 OR T134456)

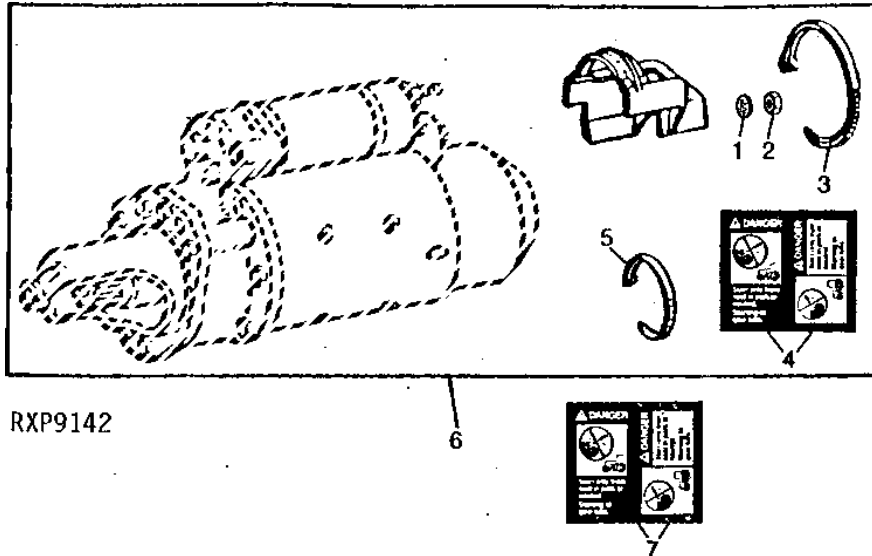
(A) USE WITH AR55313, AR102770, AR102771, TY6611 OR TY6699
(B) ALSO FITS PRESTOLITE STARTERS WITHOUT STARTER RELAY

1E13

ELECTRICAL

STARTER SOLENOID COVER KIT (DELCO-REMY)

RXP9142 -UN-01JAN94



RXP9142

6

KEY	PART NO.	PART NAME	QTY	ENGINE SERIAL NO.	REMARKS
1	12H295	LOCK WASHER	1	0.190"	
2	14H631	NUT	1	0.190"	
3	R76477	TIE BAND	1		
4	T146102	WARNING LABEL	1		(ENGLISH) (SUB FOR T84409 OR T134459)
5	R44302	TIE BAND	1		
6	RE41759	SHIELD	1		(A)
7	T146106	WARNING LABEL	1		(ESPAÑOL) (SUB FOR T84410 OR T134452)
	T146104	WARNING LABEL	1		(FRANCAIS) (SUB FOR T84411 OR T134453)
	T146515	WARNING LABEL	1		(DEUTSCH) (SUB FOR T84412 OR T134454)
	T146516	WARNING LABEL	1		(ITALIANO) (SUB FOR T84413 OR T134455)
	T146517	WARNING LABEL	1		(ENGLISH/FRANCAIS) (SUB FOR T84578 OR T134456)

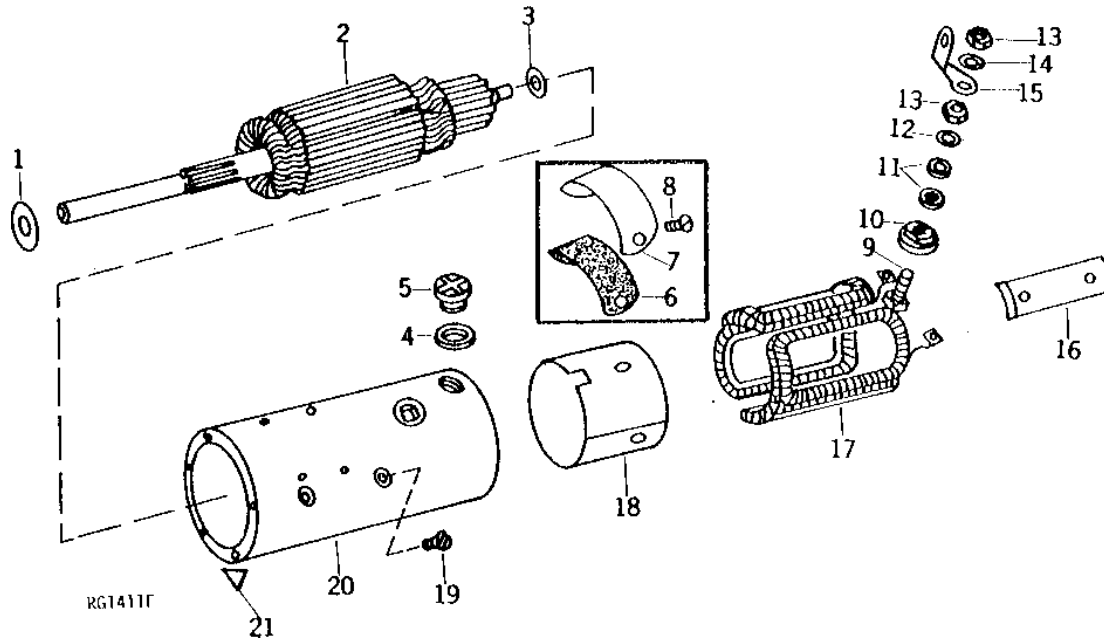
(A) USE WITH RE41756 OR TY6730

1E14

ELECTRICAL

**STARTER ARMATURE AND COIL
(24-VOLT) (DELCO-REMY NO. 1114843)
(AR102771)**

RG1411 -UN-01JAN94



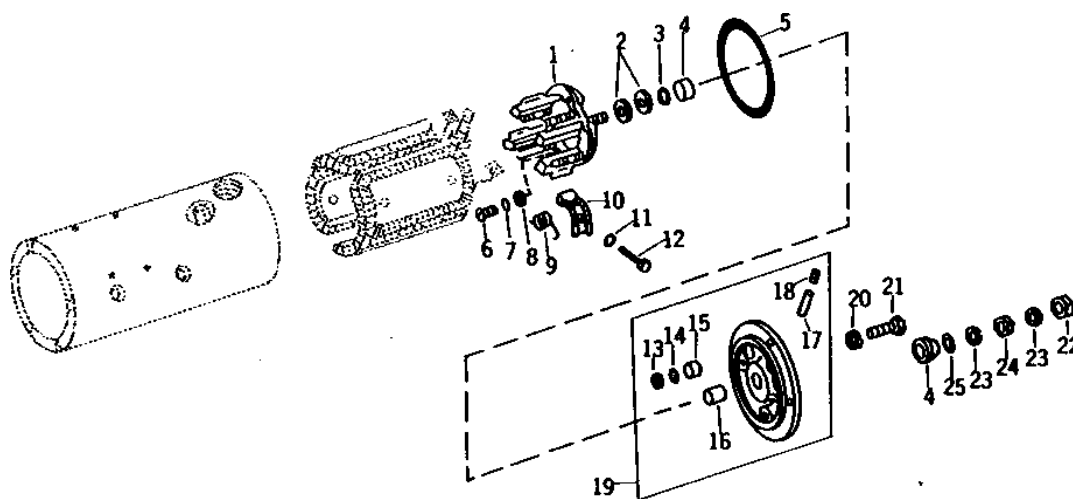
KEY	PART NO.	PART NAME	QTY	ENGINE SERIAL NO.	REMARKS
1	R11018	WASHER	1		
2	AR11083	ARMATURE	1		
3	R11096	WASHER	1		
4	R11121	GASKET	2		
5	R11133	PLUG	2		
6	R11141	GASKET	2		(OPTIONAL DESIGN)
7	R11142	PLATE	2		(OPTIONAL DESIGN)
8	21H1021	SCREW	4		1/4" X 1/2" (OPTIONAL DESIGN)
9	R11146	SCREW	1		
10	AR40171	GROMMET	1		
11	R11011	WASHER	2	-307648	
	R68625	WASHER	2	307649-	
12	R68625	WASHER	1	-307648	(SUB FOR 811912)
	R68624	WASHER	1	307649-	
13	14H971	NUT	2		1/2"
14	12H301	LOCK WASHER	1		1/2"
15	R11135	BRACKET	1		
16	R11003	SHOE	4		
17	AR11082	FIELD WINDING COIL	1		
18	R11143	INSULATOR	1		
19	21H1280	SCREW	8		3/8" X 3/4"
20	FRAME	1		(24-VOLT) (ORDER RE43047 OR TY6699)
21	R11253	INSULATOR	2		
..	AR102771	STARTER	1		(DELCO-REMY NO. 1114843) (SUB FOR AR55313 OR AR102770) (SUB RE43047, TY6699 OR TY6746)

1E15

ELECTRICAL

STARTER COMMUTATOR END FRAME (24-VOLT) (DELCO-REMY NO. 1114843) (AR102771)

RG1412 -UN-01JAN94



RG1412F

KEY	PART NO.	PART NAME	QTY	ENGINE SERIAL NO.	REMARKS
1	AR11084	PLATE	1		
2	R11011	WASHER	2		
3	R394R	O-RING	1		
4	R11012	WASHER	2		(SUB FOR R11123 OR R11124)
5	R11120	O-RING	1		
6	21H1158	SCREW	3		0.164" X 1/2"
7	12H315	LOCK WASHER	3		0.164"
8	24H1281	WASHER	3		5/32" X 3/8" X 0.049"
9	R11148	SPRING	8		
10	AR11076	BRUSH	8	-307648	(24-VOLT)
	AR102767	BRUSH	4	307649-	(24-VOLT)
11	12H315	LOCK WASHER	8		0.164"
12	21H1293	SCREW	8		0.164" X 5/16"
13	R68630	PLUG	1		
14	R68631	GASKET	1		
15	R68629	FELT	1		
16	R11008	BUSHING	1		
17	R40337	WICK	1		
18	15H566	PIPE PLUG	1		1/8"
19	AR11085	FRAME	1		
20	12H302	LOCK WASHER	4		1/4"
21	19H3005	CAP SCREW	4		1/4" X 1"
22	14H1040	NUT	1		1/2"
23	12H301	LOCK WASHER	2		1/2"
24	14H971	NUT	1		1/2"
25	R68625	WASHER	1		(SUB FOR 811912)
..	AR102771	STARTER	1		(DELCO-REMY NO. 1114843) (SUB FOR AR55313 OR AR102770) (SUB RE43047, TY6699 OR TY6746)

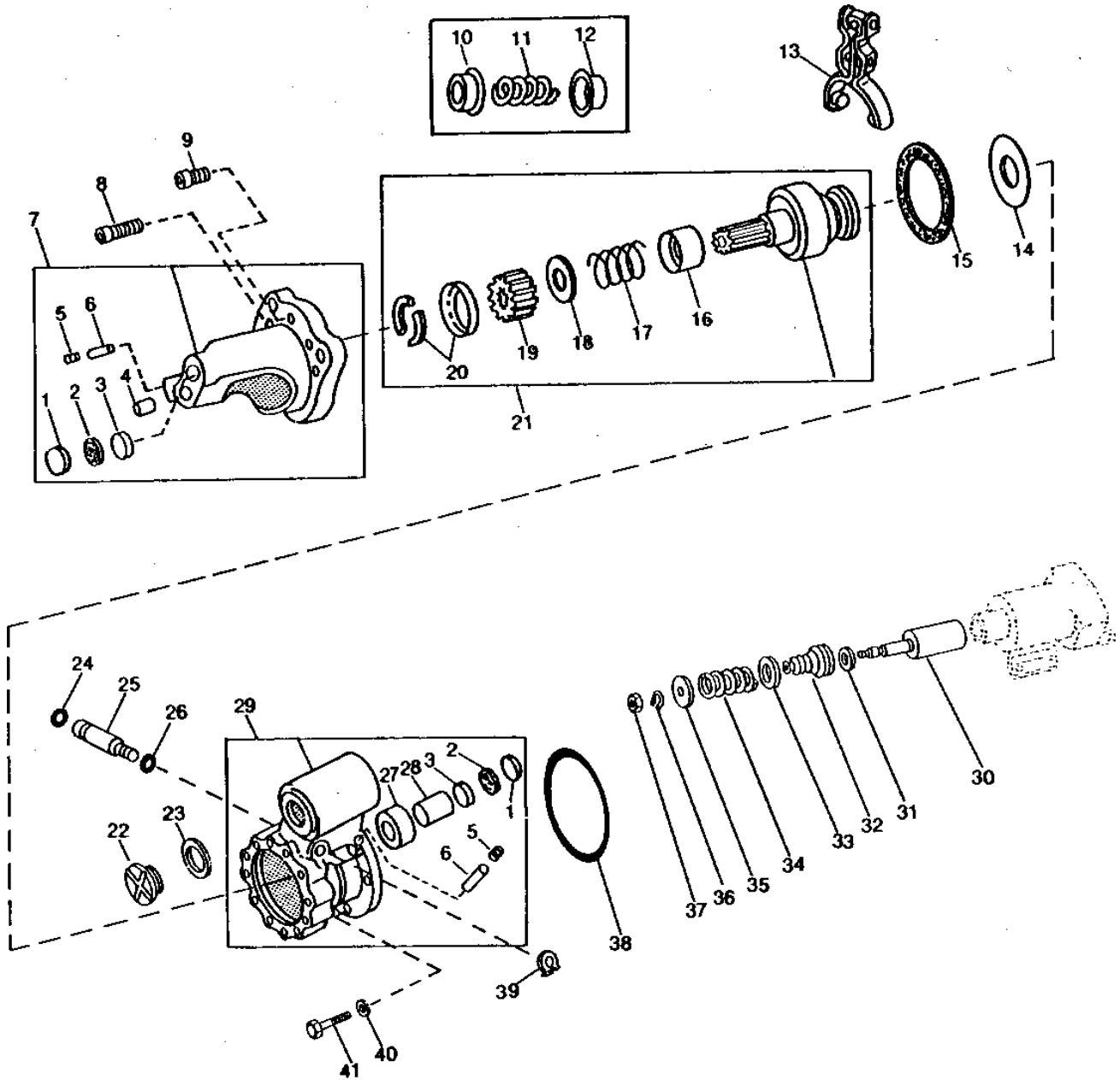
MEMORANDA

1E16

ELECTRICAL

STARTER DRIVE END HOUSING AND DRIVE (24-VOLT) (DELCO-REMY NO. 1114843) (AR102771)

RGP1860 -UN-01JAN94



RGP1860

1E17

ELECTRICAL

STARTER DRIVE END HOUSING AND DRIVE - CONTINUED
(24-VOLT) (DELCO-REMY NO. 1114843)
(AR102771)

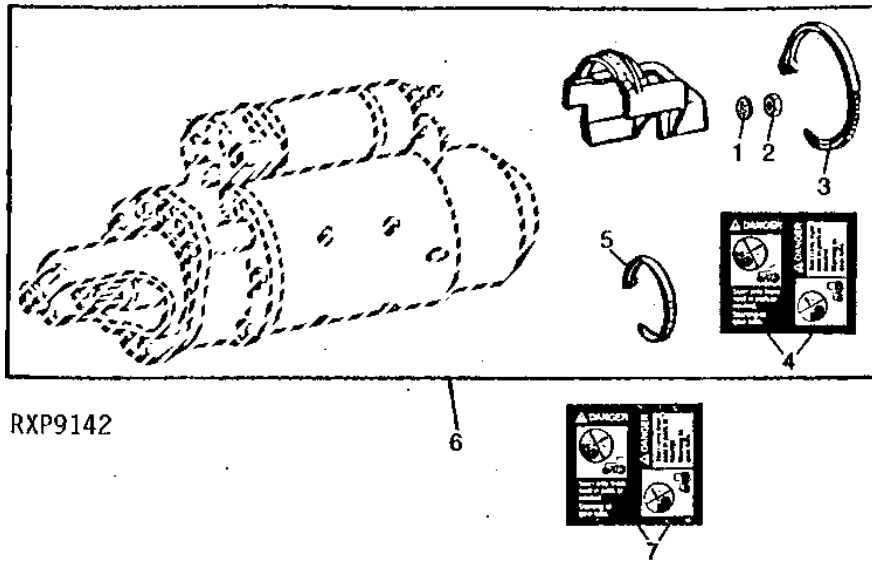
KEY	PART NO.	PART NAME	QTY	ENGINE SERIAL NO.	REMARKS
1	R68630	PLUG	4		
2	R68631	GASKET	4		
3	R68629	FELT	4		
4	R11147	BUSHING	1		
5	15H566	PIPE PLUG	2	1/8"	
6	R40337	WICK	2		
7	AR48343	HOUSING	1		
8	19H2928	SCREW	5	5/16" X 1-1/2"	
9	19H2899	SCREW	1	5/16" X 0.880"	
10	R46198	BEARING	1	(OPTIONAL DESIGN)	
11	R11144	SPRING	1	(OPTIONAL DESIGN)	
12	R11282	BEARING CUP	1	(OPTIONAL DESIGN)	
13	AR11081	LEVER	1		
14	1911644	WASHER	1		
15	R11140	GASKET	1		
16	R46194	BEARING	1	(NLA)	
17	R46196	SPRING	1	(NLA)	
18	R46195	WASHER	1	(NLA)	
19	R46197	PINION	1		
20	AR48344	KIT	1	WASHER	
21	AR102761	DRIVE	1	(SUB FOR AR48342)	
22	R11133	PLUG	1		
23	R11121	GASKET	1		
24	A3917R	O-RING	1		
25	R11136	SHAFT	1		
26	A4365R	O-RING	1		
27	R11273	SEAL	1		
28	R11017	BUSHING	1		
29	AR102760	HOUSING	1	(SUB FOR AR11329)	
30	AR11080	PLUNGER	1		
31	R11138	SHIM	1		
32	R11127	BOOT	1		
33	R11126	RETAINER	1		
34	R11128	SPRING	1		
35	R11129	CAP	1		
36	R11026	SNAP RING	1		
37	R11151	LOCK NUT	1		
38	R11120	O-RING	1		
39	R11026	SNAP RING	1		
40	12H302	LOCK WASHER	7	1/4"	
41	19H3005	CAP SCREW	7	1/4" X 1"	
..	AR102771	STARTER	1	(DELCO-REMY NO. 1114843) (SUB FOR AR55313 OR AR102770) (SUB RE43047, TY6699 AND TY6746)	

1E18

ELECTRICAL

**STARTER SOLENOID SWITCH COVER
(DELCO-REMY)
(6619A)
(ENGINE SERIAL NO. 041261-)**

RXP9142 -UN-01JAN94



RXP9142

KEY	PART NO.	PART NAME	QTY	ENGINE SERIAL NO.	REMARKS
1	12H295	LOCK WASHER	1	0.190"	
2	14H631	NUT	1	0.190"	
3	R76477	TIE BAND	1		
4	T146102	WARNING LABEL	1		(ENGLISH) (SUB FOR T84409 OR T134459)
5	R44302	TIE BAND	1		
6	RE41759	SHIELD	1	(A)	
7	T146106	WARNING LABEL	1		(ESPANOL) (SUB FOR T84410 OR T134452)
	T146104	WARNING LABEL	1		(FRANCAIS) (SUB FOR T84411 OR T134453)
	T146515	WARNING LABEL	1		(DEUTSCH) (SUB FOR T84412 OR T134454)
	T146516	WARNING LABEL	1		(ITALIANO) (SUB FOR T84413 OR T134455)
	T146517	WARNING LABEL	1		(ENGLISH/FRANCAIS) (SUB FOR T84578 OR T134456)

(A) USE WITH RE41756, RE43047, TY6746 OR TY6730

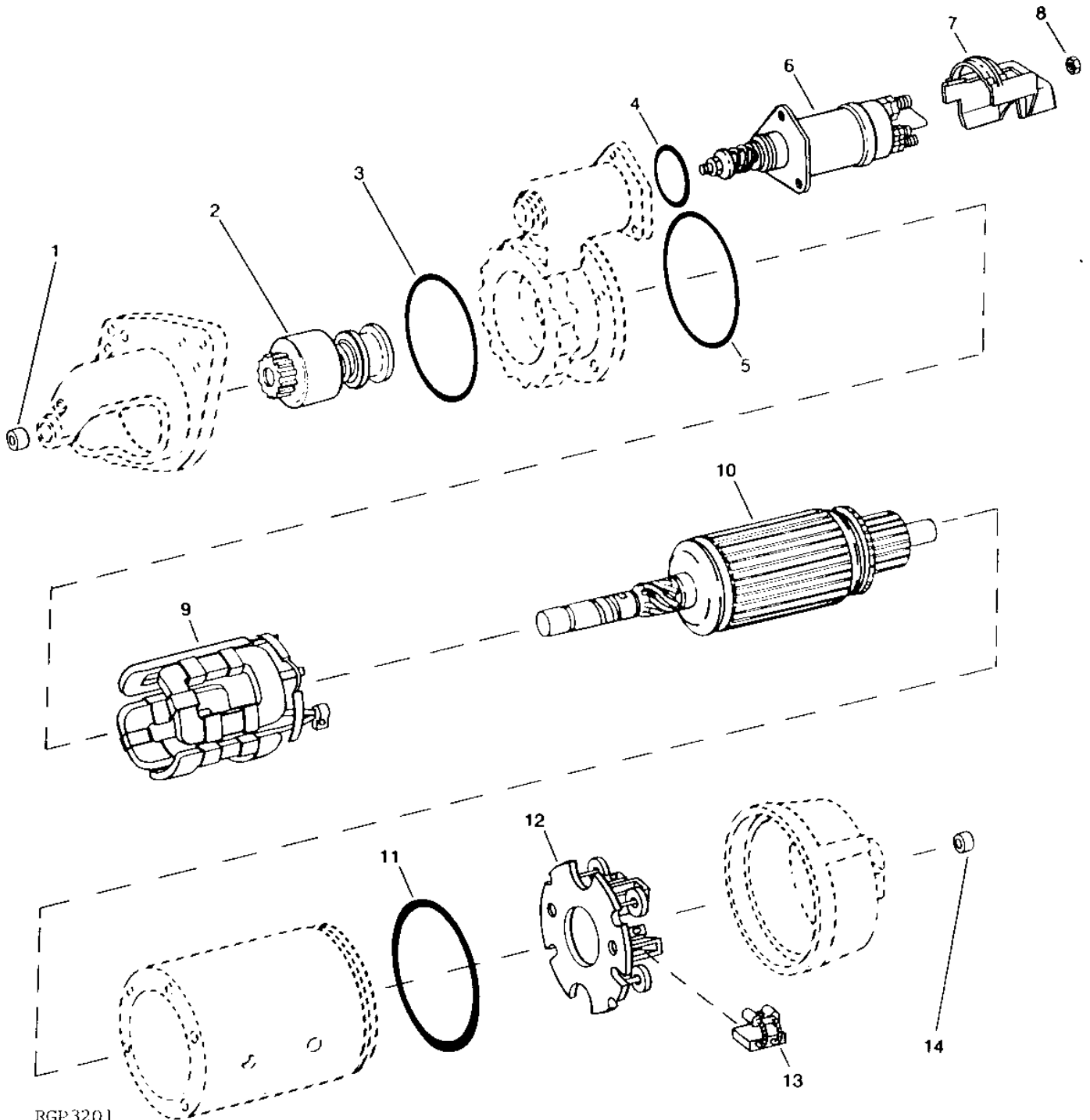
MEMORANDA

1E19

ELECTRICAL

STARTING MOTOR
(DELCO-REMY NO. 1993936) (24-VOLT)
(RE43047)

RGP3201 -UN-02JAN94



RGP 3201

1E20

ELECTRICAL

STARTER MOTOR - CONTINUED
(DELCO-REMY NO. 1993936) (24-VOLT)
(RE43047)

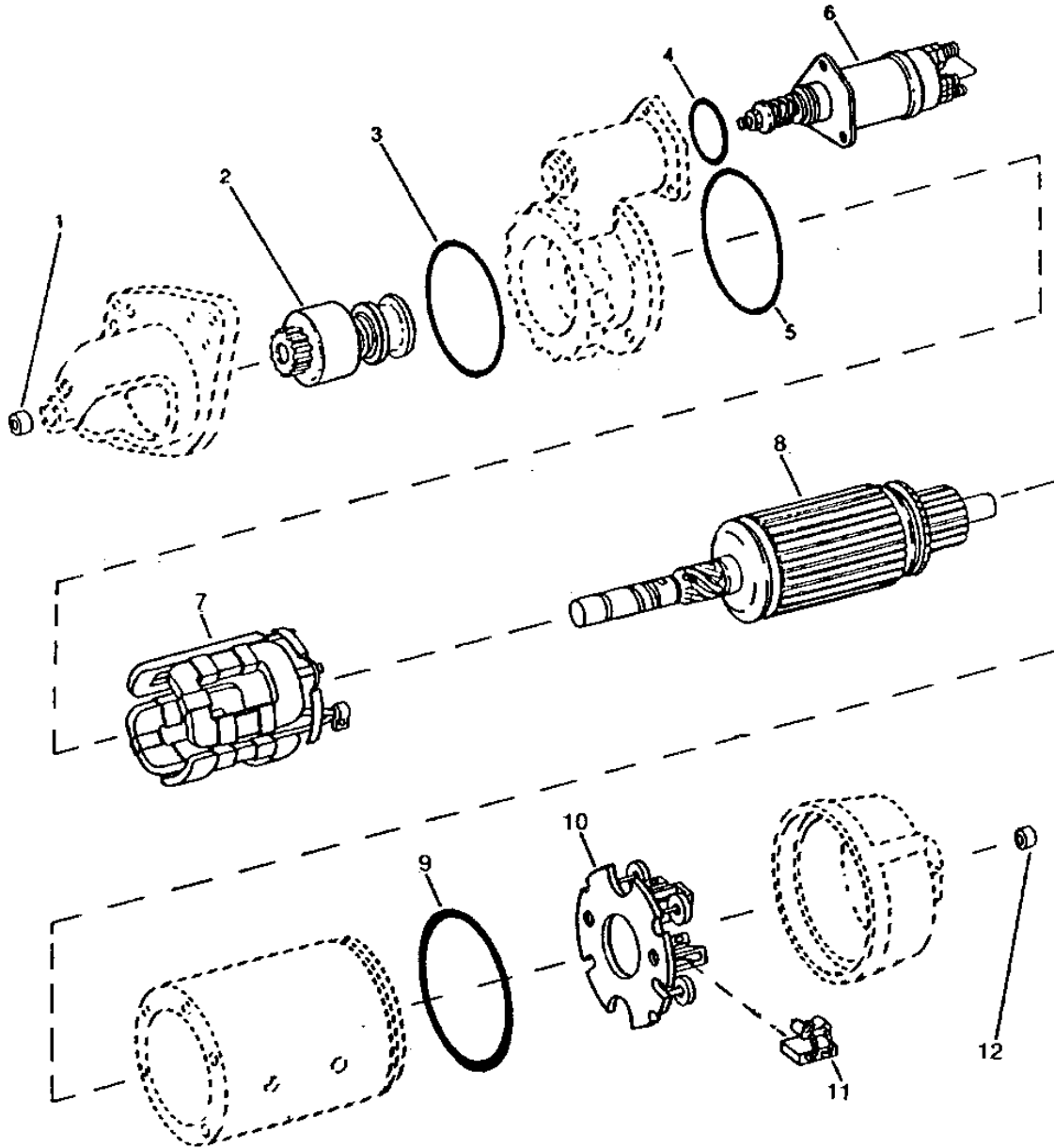
KEY	PART NO.	PART NAME	QTY	ENGINE SERIAL NO.	REMARKS
1	R99695	BUSHING	1		
2	RE38620	DRIVE	1		
3	R62673	O-RING	1		
4	R99693	O-RING	1		
5	R11120	O-RING	1		
6	RE38618	SOLENOID	1		
7	RE41749	STARTER	1		
8	14H631	NUT	1	0.190"	
9	RE38628	FIELD WINDING COIL	1		
10	RE38624	ARMATURE	1		
11	R99702	O-RING	1		
12	RE38631	CARBON BRUSH HOLDER	1		
13	R99700	BRUSH	1		
14	R11147	BUSHING	1		
..	RE43047	STARTER	1		(DELCO-REMY NO. 1993936) (MARKED RE38634) (SUB FOR AR55313, AR102770 OR AR102771)
..	TY6746	STARTER	1		(REMANUFACTURED)

1E21

ELECTRICAL

STARTING MOTOR
(DELCO-REMY NO. 1993935) (12-VOLT)
(RE41756)

RXP7832 -UN-01JAN94



RXP7832

1E22

ELECTRICAL

STARTER MOTOR - CONTINUED
(DELCO-REMY NO. 1993935) (12-VOLT)
(RE41756)

KEY	PART NO.	PART NAME	QTY	ENGINE SERIAL NO.	REMARKS
1	R99695	BUSHING	1		
2	RE38620	DRIVE	1		
3	R62673	O-RING	1		
4	R99693	O-RING	1		
5	R11120	O-RING	1		
6	RE38617	SOLENOID	1		
7	RE38627	FIELD WINDING COIL	1		
8	RE38623	ARMATURE	1		
9	R99702	O-RING	1		
10	RE38630	CARBON BRUSH HOLDER	1		
11	R99699	BRUSH	1		
12	R11147	BUSHING	1		
..	RE41756	STARTER	1		(A) (MARKED RE38633)
..	TY6730	STARTER	1		(A) (REMANUFACTURED)

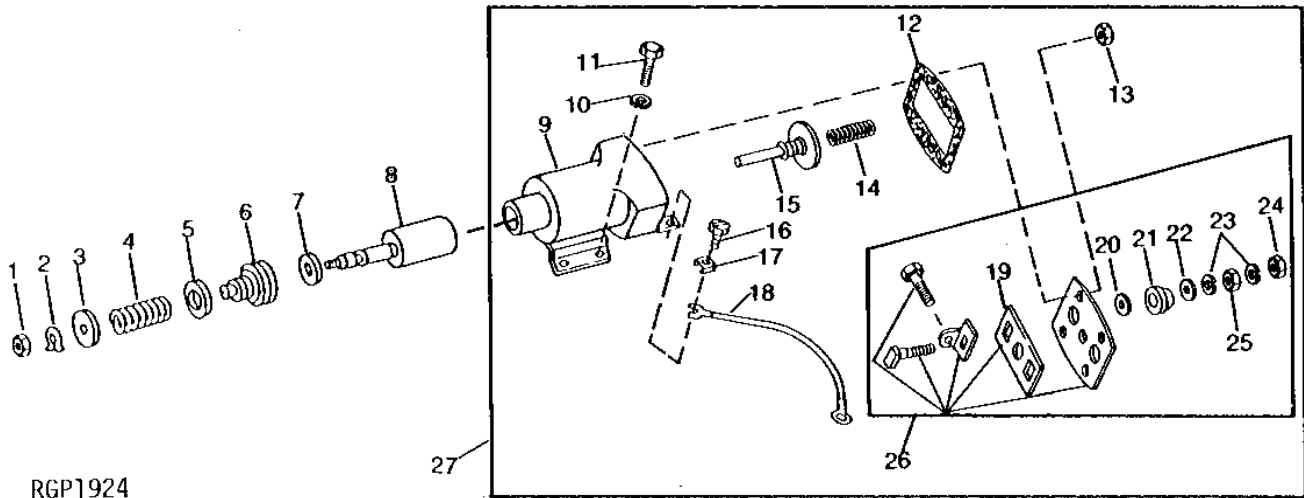
(A) 24-VOLT TO 12-VOLT START/CHARGE CONVERSION KIT

1E23

ELECTRICAL

**STARTER SOLENOID SWITCH
(DELCO-REMY NO. 1115559) (24-VOLT)
(ENGINE SERIAL NO. -307648)**

RGP1924 -UN-01JAN94



RGP1924

KEY	PART NO.	PART NAME	QTY	ENGINE SERIAL NO.	REMARKS
1	R11151	LOCK NUT	1		
2	R11026	SNAP RING	1		
3	R11129	CAP	1		
4	R11128	SPRING	1		
5	R11126	RETAINER	1		
6	R11127	BOOT	1		
7	R11138	SHIM	1		
8	AR11080	PLUNGER	1		
9	AR66383	SOLENOID	1	(SUB AR102766)	
10	12H302	LOCK WASHER	4	1/4"	
11	19H2479	CAP SCREW	4	1/4" X 3/8"	
12	R11009	GASKET	1		
13	AR11134	NUT	4		
14	R11134	SPRING	1		
15	AR11079	DISK	1		
16	21H1335	SCREW	4	0.190" X 5/16"	
17	R11084	CLIP	2		
18	WIRING LEAD	1	254 MM (10") (MAKE FROM PM797NA, R32023 AND R32017)	
19	R11036	INSULATOR	1		
20	R11130	WASHER	2		
21	R11131	INSULATOR	2		
22	R68625	WASHER	2	(SUB FOR 811912)	
23	12H301	LOCK WASHER	4	1/2"	
24	14H1040	NUT	2	1/2"	
25	14H971	NUT	2	1/2"	
26	AR11078	PLATE	1		
27	AR11075	SWITCH	1	(A) (SUB AR102766) (DELCO-REMY NO. 1115559)	

(A) USE ON AR55313, AR102770 OR AR102771

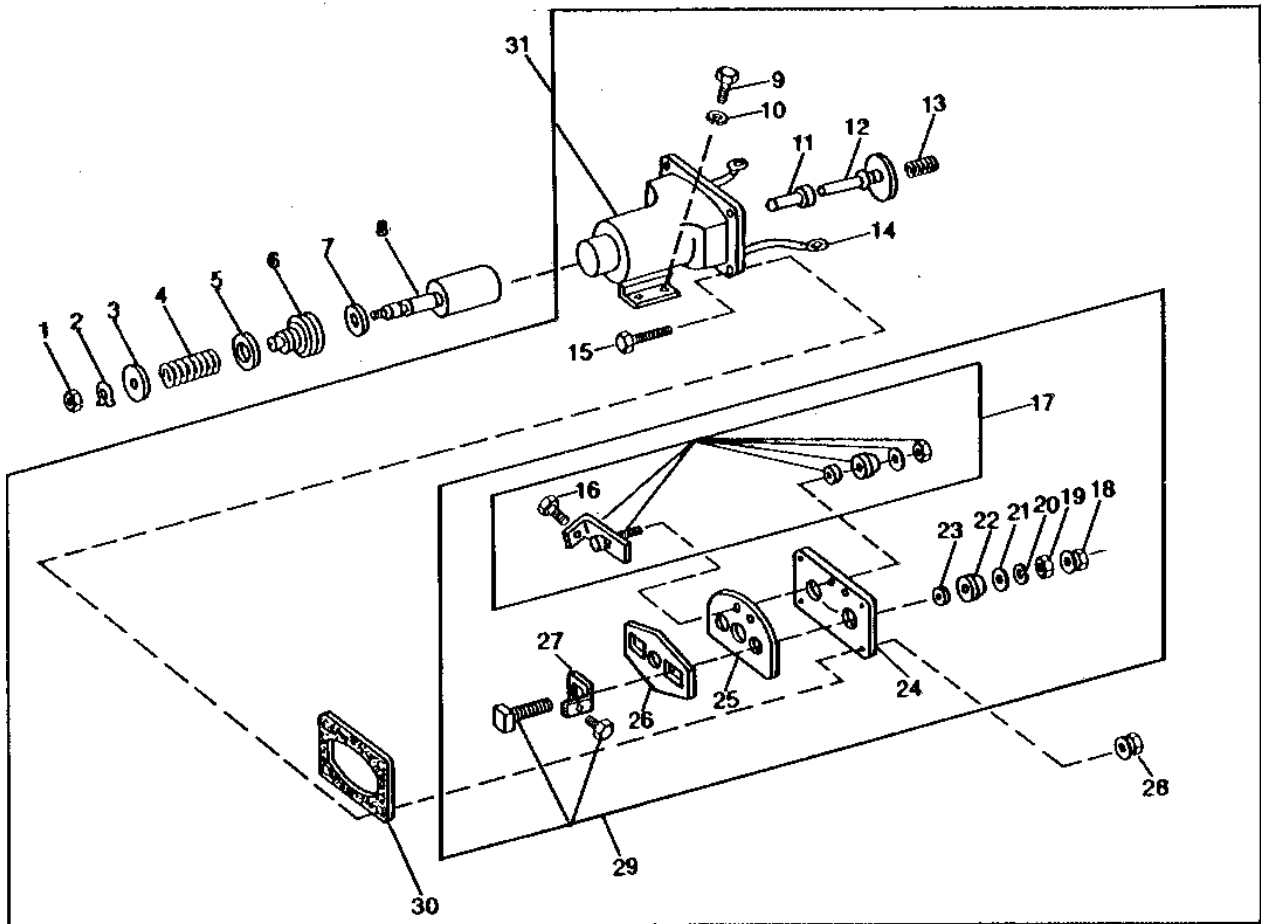
MEMORANDA

1E24

ELECTRICAL

STARTER SOLENOID SWITCH
(DELCO-REMY NO. 1115559) (24-VOLT)
(ENGINE SERIAL NO. 307649-)

RGP1864 -UN-01JAN94



RGP1864

1E25

ELECTRICAL

STARTER SOLENOID SWITCH - CONTINUED
(DELCO-REMY NO. 1115559) (24-VOLT)
(ENGINE SERIAL NO. 307649-)

KEY	PART NO.	PART NAME	QTY	ENGINE SERIAL NO.	REMARKS
1	R11151	LOCK NUT	1		
2	R11026	SNAP RING	1		
3	R11129	CAP	1		
4	R11128	SPRING	1		
5	R11126	RETAINER	1		
6	R11127	BOOT	1		
7	R11138	SHIM	1		
8	AR11080	PLUNGER	1		
9	19H2479	CAP SCREW	4		1/4" X 3/8"
10	12H302	LOCK WASHER	4		1/4"
11	R75960	BUSHING	1		
12	AR11079	DISK	1		
13	R11134	SPRING	1		
14	WIRING LEAD	1		(MAKE FROM PM797NA)
15	R75961	SCREW	4		
16	21H1335	SCREW	4		0.190" X 5/16"
17	AR102765	KIT	1		
18	AR102764	NUT	2		
19	14H971	NUT	2		1/2"
20	12H301	LOCK WASHER	2		1/2"
21	R68625	WASHER	2		
22	R11131	INSULATOR	2		
23	R11130	WASHER	2		
24	R75962	PLATE	1		
25	R75958	INSULATOR	1		
26	R75957	INSULATOR	1		
27	R75959	SUPPORT	1		
28	AR102763	NUT	4		
29	AR102768	PLATE	1		
30	R75952	GASKET	1		
31	AR102766	SWITCH	1		(A) (DELCO-REMY NO. 1115559) (SUB FOR AR11075)

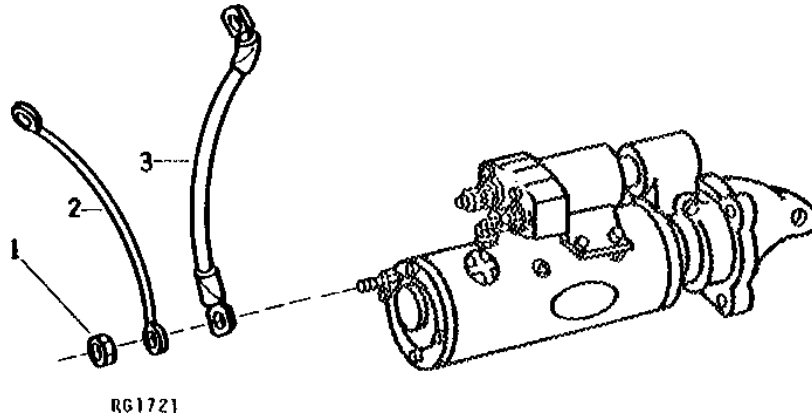
(A) USE ON AR55313, AR102770 OR AR102771

1F1

ELECTRICAL

STARTING MOTOR GROUND CABLE
(DELCO-REMY) (24-VOLT)
(6531)

RG1721 -UN-01JAN94



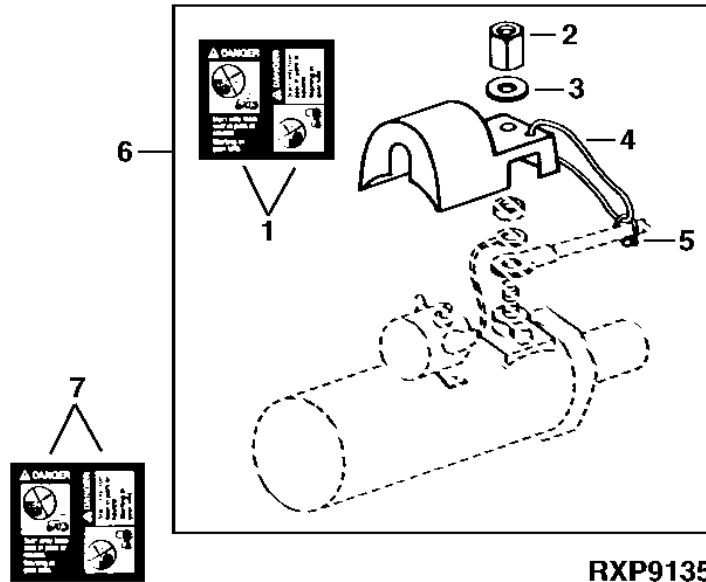
KEY	PART NO.	PART NAME	QTY	ENGINE SERIAL NO.	REMARKS
1	14H732	NUT	1	3/8"	
2	WIRING LEAD	1	(MAKE FROM PM797NA)	
3	AR67069	CABLE	1		

1F2

ELECTRICAL

STARTER SOLENOID COVER KIT (PRESTOLITE)

RXP9135 -UN-06NOV95



RXP9135

KEY	PART NO.	PART NAME	QTY	ENGINE SERIAL NO.	REMARKS
1	T146102	WARNING LABEL	1		(ENGLISH) (SUB FOR T84409 OR T134459)
2	R100380	NUT	1		
3	24H1299	WASHER	1		3/8" X 1-1/4" X 0.065"
4	R76477	TIE BAND	1		
5	R44302	TIE BAND	1		
6	RE39066	SHIELD	1		(A) (B)
7	T146106	WARNING LABEL	1		(ESPANOL) (SUB FOR T84410 OR T134452)
	T146104	WARNING LABEL	1		(FRANCAIS) (SUB FOR T84411 OR T134453)
	T146515	WARNING LABEL	1		(DEUTSCH) (SUB FOR T84412 OR T134454)
	T146516	WARNING LABEL	1		(ITALIANO) (SUB FOR T84413 OR T134455)
	T146517	WARNING LABEL	1		(ENGLISH/FRANCAIS) (SUB FOR T84578 OR T134456)

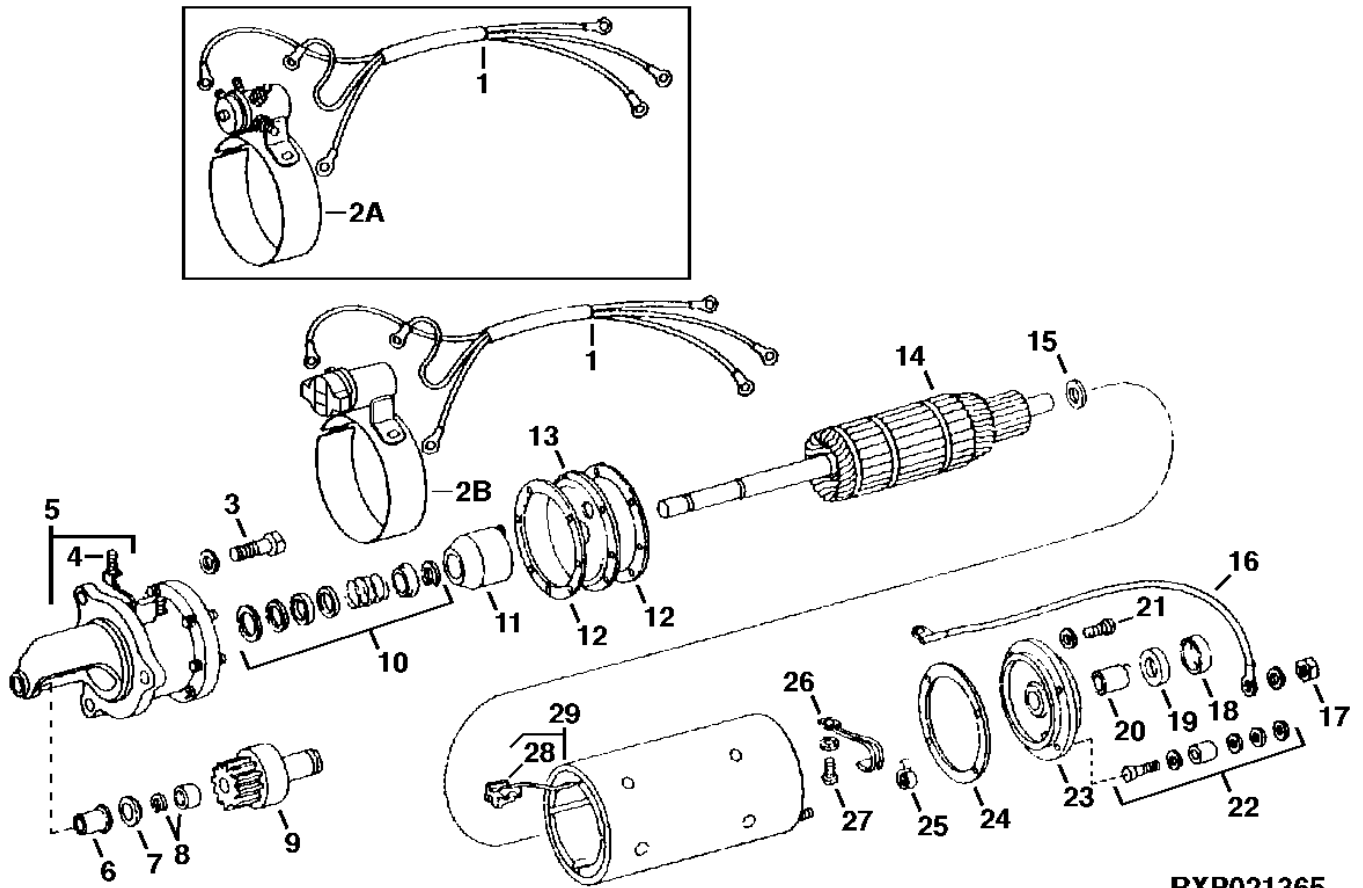
(A) USE WITH AR14006, AR36849, AR45036, TY6610 OR TY6721
(B) FITS PRESTOLITE STARTERS AND OPTIONAL STARTER RELAY

1F3

ELECTRICAL

STARTER (24-VOLT)
(PRESTOLITE NO. MFY-8001C)
(AR45036)

RXP021365 -UN-06NOV95



RXP021365

1F4

ELECTRICAL

**STARTER (24-VOLT) - CONTINUED
(PRESTOLITE NO. MFY-8001C)
(AR45036)**

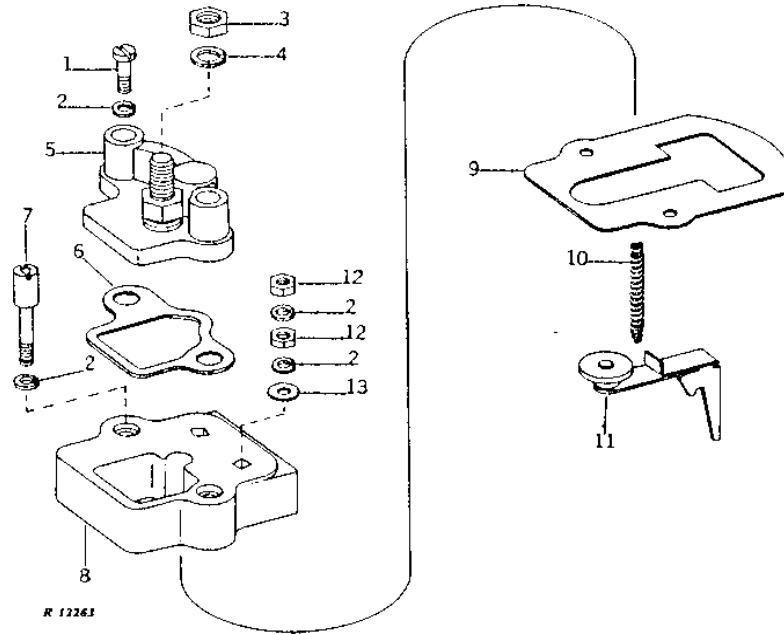
KEY	PART NO.	PART NAME	QTY	ENGINE SERIAL NO.	REMARKS
1	AR44842	WIRING HARNESS	1		(SUB FOR AR44841)
2A	AR44843	RELAY	1		(ALSO ORDER RE41287) (SUB RE45307)
2B	RE45307	RELAY	1		(SUB FOR AR44843)
3	19H1721	CAP SCREW	3		1/2" X 1-1/2"
	12H301	LOCK WASHER	3		1/2"
4	R41157	STUD	2		(NO LONGER AVAILABLE)
5	AR51742	HOUSING	1		(SUB FOR AR14013)
6	R14053	BUSHING	1		
7	AT21702	THRUST WASHER	1		(SUB FOR R14026 OR AR36985)
8	AR36986	SNAP RING	1		(SUB FOR R14022 OR R14027)
9	R14047	DRIVE	1		
10	AT21699	SPRING	1		(SUB FOR R14048, R14049, R14050, R14051, R14052 OR R14054)
11	R14034	PLUNGER	1		
12	R14024	GASKET	2		
13	R14035	BEARING	1		
14	R14043	ARMATURE	1		
15	AT21702	THRUST WASHER	1		(SUB FOR R14044 OR AR36985)
16	WIRING LEAD	1		356MM (14") (SUB FOR AR36987) (NLA)
17	14H732	NUT	1		3/8"
	12H304	LOCK WASHER	1		3/8"
18	M4225T	CAP	1		(SUB FOR R14039)
19	R14038	WASHER	1		
20	R14037	BUSHING	1		
21	21H1295	SCREW	4		0.190" X 5/8"
	12H246	LOCK WASHER	4		0.190"
22	AR36989	STUD	1		(NLA)
23	R14036	FRAME	1		(NO LONGER AVAILABLE)
24	R14025	GASKET	1		
25	R14042	SPRING	8		
26	R14041	BRUSH	8		
27	21H1293	SCREW	8		0.164" X 5/16"
	12H315	LOCK WASHER	8		0.164"
28	R14031	SWITCH	1		(SUB FOR AR36988)
29	AR36990	FRAME	1		(SUB FOR R14040)
	R54267	FOAM PAD	1		(BRUSH INSULATOR) (NO LONGER AVAILABLE)
..	AR45036	STARTER	1		(PRESTOLITE MFY-8001C) (INCLUDES AR36850) (SUB TY6721) (SUB FOR AR14006 AND AR36849)
..	TY6721	STARTER	1		(REMANUFACTURED) (SUB FOR AR14006, AR36849 OR AR45036)
..	R14082	HOLDER	1		
..	AR36991	FIELD WINDING COIL	1		

1F5

ELECTRICAL

STARTER SWITCH ASSEMBLY (PRESTOLITE NO. SP-6029) (24-VOLT)

R12263 -UN-01JAN94



KEY	PART NO.	PART NAME	QTY	ENGINE SERIAL NO.	REMARKS
1	R40642	SCREW	2		
	14H732	NUT	3	3/8", (USE WITH AR36849)	
2	12H246	LOCK WASHER	8	0.190"	
	12H304	LOCK WASHER	3	3/8", (USE WITH AR36849)	
3	14H732	NUT	1	3/8"	
4	12H304	LOCK WASHER	1	3/8"	
5	AR36868	COVER	1		(WITH TERMINAL)
6	R40644	GASKET	1		
7	R40643	SCREW	2		
8	R40645	FRAME	1		
9	R14028	GASKET	1		
10	R40641	SPRING	1	(NLA)	
11	AR36869	CONTACT	1		
12	14H631	NUT	4	0.190"	
13	24H1287	WASHER	2	9/32" X 5/8" X 0.065"	
..	AR36850	SWITCH	1	(A) (PRESTOLITE NO. SP-6029) (SUB FOR R14023, AR14011 OR AR14012)	

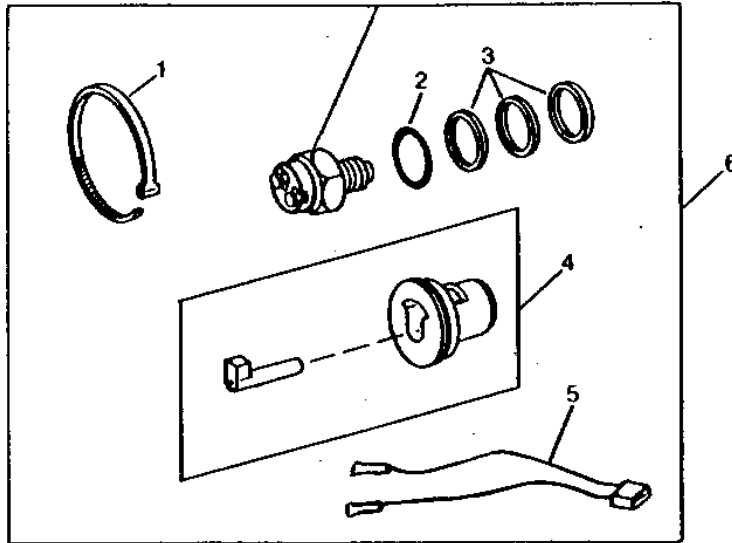
(A) USE WITH AR14006, AR36849 OR AR45036

1F6

ELECTRICAL

RXP8097 -UN-01JAN94

NEUTRAL-START SWITCH KIT



RXP8097

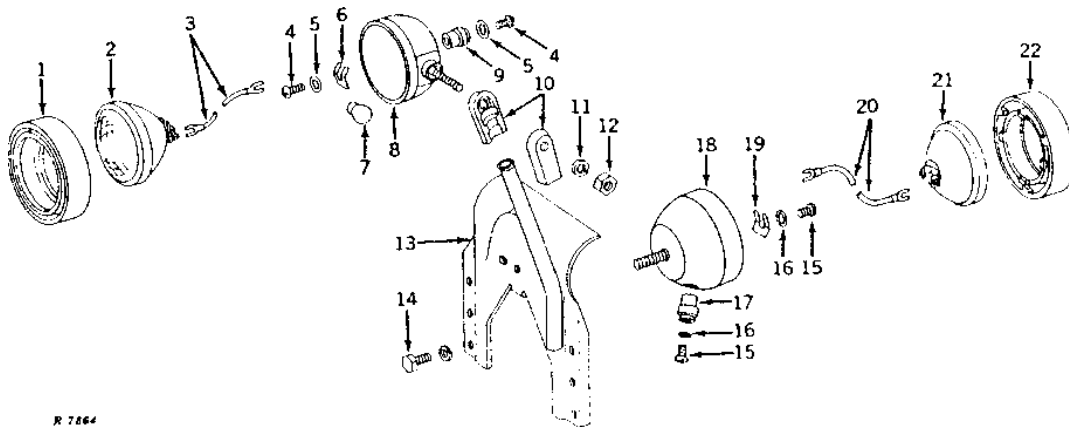
KEY	PART NO.	PART NAME	QTY	TRACTOR SERIAL NO.	REMARKS
1	R44302	TIE BAND	2		
2	R26448	O-RING	1		
3	T16911	SHIM	3		
4	RE37996	GAUGE	1		(NEUTRAL-START SWITCH ADJ.)
5	RE14069	WIRING HARNESS	1		
6	RE38390	SWITCH	1		(SUB FOR R36265, AR85323, AR89691 OR AT85153)

1F7

ELECTRICAL

FRONT AND REAR LAMP PARTS AND REAR LAMP SUPPORT (TRACTOR SERIAL NO. -004499)

R7864 -UN-01JAN94



1F8

ELECTRICAL

FRONT AND REAR LAMP PARTS AND REAR LAMP SUPPORT - CONTINUED
(TRACTOR SERIAL NO. -004499)

KEY	PART NO.	PART NAME	QTY	TRACTOR SERIAL NO.	REMARKS
1	R30182	BEZEL	1	(A)	
	R31250	BEZEL	1	(B)	
2	AR21737	LAMP	1		(SUB AR77324, AD2062R AND AR77325) (WHEN ORDERED FOR AT16288)
3	AR77324	LAMP	1		(USE WITH AR77326)
	WIRING LEAD	2		165MM (6-1/2") (SUB FOR AA4881R) (MAKE FROM R66319 AND (2) R32016)
4	21H1293	SCREW	4		0.164" X 5/16"
5	12M7084	LOCK WASHER	4		0.169"
6	A2899R	ASSEMBLY LINE PARTS	2	(B)	
7	AR86969	BULB	1		(USE WITH AT16288) (SUB FOR AR21739)
	AD2062R	BULB	1		(USE WITH AR77326)
8	AR77326	FLOODLAMP	1		(SUB FOR AR28227 OR AT16288)
	AR55888	SOCKET	1		(USE WITH AT16288)
	AR77325	SOCKET	1		(USE WITH AR77326)
9	R30181	PLATE	2	(A)	
	AA3495R	SUPPORT	2	(B)	
10	R27460	CLAMP	2		
11	12H301	LOCK WASHER	1		1/2"
12	14H1040	NUT	1		1/2"
13	AR35265	SUPPORT	1		(LESS ROCKSHAFT) (NLA)
	AR35795	SUPPORT	1		(WITH ROCKSHAFT) (NLA)
14	19H1936	CAP SCREW	2		3/8" X 3/4"
	12H304	LOCK WASHER	2		3/8"
15	21H1293	SCREW	2		0.164" X 5/16"
16	12M7084	LOCK WASHER	2		0.169"
17	R30181	PLATE	1	(A)	
	AA3495R	SUPPORT	1	(B)	
18	AT13381	LAMP	2		INNER
	AT13380	HEADLIGHT	2		OUTER
19	A2899R	ASSEMBLY LINE PARTS	1	(B)	
20	WIRING LEAD	1		165MM (6-1/2") (SUB FOR AA4881R) (MAKE FROM R66319 AND (2) R32016)
21	AF3892R	HEADLIGHT	1	(INNER)	
	AR21059	HEADLIGHT	1	(OUTER)	
22	R30182	BEZEL	1	(A)	
	R31250	BEZEL	1	(B)	

(A) HOBBS

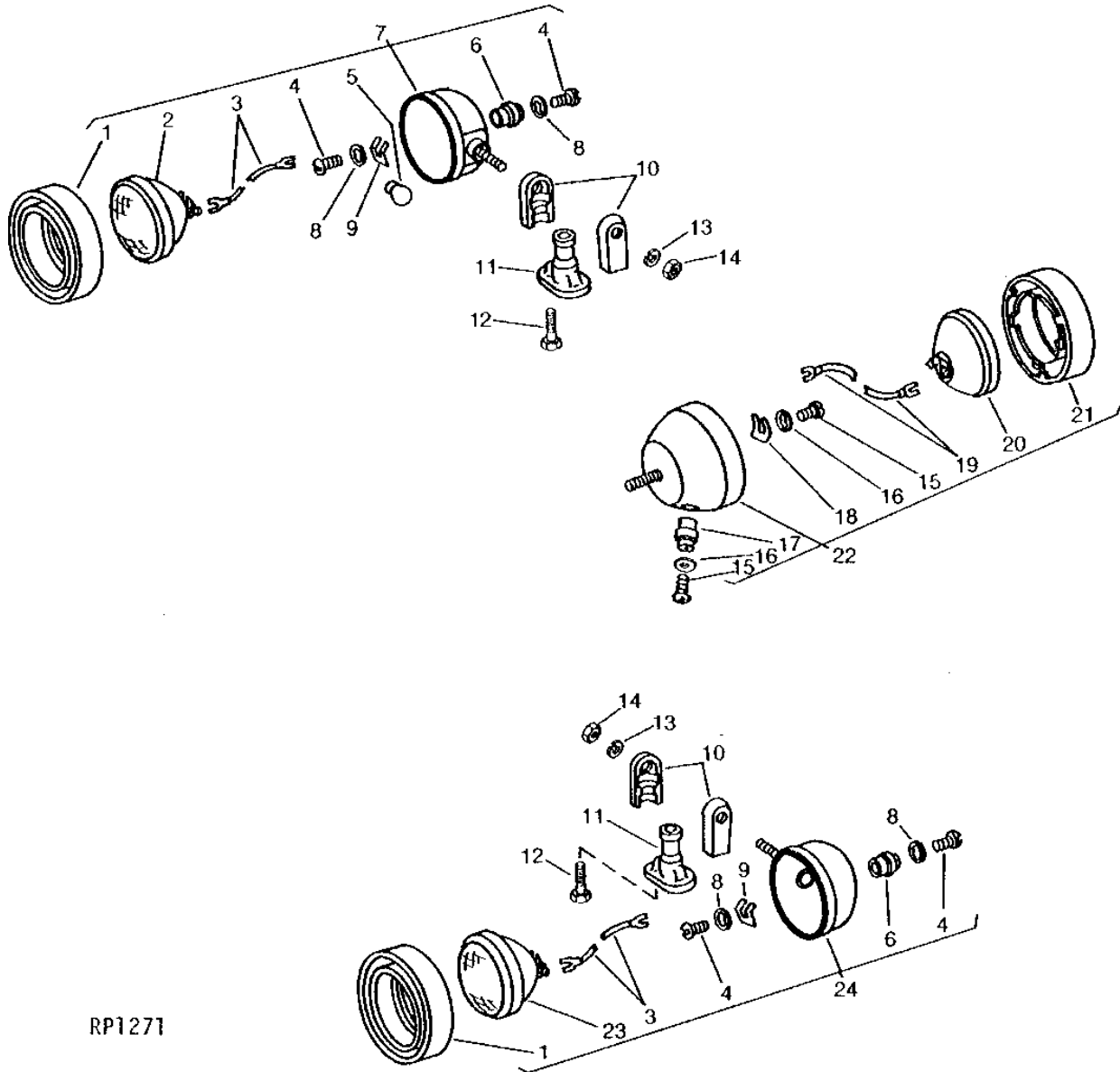
(B) GUIDE

1F9

ELECTRICAL

FRONT AND REAR LAMP PARTS AND REAR LAMP BRACKETS (TRACTOR SERIAL NO. 004500-)

RP1271 -UN-01JAN94



RP1271

1F10

ELECTRICAL

FRONT AND REAR LAMP PARTS AND REAR LAMP BRACKETS - CONTINUED
(TRACTOR SERIAL NO. 004500-)

KEY	PART NO.	PART NAME	QTY	TRACTOR SERIAL NO.	REMARKS
1	R30182	BEZEL	2	(A)	
	R31250	BEZEL	2	(B)	
2	AR21737	LAMP	1		(SUB AR77324, AD2062R AND AR77325) (WHEN ORDERED FOR AT16288)
	AR77324	LAMP	1		(USE WITH AR77326)
	AR55888	SOCKET	1		(USE WITH AT16288)
	AR77325	SOCKET	1		(USE WITH AR77326)
3	WIRING LEAD	4		165MM (6-1/2") (MAKE FROM R66319 AND (2) R32016)
4	21H1293	SCREW	8		0.164" X 5/16"
5	AR86969	BULB	1		15 C.P. (USE WITH AT16288) (SUB FOR AR21739)
	AD2062R	BULB	1		(USE WITH AR77326)
6	R30181	PLATE	4	(A)	
	AA3495R	SUPPORT	4	(B)	
7	AR77326	FLOODLAMP	1		(SUB FOR AT16288)
8	12M7084	LOCK WASHER	8		0.169"
9	A2899R	ASSEMBLY LINE PARTS	4		(B)
10	R27460	CLAMP	4		
11	T19178	BRACKET	2		
12	37H106	SCREW	4		3/8" X 5/8"
13	12H301	LOCK WASHER	2		1/2"
14	14H1040	NUT	2		1/2"
15	21H1293	SCREW	8		0.164" X 5/16"
16	12M7084	LOCK WASHER	8		0.169"
17	R30181	PLATE	4	(A)	
	AA3495R	SUPPORT	4	(B)	
18	A2899R	ASSEMBLY LINE PARTS	4		
19	WIRING LEAD	4		165MM (6-1/2") (MAKE FROM R66319 AND (2) R32016)
20	AF3892R	HEADLIGHT	2		(FRONT LAMP, INNER)
	AR21059	HEADLIGHT	2		(FRONT LAMP, OUTER)
21	R30182	BEZEL	4	(A)	
	R31250	BEZEL	4	(B)	
22	AT13381	LAMP	2		FRONT, INNER
	AT13380	HEADLIGHT	2		FRONT, OUTER
23	AR21059	HEADLIGHT	1		
24	AR35782	LAMP	1		

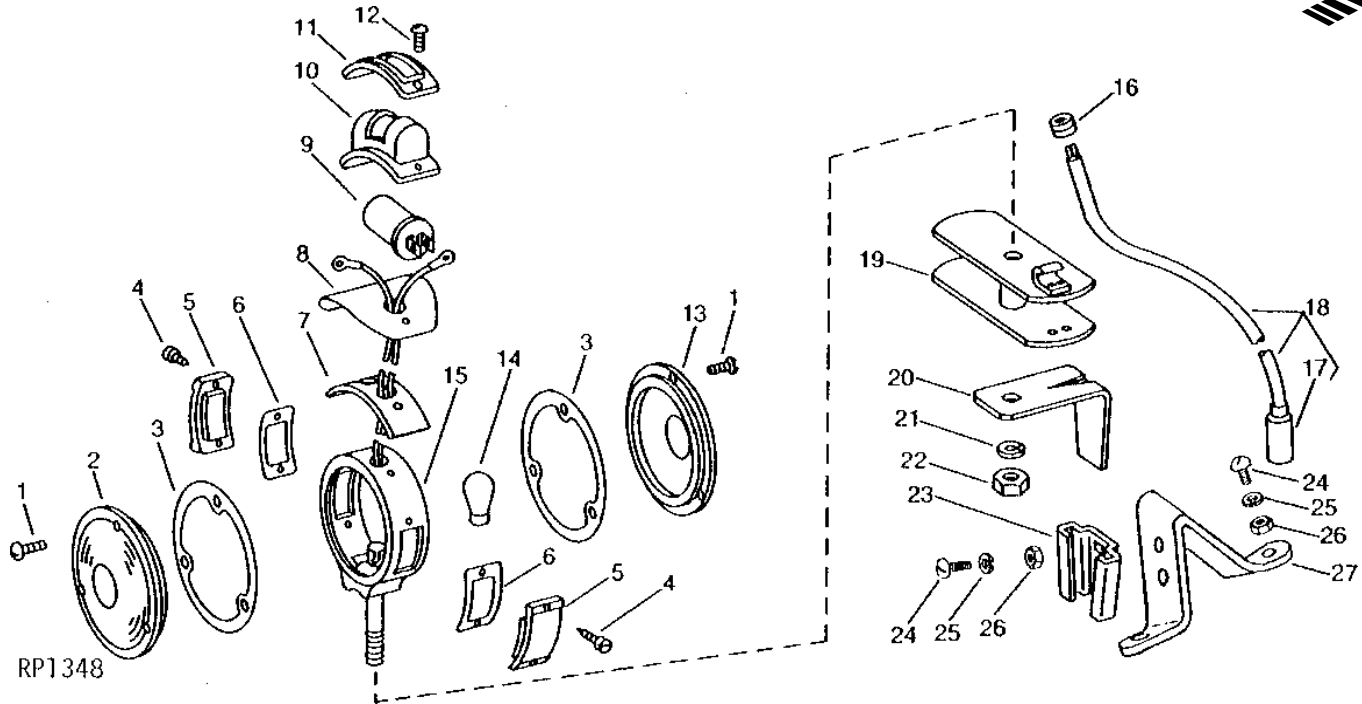
(A) HOBBS
(B) GUIDE

1F11

ELECTRICAL

RP1348 -UN-01JAN94

WARNING LAMP



RP1348

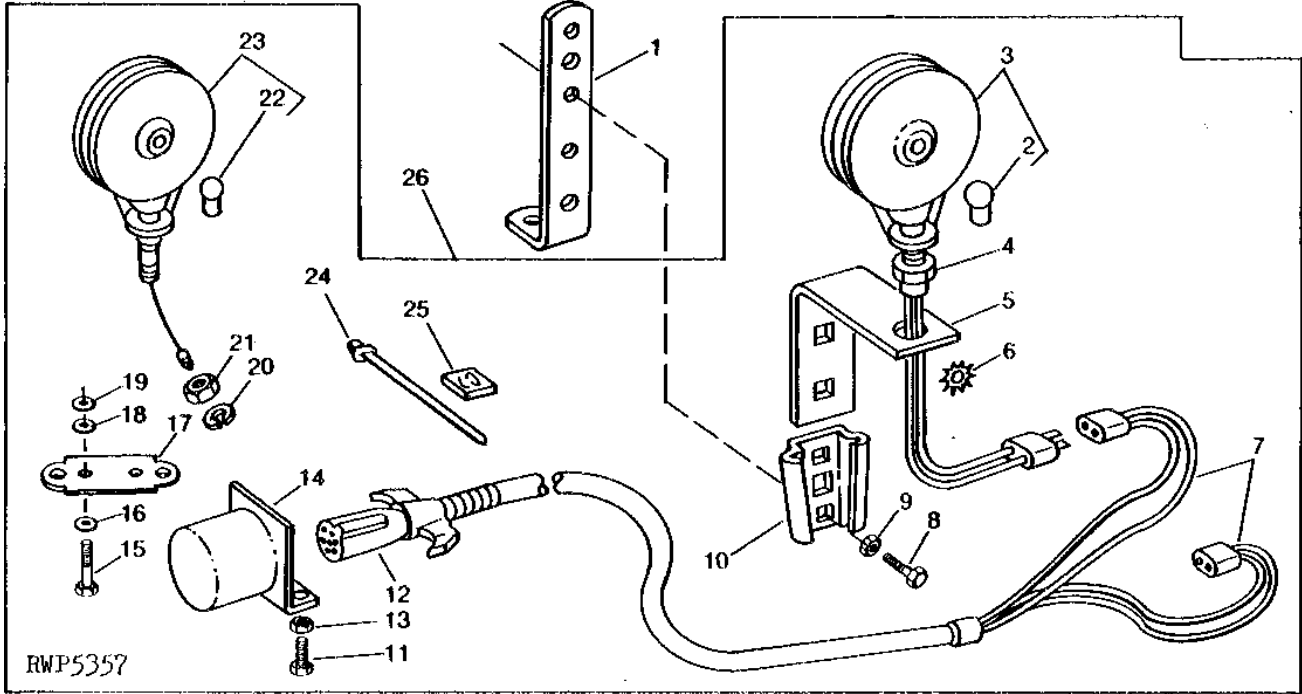
KEY	PART NO.	PART NAME	QTY	TRACTOR SERIAL NO.	REMARKS
1	21H1290	SCREW	6	0.138" X 1/2"	
2	A5276R	LENS	1	RED	
3	A5277R	GASKET	2	(NLA)	
4	37H46	SCREW	4	NO. 6 X 3/8"	
5	A5278R	LENS	2		
6	A5279R	GASKET	2		
7	R41327	GASKET	1	(NLA)	
8	R41328	HOOD	1	(NLA)	
9	AR21858	FLASHER	1	(SUB FOR AR21856)	
10	R41325	COVER	1	(NLA)	
11	R41326	BEZEL	1	(NLA)	
12	37H95	SCREW	2	NO. 8 X 1/2"	
13	A5275R	LENS	1	AMBER	
14	AA6218R	BULB	1	21 C.P.	
15	HOUSING	1	(NLA)	
16	R2579R	GROMMET	1		
17	AA5692R	ELECTRICAL PLUG	1		
18	AR40710	PLUG	1	WITH CABLE, (SUB FOR AA5691R)	
19	AA6217R	REEL	1	(NLA)	
20	R63180	BRACKET	1	(SUB FOR A5273R)	
21	12H293	LOCK WASHER	1	7/16"	
22	14H1047	NUT	1	7/16"	
23	JD126	SOCKET	1		
24	21H1304	SCREW	4	5/16" X 3/4"	
25	12H303	LOCK WASHER	4	5/16"	
26	14H785	NUT	4	5/16"	
27	R39663	SUPPORT	1	(NLA)	
..	R35791	SUPPORT	1		
..	LAMP	1	WARNING, (ORDER AR39612)	

1F12

ELECTRICAL

RWP5357 -UN-01JAN94

IMPLEMENT WARNING LAMP KIT



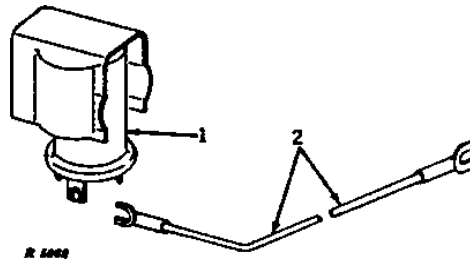
KEY	PART NO.	PART NAME	QTY	TRACTOR SERIAL NO.	REMARKS
1	A39716	BRACKET	2		
2	AD2062R	BULB	2		
3	AA34967	LAMP	2		
	A48331	LENS	2		
4	12H301	LOCK WASHER	2	1/2"	
	14H856	NUT	2	1/2"	
5	PT18180	BRACKET	2		(SUB FOR PT1624 OR PT9319)
6	PT9390	WASHER	1		
7	PT9318	WIRING HARNESS	1		(SUB FOR PT1294)
8	37H57	SCREW	5	5/16" X 3/4"	
9	14H785	NUT	5	5/16"	
10	JD126	SOCKET	2		
11	37H3	SCREW	2	1/4" X 5/8"	
12	AH93625	PLUG	1		
13	14H786	NUT	2	1/4"	
14	PT1296	BRACKET	1		
15	37H57	SCREW	5	5/16" X 3/4"	
16	24H1822	WASHER	1	11/32" X 7/8" X 1/16"	
17	PT9320	BRACKET	1		
18	24H1822	WASHER	1	11/32" X 7/8" X 1/16"	
19	14H788	NUT	5	3/8"	
20	12H301	LOCK WASHER	1	1/2"	
21	14H856	NUT	1	1/2"	
22	AR48041	BULB	1		
23	AA34968	TAIL LAMP	1		
	A48332	LENS	1		
24	R44302	TIE BAND	AR		
25	AT55441	BASE	AR		(SUB FOR PT9321)
26	TY16055	KIT	1		(SUB FOR TY9305 OR TY15263)
..	AA32178	WIRING LEAD	1		ACCESSORY

1F13

ELECTRICAL

R5068 -UN-12OCT94

WARNING LAMP FLASHER



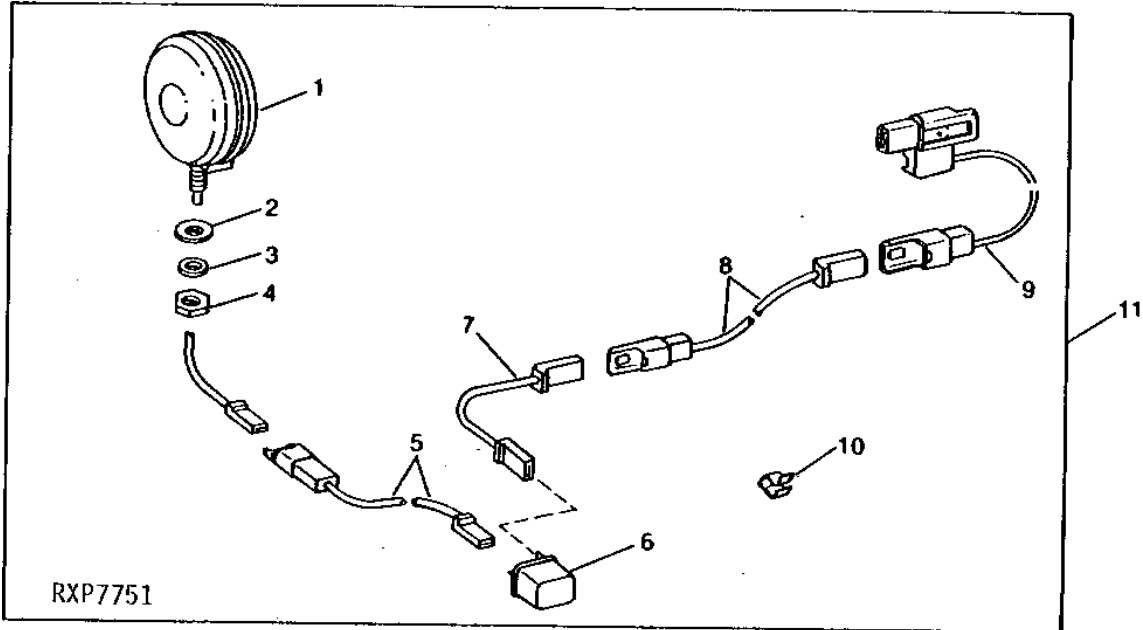
KEY	PART NO.	PART NAME	QTY	TRACTOR SERIAL NO.	REMARKS
1	AR21858	FLASHER	1		(12-VOLT) (SUB FOR AR21856)
2	WIRING LEAD	1		279MM (11") (SUB FOR AA6037R) (MAKE FROM R66320 AND (2) R32016)

1F14

ELECTRICAL

RXP7751 -UN-01JAN94

FLASHING WARNING LAMP KIT



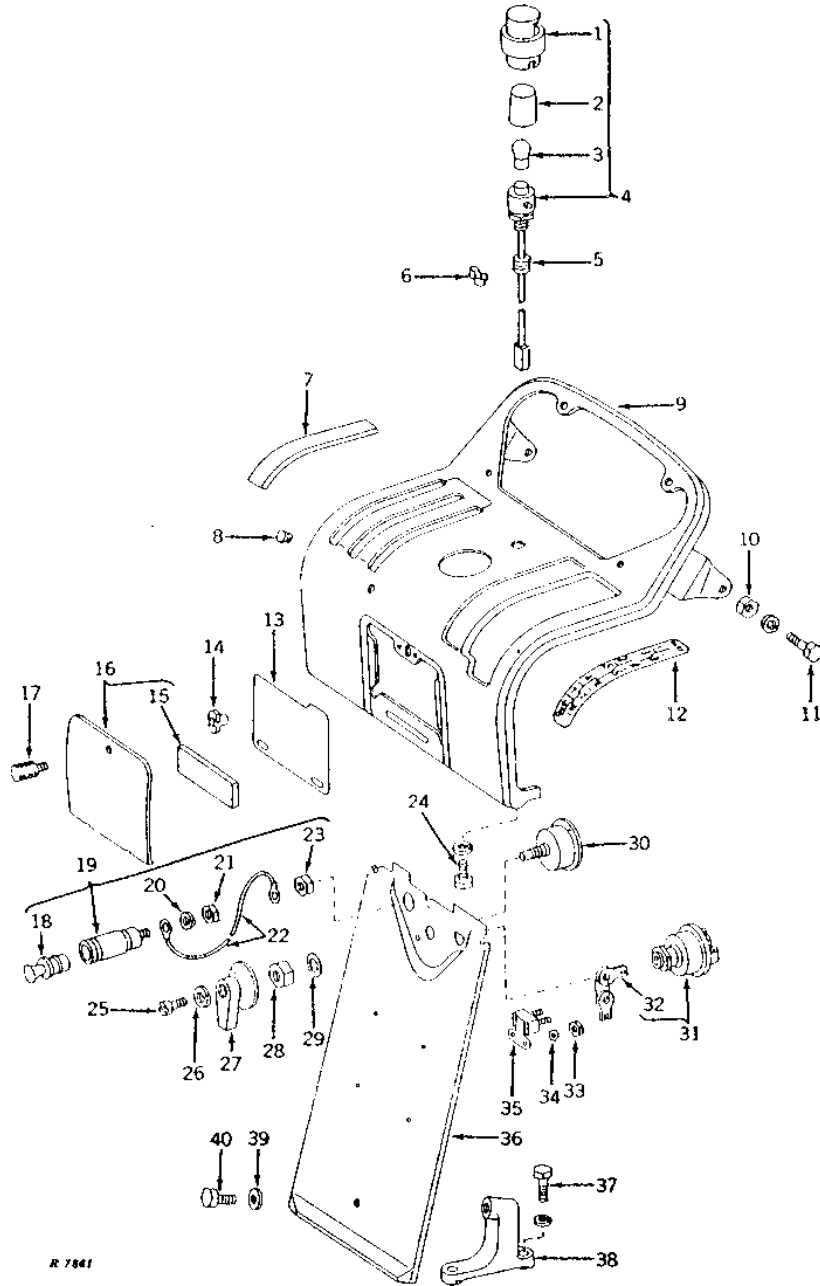
KEY	PART NO.	PART NAME	QTY	TRACTOR SERIAL NO.	REMARKS
1	AR38456	LAMP	1		
	AD2062R	BULB	1	(32 C.P.) (12-VOLT)	
	R42666	LENS	1	(AMBER)	
	R42667	LENS	1	(RED)	
2	R38371	WASHER	1	RUBBER	
3	24H1227	WASHER	1	17/32" X 13/16" X 0.060"	
4	14H856	NUT	1	1/2"	
5	AR40426	WIRING LEAD	1	1372MM (54")	
6	AR48594	FLASHER	1	(SUB FOR AR38453)	
7	WIRING LEAD	1	76MM (3") (MAKE FROM R66319, (2) R65600, T28585 AND R32027)	
8	WIRING LEAD	1	914MM (36") (MAKE FROM R66319, R65600, T28585, R65597, T28583 AND (2) R32027)	
9	AR38455	WIRING LEAD	1		
10	R21551	CLIP	3		
11	AR40711	WARNING LIGHT KIT	1		

1F15

ELECTRICAL

CONTROL SUPPORT COVER, SWITCHES, DASH, AND DASH LAMP
(TRACTOR SERIAL NO. -004499)

R7861 -UN-01JAN94



1F16

ELECTRICAL

CONTROL SUPPORT COVER, SWITCHES, DASH, AND DASH LAMP - CONTINUED
(TRACTOR SERIAL NO. -004499)

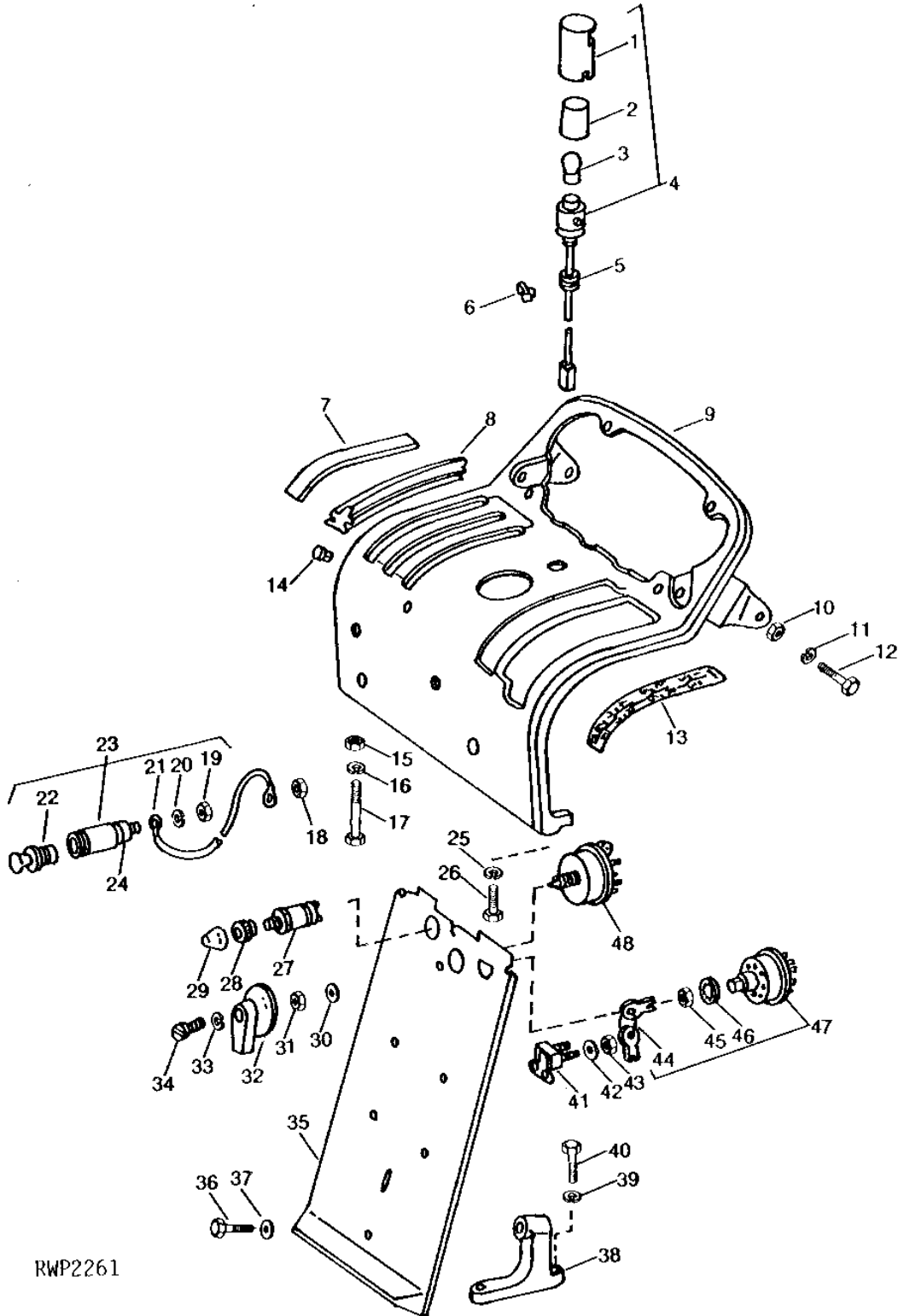
KEY	PART NO.	PART NAME	QTY	TRACTOR SERIAL NO.	REMARKS
1	R40192	COVER	1		(HOBBS) (SUB FOR R28793)
2	R28792	LENS	1		(HOBBS)
3	AT12948	BULB	1		
4	AR33479	LAMP	1		DASH, (SUB FOR AR35993 OR RE13195)
5	A3411R	GROMMET	1		
6	R21551	CLIP	1		(SUB FOR F2084R)
7	R27361	ISOLATOR	1		
8	R27983	PLUG	1		
9	INSTRUMENT PANEL	1		(SUB FOR AR26730 OR AR34959) (SUB AR68197)
10	14H1076	NUT	2		3/8"
11	19H1936	CAP SCREW	2		3/8" X 3/4"
	12H304	LOCK WASHER	2		3/8"
12	R40676	LABEL	1		(SUB FOR R27892 OR R34246)
13	INSTRUCTION PLATE	1		(NO LONGER FURNISHED)
14	R28056	NUT	1		
15	R27891	ISOLATOR	1		
16	AR26996	DOOR	1		
17	R27890	KNOB	1		
18	AR60937	LIGHTER	1		(SUB FOR AA5787R)
19	AR48643	LIGHTER	1		(SUB FOR AR30052, AR34556 OR AR46079)
	AR30394	CIRCUIT BREAKER	1		LIGHTER
20	12M7084	LOCK WASHER	1		0.169"
21	14H605	NUT	1		0.164"
22	AR94130	WIRING LEAD	1		
23	14H631	NUT	1		0.190"
24	19H1936	CAP SCREW	2		3/8" X 3/4"
	12H304	LOCK WASHER	2		3/8"
25	21H1299	SCREW	1		0.164" X 3/8"
26	12H315	LOCK WASHER	1		0.164"
27	AT65316	KNOB	1		(SUB FOR R27963)
28	A4655R	NUT	1		
29	12H292	LOCK WASHER	1		1/2"
30	AR28402	SWITCH	1		LIGHT
31	AR26557	SWITCH	1		KEY
32	A4700R	KEY	1		
33	14H631	NUT	2		0.190"
34	12M7060	WASHER	2		0.209"
35	AR28403	CIRCUIT BREAKER	2		
36	AR36315	COVER	1		(SUB FOR AR35613) (NLA)
37	19H1139	CAP SCREW	2		3/8" X 1-1/8"
	12H304	LOCK WASHER	2		3/8"
38	R49802	BRACKET	1		(SUB FOR R35623)
39	24H1305	WASHER	1		13/32" X 13/16" X 0.065"
40	19H1731	CAP SCREW	1		3/8" X 1"

1F17

ELECTRICAL

CONTROL SUPPORT COVER, SWITCHES, DASH, AND DASH LAMP
(TRACTOR SERIAL NO. 004500-)

RWP2261 -UN-01JAN94



RWP2261

1F18

ELECTRICAL

CONTROL SUPPORT COVER, SWITCHES, DASH AND DASH LAMP - CONTINUED
(TRACTOR SERIAL NO. 004500-)

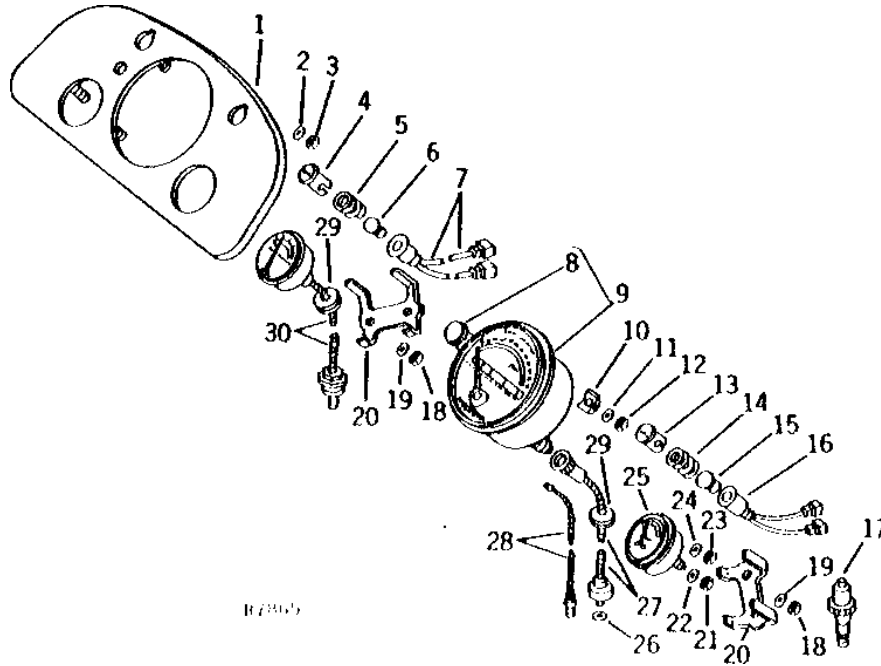
KEY	PART NO.	PART NAME	QTY	TRACTOR SERIAL NO.	REMARKS
1	R40192	COVER	1		(SUB FOR R28793)
2	R28792	LENS	1		
3	AT12948	BULB	1		6 C.P., 12-14 VOLT
4	AR33479	LAMP	1		DASH, (SUB FOR AR35993 OR RE13195)
5	A3411R	GROMMET	1		
6	R21551	CLIP	1		(SUB FOR F2084R)
7	R27361	ISOLATOR	1		
8	AR91941	STOP	1		(NLA)
9	AR68197	INSTRUMENT PANEL	1		(SUB FOR AR34959)
10	14H1076	NUT	2		3/8"
11	12H304	LOCK WASHER	2		3/8"
12	19H1936	CAP SCREW	2		3/8" X 3/4"
13	R40676	LABEL	1		(SUB FOR R27892 OR R34246)
14	R27983	PLUG	1		
15	14H812	NUT	1		3/8"
16	12H304	LOCK WASHER	1		3/8"
17	19H1765	CAP SCREW	1		3/8" X 1-3/4"
18	14H631	NUT	1		0.190"
19	14H605	NUT	2		0.164"
20	12M7084	LOCK WASHER	1		0.169"
21	AR94130	WIRING LEAD	1		
22	AR60937	LIGHTER	1		(SUB FOR AA5787R)
23	AR48643	LIGHTER	1		(SUB FOR AR34556 OR AR46079)
24	AR30394	CIRCUIT BREAKER	1		
25	12H304	LOCK WASHER	1		3/8"
26	19H1936	CAP SCREW	1		3/8" X 3/4"
27	R39554	SWITCH	1	008000-	ETHER AID, (ALSO ORDER AR47374) (SUB FOR AR46184 OR AR47373)
28	R21157	NUT	1	008000-	(SUB AR47374)
29	R39549	CAP	1	008000-	(SUB FOR AR47374)
30	12H292	LOCK WASHER	1		1/2"
31	A4655R	NUT	1		1/2"
32	AT65316	KNOB	1		(SUB FOR R27963)
33	12H315	LOCK WASHER	1		0.164"
34	21H1299	SCREW	1		0.164" X 3/8"
35	AR36315	COVER	1		(SUB FOR AR35613) (NLA)
36	19H1731	CAP SCREW	1		3/8" X 1"
37	24H1305	WASHER	1		13/32" X 13/16" X 0.065"
38	R49802	BRACKET	1		(SUB FOR R35623)
39	12H304	LOCK WASHER	2		3/8"
40	19H1139	CAP SCREW	2		3/8" X 1-1/8"
41	AR28403	CIRCUIT BREAKER	2		
42	12M7060	WASHER	2		0.209"
43	14H631	NUT	2		0.190"
44	A4700R	KEY	1		
45	T15969	NUT	1	008000-	(SUB FOR R39553)
46	12M7038	LOCK WASHER	1	008000-	0.650"
47	AR26557	SWITCH	1	-007999	KEY
	AR39505	SWITCH	1	008000-	KEY
48	R37270	SWITCH	1	-007999	LIGHT
	AR41288	SWITCH	1	008000-	LIGHT, (SUB FOR R39551)

1F19

ELECTRICAL

INSTRUMENT PANEL AND INSTRUMENTS
(TRACTOR SERIAL NO. -007999)

R7865 -UN-01JAN94



R7865

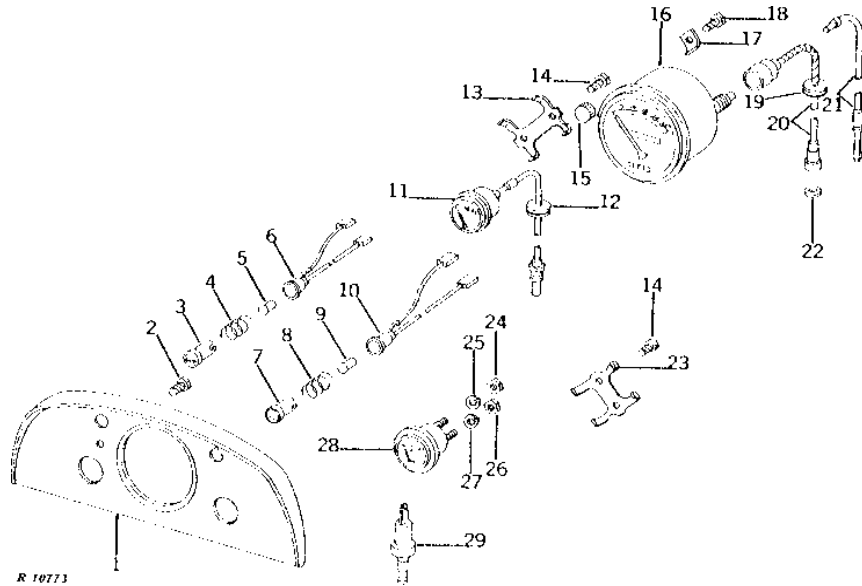
KEY	PART NO.	PART NAME	QTY	TRACTOR SERIAL NO.	REMARKS
1	AR26715	INSTRUMENT PANEL	1		
2	12M7060	WASHER	4	0.209"	
3	14H631	NUT	4	0.190"	
4	AT48673	LENS	1		ALTERNATOR INDICATOR, (SUB FOR AR29615 OR AR45438)
5	R30378	SPRING	1		
6	AR55694	BULB	1		(SUB FOR R30379)
7	AT14699	LAMP	1		ALTERNATOR INDICATOR, (SUB FOR AR29350)
8	AR40802	KNOB	1		(SUB FOR AR30282)
9	AR50406	TACHOMETER	1		(SUB FOR AR26718, AR32833, AR39906 OR AR50402)
10	R27381	CLIP	4		
11	12M7060	WASHER	4	0.209"	
12	14H631	NUT	4	0.190"	
13	AT48674	LENS	1		ENGINE OIL PRESSURE, (SUB FOR AR28552)
14	AR55694	BULB	1		
15	AR55694	BULB	1		(SUB FOR R30379)
16	AR27944	LAMP	1		(SUB AT48674, AR55694, AT44165 AND R30378)
17	AT85174	SWITCH	1		ENGINE OIL PRESSURE, (SUB FOR AR27977)
18	14H631	NUT	4	0.190"	
19	12M7060	WASHER	4	0.209"	
20	R34338	CLAMP	2		(SUB FOR R27384)
21	14H605	NUT	1	0.164"	
22	12H315	LOCK WASHER	1	0.164"	
23	14H631	NUT	1	0.190"	
24	12H246	LOCK WASHER	1	0.190"	
25	AR46271	GAUGE	1		FUEL, (SUB FOR AR26716, R34262 AND AT27153)
26	B3285R	WASHER	1		
27	AT17503	CABLE	1		(SUB FOR AT12695)
28	AT17503	CABLE	1		(SUB FOR AT15470)
29	R26936	GROMMET	2		
30	AR36013	GAUGE	1		WATER TEMPERATURE

1F20

ELECTRICAL

INSTRUMENT PANEL AND INSTRUMENTS
(TRACTOR SERIAL NO. 008000-)

R10773 -UN-01JAN94



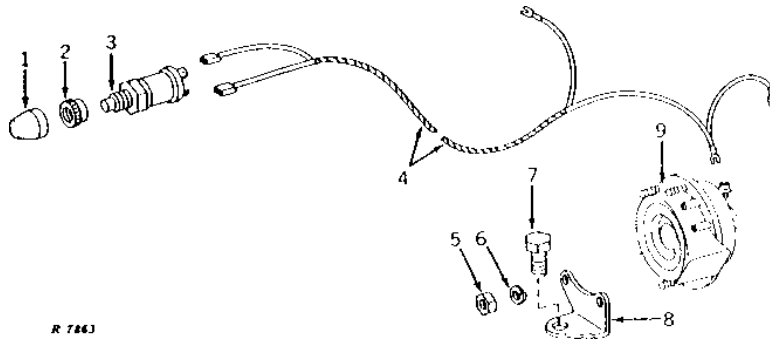
KEY	PART NO.	PART NAME	QTY	TRACTOR SERIAL NO.	REMARKS
1	AR68198	PANEL	1		(SUB FOR R34205 OR R47630)
2	37H95	SCREW	4		NO. 10 X 3/8", (SUB FOR S3062M)
3	AT48673	LENS	1		ALTERNATOR INDICATOR, (SUB FOR AR29615 OR AR45438)
4	R30378	SPRING	1		2 C.P. (SUB FOR R30379)
5	AR55694	BULB	1		ALTERNATOR INDICATOR, (SUB AT44165, AR55694, R30378, R32024 AND R32025)
6	AT14699	LAMP	1		ENGINE OIL PRESSURE, (SUB FOR AR28552)
7	AT48674	LENS	1		
8	R30378	SPRING	1		2 C.P. (SUB FOR R30379)
9	AR55694	BULB	1		ENGINE OIL PRESSURE, (SUB AT48674, AR55694, AT44165 AND R30378)
10	AR27944	LAMP	1		WATER TEMPERATURE
11	AR36383	GAUGE	1		WATER TEMPERATURE GAUGE TUBE TO HOOD BAFFLE
	R40138	CLIP	1		
12	R26936	GROMMET	1		
13	R34338	CLAMP	1		
14	37H98	SCREW	4		NO. 10 X 7/8", (SUB FOR R34758)
15	AR40802	KNOB	1		(SUB FOR AR30282)
16	AR50406	TACHOMETER	1		(SUB FOR AR32833, AR39906 OR AR50402)
17	R34206	CLAMP	4		
18	37M7245	SCREW	4		NO. 10 X 3/8", (SUB FOR S3062M)
19	R36235	GROMMET	1		
20	AT17503	CABLE	1		(SUB FOR AT12695)
21	AT15470	CABLE	1		(SUB AT17503)
22	B3285R	WASHER	1		
23	R34209	CLAMP	1		
24	14H631	NUT	1		0.190"
25	12H246	LOCK WASHER	1		0.190"
26	14H605	NUT	1		0.164"
27	12H315	LOCK WASHER	1		0.164"
28	AR46271	GAUGE	1		FUEL, (SUB FOR R34262 AND AT27153)
29	AT85174	SWITCH	1		ENGINE OIL PRESSURE, (SUB FOR AR27977)

1F21

ELECTRICAL

R7863 -UN-01JAN94

HORN
(TRACTOR SERIAL NO. -005299)



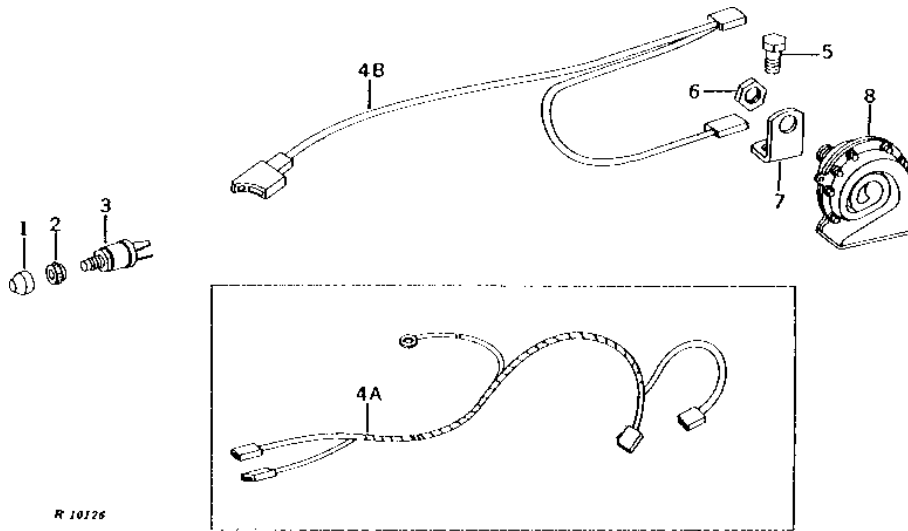
KEY	PART NO.	PART NAME	QTY	TRACTOR SERIAL NO.	REMARKS
1	T55501	CAP	1		(SUB FOR R21156, R39549 OR AR47374, THIS APPLICATION)
2	NUT	1		(SUB T55501)
3	AR21823	SWITCH	1		
4	R34702	WIRING HARNESS	1		(SUB FOR AR30415)
5	14H860	NUT	2		1/4"
6	12H302	LOCK WASHER	2		1/4"
7	19H2367	CAP SCREW	1		5/8" X 3/4"
8	BRACKET	1		(NOT FURNISHED)
9	AT39043	HIGH NOTE HORN	1		(SUB FOR AR11308 OR R11276)

1F22

ELECTRICAL

R10126 -UN-01JAN94

HORN
(TRACTOR SERIAL NO. 005300-)



R 10126

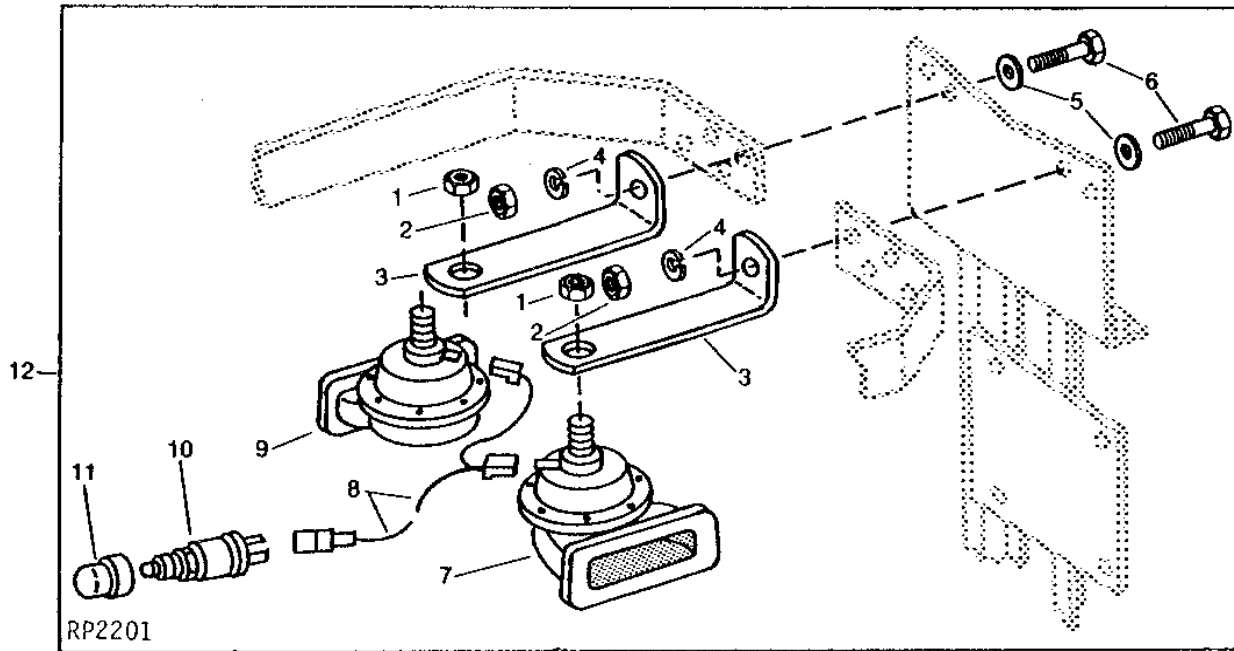
KEY	PART NO.	PART NAME	QTY	TRACTOR SERIAL NO.	REMARKS
1	T55501	CAP	1		(SUB FOR R21156, R39549 OR AR47374, THIS APPLICATION)
2	NUT	1		(SUB T55501)
3	AR21823	SWITCH	1		
4A	R34702	WIRING HARNESS	1	-007999	
4B	R39650	WIRING HARNESS	1	008000-	
5	19H2367	CAP SCREW	1		5/8" X 3/4"
6	R11278	NUT	1		
7	R34701	BRACKET	1		
8	AT39043	HIGH NOTE HORN	1		(SUB FOR R11276)

1F23

ELECTRICAL

RP2201 -UN-01JAN94

DUAL HORN ASSEMBLY



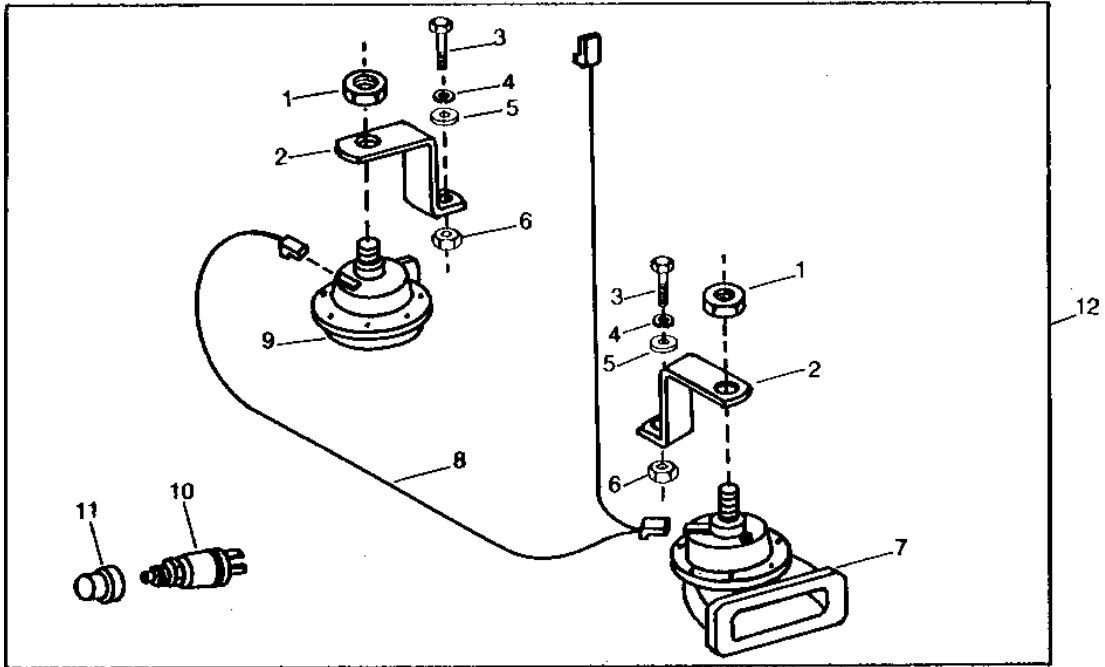
KEY	PART NO.	PART NAME	QTY	TRACTOR SERIAL NO.	REMARKS
1	R11278	NUT	2		
2	14H785	NUT	2	5/16"	
3	R64699	BRACKET	2	(ILLUSTRATED)	
	R66069	BRACKET	2	(SUB R75833)	
4	12H303	LOCK WASHER	2	5/16"	
5	24H1136	WASHER	2	11/32" X 11/16" X 0.065"	
6	19H1849	CAP SCREW	2	5/16" X 1-1/4"	
7	R64700	LOW NOTE HORN	1	(LOW NOTE)	
8	AR85578	WIRING HARNESS	1		
9	AT39043	HIGH NOTE HORN	1	(HIGH NOTE)	
10	AR21823	SWITCH	1	HORN	
11	T55501	CAP	1		
12	AR81178	HORN	1		(SUB FOR AR31556, AR34343, AR39609 OR AR49032) (SUB AR102454) (FI)

1F24

ELECTRICAL

RWP4230 -UN-01JAN94

DUAL HORN ASSEMBLY



RWP4230

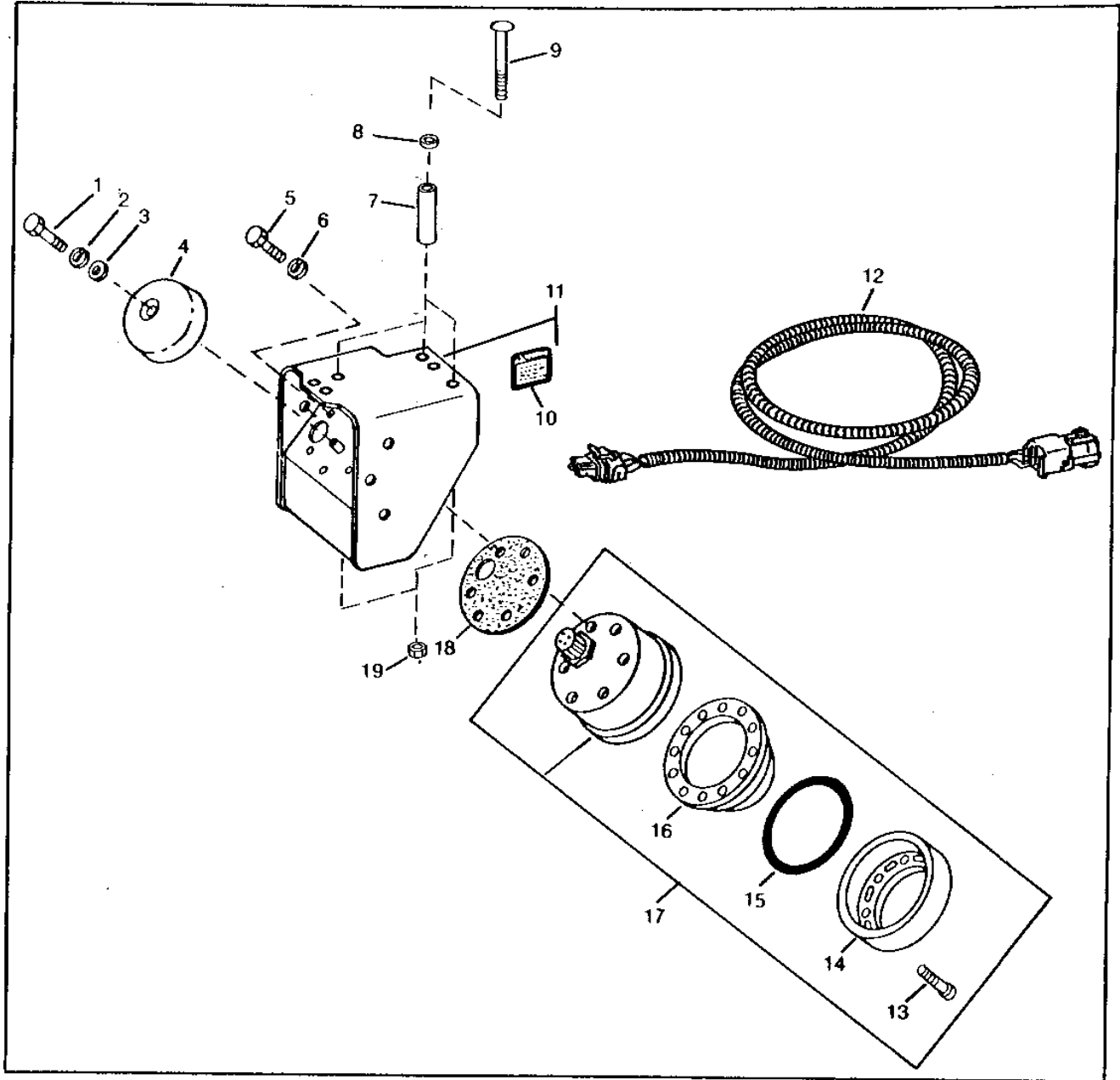
KEY	PART NO.	PART NAME	QTY	TRACTOR SERIAL NO.	REMARKS
1	R11278	NUT	2		
2	R75833	BRACKET	2		
3	19H1849	CAP SCREW	2	5/16" X 1-1/4"	
4	12H303	LOCK WASHER	2	5/16"	
5	24H1136	WASHER	2	11/32" X 11/16" X 0.065"	
6	14H785	NUT	2	5/16"	
7	R64700	LOW NOTE HORN	1		(12-VOLT) (LOW NOTE)
8	AR85578	WIRING HARNESS	1		
9	AT39043	HIGH NOTE HORN	1		(12-VOLT) (HIGH NOTE)
10	AR21823	SWITCH	1		
11	T55501	CAP	1		
12	AR102454	HORN	1		(ORDER COMPONENT PARTS)

1G1

ELECTRICAL

RXP9306 -UN-01JAN94

RADAR SENSOR



RXP9306

20

1G2

ELECTRICAL

RADAR SENSOR - CONTINUED

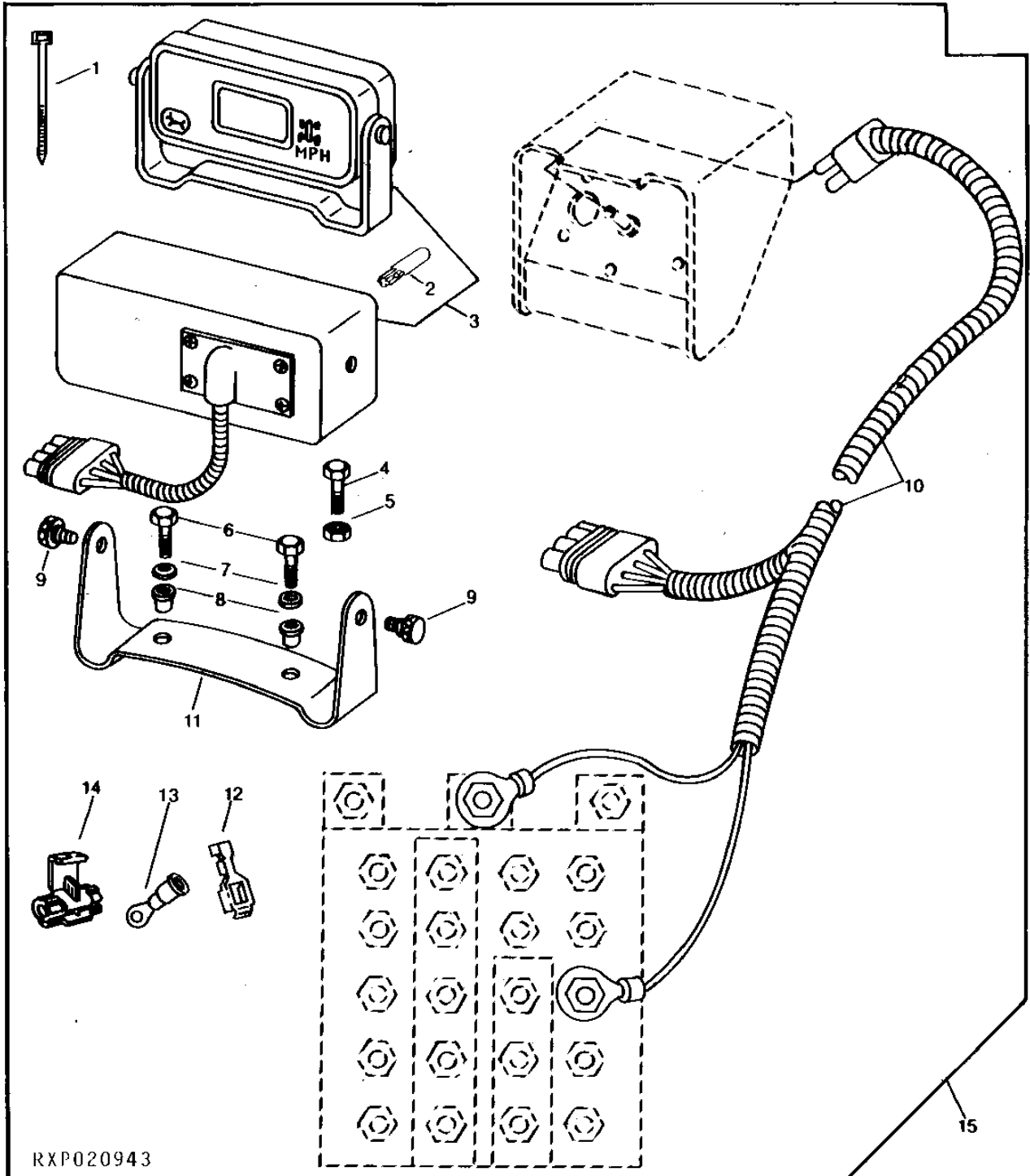
KEY	PART NO.	PART NAME	QTY	TRACTOR SERIAL NO.	REMARKS
1	19H1813	CAP SCREW	1		5/16" X 5/8"
2	12H303	LOCK WASHER	1		5/16"
3	24H1136	WASHER	1		11/32" X 11/16" X 0.065"
4	R82355	SHIELD	1		
5	19H1813	CAP SCREW	6		5/16" X 5/8"
6	12H303	LOCK WASHER	6		5/16"
7	28H3343	BUSHING	3		0.546" X 0.840" X 5-3/8"
8	24H1625	WASHER	2		17/32" X 1" X 0.120"
9	03H2052	BOLT	3		1/2" X 6-1/2"
10	R120107	LABEL	1		(ENGLISH)
	R120106	LABEL	1		(FRENCH)
	R105942	LABEL	1		(GERMAN)
	R120108	LABEL	1		(SPANISH)
	L65000	LABEL	1		
11	RE46317	BRACKET	1		(SUB FOR RE21096 OR RE38707)
12	RE46414	WIRING HARNESS	1		
13	R82239	SCREW	12		
14	R82237	SNAP RING	1		
15	R82238	O-RING	1		
16	R82236	COVER	1		
17	RE43025	RADAR SENSOR	1		(SUB FOR RE21073)
18	R82243	GASKET	1		
19	14H1040	NUT	3		1/2"
20	AR111058	SENSOR	1		(SUB FOR RE21510 OR RW26466) (FI)

1G3

ELECTRICAL

PERFORMANCE TRAK II MINI-MONITOR (ANALOG TACHOMETER)

RXP020943 -UN-12OCT94



1G4

ELECTRICAL

PERFORMANCE TRAK II MINI-MONITOR - CONTINUED
(ANALOG TACHOMETER)

KEY	PART NO.	PART NAME	QTY	TRACTOR SERIAL NO.	REMARKS
1	R44302	TIE BAND	AR		
2	RE22589	LAMP	1		
3	RE21112	MONITOR CONSOLE	1		
4	19H1978	CAP SCREW	3	7/16" X 1-1/2"	
	12H293	LOCK WASHER	3	7/16"	
5	14H1047	NUT	3	7/16"	
	14H786	NUT	2	1/4"	
6	19H1914	CAP SCREW	2	1/4" X 1"	
7	24H1287	WASHER	4	9/32" X 5/8" X 0.065"	
8	R82423	NUT	2	RUBBER	
9	R83055	WING SCREW	2		
10	RE21113	WIRING HARNESS	1	3500MM (138")	
11	R83109	BRACKET	1		
12	U46662	TERMINAL	1		
13	R77489	TERMINAL	1		
	R84158	TERMINAL	1		
14	AR67855	CONNECTOR	3		
15	RE21738	MONITOR CONSOLE	1	(FI)	

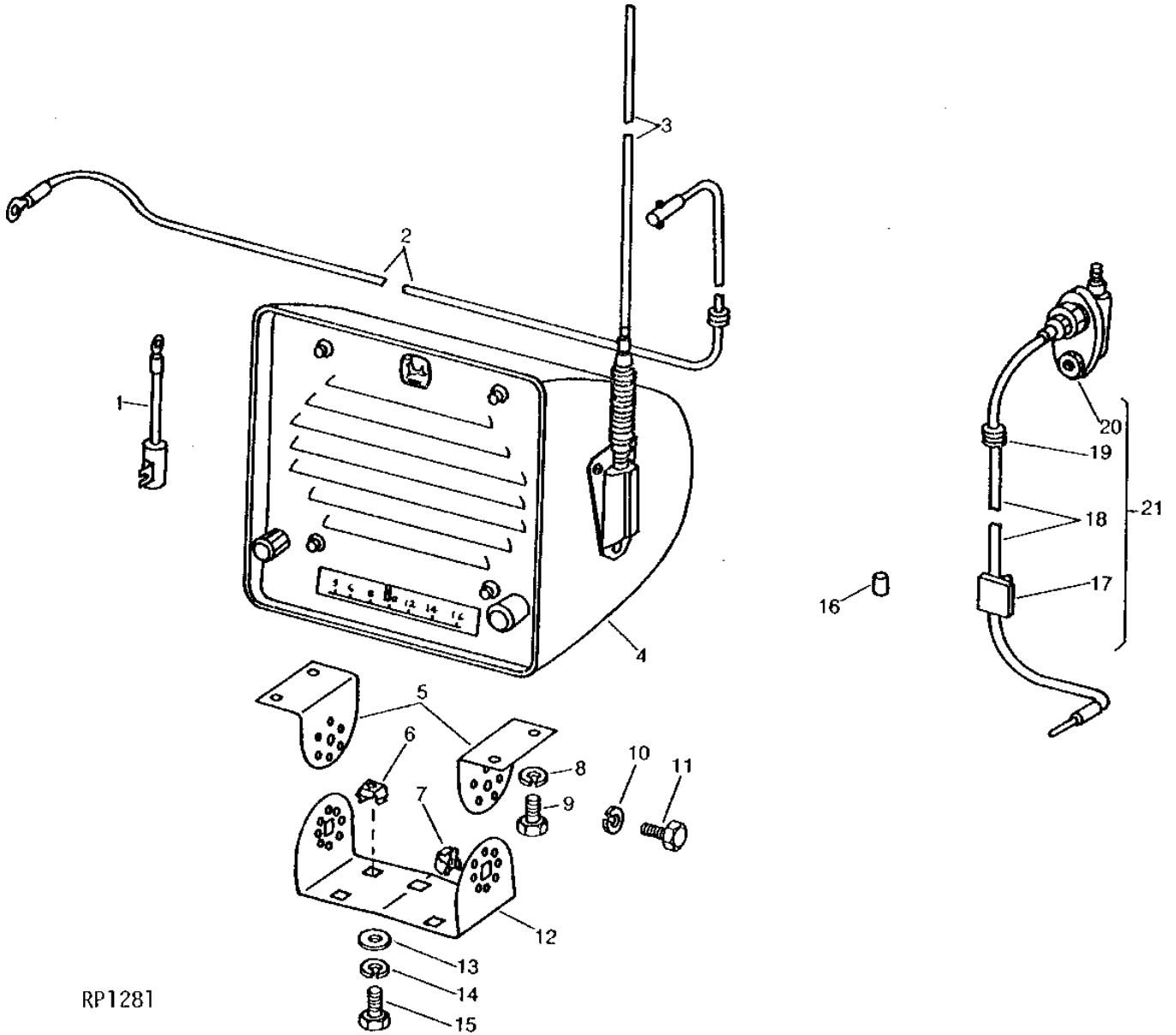
1G5

ELECTRICAL

RP1281

-UN-01JAN94

RADIO (BENDIX)



RP1281

1G6

ELECTRICAL

RADIO (BENDIX) - CONTINUED

KEY	PART NO.	PART NAME	QTY	TRACTOR SERIAL NO.	REMARKS
1	AR41758	CAPACITOR	1		
2	AR41756	WIRING LEAD	1		
3	AR41760	ANTENNA	1		
4	AR46986	ANTENNA	1		(THREADED TYPE)
4	AR68362	RADIO	1		(A) (ALSO ORDER AR46986) (SUB FOR AR40947, AR48717, AR54755 OR AR57157) (NLA)
5	R41879	BRACKET	2		
	R46505	BRACKET	1		(USE WITH AR48717, AR57157 OR AR68362) (NLA)
6	AR41951	NUT	4		5/16"
7	AR41950	NUT	2		3/8"
8	12H302	LOCK WASHER	4		1/4"
9	19H1227	CAP SCREW	4		1/4" X 1/2"
10	12H310	LOCK WASHER	2		3/8"
11	19H1936	CAP SCREW	2		3/8" X 3/4"
12	R41880	BRACKET	1		
13	24H1294	WASHER	4		11/32" X 1-1/8" X 1/16"
14	12H291	LOCK WASHER	4		5/16"
15	19H1813	CAP SCREW	4		5/16" X 5/8"
16	R45136	PLUG	1		
17	R47474	CLIP	1		(SUB FOR R45137)
18	AR46985	WIRING LEAD	1		
19	R27583	GROMMET	1		
20	AR46984	BASE	1		
21	AR46983	BASE	1		(WITH CAB) (SUB FOR AR40948) (NLA)

(A) CHECK AUDIOVOX DIRECT - SHIP PROGRAM GUIDE

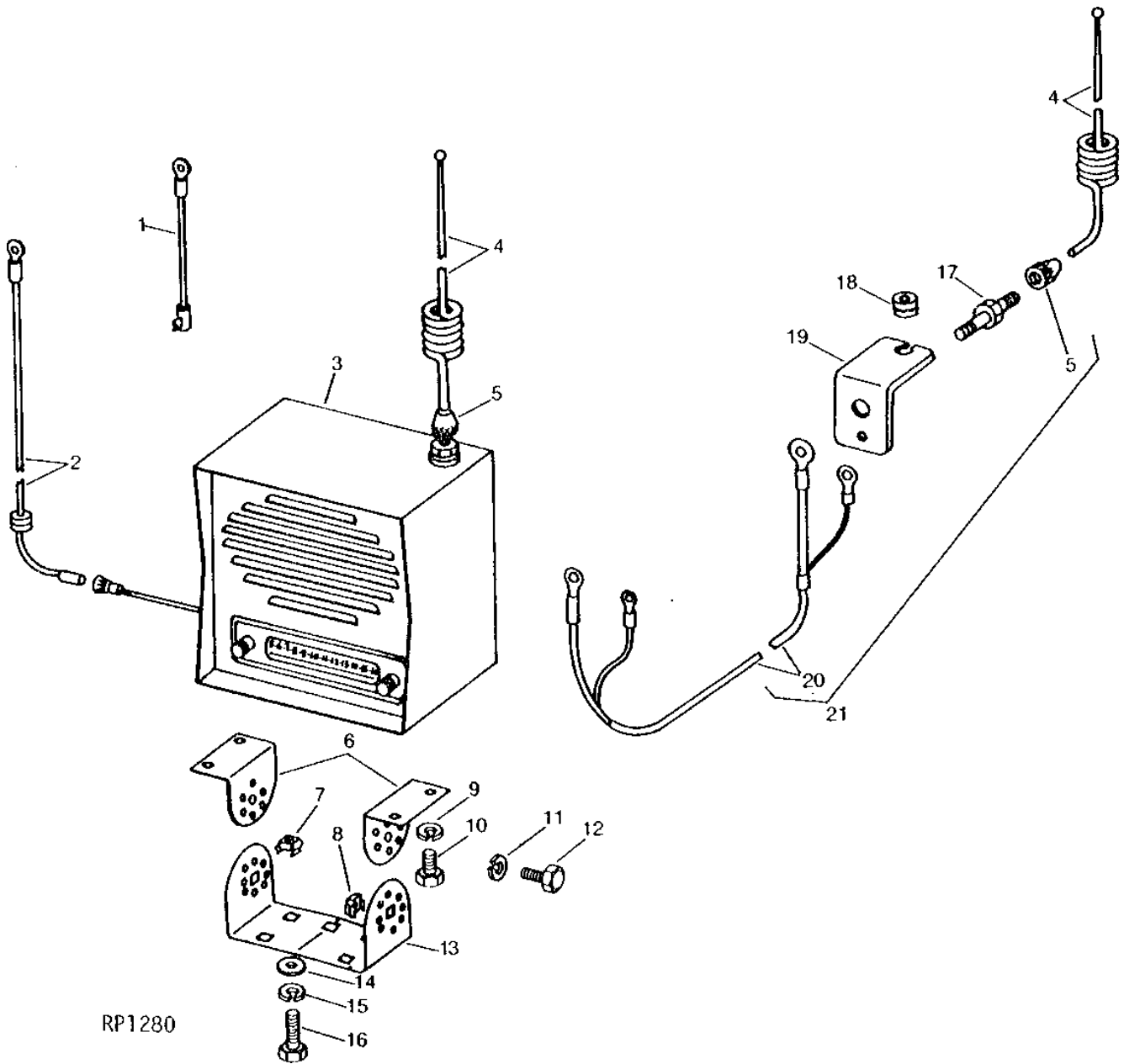
1G7

ELECTRICAL

RP1280

-UN-01JAN94

RADIO (MOTOROLA)



RP1280

1G8

ELECTRICAL

RADIO (MOTOROLA) - CONTINUED

KEY	PART NO.	PART NAME	QTY	TRACTOR SERIAL NO.	REMARKS
1	AR41758	CAPACITOR	1		
2	AR41756	WIRING LEAD	1		
3	AR42431	RADIO	1		(A) (NLA)
4	AR45013	MAST	1		(NLA)
5	R42800	NUT	1		(NLA)
6	R41879	BRACKET	2		
7	AR41951	NUT	4	5/16"	
8	AR41950	NUT	2	3/8"	
9	12H297	LOCK WASHER	4	1/4"	
10	19H1227	CAP SCREW	4	1/4" X 1/2"	
11	12H310	LOCK WASHER	2	3/8"	
12	19H1936	CAP SCREW	2	3/8" X 3/4"	
13	R41880	BRACKET	1		
14	24H1294	WASHER	4	11/32" X 1-1/8" X 1/16"	
15	12H291	LOCK WASHER	4	5/16"	
16	19H1813	CAP SCREW	4	5/16" X 5/8"	
17	AR45014	COUPLING	1		
18	R42801	GROMMET	1		
19	R42802	BRACKET	1		(NLA)
20	AR45015	ANTENNA	1		
21	AR42432	BASE	1		(WITH CAB) (SUB AR51483)

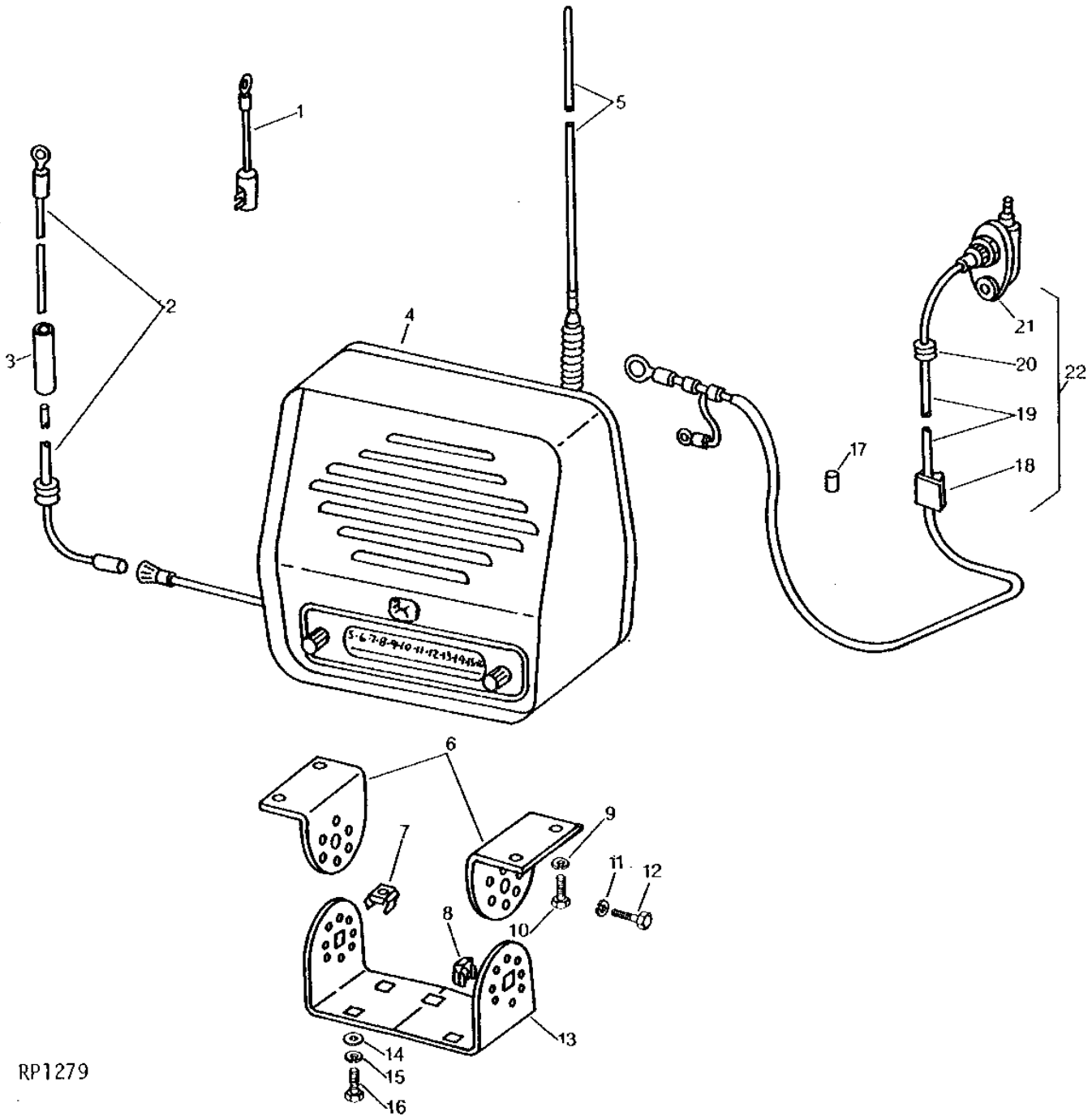
(A) CHECK AUDIOVOX DIRECT - SHIP PROGRAM GUIDE

1G9

ELECTRICAL

RP1279 -UN-01JAN94

RADIO (MOTOROLA)



RP1279

1G10

ELECTRICAL

RADIO (MOTOROLA) - CONTINUED

KEY	PART NO.	PART NAME	QTY	TRACTOR SERIAL NO.	REMARKS
1	AR41758	CAPACITOR	1		
2	AR41756	WIRING LEAD	1		
3	R42799	RESISTOR	1		
4	TY15276	RADIO	1		(A) (SUB FOR AR51973, AR57156, AR101245, AR68361 OR TY15155) (NLA)
5	AR46986	ANTENNA	1		
6	R52408	BRACKET	2		
7	AR41951	NUT	4	5/16"	
8	AR41950	NUT	2	3/8"	
9	12H302	LOCK WASHER	4	1/4"	
10	19H1227	CAP SCREW	4	1/4" X 1/2"	
11	12H310	LOCK WASHER	2	3/8"	
12	19H1936	CAP SCREW	2	3/8" X 3/4"	
13	R41880	BRACKET	1		
14	24H1294	WASHER	3	11/32" X 1-1/8" X 1/16"	
15	12H291	LOCK WASHER	3	5/16"	
16	19H1813	CAP SCREW	3	5/16" X 5/8"	
17	R45136	PLUG	1		
18	R47474	CLIP	4		(SUB FOR R45137)
19	AR51484	WIRING LEAD	1		
20	R27583	GROMMET	1		
21	AR46984	BASE	1		
22	AR51483	BASE	1		(WITH CAB)

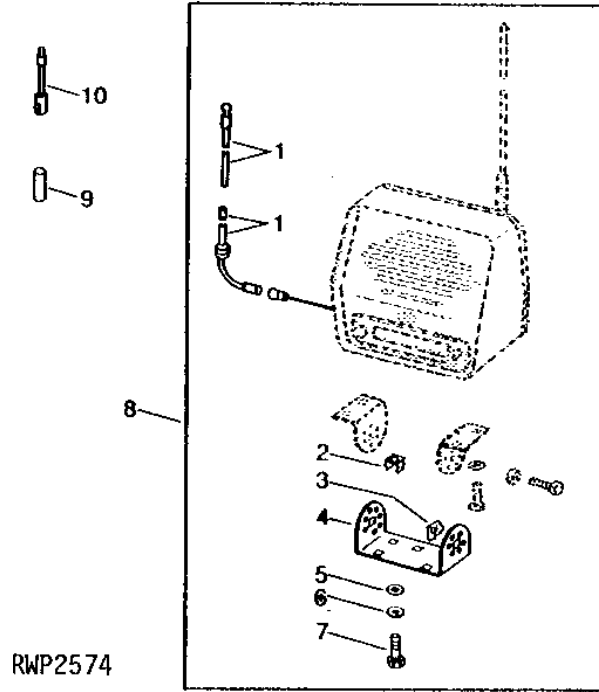
(A) CHECK AUDIOVOX DIRECT - SHIP PROGRAM GUIDE

1G11

ELECTRICAL

RWP2574 -UN-01JAN94

RADIO MOUNTING KIT



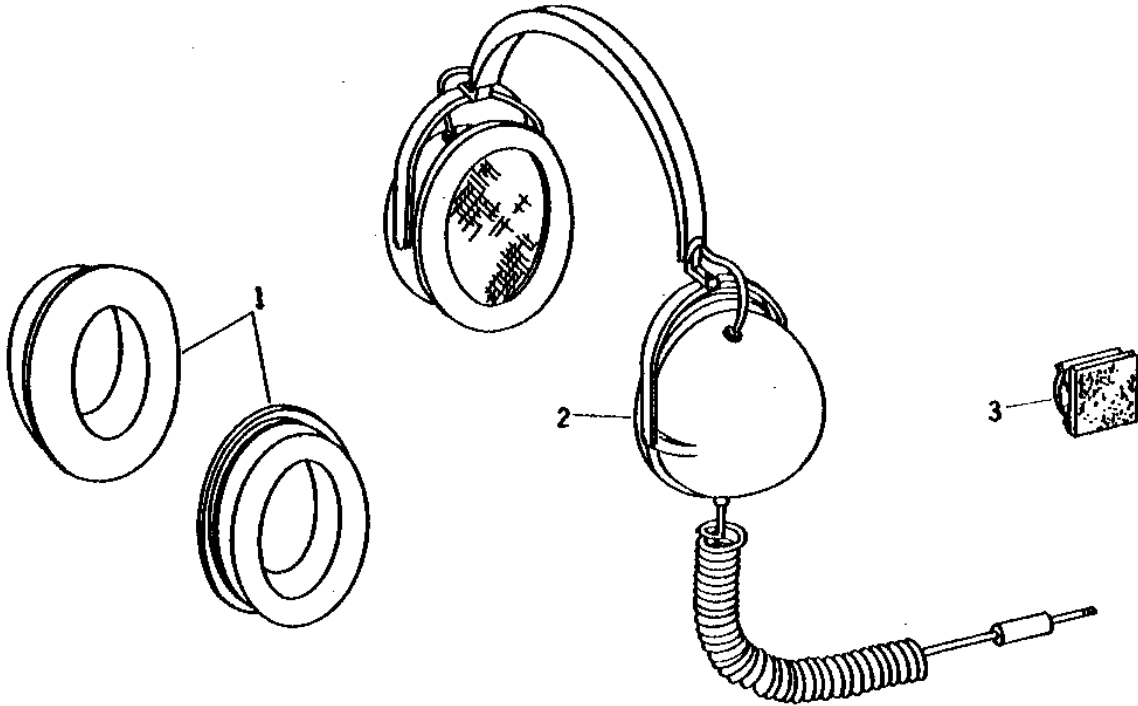
KEY	PART NO.	PART NAME	QTY	TRACTOR SERIAL NO.	REMARKS
1	AR41756	WIRING LEAD	1		
2	AR41951	NUT	3		
3	AR41950	NUT	2		
4	R41880	BRACKET	1		
5	24H1294	WASHER	3	11/32" X 1-1/8" X 1/16"	
6	12H291	LOCK WASHER	3	5/16"	
7	19H1813	CAP SCREW	3	5/16" X 5/8"	
8	AR41754	KIT	1		FOR 2ND VEHICLE RADIO APPLICATION
9	R42799	RESISTOR	1		
10	AR41758	CAPACITOR	1		NOISE SUPPRESSOR

1G12

ELECTRICAL

R33062 -UN-01JAN94

RADIO HEADPHONES



R33062

KEY	PART NO.	PART NAME	QTY	TRACTOR SERIAL NO.	REMARKS
1	AR73311	FOAM PAD	1		(SUB FOR R53409) (PKG OF 2)
2	AR59663	HEADPHONES	1		(A) (NLA)
3	R53410	CLIP	1		

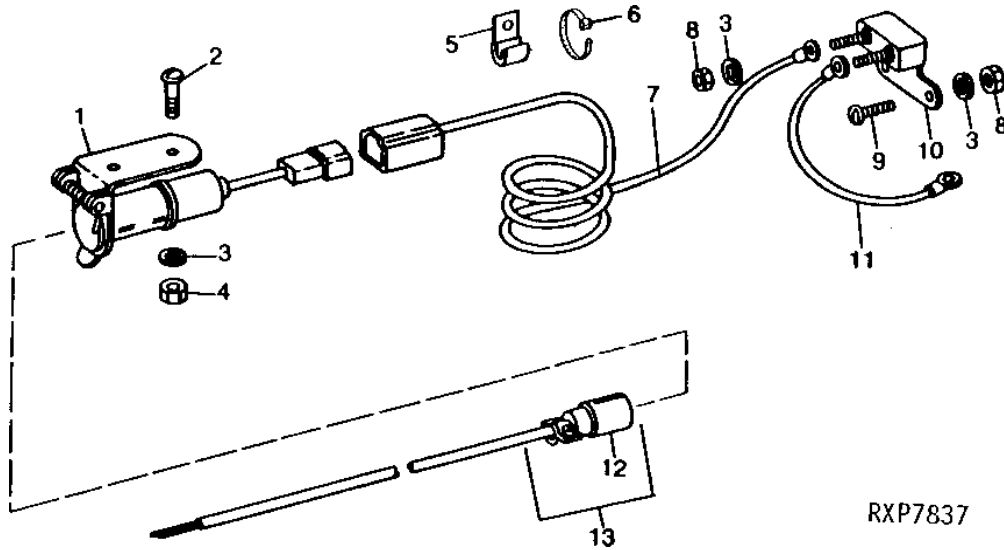
(A) CHECK AUDIOVOX DIRECT - SHIP PROGRAM GUIDE

1G13

ELECTRICAL

RXP7837 -UN-23SEP94

ELECTRICAL OUTLET SOCKET



RXP7837

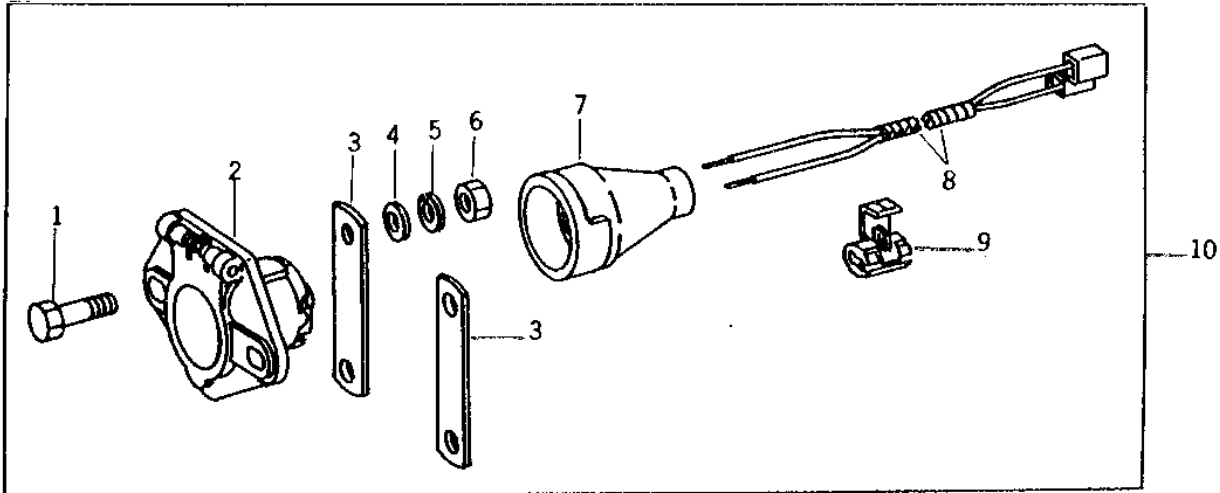
KEY	PART NO.	PART NAME	QTY	TRACTOR SERIAL NO.	REMARKS
1	AR26571	SOCKET	1		
2	21H1301	SCREW	2	0.190" X 1/2"	
3	12H295	LOCK WASHER	6	0.190"	
4	14H778	NUT	2	0.190"	
5	T32231	CLAMP	2	(SUB FOR R55618)	
6	R44302	TIE BAND	5		
7	WIRING LEAD	1	4153MM (163-1/2") (MAKE FROM R66321, T28585, U46662, R77493 AND R77471)	
8	14H631	NUT	4	0.190"	
9	21H1295	SCREW	2	0.190" X 5/8"	
10	AR28403	CIRCUIT BREAKER	1		
11	WIRING LEAD	1	152MM (6") (MAKE FROM R66321 AND (2) R77493)	
12	AA5692R	ELECTRICAL PLUG	1		
13	AR40710	PLUG	1		

1G14

ELECTRICAL

R32128F -UN-01JAN94

7-TERMINAL ELECTRICAL OUTLET SOCKET



R32128F

KEY	PART NO.	PART NAME	QTY	TRACTOR SERIAL NO.	REMARKS
1	19H1905	CAP SCREW	4	5/16" X 1"	
2	AR75695	SOCKET OUTLET	1		
3	R61776	STRAP	2		
4	24H1136	WASHER	4	11/32" X 11/16" X 0.065"	
5	12H303	LOCK WASHER	4	5/16"	
6	14H785	NUT	4	5/16"	
7	R61775	BOOT	1		
8	AR75696	WIRING HARNESS	1	EXTENSION	
		WIRING LEAD	1	3963MM (156") TAIL LAMP, (MAKE FROM R77500)	
		WIRING LEAD	1	400MM (16") GROUND, (MAKE FROM R77500 AND R77488)	
9	AR67855	CONNECTOR	3		
10	RE17282	KIT	1	(SUB FOR AR75694) (FI)	

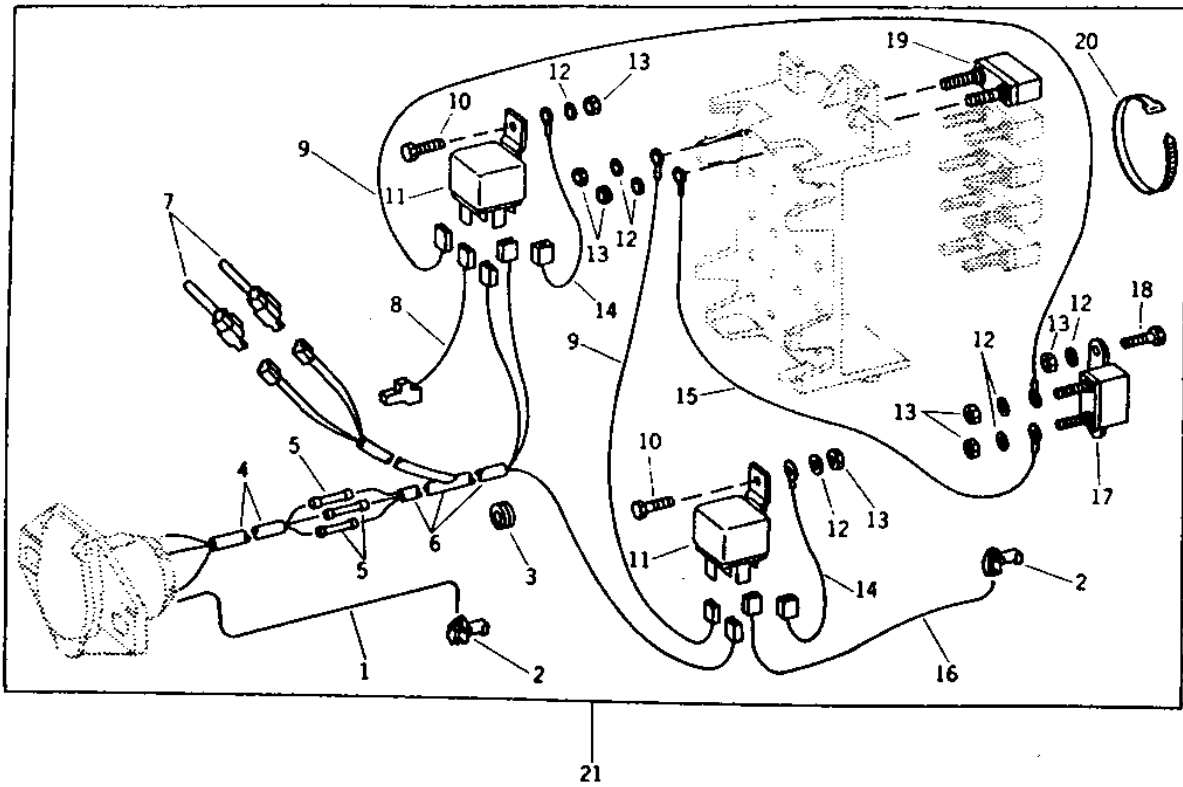
1G15

ELECTRICAL

R32129

-UN-07JAN91

7-TERMINAL SOCKET (SUPPLEMENTARY WIRING KIT)



1G16

ELECTRICAL

7-TERMINAL SOCKET - CONTINUED (SUPPLEMENTARY WIRING KIT)

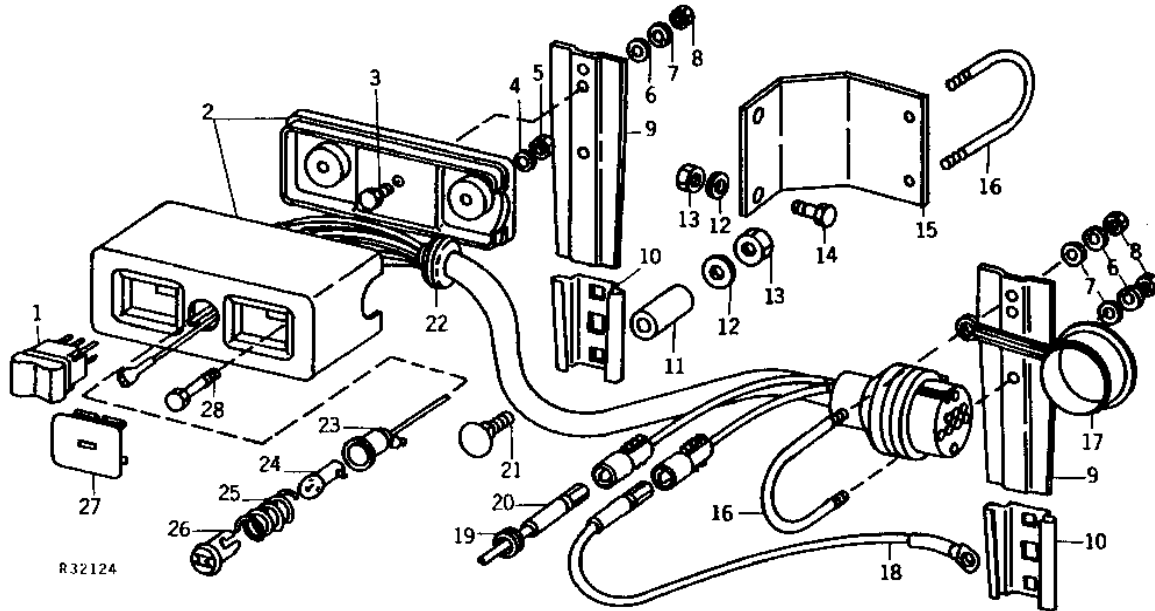
KEY	PART NO.	PART NAME	QTY	TRACTOR SERIAL NO.	REMARKS
1	WIRING LEAD	1		3962MM (156") (MAKE FROM R66319)
2	AR67855	CONNECTOR	2		
3	R40445	GROMMET	1		
4	AR82910	WIRING HARNESS	1		
5	R32027	CONNECTOR	4		
6	AR82912	WIRING HARNESS	1		
7	AR82911	WIRING LEAD	2		
8	AR50834	WIRING LEAD	1		
9	WIRING LEAD	3		311MM (12-1/4") (MAKE FROM R66319, R32018, R32027 AND R32024)
10	21H1282	SCREW	2		0.190" X 7/8"
11	AR74411	RELAY	2		
12	12H295	LOCK WASHER	8		0.190"
13	14H631	NUT	8		0.190"
14	WIRING LEAD	2		152MM (6") (MAKE FROM R66319, R32021, R32027 AND R32025)
15	WIRING LEAD	2		152MM (6") (MAKE FROM R66319 AND (2) R32018)
16	AR82909	WIRING LEAD	1		
17	AR49352	CIRCUIT BREAKER	1		30 AMP
18	21H1295	SCREW	2		0.190" X 5/8"
19	AR28403	CIRCUIT BREAKER	1		20 AMP
20	R44302	TIE BAND	AR		
21	AR78052	KIT	1		(USE WITH AR75694 OR RE17282)

1G17

ELECTRICAL

R32124 -UN-01JAN94

ELECTRICAL REMOTE CONTROL



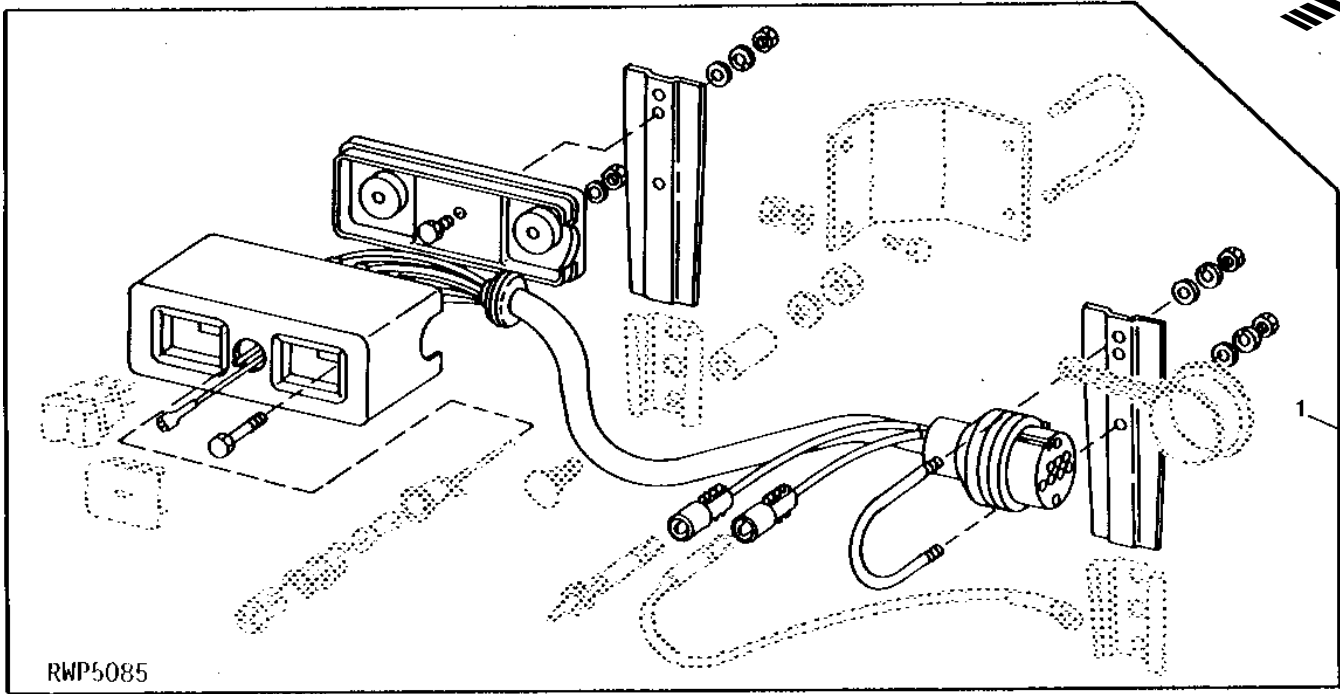
KEY	PART NO.	PART NAME	QTY	TRACTOR SERIAL NO.	REMARKS
1	AR49797	TOGGLE SWITCH	1		MOMENTARY ROCKER (FI)
	AR49798	ROCKER SWITCH	1		DETENT ROCKER (FI)
2	AR50779	WIRING HARNESS	1		TWO SWITCH
	AR50780	WIRING HARNESS	1		FOUR SWITCH
3	19H1914	CAP SCREW	1		1/4" X 1"
4	12H315	LOCK WASHER	2		0.164"
5	14H605	NUT	2		0.164"
6	24H1646	WASHER	3		17/64" X 3/4" X 0.060"
7	12H302	LOCK WASHER	3		1/4"
8	14H786	NUT	3		1/4"
9	R47861	BRACKET	2		TWO SWITCH (1 USED, FOUR SWITCH)
	R47860	BRACKET	1		FOUR SWITCH
10	JD126	SOCKET	2		
11	28H1495	SPACER	2		3/8" X 1"
12	24H1224	WASHER	4		11/32" X 1" X 1/16"
13	14H785	NUT	4		5/16"
14	21H1304	SCREW	2		5/16" X 3/4"
15	R54467	BRACKET	1		
16	E16050	U-BOLT	1		
17	R48048	CAP	1		
18	AR50928	WIRING LEAD	1		
19	H987R	GROMMET	4		
20	AR50927	WIRING LEAD	1		
21	03H1515	BOLT	2		5/16" X 2"
22	R36235	GROMMET	1		
23	AT44165	WIRING LEAD	1		
24	AR55694	BULB	1		
25	R30378	SPRING	1		
26	AT48673	LENS	1		
27	R48049	PLUG	1		
28	R48028	SCREW	2		
..	R48026	DECAL	1		
..	R48027	GROMMET	1		(CAB OPENING)
..	R32276	PLUG	1		(CAB OPENING)

1G18

ELECTRICAL

RWP5085 -UN-01JAN94

ELECTRICAL REMOTE CONTROL KIT



KEY	PART NO.	PART NAME	QTY	TRACTOR SERIAL NO.	REMARKS
1	AR62360	KIT	1		(TWO SWITCHES) (FI)

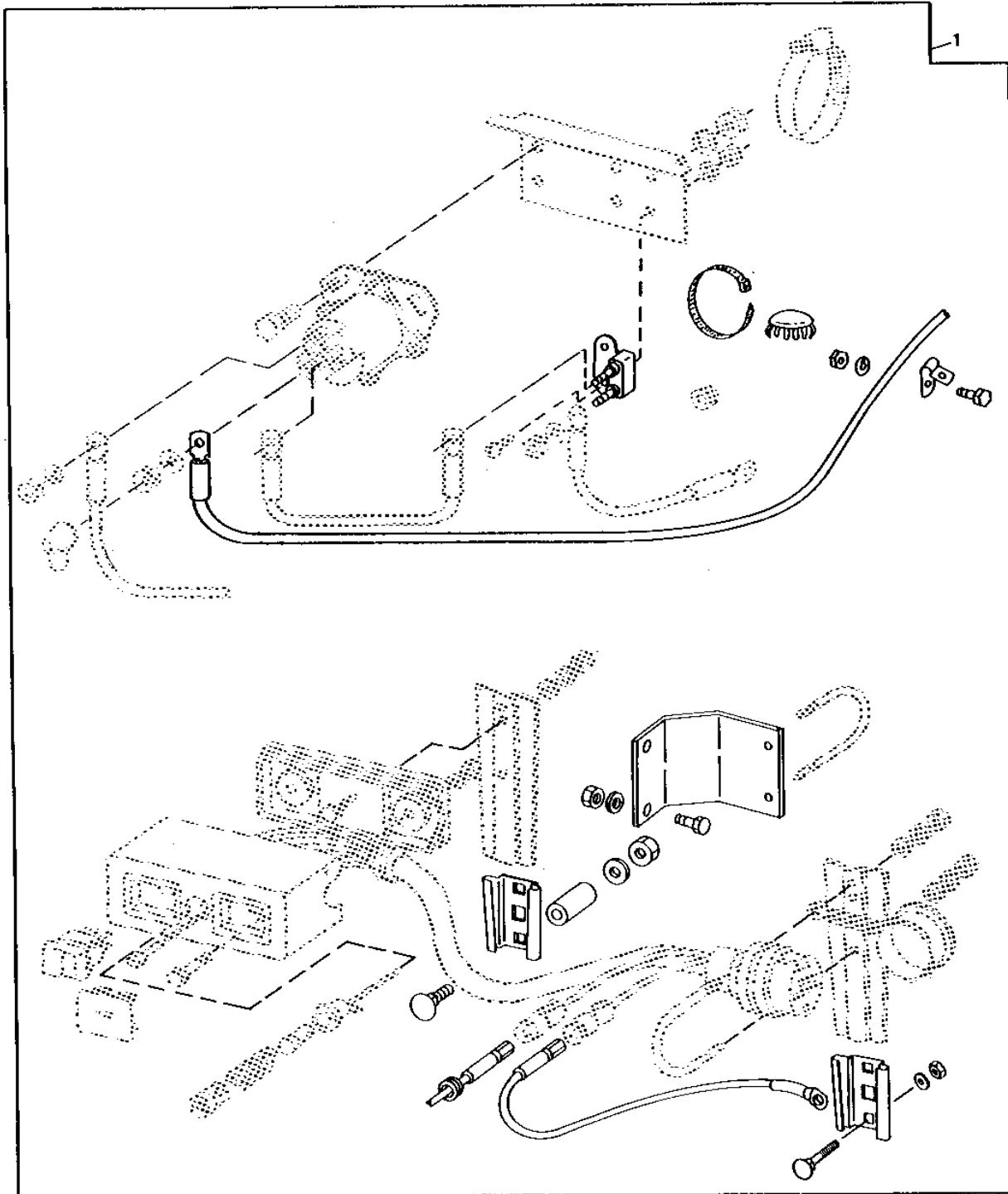
1G19

ELECTRICAL

RWP5666

-UN-01JAN94

ELECTRICAL REMOTE CONTROL WIRING KIT



RWP5666

1G20

ELECTRICAL

ELECTRICAL REMOTE CONTROL WIRING KIT - CONTINUED

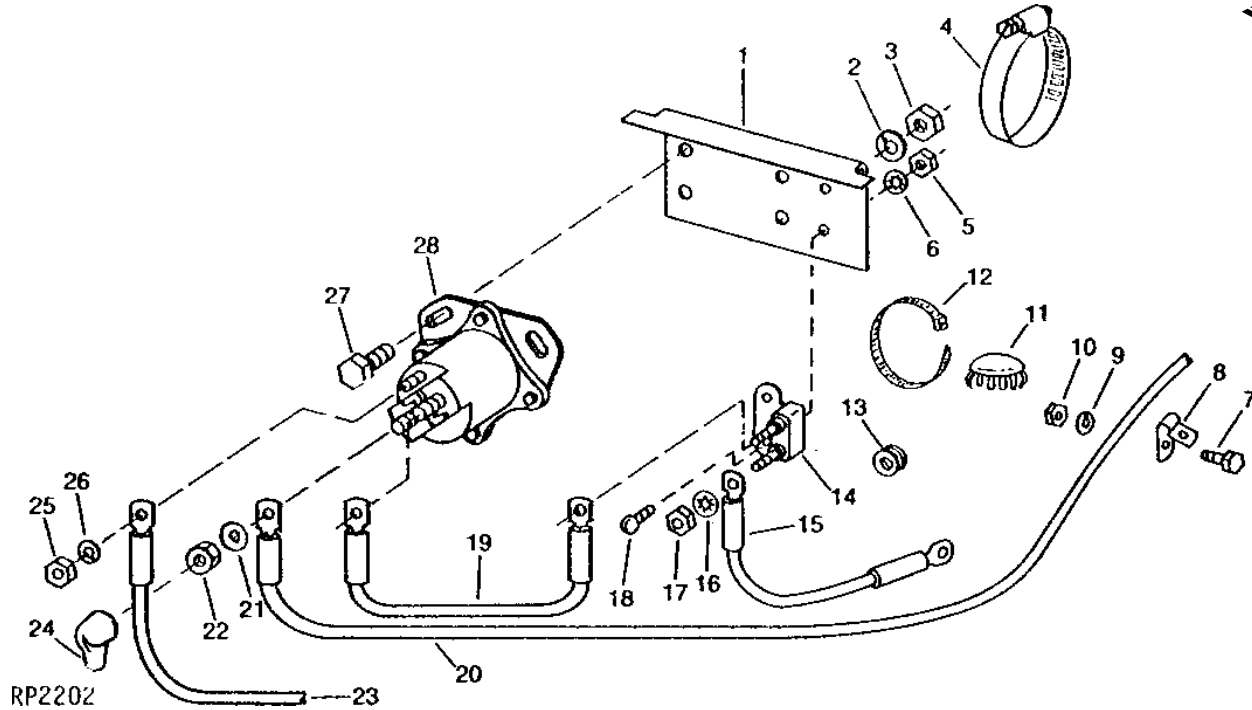
KEY	PART NO.	PART NAME	QTY	TRACTOR SERIAL NO.	REMARKS
1	RE25621	KIT	1	(SUB FOR AR62359)	

1G21

ELECTRICAL

RP2202 -UN-01JAN94

ELECTRICAL REMOTE CONTROL WIRING



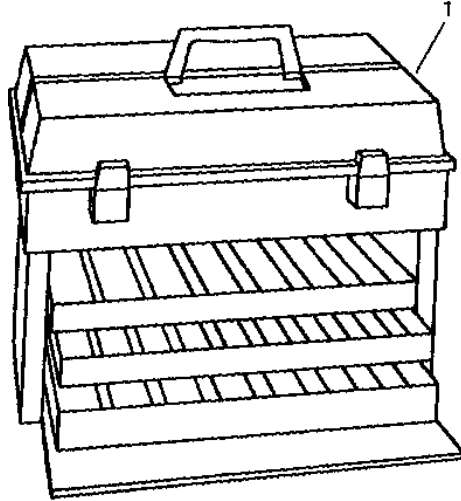
KEY	PART NO.	PART NAME	QTY	TRACTOR SERIAL NO.	REMARKS
1	R69109	BRACKET	1	(SUB FOR R47859)	
2	12H297	LOCK WASHER	2	1/4"	
3	14H786	NUT	2	1/4"	
4	AR52392	CLAMP	2		
5	14H631	NUT	4	0.190"	
6	12H246	LOCK WASHER	2	0.190"	
7	19H1731	CAP SCREW	2	3/8" X 1"	
8	T14264	CLAMP	2		
9	12H304	LOCK WASHER	2	3/8"	
10	14H732	NUT	2	3/8"	
11	R32276	PLUG	1	(CAB OPENING)	
12	R44302	TIE BAND	AR		
13	R41439	GROMMET	1	(USED FOR BANDING)	
14	AR50926	CIRCUIT BREAKER	1		
15	AR50930	WIRING LEAD	1		
16	12H295	LOCK WASHER	2	0.190"	
17	14H631	NUT	2	0.190"	
18	21H1295	SCREW	2	0.190" X 5/8"	
19	AR50929	WIRING LEAD	1		
20	AR50927	WIRING LEAD	1		
21	12H303	LOCK WASHER	2	5/16"	
22	14H785	NUT	2	5/16"	
23	AR50931	WIRING LEAD	1	TO IGNITION SWITCH	
24	R36732	BOOT	2		
25	14H631	NUT	1	0.190"	
26	12H246	LOCK WASHER	1	0.190"	
27	19H1919	CAP SCREW	2	1/4" X 5/8"	
28	RE44657	RELAY	1	(FI)	

1G22

ELECTRICAL

RXP010001 -UN-01JAN94

ELECTRICAL CONNECTOR AND TERMINAL KIT



RXP010001

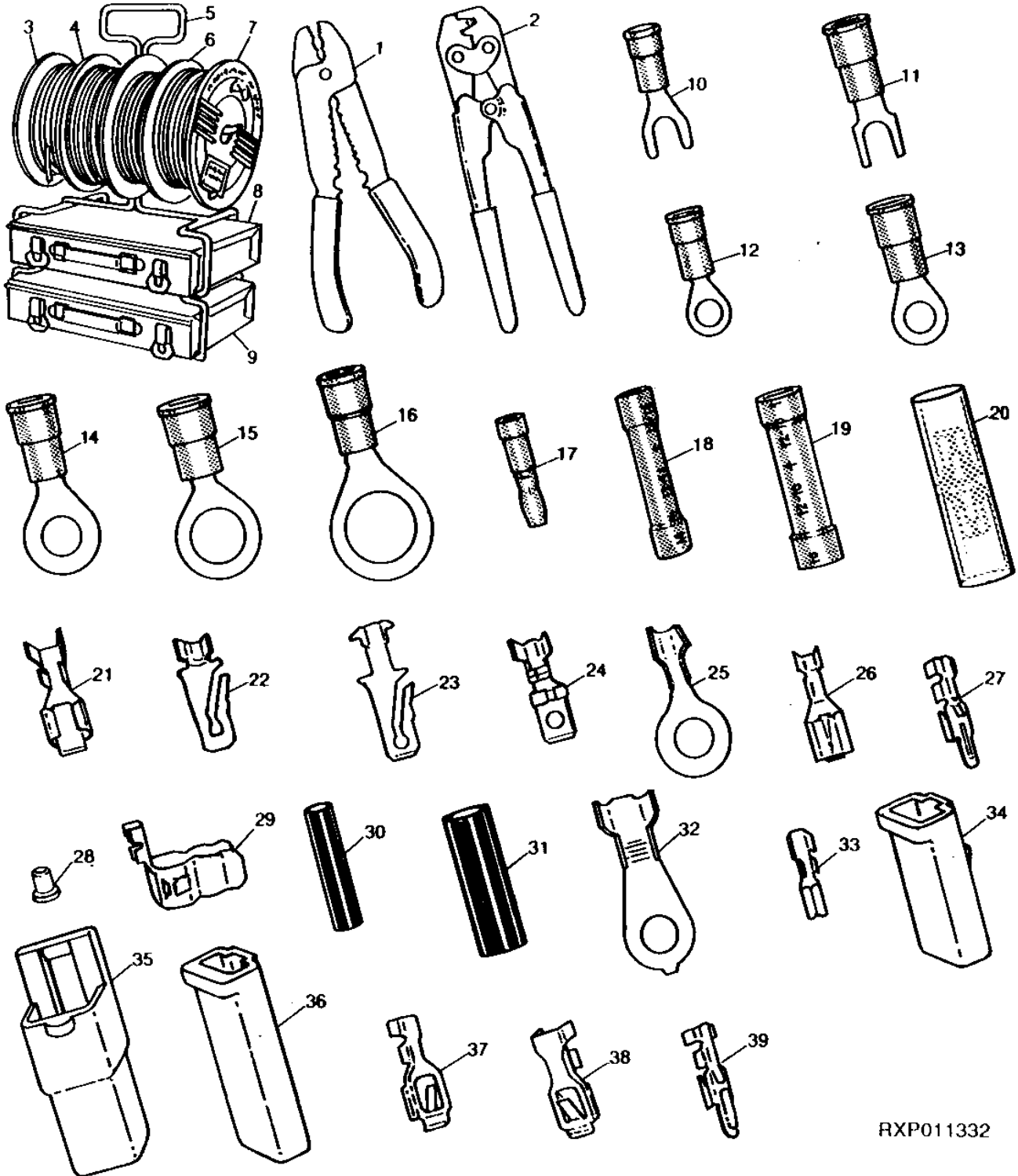
KEY	PART NO.	PART NAME	QTY	TRACTOR SERIAL NO.	REMARKS
1	PM797NA	KIT	1	(A)	
(A) KIT INCLUDES CONNECTORS,TERMINALS AND TOOLS					

1G23

ELECTRICAL

RXP011332 -UN-27SEP94

ELECTRICAL TERMINALS,CONNECTORS AND WIRING



RXP011332

1G24

ELECTRICAL

ELECTRICAL TERMINALS,CONNECTORS AND WIRING - CONTINUED

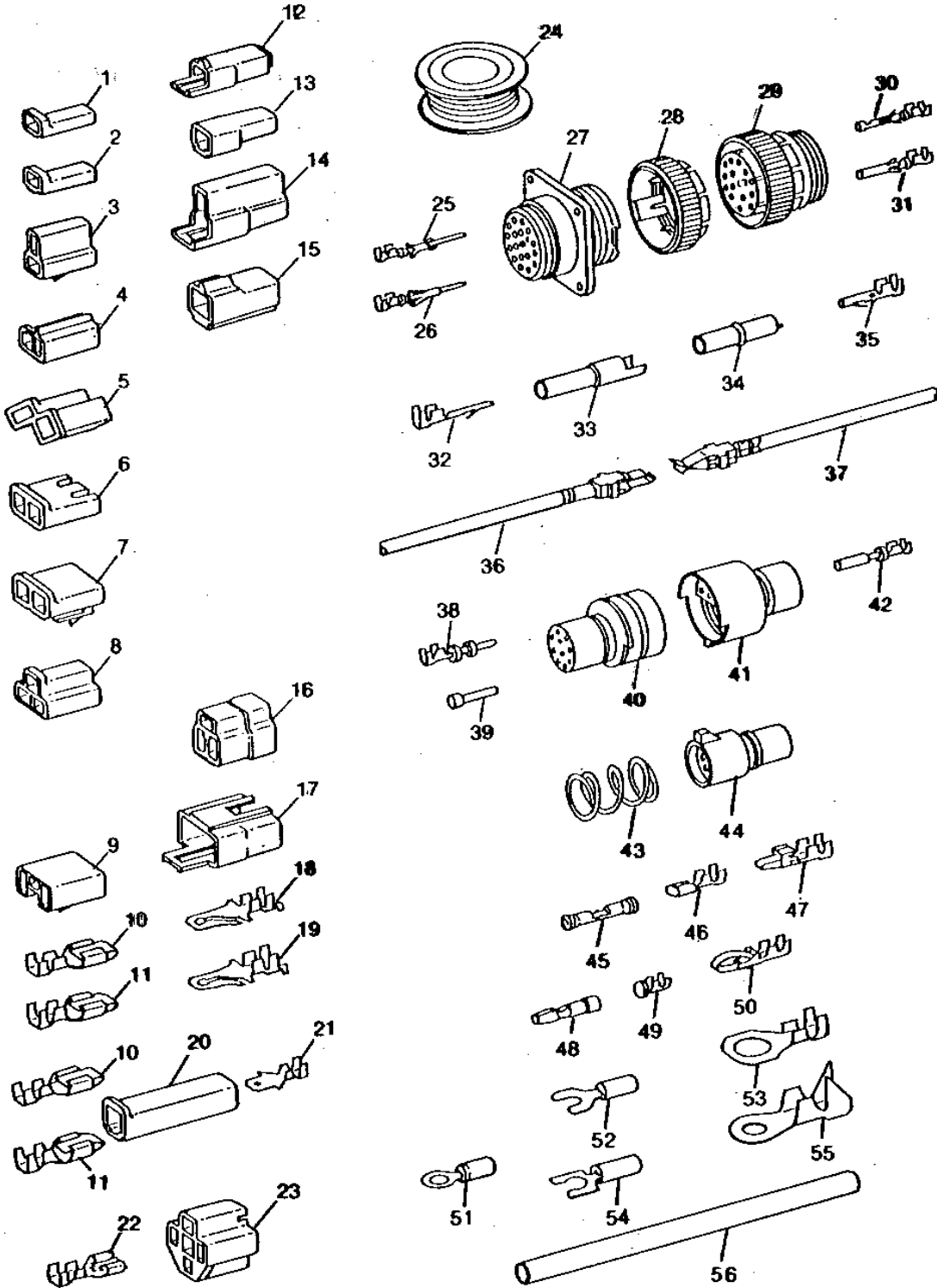
KEY	PART NO.	PART NAME	QTY	TRACTOR SERIAL NO.	REMARKS
1	R32011	TOOL	1	(NLA)	
2	R65594	TOOL	1		
3	R66319	WIRING LEAD	1		14 GA., 30.5 M (100 FT.) (1 SPOOL)
4	R65593	WIRING LEAD	1		16 GA., 30.5 M (100 FT.) (1 SPOOL)
5	R65608	RACK	1		
6	R66321	WIRING LEAD	1		10 GA., 15 M (50 FT.) (1 SPOOL)
7	R66320	WIRING LEAD	1		12 GA., 30.5 M (100 FT.) (1 SPOOL)
8	R65609	CONTAINER	1	(NLA)	
9	R65610	CONTAINER	1		
10	R32016	TERMINAL	1		14-16 GA., NO. 10 SPADE
11	R32017	TERMINAL	1		10-12 GA., NO. 10 SPADE
12	R32018	TERMINAL	1		14-16 GA., NO. 10 EYELET
13	R32019	TERMINAL	1		10-12 GA., NO. 10 EYELET
14	R32021	TERMINAL	1		10-12 GA., 1/4" EYELET
15	R32022	TERMINAL	1		10-12 GA., 3/8" EYELET
16	R32023	TERMINAL	1		10-12 GA., 1/2" EYELET
17	R32026	TERMINAL	1		MALE BULLETT
18	R32027	CONNECTOR	1		SPLICE, 14-16 GA.
19	R32028	TERMINAL	1		SPLICE, 10-12 GA.
20	AL2976T	CONNECTOR	1		(SUB FOR R32029) 2-WIRE BULLETT CONNECTOR
21	R65595	TERMINAL	1		FEMALE, 10 GA.
22	R65596	TERMINAL	1		MALE, 10 GA. OR TWO 14 GA. CABLES
23	R65597	TERMINAL	1		MALE, 14-16 GA.
24	R65598	TERMINAL	1		MALE, SHORT, 14-16 GA.
25	R65599	TERMINAL	1		14-16 GA., 1/4" EYELET
26	R65600	TERMINAL	1		FEMALE, 14-16 GA.
27	R65601	TERMINAL	1		TWIN-LOCK, TWO 16 GA. CABLES
28	R65602	SOCKET CONTACT	1		BULB SOCKET, 16-18 GA.
29	R65603	TERMINAL NIPPLE	1		FUSE
30	R65604	INSULATING SLEEVE	1		14-18 GA.
31	R65605	INSULATING SLEEVE	1		8-12 GA.
32	R65606	TERMINAL	1		6-8 GA., 1/4" EYELET
33	R65607	TERMINAL	1		18-20 GA.
34	T28583	RECEPTACLE	1		ONE CONTACT LOCK-TYPE, MALE
35	T28585	TERMINAL	1		ONE CONTACT LOCK-TYPE, FEMALE
36	U46370	CONNECTOR	1		CONNECTOR, ONE CONTACT SINGLE BODY, MALE
37	U46662	TERMINAL	1		FEMALE
38	U46663	TERMINAL	1		FEMALE
39	U46664	TERMINAL	1		FEMALE

1H1

ELECTRICAL

RXP010581 -UN-01JAN94

ELECTRICAL CONNECTORS, TERMINALS AND WIRING



RXP010581

1H2

ELECTRICAL

ELECTRICAL CONNECTORS, TERMINALS AND WIRING - CONTINUED

KEY	PART NO.	PART NAME	QTY	TRACTOR SERIAL NO.	REMARKS
1	T28583	RECEPTACLE	1	(B)	
2	M43835	FLAT CONNECTOR	1	(B)	
3	R77476	CONNECTOR	1	(A)	
4	R77477	CONNECTOR	1	(A)	
5	R77479	CONNECTOR	1	(A)	
6	R77480	CONNECTOR	1	(A)	
7	R77481	CONNECTOR	1	(A)	
8	R77482	CONNECTOR	1		
9	H104855	CONNECTOR	1		
10	U46662	TERMINAL	1	(E) (F)	
11	N115096	TERMINAL	1	(G) (SUB R65595) (PKG. OF 15)	
12	T28585	TERMINAL	1	(B)	
13	R77475	CONNECTOR	1	(B)	
14	T28586	CONNECTOR	1	(A)	
15	R77478	CONNECTOR	1	(A)	
16	R77483	CONNECTOR	1		
17	R48887	RECEPTACLE	1		
18	T34067	TERMINAL	1	(E) (F)	
19	R77484	TERMINAL	1	(G) (PKG. OF 15)	
20	U46370	CONNECTOR	1	(B)	
21	R77485	TAB	1	(C) (F)	
22	R77486	TERMINAL	1	(E) (F)	
23	R77487	CONNECTOR	1	(B)	
24	R66321	WIRING LEAD	1	15M (50 FT.) 10 GA.	
	R66320	WIRING LEAD	1	30.5M (100 FT.) 12 GA.	
	R77501	WIRE	1	30.5M (100 FT.) 14 GA.	
	R77500	WIRE	1	30.5M (100 FT.) 16 GA.	
	R77499	WIRE	1	30.5M (100 FT.) 18 GA.	
	R77498	WIRE	1	30.5M (100 FT.) 20 GA.	
25	R77462	PIN CONTACT	1	(PKG. OF 40) (20-22 OR 24 GA. WIRE)	
26	R77464	PIN CONTACT	1	(H) (PKG. OF 50)	
27	R77456	RECEPTACLE	1	(37 WAY)	
28	R77458	CONNECTOR	1	(A) (SIZE 23)	
	R77459	CONNECTOR	1	(A) (SIZE 17)	
	R77460	CONNECTOR	1	(A) (SIZE 13)	
	R77461	CONNECTOR	1	(A) (SIZE 11)	
29	R77457	ELECTRICAL PLUG	1	(37 WAY)	
30	R77463	SOCKET CONTACT	1	(PKG. OF 40) (20-22 OR 24 GA. WIRE)	
31	R77465	SOCKET CONTACT	1	(H) (PKG. OF 50)	
32	R77468	TERMINAL	1	(PKG. OF 5)	
33	R77466	CONNECTOR	1	(A)	
34	R77467	CONNECTOR	1	(A)	

(A) PKG. OF 2

(B) PKG. OF 3

(C) PKG. OF 10

(D) PKG. OF 20

(E) PKG. OF 25

(F) 14 OR 16 GA. WIRE

(G) 10 OR 12 GA. WIRE

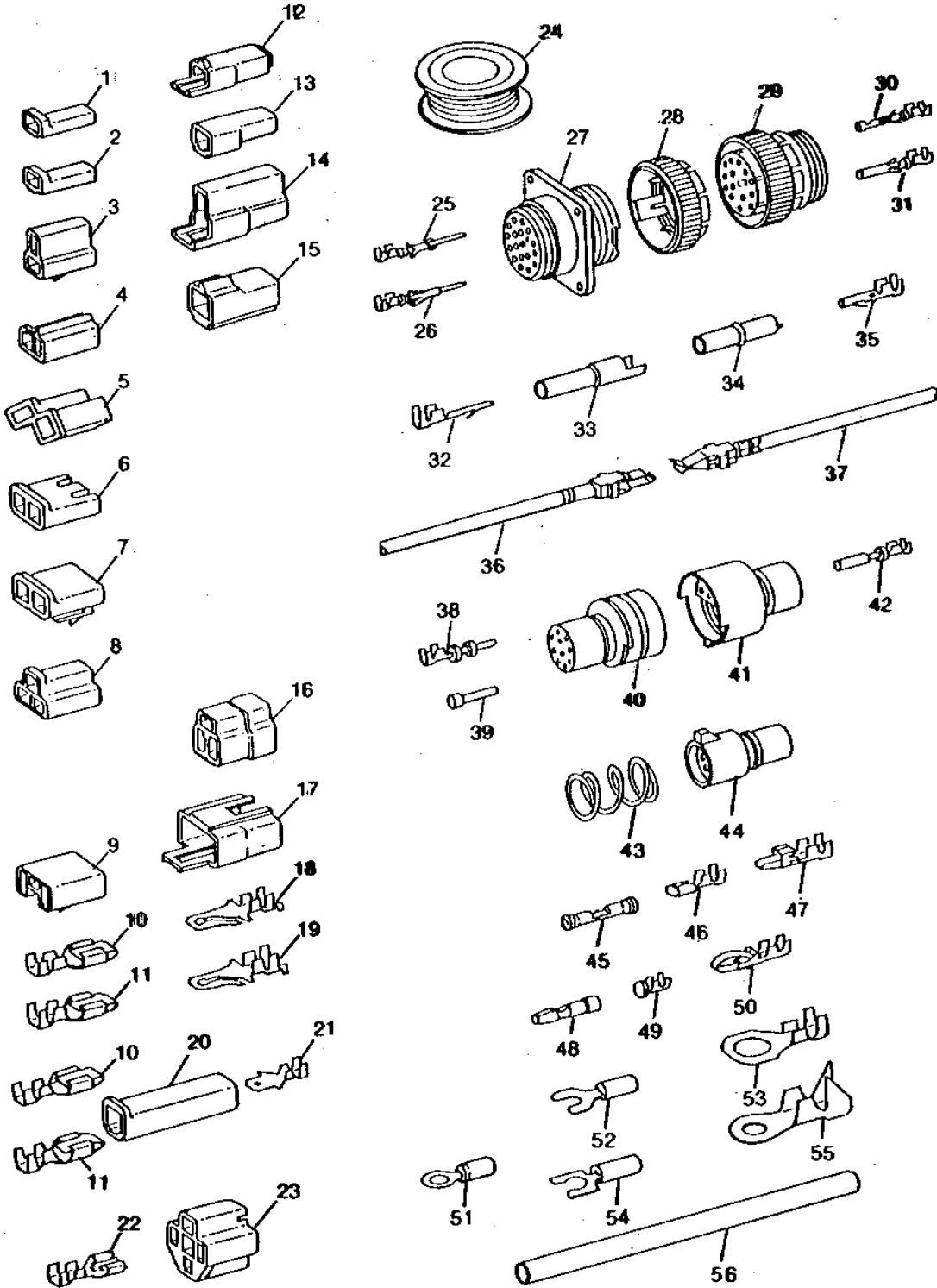
(H) 14-16 OR 18 GA. WIRE

1H3

ELECTRICAL

RXP010581 -UN-01JAN94

ELECTRICAL CONNECTORS, TERMINALS AND WIRING - CONTINUED



RXP010581

1H4

ELECTRICAL

ELECTRICAL CONNECTORS, TERMINALS AND WIRING - CONTINUED

KEY	PART NO.	PART NAME	QTY	TRACTOR SERIAL NO.	REMARKS
35	R77469	TERMINAL	1		(PKG. OF 5)
36	RE11156	TERMINAL	1		(B) (MALE)
37	RE11157	TERMINAL	1		(B) (FEMALE)
38	R70222	PIN CONTACT	1		(D) (H)
39	R70221	ELECTRICAL PLUG	1		(E)
40	R70219	PLUG	1		(A) (10 WAY)
	R70217	PLUG	1		(A) (7 WAY)
	R70215	PLUG	1		(A) (4 WAY)
	R70213	PLUG	1		(A) (3 WAY)
41	R70211	CONNECTOR	1		(A) (2 WAY)
	R70218	RECEPTACLE	1		(A) (10 WAY)
	R70216	RECEPTACLE	1		(A) (7 WAY)
	R70214	RECEPTACLE	1		(A) (4 WAY)
	R70212	RECEPTACLE	1		(A) (3 WAY)
	R70210	RECEPTACLE	1		(A) (2 WAY)
42	AR91793	SOCKET CONTACT	1		(D)
43	R30378	SPRING	1		(C)
44	R77474	CONNECTOR	1		(A) (6 WAY)
45	R77470	TERMINAL	1		SPLICE (PKG. OF 15) (16-18-20 OR 22 GA. WIRE)
	R77471	TERMINAL	1		(C) (G) SPLICE
	R77472	TERMINAL	1		(A) SPLICE (8 GA. WIRE)
	R77473	TERMINAL	1		(A) SPLICE (6 GA. WIRE)
46	R65607	TERMINAL	1		(C) (18 OR 20 GA. WIRE)
47	U46664	TERMINAL	1		(C) (F)
48	R32026	TERMINAL	1		(D) (F)
49	R65602	SOCKET CONTACT	1		(C) (16 OR 18 GA. WIRE)
50	R70220	TERMINAL	1		(C) (18 OR 20 GA. WIRE)
51	R77489	TERMINAL	1		(D) (14-16-18 OR 20 GA. WIRE) (NO. 10 EYELET)
	R77493	TERMINAL	1		(D) (G) (NO. 10 EYELET)
	R77488	TERMINAL	1		(D) (14-16-18 OR 20 GA. WIRE) (3/8" EYELET)
	R77490	TERMINAL	1		(D) (G) (1/2" EYELET)
52	R77496	TERMINAL	1		(D) (F) (NO. 8 SPADE)
	R77495	TERMINAL	1		(D) (18 GA. WIRE) (NO. 10 SPADE)
53	R77497	TERMINAL	1		(D) (F) (NO. 6 SPADE)
54	R77491	TERMINAL	1		(D) (G) (3/8" EYELET)
	R77492	TERMINAL	1		(D) (G) (1/4" EYELET)
55	R77494	TERMINAL	1		(D) (6 OR 8 GA. WIRE) (1/4" EYELET)
56	R77502	TUBE	1		(PKG. OF 8) 3/8" (HEAT SHRINK)
	R77503	TUBE	1		(PKG. OF 8) 3/16" (HEAT SHRINK)

(A) PKG. OF 2

(B) PKG. OF 3

(C) PKG. OF 10

(D) PKG. OF 20

(E) PKG. OF 25

(F) 14 OR 16 GA. WIRE

(G) 10 OR 12 GA. WIRE

(H) 14-16 OR 18 GA. WIRE

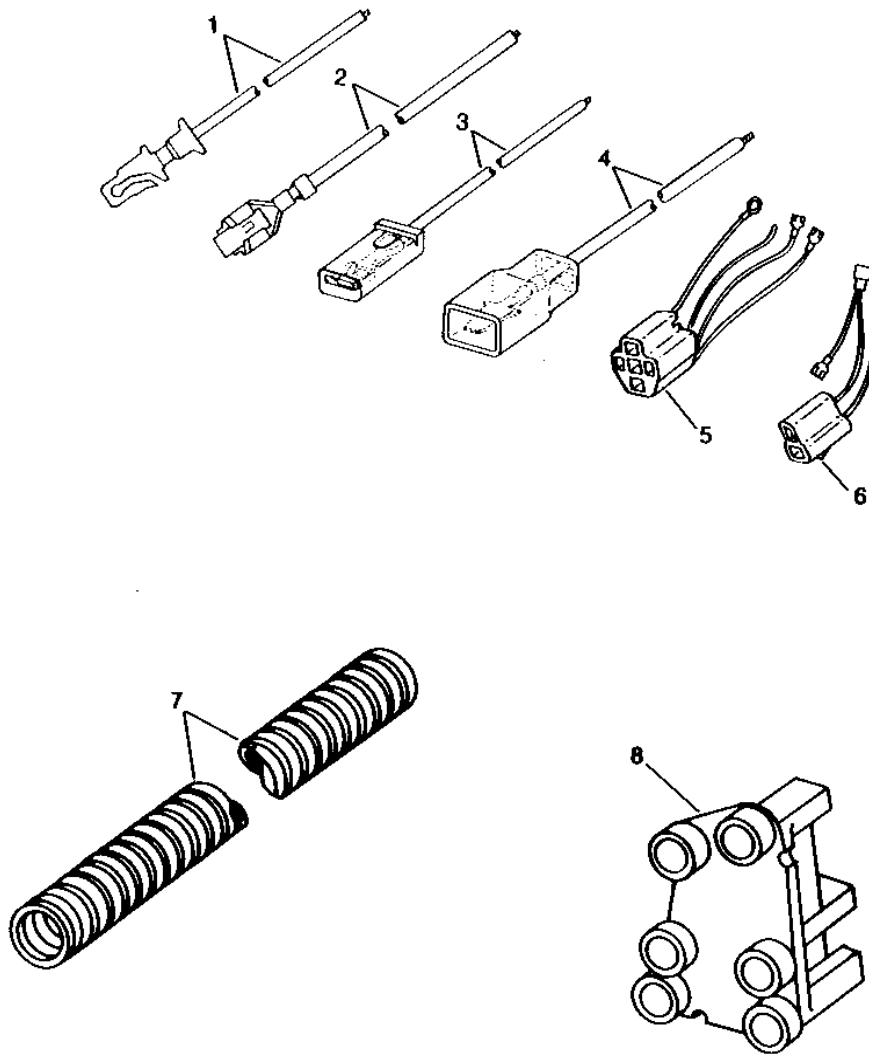
1H5

ELECTRICAL

RXP8619

-UN-28NOV94

SUPPLEMENTARY TERMINALS, CONNECTORS AND REPAIR CONDUITS



1H6

ELECTRICAL

SUPPLEMENTARY TERMINALS, CONNECTORS AND REPAIR CONDUIT - CONTINUED

KEY	PART NO.	PART NAME	QTY	TRACTOR SERIAL NO.	REMARKS
1	AR65005	TERMINAL	1		
2	AR65006	TERMINAL	1		
3	R32024	WIRING LEAD	1		
4	R32025	WIRING LEAD	1		
5	RE21730	TERMINAL	1		
	RE21731	TERMINAL	1		
6	RE21732	TERMINAL	1		
7	R93219	CONDUIT	1		6.3 X 3048MM (1/4" X 120")
	R93220	CONDUIT	1		10.4 X 3048MM (13/32" X 120")
	R93221	CONDUIT	1		15.9 X 3048MM (5/8" X 120")
	R93222	CONDUIT	1		25.4 X 3048MM (1" X 120")
8	AR83425	RECEPTACLE CONNECTOR BODY	1		(LIGHT SWITCH)

MEMORANDA

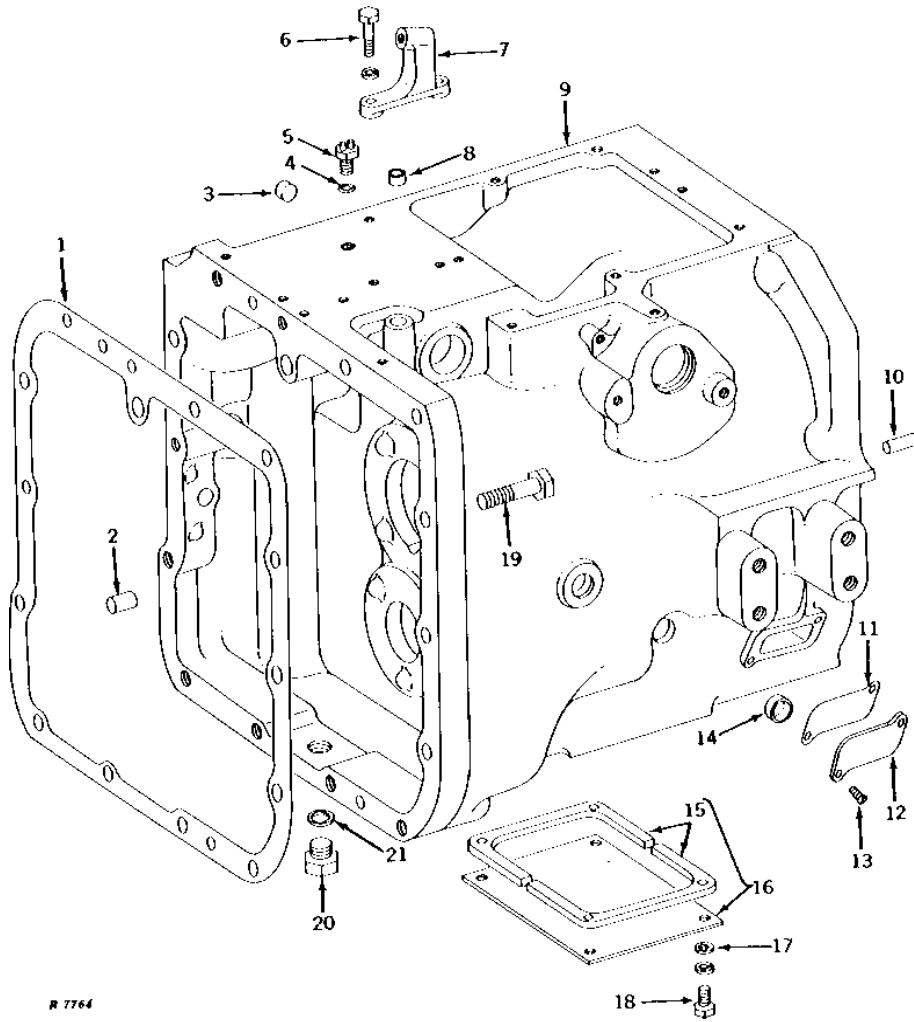
MEMORANDA

1H9

POWER TRAIN

R7764 -UN-01JAN94

CLUTCH HOUSING



R 7764

1H10

POWER TRAIN

CLUTCH HOUSING - CONTINUED

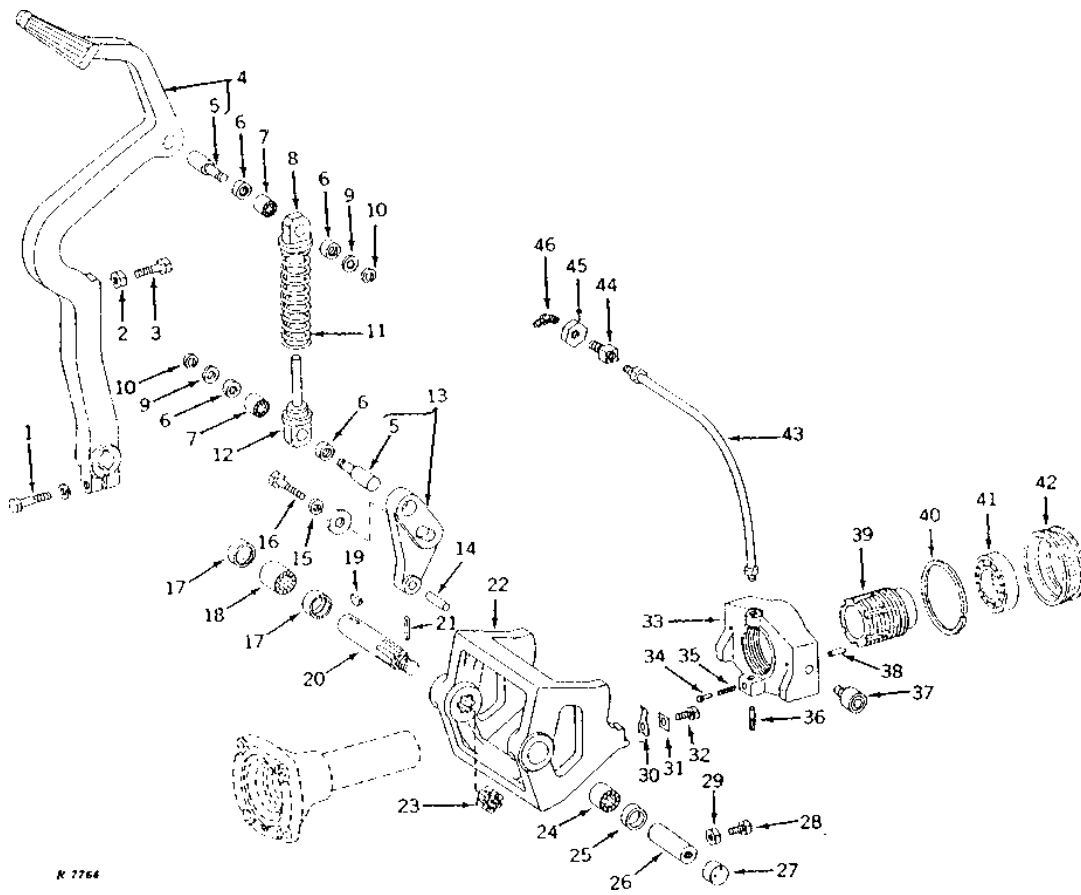
KEY	PART NO.	PART NAME	QTY	TRACTOR SERIAL NO.	REMARKS
1	R35288	GASKET	1		
2	R35251	SHAFT	1		(SUB FOR R35622) (LESS PTO)
3	F1608R	CAP	1		(LESS PTO)
4	T16911	SHIM	2		
5	RE38390	SWITCH	1		NEUTRAL START, (SUB FOR R36265, AR85323, AR89691 AND AT85153)
6	19H2552	CAP SCREW	2		3/8" X 1-1/8"
	12H304	LOCK WASHER	2		3/8"
7	R49802	BRACKET	1		(SUB FOR R35623)
8	T12083	CAP	1		(LESS PTO)
9	AR42335	HOUSING	1		(MARKED R35420 OR R41990) (SUB FOR AR35114 OR AR36066) (NLA)
10	T26565	DOWEL PIN	2		(SUB FOR C1220R)
11	R31494	GASKET	1		(SUB R67989)
12	R31493	COVER	1		
13	21H1318	SCREW	2		0.216" X 1/2"
14	M1206T	CAP	2		(SUB FOR F2567R)
15	R35283	SEAL	2		
16	R35282	COVER	1		(SUB FOR AR35068)
17	24M7096	WASHER	4		10.500 X 18 X 1.600 MM
18	19H2284	CAP SCREW	4		3/8" X 7/8"
	12H304	LOCK WASHER	4		3/8"
19	19H1707	CAP SCREW	6		3/4" X 2-3/4"
20	F3128R	DRAIN PLUG	1		
21	A4827R	WASHER	1		

1H11

POWER TRAIN

R7766 -UN-01JAN94

TRANSMISSION CLUTCH CONTROL



R 7766

1H12

POWER TRAIN

TRANSMISSION CLUTCH CONTROL - CONTINUED

KEY	PART NO.	PART NAME	QTY	TRACTOR SERIAL NO.	REMARKS
1	19H1740	CAP SCREW	1		
	12H293	LOCK WASHER	1		7/16" X 1-3/4"
2	14H732	NUT	1		7/16"
			1		3/8"
3	F2273R	SCREW	1		
4	AR35528	PEDAL	1		(MARKED R35532) (NLA)
5	R35421	PIN	2		
6	AR26338	SEAL	4		
7	JD8862	NEEDLE BEARING	2		
8	R35534	END	1		
9	24H1227	WASHER	2		17/32" X 13/16" X 0.060"
10	F2208R	SNAP RING	2		
11	R35542	SPRING	1		
12	AR35339	END	1		
13	AR35471	HUB	1		(MARKED R35531)
14	B3595R	DOWEL PIN	1		
15	R63024	WASHER	1		(SUB FOR R26575)
16	19H2357	CAP SCREW	1		9/16" X 2"
	12H317	LOCK WASHER	1		9/16"
17	AM3491T	SEAL	2		(SUB FOR R35645)
18	JD8814	NEEDLE BEARING	1		
19	26H85	SHAFT KEY	1		1/4" X 1"
20	AR42992	KIT	1		CLUTCH PEDAL SHAFT, (SUB FOR R35287)
21	11M7083	COTTER PIN	1		0.126" X 1.969"
22	R35527	CAM	1		
23	C1104R	NUT	1		
24	JD8891	NEEDLE BEARING	1		
25	AM3491T	SEAL	1		(SUB FOR R35645)
26	AR42998	KIT	1		CLUTCH RELEASE CAM PIVOT SHAFT, (SUB FOR R35285)
27	R35286	CAP	1		
28	22H83	SET SCREW	1		3/8" X 1-1/4"
29	14H732	NUT	1		3/8"
30	R35544	SPRING	2		
31	R443R	PLATE	2		
32	19H1227	CAP SCREW	2		1/4" X 1/2"
33	R35528	CRADLE	1		
34	16H86	RIVET	1		1/8" X 1/4"
35	A4816R	SPRING	1		
36	R35812	SET SCREW	1		
37	R35655	BEARING	2		
38	34H249	SPRING PIN	2		1/8" X 7/8"
39	R35533	SLEEVE	1		
40	R35539	RING	1		
41	JD9261	BALL BEARING	1		
42	R35538	BUSHING	1		
43	R35644	HYDRAULIC HOSE	1		
44	R36311	FITTING	1		
45	E12379	NUT	1		
46	JD7788	LUBRICATION FITTING	1		

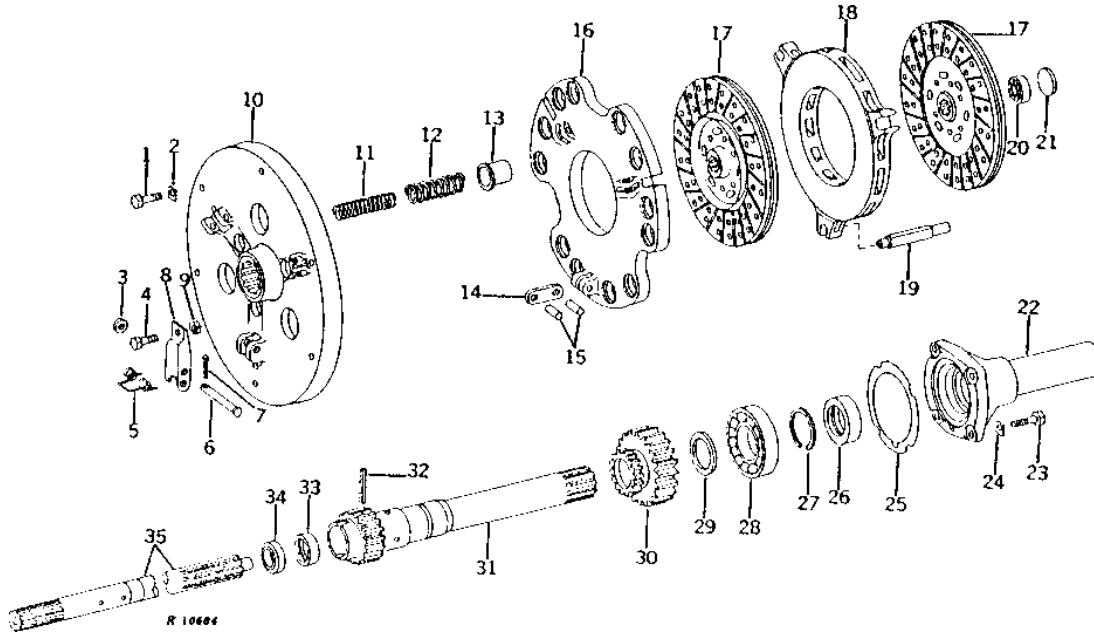
MEMORANDA

1H13

POWER TRAIN

R10604 -UN-01JAN94

TRANSMISSION CLUTCH



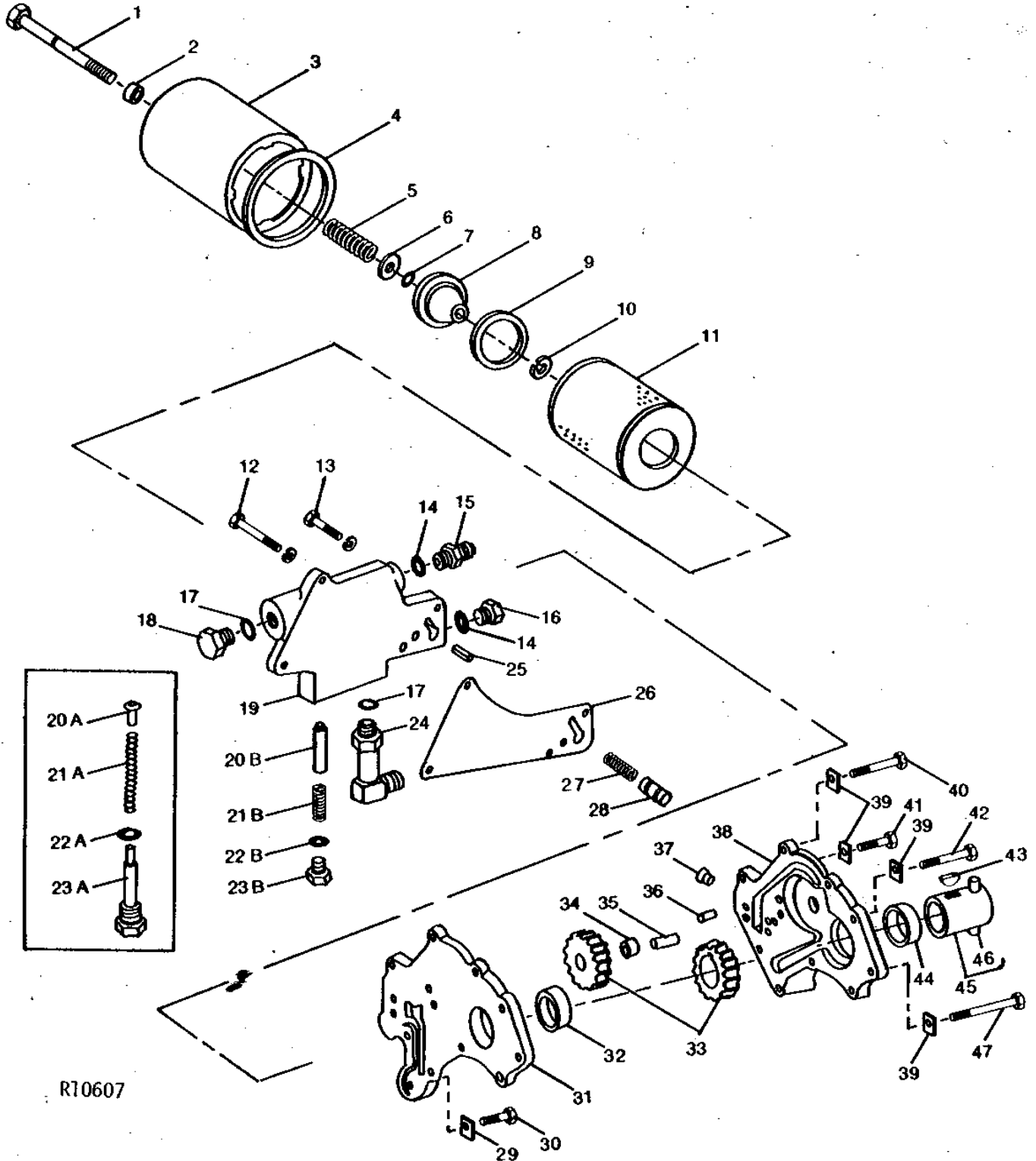
KEY	PART NO.	PART NAME	QTY	TRACTOR SERIAL NO.	REMARKS
1	19H1732	CAP SCREW	6		3/8" X 1-1/4"
2	R30920	PLATE	6		
3	24H1325	WASHER	3		15/32" X 59/64" X 0.065"
4	R35079	SCREW	3		
5	R35078	SPRING	3		
6	R35077	PIN	3		
7	11M7021	COTTER PIN	3		0.157" X 0.984"
8	R35076	LEVER	3		
9	14H842	NUT	3		7/16"
10	AR42328	COVER	1	-004499	(SUB FOR R35064) (NO LONGER AVAILABLE)
	AR42329	COVER	1	004500-	(SUB FOR R36827) (NO LONGER AVAILABLE)
	R41986	WASHER	6		
11	R26638	SPRING	12		
12	R26637	SPRING	12		
13	R27033	BUSHING	12		
14	R35074	STRAP	3		
15	R35075	QUICK LOCK PIN	6		
16	R35065	CLUTCH PLATE	1	-004499	
	R36668	PLATE	1	004500-	(NO LONGER AVAILABLE)
17	R36784	CLUTCH DISK	2		(SUB FOR R35638)
18	R35066	CLUTCH PLATE	1	-004499	(NO LONGER AVAILABLE)
	R36673	CLUTCH PLATE	1	004500-	(NO LONGER AVAILABLE)
19	R26646	PIN	3	-004499	
	R36675	PIN	3	004500-	
20	JD9281	BALL BEARING	1		
21	R36561	PLATE	1		
22	AR35589	QUILL	1		(MARKED R35276)
23	19H1800	CAP SCREW	4		3/8" X 1-1/2"
24	H246R	STRAP	4		
25	R35277	GASKET	1		
26	R35643	SEAL	1		
27	H441R	SNAP RING	1		
28	JD9278	BALL BEARING	1		
29	R35546	THRUST WASHER	1		
30	R35186	GEAR	1		(PT0) (NO LONGER AVAILABLE)
31	AR35801	SHAFT	1		(MARKED R35275)
32	34H291	SPRING PIN	1		3/16" X 2-1/8"
33	R35642	SEAL	1		
34	R36521	WASHER	1		
35	R35279	SHAFT	1		

1H14

POWER TRAIN

TRANSMISSION OIL PUMP, OIL FILTER, AND RELIEF VALVE

R10607 -UN-01JAN94



1H15

POWER TRAIN

TRANSMISSION OIL PUMP, OIL FILTER, AND RELIEF VALVE - CONTINUED

KEY	PART NO.	PART NAME	QTY	TRACTOR SERIAL NO.	REMARKS
1	R82731	CAP SCREW	1		(SUB FOR R27802, R39799, R52749 OR R54753)
2	R32403	SEAL	1	-007999	
	R394R	O-RING	1	008000-	
3	R36830	COVER	1	-007999	(SUB R63093, R394R, R34733 AND R82731) (SUB FOR R27801)
	R63093	COVER	1	008000-	(SUB FOR R39798)
4	R39596	WASHER	1	-007999	(SUB FOR R1572R)
	R34733	WASHER	1	008000-	
5	R66064	SPRING	1		(SUB FOR R1769R)
6	24H1227	WASHER	1		17/32" X 13/16" X 0.060"
7	R394R	O-RING	1		
8	R65892	RETAINER	1		(SUB FOR R28593)
9	R28594	WASHER	1		
10	R32507	SNAP RING	1		
11	AR75603	FILTER ELEMENT	1		(ALSO ORDER R34733) (SUB FOR AR28271 OR AR75601)
12	19H1944	CAP SCREW	1		3/8" X 2-3/4"
	12H304	LOCK WASHER	1		3/8"
13	19H1732	CAP SCREW	3		3/8" X 1-1/4"
	12H304	LOCK WASHER	3		3/8"
14	R26375	O-RING	2		
15	R27237	FITTING	1		
16	R39112	FITTING	1		(SUB FOR R28095)
17	F3171R	O-RING	2		
18	R27175	DRAIN PLUG	1		(LESS ROCKSHAFT)
19	R36829	HOUSING	1	-004499	(SUB FOR R35592) (NO LONGER AVAILABLE)
	AR36881	HOUSING	1	004500-	(MARKED R36718 OR R40669) (SUB FOR AR36069) (NO LONGER AVAILABLE)
20A	R40976	VALVE	1	-004499	(SUB FOR R27247)
20B	R57559	VALVE	1	004500-	(ALSO ORDER R33259) (SUB FOR R33162)
21A	R1722R	SPRING	1	-004499	
21B	R26686	SPRING	1	004500-	
22A	F3171R	O-RING	1	-004499	
22B	R26375	O-RING	1	004500-	
23A	AR35325	PLUG	1	-004499	(NO LONGER AVAILABLE)
23B	R33138	FITTING	1	004500-	
24	AR26747	ELBOW FITTING	1		
25	34H254	SPRING PIN	1		1/8" X 1-1/2"
26	R36096	GASKET	1	-004499	
	R36719	GASKET	1	004500-	
27	R35325	SPRING	1		
28	R35324	VALVE	1		
29	R30920	PLATE	1		
30	19H1139	CAP SCREW	1		3/8" X 1-1/8"
31	AR35085	COVER	1		(MARKED R35321)
32	R35316	BUSHING	1		
33	AR35659	GEAR	1		(SUB AR35084 AND R35318)
34	R30713	BUSHING	1		(SUB FOR R35320)
35	R26616	DOWEL PIN	1		
36	R726R	DOWEL PIN	2		
37	R28361	DOWEL PIN	2		(LESS PTO)
38	AR52488	HOUSING	1		(MARKED R35314 OR R49063) (SUB FOR AR35082)
39	H246R	STRAP	9		
40	19H3181	CAP SCREW	2		3/8" X 2"
41	19H1800	CAP SCREW	3		3/8" X 1-1/2"
42	19H1726	CAP SCREW	2		3/8" X 2-1/4"
43	26H70	SHAFT KEY	1		1/8" X 1/2"
44	R35316	BUSHING	1		
45	AR35083	SLEEVE	1		
46	R36296	PIN	2		
47	19H1912	CAP SCREW	2		3/8" X 3-1/2"

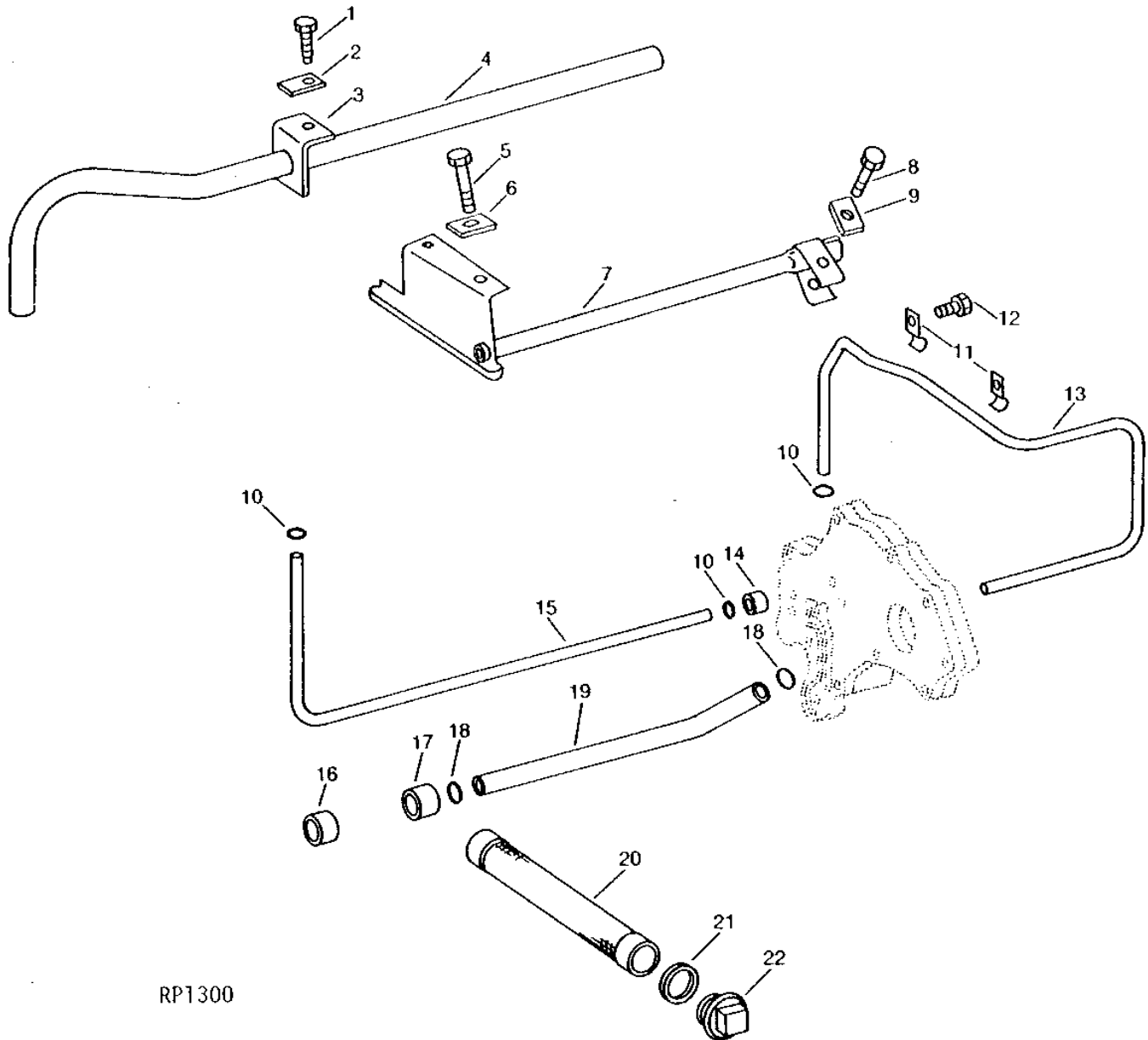
1H16

POWER TRAIN

RP1300

-UN-01JAN94

TRANSMISSION OIL LINES



RP1300

1H17

POWER TRAIN

TRANSMISSION OIL LINES - CONTINUED

KEY	PART NO.	PART NAME	QTY	TRACTOR SERIAL NO.	REMARKS
1	F1907R	CAP SCREW	1		
2	R30920	PLATE	1		
3	R35115	ANGLE	1		
4	R35326	OIL TUBE	1		TRANSMISSION LUBRICATION
5	19H2021	CAP SCREW	2	005795-	3/8" X 5/8"
6	H246R	STRAP	2	005795-	
7	AR36241	OIL LINE	1	005795-	DIFFERENTIAL DRIVE SHAFT LUBE
8	19H1800	CAP SCREW	1	005795-	3/8" X 1-1/2"
9	R30920	PLATE	1	005795-	
10	A3917R	O-RING	3		
11	R35323	CLAMP	2		
12	19H2021	CAP SCREW	1		3/8" X 5/8"
13	R35111	TUBE	1		DIFFERENTIAL DRIVE SHAFT OIL (NO LONGER AVAILABLE)
14	R35766	BUSHING	1		
15	R35114	OIL TUBE	1		DRIVE SHAFT
16	R35765	BUSHING	1		(INNER)
17	R35767	BUSHING	1		(OUTER)
18	B2762R	O-RING	2		
19	R35109	LINE	1		TRANSMISSION OIL PUMP INTAKE
20	AR26375	SCREEN	1		(STEEL)
	R53169	SCREEN	1		(NYLON)
21	A4808R	WASHER	1		
22	R40147	FITTING	1		(SUB FOR A4806R)

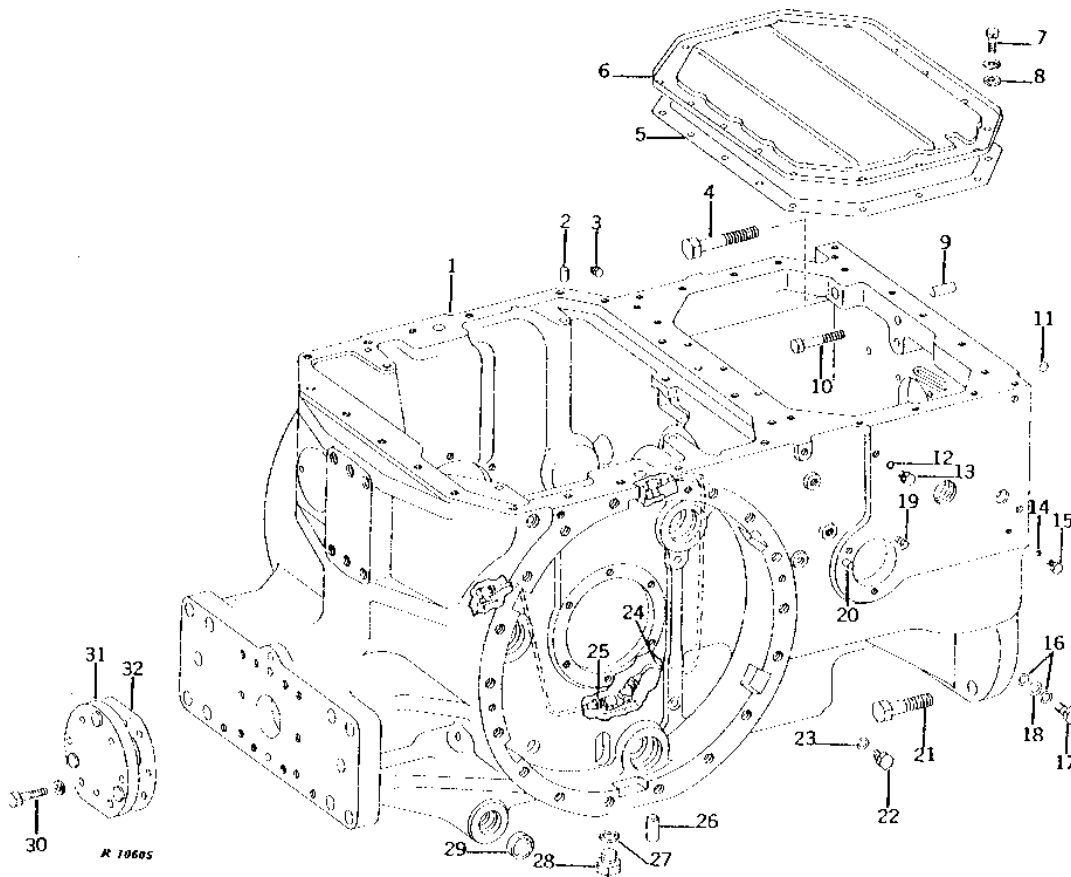
1H18

POWER TRAIN

R10605

-UN-01JAN94

TRANSMISSION CASE AND COVER



1H19

POWER TRAIN

TRANSMISSION CASE AND COVER - CONTINUED

KEY	PART NO.	PART NAME	QTY	TRACTOR SERIAL NO.	REMARKS
1	AR50711	TRANSMISSION CASE	1		(MARKED R35400, R36730, R36910, R40330, R44910 OR R47100) (ALSO ORDER (6) R46674) (IF TRACTOR SERIAL NO. IS BELOW 004500 ALSO ORDER AR36881) (SUB FOR AR35766, AR36068, AR36362, AR36691 OR AR47138) (NO LONGER AVAILABLE)
2	R27074	DOWEL PIN	4		
3	15H559	PIPE PLUG	2		1/4"
4	19H2174	CAP SCREW	1		3/4" X 4-1/4"
5	R35398	GASKET	1		
6	R35397	COVER	1		
7	19H1731	CAP SCREW	16		3/8" X 1"
	12H304	LOCK WASHER	16		3/8"
8	A4624R	WASHER	16		
9	R54380	DOWEL PIN	2		(SUB FOR R26015 OR T25317)
10	19H1707	CAP SCREW	3		3/4" X 2-3/4"
11	D2361R	BALL	1		
12	R26286	O-RING	1	008000-	(A)
13	R27094	DRAIN PLUG	1	008000-	(A) (SUB FOR R26429)
14	R26287	O-RING	1		
15	R27216	DRAIN PLUG	1		(SUB FOR R31631)
16	T16911	SHIM	4	008000-	(A)
17	19H2353	CAP SCREW	2	008000-	(A) 9/16" X 1"
18	24H1355	WASHER	2	008000-	(A) 37/64" X 1-1/8" X 0.120"
19	R32042	STUD	1		
20	R726R	DOWEL PIN	2		
21	19H3333	CAP SCREW	4		7/8" X 2-3/4"
22	R27218	FITTING PLUG	1	008000-	(A)
23	T16911	SHIM	1	008000-	(A)
24	AR36292	HYDRAULIC LINE	2		(ALSO ORDER AR35223) (SUB FOR AR35931) (NO LONGER AVAILABLE)
	AT32335	ELBOW FITTING	2		(SUB FOR AR26746)
	R27527	ADAPTER	2	-007999	(SUB FOR R27139)
	AR35223	ELBOW FITTING	2	008000-	
	R26287	O-RING	4		
25	AR35932	HYDRAULIC LINE	2		
	AT32335	ELBOW FITTING	4		(SUB FOR AR26746)
	R26287	O-RING	4		
26	R26616	DOWEL PIN	1		
27	A4827R	WASHER	1		
28	F3128R	DRAIN PLUG	1		
29	R30819	CAP	6		
30	19H2473	CAP SCREW	6		1/2" X 1-3/4"
	12H301	LOCK WASHER	6		1/2"
31	R35274	COVER	1		(LESS PTO)
32	R58900	GASKET	1		(SUB FOR R35621)

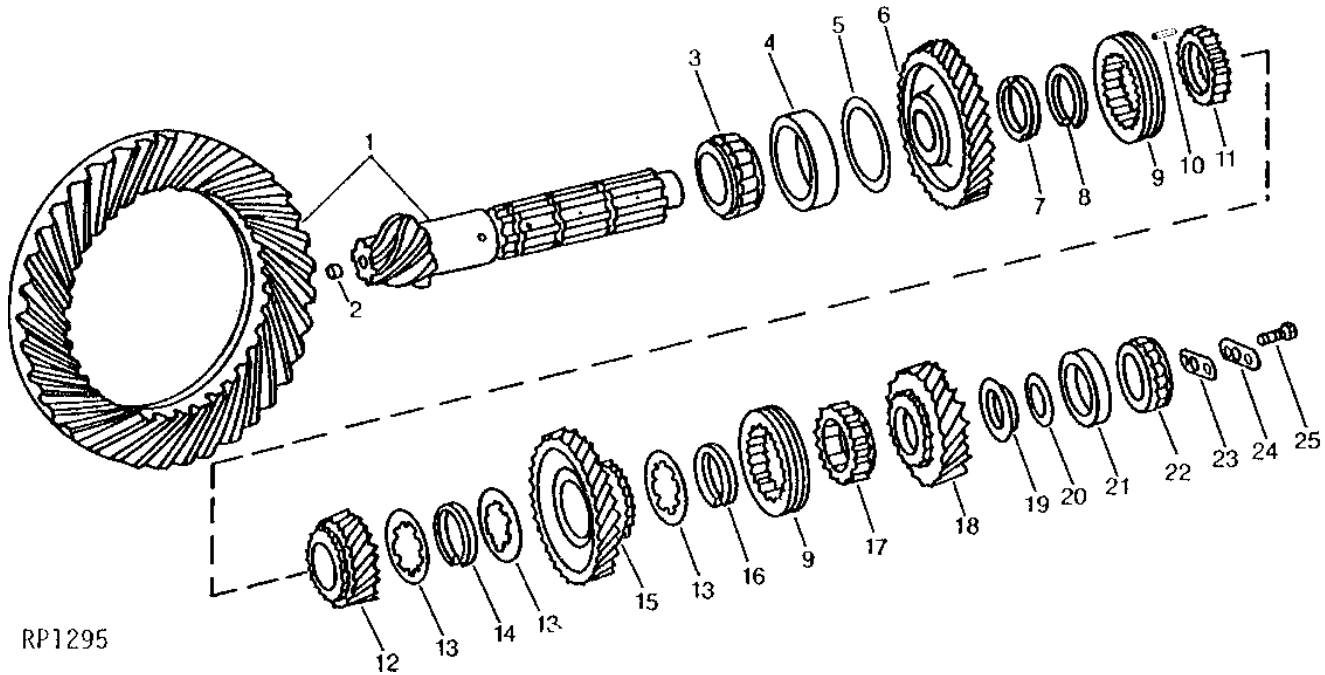
(A) LESS DIFFERENTIAL LOCK

1H20

POWER TRAIN

RP1295 -UN-01JAN94

DIFFERENTIAL DRIVE AND BEVEL PINION SHAFT ASSEMBLY



RP1295

KEY	PART NO.	PART NAME	QTY	TRACTOR SERIAL NO.	REMARKS
1	AR39960	STEERING GEAR	1	-004499	(MARKED R35220 OR R43023 AND R40259) (SUB FOR AR35507) (NO LONGER AVAILABLE)
	AR36689	GEAR	1	004500-	(MARKED R35220 OR R43023 AND R40259) (SUB FOR AR36130) (SUB AR36688, (2) R35365, (2) R35366, (4) R35367, (2) R36765, (2) R36766 AND (4) R36767)
2	R31374	DOWEL PIN	1		
3	JD8959	BEARING CONE	1		
4	JD8261	BEARING CUP	1		
5	R35365	SHIM	AR		0.08MM (.003") STEEL
	R35366	SHIM	AR		0.13MM (.005") STEEL
	R35367	SHIM	AR		0.25MM (.010") STEEL
	R40268	WASHER	1		(REQUIRED WHEN AR36691 TRANSMISSION CASE HAS BEEN INSTALLED) (NO LONGER AVAILABLE)
6	AR35148	GEAR	1		(MARKED R35440) (48 TEETH) (1ST AND 3RD)
7	R35425	THRUST WASHER	1		
8	R35372	SNAP RING	1		
9	R35491	SHIFT COLLAR	2		
10	34H241	SPRING PIN	2		1/8" X 3/8"
11	AR35158	GEAR	1		(NLA)
12	R35443	GEAR	1		(26 TEETH) (6TH AND 8TH)
13	R35426	THRUST WASHER	3		
14	R35373	SNAP RING	1		
15	R35439	GEAR	1		(42 TEETH) (2ND AND 5TH)
16	R35371	SNAP RING	1		
17	R35489	GEAR	1		
18	R35442	GEAR	1		(33 TEETH) (4TH AND 7TH)
19	R36764	BUSHING	1		(ALSO ORDER (6) R36767) (SUB FOR R35427)
20	R36765	SHIM	AR		0.08MM (.003") STEEL, (SUB FOR R35374)
	R36766	SHIM	AR		0.13MM (.005") STEEL, (SUB FOR R35375)
	R36767	SHIM	AR		0.25MM (.010") STEEL, (SUB FOR R35376)
21	JD8206	BEARING CUP	1	-004499	
	JD8235	BEARING CUP	1	004500-	
22	JD7365	BEARING CONE	1	-004499	
	JD7359	BEARING CONE	1	004500-	
23	R35428	PLATE	1		
24	R35429	PLATE	1		
25	19H1139	CAP SCREW	2		3/8" X 1-1/8"

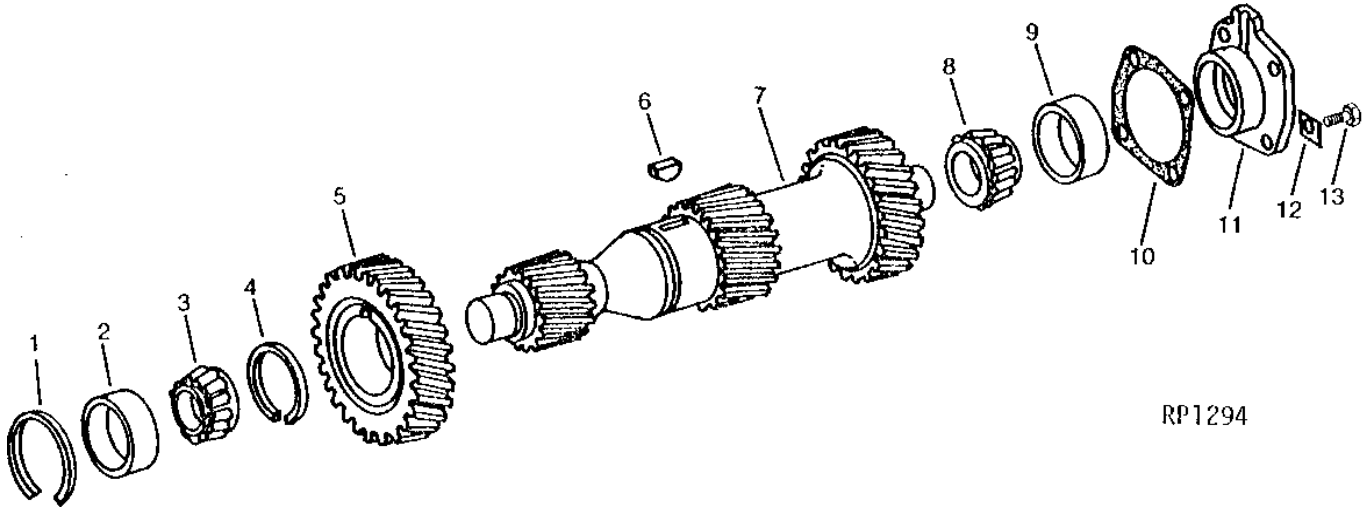
1H21

POWER TRAIN

RP1294

-UN-01JAN94

TRANSMISSION COUNTERSHAFT



RP1294

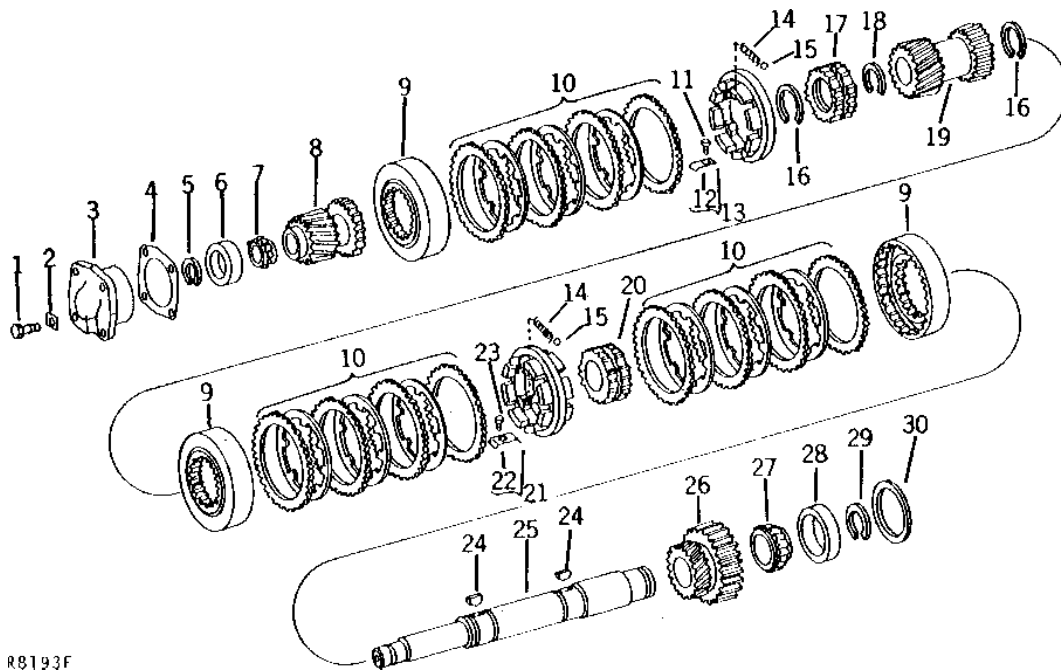
KEY	PART NO.	PART NAME	QTY	TRACTOR SERIAL NO.	REMARKS
1	R35377	SNAP RING	1		
2	JD8262	BEARING CUP	1		(SUB JD10005 AND JD8113)
3	JD7383	BEARING CONE	1		
4	R35369	SNAP RING	1		
5	R35444	GEAR	1		(36 TEETH) (6TH AND 8TH SPEED)
6	26H93	SHAFT KEY	1		1/4" X 1-1/4"
7	R35438	COUNTERSHAFT	1		
8	JD8182	BEARING CONE	1		
9	JD8223	BEARING CUP	1		
10	R35378	SHIM	AR		0.08MM (.003") STEEL
	R35379	SHIM	AR		0.13MM (.005") STEEL
	R35380	SHIM	AR		0.25MM (.010") STEEL
11	R35492	HOUSING	1		(NO LONGER AVAILABLE)
12	H246R	STRAP	3		
13	19H1732	CAP SCREW	4		3/8" X 1-1/4"

1H22

POWER TRAIN

R8193 -UN-01JAN94

TRANSMISSION DRIVE SHAFT ASSEMBLY



R8193F

1H23

POWER TRAIN

TRANSMISSION DRIVE SHAFT ASSEMBLY - CONTINUED

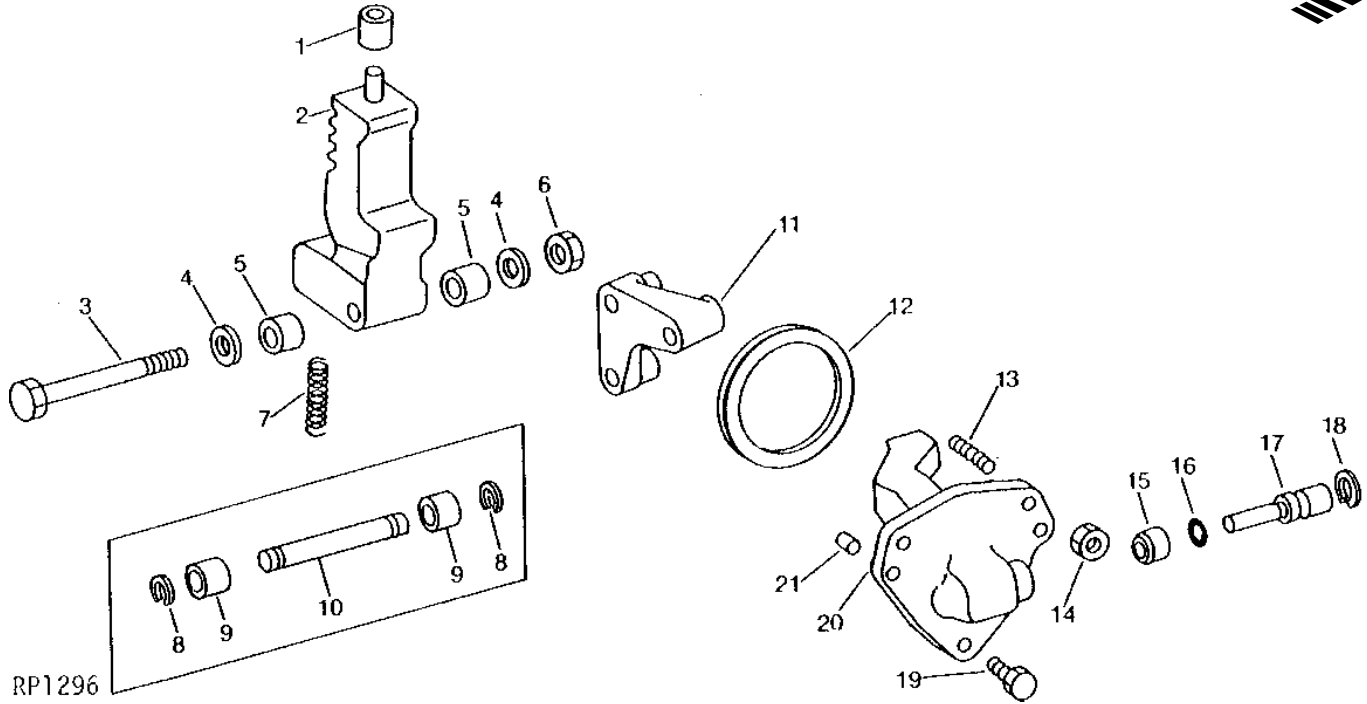
KEY	PART NO.	PART NAME	QTY	TRACTOR SERIAL NO.	REMARKS
1	19H1732	CAP SCREW	4		3/8" X 1-1/4"
2	H246R	STRAP	4		
3	R35424	QUILL	1		
4	R35168	SHIM	AR		0.05MM (.002") STEEL
	R35169	SHIM	AR		0.13MM (.005") STEEL
	R35170	SHIM	AR		0.25MM (.010") STEEL
5	R35164	SNAP RING	1		1.93MM (.076")
	R35165	SNAP RING	1		2.01MM (.079")
	R35166	SNAP RING	1		2.08MM (.082")
	R35167	SNAP RING	1		2.16MM (.085")
6	JD7263	BEARING CUP	1		
7	JD8957	BEARING CONE	1		
8	R35454	PINION	1		REVERSE
9	R36678	DRUM	3		(ALSO ORDER AR42990) (SUB FOR R35446)
10	AR69155	SYNCHRONIZER	AR		(SET OF 4 DISKS AND 3 PLATES) (3 SETS USED) (ALSO ORDER R36678) (SUB FOR AR35449 OR R35430) (SUB FOR AR36076 OR AR42990) (SUB RE37120)
11	R45225	STUD	2		(SUB FOR R35459)
12	R35460	CLAMP	2		
13	AR35404	CLAMP	1		REVERSE
14	R59860	SPRING	8		(SUB FOR R27730)
15	A4742R	BALL	8		
16	R35385	SNAP RING	2		
17	R35458	SHIFT COLLAR	1		
18	R35386	SNAP RING	1		
19	R35453	PINION	1		LOW
20	R64129	SHIFT COLLAR	1		(SUB FOR R35457)
21	AR35403	SYNCHRONIZER	1		LOW AND HIGH
22	R35461	CLAMP	2		
23	R45225	STUD	2		(SUB FOR R35459)
24	26H82	SHAFT KEY	2		1/4" X 7/8"
25	R40552	DRIVE SHAFT	1		(ALSO ORDER JD7232, JD7260, R40551) (SUB FOR R35423)
26	R35445	PINION	1		HIGH
27	JD8907	BEARING CONE	1		
28	JD8240	BEARING CUP	1		
29	R35381	SNAP RING	1		1.93MM (.076")
	R35382	SNAP RING	1		2.01MM (.079")
	R35383	SNAP RING	1		2.08MM (.82")
	R35384	SNAP RING	1		2.16MM (.085")
30	R35171	WASHER	1		

1H24

POWER TRAIN

RP1296 -UN-01JAN94

TRANSMISSION PARK PAWL



RP1296

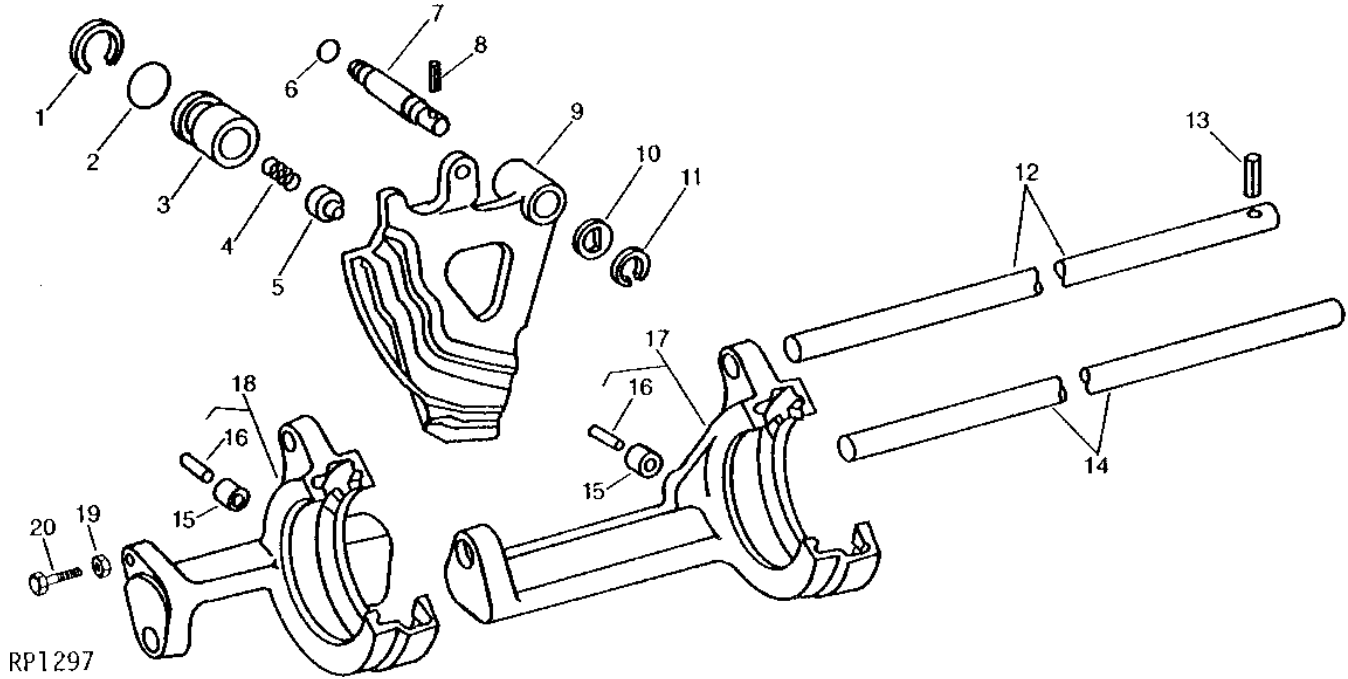
KEY	PART NO.	PART NAME	QTY	TRACTOR SERIAL NO.	REMARKS
1	R35515	BUSHING	1		
2	AR35506	PAWL	1		(NO LONGER AVAILABLE)
3	19H2324	CAP SCREW	1	XXXXXX-	7/16" X 4-1/2"
4	R26559	WASHER	2	XXXXXX-	
5	R35133	SPACER	2	XXXXXX-	
6	BP12234	LOCK NUT	1	XXXXXX-	(SUB N101346)
7	R2657R	SPRING	1		
8	R26517	SNAP RING	2	-XXXXXX	
9	R35133	SPACER	2	-XXXXXX	
10	R35516	SHAFT	1	-XXXXXX	(SUB 19H2324, (2) R26559 AND N101346)
11	AR88245	ARM	1		(MARKED R35518) (SUB FOR AR35166)
12	R35525	WASHER	1		
13	R32042	STUD	1		3/8" X 1-3/8"
14	14H1076	NUT	1		3/8"
15	R35522	BUSHING	1		
16	R394R	O-RING	1		
17	R35523	SHAFT	1		(NLA)
18	R33282	SNAP RING	1		(SUB FOR R35524)
19	19H1731	CAP SCREW	2		3/8" X 1"
20	R35517	COVER	1		
21	R726R	DOWEL PIN	2		

1H25

POWER TRAIN

RANGE SHIFTERS AND SHIFTER SHAFTS

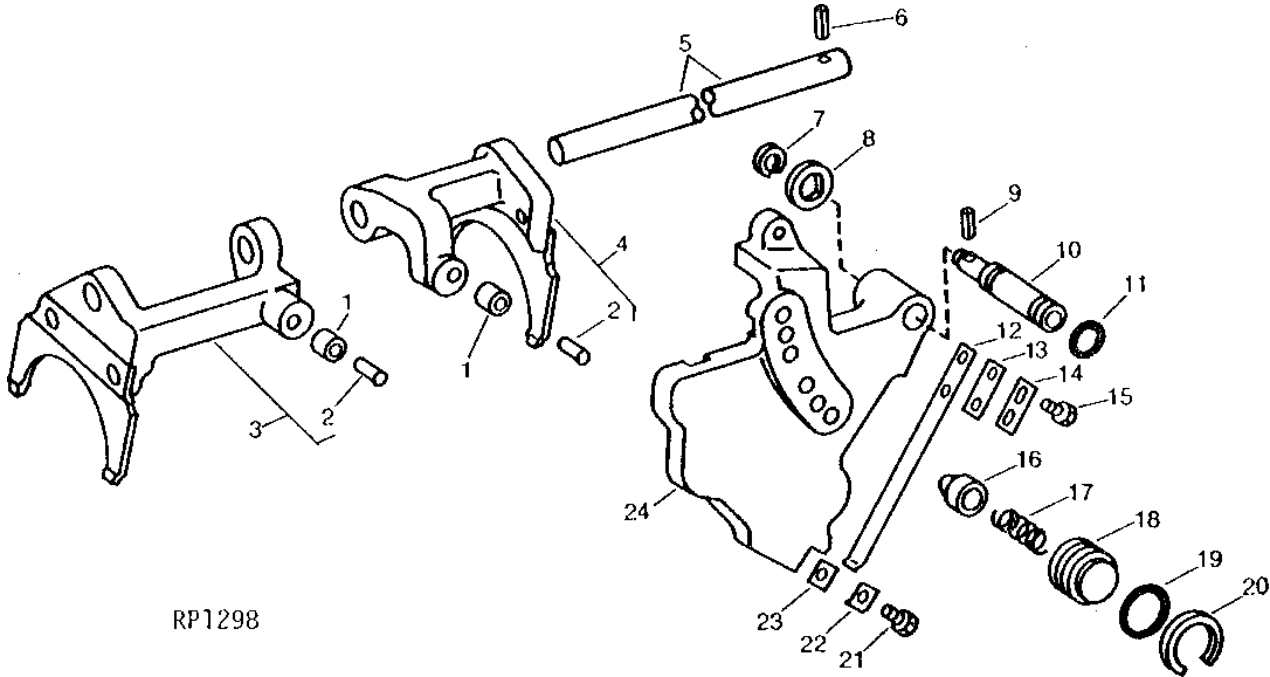
RP1297 -UN-01JAN94



KEY	PART NO.	PART NAME	QTY	TRACTOR SERIAL NO.	REMARKS
1	R34399	SNAP RING	1		(SUB FOR R35231)
2	U10289	O-RING	1		
3	R35239	RETAINER	1		
4	R35238	SPRING	1		
5	R35227	PAWL	1		
6	A3190R	O-RING	1		
7	R35224	SHAFT	1		
8	34H252	SPRING PIN	1		1/8" X 1-1/4"
9	R35237	CAM	1		
10	R36338	SPACER	1		
11	R35226	SNAP RING	1		
12	R35223	PIN	1		HIGH AND LOW SHIFTER
13	34H284	SPRING PIN	1		3/16" X 1-1/4"
14	R35236	DOWEL PIN	1		HIGH AND LOW SHIFTER
15	R36225	BUSHING	2		
16	R36224	DOWEL PIN	2		
17	AR35054	SHIFTER	1		LOW AND HIGH, (MARKED R35234)
18	AR35055	SHIFTER	1		REVERSE, (MARKED R35235)
19	14H732	NUT	1		3/8"
20	22H1019	SET SCREW	1		3/8" X 1-3/4"

RP1298 -UN-01JAN94

GEAR SHIFTERS AND SHIFTER SHAFT



RP1298

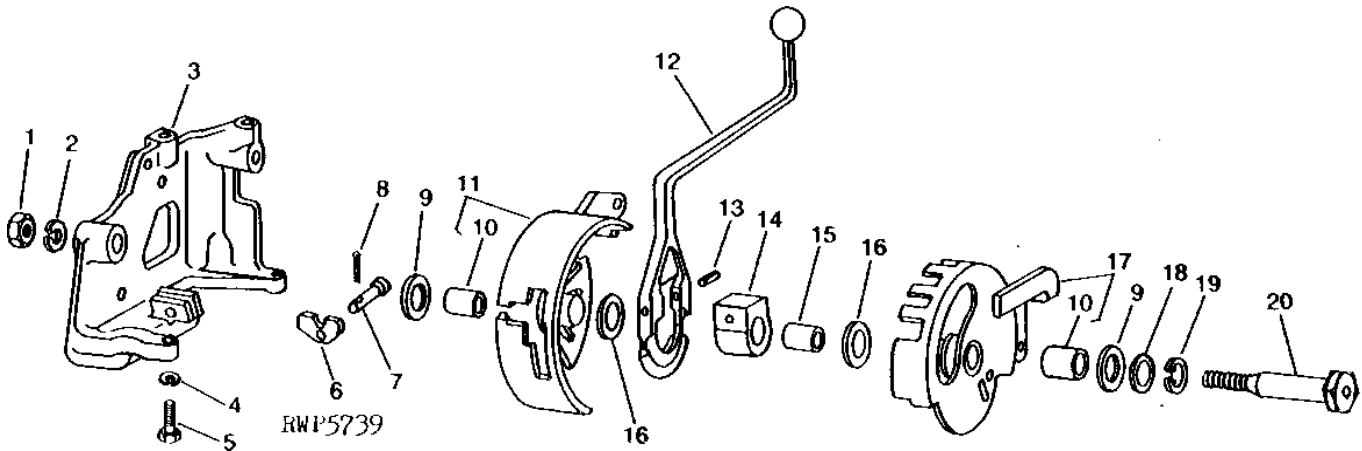
KEY	PART NO.	PART NAME	QTY	TRACTOR SERIAL NO.	REMARKS
1	R26207	ROLLER	2	-002573	
	R36667	BUSHING	2	002574-	
2	R26206	PIN	2	-002573	
	R36666	DOWEL PIN	2	002574-	
3	AR36011	LEVER	1		(MARKED R35222) (1ST, 3RD, 6TH AND 8TH SPEED) (ALSO ORDER R36667) (SUB FOR AR35053) (NO LONGER AVAILABLE)
4	AR36010	LEVER	1		(MARKED R35219) (2ND, 5TH, 4TH AND 7TH SPEED) (ALSO ORDER R36667) (SUB FOR AR35052) (SUB R62751 AND (2) 16H1342)
5	R35223	PIN	1		SPEED CHANGE
6	34H284	SPRING PIN	1		3/16" X 1-1/4"
7	R35226	SNAP RING	1		
8	R36338	SPACER	1		
9	34H252	SPRING PIN	1		1/8" X 1-1/4"
10	R35224	SHAFT	1		
11	A3190R	O-RING	1		
12	R35402	SPRING	1		
13	R35403	PLATE	1		(NLA)
14	F3319R	ADJUSTING STRAP	1		
15	19H1936	CAP SCREW	2		3/8" X 3/4"
16	R35227	PAWL	1		
17	R35228	SPRING	1		
18	R35229	RETAINER	1		
19	U10289	O-RING	1		
20	R34399	SNAP RING	1		
21	19H1936	CAP SCREW	1		3/8" X 3/4"
22	R1888R	STRAP	1		
23	R35401	STRAP	1		
24	R35399	CAM	1		SPEED CHANGE SHIFTER

112

POWER TRAIN

TRANSMISSION SHIFTER CONTROL

RWP5739 -UN-01JAN94



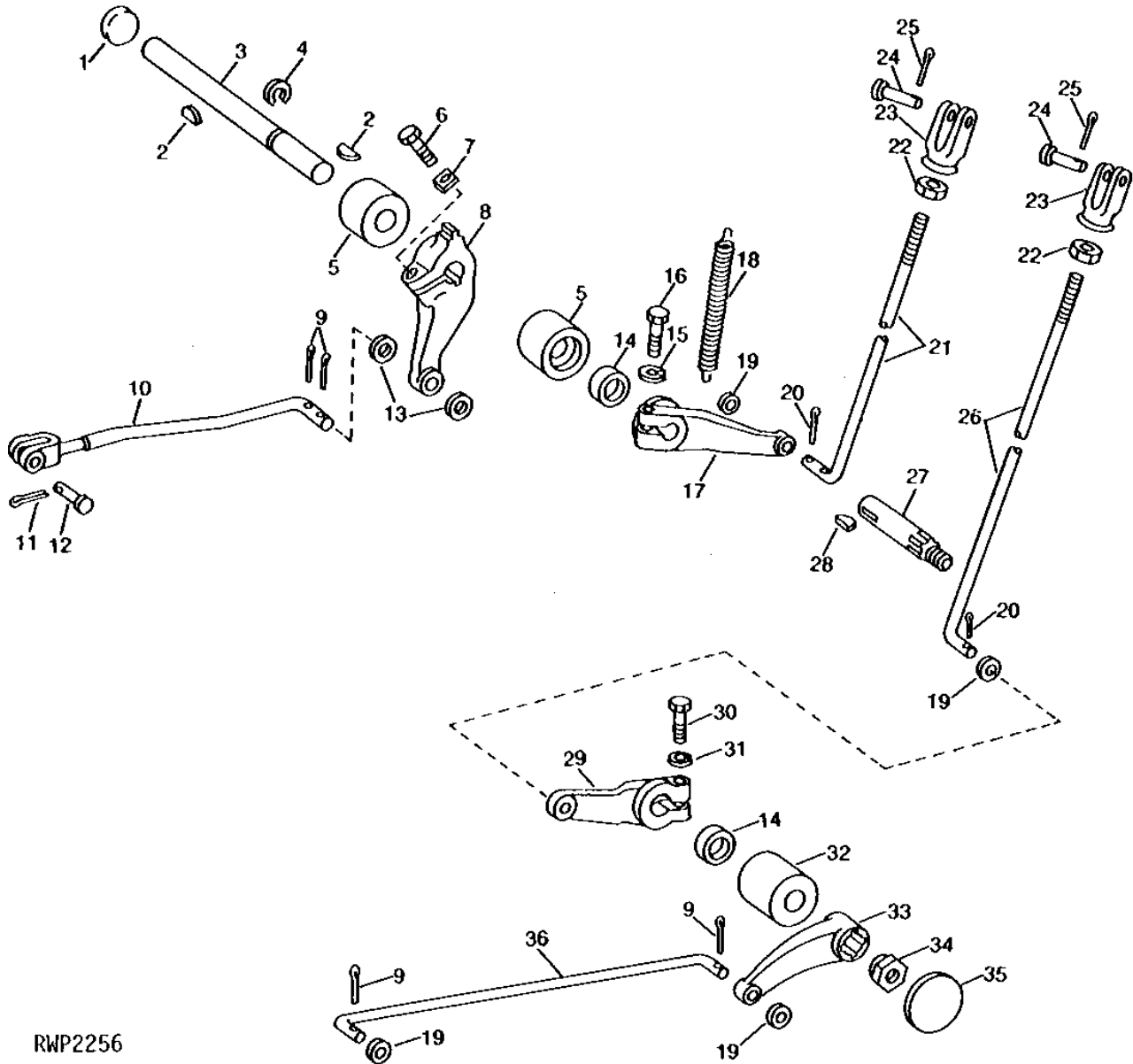
KEY	PART NO.	PART NAME	QTY	TRACTOR SERIAL NO.	REMARKS
1	14H1039	NUT	1	5/8"	
2	12H294	LOCK WASHER	1	5/8"	
3	R47079	BRACKET	1	(SUB FOR R32390)	
4	12H304	LOCK WASHER	1	3/8"	
5	19H1731	CAP SCREW	1	3/8" X 1"	
6	R52882	LATCH	1	(SUB FOR R40148)	
7	A3376R	PIN	1		
8	11M7081	COTTER PIN	1	0.098" X 0.787"	
9	R42127	WASHER	2	(SUB FOR R26183)	
10	R26182	BUSHING	2		
11	AR44264	QUADRANT	1	(SUB FOR AR35057)	
12	AR59446	LEVER	1	(SUB FOR R31188)	
13	34H314	SPRING PIN	2	1/4" X 1-1/4"	
14	R53247	PIVOT	1	(MARKED R26185) (ALSO ORDER (2) R26187) (SUB FOR AR26360 OR R47203)	
15	R26186	BUSHING	1		
16	R26187	WASHER	2		
17	AR44271	QUADRANT	1	(SUB FOR AR36093)	
18	24H1423	WASHER	AR	29/32" X 1-1/2" X 0.036"	
	24H1422	SHIM	AR	0.018"	
	24H1660	WASHER	AR	57/64" X 1-3/8" X 0.060"	
19	R26192	SNAP RING	1		
20	R26178	SHAFT	1		

113

POWER TRAIN

RWP2256 -UN-01JAN94

GEAR SHIFTER RODS AND LINKAGE



RWP2256

114

POWER TRAIN

GEAR SHIFTER RODS AND LINKAGE - CONTINUED

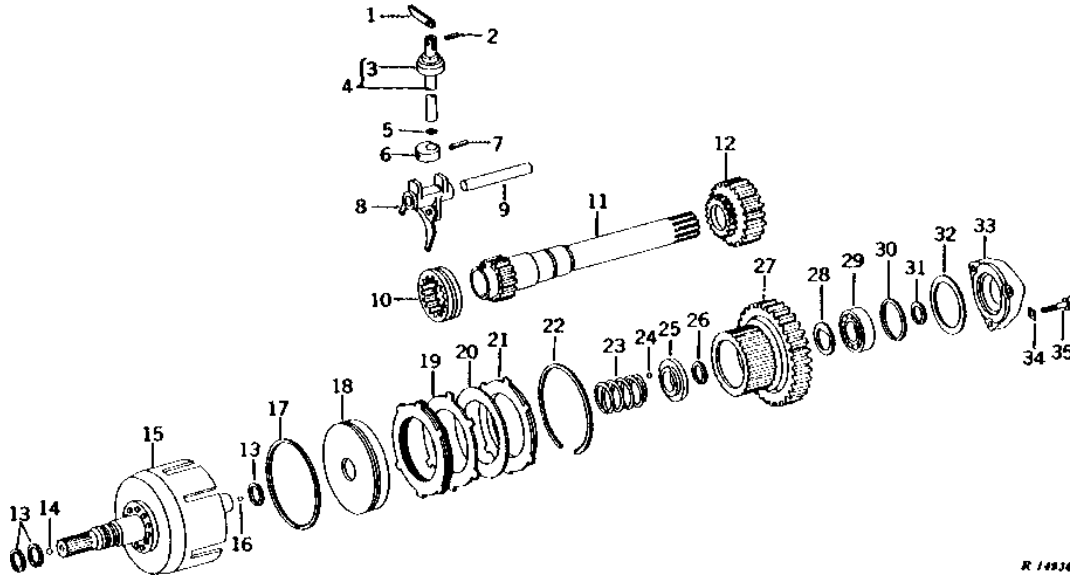
KEY	PART NO.	PART NAME	QTY	TRACTOR SERIAL NO.	REMARKS
1	M1206T	CAP	1		
2	26H17	SHAFT KEY	2	3/16" X 7/8"	
3	R35240	SHAFT	1		SPEED RANGE SHIFTER ARM
4	R35242	RING	1		
5	R35241	BUSHING	2		
6	19H1800	CAP SCREW	1	3/8" X 1-1/2"	
7	H246R	STRAP	1		
8	R35243	LEVER	1		SPEED RANGE SHIFTER CAM
9	11M7059	COTTER PIN	4	3.200 X 20 MM	
10	AR35733	ROD	1		SPEED RANGE, SHIFTER CAM
11	11M7081	COTTER PIN	1	0.098" X 0.787"	
12	P48769	PIN	1		(SUB FOR L4668T)
13	24H1325	WASHER	2	15/32" X 59/64" X 0.065"	
14	AR389R	SEAL	2		
15	12H304	LOCK WASHER	1	3/8"	
16	19H1800	CAP SCREW	1	3/8" X 1-1/2"	
17	R35245	LEVER	1		SPEED RANGE SHIFTER
18	R35823	SPRING	1		
19	24H1302	WASHER	4	13/32" X 11/16" X 0.035"	
20	11M7081	COTTER PIN	2	0.098" X 0.787"	
21	R35248	HOOK BOLT	1		SPEED RANGE SHIFTER
22	14H732	NUT	2	3/8"	
23	C284R	YOKE	2		
24	R65563	PIN	2		(SUB FOR C1067R)
25	11M7081	COTTER PIN	2	0.098" X 0.787"	
26	R35247	HOOK BOLT	1		SPEED CHANGE SHIFTER
27	AR31904	SHAFT	1		SPEED CHANGE SHIFTER ARM, (SUB FOR R26201) (SUB E17421 AND R32630)
28	26H17	SHAFT KEY	1	3/16" X 7/8"	
29	R35233	LEVER	1		SPEED CHANGE SHIFTER
30	19H1800	CAP SCREW	1	3/8" X 1-1/2"	
31	12H304	LOCK WASHER	1	3/8"	
32	R35232	BUSHING	1		
33	R35404	LEVER	1		SPEED CHANGE SHIFTER CAM
34	E17421	LOCK NUT	1		
35	30H28	PLUG	1	2-1/2"	
36	R35405	PIN	1		SPEED CHANGE SHIFTER CAM

115

POWER TRAIN

R14936 -UN-01JAN94

SHIFTER AND DRUM (1000 RPM PTO)



R 14936

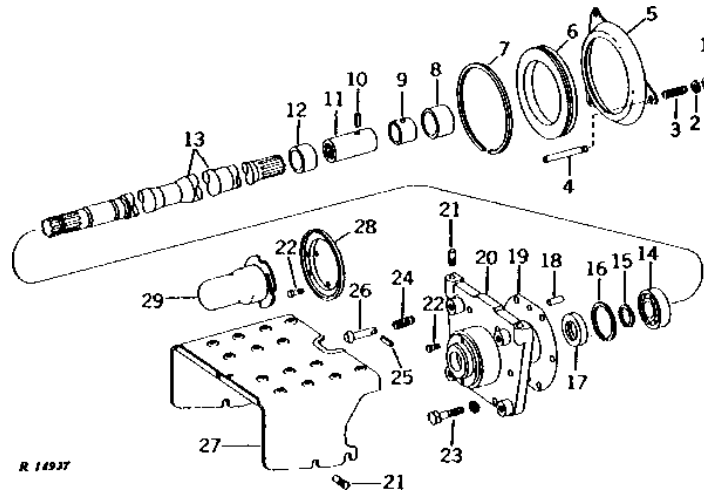
KEY	PART NO.	PART NAME	QTY	TRACTOR SERIAL NO.	REMARKS
1	R35254	LEVER	1		(NO LONGER AVAILABLE)
2	34H387	SPRING PIN	1		3/16" X 3/4"
3	R35253	RETAINER	1		(NO LONGER AVAILABLE)
4	AR35061	SHAFT	1		(NO LONGER AVAILABLE)
5	R459R	O-RING	1		
6	R35255	CAM	1		(NO LONGER AVAILABLE)
7	34H284	SPRING PIN	1		
8	AR35060	SHIFTER	1		(MARKED R35249)
9	R35251	SHAFT	1		
10	R35618	SHIFT COLLAR	1		(NO LONGER AVAILABLE)
11	AR35801	SHAFT	1		
12	R35186	GEAR	1		(NO LONGER AVAILABLE)
13	R35627	RING	3		
14	R42849	BALL	1		10MM (3/8") (SUB FOR 405R)
15	AR35485	DRUM	1		(SUB FOR AR35204)
16	400R	BALL	1		6MM (1/4")
17	R27789	PISTON RING	1		
18	R35190	PISTON	1		
19	R31373	CLUTCH PLATE	9		(SUB R57345)
20	AR94516	DISK, INNER SPLINE	9		(SUB FOR AR69611 OR R36111)
21	R31363	PLATE	1		
22	R31289	SNAP RING	1		
23	R35265	SPRING	1		
24	H871R	BALL	1		5MM (3/16")
25	R35266	BUSHING	1		
26	R49433	SNAP RING	1		(SUB FOR R26217)
27	AR35064	GEAR	1		(MARKED R35185) (NLA)
28	R42722	THRUST WASHER	1		(SUB FOR R35271)
29	JD9270	BALL BEARING	1		
30	B2437R	SNAP RING	1		(SUB FOR R36293)
31	F215R	RING	1		
32	R35149	GASKET	1		
33	R51223	COVER	1		(SUB FOR R35151) (NLA)
34	H246R	STRAP	3		
35	19H1765	CAP SCREW	3		3/8" X 1-3/4"

116

POWER TRAIN

R14937 -UN-01JAN94

SHAFT, GUARD, AND SHIELD (1000 RPM PTO)



KEY	PART NO.	PART NAME	QTY	TRACTOR SERIAL NO.	REMARKS
1	F3396R	SNAP RING	3		
2	24H1305	WASHER	3	13/32" X 13/16" X 0.065"	
3	R26823	SPRING	3		
4	R35408	PIN	3		
5	RE20737	BRAKE SHOE	1		(SUB FOR R35809 OR RE16993)
6	R35200	PISTON	1		
7	R27789	PISTON RING	1		
8	R35273	BUSHING	1		
9	R36286	SLEEVE	1		(NO LONGER AVAILABLE)
10	34H244	SPRING PIN	1	1/8" X 9/16"	
11	R35272	SPLINED COUPLING	1		
12	R35619	BUSHING	1		
13	R35264	SHAFT	1		(NO LONGER AVAILABLE)
14	JD9345	BALL BEARING	1		(SUB FOR JD7688)
15	A364R	SNAP RING	1		
16	B190R	SNAP RING	1		(SUB FOR F216R)
17	AT344T	SEAL	1		(SUB FOR R35798)
18	R26650	DOWEL PIN	2		(SUB FOR A4879R)
19	R58900	GASKET	1		(SUB FOR R35621)
20	AR53471	HOUSING	1		(MARKED R35620 OR R49639) (SUB FOR AR35952)
21	34H348	SPRING PIN	4	3/8" X 1", (SUB FOR R32223)	
22	R27329	SCREW	4		
23	19H2473	CAP SCREW	6	1/2" X 1-3/4"	
	12H301	LOCK WASHER	6	1/2"	
24	F1463R	SPRING	1		
25	34H286	SPRING PIN	1	3/16" X 1-1/2"	
26	F1462R	PIN	1		
27	R27562	SHIELD	1		
28	AR26707	RETAINER	1		
29	AR26701	GUARD	1		

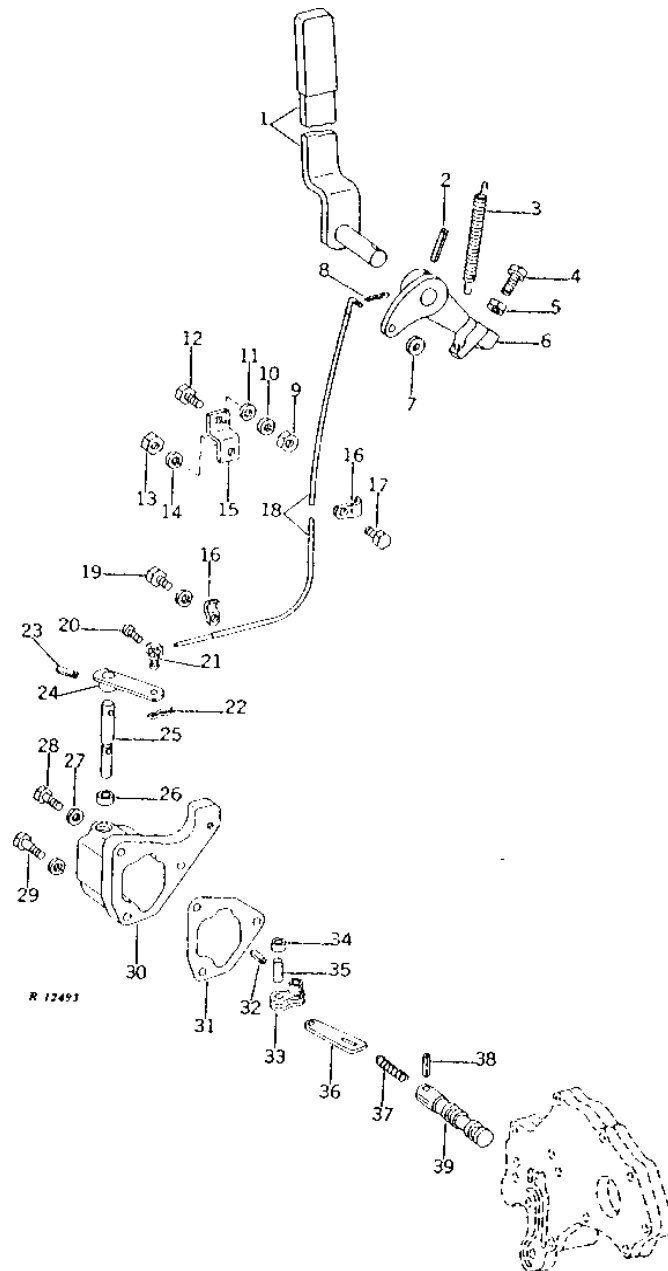
117

POWER TRAIN

PTO CLUTCH VALVE, LEVER, AND LINKAGE (TRACTOR SERIAL NO. -004651)

R12493

-UN-01JAN94



118

POWER TRAIN

PTO CLUTCH VALVE, LEVER, AND LINKAGE - CONTINUED
(TRACTOR SERIAL NO. -004651)

KEY	PART NO.	PART NAME	QTY	TRACTOR SERIAL NO.	REMARKS
1	AR26583	LEVER	1		(NLA)
2	34H353	SPRING PIN	1		3/8" X 1-3/4"
3	R42783	SPRING	1		(SUB FOR R36137)
4	19H1738	CAP SCREW	1		1/4" X 2"
5	14H850	NUT	1		1/4"
6	R35506	ARM	1		
7	24H1283	WASHER	1		7/32" X 1/2" X 0.049"
8	11M7077	COTTER PIN	1		0.063" X 0.984"
9	14H785	NUT	1		5/16"
10	12H303	LOCK WASHER	1		5/16"
11	24H1290	WASHER	1		21/64" X 3/4" X 0.035"
12	03H1268	BOLT	1		5/16" X 3/4"
13	14H850	NUT	1		1/4"
14	12H302	LOCK WASHER	1		1/4"
15	R35507	BRACKET	1		
16	R27573	CLAMP	2		
17	19H1919	CAP SCREW	1		1/4" X 5/8"
	12H302	LOCK WASHER	1		1/4"
18	R35654	PUSH PULL CABLE	1		
19	19H1919	CAP SCREW	1		1/4" X 5/8"
	12H302	LOCK WASHER	1		1/4"
20	21H971	SCREW	1		0.164" X 5/16"
21	R10184	SWIVEL	1		
22	R10185	SPRING PIN	1		
23	34H249	SPRING PIN	1		1/8" X 7/8"
24	AR35162	ARM	1		
25	R35147	SHAFT	1		
26	AR26338	SEAL	1		
27	F2775R	WASHER	1		
28	19H2479	CAP SCREW	1		1/4" X 3/8"
29	19H1732	CAP SCREW	3		3/8" X 1-1/4"
	12H304	LOCK WASHER	3		3/8"
30	R35150	HOUSING	1		
31	R35148	GASKET	1		
32	34H247	SPRING PIN	1		1/8" X 3/4"
33	AR35036	ARM	1		
34	R31032	BUSHING	1		(SUB R33145)
35	R33145	PIN	1		(SUB FOR R28915)
36	R35145	LINK	1		
37	R36110	SPRING	1		
38	34H245	SPRING PIN	1		1/8" X 5/8"
39	R35143	VALVE	1		
..	AR36211	KIT	1		PTO LINKAGE CONVERSION

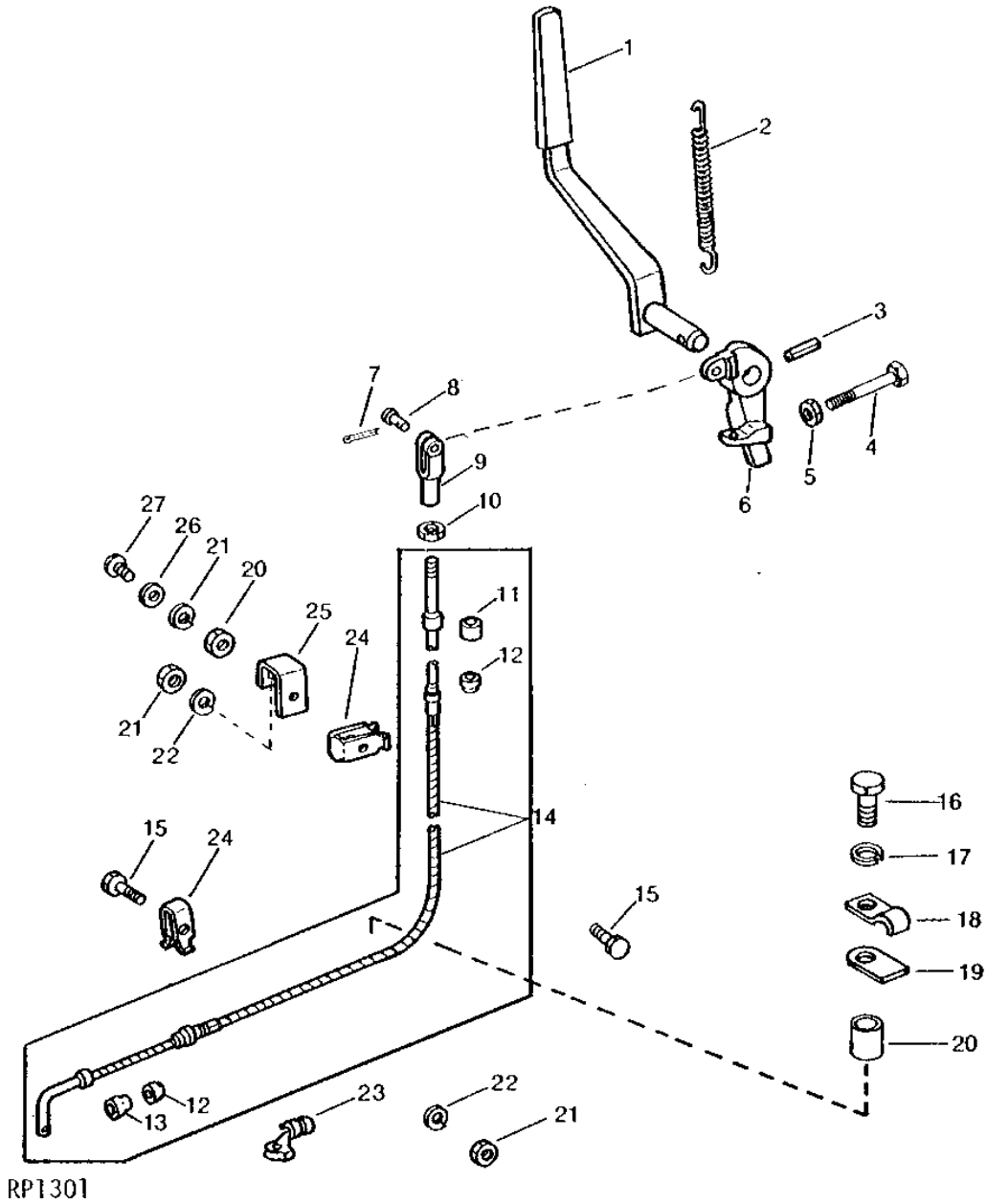
119

POWER TRAIN

RP1301

-UN-01JAN94

PTO CLUTCH CONTROL LEVER



RP1301

1110

POWER TRAIN

PTO CLUTCH CONTROL LEVER - CONTINUED

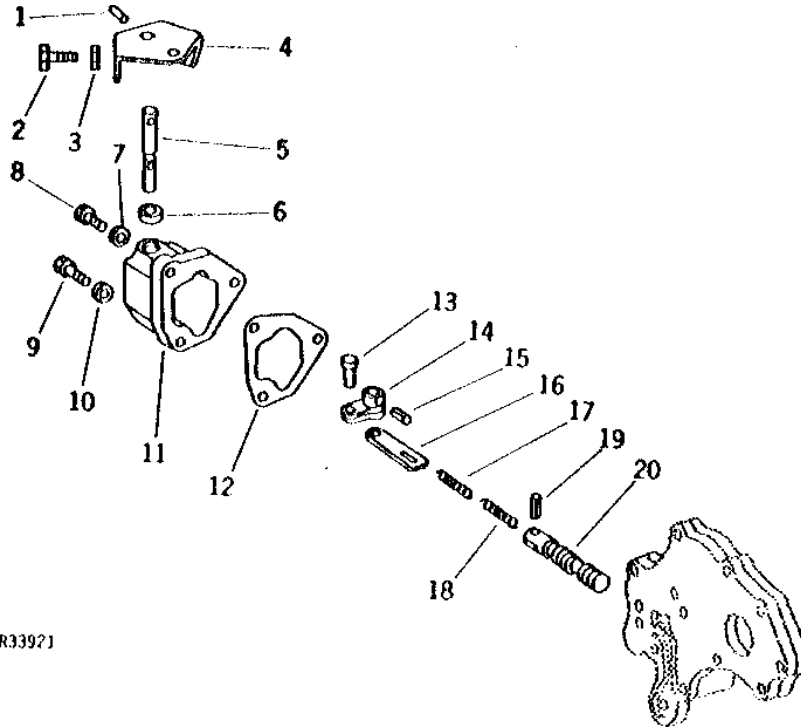
KEY	PART NO.	PART NAME	QTY	TRACTOR SERIAL NO.	REMARKS
1	AR26583	LEVER	1	-007999	(NLA)
	AR39516	LEVER	1	008000-	
2	R42783	SPRING	1		(SUB FOR R36137)
3	34H365	SPRING PIN	1	-007999	1/2" X 7/8"
	34H331	SPRING PIN	1	008000-	5/16" X 1-1/2"
4	19H1738	CAP SCREW	1		1/4" X 2"
5	14H850	NUT	1		1/4"
6	R36965	ARM	1		
7	11M7079	COTTER PIN	1		0.098" X 0.472"
8	R72660	PIN	1		(SUB FOR R662R)
9	M3742T	YOKE	1		
10	14H649	NUT	1		1/4"
11	R39727	SEAL	1	008000-	UPPER
12	R39725	SEAL	2	008000-	
13	R39726	SEAL	1	008000-	LOWER
14	R33318	PUSH PULL CABLE	1	-007999	(SUB AR39677)
	AR39677	PUSH PULL CABLE	1	008000-	
15	19H1849	CAP SCREW	2		5/16" X 1-1/4"
16	19H1800	CAP SCREW	1	009000-	3/8" X 1-1/2"
17	12H304	LOCK WASHER	1	009000-	3/8", OUTER
18	R183R	CLIP	1	009000-	INNER
19	R27256	STRAP	1	009000-	
20	28H1697	SPACER	1	009000-	3/8" X 3/4"
21	14H785	NUT	3		5/16"
22	12H303	LOCK WASHER	3		5/16"
23	R26501	CLIP	1		L.H.
24	R26870	CLAMP	2		
25	R36866	BRACKET	1		
26	24H1290	WASHER	1		21/64" X 3/4" X 0.035"
27	03H1268	BOLT	1		5/16" X 3/4"

1111

POWER TRAIN

R33921 -UN-01JAN94

PTO CLUTCH CONTROL



R33921

KEY	PART NO.	PART NAME	QTY	TRACTOR SERIAL NO.	REMARKS
1	34H249	SPRING PIN	1		
2	19H2915	CAP SCREW	2		1/8" X 7/8"
3	14H611	NUT	2		5/16" X 1-1/4"
4	AR36150	ARM	1		5/16"
5	R35147	SHAFT	1		
6	AR26338	SEAL	1		
7	F2775R	WASHER	1		
8	19H2479	CAP SCREW	1		1/4" X 3/8"
9	19H1732	CAP SCREW	3		3/8" X 1-1/4"
10	12H304	LOCK WASHER	3		3/8"
11	R36785	HOUSING	1		
12	R35148	GASKET	1		
13	R33145	PIN	1		
14	AR35036	ARM	1		
15	34H247	SPRING PIN	1		1/8" X 3/4"
16	R52221	LINK	1		(SUB FOR R35145)
17	R45582	SPRING	1		OUTER, (SUB FOR R36110)
18	R45581	SPRING	1		INNER
19	34H245	SPRING PIN	1		1/8" X 5/8"
20	R52220	CONTROL VALVE	1		(SUB FOR R35143)

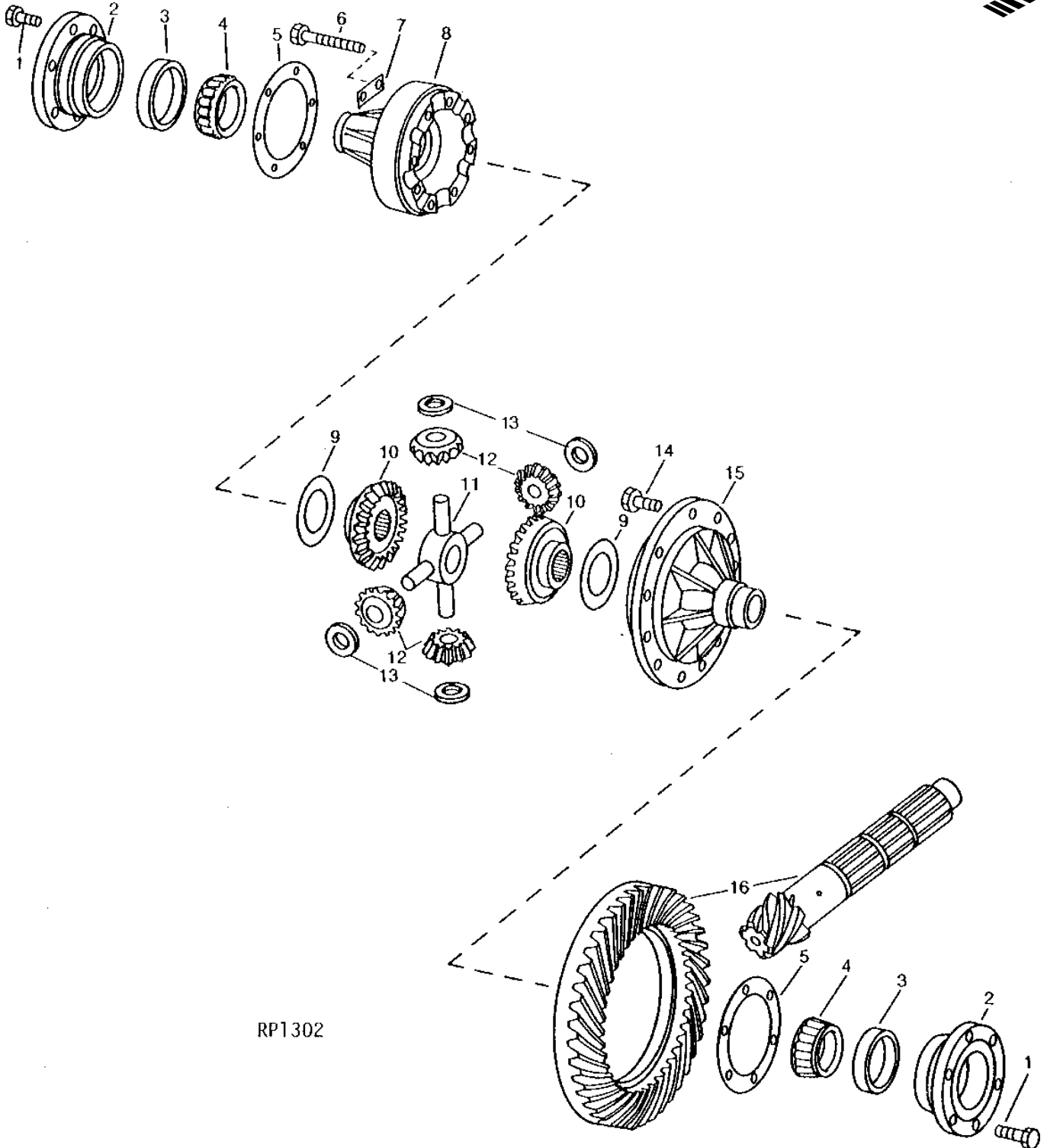
MEMORANDA

1112

POWER TRAIN

DIFFERENTIAL (LESS DIFFERENTIAL LOCK)

RP1302 -UN-01JAN94



1113

POWER TRAIN

**DIFFERENTIAL - CONTINUED
(LESS DIFFERENTIAL LOCK)**

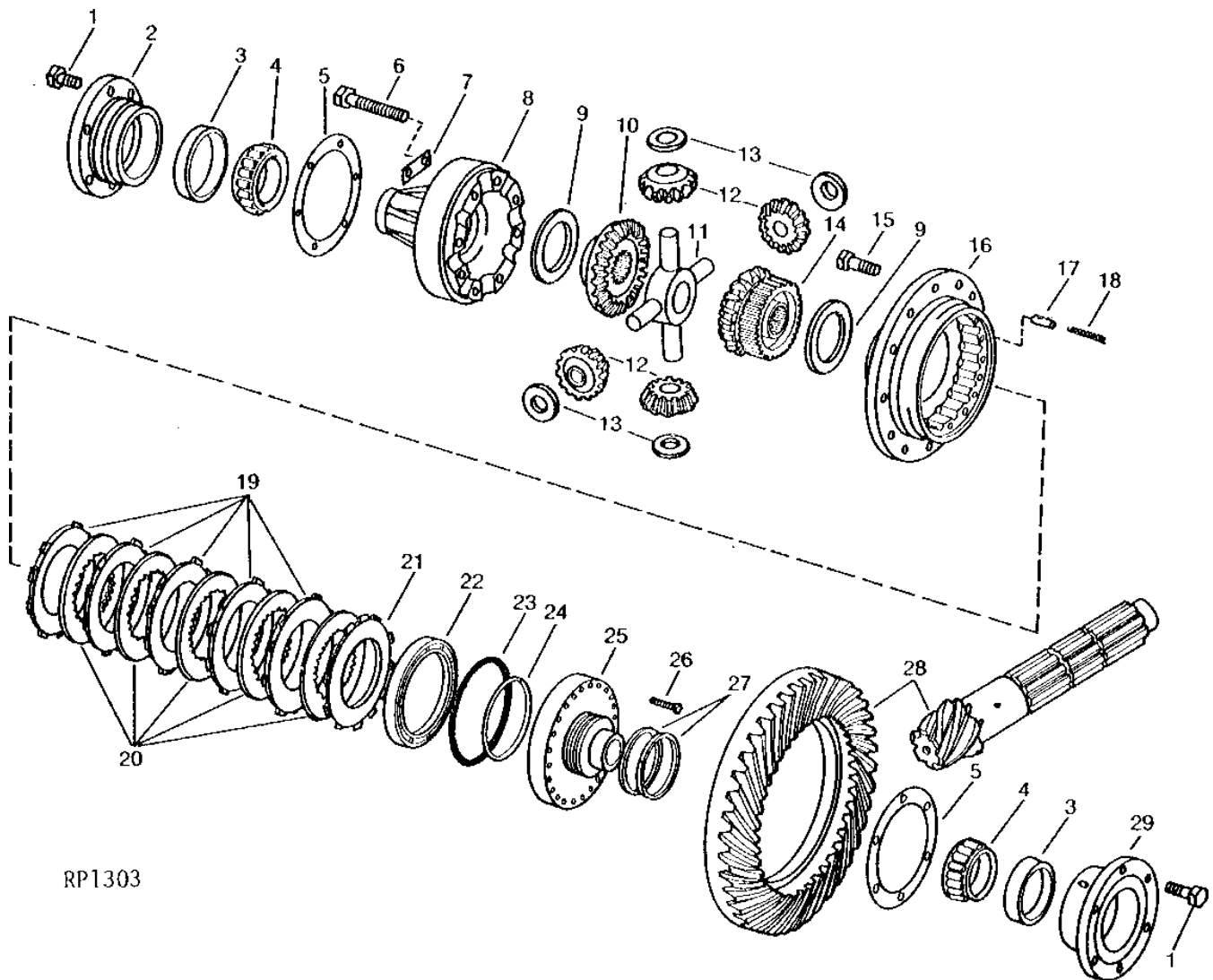
KEY	PART NO.	PART NAME	QTY	TRACTOR SERIAL NO.	REMARKS
1	R52634	CAP SCREW	12		(SUB FOR R35810)
2	R35500	QUILL	2		
3	JD8214	BEARING CUP	2		
4	JD8191	BEARING CONE	2		(USE WITH R35432 OR R35433)
	JD9019	BEARING CONE	2		(USE WITH R42306, R42307, R49649 OR R57747)
5	R35501	SHIM	AR		0.08MM (.003")
	R35502	SHIM	AR		0.13MM (.005")
	R35503	SHIM	AR		0.25MM (.010")
6	19H1868	CAP SCREW	8		1/2" X 3-3/4"
7	R35497	PLATE	4		
8	R57747	HOUSING	1		(ALSO ORDER JD9019) (SUB FOR R35433 OR R42307) (SUB R101287, (4) R112769 AND R75058)
9	R66788	WASHER	2	XXXXXX-	(SUB R99466)
10	R64257	BEVEL GEAR	2		(ALSO ORDER (2) R66788) (SUB FOR R35496) (SUB (2) R109489 AND R114132)
11	R35493	UNIVERSAL JOINT CROSS	1		(SUB (4) F215R, (2) R70038, (4) R70039, (4) R120349, (104) R70041 AND (4) R70042)
12	R48253	PINION	4		(SUB FOR R35498) (SUB (4) F215R, (2) R70038, (4) R70039, (4) R120349, (104) R70041 AND (4) R70042, THIS APPLICATION)
13	R35499	LOCK WASHER	4		
14	R43368	CAP SCREW	12		(SUB FOR R35495)
15	R49649	HOUSING	1		(ALSO ORDER JD9019) (SUB FOR R35432) (SUB FOR R42306)
16	AR39960	STEERING GEAR	1	-004499	(MARKED R35220 OR R43023 AND R40259) (SUB FOR AR35507) (NO LONGER AVAILABLE)
	AR36689	GEAR	1	004500-	(MARKED R35220 OR R43023 AND R40259) (SUB FOR AR36130) (SUB AR36688, (2) R35365, (2) R35366, (4) R35367, (2) R36765, (2) R36766 AND (4) R36767)

1114

POWER TRAIN

DIFFERENTIAL (WITH DIFFERENTIAL LOCK) (TRACTOR SERIAL NO. 008000-)

RP1303 -UN-01JAN94



RP1303

1115

POWER TRAIN

**DIFFERENTIAL - CONTINUED
(WITH DIFFERENTIAL LOCK)
(TRACTOR SERIAL NO. 008000-)**

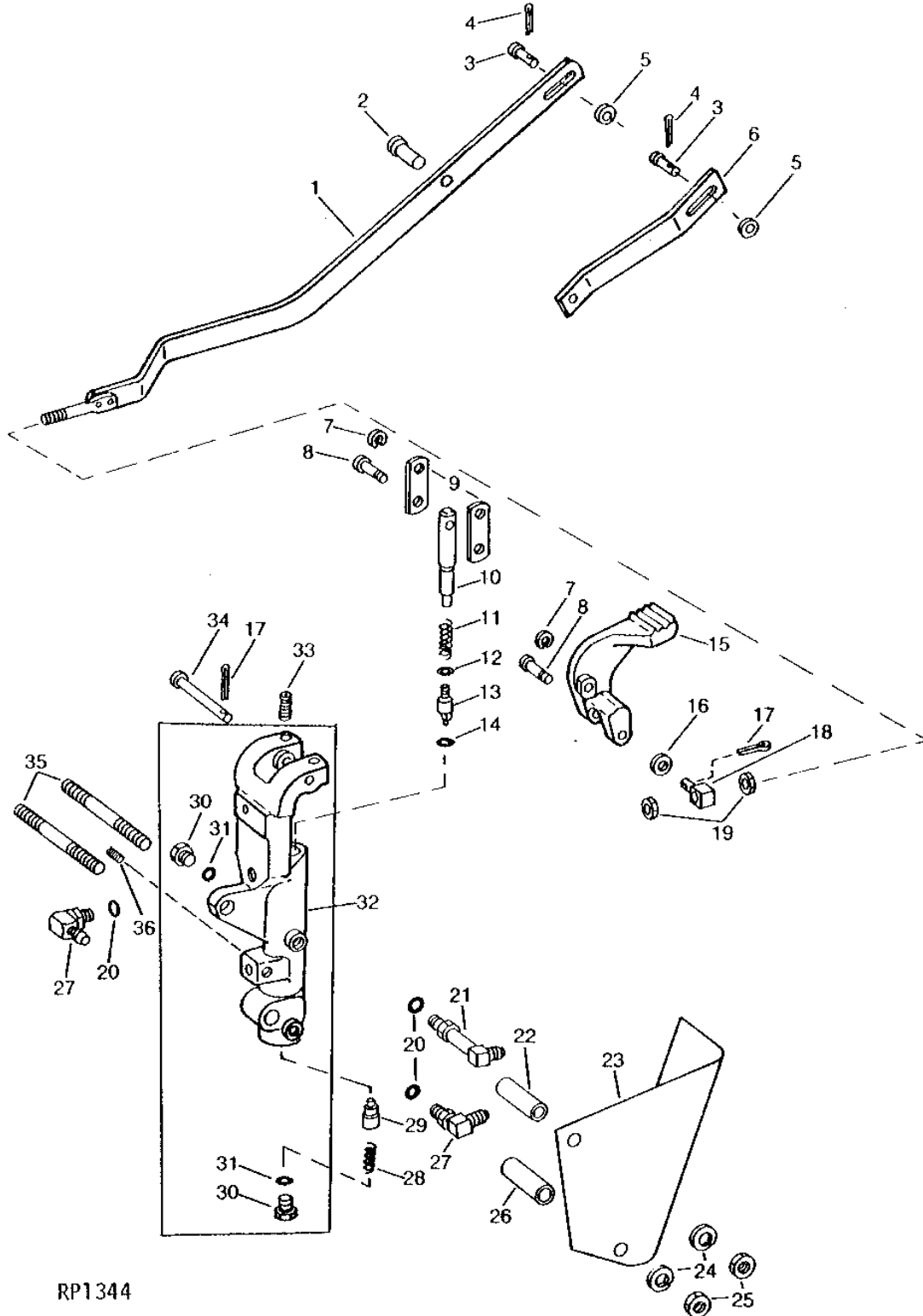
KEY	PART NO.	PART NAME	QTY	TRACTOR SERIAL NO.	REMARKS
1	R52634	CAP SCREW	12		(SUB FOR R35810)
2	R35500	QUILL	1		
3	JD8214	BEARING CUP	2		
4	JD8191	BEARING CONE	2		(USE WITH AR36346 OR R35433)
	JD9019	BEARING CONE	2		(USE WITH R42307, R57747 OR AR44327)
5	R35501	SHIM	AR		0.08MM (.003")
	R35502	SHIM	AR		0.13MM (.005")
	R35503	SHIM	AR		0.25MM (.010")
6	19H1868	CAP SCREW	8		1/2" X 3-3/4"
7	R35497	PLATE	4		
8	R57747	HOUSING	1		(ALSO ORDER JD9019) (SUB FOR R35433) (SUB FOR R42307)
9	R66788	WASHER	2	XXXXXX-	
10	R64257	BEVEL GEAR	1		(ALSO ORDER (2) R66788) (SUB FOR R35496) (SUB R109489 AND R114132)
11	R35493	UNIVERSAL JOINT CROSS	1		(SUB (4) F215R, (2) R70038, (4) R70039, (4) R120349, (104) R70041 AND (4) R70042)
12	R48253	PINION	4		(SUB FOR R35498) (SUB (4) F215R, (2) R70038, (4) R70039, (4) R120349, (104) R70041 AND (4) R70042, THIS APPLICATION)
13	R35499	LOCK WASHER	4		
14	R57373	GEAR	1		(ALSO ORDER R109489, R114132 AND (2) R66788) (SUB FOR R36879 OR R52158)
15	R43368	CAP SCREW	12		5/8" X 1.380", (SUB FOR R35495)
16	AR36345	HOUSING	1		(MARKED R36861)
17	34H316	SPRING PIN	3		1/4" X 1-1/2"
18	R36880	SPRING	3		
19	R34858	CLUTCH PLATE	5		
20	RE29428	DISK	5		(SUB FOR AR34705 OR AR70154) (SUB RE53823, R34857 AND (5) R34858)
21	R34857	CLUTCH PLATE	1		
22	R34855	PISTON	1		
23	R41017	WASHER	1		(SUB FOR R34866)
24	R44328	WASHER	1		(SUB FOR R34865 OR R41016)
25	AR44327	COVER	1		(MARKED R36862 OR R42273) (ALSO ORDER JD9019) (SUB FOR AR36346)
26	N191827	CAP SCREW	12		(SUB FOR R39869 OR R40237)
27	R36881	RING	2		
28	AR36689	GEAR	1		(MARKED R35220 OR R43023 AND R40259) (SUB FOR AR36130) (SUB AR36688, (2) R35365, (2) R35366, (4) R35367, (2) R36765, (2) R36766, (4) R36767)
29	R36878	QUILL	1		

1116

POWER TRAIN

RP1344 -UN-01JAN94

DIFFERENTIAL LOCK VALVE (SERIAL NO. 008000-)



RP1344

1117

POWER TRAIN

DIFFERENTIAL LOCK VALVE - CONTINUED
(SERIAL NO. 008000-)

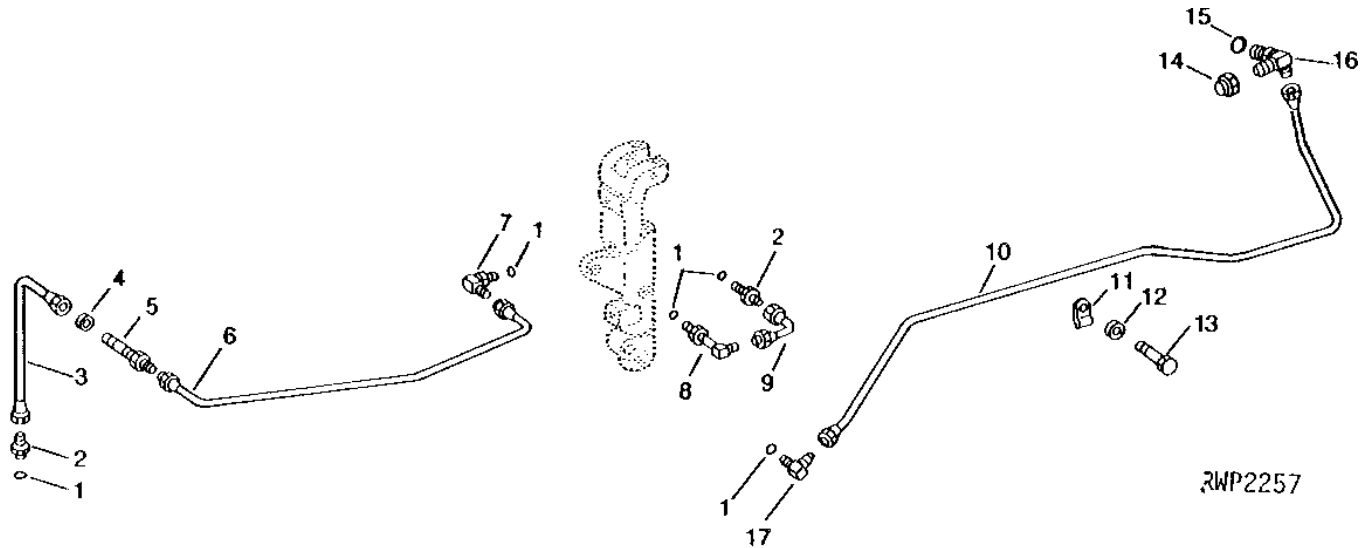
KEY	PART NO.	PART NAME	QTY	TRACTOR SERIAL NO.	REMARKS
1	AR36823	LINK	1		(SUB FOR AR36246)
2	16H1071	RIVET	1		5/16" X 1/2"
3	H858R	PIN	2		
4	11M7079	COTTER PIN	2		0.098" X 0.472"
5	24H1136	WASHER	2		11/32" X 11/16" X 0.065"
6	R34523	LINK	1		(SUB FOR R36874)
7	R26386	SNAP RING	2		
8	R26385	PIN	2		
9	R34522	STRAP	2		
10	R39732	VALVE	1		
11	R39731	SPRING	1		
12	R39730	SHIM	AR		0.13MM (.005")
13	R34492	VALVE	1		
14	R459R	O-RING	1		
15	R36948	PEDAL	1		
16	24M7096	WASHER	1		10.500 X 18 X 1.600 MM
17	11M7059	COTTER PIN	2		3.200 X 20 MM
18	R34581	SWIVEL	1		
19	14H1076	NUT	2		3/8"
20	R26286	O-RING	3		
21	AR35710	ELBOW FITTING	1		90°
22	28H1557	SPACER	1		
23	R36925	SHIELD	1		
24	12H317	LOCK WASHER	2		9/16"
25	14H886	NUT	2		9/16"
26	28H1555	BUSHING	1		
27	AT32333	ELBOW FITTING	2		90°, (SUB FOR AR26771)
28	R715R	SPRING	1		
29	R34496	VALVE	1		(NLA)
30	R27094	DRAIN PLUG	2		
31	R26286	O-RING	2		
32	AR42109	HOUSING	1		(MARKED R36902, R40632 OR R41929) (ALSO ORDER R40629) (SUB FOR AR36272 OR AR40493)
33	R34582	SET SCREW	1		
34	R34815	PIN	1		
35	B355R	STUD	2		9/16" X 5-1/4"
36	15H559	PIPE PLUG	2		1/4"

1118

POWER TRAIN

DIFFERENTIAL LOCK VALVE OIL LINES (SERIAL NO. 008000-)

RWP2257 -UN-01JAN94



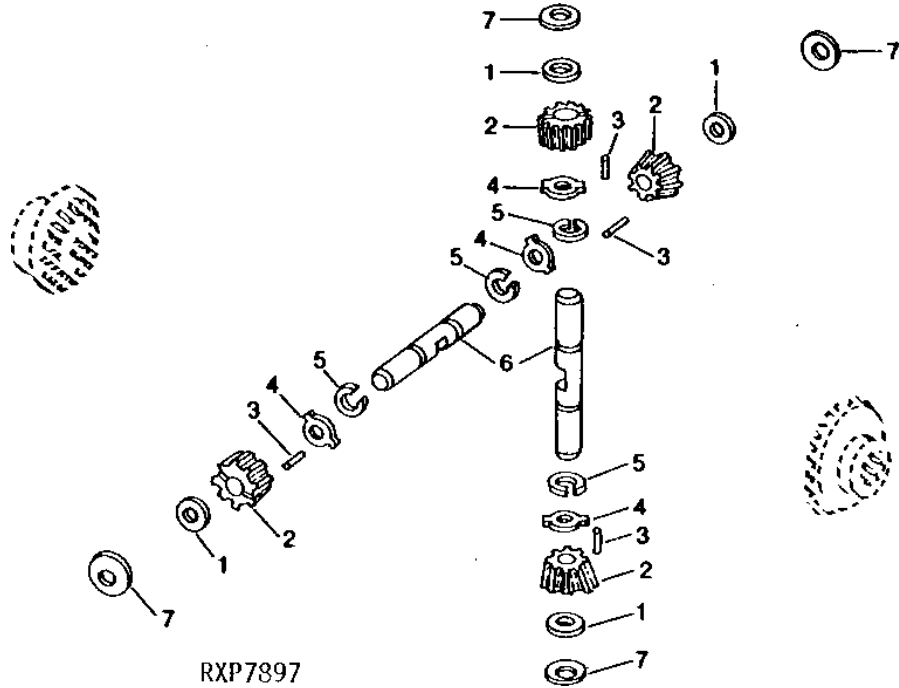
KEY	PART NO.	PART NAME	QTY	TRACTOR SERIAL NO.	REMARKS
1	R26286	O-RING	5		
2	R27272	FITTING	2		
3	AR36256	HYDRAULIC LINE	1		TO QUILL, INNER
4	T16911	SHIM	1		
5	AR36250	FITTING	1		
6	AR46389	HYDRAULIC LINE	1		TO QUILL, OUTER
7	AT32333	ELBOW FITTING	1		(SUB FOR AR26771)
8	AR35710	ELBOW FITTING	1		
9	AR36260	HYDRAULIC LINE	1		
10	AR36915	LINE	1		5/16" I.D., TO CONTROL SUPPORT BASE, R.H. (SUB AR36915)
	AR36927	HYDRAULIC LINE	1		3/16" I.D., TO CONTROL SUPPORT BASE, R.H.
11	R42357	CLAMP	1		(SUB FOR R27545)
	R31654	CLAMP	1		(FOR 3/16" I.D. OIL PIPE)
12	A147R	LOCK WASHER	1		(SUB FOR R1929R)
13	19H1726	CAP SCREW	1		3/8" X 2-1/4"
14	R36927	FITTING	1		(LESS ROCKSHAFT)
15	R26906	O-RING	1		
16	TEE FITTING	1		(FOR 5/16" I.D. OIL PIPE) (SUB AR36915)
	AR36856	TEE FITTING	1		(FOR 3/16" I.D. OIL PIPE)
17	AT32333	ELBOW FITTING	1		(FOR 5/16" I.D. OIL PIPE) (SUB FOR AR26771)
	AR40475	ELBOW FITTING	1		(FOR 3/16" I.D. OIL PIPE)
..	AR36915	LINE	1		(CONSISTS OF AR36856, AR36927, AR40475, (2) R31654, R31655, (2) R36086) (AND ATTACHING HARDWARE)

1119

POWER TRAIN

RXP7897 -UN-01JAN94

DIFFERENTIAL BEVEL PINION



RXP7897

KEY	PART NO.	PART NAME	QTY	TRACTOR SERIAL NO.	REMARKS
1	R70039	THRUST WASHER	4		
2	R70040	PINION	4	(SUB R120349)	
3	R70041	NEEDLE ROLLER	104		
4	R70042	THRUST WASHER	4		
5	F215R	RING	4		
6	R70038	PINION SHAFT	2		
7	R35499	LOCK WASHER	4		

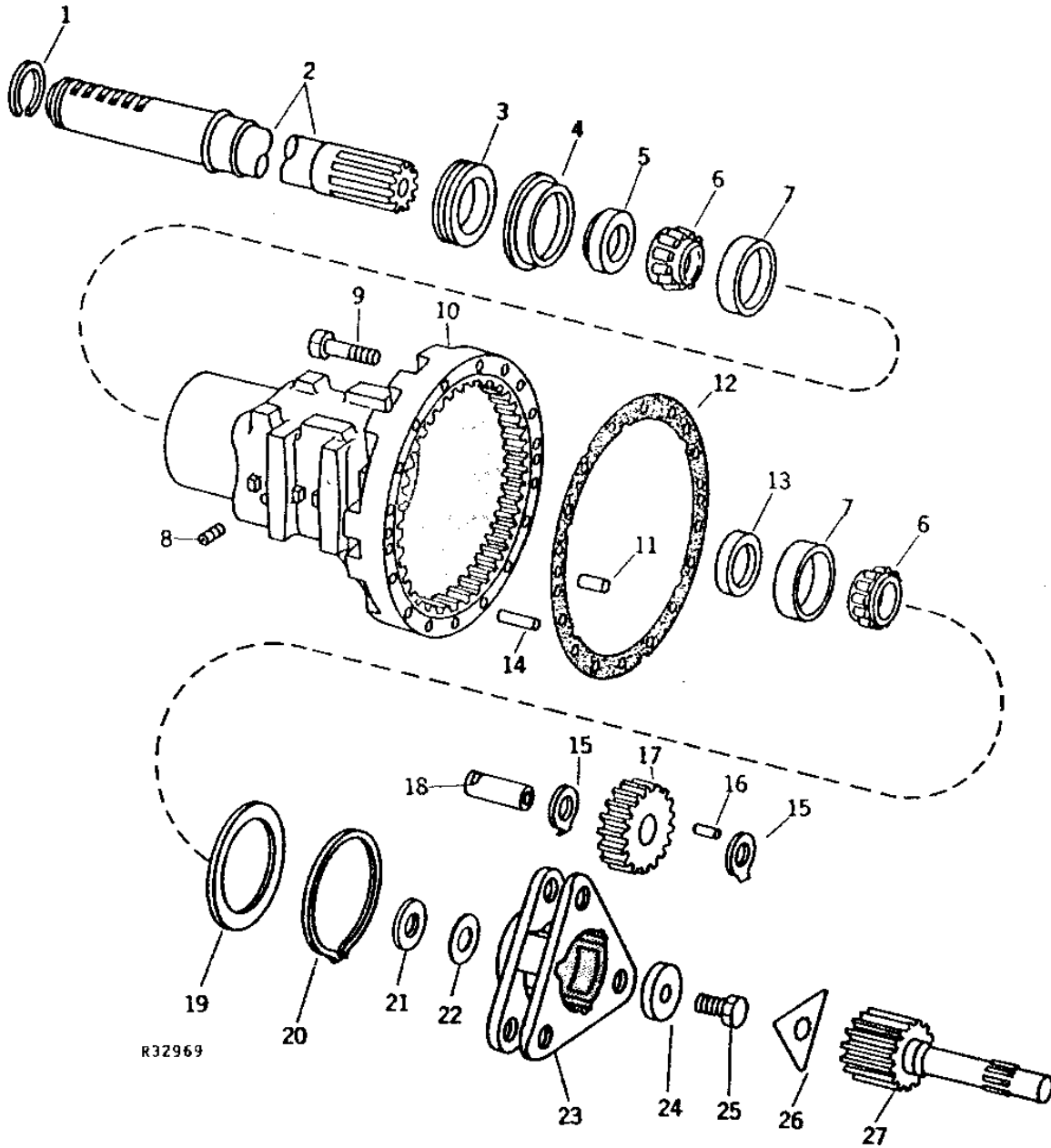
1120

POWER TRAIN

R32969

-UN-01JAN94

PLANETARY AND REAR AXLE



1121

POWER TRAIN

PLANETARY AND REAR AXLE - CONTINUED

KEY	PART NO.	PART NAME	QTY	TRACTOR SERIAL NO.	REMARKS
1	R53659	SNAP RING	1	XXXXXX-	
2	R53647	SHAFT	1		833MM (32-13/16") (ALSO ORDER R53659) (SUB FOR R35001) (NLA)
	R53648	SHAFT	1		1141MM (44-15/16") (ALSO ORDER R53659) (SUB FOR R36616) (DUAL DRIVE WHEELS) (NLA)
3	RE31702	SEAL	1		(ALSO ORDER R59074) (SUB FOR R35634, AR68721 OR AH93852)
4	R59074	OIL CUP	1		(SUB FOR R35002 OR R57268)
5	R63106	SPACER	1		(SUB FOR R35119 OR R53635)
6	JD8962	BEARING CONE	2		
	JD10003	BEARING CONE	1		UNDERSIZE AXLE
7	JD8248	BEARING CUP	2		
8	15H559	PIPE PLUG	1		1/4"
9	19H2233	CAP SCREW	18		5/8" X 3-1/2", (LESS DIFFERENTIAL LOCK)
	19H2233	CAP SCREW	17		5/8" X 3-1/2", (WITH DIFFERENTIAL LOCK)
	R43370	SCREW	1		(SUB FOR R34065 OR R42377) (WITH DIFFERENTIAL LOCK)
10	AR83526	HOUSING	1		(MARKED R35120) (SUB FOR AR35032) (NLA)
11	R54380	DOWEL PIN	2		(SUB FOR R26015 OR T25317)
12	R35008	GASKET	1		
13	AR85311	SEAL	1		(SUB FOR R35735)
14	R44961	DOWEL PIN	3		(SUB FOR R35007)
15	R46973	THRUST WASHER	6		(SUB FOR R35122)
16	R35003	NEEDLE ROLLER	75		
17	R35121	PINION	3		
18	R35004	SHAFT	3		
19	R42529	SHIM	1		
20	R35005	SNAP RING	1		
21	R61461	SHIM	AR		0.08MM (.003")
	R59439	SHIM	AR		0.13MM (.005")
	R59440	SHIM	AR		0.51MM (.020")
22	F2380R	WASHER	1		
23	R35337	PLANET PINION CARRIER	1		(NLA)
24	R61771	RETAINER	1		(SUB FOR R35006 OR R46806)
25	R82175	CAP SCREW	1		HS, SAE 8, (SUB FOR R26011 OR R60032)
26	R35123	LOCK PLATE	1		
27	R35591	SHAFT	1		(SUB R114132)
..	R72232	BALL	1		AXLE SHIM GAUGE

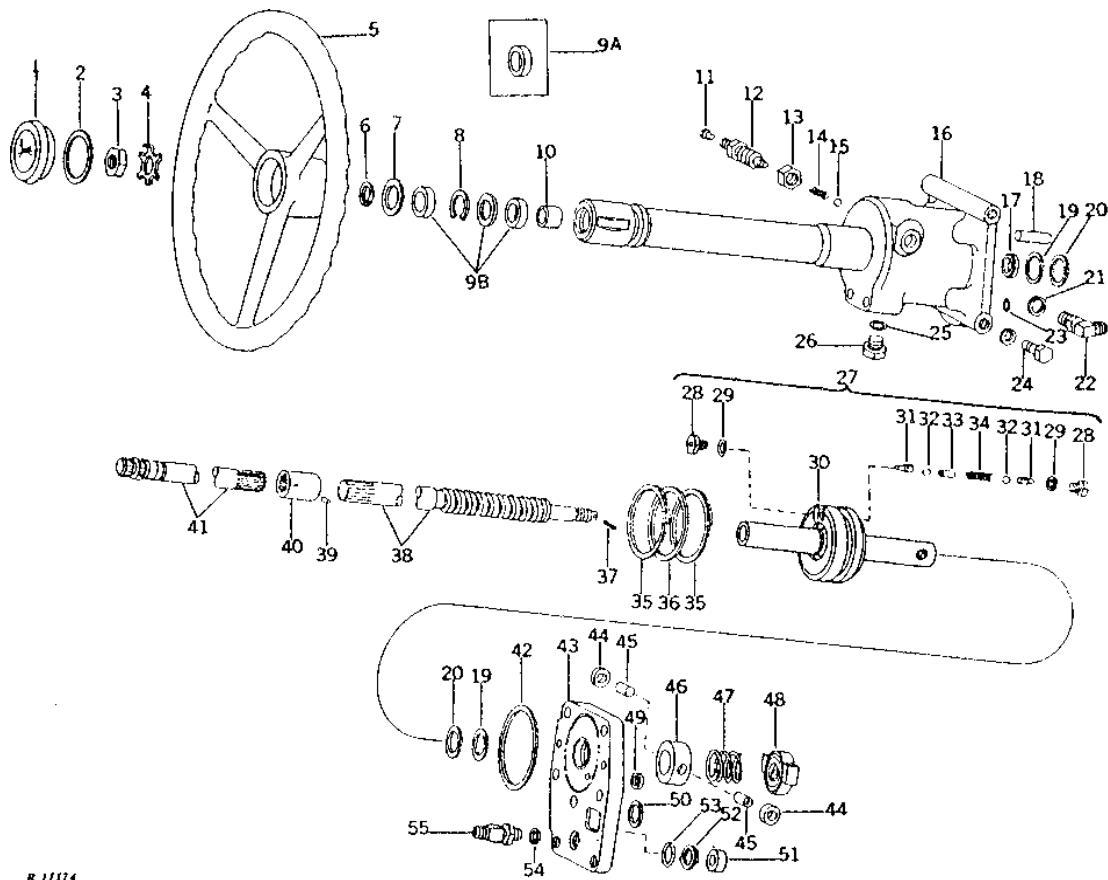
MEMORANDA

MEMORANDA

1123

R11174 -UN-01JAN94

STEERING PISTON AND CYLINDER ASSEMBLY



R 11174

1124

STEERING AND BRAKES

STEERING PISTON AND CYLINDER ASSEMBLY - CONTINUED

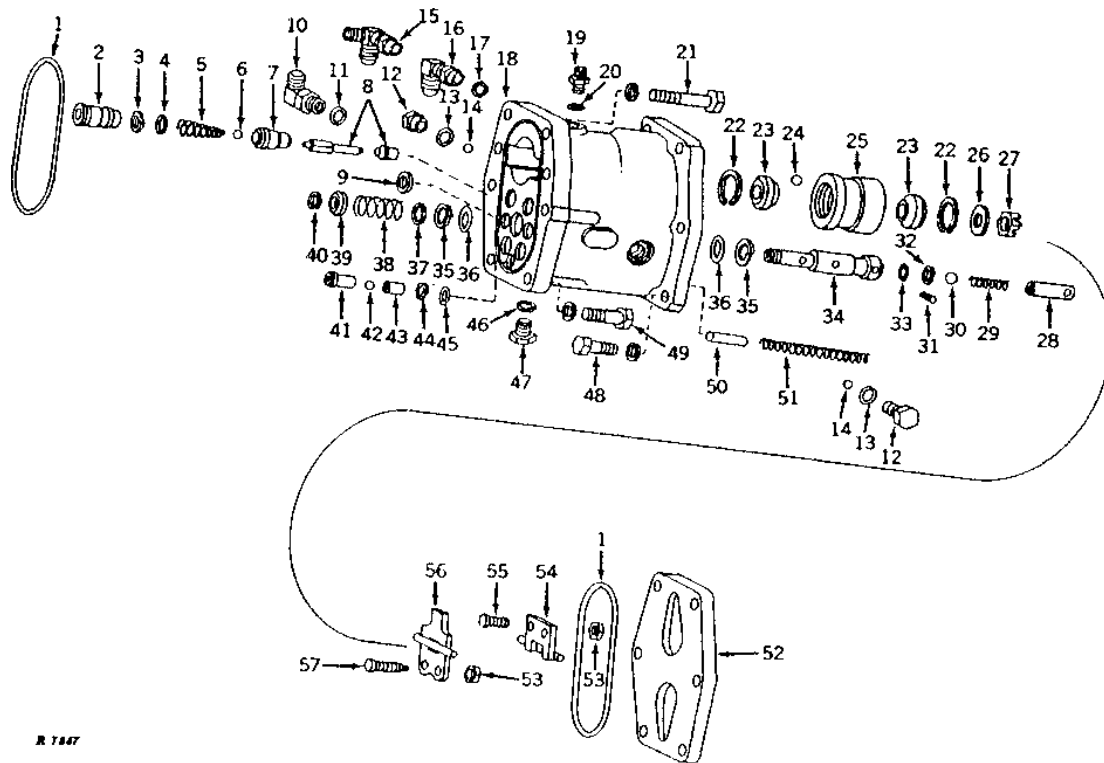
KEY	PART NO.	PART NAME	QTY	TRACTOR SERIAL NO.	REMARKS
1	R34324	DECAL	1		(SUB FOR R26673) (NO LONGER AVAILABLE)
2	B3690R	O-RING	1		
3	14H904	NUT	1		3/4"
4	T17148	LOCK WASHER	1		
5	AR26625	STEERING WHEEL	1		
6	B169R	SNAP RING	1		
7	R42629	WASHER	1		
8	R26933	SNAP RING	1		
9A	AR26447	SEAL	1	-005566	(SUB R72858 AND R32731)
9B	AR34172	SEAL KIT	1	005567-	OIL SEAL, (SUB R72858 AND R32731)
10	R27320	BUSHING	1		
11	AR21969	KIT	1		
12	R27299	SCREW	1		
13	R27453	NUT	1		
14	R26373	SPRING	1		
15	400R	BALL	1		6MM (1/4")
16	AR47289	CYLINDER	1		(MARKED R34118 OR R45297) (SUB FOR AR32700) (ALSO ORDER R26287, AR67783 AND R27216) (SUB FOR AR26908)
17	R27087	WASHER	1		
18	R32186	DOWEL PIN	2		
19	R26441	BACK-UP RING	2		
20	A3606R	O-RING	2		
21	R26448	O-RING	1		
22	AT35121	ELBOW FITTING	1		(SUB FOR AR26725)
23	R60038	PACKING	1		(SUB FOR R26760 OR R41708) (SUB AR67783)
24	19H1732	CAP SCREW	4		3/8" X 1-1/4"
	12H304	LOCK WASHER	4		3/8"
25	R26287	O-RING	1	004500-005732	
26	R27216	DRAIN PLUG	1	004500-005732	
27	AR30297	PISTON	1		
28	R31202	VALVE	2		
29	R26287	O-RING	2		
30	AR30298	PISTON	1		(SUB FOR R31200, R34554 OR R27510) (SUB AR30297)
31	R31201	SHAFT	2		
32	H871R	BALL	2		
33	R31579	SPACER	1	-004499	(NO LONGER AVAILABLE)
34	A4816R	SPRING	1		
35	R26754	BACK-UP RING	2		(SUB R40567, THIS APPLICATION)
36	R26543	O-RING	1		(SUB R40567, THIS APPLICATION)
37	11M7081	COTTER PIN	1		0.098" X 0.787"
38	AR32756	STEERING WHEEL SHAFT	1	-004499	(SUB FOR R27518)
	R34125	SHAFT	1	004500-	
39	34H282	SPRING PIN	1		3/16" X 1"
40	R27319	SPLINED COUPLING	1		
41	R73737	SHAFT	1	008000-	(SUB FOR R27318 OR R37426)
42	R34896	PACKING	1		(SUB AR67783)
43	R26756	COVER	1	-004499	
	AR44883	COVER	1	004500-	(SUB FOR R34120)
44	R26755	WASHER	2		
45	R27091	PIN	2		
46	R40149	LOCKING COLLAR	1		(SUB FOR R27090)
47	R40531	SPRING	1		(SUB FOR R26419)
48	R27089	NUT	1		
49	R60038	PACKING	1		(SUB FOR R26760 OR R41708) (SUB AR67783)
50	R31489	WASHER	1	-004499	
51	R34121	PISTON	1	004500-	
52	R26485	BACK-UP RING	1	004500-	
53	R495R	O-RING	1	004500-	
54	R26286	O-RING	1		
55	AR35725	FITTING	1		
..	AR39585	KIT	1		STEERING PISTON CYLINDER AND VALVE ASSEMBLY OVERHAUL, (SUB FOR AR30684)
..	AR42009	KIT	1		STEERING VALVE CYLINDER TO COVER PACKING, (SUB AR67783)

1J1

STEERING AND BRAKES

STEERING VALVE ASSEMBLY (TRACTOR SERIAL NO. -004499)

R7847 -UN-01JAN94



R 7847

1J2

STEERING AND BRAKES

STEERING VALVE ASSEMBLY - CONTINUED (TRACTOR SERIAL NO. 004499)

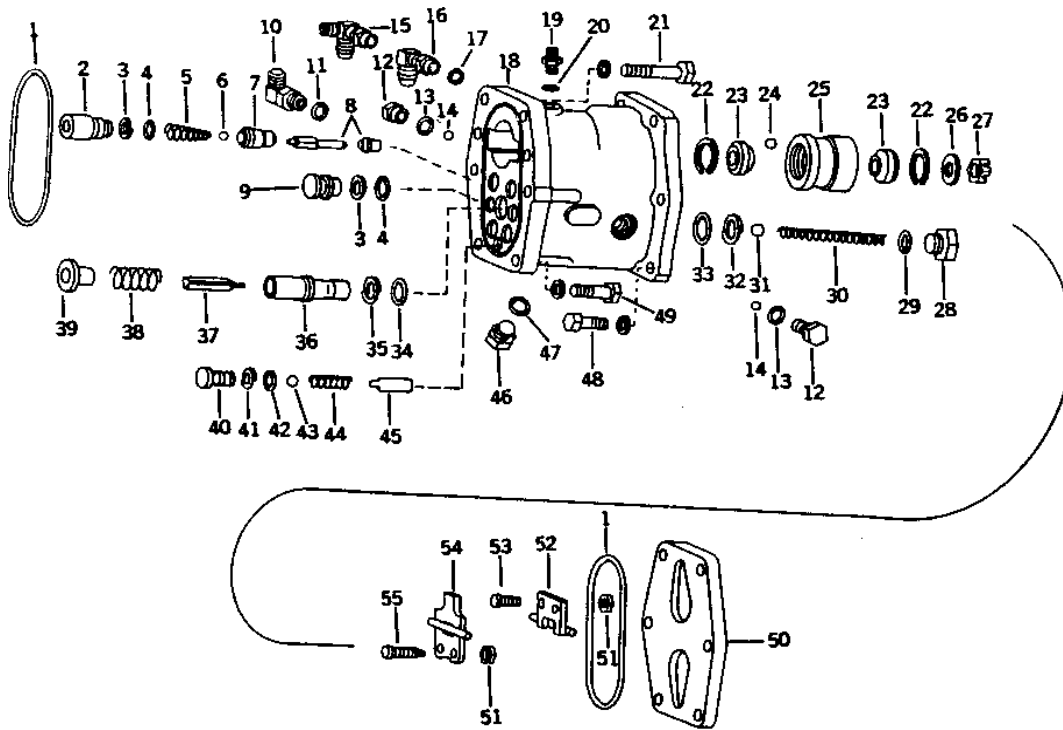
KEY	PART NO.	PART NAME	QTY	TRACTOR SERIAL NO.	REMARKS
1	R34733	WASHER	2		(SUB FOR R26423)
2	R31448	PLUG	4		
3	R32588	BACK-UP RING	4		
4	R459R	O-RING	4		
5	R26565	SPRING	4		
6	400R	BALL	4		6MM (1/4")
7	R28124	VALVE	4		
8	AR49535	SHAFT	2		UPPER, (SUB FOR AR30589)
	AR49536	SHAFT	2		LOWER, (SUB FOR AR30590)
9	R31488	WASHER	2		
10	AR26725	ELBOW FITTING	1		
11	R26448	O-RING	1		
12	R40338	DRAIN PLUG	2		(ALSO ORDER R27296) (SUB FOR R26429)
13	R26286	O-RING	5		
14	R32637	SHIM	AR		0.08MM (.003") STEEL
	R28785	SHIM	AR		0.13MM (.005") STEEL
	R28786	SHIM	AR		0.25MM (.010") STEEL
	R28505	SHIM	AR		0.76MM (.030") STEEL
15	AR26767	TEE FITTING	1		(SELECTIVE CONTROL)
16	AT32334	FITTING	1		(SUB FOR AR26773) (NO SELECTIVE CONTROL)
17	R26286	O-RING	1		
18	AR30754	HOUSING	1		(MARKED R31623) (SUB AR30744, (2) R40359 AND (2) R40360) (SUB FOR R27139)
19	R27527	ADAPTER	1		
20	R26287	O-RING	1		
21	19H1990	CAP SCREW	4		1/2" X 2-1/4"
	12H301	LOCK WASHER	4		1/2"
22	R26425	SNAP RING	2		
23	R26737	BEARING RACE	2		
24	R26552	BALL	13		
25	R40757	BUSHING	1		(SUB FOR R31197)
26	R34128	WASHER	4		(SUB FOR R26426)
27	R31535	NUT	1		
28	R32172	PLUG	1		
29	R26421	SPRING	1		
30	R42849	BALL	1		(SUB FOR 405R)
31	34H249	SPRING PIN	1		1/8" X 7/8"
32	R26547	WASHER	1		
33	R26286	O-RING	1		
34	R32171	RELIEF VALVE	1		
35	R26546	BACK-UP RING	2		
36	B2762R	O-RING	2		
37	R26763	WASHER	1		
38	R26422	SPRING	1		
39	R62955	RETAINER	1		(SUB FOR R27092)
40	R26548	SNAP RING	1		
41	R27514	SLEEVE	1		
42	R26552	BALL	1		
43	R27513	SLEEVE	1		
44	R26551	BACK-UP RING	1		
45	R394R	O-RING	1		
46	R26286	O-RING	1		
47	R27094	DRAIN PLUG	1		
48	19H1139	CAP SCREW	6		3/8" X 1-1/8"
	12H304	LOCK WASHER	6		3/8"
49	19H1721	CAP SCREW	2		1/2" X 1-1/2"
	12H301	LOCK WASHER	3		1/2"
50	R26761	DOWEL PIN	1		
51	R26424	SPRING	1		
52	R57034	COVER	1		(SUB FOR R26553 OR R51748)
53	14H649	NUT	4		1/4"
54	AR26402	LEVER	1		
55	R31217	SCREW	2		(SUB FOR R26762, THIS APPLICATION)
56	AR26448	LEVER	1		
57	R26554	SET SCREW	2		

1J3

STEERING AND BRAKES

R8891 -UN-12OCT94

STEERING VALVE ASSEMBLY (TRACTOR SERIAL NO. 004500-)



R 8891

1J4

STEERING AND BRAKES

STEERING VALVE ASSEMBLY - CONTINUED (TRACTOR SERIAL NO. 004500)

KEY	PART NO.	PART NAME	QTY	TRACTOR SERIAL NO.	REMARKS
1	R34733	WASHER	2		(SUB FOR R26423)
2	R41724	PLUG	4		(SUB FOR R34130)
3	R32588	BACK-UP RING	6		
4	R459R	O-RING	6		
5	R26565	SPRING	4		
6	400R	BALL	4		6MM (1/4")
7	R28124	VALVE	4		
8	AR49535	SHAFT	2		UPPER, (SUB FOR AR30589)
	AR49536	SHAFT	2		LOWER, (SUB FOR AR30590)
9	R34131	PLUG	2		
10	AT35121	ELBOW FITTING	1		(SUB FOR AR26725)
11	R26448	O-RING	1		
12	R40338	DRAIN PLUG	2		(ALSO ORDER R27296) (SUB FOR R26429)
13	R26286	O-RING	2		
14	R32637	SHIM	AR		0.08MM (.003") STEEL
	R28785	SHIM	AR		0.13MM (.005") STEEL
	R28786	SHIM	AR		0.25MM (.010") STEEL
	R28505	SHIM	AR		0.76MM (.030") STEEL
15	AR26767	TEE FITTING	1		(SELECTIVE CONTROL)
16	AT32334	FITTING	1		(LESS SELECTIVE CONTROL) (SUB FOR AR26773)
17	R26286	O-RING	1		
18	AR43809	HOUSING	1		(MARKED R34119, R43721 OR R43962) (SUB FOR AR34006 OR AR43559)
19	R27527	ADAPTER	1		
20	R26287	O-RING	1		
21	19H1990	CAP SCREW	4		1/2" X 2-1/4"
	12H301	LOCK WASHER	4		1/2"
22	R26425	SNAP RING	2		
23	R40595	BEARING RACE	2		(SUB FOR R34126)
24	R26552	BALL	13		
25	R40757	BUSHING	1		(SUB FOR R31197)
26	R34128	WASHER	4		
27	14H862	NUT	1		9/16", (SUB FOR C1200R OR R20228)
28	R39112	FITTING	1		(SUB FOR R28095)
29	R26375	O-RING	1		
30	R31278	SPRING	1		
31	R42849	BALL	1		(SUB FOR 405R)
32	R30323	BACK-UP RING	1		
33	P48347	O-RING	1		(SUB FOR T12860 OR R34404)
34	B2762R	O-RING	1		
35	R26546	BACK-UP RING	1		
36	R34123	VALVE SEAT	1		
37	R42661	SEAT	1		(SUB FOR R34124)
38	R26151	SPRING	1		
39	R34122	STOP	1		
40	R34132	VALVE SEAT	1		(SUB AR44883)
41	R34129	BACK-UP RING	1		
42	A4365R	O-RING	1		
43	400R	BALL	1		
44	R26373	SPRING	1		
45	R34336	GUIDE	1		
46	R27216	DRAIN PLUG	1	-3T5752	
47	R26287	O-RING	1	-3T5752	
48	19H1139	CAP SCREW	6		3/8" X 1-1/8"
	12H304	LOCK WASHER	6		3/8"
49	19H1721	CAP SCREW	2		1/2" X 1-1/2"
	12H301	LOCK WASHER	2		1/2"
50	R57034	COVER	1		(SUB FOR R26553 OR R51748)
51	14H649	NUT	4		1/4"
52	AR26402	LEVER	1		
53	R31217	SCREW	2		(SUB FOR R26762, THIS APPLICATION)
54	AR26448	LEVER	1		
55	R26554	SET SCREW	2		

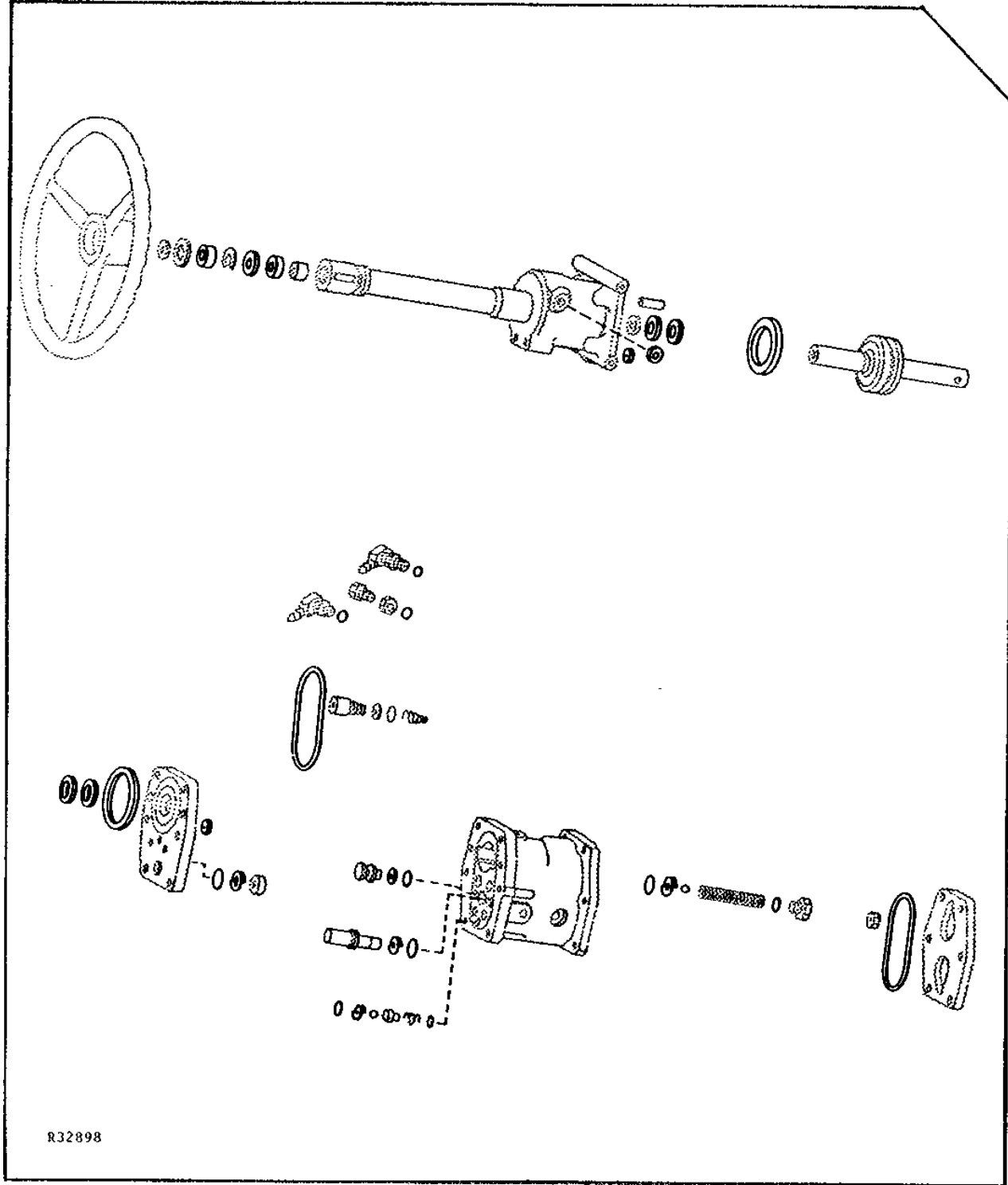
1J5

STEERING AND BRAKES

R32898

-UN-01JAN94

STEERING VALVE CYLINDER OVERHAUL KIT



R32898

1J6

STEERING AND BRAKES

STEERING VALVE CYLINDER OVERHAUL KIT - CONTINUED

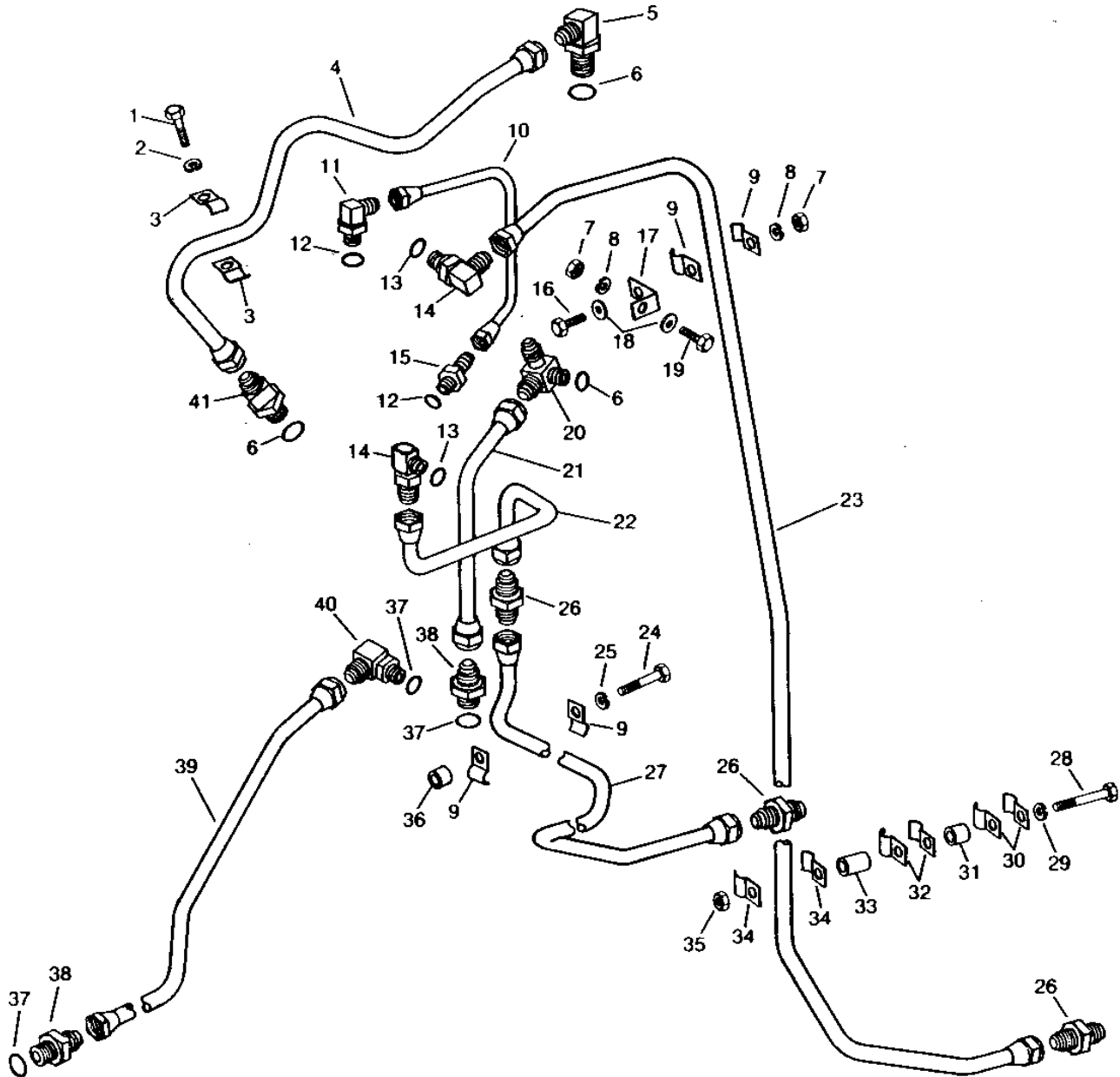
KEY	PART NO.	PART NAME	QTY	TRACTOR SERIAL NO.	REMARKS
1	AR39585	KIT	1	(SUB FOR AR30684)	

1J7

STEERING AND BRAKES

RWP5998 -UN-01JAN94

STEERING OIL PIPES



RWP5998

1J8

STEERING AND BRAKES

STEERING OIL PIPES - CONTINUED

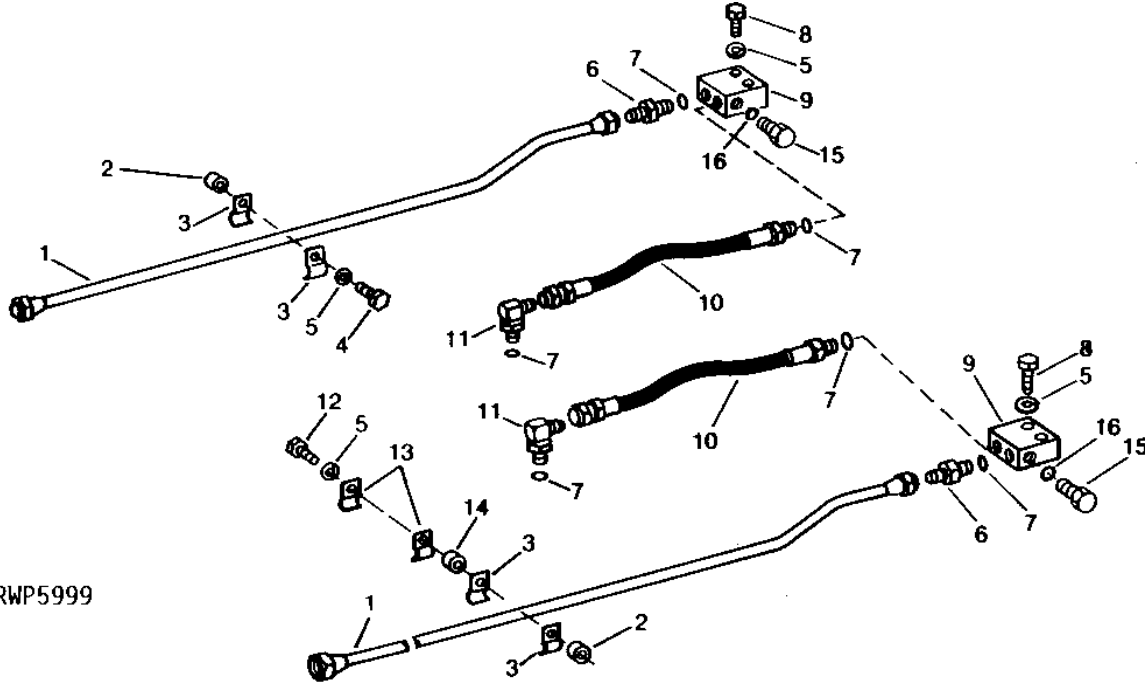
KEY	PART NO.	PART NAME	QTY	TRACTOR SERIAL NO.	REMARKS
1	19H1731	CAP SCREW	1		3/8" X 1"
2	12H304	LOCK WASHER	1		3/8"
3	R42357	CLAMP	2		(SUB FOR R27545)
4	AR31988	HYDRAULIC LINE	1		PRESSURE, JUNCTION BLOCK TO STEERING VALVE, (SUB FOR AR31111)
5	AR30742	ELBOW FITTING	1		
6	R26286	O-RING	3		
7	14H1076	NUT	2		3/8"
8	12H304	LOCK WASHER	2		3/8"
9	R27720	CLAMP	4		
10	AR32771	OIL LINE	1	001000-009454	PRESSURE CONTROL VALVE TO STEERING VALVE, (SUB AR48233)
	AR44875	OIL LINE	1	009455-011999	PRESSURE CONTROL VALVE TO STEERING VALVE, (SUB FOR AR30787, AR32771, AR40035, AR44043 OR AR40404) (SUB AR48233)
11	AR26746	ELBOW FITTING	1		
12	R26287	O-RING	2		
13	R26448	O-RING	2		
14	AT35121	ELBOW FITTING	2		(SUB FOR AR26725)
15	R27527	ADAPTER	1		(SUB FOR R27139)
16	19H1936	CAP SCREW	1		3/8" X 3/4"
17	R36300	ANGLE	1		
18	24M7096	WASHER	2		10.500 X 18 X 1.600 MM
19	19H1936	CAP SCREW	1		3/8" X 3/4"
20	AR26767	TEE FITTING	1		(SINGLE OR DUAL SELECTIVE CONTROL)
	AT32334	FITTING	1		(LESS SINGLE OR DUAL SELECTIVE CONTROL) (SUB FOR AR26773)
21	AR35243	HYDRAULIC LINE	1		RETURN, STEERING VALVE TO OIL FILTER, UPPER, (NLA)
22	AR35208	HYDRAULIC LINE	1		VALVE TO CYLINDER, L.H. (NLA)
23	AR35207	HYDRAULIC LINE	1		VALVE TO CYLINDER, R.H.
24	19H1765	CAP SCREW	1		3/8" X 1-3/4"
25	12H304	LOCK WASHER	1		3/8"
26	R27095	FITTING	3		
27	AR35209	HYDRAULIC LINE	1		VALVE TO CYLINDER, CENTER, L.H.
28	19H1912	CAP SCREW	1		3/8" X 3-1/2"
29	12H304	LOCK WASHER	1		3/8"
30	R35726	CLAMP	2		OIL COOLER WATER INLET TUBE
31	28H1697	SPACER	1		3/8" X 3/4"
32	R35726	CLAMP	2		JUNCTION BOX REAR PRESSURE PIPE
33	28H1527	SPACER	1		3/8" X 1-3/8"
34	R27720	CLAMP	2		
35	R28040	WASHER	1		
36	28H1697	SPACER	1		3/8" X .750"
37	R26375	O-RING	3		
38	R27237	FITTING	2		
39	AR51429	HYDRAULIC LINE	1		RETURN, STEERING VALVE TO OIL FILTER, LOWER, (SUB FOR AR35242)
40	AT32332	ELBOW FITTING	1		(SUB FOR AR26763)
41	R49018	FITTING	1		(SUB FOR AR35725)

1J9

STEERING AND BRAKES

RWP5999 -UN-01JAN94

STEERING OIL PIPES - CONTINUED



RWP5999

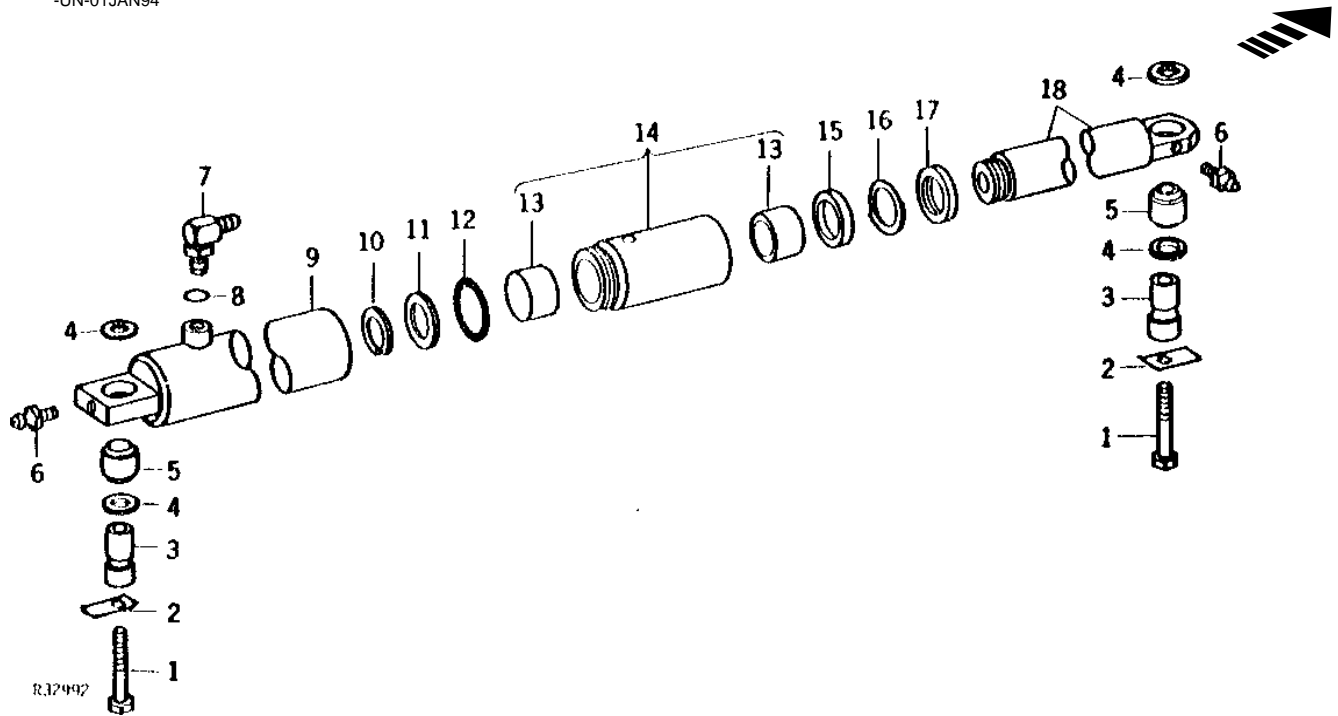
KEY	PART NO.	PART NAME	QTY	TRACTOR SERIAL NO.	REMARKS
1	AR35210	LINE	2		VALVE TO CYLINDER, FRONT
2	B1828R	BUSHING	4		
3	R27720	CLAMP	12		
4	19H2552	CAP SCREW	4	3/8" X 1-1/8"	
5	12H304	LOCK WASHER	4	3/8"	
6	R27212	FITTING	2		
7	R26448	O-RING	6		
8	19H1936	CAP SCREW	2	3/8" X 3/4"	
9	AR36243	ADAPTER	2	(SUB FOR R35629)	
10	R32319	HYDRAULIC HOSE	2		CYLINDER
11	AT35121	ELBOW FITTING	2		
12	19H2791	CAP SCREW	2	3/8" X 1-3/4"	
13	R42357	CLAMP	4	(SUB FOR R27545)	
14	28H1519	WASHER	2	0.493" X 0.675" X 3/8"	
15	R27216	DRAIN PLUG	2	-005907	
16	R26287	O-RING	2	-005907	

1J10

STEERING AND BRAKES

R32992 -UN-01JAN94

STEERING CYLINDER



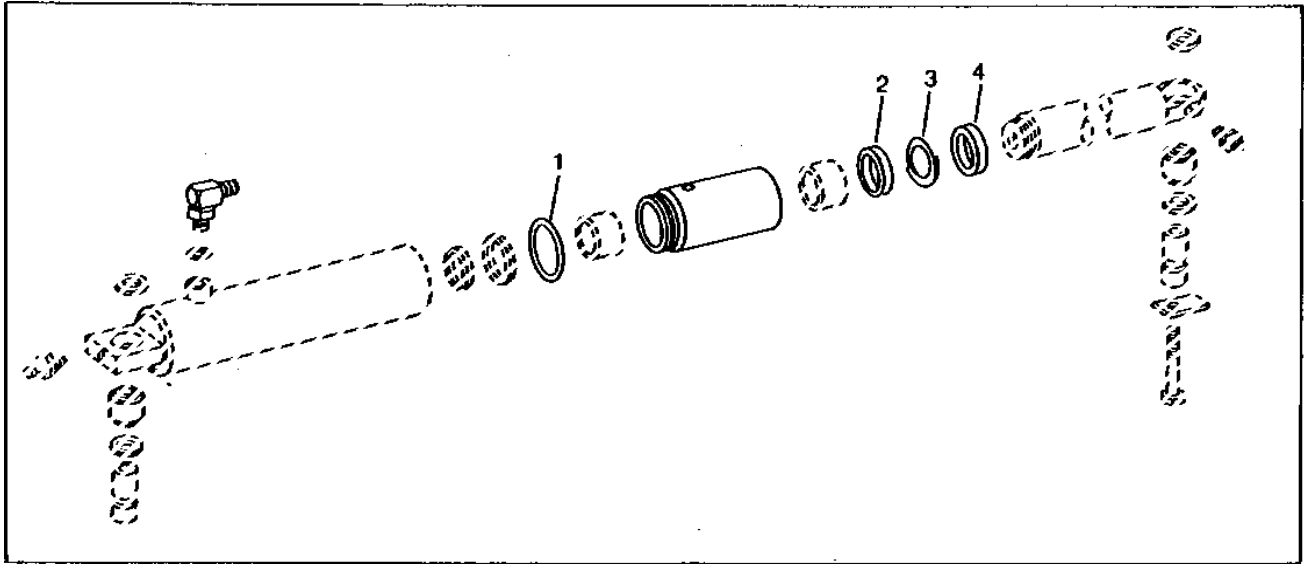
KEY	PART NO.	PART NAME	QTY	TRACTOR SERIAL NO.	REMARKS
1	19H1733	CAP SCREW	4	3/8" X 2-1/2"	
2	R30920	PLATE	4		
3	R30917	PIN	4	(SUB R76513)	
4	24H448	WASHER	8	25/32" X 1-1/8" X 0.090", (SUB FOR R30918 OR R30919)	
5	AR30016	BUSHING	4		
6	JD7759	LUBRICATION FITTING	4	1/8"	
7	AT35121	ELBOW FITTING	1	90°, (SUB FOR AR26725)	
8	R26448	O-RING	2		
9	AR30166	CYLINDER	2		
10	A562R	SNAP RING	2		
11	24H1522	WASHER	2	1-33/64" X 1-7/8" X 0.120", (NLA)	
12	R30916	O-RING	2		
13	R30912	BUSHING	4		
14	AR30017	EXTENSION	2		
15	R77413	SEAL	2	(SUB FOR R30913)	
16	R46410	WASHER	2	(SUB FOR R30914) (SUB R77413)	
17	AR30018	SEAL	2		
18	AR30019	PISTON	2		

1J11

STEERING AND BRAKES

RXP8300 -UN-01JAN94

STEERING CYLINDER OVERHAUL KIT



RXP8300

5

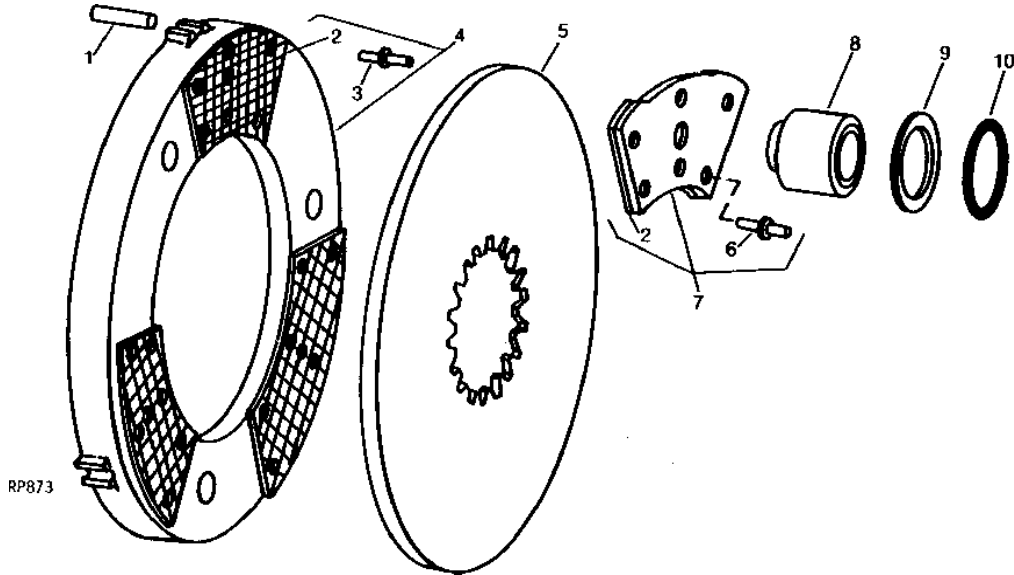
KEY	PART NO.	PART NAME	QTY	TRACTOR SERIAL NO.	REMARKS
1	R30916	O-RING	2		
2	R77413	SEAL	2		(SUB FOR R30913)
3	R46410	WASHER	2		(SUB R77413)
4	AR30018	SEAL	2		
5	AR31944	KIT	1		

1J12

STEERING AND BRAKES

RP873 -UN-06OCT94

BRAKE PLATES AND FACINGS



KEY	PART NO.	PART NAME	QTY	TRACTOR SERIAL NO.	REMARKS
1	R44961	DOWEL PIN	6		(SUB FOR R35007)
2	R90086	BRAKE SHOE	12		(SUB FOR AR28488) (SUB R110464)
3	D2593R	RIVET	18		43/64"
	R35183	RIVET	18		1-1/2"
4	AR35045	PLATE	2		(MARKED R35182) (SUB RE46341 AND (3) RE46331)
5	R35184	BRAKE DISK	2		
6	D1761R	RIVET	36		31/64"
7	AR35580	PLATE	6		(SET OF 3) (SUB FOR AR35646) (SUB RE46341 AND (3) RE46331)
8	R48240	PISTON	6		(SUB FOR R26363 OR R42411)
	R46674	PISTON	6		(USE WITH R47100)
9	R26364	WASHER	6		
	R46673	WASHER	6		(USE WITH R47100)
10	R26863	O-RING	6		
	A4728R	O-RING	6		(USE WITH R47100)

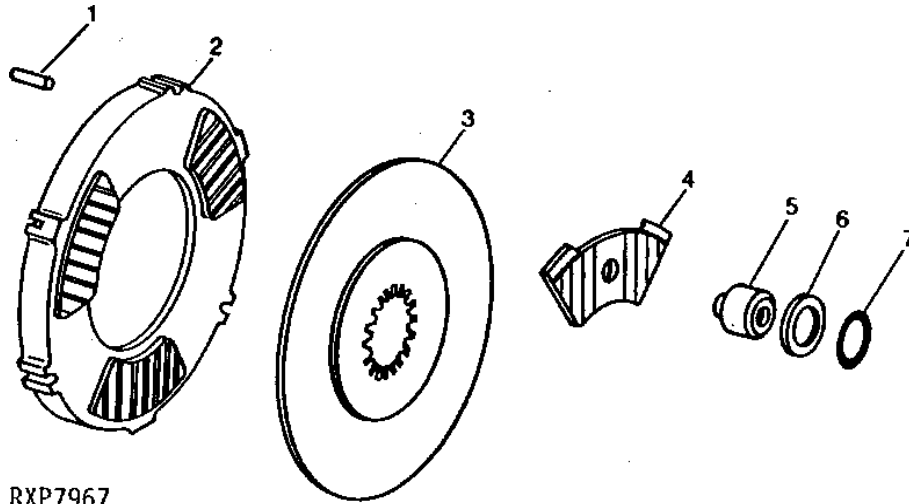
NOTE: TWO-PART SUBS ARE DUE TO INTRODUCTION OF NON-ASBESTOS LININGS.

1J13

STEERING AND BRAKES

RXP7967 -UN-01JAN94

BRAKE PLATES AND FACINGS



RXP7967

KEY	PART NO.	PART NAME	QTY	TRACTOR SERIAL NO.	REMARKS
1	R44961	DOWEL PIN	6		
2	RE38797	PLATE	2	(MARKED R44837) (SUB RE46341)	
3	R35184	BRAKE DISK	2		
4	RE32942	PLATE	6	(SUB RE46331)	
5	R48240	PISTON	6		
	R46674	PISTON	6	(USE WITH R47100)	
6	R26364	WASHER	6		
	R46673	WASHER	6	(USE WITH R47100)	
7	R26863	O-RING	6		
	A4728R	O-RING	6	(USE WITH R47100)	

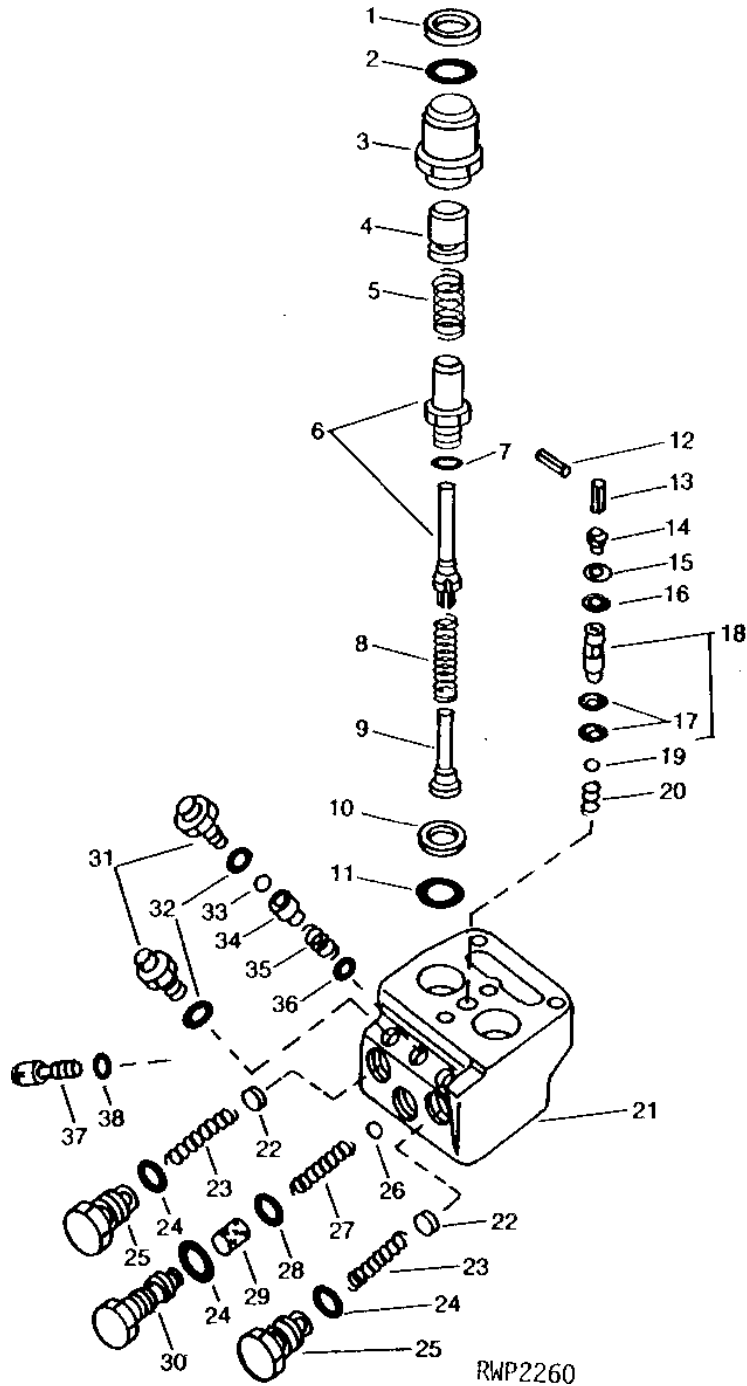
MEMORANDA

1J14

STEERING AND BRAKES

RWP2260 -UN-01JAN94

BRAKE VALVE



1J15

STEERING AND BRAKES

BRAKE VALVE - CONTINUED

KEY	PART NO.	PART NAME	QTY	TRACTOR SERIAL NO.	REMARKS
1	R32092	WASHER	2		
2	R459R	O-RING	2		
3	R32091	PISTON	2		
4	R32090	PLUNGER	2		
5	R26369	SPRING	2		
6	AR52498	VALVE	2		(SUB FOR AR30855)
7	R26286	O-RING	2		
8	R26367	SPRING	2		
9	R31639	PIN	2		
10	R27137	BACK-UP RING	2		
11	R27149	O-RING	2		
12	R31464	PIN	2		
13	R31467	PIN	2		
14	R31465	SLEEVE	2		
15	R31469	SHIM	2		
16	R31468	O-RING	2		
17	R30903	O-RING	4		
18	AR31016	GUIDE	2		
19	400R	BALL	2		6MM (1/4")
20	A4816R	SPRING	2		
21	AR42400	HOUSING	1		(MARKED R31454 OR R67313) (SUB FOR AR31940)
22	R26376	DISK	2		
23	R227R	SPRING	2		
24	R26375	O-RING	3		
25	R32702	FITTING	2		
26	R42849	BALL	1		10MM (3/8") (SUB FOR 405R)
27	R26372	SPRING	1		
28	R28776	O-RING	1		
29	R42684	STRAINER	1		(SUB FOR R28775)
30	R28774	FITTING	1		
31	R27527	ADAPTER	4		
32	R26287	O-RING	4		
33	400R	BALL	1		6MM (1/4")
34	R26374	STOP	1		(USE WITH R31454)
	R44254	GUIDE	1		(USE WITH R67313)
35	R26373	SPRING	1		(USE WITH R31454)
	R44256	SPRING	1		(USE WITH R67313)
36	R44255	WASHER	1		(USE WITH R67313)
37	R31463	PLUG	1	-003511	
38	R26976	O-RING	1	-003511	

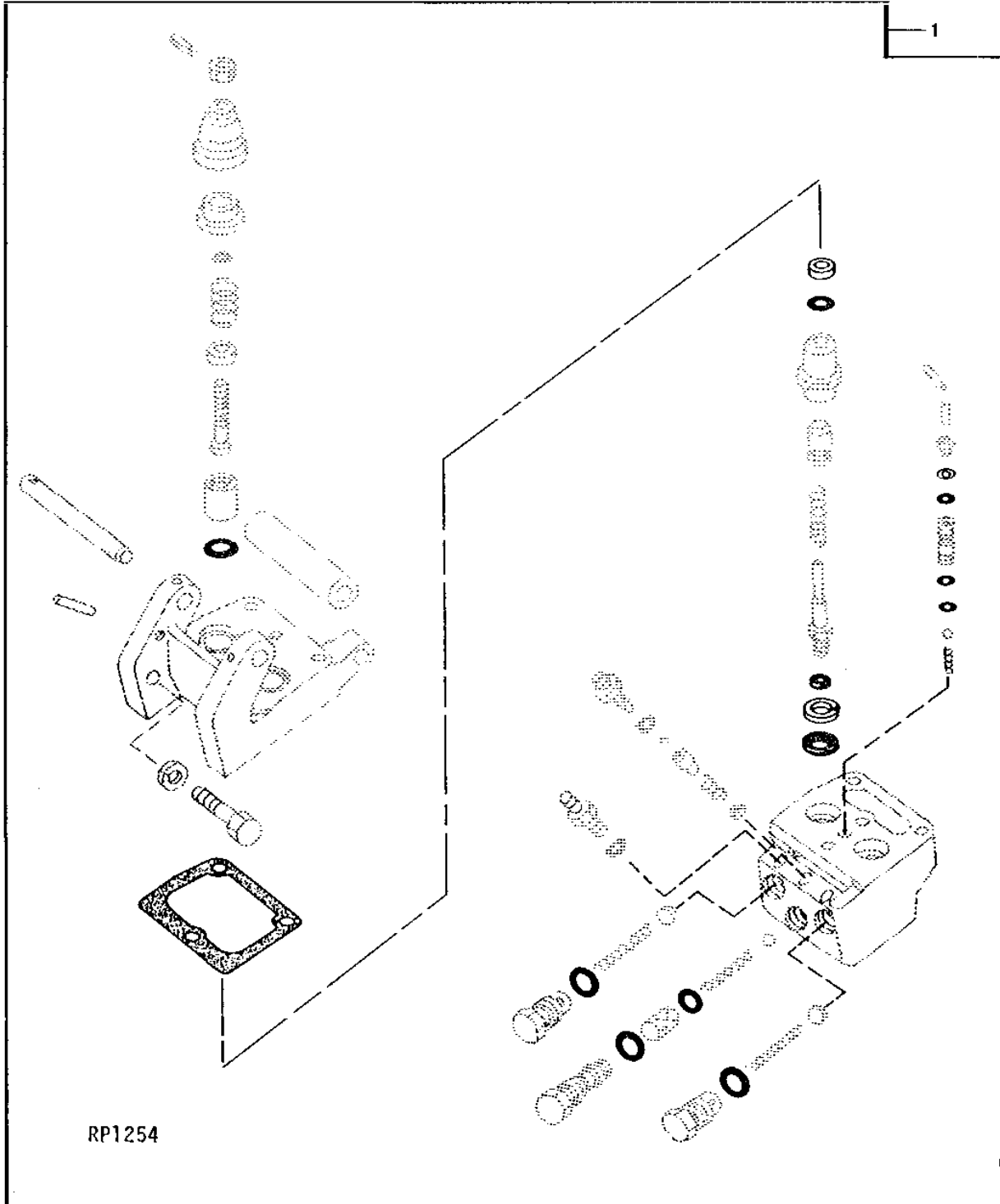
1J16

STEERING AND BRAKES

RP1254

-UN-01JAN94

BRAKE VALVE OVERHAUL KIT



1J17

STEERING AND BRAKES

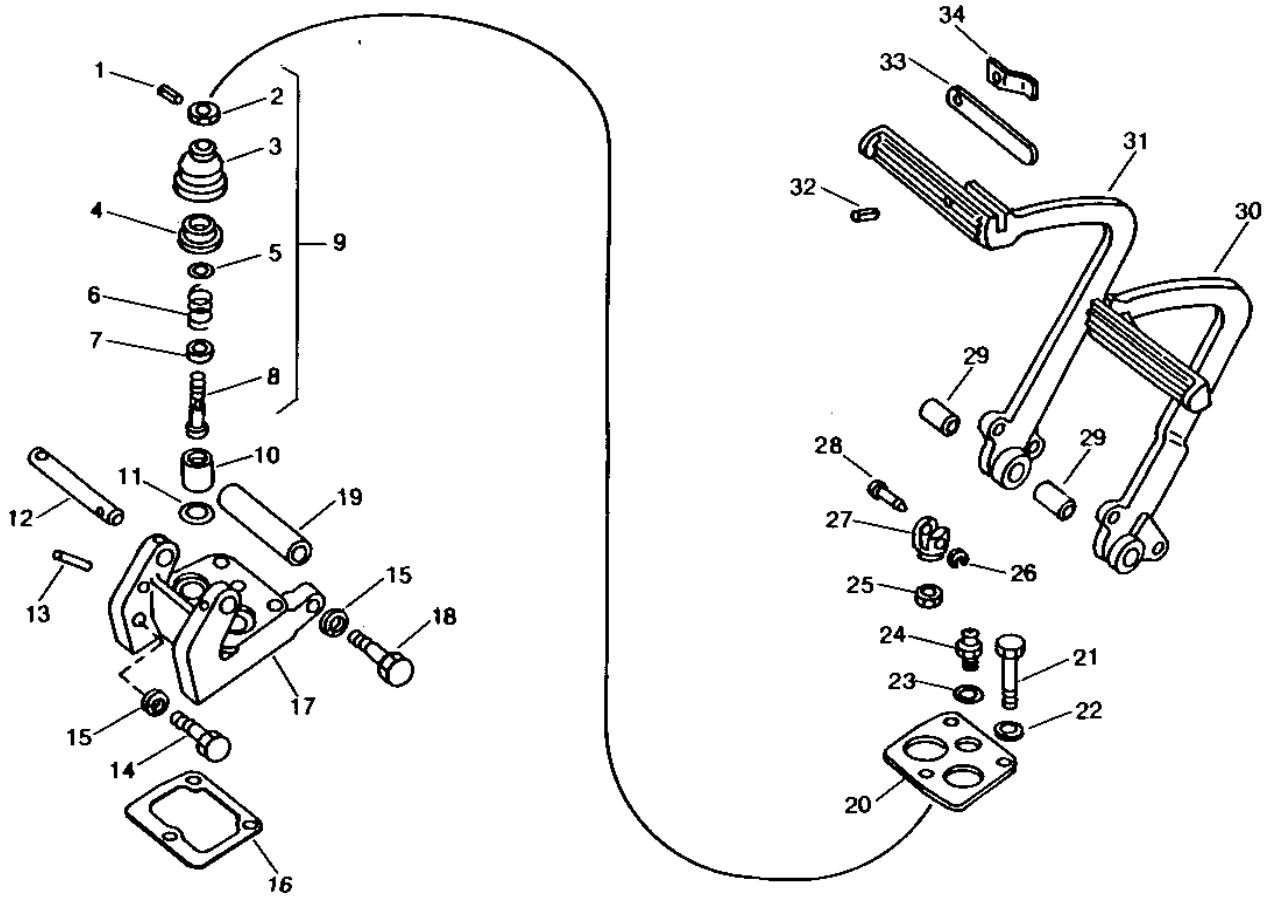
BRAKE VALVE OVERHAUL KIT - CONTINUED

KEY	PART NO.	PART NAME	QTY	TRACTOR SERIAL NO.	REMARKS
1	AR31946	KIT	1		

1J18

RXP8280 -UN-01JAN94

BRAKE PEDALS AND BRACKET



RXP8280

1J19

STEERING AND BRAKES

BRAKE PEDALS AND BRACKET - CONTINUED

KEY	PART NO.	PART NAME	QTY	TRACTOR SERIAL NO.	REMARKS
1	34H245	SPRING PIN	2		1/8" X 5/8"
2	R31272	NUT	1	-008540	(SUB AR39901)
	R39982	NUT	2	008541-	
3	R31449	BOOT	1	-008540	(SUB AR39901)
	R54059	BOOT	2	008541-	(SUB FOR R39981)
4	R31459	RETAINER	2		
5	R30903	O-RING	2	008541-	
6	R31271	SPRING	2		
7	R52168	STOP	2		(SUB FOR R31458)
8	R31267	ROD	2	-008540	(SUB AR39901)
	R39980	BOLT	2	008541-	
9	AR39901	KIT	1	-008540	BRAKE OPERATING ROD, WITH BOOT
10	R52169	GUIDE	2		(SUB FOR R31457)
11	A3606R	O-RING	2		
12	R34747	GROOVE PIN	1		(USE WITH R40789, R34642 OR R31453) (SUB FOR R26768)
	R45929	GROOVE PIN	1		(USE WITH R45928 OR R57815)
13	34H286	SPRING PIN	1		3/16" X 1-1/2", (USE WITH R45928 OR R57815)
	34H252	SPRING PIN	1		1/8" X 1-1/4", (USE WITH R40789, R34642 OR R31453)
14	19H2550	CAP SCREW	1		1/2" X 1-5/8"
15	12H301	LOCK WASHER	2		1/2"
16	R31455	GASKET	1		
17	R57815	BRACKET	1		(ALSO ORDER R45929) (SUB FOR R45928, R40789, R34642 OR R31453)
	12H301	LOCK WASHER	1		1/2"
18	19H2211	CAP SCREW	1		1/2" X 5"
19	R35614	SPACER	1		
20	R26384	RETAINER	1		
21	19H1733	CAP SCREW	3		3/8" X 2-1/2"
22	12H304	LOCK WASHER	3		3/8"
23	R26287	O-RING	1		
24	R27527	ADAPTER	1		
25	14H732	NUT	2		3/8"
26	R26386	SNAP RING	2		
27	R31273	YOKE	2		
28	R26385	PIN	2		
29	B177R	BUSHING	2		
30	AR36279	PEDAL	1		(MARKED R35583 OR R36915) (SUB FOR AR35440)
31	AR36280	PEDAL	1		(MARKED R35584 OR R36916) (SUB FOR AR35441)
32	34H312	SPRING PIN	1		1/4" X 1"
33	R63754	ANGLE	1		(SUB FOR R31504, R32376 OR R50879)
34	R50034	LEAF SPRING	1		(SUB FOR R31602)

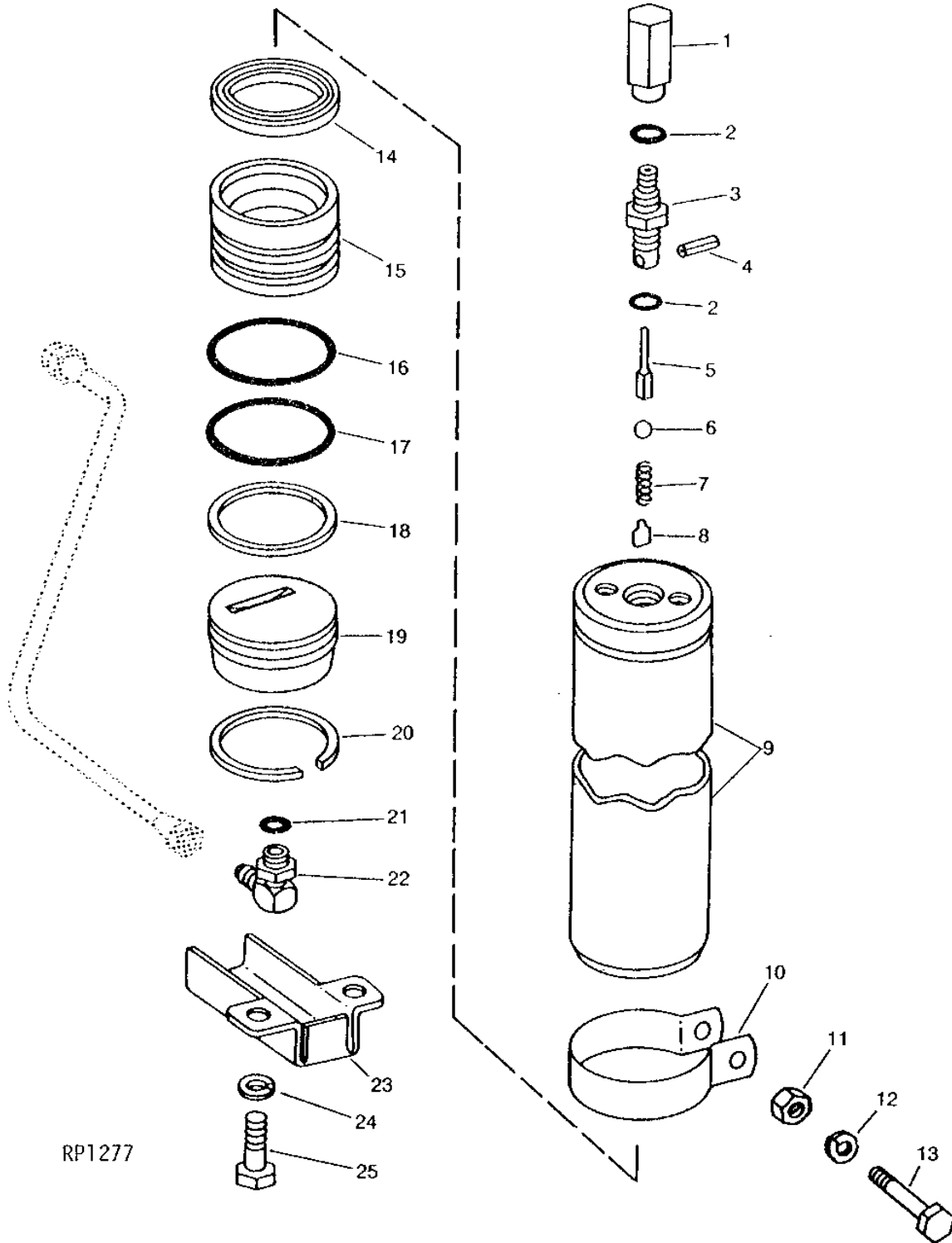
1J20

STEERING AND BRAKES

RP1277

-UN-01JAN94

BRAKE ACCUMULATOR



1J21

STEERING AND BRAKES

BRAKE ACCUMULATOR - CONTINUED

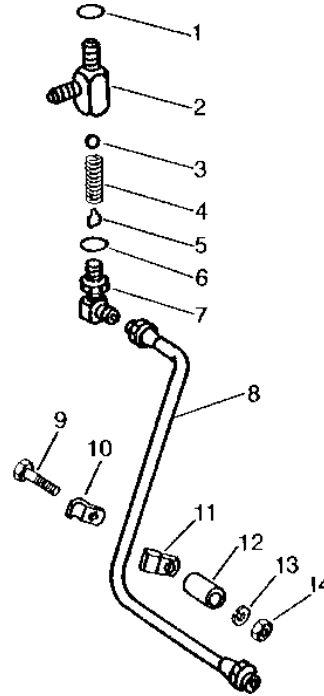
KEY	PART NO.	PART NAME	QTY	TRACTOR SERIAL NO.	REMARKS
1	R30886	FITTING	1		
2	R26448	O-RING	2		
3	R32497	HOUSING	1		
4	34H242	SPRING PIN	1	1/8" X 7/16"	
5	R32498	PIN	1		
6	400R	BALL	1	6MM (1/4")	
7	R26373	SPRING	1		
8	R26374	STOP	1		
9	AR39672	CYLINDER	1		(SUB FOR AR35217)
10	R35794	CLAMP	1		
11	14H1076	NUT	1	3/8"	
12	12H304	LOCK WASHER	1	3/8"	
13	03H1480	BOLT	1	3/8" X 1-1/4"	
14	R35680	SEAL	1		
15	R57103	PISTON	1		(ALSO ORDER (2) A4728R, (2) L29015 AND R27649) (SUB FOR R35679, R44253 OR R48952)
16	A4728R	O-RING	1		
17	U12331	O-RING	1		(SUB FOR L2158N)
18	R35684	BACK-UP RING	1		
19	R47200	CAP	1		(ALSO ORDER (2) A4728R, (2) L29015, R27649 AND R57103) (SUB FOR R35681) (NLA)
20	U10136	SNAP RING	1		
21	R26287	O-RING	1		
22	AT32335	ELBOW FITTING	1	90°, (SUB FOR AR26746)	
23	R45236	SHIELD	1	(SUB FOR R35613)	
24	12H304	LOCK WASHER	2	3/8"	
25	19H2284	CAP SCREW	2	3/8" X 7/8"	

1J22

STEERING AND BRAKES

RP1278 -UN-01JAN94

BRAKE ACCUMULATOR CHECK VALVE AND OIL PIPE



RP1278

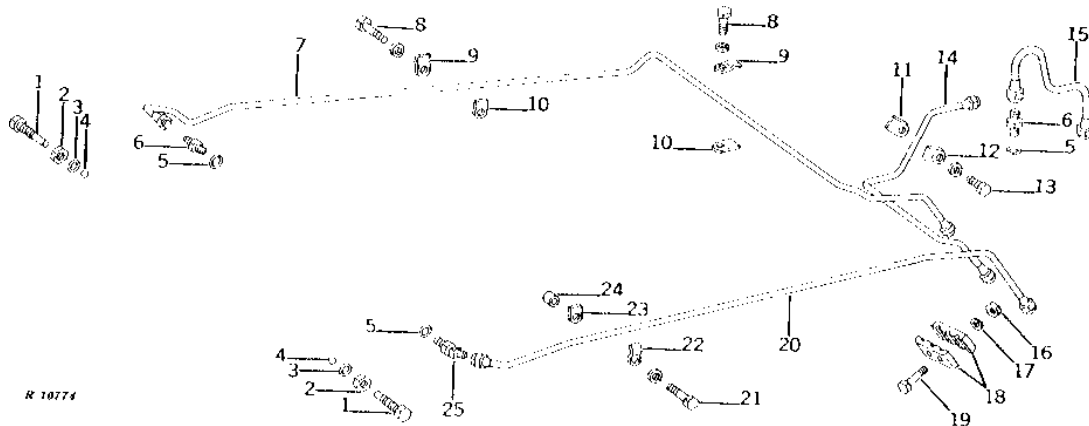
KEY	PART NO.	PART NAME	QTY	TRACTOR SERIAL NO.	REMARKS
1	R26286	O-RING	1		
2	AR35218	FITTING	1		
3	400R	BALL	1	6MM (1/4")	
4	R26373	SPRING	1		
5	R26374	STOP	1		
6	R26287	O-RING	1		
7	AT32335	ELBOW FITTING	1	90°	
8	AR35203	HYDRAULIC LINE	1		
9	19H2762	CAP SCREW	1	5/16" X 2-1/4"	
10	R31654	CLAMP	1	(SUB FOR R27540)	
11	R31655	STRAP	1	(SUB FOR R27541)	
12	28H1527	SPACER	1		
13	12H303	LOCK WASHER	1	5/16"	
14	14H785	NUT	1	5/16"	

1J23

STEERING AND BRAKES

R10774 -UN-01JAN94

BRAKE OIL PIPES



KEY	PART NO.	PART NAME	QTY	TRACTOR SERIAL NO.	REMARKS
1	R27906	SCREW	2		BLEED VALVE
2	R27296	NUT	2		
3	R26286	O-RING	2		
4	R42849	BALL	2		(SUB FOR 405R)
5	R26287	O-RING	3		
6	R27527	ADAPTER	2		
7	AR49291	HYDRAULIC LINE	1		(SUB FOR AR35267)
8	19H1936	CAP SCREW	3		3/8" X 3/4"
	12H304	LOCK WASHER	3		3/8"
9	R31654	CLAMP	3		
10	R31655	STRAP	3		
11	R31655	STRAP	1		(SUB FOR R27541)
12	R31654	CLAMP	1		(SUB FOR R27540)
13	19H1900	CAP SCREW	1		5/16" X 3/4"
	12H303	LOCK WASHER	1		5/16"
14	AR35202	HYDRAULIC LINE	1		PRESSURE
15	AR35235	HYDRAULIC LINE	1		RETURN
16	14H785	NUT	2		5/16"
17	12H303	LOCK WASHER	2		5/16"
18	R36086	CLAMP	2		
19	19H1849	CAP SCREW	2		5/16" X 1-1/4"
20	AR36259	LINE	1		(SUB FOR AR35266) (SUB AR46408, R44949 AND R44950)
21	19H1765	CAP SCREW	2	-007999	3/8" X 1-3/4"
	19H3181	CAP SCREW	1	008000-	3/8" X 2" FRONT
	19H1944	CAP SCREW	1	008000-	3/8" X 2-3/4" REAR
	12H304	LOCK WASHER	2		3/8"
22	R27528	CLAMP	2	-007999	
	R31654	CLAMP	2	008000-	
23	R27256	STRAP	2	-007999	
	R34819	PLATE	1	008000-	FRONT
	R31655	STRAP	1	008000-	REAR
24	28H1697	SPACER	2	-007999	3/8" X .750"
	28H1495	SPACER	1	008000-	FRONT 3/8" X 1"
	28H1530	BUSHING	1	008000-	REAR 3/8" X 1-13/16"
25	AR35223	ELBOW FITTING	1		

MEMORANDA

2A21

HYDRAULICS

R32261 -UN-01JAN94

TRANSMISSION AND HYDRAULIC OIL



R32261F

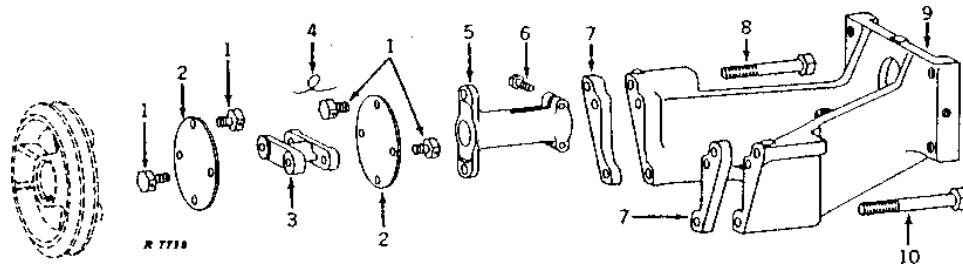
KEY	PART NO.	PART NAME	QTY	TRACTOR SERIAL NO.	REMARKS
1	AR69444	HY-GARD	1		19 L (5 GAL) CAN OF JOHN DEERE HY-GARD
	AR69445	HY-GARD	1		208 L (55 GAL) DRUM OF JOHN DEERE HY-GARD (EMPTY DRUMS NOT RETURNABLE)

2A22

HYDRAULICS

R7718 -UN-01JAN94

HYDRAULIC PUMP DRIVE AND SUPPORT
(TRACTOR SERIAL NO. -004499)



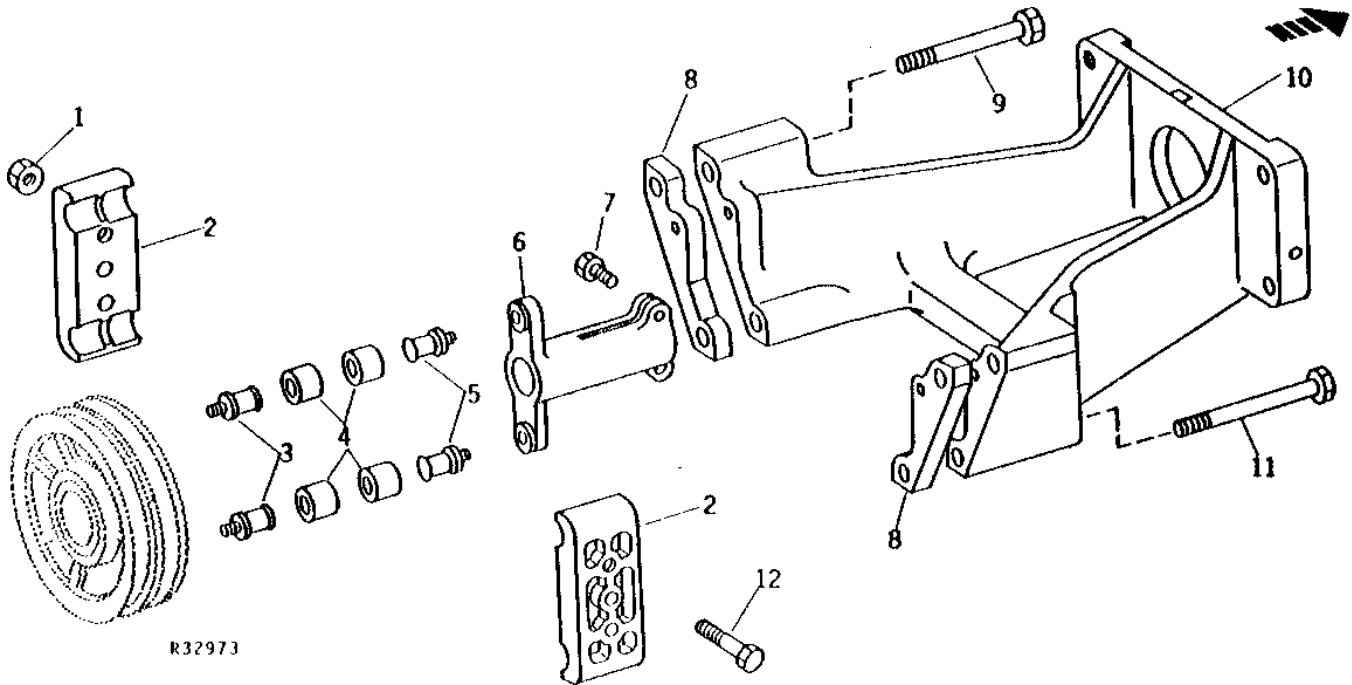
KEY	PART NO.	PART NAME	QTY	TRACTOR SERIAL NO.	REMARKS
1	R28055	SCREW	8		
2	R27482	DISK	2		
3	R27481	LINK	1		
4	WIRE	4		
5	R32333	SHAFT	1		16 GAUGE X 305MM (12") (NO LONGER AVAILABLE)
6	19H1732	CAP SCREW	2		3/8" X 1-1/4"
7	R35298	SPACER	2		(NLA)
8	19H3544	CAP SCREW	2		1/2" X 4-1/2" HS, SAE 8
9	R46774	SUPPORT	1		(SUB FOR R27480 OR R34358)
10	19H3599	CAP SCREW	2		1/2" X 5-1/4"

2A23

HYDRAULICS

HYDRAULIC PUMP DRIVE AND SUPPORT (TRACTOR SERIAL NO. 004500-)

R32973 -UN-01JAN94



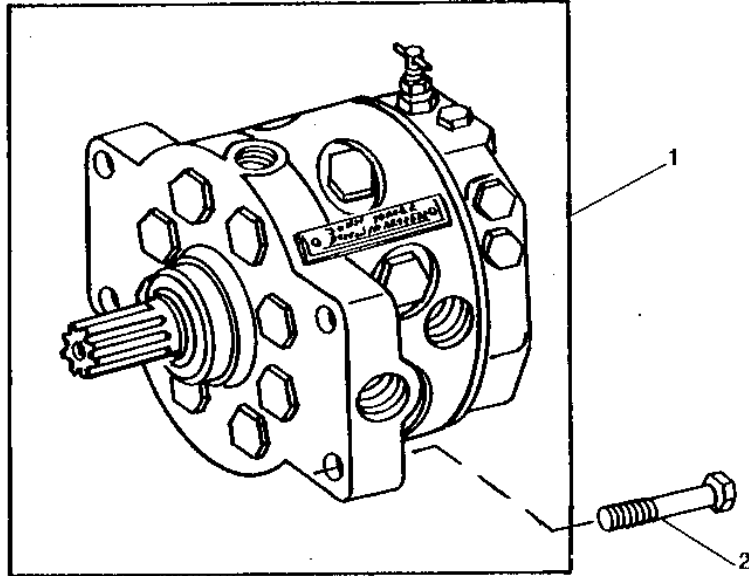
KEY	PART NO.	PART NAME	QTY	TRACTOR SERIAL NO.	REMARKS
1	T11234	LOCK NUT	2		(SUB FOR C744DN)
2	R34362	EXTERNAL HALF COUPLER	2		
3	R34360	SCREW	2		
4	R45822	BUSHING	4		(SUB FOR AR34098 OR AR49427)
5	R34360	SCREW	2		
6	AT42311	SHAFT	1		(SUB FOR R34359)
7	19H1732	CAP SCREW	2		3/8" X 1-1/4"
8	R35298	SPACER	2		(NLA)
9	19H3544	CAP SCREW	2		1/2" X 4-1/2" HS, SAE 8
10	R46774	SUPPORT	1		(SUB FOR R34358)
11	19H3599	CAP SCREW	2		1/2" X 5-1/4"
12	19H2116	CAP SCREW	2		3/8" X 2-1/2", (SUB FOR R34363)

2A24

HYDRAULICS

RP3196 -UN-01JAN94

REPLACEMENT HYDRAULIC PUMP ASSEMBLY



RP3196

KEY	PART NO.	PART NAME	QTY	TRACTOR SERIAL NO.	REMARKS
1	AR97872	HYDRAULIC PUMP	1	-004499	(A) 40 CM3 (2.4 IN.3) (MODEL EA1) (ALSO ORDER RE23384, R36075, P47908 AND F3171R) (SUB FOR AR26947, AR39695 OR AR90459)
	AR94660	HYDRAULIC PUMP	1	004500-	(A) 50 CM3 (3 IN.3) (MODEL GA1) (ALSO ORDER R36075, P47908 AND F3171R) (SUB FOR AR47802 OR AR56161)
2	19H1990	CAP SCREW	4		1/2" X 2-1/4"

(A) ALSO ORDER AR39810 IF ORIGINAL PUMP HOUSING IS MARKED R32291 OR R32441

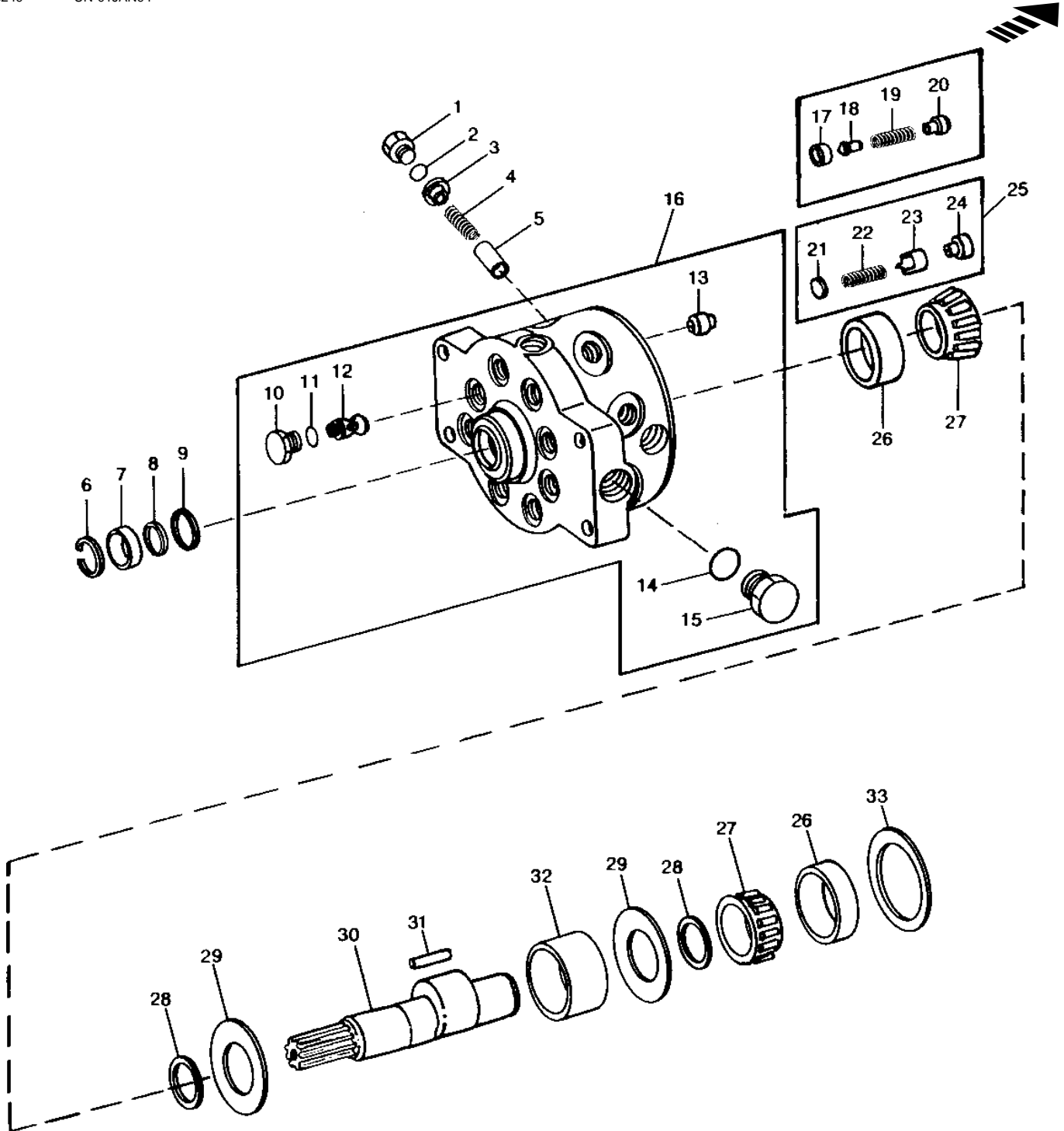
MEMORANDA

2B1

HYDRAULICS

HYDRAULIC PUMP
39 CM3 (2.4 IN.3) - 49 CM3 (3 IN.3)
(PUMP LESS SERIAL PLATE)

RP3249 -UN-01JAN94



RP3249

2B2

HYDRAULICS

HYDRAULIC PUMP - CONTINUED
39 CM3 (2.4 IN.3) - 49 CM3 (3 IN.3)
(PUMP LESS SERIAL PLATE)

KEY	PART NO.	PART NAME	QTY	TRACTOR SERIAL NO.	REMARKS
1	R27152	FITTING	8	-XXXXXX	
	R45438	FITTING	8	XXXXXX-	(SUB FOR R27152 OR R34353)
2	R495R	O-RING	8	-XXXXXX	(A) (SUB (8) R56463 AND AR101236)
	R56463	O-RING	8	XXXXXX-	(B)
3	AR101236	SHIELD	1	XXXXXX-	(B) (SET OF 8) (SUB FOR R56749)
4	AR76762	SPRING	1		(SET OF 8) (SUB FOR AR33821 OR AR55186) (USE WITH (8) R45438) (SUB FOR AR28041)
5	R27150	PISTON	8		
6	R26137	SNAP RING	1		
7	AR52224	SEAL	1		(B) (SUB FOR AR26639 OR AR40398)
8	R56753	SHIM	1	XXXXXX-	(B)
9	R39729	O-RING	1		(B) (SUB FOR R27147)
10	R78293	FITTING	8		(SUB FOR R27148 OR R44823)
11	R27149	O-RING	8		(B)
12	AR53301	VALVE	8		(INLET) (SUB FOR AR26758)
13	R105583	SEAT	8		(B) (SUB FOR R39067)
14	U13639	O-RING	1		(USE WITH R34354 OR R45228)
	F3171R	O-RING	1		(USE WITH R45227)
15	R39741	DRAIN PLUG	1		(USE WITH R34354 OR R45228)
	R27175	DRAIN PLUG	1		(USE WITH R45227)
16	AR31921	HOUSING	1	-004499	(A) (MARKED R32291 OR R32441) (SUB AR97872 AND AR39810) (ALSO ORDER R36075, R39741, P47908, U13639 AND F3171R)
	AR31921	HOUSING	1	004500-	(A) (MARKED R32291 OR R32441) (SUB AR94660 AND AR39810) (ALSO ORDER R36075, P47908 AND F3171R)
	AR47580	HOUSING	1	-004499	(B) (MARKED R34354, R45227 OR R45228) (SUB AR97872) (ALSO ORDER R36075, R39741, P47908, U13639 AND F3171R)
	AR47580	HOUSING	1	004500-	(B) (MARKED R34354, R45227 OR R45228) (SUB AR94660) (ALSO ORDER R36075, P47908 AND F3171R) (SUB FOR AR31921, AR39696 OR AR47170)
17	R27155	WASHER	8		(A)
18	R27154	POPPET	8		(A)
19	R38531	SPRING	8		(A) (SUB FOR R27156)
20	R27157	GUIDE	8		(A)
21	R49297	DISK	8		(B) (SUB FOR R39074)
22	R39228	SPRING	8		(B)
23	R48738	GUIDE	8		(B) (SUB FOR R39174)
24	R83508	STOP	8		(B) (SUB FOR R39175, R48298 OR R72886)
25	RE23382	VALVE	8		(OUTLET) (SUB FOR AR39026, AR52099, AR52785 OR AR96613)
26	JD8223	BEARING CUP	2		
27	JD8192	BEARING CONE	2		(SUB FOR JD8931)
28	R34349	WASHER	2		(SUB FOR R27144)
29	R60732	WASHER	2		(SUB FOR R27463, R34351 OR R42467)
30	R39843	SHAFT	1	-004499	(SUB FOR R27486)
	R34348	SHAFT	1	004500-	
31	R27145	NEEDLE ROLLER	36		
32	R45874	BEARING RACE	1		(SUB FOR R27146)
33	R27478	SHIM	AR		0.15MM (.006")
	R27479	SHIM	AR		0.25MM (.010")
..	AR26947	HYDRAULIC PUMP	1	-004499	(C) (SUB AR97872) (ALSO ORDER RE23384, R36075, P47908 AND F3171R)
..	AR56161	HYDRAULIC PUMP	1	004500-	(C) (SUB AR94660) (ALSO ORDER R36075, P47908 AND F3171R) (SUB FOR AR47802)

- (A) ORIGINAL PUMP LESS SERIAL PLATE
- (B) REPLACEMENT PUMP LESS SERIAL PLATE
- (C) ALSO ORDER AR39810 IF ORIGINAL PUMP IS BEING REPLACED

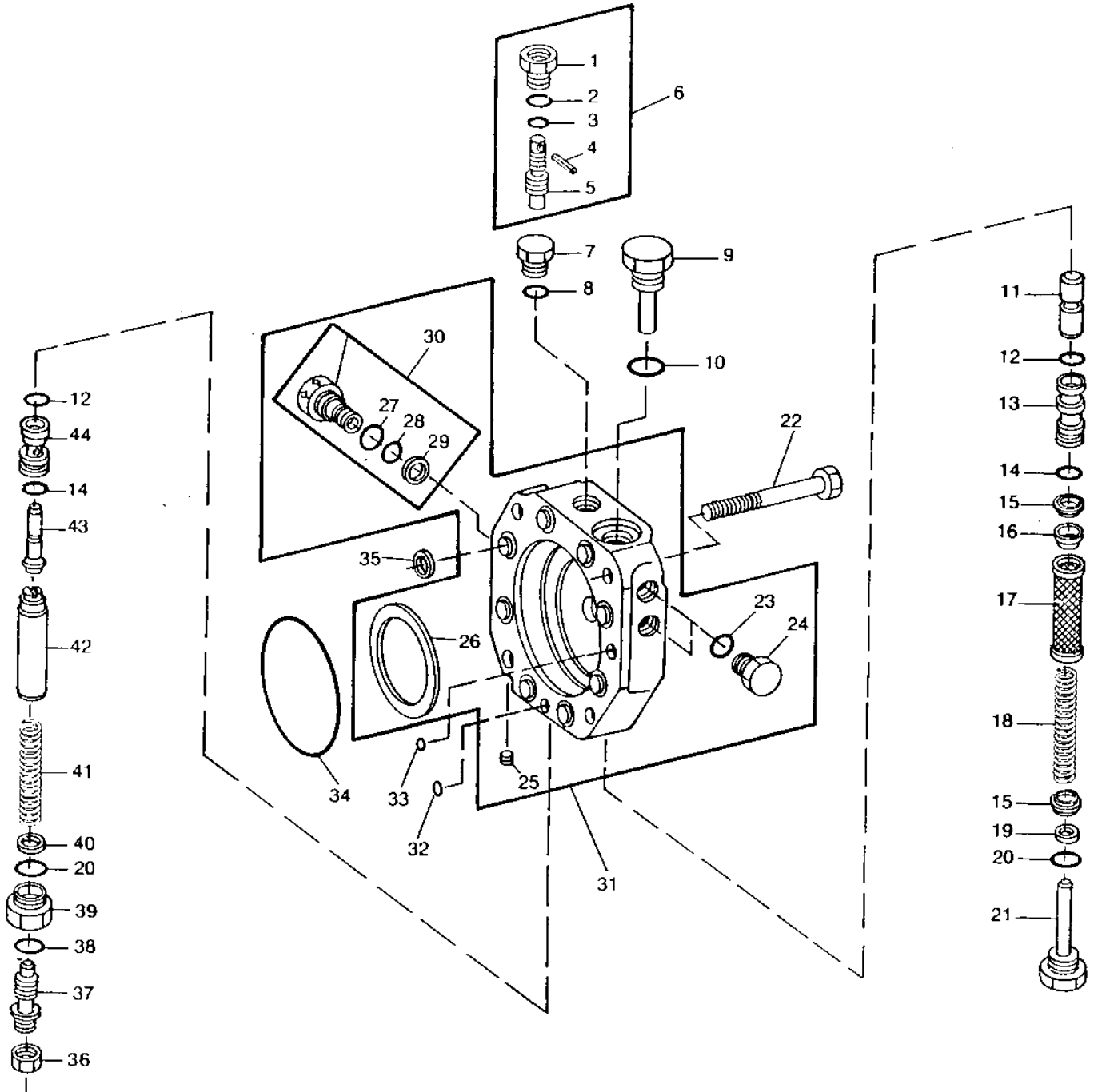
2B3

HYDRAULICS

HYDRAULIC PUMP STROKE CONTROL VALVE 39 CM3 (2.4 IN.3) - 49 CM3 (3 IN.3) (PUMP LESS SERIAL PLATE)

RP3510

-UN-01JAN94



RP3510

2B4

HYDRAULICS

HYDRAULIC PUMP STROKE CONTROL VALVE - CONTINUED
 39 CM3 (2.4 IN.3) - 49 CM3 (3 IN.3)
 (PUMP LESS SERIAL PLATE)

KEY	PART NO.	PART NAME	QTY	TRACTOR SERIAL NO.	REMARKS
1	R27475	FITTING	1		
2	R26448	O-RING	1		
3	A4365R	O-RING	1		
4	34H254	SPRING PIN	1		1/8" X 1-1/2"
5	R27171	SCREW	1		
6	AR33249	SCREW	1		(MANUAL DESTROKE)
7	R27218	FITTING PLUG	1		(LESS MANUAL DESTROKE)
8	R26448	O-RING	1		(LESS MANUAL DESTROKE)
9	AR51745	PLUG	1		(SUB FOR AR26761)
10	R26906	O-RING	1		
11	R27172	VALVE	1		
12	R27564	O-RING	2		
13	R70351	SLEEVE	1		(SUB FOR R27476)
14	R27166	O-RING	2		
15	R27174	PACKING	2		
16	R27167	GUIDE	1		
17	R27173	FILTER ELEMENT	1		
18	R27159	SPRING	1		
19	R27170	SHIM	AR		0.010"
	24H1298	WASHER	AR		0.030"
20	F3171R	O-RING	2		
21	AR26646	PLUG	1		
22	19H3520	CAP SCREW	4		1/2" X 3-1/4"
23	R26287	O-RING	2		
24	R27216	PLUG	2		
25	15H560	PIPE PLUG	1		1/16", (USE WITH R49071)
26	R49072	WASHER	1		(NOT USED IN ALL APPLICATIONS)
27	R26375	O-RING	1		(USE WITH R49071)
28	T40308	O-RING	1		(USE WITH R49071)
29	T57374	BACK-UP RING	1		(USE WITH R49071)
30	AR90378	PLUG	1		(USE WITH R49071)
31	AR38714	HOUSING	1		(MARKED R27470, R31747, R32442, R42663, R44802 OR R49071) (SUB FOR AR26759, AR30927, AR39829 OR R32195)
32	R56755	WASHER	1		(SUB FOR A4847R)
33	R56756	O-RING	1		(SUB FOR A3917R)
34	R56757	O-RING	1		(SUB FOR R26621)
35	R69279	WASHER	8		(SUB FOR R26149 OR R56754)
36	14H1021	NUT	1		7/16"
37	AR52254	SET SCREW	1		(SUB FOR AR27982 OR AR31710)
38	R28782	O-RING	1		
39	R28781	FITTING	1		
40	R42260	WASHER	1		(SUB FOR A680R)
41	R31781	SPRING	1		(SUB FOR F2773R)
42	R71321	GUIDE	1		(SUB FOR R32344)
43	R70559	CONTROL VALVE	1		(SUB RE10712, R27166 AND R41057) (SUB FOR R27472 OR R65194)
44	R69262	SLEEVE	1		(SUB RE10712, R27166 AND R41057) (SUB FOR R27471, R58499 OR R65192)

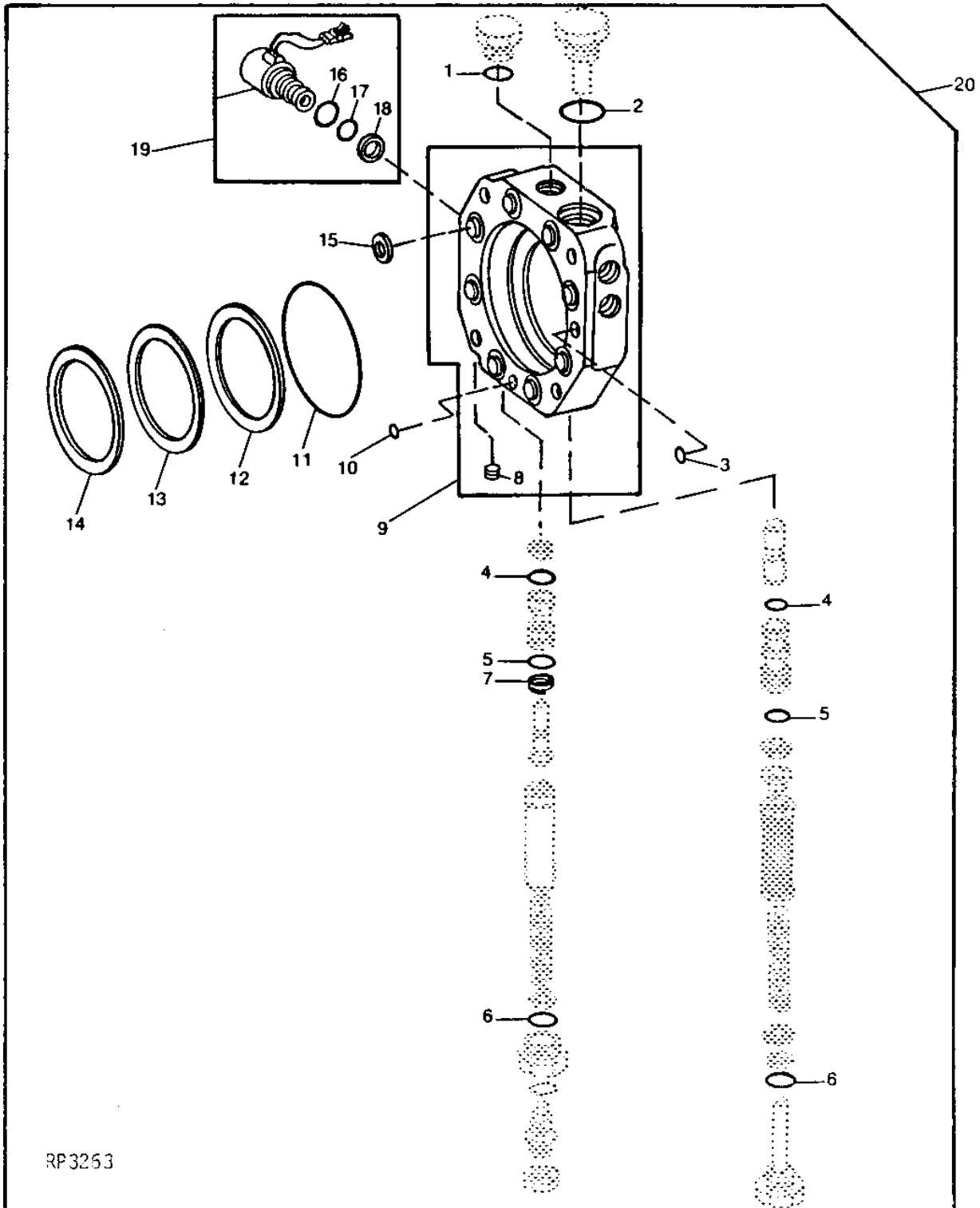
2B5

HYDRAULICS

HYDRAULIC PUMP ELECTRIC DESTROKE KIT (PUMP LESS SERIAL PLATE)

RP3263

-UN-01JAN94



2B6

HYDRAULICS

HYDRAULIC PUMP ELECTRIC DESTROKE KIT - CONTINUED
(PUMP LESS SERIAL PLATE)

KEY	PART NO.	PART NAME	QTY	TRACTOR SERIAL NO.	REMARKS
1	R26448	O-RING	1		
2	R26906	O-RING	1		
3	R56756	O-RING	1		
4	R27564	O-RING	2		
5	R27166	O-RING	2		
6	F3171R	O-RING	2		
7	R41057	BACK-UP RING	1		
8	15H560	PIPE PLUG	1	1/16"	
9	AR38714	HOUSING	1		(MARKED R49071) (SUB FOR AR52494 OR RE13611)
10	R56755	WASHER	1		
11	R56757	O-RING	1		
12	R27478	SHIM	2	0.15MM (.006")	
13	R27479	SHIM	2	0.25MM (.010")	
14	R49072	WASHER	1		(NOT USED IN ALL APPLICATIONS)
15	R69279	WASHER	8		
16	R26375	O-RING	1		
17	T40308	O-RING	1		
18	T57374	BACK-UP RING	1		
19	RE32529	SOLENOID VALVE	1		(SUB FOR RE21725)
20	RE14868	KIT	1		(A) (SUB RE40463)

(A) INCLUDES RE12330 WIRE CONNECTORS

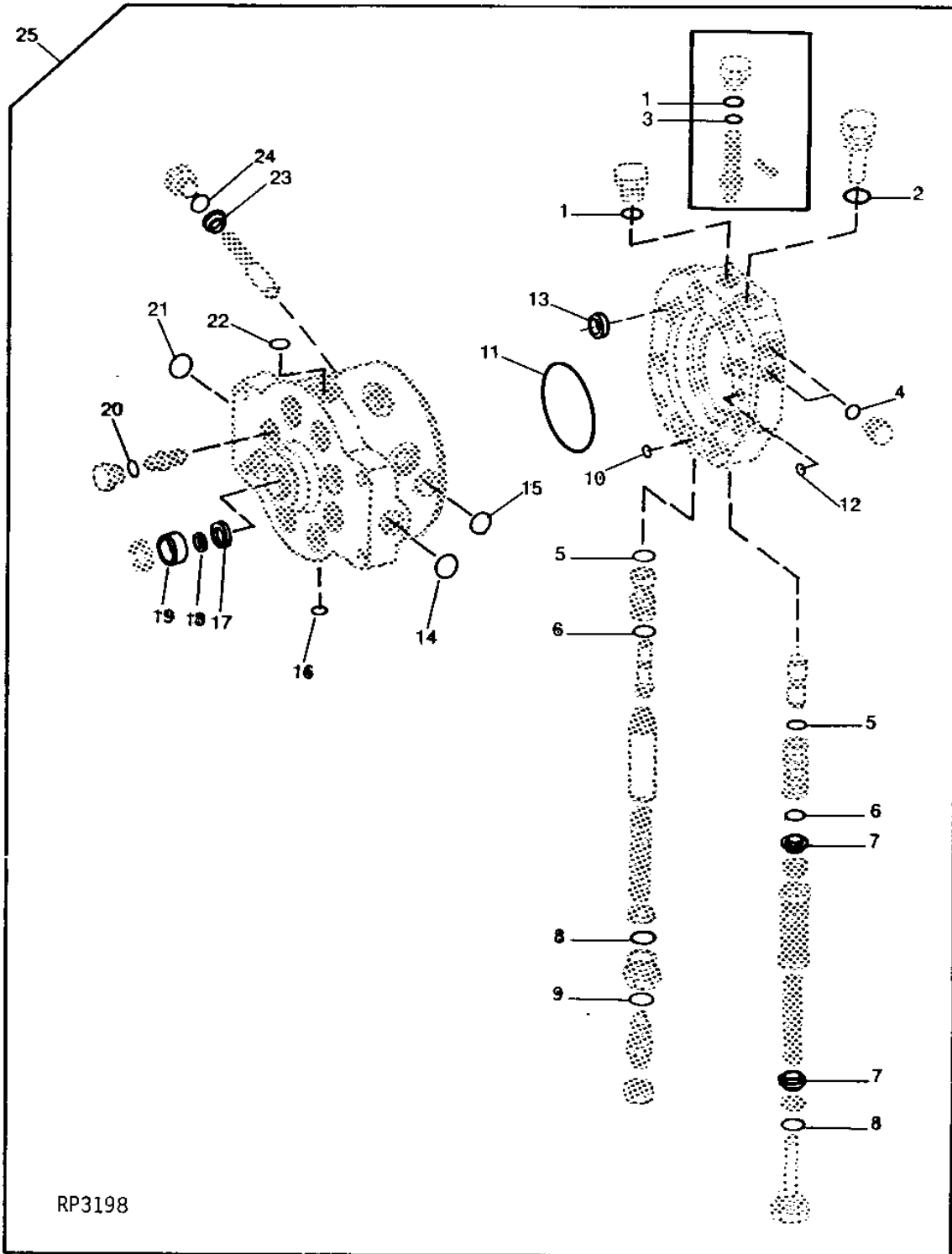
2B7

HYDRAULICS

HYDRAULIC PUMP AND STROKE CONTROL VALVE OVERHAUL KIT 39 CM3 (2.4 IN.3) - 49 CM3 (3 IN.3) (PUMP LESS SERIAL PLATE)

RP3198

-UN-01JAN94



2B8

HYDRAULICS

HYDRAULIC PUMP AND STROKE CONTROL VALVE OVERHAUL KIT - CONTINUED
39 CM3 (2.4 IN.3) - 49 CM3 (3 IN.3)
(PUMP LESS SERIAL PLATE)

KEY	PART NO.	PART NAME	QTY	TRACTOR SERIAL NO.	REMARKS
1	R26448	O-RING	2		
2	R26906	O-RING	1		
3	A4365R	O-RING	1		
4	R26287	O-RING	2		
5	R27564	O-RING	2		
6	R27166	O-RING	2		
7	R27174	PACKING	2		
8	R56751	O-RING	2		
9	R28782	O-RING	1		
10	R56755	WASHER	1		
11	R56757	O-RING	1		
12	R56756	O-RING	1		(A)
	A4365R	O-RING	1		(A)
13	R69279	WASHER	8		
14	U13639	O-RING	1		
15	R26906	O-RING	1		
16	R26287	O-RING	1		
17	R39729	O-RING	1		
18	R56753	SHIM	1		(C)
19	RE28790	SEAL	1		
20	R27149	O-RING	8		
21	R56751	O-RING	1		
22	R27928	O-RING	2		(A) TOP
	P47908	O-RING	1		(A) BOTTOM
	R35827	WASHER	1		(A)
23	AR101236	SHIELD	1		(SET OF 8)
24	R56463	O-RING	8		
25	RE29103	KIT	1		(B) (SUB FOR AR67718)

(A) UNIVERSAL KIT - APPLICATIONS WILL VARY

(B) ALSO ORDER (2) R27166 AND (2) R41057, IF STROKE CONTROL VALVE HAS BEEN REPLACED.

(C) NOTE: IF ORIGINAL PUMP IS STILL INSTALLED, MUST REPLACE SEAL RE28790 WITH AR52224.

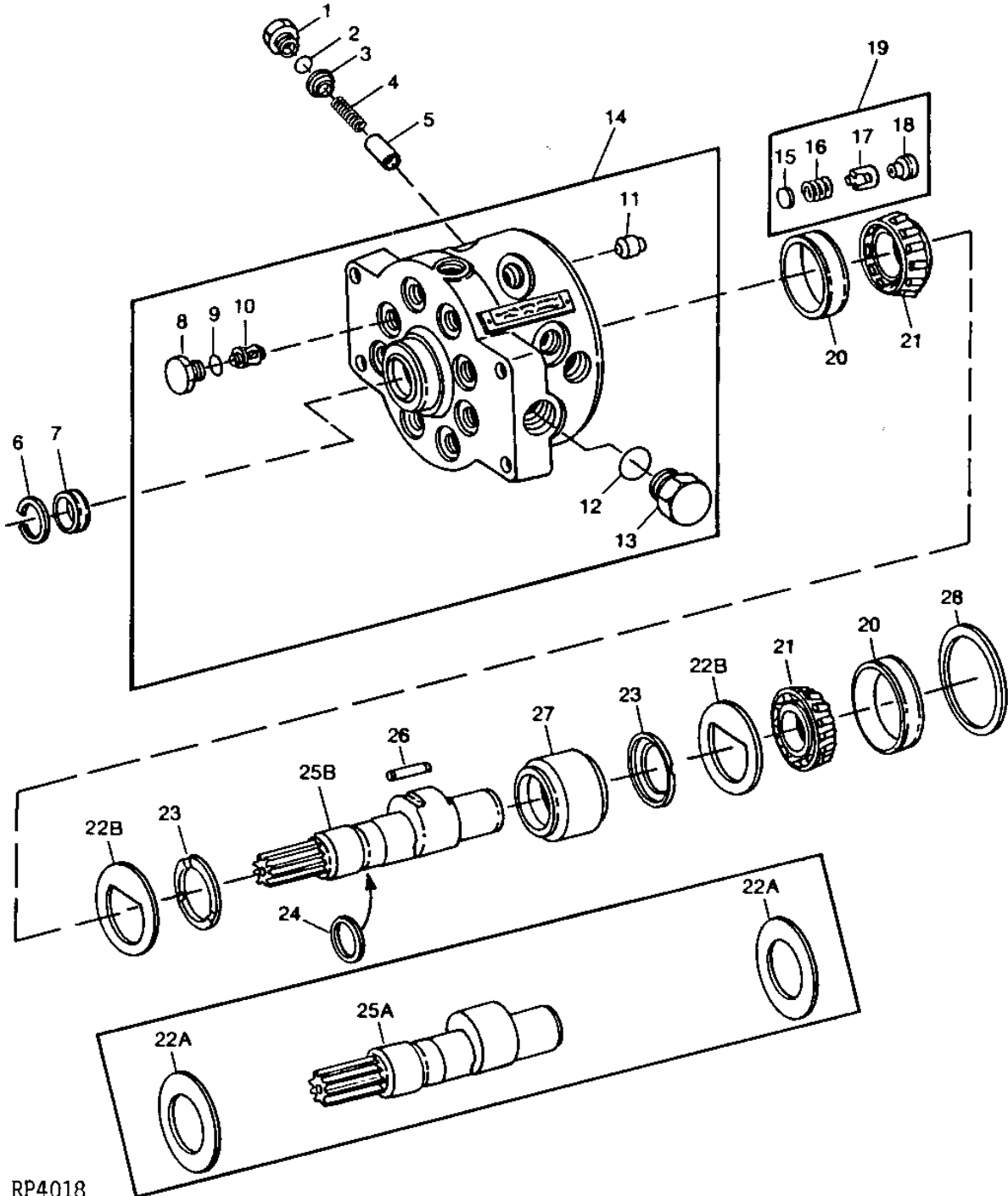
2B9

HYDRAULICS

HYDRAULIC PUMP - MODEL EA1-GA1
40 CM3 (2.4 IN.3) - 50 CM3 (3 IN.3)
(REPLACEMENT PUMP WITH SERIAL PLATE)

RP4018

-UN-18OCT94



RP4018

2B10

HYDRAULICS

HYDRAULIC PUMP - MODEL EA1-GA1 - CONTINUED
40 CM3 (2.4 IN.3) - 50 CM3 (3 IN.3)
(REPLACEMENT PUMP WITH SERIAL PLATE)

KEY	PART NO.	PART NAME	QTY	PUMP SERIAL NO.	REMARKS
1	R45438	FITTING	8		
2	R56463	O-RING	8		
3	AR101236	SHIELD	1		(SET OF 8)
4	AR76762	SPRING	1		(SET OF 8)
5	R27150	PISTON	8		
6	R26137	SNAP RING	1		
7	RE28790	SEAL	1		
8	R78293	FITTING	8		
9	R27149	O-RING	8		
10	AR53301	VALVE	8		(INLET)
11	R105583	SEAT	8		
12	F3171R	O-RING	1		(USE WITH R71586)
	U13639	O-RING	1		(USE WITH R73741)
13	R27175	PLUG	1		(USE WITH R71586)
	R39741	PLUG	1		(USE WITH R73741)
14	RE11804	HOUSING	1		(MODEL PJ1) (MARKED R71586 OR R73741)
15	R49297	DISK	8		
16	R39228	SPRING	8		
17	R48738	GUIDE	8		
18	R83508	STOP	8		(SUB FOR R49298 OR R72886)
19	RE23382	VALVE	8		(OUTLET) (SUB FOR AR96613)
20	JD8223	BEARING CUP	2		
21	JD8192	BEARING CONE	2		
22A	R77903	WASHER	2	-014818	(SUB FOR R45425)
	R77903	WASHER	1	-023628	(SUB FOR R45425)
22B	R79151	LOCK WASHER	2	014819-	(USE WITH R79152)
	R79151	LOCK WASHER	1	023629-	(USE WITH R79152)
23	R72507	THRUST WASHER	2		
24	R77611	RING	1		(SEALING) (SUB FOR R68252 OR RE11777)
25A	R73228	SHAFT	1	-014818	(A) (SUB R79150) (ALSO ORDER (2) R79151)
	R71598	SHAFT	1	-023628	(B) (SUB R79152) (ALSO ORDER (2) R79151)
25B	R79150	SHAFT	1	014819-	(A)
	R79152	SHAFT	1	023629-	(B)
26	R45422	NEEDLE ROLLER	25		
27	R80558	BEARING RACE	1		(SUB FOR R72506)
28	R27478	SHIM	AR		0.15MM (.006")
	R27479	SHIM	AR		0.25MM (.010")
..	AR97872	HYDRAULIC PUMP	1		(A) (MODEL EA1)
..	AR94660	HYDRAULIC PUMP	1		(B) (MODEL GA1)

(A) 40 CM3 (2.4 IN.3)
(B) 50 CM3 (3 IN.3)

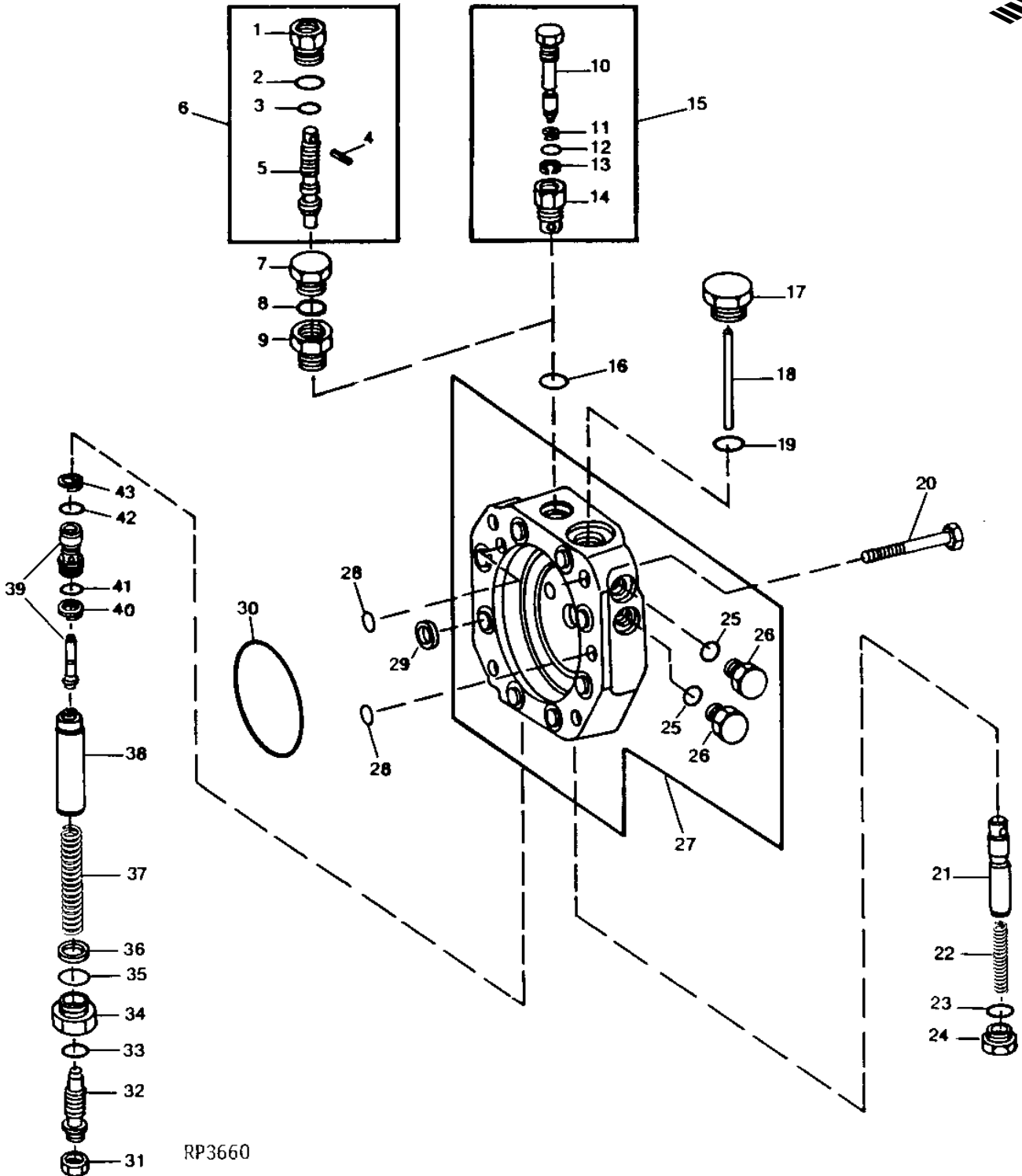
2B11

HYDRAULICS

HYDRAULIC PUMP STROKE CONTROL VALVE
40 CM³ (2.4 IN.³) - 50 CM³ (3 IN.³)
(REPLACEMENT PUMP WITH SERIAL PLATE)

RP3660

-UN-14SEP94



RP3660

2B12

HYDRAULICS

HYDRAULIC PUMP STROKE CONTROL VALVE - CONTINUED
 40 CM3 (2.4 IN.3) - 50 CM3 (3 IN.3)
 (REPLACEMENT PUMP WITH SERIAL PLATE)

KEY	PART NO.	PART NAME	QTY	PUMP SERIAL NO.	REMARKS
1	R27475	FITTING	1		
2	R26448	O-RING	1		
3	A4365R	O-RING	1		
4	34H254	SPRING PIN	1	1/8" X 1-1/2"	
5	R75879	SCREW	1		
6	AR96625	SCREW	1		(A) (MANUAL DESTROKE)
7	R27218	FITTING PLUG	1		(LESS MANUAL DESTROKE)
8	R26448	O-RING	1		(LESS MANUAL DESTROKE)
9	R70617	PIPE PLUG	1		
10	R79266	SCREW	1		
11	R36358	BACK-UP RING	1		
12	R34802	O-RING	1		
13	R79268	SNAP RING	1		
14	R79267	PLUG	1		
15	RE13271	SCREW	1		(A) (MANUAL DESTROKE)
16	R26906	O-RING	1		
17	R75642	PLUG	1		
18	R75564	PIN	1		
19	R56751	O-RING	1		
20	19H3520	CAP SCREW	4	1/2" X 3-1/4"	
21	R70867	VALVE	1		
22	R70868	SPRING	1		
23	R26375	O-RING	1		
24	R73736	PLUG	1		
25	R26448	O-RING	2		
26	R75376	PLUG	2		
27	RE12470	HOUSING	1		(MARKED R77714)
28	R56755	WASHER	2		
29	R69279	WASHER	8		
30	R56757	O-RING	1		
31	14H1021	NUT	1	7/16"	
32	AR52254	SET SCREW	1		
33	R28782	O-RING	1		
34	R28781	FITTING	1		
35	F3171R	O-RING	1		
36	R42260	WASHER	1		
37	R31781	SPRING	1		
38	R71321	GUIDE	1		
39	RE10712	CONTROL VALVE	1		
40	R41057	BACK-UP RING	1		
41	R27166	O-RING	1		
42	R27564	O-RING	1		
43	R75938	WASHER	1		

(A) DESIGNS INTERCHANGEABLE

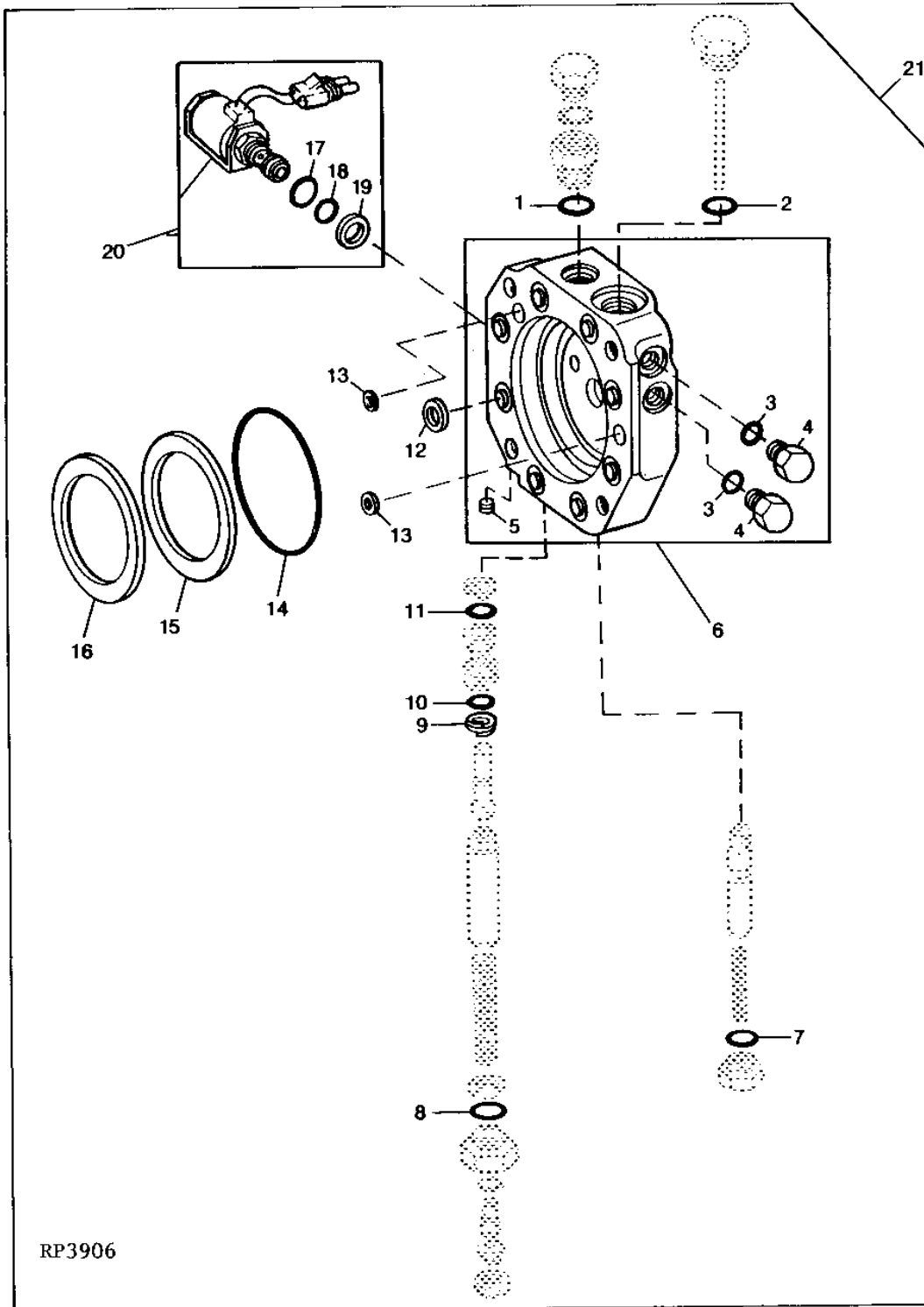
2B13

HYDRAULICS

RP3906

-UN-12OCT94

HYDRAULIC PUMP ELECTRIC DESTROKE KIT
(REPLACEMENT PUMP WITH SERIAL PLATE)



RP3906

2B14

HYDRAULICS

HYDRAULIC PUMP ELECTRIC DESTROKE KIT - CONTINUED
(REPLACEMENT PUMP WITH SERIAL PLATE)

KEY	PART NO.	PART NAME	QTY	PUMP SERIAL NO.	REMARKS
1	R26906	O-RING	1		
2	R56751	O-RING	1		
3	R26448	O-RING	2		
4	R75376	PLUG	2		
5	15H560	PIPE PLUG	1		1/16"
6	AR101632	HOUSING	1		(MARKED R77712)
7	R26375	O-RING	1		
8	F3171R	O-RING	1		
9	R41057	BACK-UP RING	1		
10	R27166	O-RING	1		
11	R27564	O-RING	1		
12	R69279	WASHER	8		
13	R56755	WASHER	2		
14	R56757	O-RING	1		
15	R27478	SHIM	2		0.15MM (.006")
16	R27479	SHIM	2		0.25MM (.010")
17	R26375	O-RING	1		
18	T40308	O-RING	1		
19	T57374	BACK-UP RING	1		
20	RE32529	SOLENOID VALVE	1		(SUB FOR RE21725)
21	RE24647	KIT	1		(A) (SUB RE40463)

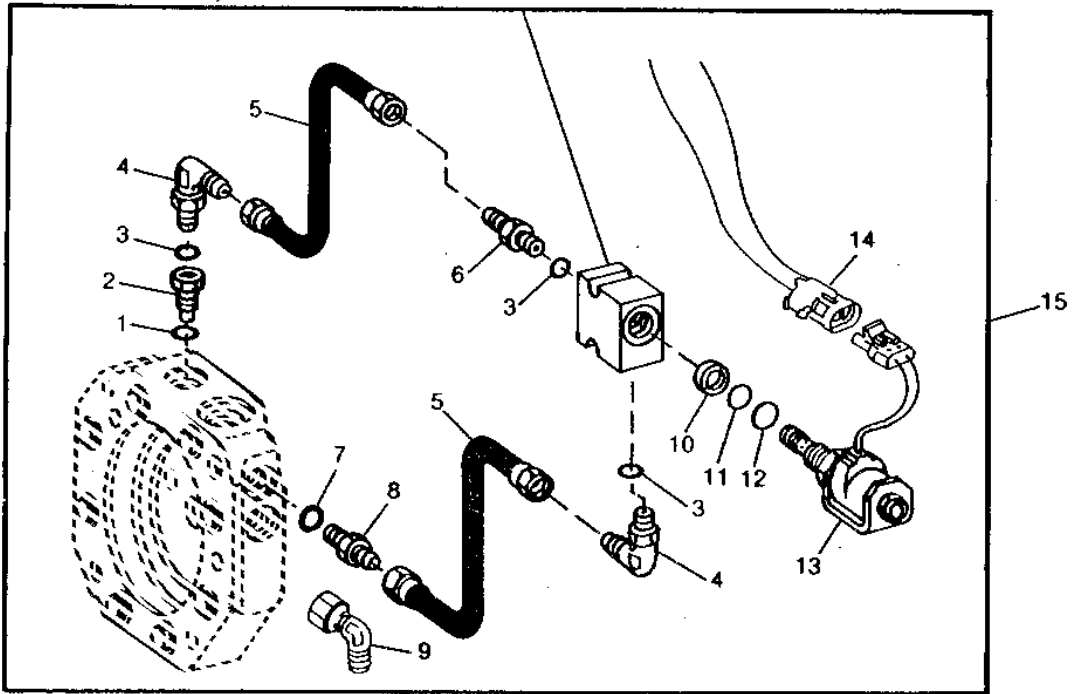
(A) INCLUDES RE12330 WIRE CONNECTORS

2B15

HYDRAULICS

RXP9501 -UN-01JAN94

HYDRAULIC PUMP ELECTRIC DESTROKE KIT



RXP9501

KEY	PART NO.	PART NAME	QTY	PUMP SERIAL NO.	REMARKS
1	R26906	O-RING	1		
2	R70617	PIPE PLUG	1		
3	R26448	O-RING	4		
4	AT35121	ELBOW FITTING	2		
5	AN250096	HYDRAULIC HOSE	2		
6	R27212	FITTING	1		
7	R26287	O-RING	1	(A)	
	R26448	O-RING	1	(B)	
8	T43535	FITTING	1	(A)	
	Z36276	ADAPTER	1	(B)	
9	AE24616	ELBOW FITTING	1	(USE WITH T43535 OR Z36276)	
10	T57374	BACK-UP RING	1		
11	T40308	O-RING	1		
12	R26375	O-RING	1		
13	RE32529	SOLENOID VALVE	1		
14	RE50017	WIRING HARNESS	1		
15	RE40463	KIT	1		

(A) NON-SERIALIZED PUMP
(B) SERIALIZED PUMP

MEMORANDA

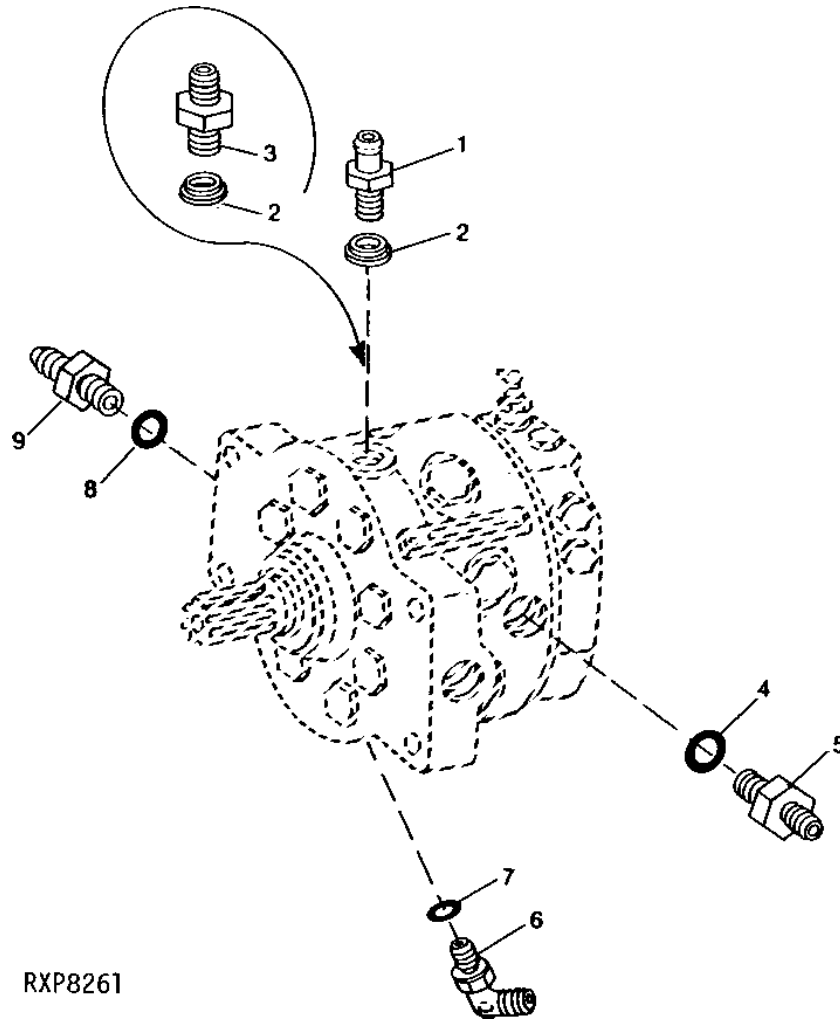
2B16

HYDRAULICS

RXP8261

-UN-01JAN94

HYDRAULIC PUMP CONNECTORS



2B17

HYDRAULICS

HYDRAULIC PUMP CONNECTORS - CONTINUED

KEY	PART NO.	PART NAME	QTY	TRACTOR SERIAL NO.	REMARKS
1	R39215	FITTING	1		
2	R35827	WASHER	2		
	P47908	O-RING	1		REPLACEMENT PUMP WITH SERIAL PLATE
3	R35826	FITTING	1		(NO LONGER AVAILABLE)
4	R26906	O-RING	1		
	F3171R	O-RING	1		REPLACEMENT PUMP WITH SERIAL PLATE
5	R27270	FITTING	1		
	R36075	FITTING	1		REPLACEMENT PUMP WITH SERIAL PLATE
6	AT32335	ELBOW FITTING	1		
7	R26287	O-RING	1		
8	F3171R	O-RING	1		
9	R27267	FITTING	1		

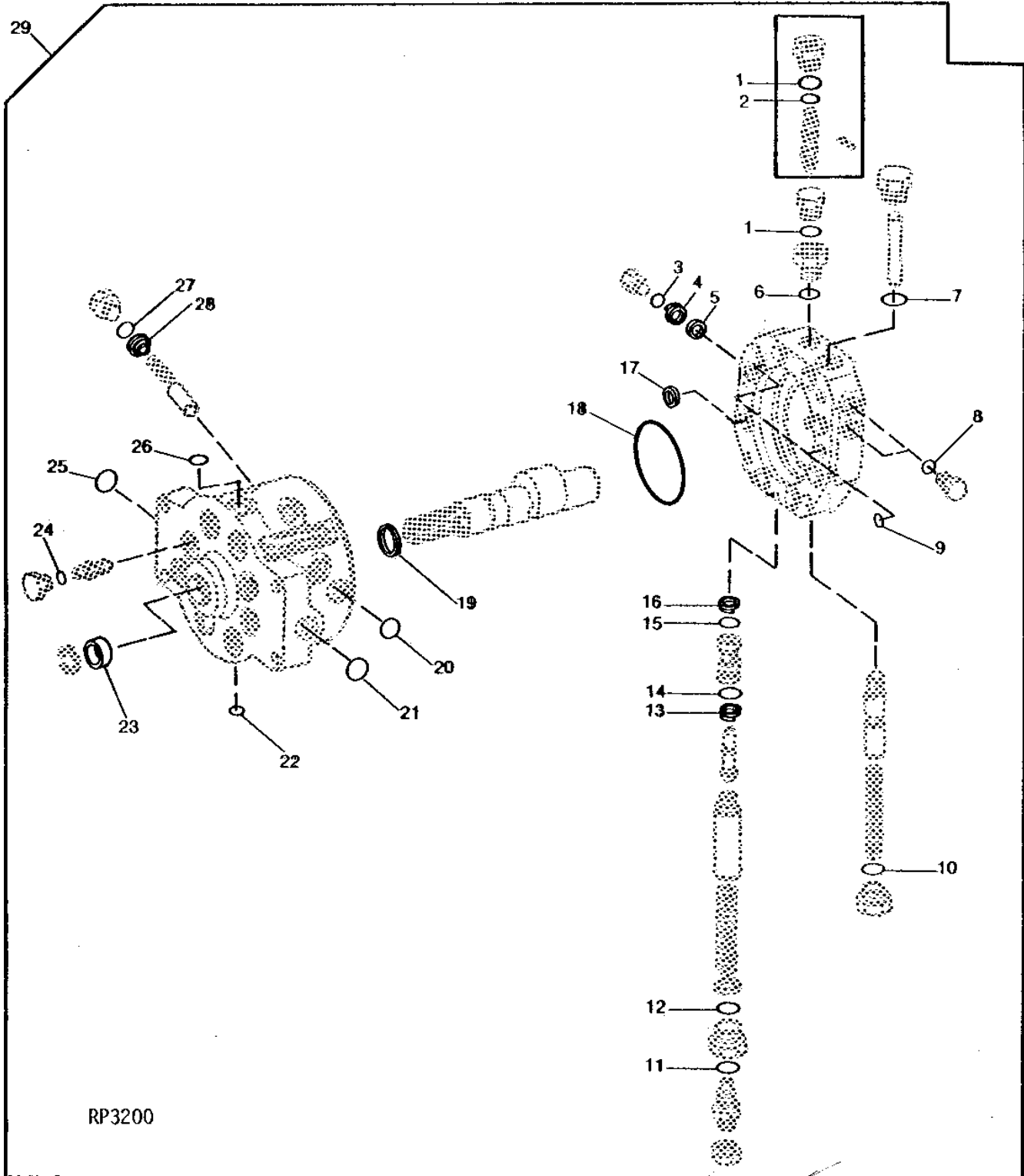
2B18

HYDRAULICS

HYDRAULIC PUMP AND STROKE CONTROL VALVE OVERHAUL KIT 40 CM3 (2.4 IN.3) - 50 CM3 (3 IN.3) (REPLACEMENT PUMP WITH SERIAL PLATE)

RP3200

-UN-01JAN94



2B19

HYDRAULICS

HYDRAULIC PUMP AND STROKE CONTROL VALVE OVERHAUL KIT - CONTINUED
 40 CM3 (2.4 IN.3) - 50 CM3 (3 IN.3)
 (REPLACEMENT PUMP WITH SERIAL PLATE)

KEY	PART NO.	PART NAME	QTY	PUMP SERIAL NO.	REMARKS
1	R26448	O-RING	1		
2	A4365R	O-RING	1		
3	R26375	O-RING	1	(A)	
4	T40308	O-RING	1	(A)	
5	T57374	BACK-UP RING	1	(A)	
6	R26906	O-RING	1		
7	R56751	O-RING	1		
8	R26448	O-RING	2		
9	R56755	WASHER	2		
10	R26375	O-RING	1		
11	R28782	O-RING	1		
12	R56751	O-RING	1		
13	R41057	BACK-UP RING	1		
14	R27166	O-RING	1		
15	R27564	O-RING	1		
16	R75938	WASHER	1		
17	R69279	WASHER	8		
18	R56757	O-RING	1		
19	R77611	RING	1	(SEALING)	
20	R56751	O-RING	1		
21	U13639	O-RING	1	(A)	
	R56751	O-RING	1	(A)	
	R29936	O-RING	1	(A)	
22	R26287	O-RING	1		
23	RE28790	SEAL	1		
24	R27149	O-RING	8		
25	R56751	O-RING	1	(A)	
	R29936	O-RING	1	(A)	
26	R27928	O-RING	1	(A) TOP	
	P47908	O-RING	1	(A) BOTTOM	
	R26906	O-RING	1	(A)	
27	R56463	O-RING	8		
28	AR101236	SHIELD	1	(SET OF 8)	
29	RE29107	KIT	1	(SUB FOR AR96321)	

(A) UNIVERSAL KIT - APPLICATIONS WILL VARY

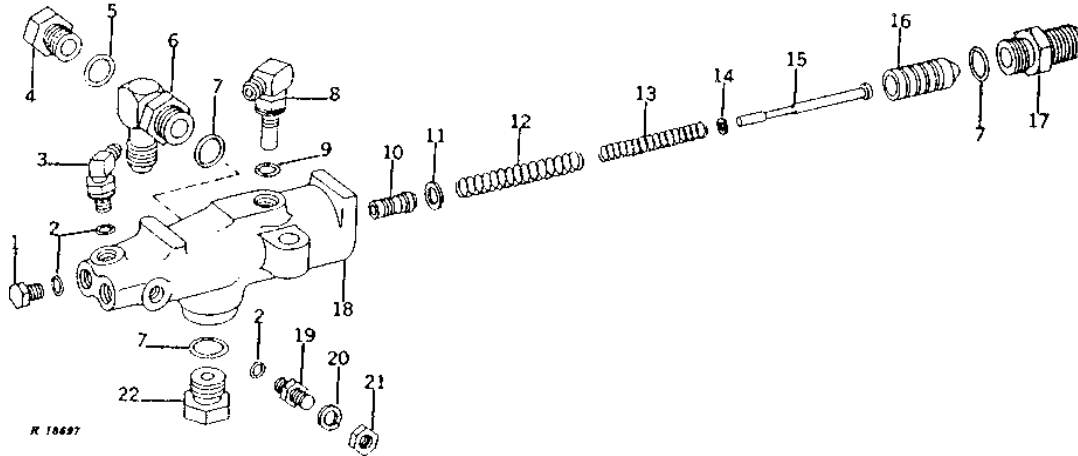
MEMORANDA

2B20

HYDRAULICS

R10697 -UN-01JAN94

JUNCTION BLOCK WITH PRESSURE CONTROL VALVE (TRACTOR SERIAL NO. -008999)



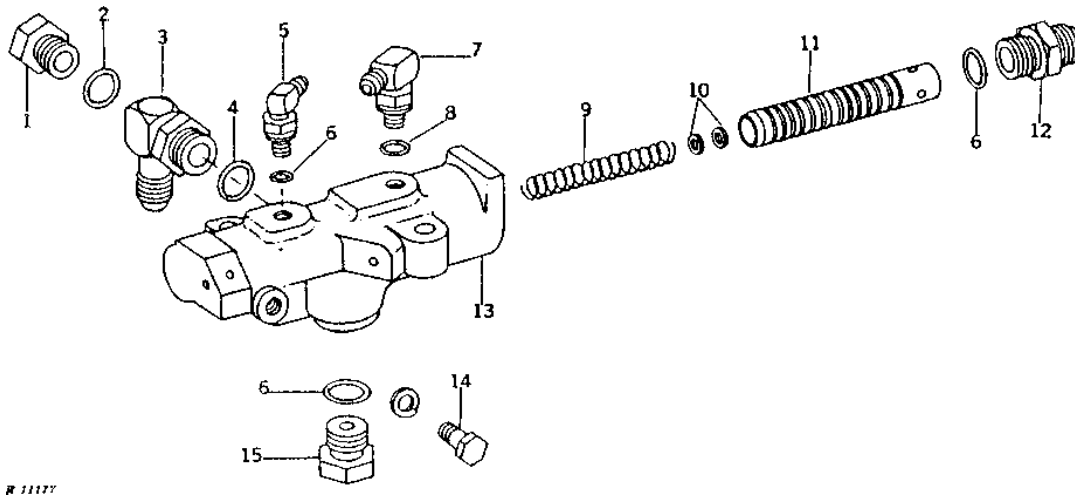
KEY	PART NO.	PART NAME	QTY	TRACTOR SERIAL NO.	REMARKS
1	R27216	DRAIN PLUG	2		
2	R26287	O-RING	4		
3	AR26746	ELBOW FITTING	1		
4	R39112	FITTING	1		(LESS SELECTIVE CONTROL) (SUB FOR R28095)
5	R26375	O-RING	1		(LESS SELECTIVE CONTROL)
6	AR35718	TEE FITTING	1		
7	R26906	O-RING	3		
8	AR30742	ELBOW FITTING	1		
9	R26286	O-RING	1		
10	GUIDE	1		(SUB RE13273)
11	24H1652	WASHER	1		13/32" X 11/16" X 7/64"
12	R31629	SPRING	1		
13	R68390	SPRING	1		(SUB FOR R31630)
14	R31632	SHIM	AR		
15	R31628	SHAFT	1		
16	R31627	CONTROL VALVE	1		
17	R27270	FITTING	1		
18	AR40130	CONTROL VALVE	1		JUNCTION BLOCK, (MARKED R31624, R34851, R40154 OR R78495) (SUB FOR AR31125 OR AR34662) (SUB RE13273)
19	R32728	FITTING	1	003637-	
20	12H304	LOCK WASHER	1	003637-	3/8"
21	14H1076	NUT	1	003637-	3/8"
22	R27474	DRAIN PLUG	1		

2B21

HYDRAULICS

R11177 -UN-01JAN94

PRESSURE CONTROL VALVE
(TRACTOR SERIAL NO. 009000-)



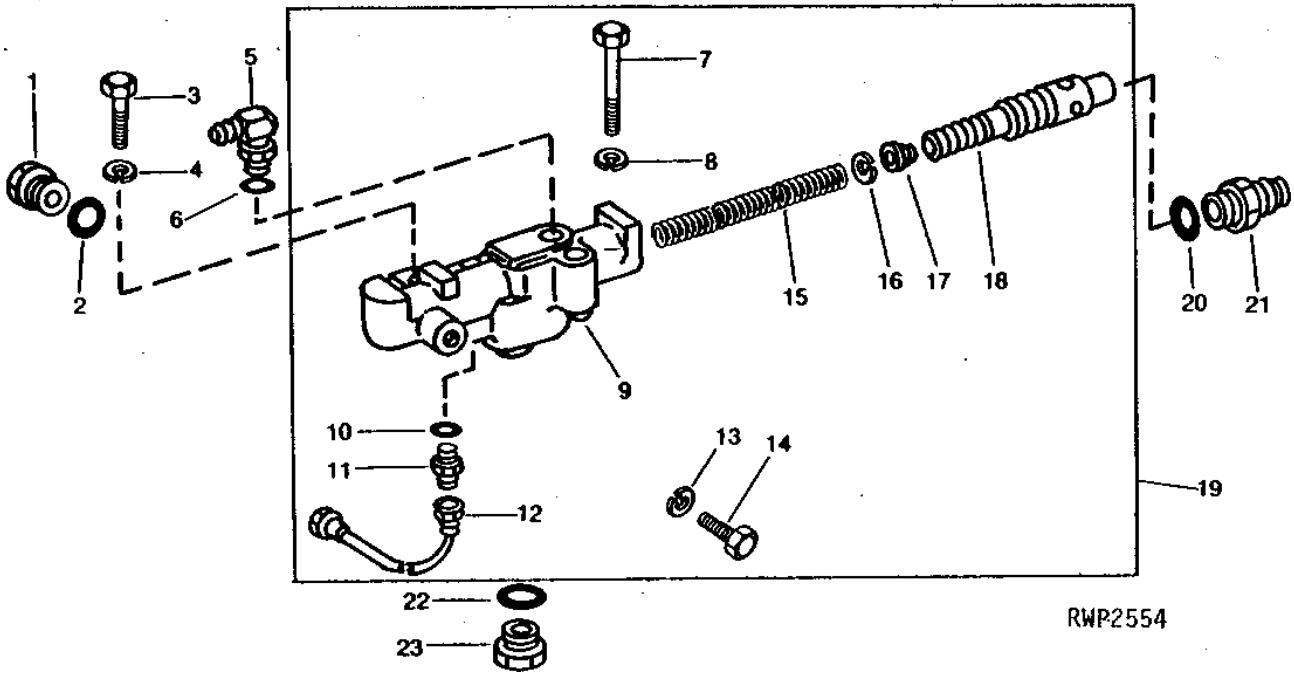
KEY	PART NO.	PART NAME	QTY	TRACTOR SERIAL NO.	REMARKS
1	R39112	FITTING	1		(LESS SELECTIVE CONTROL) (SUB FOR R28095)
2	R26375	O-RING	1		(LESS SELECTIVE CONTROL)
3	AR35718	TEE FITTING	1		
4	R26906	O-RING	3		
5	AR26746	ELBOW FITTING	1		
6	R26287	O-RING	1		
7	AT32333	ELBOW FITTING	1		(SUB FOR AR26771)
8	R26286	O-RING	1		
9	R40072	SPRING	1		
10	R33521	SHIM	2		0.76MM (.030")
11	R40145	VALVE	1		(SUB AR65881) (USE WITH R40154)
	AR65882	CONTROL VALVE	1		(USE WITH R78495)
12	R27270	FITTING	1		
13	AR40403	CONTROL VALVE	1		(MARKED R40154 OR R78495) (SUB FOR AR40029 OR AR40130) (SUB RE13273)
14	19H1936	CAP SCREW	1		3/8" X 3/4"
	12H304	LOCK WASHER	1		3/8"
15	R27474	DRAIN PLUG	1		

2B22

HYDRAULICS

RWP2554 -UN-01JAN94

AR51732 PRESSURE CONTROL VALVE



RWP2554

KEY	PART NO.	PART NAME	QTY	TRACTOR SERIAL NO.	REMARKS
1	R27474	DRAIN PLUG	1	(A)	
2	R26906	O-RING	1	(A)	
3	19H1800	CAP SCREW	1	3/8" X 1-1/2"	
4	12H304	LOCK WASHER	1	3/8"	
5	AT32333	ELBOW FITTING	1	90°, (SUB FOR AR26771)	
6	R26286	O-RING	1		
7	19H1801	CAP SCREW	1	3/8" X 2"	
8	12H304	LOCK WASHER	1	3/8"	
9	R40559	HOUSING	1	(SUB R78495)	
10	R26287	O-RING	1		
11	R27527	ADAPTER	1		
12	AR44632	HYDRAULIC LINE	1		TO STEERING VALVE, (SUB FOR AR40404 OR AR44043)
13	12H304	LOCK WASHER	1	3/8"	
14	19H1936	CAP SCREW	1	3/8" X 3/4"	
15	R40072	SPRING	1		
16	R33521	SHIM	AR		
17	R40562	APERTURE	1		
18	AR65881	VALVE	1	(SUB FOR R40561)	
19	AR51732	CONTROL VALVE	1	(SUB FOR AR40130) (SUB RE13273)	
20	R26906	O-RING	1		
21	R27270	FITTING	1		
22	R26906	O-RING	1	(B)	
23	R27474	DRAIN PLUG	1	(B)	

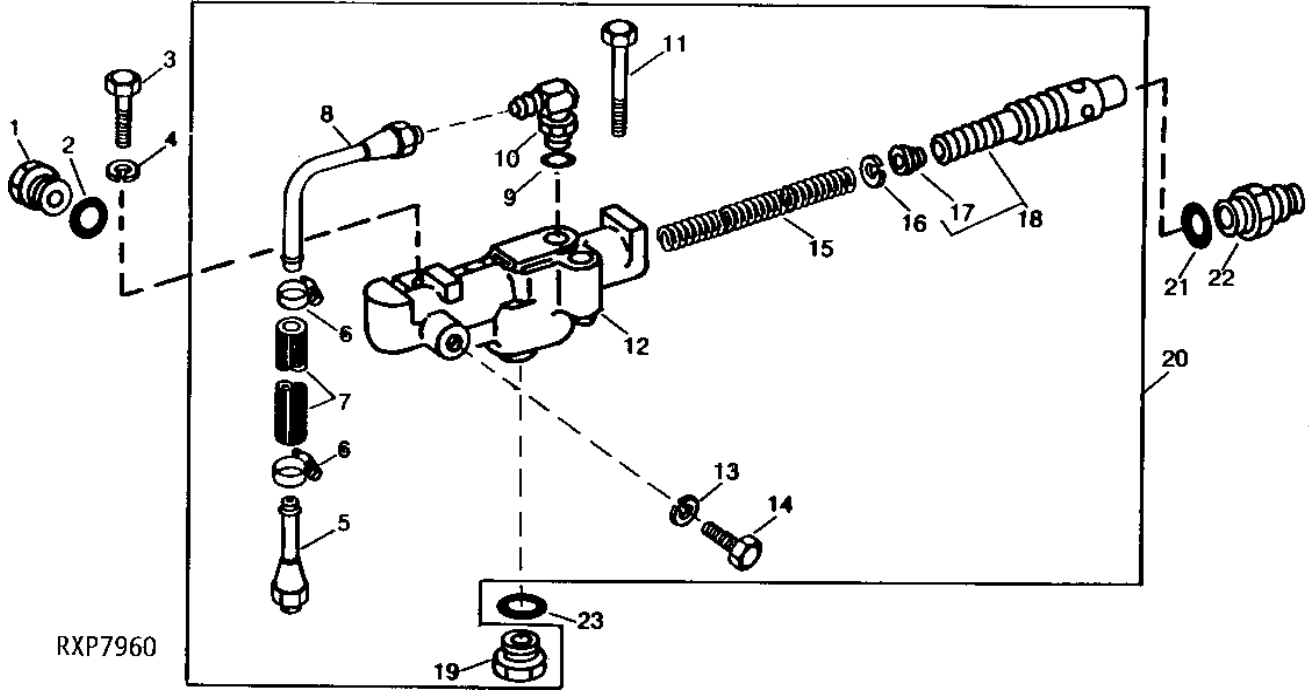
(A) LESS SELECTIVE CONTROL
(B) LESS ROCKSHAFT

2B23

HYDRAULICS

RXP7960 -UN-01JAN94

RE13273 PRESSURE CONTROL VALVE



RXP7960

KEY	PART NO.	PART NAME	QTY	TRACTOR SERIAL NO.	REMARKS
1	R27474	DRAIN PLUG	1	(A)	
2	R26906	O-RING	1	(A)	
3	19H1800	CAP SCREW	1	3/8" X 1-1/2"	
4	12H304	LOCK WASHER	1	3/8"	
5	AR48234	HYDRAULIC LINE	1		
6	AR48236	CLAMP	2	(SUB TY22462)	
7	R46141	HOSE	1		
8	AR48235	HYDRAULIC LINE	2		
9	R26287	O-RING	1		
10	AR35223	ELBOW FITTING	1		
11	19H1819	CAP SCREW	1	3/8" X 2-1/8"	
12	R78495	HOUSING	1		
13	12H304	LOCK WASHER	1	3/8"	
14	19H1936	CAP SCREW	1	3/8" X 3/4"	
15	R40072	SPRING	1		
16	R33521	SHIM	AR		
17	R40562	APERTURE	1		
18	AR65882	CONTROL VALVE	1	(SUB FOR R40561)	
19	R27474	DRAIN PLUG	1	(B)	
20	RE13273	CONTROL VALVE	1	(SUB FOR AR31125, AR34662, AR40029 OR AR51732)	
21	R26906	O-RING	1		
22	R27270	FITTING	1		
23	R26906	O-RING	1	(B)	
..	AR21969	KIT	1	CAP PLUG	

(A) LESS SELECTIVE CONTROL
(B) LESS ROCKSHAFT

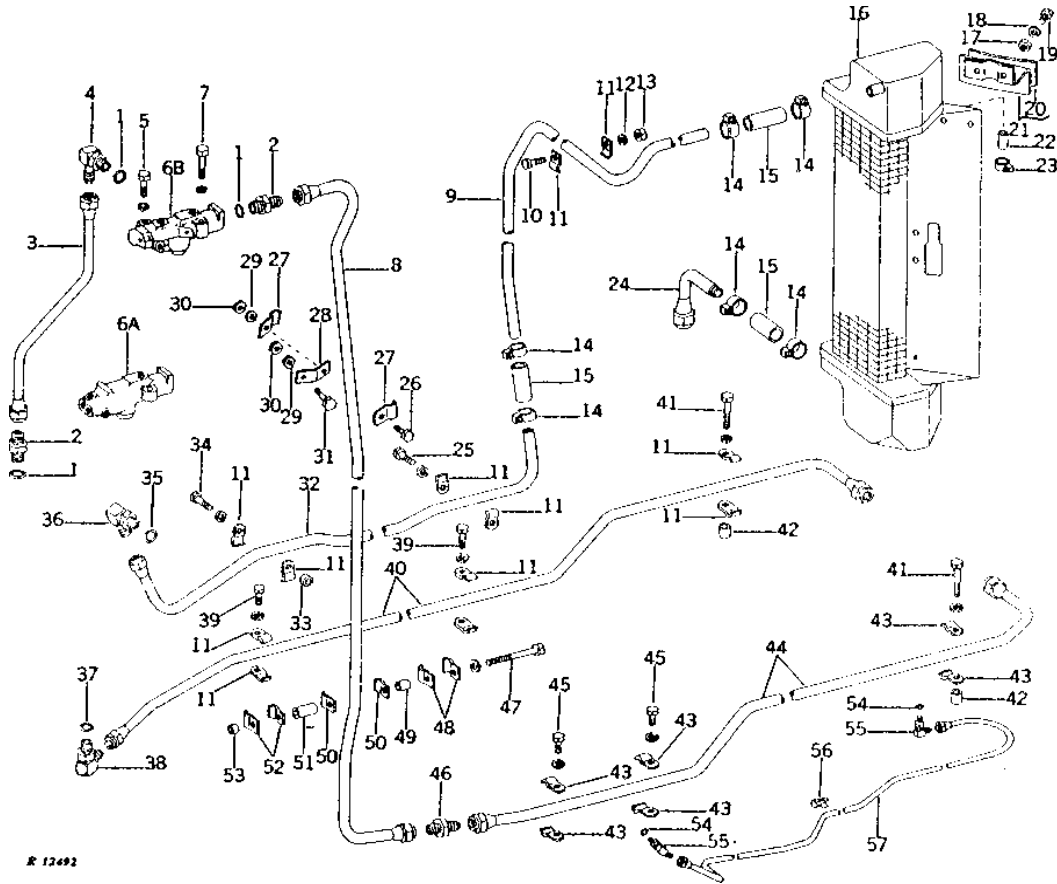
MEMORANDA

2B24

HYDRAULICS

R12492 -UN-01JAN94

OIL COOLER AND OIL PIPES



R 12492

KEY	PART NO.	PART NAME	QTY	TRACTOR SERIAL NO.	REMARKS
1	R26906	O-RING	3		
2	R27270	FITTING	2		
3	AR35717	HYDRAULIC LINE	1		JUNCTION BLOCK TO CONTROL SUPPORT BASE
4	AR35718	TEE FITTING	1		
5	19H1732	CAP SCREW	1	-008999	3/8" X 1-1/4"
	19H1800	CAP SCREW	1	009000-	3/8" X 1-1/2"
	12H304	LOCK WASHER	1		3/8"
6A	AR40130	CONTROL VALVE	1	-008999	JUNCTION BLOCK, (MARKED R31624, R34851, R40154 OR R78495) (SUB FOR AR34662 OR AR31125) (SUB RE13273)
6B	AR40403	CONTROL VALVE	1	009000-	PRESSURE CONTROL, (MARKED R40154 OR R78495) (SUB FOR AR40029 OR AR40130) (SUB RE13273)

2B25

HYDRAULICS

OIL COOLER AND OIL PIPES - CONTINUED

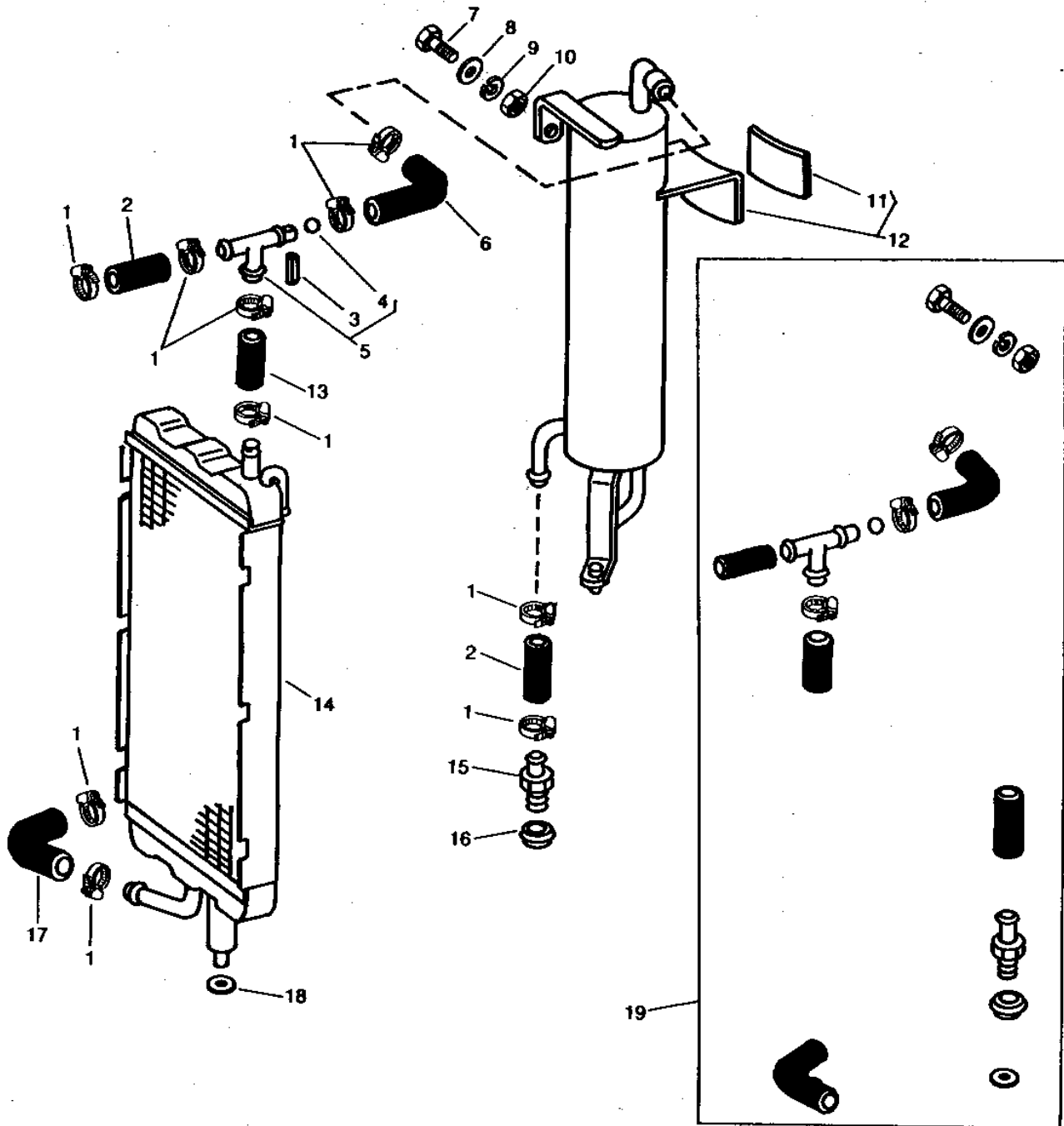
KEY	PART NO.	PART NAME	QTY	TRACTOR SERIAL NO.	REMARKS
7	19H1800	CAP SCREW	1	-008999	3/8" X 1-1/2"
	19H1801	CAP SCREW	1	009000-	3/8" X 2"
	12H304	LOCK WASHER	1		3/8"
8	AR35720	HYDRAULIC LINE	1		PRESSURE, FROM HYDRAULIC PUMP
9	R35607	TUBE	1		TO CLUTCH HOUSING (NO LONGER AVAILABLE)
10	19H1731	CAP SCREW	2		3/8" X 1"
11	R27531	CLAMP	14		
12	12H304	LOCK WASHER	2		3/8"
13	14H1076	NUT	2		3/8"
14	AR21839	CLAMP	6		(SUB TY22467)
15	HOSE	3		19 X 64MM (3/4" X 2-1/2") (MAKE FROM TY22329) (SUB FOR R26905)
16	AR31151	OIL COOLER	1		(SUB AR44284, AR50592 AND AR53119)
17	14H785	NUT	2		5/16"
18	12H303	LOCK WASHER	2		5/16"
19	19H2020	CAP SCREW	2		5/16" X 1/2"
20	ISOLATOR	1		1.59 X 51 X 132MM (1/16" X 2" X 5-3/16") (MAKE FROM R30596)
21	AR35349	BRACKET	1		
22	R28962	PLUG	1		
23	AR21836	CLAMP	1		
24	AR35344	LINE	1		TO HYDRAULIC PUMP
25	19H1800	CAP SCREW	1		3/8" X 1-1/2"
	12H304	LOCK WASHER	1		3/8"
26	19H1936	CAP SCREW	1	009000-	3/8" X 3/4"
27	R35726	CLAMP	2	009000-	
28	R40165	CLAMP	1	009000-	
29	12H304	LOCK WASHER	2	009000-	3/8"
30	14H1076	NUT	2	009000-	3/8"
31	19H1139	CAP SCREW	1	009000-	3/8" X 1-1/8"
32	AR35238	LINE	1		TO CLUTCH HOUSING
33	28H1519	WASHER	1		0.493" X 0.675" X 3/8"
34	F2273R	SCREW	1		
35	F3171R	O-RING	1	-002857	
	R29936	O-RING	1	002858-	
36	AT32331	ELBOW FITTING	1	-002857	(SUB FOR AR26723)
	AR35964	ELBOW FITTING	1	002858-	
37	F3171R	O-RING	1		
38	AR26747	ELBOW FITTING	1		
39	19H1936	CAP SCREW	2		3/8" X 3/4"
	12H304	LOCK WASHER	2		3/8"
40	AR35236	HYDRAULIC LINE	1		HYDRAULIC PUMP TO OIL FILTER RELIEF VALVE
41	19H256	CAP SCREW	2		3/8" X 2"
	12H304	LOCK WASHER	2		3/8"
42	28H1495	SPACER	2		3/8" X 1"
43	R35726	CLAMP	6		
44	AR35239	HYDRAULIC LINE	1		PRESSURE, FROM HYDRAULIC PUMP
45	19H2021	CAP SCREW	2		3/8" X 5/8"
	12H304	LOCK WASHER	2		3/8"
46	R35717	FITTING	1		
47	19H1912	CAP SCREW	1		3/8" X 3-1/2"
	12H304	LOCK WASHER	1		3/8"
48	R35726	CLAMP	2		WATER INLET TUBE
49	28H1697	SPACER	1		3/8" X 3/4"
50	R35726	CLAMP	2		
51	28H1527	SPACER	1		3/8" X 1-3/8"
52	R27720	CLAMP	2		
53	R28040	WASHER	1		
54	R26287	O-RING	2	004500-	
55	AT32335	ELBOW FITTING	2	004500-	(SUB FOR AR26746)
56	R21551	CLIP	2	004500-	
57	AR42284	LINE	1		HYDRAULIC PUMP SEAL DRAIN, (SUB FOR AR36142 OR AR36381) (SUB AR79710 AND (2) R64170)

2C1

HYDRAULICS

HYDRAULIC OIL COOLER AND RESERVOIR (SYNCRO-RANGE)

RWP2549 -UN-01JAN94



RWP2549

2C2

HYDRAULICS

HYDRAULIC OIL COOLER AND RESERVOIR - CONTINUED (SYNCRO-RANGE)

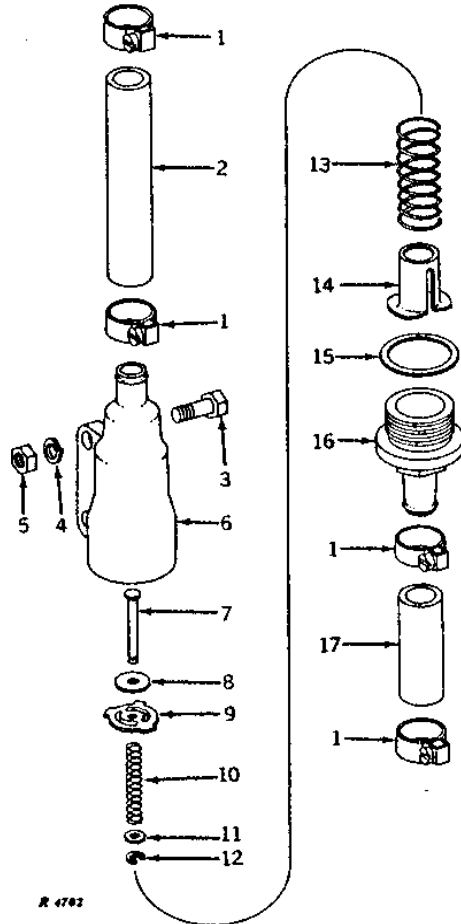
KEY	PART NO.	PART NAME	QTY	TRACTOR SERIAL NO.	REMARKS
1	AR21839	CLAMP	10		(SUB TY22467)
2	HOSE	2		(MAKE FROM TY22329)
3	34H231	SPRING PIN	1		3/32" X 3/4"
4	R48084	BALL	1		
5	AR49751	CHECK VALVE	1		
6	R46485	HOSE	1		(SUB FOR R44141) (SUB TY22425)
7	19H2127	CAP SCREW	1		5/16" X 7/8"
8	24H1136	WASHER	1		11/32" X 11/16" X 0.065"
9	12H303	LOCK WASHER	1		5/16"
10	14H785	NUT	1		5/16"
11	FOAM PAD	1		1.6 X 51 X 102MM (1/16" X 2" X 4") (MAKE FROM R30596)
12	AR50592	RESERVOIR	1		
13	HOSE	1		57MM (2-1/4") (SUB FOR R27930 OR T35695) (MAKE FROM T35690)
14	AR44284	OIL COOLER	1		
15	R39215	FITTING	1		
16	R35827	WASHER	1		
17	R47756	HOSE	1		
18	T22381	WASHER	1		RUBBER
19	AR53119	KIT	1		HYDRAULIC OIL COOLER AND RESERVOIR FASTENINGS

2C3

HYDRAULICS

R4702 -UN-01JAN94

HYDRAULIC OIL COOLER BYPASS VALVE



KEY	PART NO.	PART NAME	QTY	TRACTOR SERIAL NO.	REMARKS
1	TY22467	CLAMP	4		(SUB FOR AR21839 OR AT18904)
2	HOSE	1		19 X 129MM (3/4" X 5-3/32") (MAKE FROM TY22329) (SUB FOR R32087)
3	19H2284	CAP SCREW	2		3/8" X 7/8"
4	12H304	LOCK WASHER	2		3/8"
5	14H1076	NUT	2		3/8"
6	AR31152	HOUSING	1		(MARKED R31931) (SUB AR31547, (4) TY22467, TY22329, (2) 12H304, (2) 14H1076 AND (2) 19H2284)
7	R31939	PIN	1		
8	R31933	WASHER	1		
9	R31932	VALVE	1		
10	H837R	SPRING	1		
11	24H1283	WASHER	1		7/32" X 1/2" X 0.049"
12	R31935	SNAP RING	1		
13	R31934	SPRING	1		
14	R31936	GUIDE	1		
15	R31378	O-RING	1		
16	R31937	FITTING	1		
17	HOSE	1		19 X 64MM (3/4" X 2-1/2") (MAKE FROM TY22329) (SUB FOR R26905)

MEMORANDA

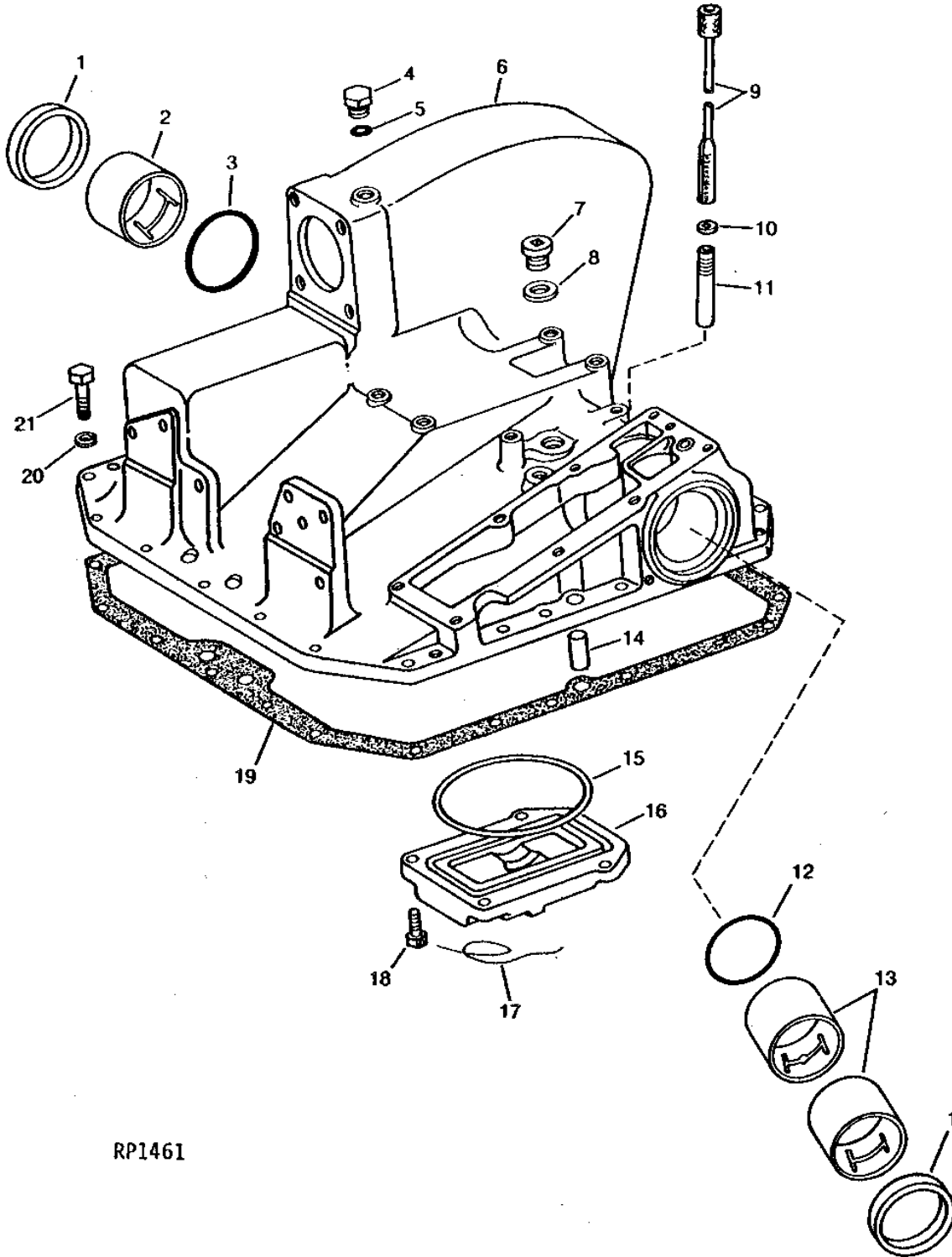
2C4

HYDRAULICS

RP1461

-UN-01JAN94

ROCKSHAFT HOUSING, WITH BUSHINGS AND OIL SEALS



RP1461

2C5

HYDRAULICS

ROCKSHAFT HOUSING, WITH BUSHINGS AND OIL SEALS - CONTINUED

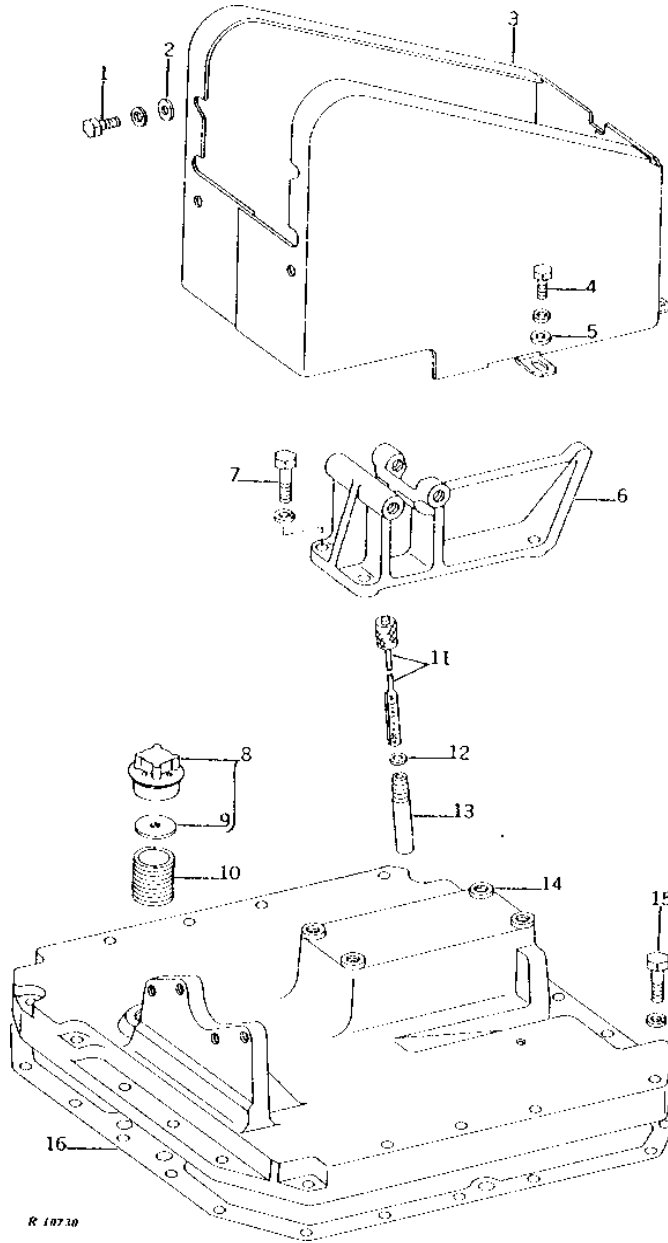
KEY	PART NO.	PART NAME	QTY	TRACTOR SERIAL NO.	REMARKS
1	R36423	SEAL	2		
2	R36379	BUSHING	1		
3	R36424	O-RING	1		
4	R39112	FITTING	1		(SUB FOR R28095)
5	R26375	O-RING	1		
6	AR36851	HOUSING	1		(MARKED R36390, R40650 OR R53580) (SUB FOR AR35727) (NO LONGER AVAILABLE)
7	R27483	PLUG	1		
8	H851R	WASHER	1		
9	AR35159	ROD	1		(NLA)
10	R1590R	WASHER	1		
11	R31566	TUBE	1		
12	A5598R	O-RING	1		
13	R36378	BUSHING	2		
14	R26616	DOWEL PIN	4		
15	R36425	WASHER	1		
16	R58544	COVER	1		(SUB FOR R36398, R43448 OR R55080)
17	WIRE	1		16 GAUGE X 356MM (14") LONG
18	D459R	BOLT	4		(DRILLED)
19	R100304	GASKET	1		(SUB FOR R35776 OR R80967)
20	12H301	LOCK WASHER	20		1/2"
21	19H1721	CAP SCREW	16		1/2" X 1-1/2"
	19H1127	CAP SCREW	4		1/2" X 1-5/8"

2C6

HYDRAULICS

TRANSMISSION REAR COVER AND SEAT SUPPORT COVER (LESS ROCKSHAFT)

R10730 -UN-01JAN94



2C7

HYDRAULICS

TRANSMISSION REAR COVER AND SEAT SUPPORT COVER - CONTINUED (LESS ROCKSHAFT)

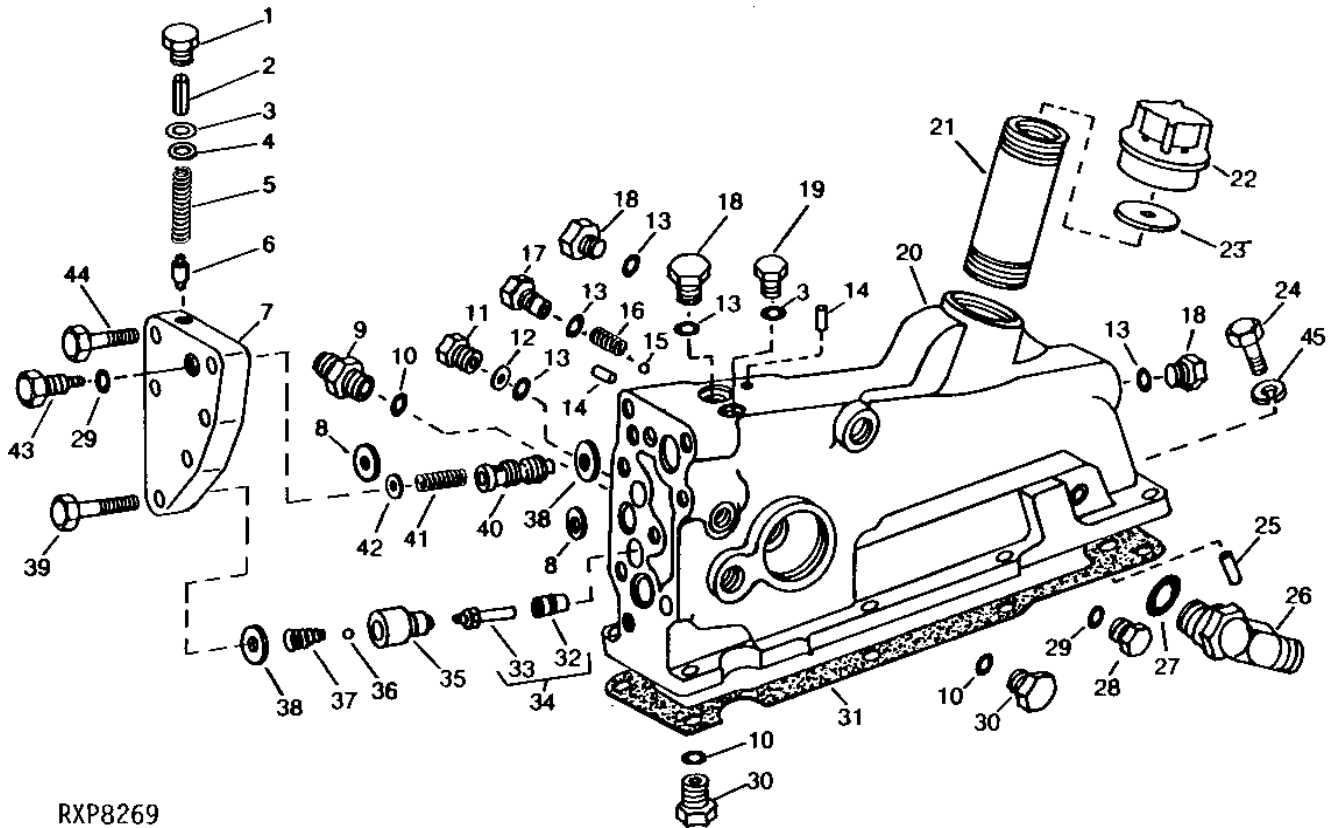
KEY	PART NO.	PART NAME	QTY	TRACTOR SERIAL NO.	REMARKS
1	19H1936	CAP SCREW	4		3/8" X 3/4"
	12H304	LOCK WASHER	4		3/8"
2	24H1305	WASHER	4		13/32" X 13/16" X 0.065"
3	AR26846	COVER	1		
4	19H1900	CAP SCREW	4		5/16" X 3/4"
	12H303	LOCK WASHER	4		5/16"
5	24H1136	WASHER	4		11/32" X 11/16" X 0.065"
6	R35657	BASE	1		
7	19H1721	CAP SCREW	4		1/2" X 1-1/2"
	12H301	LOCK WASHER	4		1/2"
8	AR30697	CAP	1		(MARKED R31487 OR R32715)
9	R31486	WASHER	1		
10	A4234R	ASSEMBLY LINE PARTS	1		
11	AR35159	ROD	1		(NLA)
12	R1590R	WASHER	1		
13	R31566	TUBE	1		
14	AR35382	COVER	1		(MARKED R35775) (NO LONGER AVAILABLE)
15	19H1721	CAP SCREW	7		1/2" X 1-1/2"
	19H1831	CAP SCREW	3		1/2" X 2"
	19H2644	CAP SCREW	10		1/2" X 2-1/2"
	12H301	LOCK WASHER	20		1/2"
16	R100304	GASKET	1		(SUB FOR R35776 OR R80967)

2C8

HYDRAULICS

RXP8269 -UN-01JAN94

ROCKSHAFT CONTROL VALVE HOUSING



2C9

HYDRAULICS

ROCKSHAFT CONTROL VALVE HOUSING - CONTINUED

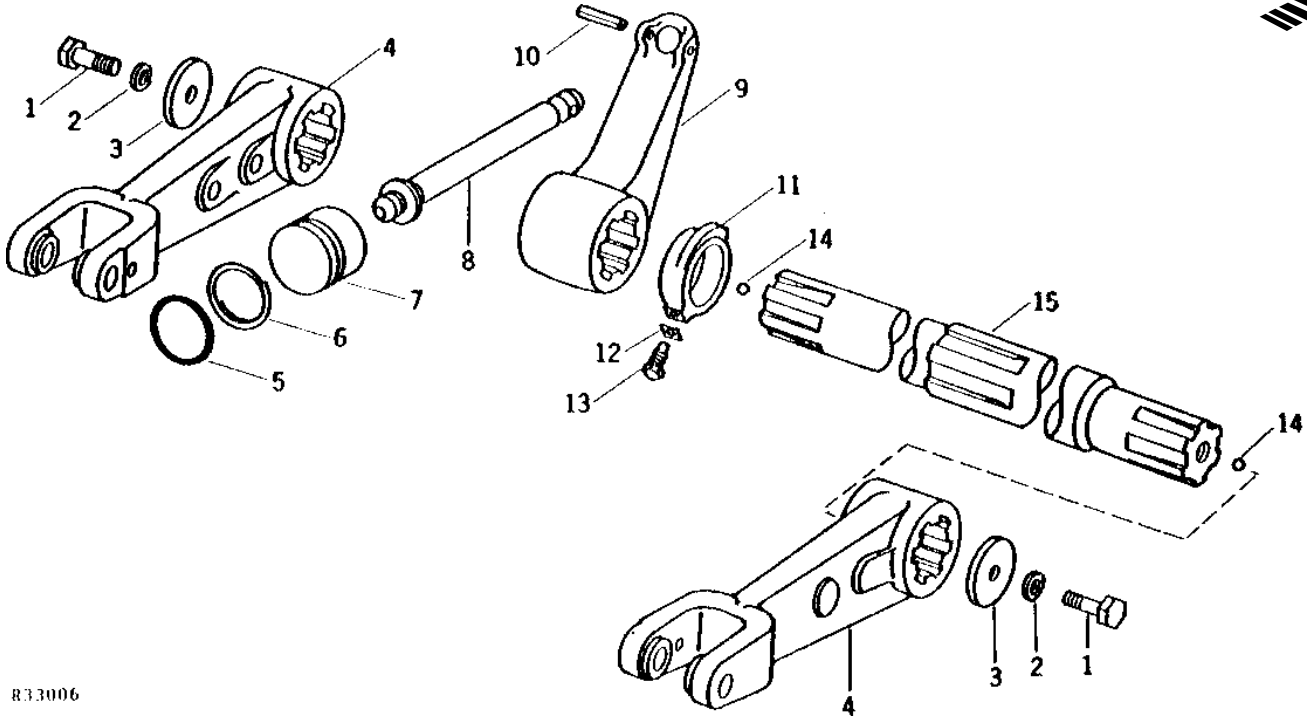
KEY	PART NO.	PART NAME	QTY	TRACTOR SERIAL NO.	REMARKS
1	R27216	DRAIN PLUG	1		
2	34H247	SPRING PIN	1	1/8" X 3/4"	
3	R26287	O-RING	3		
4	R26478	SHIM	AR	0.51MM (.020")	
	R26479	SHIM	AR	0.76MM (.030")	
5	R26477	SPRING	1		
6	R55678	RELIEF VALVE	1	(SUB FOR R31565)	
7	AR31754	COVER	1	(MARKED R32387)	
8	F2741R	PACKING	2		
9	R36426	FITTING	1		
10	R26375	O-RING	3		
11	R40338	DRAIN PLUG	2		
12	R28785	SHIM	AR	0.13MM (.005")	
	R28786	SHIM	AR	0.25MM (.010")	
	R28505	SHIM	AR	0.76MM (.030")	
13	R26286	O-RING	5		
14	F1840R	DOWEL PIN	2	-006060	
15	H871R	BALL	1	5MM (3/16")	
16	R27981	SPRING	1		
17	R27979	FITTING	1		
18	R27094	DRAIN PLUG	3	-006060	
19	R27216	DRAIN PLUG	1	-006060	
20	AR32608	HOUSING	1		(MARKED R31619, R34011 OR R42692) (SUB FOR AR30256) (SUB AR30110, AR32610, (2) R26758 AND (8) 19H988) (MARKED R42692)
	AR32610	HOUSING	1		
21	R36428	FITTING	1		
22	AR30697	CAP	1	(MARKED R32715)	
23	R31486	WASHER	1		
24	19H1732	CAP SCREW	8	3/8" X 1-1/4"	
25	R26650	DOWEL PIN	1	(SUB FOR A4879R)	
26	AR26724	ELBOW FITTING	1	-003012	
	AR30110	ELBOW FITTING	1	003013-	
27	R26906	O-RING	1	-003012	
	R26375	O-RING	1	003013-	
28	R27218	FITTING PLUG	1		
29	R26448	O-RING	2		
30	R39112	FITTING	2	(SUB FOR R28095)	
31	R26573	GASKET	1		
32	R31024	GUIDE	2		
33	R26758	SHAFT	2		
34	AR30094	SHAFT	2		
35	R36556	VALVE	2		
36	400R	BALL	2		
37	R26565	SPRING	2		
38	R26149	PACKING	3		
39	19H1721	CAP SCREW	3	1/2" X 1-1/2"	
40	R43791	CONTROL VALVE	1	(SUB FOR R36555)	
41	R26566	SPRING	1		
42	B1664R	SHIM	5		
43	R40799	DRAIN PLUG	1	(ALSO ORDER (2) B1664R) (SUB FOR R32246)	
44	19H1978	CAP SCREW	3	7/16" X 1-1/2"	
45	12H304	LOCK WASHER	8	3/8"	

2C10

HYDRAULICS

R33006 -UN-01JAN94

ROCKSHAFT, PISTON, AND LIFT ARMS



R33006

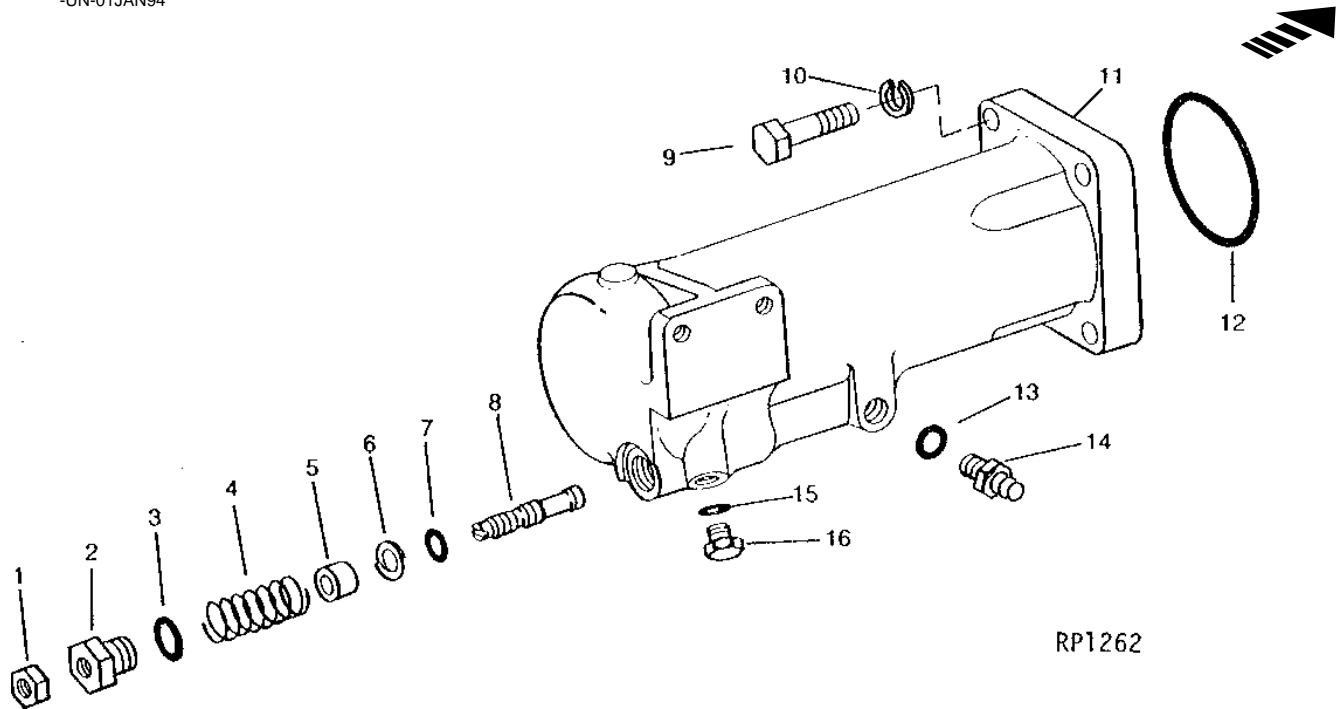
KEY	PART NO.	PART NAME	QTY	TRACTOR SERIAL NO.	REMARKS
1	19H2589	CAP SCREW	2	3/4" X 1-7/8"	
2	12H236	LOCK WASHER	2	3/4"	
3	R36402	WASHER	2		
4	R41243	LIFT ARM	2		(ALSO ORDER AR40864 AND AR74673) (SUB FOR R36419)
5	R26543	O-RING	1		
6	R26754	BACK-UP RING	1		
7	R42299	PISTON	1		(SUB FOR R36396) (NLA)
8	AR44357	ROD	1		(SUB FOR R36397)
9	R54191	ARM	1		(SUB FOR R36418) (NLA)
10	34H322	SPRING PIN	1	1/4" X 2-3/4"	
11	R40579	CAM	1		(SUB FOR R36417 OR AR40488) (NLA)
12	F3173R	LOCK PLATE	1		
13	R69642	CAP SCREW	1		(SUB FOR R26626)
14	H23836	BALL	2		(SUB FOR R29194)
15	R36395	ROCKSHAFT	1		(NO LONGER AVAILABLE)

2C11

HYDRAULICS

RP1262 -UN-01JAN94

ROCKSHAFT CYLINDER AND ASSOCIATED PARTS



RP1262

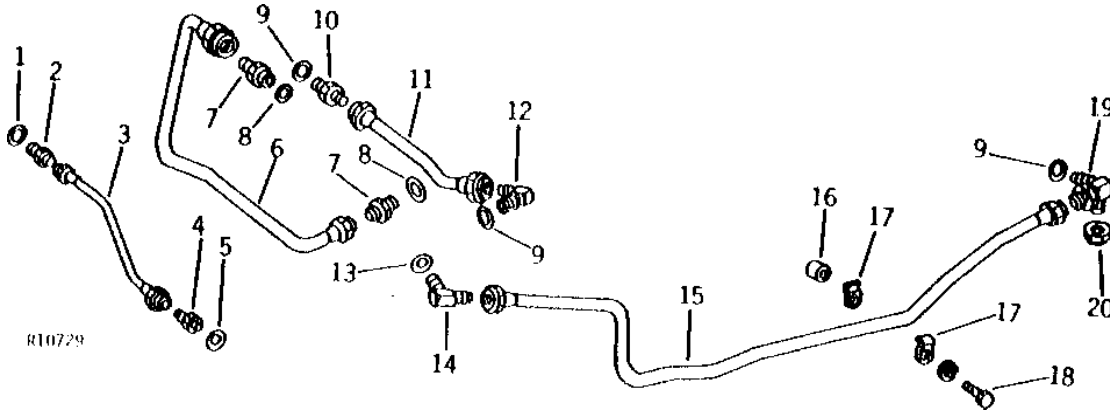
KEY	PART NO.	PART NAME	QTY	TRACTOR SERIAL NO.	REMARKS
1	14H774	NUT	1	3/8"	
2	R26458	FITTING	1		
3	R26906	O-RING	1		
4	B3686R	SPRING	1		
5	R26457	VALVE	1	(SUB R59684)	
6	R31136	BACK-UP RING	1		
7	A4365R	O-RING	1		
8	R26625	SHAFT	1		
9	19H2357	CAP SCREW	4	9/16" X 2"	
10	12H317	LOCK WASHER	4	9/16"	
11	R52961	CYLINDER	1	(ALSO ORDER U10746) (SUB FOR R36381)	
12	R26621	O-RING	1		
13	R26448	O-RING	1		
14	R27212	FITTING	1		
15	R26287	O-RING	1		
16	R27216	DRAIN PLUG	1	(SUB FOR R31631)	

2C12

HYDRAULICS

R10729 -UN-01JAN94

ROCKSHAFT OIL PIPES



KEY	PART NO.	PART NAME	QTY	TRACTOR SERIAL NO.	REMARKS
1	R26448	O-RING	1		
2	R27212	FITTING	1		
3	AR35735	LINE	1		CYLINDER TO CONTROL VALVE HOUSING (NO LONGER AVAILABLE)
4	R36426	FITTING	1		
5	R26375	O-RING	1		
6	AR35739	HYDRAULIC LINE	1		RETURN, HOUSING TO FILTER RELIEF VALVE HOUSING
7	R27267	FITTING	2		
8	F3171R	O-RING	2		
9	R26906	O-RING	3		
10	R27270	FITTING	1		
11	AR35737	HYDRAULIC LINE	1		RETURN
12	AR26724	ELBOW FITTING	1		
13	R26906	O-RING	1	-003012	
	R26375	O-RING	1	003013-	
14	AR26724	ELBOW FITTING	1	-003012	
	AR30110	ELBOW FITTING	1	003013-	
15	AR35738	LINE	1	-007999	PRESSURE (NO LONGER AVAILABLE)
	AR36285	LINE	1	008000-	PRESSURE (NO LONGER AVAILABLE)
16	28H1519	WASHER	1		0.493" X 0.675" X 3/8"
17	R35726	CLAMP	4		
18	19H1726	CAP SCREW	1		3/8" X 2-1/4" FRONT
	19H2023	CAP SCREW	1		3/8" X 3-1/4" REAR
	12H304	LOCK WASHER	2		3/8"
19	AR26724	ELBOW FITTING	1	-007999	
.....		TEE FITTING	1	008000-	(SUB AR36915) (WITH DIFFERENTIAL LOCK) (SUB AR36856 AND R40583) (LESS DIFFERENTIAL LOCK)
20	R36926	FITTING	1	008000-	(LESS DIFFERENTIAL LOCK)
	R40583	FITTING	1		(LESS DIFFERENTIAL LOCK) (USED ON AR36856 TEE)

MEMORANDA

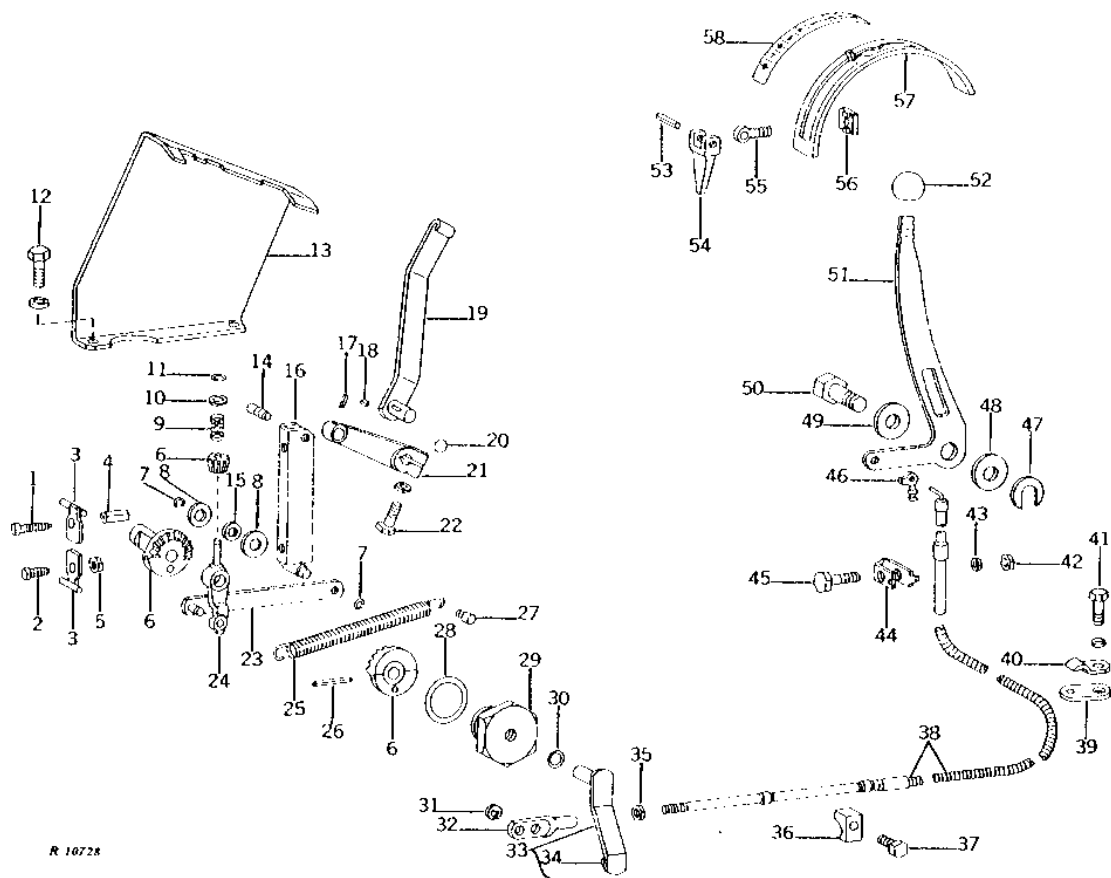
2C13

HYDRAULICS

R10728

-UN-01JAN94

ROCKSHAFT AND LOAD CONTROL LEVERS AND LINKAGE



R 10728

2C14

HYDRAULICS

ROCKSHAFT AND LOAD CONTROL LEVERS AND LINKAGE - CONTINUED

KEY	PART NO.	PART NAME	QTY	TRACTOR SERIAL NO.	REMARKS
1	R26554	SET SCREW	1		
2	R26762	BOLT	1		
3	AR26546	LEVER	2		
4	R26567	NUT	1		
5	14H649	NUT	1	1/4"	
6	AR31272	GEAR	1		(SUB AR31274, R27674 AND R27675)
7	R72653	SNAP RING	2		(SUB FOR M2396T)
8	24M7207	WASHER	2	8.400 X 24 X 2 MM	
9	R26487	SPRING	1		
10	24H1289	WASHER	1	21/64" X 5/8" X 0.049"	
11	R26386	SNAP RING	1		
12	19H1936	CAP SCREW	2	3/8" X 3/4"	
	12H304	LOCK WASHER	2	3/8"	
13	R36405	QUADRANT	1		(NO LONGER AVAILABLE)
14	R27372	PIN	1		
15	R27215	WASHER	1		
16	AR26711	LINK	1		
17	34H231	SPRING PIN	1	3/32" X 3/4"	
18	26H67	SHAFT KEY	1	1/8" X 3/8"	
19	AR35736	LEVER	1		(NO LONGER AVAILABLE)
20	R394R	O-RING	1		
21	R26571	LEVER	1		
22	19H1905	CAP SCREW	1	5/16" X 1"	
	12H303	LOCK WASHER	1	5/16"	
23	AR26523	LINK	1		
24	R26772	ARM	1		
25	R26776	SPRING	1		
26	34H239	SPRING PIN	1	3/32" X 1-1/2"	
27	R26564	PIN	1		
28	R26773	O-RING	1		
29	R27214	QUILL	1		
30	R394R	O-RING	1		
31	R27507	SNAP RING	1		(SUB R72654)
32	R31422	END	1		
33	AR26524	LEVER	1		
34	R26461	PIN	1		
35	14H850	NUT	1	1/4"	
36	R26629	CLAMP	1		
37	19H1849	CAP SCREW	1	5/16" X 1-1/4"	
38	AR36374	PUSH PULL CABLE	1		(SUB FOR R36427)
	R39725	SEAL	2	008000-	
	R39726	SEAL	1	008000-	BOTTOM
	R39727	SEAL	1	008000-	TOP
39	R31945	STRAP	2		(NO LONGER AVAILABLE)
40	R183R	CLIP	2		
41	19H1732	CAP SCREW	1		3/8" X 1-1/4", TO TRANSMISSION CASE
	19H1731	CAP SCREW	1		3/8" X 1", TO CLUTCH HOUSING
	12H304	LOCK WASHER	2	3/8"	
42	14H785	NUT	1	5/16"	
43	12H303	LOCK WASHER	1	5/16"	
44	R26870	CLAMP	1		
45	19H1849	CAP SCREW	1	5/16" X 1-1/4"	
46	R26491	CLIP	1		
47	R27603	WASHER	AR	1.52MM (.060") STEEL	
48	R26574	WASHER	1		
49	R63024	WASHER	1		(SUB FOR R26575)
50	19H2356	CAP SCREW	1	9/16" X 1-3/4"	
	12H317	LOCK WASHER	1	9/16"	
51	R27364	LEVER	1		
52	R28164	KNOB	1		
53	34H387	SPRING PIN	1	3/16" X 3/4"	
54	R34537	CAM	1		(SUB FOR R27366)
55	R31222	BOLT	1		
56	R27605	NUT	1		
57	R40476	STRAP	1		(SUB FOR R26576)
58	R40509	LABEL	1		(SUB FOR R27983, R34228 OR R39754)

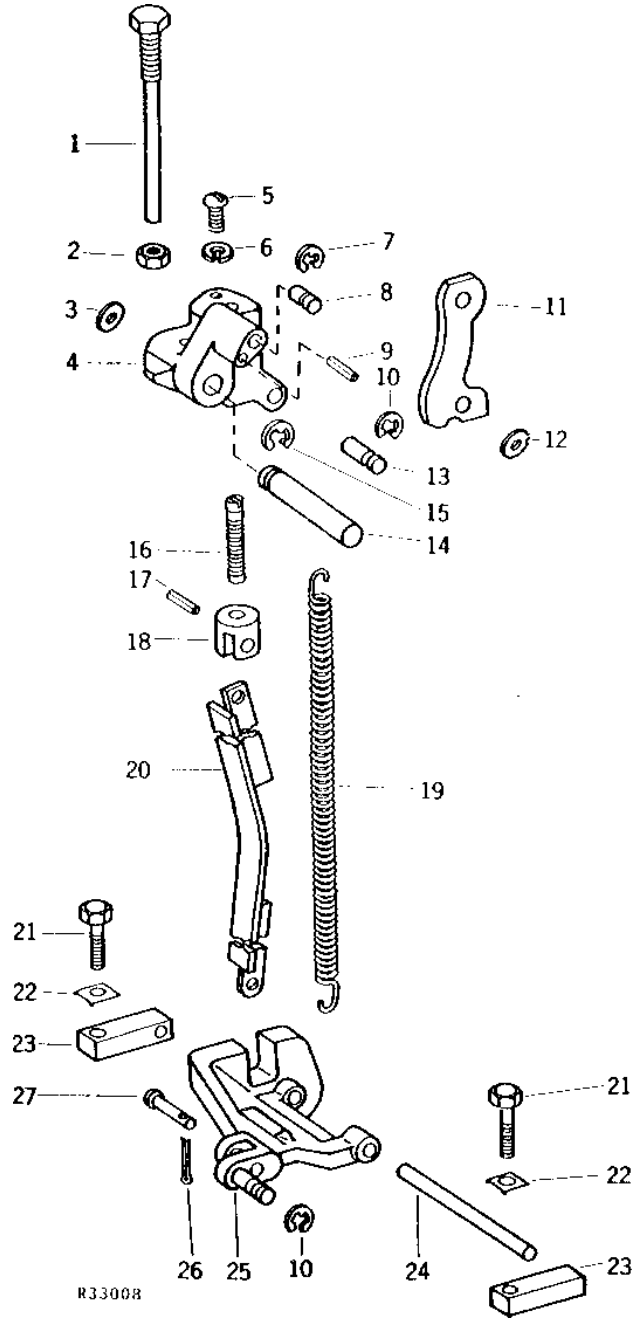
2C15

HYDRAULICS

R33008

-UN-01JAN94

LOAD CONTROL



2C16

HYDRAULICS

LOAD CONTROL - CONTINUED

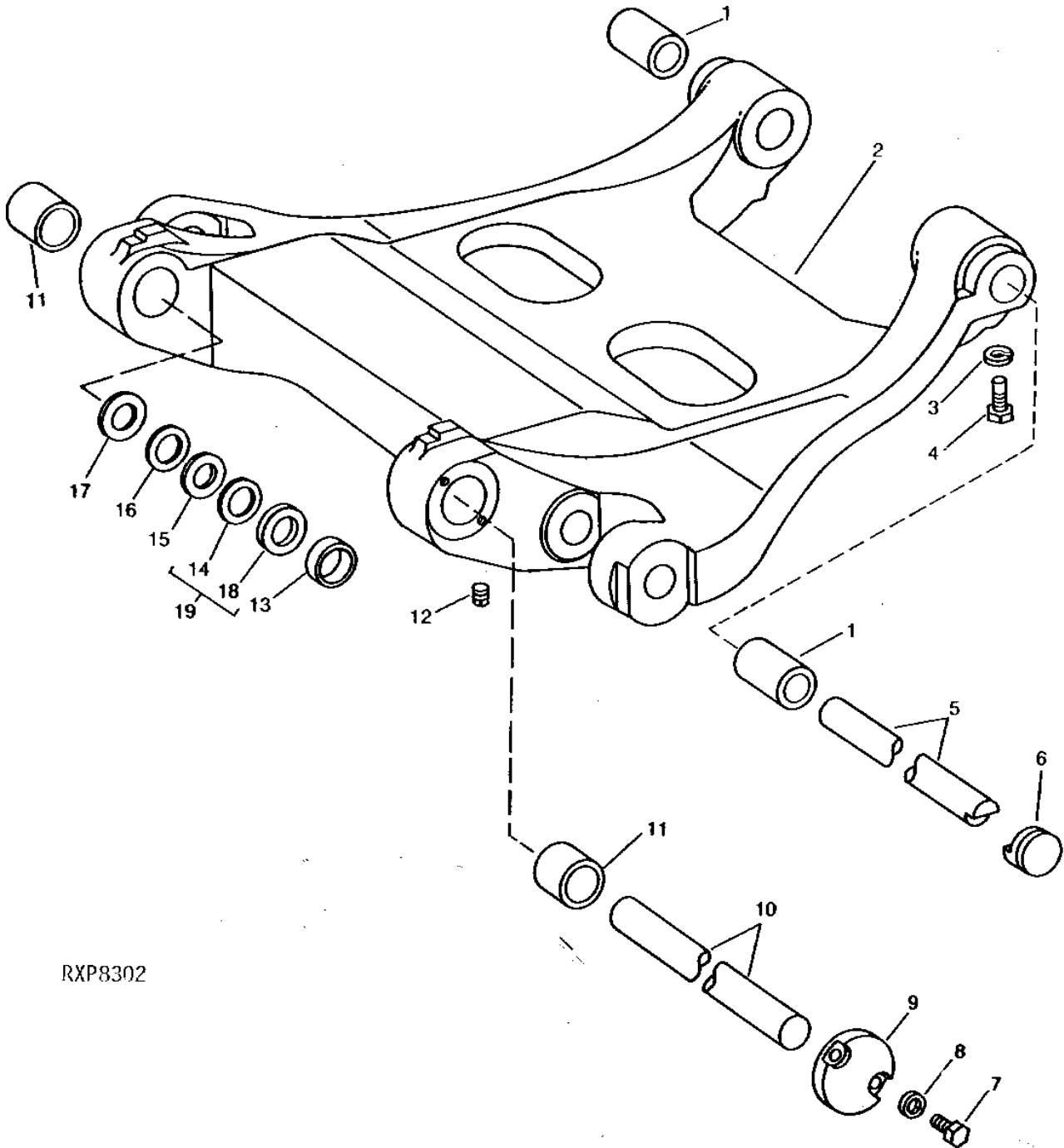
KEY	PART NO.	PART NAME	QTY	TRACTOR SERIAL NO.	REMARKS
1	AR35777	SCREW	1		
2	14H971	NUT	1	1/2"	
3	24H1375	WASHER	1	11/16" X 1-1/8" X 0.060"	
4	AR35826	ARM	1	(MARKED R36553)	
5	21H1329	SCREW	1	1/4" X 7/8"	
6	12H302	LOCK WASHER	1	1/4"	
7	R27507	SNAP RING	1	(SUB R72654)	
8	R26869	PIN	1		
9	34H245	SPRING PIN	1	1/8" X 5/8"	
10	R72655	SNAP RING	2	(SUB FOR T12808)	
11	R36554	FOLLOWER	1		
12	24H1287	WASHER	1	9/32" X 5/8" X 0.065"	
13	R36582	PIN	1		
14	R36491	PIN	1		
15	A4883R	RING	1		
16	R36488	SCREW	1		
17	34H309	SPRING PIN	1	1/4" X 5/8"	
18	R36614	END	1		
19	R26858	SPRING	1		
20	AR36379	PUSH ROD	1	(ALSO ORDER AR36380 AND B2290R) (SUB FOR R36487)	
21	19H1732	CAP SCREW	2	3/8" X 1-1/4"	
22	R1888R	STRAP	2		
23	R36485	SUPPORT	2		
24	R36486	DOWEL PIN	1		
25	AR36380	ARM	1	(MARKED R36484 OR R36993) (ALSO ORDER AR36379 AND B2290R) (SUB FOR AR35923)	
	R36582	PIN	1	-007999	
26	11M7081	COTTER PIN	1		0.098" X 0.787"
27	F1673R	PIN	1	-007999	(NO LONGER AVAILABLE)
	B2290R	PIN	1	008000-	

2C17

HYDRAULICS

RXP8302 -UN-01JAN94

DRAFT LINK SUPPORT



RXP8302

2C18

HYDRAULICS

DRAFT LINK SUPPORT - CONTINUED

KEY	PART NO.	PART NAME	QTY	TRACTOR SERIAL NO.	REMARKS
1	R36481	BUSHING	2		
2	AR55185	SUPPORT	1		(MARKED R36434 OR R50656) (SUB FOR AR35922 OR AR50339)
3	12H303	LOCK WASHER	2		5/16"
4	R40928	BOLT	2		(SUB FOR R27196)
5	R36771	PIN	1		(ALSO ORDER (2) R33827) (SUB FOR R36479)
6	R33827	RETAINER	2		(SUB FOR R27828)
7	19H1900	CAP SCREW	4		5/16" X 3/4"
8	12H303	LOCK WASHER	4		5/16"
9	R36483	RETAINER	2		
10	R36480	DOWEL PIN	1		
11	R36482	BUSHING	2		
12	15H638	PIPE PLUG	2		1/8"
13	R26505	BUSHING	4		
	R45515	BUSHING	1		0.08MM (.003") OVERSIZE
	R45516	BUSHING	1		0.15MM (.006") OVERSIZE
	R46801	BUSHING	1		0.76MM (.030") OVERSIZE
14	F2674R	WASHER	2		
15	R47566	WASHER	AR		1.2MM (.048") (USE WITH AR78340)
16	R47567	WASHER	AR		0.9MM (.036") (USE WITH AR78340)
17	R47568	WASHER	AR		1.6MM (.062") (USE WITH AR78340)
18	AR26414	SEAL	1		(SUB AR78340, THIS APPLICATION)
19	AR78340	SEAL KIT	1		

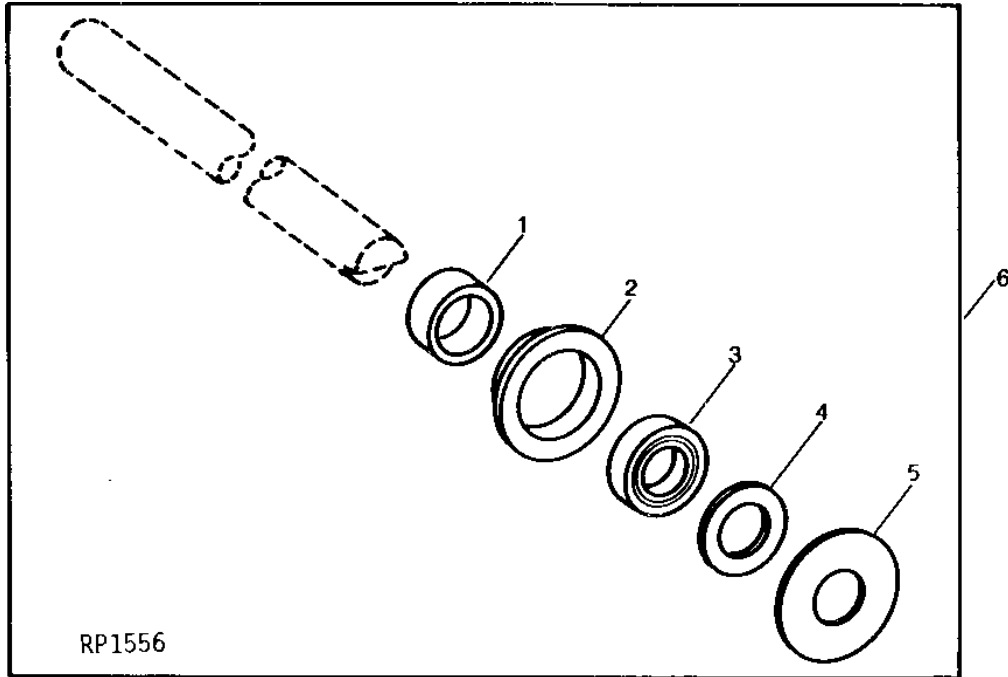
2C19

HYDRAULICS

RP1556

-UN-20NOV95

LOAD CONTROL SHAFT BUSHING KIT



KEY	PART NO.	PART NAME	QTY	TRACTOR SERIAL NO.	REMARKS
1	R46801	BUSHING	2		0.76MM (.030") OVERSIZE
2	R48682	BUSHING	2		
3	AR78340	SEAL KIT	2		
4	F2674R	WASHER	2		
5	R47566	WASHER	AR		1.22MM (.048")
	R47567	WASHER	AR		0.91MM (.036")
	R47568	WASHER	AR		1.57MM (.062")
6	AR51955	KIT	1		

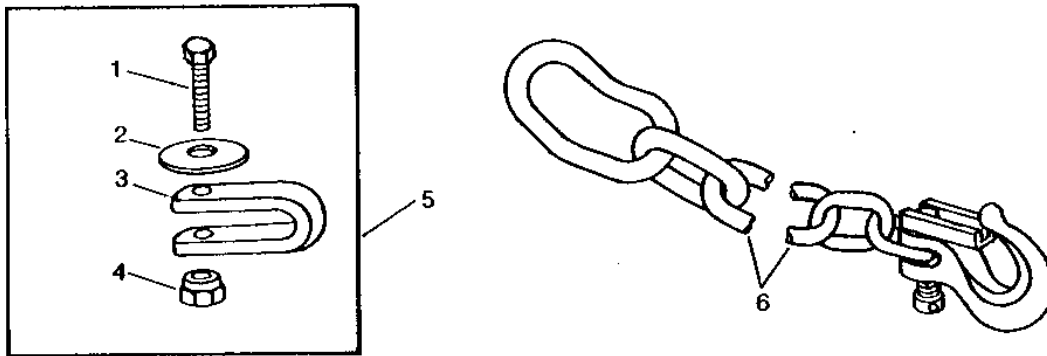
2C20

HYDRAULICS

RWP5796

-UN-01JAN94

IMPLEMENT SAFETY CHAIN



RWP5796

KEY	PART NO.	PART NAME	QTY	TRACTOR SERIAL NO.	REMARKS
1	19H1768	CAP SCREW	1	(A) (B)	
	19H2084	CAP SCREW	1	(A)	
	19H2174	CAP SCREW	1	(B)	
2	R36402	WASHER	1	(A) (B)	
3	R69408	CLEVIS	1	(A)	
	R69409	CLEVIS	1	(B)	
4	T25879	NUT	2	(A) (B)	
5	AR90577	SAFETY CHAIN ADAPTER KIT	1		CATEGORY IV DRAWBARS
	AR90578	CHAIN KIT	1		CATEGORY II AND III DRAWBARS
6	RE26739	LINK CHAIN	1		61 LINKS 6.4MM (1/4") DIA CHAIN (6,000 LB)
	AR90581	LINK CHAIN	1		61 LINKS 6.4MM (1/4") DIA CHAIN (10,000 LB)
	AR90579	LINK CHAIN	1		42 LINKS 9.5MM (3/8") DIA CHAIN
	AR90583	LINK CHAIN	1		43 LINKS 11.1MM (7/16") DIA CHAIN
	RE26740	LINK CHAIN	1		42 LINKS 12.7MM (1/2") DIA CHAIN, (SUB AN212996)

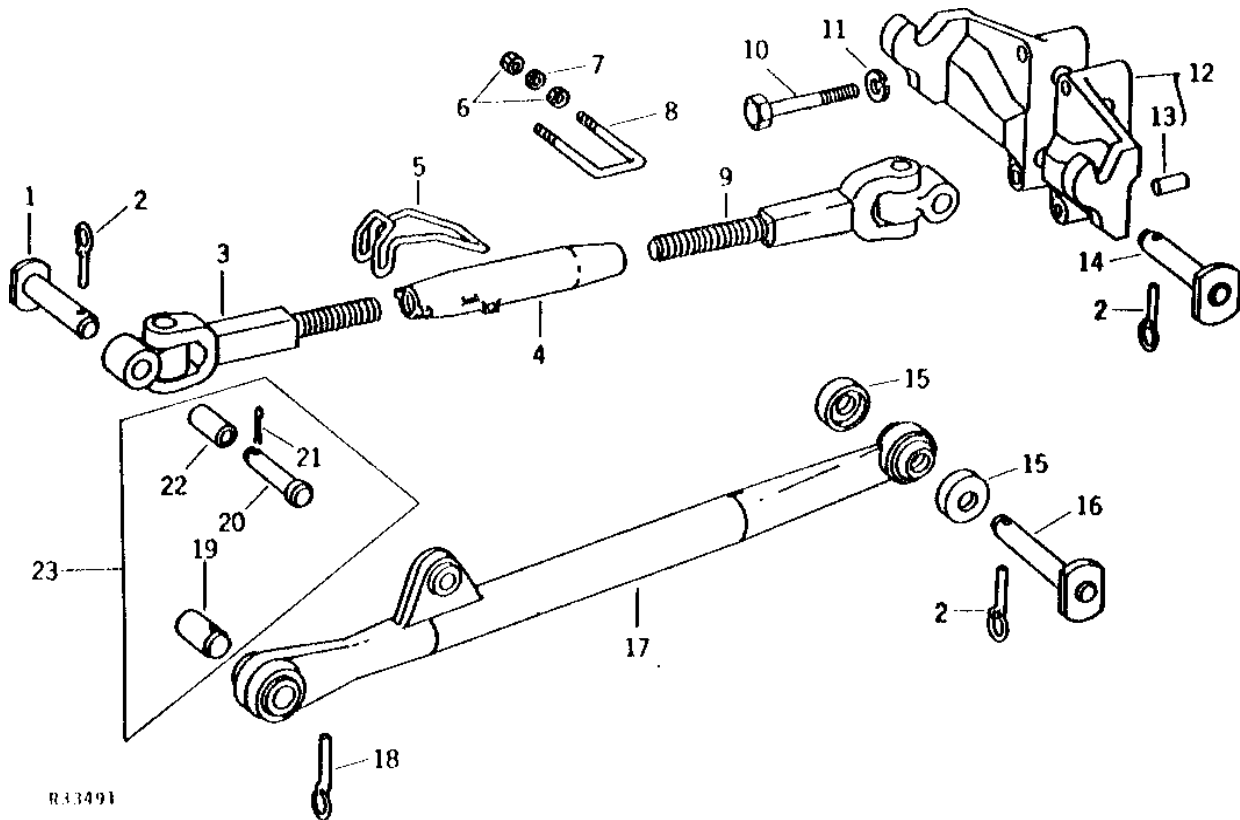
(A) INCLUDED IN AR90577
 (B) INCLUDED IN AR90578

2C21

HYDRAULICS

R33491 -UN-01JAN94

DRAFT LINKS AND CENTER LINK



R33491

2C22

HYDRAULICS

DRAFT LINKS AND CENTER LINK - CONTINUED

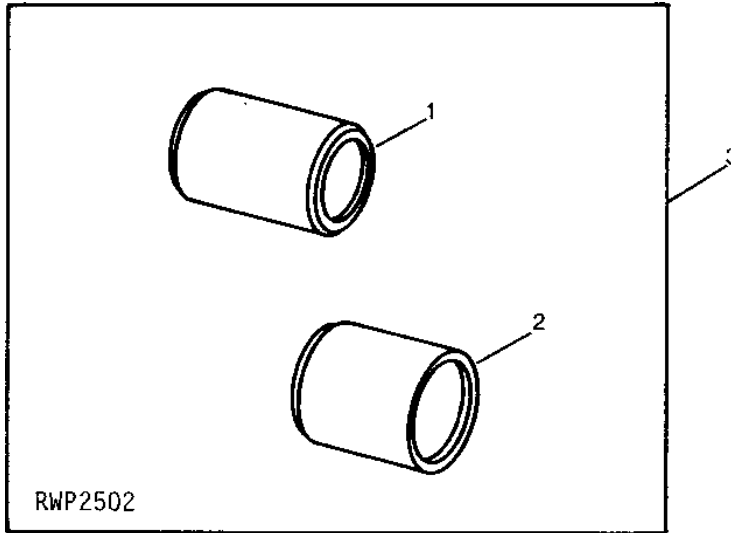
KEY	PART NO.	PART NAME	QTY	TRACTOR SERIAL NO.	REMARKS
1	AR70026	PIN	2		(SUB FOR AR35763)
2	AR62151	QUICK LOCK PIN	4		(SUB FOR B11182) (SUB M115827)
3	AR35760	CENTER LINK END	1		
4	R47524	LINK BODY	1		(ALSO ORDER R53762) (SUB FOR R26811)
5	R42495	HANDLE	1		(SUB FOR R27007)
6	14H732	NUT	4		3/8"
7	12H304	LOCK WASHER	2		3/8"
8	R45385	U-BOLT	1		(SUB FOR R36472)
9	AR35759	CENTER LINK END	1		
10	19H2084	CAP SCREW	4		3/4" X 4-1/2"
11	12H236	LOCK WASHER	4		3/4"
12	AR35855	BRACKET	1		(MARKED R36433)
13	R26277	DOWEL PIN	1		
14	AR89302	PIN	1		(SUB FOR AR35773 OR AR70025)
15	R26608	WASHER	4		
16	AR35774	PIN	1		
17	AR55150	DRAFT LINK	1		R.H. (SUB FOR AR35802)
	AR55151	DRAFT LINK	1		L.H. (SUB FOR AR35803)
18	AR62150	QUICK LOCK PIN	2		(SUB FOR R36471)
19	R66435	BUSHING	2		(SUB FOR R36470) CATEGORY II
20	R53296	PIN	1		(SUB FOR F2683R) CATEGORY II
21	11M7040	COTTER PIN	1		
22	R66434	BUSHING	1		(SUB FOR R36469) CATEGORY II
23	AR35857	BUSHING	1		FOR CATEGORY II IMPLEMENTS

2C23

HYDRAULICS

IMPLEMENT ADAPTER KIT (CATEGORY II MOUNTED IMPLEMENTS)

RWP2502 -UN-17OCT94



KEY	PART NO.	PART NAME	QTY	TRACTOR SERIAL NO.	REMARKS
1	R66434	BUSHING	1		
2	R67798	BUSHING	2		
3	AR88263	KIT	1	(NLA)	

MEMORANDA

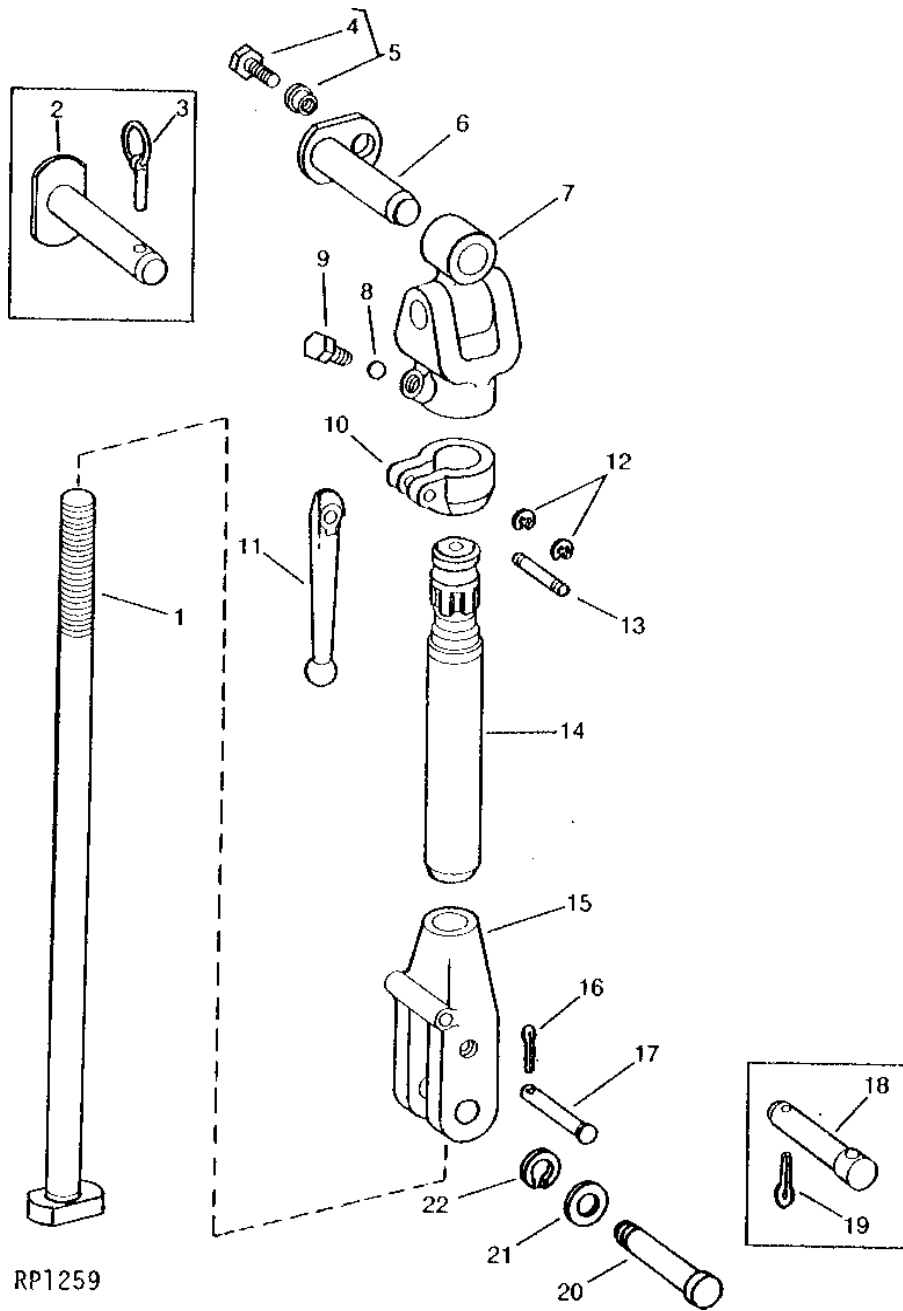
2D1

HYDRAULICS

RP1259

-UN-01JAN94

LIFT LINK



2D2

HYDRAULICS

LIFT LINK - CONTINUED

KEY	PART NO.	PART NAME	QTY	TRACTOR SERIAL NO.	REMARKS
1	R36464	LIFT LINK	2		
2	AR35772	PIN	2	-XXXXXX	(NO LONGER AVAILABLE)
3	B11182	QUICK LOCK PIN	2	-XXXXXX	(SUB M115827)
4	19H1815	CAP SCREW	2	XXXXXX-	1/2" X 1-1/4"
5	AR74673	CAP SCREW	2	XXXXXX-	(SUB FOR AR40865 OR AR48110)
6	AR70028	PIN	2	XXXXXX-	(SUB FOR AR40864)
7	AR35791	YOKE	2		
8	D2361R	BALL	20		13MM (1/2")
9	R36526	FITTING	2		
10	R50194	LOCKING COLLAR	2		(SUB FOR R36465)
11	R36527	HANDLE	2		
12	F3396R	SNAP RING	4		(SUB A3376R AND 11M7081)
13	T14034	PIN	2		
14	AR35790	SLEEVE	2		
15	R58934	YOKE	2		(ALSO ORDER R63737 AND 11M7021) (SUB FOR R36525 OR R42171)
16	11M7021	COTTER PIN	2		0.157" X 0.984"
17	R35077	PIN	2	-XXXXXX	
18	R63737	PIN	2	XXXXXX-	(SUB FOR R42172)
	R58264	PIN	2	-XXXXXX	(SUB FOR R36466 OR R43323) (SUB R65239, R65240 AND A602R)
19	11M7030	COTTER PIN	2	-XXXXXX	0.197" X 1.575"
20	R65239	PIN	1	XXXXXX-	
21	R65240	WASHER	1	XXXXXX-	
22	A602R	SNAP RING	1	XXXXXX-	

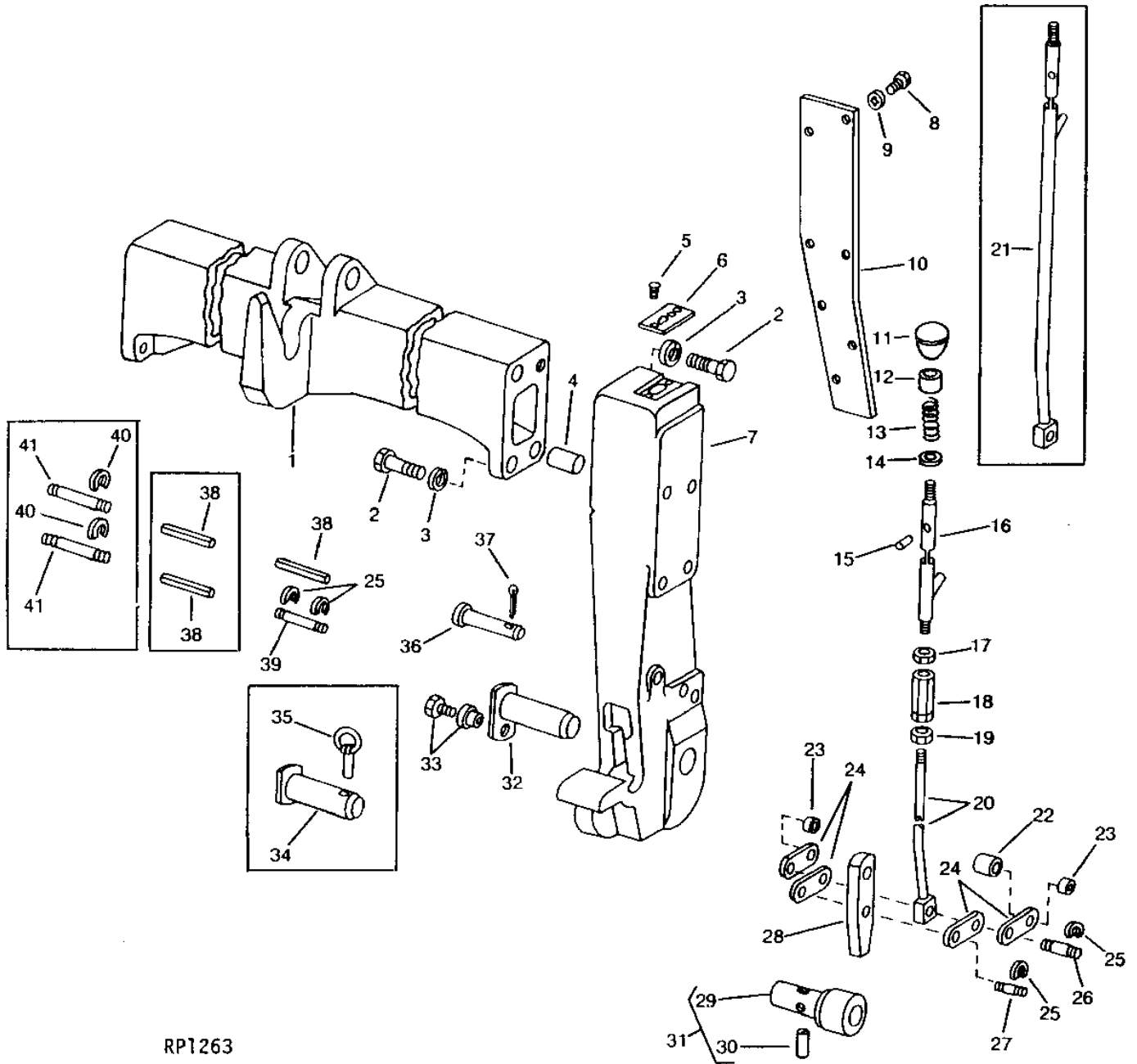
2D3

HYDRAULICS

RP1263

-UN-01JAN94

IMPLEMENT QUIK-COUPLER



RP1263

2D4

HYDRAULICS

IMPLEMENT QUIK-COUPLER - CONTINUED

KEY	PART NO.	PART NAME	QTY	TRACTOR SERIAL NO.	REMARKS
1	AR84904	QUICK COUPLER	1		CROSS MEMBER, (MARKED R36448, R65203 OR R65817) (SUB FOR AR35851 OR AR82263)
2	19H1356	CAP SCREW	4		5/8" X 1-3/4"
3	12H294	LOCK WASHER	4		5/8"
4	A776R	PIN	4		
5	37H71	SCREW	4		NO. 12 X 5/8", (USE WITH R65087 OR R65088)
	19H2284	CAP SCREW	2		(USE WITH AR87023 OR AR87024)
	12H304	LOCK WASHER	2		3/8", (USE WITH AR87023 OR AR87024)
6	R36443	BRACKET	2		(USE WITH R65087 OR R65088)
	AR50374	BRACKET	1		(USE WITH AR87023 OR AR87024)
7	R65087	QUICK COUPLER	1		R.H. (SUB FOR R47050, R36449 OR R46001) (SUB AR87023)
	AR87024	QUICK COUPLER	1		L.H. (SUB FOR R46002, R47051 OR R65088) (NO LONGER AVAILABLE)
8	19H1919	CAP SCREW	14		1/4" X 5/8"
9	12H297	LOCK WASHER	14		1/4"
10	R58617	SHIELD	2		(SUB FOR R36444)
11	F2861R	KNOB	2		(SUB R60458)
12	R30778	BUSHING	2		
13	R1826R	SPRING	2		
14	24H1227	WASHER	2		17/32" X 13/16" X 0.060"
15	34H277	SPRING PIN	2		3/16" X 5/8"
16	AR41266	ROD	2	XXXXXX-	
17	14H597	NUT	2	XXXXXX-	1/2"
18	R33961	COUPLING	2	XXXXXX-	
19	14H473	NUT	2	XXXXXX-	1/2"
20	AR41267	ROD	2	XXXXXX-	(NLA)
21	AR35761	ROD	1	-XXXXXX	R.H. (SUB AR41266, R33961, 14H473 AND 14H597)
	AR35850	ROD	1	-XXXXXX	L.H. (SUB AR41266, R33961, 14H473 AND 14H597)
22	28H1919	BUSHING	2		(SUB FOR R36612)
23	F2206R	WASHER	4		
24	R65242	STRAP	8		(SUB FOR R36439 OR R47590)
25	F2208R	SNAP RING	10		
26	R119275	PIN	2		(SUB FOR R36613 OR R47679)
27	R119276	PIN	2		(SUB FOR R36440 OR R47678)
28	R36441	LATCH	2		
29	R27998	HALF SLEEVE	2		
30	R27999	SPRING PIN	2		
31	AR27093	ADAPTER	1		
32	AR48112	PIN	2		(USE WITH R47050 AND R47051)
	AR76161	PIN	1		(USE WITH R65087) (SUB AR89303)
33	AR74673	CAP SCREW	2		(USE WITH R47050 AND R47051) (SUB FOR AR48110)
	AR78289	CAP SCREW	1		(USE WITH R65087) (SUB R81298)
34	AR35762	PIN	2		(USE WITH R36449 AND R36450)
35	AR83396	QUICK LOCK PIN	2		(USE WITH R36449 AND R36450) (SUB FOR AR26556 OR AR62152) (SUB R69166)
36	R28556	PIN	2		
37	11M7087	COTTER PIN	2		0.157" X 1.575"
38	34H375	SPRING PIN	4		1/2" X 3", (USE WITH R47050 AND R47051)
	34H375	SPRING PIN	1		1/2" X 3", (USE WITH R65087)
39	R65082	PIN	1		(USE WITH R65087)
40	F2208R	SNAP RING	8		(USE WITH R36449, R36450, R46001 AND R46002)
41	R36442	PIN	4		(USE WITH R36449, R36450, R46001 AND R46002) (NLA)

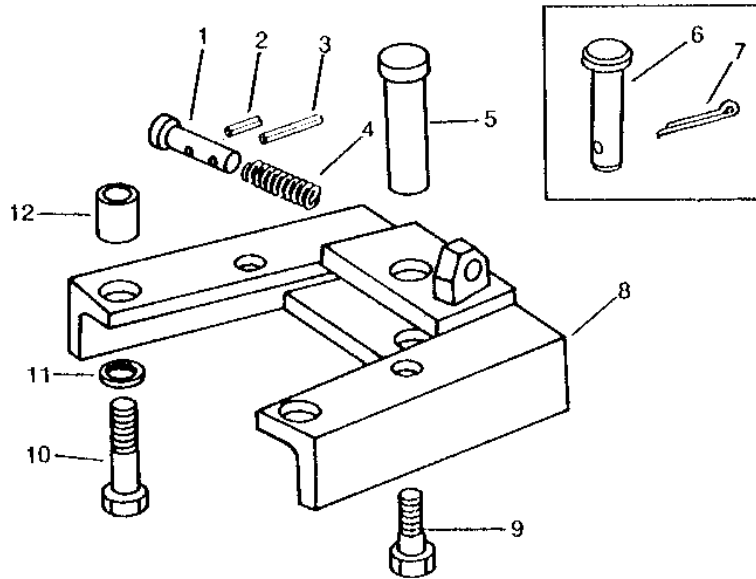
MEMORANDA

2D5

HYDRAULICS

RP1261 -UN-01JAN94

DRAWBAR FRONT SUPPORT



RP1261

KEY	PART NO.	PART NAME	QTY	TRACTOR SERIAL NO.	REMARKS
1	R43319	PIN	1	XXXXXX-	
2	34H279	SPRING PIN	1	XXXXXX-	3/16" X 13/16"
3	34H291	SPRING PIN	1	XXXXXX-	3/16" X 2-1/8"
4	B423R	SPRING	1	XXXXXX-	
5	R43320	PIN	1	XXXXXX-	(SUB R62760)
6	R35480	PIN	1	-XXXXXX	
7	11M7032	COTTER PIN	1	-XXXXXX	0.197" X 1.969"
8	AR43075	SUPPORT	1		(ALSO ORDER B423R, R43319, R62760, 34H279 AND 34H291) (SUB FOR AR35525)
9	19H2009	CAP SCREW	2		3/4" X 1-5/8"
10	19H1425	CAP SCREW	2		3/4" X 2-3/4"
11	B3627R	WASHER	2		
12	R35479	BUSHING	2		

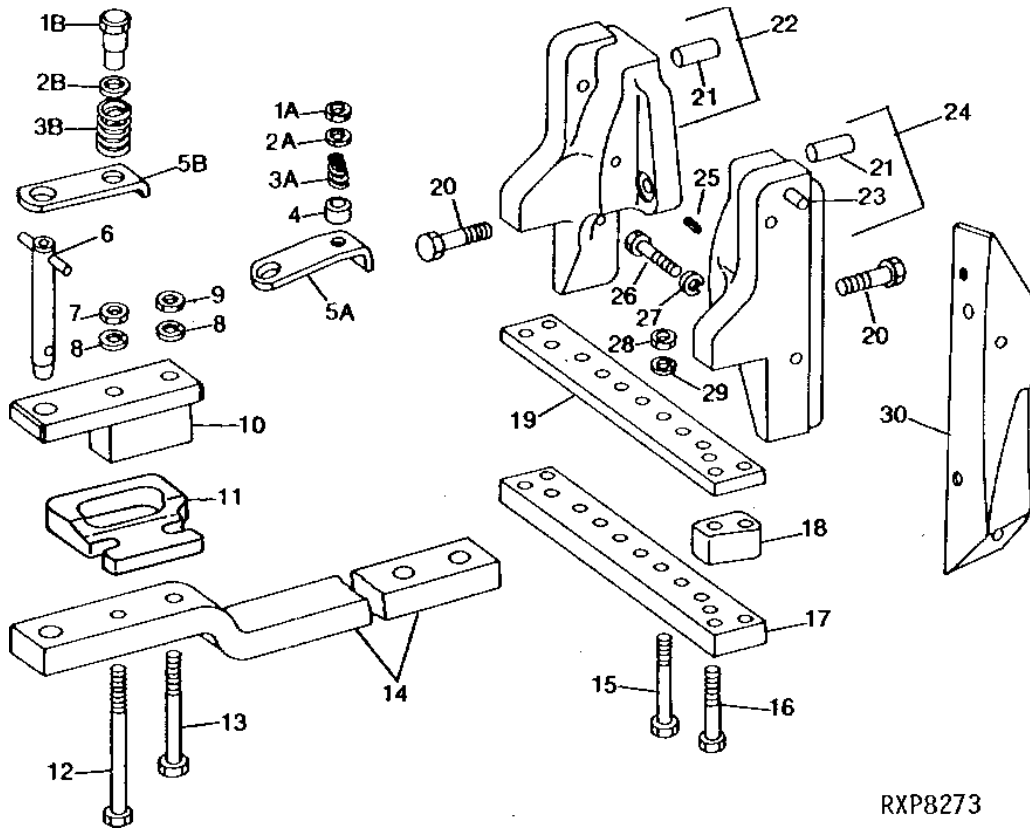
2D6

HYDRAULICS

RXP8273

-UN-01JAN94

REGULAR DRAWBAR



2D7

HYDRAULICS

REGULAR DRAWBAR - CONTINUED

KEY	PART NO.	PART NAME	QTY	TRACTOR SERIAL NO.	REMARKS
1A	R40121	LOCK NUT	1	-XXXXXX	
1B	R72433	NUT	1	XXXXXX-	(SUB R54065)
2A	24H1395	WASHER	1	-XXXXXX	25/32" X 1-7/16" X 0.060"
2B	24H1513	WASHER	1	XXXXXX-	1-13/32" X 2" X 0.060"
3A	A350R	SPRING	1	-XXXXXX	
3B	F304R	SPRING	1	XXXXXX-	
4	R47044	BUSHING	1	-XXXXXX	
5A	R36609	RETAINER	1		(SUB R54064, F304R, 19H1988 AND 24H1513)
5B	R54064	RETAINER	1	XXXXXX-	
6	AR69988	PIN	1	-XXXXXX	1-1/4" DIA. (SUB FOR AR937R)
	AR69987	PIN	1	XXXXXX-	1-3/8" DIA. (SUB FOR AR35807)
7	14H794	NUT	1	-XXXXXX	3/4"
8	12H236	LOCK WASHER	2		3/4"
9	14H794	NUT	1		3/4"
10	R78214	STRAP	1	-XXXXXX	(ALSO ORDER R105478, 19H3196 AND 19H3612)
	R80447	STRAP	1	XXXXXX-	(ALSO ORDER R105478, 19H2825 AND 19H3225)
11	R105478	RETAINER	1		
12	19H2951	CAP SCREW	1	-XXXXXX	3/4" X 8-1/4"
	19H3225	CAP SCREW	1	XXXXXX-	3/4" X 6-1/2"
13	19H1988	CAP SCREW	1	-XXXXXX	3/4" X 6"
	19H2825	CAP SCREW	1	XXXXXX-	3/4" X 4-1/4"
14	R36608	DRAWBAR	1	-XXXXXX	
	R50984	DRAWBAR	1	XXXXXX-	
15	19H2827	CAP SCREW	2		3/4" X 4-3/4"
16	19H2000	CAP SCREW	4		3/4" X 5"
	19H1897	CAP SCREW	4		5/16" X 3-3/4"
17	R36273	SUPPORT	1		
18	R36509	SPACER	2		
	R40028	SPACER	2		
19	R36272	STRAP	1		
20	19H2089	CAP SCREW	6		7/8" X 2-3/4"
21	R35482	DOWEL PIN	4		
22	AR35862	BRACKET	1		L.H. (MARKED R36508)
23	R26277	DOWEL PIN	2		
24	AR35861	BRACKET	1		R.H. (MARKED R36507)
25	34H348	SPRING PIN	2		3/8" X 1"
26	19H1863	CAP SCREW	4		5/8" X 3"
27	12H294	LOCK WASHER	4		5/8"
28	14H794	NUT	2		3/4"
29	12H236	LOCK WASHER	2		3/4"
30	R48815	SWAY BLOCK	1		R.H. (SUB FOR R36435)
	R48816	SWAY BLOCK	1		L.H. (SUB FOR R36436)

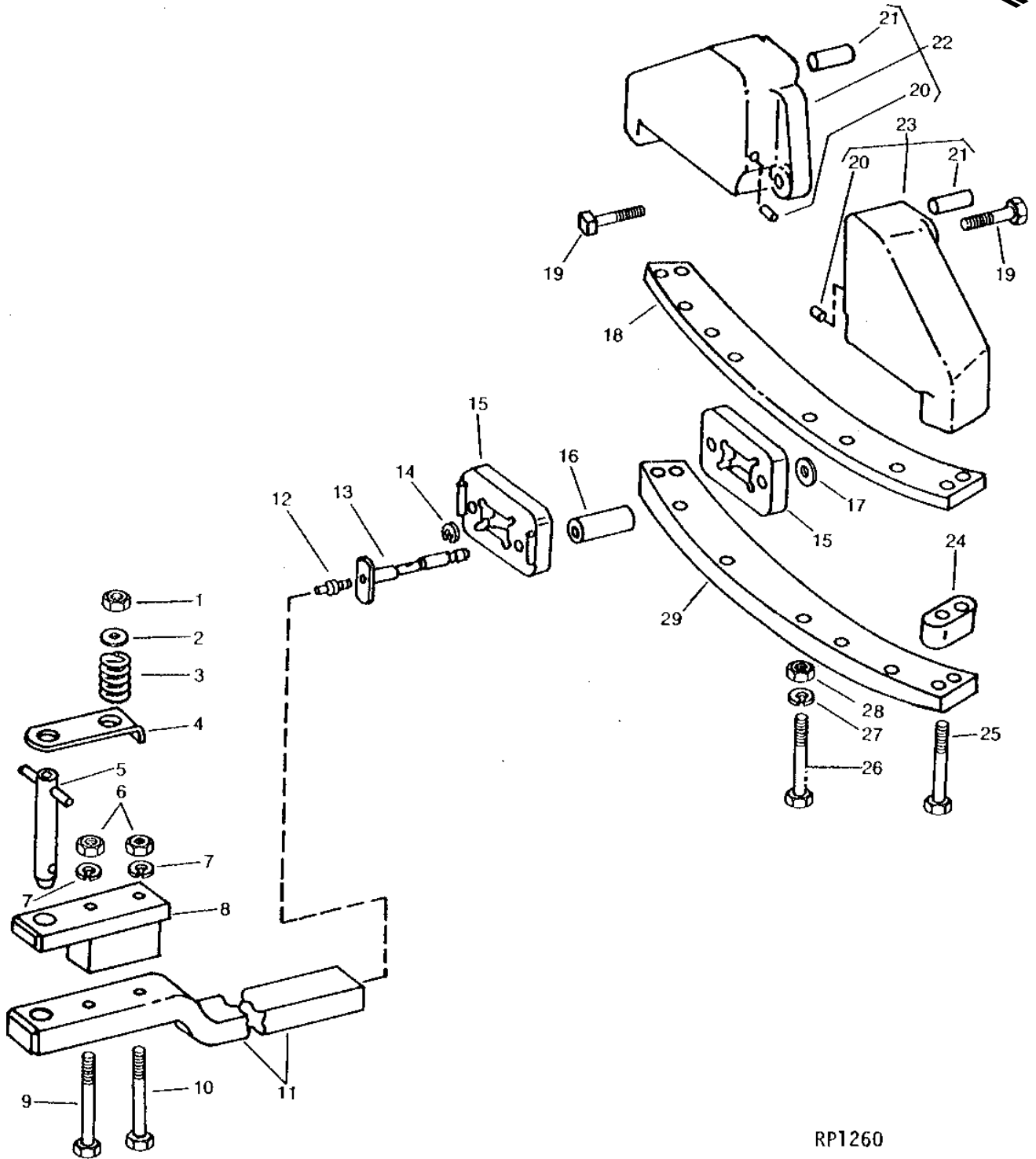
2D8

HYDRAULICS

RP1260

-UN-01JAN94

WIDE SWING DRAWBAR



RP1260

2D9

HYDRAULICS

WIDE SWING DRAWBAR - CONTINUED

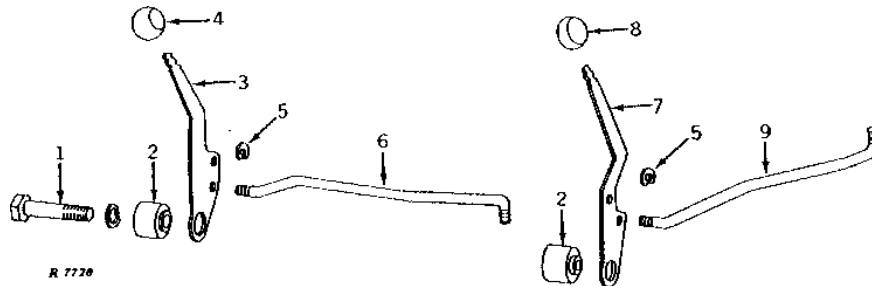
KEY	PART NO.	PART NAME	QTY	TRACTOR SERIAL NO.	REMARKS
1	14H793	NUT	2	-XXXXXX	3/4", (ILLUSTRATED)
	R54065	NUT	1	XXXXXX-	(SUB R72433)
2	24H1395	WASHER	1	-XXXXXX	25/32" X 1-7/16" X 0.060"
	24H1513	WASHER	1	XXXXXX-	1-13/32" X 2" X 0.060"
3	A350R	SPRING	1	-XXXXXX	
	F304R	SPRING	1	XXXXXX-	
4	R36609	RETAINER	1	-XXXXXX	(SUB R54064, R72433, F304R, 19H1988 AND 24H1513)
	R54064	RETAINER	1	XXXXXX-	
5	AR69988	PIN	1		(SUB FOR AR937R)
6	14H794	NUT	2		3/4"
7	12H236	LOCK WASHER	2		3/4"
8	AR35912	STRAP	1		(SUB RE19375)
9	19H3234	CAP SCREW	1	-XXXXXX	3/4" X 8-1/2"
	19H1988	CAP SCREW	1	XXXXXX-	3/4" X 6"
10	19H2723	CAP SCREW	1		3/4" X 6-1/4"
11	R36608	DRAWBAR	1		
12	JD7759	LUBRICATION FITTING	2		STRAIGHT, 1/8"
13	24M7353	WASHER	2		20 X 34 X 3 MM, (ALSO ORDER 24M7353 AND R73380) (SUB FOR AR35345, AR41735, AR44820 OR R42660)
14	11M7084	COTTER PIN	2	-XXXXXX	5 X 25 MM
	R73380	SNAP RING	1	XXXXXX-	(SUB FOR A369R)
15	R52390	HANGER	2		(SUB FOR R35838)
16	R54141	BUSHING	2		(SUB FOR R35839)
17	24M7353	WASHER	2		25/32" X 1-1/8" X .090", (SUB FOR (2) R42660)
18	R35483	SUPPORT	1		(SUB R38112)
19	19H3333	CAP SCREW	6		7/8" X 2-3/4"
20	34H348	SPRING PIN	2		3/8" X 1", (SUB FOR R32223)
21	R35482	DOWEL PIN	4		
22	AR71405	BRACKET	1		(MARKED R35468 OR R59198) (SUB FOR AR35527)
23	AR71404	BRACKET	1		(MARKED R35467 OR R59197) (SUB FOR AR35526)
24	R35835	SPACER	2		
25	19H2000	CAP SCREW	4		3/4" X 5"
26	19H1910	CAP SCREW	2		3/4" X 4-3/4"
27	12H236	LOCK WASHER	2		3/4"
28	14H794	NUT	2		3/4"
29	R35476	SUPPORT	1		(SUB R83111)

2D10

HYDRAULICS

R7720 -UN-01JAN94

SELECTIVE CONTROL VALVE LEVERS AND LINKAGE



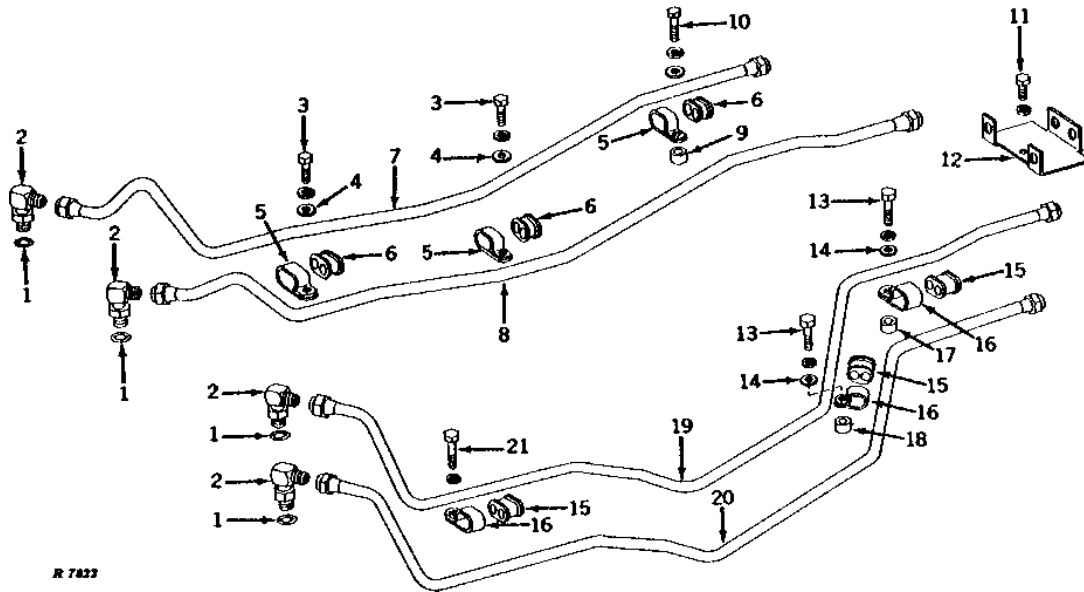
KEY	PART NO.	PART NAME	QTY	TRACTOR SERIAL NO.	REMARKS
1	19H2360	CAP SCREW	1	9/16" X 2-3/4", (SINGLE SELECTIVE CONTROL)	
	19H2659	CAP SCREW	1	9/16" X 3-3/4", (DUAL SELECTIVE CONTROL)	
	12H317	LOCK WASHER	1	9/16"	
2	R27203	BUSHING	AR	(1 USED SINGLE SELECTIVE CONTROL) (2 USED DUAL SELECTIVE CONTROL)	
3	R34482	LEVER	1	(SUB FOR R27500) (DUAL SELECTIVE CONTROL)	
4	R28164	KNOB	1	(DUAL SELECTIVE CONTROL)	
5	R72653	SNAP RING	AR	(4 USED SINGLE SELECTIVE CONTROL) (8 USED DUAL SELECTIVE CONTROL) (SUB FOR M2396T)	
6	R45306	ROD	1	(SUB FOR R27241) (DUAL SELECTIVE CONTROL)	
7	R27494	LEVER	1	INNER, (SINGLE OR DUAL SELECTIVE CONTROL)	
8	R27829	KNOB	1	(SINGLE OR DUAL SELECTIVE CONTROL)	
9	R45305	ROD	1	(SUB FOR R27240) (SINGLE OR DUAL SELECTIVE CONTROL)	

2D11

HYDRAULICS

R7822 -UN-01JAN94

SELECTIVE CONTROL VALVE OIL PIPES - BRACKET TO BREAKAWAY COUPLERS



KEY	PART NO.	PART NAME	QTY	TRACTOR SERIAL NO.	REMARKS
1	R26375	O-RING	AR		(2 USED SINGLE SELECTIVE CONTROL) (4 USED DUAL SELECTIVE CONTROL)
2	AT32332	ELBOW FITTING	AR		(2 USED SINGLE SELECTIVE CONTROL) (4 USED DUAL SELECTIVE CONTROL)
3	19H2284 12H304	CAP SCREW LOCK WASHER	2 2		(A) 3/8" X 7/8" (A) 3/8"
4	A4624R	WASHER	3		(A)
5	R28733	CLAMP	3		(A)
6	R35163	GROMMET	3		(A)
7	AR35226	LINE	1		(B) (ILLUSTRATED)
	AR47433	HYDRAULIC LINE	1		(C) (SUB FOR AR35742)
8	AR35228	HYDRAULIC LINE	1		(B) (ILLUSTRATED)
	AR35743	HYDRAULIC LINE	1		(C)
9	A4669R	BUSHING	1		(A)
10	19H1800	CAP SCREW	1		(A) 3/8" X 1-1/2"
	12H304	LOCK WASHER	1		(A) 3/8"
11	19H1936	CAP SCREW	1		3/8" X 3/4"
	12H304	LOCK WASHER	1		3/8"
12	R35705	BRACKET	1		
13	19H1800	CAP SCREW	2		3/8" X 1-1/2"
	12H304	LOCK WASHER	2		3/8"
14	A4624R	WASHER	2		
15	R35163	GROMMET	3		
16	R28733	CLAMP	3		
17	A4669R	BUSHING	1		
18	B3682R	WASHER	1		
19	AR36287	HYDRAULIC LINE	1		(SUB FOR AR35227)
20	AR36286	OIL LINE	1		(SUB FOR AR35225)
21	19H1721	CAP SCREW	1		1/2" X 1-1/2"
	12H301	LOCK WASHER	1		1/2"

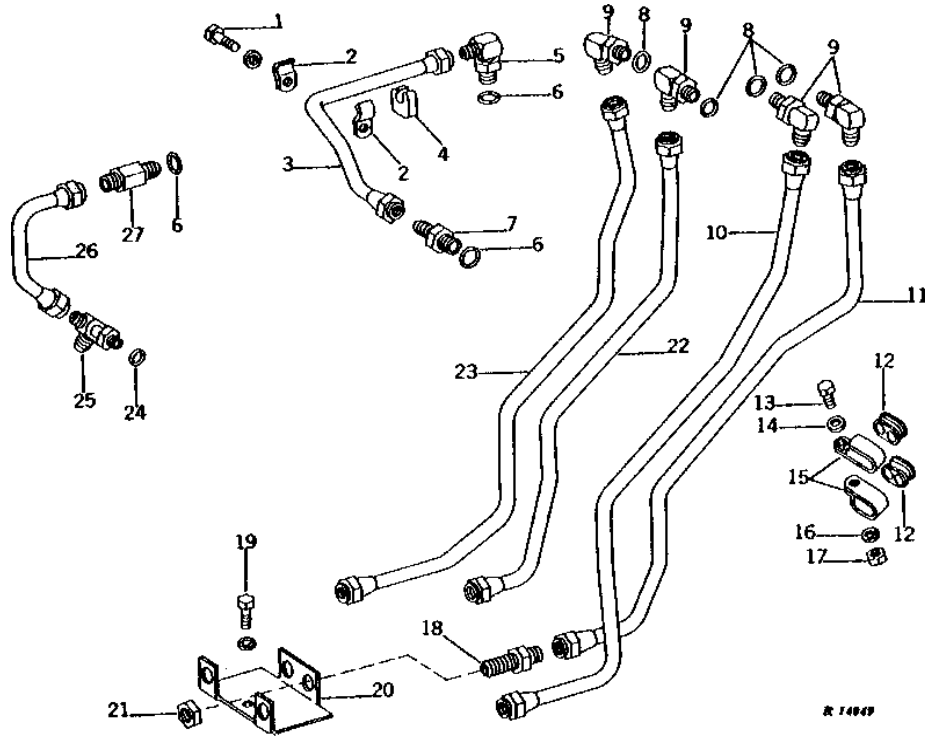
- (A) DUAL SELECTIVE CONTROL
- (B) DUAL SELECTIVE CONTROL AND NO ROCKSHAFT
- (C) DUAL SELECTIVE CONTROL AND ROCKSHAFT

2D12

HYDRAULICS

R14949 -UN-01JAN94

SELECTIVE CONTROL VALVE OIL PIPES - VALVE HOUSING TO BRACKET



KEY	PART NO.	PART NAME	QTY	TRACTOR SERIAL NO.	REMARKS
1	19H1936	CAP SCREW	1	3/8" X 3/4"	
	12H304	LOCK WASHER	1	3/8"	
2	R31183	CLAMP	2		
3	AR35721	LINE	1	PRESSURE	
4	R26989	GROMMET	1		
5	AT32332	ELBOW FITTING	1	(SUB FOR AR26763)	
6	R26375	O-RING	3		
7	R27237	FITTING	1		
8	R26375	O-RING	AR	(B)	
9	AT32332	ELBOW FITTING	AR	(B) (SUB FOR AR26763)	
10	AR35230	LINE	1		
11	AR35231	LINE	1	(NO LONGER AVAILABLE)	
12	R35163	GROMMET	2	(A)	
13	19H1731	CAP SCREW	1	(A) 3/8" X 1"	
14	24H1305	WASHER	1	(A) 13/32" X 13/16" X 0.065"	
15	R28733	CLAMP	2	(A)	
16	12H304	LOCK WASHER	1	(A) 3/8"	
17	14H1076	NUT	1	(A) 3/8"	
18	R35701	UNION FITTING	AR	(B)	
19	19H1936	CAP SCREW	1	3/8" X 3/4"	
	12H304	LOCK WASHER	1	3/8"	
20	R35705	BRACKET	1		
21	R27448	NUT	AR	(B)	
22	AR35234	LINE	1	(A) (NO LONGER AVAILABLE)	
23	AR36803	HYDRAULIC LINE	1	(A) (SUB FOR AR35233)	
24	R26286	O-RING	1		
25	AR26767	TEE FITTING	1		
26	AR26766	HYDRAULIC LINE	1	RETURN	
27	R28717	FITTING	1		

(A) DUAL SELECTIVE CONTROL

(B) 2 USED SINGLE SELECTIVE CONTROL, 4 USED DUAL SELECTIVE CONTROL

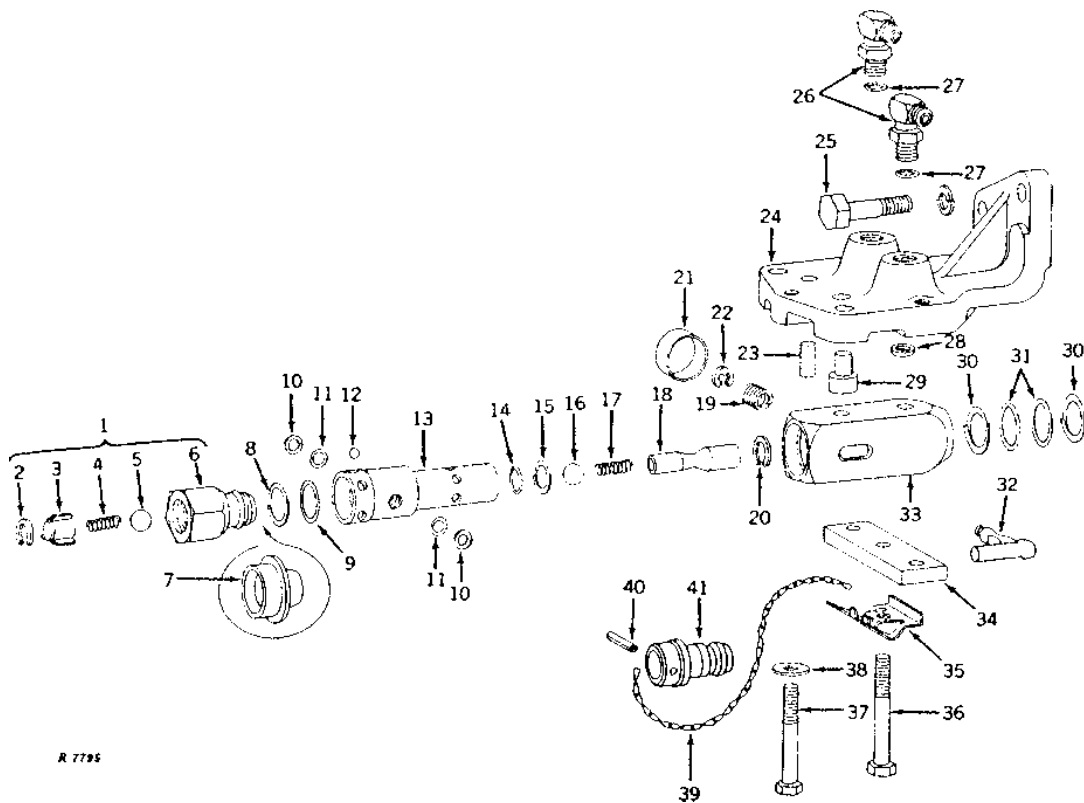
MEMORANDA

2D13

HYDRAULICS

BREAKAWAY COUPLER AND BRACKET (TRACTOR SERIAL NO. -004499)

R7795 -UN-01JAN94



2D14

HYDRAULICS

BREAKAWAY COUPLER AND BRACKET - CONTINUED
(TRACTOR SERIAL NO. 004499)

KEY	PART NO.	PART NAME	QTY	TRACTOR SERIAL NO.	REMARKS
1	AR30210	INTERNAL HALF COUPLER	1		(SUB AR93819)
2	R28204	SNAP RING	1		
3	R28085	GUIDE	1		(SUB AR93819)
4	R28084	SPRING	1		
5	D2361R	BALL	1		
6	R27430	HYD. QUICK-CONNECT COUPLER	1		(SUB AR93819)
7	R28006	CAP	1		
8	R26485	BACK-UP RING	1		
9	R495R	O-RING	1		
10	R26484	BACK-UP RING	2		
11	A3917R	O-RING	2		
12	400R	BALL	6		
13	R34397	SOCKET OUTLET	1		(SUB FOR R28815)
14	R375R	O-RING	1		
15	R26482	RING	1		
16	D2361R	BALL	1		
17	R28084	SPRING	1		
18	R34400	PLUG	1		(ALSO ORDER R34397) (SUB FOR R28816)
19	R31890	SPRING	1		
20	R26483	SNAP RING	1		
21	R28672	BUSHING	AR		(A)
22	R72653	SNAP RING	1		(SUB FOR M2396T)
23	R28671	DOWEL PIN	AR		(B)
24	AR35038	BRACKET	AR		(A) (MARKED R35161) (NO LONGER AVAILABLE)
25	19H456	CAP SCREW	AR		(B) 1/2" X 1-3/8"
	12H301	LOCK WASHER	AR		(B) 1/2"
26	AT32332	ELBOW FITTING	AR		(B) (SUB FOR AR26763)
27	R26375	O-RING	AR		(B)
28	F2741R	PACKING	AR		(B)
29	R28673	CAM	AR		(B)
30	R26480	BACK-UP RING	2		
31	A4730R	O-RING	2		
32	AR31584	LEVER	1		
33	R28813	BREAKAWAY COUPLER	1		R.H.
	R28814	BREAKAWAY COUPLER	1		L.H.
34	R28674	STRAP	AR		(A)
35	R30818	SPRING	AR		(A)
36	19H1944	CAP SCREW	AR		3/8" X 2-3/4", (3 USED SINGLE SELECTIVE CONTROL) (6 USED DUAL SELECTIVE CONTROL)
37	19H1733	CAP SCREW	AR		(A) 3/8" X 2-1/2"
38	A4231R	WASHER	AR		(A)
39	AN163885	LINK CHAIN	AR		(B) (SUB FOR A3184R OR R49193)
40	34H282	SPRING PIN	AR		(B) 3/16" X 1"
41	AR34059	PLUG	AR		(B) (SUB FOR AR31637) (SUB AR52623)
..	AR30781	BREAKAWAY COUPLER	1		R.H. (NO LONGER AVAILABLE)
..	AR30782	BREAKAWAY COUPLER	1		L.H. (NO LONGER AVAILABLE)

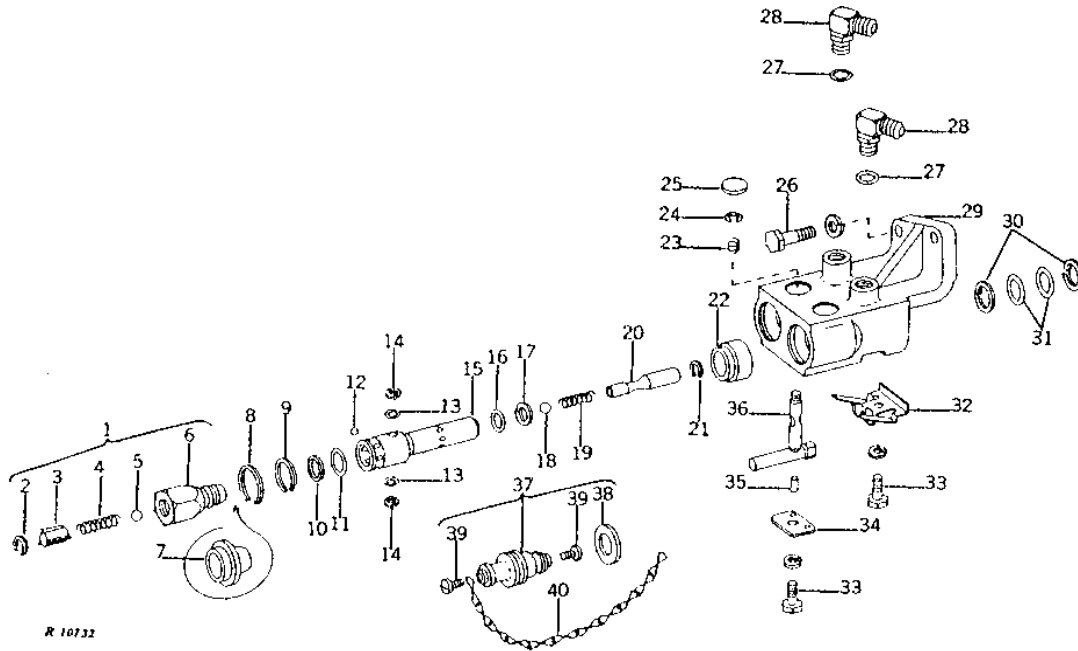
(A) 1 USED SINGLE SELECTIVE CONTROL, 2 USED DUAL SELECTIVE CONTROL
(B) 2 USED SINGLE SELECTIVE CONTROL, 4 USED DUAL SELECTIVE CONTROL

2D15

HYDRAULICS

BREAKAWAY COUPLER (TRACTOR SERIAL NO. 004500-)

R10732 -UN-01JAN94



R 10732

2D16

HYDRAULICS

BREAKAWAY COUPLER - CONTINUED
(TRACTOR SERIAL NO. 004500)

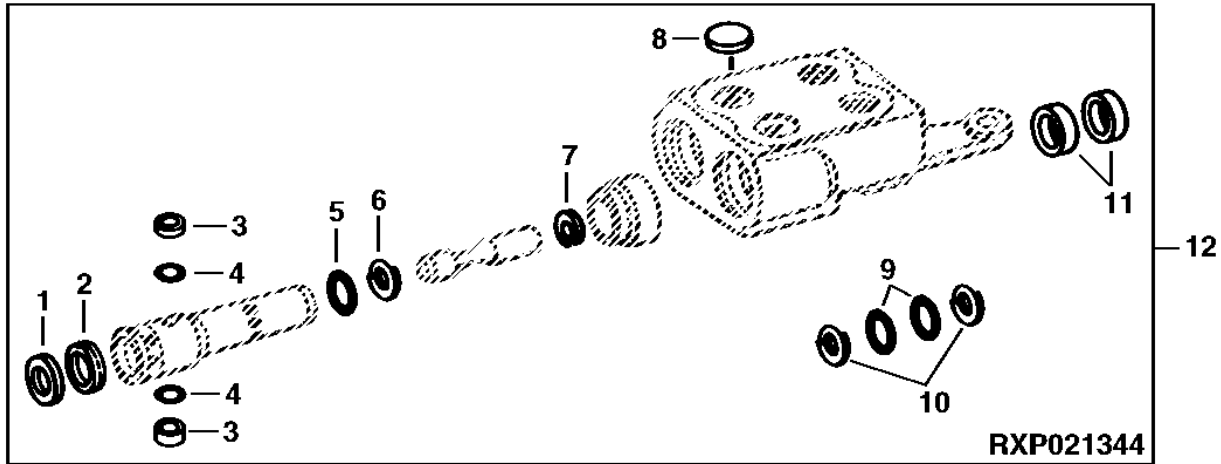
KEY	PART NO.	PART NAME	QTY	TRACTOR SERIAL NO.	REMARKS
1	AR30210	INTERNAL HALF COUPLER	2		(SUB AR93819)
2	R59633	WEAR RING	2		(SUB FOR R28204)
3	R28085	GUIDE	2		(SUB AR93819)
4	R28084	SPRING	2		
5	D2361R	BALL	2		
6	R27430	HYD. QUICK-CONNECT COUPLER	2		(SUB AR93819)
7	R28006	CAP	2		
8	R34399	SNAP RING	2		
9	R32356	SNAP RING	2		
10	R26485	BACK-UP RING	2		
11	R495R	O-RING	2		(SUB R59343, THIS APPLICATION)
12	400R	BALL	12		
13	R65286	O-RING	4		(SUB FOR A3917R, THIS APPLICATION)
14	R26484	BACK-UP RING	4		
15	R34397	SOCKET OUTLET	2		
16	R375R	O-RING	2		
17	R26482	RING	2		
18	D2361R	BALL	2		
19	R28084	SPRING	2		
20	R34400	PLUG	2		
21	R26483	SNAP RING	2		
22	R34398	SLEEVE	2		
23	R31890	SPRING	2		
24	R72653	SNAP RING	2		(SUB FOR M2396T)
25	30H15	PLUG	2		1-1/8"
26	19H3579	CAP SCREW	2		1/2" X 1-3/8"
	12H301	LOCK WASHER	2		1/2"
27	R26375	O-RING	2		
28	AT32332	ELBOW FITTING	2		(SUB FOR AR26763)
29	AR52620	HOUSING	1		(SUB FOR AR48295) (SUB R34396, R49191, R72654, 12H10 AND 24H1286)
30	R26480	BACK-UP RING	4		
31	A4730R	O-RING	4		
32	R30818	SPRING	1		
33	19H1900	CAP SCREW	2		5/16" X 3/4"
	12H303	LOCK WASHER	2		5/16"
34	R51285	PLATE	1		(SUB FOR R34402 OR R41494) (SUB AR75958)
35	34H244	SPRING PIN	2		1/8" X 9/16"
36	AR99100	LEVER	2		(SUB FOR AR33877 OR AR82576)
37	AR52623	PLUG	2		(SUB FOR AR34059)
38	R34589	WASHER	2		
39	37H97	SCREW	4		0.242" X 3/4", (SUB FOR A4322R)
40	AN163885	LINK CHAIN	2		(SUB FOR A3184R OR R49193)

2D17

HYDRAULICS

RXP021344 -UN-11OCT95

BREAKAWAY COUPLER OVERHAUL KIT



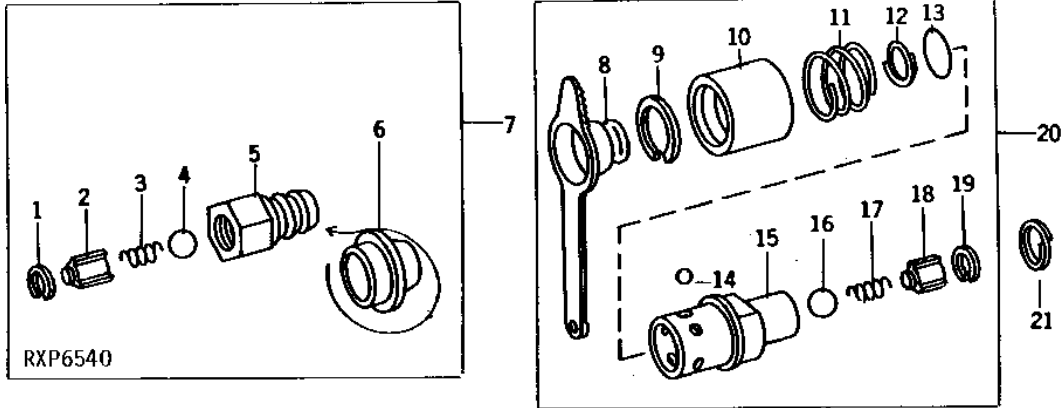
KEY	PART NO.	PART NAME	QTY	TRACTOR SERIAL NO.	REMARKS
1	R26485	BACK-UP RING	2		
2	R59343	RING	2		
3	R26484	BACK-UP RING	4		
4	R65286	O-RING	4		
5	R375R	O-RING	2		
6	R26482	RING	2		
7	R26483	SNAP RING	2		
8	30H15	PLUG	2	1-1/8"	
9	A4730R	O-RING	4	(EARLY DESIGN)	
10	R26480	BACK-UP RING	4	(EARLY DESIGN)	
11	R79311	SEAL	4	(CURRENT DESIGN) (SUB FOR R65285 AND R74530)	
12	AR82570	KIT	1	(SUB FOR AR30685)	

2D18

HYDRAULICS

RXP6540 -UN-06OCT94

FLEXIBLE OIL LINE COUPLER



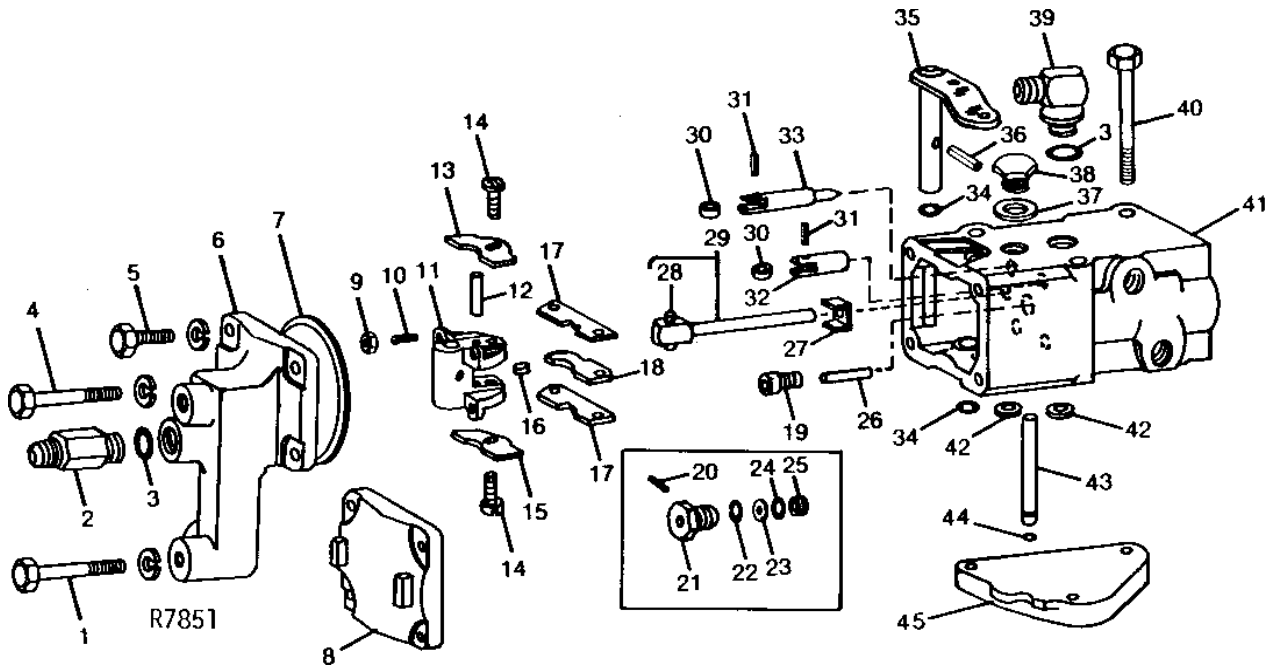
KEY	PART NO.	PART NAME	QTY	TRACTOR SERIAL NO.	REMARKS
1	R59633	WEAR RING	1		(SUB FOR R28204)
2	R28085	GUIDE	1		(SUB AR93819 OR AR93820, THIS APPLICATION)
3	R28084	SPRING	1		
4	D2361R	BALL	1	13MM (1/2")	
5	R27430	HYD. QUICK-CONNECT COUPLER	1		(PRESSURE) (SUB AR93819)
	R45630	HYD. QUICK-CONNECT COUPLER	1		(RETURN) (SUB AR93820)
6	R28006	CAP	1		
7	AR30210	INTERNAL HALF COUPLER	1		(PRESSURE) (SUB AR93819)
	AR47643	BREAKAWAY COUPLER	1		(RETURN) (SUB AR93820)
8	R32419	COVER	1		(SUB R80324)
9	R32356	SNAP RING	1		
10	R32355	SLEEVE	1		(SUB RE15361)
11	R32354	SPRING	1		(SUB RE15361)
12	R26485	BACK-UP RING	1		
13	R495R	O-RING	1		
14	400R	BALL	6	6MM (1/4")	
15	R32353	SOCKET OUTLET	1		(SUB RE15361)
16	D2361R	BALL	1	13MM (1/2")	
17	R28084	SPRING	1		
18	R28085	GUIDE	1		(SUB RE15361)
19	R59633	WEAR RING	1		(SUB FOR R28204)
20	AR47331	SOCKET OUTLET	1		(SUB RE15361)
21	R36946	SPRING	1		

2D19

HYDRAULICS

R7851 -UN-26SEP95

SELECTIVE CONTROL VALVE HOUSING



2D20

HYDRAULICS

SELECTIVE CONTROL VALVE HOUSING - CONTINUED

KEY	PART NO.	PART NAME	QTY	MODEL NO.	REMARKS
1	19H1765	CAP SCREW	1	3/8" X 1-3/4"	
	12H304	LOCK WASHER	1	3/8"	
2	R28717	FITTING	1		
3	R26375	O-RING	2		
4	19H1726	CAP SCREW	1	3/8" X 2-1/4"	
	12H304	LOCK WASHER	1	3/8"	
5	19H1731	CAP SCREW	4	3/8" X 1"	
	12H304	LOCK WASHER	4	3/8"	
6	R49188	BRACKET	1	(ALSO ORDER R49187) (SUB FOR R27595)	
7	R26544	WASHER	1		
8	R49186	COVER	1	(DUAL SELECTIVE CONTROL) (ALSO ORDER R49187) (SUB FOR R27593)	
9	14H850	NUT	4	1/4"	
10	22H791	SET SCREW	4	1/4" X 3/4"	
11	R27587	ROCKER	1		
12	R28744	PIN	1		
13	R51414	CAM	1	(SUB FOR R27588 OR R41931)	
14	R27233	SCREW	2		
15	R51415	CAM	1	(SUB FOR R27589 OR R41932)	
16	R51409	SPACER	1	(SUB FOR R26980 OR R41613)	
17	AR31813	CAM	1	(SUB (2) R32389)	
18	R26978	CAM	1		
19	AR78483	GUIDE	1	2SC2- (SUB FOR AR31703)	
20	34H380	SPRING PIN	1	-2SC1 1/16" X 3/8"	
21	R27230	GUIDE	1	-2SC1	
22	R26448	O-RING	1	-2SC1	
23	R26977	BACK-UP RING	1	-2SC1	
24	R26976	O-RING	1	-2SC1	
25	R26975	SLEEVE	1	-2SC1	
26	R28744	PIN	1		
27	R28635	CLIP	1		
28	R28634	PIN	1		
29	AR27867	GUIDE	1		
30	R51409	SPACER	4	(SUB FOR R26980 OR R41613)	
31	34H241	SPRING PIN	4	1/8" X 3/8"	
32	R26982	CAM FOLLOWER	2		
33	R27678	CAM FOLLOWER	2		
34	R394R	O-RING	2		
35	AR26657	ARM	1		
36	34H297	SPRING PIN	1	7/32" X 1"	
37	AR26697	SEALING WASHER	1		
38	R41155	PLUG	1	(SUB FOR R26986)	
39	AT32332	ELBOW FITTING	1	(SUB FOR AR26763)	
40	19H1912	CAP SCREW	3	3/8" X 3-1/2", (SINGLE SELECTIVE CONTROL)	
	08H3793	CAP SCREW	3	3/8" X 6-1/2", (DUAL SELECTIVE CONTROL)	
41	AR40824	HOUSING	1	(MARKED R31054, R36533 OR R41197) (SUB FOR AR35823) (ALSO ORDER AR31663 AND A4365R) (SUB FOR AR35647)	
42	R26149	PACKING	5		
43	R27060	PIN	1		
44	T17951	O-RING	1		
45	R27492	COVER	1		
..	AR34295	KIT	1	SELECTIVE CONTROL VALVE OVERHAUL	

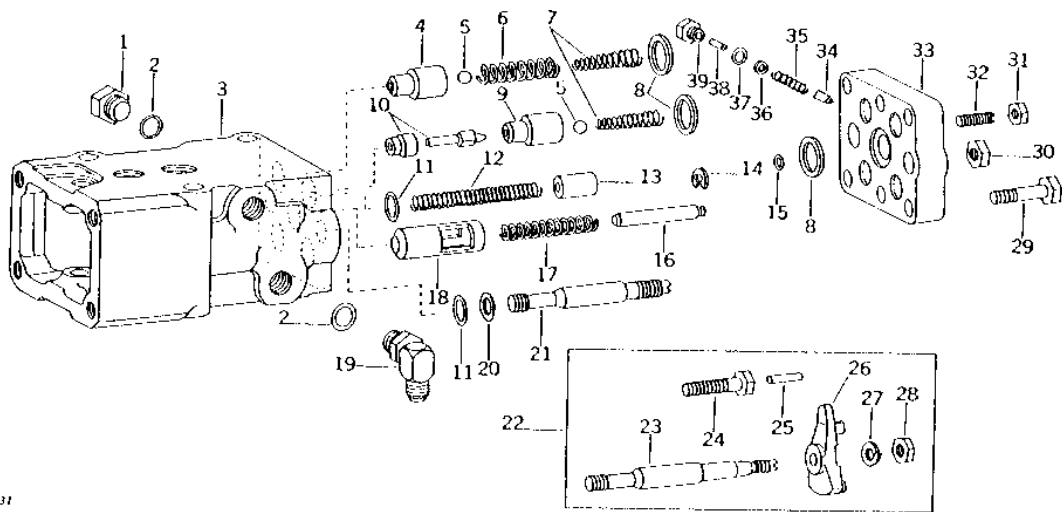
2D21

HYDRAULICS

R10731

-UN-01JAN94

SELECTIVE CONTROL VALVE



R 10731

2D22

HYDRAULICS

SELECTIVE CONTROL VALVE - CONTINUED

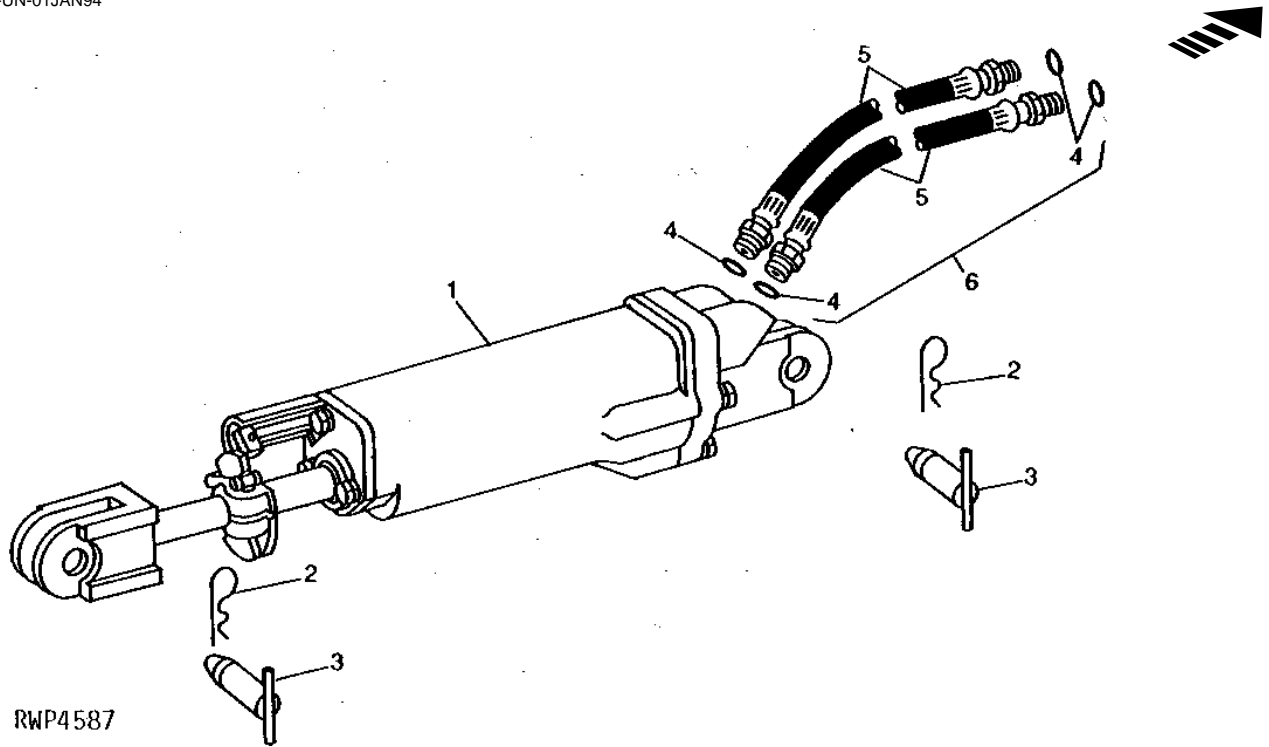
KEY	PART NO.	PART NAME	QTY	MODEL NO.	REMARKS
1	R39112	FITTING	AR		(SUB FOR R28095) (2 USED SINGLE SELECTIVE CONTROL) (4 USED DUAL SELECTIVE CONTROL)
2	R26375	O-RING	AR		(4 USED SINGLE SELECTIVE CONTROL) (8 USED DUAL SELECTIVE CONTROL)
3	AR40824	HOUSING	1		(MARKED R31054, R36533 OR R41197) (ALSO ORDER AR31663 AND A4365R) (SUB FOR AR35647)
4	R28124	VALVE	2	-2SC2	RETURN, (SUB FOR R26824)
	R41175	VALVE	2	2SC3-	RETURN
5	400R	BALL	4		(NO LONGER AVAILABLE)
6	R26823	SPRING	2		(USE WITH R26824)
7	R26565	SPRING	4		
8	R26149	PACKING	5		
9	R28124	VALVE	2	-2SC2	(SUB FOR R27512)
	R41175	VALVE	2	2SC3-	CONTROL
10	AR30588	SHAFT	2	-2SC1	(SUB R27585 AND R27586)
	R32412	SHAFT	2	2SC2-	(ALSO ORDER AR40744) (SUB FOR AR31820)
11	R394R	O-RING	2		
12	R42334	SPRING	1		(SUB FOR R28561)
13	R28563	PIN	1		
14	R72653	SNAP RING	1		(SUB FOR M2396T)
15	A4365R	O-RING	1	2SC2-	
16	R26822	PIN	1		
17	R26974	SPRING	1		
18	R27489	VALVE	1		
19	AT32332	ELBOW FITTING	AR		(SUB FOR AR26763) (2 USED SINGLE SELECTIVE CONTROL) (4 USED DUAL SELECTIVE CONTROL)
20	R26551	BACK-UP RING	1		
21	R27231	VALVE	1		
22	AR39747	VALVE	1		(NO LONGER AVAILABLE)
23	R39769	VALVE	1		
24	R39771	CAP SCREW	1		(NO LONGER AVAILABLE)
25	34H247	SPRING PIN	1		1/8" X 3/4"
26	R39770	LEVER	1		
27	12H303	LOCK WASHER	1		5/16"
28	14H650	NUT	1		5/16"
29	19H1849	CAP SCREW	6		5/16" X 1-1/4"
30	14H774	NUT	1		3/8"
31	14H850	NUT	1		1/4"
32	22H791	SET SCREW	1		1/4" X 3/4"
33	AR30680	CAP	1	-2SC1	(MARKED R31564)
	AR31663	COVER	1	2SC2-	(MARKED R32411)
34	R55678	RELIEF VALVE	1		(SUB FOR R31565)
35	R26477	SPRING	1		
36	R26478	SHIM	AR		0.51MM (.020") STEEL
	R26479	SHIM	AR		0.76MM (.030") STEEL
37	R26287	O-RING	1		
38	34H247	SPRING PIN	1		1/8" X 3/4"
39	R27216	DRAIN PLUG	1		
..	AR34295	KIT	1		SELECTIVE CONTROL VALVE OVERHAUL

2D23

HYDRAULICS

RWP4587 -UN-01JAN94

REMOTE CYLINDER AND HOSES



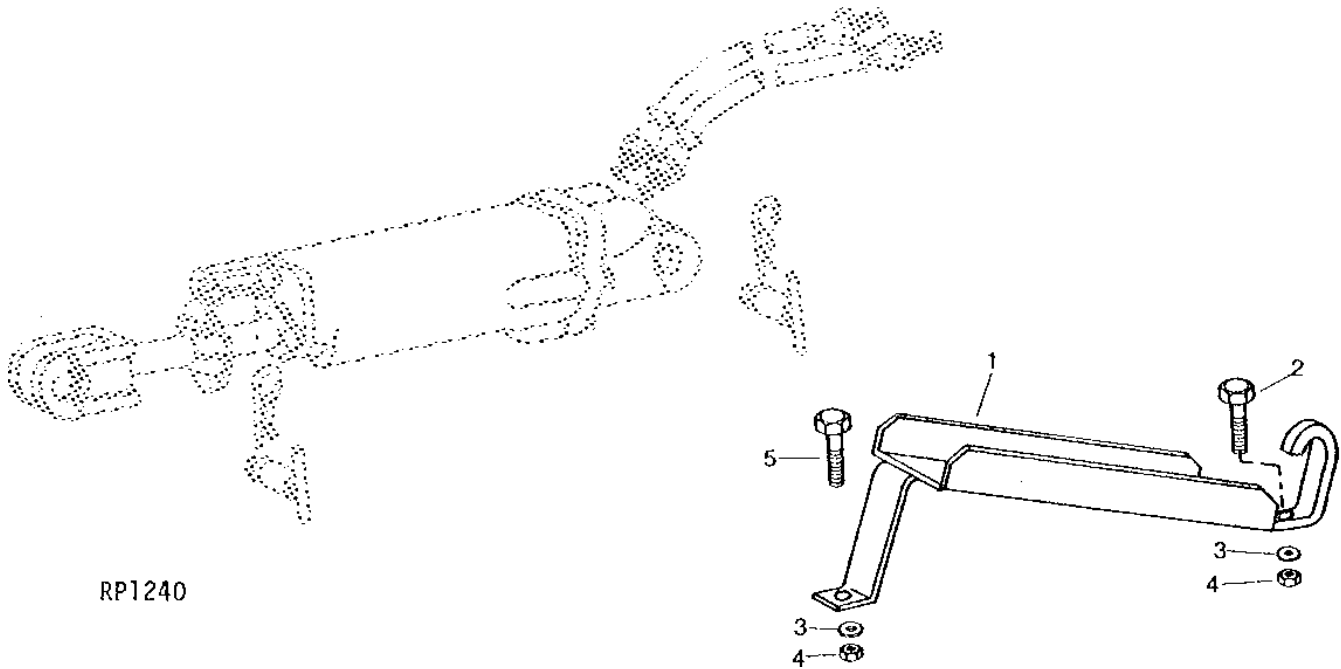
KEY	PART NO.	PART NAME	QTY	TRACTOR SERIAL NO.	REMARKS
1	AR35261	CYLINDER	1		(ILLUSTRATED)
	AR36303	CYLINDER	1		
2	A3581R	SPRING LOCKING PIN	2		
3	AR47825	PIN	2		(SUB FOR AA6309R)
4	R26375	O-RING	4		
5	R35736	HYDRAULIC HOSE	2	-004499	(1/2" I.D. X 120") (3048MM) (NO LONGER AVAILABLE)
	R36795	HYDRAULIC HOSE	2	004500-	(1/2" I.D. X 120") (3048MM)
6	AR36158	OIL LINE	1		
..	CYLINDER	1		(ORDER AR35261 AND AR36158) (SUB FOR AR35134)
..	CYLINDER	1		(ORDER AR36303 AND AR36158)
..	AR45534	KIT	1		(TO CONVERT 89 X 203MM (3-1/2" X 8") REMOTE CYLINDER WITH HYDRAULIC STOP TO REMOTE CYLINDER WITH MECHANICAL STOP)

2D24

HYDRAULICS

RP1240 -UN-01JAN94

REMOTE CYLINDER CARRIER



RP1240

KEY	PART NO.	PART NAME	QTY	TRACTOR SERIAL NO.	REMARKS
1	AR35326	CRADLE	1		(A) (NO LONGER AVAILABLE)
2	19H1815	CAP SCREW	1		(B) 1/2" X 1-1/4"
	19H1974	CAP SCREW	1		(C) 1/2" X 2-3/4"
3	12H301	LOCK WASHER	2		(B) 1/2"
4	14H1040	NUT	2		(B) 1/2"
5	19H1815	CAP SCREW	1		(B) 1/2" X 1-1/4"
	19H1820	CAP SCREW	1		(C) 1/2" X 3"

- (A) LESS ROCKSHAFT
- (B) WITH ONE CARRIER
- (C) WITH TWO CARRIERS

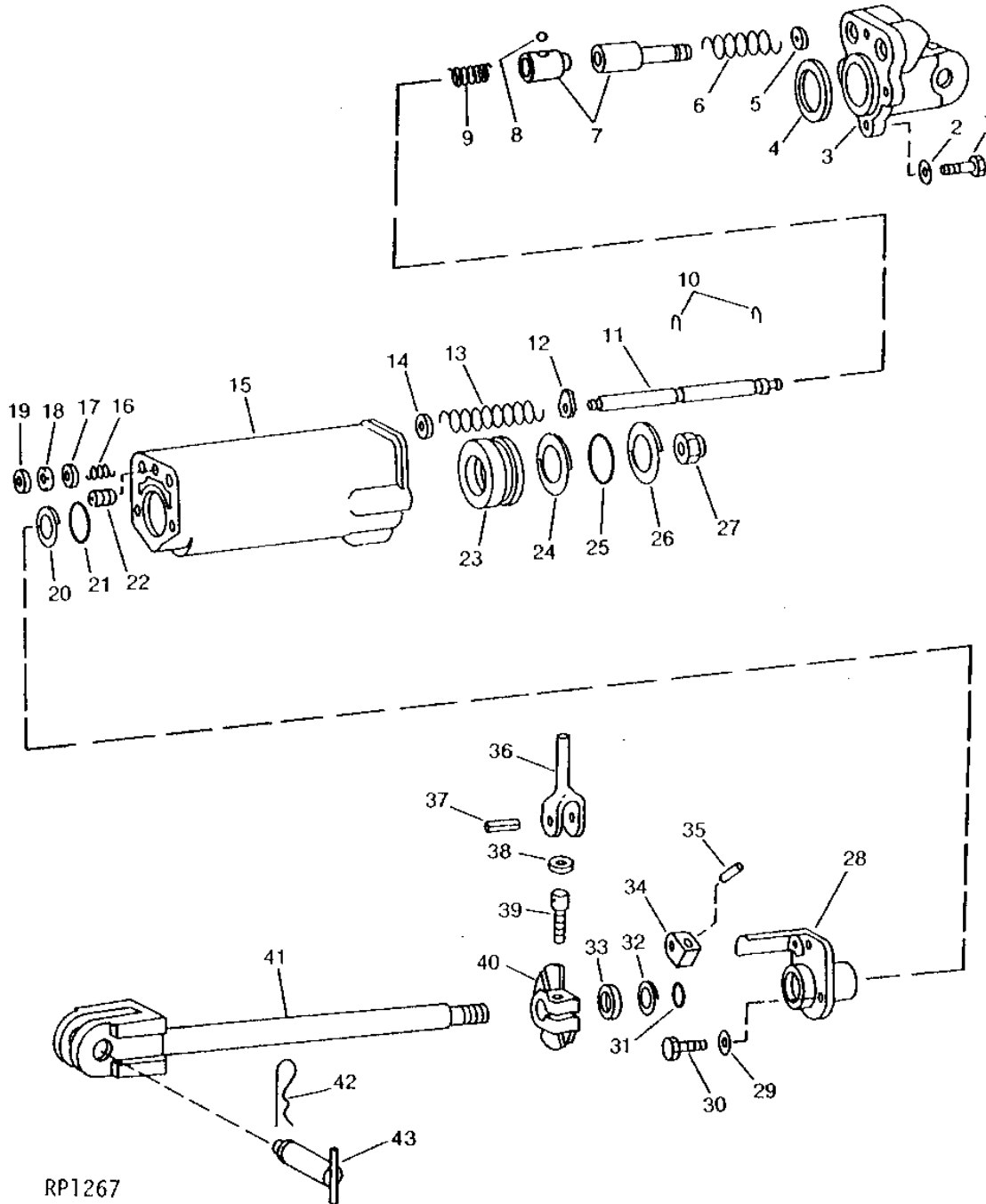
2E1

HYDRAULICS

RP1267

-UN-01JAN94

3-1/2" X 8" REMOTE CYLINDER PARTS (HYDRAULIC STOP TYPE)



RP1267

2E2

HYDRAULICS

3-1/2" X 8" REMOTE CYLINDER PARTS (HYDRAULIC STOP TYPE) - CONTINUED

KEY	PART NO.	PART NAME	QTY	TRACTOR SERIAL NO.	REMARKS
1	19H2357	CAP SCREW	4		9/16" X 2"
2	12H317	LOCK WASHER	4		9/16"
3	R35452	CYLINDER HEAD	1		
4	F1427R	WASHER	1		
5	A4723R	WASHER	2		
6	A4744R	SPRING	1		
7	AA5731R	VALVE	1		
8	A4742R	BALL	1		
9	A4741R	SPRING	1		
10	A4739R	RING	2		
11	A4736R	ROD	1		
12	R57696	WASHER	1		(SUB FOR A4738R)
13	A4737R	SPRING	1		
14	24H1301	WASHER	1		13/32" X 9/16" X 0.065"
15	R35447	CYLINDER	1		
16	A4748R	SPRING ASSEMBLY	1		
17	A4747R	WASHER	1		
18	A4745R	PACKING	3		
19	A4746R	ADAPTER	1		
20	R35474	BACK-UP RING	1		
21	T19687	O-RING	1		(SUB FOR T11220)
22	15H624	PIPE PLUG	1		(SUB FOR A3125R)
23	R44297	PISTON	1		(SUB FOR R35471)
24	R35472	BACK-UP RING	1		
25	F1430R	O-RING	1		
26	R35472	BACK-UP RING	1		
27	R45620	LOCK NUT	1		(SUB FOR F2493R OR R41962)
28	R40219	GUIDE	1		(SUB FOR R35451)
29	12H304	LOCK WASHER	3		3/8"
30	19H1731	CAP SCREW	3		3/8" X 1"
31	R29463	O-RING	1		
32	R35473	BACK-UP RING	1		
33	R35738	SEAL	1		
34	A5304R	ARM	1		
35	25H760	GROOVE PIN	1		7/32" X 1-1/4"
36	A5302R	YOKE	1		
37	34H264	SPRING PIN	1		5/32" X 7/8"
38	R1870R	WASHER	1		(SUB R57696)
39	A5301R	SCREW	1		
40	R35448	STOP	1		
41	AR45544	ROD	1		(SUB FOR AR36313 OR AR35658)
42	A3581R	SPRING LOCKING PIN	1		
43	AR47825	PIN	1		(SUB FOR AA6309R)

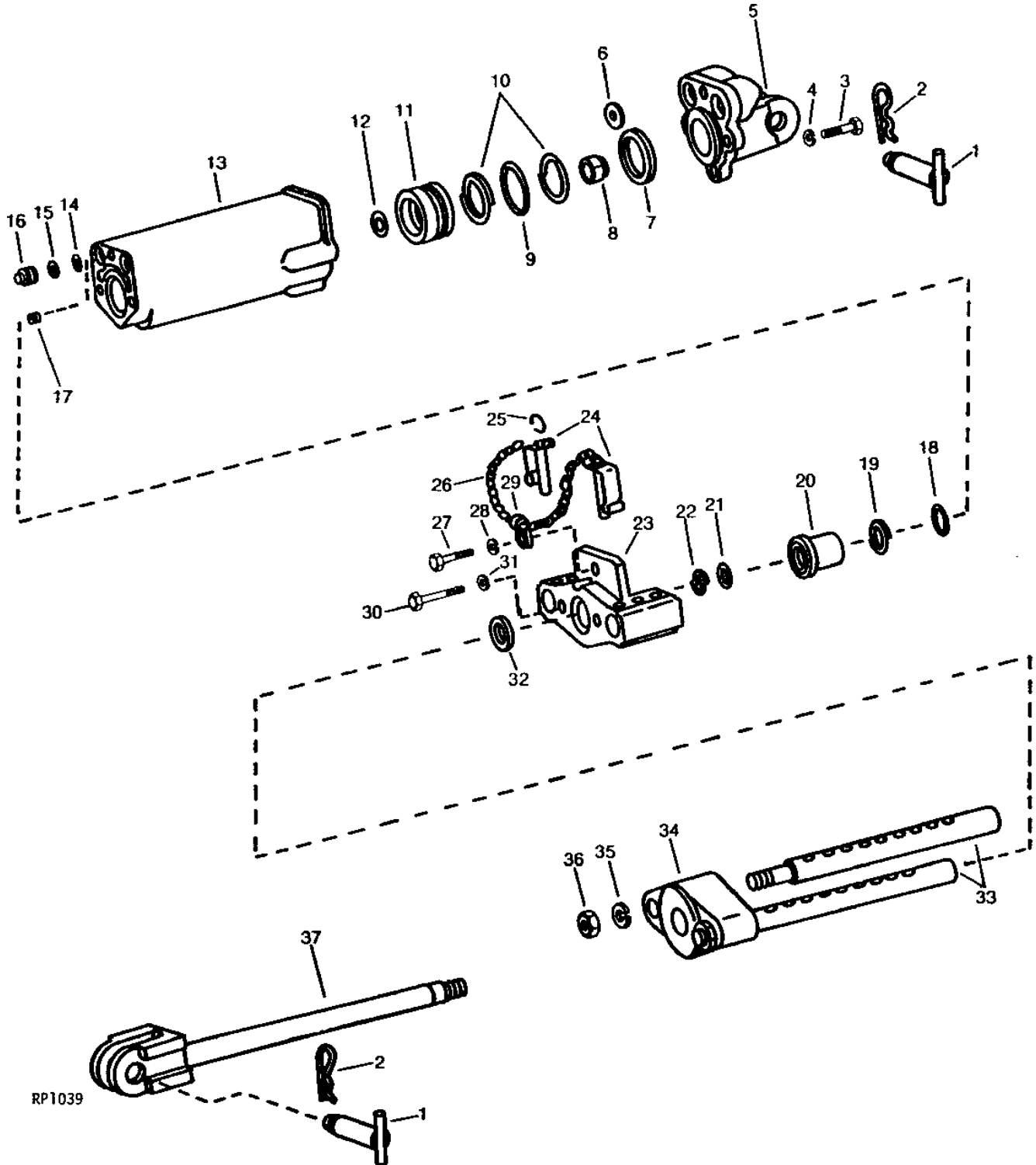
2E3

HYDRAULICS

RP1039

-UN-01JAN94

3-1/2" X 8" REMOTE CYLINDER PARTS (MECHANICAL STOP TYPE)



2E4

HYDRAULICS

3-1/2" X 8" REMOTE CYLINDER PARTS (MECHANICAL STOP TYPE) - CONTINUED

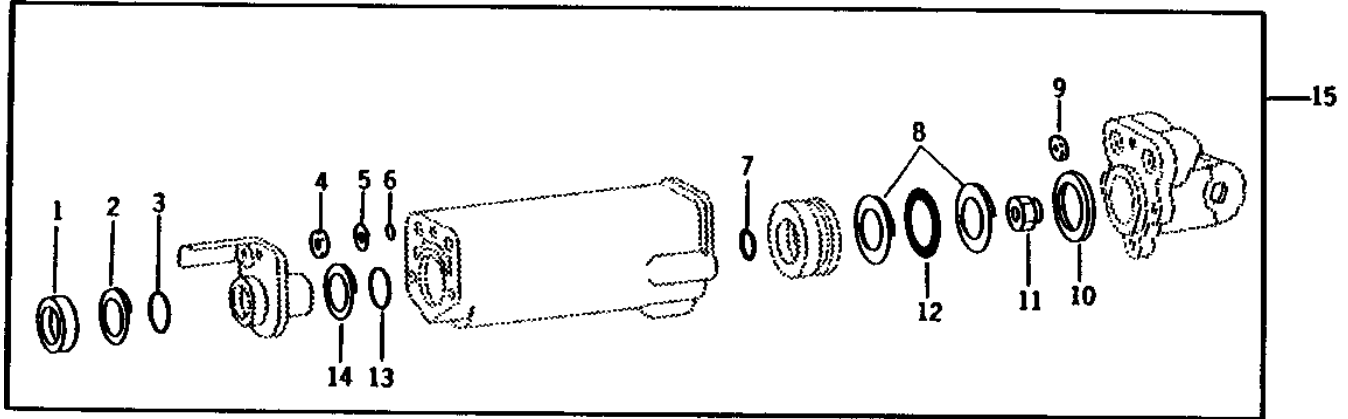
KEY	PART NO.	PART NAME	QTY	MODEL NO.	REMARKS
1	AR47825	PIN	2		(SUB FOR AA6309R)
2	A3581R	SPRING LOCKING PIN	2		
3	19H2357	CAP SCREW	4		9/16" X 2"
4	12H317	LOCK WASHER	4		9/16"
5	R35452	CYLINDER HEAD	1		
6	A4723R	WASHER	2		
7	F1427R	WASHER	1		
8	R45620	LOCK NUT	1		(SUB FOR F2439R OR R41962)
9	F1430R	O-RING	1		
10	R35472	BACK-UP RING	2		
11	R44297	PISTON	1		(SUB FOR R35471)
12	R27564	O-RING	1		
13	R35447	CYLINDER	1		
14	R459R	O-RING	1		
15	R32588	BACK-UP RING	1		
16	R34131	PLUG	1		
17	15H624	PIPE PLUG	1		1/2"
18	T19687	O-RING	1		(SUB FOR T11220)
19	R35474	BACK-UP RING	1		
20	R36951	GUIDE	1		
21	R29463	O-RING	1		
22	R35473	BACK-UP RING	1		
23	R44286	GUIDE	1		(SUB FOR R36950)
24	AR68145	QUICK LOCK PIN	2		(SUB FOR AR36308)
25	D2913R	LINK	2		
26	AN163885	LINK CHAIN	1		(SUB FOR R49193)
27	19H2552	CAP SCREW	1		3/8" X 1-1/8"
28	12H304	LOCK WASHER	1		3/8"
29	T13073	CLIP	1		
30	19H1726	CAP SCREW	2		3/8" X 2-1/4"
31	12H304	LOCK WASHER	2		3/8"
32	R35738	SEAL	1		
33	R44287	ROD	2		(SUB FOR R36954)
34	R36952	STOP	1		
35	12H236	LOCK WASHER	2		3/4"
36	14H905	NUT	2		3/4"
37	AR45544	ROD	1		(SUB FOR AR36313)

2E5

HYDRAULICS

R32035 -UN-23SEP94

REMOTE CYLINDER OVERHAUL KIT (3-1/2" X 8" HYDRAULIC OR MECHANICAL STOP)



R32035F

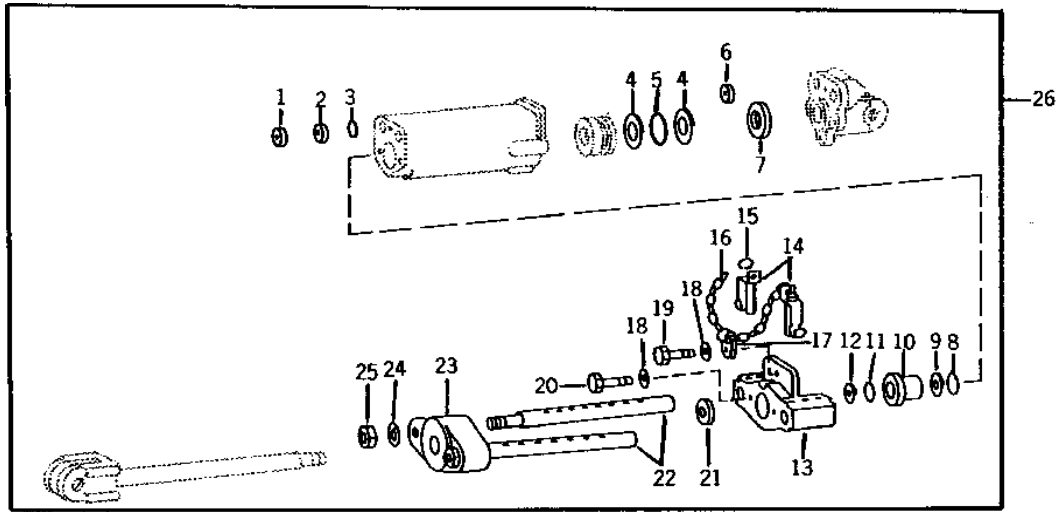
KEY	PART NO.	PART NAME	QTY	TRACTOR SERIAL NO.	REMARKS
1	R35738	SEAL	1		
2	R35473	BACK-UP RING	1		
3	R29463	O-RING	1		
4	A4745R	PACKING	3		(HYDRAULIC STOP)
5	R32588	BACK-UP RING	1		(MECHANICAL STOP)
6	R459R	O-RING	1		(MECHANICAL STOP)
7	R27564	O-RING	1		
8	R35472	BACK-UP RING	2		
9	A4723R	WASHER	2		
10	F1427R	WASHER	1		
11	R45620	LOCK NUT	1		
12	F1430R	O-RING	1		
13	T11220	O-RING	1		
14	R35474	BACK-UP RING	1		
15	AR31945	KIT	1		

2E6

HYDRAULICS

R32034 -UN-06OCT94

REMOTE CYLINDER CONVERSION KIT (3-1/2" X 8" HYDRAULIC STOP TO MECHANICAL STOP)



R32034F

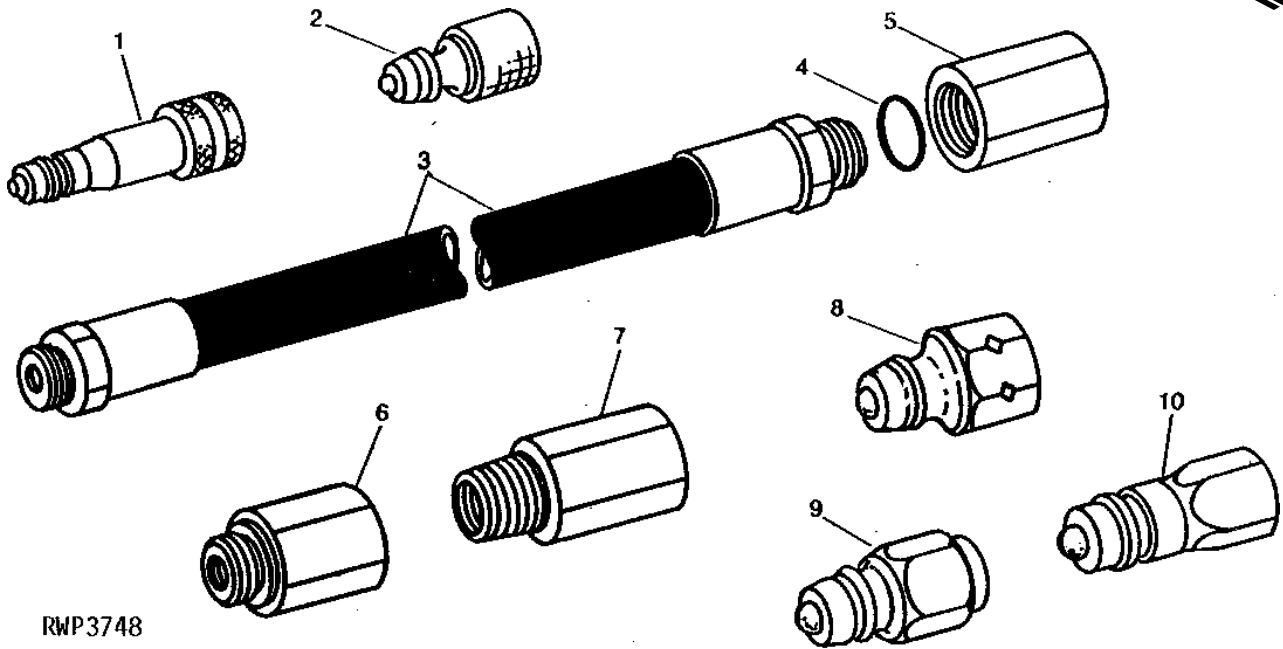
KEY	PART NO.	PART NAME	QTY	TRACTOR SERIAL NO.	REMARKS
1	R34131	PLUG	1		
2	R32588	BACK-UP RING	1		
3	R459R	O-RING	1		
4	R35472	BACK-UP RING	2		
5	F1430R	O-RING	1		
6	A4723R	WASHER	2		
7	F1427R	WASHER	1		
8	T11220	O-RING	1		
9	R35474	BACK-UP RING	1		
10	R36951	GUIDE	1		
11	R29463	O-RING	1		
12	R35473	BACK-UP RING	1		
13	R44286	GUIDE	1		
14	AR68145	QUICK LOCK PIN	2		
15	D2913R	LINK	2		
16	R49193	LINK CHAIN	1	(SUB AN163885)	
17	T13073	CLIP	1		
18	12H304	LOCK WASHER	3	3/8"	
19	19H2552	CAP SCREW	1	3/8" X 1-1/8"	
20	19H1726	CAP SCREW	2	3/8" X 2-1/4"	
21	R35738	SEAL	1		
22	R44287	ROD	2		
23	R36952	STOP	1		
24	12H236	LOCK WASHER	2	3/4"	
25	14H905	NUT	2	3/4"	
26	AR45534	KIT	1		

2E7

HYDRAULICS

RWP3748 -UN-01JAN94

IMPLEMENT HYDRAULIC OIL LINES AND FITTINGS



RWP3748

KEY	PART NO.	PART NAME	QTY	TRACTOR SERIAL NO.	REMARKS
1	AR98202	HYD. QUICK-CONNECT COUPLER	1	JOHN DEERE TO ISO	
	R21722	O-RING	1	(INCLUDED IN AR98202)	
	RE11457	ADAPTER	1	IHC TO ISO	
	U11647	O-RING	1	(INCLUDED IN RE11457)	
2	AR98201	HYD. QUICK-CONNECT COUPLER	1	ISO TO JOHN DEERE	
	RE11456	ADAPTER	1	IHC TO JOHN DEERE	
	RE11458	ADAPTER	1	JOHN DEERE TO IHC	
	RE11463	ADAPTER	1	ISO TO IHC	
	R21722	O-RING	1	(INCLUDED IN AR98201, RE11463 AND RE11458)	
	R71387	WASHER	1	(INCLUDED IN AR98201)	
3	AR28754	HYDRAULIC HOSE	1	10 X 610MM (3/8" X 24")	(SUB TY3018)
	AR28755	HYDRAULIC HOSE	1	10 X 914MM (3/8" X 36")	(SUB TY3019)
	R36658	HYDRAULIC HOSE	1	13 X 610MM (1/2" X 24")	
	R36659	HYDRAULIC HOSE	1	13 X 914MM (1/2" X 36")	
4	R26375	O-RING	1		
5	R30815	FITTING	1	3/4" THREAD	
6	R30817	ADAPTER	1	3/4"-16UNF MALE X 1/2"-14NPT FEMALE	
7	R30816	ADAPTER	1	1/2"-14NPT MALE X 3/4"-16UNF FEMALE	
8	AR93820	FITTING	1	JOHN DEERE, 3/4"-16 UNF	
9	RE11447	FITTING	1	JOHN DEERE, 1/2"-14NPT	
10	AR94522	INTERNAL HALF COUPLER	1	ISO, 3/4"-16UNF	

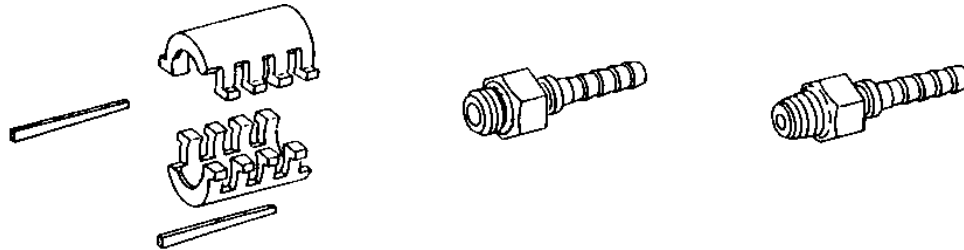
2E8

HYDRAULICS

RXP7733

-UN-23SEP94

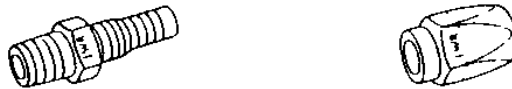
BULK FLEXIBLE OIL LINE AND REUSABLE LOK-PIN COUPLINGS



Oil Line (Length) Approx. 50 ft.)		Set of Ferrules with Pins*	Stem-Straight Thread with O-ring	Stem-Pipe Thread
R 34790	3/8" I.D. — 1 Wire	AR 39635* *	R 39687
R 34791	1/2" I.D. — 1 Wire	AR 39636* *	R 39688
R 34792	3/4" I.D. — 1 Wire	AR 39637#	R 39689
R 34793	3/8" I.D. — 2 Wire	AR 39632	AR 39635* *	R 39687
R 34794	1/2" I.D. — 2 Wire	AR 39636* *	R 39688
R 34795	3/4" I.D. — 2 Wire	AR 39637#	R 39689

* Each set of ferrules includes two R39681 pins - extra pins may be ordered, packed 20 in a package.
 **Includes R26375 O-ring.
 # Includes F3171R O-ring.

REUSABLE COUPLINGS (Use With Braid Flexible Oil Line)



1 WR Single Wire		2 WR Double Wire		I.D.	Thread
<i>Coupling No.</i>		<i>Coupling No.</i>			
AF 3585	R	AR 21629		3/8"	3/8" — 18 NPTF
AF 3586	R	AR 21630		1/2"	1/2" — 14 NPTF
AF 3587	R		5/8"	3/4" — 14 NPTF
AF 3588	R	AR 21632		3/4"	3/4" — 14 NPTF
R 34644		AR 21634		1"	1" — 11-1/2" NPTF
R 34646			3/8"	3/4" — 16 O-ring type thread
		R 34647		1/2"	3/4" — 16 O-ring type thread

BULK SINGLE WIRE BRAID FLEXIBLE OIL LINE (Use With Reusable Coupling for Single Wire Braid Flexible Oil Line)

Part No.	I.D.	O.D.	Length
A 5776 R	1/2"	29/32"	Approx. 50 ft.
A 5777 R	5/8"	1-1/32"	Approx. 50 ft.

BULK DOUBLE WIRE BRAID FLEXIBLE OIL LINE (Use with Reusable Coupling for Double Wire Braid Flexible Oil Line)

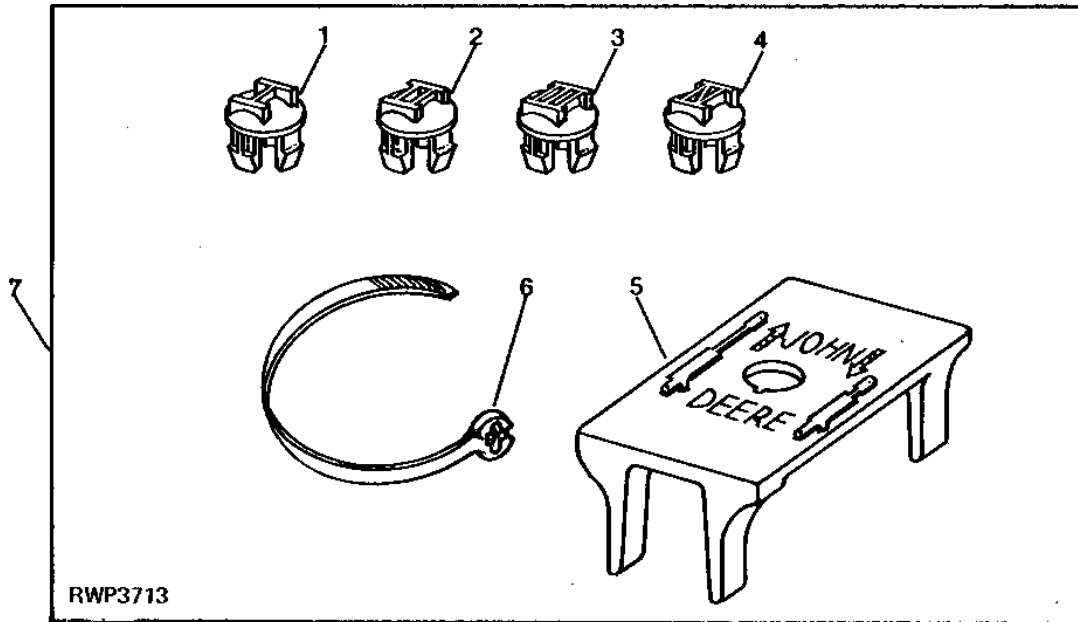
Part No.	I.D.	O.D.	Length
R 21531	3/8"	29/32"	Approx. 50 ft.
R 21532 RXP7733	1/2"	31/32"	Approx. 50 ft.

2E9

HYDRAULICS

RWP3713 -UN-01JAN94

REMOTE CYLINDER HOSE IDENTIFICATION KIT



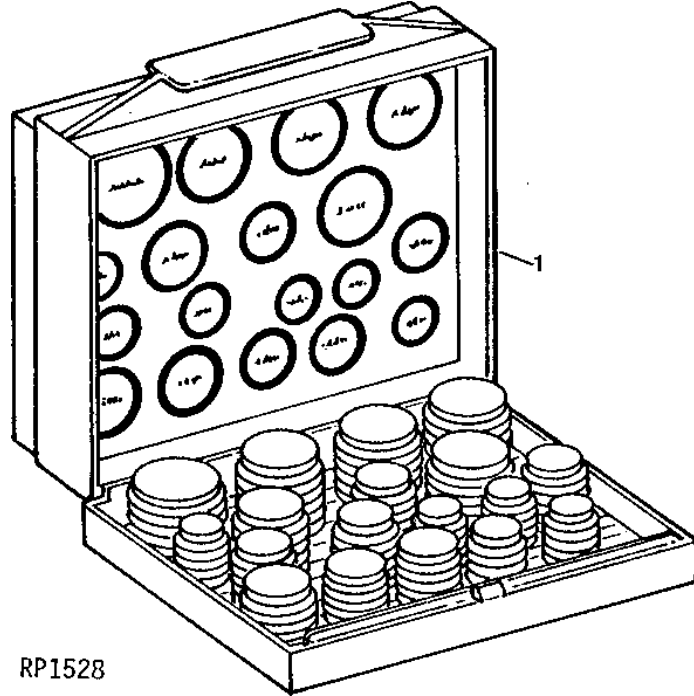
KEY	PART NO.	PART NAME	QTY	TRACTOR SERIAL NO.	REMARKS
1	R74242	PLUG	1		
2	R74243	PLUG	1		
3	R74244	PLUG	1		
4	R74246	PLUG	1		
5	R76459	TAG	1		
6	R76477	TIE BAND	2		
7	AR103808	KIT	1		

2E10

HYDRAULICS

RP1528 -UN-01JAN94

O-RING KIT



RP1528

KEY	PART NO.	PART NAME	QTY	TRACTOR SERIAL NO.	REMARKS
1	AR73500	KIT	1	HYDRAULIC	

MEMORANDA

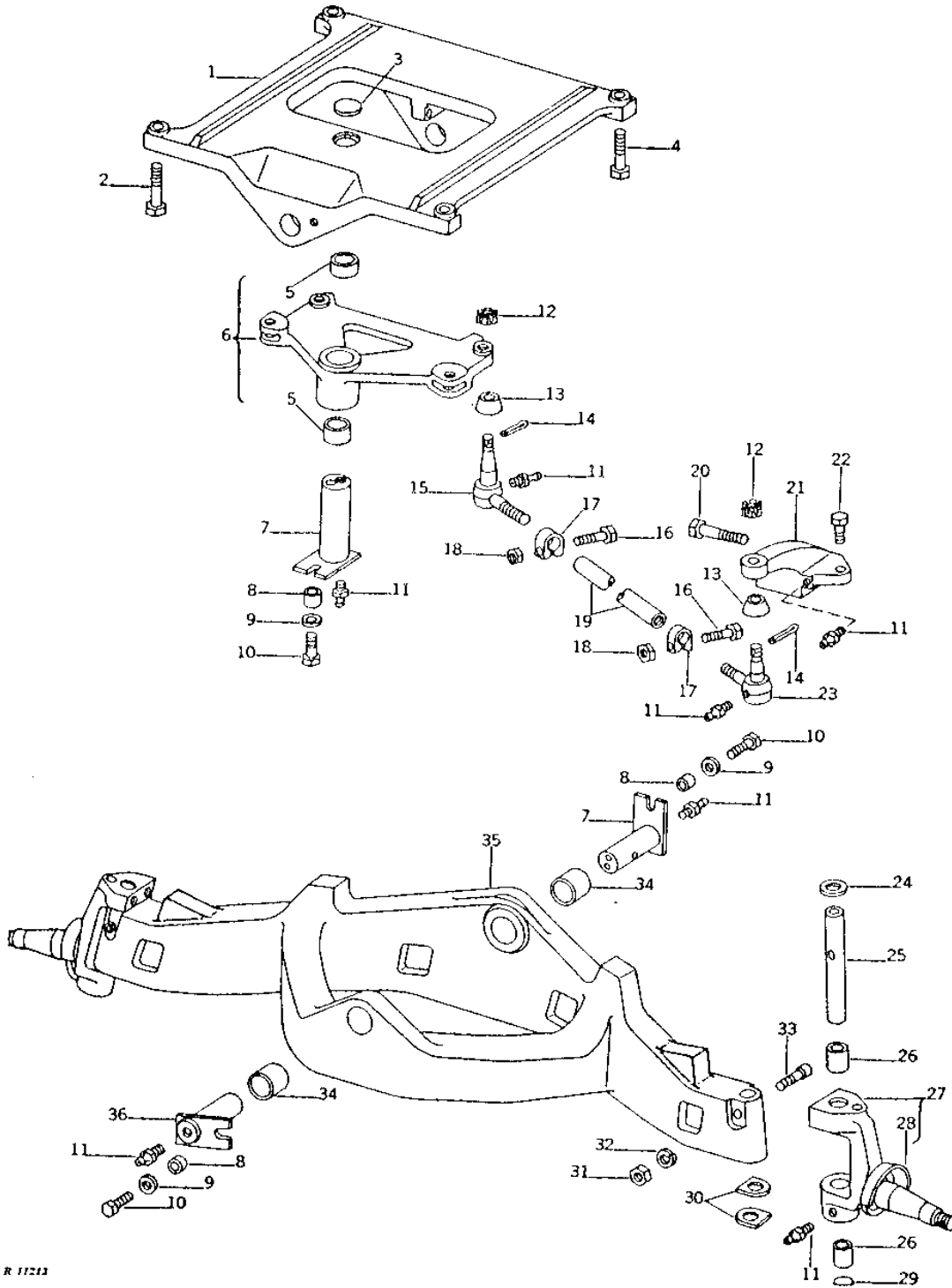
MEMORANDA

2E12

SHEET METAL, GRILLES AND FENDERS

R11213 -UN-01JAN94

FRONT AXLE



2E13

SHEET METAL, GRILLES AND FENDERS

FRONT AXLE - CONTINUED

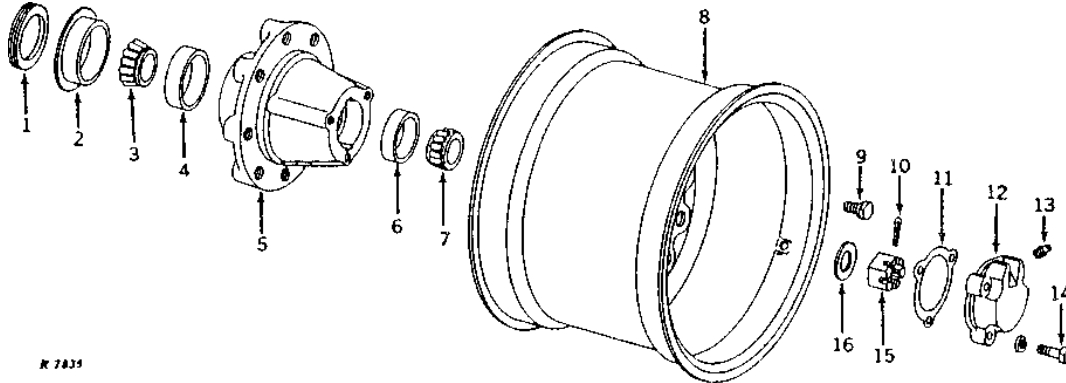
KEY	PART NO.	PART NAME	QTY	TRACTOR SERIAL NO.	REMARKS
1	R36740	BRACKET	1		(SUB R49410) (ALSO ORDER (3) R36728, (3) 19H3265 AND (3) 24H1272) (SUB FOR R35370)
2	19H1862	CAP SCREW	2		3/4" X 2-1/2"
3	30H26	PLUG	1		2-1/8"
4	19H1715	CAP SCREW	2		3/4" X 3"
5	R28465	BUSHING	2		
6	AR36897	LEVER	1		(MARKED R35361 OR R40719) (SUB FOR AR35101)
7	AR35103	PIN	2	-003328	
	AR36078	PIN	2	003329-	
8	T12806	BUSHING	3	-003328	
	R36728	BUSHING	3	003329-	
9	A4231R	WASHER	3	-003328	
	24H1272	WASHER	3	003329-	9/16" X 1-1/4" X 1/4"
10	19H1732	CAP SCREW	3	-003328	3/8" X 1-1/4"
	19H3265	CAP SCREW	3	003329-	1/2" X 1-7/8"
11	JD7759	LUBRICATION FITTING	8		STRAIGHT
	JD7781	LUBRICATION FITTING	3		
12	14H918	NUT	4		5/8"
13	R21101	COVER	4		
14	11M7015	COTTER PIN	4		3.200 X 25 MM
15	AR74131	TIE ROD END	2		(SUB FOR AR20032)
16	19H1990	CAP SCREW	4		1/2" X 2-1/4"
17	M2301T	CLAMP	4		
18	14H1040	NUT	4		1/2"
19	R31764	PIN	2		
20	19H2072	CAP SCREW	4		5/8" X 3-1/4"
21	R52840	STEERING ARM	1		R.H. (SUB FOR R36836, R35363 OR R40672)
	R52841	STEERING ARM	1		L.H. (SUB FOR R36837, R35364 OR R40673)
22	19H1356	CAP SCREW	2		5/8" X 1-3/4"
23	AR74132	TIE ROD END	2		(SUB FOR AR20033)
24	A4733R	WASHER	2		
25	R35388	PIN	2		
26	D1888R	BUSHING	4		
27	AR35664	KNUCKLE	2		
28	R20255	DUST SHIELD	2		
29	D1881R	FITTING	2		
30	A5325R	WASHER	4		
31	14H785	NUT	2		5/16"
32	12H303	LOCK WASHER	2		5/16"
33	D156R	BOLT	2		
34	R35389	BUSHING	2		
35	AR35288	FRONT AXLE	1	-005571	(MARKED R35360) (SUB R52841, R52840 AND AR36470)
	AR36470	FRONT AXLE	1	005572-	(MARKED R36840 OR R40080) (SUB FOR AR36189)
36	AR35104	PIN	1	-003328	
	AR36079	PIN	1	003329-	

2E14

SHEET METAL, GRILLES AND FENDERS

R7835 -UN-01JAN94

FRONT WHEELS



KEY	PART NO.	PART NAME	QTY	TRACTOR SERIAL NO.	REMARKS
1	AR26480	SEAL	1		
2	R26632	BUSHING	1		
3	JD8969	BEARING CONE	1		
4	JD7445	BEARING CUP	1		
5	R35737	HUB	1		(NO LONGER AVAILABLE)
6	JD8251	BEARING CUP	1		
7	JD8929	BEARING CONE	1		
8	JD3207	WHEEL	1		(FOR 11.00 X 16", 8-PLY TIRE)
	JD3206	RIM	1	-005462	(FOR 7.50 X 20", 6-PLY TIRE) (NO LONGER AVAILABLE)
9	JD16	WHEEL BOLT	8		
10	11M7030	COTTER PIN	1		0.197" X 1.575"
11	A1556R	GASKET	1		
12	A1555R	CAP	1		
13	15H638	PIPE PLUG	1		1/8"
14	19H2915	CAP SCREW	3		5/16" X 1-1/4"
	24H1136	WASHER	3		11/32" X 11/16" X 0.065"
	14H920	NUT	1		1"
16	R28575	WASHER	1		(SUB FOR A5146R)

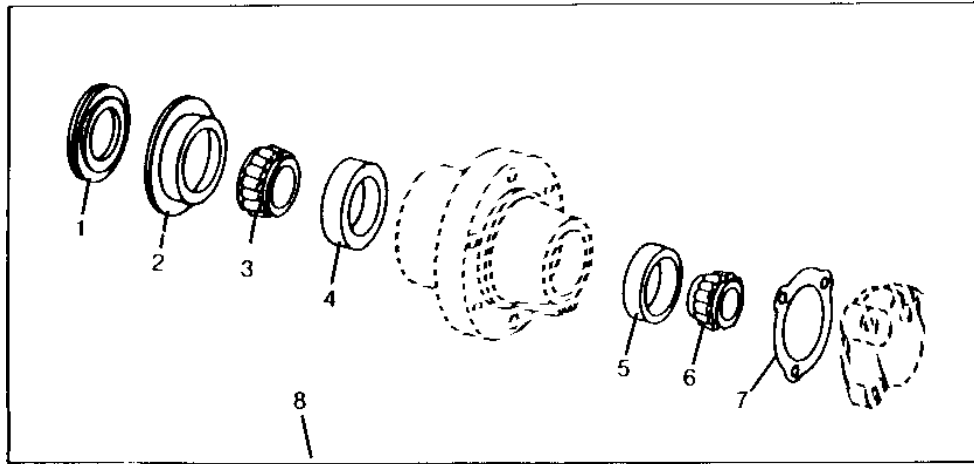
2E15

SHEET METAL, GRILLES AND FENDERS

RXP9983

-UN-18JUL95

FRONT WHEEL BEARING KIT



RXP9983

KEY	PART NO.	PART NAME	QTY	TRACTOR SERIAL NO.	REMARKS
1	AR26480	SEAL	1		
2	R26632	BUSHING	1		
3	JD8969	BEARING CONE	1		
4	JD7445	BEARING CUP	1		
5	JD8929	BEARING CONE	1		
6	JD8251	BEARING CUP	1		
7	A1556R	GASKET	1		
8	RE54818	BEARING KIT	1		

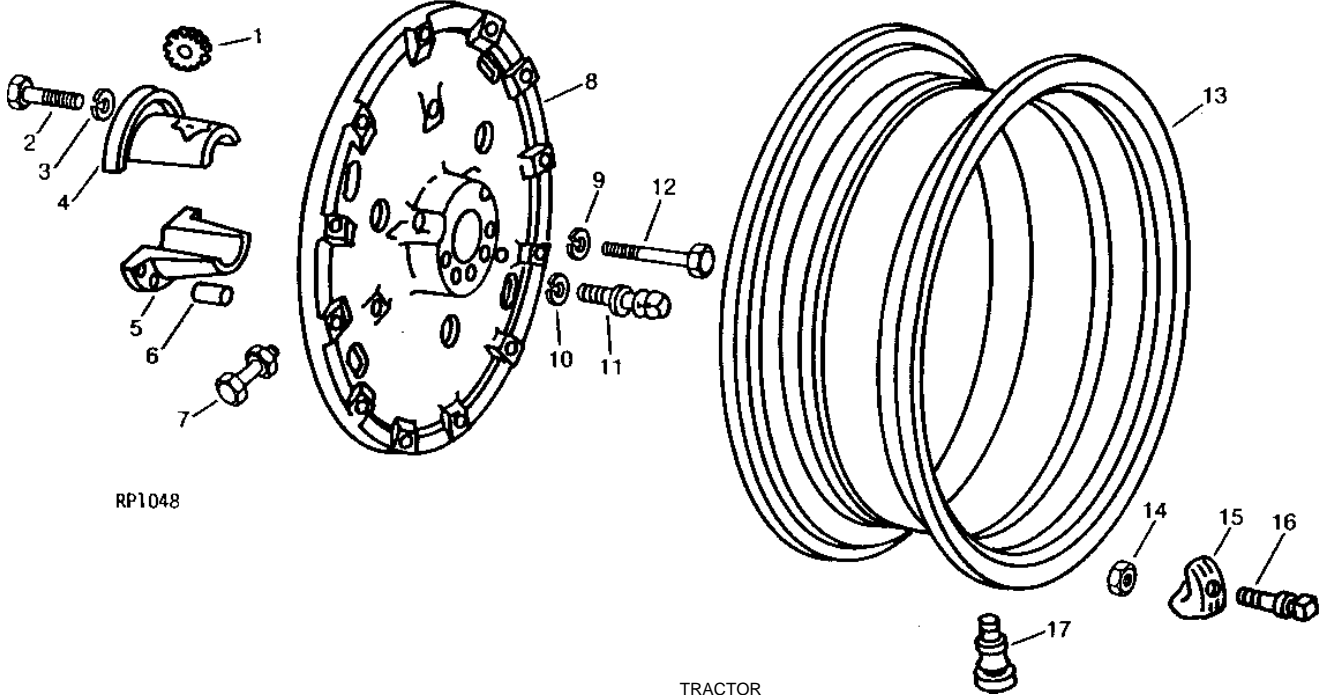
MEMORANDA

2E16

SHEET METAL, GRILLES AND FENDERS

RP1048 -UN-16NOV94

REAR WHEELS



RP1048

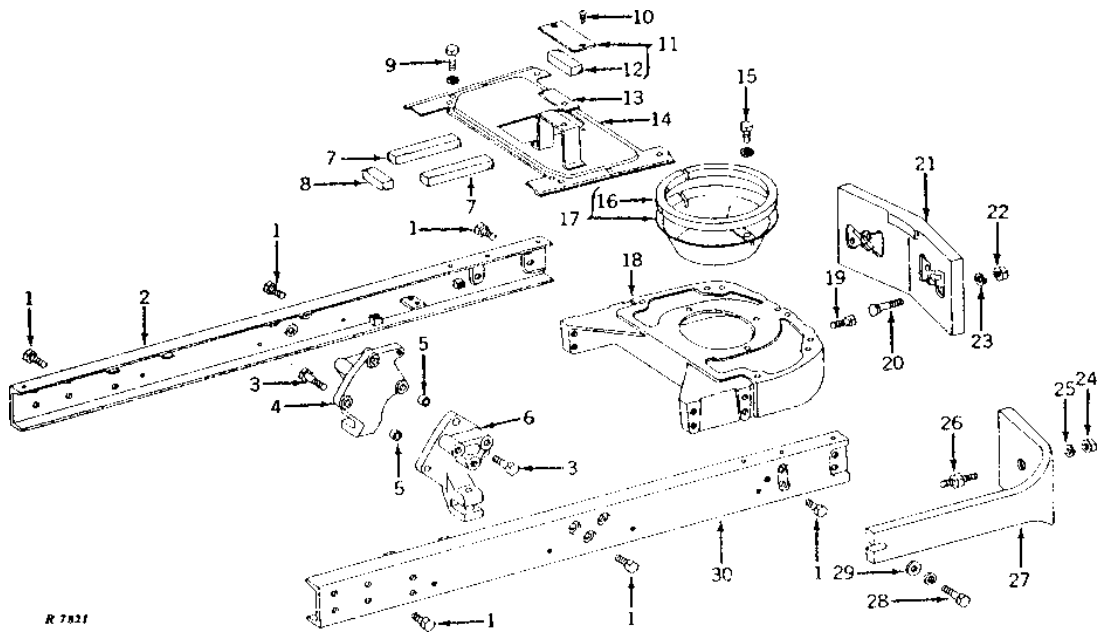
KEY	PART NO.	PART NAME	QTY	TRACTOR SERIAL NO.	REMARKS
1	A4379R	PINION	1		
2	19H2600	CAP SCREW	3	3/4" X 2-5/8"	
3	12H236	LOCK WASHER	3	3/4"	
4	R35302	HALF SLEEVE	1		
5	AR83354	SLEEVE	1	(SUB FOR R35303)	
6	R35335	DOWEL PIN	2		
7	A4380R	PINION SHAFT	1		
8	R35300	WHEEL	1	(18.4-34 TIRE AND RIM)	
	R36190	WHEEL	1	(24.5-32 TIRE AND RIM)	
9	12H245	LOCK WASHER	3	7/8"	
10	R35333	SNAP RING	2		
11	R35332	SCREW	2		
12	08H4486	CAP SCREW	3	7/8" X 7-1/2", (SUB FOR R35334)	
13	R32072	RIM	1	(18.4-34 TIRE)	
	R36097	RIM	1	(24.5-32 TIRE)	
14	14H800	NUT	12	5/8"	
15	B634R	CLAMP	12		
16	A4064R	BOLT	12	SQ. HD., 5/8" X 2-3/4", (SUB R34801)	
17	R55151	PLUG	1		

2E17

SHEET METAL, GRILLES AND FENDERS

R7821 -UN-01JAN94

FRAME, FRAME PLATE, AND FRONT WEIGHTS



R 7821

2E18

SHEET METAL, GRILLES AND FENDERS

FRAME, FRAME PLATE, AND FRONT WEIGHTS - CONTINUED

KEY	PART NO.	PART NAME	QTY	TRACTOR SERIAL NO.	REMARKS
1	R35192	WHEEL BOLT	22		
2	AR65614	FRAME	1		(SUB FOR AR35047)
3	19H1707	CAP SCREW	6		3/4" X 2-3/4"
4	R49989	BRACKET	1		(SUB FOR R35194 OR R40441)
5	F3515R	BUSHING	4		
6	R35193	BRACKET	1		
7	ISOLATOR	2		25 X 38 X 229MM (1" X 1-1/2" X 9") (MAKE FROM R91749)
8	ISOLATOR	1		25 X 38 X 102MM (1" X 1-1/2" X 4") (MAKE FROM R91749)
9	19H1936	CAP SCREW	8		3/8" X 3/4"
	12H304	LOCK WASHER	8		3/8"
10	37H78	SCREW	2		0.164" X 3/4", (SUB FOR R26416)
11	AR35276	COVER	1		(NO LONGER AVAILABLE)
12	ISOLATOR	1		25 X 38 X 102MM (1" X 1-1/2" X 4") (MAKE FROM R91749)
13	R35199	CUSHION	1		(NO LONGER AVAILABLE)
14	AR35048	PLATE	1		(NO LONGER AVAILABLE)
15	19H1936	CAP SCREW	3		3/8" X 3/4"
	12H304	LOCK WASHER	3		3/8"
16	R35416	ISOLATOR	1		(SUB R91749)
17	AR35172	SUPPORT	1		(NO LONGER AVAILABLE)
18	R35191	FRAME	1		(NO LONGER AVAILABLE)
19	19H2009	CAP SCREW	2		3/4" X 1-5/8"
20	03H1857	BOLT	2		5/8" X 2-3/4", (SUB FOR R27644)
21	R27643	WEIGHT	1		
22	14H800	NUT	2		5/8"
23	12H294	LOCK WASHER	2		5/8"
24	14H794	NUT	2		3/4", (SUB FOR R27646)
25	12H236	LOCK WASHER	2		3/4"
26	R27645	STUD	2		
27	WEIGHT	2		(NO LONGER AVAILABLE)
28	19H1847	CAP SCREW	2		5/8" X 2-1/2", (SUB FOR R36511)
	12H294	LOCK WASHER	2		5/8"
29	F2783R	WASHER	2		
30	AR65613	FRAME	1		(SUB FOR AR35046)

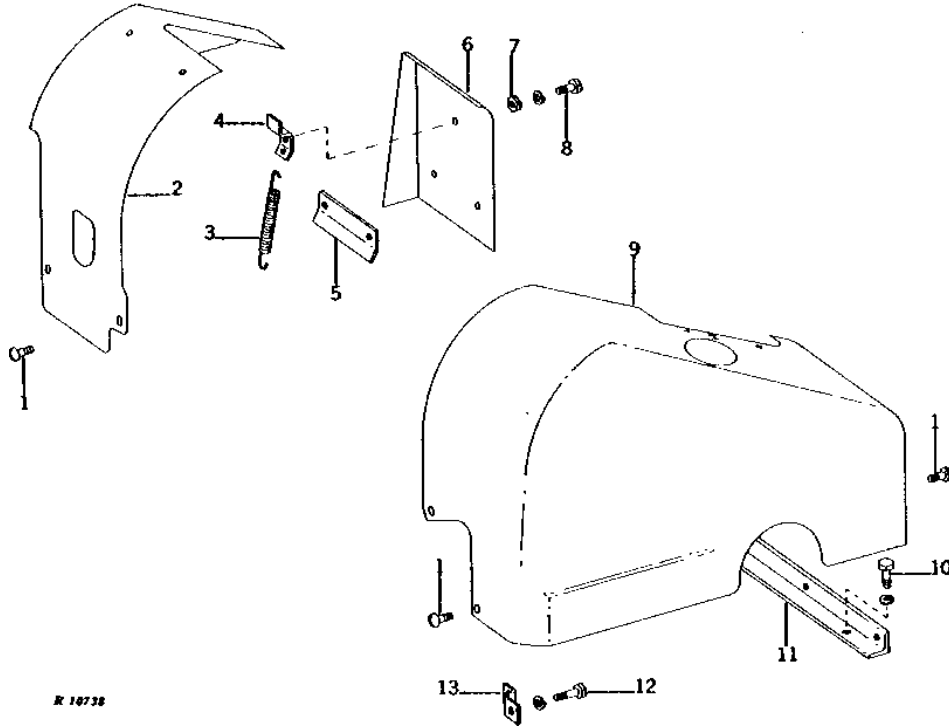
MEMORANDA

2E19

SHEET METAL, GRILLES AND FENDERS

R10738 -UN-01JAN94

ROCKSHAFT HOUSING COVERS



KEY	PART NO.	PART NAME	QTY	TRACTOR SERIAL NO.	REMARKS
1	21H1304	SCREW	9	5/16" X 3/4"	
2	R36422	COVER	1		
3	R35823	SPRING	1		
4	R36407	CLIP	1		
5	R36408	CLIP	1		
6	R36421	COVER	1		
7	14H785	NUT	3	5/16"	
8	21H1304	SCREW	3	5/16" X 3/4"	
9	R36420	COVER	1	5/16"	
10	19H1731	CAP SCREW	2	3/8" X 1"	
	12H304	LOCK WASHER	2	3/8"	
11	R36406	ANGLE	1		
12	19H1139	CAP SCREW	1	3/8" X 1-1/8"	
	12H304	LOCK WASHER	1	3/8"	
13	R36583	CLIP	1		

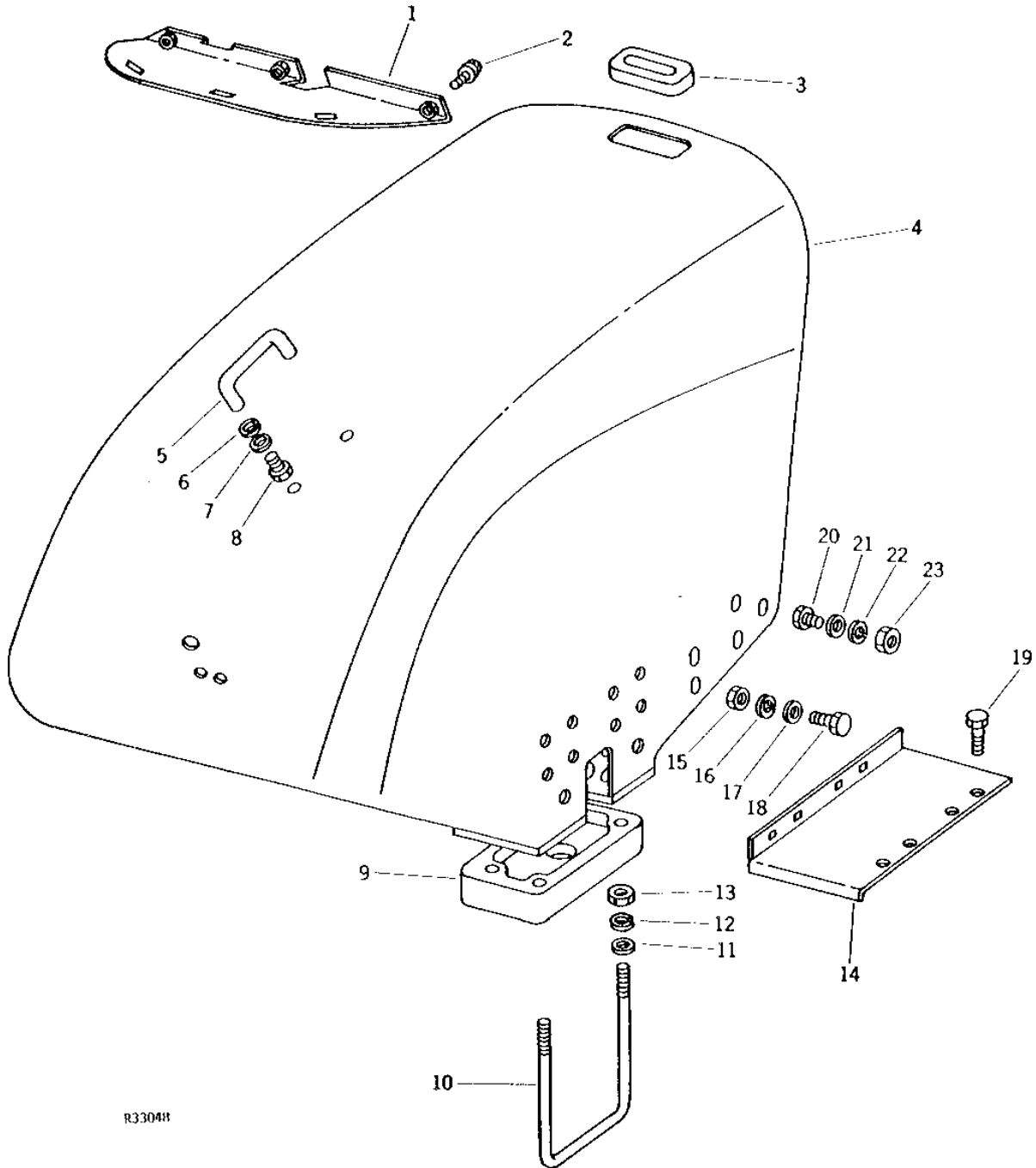
2E20

SHEET METAL, GRILLES AND FENDERS

R33048

-UN-01JAN94

FENDERS



R33048H

2E21

SHEET METAL, GRILLES AND FENDERS

FENDERS - CONTINUED

KEY	PART NO.	PART NAME	QTY	TRACTOR SERIAL NO.	REMARKS
1	AR35271	SHIELD	1		L.H. (WITH NUTS)
	AR35270	SHIELD	1		R.H. (WITH NUTS)
2	AR26568	SCREW	6		
3	R20759	GROMMET	2		
4	AR49063	FENDER	1		L.H. (SUB FOR AR35269, AR36253 OR AR36780)
	AR81651	FENDER	1		(NLA) R.H. WITH LABEL, (SUB FOR AR35268, AR36252 OR AR36779) (NLA)
	R69270	LABEL	1		SAFETY, L.H. FENDER, (SUB FOR R51821) (SUB R76341)
5	R31618	HANDLE	1		
6	24H1309	WASHER	2		13/32" X 1-1/16" X 0.120"
7	R27441	WASHER	2		
8	19H1936	CAP SCREW	2		3/8" X 3/4"
9	R36238	SPACER	2		(C)
10	R35761	U-BOLT	4		(NLA)
	R36239	U-BOLT	4		(C)
11	24H1139	WASHER	8		11/16" X 1-1/4" X 0.105"
12	12H294	LOCK WASHER	8		5/8"
13	14H1039	NUT	4		5/8"
14	R56232	EXTENSION	1		(A) L.H. (SUB FOR R35778)
	R56231	EXTENSION	1		(A) R.H. (SUB FOR R35777)
	A4119R	SPACER	1		(A) R.H. PLATFORM REAR EXTENSION TO TRANSMISSION CASE COVER
	R36513	BRACE	1		(B) L.H.
	R36512	BRACE	1		(B) R.H.
15	14H1040	NUT	8		(A) 1/2"
16	12H301	LOCK WASHER	8		(A) 1/2"
17	24H1227	WASHER	8		(A) 17/32" X 13/16" X 0.060"
18	03H1746	BOLT	8		(A) 1/2" X 1-1/4"
19	19H2644	CAP SCREW	8		(A) 1/2" X 2-1/2"
	19H1895	CAP SCREW	2		(B) 1/2" X 3/4"
	12H301	LOCK WASHER	2		(B) 1/2"
20	03H1765	BOLT	2		3/8" X 3/4"
21	24M7096	WASHER	2		10.500 X 18 X 1.600 MM
22	12H304	LOCK WASHER	2		3/8"
23	14H1076	NUT	2		3/8"

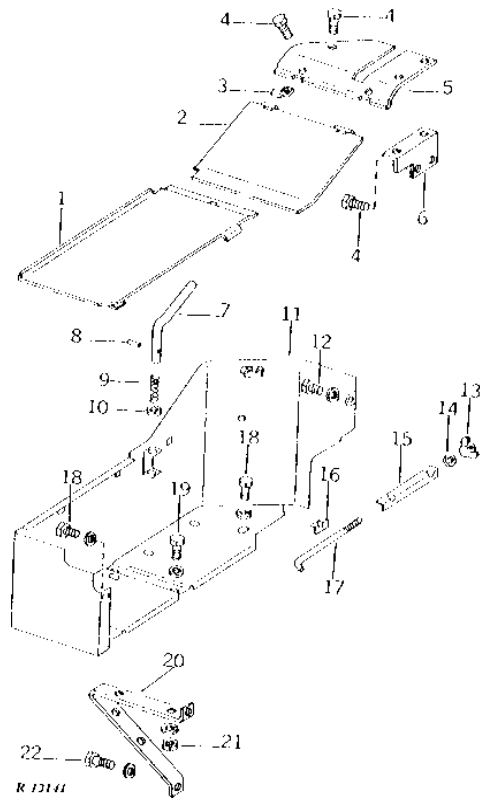
- (A) LESS ROCKSHAFT
- (B) ROCKSHAFT
- (C) WITH CANE AND RICE TIRES

2E22

SHEET METAL, GRILLES AND FENDERS

R13141 -UN-01JAN94

BATTERY BOX



2E23

SHEET METAL, GRILLES AND FENDERS

BATTERY BOX - CONTINUED

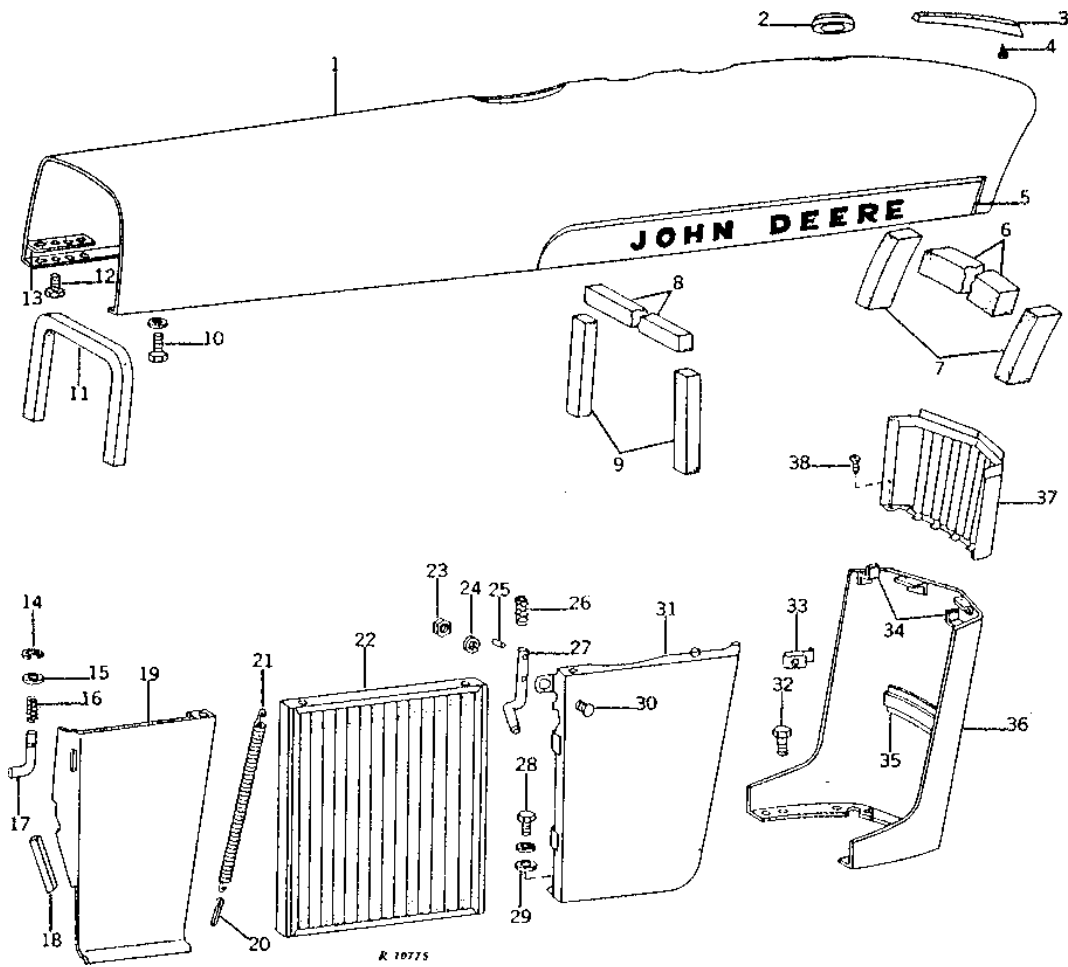
KEY	PART NO.	PART NAME	QTY	TRACTOR SERIAL NO.	REMARKS
1	AR40906	COVER	1		(SUB FOR R35675)
	R39986	LABEL	1		
2	AR58820	COVER	1		(SUB FOR AR35214 OR AR45102)
3	AR35319	CLIP	2		(NO LONGER AVAILABLE)
4	19H2284	CAP SCREW	5		3/8" X 7/8"
5	R35790	EXTENSION	1		
6	AR35315	BRACKET	1		
7	AR35970	LATCH	1		
8	34H244	SPRING PIN	1		1/8" X 9/16"
9	H26232	SPRING	1		
10	24H1301	WASHER	1		13/32" X 9/16" X 0.065"
11	AR67386	BOX	1		(SUB FOR AR35211, AR36457, AR36776 OR AR58567)
12	19H2284	CAP SCREW	1		3/8" X 7/8"
	12H304	LOCK WASHER	1		3/8"
13	14H844	WING NUT	4		1/4"
14	24H1287	WASHER	4		9/32" X 5/8" X 0.065"
15	R35665	CLAMP	1		
16	R35664	CLAMP	2		
17	R35666	BOLT	4		
18	19H1936	CAP SCREW	2		3/8" X 3/4"
	12H304	LOCK WASHER	2		3/8"
19	19H1731	CAP SCREW	4		3/8" X 1"
	12H304	LOCK WASHER	4		3/8"
20	R35663	SUPPORT	2		
21	14H1076	NUT	4		3/8"
	12H304	LOCK WASHER	4		3/8"
22	19H1815	CAP SCREW	4		1/2" X 1-1/4"
	12H301	LOCK WASHER	4		1/2"

2E24

SHEET METAL, GRILLES AND FENDERS

R10775 -UN-01JAN94

HOOD AND ASSOCIATED PARTS



R 10775

2E25

SHEET METAL, GRILLES AND FENDERS

HOOD AND ASSOCIATED PARTS - CONTINUED

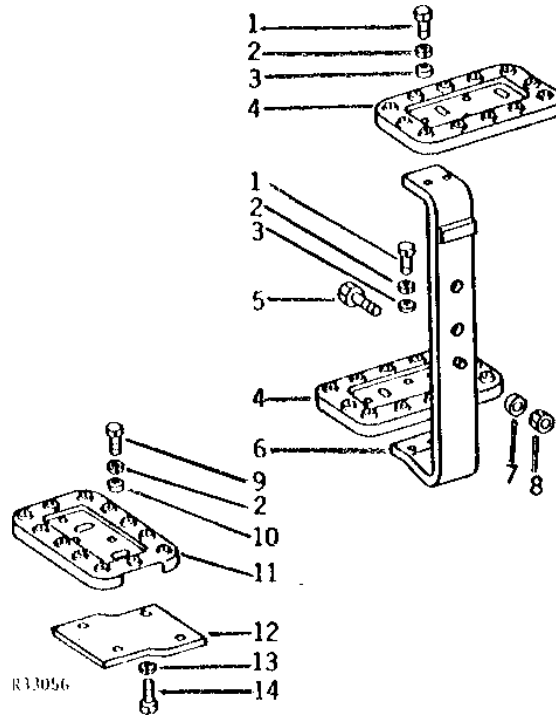
KEY	PART NO.	PART NAME	QTY	TRACTOR SERIAL NO.	REMARKS
1	AR35090	HOOD	1		
2	R39613	GROMMET	1		(SUB FOR A5157R OR R34193)
3	AR28047	MEDALLION	1		
4	37M7245	SCREW	2		NO. 10 X 3/8", (SUB FOR S3062M)
5	AR28048	MOLDING	1		R.H.
	AR28049	MOLDING	1		L.H.
	R42662	NUT	10		
6	R35339	ISOLATOR	1		38 X 51 X 559MM (1-1/2" X 2" X 22")
7	R35340	FOAM PAD	2		51 X 51 X 254MM (2" X 2" X 10")
8	ISOLATOR	1		25 X 51 X 565MM (1" X 2" X 22-1/4") (MAKE FROM R28123)
9	ISOLATOR	2		51 X 51 X 203MM (2" X 2" X 8") (MAKE FROM R35340)
10	19H1936	CAP SCREW	2		3/8" X 3/4"
	12H304	LOCK WASHER	2		3/8"
11	ISOLATOR	1		25 X 25 X 737MM (1" X 1" X 29") (MAKE FROM R30937)
12	AR26566	SCREW	4		
13	R26894	PLATE	2		
14	R27507	SNAP RING	4		(SUB R72654)
15	24H1286	WASHER	4		9/32" X 1/2" X 1/16"
16	R28783	SPRING	4		
17	R27506	PIN	4		
18	ISOLATOR	2		13 X 13 X 124MM (1/2" X 1/2" X 4-7/8") (MAKE FROM R91558)
19	AR53645	SHIELD	1		R.H. (SUB FOR AR35023)
	AR53646	SHIELD	1		L.H. (SUB FOR AR35024 OR AR36796)
20	11M7084	COTTER PIN	2		5 X 25 MM
21	R35769	SPRING	2		
22	AR35026	GRILLE	2		
23	14H1076	NUT	2		3/8"
24	12H304	LOCK WASHER	2		3/8"
25	34H73	SPRING PIN	4		3/16" X 3/4"
26	B161R	SPRING	2		
27	R26702	ROD	1		R.H.
	R26703	ROD	1		L.H.
28	19H2021	CAP SCREW	2		3/8" X 5/8"
	12H304	LOCK WASHER	2		3/8"
29	24M7096	WASHER	2		10.500 X 18 X 1.600 MM
30	03H1765	BOLT	2		3/8" X 3/4"
31	AR36790	PANEL	1		(ALSO ORDER (2) 24M7096) (SUB FOR AR35021) (NLA)
	AR36791	PANEL	1		(ALSO ORDER (2) 24M7096) (SUB FOR AR35022) (NLA)
32	19H1815	CAP SCREW	8		1/2" X 1-1/4"
33	R26694	CLIP	6		
34	ISOLATOR	2		3 X 38 X 83MM (1/8" X 1-1/2" X 3-1/4") (MAKE FROM R21736)
35	ISOLATOR	1		3 X 38 X 203MM (1/8" X 1-1/2" X 8") (MAKE FROM R21736)
36	AR36788	PLATE	1		(SUB FOR AR35020)
37	AR35025	GRILLE	1		
38	37H78	SCREW	6		0.164" X 3/4", (SUB FOR R26416)

2F1

SHEET METAL, GRILLES AND FENDERS

R33056 -UN-01JAN94

TRACTOR STEPS



KEY	PART NO.	PART NAME	QTY	TRACTOR SERIAL NO.	REMARKS
1	19H2284	CAP SCREW	4	3/8" X 7/8"	
2	12H304	LOCK WASHER	6	3/8"	
3	24H1305	WASHER	4	13/32" X 13/16" X 0.065"	
4	F3195R	STEP	2		
5	19H2589	CAP SCREW	2	3/4" X 1-7/8"	
6	AR40914	SUPPORT	1	(SUB FOR AR35729, AR36398 OR AR36754)	
7	12H236	LOCK WASHER	2	3/4"	
8	14H794	NUT	2	3/4"	
9	19H1936	CAP SCREW	2	3/8" X 3/4"	
10	24H1305	WASHER	2	13/32" X 13/16" X 0.065"	
11	F3195R	STEP	1	(USE WITH WIDE SWING DRAWBAR)	
12	R35396	SUPPORT	1	(USE WITH WIDE SWING DRAWBAR) (NLA)	
13	12H301	LOCK WASHER	2	1/2"	
14	19H1815	CAP SCREW	2	1/2" X 1-1/4"	

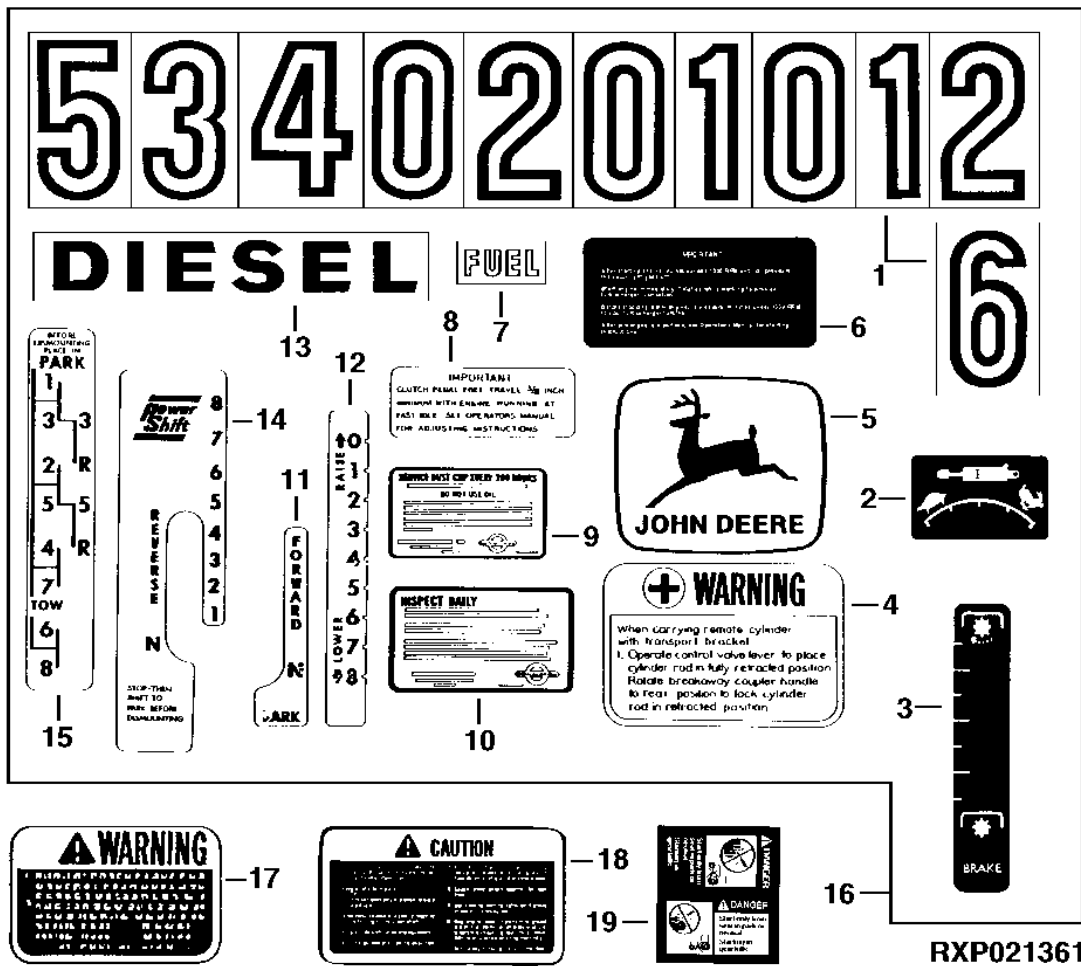
MEMORANDA

2F2

SHEET METAL, GRILLES AND FENDERS

RXP021361 -UN-06NOV95

DECAL SET



RXP021361

2F3

SHEET METAL, GRILLES AND FENDERS

DECAL SET - CONTINUED

KEY	PART NO.	PART NAME	QTY	TRACTOR SERIAL NO.	REMARKS
1	R48361	DECAL	2		(SUB FOR R45957)
2	R44315	LABEL	1		R.H. REMOTE CYLINDER
	R41933	LABEL	1		L.H. REMOTE CYLINDER
3	R53293	LABEL	1		(A) PTO, (SUB FOR R44951)
	R53294	LABEL	1		(B) PTO, (SUB FOR R44952)
4	R36689	DECAL	1		REMOTE CYLINDER WARNING
5	JD5234	DECAL	1		SEAT POST
6	R51908	LABEL	1		LABEL, INSTRUCTION
7	R31287	DECAL	1		
8	R34483	LABEL	1		CLUTCH
9	R36756	DECAL	1		AIR CLEANER INDICATOR
	R44710	LABEL	1		AIR CLEANER INDICATOR
10	R34608	DECAL	1		AIR CLEANER, (SUB AR52393)
11	R40505	LABEL	1		(B) PARK
12	R40509	LABEL	1		SELECTIVE CONTROL
13	R30694	DECAL	2		
14	R40504	LABEL	1		(B) QUADRANT
15	R40676	LABEL	1		(A) QUADRANT
16	AR52393	DECAL	1		(SUB FOR AR47091) (ALSO ORDER T84409)
17	R83103	LABEL	1		PTO SAFETY, (SUB FOR R64391) (SUB R120111)
18	R87529	LABEL	1		SAFETY, (SUB FOR R47739, R51821, R69270, R76341 OR R82425)
19	T146102	WARNING LABEL	1		BYPASS START (ENGLISH) (SUB FOR T134459 OR T84409)
	T146106	WARNING LABEL	1		BYPASS START (ESPAÑOL) (SUB FOR T134452 OR T84410)
	T146104	WARNING LABEL	1		BYPASS START (FRANCAIS) (SUB FOR T134453 OR T84411)
	T146515	WARNING LABEL	1		BYPASS START (DEUTSCH) (SUB FOR T134454 OR T84412)
	T146516	WARNING LABEL	1		BYPASS START (ITALIANO) (SUB FOR T134455 OR T84413)
	T146517	WARNING LABEL	1		BYPASS START (ENGLISH/FRANCAIS) (SUB FOR T134456 OR T84578)

(A) SYNCRO-RANGE TRANSMISSION

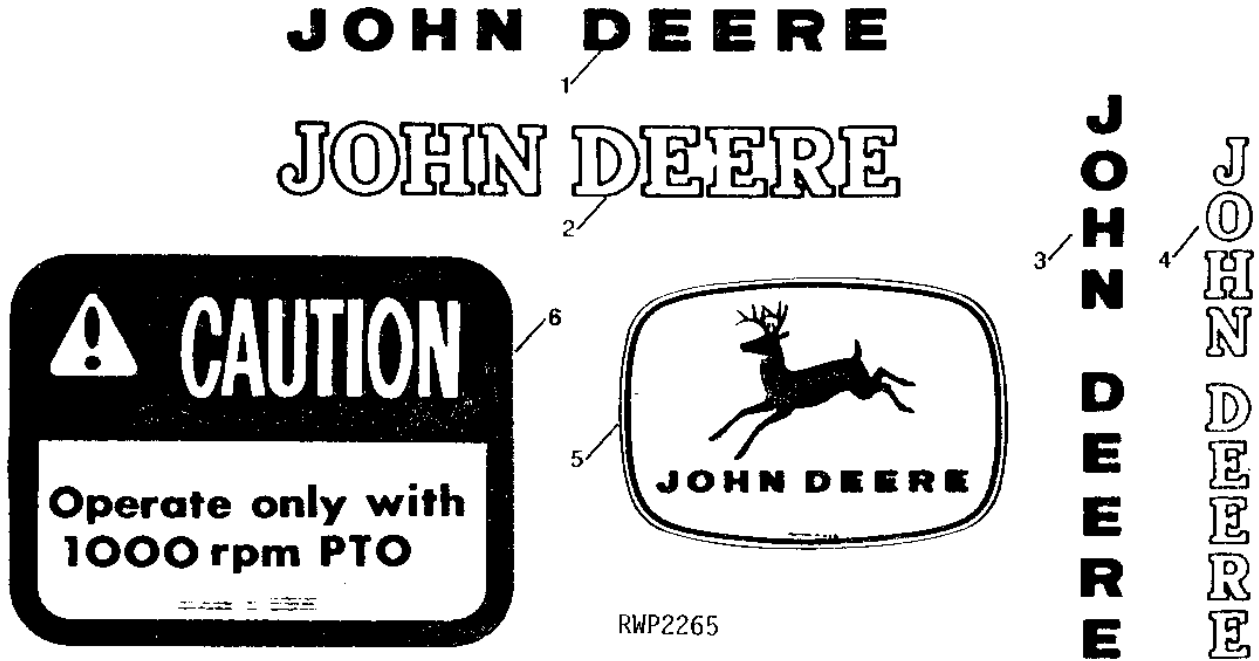
(B) POWER SHIFT TRANSMISSION

2F4

SHEET METAL, GRILLES AND FENDERS

RWP2265 -UN-01JAN94

ADDITIONAL DECALS



RWP2265

KEY	PART NO.	PART NAME	QTY	TRACTOR SERIAL NO.	REMARKS
1	JD250	DECAL	1	1/2" X 7-1/8"	
	JD235	DECAL	1	(A) 11/16" X 10"	
	JD252	DECAL	1	1" X 14-1/4"	
	JD236	DECAL	1	(A) 1" X 14-1/4"	
	JD5152	DECAL	1	1" X 14-1/4", DARK GREEN	
	JD253	DECAL	1	1-1/4" X 17-3/4"	
	JD237	DECAL	1	(A) 1-1/4" X 17-3/4"	
	JD5153	DECAL	1	1-1/4" X 17-3/4", DARK GREEN	
	JD267	DECAL	1	1-1/2" X 21-3/8"	
	JD238	DECAL	1	(A) 1-1/2" X 21-3/8"	
	JD254	DECAL	1	1-3/4" X 25"	
	JD239	DECAL	1	(A) 1-3/4" X 25"	
	JD255	DECAL	1	2-1/4" X 32"	
	JD5155	DECAL	1	2-1/4" X 32", DARK GREEN	
JD5208	DECAL	1	(A) 2-1/2" X 35-5/8"		
2	JD256	DECAL	1	4" X 57"	
	JD5206	DECAL	1	(A) 5-3/4" X 8"	
	JD110	DECAL	1	3/4" X 6"	
	JD111	DECAL	1	1" X 8"	
	JD112	DECAL	1	1-1/4" X 10"	
3	JD113	DECAL	1	1-1/2" X 12"	
	JD115	DECAL	1	2" X 16"	
	JD114	DECAL	1	2-1/2" X 20"	
	JD257	DECAL	1	1/2" X 6"	
	JD258	DECAL	1	3/4" X 9"	
	JD243	DECAL	1	(A) 3/4" X 9"	
	JD259	DECAL	1	1" X 12"	
4	JD5200	DECAL	1	1-1/2" X 18"	
	JD5201	DECAL	1	1-1/2" X 18"	
	JD116	DECAL	1	1" X 10-3/4", (SUB JD259)	
	JD118	DECAL	1	1/2" X 5-3/8", (SUB JD257)	
	JD119	DECAL	1	3/4" X 8-1/16", (SUB JD258)	

2F5

SHEET METAL, GRILLES AND FENDERS

ADDITIONAL DECALS - CONTINUED

KEY	PART NO.	PART NAME	QTY	TRACTOR SERIAL NO.	REMARKS
5	JD5260	DECAL	1	(B)	1-7/16" X 2"
	JD5250	LABEL	1	(C)	1-7/16" X 2", (SUB FOR JD120 OR JD260)
	JD5202	DECAL	1	(A)	2-1/8" X 3", (SUB FOR JD245)
	JD5261	DECAL	1	(B)	2-1/8" X 3"
	JD5321	LABEL	1	(D)	2-1/8" X 3", (SUB FOR JD5240)
	JD5251	LABEL	1	(C)	2-1/8" X 3", (SUB FOR JD121 OR JD261)
	JD5300	LABEL	1	(A)	(C) 2-1/8" X 3"
	JD246	DECAL	1	(A)	2-7/8" X 4", (SUB JD5203)
	JD5262	DECAL	1	(B)	2-7/8" X 4"
	JD5241	DECAL	1	(D)	2-7/8" X 4", (NO LONGER AVAILABLE)
	JD5252	LABEL	1	(C)	2-7/8" X 4", (SUB FOR JD122 OR JD262)
	JD5322	LABEL	1	(C)	(D) 2-7/8" X 4"
	JD5268	DECAL	1	(A)	3-9/16" X 5", (SUB FOR JD247 OR JD5204)
	JD5263	DECAL	1	(B)	3-9/16" X 5"
	JD5242	DECAL	1	(D)	3-9/16" X 5"
	JD5253	LABEL	1	(C)	3-9/16" X 5", (SUB FOR JD123 OR JD263)
	JD5268	DECAL	1	(A)	(C) 3-9/16" X 5"
	JD5323	LABEL	1	(C)	(D) 3-9/16" X 5"
	JD5205	DECAL	1	(A)	4-1/4" X 6", (SUB FOR JD248)
	JD5264	DECAL	1	(B)	4-1/4" X 6"
	JD5243	DECAL	1	(D)	4-1/4" X 6", (NO LONGER AVAILABLE)
	JD5254	LABEL	1	(C)	4-1/4" X 6", (SUB FOR JD124 OR JD264)
	JD5303	LABEL	1	(A)	(C) 4-1/4" X 6"
	JD5324	LABEL	1	(C)	(D) 4-1/4" X 6"
	JD5244	DECAL	1	(D)	5-3/4" X 8"
	JD5304	LABEL	1	(A)	(C) 5-3/4" X 8"
	JD5325	LABEL	1	(C)	(D) 5-3/4" X 8", (NO LONGER AVAILABLE)
	JD5265	DECAL	1	(B)	6-3/8" X 9"
	JD5256	DECAL	1	(A)	(C) 6-3/8" X 9"
	JD5266	LABEL	1	(C)	(D) 6-3/8" X 9"
JD5270	DECAL	1	(C)	6-3/8" X 9", (SUB FOR JD265 OR JD5165)	
JD5305	LABEL	1	(A)	(C) 6-3/8" X 9"	
JD5326	LABEL	1	(C)	(D) 6-3/8" X 9", (NO LONGER AVAILABLE)	
JD5207	DECAL	1	(A)	8-1/2" X 12"	
JD5258	LABEL	1	(C)	8-1/2" X 12", (SUB FOR JD268)	
JD5306	LABEL	1	(A)	(C) 8-1/2" X 12"	
JD5327	LABEL	1	(C)	(D) 8-1/2" X 12"	
JD5259	LABEL	1	(C)	11-3/4" X 16-5/8", (SUB FOR JD269)	
6	JD5111	LABEL	1	(C)	2" X 2-5/8", (1000 RPM)
	JD5114	DECAL	1	(C)	2" X 2-5/8", (1000 RPM)
	JD5112	LABEL	1	(C)	2" X 2-5/8", (540 RPM) (SUB E82512)
	JD5115	DECAL	1	(C)	2" X 2-5/8", (540 RPM)
	JD5255	DECAL	1	(C)	4" X 4"

(A) BLACK DECALS FOR MACHINES PAINTED OTHER THAN JOHN DEERE GREEN

(B) LEAPING DEER DECALS FOR SOUTH AND CENTRAL AMERICA

(C) PRESSURE SENSITIVE ADHESIVE

(D) LEAPING DEER DECALS FOR SOUTH AND CENTRAL AMERICA (INDUSTRIAL, BLACK AND YELLOW)

MEMORANDA

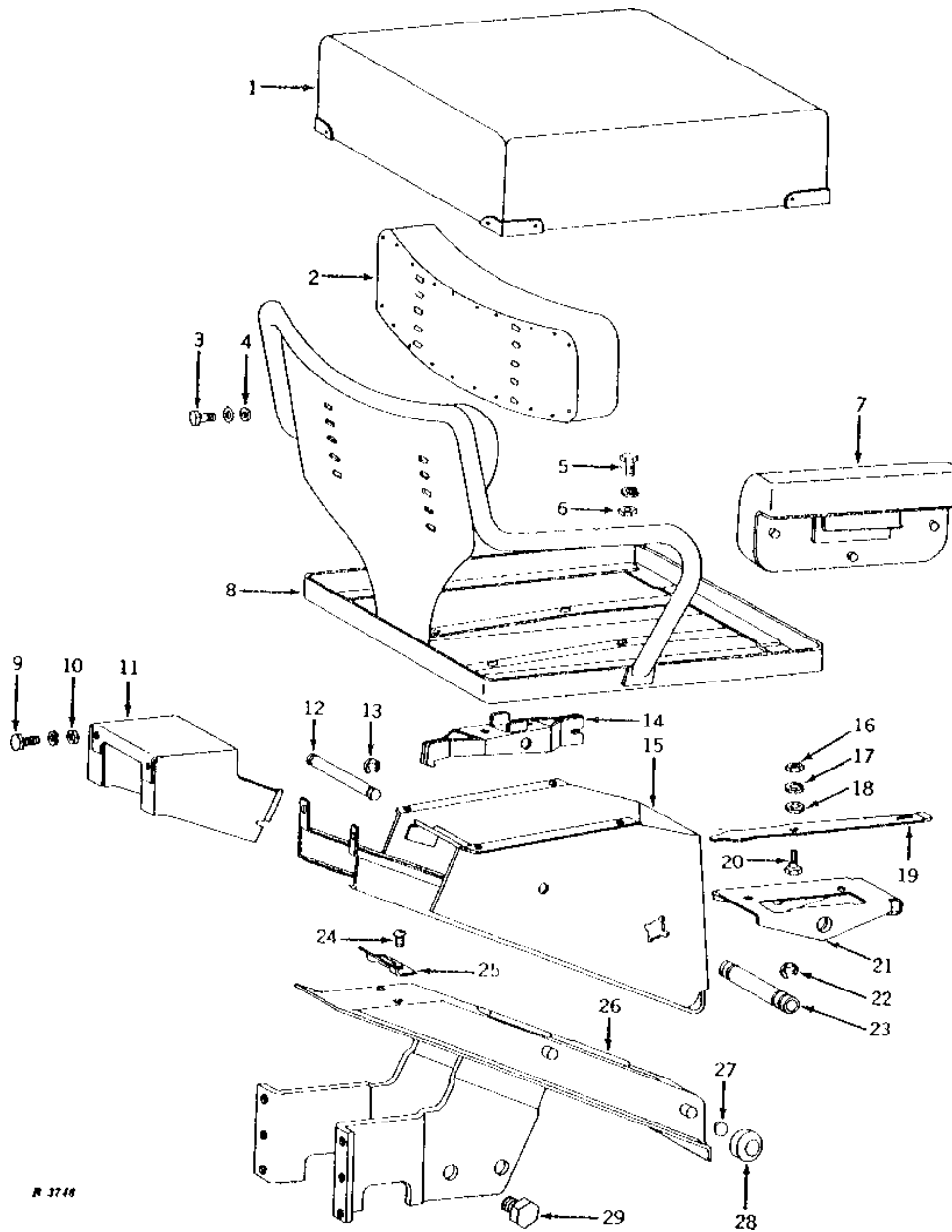
MEMORANDA

2F7

OPERATOR'S STATION

R3748 -UN-01JAN94

REGULAR SEAT



2F8

OPERATOR'S STATION

REGULAR SEAT - CONTINUED

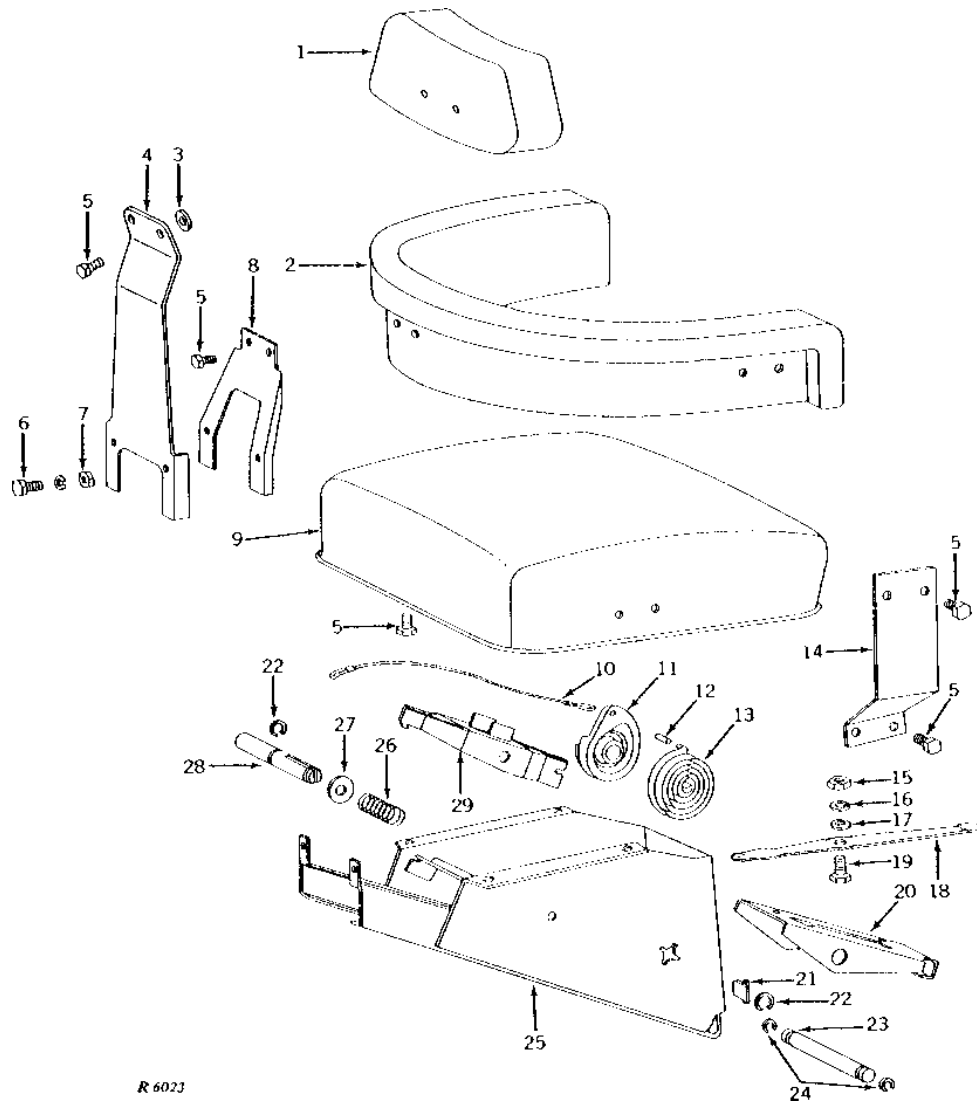
KEY	PART NO.	PART NAME	QTY	TRACTOR SERIAL NO.	REMARKS
1	AR30181	CUSHION	1		(SUB FOR AR26932)
	R32736	COVER	1		(WHITE CANVAS)
2	AR21966	CUSHION	1		(SUB FOR AF3271R)
3	19H1919	CAP SCREW	4		1/4" X 5/8"
	12H297	LOCK WASHER	4		1/4"
4	24H1286	WASHER	4		9/32" X 1/2" X 1/16", (SUB FOR R31577)
5	19H1813	CAP SCREW	4		5/16" X 5/8"
	12H303	LOCK WASHER	4		5/16"
6	14H785	NUT	4		5/16"
7	AF3272R	CUSHION	1		(SET OF 2)
8	AR26628	FRAME	1		(SUB AR47794) (NLA)
9	19H1900	CAP SCREW	2		5/16" X 3/4"
	12H303	LOCK WASHER	2		5/16"
10	14H785	NUT	2		5/16"
11	R26831	STOP	1		
12	R26829	PIN	1		
13	R26871	SNAP RING	2		(SUB FOR P44982)
14	R26828	LATCH	1		
15	AR36047	SUPPORT	1		(SUB FOR AR26627) (SUB AR68728, R57572, R73380 AND (2) 24H1384)
16	14H786	NUT	1		1/4"
17	12H302	LOCK WASHER	1		1/4"
18	24H1287	WASHER	1		9/32" X 5/8" X 0.065"
19	R27439	LEVER	1		
20	R26431	SCREW	1		
21	R26830	HANDLE	1		
22	R27434	SNAP RING	4		
23	R27435	SHAFT	1		(NO LONGER AVAILABLE)
24	37H78	SCREW	2		0.164" X 3/4", (SUB FOR R26416)
25	R27433	BRACKET	1		
26	AR32688	FRAME	1		(LESS ROCKSHAFT) (SUB FOR AR26743) (NO LONGER AVAILABLE)
	AR35794	FRAME	1		(WITH ROCKSHAFT) (NO LONGER AVAILABLE)
27	R26872	SHIM	AR		0.25MM (.010") STEEL
	R26873	SHIM	AR		0.51MM (.020") STEEL
28	R26436	ROLLER	4		
29	19H1833	CAP SCREW	4		5/8" X 1-1/4"

2F9

OPERATOR'S STATION

R6023 -UN-01JAN94

DELUXE SEAT



R 6023

2F10

OPERATOR'S STATION

DELUXE SEAT - CONTINUED

KEY	PART NO.	PART NAME	QTY	TRACTOR SERIAL NO.	REMARKS
1	R34267	SEAT BACK	1		(SUB FOR AR26934)
	R34619	CUSHION COVER	1		(SUB FOR AR30790)
2	R34268	SEAT BACK	1		(SUB FOR AR26935) (SUB AR59680)
	AR30791	COVER	1	-004499	(USED ON AR26935)
	R34620	CUSHION COVER	1	004500-	(USED ON R34268)
3	24H448	WASHER	2		25/32" X 1-1/8" X 0.090"
4	R34272	SUPPORT	1		(ALSO ORDER (2) R27627 AND (2) 19H3552) (SUB FOR R27786)
5	19H1813	CAP SCREW	16		5/16" X 5/8"
6	19H1905	CAP SCREW	2		5/16" X 1"
	12H303	LOCK WASHER	2		5/16"
7	14H785	NUT	2		5/16"
8	R27785	SUPPORT	1		
9	R34266	CUSHION	1		(SUB FOR AR26933) (SUB AR44763)
	R34618	CUSHION COVER	1		(SUB FOR AR30789 AND R34609) (USED ON R34266)
10	AR26403	CABLE	1		(SUB R78257)
11	R26432	REEL	1		
12	34H282	SPRING PIN	1		3/16" X 1"
13	R31260	SPRING	1		(SUB FOR R26433)
14	R31512	SUPPORT	1		R.H.
	R31513	SUPPORT	1		L.H.
15	14H786	NUT	1		1/4"
16	12H302	LOCK WASHER	1		1/4"
17	24H1287	WASHER	1		9/32" X 5/8" X 0.065"
18	R27439	LEVER	1		
19	R26431	SCREW	1		
20	R26830	HANDLE	1		
21	R26434	LATCH	1		
22	R73380	SNAP RING	2		(SUB FOR A369R)
23	R26829	PIN	1		
24	R26871	SNAP RING	2		(SUB FOR P44982)
25	AR68728	SUPPORT	1		(ALSO ORDER R57572, R73380 AND (2) 24H1384) (SUB FOR AR36047) (SUB FOR AR26627)
26	A4744R	SPRING	1		
27	24H1395	WASHER	1		25/32" X 1-7/16" X 0.060"
28	R26874	SHAFT	1		
29	R26828	LATCH	1		

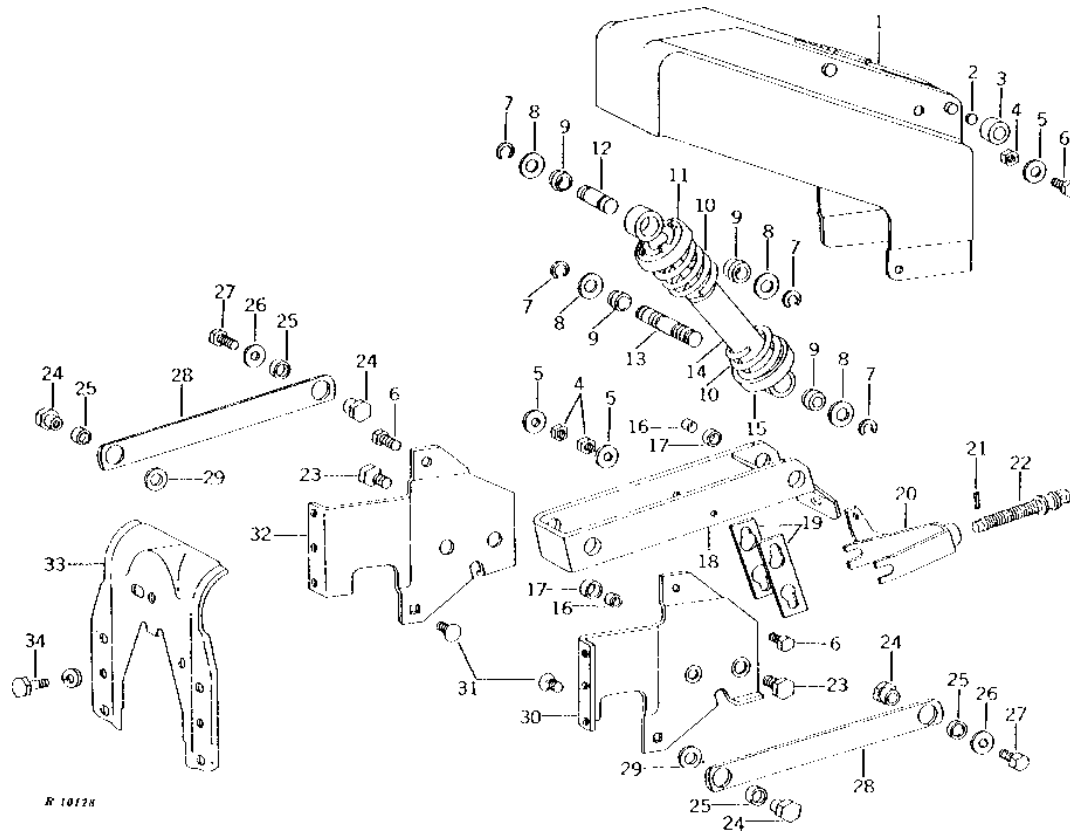
2F11

OPERATOR'S STATION

R10128

-UN-01JAN94

DELUXE SEAT SUPPORT



2F12

OPERATOR'S STATION

DELUXE SEAT SUPPORT - CONTINUED

KEY	PART NO.	PART NAME	QTY	TRACTOR SERIAL NO.	REMARKS
1	AR26632	FRAME	1		
2	R26872	SHIM	AR	0.25MM (.010") STEEL	
	R26873	SHIM	AR	0.51MM (.020") STEEL	
3	R26436	ROLLER	4		
4	T11234	LOCK NUT	4		(SUB FOR C744DN)
5	R27441	WASHER	4		
6	19H1732	CAP SCREW	4		3/8" X 1-1/4"
7	F2863R	SNAP RING	4		
8	R1836R	WASHER	4		
9	R26832	BUSHING	4		
10	R26877	SPRING	1		
11	R27442	CAP	1		
12	R26875	PIN	1		
13	R26876	SHAFT	1		
14	AR71976	ABSORBER	1		(SUB FOR AR26529) (SUB RE62234)
15	R26879	CAP	1		
16	R27440	BUSHING	4		
17	R36704	WASHER	4		(SUB R51648)
18	AR60029	ARM	1		(SUB FOR AR30102 OR AR36048)
19	R26878	LINK	2		
20	AR69271	YOKE	1		(SUB FOR AR26530)
21	34H247	SPRING PIN	1		1/8" X 3/4"
22	R57623	SCREW	1		(ALSO ORDER 34H113) (SUB FOR R27121)
23	R31505	BOLT	4		(SUB FOR R26288)
24	R26880	NUT	4		
25	R36704	WASHER	4		(SUB R51648)
26	R27441	WASHER	2		
27	19H1936	CAP SCREW	2		3/8" X 3/4"
28	AR31977	LINK	2		(SUB FOR AR26631)
29	R48450	WASHER	2		(SUB FOR R26113)
30	R27118	SUPPORT	1		
31	10H1026	BOLT	2		3/8" X 1"
32	R27119	SUPPORT	1		(A)
	R36519	SUPPORT	1		(B) (NO LONGER AVAILABLE)
33	R27458	SUPPORT	1	004500-	(A)
	R36518	SUPPORT	1	004500-	(B) (NO LONGER AVAILABLE)
34	19H1936	CAP SCREW	2	004500-	3/8" X 3/4"
	12H304	LOCK WASHER	2	004500-	3/8"

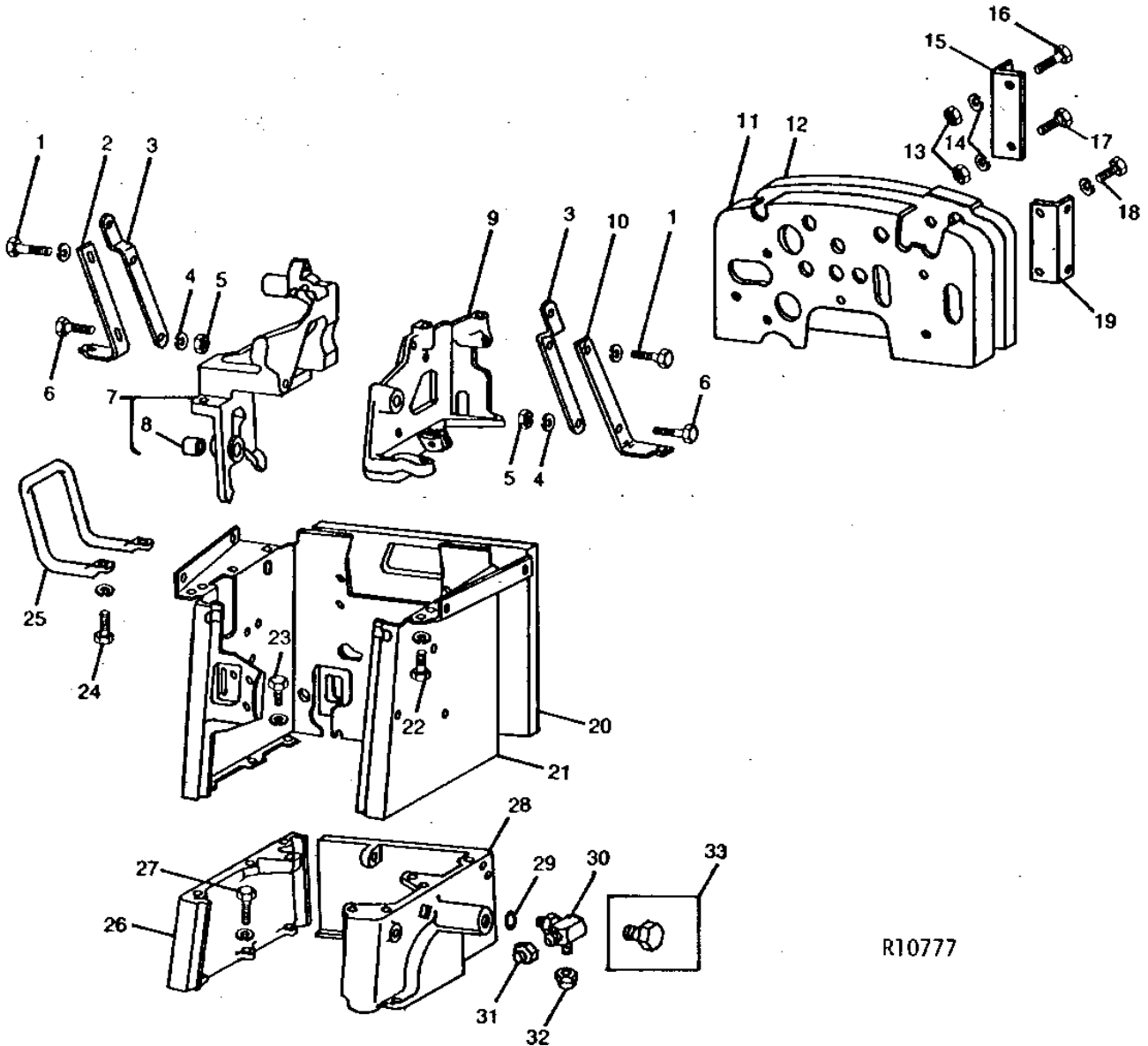
(A) LESS ROCKSHAFT
(B) WITH ROCKSHAFT

2F13

OPERATOR'S STATION

R10777 -UN-01JAN94

CONTROL SUPPORT, BASE, AND STEERING VALVE BRACKETS



R10777

2F14

OPERATOR'S STATION

CONTROL SUPPORT, BASE, AND STEERING VALVE BRACKETS - CONTINUED

KEY	PART NO.	PART NAME	QTY	TRACTOR SERIAL NO.	REMARKS
1	19H1139	CAP SCREW	2		3/8" X 1-1/8"
	12H310	LOCK WASHER	2		3/8"
2	R31231	SUPPORT	1		HOOD
3	R31229	SUPPORT	2		DASH
4	12H310	LOCK WASHER	2		3/8"
5	14H1076	NUT	2		3/8"
6	19H1731	CAP SCREW	2		3/8" X 1"
7	AR53470	BRACKET	1		(MARKED R36083 OR R49637) (ALSO ORDER R49799) (SUB FOR AR35577)
8	R27567	BUSHING	1		
9	R47079	BRACKET	1		(SUB FOR R32390)
10	R31230	SUPPORT	1		HOOD
11	AR34927	ISOLATOR	1		(SUB FOR AR30305, AR31636 OR AR34011) (NO LONGER AVAILABLE)
12	R56059	FOAM PAD	1		(SUB FOR R34562)
13	14H1076	NUT	2		(A) 3/8"
14	12H304	LOCK WASHER	2		(A) 3/8"
15	R26895	ANGLE	1		(A)
16	19H1726	CAP SCREW	1		(A) 3/8" X 2-1/4"
17	19H1765	CAP SCREW	1		(A) 3/8" X 1-3/4"
18	19H2284	CAP SCREW	2		3/8" X 7/8"
	12H304	LOCK WASHER	2		3/8"
19	R26895	ANGLE	1		
20	R56059	FOAM PAD	1		(SUB FOR R35825)
21	AR32818	SUPPORT	1		(SUB FOR AR35380) (NO LONGER AVAILABLE)
22	19H2284	CAP SCREW	3		3/8" X 7/8"
	12H304	LOCK WASHER	3		3/8"
23	19H1936	CAP SCREW	6		3/8" X 3/4"
	12H304	LOCK WASHER	6		3/8"
24	19H1732	CAP SCREW	2	-007999	3/8" X 1-1/4"
	19H2284	CAP SCREW	2	008000-	3/8" X 7/8"
	12H304	LOCK WASHER	2		3/8"
25	R27884	PIN	1	-007999	
26	R50964	BASE	1		(SUB FOR R35551)
27	19H1732	CAP SCREW	8		3/8" X 1-1/4"
	12H304	LOCK WASHER	8		3/8"
28	R47915	BASE	1		(SUB FOR R35550)
29	R26906	O-RING	1		
30	TEE FITTING	1	008000-	(DIFFERENTIAL LOCK) (SUB AR36915) (SUB AR36856 AND R40583) (LESS DIFFERENTIAL LOCK)
31	R36927	FITTING	1	008000-	(B)
32	R36926	FITTING	1	008000-	(C)
	R40583	FITTING	1		(C) (USE WITH AR36856)
33	R27474	DRAIN PLUG	1	-007999	(B)

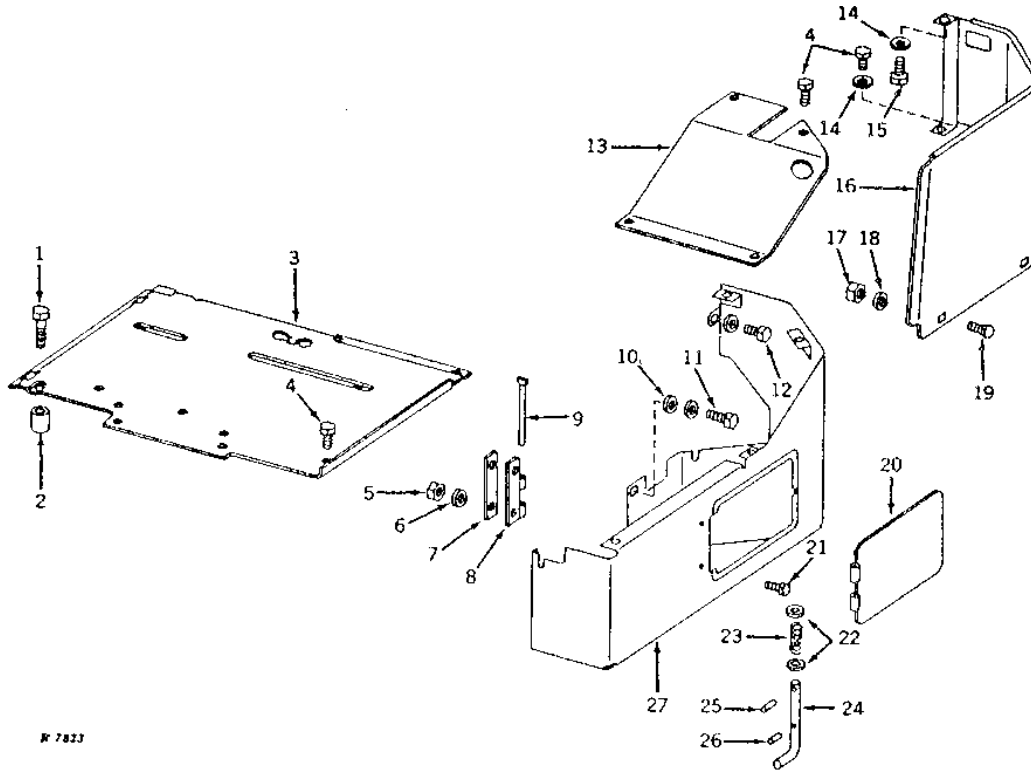
- (A) LESS SELECTIVE CONTROLS
- (B) LESS ROCKSHAFT
- (C) LESS DIFFERENTIAL LOCK

2F15

OPERATOR'S STATION

R7823 -UN-01JAN94

PLATFORM, TOOL BOX, AND OPERATOR SHIELDS



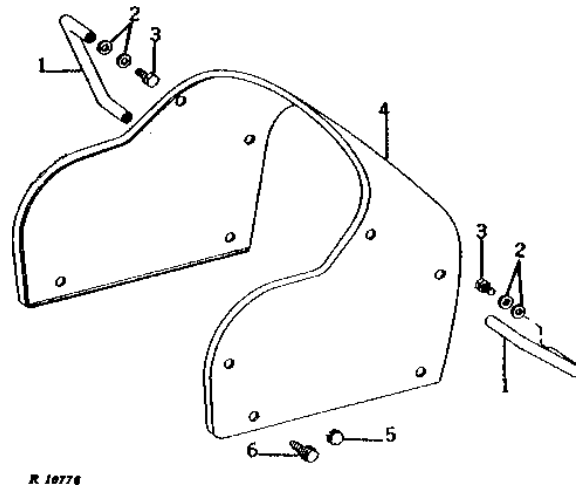
KEY	PART NO.	PART NAME	QTY	TRACTOR SERIAL NO.	REMARKS
1	19H1726	CAP SCREW	3	3/8" X 2-1/4"	
2	28H1526	BUSHING	3	3/8" X 1-5/16"	
3	AR35206	PLATFORM	1		(NO LONGER AVAILABLE)
4	19H2284	CAP SCREW	6	3/8" X 7/8"	
5	14H786	NUT	2	1/4"	
6	12H302	LOCK WASHER	2	1/4"	
7	R35214	RETAINER	1		(NLA)
8	R35213	PLATE	1		
9	R20538	PIN	1		
10	24H1309	WASHER	2	13/32" X 1-1/16" X 0.120"	
11	19H2284	CAP SCREW	2	3/8" X 7/8"	
	12H304	LOCK WASHER	2	3/8"	
12	19H1936	CAP SCREW	1	3/8" X 3/4"	
	12H304	LOCK WASHER	1	3/8"	
13	R35626	EXTENSION	1	R.H.	
14	24M7096	WASHER	4	10.500 X 18 X 1.600 MM	
15	19H1732	CAP SCREW	2	3/8" X 1-1/4"	
16	AR35334	SHIELD	1		R.H. (NO LONGER AVAILABLE)
	AR35335	SHIELD	1		L.H. (NO LONGER AVAILABLE)
17	14H1076	NUT	6	3/8"	
18	12H304	LOCK WASHER	6	3/8"	
19	03H1765	BOLT	6	3/8" X 3/4"	
20	AR36778	DOOR	1		(USE WITH AR36777, AR47187 OR AR67385)
	AR35050	DOOR	1		(USE WITH AR35049, AR36284 OR AR36413) (NO LONGER AVAILABLE)
21	19H1919	CAP SCREW	2	1/4" X 5/8"	
22	24M7096	WASHER	2	10.500 X 18 X 1.600 MM	
23	R1826R	SPRING	1		(SUB FOR R27151)
24	R35210	PIN	1		(NLA)
25	34H282	SPRING PIN	1	3/16" X 1"	
26	34H247	SPRING PIN	1	1/8" X 3/4"	
27	AR67385	TOOLBOX	1		(SUB FOR AR36777 OR AR47187) (ALSO ORDER AR36778) (SUB FOR AR35049, AR36284 OR AR36413)
	R32239	PLUG	1		

2F16

OPERATOR'S STATION

R10776 -UN-01JAN94

COWL



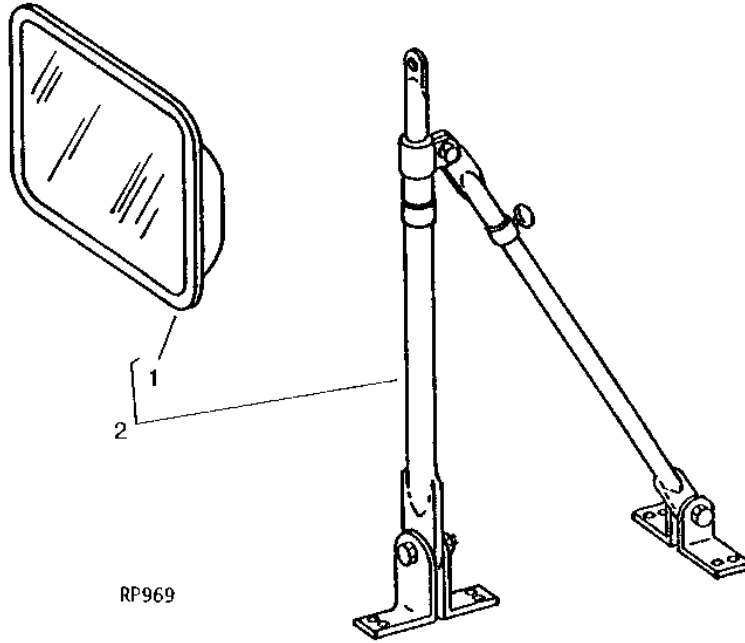
KEY	PART NO.	PART NAME	QTY	TRACTOR SERIAL NO.	REMARKS
1	R31618	HANDLE	2	008000-	
2	24H1305	WASHER	8	008000-	13/32" X 13/16" X 0.065"
3	19H1936	CAP SCREW	4	008000-	3/8" X 3/4"
4	AR41584	COWL	1		(SUB FOR R26898 OR AR32765) (SUB T15005)
5	H113924	PLUG	1		(SUB FOR R31420 OR R42451)
6	AR26568	SCREW	4		

2F17

OPERATOR'S STATION

RP969 -UN-01JAN94

REAR VIEW MIRROR



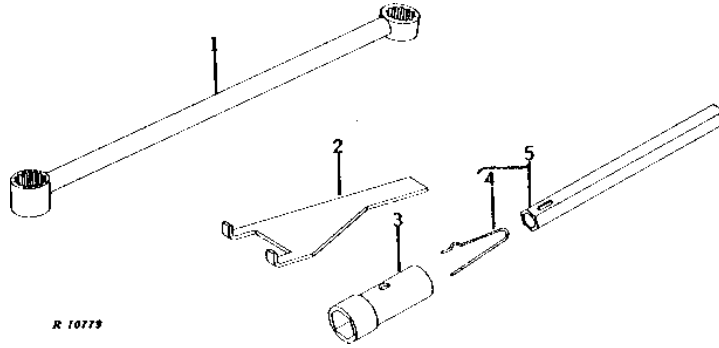
KEY	PART NO.	PART NAME	QTY	TRACTOR SERIAL NO.	REMARKS
1	AH16186	REAR VIEW MIRROR	1	(SUB FOR AR21860, R21685, R21686 OR AR44255) (SUB AH99409)	
2	AR44254	REAR VIEW MIRROR	1	(SUB FOR AR30003) (SUB (3) AH85483, AR89137 AND (6) H78354)	

2F18

OPERATOR'S STATION

R10779 -UN-01JAN94

TOOLS



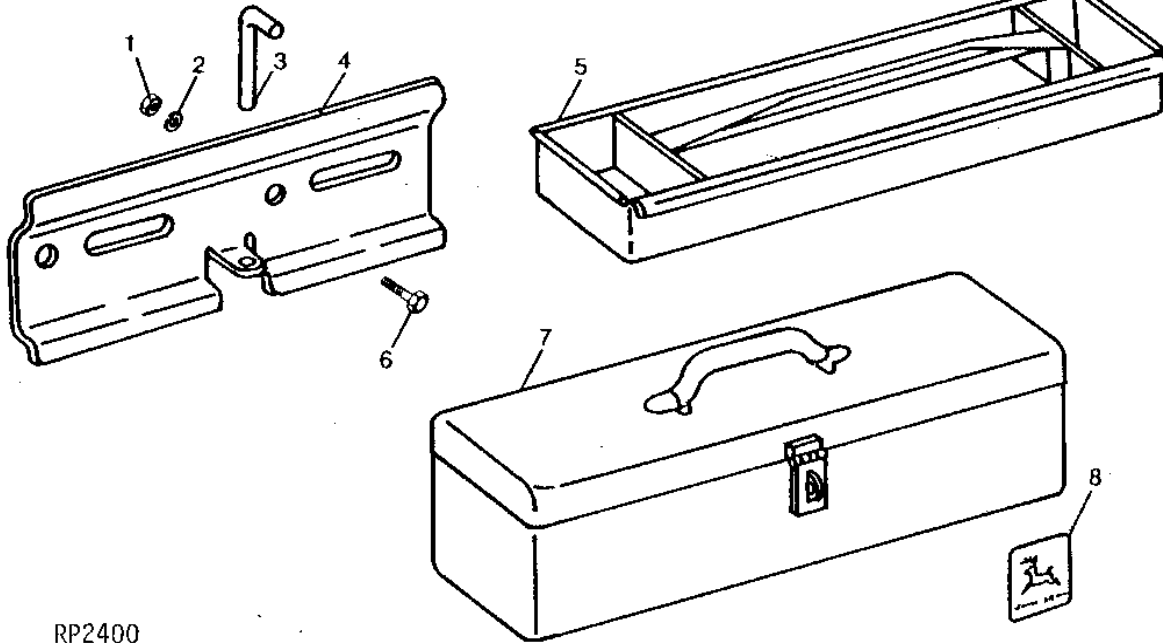
KEY	PART NO.	PART NAME	QTY	TRACTOR SERIAL NO.	REMARKS
1	B353R	WRENCH	1	-006035	
	R34827	WRENCH	1	006036-	
2	R36621	WRENCH	1		
3	AR39683	WRENCH	1		
4	R39739	SPRING LOCKING PIN	1		
5	AR39682	EXTENSION	1		

2F19

OPERATOR'S STATION

RP2400 -UN-01JAN94

TOOLBOX AND SUPPORTS



RP2400

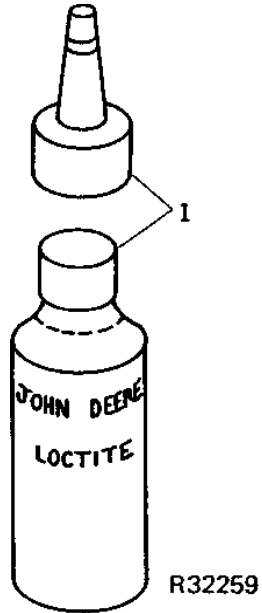
KEY	PART NO.	PART NAME	QTY	TRACTOR SERIAL NO.	REMARKS
1	14H1039	NUT	2	5/8"	
2	12H294	LOCK WASHER	2	5/8"	
3	T23027	PIN	1		
4	T23033	BRACKET	1		
5	AT22073	HOLDER	1		
6	19H2706	CAP SCREW	2	5/8" X 2" HS, SAE 8	
7	AT22070	TOOLBOX	1		
8	JD5272	LABEL	1	-XXXXXX	
	JD5602	LABEL	1	XXXXXX-	

2F20

OPERATOR'S STATION

R32259F -UN-01JAN94

LOCTITE SEALANT



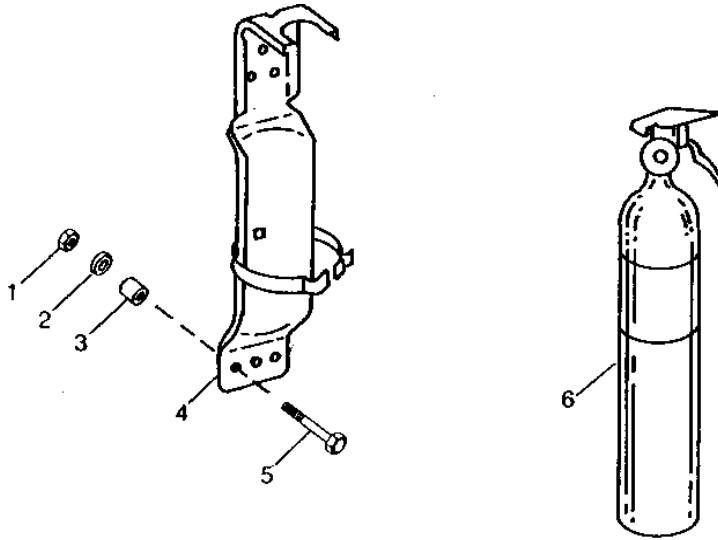
KEY	PART NO.	PART NAME	QTY	TRACTOR SERIAL NO.	REMARKS
1	TY9371	ADHESIVE	1		(SUB FOR AT14927 OR AT24538) (TUBE OF 6CC)

2F21

OPERATOR'S STATION

RWP2787 -UN-01JAN94

FIRE EXTINGUISHER



RWP2787

KEY	PART NO.	PART NAME	QTY	SG BODY SERIAL NO.	REMARKS
1	14H786	NUT	2	1/4"	
2	24H1287	WASHER	2	9/32" X 5/8" X 0.065"	
3	28H3423	BUSHING	2		
4	AT75387	BRACKET	1	(SUB FOR AT62019)	
5	21H1035	SCREW	2	1/4" X 1-1/2"	
6	AT168165	FIRE EXTINGUISHER	1	(SUB FOR AT62018, AT81764 OR AT141924)	

2F22

OPERATOR'S STATION

**SLOW MOVING VEHICLE EMBLEM BRACKET AND EMBLEM
(NOT ILLUSTRATED)**

KEY	PART NO.	PART NAME	QTY	TRACTOR SERIAL NO.	REMARKS
..	AR45738	BRACKET	1	(NLA)	
..	AR45741	BRACKET	1	(NLA)	
..	TY2615	SMV EMBLEM	1		

2F23

OPERATOR'S STATION

**PARTS FOR WEATHERSHIELDS
(NOT ILLUSTRATED)**

KEY	PART NO.	PART NAME	QTY	TRACTOR SERIAL NO.	REMARKS
..	R20123	WINDSHIELD	1		FRONT
..	R20124	FRAME	1		(NLA)
..	AR20143	WINDOWPANE	1		R.H. SIDE (NLA)
..	AR30516	WINDOW	1		L.H. SIDE (NLA)
..	AR35925	WEATHER ENCLOSURE	1		WEATHERSHIELD (NLA)

1K17

5010 TRACTOR

NUMERICAL INDEX

PART NO.	GRID	KEY	PAGE	PART NO.	GRID	KEY	PAGE	PART NO.	GRID	KEY	PAGE
AA32178	1F12	..	40-53	AR101266	1B19	4	20-25	AR11033	1E10	7	40-23
AA3495R	1F8	9	40-49	AR101267	1B18	1	20-24	AR11035	1E10	31	40-23
AA3495R	1F8	17	40-49	AR101267	1B19	3	20-25	AR11036	1E10	30	40-23
AA3495R	1F10	6	40-51	AR101403	1B19	4	20-25	AR11038	1E10	13	40-23
AA3495R	1F10	17	40-51	AR101408	1B19	3	20-25	AR11039	1E10	22	40-23
AA34967	1F12	3	40-53	AR101409	1B19	3	20-25	AR11040	1E10	4	40-23
AA34968	1F12	23	40-53	AR101410	1B19	3	20-25	AR11041	1E10	12	40-23
AA4039R	1D15	30	40-3	AR101411	1B19	3	20-25	AR11042	1E10	19	40-23
AA4039R	1D17	25	40-5	AR101412	1B19	3	20-25	AR11068	1E8	14	40-21
AA4039R	1D19	27	40-7	AR101549	1C3	8	20-32	AR11074	1E8	10	40-21
AA4423R	1D19	31	40-7	AR101549	1C4	7	20-33	AR11075	1E23	27	40-38
AA4881R	1F8	3	40-49	AR101632	2B14	6	70-19	AR11075	1E25	31	40-41
AA4881R	1F8	20	40-49	AR101833	1B13	8	20-19	AR11076	1E15	10	40-28
AA5302R	1D9	25	30-23	AR102454	1F23	12	40-64	AR11078	1E23	26	40-38
AA5691R	1D19	33	40-7	AR102454	1F24	12	40-65	AR11079	1E23	15	40-38
AA5691R	1D21	18	40-9	AR102760	1E17	29	40-31	AR11079	1E25	12	40-41
AA5691R	1D23	19	40-11	AR102761	1E17	21	40-31	AR11080	1E17	30	40-31
AA5691R	1F11	18	40-52	AR102763	1E25	28	40-41	AR11080	1E23	8	40-38
AA5692R	1D19	33	40-7	AR102764	1E25	18	40-41	AR11080	1E25	8	40-41
AA5692R	1D21	18	40-9	AR102765	1E25	17	40-41	AR11081	1E17	13	40-31
AA5692R	1D23	19	40-11	AR102766	1E23	9	40-38	AR11082	1E14	17	40-27
AA5692R	1F11	17	40-52	AR102766	1E23	27	40-38	AR11083	1E14	2	40-27
AA5692R	1G13	12	40-78	AR102766	1E25	31	40-41	AR11084	1E15	1	40-28
AA5731R	2E2	7	70-81	AR102767	1E15	10	40-28	AR11085	1E15	19	40-28
AA5787R	1F16	18	40-57	AR102768	1E25	29	40-41	AR111058	1G2	20	40-67
AA5787R	1F18	22	40-59	AR102770	1D15	35	40-3	AR11134	1E23	13	40-38
AA6037R	1F13	2	40-54	AR102770	1D17	30	40-5	AR11137	1E10	14	40-23
AA6217R	1F11	19	40-52	AR102770	1D19	22	40-7	AR11308	1D14	8	40-2
AA6218R	1F11	14	40-52	AR102770	1E11	3	40-24	AR11308	1F21	9	40-62
AA6309R	2D23	3	70-78	AR102770	1E12	..	40-25	AR11329	1E17	29	40-31
AA6309R	2E2	43	70-81	AR102770	1E14	..	40-27	AR11330	1E8	44	40-21
AA6309R	2E4	1	70-83	AR102770	1E15	..	40-28	AR11331	1E8	4	40-21
AB1833R	1D15	29	40-3	AR102770	1E17	..	40-31	AR11333	1E8	37	40-21
AB1833R	1D17	24	40-5	AR102770	1E20	..	40-35	AR1367R	1C16	13	30-3
AB3453R	1B4	17	20-9	AR102770	1E23	..	40-38	AR1369R	1C16	14	30-3
AD2062R	1F8	2	40-49	AR102770	1E25	..	40-41	AR14006	1D15	35	40-3
AD2062R	1F8	7	40-49	AR102771	1D15	35	40-3	AR14006	1D17	30	40-5
AD2062R	1F10	2	40-51	AR102771	1D17	30	40-5	AR14006	1D19	22	40-7
AD2062R	1F10	5	40-51	AR102771	1D19	22	40-7	AR14006	1E11	3	40-24
AD2062R	1F12	2	40-53	AR102771	1E11	3	40-24	AR14006	1F2	..	40-43
AD2062R	1F14	1	40-55	AR102771	1E12	..	40-25	AR14006	1F4	..	40-45
AE24616	2B15	9	70-20	AR102771	1E14	..	40-27	AR14006	1F5	..	40-46
AF3271R	2F8	2	90-3	AR102771	1E15	..	40-28	AR14011	1F5	..	40-46
AF3272R	2F8	7	90-3	AR102771	1E17	..	40-31	AR14012	1F5	..	40-46
AF3892R	1F8	21	40-49	AR102771	1E20	..	40-35	AR14013	1F4	5	40-45
AF3892R	1F10	20	40-51	AR102771	1E23	..	40-38	AR15007	1D14	13	40-2
AH16186	2F17	1	90-12	AR102771	1E25	..	40-41	AR15007	1D19	17	40-7
AH77100	1D9	25	30-23	AR103044	1B14	5	20-20	AR15007	1E2	15	40-15
AH85483	2F17	2	90-12	AR103108	1B14	6	20-20	AR15007	1E4	..	40-17
AH93625	1F12	12	40-53	AR103109	1B14	6	20-20	AR1729R	1C14	12	30-1
AH93852	1I21	3	50-39	AR103112	1B14	6	20-20	AR1730R	1C14	10	30-1
AH99409	2F17	1	90-12	AR103322	1B14	6	20-20	AR1745R	1C14	13	30-1
AL2976T	1G24	20	40-89	AR103808	2E9	7	70-88	AR20032	2E13	15	80-3
AM3491T	1H12	17	50-5	AR103811	1B2	3	20-7	AR20033	2E13	23	80-3
AM3491T	1H12	25	50-5	AR104563	1B18	1	20-24	AR20143	2F23	..	90-18
AN163885	2D14	39	70-69	AR104563	1B19	3	20-25	AR21024	1C11	1	20-42
AN163885	2D16	40	70-71	AR104564	1B18	1	20-24	AR21024	1C11	3	20-42
AN163885	2E4	26	70-83	AR104564	1B19	3	20-25	AR21059	1F8	21	40-49
AN163885	2E6	16	70-85	AR104565	1B18	1	20-24	AR21059	1F10	20	40-51
AN212996	2C20	6	70-51	AR104565	1B19	3	20-25	AR21059	1F10	23	40-51
AN250096	2B15	5	70-20	AR104566	1B18	1	20-24	AR21737	1F8	2	40-49
AR101236	2B2	2	70-7	AR104566	1B19	3	20-25	AR21737	1F10	2	40-51
AR101236	2B2	3	70-7	AR104567	1B19	4	20-25	AR21739	1F8	7	40-49
AR101236	2B8	23	70-13	AR104568	1B19	4	20-25	AR21739	1F10	5	40-51
AR101236	2B10	3	70-15	AR104569	1B19	4	20-25	AR21823	1D14	6	40-2
AR101236	2B19	28	70-25	AR104570	1B19	4	20-25	AR21823	1D17	4	40-5
AR101245	1G10	4	40-75	AR11031	1E8	29	40-21	AR21823	1D18	7	40-6

1K18

5010 TRACTOR

NUMERICAL INDEX - CONTINUED

PART NO.	GRID	KEY	PAGE	PART NO.	GRID	KEY	PAGE	PART NO.	GRID	KEY	PAGE
AR21823	1F21	3	40-62	AR26615	1D9	46	30-23	AR26771	1118	17	50-36
AR21823	1F22	3	40-63	AR26619	1D15	29	40-3	AR26771	2B21	7	70-28
AR21823	1F23	10	40-64	AR26619	1D17	24	40-5	AR26771	2B22	5	70-29
AR21823	1F24	10	40-65	AR26622	1D15	31	40-3	AR26773	1J2	16	60-5
AR21836	1C23	4	30-10	AR26622	1D17	26	40-5	AR26773	1J4	16	60-7
AR21836	1C23	11	30-10	AR26625	1I24	5	60-3	AR26773	1J8	20	60-11
AR21836	2B25	23	70-31	AR26627	2F8	15	90-3	AR26775	1D9	53	30-23
AR21837	1C2	8	20-31	AR26627	2F10	25	90-5	AR26846	2C7	3	70-37
AR21839	2B25	14	70-31	AR26628	2F8	8	90-3	AR26908	1I24	16	60-3
AR21839	2C2	1	70-33	AR26631	2F12	28	90-7	AR26932	2F8	1	90-3
AR21839	2C3	1	70-33A	AR26632	2F12	1	90-7	AR26933	2F10	9	90-5
AR21840	1C6	2	20-37	AR26635	1B12	1	20-18	AR26934	2F10	1	90-5
AR21840	1C8	2	20-39	AR26639	2B2	7	70-7	AR26935	2F10	2	90-5
AR21840	1C20	5	30-7	AR26646	2B4	21	70-9	AR26947	2A24	1	70-4
AR21841	1C6	23	20-37	AR26657	2D20	35	70-75	AR26947	2B2	..	70-7
AR21842	1C14	3	30-1	AR26674	1C20	28	30-7	AR26996	1F16	16	40-57
AR21842	1C16	1	30-3	AR26674	1C21	14	30-8	AR27093	2D4	31	70-57
AR21856	1F11	9	40-52	AR26674	1D1	5	30-14	AR27139	1C11	3	20-42
AR21856	1F13	1	40-54	AR26697	2D20	37	70-75	AR27702	1B2	3	20-7
AR21858	1F11	9	40-52	AR26701	1I6	29	50-25	AR27728	1C20	7	30-7
AR21858	1F13	1	40-54	AR26705	1B23	22	20-29	AR27808	1C14	8	30-1
AR21860	2F17	1	90-12	AR26707	1I6	28	50-25	AR27814	1D5	1	30-18
AR21966	2F8	2	90-3	AR26711	2C14	16	70-45	AR27814	1D6	1	30-19
AR21969	1A20	..	20-1	AR26715	1F19	1	40-60	AR27867	2D20	29	70-75
AR21969	1I24	11	60-3	AR26716	1D14	1	40-2	AR27939	1D5	10	30-18
AR21969	2B23	..	70-29A	AR26716	1D17	1	40-5	AR27940	1D5	8	30-18
AR21999	1C8	2	20-39	AR26716	1F19	25	40-60	AR27940	1D6	6	30-19
AR26338	1H12	6	50-5	AR26718	1F19	9	40-60	AR27944	1D14	2	40-2
AR26338	1I8	26	50-27	AR26723	2B25	36	70-31	AR27944	1D17	2	40-5
AR26338	1I11	6	50-29A	AR26724	2C9	26	70-39	AR27944	1D18	1	40-6
AR26341	1B12	13	20-18	AR26724	2C12	12	70-42	AR27944	1F19	16	40-60
AR26351	1B4	9	20-9	AR26724	2C12	14	70-42	AR27944	1F20	10	40-61
AR26353	1B4	20	20-9	AR26724	2C12	19	70-42	AR27977	1B7	25	20-13
AR26360	1I2	14	50-21	AR26725	1I24	22	60-3	AR27977	1D14	15	40-2
AR26375	1H17	20	50-11	AR26725	1J2	10	60-5	AR27977	1D17	11	40-5
AR26390	1B12	6	20-18	AR26725	1J4	10	60-7	AR27977	1D18	14	40-6
AR26402	1J2	54	60-5	AR26725	1J8	14	60-11	AR27977	1F19	17	40-60
AR26402	1J4	52	60-7	AR26725	1J10	7	60-13	AR27977	1F20	29	40-61
AR26403	2F10	10	90-5	AR26730	1F16	9	40-57	AR27982	2B4	37	70-9
AR26414	2C18	18	70-49	AR26743	2F8	26	90-3	AR28041	2B2	4	70-7
AR26447	1I24	9A	60-3	AR26746	1H19	24	50-13	AR28047	2E25	3	80-15
AR26448	1J2	56	60-5	AR26746	1H19	25	50-13	AR28048	2E25	5	80-15
AR26448	1J4	54	60-7	AR26746	1J8	11	60-11	AR28049	2E25	5	80-15
AR26480	2E14	1	80-4	AR26746	1J21	22	60-23	AR28227	1D21	1	40-9
AR26480	2E15	1	80-4A	AR26746	2B20	3	70-27	AR28227	1F8	8	40-49
AR26523	2C14	23	70-45	AR26746	2B21	5	70-28	AR28271	1B21	10	20-27
AR26524	2C14	33	70-45	AR26746	2B25	55	70-31	AR28271	1H15	11	50-9
AR26529	2F12	14	90-7	AR26747	1H15	24	50-9	AR28329	1C20	34	30-7
AR26530	2F12	20	90-7	AR26747	2B25	38	70-31	AR28402	1D15	22	40-3
AR26546	2C14	3	70-45	AR26756	1D19	30	40-7	AR28402	1D21	10	40-9
AR26556	2D4	35	70-57	AR26758	2B2	12	70-7	AR28402	1F16	30	40-57
AR26557	1D15	24	40-3	AR26759	2B4	31	70-9	AR28403	1D15	18	40-3
AR26557	1D17	20	40-5	AR26761	2B4	9	70-9	AR28403	1D17	14	40-5
AR26557	1F16	31	40-57	AR26763	1J8	40	60-11	AR28403	1D19	34	40-7
AR26557	1F18	47	40-59	AR26763	2D12	5	70-66	AR28403	1F16	35	40-57
AR26566	2E25	12	80-15	AR26763	2D12	9	70-66	AR28403	1F18	41	40-59
AR26568	2E21	2	80-11	AR26763	2D14	26	70-69	AR28403	1G13	10	40-78
AR26568	2F16	6	90-11	AR26763	2D16	28	70-71	AR28403	1G16	19	40-81
AR26571	1D19	33	40-7	AR26763	2D20	39	70-75	AR28482	1C6	8	20-37
AR26571	1D21	18	40-9	AR26763	2D22	19	70-77	AR28483	1C20	2	30-7
AR26571	1D23	19	40-11	AR26766	2D12	26	70-66	AR28488	1J12	2	60-15
AR26571	1G13	1	40-78	AR26767	1J2	15	60-5	AR28552	1F19	13	40-60
AR26575	1D21	2	40-9	AR26767	1J4	15	60-7	AR28552	1F20	7	40-61
AR26583	1I8	1	50-27	AR26767	1J8	20	60-11	AR28558	1D3	4	30-16
AR26583	1I10	1	50-29	AR26767	2D12	25	70-66	AR28559	1D3	6	30-16
AR26592	1D9	11	30-23	AR26771	1I17	27	50-35	AR28754	2E7	3	70-86
AR26613	1D9	14	30-23	AR26771	1I18	7	50-36	AR28755	2E7	3	70-86

1K19

5010 TRACTOR

NUMERICAL INDEX - CONTINUED

PART NO.	GRID	KEY	PAGE	PART NO.	GRID	KEY	PAGE	PART NO.	GRID	KEY	PAGE
AR29350	1D14	3	40-2	AR30781	2D14	..	70-69	AR34172	1I24	9B	60-3
AR29350	1D17	3	40-5	AR30782	2D14	..	70-69	AR34295	2D20	..	70-75
AR29350	1F19	7	40-60	AR30787	1J8	10	60-11	AR34295	2D22	..	70-77
AR29615	1F19	4	40-60	AR30789	2F10	9	90-5	AR34343	1F23	12	40-64
AR29615	1F20	3	40-61	AR30790	2F10	1	90-5	AR34415	1C20	31	30-7
AR30003	2F17	2	90-12	AR30791	2F10	2	90-5	AR34415	1D1	10	30-14
AR30007	1E10	2	40-23	AR30855	1J15	6	60-17	AR34415	1D1	11	30-14
AR30016	1J10	5	60-13	AR30927	2B4	31	70-9	AR34415	1D1	17	30-14
AR30017	1J10	14	60-13	AR31016	1J15	18	60-17	AR34475	1C21	13	30-8
AR30018	1J10	17	60-13	AR31111	1J8	4	60-11	AR34556	1D15	23	40-3
AR30018	1J11	4	60-14	AR31125	2B20	18	70-27	AR34556	1D17	19	40-5
AR30019	1J10	18	60-13	AR31125	2B23	20	70-29A	AR34556	1D18	6	40-6
AR30048	1D15	19	40-3	AR31125	2B24	6A	70-30	AR34556	1F16	19	40-57
AR30048	1D15	21	40-3	AR31151	2B25	16	70-31	AR34556	1F18	23	40-59
AR30048	1D15	26	40-3	AR31152	2C3	6	70-33A	AR34567	1D17	10	40-5
AR30048	1D17	15	40-5	AR31176	1C20	31	30-7	AR34567	1E3	14	40-16
AR30048	1D17	21	40-5	AR31176	1D1	17	30-14	AR34567	1E8	..	40-21
AR30050	1D15	27	40-3	AR31272	2C14	6	70-45	AR34662	2B20	18	70-27
AR30050	1D17	22	40-5	AR31274	2C14	6	70-45	AR34662	2B23	20	70-29A
AR30052	1D15	23	40-3	AR31547	2C3	6	70-33A	AR34662	2B24	6A	70-30
AR30052	1D17	19	40-5	AR31550	1C21	13	30-8	AR34705	1I15	20	50-33
AR30052	1F16	19	40-57	AR31556	1F23	12	40-64	AR34837	1E2	19	40-15
AR30054	1D15	20	40-3	AR31584	2D14	32	70-69	AR34927	2F14	11	90-9
AR30054	1D17	16	40-5	AR31627	1C21	3	30-8	AR34930	1C21	13	30-8
AR30094	2C9	34	70-39	AR31636	2F14	11	90-9	AR34959	1F16	9	40-57
AR30102	2F12	18	90-7	AR31637	2D14	41	70-69	AR34959	1F18	9	40-59
AR30110	2C9	20	70-39	AR31663	2D20	41	70-75	AR35003	1B12	2	20-18
AR30110	2C9	26	70-39	AR31663	2D22	3	70-77	AR35004	1B12	18	20-18
AR30110	2C12	14	70-42	AR31663	2D22	33	70-77	AR35006	1A24	5	20-5
AR30155	1D17	9	40-5	AR31703	2D20	19	70-75	AR35007	1B2	4	20-7
AR30155	1E10	2	40-23	AR31710	2B4	37	70-9	AR35008	1B5	1	20-10
AR30155	1E10	31	40-23	AR31754	2C9	7	70-39	AR35008	1B7	32	20-13
AR30155	1E10	..	40-23	AR31813	2D20	17	70-75	AR35010	1B14	10	20-20
AR30166	1J10	9	60-13	AR31820	2D22	10	70-77	AR35012	1B17	6	20-23
AR30181	2F8	1	90-3	AR31882	1B20	1	20-26	AR35017	1C18	4	30-5
AR30210	2D14	1	70-69	AR31904	1I4	27	50-23	AR35019	1C16	19	30-3
AR30210	2D16	1	70-71	AR31921	2B2	16	70-7	AR35020	2E25	36	80-15
AR30210	2D18	7	70-73	AR31940	1J15	21	60-17	AR35021	2E25	31	80-15
AR30256	2C9	20	70-39	AR31944	1J11	5	60-14	AR35022	2E25	31	80-15
AR30282	1F19	8	40-60	AR31945	2E5	15	70-84	AR35023	2E25	19	80-15
AR30282	1F20	15	40-61	AR31946	1J17	1	60-19	AR35024	2E25	19	80-15
AR30297	1I24	27	60-3	AR31977	2F12	28	90-7	AR35025	2E25	37	80-15
AR30297	1I24	30	60-3	AR31988	1J8	4	60-11	AR35026	2E25	22	80-15
AR30298	1I24	30	60-3	AR32608	2C9	20	70-39	AR35027	1C2	21	20-31
AR30305	2F14	11	90-9	AR32610	2C9	20	70-39	AR35032	1I21	10	50-39
AR30394	1F16	19	40-57	AR32688	2F8	26	90-3	AR35033	1A23	12	20-4
AR30394	1F18	24	40-59	AR32700	1I24	16	60-3	AR35035	1B23	6	20-29
AR30415	1D14	7	40-2	AR32756	1I24	38	60-3	AR35036	1I8	33	50-27
AR30415	1F21	4	40-62	AR32765	2F16	4	90-11	AR35036	1I11	14	50-29A
AR30444	1B12	9	20-18	AR32771	1J8	10	60-11	AR35038	2D14	24	70-69
AR30472	1D9	3	30-23	AR32818	2F14	21	90-9	AR35042	1E2	11	40-15
AR30516	2F23	..	90-18	AR32833	1F19	9	40-60	AR35042	1E3	13	40-16
AR30588	2D22	10	70-77	AR32833	1F20	16	40-61	AR35045	1J12	4	60-15
AR30589	1J2	8	60-5	AR33249	2B4	6	70-9	AR35046	2E18	30	80-7
AR30589	1J4	8	60-7	AR33479	1D18	9	40-6	AR35047	2E18	2	80-7
AR30590	1J2	8	60-5	AR33479	1D21	11	40-9	AR35048	2E18	14	80-7
AR30590	1J4	8	60-7	AR33479	1D23	12	40-11	AR35049	2F15	20	90-10
AR30680	2D22	33	70-77	AR33479	1F16	4	40-57	AR35049	2F15	27	90-10
AR30684	1I24	..	60-3	AR33479	1F18	4	40-59	AR35050	2F15	20	90-10
AR30684	1J6	1	60-9	AR33821	2B2	4	70-7	AR35052	1I1	4	50-20
AR30685	2D17	12	70-72	AR33877	2D16	36	70-71	AR35053	1I1	3	50-20
AR30697	2C7	8	70-37	AR33926	1C21	3	30-8	AR35053	1I1	3	50-20
AR30697	2C9	22	70-39	AR34006	1J4	18	60-7	AR35054	1H25	17	50-19
AR30742	1J8	5	60-11	AR34011	2F14	11	90-9	AR35055	1H25	18	50-19
AR30742	2B20	8	70-27	AR34059	2D14	41	70-69	AR35057	1I2	11	50-21
AR30744	1J2	18	60-5	AR34059	2D16	37	70-71	AR35060	1I5	8	50-24
AR30754	1J2	18	60-5	AR34098	2A23	4	70-3	AR35061	1I5	4	50-24
								AR35064	1I5	27	50-24

1K20

5010 TRACTOR

NUMERICAL INDEX - CONTINUED

PART NO.	GRID	KEY	PAGE	PART NO.	GRID	KEY	PAGE	PART NO.	GRID	KEY	PAGE
AR35068	1H10	16	50 - 3	AR35211	2E23	11	80 - 13	AR35586	1C14	9	30 - 1
AR35079	1C20	32	30 - 7	AR35212	1D15	32	40 - 3	AR35589	1H13	22	50 - 7
AR35079	1C21	15	30 - 8	AR35212	1D17	27	40 - 5	AR35613	1F16	36	40 - 57
AR35080	1C18	5	30 - 5	AR35212	1D19	26	40 - 7	AR35613	1F18	35	40 - 59
AR35082	1H15	38	50 - 9	AR35213	1D15	34	40 - 3	AR35623	1C23	27	30 - 10
AR35083	1H15	45	50 - 9	AR35213	1D17	29	40 - 5	AR35623	1D3	11	30 - 16
AR35084	1H15	33	50 - 9	AR35213	1D19	25	40 - 7	AR35646	1J12	7	60 - 15
AR35085	1H15	31	50 - 9	AR35214	2E23	2	80 - 13	AR35647	2D20	41	70 - 75
AR35087	1C21	8	30 - 8	AR35217	1J21	9	60 - 23	AR35647	2D22	3	70 - 77
AR35087	1C23	30	30 - 10	AR35218	1J22	2	60 - 24	AR35658	2E2	41	70 - 81
AR35090	2E25	1	80 - 15	AR35223	1H19	24	50 - 13	AR35659	1H15	33	50 - 9
AR35091	1C20	8	30 - 7	AR35223	1J23	25	60 - 25	AR35660	1B19	4	20 - 25
AR35092	1B3	9	20 - 8	AR35223	2B23	10	70 - 29A	AR35661	1B17	7	20 - 23
AR35093	1C23	10	30 - 10	AR35225	2D11	20	70 - 65	AR35662	1B17	10	20 - 23
AR35094	1C23	9	30 - 10	AR35226	2D11	7	70 - 65	AR35663	1B10	9	20 - 16
AR35096	1C23	7	30 - 10	AR35227	2D11	19	70 - 65	AR35664	2E13	27	80 - 3
AR35097	1C23	6	30 - 10	AR35228	2D11	8	70 - 65	AR35666	1C18	10	30 - 5
AR35098	1C23	5	30 - 10	AR35230	2D12	10	70 - 66	AR35667	1C6	9	20 - 37
AR35101	2E13	6	80 - 3	AR35231	2D12	11	70 - 66	AR35710	1I17	21	50 - 35
AR35103	2E13	7	80 - 3	AR35231	2D12	23	70 - 66	AR35710	1I18	8	50 - 36
AR35104	2E13	36	80 - 3	AR35234	2D12	22	70 - 66	AR35717	2B24	3	70 - 30
AR35105	1C23	4	30 - 10	AR35235	1J23	15	60 - 25	AR35718	2B20	6	70 - 27
AR35108	1C20	12	30 - 7	AR35236	2B25	40	70 - 31	AR35718	2B21	3	70 - 28
AR35109	1C20	10	30 - 7	AR35238	2B25	32	70 - 31	AR35718	2B24	4	70 - 30
AR35110	1C20	15	30 - 7	AR35239	2B25	44	70 - 31	AR35720	2B25	8	70 - 31
AR35111	1C20	25	30 - 7	AR35242	1J8	39	60 - 11	AR35721	2D12	3	70 - 66
AR35112	1C20	35	30 - 7	AR35243	1J8	21	60 - 11	AR35725	1I24	55	60 - 3
AR35114	1H10	9	50 - 3	AR35261	2D23	1	70 - 78	AR35725	1J8	41	60 - 11
AR35134	2D23	..	70 - 78	AR35261	2D23	..	70 - 78	AR35727	2C5	6	70 - 35
AR35147	1B7	22	20 - 13	AR35265	1F8	13	40 - 49	AR35729	2F1	6	80 - 16
AR35148	1H20	6	50 - 14	AR35266	1J23	20	60 - 25	AR35732	1D5	4	30 - 18
AR35150	1C16	9	30 - 3	AR35267	1J23	7	60 - 25	AR35733	1I4	10	50 - 23
AR35158	1H20	11	50 - 14	AR35268	2E21	4	80 - 11	AR35735	2C12	3	70 - 42
AR35159	2C5	9	70 - 35	AR35269	2E21	4	80 - 11	AR35736	2C14	19	70 - 45
AR35159	2C7	11	70 - 37	AR35270	2E21	1	80 - 11	AR35737	2C12	11	70 - 42
AR35162	1I8	24	50 - 27	AR35271	2E21	1	80 - 11	AR35738	2C12	15	70 - 42
AR35164	1B23	28	20 - 29	AR35276	2E18	11	80 - 7	AR35739	2C12	6	70 - 42
AR35166	1H24	11	50 - 18	AR35288	2E13	35	80 - 3	AR35742	2D11	7	70 - 65
AR35172	2E18	17	80 - 7	AR35314	1B18	1	20 - 24	AR35743	2D11	8	70 - 65
AR35176	1B18	1	20 - 24	AR35315	2E23	6	80 - 13	AR35759	2C22	9	70 - 53
AR35176	1B19	3	20 - 25	AR35319	2E23	3	80 - 13	AR35760	2C22	3	70 - 53
AR35177	1B19	3	20 - 25	AR35325	1H15	23A	50 - 9	AR35761	2D4	21	70 - 57
AR35178	1B18	1	20 - 24	AR35326	2D24	1	70 - 79	AR35762	2D4	34	70 - 57
AR35179	1B18	1	20 - 24	AR35334	2F15	16	90 - 10	AR35763	2C22	1	70 - 53
AR35179	1B19	3	20 - 25	AR35335	2F15	16	90 - 10	AR35766	1H19	1	50 - 13
AR35180	1B18	1	20 - 24	AR35339	1H12	12	50 - 5	AR35772	2D2	2	70 - 55
AR35181	1B18	1	20 - 24	AR35344	2B25	24	70 - 31	AR35773	2C22	14	70 - 53
AR35181	1B19	3	20 - 25	AR35345	2D9	13	70 - 63	AR35774	2C22	16	70 - 53
AR35182	1B18	1	20 - 24	AR35349	2B25	21	70 - 31	AR35777	2C16	1	70 - 47
AR35183	1B18	1	20 - 24	AR35380	2F14	21	90 - 9	AR35782	1D23	20	40 - 11
AR35184	1B18	1	20 - 24	AR35382	2C7	14	70 - 37	AR35782	1D25	9	40 - 13
AR35185	1B19	4	20 - 25	AR35403	1H23	21	50 - 17	AR35782	1F10	24	40 - 51
AR35186	1B19	4	20 - 25	AR35404	1H23	13	50 - 17	AR35790	2D2	14	70 - 55
AR35187	1B19	4	20 - 25	AR35440	1J19	30	60 - 21	AR35791	2D2	7	70 - 55
AR35188	1B19	4	20 - 25	AR35441	1J19	31	60 - 21	AR35794	2F8	26	90 - 3
AR35190	1B19	4	20 - 25	AR35449	1H23	10	50 - 17	AR35795	1F8	13	40 - 49
AR35191	1B17	7	20 - 23	AR35471	1H12	13	50 - 5	AR35800	1B14	6	20 - 20
AR35193	1B17	7	20 - 23	AR35485	1I5	15	50 - 24	AR35801	1H13	31	50 - 7
AR35195	1B17	7	20 - 23	AR35506	1H24	2	50 - 18	AR35801	1I5	11	50 - 24
AR35202	1J23	14	60 - 25	AR35507	1H20	1	50 - 14	AR35802	2C22	17	70 - 53
AR35203	1J22	8	60 - 24	AR35507	1I13	16	50 - 31	AR35803	2C22	17	70 - 53
AR35204	1I5	15	50 - 24	AR35525	2D5	8	70 - 59	AR35807	2D7	6	70 - 61
AR35206	2F15	3	90 - 10	AR35526	2D9	23	70 - 63	AR35823	2D20	41	70 - 75
AR35207	1J8	23	60 - 11	AR35527	2D9	22	70 - 63	AR35826	2C16	4	70 - 47
AR35208	1J8	22	60 - 11	AR35528	1H12	4	50 - 5	AR35842	1B17	14	20 - 23
AR35209	1J8	27	60 - 11	AR35577	2F14	7	90 - 9	AR35843	1B17	14	20 - 23
AR35210	1J9	1	60 - 12	AR35580	1J12	7	60 - 15	AR35850	2D4	21	70 - 57

1K21

5010 TRACTOR

NUMERICAL INDEX - CONTINUED

PART NO.	GRID	KEY	PAGE	PART NO.	GRID	KEY	PAGE	PART NO.	GRID	KEY	PAGE
AR35851	2D4	1	70 - 57	AR36246	1117	1	50 - 35	AR36702	1B9	1	20 - 15
AR35855	2C22	12	70 - 53	AR36250	1118	5	50 - 36	AR36702	1B23	29	20 - 29
AR35857	2C22	23	70 - 53	AR36252	2E21	4	80 - 11	AR36754	2F1	6	80 - 16
AR35861	2D7	24	70 - 61	AR36253	2E21	4	80 - 11	AR36776	2E23	11	80 - 13
AR35862	2D7	22	70 - 61	AR36256	1118	3	50 - 36	AR36777	2F15	20	90 - 10
AR35912	2D9	8	70 - 63	AR36259	1J23	20	60 - 25	AR36777	2F15	27	90 - 10
AR35922	2C18	2	70 - 49	AR36260	1118	9	50 - 36	AR36778	2F15	20	90 - 10
AR35923	2C16	25	70 - 47	AR36272	1117	32	50 - 35	AR36778	2F15	27	90 - 10
AR35925	2F23	..	90 - 18	AR36279	1J19	30	60 - 21	AR36779	2E21	4	80 - 11
AR35931	1H19	24	50 - 13	AR36280	1J19	31	60 - 21	AR36780	2E21	4	80 - 11
AR35932	1H19	25	50 - 13	AR36284	2F15	20	90 - 10	AR36788	2E25	36	80 - 15
AR35952	116	20	50 - 25	AR36284	2F15	27	90 - 10	AR36790	2E25	31	80 - 15
AR35964	2B25	36	70 - 31	AR36285	2C12	15	70 - 42	AR36791	2E25	31	80 - 15
AR35970	2E23	7	80 - 13	AR36286	2D11	20	70 - 65	AR36796	2E25	19	80 - 15
AR35992	1B17	10	20 - 23	AR36287	2D11	19	70 - 65	AR36803	2D12	23	70 - 66
AR35992	1B17	13	20 - 23	AR36288	1C18	5	30 - 5	AR36822	1B3	3	20 - 8
AR35993	1D21	11	40 - 9	AR36292	1H19	24	50 - 13	AR36823	1117	1	50 - 35
AR35993	1F16	4	40 - 57	AR36303	2D23	1	70 - 78	AR36836	1B17	9	20 - 23
AR35993	1F18	4	40 - 59	AR36303	2D23	..	70 - 78	AR36849	1D15	35	40 - 3
AR36010	111	4	50 - 20	AR36308	2E4	24	70 - 83	AR36849	1D17	30	40 - 5
AR36011	111	3	50 - 20	AR36313	2E2	41	70 - 81	AR36849	1D19	22	40 - 7
AR36013	1F19	30	40 - 60	AR36313	2E4	37	70 - 83	AR36849	1E11	3	40 - 24
AR36047	2F8	15	90 - 3	AR36314	1B5	1	20 - 10	AR36849	1F2	..	40 - 43
AR36047	2F10	25	90 - 5	AR36314	1B7	32	20 - 13	AR36849	1F4	..	40 - 45
AR36048	2F12	18	90 - 7	AR36315	1F16	36	40 - 57	AR36849	1F5	1	40 - 46
AR36052	1C23	27	30 - 10	AR36315	1F18	35	40 - 59	AR36849	1F5	2	40 - 46
AR36052	1D3	11	30 - 16	AR36345	1115	16	50 - 33	AR36849	1F5	..	40 - 46
AR36053	1C23	27	30 - 10	AR36346	1115	4	50 - 33	AR36850	1F4	..	40 - 45
AR36053	1D4	5	30 - 17	AR36346	1115	25	50 - 33	AR36850	1F5	..	40 - 46
AR36053	1D4	11	30 - 17	AR36353	1B17	14	20 - 23	AR36851	2C5	6	70 - 35
AR36054	1B10	9	20 - 16	AR36356	1C23	4	30 - 10	AR36856	1118	16	50 - 36
AR36055	1B23	29	20 - 29	AR36357	1C23	4	30 - 10	AR36856	1118	..	50 - 36
AR36056	1B23	15	20 - 29	AR36358	1C23	4	30 - 10	AR36856	2C12	19	70 - 42
AR36057	1B20	4	20 - 26	AR36358	1C23	13	30 - 10	AR36856	2C12	20	70 - 42
AR36066	1H10	9	50 - 3	AR36359	1C20	8	30 - 7	AR36856	2F14	30	90 - 9
AR36068	1H19	1	50 - 13	AR36362	1H19	1	50 - 13	AR36856	2F14	32	90 - 9
AR36069	1H15	19	50 - 9	AR36374	2C14	38	70 - 45	AR36868	1F5	5	40 - 46
AR36073	1B10	..	20 - 16	AR36379	2C16	20	70 - 47	AR36869	1F5	11	40 - 46
AR36073	1B11	5	20 - 17	AR36379	2C16	25	70 - 47	AR36872	1B17	9	20 - 23
AR36076	1H23	10	50 - 17	AR36380	2C16	20	70 - 47	AR36881	1H15	19	50 - 9
AR36078	2E13	7	80 - 3	AR36380	2C16	25	70 - 47	AR36886	1B10	9	20 - 16
AR36079	2E13	36	80 - 3	AR36381	2B25	57	70 - 31	AR36886	1B24	3	20 - 29A
AR36092	1B14	6	20 - 20	AR36383	1F20	11	40 - 61	AR36889	1B5	1	20 - 10
AR36093	112	17	50 - 21	AR36398	2F1	6	80 - 16	AR36889	1B7	32	20 - 13
AR36128	1C14	2	30 - 1	AR36413	2F15	20	90 - 10	AR36897	2E13	6	80 - 3
AR36130	1H20	1	50 - 14	AR36413	2F15	27	90 - 10	AR36904	1B14	6	20 - 20
AR36130	1113	16	50 - 31	AR36456	1C16	3	30 - 3	AR36915	1118	10	50 - 36
AR36130	1115	28	50 - 33	AR36457	2E23	11	80 - 13	AR36915	1118	16	50 - 36
AR36142	2B25	57	70 - 31	AR36470	2E13	35	80 - 3	AR36915	1118	..	50 - 36
AR36145	1B17	9	20 - 23	AR36537	1A23	12	20 - 4	AR36915	2C12	19	70 - 42
AR36150	1111	4	50 - 29A	AR36619	1B14	6	20 - 20	AR36915	2F14	30	90 - 9
AR36158	2D23	6	70 - 78	AR36649	1B7	22	20 - 13	AR36927	1118	10	50 - 36
AR36158	2D23	..	70 - 78	AR36666	1B17	6	20 - 23	AR36927	1118	..	50 - 36
AR36181	1A24	9	20 - 5	AR36667	1C3	22	20 - 32	AR36929	1C2	21	20 - 31
AR36182	1A24	13	20 - 5	AR36668	1C3	7	20 - 32	AR36977	1D14	11	40 - 2
AR36183	1C20	8	30 - 7	AR36668	1C4	6	20 - 33	AR36977	1E2	2	40 - 15
AR36187	1C6	9	20 - 37	AR36671	1B12	2	20 - 18	AR36985	1F4	7	40 - 45
AR36188	1C3	17	20 - 32	AR36688	1H20	1	50 - 14	AR36985	1F4	15	40 - 45
AR36189	2E13	35	80 - 3	AR36688	1113	16	50 - 31	AR36986	1F4	8	40 - 45
AR36194	1C20	33	30 - 7	AR36688	1115	28	50 - 33	AR36987	1F4	16	40 - 45
AR36210	1B17	8	20 - 23	AR36689	1H20	1	50 - 14	AR36988	1F4	28	40 - 45
AR36211	118	..	50 - 27	AR36689	1113	16	50 - 31	AR36989	1F4	22	40 - 45
AR36213	1D4	11	30 - 17	AR36689	1115	28	50 - 33	AR36990	1F4	29	40 - 45
AR36239	1B23	15	20 - 29	AR36691	1H19	1	50 - 13	AR36991	1F4	..	40 - 45
AR36240	1B23	15	20 - 29	AR36691	1H20	5	50 - 14	AR38453	1F14	6	40 - 55
AR36241	1H17	7	50 - 11	AR36693	1B23	15	20 - 29	AR38455	1F14	9	40 - 55
AR36243	1J9	9	60 - 12	AR36694	1B23	22	20 - 29	AR38456	1F14	1	40 - 55

1K22

5010 TRACTOR

NUMERICAL INDEX - CONTINUED

PART NO.	GRID	KEY	PAGE	PART NO.	GRID	KEY	PAGE	PART NO.	GRID	KEY	PAGE
AR38714	2B4	31	70 - 9	AR40471	1E5	14	40 - 18	AR41950	1G10	8	40 - 75
AR38714	2B6	9	70 - 11	AR40475	1118	17	50 - 36	AR41950	1G11	3	40 - 76
AR389R	114	14	50 - 23	AR40475	1118	..	50 - 36	AR41951	1G6	6	40 - 71
AR39026	2B2	25	70 - 7	AR40482	1D1	6	30 - 14	AR41951	1G8	7	40 - 73
AR39505	1D19	37	40 - 7	AR40482	1D2	6	30 - 15	AR41951	1G10	7	40 - 75
AR39505	1F18	47	40 - 59	AR40488	2C10	11	70 - 40	AR41951	1G11	2	40 - 76
AR39516	1110	1	50 - 29	AR40489	1E5	12	40 - 18	AR42009	1124	..	60 - 3
AR39585	1124	..	60 - 3	AR40493	1117	32	50 - 35	AR42109	1117	32	50 - 35
AR39585	1J6	1	60 - 9	AR40710	1D19	33	40 - 7	AR42284	2B25	57	70 - 31
AR39595	1C20	2	30 - 7	AR40710	1D21	18	40 - 9	AR42328	1H13	10	50 - 7
AR39598	1C8	11	20 - 39	AR40710	1D23	19	40 - 11	AR42329	1H13	10	50 - 7
AR39609	1F23	12	40 - 64	AR40710	1F11	18	40 - 52	AR42335	1H10	9	50 - 3
AR39612	1F11	..	40 - 52	AR40710	1G13	13	40 - 78	AR42400	1J15	21	60 - 17
AR39672	1J21	9	60 - 23	AR40711	1F14	11	40 - 55	AR42431	1G8	3	40 - 73
AR39677	1110	14	50 - 29	AR40744	2D22	10	70 - 77	AR42432	1G8	21	40 - 73
AR39682	2F18	5	90 - 13	AR40779	1D19	19	40 - 7	AR42990	1H23	9	50 - 17
AR39683	2F18	3	90 - 13	AR40779	1E2	2	40 - 15	AR42990	1H23	10	50 - 17
AR39695	2A24	1	70 - 4	AR40780	1E2	2	40 - 15	AR42992	1H12	20	50 - 5
AR39696	2B2	16	70 - 7	AR40802	1F19	8	40 - 60	AR42998	1H12	26	50 - 5
AR39747	2D22	22	70 - 77	AR40802	1F20	15	40 - 61	AR43075	2D5	8	70 - 59
AR39810	2A24	..	70 - 4	AR40824	2D20	41	70 - 75	AR43559	1J4	18	60 - 7
AR39810	2B2	16	70 - 7	AR40824	2D22	3	70 - 77	AR43809	1J4	18	60 - 7
AR39810	2B2	..	70 - 7	AR40864	2C10	4	70 - 40	AR44043	1J8	10	60 - 11
AR39829	2B4	31	70 - 9	AR40864	2D2	6	70 - 55	AR44043	2B22	12	70 - 29
AR39839	1D14	4	40 - 2	AR40865	2D2	5	70 - 55	AR44104	1B14	6	20 - 20
AR39845	1D14	12	40 - 2	AR40906	2E23	1	80 - 13	AR44105	1B14	6	20 - 20
AR39845	1E2	2	40 - 15	AR40914	2F1	6	80 - 16	AR44254	2F17	2	90 - 12
AR39851	1D15	25	40 - 3	AR40936	1B14	6	20 - 20	AR44255	2F17	1	90 - 12
AR39901	1J19	2	60 - 21	AR40947	1G6	4	40 - 71	AR44264	112	11	50 - 21
AR39901	1J19	3	60 - 21	AR40948	1G6	21	40 - 71	AR44271	112	17	50 - 21
AR39901	1J19	8	60 - 21	AR41266	2D4	16	70 - 57	AR44284	2B25	16	70 - 31
AR39901	1J19	9	60 - 21	AR41266	2D4	21	70 - 57	AR44284	2C2	14	70 - 33
AR39906	1F19	9	40 - 60	AR41267	2D4	20	70 - 57	AR44327	1115	4	50 - 33
AR39906	1F20	16	40 - 61	AR41284	1D25	6	40 - 13	AR44327	1115	25	50 - 33
AR39960	1H20	1	50 - 14	AR41288	1F18	48	40 - 59	AR44357	2C10	8	70 - 40
AR39960	1113	16	50 - 31	AR41291	1A24	14	20 - 5	AR44382	1B7	2	20 - 13
AR40029	2B21	13	70 - 28	AR41291	1A24	15	20 - 5	AR44402	1A21	1	20 - 2
AR40029	2B23	20	70 - 29A	AR41291	1B3	3	20 - 8	AR44412	1B7	22	20 - 13
AR40029	2B24	6B	70 - 30	AR41292	1A24	14	20 - 5	AR44417	1D9	46	30 - 23
AR40035	1J8	10	60 - 11	AR41292	1A24	15	20 - 5	AR44505	1B17	9	20 - 23
AR40130	2B20	18	70 - 27	AR41292	1B3	3	20 - 8	AR44506	1B17	9	20 - 23
AR40130	2B21	13	70 - 28	AR41293	1B17	9	20 - 23	AR44506	1B17	10	20 - 23
AR40130	2B22	19	70 - 29	AR41294	1B17	8	20 - 23	AR44632	2B22	12	70 - 29
AR40130	2B24	6A	70 - 30	AR41294	1B17	9	20 - 23	AR44745	1D9	53	30 - 23
AR40130	2B24	6B	70 - 30	AR41294	1B17	8	20 - 23	AR44763	2F10	9	90 - 5
AR40171	1E14	10	40 - 27	AR41295	1B17	8	20 - 23	AR44820	2D9	13	70 - 63
AR40217	1E8	14	40 - 21	AR41574	1C3	19	20 - 32	AR44840	1C8	11	20 - 39
AR40259	1C20	31	30 - 7	AR41574	1E2	11	40 - 15	AR44841	1F4	1	40 - 45
AR40259	1D1	10	30 - 14	AR41574	1E3	13	40 - 16	AR44842	1F4	1	40 - 45
AR40259	1D1	11	30 - 14	AR41584	2F16	4	90 - 11	AR44843	1F4	2A	40 - 45
AR40259	1D1	17	30 - 14	AR41691	1C3	5	20 - 32	AR44843	1F4	2B	40 - 45
AR40398	2B2	7	70 - 7	AR41691	1C4	4	20 - 33	AR44875	1J8	10	60 - 11
AR40403	2B21	13	70 - 28	AR41735	2D9	13	70 - 63	AR44883	1124	43	60 - 3
AR40403	2B24	6B	70 - 30	AR41754	1G11	8	40 - 76	AR44883	1J4	40	60 - 7
AR40404	1J8	10	60 - 11	AR41756	1G6	2	40 - 71	AR44949	1B20	1	20 - 26
AR40404	2B22	12	70 - 29	AR41756	1G8	2	40 - 73	AR44952	1D19	38	40 - 7
AR40405	1B12	6	20 - 18	AR41756	1G10	2	40 - 75	AR44953	1D18	8	40 - 6
AR40407	1D1	11	30 - 14	AR41756	1G11	1	40 - 76	AR45013	1G8	4	40 - 73
AR40416	1E2	19	40 - 15	AR41758	1G6	1	40 - 71	AR45014	1G8	17	40 - 73
AR40419	1D14	13	40 - 2	AR41758	1G8	1	40 - 73	AR45015	1G8	20	40 - 73
AR40419	1D19	17	40 - 7	AR41758	1G10	1	40 - 75	AR45036	1D15	35	40 - 3
AR40419	1E2	15	40 - 15	AR41758	1G11	10	40 - 76	AR45036	1D17	30	40 - 5
AR40419	1E4	..	40 - 17	AR41760	1G6	3	40 - 71	AR45036	1D19	22	40 - 7
AR40419	1E5	..	40 - 18	AR41785	1A20	..	20 - 1	AR45036	1E11	3	40 - 24
AR40420	1E6	..	40 - 19	AR41870	1A20	..	20 - 1	AR45036	1F2	..	40 - 43
AR40426	1F14	5	40 - 55	AR41940	1A23	12	20 - 4	AR45036	1F4	..	40 - 45
AR40436	1E8	20	40 - 21	AR41950	1G6	7	40 - 71	AR45036	1F5	..	40 - 46
				AR41950	1G8	8	40 - 73				

1K23

5010 TRACTOR

NUMERICAL INDEX - CONTINUED

PART NO.	GRID	KEY	PAGE	PART NO.	GRID	KEY	PAGE	PART NO.	GRID	KEY	PAGE
AR45037	1D19	22	40 - 7	AR47374	1F22	1	40 - 63	AR50592	2B25	16	70 - 31
AR45097	1C21	3	30 - 8	AR47433	2D11	7	70 - 65	AR50592	2C2	12	70 - 33
AR45097	1D10	2	30 - 24	AR47580	2B2	16	70 - 7	AR50711	1H19	1	50 - 13
AR45102	2E23	2	80 - 13	AR47643	2D18	7	70 - 73	AR50779	1G17	2	40 - 82
AR45221	1B17	7	20 - 23	AR47668	1D14	16	40 - 2	AR50780	1G17	2	40 - 82
AR45278	1B14	6	20 - 20	AR47668	1D21	14	40 - 9	AR50834	1G16	8	40 - 81
AR45347	1B13	3	20 - 19	AR47668	1D23	15	40 - 11	AR50926	1G21	14	40 - 86
AR45438	1F19	4	40 - 60	AR47669	1D17	12	40 - 5	AR50927	1G17	20	40 - 82
AR45438	1F20	3	40 - 61	AR47669	1D23	15	40 - 11	AR50927	1G21	20	40 - 86
AR45530	1B2	3	20 - 7	AR47670	1D19	15	40 - 7	AR50928	1G17	18	40 - 82
AR45534	2D23	..	70 - 78	AR47685	1D19	38	40 - 7	AR50929	1G21	19	40 - 86
AR45534	2E6	26	70 - 85	AR47686	1D18	8	40 - 6	AR50930	1G21	15	40 - 86
AR45544	2E2	41	70 - 81	AR47794	2F8	8	90 - 3	AR50931	1G21	23	40 - 86
AR45544	2E4	37	70 - 83	AR47802	2A24	1	70 - 4	AR51429	1J8	39	60 - 11
AR45738	2F22	..	90 - 17	AR47802	2B2	..	70 - 7	AR51483	1G8	21	40 - 73
AR45741	2F22	..	90 - 17	AR47825	2D23	3	70 - 78	AR51483	1G10	22	40 - 75
AR45952	1B4	19	20 - 9	AR47825	2E2	43	70 - 81	AR51484	1G10	19	40 - 75
AR45952	1B4	20	20 - 9	AR47825	2E4	1	70 - 83	AR51732	2B22	19	70 - 29
AR45953	1B4	2	20 - 9	AR47891	1B20	1	20 - 26	AR51732	2B23	20	70 - 29A
AR45953	1B4	19	20 - 9	AR48041	1F12	22	40 - 53	AR51742	1F4	5	40 - 45
AR45953	1B4	20	20 - 9	AR48110	2D2	5	70 - 55	AR51745	2B4	9	70 - 9
AR46079	1F16	19	40 - 57	AR48110	2D4	33	70 - 57	AR51955	2C19	6	70 - 50
AR46079	1F18	23	40 - 59	AR48112	2D4	32	70 - 57	AR51957	1B17	13	20 - 23
AR46114	1E1	1	40 - 14	AR48226	1B9	1	20 - 15	AR51973	1G10	4	40 - 75
AR46144	1C21	13	30 - 8	AR48233	1J8	10	60 - 11	AR52099	2B2	25	70 - 7
AR46184	1D19	35	40 - 7	AR48234	2B23	5	70 - 29A	AR52224	2B2	7	70 - 7
AR46184	1F18	27	40 - 59	AR48235	2B23	8	70 - 29A	AR52224	2B8	..	70 - 13
AR46271	1D14	1	40 - 2	AR48236	2B23	6	70 - 29A	AR52254	2B4	37	70 - 9
AR46271	1D17	1	40 - 5	AR48295	2D16	29	70 - 71	AR52254	2B12	32	70 - 17
AR46271	1D18	4	40 - 6	AR48342	1E17	21	40 - 31	AR52392	1G21	4	40 - 86
AR46271	1F19	25	40 - 60	AR48343	1E17	7	40 - 31	AR52393	2F3	10	80 - 19
AR46271	1F20	28	40 - 61	AR48344	1E17	20	40 - 31	AR52393	2F3	16	80 - 19
AR46281	1C20	7	30 - 7	AR48594	1F14	6	40 - 55	AR52488	1H15	38	50 - 9
AR46389	1118	6	50 - 36	AR48643	1D15	23	40 - 3	AR52494	2B6	9	70 - 11
AR46408	1J23	20	60 - 25	AR48643	1D17	19	40 - 5	AR52498	1J15	6	60 - 17
AR46439	1C6	9	20 - 37	AR48643	1D18	6	40 - 6	AR52620	2D16	29	70 - 71
AR46805	1C3	17	20 - 32	AR48643	1F16	19	40 - 57	AR52623	2D14	41	70 - 69
AR46970	1C3	19	20 - 32	AR48643	1F18	23	40 - 59	AR52623	2D16	37	70 - 71
AR46972	1C3	22	20 - 32	AR48717	1G6	4	40 - 71	AR52639	1B14	6	20 - 20
AR46983	1G6	21	40 - 71	AR48717	1G6	5	40 - 71	AR52785	2B2	25	70 - 7
AR46984	1G6	20	40 - 71	AR48728	1B20	1	20 - 26	AR52802	1B14	6	20 - 20
AR46984	1G10	21	40 - 75	AR48729	1B9	1	20 - 15	AR52927	1E6	32	40 - 19
AR46985	1G6	18	40 - 71	AR48942	1B13	8	20 - 19	AR53018	1B19	4	20 - 25
AR46986	1G6	3	40 - 71	AR49025	1B20	1	20 - 26	AR53019	1B18	1	20 - 24
AR46986	1G6	4	40 - 71	AR49032	1F23	12	40 - 64	AR53019	1B19	3	20 - 25
AR46986	1G10	5	40 - 75	AR49063	2E21	4	80 - 11	AR53020	1B17	7	20 - 23
AR47091	2F3	16	80 - 19	AR49291	1J23	7	60 - 25	AR53023	1B14	12	20 - 20
AR47138	1H19	1	50 - 13	AR49352	1G16	17	40 - 81	AR53119	2B25	16	70 - 31
AR47170	2B2	16	70 - 7	AR49427	2A23	4	70 - 3	AR53119	2C2	19	70 - 33
AR47181	1C16	3	30 - 3	AR49535	1J2	8	60 - 5	AR53301	2B2	12	70 - 7
AR47187	2F15	20	90 - 10	AR49535	1J4	8	60 - 7	AR53301	2B10	10	70 - 15
AR47187	2F15	27	90 - 10	AR49536	1J2	8	60 - 5	AR53470	2F14	7	90 - 9
AR47246	1B7	22	20 - 13	AR49536	1J4	8	60 - 7	AR53471	116	20	50 - 25
AR47247	1B7	22	20 - 13	AR49751	2C2	5	70 - 33	AR53613	1C10	12	20 - 41
AR47249	1B5	3	20 - 10	AR49797	1G17	1	40 - 82	AR53614	1C10	34	20 - 41
AR47249	1B7	22	20 - 13	AR49798	1G17	1	40 - 82	AR53645	2E25	19	80 - 15
AR47249	1B7	31	20 - 13	AR50040	1C22	4	30 - 9	AR53646	2E25	19	80 - 15
AR47250	1B7	22	20 - 13	AR50041	1C22	8	30 - 9	AR54749	1A21	4	20 - 2
AR47289	1124	16	60 - 3	AR50265	1C22	13	30 - 9	AR54755	1G6	4	40 - 71
AR47303	1C18	5	30 - 5	AR50339	2C18	2	70 - 49	AR55150	2C22	17	70 - 53
AR47304	1D1	16	30 - 14	AR50374	2D4	6	70 - 57	AR55151	2C22	17	70 - 53
AR47331	2D18	20	70 - 73	AR50397	1B14	12	20 - 20	AR55185	2C18	2	70 - 49
AR47373	1F18	27	40 - 59	AR50402	1F19	9	40 - 60	AR55186	2B2	4	70 - 7
AR47374	1F18	27	40 - 59	AR50402	1F20	16	40 - 61	AR55222	1C21	13	30 - 8
AR47374	1F18	28	40 - 59	AR50406	1F19	9	40 - 60	AR55222	1C22	14	30 - 9
AR47374	1F18	29	40 - 59	AR50406	1F20	16	40 - 61	AR55313	1D15	35	40 - 3
AR47374	1F21	1	40 - 62	AR50525	1B7	22	20 - 13	AR55313	1D17	30	40 - 5

1K24

5010 TRACTOR

NUMERICAL INDEX - CONTINUED

PART NO.	GRID	KEY	PAGE	PART NO.	GRID	KEY	PAGE	PART NO.	GRID	KEY	PAGE
AR55313	1D19	22	40 - 7	AR60029	2F12	18	90 - 7	AR69611	1I5	20	50 - 24
AR55313	1E11	3	40 - 24	AR60937	1F16	18	40 - 57	AR69901	1A24	9	20 - 5
AR55313	1E12	..	40 - 25	AR60937	1F18	22	40 - 59	AR69902	1A24	13	20 - 5
AR55313	1E14	..	40 - 27	AR61074	1C18	6	30 - 5	AR69987	2D7	6	70 - 61
AR55313	1E15	..	40 - 28	AR61896	1B17	9	20 - 23	AR69988	2D7	6	70 - 61
AR55313	1E17	..	40 - 31	AR61897	1B17	8	20 - 23	AR69988	2D9	5	70 - 63
AR55313	1E20	..	40 - 35	AR61897	1B17	9	20 - 23	AR70025	2C22	14	70 - 53
AR55313	1E23	..	40 - 38	AR61965	1C22	6	30 - 9	AR70026	2C22	1	70 - 53
AR55313	1E25	..	40 - 41	AR62150	2C22	18	70 - 53	AR70028	2D2	6	70 - 55
AR55314	1E11	3	40 - 24	AR62151	2C22	2	70 - 53	AR70154	1I15	20	50 - 33
AR55623	1C4	9	20 - 33	AR62152	2D4	35	70 - 57	AR70911	1B17	6	20 - 23
AR55694	1D14	2	40 - 2	AR62359	1G20	1	40 - 85	AR71404	2D9	23	70 - 63
AR55694	1D17	2	40 - 5	AR62360	1G18	1	40 - 83	AR71405	2D9	22	70 - 63
AR55694	1D18	1	40 - 6	AR62934	1C3	7	20 - 32	AR71976	2F12	14	90 - 7
AR55694	1F19	6	40 - 60	AR62934	1C4	6	20 - 33	AR72318	1A23	10	20 - 4
AR55694	1F19	14	40 - 60	AR63214	1B18	1	20 - 24	AR72319	1A23	3	20 - 4
AR55694	1F19	15	40 - 60	AR63214	1B19	3	20 - 25	AR72852	1C8	7	20 - 39
AR55694	1F19	16	40 - 60	AR63218	1A20	1	20 - 1	AR73311	1G12	1	40 - 77
AR55694	1F20	5	40 - 61	AR63219	1A20	1	20 - 1	AR73500	2E10	1	70 - 89
AR55694	1F20	6	40 - 61	AR63222	1A20	1	20 - 1	AR74131	2E13	15	80 - 3
AR55694	1F20	9	40 - 61	AR63261	1B14	6	20 - 20	AR74132	2E13	23	80 - 3
AR55694	1F20	10	40 - 61	AR63865	1B9	1	20 - 15	AR74411	1G16	11	40 - 81
AR55694	1G17	24	40 - 82	AR63865	1B23	5	20 - 29	AR74545	1A24	5	20 - 5
AR55730	1C20	31	30 - 7	AR63979	1A20	1	20 - 1	AR74673	2C10	4	70 - 40
AR55888	1F8	8	40 - 49	AR64672	1B14	6	20 - 20	AR74673	2D2	5	70 - 55
AR55888	1F10	2	40 - 51	AR65005	1H6	1	40 - 95	AR74673	2D4	33	70 - 57
AR55950	1B7	22	20 - 13	AR65006	1H6	2	40 - 95	AR75601	1B21	10	20 - 27
AR55950	1B17	10	20 - 23	AR65613	2E18	30	80 - 7	AR75601	1H15	11	50 - 9
AR55950	1B17	12	20 - 23	AR65614	2E18	2	80 - 7	AR75603	1B21	10	20 - 27
AR55950	1B17	13	20 - 23	AR65881	2B21	11	70 - 28	AR75603	1D10	1	30 - 24
AR55951	1B17	10	20 - 23	AR65881	2B22	18	70 - 29	AR75603	1D10	3	30 - 24
AR55951	1B17	13	20 - 23	AR65882	2B21	11	70 - 28	AR75603	1H15	11	50 - 9
AR56161	2A24	1	70 - 4	AR65882	2B23	18	70 - 29A	AR75694	1G14	10	40 - 79
AR56161	2B2	..	70 - 7	AR66383	1E23	9	40 - 38	AR75694	1G16	21	40 - 81
AR56638	1C3	19	20 - 32	AR67069	1F1	3	40 - 42	AR75695	1G14	2	40 - 79
AR56638	1E2	11	40 - 15	AR67385	2F15	20	90 - 10	AR75696	1G14	8	40 - 79
AR56638	1E3	13	40 - 16	AR67385	2F15	27	90 - 10	AR75958	2D16	34	70 - 71
AR56786	1C18	1	30 - 5	AR67386	2E23	11	80 - 13	AR76161	2D4	32	70 - 57
AR57156	1G10	4	40 - 75	AR67468	1B23	15	20 - 29	AR76542	1B23	29	20 - 29
AR57157	1G6	4	40 - 71	AR67718	2B8	25	70 - 13	AR76762	2B2	4	70 - 7
AR57157	1G6	5	40 - 71	AR67783	1I24	16	60 - 3	AR76762	2B10	4	70 - 15
AR57199	1B19	4	20 - 25	AR67783	1I24	23	60 - 3	AR77324	1F8	2	40 - 49
AR57200	1B19	4	20 - 25	AR67783	1I24	42	60 - 3	AR77324	1F10	2	40 - 51
AR57201	1B19	4	20 - 25	AR67783	1I24	49	60 - 3	AR77325	1F8	2	40 - 49
AR57202	1B19	4	20 - 25	AR67783	1I24	..	60 - 3	AR77325	1F8	8	40 - 49
AR57203	1B18	1	20 - 24	AR67855	1G4	14	40 - 69	AR77325	1F10	2	40 - 51
AR57203	1B19	3	20 - 25	AR67855	1G14	9	40 - 79	AR77326	1D21	1	40 - 9
AR57204	1B18	1	20 - 24	AR67855	1G16	2	40 - 81	AR77326	1D23	1	40 - 11
AR57204	1B19	3	20 - 25	AR68145	2E4	24	70 - 83	AR77326	1D25	5	40 - 13
AR57205	1B18	1	20 - 24	AR68145	2E6	14	70 - 85	AR77326	1F8	2	40 - 49
AR57205	1B19	3	20 - 25	AR68197	1F16	9	40 - 57	AR77326	1F8	7	40 - 49
AR57206	1B18	1	20 - 24	AR68197	1F18	9	40 - 59	AR77326	1F8	8	40 - 49
AR57206	1B19	3	20 - 25	AR68198	1F20	1	40 - 61	AR77326	1F10	2	40 - 51
AR57207	1B17	7	20 - 23	AR68310	1B23	15	20 - 29	AR77326	1F10	5	40 - 51
AR57208	1B17	7	20 - 23	AR68361	1G10	4	40 - 75	AR77326	1F10	7	40 - 51
AR57209	1B17	7	20 - 23	AR68362	1G6	4	40 - 71	AR78052	1G16	21	40 - 81
AR57210	1B17	7	20 - 23	AR68362	1G6	5	40 - 71	AR78264	1B14	6	20 - 20
AR58177	1B14	12	20 - 20	AR68721	1I21	3	50 - 39	AR78289	2D4	33	70 - 57
AR58178	1B14	12	20 - 20	AR68728	2F8	15	90 - 3	AR78298	1E6	32	40 - 19
AR58180	1B14	12	20 - 20	AR68728	2F10	25	90 - 5	AR78340	2C18	15	70 - 49
AR58567	2E23	11	80 - 13	AR69040	1B24	3	20 - 29A	AR78340	2C18	16	70 - 49
AR58820	2E23	2	80 - 13	AR69155	1H23	10	50 - 17	AR78340	2C18	17	70 - 49
AR59420	1B17	5	20 - 23	AR69263	1B14	10	20 - 20	AR78340	2C18	18	70 - 49
AR59420	1B17	6	20 - 23	AR69263	1B15	4	20 - 21	AR78340	2C18	19	70 - 49
AR59446	1I2	12	50 - 21	AR69271	2F12	20	90 - 7	AR78340	2C19	3	70 - 50
AR59663	1G12	2	40 - 77	AR69444	2A21	1	70 - 1	AR78483	2D20	19	70 - 75
AR59680	2F10	2	90 - 5	AR69445	2A21	1	70 - 1	AR78522	1B7	1	20 - 13

1K25

5010 TRACTOR

NUMERICAL INDEX - CONTINUED

PART NO.	GRID	KEY	PAGE	PART NO.	GRID	KEY	PAGE	PART NO.	GRID	KEY	PAGE
AR79710	2B25	57	70 - 31	AR92533	1B14	10	20 - 20	AT14699	1D18	2	40 - 6
AR80294	1B7	3	20 - 13	AR92533	1B15	4	20 - 21	AT14699	1F19	7	40 - 60
AR81178	1F23	12	40 - 64	AR92533	1B15	6	20 - 21	AT14699	1F20	6	40 - 61
AR81620	1A23	12	20 - 4	AR937R	2D7	6	70 - 61	AT14927	2F20	1	90 - 15
AR81651	2E21	4	80 - 11	AR937R	2D9	5	70 - 63	AT15172	1D1	11	30 - 14
AR82263	2D4	1	70 - 57	AR93819	2D14	1	70 - 69	AT15470	1F19	28	40 - 60
AR82570	2D17	12	70 - 72	AR93819	2D14	3	70 - 69	AT15470	1F20	21	40 - 61
AR82576	2D16	36	70 - 71	AR93819	2D14	6	70 - 69	AT16288	1D21	1	40 - 9
AR82909	1G16	16	40 - 81	AR93819	2D16	1	70 - 71	AT16288	1D23	1	40 - 11
AR82910	1G16	4	40 - 81	AR93819	2D16	3	70 - 71	AT16288	1D25	5	40 - 13
AR82911	1G16	7	40 - 81	AR93819	2D16	6	70 - 71	AT16288	1F8	2	40 - 49
AR82912	1G16	6	40 - 81	AR93819	2D18	2	70 - 73	AT16288	1F8	7	40 - 49
AR83354	2E16	5	80 - 5	AR93819	2D18	5	70 - 73	AT16288	1F8	8	40 - 49
AR83396	2D4	35	70 - 57	AR93819	2D18	7	70 - 73	AT16288	1F10	2	40 - 51
AR83425	1H6	8	40 - 95	AR93820	2D18	2	70 - 73	AT16288	1F10	5	40 - 51
AR83526	1I21	10	50 - 39	AR93820	2D18	5	70 - 73	AT16288	1F10	7	40 - 51
AR84904	2D4	1	70 - 57	AR93820	2D18	7	70 - 73	AT168165	2F21	6	90 - 16
AR85311	1I21	13	50 - 39	AR93820	2E7	8	70 - 86	AT17503	1F19	27	40 - 60
AR85323	1D15	28	40 - 3	AR94130	1F16	22	40 - 57	AT17503	1F19	28	40 - 60
AR85323	1D17	23	40 - 5	AR94130	1F18	21	40 - 59	AT17503	1F20	20	40 - 61
AR85323	1D19	21	40 - 7	AR94516	1I5	20	50 - 24	AT17503	1F20	21	40 - 61
AR85323	1F6	6	40 - 47	AR94522	2E7	10	70 - 86	AT18904	2C3	1	70 - 33A
AR85323	1H10	5	50 - 3	AR94645	1B19	3	20 - 25	AT20911	1C20	2	30 - 7
AR85578	1F23	8	40 - 64	AR94646	1B19	3	20 - 25	AT21632	1E10	12	40 - 23
AR85578	1F24	8	40 - 65	AR94647	1B19	3	20 - 25	AT21632	1E10	19	40 - 23
AR86600	1C18	1	30 - 5	AR94648	1B19	3	20 - 25	AT21699	1F4	10	40 - 45
AR86969	1F8	7	40 - 49	AR94649	1B19	3	20 - 25	AT21702	1F4	7	40 - 45
AR86969	1F10	5	40 - 51	AR94660	2A24	1	70 - 4	AT21702	1F4	15	40 - 45
AR86987	1B17	6	20 - 23	AR94660	2B2	16	70 - 7	AT21702	1F4	15	40 - 45
AR87023	2D4	5	70 - 57	AR94660	2B2	..	70 - 7	AT22070	2F19	7	90 - 14
AR87023	2D4	6	70 - 57	AR94660	2B10	..	70 - 15	AT22073	2F19	5	90 - 14
AR87023	2D4	7	70 - 57	AR94660	2B10	..	70 - 15	AT23188	1E4	23	40 - 17
AR87024	2D4	5	70 - 57	AR96321	2B19	29	70 - 25	AT23188	1E5	23	40 - 18
AR87024	2D4	6	70 - 57	AR96613	2B2	25	70 - 7	AT23188	1E8	7	40 - 21
AR87024	2D4	7	70 - 57	AR96613	2B10	19	70 - 15	AT23189	1E4	27	40 - 17
AR87024	2D4	7	70 - 57	AR96625	2B12	6	70 - 17	AT23189	1E5	19	40 - 18
AR88245	1H24	11	50 - 18	AR97872	2A24	1	70 - 4	AT23189	1E6	19	40 - 19
AR88263	2C23	3	70 - 53A	AR97872	2B2	16	70 - 7	AT23189	1E6	19	40 - 19
AR89137	2F17	2	90 - 12	AR97872	2B2	..	70 - 7	AT24538	2F20	1	90 - 15
AR89302	2C22	14	70 - 53	AR97872	2B10	..	70 - 15	AT25266	1D7	6	30 - 21
AR89303	2D4	32	70 - 57	AR98201	2E7	2	70 - 86	AT27128	1E6	2	40 - 19
AR89622	1B18	1	20 - 24	AR98202	2E7	1	70 - 86	AT27153	1D14	1	40 - 2
AR89622	1B19	2	20 - 25	AR98567	1C4	9	20 - 33	AT27153	1D17	1	40 - 5
AR89622	1B19	3	20 - 25	AR99100	2D16	36	70 - 71	AT27153	1D18	4	40 - 6
AR89691	1D15	28	40 - 3	AT10635	1D1	12	30 - 14	AT27153	1F19	25	40 - 60
AR89691	1D17	23	40 - 5	AT10638	1D1	9	30 - 14	AT27153	1F20	28	40 - 61
AR89691	1D19	21	40 - 7	AT12695	1F19	27	40 - 60	AT32331	2B25	36	70 - 31
AR89691	1F6	6	40 - 47	AT12695	1F20	20	40 - 61	AT32332	1J8	40	60 - 11
AR89691	1H10	5	50 - 3	AT12928	1D21	15	40 - 9	AT32332	2D11	2	70 - 65
AR89971	1B18	1	20 - 24	AT12928	1D23	16	40 - 11	AT32332	2D12	5	70 - 66
AR89971	1B19	2	20 - 25	AT12948	1F16	3	40 - 57	AT32332	2D12	9	70 - 66
AR89971	1B19	3	20 - 25	AT12948	1F18	3	40 - 59	AT32332	2D14	26	70 - 69
AR90378	2B4	30	70 - 9	AT13380	1D21	7	40 - 9	AT32332	2D16	28	70 - 71
AR90459	2A24	1	70 - 4	AT13380	1D23	8	40 - 11	AT32332	2D20	39	70 - 75
AR90577	2C20	5	70 - 51	AT13380	1D25	1	40 - 13	AT32332	2D22	19	70 - 77
AR90577	2C20	..	70 - 51	AT13380	1F8	18	40 - 49	AT32333	1I17	27	50 - 35
AR90578	2C20	5	70 - 51	AT13380	1F10	22	40 - 51	AT32333	1I18	7	50 - 36
AR90578	2C20	..	70 - 51	AT13381	1D21	8	40 - 9	AT32333	1I18	17	50 - 36
AR90579	2C20	6	70 - 51	AT13381	1D23	9	40 - 11	AT32333	2B21	7	70 - 28
AR90581	2C20	6	70 - 51	AT13381	1D25	2	40 - 13	AT32333	2B22	5	70 - 29
AR90583	2C20	6	70 - 51	AT13381	1F8	18	40 - 49	AT32334	1J2	16	60 - 5
AR90641	1B19	4	20 - 25	AT13381	1F10	22	40 - 51	AT32334	1J4	16	60 - 7
AR90642	1B19	4	20 - 25	AT13740	1B7	2	20 - 13	AT32334	1J8	20	60 - 11
AR90644	1B19	4	20 - 25	AT13740	1C6	20	20 - 37	AT32335	1H19	24	50 - 13
AR90645	1B19	4	20 - 25	AT13740	1C20	21	30 - 7	AT32335	1H19	25	50 - 13
AR91793	1H4	42	40 - 93	AT141924	2F21	6	90 - 16	AT32335	1J21	22	60 - 23
AR91941	1F18	8	40 - 59	AT14699	1D14	3	40 - 2	AT32335	1J22	7	60 - 24
AR92514	1A24	5	20 - 5	AT14699	1D17	3	40 - 5	AT32335	2B17	6	70 - 23
								AT32335	2B25	55	70 - 31

1L1

5010 TRACTOR

NUMERICAL INDEX - CONTINUED

PART NO.	GRID	KEY	PAGE	PART NO.	GRID	KEY	PAGE	PART NO.	GRID	KEY	PAGE
AT344T	1I6	17	50 - 25	A3190R	1H25	6	50 - 19	A4733R	2E13	24	80 - 3
AT35121	1I24	22	60 - 3	A3190R	1I1	11	50 - 20	A4736R	2E2	11	70 - 81
AT35121	1J4	10	60 - 7	A3376R	1I2	7	50 - 21	A4737R	2E2	13	70 - 81
AT35121	1J8	14	60 - 11	A3376R	2D2	12	70 - 55	A4738R	2E2	12	70 - 81
AT35121	1J9	11	60 - 12	A3411R	1D18	10	40 - 6	A4739R	2E2	10	70 - 81
AT35121	1J10	7	60 - 13	A3411R	1D21	6	40 - 9	A4741R	2E2	9	70 - 81
AT35121	2B15	4	70 - 20	A3411R	1D21	12	40 - 9	A4742R	1H23	15	50 - 17
AT39043	1D14	8	40 - 2	A3411R	1D23	13	40 - 11	A4742R	2E2	8	70 - 81
AT39043	1D17	6	40 - 5	A3411R	1F16	5	40 - 57	A4744R	2E2	6	70 - 81
AT39043	1D18	13	40 - 6	A3411R	1F18	5	40 - 59	A4744R	2F10	26	90 - 5
AT39043	1F21	9	40 - 62	A350R	2D7	3A	70 - 61	A4745R	2E2	18	70 - 81
AT39043	1F22	8	40 - 63	A350R	2D9	3	70 - 63	A4745R	2E5	4	70 - 84
AT39043	1F23	9	40 - 64	A354R	1C2	24	20 - 31	A4746R	2E2	19	70 - 81
AT39043	1F24	9	40 - 65	A3581R	2D23	2	70 - 78	A4747R	2E2	17	70 - 81
AT42311	2A23	6	70 - 3	A3581R	2E2	42	70 - 81	A4748R	2E2	16	70 - 81
AT44165	1D14	2	40 - 2	A3581R	2E4	2	70 - 83	A4806R	1H17	22	50 - 11
AT44165	1D17	2	40 - 5	A3606R	1I24	20	60 - 3	A4808R	1H17	21	50 - 11
AT44165	1D18	1	40 - 6	A3606R	1J19	11	60 - 21	A4816R	1H12	35	50 - 5
AT44165	1F19	16	40 - 60	A364R	1I6	15	50 - 25	A4816R	1I24	34	60 - 3
AT44165	1F20	6	40 - 61	A369R	2D9	14	70 - 63	A4816R	1J15	20	60 - 17
AT44165	1F20	10	40 - 61	A369R	2F10	22	90 - 5	A4827R	1B10	10	20 - 16
AT44165	1G17	23	40 - 82	A3917R	1E17	24	40 - 31	A4827R	1H10	21	50 - 3
AT48673	1F19	4	40 - 60	A3917R	1H17	10	50 - 11	A4827R	1H19	27	50 - 13
AT48673	1F20	3	40 - 61	A3917R	2B4	33	70 - 9	A48331	1F12	3	40 - 53
AT48673	1G17	26	40 - 82	A3917R	2D14	11	70 - 69	A48332	1F12	23	40 - 53
AT48674	1D14	2	40 - 2	A3917R	2D16	13	70 - 71	A4847R	2B4	32	70 - 9
AT48674	1D17	2	40 - 5	A39716	1F12	1	40 - 53	A4879R	1I6	18	50 - 25
AT48674	1D18	1	40 - 6	A4064R	2E16	16	80 - 5	A4879R	2C9	25	70 - 39
AT48674	1F19	13	40 - 60	A4119R	2E21	14	80 - 11	A4883R	2C16	15	70 - 47
AT48674	1F19	16	40 - 60	A4231R	2D14	38	70 - 69	A5146R	2E14	16	80 - 4
AT48674	1F20	7	40 - 61	A4231R	2E13	9	80 - 3	A5157R	2E25	2	80 - 15
AT48674	1F20	10	40 - 61	A4234R	2C7	10	70 - 37	A5236R	1E2	22	40 - 15
AT55441	1F12	25	40 - 53	A4322R	2D16	39	70 - 71	A5273R	1F11	20	40 - 52
AT62018	2F21	6	90 - 16	A4365R	1E17	26	40 - 31	A5275R	1F11	13	40 - 52
AT62019	2F21	4	90 - 16	A4365R	1J4	42	60 - 7	A5276R	1F11	2	40 - 52
AT65316	1F16	27	40 - 57	A4365R	2B4	3	70 - 9	A5277R	1F11	3	40 - 52
AT65316	1F18	32	40 - 59	A4365R	2B8	3	70 - 13	A5278R	1F11	5	40 - 52
AT75387	2F21	4	90 - 16	A4365R	2B8	12	70 - 13	A5279R	1F11	6	40 - 52
AT81764	2F21	6	90 - 16	A4365R	2B12	3	70 - 17	A5301R	2E2	39	70 - 81
AT84200	1B7	30	20 - 13	A4365R	2B19	2	70 - 25	A5302R	2E2	36	70 - 81
AT85123	1D15	28	40 - 3	A4365R	2C11	7	70 - 41	A5304R	2E2	34	70 - 81
AT85153	1D17	23	40 - 5	A4365R	2D20	41	70 - 75	A5325R	2E13	30	80 - 3
AT85153	1D19	21	40 - 7	A4365R	2D22	3	70 - 77	A5334R	1C2	9	20 - 31
AT85153	1F6	6	40 - 47	A4365R	2D22	15	70 - 77	A5598R	2C5	12	70 - 35
AT85153	1H10	5	50 - 3	A4379R	2E16	1	80 - 5	A562R	1J10	10	60 - 13
AT85174	1B7	25	20 - 13	A4380R	2E16	7	80 - 5	A602R	2D2	18	70 - 55
AT85174	1D14	15	40 - 2	A4624R	1H19	8	50 - 13	A602R	2D2	22	70 - 55
AT85174	1D17	11	40 - 5	A4624R	2D11	4	70 - 65	A680R	2B4	40	70 - 9
AT85174	1D18	14	40 - 6	A4624R	2D11	14	70 - 65	A776R	2D4	4	70 - 57
AT85174	1F19	17	40 - 60	A4655R	1F16	28	40 - 57	BP12234	1H24	6	50 - 18
AT85174	1F20	29	40 - 61	A4655R	1F18	31	40 - 59	B11182	2C22	2	70 - 53
A147R	1I18	12	50 - 36	A4669R	2D11	9	70 - 65	B11182	2D2	3	70 - 55
A1555R	2E14	12	80 - 4	A4669R	2D11	17	70 - 65	B161R	2E25	26	80 - 15
A1556R	2E14	11	80 - 4	A4700R	1F16	32	40 - 57	B1664R	1D9	43	30 - 23
A1556R	2E15	7	80 - 4A	A4700R	1F18	44	40 - 59	B1664R	2C9	42	70 - 39
A2610R	1C17	3	30 - 4	A4723R	2E2	5	70 - 81	B1664R	2C9	43	70 - 39
A2899R	1F8	6	40 - 49	A4723R	2E4	6	70 - 83	B169R	1I24	6	60 - 3
A2899R	1F8	19	40 - 49	A4723R	2E5	9	70 - 84	B177R	1J19	29	60 - 21
A2899R	1F10	9	40 - 51	A4723R	2E6	6	70 - 85	B1828R	1D18	8	40 - 6
A2899R	1F10	18	40 - 51	A4728R	1J12	10	60 - 15	B1828R	1J9	2	60 - 12
A3031R	1E8	23	40 - 21	A4728R	1J13	7	60 - 15A	B190R	1I6	16	50 - 25
A3098R	1B4	12	20 - 9	A4728R	1J21	15	60 - 23	B1986R	1D14	16	40 - 2
A3098R	1B10	13	20 - 16	A4728R	1J21	16	60 - 23	B1986R	1D17	12	40 - 5
A3125R	1A23	3	20 - 4	A4728R	1J21	19	60 - 23	B1986R	1D19	15	40 - 7
A3125R	2E2	22	70 - 81	A4730R	2D14	31	70 - 69	B1986R	1D21	14	40 - 9
A3184R	2D14	39	70 - 69	A4730R	2D16	31	70 - 71	B1986R	1D23	15	40 - 11
A3184R	2D16	40	70 - 71	A4730R	2D17	9	70 - 72	B1986R	1D25	6	40 - 13

1L2

5010 TRACTOR

NUMERICAL INDEX - CONTINUED

PART NO.	GRID	KEY	PAGE	PART NO.	GRID	KEY	PAGE	PART NO.	GRID	KEY	PAGE
B2290R	2C16	20	70 - 47	F1430R	2E2	25	70 - 81	F3171R	2B2	14	70 - 7
B2290R	2C16	25	70 - 47	F1430R	2E4	9	70 - 83	F3171R	2B2	16	70 - 7
B2290R	2C16	27	70 - 47	F1430R	2E5	12	70 - 84	F3171R	2B2	..	70 - 7
B2437R	1I5	30	50 - 24	F1430R	2E6	5	70 - 85	F3171R	2B4	20	70 - 9
B2641R	1B12	6	20 - 18	F1462R	1I6	26	50 - 25	F3171R	2B6	6	70 - 11
B2762R	1H17	18	50 - 11	F1463R	1I6	24	50 - 25	F3171R	2B10	12	70 - 15
B2762R	1J2	36	60 - 5	F1608R	1H10	3	50 - 3	F3171R	2B12	35	70 - 17
B2762R	1J4	34	60 - 7	F1673R	2C16	27	70 - 47	F3171R	2B14	8	70 - 19
B3285R	1F19	26	40 - 60	F1743	1B4	20	20 - 9	F3171R	2B17	4	70 - 23
B3285R	1F20	22	40 - 61	F1743R	1A23	11	20 - 4	F3171R	2B17	8	70 - 23
B353R	2F18	1	90 - 13	F1743R	1B4	19	20 - 9	F3171R	2B25	35	70 - 31
B355R	1I17	35	50 - 35	F1743R	1B7	6	20 - 13	F3171R	2B25	37	70 - 31
B3595R	1H12	14	50 - 5	F1840R	2C9	14	70 - 39	F3171R	2C12	8	70 - 42
B3627R	2D5	11	70 - 59	F1907R	1H17	1	50 - 11	F3173R	2C10	12	70 - 40
B3682R	2D11	18	70 - 65	F2084R	1D18	11	40 - 6	F3195R	2F1	4	80 - 16
B3686R	2C11	4	70 - 41	F2084R	1D21	3	40 - 9	F3195R	2F1	11	80 - 16
B3690R	1I24	2	60 - 3	F2084R	1D21	13	40 - 9	F3319R	1I1	14	50 - 20
B423R	2D5	4	70 - 59	F2084R	1D21	17	40 - 9	F3396R	1D9	28	30 - 23
B423R	2D5	8	70 - 59	F2084R	1D23	14	40 - 11	F3396R	1I6	1	50 - 25
B427R	1B4	14	20 - 9	F2084R	1F16	6	40 - 57	F3396R	2D2	12	70 - 55
B427R	1B10	15	20 - 16	F2084R	1F18	6	40 - 59	F3515R	2E18	5	80 - 7
B634R	2E16	15	80 - 5	F215R	1I5	31	50 - 24	H104855	1H2	9	40 - 91
C1067R	1I4	24	50 - 23	F215R	1I13	11	50 - 31	H113924	2F16	5	90 - 11
C1104R	1H12	23	50 - 5	F215R	1I13	12	50 - 31	H23836	2C10	14	70 - 40
C1200R	1J4	27	60 - 7	F215R	1I15	11	50 - 33	H24106	1E10	10	40 - 23
C1220R	1H10	10	50 - 3	F215R	1I15	12	50 - 33	H246R	1H13	24	50 - 7
C284R	1I4	23	50 - 23	F215R	1I19	5	50 - 37	H246R	1H15	39	50 - 9
C744DN	2A23	1	70 - 3	F216R	1I6	16	50 - 25	H246R	1H17	6	50 - 11
C744DN	2F12	4	90 - 7	F2206R	2D4	23	70 - 57	H246R	1H21	12	50 - 15
DD14134	1A22	1	20 - 3	F2208R	1H12	10	50 - 5	H246R	1H23	2	50 - 17
DD14136	1A22	1	20 - 3	F2208R	2D4	25	70 - 57	H246R	1I4	7	50 - 23
DD14345	1A22	1	20 - 3	F2208R	2D4	40	70 - 57	H246R	1I5	34	50 - 24
DD14346	1A22	1	20 - 3	F2273R	1H12	3	50 - 5	H26232	2E23	9	80 - 13
D156R	2E13	33	80 - 3	F2273R	2B25	34	70 - 31	H294R	1B23	15	20 - 29
D1761R	1J12	6	60 - 15	F2380R	1I21	22	50 - 39	H294R	1B23	18	20 - 29
D1881R	2E13	29	80 - 3	F2411R	1C6	16	20 - 37	H294R	1C2	25	20 - 31
D1888R	2E13	26	80 - 3	F2439R	2E4	8	70 - 83	H441R	1H13	27	50 - 7
D2361R	1H19	11	50 - 13	F2493R	2E2	27	70 - 81	H78354	2F17	2	90 - 12
D2361R	2D2	8	70 - 55	F2567R	1H10	14	50 - 3	H826	1B7	12	20 - 13
D2361R	2D14	5	70 - 69	F2674R	2C18	14	70 - 49	H826R	1B23	1	20 - 29
D2361R	2D14	16	70 - 69	F2674R	2C19	4	70 - 50	H837R	2C3	10	70 - 33A
D2361R	2D16	5	70 - 71	F2683R	2C22	20	70 - 53	H851R	2C5	8	70 - 35
D2361R	2D16	18	70 - 71	F2741R	2C9	8	70 - 39	H858R	1I17	3	50 - 35
D2361R	2D18	4	70 - 73	F2741R	2D14	28	70 - 69	H871R	1I5	24	50 - 24
D2361R	2D18	16	70 - 73	F2773R	2B4	41	70 - 9	H871R	1I24	32	60 - 3
D2420R	1B10	1	20 - 16	F2775R	1I8	27	50 - 27	H871R	2C9	15	70 - 39
D2420R	1B21	9	20 - 27	F2775R	1I11	7	50 - 29A	H987R	1G17	19	40 - 82
D2425R	1B4	16	20 - 9	F2783R	2E18	29	80 - 7	JD10003	1I21	6	50 - 39
D2593R	1J12	3	60 - 15	F2861R	2D4	11	70 - 57	JD10005	1H21	2	50 - 15
D2824R	1B17	1	20 - 23	F2863R	2F12	7	90 - 7	JD110	2F4	2	80 - 20
D2913R	2E4	25	70 - 83	F2884R	1B7	5	20 - 13	JD111	2F4	2	80 - 20
D2913R	2E6	15	70 - 85	F2935R	1D21	7	40 - 9	JD112	2F4	2	80 - 20
D454R	1D5	7	30 - 18	F2935R	1D21	8	40 - 9	JD113	2F4	2	80 - 20
D454R	1D6	5	30 - 19	F2935R	1D23	8	40 - 11	JD114	2F4	2	80 - 20
D459R	2C5	18	70 - 35	F2935R	1D23	9	40 - 11	JD115	2F4	2	80 - 20
E12379	1H12	45	50 - 5	F2935R	1D25	1	40 - 13	JD116	2F4	4	80 - 20
E16050	1G17	16	40 - 82	F2935R	1D25	2	40 - 13	JD118	2F4	4	80 - 20
E17421	1I4	27	50 - 23	F304R	2D7	3B	70 - 61	JD119	2F4	4	80 - 20
E17421	1I4	34	50 - 23	F304R	2D7	5A	70 - 61	JD120	2F5	5	80 - 21
E48686	1B14	2	20 - 20	F304R	2D9	3	70 - 63	JD121	2F5	5	80 - 21
E55662	1B20	9	20 - 26	F304R	2D9	4	70 - 63	JD122	2F5	5	80 - 21
E55662	1B21	1	20 - 27	F3083R	1C20	3	30 - 7	JD123	2F5	5	80 - 21
E82512	2F5	6	80 - 21	F3128R	1H10	20	50 - 3	JD124	2F5	5	80 - 21
F1427R	2E2	4	70 - 81	F3128R	1H19	28	50 - 13	JD126	1F11	23	40 - 52
F1427R	2E4	7	70 - 83	F3171R	1H15	17	50 - 9	JD126	1F12	10	40 - 53
F1427R	2E5	10	70 - 84	F3171R	1H15	22A	50 - 9	JD126	1G17	10	40 - 82
F1427R	2E6	7	70 - 85	F3171R	2A24	1	70 - 4	JD16	2E14	9	80 - 4

1L3

5010 TRACTOR

NUMERICAL INDEX - CONTINUED

PART NO.	GRID	KEY	PAGE	PART NO.	GRID	KEY	PAGE	PART NO.	GRID	KEY	PAGE
JD235	2F4	1	80 - 20	JD5262	2F5	5	80 - 21	JD8962	1I21	6	50 - 39
JD236	2F4	1	80 - 20	JD5263	2F5	5	80 - 21	JD8969	2E14	3	80 - 4
JD237	2F4	1	80 - 20	JD5264	2F5	5	80 - 21	JD8969	2E15	3	80 - 4A
JD238	2F4	1	80 - 20	JD5265	2F5	5	80 - 21	JD9019	1I13	4	50 - 31
JD239	2F4	1	80 - 20	JD5266	2F5	5	80 - 21	JD9019	1I13	8	50 - 31
JD243	2F4	3	80 - 20	JD5268	2F5	5	80 - 21	JD9019	1I13	15	50 - 31
JD245	2F5	5	80 - 21	JD5270	2F5	5	80 - 21	JD9019	1I15	4	50 - 33
JD246	2F5	5	80 - 21	JD5272	2F19	8	90 - 14	JD9019	1I15	8	50 - 33
JD247	2F5	5	80 - 21	JD5300	2F5	5	80 - 21	JD9019	1I15	25	50 - 33
JD248	2F5	5	80 - 21	JD5303	2F5	5	80 - 21	JD9257	1C3	12	20 - 32
JD250	2F4	1	80 - 20	JD5304	2F5	5	80 - 21	JD9257	1C4	8	20 - 33
JD252	2F4	1	80 - 20	JD5305	2F5	5	80 - 21	JD9261	1H12	41	50 - 5
JD253	2F4	1	80 - 20	JD5306	2F5	5	80 - 21	JD9270	1I5	29	50 - 24
JD254	2F4	1	80 - 20	JD5321	2F5	5	80 - 21	JD9278	1H13	28	50 - 7
JD255	2F4	1	80 - 20	JD5322	2F5	5	80 - 21	JD9281	1H13	20	50 - 7
JD256	2F4	1	80 - 20	JD5323	2F5	5	80 - 21	JD9345	1I6	14	50 - 25
JD257	2F4	3	80 - 20	JD5324	2F5	5	80 - 21	JD9449	1E4	23	40 - 17
JD257	2F4	4	80 - 20	JD5325	2F5	5	80 - 21	JD9449	1E5	23	40 - 18
JD258	2F4	3	80 - 20	JD5326	2F5	5	80 - 21	JD9449	1E8	7	40 - 21
JD258	2F4	4	80 - 20	JD5327	2F5	5	80 - 21	K3083R	1B7	5	20 - 13
JD259	2F4	3	80 - 20	JD5602	2F19	8	90 - 14	K3083R	1C21	6	30 - 8
JD259	2F4	4	80 - 20	JD7232	1H23	25	50 - 17	K3083R	1E2	20	40 - 15
JD260	2F5	5	80 - 21	JD7260	1H23	25	50 - 17	K3083R	1E3	3	40 - 16
JD261	2F5	5	80 - 21	JD7263	1H23	6	50 - 17	L2158N	1J21	17	60 - 23
JD262	2F5	5	80 - 21	JD7359	1H20	22	50 - 14	L29015	1J21	15	60 - 23
JD263	2F5	5	80 - 21	JD7365	1H20	22	50 - 14	L29015	1J21	19	60 - 23
JD264	2F5	5	80 - 21	JD7383	1H21	3	50 - 15	L4668T	1I4	12	50 - 23
JD265	2F5	5	80 - 21	JD7445	2E14	4	80 - 4	L65000	1G2	10	40 - 67
JD267	2F4	1	80 - 20	JD7445	2E15	4	80 - 4A	M115827	2C22	2	70 - 53
JD268	2F5	5	80 - 21	JD7688	1I6	14	50 - 25	M115827	2D2	3	70 - 55
JD269	2F5	5	80 - 21	JD7759	1J10	6	60 - 13	M1206T	1H10	14	50 - 3
JD3206	2E14	8	80 - 4	JD7759	2D9	12	70 - 63	M1206T	1I4	1	50 - 23
JD3207	2E14	8	80 - 4	JD7759	2E13	11	80 - 3	M2301T	2E13	17	80 - 3
JD5111	2F5	6	80 - 21	JD7781	2E13	11	80 - 3	M2396T	2C14	7	70 - 45
JD5112	2F5	6	80 - 21	JD7788	1H12	46	50 - 5	M2396T	2D10	5	70 - 64
JD5114	2F5	6	80 - 21	JD8113	1H21	2	50 - 15	M2396T	2D14	22	70 - 69
JD5115	2F5	6	80 - 21	JD8182	1H21	8	50 - 15	M2396T	2D16	24	70 - 71
JD5152	2F4	1	80 - 20	JD8191	1I13	4	50 - 31	M2396T	2D22	14	70 - 77
JD5153	2F4	1	80 - 20	JD8191	1I15	4	50 - 33	M3636T	1B7	7	20 - 13
JD5155	2F4	1	80 - 20	JD8192	2B2	27	70 - 7	M3636T	1C23	21	30 - 10
JD5165	2F5	5	80 - 21	JD8192	2B10	21	70 - 15	M3742T	1I10	9	50 - 29
JD5200	2F4	3	80 - 20	JD8206	1H20	21	50 - 14	M4225T	1F4	18	40 - 45
JD5201	2F4	3	80 - 20	JD8214	1I13	3	50 - 31	M42830	1B12	1	20 - 18
JD5202	2F5	5	80 - 21	JD8214	1I15	3	50 - 33	M43835	1H2	2	40 - 91
JD5203	2F5	5	80 - 21	JD8223	1H21	9	50 - 15	N101346	1H24	6	50 - 18
JD5204	2F5	5	80 - 21	JD8223	2B2	26	70 - 7	N101346	1H24	10	50 - 18
JD5205	2F5	5	80 - 21	JD8223	2B10	20	70 - 15	N115096	1H2	11	40 - 91
JD5206	2F4	1	80 - 20	JD8235	1H20	21	50 - 14	N191827	1I15	26	50 - 33
JD5207	2F5	5	80 - 21	JD8240	1H23	28	50 - 17	PM797NA	1E23	18	40 - 38
JD5208	2F4	1	80 - 20	JD8248	1I21	7	50 - 39	PM797NA	1E25	14	40 - 41
JD5234	2F3	5	80 - 19	JD8251	2E14	6	80 - 4	PM797NA	1F1	2	40 - 42
JD5240	2F5	5	80 - 21	JD8251	2E15	6	80 - 4A	PM797NA	1G22	1	40 - 87
JD5241	2F5	5	80 - 21	JD8261	1H20	4	50 - 14	PT1294	1F12	7	40 - 53
JD5242	2F5	5	80 - 21	JD8262	1H21	2	50 - 15	PT1296	1F12	14	40 - 53
JD5243	2F5	5	80 - 21	JD8535	1E4	23	40 - 17	PT1624	1F12	5	40 - 53
JD5244	2F5	5	80 - 21	JD8535	1E5	23	40 - 18	PT18180	1F12	5	40 - 53
JD5250	2F5	5	80 - 21	JD8535	1E6	23	40 - 19	PT9318	1F12	7	40 - 53
JD5251	2F5	5	80 - 21	JD8535	1E8	7	40 - 21	PT9319	1F12	5	40 - 53
JD5252	2F5	5	80 - 21	JD8814	1H12	18	50 - 5	PT9320	1F12	17	40 - 53
JD5253	2F5	5	80 - 21	JD8862	1H12	7	50 - 5	PT9321	1F12	25	40 - 53
JD5254	2F5	5	80 - 21	JD8891	1H12	24	50 - 5	PT9390	1F12	6	40 - 53
JD5255	2F5	6	80 - 21	JD8907	1H23	27	50 - 17	P44982	2F8	13	90 - 3
JD5256	2F5	5	80 - 21	JD8929	2E14	7	80 - 4	P44982	2F10	24	90 - 5
JD5258	2F5	5	80 - 21	JD8929	2E15	5	80 - 4A	P47908	2A24	1	70 - 4
JD5259	2F5	5	80 - 21	JD8931	2B2	27	70 - 7	P47908	2B2	16	70 - 7
JD5260	2F5	5	80 - 21	JD8957	1H23	7	50 - 17	P47908	2B2	..	70 - 7
JD5261	2F5	5	80 - 21	JD8959	1H20	3	50 - 14	P47908	2B8	22	70 - 13

1L5

5010 TRACTOR

NUMERICAL INDEX - CONTINUED

PART NO.	GRID	KEY	PAGE	PART NO.	GRID	KEY	PAGE	PART NO.	GRID	KEY	PAGE
R11018	1E14	1	40-27	R11138	1E23	7	40-38	R14041	1F4	26	40-45
R110212	1B13	5	20-19	R11138	1E25	7	40-41	R14042	1F4	25	40-45
R11026	1E17	36	40-31	R11140	1E17	15	40-31	R14043	1F4	14	40-45
R11026	1E17	39	40-31	R11141	1E14	6	40-27	R14044	1F4	15	40-45
R11026	1E23	2	40-38	R11142	1E14	7	40-27	R14047	1F4	9	40-45
R11026	1E25	2	40-41	R11143	1E14	18	40-27	R14048	1F4	10	40-45
R11036	1E23	19	40-38	R11144	1E17	11	40-31	R14049	1F4	10	40-45
R11042	1E8	20	40-21	R11146	1E14	9	40-27	R14050	1F4	10	40-45
R11043	1E8	28	40-21	R11147	1E17	4	40-31	R14051	1F4	10	40-45
R110464	1J12	2	60-15	R11147	1E20	14	40-35	R14052	1F4	10	40-45
R11049	1E8	32	40-21	R11147	1E22	12	40-37	R14053	1F4	6	40-45
R1105R	1D3	2	30-16	R11148	1E15	9	40-28	R14054	1F4	10	40-45
R11052	1E10	3	40-23	R1115R	1D3	8	30-16	R14082	1F4	..	40-45
R11054	1E10	11	40-23	R11151	1E17	37	40-31	R15005	1D14	5	40-2
R11056	1E10	25	40-23	R11151	1E23	1	40-38	R15005	1D19	18	40-7
R11057	1E10	26	40-23	R11151	1E25	1	40-41	R15005	1E2	4	40-15
R1108R	1D3	7	30-16	R11158	1E8	1	40-21	R15017	1D14	11	40-2
R11084	1E10	5	40-23	R11160	1E8	31	40-21	R15017	1D19	19	40-7
R11084	1E23	17	40-38	R11161	1E8	30	40-21	R15017	1E2	2	40-15
R11086	1E8	5	40-21	R11162	1E8	19	40-21	R15022	1E2	14	40-15
R11087	1E8	16	40-21	R11162	1E8	27	40-21	R15022	1E4	18	40-17
R11088	1E8	42	40-21	R11188	1E8	3	40-21	R15022	1E5	28	40-18
R11089	1E8	38	40-21	R11232	1E10	1	40-23	R15023	1E6	8	40-19
R1109R	1D3	8	30-16	R11234	1E8	34	40-21	R15024	1E6	10	40-19
R11094	1E8	39	40-21	R11253	1E14	21	40-27	R15025	1E4	8	40-17
R11096	1E14	3	40-27	R11273	1E17	27	40-31	R15026	1E6	2	40-19
R11098	1E8	22	40-21	R11276	1D14	8	40-2	R15027	1E4	19	40-17
R1110R	1D3	8	30-16	R11276	1D17	6	40-5	R15027	1E5	27	40-18
R11102	1E10	29	40-23	R11276	1D18	13	40-6	R15027	1E6	27	40-19
R11103	1E10	27	40-23	R11276	1F21	9	40-62	R15028	1E4	27	40-17
R11109	1E8	40	40-21	R11276	1F22	8	40-63	R15028	1E5	19	40-18
R1111R	1D3	8	30-16	R112769	1I13	8	50-31	R15028	1E6	19	40-19
R11111	1E10	6	40-23	R11278	1F22	6	40-63	R15029	1E4	24	40-17
R11112	1E10	9	40-23	R11278	1F23	1	40-64	R15029	1E5	22	40-18
R11113	1E8	18	40-21	R11278	1F24	1	40-65	R15029	1E6	22	40-19
R11113	1E8	26	40-21	R11282	1E17	12	40-31	R15030	1E4	12	40-17
R11120	1E15	5	40-28	R114132	1I13	10	50-31	R15030	1E5	11	40-18
R11120	1E17	38	40-31	R114132	1I15	10	50-33	R15030	1E6	11	40-19
R11120	1E20	5	40-35	R114132	1I15	14	50-33	R15033	1E4	22	40-17
R11120	1E22	5	40-37	R114132	1I21	27	50-39	R15033	1E5	24	40-18
R11121	1E14	4	40-27	R116254	1B17	14	20-23	R15033	1E6	24	40-19
R11121	1E17	23	40-31	R119275	2D4	26	70-57	R15035	1E4	11	40-17
R11123	1E15	4	40-28	R119276	2D4	27	70-57	R15035	1E5	7	40-18
R11124	1E15	4	40-28	R120106	1G2	10	40-67	R15035	1E6	7	40-19
R11126	1E17	33	40-31	R120107	1G2	10	40-67	R15036	1E4	9	40-17
R11126	1E23	5	40-38	R120108	1G2	10	40-67	R15036	1E5	6	40-18
R11126	1E25	5	40-41	R120111	2F3	17	80-19	R15036	1E6	6	40-19
R11127	1E17	32	40-31	R120349	1I13	11	50-31	R15038	1E4	20	40-17
R11127	1E23	6	40-38	R120349	1I13	12	50-31	R15038	1E5	26	40-18
R11127	1E25	6	40-41	R120349	1I15	11	50-33	R15038	1E6	26	40-19
R11128	1E17	34	40-31	R120349	1I15	12	50-33	R15039	1E4	13	40-17
R11128	1E23	4	40-38	R120349	1I19	2	50-37	R15039	1E5	8	40-18
R11128	1E25	4	40-41	R14022	1F4	8	40-45	R15040	1E4	14	40-17
R11129	1E17	35	40-31	R14023	1F5	..	40-46	R15040	1E5	10	40-18
R11129	1E23	3	40-38	R14024	1F4	12	40-45	R15041	1E4	3	40-17
R11129	1E25	3	40-41	R14025	1F4	24	40-45	R15041	1E5	2	40-18
R11130	1E23	20	40-38	R14026	1F4	7	40-45	R15042	1E4	26	40-17
R11130	1E25	23	40-41	R14027	1F4	8	40-45	R15042	1E5	20	40-18
R11131	1E23	21	40-38	R14028	1F5	9	40-46	R15043	1E4	15	40-17
R11131	1E25	22	40-41	R14031	1F4	28	40-45	R15043	1E5	9	40-18
R11133	1E14	5	40-27	R14034	1F4	11	40-45	R15044	1E4	10	40-17
R11133	1E17	22	40-31	R14035	1F4	13	40-45	R15045	1E4	1	40-17
R11134	1E23	14	40-38	R14036	1F4	23	40-45	R15045	1E5	3	40-18
R11134	1E25	13	40-41	R14037	1F4	20	40-45	R15045	1E6	3	40-19
R11135	1E14	15	40-27	R14038	1F4	19	40-45	R1572R	1H15	4	50-9
R11136	1E17	25	40-31	R14039	1F4	18	40-45	R1590R	2C5	10	70-35
R11138	1E17	31	40-31	R14040	1F4	29	40-45	R1590R	2C7	12	70-37

1L6

5010 TRACTOR

NUMERICAL INDEX - CONTINUED

PART NO.	GRID	KEY	PAGE	PART NO.	GRID	KEY	PAGE	PART NO.	GRID	KEY	PAGE
R1646R	1D19	20	40 - 7	R26114	1B3	1	20 - 8	R26286	1J23	3	60 - 25
R1722R	1H15	21A	50 - 9	R26115	1B7	21	20 - 13	R26286	2B20	9	70 - 27
R1769R	1H15	5	50 - 9	R26117	1B7	7	20 - 13	R26286	2B21	8	70 - 28
R1826R	2D4	13	70 - 57	R26117	1C23	21	30 - 10	R26286	2B22	6	70 - 29
R1826R	2F15	23	90 - 10	R26121	1B11	4	20 - 17	R26286	2C9	13	70 - 39
R183R	1D14	10	40 - 2	R26121	1B23	12	20 - 29	R26286	2D12	24	70 - 66
R183R	1D17	8	40 - 5	R26121	1C10	22	20 - 41	R26287	1C21	2	30 - 8
R183R	1110	18	50 - 29	R26135	1B12	11	20 - 18	R26287	1H19	14	50 - 13
R183R	2C14	40	70 - 45	R26136	1B12	13	20 - 18	R26287	1H19	24	50 - 13
R1836R	2F12	8	90 - 7	R26137	2B2	6	70 - 7	R26287	1H19	25	50 - 13
R1870R	2E2	38	70 - 81	R26137	2B10	6	70 - 15	R26287	1I24	16	60 - 3
R1888R	1B23	3	20 - 29	R26138	1B12	14	20 - 18	R26287	1I24	25	60 - 3
R1888R	1I1	22	50 - 20	R26142	1B12	10	20 - 18	R26287	1I24	29	60 - 3
R1888R	2C16	22	70 - 47	R26144	1B23	14	20 - 29	R26287	1J2	20	60 - 5
R1929R	1I18	12	50 - 36	R26146	1B23	7	20 - 29	R26287	1J4	20	60 - 7
R20123	2F23	..	90 - 18	R26149	1B23	9	20 - 29	R26287	1J4	47	60 - 7
R20124	2F23	..	90 - 18	R26149	1D5	5	30 - 18	R26287	1J8	12	60 - 11
R20228	1J4	27	60 - 7	R26149	1D6	3	30 - 19	R26287	1J9	16	60 - 12
R20255	2E13	28	80 - 3	R26149	2B4	35	70 - 9	R26287	1J15	32	60 - 17
R20498	1C21	10	30 - 8	R26149	2C9	38	70 - 39	R26287	1J19	23	60 - 21
R20538	2F15	9	90 - 10	R26149	2D20	42	70 - 75	R26287	1J21	21	60 - 23
R20758	1D21	7	40 - 9	R26149	2D22	8	70 - 77	R26287	1J22	6	60 - 24
R20758	1D21	8	40 - 9	R26151	1B23	11	20 - 29	R26287	1J23	5	60 - 25
R20758	1D23	8	40 - 11	R26151	1J4	38	60 - 7	R26287	2B4	23	70 - 9
R20758	1D23	9	40 - 11	R26152	1B23	15	20 - 29	R26287	2B8	4	70 - 13
R20758	1D25	1	40 - 13	R26152	1B23	16	20 - 29	R26287	2B8	16	70 - 13
R20758	1D25	2	40 - 13	R26152	1C2	23	20 - 31	R26287	2B15	7	70 - 20
R20759	2E21	3	80 - 11	R26153	1B23	20	20 - 29	R26287	2B17	7	70 - 23
R20878	1C11	2	20 - 42	R26167	1B4	9	20 - 9	R26287	2B19	22	70 - 25
R20878	1C11	3	20 - 42	R26168	1B4	8	20 - 9	R26287	2B20	2	70 - 27
R20922	1C2	9	20 - 31	R26169	1B4	7	20 - 9	R26287	2B21	6	70 - 28
R21101	2E13	13	80 - 3	R26169	1C2	24	20 - 31	R26287	2B22	10	70 - 29
R21156	1F21	1	40 - 62	R26170	1B4	20	20 - 9	R26287	2B23	9	70 - 29A
R21156	1F22	1	40 - 63	R26172	1B4	4	20 - 9	R26287	2B25	54	70 - 31
R21157	1F18	28	40 - 59	R26173	1B4	5	20 - 9	R26287	2C9	3	70 - 39
R21478	1C8	15	20 - 39	R26173	1C10	18	20 - 41	R26287	2C11	15	70 - 41
R21551	1D18	11	40 - 6	R26174	1B4	1	20 - 9	R26287	2D22	37	70 - 77
R21551	1D19	32	40 - 7	R26178	1I2	20	50 - 21	R26288	2F12	23	90 - 7
R21551	1D21	2	40 - 9	R26182	1I2	10	50 - 21	R26300	1C23	15	30 - 10
R21551	1D21	3	40 - 9	R26183	1I2	9	50 - 21	R26333	1B14	13	20 - 20
R21551	1D21	13	40 - 9	R26185	1I2	14	50 - 21	R26363	1J12	8	60 - 15
R21551	1D21	17	40 - 9	R26186	1I2	15	50 - 21	R26364	1J12	9	60 - 15
R21551	1D23	6	40 - 11	R26187	1I2	14	50 - 21	R26364	1J13	6	60 - 15A
R21551	1D23	14	40 - 11	R26187	1I2	16	50 - 21	R26367	1J15	8	60 - 17
R21551	1D23	18	40 - 11	R26192	1I2	19	50 - 21	R26369	1J15	5	60 - 17
R21551	1D25	3	40 - 13	R26198	1B7	9	20 - 13	R26372	1J15	27	60 - 17
R21551	1F14	10	40 - 55	R26201	1I4	27	50 - 23	R26373	1I24	14	60 - 3
R21551	1F16	6	40 - 57	R26206	1I1	2	50 - 20	R26373	1J4	44	60 - 7
R21551	1F18	6	40 - 59	R26207	1I1	1	50 - 20	R26373	1J15	35	60 - 17
R21551	2B25	56	70 - 31	R26217	1I5	26	50 - 24	R26373	1J21	7	60 - 23
R21630	1B7	15	20 - 13	R26241	1B7	4	20 - 13	R26373	1J22	4	60 - 24
R21644	1C14	6	30 - 1	R26277	2C22	13	70 - 53	R26374	1J15	34	60 - 17
R21645	1C14	7	30 - 1	R26277	2D7	23	70 - 61	R26374	1J21	8	60 - 23
R21685	2F17	1	90 - 12	R26286	1H19	12	50 - 13	R26374	1J22	5	60 - 24
R21686	2F17	1	90 - 12	R26286	1I17	20	50 - 35	R26375	1H15	14	50 - 9
R21722	2E7	1	70 - 86	R26286	1I17	31	50 - 35	R26375	1H15	22B	50 - 9
R21722	2E7	2	70 - 86	R26286	1I18	1	50 - 36	R26375	1J4	29	60 - 7
R21736	2E25	34	80 - 15	R26286	1I24	54	60 - 3	R26375	1J8	37	60 - 11
R21736	2E25	35	80 - 15	R26286	1J2	13	60 - 5	R26375	1J15	24	60 - 17
R227R	1J15	23	60 - 17	R26286	1J2	17	60 - 5	R26375	2B4	27	70 - 9
R2579R	1F11	16	40 - 52	R26286	1J2	33	60 - 5	R26375	2B6	16	70 - 11
R26011	1I21	25	50 - 39	R26286	1J2	46	60 - 5	R26375	2B12	23	70 - 17
R26015	1H19	9	50 - 13	R26286	1J4	13	60 - 7	R26375	2B14	7	70 - 19
R26015	1I21	11	50 - 39	R26286	1J4	17	60 - 7	R26375	2B14	17	70 - 19
R26078	1B3	5	20 - 8	R26286	1J8	6	60 - 11	R26375	2B15	12	70 - 20
R26078	1B3	7	20 - 8	R26286	1J15	7	60 - 17	R26375	2B19	3	70 - 25
R26113	2F12	29	90 - 7	R26286	1J22	1	60 - 24	R26375	2B19	10	70 - 25

1L12

5010 TRACTOR

NUMERICAL INDEX - CONTINUED

PART NO.	GRID	KEY	PAGE	PART NO.	GRID	KEY	PAGE	PART NO.	GRID	KEY	PAGE
R32715	2C7	8	70 - 37	R34354	2B2	16	70 - 7	R34812	1C25	19	30 - 13
R32715	2C9	22	70 - 39	R34358	2A22	9	70 - 2	R34815	1117	34	50 - 35
R32728	2B20	19	70 - 27	R34358	2A23	10	70 - 3	R34819	1J23	23	60 - 25
R32731	1I24	9A	60 - 3	R34359	2A23	6	70 - 3	R34827	2F18	1	90 - 13
R32731	1I24	9B	60 - 3	R34360	2A23	3	70 - 3	R34851	2B20	18	70 - 27
R32736	2F8	1	90 - 3	R34360	2A23	5	70 - 3	R34851	2B24	6A	70 - 30
R33138	1H15	23B	50 - 9	R34362	2A23	2	70 - 3	R34855	1115	22	50 - 33
R33145	1I8	34	50 - 27	R34363	2A23	12	70 - 3	R34857	1115	20	50 - 33
R33145	1I8	35	50 - 27	R34365	1B14	12	20 - 20	R34857	1115	21	50 - 33
R33145	1111	13	50 - 29A	R34388	1D6	12	30 - 19	R34858	1115	19	50 - 33
R33162	1H15	20B	50 - 9	R34394	1D6	7	30 - 19	R34858	1115	20	50 - 33
R33259	1C25	30	30 - 13	R34394	1D7	1	30 - 21	R34865	1115	24	50 - 33
R33259	1H15	20B	50 - 9	R34395	1D6	8	30 - 19	R34866	1115	23	50 - 33
R33282	1H24	18	50 - 18	R34396	2D16	29	70 - 71	R34896	1I24	42	60 - 3
R33318	1110	14	50 - 29	R34397	2D14	13	70 - 69	R34967	1E2	3	40 - 15
R33521	2B21	10	70 - 28	R34397	2D14	18	70 - 69	R34969	1E2	16	40 - 15
R33521	2B22	16	70 - 29	R34397	2D16	15	70 - 71	R35001	1I21	2	50 - 39
R33521	2B23	16	70 - 29A	R34398	2D16	22	70 - 71	R35002	1I21	4	50 - 39
R33827	2C18	5	70 - 49	R34399	1H25	1	50 - 19	R35003	1I21	16	50 - 39
R33827	2C18	6	70 - 49	R34399	1I1	20	50 - 20	R35004	1I21	18	50 - 39
R33961	2D4	18	70 - 57	R34399	2D16	8	70 - 71	R35005	1I21	20	50 - 39
R33961	2D4	21	70 - 57	R34400	2D14	18	70 - 69	R35006	1I21	24	50 - 39
R34011	2C9	20	70 - 39	R34400	2D16	20	70 - 71	R35007	1I21	14	50 - 39
R34065	1I21	9	50 - 39	R34402	2D16	34	70 - 71	R35007	1J12	1	60 - 15
R34118	1I24	16	60 - 3	R34404	1J4	33	60 - 7	R35008	1I21	12	50 - 39
R34119	1J4	18	60 - 7	R34446	1C21	1	30 - 8	R35016	1B12	18	20 - 18
R34120	1I24	43	60 - 3	R34447	1C21	2	30 - 8	R35017	1B2	2	20 - 7
R34121	1I24	51	60 - 3	R34447	1C22	2	30 - 9	R35019	1A24	3	20 - 5
R34122	1J4	39	60 - 7	R34482	2D10	3	70 - 64	R35020	1A24	6	20 - 5
R34123	1J4	36	60 - 7	R34483	2F3	8	80 - 19	R35022	1A24	2	20 - 5
R34124	1J4	37	60 - 7	R34492	1117	13	50 - 35	R35023	1A24	10	20 - 5
R34125	1I24	38	60 - 3	R34496	1117	29	50 - 35	R35024	1B2	5	20 - 7
R34126	1J4	23	60 - 7	R34522	1117	9	50 - 35	R35025	1A24	14	20 - 5
R34128	1J2	26	60 - 5	R34523	1117	6	50 - 35	R35025	1A24	15	20 - 5
R34128	1J4	26	60 - 7	R34537	2C14	54	70 - 45	R35028	1B23	28	20 - 29
R34129	1J4	41	60 - 7	R34554	1I24	30	60 - 3	R35031	1B21	7	20 - 27
R34130	1J4	2	60 - 7	R34562	2F14	12	90 - 9	R35032	1B11	2	20 - 17
R34131	1J4	9	60 - 7	R34574	1D4	4	30 - 17	R35032	1B21	8	20 - 27
R34131	2E4	16	70 - 83	R34575	1D4	3	30 - 17	R35032	1C10	32	20 - 41
R34131	2E6	1	70 - 85	R34581	1117	18	50 - 35	R35034	1B11	3	20 - 17
R34132	1J4	40	60 - 7	R34582	1117	33	50 - 35	R35034	1B21	4	20 - 27
R34193	2E25	2	80 - 15	R34589	2D16	38	70 - 71	R35034	1C10	31	20 - 41
R34205	1F20	1	40 - 61	R34608	2F3	10	80 - 19	R35043	1B13	6	20 - 19
R34206	1F20	17	40 - 61	R34609	2F10	9	90 - 5	R35043	1C10	19	20 - 41
R34209	1F20	23	40 - 61	R34618	2F10	9	90 - 5	R35044	1B14	1	20 - 20
R34228	2C14	58	70 - 45	R34619	2F10	1	90 - 5	R35045	1B14	9	20 - 20
R34246	1F16	12	40 - 57	R34620	2F10	2	90 - 5	R35045	1B15	3	20 - 21
R34246	1F18	13	40 - 59	R34642	1J19	12	60 - 21	R35046	1B14	7	20 - 20
R34262	1D14	1	40 - 2	R34642	1J19	13	60 - 21	R35047	1B14	5	20 - 20
R34262	1D17	1	40 - 5	R34642	1J19	17	60 - 21	R35048	1B17	6	20 - 23
R34262	1D18	4	40 - 6	R34656	1C20	20	30 - 7	R35049	1B17	4	20 - 23
R34262	1F19	25	40 - 60	R34701	1F22	7	40 - 63	R35053	1B17	2	20 - 23
R34262	1F20	28	40 - 61	R34702	1D14	7	40 - 2	R35058	1C2	27	20 - 31
R34266	2F10	9	90 - 5	R34702	1D17	5	40 - 5	R35059	1C2	13	20 - 31
R34267	2F10	1	90 - 5	R34702	1F21	4	40 - 62	R35060	1B14	6	20 - 20
R34268	2F10	2	90 - 5	R34702	1F22	4A	40 - 63	R35062	1C2	31	20 - 31
R34272	2F10	4	90 - 5	R34733	1H15	3	50 - 9	R35064	1H13	10	50 - 7
R34324	1I24	1	60 - 3	R34733	1H15	4	50 - 9	R35065	1H13	16	50 - 7
R34336	1J4	45	60 - 7	R34733	1H15	11	50 - 9	R35066	1H13	18	50 - 7
R34338	1F19	20	40 - 60	R34733	1J2	1	60 - 5	R35067	1C10	3	20 - 41
R34338	1F20	13	40 - 61	R34733	1J4	1	60 - 7	R35067	1C17	19	30 - 4
R34348	2B2	30	70 - 7	R34747	1J19	12	60 - 21	R35068	1C10	2	20 - 41
R34349	2B2	28	70 - 7	R34754	1C21	13	30 - 8	R35068	1C17	18	30 - 4
R34351	2B2	29	70 - 7	R34758	1F20	14	40 - 61	R35070	1B10	9	20 - 16
R34353	2B2	1	70 - 7	R34788	1C2	26	20 - 31	R35071	1C17	17	30 - 4
R34354	2B2	14	70 - 7	R34801	2E16	16	80 - 5	R35072	1C17	22	30 - 4
R34354	2B2	15	70 - 7	R34802	2B12	12	70 - 17	R35074	1H13	14	50 - 7

1L13

5010 TRACTOR

NUMERICAL INDEX - CONTINUED

PART NO.	GRID	KEY	PAGE	PART NO.	GRID	KEY	PAGE	PART NO.	GRID	KEY	PAGE
R35075	1H13	15	50 - 7	R35155	1C10	9	20 - 41	R35245	1I4	17	50 - 23
R35076	1H13	8	50 - 7	R35156	1A24	17	20 - 5	R35247	1I4	26	50 - 23
R35077	1H13	6	50 - 7	R35157	1A24	18	20 - 5	R35248	1I4	21	50 - 23
R35077	2D2	17	70 - 55	R35158	1A24	20	20 - 5	R35249	1I5	8	50 - 24
R35078	1H13	5	50 - 7	R35159	1A23	8	20 - 4	R35251	1H10	2	50 - 3
R35079	1H13	4	50 - 7	R35160	1A23	4	20 - 4	R35251	1I5	9	50 - 24
R35083	1C16	4	30 - 3	R35161	2D14	24	70 - 69	R35253	1I5	3	50 - 24
R35104	1C2	15	20 - 31	R35163	2D11	6	70 - 65	R35254	1I5	1	50 - 24
R35104	1C10	20	20 - 41	R35163	2D11	15	70 - 65	R35255	1I5	6	50 - 24
R35105	1C2	16	20 - 31	R35163	2D12	12	70 - 66	R35256	1B3	10	20 - 8
R35105	1C10	28	20 - 41	R35164	1H23	5	50 - 17	R35261	1C3	2	20 - 32
R35109	1H17	19	50 - 11	R35165	1H23	5	50 - 17	R35262	1C3	3	20 - 32
R35111	1H17	13	50 - 11	R35166	1H23	5	50 - 17	R35262	1C4	2	20 - 33
R35114	1H17	15	50 - 11	R35167	1H23	5	50 - 17	R35262	1C10	29	20 - 41
R35115	1H17	3	50 - 11	R35168	1H23	4	50 - 17	R35263	1C3	1	20 - 32
R35119	1I21	5	50 - 39	R35169	1H23	4	50 - 17	R35263	1C4	1	20 - 33
R35120	1I21	10	50 - 39	R35170	1H23	4	50 - 17	R35263	1C10	30	20 - 41
R35121	1I21	17	50 - 39	R35171	1H23	30	50 - 17	R35264	1I6	13	50 - 25
R35122	1I21	15	50 - 39	R35175	1C17	23	30 - 4	R35265	1I5	23	50 - 24
R35123	1I21	26	50 - 39	R35177	1B18	1	20 - 24	R35266	1I5	25	50 - 24
R35124	1B17	10	20 - 23	R35177	1E3	12	40 - 16	R35271	1I5	28	50 - 24
R35124	1B17	13	20 - 23	R35182	1J12	4	60 - 15	R35272	1I6	11	50 - 25
R35126	1B20	2	20 - 26	R35183	1J12	3	60 - 15	R35273	1I6	8	50 - 25
R35126	1C10	17	20 - 41	R35184	1J12	5	60 - 15	R35274	1H19	31	50 - 13
R35127	1B3	6	20 - 8	R35184	1J13	3	60 - 15A	R35275	1H13	31	50 - 7
R35128	1B3	7	20 - 8	R35185	1I5	27	50 - 24	R35276	1H13	22	50 - 7
R35128	1B13	2	20 - 19	R35186	1H13	30	50 - 7	R35277	1H13	25	50 - 7
R35128	1B23	24	20 - 29	R35186	1I5	12	50 - 24	R35279	1H13	35	50 - 7
R35130	1A23	5	20 - 4	R35190	1I5	18	50 - 24	R35282	1H10	16	50 - 3
R35130	1A23	6	20 - 4	R35191	2E18	18	80 - 7	R35283	1H10	15	50 - 3
R35130	1A23	7	20 - 4	R35192	2E18	1	80 - 7	R35285	1H12	26	50 - 5
R35130	1B5	1	20 - 10	R35193	2E18	6	80 - 7	R35286	1H12	27	50 - 5
R35130	1B5	2	20 - 10	R35194	2E18	4	80 - 7	R35287	1H12	20	50 - 5
R35130	1B7	1	20 - 13	R35199	2E18	13	80 - 7	R35288	1H10	1	50 - 3
R35130	1B7	2	20 - 13	R35200	1I6	6	50 - 25	R35290	1C17	24	30 - 4
R35130	1B7	13	20 - 13	R35210	2F15	24	90 - 10	R35291	1C10	16	20 - 41
R35130	1B7	22	20 - 13	R35213	2F15	8	90 - 10	R35291	1C17	7	30 - 4
R35130	1B7	32	20 - 13	R35214	2F15	7	90 - 10	R35292	1C17	6	30 - 4
R35130	1B7	33	20 - 13	R35218	1C17	8	30 - 4	R35293	1C10	6	20 - 41
R35130	1B7	34	20 - 13	R35219	1I1	4	50 - 20	R35293	1C17	9	30 - 4
R35130	1B17	10	20 - 23	R35220	1H20	1	50 - 14	R35294	1C16	2	30 - 3
R35130	1B17	13	20 - 23	R35220	1I13	16	50 - 31	R35295	1C16	3	30 - 3
R35130	1B19	6	20 - 25	R35220	1I15	28	50 - 33	R35298	2A22	7	70 - 2
R35133	1H24	5	50 - 18	R35222	1I1	3	50 - 20	R35298	2A23	8	70 - 3
R35133	1H24	9	50 - 18	R35223	1H25	12	50 - 19	R35300	2E16	8	80 - 5
R35136	1B23	8	20 - 29	R35223	1I1	5	50 - 20	R35302	2E16	4	80 - 5
R35138	1B23	26	20 - 29	R35224	1H25	7	50 - 19	R35303	2E16	5	80 - 5
R35139	1B10	2	20 - 16	R35224	1I1	10	50 - 20	R35304	1C6	3	20 - 37
R35139	1B11	1	20 - 17	R35226	1H25	11	50 - 19	R35305	1C6	22	20 - 37
R35139	1C10	33	20 - 41	R35226	1I1	7	50 - 20	R35314	1H15	38	50 - 9
R35140	1A23	12	20 - 4	R35227	1H25	5	50 - 19	R35316	1H15	32	50 - 9
R35141	1B10	21	20 - 16	R35227	1I1	16	50 - 20	R35316	1H15	44	50 - 9
R35143	1I8	39	50 - 27	R35228	1I1	17	50 - 20	R35318	1H15	33	50 - 9
R35143	1I11	20	50 - 29A	R35229	1I1	18	50 - 20	R35320	1H15	34	50 - 9
R35145	1I8	36	50 - 27	R35231	1H25	1	50 - 19	R35321	1H15	31	50 - 9
R35145	1I11	16	50 - 29A	R35232	1I4	32	50 - 23	R35323	1H17	11	50 - 11
R35147	1I8	25	50 - 27	R35233	1I4	29	50 - 23	R35324	1H15	28	50 - 9
R35147	1I11	5	50 - 29A	R35234	1H25	17	50 - 19	R35325	1H15	27	50 - 9
R35148	1I8	31	50 - 27	R35235	1H25	18	50 - 19	R35326	1H17	4	50 - 11
R35148	1I11	12	50 - 29A	R35236	1H25	14	50 - 19	R35332	2E16	11	80 - 5
R35149	1I5	32	50 - 24	R35237	1H25	9	50 - 19	R35333	2E16	10	80 - 5
R35150	1I8	30	50 - 27	R35238	1H25	4	50 - 19	R35334	2E16	12	80 - 5
R35151	1I5	33	50 - 24	R35239	1H25	3	50 - 19	R35335	2E16	6	80 - 5
R35152	1B7	13	20 - 13	R35240	1I4	3	50 - 23	R35337	1I21	23	50 - 39
R35152	1B7	34	20 - 13	R35241	1I4	5	50 - 23	R35338	1C6	1	20 - 37
R35154	1A24	16	20 - 5	R35242	1I4	4	50 - 23	R35339	2E25	6	80 - 15
R35155	1A24	19	20 - 5	R35243	1I4	8	50 - 23	R35340	2E25	7	80 - 15

1L15

5010 TRACTOR

NUMERICAL INDEX - CONTINUED

PART NO.	GRID	KEY	PAGE	PART NO.	GRID	KEY	PAGE	PART NO.	GRID	KEY	PAGE
R35618	115	10	50-24	R35766	1H17	14	50-11	R36308	1D9	9	30-23
R35619	116	12	50-25	R35767	1H17	17	50-11	R36309	1D9	5	30-23
R35620	116	20	50-25	R35769	2E25	21	80-15	R36310	1D9	4	30-23
R35621	1H19	32	50-13	R35775	2C7	14	70-37	R36311	1H12	44	50-5
R35621	116	19	50-25	R35776	2C5	19	70-35	R36328	1B17	3	20-23
R35622	1H10	2	50-3	R35776	2C7	16	70-37	R36338	1H25	10	50-19
R35623	1F16	38	40-57	R35777	2E21	14	80-11	R36338	111	8	50-20
R35623	1F18	38	40-59	R35778	2E21	14	80-11	R36340	1A23	2	20-4
R35623	1H10	7	50-3	R35785	1B18	1	20-24	R36350	1B14	10	20-20
R35626	2F15	13	90-10	R35790	2E23	5	80-13	R36350	1B15	4	20-21
R35627	115	13	50-24	R35791	1F11	27	40-52	R36358	2B12	11	70-17
R35629	1J9	9	60-12	R35794	1J21	10	60-23	R36378	2C5	13	70-35
R35634	1I21	3	50-39	R35798	116	17	50-25	R36379	2C5	2	70-35
R35635	1A24	14	20-5	R35799	1C2	3	20-31	R36381	2C11	11	70-41
R35637	1C18	6	30-5	R35800	1C2	1	20-31	R36390	2C5	6	70-35
R35638	1H13	17	50-7	R35809	116	5	50-25	R36395	2C10	15	70-40
R35640	1A24	21	20-5	R35810	1113	1	50-31	R36396	2C10	7	70-40
R35641	1C18	10	30-5	R35810	1115	1	50-33	R36397	2C10	8	70-40
R35642	1H13	33	50-7	R35811	1C14	1	30-1	R36398	2C5	16	70-35
R35643	1H13	26	50-7	R35812	1H12	36	50-5	R36402	2C10	3	70-40
R35644	1H12	43	50-5	R35822	1C16	18	30-3	R36402	2C20	2	70-51
R35645	1H12	17	50-5	R35823	114	18	50-23	R36405	2C14	13	70-45
R35645	1H12	25	50-5	R35823	2E19	3	80-9	R36406	2E19	11	80-9
R35646	1B14	12	20-20	R35825	2F14	20	90-9	R36407	2E19	4	80-9
R35648	1C20	17	30-7	R35826	2B17	3	70-23	R36408	2E19	5	80-9
R35648	1D14	9	40-2	R35827	2B8	22	70-13	R36413	1B17	2	20-23
R35648	1D17	7	40-5	R35827	2B17	2	70-23	R36414	1B17	2	20-23
R35648	1D19	16	40-7	R35827	2C2	16	70-33	R36417	2C10	11	70-40
R35651	1D21	9	40-9	R35835	2D9	24	70-63	R36418	2C10	9	70-40
R35652	1D21	5	40-9	R35838	2D9	15	70-63	R36419	2C10	4	70-40
R35654	118	18	50-27	R35839	2D9	16	70-63	R36420	2E19	9	80-9
R35655	1H12	37	50-5	R36075	2A24	1	70-4	R36421	2E19	6	80-9
R35657	2C7	6	70-37	R36075	2B2	16	70-7	R36422	2E19	2	80-9
R35663	2E23	20	80-13	R36075	2B2	..	70-7	R36423	2C5	1	70-35
R35664	2E23	16	80-13	R36075	2B17	5	70-23	R36424	2C5	3	70-35
R35665	2E23	15	80-13	R36083	2F14	7	90-9	R36425	2C5	15	70-35
R35666	2E23	17	80-13	R36084	1D9	42	30-23	R36426	2C9	9	70-39
R35668	1D15	33	40-3	R36086	1118	..	50-36	R36426	2C12	4	70-42
R35668	1D17	28	40-5	R36086	1J23	18	60-25	R36427	2C14	38	70-45
R35668	1D19	29	40-7	R36096	1H15	26	50-9	R36428	2C9	21	70-39
R35675	2E23	1	80-13	R36097	2E16	13	80-5	R36433	2C22	12	70-53
R35679	1J21	15	60-23	R36110	118	37	50-27	R36434	2C18	2	70-49
R35680	1J21	14	60-23	R36110	1111	17	50-29A	R36435	2D7	30	70-61
R35681	1J21	19	60-23	R36111	115	20	50-24	R36436	2D7	30	70-61
R35684	1J21	18	60-23	R36137	118	3	50-27	R36439	2D4	24	70-57
R35701	2D12	18	70-66	R36137	1110	2	50-29	R36440	2D4	27	70-57
R35705	2D11	12	70-65	R36190	2E16	8	80-5	R36441	2D4	28	70-57
R35705	2D12	20	70-66	R36224	1H25	16	50-19	R36442	2D4	41	70-57
R35717	2B25	46	70-31	R36225	1H25	15	50-19	R36443	2D4	6	70-57
R35726	1C2	5	20-31	R36235	1F20	19	40-61	R36444	2D4	10	70-57
R35726	1J8	30	60-11	R36235	1G17	22	40-82	R36448	2D4	1	70-57
R35726	1J8	32	60-11	R36238	2E21	9	80-11	R36449	2D4	7	70-57
R35726	2B25	27	70-31	R36239	2E21	10	80-11	R36449	2D4	34	70-57
R35726	2B25	43	70-31	R36265	1D15	28	40-3	R36449	2D4	35	70-57
R35726	2B25	48	70-31	R36265	1D17	23	40-5	R36449	2D4	40	70-57
R35726	2B25	50	70-31	R36265	1D19	21	40-7	R36449	2D4	41	70-57
R35726	2C12	17	70-42	R36265	1F6	6	40-47	R36450	2D4	34	70-57
R35735	1I21	13	50-39	R36265	1H10	5	50-3	R36450	2D4	35	70-57
R35736	2D23	5	70-78	R36272	2D7	19	70-61	R36450	2D4	40	70-57
R35737	2E14	5	80-4	R36273	2D7	17	70-61	R36450	2D4	41	70-57
R35738	2E2	33	70-81	R36286	116	9	50-25	R36464	2D2	1	70-55
R35738	2E4	32	70-83	R36289	1D3	3	30-16	R36465	2D2	10	70-55
R35738	2E5	1	70-84	R36291	1D3	10	30-16	R36466	2D2	18	70-55
R35738	2E6	21	70-85	R36292	1D21	16	40-9	R36469	2C22	22	70-53
R35741	1C6	5	20-37	R36293	115	30	50-24	R36470	2C22	19	70-53
R35761	2E21	10	80-11	R36296	1H15	46	50-9	R36471	2C22	18	70-53
R35765	1H17	16	50-11	R36300	1J8	17	60-11	R36472	2C22	8	70-53

1L16

5010 TRACTOR

NUMERICAL INDEX - CONTINUED

PART NO.	GRID	KEY	PAGE	PART NO.	GRID	KEY	PAGE	PART NO.	GRID	KEY	PAGE
R36479	2C18	5	70 - 49	R36689	2F3	4	80 - 19	R36865	1B23	19	20 - 29
R36480	2C18	10	70 - 49	R36704	2F12	17	90 - 7	R36866	1110	25	50 - 29
R36481	2C18	1	70 - 49	R36704	2F12	25	90 - 7	R36874	1117	6	50 - 35
R36482	2C18	11	70 - 49	R36711	1D3	3	30 - 16	R36878	1115	29	50 - 33
R36483	2C18	9	70 - 49	R36712	1B21	3	20 - 27	R36879	1115	14	50 - 33
R36484	2C16	25	70 - 47	R36713	1C23	28	30 - 10	R36880	1115	18	50 - 33
R36485	2C16	23	70 - 47	R36715	1B23	21	20 - 29	R36881	1115	27	50 - 33
R36486	2C16	24	70 - 47	R36716	1B23	15	20 - 29	R36902	1117	32	50 - 35
R36487	2C16	20	70 - 47	R36718	1H15	19	50 - 9	R36910	1H19	1	50 - 13
R36488	2C16	16	70 - 47	R36719	1H15	26	50 - 9	R36915	1J19	30	60 - 21
R36491	2C16	14	70 - 47	R36720	1B10	9	20 - 16	R36916	1J19	31	60 - 21
R36499	1C16	16	30 - 3	R36728	2E13	1	80 - 3	R36925	1117	23	50 - 35
R36500	1C16	12	30 - 3	R36728	2E13	8	80 - 3	R36926	2C12	20	70 - 42
R36502	1C16	15	30 - 3	R36730	1H19	1	50 - 13	R36926	2F14	32	90 - 9
R36507	2D7	24	70 - 61	R36732	1G21	24	40 - 86	R36927	1118	14	50 - 36
R36508	2D7	22	70 - 61	R36740	2E13	1	80 - 3	R36927	2F14	31	90 - 9
R36509	2D7	18	70 - 61	R36756	2F3	9	80 - 19	R36946	2D18	21	70 - 73
R36511	2E18	28	80 - 7	R36764	1H20	19	50 - 14	R36948	1117	15	50 - 35
R36512	2E21	14	80 - 11	R36765	1H20	1	50 - 14	R36950	2E4	23	70 - 83
R36513	2E21	14	80 - 11	R36765	1H20	20	50 - 14	R36951	2E4	20	70 - 83
R36518	2F12	33	90 - 7	R36765	1113	16	50 - 31	R36951	2E6	10	70 - 85
R36519	2F12	32	90 - 7	R36765	1115	28	50 - 33	R36952	2E4	34	70 - 83
R36521	1H13	34	50 - 7	R36766	1H20	1	50 - 14	R36952	2E6	23	70 - 85
R36525	2D2	15	70 - 55	R36766	1H20	20	50 - 14	R36953	1E2	7	40 - 15
R36526	2D2	9	70 - 55	R36766	1113	16	50 - 31	R36953	1E3	12	40 - 16
R36527	2D2	11	70 - 55	R36766	1115	28	50 - 33	R36954	2E4	33	70 - 83
R36528	1A24	9	20 - 5	R36767	1H20	1	50 - 14	R36965	1110	6	50 - 29
R36529	1A24	13	20 - 5	R36767	1H20	19	50 - 14	R36975	1D19	20	40 - 7
R36533	2D20	41	70 - 75	R36767	1H20	20	50 - 14	R36976	1D19	15	40 - 7
R36533	2D22	3	70 - 77	R36767	1113	16	50 - 31	R36984	1C16	4	30 - 3
R36535	1C25	18	30 - 13	R36767	1115	28	50 - 33	R36985	1D9	23	30 - 23
R36539	1C25	27	30 - 13	R36771	2C18	5	70 - 49	R36993	2C16	25	70 - 47
R36540	1C25	28	30 - 13	R36782	1D21	5	40 - 9	R36995	1A23	4	20 - 4
R36543	1C25	12	30 - 13	R36782	1D23	5	40 - 11	R36995	1B19	5	20 - 25
R36553	2C16	4	70 - 47	R36784	1H13	17	50 - 7	R37270	1D15	22	40 - 3
R36554	2C16	11	70 - 47	R36785	1111	11	50 - 29A	R37270	1D17	18	40 - 5
R36555	2C9	40	70 - 39	R36795	2D23	5	70 - 78	R37270	1D23	11	40 - 11
R36556	2C9	35	70 - 39	R36798	1D4	10	30 - 17	R37270	1F18	48	40 - 59
R36561	1H13	21	50 - 7	R36801	1B17	8	20 - 23	R37426	1124	41	60 - 3
R36582	2C16	13	70 - 47	R36801	1B17	9	20 - 23	R375R	1C2	2	20 - 31
R36582	2C16	25	70 - 47	R36812	1C3	9	20 - 32	R375R	1C10	14	20 - 41
R36583	2E19	13	80 - 9	R36813	1C8	4	20 - 39	R375R	2D14	14	70 - 69
R36608	2D7	14	70 - 61	R36814	1C8	11	20 - 39	R375R	2D16	16	70 - 71
R36608	2D9	11	70 - 63	R36815	1C8	5	20 - 39	R375R	2D17	5	70 - 72
R36609	2D7	5A	70 - 61	R36816	1C8	3	20 - 39	R38112	2D9	18	70 - 63
R36609	2D9	4	70 - 63	R36819	1C8	1	20 - 39	R38371	1F14	2	40 - 55
R36612	2D4	22	70 - 57	R36827	1H13	10	50 - 7	R38374	1E6	12	40 - 19
R36613	2D4	26	70 - 57	R36828	1B21	3	20 - 27	R38531	2B2	19	70 - 7
R36614	2C16	18	70 - 47	R36829	1H15	19	50 - 9	R38614	1B9	1	20 - 15
R36616	1I21	2	50 - 39	R36830	1H15	3	50 - 9	R38614	1B23	2	20 - 29
R36621	2F18	2	90 - 13	R36836	2E13	21	80 - 3	R38614	1B23	4	20 - 29
R36652	1B2	5	20 - 7	R36837	2E13	21	80 - 3	R38614	1B23	15	20 - 29
R36652	1C10	8	20 - 41	R36838	1D15	21	40 - 3	R38614	1B23	29	20 - 29
R36655	1B20	4	20 - 26	R36838	1D17	17	40 - 5	R39067	2B2	13	70 - 7
R36658	2E7	3	70 - 86	R36839	1D23	10	40 - 11	R39074	2B2	21	70 - 7
R36659	2E7	3	70 - 86	R36840	2E13	35	80 - 3	R39112	1H15	16	50 - 9
R36666	1B7	9	20 - 13	R36841	1D23	17	40 - 11	R39112	1J4	28	60 - 7
R36666	111	2	50 - 20	R36842	1D23	21	40 - 11	R39112	2B20	4	70 - 27
R36667	111	1	50 - 20	R36843	1D23	3	40 - 11	R39112	2B21	1	70 - 28
R36667	111	3	50 - 20	R36846	1C8	7	20 - 39	R39112	2C5	4	70 - 35
R36667	111	4	50 - 20	R36847	1C8	7	20 - 39	R39112	2C9	30	70 - 39
R36668	1H13	16	50 - 7	R36861	1115	16	50 - 33	R39112	2D22	1	70 - 77
R36673	1H13	18	50 - 7	R36862	1115	25	50 - 33	R39174	2B2	23	70 - 7
R36675	1B14	3	20 - 20	R36863	1B23	15	20 - 29	R39175	2B2	24	70 - 7
R36675	1H13	19	50 - 7	R36864	1B23	15	20 - 29	R39215	2B17	1	70 - 23
R36678	1H23	9	50 - 17	R36864	1B23	17	20 - 29	R39215	2C2	15	70 - 33
R36678	1H23	10	50 - 17	R36865	1B23	15	20 - 29	R39228	2B2	22	70 - 7

1L17

5010 TRACTOR

NUMERICAL INDEX - CONTINUED

PART NO.	GRID	KEY	PAGE	PART NO.	GRID	KEY	PAGE	PART NO.	GRID	KEY	PAGE
R39228	2B10	16	70 - 15	R39803	1E5	18	40 - 18	R40270	1B7	33	20 - 13
R39253	1B7	19	20 - 13	R39803	1E6	18	40 - 19	R40270	1B7	34	20 - 13
R394R	1E15	3	40 - 28	R39805	1C16	5	30 - 3	R40270	1B17	10	20 - 23
R394R	1H15	2	50 - 9	R39806	1C16	8	30 - 3	R40270	1B17	11	20 - 23
R394R	1H15	3	50 - 9	R39843	2B2	30	70 - 7	R40270	1B19	6	20 - 25
R394R	1H15	7	50 - 9	R39869	1115	26	50 - 33	R40271	1B23	8	20 - 29
R394R	1H24	16	50 - 18	R39895	1C20	4	30 - 7	R40272	1B23	11	20 - 29
R394R	1J2	45	60 - 5	R39980	1J19	8	60 - 21	R40273	1B23	9	20 - 29
R394R	2C14	20	70 - 45	R39981	1J19	3	60 - 21	R40330	1H19	1	50 - 13
R394R	2C14	30	70 - 45	R39982	1J19	2	60 - 21	R40337	1E15	17	40 - 28
R394R	2D20	34	70 - 75	R39986	2E23	1	80 - 13	R40337	1E17	6	40 - 31
R394R	2D22	11	70 - 77	R40028	2D7	18	70 - 61	R40338	1J2	12	60 - 5
R39520	1B5	2	20 - 10	R40072	2B21	9	70 - 28	R40338	1J4	12	60 - 7
R39520	1B7	33	20 - 13	R40072	2B22	15	70 - 29	R40338	2C9	11	70 - 39
R39531	1C21	13	30 - 8	R40072	2B23	15	70 - 29A	R40339	1B17	8	20 - 23
R39534	1D6	2	30 - 19	R40080	2E13	35	80 - 3	R40339	1B17	9	20 - 23
R39549	1F18	29	40 - 59	R40088	1C10	4	20 - 41	R40339	1B17	..	20 - 23
R39549	1F21	1	40 - 62	R40090	1C10	24	20 - 41	R40357	1A23	2	20 - 4
R39549	1F22	1	40 - 63	R40100	1A23	12	20 - 4	R40359	1J2	18	60 - 5
R39550	1D18	3	40 - 6	R40121	2D7	1A	70 - 61	R40360	1J2	18	60 - 5
R39551	1D19	36	40 - 7	R40138	1F20	11	40 - 61	R40362	1A24	16	20 - 5
R39551	1F18	48	40 - 59	R40145	2B21	11	70 - 28	R40363	1A24	17	20 - 5
R39553	1F18	45	40 - 59	R40147	1H17	22	50 - 11	R40365	1A23	8	20 - 4
R39554	1D19	35	40 - 7	R40148	1I2	6	50 - 21	R40366	1A24	23	20 - 5
R39554	1F18	27	40 - 59	R40149	1I24	46	60 - 3	R40370	1B7	32	20 - 13
R39555	1D19	38	40 - 7	R40154	2B20	18	70 - 27	R40441	2E18	4	80 - 7
R39571	1D6	15	30 - 19	R40154	2B21	11	70 - 28	R40445	1G16	3	40 - 81
R39596	1H15	4	50 - 9	R40154	2B21	13	70 - 28	R40469	1B3	3	20 - 8
R39613	2E25	2	80 - 15	R40154	2B24	6A	70 - 30	R40476	2C14	57	70 - 45
R39615	1C20	3	30 - 7	R40154	2B24	6B	70 - 30	R40504	2F3	14	80 - 19
R39617	1D25	6	40 - 13	R40165	2B25	28	70 - 31	R40505	2F3	11	80 - 19
R39622	1C23	28	30 - 10	R40190	1B14	6	20 - 20	R40509	2C14	58	70 - 45
R39641	1D18	8	40 - 6	R40192	1F16	1	40 - 57	R40509	2F3	12	80 - 19
R39650	1D18	12	40 - 6	R40192	1F18	1	40 - 59	R40531	1I24	47	60 - 3
R39650	1F22	4B	40 - 63	R40217	1B23	3	20 - 29	R40551	1H23	25	50 - 17
R39661	1D21	5	40 - 9	R40217	1B23	4	20 - 29	R40552	1H23	25	50 - 17
R39661	1D23	5	40 - 11	R40217	1B23	5	20 - 29	R40559	2B22	9	70 - 29
R39661	1D25	3	40 - 13	R40217	1B23	15	20 - 29	R40561	2B22	18	70 - 29
R39662	1D23	3	40 - 11	R40219	2E2	28	70 - 81	R40561	2B23	18	70 - 29A
R39662	1D25	4	40 - 13	R40227	1B19	4	20 - 25	R40562	2B22	17	70 - 29
R39663	1F11	27	40 - 52	R40228	1B18	1	20 - 24	R40562	2B23	17	70 - 29A
R39690	1C8	11	20 - 39	R40228	1B19	3	20 - 25	R40564	1B12	6	20 - 18
R39713	1D19	28	40 - 7	R40229	1B19	3	20 - 25	R40565	1D1	10	30 - 14
R39725	1I10	12	50 - 29	R40231	1B19	6	20 - 25	R40565	1D2	5	30 - 15
R39725	2C14	38	70 - 45	R40232	1B17	10	20 - 23	R40567	1I24	35	60 - 3
R39726	1I10	13	50 - 29	R40232	1B17	11	20 - 23	R40567	1I24	36	60 - 3
R39726	2C14	38	70 - 45	R40233	1B17	11	20 - 23	R40579	2C10	11	70 - 40
R39727	1I10	11	50 - 29	R40237	1I15	26	50 - 33	R40583	2C12	19	70 - 42
R39727	2C14	38	70 - 45	R40238	1B17	6	20 - 23	R40583	2C12	20	70 - 42
R39729	2B2	9	70 - 7	R40242	1C3	4	20 - 32	R40583	2F14	30	90 - 9
R39729	2B8	17	70 - 13	R40242	1C4	3	20 - 33	R40583	2F14	32	90 - 9
R39730	1I17	12	50 - 35	R40244	1C3	13	20 - 32	R40595	1J4	23	60 - 7
R39731	1I17	11	50 - 35	R40259	1H20	1	50 - 14	R40603	1B7	13	20 - 13
R39732	1I17	10	50 - 35	R40259	1I13	16	50 - 31	R40603	1B7	34	20 - 13
R39739	2F18	4	90 - 13	R40259	1I15	28	50 - 33	R40606	1E5	12	40 - 18
R39741	2B2	15	70 - 7	R40268	1H20	5	50 - 14	R40627	1B17	8	20 - 23
R39741	2B2	16	70 - 7	R40269	1B23	7	20 - 29	R40627	1B17	9	20 - 23
R39741	2B10	13	70 - 15	R40270	1A23	5	20 - 4	R40629	1I17	32	50 - 35
R39754	2C14	58	70 - 45	R40270	1A23	6	20 - 4	R40632	1I17	32	50 - 35
R39769	2D22	23	70 - 77	R40270	1A23	7	20 - 4	R40634	1B3	5	20 - 8
R39770	2D22	26	70 - 77	R40270	1B5	1	20 - 10	R40641	1F5	10	40 - 46
R39771	2D22	24	70 - 77	R40270	1B5	2	20 - 10	R40642	1F5	1	40 - 46
R39798	1H15	3	50 - 9	R40270	1B7	1	20 - 13	R40643	1F5	7	40 - 46
R39799	1H15	1	50 - 9	R40270	1B7	2	20 - 13	R40644	1F5	6	40 - 46
R39800	1E6	14	40 - 19	R40270	1B7	13	20 - 13	R40645	1F5	8	40 - 46
R39801	1E6	20	40 - 19	R40270	1B7	22	20 - 13	R40650	2C5	6	70 - 35
R39802	1E6	9	40 - 19	R40270	1B7	32	20 - 13	R40669	1H15	19	50 - 9

1L18

5010 TRACTOR

NUMERICAL INDEX - CONTINUED

PART NO.	GRID	KEY	PAGE	PART NO.	GRID	KEY	PAGE	PART NO.	GRID	KEY	PAGE
R40672	2E13	21	80 - 3	R41883	1B7	33	20 - 13	R42629	1I24	7	60 - 3
R40673	2E13	21	80 - 3	R41883	1B7	34	20 - 13	R42660	2D9	13	70 - 63
R40676	1F16	12	40 - 57	R41920	1B12	23	20 - 18	R42660	2D9	17	70 - 63
R40676	1F18	13	40 - 59	R41920	1B23	4	20 - 29	R42661	1J4	37	60 - 7
R40676	2F3	15	80 - 19	R41920	1B23	15	20 - 29	R42662	2E25	5	80 - 15
R40719	2E13	6	80 - 3	R41920	1B23	29	20 - 29	R42663	2B4	31	70 - 9
R40757	1J2	25	60 - 5	R41929	1I17	32	50 - 35	R42666	1F14	1	40 - 55
R40757	1J4	25	60 - 7	R41931	2D20	13	70 - 75	R42667	1F14	1	40 - 55
R40775	1E2	7	40 - 15	R41932	2D20	15	70 - 75	R42684	1J15	29	60 - 17
R40775	1E3	12	40 - 16	R41933	2F3	2	80 - 19	R42692	2C9	20	70 - 39
R40776	1B12	10	20 - 18	R41962	2E2	27	70 - 81	R42693	1C8	14	20 - 39
R40777	1C10	23	20 - 41	R41962	2E4	8	70 - 83	R42693	1C10	7	20 - 41
R40789	1J19	12	60 - 21	R41986	1H13	10	50 - 7	R42694	1C8	6	20 - 39
R40789	1J19	13	60 - 21	R41990	1H10	9	50 - 3	R42694	1C10	5	20 - 41
R40789	1J19	17	60 - 21	R42127	1I2	9	50 - 21	R42722	1I5	28	50 - 24
R40799	2C9	43	70 - 39	R42171	2D2	15	70 - 55	R42729	1B23	3	20 - 29
R40810	1B10	9	20 - 16	R42172	2D2	17	70 - 55	R42729	1B23	15	20 - 29
R40820	1B14	6	20 - 20	R42181	1A24	17	20 - 5	R42729	1B23	29	20 - 29
R40928	2C18	4	70 - 49	R42182	1A24	16	20 - 5	R42783	1I8	3	50 - 27
R40951	1B17	8	20 - 23	R42200	1B14	6	20 - 20	R42783	1I10	2	50 - 29
R40951	1B17	9	20 - 23	R42210	1B14	6	20 - 20	R42799	1G10	3	40 - 75
R40976	1H15	20A	50 - 9	R42260	2B4	40	70 - 9	R42799	1G11	9	40 - 76
R41016	1I15	24	50 - 33	R42260	2B12	36	70 - 17	R42800	1G8	5	40 - 73
R41017	1I15	23	50 - 33	R42273	1I15	25	50 - 33	R42801	1G8	18	40 - 73
R41035	1B13	4	20 - 19	R42299	2C10	7	70 - 40	R42802	1G8	19	40 - 73
R41057	2B4	43	70 - 9	R42305	1A24	21	20 - 5	R42849	1I5	14	50 - 24
R41057	2B4	44	70 - 9	R42306	1I13	4	50 - 31	R42849	1J2	30	60 - 5
R41057	2B6	7	70 - 11	R42306	1I13	15	50 - 31	R42849	1J4	31	60 - 7
R41057	2B8	..	70 - 13	R42307	1I13	4	50 - 31	R42849	1J15	26	60 - 17
R41057	2B12	40	70 - 17	R42307	1I13	8	50 - 31	R42849	1J23	4	60 - 25
R41057	2B14	9	70 - 19	R42307	1I15	4	50 - 33	R43023	1H20	1	50 - 14
R41057	2B19	13	70 - 25	R42307	1I15	8	50 - 33	R43023	1I13	16	50 - 31
R41070	1B7	13	20 - 13	R42334	2D22	12	70 - 77	R43023	1I15	28	50 - 33
R41155	2D20	38	70 - 75	R42357	1I18	11	50 - 36	R43319	2D5	1	70 - 59
R41157	1F4	4	40 - 45	R42357	1J8	3	60 - 11	R43319	2D5	8	70 - 59
R41173	1A24	20	20 - 5	R42357	1J9	13	60 - 12	R43320	2D5	5	70 - 59
R41175	2D22	4	70 - 77	R42363	1A23	4	20 - 4	R43323	2D2	18	70 - 55
R41175	2D22	9	70 - 77	R42363	1B7	17	20 - 13	R43368	1I13	14	50 - 31
R41197	2D20	41	70 - 75	R42363	1B19	5	20 - 25	R43368	1I15	15	50 - 33
R41197	2D22	3	70 - 77	R42364	1B14	1	20 - 20	R43370	1I21	9	50 - 39
R41243	2C10	4	70 - 40	R42365	1B7	16	20 - 13	R43448	2C5	16	70 - 35
R41325	1F11	10	40 - 52	R42365	1B19	6	20 - 25	R43721	1J4	18	60 - 7
R41326	1F11	11	40 - 52	R42366	1B17	10	20 - 23	R43791	2C9	40	70 - 39
R41327	1F11	7	40 - 52	R42368	1A23	5	20 - 4	R43828	1E6	28	40 - 19
R41328	1F11	8	40 - 52	R42368	1A23	6	20 - 4	R43962	1J4	18	60 - 7
R41439	1G21	13	40 - 86	R42368	1B7	22	20 - 13	R44008	1E6	31	40 - 19
R41494	2D16	34	70 - 71	R42369	1A23	6	20 - 4	R44022	1A23	8	20 - 4
R41613	2D20	16	70 - 75	R42370	1A23	5	20 - 4	R44070	1B14	6	20 - 20
R41613	2D20	30	70 - 75	R42370	1A23	6	20 - 4	R44101	1C21	4	30 - 8
R41640	1A24	16	20 - 5	R42370	1B5	1	20 - 10	R44141	2C2	6	70 - 33
R41708	1I24	23	60 - 3	R42370	1B5	2	20 - 10	R44253	1J21	15	60 - 23
R41708	1I24	49	60 - 3	R42370	1B7	1	20 - 13	R44254	1J15	34	60 - 17
R41724	1J4	2	60 - 7	R42370	1B7	2	20 - 13	R44255	1J15	36	60 - 17
R41853	1C8	11	20 - 39	R42370	1B7	13	20 - 13	R44256	1J15	35	60 - 17
R41867	1A23	12	20 - 4	R42370	1B7	22	20 - 13	R44286	2E4	23	70 - 83
R41868	1A23	9	20 - 4	R42370	1B7	33	20 - 13	R44286	2E6	13	70 - 85
R41869	1A23	9	20 - 4	R42370	1B7	34	20 - 13	R44287	2E4	33	70 - 83
R41870	1A23	9	20 - 4	R42370	1B17	10	20 - 23	R44287	2E6	22	70 - 85
R41871	1A23	9	20 - 4	R42370	1B17	11	20 - 23	R44297	2E2	23	70 - 81
R41879	1G6	5	40 - 71	R42371	1A23	7	20 - 4	R44297	2E4	11	70 - 83
R41879	1G8	6	40 - 73	R42372	1A23	6	20 - 4	R443R	1H12	31	50 - 5
R41880	1G6	12	40 - 71	R42377	1I21	9	50 - 39	R44302	1D7	2	30 - 21
R41880	1G8	13	40 - 73	R42411	1J12	8	60 - 15	R44302	1D14	16	40 - 2
R41880	1G10	13	40 - 75	R42451	2F16	5	90 - 11	R44302	1D15	37	40 - 3
R41880	1G11	4	40 - 76	R42467	2B2	29	70 - 7	R44302	1D17	12	40 - 5
R41883	1B7	13	20 - 13	R42495	2C22	5	70 - 53	R44302	1D17	32	40 - 5
R41883	1B7	32	20 - 13	R42529	1I21	19	50 - 39	R44302	1D19	15	40 - 7

1L19

5010 TRACTOR

NUMERICAL INDEX - CONTINUED

PART NO.	GRID	KEY	PAGE	PART NO.	GRID	KEY	PAGE	PART NO.	GRID	KEY	PAGE
R44302	1D19	20	40 - 7	R45438	2B10	1	70 - 15	R47050	2D4	32	70 - 57
R44302	1D19	24	40 - 7	R45515	2C18	13	70 - 49	R47050	2D4	33	70 - 57
R44302	1D21	14	40 - 9	R45516	2C18	13	70 - 49	R47050	2D4	38	70 - 57
R44302	1D23	15	40 - 11	R45581	1111	18	50 - 29A	R47051	2D4	7	70 - 57
R44302	1E12	2	40 - 25	R45582	1111	17	50 - 29A	R47051	2D4	32	70 - 57
R44302	1E13	5	40 - 26	R45620	2E2	27	70 - 81	R47051	2D4	33	70 - 57
R44302	1E18	5	40 - 32	R45620	2E4	8	70 - 83	R47051	2D4	38	70 - 57
R44302	1F2	5	40 - 43	R45620	2E5	11	70 - 84	R47077	1C25	11	30 - 13
R44302	1F6	1	40 - 47	R45630	2D18	5	70 - 73	R47079	1I2	3	50 - 21
R44302	1F12	24	40 - 53	R45822	2A23	4	70 - 3	R47079	2F14	9	90 - 9
R44302	1G4	1	40 - 69	R45823	1A24	17	20 - 5	R47092	1B7	3	20 - 13
R44302	1G13	6	40 - 78	R45874	2B2	32	70 - 7	R47100	1H19	1	50 - 13
R44302	1G16	20	40 - 81	R459R	1I5	5	50 - 24	R47100	1J12	8	60 - 15
R44302	1G21	12	40 - 86	R459R	1I17	14	50 - 35	R47100	1J12	9	60 - 15
R44315	2F3	2	80 - 19	R459R	1J2	4	60 - 5	R47100	1J12	10	60 - 15
R44328	1I15	24	50 - 33	R459R	1J4	4	60 - 7	R47100	1J13	5	60 - 15A
R44506	1B17	8	20 - 23	R459R	1J15	2	60 - 17	R47100	1J13	6	60 - 15A
R44710	2F3	9	80 - 19	R459R	2E4	14	70 - 83	R47100	1J13	7	60 - 15A
R44802	2B4	31	70 - 9	R459R	2E5	6	70 - 84	R47160	1D7	5	30 - 21
R44823	2B2	10	70 - 7	R459R	2E6	3	70 - 85	R47200	1J21	19	60 - 23
R44837	1J13	2	60 - 15A	R45928	1J19	12	60 - 21	R47203	1I2	14	50 - 21
R44853	1B4	1	20 - 9	R45928	1J19	13	60 - 21	R47248	1B10	2	20 - 16
R44853	1C10	26	20 - 41	R45928	1J19	17	60 - 21	R47248	1B11	1	20 - 17
R44910	1H19	1	50 - 13	R45929	1J19	12	60 - 21	R47248	1C10	33	20 - 41
R44949	1J23	20	60 - 25	R45929	1J19	17	60 - 21	R47358	1C22	7	30 - 9
R44950	1J23	20	60 - 25	R45957	2F3	1	80 - 19	R47433	1C22	1	30 - 9
R44951	2F3	3	80 - 19	R460R	1C25	30	30 - 13	R47474	1G6	17	40 - 71
R44952	2F3	3	80 - 19	R46001	2D4	7	70 - 57	R47474	1G10	18	40 - 75
R44961	1I21	14	50 - 39	R46001	2D4	40	70 - 57	R47510	1A23	5	20 - 4
R44961	1J12	1	60 - 15	R46001	2D4	41	70 - 57	R47510	1A23	6	20 - 4
R44961	1J13	1	60 - 15A	R46002	2D4	7	70 - 57	R47510	1A23	7	20 - 4
R44982	1B3	2	20 - 8	R46002	2D4	40	70 - 57	R47510	1B5	3	20 - 10
R44982	1B3	3	20 - 8	R46002	2D4	41	70 - 57	R47510	1B7	2	20 - 13
R45118	1C3	13	20 - 32	R46141	2B23	7	70 - 29A	R47510	1B7	3	20 - 13
R45136	1G6	16	40 - 71	R46194	1E17	16	40 - 31	R47510	1B7	13	20 - 13
R45136	1G10	17	40 - 75	R46195	1E17	18	40 - 31	R47510	1B7	22	20 - 13
R45137	1G6	17	40 - 71	R46196	1E17	17	40 - 31	R47510	1B7	31	20 - 13
R45137	1G10	18	40 - 75	R46197	1E17	19	40 - 31	R47510	1B9	1	20 - 15
R45225	1H23	11	50 - 17	R46198	1E17	10	40 - 31	R47510	1B17	9	20 - 23
R45225	1H23	23	50 - 17	R463R	1C10	11	20 - 41	R47510	1B17	10	20 - 23
R45227	2B2	14	70 - 7	R463R	1C23	27	30 - 10	R47510	1B17	11	20 - 23
R45227	2B2	15	70 - 7	R463R	1C23	31	30 - 10	R47510	1B19	6	20 - 25
R45227	2B2	16	70 - 7	R463R	1D3	1	30 - 16	R47524	2C22	4	70 - 53
R45228	2B2	14	70 - 7	R463R	1D4	1	30 - 17	R47566	2C18	15	70 - 49
R45228	2B2	15	70 - 7	R463R	1D4	5	30 - 17	R47566	2C19	5	70 - 50
R45228	2B2	16	70 - 7	R463R	1D4	11	30 - 17	R47566	2C18	16	70 - 49
R45236	1J21	23	60 - 23	R46410	1J10	16	60 - 13	R47567	2C19	5	70 - 50
R45266	1A23	5	20 - 4	R46410	1J11	3	60 - 14	R47568	2C18	17	70 - 49
R45267	1A23	6	20 - 4	R46485	2C2	6	70 - 33	R47568	2C19	5	70 - 50
R45268	1A23	7	20 - 4	R46505	1G6	5	40 - 71	R47590	2D4	24	70 - 57
R45297	1I24	16	60 - 3	R46577	1B13	4	20 - 19	R47630	1F20	1	40 - 61
R45300	1A23	5	20 - 4	R46577	1B13	5	20 - 19	R47678	2D4	27	70 - 57
R45300	1A23	6	20 - 4	R46673	1J12	9	60 - 15	R47679	2D4	26	70 - 57
R45300	1A23	7	20 - 4	R46673	1J13	6	60 - 15A	R47739	2F3	18	80 - 19
R45300	1B7	2	20 - 13	R46674	1H19	1	50 - 13	R47756	2C2	17	70 - 33
R45300	1B7	13	20 - 13	R46674	1J12	8	60 - 15	R47859	1G21	1	40 - 86
R45300	1B7	22	20 - 13	R46674	1J13	5	60 - 15A	R47860	1G17	9	40 - 82
R45300	1B17	10	20 - 23	R46774	2A22	9	70 - 2	R47861	1G17	9	40 - 82
R45300	1B17	11	20 - 23	R46774	2A23	10	70 - 3	R47915	2F14	28	90 - 9
R45300	1B19	6	20 - 25	R46801	2C18	13	70 - 49	R48026	1G17	..	40 - 82
R45305	2D10	9	70 - 64	R46801	2C19	1	70 - 50	R48027	1G17	..	40 - 82
R45306	2D10	6	70 - 64	R46806	1I21	24	50 - 39	R48028	1G17	28	40 - 82
R45385	2C22	8	70 - 53	R46903	1B3	1	20 - 8	R48048	1G17	17	40 - 82
R45422	2B10	26	70 - 15	R46903	1B7	20	20 - 13	R48049	1G17	27	40 - 82
R45425	2B10	22A	70 - 15	R46973	1I21	15	50 - 39	R48071	1C22	3	30 - 9
R45438	2B2	1	70 - 7	R47044	2D7	4	70 - 61	R48084	2C2	4	70 - 33
R45438	2B2	4	70 - 7	R47050	2D4	7	70 - 57	R48240	1J12	8	60 - 15

1L20

5010 TRACTOR

NUMERICAL INDEX - CONTINUED

PART NO.	GRID	KEY	PAGE	PART NO.	GRID	KEY	PAGE	PART NO.	GRID	KEY	PAGE
R48240	1J13	5	60 - 15A	R49799	2F14	7	90 - 9	R53647	1I21	2	50 - 39
R48253	1I13	12	50 - 31	R49802	1F16	38	40 - 57	R53648	1I21	2	50 - 39
R48253	1I15	12	50 - 33	R49802	1F18	38	40 - 59	R53659	1I21	1	50 - 39
R48256	1B7	18	20 - 13	R49802	1H10	7	50 - 3	R53659	1I21	2	50 - 39
R48257	1B7	18	20 - 13	R49867	1B2	5	20 - 7	R53762	2C22	4	70 - 53
R48260	1B19	6	20 - 25	R49867	1C10	8	20 - 41	R54059	1J19	3	60 - 21
R48298	2B2	24	70 - 7	R49989	2E18	4	80 - 7	R54064	2D7	5A	70 - 61
R48316	1B17	4	20 - 23	R50034	1J19	34	60 - 21	R54064	2D7	5B	70 - 61
R48317	1B17	5	20 - 23	R50194	2D2	10	70 - 55	R54064	2D9	4	70 - 63
R48361	2F3	1	80 - 19	R50656	2C18	2	70 - 49	R54065	2D7	1B	70 - 61
R48450	2F12	29	90 - 7	R50879	1J19	33	60 - 21	R54065	2D9	1	70 - 63
R48682	2C19	2	70 - 50	R50964	2F14	26	90 - 9	R54099	1B14	1	20 - 20
R48738	2B2	23	70 - 7	R50984	2D7	14	70 - 61	R54141	2D9	16	70 - 63
R48738	2B10	17	70 - 15	R51223	1I5	33	50 - 24	R54191	2C10	9	70 - 40
R48755	1B7	14	20 - 13	R51285	2D16	34	70 - 71	R54267	1F4	29	40 - 45
R48755	1D1	1	30 - 14	R51409	2D20	16	70 - 75	R54380	1H19	9	50 - 13
R48815	2D7	30	70 - 61	R51409	2D20	30	70 - 75	R54380	1I21	11	50 - 39
R48816	2D7	30	70 - 61	R51414	2D20	13	70 - 75	R54467	1G17	15	40 - 82
R48850	1B24	3	20 - 29A	R51415	2D20	15	70 - 75	R54753	1H15	1	50 - 9
R48887	1H2	17	40 - 91	R51648	2F12	17	90 - 7	R54754	1B18	1	20 - 24
R48952	1J21	15	60 - 23	R51648	2F12	25	90 - 7	R54780	1B14	6	20 - 20
R49018	1J8	41	60 - 11	R51748	1J2	52	60 - 5	R54843	1B3	2	20 - 8
R49063	1H15	38	50 - 9	R51748	1J4	50	60 - 7	R54843	1B3	3	20 - 8
R49071	2B4	25	70 - 9	R51821	2E21	4	80 - 11	R55080	2C5	16	70 - 35
R49071	2B4	27	70 - 9	R51821	2F3	18	80 - 19	R55151	2E16	17	80 - 5
R49071	2B4	28	70 - 9	R51908	2F3	6	80 - 19	R55274	1B14	3	20 - 20
R49071	2B4	29	70 - 9	R52158	1I15	14	50 - 33	R55618	1G13	5	40 - 78
R49071	2B4	30	70 - 9	R52168	1J19	7	60 - 21	R55678	2C9	6	70 - 39
R49071	2B4	31	70 - 9	R52169	1J19	10	60 - 21	R55678	2D22	34	70 - 77
R49071	2B6	9	70 - 11	R52220	1I11	20	50 - 29A	R56059	2F14	12	90 - 9
R49072	2B4	26	70 - 9	R52221	1I11	16	50 - 29A	R56059	2F14	20	90 - 9
R49072	2B6	14	70 - 11	R52390	2D9	15	70 - 63	R56231	2E21	14	80 - 11
R49186	2D20	8	70 - 75	R52408	1G10	6	40 - 75	R56232	2E21	14	80 - 11
R49187	2D20	6	70 - 75	R52529	1B19	4	20 - 25	R56463	2B2	2	70 - 7
R49187	2D20	8	70 - 75	R52530	1B19	4	20 - 25	R56463	2B8	24	70 - 13
R49188	2D20	6	70 - 75	R52533	1B19	3	20 - 25	R56463	2B10	2	70 - 15
R49191	2D16	29	70 - 71	R52534	1B18	1	20 - 24	R56463	2B19	27	70 - 25
R49193	2D14	39	70 - 69	R52534	1B19	3	20 - 25	R56481	1B7	7	20 - 13
R49193	2D16	40	70 - 71	R52535	1B18	1	20 - 24	R56481	1C23	21	30 - 10
R49193	2E4	26	70 - 83	R52537	1B19	3	20 - 25	R56604	1B23	2	20 - 29
R49193	2E6	16	70 - 85	R52539	1B19	3	20 - 25	R56604	1B23	4	20 - 29
R49215	1B14	3	20 - 20	R52540	1B19	3	20 - 25	R56604	1B23	15	20 - 29
R49220	1B14	6	20 - 20	R52541	1B17	7	20 - 23	R56749	2B2	3	70 - 7
R49297	2B2	21	70 - 7	R52542	1B17	7	20 - 23	R56751	2B8	8	70 - 13
R49297	2B10	15	70 - 15	R52543	1B17	7	20 - 23	R56751	2B8	21	70 - 13
R49298	2B10	18	70 - 15	R52544	1B17	7	20 - 23	R56751	2B12	19	70 - 17
R49350	1B14	6	20 - 20	R52634	1I13	1	50 - 31	R56751	2B14	2	70 - 19
R49383	1B18	1	20 - 24	R52634	1I15	1	50 - 33	R56751	2B19	7	70 - 25
R49383	1B19	3	20 - 25	R52749	1H15	1	50 - 9	R56751	2B19	12	70 - 25
R49384	1B18	1	20 - 24	R52840	2E13	21	80 - 3	R56751	2B19	20	70 - 25
R49384	1B19	3	20 - 25	R52840	2E13	35	80 - 3	R56751	2B19	21	70 - 25
R49385	1B17	7	20 - 23	R52841	2E13	21	80 - 3	R56751	2B19	25	70 - 25
R49410	2E13	1	80 - 3	R52841	2E13	35	80 - 3	R56753	2B2	8	70 - 7
R49433	1I5	26	50 - 24	R52882	1I2	6	50 - 21	R56753	2B8	18	70 - 13
R495R	1B2	1	20 - 7	R52961	2C11	11	70 - 41	R56754	2B4	35	70 - 9
R495R	1C10	13	20 - 41	R53169	1H17	20	50 - 11	R56755	2B4	32	70 - 9
R495R	1I24	53	60 - 3	R53192	1A23	2	20 - 4	R56755	2B6	10	70 - 11
R495R	2B2	2	70 - 7	R53247	1I2	14	50 - 21	R56755	2B8	10	70 - 13
R495R	2D14	9	70 - 69	R53286	1B17	5	20 - 23	R56755	2B12	28	70 - 17
R495R	2D16	11	70 - 71	R53286	1B17	6	20 - 23	R56755	2B14	13	70 - 19
R495R	2D18	13	70 - 73	R53293	2F3	3	80 - 19	R56755	2B19	9	70 - 25
R49637	2F14	7	90 - 9	R53294	2F3	3	80 - 19	R56756	2B4	33	70 - 9
R49639	1I6	20	50 - 25	R53296	2C22	20	70 - 53	R56756	2B6	3	70 - 11
R49649	1I13	4	50 - 31	R53409	1G12	1	40 - 77	R56756	2B8	12	70 - 13
R49649	1I13	15	50 - 31	R53410	1G12	3	40 - 77	R56757	2B4	34	70 - 9
R49688	1A23	8	20 - 4	R53580	2C5	6	70 - 35	R56757	2B6	11	70 - 11
R49688	1C10	1	20 - 41	R53635	1I21	5	50 - 39	R56757	2B8	11	70 - 13

1L21

5010 TRACTOR

NUMERICAL INDEX - CONTINUED

PART NO.	GRID	KEY	PAGE	PART NO.	GRID	KEY	PAGE	PART NO.	GRID	KEY	PAGE
R56757	2B12	30	70 - 17	R62673	1E22	3	40 - 37	R65600	1D14	14	40 - 2
R56757	2B14	14	70 - 19	R62751	111	4	50 - 20	R65600	1D15	19	40 - 3
R56757	2B19	18	70 - 25	R62760	2D5	5	70 - 59	R65600	1D15	21	40 - 3
R57034	1J2	52	60 - 5	R62760	2D5	8	70 - 59	R65600	1D15	26	40 - 3
R57034	1J4	50	60 - 7	R62910	1B19	2	20 - 25	R65600	1D17	15	40 - 5
R57103	1J21	15	60 - 23	R62955	1J2	39	60 - 5	R65600	1D17	21	40 - 5
R57103	1J21	19	60 - 23	R63024	1H12	15	50 - 5	R65600	1D19	32	40 - 7
R57258	1C22	7	30 - 9	R63024	2C14	49	70 - 45	R65600	1F14	7	40 - 55
R57268	1I21	4	50 - 39	R63093	1H15	3	50 - 9	R65600	1F14	8	40 - 55
R57345	1I5	19	50 - 24	R63106	1I21	5	50 - 39	R65600	1G24	26	40 - 89
R57373	1I15	14	50 - 33	R63180	1F11	20	40 - 52	R65601	1G24	27	40 - 89
R57480	1B14	4	20 - 20	R63326	1B15	5	20 - 21	R65602	1G24	28	40 - 89
R57480	1E11	4	40 - 24	R63349	1B14	6	20 - 20	R65602	1H4	49	40 - 93
R57559	1H15	20B	50 - 9	R63406	1B3	3	20 - 8	R65603	1G24	29	40 - 89
R57572	2F8	15	90 - 3	R63476	1B14	10	20 - 20	R65604	1G24	30	40 - 89
R57572	2F10	25	90 - 5	R63476	1B15	6	20 - 21	R65605	1G24	31	40 - 89
R57623	2F12	22	90 - 7	R63489	1C17	13	30 - 4	R65606	1G24	32	40 - 89
R57696	2E2	12	70 - 81	R63489	1C17	16	30 - 4	R65607	1G24	33	40 - 89
R57696	2E2	38	70 - 81	R63737	2D2	15	70 - 55	R65607	1H4	46	40 - 93
R57747	1I13	4	50 - 31	R63737	2D2	17	70 - 55	R65608	1G24	5	40 - 89
R57747	1I13	8	50 - 31	R63754	1J19	33	60 - 21	R65609	1G24	8	40 - 89
R57747	1I15	4	50 - 33	R63789	1B14	1	20 - 20	R65610	1G24	9	40 - 89
R57747	1I15	8	50 - 33	R63952	1B19	6	20 - 25	R65817	2D4	1	70 - 57
R57815	1J19	12	60 - 21	R64129	1H23	20	50 - 17	R65892	1H15	8	50 - 9
R57815	1J19	13	60 - 21	R64170	2B25	57	70 - 31	R66064	1H15	5	50 - 9
R57815	1J19	17	60 - 21	R64257	1I13	10	50 - 31	R66069	1F23	3	40 - 64
R58264	2D2	18	70 - 55	R64257	1I15	10	50 - 33	R66117	1E12	4	40 - 25
R58499	2B4	44	70 - 9	R64306	1B3	2	20 - 8	R662R	1I10	8	50 - 29
R58544	2C5	16	70 - 35	R64391	2F3	17	80 - 19	R66319	1D14	14	40 - 2
R58617	2D4	10	70 - 57	R64699	1F23	3	40 - 64	R66319	1D15	19	40 - 3
R58881	1B17	6	20 - 23	R64700	1F23	7	40 - 64	R66319	1D15	20	40 - 3
R58900	1H19	32	50 - 13	R64700	1F24	7	40 - 65	R66319	1D15	21	40 - 3
R58900	1I6	19	50 - 25	R65082	2D4	39	70 - 57	R66319	1D15	26	40 - 3
R58934	2D2	15	70 - 55	R65087	2D4	5	70 - 57	R66319	1D17	15	40 - 5
R59074	1I21	3	50 - 39	R65087	2D4	6	70 - 57	R66319	1D17	16	40 - 5
R59074	1I21	4	50 - 39	R65087	2D4	7	70 - 57	R66319	1D17	21	40 - 5
R59197	2D9	23	70 - 63	R65087	2D4	32	70 - 57	R66319	1D18	5	40 - 6
R59198	2D9	22	70 - 63	R65087	2D4	33	70 - 57	R66319	1D19	32	40 - 7
R59343	2D16	11	70 - 71	R65087	2D4	38	70 - 57	R66319	1D25	7	40 - 13
R59343	2D17	2	70 - 72	R65087	2D4	39	70 - 57	R66319	1D25	8	40 - 13
R59439	1I21	21	50 - 39	R65088	2D4	5	70 - 57	R66319	1F8	3	40 - 49
R59440	1I21	21	50 - 39	R65088	2D4	6	70 - 57	R66319	1F8	20	40 - 49
R59633	2D16	2	70 - 71	R65088	2D4	7	70 - 57	R66319	1F10	3	40 - 51
R59633	2D18	1	70 - 73	R65192	2B4	44	70 - 9	R66319	1F10	19	40 - 51
R59633	2D18	19	70 - 73	R65194	2B4	43	70 - 9	R66319	1F14	7	40 - 55
R59684	2C11	5	70 - 41	R65203	2D4	1	70 - 57	R66319	1F14	8	40 - 55
R59860	1H23	14	50 - 17	R65239	2D2	18	70 - 55	R66319	1G16	1	40 - 81
R60032	1I21	25	50 - 39	R65239	2D2	20	70 - 55	R66319	1G16	9	40 - 81
R60038	1I24	23	60 - 3	R65240	2D2	18	70 - 55	R66319	1G16	14	40 - 81
R60038	1I24	49	60 - 3	R65240	2D2	21	70 - 55	R66319	1G16	15	40 - 81
R60117	1A23	5	20 - 4	R65242	2D4	24	70 - 57	R66319	1G24	3	40 - 89
R60117	1B19	6	20 - 25	R65285	2D17	11	70 - 72	R66320	1F13	2	40 - 54
R60118	1A23	6	20 - 4	R65286	2D16	13	70 - 71	R66320	1G24	7	40 - 89
R60119	1A23	7	20 - 4	R65286	2D17	4	70 - 72	R66320	1H2	24	40 - 91
R60161	1B14	7	20 - 20	R65563	1I4	24	50 - 23	R66321	1G13	7	40 - 78
R60161	1B15	1	20 - 21	R65593	1G24	4	40 - 89	R66321	1G13	11	40 - 78
R60458	2D4	11	70 - 57	R65594	1G24	2	40 - 89	R66321	1G24	6	40 - 89
R60732	2B2	29	70 - 7	R65595	1G24	21	40 - 89	R66321	1H2	24	40 - 91
R61266	1A24	1	20 - 5	R65595	1H2	11	40 - 91	R66337	1B19	4	20 - 25
R61461	1I21	21	50 - 39	R65596	1G24	22	40 - 89	R66339	1B19	3	20 - 25
R61670	1B10	2	20 - 16	R65597	1D18	5	40 - 6	R66434	2C22	22	70 - 53
R61670	1B11	1	20 - 17	R65597	1D19	32	40 - 7	R66434	2C23	1	70 - 53A
R61670	1C10	33	20 - 41	R65597	1D25	7	40 - 13	R66435	2C22	19	70 - 53
R61771	1I21	24	50 - 39	R65597	1F14	8	40 - 55	R66453	1B17	4	20 - 23
R61775	1G14	7	40 - 79	R65597	1G24	23	40 - 89	R66788	1I13	9	50 - 31
R61776	1G14	3	40 - 79	R65598	1G24	24	40 - 89	R66788	1I13	10	50 - 31
R62673	1E20	3	40 - 35	R65599	1G24	25	40 - 89	R66788	1I15	9	50 - 33

1L22

5010 TRACTOR

NUMERICAL INDEX - CONTINUED

PART NO.	GRID	KEY	PAGE	PART NO.	GRID	KEY	PAGE	PART NO.	GRID	KEY	PAGE
R66788	1115	10	50 - 33	R70210	1H4	41	40 - 93	R73228	2B10	25A	70 - 15
R66788	1115	14	50 - 33	R70211	1H4	40	40 - 93	R73380	2D9	13	70 - 63
R66821	1C22	7	30 - 9	R70212	1H4	41	40 - 93	R73380	2D9	14	70 - 63
R66927	1B17	6	20 - 23	R70213	1H4	40	40 - 93	R73380	2F8	15	90 - 3
R67035	1C7	1	20 - 38	R70214	1H4	41	40 - 93	R73380	2F10	22	90 - 5
R67313	1J15	21	60 - 17	R70215	1H4	40	40 - 93	R73380	2F10	25	90 - 5
R67313	1J15	34	60 - 17	R70216	1H4	41	40 - 93	R73736	2B12	24	70 - 17
R67313	1J15	35	60 - 17	R70217	1H4	40	40 - 93	R73737	1I24	41	60 - 3
R67313	1J15	36	60 - 17	R70218	1H4	41	40 - 93	R73741	2B10	12	70 - 15
R67344	1A23	7	20 - 4	R70219	1H4	40	40 - 93	R73741	2B10	13	70 - 15
R67345	1A23	6	20 - 4	R70220	1H4	50	40 - 93	R73741	2B10	14	70 - 15
R67346	1A23	5	20 - 4	R70221	1H4	39	40 - 93	R73791	1B13	3	20 - 19
R67798	2C23	2	70 - 53A	R70222	1H4	38	40 - 93	R73791	1B13	5	20 - 19
R67989	1H10	11	50 - 3	R70264	1A23	5	20 - 4	R74242	2E9	1	70 - 88
R68252	2B10	24	70 - 15	R70265	1A23	6	20 - 4	R74243	2E9	2	70 - 88
R68390	2B20	13	70 - 27	R70266	1A23	7	20 - 4	R74244	2E9	3	70 - 88
R68624	1E14	12	40 - 27	R70268	1A23	4	20 - 4	R74246	2E9	4	70 - 88
R68625	1E14	11	40 - 27	R70268	1A23	5	20 - 4	R74365	1B2	5	20 - 7
R68625	1E14	12	40 - 27	R70268	1A23	6	20 - 4	R74365	1C10	8	20 - 41
R68625	1E15	25	40 - 28	R70268	1A23	7	20 - 4	R74530	2D17	11	70 - 72
R68625	1E23	22	40 - 38	R70268	1B7	17	20 - 13	R74669	1B19	3	20 - 25
R68625	1E25	21	40 - 41	R70268	1B7	22	20 - 13	R75058	1I13	8	50 - 31
R68629	1E15	15	40 - 28	R70268	1B19	5	20 - 25	R75146	1B19	3	20 - 25
R68629	1E17	3	40 - 31	R70351	2B4	13	70 - 9	R75153	1B19	4	20 - 25
R68630	1E15	13	40 - 28	R70559	2B4	43	70 - 9	R75155	1B19	4	20 - 25
R68630	1E17	1	40 - 31	R70617	2B12	9	70 - 17	R75157	1B19	3	20 - 25
R68631	1E15	14	40 - 28	R70617	2B15	2	70 - 20	R75161	1B19	3	20 - 25
R68631	1E17	2	40 - 31	R70867	2B12	21	70 - 17	R75163	1B19	3	20 - 25
R69032	1B19	3	20 - 25	R70868	2B12	22	70 - 17	R75376	2B12	26	70 - 17
R69034	1B19	3	20 - 25	R71321	2B4	42	70 - 9	R75376	2B14	4	70 - 19
R69036	1B19	3	20 - 25	R71321	2B12	38	70 - 17	R75564	2B12	18	70 - 17
R69038	1B19	3	20 - 25	R71387	2E7	2	70 - 86	R75642	2B12	17	70 - 17
R69109	1G21	1	40 - 86	R715R	1I17	28	50 - 35	R75833	1F23	3	40 - 64
R69166	2D4	35	70 - 57	R71586	2B10	12	70 - 15	R75833	1F24	2	40 - 65
R69262	2B4	44	70 - 9	R71586	2B10	13	70 - 15	R75879	2B12	5	70 - 17
R69270	2E21	4	80 - 11	R71586	2B10	14	70 - 15	R75938	2B12	43	70 - 17
R69270	2F3	18	80 - 19	R71598	2B10	25A	70 - 15	R75938	2B19	16	70 - 25
R69279	2B4	35	70 - 9	R71919	1B10	2	20 - 16	R75952	1E25	30	40 - 41
R69279	2B6	15	70 - 11	R71919	1B11	1	20 - 17	R75957	1E25	26	40 - 41
R69279	2B8	13	70 - 13	R71919	1C10	33	20 - 41	R75958	1E25	25	40 - 41
R69279	2B12	29	70 - 17	R72129	1B19	6	20 - 25	R75959	1E25	27	40 - 41
R69279	2B14	12	70 - 19	R72232	1I21	..	50 - 39	R75960	1E25	11	40 - 41
R69279	2B19	17	70 - 25	R72352	1B24	3	20 - 29A	R75961	1E25	15	40 - 41
R69408	2C20	3	70 - 51	R72433	2D7	1B	70 - 61	R75962	1E25	24	40 - 41
R69409	2C20	3	70 - 51	R72433	2D9	1	70 - 63	R76000	1B14	5	20 - 20
R69642	2C10	13	70 - 40	R72433	2D9	4	70 - 63	R76341	2E21	4	80 - 11
R70038	1I13	11	50 - 31	R72506	2B10	27	70 - 15	R76341	2F3	18	80 - 19
R70038	1I13	12	50 - 31	R72507	2B10	23	70 - 15	R76459	2E9	5	70 - 88
R70038	1I15	11	50 - 33	R726R	1H15	36	50 - 9	R76477	1E12	3	40 - 25
R70038	1I15	12	50 - 33	R726R	1H19	20	50 - 13	R76477	1E13	3	40 - 26
R70038	1I19	6	50 - 37	R726R	1H24	21	50 - 18	R76477	1E18	3	40 - 32
R70039	1I13	11	50 - 31	R72653	2C14	7	70 - 45	R76477	1F2	4	40 - 43
R70039	1I13	12	50 - 31	R72653	2D10	5	70 - 64	R76477	2E9	6	70 - 88
R70039	1I15	11	50 - 33	R72653	2D14	22	70 - 69	R76513	1J10	3	60 - 13
R70039	1I15	12	50 - 33	R72653	2D16	24	70 - 71	R76633	1B19	4	20 - 25
R70039	1I19	1	50 - 37	R72653	2D22	14	70 - 77	R76635	1B19	4	20 - 25
R70040	1I19	2	50 - 37	R72654	2C14	31	70 - 45	R76641	1B19	3	20 - 25
R70041	1I13	11	50 - 31	R72654	2C16	7	70 - 47	R76643	1B19	3	20 - 25
R70041	1I13	12	50 - 31	R72654	2D16	29	70 - 71	R76645	1B19	3	20 - 25
R70041	1I15	11	50 - 33	R72654	2E25	14	80 - 15	R76647	1B19	3	20 - 25
R70041	1I15	12	50 - 33	R72655	2C16	10	70 - 47	R77413	1J10	15	60 - 13
R70041	1I19	3	50 - 37	R72660	1I10	8	50 - 29	R77413	1J10	16	60 - 13
R70042	1I13	11	50 - 31	R72858	1I24	9A	60 - 3	R77413	1J11	2	60 - 14
R70042	1I13	12	50 - 31	R72858	1I24	9B	60 - 3	R77413	1J11	3	60 - 14
R70042	1I15	11	50 - 33	R72886	2B2	24	70 - 7	R77447	1B3	2	20 - 8
R70042	1I15	12	50 - 33	R72886	2B10	18	70 - 15	R77447	1B3	3	20 - 8
R70042	1I19	4	50 - 37	R73192	1B24	3	20 - 29A	R77456	1H2	27	40 - 91

1L23

5010 TRACTOR

NUMERICAL INDEX - CONTINUED

PART NO.	GRID	KEY	PAGE	PART NO.	GRID	KEY	PAGE	PART NO.	GRID	KEY	PAGE
R77457	1H2	29	40-91	R78495	2B24	6A	70-30	R97350	1C20	30	30-7
R77458	1H2	28	40-91	R78495	2B24	6B	70-30	R97350	1C20	31	30-7
R77459	1H2	28	40-91	R78513	1A23	8	20-4	R97350	1D1	2	30-14
R77460	1H2	28	40-91	R78513	1C10	1	20-41	R97350	1D1	16	30-14
R77461	1H2	28	40-91	R79150	2B10	25A	70-15	R97350	1D1	17	30-14
R77462	1H2	25	40-91	R79150	2B10	25B	70-15	R97350	1D2	1	30-15
R77463	1H2	30	40-91	R79151	2B10	22B	70-15	R99466	11I3	9	50-31
R77464	1H2	26	40-91	R79151	2B10	25A	70-15	R99693	1E20	4	40-35
R77465	1H2	31	40-91	R79152	2B10	22B	70-15	R99693	1E22	4	40-37
R77466	1H2	33	40-91	R79152	2B10	25A	70-15	R99695	1E20	1	40-35
R77467	1H2	34	40-91	R79152	2B10	25B	70-15	R99695	1E22	1	40-37
R77468	1H2	32	40-91	R79266	2B12	10	70-17	R99699	1E22	11	40-37
R77469	1H4	35	40-93	R79267	2B12	14	70-17	R99700	1E20	13	40-35
R77470	1H4	45	40-93	R79268	2B12	13	70-17	R99702	1E20	11	40-35
R77471	1G13	7	40-78	R79311	2D17	11	70-72	R99702	1E22	9	40-37
R77471	1H4	45	40-93	R80229	1B18	1	20-24	S3062M	1F20	2	40-61
R77472	1H4	45	40-93	R80324	2D18	8	70-73	S3062M	1F20	18	40-61
R77473	1H4	45	40-93	R80401	1B19	6	20-25	S3062M	2E25	4	80-15
R77474	1H4	44	40-93	R80447	2D7	10	70-61	TY1430	1E6	..	40-19
R77475	1H2	13	40-91	R80558	2B10	27	70-15	TY1447	1D17	10	40-5
R77476	1H2	3	40-91	R80574	1A23	5	20-4	TY1447	1E3	14	40-16
R77477	1H2	4	40-91	R80574	1B7	22	20-13	TY1447	1E8	..	40-21
R77478	1H2	15	40-91	R80576	1A23	7	20-4	TY1448	1D14	13	40-2
R77479	1H2	5	40-91	R80576	1B7	22	20-13	TY1448	1D19	17	40-7
R77480	1H2	6	40-91	R80967	2C5	19	70-35	TY1448	1E2	15	40-15
R77481	1H2	7	40-91	R80967	2C7	16	70-37	TY1448	1E4	10	40-17
R77482	1H2	8	40-91	R81006	1A23	6	20-4	TY1448	1E4	..	40-17
R77483	1H2	16	40-91	R81006	1B7	22	20-13	TY1448	1E5	12	40-18
R77484	1H2	19	40-91	R81298	2D4	33	70-57	TY1448	1E5	..	40-18
R77485	1H2	21	40-91	R81585	1C8	1	20-39	TY15155	1G10	4	40-75
R77486	1H2	22	40-91	R82175	1I21	25	50-39	TY15263	1F12	26	40-53
R77487	1H2	23	40-91	R82236	1G2	16	40-67	TY15276	1G10	4	40-75
R77488	1G14	8	40-79	R82237	1G2	14	40-67	TY16004	1A21	2	20-2
R77488	1H4	51	40-93	R82238	1G2	15	40-67	TY16005	1A21	3	20-2
R77489	1G4	13	40-69	R82239	1G2	13	40-67	TY16005	1A21	..	20-2
R77489	1H4	51	40-93	R82243	1G2	18	40-67	TY16055	1F12	26	40-53
R77490	1H4	51	40-93	R82355	1G2	4	40-67	TY21731	1E1	1	40-14
R77491	1H4	54	40-93	R82423	1G4	8	40-69	TY22007	1A20	2	20-1
R77492	1H4	54	40-93	R82425	2F3	18	80-19	TY22008	1A20	2	20-1
R77493	1G13	7	40-78	R82731	1H15	1	50-9	TY22009	1A20	1	20-1
R77493	1G13	11	40-78	R82731	1H15	3	50-9	TY22010	1A20	2	20-1
R77493	1H4	51	40-93	R83055	1G4	9	40-69	TY22011	1A20	2	20-1
R77494	1H4	55	40-93	R83103	2F3	17	80-19	TY22041	1A20	..	20-1
R77495	1H4	52	40-93	R83109	1G4	11	40-69	TY22042	1A20	..	20-1
R77496	1H4	52	40-93	R83111	2D9	29	70-63	TY22329	2B25	15	70-31
R77497	1H4	53	40-93	R83508	2B2	24	70-7	TY22329	2C2	2	70-33
R77498	1H2	24	40-91	R83508	2B10	18	70-15	TY22329	2C3	2	70-33A
R77499	1H2	24	40-91	R83569	1B3	2	20-8	TY22329	2C3	6	70-33A
R77500	1G14	8	40-79	R83569	1B3	3	20-8	TY22329	2C3	17	70-33A
R77500	1H2	24	40-91	R84158	1G4	13	40-69	TY22333	1C8	5	20-39
R77501	1H2	24	40-91	R87529	2F3	18	80-19	TY22336	1C6	3	20-37
R77502	1H4	56	40-93	R88397	1C8	14	20-39	TY22425	2C2	6	70-33
R77503	1H4	56	40-93	R88397	1C10	7	20-41	TY22462	2B23	6	70-29A
R77611	2B10	24	70-15	R90086	1J12	2	60-15	TY22465	1C2	8	20-31
R77611	2B19	19	70-25	R91558	1C6	10	20-37	TY22467	2B25	14	70-31
R77712	2B14	6	70-19	R91558	1C6	19	20-37	TY22467	2C2	1	70-33
R77714	2B12	27	70-17	R91558	2E25	18	80-15	TY22467	2C3	1	70-33A
R77903	2B10	22A	70-15	R91749	2E18	7	80-7	TY22467	2C3	6	70-33A
R78214	2D7	10	70-61	R91749	2E18	8	80-7	TY22470	1C6	2	20-37
R78257	2F10	10	90-5	R91749	2E18	12	80-7	TY22470	1C20	5	30-7
R78293	2B2	10	70-7	R91749	2E18	16	80-7	TY22474	1C14	3	30-1
R78293	2B10	8	70-15	R92368	1A23	5	20-4	TY22474	1C16	1	30-3
R78495	2B20	18	70-27	R93219	1H6	7	40-95	TY2615	2F22	..	90-17
R78495	2B21	11	70-28	R93220	1H6	7	40-95	TY3018	2E7	3	70-86
R78495	2B21	13	70-28	R93221	1H6	7	40-95	TY3019	2E7	3	70-86
R78495	2B22	9	70-29	R93222	1H6	7	40-95	TY6117	1E1	1	40-14
R78495	2B23	12	70-29A	R97350	1C10	15	20-41	TY6280	1A20	1	20-1

1L24

5010 TRACTOR

NUMERICAL INDEX - CONTINUED

PART NO.	GRID	KEY	PAGE	PART NO.	GRID	KEY	PAGE	PART NO.	GRID	KEY	PAGE
TY6297	1A20	1	20 - 1	T11292	1D5	15	30 - 18	T146102	1F2	1	40 - 43
TY6298	1A20	1	20 - 1	T11648	1E8	36	40 - 21	T146102	2F3	19	80 - 19
TY6300	1A20	1	20 - 1	T11649	1E8	13	40 - 21	T146104	1E12	6	40 - 25
TY6301	1A20	1	20 - 1	T11651	1E8	11	40 - 21	T146104	1E13	7	40 - 26
TY6311	1A20	1	20 - 1	T11652	1E8	12	40 - 21	T146104	1E18	7	40 - 32
TY6312	1A20	1	20 - 1	T11656	1E8	19	40 - 21	T146104	1F2	7	40 - 43
TY6313	1A20	1	20 - 1	T11656	1E8	27	40 - 21	T146104	2F3	19	80 - 19
TY6359	1A20	1	20 - 1	T11660	1E8	6	40 - 21	T146106	1E12	6	40 - 25
TY6360	1A20	1	20 - 1	T11882	1C25	34	30 - 13	T146106	1E13	7	40 - 26
TY6361	1A20	1	20 - 1	T11883	1C25	35	30 - 13	T146106	1E18	7	40 - 32
TY6364	1A20	1	20 - 1	T11884	1C25	33	30 - 13	T146106	1F2	7	40 - 43
TY6389	1A20	2	20 - 1	T11917	1C25	4	30 - 13	T146106	2F3	19	80 - 19
TY6390	1A20	2	20 - 1	T11918	1C25	26	30 - 13	T146515	1E12	6	40 - 25
TY6391	1A20	2	20 - 1	T11921	1C25	43	30 - 13	T146515	1E13	7	40 - 26
TY6392	1A20	2	20 - 1	T11940	1C25	1	30 - 13	T146515	1E18	7	40 - 32
TY6393	1A20	2	20 - 1	T11941	1C25	44	30 - 13	T146515	1F2	7	40 - 43
TY6394	1A20	2	20 - 1	T12083	1H10	8	50 - 3	T146515	2F3	19	80 - 19
TY6610	1D15	35	40 - 3	T12250	1C7	2	20 - 38	T146516	1E12	6	40 - 25
TY6610	1D17	30	40 - 5	T12806	2E13	8	80 - 3	T146516	1E13	7	40 - 26
TY6610	1D19	22	40 - 7	T12808	2C16	10	70 - 47	T146516	1E18	7	40 - 32
TY6610	1E11	3	40 - 24	T12860	1J4	33	60 - 7	T146516	1F2	7	40 - 43
TY6610	1F2	..	40 - 43	T12870	1E8	35	40 - 21	T146516	2F3	19	80 - 19
TY6611	1D15	35	40 - 3	T13073	1D19	29	40 - 7	T146517	1E12	6	40 - 25
TY6611	1D17	30	40 - 5	T13073	2E4	29	70 - 83	T146517	1E13	7	40 - 26
TY6611	1E11	3	40 - 24	T13073	2E6	17	70 - 85	T146517	1E18	7	40 - 32
TY6611	1E12	..	40 - 25	T134452	1E12	6	40 - 25	T146517	1F2	7	40 - 43
TY6699	1D15	35	40 - 3	T134452	1E13	7	40 - 26	T146517	2F3	19	80 - 19
TY6699	1D17	30	40 - 5	T134452	1E18	7	40 - 32	T15005	2F16	4	90 - 11
TY6699	1D19	22	40 - 7	T134452	1F2	7	40 - 43	T15712	1C25	36	30 - 13
TY6699	1E11	3	40 - 24	T134452	2F3	19	80 - 19	T15715	1C25	15	30 - 13
TY6699	1E12	..	40 - 25	T134453	1E12	6	40 - 25	T15721	1C25	16	30 - 13
TY6699	1E14	20	40 - 27	T134453	1E13	7	40 - 26	T15969	1F18	45	40 - 59
TY6699	1E14	..	40 - 27	T134453	1E18	7	40 - 32	T16911	1D15	28	40 - 3
TY6699	1E15	..	40 - 28	T134453	1F2	7	40 - 43	T16911	1D17	23	40 - 5
TY6699	1E17	..	40 - 31	T134453	2F3	19	80 - 19	T16911	1D19	21	40 - 7
TY6721	1D15	35	40 - 3	T134454	1E12	6	40 - 25	T16911	1F6	3	40 - 47
TY6721	1D17	30	40 - 5	T134454	1E13	7	40 - 26	T16911	1H10	4	50 - 3
TY6721	1D19	22	40 - 7	T134454	1E18	7	40 - 32	T16911	1H19	16	50 - 13
TY6721	1E11	3	40 - 24	T134454	1F2	7	40 - 43	T16911	1H19	23	50 - 13
TY6721	1F2	..	40 - 43	T134454	2F3	19	80 - 19	T16911	1118	4	50 - 36
TY6721	1F4	..	40 - 45	T134455	1E12	6	40 - 25	T17148	1124	4	60 - 3
TY6730	1E11	3	40 - 24	T134455	1E13	7	40 - 26	T17947	1C25	20	30 - 13
TY6730	1E13	..	40 - 26	T134455	1E18	7	40 - 32	T17951	2D20	44	70 - 75
TY6730	1E18	..	40 - 32	T134455	1F2	7	40 - 43	T17953	1C25	22	30 - 13
TY6730	1E22	..	40 - 37	T134455	2F3	19	80 - 19	T18353	1E8	17	40 - 21
TY6746	1E11	3	40 - 24	T134456	1E12	6	40 - 25	T19178	1F10	11	40 - 51
TY6746	1E14	..	40 - 27	T134456	1E13	7	40 - 26	T19687	2E2	21	70 - 81
TY6746	1E15	..	40 - 28	T134456	1E18	7	40 - 32	T19687	2E4	18	70 - 83
TY6746	1E17	..	40 - 31	T134456	1F2	7	40 - 43	T20055	1C10	10	20 - 41
TY6746	1E18	..	40 - 32	T134456	2F3	19	80 - 19	T20055	1C23	3	30 - 10
TY6746	1E20	..	40 - 35	T134459	1E12	1	40 - 25	T20055	1C25	37	30 - 13
TY6747	1D15	35	40 - 3	T134459	1E13	4	40 - 26	T20055	1D5	15	30 - 18
TY6747	1D17	30	40 - 5	T134459	1E18	4	40 - 32	T20055	1D6	19	30 - 19
TY6747	1D19	22	40 - 7	T134459	1F2	1	40 - 43	T22381	2C2	18	70 - 33
TY9305	1F12	26	40 - 53	T134459	2F3	19	80 - 19	T23027	2F19	3	90 - 14
TY9371	2F20	1	90 - 15	T13814	1D14	16	40 - 2	T23033	2F19	4	90 - 14
T10745	1E8	33	40 - 21	T13814	1D14	17	40 - 2	T23610	1E5	25	40 - 18
T10804	1D1	4	30 - 14	T13814	1D17	12	40 - 5	T23610	1E6	25	40 - 19
T10804	1D2	2	30 - 15	T13814	1D17	13	40 - 5	T23740	1B14	7	20 - 20
T11220	2E2	21	70 - 81	T13814	1D18	8	40 - 6	T23925	1C11	3	20 - 42
T11220	2E4	18	70 - 83	T13814	1D21	14	40 - 9	T25317	1H19	9	50 - 13
T11220	2E5	13	70 - 84	T13814	1D23	15	40 - 11	T25317	1121	11	50 - 39
T11220	2E6	8	70 - 85	T14034	2D2	13	70 - 55	T25343	1E4	20	40 - 17
T11234	2A23	1	70 - 3	T14264	1G21	8	40 - 86	T25343	1E5	26	40 - 18
T11234	2F12	4	90 - 7	T146102	1E12	1	40 - 25	T25343	1E6	26	40 - 19
T11290	1C25	31	30 - 13	T146102	1E13	4	40 - 26	T25879	2C20	4	70 - 51
T11292	1C23	3	30 - 10	T146102	1E18	4	40 - 32	T26565	1H10	10	50 - 3

1L25

5010 TRACTOR

NUMERICAL INDEX - CONTINUED

PART NO.	GRID	KEY	PAGE	PART NO.	GRID	KEY	PAGE	PART NO.	GRID	KEY	PAGE
T27261	1C3	6	20-32	T84413	1E18	7	40-32				
T27261	1C4	5	20-33	T84413	1F2	7	40-43				
T28583	1D18	5	40-6	T84413	2F3	19	80-19				
T28583	1D19	32	40-7	T84578	1E12	6	40-25				
T28583	1D25	7	40-13	T84578	1E13	7	40-26				
T28583	1F14	8	40-55	T84578	1E18	7	40-32				
T28583	1G24	34	40-89	T84578	1F2	7	40-43				
T28583	1H2	1	40-91	T84578	2F3	19	80-19				
T28585	1D14	14	40-2	U10136	1J21	20	60-23				
T28585	1D15	19	40-3	U10289	1H25	2	50-19				
T28585	1D15	21	40-3	U10289	1I1	19	50-20				
T28585	1D15	26	40-3	U10746	2C11	11	70-41				
T28585	1D17	15	40-5	U11647	2E7	1	70-86				
T28585	1D17	21	40-5	U12331	1J21	17	60-23				
T28585	1D19	32	40-7	U13639	2B2	14	70-7				
T28585	1F14	7	40-55	U13639	2B2	16	70-7				
T28585	1F14	8	40-55	U13639	2B8	14	70-13				
T28585	1G13	7	40-78	U13639	2B10	12	70-15				
T28585	1G24	35	40-89	U13639	2B19	21	70-25				
T28585	1H2	12	40-91	U46370	1G24	36	40-89				
T28586	1H2	14	40-91	U46370	1H2	20	40-91				
T30738	1D1	5	30-14	U46662	1G4	12	40-69				
T32231	1G13	5	40-78	U46662	1G13	7	40-78				
T34067	1H2	18	40-91	U46662	1G24	37	40-89				
T35690	2C2	13	70-33	U46662	1H2	10	40-91				
T35695	2C2	13	70-33	U46663	1G24	38	40-89				
T40308	2B4	28	70-9	U46664	1G24	39	40-89				
T40308	2B6	17	70-11	U46664	1H4	47	40-93				
T40308	2B14	18	70-19	Z36276	2B15	8	70-20				
T40308	2B15	11	70-20	Z36276	2B15	9	70-20				
T40308	2B19	4	70-25	1911644	1E17	14	40-31				
T43535	2B15	8	70-20	400R	1I5	16	50-24				
T43535	2B15	9	70-20	400R	1I24	15	60-3				
T55501	1F21	1	40-62	400R	1J2	6	60-5				
T55501	1F21	2	40-62	400R	1J4	6	60-7				
T55501	1F22	1	40-63	400R	1J4	43	60-7				
T55501	1F22	2	40-63	400R	1J15	19	60-17				
T55501	1F23	11	40-64	400R	1J15	33	60-17				
T55501	1F24	11	40-65	400R	1J21	6	60-23				
T57374	2B4	29	70-9	400R	1J22	3	60-24				
T57374	2B6	18	70-11	400R	2C9	36	70-39				
T57374	2B14	19	70-19	400R	2D14	12	70-69				
T57374	2B15	10	70-20	400R	2D16	12	70-71				
T57374	2B19	5	70-25	400R	2D18	14	70-73				
T84409	1E12	1	40-25	400R	2D22	5	70-77				
T84409	1E13	4	40-26	405R	1I5	14	50-24				
T84409	1E18	4	40-32	405R	1J2	30	60-5				
T84409	1F2	1	40-43	405R	1J4	31	60-7				
T84409	2F3	16	80-19	405R	1J15	26	60-17				
T84409	2F3	19	80-19	405R	1J23	4	60-25				
T84410	1E12	6	40-25	811912	1E14	12	40-27				
T84410	1E13	7	40-26	811912	1E15	25	40-28				
T84410	1E18	7	40-32	811912	1E23	22	40-38				
T84410	1F2	7	40-43								
T84410	2F3	19	80-19								
T84411	1E12	6	40-25								
T84411	1E13	7	40-26								
T84411	1E18	7	40-32								
T84411	1F2	7	40-43								
T84411	2F3	19	80-19								
T84412	1E12	6	40-25								
T84412	1E13	7	40-26								
T84412	1E18	7	40-32								
T84412	1F2	7	40-43								
T84412	2F3	19	80-19								
T84413	1E12	6	40-25								
T84413	1E13	7	40-26								