

RWP4278 -UN-01JAN94



JOHN DEERE 4020 ROW-CROP TRACTOR

RWP4279 -UN-01JAN94



*JOHN DEERE 4020 STANDARD TRACTOR
(MANUFACTURED 1964-1969)*

(SPECIFICATIONS AND DESIGN SUBJECT TO CHANGE WITHOUT NOTICE)

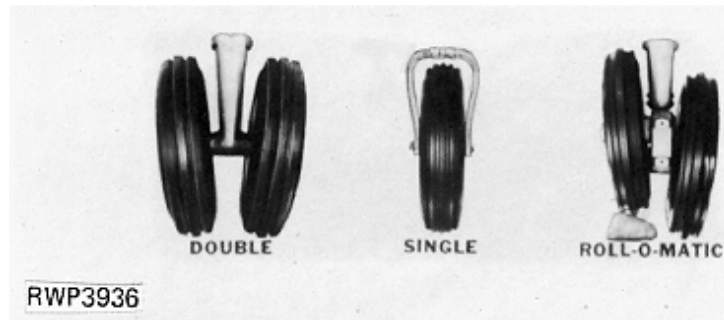
COPYRIGHT (C) 1997. DEERE & COMPANY. MOLINE, ILLINOIS. ALL RIGHTS RESERVED.

RWP4280 -UN-01JAN94

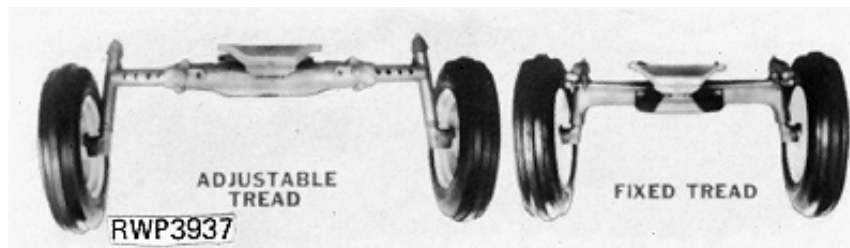


JOHN DEERE 4020 HI-CROP TRACTOR

RWP3936 -UN-01JAN94



RWP3937 -UN-01JAN94



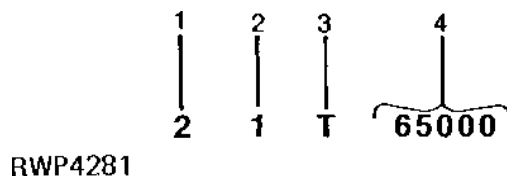
FRONT END EQUIPMENT

SERIAL NUMBERS

EACH 4020 TRACTOR HAS TWO SERIAL NUMBER PLATES: BASIC TRACTOR AND ENGINE.

BASIC TRACTOR SERIAL NUMBER PRIOR TO 091000

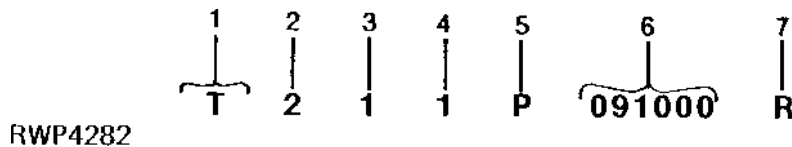
RWP4281 -UN-01JAN94



- | | |
|-------------------------------------|--------------|
| 1. DESIGNATES MODEL SERIES | 2 - 4020 |
| 2. DESIGNATES CHASSIS DESIGN | 1 - ROW-CROP |
| | 2 - STANDARD |
| | 3 - HI-CROP |
| 3. DESIGNATES TYPE OF UNIT | T - TRACTOR |
| 4. DESIGNATES TRACTOR SERIAL NUMBER | |

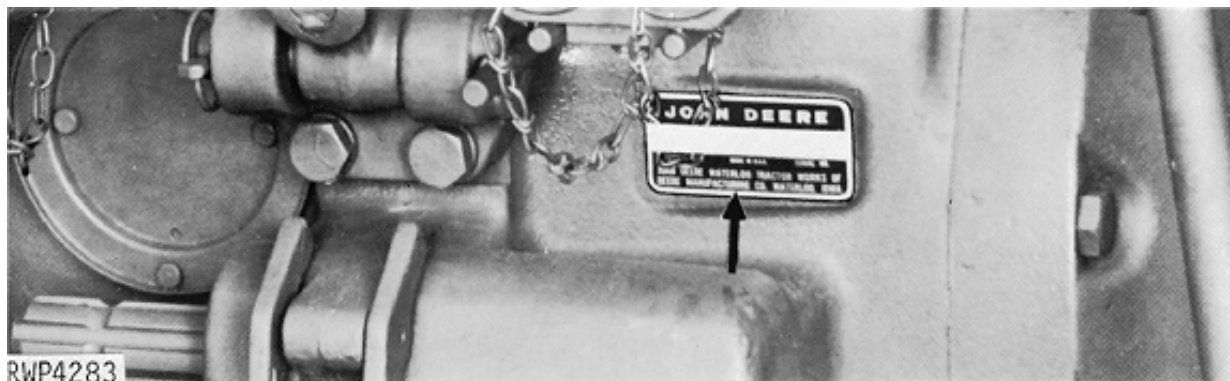
BASIC TRACTOR SERIAL NUMBER BEGINNING WITH 091000

RWP4282 -UN-01JAN94



- | | |
|-------------------------------------|------------------------------|
| 1. TRACTOR | |
| 2. DESIGNATES MODEL SERIES | 2 - 4020 |
| 3. DESIGNATES CHASSIS DESIGN | 1 - ROW-CROP |
| | 2 - STANDARD |
| | 3 - HI-CROP |
| 4. DESIGNATES ENGINE FUEL TYPE | 1 - GASOLINE |
| | 2 - LP-GAS |
| | 3 - DIESEL |
| 5. DESIGNATES TRANSMISSION TYPE | P - POWER SHIFT |
| | R - SYNCRO-RANGE |
| 6. DESIGNATES TRACTOR SERIAL NUMBER | |
| 7. DESIGNATES TRACTOR MANUFACTURER | R - JOHN DEERE TRACTOR WORKS |

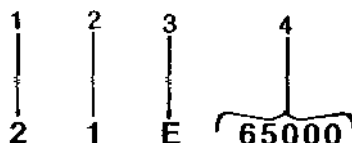
RWP4283 -UN-01JAN94



THE BASIC TRACTOR SERIAL NUMBER PLATE IS LOCATED IN THE UPPER RIGHT-HAND CORNER AT THE REAR OF THE TRANSMISSION CASE.

ENGINE SERIAL NUMBER

RWP4284 -UN-01JAN94

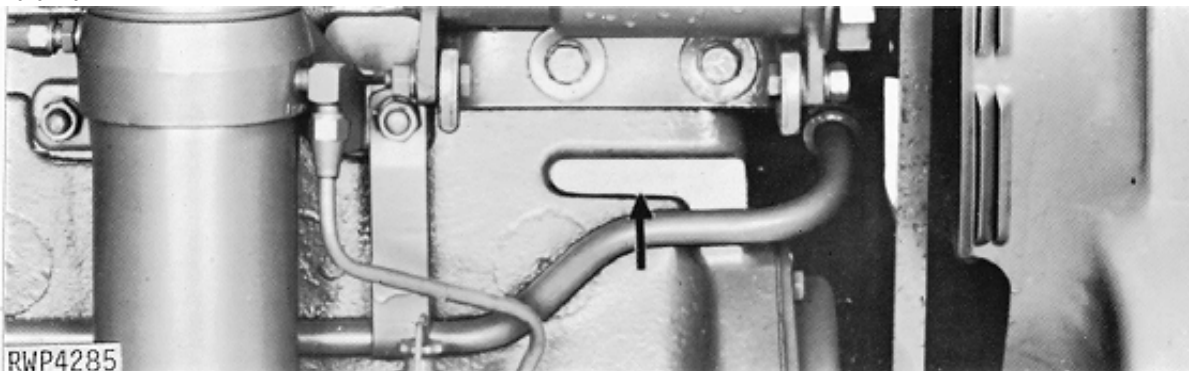


RWP4284

- 1. DESIGNATES SERIES
- 2. DESIGNATES FUEL TYPE
- 3. DESIGNATES UNIT
- 4. DESIGNATES ENGINE SERIAL NUMBER

- 2 - SERIES 2
- 1 - GASOLINE
- 2 - LP-GAS
- 3 - DIESEL
- M - ENGINE

RWP4285 -UN-01JAN94



THE ENGINE SERIAL NUMBER PLATE IS STAMPED ON THE RIGHT-HAND SIDE OF THE CYLINDER BLOCK JUST BELOW THE GENERATOR.

SERIAL NUMBER LISTING INFORMATION

SERIAL NUMBER INFORMATION IS LISTED TO SHOW ON WHICH MACHINES EACH PART CAN BE USED; FOR EXAMPLE:

- THE PART CAN BE USED ON ALL MACHINES.
- 000000- THE PART CAN BE USED ON ALL MACHINES BEGINNING WITH THE SERIAL NUMBER LISTED.
- 000000 THE PART CAN BE USED ON ALL MACHINES UP TO AND INCLUDING THE SERIAL NUMBER LISTED.
- 000000-000000 THE PART CAN BE USED ON ALL MACHINES BETWEEN AND INCLUDING THE SERIAL NUMBERS LISTED.
- 15BV1- WHEN A MODEL NUMBER BEGINS WITH 15BV, 14HA, 15PP, 25SC, 2RC, 4RC, 15RS, 3CY, 2SP, OR 31SV, IT REFERS TO THE MODEL NUMBER OF THE BRAKE VALVE, HYDRAULIC ACCUMULATOR, HYDRAULIC PUMP, REMOTE CYLINDER SELECTIVE CONTROL VALVE FOR NO ROCKSHAFT, REMOTE CYLINDER SELCTIVE CONTROL VALVES, REMOTE CYLINDERS, REMOTE CYLINDERS WITH MECHANICAL STOPS, ROCKSHAFT CONTROL VALVE, STEERING CYLINDER, STEERING METERING PUMP, OR STEERING VALVE.

WHEN XXXXXX'S ARE LISTED IN PLACE OF A SERIAL NUMBER, A SERIAL NUMBER CHANGE WAS MADE BUT THE EXACT SERIAL NUMBER WAS NOT AVAILABLE WHEN THE CATALOG WAS PRODUCED.

MODEL NUMBERS

THE FOLLOWING COMPONENTS HAVE MODEL NUMBERS:

BRAKE VALVE	15BV1
HYDRAULIC ACCUMULATOR	14HA2
HYDRAULIC PUMP	1
REMOTE CYLINDER SELECTIVE CONTROL VALVE FOR NO ROCKSHAFT - SINGLE, DUAL OR TRIPLE	25SC1
REMOTE CYLINDER SELECTIVE CONTROL VALVE FOR ROCKSHAFT - SINGLE, DUAL OR TRIPLE	23SC2
REMOTE CYLINDER (76 X 203 MM (3" X 8"))	2RC4
REMOTE CYLINDER WITH MECHANICAL STOP (76 X 203 MM (3" X 8"))	4RC3
ROCKSHAFT CONTROL VALVE	15RS1
STEERING CYLINDER	3CY1
STEERING METERING PUMP	2SP1
STEERING VALVE	31SV1

EACH OF THE ABOVE COMPONENTS HAS A MODEL NUMBER. WHEN THE DESIGN OF ONE OF THESE COMPONENTS IS CHANGED, THE MODEL NUMBER FOR THE NEWLY DESIGNED COMPONENT IS CHANGED.

BEGINNING WITH TRACTOR SERIAL NUMBER 2T84072, THE MODEL NUMBER OF THE HYDRAULIC PUMP WAS DISCONTINUED. AFTER SERIAL NUMBER 2T84072, HYDRAULIC PUMPS ARE IDENTIFIED BY THE TRACTOR SERIAL NUMBER.

ABBREVIATIONS FOR TRACTOR CHASSIS DESIGN

WHEN THE LETTERS (RC), (ST), OR (HC) APPEAR AFTER THE DESCRIPTION OF A PART IN THE CATALOG, THEY IDENTIFY THE CHASSIS DESIGN AS FOLLOWS:

RC - ROW-CROP; ST - STANDARD; HC - HI-CROP

DIRECTION ARROW

ARROWS ARE USED WITH ILLUSTRATIONS TO INDICATE THE FRONT OF THE UNIT. "RIGHT-HAND" AND "LEFT-HAND" SIDES ARE DETERMINED BY FACING IN THE DIRECTION OF MACHINE FORWARD TRAVEL.

BOX-ENCLOSED ILLUSTRATIONS

A KEY NUMBER, SHOWN IN THE PARTS LIST, IS ASSIGNED TO A BOX ENCLOSING ALL PARTS SOLD AS A SERVICE ASSEMBLY.

BOLT AND CAP SCREW STRENGTH IDENTIFICATION

U.S. CUSTOMARY DIMENSIONED PRODUCT: BOLTS AND CAP SCREWS REQUIRED TO HAVE HIGH-STRENGTH QUALITIES EQUIVALENT TO SAE GRADE 8 ARE IDENTIFIED THROUGHOUT THIS CATALOG BY THE DESCRIPTION HS SAE 8. ALL STANDARD BOLTS AND CAP SCREWS ARE SAE GRADE 5 OR LOWER.

METRIC DIMENSIONED PRODUCT: BOLTS AND CAP SCREWS REQUIRED TO HAVE HIGH-STRENGTH QUALITIES EQUIVALENT TO PROPERTY CLASS 10.9 ARE IDENTIFIED THROUGHOUT THIS CATALOG BY THE DESCRIPTION HS 10.9. ALL STANDARD BOLTS AND CAP SCREWS ARE PROPERTY CLASS 8.8 OR LOWER.

JDM REMANUFACTURED COMPONENTS

THE SERVICE PARTS LISTED IN THIS CATALOG ARE INTENDED FOR THE REPAIR OF ORIGINAL EQUIPMENT COMPONENTS. ALTHOUGH MOST SERVICE PARTS MAY BE USED TO REPAIR REMANUFACTURED COMPONENTS, THE REMANUFACTURING PROCESS MAY CHANGE PARTS SUFFICIENTLY SO THAT SERVICE PARTS ARE INADEQUATE OR NOT USABLE.

TRADEMARKS

THROUGHOUT THIS PARTS CATALOG, YOU WILL FIND THE FOLLOWING DEERE AND COMPANY TRADEMARKS:

HYDRACUSHIONED™
INTELLITRAK®
PERSONAL-POSTURE™
QUAD-RANGE™
PERFORMANCE TRAK™ II

ROLL-GARD®
SOUND-GARD®
TORQ-GARD PLUS 50®
HY-GARD®
QUIK-TATCH®

CHANGE INDICATOR LINE (MICROFICHE CATALOGS ONLY)

CHANGES AFFECTING THE ORDERING OF PARTS ARE IDENTIFIED BY VERTICAL LINES MARKED IN THE LEFT-HAND MARGIN OF REVISED PARTS LISTING IMAGES. A LINE IS ALSO AT THE LEFT-HAND EDGE OF THE SAME PART NUMBER IN THE NUMERICAL INDEX TO SHOW THE LOCATION OF REVISED INFORMATION.

QUANTITY COLUMN OR REMARKS COLUMN

GENERALLY THE QUANTITY SHOWN IS FOR THE ENTIRE TRACTOR AT ANY GIVEN LOCATION. THERE ARE EXCEPTIONS AS IN WHEEL HARDWARE WHERE ONLY ENOUGH IS SHOWN FOR ONE WHEEL.

THE FOLLOWING ABBREVIATIONS ARE USED IN THE REMARKS COLUMN:

NLR - NO LONGER REQUIRED

NA - NOT APPLICABLE

NLA - NO LONGER AVAILABLE

FI - FIELD INSTALLED

CA - CONVENIENCE ASSEMBLY

CA AND FI ARE OPTIONS THAT MUST BE ORDERED DIRECT FROM THE PRODUCING FACTORY.

SECTION INDEX

GENERAL INFORMATION	10
ENGINE	20
FUEL AND AIR	30
ELECTRICAL	40
POWER TRAIN	50
STEERING AND BRAKES	60
HYDRAULICS	70
WHEELS, FRONT AXLES, SHEET METAL	80
OPERATOR'S STATION	90
NUMERICAL INDEX	95

ALPHABETICAL INDEX

GRID		PAGE	GRID		PAGE
	A				
1B21	ABSORBER (DAMPER)	20 - 14	1F18	ARM, FOOT SPEED CONTROL	30 - 62
4D19	ABSORBER, SHOCK, SEAT SUPPORT	90 - 66	3D25	ARM, FRONT ROCKSHAFT	70 - 46
2G19	ACCUMULATOR PISTON, CLUTCH OIL	50 - 22	1F14	ARM, GOVERNOR (GASOLINE/LP)	30 - 58
1F3	ADAPTER, COLD WEATHER STARTING AID	30 - 46	3D24	ARM, IMPLEMENT	70 - 45
1F4	ADAPTER, COLD WEATHER STARTING AID	30 - 47	3D23	ARM, LIFT	70 - 44
3E18	ADAPTER, IMPLEMENT QUICK COUPLER	70 - 65	3E1	ARM, LOAD CONTROL	70 - 47
3E19	ADAPTER, IMPLEMENT QUICK COUPLER	70 - 66	3G22	ARM, REMOTE CYLINDER TRANSPORT	70 - 122
3E24	ADAPTER, IMPLEMENT QUICK COUPLER	70 - 71	1B10	ARM, ROCKER	20 - 5
3F1	ADAPTER, IMPLEMENT QUICK COUPLER	70 - 72	3D23	ARM, ROCKSHAFT CRANK	70 - 44
4C3	ADJUSTERS, WINDOW (CRENLO)	90 - 23	2G11	ARM, SPEED CHANGE SHIFTER	50 - 14
1D6	AIR CLEANER	30 - 1	2G10	ARM, SPEED RANGE SHIFTER	50 - 13
1D7	AIR CLEANER	30 - 2	3H23	ARM, STEERING	80 - 6
1D8	AIR CLEANER	30 - 4	3H24	ARM, STEERING	80 - 7
1D10	AIR CLEANER	30 - 6	3I2	ARM, STEERING	80 - 10
1D15	AIR CLEANER ELEMENT GUN	30 - 11	3I1	ARM, STEERING (FIXED TREAD)	80 - 9
4D4	AIR CLEANER ELEMENT, CAB (STOLPER)	90 - 50	3G21	AUXILIARY OUTLET COUPLER KIT	70 - 121
2C22	AIR CONDITIONING ALTERNATOR (DIESEL)	40 - 46	3H19	AXLE HOUSING, FRONT	80 - 2
2C22	AIR CONDITIONING ALTERNATOR BRACKET	40 - 46	3H20	AXLE HOUSING, FRONT	80 - 3
2C23	AIR CONDITIONING ALTERNATOR PARTS	40 - 47	3H21	AXLE HOUSING, FRONT	80 - 4
2C22	AIR CONDITIONING ALTERNATOR PULLEY	40 - 46	3H25	AXLE, FRONT (FIXED TREAD)	80 - 8
2C23	AIR CONDITIONING ALTERNATOR PULLEY	40 - 47	3H19	AXLE, PIVOT, BRACKET, FRONT	80 - 2
2C22	AIR CONDITIONING ALTERNATOR REGULATOR	40 - 46	3H20	AXLE, PIVOT, BRACKET, FRONT	80 - 3
4B11	AIR CONDITIONING BELTS	90 - 6	3H25	AXLE, PIVOT, BRACKET, FRONT	80 - 8
4B12	AIR CONDITIONING BELTS	90 - 7	2I19	AXLE, REAR	50 - 76
4B6	AIR CONDITIONING COMPRESSOR	90 - 1	2I23	AXLE, REAR (HI-CROP)	50 - 80
4B7	AIR CONDITIONING COMPRESSOR	90 - 2			
4D13	AIR CONDITIONING CONDENSER CORE	90 - 59		B	
4D12	AIR CONDITIONING CONDENSER HOUSING	90 - 58	4C11	BACK, SEAT	90 - 31
4D14	AIR CONDITIONING CONDENSER MOTOR	90 - 60	4D21	BACK, SEAT	90 - 68
4D13	AIR CONDITIONING DEHYDRATOR	90 - 59	4D23	BAFFLE, HOOD	90 - 70
4D15	AIR CONDITIONING DIODE	90 - 61	4C24	BAFFLE, PLATFORM, CAB (STOLPER)	90 - 45
4D17	AIR CONDITIONING EVAPORATOR CORE	90 - 63	3E12	BALL, IMPLEMENT HITCH	70 - 58
4D17	AIR CONDITIONING EXPANSION VALVE	90 - 63	3E14	BALL, IMPLEMENT HITCH	70 - 60
4B6	AIR CONDITIONING FRONT SUPPORT	90 - 1	3E15	BALL, IMPLEMENT HITCH	70 - 62
4B13	AIR CONDITIONING HEAT SHIELD	90 - 8	3E15	BAR, IMPLEMENT HITCH	70 - 62
4D18	AIR CONDITIONING HOSES (STOLPER CAB)	90 - 64	1E13	BASE, SINGLE FUEL FILTER (DIESEL)	30 - 30
4B6	AIR CONDITIONING MOUNTING BRACKET	90 - 1	2D19	BATTERY	40 - 69
4B7	AIR CONDITIONING MOUNTING SUPPORTS	90 - 2	3J3	BATTERY BOX COVER	80 - 38
4D16	AIR CONDITIONING SWITCHES	90 - 62	3I21	BATTERY BOX SUPPORT	80 - 31
4D15	AIR CONDITIONING THERMOSTAT	90 - 61	3I20	BATTERY BOXES	80 - 30
4D15	AIR CONDITIONING WIRING LEADS	90 - 61	3I21	BATTERY BOXES	80 - 31
4D16	AIR CONDITIONING WIRING LEADS	90 - 62	3I22	BATTERY BOXES	80 - 32
4B9	AIR CONDITIONING, BELT, COMPRESSOR	90 - 4	2B7	BATTERY CABLES	40 - 2
4B9	AIR CONDITIONING, COMPRESSOR	90 - 4	2B9	BATTERY CABLES	40 - 4
4B9	AIR CONDITIONING, COMPRESSOR MOUNTING	90 - 4	2B12	BATTERY CABLES	40 - 8
1D6	AIR INTAKE HOSE	30 - 1	2B14	BATTERY CABLES	40 - 10
1D7	AIR INTAKE HOSE	30 - 2	3I20	BATTERY CLAMPS	80 - 30
1D8	AIR INTAKE HOSE	30 - 4	3I21	BATTERY CLAMPS	80 - 31
1D10	AIR INTAKE HOSE	30 - 6	3I22	BATTERY CLAMPS	80 - 32
1D6	AIR INTAKE PIPE	30 - 1	1B19	BEARING, CONNECTING ROD (DIESEL)	20 - 12
1D7	AIR INTAKE, PIPE	30 - 2	1B18	BEARING, CONNECTING ROD (GASOLINE AND LP)	20 - 11
1D8	AIR INTAKE, PIPE	30 - 4	1C1	BEARING, MAIN THRUST	20 - 18
1D10	AIR INTAKE, PIPE	30 - 6	1B23	BEARINGS, MAIN	20 - 16
1D12	AIR STACK	30 - 8	1C11	BELT, FAN (DIESEL) (W/O AIR)	20 - 30
1D13	AIR STACK	30 - 9	1C10	BELT, FAN (GASOLINE AND LP)	20 - 29
1D14	AIR STACK	30 - 10	2C13	BELT, FAN AND GENERATOR DRIVE	40 - 36
2C22	ALTERNATOR BRACKET, AIR CONDITIONING	40 - 46	2I24	BELT, PULLEY	50 - 81
2C23	ALTERNATOR PARTS, AIR CONDITIONING	40 - 47	4B14	BELT, SEAT	90 - 9
2C22	ALTERNATOR PULLEY, AIR CONDITIONING	40 - 46	4B15	BELT, SEAT	90 - 10
2C22	ALTERNATOR, AIR CONDITIONING	40 - 46	4B11	BELTS, AIR CONDITIONING	90 - 6
2F7	ANALOG TACHOMETER	40 - 106	2B12	BETTERY GROUND STRAP	40 - 8
2I13	ANTI-FRICTION DIFFERENTIAL KIT	50 - 70	2H20	BEVEL GEAR, DIFFERENTIAL	50 - 51
2I10	ANTI-FRICTION NO LOCK DIFFERENTIAL KIT	50 - 66	2I9	BEVEL GEAR, DIFFERENTIAL	50 - 64
3E6	ARM, CONTROL VALVE	70 - 52			
1F16	ARM, FOOT SPEED CONTROL	30 - 60			

ALPHABETICAL INDEX - CONTINUED

GRID		PAGE	GRID		PAGE
2112	BEVEL GEAR, DIFFERENTIAL	50 - 68		C	
219	BEVEL PINION, DIFFERENTIAL	50 - 64			
2112	BEVEL PINION, DIFFERENTIAL	50 - 68	4D4	CAB AIR CLEANER ELEMENT (STOLPER)	90 - 50
1B13	BLOCK, CYLINDER	20 - 8	4D5	CAB BLOWER HOUSING (STOLPER)	90 - 51
3D4	BLOCK, JUNCTION	70 - 24	4D6	CAB CONSOLE (STOLPER)	90 - 52
3D10	BLOCK, JUNCTION	70 - 30	4D7	CAB CONTROLS (STOLPER)	90 - 53
3D16	BLOCK, JUNCTION	70 - 37	4C23	CAB COWL PANELS (STOLPER)	90 - 44
3F5	BLOCK, SWAY CONTROL	70 - 76	4C12	CAB DELUXE SEAT SUPPORT (CRENLO)	90 - 32
2G7	BLOCKERS, TRANSMISSION (SYNCRO-RANGE)	50 - 10	4C8	CAB DOOR HANDLE (CRENLO)	90 - 28
4C14	BLOWER HOUSING, CAB (CRENLO)	90 - 34	4C8	CAB DOOR LATCH (CRENLO)	90 - 28
4D5	BLOWER HOUSING, CAB (STOLPER)	90 - 51	4C18	CAB DOOR LATCH (STOLPER)	90 - 39
4D5	BLOWER MOTOR, CAB (STOLPER)	90 - 51	4C8	CAB DOOR, LOWER (CRENLO)	90 - 28
1B7	BOLTS, HEAD	20 - 2	4C8	CAB DOOR, UPPER (CRENLO)	90 - 28
3I20	BOX, BATTERY	80 - 30	4C19	CAB FENDER (STOLPER)	90 - 40
3I21	BOX, BATTERY	80 - 31	4C20	CAB FENDER (STOLPER)	90 - 41
3I22	BOX, BATTERY	80 - 32	4C2	CAB FENDERS (CRENLO)	90 - 22
3D21	BOX, TOOL	70 - 42	4D4	CAB FILTER HOUSING (STOLPER)	90 - 50
4E4	BOX, TOOL	90 - 75	4C5	CAB FLOOR MAT (CRENLO)	90 - 25
4E6	BOX, TOOL	90 - 77	4C24	CAB FLOOR MAT (STOLPER)	90 - 45
4E11	BOX, TOOL	90 - 82	4B17	CAB GLASS (CRENLO)	90 - 12
3I20	BOX, TOOL (GASOLINE AND LP-GAS)	80 - 30	4B18	CAB GLASS (CRENLO)	90 - 13
2E22	BRACKET, ELECTRICAL REMOTE CONTROL	40 - 97	4B19	CAB GLASS (CRENLO)	90 - 14
4E16	BRACKET, FIRE EXTINGUISHER	90 - 87	4B24	CAB GLASS (CRENLO)	90 - 19
3H19	BRACKET, FRONT AXLE PIVOT	80 - 2	4C8	CAB GLASS (CRENLO)	90 - 28
3H20	BRACKET, FRONT AXLE PIVOT	80 - 3	4C22	CAB GLASS (STOLPER)	90 - 43
3H21	BRACKET, FRONT AXLE PIVOT	80 - 4	4B22	CAB GLASS, REAR AND DOOR (CRENLO)	90 - 17
3H25	BRACKET, FRONT AXLE PIVOT	80 - 8	4C4	CAB HEATER (CRENLO)	90 - 24
4E8	BRACKET, IMPLEMENT ATTACHING	90 - 79	4C15	CAB HEATER (CRENLO)	90 - 35
4C24	BRACKET, PLATFORM, CAB (STOLPER)	90 - 45	4D8	CAB HEATER (STOLPER)	90 - 54
3I3	BRACKET, RADIUS ROD (HI-CROP)	80 - 11	4D10	CAB HEATER HOSE (STOLPER)	90 - 56
4D23	BRACKET, STEERING VALVE	90 - 70	4D11	CAB HEATER HOSE (STOLPER)	90 - 57
2F5	BRACKET, RADAR SENSOR	40 - 104	4C25	CAB HYDRAULIC COVERS (STOLPER)	90 - 46
3B16	BRAKE FACING	60 - 14	4C6	CAB INTERIOR PANELS (CRENLO)	90 - 26
3B18	BRAKE FACING	60 - 16	4C20	CAB L.H. SIDE (STOLPER)	90 - 41
3B23	BRAKE OIL LINES	60 - 22	2D21	CAB LAMP PARTS (CRENLO)	40 - 71
3C1	BRAKE OIL PIPES	60 - 24	2D22	CAB LAMP PARTS (CRENLO)	40 - 72
3B21	BRAKE OPERATING ROD	60 - 20	2D20	CAB LAMP PARTS (STOLPER)	40 - 70
3B19	BRAKE PEDALS	60 - 18	2C5	CAB LAMP WIRING (CRENLO)	40 - 26
3B16	BRAKE PISTON	60 - 14	2C6	CAB LAMP WIRING (CRENLO)	40 - 28
2H11	BRAKE PISTON HOUSING	50 - 42	2C8	CAB LAMP WIRING (STOLPER)	40 - 30
2H13	BRAKE PISTON HOUSING	50 - 44	4C21	CAB MIRROR, REAR VIEW (STOLPER)	90 - 42
3B18	BRAKE PLATE	60 - 16	4C1	CAB MOUNTING BRACKET (CRENLO)	90 - 21
3B16	BRAKE PLATES	60 - 14	4C9	CAB MOUNTING BRACKET (CRENLO)	90 - 29
3B19	BRAKE VALVE	60 - 18	4B24	CAB PANEL, FRONT (CRENLO)	90 - 19
3B21	BRAKE VALVE KITS	60 - 20	4C17	CAB PANEL, FRONT (STOLPER)	90 - 38
3B22	BRAKE VALVE OVERHAUL KIT	60 - 21	4B24	CAB PANEL, REAR (CRENLO)	90 - 19
3B21	BRAKE VALVE PLUNGER	60 - 20	4C17	CAB PANEL, REAR (STOLPER)	90 - 38
3G12	BREAKAWAY COUPLER	70 - 112	4B25	CAB PANELS, INTERIOR (CRENLO)	90 - 20
3G16	BREAKAWAY COUPLER (ISO CONVERSION KIT)	70 - 116	4C4	CAB PRESSURIZER (CRENLO)	90 - 24
3G15	BREAKAWAY COUPLER (ISO)	70 - 115	4C14	CAB PRESSURIZER (CRENLO)	90 - 34
3G14	BREAKAWAY COUPLER OVERHAUL KIT	70 - 114	2E19	CAB RADIO	40 - 94
3G1	BREAKAWAY COUPLER PLUG	70 - 100	4C21	CAB REAR VIEW MIRROR (STOLPER)	90 - 42
3G3	BREAKAWAY COUPLER PLUG	70 - 102	4B19	CAB ROOF (CRENLO)	90 - 14
3G5	BREAKAWAY COUPLER PLUG	70 - 104	4B24	CAB ROOF (CRENLO)	90 - 19
3G7	BREAKAWAY COUPLER PLUG	70 - 106	4C5	CAB ROOF (CRENLO)	90 - 25
3G10	BREAKAWAY COUPLER PLUG	70 - 110	4D4	CAB ROOF VENT (STOLPER)	90 - 50
2B7	BREAKER, CIRCUIT	40 - 2	4C13	CAB SEAT SUSPENSION (CRENLO)	90 - 33
2B9	BREAKER, CIRCUIT	40 - 4	4C11	CAB SEAT, DELUXE (CRENLO)	90 - 31
2B12	BREAKER, CIRCUIT	40 - 8	4B21	CAB STEP (CRENLO)	90 - 16
2B14	BREAKER, CIRCUIT	40 - 10	4C1	CAB STEP (CRENLO)	90 - 21
4E1	BREAKER, CIRCUIT	90 - 72	4C9	CAB STEP (CRENLO)	90 - 29
4D9	BREAKER, CIRCUIT, CAB (STOLPER)	90 - 55	4D1	CAB STEP (STOLPER)	90 - 47
2E24	BREAKER, CIRCUIT, REMOTE CONTROL	40 - 99	4D3	CAB WASHER, WINDSHIELD	90 - 49
3H14	BULK FLEXIBLE OIL LINE	70 - 140	4C10	CAB WINDOW ADJUSTER (CRENLO)	90 - 30
3D19	BYPASS VALVE, HYDRAULIC OIL COOLER	70 - 40	4B19	CAB WINDSHIELD (CRENLO)	90 - 14
3D14	BYPASS VALVE, THERMOSTATIC	70 - 34	4C8	CAB WINDSHIELD (CRENLO)	90 - 28
			4D3	CAB WINDSHIELD WASHER	90 - 49

ALPHABETICAL INDEX - CONTINUED

GRID		PAGE	GRID		PAGE
4C7	CAB WINDSHIELD WIPER (CRENLO)	90-27	2B16	CIRCUIT BREAKER KIT	40-12
4C16	CAB WINDSHIELD WIPER (CRENLO)	90-36	2B17	CIRCUIT BREAKER KIT	40-13
4D2	CAB WINDSHIELD WIPER (STOLPER)	90-48	2B18	CIRCUIT BREAKER KIT	40-14
4B24	CAB WINDSHIELD, FRONT (CRENLO)	90-19	2B19	CIRCUIT BREAKER KIT	40-15
4D9	CAB WIRING LEADS (STOLPER)	90-55	4D9	CIRCUIT BREAKER, CAB (STOLPER)	90-55
4B17	CAB, DOOR, LOWER (CRENLO)	90-12	3I20	CLAMP, BATTERY	80-30
4B22	CAB, DOOR, LOWER (CRENLO)	90-17	3I21	CLAMP, BATTERY	80-31
4B17	CAB, DOOR, UPPER (CRENLO)	90-12	3I22	CLAMP, BATTERY	80-32
4B22	CAB, DOOR, UPPER (CRENLO)	90-17	2H4	CLUTCH ASSEMBLY, TRANSMISSION (WITH PTO)	50-34
4B23	CAB, GLASS, REAR SIDE (CRENLO)	90-18	2G1	CLUTCH CONTROL, PTO	50-4
4B17	CAB, HANDLE, DOOR (CRENLO)	90-12	2G23	CLUTCH CONTROL, PTO (POWER SHIFT)	50-26
4B22	CAB, HANDLE, DOOR (CRENLO)	90-17	2G21	CLUTCH CONTROL, TRANSMISSION DISCONNECT	50-24
4B17	CAB, LATCH, DOOR (CRENLO)	90-12	2G20	CLUTCH COVER (POWER SHIFT)	50-23
4B22	CAB, LATCH, DOOR (CRENLO)	90-17	2F23	CLUTCH DISK	50-2
4B21	CAB, MOUNTING BRACKET (CRENLO)	90-16	2G20	CLUTCH DISK (POWER SHIFT)	50-23
4B22	CAB, PANEL, REAR (CRENLO)	90-17	2H2	CLUTCH DRUM	50-32
4B19	CAB, PANELS, FRONT (CRENLO)	90-14	2H11	CLUTCH DRUM, PLANETARY	50-42
4B20	CAB, PANELS, INTERIOR (CRENLO)	90-15	2H13	CLUTCH DRUM, PLANETARY	50-44
4B18	CAB, PANELS, SIDE (CRENLO)	90-13	2G1	CLUTCH FORK SHAFT	50-4
4B23	CAB, PANELS, SIDE (CRENLO)	90-18	2G19	CLUTCH HOUSING (POWER SHIFT)	50-22
4C19	CAB, SIDE, R.H. (STOLPER)	90-40	2F22	CLUTCH HOUSING (SYNCHRO-RANGE)	50-1
2B7	CABLE, BATTERY	40-2	2G19	CLUTCH OIL ACCUMULATOR PISTON	50-22
2B9	CABLE, BATTERY	40-4	2G24	CLUTCH OIL MANIFOLD	50-28
2B12	CABLE, BATTERY	40-8	2H8	CLUTCH OIL PRESSURE REG. VALVE HOUSING	50-38
2B14	CABLE, BATTERY	40-10	2H1	CLUTCH OIL PUMP, TRANSMISSION	50-30
1F16	CABLE, CHOKE	30-60	2H11	CLUTCH PACK, PLANETARY	50-42
3E6	CABLE, CONTROL, ROCKSHAFT LINKAGE	70-52	2H13	CLUTCH PACK, PLANETARY	50-44
2B22	CABLE, SPEED-HOUR METER	40-18	2G1	CLUTCH PEDAL	50-4
2I1	CABLE, TRANSMISSION LOCK	50-56	2H6	CLUTCH PEDAL	50-36
2C9	CABLE, SPARK PLUG	40-32	2F23	CLUTCH PLATE	50-2
1B10	CAM FOLLOWERS	20-5	2G20	CLUTCH PLATE (POWER SHIFT)	50-23
2C11	CAM, DISTRIBUTOR	40-34	2H2	CLUTCH SEPARATOR PLATE	50-32
1B11	CAMSHAFT	20-6	2F23	CLUTCH SHAFT	50-2
1B11	CAMSHAFT GEAR	20-6	2G20	CLUTCH SHAFT	50-23
4B16	CANOPY	90-11	2F23	CLUTCH, PTO	50-2
1D20	CAP, FUEL FILLER	30-16	2H2	CLUTCH, PTO	50-32
1E9	CAP, FUEL FILLER	30-26	2G20	CLUTCH, TRANSMISSION DISCONNECT	50-23
1C8	CAP, RADIATOR	20-27	2B7	COIL, IGNITION	40-2
1E1	CARBURETOR (GAS)	30-20	2B9	COIL, IGNITION	40-4
1E5	CARBURETOR (GAS) (ZENITH)	30-24	2C9	COIL, IGNITION	40-32
1F7	CARBURETOR (LP-GAS)	30-50	1F3	COLD WEATHER STARTING AID	30-46
1F9	CARBURETOR (LP-GAS)	30-52	1F4	COLD WEATHER STARTING AID	30-47
1E5	CARBURETOR GASKET KIT (GAS) (ZENITH)	30-24	2G7	COLLAR, SYNCHRONIZER DRIVE	50-10
1E7	CARBURETOR GASKET KIT (ZENITH)	30-25A	4B9	COMPRESSOR	90-4
1E4	CARBURETOR GASKET REPAIR KIT (GAS)	30-23	4B10	COMPRESSOR	90-5
1E3	CARBURETOR REPAIR KIT (GAS)	30-22	4B10	COMPRESSOR CLUTCH	90-5
1E7	CARBURETOR REPAIR KIT (ZENITH)	30-25A	4B10	COMPRESSOR COIL	90-5
2I19	CARRIER, PLANET PINION	50-76	4B10	COMPRESSOR PULLEY	90-5
2H9	CASE, TRANSMISSION (POWER SHIFT)	50-40	4B6	COMPRESSOR, AIR CONDITIONING	90-1
2G3	CASE, TRANSMISSION (SYNCHRO-RANGE)	50-6	4B7	COMPRESSOR, AIR CONDITIONING	90-2
3I11	CAST DISK WHEELS	80-21	2C11	CONDENSER	40-34
3E12	CENTER LINK	70-58	4D13	CONDENSER CORE, AIR CONDITIONING	90-59
3E14	CENTER LINK	70-60	4D12	CONDENSER HOUSING, AIR CONDITIONING	90-58
3E15	CENTER LINK	70-62	4D14	CONDENSER MOTOR, AIR CONDITIONING	90-60
3E12	CENTER LINK HOOK	70-58	1B19	CONNECTING ROD BEARINGS (DIESEL)	20-12
3H15	CHAIN, IMPLEMENT SAFETY	70-141	1B18	CONNECTING ROD BEARINGS (GASOLINE AND LP)	20-11
1F16	CHOKE CABLE	30-60	1B19	CONNECTING RODS (DIESEL)	20-12
2B7	CIGAR LIGHTER	40-2	1B18	CONNECTING RODS (GASOLINE AND LP)	20-11
2B9	CIGAR LIGHTER	40-4	3D1	CONNECTORS, HYDRAULIC PUMP	70-20
2B12	CIGAR LIGHTER	40-8	2F9	CONNECTORS, ELECTRICAL	40-108
2B14	CIGAR LIGHTER	40-10	2F11	CONNECTORS, ELECTRICAL	40-110
4E1	CIGAR LIGHTER	90-72	2F13	CONNECTORS, ELECTRICAL	40-112
2B7	CIRCUIT BREAKER	40-2			
2B9	CIRCUIT BREAKER	40-4			
2B12	CIRCUIT BREAKER	40-8			
2B14	CIRCUIT BREAKER	40-10			
4E1	CIRCUIT BREAKER	90-72			

ALPHABETICAL INDEX - CONTINUED

GRID		PAGE	GRID		PAGE
4D6	CONSOLE, CAB (STOLPER)	90-52	4C11	CUSHION, SEAT BACK	90-31
2F9	CONTAINER,ELECTRICAL PARTS	40-108	4D21	CUSHION, SEAT BACK	90-68
4D23	CONTROL SUPPORT	90-70	1B13	CYLINDER BLOCK	20-8
4E1	CONTROL SUPPORT COVER	90-72	1B7	CYLINDER HEAD	20-2
3E6	CONTROL VALVE ARM	70-52	1D1	CYLINDER HEAD REPLACEMENT GASKET KIT (DIESEL)	20-44
3F14	CONTROL VALVE, POWER WEIGHT TRANSFER	70-86	1C23	CYLINDER HEAD REPLACEMENT GASKET KIT (GASOLINE AND LP)	20-42
2H23	CONTROL VALVE, TRANSMISSION	50-54	3G22	CYLINDER, REMOTE	70-122
2H24	CONTROL VALVES, TRANSMISSION	50-55	3G24	CYLINDER, REMOTE	70-124
1F16	CONTROL, HAND SPEED	30-60	3H1	CYLINDER, REMOTE	70-126
1F18	CONTROL, HAND SPEED	30-62	3H6	CYLINDER, REMOTE	70-132
3E1	CONTROL, LOAD	70-47	3H8	CYLINDER, REMOTE	70-134
2G23	CONTROL, PTO CLUTCH (POWER SHIFT)	50-26	3H5	CYLINDER, REMOTE, OVERHAUL KIT	70-131
2G12	CONTROL, TRANSMISSION SHIFTER	50-15	3B5	CYLINDER, STEERING VALVE	60-2
2I1	CONTROL, TRANSMISSION SHIFTER	50-56			
3H3	CONVERSION KIT, REMOTE CYLINDER	70-128		D	
3H10	CONVERSION KIT, REMOTE CYLINDER	70-136	1B21	DAMPER (ABSORBER)	20-14
1F10	CONVERTOR, FUEL (LP-GAS)	30-53	4E1	DASH	90-72
1F11	CONVERTOR, FUEL, PARTS (LP-GAS)	30-54	2B9	DASH LAMP	40-4
3D19	COOLER, BYPASS VALVE, HYDRAULIC	70-40	2B24	DASH LAMP	40-20
1C6	COOLER, ENGINE OIL	20-25	2C1	DASH LAMP	40-22
3D4	COOLER, HYDRAULIC OIL	70-24	4E1	DASH LAMP	90-72
3D6	COOLER, HYDRAULIC OIL	70-26	4D23	DASH SUPPORT	90-70
3D8	COOLER, HYDRAULIC OIL	70-28	2B14	DASH, LAMP	40-10
3D10	COOLER, HYDRAULIC OIL	70-30	3J9	DECALS	80-44
3D12	COOLER, HYDRAULIC OIL	70-32	4D13	DEHYDRATOR, AIR CONDITIONING	90-59
4D8	CORE, HEATER, CAB (STOLPER)	90-54	4D21	DELUXE SEAT	90-68
2G5	COUNTERSHAFT, TRANSMISSION (SYNCRO-RANGE)	50-8	4D19	DELUXE SEAT SUPPORT	90-66
3G18	COUPLER OVERHAUL KIT (ISO)	70-118	4C12	DELUXE SEAT SUPPORT, CAB (CRENLO)	90-32
3G12	COUPLER, BREAKAWAY	70-112	4C11	DELUXE SEAT, CAB (CRENLO)	90-31
3G16	COUPLER, BREAKAWAY (ISO CONVERSION KIT)	70-116	3I11	DEMOUNTABLE RIMS	80-21
3G15	COUPLER, BREAKAWAY (ISO)	70-115	3G20	DIAGNOSTIC RECEPTACLE	70-120
3H12	COUPLER, FLEXIBLE, OIL LINE	70-138	2I9	DIFFERENTIAL	50-64
3E23	COUPLER, HEAVY-DUTY IMPLEMENT QUICK	70-70	2I12	DIFFERENTIAL	50-68
3C8	COUPLER, HYDRAULIC PUMP DRIVE	70-1	2H20	DIFFERENTIAL BEVEL GEAR	50-51
3E18	COUPLER, IMPLEMENT, QUICK	70-65	2I12	DIFFERENTIAL BEVEL GEAR	50-68
3E19	COUPLER, IMPLEMENT, QUICK	70-66	2I9	DIFFERENTIAL BEVEL PINION	50-64
3E24	COUPLER, IMPLEMENT, QUICK	70-71	2I12	DIFFERENTIAL BEVEL PINION	50-68
3F1	COUPLER, IMPLEMENT, QUICK	70-72	2G6	DIFFERENTIAL DRIVE GEAR SHAFT	50-9
3G16	COUPLER, ISO CONVERSION KIT	70-116	2I9	DIFFERENTIAL DRIVE GEAR SHAFT	50-64
3F12	COUPLER, POWER WEIGHT TRANSFER HITCH	70-84	2I12	DIFFERENTIAL DRIVE GEAR SHAFT	50-68
3G10	COUPLERS, FLEXIBLE OIL LINE	70-110	2H20	DIFFERENTIAL DRIVE SHAFT GEAR	50-51
3J3	COVER, BATTERY BOX	80-38	2I12	DIFFERENTIAL HOUSING	50-68
2G20	COVER, CLUTCH (POWER SHIFT)	50-23	2I13	DIFFERENTIAL KIT, ANTI-FRICTION	50-70
4E1	COVER, CONTROL SUPPORT	90-72	2I17	DIFFERENTIAL LOCK OIL LINES	50-74
3G20	COVER, DUST (DIAGNOSTIC RECEPTACLE)	70-120	2I15	DIFFERENTIAL LOCK PEDAL	50-72
3G12	COVER, DUST, BREAKAWAY COUPLER	70-112	2I15	DIFFERENTIAL LOCK RELEASE LINK	50-72
1D19	COVER, MUFFLER	30-15	2I15	DIFFERENTIAL LOCK VALVE	50-72
1C5	COVER, OIL FILTER	20-24	2I15	DIFFERENTIAL LOCK VALVE HOUSING	50-72
1B9	COVER, ROCKER ARM	20-4	4D15	DIODE, AIR CONDITIONING	90-61
3E4	COVER, ROCKSHAFT CONTROL VALVE	70-50	1B13	DIPSTICK	20-8
3E10	COVER, ROCKSHAFT HOUSING	70-56	1B13	DIPSTICK, ENGINE	20-8
3E3	COVER, ROCKSHAFT PISTON	70-49	3D21	DIPSTICK, TRANSMISSION	70-42
3D21	COVER, SEAT SUPPORT	70-42	3D22	DIPSTICK, TRANSMISSION	70-43
3B4	COVER, STEERING VALVE CYLINDER	60-1	3B16	DISK, BRAKE	60-14
1C3	COVER, TIMING GEAR	20-20	2F23	DISK, CLUTCH	50-2
2F22	COVER, TIMING HOLE	50-1	2G20	DISK, CLUTCH (POWER SHIFT)	50-23
2G3	COVER, TRANSMISSION FRONT	50-6	2F23	DISK, PTO CLUTCH	50-2
2H9	COVER, TRANSMISSION FRONT (POWER SHIFT)	50-40	2H2	DISK, PTO CLUTCH	50-32
3D21	COVER, TRANSMISSION REAR	70-42	2G7	DISK, TRANSMISSION SYNCHRONIZER	50-10
4C25	COVERS, HYDRAULIC, CAB (STOLPER)	90-46	2B7	DISTRIBUTOR	40-2
4E3	COWL	90-74	2B9	DISTRIBUTOR	40-4
4C23	COWL PANELS, CAB (STOLPER)	90-44	2C9	DISTRIBUTOR	40-32
1B21	CRANKSHAFT (EARLY DESIGN)	20-14	2C11	DISTRIBUTOR	40-34
1B22	CRANKSHAFT (LATE DESIGN)	20-15			
4C11	CUSHION, SEAT	90-31			
4D21	CUSHION, SEAT	90-68			

ALPHABETICAL INDEX - CONTINUED

<i>GRID</i>		<i>PAGE</i>	<i>GRID</i>		<i>PAGE</i>
4C19	FENDER, CAB (STOLPER)	90-40	3G5	FRONT OUTLET WITH COUPLERS.....	70-104
4C20	FENDER, CAB (STOLPER)	90-41	3G7	FRONT OUTLET WITH COUPLERS.....	70-106
4E6	FENDERS	90-77	3G9	FRONT OUTLET WITH COUPLERS.....	70-108
4E7	FENDERS	90-78	3G10	FRONT OUTLET WITH COUPLERS.....	70-110
4E5	FENDERS (HI-CROP)	90-76	4B19	FRONT PANEL, CAB (CRENLO)	90-14
4E4	FENDERS (ROW-CROP)	90-75	4C17	FRONT PANEL, CAB (STOLPER)	90-38
4C2	FENDERS, CAB (CRENLO).....	90-22	3J5	FRONT PLATE	80-40
1E12	FILER, FUEL (DIESEL) (SINGLE)	30-29	3I15	FRONT PLATE SUPPORT	80-25
4D4	FILTER HOUSING, CAB (STOLPER)	90-50	3D25	FRONT ROCKSHAFT ARM	70-46
1C5	FILTER, ENGINE OIL	20-24	3I16	FRONT WEIGHTS	80-26
1E13	FILTER, FUEL (DIESEL)	30-30	3I17	FRONT WEIGHTS	80-27
1E11	FILTER, FUEL (DIESEL) (DUEL)	30-28	3I18	FRONT WEIGHTS	80-28
1D22	FILTER, FUEL (GASOLINE)	30-18	3I19	FRONT WEIGHTS	80-29
2G13	FILTER, TRANSMISSION HYDRAULIC OIL.....	50-16	3I7	FRONT WHEEL	80-16
2I3	FILTER, TRANSMISSION HYDRAULIC OIL.....	50-58	3I4	FRONT WHEEL SPINDLE EXTENSION.....	80-12
1F20	FILTERS	30-64	3I7	FRONT WHEEL, SINGLE	80-16
2I22	FINAL DRIVE (HI-CROP).....	50-79	3I9	FRONT WHEELS	80-18
2I22	FINAL DRIVE HOUSING (HI-CROP).....	50-79	4C18	FRONT WINDOW, CAB (STOLPER).....	90-39
2I20	FINAL DRIVE KIT.....	50-77	1F10	FUEL CONVERTOR (LP-GAS)	30-53
2I19	FINAL DRIVE SHAFT AND SUN PINION.....	50-76	1F11	FUEL CONVERTOR PARTS (LP-GAS).....	30-54
4E16	FIRE EXTINGUISHER	90-87	1F11	FUEL CONVERTOR PARTS KIT (LP-GAS)	30-54
3H25	FIXED TREAD FRONT AXLE	80-8	1D20	FUEL FILLER CAP	30-16
2C3	FLASHER, WARNING LAMP	40-24	1E9	FUEL FILLER CAP	30-26
2E3	FLASHER, WARNING LAMP	40-78	1E13	FUEL FILTER (DIESEL).....	30-30
2E4	FLASHER, WARNING LAMP	40-79	1E11	FUEL FILTER (DIESEL) (DUEL)	30-28
2E5	FLASHER, WARNING LAMP	40-80	1E12	FUEL FILTER (DIESEL) (SINGLE)	30-29
2E6	FLASHER, WARNING LAMP	40-81	1D22	FUEL FILTER (GASOLINE)	30-18
2E7	FLASHER, WARNING LAMP	40-82	1E11	FUEL FILTER LINE (DIESEL)	30-28
2E4	FLASHING WARNING LAMP	40-79	2B9	FUEL GAUGE.....	40-4
2E5	FLASHING WARNING LAMP	40-80	2B12	FUEL GAUGE.....	40-8
3H12	FLEXIBLE OIL LINE COUPLER	70-138	2B14	FUEL GAUGE.....	40-10
3G10	FLEXIBLE OIL LINE COUPLERS	70-110	2B22	FUEL GAUGE.....	40-18
3H14	FLEXIBLE OIL LINE, BULK.....	70-140	1D20	FUEL GAUGE SENDER	30-16
4C5	FLOOR MAT, CAB (CRENLO)	90-25	1E9	FUEL GAUGE SENDER	30-26
4C24	FLOOR MAT, CAB (STOLPER).....	90-45	1F6	FUEL GAUGE SENDER	30-49
1F3	FLUID, STARTING	30-46	2B9	FUEL GAUGE SENDER	40-4
1F4	FLUID, STARTING	30-47	2B12	FUEL GAUGE SENDER	40-8
1B21	FLYWHEEL.....	20-14	2B14	FUEL GAUGE SENDER	40-10
1B10	FOLLOWER, CAM	20-5	2B7	FUEL GAUGE.....	40-2
1F18	FOOT SPEED CONTROL ARM	30-62	2B7	FUEL GAUGE SENDER	40-2
1F18	FOOT SPEED CONTROL PEDAL.....	30-62	1E22	FUEL INJECTION NOZZLE (AMERICAN BOSCH)	30-40
1F18	FOOT SPEED CONTROL ROD	30-62	1E14	FUEL INJECTION NOZZLE (EARLY DESIGN).....	30-32
1F16	FOOT SPEED CONTROL, ARM	30-60	1E16	FUEL INJECTION NOZZLE (LATE DESIGN)	30-34
1F16	FOOT SPEED CONTROL, PEDAL	30-60	1E23	FUEL INJECTION NOZZLE (ROBERT BOSCH)	30-41
1F16	FOOT SPEED CONTROL, ROD	30-60	1E24	FUEL INJECTION NOZZLE (ROOSA-MASTER) (EARLY DESIGN).....	30-42
3I15	FRAME	80-25	1E25	FUEL INJECTION NOZZLE (ROOSA-MASTER) (LATE DESIGN)	30-43
3I16	FRAME WEIGHT, SIDE	80-26	1E14	FUEL INJECTION PUMP (EARLY DESIGN)	30-32
3H25	FRONT AXLE (FIXED TREAD)	80-8	1E16	FUEL INJECTION PUMP (LATE DESIGN).....	30-34
3H19	FRONT AXLE HOUSING	80-2	1E18	FUEL INJECTION PUMP FITTINGS AND LINKAGE	30-36
3H20	FRONT AXLE HOUSING	80-3	1F6	FUEL LINE (LP-GAS).....	30-49
3H21	FRONT AXLE HOUSING	80-4	1F12	FUEL LINE (LP-GAS).....	30-55
3H22	FRONT AXLE KNEE	80-5	1E14	FUEL LINES (EARLY DESIGN).....	30-32
3I2	FRONT AXLE KNEE	80-10	1D22	FUEL LINES (GASOLINE)	30-18
3H22	FRONT AXLE KNUCKLE	80-5	1E16	FUEL LINES (LATE DESIGN)	30-34
3H25	FRONT AXLE KNUCKLE (FIXED TREAD).....	80-8	1F10	FUEL LINES, FLEXIBLE (LP-GAS)	30-53
3H19	FRONT AXLE PIVOT BRACKET.....	80-2	1F20	FUEL OIL FILTER	30-64
3H20	FRONT AXLE PIVOT BRACKET.....	80-3	1E9	FUEL PIPES	30-26
3H21	FRONT AXLE PIVOT BRACKET.....	80-4	1D20	FUEL PUMP	30-16
3H25	FRONT AXLE PIVOT BRACKET (FIXED TREAD).....	80-8	1E9	FUEL PUMP	30-26
2D24	FRONT LAMP PARTS	40-74	1D22	FUEL PUMP (GASOLINE)	30-18
2E1	FRONT LAMP PARTS	40-76	1F1	FUEL PUMP OVERHAUL KIT	30-44
2B24	FRONT LAMPS.....	40-20	1F2	FUEL PUMP OVERHAUL KIT	30-45
2C1	FRONT LAMPS.....	40-22	1D23	FUEL PUMP OVERHAUL KIT (EARLY DESIGN).....	30-19
2C3	FRONT LAMPS.....	40-24	1D24	FUEL PUMP OVERHAUL KIT (LATE DESIGN)	30-19A
3D25	FRONT MOUNTED ROCKSHAFT	70-46			
3G1	FRONT OUTLET WITH COUPLERS.....	70-100			
3G3	FRONT OUTLET WITH COUPLERS.....	70-102			

ALPHABETICAL INDEX - CONTINUED

GRID		PAGE	GRID		PAGE
1E24	INJECTOR NOZZLE (ROOSA-MASTER) (EARLY DESIGN).....	30 - 42	3C14	KIT, HYDRAULIC PUMP ELECTRIC DESTROKE	70 - 8
1E25	INJECTOR NOZZLE (ROOSA-MASTER) (LATE DESIGN)	30 - 43	3C24	KIT, HYDRAULIC PUMP ELECTRIC DESTROKE	70 - 19
1B7	INSERT, EXHAUST VALVE.....	20 - 2	3C16	KIT, HYDRAULIC PUMP OVERHAUL.....	70 - 10
1B7	INSERT, INTAKE VALVE.....	20 - 2	3C22	KIT, HYDRAULIC PUMP OVERHAUL.....	70 - 16
2B22	INSTRUMENT PANEL AND INSTRUMENTS	40 - 18	2G3	KIT, LOAD CONTROL SHAFT BORE REPAIR	50 - 6
2B17	INSTRUMENT WIRING REPLACEMENT KIT.....	40 - 13	3E1	KIT, LOAD CONTROL SHAFT BORE REPAIR	70 - 47
2B19	INSTRUMENT WIRING REPLACEMENT KIT.....	40 - 15	3E2	KIT, LOAD CONTROL SHAFT BUSHING.....	70 - 48
1D17	INTAKE MANIFOLD (DIESEL).....	30 - 13	2B16	KIT, MAIN WIRING REPLACEMENT	40 - 12
1D16	INTAKE MANIFOLD (GASOLINE)	30 - 12	2B18	KIT, MAIN WIRING REPLACEMENT	40 - 14
1D18	INTAKE MANIFOLD (LP-GAS)	30 - 14	1E13	KIT, MASTER FUEL FILTER (DIESEL).....	30 - 30
1D17	INTAKE MANIFOLD GASKET (DIESEL).....	30 - 13	2F4	KIT, NEUTRAL START SWITCH.....	40 - 103
1D18	INTAKE MANIFOLD GASKET (LP-GAS)	30 - 14	3D20	KIT, O-RING	70 - 41
2I3	INTAKE TUBE, TRANSMISSION OIL PUMP	50 - 58	1C22	KIT, OIL PAN GASKET	20 - 41
1B7	INTAKE VALVE INSERT	20 - 2	3H11	KIT, OVERHAUL, REMOTE CYLINDER	70 - 137
1B10	INTAKE VALVES	20 - 5	1C7	KIT, RADIATOR BAFFLES AND FOAM PAD.....	20 - 26
4B20	INTERIOR CAB PANELS (CRENLO)	90 - 15	3H3	KIT, REMOTE CYLINDER CONVERSION	70 - 128
4B25	INTERIOR PANELS, CAB (CRENLO).....	90 - 20	3H16	KIT, REMOTE CYLINDER HOSE IDENTIFICATION	70 - 142
4C6	INTERIOR PANELS, CAB (CRENLO).....	90 - 26	3H5	KIT, REMOTE CYLINDER OVERHAUL	70 - 131
3G16	ISO COUPLER CONVERSION KIT.....	70 - 116	3F17	KIT, SELECTIVE CONTROL VALVE OVERHAUL	70 - 90
3G18	ISO COUPLER OVERHAUL KIT	70 - 118	3F19	KIT, SELECTIVE CONTROL VALVE OVERHAUL	70 - 92
3G16	ISO COUPLER RECEPTACLE	70 - 116	3F21	KIT, SELECTIVE CONTROL VALVE OVERHAUL	70 - 94
3G16	ISO TO JOHN DEERE COUPLER CONVERSION	70 - 116	2C25	KIT, STARTER SOLENOID COVER	40 - 49
J			2D8	KIT, STARTER SOLENOID COVER	40 - 57
3D4	JUNCTION BLOCK.....	70 - 24	1F5	KIT, STARTING FLUID TUBE	30 - 48
3D16	JUNCTION BLOCK.....	70 - 37	2D15	KIT, STARTING MOTOR SEALING	40 - 64
3D10	JUNCTION BLOCK, OIL COOLER	70 - 30	3B11	KIT, STEERING VALVE CYLINDER OVERHAUL	60 - 8
K			3C12	KIT, STROKE CONTROL VALVE SHUT-OFF	70 - 6
2B9	KEY SWITCH	40 - 4	3C20	KIT, STROKE CONTROL VALVE SHUT-OFF	70 - 14
2B14	KEY SWITCH	40 - 10	2B17	KIT, SWITCH AND INSTRUMENT WIRING	40 - 13
4E1	KEY SWITCH	90 - 72	2B19	KIT, SWITCH AND INSTRUMENT WIRING	40 - 15
2I10	KIT, ANTI-FRICTION NO LOCK DIFFERENTIAL	50 - 66	1B24	KIT, UNDERHAUL ENGINE (6404DR)	20 - 17
3G21	KIT, AUXILIARY OUTLET COUPLER	70 - 121	1C10	KIT, WATER PUMP OVERHAUL (GASOLINE AND LP)	20 - 29
3B22	KIT, BRAKE VALVE OVERHAUL	60 - 21	1C16	KIT, WATER PUMP OVERHAUL (DIESEL) (W/AIR).....	20 - 35
2I17	KIT, BRAKE VALVE TO DIFF. LOCK VALVE	50 - 74	1C11	KIT, WATER PUMP OVERHAUL (DIESEL) (W/O AIR).....	20 - 30
3B21	KIT, BRAKE VALVES.....	60 - 20	2F17	KIT,ELECTRICAL CONNECTOR AND TERMINAL.....	40 - 116
3G14	KIT, BREAKAWAY COUPLER OVERHAUL	70 - 114	2D16	KIT,STARTING CIRCUIT RELAY(12-VOLT)	40 - 65
1E5	KIT, CARBURETOR GASKET (GAS) (ZENITH).....	30 - 24	3H22	KNEE, FRONT AXLE	80 - 5
1E4	KIT, CARBURETOR GASKET REPAIR (GAS).....	30 - 23	3I2	KNEE, FRONT AXLE	80 - 10
1E3	KIT, CARBURETOR REPAIR (GAS).....	30 - 22	1F16	KNOB, HAND SPEED CONTROL LEVER	30 - 60
2B16	KIT, CIRCUIT BREAKER	40 - 12	1F18	KNOB, HAND SPEED CONTROL LEVER	30 - 62
2B17	KIT, CIRCUIT BREAKER	40 - 13	3H22	KNUCKLE, FRONT AXLE	80 - 5
2B18	KIT, CIRCUIT BREAKER	40 - 14	3I2	KNUCKLE, FRONT AXLE	80 - 10
2B19	KIT, CIRCUIT BREAKER	40 - 15	3H25	KNUCKLE, FRONT AXLE (FIXED TREAD)	80 - 8
3F7	KIT, CLEVIS, DRAWBAR PIN	70 - 78	3I5	KNUCKLE, ROLL-O-MATIC	80 - 14
4B10	KIT, COMPRESSOR SHAFT SEAL.....	90 - 5	L		
3H10	KIT, CONVERSION, REMOTE CYLINDER.....	70 - 136	2D21	LAMP PARTS, CAB (CRENLO).....	40 - 71
2E21	KIT, ELECTRICAL OUTLET SOCKET	40 - 96	2D22	LAMP PARTS, CAB (CRENLO).....	40 - 72
2E23	KIT, ELECTRICAL REMOTE CONTROL	40 - 98	2D20	LAMP PARTS, CAB (STOLPER).....	40 - 70
2F1	KIT, ELECTRICAL REMOTE CONTROL WIRING	40 - 100	4C2	LAMP WIRE TUBE, CAB (CRENLO)	90 - 22
2B20	KIT, ELECTRICAL SYSTEM PROTECTION	40 - 16	2C3	LAMP WIRING	40 - 24
1C21	KIT, ENGINE COOLANT HEATER	20 - 40	2C1	LAMP WIRING (DIESEL)	40 - 22
2B17	KIT, ENGINE WIRING REPLACEMENT	40 - 13	2B24	LAMP WIRING (GASOLINE AND LP-GAS)	40 - 20
2B19	KIT, ENGINE WIRING REPLACEMENT	40 - 15	2C5	LAMP WIRING, CAB (CRENLO)	40 - 26
2I20	KIT, FINAL DRIVE	50 - 77	2C6	LAMP WIRING, CAB (CRENLO)	40 - 28
1F11	KIT, FUEL CONVERTOR PARTS (LP-GAS).....	30 - 54	2C8	LAMP WIRING, CAB (STOLPER)	40 - 30
1F1	KIT, FUEL PUMP OVERHAUL	30 - 44	2B24	LAMP, DASH	40 - 20
1F2	KIT, FUEL PUMP OVERHAUL	30 - 45	2C1	LAMP, DASH	40 - 22
1D23	KIT, FUEL PUMP OVERHAUL (EARLY DESIGN)	30 - 19	4E1	LAMP, DASH	90 - 72
1D24	KIT, FUEL PUMP OVERHAUL (LATE DESIGN)	30 - 19A	2B24	LAMP, FRONT	40 - 20
			2C1	LAMP, FRONT	40 - 22

ALPHABETICAL INDEX - CONTINUED

GRID		PAGE	GRID		PAGE
1E24	NOZZLE, INJECTOR (ROOSA-MASTER) (EARLY DESIGN).....	30 - 42	1C12	OVERHAUL KIT, WATER PUMP (DIESEL) (W/O AIR).....	20 - 31
1E25	NOZZLE, INJECTOR (ROOSA-MASTER) (LATE DESIGN).....	30 - 43	1C13	OVERHAUL KIT, WATER PUMP (DIESEL) (W/O AIR).....	20 - 32
O			1C17	OVERHAUL KIT, WATER PUMP (DIESEL) (A/C)	20 - 36
3D20	O-RING PACKING KIT.....	70 - 41	1C14	OVERHAUL KIT, WATER PUMP (GASOLINE AND LP)	20 - 33
3D10	OIL COOLER JUNCTION BOX	70 - 30	1C15	OVERHAUL KIT, WATER PUMP (GASOLINE AND LP)	20 - 34
3F25	OIL COOLER RETURN LINE	70 - 99	P		
1C6	OIL COOLER, ENGINE	20 - 25	1B17	PAN, OIL.....	20 - 10
3D4	OIL COOLER, HYDRAULIC.....	70 - 24	4B24	PANEL, FRONT, CAB (CRENLO).....	90 - 19
3D6	OIL COOLER, HYDRAULIC.....	70 - 26	2B22	PANEL, INSTRUMENT.....	40 - 18
3D8	OIL COOLER, HYDRAULIC.....	70 - 28	4C18	PANEL, LOWER, CAB (STOLPER).....	90 - 39
3D10	OIL COOLER, HYDRAULIC.....	70 - 30	4B22	PANEL, REAR SIDE, CAB (CRENLO)	90 - 17
3D12	OIL COOLER, HYDRAULIC.....	70 - 32	4B24	PANEL, REAR, CAB (CRENLO)	90 - 19
1C5	OIL FILTER COVER.....	20 - 24	3J5	PANEL, SIDE	80 - 40
2G13	OIL FILTER ELEMENT, TRANSMISSION.....	50 - 16	4C23	PANELS, CAB COWL (STOLPER)	90 - 44
2I3	OIL FILTER ELEMENT, TRANSMISSION.....	50 - 58	4B20	PANELS, INTERIOR, CAB (CRENLO)	90 - 15
3D4	OIL FILTER RELIEF VALVE	70 - 24	4B25	PANELS, INTERIOR, CAB (CRENLO)	90 - 20
3D4	OIL FILTER RELIEF VALVE HOUSING	70 - 24	4B23	PANELS, SIDE, CAB (CRENLO).....	90 - 18
1C5	OIL FILTER, ENGINE.....	20 - 24	3B19	PEDAL, BRAKE	60 - 18
1C20	OIL HEATER, ENGINE.....	20 - 39	2G1	PEDAL, CLUTCH	50 - 4
3H14	OIL LINE, FLEXIBLE, BULK	70 - 140	2H6	PEDAL, CLUTCH	50 - 36
3B23	OIL LINES, BRAKE	60 - 22	2I15	PEDAL, DIFFERENTIAL LOCK	50 - 72
2I17	OIL LINES, DIFFERENTIAL LOCK	50 - 74	1F16	PEDAL, FOOT SPEED.....	30 - 60
3H13	OIL LINES, HYDRAULIC, IMPLEMENT	70 - 139	1F18	PEDAL, FOOT SPEED.....	30 - 62
3F15	OIL LINES, POWER WEIGHT TRANSFER	70 - 87	2F7	PERFORMANCE TRAK II MINI-MONITOR.....	40 - 106
3F24	OIL LINES, SELECTIVE CONTROL (FRONT)	70 - 98	3F5	PIN, DRAWBAR	70 - 76
3F22	OIL LINES, SELECTIVE CONTROL (REAR)	70 - 96	2G6	PINION, BEVEL, DIFFERENTIAL	50 - 9
3F23	OIL LINES, SELECTIVE CONTROL (REAR)	70 - 97	2H20	PINION, BEVEL, DIFFERENTIAL	50 - 51
3B13	OIL LINES, STEERING	60 - 10	2I9	PINION, BEVEL, DIFFERENTIAL	50 - 64
1B17	OIL PAN	20 - 10	2I12	PINION, BEVEL, DIFFERENTIAL	50 - 68
1B17	OIL PAN GASKET	20 - 10	2G7	PINION, HIGH RANGE (SYNCRO-RANGE)	50 - 10
1C22	OIL PAN GASKET KIT.....	20 - 41	2G7	PINION, LOW RANGE (SYNCRO-RANGE)	50 - 10
3G9	OIL PIPE, SCV TO CONTROL SUPPORT	70 - 108	2I19	PINION, PLANET	50 - 76
3G10	OIL PIPE, SCV TO CONTROL SUPPORT.....	70 - 110	2H16	PINION, PLANETARY	50 - 47
3G1	OIL PIPE, SCV TO FRONT COUPLER	70 - 100	2H17	PINION, PLANETARY	50 - 48
3G3	OIL PIPE, SCV TO FRONT COUPLER	70 - 102	1D6	PIPE, AIR INTAKE	30 - 1
3G5	OIL PIPE, SCV TO FRONT COUPLER	70 - 104	1D7	PIPE, AIR INTAKE	30 - 2
3G7	OIL PIPE, SCV TO FRONT COUPLER	70 - 106	1D8	PIPE, AIR INTAKE	30 - 4
3C1	OIL PIPES, BRAKE	60 - 24	1D10	PIPE, AIR INTAKE	30 - 6
3D4	OIL PIPES, HYDRAULIC SYSTEM	70 - 24	1D20	PIPES, FUEL	30 - 16
3D10	OIL PIPES, HYDRAULIC SYSTEM	70 - 30	1E9	PIPES, FUEL	30 - 26
3D12	OIL PIPES, HYDRAULIC SYSTEM	70 - 32	3C1	PIPES, OIL, BRAKE.....	60 - 24
3E8	OIL PIPES, ROCKSHAFT	70 - 54	3D4	PIPES, OIL, MAIN HYDRAULIC	70 - 24
3E9	OIL PIPES, ROCKSHAFT	70 - 55	3D10	PIPES, OIL, MAIN HYDRAULIC	70 - 30
1B12	OIL PRESSURE REGULATOR HOUSING	20 - 7	3D12	PIPES, OIL, MAIN HYDRAULIC	70 - 32
1B22	OIL PUMP DRIVE GEAR.....	20 - 15	3E8	PIPES, OIL, ROCKSHAFT	70 - 54
1C4	OIL PUMP, ENGINE.....	20 - 23	3E9	PIPES, OIL, ROCKSHAFT.....	70 - 55
2G13	OIL PUMP, TRANSMISSION.....	50 - 16	3E3	PISTON COVER, ROCKSHAFT	70 - 49
2G24	OIL PUMP, TRANSMISSION.....	50 - 28	1B19	PISTON RINGS (DIESEL).....	20 - 12
3D8	OIL RESERVOIR	70 - 28	1B18	PISTON RINGS (GASOLINE AND LP)	20 - 11
3D3	OIL, HYDRAULIC AND TRANSMISSION	70 - 23	3B16	PISTON, BRAKE	60 - 14
3J1	OPERATOR SHIELDS	80 - 36	2G19	PISTON, CLUTCH OIL ACCUMULATOR	50 - 22
3J3	OPERATOR SHIELDS	80 - 38	1B19	PISTON, ENGINE (DIESEL).....	20 - 12
3J5	ORNAMENT, HOOD.....	80 - 40	1B18	PISTON, ENGINE (GASOLINE AND LP)	20 - 11
3D15	OUTTEXT	70 - 35	2H2	PISTON, HIGH RANGE CLUTCH	50 - 32
3G14	OVERHAUL KIT, BREAKAWAY COUPLER	70 - 114	2H2	PISTON, LOW RANGE CLUTCH	50 - 32
1B15	OVERHAUL KIT, ENGINE (DIESEL).....	20 - 9A	2H11	PISTON, PLANETARY CLUTCH	50 - 42
3C16	OVERHAUL KIT, HYDRAULIC PUMP.....	70 - 10	2H13	PISTON, PLANETARY CLUTCH	50 - 44
3C22	OVERHAUL KIT, HYDRAULIC PUMP.....	70 - 16	3D23	PISTON, ROCKSHAFT.....	70 - 44
3G18	OVERHAUL KIT, ISO COUPLER	70 - 118			
3H11	OVERHAUL KIT, REMOTE CYLINDER	70 - 137			

ALPHABETICAL INDEX - CONTINUED

GRID		PAGE	GRID		PAGE
	R				
2F5	RADAR SENSOR	40 - 104	3H1	REMOTE CYLINDER PARTS	70 - 126
2F5	RADAR SENSOR BRACKET	40 - 104	3H6	REMOTE CYLINDER PARTS	70 - 132
2F5	RADAR SENSOR WIRING HARNESS	40 - 104	3H8	REMOTE CYLINDER PARTS	70 - 134
1C8	RADIATOR	20 - 27	3G22	REMOTE CYLINDER TRANSPORT ARM.....	70 - 122
1C7	RADIATOR BAFFLES AND FOAM PAD KIT	20 - 26	1E3	REPAIR KIT, CARBURETOR (GAS)	30 - 22
1C8	RADIATOR CAP	20 - 27	1E7	REPAIR KIT, CARBURETOR (ZENITH)	30 - 25A
1C8	RADIATOR HOSE	20 - 27	2G9	REPAIR KIT, SYNCHRONIZER.....	50 - 12
2E12	RADIO (BENDIX)	40 - 87	3C9	REPLACEMENT HYDRAULIC PUMP ASSEMBLY.....	70 - 3
2E13	RADIO (MOTOROLA).....	40 - 88	3C18	REPLACEMENT PUMP, HYDRAULIC	70 - 12
2E14	RADIO (MOTOROLA).....	40 - 89	3D6	RESERVOIR, HYDRAULIC OIL.....	70 - 26
2E15	RADIO (MOTOROLA).....	40 - 90	3D8	RESERVOIR, HYDRAULIC OIL.....	70 - 28
2E16	RADIO (MOTOROLA).....	40 - 91	2C1	RESISTOR, LIGHT	40 - 22
2E18	RADIO HEADPHONES.....	40 - 93	4E1	RESISTOR, LIGHT	90 - 72
2E19	RADIO, CAB	40 - 94	3I11	RIM, DEMOUNTABLE	80 - 21
3I3	RADIUS ROD (HI-CROP).....	80 - 11	1B19	RINGS, PISTON (DIESEL).....	20 - 12
3I3	RADIUS ROD BRACKET (HI-CROP)	80 - 11	1B18	RINGS, PISTON (GASOLINE AND LP)	20 - 11
2B24	REAR AND WARNING LAMP	40 - 20	1B9	ROCKER ARM COVER	20 - 4
2C1	REAR AND WARNING LAMP	40 - 22	1B10	ROCKER ARMS	20 - 5
2C3	REAR AND WARNING LAMP	40 - 24	3D23	ROCKSHAFT	70 - 44
2D24	REAR AND WARNING LAMP	40 - 74	3E6	ROCKSHAFT CONTROL LEVER	70 - 52
2E1	REAR AND WARNING LAMP	40 - 76	3E4	ROCKSHAFT CONTROL VALVE COVER	70 - 50
2I19	REAR AXLE HOUSING	50 - 76	3E4	ROCKSHAFT CONTROL VALVE HOUSING	70 - 50
2I19	REAR AXLE SHAFT.....	50 - 76	3D23	ROCKSHAFT CRANK ARM.....	70 - 44
2I23	REAR AXLE SHAFT (HI-CROP)	50 - 80	3D24	ROCKSHAFT GUARD	70 - 45
2E1	REAR LAMP BRACKET.....	40 - 76	3D22	ROCKSHAFT HOUSING	70 - 43
2D24	REAR LAMP PARTS	40 - 74	3E10	ROCKSHAFT HOUSING COVER	70 - 56
2E1	REAR LAMP PARTS	40 - 76	3D22	ROCKSHAFT HOUSING, COVER, BOTTOM.....	70 - 43
2D24	REAR LAMP SUPPORT	40 - 74	3D24	ROCKSHAFT IMPLEMENT ARMS	70 - 45
1B13	REAR OIL SEAL.....	20 - 8	3D23	ROCKSHAFT LIFT ARMS	70 - 44
4B19	REAR PANEL, CAB (CRENLO).....	90 - 14	3E6	ROCKSHAFT LINKAGE AND CONTROL	70 - 52
4C17	REAR PANEL, CAB (STOLPER).....	90 - 38	3E6	ROCKSHAFT LINKAGE CONTROL CABLE	70 - 52
2G15	REAR PTO GUARD	50 - 18	3E8	ROCKSHAFT OIL PIPES	70 - 54
4B22	REAR SIDE PANEL, CAB (CRENLO).....	90 - 17	3E9	ROCKSHAFT OIL PIPES.....	70 - 55
4B23	REAR SIDE WINDOWS, CAB (CRENLO).....	90 - 18	3D23	ROCKSHAFT PISTON	70 - 44
4E9	REAR VIEW MIRROR	90 - 80	3E3	ROCKSHAFT PISTON COVER	70 - 49
4C21	REAR VIEW MIRROR, CAB (STOLPER)	90 - 42	3D25	ROCKSHAFT, FRONT MOUNTED	70 - 46
3I13	REAR WHEEL WEIGHTS	80 - 23	3B21	ROD, BRAKE OPERATING	60 - 20
3I11	REAR WHEELS	80 - 21	1F16	ROD, HAND SPEED	30 - 60
3I12	REAR WHEELS, DUAL	80 - 22	1F18	ROD, HAND SPEED	30 - 62
3G20	RECEPTACLE, DIAGNOSTIC	70 - 120	3I3	ROD, RADIUS (HI-CROP)	80 - 11
2H19	REDUCTION GEAR, TRANSMISSION	50 - 50	1B19	RODS, CONNECTING (DIESEL).....	20 - 12
2B7	REGULATOR, GENERATOR.....	40 - 2	1B18	RODS, CONNECTING (GASOLINE AND LP)	20 - 11
2B9	REGULATOR, GENERATOR.....	40 - 4	1B10	RODS, PUSH	20 - 5
2C18	REGULATOR, GENERATOR (12-VOLT)(GASOLINE/LP-GAS)	40 - 42	4B14	ROLL-GARD	90 - 9
2C20	REGULATOR, GENERATOR (24-VOLT)(DIESEL)	40 - 44	4B15	ROLL-GARD	90 - 10
2E24	RELAY, WIRING, ELECTRICAL REMOTE CONTROL	40 - 99	3I5	ROLL-O-MATIC.....	80 - 14
2D16	RELAY, STARTING CIRCUIT KIT(12-VOLT)	40 - 65	4D6	ROOF SEAL, CAB (STOLPER).....	90 - 52
2D17	RELAY, STARTING CIRCUIT(12-VOLT).....	40 - 66	4D4	ROOF VENT, CAB (STOLPER).....	90 - 50
2D18	RELAY, STARTING CIRCUIT(24-VOLT).....	40 - 67	4B19	ROOF, CAB (CRENLO)	90 - 14
3D4	RELIEF VALVE, OIL FILTER	70 - 24	4B24	ROOF, CAB (CRENLO)	90 - 19
2E24	REMOTE CONTROL CIRCUIT BREAKER	40 - 99	4C5	ROOF, CAB (CRENLO)	90 - 25
2E23	REMOTE CONTROL KIT, ELECTRICAL	40 - 98	2C11	ROTOR	40 - 34
2F1	REMOTE CONTROL WIRING KIT, ELECTRICAL	40 - 100			
2E24	REMOTE CONTROL WIRING, ELECTRICAL.....	40 - 99		S	
2E22	REMOTE CONTROL, ELECTRICAL	40 - 97	3H15	SAFETY CHAIN, IMPLEMENT	70 - 141
3G22	REMOTE CYLINDER	70 - 122	3G9	SCV TO CONTROL SUPPORT OIL PIPE	70 - 108
3H3	REMOTE CYLINDER CONVERSION KIT.....	70 - 128	3G10	SCV TO CONTROL SUPPORT OIL PIPE	70 - 110
3H10	REMOTE CYLINDER CONVERSION KIT.....	70 - 136	3G1	SCV TO FRONT COUPLER OIL PIPE	70 - 100
3G22	REMOTE CYLINDER HOSE	70 - 122	3G3	SCV TO FRONT COUPLER OIL PIPE	70 - 102
3H16	REMOTE CYLINDER HOSE IDENTIFICATION KIT.....	70 - 142	3G5	SCV TO FRONT COUPLER OIL PIPE	70 - 104
3H5	REMOTE CYLINDER OVERHAUL	70 - 131	3G7	SCV TO FRONT COUPLER OIL PIPE	70 - 106
3H11	REMOTE CYLINDER OVERHAUL KIT	70 - 137			
3G24	REMOTE CYLINDER PARTS	70 - 124			

ALPHABETICAL INDEX - CONTINUED

GRID		PAGE	GRID		PAGE
1B13	SEAL, REAR OIL	20-8	2I23	SHAFT, REAR AXLE (HI-CROP).....	50-80
4D6	SEAL, ROOF, CAB (STOLPER)	90-52	2H18	SHAFT, SHIFTER YOKE	50-49
1C16	SEAL, WATER PUMP (DIESEL) (W/AIR)	20-35	3B5	SHAFT, STEERING	60-2
1C11	SEAL, WATER PUMP (DIESEL) (W/O AIR)	20-30	2G7	SHAFT, TRANSMISSION DRIVE (SYNCRO-RANGE)	50-10
1C10	SEAL, WATER PUMP (GASOLINE AND LP)	20-29	2H19	SHAFT, TRANSMISSION REDUCTION GEAR.....	50-50
4E12	SEALANT, LOCTITE.....	90-83	2G10	SHAFTS, SHIFTER (SYNCRO-RANGE)	50-13
2D15	SEALING KIT, STARTING MOTOR	40-64	2G11	SHAFTS, SHIFTER (SYNCRO-RANGE)	50-14
4C11	SEAT BACK	90-31	3J1	SHIELD, OPERATOR.....	80-36
4D21	SEAT BACK	90-68	3J3	SHIELD, OPERATOR.....	80-38
4C11	SEAT BACK CUSHION	90-31	2G15	SHIELD, PTO MASTER	50-18
4D21	SEAT BACK CUSHION	90-68	2I5	SHIELD, PTO MASTER	50-60
4B14	SEAT BELT.....	90-9	3J5	SHIELD, SIDE.....	80-40
4B15	SEAT BELT.....	90-10	2H22	SHIFT VALVE, TRANSMISSION	50-53
4C11	SEAT CUSHION	90-31	2G10	SHIFTER SHAFTS (SYNCRO-RANGE)	50-13
4D21	SEAT CUSHION	90-68	2G11	SHIFTER SHAFTS (SYNCRO-RANGE)	50-14
4D19	SEAT SHOCK ABSORBER	90-66	2H18	SHIFTER YOKE	50-49
4C13	SEAT SHOCK ABSORBER, CAB (CRENLO).....	90-33	2H18	SHIFTER YOKE SHAFT	50-49
4C12	SEAT SUPPORT, DELUXE CAB (CRENLO)	90-32	4C13	SHOCK ABSORBER, CAB SEAT (CRENLO).....	90-33
4C13	SEAT SUSPENSION, CAB (CRENLO)	90-33	4D19	SHOCK ABSORBER, SEAT.....	90-66
4C11	SEAT, DELUXE, CAB (CRENLO)	90-31	1C8	SHROUD, FAN	20-27
4D19	SEAT, SUPPORT, DELUXE.....	90-66	3I16	SIDE FRAME WEIGHT	80-26
3F16	SELECTIVE CONTROL LEVERS	70-88	3J5	SIDE PANEL.....	80-40
3F24	SELECTIVE CONTROL OIL LINES (FRONT)	70-98	4B18	SIDE PANELS, CAB (CRENLO)	90-13
3F22	SELECTIVE CONTROL OIL LINES (REAR).....	70-96	3J5	SIDE SHIELD	80-40
3F23	SELECTIVE CONTROL OIL LINES (REAR).....	70-97	4C20	SIDE, L.H., CAB (STOLPER).....	90-41
3F17	SELECTIVE CONTROL VALVE.....	70-90	4C19	SIDE, R.H., CAB (STOLPER)	90-40
3F19	SELECTIVE CONTROL VALVE.....	70-92	3I7	SINGLE FRONT WHEEL (7.50 X 16" TIRE)	80-16
3F17	SELECTIVE CONTROL VALVE HOUSING	70-90	3I7	SINGLE FRONT WHEEL YOKE	80-16
3F19	SELECTIVE CONTROL VALVE HOUSING	70-92	1E13	SINGLE FUEL FILTER BASE (DIESEL)	30-30
3G1	SELECTIVE CONTROL VALVE OUTLET	70-100	4E13	SLOW MOVING VEHICLE EMBLEM.....	90-84
3G3	SELECTIVE CONTROL VALVE OUTLET	70-102	4E14	SLOW MOVING VEHICLE EMBLEM.....	90-85
3G5	SELECTIVE CONTROL VALVE OUTLET	70-104	2B24	SOCKET, ELECTRICAL OUTLET	40-20
3G7	SELECTIVE CONTROL VALVE OUTLET	70-106	2C1	SOCKET, ELECTRICAL OUTLET	40-22
3G9	SELECTIVE CONTROL VALVE OUTLET	70-108	2F3	SOCKET, ELECTRICAL OUTLET	40-102
3G10	SELECTIVE CONTROL VALVE OUTLET	70-110	2D1	SOLENOID SWITCH	40-50
3F17	SELECTIVE CONTROL VALVE OVERHAUL KIT.....	70-90	2D3	SOLENOID SWITCH	40-52
3F19	SELECTIVE CONTROL VALVE OVERHAUL KIT.....	70-92	2D5	SOLENOID SWITCH	40-54
3F21	SELECTIVE CONTROL VALVE OVERHAUL KIT.....	70-94	2D9	SOLENOID SWITCH	40-58
1D20	SENDER, FUEL GAUGE	30-16	2D11	SOLENOID SWITCH	40-60
1E9	SENDER, FUEL GAUGE	30-26	2D7	SOLENOID SWITCH PARTS (12-VOLT)	40-56
1F6	SENDER, FUEL GAUGE	30-49	2D13	SOLENOID SWITCH PARTS (24-VOLT) (DIESEL).....	40-62
2F5	SENSOR, RADAR	40-104	2D14	SOLENOID SWITCH PARTS (24-VOLT) (DIESEL).....	40-63
2H2	SEPARATOR PLATE, CLUTCH	50-32	2C9	SPARK PLUG.....	40-32
2F23	SHAFT, CLUTCH	50-2	2C9	SPARK PLUG CABLE	40-32
2G20	SHAFT, CLUTCH	50-23	2G11	SPEED CHANGE ARM (SYNCRO-RANGE).....	50-14
2G1	SHAFT, CLUTCH FORK	50-4	1F16	SPEED CONTROL LINKAGE	30-60
2I9	SHAFT, DIFFERENTIAL DRIVE GEAR.....	50-64	1F18	SPEED CONTROL LINKAGE	30-62
2I12	SHAFT, DIFFERENTIAL DRIVE GEAR.....	50-68	2G10	SPEED RANGE ARM (SYNCRO-RANGE)	50-13
2I21	SHAFT, DRIVE AND PINION (HI-CROP)	50-78	2B22	SPEED-HOUR METER.....	40-18
2I19	SHAFT, FINAL DRIVE	50-76	2B22	SPEED-HOUR METER CABLE	40-18
3C8	SHAFT, HYDRAULIC PUMP DRIVE	70-1	1B12	SPEED-HOUR METER DRIVE	20-7
2H19	SHAFT, IDLER GEAR	50-50	1B12	SPEED-HOUR METER DRIVE GEAR	20-7
3E1	SHAFT, LOAD CONTROL	70-47	3I4	SPINDLE EXTENSION, FRONT WHEEL	80-12
3E17	SHAFT, LOAD CONTROL	70-64	1B10	SPRINGS, VALVE	20-5
3F3	SHAFT, LOAD CONTROL	70-74	2B12	START-SAFETY SWITCH	40-8
2I19	SHAFT, PLANET PINION.....	50-76	2B24	STARTER	40-20
2G17	SHAFT, PTO.....	50-20	2C1	STARTER	40-22
2I7	SHAFT, PTO.....	50-62	2C24	STARTER	40-48
2G1	SHAFT, PTO BRAKE	50-4	2D1	STARTER (12-VOLT) (GASOLINE).....	40-50
2F23	SHAFT, PTO DRIVE.....	50-2	2D3	STARTER (12-VOLT) (LP-GAS)	40-52
2G18	SHAFT, PTO DRIVE.....	50-21	1F3	STARTER FLUID	30-46
2I8	SHAFT, PTO DRIVE.....	50-63	1F4	STARTER FLUID	30-47
2G18	SHAFT, PTO IDLER GEAR	50-21	2D5	STARTER PARTS (12-VOLT) (LP-GAS).....	40-54
2I8	SHAFT, PTO IDLER GEAR	50-63	2D6	STARTER PARTS (12-VOLT) (LP-GAS).....	40-55
2I6	SHAFT, PTO REAR	50-61			
2G16	SHAFT, PTO, REAR.....	50-19			
2I19	SHAFT, REAR AXLE	50-76			

ALPHABETICAL INDEX - CONTINUED

GRID		PAGE	GRID		PAGE
2D7	STARTER PARTS (24-VOLT) (DIESEL)	40-56	2D11	SWITCH, SOLENOID	40-60
2D9	STARTER PARTS (24-VOLT) (DIESEL)	40-58	2D13	SWITCH, SOLENOID PARTS (24-VOLT)	40-62
2D11	STARTER PARTS (24-VOLT) (DIESEL)	40-60	2D14	SWITCH, SOLENOID PARTS (24-VOLT)	40-63
2C25	STARTER SOLENOID COVER KIT	40-49	2G10	SWITCH, START-SAFETY (SYNCRANGE)	50-13
2D8	STARTER SOLENOID COVER KIT	40-57	4D9	SWITCH, WIPER, CAB (STOLPER)	90-55
2B9	STARTER SWITCH	40-4	4D16	SWITCHES, AIR CONDITIONING	90-62
2B12	STARTER SWITCH	40-8	2G9	SYNCHRONIZER REPAIR KIT	50-12
2B14	STARTER SWITCH	40-10	2G7	SYNCHRONIZER, DRUM (SYNCRANGE)	50-10
1F4	STARTING AID COLD WEATHER	30-47			
1F3	STARTING AID, COLD WEATHER	30-46		T	
2D16	STARTING CIRCUIT RELAY KIT(12-VOLT)	40-65			
2D17	STARTING CIRCUIT RELAY(12-VOLT)	40-66	1D20	TANK, FUEL	30-16
2D18	STARTING CIRCUIT RELAY(24-VOLT)	40-67	1E9	TANK, FUEL	30-26
1F5	STARTING FLUID TUBE KIT	30-48	1F6	TANK, FUEL (LP-GAS)	30-49
2D15	STARTING MOTOR SEALING KIT	40-64	2F15	TERMINALS AND CONNECTORS,SUPPLEMENTARY	40-114
3H23	STEERING ARM	80-6	2F9	TERMINALS,ELECTRICAL	40-108
3H24	STEERING ARM	80-7	2F11	TERMINALS,ELECTRICAL	40-110
3I2	STEERING ARM	80-10	2F13	TERMINALS,ELECTRICAL	40-112
3I1	STEERING ARM (FIXED TREAD)	80-9	1C9	THERMOSTAT HOUSING	20-28
3B15	STEERING MOTOR	60-12	4D15	THERMOSTAT, AIR CONDITIONING	90-61
3B13	STEERING OIL LINES	60-10	3D14	THERMOSTATIC BYPASS VALVE	70-34
3B5	STEERING SHAFT	60-2	1C9	THERMOSTATS	20-28
3B7	STEERING VALVE ASSEMBLY	60-4	3E11	THREE-POINT HITCH	70-57
3B9	STEERING VALVE ASSEMBLY	60-6	3E12	THREE-POINT HITCH	70-58
4D23	STEERING VALVE BRACKET	90-70	3E14	THREE-POINT HITCH	70-60
3B5	STEERING VALVE CYLINDER	60-2	3E15	THREE-POINT HITCH	70-62
3B4	STEERING VALVE CYLINDER COVER	60-1	3E17	THREE-POINT HITCH	70-64
3B11	STEERING VALVE CYLINDER OVERHAUL KIT	60-8	3E18	THREE-POINT HITCH	70-65
3B7	STEERING VALVE HOUSING	60-4	3E19	THREE-POINT HITCH	70-66
3B9	STEERING VALVE HOUSING	60-6	3E24	THREE-POINT HITCH	70-71
3B5	STEERING VALVE PISTON	60-2	3F1	THREE-POINT HITCH	70-72
3B5	STEERING WHEEL	60-2	1C1	THRUST BEARING, MAIN	20-18
3B5	STEERING WHEEL EMBLEM	60-2	3I1	TIE ROD (FIXED TREAD)	80-9
3F10	STEP (HI-CROP)	70-82	3H23	TIE RODS	80-6
4B21	STEP BRACKET, CAB (CRENLO)	90-16	3H24	TIE RODS	80-7
4B21	STEP, CAB (CRENLO)	90-16	1C3	TIMING GEAR COVER	20-20
4C1	STEP, CAB (CRENLO)	90-21	2F22	TIMING HOLE COVER	50-1
4C9	STEP, CAB (CRENLO)	90-29	3D21	TOOL BOX	70-42
4D1	STEP, CAB (STOLPER)	90-47	4E4	TOOL BOX	90-75
3J7	STEP, TRACTOR	80-42	4E6	TOOL BOX	90-77
3J8	STEP, TRACTOR	80-43	4E11	TOOL BOX	90-82
1F12	STRAINER, FUEL (LP-GAS)	30-55	4C1	TOOL BOX (CRENLO)	90-21
1F13	STRAINER, FUEL, PARTS (LP-GAS)	30-56	3I20	TOOL BOX (GASOLINE AND LP-GAS)	80-30
3C12	STROKE CONTROL VALVE SHUT-OFF KIT	70-6	4D1	TOOL BOX, CAB (STOLPER)	90-47
3C20	STROKE CONTROL VALVE SHUT-OFF KIT	70-14	4E11	TOOLBOX MOUNTING BRACKET	90-82
3C12	STROKE CONTROL VALVE, HYDRAULIC PUMP	70-6	4E10	TOOLS	90-81
3C20	STROKE CONTROL VALVE, HYDRAULIC PUMP	70-14	4E3	TRACTOR MOUNTING HANDLE	90-74
2F15	SUPPLEMENTARY TERMINALS AND CONNECTORS	40-114	3J7	TRACTOR STEP	80-42
4D23	SUPPORT, DASH	90-70	3J8	TRACTOR STEP	80-43
3F3	SUPPORT, DRAWBAR, FRONT	70-74	1F20	TRANSMISSION OIL FILTER	30-64
3I15	SUPPORT, FRONT PLATE	80-25	2H9	TRANSMISSION CASE (POWER SHIFT)	50-40
3C8	SUPPORT, HYDRAULIC PUMP	70-1	2G3	TRANSMISSION CASE (SYNCRANGE)	50-6
3B13	SUPPORT, OIL LINES	60-10	2H4	TRANSMISSION CLUTCH ASSEMBLY (WITH PTO)	50-34
3F5	SWAY CONTROL BLOCKS	70-76	2G24	TRANSMISSION CLUTCH OIL PUMP	50-28
2B17	SWITCH WIRING REPLACEMENT KIT	40-13	2H2	TRANSMISSION CLUTCH PACK	50-32
2B19	SWITCH WIRING REPLACEMENT KIT	40-15	2H8	TRANSMISSION CLUTCH REGULATING VALVE	50-38
2E11	SWITCH, DUAL HORN	40-86	2H6	TRANSMISSION CLUTCH VALVE	50-36
2E22	SWITCH, ELECTRICAL REMOTE CONTROL	40-97	2H23	TRANSMISSION CONTROL VALVE	50-54
4E1	SWITCH, IGNITION AND STARTER	90-72	2H24	TRANSMISSION CONTROL VALVE ARMS	50-55
4E1	SWITCH, KEY	90-72	2H24	TRANSMISSION CONTROL VALVE COVER	50-55
4E1	SWITCH, LIGHT	90-72	2H24	TRANSMISSION CONTROL VALVES	50-55
2H6	SWITCH, NEUTRAL START	50-36	2G5	TRANSMISSION COUNTERSHAFT	50-8
2B22	SWITCH, PRESSURE, ENGINE OIL	40-18		(SYNCRANGE)	50-8
2D1	SWITCH, SOLENOID	40-50	3D21	TRANSMISSION DIPSTICK	70-42
2D3	SWITCH, SOLENOID	40-52	3D22	TRANSMISSION DIPSTICK	70-43
2D5	SWITCH, SOLENOID	40-54	2G21	TRANSMISSION DISCONNECT CLUTCH CONTROL	50-24
2D9	SWITCH, SOLENOID	40-58			

ALPHABETICAL INDEX - CONTINUED

<i>GRID</i>		<i>PAGE</i>	<i>GRID</i>		<i>PAGE</i>
2H18	TRANSMISSION DISCONNECT SHIFTER YOKE	50 - 49	2D24	WARNING LAMP	40 - 74
2G7	TRANSMISSION DRIVE SHAFT (SYNCRO-RANGE)	50 - 10	2E1	WARNING LAMP	40 - 76
2G3	TRANSMISSION FRONT COVER	50 - 6	2E3	WARNING LAMP	40 - 78
2H9	TRANSMISSION FRONT COVER (POWER SHIFT)	50 - 40	2E4	WARNING LAMP	40 - 79
2G13	TRANSMISSION HYDRAULIC OIL FILTER	50 - 16	2E5	WARNING LAMP	40 - 80
2H19	TRANSMISSION IDLER GEAR	50 - 50	2E6	WARNING LAMP	40 - 81
2H19	TRANSMISSION IDLER GEAR SHAFT	50 - 50	2E8	WARNING LAMP	40 - 83
2H21	TRANSMISSION LOCK (POWER SHIFT).....	50 - 52	2C3	WARNING LAMP FLASHER	40 - 24
2I1	TRANSMISSION LOCK ARM	50 - 56	2E3	WARNING LAMP FLASHER	40 - 78
2I1	TRANSMISSION LOCK CABLE.....	50 - 56	2E4	WARNING LAMP FLASHER	40 - 79
3D3	TRANSMISSION OIL	70 - 23	2E5	WARNING LAMP FLASHER	40 - 80
2G13	TRANSMISSION OIL FILTER ELEMENT	50 - 16	2E6	WARNING LAMP FLASHER	40 - 81
2B22	TRANSMISSION OIL PRESSURE GAUGE	40 - 18	2E7	WARNING LAMP FLASHER	40 - 82
2G13	TRANSMISSION OIL PUMP	50 - 16	2E6	WARNING LAMP FOR TOWED IMPLEMENT	40 - 81
2G13	TRANSMISSION OIL PUMP GEARS	50 - 16	2E3	WARNING LAMP PARTS.....	40 - 78
2I3	TRANSMISSION OIL PUMP INTAKE TUBE.....	50 - 58	1C18	WATER BYPASS LINE (EARLY DESIGN)	20 - 37
2B22	TRANSMISSION OIL TEMPERATURE GAUGE.....	40 - 18	1C19	WATER BYPASS LINE (LATE DESIGN)	20 - 38
2H15	TRANSMISSION PLANETARY	50 - 46	1C18	WATER OUTLET MANIFOLD (EARLY DESIGN).....	20 - 37
3D21	TRANSMISSION REAR COVER	70 - 42	1C19	WATER OUTLET MANIFOLD (LATE DESIGN)	20 - 38
2H19	TRANSMISSION REDUCTION GEAR.....	50 - 50	1C16	WATER PUMP (DIESEL) (W/AIR).....	20 - 35
2H19	TRANSMISSION REDUCTION GEAR SHAFT	50 - 50	1C11	WATER PUMP (DIESEL) (W/O AIR).....	20 - 30
2H22	TRANSMISSION SHIFT VALVE	50 - 53	1C10	WATER PUMP (GASOLINE AND LP).....	20 - 29
2G12	TRANSMISSION SHIFTER CONTROL	50 - 15	1C12	WATER PUMP OVERHAUL KIT (DIESEL) (W/O AIR).....	20 - 31
2I1	TRANSMISSION SHIFTER CONTROL	50 - 56	1C13	WATER PUMP OVERHAUL KIT (DIESEL) (W/O AIR).....	20 - 32
2G7	TRANSMISSION SYNCHRONIZER DISK.....	50 - 10	1C17	WATER PUMP OVERHAUL KIT (DIESEL) (A/C).....	20 - 36
2H1	TRANSMISSION, CLUTCH OIL PUMP	50 - 30	1C14	WATER PUMP OVERHAUL KIT(GASOLINE AND LP)	20 - 33
U			2B22	WATER TEMPERATURE GAUGE	40 - 18
1B24	UNDERHAUL KIT, ENGINE (6404DR)	20 - 17	4E15	WEATHERSHIELD	90 - 86
V			3I16	WEIGHT, FRONT	80 - 26
1B7	VALVE GUIDE	20 - 2	3I17	WEIGHT, FRONT	80 - 27
3B19	VALVE, BRAKE	60 - 18	3I18	WEIGHT, FRONT	80 - 28
3D19	VALVE, BYPASS, HYDRAULIC OIL COOLER.....	70 - 40	3I19	WEIGHT, FRONT	80 - 29
3F14	VALVE, CONTROL, POWER WEIGHT TRANSFER	70 - 86	3I13	WEIGHT, REAR WHEEL	80 - 23
2H23	VALVE, CONTROL, TRANSMISSION.....	50 - 54	3I14	WEIGHT, REAR WHEEL (34" OR 38" DISK).....	80 - 24
2I15	VALVE, DIFFERENTIAL LOCK	50 - 72	3I16	WEIGHT, SIDE FRAME	80 - 26
1B10	VALVE, EXHAUST	20 - 5	3I14	WHEEL WEIGHT, REAR (34" OR 38" DISK).....	80 - 24
1B10	VALVE, INTAKE	20 - 5	4D5	WHEEL, BLOWER, CAB (STOLPER)	90 - 51
1D16	VALVE, MANIFOLD HEAT (GASOLINE).....	30 - 12	3I7	WHEEL, SINGLE FRONT	80 - 16
3D4	VALVE, OIL FILTER RELIEF.....	70 - 24	3B5	WHEEL, STEERING.....	60 - 2
3D16	VALVE, PRESSURE CONTROL	70 - 37	3I9	WHEELS, FRONT.....	80 - 18
3D17	VALVE, PRESSURE CONTROL, PARTS.....	70 - 38	3I11	WHEELS, REAR.....	80 - 21
3D18	VALVE, PRESSURE CONTROL, PARTS	70 - 39	3I12	WHEELS, REAR, DUAL	80 - 22
3F17	VALVE, SELECTIVE CONTROL	70 - 90	3F8	WIDE SWING DRAWBAR	70 - 80
3F19	VALVE, SELECTIVE CONTROL	70 - 92	4C10	WINDOW ADJUSTER, CAB (CRENLO)	90 - 30
3B7	VALVE, STEERING ASSEMBLY.....	60 - 4	4C3	WINDOW ADJUSTERS (CRENLO).....	90 - 23
3B9	VALVE, STEERING ASSEMBLY	60 - 6	4C18	WINDOW, FRONT, CAB (STOLPER)	90 - 39
3D14	VALVE, THERMOSTATIC BYPASS	70 - 34	4C16	WINDSHIELD WIPER MOTOR, CAB (CRENLO)	90 - 36
2H6	VALVE, TRANSMISSION CLUTCH.....	50 - 36	4C7	WINDSHIELD WIPER SWITCH, CAB (CRENLO).....	90 - 27
2H8	VALVE, TRANSMISSION CLUTCH REGULATING	50 - 38	4C7	WINDSHIELD WIPER, CAB (CRENLO)	90 - 27
2H22	VALVE, TRANSMISSION CONTROL	50 - 53	4C16	WINDSHIELD WIPER, CAB (CRENLO)	90 - 36
2H22	VALVE, TRANSMISSION SHIFT	50 - 53	4D2	WINDSHIELD WIPER, CAB (STOLPER)	90 - 48
4D7	VENT DOOR CONTROL LEVER, CAB (STOLPER)	90 - 53	4B19	WINDSHIELD, CAB (CRENLO)	90 - 14
1E20	VENTILATOR PUMP (DIESEL)	30 - 38	4B24	WINDSHIELD, FRONT, CAB (CRENLO)	90 - 19
1F14	VENTILATOR PUMP (GASOLINE/LP)	30 - 58	4C16	WIPER BLADE, CAB (CRENLO).....	90 - 36
W			4D2	WIPER MOTOR, CAB (STOLPER)	90 - 48
2B24	WARNING LAMP	40 - 20	4D9	WIPER SWITCH, CAB (STOLPER).....	90 - 55
2C1	WARNING LAMP	40 - 22	2B14	WIRING HARNESS	40 - 10
2C3	WARNING LAMP	40 - 24	2B16	WIRING HARNESS	40 - 12
			2B18	WIRING HARNESS	40 - 14
			2B24	WIRING HARNESS	40 - 20
			2C3	WIRING HARNESS	40 - 24
			2F5	WIRING HARNESS,RADAR SENSOR	40 - 104
			2F1	WIRING KIT, ELECTRICAL REMOTE CONTROL	40 - 100
			4D15	WIRING LEADS, AIR CONDITIONING	90 - 61
			4D16	WIRING LEADS, AIR CONDITIONING	90 - 62

ALPHABETICAL INDEX - CONTINUED

<i>GRID</i>		<i>PAGE</i>	<i>GRID</i>	<i>PAGE</i>
4D9	WIRING LEADS, CAB (STOLPER)	90 - 55		
2E24	WIRING, ELECTRICAL REMOTE CONTROL.....	40 - 99		
2B12	WIRING, GENERATOR AND STARTER (DIESEL)	40 - 8		
2B14	WIRING, GENERATOR AND STARTER (DIESEL)	40 - 10		
2C3	WIRING, LAMP	40 - 24		
2C1	WIRING, LAMP (DIESEL)	40 - 22		
2B24	WIRING, LAMP (GASOLINE AND LP-GAS).....	40 - 20		
2C5	WIRING, LAMP, CAB (CRENLO)	40 - 26		
2C6	WIRING, LAMP, CAB (CRENLO)	40 - 28		
2C8	WIRING, LAMP, CAB (STOLPER)	40 - 30		
Y				
3I7	YOKE (SINGLE FRONT WHEEL)	80 - 16		
2H18	YOKE, SHIFTER.....	50 - 49		

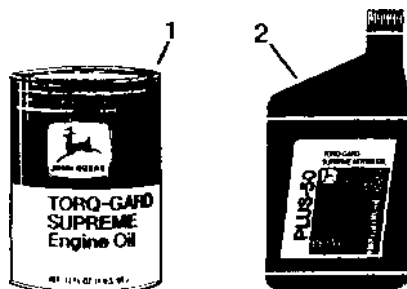
MEMORANDA

1B5

ENGINE

RGP3291 -UN-01JAN94

TORQ-GARD SUPREME AND PLUS-50 ENGINE OIL



RGP 3291

TORQ-GARD SUPREME ENGINE

KEY	PART NO.	PART NAME	QTY	SERIAL NO.	REMARKS
1	TY6359	OIL	1		(SAE 5W/30), 0.9 L (1 QUART) CAN
	TY6360	OIL	1		(SAE 5W/30), 19 L (5 GALLON) CAN
	TY6361	OIL	1		(SAE 5W/30), 208 L (55 GALLON) DRUM
	TY6364	OIL	1		(SAE 10W/30), 0.9 L (1 QUART) (BREAKIN)
	TY6297	OIL	1		(SAE 15W/40), 0.9 L (1 QUART) CAN
	TY6298	OIL	1		(SAE 15W/40), 19 L (5 GALLON) CAN
	TY6300	OIL	1		(SAE 15W/40), 114 L (30 GALLON) DRUM
	TY6301	OIL	1		(SAE 15W/40), 208 L (55 GALLON) DRUM
	TY6311	OIL	1		(SAE 10W), 0.9 L (1 QUART) CAN
	TY22009	OIL	1		(SAE 10W), 3.8 L (1 GALLON)
	TY6312	OIL	1		(SAE 10W), 19 L (5 GALLON) CAN
	TY6313	OIL	1		(SAE 10W), 208 L (55 GALLON) DRUM
	AR63979	OIL	1		(SAE 30W), 0.2 L (1 HALF PINT) CAN
	AR63218	OIL	1		(SAE 30W), 0.9 L (1 QUART) CAN
	AR63219	OIL	1		(SAE 30W), 19 L (5 GALLON) CAN
	TY6280	OIL	1		(SAE 30W), 114 L (30 GALLON) DRUM
	AR63222	OIL	1		(SAE 30W), 208 L (55 GALLON) DRUM

TORQ-GARD PLUS-50 ENGINE

KEY	PART NO.	PART NAME	QTY	SERIAL NO.	REMARKS
2	TY6389	OIL	1		(SAE 15W/40), 0.9 L (1 QUART)
	TY22008	OIL	1		(SAE 15W/40), 3.8 L (1 GALLON)
	TY6390	OIL	1		(SAE 15W/40), 19 L (5 GALLON)
	TY22010	OIL	1		(SAE 15W/40), 113.6 L (30 GALLON)
	TY6391	OIL	1		(SAE 15W/40), 208 L (55 GALLON)
	TY6392	OIL	1		(SAE 30W), 0.9 L (1 QUART)
	TY22007	OIL	1		(SAE 30W), 3.8 L (1 GALLON)
	TY6393	OIL	1		(SAE 30W), 19 L (5 GALLON)
	TY22011	OIL	1		(SAE 30W), 113.6 L (30 GALLON)
	TY6394	OIL	1		(SAE 30W), 208 L (55 GALLON)

KITS (NOT ILLUSTRATED) ENGINE

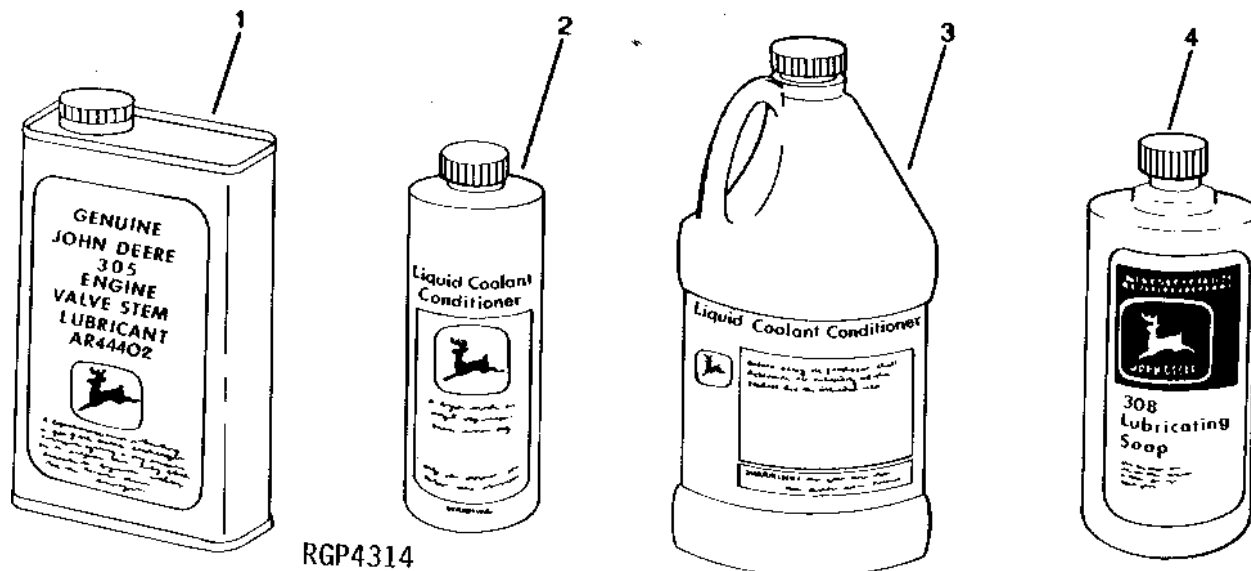
KEY	PART NO.	PART NAME	QTY	SERIAL NO.	REMARKS
..	AR41785	KIT	1		CONTAINS 0.9 L (1 QT.) CAN OF INTERNAL CORROSION INHIBITOR, 1 ROLL OF TAPE, AND 6 PLASTIC BAGS (OFF-SEASON STORAGE)
..	AR41870	RUST INHIBITOR	1		0.9 L (1 QT.) CAN, (SUB AR41785)
..	AR21969	KIT	1		(DUST CAP/COVER KIT)

1B6

ENGINE

RGP4314 -UN-01JAN94

COOLANT CONDITIONER AND ENGINE PART LUBRICANTS



RGP4314

KEY	PART NO.	PART NAME	QTY	SERIAL NO.	REMARKS
1	AR44402	OIL	1	0.9L (1 QT.)	

COOLANT CONDITIONER

KEY	PART NO.	PART NAME	QTY	SERIAL NO.	REMARKS
2	RE23182	ENGINE COOLANT CONDITIONER	1	0.473 L (16 OZ.) (PHOSPHATE - FREE) (SUB TY16004)	
	TY16004	ENGINE COOLANT CONDITIONER	1	0.472 L (16 OZ.)	
3	RE35992	ENGINE COOLANT CONDITIONER	1	3.8 L (1 GAL.) (PHOSPHATE - FREE) (SUB TY16005)	
..	TY16005	ENGINE COOLANT CONDITIONER	1	1.9 L (1/2 GAL.)	

CYLINDER LINER PACKING LUBRICANT

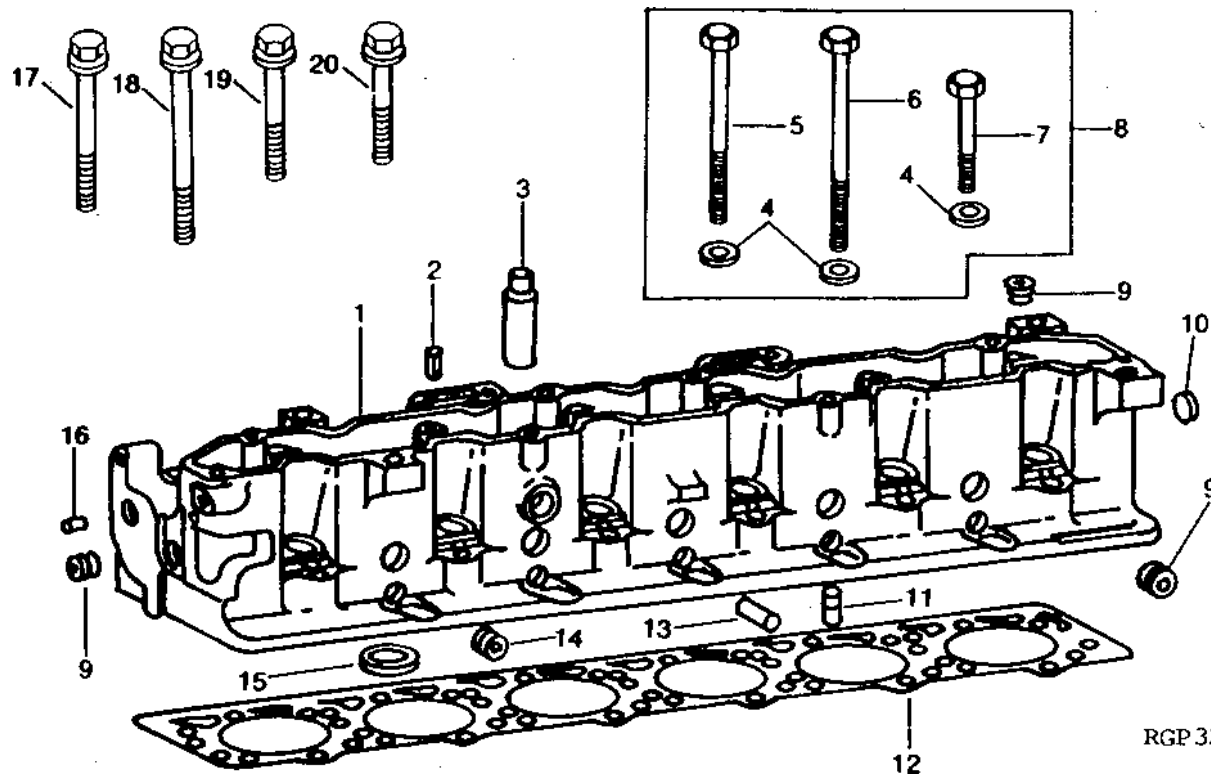
KEY	PART NO.	PART NAME	QTY	ENGINE SERIAL NO.	REMARKS
4	AR54749	LUBRICANT	1	0.9L (1 QT.)	

MEMORANDA

RGP3286

-UN-01JAN94

CYLINDER HEAD AND VALVE GUIDES



RGP 3286

KEY	PART NO.	PART NAME	QTY	ENGINE SERIAL NO.	REMARKS
1	AR34866	CYLINDER HEAD	1		(E) (MARKED R26040 OR R34990) (SUB FOR AR26314, AR32339 OR AR34865) (NLA)
	AR47074	CYLINDER HEAD	1		(E) (NLA) (MARKED R45190) (USE WITH BLOCK MARKED R40940 OR R49550)
	AR32167	CYLINDER HEAD	1	-090999	(D) (MARKED R33250)
	AR34689	CYLINDER HEAD	1	091000-	(D) (MARKED R34850)
2	34H387	SPRING PIN	1		3/16" X 3/4"
3	R28653	BUSHING	12		(E)
	R28654	BUSHING	12		(D)
4	R76126	WASHER	26		(A) (B) (C) (SUB FOR R42364)
5	R42464	CAP SCREW	15		(A) (E) 9/16" X 6"
	R62420	SCREW	7		(E) 9/16" X 7-1/2" (USE WITH BLOCK MARKED R40940 OR R49550) (SUB FOR R45194) (SUB R88045)
	R42464	CAP SCREW	15	-090999	(B) (D) 9/16" X 6"
	R42464	CAP SCREW	8	091000-	(B) (D) 9/16" X 6"
	R42465	CAP SCREW	7	091000-	(B) (D) 9/16" X 7-1/8"
	R62419	SCREW	8		(C) (D) 9/16" X 6-3/8" (USE WITH BLOCK MARKED R40930) (SUB R88044) (SUB FOR R45193)
	R62419	SCREW	8		(E) 9/16" X 6-3/8" (USE WITH BLOCK MARKED R40940 OR R49550) (SUB FOR R45193) (SUB R88044)
	R62420	SCREW	7		(C) (D) 9/16" X 7-1/2" (USE WITH BLOCK MARKED R40930) (SUB R88045) (SUB FOR R45194)

CYLINDER HEAD AND VALVE GUIDES - CONTINUED

KEY	PART NO.	PART NAME	QTY	TRACTOR SERIAL NO.	REMARKS
6	R62418	SCREW	5		(C) (E) 9/16" X 5-3/8" (USE WITH BLOCK MARKED R40940 OR R49550) (SUB FOR R45192) (SUB R88043)
	R62418	SCREW	5		(D) 9/16" X 5-3/8" (USE WITH BLOCK MARKED R40930) (SUB R88043) (SUB FOR R45192)
	R70268	WASHER	5		(A) (E) 9/16" X 5", (SUB FOR R42463)
	R42463	CAP SCREW	5	-090999	(B) (D) 9/16" X 5"
	R42463	CAP SCREW	5	091000-	(B) (D) 9/16" X 5"
7	R42466	CAP SCREW	6		(A) (E) 9/16" X 2-1/8"
	R45161	CAP SCREW	6		(E) 9/16" X 2-3/4" (USE WITH BLOCK MARKED R40940 OR R49550)
	R42462	CAP SCREW	6	-090999	(B) (D) 9/16" X 3"
	R42462	CAP SCREW	6	091000-	(B) (D) 9/16" X 3"
	R62421	SCREW	6		(C) (D) 9/16" X 3-3/8" (USE WITH BLOCK MARKED R40930) (SUB R88042) (SUB FOR R45195)
8	AR44528	SCREW AND WASHER KIT	1		(E) (NO LONGER AVAILABLE) (SUB (5) R42463, (15) R42464, (6) R42466 AND (26) R76126)
	AR44793	SCREW AND WASHER KIT	1	-090999	(D) (NO LONGER AVAILABLE) (SUB (6) R42462, (5) R42463, (15) R42464 AND (26) R76126)
	AR44527	SCREW AND WASHER KIT	1	091000-	(D) (NO LONGER AVAILABLE) (SUB (6) R42462, (5) R42463, (8) R42464, (7) R42465 AND (26) R76126)
	AR47127	SCREW AND WASHER KIT	1		(SUB (6) R88042, (5) R88043, (8) R88044 AND (7) R88045) (USED WITH BLOCK MARKED R40930)
9	15H690	PIPE PLUG	8		3/4"
	15H564	PIPE PLUG	8	-090999	3/4"
	15H690	PIPE PLUG	13	091000-	3/4"
10	30H37	PLUG	1		(E) 1", BRASS
11	R32680	TUBE	5	-090999	(D)
12	R45615	ENGINE CYLINDER HEAD GASKET	1		(SUB FOR R34311 OR R40974)
13	R27548	TUBE	1		(D)
14	15H624	PIPE PLUG	6		(E) 1/2", (SUB FOR A3125R)
	15H624	PIPE PLUG	5	-090999	(D) 1/2", (SUB FOR A3125R)
15	R33634	VALVE SEAT INSERT	6		(LP-GAS)
	R34593	VALVE SEAT INSERT	6		0.25MM (.010") OVERSIZE (LP-GAS)
	R43681	VALVE SEAT INSERT	6		(D) (EXHAUST) (USE WHEN REQUIRED)
	R43683	VALVE SEAT INSERT	6		(D) (EXHAUST) 0.25MM (.010") OVERSIZE (USE WHEN REQUIRED)
	R43680	VALVE SEAT INSERT	6		(D) (INTAKE) (USE WHEN REQUIRED)
	R43682	VALVE SEAT INSERT	6		(D) (INTAKE) 0.25MM (.010") OVERSIZE (USE WHEN REQUIRED)
16	F1743R	DOWEL PIN	1		
17	R88044	SCREW	8		(SUB FOR R45193 OR R62419) (USE WITH R40930)
18	R88045	SCREW	7		(SUB FOR R45194 OR R62420) (USE WITH R40940 OR R49550)
19	R88043	SCREW	5		(SUB FOR R45192 OR R62418) (USE WITH R40930)
20	R88042	SCREW	6		(SUB FOR R45195 OR R62421) (USE WITH R40930)

(A) AR44528 CONSISTS OF THESE PARTS.

(B) AR44793 AND AR44527 CONSISTS OF THESE PARTS.

(C) AR47127 CONSISTS OF THESE PARTS.

(D) DIESEL

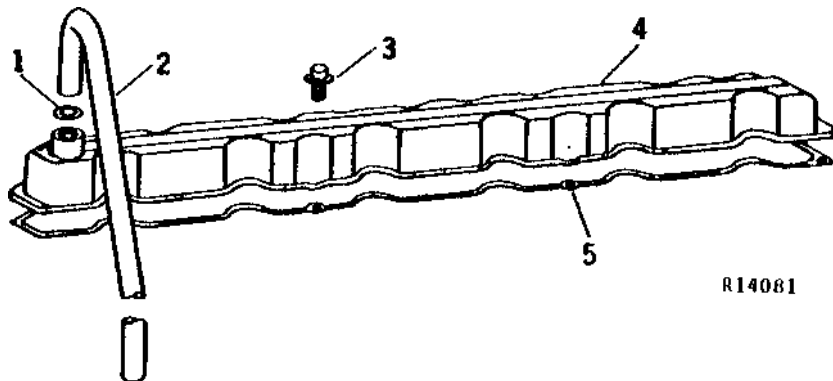
(E) GASOLINE AND LP-GAS

1B9

ENGINE

R14081 -UN-01JAN94

ROCKER ARM COVER



KEY	PART NO.	PART NAME	QTY	ENGINE SERIAL NO.	REMARKS
1	R495R	O-RING	1		
2	R26405	LINE	1		
3	AR103811	SCREW, WITH WASHER	8		(SUB FOR AR27702 OR AR45530)
4	AR26516	COVER	1		
5	R49866	GASKET	1		(SUB FOR R26356 OR R32593)

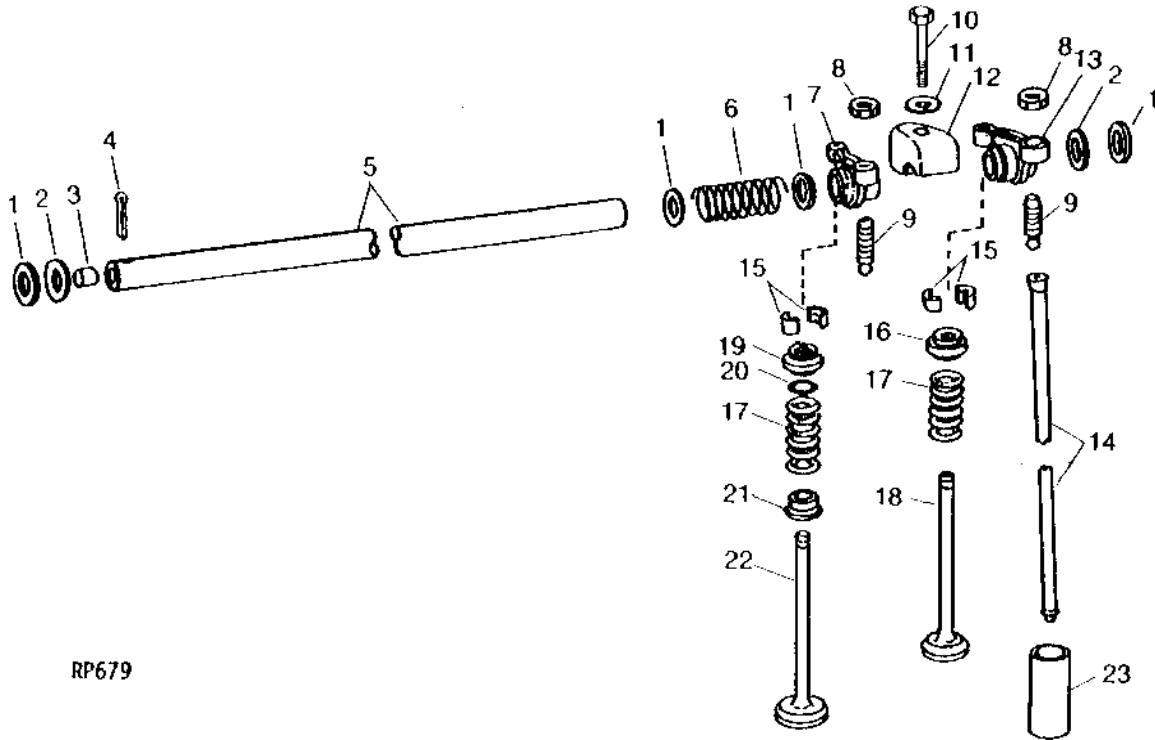
1B10

ENGINE

RP679

-UN-01JAN94

ROCKER ARMS AND VALVES



RP679

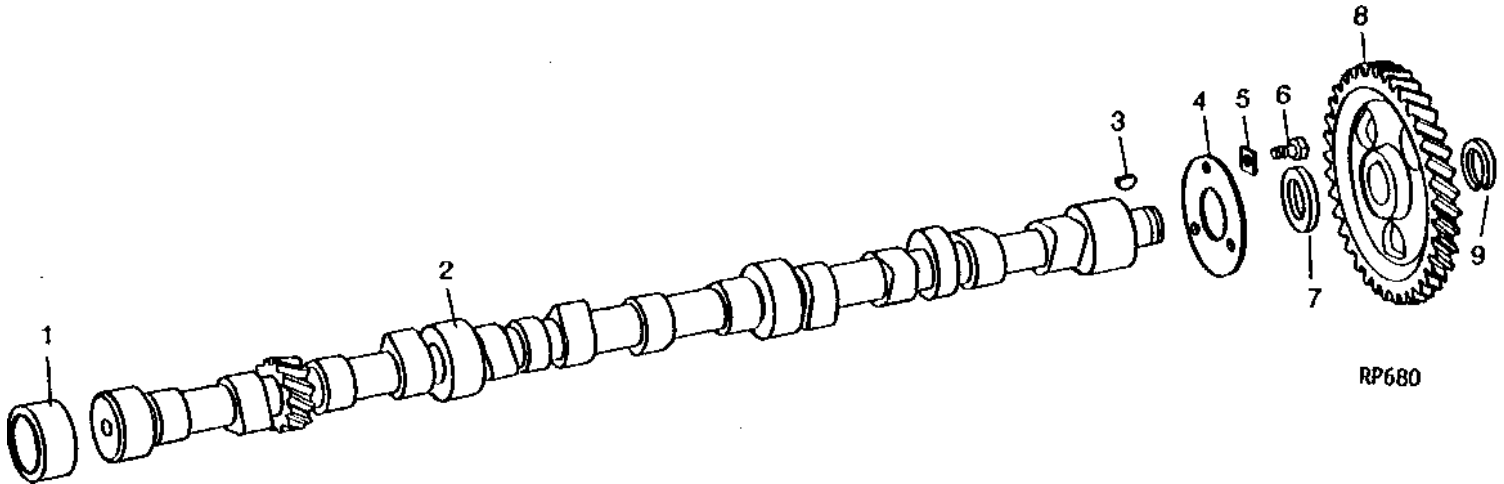
KEY	PART NO.	PART NAME	QTY	ENGINE SERIAL NO.	REMARKS
1	24H1384	WASHER	12	49/64" X 1-1/16" X 0.036"	
2	R26081	WASHER	2		
3	R27529	PLUG	2		
	R54565	PLUG	2	(USE WITH R60650)	
4	11M7082	COTTER PIN	2	2.500 X 25 MM	
5	R70826	ROCKER ARM SHAFT	1	(ALSO ORDER (2) R54565) (SUB FOR AR26444 OR R60650)	
6	R26079	SPRING	5		
7	AR54905	ROCKER ARM	6	(SUB FOR AR34294)	
8	14H846	NUT	12	3/8"	
9	R27443	SET SCREW	12		
10	19H1740	CAP SCREW	6	7/16" X 1-3/4"	
11	R26559	WASHER	6		
12	R26748	CLAMP	6		
13	AR54904	ROCKER ARM	6	(SUB FOR AR34293)	
14	AR26355	PUSH ROD	12	(GASOLINE AND LP-GAS)	
	AR40679	PUSH ROD	12	(GASOLINE AND LP-GAS) (USE WITH BLOCK MARKED R40940) OR R49550)	
	AR26356	PUSH ROD	12	(DIESEL)	
	R85027	PUSH ROD	12	(DIESEL) (USE WITH BLOCK MARKED R40930) (SUB FOR AR40680)	
15	B367R	LOCK	24		
16	AR26336	ROTATOR	6	(GASOLINE)	
	AR26337	ROTATOR	6	(DIESEL)	
17	R26110	SPRING	12	(GASOLINE AND LP-GAS)	
	R26125	SPRING	12	(DIESEL)	
18	R42420	EXHAUST VALVE	6	(GASOLINE AND LP-GAS) (SUB FOR R26108)	
	R44175	EXHAUST VALVE	6	(DIESEL) (SUB FOR R32035)	
19	R26111	CAP	AR	(6 USED GASOLINE) (12 USED LP-GAS)	
	R40223	CAP	6	(DIESEL) (SUB FOR R26126)	
	AR40163	SEAL	3	(INCLUDES (2) R40223) (SET OF 2) (DIESEL)	
	AR41690	SEAL	3	(SET OF 2) (DIESEL) W/INSTALLATION CAP	
20	R27976	O-RING	6	(GASOLINE AND LP-GAS)	
21	R27975	SPACER	6	(GASOLINE AND LP-GAS)	
22	R26109	INTAKE VALVE	6	(GASOLINE AND LP-GAS)	
	R44174	INTAKE VALVE	6	(DIESEL) (SUB FOR R32034)	
23	R26342	CAM FOLLOWER	12		
	R52773	CAM FOLLOWER	12	(USE WITH BLOCKS MARKED R40930, R40940 OR R49550) (SUB FOR R40906)	

1B11

ENGINE

RP680 -UN-01JAN94

CAMSHAFT AND GEAR



RP680

KEY	PART NO.	PART NAME	QTY	ENGINE SERIAL NO.	REMARKS
1	R46903	BUSHING	4		(SUB FOR R26114 OR R42339)
2	AR32731	CAMSHAFT	1		(A) (MARKED R33778) (INCLUDES AR31684 GEAR)
	AR49144	CAMSHAFT	1		(A) (MARKED R46428) (INCLUDES AR31684) (NO LONGER AVAILABLE) (USE WITH BLOCK MARKED R40940 OR R49550)
	AR32732	CAMSHAFT	1		(B) (MARKED R33778) (INCLUDES R32428) (USE WITH R26070, R33180, R34340, R40890 OR R40900) (USE WITH R45134)
	AR49145	CAMSHAFT	1		(B) (MARKED R46428) (USE WITH BLOCK MARKED R40930) (INCLUDES (12) R52773 FOLLOWERS
3	26H72	SHAFT KEY	1		1/8" X 5/8"
4	R26078	WASHER	1		(3 HOLES)
	R40634	THRUST WASHER	1		(4 HOLES) (NOT SHOWN) (USE WITH BLOCKS MARKED R40930, R40940 OR R49550)
5	T13857	LOCK PLATE	3	-191429	
6	19H1813	CAP SCREW	3		5/16" X 5/8"
	19H1813	CAP SCREW	4		5/16" X 5/8", (USE WITH BLOCKS MARKED R40930, R40940 OR R49550)
7	R43754	WASHER	1		(USE WITH R43754)
	R35127	WASHER	1		(MARKED R42354 OR R43742) (SUB FOR R26077)
8	AR43594	GEAR	1		
9	F534R	SNAP RING	1		

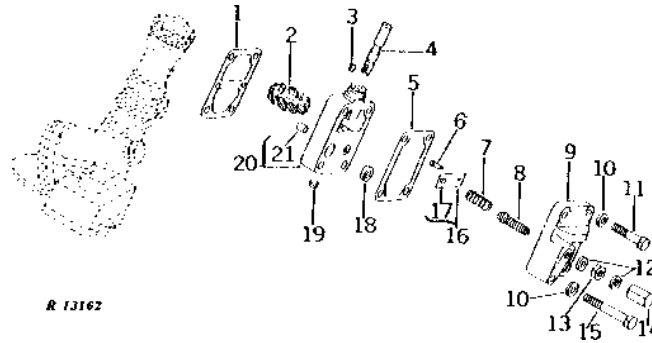
(A) GASOLINE AND LP-GAS
(B) DIESEL

1B12

ENGINE

R13162 -UN-01JAN94

OIL PRESSURE REGULATOR AND SPEED-HOUR METER DRIVE



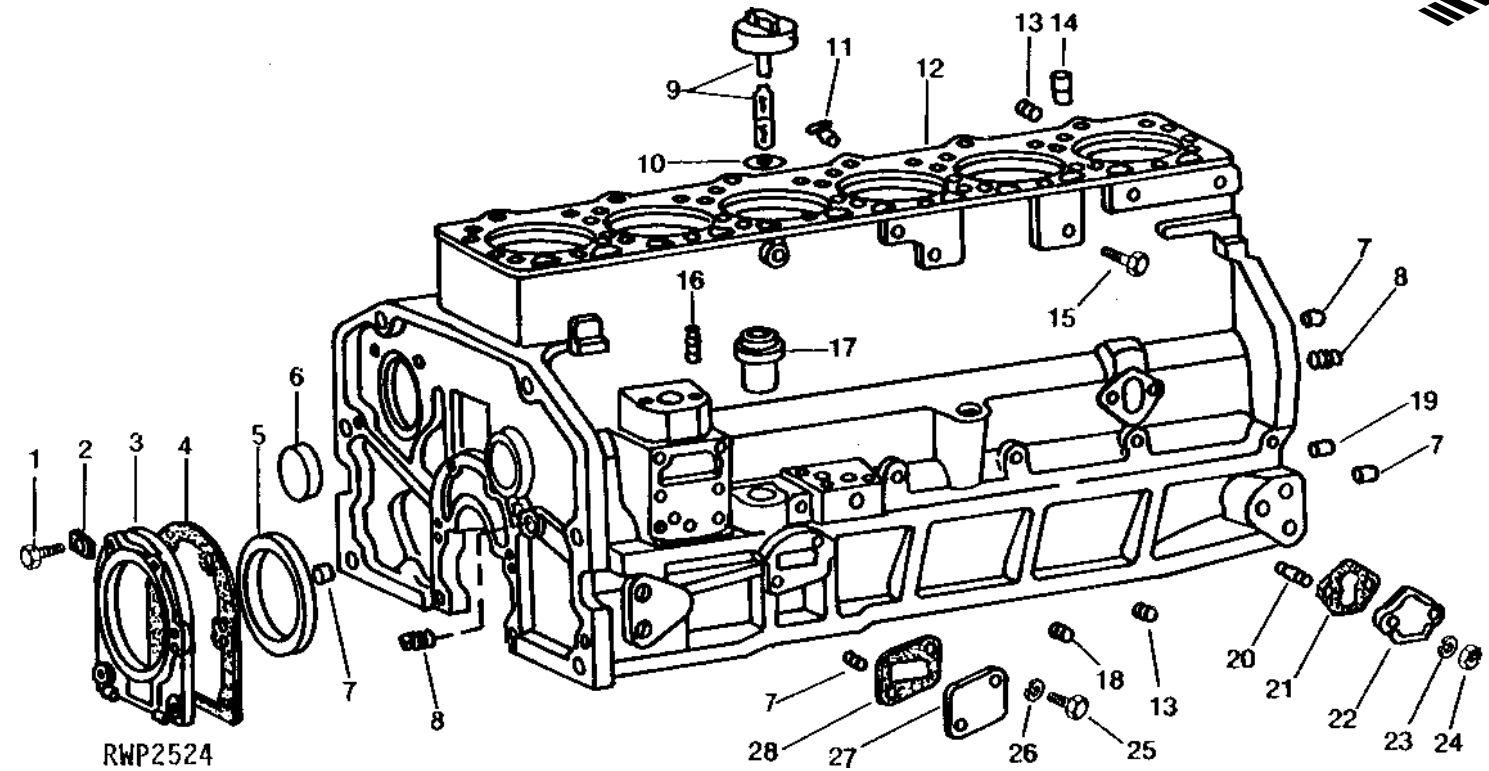
KEY	PART NO.	PART NAME	QTY	ENGINE SERIAL NO.	REMARKS
1	R44853	GASKET	1		(SUB FOR R26174)
2	R32426	GEAR	1		
3	26H3	SHAFT KEY	1		3/32" X 3/8"
4	R26172	SHAFT	1		
5	R26173	GASKET	1		
6	16H644	RIVET	1		1/4" X 1/2"
7	R26169	SPRING	1		
8	R26168	SCREW	1		OIL PRESSURE ADJUSTING
9	AR26351	HOUSING	1		(MARKED R26167)
10	24M7096	WASHER	4		10.500 X 18 X 1.600 MM
11	19H2549	CAP SCREW	3		3/8" X 1-7/8"
12	A3098R	WASHER	2		
13	14H732	NUT	1		3/8"
14	B427R	CAP SCREW, AND NUT	1		
15	19H1944	CAP SCREW	1		3/8" X 2-3/4"
16	AB3453R	LEAF SPRING	1		
17	D2425R	PIN	1		
18	BUSHING	1		(ORDER AR45953)
19	15H559	PIPE PLUG	1		1/4"
20	AR45953	HOUSING	1		(MARKED R26170 OR AR45953) (SUB FOR AR26353 OR AR45952)
21	F1743R	DOWEL PIN	2		-XXXXXX

1B13

ENGINE

RWP2524 -UN-01JAN94

CYLINDER BLOCK AND DIPSTICK



KEY	PART NO.	PART NAME	QTY	ENGINE SERIAL NO.	REMARKS
1	19H2117	CAP SCREW	6	5/16" X 1-1/8"	
2	R35128	LOCK PLATE	6		
	T27860	WASHER	6	(USE WITH R78124, R115050 OR R125027)	
3	R41406	HOUSING	1	(SUB FOR R26057) (SUB R125027 AND (6) T27860)	
	R125027	HOUSING	1	(SUB FOR R41406, R78124 OR R115050)	
4	R26058	GASKET	1		
5	F1743R	DOWEL PIN	2	(USE WITH R40930, R40940 OR R49550)	
	AR63095	SEAL	1	(SUB FOR AR26438 OR AR34682 OR AR49650) (SUB RE22764, R125027 AND (6) T27860)	
	RE22764	SEAL	1	(SUB FOR AR63095, RE14953 OR RE17352)	
6	R26115	CAP	1		
7	F1743R	DOWEL PIN	4	(USE WITH R40930, R40940 OR R49550)	
	F1743R	DOWEL PIN	2	(NO LONGER AVAILABLE) VENT PUMP IDLER GEAR THRUST WASHER	
	R39253	DOWEL PIN	1		
	R43634	DOWEL PIN	1	REAR, (USE WITH R40930, R40940 OR R49550)	
8	15H666	PIPE PLUG	2	3/8"	
	15H624	PIPE PLUG	2	1/2", (USE WITH R40930, R40940 OR R49550)	
9	AR40511	DIPSTICK	1	(SUB FOR AR32565 OR AR34917)	
	AR40750	DIPSTICK	1	(USE WITH R40930, R40940 OR R49550)	
10	R31486	WASHER	1	-082802	
	R39520	WASHER	1	-082802 (NOT USED WITH BLOCKS MARKED R40930, R40940 OR R49550)	

CYLINDER BLOCK AND DIPSTICK - CONTINUED

KEY	PART NO.	PART NAME	QTY	ENGINE SERIAL NO.	REMARKS
11	AT13740 AR44382	DRAIN VALVE DRAIN VALVE	1 1		(USE WITH BLOCKS MARKED R40930, R40940 OR R49550)
12	AR50355	CYLINDER BLOCK	1		(A) (F) (CYLINDER BLOCK W/HEAD) (NO LONGER AVAILABLE) (MARKED R33170, R34330, R40860 OR R40870) (SUB FOR AR40638)
	AR53326	CYLINDER BLOCK	1		(B) (F) (NO LONGER AVAILABLE) (MARKED R40940 OR R49550) (SUB FOR AR40657) (USE ONLY WHEN BLOCKS MARKED R40940 OR R49550 HAVE BEEN PREVIOUSLY INSTALLED)
	AR50354	CYLINDER BLOCK	1		(C) (E) (NO LONGER AVAILABLE) (MARKED R33180, R34340, R40890, R40900 OR R40930) (SUB FOR AR32921 OR AR49640)
	AR40656	CYLINDER BLOCK	1		(B) (E) (NO LONGER AVAILABLE) (MARKED R40930) (USE ONLY WHEN BLOCK MARKED R40930 HAS BEEN INSTALLED)
13	15H558	PIPE PLUG	AR		1/8", (SUB FOR R21630) (5 USED GASOLINE AND LP-GAS) (7 USED DIESEL)
14	R26241	DOWEL PIN	2		
15	K3083R	STUD	2		(E) 7/16" X 1-3/4"
16	R56481	STUD	2		3/8" X 1-1/2"
17	R41883	TUBE	1		(THREADED) (SUB FOR R40603)
	R41070	TUBE	1		(UNTHREADED) (USED WITH BLOCKS MARKED R40930, R40940 OR R49550)
18	15H666	PIPE PLUG	1		(E) 3/8"
19	R1612R	DOWEL PIN	2		
20	R48755	STUD	2		5/16" X 1-1/2", (SUB FOR R26934)
21	R97350	GASKET	1		(SUB FOR R27285)
22	R27286	COVER	1		(LP-GAS)
23	12H303	LOCK WASHER	2		5/16"
24	14H785	NUT	2		5/16"
25	19H2284	CAP SCREW	2		(E) 3/8" X 7/8"
26	12H304	LOCK WASHER	2		(E) 3/8"
27	R26825	COVER	1		(E)
28	R46192	GASKET	1		(E) (SUB FOR R26826)
..	AR31034	BREAK-IN POWDER	1		(E)
..	AR53309	SHORT BLOCK ASSEMBLY	1		(D) (MARKED R49550) (SHORT BLOCK W/HEAD) (NO LONGER AVAILABLE) (GASOLINE) (SUB FOR AR34379)
..	AR53310	SHORT ENGINE	1		(D) (MARKED R26060) (MARKED R26060 OR R49550) (SHORT BLOCK W/HEAD) (NO LONGER AVAILABLE) (LP-GAS) (SUB FOR AR34380)
..	AR50352	SHORT BLOCK ASSEMBLY	1		(E) (MARKED R40930) (SUB FOR AR34381) (SUB RE53368) (ALSO ORDER AR53103) (SHORT BLOCK W/O HEAD)
..	RE53368	SHORT BLOCK ASSEMBLY	1		(E) (MARKED R40930) (SUB FOR RE13465)

- (A) CONSISTS OF BLOCK, HEAD, MAIN BEARING CAPS, CAMSHAFT BUSHINGS, STUDS, AND DOWEL PINS.
- (B) CONSISTS OF BLOCK, MAIN BEARING CAPS, CAMSHAFT BUSHINGS, STUDS, AND DOWEL PINS.
- (C) CONSISTS OF BLOCK, LINERS, MAIN BEARING CAPS, CAMSHAFT BUSHINGS, CAMSHAFT, PUSH RODS, CAM FOLLOWERS, STUDS, AND DOWEL PINS.
- (D) CONSISTS OF BLOCK, CONNECTING RODS, PISTONS, LINERS, CAMSHAFT, CRANKSHAFT, OIL PUMP, BEARINGS, MISC. PARTS, AND GASKETS NECESSARY FOR INSTALLATION.
- (E) DIESEL
- (F) GASOLINE AND LP-GAS

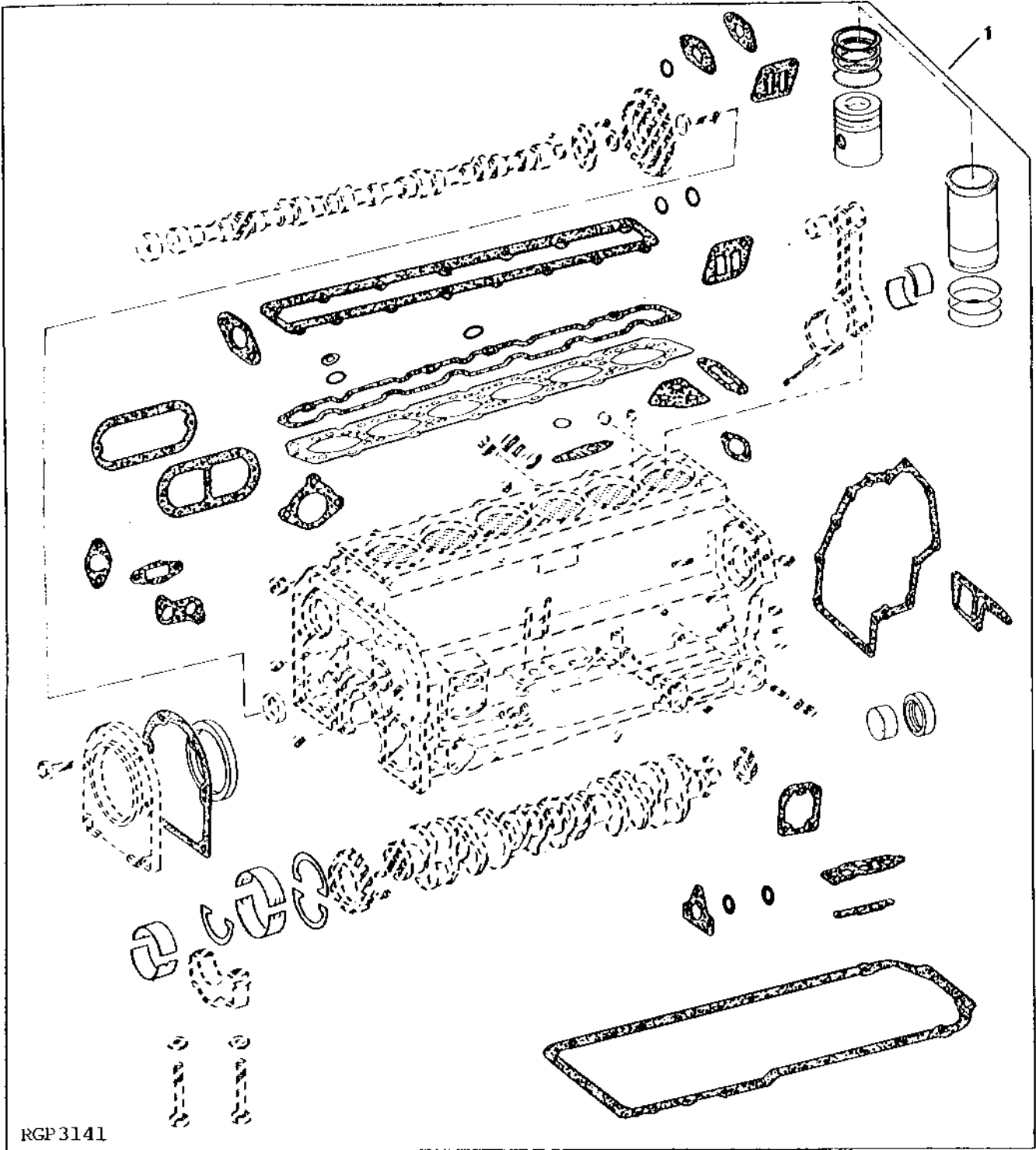
1B15

ENGINE

ENGINE OVERHAUL KIT (DIESEL)

RGP3141

-UN-01JAN94



1B16

ENGINE

ENGINE OVERHAUL KIT - CONTINUED

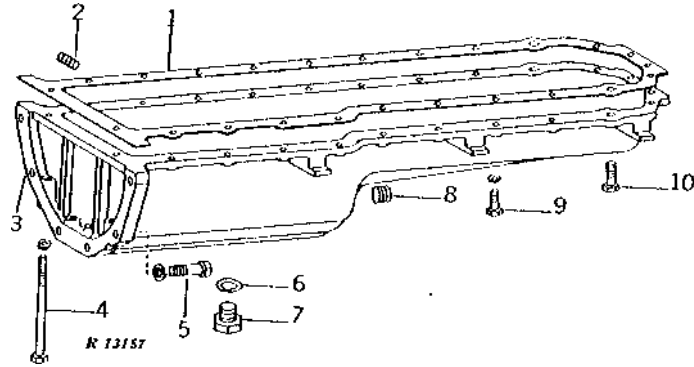
KEY	PART NO.	PART NAME	QTY	ENGINE SERIAL NO.	REMARKS
1	RG17901	ENGINE OVERHAUL KIT	1		(USE WITH BLOCK MARKED R26070, R33180, R34340, R40890 OR R40900) (CONTAINS (6) RE23173 PISTON LINERS, GASKET KIT, STD BRGS, FRONT & REAR SEALS)
	RG17902	ENGINE OVERHAUL KIT	1		(USE WITH BLOCK MARKED R40910, R40930, R46350 OR R46430) (CONTAINS (6) RE23170 PISTON LINERS, GASKET KIT, STD BRGS, FRONT & REAR SEALS)
	RG22861	ENGINE OVERHAUL KIT	1		(.010" US MAIN BRG KIT) (CONTAINS (6) RE23173 PISTON LINER KITS)

1B17

ENGINE

R13157 -UN-01JAN94

OIL PAN



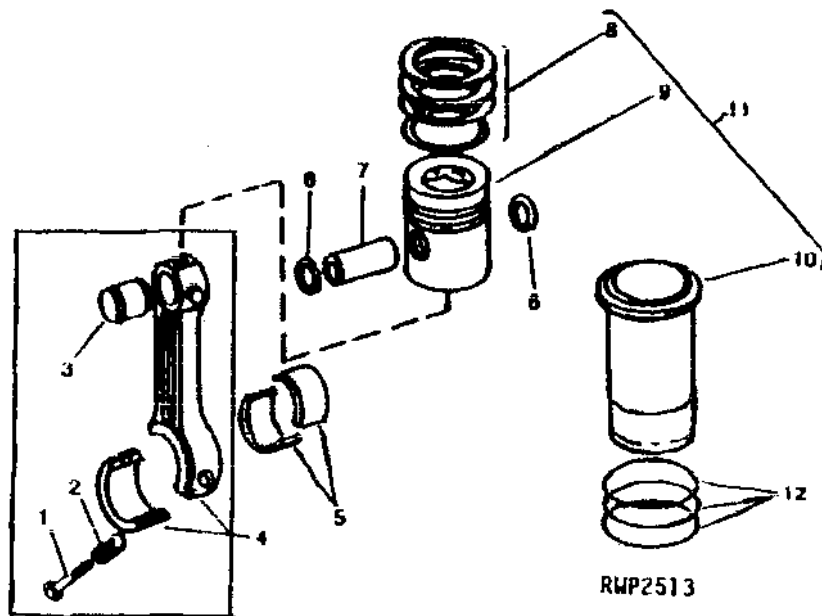
KEY	PART NO.	PART NAME	QTY	ENGINE SERIAL NO.	REMARKS
1	R71918	GASKET	1		(SUB FOR R34616, R42424 OR R53282)
2	D2420R	STUD	4		3/8" X 1-7/8"
3	AR34405	OIL PAN	1		(NLA) (GASOLINE AND LP-GAS) (MARKED R27185 OR R34737) (SUB FOR AR27558)
	AR63193	OIL PAN	1		(NLA) (DIESEL) (MARKED R44419 OR R53741) (SUB FOR AR45787)
	AR28646	OIL PAN	1		(NLA) (MARKED R28720) (HI-CROP EQUIPPED WITH RADIUS ROD)
4	19H2205	CAP SCREW	2		3/8" X 6"
	12H304	LOCK WASHER	2		3/8"
5	19H2473	CAP SCREW	6		1/2" X 1-3/4"
	12H301	LOCK WASHER	6		1/2"
6	A4827R	WASHER	1		
7	R26727	DRAIN PLUG	1		
8	15H690	PIPE PLUG	1		3/4"
9	19H2552	CAP SCREW	20		3/8" X 1-1/8"
	12H304	LOCK WASHER	20		3/8"
10	R27693	SCREW	2		

1B18

ENGINE

PISTONS, RINGS, AND CONNECTING RODS (GASOLINE AND LP-GAS)

RWP2513 -UN-01JAN94



KEY	PART NO.	PART NAME	QTY	ENGINE SERIAL NO.	REMARKS
1	R66454	CAP SCREW	12		(SUB FOR R26323 OR R53289)
2	R53291	SLEEVE	12	XXXXXX-	(USE WITH ROD MARKED R58879)
3	R30929	BUSHING	6		
4	AR86982	CONNECTING ROD	6		(MARKED R26046 OR R44257 OR R58879) (SUB FOR AR26327, AR45498 OR AR70909)
5	AR45723	BEARING	6		(SUB FOR AR27628) (PKG (2) R26087 OR R44378)
	AR46395	BEARING	6		0.05MM (.002") US, (SUB FOR AR27629) (PKG (2) R28226 OR R44925)
	AR46396	BEARING	6		0.25MM (.010") US, (PKG (2) R44926)
	AR46397	BEARING	6		0.50MM (.020") (SUB FOR AR27640) (PKG (2) R28228 OR R44927)
	AR46398	BEARING	1		0.76MM (.030") US, (SUB FOR AR27642) (PKG (2) R28230 OR R44928)
6	R41707	SNAP RING	12		(SUB FOR R26145)
7	R26088	PISTON PIN	6		
	R28970	PISTON PIN	6		0.08MM (.003") OS (YELLOW)
	R28971	PISTON PIN	6		0.13MM (.005") OS (RED)
8	AR34394	PISTON RING	6		(A) (SUB FOR AR33994)
	AR45966	PISTON RING	6		(B) (HEAVY-DUTY)
9	AR45964	PISTON	6		(B) WITH RINGS, (MARKED R33372 OR R34617) (SUB FOR AR39769 OR AR39771)
	AR39770	PISTON	6		WITH RINGS (LP-GAS) (MARKED R33374 OR R40778) (SUB FOR AR40616)
10	R33197	CYLINDER LINER	6		(A) (USE WITH R40017 OR R40880) (ALSO ORDER (6) AR40155) (SUB FOR AR32194)
	R40614	CYLINDER LINER	6		(A) (ALSO ORDER (6) AR70645)
11	AR52547	PISTON-LINER KIT	1		(B) (SUB (6) AR40155, (6) AR52549 AND AR53624) (USE WITH R33197)
	PISTON-LINER KIT	NA		(LP-GAS) (NOT AVAILABLE)
	AR52549	KIT	6		(B) (MARKED R33372)
12	AR40155	O-RING KIT	6		(SET OF 2) (USE WITH R33180, R34340, R40017, R40880, R40890 OR R40900)
	AR70645	O-RING KIT	6		(SET OF 2) (USE WITH R40860, R40930, R40940 OR R49550) (SUB FOR AR48687)

(A) GASOLINE AND LP-GAS
(B) GASOLINE

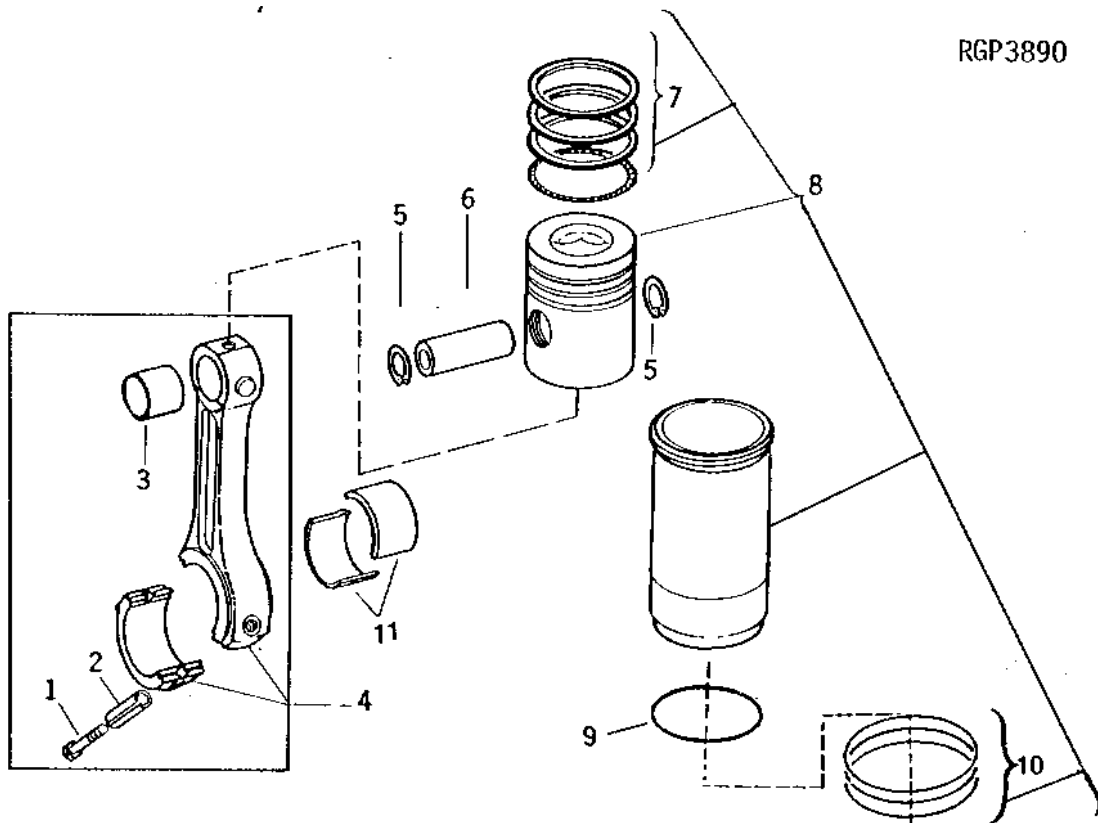
1B19

ENGINE

RGP3890

-UN-01JAN94

PISTONS, RINGS, AND CONNECTING RODS (DIESEL)



1B20

ENGINE

PISTONS, RINGS, AND CONNECTING RODS - CONTINUED (DIESEL)

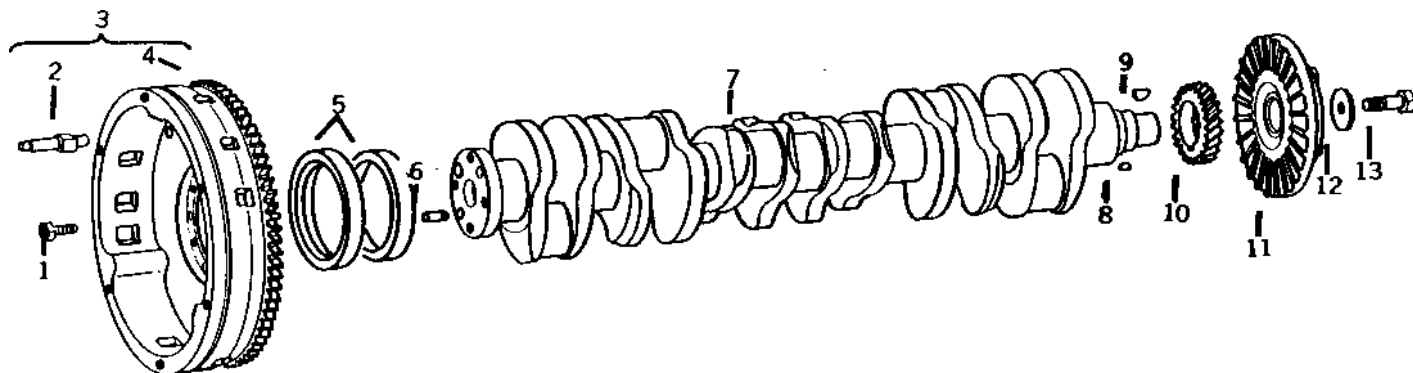
KEY	PART NO.	PART NAME	QTY	ENGINE SERIAL NO.	REMARKS
1	R66452	CAP SCREW	12		(SUB FOR R26325 OR R53290)
2	R53292	SLEEVE	12		(USED WITH ROD MARKED R58880)
3	R30939	BUSHING	6		
4	AR86981	CONNECTING ROD	6		(MARKED R26047 OR R58880) (SUB FOR AR26328)
5	R26093	SNAP RING	12		
6	R44161	PISTON PIN	6		(SUB FOR R26092)
	R44162	PISTON PIN	6		0.08MM (.003") OS (YELLOW) (SUB FOR R28972)
	R44163	PISTON PIN	6		0.13MM (.005") OS (RED) (SUB FOR R28973)
7	AR40145	PISTON RING KIT	6		(PISTON MARKED R32073) (SUB FOR AR33995, AR34474 OR R33375)
	AR41563	PISTON RING KIT	6		(PISTON MARKED AR46265) (SUB AR55630)
	AR55630	PISTON RING KIT	6		(PISTON MARKED AR46265) (USE WITH AR51799 OR RE23172)
	AR39860	PISTON RING KIT	6		(PISTON MARKED R39927)
8	RE23173	KIT	6		(MARKED R32073, AR46265, RE23172 OR RE40566) (SUB FOR AR39768, AR40254 OR AR46264) (USE W/BLOCK MARKED R26070, R33180, R34340, R40890 R40900)
	R32050	CYLINDER LINER	6		(USE WITH R26070, R33180, R34340, R40890 OR R40900) (ALSO ORDER AR40155) (SUB FOR AR32195) (SUB RE23173)
	RE23170	KIT	6		(SUB FOR R40615 OR AR84048) (USE W/BLOCK MARKED R40930, R40910, R46350 OR R46430) (CONTAINS AR55630)
	R40615	CYLINDER LINER	6		(USE WITH R40930) (SUB RE23170)
	AR84048	PISTON-LINER KIT	6		(MARKED AR46265) (SUB RE23170) (USE WITH BLOCK MARKED R40930)
	AR49051	ENGINE OVERHAUL KIT	1		(INCLUDES AR53626) (SUB RG17901) (USE WITH BLOCKS MARKED R26070, R33180, R34340, R40890 OR R40900)
9	AR31744	SHIM	1		0.101MM (.004") (USE WITH R26070, R33180, R34340, R40890 OR R40900)
	AR39521	SHIM	1		0.381MM (.015")
	AR31745	SHIM	1		0.762MM (.030")
10	AR40155	O-RING KIT	6		(SET OF 2) (USE WITH BLOCKS MARKED R26070, R33180, R34340, R40890, OR R40900)
	AR70645	O-RING KIT	6		(USE WITH BLOCKS MARKED R40930, R40940 OR R49550) (SET OF 2)
11	AR45723	BEARING	6		(SUB FOR AR27628) (PKG (2) R26087 OR R44378)
	AR46395	BEARING	6		0.05MM (.002") US, (SUB FOR AR27629) (PKG (2) R28226 OR R44925)
	AR46396	BEARING	6		0.25MM (.010") US, (PKG (2) R44926)
	AR46397	BEARING	6		0.50MM (.020") US, (SUB FOR AR27640) (PKG (2) R28228 OR R44927)
	AR46398	BEARING	6		0.76MM (.030") US, (SUB FOR AR27642) (PKG (2) R28230 OR R44928)
..	RG17901	ENGINE OVERHAUL KIT	1		(USE W/BLOCK MARKED R26070, R33180, R34340, R40890 OR R40900) (CONTAINS (6) RE23173 PISTON LINER KIT, BEARINGS, FRONT AND REAR SEALS)
..	RG17902	ENGINE OVERHAUL KIT	1		(USE W/BLOCK MARKED R40930, R40910, R46350 OR R46430) (CONTAINS (6) RE23170 PISTON LINER KIT, STD BEARINGS, FRONT AND REAR SEALS, GASKET KIT)
..	RG22861	ENGINE OVERHAUL KIT	1		(.010" US MAIN BEARING KIT) (CONTAINS (6) RE23173 PISTON LINER KITS AND (6) AR49245)

1B21

ENGINE

R26596 -UN-17OCT94

CRANKSHAFT (EARLY DESIGN) AND FLYWHEEL



KEY	PART NO.	PART NAME	QTY	ENGINE SERIAL NO.	REMARKS
1	19H3385	CAP SCREW	4		1/2" X 1-1/8"
2	R34213	DOWEL PIN	3	-145659	(A) (SUB R40731)
	R40731	DOWEL PIN	3	145660-	(A)
	R32192	DOWEL PIN	3		(B)
3	AR40564	FLYWHEEL	1		(A) (C) (MARKED R26720 OR R40726) (SUB FOR AR32246)
	AR53379	FLYWHEEL	1		(B) (C) (MARKED R33530, R40728 OR R49528) (SUB FOR AR34239 OR AR40562) (NO LONGER AVAILABLE)
	AR40565	FLYWHEEL	1		(A) (D) (MARKED R28810 OR R40727) (SUB FOR AR32247)
	AR53380	FLYWHEEL	1		(B) (D) (MARKED R31638, R40729 OR R49529) (SUB FOR AR34238 OR AR40563)
4	R26054	GEAR	1		(C)
	R28811	RING GEAR	1		(D)
5	RE22764	SEAL	1		(SUB FOR R26051, AR34682, AR49650, AR63095, RE14953 OR RE17352)
6	R28999	DOWEL PIN	2		(SUB FOR R28999)
7	AR26430	CRANKSHAFT	1		(C) (MARKED R26550) (NO LONGER AVAILABLE)
	RE53202	CRANKSHAFT	1		(D) (MARKED R26560) (SUB FOR AR26431) (SUB RE63292)
8	26H9	SHAFT KEY	1		1/8" X 5/8"
9	26H85	SHAFT KEY	1		1/4" X 1"
10	R26049	GEAR	1		
11	AR58172	ABSORBER	1		(D) (SUB FOR R34364)
	AR58182	ABSORBER	1		(D) (SUB FOR AR44964) (AIR CONDITIONING)
	R53031	PULLEY	1		(C) (SUB FOR R34366 OR R47624)
12	R26333	WASHER	1		
13	19H2706	CAP SCREW	1		5/8" X 2"

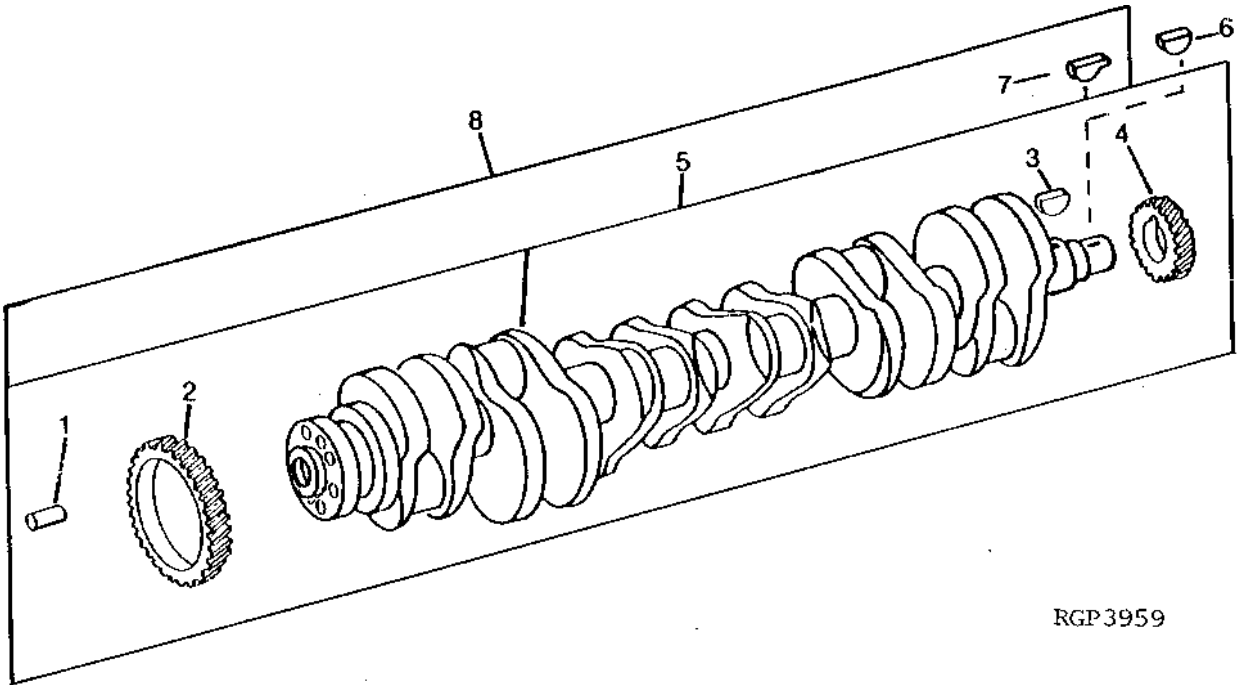
- (A) SYNCRO-RANGE
- (B) POWER SHIFT
- (C) GASOLINE AND LP-GAS
- (D) DIESEL

1B22

ENGINE

RGP3959 -UN-01JAN94

CRANKSHAFT (LATE DESIGN)



RGP3959

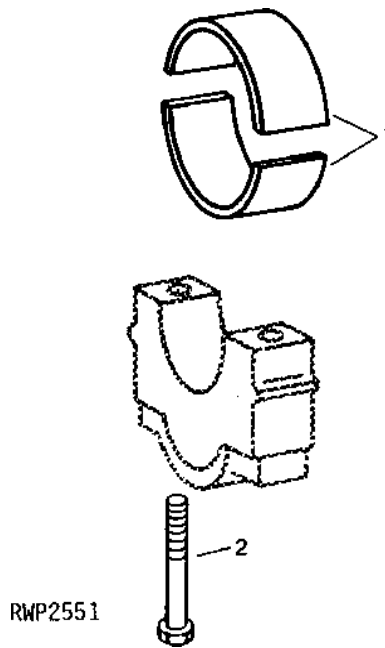
KEY	PART NO.	PART NAME	QTY	ENGINE SERIAL NO.	REMARKS
1	R41934	DOWEL PIN	1		
2	GEAR	NA	(NOT INCLUDED)	
3	R120752	KEY	1		
4	R105488	GEAR	1	(USE WITH RE53202)	
5	RE53202	CRANKSHAFT	1	(SUB RE63292)	
6	SHAFT KEY	NA		
7	R116311	KEY	1	(USE WITH RE53202)	
8	RE63292	CRANKSHAFT	NA		

1B23

ENGINE

RWP2551 -UN-06OCT94

MAIN BEARING



KEY	PART NO.	PART NAME	QTY	ENGINE SERIAL NO.	REMARKS
1	AR49243	BEARING	AR	(A) STD (PKG (2) R26061, R40226, R42522 OR (2) R61289)	
	AR49244	BEARING	AR	(A) 0.05MM (.002") US (PKG (2) R28248 OR (2) R61608)	
	AR49245	BEARING	AR	(A) 0.25MM (.010") US (PKG (2) R42991 OR (2) R61609)	
	AR49246	BEARING	AR	(A) 0.51MM (.020") US (PKG (2) R28250 OR (2) R61610)	
	AR49247	BEARING	AR	(A) 0.76MM (.030") US (PKG (2) R28252 OR (2) R61611)	
	AR74814	BEARING	AR	(B) (SUB FOR AR44625) (PKG R61289 AND R57584 OR R61289 AND R42523)	
	AR74815	BEARING	AR	(B) 0.05MM (.002") US (PKG R61608 AND R60472) (SUB FOR AR46399)	
	AR74816	BEARING	AR	(B) 0.25MM (.010") US (PKG R61609 AND R60473) (SUB FOR AR46400)	
	AR74817	BEARING	AR	(B) 0.51MM (.020") US (PKG R61610 AND R60474) (SUB FOR AR46401)	
	AR74818	BEARING	AR	(B) 0.76MM (.030") US (PKG R61611 AND R60475) (SUB FOR AR46402)	
2	T15539	BOLT	AR	(8 USED GASOLINE AND LP-GAS) (14 USED DIESEL)	
..	R57158	BEARING CAP	AR		

(A) USE WITH BLOCK MARKED R26060, R26070, R33170, R34330, R40860, R40870, R33180, R34340, R40890 OR R40900.

(B) USE WITH BLOCK MARKED R40930, R40940 OR R49550.

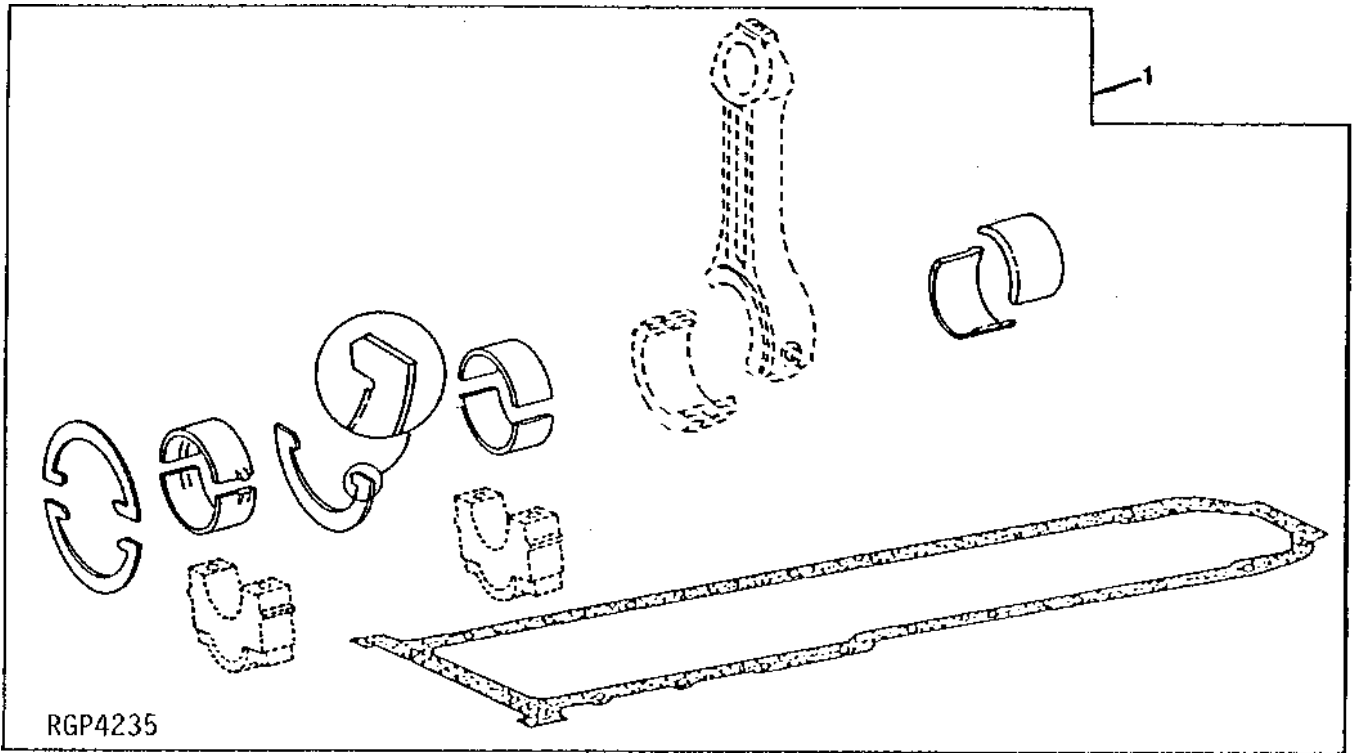
1B24

ENGINE

ENGINE UNDERHAUL KIT (6404DR)

RGP4235

-UN-01JAN94



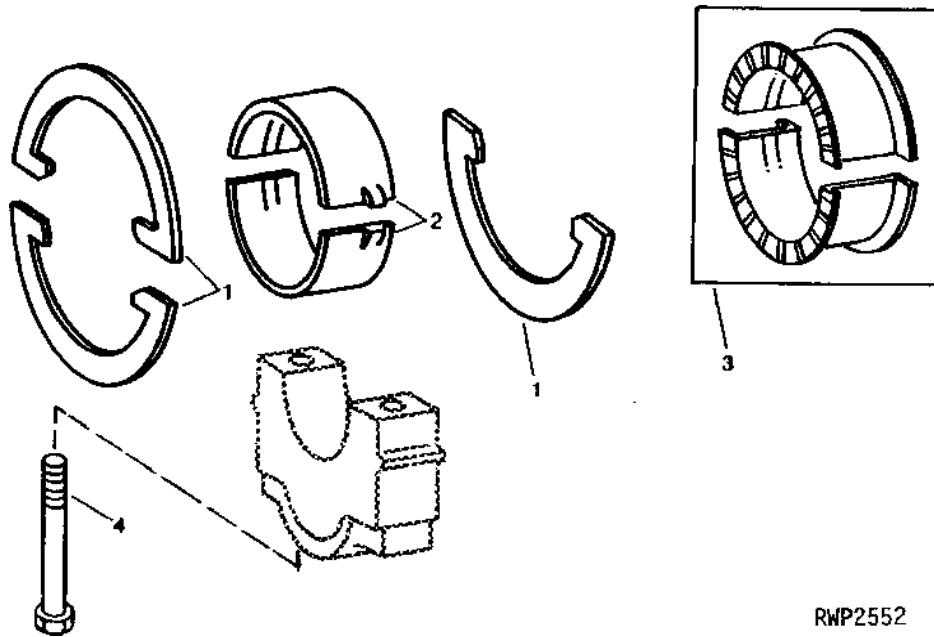
KEY	PART NO.	PART NAME	QTY	ENGINE SERIAL NO.	REMARKS
1	RG22790	KIT	1		

1C1

ENGINE

RWP2552 -UN-06OCT94

MAIN THRUST BEARINGS



KEY	PART NO.	PART NAME	QTY	ENGINE SERIAL NO.	REMARKS
1	AR73275	THRUST WASHER	1	XXXXXX-XXXXXX	STD (PKG (3) R57778) (SUB AR77747 AND BEARING OF REQUIRED SIZE)
	AR73276	THRUST WASHER	1	XXXXXX-XXXXXX	0.18MM (.007") OS FLANGE, (PKG (3) R60484) (SUB AR77753 AND BEARING OF REQUIRED SIZE)
	AR77747	THRUST WASHER	1	XXXXXX-	STD (PKG (3) R62986)
	AR77753	THRUST WASHER	1	XXXXXX-	0.18MM (.007") OS FLANGE, (PKG (2) R63010 AND R62986)
2	AR77748	THRUST BEARING	1	XXXXXX-	(B) STD, (SUB FOR AR72998) (PKG R62987 AND R62988)
	AR77749	THRUST BEARING	1	XXXXXX-	(B) 0.05MM (.002") US, (SUB FOR AR73271) (PKG R63002 AND R63006)
	AR77750	THRUST BEARING	1	XXXXXX-	(B) 0.24MM (.010") US, (SUB FOR AR73272) (PKG R63003 AND R63007)
	AR77751	THRUST BEARING	1	XXXXXX-	(B) 0.51MM (.020") US, (SUB FOR AR73273) (PKG R63004 AND R63008)
	AR77752	THRUST BEARING	1	XXXXXX-	(B) 0.76MM (.030") US, (SUB FOR AR73274) (PKG R63005 AND R63009)
	AR77754	THRUST BEARING	1	XXXXXX-	(A) STD (PKG (2) R62987)
	AR77755	THRUST BEARING	1	XXXXXX-	(A) 0.05MM (.002") US, (PKG (2) R63002)
	AR77756	THRUST BEARING	1	XXXXXX-	(A) 0.24MM (0.10") US, (PKG (2) R63003)
	AR77757	THRUST BEARING	1	XXXXXX-	(A) 0.51MM (.020") US, (PKG (2) R63004)
	AR77758	THRUST BEARING	1	XXXXXX-	(A) 0.76MM (.030") US, (PKG (2) R63005)

MAIN THRUST BEARINGS - CONTINUED

KEY	PART NO.	PART NAME	QTY	ENGINE SERIAL NO.	REMARKS
3	AR49242	THRUST BEARING	1	-XXXXXX	(A) (SUB FOR AR27631) (SUB AR77754 AND AR77747 OR AR77753) (PKG (2) R46723)
	AR49237	THRUST BEARING	1	-XXXXXX	(A) 0.05MM (.002") US W/STD FLANGE, (SUB FOR AR27632) (SUB AR77755 AND AR77747 OR AR77753) (PKG (2) R46921)
	AR49238	THRUST BEARING	1	-XXXXXX	(A) 0.25MM (.010") US W/STD FLANGE, (SUB FOR AR45219) (SUB AR77756 AND AR77747) (PKG (2) R46923)
	AR49241	THRUST BEARING	1	-XXXXXX	(A) 0.25MM (.010") US W/0.18MM (.007") OS FLANGE, (SUB FOR AR45220) (PKG R46929 AND R46931)
	AR49239	THRUST BEARING	1	-XXXXXX	(A) 0.51MM (.020") US W/STD FLANGE, (SUB FOR AR27634) (SUB AR77757 AND AR77747 OR AR77753) (PKG (2) R46925)
	AR49240	THRUST BEARING	1	-XXXXXX	(A) 0.76MM (.030") US W/STD FLANGE, (SUB FOR AR27636) (SUB AR77758 AND AR77747 OR AR77753) (PKG (2) R46927)
	AR65235	THRUST BEARING	1	-XXXXXX	(B) (SUB FOR AR44624 OR AR48940) (SUB AR77748 AND AR77747 OR AR77753) (PKG R55596 AND R55597)
	AR65236	THRUST BEARING	1	-XXXXXX	(B) 0.05MM (.002") US W/STD FLANGE, (SUB FOR AR46403 OR AR49232) (SUB AR77749 AND AR77747 OR AR77753) (PKG R55737 AND R55738)
	AR65237	THRUST BEARING	1	-XXXXXX	(B) 0.25MM (.010") US W/STD FLANGE, (SUB FOR AR46404 OR AR49233) (SUB AR77750 AND AR77747 OR AR77753) (PKG R55739 AND R55740)
	AR65240	THRUST BEARING	1	-XXXXXX	(B) 0.25MM (.010") US W/0.18MM (.007") OS FLANGE, (SUB AR77750 AND AR77753) (PKG R55745 AND R55746)
	AR49236	THRUST BEARING	1	-XXXXXX	(B) 0.25MM (.010") US W/0.18MM (.007") OS FLANGE, (SUB FOR AR46407) (SUB AR77750 OR AR77753) (PKG R46929 AND R46930)
	AR65238	THRUST BEARING	1	-XXXXXX	(B) 0.51MM (.020") US W/STD FLANGE, (SUB FOR AR46405 OR AR49234) (SUB AR77751 AND AR77747 OR AR77753) (PKG R55741 AND R55742)
	AR65239	THRUST BEARING	1	-XXXXXX	(B) 0.76MM (.030") US W/STD FLANGE, (SUB FOR AR46406) (SUB AR77752 AND AR77747 OR AR77753) (PKG R55743 AND R55744)
4	T15539	BOLT	AR		(8 USED GASOLINE AND LP-GAS) (14 USED DIESEL)
..	R57159	BEARING CAP	1		

(A) USE WITH BLOCK MARKED R26060, R26070, R33170, R34330, R40860, R40870, R33180, R34340, R40890 OR R40900.

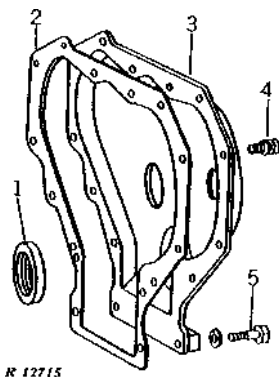
(B) USE WITH BLOCK MARKED R40930, R30940 OR R49550.

1C3

ENGINE

R12715 -UN-01JAN94

TIMING GEAR COVER



KEY	PART NO.	PART NAME	QTY	ENGINE SERIAL NO.	REMARKS
1	AR49025	SEAL	1		(SUB FOR AR31882 OR AR48728)
2	R26084	GASKET	1		
3	AR69984	COVER	1		(SUB FOR AR31934 OR AR44390)
4	AR27703	SCREW	11		
5	19H2661	CAP SCREW	2	5/16" X 1-3/8"	
	12H303	LOCK WASHER	2	5/16"	

MEMORANDA

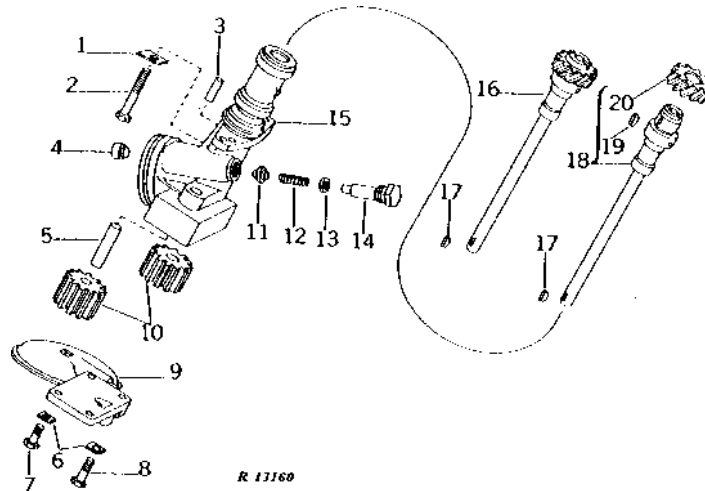
MEMORANDA

1C4

ENGINE

R13160 -UN-01JAN94

ENGINE OIL PUMP



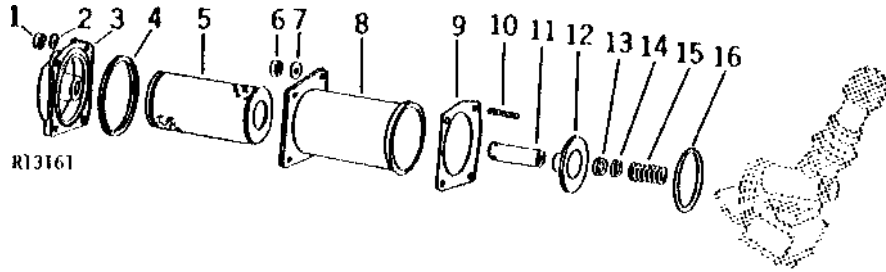
KEY	PART NO.	PART NAME	QTY	ENGINE SERIAL NO.	REMARKS
1	R1888R	STRAP	2		
	M72490	WASHER	2		(USE WITH AR67467)
2	19H1800	CAP SCREW	2		3/8" X 1-1/2"
	R41920	CAP SCREW	2		(USE WITH AR67467)
3	H826R	DOWEL PIN	2		
4	R26493	BUSHING	1		
5	R26144	SHAFT	1		
6	R35128	LOCK PLATE	4		
7	19H2127	CAP SCREW	2		5/16" X 7/8"
8	19H1849	CAP SCREW	2		5/16" X 1-1/4"
9	AR55866	OIL PUMP INTAKE	1		(ALSO ORDER (4) 19H1900 AND (4) 12M7032) (SUB FOR AR26660) (SUB FOR AR47097 OR AR53107)
10	AR40218	GEAR	1	-120779	(A) (SUB FOR AR26517)
	AR26705	GEAR	1	-120779	(B) (SUB AR36694)
	AR36694	GEAR	1	120780-	
11	R26152	VALVE	1		
12	R36715	SPRING	1		(SUB FOR A655R) (SUB R44324)
13	H294R	WASHER	1		
14	R26153	FITTING	1		
15	AR26347	HOUSING	1	-120779	(A) (MARKED R26143 OR R56603) (SUB AR36694, AR67467, (2) R41920 AND (2) M72490)
	AR68309	HOUSING	1	120780-	(A) (MARKED R27919 OR R56603) (SUB FOR AR27232 OR AR26347) (SUB AR67467, (2) R41920 AND (2) M72490)
	AR68309	HOUSING	1		(B) (MARKED R27919 OR R56603 AND (2) R42729) (SUB FOR AR27232) (SUB AR67467, (2) R41920 AND (2) M72490)
	AR67467	HOUSING	1		(B) (MARKED R56603)
16	R45134	GEAR	1		(B) (AS SHOWN) (USE WITH AR32732 OR AR49145)
	AR31684	GEAR	1		(A) (W/O KEYWAY) (USE WITH AR53102)
17	26H73	SHAFT KEY	1	-XXXXXX	5/32" X 5/8", (NOT USED WITH AR36694)
18	AR31685	GEAR	1		(B) (AS SHOWN) (SUB R45134) (20 T00TH)
19	26H72	SHAFT KEY	1		(B) 1/8" X 5/8", (USE WITH AR31685)
20	R32428	GEAR	1		(B) (USE WITH AR31685)
..	AR53102	OIL PUMP	1		(A) (SUB FOR AR31886) (INCLUDES AR31684)
..	AR53103	OIL PUMP	1		(B) (SUB FOR AR31887) (INCLUDES R45134)
	(A)	GASOLINE AND LP-GAS			
	(B)	DIESEL			

1C5

ENGINE

R13161 -UN-01JAN94

ENGINE OIL FILTER



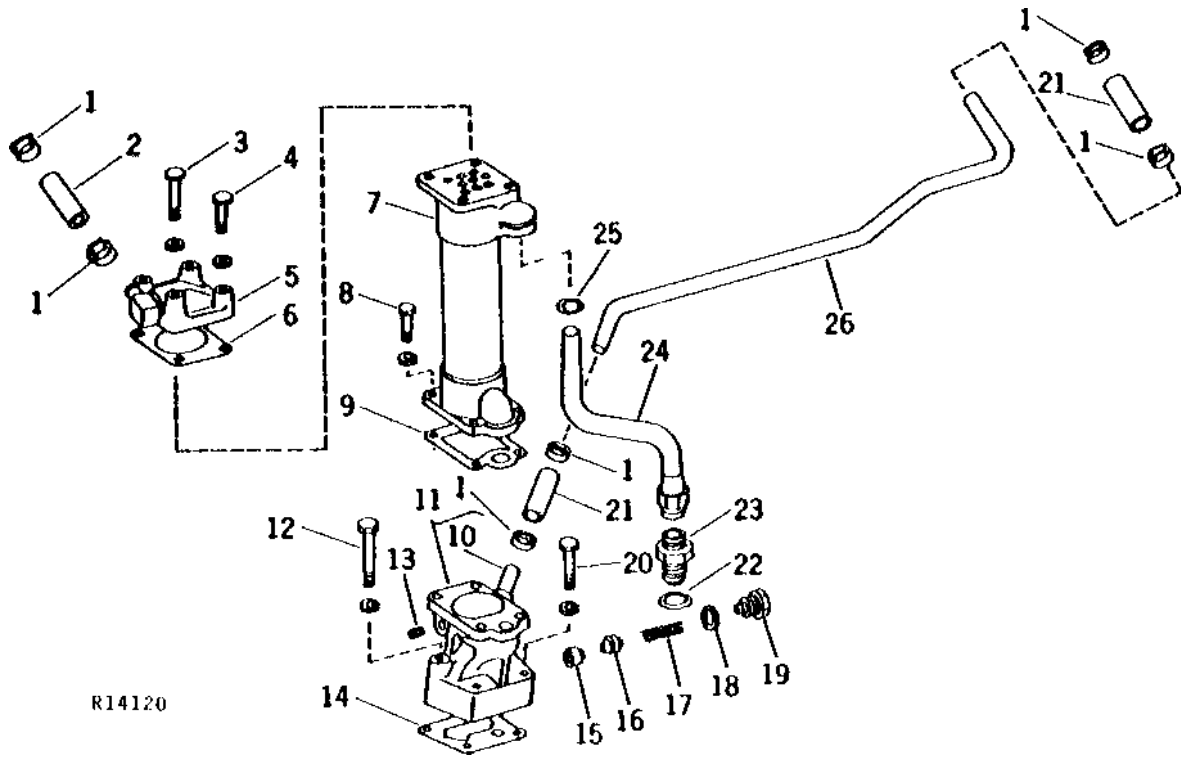
KEY	PART NO.	PART NAME	QTY	ENGINE SERIAL NO.	REMARKS
1	E55662	FLANGE NUT	4		
2	24H1301	WASHER	4	13/32" X 9/16" X 0.065"	
3	R42054	COVER	1		(SUB FOR R27261)
4	B3586R	WASHER	1		
5	AR26350	OIL FILTER	1		(SUB FOR AR28110)
6	14H732	NUT	2	3/8"	
7	24H1652	WASHER	2	13/32" X 11/16" X 7/64"	
8	R26166	HOUSING	1		
9	R26354	GASKET	1		
10	D2420R	STUD	4	3/8" X 1-7/8"	
11	R26146	TUBE	1		
12	R26147	PLATE	1		
13	R26149	PACKING	1		
14	24H1388	WASHER	1	25/32" X 15/16" X 0.036"	
15	R26151	SPRING	1		
16	R26163	O-RING	1		

1C6

ENGINE

R14120 -UN-01JAN94

ENGINE OIL COOLER



R14120

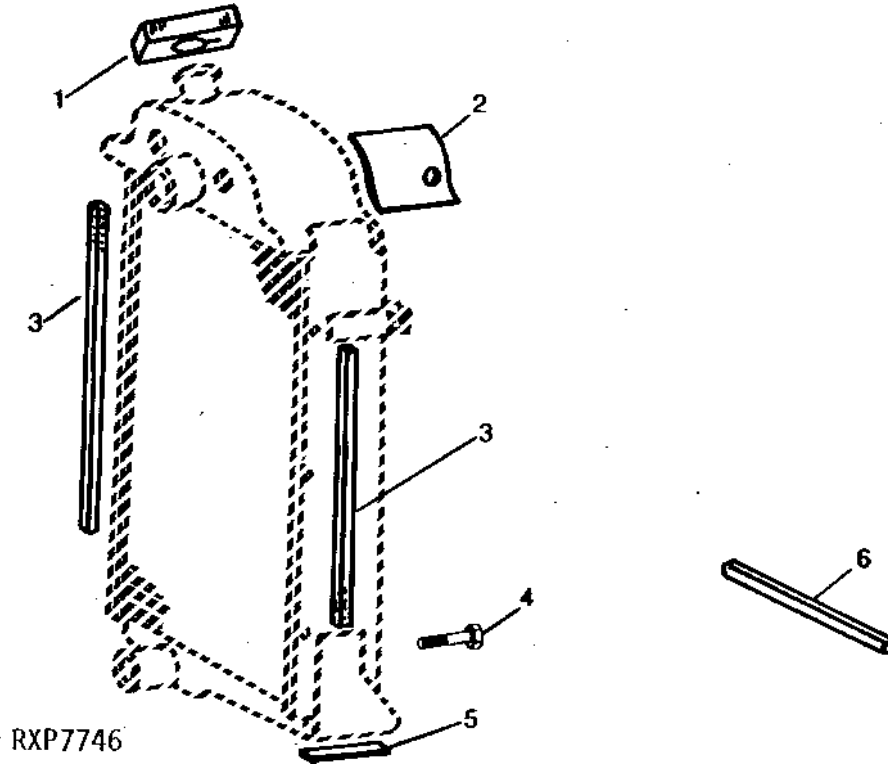
KEY	PART NO.	PART NAME	QTY	ENGINE SERIAL NO.	REMARKS
1	AR21839	CLAMP	6		(SUB FOR AR21837)
2	HOSE	1		63.5MM (2-1/2") (MAKE FROM R20922)
3	19H1901	CAP SCREW	1		5/16" X 2"
4	12H303	LOCK WASHER	1		5/16"
	19H3552	CAP SCREW	3		5/16" X 1-1/2"
4	12H303	LOCK WASHER	3		5/16"
	AR49982	CAP	1		(MARKED R32122) (SUB FOR AR32163)
6	R32123	GASKET	1		
7	AR32694	OIL COOLER	1		
8	19H2127	CAP SCREW	4		5/16" X 7/8"
8	12H303	LOCK WASHER	4		5/16"
	R34109	GASKET	1		
10	R27548	TUBE	1		
11	AR32695	HOUSING	1		(MARKED R34108)
12	19H1733	CAP SCREW	1		3/8" X 2-1/2"
	12H304	LOCK WASHER	1		3/8"
13	15H559	PIPE PLUG	1		1/4"
14	R34110	GASKET	1		
15	R26493	BUSHING	1		
16	R26152	VALVE	1		
17	A354R	SPRING	1		
18	H294R	WASHER	1		
19	R27949	DRAIN PLUG	1		
20	19H3181	CAP SCREW	2		3/8" X 2"
	12H304	LOCK WASHER	2		3/8"
21	HOSE	2		63.5MM (2-1/2") (MAKE FROM R20922)
22	F3171R	O-RING	1		
23	R27267	FITTING	1		
24	AR32696	OIL LINE	1		
25	B2762R	O-RING	1		
26	R33352	LINE	1		

1C7

ENGINE

RXP7746 -UN-01JAN94

RADIATOR BAFFLES AND FOAM PAD KIT



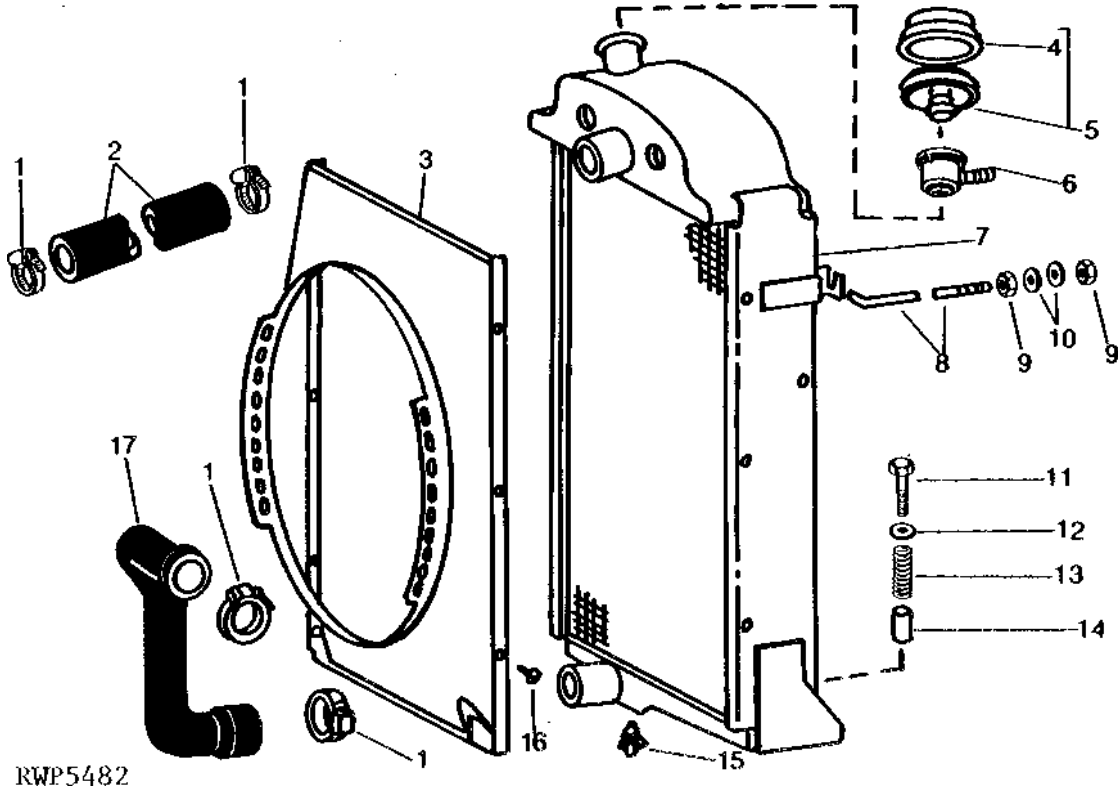
KEY	PART NO.	PART NAME	QTY	TRACTOR SERIAL NO.	REMARKS
1	R28015	FOAM PAD	1		
2	FOAM PAD	1		3.2 X 101.6 X 127MM (1/8" X 4" X 5") (MAKE FROM R30597)
3	ISOLATOR	2	-067999	12.7 X 19.0 X 495.3MM (1/2" X 3/4" X 19-1/2") (MAKE FROM R30936)
4	37H79	SCREW	6		
5	R26413	STRAP	2		
6	ISOLATOR	1		12.7 X 12.7 X 400MM (1/2" X 1/2" X 5-3/4") (MAKE FROM R30877)

1C8

ENGINE

RWP5482 -UN-01JAN94

RADIATOR



RWP5482

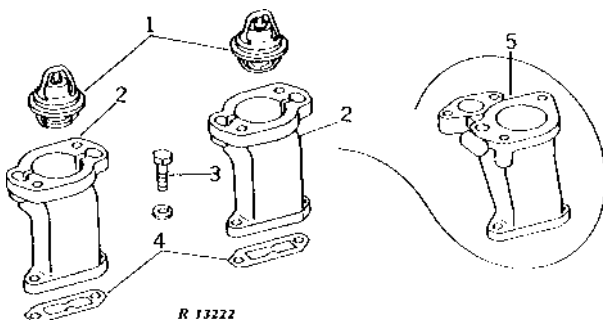
KEY	PART NO.	PART NAME	QTY	TRACTOR SERIAL NO.	REMARKS
1	AR21840	CLAMP	4		
2	R26475	HOSE	1		UPPER
3	R34090	SHROUD	1		
	R42946	SHROUD	1		(AIR CONDITIONING)
4	R27209	COVER	1		
5	AR28482	CAP	1		
6	RE15427	FILLER NECK	1		
7	AR49454	RADIATOR	1		(SUB FOR R39608, AR40832 OR AR46434) (ALSO ORDER R39516, SUB FOR R34681)
8	R28796	HOOK BOLT	1	-090999	R.H.
	R39516	ROD	1	091000-	R.H.
	R42962	ROD	1		L.H. (SUB FOR R27208)
9	14H812	NUT	4		3/8"
10	24H1305	WASHER	4		13/32" X 13/16" X 0.065"
11	19H2549	CAP SCREW	2		3/8" X 1-7/8"
12	24H1309	WASHER	2		13/32" X 1-1/16" X 0.120"
13	F2411R	SPRING	2		
14	R26417	SPACER	2		
15	AT13740	DRAIN VALVE	1		
16	37H79	SCREW	6		1/4" X 5/8", (SUB FOR R26416)
17	R26472	HOSE	1		LOWER

1C9

ENGINE

R13222 -UN-01JAN94

THERMOSTAT HOUSING AND THERMOSTATS



KEY	PART NO.	PART NAME	QTY	ENGINE SERIAL NO.	REMARKS
1	R36847	THERMOSTAT	2		71°-83°C (160°-182°F) (GASOLINE AND LP-GAS)
	R36846	THERMOSTAT	2		82°-94°C (180°-202°F) (SUB FOR R34577 OR R34578) (DIESEL)
2	AR44840	HOUSING	2		(GASOLINE AND DIESEL) (MARKED R41853, R39690 OR R42664) (SUB FOR R36814 OR AR39598)
	AR44840	HOUSING	1		(A) REAR, (MARKED R41853, R42664 OR R39690) (SUB FOR R36814 OR AR39598)
3	19H1731	CAP SCREW	4	-090999	3/8" X 1"
	19H1732	CAP SCREW	AR	091000-	3/8" X 1-1/4", (4 USED GASOLINE AND DIESEL) (2 USED LP-GAS)
	19H1731	CAP SCREW	2	091000-	(A) 3/8" X 1"
	12H304	LOCK WASHER	4	-090999	3/8"
	12H304	LOCK WASHER	2	091000-	(A) 3/8"
	24H1303	WASHER	AR	091000-	13/32" X 11/16" X 0.065", (4 USED GASOLINE AND DIESEL) (2 USED LP-GAS)
4	R88397	GASKET	2		(SUB FOR R26473 OR R42693)
5	R26469	HOUSING	1		(A) FRONT (NLA)

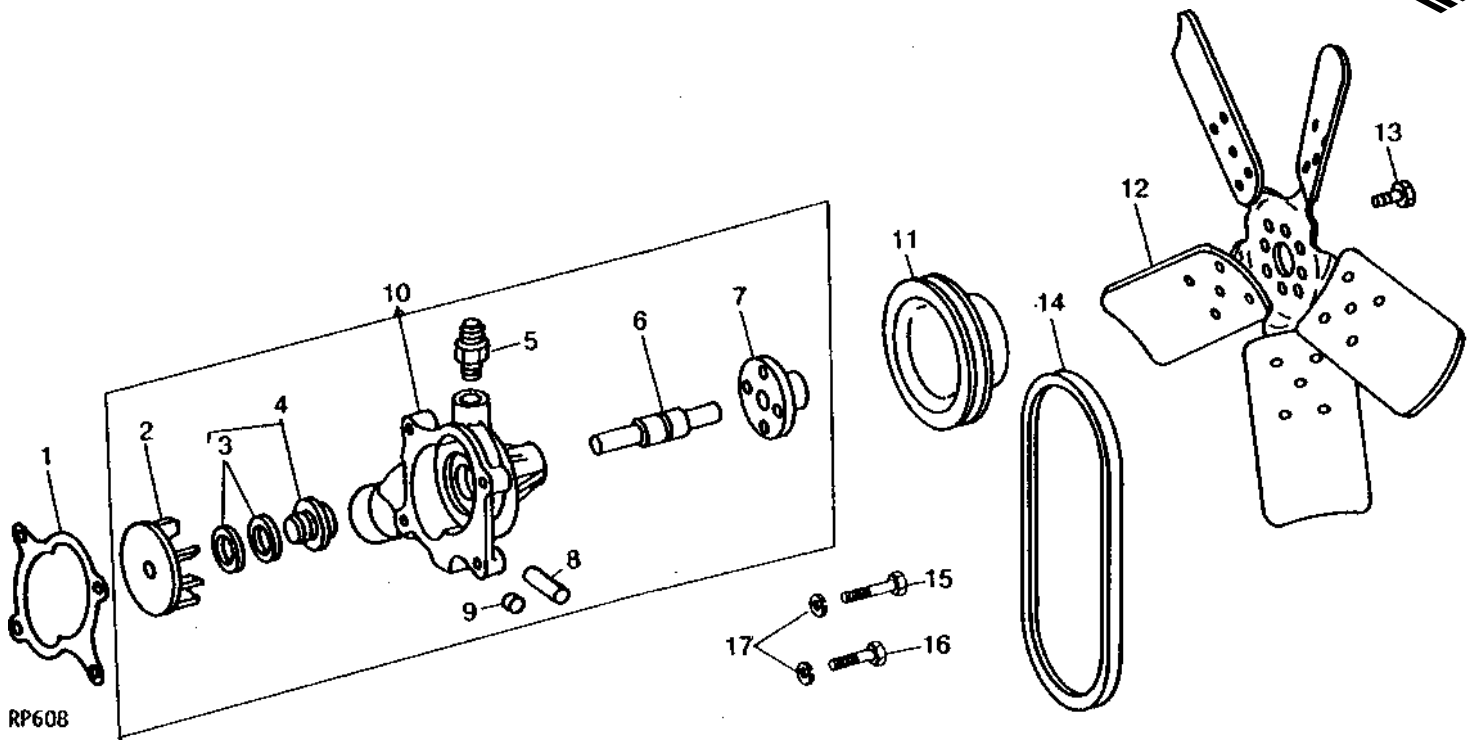
(A) LP-GAS

1C10

ENGINE

RP608 -UN-01JAN94

FAN AND WATER PUMP (GASOLINE AND LP-GAS)



KEY	PART NO.	PART NAME	QTY	ENGINE SERIAL NO.	REMARKS
1	R26331	GASKET	1		
2	R40978	IMPELLER	1		(ALSO ORDER AR62933) (SUB FOR AR31896 OR R31425) (USE WITH R26326, R34976 OR R34981)
3	R41321	IMPELLER	1		(USE WITH R41313, R41317 OR R44119)
4	AR41691	INSERT	1		
4	AR62933	SEAL KIT	1		(ALSO ORDER R40978) (SUB FOR R32622 OR AR40698)
5	15H559	PIPE PLUG	1	091000-176695	1/4"
	R26892	FITTING	1	-090999	
	R34987	CAP	1	-090999	(NLA)
	R34985	LINE	1	091000-176695	
	R1529R	RETAINER	1	-134918	
	R39503	FITTING	1		
6	JD9212	BALL BEARING	1		(USE WITH R26326, R34976 OR R34981)
	JD9355	BEARING	1		(USE WITH R41313, R41317 OR R44119)
7	R40662	HUB	1		(SUB FOR R26329)
8	R27548	TUBE	1		
9	R28746	CAP	1		
10	AR45330	WATER PUMP	1		(MARKED R34976, R34981, R41317, R41313 OR R44119) (SUB FOR AR31894, AR34855, R26326, AR44378 OR AR40921)
11	R40212	SHEAVE	1		(GASOLINE) (SUB FOR R33380 OR AR40149)
	R40211	PULLEY	1		(LP-GAS) (SUB FOR AR40148)
12	AR34451	FAN	1		(SUB FOR AR32172)
13	19H2284	CAP SCREW	4		3/8" X 7/8"
14	R41627	BELT	1		(SUB FOR R26606)
15	19H1801	CAP SCREW	1		3/8" X 2"
16	19H1800	CAP SCREW	3		3/8" X 1-1/2"
17	12H304	LOCK WASHER	4		3/8"

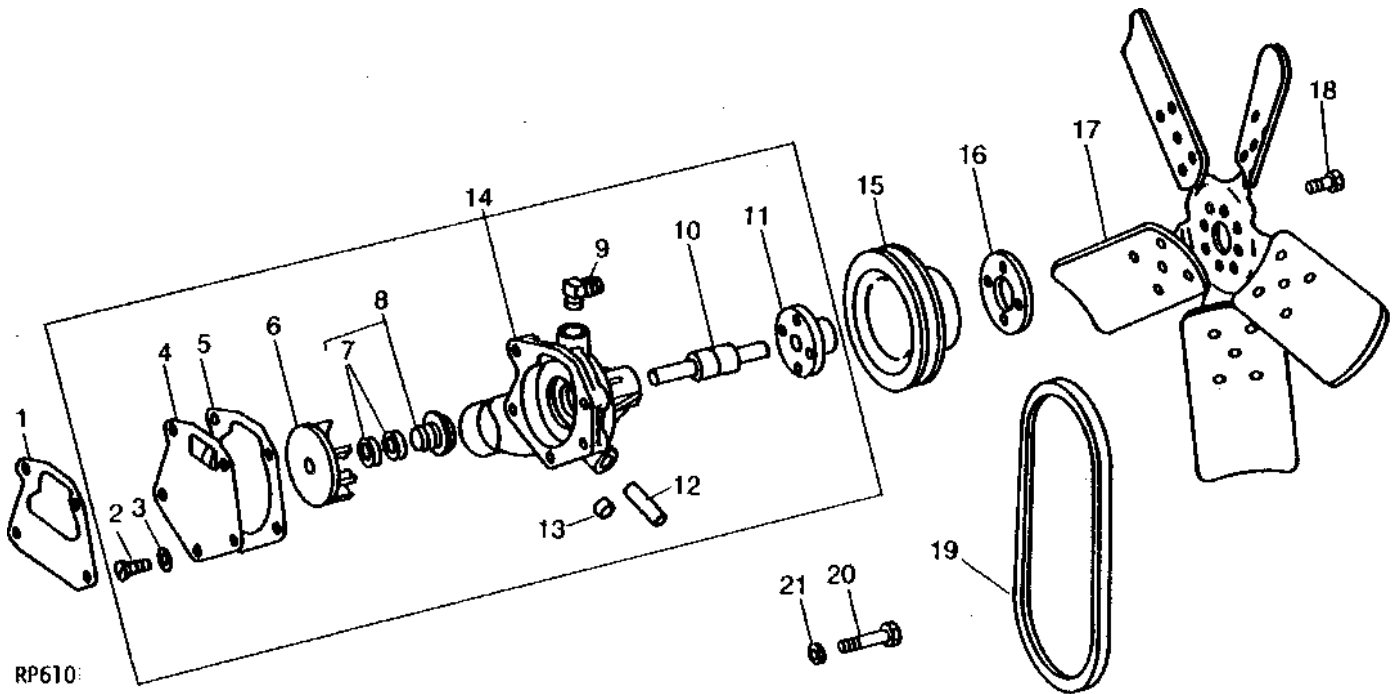
1C11

ENGINE

FAN AND WATER PUMP (DIESEL)

RP610

-UN-01JAN94



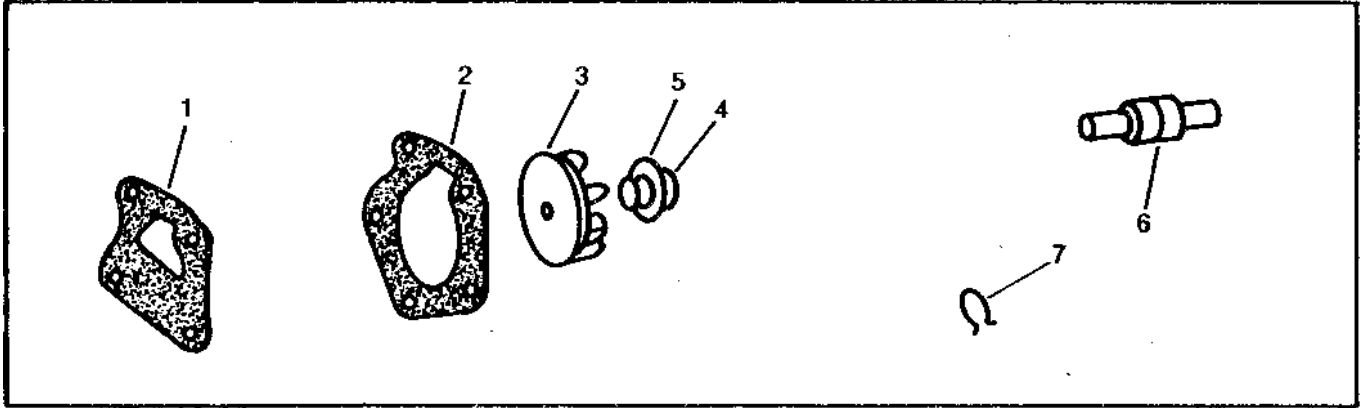
KEY	PART NO.	PART NAME	QTY	TRACTOR SERIAL NO.	REMARKS
1	R26341	GASKET	1		
2	21H1225	SCREW	1	5/16" X 3/4"	
3	12H323	LOCK WASHER	1	5/16"	
4	R26340	COVER	1		
5	R26343	GASKET	1		
6	R40979	IMPELLER	1		(ALSO ORDER AR62933) (SUB FOR AR31897 OR R31427)
7	AR41691	INSERT	1		
8	AR62933	SEAL KIT	1		(ALSO ORDER R40979) (SUB FOR R32622) (SUB FOR AR40698)
9	M42830	ELBOW FITTING	1	-090999	90°, (SUB FOR AR26635)
	15H559	PIPE PLUG	1	091000-176695	1/4"
	R34987	CAP	1	-090999	(NLA)
	R34986	TUBE	1	091000-176695	
	R1529R	RETAINER	1	-131002	
	R39503	FITTING	1		
10	JD9212	BALL BEARING	1		(USE WITH R27547, R34977 OR R34982)
	JD9355	BEARING	1		(USE WITH R41315, R41318 OR R44122)
11	R40662	HUB	1		(SUB FOR R26329)
12	R27548	TUBE	1		
13	R28746	CAP	1		
14	AR45332	WATER PUMP	1		(MARKED R34977, R34982, R41318, R41315 OR R44122) (SUB FOR AR27933, AR31895, AR34856, R27547, AR44379 OR AR40923)
	TY6740	WATER PUMP	1		REMANUFACTURED
15	R40212	SHEAVE	1		(SUB FOR R33380 OR AR40149)
16	R52833	WASHER	1		(NOT USED THIS APPLICATION) (NLA)
17	AR34451	FAN	1		(SUB FOR AR32172)
18	19H2284	CAP SCREW	4	3/8" X 7/8"	
19	R41681	BELT	1		(SUB FOR R26607, R41628 OR R71459)
20	19H3181	CAP SCREW	3	3/8" X 2"	
	19H1765	CAP SCREW	1	3/8" X 1-3/4"	
21	12H304	LOCK WASHER	4	3/8"	

1C12

ENGINE

RWP5483 -UN-01JAN94

WATER PUMP OVERHAUL KIT (DIESEL)



RWP5483



KEY	PART NO.	PART NAME	QTY	ENGINE SERIAL NO.	REMARKS
1	R26341	GASKET	1		
2	R26343	GASKET	1		
3	R40979	IMPELLER	1		
4	AR41691	INSERT	1		
5	AR62933	SEAL KIT	1		(SUB FOR AR40698)
6	JD9212	BALL BEARING	1		
7	R1529R	RETAINER	1		
8	AR55617	KIT	1		(USE WITH PUMP MARKED R27547, R34977 OR R34982)

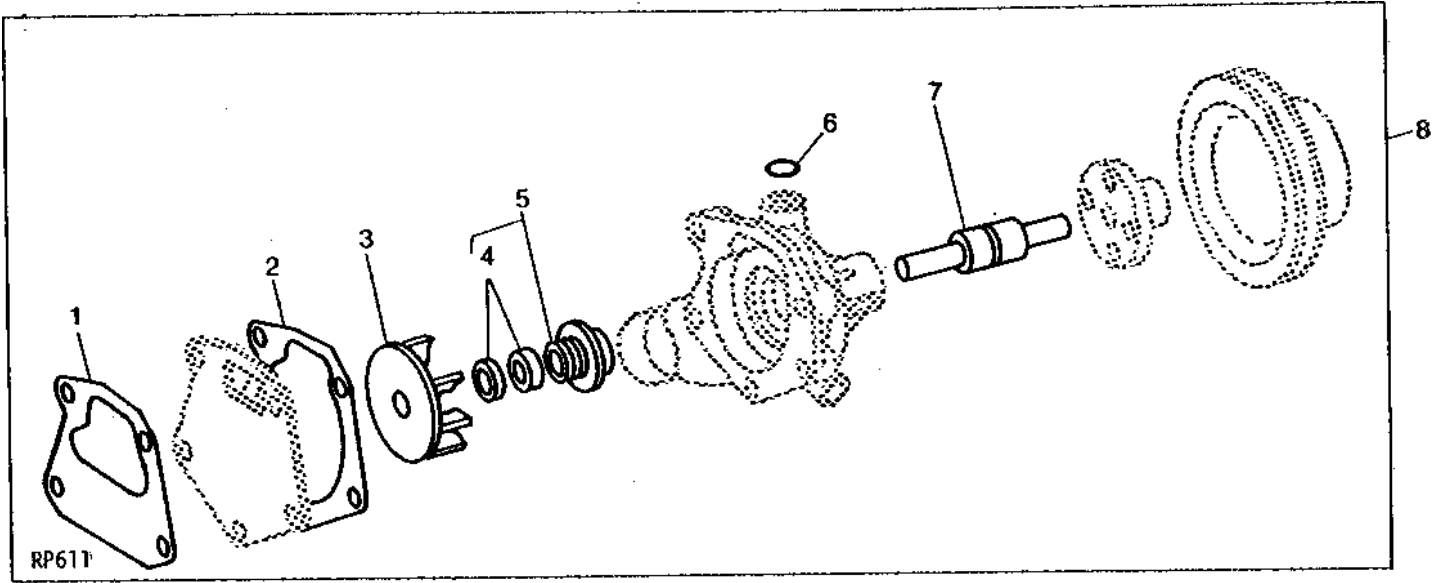
1C13

ENGINE

WATER PUMP OVERHAUL KIT (DIESEL)

RP611

-UN-01JAN94



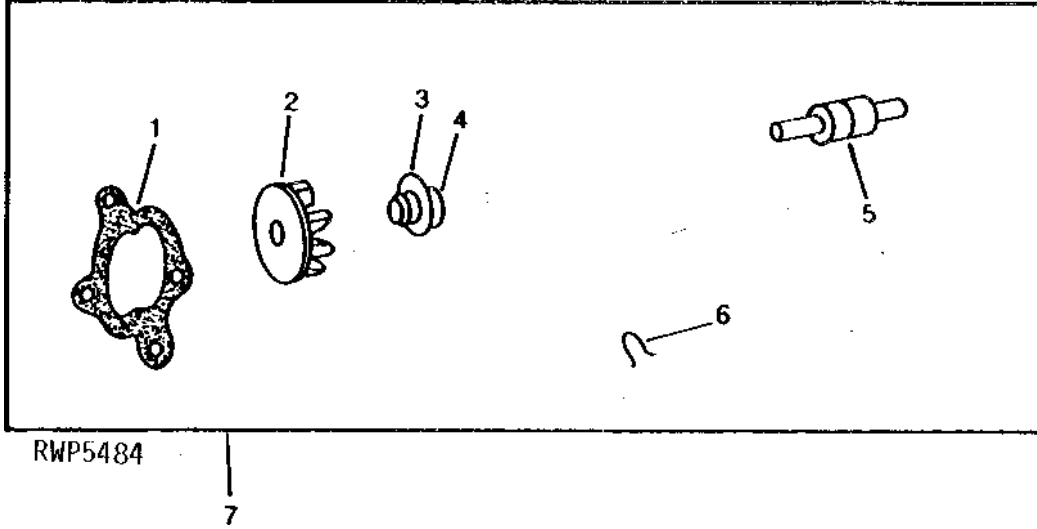
KEY	PART NO.	PART NAME	QTY	ENGINE SERIAL NO.	REMARKS
1	R26341	GASKET	1		
2	R26343	GASKET	1		
3	R40979	IMPELLER	1		
4	AR41691	INSERT	1		
5	AR62933	SEAL KIT	1		(SUB FOR AR40698)
6	T13119	O-RING	1		
7	JD9355	BEARING	1		
8	AR55619	KIT	1		(USE WITH PUMP MARKED R41315, R41318 OR R44122)

1C14

ENGINE

RWP5484 -UN-01JAN94

WATER PUMP OVERHAUL KIT (GASOLINE AND LP-GAS)



KEY	PART NO.	PART NAME	QTY	ENGINE SERIAL NO.	REMARKS
1	R26331	GASKET	1		
2	R40978	IMPELLER	1		
3	AR41691	INSERT	1		
4	AR62933	SEAL KIT	1		(SUB FOR AR40698)
5	JD9212	BALL BEARING	1		
6	R1529R	RETAINER	1		
7	AR55616	KIT	1		

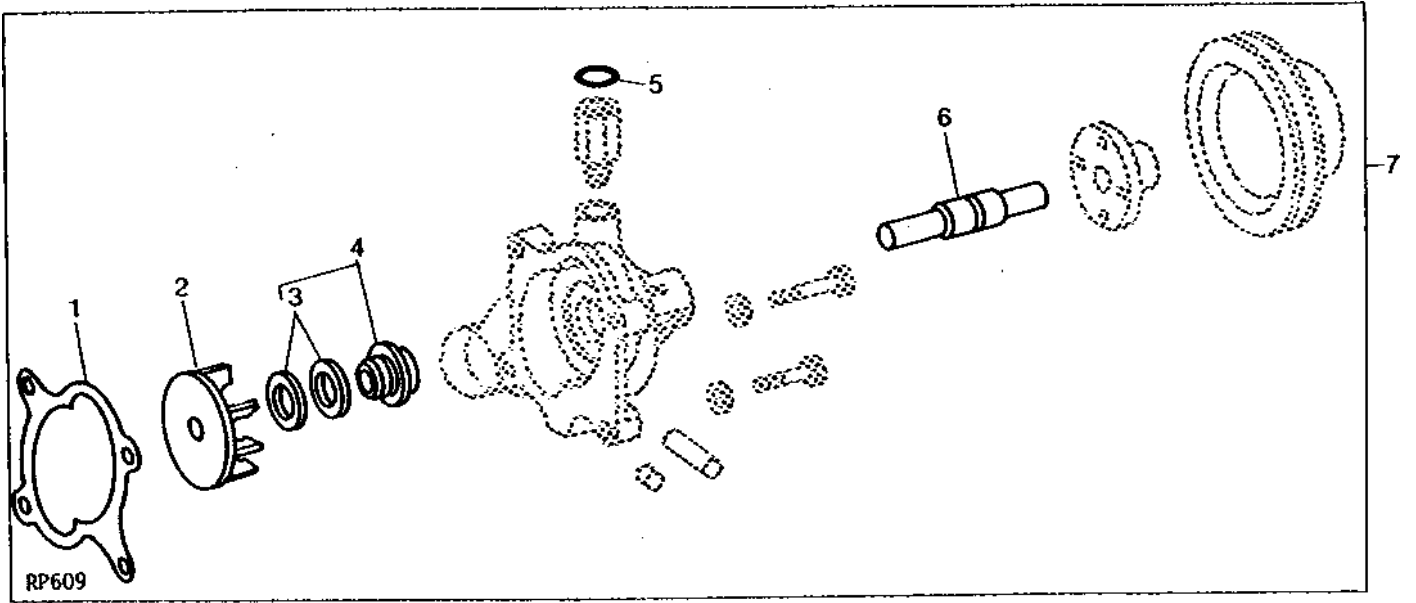
1C15

ENGINE

RP609

-UN-01JAN94

WATER PUMP OVERHAUL KIT (GASOLINE AND LP-GAS)



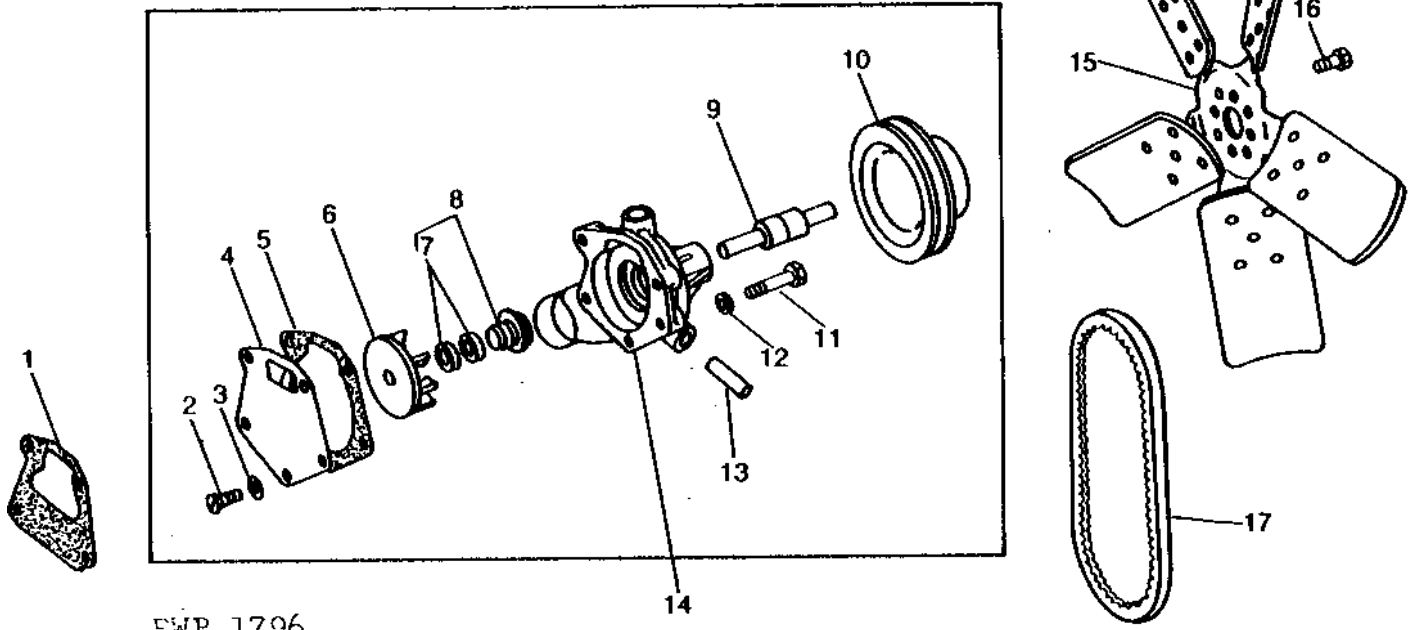
KEY	PART NO.	PART NAME	QTY	ENGINE SERIAL NO.	REMARKS
1	R26331	GASKET	1		
2	R41321	IMPELLER	1		
3	AR41691	INSERT	1		
4	AR62933	SEAL KIT	1	(SUB FOR AR40698)	
5	T13119	O-RING	1		
6	JD9355	BEARING	1		
7	AR55618	KIT	1		

1C16

ENGINE

RWP1796 -UN-01JAN94

FAN AND WATER PUMP (DIESEL) (AIR CONDITIONING)



FWP 1796

KEY	PART NO.	PART NAME	QTY	ENGINE SERIAL NO.	REMARKS
1	R26341	GASKET	1		
2	21H1225	SCREW	1	5/16" X 3/4"	
3	12H323	LOCK WASHER	1	5/16"	
4	R26340	COVER	1		
5	R26343	GASKET	1		
6	R40979	IMPELLER	1		
7	AR41691	INSERT	1		
8	AR62934	SEAL	1	(SUB AR101549)	
9	JD9257	BALL BEARING	1		
10	R44843	SHEAVE	1	(NLA) (SUB FOR R42741)	
11	19H3181	CAP SCREW	4	3/8" X 2"	
12	12H304	LOCK WASHER	4	3/8"	
13	R27548	TUBE	1		
14	AR44963	WATER PUMP	1	(MARKED R41316) (SUB AR26708, AR45340, R26343, R39503 AND 15H624) (ALSO ORDER R44843, AS REQUIRED, (2) 12H304, (2) 19H3181)	
15	AR44969	FAN	1	(NLA)	
16	19H2284	CAP SCREW	4	3/8" X 7/8"	
17	R71459	BELT	1	(SUB FOR R41628)	
..	AR101549	SEAL KIT	1		

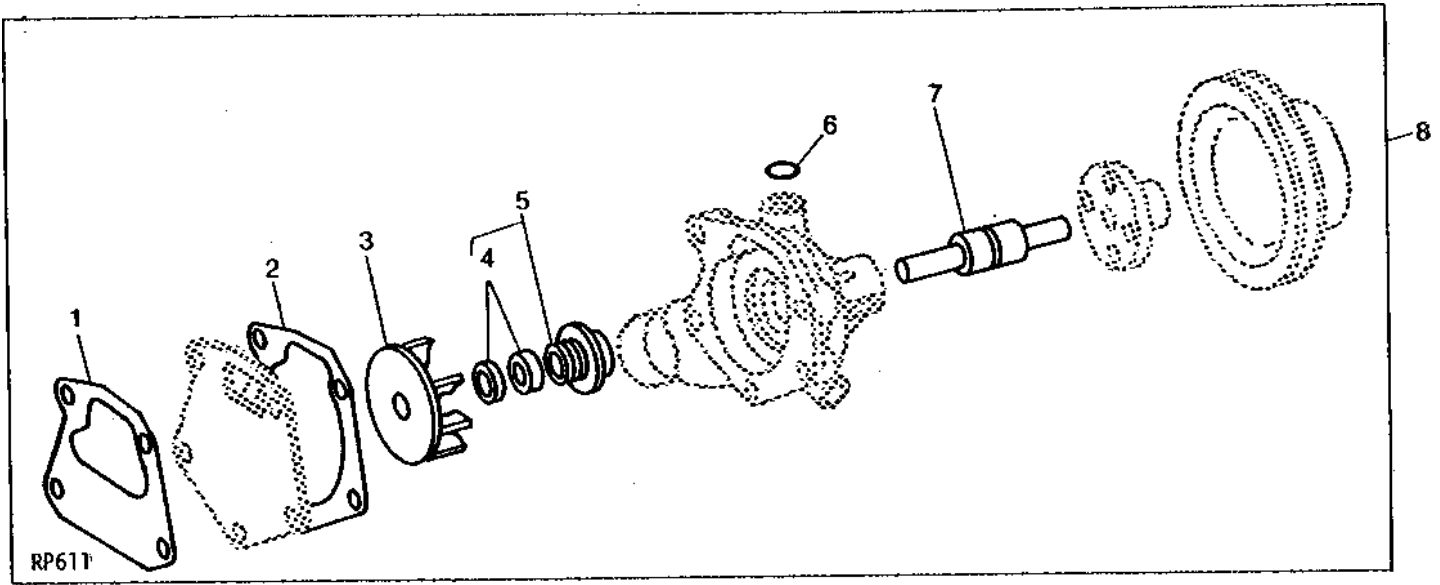
1C17

ENGINE

WATER PUMP OVERHAUL KIT (DIESEL) (AIR CONDITIONING)

RP611

-UN-01JAN94



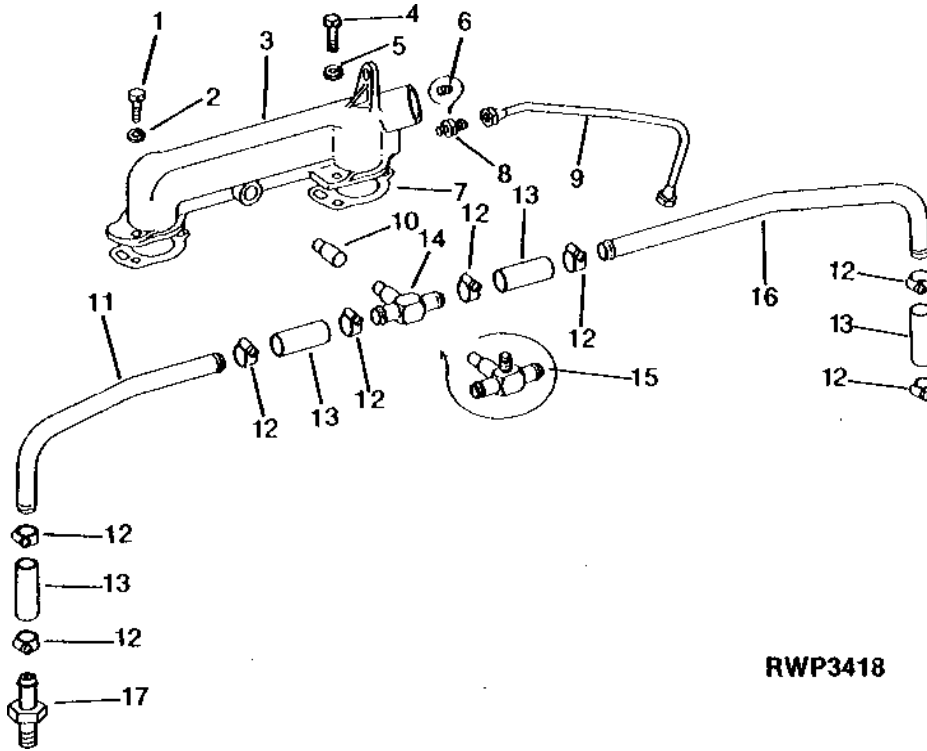
KEY	PART NO.	PART NAME	QTY	ENGINE SERIAL NO.	REMARKS
1	R26341	GASKET	1		
2	R26343	GASKET	1		
3	R40979	IMPELLER	1		
4	AR41691	INSERT	1		
5	AR101549	SEAL KIT	1		
6	T13119	O-RING	2		
7	JD9257	BALL BEARING	1		
8	AR98564	KIT	1		(SUB FOR AR55620)

1C18

ENGINE

WATER OUTLET MANIFOLD AND BYPASS LINES (ENGINE SERIAL NO. -176695)

RWP3418 -UN-01JAN94



RWP3418

KEY	PART NO.	PART NAME	QTY	ENGINE SERIAL NO.	REMARKS
1	19H1731	CAP SCREW	AR	-090999	3/8" X 1", (3 USED GASOLINE AND DIESEL) (2 USED LP-GAS)
	19H1732	CAP SCREW	AR	091000-	3/8" X 1-1/4", (3 USED GASOLINE AND DIESEL) (2 USED LP-GAS)
	19H1732	CAP SCREW	1		3/8" X 1-1/4", (LP-GAS)
2	12H304	LOCK WASHER	3		3/8"
3	AR34879	MANIFOLD	1		(MARKED R34995 OR R34997) (SUB FOR R26471) (SUB INDIVIDUAL PARTS)
4	19H1800	CAP SCREW	1	-090999	3/8" X 1-1/2", (GASOLINE AND DIESEL)
	19H1765	CAP SCREW	1	091000-	3/8" X 1-3/4", (GASOLINE AND DIESEL)
	19H1800	CAP SCREW	1		3/8" X 1-1/2", (LP-GAS)
5	12H304	LOCK WASHER	1		3/8"
6	15H559	PIPE PLUG	1	091000-	1/4"
7	R42694	GASKET	2		(SUB FOR R26474)
8	R26892	FITTING	1	-090999	(GASOLINE AND DIESEL)
9	AR26623	LINE	1	-090999	(GASOLINE AND DIESEL)
10	R34993	TERMINAL NIPPLE	1	-090999	(NLA)
11	R39507	LINE	1	091000-	REAR (NLA)
12	AR21839	CLAMP	8	091000-	
13	HOSE	4	091000-	64MM (2-1/2") (MAKE FROM R57300)
14	AR34880	TEE FITTING	1	091000-	(GASOLINE AND DIESEL)
15	AR34881	TEE FITTING	1	091000-	(LP-GAS)
16	R39506	LINE	1	091000-	FRONT (NO LONGER AVAILABLE)
17	R39503	FITTING	1	-176695	

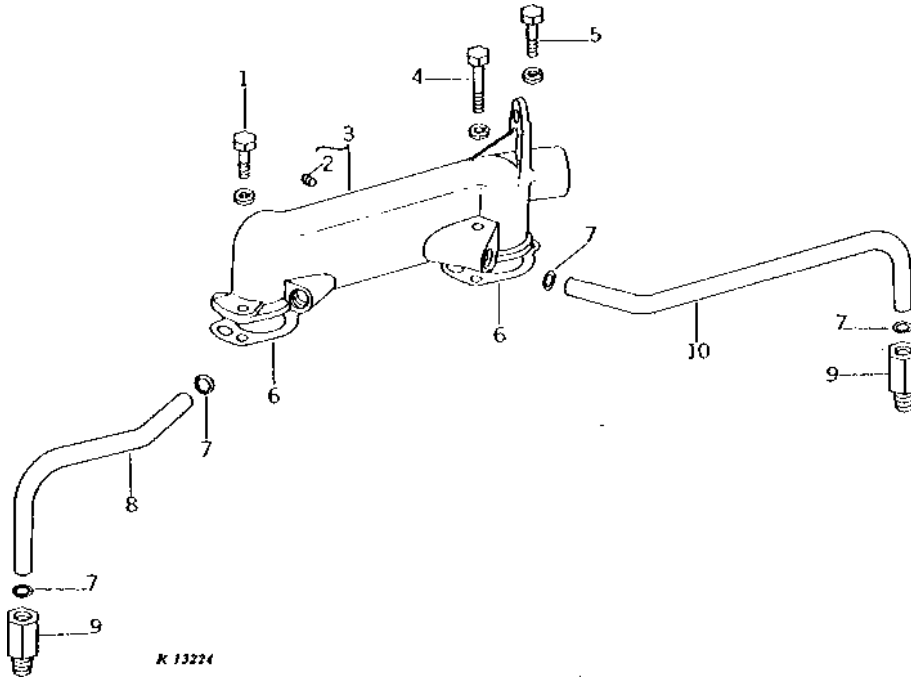
1C19

ENGINE

WATER OUTLET MANIFOLD AND BYPASS LINES (ENGINE SERIAL NO. 176696-)

R13224

-UN-01JAN94



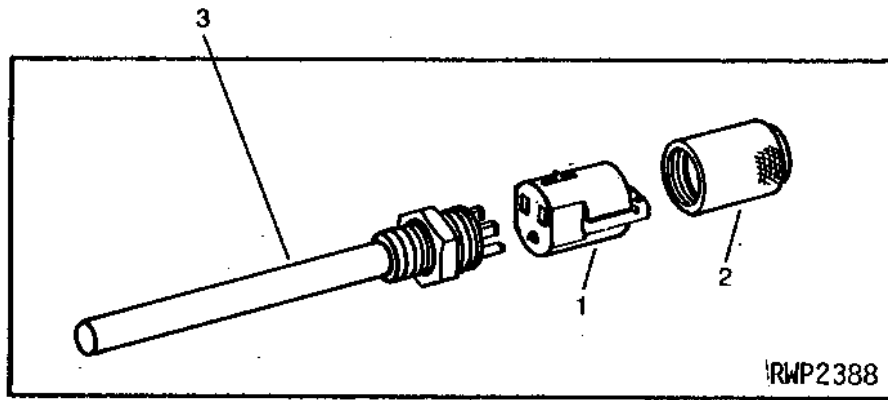
KEY	PART NO.	PART NAME	QTY	ENGINE SERIAL NO.	REMARKS
1	19H1732	CAP SCREW	2	3/8" X 1-1/4"	
	12H304	LOCK WASHER	2	3/8"	
2	15H559	PIPE PLUG	1	1/4"	
3	AR40910	MANIFOLD	1	(MARKED R41289, R41291 OR R41293) (NLA)	
4	19H1801	CAP SCREW	1	3/8" X 2"	
	12H304	LOCK WASHER	1	3/8"	
5	19H1800	CAP SCREW	1	3/8" X 1-1/2"	
	12H304	LOCK WASHER	1	3/8"	
6	R42694	GASKET	2	(SUB FOR R26474)	
7	T13119	O-RING	4		
8	R41287	LINE	1	REAR	
9	R41285	ADAPTER	2		
10	R41286	LINE	1	FRONT (GASOLINE AND LP-GAS)	
	R41288	LINE	1	FRONT (DIESEL)	

1C20

ENGINE

RWP2388 -UN-01JAN94

ENGINE OIL HEATER



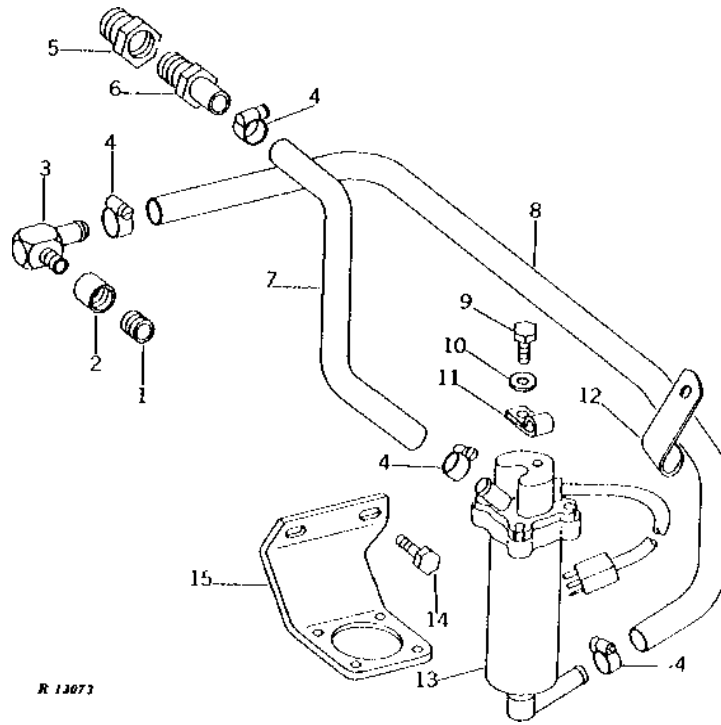
KEY	PART NO.	PART NAME	QTY	TRACTOR SERIAL NO.	REMARKS
1	AR21024	FITTING	1		
2	R20878	PLUG	1		
3	AR27139	HEATING ELEMENT	1		(SUB AR21024, R20878 AND T23925) 240-WATT

1C21

ENGINE

R13073 -UN-01JAN94

EXTERNAL COOLANT HEATER KIT



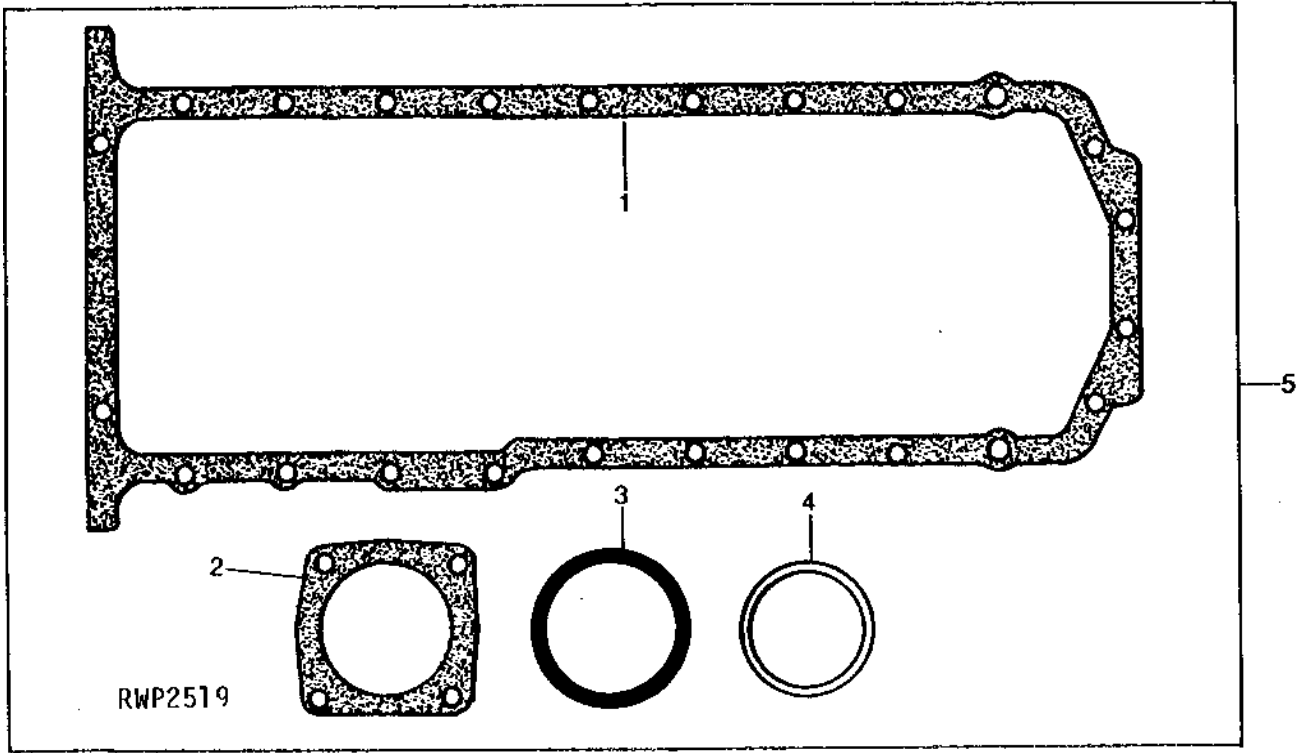
KEY	PART NO.	PART NAME	QTY	TRACTOR SERIAL NO.	REMARKS
1	29H598	THREADED NIPPLE	1		
2	15H632	COUPLING	1		
3	AR42590	ELBOW FITTING	1	90°	
4	AR21837	CLAMP	4		
5	15H589	PIPE BUSHING	1		
6	R41985	FITTING	1		
7	HOSE	1	1676MM (66") (MAKE FROM R42046)	
8	HOSE	1	1676MM (66") (MAKE FROM R42046)	
9	19H1914	CAP SCREW	3	1/4" X 1"	
	19H1791	CAP SCREW	3	1/4" X 1-1/4"	
10	24H1287	WASHER	4	9/32" X 5/8" X 0.065"	
11	T22645	CLIP	1	(SUB FOR T22404)	
12	R42045	CLIP	1		
13	AR42326	HEATER	1	(COMPLETE)	
	AR42883	COOLANT HEATER	1	(ELEMENT)	
	AR42991	HOUSING	1	(WITH VALVE)	
	F1649R	O-RING	1		
14	19H1978	CAP SCREW	2	7/16" X 1-1/2"	
15	R41984	BRACKET	1		
..	AR42325	HEATER	1	KIT	

1C22

ENGINE

GASKET KIT (OIL PAN REPLACEMENT)

RWP2519 -UN-01JAN94



KEY	PART NO.	PART NAME	QTY	ENGINE SERIAL NO.	REMARKS
1	R71918	GASKET	1		(SUB FOR R42424)
2	R26354	GASKET	1		
3	B3586R	WASHER	1		
4	R26163	O-RING	1		
5	AR30547	GASKET KIT	1		

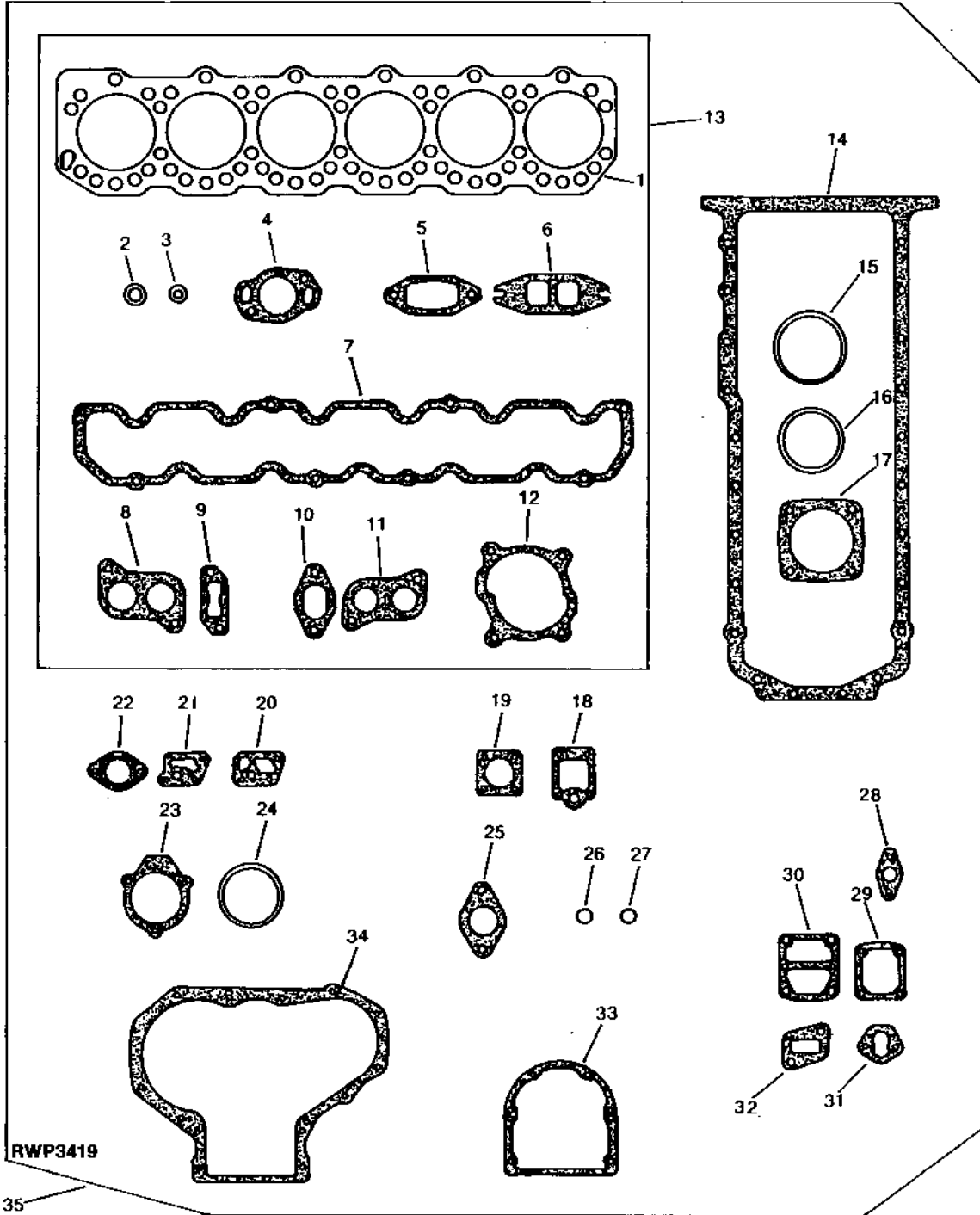
1C23

ENGINE

CYLINDER HEAD REPLACEMENT GASKET KIT (GASOLINE AND LP-GAS)

RWP3419

-UN-06OCT94



1C24

ENGINE

CYLINDER HEAD REPLACEMENT GASKET KIT - CONTINUED (GASOLINE AND LP-GAS)

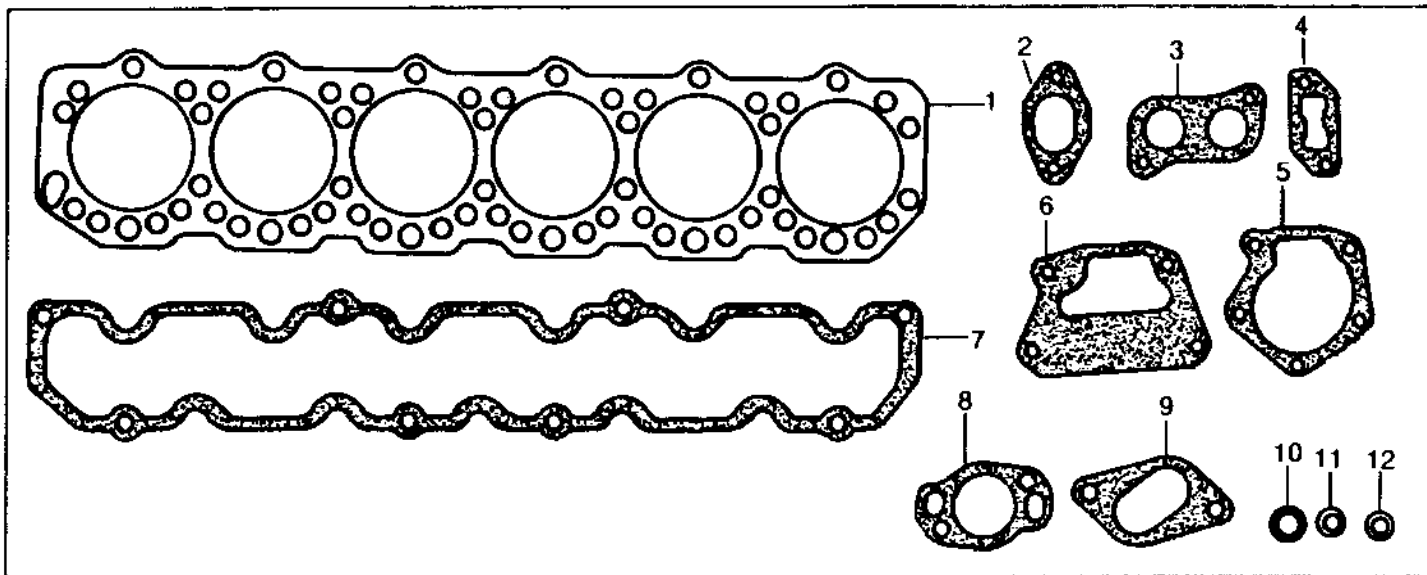
KEY	PART NO.	PART NAME	QTY	ENGINE SERIAL NO.	REMARKS
1	R45615	ENGINE CYLINDER HEAD GASKET	1		(SUB FOR R34311 OR R40974)
2	R495R	O-RING	1		
3	R27976	O-RING	6		
4	R42694	GASKET	2		(SUB FOR R26474)
5	R27574	GASKET	1		
6	R26296	GASKET	1		
7	R49866	GASKET	1		(SUB FOR R26356 OR R32593)
8	R26291	GASKET	3		
9	R88397	GASKET	2		(SUB FOR R26473 OR R42693)
10	R44374	GASKET	2		(SUB R83021) (SUB FOR R26361)
11	R44373	GASKET	2		(SUB R83020) (SUB FOR R26360)
12	R26331	GASKET	1		
13	AR53623	GASKET	1		(CYLINDER HEAD) (SUB FOR AR34236, AR40574 OR AR47621)
14	R71918	GASKET	1		(SUB FOR R42424 OR R53282)
15	B3586R	WASHER	1		
16	R26163	O-RING	1		
17	R26354	GASKET	1		
18	R34109	GASKET	1		
19	R32123	GASKET	1		
20	R34753	GASKET	1		
21	R34110	GASKET	1		
22	R41855	GASKET	1		
23	R31340	GASKET	1		
24	R40777	WASHER	1		
25	R26499	GASKET	1		
26	B2762R	O-RING	1		
27	T13119	O-RING	4		
28	R26738	GASKET	1		
29	R26173	GASKET	1		
30	R44853	GASKET	1		(SUB FOR R26174)
31	R97350	GASKET	1		(SUB FOR R27285)
32	R46192	GASKET	1		(SUB FOR R26826)
33	R26058	GASKET	1		
34	R26084	GASKET	1		
35	AR53624	GASKET	1		(FOR ENGINE REBUILD)

1D1

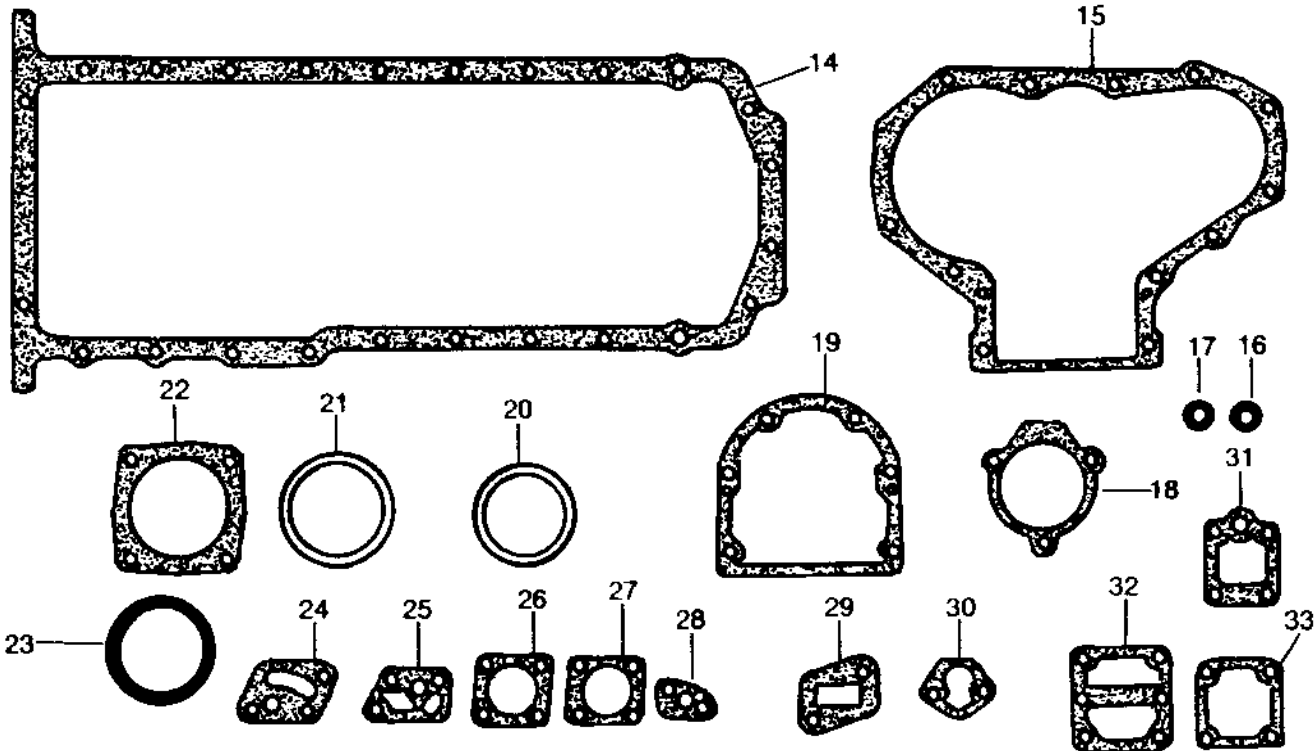
ENGINE

CYLINDER HEAD REPLACEMENT GASKET KIT (DIESEL)

RWP2522 -UN-01JAN94



13



RWP2522

34

**CYLINDER HEAD REPLACEMENT GASKET KIT - CONTINUED
(DIESEL)**

KEY	PART NO.	PART NAME	QTY	ENGINE SERIAL NO.	REMARKS
1	R45615	ENGINE CYLINDER HEAD GASKET	1		(SUB FOR R34311 OR R40974)
2	R44374	GASKET	2		(SUB R83021) (SUB FOR R26361)
3	R44373	GASKET	2		(SUB R83020) (SUB FOR R26360)
4	R88397	GASKET	2		(SUB FOR R42693 OR R26473)
5	R26343	GASKET	1		
6	R26341	GASKET	1		
7	R49866	GASKET	1		(SUB FOR R26356 OR R32593)
8	R42694	GASKET	2		(SUB FOR R26474)
9	R26297	GASKET	3		
10	R495R	O-RING	1		
11	T20055	WASHER	36		
12	R463R	WASHER	6		
13	AR53625	GASKET KIT	1		(CYLINDER HEAD) (SUB FOR AR34237 OR AR47622)
14	R71918	GASKET	1		(SUB FOR R42424 OR R53282)
15	R26084	GASKET	1		
16	T13119	O-RING	4		
17	B2762R	O-RING	1		(SUB FOR R32100)
18	R31340	GASKET	1		
19	R26058	GASKET	1		
20	R40777	WASHER	1		
21	B3586R	WASHER	1		
22	R26354	GASKET	1		
23	R26163	O-RING	1		
24	R34110	GASKET	1		
25	R34753	GASKET	1		
26	R32123	GASKET	1		
27	R27948	GASKET	2		
28	R27951	GASKET	2		
29	R46192	GASKET	1		(SUB FOR R26826)
30	R97350	GASKET	1		(SUB FOR R27285)
31	R34109	GASKET	1		
32	R44853	GASKET	1		(SUB FOR R26174)
33	R26173	GASKET	1		
34	AR53626	GASKET KIT	1		(FOR ENGINE REBUILD)

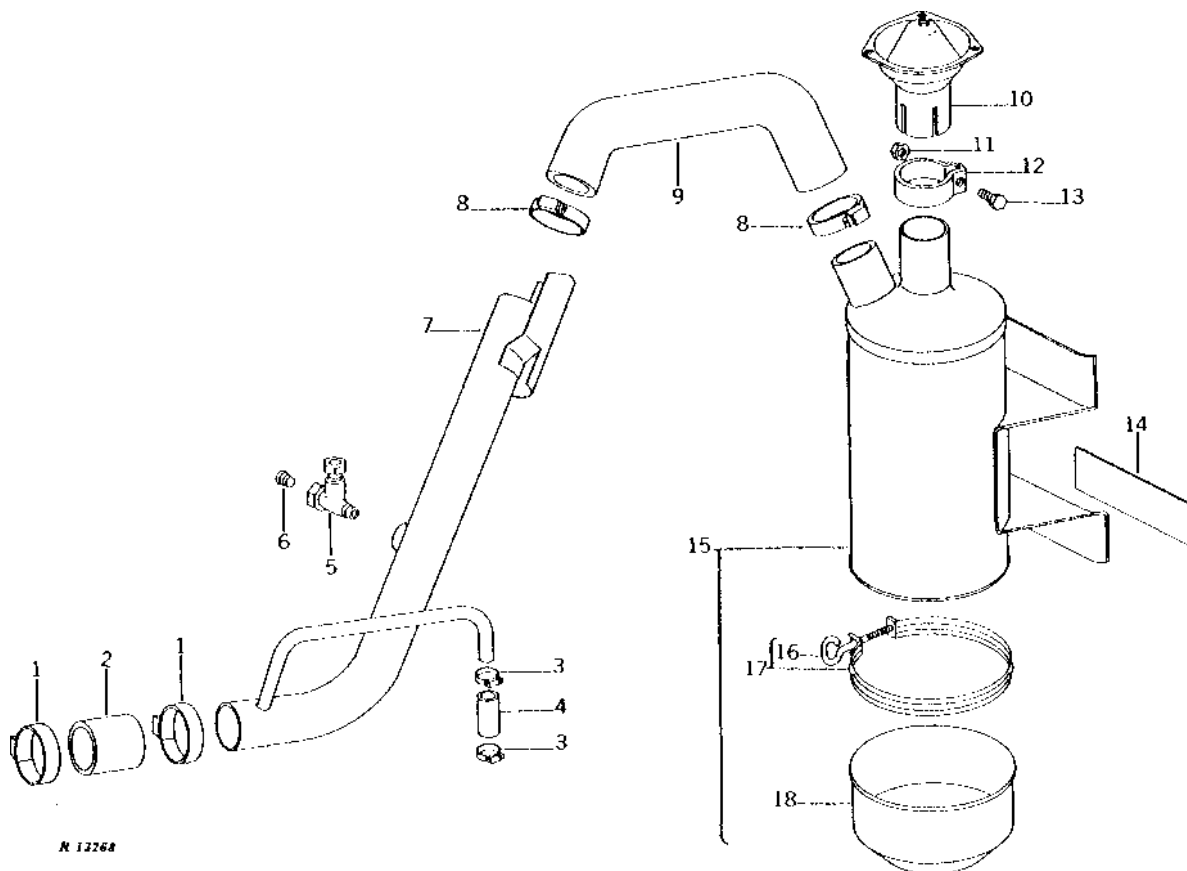
MEMORANDA

1D6

FUEL AND AIR

R13268 -UN-01JAN94

AIR CLEANER (OIL BATH) (GASOLINE AND LP-GAS)



R 13268

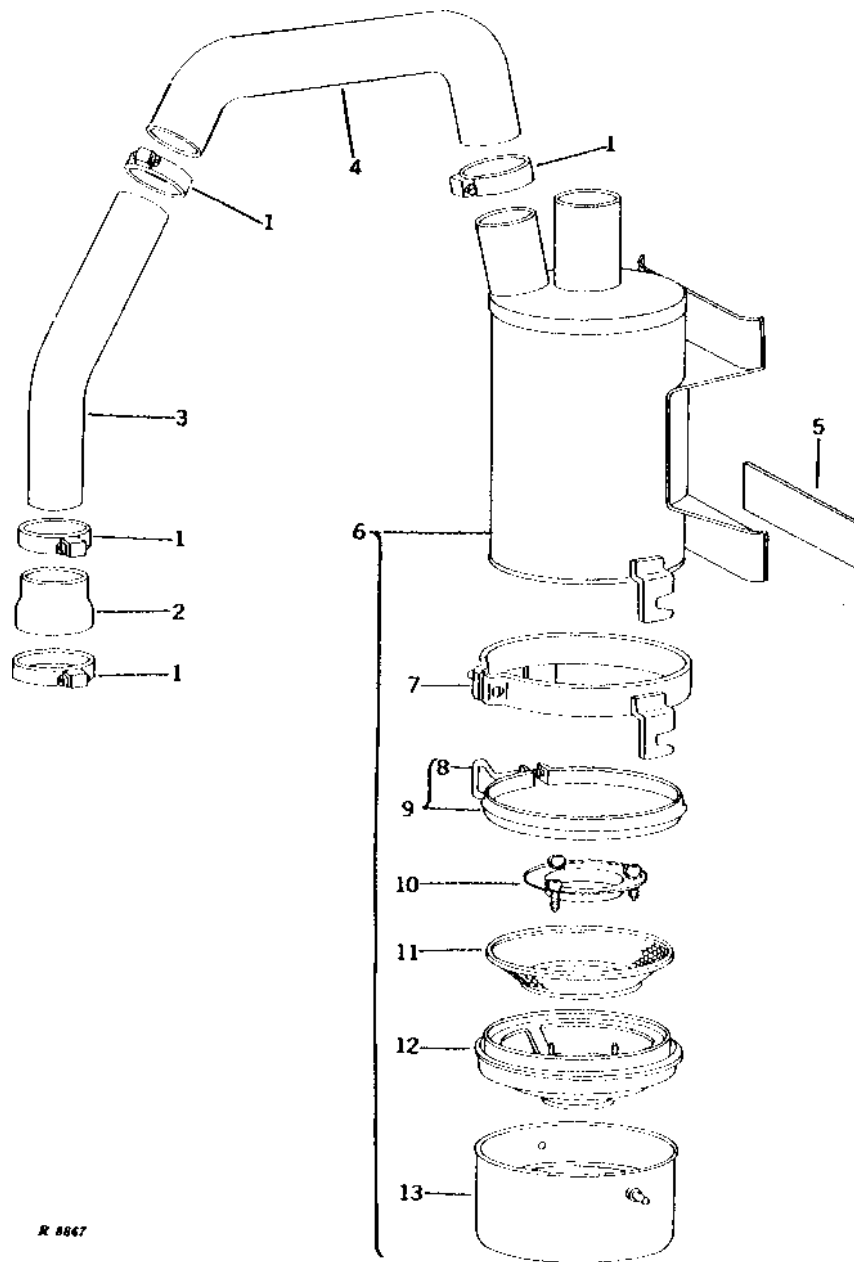
KEY	PART NO.	PART NAME	QTY	ENGINE SERIAL NO.	REMARKS
1	AR21840	CLAMP	2		
2	R26531	HOSE	1		(SUB FOR R26294)
3	AR21837	CLAMP	2		
4	HOSE	1		62MM (2-7/16") (MAKE FROM TY22327)
5	AR44049	TEE FITTING	1	186209-	(B)
6	15H558	PIPE PLUG	1	186209-	(B) 1/8"
7	AR30449	PIPE	1		(A)
	AR30449	PIPE	1	-186208	(B)
	AR45303	PIPE	1	186209-	(B) (SUB FOR AR40365)
8	AR21999	CLAMP	2		
9	R26928	HOSE	1		(A) FRONT
	R27833	HOSE	1		(B) FRONT
10	AR32421	FILTER	1		
11	14H1076	NUT	1		3/8"
12	AR26904	CLAMP	1		
13	19H1800	CAP SCREW	1		3/8" X 1-1/2"
14	FOAM PAD	2		(A) 1.59 X 50.8 X 355.6MM (1/16" X 2" X 14") (MAKE FROM R30596)
	FOAM PAD	2		(B) 1.59 X 50.8 X 152.4MM (1/16" X 2" X 6") (MAKE FROM R30596)
15	AR32422	AIR CLEANER	1		(A)
	AR32423	AIR CLEANER	1		(B)
16	R28633	BOLT	1		
17	AR34700	CLAMP	1		(SUB FOR AR30574)
18	AR27860	OIL CUP	1		

(A) GASOLINE
(B) LP-GAS

1D7

R8867 -UN-01JAN94

AIR CLEANER (OIL BATH) (DIESEL)



R 8867

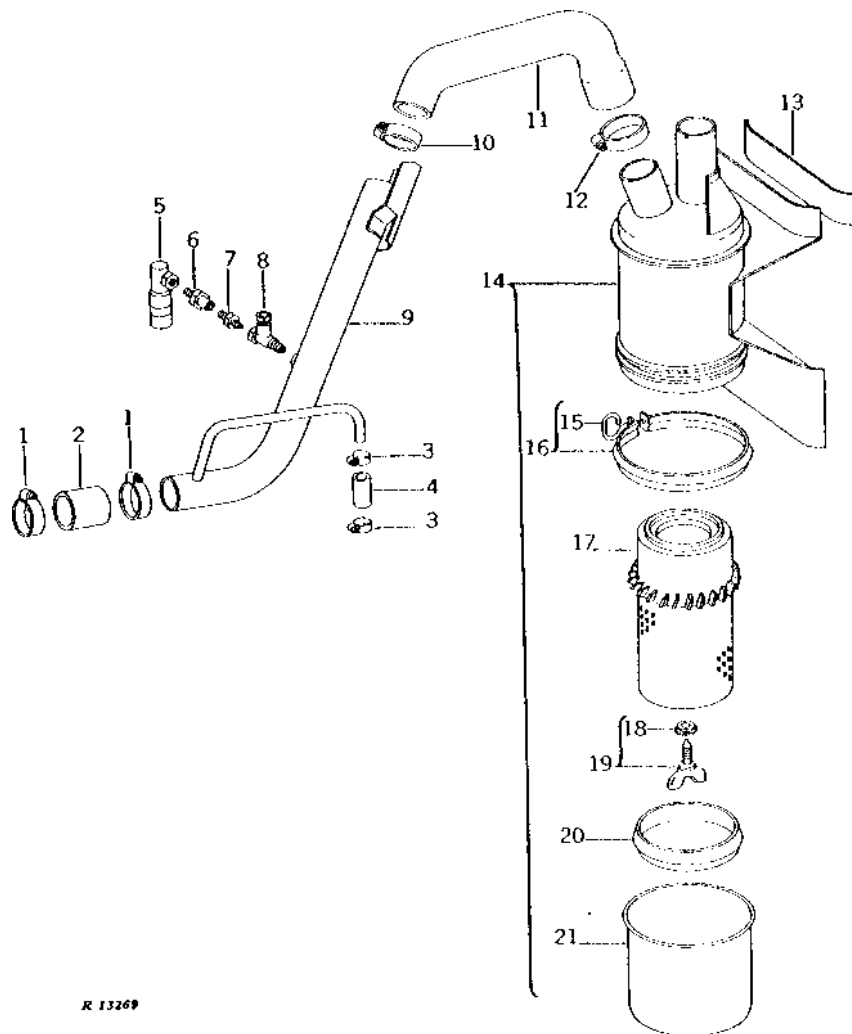
KEY	PART NO.	PART NAME	QTY	TRACTOR SERIAL NO.	REMARKS
1	AR21841	CLAMP	4	(SUB TY22473)	
2	R26299	HOSE	1	(SUB R62892)	
3	AR39541	PIPE	1	(SUB FOR R31350)	
4	R39710	HOSE	1	(SUB FOR R33688)	
5	FOAM PAD	2	1.6 X 51 X 356MM (1/16" X 2" X 14") (MAKE FROM R30596)	
6	AR32424	AIR CLEANER	1	(NLA)	
7	R34671	BAND	1	(USE ON AIR CLEANERS WITHOUT BRACKETS)	
8	R28633	BOLT	1		
9	AR30575	CLAMP	1		
10	AR27864	RETAINER	1		
11	AR27865	SCREEN	6		
12	AR27866	HOUSING	1		
13	R34669	OIL CUP	1		

MEMORANDA

1D8

R13269 -UN-01JAN94

AIR CLEANER (DRY)
(GASOLINE AND LP-GAS)
(SERIAL NO. 119000-)



R 13269

1D9

FUEL AND AIR

AIR CLEANER (DRY) - CONTINUED
(GASOLINE AND LP-GAS)
(TRACTOR SERIAL NO. 119000-)

KEY	PART NO.	PART NAME	QTY	TRACTOR SERIAL NO.	REMARKS
1	AR21840	CLAMP	2		
2	R26531	HOSE	1		(SUB FOR R26294)
3	AR21837	CLAMP	2		
4	HOSE	1		61.9MM (2-7/16") (MAKE FROM TY22327)
5	AR45670	AIR RESTRICTION INDICATOR	1		(SUB AT73678)
6	AR40361	ADAPTER	1		(SUB AN71222)
7	AR44361	FITTING	1		(SUB FOR AR40360)
8	AR44049	TEE FITTING	1	186209-	(B) (NO LONGER AVAILABLE)
9	AR45303	PIPE	1		(SUB FOR AR40365)
10	AR21999	CLAMP	1		
11	R40522	HOSE	1		(A)
	R40524	HOSE	1		(B)
12	AR21841	CLAMP	1		(A) (SUB TY22473)
	AR21999	CLAMP	1		(B)
13	FOAM PAD	2		(A) 1.59 X 50.8 X 355.6MM (1/16" X 2" X 14")
	FOAM PAD	2		(MAKE FROM R30596)
	FOAM PAD	2		(B) 1.59 X 50.8 X 152.4MM (1/16" X 2" X 6")
	FOAM PAD	2		(MAKE FROM R30596)
14	AR46149	AIR CLEANER	1		(A) (SUB FOR AR40364)
	AR46150	AIR CLEANER	1		(B) (SUB FOR AR40366)
15	R28633	BOLT	1		(A)
	B1569R	BOLT	1		(B)
16	AR34005	CLAMP	1		(A)
	AH20854	CLAMP	1		(B)
17	AR39798	FILTER ELEMENT	1		(A)
	AR44774	FILTER ELEMENT	1		(B)
18	R39825	SEAL	1		
19	AT18674	BOLT	1		(A)
	AR44775	BOLT	1		(B)
20	AH20858	ISOLATOR	1		(A)
	AH20857	ISOLATOR	1		(B)
21	R39826	DUST BOWL	1		(A) (SUB AT54179)
	R42636	O-RING	1		(A)
	R42645	DUST BOWL	1		(B)
..	R36757	AIR CLEANER	1		(NLA)

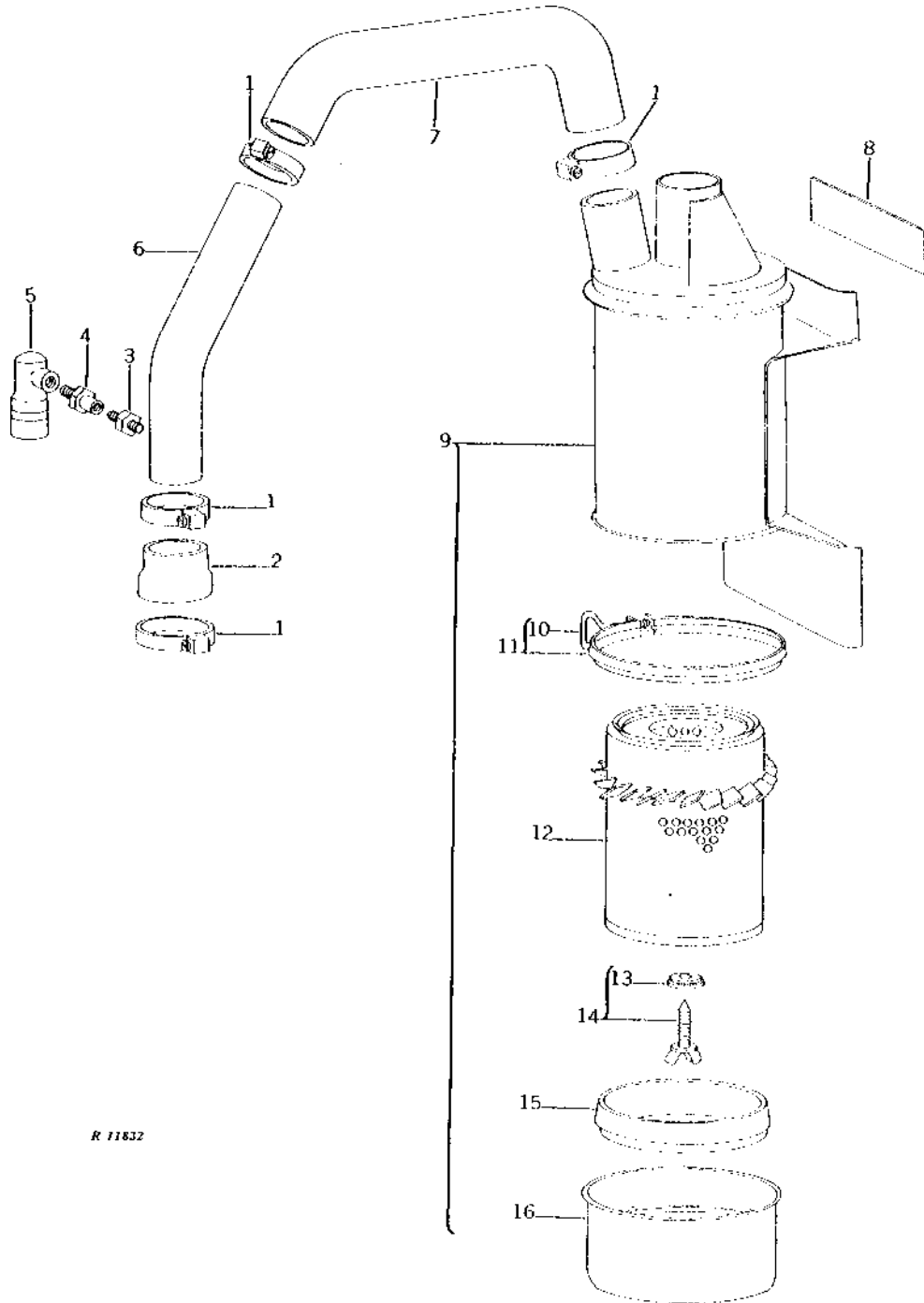
(A) GASOLINE
(B) LP-GAS

1D10

FUEL AND AIR

R11832 -UN-01JAN94

AIR CLEANER (DRY)
(DIESEL)
(TRACTOR SERIAL NO. 119000-)



R 11832

1D11

FUEL AND AIR

AIR CLEANER (DRY) - CONTINUED
(DIESEL)
(TRACTOR SERIAL NO. 119000-)

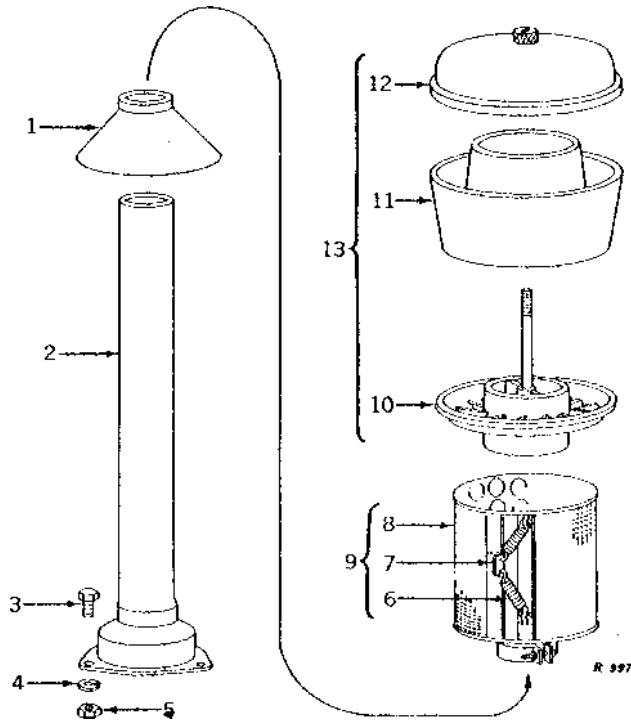
KEY	PART NO.	PART NAME	QTY	TRACTOR SERIAL NO.	REMARKS
1	AR21841	CLAMP	4	(SUB TY22473)	
2	R26299	HOSE	1	(SUB R62892)	
3	AR44361	FITTING	1	(SUB FOR AR40360)	
4	AR40361	ADAPTER	1	(SUB AN71222)	
5	AR45670	AIR RESTRICTION INDICATOR	1	(SUB AT73678)	
6	AR39541	PIPE	1		
7	R39710	HOSE	1		
8	FOAM PAD	2	1.6 X 51 X 356MM (1/16" X 2" X 4") (MAKE FROM R30596)	
9	AR46151	AIR CLEANER	1	(SUB FOR AR39539) (SUB AR46176 AND 15H21)	
10	R28633	BOLT	1		
11	AR30575	CLAMP	1		
12	AT33363	FILTER ELEMENT	1	(SUB FOR AR39799)	
13	R39825	SEAL	1		
14	AT18674	BOLT	1		
15	R39828	ISOLATOR	1		
16	R39827	DUST BOWL	1		
	R42637	O-RING	1		
..	R36757	AIR CLEANER	1	(NLA)	

1D12

FUEL AND AIR

**PRE-CLEANER AND PRE-SCREENER
(OIL BATH AIR CLEANER)
(GASOLINE AND LP-GAS)**

R997 -UN-01JAN94



KEY	PART NO.	PART NAME	QTY	TRACTOR SERIAL NO.	REMARKS
1	R28797	SEAL	1		
2	AR32752	EXTENSION	1		
3	19H1227	CAP SCREW	3		1/4" X 1/2"
4	12H302	LOCK WASHER	3		1/4"
5	14H786	NUT	3		1/4"
6	R21644	SPRING	2		
7	R21645	RETAINER	1		
8	AR21790	SCREEN	1		
9	AR27156	PRESCREENER	1		
10	AH13770	BASE	1		
11	R28794	DUST BOWL	1		
12	AL37364	COVER	1		(SUB FOR AF3583R)
13	AR26416	PRESCREENER	1		(SUB AT170947)

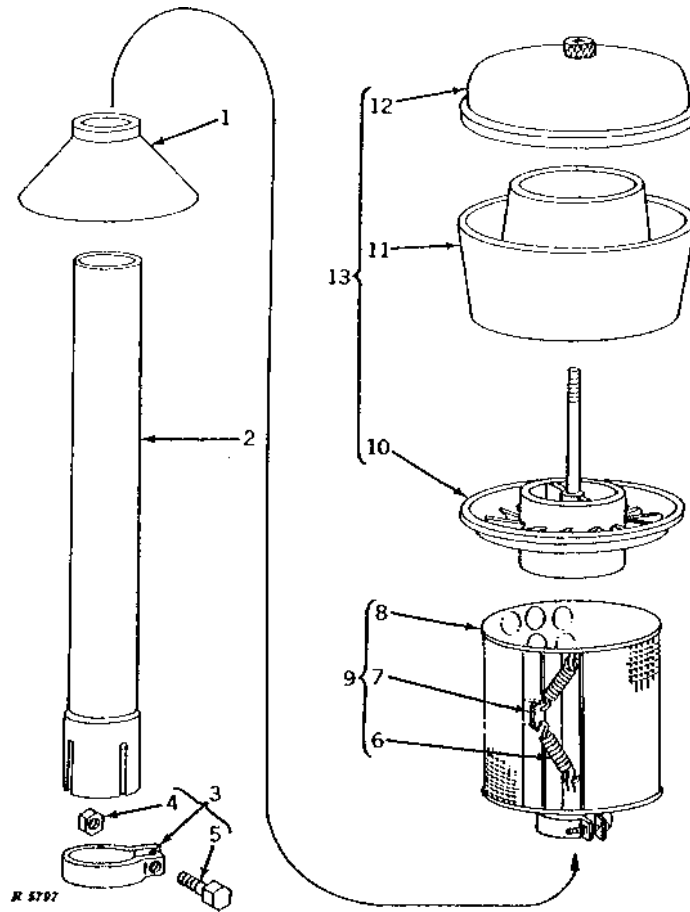
1D13

FUEL AND AIR

PRE-CLEANER AND PRE-SCREENER
(GASOLINE AND LP-GAS - DRY AIR CLEANER)
(SERIAL NO. 119000-)

R5797

-UN-01JAN94

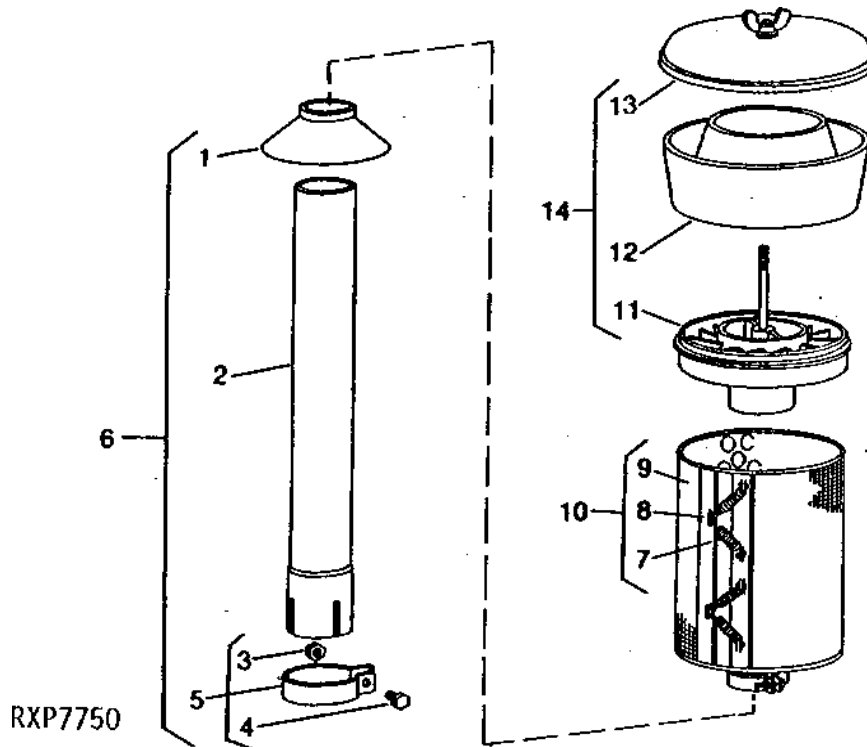


KEY	PART NO.	PART NAME	QTY	TRACTOR SERIAL NO.	REMARKS
1	R28798	SEAL	1		
2	R34604	AIR INTAKE STACK	1		
3	AR26929	CLAMP	1		
4	14H1076	NUT	1	3/8"	
5	19H2461	CAP SCREW	1	3/8" X 1-1/4"	
6	R21644	SPRING	2		
7	R21645	RETAINER	1		
8	AR21790	SCREEN	1		
9	AR27158	PRESCREENER	1		
10	AR28073	BASE	1		
11	R28794	DUST BOWL	1		
12	AL37364	COVER	1	(SUB FOR AF3583R)	
13	AR26811	PRESCREENER	1		

1D14

PRE-CLEANER AND PRE-SCREENER
(OIL BATH OR DRY AIR CLEANER)
(DIESEL)

RXP7750 -UN-01JAN94



KEY	PART NO.	PART NAME	QTY	TRACTOR SERIAL NO.	REMARKS
1	R57119	SEAL	1		(SUB FOR R28799)
2	AR78485	AIR INTAKE STACK	1		(SUB FOR R26522 OR R40529)
3	14H1076	NUT	1		3/8"
4	19H1800	CAP SCREW	1		3/8" X 1-1/2"
5	AR26930	CLAMP	1		
6	AR40386	AIR DUCT	1		(SUB AR26930, AR78485 AND R57119)
7	R21644	SPRING	4		
8	R21645	RETAINER	2		
9	AR27808	SCREEN	1		
10	AR27160	PRESCREENER	1		
11	AR28040	BASE	1		(SUB AR26417)
12	R28795	DUST BOWL	1		
13	AR1729R	COVER	1		
14	AT170918	PRESCREENER	1		(SUB FOR AR26417)

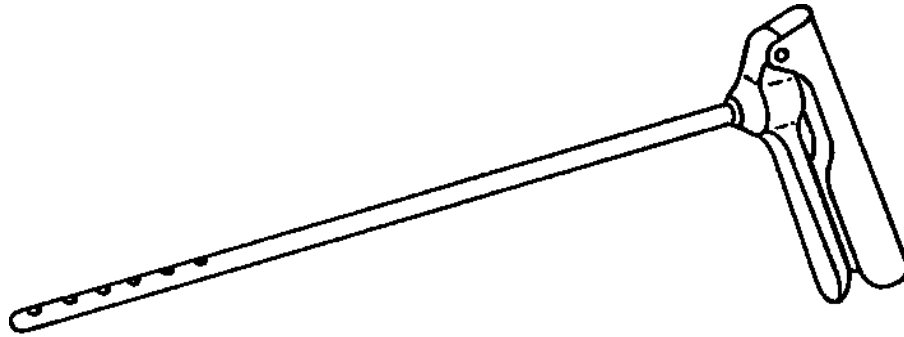
1D15

FUEL AND AIR

RP474

-UN-01JAN94

DRY AIR CLEANER ELEMENT CLEANING GUN



RP474

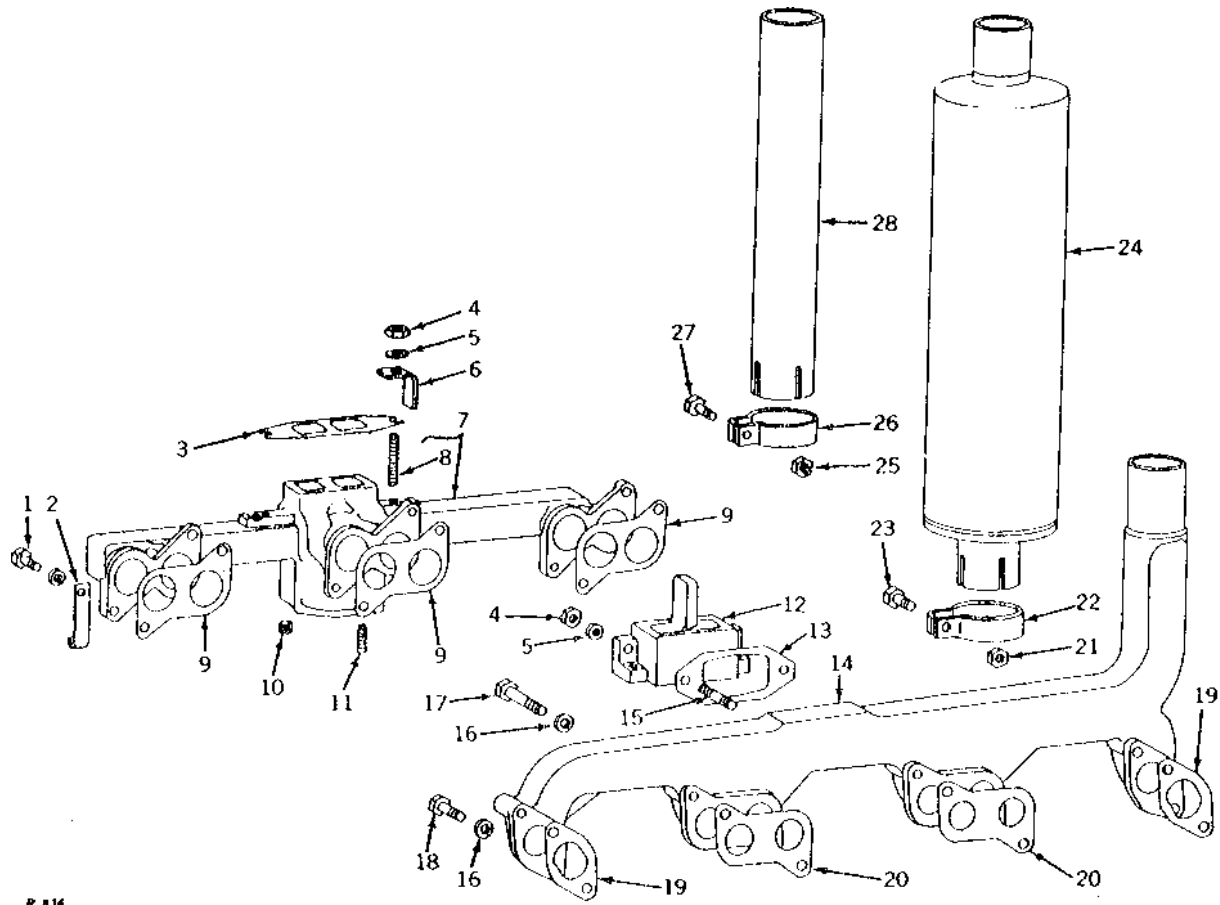
KEY	PART NO.	PART NAME	QTY	TRACTOR SERIAL NO.	REMARKS
1	AR62322	GREASE GUN	1		(SUB FOR AR45035 OR AR62377)
..	R36757	AIR CLEANER	1		(NLA)

1D16

FUEL AND AIR

R836 -UN-01JAN94

MANIFOLDS AND MUFFLER (GASOLINE)



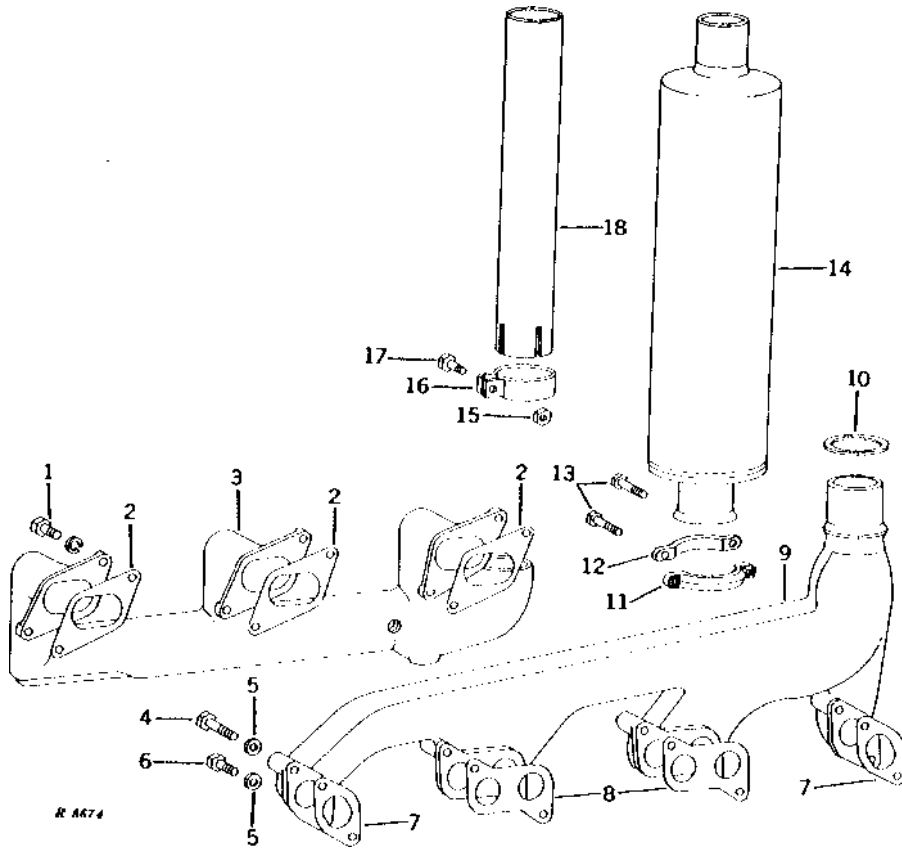
R 834

KEY	PART NO.	PART NAME	QTY	ENGINE SERIAL NO.	REMARKS
1	19H1732	CAP SCREW	6	3/8" X 1-1/4"	
	12H304	LOCK WASHER	6	3/8"	
2	R28789	CLIP	1		
3	R26296	GASKET	1		
4	A4646R	NUT	4	BRASS	
5	24M7096	WASHER	4	10.500 X 18 X 1.600 MM	
6	R27575	ANGLE	2		
7	AR28062	INTAKE MANIFOLD	1		(MARKED R26967) (SUB INDIVIDUAL PARTS)
8	R699R	STUD	3	3/8" X 2-1/2"	
9	R26291	GASKET	3		
10	15H638	PIPE PLUG	1	1/8"	
	15H624	PIPE PLUG	2	1/2", (SUB FOR A3125R)	
11	R56481	STUD	2	3/8" X 1-1/2"	
12	R39878	VALVE	1		(SUB FOR R26295)
13	R27574	GASKET	1		
14	AR28061	EXHAUST MANIFOLD	1		(SUB R26358 AND (2) R20443)
15	R20443	STUD	2	3/8" X 3-3/8"	
16	24H1652	WASHER	8	13/32" X 11/16" X 7/64"	
17	19H2128	CAP SCREW	4	3/8" X 3"	
18	19H1765	CAP SCREW	4	3/8" X 1-3/4"	
19	R83021	GASKET	2		(SUB FOR R26361 OR R44374)
20	R83020	GASKET	2		(SUB FOR R26360 OR R44373)
21	E55662	FLANGE NUT	1		
22	AR26905	CLAMP	1		
23	19H1800	CAP SCREW	1	3/8" X 1-1/2"	
24	AR26640	MUFFLER	1		VERTICAL
	R31406	MUFFLER	1		HORIZONTAL (NLA)
25	E55662	FLANGE NUT	1		
26	AR26906	CLAMP	1		
27	19H1800	CAP SCREW	1	3/8" X 1-1/2"	
28	AR27090	MUFFLER EXTENSION	1		

1D17

R8674 -UN-01JAN94

MANIFOLDS AND MUFFLER (DIESEL)



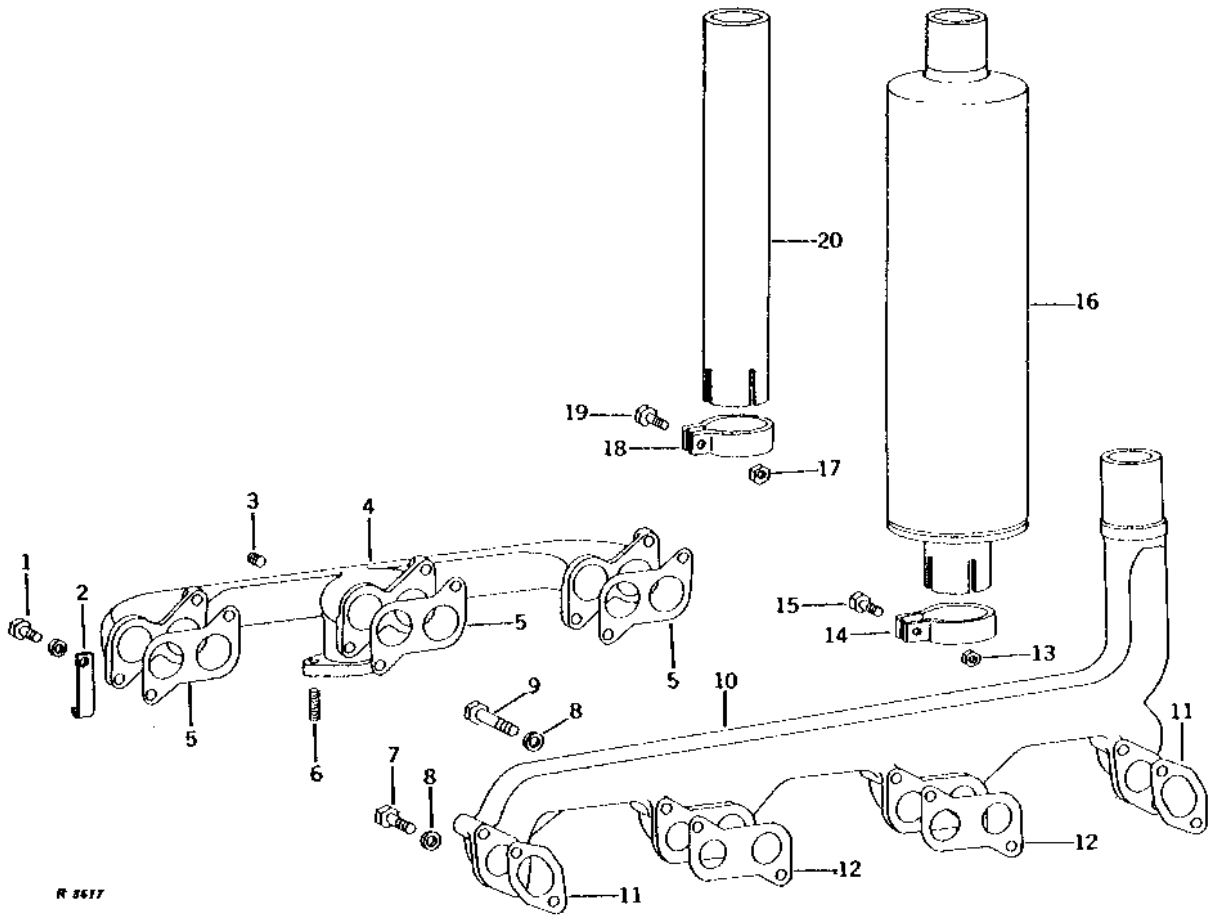
KEY	PART NO.	PART NAME	QTY	ENGINE SERIAL NO.	REMARKS
1	19H1732	CAP SCREW	6	3/8" X 1-1/4"	
	12H304	LOCK WASHER	6	3/8"	
2	R26297	GASKET	3		
3	AR45275	INTAKE MANIFOLD	1		(MARKED R42293) (SUB FOR R31351) (NLA)
4	19H2128	CAP SCREW	4	3/8" X 3"	
5	24H1652	WASHER	8	13/32" X 11/16" X 7/64"	
6	19H1765	CAP SCREW	4	3/8" X 1-3/4"	
7	R83021	GASKET	2		(SUB FOR R26361 OR R44374)
8	R83020	GASKET	2		(SUB FOR R26360 OR R44373)
9	R26362	EXHAUST MANIFOLD	1		
10	R31142	SEALING WASHER	1		
11	AR46323	CLAMP	1		(SUB FOR R32236)
12	R32235	CLAMP	1		
13	19H1849	CAP SCREW	2	5/16" X 1-1/4"	
14	AR30190	MUFFLER	1		VERTICAL
	R31407	MUFFLER	1		HORIZONTAL
15	E55662	FLANGE NUT	1		
16	AR26906	CLAMP	1		
17	19H1800	CAP SCREW	1	3/8" X 1-1/2"	
18	AR27090	MUFFLER EXTENSION	1		

1D18

FUEL AND AIR

R8617 -UN-01JAN94

MANIFOLDS AND MUFFLER (LP-GAS)



R 8617

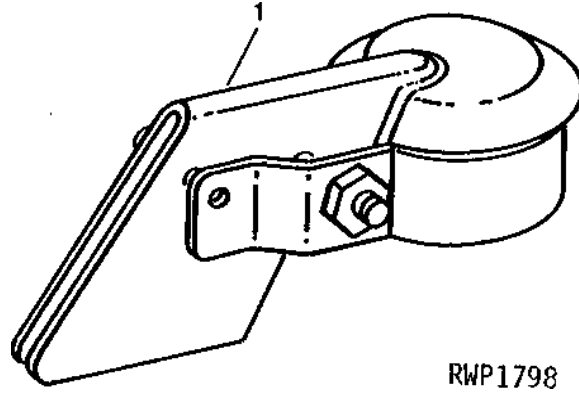
KEY	PART NO.	PART NAME	QTY	ENGINE SERIAL NO.	REMARKS
1	19H1732	CAP SCREW	6		3/8" X 1-1/4"
	12H304	LOCK WASHER	6		3/8"
2	R28789	CLIP	1	-186208	
3	15H638	PIPE PLUG	1		1/8"
4	AR40573	INTAKE MANIFOLD	1		(MARKED R27177 OR R40737) (NLA) (SUB FOR AR28063)
5	R26291	GASKET	3		
6	R56481	STUD	2	-186208	3/8" X 1-1/2"
7	19H1765	CAP SCREW	4		3/8" X 1-3/4"
8	24H1652	WASHER	8		13/32" X 11/16" X 7/64"
9	19H2128	CAP SCREW	4		3/8" X 3"
10	R26359	EXHAUST MANIFOLD	1		
11	R83021	GASKET	2		(SUB FOR R26361 OR R44374)
12	R83020	GASKET	2		(SUB FOR R26360 OR R44373)
13	E55662	FLANGE NUT	1		
14	AR26905	CLAMP	1		
15	19H1800	CAP SCREW	1		3/8" X 1-1/2"
16	AR26640	MUFFLER	1		VERTICAL
	R31406	MUFFLER	1		HORIZONTAL (NLA)
17	E55662	FLANGE NUT	1		
18	AR26906	CLAMP	1		
19	19H1800	CAP SCREW	1		3/8" X 1-1/2"
20	AR27090	MUFFLER EXTENSION	1		

1D19

FUEL AND AIR

RWP1798 -UN-01JAN94

EXHAUST MUFFLER COVER



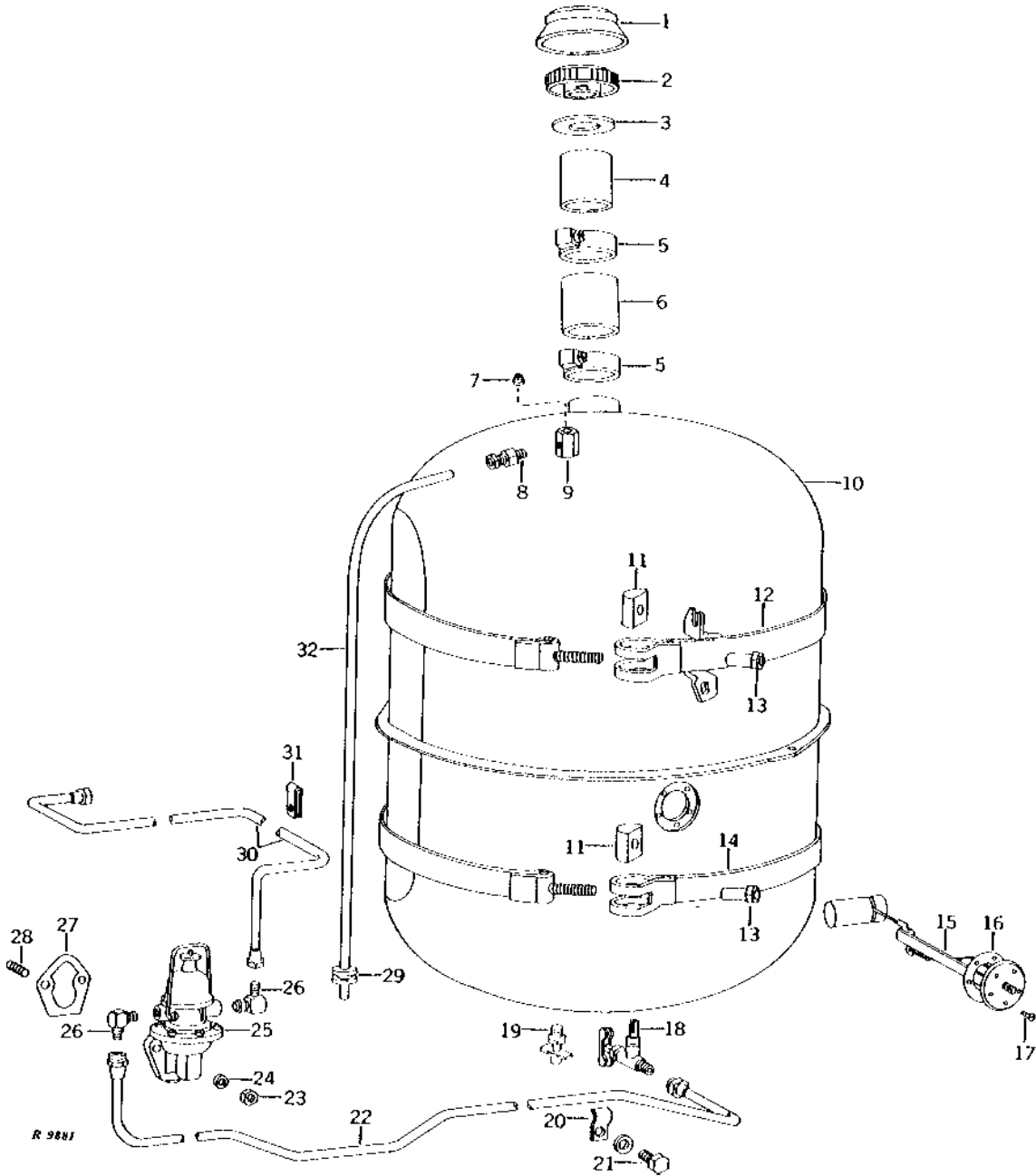
KEY	PART NO.	PART NAME	QTY	TRACTOR SERIAL NO.	REMARKS
1	AR86598	CAP	1		(SUB FOR AR30005, AR41708 OR AT32240)
	AR56784	EXHAUST CAP	1		(SUB FOR AR30753, AR41709 OR AR45690) (USE WITH MUFFLER EXTENSION)

1D20

R9881

-UN-01JAN94

FUEL TANK AND FUEL PUMP (GASOLINE)



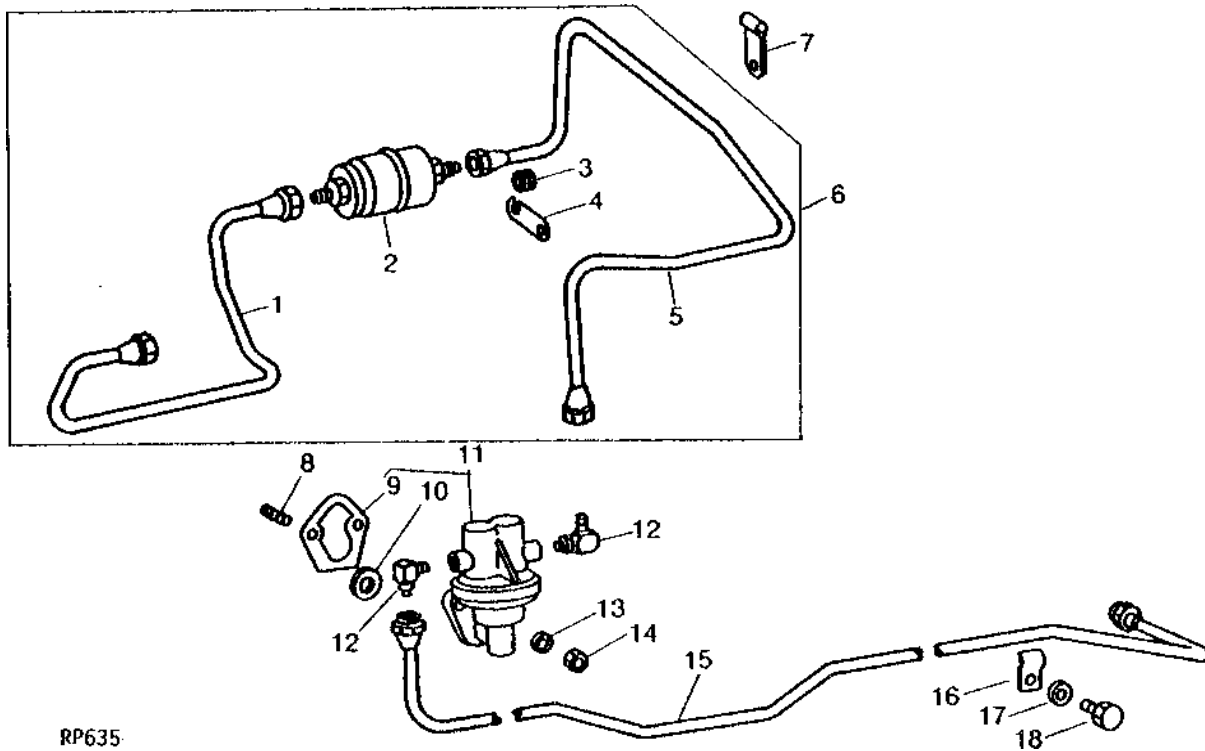
**FUEL TANK AND FUEL PUMP - CONTINUED
(GASOLINE)**

KEY	PART NO.	PART NAME	QTY	TRACTOR SERIAL NO.	REMARKS
1	R27183	COVER	1	-090999	
2	AR28483	CAP	1	-090999	(SUB AT20911)
	AT20911	FILLER CAP	1	091000-	(SUB FOR AR39595 OR AR28483)
3	F3083R	GASKET	1	-090999	
	R39615	WASHER	1	091000-	
4	R26528	FILLER NECK	1	-090999	(SUB R39895 AND AT20911)
	R39895	FILLER NECK	1	091000-	
5	AR21999	CLAMP	2		
6	R26531	HOSE	1		
7	15H559	PIPE PLUG	1		1/4"
8	AR34099	FITTING	1	-090999	
9	R26529	BUSHING	1	-090999	
10	AR39587	FUEL TANK	1		(SUB FOR AR33912)
11	R26593	GUIDE	2		
12	AR32217	STRAP	1		
13	R26594	NUT	2		
14	AR32218	STRAP	1		(SUB FOR AR26465)
15	AR26434	SENDER	1		FUEL GAUGE
16	R27181	GASKET	1		
17	37H95	SCREW	5		NO. 8 X 1/2", (SUB FOR R27182)
18	R34656	SHUT-OFF VALVE	1		(SUB FOR R32508)
19	AT13740	DRAIN VALVE	1		
20	A4881R	CLIP	1		
21	19H1936	CAP SCREW	1		3/8" X 3/4"
	12H304	LOCK WASHER	1		3/8"
22	AR45529	FUEL LINE	1		(ALSO ORDER T29527) (SUB FOR AR32199)
23	14H785	NUT	2		5/16"
24	12H303	LOCK WASHER	2		5/16"
25	AR64120	FUEL PUMP	1		(SUB FOR AR32638, AR40258 OR AR49769) (SUB RE43274 AND R97350)
	R48399	WASHER	1		
26	AR26674	ELBOW FITTING	2		90°
27	R97350	GASKET	1		(SUB FOR R27285)
28	R48755	STUD	2		5/16" X 1-1/2", (SUB FOR R26934)
29	R27180	GROMMET	1	-090999	
30	AR50139	KIT	1		(SUB FOR AR32637) (SUB AR50140, AR50141, AR50143, R26409 AND R47421)
31	R27284	CLIP	1		
32	R27179	TUBE	1	-090999	

1D22

RP635 -UN-01JAN94

FUEL PUMP, FUEL LINES, AND FILTER (GASOLINE)



RP635

KEY	PART NO.	PART NAME	QTY	ENGINE SERIAL NO.	REMARKS
1	AR50143	FUEL LINE	1		(CARBURETOR TO FUEL FILTER)
2	AR50141	FUEL FILTER	1		
3	R26409	GROMMET	1		
4	R47421	CLIP	1		
5	AR50140	FUEL LINE	1		(FUEL PUMP TO FUEL FILTER)
6	AR50139	KIT	1		
7	R27284	CLIP	1		
8	R48755	STUD	2	5/16" X 1-1/2"	(SUB FOR R27285)
9	R97350	GASKET	1		
10	R48399	WASHER	1		
11	RE43274	FUEL PUMP	1		(SUB FOR AR64120 OR RE36905) (ALSO ORDER R97350)
12	AR26674	ELBOW FITTING	2	90°	
13	12H303	LOCK WASHER	2	5/16"	
14	14H785	NUT	2	5/16"	
15	AR45529	FUEL LINE	1		(FUEL TANK TO FUEL PUMP)
16	T29527	CLAMP	1		(SUB FOR T14050 OR A4881R, THIS APPLICATION)
17	12H304	LOCK WASHER	1	3/8"	
18	19H1936	CAP SCREW	1	3/8" X 3/4"	

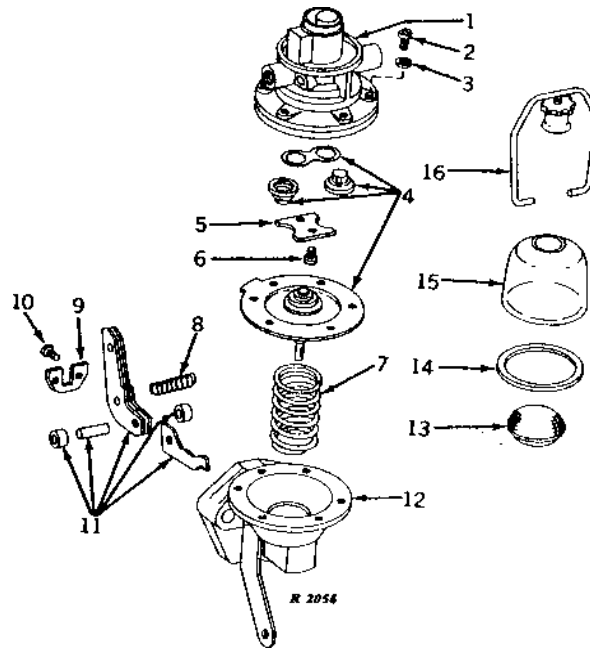
1D23

FUEL AND AIR

FUEL PUMP PARTS (ENGINE SERIAL NO. 065000-111197)

R2056

-UN-12OCT94



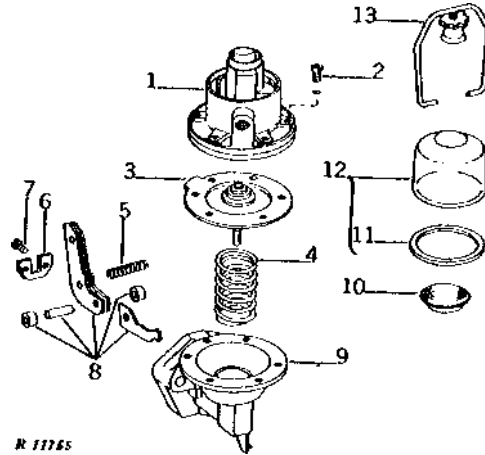
KEY	PART NO.	PART NAME	QTY	ENGINE SERIAL NO.	REMARKS
1	COVER	1		(SUB RE43274 OR RE42211) (ALSO ORDER R97350)
2	21H1295	SCREW	6		0.190" X 5/8"
3	12H246	LOCK WASHER	6		0.190"
4	RE38578	KIT	1		(SUB FOR AR40482)
5	KIT	1		(SUB RE43274 OR RE42211) (ALSO ORDER R97350)
6	21H1308	SCREW	2		0.138" X 3/8"
7	R30410	SPRING	1		
8	T10804	SPRING	1		
9	RETAINER	1		(SUB RE43274 OR RE42211) (ALSO ORDER R97350)
10	21H1308	SCREW	2		0.138" X 3/8"
11	RE42211	FUEL PUMP	1		(DIESEL) (SUB FOR AR28330, AR47304, AR52159 OR RE27667) (ALSO ORDER R97350)
12	HOUSING	1		(SUB RE43274 OR RE42211) (ALSO ORDER R97350)
13	AT10635	SCREEN	1		
14	R30409	GASKET	1		
15	AT15172	BOWL	1		
16	AT10638	BAIL	1		
..	AR32638	FUEL PUMP	1		(SUB RE43274 AND R97350) (GASOLINE)
..	AR31176	FUEL PUMP	1	-074831	(NO LONGER AVAILABLE) (SUB RE42211) (DIESEL)
..	RE36905	FUEL PUMP	1		(SUB RE43274 AND R97350) (GASOLINE)
..	RE43274	FUEL PUMP	1		(GASOLINE) (SUB FOR AR32638 OR RE36905)
..	AR34415	KIT	1	074832-	(SUB RE42211) (DIESEL)
..	RE38578	KIT	1		FUEL PUMP OVERHAUL, (SUB FOR AR30475 AND AR40482)

1D24

FUEL AND AIR

FUEL PUMP PARTS (ENGINE SERIAL NO. 111198-)

R11755 -UN-01JAN94



KEY	PART NO.	PART NAME	QTY	TRACTOR SERIAL NO.	REMARKS
1	COVER	1		(SUB RE43274 OR RE42211) (ALSO ORDER R97350)
2	21H1295	SCREW	6		0.190" X 5/8"
	12H246	LOCK WASHER	6		0.190"
3	KIT	1		(SUB RE38578)
4	R30410	SPRING	1		
5	T10804	SPRING	1		
6	RETAINER	1		(SUB RE43274 OR RE42211) (ALSO ORDER R97350)
7	21H1308	SCREW	2		0.138" X 3/8"
8	RE42211	FUEL PUMP	1		(SUB FOR AR28330, AR47304, AR52159 OR RE27667) (ALSO ORDER R97350)
9	HOUSING	1		(SUB RE43274 OR RE42211) (ALSO ORDER R97350)
10	AT10635	SCREEN	1		
11	R40565	WASHER	1		
12	AR40407	SEDIMENT BOWL	1		
13	AT10638	BAIL	1		
..	RE36905	FUEL PUMP	1		(GASOLINE) (SUB RE43274 AND R97350) (SUB FOR AR40258 OR AR64120)
..	RE42211	FUEL PUMP	1		(DIESEL) (SUB FOR AR40259, AR52159, RE27667 OR AR55730) (ALSO ORDER R97350)
..	RE38578	KIT	1		FUEL PUMP OVERHAUL, (SUB FOR AR30475 OR AR40482)
..	RE43274	FUEL PUMP	1		(GASOLINE)

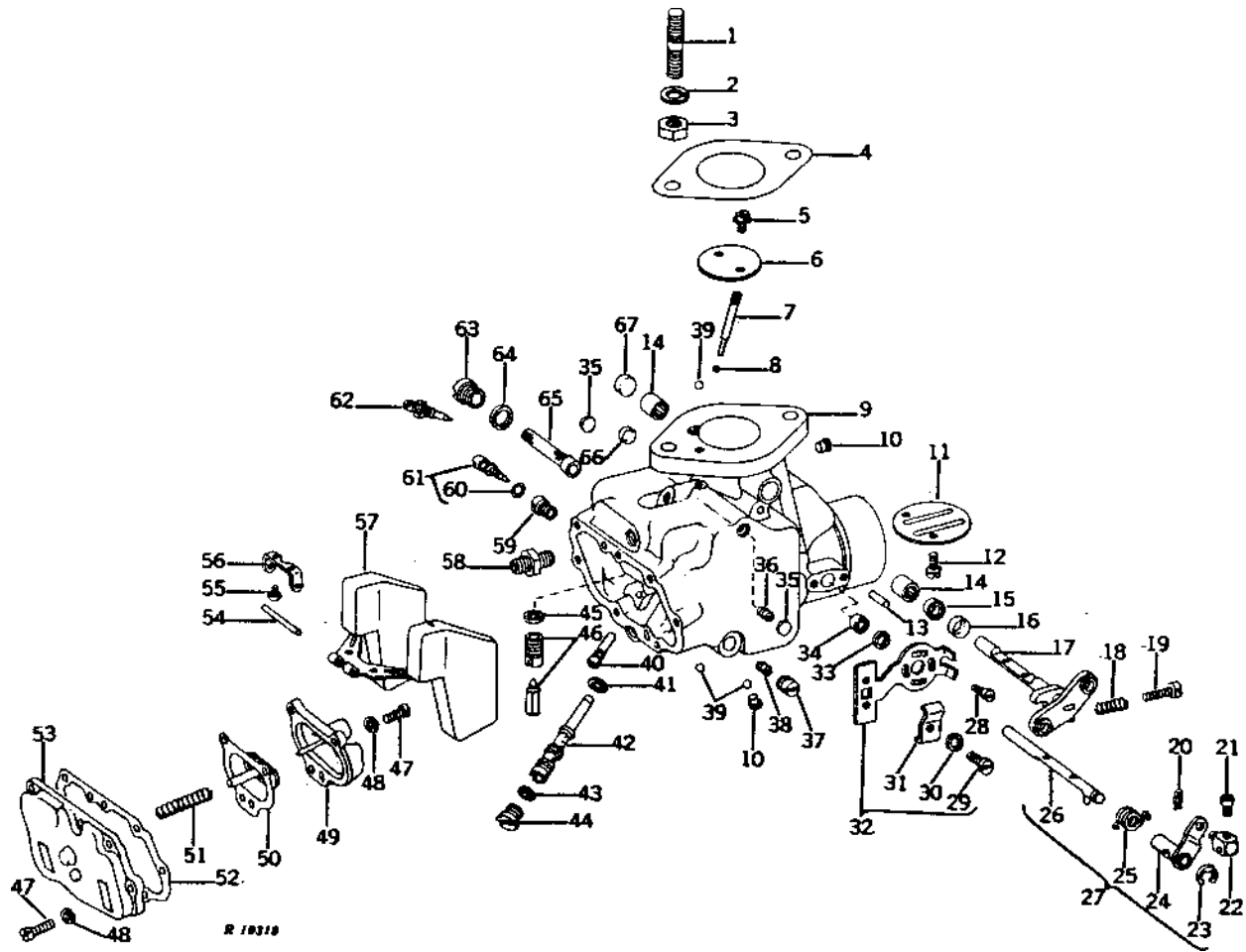
MEMORANDA

1E1

FUEL AND AIR

AR34244 CARBURETOR (MARVEL-SCHEBLER) (GASOLINE)

R10319 -UN-12OCT94



KEY	PART NO.	PART NAME	QTY	ENGINE SERIAL NO.	REMARKS
1	M3636T	STUD	2	3/8" X 1-1/2"	
2	12H304	LOCK WASHER	2	3/8"	
3	14H812	NUT	2	3/8"	
4	R26499	GASKET	1	(SUB FOR R40741)	
5	AA6086R	SCREW	2		
6	R10083	DISK	1		
7	R10220	NOZZLE	1	(MARVEL-SCHEBLER MODEL USX-30)	
	AR39831	JET	1	(MARVEL-SCHEBLER MODEL USX-35) (NLA)	
8	R39874	FILTER	1	(MARVEL-SCHEBLER MODEL USX-35)	
9	AR52450	CARBURETOR	1	(MARVEL-SCHEBLER MODEL USX-30 AND 35) (SUB AR45162 AND R26499)	
10	B17682	PLUG	2	(SUB FOR 80-171)	
11	R10181	FAN	1		
12	AR723R	SCREW	2		
13	34H387	SPRING PIN	1	3/16" X 3/4"	
14	JD8867	NEEDLE BEARING	2		
15	R10194	PACKING	1		
16	R10182	RETAINER	1		
17	AR10116	SHAFT	1		
18	R10104	SPRING	1		
19	21H1315	SCREW	1	0.164" X 3/4"	
20	R10185	SPRING PIN	1		
21	21H1293	SCREW	1	0.164" X 5/16"	
22	R10184	SWIVEL	1		
23	R72654	SNAP RING	1	(SUB FOR R27507)	

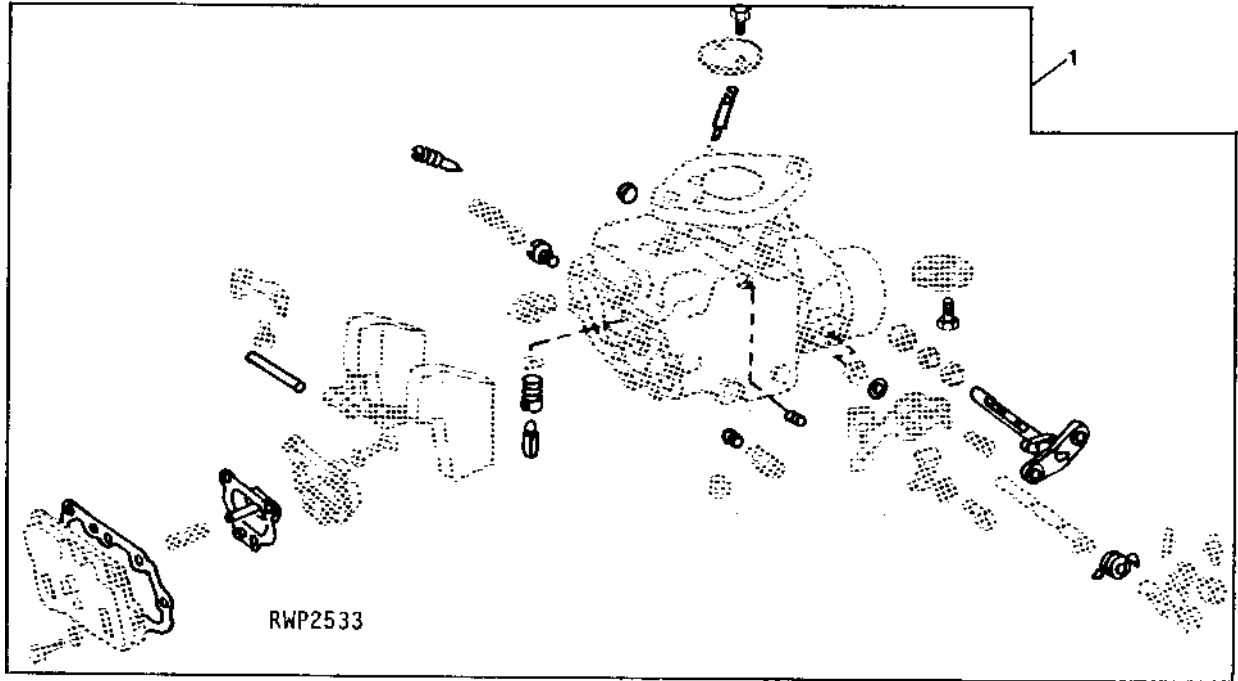
AR34244 CARBURETOR - CONTINUED
(MARVEL-SCHEBLER) (GASOLINE)

KEY	PART NO.	PART NAME	QTY	ENGINE SERIAL NO.	REMARKS
24	AR10096	LEVER	1	(NLA)	
25	R10183	TORSION SPRING	1		
26	AR10095	SHAFT	1		
	34H227	SPRING PIN	1	3/32" X 1/2"	
27	AR10301	SHAFT	1	(NLA)	
28	21H1299	SCREW	2	0.164" X 3/8", (SUB FOR AR10303) (ALSO ORDER 12M7084)	
	12M7084	LOCK WASHER	2	0.169"	
29	21H1293	SCREW	1	0.164" X 5/16"	
30	12H315	LOCK WASHER	1	0.164", (SUB FOR A766R)	
31	R10188	CLIP	1		
32	AR10302	BRACKET	1	(NLA)	
33	R10187	SHIM	1		
34	E49906	SEAL	1	(SUB FOR R10186)	
35	30H34	PLUG	2	3/8", (SUB FOR R10196) (NLA)	
36	R10226	NOZZLE	1	(NLA)	
37	R10202	SET SCREW	1		
38	R10224	NOZZLE	1	(NLA)	
39	R10197	PLUG	3	CHANNEL (NLA)	
40	R10204	NOZZLE	1	(NLA)	
41	R10209	WASHER	1		
42	R10190	NOZZLE	1		
43	R10170	GASKET	1		
44	R10207	PLUG	1		
45	R10223	GASKET	1		
46	AR10114	VALVE	1		
47	21H1158	SCREW	10	0.164" X 1/2"	
48	12H315	LOCK WASHER	10	0.164"	
49	AR10107	HOUSING	1	(MARVEL-SCHEBLER MODEL USX-30) (NLA)	
	AR39832	HOUSING	1	(SUB AR45162 AND R26499)	
50	AR10108	DIAPHRAGM	1		
51	R10215	SPRING	1		
52	R10217	GASKET	1		
53	AR10115	COVER	1	(NLA)	
54	R10211	SHAFT	1		
55	R59433	SCREW	2	(NLA) NO. 5 X 3/8", (SUB FOR R10213 OR R10219)	
56	R10218	BRACKET	1	(NLA)	
57	R10221	FLOAT	1		
58	R27346	FITTING	1	(SUB FOR R10195)	
59	R10225	SEAT	1		
60	T17951	O-RING	1	(SUB FOR R27490)	
61	AR10103	NEEDLE	1		
62	AR39833	NEEDLE	1	(MARVEL-SCHEBLER MODEL USX-35)	
63	R10206	PLUG	1		
64	R10222	GASKET	1		
65	AR10104	FUEL FILTER	1		
66	R10198	CAP	1		
67	R10300	CAP	1		

**CARBURETOR REPAIR KIT
(MARVEL-SCHEBLER MODEL USX-35) (GASOLINE)**

RWP2533

-UN-06OCT94



KEY	PART NO.	PART NAME	QTY	ENGINE SERIAL NO.	REMARKS
1	AR39834	KIT	1	(USE WITH AR34244)	

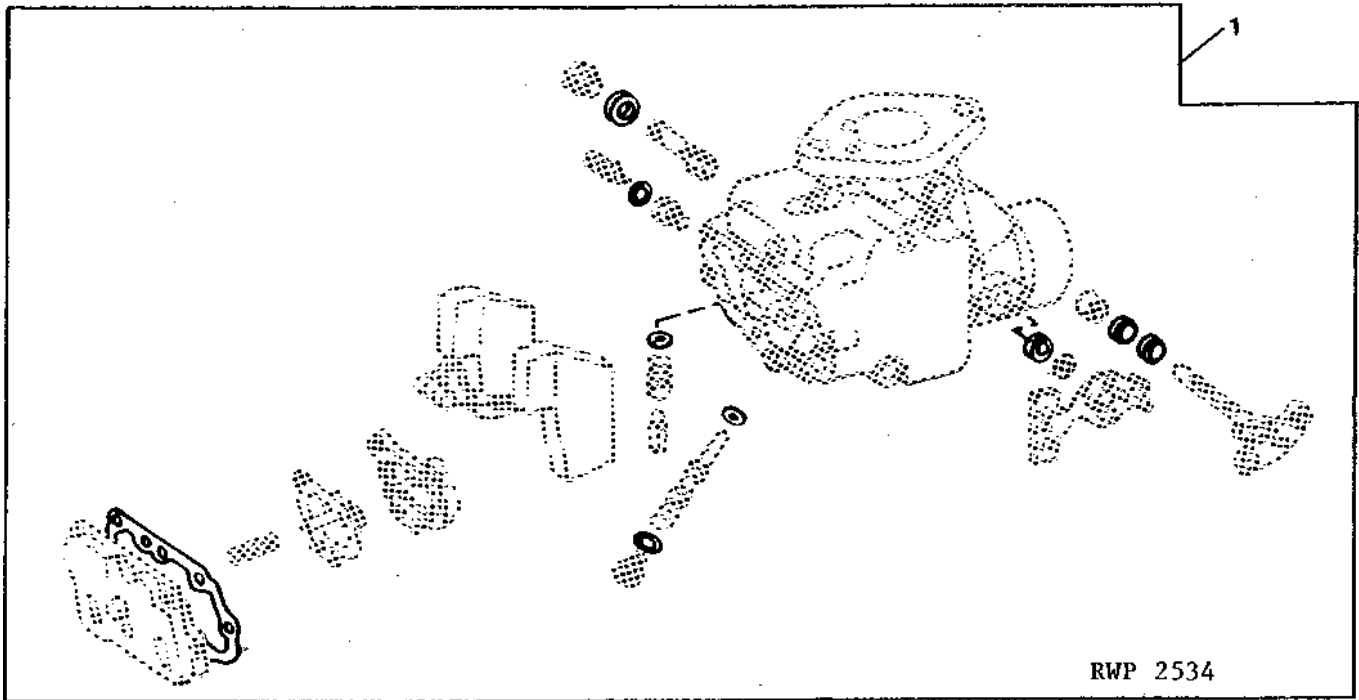
1E4

FUEL AND AIR

CARBURETOR GASKET REPAIR KIT (GASOLINE)

RWP2534

-UN-01JAN94



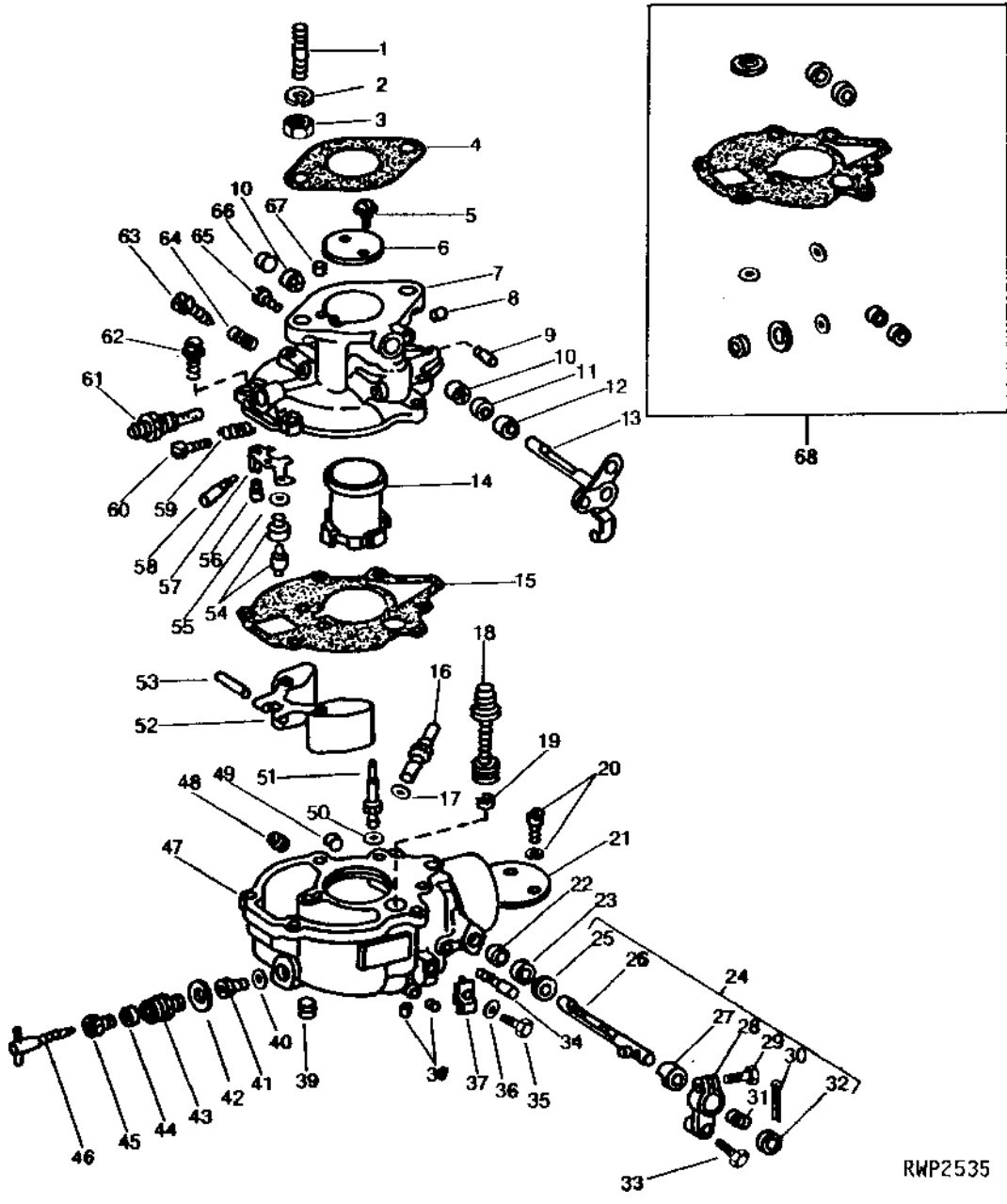
KEY	PART NO.	PART NAME	QTY	ENGINE SERIAL NO.	REMARKS
1	AR10109	GASKET KIT	1		

1E5

RWP2535

-UN-06OCT94

CARBURETOR (ZENITH) (GASOLINE)



RWP2535

1E6

FUEL AND AIR

CARBURETOR - CONTINUED (ZENITH) (GASOLINE)

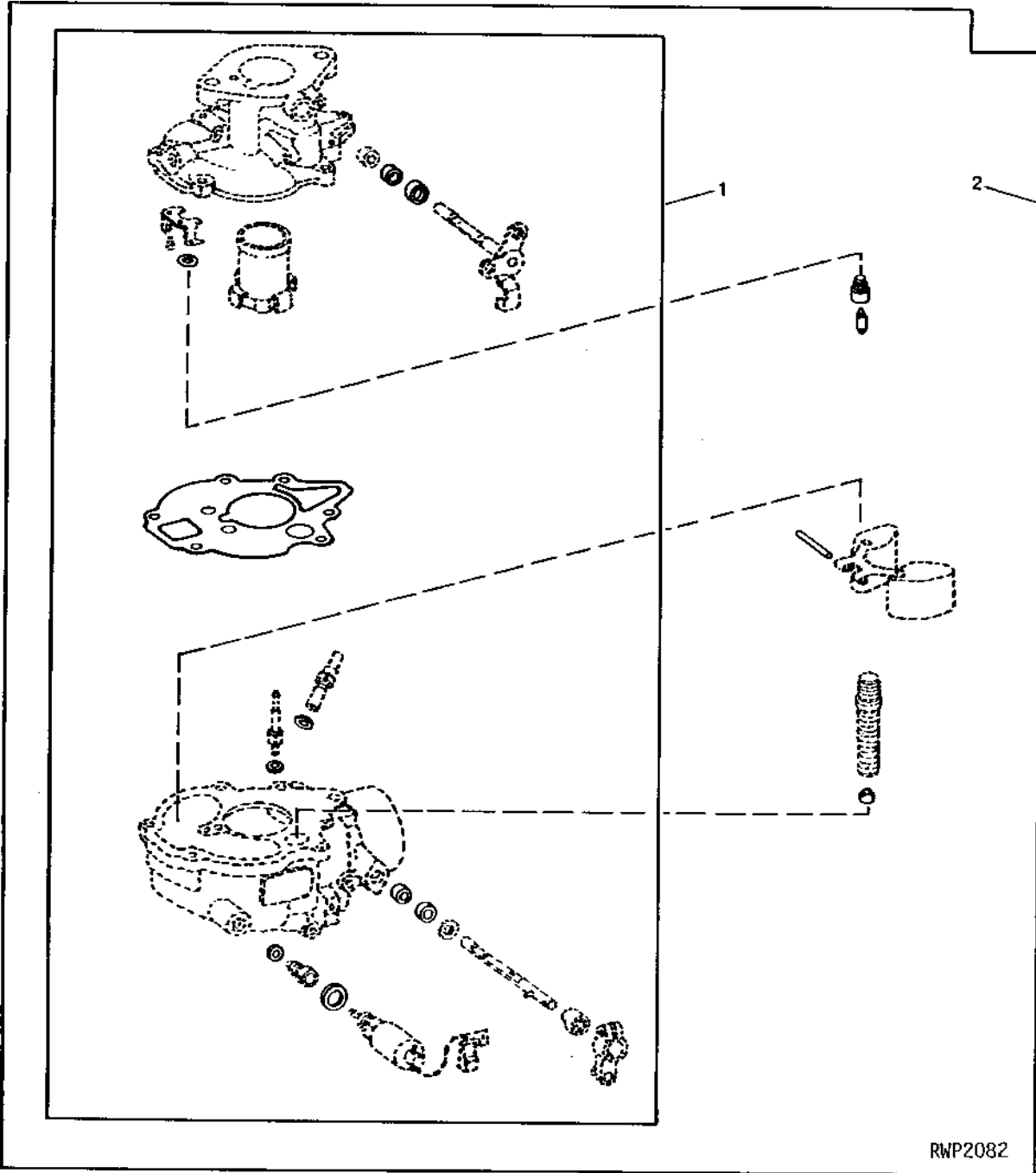
KEY	PART NO.	PART NAME	QTY	ENGINE SERIAL NO.	REMARKS
1	R56481	STUD	2		
2	12H304	LOCK WASHER	2	3/8" X 1-1/2"	
3	14H1076	NUT	2	3/8"	
4	R26499	GASKET	1		
5	AT10557	SCREW, WITH WASHER	2		
6	R13038	DISK	1		
7	AR13018	HOUSING	1		
8	R13051	PLUG	1		
9	R13035	PIN	1		
10	JD8867	NEEDLE BEARING	2		
11	R13039	SEAL	1		
12	R13040	RETAINER	1		
13	AR13020	SHAFT	1		
14	R13027	VENTURI	1		
15	R13052	GASKET	1		
16	H20985	TUBE	1		
17	R13020	WASHER	1		
18	AR13035	PUMP	1		
19	AR13030	CHECK VALVE	1		
20	AR723R	SCREW	2		
21	R13065	DISK	1		
22	GWT48-9	WASHER	1		(SUB FOR E10118)
23	R13064	RETAINER	1		
24	AR13026	SHAFT	1		
25	R13058	WASHER	1		
26	AR13027	SHAFT	1		
27	R13055	BUSHING	1		
28	AR13028	LEVER	1		
29	SCREW	1		
30	11M7077	COTTER PIN	1	0.063" X 0.984"	
31	R13056	SPRING	1		
32	R13057	RETAINER	1		
33	GWT8S8-8	SCREW	1		(SUB FOR E10121)
34	R13060	PIN	1		
35	T10702	CAP SCREW	1		
36	12H315	LOCK WASHER	1	0.164"	
37	R10188	CLIP	1		
38	R13075	PLUG	2		CHANNEL
39	H21033	PIPE PLUG	1		(SUB R47038)
40	H20927	WASHER	1		
41	R13028	NOZZLE	1		
42	H21058	WASHER	1		
43	R13068	HOUSING	1		(SUB AR46109)
44	R13069	PACKING	1		
45	R13070	NUT	1		(SUB AR46109)
46	AR46109	INJECTION NOZZLE	1		(SUB FOR AR13029) (NLA)
47	AR13025	HOUSING	1		
48	R13030	VENT	1		
49	R13042	CAP	1		
50	H20926	WASHER	1		
51	AR13037	JET	1		
52	AH10620	FLOAT	1		
53	H21000	DOWEL PIN	1		
54	AH10612	SHUT-OFF VALVE	1		(SUB AH80032)
55	H20925	WASHER	1		
56	R13046	SCREW	2		
57	R13043	BRACKET	1		
58	R13044	NOZZLE	1		
59	R13036	SPRING	1		
60	R13021	SCREW	1		
61	AR13019	STRAINER	1		
62	AR13024	SCREW	6		
63	H20954	NEEDLE	1		
64	H20923	SPRING	1		
65	AR13023	SCREW	1		
66	R13041	CAP	1		
67	R13050	PLUG	1		
68	AR13033	GASKET KIT	1		
..	AR52450	CARBURETOR	1		(SUB FOR AR34243)
..	AR80564	SOLENOID	1		(USE WITH AR52450)

1E7

CARBURETOR GASKET AND OVERHAUL KITS (ZENITH)

RWP2082

-UN-06OCT94



1E8

FUEL AND AIR

**CARBURETOR GASKET AND OVERHAUL KITS - CONTINUED
(ZENITH)**

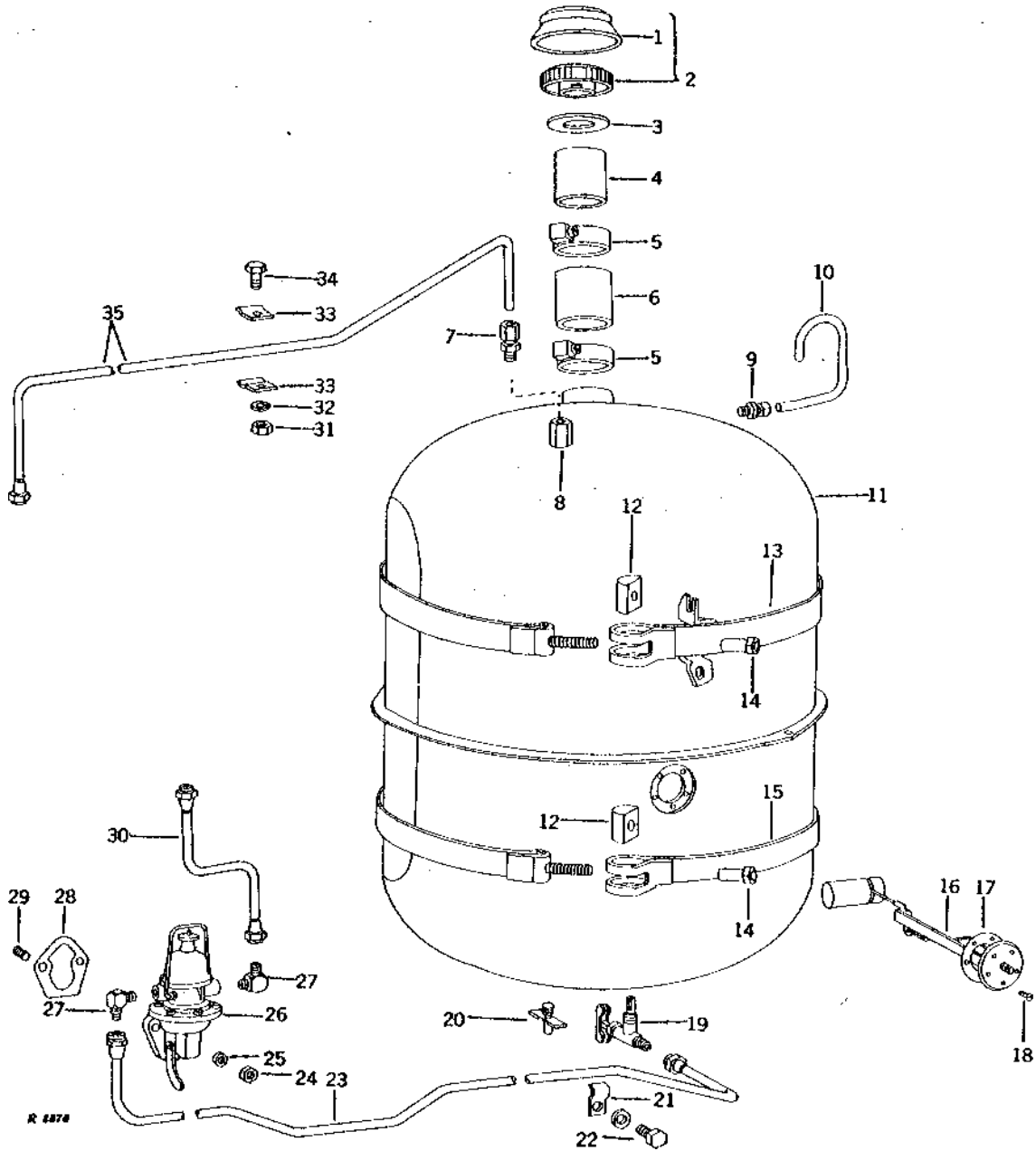
KEY	PART NO.	PART NAME	QTY	ENGINE SERIAL NO.	REMARKS
1	AR13033	GASKET KIT	1		
2	AR52454	KIT	1		(CARBURETOR REPAIR)

1E9

R8870

-UN-01JAN94

FUEL TANK AND FUEL PUMP (DIESEL)



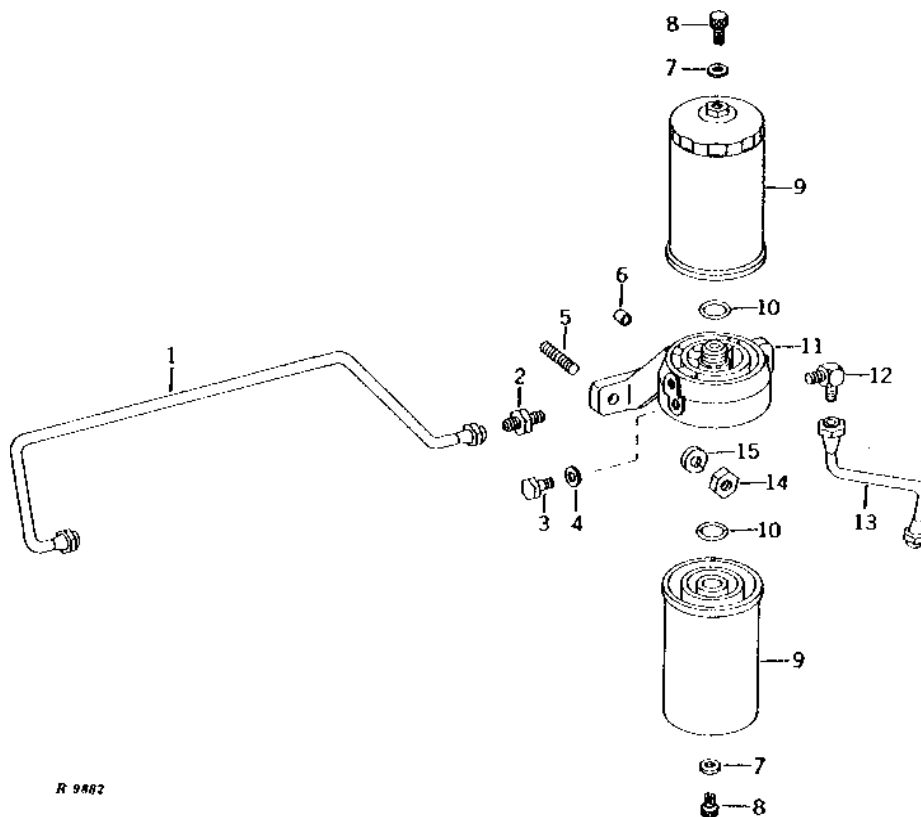
FUEL TANK AND FUEL PUMP - CONTINUED
(DIESEL)

KEY	PART NO.	PART NAME	QTY	TRACTOR SERIAL NO.	REMARKS
1	R27183	COVER	1	-090999	
2	AR28483	CAP	1	-090999	(SUB AT20911)
	AT20911	FILLER CAP	1	091000-	(SUB FOR AR39595)
3	F3083R	GASKET	1	-090999	
	R39615	WASHER	1	091000-	
4	R26528	FILLER NECK	1	-090999	(SUB R39895 AND AT20911)
	R39895	FILLER NECK	1	091000-	
5	AR21999	CLAMP	2		
6	R26531	HOSE	1		
7	AR26649	FITTING	1		
8	R26529	BUSHING	1	-090999	
9	AR34099	FITTING	1	-090999	
10	R32489	TUBE	1	-090999	
11	AR39587	FUEL TANK	1		(SUB FOR AR33912)
12	R26593	GUIDE	2		
13	AR32217	STRAP	1		
14	R26594	NUT	2		
15	AR32218	STRAP	1		(SUB FOR AR26465)
16	AR26434	SENDER	1		FUEL GAUGE
17	R27181	GASKET	1		
18	37H95	SCREW	5		NO. 8 X 1/2", (SUB FOR R27182)
19	R34656	SHUT-OFF VALVE	1		
20	AT13740	DRAIN VALVE	1		
21	A4881R	CLIP	1		
22	19H1936	CAP SCREW	1		3/8" X 3/4"
	12H304	LOCK WASHER	1		3/8"
23	AR45529	FUEL LINE	1		(ALSO ORDER T29527) (SUB FOR AR32199)
24	14H785	NUT	2		5/16"
25	12H303	LOCK WASHER	2		5/16"
26	AR52159	FUEL PUMP	1		(SUB FOR AR31176, AR34415, AR40259 OR AR49770) (SUB RE27667 AND R97350)
	R48399	WASHER	1		
27	AR26674	ELBOW FITTING	2		90°
28	R97350	GASKET	1		(SUB FOR R27285)
29	R48755	STUD	2		5/16" X 1-1/2", (SUB FOR R26934)
30	AR31551	FUEL LINE	1		
31	14H786	NUT	1		1/4"
32	12H302	LOCK WASHER	1		1/4"
33	R34838	CLAMP	2		(SUB FOR R27289)
34	19H1948	CAP SCREW	1		1/4" X 3/4"
35	AR32219	FUEL LINE	1		

FUEL FILTERS (DIESEL)

R9882

-UN-01JAN94

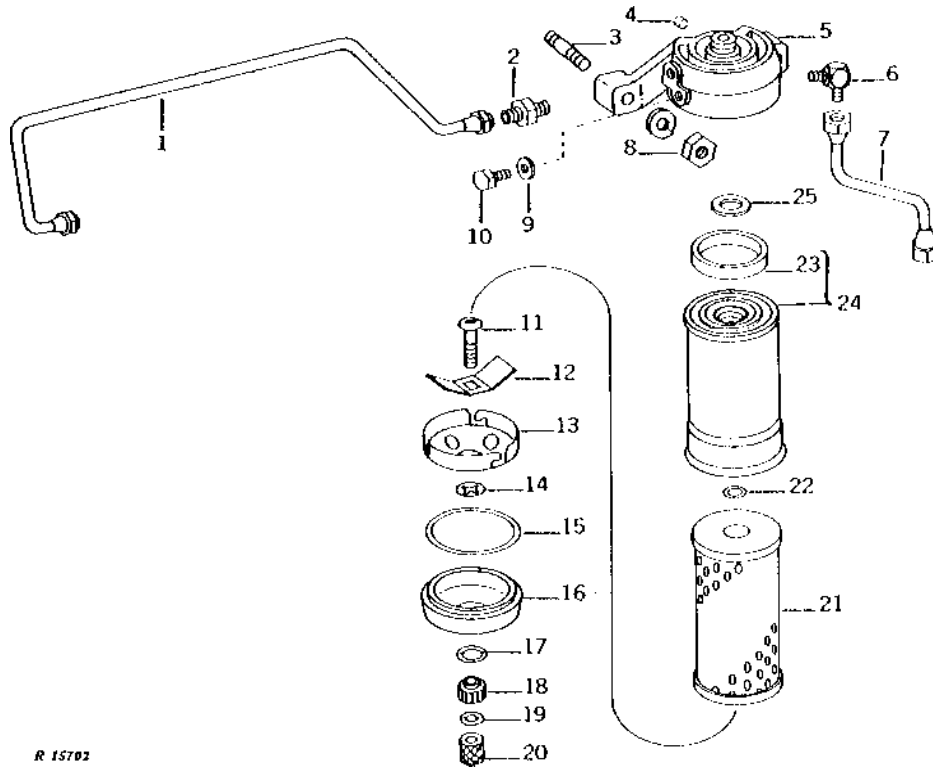


KEY	PART NO.	PART NAME	QTY	ENGINE SERIAL NO.	REMARKS
1	AR31553	FUEL LINE	1		
2	R27346	FITTING	1		
3	19H2485	CAP SCREW	1	-090999	5/16" X 7/16"
4	R20498	WASHER	1	-090999	
5	K3083R	STUD	2		7/16" X 1-3/4"
6	R27074	DOWEL PIN	1		(NLA)
7	R26287	O-RING	2		(SUB FOR R34447)
8	R34446	DRAIN PLUG	2		
9	AR45097	FUEL FILTER	2		(SUB FOR AR33926)
10	R44101	WASHER	2		(SUB FOR R32111)
11	AR46144	HOUSING	1		(MARKED R32151, R34754, R39531 OR AR46145) (SUB FOR AR31550, AR34475 OR AR34930)
12	AR26674	ELBOW FITTING	1		90°
13	AR31551	FUEL LINE	1		
14	14H1047	NUT	2		7/16"
15	12H293	LOCK WASHER	2		7/16"

1E12

FUEL FILTERS (DIESEL)

R15702 -UN-01JAN94



R 15702

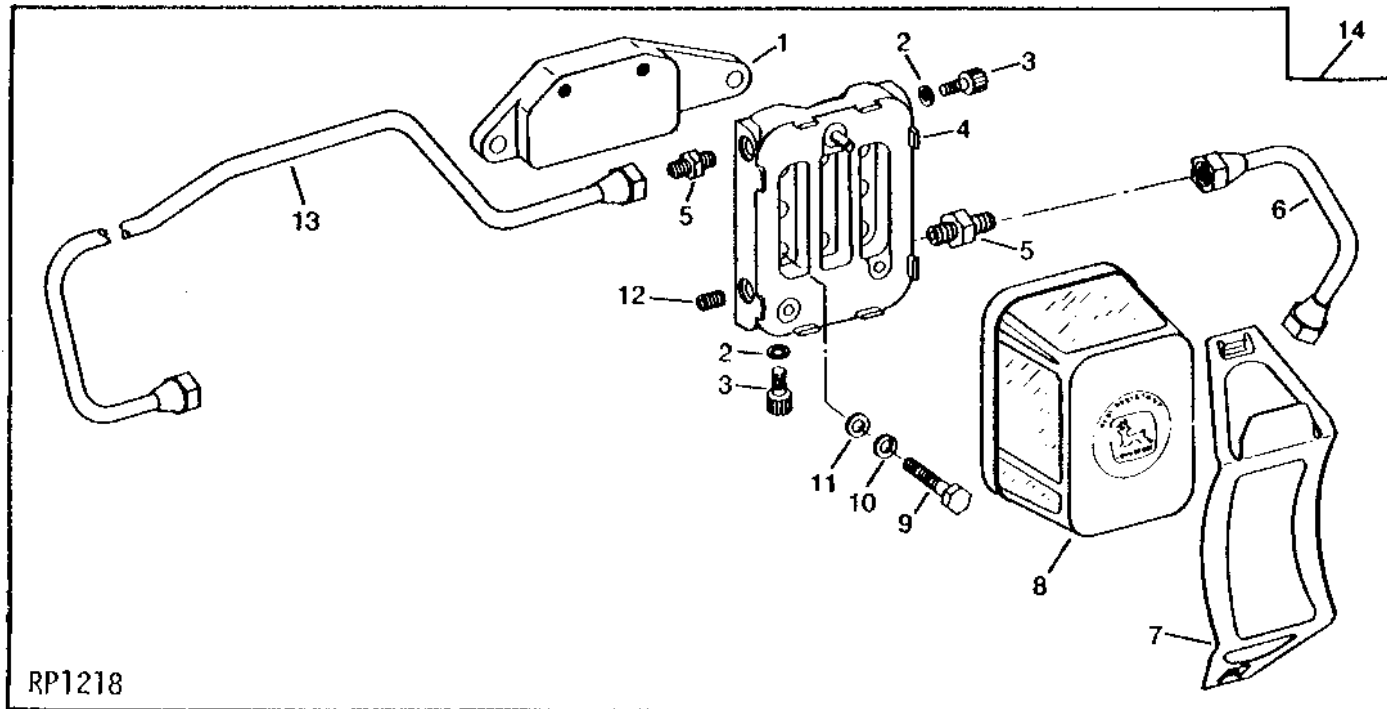
KEY	PART NO.	PART NAME	QTY	ENGINE SERIAL NO.	REMARKS
1	AR31553	FUEL LINE	1		
2	R27346	FITTING	1		
3	K3083R	STUD	2		
4	R27074	DOWEL PIN	1	7/16" X 1-3/4"	
5	AR46144	HOUSING	1	(NLA)	
	AR55222	KIT	1	(SUB AR55222 OR AR59140)	
	AR59140	KIT	1	(FOR ESN 2E-65,000 - 2E-214,999)	
6	AR26674	ELBOW FITTING	1	90°	
7	AR31551	FUEL LINE	1		
8	14H1047	NUT	2	7/16"	
	12H293	LOCK WASHER	2	7/16"	
9	R20498	WASHER	1		
10	19H2485	CAP SCREW	1	5/16" X 7/16"	
11	R41716	SCREW	2	(NLA)	
12	R41719	LEAF SPRING	2	(NLA)	
13	R41717	RETAINER	2	(NLA)	
14	R41718	SNAP RING	2		
15	R41721	O-RING	2		
16	R41720	BOWL	2		
17	R375R	O-RING	2	(USE WITH R41722)	
	R26919	WASHER	2	(ALSO ORDER R26919) (SUB FOR R41722)	
18	R46568	NUT	2		
19	R26286	O-RING	2		
20	R41723	NUT	2		
21	AR44077	FILTER ELEMENT	2		
22	R459R	O-RING	2		
23	R44331	BUSHING	2		
24	AR45678	CASE	2		
25	R44101	WASHER	2		

1E13

FUEL AND AIR

RP1218 -UN-01JAN94

MASTER FUEL FILTER KIT (DIESEL)



RP1218

KEY	PART NO.	PART NAME	QTY	ENGINE SERIAL NO.	REMARKS
1	R47433	SUPPORT	1		
2	R34447	WASHER	2		
3	R48071	DRAIN PLUG	2		
4	AR50040	HOUSING	1		
5	R27346	FITTING	2		
6	AR61965	FUEL LINE	1		
7	R66821	CLAMP	1		(SUB FOR R47358 OR R57258)
8	AR50041	FUEL FILTER	1		
9	19H1905	CAP SCREW	2	5/16" X 1"	
10	12H303	LOCK WASHER	2	5/16"	
11	24H1289	WASHER	2	21/64" X 5/8" X 0.049"	
12	R104592	PIPE PLUG	1		
13	AR50265	FUEL LINE	1		
14	AR55222	KIT	1		

MEMORANDA

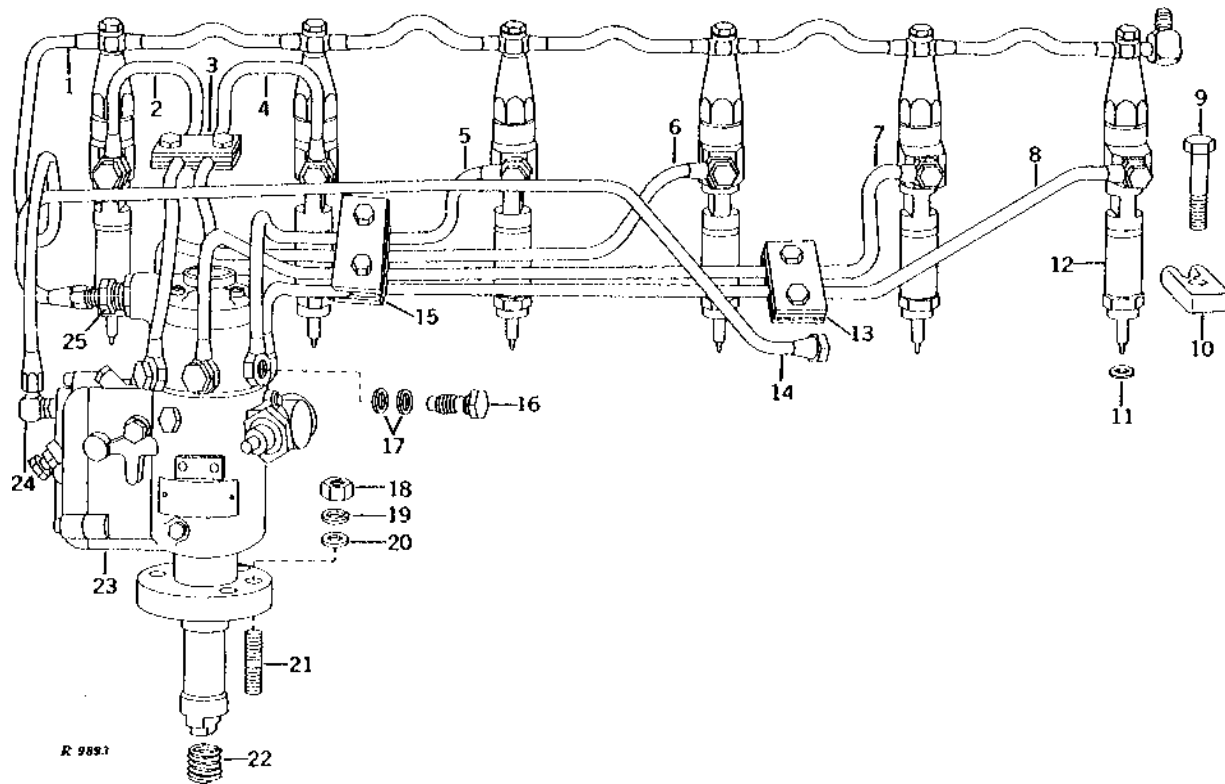
1E14

FUEL AND AIR

FUEL INJECTION PUMP, NOZZLES AND FUEL LINES (ENGINE SERIAL NO. 065000-090999)

R9893

-UN-01JAN94



KEY	PART NO.	PART NAME	QTY	ENGINE SERIAL NO.	REMARKS
1	AR26525	FUEL LINE	1		LEAK-OFF
2	AR26504	FUEL LINE	1	-073308	NO. 6, (NOT ILLUSTRATED)
	AR34413	FUEL LINE	1	073309-	NO. 6
3	R27781	STRAP	1	073309-	
	R27782	STRAP	1	073309-	THREADED
	R27783	CUSHION	2	073309-	
	19H1914	CAP SCREW	2	073309-	1/4" X 1"
4	AR26503	FUEL LINE	1	-073308	NO. 5, (NOT ILLUSTRATED)
	AR34412	FUEL LINE	1	073309-	NO.5
5	AR26502	FUEL LINE	1	-073308	NO. 4, (NOT ILLUSTRATED)
	AR34411	FUEL LINE	1	073309-	NO. 4 (NLA)
6	AR26501	FUEL LINE	1	-073308	NO. 3, (NOT ILLUSTRATED)
	AR34410	FUEL LINE	1	073309-	NO. 3 (NLA)
7	AR26500	FUEL LINE	1		NO. 2
8	AR26499	FUEL LINE	1		NO. 1
9	19H2665	CAP SCREW	6		3/8" X 1-5/8"
10	R26300	CLAMP	6		
11	R463R	WASHER	6		(COPPER)
12	AR33931	NOZZLE	6		(ROBERT BOSCH)
	AR34028	INJECTION NOZZLE	6		(AMERICAN BOSCH)
	AR34029	INJECTION NOZZLE	6		(BENDIX-SCINTILLA) (SUB (6) AR39997 AND (6) R463R) (NLA)
13	R27781	STRAP	1		
	R27782	STRAP	1		THREADED
	R27783	CUSHION	2		
	19H1914	CAP SCREW	2		1/4" X 1"
14	AR31553	FUEL LINE	1		
15	R26789	STRAP	1		
	R59299	CLAMP	1		THREADED, (SUB FOR R26728) (ALSO ORDER (2) R59299, R59300, R61146 AND (3) AR76704)
	R26790	CUSHION	2		
	19H1914	CAP SCREW	2		1/4" X 1"
	R26726	FITTING	18		
16	T20055	WASHER	36		(SUB FOR T11292)
17	E55662	FLANGE NUT	2		

1E15

FUEL AND AIR

FUEL INJECTION PUMP, NOZZLES AND FUEL LINES - CONTINUED
(ENGINE SERIAL NO. 065000-090999)

KEY	PART NO.	PART NAME	QTY	ENGINE SERIAL NO.	REMARKS
19	12H304	LOCK WASHER	2		3/8", (NOT REQUIRED W/E55662)
20	24H1303	WASHER	2		13/32" X 11/16" X 0.065"
21	R56481	STUD	2		3/8" X 1-1/2"
22	F1942R	SPRING	1		
23	AR32564	FUEL INJECTION PUMP	1		(A)
24	AR26670	ELBOW FITTING	1		90°
25	R32136	FITTING	1		
..	AR21969	KIT	1		ASSORTMENT (NOT ILLUSTRATED) (SUB FOR AR34368)

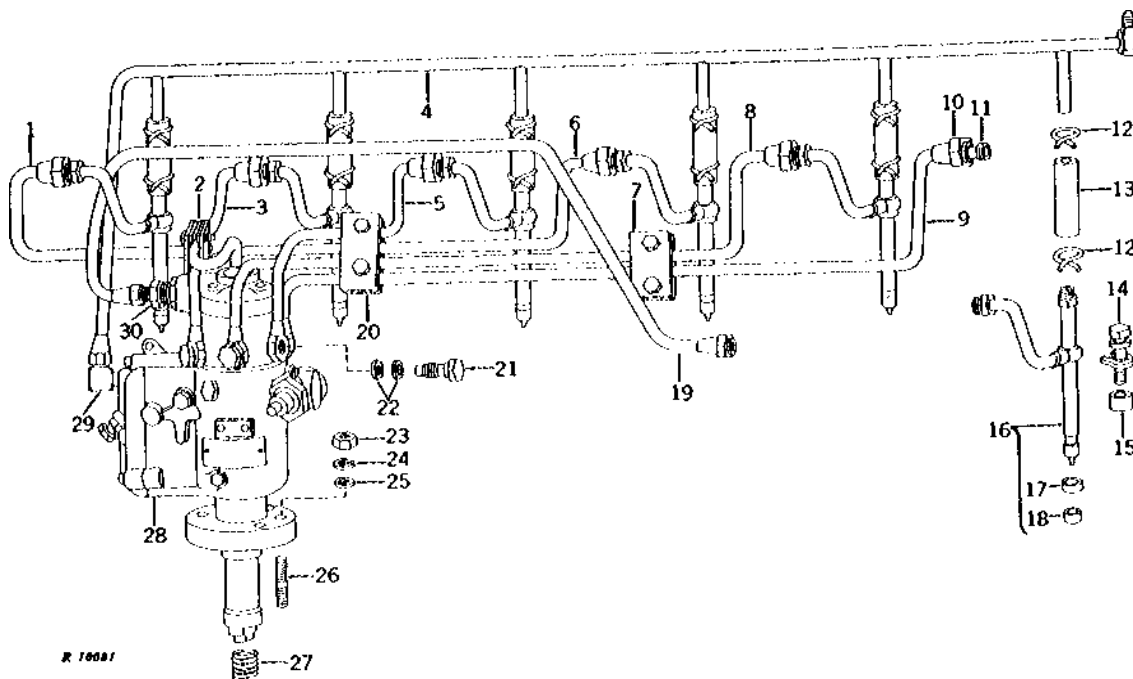
(A) SEE YOUR AUTHORIZED PUMP REPAIR STATION FOR PARTS NOT LISTED

1E16

FUEL AND AIR

FUEL INJECTION PUMP, NOZZLES AND FUEL LINES (ENGINE SERIAL NO. 091000-)

R10081 -UN-01JAN94



KEY	PART NO.	PART NAME	QTY	ENGINE SERIAL NO.	REMARKS
1	AR34711	FUEL LINE	1	NO. 6	
2	R26728	STRAP	1	(SUB FOR R34785)	THREADED
	R26789	STRAP	1	(SUB FOR R34786)	
	R26790	CUSHION	2	(SUB FOR R34787)	
	19H1914	CAP SCREW	2	1/4" X 1"	
3	AR34710	FUEL LINE	1	NO. 5	
4	AR34807	FUEL LINE	1	LEAK-OUT	
5	AR34709	FUEL LINE	1	NO. 4	
6	AR34708	FUEL LINE	1	NO. 3	
7	R27781	STRAP	1		
	R27782	STRAP	1	THREADED	
	R27783	CUSHION	2		
	19H1914	CAP SCREW	2	1/4" X 1"	
8	AR34707	FUEL LINE	1	NO. 2	
9	AR34706	FUEL LINE	1	NO. 1	
10	R34763	FITTING	6		
11	R34762	SLEEVE	6		
12	R34766	CLAMP	12		
13	R34765	BOOT	6		
14	R34760	CLAMP	6		
15	R34761	SPACER	6		
16	AR69289	NOZZLE	6	9.52MM, (SUB FOR AR39811, AR44977 OR AR50781, THIS APPLICATION)	
17	R60746	WASHER	6	(SUB FOR R34764, APPL)	
18	R48000	WASHER	6	(SUB FOR R34767) (ROOSA-MASTER)	
19	AR31553	FUEL LINE	1		
20	R59299	CLAMP	1	THREADED, (SUB FOR R34785 OR R26728)	
	R26789	STRAP	1	(SUB FOR R34786)	
	R26790	CUSHION	2	(SUB FOR R34787)	
	19H1914	CAP SCREW	2	1/4" X 1"	
21	R26726	FITTING	6		
22	T20055	WASHER	12		
23	E55662	FLANGE NUT	2		

1E17

FUEL AND AIR

FUEL INJECTION PUMP, NOZZLES AND FUEL LINES - CONTINUED
(ENGINE SERIAL NO. 091000-)

KEY	PART NO.	PART NAME	QTY	ENGINE SERIAL NO.	REMARKS
24	12H304	LOCK WASHER	2		3/8", (NOT REQUIRED W/E55662)
25	24H1303	WASHER	2		13/32" X 11/16" X 0.065"
26	R56481	STUD	2		3/8" X 1-1/2"
27	F1942R	SPRING	1		
28	AR32564	FUEL INJECTION PUMP	1		
29	AR40820	ELBOW FITTING	1		
30	R32136	FITTING	1		
..	AR21969	KIT	1		ASSORTMENT (NOT ILLUSTRATED) (SUB FOR AR34368)

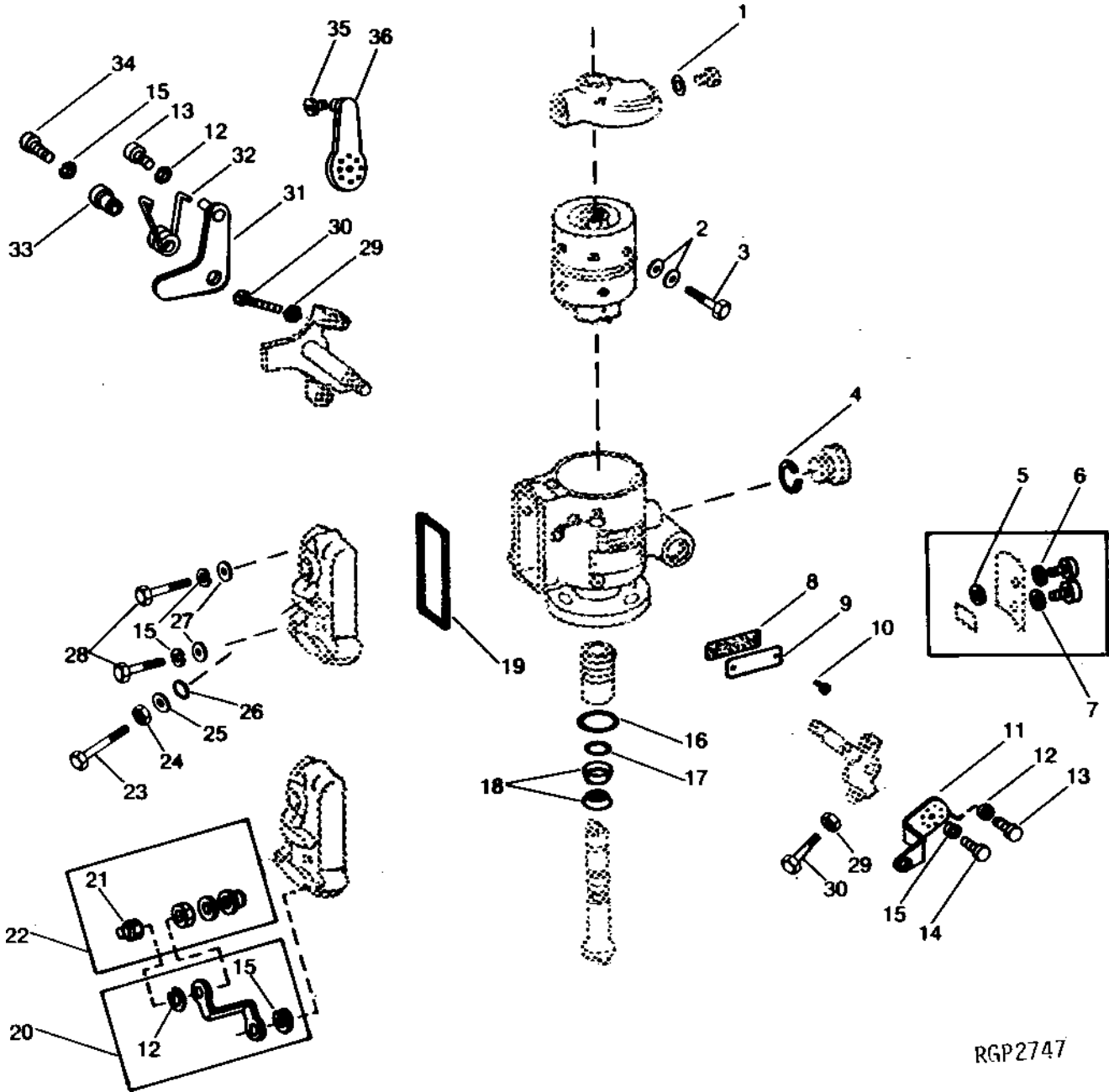
1E18

FUEL AND AIR

RGP2747

-UN-12OCT94

FUEL INJECTION PUMP FITTINGS AND LINKAGE



RGP2747

FUEL INJECTION PUMP FITTINGS AND LINKAGE - CONTINUED

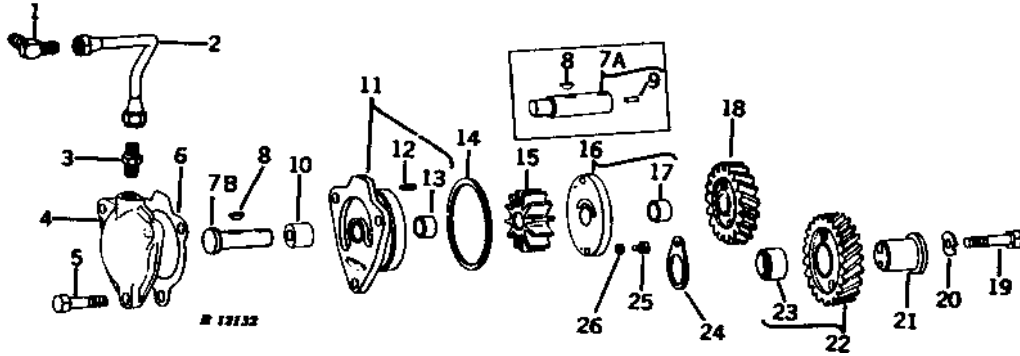
KEY	PART NO.	PART NAME	QTY	ENGINE SERIAL NO.	REMARKS
1	O-RING	NA		
	R33259	O-RING	1	(4010)	
2	T20055	WASHER	1	(4010) (4020)	(SUB FOR T11934)
3	R26726	FITTING	1	(4010) (4020)	
4	T15712	O-RING	1	(4010) (4020)	
5	T11942	O-RING	1	(4010)	
6	T11899	O-RING	1	(4010) (4020)	
7	T20055	WASHER	1	(4010) (4020)	
8	T11883	GASKET	1	(4010) (4020)	
9	T11882	COVER	1	(4010) (4020)	
10	T11884	SCREW	4	(4010) (4020)	
11	HUB	NA		
12	12M7084	LOCK WASHER	2	0.169"	
13	T11917	SCREW	1	(4010) (4020)	
14	T11940	SCREW	1	(4010) (4020)	
15	12M7060	WASHER	4	0.209" (4010) (4020)	
16	R460R	O-RING	1	(4010) (4020)	
	O-RING	NA		
17	P48347	O-RING	1	(4010) (4020)	(SUB FOR R34404)
18	T11290	SEAL	1	(4010) (4020)	
19	T11918	GASKET	1	(4010) (4020)	
20	KIT	NA		
21	NUT	NA		
22	KIT	NA		
23	T17953	CAP SCREW	1	(4020)	
24	T11921	NUT	1	(4010) (4020)	
25	WASHER	NA		
26	R34812	O-RING	1	(4010) (4020)	
27	T15715	WASHER	3	(4010) (4020)	
28	T15721	SCREW	3	(4010) (4020)	
	SCREW	NA		
29	T11921	NUT	4	(4010) (4020)	
30	T11941	SCREW	1	(4010)	
31	LEVER	NA		
32	SPRING	NA		
33	RETAINER	NA		
34	T11940	SCREW	1	(4010) (4020)	
	SCREW	NA		
35	T11939	CAP SCREW	1	(4010)	
36	AR28604	LEVER	1	(4010)	
	R34621	LEVER	1	(4020)	
..	AR26372	FUEL INJECTION PUMP	1	(4010)	
..	AR32564	FUEL INJECTION PUMP	1	(4020)	

1E20

FUEL AND AIR

R12132 -UN-12OCT94

VENTILATOR PUMP (DIESEL)



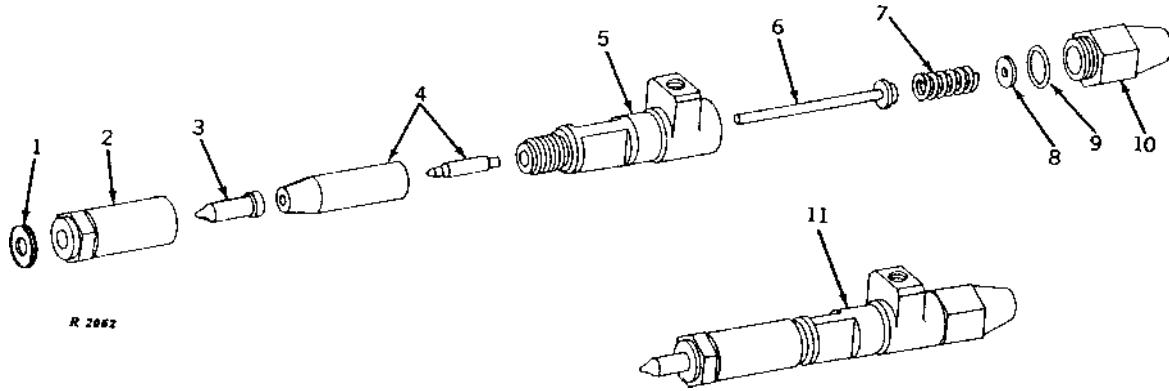
KEY	PART NO.	PART NAME	QTY	ENGINE SERIAL NO.	REMARKS
1	M42830	ELBOW FITTING	1		(SUB FOR AR26635) 90°
2	AR30450	HYDRAULIC LINE	1		(INLET)
3	R26892	FITTING	1		
4	R31346	COVER	1		(INLET)
5	R41920	CAP SCREW	3		(SUB FOR R27207)
6	R31340	GASKET	1		
7A	AR26390	SHAFT	1		(SUB AR40405)
7B	AR40405	SHAFT	1		(SUB FOR AR26390)
8	26H70	SHAFT KEY	2		1/8" X 1/2"
9	B2641R	DOWEL PIN	1		
10	R26407	SPACER	1		(SUB AR40405)
11	AR30444	HOUSING	1		(MARKED R31337)
12	34H245	SPRING PIN	2		1/8" X 5/8"
13	R30713	BUSHING	1		
14	R40776	WASHER	1		(SUB FOR R26142)
15	R26135	IMPELLER	1		
16	AR26341	COVER	1		(MARKED R26136) (NLA)
17	R30713	BUSHING	1		
18	R26138	GEAR	1		
19	19H1819	CAP SCREW	1		3/8" X 2-1/8"
20	R26403	LOCK PLATE	1		
21	R26401	SHAFT	1		
22	AR26389	GEAR	1		(MARKED R26399)
23	R30712	BUSHING	1		
24	R26402	WASHER	1		
25	19H2925	SCREW	2		1/4" X 1/2", (SUB FOR R27206)
26	12H246	LOCK WASHER	2		0.190"

1E21

FUEL AND AIR

INJECTOR NOZZLE (BENDIX-SCINTILLA)
(ENGINE SERIAL NO. 065000-090999) (TRACTOR SERIAL NO. -200999)

R2062 -UN-12OCT94



KEY	PART NO.	PART NAME	QTY	ENGINE SERIAL NO.	REMARKS
1	R463R	WASHER	1	(COPPER)	
2	R933R	NUT	1	(NLA)	
3	R36710	NOZZLE	1		
4	AR28556	NOZZLE	1		
5	R30653	HOUSING	1		
6	AR28557	PIN	1		
7	R934R	SPRING	1		
8	R30656	SHIM	1	0.13MM (.005")	(SUB FOR R30657)
	R30658	SHIM	1	0.20MM (.008")	
	R30659	SHIM	1	0.25MM (.010")	(SUB FOR R30660)
9	A3190R	O-RING	1		
10	R30655	CAP	1		
11	AR34029	INJECTION NOZZLE	6	(SUB (6) AR39997 AND (6) R463R)	(BENDIX-SCINTILLA)

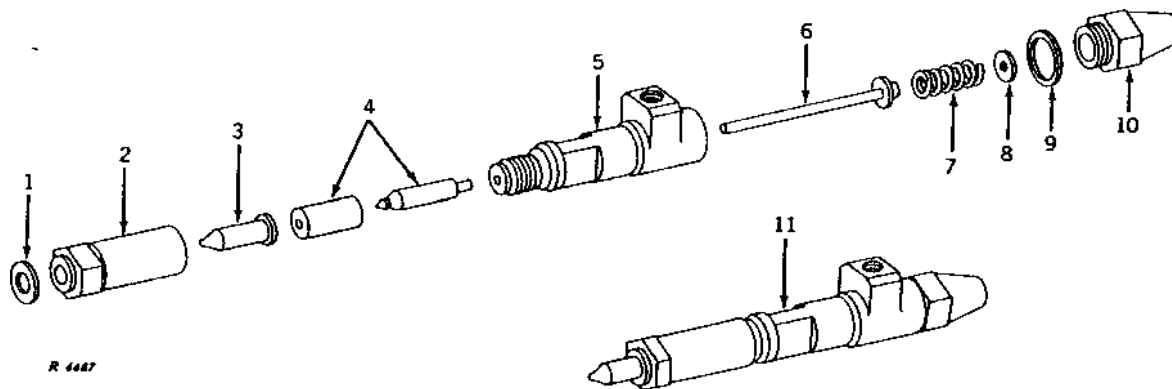
1E22

FUEL AND AIR

INJECTOR NOZZLE (AMERICAN BOSCH)
(ENGINE SERIAL NO. 065000-090999) (TRACTOR SERIAL NO. -200999)

R4467

-UN-12OCT94



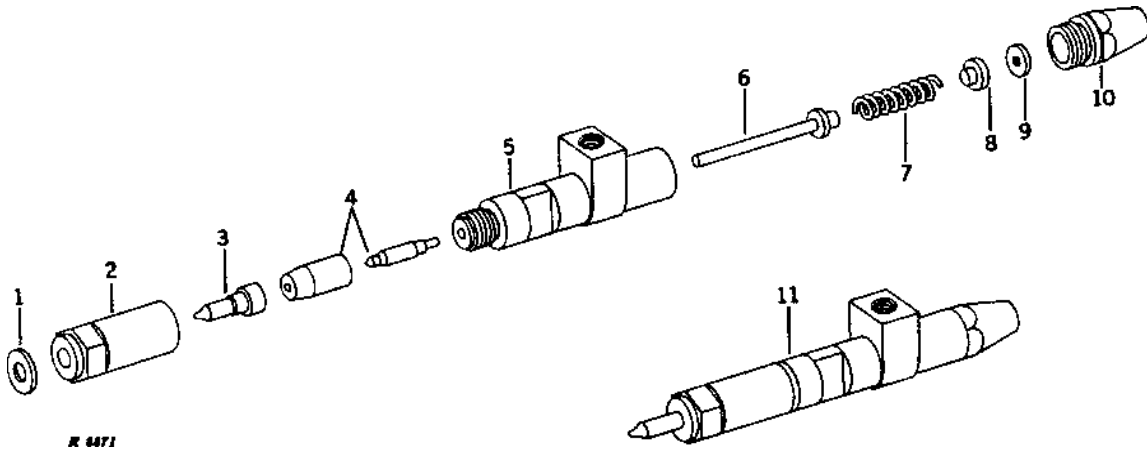
KEY	PART NO.	PART NAME	QTY	ENGINE SERIAL NO.	REMARKS
1	R463R	WASHER	1		(COPPER)
2	R1105R	NUT	1		(NO LONGER AVAILABLE)
3	R36711	NOZZLE	1		
4	AR28558	NOZZLE	1		
5	R30661	HOUSING	1		
6	AR28559	PIN	1		(NO LONGER AVAILABLE)
7	R1108R	SPRING	1		
8	R1115R	SHIM	1		0.05MM (.002")
	R1109R	SHIM	1		0.10MM (.004")
	R1110R	SHIM	1		0.20MM (.008")
	R1111R	SHIM	1		0.51MM (.020")
	R1112R	SHIM	1		1.07MM (.042") (SUB R1111R)
	R1113R	SHIM	1		2.11MM (.083") (SUB R1111R)
	R1114R	SHIM	1		3.5MM (.14") (SUB R1111R)
9	R31304	WASHER	1		
10	R30663	CAP	1		
11	AR34028	INJECTION NOZZLE	6		(AMERICAN BOSCH)

1E23

FUEL AND AIR

INJECTOR NOZZLE (ROBERT BOSCH)
 (ENGINE SERIAL NO. 065000-090999) (TRACTOR SERIAL NO. -200999)

R8871 -UN-12OCT94



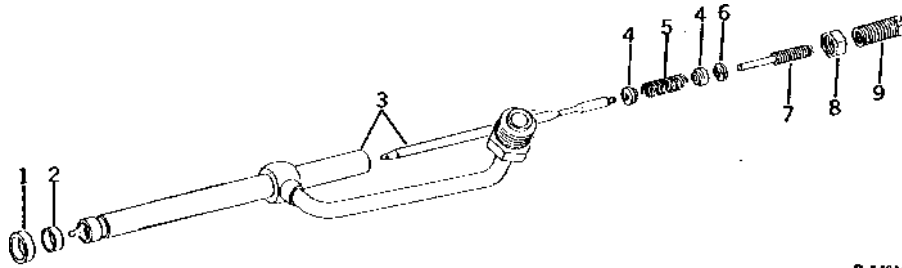
KEY	PART NO.	PART NAME	QTY	ENGINE SERIAL NO.	REMARKS
1	R463R	WASHER	1		(COPPER)
2	R32545	NUT	1		(NLA)
3	R34575	NOZZLE	1		
4	R34574	VALVE	1		
5	R32542	HOUSING	1		(SUB AR36053 AND R463R)
6	PIN	1		(SUB AR33931)
7	R32540	SPRING	1		(NLA)
8	R32539	GUIDE	1		(NLA)
9	R32529	SHIM	1		0.10MM (.004") (SUB FOR R32530, R32528 OR R32533)
	R32531	SHIM	1		0.36MM (.014") (SUB FOR R32532 OR R32534)
	R32535	WASHER	1		0.99MM (.039") (SUB FOR R32536)
10	R32527	CAP	1		(NLA)
11	AR33931	NOZZLE	6		(ROBERT BOSCH) (NO LONGER AVAILABLE)

1E24

FUEL AND AIR

INJECTOR NOZZLE (9.52MM) (ROOSA-MASTER)
 (ENGINE SERIAL NO. 091000-) (TRACTOR SERIAL NO. -200999)

R14918 -UN-01JAN94



R 14918

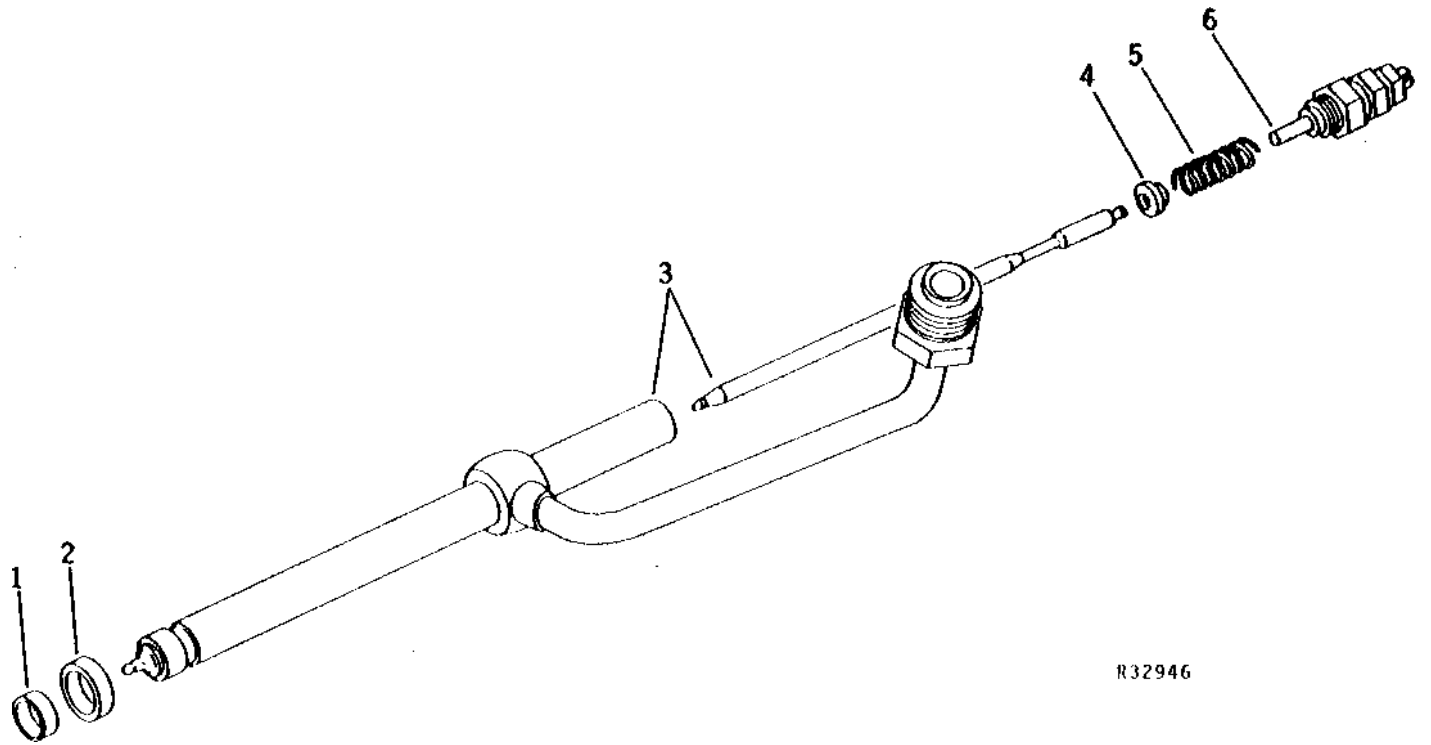
KEY	PART NO.	PART NAME	QTY	ENGINE SERIAL NO.	REMARKS
1	R60746	WASHER	1		(SUB FOR R34764, THIS APPLICATION)
2	R48000	WASHER	1		(SUB FOR R34767)
3	AR46846	INJECTION NOZZLE	1		9.52MM (ROOSA-MASTER NO. 1-8270) (SUB FOR AR39811 OR AR44977) (SUB AR69289, THIS APPLICATION)
4	R39886	GUIDE	2		
5	R39885	SPRING	1		
6	R39887	WASHER	1		(NLA)
7	R39888	SCREW	1		(NLA)
8	R46675	NUT	1		(SUB FOR R39890) (NLA)
9	R39889	SCREW	1		(NLA)

1E25

FUEL AND AIR

INJECTOR NOZZLE (9.52MM) (ROOSA-MASTER)
 (ENGINE SERIAL NO. 091000-) (TRACTOR SERIAL NO. -200999)

R32946 -UN-01JAN94

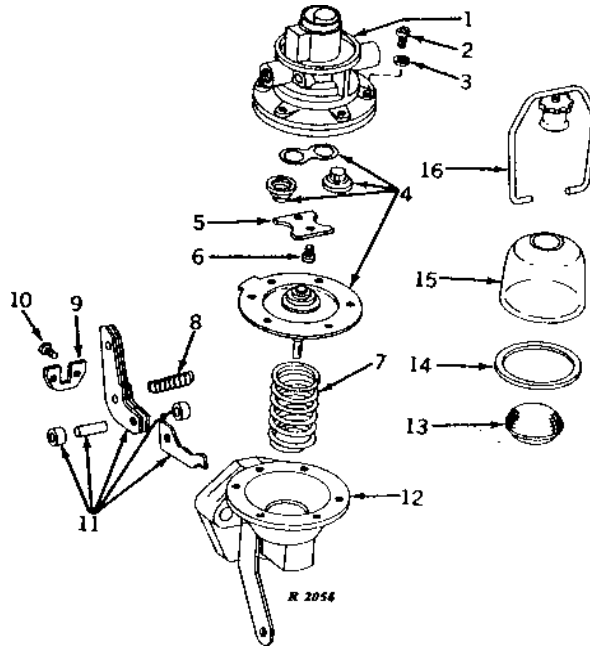


KEY	PART NO.	PART NAME	QTY	TRACTOR SERIAL NO.	REMARKS
1	R48000	WASHER	1		
2	R60746	WASHER	1		(SUB FOR R34764, THIS APPLICATION)
3	AR69289	NOZZLE	1		(ROOSA-MASTER NO. 20364) (SUB FOR AR50781, THIS APPLICATION)
4	R39886	GUIDE	1		
5	R47731	SPRING	1		
6	AR52720	SCREW	1		

1F1

FUEL PUMP PARTS
(ENGINE SERIAL NO. 065000-111197)

R2056 -UN-12OCT94

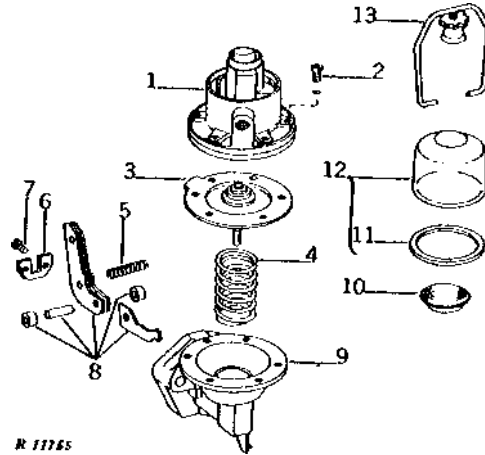


KEY	PART NO.	PART NAME	QTY	ENGINE SERIAL NO.	REMARKS
1	COVER	1		(SUB RE36905 OR RE27667) (ALSO ORDER R97350)
2	21H1295	SCREW	6		0.190" X 5/8"
3	12H246	LOCK WASHER	6		0.190"
4	RE38578	KIT	1		(SUB FOR AR40482)
5	KIT	1		(SUB RE36905 OR RE27667) (ALSO ORDER R97350)
6	21H1308	SCREW	2		0.138" X 3/8"
7	R30410	SPRING	1		
8	T10804	SPRING	1		
9	RETAINER	1		(SUB RE36905 OR RE27667) (ALSO ORDER R97350)
10	21H1308	SCREW	2		0.138" X 3/8"
11	RE27667	FUEL PUMP	1		(SUB FOR AR28330, AR47304 OR AR52159) (ALSO ORDER R97350)
12	HOUSING	1		(SUB RE36905 OR RE27667) (ALSO ORDER R97350)
13	AT10635	SCREEN	1		
14	R30409	GASKET	1		
15	AT15172	BOWL	1		
16	AT10638	BAIL	1		
..	AR32638	FUEL PUMP	1		(GASOLINE) (SUB RE36905 AND R97350)
..	AR31176	FUEL PUMP	1	-074831	(DIESEL) (SUB RE27667 AND R97350) (NLA)
..	AR34415	KIT	1	074832-	(DIESEL) (SUB RE27667)

1F2

FUEL PUMP PARTS
(ENGINE SERIAL NO. 111198-)

R11755 -UN-01JAN94



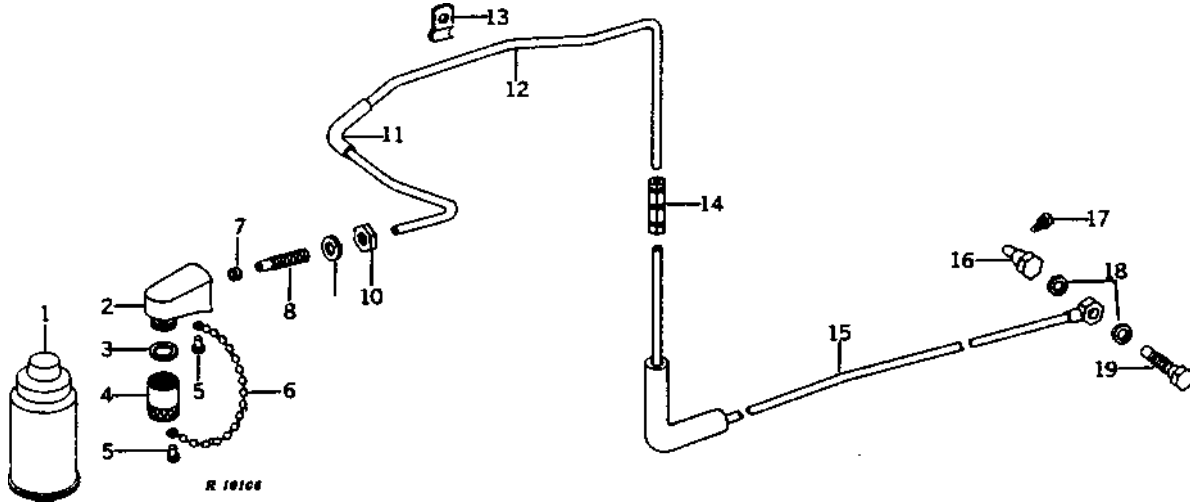
KEY	PART NO.	PART NAME	QTY	TRACTOR SERIAL NO.	REMARKS
1	COVER	1		(SUB RE36905 OR RE27667) (ALSO ORDER R97350)
2	21H1295	SCREW	6		0.190" X 5/8"
	12H246	LOCK WASHER	6		0.190"
3	KIT	1		(SUB RE38578)
4	R30410	SPRING	1		
5	T10804	SPRING	1		
6	RETAINER	1		(SUB RE36905 OR RE27667) (ALSO ORDER R97350)
7	21H1308	SCREW	2		0.138" X 3/8"
8	RE27667	FUEL PUMP	1		(SUB FOR AR28330, AR47304 OR AR52159)
9	HOUSING	1		(SUB RE36905 OR RE27667) (ALSO ORDER R97350)
10	AT10635	SCREEN	1		
11	R40565	WASHER	1		
12	AR40407	SEDIMENT BOWL	1		
13	AT10638	BAIL	1		
..	AR64120	FUEL PUMP	1		(GASOLINE) (SUB FOR AR40258 OR AR36905) (ALSO ORDER R97350)
..	AR52159	FUEL PUMP	1		(DIESEL) (SUB FOR AR40259) (SUB RE27667 AND R97350)
..	RE38578	KIT	1		FUEL PUMP OVERHAUL, (SUB FOR AR40482, AR40258 OR AR40259)

1F3

FUEL AND AIR

**COLD WEATHER STARTING AID
(DIESEL)
(TRACTOR SERIAL NO. 065000-090999)**

R10106 -UN-12OCT94



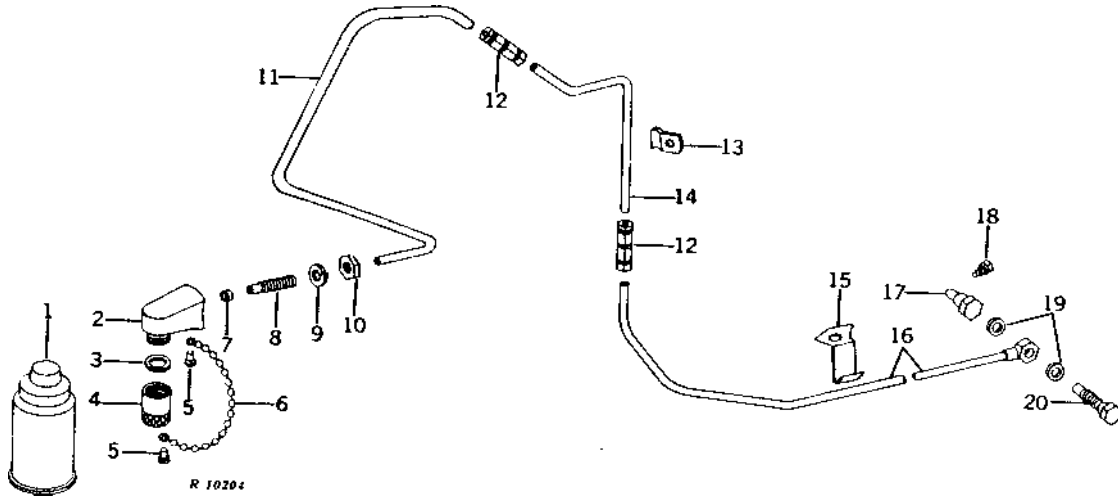
KEY	PART NO.	PART NAME	QTY	ENGINE SERIAL NO.	REMARKS
1	RE33636	STARTING FLUID	1		(SUB FOR AR27814, RE24561 OR RE30174)
2	R39534	ADAPTER	1		(SUB FOR R34393)
3	R26149	PACKING	1		
4	R32306	CAP	1		
5	37H44	SCREW	2		0.154" X 3/8", (SUB FOR D454R)
6	AR27940	LINK CHAIN	1		
7	R34394	WASHER	1		
8	R34395	ADAPTER	1		
9	12H301	LOCK WASHER	1		1/2"
10	14H1040	NUT	1		1/2"
11	R34538	HOSE	1		(NO LONGER AVAILABLE)
12	TUBE	1		UPPER, (ORDER RE16181)
13	R31654	CLAMP	1		
14	R34388	UNION FITTING	1		
15	RE16181	KIT	1		LOWER, (SUB FOR AR33813 OR AR39519)
16	R28584	FITTING	1		
17	R28583	NOZZLE	1		
18	T20055	WASHER	2		(SUB FOR T11292)
19	R26726	FITTING	1		

1F4

FUEL AND AIR

R10204 -UN-12OCT94

COLD WEATHER STARTING AID
(DIESEL)
(TRACTOR SERIAL NO. 091000-)



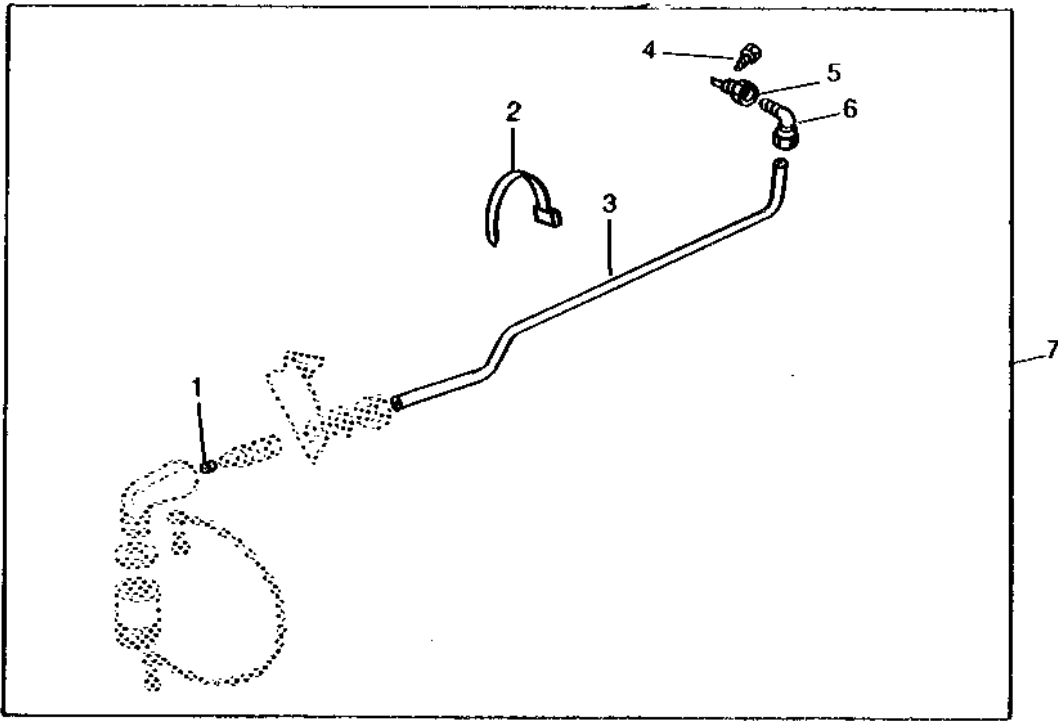
KEY	PART NO.	PART NAME	QTY	ENGINE SERIAL NO.	REMARKS
1	RE33636	STARTING FLUID	1		(SUB FOR AR27814, RE24561 OR RE30174)
2	R39534	ADAPTER	1		
3	R26149	PACKING	1		
4	R32306	CAP	1		
5	37H44	SCREW	2		0.154" X 3/8", (SUB FOR D454R)
6	AR27940	LINK CHAIN	1		
7	R34394	WASHER	1		
8	R34395	ADAPTER	1		
9	12H301	LOCK WASHER	1		1/2"
10	14H1040	NUT	1		1/2"
11	TUBE	1		REAR, (ORDER RE16181)
12	R34388	UNION FITTING	2		
13	R31654	CLAMP	1		
14	R39570	TUBE	1		CENTER, (SUB RE16151)
15	R39571	CLAMP	1		
16	LINE	1		FRONT, (ORDER RE16181)
17	R28584	FITTING	1		
18	R28583	NOZZLE	1		
19	T20055	WASHER	2		
20	R26726	FITTING	1		

1F5

FUEL AND AIR

RWP5037 -UN-01JAN94

STARTING FLUID TUBE KIT



RWP5037

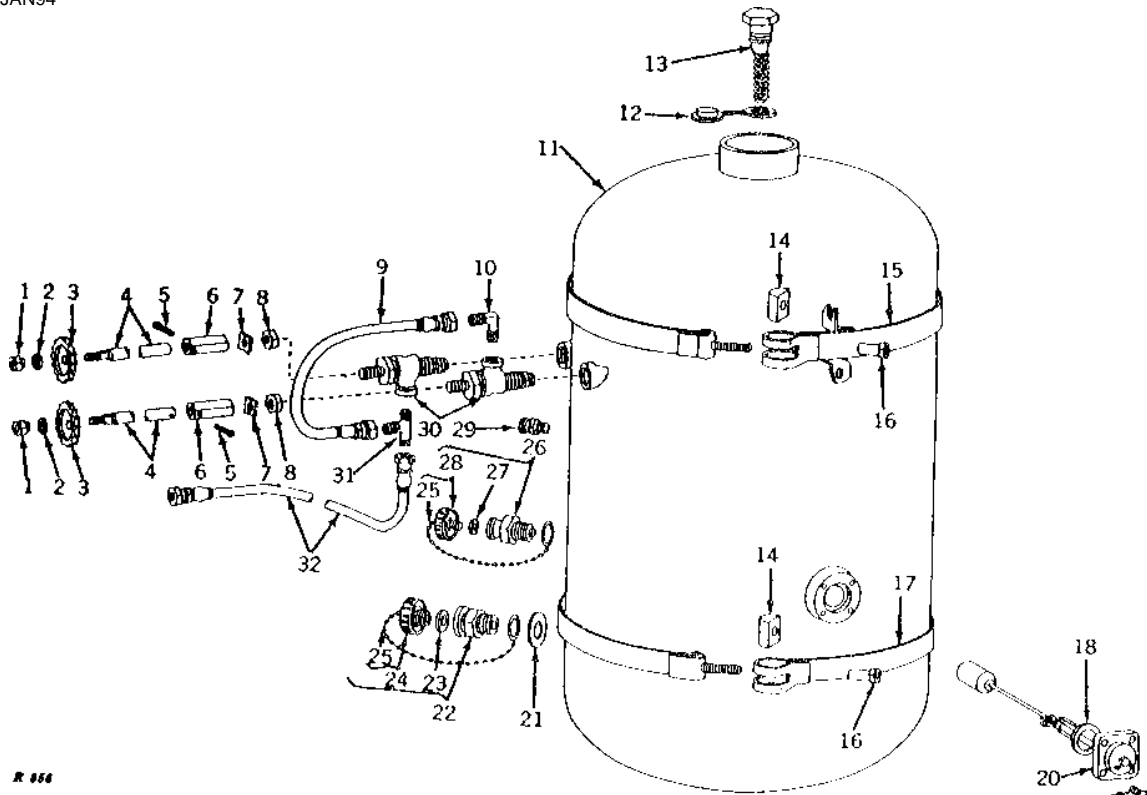
KEY	PART NO.	PART NAME	QTY	TRACTOR SERIAL NO.	REMARKS
1	R34394	WASHER	1		
2	R44302	TIE BAND	5		
3	TUBE	1		(ORDER RE16181)
4	R28583	NOZZLE	1		
5	R47160	NOZZLE HOLDER	1		
6	RE21790	ELBOW FITTING	1		(SUB FOR AT25266)
7	RE16181	KIT	1		

1F6

FUEL AND AIR

R856 -UN-01JAN94

FUEL TANK AND VALVES (LP-GAS)

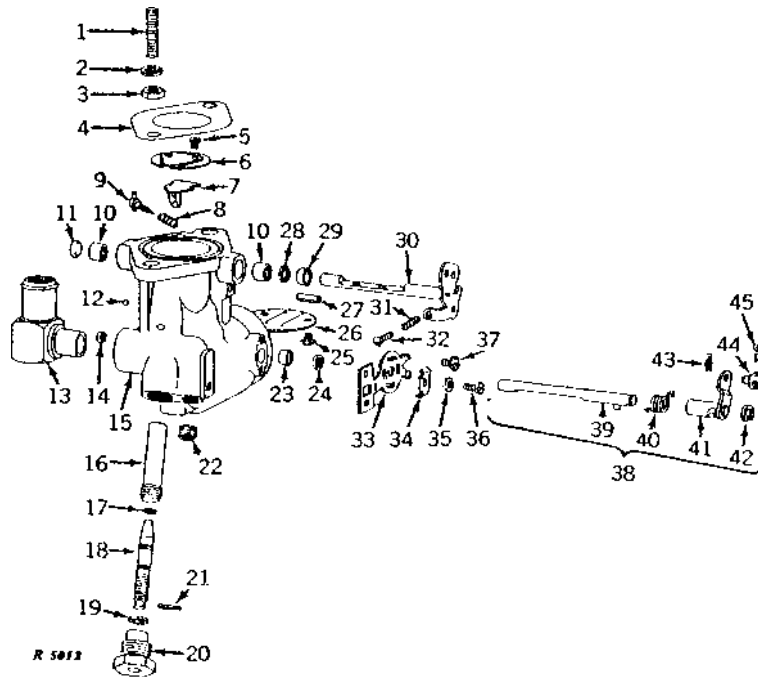


R 856

KEY	PART NO.	PART NAME	QTY	ENGINE SERIAL NO.	REMARKS
1	BP12232	LOCK NUT	2		(SUB FOR M376T)
2	A3030R	WASHER	2		
3	A4999R	HANDLE	2		
4	R26532	ROD	2		
5	11M7030	COTTER PIN	2		0.197" X 1.575"
6	R27184	ADAPTER	2		
7	R27257	LOCK PLATE	2		(NOT REQUIRED)
8	14H473	NUT	2		1/2"
9	AR26436	HOSE	1		VAPOR TO LIQUID OUTLET VALVE
10	A4928R	ELBOW FITTING	1		45°
11	AR32858	FUEL TANK	1		170L (45 GAL)
12	R21560	CAP	1		RAIN
13	AR21690	RELIEF VALVE	1		
14	R26593	GUIDE	2		
15	AR40378	STRAP	1		(SUB FOR AR26647)
16	R26594	NUT	2		
17	AR40379	STRAP	1		(SUB FOR AR26648)
18	A5141R	WASHER	1		
19	21H1170	SCREW	4		5/16" X 7/8"
20	AR26696	SENDER	1		FUEL GAUGE
	AR28621	SENDER	1		
	R30759	SCREW	2		
21	A5297R	REINFORCEMENT	1		
22	AA6001R	VALVE	1		
23	A4996R	WASHER	1		
24	AA6059R	CAP	1		
	A4997R	SCREW	1		
25	AA6058R	LINK CHAIN	2		(SUB AA6060R)
26	AA6002R	VALVE	1		
27	A4998R	WASHER	1		
28	AA6060R	CAP	1		
	A4997R	SCREW	1		
29	AB4847R	GAUGE	1		FIXED LIQUID LEVER
	AA6057R	VALVE	1		VENT
	A4993R	INSTRUCTION PLATE	1		
	A4995R	SNAP RING	1		
30	AR26967	VALVE	2		VAPOR AND LIQUID OUTLET
31	A4929R	TEE FITTING	1		45°
32	AR27749	HOSE	1		(LIQUID OUTLET VALVE TO FUEL STRAINER)

CARBURETOR (LP-GAS)
(ENGINE SERIAL NO. -186208)

R5012 -UN-01JAN94



KEY	PART NO.	PART NAME	QTY	ENGINE SERIAL NO.	REMARKS
1	R56481	STUD	2		3/8" X 1-1/2"
2	12H304	LOCK WASHER	2		3/8", (NOT REQUIRED W/E55662)
3	E55662	FLANGE NUT	2		
4	R26499	GASKET	1		(SUB FOR R40741)
5	AA6086R	SCREW	2		
6	A5192R	DISK	1		
7	B3404R	VALVE	1	-077101	(NLA)
	R34809	VALVE	1	077102-	(NLA)
8	R10098	SPRING	1		
9	AR10073	NEEDLE	1		IDLE ADJUSTING
10	JD8867	NEEDLE BEARING	2		
11	R10300	CAP	1		
12	A5196R	BALL	2		(NLA)
13	AR26732	ELBOW FITTING	1		
14	R10150	CAP	1		
15	AR26505	HOUSING	1		(MARKED R26371) (NLA)
16	A5195R	NOZZLE	1		(NLA)
17	A4365R	O-RING	1		
18	R27347	SCREW	1		FUEL ADJUSTING
19	F2222R	WASHER	1		
20	R27348	CAP	1		(NLA)
21	34H212	SPRING PIN	1		5/64" X 5/8"
22	15H559	PIPE PLUG	1		1/4"
23	E49906	SEAL	1		(SUB FOR R10186)
24	R10187	SHIM	1		
25	AR723R	SCREW	2		
26	R10181	FAN	1		
27	34H245	SPRING PIN	1		1/8" X 5/8"
28	R27523	PACKING	1		(NLA)
29	R10182	RETAINER	1		
30	AR26506	SHAFT	1		(NLA)
31	R10098	SPRING	1		

1F8

FUEL AND AIR

CARBURETOR (LP-GAS) - CONTINUED
(ENGINE SERIAL NO. -186208)

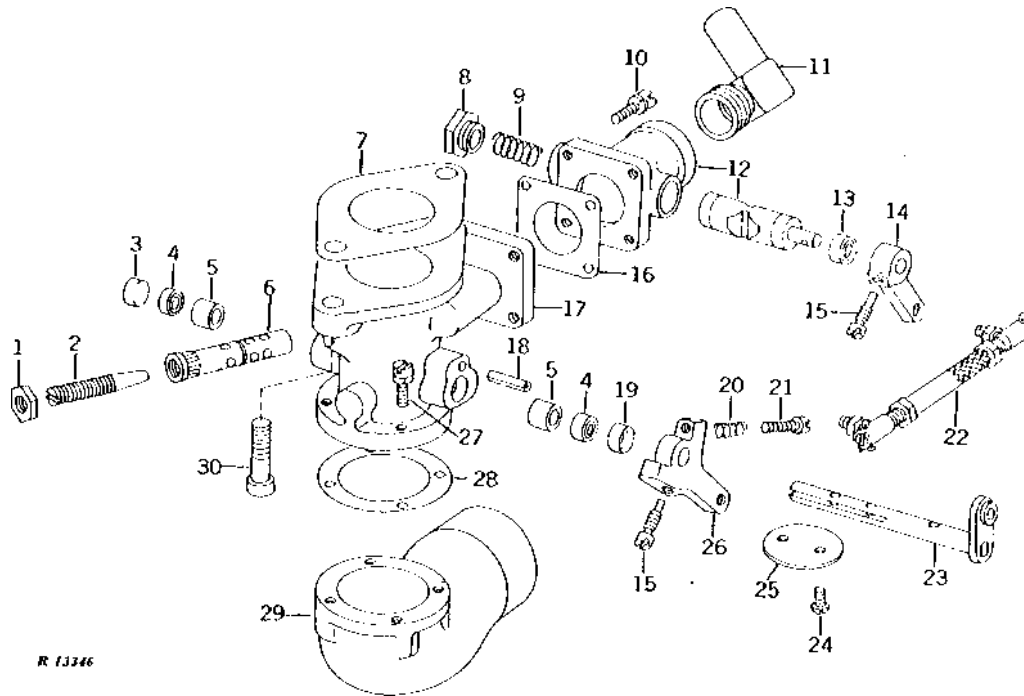
KEY	PART NO.	PART NAME	QTY	ENGINE SERIAL NO.	REMARKS
32	21H1315	SCREW	1		0.164" X 3/4"
33	AR30435	BRACKET	1		
34	R10188	CLIP	1		
35	12H315	LOCK WASHER	1		0.164"
36	21H1293	SCREW	1		0.164" X 5/16"
37	AR10303	SCREW	2		(SUB 21H1299 AND 12H360)
38	AR10301	SHAFT	1		(NLA)
39	AR10095	SHAFT	1		
	34H227	SPRING PIN	1		3/32" X 1/2"
40	R10183	TORSION SPRING	1		
41	AR10096	LEVER	1		(NLA)
42	R72654	SNAP RING	1		(SUB FOR R27507)
43	R10185	SPRING PIN	1		
44	R10184	SWIVEL	1		
45	21H1292	SCREW	1		0.164" X 1/4"
..	R10198	CAP	1		
..	AR26867	CARBURETOR	1	-077101	(NLA)
..	AR34477	CARBURETOR	1	077102-	(NLA)

1F9

FUEL AND AIR

CARBURETOR (LP-GAS)
(ENGINE SERIAL NO. 186209-)

R13346 -UN-01JAN94



R 13346

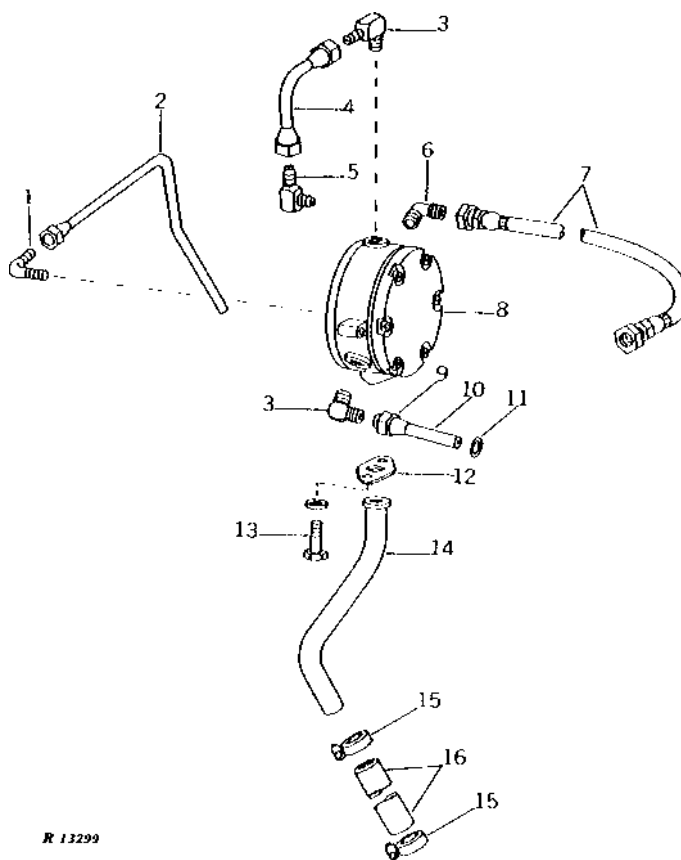
KEY	PART NO.	PART NAME	QTY	ENGINE SERIAL NO.	REMARKS
1	T26407	NUT	1		
2	R42709	SCREW	1	(NLA)	
3	R10300	CAP	1		
4	R10194	PACKING	2		
5	JD8867	NEEDLE BEARING	2	(SUB T23531)	
6	AR44894	BAR	1	(NLA)	
7	R26499	GASKET	1		
8	R42713	FITTING	1	(NLA)	
9	T16109	SPRING	1		
10	AT14321	SCREW	4	(NLA)	
11	R42714	ELBOW FITTING	1		
12	AR44895	VALVE	1	(NLA) (INCLUDES R42713, T16109 AND R42712)	
13	R42712	SEAL	1	(NLA) (METERING VALVE)	
14	T16122	LEVER	1	(NLA) (METERING VALVE)	
15	T16106	SET SCREW	2	(NLA)	
16	R42710	GASKET	1	(NLA)	
17	AR44053	CARBURETOR	1	(NLA)	
18	34H387	SPRING PIN	1	3/16" X 3/4"	
19	R10182	RETAINER	1		
20	R10104	SPRING	1		
21	21H1315	SCREW	1	0.164" X 3/4"	
22	AR72010	DRAG LINK	1	(SUB FOR AR44921)	
23	AR44893	SHAFT	1	(NLA)	
24	T26396	SCREW	2	(NLA)	
25	R10083	DISK	1		
26	R42715	LEVER	1	(NLA)	
27	SCREW, WITH WASHER	4	(SUB AR732R)	
28	R42711	GASKET	1	(NLA)	
29	R42716	HORN	1	(NLA) AIR	
30	19H2929	SCREW	2	3/8" X 1.120"	

1F10

FUEL AND AIR

FUEL CONVERTOR, FLEXIBLE FUEL LINE AND TUBES (LP-GAS)

R13299 -UN-01JAN94



R 13299

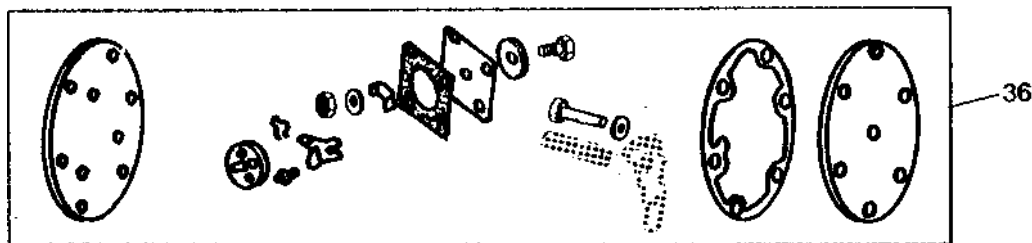
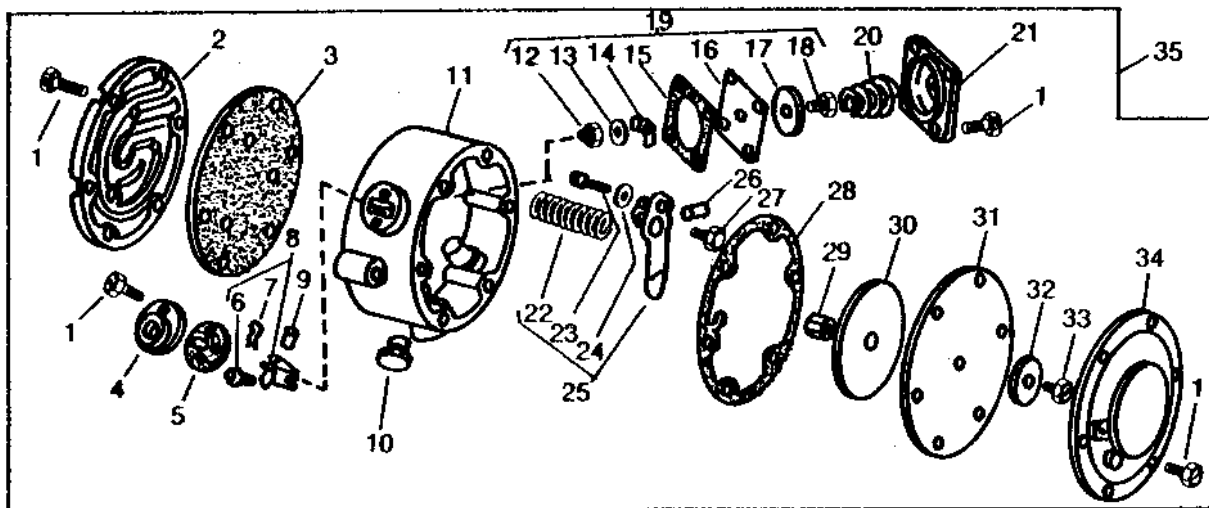
KEY	PART NO.	PART NAME	QTY	ENGINE SERIAL NO.	REMARKS
1	R42170	ELBOW FITTING	1	186209-	90°
2	AR44054	LINE	1	186209-	FUEL CONVERTOR TO AIR INTAKE LINE
3	AR26708	FITTING	2		90°
4	AR26709	FUEL LINE	1	-090999	(WATER OUTLET)
	AR34883	LINE	1	091000-176695	(WATER OUTLET)
	AR40904	LINE	1	176696-	(WATER OUTLET)
5	M42830	ELBOW FITTING	1	176696-	90°, (SUB FOR AR26635)
6	A4928R	ELBOW FITTING	1		45°, (FLARE)
7	AR20846	HOSE	1	-090999	
	R39502	HOSE	1	091000-093555	(SUB AA6028R AND A4928R)
	AA6028R	HOSE	1	093556-	
8	AR26508	CONVERTER	1		
9	R27058	FITTING PLUG	1		37°, (FLARE)
10	R27354	FUEL LINE	1		(WATER INLET)
11	F3353R	O-RING	1		
12	R26738	GASKET	1		
13	19H1849	CAP SCREW	2		5/16" X 1-1/4"
	12H303	LOCK WASHER	2		5/16"
14	R27350	TUBE	1	-186208	(CONVERTOR TO CARBURETOR)
	R42168	TUBE	1	186209-	(CONVERTOR TO CARBURETOR)
15	AR21839	CLAMP	2		
16	R27352	HOSE	1	-186208	
.....		HOSE	1	186209-	19 X 86MM (3/4" X 3-11/32") (MAKE FROM R57300) (SUB FOR R42304 OR R34147)

1F11

FUEL AND AIR

FUEL CONVERTOR PARTS (LP-GAS)

RWP2544 -UN-01JAN94



RWP2544

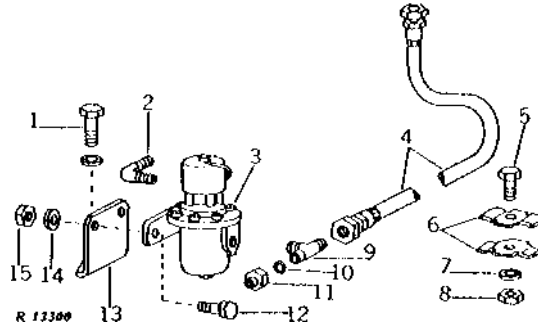
KEY	PART NO.	PART NAME	QTY	ENGINE SERIAL NO.	REMARKS
1	21H981	SCREW	21	0.190" X 1/2"	
2	T10256	COVER	1		
3	T10270	GASKET	1		
4	T10279	COVER	1		
5	T10260	GASKET	1		
6	AT10845	LEVER	1	(SUB FOR T10280)	
7	SPRING PIN	1		
8	AT10845	LEVER	1		
9	T10264	DOWEL PIN	1		
10	T10281	PIPE PLUG	1		
11	AR10094	HOUSING	1		
12	T10263	LINK	1	(SUB AT10177)	
13	T10276	WASHER	1	(SUB AT10177)	
14	T10277	RETAINER	1	(SUB AT10177)	
15	T10274	GASKET	1	(SUB AT10177)	
16	T10259	DIAPHRAGM	1	(SUB AT10177)	
17	T10265	PLATE	1	(SUB AT10177)	
18	21H1167	SCREW	1	0.190" X 1/4"	
19	AT10177	DIAPHRAGM	1		
20	T10275	SPRING	1		
21	T10262	COVER	1		
22	T10273	SPRING	1		
23	T10255	PIN	1		
24	T10268	WASHER	1		
25	AT10599	LEVER	1		
26	T10267	DOWEL PIN	1		
27	T11334	SCREW	2		
28	T10257	GASKET	1		
29	T10269	PUSH BUTTON	1		
30	T10266	PLATE	1		
31	T10258	DIAPHRAGM	1		
32	PLATE	1		
33	21H1167	SCREW	1	0.190" X 1/4"	
34	T10278	COVER	1		
35	AR26508	CONVERTER	1		
36	AT12031	KIT	1		FUEL CONVERTOR SERVICE

1F12

FUEL AND AIR

FUEL STRAINER, BRACKET, AND FLEXIBLE FUEL LINE (LP-GAS)

R13300 -UN-01JAN94

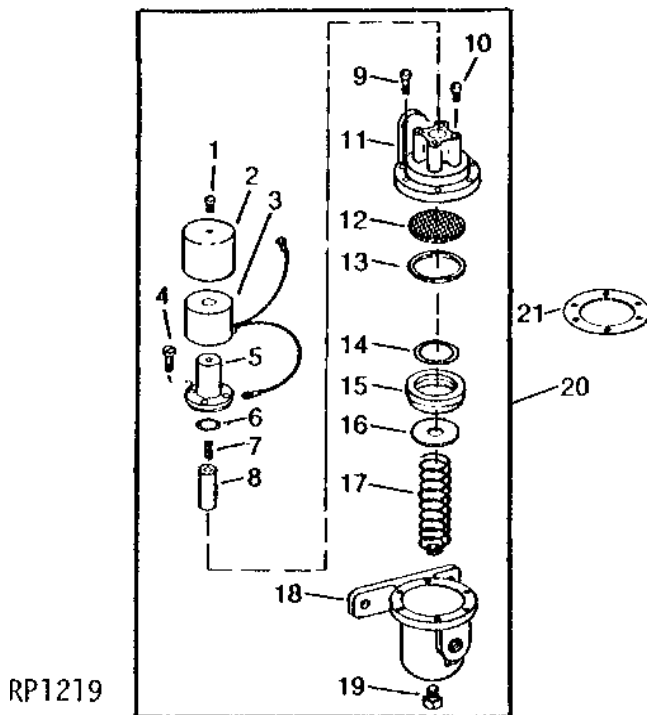


KEY	PART NO.	PART NAME	QTY	ENGINE SERIAL NO.	REMARKS
1	19H1732	CAP SCREW	1	-176695	3/8" X 1-1/4"
	19H1801	CAP SCREW	1	176696-	3/8" X 2"
	12H304	LOCK WASHER	1		3/8"
2	A4928R	ELBOW FITTING	1	093556-	45°, (FLARE)
3	AR52765	STRAINER	1		(SUB FOR AR26437)
4	AR27749	HOSE	1		
5	19H1905	CAP SCREW	1		5/16" X 1"
6	F1682R	HALF CLAMP	2		
7	12H303	LOCK WASHER	1		5/16"
8	14H785	NUT	1		5/16"
9	A4932R	TEE FITTING	1		
10	A4931R	GASKET	1		(COPPER)
11	A4930R	FITTING	1		
12	19H1948	CAP SCREW	2		1/4" X 3/4"
13	BRACKET	1	-090999	
	R39501	BRACKET	1	091000-176695	
	R41295	BRACKET	1	176696-	
14	12H302	LOCK WASHER	2		1/4"
15	14H786	NUT	2		1/4"

1F13

FUEL STRAINER PARTS (LP-GAS)

RP1219 -UN-01JAN94



KEY	PART NO.	PART NAME	QTY	ENGINE SERIAL NO.	REMARKS
1	21H1167	SCREW	1	0.190" X 1/4"	
2	R49285	CASE	1	(ALSO ORDER AR52766) (SUB FOR F1125R OR T10514)	
3	AR52766	ELECTRICAL COIL	1	(ALSO ORDER R49285) (SUB FOR AF1395R)	
4	21H1073	SCREW	4	0.190" X 1/2"	
5	AF1396R	HOUSING	1		
6	F1127R	O-RING	1		
7	F1126R	SPRING	1		
8	AF1397R	PLUNGER	1	(NLA)	
9	21H1301	SCREW	6	0.190" X 1/2"	
10	21H1292	SCREW	1	0.164" X 1/4"	
11	AF1398R	COVER	1		
12	AF1399R	FILTER	1		
13	F1129R	WASHER	1		
14	H63858	O-RING	1	(USE WITH AR52765)	
15	R49288	RETAINER	1	(USE WITH AR52765)	
16	R49289	WASHER	1	(USE WITH AR52765)	
17	R49287	SPRING	1	(USE WITH AR52765)	
18	AR52767	HOUSING	1	(SUB FOR F3500R)	
19	R10160	PIPE PLUG	1		
20	AR52765	STRAINER	1	(SUB FOR AR26437)	
21	F1130R	GASKET	1	(USE WITH AR26437)	

MEMORANDA

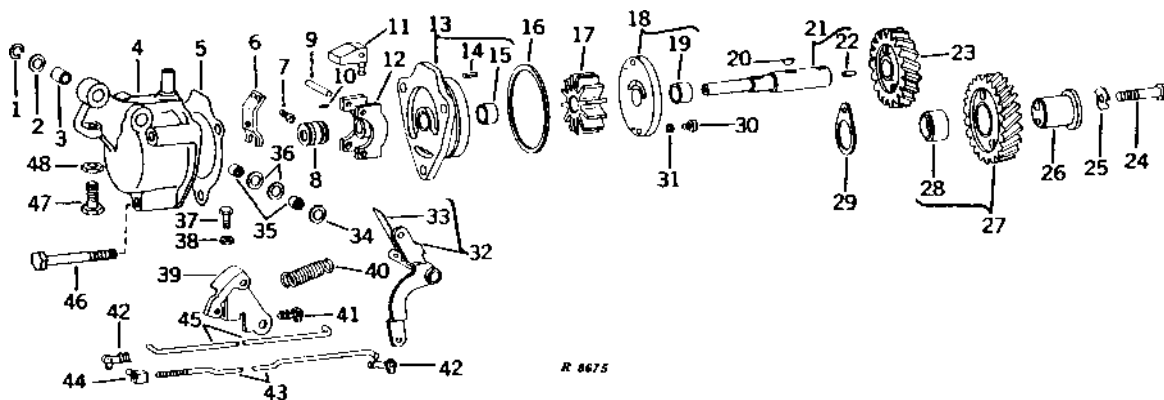
1F14

FUEL AND AIR

GOVERNOR AND VENTILATOR PUMP (GASOLINE AND LP-GAS)

R8675

-UN-01JAN94



KEY	PART NO.	PART NAME	QTY	ENGINE SERIAL NO.	REMARKS
1	R26517	SNAP RING	1		
2	24H1325	WASHER	1	15/32" X 59/64" X 0.065"	
3	R27922	BUSHING	1		
4	AR45297	HOUSING	1		(MARKED R31338 OR R44079) (SUB FOR AR30445) (SUB AR45299, R20423 AND R26127)
5	R31340	GASKET	1		
6	R26129	LEVER	1		
7	AR28756	SCREW	2		(SUB 19H1227 AND 12H356)
8	AL2691T	THRUST BEARING	1		(SUB AL2769T) (ALSO ORDER (2) L4299T)
9	R27205	PIN	2		
10	11M7086	COTTER PIN	2	0.098" X 1.969"	
11	AR26421	WEIGHT	2		
12	R26131	CRADLE	1		
13	AR30444	HOUSING	1		(MARKED R31337)
14	34H245	SPRING PIN	2	1/8" X 5/8"	
15	R30713	BUSHING	1		
16	R40776	WASHER	1		(SUB FOR R26142)
17	R26135	IMPELLER	1		
18	AR26341	COVER	1		(MARKED R26136) (NLA)
19	R30713	BUSHING	1		
20	26H70	SHAFT KEY	3	1/8" X 1/2"	
21	AR26420	SHAFT	1		
22	B2641R	DOWEL PIN	1		
23	R26138	GEAR	1		
24	19H1819	CAP SCREW	1	3/8" X 2-1/8"	
25	R26403	LOCK PLATE	1		
26	R26401	SHAFT	1		
27	AR26389	GEAR	1		(MARKED R26399)
28	R30712	BUSHING	1		
29	R26402	WASHER	1		
30	19H2925	SCREW	2	1/4" X 1/2", (SUB FOR R27206)	
31	12H246	LOCK WASHER	2	0.190"	

1F15

FUEL AND AIR

GOVERNOR AND VENTILATOR PUMP - CONTINUED (GASOLINE AND LP-GAS)

KEY	PART NO.	PART NAME	QTY	ENGINE SERIAL NO.	REMARKS
32	AR30829	ARM	1	-186208	(SUB AR44848)
	AR44848	ARM	1	186209-	
33	R27923	SPRING	1	-186208	(SUB R42624)
	16H97	RIVET	2		1/8" X 3/8"
34	AR26338	SEAL	1		
35	JD8862	NEEDLE BEARING	2		
36	24H1227	WASHER	2		17/32" X 13/16" X 0.060"
37	19H1914	CAP SCREW	1		1/4" X 1"
38	14H850	NUT	1		1/4"
39	AR59651	ARM	1		(SUB FOR AR26342)
40	R26518	SPRING	1		
41	R26524	CLIP	1		R.H.
42	R26501	CLIP	2		(A) L.H.
	R26501	CLIP	1		(B) L.H.
	R26524	CLIP	1		(B) R.H.
43	R26498	BOLT	1		(A)
	R26498	BOLT	1	-186208	(B)
	R42167	ROD	1	186209-	(B) (NO LONGER AVAILABLE)
44	R26500	SWIVEL	1		
45	R33993	LINE	1		(NO LONGER AVAILABLE)
46	R31542	BOLT	3		
47	19H2831	CAP SCREW	1		5/16" X 1-1/2"
48	14H611	NUT	1		5/16"

(A) GASOLINE
(B) LP-GAS

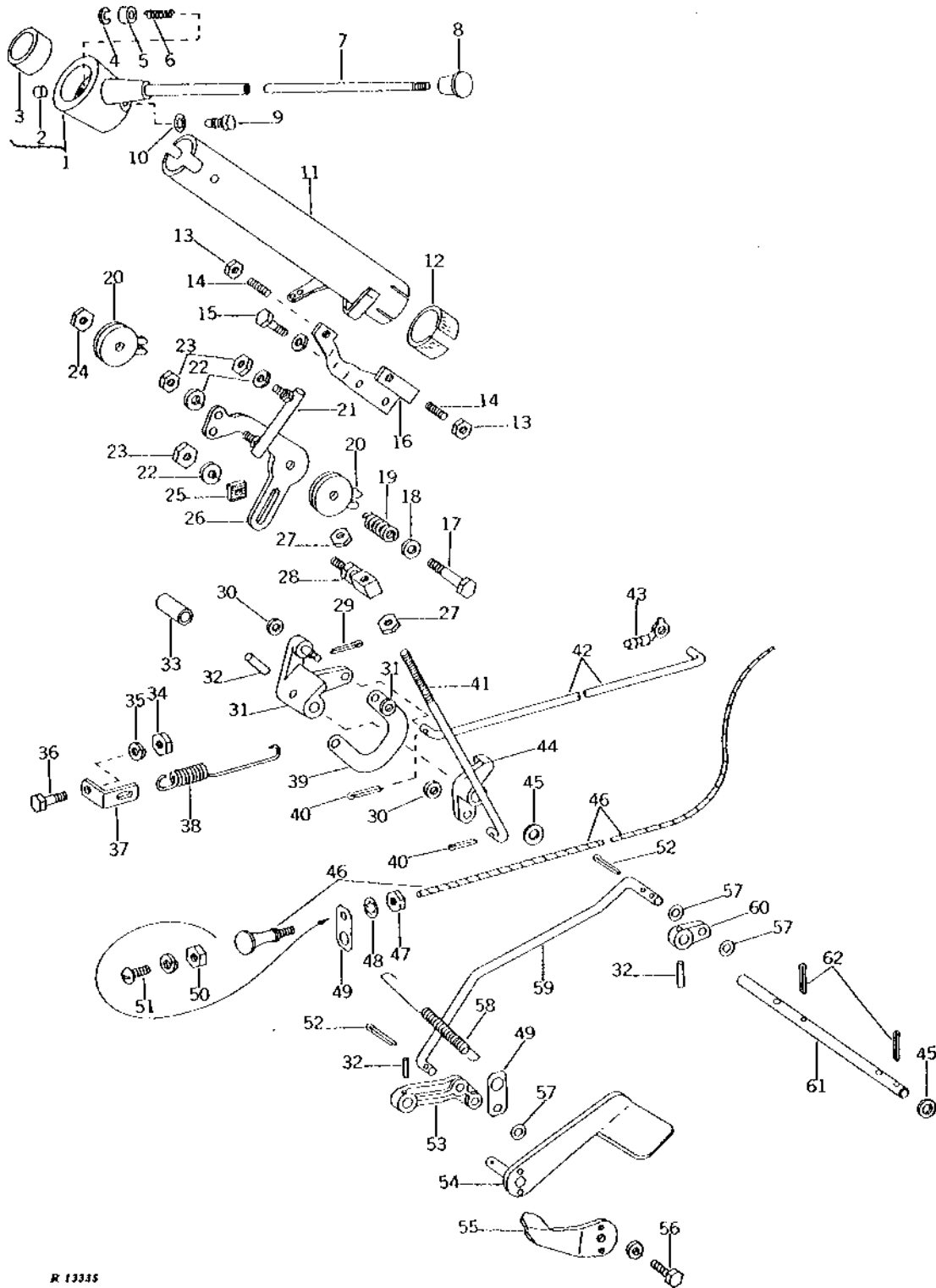
1F16

FUEL AND AIR

R13335

-UN-01JAN94

SPEED CONTROL LINKAGE (GASOLINE AND LP-GAS)



R 13335

KEY	PART NO.	PART NAME	QTY	TRACTOR SERIAL NO.	REMARKS
1	AR30472	HUB	1	(MARKED R27072)	
2	R51114	DOWEL PIN	1		
3	R27075	BUSHING	1		
4	R30828	SNAP RING	1		

1F17

FUEL AND AIR

SPEED CONTROL LINKAGE - CONTINUED (GASOLINE AND LP-GAS)

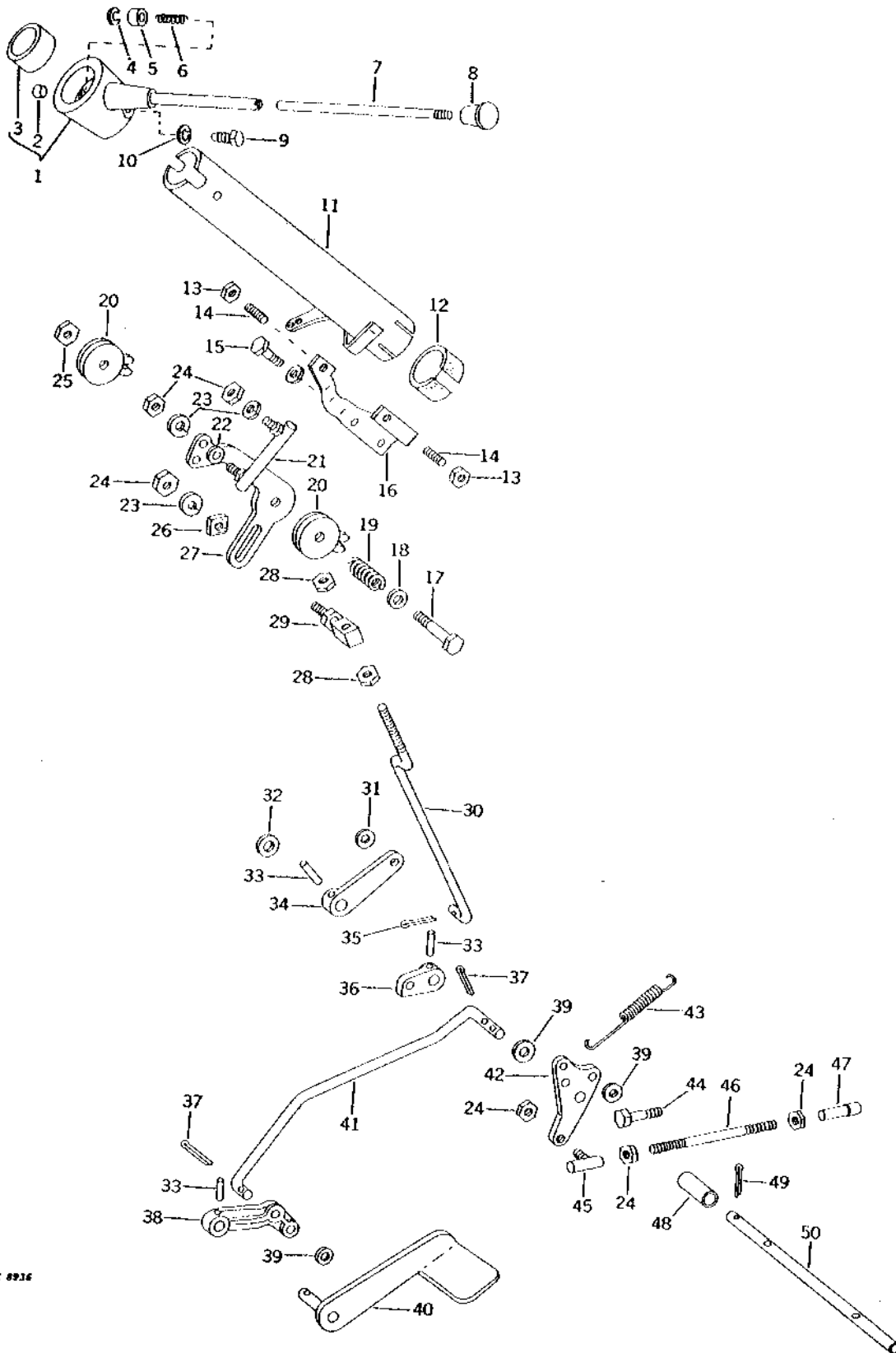
KEY	PART NO.	PART NAME	QTY	TRACTOR SERIAL NO.	REMARKS
5	R38377	WASHER	1		(ALSO ORDER R38376) (SUB FOR R26952)
6	R28009	SPRING	1		
7	R38376	LEVER	1		(ALSO ORDER R38377) (SUB FOR R26669)
8	R26670	KNOB	1		
9	R28007	BOLT	1		
10	12H310	LOCK WASHER	1		3/8"
11	AR34356	TUBE	1		
12	R26958	ISOLATOR	1		
13	14H611	NUT	2		5/16"
14	R32585	SET SCREW	2		
15	19H1731	CAP SCREW	2		3/8" X 1"
	12H304	LOCK WASHER	2		3/8"
16	R28008	BRACKET	1		HAND SPEED CONTROL
17	19H2553	CAP SCREW	1		3/8" X 2-5/8"
18	24H1305	WASHER	1		13/32" X 13/16" X 0.065"
19	R31271	SPRING	1		
20	AR32600	PLATE	2	-100275	(SUB R33976 AND R105814)
	R33976	PLATE	2	100276-	
	R39985	WASHER	2	100276-	(SUB FOR R50226, THIS APPLICATION) (SUB FOR R105814)
21	R33972	BALL JOINT	1		
22	12H302	LOCK WASHER	3		1/4"
23	14H649	NUT	3		1/4"
24	14H732	NUT	1		3/8"
25	R32305	WASHER	1		
26	R33978	LEVER	1		
27	14H850	NUT	2		1/4"
28	AH77100	BALL JOINT	1		(SUB FOR AA5302R)
29	11M7079	COTTER PIN	1		0.098" X 0.472"
30	24H1287	WASHER	3		9/32" X 5/8" X 0.065"
31	AR32603	LEVER	1		(MARKED R33988)
32	34H312	SPRING PIN	3		1/4" X 1"
33	R42113	BUSHING	1		(SUB FOR R33999) (NLA)
34	14H1076	NUT	1		3/8"
35	12H304	LOCK WASHER	1		3/8"
36	19H2021	CAP SCREW	1		3/8" X 5/8"
37	R34369	CLIP	1		
38	R33991	SPRING	1		
39	R33992	PIVOT	1		
40	11M7082	COTTER PIN	2		2.500 X 25 MM
41	R34708	BOLT	1		
42	R33993	LINE	1		
43	R26524	CLIP	1		R.H.
44	R33986	ARM	1		
45	24H1227	WASHER	2		17/32" X 13/16" X 0.060"
46	AR27301	PUSH PULL CABLE	1		(GASOLINE)
	AR27301	PUSH PULL CABLE	1	-179354	(LP-GAS)
47	14H774	NUT	1		3/8", (GASOLINE)
	14H774	NUT	1	-179354	3/8", (LP-GAS)
48	12H310	LOCK WASHER	1		3/8", (GASOLINE)
	12H310	LOCK WASHER	1	-179354	3/8", (LP-GAS)
49	A4961R	CLIP	2		
50	14H785	NUT	1	179355-	5/16", (LP-GAS)
51	21H1347	SCREW	1	179355-	5/16" X 5/8", (LP-GAS)
	12H303	LOCK WASHER	1	179355-	5/16", (LP-GAS)
52	11M7059	COTTER PIN	3		3.200 X 20 MM
53	R33994	ARM	1		
54	AR26775	PEDAL	1	-179354	(SUB AR44745)
	AR44745	PEDAL	1	179355-	
55	R42626	PEDAL	1	179355-	(LP-GAS)
56	19H1227	CAP SCREW	2	179355-	1/4" X 1/2", (LP-GAS)
	12H302	LOCK WASHER	2	179355-	1/4", (LP-GAS)
57	24H1305	WASHER	3		13/32" X 13/16" X 0.065"
58	F2762R	SPRING	1		
59	R34191	ROD	1		
60	R33983	ARM	1		
61	R33987	PIN	1		
62	11M7021	COTTER PIN	2		0.157" X 0.984"
..	R34811	GROMMET	2		
..	34H282	SPRING PIN	2		3/16" X 1"

1F18

R8936

-UN-01JAN94

SPEED CONTROL LINKAGE (DIESEL)



1F19

FUEL AND AIR

SPEED CONTROL LINKAGE - CONTINUED (DIESEL)

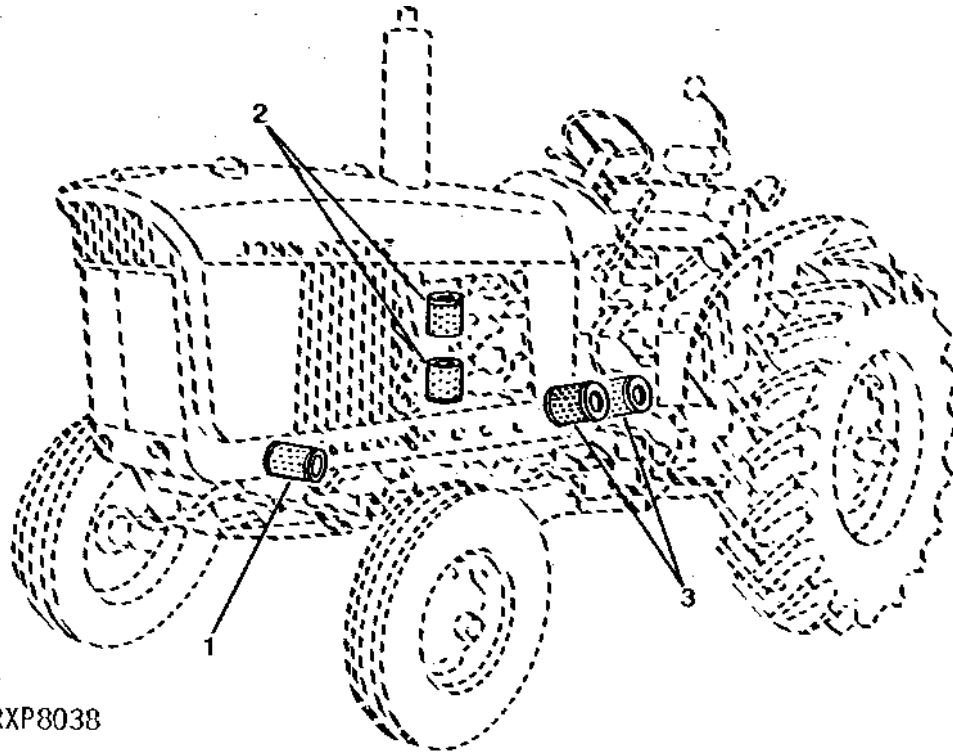
KEY	PART NO.	PART NAME	QTY	TRACTOR SERIAL NO.	REMARKS
1	AR30472	HUB	1		(MARKED R27072)
2	R51114	DOWEL PIN	1		
3	R27075	BUSHING	1		
4	R30828	SNAP RING	1		
5	R38377	WASHER	1		(ALSO ORDER R38376) (SUB R26952)
6	R28009	SPRING	1		
7	R38376	LEVER	1		(ALSO ORDER R38377) (SUB FOR R26669)
8	R26670	KNOB	1		
9	R28007	BOLT	1		
10	12H310	LOCK WASHER	1		3/8"
11	AR34356	TUBE	1		
12	R26958	ISOLATOR	1		
13	14H611	NUT	2		5/16"
14	R32585	SET SCREW	2		
15	19H1731	CAP SCREW	2		3/8" X 1"
	12H304	LOCK WASHER	2		3/8"
16	R28008	BRACKET	1		
17	19H2553	CAP SCREW	1		3/8" X 2-5/8"
18	24H1305	WASHER	1		13/32" X 13/16" X 0.065"
19	R31271	SPRING	1		
20	AR32600	PLATE	2	-100275	(SUB R33976 AND R39985)
	R33976	PLATE	2	100276-	
	R50226	WASHER	2	100276-	(SUB FOR R39985) (SUB R105812)
21	R33972	BALL JOINT	1		
22	NUT	1		(NO LONGER REQUIRED)
23	12H302	LOCK WASHER	3		1/4"
24	14H649	NUT	6		1/4"
25	14H732	NUT	1		3/8"
26	R32305	WASHER	1		
27	R33978	LEVER	1		
28	14H850	NUT	2		1/4"
29	AH77100	BALL JOINT	1		(SUB FOR AA5302R)
30	R34707	ROD	1		
31	24H1287	WASHER	1		9/32" X 5/8" X 0.065"
32	24H1227	WASHER	1		17/32" X 13/16" X 0.060"
33	34H312	SPRING PIN	3		1/4" X 1"
34	R33996	ARM	1		
35	11M7082	COTTER PIN	1		2.500 X 25 MM
36	R33983	ARM	1		
37	11M7059	COTTER PIN	3		3.200 X 20 MM
38	R33994	ARM	1		
39	24H1305	WASHER	3		13/32" X 13/16" X 0.065"
40	AR44745	PEDAL	1		(SUB FOR AR26775)
41	R34191	ROD	1		
42	R33998	LEVER	1		
43	M71232	EXTENSION SPRING	1		(SUB FOR R34000)
44	19H1738	CAP SCREW	1		1/4" X 2"
45	T23688	BALL JOINT	1		(SUB FOR AL2096T)
46	R34001	STUD	1		
47	R36123	BALL JOINT	1		
48	R42113	BUSHING	1		(SUB FOR R33999)
49	11M7021	COTTER PIN	1		0.157" X 0.984"
50	R33997	SHAFT	1		
..	R34811	GROMMET	2		

1F20

FUEL AND AIR

RXP8038 -UN-01JAN94

FILTERS



RXP8038

KEY	PART NO.	PART NAME	QTY	TRACTOR SERIAL NO.	REMARKS
1	AR26350	OIL FILTER	1		ENGINE
2	AR45097	FUEL FILTER	2		DIESEL FUEL (SCREW TYPE)
	AR44077	FILTER ELEMENT	2		DIESEL FUEL
3	AR75603	FILTER ELEMENT	1		SYNCRO-RANGE TRANSMISSION
	AR75603	FILTER ELEMENT	2		POWER SHIFT TRANSMISSION

MEMORANDA

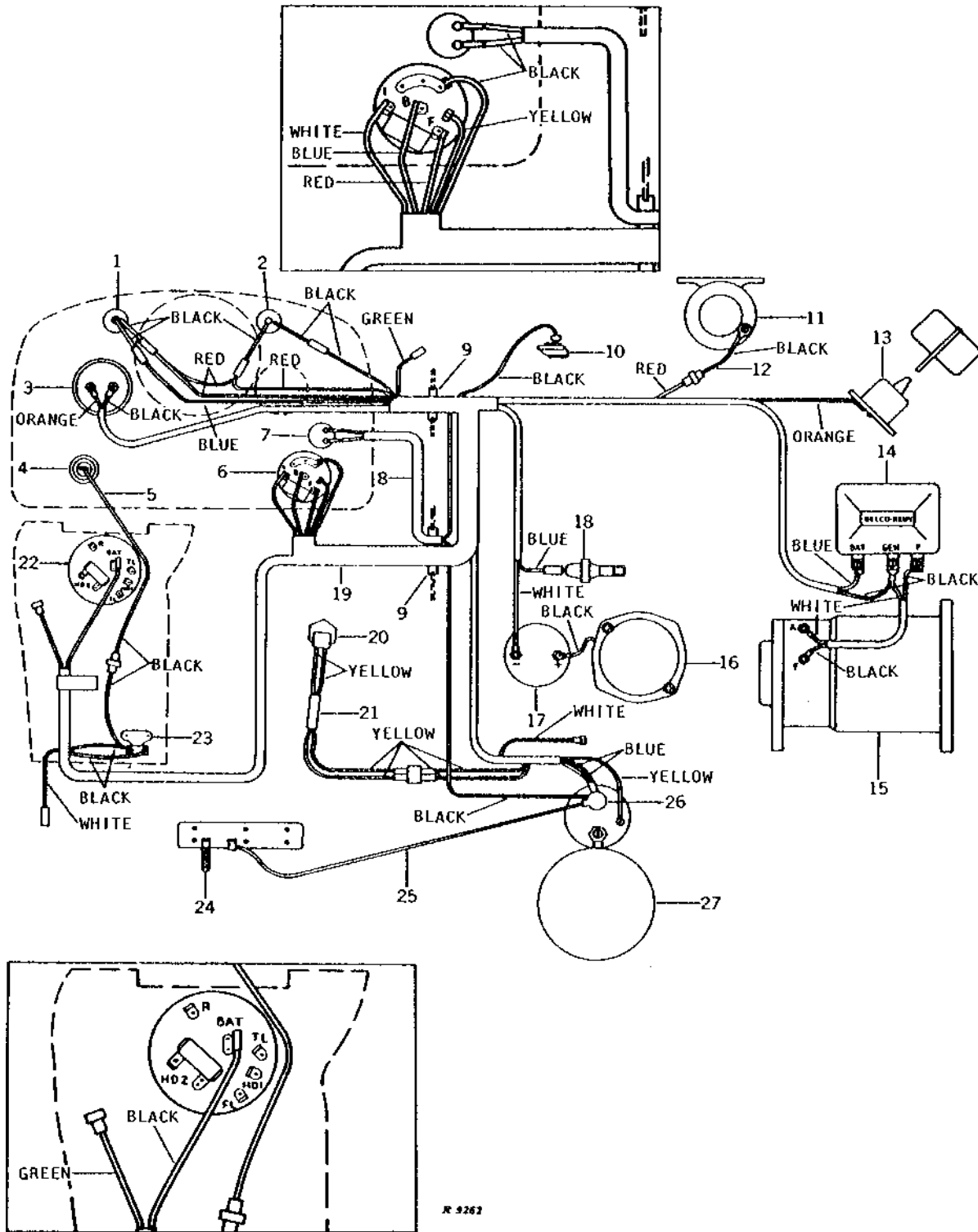
2B7

ELECTRICAL

GENERATOR, IGNITION AND STARTER WIRING (GASOLINE/LP-GAS)(TRACTOR SERIAL NO. 065000-090999)

R9262

-UN-01JAN94



R 9262

**GENERATOR, IGNITION AND STARTER WIRING - CONTINUED
(GASOLINE/LP-GAS)(TRACTOR SERIAL NO. 065000-090999)**

KEY	PART NO.	PART NAME	QTY	TRACTOR SERIAL NO.	REMARKS
1	AR27944	LAMP	1		ENGINE OIL PRESSURE, (SUB AT48674, AR55694, AT44165 AND R30378)
2	AT14699	LAMP	1		GENERATOR
3	RE54427	GAUGE	1		FUEL, (SUB FOR R34262 OR AT27153, THIS APPLICATION)
4	AR48643	LIGHTER	1		(SUB FOR AR34556)
5	WIRING LEAD	1		305MM (12")CIGAR LIGHTER TO CIRCUIT BREAKER, (MAKE FROM R66319, R32018, R32025 AND R32027)
6	AR26528	SWITCH	1		IGNITION AND STARTER
7	AR21823	SWITCH	1		HORN
8	R34702	WIRING HARNESS	1		HORN
9	R26936	GROMMET	2		MAIN HARNESS TO HOOD BAFFLE
10	AT39043	HIGH NOTE HORN	1		(LOW NOTE, 12-VOLT) (SUB FOR R11276)
11	AR52765	STRAINER	1		FUEL, (SUB FOR AR26437) (LP-GAS)
12	WIRING LEAD	1		203MM (8") FUEL STRAINER (LP-GAS) (MAKE FROM R66319, R32016, R32025 AND R32027)
13	AR26434	SENDER	1		FUEL GAUGE, (GASOLINE)
	AR26696	SENDER	1		FUEL GAUGE, (LP-GAS)
14	AR11304	REGULATOR	1		(12-VOLT) (DELCO-REMY NO. 1119135) (SUB AR40170)
15	AR33879	GENERATOR	1		(12-VOLT) (DELCO-REMY NO. 1100413) (SUB FOR AR11303 OR AR59295) (SUB TY1439)
16	TY15857	IGNITION DISTRIBUTOR	1		(DELCO-REMY NO. 1112466) (SUB FOR AR11146 OR AR47947)
17	AR46064	ELECTRICAL COIL	1		(6-VOLT) (SUB FOR AM373T)
18	AR27977	TOUCH SWITCH	1		PRESSURE ENGINE OIL INDICATOR
	AR45694	WIRING LEAD	1		OIL PRESSURE SWITCH
19	R34277	WIRING HARNESS	1		MAIN, (SUB AR47661)
	R27539	CLAMP	1		MAIN HARNESS TO CONTROL SUPPORT
	21H1304	SCREW	1		5/16" X 3/4"
	12M7032	LOCK WASHER	1		0.331"
	14H785	NUT	1		5/16"
	R20847	CLIP	2		MAIN HARNESS TO HOOD BAFFLE
	R44302	TIE BAND	5		MAIN HARNESS TO STEERING OIL PIPES, (SUB FOR R27457)
	T13814	CLAMP	1		MAIN HARNESS TO L.H. DASH TO CONTROL SUPPORT SCREW
	B1828R	BUSHING	1		MAIN HARNESS TO L.H. DASH TO CONTROL SUPPORT SCREW
	24H1302	WASHER	1		13/32" X 11/16" X 0.035"
20	RE38390	SWITCH	1		NEUTRAL START, (SUB FOR R36265, AR85323, AT85153 OR AR89691)
21	R33770	WIRING HARNESS	1		(POWER SHIFT) NEUTRAL START SWITCH TO MAIN HARNESS
	R33823	WIRING HARNESS	1		(SYNCRO-RANGE) NEUTRAL START SWITCH TO MAIN HARNESS
	R44302	TIE BAND	AR		(SUB FOR R27457) (1 USED POWER SHIFT, 3 USED SYNCRO-RANGE) NEUTRAL START SWITCH HARNESS TO BATTERY CABLE
22	AR28401	SWITCH	1		LIGHT
23	AR28403	CIRCUIT BREAKER	1		
24	AR26619	GROUND CABLE	1		POSITIVE, L.H.
	24M7096	WASHER	1		10.500 X 18 X 1.600 MM, GROUND CABLE TO TRANSMISSION
25	AR28950	CABLE	1		NEGATIVE, L.H.
	R34559	CLAMP	1		(POWER SHIFT)
	T13814	CLAMP	1		
	19H1936	CAP SCREW	1		3/8" X 3/4"
	12H304	LOCK WASHER	1		3/8"
	24H1302	WASHER	1		13/32" X 11/16" X 0.035"
	R183R	CLIP	1		(SYNCRO-RANGE)
26	R30964	COVER	1		STARTER TERMINAL
27	AR11160	STARTER	1		(12-VOLT) (GASOLINE) (DELCO-REMY NO. 1107785) (SUB FOR AR11300) (SUB TY6691)
	AR11161	STARTER	1		(12-VOLT) (LP-GAS) (DELCO-REMY NO. 1107578) (SUB FOR AR11305) (SUB TY6722)
	AR60085	STARTER	1		(12-VOLT) (LP-GAS) (DELCO-REMY NO. 1109147) (SUB TY6722)

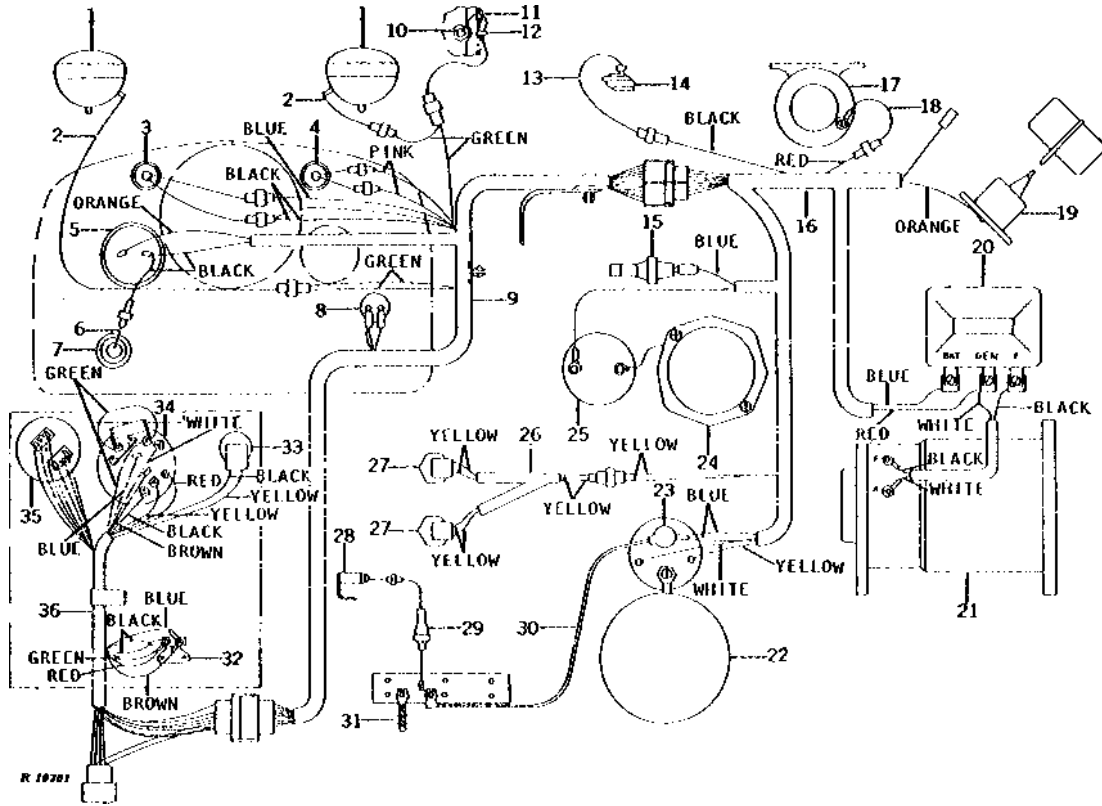
2B9

ELECTRICAL

GENERATOR, IGNITION, AND STARTER WIRING (GASOLINE/LP-GAS)(TRACTOR SERIAL NO. 091000-)

R10201

-UN-01JAN94



KEY	PART NO.	PART NAME	QTY	TRACTOR SERIAL NO.	REMARKS
1	AT13381	LAMP	2		SIDE (12-VOLT) (RC LESS FENDERS AND HC)
	24H1111	WASHER	2		(RC LESS FENDERS AND HC)
	12H301	LOCK WASHER	2		1/2"
	14H1040	NUT	2		1/2"
2	WIRING LEAD	2		686MM (27") SIDE LAMP (RC LESS FENDERS AND HC) (MAKE FROM R66319, R32016, R32025 AND R32027)
3	R26941	GROMMET	2		(RC LESS FENDERS AND HC)
	AR27944	LAMP	1		ENGINE OIL PRESSURE, (SUB AT48674, AR55694, AT44165 AND R30378)
4	AT14699	LAMP	1		INDICATOR GENERATOR
5	RE54427	GAUGE	1		(SUB FOR R34262, THIS APPLICATION) FUEL
6	WIRING LEAD	1		305MM (12") CIGAR LIGHTER, (MAKE FROM R66319, R32018 AND R32027)
7	AR48643	LIGHTER	1		CIGAR (12-VOLT) (SUB FOR AR34556)
8	AR21823	SWITCH	1		HORN
9	AR47686	WIRING HARNESS	1		INSTRUMENT, (SUB FOR R39641 OR AR44953)
	R27539	CLAMP	1		
	21H1304	SCREW	1		5/16" X 3/4"
	12M7032	LOCK WASHER	1		0.331"
	T13814	CLAMP	1		
	B1828R	BUSHING	1		
	24H1302	WASHER	1		13/32" X 11/16" X 0.035"
10	AR33479	LAMP	1		DASH
11	A3411R	GROMMET	1		
12	F2084R	CLIP	1		
13	R39650	WIRING HARNESS	1		HORN

2B10

ELECTRICAL

**GENERATOR, IGNITION, AND STARTER WIRING -CONTINUED
(GASOLINE/LP-GAS)(TRACTOR SERIAL NO. 091000-)**

KEY	PART NO.	PART NAME	QTY	TRACTOR SERIAL NO.	REMARKS
14	AT39043	HIGH NOTE HORN	1		(LOW NOTE, 12-VOLT) (SUB FOR R11276)
15	AR27977	TOUCH SWITCH	1		ENGINE OIL INDICATOR
	AR45694	WIRING LEAD	1		OIL PRESSURE SWITCH
16	R39644	WIRING HARNESS	1		(SUB AR47663)
	R44302	TIE BAND	5		(SUB FOR R27457)
	R32320	CLIP	2		
17	AR52765	STRAINER	1		FUEL (LP-GAS) (SUB FOR AR26437)
18	WIRING LEAD	1		203MM (8") FUEL STRAINER, (MAKE FROM R66319, R32016, R32025 AND R32027)
19	AR26434	SENDER	1		FUEL GAUGE (GASOLINE)
	AR26696	SENDER	1		FUEL GAUGE (LP-GAS)
20	AR40170	VOLTAGE REGULATOR	1		(12-VOLT) (DELCO-REMY NO. 1118896) (SUB FOR AR11304) (DELCO-REMY NO.1119135)
21	AR33879	GENERATOR	1		(12-VOLT) (DELCO-REMY NO. 1100413) (SUB FOR AR11303 OR AR59295) (SUB TY1439)
22	AR11160	STARTER	1		(12-VOLT) (GASOLINE) (DELCO-REMY NO. 1107350) (SUB TY6691)
	AR60085	STARTER	1		(12-VOLT) (LP-GAS) (DELCO-REMY NO. 1109147) (SUB FOR AR11161) (SUB TY6722)
23	R30964	COVER	1		STARTER TERMINAL
24	TY15857	IGNITION DISTRIBUTOR	1		(DELCO-REMY NO. 1112466) (SUB FOR AR11146 OR AR47947)
25	AR46064	ELECTRICAL COIL	1		(6-VOLT) (SUB FOR AM373T)
26	R34869	WIRING HARNESS	1		(POWER SHIFT) NEUTRAL START SWITCH TO ENGINE HARNESS
	R33823	WIRING HARNESS	1		(SYNCRO-RANGE) NEUTRAL START SWITCH TO ENGINE HARNESS
	R44302	TIE BAND	AR		(SUB FOR R27347 OR R1646R) (1 USED POWER SHIFT, 3 USED SYNCRO-RANGE) NEUTRAL START SWITCH HARNESS TO BATTERY CABLE
27	RE38390	SWITCH	AR		NEUTRAL START, (SUB FOR R36265, AR85323 OR AR89691) (1 USED SYNCRO-RANGE, 2 USED POWER SHIFT)
28	AR26571	SOCKET	1		
	WIRING LEAD	1	197457-	432MM (17") ELECTRICAL OUTLET SOCKET, (MAKE FROM R66319, R32024, R32025 AND (2) R32027)
	21H1301	SCREW	2		0.190" X 1/2"
	12M7060	WASHER	2		0.209"
	14H778	NUT	2		0.190"
	AR40710	PLUG	1		(SUB FOR AA5691R)
	AA5692R	ELECTRICAL PLUG	1		
29	AR26756	WIRING LEAD	1		
	F2084R	CLIP	1		(ST)
30	AR28950	CABLE	1		(RC AND HC)
	R39714	CABLE	1		(RC WITH CABS) NEGATIVE, L.H.
	R39714	CABLE	1	-197456	(ST) NEGATIVE, L.H.
	AR28950	CABLE	1	197457-	(ST)
	R34559	CLAMP	1		(POWER SHIFT)
	R34557	CLAMP	1		
	19H1936	CAP SCREW	1		3/8" X 3/4"
	12H304	LOCK WASHER	1		3/8"
31	AR26619	GROUND CABLE	1		(RC AND HC) POSITIVE, L.H.
	AR42275	CABLE	1		(RC WITH CABS) POSITIVE, L.H.
	AM348T	GROUND CABLE	1	-197456	(ST) POSITIVE, L.H.
	R32522	CABLE	1	197457-	(ST) POSITIVE, L.H.
32	AR28403	CIRCUIT BREAKER	1		
33	R39554	SWITCH	1		STARTER, (ALSO ORDER AR47374) (SUB FOR AR47373)
34	AR41288	SWITCH	1		LIGHT, (SUB FOR R39551)
35	AR39505	SWITCH	1		KEY
36	AR47685	WIRING HARNESS	1		(SUB FOR R39555 OR AR44952)

RC-ROW-CROP, ST-STANDARD OR HC-HI-CROP

2B11

ELECTRICAL

GENERATOR, IGNITION, AND STARTER WIRING(NOT ILLUSTRATED) - CONTINUED
(GASOLINE/LP-GAS)(TRACTOR SERIAL NO. 091000-)

KEY	PART NO.	PART NAME	QTY	TRACTOR SERIAL NO.	REMARKS
..	AR40613	CABLE	1		(A) (RC AND HC) NEGATIVE, R.H.
..	AR40614	CABLE	1		(A) (RC AND HC) POSITIVE, R.H.
..	AR40615	CABLE	1	-197456	(A) (ST) NEGATIVE, R.H.
..	AM348T	GROUND CABLE	1	-197456	(A) (ST) POSITIVE, R.H.
..	AR35213	CABLE	1	197457-	(A) (ST) POSITIVE, R.H.
..	RE21742	CABLE	1	197457-	(A) (SUB FOR AA4039R) (ST) BATTERY CONNECTOR
..	R34558	CLAMP	1		(A) BATTERY CABLE TO CLUTCH HOUSING
..	R34557	CLAMP	2		(A) BATTERY CABLE TO TRANSMISSION CASE COVER
..	R34557	CLAMP	1	-197456	(A) (ST) BATTERY CABLE TO BATTERY BOX
..	B1828R	BUSHING	4		(A) CABLE CLAMP TO TRANSMISSION CASE COVER

(A) PARTS USED ON LP-GAS TRACTORS EQUIPPED WITH HIGH-ALTITUDE PISTONS AND AN EXTRA BATTERY.

RC-ROW-CROP, ST-STANDARD OR HC-HI-CROP

MEMORANDA

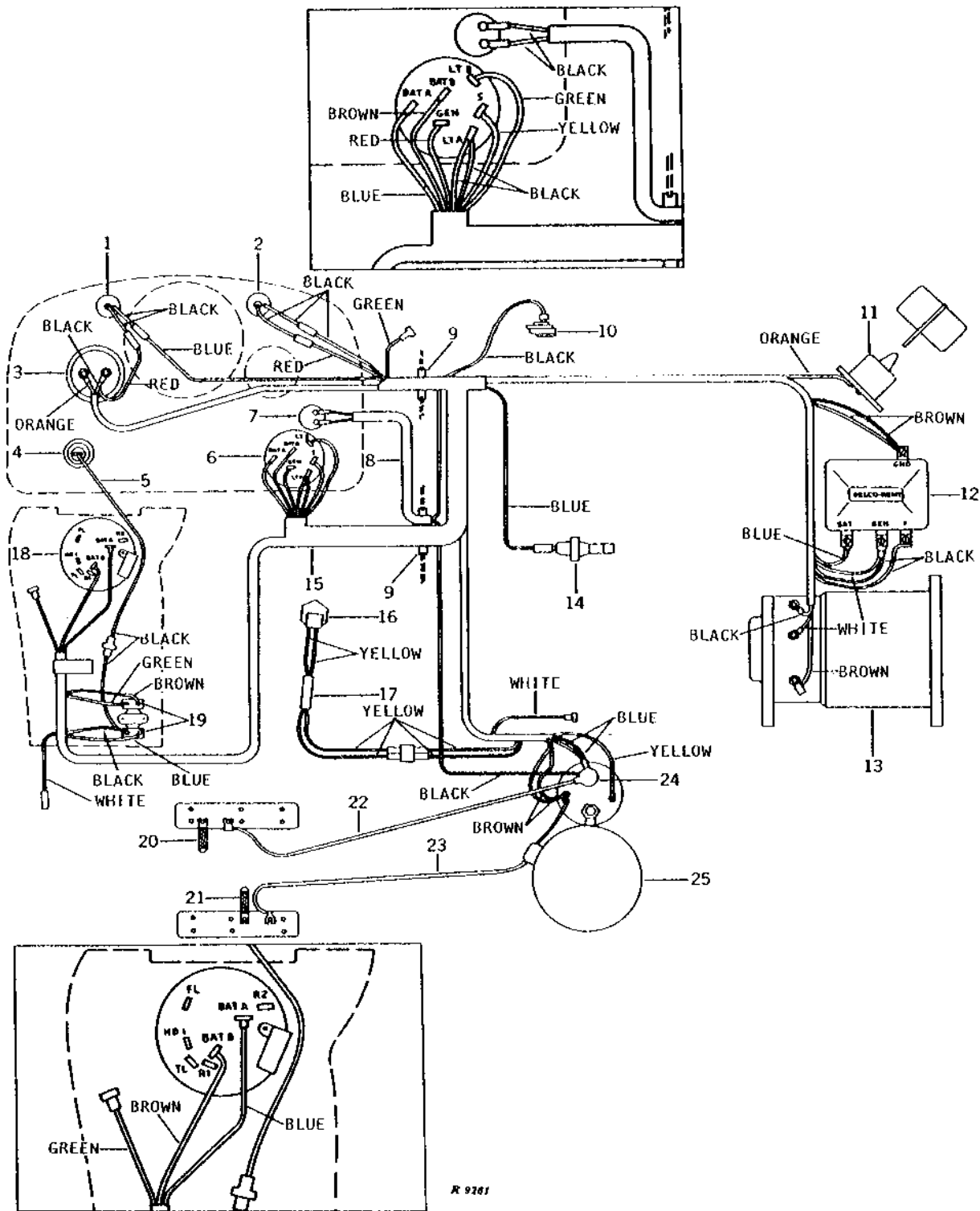
2B12

ELECTRICAL

GENERATOR AND STARTER WIRING (DIESEL)(TRACTOR SERIAL NO. 065000-090999)

R9261

-UN-01JAN94



**GENERATOR AND STARTER WIRING - CONTINUED
(DIESEL)(TRACTOR SERIAL NO. 065000-090999)**

KEY	PART NO.	PART NAME	QTY	TRACTOR SERIAL NO.	REMARKS
1	AR27944	LAMP	1		ENGINE OIL PRESSURE, (SUB AT48674, AR55694, AT44165 AND R30378)
2	AT14699	LAMP	1		GENERATOR
3	RE54427	GAUGE	1		(SUB FOR R34262, THIS APPLICATION) FUEL
4	AR48643	LIGHTER	1		CIGAR, (SUB FOR AR34556)
5	WIRING LEAD	1		305MM (12") CIGAR LIGHTER TO CIRCUIT BREAKER, (MAKE FROM R66319, R32018, R32025 AND R32027)
6	AR26557	SWITCH	1		STARTER
7	AR21823	SWITCH	1		HORN
8	R34702	WIRING HARNESS	1		HORN
9	R26936	GROMMET	2		
10	AT39043	HIGH NOTE HORN	1		(LOW NOTE, 12-VOLT) (SUB FOR R11276)
11	AR26434	SENDER	1		FUEL GAUGE
12	AR30155	VOLTAGE REGULATOR	1		(24-VOLT) (DELCO-REMY NO. 1119282)
13	AR11302	GENERATOR	1		(SUB TY1447) (24-VOLT) (DELCO-REMY NO. 1103026)
14	AR27977	TOUCH SWITCH	1		ENGINE OIL INDICATOR
	AR45694	WIRING LEAD	1		OIL PRESSURE SWITCH
15	R34278	WIRING HARNESS	1		(SUB AR47660)
	R27539	CLAMP	1		
	21H1304	SCREW	1		5/16" X 3/4"
	12M7032	LOCK WASHER	1		0.331"
	14H785	NUT	1		5/16"
	R20847	CLIP	2		
	R44302	TIE BAND	5		(SUB FOR R27457)
	T13814	CLAMP	1		
	B1828R	BUSHING	1		
	24H1302	WASHER	1		13/32" X 11/16" X 0.035"
16	RE38390	SWITCH	1		NEUTRAL START, (SUB FOR R36265, AR85323 OR AR89691)
17	R33770	WIRING HARNESS	1		(A) NEUTRAL START SWITCH TO MAIN HARNESS
	R33823	WIRING HARNESS	1		(B) NEUTRAL START SWITCH TO MAIN HARNESS
	R44302	TIE BAND	AR		(SUB FOR R27457) (1 USED POWER SHIFT, 3 USED SYNCRO-RANGE)
18	AR28402	SWITCH	1		LIGHT
19	AR28403	CIRCUIT BREAKER	2		
20	AR26619	GROUND CABLE	1		POSITIVE, L.H.
	24M7096	WASHER	1		10.500 X 18 X 1.600 MM
21	AR26622	GROUND CABLE	1		NEGATIVE, R.H.
	24M7096	WASHER	1		10.500 X 18 X 1.600 MM
22	AR28950	CABLE	1		NEGATIVE, L.H.
	R34559	CLAMP	1		(A)
	T13814	CLAMP	1		
	19H1936	CAP SCREW	1		3/8" X 3/4"
	12H304	LOCK WASHER	1		3/8"
	24H1302	WASHER	1		13/32" X 11/16" X 0.035"
	R183R	CLIP	1		(B)
23	R34555	CABLE	1		(A) POSITIVE, R.H.
	AR26621	CABLE	1		(B) POSITIVE, R.H.
	R35668	CLAMP	1		(A)
	19H1936	CAP SCREW	1		(A) 3/8" X 3/4"
	12H304	LOCK WASHER	1		3/8"
	T13814	CLAMP	2		(A)
	B1828R	BUSHING	2		(A)
	19H1732	CAP SCREW	2		(A) 3/8" X 1-1/4"
	12H304	LOCK WASHER	2		(A) 3/8"
	24H1302	WASHER	2		(A) 13/32" X 11/16" X 0.035"
	T13814	CLAMP	2		(B)
	19H1936	CAP SCREW	1		(B) 3/8" X 3/4"
	12H304	LOCK WASHER	1		(B) 3/8"
24	R30964	COVER	2		
25	AR11138	STARTER	1		(24-VOLT) (DELCO-REMY NO. 1113148) (SUB TY6703)

(A) POWER SHIFT

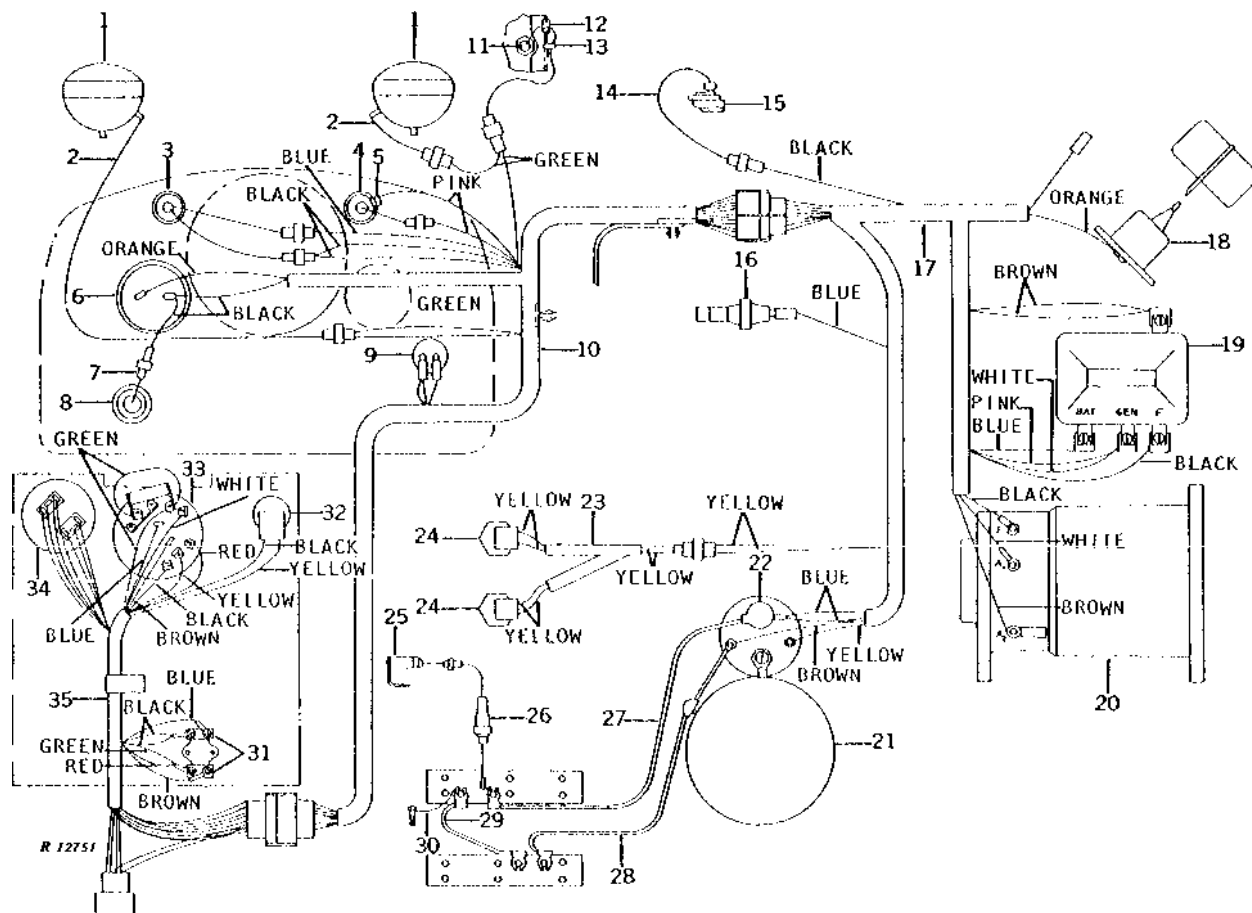
(B) SYNCRO-RANGE

2B14

ELECTRICAL

GENERATOR AND STARTER WIRING (DIESEL)(TRACTOR SERIAL NO. 091000-)

R12751 -UN-01JAN94



KEY	PART NO.	PART NAME	QTY	TRACTOR SERIAL NO.	REMARKS
1	AT13381	LAMP	2		SIDE (12-VOLT) (RC LESS FENDERS AND HC)
	24H1111	WASHER	2		(RC LESS FENDERS AND HC)
	12H301	LOCK WASHER	2		1/2"
	14H1040	NUT	2		1/2"
2	WIRING LEAD	2		686MM (27") SIDE LAMP (RC LESS FENDERS AND HC) (MAKE FROM R66319, R32016, R32025 AND R32027)
	R26941	GROMMET	2		(RC LESS FENDERS AND HC)
3	AR27944	LAMP	1		ENGINE OIL PRESSURE, (SUB AT48674, AR55694, AT44165 AND R30378)
4	AT14699	LAMP	1		GENERATOR
5	R39550	RESISTOR	1		GENERATOR INDICATOR LAMP
6	RE54427	GAUGE	1		(SUB FOR R34262, THIS APPLICATION) FUEL
7	WIRING LEAD	1		305MM (12") CIGAR LIGHTER, (MAKE FROM R32007, R32018, R32025 AND R32027)
8	AR48643	LIGHTER	1		(12-VOLT) (SUB FOR AR34556)
9	AR21823	SWITCH	1		HORN
10	AR47686	WIRING HARNESS	1		INSTRUMENT, (SUB FOR R39641 OR AR44953)
	R27539	CLAMP	1		
	21H1304	SCREW	1		5/16" X 3/4"
	12M7032	LOCK WASHER	1		0.331"
	T13814	CLAMP	1		
	B1828R	BUSHING	1		
	24H1302	WASHER	1		13/32" X 11/16" X 0.035"

**GENERATOR AND STARTER WIRING - CONTINUED
(DIESEL)(TRACTOR SERIAL NO. 091000-)**

KEY	PART NO.	PART NAME	QTY	TRACTOR SERIAL NO.	REMARKS
11	AR33479	LAMP	1		DASH
12	A3411R	GROMMET	1		
13	F2084R	CLIP	1		
14	R39650	WIRING HARNESS	1		HORN
15	AT39043	HIGH NOTE HORN	1		(LOW NOTE, 12-VOLT) (SUB FOR R11276)
16	AR27977	TOUCH SWITCH	1		ENGINE OIL INDICATOR
	AR45694	WIRING LEAD	1		OIL PRESSURE SWITCH
17	AR44954	WIRING HARNESS	1		(SUB FOR R39645) (SUB AR47662)
	R44302	TIE BAND	5		(SUB FOR R27457)
	R32320	CLIP	2		
18	AR26434	SENDER	1		FUEL GAUGE
19	AR30155	VOLTAGE REGULATOR	1		(24-VOLT) (DELCO-REMY NO.1119282)
20	AR11302	GENERATOR	1		(SUB TY1447) (24-VOLT) (DELCO-REMY NO.1103026)
21	AR40134	STARTER	1		(24-VOLT) (DELCO-REMY NO. 1113190) (SUB FOR AR11138) (SUB TY6703) (DELCO-REMY NO.1113148)
22	R30964	COVER	2		STARTER TERMINAL
23	R34869	WIRING HARNESS	1		(POWER SHIFT) NEUTRAL START SWITCH TO ENGINE HARNESS
	R33823	WIRING HARNESS	1		(SYNCRO-RANGE) NEUTRAL START SWITCH TO ENGINE HARNESS
	R44302	TIE BAND	AR		(SUB FOR R27457 OR R1646R) (1 USED POWER SHIFT, 3 USED SYNCRO-RANGE)
24	RE38390	SWITCH	AR		NEUTRAL START, (SUB FOR R36265, AR85323 OR AR89691) (1 USED SYNCRO-RANGE, 2 USED POWER SHIFT)
25	AR26571	SOCKET	1		
.....		WIRING LEAD	1	179457-	432MM (17") (MAKE FROM R66319, R32024, R32025 AND (2) R32027)
	21H1301	SCREW	2		0.190" X 1/2"
	12M7060	WASHER	2		0.209"
	14H778	NUT	2		0.190"
	AR40710	PLUG	1		(SUB FOR AA5691R)
	AA5692R	ELECTRICAL PLUG	1		
26	AR26756	WIRING LEAD	1		
	F2084R	CLIP	1		(ST)
27	AR28950	CABLE	1		(RC AND HC) NEGATIVE, L.H.
	R39714	CABLE	1		(RC) (WITH CAB) NEGATIVE, L.H.
	R39714	CABLE	1	-179456	(ST) NEGATIVE, L.H.
	AR28950	CABLE	1	179457-	(ST) NEGATIVE, L.H.
	R34559	CLAMP	1		(POWER SHIFT)
	R34558	CLAMP	1		
	19H1936	CAP SCREW	1		3/8" X 3/4"
	12H304	LOCK WASHER	1		3/8"
	R44302	TIE BAND	1		(SUB FOR R1646R)
28	AR40408	CABLE	1		POSITIVE, R.H. (SUB FOR R39719) (RC AND HC) (70" WITH STRAIGHT END)
	AR45923	CABLE	1		POSITIVE, R.H. (RC AND HC) (70" WITH 90° END)
	R39715	CABLE	1		POSITIVE, R.H. (RC) (WITH CAB)
	R39715	CABLE	1	-179456	(ST) POSITIVE, R.H.
	AR35213	CABLE	1	179457-	(ST) POSITIVE, R.H.
	R34558	CLAMP	2		
	19H1726	CAP SCREW	1		3/8" X 2-1/4"
	12H304	LOCK WASHER	1		3/8"
	B1828R	BUSHING	2		
	24H1302	WASHER	1		13/32" X 11/16" X 0.035"
29	AR40409	CABLE	1		(SUB FOR R39712) (RC AND HC)
	R39716	CABLE	1		(RC) (WITH CAB)
	R39716	CABLE	1	-179456	(ST)
	RE21742	CABLE	1	179457-	(SUB FOR AA4039R) (ST)
30	R39713	WIRING LEAD	1		BATTERY GROUND
31	AR28403	CIRCUIT BREAKER	2		
32	R39554	SWITCH	1		STARTER, (ALSO ORDER AR47374) (SUB FOR AR47373)
33	AR41288	SWITCH	1		LIGHT, (SUB FOR R39551)
34	AR39505	SWITCH	1		KEY
35	AR47685	WIRING HARNESS	1		(SUB FOR R39555 OR AR44952)

RC-ROW-CROP, ST-STANDARD OR HC-HI-CROP

2B16

ELECTRICAL

**MAIN WIRING REPLACEMENT KIT(NOT ILLUSTRATED)
(GASOLINE/LP-GAS)(TRACTOR SERIAL NO. 065000-090999)**

KEY	PART NO.	PART NAME	QTY	TRACTOR SERIAL NO.	REMARKS
..	AR47696	LUBRICATION HARNESS	1		MAIN
..	R33770	WIRING HARNESS	1		NEUTRAL START SWITCH (POWER SHIFT)
..	R34869	WIRING HARNESS	1		NEUTRAL START SWITCH (POWER SHIFT)
..	R33823	WIRING HARNESS	1		NEUTRAL START SWITCH
..	AR47710	CIRCUIT BREAKER	1		(A)
..	R45643	BRACKET	1		(A) CIRCUIT BREAKER
..	21H1282	SCREW	2		(A) 0.190" X 7/8"
..	12H246	LOCK WASHER	2		(A) 0.190"
..	14H631	NUT	2		(A) 0.190"
..	R44302	TIE BAND	10		(A)
..	WIRING LEAD	2		(A) 305MM (12") CIRCUIT BREAKER TO STARTING MOTOR, (MAKE FROM R66320, R32019 AND R32022)
..	R41439	GROMMET	5		(A)
..	AR47661	KIT	1		(INCLUDES ALL ITEMS LISTED ABOVE WITH INSTRUCTIONS)

(A) AR47675 CIRCUIT BREAKER KIT CONSISTS OF THESE PARTS.

2B17

ELECTRICAL

ENGINE, SWITCH, AND INSTRUMENT PANEL WIRING REPLACEMENT KIT(NOT ILLUSTRATED)
(GASOLINE/LP-GAS)(TRACTOR SERIAL NO.091000-)

KEY	PART NO.	PART NAME	QTY	TRACTOR SERIAL NO.	REMARKS
..	AR47698	WIRING HARNESS	1	ENGINE	
..	AR47685	WIRING HARNESS	1	SWITCH	
..	AR47686	WIRING HARNESS	1	INSTRUMENT	
..	R34869	WIRING HARNESS	1	(POWER SHIFT) NEUTRAL START SWITCH	
..	R33823	WIRING HARNESS	1	(SYNCRO-RANGE) NEUTRAL START SWITCH	
..	AR47710	CIRCUIT BREAKER	1	(A)	
..	R45643	BRACKET	1	(A)	
..	21H1282	SCREW	2	(A) 0.190" X 7/8"	
..	12H246	LOCK WASHER	2	(A) 0.190"	
..	14H631	NUT	2	(A) 0.190"	
..	R44302	TIE BAND	10	(A)	
..	WIRING LEAD	2	(A) 305MM (12") CIRCUIT BREAKER TO STARTING MOTOR, (MAKE FROM R66320, R32019 AND R32022)	
..	R41439	GROMMET	5	(A)	
..	AR47663	KIT	1	(INCLUDES ALL ITEMS LISTED ABOVE WITH INSTRUCTIONS)	

(A) AR47675 CIRCUIT BREAKER KIT CONSISTS OF THESE PARTS.

2B18

ELECTRICAL

**MAIN WIRING REPLACEMENT KIT(NOT ILLUSTRATED)
(DIESEL)(TRACTOR SERIAL NO. 065000-090999)**

KEY	PART NO.	PART NAME	QTY	TRACTOR SERIAL NO.	REMARKS
..	AR47695	WIRING HARNESS	1		MAIN
..	R33770	WIRING HARNESS	1		(POWER SHIFT) NEUTRAL-START
..	R34869	WIRING HARNESS	1		(POWER SHIFT) NEUTRAL-START
..	R33823	WIRING HARNESS	1		(SYNCRO-RANGE) NEUTRAL-START
..	AR40409	CABLE	1		
..	AR47710	CIRCUIT BREAKER	2		(A)
..	R45642	BRACKET	1		(A)
..	21H1282	SCREW	4		(A) 0.190" X 7/8"
..	12H246	LOCK WASHER	4		(A) 0.190"
..	14H631	NUT	4		(A) 0.190"
..	R44302	TIE BAND	10		(A)
..	AR47712	WIRING LEAD	1		(A)
..	WIRING LEAD	1		(A) 305MM (12") CIRCUIT BREAKER TO STARTING MOTOR, (MAKE FROM R66320 AND (2) R32019)
..	WIRING LEAD	1		(A) 305MM (12") CIRCUIT BREAKER TO STARTING MOTOR, (MAKE FROM R66320, R32019 AND R32021)
..	WIRING LEAD	1		(A) 305MM (12") CIRCUIT BREAKER TO STARTING MOTOR, (MAKE FROM R66320, R32019 AND R32022)
..	R41439	GROMMET	5		(A)
..	AR47660	KIT	1		(INCLUDES ALL ITEMS LISTED ABOVE WITH INSTRUCTIONS)
..	AR47713	FUSE	1		20 AMP, MDL

(A) AR47674 CIRCUIT BREAKER KIT CONSISTS OF THESE PARTS.

2B19

ELECTRICAL

**ENGINE, SWITCH, AND INSTRUMENT WIRING REPLACEMENT KIT(NOT ILLUSTRATED)
(DIESEL)(TRACTOR SERIAL NO. 091000-)**

KEY	PART NO.	PART NAME	QTY	TRACTOR SERIAL NO.	REMARKS
..	AR47697	WIRING HARNESS	1		MAIN
..	AR47685	WIRING HARNESS	1		SWITCH
..	AR47686	WIRING HARNESS	1		INSTRUMENT
..	R34869	WIRING HARNESS	1		(POWER SHIFT) NEUTRAL START SWITCH
..	R33823	WIRING HARNESS	1		(SYNCRO-RANGE) NEUTRAL START SWITCH
..	AR47710	CIRCUIT BREAKER	2		(A)
..	R45642	BRACKET	1		(A)
..	21H1282	SCREW	4		(A) 0.190" X 7/8"
..	12H246	LOCK WASHER	4		(A) 0.190"
..	14H631	NUT	4		(A) 0.190"
..	R44302	TIE BAND	10		(A)
..	AR47712	WIRING LEAD	1		(A)
..	WIRING LEAD	1		(A) 305MM (12") CIRCUIT BREAKER TO STARTING MOTOR, (MAKE FROM R66320 AND (2) R32019)
..	WIRING LEAD	1		(A) 305MM (12") CIRCUIT BREAKER TO STARTING MOTOR, (MAKE FROM R66320, R32019 AND R32021)
..	WIRING LEAD	1		(A) 305MM (12") CIRCUIT BREAKER TO STARTING MOTOR, (MAKE FROM R66320, R32019 AND R32022)
..	R41439	GROMMET	5		(A)
..	AR47662	KIT	1		(INCLUDES ALL ITEMS LISTED ABOVE PLUS INSTRUCTIONS)
..	AR47713	FUSE	1		20 AMP, MDL

(A) AR47674 CIRCUIT BREAKER KIT CONSISTS OF THESE PARTS.

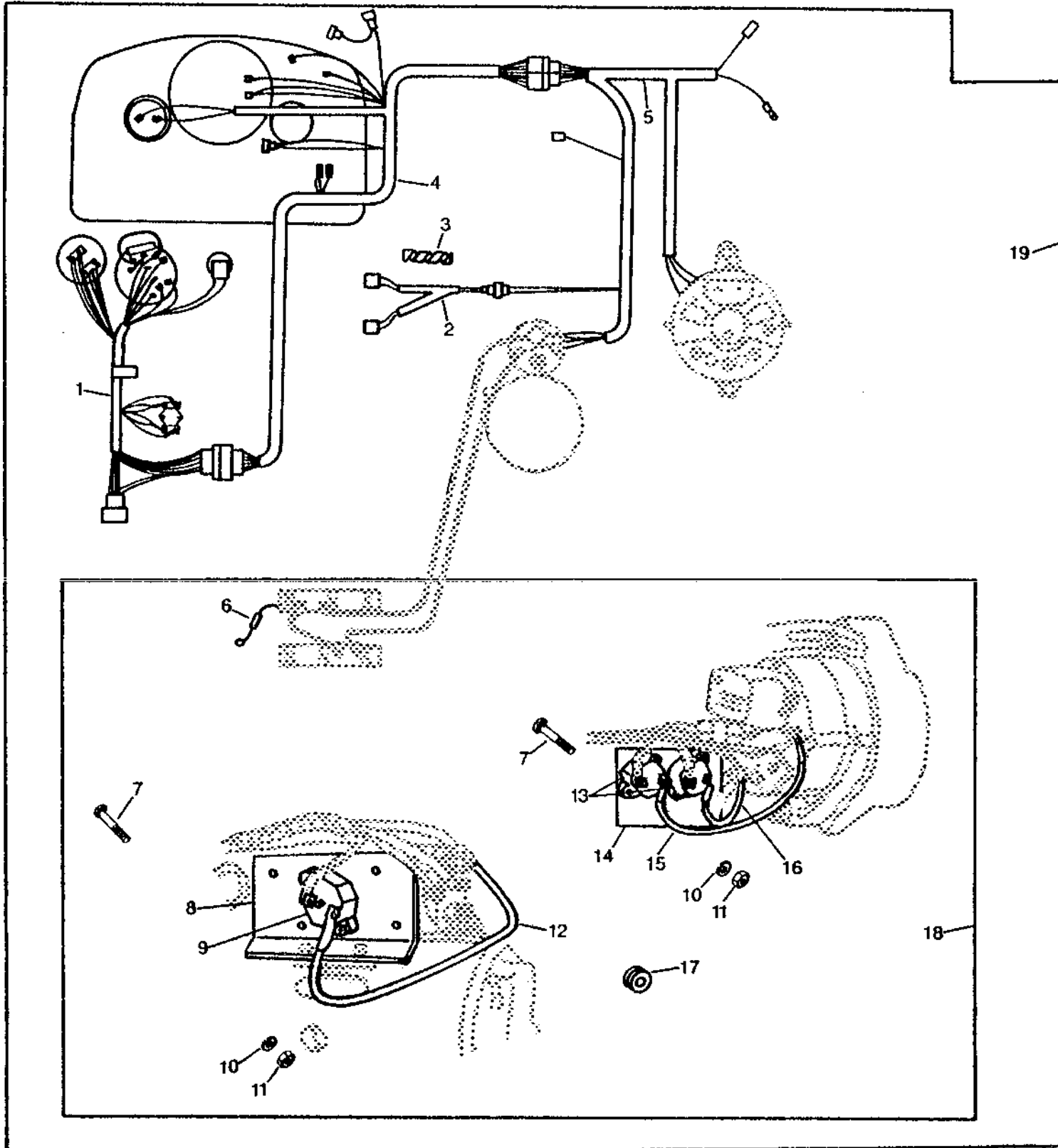
2B20

ELECTRICAL

ELECTRICAL SYSTEM PROTECTION KIT (DIESEL WITH AIR CONDITIONING)

RP1196

-UN-01JAN94



RP1196

2B21

ELECTRICAL

ELECTRICAL SYSTEM PROTECTION KIT - CONTINUED (DIESEL WITH AIR CONDITIONING)

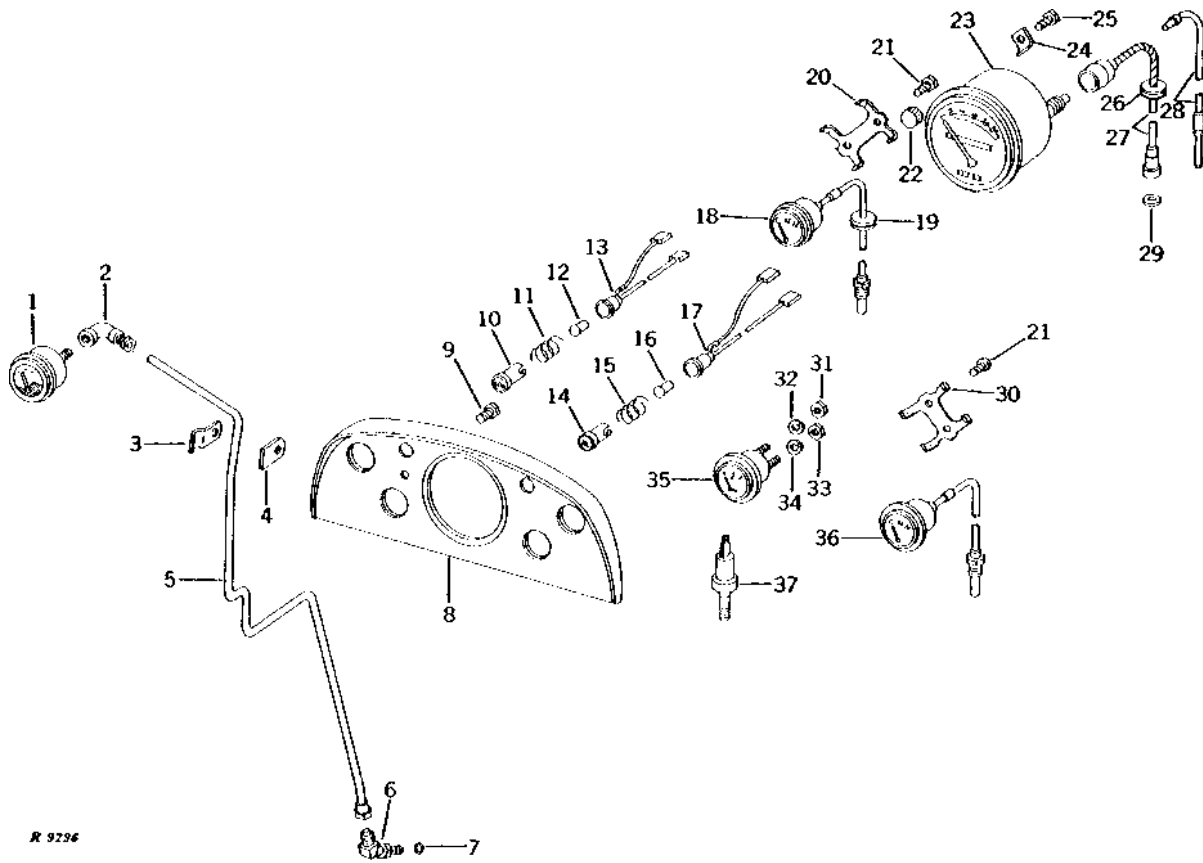
KEY	PART NO.	PART NAME	QTY	TRACTOR SERIAL NO.	REMARKS
1	AR47685	WIRING HARNESS	1		SWITCH
2	R34869	WIRING HARNESS	1		(POWER SHIFT) NEUTRAL START SWITCH TO ENGINE HARNESS
	R33823	WIRING HARNESS	1		(SYNCRO-RANGE) NEUTRAL START SWITCH ENGINE HARNESS
3	COVER	1		1524MM (60") (MAKE FROM R46620) (POWER SHIFT)
4	AR47686	WIRING HARNESS	1		INSTRUMENT
5	AR47701	WIRING HARNESS	1		ENGINE (NLA)
6	AR47712	WIRING LEAD	1		WITH FUSE
7	21H1282	SCREW	6		0.190" X 7/8"
8	R45642	BRACKET	1		
9	AR47711	CIRCUIT BREAKER	1		
	AR47715	WIRING LEAD	2		(MAKE FROM 12, R32019, R32022)
10	12H246	LOCK WASHER	6		0.190"
11	14H631	NUT	6		0.190"
12	AR47716	WIRING LEAD	1		(MAKE FROM 12, R32019 AND R32022) CIRCUIT BREAKER TO STARTING MOTOR
13	AR47710	CIRCUIT BREAKER	2		
14	R45645	BRACKET	1		
15	AR47719	WIRING LEAD	1		(MAKE FROM 12 AND (2) R32019) CIRCUIT BREAKER TO ALTERNATOR
16	AR47718	WIRING LEAD	1		CIRCUIT BREAKER TO ALTERNATOR, (MAKE FROM 12, R32019, R32021)
17	R41439	GROMMET	5		
18	AR47676	KIT	1		CIRCUIT BREAKER
19	AR47666	KIT	1		
..	R44302	TIE BAND	10		

2B22

R9296

-UN-01JAN94

INSTRUMENT PANEL AND INSTRUMENTS



INSTRUMENT PANEL AND INSTRUMENTS - CONTINUED

KEY	PART NO.	PART NAME	QTY	TRACTOR SERIAL NO.	REMARKS
1	R34259	PRESSURE GAUGE	1		(A) TRANSMISSION OIL
2	AA4936R	ELBOW FITTING	1		(A)
3	R27528	CLAMP	1		(A)
4	R27256	STRAP	1		(A)
5	AR32413	HYDRAULIC LINE	1		(A)
6	AR35223	ELBOW FITTING	1		(A) 45°
7	R26287	O-RING	1		(A)
8	AR72290	INSTRUMENT PANEL	1		(A) (SUB FOR R34210 OR AR34960) (ALSO ORDER R27361 FOR AR34960)(NLA)
	AR68198	PANEL	1		(B) (SUB FOR R34205 OR R47630)
9	37M7245	SCREW	4		NO. 10 X 3/8", (SUB FOR S3062M)
10	AT48673	LENS	1		(SUB FOR AR29615 OR AR45438)
11	R30378	SPRING	1		
12	AR55694	BULB	1		(SUB FOR R30379)
13	AT14699	LAMP	1		
14	AT48674	LENS	1		(SUB FOR AR28552)
15	R30378	SPRING	1		
16	AR55694	BULB	1		2 C.P. (12-16 VOLT) (SUB FOR R30379)
17	AR27944	LAMP	1		(SUB AT48674, AR55694, AT44165 AND R30378)
18	AR36383	GAUGE	1		WATER TEMPERATURE, (SUB FOR R34263)
	R40138	CLIP	1	091000-	(SUB FOR R39525)
19	R26936	GROMMET	1	-090999	
20	R34339	CLAMP	1		(A)
	R34338	CLAMP	1		(B)
21	37M7191	SCREW	4		NO. 10 X 1", (SUB FOR R34758)
22	AR40802	KNOB	1		(SUB FOR AR30282)
23	AR50407	TACHOMETER	1		(A) (SUB FOR AR32827, AR39902, AR48022 OR AR50403)
	AR50406	TACHOMETER	1		(B) (SUB FOR AR32833, AR39906, AR48021 OR AR50402)
	AR40437	DEVICE	1		(USE WITH AR39902 AND AR39906)
24	R34206	CLAMP	4		
25	37M7245	SCREW	4		NO. 10 X 3/8", (SUB FOR S3062M)
26	R26936	GROMMET	1		
27	AR26721	CABLE	1		SPEED-HOUR METER
28	AR28588	CABLE	1		(AC SPARK PLUG DIV.) (SUB AR26721)
	AR28589	CABLE	1		(STEWART-WARNER)
29	B3285R	WASHER	1		
30	R34211	CLAMP	1		(A)
	R34209	CLAMP	1		(B)
31	14H631	NUT	1		0.190"
32	12H246	LOCK WASHER	1		0.190"
33	14H605	NUT	1		0.164"
34	12H315	LOCK WASHER	1		0.164"
35	RE54427	GAUGE	1		FUEL, (SUB FOR R34262, AT27153 OR AR46271)
36	R34258	GAUGE	1		(A) TRANSMISSION OIL TEMPERATURE
37	AR27977	TOUCH SWITCH	1		ENGINE OIL PRESSURE, (SUB AT85174)

(A) POWER SHIFT

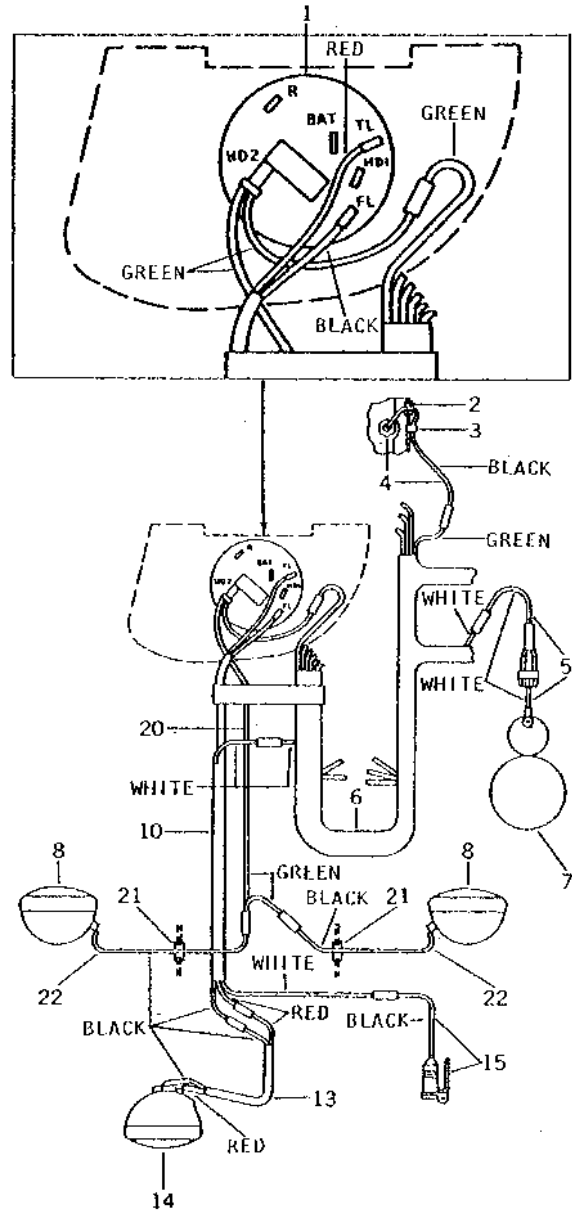
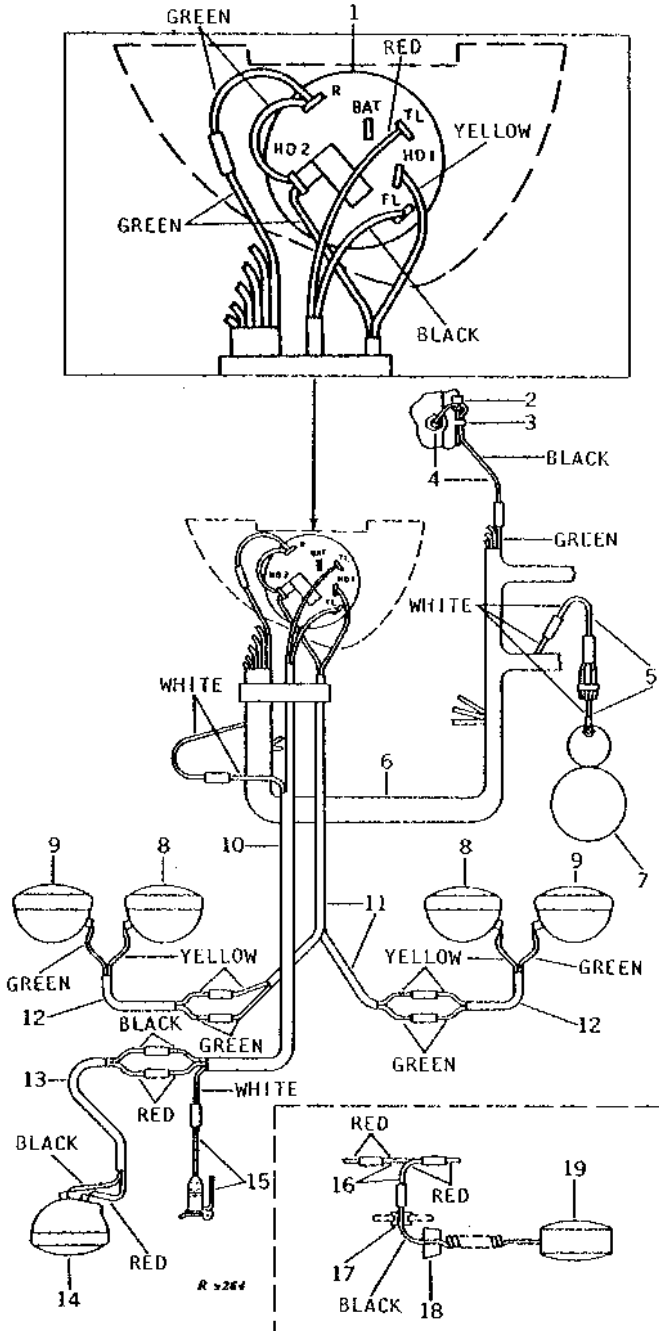
(B) SYNCRO-RANGE

2B24

LAMP WIRING(GASOLINE/LP-GAS) (TRACTOR SERIAL NO. 065000-090999)

R9264

-UN-01JAN94



2B25

ELECTRICAL

LAMP WIRING(GASOLINE/LP-GAS) - CONTINUED
(TRACTOR SERIAL NO. 065000-090999)

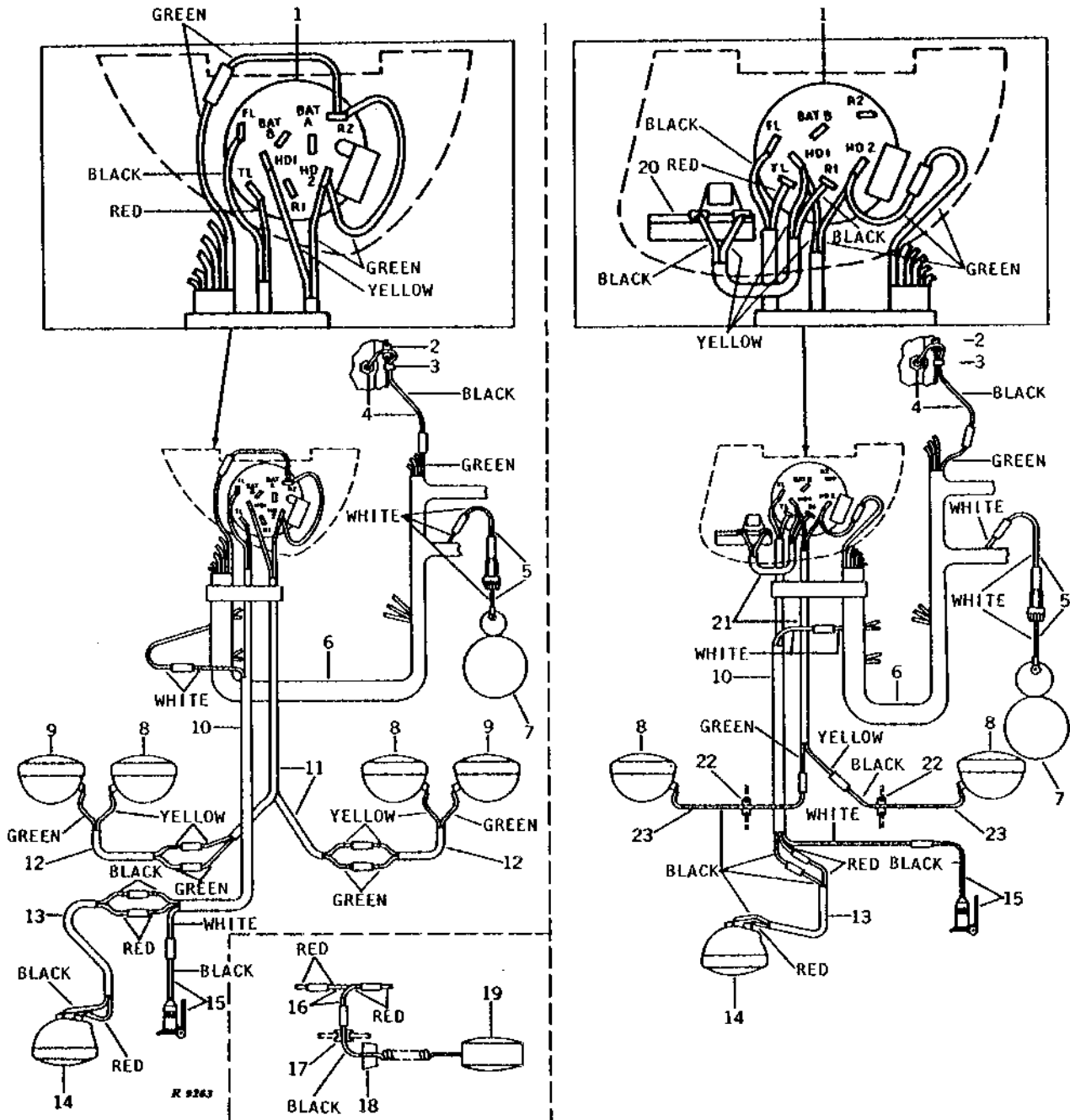
KEY	PART NO.	PART NAME	QTY	TRACTOR SERIAL NO.	REMARKS
1	AR28401	SWITCH	1		LIGHT
2	A3411R	GROMMET	1		
3	F2084R	CLIP	1		
4	AR33479	LAMP	1		DASH, (SUB FOR AR35993)
5	R34573	WIRING LEAD	1		(WITH FUSE)
6	R34277	WIRING HARNESS	1		(SUB AR47661)
	R27539	CLAMP	1		
	21H1304	SCREW	1		5/16" X 3/4"
	12M7032	LOCK WASHER	1		0.331"
	14H785	NUT	1		5/16"
	R20847	CLIP	2		
	R44302	TIE BAND	5		(SUB FOR R27457)
	T13814	CLAMP	1		
	B1828R	BUSHING	1		
	24H1302	WASHER	1		13/32" X 11/16" X 0.035"
7	AR11300	STARTER	1		(12-VOLT) (GASOLINE) (DELCO-REMY NO. 1107785) (SUB TY6691)
	AR11160	STARTER	1		(12-VOLT) (GASOLINE) (DELCO-REMY NO. 1107350) (SUB FOR AR11300) (SUB TY6691)
	AR11161	STARTER	1		(12-VOLT) (GASOLINE/LP-GAS) (DELCO-REMY NO. 1107578) (SUB TY6722)
	AR60085	STARTER	1		(12-VOLT) (LP-GAS) (DELCO-REMY NO. 1109147) (SUB TY6722)
8	AT13381	LAMP	2		(12-VOLT) (RC AND ST) FRONT
	24H1111	WASHER	2		(ST) (RC LESS FENDERS)
	R20758	WASHER	2		(RC WITH FENDERS)
	F2935R	WASHER	2		(SUB FOR R30402) (RC WITH FENDERS)
	12H301	LOCK WASHER	3		1/2"
	14H1040	NUT	2		1/2"
9	AT13380	HEADLIGHT	2		(12-VOLT) (FENDER LAMP ONLY) (RC)
	R20758	WASHER	2		
	F2935R	WASHER	2		(SUB FOR R30402)
	12H301	LOCK WASHER	2		1/2"
	14H1040	NUT	2		1/2"
10	AR28929	WIRING HARNESS	1		REAR LAMP
11	AR26572	WIRING HARNESS	1		REAR LAMP
	R44302	TIE BAND	1		(SUB FOR R27457)
	B1986R	CLIP	1		
	R34046	COVER	2		
	19H2020	CAP SCREW	2		5/16" X 1/2"
	12H303	LOCK WASHER	2		5/16"
12	AR27359	WIRING HARNESS	2		FENDER LAMP
	A3411R	GROMMET	2		
	A4881R	CLIP	4		
	19H2487	CAP SCREW	4		5/16" X 9/16"
	12H303	LOCK WASHER	4		5/16"
13	AR26575	WIRING HARNESS	1		REAR LAMP
	R21551	CLIP	1		
14	AR77326	FLOODLAMP	1		(12-VOLT) (SUB FOR AR28227 OR AT16288)
	12H301	LOCK WASHER	1		1/2"
	14H1040	NUT	1		1/2"
15	AR26571	SOCKET	1		
	21H1301	SCREW	2		0.190" X 1/2"
	12M7060	WASHER	2		0.209"
	14H778	NUT	2		0.190"
	AR40710	PLUG	1		(SUB FOR AA5691R)
	AA5692R	ELECTRICAL PLUG	1		
16	AR26585	WIRING HARNESS	1		WARNING LAMP
17	R27583	GROMMET	1		
18	R27582	BUSHING	1		
19	RE65495	LAMP	1		WARNING, (SUB FOR AR26584)
20	AR28418	WIRING HARNESS	1		SIDE LAMP
21	R26941	GROMMET	2		
22	WIRING LEAD	2		686MM (27") SIDE LAMP, (MAKE FROM R66319, R32016, R32025 AND R32027)

RC-ROW-CROP, ST-STANDARD

LAMP WIRING(DIESEL) (TRACTOR SERIAL NO. 065000-090999)

R9263

-UN-01JAN94



LAMP WIRING(DIESEL) - CONTINUED
(TRACTOR SERIAL NO. 065000-090999)

KEY	PART NO.	PART NAME	QTY	TRACTOR SERIAL NO.	REMARKS
1	AR28402	SWITCH	1		LIGHT
2	A3411R	GROMMET	1		
3	F2084R	CLIP	1		
4	AR33479	LAMP	1		DASH, (SUB FOR AR35993)
5	R34573	WIRING LEAD	1		
6	R34278	WIRING HARNESS	1		MAIN, (SUB AR47660)
	R27539	CLAMP	1		
	21H1304	SCREW	1		5/16" X 3/4"
	12M7032	LOCK WASHER	1		0.331"
	14H785	NUT	1		5/16"
	R20847	CLIP	2		
	R44302	TIE BAND	5		(SUB FOR R27457)
	T13814	CLAMP	1		
	B1828R	BUSHING	1		
	24H1302	WASHER	1		13/32" X 11/16" X 0.035"
7	AR11138	STARTER	1		(24-VOLT) (DELCO-REMY NO. 1113148) (SUB TY6703)
8	AT13381	LAMP	2		(12-VOLT) (RC AND ST)
	24H1111	WASHER	2		(ST AND RC LESS FENDERS)
	R20758	WASHER	2		(RC WITH FENDERS)
	F2935R	WASHER	2		(RC WITH FENDERS) (SUB FOR R30402)
	12H301	LOCK WASHER	2		1/2"
	14H1040	NUT	2		1/2"
9	AT13380	HEADLIGHT	2		(12-VOLT) (FENDER LAMP) (RC)
	R20758	WASHER	2		
	F2935R	WASHER	2		(SUB FOR R30402)
	12H301	LOCK WASHER	2		1/2"
	14H1040	NUT	2		1/2"
10	AR28929	WIRING HARNESS	1		REAR LAMP
11	AR26572	WIRING HARNESS	1		FENDER LAMP
	R44302	TIE BAND	1		(SUB FOR R27457)
	B1986R	CLIP	1		
	R34046	COVER	2		
	19H2020	CAP SCREW	2		5/16" X 1/2"
	12H303	LOCK WASHER	2		5/16"
12	AR27359	WIRING HARNESS	2		FENDER LAMP
	A3411R	GROMMET	2		
	A4881R	CLIP	4		
	19H2487	CAP SCREW	4		5/16" X 9/16"
	12H303	LOCK WASHER	4		5/16"
13	AR26575	WIRING HARNESS	1		REAR LAMP
	R21551	CLIP	1		
14	AR77326	FLOODLAMP	1		REAR AND WARNING (12-VOLT) (SUB FOR AR28227 OR AT16288)
	12H301	LOCK WASHER	1		1/2"
	14H1040	NUT	1		1/2"
15	AR26571	SOCKET	1		
	21H1301	SCREW	2		0.190" X 1/2"
	12M7060	WASHER	2		0.209"
	14H778	NUT	2		0.190"
	AR40710	PLUG	1		(SUB FOR AA5691R)
	AA5692R	ELECTRICAL PLUG	1		
16	AR26585	WIRING HARNESS	1		WARNING LAMP
17	R27583	GROMMET	1		
18	R27582	BUSHING	1		
19	RE65495	LAMP	1		WARNING, (SUB FOR AR26584)
20	AR27238	RESISTOR	1		LIGHT
21	AR27240	WIRING HARNESS	1		SIDE LAMP
22	R26941	GROMMET	2		
23	WIRING LEAD	2		686MM (27") SIDE LAMP, (MAKE FROM R66319, R32016, R32025 AND R32027) (SUB FOR R33769)

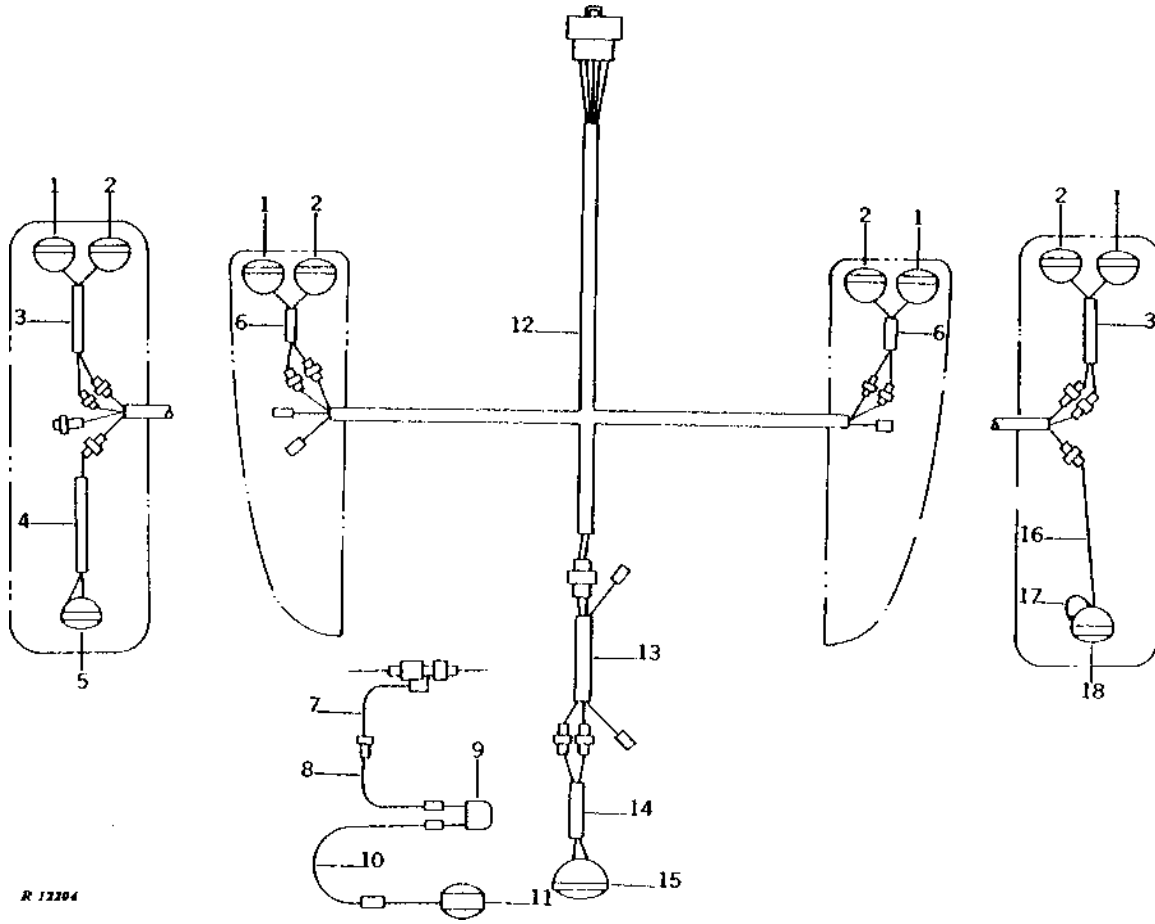
RC-ROW-CROP, ST-STANDARD

2C3

ELECTRICAL

LAMP WIRING (TRACTOR SERIAL NO. 091000-)

R12204 -UN-01JAN94



R 12204

KEY	PART NO.	PART NAME	QTY	TRACTOR SERIAL NO.	REMARKS
1	AT13380	HEADLIGHT	2	(12-VOLT)	
	R20758	WASHER	2		
	F2935R	WASHER	2		
	12H301	LOCK WASHER	2	1/2"	
	14H1040	NUT	2	1/2"	
2	AT13381	LAMP	2	(12-VOLT)	
	R20758	WASHER	2		
	F2935R	WASHER	2		
	12H301	LOCK WASHER	2	1/2"	
	14H1040	NUT	2	1/2"	
3	R39661	WIRING HARNESS	2	(ST) FENDER LAMP TO LAMP HARNESS	
	R27180	GROMMET	4	(ST)	
4	R39662	WIRING HARNESS	1	(ST)(NLA)	
	R26936	GROMMET	2	(ST)	
5	AR77326	FLOODLAMP	1	(ST) (12-VOLT) REAR AND WARNING, (SUB FOR AT16288)	
	12H301	LOCK WASHER	1	1/2", (ST)	
	14H1040	NUT	1	1/2", (ST)	
6	AR27359	WIRING HARNESS	2	(RC)	
	A3411R	GROMMET	2	(RC)	
	A4881R	CLIP	4	(RC)	
	19H2487	CAP SCREW	4	5/16" X 9/16", (RC)	
	12H303	LOCK WASHER	4	5/16", (RC)	

RC-ROW-CROP, ST-STANDARD

LAMP WIRING - CONTINUED
(TRACTOR SERIAL NO. 091000-)

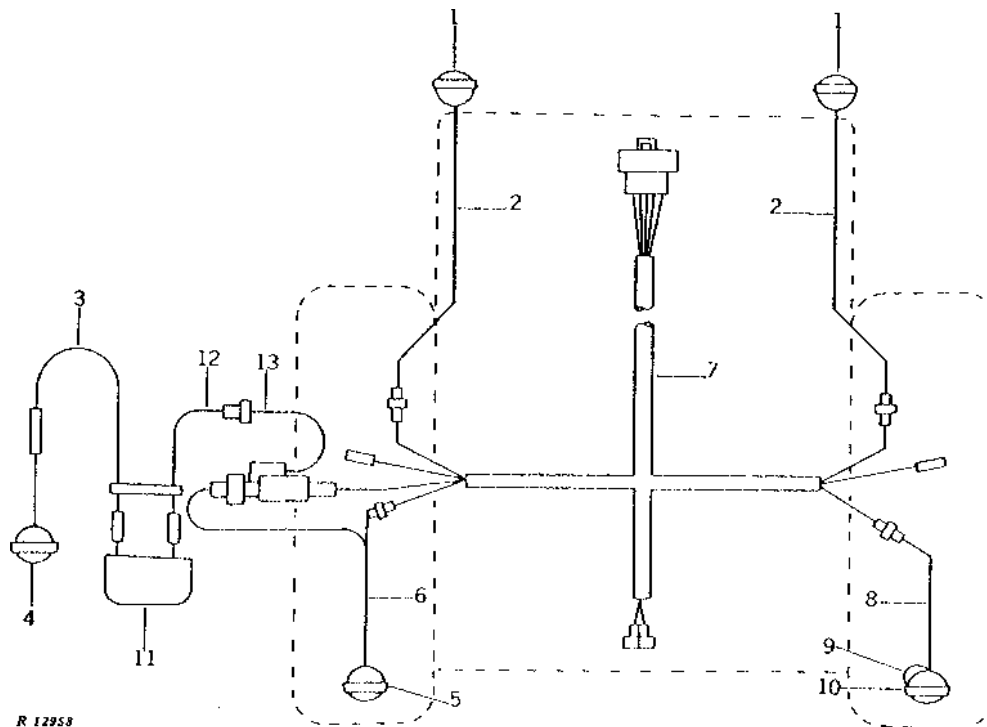
KEY	PART NO.	PART NAME	QTY	TRACTOR SERIAL NO.	REMARKS
7	AR38455	WIRING LEAD	1	119000-	WARNING LAMP FLASHER
8	WIRING LEAD	1	119000-	76MM (3") WARNING LAMP FLASHER, (MAKE FROM R66319, (2) R32024 AND R32027)
9	AR48594	FLASHER	1		WARNING LAMP, (SUB FOR AR38453)
10	AR38452	WIRING LEAD	1		WARNING LAMP TO FLASHER (ROW-CROP)
	WIRING LEAD	1		1372MM (54") WARNING LAMP TO FLASHER (ST) (MAKE FROM R66319, (2) R32024 AND R32027) (SUB FOR AR40426)
11	AT23467	LAMP	1	119000-	(SUB FOR AR38456) WARNING
	R38371	WASHER	1	119000-	RUBBER
	24H1227	WASHER	1	119000-	17/32" X 13/16" X 0.060"
	14H856	NUT	1	119000-	1/2"
12	AR41284	WIRING HARNESS	1		LAMP, (SUB FOR R39617)
	B1986R	CLIP	1		
	R34046	COVER	2		
	19H2020	CAP SCREW	2		5/16" X 1/2"
	12H303	LOCK WASHER	2		5/16"
13	R39618	WIRING HARNESS	1		(RC AND HC)
14	AR26575	WIRING HARNESS	1		(RC AND HC)
	R21551	CLIP	1		(RC AND HC)
15	AR77326	FLOODLAMP	1		(12-VOLT) (SUB FOR AT16288)
	12H301	LOCK WASHER	1		1/2", (RC AND HC)
	14H1040	NUT	1		1/2", (RC AND HC)
16	WIRING LEAD	1		1448MM (57") R.H. REAR LAMP TO LAMP HARNESS (ST) (MAKE FROM R66319, R32016, R32025 AND R32027)
17	WIRING LEAD	1		152MM (6") R.H. REAR LAMP GROUND (ST) (MAKE FROM R66319, R32016 AND R32028)
18	RE27099	LAMP	1		(12-VOLT) (ST) (SUB FOR AR35782)
	12H301	LOCK WASHER	1		1/2", (ST)
	14H1040	NUT	1		1/2", (ST)

RC-ROW-CROP, ST-STANDARD AND HC-HI-CROP

2C5

R12958 -UN-01JAN94

LAMP WIRING(SIDE OR REAR DOOR)
(CRENLO CAB SERIAL NO. 016652-020932)



KEY	PART NO.	PART NAME	QTY	TRACTOR SERIAL NO.	REMARKS
1	AT13381	LAMP	2	(12-VOLT)	
2	WIRING LEAD	2	1829MM (72") (MAKE FROM R66319, R32016, R32025 AND R32027)	
3	R21551	CLIP WIRING LEAD	18	2438MM (96") (MAKE FROM R66319, R32016, R32025 AND R32027)	
4	AT23467	LAMP	1	(SUB FOR AR38456) WARNING (HOBBS OR GUIDE)	
	AD2062R	BULB	1	(GUIDE)	
5	AR77326	FLOODLAMP	1	(12-VOLT) (SUB FOR AT16288) COMBINATION REAR AND WARNING (NLA)	
6	R39662	WIRING HARNESS	1		
	R26936	GROMMET	1		
7	AR41284	WIRING HARNESS	1		
	R36976	CLAMP	2		
8	WIRING LEAD	1	1448MM (57") (MAKE FROM R66319, R32016, R32025 AND R32027)	
9	R26936	GROMMET	2		
	WIRING LEAD	1	152MM (6") (MAKE FROM R66319, R32016 AND R32023)	
10	RE27099	LAMP	1	(12-VOLT) (SUB FOR AR35782)	
11	AR48594	FLASHER	1	(SUB FOR AR38453)	
12	WIRING LEAD	1	76MM (3") (MAKE FROM R66319, (2) R32024 AND R32027)	
13	AR38455	WIRING LEAD	1		

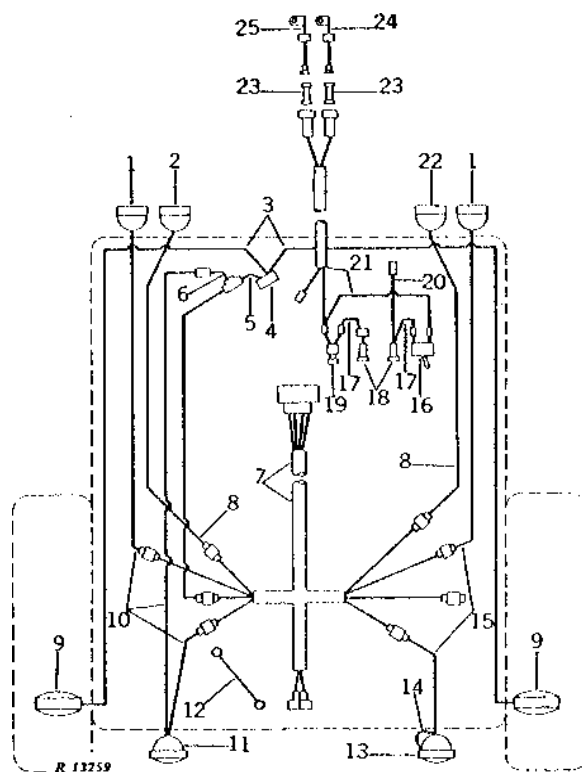
MEMORANDA

2C6

ELECTRICAL

R13259 -UN-01JAN94

LAMP AND ACCESSORY WIRING (CRENLO CAB SERIAL NO. 020933-)



KEY	PART NO.	PART NAME	QTY	TRACTOR SERIAL NO.	REMARKS
1	AR42119	LAMP	2	(A) (SUB RE19075, THIS APPLICATION)	
2	RE19075	LAMP	1	(A) (SUB FOR AR42121)	
3	AR44651	WIRING HARNESS	1	WARNING LAMPS	
4	AR48594	FLASHER	1	(SUB FOR AR38453)	
	R42556	CLIP	1		
5	WIRING LEAD	1	76MM (3") (MAKE FROM (2) R32024 AND R32027) (SUB FOR AR38454)	
6	AR38455	WIRING LEAD	1		
7	AR41284	WIRING HARNESS	1		
8	WIRING LEAD	2	2032MM (80") (MAKE FROM R66319, R32016, R32025 AND R32027) (SUB FOR AR38456) WARNING	
9	AT23467	LAMP	2		
10	AR44649	WIRING HARNESS	1		
	R42550	BUSHING	1		
11	AR77326	FLOODLAMP	1	(A) REAR AND WARNING, (SUB FOR AT16288)	
12	AR44762	WIRING LEAD	1	BATTERY GROUND TO CAB	
	R27180	GROMMET	6		
	R41439	GROMMET	2		
13	RE27099	LAMP	1	(A) (SUB FOR AR35782)	
14	WIRING LEAD	1	152MM (6") (MAKE FROM R66319, R32016 AND R32028)	
15	AR44650	WIRING HARNESS	1		
	R42551	BUSHING	1		
16	AR44659	TOGGLE SWITCH	1	WINDSHIELD WIPER	
17	WIRING LEAD	2	152MM (6") (MAKE FROM R66319, (2) R32024 AND R32027)	
18	AR44656	FUSE HOLDER	2		
	FUSE	1	WINDSHIELD WIPER, (AGC-6)	
	FUSE	1	PRESSURIZER, (AGC-15) (GASOLINE AND LP-GAS)	
	FUSE	1	PRESSURIZER, (AGC-10) (DIESEL)	

2C7

ELECTRICAL

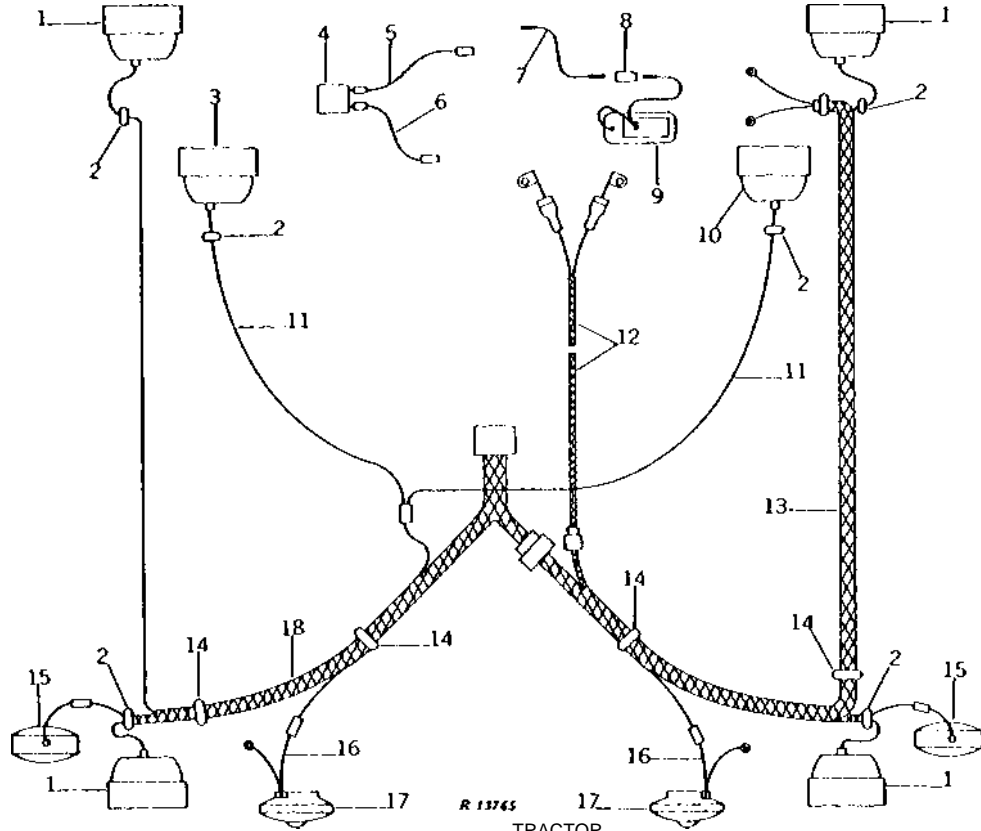
LAMP AND ACCESSORY WIRING - CONTINUED
(CRENLO CAB SERIAL NO. 020933-)

KEY	PART NO.	PART NAME	QTY	TRACTOR SERIAL NO.	REMARKS
19	AR44670	SWITCH	1		(A) PRESSURIZER, (GASOLINE AND LP-GAS)
	AR44673	SWITCH	1		PRESSURIZER, (24-VOLT) (DIESEL)
20	WIRING LEAD	1		1067MM (42") FUSE TO WIPER MOTOR, (MAKE FROM R66319, R32016, (2) R32024 AND R32027)
21	AR44654	WIRING HARNESS	1		ALTERNATOR OR GENERATOR TO CAB
	R44302	TIE BAND	4		(SUB FOR R1646R)
	B1986R	CLIP	4		
	R21551	CLIP	2		
22	RE19075	LAMP	1		(A) (SUB FOR AR42120)
23	FUSE	2		(AGC 30)
24	AR44463	WIRING LEAD	1		
25	AR44462	WIRING LEAD	1		

(A) 12-VOLT

R13765 -UN-01JAN94

CAB LAMP WIRING (STOLPER)



KEY	PART NO.	PART NAME	QTY	TRACTOR SERIAL NO.	REMARKS
1	AR42119	LAMP	4		(12-VOLT) (HOBBS OR GUIDE) (SUB RE19075, THIS APPLICATION)
2	R27583	GROMMET	6		
3	RE19075	LAMP	1		(SUB FOR AR42121)
4	AR48594	FLASHER	1		WARNING LAMP, (SUB FOR AR38453)
5	AR45111	WIRING LEAD	1		TO LIGHT SWITCH
6	AR45112	WIRING LEAD	1		TO WIRING HARNESS
7	WIRING LEAD	1		254MM (10") (MAKE FROM R66319, R32026, (2) R32024 AND R32027)
8	R32029	TERMINAL	1		
9	AR45847	LAMP	1		DOME
10	RE19075	LAMP	1		(SUB FOR AR42120)
11	AR44994	WIRING HARNESS	1		
	F2084R	CLIP	4		
12	AR44995	WIRING HARNESS	1		CAB HARNESS TO GENERATOR
	AR45166	WIRING HARNESS	1		CAB HARNESS TO ALTERNATOR AND COMPRESSOR (WITH AIR CONDITIONING) (NLA)
13	AR45825	WIRING HARNESS	1		(NLA)
	T14264	CLAMP	1		
	T13744	CLAMP	1		
	R34557	CLAMP	1		
	R27180	GROMMET	1		
14	R41439	GROMMET	4		
15	AT23467	LAMP	2		(SUB FOR AR38456) WARNING
16	AR44996	WIRING LEAD	2		
17	AR78825	TAIL LAMP	2		(SUB FOR AR44989 OR AR45099)
18	AR45826	WIRING HARNESS	1		
	T14264	CLAMP	1		
	T13744	CLAMP	1		
	R34557	CLAMP	1		
	R27180	GROMMET	1		

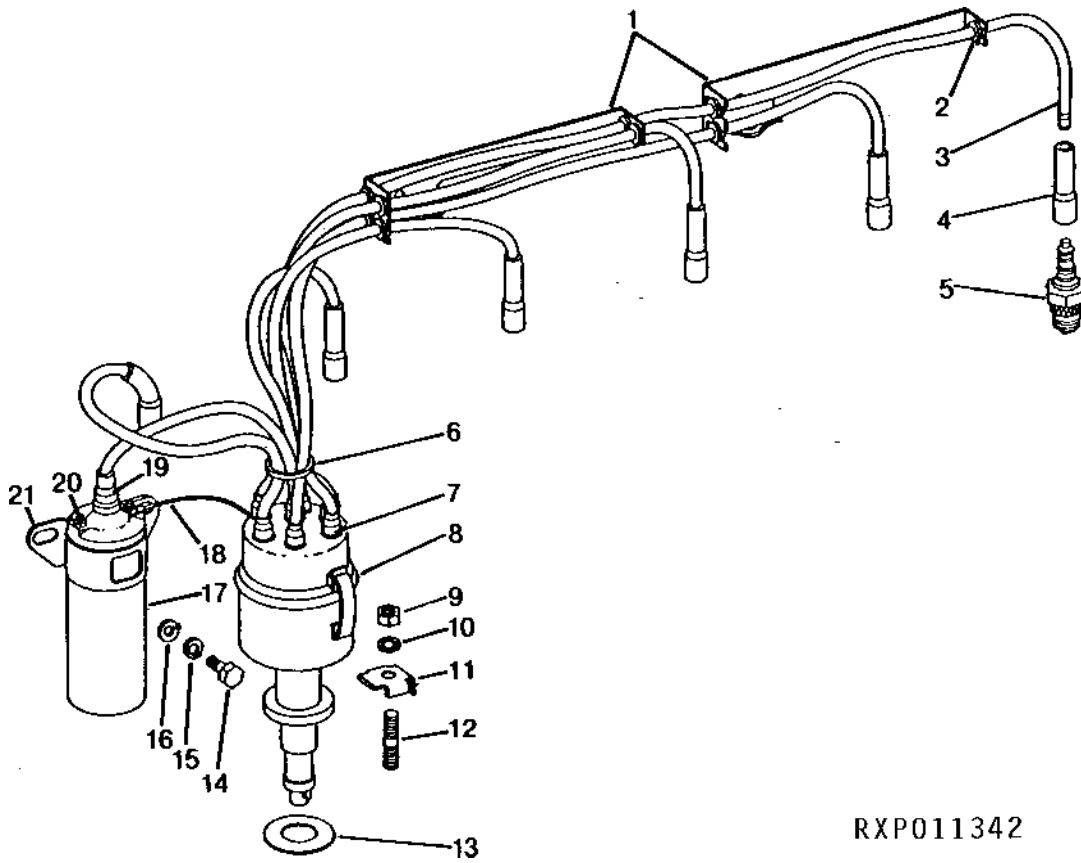
MEMORANDA

2C9

ELECTRICAL

DISTRIBUTOR, COIL, SPARK PLUG CABLES AND SPARK PLUGS

RXP011342 -UN-12OCT94



RXP011342

2C10

ELECTRICAL

DISTRIBUTOR, COIL, SPARK PLUG CABLES, AND SPARK PLUGS - CONTINUED

KEY	PART NO.	PART NAME	QTY	ENGINE SERIAL NO.	REMARKS
1	R26862	BRACKET	2	(NLA)	
2	R26409	GROMMET	9		
3	AR50271	CABLE	1		(SUB FOR AR26624) (SET OF 7)
	AR46275	CABLE	1		(SUB AR46276, AR46277, AR46278, AR46279, AR46280 AND R44302) (SET OF 6) SPARK PLUG CABLES (RADIO NOISE SUPPRESSION)
	AR46273	CABLE	1		(SUB AR46276 AND A5188R) (IGNITION SECONDARY) (MAY BE CUT TO LENGTH)
4	R26861	BOOT	6		
5	AA4053R	SPARK PLUG	6		(CHAMPION)(GASOLINE)
	AR26543	SPARK PLUG	6		(AC)(GASOLINE)(NLA)
	TY21725	SPARK PLUG	6		(SUB FOR AR14019, AR14021, TY6073 OR TY6074) (PRESTOLITE)(GASOLINE/LP-GAS)
	AR26544	SPARK PLUG	6		(CHAMPION)(LP-GAS)
	AR26545	SPARK PLUG	6		(AC)(LP-GAS)(NLA)
6	R1662R	WASHER	1		
	R44302	TIE BAND	1		
7	A3539R	TERMINAL NIPPLE	7		
8	AR11146	IGNITION DISTRIBUTOR	1		(A) (B) (SUB TY15857) (DELCO-REMY NO.112624)
	AR47947	IGNITION DISTRIBUTOR	1		(A) (B) (SUB TY15857) (DELCO-REMY NO. 112466)
	TY15857	IGNITION DISTRIBUTOR	1		(A) (B) (SUB FOR AR11146 OR AR47947)
9	14H1076	NUT	2		3/8"
10	12H304	LOCK WASHER	2		3/8"
11	A4157R	CLAMP	2		(NLA)
12	R56481	STUD	2		3/8" X 1-1/2", (SUB FOR M3636T)
13	F2632R	GASKET	1		(A) (PKG. OF 2)(NLA)
14	19H1813	CAP SCREW	2		5/16" X 5/8"
15	12H303	LOCK WASHER	2		5/16"
16	24H1136	WASHER	2		11/32" X 11/16" X 0.065"
17	AR46064	ELECTRICAL COIL	1		(6-VOLT) (SUB FOR AM373T)
18	R11269	WIRING LEAD	1		(SUB AR11162)
19	A4159R	BOOT	1		(NLA)
20	14H631	NUT	2		0.190"
	12H246	LOCK WASHER	2		0.190"
21	R73142	BRACKET	1		

(A) REFER TO PARTS MARKETING BULLETIN AG91-26 AUG. 08,1991

(B) RETURN CUSTOMERS CORE TO SUPPLIER FOR REMANUFACTURED

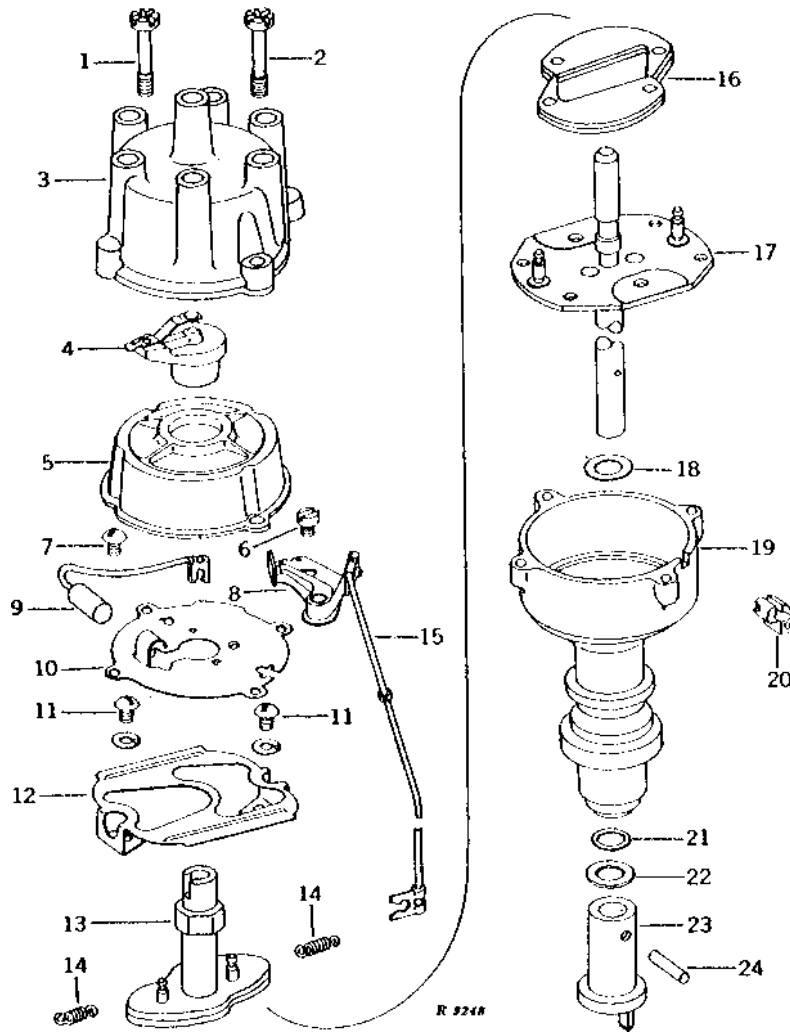
2C11

ELECTRICAL

R9248

-UN-01JAN94

DISTRIBUTOR PARTS



DISTRIBUTOR PARTS - CONTINUED

KEY	PART NO.	PART NAME	QTY	ENGINE SERIAL NO.	REMARKS
1	21H1319	SCREW	1		0.164" X 7/8", (SUB FOR R11258)
2	21H1282	SCREW	1		0.190" X 7/8", (SUB FOR R11259)
3	R11271	DISTRIBUTOR CAP	1		
4	R11260	ROTOR	1		
5	R11264	COVER	1		(A) (B) (NLA)
6	T19088	SCREW	1		(SUB FOR 816784)
7	21H1299	SCREW	2		0.164" X 3/8"
8	AR31814	POINT	1		(USE WITH AR11146)
	AR44864	CONTACT	1		(USE WITH AR47947) (HEAVY-DUTY)
9	AT14468	CAPACITOR	1		(SUB FOR AR31816)
10	R11263	PLATE	1		(SUB TY15857)
11	21H1292	SCREW	2		0.164" X 1/4"
	12H315	LOCK WASHER	2		0.164"
12	R11268	PLATE	1		(A) (B) (NLA)
13	R11272	CAM	1		
14	1904292	SPRING	2		(NLA)
15	R11269	WIRING LEAD	1		(SUB TY15857)
16	1881371	WEIGHT	4		ADVANCE
17	R11261	PLATE	1		(A) (B) (NLA)
18	R68625	WASHER	1		(SUB FOR R11265 OR 811912)
19	R11256	HOUSING	1		(A) (B) (NLA)
20	R11270	GROMMET	1		(SUB TY15857)
21	810074	WASHER	AR		(A) (B) (NLA)
22	R68625	WASHER	1		(SUB FOR R11265 OR 811912)
23	1909273	COUPLING	1		
24	34H279	SPRING PIN	1		3/16" X 13/16"
..	AR11146	IGNITION DISTRIBUTOR	1		(A) (B) (SUB TY15857) (DELCO-REMY NO. 112624)
..	AR47947	IGNITION DISTRIBUTOR	1		(A) (B) (SUB TY15857) (DELCO-REMY NO. 112466)
..	TY15857	IGNITION DISTRIBUTOR	1		(A) (B) (SUB FOR AR11146 OR AR47947) (REMANUFACTURED)

(A) REFER TO PARTS MARKETING BULLETIN AG91-26 DATED AUG.08,1991

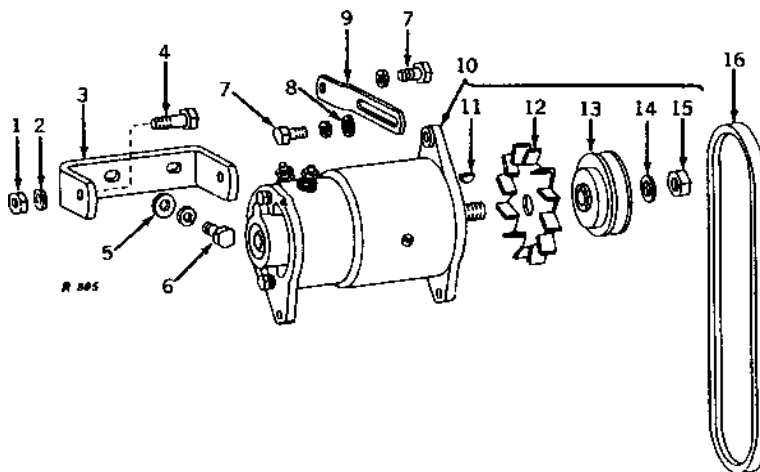
(B) RETURN CUSTOMERS CORE TO SUPPLIER FOR REMANUFACTURED

2C13

ELECTRICAL

R805 -UN-12OCT94

GENERATOR AND MOUNTING BRACKET



KEY	PART NO.	PART NAME	QTY	ENGINE SERIAL NO.	REMARKS
1	E55662	FLANGE NUT	2	3/8"	
2	12H304	LOCK WASHER	2	3/8", (NOT REQUIRED W/E55662)	
3	R26602	BRACKET	1		
4	19H1732	CAP SCREW	2	3/8" X 1-1/4"	
5	24H1330	WASHER	2	15/32" X 1-3/8" X 7/64"	
6	19H1821	CAP SCREW	2	7/16" X 1-1/4"	
	12H293	LOCK WASHER	2	7/16"	
7	19H1900	CAP SCREW	2	5/16" X 3/4"	
	12H303	LOCK WASHER	2	5/16"	
8	24H1292	WASHER	1	11/32" X 3/4" X 0.120"	
9	R26603	STRAP	1		
10	AR33879	GENERATOR	1		(12-VOLT) (DELCO-REMY NO. 1100413) (LESS FAN AND PULLEY) (SUB FOR AR11303 OR AR59295)
	TY1439	GENERATOR	1		(SUB TY1439) (GASOLINE AND LP-GAS) (SUB FOR AR33879)
	AR11302	GENERATOR	1		(REMANUFACTURED)(12-VOLT)(18 AMP)(GASOLINE/LP-GAS)
	TY1447	GENERATOR	1		(SUB TY1447) (24-VOLT) (DELCO-REMY NO.1103026) (WITH FAN AND PULLEY) (DIESEL)
	TY1447	GENERATOR	1		(SUB FOR AR11302) (REMANUFACTURED)(24-VOLT)(10 AMP)(DIESEL)
11	26H72	SHAFT KEY	1	1/8" X 5/8"	
12	T12870	FAN	1		
13	R11189	PULLEY	1		
14	T10745	WASHER	1		
15	R11049	NUT	1		
16	R41627	BELT	1		(SUB FOR R26606) (GASOLINE AND LP-GAS)
	R41681	BELT	1		(SUB FOR R26607, R41628 OR R71459) (DIESEL)
..	R40576	SHIELD	1	119000-	(NOT ILLUSTRATED)(NLA)

MEMORANDA

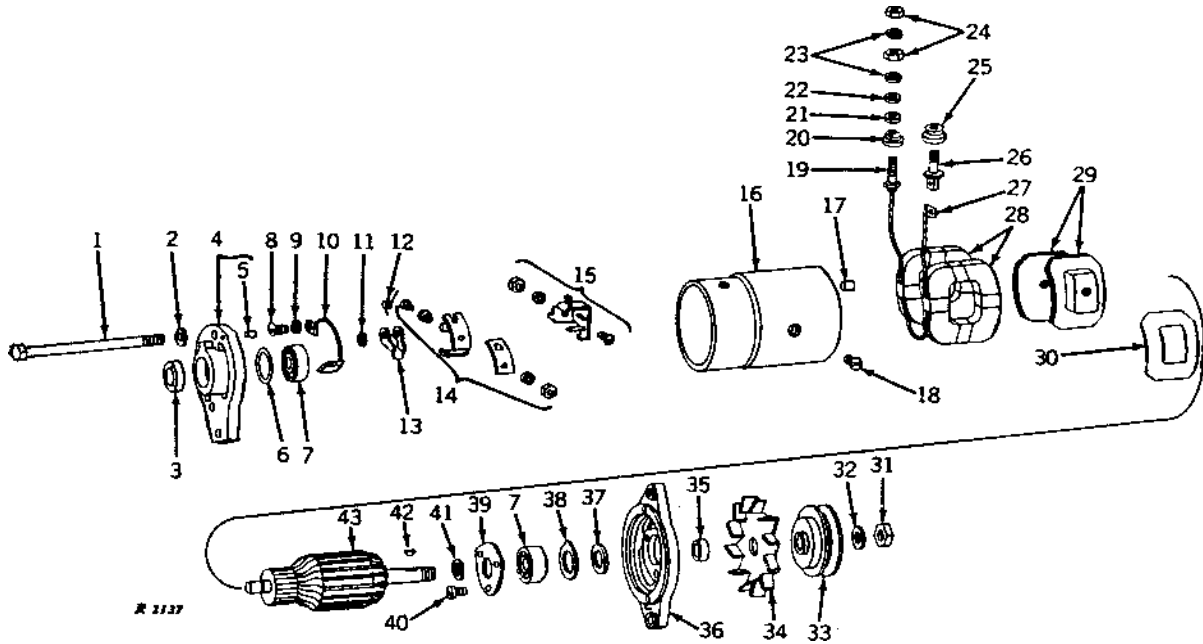
2C14

ELECTRICAL

GENERATOR PARTS(12 VOLT)(DELCO-REMY) (GASOLINE / LP-GAS)

R2137

-UN-12OCT94



KEY	PART NO.	PART NAME	QTY	TRACTOR SERIAL NO.	REMARKS
1	R11158	BOLT	2	(NLA)	
2	12H303	LOCK WASHER	2	5/16"	
3	R11188	PLUG	1	(NLA)	
4	AR11331	FRAME	1	(NLA)	
5	R11086	DOWEL PIN	1		
6	T11660	O-RING	1	(NLA)	
7	JD9449	BALL BEARING	2	(SUB FOR JD8535 OR AT23188)	
8	21H1309	SCREW	2	0.138" X 1/4"	
9	12H314	LOCK WASHER	2	0.138"	
10	AR11074	BRUSH	2		
11	T11651	SHIM	2	(NLA)	
12	T11652	SPRING	2		
13	T11649	ARM	2		
14	AR40217	HOLDER	1	(SUB FOR AR11068)	
15	AR11100	HOLDER	1	(NLA)	
16	FRAME	1		
17	R11087	DOWEL PIN	1		
18	21H1280	SCREW	2	3/8" X 3/4", (SUB FOR T18353)	
19	AR40436	STUD	1	(SUB FOR R11042)	
20	T11650	INSULATOR	1	(SUB AR40436)	
21	R11098	WASHER	1	(NLA)	
22	24H1287	WASHER	2	9/32" X 5/8" X 0.065", (SUB FOR A3031R)	
23	12H316	LOCK WASHER	4	0.216"	
24	14H608	NUT	4	0.216"	
25	R11113	WASHER	1		
26	T11656	STUD	1	(SUB FOR R11162)	
27	R32018	TERMINAL	1	(SUB FOR R11043)	
28	AR11101	FIELD WINDING COIL	1	(NLA) (SUB FOR AR11335)	
29	R11161	SHOE	2		
30	R11160	INSULATOR	2		
31	R11049	NUT	1		
32	T10745	WASHER	1		

2C15

ELECTRICAL

GENERATOR PARTS(12-VOLT)(DELCO-REMY) - CONTINUED (GASOLINE AND LP-GAS)

KEY	PART NO.	PART NAME	QTY	TRACTOR SERIAL NO.	REMARKS
33	R11189	PULLEY	1		
34	T12870	FAN	1		
35	T11648	LOCKING COLLAR	1		
36	AR11333	FRAME	1		
37	R11089	WASHER	1		FELT
38	R11094	PLATE	1		
39	R11109	PLATE	1		
40	21H1127	SCREW	3		0.190" X 7/16"
41	R11088	WASHER	1		
42	26H72	SHAFT KEY	1		1/8" X 5/8"
43	AR11334	ARMATURE	1		
..	AR33879	GENERATOR	1		(DELCO-REMY NO. 1100413) (SUB FOR AR11303 OR AR59295) (SUB TY1439)
..	TY1439	GENERATOR	1		(SUB FOR AR33879) (REMANUFATURED)(18 AMP)

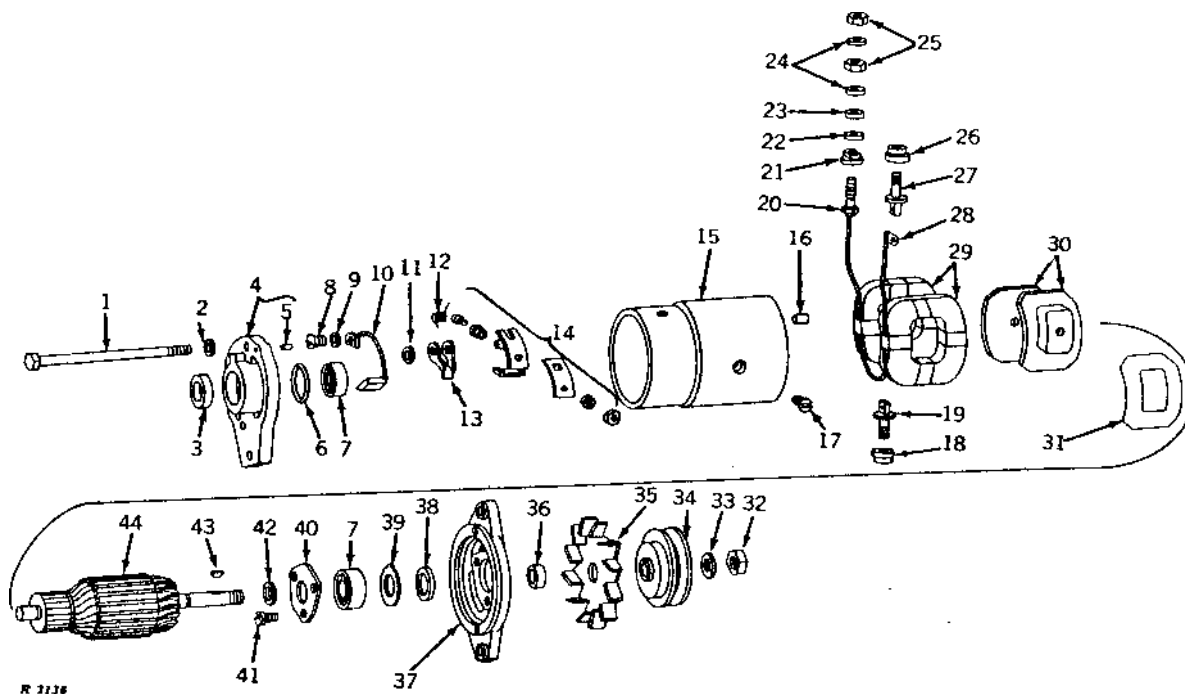
2C16

ELECTRICAL

GENERATOR PARTS (24-VOLT) (DIESEL)

R2136

-UN-12OCT94



KEY	PART NO.	PART NAME	QTY	TRACTOR SERIAL NO.	REMARKS
1	R11158	BOLT	2	(NLA)	
2	12H303	LOCK WASHER	2	5/16"	
3	R11188	PLUG	1	(NLA)	
4	AR11331	FRAME	1	(NLA)	
5	R11086	DOWEL PIN	1		
6	T11660	O-RING	1	(NLA)	
7	JD9449	BALL BEARING	2	(SUB FOR JD8535 OR AT23188)	
8	21H1309	SCREW	2	0.138" X 1/4"	
9	12H314	LOCK WASHER	2	0.138"	
10	AR11074	BRUSH	2		
11	T11651	SHIM	2	(NLA)	
12	T11652	SPRING	2		
13	T11649	ARM	2		
14	AR40217	HOLDER	2	(SUB FOR AR11068)	
15	FRAME	1		
16	R11087	DOWEL PIN	1		
17	21H1280	SCREW	2	3/8" X 3/4", (SUB FOR T18353)	
18	R11113	WASHER	1		
19	T11656	STUD	1	(SUB FOR R11162)	
20	AR40436	STUD	1	(SUB FOR R11042)	
21	T11650	INSULATOR	1	(SUB AR40436)	
22	R11098	WASHER	3	(NLA)	
23	24H1287	WASHER	3	9/32" X 5/8" X 0.065", (SUB FOR A3031R)	
24	12H316	LOCK WASHER	6	0.216"	
25	14H608	NUT	6	0.216"	
26	R11113	WASHER	1		
27	T11656	STUD	1	(SUB FOR R11162)	
28	R32018	TERMINAL	1	(SUB FOR R11043)	
29	AR11031	ELECTRICAL COIL	1		
30	R11161	SHOE	2	(NLA)	
31	R11160	INSULATOR	2		
32	R11049	NUT	1		
33	T10745	WASHER	1		

2C17

ELECTRICAL

GENERATOR PARTS - CONTINUED (24-VOLT) (DIESEL)

KEY	PART NO.	PART NAME	QTY	TRACTOR SERIAL NO.	REMARKS
34	R11189	PULLEY	1		
35	T12870	FAN	1		
36	T11648	LOCKING COLLAR	1		
37	AR11333	FRAME	1		
38	R11089	WASHER	1		
39	R11094	PLATE	1		
40	R11109	PLATE	1		
41	21H1127	SCREW	3		0.190" X 7/16"
42	R11088	WASHER	1		
43	26H72	SHAFT KEY	1		1/8" X 5/8"
44	AR11330	ARMATURE	1		
..	AR11302	GENERATOR	1		(SUB TY1447) (DELCO-REMY NO.1103026)
..	TY1447	GENERATOR	1		(SUB FOR AR11302) (10 AMP)(REMANUFACTURED)

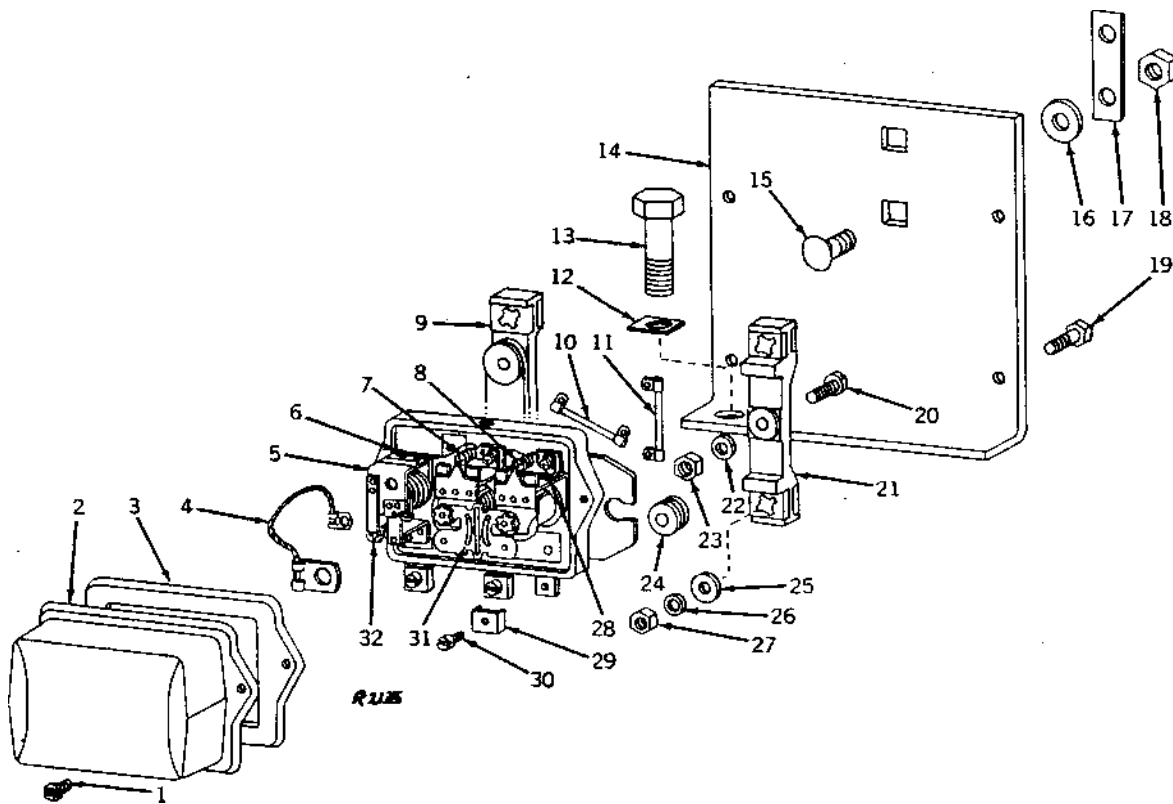
2C18

ELECTRICAL

R2135

-UN-12OCT94

GENERATOR REGULATOR (12-VOLT)(GASOLINE/LP-GAS)



**GENERATOR REGULATOR - CONTINUED
(12-VOLT)(GASOLINE/LP-GAS)**

KEY	PART NO.	PART NAME	QTY	TRACTOR SERIAL NO.	REMARKS
1	37H43	SCREW	2		NO. 8 X 3/8", (SUB FOR R11232)
	INSULATOR	2		(NLA)
2	AR30007	COVER	1		
3	R11052	GASKET	1		(NLA)
4	AR11338	WIRING LEAD	1		(NLA)
5	AR11033	ARMATURE	1		(NLA)
6	21H1309	SCREW	2		0.138" X 1/4", (ALSO ORDER 12H301) (SUB FOR AT11339)
7	R11112	SPRING	1		(SUB AR40170)
8	R11190	SPRING	1		(NLA)
9	AT21632	PACKAGE OF PARTS	1		(SUB FOR AR11041)
10	AR11067	RESISTOR	1		("F" TERMINAL TO RELAY)(NLA)
11	AR11337	RESISTOR	1		(NLA) ("F" TERMINAL TO GROUND)
12	PLATE	1		(NLA)
13	19H1356	CAP SCREW	1		5/8" X 1-3/4"
14	R26820	SUPPORT	1		(NLA)
15	03H1519	BOLT	2		3/8" X 1"
16	A147R	LOCK WASHER	2		
17	R27962	STRAP	1		
18	14H1076	NUT	2		3/8"
19	19H1791	CAP SCREW	4		1/4" X 1-1/4"
20	21H1305	SCREW	3		1/4" X 1"
21	AT21632	PACKAGE OF PARTS	1		(SUB FOR AR11042) (NLA)
22	12H302	LOCK WASHER	3		1/4"
23	14H850	NUT	3		1/4"
24	AR11039	GROMMET	3		(NLA)
25	BUSHING	1		
26	12H302	LOCK WASHER	4		1/4"
27	14H786	NUT	4		1/4"
28	SCREW	2		
29	R11084	CLIP	3		
30	21H1316	SCREW	3		0.190" X 1/2", (SUB FOR AR11040)
31	AR11336	CONTACT	1		(NLA)
32	R11111	SCREW	1		RELAY ARMATURE ADJUSTING
	AR40170	VOLTAGE REGULATOR	1		(12-VOLT) (DELCO-REMY NO. 1118896) (SUB FOR AR11304) (DELCO-REMY NO.1119135)

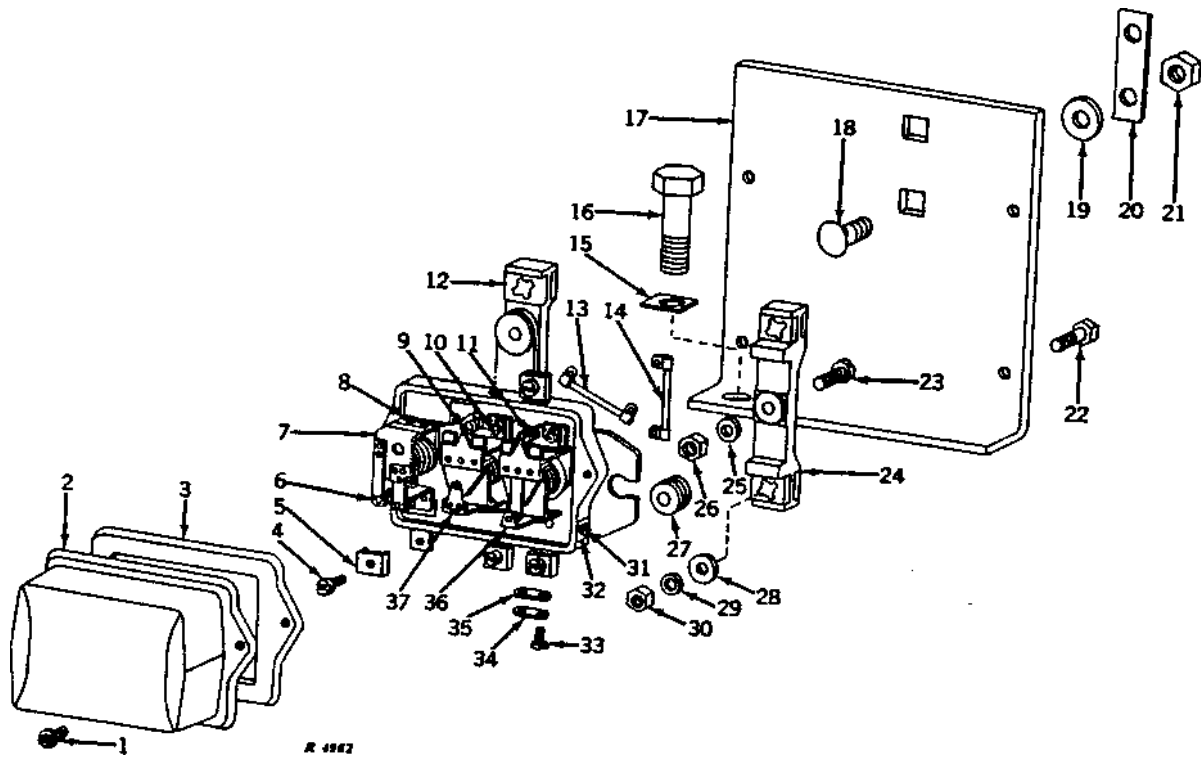
2C20

ELECTRICAL

R4962

-UN-12OCT94

GENERATOR REGULATOR (24-VOLT)(DIESEL)

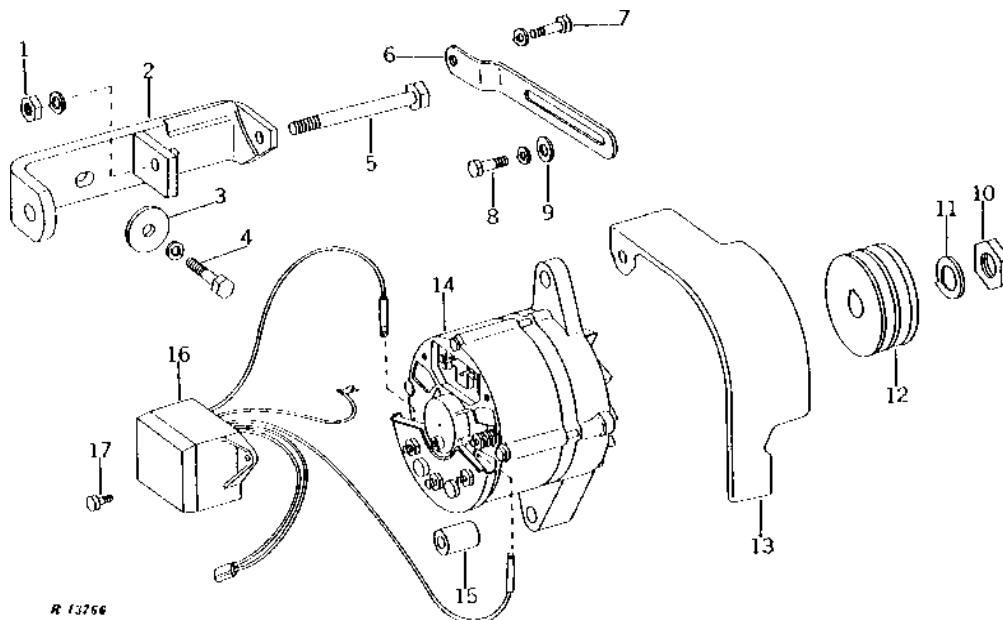


**GENERATOR REGULATOR - CONTINUED
(24-VOLT)(DIESEL)**

KEY	PART NO.	PART NAME	QTY	TRACTOR SERIAL NO.	REMARKS
1	37H43	SCREW	2		NO. 8 X 3/8", (SUB FOR R11232)
	INSULATOR	2		(NLA)
2	AR30007	COVER	1		
3	R11052	GASKET	1		(NLA)
4	21H1316	SCREW	4		0.190" X 1/2", (SUB FOR AR11040)
5	R11084	CLIP	4		
6	R11111	SCREW	1		RELAY ARMATURE ADJUSTING (NLA)
7	AR11033	ARMATURE	1		(NLA)
8	21H1309	SCREW	2		0.138" X 1/4", (SUB FOR AT11339) (ALSO ORDER 12H321)
9	R11112	SPRING	1		(SUB AR30155) CURRENT REGULATOR ARMATURE
10	SCREW	2		
11	R11054	SPRING	1		VOLTAGE REGULATOR ARMATURE (NLA)
12	AT21632	PACKAGE OF PARTS	1		(SUB FOR AR11041) (NLA)
13	AR11038	RESISTOR	1		(NLA)
14	AR11137	RESISTOR	1		(NLA)
15	PLATE	1		(NO LONGER REQUIRED)
16	19H1356	CAP SCREW	1		5/8" X 1-3/4"
17	R26820	SUPPORT	1		(NLA)
18	03H1519	BOLT	2		3/8" X 1"
19	A147R	LOCK WASHER	2		
20	R27962	STRAP	1		
21	14H1076	NUT	2		3/8"
22	19H1791	CAP SCREW	4		1/4" X 1-1/4"
23	21H1305	SCREW	3		1/4" X 1"
24	AT21632	PACKAGE OF PARTS	1		(SUB FOR AR11042) (NLA)
25	12H302	LOCK WASHER	3		1/4"
26	14H850	NUT	3		1/4"
27	AR11039	GROMMET	3		(NLA)
28	BUSHING	1		(NO LONGER REQUIRED)
29	12H302	LOCK WASHER	4		1/4"
30	14H786	NUT	4		1/4"
31	37H43	SCREW	1		(NOT USED)
32	CLIP	1		(NOT USED)
33	21H1288	SCREW	2		0.112" X 1/4", (SUB FOR R11103)
34	12M7084	LOCK WASHER	2		0.169"
35	R11102	INSULATOR	1		(NLA)
36	AR11036	CONTACT	1		VOLTAGE (NLA)
37	AR11035	CONTACT	1		(ORDER AR30155)
..	AR30155	VOLTAGE REGULATOR	1		(24-VOLT) (DELCO-REMY NO. 1119282) (DIESEL)

R13766 -UN-01JAN94

ALTERNATOR, REGULATOR, AND MOUNTING BRACKET (DIESEL)(AIR CONDITIONING)



R 13766

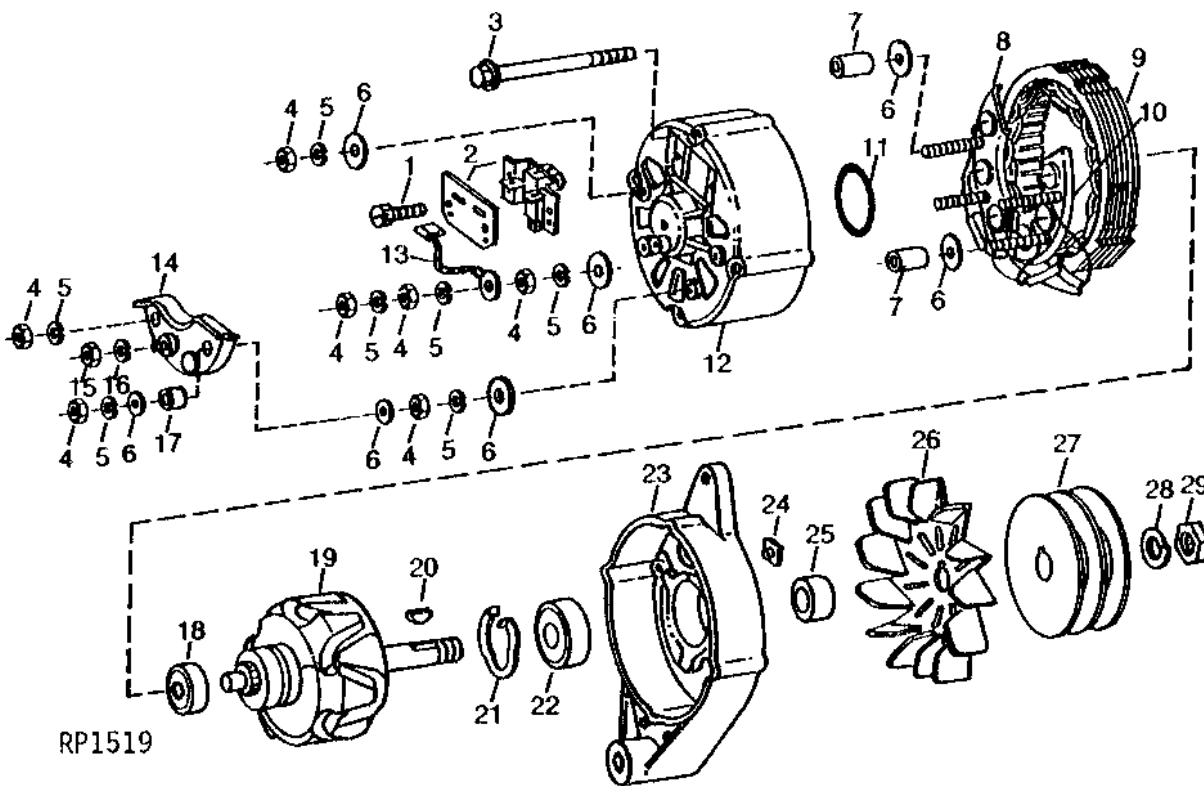
KEY	PART NO.	PART NAME	QTY	TRACTOR SERIAL NO.	REMARKS
1	E55662	FLANGE NUT	1	3/8"	
	12H304	LOCK WASHER	1	3/8", (NOT REQUIRED W/E55662)	
2	AR44965	BRACKET	1		
3	24H1330	WASHER	2	15/32" X 1-3/8" X 7/64"	
4	19H1821	CAP SCREW	2	7/16" X 1-1/4"	
	12H293	LOCK WASHER	2	7/16"	
5	19H2228	CAP SCREW	1	3/8" X 4"	
6	R42742	STRAP	1		
7	19H1900	CAP SCREW	1	5/16" X 3/4"	
	12H303	LOCK WASHER	1	5/16"	
8	19H2127	CAP SCREW	1	5/16" X 7/8"	
	12H303	LOCK WASHER	1	5/16"	
9	24H1292	WASHER	1	11/32" X 3/4" X 0.120"	
10	14H866	NUT	1	5/8"	
11	12H294	LOCK WASHER	1	5/8"	
12	R43664	PULLEY	1	(NLA)	
13	R42753	SHIELD	1	(NLA)	
14	AR40419	ALTERNATOR	1	(SUB TY1448) (24-VOLT)(35 AMP)(MOTOROLA)	
	TY1448	ALTERNATOR	1	(SUB FOR AR40419) (REMANUFACTURED)(24-VOLT)(35 AMP)	
15	R34969	SPACER	1		
16	AR52928	VOLTAGE REGULATOR	1	(24-VOLT) (MOTOROLA) (SUB FOR AR40421)	
17	R44008	SCREW	3		
..	WIRING HARNESS	1	(AR40457 OR AR47666 NO LONGER AVAILABLE)	

2C23

ELECTRICAL

ALTERNATOR PARTS(24-VOLT)(35 AMP)(MOTOROLA) (DIESEL) (AIR CONDITIONING)

RP1519 -UN-01JAN94



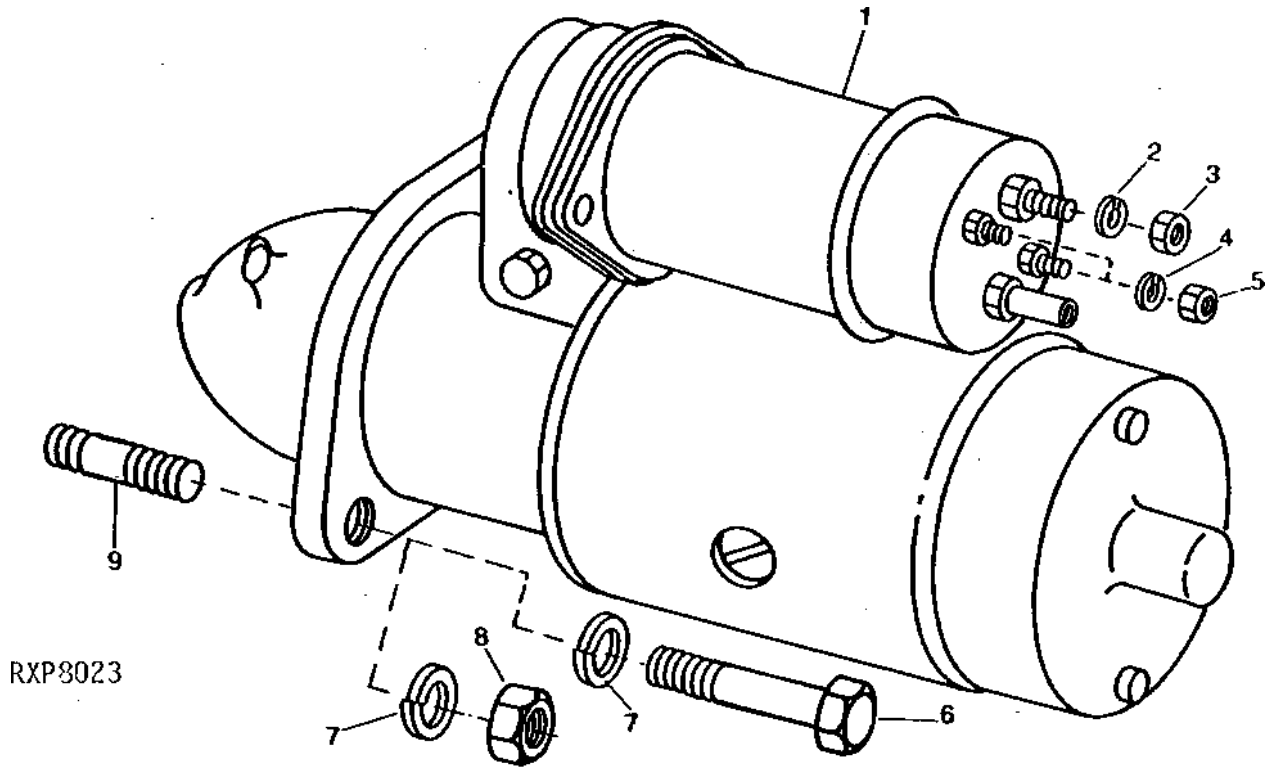
KEY	PART NO.	PART NAME	QTY	TRACTOR SERIAL NO.	REMARKS
1	37H10	SCREW	2	0.164" X 3/8"	
2	R15041	BRUSH	1		
3	R15045	BOLT	4		
4	14H778	NUT	8	0.190"	
5	12M7060	WASHER	8	0.209"	
6	R15036	WASHER	10	(SUB FOR R39804)	
7	R15035	SLEEVE	4		
8	R15039	DIODE	1	(RECTIFYING, POSTIVE)	
9	R15043	STATOR	1		
10	R15040	DIODE	1	(RECTIFYING, NEGATIVE)	
11	R15030	O-RING	1		
12	R40606	HOUSING	1	REAR(NLA)	
13	AR40489	WIRING LEAD	1		
14	AR40471	DIODE	1	SINGLE	
15	14H786	NUT	1	1/4"	
16	12H297	LOCK WASHER	1	1/4"	
17	R39803	WASHER	1		
18	AT23189	BALL BEARING	1		
19	R15042	ROTOR	1	(NLA)	
20	26H72	SHAFT KEY	1	1/8" X 5/8"	
21	R15029	RETAINER	1		
22	JD9449	BALL BEARING	1	(SUB FOR AT23188)	
23	R15033	HOUSING	1	FRONT	
24	T23610	NUT	4		
25	T25343	BUSHING	1	(SUB FOR R15038)	
26	R15027	FAN	1		
27	R43664	PULLEY	1	(NLA)	
28	12H294	LOCK WASHER	1	5/8"	
29	14H866	NUT	1	5/8"	
..	AR40419	ALTERNATOR	1	(SUB TY1448) (LESS PULLEY)	
..	TY1448	ALTERNATOR	1	(SUB FOR AR40419) (REMANUFACTURED)	

2C24

ELECTRICAL

STARTING MOTOR AND ATTACHING PARTS

RXP8023 -UN-01JAN94



KEY	PART NO.	PART NAME	QTY	TRACTOR SERIAL NO.	REMARKS
1	AR11138	STARTER	1	(A) (DELCO-REMY NO. 1113148) (SUB TY6703)	
	AR40134	STARTER	1	(A) (DELCO-REMY NO. 1113190) (SUB FOR AR11138) (SUB TY6703)	
	TY6703	STARTER	1	(A) (REMANUFACTURED) (SUB FOR AR11138, AR40134 OR TY6622) (CONTAINS RE39061)	
	AR11300	STARTER	1	(B) (DELCO-REMY NO. 1107785) (SUB TY6691)	
	AR11160	STARTER	1	(B) (DELCO-REMY NO. 1107350) (SUB FOR AR11300) (SUB TY6691)	
	TY6691	STARTER	1	(B) (REMANUFACTURED) (SUB FOR AR11300, AR11160 OR TY1435) (CONTAINS RE39838)	
	AR11305	STARTER	1	(C) (DELCO-REMY NO. 1107522) (SUB TY6694)	
	AR11161	STARTER	1	(C) (DELCO-REMY NO. 1107578) (SUB FOR AR11305) (SUB TY6694)	
	TY6694	STARTER	1	(C) (REMANUFACTURED) (SUB FOR AR11305, AR11161 OR TY1456) (CONTAINS RE39838)	
	AR60085	STARTER	1	(C) (DELCO-REMY NO. 1109147) (SUB TY6722)	
TY6722	STARTER	1	(C) (REMANUFACTURED) (SUB FOR AR60085) (CONTAINS RE39838)		
2	12H303	LOCK WASHER	1	(A) 5/16"	
	12H304	LOCK WASHER	1	(B) (C) 3/8"	
3	R51671	NUT	1	(A)	
	14H1076	NUT	1	(B) (C) 3/8"	
4	14H631	NUT	2	(A) 0.190"	
	14H605	NUT	2	(B) (C) 0.164"	
	12H246	LOCK WASHER	1	(A) 0.190"	
5	12M7084	LOCK WASHER	2	(B) (C) 0.169"	
	19H2552	CAP SCREW	2	(A) 3/8" X 1-1/8"	
6	19H3219	CAP SCREW	2	(B) (C) 3/8" X 1-3/8"	
	12H304	LOCK WASHER	3	(A) (B) (C) 3/8"	
7	12H304	LOCK WASHER	3	(A) (B) (C) 3/8"	
	14H1076	NUT	1	(A) 3/8"	
8	14H1076	NUT	1	(B) (C) 3/8"	
	R55396	STUD	1	(A) (SUB FOR M3636T, THIS APPLICATION)	
9	R56481	STUD	1	(B) (C)	

(A) DIESEL

(B) GASOLINE ONLY

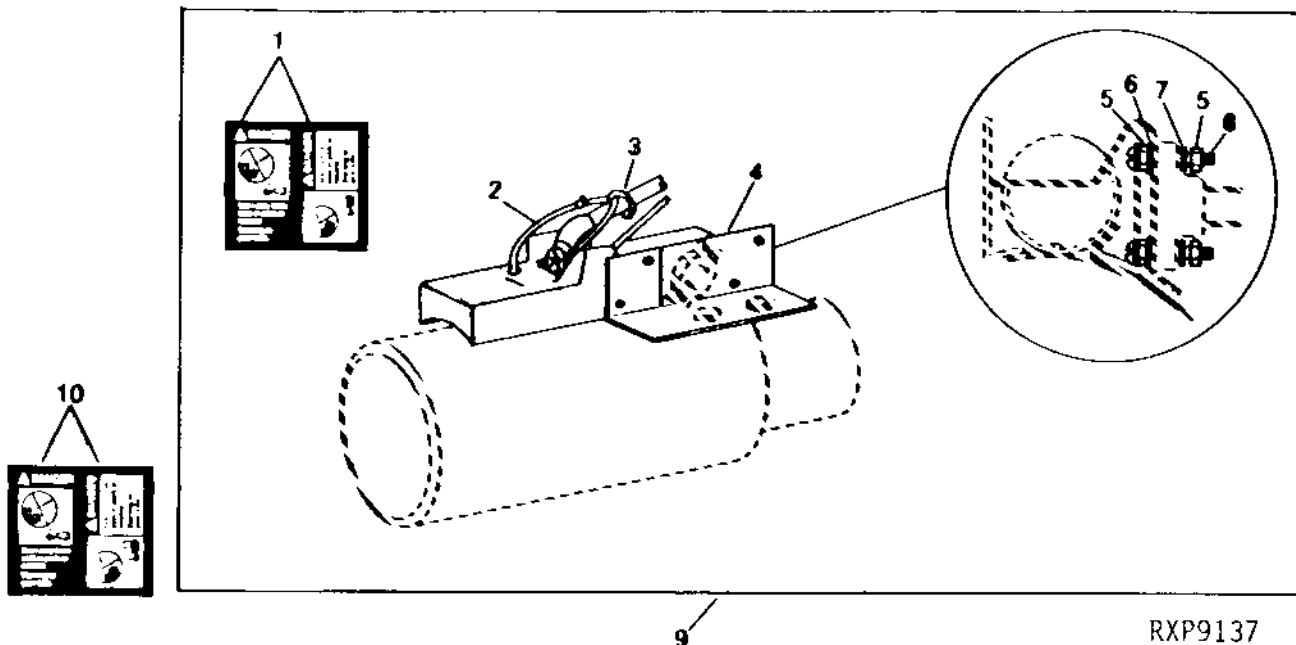
(C) GASOLINE AND LP-GAS

2C25

ELECTRICAL

STARTER SOLENOID COVER KIT (GAS AND LP-GAS)(DELCO-REMY)

RXP9137 -UN-12OCT94



KEY	PART NO.	PART NAME	QTY	TRACTOR SERIAL NO.	REMARKS
1	T146102	LABEL	1		(SUB FOR T84409 OR T134459) (ENGLISH)
2	R76477	TIE BAND	1		
3	R44302	TIE BAND	1		
4	R45642	BRACKET	1		
5	14H631	NUT	2	0.190"	
6	24H1283	WASHER	2	7/32" X 1/2" X 0.049"	
7	12H246	LOCK WASHER	2	0.190"	
8	21H981	SCREW	2	0.190" X 1/2"	
9	RE39838	SHIELD	1	(A)	
10	T146106	SAFETY SIGN	1		(SUB FOR T84410 OR T134452) (ESPAÑOL)
	T146104	SAFETY SIGN	1		(SUB FOR R84411 OR T134453) (FRANCAIS)
	T146515	SAFETY SIGN	1		(SUB FOR T84412 OR T134454) (DEUTSCH)
	T146516	SAFETY SIGN	1		(SUB FOR T84413 OR T134455) (ITALIANO)
	T146517	SAFETY SIGN	1		(SUB FOR T84578 OR T134456) (ENGLISH/FRENCH)

(A) USE ON AR11300, AR11305, AR11160, AR11161, AR60085, TY1435, TY1456, TY6691 , TY6694 OR TY6722

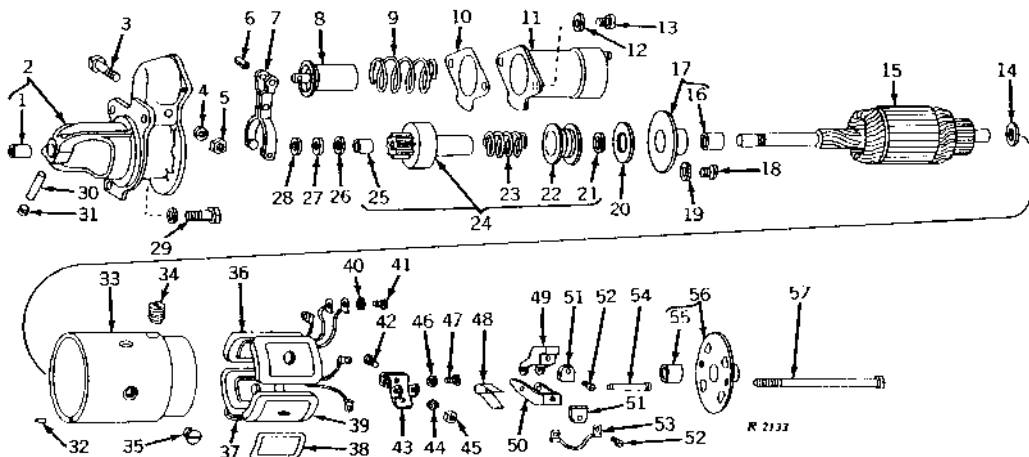
2D1

ELECTRICAL

STARTER(12-VOLT) (GASOLINE)

R2133

-UN-12OCT94



KEY	PART NO.	PART NAME	QTY	ENGINE SERIAL NO.	REMARKS
1	T17987	BUSHING	1		
2	AR11107	HOUSING	1		
3	T11672	CAP SCREW	1		
4	12H303	LOCK WASHER	1		5/16"
5	14H611	NUT	1		5/16", (SUB FOR T11682)
6	34H279	SPRING PIN	1		3/16" X 13/16"
7	T18113	SHIFTER	1		(SUB FOR T11674)
8	T11673	PLUNGER	1	-090999	(SUB AT15147)
	AT15147	PLUNGER	1	091000-	
9	T11675	SPRING	1		
10	T17058	GASKET	1		
11	AR11109	SWITCH	1	-090999	(DELCO-REMY NO. 1114264) (SUB AR68304)
	AR68304	SOLENOID	1	091000-	(DELCO-REMY NO. 1114356) (SUB FOR R11240)
	TY6690	SOLENOID	1		(REMANUFACTURED)
12	12H302	LOCK WASHER	2		1/4"
13	21H1310	SCREW	2		1/4" X 1/2"
14	R11096	WASHER	1		
15	AR11104	ARMATURE	1		
16	820148	BUSHING	1		
17	820149	BEARING	1		
18	21H1298	SCREW	2		0.190" X 3/8"
19	12H246	LOCK WASHER	2		0.190", (SUB FOR H23195)
20	R11095	WASHER	1		
21	R11118	WIRE	1		
22	R11225	LOCKING COLLAR	1		(SUB FOR 1838436) (SUB AR57094)
23	37517	SPRING	1		
24	AR57094	DRIVE	1		(SUB FOR AR11108 OR AT15140)
25	1873796	BUSHING	1		
26	R11116	SPACER	1		
27	R11117	SNAP RING	1		
28	R11080	WASHER	1		
29	19H2552	CAP SCREW	3		3/8" X 1-1/8"
	12H304	LOCK WASHER	3		3/8"
30	R40337	WICK	1		(SUB FOR R11108)

STARTER(12-VOLT) - CONTINUED
(GASOLINE)

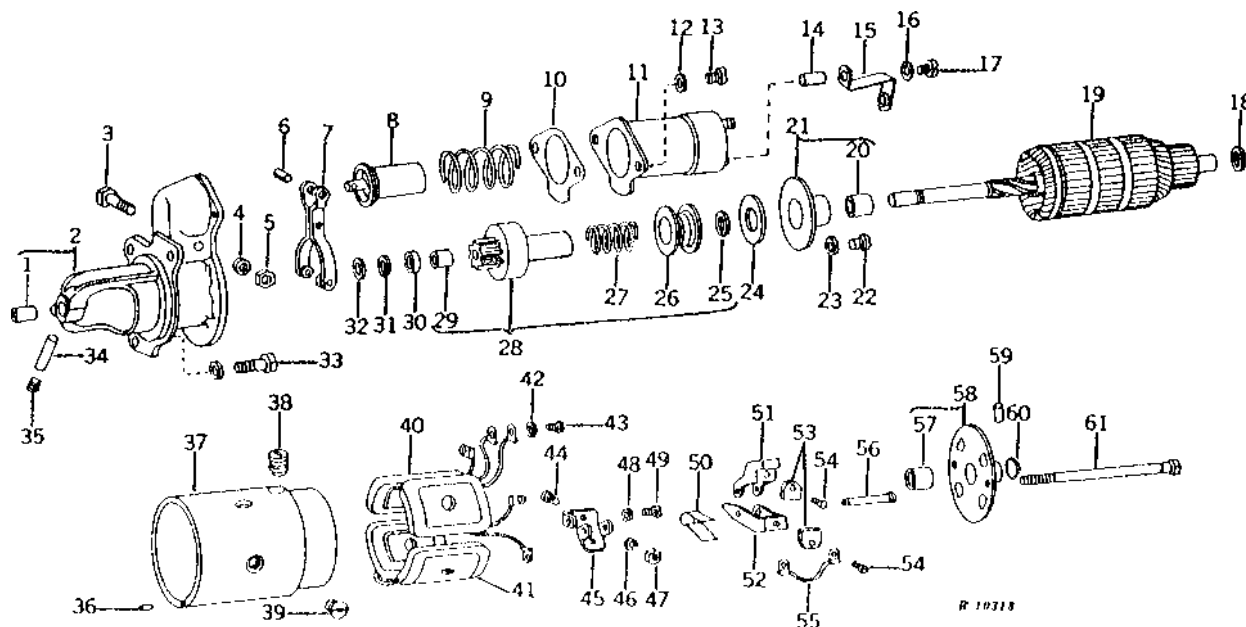
KEY	PART NO.	PART NAME	QTY	ENGINE SERIAL NO.	REMARKS
31	15H566	PIPE PLUG	1		1/8", (SUB FOR R11085)
32	R11087	DOWEL PIN	1		
33	FRAME	1		(ORDER TY6691)
34	R11191	GROMMET	1		
35	21H1280	SCREW	4		3/8" X 3/4", (SUB FOR T18353)
36	AR90826	FIELD WINDING COIL	1		(SUB FOR AR11106)
37	AR90826	FIELD WINDING COIL	1		(SUB FOR AR11105)
38	T743T	INSULATOR	4		
39	R39857	SHOE	4		(SUB FOR AT515T)
40	12M7060	WASHER	1		0.209"
41	21H1298	SCREW	1		0.190" X 3/8"
42	21H1301	SCREW	4		0.190" X 1/2"
43	AT516T	KIT	2		
44	12H246	LOCK WASHER	4		0.190"
45	14H778	NUT	4		0.190"
46	12H315	LOCK WASHER	1		0.164"
47	21H1292	SCREW	1		0.164" X 1/4"
48	T740T	SPRING	2		
49	R11160	INSULATOR	2		(SUB FOR T739T)
50	T738T	HOLDER	2		
51	T735T	BRUSH	4		
52	37H2	SCREW	4		0.164" X 5/8", (SUB FOR T10397)
53	AT514T	WIRING LEAD	2		
54	T736T	PIN	2		
55	810620	BUSHING	1		
56	AT517T	FRAME	1		
57	T741T	BOLT	2		
..	AR11160	STARTER	1		(DELCO-REMY NO. 1107350 OR 1107785) (SUB FOR AR11300) (SUB TY6691)
..	TY1435	STARTER	1		(REMANUFACTURED) (SUB TY6691)
..	TY6691	STARTER	1		(REMANUFACTURED) (SUB FOR AR11160 OR TY1435)

2D3

ELECTRICAL

STARTER(12-VOLT) (LP-GAS)

R10318 -UN-01JAN94



KEY	PART NO.	PART NAME	QTY	ENGINE SERIAL NO.	REMARKS
1	T17987	BUSHING	1		
2	AR11107	HOUSING	1		
3	T11672	CAP SCREW	1		
4	12H303	LOCK WASHER	1	5/16"	
5	14H611	NUT	1	5/16", (SUB FOR T11682)	
6	34H279	SPRING PIN	1	3/16" X 13/16"	
7	T18113	SHIFTER	1	(SUB FOR T11674)	
8	AT15147	PLUNGER	1		
9	R81176	COMPRESSION SPRING	1	(SUB FOR T11675)	
10	T17058	GASKET	1		
11	AR68304	SOLENOID	1	(DELCO-REMY NO. 1114292 OR 1114356) (SUB FOR R11240)	
	TY6690	SOLENOID	1	(REMANUFACTURED)	
12	12H302	LOCK WASHER	2	1/4"	
13	21H1310	SCREW	2	1/4" X 1/2"	
14	T19608	BUSHING	1		
15	R11235	FITTING	1	-090999	
	R57025	FITTING	1	091000-	(SUB FOR R39877)
16	12M7060	WASHER	1		0.209"
17	21H1298	SCREW	1	-090999	0.190" X 3/8"
	T19610	CAP SCREW	1	091000-	
18	R11096	WASHER	1		
19	AT15138	ARMATURE	1		(SUB FOR AR11111)
20	T11684	BUSHING	1		(SUB 820149)
	820148	BUSHING	1		(PARTS FOR 820149)
21	820149	BEARING	1		(SUB FOR T11683)
22	21H1127	SCREW	2		0.190" X 7/16"
23	12H246	LOCK WASHER	2		0.190", (SUB FOR H23195)
24	R11095	WASHER	1		
25	R11118	WIRE	1		
26	R11225	LOCKING COLLAR	1		(SUB FOR 1838486) (SUB AR57094)
27	37517	SPRING	1		
28	AR57094	DRIVE	1		(SUB FOR AR11108 OR AT15140)
29	1873796	BUSHING	1		

STARTER(12-VOLT) - CONTINUED
(LP-GAS)

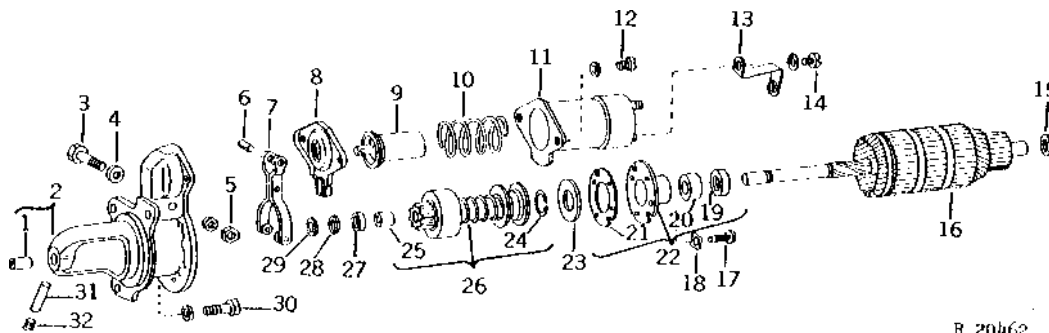
KEY	PART NO.	PART NAME	QTY	ENGINE SERIAL NO.	REMARKS
30	R11116	SPACER	1		
31	R11117	SNAP RING	1		
32	R11080	WASHER	1		
33	19H2552	CAP SCREW	3		3/8" X 1-1/8"
	12H304	LOCK WASHER	3		3/8"
34	R40337	WICK	1		(SUB FOR R11108)
35	15H566	PIPE PLUG	2		1/8", (SUB FOR R11085)
36	R11087	DOWEL PIN	1		
37	FRAME	1		(ORDER TY6722)
38	R11236	GROMMET	1		
39	21H1278	SCREW	8	-090999	3/8" X 5/8", (SUB FOR R11104) (NLA)
	21H1280	SCREW	8	091000-	3/8" X 3/4", (SUB FOR T18353)
40	R11237	FIELD WINDING COIL	1		
41	T11680	SHOE	2		
42	12M7060	WASHER	1		0.209"
43	21H1298	SCREW	1		0.190" X 3/8"
44	21H1301	SCREW	4		0.190" X 1/2"
45	AT516T	KIT	2		
46	12H246	LOCK WASHER	4		0.190"
47	14H778	NUT	4		0.190"
48	12H315	LOCK WASHER	1		0.164"
49	21H1292	SCREW	1		0.164" X 1/4"
50	T740T	SPRING	2		
51	R11290	CARBON BRUSH HOLDER	2		(SUB FOR T739T)
52	T738T	HOLDER	2		
53	R11239	BRUSH	4		
54	37H79	SCREW	4		(ALSO ORDER 12M7084)
55	AT514T	WIRING LEAD	2		
56	T736T	PIN	2		
57	R61932	BUSHING	1		(SUB FOR T10794 OR T11739)
58	R11238	END PLATE	1		
59	H23193	FELT	1		OIL
60	30H9	PLUG	1		3/4"
61	R11243	CAP SCREW	2		
..	AR11161	STARTER	1		(DELCO-REMY NO. 1107578) (SUB FOR AR11305) (SUB TY6722) (DELCO-REMY NO. 1109147)
..	TY6694	STARTER	1		(SUB FOR AR11161 OR TY1456) (REMANUFACTURED)
..	AR60085	STARTER	1		(SUB TY6722)
..	TY6722	STARTER	1		(REMANUFACTURED) (INCLUDES RE39838) (SUB FOR AR60085)

2D5

ELECTRICAL

STARTER DRIVE END HOUSING, SOLENOID SWITCH, AND ARMATURE (12-VOLT)(DELCO-REMY)(LP-GAS)

R20462 -UN-01JAN94



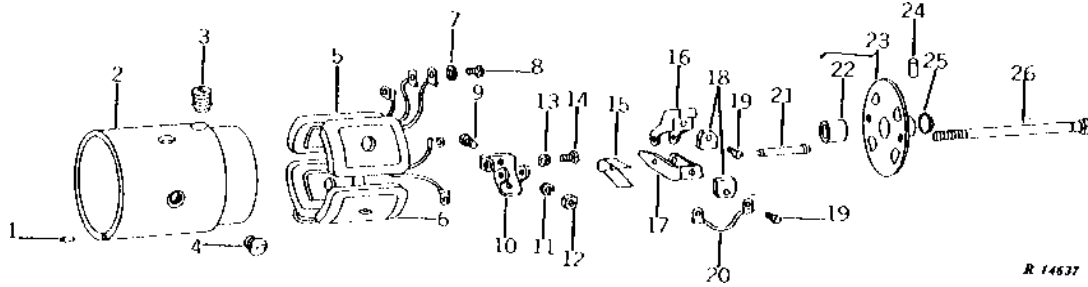
KEY	PART NO.	PART NAME	QTY	ENGINE SERIAL NO.	REMARKS
1	T17987	BUSHING	1		
2	AR63943	HOUSING	1	(NLA)	
3	T11672	CAP SCREW	1		
4	AR62966	WASHER	1		
5	14H611	NUT	1	5/16", (SUB FOR T11682)	
	12H303	LOCK WASHER	1	5/16"	
6	34H279	SPRING PIN	1	3/16" X 13/16"	
7	T18113	SHIFTER	1		
8	R55162	BOOT	1		
9	AT15147	PLUNGER	1		
10	R81176	COMPRESSION SPRING	1	(SUB FOR T11675)	
11	AR68304	SOLENOID	1	(DELCO-REMY NO. 1114356) (SUB FOR R11240)	
	TY6690	SOLENOID	1	(REMANUFACTURED)	
12	21H1310	SCREW	2	1/4" X 1/2"	
	12H302	LOCK WASHER	2	1/4"	
13	R57025	FITTING	1	(SUB FOR R39877)	
14	T19610	CAP SCREW	1		
	12M7060	WASHER	1	0.209"	
15	R11096	WASHER	1		
16	AT15138	ARMATURE	1		
17	21H1127	SCREW	4	0.190" X 7/16"	
18	12M7060	WASHER	4	0.209"	
19	AR62965	SEAL	1		
20	R54584	BUSHING	1		
21	R54585	GASKET	1		
22	AR62967	BEARING	1		
23	R11095	WASHER	1		
24	R11118	WIRE	1		
25	1873796	BUSHING	1		
26	AR57094	DRIVE	1	MOTOR	
27	R11116	SPACER	1		
28	R11117	SNAP RING	1		
29	R11080	WASHER	1		
30	19H2552	CAP SCREW	2	3/8" X 1-1/8"	
	M3636T	STUD	1	3/8" X 1-1/2"	
	14H1076	NUT	2	3/8"	
	12H304	LOCK WASHER	3	3/8", (NOT REQUIRED W/E55662)	
31	R40337	WICK	1		
32	15H566	PIPE PLUG	2	1/8"	
..	AR60085	STARTER	1	(SUB TY6722) (DELCO-REMY NO.1109147)	
..	TY6722	STARTER	1	(REMANUFACTURED) (INCLUDES RE39838) (SUB FOR AR60085)	

2D6

ELECTRICAL

STARTER MAIN FRAME, COIL, AND COMMUTATOR END FRAME (12-VOLT)(DELCO-REMY)(LP-GAS)

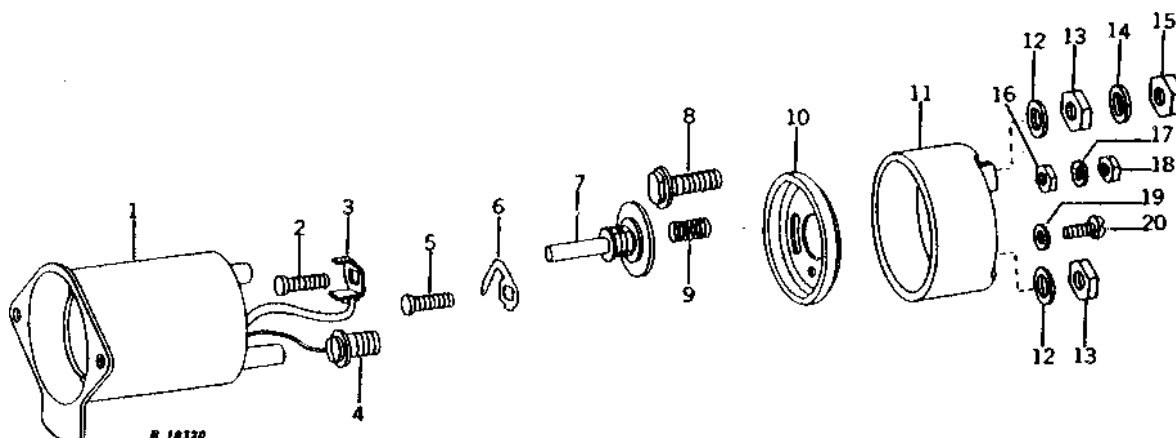
R14637 -UN-01JAN94



KEY	PART NO.	PART NAME	QTY	ENGINE SERIAL NO.	REMARKS
1	R11087	DOWEL PIN	1		
2	FRAME	1	(ORDER TY6722)	
3	R11236	GROMMET	1		
4	21H1280	SCREW	8	3/8" X 3/4"	
5	R11237	FIELD WINDING COIL	1		
6	T11680	SHOE	4		
7	12M7060	WASHER	1	0.209"	
8	21H1298	SCREW	1	0.190" X 3/8"	
9	21H1301	SCREW	4	0.190" X 1/2"	
10	AT516T	KIT	2		
11	12H246	LOCK WASHER	4	0.190"	
12	14H778	NUT	4	0.190"	
13	12H315	LOCK WASHER	1	0.164"	
14	21H1292	SCREW	1	0.164" X 1/4"	
15	T740T	SPRING	2		
16	R11290	CARBON BRUSH HOLDER	2	(SUB FOR T739T)	
17	T738T	HOLDER	2		
18	R11239	BRUSH	4		
19	37H79	SCREW	4	1/4" X 5/8"	
20	AT514T	WIRING LEAD	2		
21	T736T	PIN	2		
22	R61932	BUSHING	1	(SUB FOR T11739)	
23	R11238	END PLATE	1		
24	H23193	FELT	1	OIL	
25	30H9	PLUG	1	3/4"	
26	R11243	CAP SCREW	2		
..	AR60085	STARTER	1	(SUB TY6722) (DELCO-REMY NO. 1109147)	
..	TY6722	STARTER	1	(REMANUFACTURED) (INCLUDES RE39838) (SUB FOR AR60085)	

R10320 -UN-01JAN94

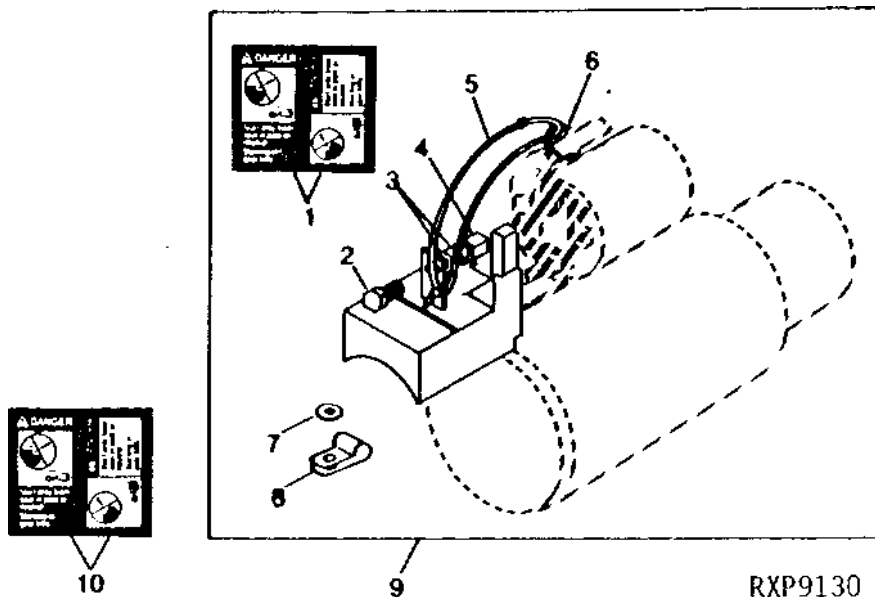
SOLENOID SWITCH (12-VOLT)(GASOLINE AND LP-GAS)



KEY	PART NO.	PART NAME	QTY	ENGINE SERIAL NO.	REMARKS
1	CASE	1		(ORDER AR68304 OR TY6690)
2	R11197	STUD	1	-090999	SWITCH TERMINAL
	T19606	STUD	1	091000-	SWITCH TERMINAL
3	R11198	CLIP	1		(NLA)
4	T18354	SCREW	1	-090999	(MOTOR TERMINAL) (SUB FOR R11193) (USE WITH AR11109)
	STUD	1	-090999	(T18108 NO LONGER AVAILABLE) (MOTOR TERMINAL) (SUB FOR R11241) (USE WITH AR68304)
	T18354	SCREW	1	091000-	MOTOR TERMINAL
5	T19606	STUD	1	091000-	RESISTOR TERMINAL
6	T19604	CONTACT	1	091000-	RESISTOR TERMINAL
7	AR11758	CONTACT	1	-090999	(NLA) (SUB AT15146) (USE WITH AR11109)
	AT15146	CONTACT	1	-090999	(SUB FOR R11242) (USE WITH AR68304)
	AT15146	CONTACT	1	091000-	
8	R11064	STUD	1	-090999	BATTERY TERMINAL(NLA)
	T18105	STUD	1	091000-	BATTERY TERMINAL
9	R11066	SPRING	1		
10	R61133	GASKET	1	091000-	(SUB FOR T18109 OR R49394)
11	R11199	COVER	1	-090999	(SUB AR68304 OR TY6690)
	R61134	COVER	1	091000-	(NLA) (ALSO ORDER R61133) (SUB FOR T19609, R49393 OR R57452)
12	R11194	WASHER	2		
13	R11195	NUT	2	-090999	(SUB 14H732)
	14H732	NUT	2	091000-	3/8"
14	12H304	LOCK WASHER	1		3/8"
15	14H732	NUT	1		3/8"
16	AR11134	NUT	1	-090999	
	AR11131	NUT	2	091000-	
17	12H246	LOCK WASHER	1	-090999	0.190"
	12M7084	LOCK WASHER	2	091000-	0.169"
18	14H631	NUT	1	-090999	0.190"
	14H605	NUT	2	091000-	0.164"
19	R11039	WASHER	2		
20	21H1298	SCREW	2		0.190" X 3/8"
..	AR11109	SWITCH	1	-090999	(DELCO-REMY NO. 1114264) (SUB AR68304) (GASOLINE)
..	AR68304	SOLENOID	1	091000-	(DELCO-REMY NO. 1114356) (SUB FOR R11240 OR AR11109) (GASOLINE)
..	AR68304	SOLENOID	1		(DELCO-REMY NO. 1114294 OR 1114356) (SUB FOR R11240) (LP-GAS)

STARTER SOLENOID COVER KIT
(DIESEL)(DELCO-REMY)

RXP9130 -UN-01JAN94



RXP9130

KEY	PART NO.	PART NAME	QTY	ENGINE SERIAL NO.	REMARKS
1	T146102	LABEL	1	(SUB FOR T84409 OR T134459)	(ENGLISH)
2	19H2038	CAP SCREW	1	3/8" X 1/2"	
3	24H1305	WASHER	2	13/32" X 13/16" X 0.065"	
4	R100380	NUT	1		
5	R76477	TIE BAND	1		
6	R44302	TIE BAND	1		
7	24H1289	WASHER	1	21/64" X 5/8" X 0.049"	
8	R46414	CLAMP	1		
9	RE39061	SHIELD	1	(A)	
10	T146106	SAFETY SIGN	1	(SUB FOR T84410 OR T134452)	(ESPANOL)
	T146104	SAFETY SIGN	1	(SUB FOR T84411 OR T134453)	(FRANCAIS)
	T146515	SAFETY SIGN	1	(SUB FOR T84412 OR T134454)	(DEUTSCH)
	T146516	SAFETY SIGN	1	(SUB FOR T84413 OR T134455)	(ITALIANO)
	T146517	SAFETY SIGN	1	(SUB FOR T84578 OR T134456)	(ENGLISH/FRENCH)

(A) USE ON AR11138, AR40134, OR TY6703

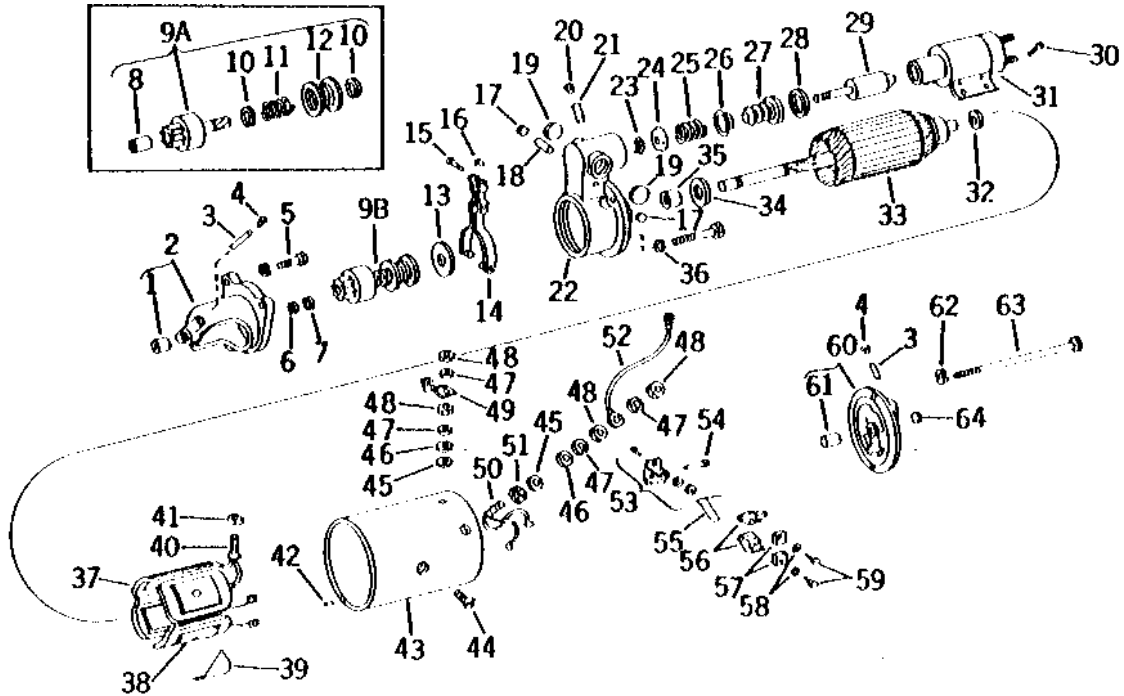
2D9

ELECTRICAL

STARTER(24-VOLT)(DIESEL)
(ENGINE SERIAL NO. 065000-112964)

R30601

-UN-01JAN94



R30601F

KEY	PART NO.	PART NAME	QTY	ENGINE SERIAL NO.	REMARKS
1	T11743	BUSHING	1		
2	AR11127	HOUSING	1		
3	R40337	WICK	2		(SUB FOR 1909654)
4	15H566	PIPE PLUG	2		1/8", (SUB FOR R11085)
5	19H2552	CAP SCREW	3		3/8" X 1-1/8"
	12H304	LOCK WASHER	3		3/8"
6	R11117	SNAP RING	1		
7	R11116	SPACER	1		
8	R11119	BUSHING	1		
9A	AR84239	DRIVE	1		(SUB FOR AR11133)
9B	AR88880	BENDIX DRIVE MOTOR	1		
10	R11118	WIRE	2		(SUB FOR R11227)
11	R11226	SPRING	1		
12	R11225	LOCKING COLLAR	1		(SUB AR88880)
13	R11095	WASHER	1		
14	AR11128	LEVER	1		
15	R11222	PIN	1		
16	R11223	RETAINER	1		
17	R11213	PLUG	2		(NLA)
18	R11215	DOWEL PIN	1		
19	30H16	PLUG	2		1-3/16"
20	R11016	PIPE PLUG	1		
21	R11201	WICK	1		(SUB FOR R11015)
22	AR11126	HOUSING	1		
23	R11026	SNAP RING	1		
24	R11129	CAP	1		
25	R11128	SPRING	1		
26	R11126	RETAINER	1		
27	R11127	BOOT	1		
28	R11221	WASHER	1		
29	AR11132	PLUNGER	1		
30	T19909	BOLT	4		(SUB FOR 1916529)

2D10

ELECTRICAL

STARTER(24-VOLT)(DIESEL) - CONTINUED
(ENGINE SERIAL NO. 065000-112964)

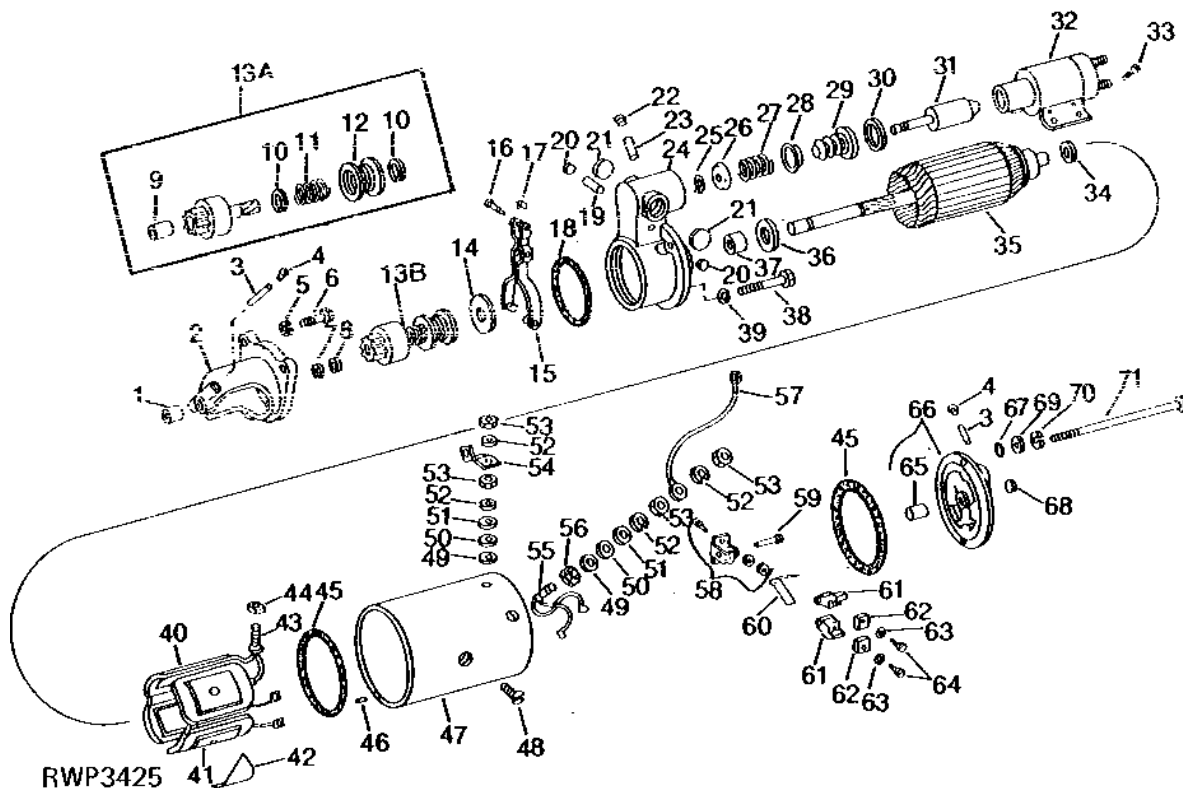
KEY	PART NO.	PART NAME	QTY	ENGINE SERIAL NO.	REMARKS
31	AR40395	SWITCH	1		(DELCO-REMY NO. 1115513, (SUB FOR AR11129)
	TY6689	SOLENOID	1		(DELCO-REMY NO. 1119888) (REMANUFACTURED) (NLA)
32	R11096	WASHER	1		
33	AR11120	ARMATURE	1		
34	R11214	WASHER	1		
35	R11212	BUSHING	1		
36	19H1949	CAP SCREW	4		5/16" X 2-1/2"
	12H303	LOCK WASHER	4		5/16"
37	AR11122	ELECTRICAL COIL	1		
38	1931784	SHOE	4		(NLA)
39	R11253	INSULATOR	2		
40	R11207	STUD	1		
41	R11058	BUSHING	1		
42	R11087	DOWEL PIN	1		
43	FRAME	1		(ORDER TY6703)
44	21H1280	SCREW	4		3/8" X 3/4", (SUB FOR T18353)
45	R11000	WASHER	2		
46	24M7096	WASHER	2		10.500 X 18 X 1.600 MM
47	12H304	LOCK WASHER	1		3/8", (NO LONGER REQUIRED)
48	14H732	NUT	4		3/8"
49	R11228	CONNECTOR	1		
50	AR11139	TERMINAL	1		
51	R11058	BUSHING	1		
52	WIRING LEAD	1		254MM (10") (MAKE FROM R32008 AND R32017) (SUB FOR R11229)
53	AR11124	SUPPORT	2		
54	R11233	PIN	2		
55	R11209	SPRING	2		
56	AR11123	CARBON BRUSH HOLDER	4		
57	R11208	BRUSH	4		
58	12M7084	LOCK WASHER	4		0.169", (ALSO ORDER 37H79)
59	37H79	SCREW	4		(ALSO ORDER 12M7084)
60	AR11140	FRAME	1		
61	R61932	BUSHING	1		(SUB FOR T11739)
62	12H303	LOCK WASHER	2		5/16"
63	T11655	BOLT	2		(SUB FOR 1931812) (NLA)
64	30H9	PLUG	1		3/4"
..	AR11138	STARTER	1		(DELCO-REMY NO. 1113148) (SUB TY6703)
..	AR40134	STARTER	1		(SUB TY6703)
..	TY6703	STARTER	1		(REMANUFACTURED) (SUB FOR AR11138, AR40134 OR TY6622)

2D11

ELECTRICAL

STARTER(24-VOLT)(DIESEL)
(ENGINE SERIAL NO. 112965-)

RWP3425 -UN-01JAN94



KEY	PART NO.	PART NAME	QTY	ENGINE SERIAL NO.	REMARKS
1	T11743	BUSHING	1		
2	AR11127	HOUSING	1		
3	R40337	WICK	2		
4	15H566	PIPE PLUG	2	1/8"	
5	12H304	LOCK WASHER	3	3/8"	
6	19H2552	CAP SCREW	3	3/8" X 1-1/8"	
7	R11117	SNAP RING	1		
8	R11116	SPACER	1		
9	R11119	BUSHING	1		
10	R11118	WIRE	2		
11	R11226	SPRING	1		
12	R11225	LOCKING COLLAR	1		(SUB AR88880)
13A	AR11133	DRIVE	1		(SUB AR88880)
13B	AR88880	BENDIX DRIVE MOTOR	1		
14	R11095	WASHER	1		
15	AR11128	LEVER	1		
16	R11222	PIN	1		
17	R11223	RETAINER	1		
18	R40545	GASKET	1		
19	R11215	DOWEL PIN	1		
20	30H7	PLUG	2	5/8"	
21	30H16	PLUG	2	1-3/16"	
22	R11016	PIPE PLUG	1		
23	R11201	WICK	1		
24	AR11126	HOUSING	1		
25	R11026	SNAP RING	1		
26	R11129	CAP	1		
27	R11128	SPRING	1		
28	R11126	RETAINER	1		
29	R11127	BOOT	1		
30	R11221	WASHER	1		
31	AR11132	PLUNGER	1		

STARTER(24-VOLT)(DIESEL) - CONTINUED
(ENGINE SERIAL NO. 112965-)

KEY	PART NO.	PART NAME	QTY	ENGINE SERIAL NO.	REMARKS
32	AR40395	SWITCH	1		(DELCO-REMY NO. 1115513)
	TY6689	SOLENOID	1		(REMANUFACTURED) (NLA)
33	T19909	BOLT	4		(SUB FOR 1916529)
34	WASHER	1		(SUB AR100161)
35	AR11120	ARMATURE	1		
36	R11214	WASHER	1		
37	R11212	BUSHING	1		
38	19H1949	CAP SCREW	4		5/16" X 2-1/2"
39	12H303	LOCK WASHER	4		5/16"
40	AR11122	ELECTRICAL COIL	1		
41	1931784	SHOE	4		
42	R11253	INSULATOR	2		(NLA)
43	R11207	STUD	1		
44	R11058	BUSHING	1		
45	GASKET	2		(SUB AR100161)
46	R11087	DOWEL PIN	1		
47	FRAME	1		(ORDER TY6703) (SUB FOR TY6622 OR AR40134)
48	21H1280	SCREW	4		3/8" X 3/4"
49	WASHER	2		(SUB AR100161)
50	R11000	WASHER	2		
51	24M7096	WASHER	2		10.500 X 18 X 1.600 MM
52	12H304	LOCK WASHER	4		3/8"
53	14H732	NUT	4		3/8"
54	R11228	CONNECTOR	1		
55	AR11139	TERMINAL	1		
56	R11058	BUSHING	1		
57	WIRING LEAD	1		254MM (10") (MAKE FROM R66320 AND R32017)
58	AR11124	SUPPORT	2		
59	R11233	PIN	2		
60	R11209	SPRING	2		
61	AR11123	CARBON BRUSH HOLDER	4		
62	R11208	BRUSH	4		
63	12M7084	LOCK WASHER	4		0.169"
64	37H79	SCREW	4		1/4" X 5/8"
65	R61932	BUSHING	1		(SUB FOR T11739)
66	AR11140	FRAME	1		
67	R27976	O-RING	2		
68	30H9	PLUG	1		3/4"
69	24H1136	WASHER	2		11/32" X 11/16" X 0.065"
70	12H303	LOCK WASHER	2		5/16"
71	T11655	BOLT	2		(NLA)
..	AR40134	STARTER	1		(DELCO-REMY NO. 1113190) (SUB TY6703)
..	TY6703	STARTER	1		(REMANUFACTURED) (SUB FOR AR40134 OR TY6622)

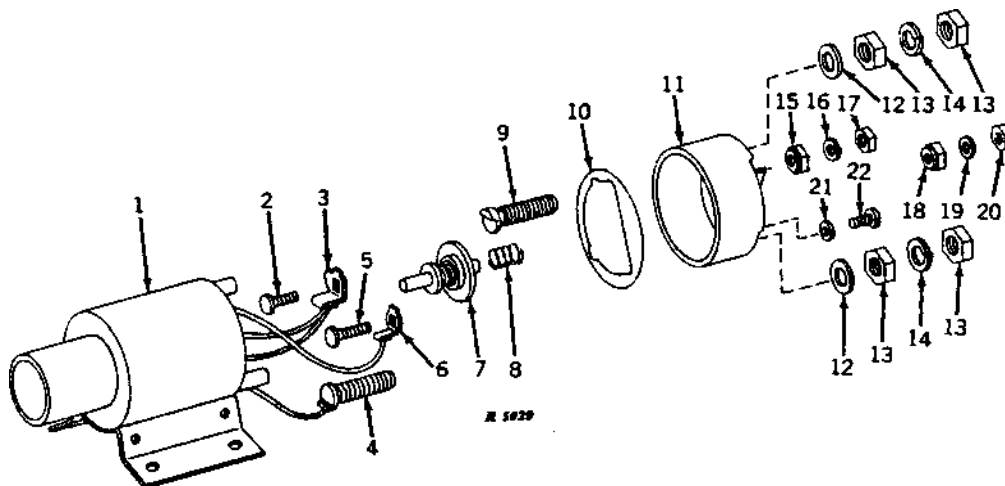
2D13

ELECTRICAL

**SOLENOID SWITCH(24-VOLT)(DIESEL)
(ENGINE SERIAL NO. 065000-112964)**

R5029

-UN-12OCT94



KEY	PART NO.	PART NAME	QTY	ENGINE SERIAL NO.	REMARKS
1	CASE	1		(ORDER AR40395)
	TY6689	SOLENOID	1		(REMANUFACTURED) (NLA)
2	R11197	STUD	1		(A)
3	R11198	CLIP	1		(NLA)
4	R11216	STUD	1		MOTOR TERMINAL(NLA)
5	R11217	STUD	1		(B) (NLA)
6	R11218	CLIP	1		(NLA)
7	AR11130	CONTACT	1		
8	R11066	SPRING	1		
9	R11220	STUD	1		BATTERY TERMINAL, (SUB AR40395)
10	R40548	GASKET	1		(SUB FOR R11067)
11	R11219	COVER	1		(SUB AR40395)
12	R11194	WASHER	2		
13	14H732	NUT	4		3/8"
14	12H304	LOCK WASHER	4		3/8"
15	AR11134	NUT	1		(A)
16	12H246	LOCK WASHER	1		0.190"
17	14H631	NUT	1		0.190"
18	AR11131	NUT	1		(B)
19	12M7084	LOCK WASHER	1		0.169"
20	14H605	NUT	1		0.164"
21	R11039	WASHER	2		
22	21H995	SCREW	2		0.190" X 3/8"
..	AR11129	SWITCH	1		(DELCO-REMY NO. 1119888) (SUB AR40395)

(A) SWITCH TERMINAL

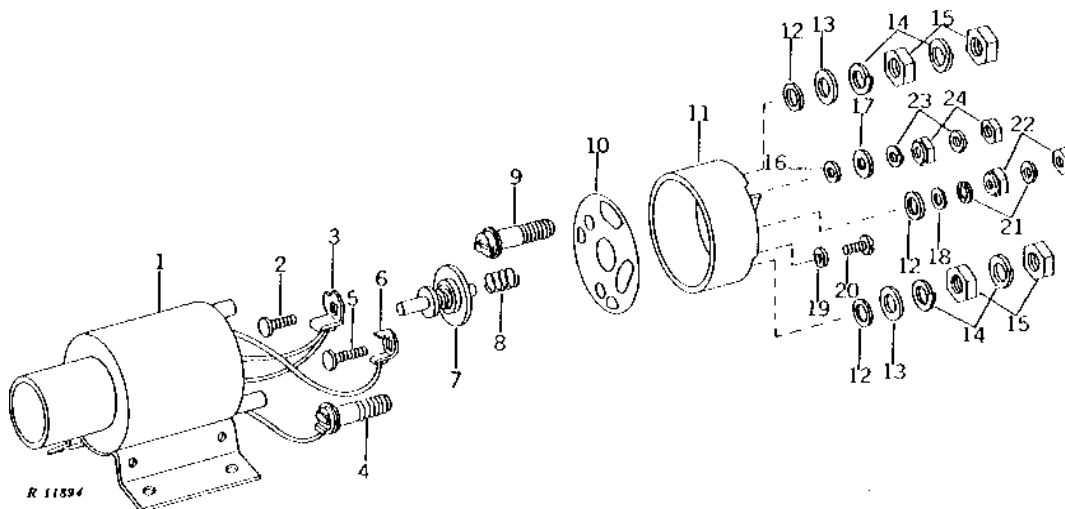
(B) RETURN TERMINAL

2D14

ELECTRICAL

SOLENOID SWITCH(24-VOLT)(DIESEL) (ENGINE SERIAL NO. 112965-)

R11894 -UN-01JAN94



KEY	PART NO.	PART NAME	QTY	ENGINE SERIAL NO.	REMARKS
1	CASE	1		(ORDER AR40395)
	TY6689	SOLENOID	1		(REMANUFACTURED) (NLA)
2	R11197	STUD	1		(A) (SUB FOR T18110)
3	R11198	CLIP	1		(NLA)
4	AR40396	STUD	1		MOTOR TERMINAL
5	R11295	STUD	1		(B)
6	R40546	CLIP	1		
7	AR11051	CONTACT	1		
8	R11066	SPRING	1		
9	AR40397	STUD	1		BATTERY TERMINAL
10	R40548	GASKET	1		
11	R40547	COVER	1		
12	T18107	WASHER	2		(RUBBER)
13	24M7096	WASHER	2		10.500 X 18 X 1.600 MM
14	12H304	LOCK WASHER	4		3/8"
15	14H732	NUT	4		3/8"
16	T18106	WASHER	1		(A) (SUB FOR T18106) (RUBBER)
17	24H1283	WASHER	1		(A) 7/32" X 1/2" X 0.049"
18	24H1281	WASHER	1		(B) 5/32" X 3/8" X 0.049"
19	R11039	WASHER	2		
20	21H1298	SCREW	2		0.190" X 3/8"
21	12M7084	LOCK WASHER	2		(B) 0.169"
22	14H605	NUT	2		(B) 0.164"
23	12H246	LOCK WASHER	2		(A) 0.190"
24	14H631	NUT	2		(A) 0.190"
..	AR40395	SWITCH	1		(SUB FOR AR11129) (DELCO-REMY NO.1115513)

(A) SWITCH TERMINAL

(B) RETURN TERMINAL

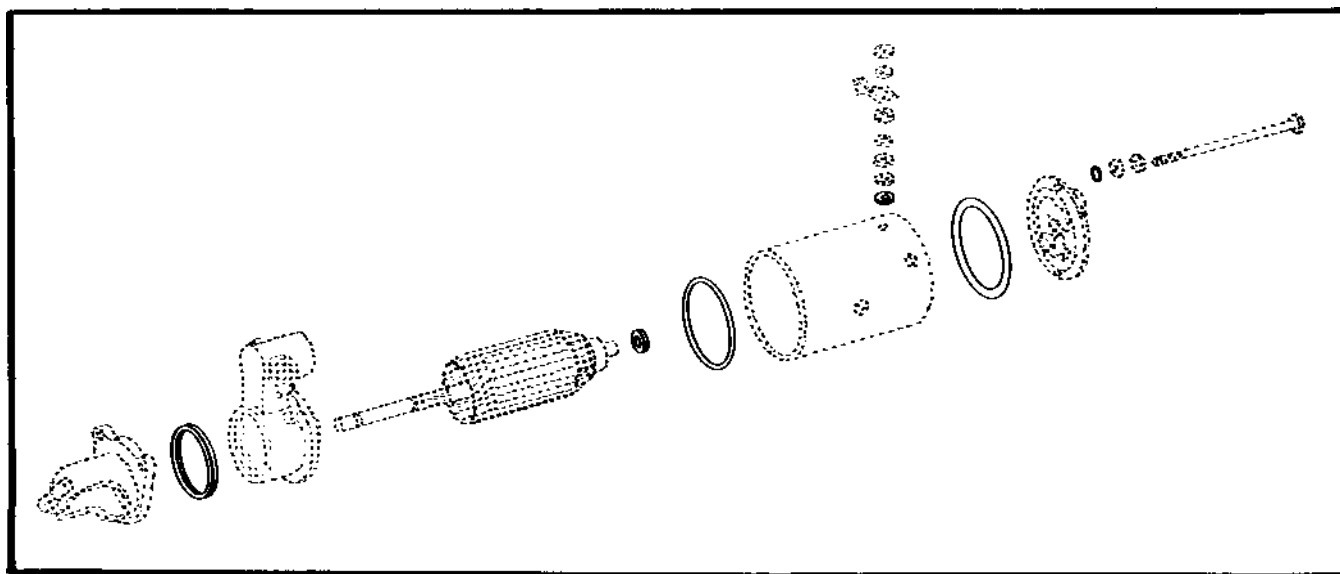
2D15

ELECTRICAL

STARTING MOTOR SEALING KIT (12-VOLT AND 24-VOLT)

RP1234

-UN-20NOV95



RP1234

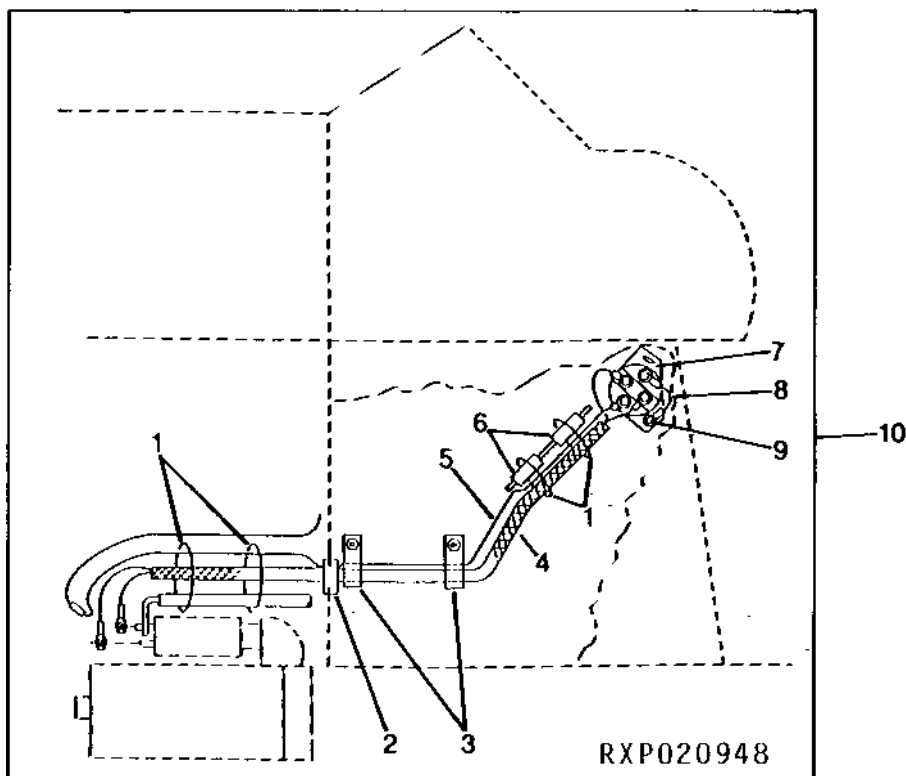
KEY	PART NO.	PART NAME	QTY	ENGINE SERIAL NO.	REMARKS
1	AR100161	SEAL KIT	1		(SUB FOR AR40174) (CONTAINS R11096, R11120, (2) R27976, (2) R40367, R40368, (2) R40501 AND R40545)

2D16

ELECTRICAL

STARTING CIRCUIT RELAY KIT (TRACTOR SERIAL NO. 065000-200999)

RXP020948 -UN-12OCT94



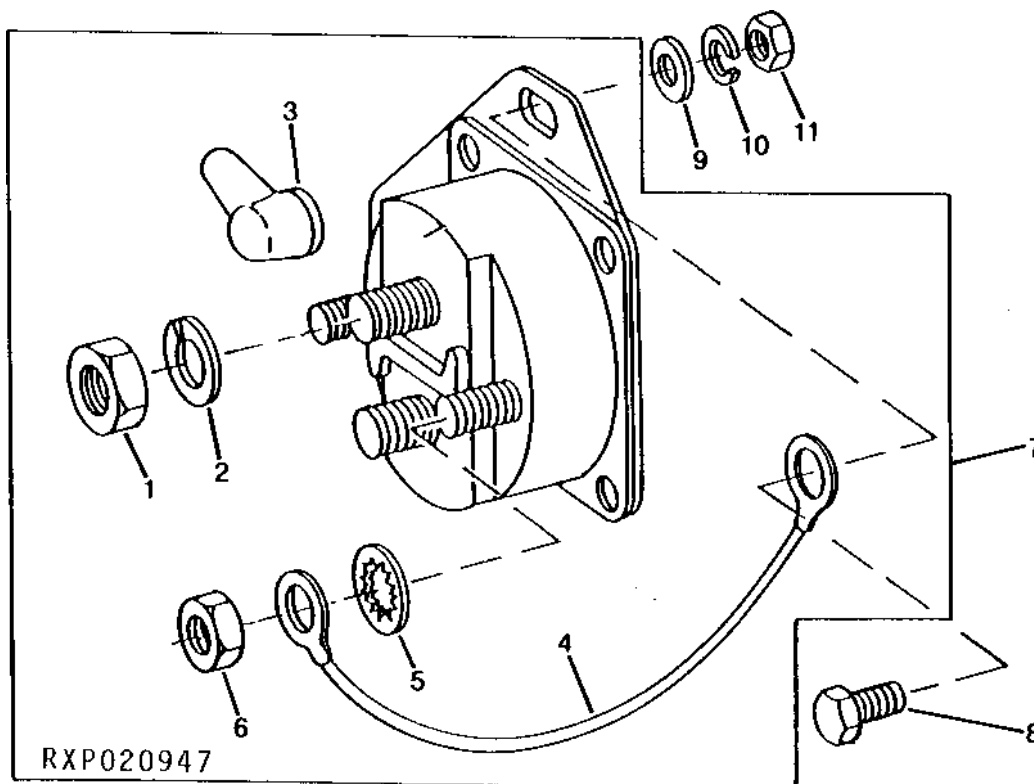
KEY	PART NO.	PART NAME	QTY	TRACTOR SERIAL NO.	REMARKS
1	R44302	TIE BAND	AR		
2	R41439	GROMMET	1		
3	R72853	CLAMP	2		
	19H1919	CAP SCREW	2	1/4" X 5/8"	
	24H1286	WASHER	2	9/32" X 1/2" X 1/16"	
	12H297	LOCK WASHER	2	1/4"	
	14H786	NUT	2	1/4"	
4	AR69980	WIRING HARNESS	1		
5	WIRING LEAD	1		(MAKE FROM R65593, R65599 AND R32027)
6	HOSE	2		(MAKE FROM TY22328) (SUB FOR R45847)
7	RE38391	STARTER RELAY	1		(CONTAINS (2) 12H297, (2) 14H786 AND (2) 24H1286) (ALSO ORDER RE41287) (12-VOLT)
	AT71088	RELAY	1		(ALSO ORDER (2) 12H297, (2) 14H786 AND (2) 24H1286) (24-VOLT)
8	WIRING LEAD	1		(MAKE FROM R65593, R65599 AND R32018) RELAY GROUND
9	19H1919	CAP SCREW	2	1/4" X 5/8"	
	24H1286	WASHER	2	9/32" X 1/2" X 1/16"	
	12H297	LOCK WASHER	2	1/4"	
	14H786	NUT	2	1/4"	
10	RE44536	KIT	1		(FI)(12-VOLT)
	RE42639	KIT	1		(FI)(24-VOLT)

2D17

ELECTRICAL

STARTING CIRCUIT RELAY(12-VOLT) (TRACTOR SERIAL NO. 065000-200999)

RXP020947 -UN-12OCT94



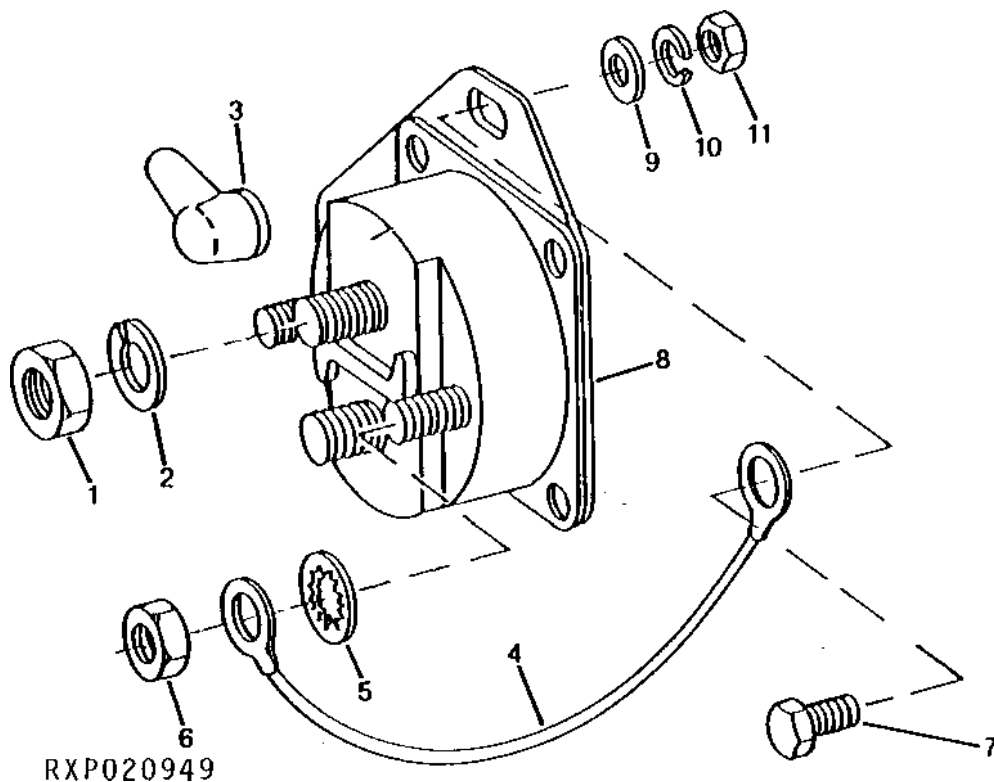
KEY	PART NO.	PART NAME	QTY	TRACTOR SERIAL NO.	REMARKS
1	14H785	NUT	2	5/16"	
2	12M7032	LOCK WASHER	2	0.331"	
3	R74993	BOOT	2		
4	WIRING LEAD	1		(MAKE FROM R65593, R65599 AND R32018)
5	12M7060	WASHER	2	0.209"	
6	14H631	NUT	2	0.190"	
7	RE38391	STARTER RELAY	1		(ALSO ORDER RE41287) (12-VOLT)
8	19H1919	CAP SCREW	2	1/4" X 5/8"	
9	24H1286	WASHER	2	9/32" X 1/2" X 1/16"	
10	12H297	LOCK WASHER	2	1/4"	
11	14H786	NUT	2	1/4"	

2D18

ELECTRICAL

STARTING CIRCUIT RELAY(24-VOLT)
(TRACTOR SERIAL NO. 065000-200999)

RXP020949 -UN-12OCT94



KEY	PART NO.	PART NAME	QTY	TRACTOR SERIAL NO.	REMARKS
1	14H785	NUT	2	5/16"	
2	12M7032	LOCK WASHER	2	0.331"	
3	R74993	BOOT	2		
4	WIRING LEAD	1		(MAKE FROM R65593, R65599 AND R32018)
5	12M7060	WASHER	2	0.209"	
6	14H631	NUT	2	0.190"	
7	AT71088	RELAY	1	(24-VOLT)	
8	19H1919	CAP SCREW	2	1/4" X 5/8"	
9	24H1286	WASHER	2	9/32" X 1/2" X 1/16"	
10	12H297	LOCK WASHER	2	1/4"	
11	14H786	NUT	2	1/4"	

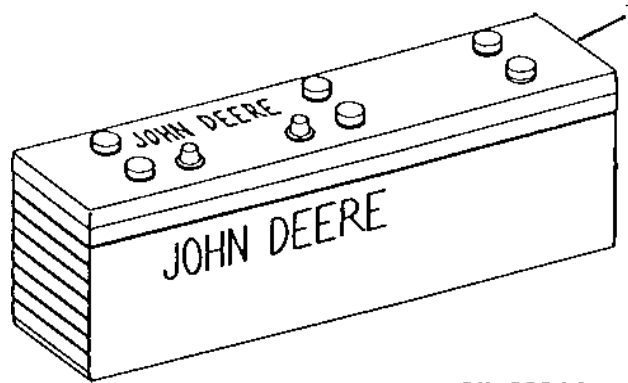
MEMORANDA

2D19

ELECTRICAL

RXP011348 -UN-12OCT94

BATTERY

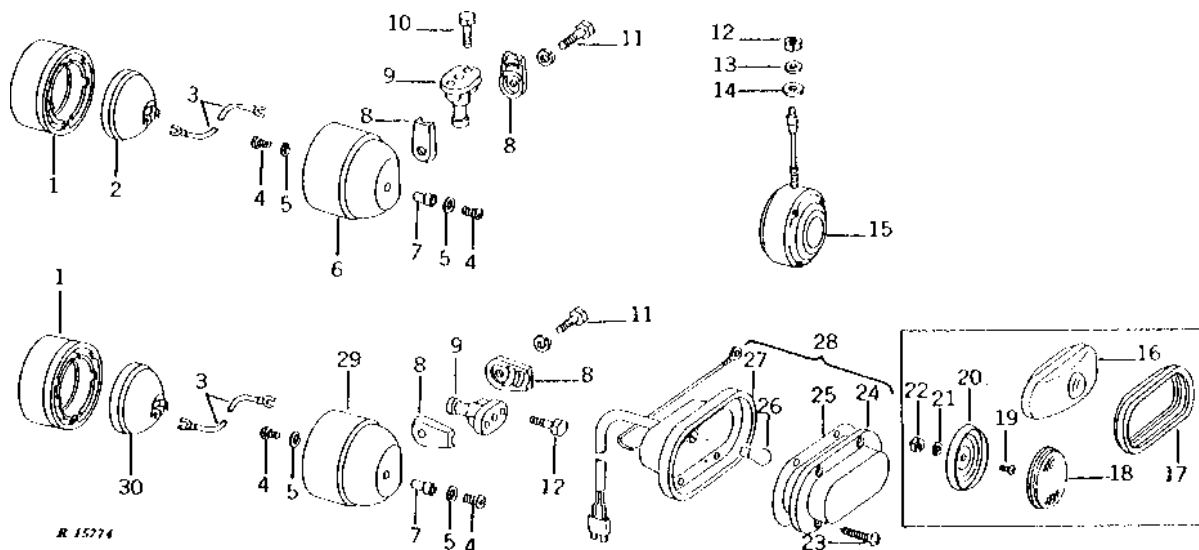


RXP011348

KEY	PART NO.	PART NAME	QTY	TRACTOR SERIAL NO.	REMARKS
1	TY21733	BATTERY	AR		(12-VOLT) 460 COLD CRANKING AMPS AT -18°C (0°F), 130-MINUTE RESERVE CAPACITY AT 120 AMPS (1 USED GASOLINE AND LP-GAS) (2 USED DIESEL) (DO NOT ACTIVATE UNTIL PLACED IN SERVICE) (SUB FOR AR46115 OR TY6121)

CAB LAMP PARTS, WARNING LAMP AND REFLECTOR (STOLPER)

R15774 -UN-01JAN94



KEY	PART NO.	PART NAME	QTY	TRACTOR SERIAL NO.	REMARKS
1	R42689	BEZEL	6	(HOBBS)	
	R48293	BEZEL	6	(GUIDE)	
2	AR42591	HEADLIGHT	4	(A) (FRONT AND REAR UPPER LAMPS) (USE WITH AR42119)	
	AR104119	HEADLIGHT	4	(A) (FRONT AND REAR UPPER LAMPS) (USE WITH RE19075)	
3	WIRING LEAD	1	165MM (6-1/2") (MAKE FROM R66319 AND (2) R32016)	
4	21H1293	SCREW	12	0.164" X 5/16"	
5	12M7084	LOCK WASHER	12	0.169"	
6	AR42119	LAMP	4	(A) (HOBBS OR GUIDE) (UPPER, FRONT AND REAR) (SUB RE19075, THIS APPLICATION)	
7	R30181	PLATE	6	(HOBBS)	
8	R27460	CLAMP	12		
9	T19178	BRACKET	6		
10	37H106	SCREW	12	3/8" X 5/8"	
11	19H2644	CAP SCREW	6	1/2" X 2-1/2"	
	12H301	LOCK WASHER	6	1/2"	
12	14H856	NUT	2	1/2"	
13	24H1227	WASHER	2	17/32" X 13/16" X 0.060"	
14	R38371	WASHER	2		
15	AT23467	LAMP	2	(SUB FOR AR38456) WARNING (HOBBS OR GUIDE)	
	AD2062R	BULB	1	32 C.P. (GUIDE)	
	R42666	LENS	1	AMBER (GUIDE)	
	R42667	LENS	1	RED (GUIDE)	
16	AR78825	TAIL LAMP	2	(SUB FOR AR44989 OR AR45099)	
17	R42779	GROMMET	2		
18	R60731	REFLECTOR	2	(SUB FOR R42777)	
19	21H979	SCREW	2	0.190" X 5/16"	
20	R42778	BEZEL	2	(SUB T33745)	
21	12M7060	WASHER	2	0.209"	
22	14H631	NUT	2	0.190"	
23	37H2	SCREW	8	0.164" X 5/8"	
24	R45936	LENS	2		
25	R45937	GASKET	2		
26	AR48041	BULB	2		
27	AR78825	TAIL LAMP	2	(SUB FOR AR48040)	
28	AR78825	TAIL LAMP	2	(SUB FOR AR45099)	
29	RE19075	LAMP	1	(A) LOWER L.H. (SUB FOR AR42121)	
	RE19075	LAMP	1	(A) LOWER R.H. (SUB FOR AR42120)	
30	AF3892R	HEADLIGHT	2	(A) (FRONT LOWER LAMPS)	
	AR104119	HEADLIGHT	1	(A) (USE WITH RE19075)	

(A) 12-VOLT

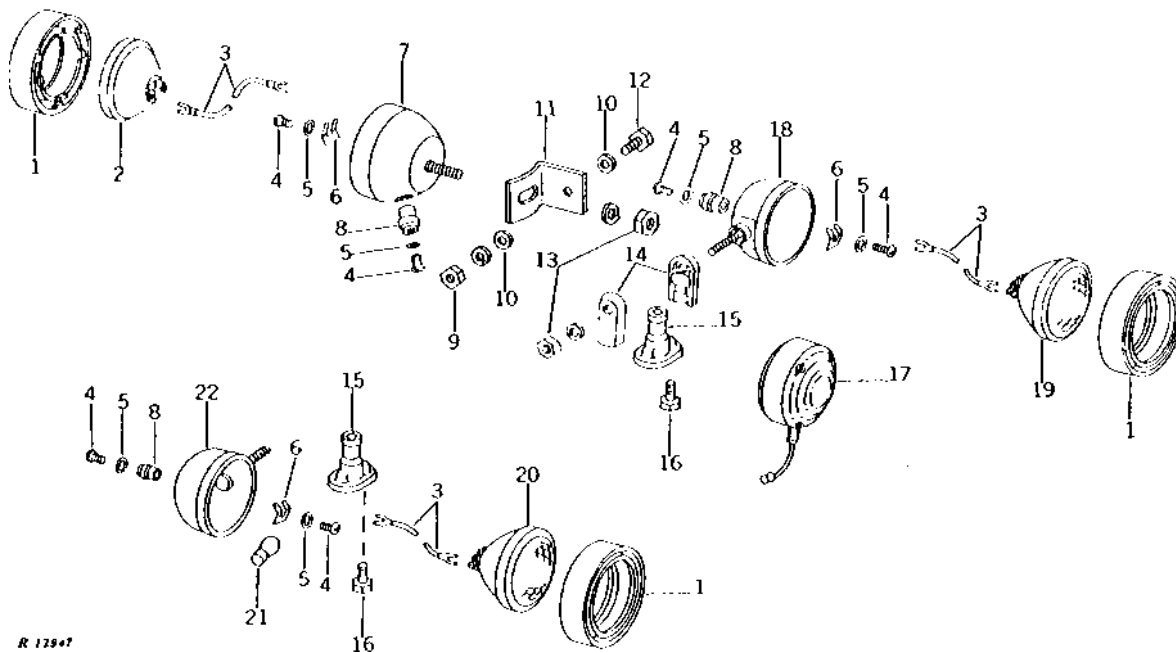
2D21

ELECTRICAL

FRONT AND REAR LAMP PARTS AND WARNING LAMP(SIDE OR REAR DOOR) (CRENLO CAB SERIAL NO. 016652-020932)

R12947

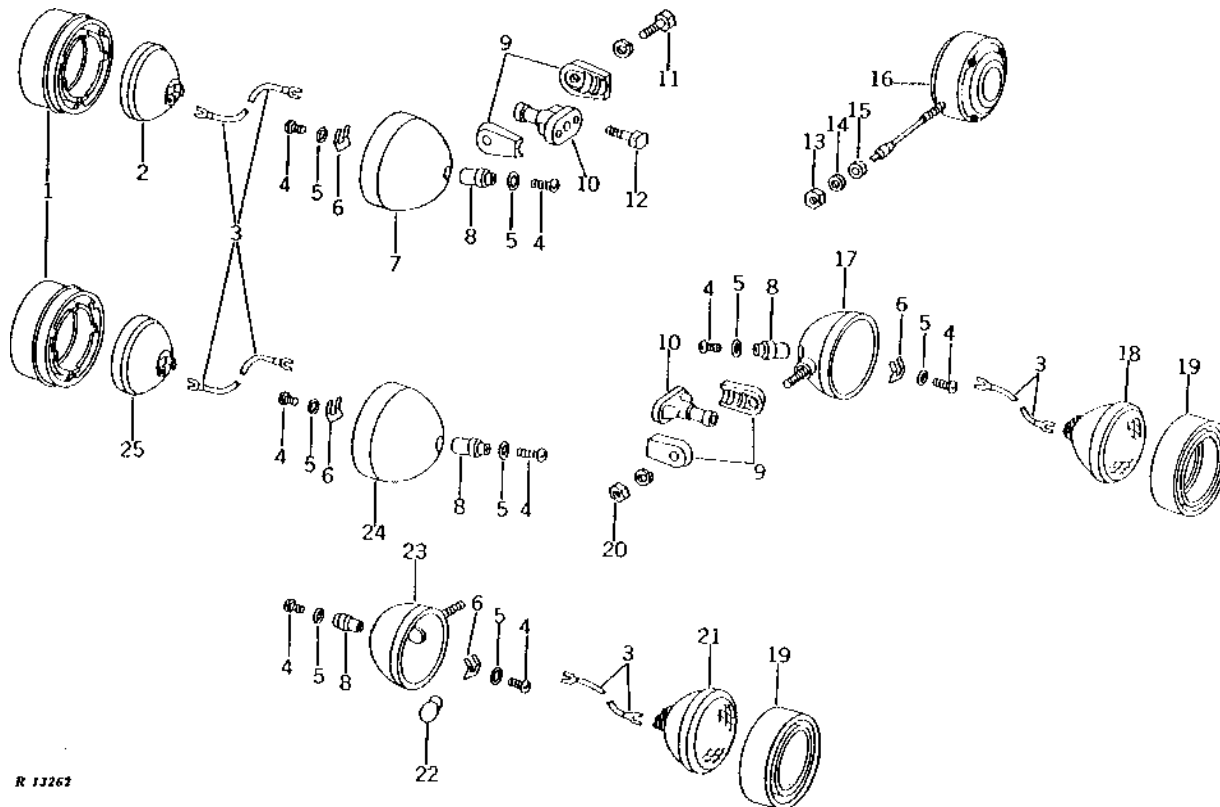
-UN-01JAN94



KEY	PART NO.	PART NAME	QTY	TRACTOR SERIAL NO.	REMARKS
1	R30182	BEZEL	4	(HOBBS)	
	R31250	BEZEL	4	(GUIDE)	
2	AF3892R	HEADLIGHT	2	(12-VOLT)	
3	WIRING LEAD	4	165MM (6-1/2") (MAKE FROM R66319 AND (2) R32016)	
4	21H1293	SCREW	8	0.164" X 5/16"	
5	12M7084	LOCK WASHER	8	0.169"	
6	A2899R	ASSEMBLY LINE PARTS	4	(GUIDE)	
7	AT13381	LAMP	2	(12-VOLT)	
8	R30181	PLATE	4	(HOBBS)	
	AA3495R	SUPPORT	4	(GUIDE)	
9	14H1076	NUT	2	3/8"	
	12H304	LOCK WASHER	2	3/8"	
10	24H1305	WASHER	4	13/32" X 13/16" X 0.065"	
11	R41819	BRACKET	2		
12	19H1731	CAP SCREW	2	3/8" X 1"	
13	14H1040	NUT	4	1/2"	
	12H301	LOCK WASHER	4	1/2"	
14	R27460	CLAMP	4		
15	T19178	BRACKET	2		
16	37H106	SCREW	4	3/8" X 5/8", (SUB FOR T19179)	
17	AT23467	LAMP	1	(SUB FOR AR38456) WARNING (HOBBS OR GUIDE)	
	AD2062R	BULB	1	32 C.P. (GUIDE)	
	R42666	LENS	1	AMBER (GUIDE)	
	R42667	LENS	1	RED (GUIDE)	
18	RE27099	LAMP	1	(SUB FOR AR35782)	
19	AR21059	HEADLIGHT	1	(12-VOLT)	
20	AR21737	LAMP	1	-XXXXXX (12-VOLT) (SUB AR77324, AD2062R AND AR77325)	
	AR77324	LAMP	1	(USE WITH AR77326)	
21	AR86969	BULB	1	15 C.P. (USE WITH AT16288) (SUB FOR AR21739)	
	AD2062R	BULB	1	(12-VOLT) (USE WITH AR77326)	
22	AR77326	FLOODLAMP	1	(SUB FOR AT16288) COMBINATION FLOOD AND TAIL	
	AR55888	SOCKET	1	(USE WITH AT16288)	
	AR77325	SOCKET	1	(USE WITH AR77326)	

FRONT AND REAR LAMP PARTS AND WARNING LAMP
(CRENLO CAB SERIAL NO. 020933-)

R13262 -UN-01JAN94



R 13262

KEY	PART NO.	PART NAME	QTY	TRACTOR SERIAL NO.	REMARKS
1	R42689	BEZEL	4	(A)	
	R48293	BEZEL	4	(B)	
2	AR42591	HEADLIGHT	2	(C)	(FRONT UPPER LAMPS) (USE WITH AR42119)
	AR104119	HEADLIGHT	2	(C)	(FRONT UPPER LAMPS) (USE WITH RE19075)
3	WIRING LEAD	6		165MM (6-1/2") (MAKE FROM R66319 AND (2) R32016)
4	21H1293	SCREW	12		0.164" X 5/16"
5	12M7084	LOCK WASHER	12		0.169"
6	A2899R	ASSEMBLY LINE PARTS	2		(B) (REAR LAMPS ONLY)
7	AR42119	LAMP	2	(C)	(HOBBS OR GUIDE) (SUB RE19075, THIS APPLICATION)
8	R30181	PLATE	6	(A)	
	AA3495R	SUPPORT	2	(B)	(REAR LAMPS ONLY)
9	R27460	CLAMP	12		
10	T19178	BRACKET	6		
11	19H3238	CAP SCREW	4		1/2" X 2-1/8", (SUB FOR R41514)
	12H301	LOCK WASHER	4		1/2"
12	37H106	SCREW	12		3/8" X 5/8", (SUB FOR T19179)
13	14H856	NUT	2		1/2"
14	24H1227	WASHER	2		17/32" X 13/16" X 0.060"
15	R38371	WASHER	2		
16	AT23467	LAMP	2		(SUB FOR AR38456) WARNING (GUIDE OR HOBBS)
	AD2062R	BULB	1		32 C.P. (GUIDE)
	R42666	LENS	1		AMBER (GUIDE)
	R42667	LENS	1		RED (GUIDE)
17	RE27099	LAMP	1		(SUB FOR AR35782) (ALSO ORDER E41563, 12H301 AND (2) 24M7047)
18	AR21059	HEADLIGHT	1	(C)	
19	R30182	BEZEL	2	(A)	
	R31250	BEZEL	2	(B)	
20	14H1040	NUT	2		1/2"
	12H301	LOCK WASHER	2		1/2"

FRONT AND REAR LAMP PARTS AND WARNING LAMP - CONTINUED
(CRENLO CAB SERIAL NO. 020933-)

KEY	PART NO.	PART NAME	QTY	TRACTOR SERIAL NO.	REMARKS
21	AR21737	LAMP	1	-XXXXXX	(C) (SUB AR77324, AD2062R AND AR77325)
	AR77324	LAMP	1		(USE WITH AR77326)
22	AR86969	BULB	1		(C) 15 C.P. (USE WITH AT16288) (SUB FOR AR21739)
	AD2062R	BULB	1		(C) (USE WITH AR77326)
23	AR77326	FLOODLAMP	1		FLOOD AND TAIL, (SUB FOR AT16288)
	AR55888	SOCKET	1		(USE WITH AT16288)
	AR77325	SOCKET	1		(USE WITH AR77326)
24	RE19075	LAMP	1		(C) L.H. LOWER FRONT, (SUB FOR AR42121)
	RE19075	LAMP	1		(C) R.H. LOWER FRONT, (SUB FOR AR42120)
25	AF3892R	HEADLIGHT	2		(C) (FRONT LOWER LAMPS)
	AR104119	HEADLIGHT	2		(C) (USE WITH RE19075)

(A) HOBBS

(B) GUIDE

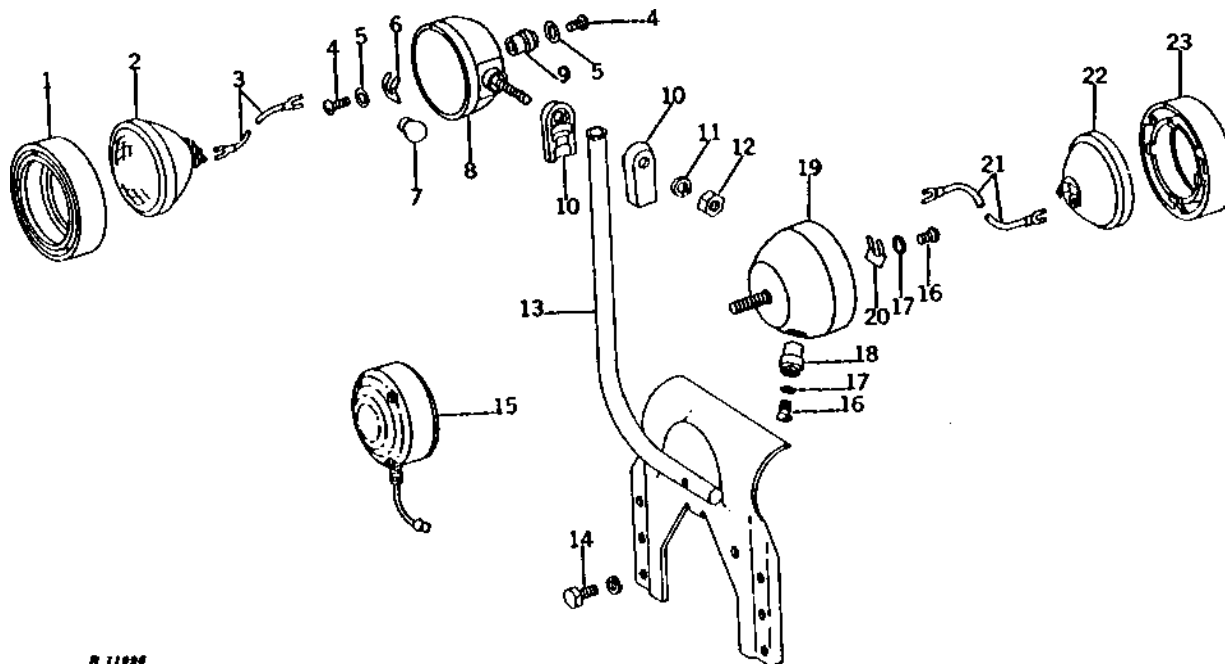
(C) 12-VOLT

2D24

ELECTRICAL

FRONT AND REAR LAMP PARTS AND REAR LAMP SUPPORT
(TRACTOR SERIAL NO. RC AND HC 065000- ; ST 065000-090999)

R11996 -UN-01JAN94



R 11996

KEY	PART NO.	PART NAME	QTY	TRACTOR SERIAL NO.	REMARKS
1	R30182	BEZEL	1	(HOBBS)	
	R31250	BEZEL	1	(GUIDE)	
2	AR21737	LAMP	1	-XXXXXX	(SUB AR77324, AD2062R AND AR77325)
	AR77324	LAMP	1		(USE WITH AR77326)
3	WIRING LEAD	2		165MM (6-1/2") (MAKE FROM R66319 AND (2) R32016) (SUB FOR AA4881R)
4	21H1293	SCREW	4		0.164" X 5/16"
5	12M7084	LOCK WASHER	4		0.169"
6	A2899R	ASSEMBLY LINE PARTS	2		(GUIDE)
7	AR86969	BULB	1		15 C.P., 12-VOLT, (USE WITH AT16288) (SUB FOR AR21739)
	AD2062R	BULB	1		(12-VOLT) (USE WITH AR77326)
8	AR77326	FLOODLAMP	1		(SUB FOR AR28227 OR AT16288) (INCLUDES AA4881R, AD2062, AR77324, AR77325, (2) R30181, R30182 AND (4) 21H1293)
	AR55888	SOCKET	1		(USE WITH AT16288)
	AR77325	SOCKET	1		(USE WITH AR77326)
9	R30181	PLATE	2		(HOBBS)
	AA3495R	SUPPORT	2		(GUIDE)
10	R27460	CLAMP	2		
11	12H301	LOCK WASHER	1		1/2"
12	14H1040	NUT	1		1/2"
13	AR26755	SUPPORT	1		REAR LAMP
14	19H1936	CAP SCREW	2		3/8" X 3/4"
	12H304	LOCK WASHER	2		3/8"
15	AT23467	LAMP	1	119000-	(SUB FOR AR38456) WARNING (HOBBS OR GUIDE)
	AD2062R	BULB	1	119000-	32 C.P., 12-16 VOLT (GUIDE)
	R42666	LENS	2	119000-	AMBER (GUIDE)
	R42667	LENS	1	119000-	(OPTIONAL) (RED) (GUIDE)

2D25

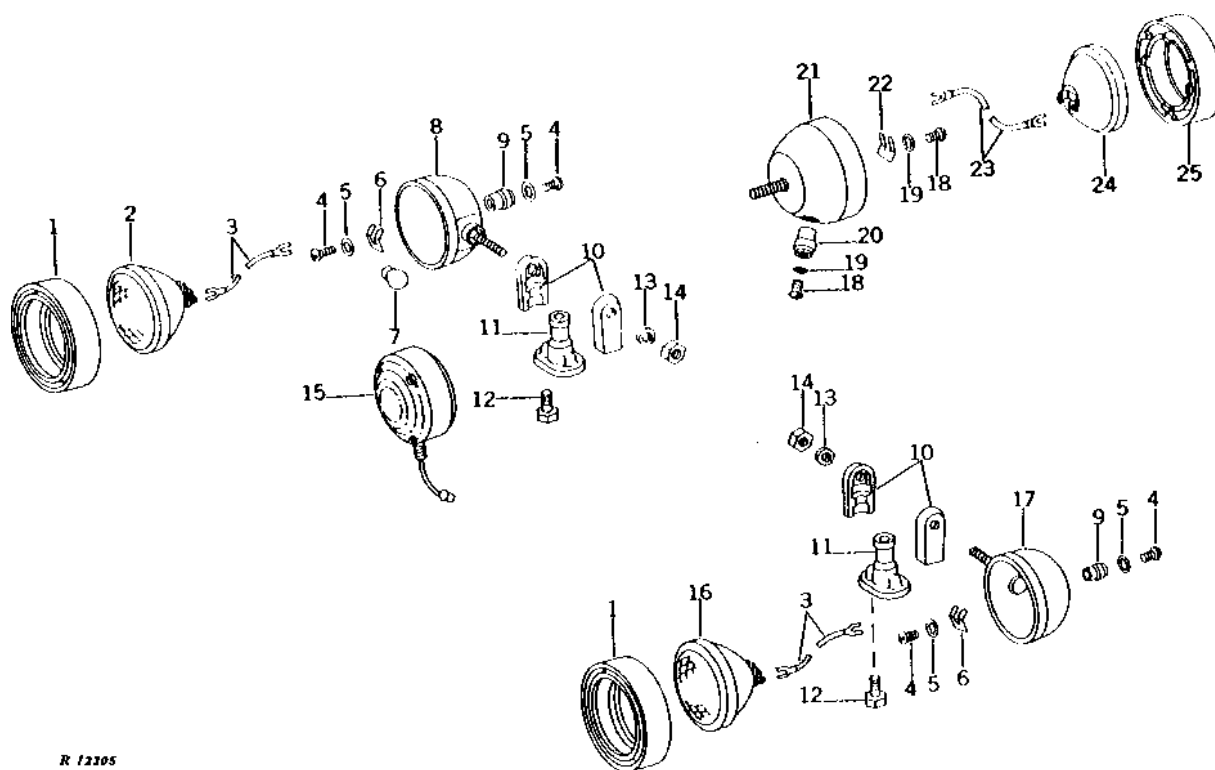
ELECTRICAL

FRONT AND REAR LAMP PARTS AND REAR LAMP SUPPORT - CONTINUED
 (TRACTOR SERIAL NO. RC AND HC 065000- ; ST 065000-090999)

KEY	PART NO.	PART NAME	QTY	TRACTOR SERIAL NO.	REMARKS
16	21H1293	SCREW	2		0.164" X 5/16"
17	12M7084	LOCK WASHER	2		0.169"
18	R30181	PLATE	1		(HOBBS)
	AA3495R	SUPPORT	1		(GUIDE)
19	AT13381	LAMP	2		(12-VOLT) FRONT
	AT13380	HEADLIGHT	2		(12-VOLT FLOOD) (FENDER LAMP ONLY) (RC)
20	A2899R	ASSEMBLY LINE PARTS	1		(GUIDE)
21	WIRING LEAD	1		165MM (6-1/2") (MAKE FROM R66319 AND (2) R32016) (SUB FOR AA4881R)
22	AF3892R	HEADLIGHT	1		(12-VOLT)
	AR21059	HEADLIGHT	1		(12-VOLT) (FLOOD) (FENDER LAMP ONLY) (RC)
23	R30182	BEZEL	1		(HOBBS)
	R31250	BEZEL	1		(GUIDE)

**FRONT AND REAR LAMP PARTS AND REAR LAMP BRACKETS
(STANDARD TRACTOR SERIAL NO. 091000-)**

R12205 -UN-01JAN94



R 12205

KEY	PART NO.	PART NAME	QTY	TRACTOR SERIAL NO.	REMARKS
1	R30182	BEZEL	1	(HOBBS)	
	R31250	BEZEL	1	(GUIDE)	
2	AR21737	LAMP	1	-XXXXXX	(12-VOLT) (SUB AR77324, AD2062R AND AR77325)
	AR77324	LAMP	1		(USE WITH AR77326)
3	WIRING LEAD	4		165MM (6-1/2") (MAKE FROM R66319 AND (2) R32016)
4	21H1293	SCREW	8		0.164" X 5/16"
5	12M7084	LOCK WASHER	8		0.169"
6	A2899R	ASSEMBLY LINE PARTS	4		(GUIDE)
7	AR86969	BULB	1		15 C.P., 12-VOLT, (USE WITH AT16288) (SUB FOR AR21739)
	AD2062R	BULB	1		(12-VOLT) (USE WITH AR77326)
8	AR77326	FLOODLAMP	1		(FLOOD AND TAIL) (SUB FOR AT16288)
	AR55888	SOCKET	1		(USE WITH AT16288)
	AR77325	SOCKET	1		(USE WITH AR77326)
9	R30181	PLATE	4		(HOBBS)
	AA3495R	SUPPORT	4		(GUIDE)
10	R27460	CLAMP	4		
11	T19178	BRACKET	2		
12	37H106	SCREW	4		3/8" X 5/8", (SUB FOR T19179)
13	12H301	LOCK WASHER	2		1/2"
14	14H1040	NUT	2		1/2"
15	AT23467	LAMP	1	119000-	(SUB FOR AR38456) WARNING (HOBBS OR GUIDE)
	AD2062R	BULB	1	119000-	32 C.P., 12-VOLT, (GUIDE)
	R42666	LENS	2	119000-	AMBER (GUIDE)
	R42667	LENS	1	119000-	(OPTIONAL) (RED) (GUIDE)
16	AR21059	HEADLIGHT	1		(12-VOLT)
17	RE27099	LAMP	1		(12-VOLT) (SUB FOR AR35782)
18	21H1293	SCREW	8		0.164" X 5/16"
19	12M7084	LOCK WASHER	8		0.169"

2E2

ELECTRICAL

FRONT AND REAR LAMP PARTS AND REAR LAMP BRACKETS - CONTINUED
(STANDARD TRACTOR SERIAL NO. 091000-)

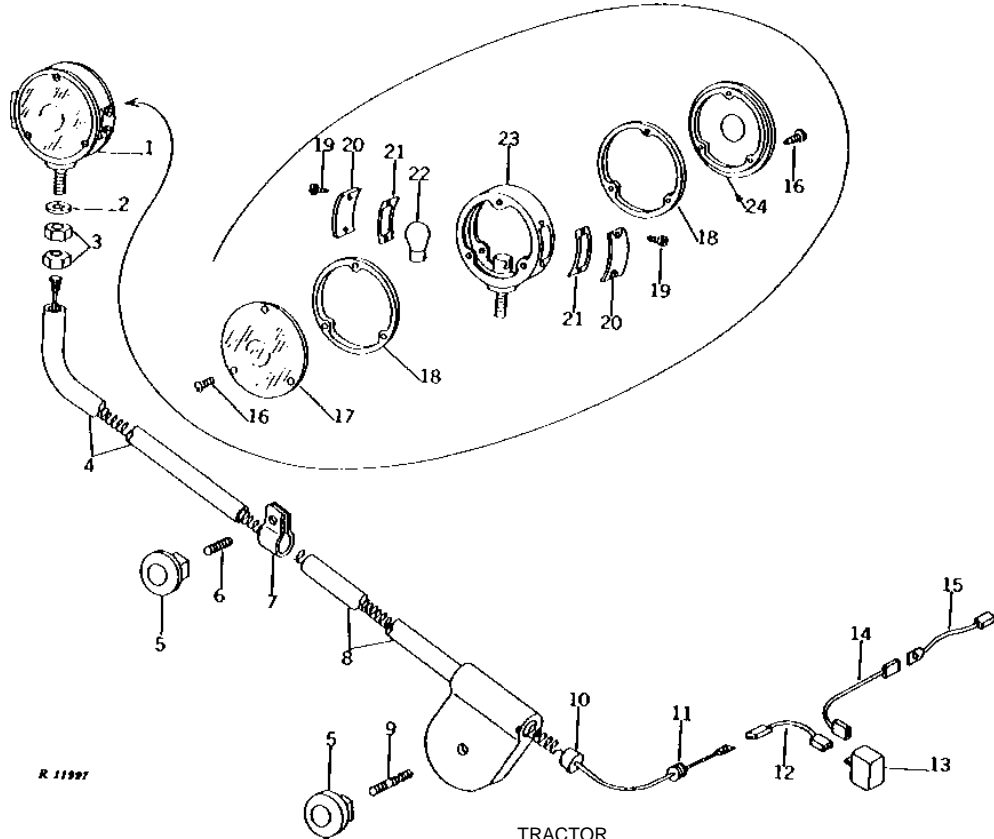
KEY	PART NO.	PART NAME	QTY	TRACTOR SERIAL NO.	REMARKS
20	R30181	PLATE	4	(HOBBS)	
	AA3495R	SUPPORT	4	(GUIDE)	
21	AT13381	LAMP	2	(12-VOLT) (INNER)	
	AT13380	HEADLIGHT	2	(12-VOLT FLOOD) (OUTER)	
22	A2899R	ASSEMBLY LINE PARTS	4		
23	WIRING LEAD	4	165MM (6-1/2") (MAKE FROM R66319 AND (2) R32016)	
24	AF3892R	HEADLIGHT	2	(12-VOLT) (INNER)	
	AR21059	HEADLIGHT	2	(12-VOLT FLOOD) (OUTER)	
25	R30182	BEZEL	4	(HOBBS)	
	R31250	BEZEL	4	(GUIDE)	

2E3

ELECTRICAL

WARNING LAMP
(TRACTOR SERIAL NO. RC 065000-118999 ; ST 065000-090999 ; HC 119000-)

R11997 -UN-01JAN94



R 11997

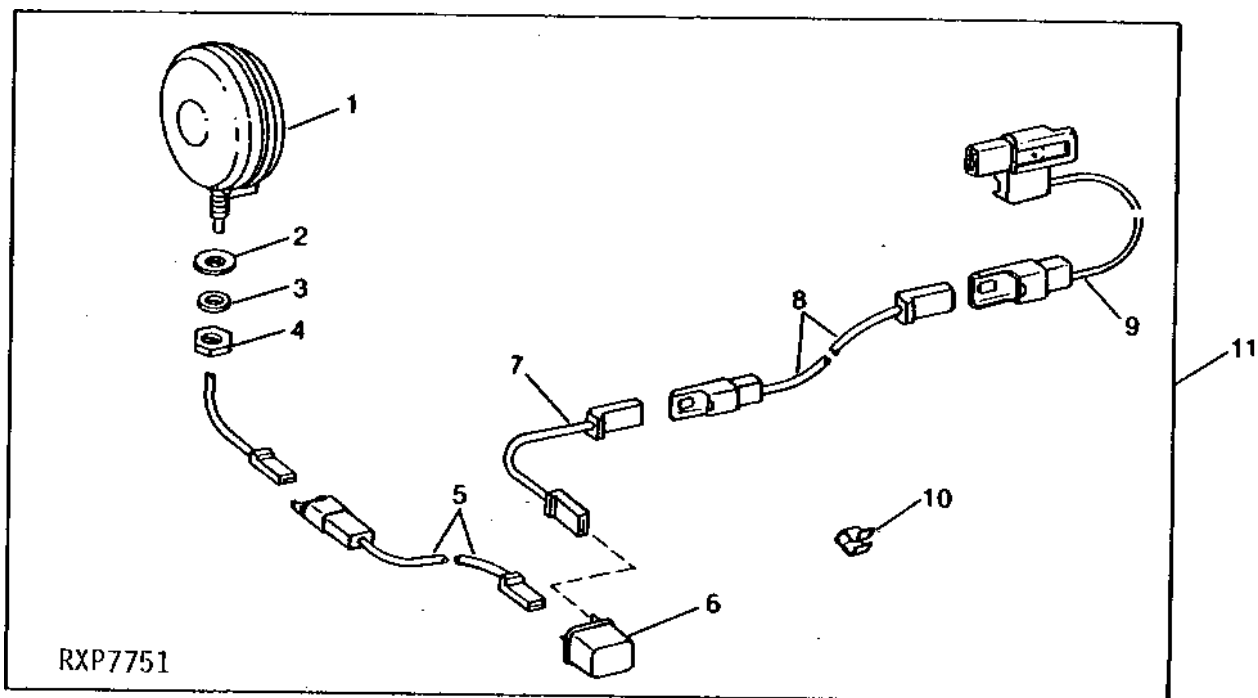
KEY	PART NO.	PART NAME	QTY	TRACTOR SERIAL NO.	REMARKS
1	RE65495	LAMP	1		(SUB FOR AR26584)
2	24H1625	WASHER	1		17/32" X 1" X 0.120"
3	14H849	NUT	2		7/16"
4	AR26793	MAST	1		
5	R27580	KNOB	2		
6	C2175R	STUD	1		3/8" X 1-11/16", (SUB R55396)
7	AR26794	CLAMP	1		
8	AR26792	BASE	1		
9	R27579	STUD	1		3/8" X 3-1/4"
10	R27582	BUSHING	1		
11	R27583	GROMMET	1		
12	AR40507	WIRING LEAD	1	119000-	(HC)
13	AR48594	FLASHER	1	119000-	(HC) (SUB FOR AR38453)
14	WIRING LEAD	1	119000-	76MM (3") (MAKE FROM R66319, (2) R32024 AND R32027)
15	AR38455	WIRING LEAD	1	119000-	(HC)
16	21H1290	SCREW	6		0.138" X 1/2"
17	A5275R	LENS	1		AMBER
	A5276R	LENS	1		RED
18	GASKET	2		(ORDER RE65495)
19	37H46	SCREW	4		NO. 6 X 3/8", (SUB FOR R20786)
20	A5278R	LENS	2		
21	A5279R	GASKET	2		
22	AA6218R	BULB	1		21 C.P., 12-14 VOLT
23	HOUSING	1		(ORDER RE65495)
24	A5275R	LENS	1		AMBER

2E4

ELECTRICAL

FLASHING WARNING LAMP KIT (TRACTOR SERIAL NO. -118999)

RXP7751 -UN-01JAN94



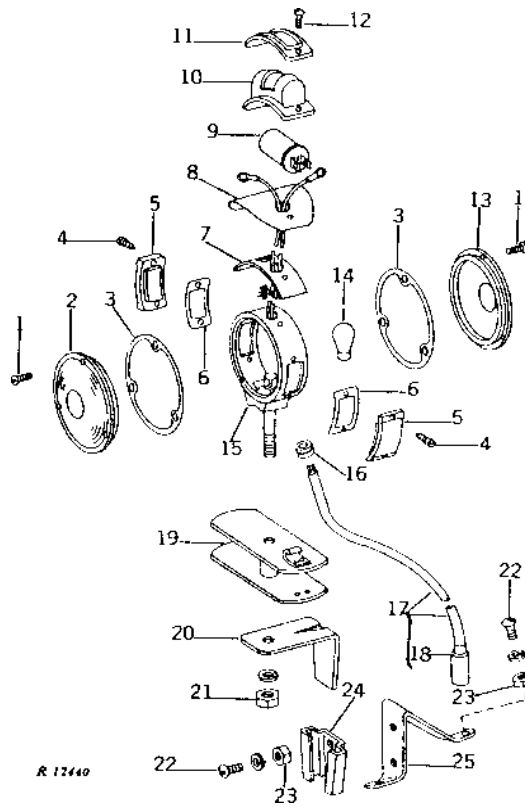
KEY	PART NO.	PART NAME	QTY	TRACTOR SERIAL NO.	REMARKS
1	AT23467	LAMP	1		(SUB FOR AR38456) (HOBBS OR GUIDE)
	AD2062R	BULB	1		32 C.P., 12-16 VOLT (GUIDE)
	R42666	LENS	1		AMBER (GUIDE)
	R42667	LENS	1		RED (GUIDE)
2	R38371	WASHER	1		RUBBER
3	24H1227	WASHER	1		17/32" X 13/16" X 0.060"
4	14H856	NUT	1		1/2"
5	AR40426	WIRING LEAD	1		1372MM (54")
6	AR48594	FLASHER	1		(SUB FOR AR38453)
7	WIRING LEAD	1		76MM (3") (MAKE FROM R66319, R65600, T28585 AND (2) R32027)
8	WIRING LEAD	1		914MM (36") (MAKE FROM R66319, R65600, T28585, R65597, T28583 AND (2) R32027)
9	AR38455	WIRING LEAD	1		
10	R21551	CLIP	3		
11	AR40711	WARNING LIGHT KIT	1		FLASHING WARNING LAMP

2E5

ELECTRICAL

FLASHING WARNING LAMP (STANDARD TRACTOR SERIAL NO. 091000-118999)

R12440 -UN-01JAN94



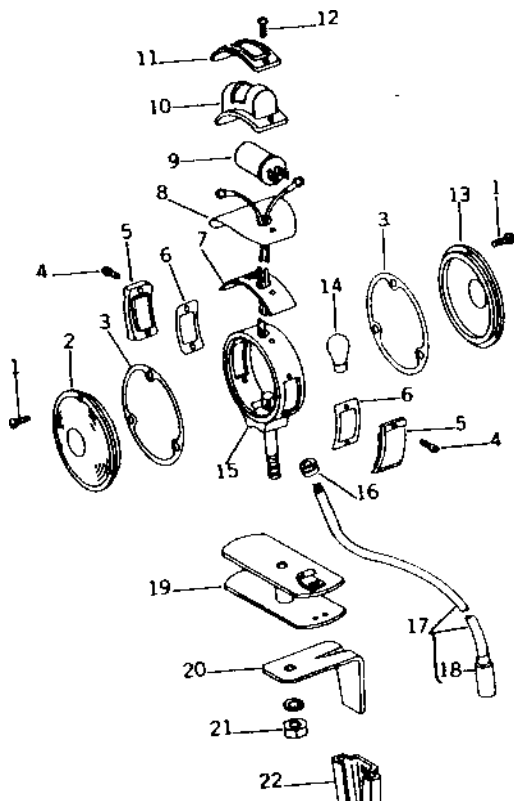
KEY	PART NO.	PART NAME	QTY	TRACTOR SERIAL NO.	REMARKS
1	21H1290	SCREW	6		0.138" X 1/2"
2	A5275R	LENS	1		AMBER
	A5276R	LENS	1		RED
3	GASKET	2		(NLA)
4	37H46	SCREW	4		NO. 6 X 3/8"
5	A5278R	LENS	2		
6	A5279R	GASKET	2		
7	R41327	GASKET	1		
8	R41328	HOOD	1		(NLA)
9	AR21858	FLASHER	1		(12-VOLT) (SUB FOR AR21856)
10	R41325	COVER	1		
11	R41326	BEZEL	1		
12	37H95	SCREW	2		NO. 8 X 1/2"
13	A5275R	LENS	1		AMBER
14	AA6218R	BULB	1		21 C.P., 12-14 VOLT
15	HOUSING	1		(NLA)
16	R2579R	GROMMET	1		
17	AR40710	PLUG	1		(SUB FOR AA5691R)
18	AA5692R	ELECTRICAL PLUG	1		
19	AA6217R	REEL	1		
20	R63180	BRACKET	1		(SUB FOR A5273R)
21	14H1047	NUT	1		7/16"
	12H293	LOCK WASHER	1		7/16"
22	21H1304	SCREW	4		5/16" X 3/4"
	12H303	LOCK WASHER	4		5/16"
23	14H785	NUT	4		5/16"
24	JD126	SOCKET	1		
25	R39663	SUPPORT	1		
	R35791	SUPPORT	1		

2E6

ELECTRICAL

R12441 -UN-12OCT94

FLASHING WARNING LAMP FOR TOWED IMPLEMENT



KEY	PART NO.	PART NAME	QTY	TRACTOR SERIAL NO.	REMARKS
1	21H1290	SCREW	6	0.138" X 1/2"	
2	A5275R	LENS	1	AMBER	
	A5276R	LENS	1	RED	
3	GASKET	2	(NLA)	
4	37H46	SCREW	4		
5	A5278R	LENS	2		
6	A5279R	GASKET	2		
7	R41327	GASKET	1		
8	R41328	HOOD	1	(NLA)	
9	AR21858	FLASHER	1	(SUB FOR AR21856)	
10	R41325	COVER	1		
11	R41326	BEZEL	1		
12	37H95	SCREW	2	NO. 8 X 1/2"	
13	A5275R	LENS	1	AMBER	
14	AA6218R	BULB	1	21 C.P., 12-14 VOLT, S.C.	
15	HOUSING	1	(NLA)	
16	R2579R	GROMMET	1		
17	AR40710	PLUG	1	(SUB FOR AA5691R)	
18	AA5692R	ELECTRICAL PLUG	1		
19	AA6217R	REEL	1		
20	R63180	BRACKET	1	(SUB FOR A5273R)	
21	14H813	NUT	1	7/16"	
	12H293	LOCK WASHER	1	7/16"	
22	JD126	SOCKET	1		

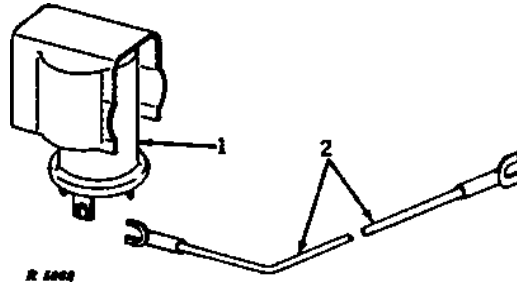
2E7

ELECTRICAL

WARNING LAMP FLASHER (TRACTOR SERIAL NO. 065000-118999)

R5068

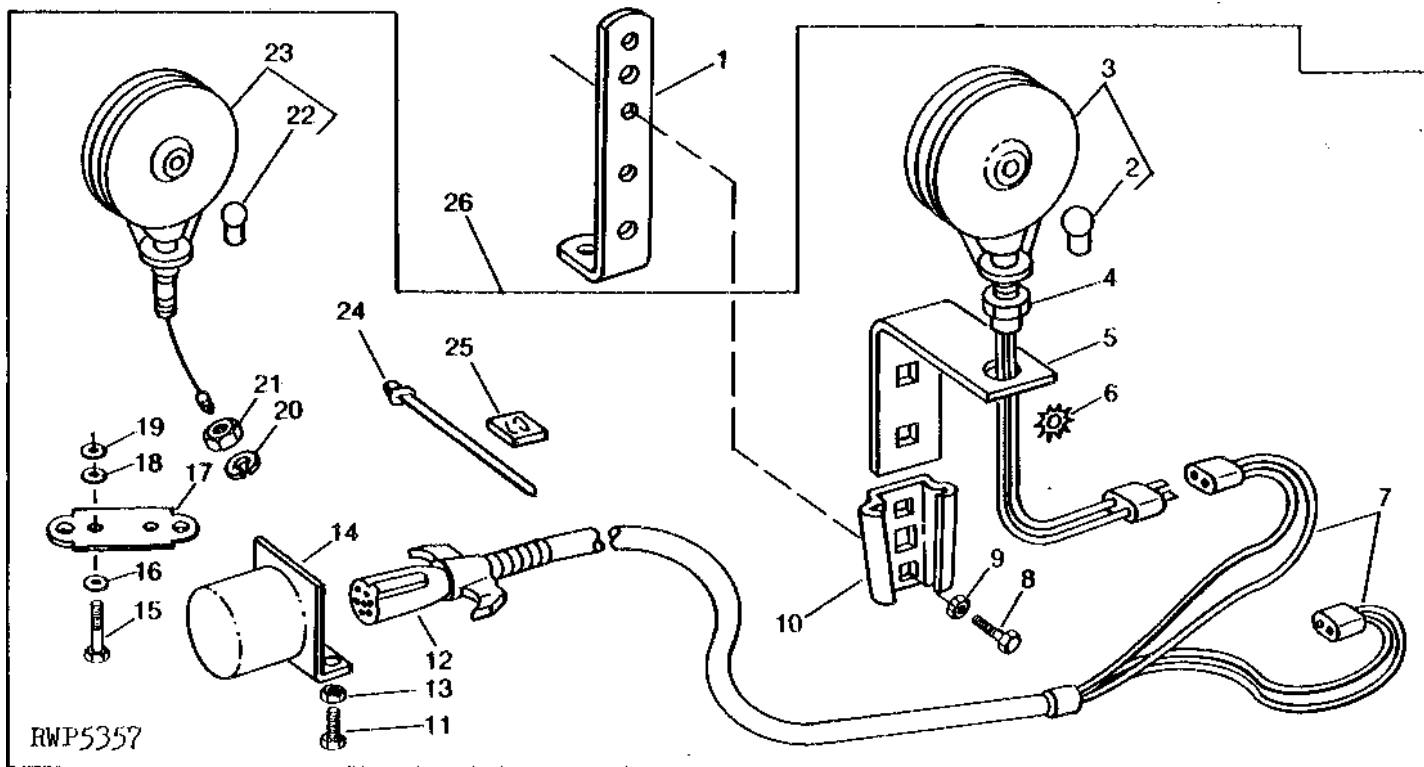
-UN-12OCT94



KEY	PART NO.	PART NAME	QTY	TRACTOR SERIAL NO.	REMARKS
1	AR21858	FLASHER	1		(12-VOLT) (SUB FOR AR21856)
2	WIRING LEAD	1		279MM (11") (MAKE FROM R66320 AND (2) R32016) (SUB FOR AA6037R)

WARNING LAMP (FLASHING)
 (6.1 M (19'11"), 6.2 M (20'8"), 6.5 M (21'4") SIZES)

RWP5357 -UN-01JAN94



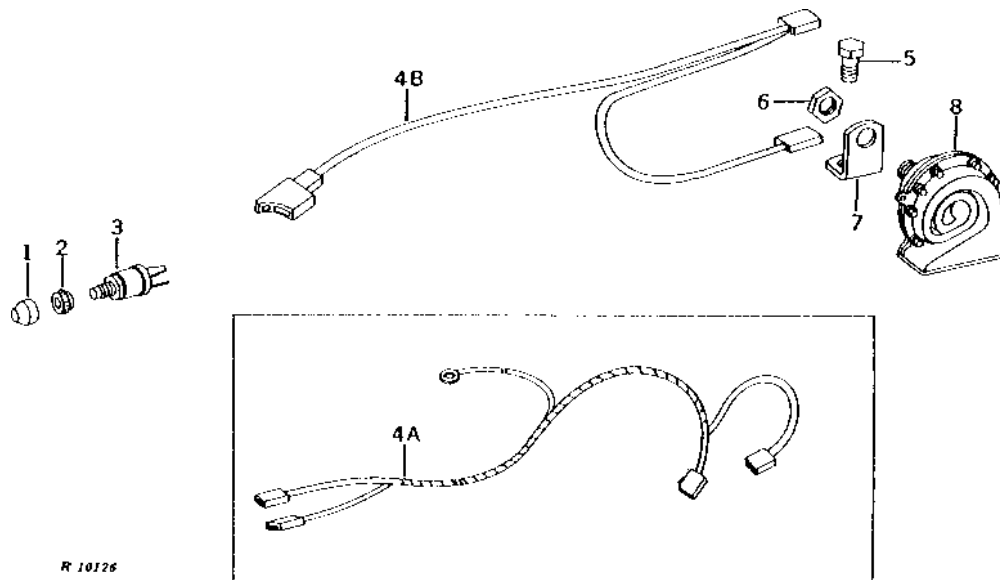
KEY	PART NO.	PART NAME	QTY	SERIAL NO. OR YEAR	REMARKS
1	A39716	BRACKET	2		
2	AD2062R	BULB	2		
3	AA34967	LAMP	2		(SUB FOR PT1293)
	A48331	LENS	2		
4	12H301	LOCK WASHER	2	1/2"	
	14H856	NUT	2	1/2"	
5	PT9319	BRACKET	2		(SUB FOR PT1624)
6	PT9390	WASHER	1		
7	PT9318	WIRING HARNESS	2		(2-CONDUCTOR) (SUB FOR PT1294)
8	37H57	SCREW	4	5/16" X 3/4"	
9	14H785	NUT	4	5/16"	
10	JD126	SOCKET	2		
11	37H3	SCREW	4	1/4" X 5/8"	
12	AH93625	PLUG	1	(7-PIN)	
13	14H786	NUT	4	1/4"	
14	PT1296	BRACKET	1		(STORING, 7-PIN PLUG)
15	37H57	SCREW	5	5/16" X 3/4"	
16	24H1822	WASHER	1	11/32" X 7/8" X 1/16"	
17	PT9320	BRACKET	1		(SUB PT18181)
18	24H1822	WASHER	5	11/32" X 7/8" X 1/16"	
19	14H1080	NUT	5	3/8"	
20	12H301	LOCK WASHER	1	1/2"	
21	14H856	NUT	1	1/2"	
22	AR48041	BULB	1		
23	AA34968	TAIL LAMP	1		
	A48332	LENS	1		
24	R44302	TIE BAND	AR		
25	AT55441	BASE	AR		(ADHESIVE) (SUB FOR PT1297 OR TY9321)
26	TY15263	WARNING LIGHT KIT	1		(WITH DIRECTION) (SUB FOR TY9305) (SUB TY16055)
..	AA32178	WIRING LEAD	1		ACCESSORY

2E9

ELECTRICAL

R10126 -UN-01JAN94

HORN



R 10126

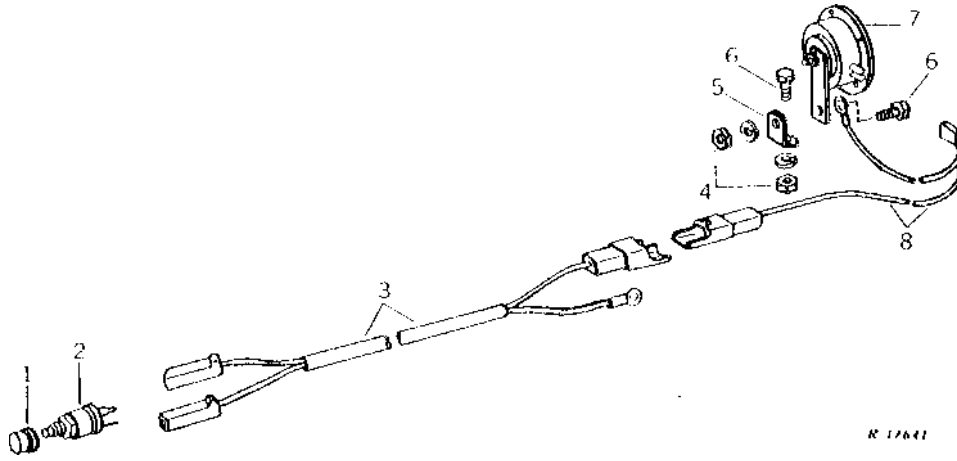
KEY	PART NO.	PART NAME	QTY	TRACTOR SERIAL NO.	REMARKS
1	T55501	CAP	1		(SUB FOR R21156, R39549 OR AR47374, THIS APPLICATION) (SUB T55501)
2	R21157	NUT	1		
3	AR21823	SWITCH	1		
4A	R34702	WIRING HARNESS	1	-090999	
4B	R39650	WIRING HARNESS	1	091000-	
5	19H2367	CAP SCREW	1		5/8" X 3/4"
6	R11278	NUT	1		
7	R34701	BRACKET	1		
8	AT39043	HIGH NOTE HORN	1		(LOW NOTE) (12-VOLT) (SUB FOR R11276)

2E10

ELECTRICAL

R17641 -UN-01JAN94

HORN



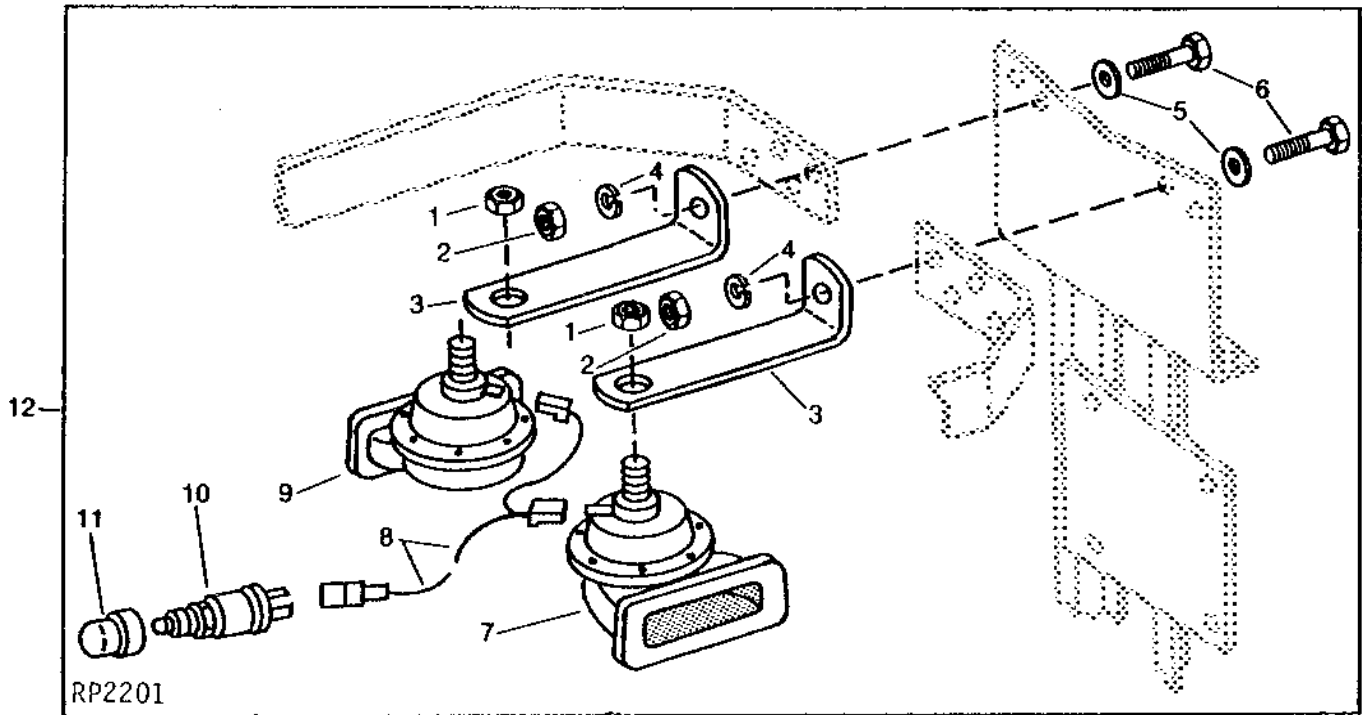
KEY	PART NO.	PART NAME	QTY	TRACTOR SERIAL NO.	REMARKS
1	T55501	CAP	1		(SUB FOR AR47374, THIS APPLICATION)
2	AR21823	SWITCH	1		
3	AR46730	WIRING HARNESS	1		
4	14H785	NUT	2	5/16"	
	12H303	LOCK WASHER	2	5/16"	
5	R46791	BRACKET	1		
6	19H1813	CAP SCREW	2	5/16" X 5/8"	
7	AL14896	HORN	1		(12-VOLT) (SUB FOR AR49036 OR AR73579)
8	AR73580	WIRING HARNESS	1		(12-VOLT) (SUB FOR AR49038)

2E11

ELECTRICAL

RP2201 -UN-01JAN94

DUAL HORN ASSEMBLY



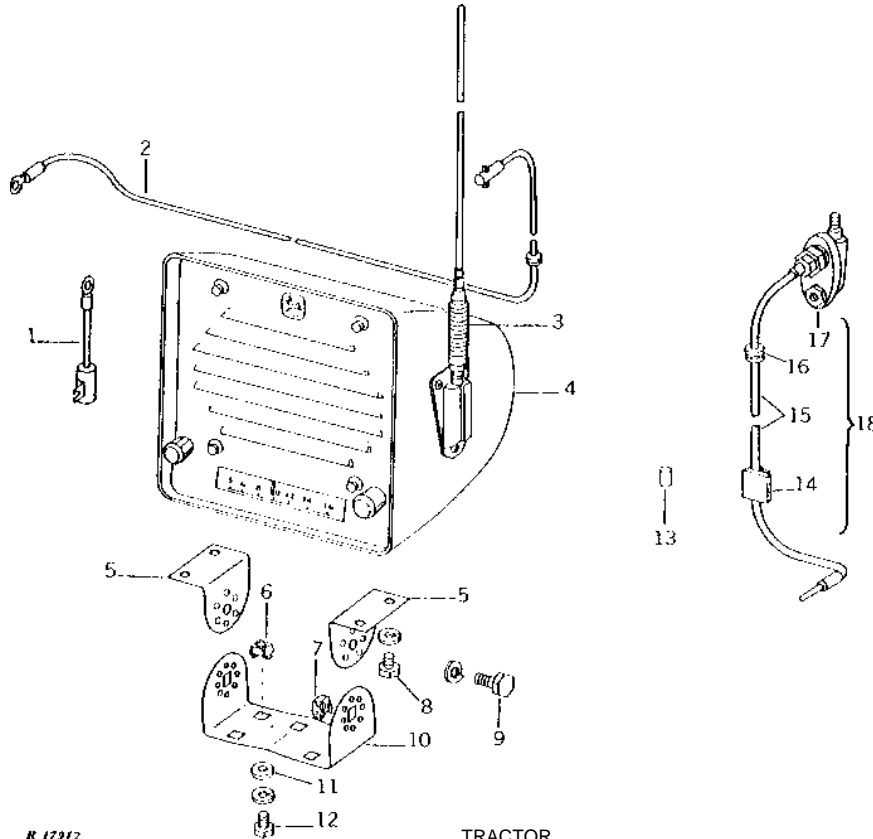
KEY	PART NO.	PART NAME	QTY	TRACTOR SERIAL NO.	REMARKS
1	R11278	NUT	2		
2	14H785	NUT	2	5/16"	
3	R64699	BRACKET	2		(ILLUSTRATED) USE FOR ,THIS APPLICATION
	R75833	BRACKET	2		(SUB FOR R66069)
4	12H303	LOCK WASHER	2	5/16"	
5	24H1136	WASHER	2	11/32" X 11/16" X 0.065"	
6	19H1849	CAP SCREW	2	5/16" X 1-1/4"	
7	R64700	HIGH NOTE HORN	1		(12-VOLT) (HIGH NOTE)
8	AR85578	WIRING HARNESS	1		508MM(18") USE FOR,THIS APPLICATION
	AR81179	WIRING HARNESS	1		457MM(18")
9	AT39043	HIGH NOTE HORN	1		(12-VOLT) (LOW NOTE)
10	AR20235	SWITCH	1		
11	T55501	CAP	1		
12	AR102454	HORN	1		(SUB FOR AR81178) (ORDER COMPONENT PARTS)

2E12

ELECTRICAL

R17912 -UN-01JAN94

RADIO (BENDIX)



KEY	PART NO.	<i>R 17912</i> PART NAME	QTY	TRACTOR SERIAL NO.	REMARKS
1	AR41758	CAPACITOR	1		
2	AR41756	WIRING LEAD	1		
3	AR46986	ANTENNA	1		(THREADED TYPE)
4	AR68361	RADIO	1		(A) (NLA)
5	R41879	BRACKET	2		(USE WITH AR40947) (NLA)
	R46505	BRACKET	2		(USE WITH AR48717, AR57157, AR68361 OR AR68362) (NLA)
6	AR41951	NUT	4		
7	AR41950	NUT	2		
8	19H1227	CAP SCREW	4		1/4" X 1/2"
	12H297	LOCK WASHER	4		1/4"
9	19H1936	CAP SCREW	2		3/8" X 3/4"
	12H310	LOCK WASHER	2		3/8"
10	R41880	BRACKET	1		
11	24H1294	WASHER	4		11/32" X 1-1/8" X 1/16"
12	19H1813	CAP SCREW	4		5/16" X 5/8"
	12M7032	LOCK WASHER	4		0.331"
13	R45136	PLUG	1		
14	R47474	CLIP	1		(SUB FOR R45137)
15	AR46985	WIRING LEAD	1		
16	R27583	GROMMET	1		
17	AR46984	BASE	1		
18	AR46983	BASE	1		(WITH CAB)(NLA)

(A) CHECK AUDIOVOX DIRECT-SHIP PROGRAM GUIDE

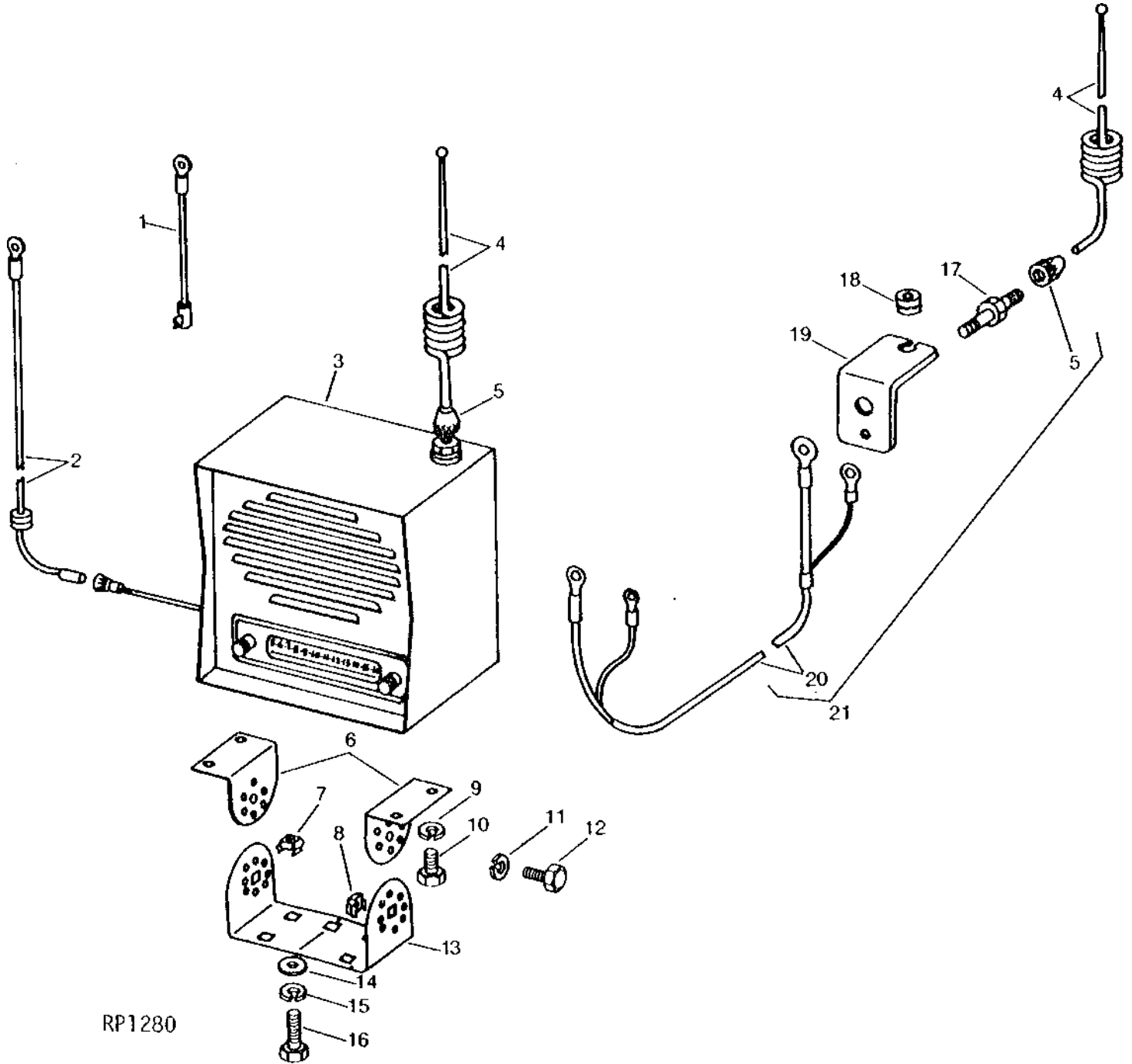
2E13

ELECTRICAL

RP1280

-UN-01JAN94

RADIO (MOTOROLA)



RP1280

2E14

ELECTRICAL

RADIO - CONTINUED (MOTOROLA)

KEY	PART NO.	PART NAME	QTY	TRACTOR SERIAL NO.	REMARKS
1	AR41758	CAPACITOR	1		
2	AR41756	WIRING LEAD	1		
3	TY15155	RADIO	1		(A) (ALSO ORDER AR46986) (SUB FOR AR42431 OR AR101245) (NLA)
4	AR45013	MAST	1		
5	R42800	NUT	1		
6	R41879	BRACKET	2		
7	AR41951	NUT	4	5/16"	
8	AR41950	NUT	2	3/8"	
9	12H302	LOCK WASHER	4	1/4"	
10	19H1227	CAP SCREW	4	1/4" X 1/2"	
11	12H310	LOCK WASHER	2	3/8"	
12	19H1936	CAP SCREW	2	3/8" X 3/4"	
13	R41880	BRACKET	1		
14	24H1294	WASHER	4	11/32" X 1-1/8" X 1/16"	
15	12M7032	LOCK WASHER	4	0.331"	
16	19H1813	CAP SCREW	4	5/16" X 5/8"	
17	AR45014	COUPLING	1		
18	R42801	GROMMET	1		
19	R42802	BRACKET	1		
20	AR45015	ANTENNA	1		
21	AR42432	BASE	1		(SUB AR51483) (WITH CAB)

(A) CHECK AUDIOVOX DIRECT-SHIP PROGRAM GUIDE

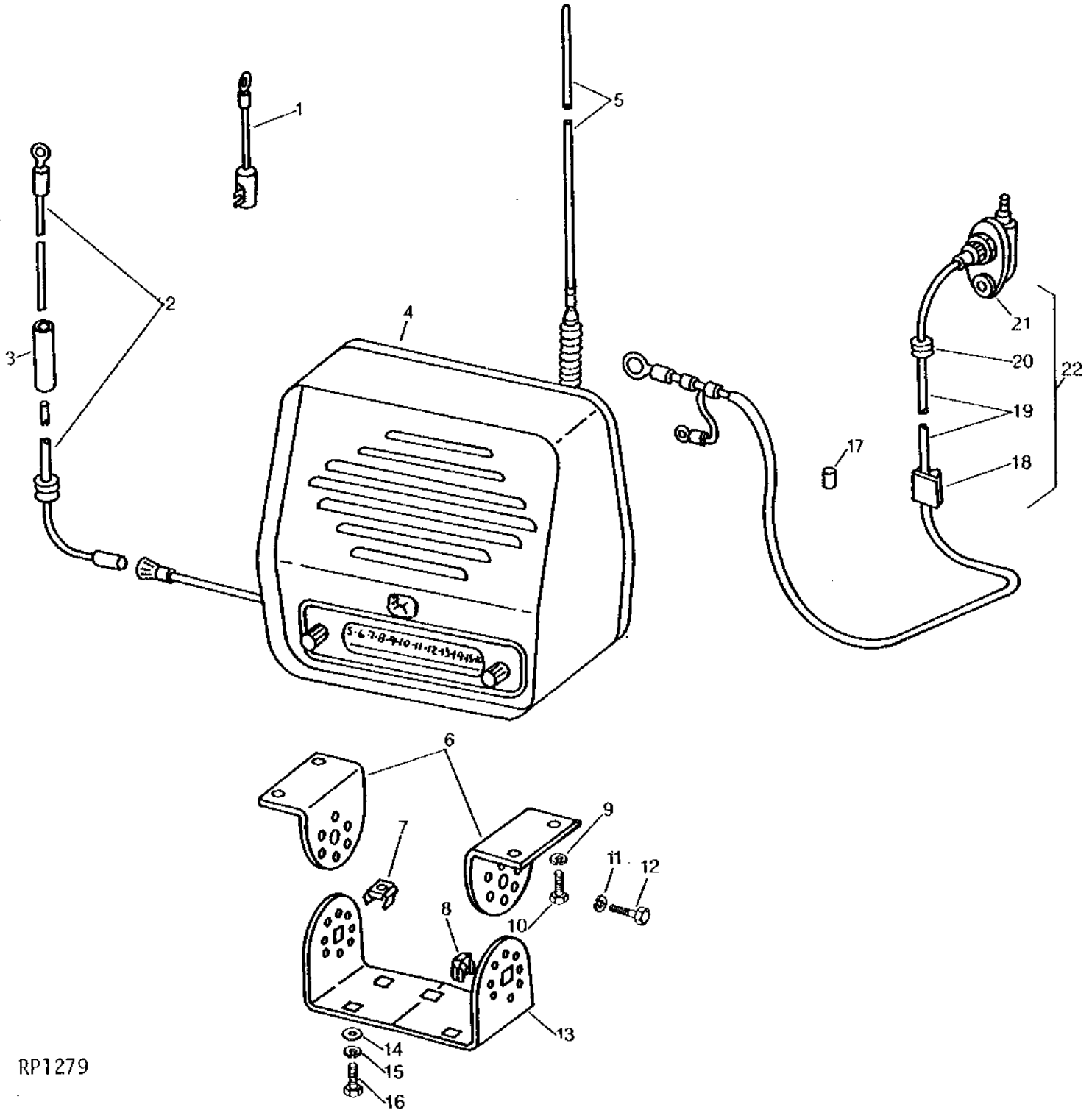
2E15

ELECTRICAL

RP1279

-UN-01JAN94

RADIO
(MOTOROLA)



RP1279

2E16

ELECTRICAL

**RADIO - CONTINUED
(MOTOROLA)**

KEY	PART NO.	PART NAME	QTY	TRACTOR SERIAL NO.	REMARKS
1	AR41758	CAPACITOR	1		
2	AR41756	WIRING LEAD	1		
3	R42799	RESISTOR	1		
4	TY15156	KIT	1		(A) (ALSO ORDER AR46986) (SUB FOR AR51973, AR57156, AR68361, AR101245 OR TY15155) (NLA)
5	AR46986	ANTENNA	1		
6	R52408	BRACKET	2		
7	AR41951	NUT	4	5/16"	
8	AR41950	NUT	2	3/8"	
9	12H302	LOCK WASHER	4	1/4"	
10	19H1227	CAP SCREW	4	1/4" X 1/2"	
11	12H310	LOCK WASHER	2	3/8"	
12	19H1936	CAP SCREW	2	3/8" X 3/4"	
13	R41880	BRACKET	1		
14	24H1294	WASHER	3	11/32" X 1-1/8" X 1/16"	
15	12M7032	LOCK WASHER	3	0.331"	
16	19H1813	CAP SCREW	3	5/16" X 5/8"	
17	R45136	PLUG	1		
18	R47474	CLIP	4		(SUB FOR R45137)
19	AR51484	WIRING LEAD	1		
20	R27583	GROMMET	1		
21	AR46984	BASE	1		
22	AR51483	BASE	1		(WITH CAB)

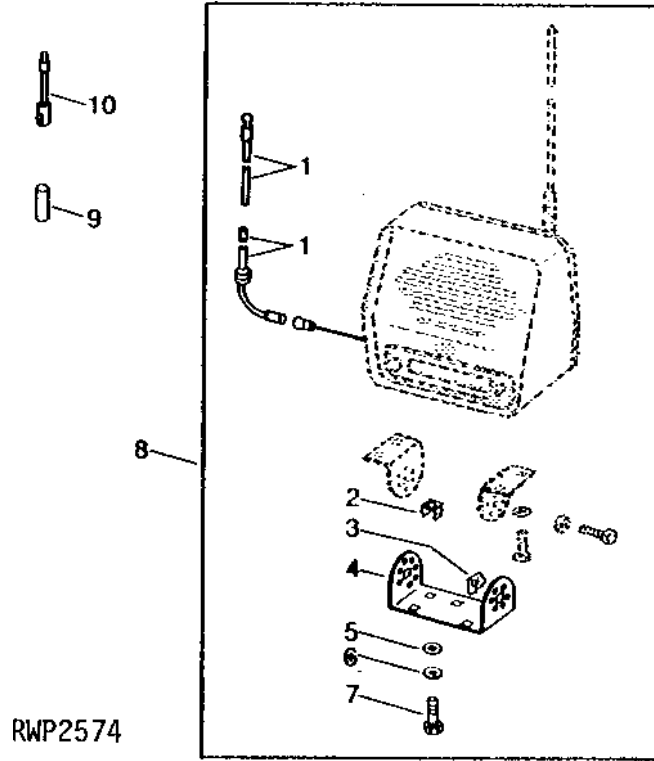
(A) CHECK AUDIOVOX DIRECT-SHIP PROGRAM GUIDE

2E17

ELECTRICAL

RWP2574 -UN-01JAN94

RADIO MOUNTING KIT



KEY	PART NO.	PART NAME	QTY	TRACTOR SERIAL NO.	REMARKS
1	AR41756	WIRING LEAD	1		
2	AR41951	NUT	3		
3	AR41950	NUT	2		
4	R41880	BRACKET	1		
5	24H1294	WASHER	3	11/32" X 1-1/8" X 1/16"	
6	12M7032	LOCK WASHER	3	0.331"	
7	19H1813	CAP SCREW	3	5/16" X 5/8"	
8	AR41754	KIT	1		
9	R42799	RESISTOR	4		
10	AR41758	CAPACITOR	1		

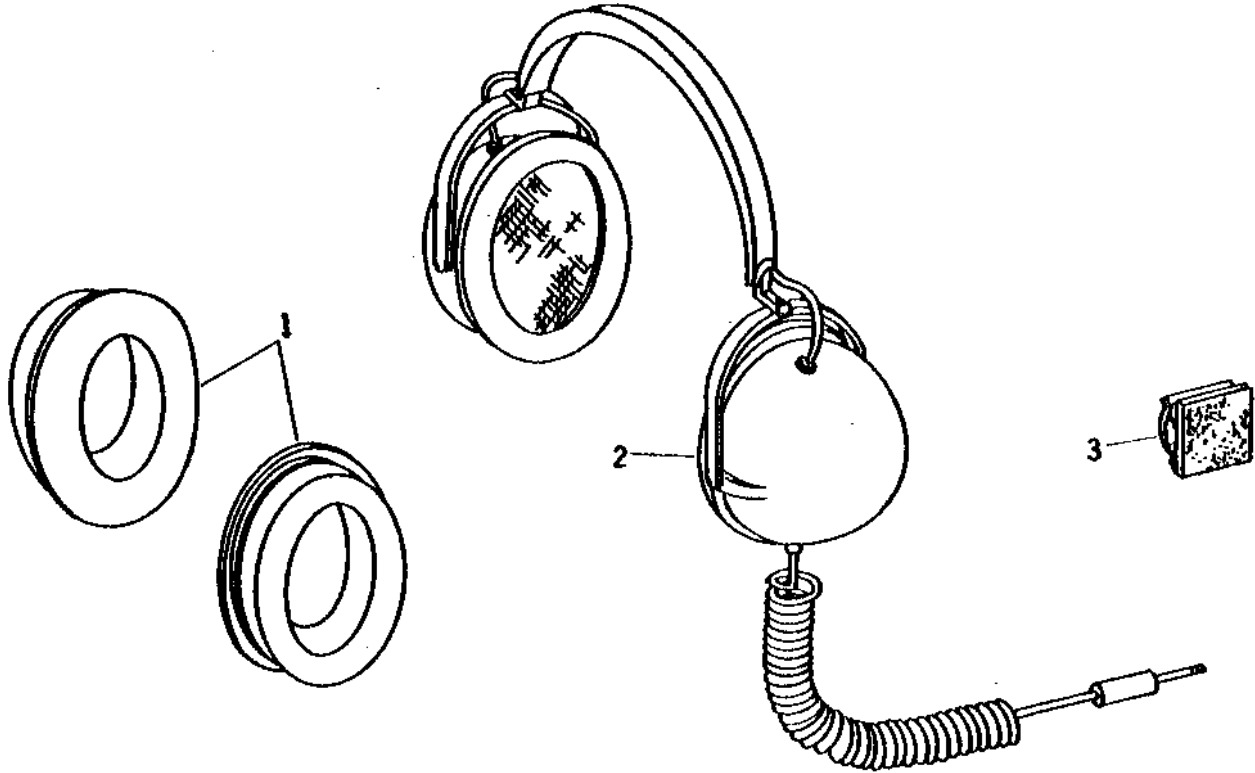
2E18

ELECTRICAL

R33062

-UN-01JAN94

RADIO HEADPHONES



R33062

KEY	PART NO.	PART NAME	QTY	TRACTOR SERIAL NO.	REMARKS
1	AR73311	FOAM PAD	1		(PKG. OF 2) (SUB FOR R53409)
2	AR59663	HEADPHONES	1		(A) (NLA)
3	R53410	CLIP	1		

(A) CHECK AUDIOVOX DIRECT-SHIP PROGRAM GUIDE

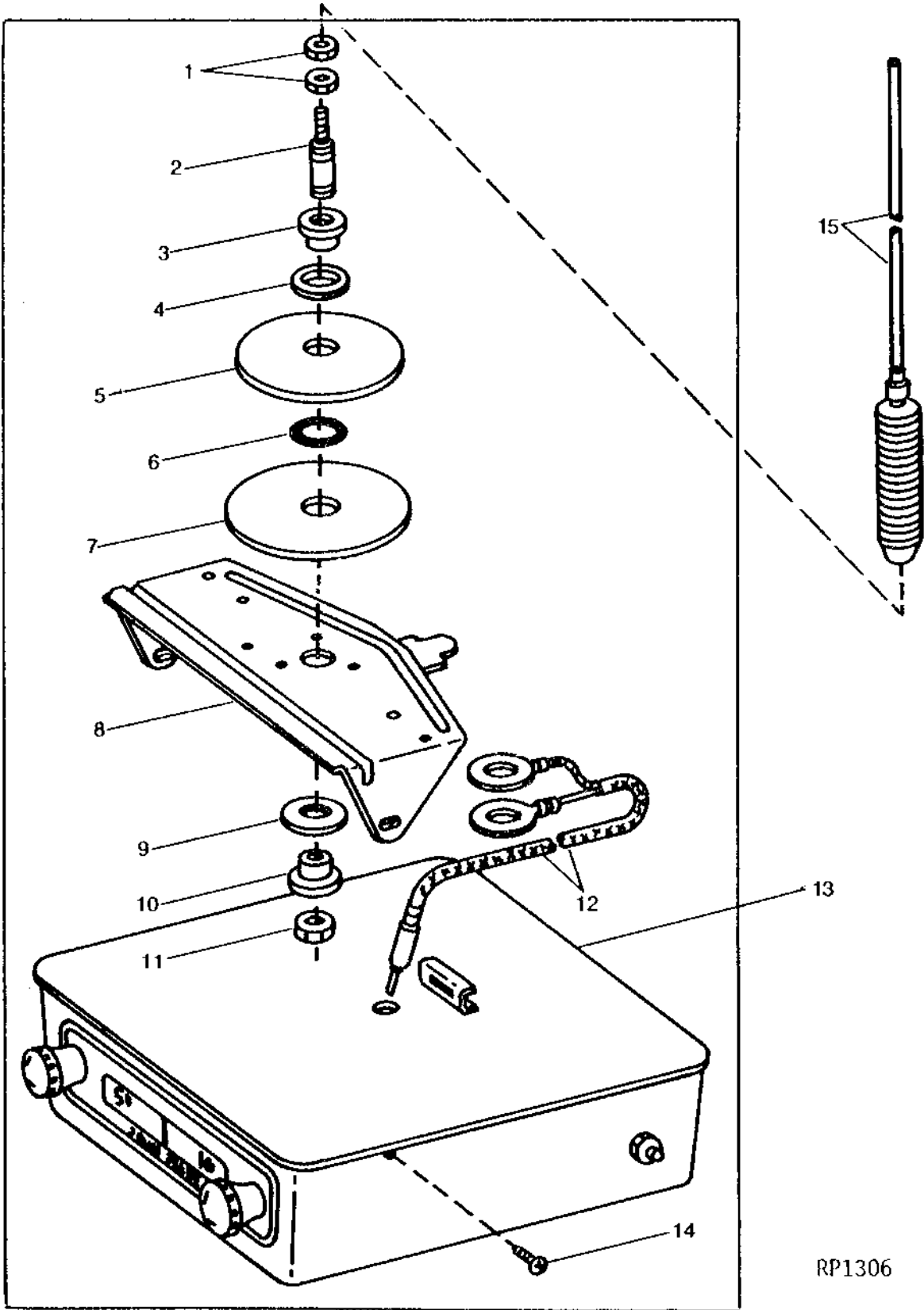
2E19

ELECTRICAL

RP1306

-UN-01JAN94

CAB RADIO



RP1306

2E20

ELECTRICAL

CAB RADIO - CONTINUED

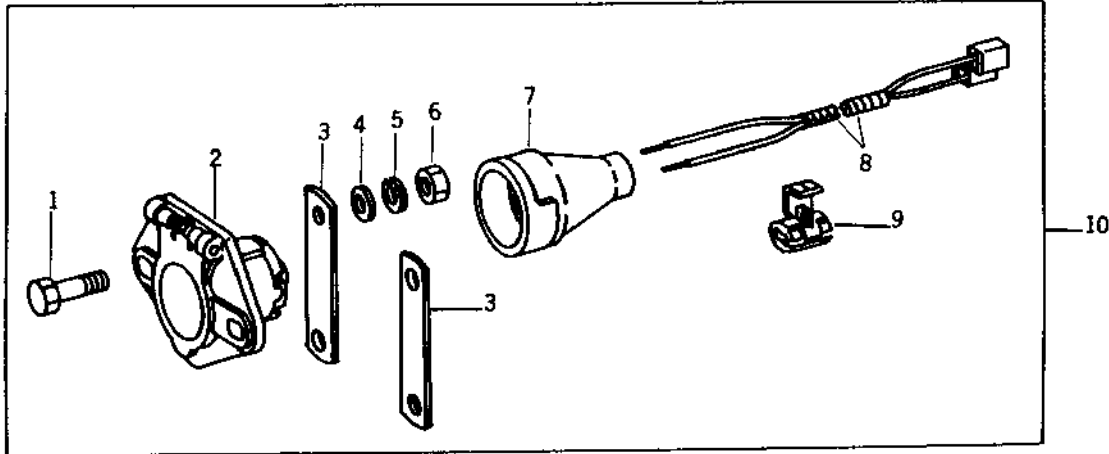
KEY	PART NO.	PART NAME	QTY	TRACTOR SERIAL NO.	REMARKS
1	R53512	WELD NUT	2		
2	R53515	BUSHING	1	(NLA)	
3	R53516	WASHER	1	(LONG)(NLA)	
4	R53518	WASHER	1	(NLA)	
5	R53519	WASHER	1	(NLA)	
6	B2762R	O-RING	1	(NLA)	
7	R53520	WASHER	1	(NLA)	
8	R53521	BRACKET	1	(NLA)	
9	R53522	WASHER	1		
10	R53517	BUSHING	1	(SHORT)(NLA)	
11	R53512	WELD NUT	3	(NLA)	
12	AR60084	WIRING LEAD	1	(NLA)	
13	AR68363	RADIO	1	(ALSO ORDER AR46986) (SUB FOR AR60083)	
14	AR60089	SCREW	2	(NLA)	
15	AR46986	ANTENNA	1		
..	AR41758	CAPACITOR	1		
..	R42799	RESISTOR	1		

2E21

ELECTRICAL

R32128 -UN-01JAN94

7-TERMINAL ELECTRICAL OUTLET SOCKET



R32128

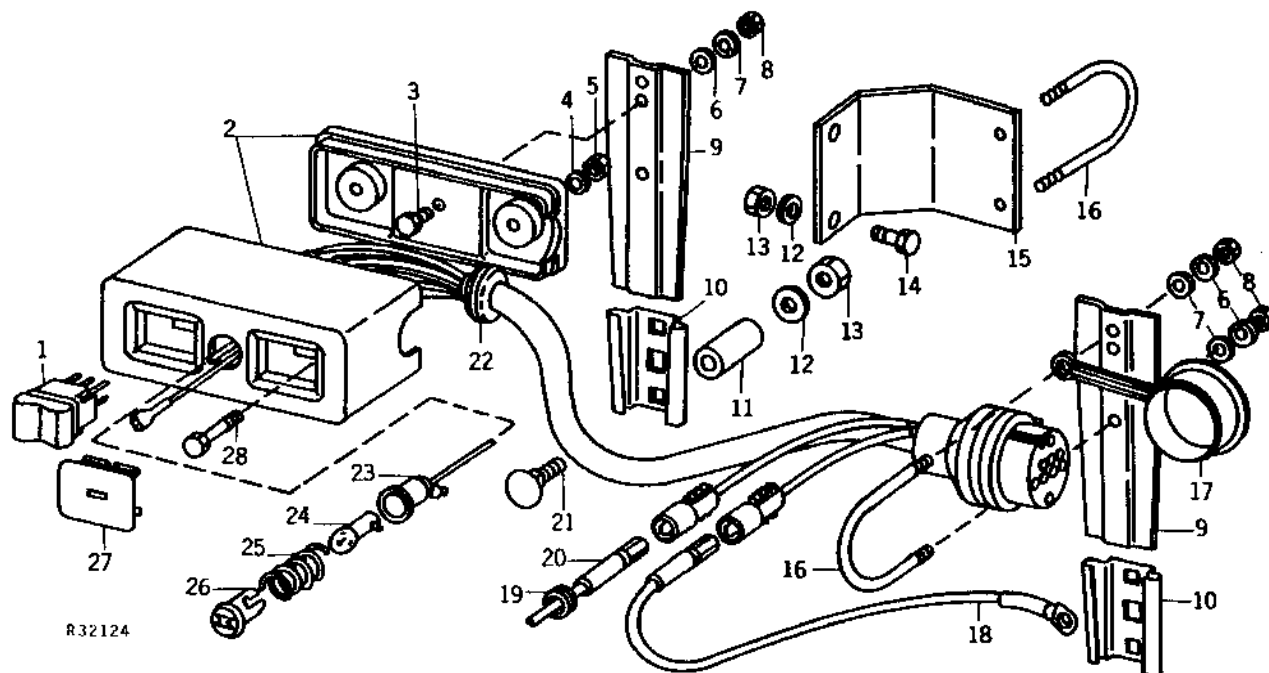
KEY	PART NO.	PART NAME	QTY	TRACTOR SERIAL NO.	REMARKS
1	19H1905	CAP SCREW	4	5/16" X 1"	
2	AR75695	SOCKET OUTLET	1		
3	R61776	STRAP	2		
4	24H1136	WASHER	4	11/32" X 11/16" X 0.065"	
5	12H303	LOCK WASHER	4	5/16"	
6	14H785	NUT	4	5/16"	
7	R61775	BOOT	1		
8	AR75696	WIRING HARNESS	1	EXTENSION	
.....		WIRING LEAD	1	3963MM (156") TAIL LAMP, (MAKE FROM TY16078)	
.....		WIRING LEAD	1	400MM (16") GROUND, (MAKE FROM TY16078 AND R77488)	
9	AR67855	CONNECTOR	3		
10	RE17282	KIT	1	(SUB FOR AR75694) (FI)	

2E22

ELECTRICAL

R32124 -UN-01JAN94

ELECTRICAL REMOTE CONTROL



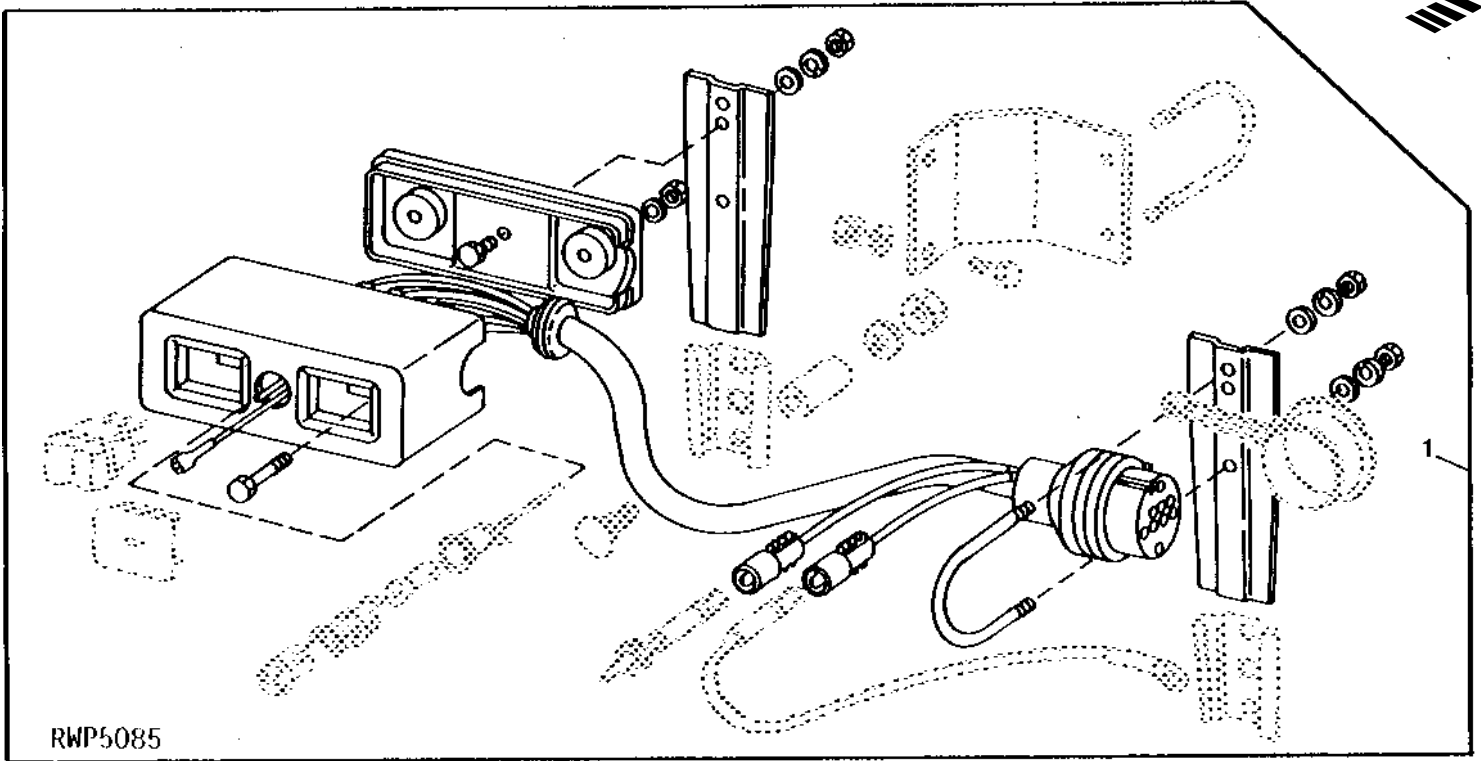
KEY	PART NO.	PART NAME	QTY	TRACTOR SERIAL NO.	REMARKS
1	AR49797	TOGGLE SWITCH	1		MOMENTARY ROCKER (FI)
	AR49798	ROCKER SWITCH	1		DETEND ROCKER (FI)
2	AR50779	WIRING HARNESS	1		TWO SWITCH
	AR50780	WIRING HARNESS	1		FOUR SWITCH
3	19H1914	CAP SCREW	1		1/4" X 1"
4	12H315	LOCK WASHER	2		0.164"
5	14H605	NUT	2		0.164"
6	24H1821	WASHER	3		9/32" X 47/64" X 1/16"
7	12H302	LOCK WASHER	3		1/4"
8	14H786	NUT	3		1/4"
9	R47861	BRACKET	2		(TWO SWITCH) (1 USED, FOUR SWITCH)
	R47860	BRACKET	1		(FOUR SWITCH)
10	JD126	SOCKET	2		
11	28H1495	SPACER	2		3/8" X 1"
12	24M7207	WASHER	4		8.400 X 24 X 2 MM
13	14H785	NUT	4		5/16"
14	21H1304	SCREW	2		5/16" X 3/4"
15	R54467	BRACKET	1		
16	E16050	U-BOLT	1		
17	R48048	CAP	1		
18	AR50928	WIRING LEAD	1		
19	H987R	GROMMET	4		
20	AR50927	WIRING LEAD	1		
21	03H1515	BOLT	2		5/16" X 2"
22	R36235	GROMMET	1		
23	AT44165	WIRING LEAD	1		
24	AR55694	BULB	1		
25	R30378	SPRING	1		
26	AT48673	LENS	1		
27	R48049	PLUG	1		
28	R48028	SCREW	2		
..	R48026	DECAL	1		
..	R48027	GROMMET	1		(CAB OPENING)
..	R32276	PLUG	1		(CAB OPENING)

2E23

ELECTRICAL

RWP5085 -UN-01JAN94

ELECTRICAL REMOTE CONTROL KIT



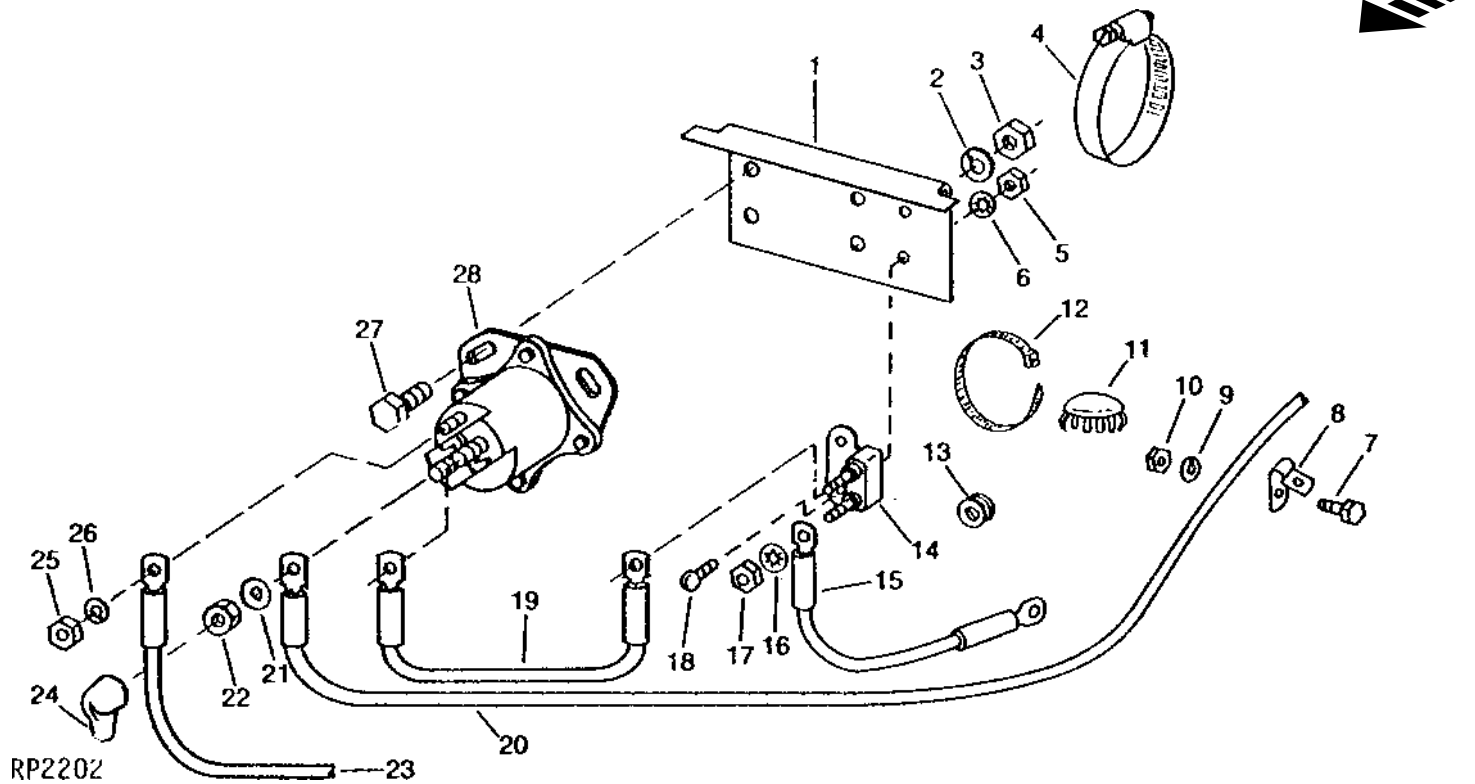
KEY	PART NO.	PART NAME	QTY	TRACTOR SERIAL NO.	REMARKS
1	AR62360	KIT	1		(TWO SWITCHES) (FI)

2E24

ELECTRICAL

ELECTRICAL REMOTE CONTROL WIRING

RP2202 -UN-01JAN94



KEY	PART NO.	PART NAME	QTY	TRACTOR SERIAL NO.	REMARKS
1	R69109	BRACKET	1		
2	12H297	LOCK WASHER	2	1/4"	
3	14H786	NUT	2	1/4"	
4	AR52392	CLAMP	2		
5	14H631	NUT	2	0.190"	
6	12M7060	WASHER	2	0.209"	
7	19H1731	CAP SCREW	2	3/8" X 1"	
8	T14264	CLAMP	2		
9	12H304	LOCK WASHER	2	3/8"	
10	14H732	NUT	2	3/8"	
11	R32276	PLUG	1	(CAB OPENING)	
12	R44302	TIE BAND	AR		
13	R41439	GROMMET	1		
14	AR50926	CIRCUIT BREAKER	1		
15	AR50930	WIRING LEAD	1		
16	12M7060	WASHER	2	0.209"	
17	14H631	NUT	2	0.190"	
18	21H1295	SCREW	2	0.190" X 5/8"	
19	AH95264	WIRING LEAD	1	(SUB FOR AR50929)	
20	AR50927	WIRING LEAD	1		
21	12H303	LOCK WASHER	2	5/16"	
22	14H785	NUT	2	5/16"	
23	AR50931	WIRING LEAD	1		
24	R36732	BOOT	2		
25	14H631	NUT	1	0.190"	
26	12H246	LOCK WASHER	1	0.190"	
27	19H1919	CAP SCREW	2	1/4" X 5/8"	
28	RE44657	RELAY	1	(FI)	

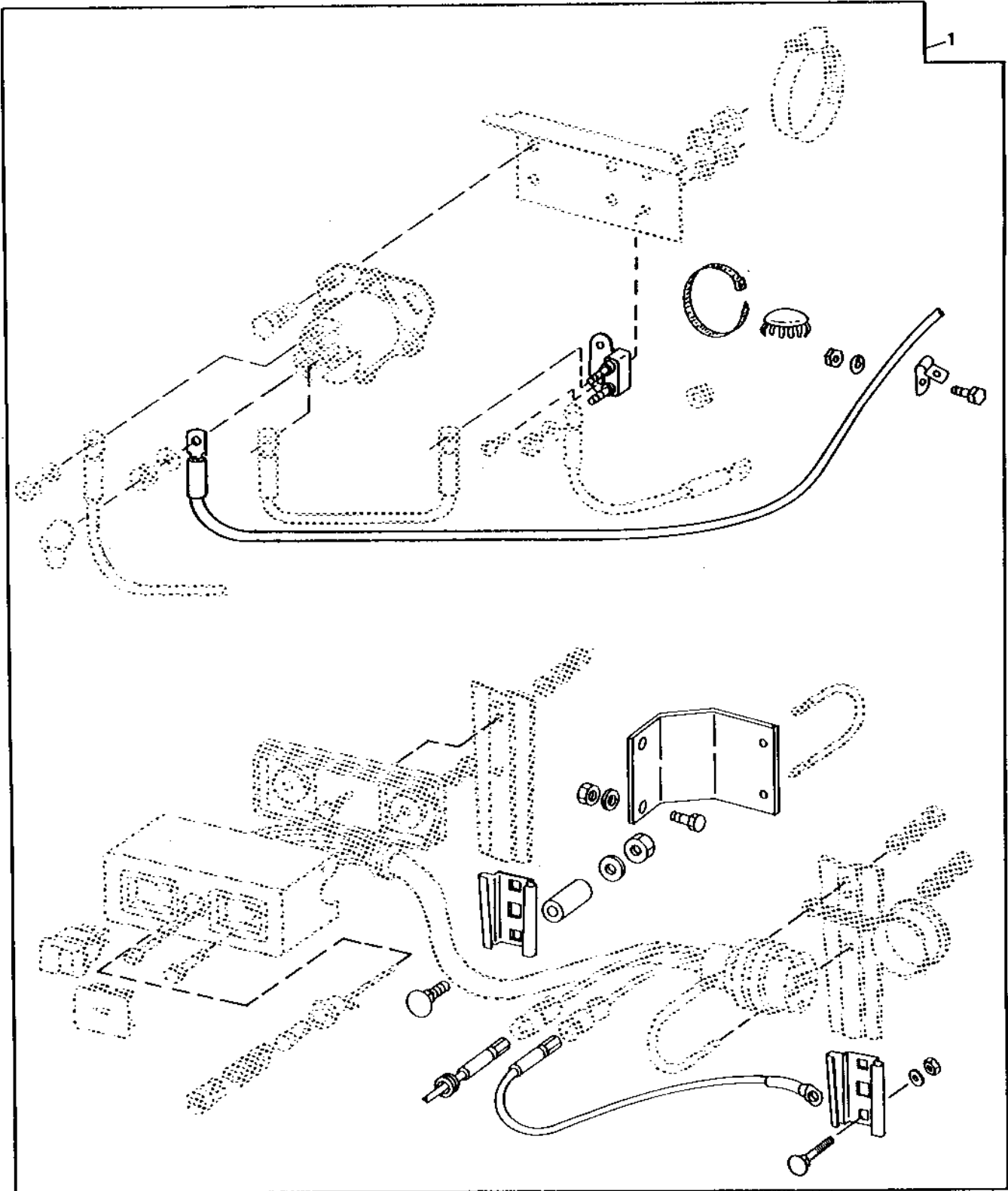
2F1

ELECTRICAL

RWP5666

-UN-01JAN94

ELECTRICAL REMOTE CONTROL WIRING KIT



RWP5666

2F2

ELECTRICAL

ELECTRICAL REMOTE CONTROL WIRING KIT - CONTINUED

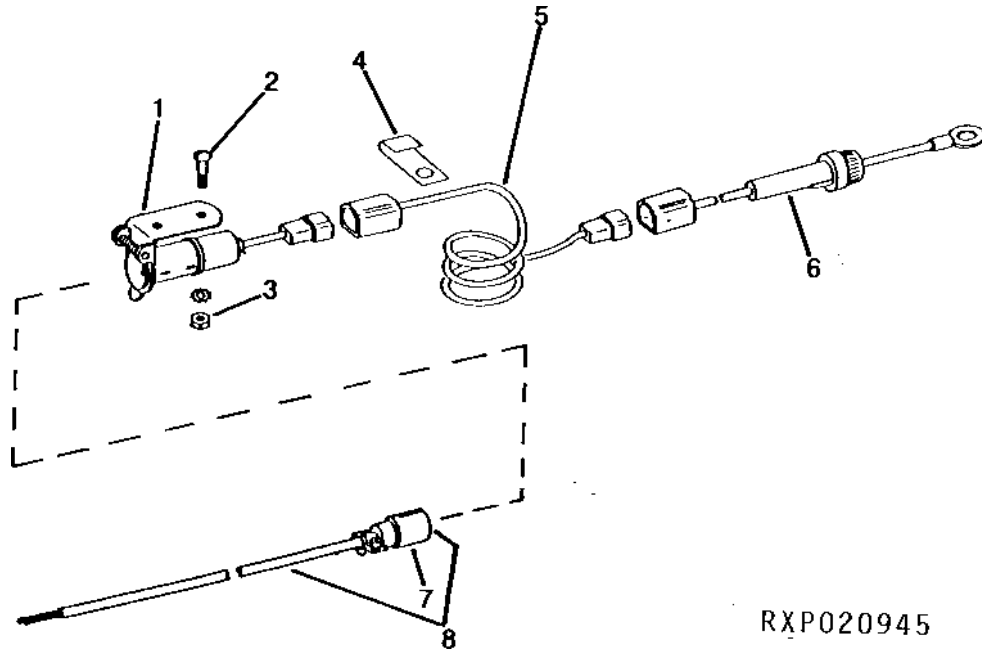
KEY	PART NO.	PART NAME	QTY	TRACTOR SERIAL NO.	REMARKS
1	RE25621	KIT	1	(FI)	

2F3

ELECTRICAL

RXP020945 -UN-12OCT94

ELECTRICAL OUTLET SOCKET



RXP020945

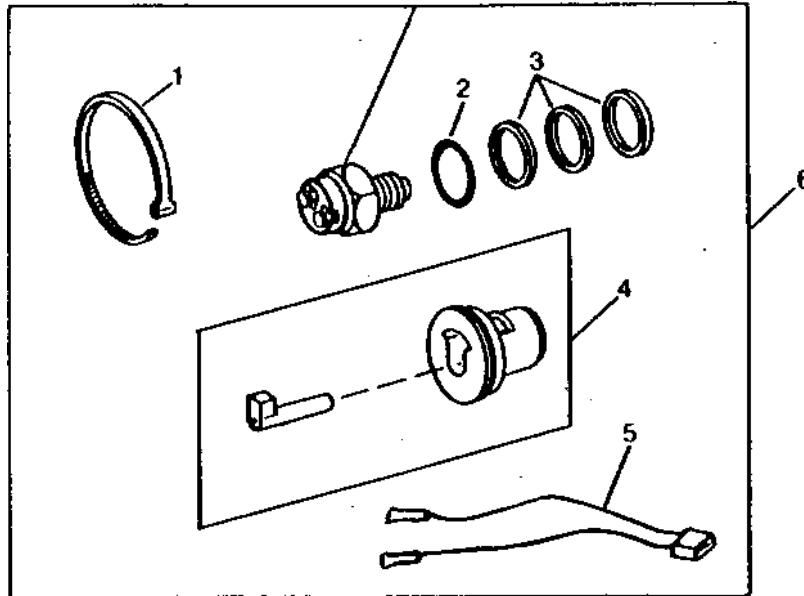
KEY	PART NO.	PART NAME	QTY	TRACTOR SERIAL NO.	REMARKS
1	AR26571	SOCKET	1		
2	21H1301	SCREW	2	0.190" X 1/2"	
3	14H778	NUT	2	0.190"	
	12M7060	WASHER	2	0.209"	
4	B1986R	CLIP	2		
5	WIRING LEAD	1	635MM (25") (MAKE FROM R66319, (2) R32027, R32024 AND R32025)	
6	AR26756	WIRING LEAD	1	(WITH FUSE)	
7	AA5692R	ELECTRICAL PLUG	1		
8	AR40710	PLUG	1	(FI)	

2F4

ELECTRICAL

RXP8097 -UN-01JAN94

NEUTRAL START SWITCH KIT



RXP8097

KEY	PART NO.	PART NAME	QTY	TRACTOR SERIAL NO.	REMARKS
1	R44302	TIE BAND	2		
2	R26448	O-RING	1		
3	T16911	SHIM	3		
4	RE37996	GAUGE	1		(NEUTRAL START SWITCH ADJ.)
5	RE14069	WIRING HARNESS	1		
6	RE38390	SWITCH	1		(SUB FOR R36265, AR85323, AR89691 OR AT85153)

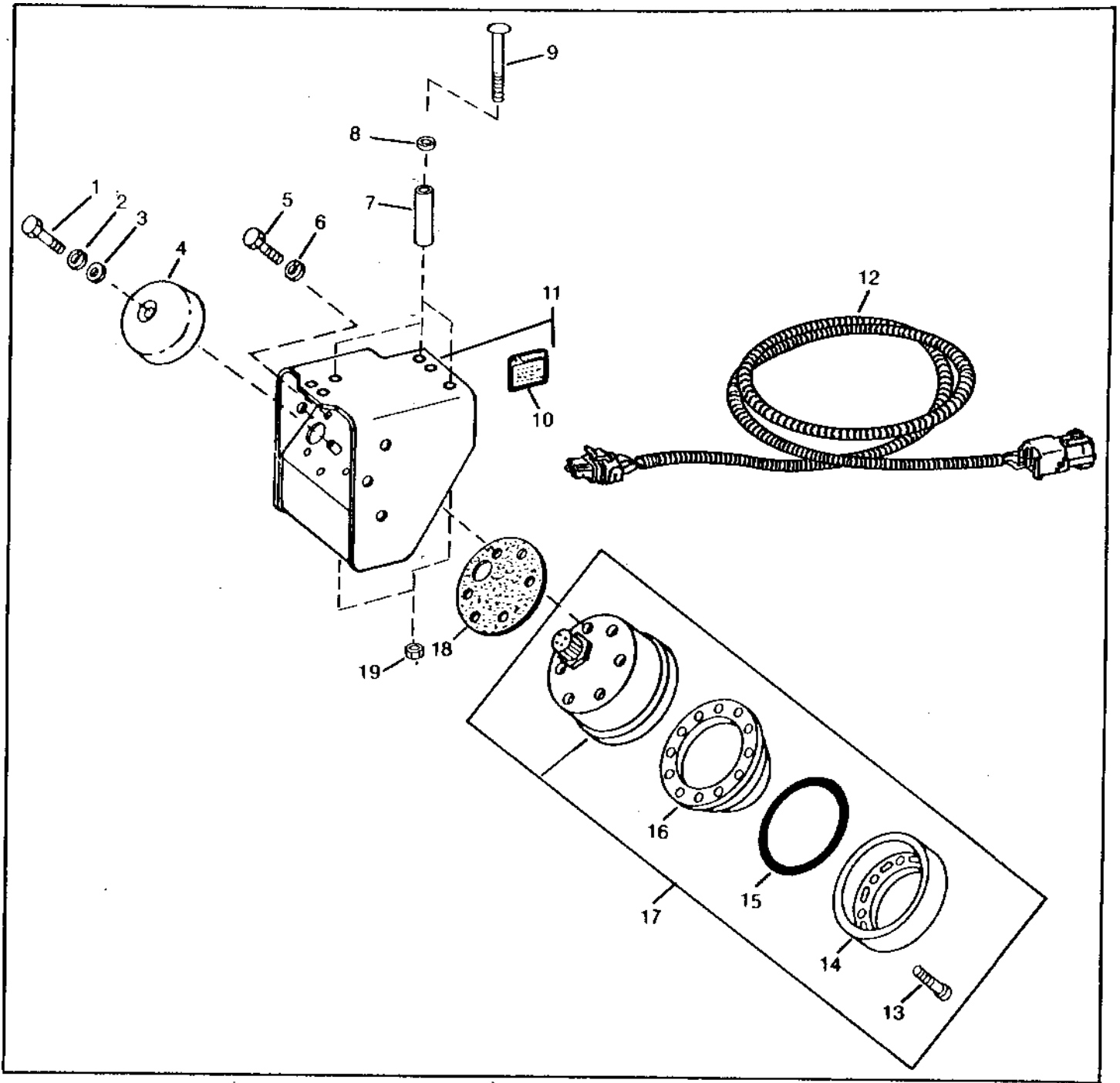
2F5

ELECTRICAL

RXP9306

-UN-01JAN94

RADAR SENSOR



RXP9306

20

2F6

ELECTRICAL

RADAR SENSOR - CONTINUED

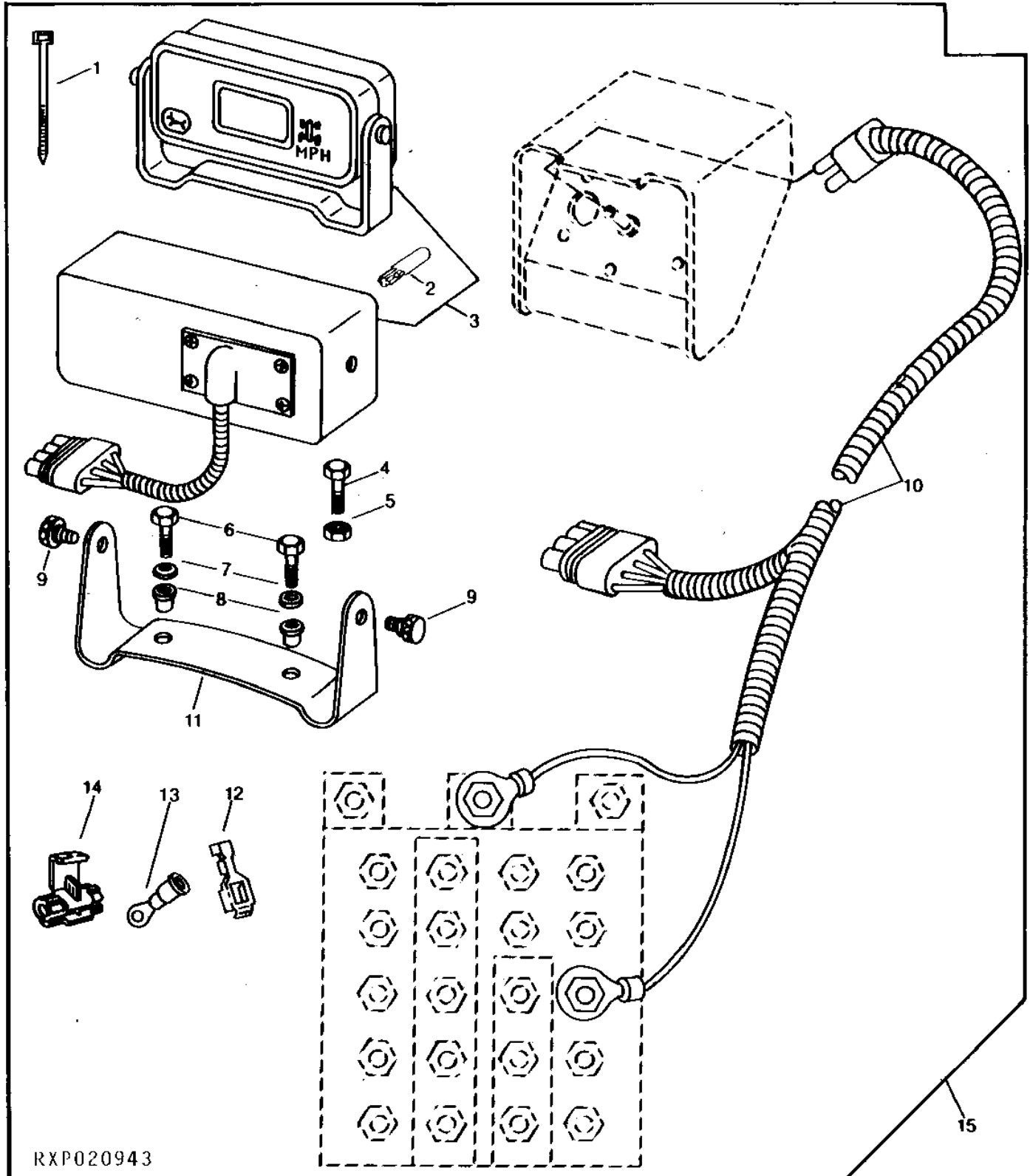
KEY	PART NO.	PART NAME	QTY	TRACTOR SERIAL NO.	REMARKS
1	19H1813	CAP SCREW	1		5/16" X 5/8"
2	12H303	LOCK WASHER	1		5/16"
3	24H1136	WASHER	1		11/32" X 11/16" X 0.065"
4	R82355	SHIELD	1		
5	19H1813	CAP SCREW	6		5/16" X 5/8"
6	12H303	LOCK WASHER	6		5/16"
7	28H3343	BUSHING	3		0.546" X 0.840" X 5-3/8"
8	24H1625	WASHER	2		17/32" X 1" X 0.120"
9	03H2052	BOLT	3		1/2" X 6-1/2"
10	R120107	LABEL	1		(ENGLISH)
	R120106	LABEL	1		(FRANCAIS)
	R105942	LABEL	1		(DEUTSCH)
	R120108	LABEL	1		(ESPANOL)
	L65000	LABEL	1		
11	RE46317	BRACKET	1		(SUB FOR RE21096 OR RE38707)
12	RE46414	WIRING HARNESS	1		
13	R82239	SCREW	12		
14	R82237	SNAP RING	1		
15	R82238	O-RING	1		
16	R82236	COVER	1		
17	RE43025	RADAR SENSOR	1		(SUB FOR RE21073)
18	R82243	GASKET	1		
19	14H1040	NUT	3		1/2"
20	AR111058	SENSOR	1		(SUB FOR RE21510 OR RW26466) (FI)

2F7

ELECTRICAL

PERFORMANCE TRAK II MINI-MONITOR (ANALOG TACHOMETER)

RXP020943 -UN-12OCT94



RXP020943

2F8

ELECTRICAL

PERFORMANCE TRAK II MINI-MONITOR - CONTINUED (ANALOG TACHOMETER)

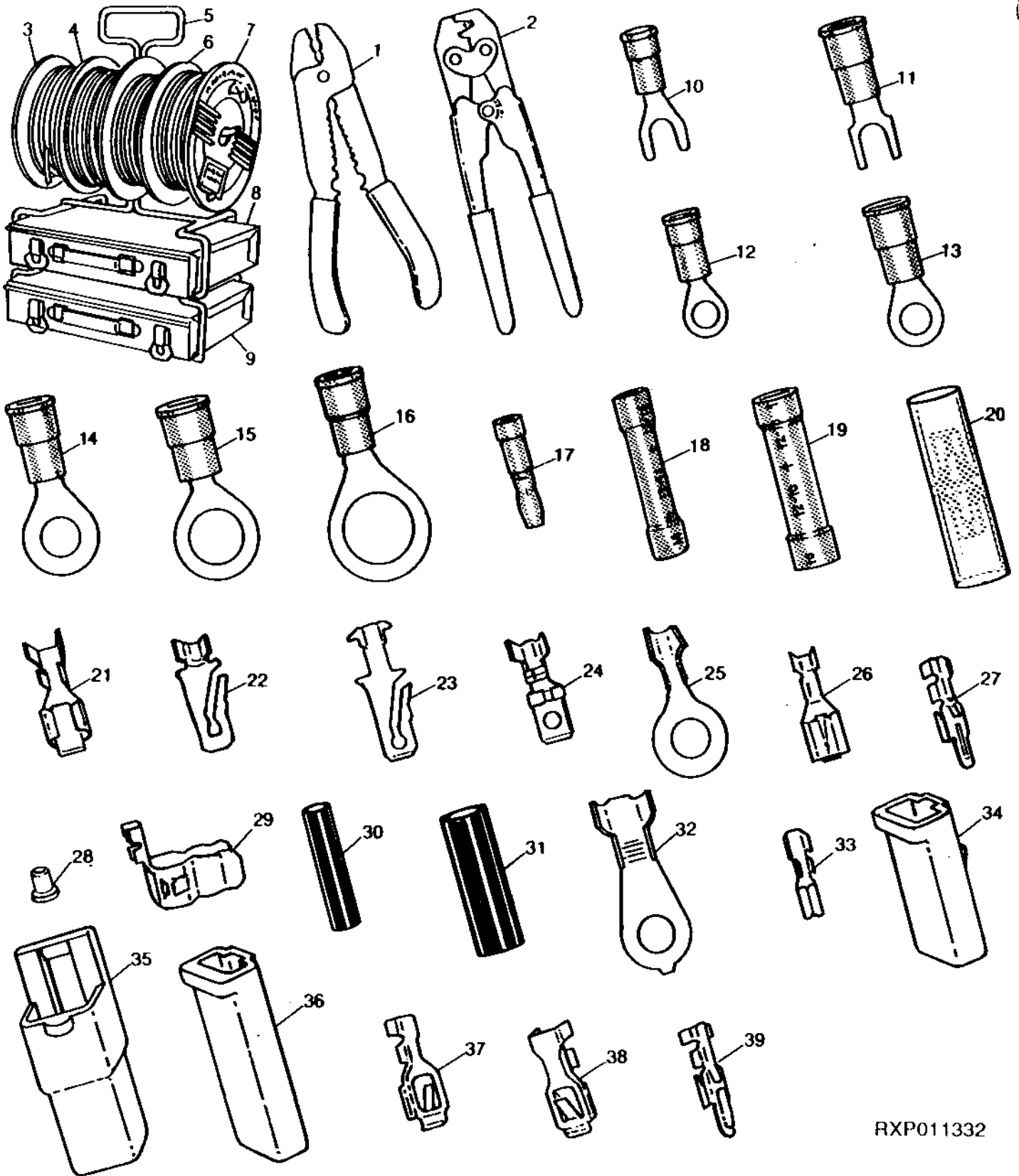
KEY	PART NO.	PART NAME	QTY	TRACTOR SERIAL NO.	REMARKS
1	R44302	TIE BAND	AR		
2	RE22589	LAMP	1		
3	RE21112	MONITOR CONSOLE	1		
4	19H1978	CAP SCREW	3		7/16" X 1-1/2"
	12H293	LOCK WASHER	3		7/16"
5	14H1047	NUT	3		7/16"
	14H786	NUT	2		1/4"
6	19H1914	CAP SCREW	2		1/4" X 1"
7	24H1287	WASHER	4		9/32" X 5/8" X 0.065"
8	R82423	NUT	2		RUBBER
9	R83055	WING SCREW	2		
10	RE21113	WIRING HARNESS	1		3500MM (138")
11	R83109	BRACKET	1		
12	U46662	TERMINAL	1		
13	R77489	TERMINAL	1		
	R84158	TERMINAL	1		
14	AR67855	CONNECTOR	3		
15	RE21738	MONITOR CONSOLE	1	(FI)	

2F9

ELECTRICAL

RXP011332 -UN-27SEP94

ELECTRICAL TERMINALS,CONNECTORS AND WIRING



RXP011332

2F10

ELECTRICAL

ELECTRICAL TERMINALS,CONNECTORS AND WIRING - CONTINUED

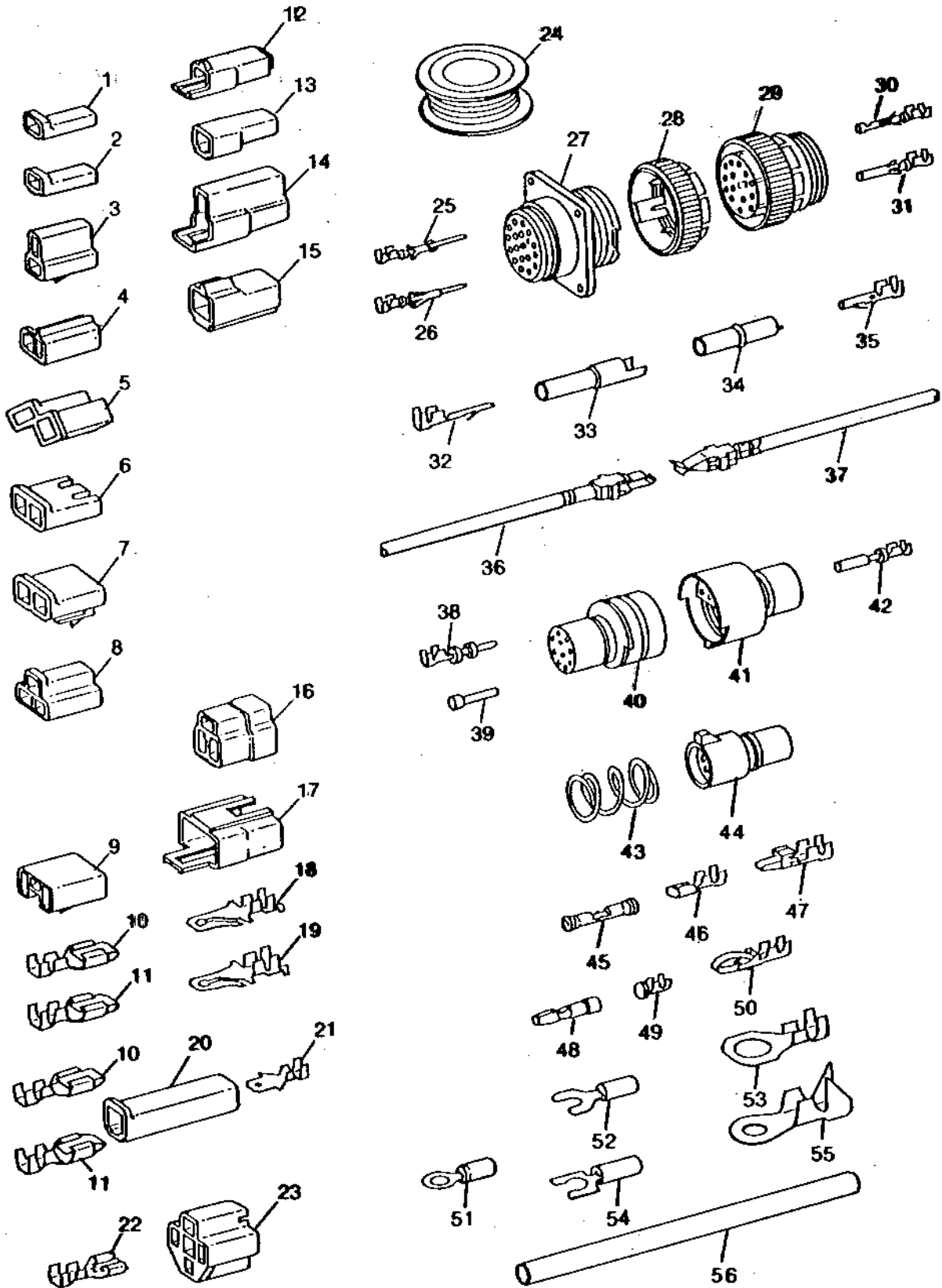
KEY	PART NO.	PART NAME	QTY	TRACTOR SERIAL NO.	REMARKS
1	R32011	TOOL	1	(NLA)	
2	R65594	TOOL	1		
3	R66319	WIRING LEAD	1	14 GA., 30.5 M (100 FT.) (1 SPOOL)	
4	R65593	WIRING LEAD	1	16 GA., 30.5 M (100 FT.) (1 SPOOL)	
5	R65608	RACK	1		
6	R66321	WIRING LEAD	1	10 GA., 15 M (50 FT.) (1 SPOOL)	
7	R66320	WIRING LEAD	1	12 GA., 30.5 M (100 FT.) (1 SPOOL)	
8	R65609	CONTAINER	1	(NLA)	
9	R65610	CONTAINER	1		
10	R32016	TERMINAL	1	14-16 GA., NO. 10 SPADE	
11	R32017	TERMINAL	1	10-12 GA., NO. 10 SPADE	
12	R32018	TERMINAL	1	14-16 GA., NO. 10 EYELET	
13	R32019	TERMINAL	1	10-12 GA., NO. 10 EYELET	
14	R32021	TERMINAL	1	10-12 GA., 1/4" EYELET	
15	R32022	TERMINAL	1	10-12 GA., 3/8" EYELET	
16	R32023	TERMINAL	1	10-12 GA., 1/2" EYELET	
17	R32026	TERMINAL	1	MALE BULLETT	
18	R32027	CONNECTOR	1	SPLICE, 14-16 GA.	
19	R32028	TERMINAL	1	SPLICE, 10-12 GA.	
20	AL2976T	CONNECTOR	1	(SUB FOR R32029) 2-WIRE BULLETT CONNECTOR	
21	R65595	TERMINAL	1	FEMALE, 10 GA.	
22	R65596	TERMINAL	1	MALE, 10 GA. OR TWO 14 GA. CABLES	
23	R65597	TERMINAL	1	MALE, 14-16 GA.	
24	R65598	TERMINAL	1	MALE, SHORT, 14-16 GA.	
25	R65599	TERMINAL	1	14-16 GA., 1/4" EYELET	
26	R65600	TERMINAL	1	FEMALE, 14-16 GA.	
27	R65601	TERMINAL	1	TWIN-LOCK, TWO 16 GA. CABLES	
28	R65602	SOCKET CONTACT	1	BULB SOCKET, 16-18 GA.	
29	R65603	TERMINAL NIPPLE	1	FUSE	
30	R65604	INSULATING SLEEVE	1	14-18 GA.	
31	R65605	INSULATING SLEEVE	1	8-12 GA.	
32	R65606	TERMINAL	1	6-8 GA., 1/4" EYELET	
33	R65607	TERMINAL	1	18-20 GA.	
34	T28583	RECEPTACLE CONNECTOR BODY	1	ONE CONTACT LOCK-TYPE, MALE	
35	T28585	TAB CONNECTOR BODY	1	ONE CONTACT LOCK-TYPE, FEMALE	
36	U46370	CONNECTOR	1	CONNECTOR, ONE CONTACT SINGLE BODY, MALE	
37	U46662	TERMINAL	1	FEMALE	
38	U46663	TERMINAL	1	FEMALE	
39	U46664	TERMINAL	1	FEMALE	

2F11

ELECTRICAL

RXP010581 -UN-01JAN94

ELECTRICAL CONNECTORS, TERMINALS AND WIRING



RXP010581

2F12

ELECTRICAL

ELECTRICAL CONNECTORS, TERMINALS AND WIRING - CONTINUED

KEY	PART NO.	PART NAME	QTY	TRACTOR SERIAL NO.	REMARKS
1	T28583	RECEPTACLE CONNECTOR BODY	1	(B)	
2	M43835	FLAT CONNECTOR	1	(B)	
3	R77476	CONNECTOR	1	(A)	
4	R77477	RECEPTACLE CONNECTOR BODY	1	(A)	
5	R77479	CONNECTOR	1	(A)	
6	R77480	RECEPTACLE CONNECTOR BODY	1	(A)	
7	R77481	CONNECTOR	1	(A)	
8	R77482	CONNECTOR	1		
9	H104855	RECEPTACLE CONNECTOR BODY	1		
10	U46662	TERMINAL	1	(E) (F)	
11	N115096	TERMINAL	1	(G) (SUB R65595) (PKG. OF 15)	
12	T28585	TAB CONNECTOR BODY	1	(B)	
13	R77475	CONNECTOR	1	(B)	
14	T28586	CONNECTOR	1	(A)	
15	R77478	CONNECTOR	1	(A)	
16	R77483	CONNECTOR	1		
17	R48887	TAB CONNECTOR BODY	1		
18	T34067	TERMINAL	1	(E) (F)	
19	R77484	TERMINAL	1	(G) (PKG. OF 15)	
20	U46370	CONNECTOR	1	(B)	
21	R77485	TAB	1	(C) (F)	
22	R77486	TERMINAL	1	(E) (F)	
23	R77487	CONNECTOR	1	(B)	
24	R66321	WIRING LEAD	1	15M (50 FT.) 10 GA.	
	R66320	WIRING LEAD	1	30.5M (100 FT.) 12 GA.	
	R77501	WIRE	1	30.5M (100 FT.) 14 GA.	
	R77500	WIRE	1	30.5M (100 FT.) 16 GA. (MAKE FROM TY16078)	
	R77499	WIRE	1	30.5M (100 FT.) 18 GA.	
	R77498	WIRE	1	30.5M (100 FT.) 20 GA.	
25	R77462	PIN CONTACT	1	(PKG. OF 40) (20-22 OR 24 GA. WIRE)	
26	R77464	PIN CONTACT	1	(H) (PKG. OF 50)	
27	R77456	RECEPTACLE	1	(37 WAY)	
28	R77458	CONNECTOR	1	(A) (SIZE 23)	
	R77459	CONNECTOR	1	(A) (SIZE 17)	
	R77460	CONNECTOR	1	(A) (SIZE 13)	
	R77461	CONNECTOR	1	(A) (SIZE 11)	
29	R77457	ELECTRICAL PLUG	1	(37 WAY)	
30	R77463	SOCKET CONTACT	1	(PKG. OF 40) (20-22 OR 24 GA. WIRE)	
31	R77465	SOCKET CONTACT	1	(H) (PKG. OF 50)	
32	R77468	TERMINAL	1	(PKG. OF 5)	
33	R77466	CONNECTOR	1	(A)	
34	R77467	CONNECTOR	1	(A)	

(A) PKG. OF 2

(B) PKG. OF 3

(C) PKG. OF 10

(D) PKG. OF 20

(E) PKG. OF 25

(F) 14 OR 16 GA. WIRE

(G) 10 OR 12 GA. WIRE

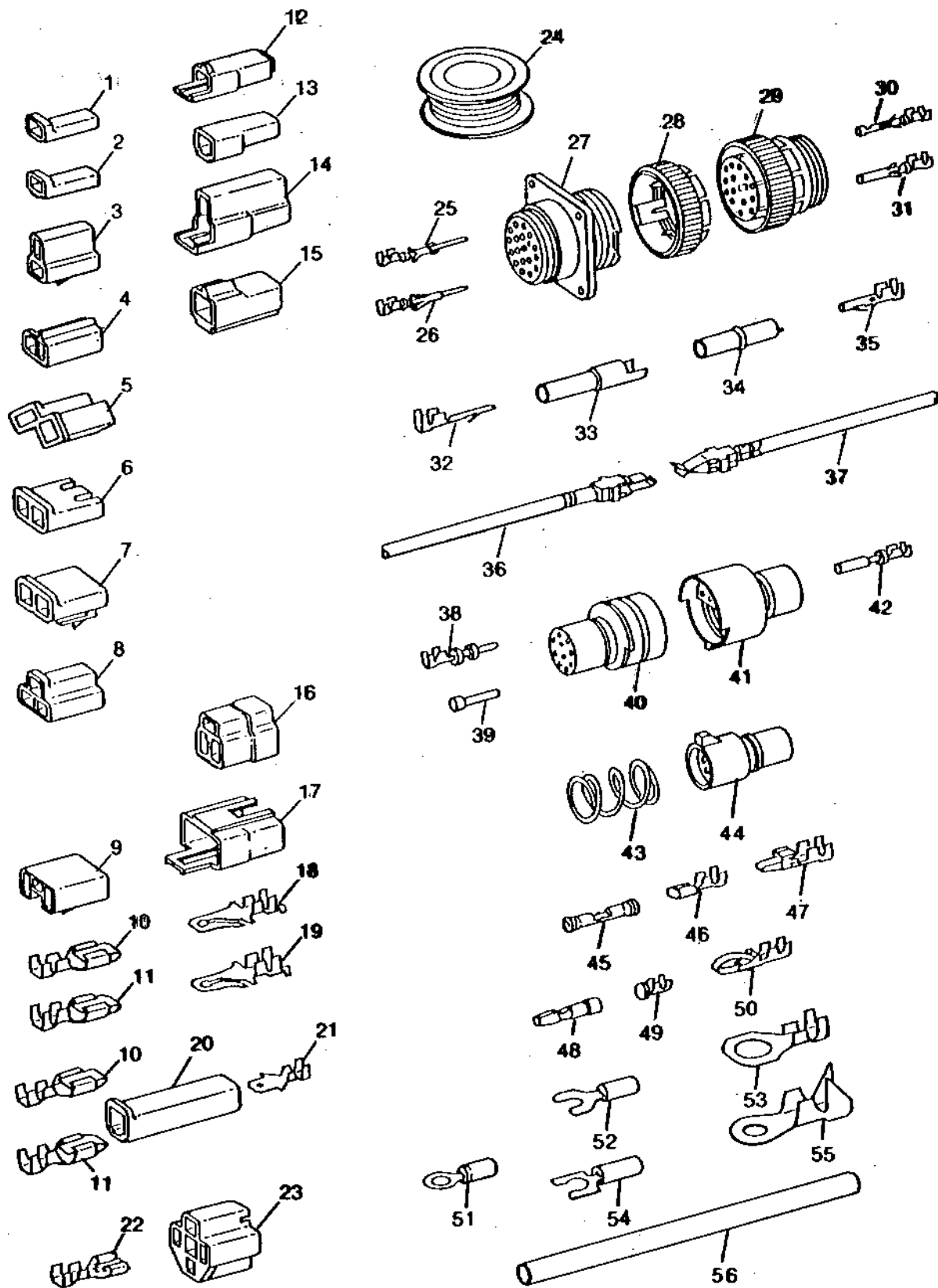
(H) 14-16 OR 18 GA. WIRE

2F13

ELECTRICAL

ELECTRICAL CONNECTORS, TERMINALS AND WIRING - CONTINUED

RXP010581 -UN-01JAN94



RXP010581

2F14

ELECTRICAL

ELECTRICAL CONNECTORS, TERMINALS AND WIRING - CONTINUED

KEY	PART NO.	PART NAME	QTY	TRACTOR SERIAL NO.	REMARKS
35	R77469	TERMINAL	1		(PKG. OF 5)
36	RE11156	TERMINAL	1		(B) (MALE)
37	RE11157	TERMINAL	1		(B) (FEMALE)
38	R70222	PIN CONTACT	1		(D) (H)
39	R70221	ELECTRICAL PLUG	1		(E)
40	R70219	PLUG	1		(A) (10 WAY)
	R70217	PLUG	1		(A) (7 WAY)
	R70215	PLUG	1		(A) (4 WAY)
	R70213	PIN CONTACT CONNECTOR BODY	1		(A) (3 WAY)
	R70211	CONNECTOR	1		(A) (2 WAY)
41	R70218	RECEPTACLE	1		(A) (10 WAY)
	R70216	RECEPTACLE	1		(A) (7 WAY)
	R70214	RECEPTACLE	1		(A) (4 WAY)
	R70212	RECEPTACLE	1		(A) (3 WAY)
	R70210	RECEPTACLE	1		(A) (2 WAY)
42	AR91793	SOCKET CONTACT	1		(D)
43	R30378	SPRING	1		(C)
44	R77474	CONNECTOR	1		(A) (6 WAY)
45	R77470	TERMINAL	1		SPLICE (PKG. OF 15) (16-18-20 OR 22 GA. WIRE)
	R77471	TERMINAL	1		(C) (G) SPLICE
	R77472	TERMINAL	1		(A) SPLICE (8 GA. WIRE)
	R77473	TERMINAL	1		(A) SPLICE (6 GA. WIRE)
46	R65607	TERMINAL	1		(C) (18 OR 20 GA. WIRE)
47	U46664	TERMINAL	1		(C) (F)
48	R32026	TERMINAL	1		(D) (F)
49	R65602	SOCKET CONTACT	1		(C) (16 OR 18 GA. WIRE)
50	R70220	TERMINAL	1		(C) (18 OR 20 GA. WIRE)
51	R77489	TERMINAL	1		(D) (14-16-18 OR 20 GA. WIRE) (NO. 10 EYELET)
	R32019	TERMINAL	1		(D) (G) (SUB FOR R77493) (NO. 10 EYELET)
	R77488	TERMINAL	1		(D) (14-16-18 OR 20 GA. WIRE) (3/8" EYELET)
	R32023	TERMINAL	1		(D) (G) (SUB FOR R77490) (1/2" EYELET)
52	R77496	TERMINAL	1		(D) (F) (NO. 8 SPADE)
	R77495	TERMINAL	1		(D) (18 GA. WIRE) (NO. 10 SPADE)
53	R77497	TERMINAL	1		(D) (F) (NO. 6 SPADE)
54	R77491	TERMINAL	1		(D) (G) (3/8" EYELET)
	R77492	TERMINAL	1		(D) (G) (1/4" EYELET)
55	R65606	TERMINAL	1		(D) (SUB FOR R77494) (6 OR 8 GA. WIRE) (1/4" EYELET)
56	R77502	TUBE	1		(PKG. OF 8) 3/8" (HEAT SHRINK)
	R77503	TUBE	1		(PKG. OF 8) 3/16" (HEAT SHRINK)

(A) PKG. OF 2

(B) PKG. OF 3

(C) PKG. OF 10

(D) PKG. OF 20

(E) PKG. OF 25

(F) 14 OR 16 GA. WIRE

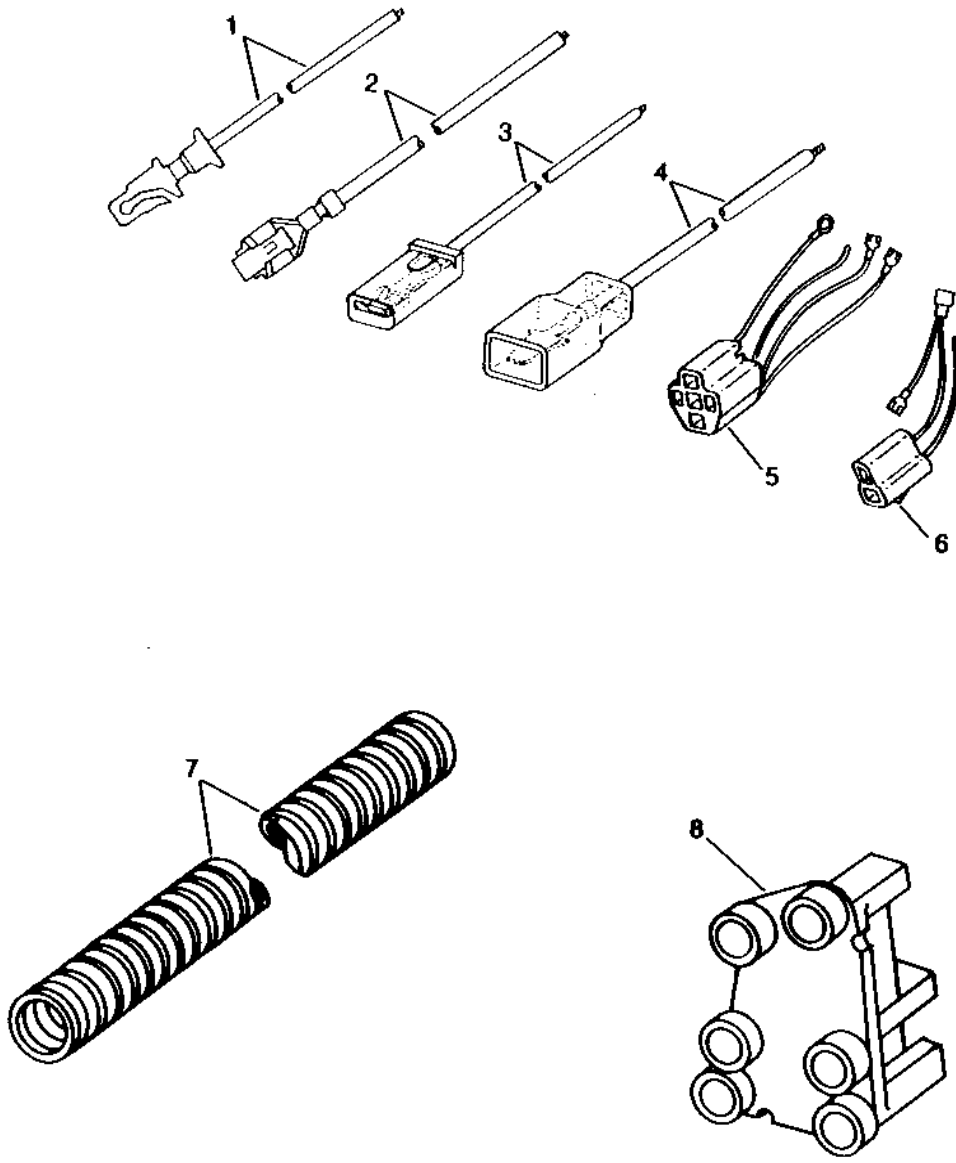
(G) 10 OR 12 GA. WIRE

(H) 14-16 OR 18 GA. WIRE

2F15

SUPPLEMENTARY TERMINALS AND CONNECTORS

RXP8619 -UN-28NOV94



2F16

ELECTRICAL

SUPPLEMENTARY TERMINALS, CONNECTORS AND REPAIR CONDUIT - CONTINUED

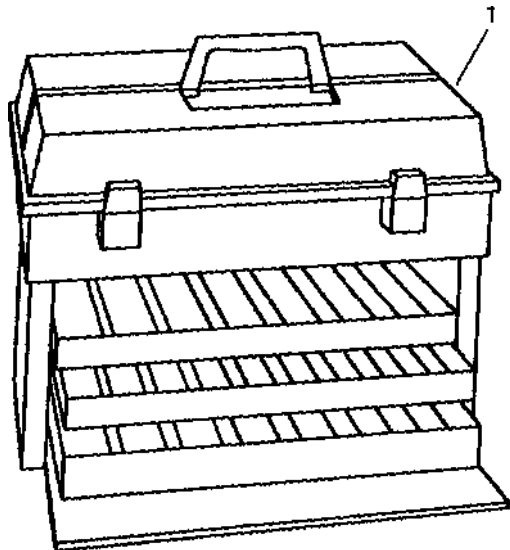
KEY	PART NO.	PART NAME	QTY	TRACTOR SERIAL NO.	REMARKS
1	AR65005	TERMINAL	1		
2	AR65006	TERMINAL	1		
3	R32024	WIRING LEAD	1		
4	R32025	WIRING LEAD	1		
5	RE21730	TERMINAL	1		
	RE21731	TERMINAL	1		
6	RE21732	TERMINAL	1		
7	R93219	CONDUIT	1		6.3 X 3048MM (1/4" X 120")
	R93220	CONDUIT	1		10.4 X 3048MM (13/32" X 120")
	R93221	CONDUIT	1		15.9 X 3048MM (5/8" X 120")
	R93222	CONDUIT	1		25.4 X 3048MM (1" X 120")
8	AR83425	RECEPTACLE CONNECTOR BODY	1		(LIGHT SWITCH)

2F17

ELECTRICAL

RXP010001 -UN-01JAN94

ELECTRICAL CONNECTOR AND TERMINAL KIT



RXP010001

KEY	PART NO.	PART NAME	QTY	TRACTOR SERIAL NO.	REMARKS
1	PM797NA	KIT	1	(A)	

(A) KIT INCLUDES CONNECTORS, TERMINALS AND TOOLS

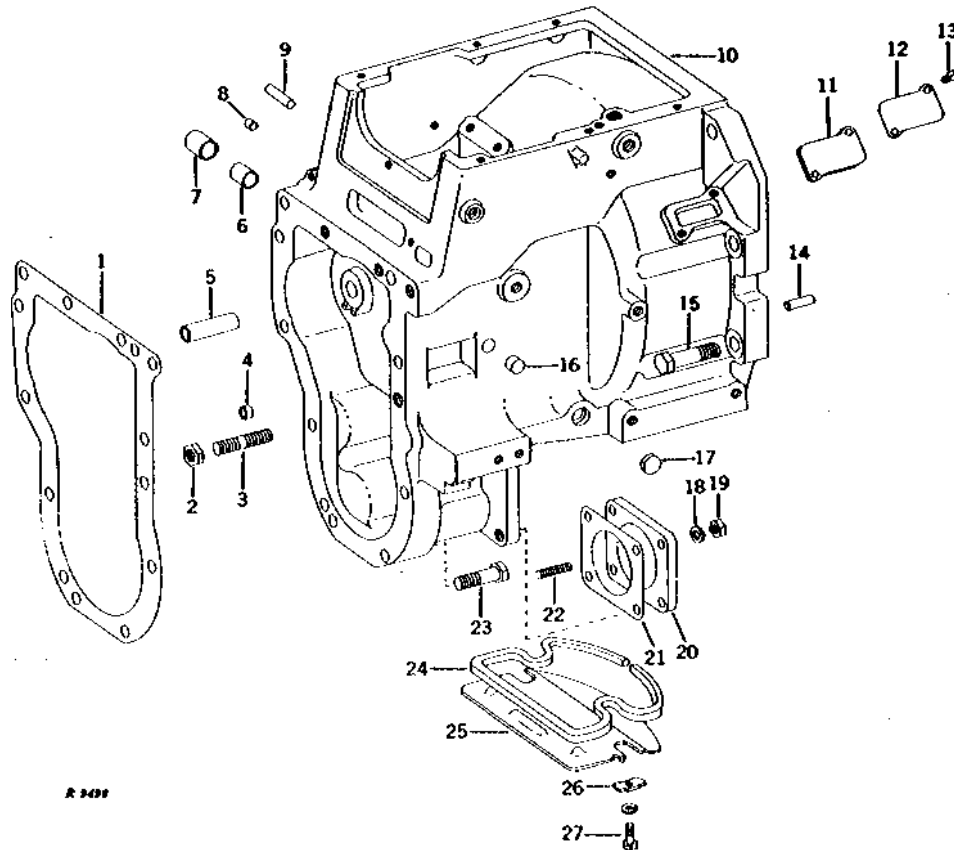
2F22

POWER TRAIN

R9498

-UN-01JAN94

CLUTCH HOUSING (SYNCRO-RANGE)



R 3499

KEY	PART NO.	PART NAME	QTY	TRACTOR SERIAL NO.	REMARKS
1	R64326	GASKET	1		(SUB FOR R33895 OR R47082) (SUB R99292)
2	14H794	NUT	1		3/4"
3	F1549R	STUD	1		3/4" X 3-1/8"
4	T12083	CAP	1		(LESS PTO)
5	R26663	DOWEL PIN	1		PTO IDLER GEAR
6	R26641	BUSHING	1		CLUTCH FORK SHAFT, R.H.
7	R26642	BUSHING	1		CLUTCH FORK SHAFT, L.H.
8	R31374	DOWEL PIN	1		
9	34H371	SPRING PIN	1		1/2" X 2"
10	AR34019	HOUSING	1		(MARKED R33140) (NLA)
11	R31494	GASKET	1		TIMING HOLE COVER, (SUB R67989)
12	R31493	COVER	1		TIMING HOLE
13	21H1163	SCREW	2		0.216" X 1/2"
14	T26565	DOWEL PIN	2		(SUB FOR C1220R)
15	19H1425	CAP SCREW	6		3/4" X 2-3/4"
16	R27035	CAP	1		
17	R27036	CAP	2		
18	12H301	LOCK WASHER	4		1/2"
19	14H1040	NUT	4		1/2"
20	R33216	COVER	1		(LESS PTO)
21	R33236	GASKET	1		
22	R32101	STUD	4		1/2" X 1-3/4"
23	19H1782	CAP SCREW	1		3/4" X 2-1/4"
	19H2600	CAP SCREW	2		3/4" X 2-5/8"
	19H1715	CAP SCREW	5		3/4" X 3"
24	R91558	FOAM PAD	1		(SUB FOR R30877)
25	R33403	COVER	1		
26	R27640	CLAMP	2		
27	19H1731	CAP SCREW	2		3/8" X 1"
	12H304	LOCK WASHER	2		3/8"

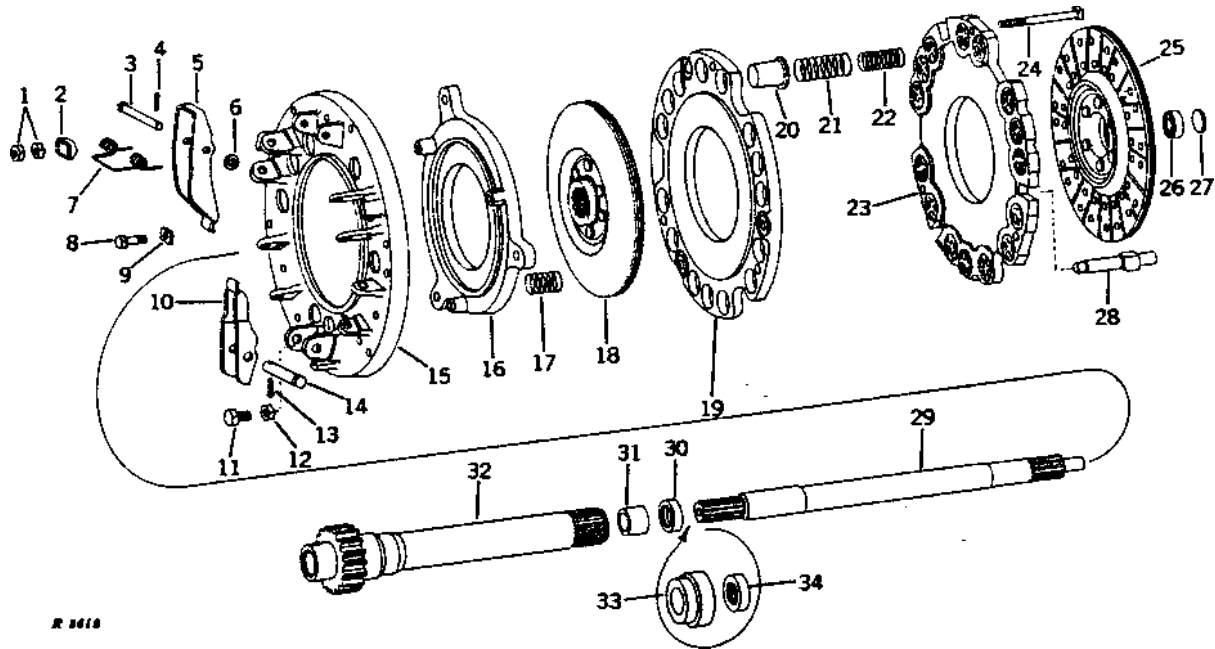
2F23

POWER TRAIN

TRANSMISSION AND PTO CLUTCH (SYNCRO-RANGE)

R8618

-UN-12OCT94



KEY	PART NO.	PART NAME	QTY	TRACTOR SERIAL NO.	REMARKS
1	14H774	NUT	6	3/8"	
2	R32631	BAR	3		
3	R31131	PIN	3		
4	11M7021	COTTER PIN	3	0.157" X 0.984"	
5	AR31906	LEVER	3		
6	24M7096	WASHER	3	10.500 X 18 X 1.600 MM	
7	R26639	SPRING	3		
8	19H2552	CAP SCREW	6	3/8" X 1-1/8"	
9	R1888R	STRAP	6		
10	R33550	LEVER	3	(A)	
11	R26804	CAP SCREW	3	(A) (USE WITH R26658 OR R41178)	
	R55184	SELF-LOCKING SCREW	3	(A) (USE WITH R44831) (SUB FOR R43763)	
12	14H774	NUT	3	(A) 3/8", (USE WITH R26658 OR R41178)	
	14H934	NUT	3	(A) 7/16", (USE WITH R44831)	
13	11M7021	COTTER PIN	3	(A) 0.157" X 0.984"	
14	R43418	PIN	3	(A) (SUB FOR R33551)	
15	R46425	COVER	1	(SUB FOR R32635 OR R41179)	
16	R44831	PLATE	1	(A) (ALSO ORDER (3) R55184 AND (3) 14H934) (SUB FOR R26658 OR R41178)	
17	R26659	SPRING	3	(A)	
18	RE29609	CLUTCH DISK	1	(A) (SUB FOR AR26688)	
19	R26799	PLATE	1	-145659	
	R40733	PLATE	1	145660-	
	R46095	PLATE	1	(USE WITH R51391) (SUB R46095)	

**TRANSMISSION AND PTO CLUTCH - CONTINUED
(SYNCRO-RANGE)**

KEY	PART NO.	PART NAME	QTY	TRACTOR SERIAL NO.	REMARKS
20	R27033	BUSHING	15		
21	R26637	SPRING	15		
22	R26638	SPRING	15		
23	R33552	CLUTCH PLATE	1	-145659	
	R51391	CLUTCH PLATE	1	145660-	(ALSO ORDER R46095) (SUB FOR R40732)
24	R49579	BOLT	3		(SUB FOR R32632)
25	RE29769	CLUTCH DISK	1		(SUB FOR R32049, AR41093 OR AR42127)
	AR55660	CLUTCH DISK	1		(HEAVY-DUTY) (SUB FOR AR30130, AR41094 OR AR42128)
26	JD9449	BALL BEARING	1		(SUB FOR JD9281)
27	R26656	WASHER	1		
28	R34213	DOWEL PIN	3	-145659	(SUB R40731)
	R40731	DOWEL PIN	3	145660-	
29	R34201	SHAFT	1		
30	AR26481	SEAL	1		(A)
31	R30829	BUSHING	1		(A)
32	AR49414	SHAFT	1		(A) (ALSO ORDER JD10168) (SUB FOR AR32527)
33	R53585	QUILL	1		(LESS PTO) (SUB FOR R27042)
34	AR26604	SEAL	1		(LESS PTO)

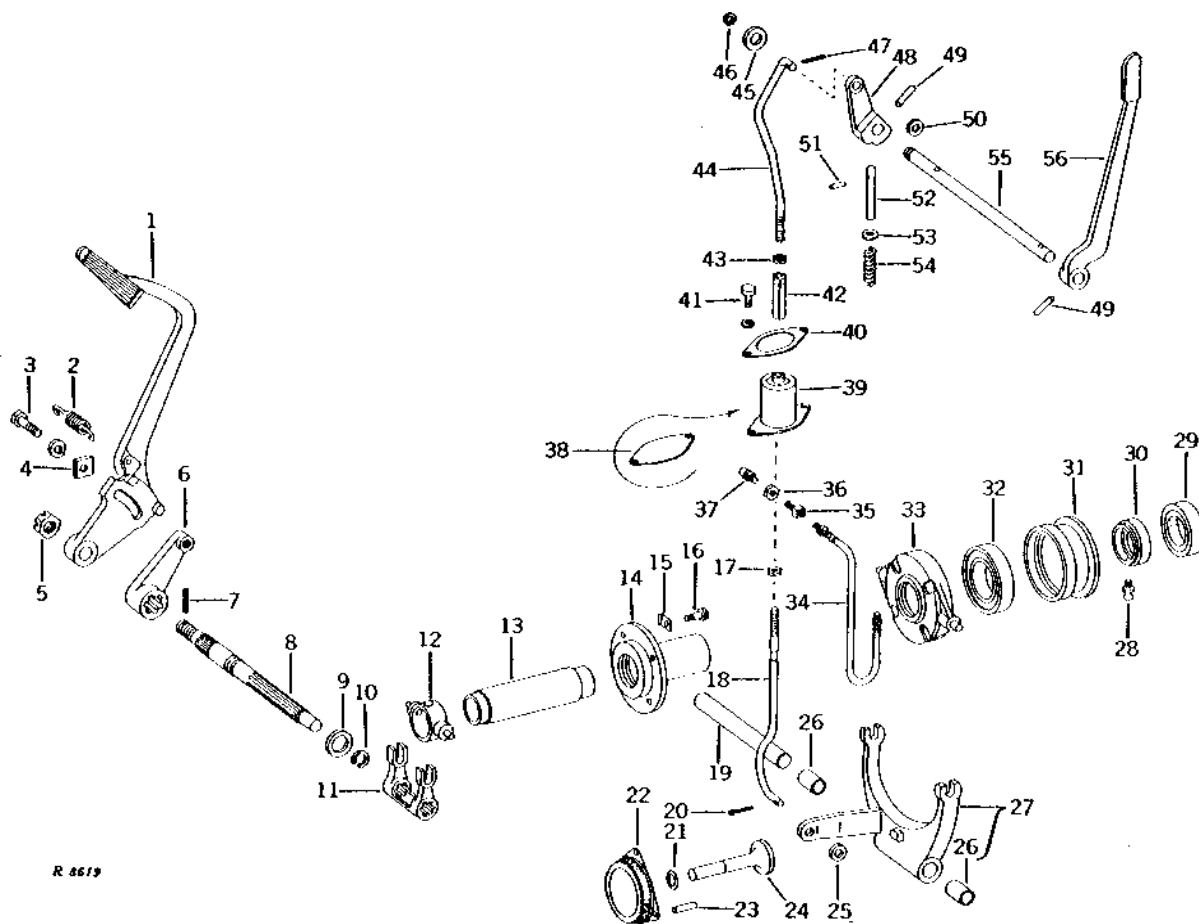
(A) NOT REQUIRED ON TRACTORS LESS PTO

2G1

TRANSMISSION AND PTO CLUTCH CONTROLS (SYNCRO-RANGE)

R8619

-UN-01JAN94



KEY	PART NO.	PART NAME	QTY	TRACTOR SERIAL NO.	REMARKS
1	R27304	PEDAL	1	(NLA)	
2	R26833	EXTENSION SPRING	1		
3	19H1721	CAP SCREW	1	1/2" X 1-1/2"	
	12H301	LOCK WASHER	1	1/2"	
4	R27305	STRAP	1		
5	C1104R	NUT	1		
6	R26652	LEVER	1		
7	11M7083	COTTER PIN	1	0.126" X 1.969"	
8	R31394	SHAFT	1	-XXXXXX	(USE WITH R31393)
	R44277	SHAFT	1	XXXXXX-	(USE WITH R44180)
9	24H1477	WASHER	1		1-5/32" X 1-3/4" X 0.060"
10	R26643	SNAP RING	1		
11	R31393	FORK	1	-XXXXXX	(USE WITH R31394)
	R41180	FORK	1	XXXXXX-	(USE WITH R44277)
12	AR32182	SHIFT COLLAR	1		(MARKED R33402)
13	R27303	TUBE	1		
14	AR26485	SUPPORT	1		(MARKED R26664)
15	R30958	LOCK PLATE	4		
16	19H2284	CAP SCREW	4	3/8" X 7/8"	
17	14H473	NUT	1	(A) 1/2"	
18	R33959	ROD	1	(A) (NLA)	
19	R26647	PIN	1	(A)	
20	11M7015	COTTER PIN	1	(A) 3.200 X 25 MM	
21	B2762R	O-RING	1	(A)	
22	AR26483	SHOE	1	(A) (SUB RE20728)	
23	R36666	DOWEL PIN	3	(A) (SUB FOR R26198)	

**TRANSMISSION AND PTO CLUTCH CONTROLS - CONTINUED
(SYNCRO-RANGE)**

KEY	PART NO.	PART NAME	QTY	TRACTOR SERIAL NO.	REMARKS
24	R32272	SHAFT	1	(A) (NLA)	
25	24H1341	WASHER	1	(A) 17/32" X 15/16" X 0.060"	
26	R776R	BUSHING	2	(A)	
27	AR32594	FORK	1	(A) (MARKED R33958)	
28	JD7797	LUBRICATION FITTING	1		
29	AR41942	THRUST BEARING	1		
30	R26667	LOCKING COLLAR	1		
31	R26666	SHIFT COLLAR	1	(A)	
32	AR27447	BALL BEARING	1	(A)	
33	AR32442	SLEEVE	1	(A) (MARKED R33716)	
34	R35644	HYDRAULIC HOSE	1	(A)	
35	R36311	FITTING	1	(A)	
36	E12379	NUT	1	(A)	
37	JD7797	LUBRICATION FITTING	1	(A)	
38	R34212	GASKET	1		
39	R33962	BOOT	1	(A)	
40	R33963	CLAMP	1	(A)	
41	19H2127	CAP SCREW	2	(A) 5/16" X 7/8"	
	12H303	LOCK WASHER	2	(A) 5/16"	
42	R33961	COUPLING	1	(A)	
43	14H597	NUT	1	(A) 1/2"	
44	R33960	ROD	1	(A) (NLA)	
45	24H1396	WASHER	1	(A) 25/32" X 1-1/2" X 0.105"	
46	R73380	SNAP RING	1	(A) (SUB FOR A369R)	
47	11M7015	COTTER PIN	1	(A) 3.200 X 25 MM	
48	R33964	ARM	1	(A)	
49	34H331	SPRING PIN	2	(A) 5/16" X 1-1/2"	
50	24H1227	WASHER	1	(A) 17/32" X 13/16" X 0.060"	
51	34H249	SPRING PIN	1	(A) 1/8" X 7/8"	
52	R26683	PIN	1	(A)	
53	24H1325	WASHER	1	(A) 15/32" X 59/64" X 0.065"	
54	R45358	SPRING	1	(A) (SUB FOR P28102)	
55	R34232	SHAFT	1	(A) (NLA)	
56	R34233	LEVER	1	(A) (NLA)	

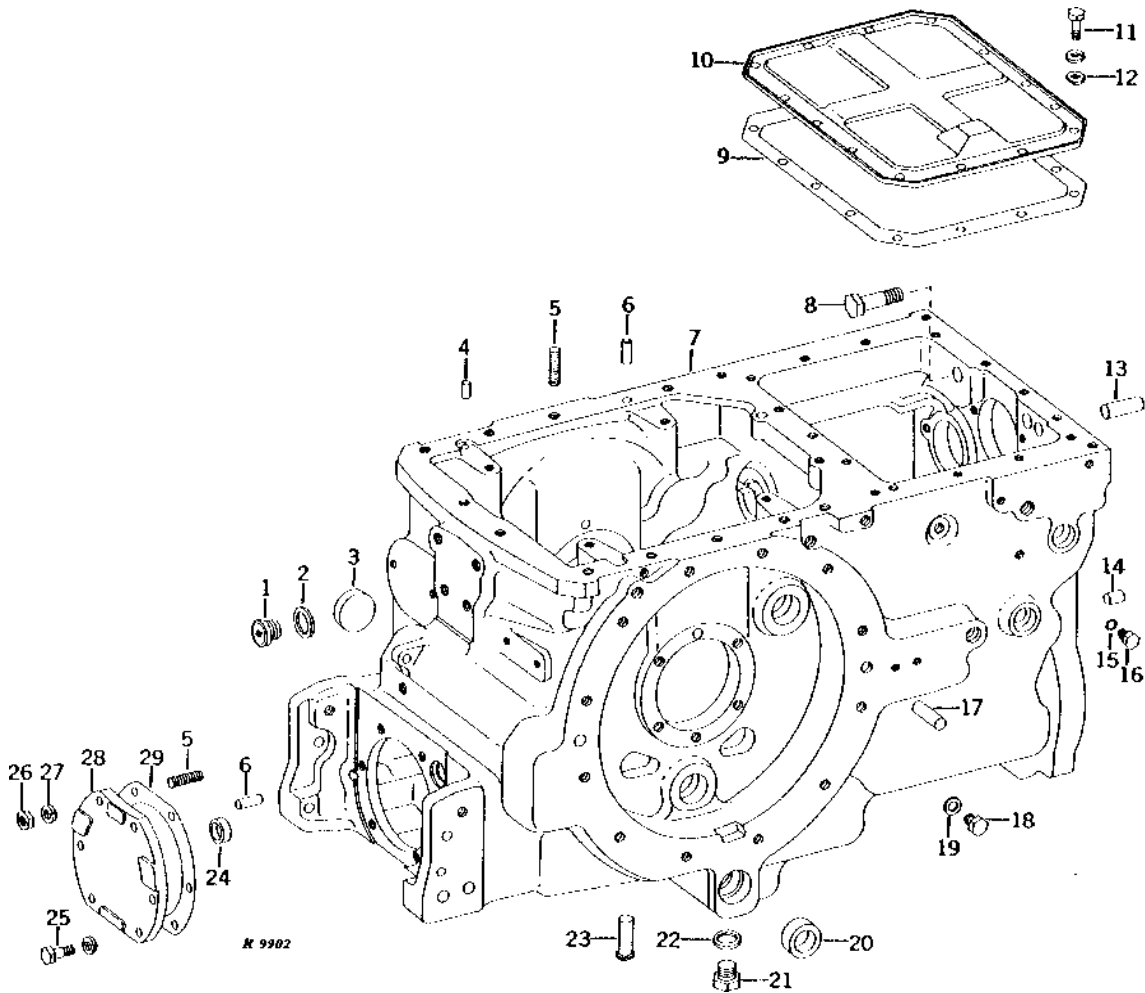
(A) NOT REQUIRED ON TRACTORS LESS PTO.

2G3

R9902

-UN-01JAN94

TRANSMISSION CASE AND COVER (SYNCHRO-RANGE)



**TRANSMISSION CASE AND COVER - CONTINUED
(SYNCRO-RANGE)**

KEY	PART NO.	PART NAME	QTY	TRACTOR SERIAL NO.	REMARKS
1	R27483	PLUG	1		
2	H851R	WASHER	1		
3	R34456	CAP	1		(1000 RPM PTO OR LESS PTO)
4	R1612R	DOWEL PIN	4		
5	R32101	STUD	5		1/2" X 1-3/4"
6	R48685	DOWEL PIN	4		(SUB FOR A120R)
7	AR39621	TRANSMISSION CASE	1		(MARKED R33090 OR R34890) (SUB FOR AR34014) (NLA)
8	19H1782	CAP SCREW	3		3/4" X 2-1/4"
9	R33425	GASKET	1		
10	R33424	COVER	1		
11	19H1731	CAP SCREW	14		3/8" X 1"
	12H304	LOCK WASHER	14		3/8"
12	A4624R	WASHER	14		
13	A776R	PIN	2		
14	R27315	DOWEL PIN	2		
15	R26286	O-RING	1	091000-	(A)
16	R27094	DRAIN PLUG	1	091000-	(A)
17	R54380	DOWEL PIN	4		(SUB FOR R26015 OR T25317)
18	R27218	FITTING PLUG	1	091000-	(A)
19	T16911	SHIM	1	091000-	(A)
20	R26505	BUSHING	2		
	R45515	BUSHING	2		0.08MM (.003") OVERSIZE
	R45516	BUSHING	2		0.15MM (.006") OVERSIZE
	R54785	BUSHING	2		0.51MM (.020") OVERSIZE
	R46801	BUSHING	2		0.76MM (.030") OVERSIZE
21	F3128R	DRAIN PLUG	1		
22	A4827R	WASHER	1		
23	R31076	DOWEL PIN	1		
24	R33498	CAP	1		(1000 RPM PTO OR LESS PTO)
25	19H1815	CAP SCREW	4		1/2" X 1-1/4"
	12H301	LOCK WASHER	4		1/2"
26	14H1040	NUT	2		1/2"
27	12H301	LOCK WASHER	2		1/2"
28	R33489	COVER	1		(LESS PTO)
29	R33337	GASKET	1		

(A) LESS DIFFERENTIAL LOCK

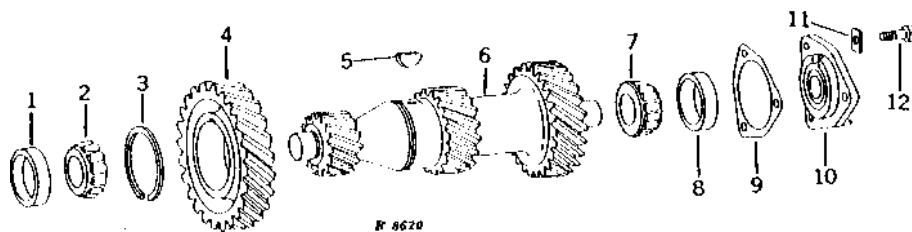
2G5

POWER TRAIN

R8620

-UN-01JAN94

COUNTERSHAFT (SYNCRO-RANGE)



KEY	PART NO.	PART NAME	QTY	TRACTOR SERIAL NO.	REMARKS
1	JD7263	BEARING CUP	1		
2	JD8976	BEARING CONE	1		
3	R26210	SNAP RING	1		(SUB FOR H631R)
4	R51921	GEAR	1		6TH AND 8TH SPEED, (SUB FOR R33366)
5	26H89	SHAFT KEY	1		1/4" X 1-1/8"
6	R33365	COUNTERSHAFT	1		
7	JD8947	BEARING CONE	1		(SUB AR94761)
8	JD8257	BEARING CUP	1		
9	R46394	SHIM	AR		0.15MM (.006") (SUB FOR R33407)
	R46395	SHIM	AR		0.25MM (.010") (SUB FOR R33408)
	R33409	SHIM	AR		0.46MM (.018") (SUB R46394)
10	R33385	RETAINER	1		
11	H246R	STRAP	3		
12	19H1731	CAP SCREW	3		3/8" X 1"

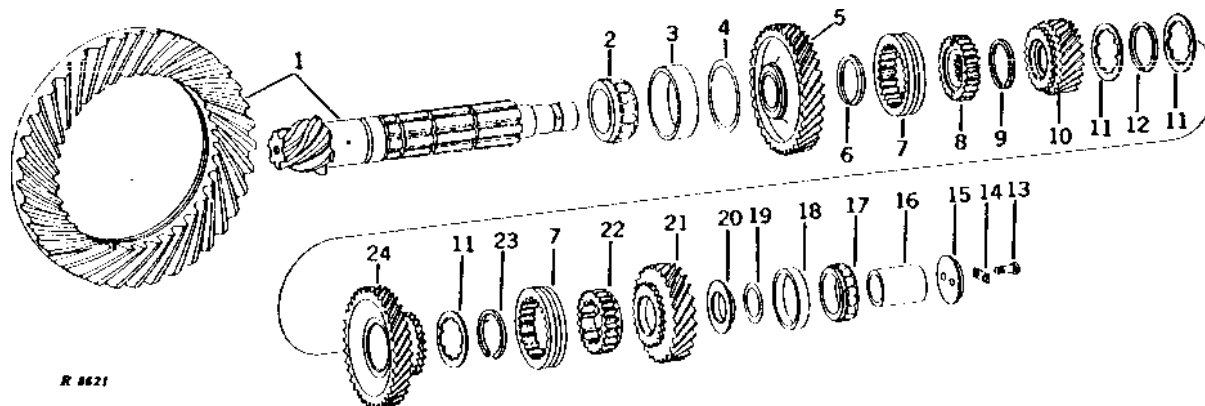
2G6

POWER TRAIN

DIFFERENTIAL DRIVE AND BEVEL PINION ASSEMBLY (SYNCRO-RANGE)

R8621

-UN-01JAN94

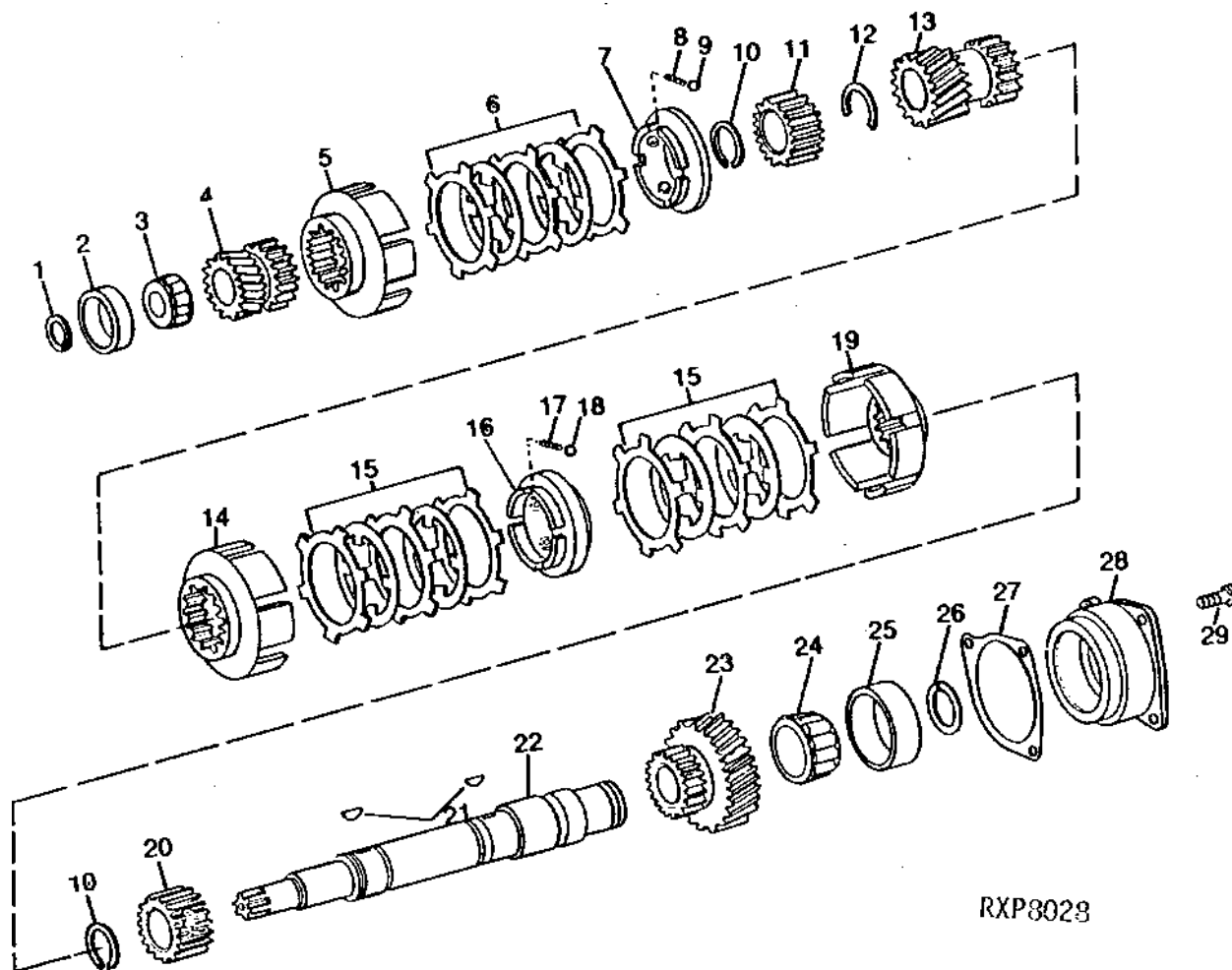


KEY	PART NO.	PART NAME	QTY	TRACTOR SERIAL NO.	REMARKS
1	AR33962	BEVEL GEAR DRIVE	1		(MATCHED SET) (MARKED R33062 AND R33243) (SUB AR32151, (2) R33410, (3) R33411, (2) R33413 AND (4) R33414)
2	JD8977	BEARING CONE	1		
3	JD8266	BEARING CUP	1		
4	R33410	SHIM	AR		0.08MM (.003")
	R33411	SHIM	AR		0.13MM (.005")
	R33412	SHIM	AR		0.25MM (.010")
5	AR32168	GEAR	1		1ST AND 3RD SPEED, (MARKED R33367)
6	R46400	SNAP RING	1		(SUB FOR R26211)
7	R26066	SHIFT COLLAR	2		
8	R33387	GEAR	1		
9	R46401	SNAP RING	1		(SUB FOR R33406)
10	R33388	GEAR	1		6TH AND 8TH SPEED
11	R26068	WASHER	3		
12	R46402	SNAP RING	1		(SUB FOR R26212)
13	19H1731	CAP SCREW	2		3/8" X 1"
14	R26072	STRAP	1		
15	R50365	PLATE	1		(SUB FOR R33347)
16	R46747	BEARING RACE	1		(SUB FOR R33965 OR R33346) (LESS PTO)
17	JD8980	BEARING CONE	1		
18	JD7430	BEARING CUP	1		
19	R33413	SHIM	AR		0.08MM (.003")
	R33414	SHIM	AR		0.13MM (.005")
	R33415	SHIM	AR		0.25MM (.010")
20	R33386	THRUST WASHER	1		(SUB R69214)
21	R33370	GEAR	1		4TH AND 7TH SPEED
22	R46435	GEAR	1		(SUB FOR R26069)
23	R46403	SNAP RING	1		(SUB FOR R26213)
24	R33369	GEAR	1		2ND AND 5TH SPEED

2G7

TRANSMISSION DRIVE SHAFT ASSEMBLY (ORIGINAL DESIGN)

RXP8028 -UN-01JAN94



RXP8028

**TRANSMISSION DRIVE SHAFT ASSEMBLY - CONTINUED
(ORIGINAL DESIGN)**

KEY	PART NO.	PART NAME	QTY	TRACTOR SERIAL NO.	REMARKS
1	R26220	SNAP RING	1		1.9MM (.076")
	R26221	SNAP RING	1		2.0MM (.079")
	R26222	SNAP RING	1		2.1MM (.082")
	R26223	SNAP RING	1		2.2MM (.085")
2	JD7291	BEARING CUP	1		
3	JD8978	BEARING CONE	1		
4	R65342	PINION	1		(D) (SUB FOR R33391 OR R44638)
5	R52499	DRUM	1		(D) (SUB FOR R31027)
6	RE37119	DISK	1		(SET OF (3) DISKS, WITH FACINGS AND PLATES) (2) PLATES) (SUB FOR AR26570, AR44997 OR AR69154)
7	R52498	STOP	1		(D) (ALSO ORDER R52499) (SUB FOR R27729)
8	R59860	SPRING	4		(SUB FOR R27730)
9	A4742R	BALL	4		4MM (5/32")
10	R26218	SNAP RING	2		
11	R33382	SHIFT COLLAR	1		(D)
12	R33405	SNAP RING	1		
13	R59641	PINION	1		(B) (SUB FOR R33390, R44637 OR R51518)
14	R31026	DRUM	1		(A)
15	RE37119	DISK	2		(SET OF (3) DISKS, WITH FACINGS AND (2) PLATES) (SUB FOR AR26570, AR44997 OR AR69154)
16	R31028	SYNCHRONIZER	1		(A)
17	R59860	SPRING	4		(SUB FOR R27730)
18	A4742R	BALL	4		4MM (5/32")
19	R31026	DRUM	1		(A)
20	R33383	SHIFT COLLAR	1		(A)
21	26H77	SHAFT KEY	2		3/16" X 3/4"
22	R33384	SHAFT	1		
23	R41218	PINION	1		(C) (SUB FOR R33371)
24	JD8919	BEARING CONE	1		
25	JD8223	BEARING CUP	1		
26	R26214	SNAP RING	1		1.9MM (.076") (SUB R49430)
	R26215	SNAP RING	1		2.0MM (.079") (SUB R49431)
	R26216	SNAP RING	1		2.1MM (.082") (SUB R49432)
	R26217	SNAP RING	1		2.2MM (.085") (SUB R49433)
27	R26233	SHIM	AR		0.15MM (.006")
	R26234	SHIM	AR		0.25MM (.010")
28	R26076	HOUSING	1		
29	R57725	SCREW	3		(SUB FOR R40835)

(A) LOW AND HIGH RANGE

(B) LOW RANGE

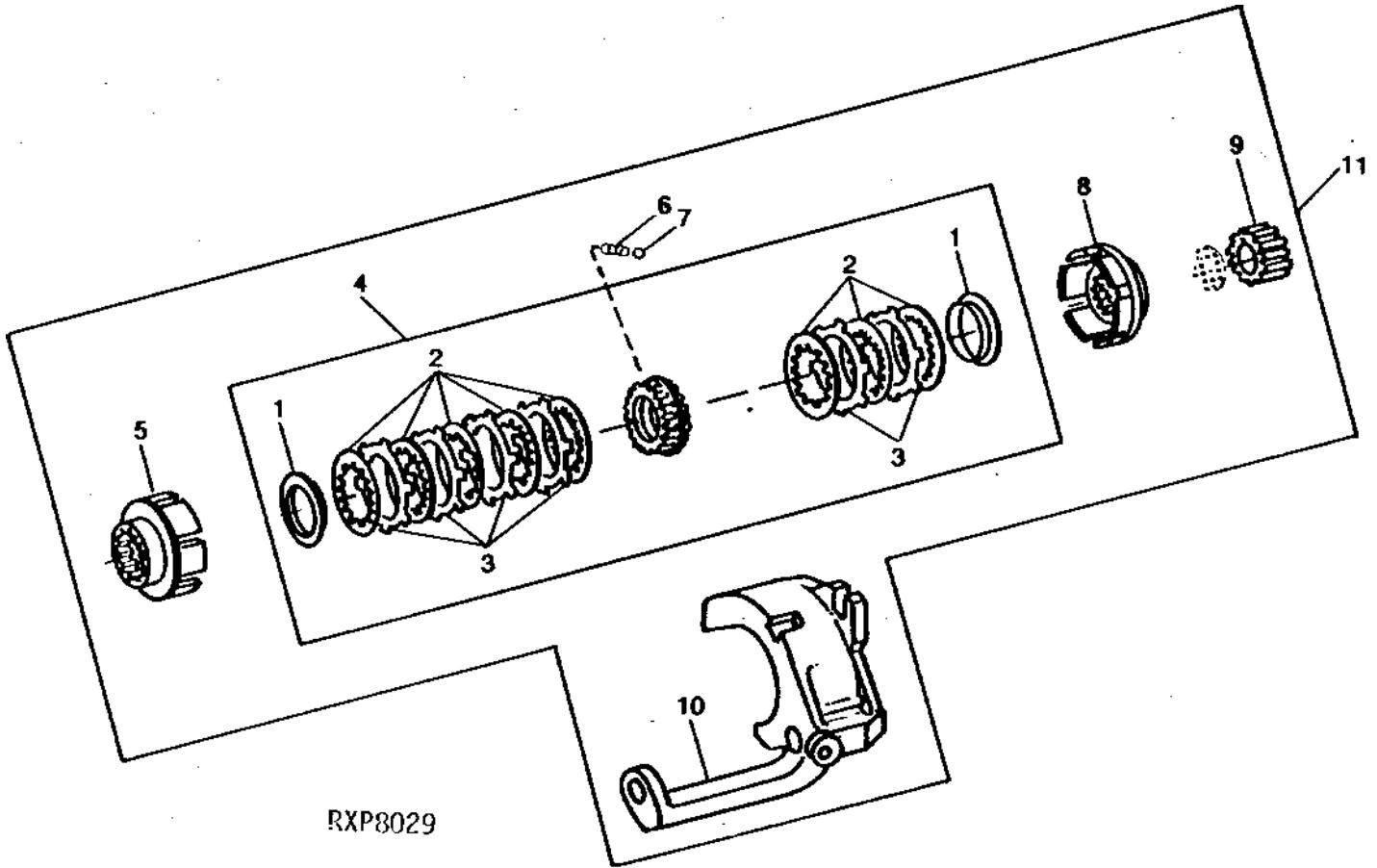
(C) HIGH RANGE

(D) REVERSE RANGE

2G9

SYNCHRONIZER REPAIR KIT
(REPLACEMENT DESIGN)

RXP8029 -UN-01JAN94



RXP8029

KEY	PART NO.	PART NAME	QTY	TRACTOR SERIAL NO.	REMARKS
1	R63070	RETAINER	2		
2	RE36170	DISK, INNER SPLINE	8		(SUB FOR AR77819)
3	R63069	CLUTCH PLATE	6		
4	AR77817	SYNCHRONIZER	1	(A)	
5	R63073	BRAKE DRUM	1	(B)	
6	R63074	SPRING	4		
7	R63075	BALL	4	6MM (7/32")	
8	R63072	DRUM	1	(C)	
9	R62806	SHIFT COLLAR	1	(A)	
10	AR77820	SHIFTER	1	(A) (MARKED R63076) (INCLUDES R26206 AND R26207) (ALSO ORDER R61567 AND 19H1988)	
11	AR77815	KIT	1	(A)	

(A) LOW AND HIGH RANGE

(B) LOW RANGE

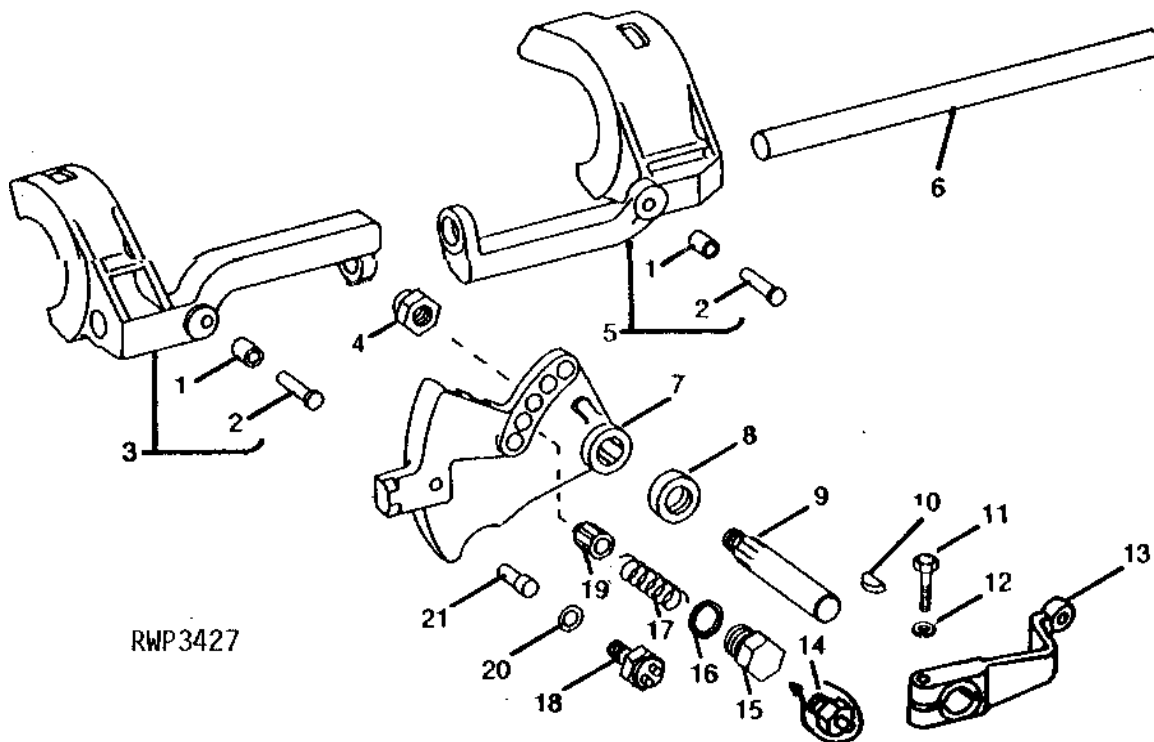
(C) HIGH RANGE

2G10

POWER TRAIN

RANGE SHIFTERS AND SHIFTER SHAFTS (SYNCRO-RANGE)

RWP3427 -UN-01JAN94



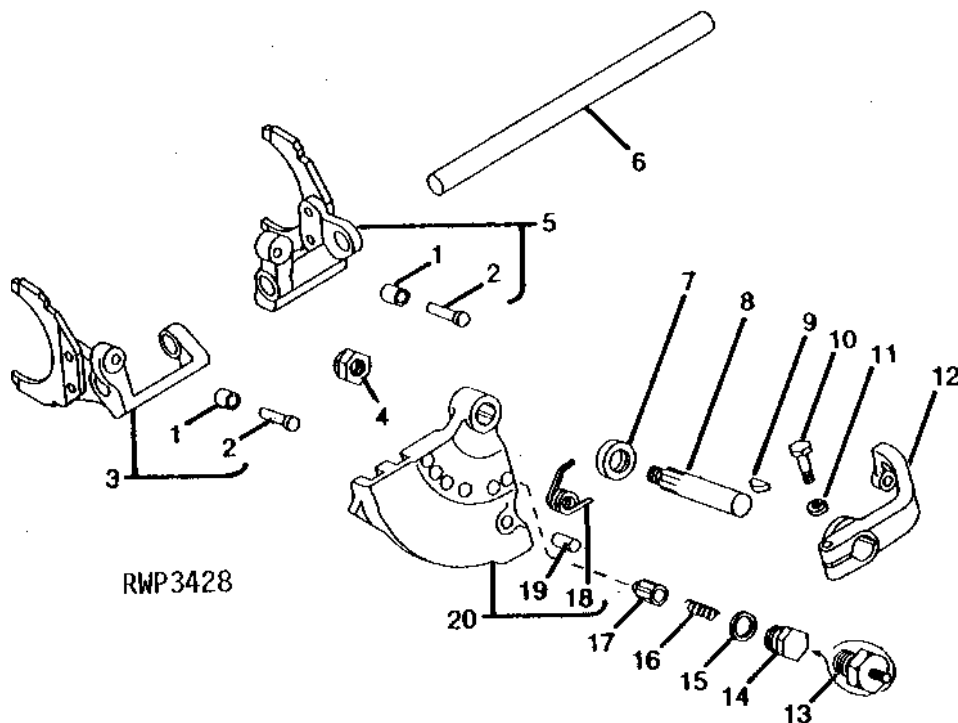
KEY	PART NO.	PART NAME	QTY	TRACTOR SERIAL NO.	REMARKS
1	R26207	ROLLER	2		
2	R26206	PIN	2		
3	AR32176	SHIFTER	1		REVERSE RANGE, (MARKED R33394)
4	E17421	LOCK NUT	1		(SUB FOR R32629)
5	AR74749	SHIFTER	1	-XXXXXX	(MARKED R33393) (SUB AR77820, R61567 AND 19H1988)
	AR77820	SHIFTER	1	XXXXXX-	(LOW AND HIGH RANGE) (MARKED R63076)
6	R33730	DOWEL PIN	1		
7	R33392	CAM	1		
8	AR389R	SEAL	1		
9	AR31904	SHAFT	1		(SUB E17421 AND R32630)
10	26H17	SHAFT KEY	1		3/16" X 7/8"
11	19H1800	CAP SCREW	1		3/8" X 1-1/2"
12	12H304	LOCK WASHER	1		3/8"
13	R49207	ARM	1		(SUB FOR R26497)
14	R34844	RETAINER	1	091000-	(DIFFERENTIAL LOCK)
15	R26204	RETAINER	1		(SUB R34844)
16	A4827R	WASHER	1		
17	B207R	SPRING	1		
18	RE38390	SWITCH	1		NEUTRAL START, (SUB FOR R36265, AR85323, AR89691 OR AT85153)
19	R26202	PAWL	1		
20	T16911	SHIM	AR		
21	R99556	PIN	1		(SUB FOR R33731)

2G11

POWER TRAIN

GEAR SHIFTERS AND SHIFTER SHAFT (SYNCRO-RANGE)

RWP3428 -UN-01JAN94

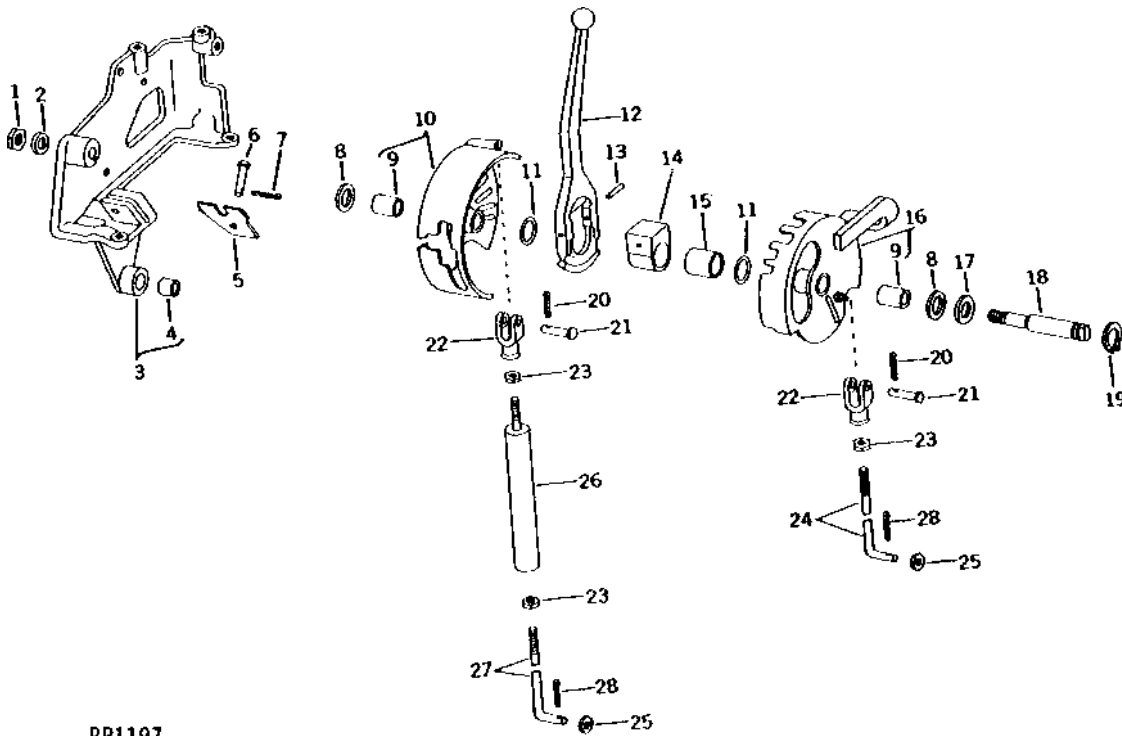


KEY	PART NO.	PART NAME	QTY	TRACTOR SERIAL NO.	REMARKS
1	R26207	ROLLER	2		
2	R26206	PIN	2		
3	AR32179	LEVER	1		(1ST AND 3RD, 6TH AND 8TH SPEED) (MARKED R33398)
4	E17421	LOCK NUT	1		(SUB FOR R32629)
5	AR32180	SHIFTER	1		(2ND AND 5TH, 4TH AND 7TH SPEED) (MARKED R33399)
6	R33730	DOWEL PIN	1		
7	AR389R	SEAL	1		
8	AR31904	SHAFT	1		(SUB E17421 AND R32630)
9	26H17	SHAFT KEY	1		3/16" X 7/8"
10	19H1800	CAP SCREW	1		3/8" X 1-1/2"
11	12H304	LOCK WASHER	1		3/8"
12	R33765	ARM	1		
13	R34844	RETAINER	1	091000-	(DIFFERENTIAL LOCK)
14	R38181	FITTING	1		(SUB R34844)
15	A4827R	WASHER	1		
16	R26203	SPRING	1		
17	R26202	PAWL	1		
18	R109478	SPRING	1		(SUB FOR R27243 OR R55910)
19	34H365	SPRING PIN	1		1/2" X 7/8"
20	RE46990	CAM	1		(MARKED R33400 OR R61107) (SUB FOR AR32692, AR65493, AR74079 OR AR99412)

2G12

TRANSMISSION SHIFTER CONTROL (SYNCRO-RANGE)

RP1197 -UN-01JAN94



RP1197

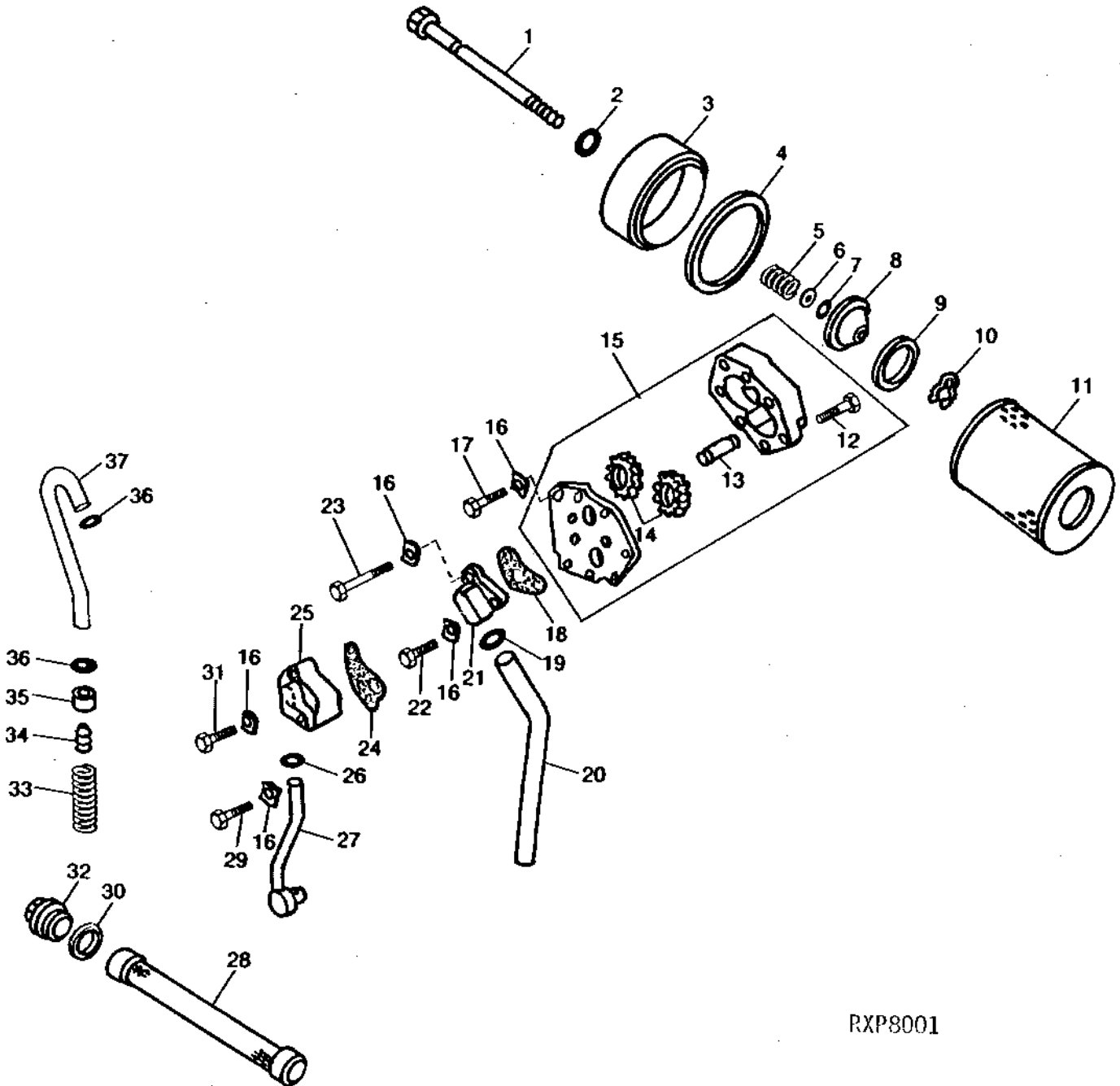
KEY	PART NO.	PART NAME	QTY	TRACTOR SERIAL NO.	REMARKS
1	14H1039	NUT	1	5/8"	
2	12H294	LOCK WASHER	1	5/8"	
3	AR33334	BRACKET	1		STEERING VALVE, R.H. (NLA) (MARKED R34332)
4	F2030R	BUSHING	1		
5	R52882	LATCH	1		(SUB FOR R26188 OR R40148)
6	A3376R	PIN	1		
7	11M7081	COTTER PIN	1	0.098" X 0.787"	
8	R42127	WASHER	2	(SUB FOR R26183)	
9	R26182	BUSHING	2		
10	AR45240	QUADRANT	1		SPEED CHANGE, (SUB FOR AR26361 OR AR44263)
11	R26187	WASHER	2		
12	R27633	GEARSHIFT LEVER	1		
13	34H314	SPRING PIN	2	1/4" X 1-1/4"	
14	R53247	PIVOT	1	(MARKED R26185) (ALSO ORDER (2) R26187) (SUB FOR AR26360 OR R47203)	
15	R26186	BUSHING	1	-XXXXXX	(USE WITH AR26360)
16	AR45342	QUADRANT	1		SPEED RANGE, (SUB FOR AR33935 OR AR44270)
17	24H1423	WASHER	AR	29/32" X 1-1/2" X 0.036"	
	24H1422	SHIM	AR	0.018"	
18	R26178	SHAFT	1		
19	R26192	SNAP RING	1		
20	11M7081	COTTER PIN	2	0.098" X 0.787"	
21	R65563	PIN	2	(SUB FOR C1067R)	
22	C284R	YOKE	2		
23	14H732	NUT	3	3/8"	
24	R26194	HOOK BOLT	1		SPEED RANGE
25	24H1302	WASHER	2	13/32" X 11/16" X 0.035"	
26	AR49457	SPRING ASSEMBLY	1	(SUB FOR AR31649)	
27	R55559	HOOK BOLT	1		SPEED CHANGE, (SUB FOR R32397)
28	11M7059	COTTER PIN	2	3.200 X 20 MM	

2G13

TRANSMISSION OIL FILTER AND OIL PUMP (SYNCRO-RANGE)

RXP8001

-UN-01JAN94



RXP8001

2G14

POWER TRAIN

TRANSMISSION OIL FILTER AND OIL PUMP - CONTINUED (SYNCRO-RANGE)

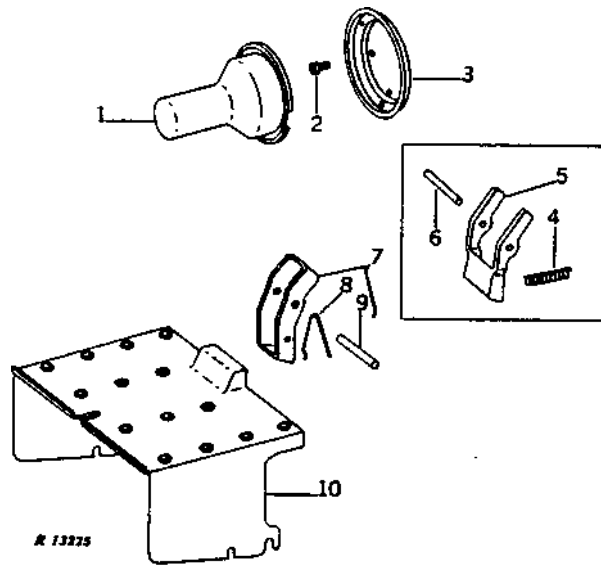
KEY	PART NO.	PART NAME	QTY	TRACTOR SERIAL NO.	REMARKS
1	R54750	CAP SCREW	1		(SUB FOR R26322 OR R39795)
2	R32403	SEAL	1	-090999	
	R394R	O-RING	1	091000-	
3	R39794	COVER	1		(ALSO ORDER R394R, R34733 AND R54750) (SUB FOR R26319)
4	R39596	WASHER	1	-090999	(SUB FOR R1572R)
	R34733	LOCK WASHER	1	091000-	
5	H819R	SPRING	1		
6	24H1227	WASHER	1		17/32" X 13/16" X 0.060"
7	R394R	O-RING	1		
8	R65892	RETAINER	1		
9	R28594	WASHER	1		(NO LONGER AVAILABLE)
10	R32507	SNAP RING	1		
11	AR75603	FILTER ELEMENT	1		(SUB FOR AR28271 OR AR75601)
12	19H1849	CAP SCREW	2		5/16" X 1-1/4"
13	R54380	DOWEL PIN	1		(SUB FOR R26015 OR T25317)
14	AR79582	GEAR	1		(SUB FOR AR26942)
15	AR32995	OIL PUMP	1		
16	T13857	LOCK PLATE	6		
17	19H1913	CAP SCREW	1		5/16" X 2-1/4"
18	R33441	GASKET	1		
19	R56462	O-RING	1		
20	R26314	HYDRAULIC LINE	1		
21	R33429	PUMP	1		INLET
22	19H1849	CAP SCREW	1		5/16" X 1-1/4"
23	19H1949	CAP SCREW	1		5/16" X 2-1/2"
24	R33438	GASKET	1		
25	R33428	PUMP	1		OUTLET (NLA)
26	A3917R	O-RING	1		
27	AR32189	HYDRAULIC LINE	1		
28	R53169	SCREEN	1		(NYLON)
	AR26375	SCREEN	1		(STEEL)
29	19H1897	CAP SCREW	1		5/16" X 3-3/4"
30	A4808R	WASHER	1		
31	19H3552	CAP SCREW	1		5/16" X 1-1/2"
32	R40147	FITTING	1		(SUB FOR A4806R)
33	R26309	SPRING	1		
34	R26308	VALVE	1		
35	R26313	BUSHING	1		
36	R394R	O-RING	2		
37	R33437	HYDRAULIC LINE	1		

2G15

POWER TRAIN

540 RPM AND 1000 RPM PTO MASTER SHIELD AND REAR GUARD (SYNCRO-RANGE)

R13225 -UN-12OCT94



KEY	PART NO.	PART NAME	QTY	TRACTOR SERIAL NO.	REMARKS
1	L64456	GUARD	1		(SUB FOR AR26782)
2	R27329	SCREW	2		
3	AR26707	RETAINER	1		
4	R31698	SPRING	1	-196841	
5	R33349	RETAINER	1	-196841	(SUB AR44713)
6	34H336	SPRING PIN	1	-196841	5/16" X 2-1/4"
7	AR44713	RETAINER	1	196842-	(SUB R42584)
8	R42585	SPRING	1	196842-	
9	34H335	SPRING PIN	1	196842-	5/16" X 2-1/8"
10	R33348	SHIELD	1		

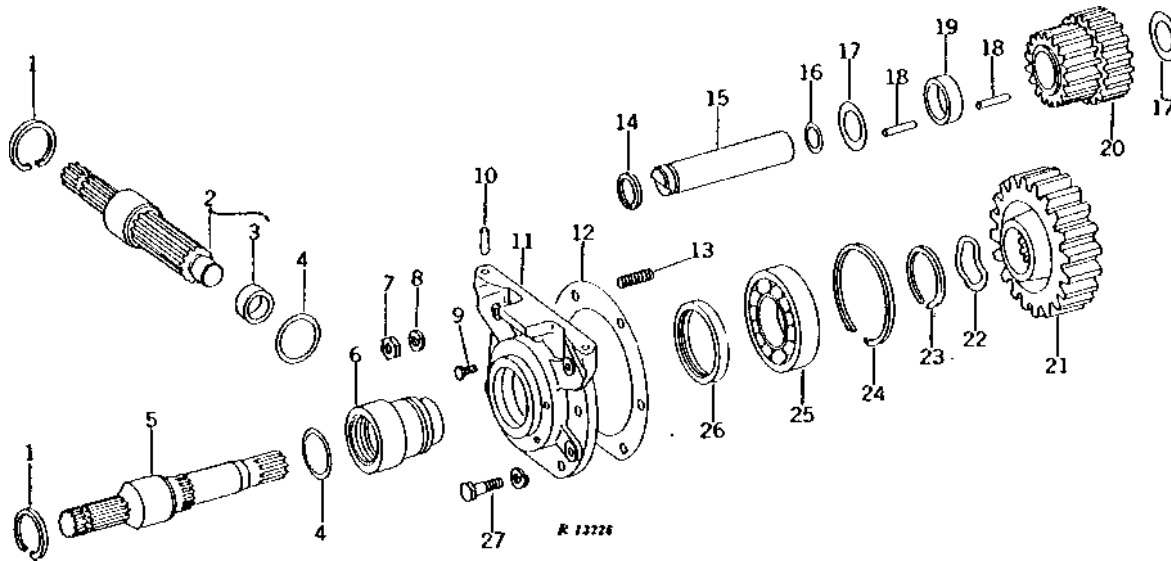
2G16

POWER TRAIN

540 RPM AND 1000 RPM PTO REAR DRIVE GEAR AND SHAFTS (SYNCRO-RANGE)

R13226

-UN-01JAN94



KEY	PART NO.	PART NAME	QTY	TRACTOR SERIAL NO.	REMARKS
1	R33324	SNAP RING	2		
2	R33459	SHAFT	1	-154229	(A) (SUB AR41753)
	AR41753	SHAFT	1	154230-	(A)
3	JD7557	BEARING RACE	1	154230-	
4	F1870R	O-RING	2		
5	R33342	SHAFT	1		1000 RPM (NLA)
6	R33855	GUIDE	1		
7	14H1040	NUT	2		1/2"
8	12H301	LOCK WASHER	2		1/2"
9	R27329	SCREW	2		
10	34H348	SPRING PIN	2		3/8" X 1"
11	AR32472	QUILL	1		(MARKED R33343)
	AR54487	QUILL	1		(B) (MARKED R33487, R47508 OR R50298) (ALSO ORDER AR52216) (SUB FOR AR32440)
12	R33337	GASKET	1		
13	R32101	STUD	2		1/2" X 1-3/4"
14	R33320	SNAP RING	1		
15	R33852	COUNTERSHAFT	1		
16	R30319	O-RING	1		
17	R33853	THRUST WASHER	2		
18	R33028	NEEDLE ROLLER	48		
19	R33344	SPACER	1		
20	R33339	GEAR	1		
21	R33854	GEAR	1		(A)
22	R34403	WASHER	1		
23	R26246	SNAP RING	1		
24	A5596R	SNAP RING	1		
25	JD9283	BALL BEARING	1		
26	R33340	SEAL	1		
	AT344T	SEAL	1		(B) (SUB FOR R35798)
27	19H1721	CAP SCREW	4		1/2" X 1-1/2"
	12H301	LOCK WASHER	4		1/2"

(A) 540 RPM PTO

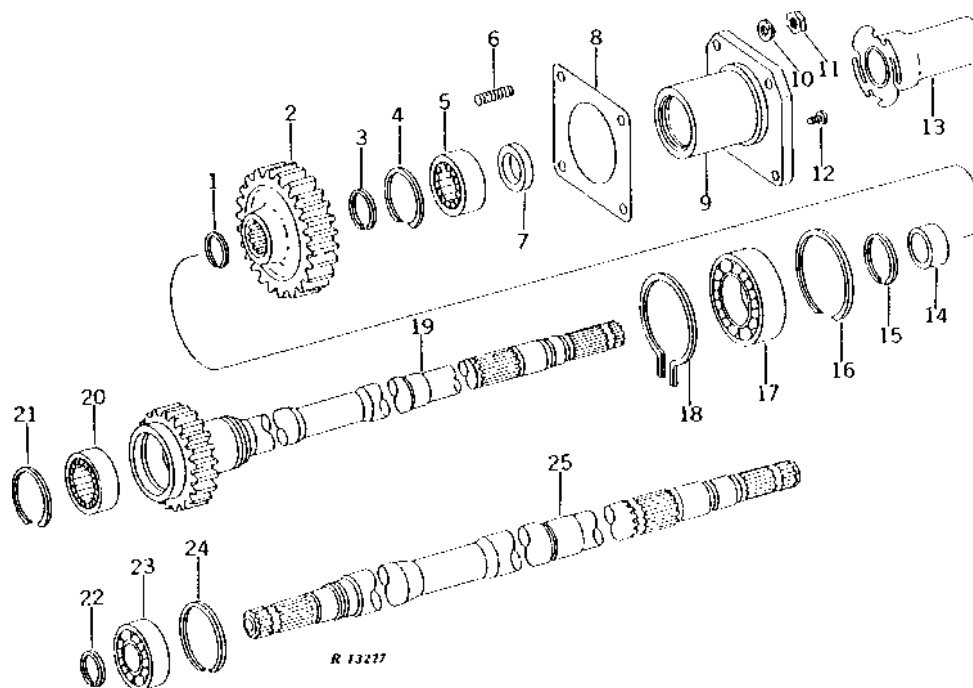
(B) USE WITH 1000 RPM PTO ONLY

2G17

POWER TRAIN

540 RPM AND 1000 RPM PTO DRIVE GEAR, SHAFTS AND FRONT GUARD (SYNCRO-RANGE)

R13227 -UN-01JAN94



KEY	PART NO.	PART NAME	QTY	TRACTOR SERIAL NO.	REMARKS
1	R33325	SNAP RING	1		
2	R33488	GEAR	1		
3	R27000	SNAP RING	1		
4	F2367R	SNAP RING	1		
5	JD8725	ROLLER BEARING	1		
6	R32101	STUD	4	1/2" X 1-3/4"	
7	R33338	SEAL	1		
8	R33236	GASKET	1		
9	AR32713	QUILL	1	(MARKED R33486)	
10	12H301	LOCK WASHER	4	1/2"	
11	14H1040	NUT	4	1/2"	
12	R27329	SCREW	2		
13	AR26701	GUARD	1		
14	R34328	BUSHING	1		
15	R36295	SNAP RING	1		
16	BP13615	SNAP RING	1	(SUB FOR R33321)	
17	JD8537	BEARING	1		
18	R33322	SNAP RING	1		
19	AR32153	SHAFT	1	-154212	(SUB AR41750 AND JD7537)
	AR41750	SHAFT	1	154213-	
20	JD8724	ROLLER BEARING	1	-154212	(SUB JD7537)
	JD7537	ROLLER BEARING	1	154213-	
21	F2367R	SNAP RING	1		
22	A364R	SNAP RING	1	(A)	
23	JD9345	BALL BEARING	1	(A) (SUB FOR JD7688)	
24	B190R	SNAP RING	1	(A) (SUB FOR F216R)	
25	R33485	SHAFT	1	(A) (NLA)	

(A) USE WITH 1000 RPM PTO ONLY

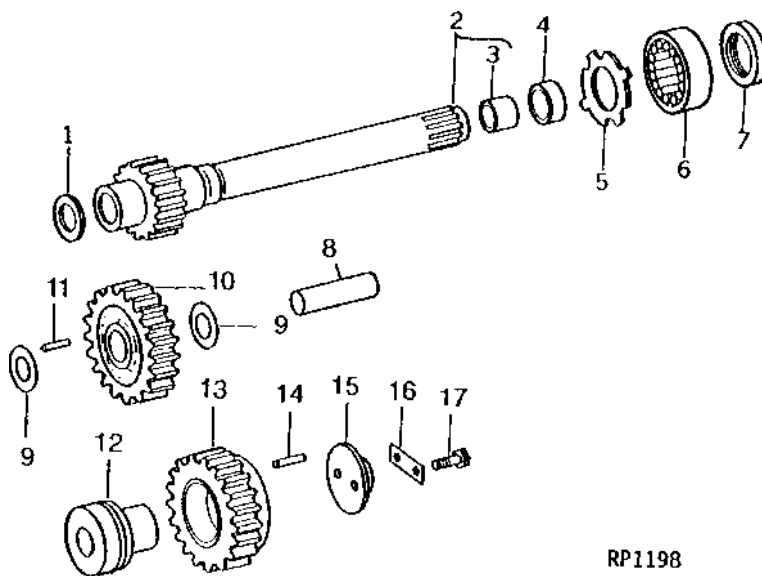
2G18

POWER TRAIN

540 RPM AND 1000 RPM PTO DRIVE SHAFT AND IDLER GEARS (SYNCRO-RANGE)

RP1198

-UN-01JAN94



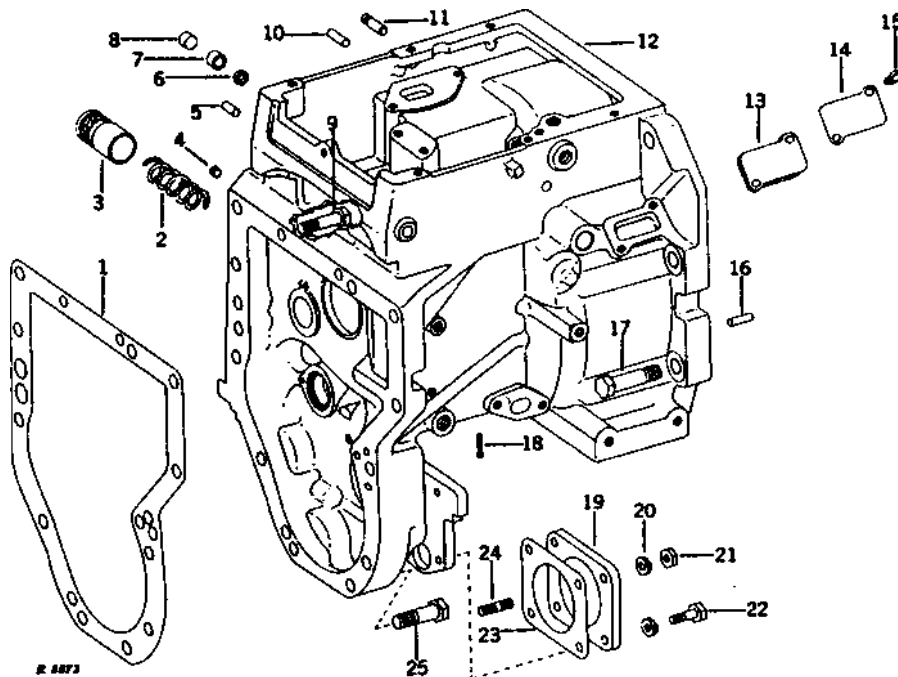
RP1198

KEY	PART NO.	PART NAME	QTY	TRACTOR SERIAL NO.	REMARKS
1	R33856	WASHER	1		
2	AR49414	SHAFT	1		(ALSO ORDER JD10168) (SUB FOR AR32527)
3	R30829	BUSHING	1		
4	AR26481	SEAL	1		
5	R33418	WASHER	1		(NOT USED WITH AR49414 AND JD10168)
6	JD10168	ROLLER BEARING	1		(SUB FOR JD8722 OR JD8731)
7	AR72992	SEAL	1		(SUB FOR AR26482)
8	R26663	DOWEL PIN	1		
9	R33345	THRUST WASHER	2		
10	R26792	GEAR	1		(COUNTERSHAFT)
11	R26006	NEEDLE ROLLER	18		
12	R46747	BEARING RACE	1		(SUB FOR R33346)
13	R33231	GEAR	1		(DIFFERENTIAL SHAFT)
14	R26006	NEEDLE ROLLER	33		
15	R50365	PLATE	1		(SUB FOR R33347)
16	R26072	STRAP	1		
17	19H1731	CAP SCREW	2		3/8" X 1"

2G19

R8873 -UN-12OCT94

CLUTCH HOUSING (POWER SHIFT)



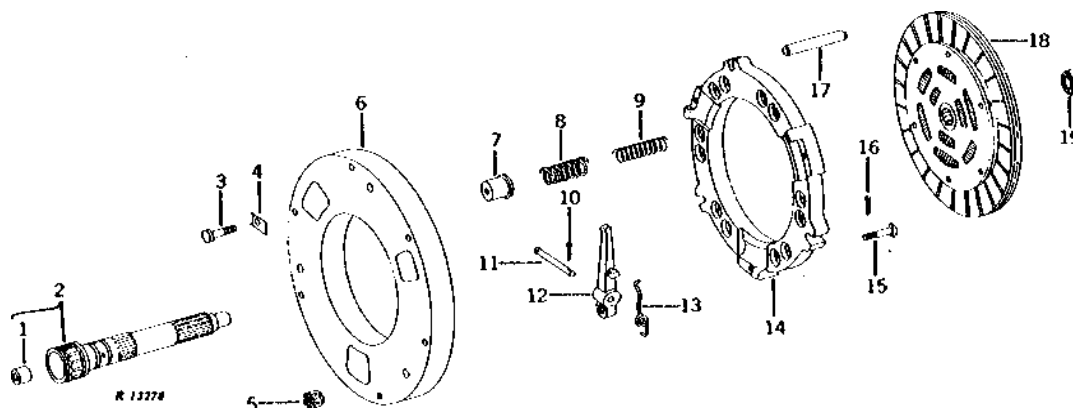
KEY	PART NO.	PART NAME	QTY	TRACTOR SERIAL NO.	REMARKS
1	R100632	GASKET	1		(SUB FOR R33519)
2	R33526	SPRING	1		
3	R33525	PISTON	1		
4	R46373	PIPE PLUG	1		(SUB FOR R33528)
5	R1612R	DOWEL PIN	2		
6	AR26338	SEAL	1		
7	R28359	WASHER	1		
8	R28361	DOWEL PIN	1		(LESS PTO)
9	19H1847	CAP SCREW	2		5/8" X 2-1/2"
10	34H351	SPRING PIN	1		3/8" X 1-1/2"
11	R33837	PIN	1		
12	AR34060	HOUSING	1		(MARKED R33060)
	PLUG	1		
13	R31494	GASKET	1		(SUB R67989)
14	R31493	COVER	1		
15	21H1318	SCREW	2		0.216" X 1/2"
16	T26565	DOWEL PIN	2		(SUB FOR C1220R)
17	19H1425	CAP SCREW	6		3/4" X 2-3/4"
18	PIN	1		(NO LONGER REQUIRED)
19	R33216	COVER	1		(LESS PTO)
20	12H301	LOCK WASHER	2		1/2"
21	14H1040	NUT	2		1/2"
22	19H1721	CAP SCREW	2		1/2" X 1-1/2"
	12H301	LOCK WASHER	2		1/2"
23	R33236	GASKET	1		(PKG. OF 2)
24	R32101	STUD	2		1/2" X 1-3/4"
25	19H1862	CAP SCREW	2		3/4" X 2-1/2"
	19H1425	CAP SCREW	2		3/4" X 2-3/4"
	19H1715	CAP SCREW	4		3/4" X 3"
	19H2113	CAP SCREW	2		3/4" X 3-1/4"
	19H2174	CAP SCREW	2		3/4" X 4-1/4"

2G20

POWER TRAIN

TRANSMISSION DISCONNECT CLUTCH (POWER SHIFT)

R13270 -UN-01JAN94



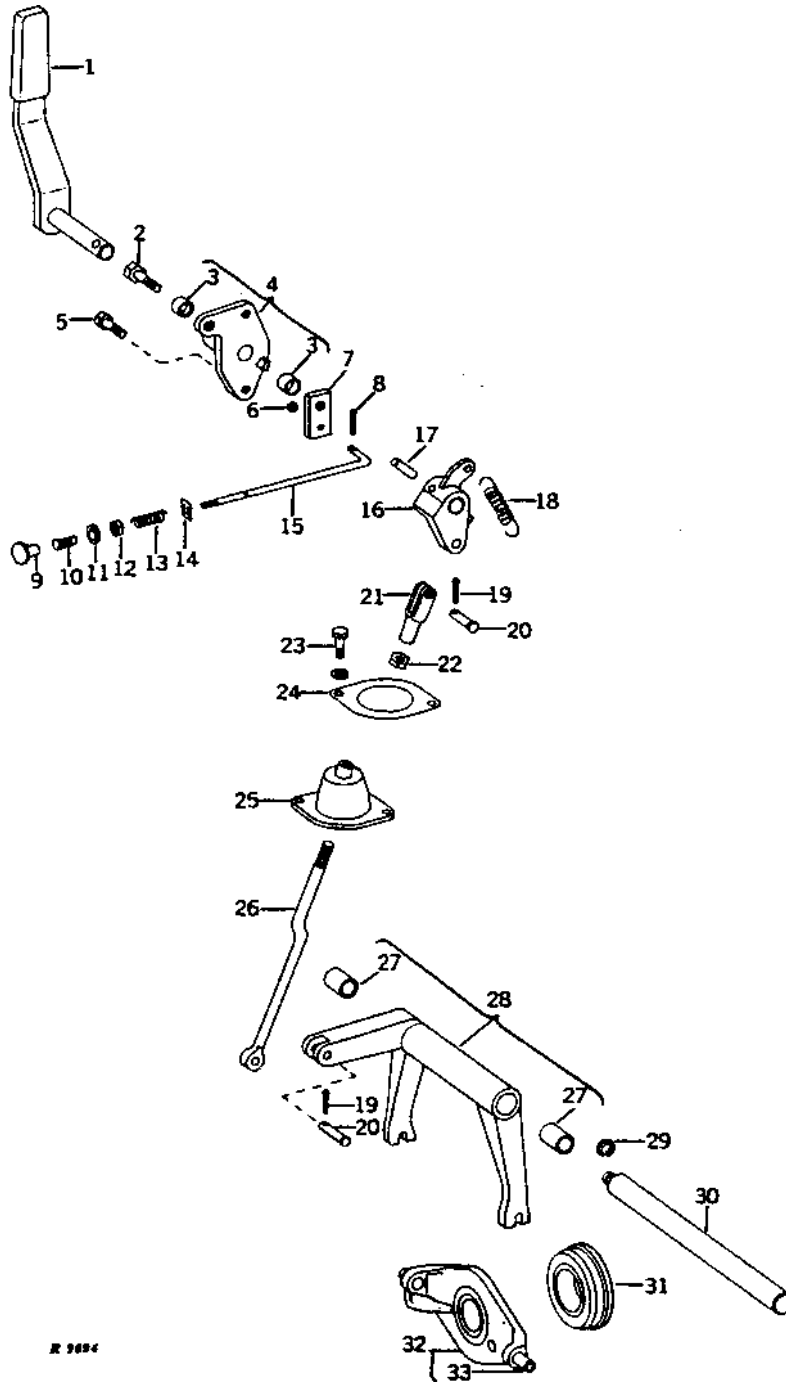
KEY	PART NO.	PART NAME	QTY	TRACTOR SERIAL NO.	REMARKS
1	R33168	BUSHING	1		
2	AR32461	SHAFT	1		
3	19H1800	CAP SCREW	6		3/8" X 1-1/2"
4	R1888R	STRAP	6		
5	R31714	NUT	3	-097871	(NLA)
	R39893	NUT	3	097872-	
6	R42110	COVER	1		(SUB FOR R31709 OR R40805)
7	R33135	BUSHING	12		
8	R26637	SPRING	12	-161703	OUTER
	R42058	SPRING	12	161704-	
9	R38185	SPRING	12	-161703	INNER
10	11M7059	COTTER PIN	3		3.200 X 20 MM
11	R31711	PIN	3		
12	R31710	LEVER	3	-097871	(SUB R39892 AND R39893)
	R39892	LEVER	3	097872-	(ALSO ORDER (3) R39893) (SUB FOR R31710)
	R39893	NUT	3		(ALSO ORDER (3) R39892) (SUB FOR R31710)
13	R20152	SPRING	3		
14	R46807	CLUTCH PLATE	1		(SUB FOR R31712 OR R40806)
15	R31713	BOLT	3		
16	11M7081	COTTER PIN	3		0.098" X 0.787"
17	R32192	DOWEL PIN	3		
18	RE29608	CLUTCH DISK	1		(SUB FOR AR32185, AR40918, AR55655 OR AR40667)
19	JD9449	BALL BEARING	1		(SUB FOR JD9281)

2G21

TRANSMISSION DISCONNECT CLUTCH CONTROL (POWER SHIFT)

R9894

-UN-12OCT94



**TRANSMISSION DISCONNECT CLUTCH CONTROL - CONTINUED
(POWER SHIFT)**

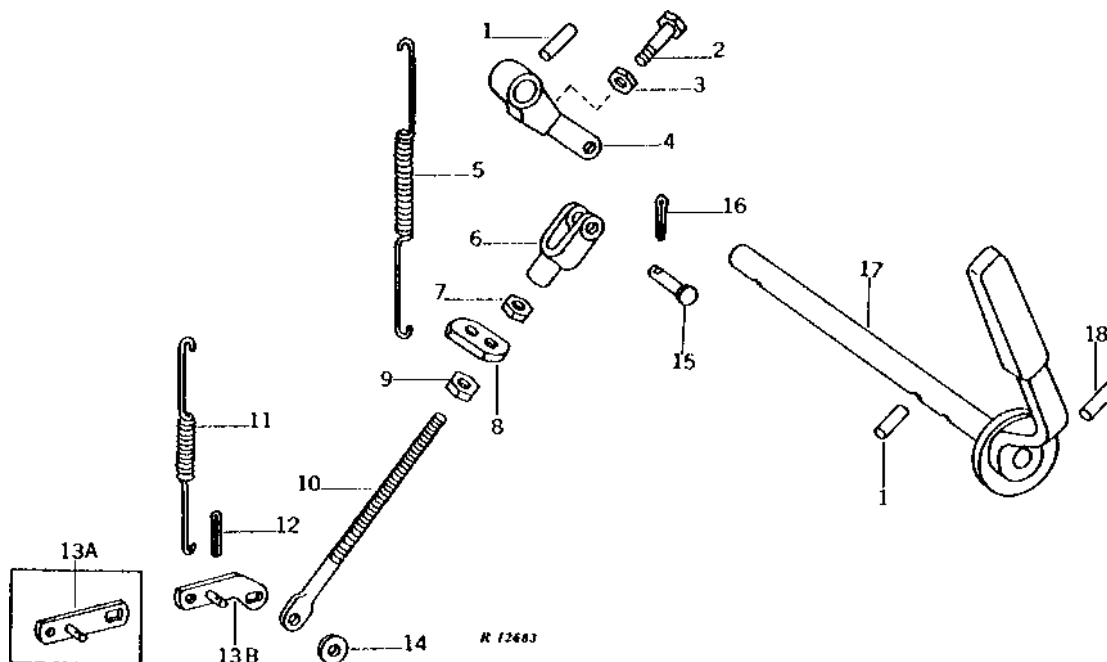
KEY	PART NO.	PART NAME	QTY	TRACTOR SERIAL NO.	REMARKS
1	AR32131	LEVER	1	-090999	(SUB AR34985) (NLA)
	AR34985	LEVER	1	091000-	(NLA)
2	19H1815	CAP SCREW	1		1/2" X 1-1/4"
3	R27116	BUSHING	2		
4	AR32130	SUPPORT	1		(MARKED R33149) (NLA)
5	19H2021	CAP SCREW	2		3/8" X 5/8"
6	24H1283	WASHER	1		7/32" X 1/2" X 0.049"
7	R33892	PAWL	1		(NLA)
8	11M7005	COTTER PIN	1		0.063" X 0.394"
9	R34455	KNOB	1		(NLA)
10	R34454	SLEEVE	1		(NLA)
11	12H310	LOCK WASHER	1		3/8"
12	14H774	NUT	1		3/8"
13	A4580R	SPRING	1		
14	L31750	CLIP	1		(SUB FOR R27888)
15	R34453	HOOK BOLT	1		
16	R33153	ARM	1		(NLA)
17	34H351	SPRING PIN	1		3/8" X 1-1/2"
18	R42783	SPRING	1		(SUB FOR R36137)
19	11M7015	COTTER PIN	2		3.200 X 25 MM
20	B178R	PIN	2		(SUB FOR L364T)
21	L300T	YOKE	1		
22	14H469	NUT	1		7/16"
23	19H2127	CAP SCREW	2		5/16" X 7/8"
	12H303	LOCK WASHER	2		5/16"
24	R33963	CLAMP	1		
25	R33962	BOOT	1		
26	R33154	ROD	1		(NLA)
27	R776R	BUSHING	2		
28	AR32137	FORK	1		(MARKED R33148)
29	R33527	SNAP RING	1		
30	R33147	SHAFT	1		(NLA)
31	AM3983T	THRUST BEARING	1		
32	AR51192	CRADLE	1		(SUB FOR AR32129)
33	R35075	QUICK LOCK PIN	2		

2G23

POWER TRAIN

R12683 -UN-01JAN94

PTO CLUTCH CONTROL (POWER SHIFT)



KEY	PART NO.	PART NAME	QTY	TRACTOR SERIAL NO.	REMARKS
1	34H331	SPRING PIN	2		5/16" X 1-1/2"
2	19H1738	CAP SCREW	1	-145589	1/4" X 2"
3	14H850	NUT	1	-145589	1/4"
4	R33869	ARM	1		(NLA)
5	R41499	SPRING	1	145590-	
6	M80373	YOKE	1		(SUB FOR L324T)
7	14H774	NUT	1		3/8"
8	R41501	BUSHING	1	145590-	
9	14H774	NUT	1	145590-	3/8"
10	R41498	EYEBOLT	1		(ALSO ORDER AR48689) (SUB FOR R33359)
11	R35823	SPRING	1		
12	11M7077	COTTER PIN	1		0.063" X 0.984"
13A	AR27722	ARM	1	-144589	
13B	AR48689	ARM	1	144590-	(SUB FOR AR40929)
14	24H1286	WASHER	1		9/32" X 1/2" X 1/16"
15	R65563	PIN	1		(SUB FOR C1067R)
16	11M7081	COTTER PIN	1		0.098" X 0.787"
17	AR39515	LEVER	1		(SUB FOR R34042 OR R34342) (NLA)
18	34H331	SPRING PIN	1	-090999	5/16" X 1-1/2"

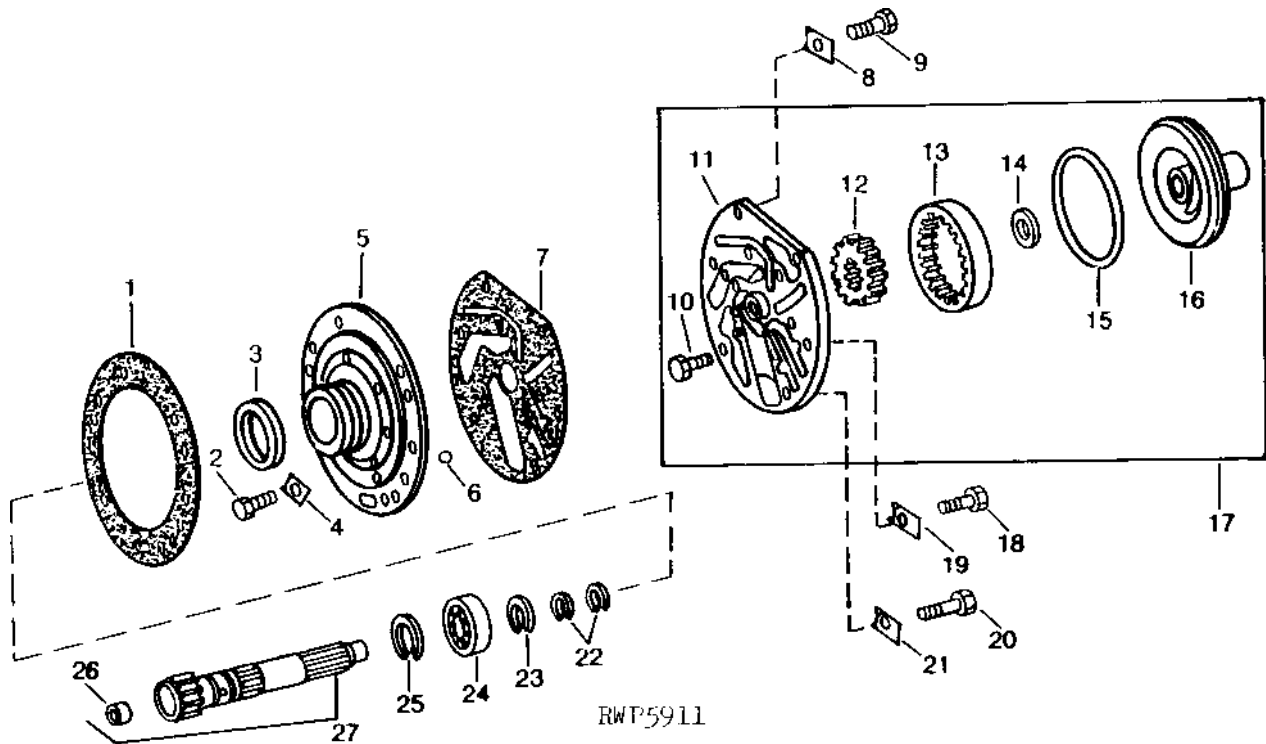
MEMORANDA

2G24

POWER TRAIN

TRANSMISSION CLUTCH OIL PUMP AND MANIFOLD (POWER SHIFT)

RWP5911 -UN-12OCT94



KEY	PART NO.	PART NAME	QTY	TRACTOR SERIAL NO.	REMARKS
1	R100232	GASKET	1		(SUB FOR R33171, R49294 OR R69585)
2	19H2661	CAP SCREW	6	-144512	5/16" X 1-3/8"
	R41035	CAP SCREW	6	144513-XXXXXX	
	R112874	CAP SCREW	6	XXXXXX-	
3	R33167	RING	4		(.124" THICK)
4	T13857	LOCK PLATE	6	-144512	
5	R33061	MANIFOLD	1		(USE WITH AR32114 OR R41036) (.1285" RING GROOVE)
6	R42849	BALL	2		(SUB FOR 405R)
7	R100234	GASKET	1		(SUB FOR R33166, R49295 OR R57915) (SUB R100234)
8	R30920	PLATE	2	-144512	
9	19H1732	CAP SCREW	2	-144512	3/8" X 1-1/4"
	R41041	CAP SCREW	2	144513-	(SUB FOR T31784)
10	19H1849	CAP SCREW	1	-151145	5/16" X 1-1/4"
	19H1900	CAP SCREW	1	151146-	5/16" X 3/4"
11	AR90850	HOUSING	1		(MARKED R33133 OR R69589) (SUB FOR AR32127)
12	R31695	GEAR	1		
13	R27880	GEAR	1		
14	R34650	SEAL	1		
15	R39876	PACKING	1		
16	AR48898	HOUSING	1		(MARKED R31692) (SUB FOR AR30795)
17	AR30795	HOUSING	1		(SUB AR91607)

2G25

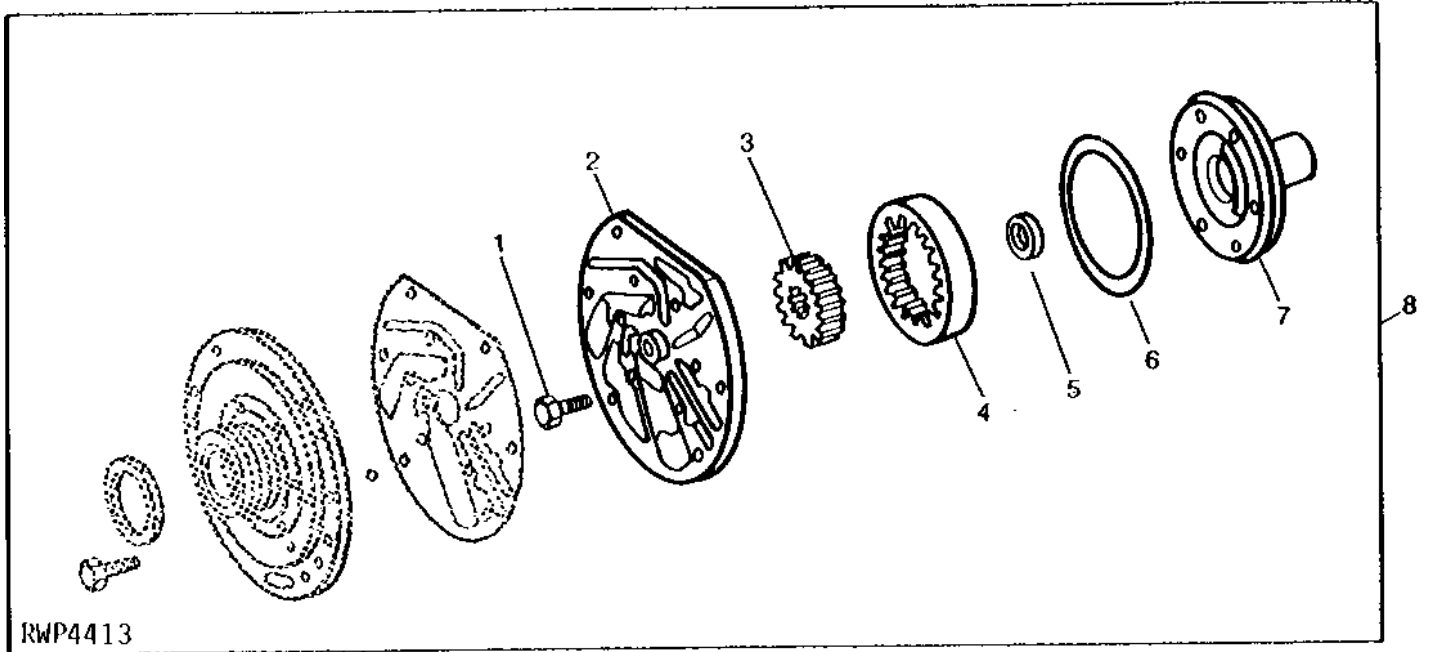
POWER TRAIN

TRANSMISSION CLUTCH OIL PUMP AND MANIFOLD - CONTINUED (POWER SHIFT)

KEY	PART NO.	PART NAME	QTY	TRACTOR SERIAL NO.	REMARKS
18	19H1800	CAP SCREW	3	-144512	3/8" X 1-1/2"
	T31783	BOLT	3	144513-	
19	R30959	LOCK PLATE	1		
20	19H1765	CAP SCREW	1	-144512	3/8" X 1-3/4"
	T31785	BOLT	1	144513-	
21	R30958	LOCK PLATE	1		
22	R26753	RING	2		
23	F2370R	SNAP RING	1		
24	JD7145	BALL BEARING	1		
	R34295	THRUST WASHER	1		
25	A3815R	SNAP RING	1		
26	R33168	BUSHING	1		
27	AR32461	SHAFT	1		

RWP4413 -UN-01JAN94

TRANSMISSION CLUTCH OIL PUMP



KEY	PART NO.	PART NAME	QTY	TRACTOR SERIAL NO.	REMARKS
1	19H1900	CAP SCREW	1		
2	AR90850	HOUSING	1		
3	R48176	GEAR	1		
4	R46451	GEAR	1		
5	R34650	SEAL	1		
6	R39876	PACKING	1		
7	AR51190	HOUSING	1		
8	AR91607	OIL PUMP	1		

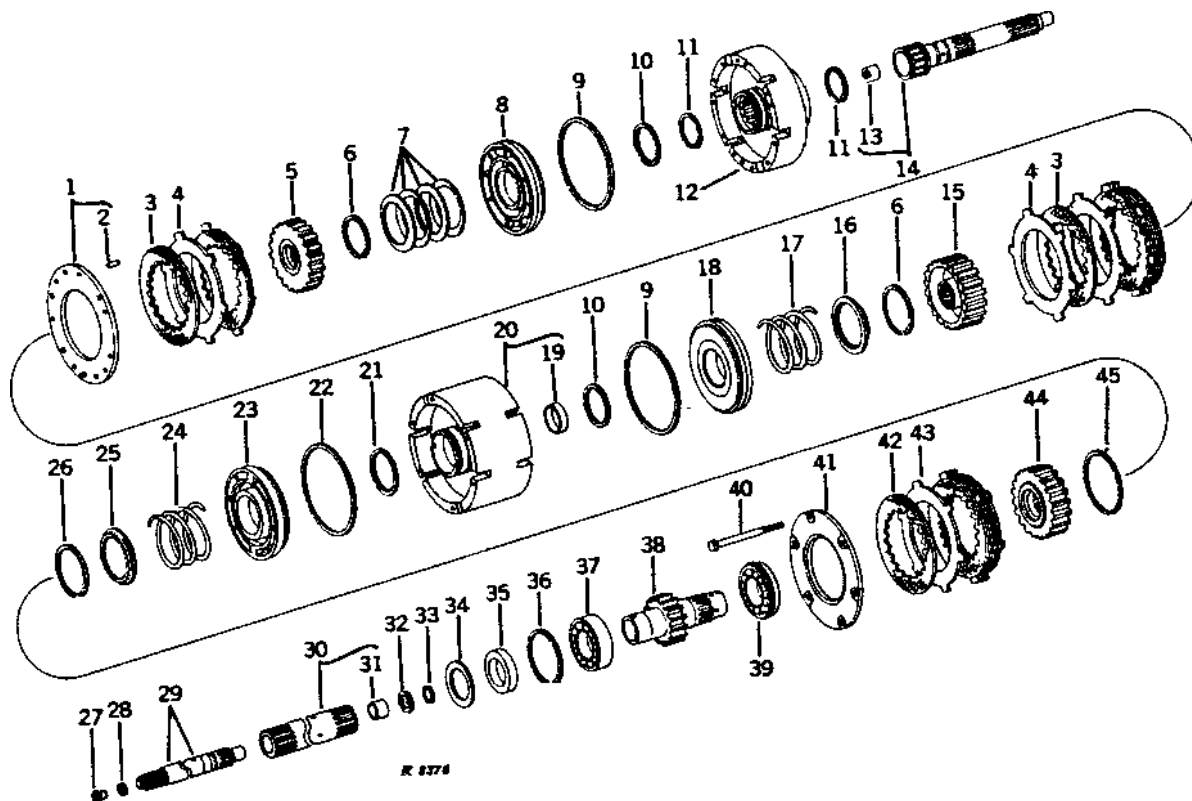
(ALSO ORDER R69588 AND R59494 UNLESS PREVIOUSLY INSTALLED)

MEMORANDA

TRANSMISSION CLUTCH PACK (POWER SHIFT)

R8376

-UN-12OCT94



KEY	PART NO.	PART NAME	QTY	TRACTOR SERIAL NO.	REMARKS
1	AR32136	PLATE	1		
2	R30587	DOWEL PIN	2		
3	RE23000	CLUTCH DISK	7	-144512	(SUB FOR RE31404) (SUB RE27995)
4	RE23000	CLUTCH DISK	8	144513-	(SUB FOR RE31404) (SUB RE27995)
4	R46391	CLUTCH PLATE	7	-144512	(SUB FOR R33873)
4	R46391	CLUTCH PLATE	8	144513-	(SUB FOR R33873)
5	AR71824	HUB	1		(SUB FOR R33183) (SUB AR103337)
6	R33247	SNAP RING	2		
7	R67840	DISK SPRING	4		(SUB FOR R33518)
8	R41105	PISTON	1	-144512	(A) (ALSO ORDER R120838) (SUB FOR R33517)
8	R42850	PISTON	1	144513-	(A) (ALSO ORDER R120838) (SUB FOR R41038)
9	R33059	SEALING WASHER	2		(USE WITH R33517, R33186 OR R41038)
9	R41166	SEAL	2		(USE WITH R41039 OR R42850) (SUB R120838)
10	R33246	SEAL	2		
11	R33169	SNAP RING	2		
12	AR32114	DRUM	1	-155533	(C) FRONT, (MARKED R33069) (SUB R41036) (USE WITH R33061)
	R41036	DRUM	1	155534-	FRONT
	R59494	DRUM	1		FRONT, (USE WITH R48649, R69588, AR53213 OR AR91607)
13	R33168	BUSHING	1		
14	AR32461	SHAFT	1		
15	AR71823	HUB	1		(B) (SUB FOR R33184) (SUB AR103336)
16	R33114	BUSHING	1		
17	R66612	SPRING	1		(SUB FOR R31359)

(A) LOW RANGE

(B) HIGH RANGE

(C) ALSO ORDER R41166 AND R41105 BEFORE SERIAL NUMBER -144512
ALSO ORDER R41168 AND R42850 AFTER SERIAL NUMBER 144513-

(D) W/O PTO

2H3

POWER TRAIN

TRANSMISSION CLUTCH PACK - CONTINUED (POWER SHIFT)

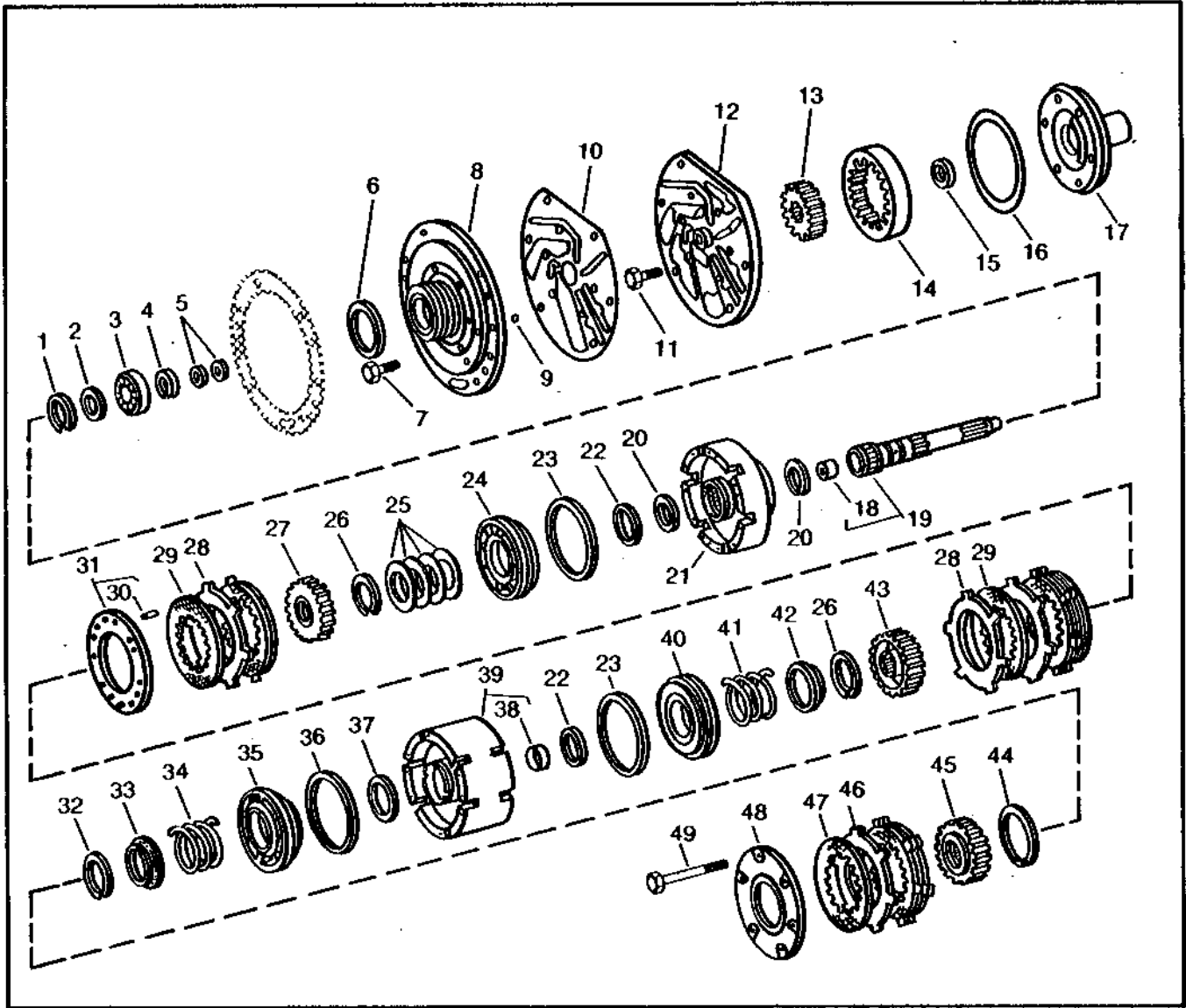
KEY	PART NO.	PART NAME	QTY	TRACTOR SERIAL NO.	REMARKS
18	R41039	PISTON	1		(B) (ALSO ORDER R120838) (SUB FOR R33186)
19	R33073	BUSHING	1		
20	AR71822	DRUM	1		REAR, (MARKED R33072 OR R59459) (SUB FOR AR32115)
21	R33246	SEAL	1		(D)
22	R33059	SEALING WASHER	1		(D) (USE WITH R33186)
	R41166	SEAL	1		(D) (USE WITH R41039) (SUB R120838)
23	R41039	PISTON	1		(D) (ALSO ORDER R120838) (SUB FOR R33186)
24	R66612	SPRING	1		(D) (SUB FOR R31359)
25	R33114	BUSHING	1		(D)
26	R33247	SNAP RING	1		(D)
27	R34141	RETAINER	1	-171291	
28	R34140	RING	1	-171291	
29	R33117	SHAFT	1	-171291	(A)
	R44814	SHAFT	1	171292-	(A) (SUB FOR R41752)
30	AR46412	SHAFT	1		(B) (SUB FOR AR32124)
31	R33109	BUSHING	1		
32	R33118	THRUST WASHER	1		
33	R26643	SNAP RING	1		
34	R51159	WASHER	1		(SUB FOR R34204)
35	R33116	SPACER	1		
36	F1373R	SNAP RING	1		
37	JD9390	BALL BEARING	1		
38	R33229	SHAFT	1		
39	JD9280	BALL BEARING	1		
40	19H2704	CAP SCREW	6		5/16" X 5-1/4", HS, SAE 8
41	R33188	PLATE	1		
42	RE23000	CLUTCH DISK	4		(D) (SUB FOR RE31404) (SUB RE27995)
43	R46391	CLUTCH PLATE	4	-132979	(D) (SUB FOR R33873) (SUB R80813 AND (3) R39325, THIS APPLICATION)
	R80813	CLUTCH PLATE	1	132980-	(D) (SUB FOR R33873 OR R46391, THIS APPLICATION)
	R39325	CLUTCH PLATE	3	132980-	(D) (SUB FOR R32313, THIS APPLICATION)
44	R33187	HUB	1		(D)
45	R33520	SNAP RING	1		(D)

2H4

TRANSMISSION CLUTCH ASSEMBLY (WITH PTO)

RWP2721

-UN-01JAN94



RWP2721

50

2H5

POWER TRAIN

TRANSMISSION CLUTCH ASSEMBLY - CONTINUED (WITH PTO)

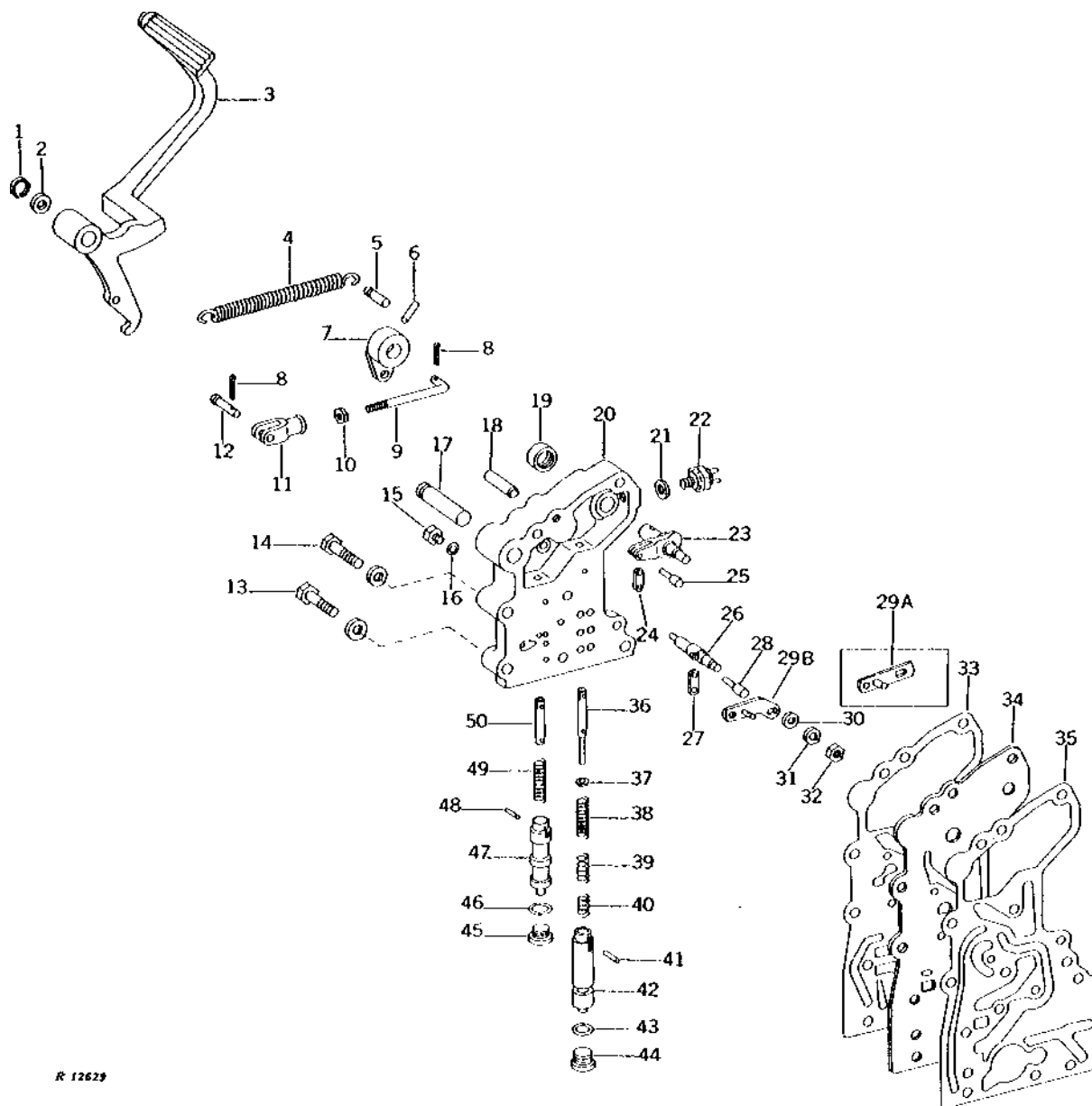
KEY	PART NO.	PART NAME	QTY	TRACTOR SERIAL NO.	REMARKS
1	A3815R	SNAP RING	1		
2	R34295	THRUST WASHER	1		
3	JD7145	BALL BEARING	1		
4	F2370R	SNAP RING	1		
5	R26753	RING	2		
6	R76514	RING	4		
7	R112874	CAP SCREW	6		(SUB FOR R41035)
8	R69588	MANIFOLD	1		
9	R42849	BALL	2		
10	R70251	GASKET	1		(SUB FOR R33166, R49295 OR R57915) (SUB R100234)
11	19H1900	CAP SCREW	1		
12	AR90850	HOUSING	1		(MARKED R33133 OR R69589) (SUB FOR AR32127)
13	R48176	GEAR	1		
14	R46451	GEAR	1		
15	R34650	SEAL	1		
16	R39876	PACKING	1		
17	AR51190	HOUSING	1		(MARKED R48174)
18	R33168	BUSHING	1		
19	AR32461	SHAFT	1		
20	R33169	SNAP RING	2		
21	R59494	DRUM	1		FRONT, (SUB FOR R45622)
22	R33246	SEAL	2		
23	R120838	PACKING	2		(SUB FOR R41166)
24	R42850	PISTON	1		(LOW RANGE)
25	R67840	DISK SPRING	4		(SUB FOR R33518)
26	R33247	SNAP RING	2		
27	AR103337	HUB	1		(SUB FOR R33183 OR AR71824) (LOW RANGE)
28	R46391	CLUTCH PLATE	1		(SUB FOR R33873)
	R46391	CLUTCH PLATE	6		(SUB FOR R87712)
29	RE27995	CLUTCH DISK	8		(SUB FOR RE23000 OR R31404)
30	R30587	DOWEL PIN	2		
31	AR32136	PLATE	1		
32	R33247	SNAP RING	1		
33	R33114	BUSHING	1		
34	R66612	SPRING	1		(SUB FOR R31359)
35	R41039	PISTON	1		
36	R120838	PACKING	1		(SUB FOR R41166)
37	R33246	SEAL	1		
38	R33073	BUSHING	1		
39	AR71822	DRUM	1		(MARKED R33072 OR R59495) (SUB FOR AR32115)
40	R41039	PISTON	1		(HIGH RANGE)
41	R66612	SPRING	1		(SUB FOR R31359)
42	R33114	BUSHING	1		
43	AR103336	HUB	1		(SUB FOR R33184) (HIGH RANGE)
44	R33520	SNAP RING	1		
45	R33187	HUB	1		PTO CLUTCH
46	R46391	CLUTCH PLATE	1		(SUB FOR R33873)
	R57345	CLUTCH PLATE	3		
47	RE27995	CLUTCH DISK	4		(SUB FOR RE23000 OR R31404)
48	R33188	PLATE	1		
49	19H2853	CAP SCREW	6		5/16" X 5-1/4", (HS, SAE 8)
50	AR53205	CLUTCH	1		

2H6

POWER TRAIN

TRANSMISSION CLUTCH VALVE (POWER SHIFT)

R12629 -UN-01JAN94



R 12629

KEY	PART NO.	PART NAME	QTY	TRACTOR SERIAL NO.	REMARKS
1	R73380	SNAP RING	1		(SUB FOR A369R)
2	24H1395	WASHER	1		25/32" X 1-7/16" X 0.060"
3	R33172	PEDAL	1	-179334	(SUB R42613)
	R42613	PEDAL	1	179335-	
4	R43684	SPRING	1		(SUB FOR R33179)
5	R33837	PIN	1		
6	34H188	SPRING PIN	1		5/16" X 1-3/4"
7	R33157	LEVER	1		
8	11M7081	COTTER PIN	2		0.098" X 0.787"
9	R33165	HOOK BOLT	1		
10	14H732	NUT	1		3/8"
11	C284R	YOKE	1		
12	R65563	PIN	1		(SUB FOR C1067R)
13	19H2055	CAP SCREW	5		7/16" X 2-1/4"
	12H293	LOCK WASHER	5		7/16"

2H7

POWER TRAIN

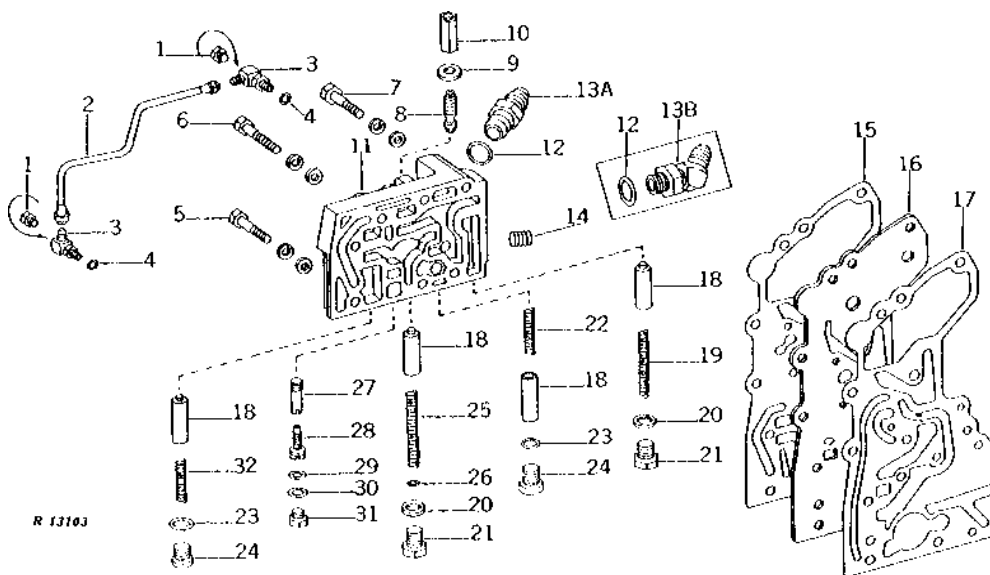
TRANSMISSION CLUTCH VALVE - CONTINUED (POWER SHIFT)

KEY	PART NO.	PART NAME	QTY	TRACTOR SERIAL NO.	REMARKS
14	19H2227	CAP SCREW	2		7/16" X 2-1/2"
	12H293	LOCK WASHER	2		7/16"
15	R27216	DRAIN PLUG	2	-075534	
	R27094	DRAIN PLUG	3	075535-	
16	R26287	O-RING	2	-075534	
	R26286	O-RING	3	075535-	
17	R33156	PIN	1		
18	B3595R	DOWEL PIN	2		
19	AF2907R	SEAL	1		
20	AR88040	HOUSING	1		(MARKED R33155, R33161, R41153, R41668, R44164 OR R67484) (SUB FOR AR33458, AR40794 OR AR45381) (ALSO ORDER 15H558)
21	T16911	SHIM	AR		
22	RE38390	SWITCH	1		NEUTRAL-START, (SUB FOR R36265, AR85323, AR89691 OR AT85153)
23	AR32128	SHAFT	1		(SUB RE19993)
24	R28401	LINK	1		
25	R33145	PIN	2		
26	AR98146	SHAFT	1		(A) (ALSO ORDER AR48689 AND (2) R28359) (SUB FOR AR27720 OR AR61609)
27	R28401	LINK	1		(A)
28	R33145	PIN	2		(A)
29A	AR27722	ARM	1	-144589	(A)
29B	AR48689	ARM	1	144590-	(A) (SUB FOR AR40929)
30	24H1287	WASHER	1		(A) 9/32" X 5/8" X 0.065"
31	12H302	LOCK WASHER	1		(A) 1/4"
32	14H786	NUT	1		(A) 1/4"
33	R98926	GASKET	1		(SUB FOR R33178, R46816 OR R51573)
34	R33164	PLATE	1		
35	T67029	GASKET	1		(SUB FOR R33177 OR R46815)
36	R33137	SHAFT	1		
37	R33521	SHIM	1		0.76MM (.030")
38	R33173	SPRING	1		
39	R33174	SPRING	1		
40	R33175	SPRING	1		
41	34H245	SPRING PIN	1		1/8" X 5/8"
42	R33136	VALVE	1		
43	R26375	O-RING	1		
44	R33138	FITTING	1		
45	R33138	FITTING	1		(A)
46	R26375	O-RING	1		(A)
47	R47509	VALVE	1		(A) (ALSO ORDER R41503 AND 34H260) (SUB FOR R31589) (SUB FOR R41502)
48	34H245	SPRING PIN	1	-145589	(A) 1/8" X 5/8"
	34H260	SPRING PIN	1	145590-	(A) 5/32" X 5/8"
49	R31725	SPRING	1		(A)
50	R41503	SHAFT	1		(A) (ALSO ORDER R47509, 34H260, R40502 AND R40503) (SUB FOR R28399)

(A) NOT REQUIRED ON TRACTORS LESS PTO.

TRANSMISSION CLUTCH REGULATING VALVE (POWER SHIFT)

R13103 -UN-01JAN94



KEY	PART NO.	PART NAME	QTY	TRACTOR SERIAL NO.	REMARKS
1	R27216	DRAIN PLUG	2	-080836	(LESS PTO)
2	AR32674	LINE	1	-080836	(PTO) (NO LONGER AVAILABLE)
3	AT32335	ELBOW FITTING	2	-080836	90° (PTO) (SUB FOR AR26746)
4	R26287	O-RING	2	-080836	
5	19H2055	CAP SCREW	4		7/16" X 2-1/4"
	12H293	LOCK WASHER	4		7/16"
	24H1325	WASHER	4		15/32" X 59/64" X 0.065"
6	19H1828	CAP SCREW	2		7/16" X 4"
	12H293	LOCK WASHER	2		7/16"
	24H1325	WASHER	2		15/32" X 59/64" X 0.065"
7	19H2055	CAP SCREW	1		7/16" X 2-1/4"
	12H293	LOCK WASHER	1		7/16"
	24H1325	WASHER	1		15/32" X 59/64" X 0.065"
8	R39587	SET SCREW	1	091000-	
9	F2846R	WASHER	1	091000-	
10	F2847R	NUT	1	091000-	
11	AR34850	HOUSING	1	-166327	(MARKED R33198, R34973 OR R34974) (SUB FOR AR34734 OR R33075)
	R41404	HOUSING	1	166328-	(SUB FOR AR44030) (ALSO ORDER 15H225)
12	F3171R	O-RING	1		
13A	R27267	FITTING	1	166328-	
13B	AR47803	ELBOW FITTING	1	-166327	60°, (SUB FOR AR32852)
14	15H624	PIPE PLUG	1	166328-	1/2"
15	R98926	GASKET	1		(SUB FOR R33178, R46816 OR R51573)
16	R33164	PLATE	1		
17	R94331	GASKET	1		(SUB FOR R33177, R46815 OR T67029)
18	R57559	VALVE	4		(ALSO ORDER R33259) (SUB FOR R33162)
19	R39808	SPRING	1		(SUB FOR R33524)
20	R1742R	WASHER	2		
21	R52589	FITTING PLUG	2		(SUB FOR R33163)
22	R28914	SPRING	1		
23	R26375	O-RING	2		
24	R33138	FITTING	2		
25	R33523	SPRING	1		
26	R33521	SHIM	AR		0.76MM (.030")
27	AR47611	ORIFICE	1		(SUB FOR T17512 OR AT19314) (SUB R45573, R10093, R34028)
28	R34028	BOLT	1		
29	R10093	O-RING	1		
30	R26286	O-RING	1		
31	R27094	DRAIN PLUG	1		
32	R26686	SPRING	1		

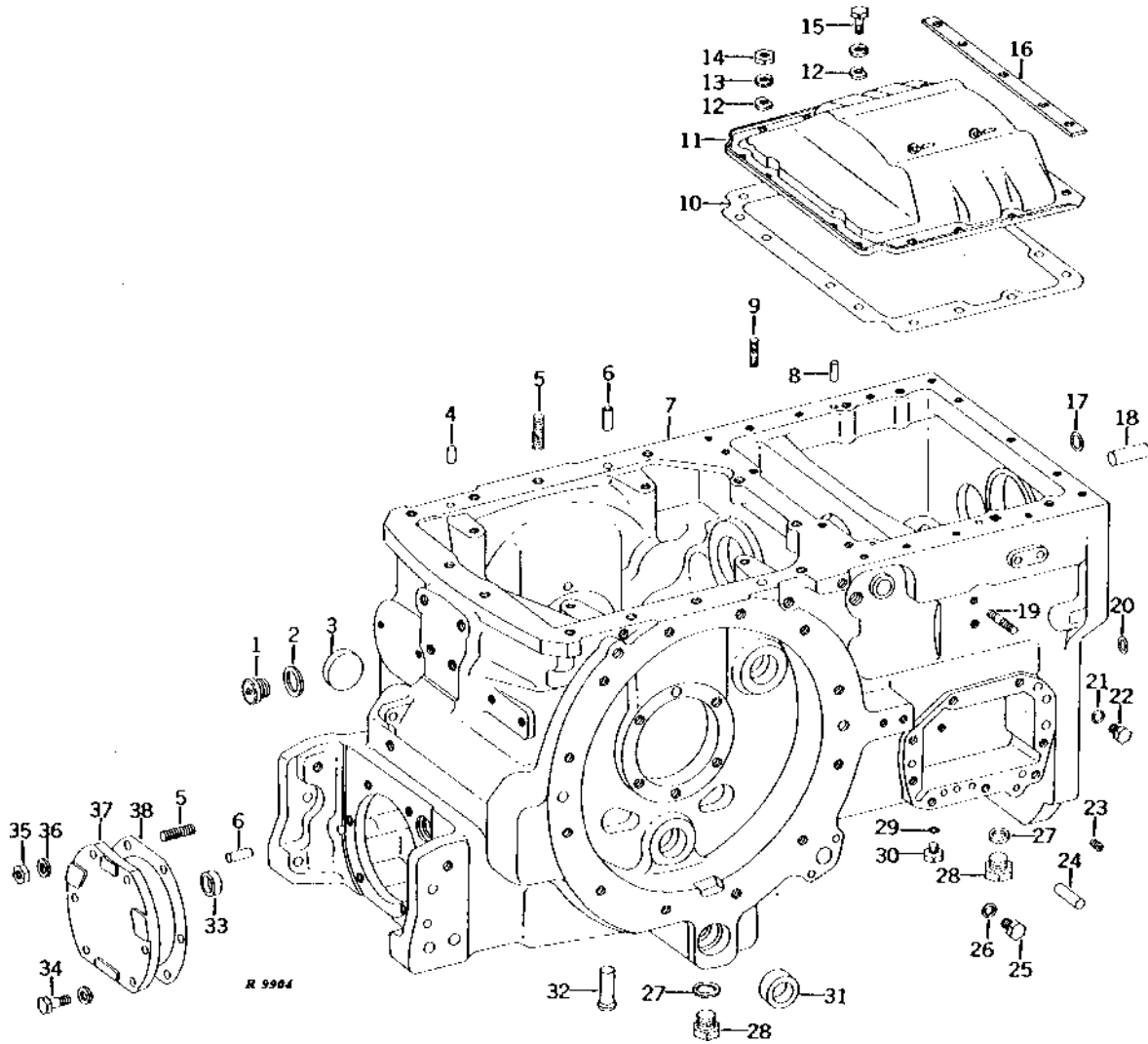
MEMORANDA

2H9

R9904

-UN-01JAN94

TRANSMISSION CASE AND COVER (POWER SHIFT)



2H10

POWER TRAIN

TRANSMISSION CASE AND COVER - CONTINUED (POWER SHIFT)

KEY	PART NO.	PART NAME	QTY	TRACTOR SERIAL NO.	REMARKS
1	R27483	PLUG	1		
2	H851R	WASHER	1		
3	R34456	CAP	1		(USE WITH 1000 RPM PTO ONLY OR LESS PTO)
4	R1612R	DOWEL PIN	4		
5	R32101	STUD	7		1/2" X 1-3/4"
6	R48685	DOWEL PIN	4		(SUB FOR A120R)
7	AR39625	TRANSMISSION CASE	1		(MARKED R33110 OR R34920) (SUB FOR AR34020) (NLA)
8	R33703	DOWEL PIN	2		
9	R32042	STUD	3		3/8" X 1-3/8"
10	R33700	GASKET	1	-155040	(SUB R40912)
	R40912	GASKET	1	155041-	
11	R33699	CUSHION COVER	1	-155040	(ALSO ORDER R21483, 19H1800 AND 12H304) (SUB FOR AR32439 OR R40911) (SUB R73989)
	R40911	COVER	1	155041-	
12	A4624R	WASHER	10		
13	12H304	LOCK WASHER	3		3/8"
14	14H812	NUT	3		3/8"
15	19H1731	CAP SCREW	12		3/8" X 1"
	12H304	LOCK WASHER	12		3/8"
16	R89720	REINFORCEMENT	1		(SUB FOR R33701)
17	R495R	O-RING	2	-067616	
	A4730R	O-RING	2	067617-	
18	A776R	PIN	2		
19	R27612	STUD	1		3/8" X 2-3/16"
20	R459R	O-RING	3		
21	R26286	O-RING	1	091000-	(A)
22	R27094	DRAIN PLUG	1	091000-	(A)
23	15H559	PIPE PLUG	2		1/4"
24	R54380	DOWEL PIN	4		(SUB FOR R26015 OR T25317)
25	R27218	FITTING PLUG	1	091000-	(A)
26	T16911	SHIM	1	091000-	(A)
27	A4827R	WASHER	2		
28	F3128R	DRAIN PLUG	2		
29	R26286	O-RING	5		
30	R27094	DRAIN PLUG	5		
31	R26505	BUSHING	2		
	R45515	BUSHING	2		0.08MM (.003") OVERSIZE
	R45516	BUSHING	2		0.15MM (.006") OVERSIZE
	R46801	BUSHING	2		0.76MM (.030") OVERSIZE
32	R31076	DOWEL PIN	1		
33	R33498	CAP	1		(USE WITH 1000 RPM PTO ONLY OR LESS PTO)
34	19H3385	CAP SCREW	4		1/2" X 1-1/8", HS, SAE 8
	12H301	LOCK WASHER	4		1/2"
35	14H1040	NUT	2		1/2"
36	12H301	LOCK WASHER	2		1/2"
37	R33489	COVER	1		(LESS PTO)
38	R33337	GASKET	1		

(A) LESS DIFFERENTIAL LOCK

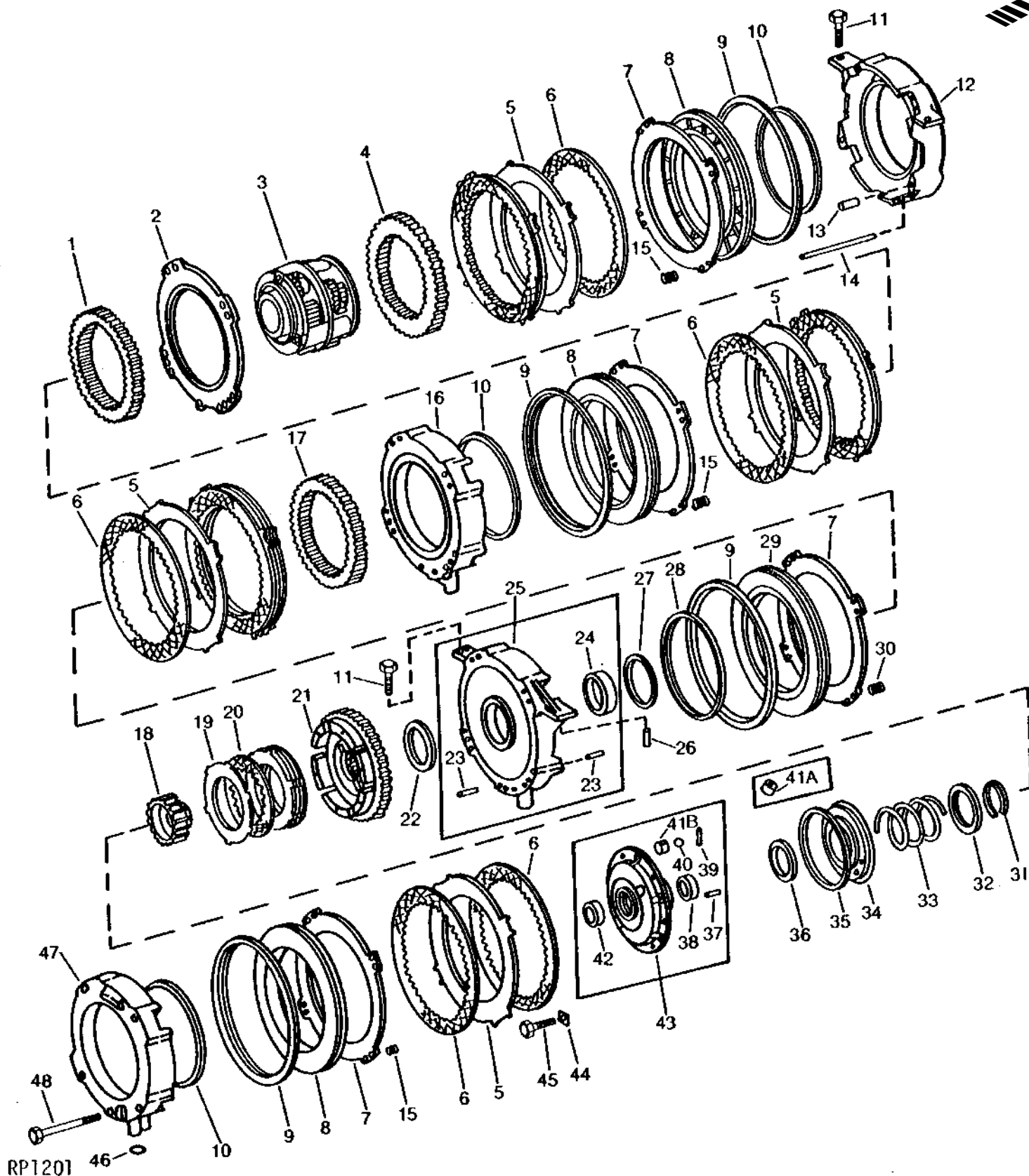
2H11

POWER TRAIN

PLANETARY BRAKES AND CLUTCH PACK (TRACTOR SERIAL NO. -XXXXXX)

RP1201

-UN-01JAN94



2H12

POWER TRAIN

PLANETARY BRAKES AND CLUTCH PACK - CONTINUED
(TRACTOR SERIAL NO. -XXXXX)

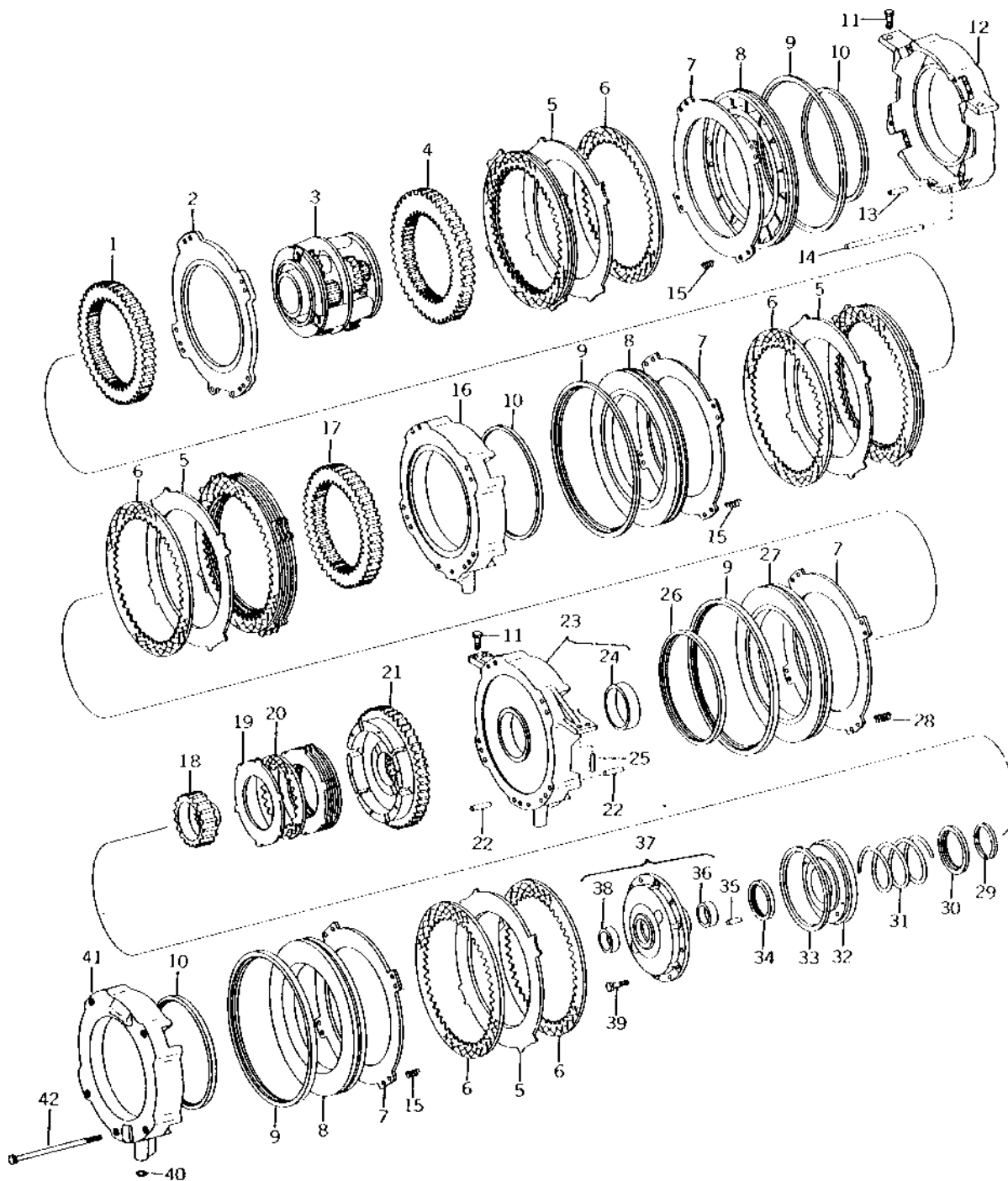
KEY	PART NO.	PART NAME	QTY	TRACTOR SERIAL NO.	REMARKS
1	R33051	RING GEAR	1		(2ND) (I.D. 8-3/8")
2	R33047	PLATE	1		
3	AR53037	PLANETARY ASSEMBLY	1		
4	R51304	GEAR	1		(1ST) (I.D. 7") (SUB FOR R33050)
5	R48236	PLATE	8		(SUB FOR R33872)
6	R33053	DISK, INNER SPLINE	12		
7	R48235	PLATE	4		(SUB FOR R33871)
8	R81494	PISTON	3		(SUB FOR R33261, R65592)
9	R65480	PACKING	4		(OUTER) (SUB FOR R33245 OR R44817)
10	R65479	PACKING	3		(INNER) (SUB FOR R33244 OR R44816)
11	19H1978	CAP SCREW	4		7/16" X 1-1/2"
12	R33039	HOUSING	1		1ST PLANET
13	R36666	DOWEL PIN	2		(SUB FOR R26198)
14	R33111	PIN	4		
15	R33054	SPRING	24		(SUB R74852)
16	R33040	HOUSING	1		(2ND PLANET)
17	R33052	GEAR	1		(3RD) (I.D. 7-7/8")
18	R33263	HUB	1		
19	R46391	CLUTCH PLATE	4		(SUB FOR R33873)
20	RE23000	CLUTCH DISK	4		(SUB FOR R31404) (SUB RE27995)
21	R33048	DRUM	1	-137863	(SUB R41174)
	R41174	DRUM	1	137864-	
22	R33113	WASHER	1	-137863	
23	R36666	DOWEL PIN	4		(SUB FOR R26198)
24	R33045	BUSHING	1		
25	AR32105	HOUSING	1	-149874	3RD PLANET, (MARKED R33041) (ALSO ORDER (4) R36666)
	AR79681	HOUSING	1	149875-	3RD PLANET, (MARKED R41377 OR R64148) (SUB FOR AR40986) (ALSO ORDER (4) R36666)
26	R33703	DOWEL PIN	2		
27	R33095	WASHER	1	-149874	
28	R65479	PACKING	1	-149874	(SUB FOR R33244 OR R44816) INNER
	R65478	PACKING	1	149875-	(SUB FOR R41379 OR R44815) INNER
29	R81494	PISTON	1	-149874	(SUB R65592)
	R41378	PISTON	1	149875-	(SUB R65591)
30	H343R	SPRING	8		
31	R33247	SNAP RING	1		
32	R33114	BUSHING	1		
33	R66612	SPRING	1		(SUB FOR R31359)
34	R33262	PISTON	1	-188217	(SUB R41039 AND R120838)
	R41039	PISTON	1	188218-	(SUB FOR R41165)
35	R33059	SEALING WASHER	1	-188217	
	R41166	SEAL	1	188218-	(SUB R120838)
36	R33246	SEAL	1		
37	R44742	DOWEL PIN	1		
38	R79077	BUSHING	1		(SUB FOR R34611 OR R67875)
39	R68823	DOWEL PIN	1	XXXXXX-	
40	400R	BALL	1		6MM (1/4")
41A	R40426	CAP	1	-XXXXXX	
41B	R68824	SEAT	1	XXXXXX-	
42	R79078	BUSHING	1		(SUB FOR R34612 OR R67876)
43	AR89865	HOUSING	1		(MARKED R33012) (SUB FOR AR32104) (ALSO ORDER R120838 AND R41039)
44	R33115	LOCK PLATE	6		
45	19H1905	CAP SCREW	6		5/16" X 1"
46	R459R	O-RING	4		
47	R33042	HOUSING	1		4TH PLANET
48	19H3394	CAP SCREW	5		3/8" X 8"

2H13

R24463

-UN-01JAN94

PLANETARY BRAKES AND CLUTCH PACK (TRACTOR SERIAL NO. XXXX-)



R 2H13

2H14

POWER TRAIN

PLANETARY BRAKES AND CLUTCH PACK - CONTINUED
(TRACTOR SERIAL NO. XXXXX-)

KEY	PART NO.	PART NAME	QTY	TRACTOR SERIAL NO.	REMARKS
1	R33051	RING GEAR	1		2ND PLANET
2	R33047	PLATE	1		
3	PLANETARY ASSEMBLY	1		
4	R51304	GEAR	1		(SUB FOR R33050) 1ST PLANET
5	R48236	PLATE	8		
6	R33053	DISK, INNER SPLINE	12		
7	R48235	PLATE	4		
8	R81494	PISTON	3		(SUB FOR R33261 OR R65592)
9	R65480	PACKING	4		(SUB FOR R44817) (OUTER)
10	R65479	PACKING	3		(SUB FOR R44816) (INNER)
11	19H1978	CAP SCREW	4		7/16" X 1-1/2"
12	R33039	HOUSING	1		1ST PLANET
13	R36666	DOWEL PIN	2		(SUB FOR R26198)
14	R33111	PIN	4		
15	R33054	SPRING	24		(SUB R74852)
16	R33040	HOUSING	1		(2ND PLANET)
17	R49261	GEAR	1		(3RD PLANET)
18	R49498	HUB	1		
19	R46391	CLUTCH PLATE	5		
20	RE23000	CLUTCH DISK	5		(SUB FOR R31404) (SUB RE27995)
21	R49496	DRUM	1		
22	R36666	DOWEL PIN	4		(SUB FOR R26198)
23	AR79681	HOUSING	1		(MARKED R41377 OR R64148) (SUB FOR AR40986)
24	R33045	BUSHING	1		
25	R33703	DOWEL PIN	2		
26	R65478	PACKING	1		(SUB FOR R44815) (INNER)
27	R65591	PISTON	1		(SUB FOR R41378)
28	H343R	SPRING	8		
29	R33247	SNAP RING	1		
30	R33114	BUSHING	1		
31	R66612	SPRING	1		(SUB FOR R31359)
32	R72260	PISTON	1		(SUB FOR R49499)
33	R41166	SEAL	1		(SUB R120838)
34	R33246	SEAL	1		
35	R30587	DOWEL PIN	1		
36	R79077	BUSHING	1		(SUB FOR R33013, R34611 OR R67875)
37	AR94996	HOUSING	1		(ALSO ORDER R72260) (MARKED R49497) (SUB FOR AR53228 OR AR89866)
38	R79078	BUSHING	1		(SUB FOR R33014, R34612 OR R67876)
39	R41168	CAP SCREW	6		(SUB R112872)
40	R459R	O-RING	4		
41	R33042	HOUSING	1		4TH PLANET
42	19H3394	CAP SCREW	5		3/8" X 8"

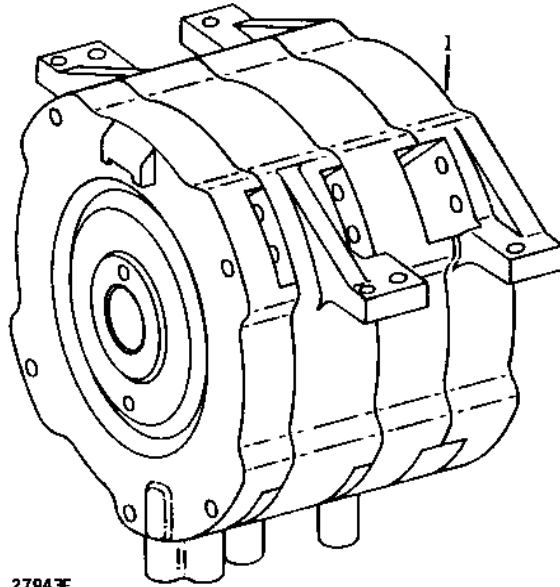
2H15

POWER TRAIN

TRANSMISSION PLANETARY (POWER SHIFT)

R27943

-UN-01JAN94



R 27943F

KEY	PART NO.	PART NAME	QTY	TRACTOR SERIAL NO.	REMARKS
1	AR95767	PLANETARY ASSEMBLY	1		(SUB FOR AR52740, AR53207 OR AR89859) (SUB AR98254)

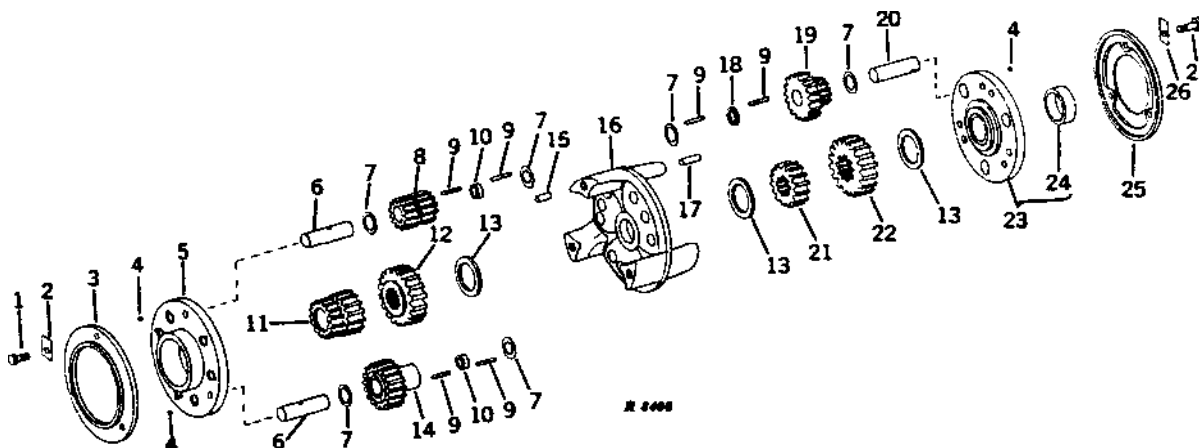
2H16

POWER TRAIN

R8406

-UN-12OCT94

PLANETARY ASSEMBLY (TRACTOR SERIAL NO. -XXXXXX)

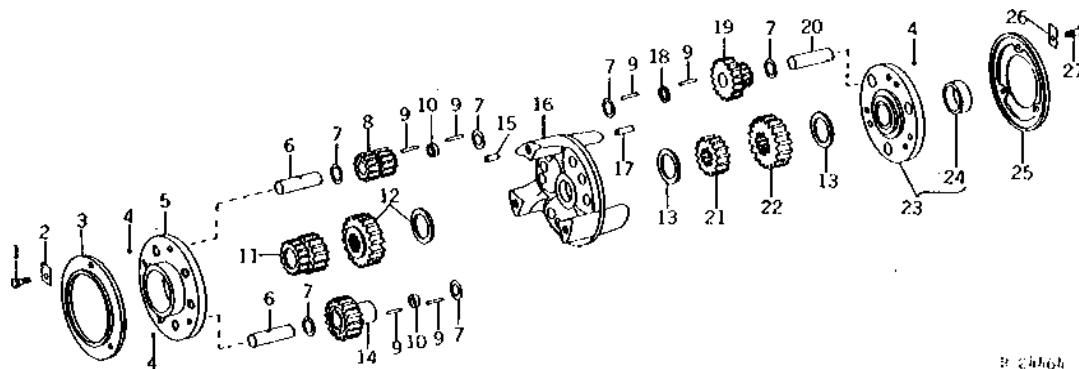


KEY	PART NO.	PART NAME	QTY	TRACTOR SERIAL NO.	REMARKS
1	R34583	CAP SCREW	3		
2	R1888R	STRAP	3		
3	R33082	RETAINER	1		
4	H871R	BALL	9	4.76MM (3/16")	
5	R33011	COVER	1		(REAR)
6	R33093	SHAFT	6		
7	R66197	THRUST WASHER	18		(SUB FOR R33087 OR R43216)
8	R33085	PINION	3		
9	R33058	NEEDLE ROLLER	558		
10	R33094	WASHER	6		
11	R33112	PINION	1		4TH PLANET SUN, (USE WITH AR53207) (24 TEETH)
12	R48109	PLANET PINION	1		3RD PLANET SUN, (SUB FOR R33092)
13	R33083	THRUST WASHER	3		
14	R33086	PINION	3		4TH PLANET
15	R33089	BUSHING	3		
16	AR34043	PLANET PINION CARRIER	1		(SUB R33009) (ALSO ORDER (3) R26650 AND (3) R33089) (SUB FOR A4879R)
17	R26650	DOWEL PIN	3		
18	R33088	WASHER	3		
19	R51303	PINION	3		1ST AND 2ND PLANET, (SUB FOR AR40518, AR49532 OR AR55423)
20	R33079	PIN	3		
21	R33091	PLANET PINION	1		2ND PLANET SUN
22	R33588	PLANET PINION	1		1ST PLANET SUN
23	AR32103	COVER	1		(MARKED R33007) FRONT
24	R49372	BUSHING	1		(SUB FOR R33008)
25	R51718	RETAINER	1		(SUB FOR R33081) FRONT
26	R30920	PLATE	3		
27	19H1732	CAP SCREW	3	3/8" X 1-1/4"	
..	AR53037	PLANETARY ASSEMBLY	1		(INCLUDES ALL ABOVE PARTS)

2H17

R24464 -UN-01JAN94

PLANETARY ASSEMBLY (TRACTOR SERIAL NO. XXXXX-)



KEY	PART NO.	PART NAME	QTY	TRACTOR SERIAL NO.	REMARKS
1	R34583	CAP SCREW	3		
2	R1888R	STRAP	3		
3	R33082	RETAINER	1		REAR
4	H871R	BALL	9		4.76MM (3/16")
5	R33011	COVER	1		REAR
6	R33093	SHAFT	6		
7	R66197	THRUST WASHER	18		(SUB FOR R43216)
8	R49259	PINION	3		3RD PLANET
9	R33058	NEEDLE ROLLER	558		
10	R33094	WASHER	6		
11	R49258	PINION	1		4TH PLANET SUN, (USE WITH AR52740) (22 TEETH)
12	AR52728	PINION	1		3RD PLANET SUN, (SUB AR103343)
13	R33083	THRUST WASHER	2		
14	R49260	PINION	3		4TH PLANET
15	R33089	BUSHING	3		
16	R49263	PLANET PINION CARRIER	1		
17	R26650	DOWEL PIN	3		
18	R33088	WASHER	3		
19	R51303	PINION	3		1ST AND 2ND PLANET, (SUB FOR AR55423)
20	R33079	PIN	3		
21	R33091	PLANET PINION	1		2ND PLANET SUN
22	R33588	PLANET PINION	1		1ST PLANET SUN
23	AR32103	COVER	1		(MARKED R33007) FRONT
24	R49372	BUSHING	1		(SUB FOR R33008)
25	R51718	RETAINER	1		(SUB FOR R33081) FRONT
26	R30920	PLATE	3		
27	19H1732	CAP SCREW	3		3/8" X 1-1/4"

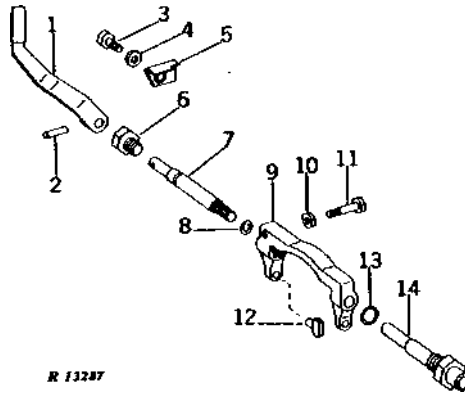
2H18

POWER TRAIN

TRANSMISSION DISCONNECT SHIFTER YOKE AND LEVER (POWER SHIFT)

R13287

-UN-01JAN94



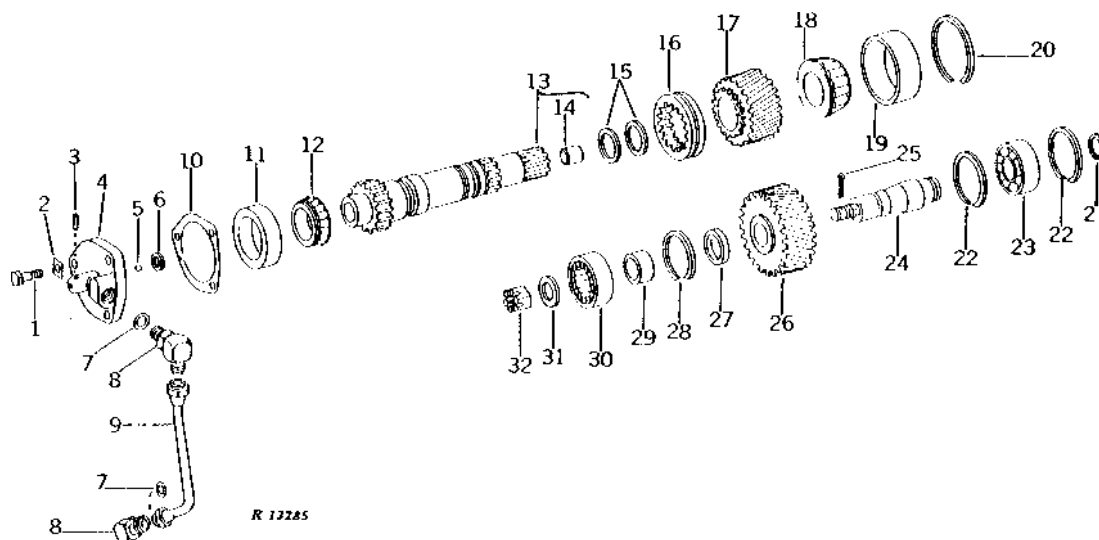
KEY	PART NO.	PART NAME	QTY	TRACTOR SERIAL NO.	REMARKS
1	AR32641	LEVER	1	(NLA)	
2	34H312	SPRING PIN	1	1/4" X 1"	
3	19H2021	CAP SCREW	1	3/8" X 5/8"	
4	24H1652	WASHER	1	13/32" X 11/16" X 7/64"	
5	AR32642	STOP	1		
6	R33228	RETAINER	1		
7	R33227	PIN	1	(NLA) L.H.	
8	T11934	O-RING	1	(SUB R33259)	
9	R41171	YOKE	1	(SUB FOR R33266)	
10	14H812	NUT	1	3/8"	
11	19H2791	CAP SCREW	1	3/8" X 1-3/4"	
12	R33240	PIN	2		
13	R41623	WASHER	1		
14	R42492	SHAFT	1	R.H. (SUB FOR R33226)	

2H19

POWER TRAIN

TRANSMISSION GEAR REDUCTION AND IDLER GEAR AND SHAFT (POWER SHIFT)

R13285 -UN-01JAN94



KEY	PART NO.	PART NAME	QTY	TRACTOR SERIAL NO.	REMARKS
1	19H2964	CAP SCREW	3		7/16" X 1-1/8"
2	A4605R	PLATE	3		
3	R33058	NEEDLE ROLLER	1		
4	R33241	RETAINER	1		
5	R42849	BALL	1		9.53MM (3/8") (SUB FOR 405R)
6	R33248	PISTON RING	1		
7	R26375	O-RING	2		
8	AT32332	ELBOW FITTING	2		90°, (SUB FOR AR26763)
9	AR32149	HYDRAULIC LINE	1		
10	R33256	SHIM	AR		0.08MM (.003")
	R33257	SHIM	AR		0.12MM (.005")
	R33258	SHIM	AR		0.25MM (.010")
11	JD7282	BEARING CUP	1		
12	JD8155	BEARING CONE	1		
13	R33265	SHAFT	1	-171291	(SUB RE55585 AND R44814) REDUCTION GEAR
	AR48680	SHAFT	1	171292-	(SUB FOR AR41747) (SUB RE55585) REDUCTION GEAR
14	R30713	BUSHING	1	171292-	
15	R33255	PISTON RING	2		
16	R33223	SHIFT COLLAR	1		
17	R45600	GEAR	1		(SUB FOR R33264)
18	JD8907	BEARING CONE	1		
19	JD8268	BEARING CUP	1		
20	R35377	SNAP RING	1		
21	B1402R	SNAP RING	1		
22	M3649T	SNAP RING	2		
23	JD9270	BALL BEARING	1		(SUB FOR JD7670)
24	R33218	SHAFT	1		IDLER GEAR (NLA)
25	11M7086	COTTER PIN	1		0.098" X 1.969"
26	R33913	GEAR	1		
27	R33221	WASHER	1		(NLA)
28	F2367R	SNAP RING	1		
29	JD7561	BEARING RACE	1		INNER
30	JD7951	BEARING	1		(SUB AT151388)
31	B3310R	WASHER	1		
32	14H1086	NUT	1		3/4"

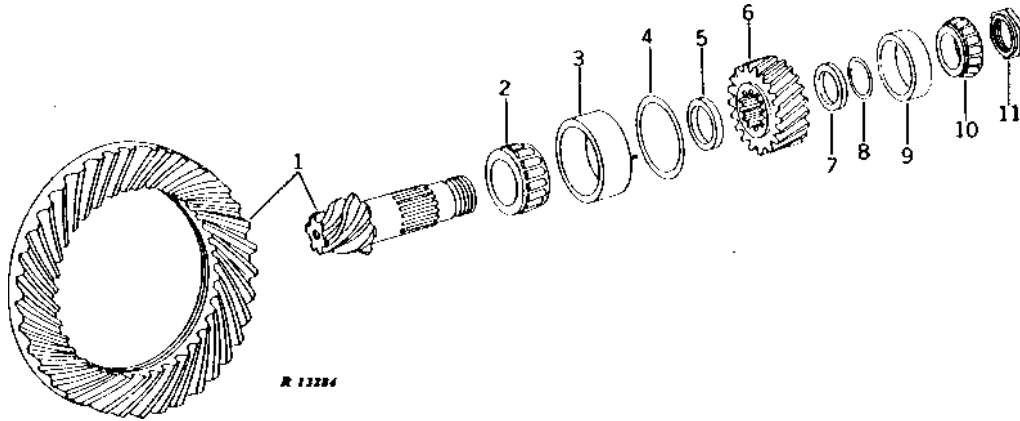
2H20

POWER TRAIN

TRANSMISSION DIFFERENTIAL DRIVE (POWER SHIFT)

R13284

-UN-01JAN94



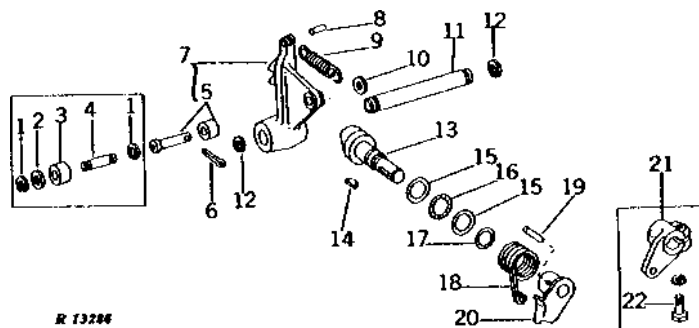
KEY	PART NO.	PART NAME	QTY	TRACTOR SERIAL NO.	REMARKS
1	AR32465	GEAR	1		(MARKED R33062 AND R33006) (MATCHED SET)
2	JD8970	BEARING CONE	1		
3	JD8264	BEARING CUP	1		
4	R26227	SHIM	AR	0.08MM (.003")	
	R26228	SHIM	AR	0.12MM (.005")	
	R26229	SHIM	AR	0.25MM (.010") (SUB R26228)	
5	R38178	BUSHING	1		(SUB FOR R33119)
6	R33049	GEAR	1		
7	R33121	WASHER	1		
8	R33413	SHIM	AR	0.08MM (.003")	
	R33414	SHIM	AR	0.12MM (.005")	
	R33415	SHIM	AR	0.25MM (.010")	
9	JD8258	BEARING CUP	1		
10	JD8971	BEARING CONE	1		
11	R51200	LOCK NUT	1		(SUB FOR R33219)

2H21

POWER TRAIN

TRANSMISSION LOCK (POWER SHIFT)

R13286 -UN-01JAN94

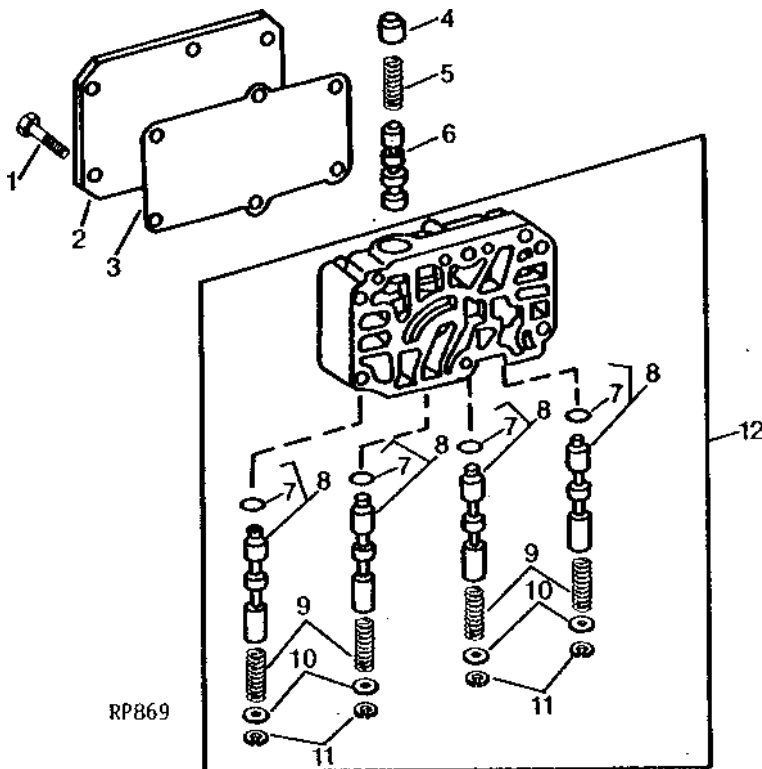


KEY	PART NO.	PART NAME	QTY	TRACTOR SERIAL NO.	REMARKS
1	F2208R	SNAP RING	2	-185916	
2	24H1227	WASHER	1	-185916	17/32" X 13/16" X 0.060"
3	R66670	ROLLER	1	-185916	(SUB FOR R34370)
4	R34371	SHAFT	1	-185916	(SUB AR44553)
5	AR44553	PIN	1	185917-	
6	11M7021	COTTER PIN	1	185917-	0.157" X 0.984"
7	R33267	PAWL	1	-185916	(SUB RE16369)
	AR44551	PAWL	1	185917-	(MARKED R42484) (SUB RE16369)
	34H311	SPRING PIN	1	185917-	1/4" X 7/8"
9	R33251	SPRING	1	-185916	
	R79985	SPRING	1	185917-	(SUB FOR R42485, R50575 OR R76504)
10	24H1227	WASHER	1	185917-	17/32" X 13/16" X 0.060"
11	AR55157	SHAFT	1		(SUB FOR R33237)
12	B169R	SNAP RING	2	-XXXXXX	
13	R33238	CAM	1	-152460	
	R41170	CAM	1	152461-185916	(SUB RE12162, R42491, R42492 AND 34H314)
	R42491	CAM	1	185917-	
14	26H14	SHAFT KEY	1	-152460	3/16" X 3/4"
15	JD9812	THRUST BEARING	2		(SUB FOR R33253)
16	JD8856	NEEDLE BEARING	1		(SUB FOR R33252)
17	B2762R	O-RING	1		
18	R41131	TORSION SPRING	1	152461-	
19	34H268	SPRING PIN	1	152461-185916	5/32" X 1-1/4"
	34H314	SPRING PIN	1	185917-	1/4" X 1-1/4"
20	AR40791	ARM	1	-185916	(SUB RE12162, R42491, R42492 AND 34H314)
	AR81571	ARM	1	185917-	(SUB FOR AR44554 OR AR40791) (SUB RE12162)
21	R33239	ARM	1	-152460	
22	19H1732	CAP SCREW	1	-152460	3/8" X 1-1/4"
	12H304	LOCK WASHER	1	-152460	3/8"

2H22

RP869 -UN-01JAN94

TRANSMISSION SHIFT VALVE (POWER SHIFT)

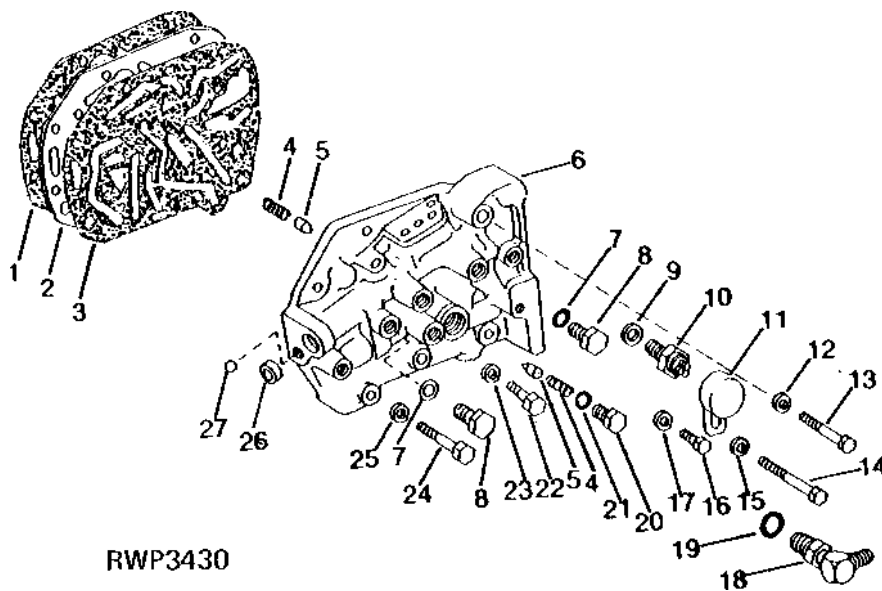


KEY	PART NO.	PART NAME	QTY	TRACTOR SERIAL NO.	REMARKS
1	19H1949	CAP SCREW	6	5/16" X 2-1/2"	
2	R33307	COVER	1		
3	R92474	GASKET	1		(SUB FOR R33276 OR R68821)
4	R34175	BOLT	1		
5	R51201	SPRING	1		(SUB FOR R33284)
6	R48647	VALVE	1		(SUB FOR R33306)
7	R35155	O-RING	4		
8	AR52251	VALVE	4		(SUB FOR R33293 OR AR48589) (SUB R48769 AND R35155)
9	R47393	SPRING	4		(SUB FOR R33280)
10	R48013	WASHER	4		(SUB FOR R33294)
11	R33282	SNAP RING	4		
12	AR52335	HOUSING	1		(MARKED R33077)

2H23

TRANSMISSION CONTROL VALVE (POWER SHIFT)

RWP3430 -UN-01JAN94



RWP3430

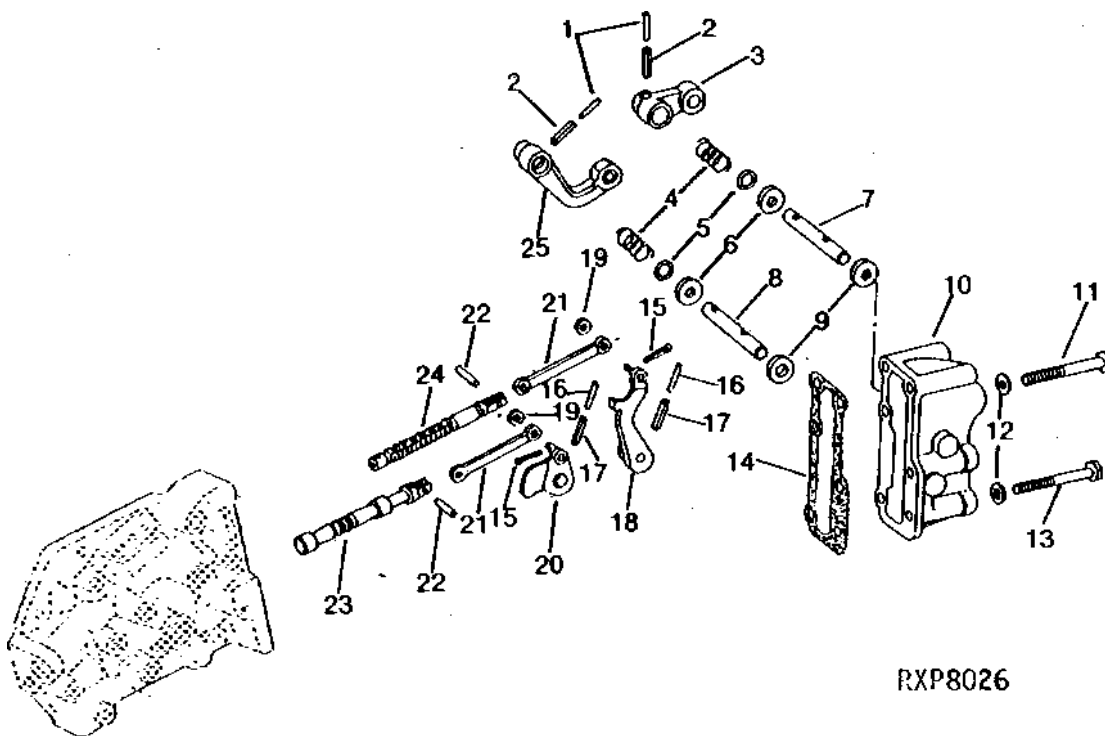
KEY	PART NO.	PART NAME	QTY	TRACTOR SERIAL NO.	REMARKS
1	R94321	GASKET	1		(SUB FOR R33273, R46817, R50567 OR R68817)
2	R50566	PLATE	1		(SUB FOR R33304)
3	R100308	GASKET	1		(SUB FOR R33274, R46818, R50568 OR R68818)
4	R33277	SPRING	4		
5	R42697	DETENT	4		(SUB FOR R33305)
6	AR49709	HOUSING	1		(MARKED R33076 OR R47159) (SUB FOR AR33890)
7	R26286	O-RING	2		
8	R27094	DRAIN PLUG	2		
9	T16911	SHIM	AR	075535-	
10	RE38390	SWITCH	1	075535-	NEUTRAL START, (SUB FOR R36265, AR85323, AR89691 OR AT85153)
11	AR34663	COVER	1	075535-	NEUTRAL START
12	12H304	LOCK WASHER	1		3/8"
13	19H2023	CAP SCREW	1		3/8" X 3-1/4"
14	19H2228	CAP SCREW	1		3/8" X 4"
15	12H304	LOCK WASHER	1		3/8"
16	19H1765	CAP SCREW	2		3/8" X 1-3/4"
17	12H304	LOCK WASHER	2		3/8"
18	AR35712	ELBOW FITTING	1		90°
19	R26906	O-RING	1		
20	R27218	FITTING PLUG	2		
21	R26448	O-RING	2		
22	19H1732	CAP SCREW	1		3/8" X 1-1/4"
	19H1800	CAP SCREW	1		3/8" X 1-1/2"
23	12H304	LOCK WASHER	2		3/8"
24	19H2128	CAP SCREW	2	-154940	3/8" X 3"
	19H1732	CAP SCREW	2	154941-	3/8" X 1-1/4"
25	12H304	LOCK WASHER	2		3/8"
26	A3910R	CAP	1		
27	D2361R	BALL	1		12.7MM (1/2")

2H24

POWER TRAIN

TRANSMISSION CONTROL VALVE COVER, CONTROL VALVES, AND ARMS (POWER SHIFT)

RXP8026 -UN-01JAN94

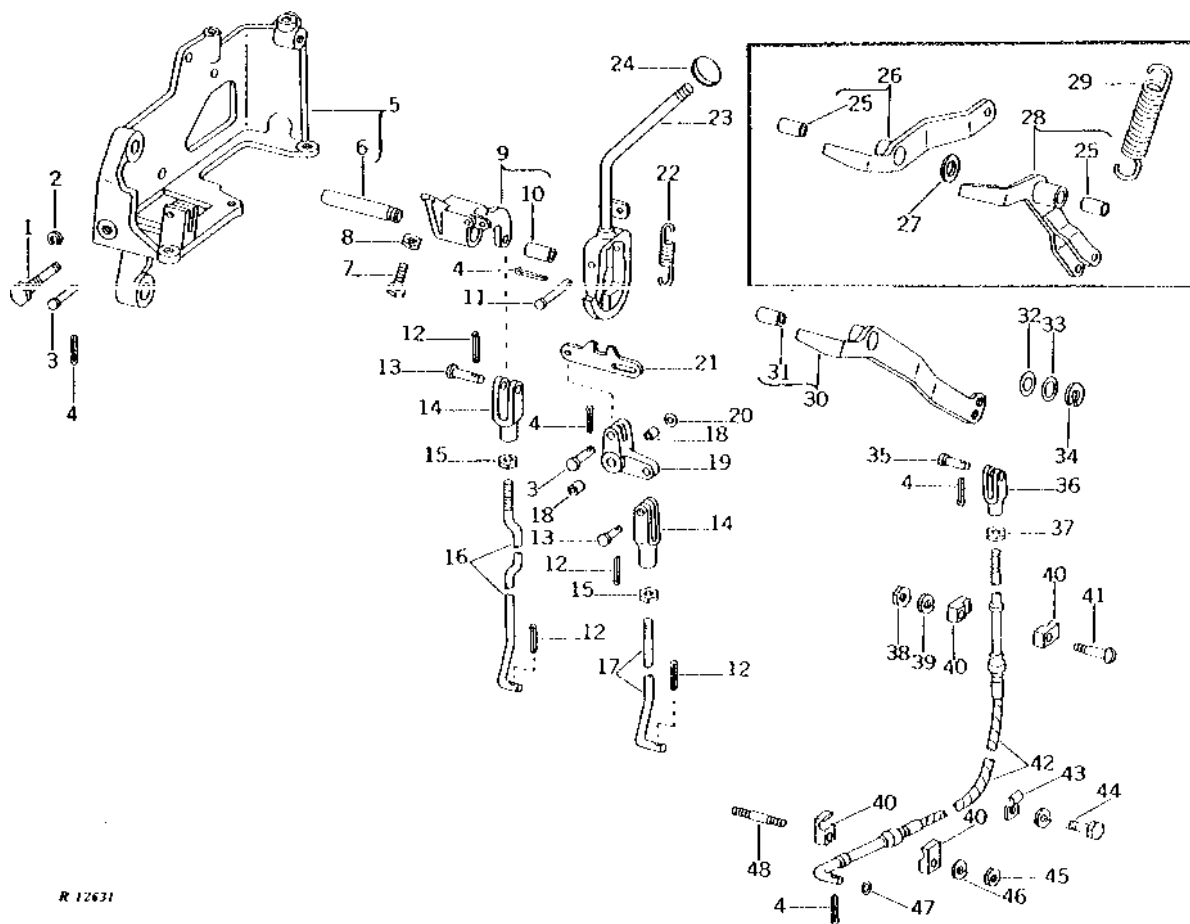


RXP8026

KEY	PART NO.	PART NAME	QTY	TRACTOR SERIAL NO.	REMARKS
1	34H252	SPRING PIN	2	1/8" X 1-1/4"	
2	34H299	SPRING PIN	2	7/32" X 1-1/4"	
3	R49817	LEVER	1	(ALSO ORDER RE22320, R49819, 34H297, 34H251, 34H299 AND 34H252) (SUB FOR R33272)	
4	F3221R	SPRING	2		
5	24H1359	WASHER	2	5/8" X 7/8" X 0.060"	
6	R36364	WASHER	2	FELT	
7	R49819	PIN	1	(ALSO ORDER RE22320, R49817, 34H297, 34H251, 34H299 AND 34H252) (SUB FOR R33287)	
8	R49819	PIN	1	(ALSO ORDER RE21304, R49816, 34H297, 34H251, 34H299 AND 34H252) (SUB FOR R33287)	
9	R33587	SEAL	2	(SUB AR103873)	
10	AR45255	COVER	1	(SUB R33268 OR R44030)	
	R26287	O-RING	1		
	R27216	DRAIN PLUG	1	(SUB FOR R31631)	
11	19H1854	CAP SCREW	1	3/8" X 3-3/4"	
12	24M7096	WASHER	6	10.500 X 18 X 1.600 MM	
13	19H2023	CAP SCREW	5	3/8" X 3-1/4"	
14	R33275	GASKET	1		
15	11M7077	COTTER PIN	2	0.063" X 0.984"	
16	34H251	SPRING PIN	2	1/8" X 1"	
17	34H282	SPRING PIN	2	3/16" X 1", (USE WITH AR32154 OR AR32155)	
	34H297	SPRING PIN	2	7/32" X 1"	
18	RE22319	ARM	1	(ALSO ORDER R49816, R49819, 34H397, 34H251, 34H299 34H252, UNLESS PREVIOUSLY INSTALLED, (SUB FOR AR32155 OR AR53840)	
19	24H1287	WASHER	2	9/32" X 5/8" X 0.065"	
20	RE22320	ARM	1	(ALSO ORDER R49817, R49819, 34H297, 34H251, 34H299 AND 34H252, UNLESS PREVIOUSLY INSTALLED) (SUB FOR AR32154 OR AR53841)	
21	R33290	LINK	2		
22	34H309	SPRING PIN	2	1/4" X 5/8"	
23	R82024	VALVE	1	(SUB FOR R33291 OR R72411)	
24	R48370	VALVE	1	(SUB FOR R33292)	
25	R49816	LEVER	1	(ALSO ORDER RE21304, R49819, 34H297, 34H251, 34H299 AND 34H252) (SUB FOR R33271)	

TRANSMISSION SHIFTER CONTROL (POWER SHIFT)

R12631 -UN-01JAN94



R 12631

KEY	PART NO.	PART NAME	QTY	TRACTOR SERIAL NO.	REMARKS
1	R34346	SCREW	1		
2	F3396R	SNAP RING	1		
3	T16193	PIN	2		
4	11M7079	COTTER PIN	5		(SUB FOR R33301) 0.098" X 0.472"
5	AR32315	BRACKET	1	-152460	R.H. (MARKED R33597) (NO LONGER AVAILABLE)
	AR41207	BRACKET	1	152461-	R.H. (MARKED R33597) (NLA)
	F2030R	BUSHING	1		
6	R33601	PIN	1	-152460	
	R41510	PIN	1	152461-	
7	19H1905	CAP SCREW	1		5/16" X 1"
8	14H611	NUT	1		5/16"
9	AR32812	PIVOT	1		(MARKED R33269)
10	R653R	BUSHING	1		
11	R29340	PIN	1		
12	11M7081	COTTER PIN	4		0.098" X 0.787"
13	R65563	PIN	2		(SUB FOR C1067R)
14	M80373	YOKE	2		(SUB FOR L324T)
15	14H774	NUT	2		3/8"
16	R33302	ROD	1		CONTROL VALVE
17	R33303	ROD	1		REVERSE VALVE
18	R36318	WASHER	2		
19	AR32815	LEVER	1		REVERSE VALVE, (MARKED R33270)
20	24H1302	WASHER	1		13/32" X 11/16" X 0.035"

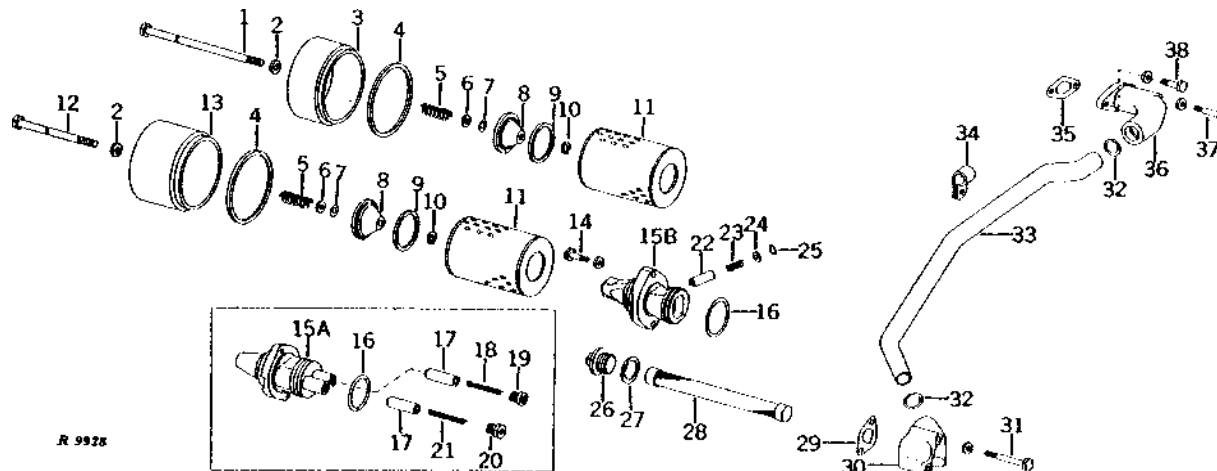
**TRANSMISSION SHIFTER CONTROL - CONTINUED
(POWER SHIFT)**

KEY	PART NO.	PART NAME	QTY	TRACTOR SERIAL NO.	REMARKS
21	R33309	LINK	1	-160786	(SUB AR42292)
	AR42292	LINK	1	160787-	
22	R33278	SPRING	1		
23	AR32396	LEVER	1	-160786	(SUB AR42290)
	AR42290	LEVER	1	160787-	(NLA)
24	R60458	KNOB	1		(SUB FOR F2861R)
25	R653R	BUSHING	2	-152460	
26	AR40917	ARM	1	-152460	TRANSMISSION LOCK, INNER, (SUB FOR AR34312)
27	24H1375	WASHER	1	-152460	11/16" X 1-1/8" X 0.060"
28	AR34313	ARM	1	-152460	TRANSMISSION LOCK, OUTER
29	R33279	SPRING	1	-152460	
30	AR41182	ARM	1	152461-	
31	R653R	BUSHING	1	152461-	
32	24H1366	WASHER	AR		21/32" X 1-1/8" X 0.036"
33	24H1658	WASHER	AR		21/32" X 1" X 0.060"
34	A4883R	RING	1		
35	R72660	PIN	1		(SUB FOR R662R)
36	M3742T	YOKE	1		
37	14H649	NUT	1		1/4"
38	14H785	NUT	1		5/16"
39	12H303	LOCK WASHER	1		5/16"
40	T33483	CLAMP	4		(SUB FOR T19036)
41	03H1790	BOLT	1		5/16" X 1-1/2"
42	AR39676	PUSH PULL CABLE	1		(SUB FOR R33281)
	R39725	SEAL	2		
	R39726	SEAL	1		
	R39727	SEAL	1		
43	R27747	CLAMP	1		
44	19H1227	CAP SCREW	1		1/4" X 1/2"
	12H302	LOCK WASHER	1		1/4"
45	14H1076	NUT	1		3/8"
46	12H304	LOCK WASHER	1		3/8"
47	B1664R	SHIM	1		
48	R27612	STUD	1		3/8" X 2-3/16"

OIL FILTER AND TRANSMISSION OIL PUMP INTAKE (POWER SHIFT)

R9928

-UN-01JAN94



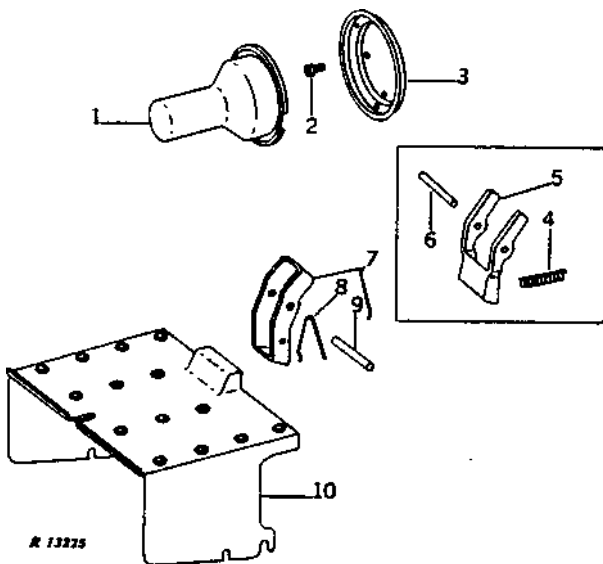
KEY	PART NO.	PART NAME	QTY	TRACTOR SERIAL NO.	REMARKS
1	R54750	CAP SCREW	1		(SUB FOR R26322 OR R39795)
2	R32403	SEAL	2	-090999	
	R394R	O-RING	2	091000-	
3	R39794	COVER	1		(ALSO ORDER R54750, R394R AND R34733) (SUB FOR R26319)
4	R39596	WASHER	2	-090999	(SUB FOR R1572R)
	R34733	LOCK WASHER	2	091000-	
5	R66064	SPRING	2		(SUB FOR R1769R)
6	24H1227	WASHER	2		17/32" X 13/16" X 0.060"
7	R394R	O-RING	2		
8	R65892	RETAINER	2		
9	R28594	WASHER	2		
10	R32507	SNAP RING	2		
11	AR75603	FILTER ELEMENT	2		(SUB FOR AR28271 OR AR75601)
12	R54751	CAP SCREW	1		(SUB FOR R34291 OR R39797)
13	R39796	COVER	1		(ALSO ORDER R54751, R394R AND R34733) (SUB FOR R34290)
14	19H1800	CAP SCREW	2		3/8" X 1-1/2"
	12H304	LOCK WASHER	2		3/8"
15A	R33606	HOUSING	1	-090999	
15B	R54962	HOUSING	1	091000-	(SUB FOR R39586)
16	U12198	O-RING	1		
17	R57559	VALVE	2	-090999	(ALSO ORDER R33259) (SUB FOR R33162)
18	R26686	SPRING	1	-090999	(BYPASS VALVE)
19	R33138	FITTING	1	-090999	(BYPASS VALVE)
20	R46979	PLUG	1	-090999	(RELIEF VALVE) (SUB FOR R34289 OR R39807) (SUB T55452 AND T55451)
21	R39808	SPRING	1	-090999	(RELIEF VALVE) (SUB FOR R33524)
22	R57559	VALVE	1	091000-	BYPASS, (ALSO ORDER R33259) (SUB FOR R33162)
23	R26686	SPRING	1	091000-	
24	R48013	WASHER	1	091000-	(SUB FOR R33294)
25	R33282	SNAP RING	1	091000-	

**OIL FILTER AND TRANSMISSION OIL PUMP INTAKE - CONTINUED
(POWER SHIFT)**

KEY	PART NO.	PART NAME	QTY	TRACTOR SERIAL NO.	REMARKS
26	R40147	FITTING	1		(SUB FOR A4806R)
27	A4808R	WASHER	1		
28	R53169	SCREEN	1		(NYLON)
	AR26375	SCREEN	1		(STEEL)
29	R28110	GASKET	1		
30	R33911	ADAPTER	1		
31	19H1944	CAP SCREW	2		3/8" X 2-3/4"
	12H304	LOCK WASHER	2		3/8"
32	A3606R	O-RING	2		
33	R33361	HYDRAULIC LINE	1		INTAKE
34	R33364	CLAMP	1		
35	R33363	GASKET	1		
36	AR41885	ADAPTER	1		(SUB FOR R33362)
37	19H1765	CAP SCREW	1		3/8" X 1-3/4"
	12H304	LOCK WASHER	1		3/8"
38	19H1732	CAP SCREW	1		3/8" X 1-1/4"
	12H304	LOCK WASHER	1		3/8"

540 RPM AND 1000 RPM PTO MASTER SHIELD AND REAR GUARD
(POWER SHIFT)

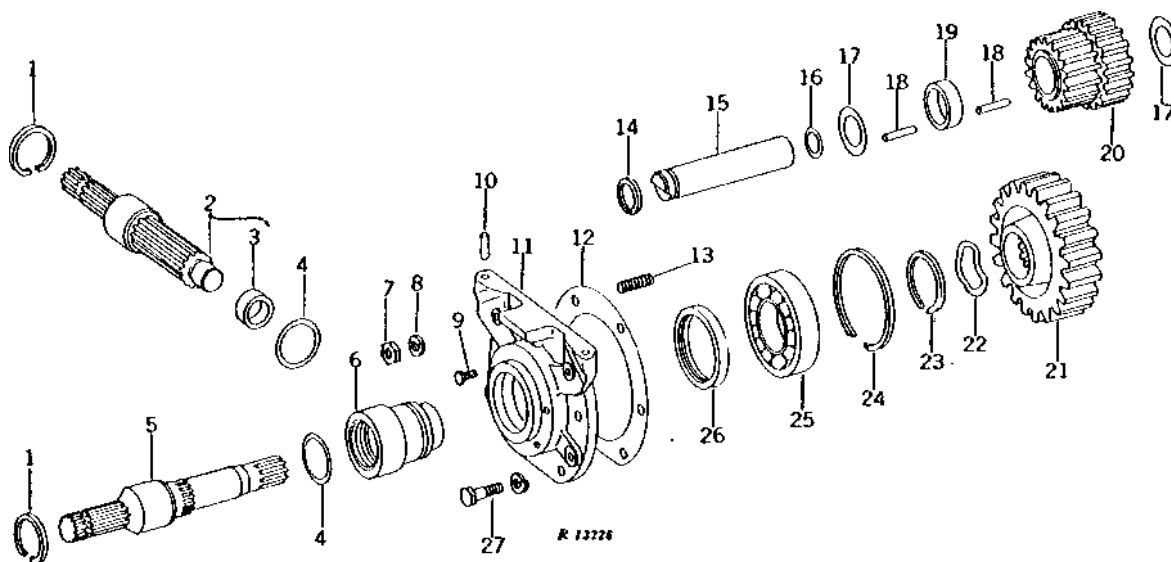
R13225 -UN-12OCT94



KEY	PART NO.	PART NAME	QTY	TRACTOR SERIAL NO.	REMARKS
1	AR26782	GUARD	1		
2	R27329	SCREW	2		
3	AR26707	RETAINER	1		
4	R31698	SPRING	1	-196841	
5	R33349	RETAINER	1	-196841	(SUB AR44713)
6	34H336	SPRING PIN	1	-196841	5/16" X 2-1/4"
7	AR44713	RETAINER	1	196842-	
8	R42585	SPRING	1	196842-	
9	34H335	SPRING PIN	1	196842-	5/16" X 2-1/8"
10	R33348	SHIELD	1		

540 RPM AND 1000 RPM REAR DRIVE GEAR AND SHAFTS (POWER SHIFT)

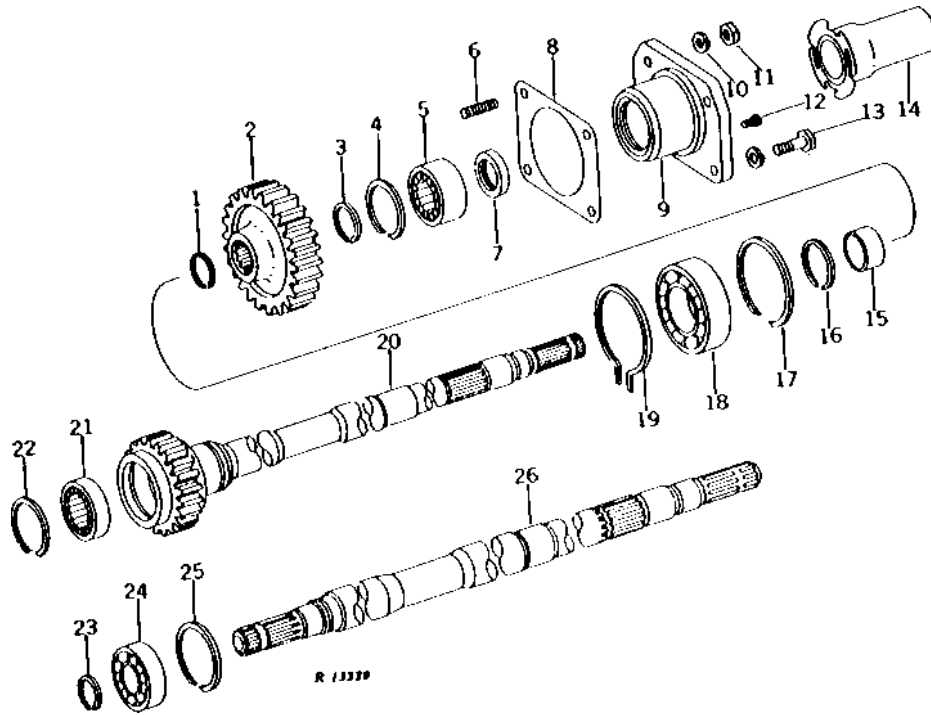
R13226 -UN-01JAN94



KEY	PART NO.	PART NAME	QTY	TRACTOR SERIAL NO.	REMARKS
1	R33324	SNAP RING	2		
2	R33459	SHAFT	1	-154229	540 RPM, (SUB AR41753)
	AR41753	SHAFT	1	154230-	540 RPM
3	JD7557	BEARING RACE	1	154230-	
4	F1870R	O-RING	2		
5	R33342	SHAFT	1		1000 RPM, (NLA)
6	R33855	GUIDE	1		
7	14H1040	NUT	2		1/2"
8	12H301	LOCK WASHER	2		1/2"
9	R27329	SCREW	2		
10	34H348	SPRING PIN	2		3/8" X 1"
11	AR32472	QUILL	1		(MARKED R33343)
	AR54487	QUILL	1		(MARKED R33487, R47508 OR R50298) (ALSO ORDER AR55216) (SUB FOR AR32440) (USE WITH 1000 RPM PTO ONLY)
12	R33337	GASKET	1		
13	R32101	STUD	2		1/2" X 1-3/4"
14	R33320	SNAP RING	1		
15	R33852	COUNTERSHAFT	1		
16	R30319	O-RING	1		
17	R33853	THRUST WASHER	2		
18	R33028	NEEDLE ROLLER	48		
19	R33344	SPACER	1		
20	R33339	GEAR	1		
21	R33854	GEAR	1		
22	R34403	WASHER	1		
23	R26246	SNAP RING	1		
24	A5596R	SNAP RING	1		
25	JD9283	BALL BEARING	1		
26	R33340	SEAL	1		
	AT344T	SEAL	1		(SUB FOR R35798) (USE WITH 1000 RPM PTO ONLY)
27	19H1721	CAP SCREW	4		1/2" X 1-1/2"
	12H301	LOCK WASHER	4		1/2"

540 RPM AND 1000 RPM PTO DRIVE GEAR, SHAFTS AND FRONT GUARD
(POWER SHIFT)

R13229 -UN-01JAN94

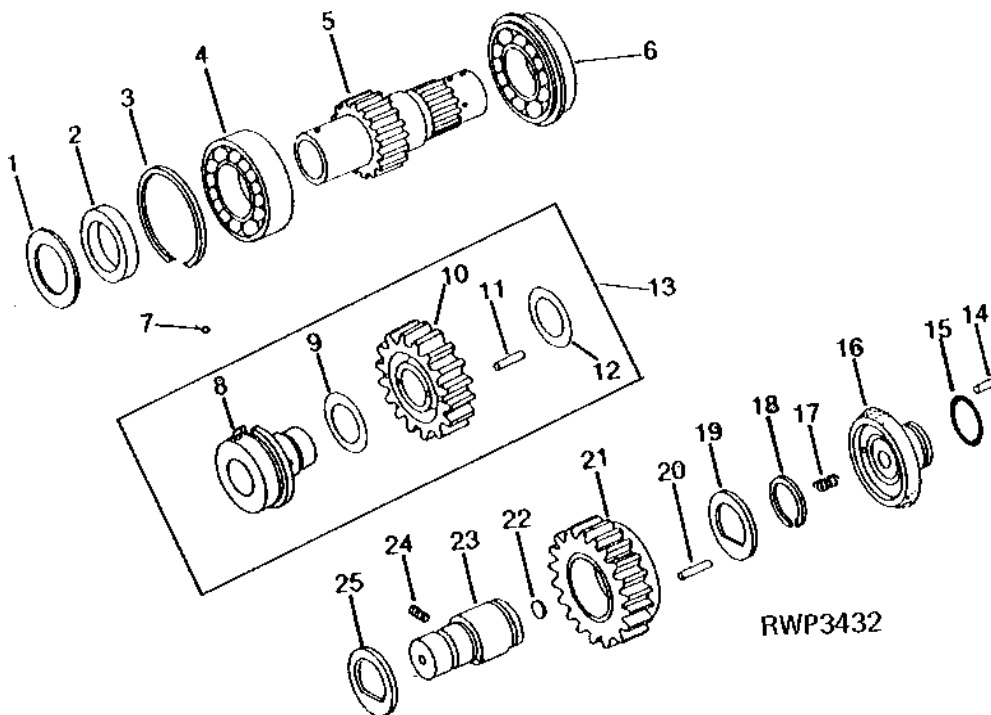


KEY	PART NO.	PART NAME	QTY	TRACTOR SERIAL NO.	REMARKS
1	R33325	SNAP RING	1		
2	R33488	GEAR	1		
3	R27000	SNAP RING	1		
4	F2367R	SNAP RING	1		
5	JD8725	ROLLER BEARING	1		
6	R32101	STUD	2	1/2" X 1-3/4"	
7	R33338	SEAL	1		
8	R33236	GASKET	1		
9	AR33998	QUILL	1		(MARKED R33212)
10	12H301	LOCK WASHER	2	1/2"	
11	14H1040	NUT	2	1/2"	
12	R27329	SCREW	2		
13	19H1721	CAP SCREW	2	1/2" X 1-1/2"	
	12H301	LOCK WASHER	2	1/2"	
14	AR26701	GUARD	1		
15	R34328	BUSHING	1		
16	R36295	SNAP RING	1		
17	BP13615	SNAP RING	1		(SUB FOR R33321)
18	JD8537	BEARING	1		
19	R33322	SNAP RING	1		
20	AR32144	SHAFT	1	-154239	(SUB AR41749 AND JD7537)
	AR41749	SHAFT	1	154240-	(NLA)
21	JD8724	ROLLER BEARING	1	-154239	(SUB JD7537)
	JD7537	ROLLER BEARING	1	154240-	
22	F2367R	SNAP RING	1		
23	A364R	SNAP RING	1		(A)
24	JD9345	BALL BEARING	1		(A) (SUB FOR JD7688)
25	B190R	SNAP RING	1		(A) (SUB FOR F216R)
26	R34166	SHAFT	1		(A) (NLA)

(A) USE WITH 1000 RPM PTO ONLY

540 RPM AND 1000 RPM PTO DRIVE SHAFT AND IDLER GEARS
(POWER SHIFT)

RWP3432 -UN-01JAN94



KEY	PART NO.	PART NAME	QTY	TRACTOR SERIAL NO.	REMARKS
1	R51159	WASHER	1		(SUB FOR R34204)
2	R33116	SPACER	1		
3	F1373R	SNAP RING	1		
4	JD9279	BALL BEARING	1		(SUB CH17453)
5	R33229	SHAFT	1		
6	JD9280	BALL BEARING	1		
7	H871R	BALL	1		4.76MM (3/16")
8	R33205	QUILL	1	-160426	(A)
	R40787	SHAFT	1	-160426	(A) (SUB FOR R33206)
	AR42535	QUILL	1	160427-	
9	R33208	THRUST WASHER	1	-160103	(SUB R42042)
	R42042	WASHER	1	160104-160426	
	R42043	WASHER	1	160427-	
10	R33230	GEAR	1	-160426	(A)
	R42039	GEAR	1	160427-	
11	R26022	NEEDLE ROLLER	27	-160426	
	R26022	NEEDLE ROLLER	30	160427-	
12	R33208	THRUST WASHER	1	-160103	(SUB R42042)
	R42042	WASHER	1	160104-	
13	AR42533	KIT	1	-160426	(A)
14	R39708	DOWEL PIN	1	-111180	
	R40336	DOWEL PIN	1	111181-	(USE WITH RE20733)
15	R31378	O-RING	1		
16	AR39774	BRAKE SHOE	1		(SUB FOR AR32534) (SUB RE20733 AND R39792)
17	A1651R	SPRING	1		
18	R33232	SNAP RING	1		
19	R42721	THRUST WASHER	1		(SUB FOR R33868)
20	R26006	NEEDLE ROLLER	33		
21	R39792	GEAR	1		(ALSO ORDER RE20733) (SUB FOR R33231, THIS APPLICATION)
22	30H9	PLUG	1		3/4"
23	R33867	SHAFT	1	-080836	
	R34891	SHAFT	1	080837-144194	
	R41745	SHAFT	1	144195-	
24	R34582	SET SCREW	1	144195-	
25	R42721	THRUST WASHER	1		

(A) SUB AR42535, (30) R26022, R42039, R42042 AND R42043

R21934 -UN-01JAN94

DIFFERENTIAL (LESS DIFFERENTIAL LOCK)

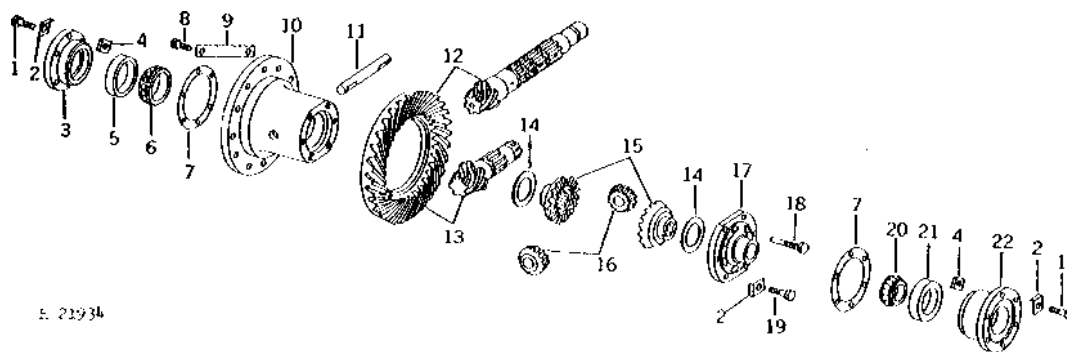


Fig. 21934

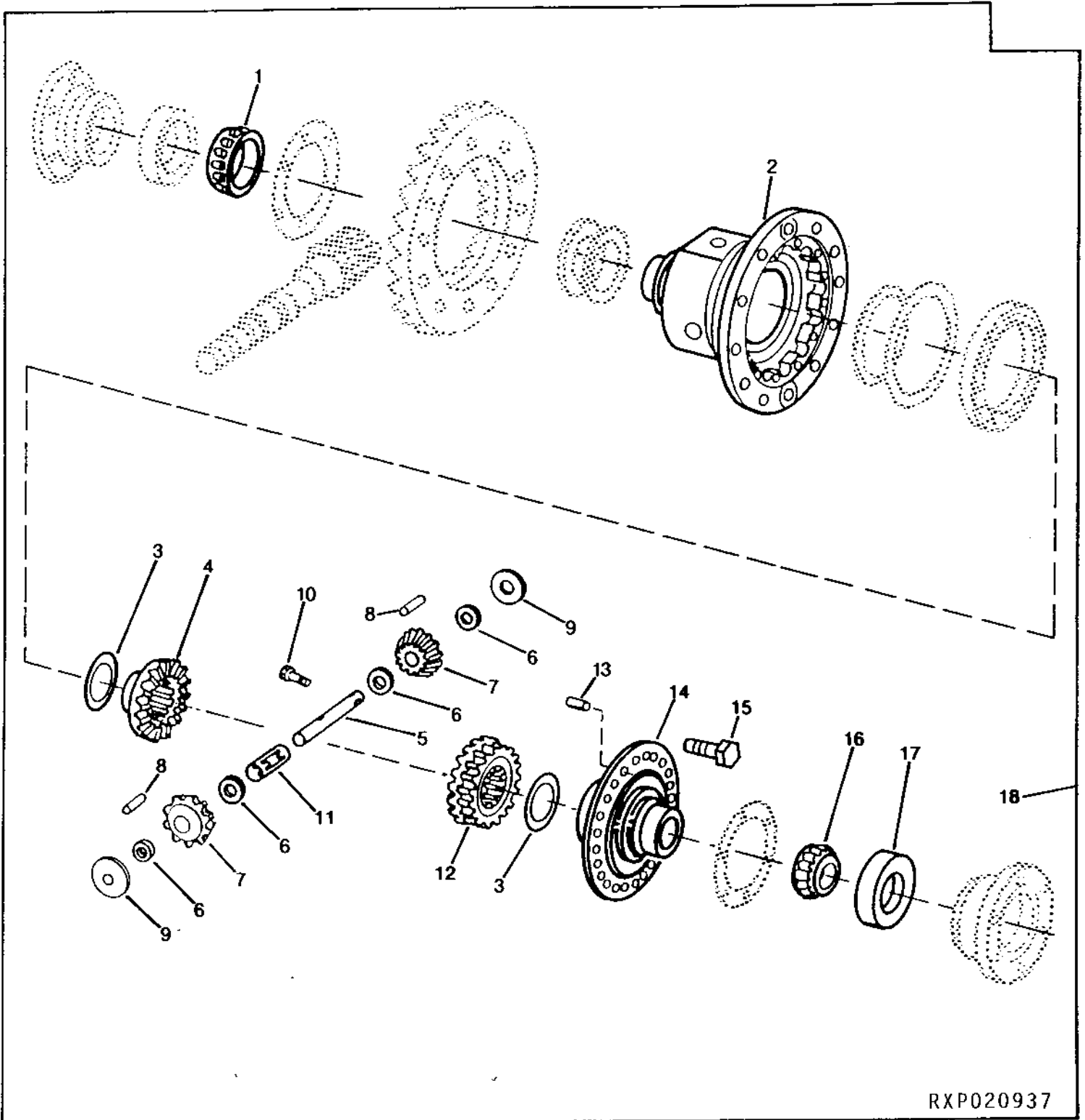
KEY	PART NO.	PART NAME	QTY	TRACTOR SERIAL NO.	REMARKS
1	19H1721	CAP SCREW	12		
2	R26038	LOCK PLATE	17		
3	R31190	QUILL	1		L.H.
4	14H823	NUT	2		1/2"
5	JD8259	BEARING CUP	1		
6	JD8954	BEARING CONE	1		
7	R46323	SHIM	AR		0.08MM (.003") (SUB FOR R26042)
	R46324	SHIM	AR		0.12MM (.005") (SUB FOR R26043)
	R46325	SHIM	AR		0.25MM (.010") (SUB FOR R26044)
8	19H3728	SCREW	12		1/2" X 1-3/16"
9	R26032	PLATE	6		
10	R31189	HOUSING	1		(SUB AR103363) (ALSO ORDER R34856)
11	R58425	SHAFT	1		(SUB FOR R26033, R41903 OR R53740)
12	AR33962	BEVEL GEAR DRIVE	1		(MATCHED SET) (SYNCRO-RANGE) (MARKED R33062 AND R33243)
13	AR32465	GEAR	1		(MATCHED SET) (POWER SHIFT) (MARKED R33062 AND R33006)
14	R72587	THRUST WASHER	2		(USE WITH R54182) (SUB FOR R53202, R65741 OR R77145) (SUB R93623)
15	R42446	GEAR	2		(SUB FOR R26034) (SUB (2) R63477 AND (2) R77145)
16	R42444	PINION	2		(SUB FOR R26035)
17	R31195	COVER	1		
18	R70236	CAP SCREW	1		(SUB FOR R26037 OR R41050)
19	19H3579	CAP SCREW	5		1/2" X 1-3/8"
20	JD8159	BEARING CONE	1		
21	JD8210	BEARING CUP	1		
22	R31196	QUILL	1		R.H. (SUB R34856 WHEN AR103363 HAS BEEN INSTALLED)

MEMORANDA

2110

RXP020937 -UN-20SEP94

ANTI-FRICTION NO LOCK DIFFERENTIAL KIT



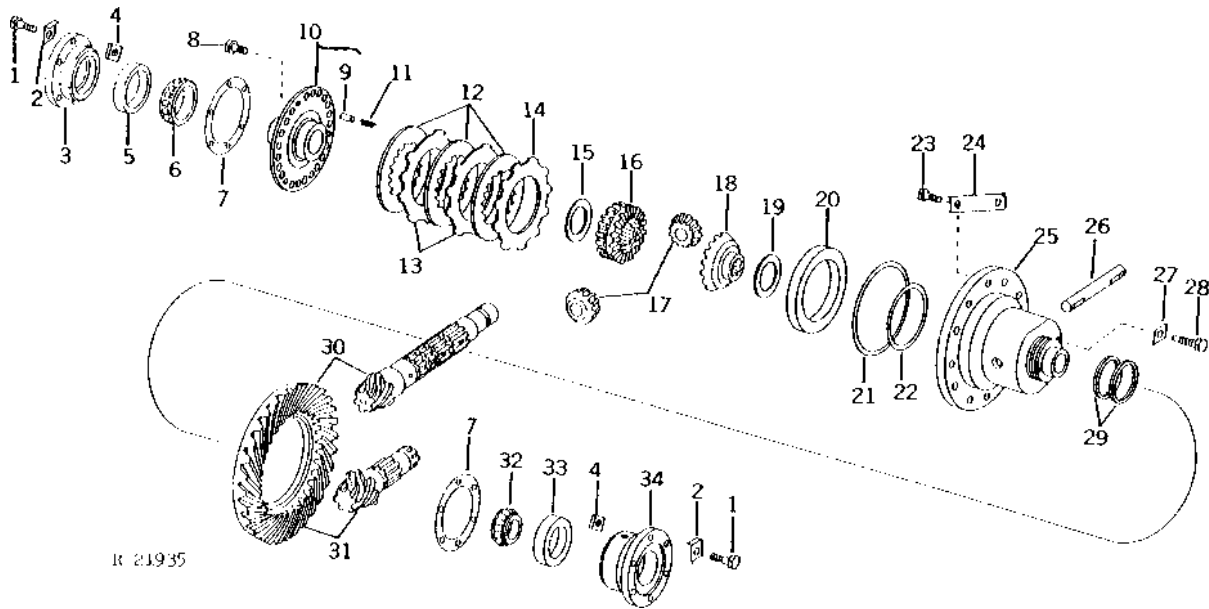
RXP020937

ANTI-FRICTION NO LOCK DIFFERENTIAL KIT - CONTINUED

KEY	PART NO.	PART NAME	QTY	TRACTOR SERIAL NO.	REMARKS
1	JD8159	BEARING CONE	1		
2	AR93094	HOUSING	1		(MARKED R70838)
3	R77145	WASHER	2		
4	R66715	BEVEL GEAR	1		
5	R68173	SHAFT	1		
6	R68167	WASHER	4		
7	R134726	PINION	2		(SUB FOR R68170)
8	R68171	NEEDLE ROLLER	46		
9	R59460	THRUST WASHER	2		
10	R70236	CAP SCREW	1		
11	R74675	RETAINER	1		
12	R63477	BEVEL GEAR	1		
13	34H100	SPRING PIN	3		1/4" X 7/8"
14	AR44614	COVER	1		(MARKED R42505) (SUB R101054 AND (3) 34H311)
15	R40236	CAP SCREW	12		(SUB R116064)
16	JD8954	BEARING CONE	1		
17	JD8210	BEARING CUP	1		
18	AR103363	KIT	1		

DIFFERENTIAL
(TRACTOR SERIAL NO. 091000-)

R21935 -UN-01JAN94



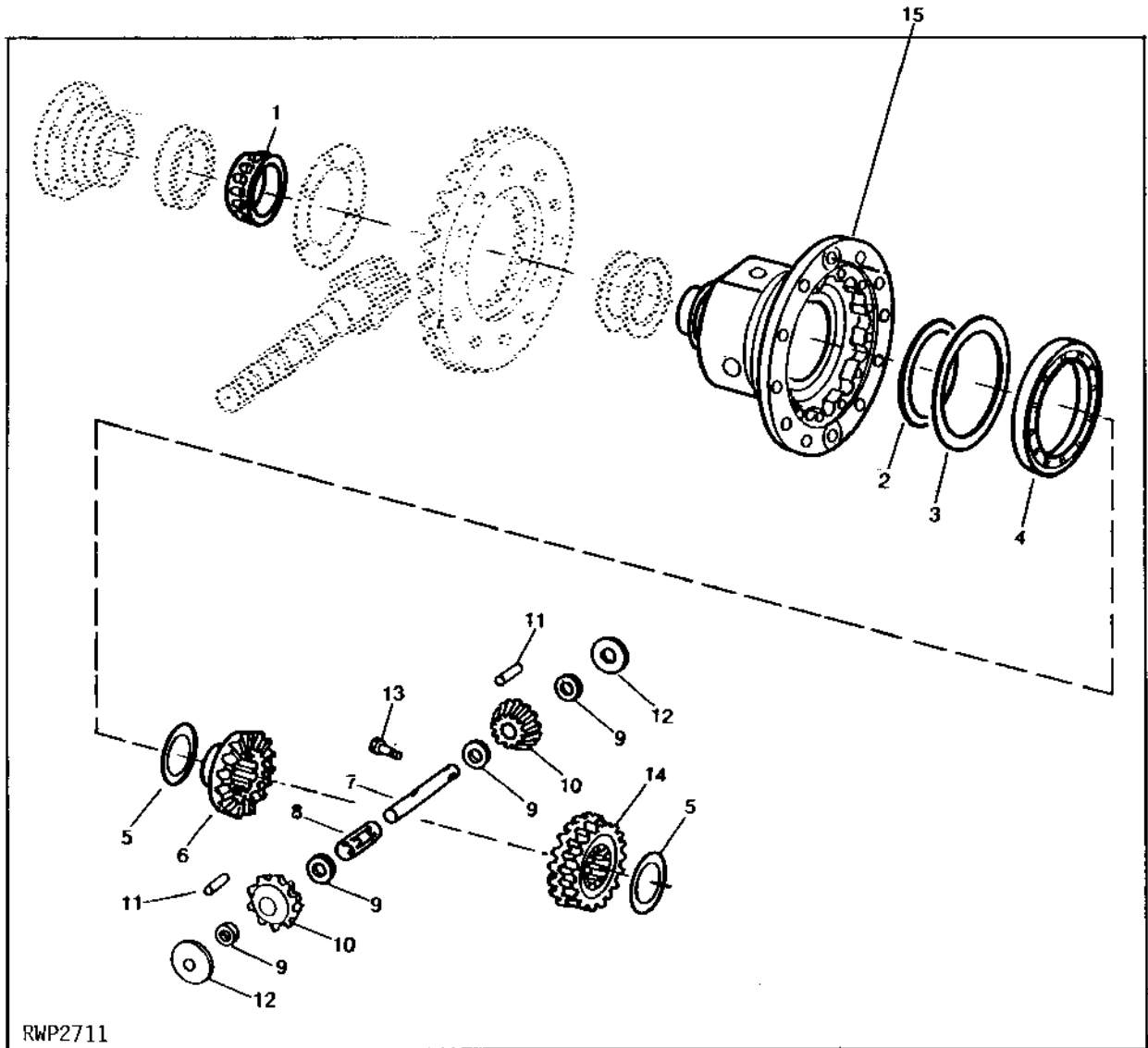
KEY	PART NO.	PART NAME	QTY	TRACTOR SERIAL NO.	REMARKS
1	19H1721	CAP SCREW	12		1/2" X 1-1/2"
2	R26038	LOCK PLATE	12		
3	R31190	QUILL	1		L.H.
4	14H823	NUT	2		1/2"
5	JD8259	BEARING CUP	1		
6	JD8954	BEARING CONE	1		
7	R46323	SHIM	AR		0.08MM (.003") (SUB FOR R26042)
	R46324	SHIM	AR		0.12MM (.005") (SUB FOR R26043)
	R46325	SHIM	AR		0.25MM (.010") (SUB FOR R26044)
8	R40236	CAP SCREW	12		(SUB FOR R39875) (SUB R116064)
9	34H311	SPRING PIN	3		1/4" X 7/8", (SUB FOR R34864 OR R40335)
10	AR44614	COVER	1		(MARKED R34800 OR R42505) (SUB FOR AR34901) (SUB R101054 AND (3) 34H311)
11	R34863	SPRING	3		
12	AR70154	DISK, INNER SPLINE	3		(SUB FOR AR34705)
13	R34858	CLUTCH PLATE	2		
14	R34857	CLUTCH PLATE	1		
15	R72587	THRUST WASHER	1		(USE WITH R54180) (SUB FOR R53202, R65741 OR R77145) (SUB R93623)
16	R42448	GEAR	1		(SUB FOR R34854) (SUB R54180, R63477 AND (2) R93623)
17	R42444	PINION	2		(SUB FOR R26035)
18	R42446	GEAR	1		(SUB FOR R26034) (SUB R63477, R54180 AND (2) R93623)
19	R72587	THRUST WASHER	1		(USE WITH R54182) (SUB FOR R53202, R65741 OR R77145) (SUB R93643)
20	R34855	PISTON	1		
21	R41017	WASHER	1		(SUB FOR R34866)
22	R44328	WASHER	1		(SUB FOR R34865 OR R41016)
23	19H3728	SCREW	12		1/2" X 1-3/16"
24	R26032	PLATE	6		
25	AR39651	HOUSING	1		(MARKED R34799) (SUB AR101616)
26	R58425	SHAFT	1		(SUB FOR R26033 OR R41903 OR R53740)
27	F3173R	LOCK PLATE	1	-158436	
28	R34862	CAP SCREW	1	-158436	
	R70236	CAP SCREW	1	158437-	(SUB FOR R41050)
29	R34513	RING	2		
30	AR33962	BEVEL GEAR DRIVE	1		(MARKED R33062 AND R33243) (MATCHED SET) (SYNCRO-RANGE)
31	AR32465	GEAR	1		(MARKED R33062 AND R33006) (MATCHED SET) (POWER SHIFT)
32	JD8159	BEARING CONE	1		
33	JD8210	BEARING CUP	1		
34	R34856	QUILL	1		R.H.

MEMORANDA

2113

RWP2711 -UN-06OCT94

ANTI-FRICTION DIFFERENTIAL KIT



ANTI-FRICTION DIFFERENTIAL KIT - CONTINUED

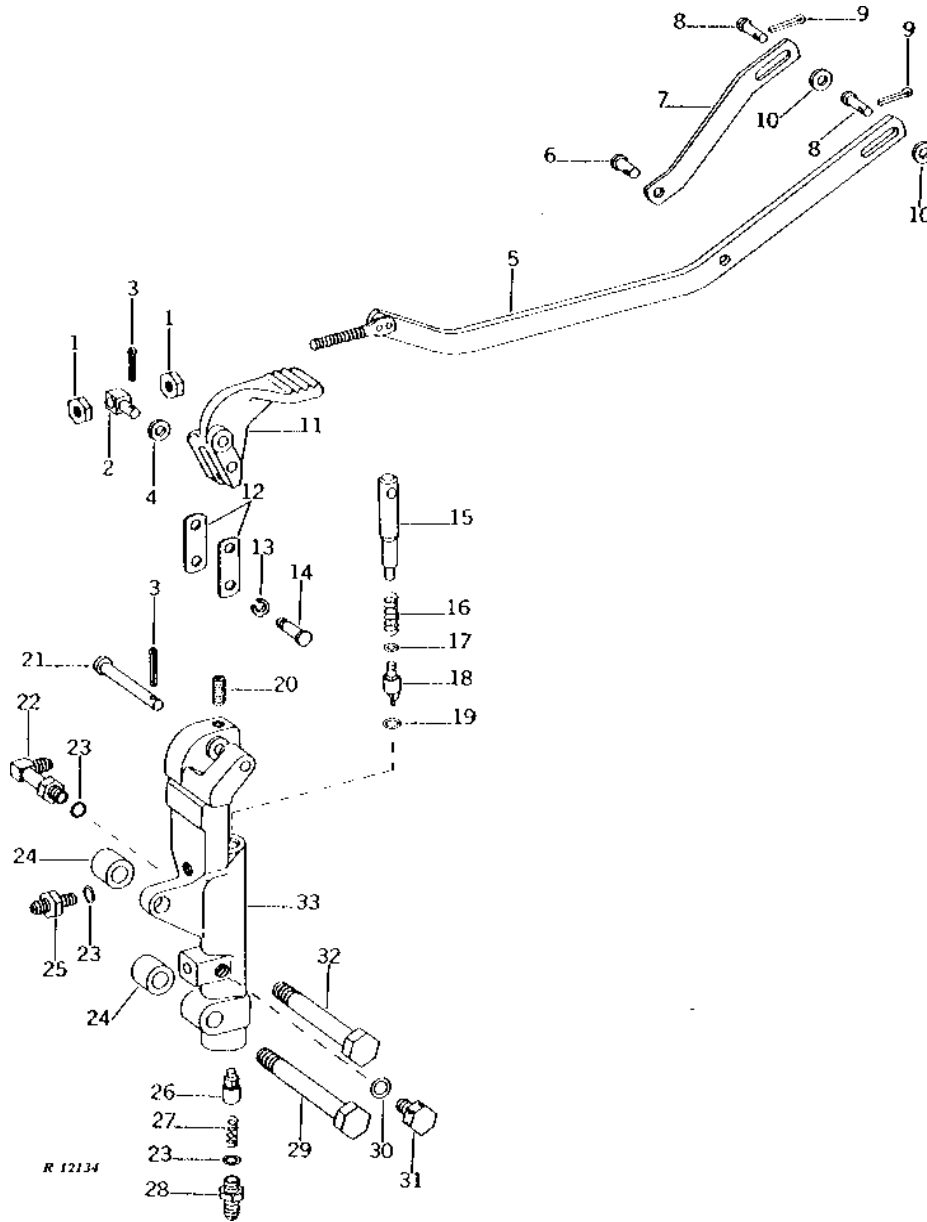
KEY	PART NO.	PART NAME	QTY	TRACTOR SERIAL NO.	REMARKS
1	JD8159	BEARING CONE	1		
2	R44328	WASHER	1		
3	R41017	WASHER	1		
4	R34855	PISTON	1		
5	R77145	WASHER	2		
6	R63477	BEVEL GEAR	1		
7	R68173	SHAFT	1		
8	R74675	RETAINER	1		
9	R68167	WASHER	4		
10	R134726	PINION	1		(SUB FOR R68170)
11	R68171	NEEDLE ROLLER	46		
12	R59460	THRUST WASHER	2		
13	R70236	CAP SCREW	1		
14	R66715	BEVEL GEAR	1		
15	AR101616	KIT	1		

2115

R12134

-UN-01JAN94

DIFFERENTIAL LOCK VALVE (TRACTOR SERIAL NO. 091000-)



R 12134

DIFFERENTIAL LOCK VALVE - CONTINUED
(TRACTOR SERIAL NO. 091000-)

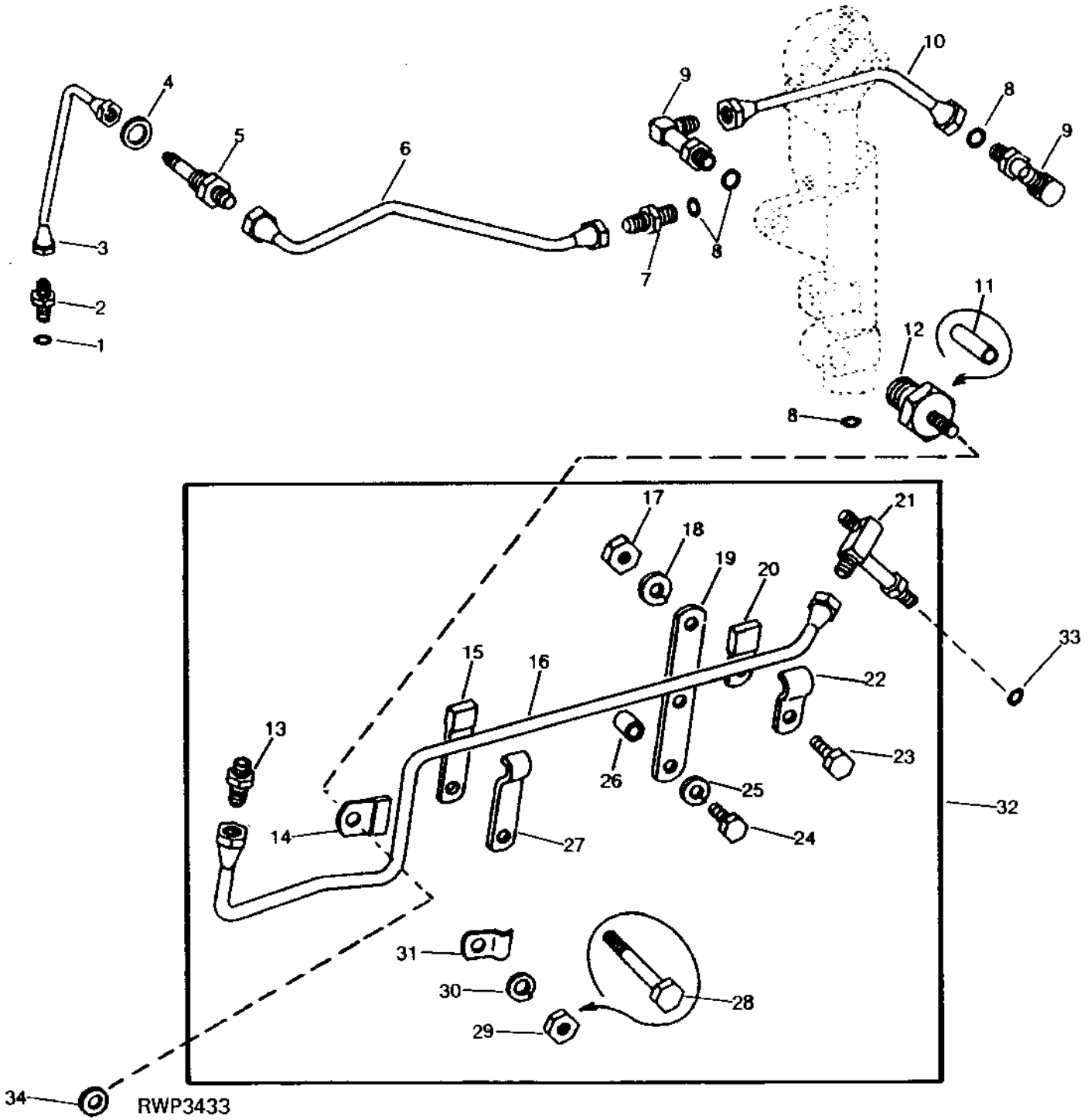
KEY	PART NO.	PART NAME	QTY	TRACTOR SERIAL NO.	REMARKS
1	14H1076	NUT	2		3/8"
2	R34581	SWIVEL	1		
3	11M7059	COTTER PIN	2		3.200 X 20 MM
4	24M7096	WASHER	1		10.500 X 18 X 1.600 MM
5	AR40230	LINK	1		(SUB FOR AR34696) (NLA)
6	16H1071	RIVET	1		5/16" X 1/2", (SUB FOR R34508)
7	R34523	LINK	1	-110604	
8	H858R	PIN	2		
9	11M7079	COTTER PIN	2		0.098" X 0.472"
10	24H1136	WASHER	2		11/32" X 11/16" X 0.065"
11	R34821	PEDAL	1		(NLA)
12	R34522	STRAP	2		
13	R26386	SNAP RING	2		
14	R26385	PIN	2		
15	R39732	VALVE	1		RETURN
16	R39731	SPRING	1		
17	R39730	SHIM	AR		0.13MM (.005")
18	R34492	VALVE	1		FLOW CONTROL
19	R459R	O-RING	1		
20	R34582	SET SCREW	1		
21	R34815	PIN	1		
22	AR35710	ELBOW FITTING	1		90°
23	R26286	O-RING	3		
24	R34495	SPACER	2		(RC AND ST)
	R34868	BUSHING	2		(HC) (NLA)
25	R27272	FITTING	1		
26	R34496	VALVE	1	-121353	CHECK
	R40629	VALVE	1	121354-	CHECK
27	R715R	SPRING	1		
28	R27272	FITTING	1	-123220	
	R40617	FITTING	1	123221-	
29	19H3353	CAP SCREW	1		5/8" X 5"
30	R26286	O-RING	1	119000-	
31	R27094	DRAIN PLUG	1	119000-	
32	19H2133	CAP SCREW	1		5/8" X 4-1/2"
33	AR40742	HOUSING	1		(MARKED R34841, R40631 OR R41052) (ALSO ORDER R40629) (SUB FOR AR39652) (SUB FOR AR40494)

RC-ROW-CROP, ST-STANDARD, HC-HI-CROP

2117

DIFFERENTIAL LOCK VALVE OIL LINES (TRACTOR SERIAL NO. 091000-)

RWP3433 -UN-01JAN94



DIFFERENTIAL LOCK VALVE OIL LINES - CONTINUED
(TRACTOR SERIAL NO. 091000-)

KEY	PART NO.	PART NAME	QTY	TRACTOR SERIAL NO.	REMARKS
1	R30903	O-RING	1		
2	R39597	ADAPTER	1		
3	AR34697	HYDRAULIC LINE	1		
4	T16911	SHIM	1		
5	AR34569	FITTING	1		
6	AR34698	OIL LINE	1		(RC AND ST)
	AR39824	LINE	1		(HC) (NLA)
7	R27272	FITTING	1		
8	R26286	O-RING	4		
9	AR35710	ELBOW FITTING	2		90°
10	AR34719	LINE	1		(SUB FOR AR34699) (NLA)
11	28H3380	SPACER	1	-154940	(B)
12	R34844	RETAINER	1		(C)
13	R27272	FITTING	1	-123220	
	R40617	FITTING	1	123221-	(A)
14	R34819	PLATE	1	-123220	
	R31654	CLAMP	1	123221-	(A)
15	R41911	PLATE	1	154941-	(A) (B)
16	AR34717	LINE	1	-123220	(SUB AR42072)
	AR40474	HYDRAULIC LINE	1	123221-	(A)
17	14H812	NUT	1	154941-	(A) 3/8"
18	12H304	LOCK WASHER	1	154941-	(A) 3/8"
19	R41909	STRAP	1	154941-	(A)
20	R31654	CLAMP	1	154941-	(A)
21	AR39679	TEE FITTING	1	-123220	(SUB AR42072)
	AR40472	TEE FITTING	1	123221-	(A)
22	R31655	STRAP	1	154941-	(A)
23	19H1731	CAP SCREW	1	154941-	(A) 3/8" X 1"
24	19H1800	CAP SCREW	1	154941-	(A) (C) 3/8" X 1-1/2"
	19H1912	CAP SCREW	1	154941-	(B) 3/8" X 3-1/2"
25	12H304	LOCK WASHER	1	154941-	(A) 3/8"
26	28H3381	SPACER	1	154941-	(A) (C)
27	R41910	CLAMP	1	154941-	(A) (B)
28	19H2023	CAP SCREW	1	-123220	(B) 3/8" X 3-1/4"
	19H2128	CAP SCREW	1	123221-154940	(B) 3/8" X 3"
29	14H732	NUT	1		(C) 3/8"
30	12H304	LOCK WASHER	1		3/8"
31	R42357	CLAMP	1	-123220	(SUB FOR R27545)
	R31655	STRAP	1	123221-	(A)
32	AR42072	KIT	1	-123220	(SUB FOR AR40604)
33	R26287	O-RING	1		
34	A147R	LOCK WASHER	1	-123220	

(A) AR42072 CONSISTS OF THESE PARTS

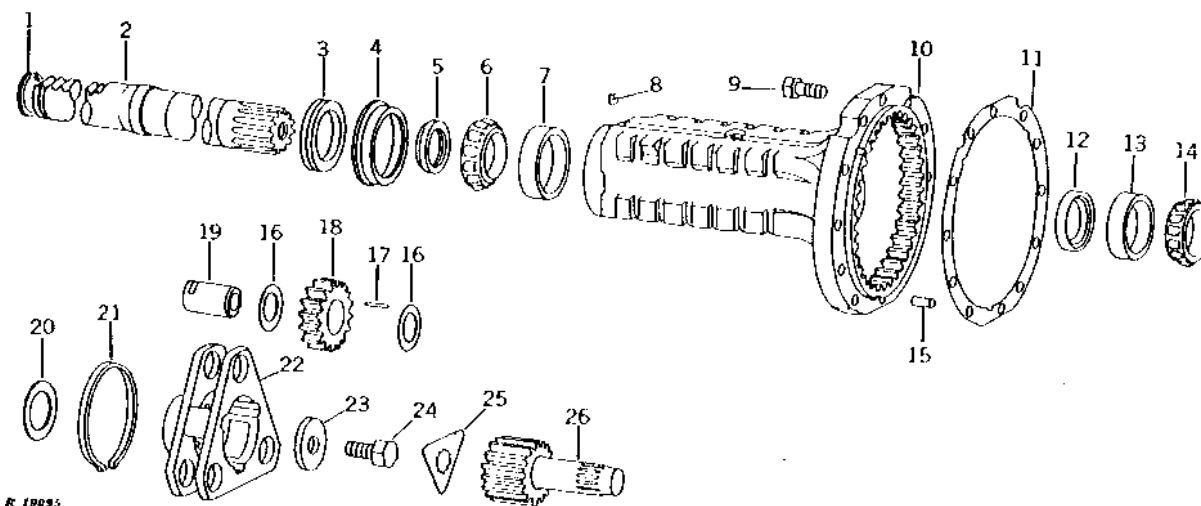
(B) POWER SHIFT

(C) SYNCRO-RANGE

RC-ROW-CROP, ST-STANDARD, HC-HI-CROP

R19095 -UN-01JAN94

PLANETARY AND REAR AXLE



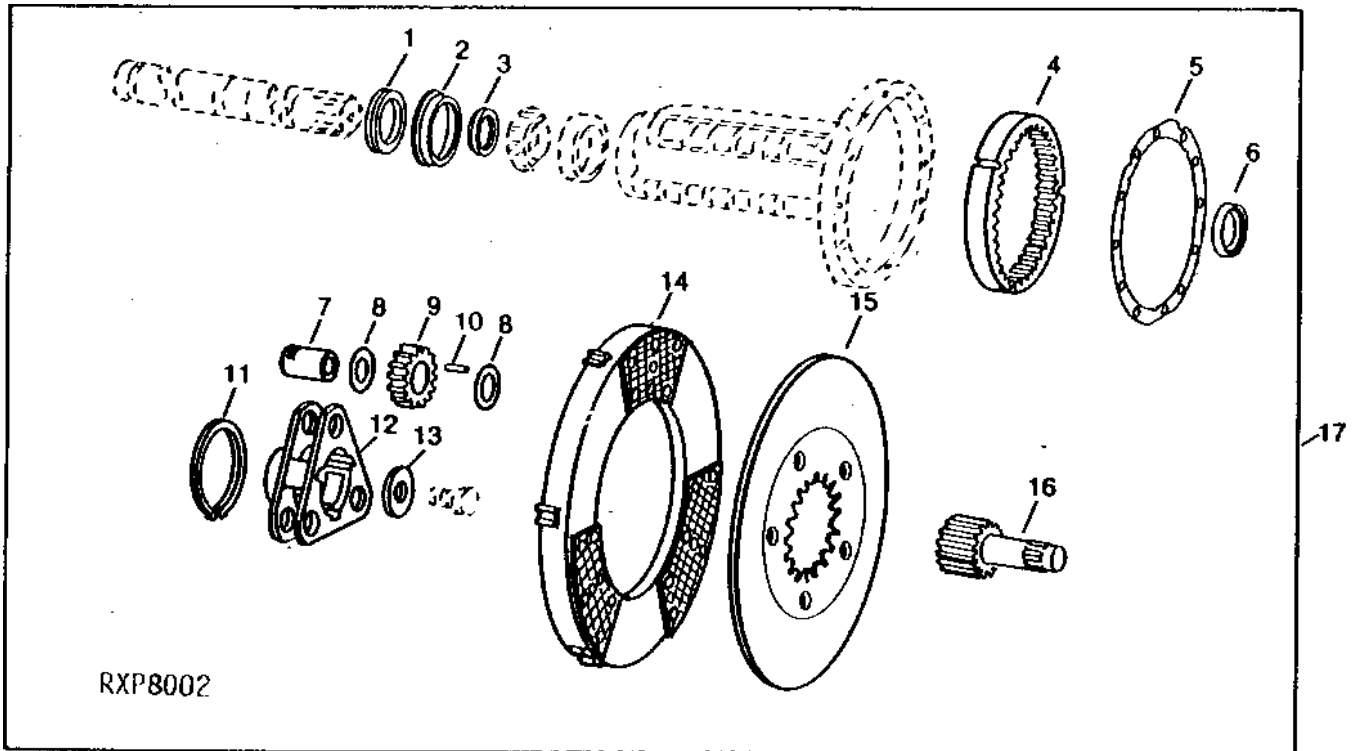
KEY	PART NO.	PART NAME	QTY	TRACTOR SERIAL NO.	REMARKS
1	R53658	SNAP RING	1		
2	R60077	SHAFT	1		860MM (33-7/8") (AXLE LENGTH) 2311MM (91") (TREAD) (ALSO ORDER R53658) (SUB FOR R33015 OR R53641)
	R60076	SHAFT	1		941MM (37-1/16") (AXLE LENGTH) 2642MM (104") (TREAD) (ALSO ORDER R53658) (SUB FOR R33016, R40262 OR R53643)
	R59935	SHAFT	1		1043MM (41-1/16") (AXLE LENGTH) 2845MM (112") (TREAD) (ALSO ORDER R53658) (SUB FOR R33018 OR R53642)
	R60078	SHAFT	1		1159MM (45-5/8") (AXLE LENGTH) (ALSO ORDER R53658) (SUB FOR R41845 OR R53644) (SPECIAL DUAL)
3	R33026	SEAL	1		
4	R57269	OIL CUP	1		(SUB FOR R28128)
5	R65648	SPACER	1		(SUB FOR R33020, R63105 OR R61175)
6	JD8191	BEARING CONE	1		
7	JD8214	BEARING CUP	1		
8	15H559	PIPE PLUG	1		1/4"
9	19H1863	CAP SCREW	AR		5/8" X 3", (12 USED LESS REMOTE CYLINDER SELECTIVE CONTROL) (11 USED WITH REMOTE CYLINDER SELECTIVE CONTROL)
10	AR54736	HOUSING	1		(MARKED R33005 OR R34940) (SUB FOR AR32101 OR AR34755) (SUB AR105556)
	R76845	PINION	1		(SUB FOR R61176)
11	R100637	GASKET	1		(SUB FOR R34185 OR R34848)
12	R33027	SEAL	1		
13	JD8213	BEARING CUP	1		
14	JD8177	BEARING CONE	1		
15	R65543	DOWEL PIN	3		(SUB FOR R33024)
16	R33022	THRUST WASHER	6		
17	R33028	NEEDLE ROLLER	99		
	R61033	NEEDLE ROLLER	72		
18	R33004	PINION	3		
	R59929	PINION	3		51MM (2") (SUB FOR R63112 OR R108996)
19	R116821	PLANET PINION	3		(SUB FOR R33021)
	R97998	SHAFT	3		(SUB FOR R59930)
20	R42101	SHIM	1	192157-	
21	R33029	SNAP RING	1		
22	R33003	PLANET PINION CARRIER	1	-192156	(SUB R82916 AND R42101)
	R42901	PLANET PINION CARRIER	1	192157-	
	R82916	PLANET PINION CARRIER	1		
23	R72169	SPACER	1		(SUB FOR R33023)
24	R82175	CAP SCREW	1		HS, SAE 8, (SUB FOR R26011 OR R60032)
25	R26012	LOCK PLATE	1		
26	R45779	SHAFT	1		(SUB FOR R33431)

2120

POWER TRAIN

FINAL DRIVE KIT 51MM (2") WIDE

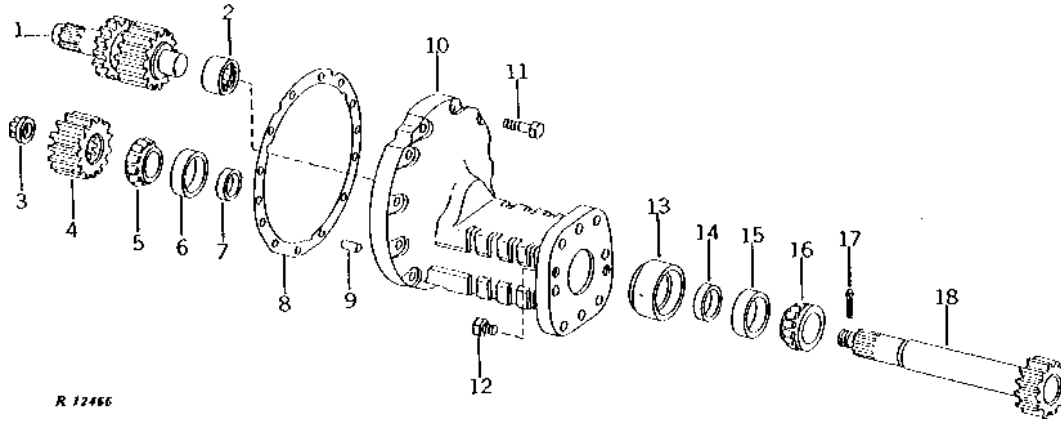
RXP8002 -UN-01JAN94



KEY	PART NO.	PART NAME	QTY	TRACTOR SERIAL NO.	REMARKS
1	R33026	SEAL	2		
2	R57269	OIL CUP	2		
3	R65648	SPACER	2		
4	R56733	GEAR	2		
5	R100637	GASKET	2		
6	R33027	SEAL	2		
7	R97998	SHAFT	3		
8	R33022	THRUST WASHER	6		
9	R116821	PLANET PINION	3		(SUB FOR R108996 OR R55929)
10	R61033	NEEDLE ROLLER	72		
11	R33029	SNAP RING	1		
12	R59933	PLANET PINION CARRIER	1		
13	R72169	SPACER	1		
14	RE46332	PLATE	2		(MARKED R40152, R40153, R50585, R59931 OR R97786) (SUB FOR RE33013)
15	R97799	BRAKE DISK	2		
16	R62685	SHAFT	2		
17	RE47883	KIT	1		(ALSO ORDER(6) RE46328) UNLESS PREVIOUSLY INSTALLED)

DRIVE SHAFT AND DRIVE SHAFT HOUSING (HI-CROP)

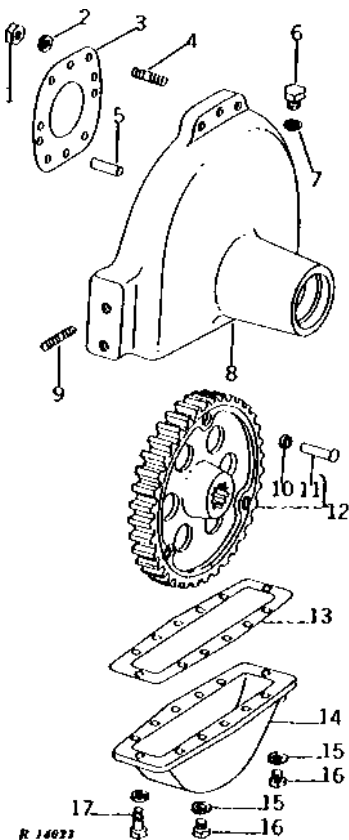
R12466 -UN-01JAN94



KEY	PART NO.	PART NAME	QTY	TRACTOR SERIAL NO.	REMARKS
1	R34832	SHAFT	1		
2	JD8726	ROLLER BEARING	1		
3	B350R	NUT	1		
4	R28171	GEAR	1		(NLA)
5	JD8942	BEARING CONE	1	-151185	
	JD9012	BEARING CONE	1	151186-	
6	JD7446	BEARING CUP	1	-151185	
	JD8286	BEARING CUP	1	151186-	
7	AA6606R	SEAL	1	-151185	
	AR40737	SEAL	1	151186-	
8	R100637	GASKET	1		(SUB FOR R34848)
9	R65500	DOWEL PIN	3		(SUB FOR R26013)
10	R41040	HOUSING	1		(ALSO ORDER AR40737, JD8286 AND JD9012) (SUB FOR R34840 OR R39700) (NLA)
11	19H1847	CAP SCREW	12		5/8" X 2-1/2"
12	A3750R	FITTING	2		
13	F991R	ADAPTER	1		
14	AF1156R	SEAL	1		
15	JD7446	BEARING CUP	1		
16	JD8130	BEARING CONE	1		
17	11M7032	COTTER PIN	1		0.197" X 1.969"
18	AR34590	SHAFT	1		(MARKED R34831)

FINAL DRIVE GEAR HOUSING, GEAR, AND COVER (HI-CROP)

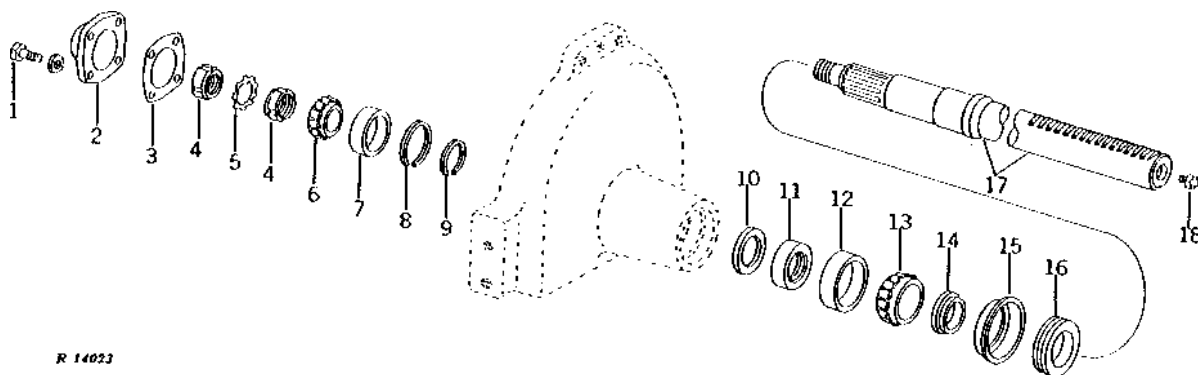
R14022 -UN-01JAN94



KEY	PART NO.	PART NAME	QTY	TRACTOR SERIAL NO.	REMARKS
1	14H858	NUT	6	3/4"	
2	12H236	LOCK WASHER	6	3/4"	
3	R98912	GASKET	1	(SUB FOR F3357R)	
4	R1548R	STUD	6	3/4" X 3-1/2"	
5	F3358R	DOWEL PIN	2		
6	F3128R	DRAIN PLUG	1		
7	A4827R	WASHER	1		
8	AR30474	HOUSING	1	(MARKED R28612)	
9	F1024R	STUD	2	3/4" X 2-3/4"	
10	R31R	WASHER	6		
11	16H1175	RIVET	3	5/16" X 2-1/2"	
12	AR34605	GEAR	1	(INCLUDES F1443R)	
13	F1000R	GASKET	1		
14	F999R	COVER	1		
15	R229R	WASHER	2		
16	R228R	FITTING	2		
17	19H1978	CAP SCREW	12	7/16" X 1-1/2"	
	12H293	LOCK WASHER	12	7/16"	

REAR AXLE SHAFT, BEARINGS, AND OIL SEALS (HI-CROP)

R14023 -UN-01JAN94



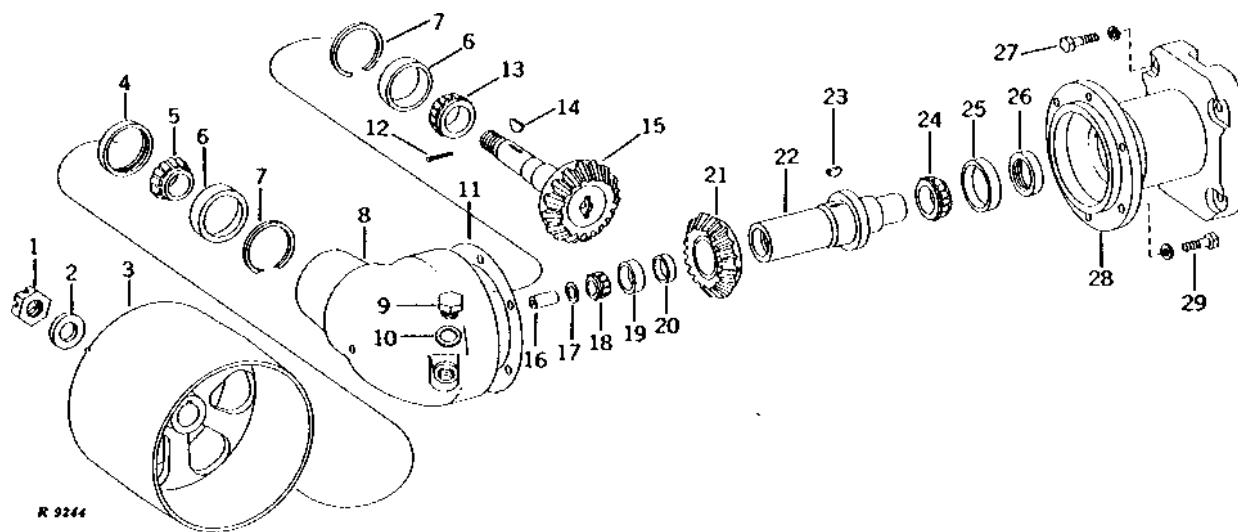
R 14023

KEY	PART NO.	PART NAME	QTY	TRACTOR SERIAL NO.	REMARKS
1	19H1732	CAP SCREW	4	3/8" X 1-1/4"	
	12H304	LOCK WASHER	4	3/8"	
2	R51608	COVER	1	(SUB FOR F997R) (NLA)	
3	R51609	GASKET	1	(SUB FOR F998R)	
4	F1483R	NUT	2		
5	F1484R	LOCK WASHER	1		
6	JD8149	BEARING CONE	1		
7	JD7444	BEARING CUP	1		
8	R81R	SNAP RING	1		
9	B2342R	SNAP RING	1		
10	F228R	WASHER	1		
11	AF316R	SEAL	1		
12	JD7448	BEARING CUP	1		
13	JD8112	BEARING CONE	1		
14	F785R	SPACER	1		
15	R57269	OIL CUP	1	(SUB FOR R28128)	
16	RE31701	SEAL	1	(ALSO ORDER R57269) (SUB FOR AR27446 OR AR52260)	
17	AR21601	SHAFT	1		
18	JD7759	LUBRICATION FITTING	1		
..	A3959R	DOWEL PIN	2		SPROCKET ADAPTER FLANGE
..	AF1155R	SEAL	1		SPROCKET ADAPTER FLANGE
..	AF1691R	FLANGE	1		
..	AF1692R	COVER	1		
..	F1489R	GASKET	1		
..	19H1847	CAP SCREW	1	5/8" X 2-1/2"	
..	12H294	LOCK WASHER	1	5/8"	

**BELT PULLEY
(FOR USE WITH 1000 RPM PTO)**

R9244

-UN-01JAN94



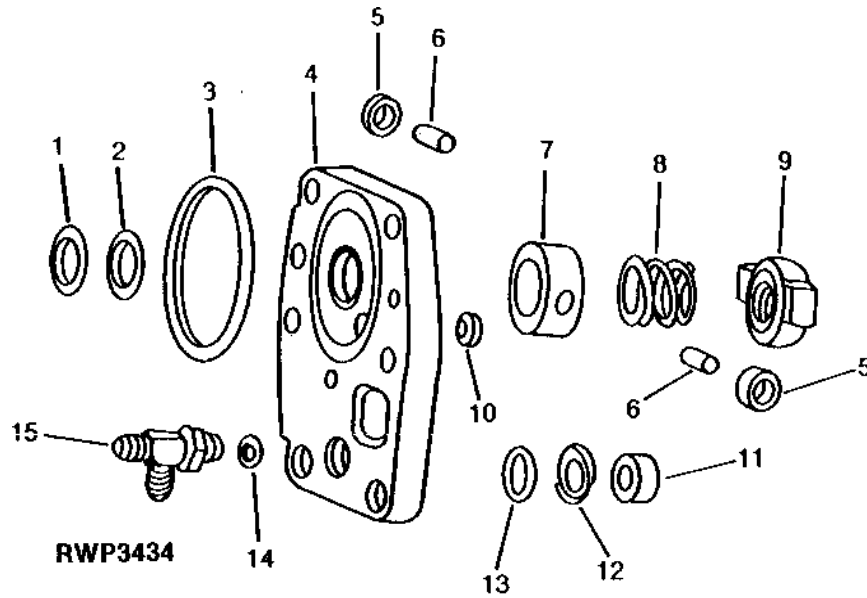
KEY	PART NO.	PART NAME	QTY	TRACTOR SERIAL NO.	REMARKS
1	14H920	NUT	1	1"	
2	R30399	WASHER	1	(SUB FOR T18996)	
3	T18718	PULLEY	1		
4	AT124396	SEAL	1	(SUB FOR AT16887)	
5	JD8982	BEARING CONE	1		
6	JD7418	BEARING CUP	2		
7	T13325	SNAP RING	2		
8	T29242	CASE	1	(SUB FOR T13326)	
9	R26727	DRAIN PLUG	1		
10	A4827R	WASHER	1		
11	R44372	SHIM	AR	0.13MM (.005") PAPER, (SUB FOR T13339)	
	R44361	SHIM	AR	0.13MM (.005") (SUB FOR T13340)	
	T13341	SHIM	AR	0.25MM (.010")	
12	11M7032	COTTER PIN	1	0.197" X 1.969"	
13	JD8969	BEARING CONE	1		
14	26H93	SHAFT KEY	1	1/4" X 1-1/4"	
15	R63691	SHAFT	1	(ALSO ORDER R63692) (SUB FOR T18717)	
16	T13471	PIN	1		
17	T13331	SHIM	AR	0.08MM (.003")	
	T13332	SHIM	AR	0.13MM (.005") (SUB FOR T13340)	
	T13333	SHIM	AR	0.25MM (.010")	
18	JD8135	BEARING CONE	1		
19	JD7438	BEARING CUP	1		
20	M2206T	CAP	1		
21	R63692	GEAR	1	(ALSO ORDER R63691) (SUB FOR T13330)	
22	T13329	HUB	1		
23	26H85	SHAFT KEY	1	1/4" X 1"	
24	JD10527	BEARING CONE	1	(SUB FOR JD8922)	
25	JD8247	BEARING CUP	1		
26	AT12431	SEAL	1		
27	19H1831	CAP SCREW	4	1/2" X 2"	
	12H301	LOCK WASHER	4	1/2"	
28	R34594	QUILL	1		
29	19H3579	CAP SCREW	6	1/2" X 1-3/8"	
	12H301	LOCK WASHER	6	1/2"	
..	AR34071	PULLEY	1		

MEMORANDA

3B4

RWP3434 -UN-01JAN94

STEERING VALVE CYLINDER COVER



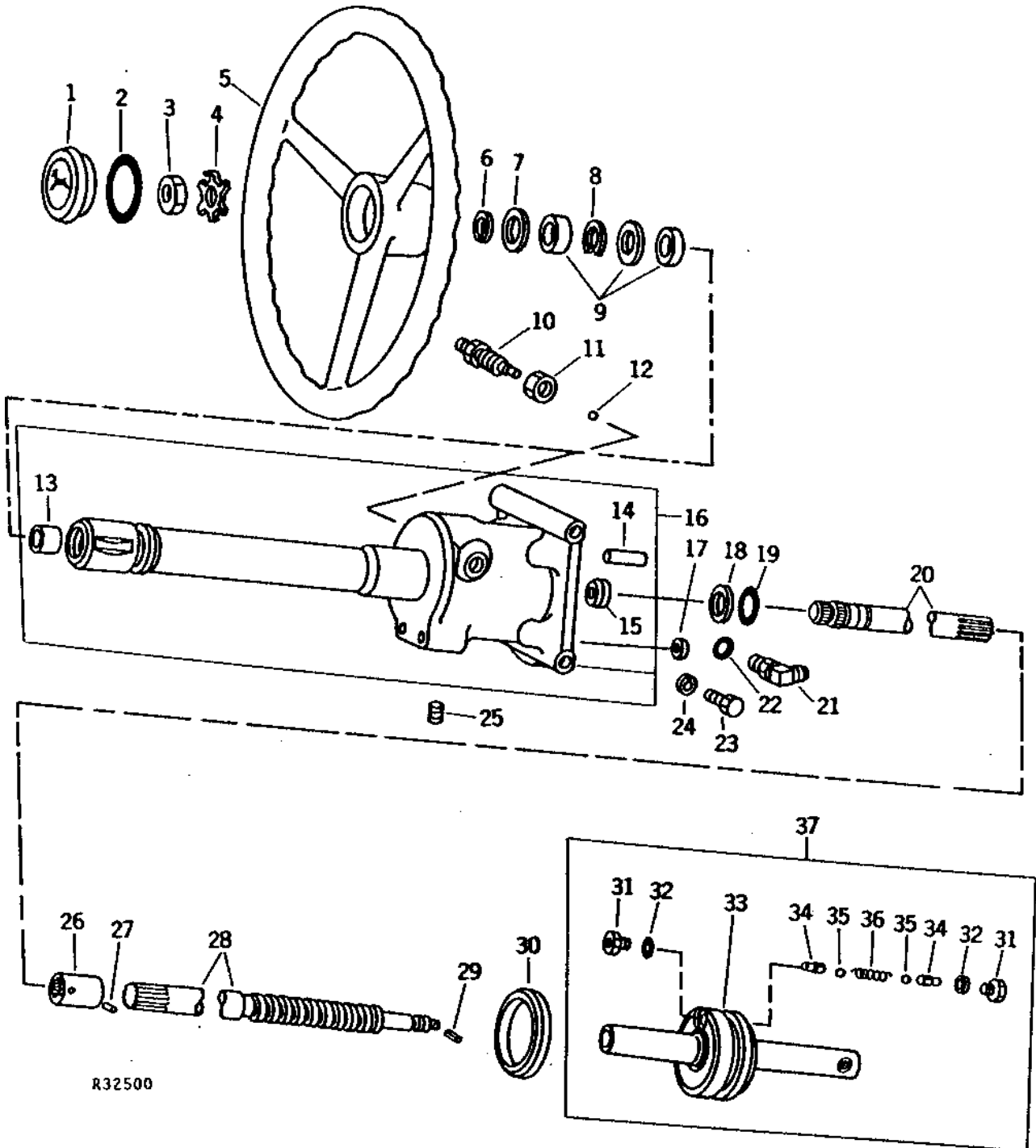
KEY	PART NO.	PART NAME	QTY	TRACTOR SERIAL NO.	REMARKS
1	A3606R	O-RING	1		
2	R26441	BACK-UP RING	1		
3	AR67783	O-RING KIT	1		(SUB FOR R34896 OR AR42009)
4	AR44883	COVER	1		(MARKED R34120 OR R42707) (SUB FOR AR40453)
5	R26755	WASHER	2		
6	R27091	PIN	2		
7	R40149	LOCKING COLLAR	1		(SUB FOR R27090)
8	R40531	SPRING	1		(SUB FOR R26419)
9	R27089	NUT	1		
10	AR67783	O-RING KIT	1		(SUB FOR R26760, R41708 OR AR42009)
11	R34121	PISTON	1		
12	R47694	BACK-UP RING	1		
13	R495R	O-RING	1		
14	R26286	O-RING	1		
15	AR30762	TEE FITTING	1		

3B5

R32500

-UN-01JAN94

STEERING VALVE CYLINDER, SHAFT AND PISTON



R32500

3B6

STEERING AND BRAKES

STEERING VALVE CYLINDER, SHAFT AND PISTON - CONTINUED

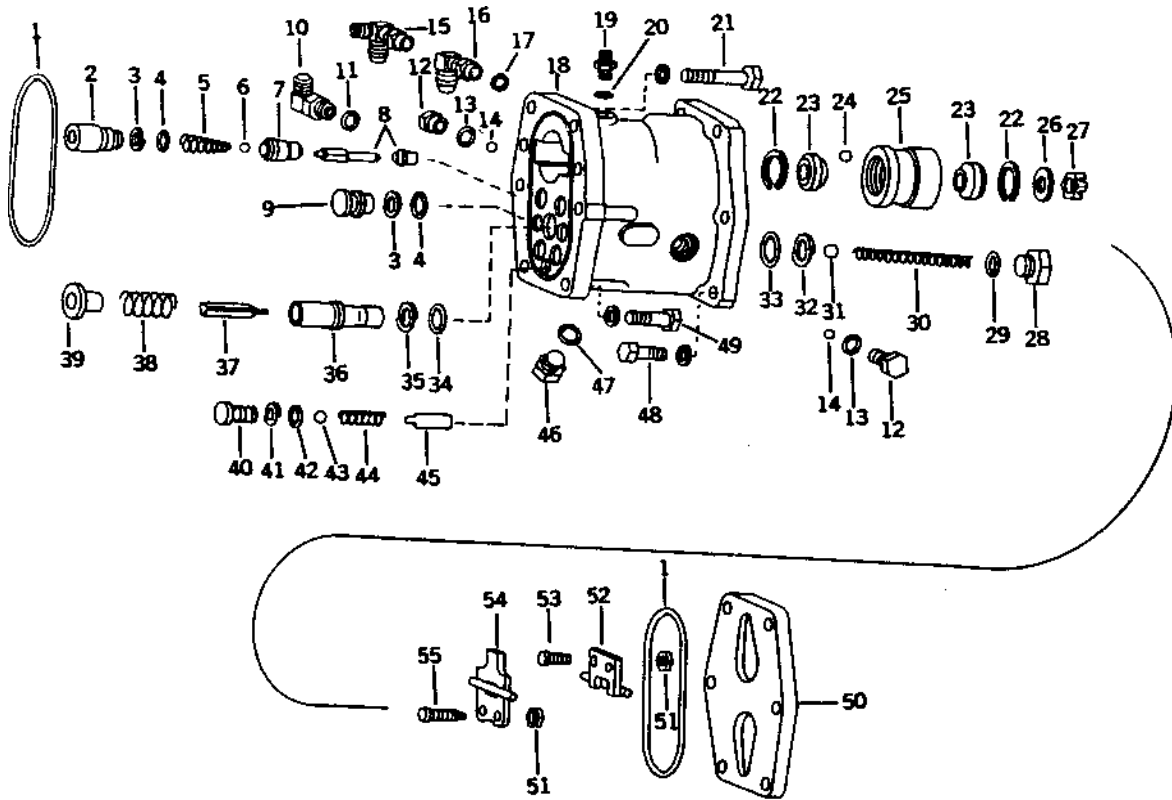
KEY	PART NO.	PART NAME	QTY	TRACTOR SERIAL NO.	REMARKS
1	R47998	CAP	1		(SUB FOR R34324 OR R45792)
2	B3690R	O-RING	1		
3	14H904	NUT	1		3/4"
4	T17148	LOCK WASHER	1		
5	AR26625	STEERING WHEEL	1		
6	B169R	SNAP RING	1		
7	R42629	WASHER	1		
8	R26933	SNAP RING	1		
9	AR34172	SEAL KIT	1		(SUB (2) R72858 AND R32731)
10	R27299	SCREW	1		
11	R27453	NUT	1		
12	400R	BALL	1		6MM (1/4")
13	R27320	BUSHING	1		
14	R32186	DOWEL PIN	2		
15	R27087	WASHER	1		
16	AR47289	CYLINDER	1		(MARKED R34118 OR R45297) (SUB FOR AR32700)
17	AR67783	O-RING KIT	1		(SUB FOR R26760, R41708 OR AR42009)
18	R26441	BACK-UP RING	1		
19	A3606R	O-RING	1		
20	R73737	SHAFT	1		(SUB FOR R27318 OR R37426)
21	AT35121	ELBOW FITTING	1		90°, (SUB FOR AR26725)
22	R26448	O-RING	1		
23	19H1732	CAP SCREW	4		3/8" X 1-1/4"
24	12H304	LOCK WASHER	4		3/8"
25	15H558	PIPE PLUG	1		1/8", (SUB FOR R31631)
26	R27319	SPLINED COUPLING	1		
27	34H282	SPRING PIN	1		3/16" X 1"
28	R34125	SHAFT	1		
29	11M7081	COTTER PIN	1		0.098" X 0.787"
30	R26754	BACK-UP RING	2	-118999	(SUB R40567, THIS APPLICATION)
	R26543	O-RING	1	-118999	(SUB R40567, THIS APPLICATION)
	R40567	WASHER	1	119000-	
31	R31202	VALVE	2		
32	R26287	O-RING	2		
33	R34554	PISTON	1		(SUB AR30297)
34	R31201	SHAFT	2		
35	H871R	BALL	2		4.76MM (3/16")
36	A4816R	SPRING	1		
37	AR30297	PISTON	1		(SUB FOR R27510 OR R26287)
	F534R	SNAP RING	1		(EARLY DESIGN)

3B7

R8891

-UN-12OCT94

STEERING VALVE ASSEMBLY (TRACTOR SERIAL NO. 065000-112045)



R 8891

3B8

STEERING AND BRAKES

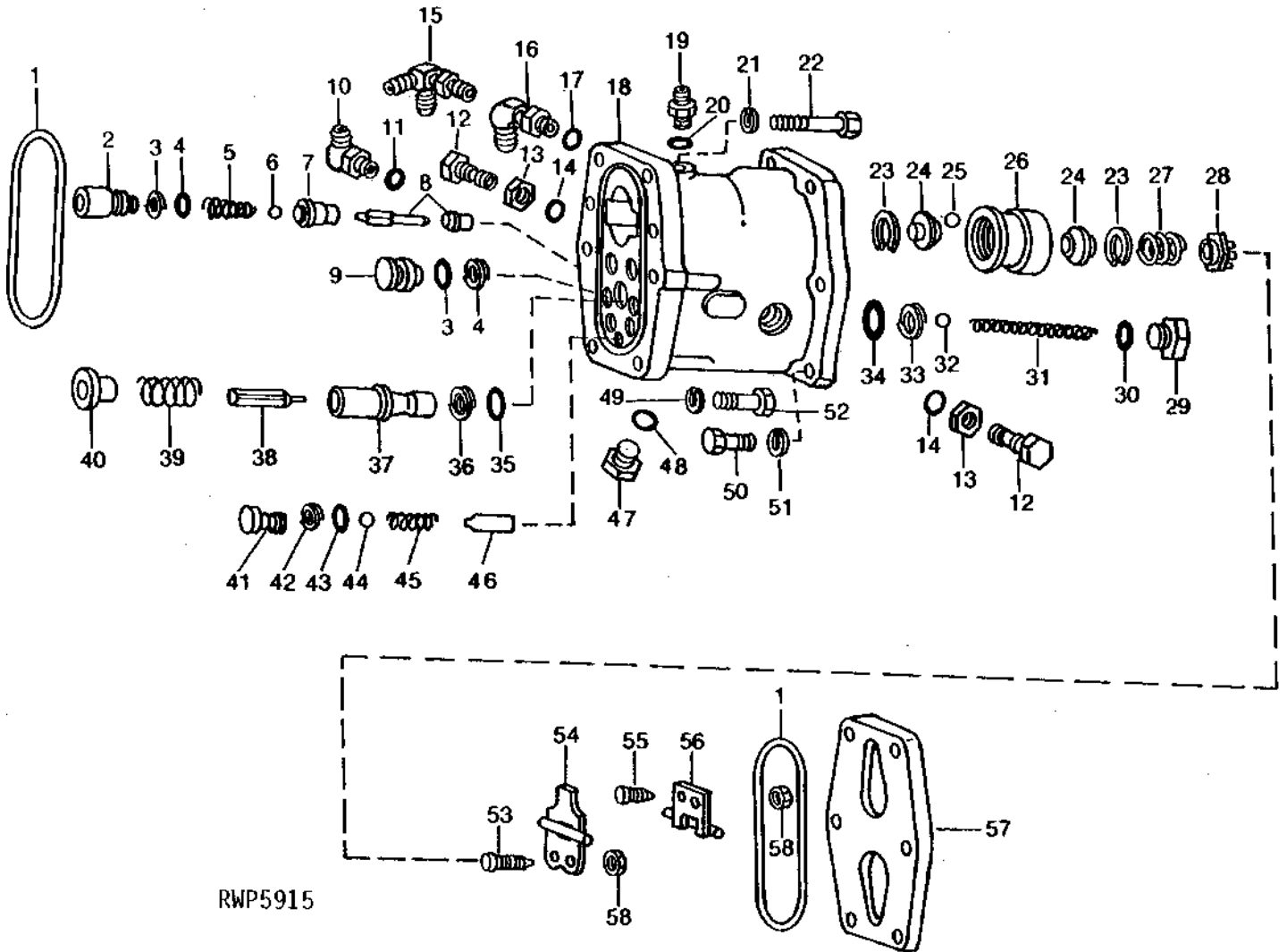
STEERING VALVE ASSEMBLY - CONTINUED
(TRACTOR SERIAL NO. 065000-112045)

KEY	PART NO.	PART NAME	QTY	TRACTOR SERIAL NO.	REMARKS
1	R34733	LOCK WASHER	2		(SUB FOR R26423)
2	R41724	PLUG	4		(SUB FOR R34130)
3	R32588	BACK-UP RING	6		
4	R459R	O-RING	6		
5	R26565	SPRING	4		
6	400R	BALL	4		6MM (1/4")
7	R28124	VALVE	4		(SUB R59083)
8	AR49535	SHAFT	2		(SUB FOR AR30589) UPPER
	AR49536	SHAFT	2		(SUB FOR AR30590) LOWER
9	R34131	PLUG	2		
10	AT35121	ELBOW FITTING	1		90°, (SUB FOR AR26725)
11	R26448	O-RING	1		
12	R40338	DRAIN PLUG	2		
	R27296	NUT	2		
13	R26286	O-RING	2		
14	R32637	SHIM	AR		0.08MM (.003")
	R28785	SHIM	AR		0.13MM (.005")
	R28786	SHIM	AR		0.25MM (.010")
	R28505	SHIM	AR		0.76MM (.030")
15	AR26767	TEE FITTING	1		(WITH SELECTIVE CONTROL)
16	AT32334	FITTING	1		90°, (SUB FOR AR26773) (LESS SELECTIVE CONTROL)
17	R26286	O-RING	1		
18	AR43809	HOUSING	1		(MARKED R34119, R43721 OR R43962) (SUB FOR AR34006 OR AR43559)
19	R27527	ADAPTER	1		
20	R26287	O-RING	1		
21	19H1990	CAP SCREW	4		1/2" X 2-1/4"
	12H301	LOCK WASHER	4		1/2"
22	R26425	SNAP RING	2		
23	R40595	BEARING RACE	2		(SUB FOR R34126)
24	R26552	BALL	13		
25	R40757	BUSHING	1		(SUB FOR R31197)
26	R34128	WASHER	4		
27	R20228	NUT	1		(SUB FOR C1200R) (SUB 14H862)
28	R39112	FITTING	1		(SUB FOR R28095)
29	R26375	O-RING	1		
30	R31278	SPRING	1		
31	R42849	BALL	1		(SUB FOR 405R)
32	R30323	BACK-UP RING	1		
33	R34404	O-RING	1		(SUB FOR T12860) (SUB P48347)
34	B2762R	O-RING	1		
35	R26546	BACK-UP RING	1		
36	R34123	VALVE SEAT	1		
37	R42661	SEAT	1		(SUB FOR R34124)
38	R26151	SPRING	1		
39	R34122	STOP	1		
40	R34132	VALVE SEAT	1		(SUB AR44883)
41	R34129	BACK-UP RING	1		
42	A4365R	O-RING	1		
43	400R	BALL	1		6MM (1/4")
44	R26373	SPRING	1		
45	R34336	GUIDE	1		
46	R27216	DRAIN PLUG	1	-075270	(SUB FOR R31631)
47	R26287	O-RING	1	-075270	
48	19H2552	CAP SCREW	6		3/8" X 1-1/8"
	12H304	LOCK WASHER	6		3/8"
49	19H1721	CAP SCREW	2		1/2" X 1-1/2"
	12H301	LOCK WASHER	2		1/2"
50	R57034	COVER	1		(SUB FOR R26553 OR R51748)
51	14H649	NUT	4		1/4"
52	AR26402	LEVER	1		UPPER
53	R31217	SCREW	2		(SUB FOR R26762, THIS APPLICATION)
54	AR26448	LEVER	1		LOWER
55	R26554	SET SCREW	2		

3B9

STEERING VALVE ASSEMBLY (TRACTOR SERIAL NO. 112046-)

RWP5915 -UN-01JAN94



RWP5915

3B10

STEERING AND BRAKES

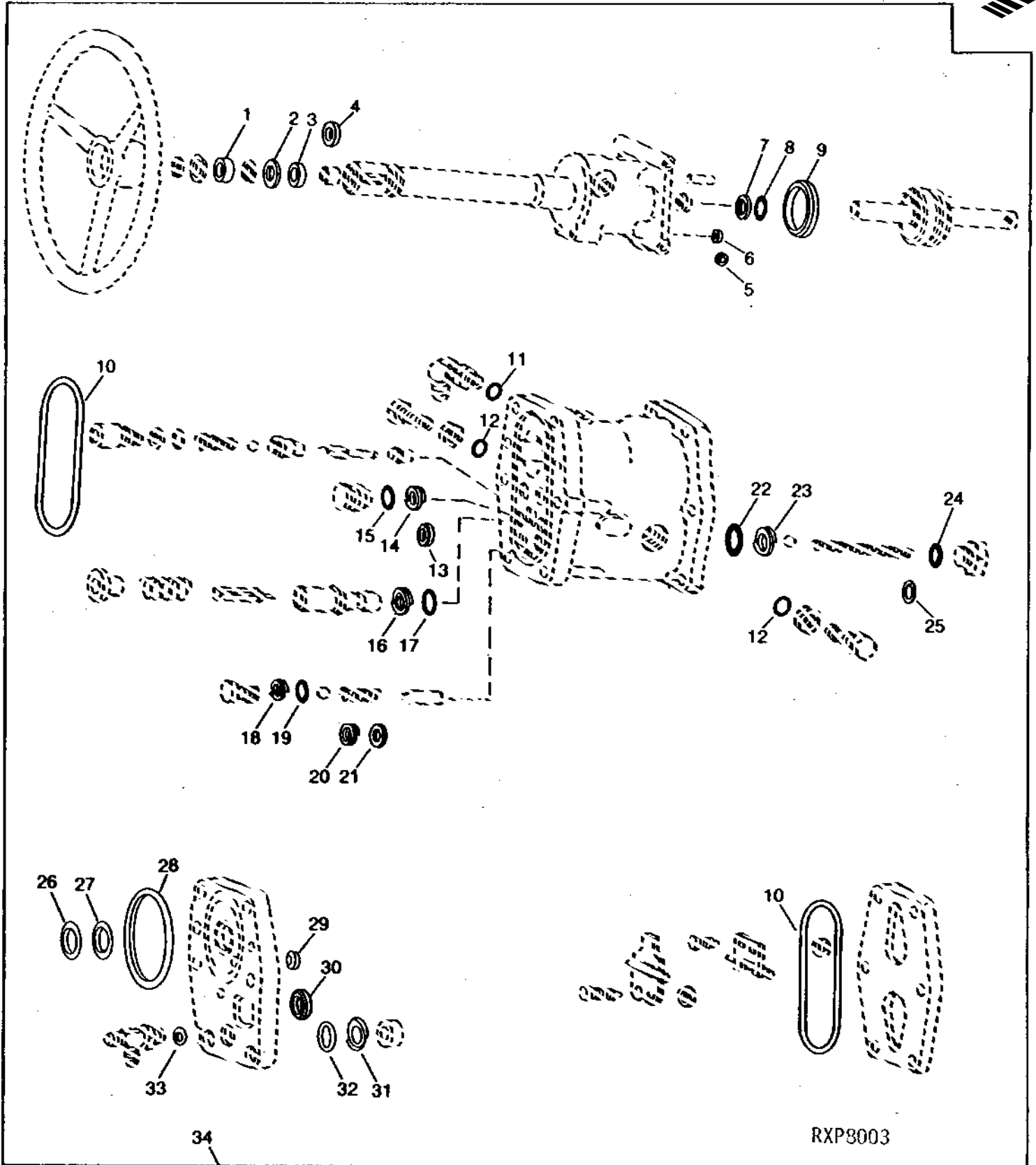
STEERING VALVE ASSEMBLY - CONTINUED
(TRACTOR SERIAL NO. 112046-)

KEY	PART NO.	PART NAME	QTY	TRACTOR SERIAL NO.	REMARKS
1	R34733	LOCK WASHER	2		
2	R41724	PLUG	4		(SUB FOR R34130)
3	R32588	BACK-UP RING	6		
4	R459R	O-RING	6		
5	R26565	SPRING	4		
6	400R	BALL	4		6MM (1/4")
7	R28124	VALVE	4		(SUB R59083)
8	AR49535	SHAFT	2		UPPER, (SUB FOR AR30589)
	AR49536	SHAFT	2		LOWER, (SUB FOR AR30590)
9	R34131	PLUG	2		
10	AT35121	ELBOW FITTING	1		90°, (SUB FOR AR26725)
11	R26448	O-RING	1		
12	R40338	DRAIN PLUG	2		
13	R27296	NUT	2		
14	R26286	O-RING	2		
15	AR26767	TEE FITTING	1		(WITH SELECTIVE CONTROL)
16	AT32334	FITTING	1		90°, (SUB FOR AR26773) (LESS SELECTIVE CONTROL)
17	R26286	O-RING	1		
18	AR43809	HOUSING	1		(MARKED R34119, R43721 OR R43962) (SUB FOR AR34006 OR AR43559)
19	R27527	ADAPTER	1	-179337	
	AR35223	ELBOW FITTING	1	179338-	45°
20	R26287	O-RING	1		
21	12H301	LOCK WASHER	4		1/2"
22	19H1990	CAP SCREW	4		1/2" X 2-1/4"
23	R26425	SNAP RING	2	-127126	
	R26425	SNAP RING	1	127127-	
24	R40595	BEARING RACE	2		
25	R26552	BALL	13		8MM (5/16")
26	R40757	BUSHING	1		(SUB FOR R31197)
27	R34128	WASHER	4	-127126	
	R40596	SPRING	1	127127-	
28	R20228	NUT	1	-127126	(SUB 14H862)
	R40597	LOCK NUT	1	127127-	
29	R39112	FITTING	1		
30	R26375	O-RING	1		
31	R31278	SPRING	1		
32	R42849	BALL	1		10MM (3/8") (SUB FOR 405R)
33	R30323	BACK-UP RING	1		
34	P48347	O-RING	1		(SUB FOR T12860 OR R33404)
35	B2762R	O-RING	1		
36	R26546	BACK-UP RING	1		
37	R34123	VALVE SEAT	1		
38	R42661	SEAT	1		(SUB FOR R34124)
39	R26151	SPRING	1		
40	R34122	STOP	1		
41	R34132	VALVE SEAT	1		(SUB AR44883)
42	R34129	BACK-UP RING	1		
43	A4365R	O-RING	1		
44	400R	BALL	1		6MM (1/4")
45	R26373	SPRING	1		
46	R34336	GUIDE	1		
47	R27216	DRAIN PLUG	1	-XXXXXX	(SUB FOR R31631)
	15H558	PIPE PLUG	1	XXXXXX-	1/8"
48	R26287	O-RING	1	-XXXXXX	
49	12H301	LOCK WASHER	2		1/2"
50	19H2552	CAP SCREW	6		3/8" X 1-1/8"
51	12H304	LOCK WASHER	6		3/8"
52	19H1721	CAP SCREW	2		1/2" X 1-1/2"
53	R26554	SET SCREW	2		
54	AR26448	LEVER	1		LOWER
55	R31217	SCREW	2		(SUB FOR R26762, THIS APPLICATION)
56	AR26402	LEVER	1		UPPER
57	R57034	COVER	1		(SUB FOR R26553 OR R51748)
58	14H649	NUT	4		1/4"

3B11

RXP8003 -UN-01JAN94

STEERING VALVE CYLINDER OVERHAUL KIT



RXP8003

3B12

STEERING AND BRAKES

STEERING VALVE CYLINDER OVERHAUL KIT - CONTINUED

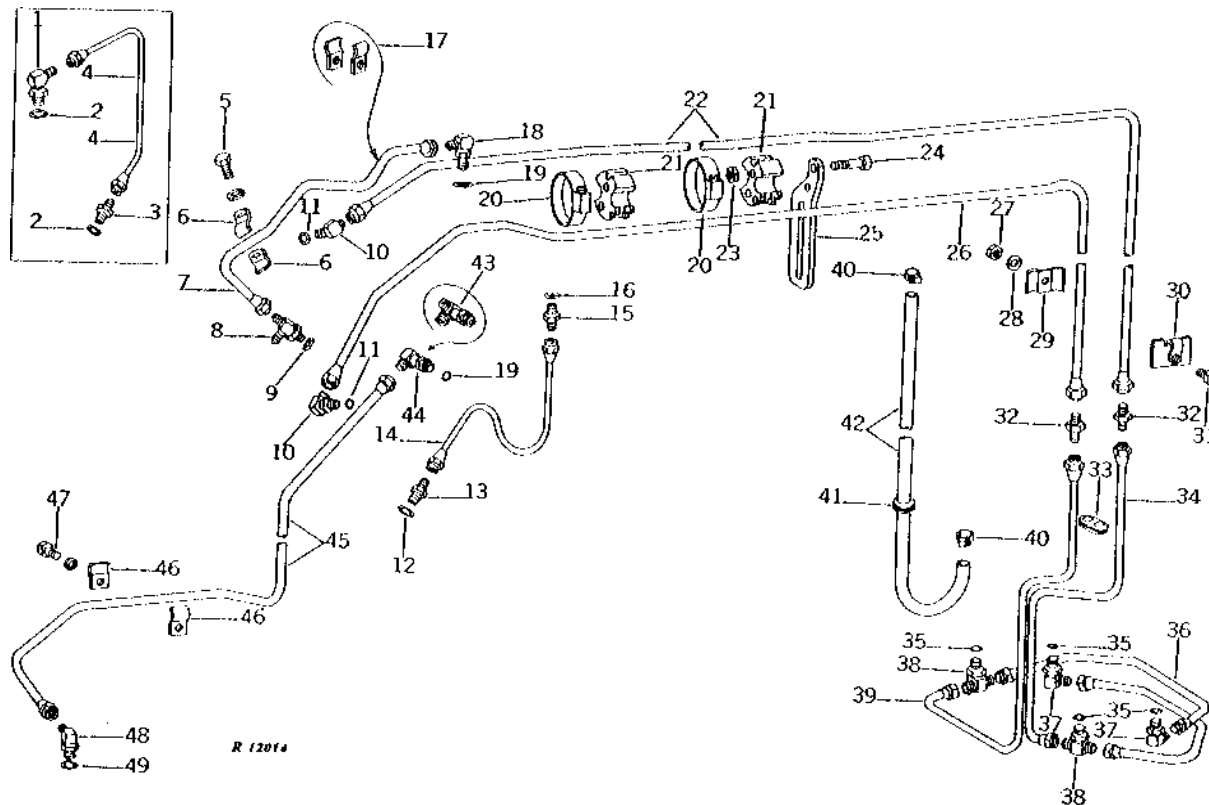
KEY	PART NO.	PART NAME	QTY	TRACTOR SERIAL NO.	REMARKS
1	R72858	SEAL	1		
2	R32731	WASHER	1		
3	R72858	SEAL	1		
4	R54063	SEAL	1	(A)	
5	R26448	O-RING	2		
6	AR67783	O-RING KIT	1		
7	R26441	BACK-UP RING	1		
8	A3606R	O-RING	2		
9	R40567	WASHER	1		
10	R34733	LOCK WASHER	2		
11	R26286	O-RING	1		
12	R26286	O-RING	2		
13	R31488	WASHER	2	(A)	
14	R459R	O-RING	6		
15	R32588	BACK-UP RING	6		
16	R26546	BACK-UP RING	2		
17	B2762R	O-RING	2		
18	R34129	BACK-UP RING	1		
19	A4365R	O-RING	1		
20	R26551	BACK-UP RING	1	(A)	
21	R394R	O-RING	1		
22	R34404	O-RING	1	(SUB P48347)	
23	R30323	BACK-UP RING	1		
24	R26375	O-RING	1		
25	R26547	WASHER	2	(A)	
26	A3606R	O-RING	2		
27	R26441	BACK-UP RING	1		
28	AR67783	O-RING KIT	1		
29	AR67783	O-RING KIT	1		
30	R31489	WASHER	1	(A)	
31	R47694	BACK-UP RING	1		
	R26485	BACK-UP RING	1	(A)	
32	R495R	O-RING	1		
33	R26286	O-RING	1		
34	AR39585	KIT	1	(A)	

(A) EARLY DESIGN

3B13

R12014 -UN-01JAN94

STEERING OIL LINES



KEY	PART NO.	PART NAME	QTY	TRACTOR SERIAL NO.	REMARKS
1	AT32335	ELBOW FITTING	1	-115465	90°, (SUB FOR AR26746)
2	R26287	O-RING	2	-115465	
3	R27527	ADAPTER	1	-115465	
4	AR32771	PIPE	1	-105111	(SUB AR48233)
	AR40035	LINE	1	105112-115465	(SUB AR48233)
5	19H1731	CAP SCREW	1		3/8" X 1"
	12H304	LOCK WASHER	1		3/8"
6	R42357	CLAMP	2		(SUB FOR R27545)
7	AR31988	HYDRAULIC LINE	1		PRESSURE CONTROL VALVE TO STEERING VALVE
8	AR30762	TEE FITTING	1		
9	R26286	O-RING	1		
10	AT35121	ELBOW FITTING	2		90°, (SUB FOR AR26725)
11	R26448	O-RING	2		
12	R26287	O-RING	1	115466-	
13	R27527	ADAPTER	1	115466-179337	
	AR35223	ELBOW FITTING	1	179338-	45°
14	AR48233	KIT	1	115466-	(SUB FOR AR40404 OR AR44043) (PRESSURE CONTROL VALVE TO STEERING VALVE)
15	R27527	ADAPTER	1	115466-	
16	R26287	O-RING	1	115466-	
17	R27720	CLAMP	2		
18	AR30742	ELBOW FITTING	1	-105111	90°
	AT32333	ELBOW FITTING	1	105112-	90°, (SUB FOR AR26771)
19	R26286	O-RING	2		
20	AR21840	CLAMP	2		
21	AR41016	SPACER	2		(SUB FOR R27924)

3B14

STEERING OIL LINES - CONTINUED

KEY	PART NO.	PART NAME	QTY	TRACTOR SERIAL NO.	REMARKS
22	AR26693	HYDRAULIC LINE	1		(D) (STEERING VALVE TO STEERING MOTOR, TOP, R.H.)
	AR32307	HYDRAULIC LINE	1	-153404	(C) (STEERING VALVE TO STEERING MOTOR, TOP, R.H.)
	AR26693	HYDRAULIC LINE	1	153405-	(C) (STEERING VALVE TO STEERING MOTOR, TOP, R.H.)
23	14H786	NUT	2		1/4"
24	19H1898	CAP SCREW	2		1/4" X 1-1/2"
25	R27925	SUPPORT	1		
26	AR32308	HYDRAULIC LINE	1		STEERING VALVE TO STEERING MOTOR, TOP, L.H.
27	14H786	NUT	1		1/4"
28	12H302	LOCK WASHER	1		1/4"
29	R27323	CLAMP	1		
30	R27324	CLIP	1		
31	19H1914	CAP SCREW	1		1/4" X 1"
32	R27095	FITTING	2		37° FLARE
33	R26418	GROMMET	1		
34	AR32309	HYDRAULIC LINE	1		(A) R.H. (RC AND HC)
	AR32538	HYDRAULIC LINE	1		(B) STEERING MOTOR, BOTTOM, R.H.
35	R26286	O-RING	4		
36	AR26679	OIL LINE	2		STEERING MOTOR
37	AT32333	ELBOW FITTING	2		90°, (SUB FOR AR26771)
38	AR27254	TEE FITTING	2		
39	AR26496	HYDRAULIC LINE	1		(A) L.H. (RC AND HC)
	AR27706	HYDRAULIC LINE	1		(B) L.H.
40	AR21836	CLAMP	2		(SUB FOR AR27253)
41	R26941	GROMMET	1		
42	R33733	HOSE	1		STEERING MOTOR VENT TO OIL COOLER
43	AR26767	TEE FITTING	1		(WITH SINGLE OR DUAL SELECTIVE CONTROL)
44	AT32334	FITTING	1		90°, (SUB FOR AR26773) (WITHOUT SINGLE OR DUAL SELECTIVE CONTROL)
45	AR32506	HYDRAULIC LINE	1		(D) STEERING VALVE TO OIL FILTER RELIEF VALVE
	AR32299	HYDRAULIC LINE	1		(C) STEERING VALVE TO HYDRAULIC OIL FILTER
46	R27539	CLAMP	AR		(4 USED SYNCRO-RANGE) (2 USED POWER SHIFT)
47	19H1936	CAP SCREW	AR		3/8" X 3/4", (2 USED SYNCRO-RANGE) (1 USED POWER SHIFT)
	12H304	LOCK WASHER	AR		3/8", (2 USED SYNCRO-RANGE) (1 USED POWER SHIFT)
48	AR26745	ELBOW FITTING	1		(D) 45°
	AT32332	ELBOW FITTING	1		(C) 90°, (SUB FOR AR26763)
49	R26375	O-RING	1		
..	AR48233	KIT	1	-115465	BLEED LINE, (CONSISTS OF (2) AR48234, (2) AR48235, (2) AR48236 AND R46141)
..	AR21969	KIT	1		CAP ASSORTMENT

(A) STANDARD EQUIPPED WITH LONG WHEEL BASE ADJUSTABLE OR FIXED TREAD FRONT AXLES.

(B) STANDARD EQUIPPED WITH SHORT WHEEL BASE ADJUSTABLE OR FIXED TREAD FRONT AXLES.

(C) POWER SHIFT

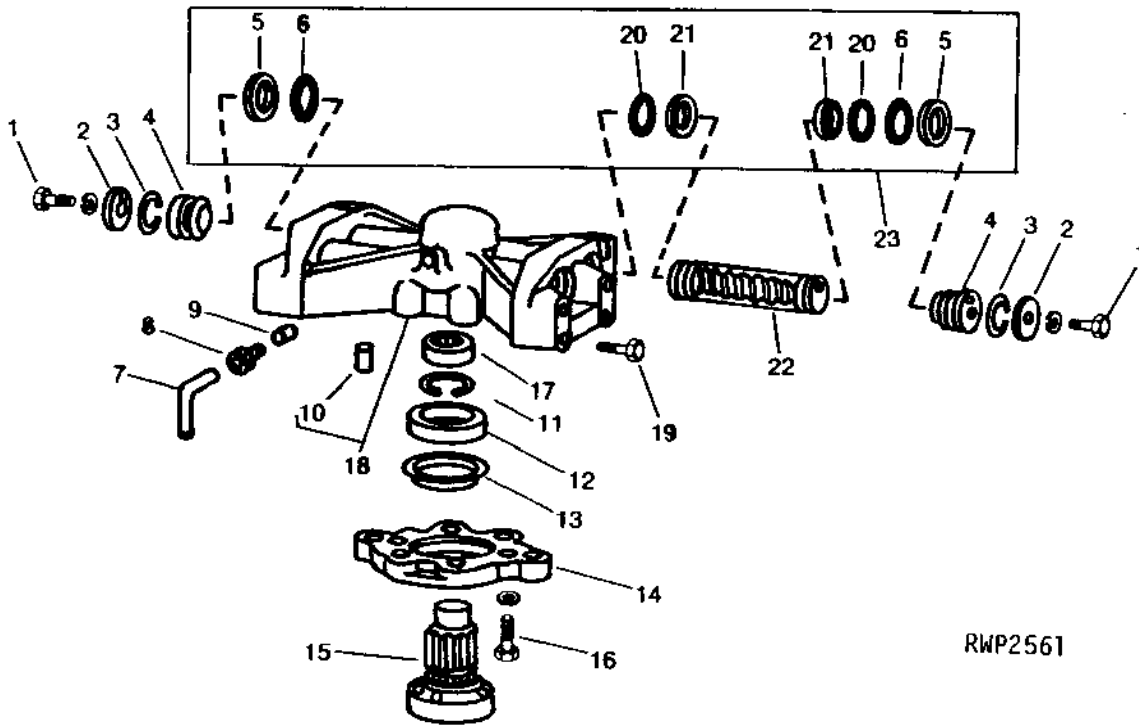
(D) SYNCRO-RANGE

RC-ROW-CROP, HC-HI-CROP

3B15

STEERING MOTOR

RWP2561 -UN-01JAN94



RWP2561

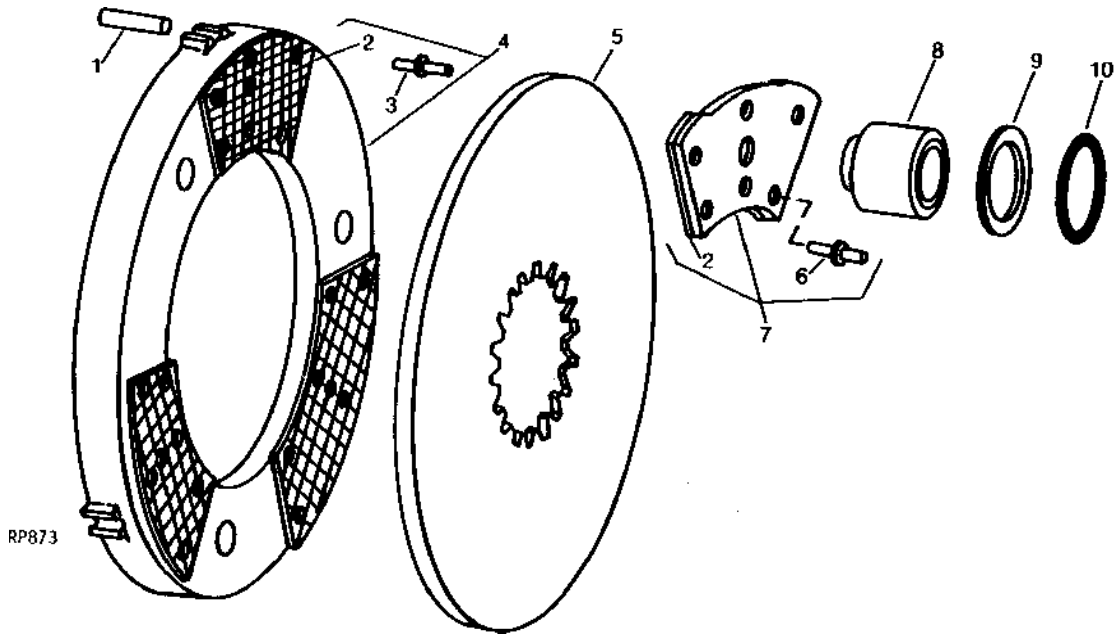
KEY	PART NO.	PART NAME	QTY	TRACTOR SERIAL NO.	REMARKS
1	19H1732	CAP SCREW	4		3/8" X 1-1/4"
	12H304	LOCK WASHER	4		3/8"
2	R26281	WASHER	4		
3	R26283	SNAP RING	4		
4	R26280	PLUG	4		
5	R26290	BACK-UP RING	4		
6	R26282	O-RING	4		
7	R33732	OIL TUBE	1		
8	R28676	FITTING	1		
9	R28677	SLEEVE	1		
10	R26277	DOWEL PIN	2		
11	R26285	SNAP RING	1		
12	AR26981	BALL BEARING	1		
13	R34748	SEAL	1		(SUB FOR R32627)
14	R31561	RETAINER	1		
15	AR26586	SPINDLE	1	-090999	
	AR34825	SPINDLE	1	091000-	
16	19H2550	CAP SCREW	6		1/2" X 1-5/8"
	12H301	LOCK WASHER	6		1/2"
17	R31530	BUSHING	1	-090999	
	JD9817	NEEDLE BEARING	1	091000-	
18	AR26368	HOUSING	1	-090999	(MARKED R26275 OR R34980) (SUB AR34824 AND R31530)
	AR34824	HOUSING	1	091000-	(MARKED R26275 OR R34980)
19	R31505	BOLT	8		
20	B3685R	O-RING	4		
21	R47083	BACK-UP RING	4		(SUB FOR R28136 OR R40761)
22	R26278	PISTON	2		
23	AR52016	O-RING KIT	1		

MEMORANDA

3B16

RP873 -UN-06OCT94

BRAKE PLATES AND FACINGS



3B17

BRAKE PLATES AND FACINGS - CONTINUED

KEY	PART NO.	PART NAME	QTY	TRACTOR SERIAL NO.	REMARKS
1	R65543	DOWEL PIN	6		(SUB FOR R33024)
2	R90086	BRAKE SHOE	12		76MM (3") (SUB FOR AR28488) (SUB R110464)
	R90085	BRAKE SHOE	12		60MM (2-7/16") (USE WITH R40152) (SUB FOR AR28487) (SUB R111122)
3	R708R	RIVET	18		(A) 1-11/64"
	R26301	RIVET	18		(B) 1-11/32"
	D1761R	RIVET	18		(A) 31/64"
	D2593R	RIVET	18		(B) 43/64"
4	AR66749	BRAKE DISK	2		(A) (MARKED R33817, R40152 OR R40153) (SUB FOR AR32485, AR40024 OR AR72373) (SUB RE46332, (3) RE46328 AND R85708)
	AR66749	BRAKE DISK	2		(C) (SUB RE46332, (3) RE46328 AND R113739)
	AR34591	PLATE	2		(B) (MARKED R34833) (SUB RE46339, (3) RE46328 AND R78429)
5	R78430	DISK	2		(A) (SUB FOR R33819, R45780, R48476 OR R45781)
	R78429	BRAKE DISK	2		(B) (SUB FOR R26767 OR R32399)
	R62686	BRAKE DISK	2		(A) (C) (SUB FOR R56734) (SUB R85029)
6	D1761R	RIVET	36		
7	AR32243	PLATE	6		(A) 76MM (3") (SUB RE46332, (3) RE46328 AND R85708)
	AR32243	PLATE	6		(B) 76MM (3") (SUB RE46339, (3) RE46328 AND R78429)
	AR32243	PLATE	6		(A) (C) 76MM (3") (SUB RE46332, (3) RE46328 AND R113739)
	AR32441	PLATE	6		(A) 60MM (2-7/16") (SUB RE46332, (3) RE46328 AND R85708)
	AR32441	PLATE	6		(B) 60MM (2-7/16") (SUB RE46339, (3) RE46328 AND R78429)
	AR32441	PLATE	6		(A) (C) 60MM (2-7/16") (SUB RE46332, (3) RE46328 AND R113739)
8	R42225	PISTON	6		(SUB FOR R26972)
9	R26973	WASHER	6		PAPER
10	F1056R	O-RING	6		

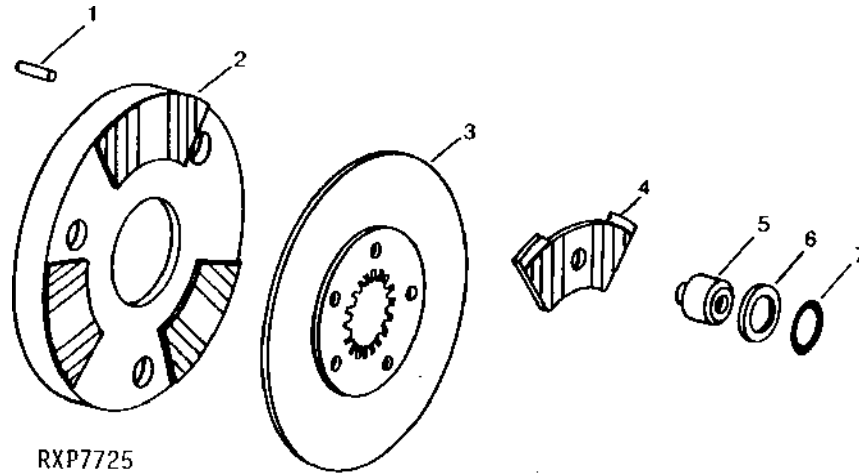
- (A) ROW-CROP AND STANDARD
- (B) HI-CROP
- (C) 51MM FINAL DRIVE

NOTE: THREE-PART SUBS ARE DUE TO INTRODUCTION OF NON-ASBESTOS LININGS. (SEE FOLLOWING PAGE)

3B18

RXP7725 -UN-06OCT94

BRAKE PLATES



KEY	PART NO.	PART NAME	QTY	TRACTOR SERIAL NO.	REMARKS
1	R65543	DOWEL PIN	6		
2	RE33013	PLATE	2	(MARKED R83540) (SUB RE46332)	
	RE39951	PLATE	2	(B) (MARKED R34833) (SUB RE46339)	
3	R85708	BRAKE DISK	2	(A)	
	R78429	BRAKE DISK	2	(B)	
	R97799	BRAKE DISK	2	(A) (C) (SUB R113739)	
4	RE32681	PLATE	6	(SUB RE46328)	
5	R48240	PISTON	6		
6	R26364	WASHER	6		
7	R26863	O-RING	6		

(A) ROW-CROP AND STANDARD

(B) HI-CROP

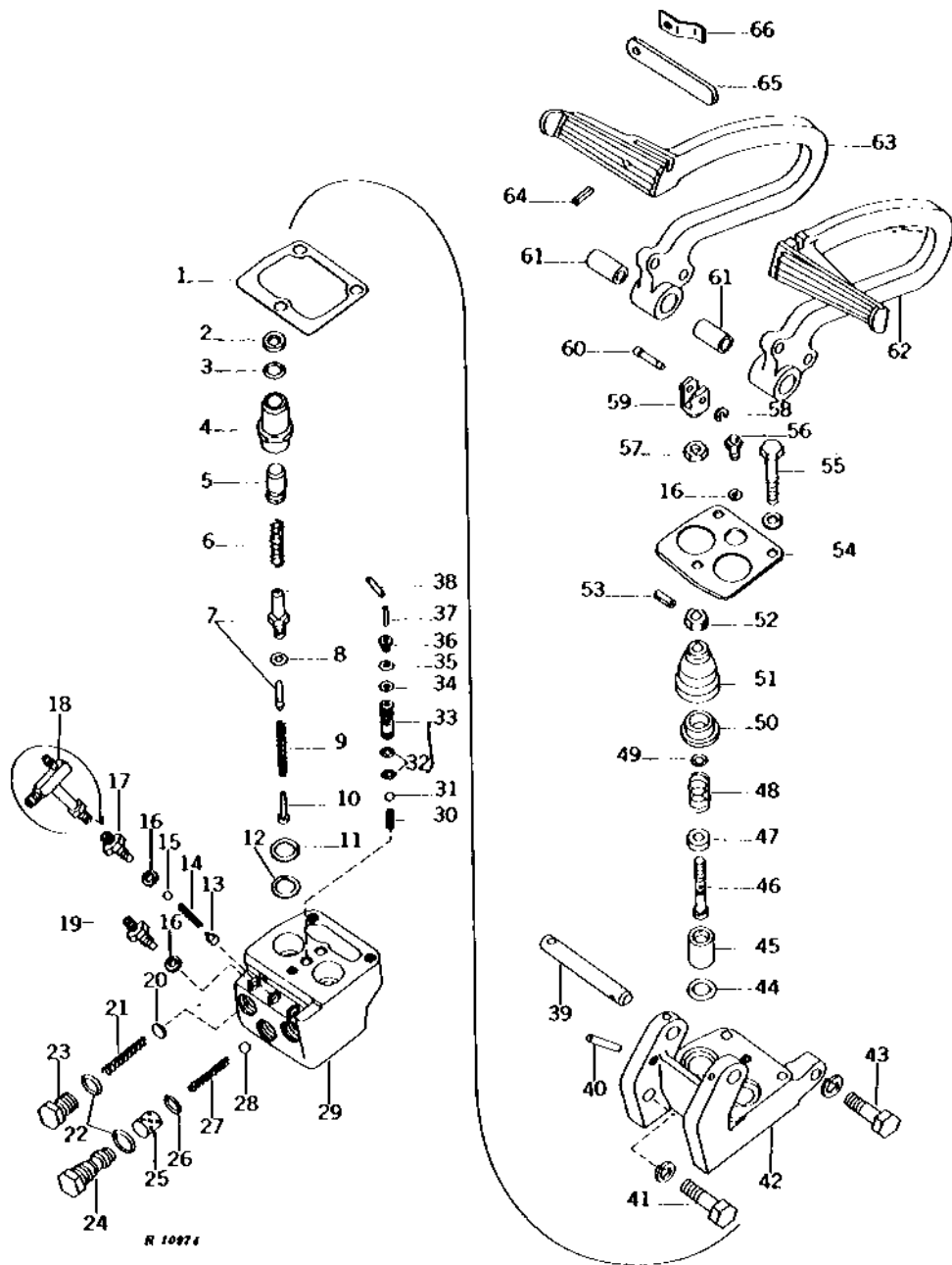
(C) 51MM FINAL DRIVE

MEMORANDA

3B19

R10974 -UN-01JAN94

BRAKE VALVE AND PEDALS



KEY	PART NO.	PART NAME	QTY	TRACTOR SERIAL NO.	REMARKS
1	R31455	GASKET	1		
2	R32092	WASHER	2	PAPER	
3	R459R	O-RING	2		
4	R32091	PISTON	2	MANUAL BRAKE	
5	R32090	PLUNGER	2		
6	R26369	SPRING	2		
7	AR52498	VALVE	2	(SUB FOR AR30855 OR AR45634)	
8	R26286	O-RING	2		
9	R26367	SPRING	2	(EARLY DESIGN)	
10	R31639	PIN	2	(EARLY DESIGN)	
11	R27137	BACK-UP RING	2		
12	R27149	O-RING	2		
13	R26374	STOP	1		
14	R26373	SPRING	1		

3B20

STEERING AND BRAKES

BRAKE VALVE AND PEDALS - CONTINUED

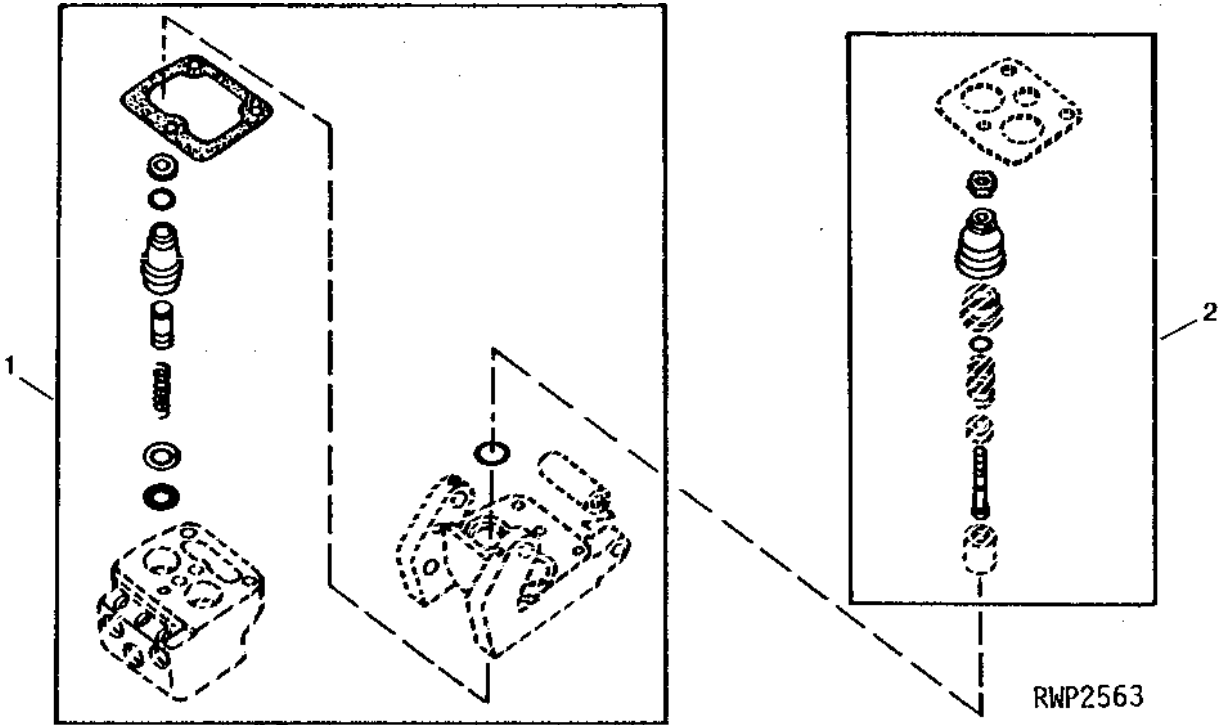
KEY	PART NO.	PART NAME	QTY	TRACTOR SERIAL NO.	REMARKS
15	400R	BALL	1		
16	R26287	O-RING	4		
17	R27527	ADAPTER	1		(LESS DIFFERENTIAL LOCK)
18	AR39679	TEE FITTING	1	-123220	(WITH DIFFERENTIAL LOCK) (SUB AR42072)
	AR40472	TEE FITTING	1	123221-	(WITH DIFFERENTIAL LOCK)
19	R27527	ADAPTER	2		
20	R26376	DISK	2		
21	R227R	SPRING	2		
22	R26375	O-RING	3		
23	R32702	FITTING	2		
24	R28774	FITTING	1		
25	R42684	STRAINER	1		(SUB FOR R28775)
26	R28776	O-RING	1		
27	R26372	SPRING	1		
28	R42849	BALL	1		(SUB FOR 405R)
29	AR42400	HOUSING	1		(MARKED R31454) (SUB FOR AR31940)
30	A4816R	SPRING	2		
31	400R	BALL	2		
32	R30903	O-RING	4		
33	AR31016	GUIDE	2		
34	R31468	O-RING	2		
35	R31469	SHIM	2		
36	R31465	SLEEVE	2		
37	R31467	PIN	2		
38	R31464	PIN	2		
39	R34747	GROOVE PIN	1		(USE WITH R40789)
	R45929	GROOVE PIN	1		(USE WITH R45928 OR R34385)
40	34H252	SPRING PIN	1		1/8" X 1-1/4", (USE WITH R40789)
	34H286	SPRING PIN	1		3/16" X 1-1/2", (USE WITH R45928)
41	19H2550	CAP SCREW	1		1/2" X 1-5/8"
	12H301	LOCK WASHER	1		1/2"
42	R57815	BRACKET	1		(ALSO ORDER R45929 AND 34H286) (SUB FOR R40789 OR R45928)
43	19H1721	CAP SCREW	1		1/2" X 1-1/2"
	12H301	LOCK WASHER	1		1/2"
44	A3606R	O-RING	2		
45	R52169	GUIDE	2		(SUB FOR R31457)
46	R31267	BOLT	2	-095826	(SUB AR39901)
	R39980	BOLT	2	095827-	
47	R52168	STOP	2		(SUB FOR R31458)
48	R31271	SPRING	2		
49	R30903	O-RING	2	095827-	
50	R31459	RETAINER	2		
51	R31449	BOOT	2	-095826	(SUB AR39901)
	R54059	BOOT	2	095827-	(SUB FOR R39981)
52	R31272	NUT	2	-095826	(SUB AR39901)
	R39982	NUT	2	095827-	
53	34H245	SPRING PIN	2		1/8" X 5/8"
54	R26384	RETAINER	1		
55	19H1733	CAP SCREW	3		3/8" X 2-1/2"
	12H304	LOCK WASHER	3		3/8"
56	R27527	ADAPTER	1		(SYNCRO-RANGE)
	AT32335	ELBOW FITTING	1		90°, (SUB FOR AR26746) (POWER SHIFT)
57	14H732	NUT	2		3/8"
58	R26386	SNAP RING	2		
59	R31273	YOKE	2		
60	R26385	PIN	2		
61	B177R	BUSHING	2		
62	AR33975	PEDAL	1		(MARKED R31502 OR R34531)
63	AR33976	PEDAL	1		(MARKED R31503 OR R34532)
64	34H312	SPRING PIN	1		1/4" X 1"
65	R50879	ARM	1		(SUB FOR R32376)
66	R50034	LEAF SPRING	1		(SUB FOR R31602)

3B21

RWP2563

-UN-01JAN94

BRAKE VALVE KITS

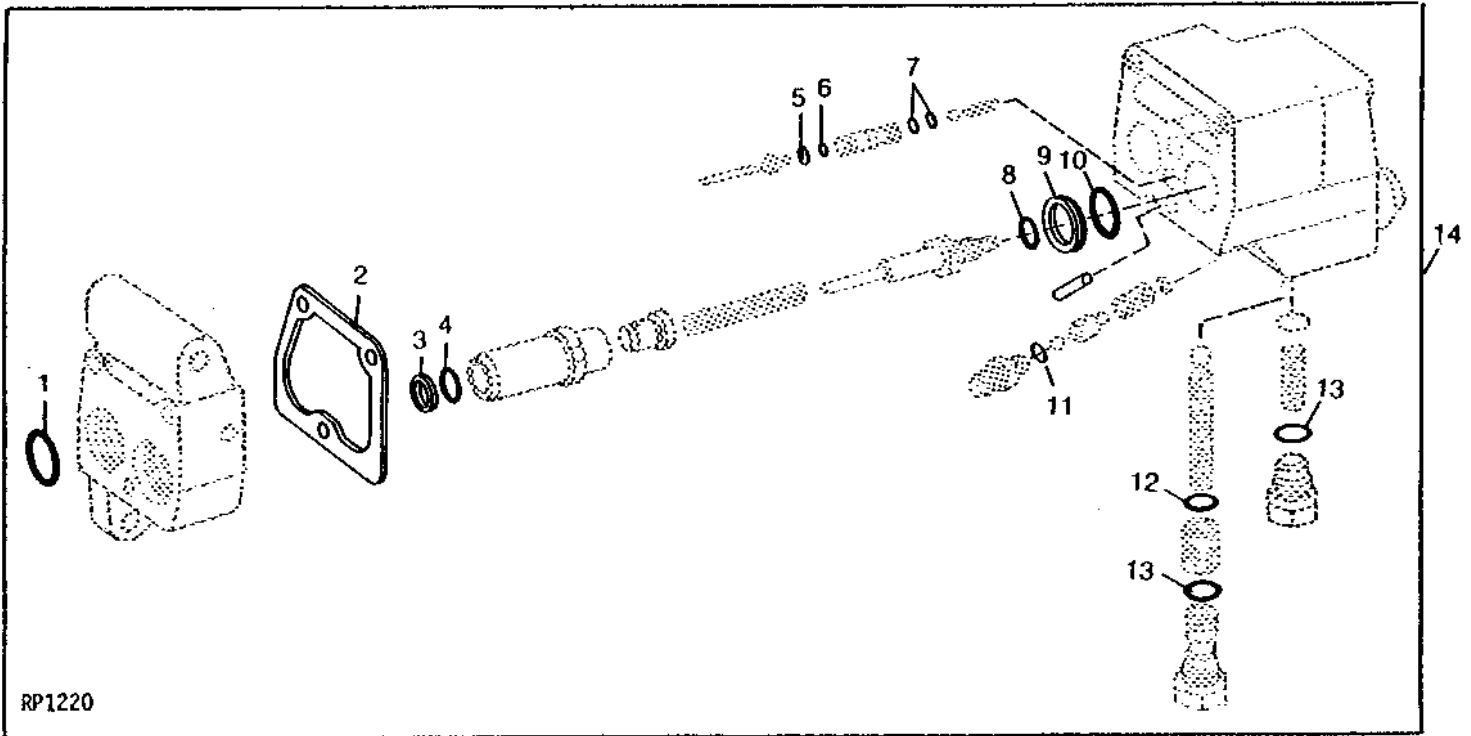


KEY	PART NO.	PART NAME	QTY	TRACTOR SERIAL NO.	REMARKS
1	AR58165	KIT	1		BRAKE VALVE PLUNGER
2	AR39901	KIT	1		BRAKE OPERATING ROD

3B22

BRAKE VALVE OVERHAUL KIT

RP1220 -UN-01JAN94



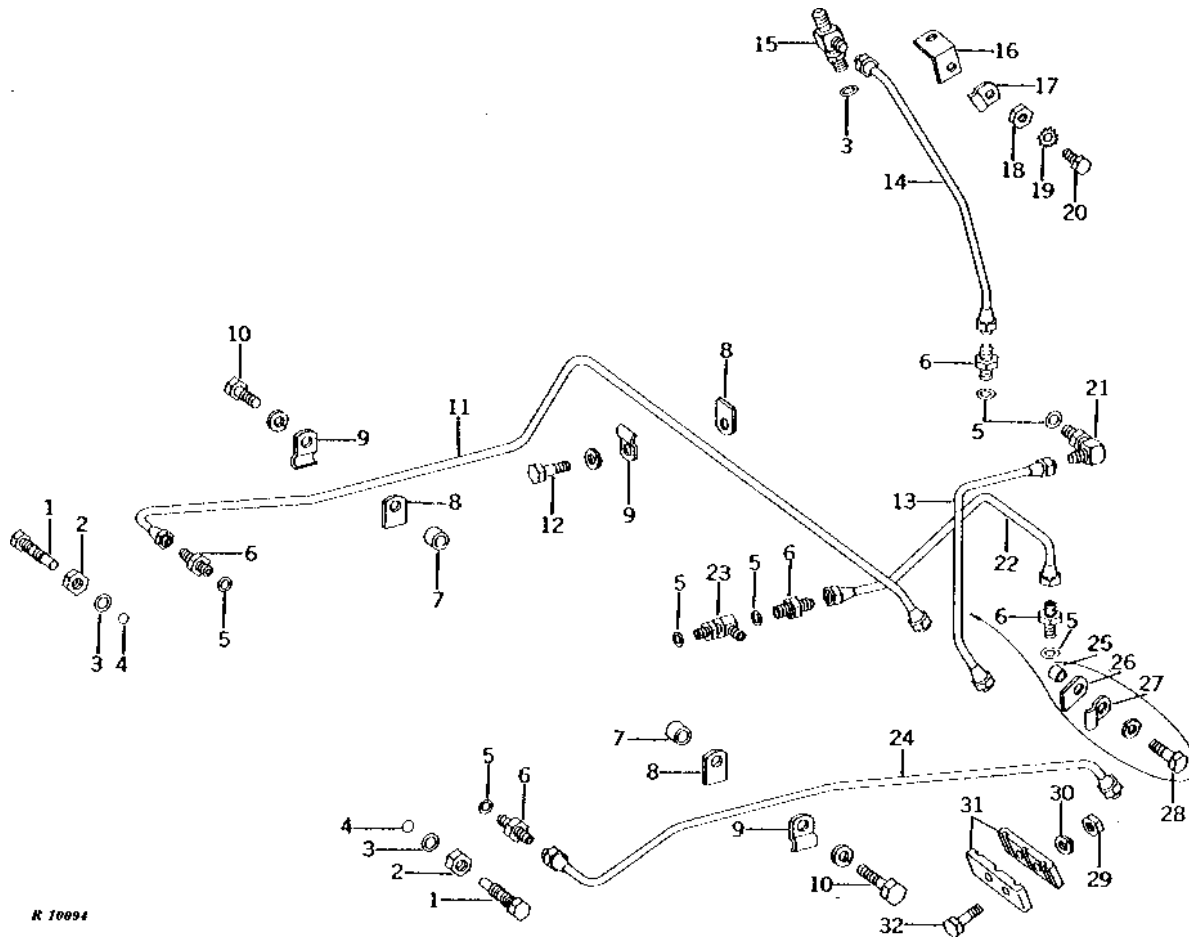
KEY	PART NO.	PART NAME	QTY	MODEL NO.	REMARKS
1	A3606R	O-RING	2		
2	R31455	GASKET	1		
3	R32092	WASHER	2		PAPER
4	R459R	O-RING	2		
5	R31469	SHIM	2		
6	R31468	O-RING	2		
7	R30903	O-RING	4		
8	R26286	O-RING	2		
9	R27137	BACK-UP RING	2		
10	R27149	O-RING	2		
11	R26287	O-RING	4		
12	R28776	O-RING	1		
13	R26375	O-RING	3		
14	AR31946	KIT	1		

3B23

R10094

-UN-01JAN94

BRAKE OIL LINES (SYNCRO-RANGE)



R 10094

3B24

STEERING AND BRAKES

BRAKE OIL LINES - CONTINUED (SYNCRO-RANGE)

KEY	PART NO.	PART NAME	QTY	TRACTOR SERIAL NO.	REMARKS
1	R27906	SCREW	2		BLEED VALVE
2	R27296	NUT	2		
3	R26286	O-RING	3		
4	R42849	BALL	2		10MM (3/8") (SUB FOR 405R)
5	R26287	O-RING	7		
6	R27527	ADAPTER	5		
7	A4669R	BUSHING	2		
8	R31655	STRAP	4		
9	R31654	CLAMP	4		
10	19H1732	CAP SCREW	2		3/8" X 1-1/4"
	12H304	LOCK WASHER	2		3/8"
11	AR32488		1	-171644	L.H. (SUB AR44456, (4) R31654 AND (4) R31655)
	AR44456	HYDRAULIC LINE	1	171645-	L.H.
12	19H1936	CAP SCREW	2		3/8" X 3/4"
	12H304	LOCK WASHER	2		3/8"
13	AR32239	HYDRAULIC LINE	1		(B) LOWER
	AR39678	HYDRAULIC LINE	1	091000-	(A) LOWER
14	AR32238	HYDRAULIC LINE	1		UPPER
15	AR30762	TEE FITTING	1		
16	R34651	BRACKET	1		
17	R31654	CLAMP	1		
18	14H785	NUT	1		5/16"
19	12M7032	LOCK WASHER	1		0.331"
20	19H1813	CAP SCREW	1		5/16" X 5/8"
21	AT32335	ELBOW FITTING	1		90°, (SUB FOR AR26746)
22	AR33990	HYDRAULIC LINE	1		BRAKE RETURN
23	AR33988	TEE FITTING	1		
24	AR32487	HYDRAULIC LINE	1		R.H.
25	28H3381	SPACER	1	091000-	(A)
26	R31655	STRAP	1	091000-	(A)
27	R31654	CLAMP	1	091000-	(A)
28	19H2661	CAP SCREW	1	091000-	(A) 5/16" X 1-3/8"
	12H303	LOCK WASHER	1	091000-	(A) 5/16"
29	14H785	NUT	2		(B) 5/16"
30	12H303	LOCK WASHER	2		(B) 5/16"
31	R36086	CLAMP	2		(B)
32	19H1849	CAP SCREW	2		(B) 5/16" X 1-1/4"

(A) WITH DIFFERENTIAL LOCK

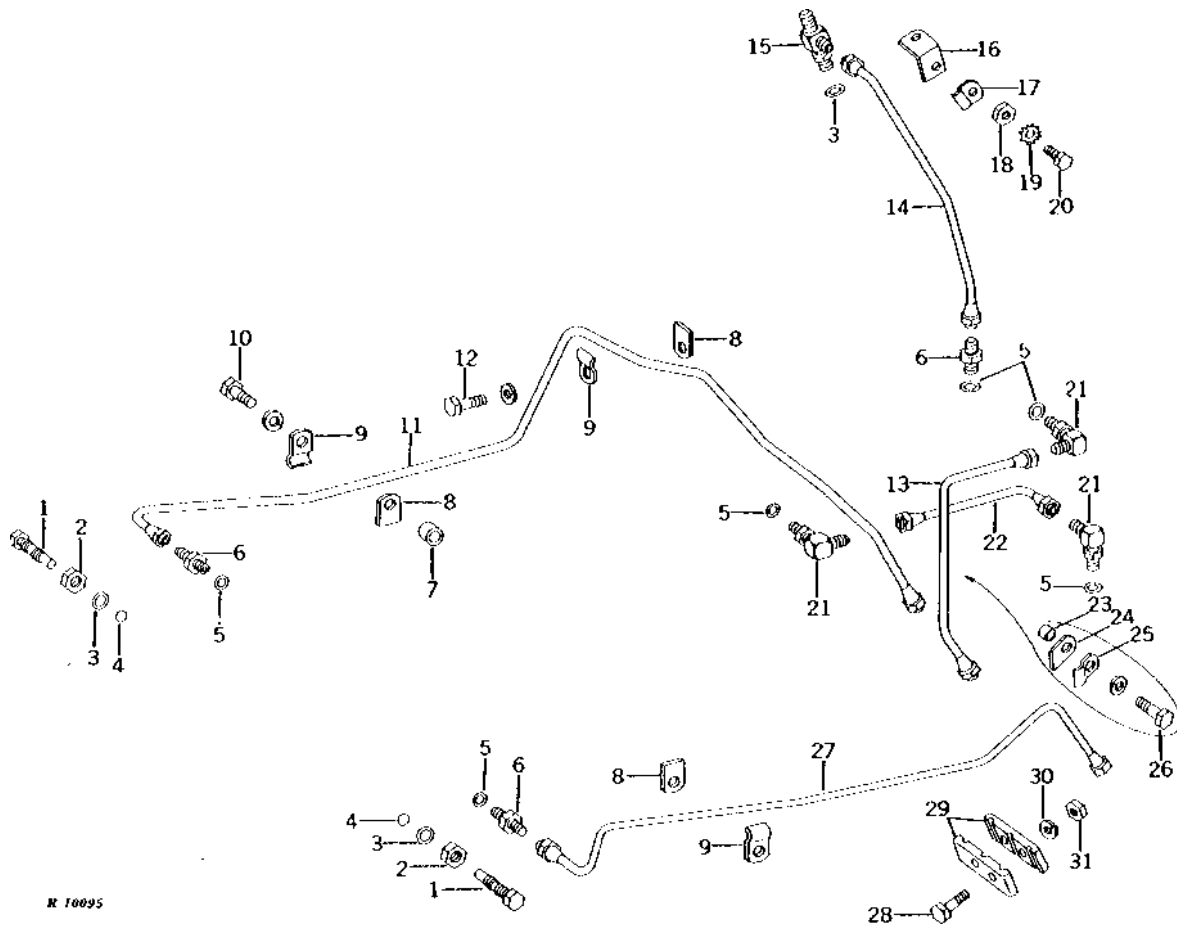
(B) LESS DIFFERENTIAL LOCK

3C1

R10095

-UN-01JAN94

BRAKE OIL LINES (POWER SHIFT)



R 10095

BRAKE OIL LINES - CONTINUED
(POWER SHIFT)

KEY	PART NO.	PART NAME	QTY	TRACTOR SERIAL NO.	REMARKS
1	R27906	SCREW	2		BLEED VALVE
2	R27296	NUT	2		
3	R26286	O-RING	3		
4	R42849	BALL	2		10MM (3/8") (SUB FOR 405R)
5	R26287	O-RING	6		
6	R27527	ADAPTER	3		
7	A4669R	BUSHING	1		
8	R31655	STRAP	4		
9	R31654	CLAMP	4		
10	19H1732	CAP SCREW	1		3/8" X 1-1/4"
	12H304	LOCK WASHER	1		3/8"
11	AR32242	LINE	1	-173032	L.H. (SUB AR44455, (4) R31654 AND (4) R31655)
	AR44455	HYDRAULIC LINE	1	173033-	L.H.
12	19H1936	CAP SCREW	2		3/8" X 3/4"
	12H304	LOCK WASHER	2		3/8"
13	AR32239	HYDRAULIC LINE	1		(B) LOWER
	AR39678	HYDRAULIC LINE	1	091000-	(A) LOWER
14	AR32238	HYDRAULIC LINE	1		UPPER
15	AR30762	TEE FITTING	1		
16	R34651	BRACKET	1		
17	R31654	CLAMP	1		
18	14H785	NUT	1		5/16"
19	12M7032	LOCK WASHER	1		0.331"
20	19H1813	CAP SCREW	1		5/16" X 5/8"
21	AT32335	ELBOW FITTING	3		90°, (SUB FOR AR26746)
22	AR52171	HYDRAULIC LINE	1		RETURN, (SUB FOR AR32240)
23	28H3381	SPACER	1	091000-	(A)
24	R31655	STRAP	1	091000-	(A)
25	R31654	CLAMP	1	091000-	(A)
26	19H2661	CAP SCREW	1	091000-	(A) 5/16" X 1-3/8"
	12H303	LOCK WASHER	1	091000-	(A) 5/16"
27	AR32241	HYDRAULIC LINE	1		R.H.
28	19H1849	CAP SCREW	2		(B) 5/16" X 1-1/4"
29	R36086	CLAMP	2		(B)
30	12H303	LOCK WASHER	1		(B) 5/16"
31	14H785	NUT	2		(B) 5/16"

(A) WITH DIFFERENTIAL LOCK

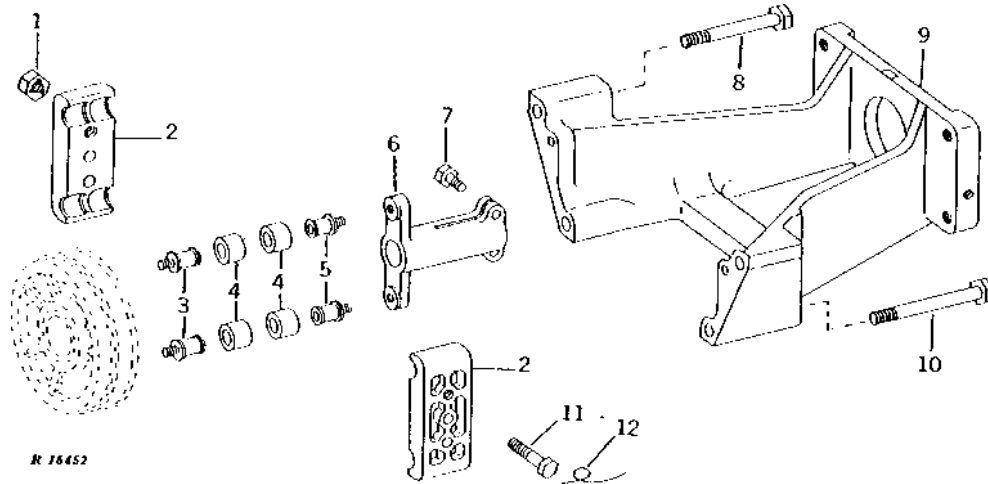
(B) LESS DIFFERENTIAL LOCK

MEMORANDA

3C8

R16452 -UN-01JAN94

HYDRAULIC PUMP DRIVE AND SUPPORT



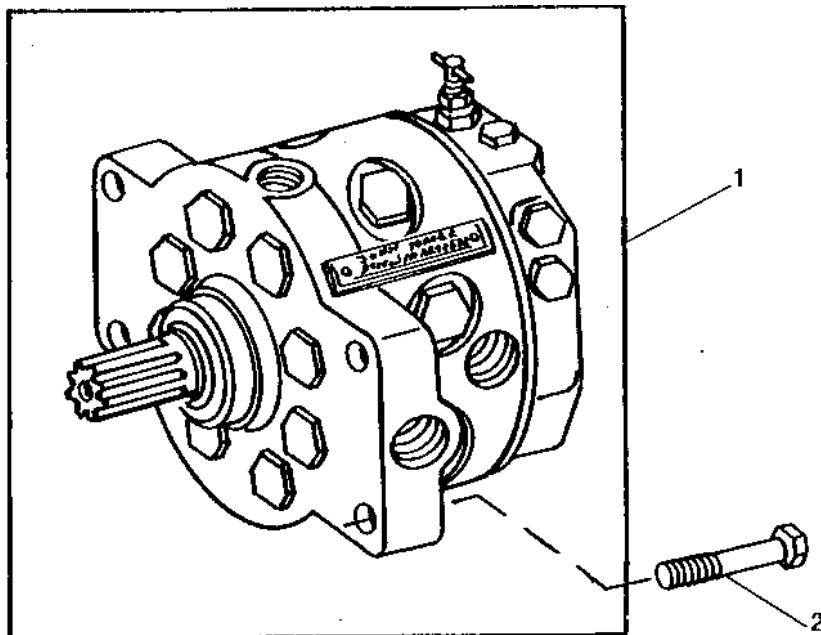
KEY	PART NO.	PART NAME	QTY	TRACTOR SERIAL NO.	REMARKS
1	E50102	LOCK NUT	2		
2	R34362	EXTERNAL HALF COUPLER	2		
3	R34360	SCREW	2		
4	R45822	BUSHING	4		(SUB FOR AR34098 OR AR49427)
5	R34360	SCREW	2		
6	R34359	DRIVE SHAFT	1		(SUB FOR AT42311)
7	19H1732	CAP SCREW	2		3/8" X 1-1/4"
8	19H1868	CAP SCREW	2		1/2" X 3-3/4"
9	R46774	SUPPORT	1		(SUB FOR R34358)
10	19H3544	CAP SCREW	2		1/2" X 4-1/2" HS, SAE 8
11	19H2116	CAP SCREW	2		3/8" X 2-1/2", (ALSO ORDER E50102) (SUB FOR R34363)
12	WIRE	1		305MM (12") (16 GA.)

MEMORANDA

3C9

RP3196 -UN-01JAN94

REPLACEMENT HYDRAULIC PUMP ASSEMBLY



RP3196

KEY	PART NO.	PART NAME	QTY	TRACTOR SERIAL NO.	REMARKS
1	AR101807	HYDRAULIC PUMP	1		(A) 50 CM3 (3 IN.3) (MODEL GH1) (ALSO ORDER AT33033, P47908 AND F3171R) (SUB FOR AR39694, AR56161 OR AR47802)
	AR101807	HYDRAULIC PUMP	1	-153403	(B) 50 CM3 (3 IN.3) (MODEL GH1) (ALSO ORDER AT33033, R26906 AND F3171R) (SUB FOR AR45345 OR AR56160)
	AR101807	HYDRAULIC PUMP	1	153404-	(B) 50 CM3 (3 IN.3) (MODEL GH1) (ALSO ORDER AT33033, P47908 AND F3171R) (SUB FOR AR45345 OR AR56160)
2	19H1990	CAP SCREW	4		1/2" X 2-1/4"

(A) SYNCRO-RANGE TRANSMISSION

(B) POWER SHIFT TRANSMISSION

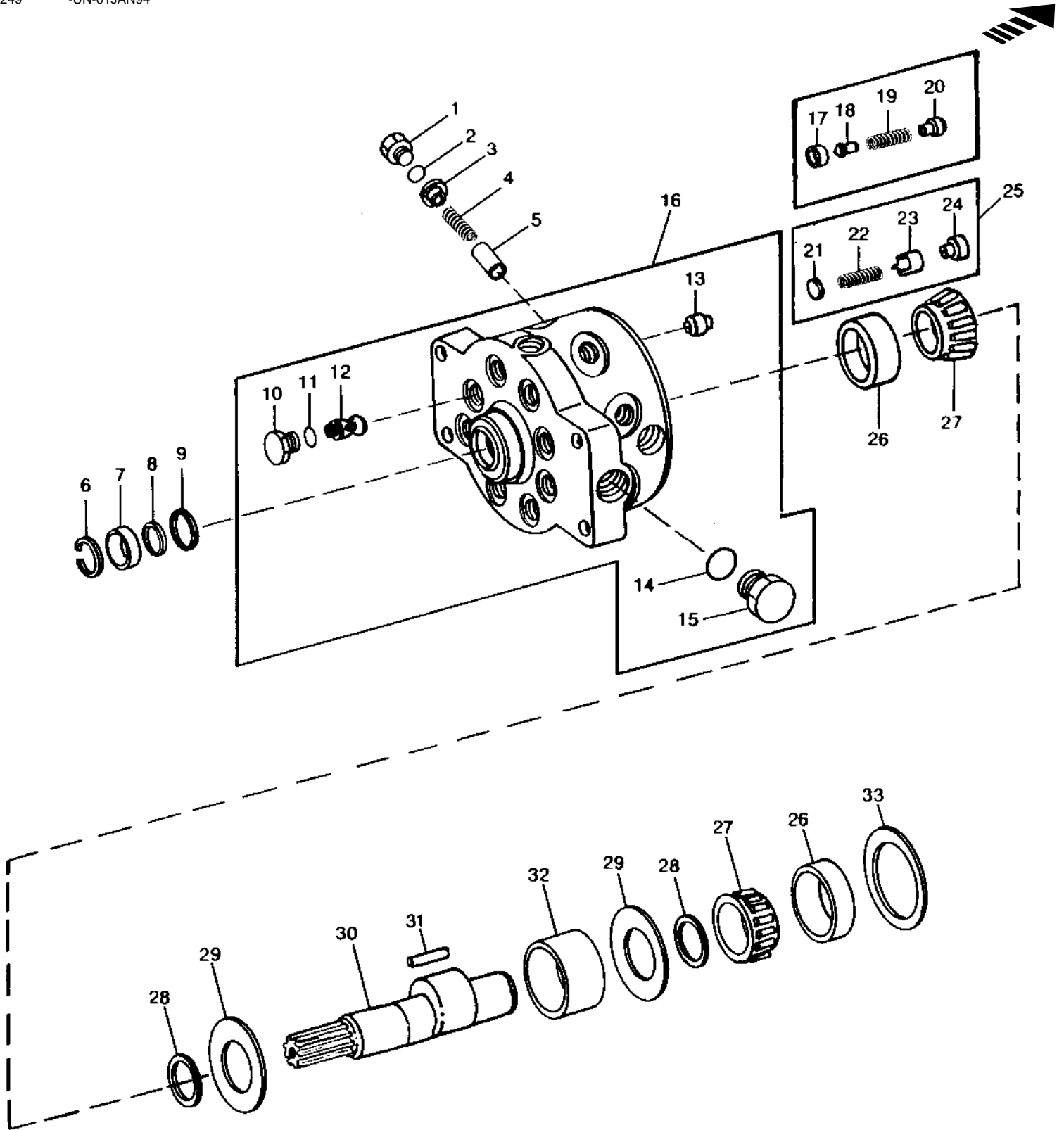
3C10

HYDRAULICS

RP3249

-UN-01JAN94

HYDRAULIC PUMP 49 CM3 (3 IN.3) (PUMP LESS SERIAL PLATE)



RP3249

3C11

HYDRAULICS

HYDRAULIC PUMP - CONTINUED
49 CM3 (3 IN.3) (PUMP LESS SERIAL PLATE)

KEY	PART NO.	PART NAME	QTY	MODEL NO.	REMARKS
1	R45438	FITTING	8		(SUB FOR R34353)
2	R495R	O-RING	8	-XXXXXX	(SUB R56463 AND AR101236, THIS APPLICATION)
	R56463	O-RING	8	XXXXXX-	
3	AR101236	SHIELD	1	XXXXXX-	(SET OF 8) (SUB FOR R56749)
4	AR76762	SPRING	1		(SET OF 8) (SUB FOR AR33821 OR AR55186)
5	R27150	PISTON	8		
6	R26137	SNAP RING	1		
7	RE28790	SEAL	1		(SUB FOR AR52224)
8	R56753	SHIM	1	XXXXXX-	
9	R39729	O-RING	1		
10	R78293	FITTING	8		(SUB FOR R27148 OR R44823)
11	R27149	O-RING	8		
12	AR53301	VALVE	8		(INLET) (SUB FOR AR26758)
13	R105583	SEAT	8	3PP3-3PP6	(SUB FOR R39067)
14	U13639	O-RING	1		(USE WITH R34354 OR R45228)
	F3171R	O-RING	1		(USE WITH R45227)
15	R39741	DRAIN PLUG	1		(USE WITH R34354 OR R45228)
	R27175	DRAIN PLUG	1		(USE WITH R45227)
16	AR47580	HOUSING	1	3PP1-3PP2	(A) (MARKED R34347 OR R34354) (SUB AR101807)
					(SUB FOR AR39696 OR AR47170)
	AR47580	HOUSING	1	3PP3-3PP6	(A) (MARKED R45227 OR R45228) (SUB AR101807)
					(SUB FOR AR39696 OR AR47170)
17	R27155	WASHER	8	-3PP2	
18	R27154	POPPET	8	-3PP2	
19	R38531	SPRING	8	-3PP2	(SUB FOR R27156)
20	R27157	GUIDE	8	-3PP2	
21	R49297	DISK	8	3PP3-3PP6	(SUB FOR R39074)
22	R39228	SPRING	8	3PP3-3PP6	
23	R48738	GUIDE	8	3PP3-3PP6	(SUB FOR R39174)
24	R83508	STOP	8	3PP3-3PP6	(SUB FOR R39175, R48298 OR R72886)
25	RE23382	VALVE	8	3PP3-3PP6	(OUTLET) (SUB FOR RE23382, AR52099, AR52785 OR AR96613)
26	JD8223	BEARING CUP	2		
27	JD8192	BEARING CONE	2		
28	R34349	WASHER	2		
29	R60732	WASHER	2		(SUB FOR R42467)
30	R34348	SHAFT	1		
31	R27145	NEEDLE ROLLER	36		
32	R45874	BEARING RACE	1		(SUB FOR R27146)
33	R27478	SHIM	AR		0.15MM (.006")
	R27479	SHIM	AR		0.25MM (.010")
..	AR56161	HYDRAULIC PUMP	1		(SUB AR101807, AT33033, P47908 AND F3171R)
..	AR45345	HYDRAULIC PUMP	1		(A) (SUB AR101807)
..	AR56160	HYDRAULIC PUMP	1		(A) (SUB AR101807)

(A) ALSO ORDER APPROPRIATE CONNECTORS, FITTINGS AND O-RINGS

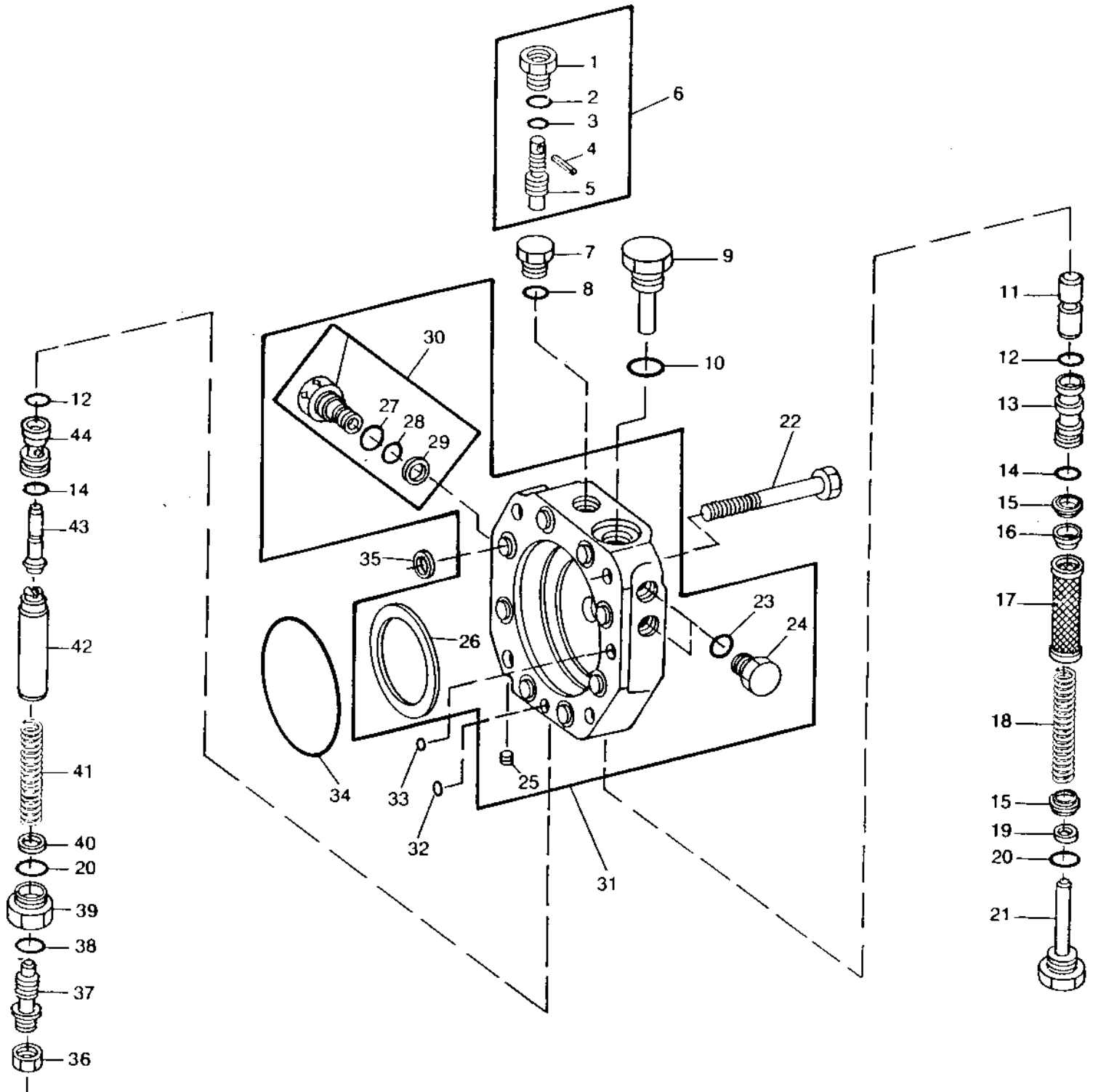
3C12

HYDRAULICS

RP3510

-UN-01JAN94

HYDRAULIC PUMP STROKE CONTROL VALVE 49 CM3 (3 IN.3) (PUMP LESS SERIAL PLATE)



RP3510

3C13

HYDRAULICS

HYDRAULIC PUMP STROKE CONTROL VALVE - CONTINUED 49 CM3 (3 IN.3) (PUMP LESS SERIAL PLATE)

KEY	PART NO.	PART NAME	QTY	TRACTOR SERIAL NO.	REMARKS
1	R27475	FITTING	1		
2	R26448	O-RING	1		
3	A4365R	O-RING	1		
4	34H254	SPRING PIN	1	1/8" X 1-1/2"	
5	R27171	SCREW	1		
6	AR33249	SCREW	1		(MANUAL DESTROKE)
7	R27218	FITTING PLUG	1		(LESS MANUAL DESTROKE)
8	R26448	O-RING	1		(LESS MANUAL DESTROKE)
9	AR51745	DRAIN PLUG	1		
10	R26906	O-RING	1		
11	R27172	VALVE	1		
12	R27564	O-RING	2		
13	R70351	SLEEVE	1		(SUB FOR R27476)
14	R27166	O-RING	2		
15	R27174	PACKING	2		
16	R27167	GUIDE	1		
17	R27173	FILTER ELEMENT	1		
18	R27159	SPRING	1		
19	R27170	SHIM	AR	0.010"	
	24H1298	WASHER	AR	0.030"	
20	F3171R	O-RING	2		
21	AR26646	DRAIN PLUG	1		
22	19H3520	CAP SCREW	4	1/2" X 3-1/4"	
23	R26287	O-RING	2		
24	R27216	DRAIN PLUG	2		
25	15H560	PIPE PLUG	1	1/16", (USE WITH R49071)	
26	R49072	WASHER	1		(NOT USED IN ALL APPLICATIONS)
27	R26375	O-RING	1		(USE WITH R49071)
28	T40308	O-RING	1		(USE WITH R49071)
29	T57374	BACK-UP RING	1		(USE WITH R49071)
30	AR90378	PLUG	1		(USE WITH R49071)
31	AR38714	HOUSING	1		(MARKED R32442, R42663, R44802 OR R49071) (SUB FOR AR39829)
32	R56755	WASHER	1		(SUB FOR A4847R)
33	R63548	O-RING	1		(SUB FOR A3917R OR R56756)
34	R56757	O-RING	1		(SUB FOR R26621)
35	R107239	PACKING	8		(SUB FOR R26149, R56754 OR R69279)
36	14H1021	NUT	1	7/16"	
37	AR52254	SET SCREW	1		(SUB FOR AR31710)
38	R28782	O-RING	1		
39	R28781	FITTING	1		
40	R42260	WASHER	1		
41	R31781	SPRING	1		
42	R71321	GUIDE	1		(SUB FOR R32344)
43	R70559	CONTROL VALVE	1		(SUB RE10712, R27166 AND R41057) (SUB FOR R27472 OR R65194)
44	R69262	SLEEVE	1		(SUB RE10712, R27166 AND R41057) (SUB FOR R27471, R58499 OR R65192)

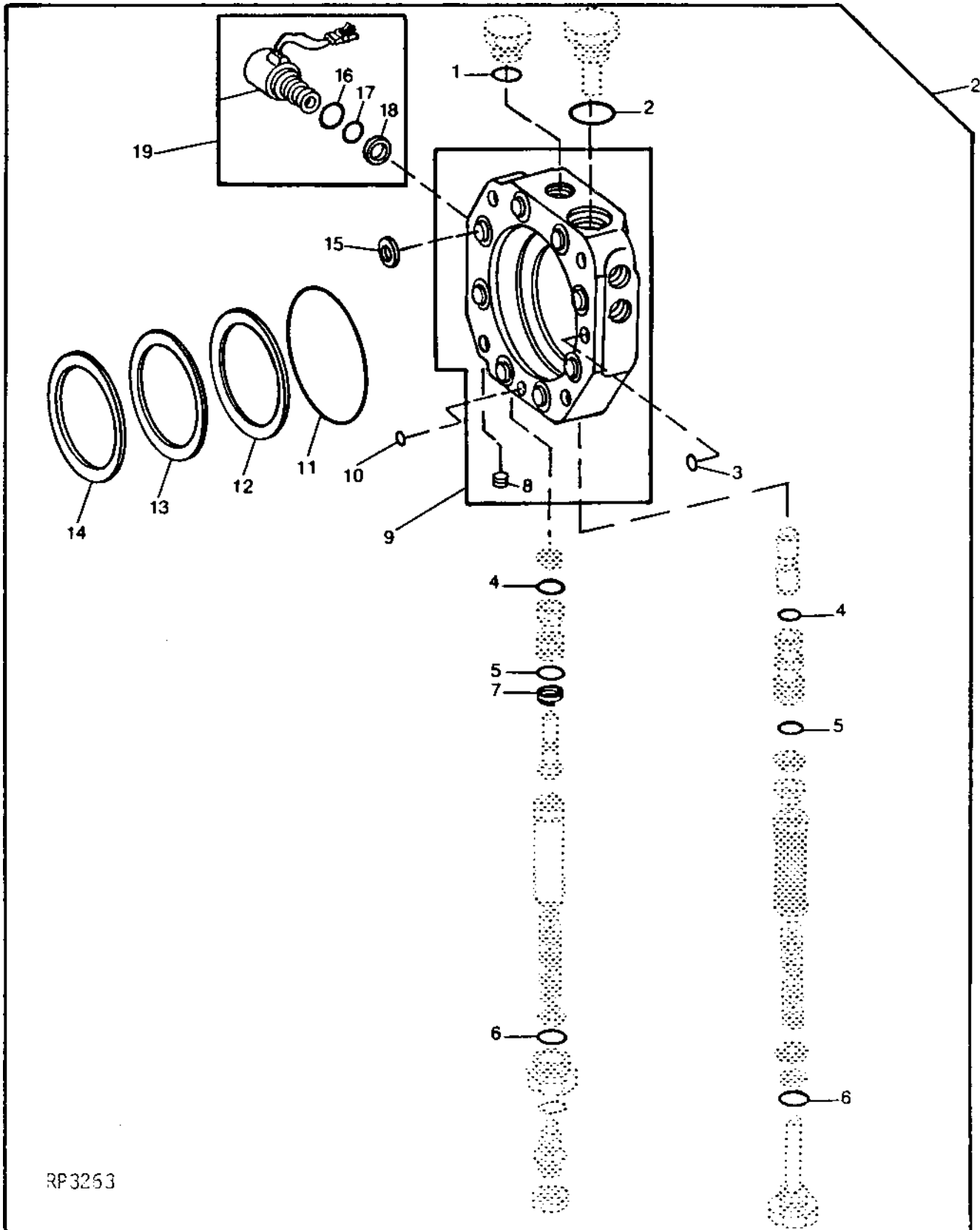
3C14

HYDRAULICS

HYDRAULIC PUMP ELECTRIC DESTROKE KIT 49 CM3 (3 IN.3) (PUMP LESS SERIAL PLATE)

RP3263

-UN-01JAN94



RP3263

3C15

HYDRAULICS

HYDRAULIC PUMP ELECTRIC DESTROKE KIT - CONTINUED 49 CM3 (3 IN.3) (PUMP LESS SERIAL PLATE)

KEY	PART NO.	PART NAME	QTY	TRACTOR SERIAL NO.	REMARKS
1	R26448	O-RING	1		
2	R26906	O-RING	1		
3	R63548	O-RING	1		(SUB FOR R56756)
4	R27564	O-RING	2		
5	R27166	O-RING	2		
6	F3171R	O-RING	2		
7	R41057	BACK-UP RING	1		
8	15H560	PIPE PLUG	1		1/16"
9	AR52494	HOUSING	1		(MARKED R49071)
10	R56755	WASHER	1		
11	R56757	O-RING	1		
12	R27478	SHIM	2		0.15MM (.006")
13	R27479	SHIM	2		0.25MM (.010")
14	R49072	WASHER	1		(NOT USED IN ALL APPLICATIONS)
15	R107239	PACKING	8		(SUB FOR R69270)
16	R26375	O-RING	1		
17	T40308	O-RING	1		
18	T57374	BACK-UP RING	1		
19	RE32529	SOLENOID VALVE	1		(SUB FOR RE12169 OR RE21725)
20	RE14868	KIT	1		(INCLUDES RE12330) (SUB RE40463)

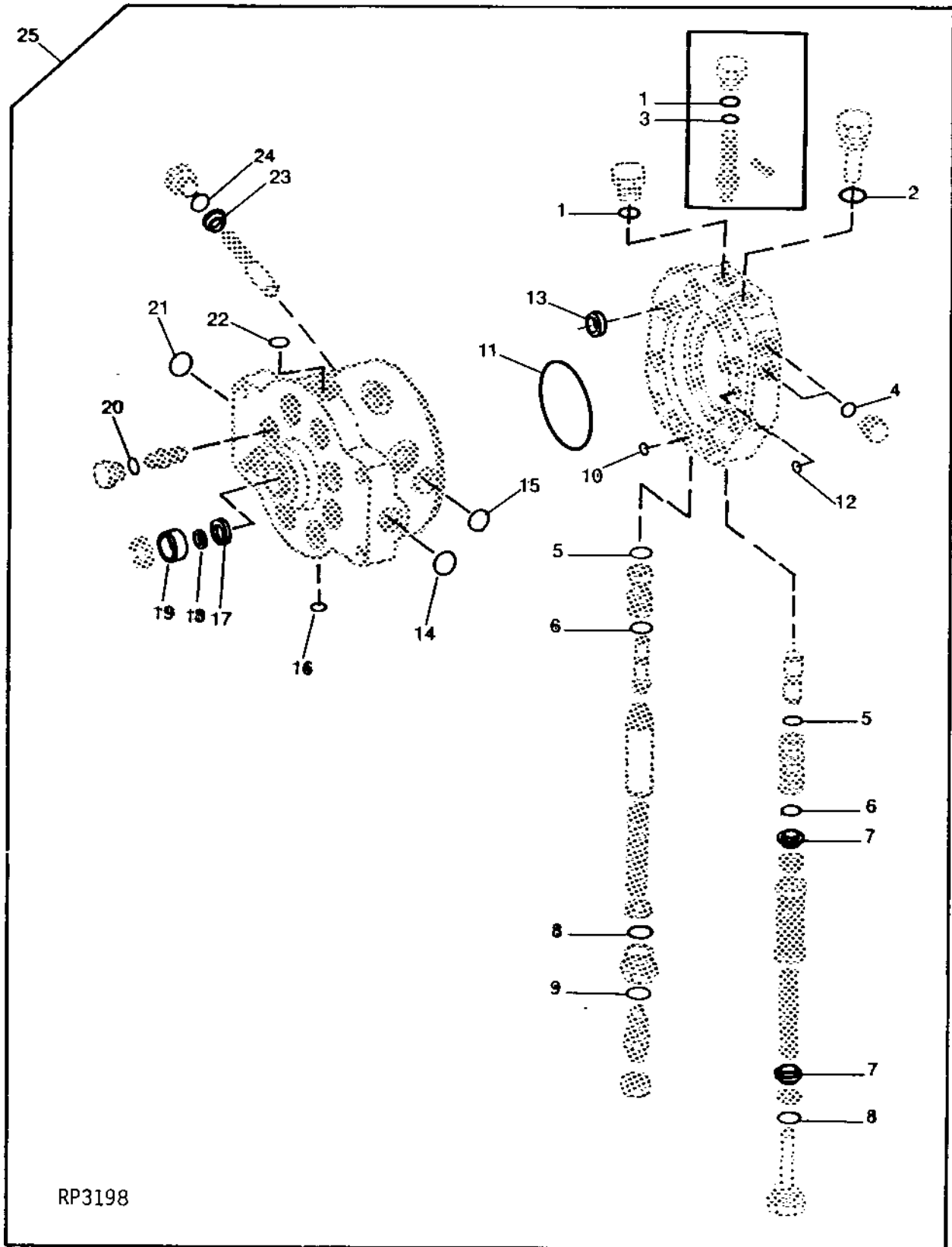
3C16

HYDRAULICS

HYDRAULIC PUMP AND STROKE CONTROL VALVE OVERHAUL KIT 49 CM3 (3 IN.3) (PUMP LESS SERIAL PLATE)

RP3198

-UN-01JAN94



3C17

HYDRAULICS

HYDRAULIC PUMP AND STROKE CONTROL VALVE OVERHAUL KIT - CONTINUED
49 CM3 (3 IN.3) (PUMP LESS SERIAL PLATE)

KEY	PART NO.	PART NAME	QTY	TRACTOR SERIAL NO.	REMARKS
1	R26448	O-RING	2		
2	R26906	O-RING	1		
3	A4365R	O-RING	1		
4	R26287	O-RING	2		
5	R27564	O-RING	2		
6	R27166	O-RING	2		
7	R27174	PACKING	2		
8	R56751	O-RING	2		
9	R28782	O-RING	1		
10	R56755	WASHER	1		
11	R56757	O-RING	1		
12	R56756	O-RING	1	(A)	
	A4365R	O-RING	1	(A)	
13	R107239	PACKING	8	(SUB FOR R69279)	
14	U13639	O-RING	1		
15	R26906	O-RING	1		
16	R26287	O-RING	1		
17	R39729	O-RING	1		
18	R56753	SHIM	1		
19	RE28790	SEAL	1		
20	R27149	O-RING	8		
21	R56751	O-RING	1		
22	R27928	O-RING	2	(A) TOP	
	P47908	O-RING	1	(A) BOTTOM	
	R35827	WASHER	1	(A)	
23	AR101236	SHIELD	1	(SET OF 8)	
24	R56463	O-RING	8		
25	RE29103	KIT	1	(B) (SUB FOR AR67718)	

(A) UNIVERSAL KIT - APPLICATIONS WILL VARY

(B) ALSO ORDER (2) R27166 AND (2) R41057 IF STROKE CONTROL VALVE HAS BEEN REPLACED.

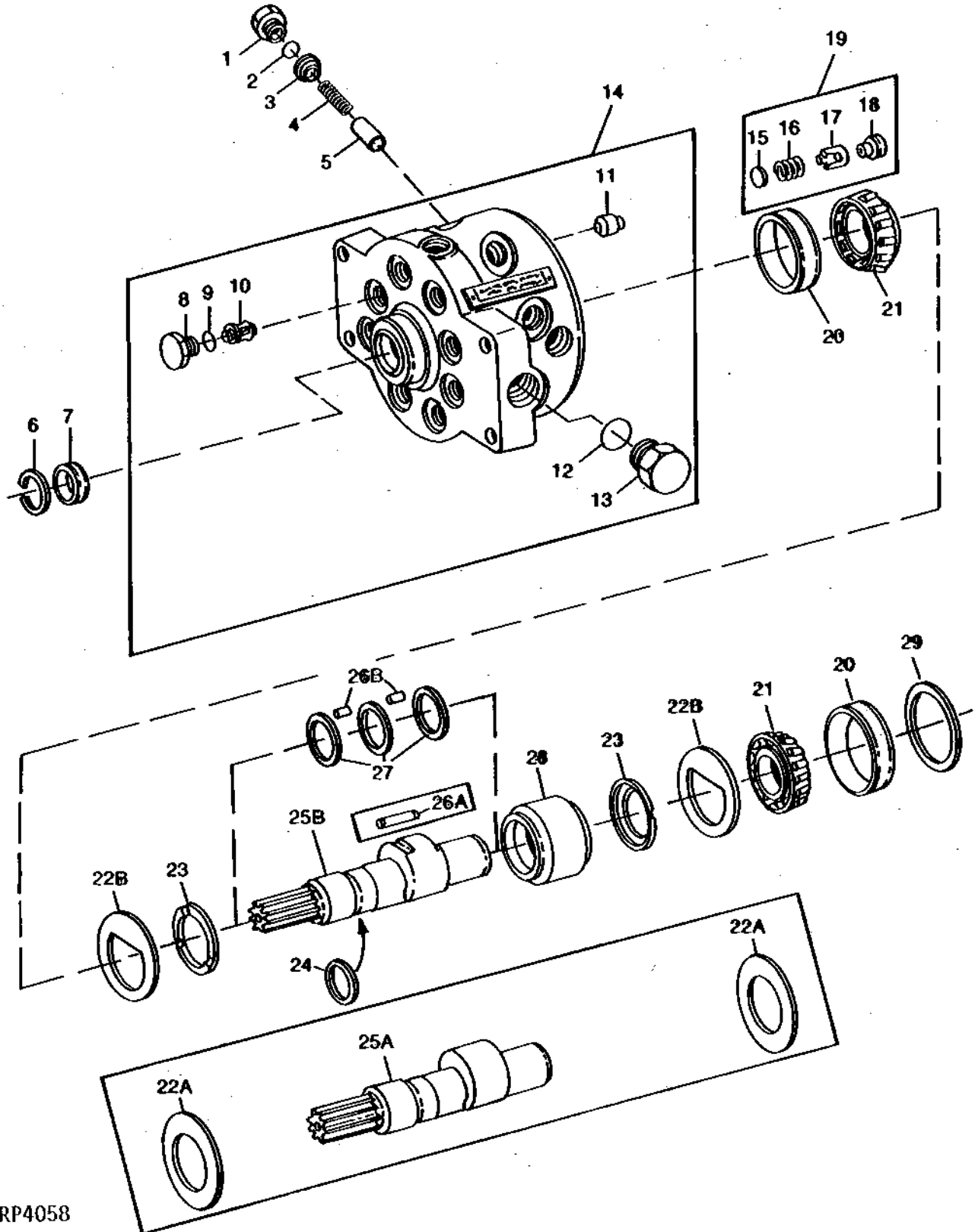
3C18

HYDRAULICS

HYDRAULIC PUMP - MODEL GH1
50 CM3 (3 IN.3) (REPLACEMENT PUMP WITH SERIAL PLATE)

RP4058

-UN-01JAN94



RP4058

HYDRAULIC PUMP - MODEL GH1 - CONTINUED
50 CM3 (3 IN.3) (REPLACEMENT PUMP WITH SERIAL PLATE)

KEY	PART NO.	PART NAME	QTY	PUMP SERIAL NO.	REMARKS
1	R45438	FITTING	8		
2	R56463	O-RING	8		
3	AR101236	SHIELD	1		(SET OF 8)
4	AR76762	SPRING	1		(SET OF 8)
5	R27150	PISTON	8		
6	R26137	SNAP RING	1		
7	RE28790	SEAL	1		(SUB FOR AR52224)
8	R78293	FITTING	8		
9	R27149	O-RING	8		
10	AR53301	VALVE	8		(INLET)
11	R105583	SEAT	8		(SUB FOR R39067)
12	U13639	O-RING	1		
13	R39741	DRAIN PLUG	1		
14	RE11804	HOUSING	1		(MODEL PJ1) (MARKED R73741)
15	R49297	DISK	1		
16	R39228	SPRING	1		
17	R48738	GUIDE	1		
18	R83508	STOP	1		(SUB FOR R72886)
19	RE23382	VALVE	1		(OUTLET) (SUB FOR AR96613)
20	JD8223	BEARING CUP	2		
21	JD8192	BEARING CONE	2		
22A	R77903	WASHER	2	-004674	(SUB FOR R45425)
22B	R79151	LOCK WASHER	2	004675-	(USE WITH R79152)
23	R72507	THRUST WASHER	2		
24	R77611	RING	1		(SEALING) (SUB FOR RE11777)
25A	R71598	SHAFT	1	-004674	(SUB R79152) (ALSO ORDER (2) R79151)
25B	R79152	SHAFT	1	004675-	
26A	R45422	NEEDLE ROLLER	25	-009896	(SUB (50) R116713 AND (3) R85557)
26B	R85558	NEEDLE ROLLER	50	009897-	(SUB R116713)
27	R85557	WASHER	3	009897-	
28	R80558	BEARING RACE	1		
29	R27478	SHIM	AR		0.15MM (.006")
	R27479	SHIM	AR		0.25MM (.010")
..	AR101807	HYDRAULIC PUMP	1		

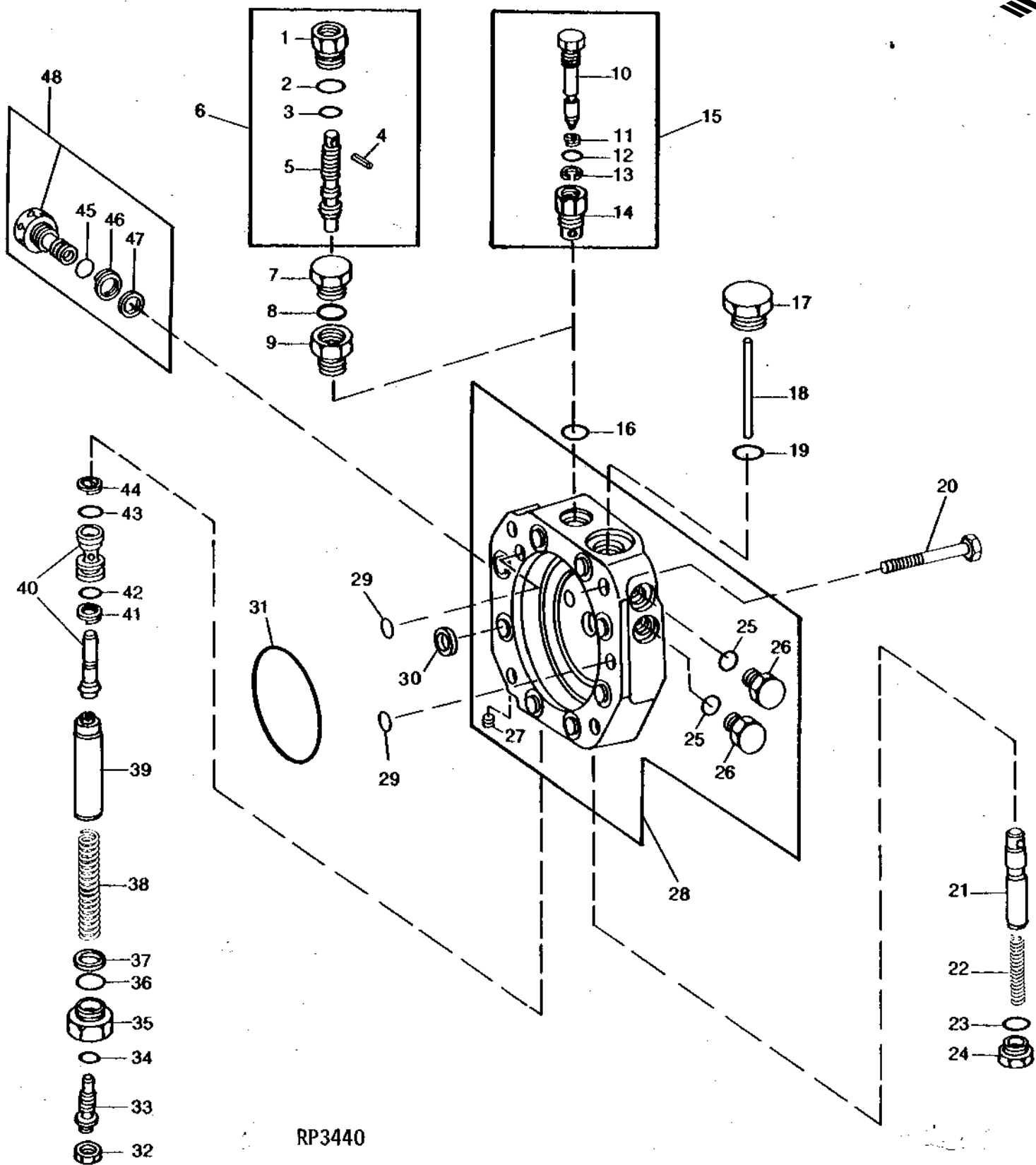
3C20

HYDRAULICS

HYDRAULIC PUMP STROKE CONTROL VALVE 50 CM3 (3 IN.3) (REPLACEMENT PUMP WITH SERIAL PLATE)

RP3440

-UN-01JAN94



RP3440

HYDRAULIC PUMP STROKE CONTROL VALVE - CONTINUED
50 CM3 (3 IN.3) (REPLACEMENT PUMP WITH SERIAL PLATE)

KEY	PART NO.	PART NAME	QTY	PUMP SERIAL NO.	REMARKS
1	R27475	FITTING	1		
2	R26448	O-RING	1		
3	A4365R	O-RING	1		
4	34H254	SPRING PIN	1	1/8" X 1-1/2"	
5	R75879	SCREW	1		
6	AR96625	SCREW	1		(A) (MANUAL DESTROKE)
7	R27218	FITTING PLUG	1		(LESS MANUAL DESTROKE)
8	R26448	O-RING	1		(LESS MANUAL DESTROKE)
9	R70617	PIPE PLUG	1		
10	R79266	SCREW	1		
11	R36358	BACK-UP RING	1		
12	R34802	O-RING	1		
13	R79268	SNAP RING	1		
14	R79267	PLUG	1		
15	RE13271	SCREW	1		(A) (MANUAL DESTROKE)
16	R26906	O-RING	1		
17	R75642	DRAIN PLUG	1		
18	R75564	PIN	1		
19	R56751	O-RING	1		
20	19H3520	CAP SCREW	4	1/2" X 3-1/4"	
21	R70867	VALVE	1		
22	R70868	SPRING	1		
23	R26375	O-RING	1		
24	R73736	PLUG	1		
25	51M7041	O-RING	2		
26	RE46684	PLUG	2		(SUB FOR R75376)
27	15H560	PIPE PLUG	1		1/16"
28	AR101632	HOUSING	1		(MARKED R77712)
29	R56755	WASHER	2		
30	R107239	PACKING	8		(SUB FOR R69279)
31	R56757	O-RING	1		
32	14H1021	NUT	1	7/16"	
33	AR52254	SET SCREW	1		
34	R28782	O-RING	1		
35	R28781	FITTING	1		
36	F3171R	O-RING	1		
37	R42260	WASHER	1		
38	R31781	SPRING	1		
39	R71321	GUIDE	1		
40	RE10712	CONTROL VALVE	1		
41	R41057	BACK-UP RING	1		
42	R27166	O-RING	1		
43	R27564	O-RING	1		
44	R75938	WASHER	1		
45	R26375	O-RING	1		
46	T40308	O-RING	1		
47	T57374	BACK-UP RING	1		
48	AR90378	PLUG	1		

(A) DESIGNS INTERCHANGEABLE

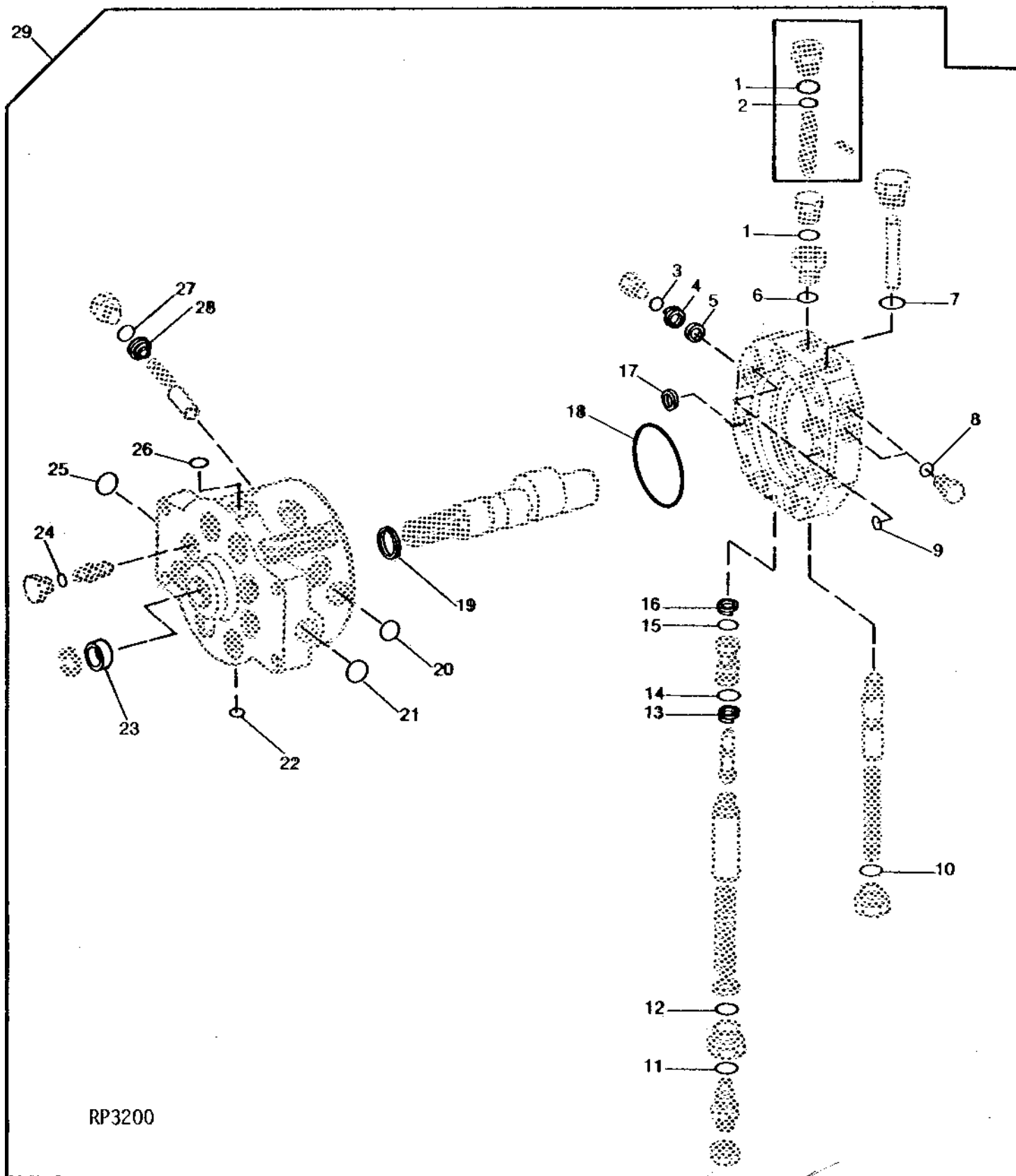
3C22

HYDRAULICS

HYDRAULIC PUMP AND STROKE CONTROL VALVE OVERHAUL KIT 50 CM3 (3 IN.3) (REPLACEMENT PUMP WITH SERIAL PLATE)

RP3200

-UN-01JAN94



RP3200

**HYDRAULIC PUMP AND STROKE CONTROL VALVE OVERHAUL KIT - CONTINUED
(REPLACEMENT PUMP WITH SERIAL PLATE)**

KEY	PART NO.	PART NAME	QTY	PUMP SERIAL NO.	REMARKS
1	R26448	O-RING	1		
2	A4365R	O-RING	1		
3	R26375	O-RING	1	(A)	
4	T40308	O-RING	1	(A)	
5	T57374	BACK-UP RING	1	(A)	
6	R26906	O-RING	1		
7	R56751	O-RING	1		
8	R26448	O-RING	2		
9	R56755	WASHER	2		
10	R26375	O-RING	1		
11	R28782	O-RING	1		
12	R56751	O-RING	1		
13	R41057	BACK-UP RING	1		
14	R27166	O-RING	1		
15	R27564	O-RING	1		
16	R75938	WASHER	1		
17	R107239	PACKING	8	(SUB FOR R69279)	
18	R56757	O-RING	1		
19	R77611	RING	1	(SEALING)	
20	R56751	O-RING	1		
21	U13639	O-RING	1	(A)	
	R56751	O-RING	1	(A)	
	R29936	O-RING	1	(A)	
22	R26287	O-RING	1		
23	RE28790	SEAL	1		
24	R27149	O-RING	8		
25	R56751	O-RING	1	(A)	
	R29936	O-RING	1	(A)	
26	R27928	O-RING	1	(A) TOP	
	P47908	O-RING	1	(A) BOTTOM	
	R26906	O-RING	1	(A)	
27	R56463	O-RING	8		
28	AR101236	SHIELD	1	(SET OF 8)	
29	RE29107	KIT	1	(SUB FOR AR96321)	

(A) UNIVERSAL KIT - APPLICATIONS WILL VARY

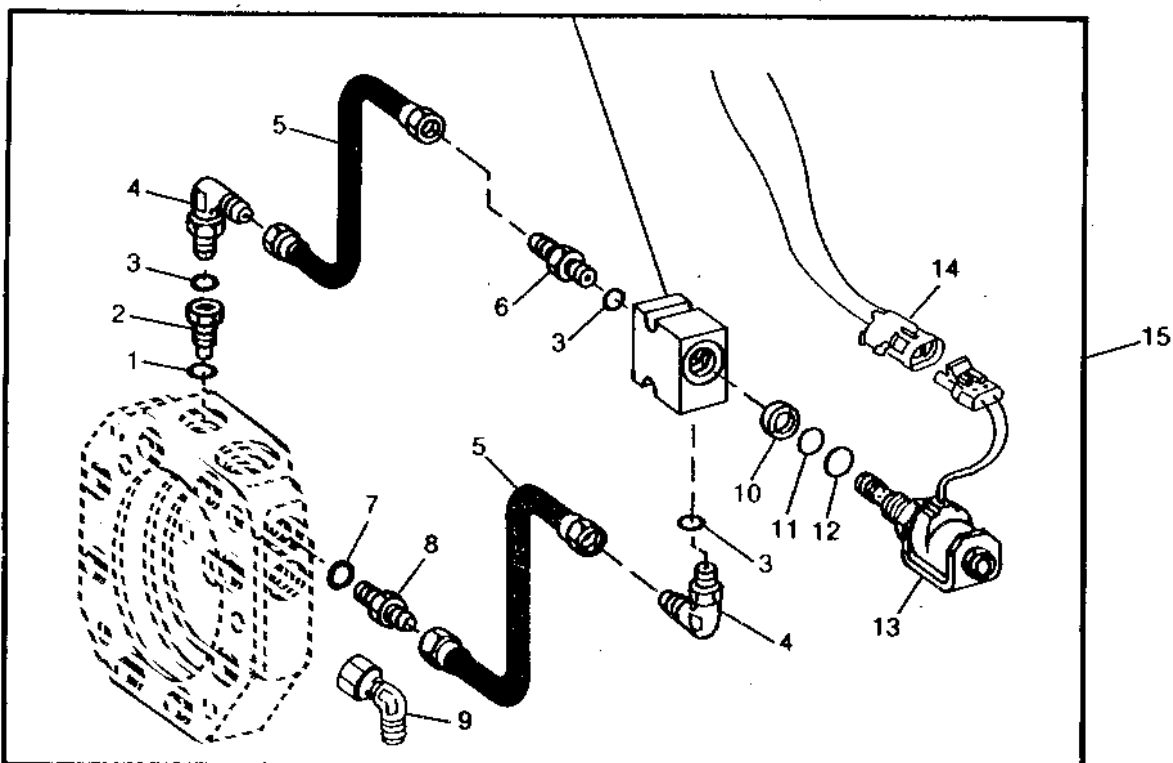
MEMORANDA

3C24

HYDRAULICS

RXP9501 -UN-01JAN94

HYDRAULIC PUMP ELECTRIC DESTROKE KIT



RXP9501

KEY	PART NO.	PART NAME	QTY	PUMP SERIAL NO.	REMARKS
1	R26906	O-RING	1		
2	R70617	PIPE PLUG	1		
3	R26448	O-RING	4		
4	AT35121	ELBOW FITTING	2		
5	AN250096	HYDRAULIC HOSE	2		
6	R27212	FITTING	1		
7	R26287	O-RING	1	(A)	
	R26448	O-RING	1	(B)	
8	T43535	FITTING	1	(A)	
	Z36276	ADAPTER	1	(B)	
9	AE24616	ELBOW FITTING	1	(USE WITH T43535 OR Z36276)	
10	T57374	BACK-UP RING	1		
11	T40308	O-RING	1		
12	R26375	O-RING	1		
13	RE32529	SOLENOID VALVE	1		
14	RE50017	WIRING HARNESS	1		
15	RE40463	KIT	1		

(A) NON-SERIALIZED PUMP

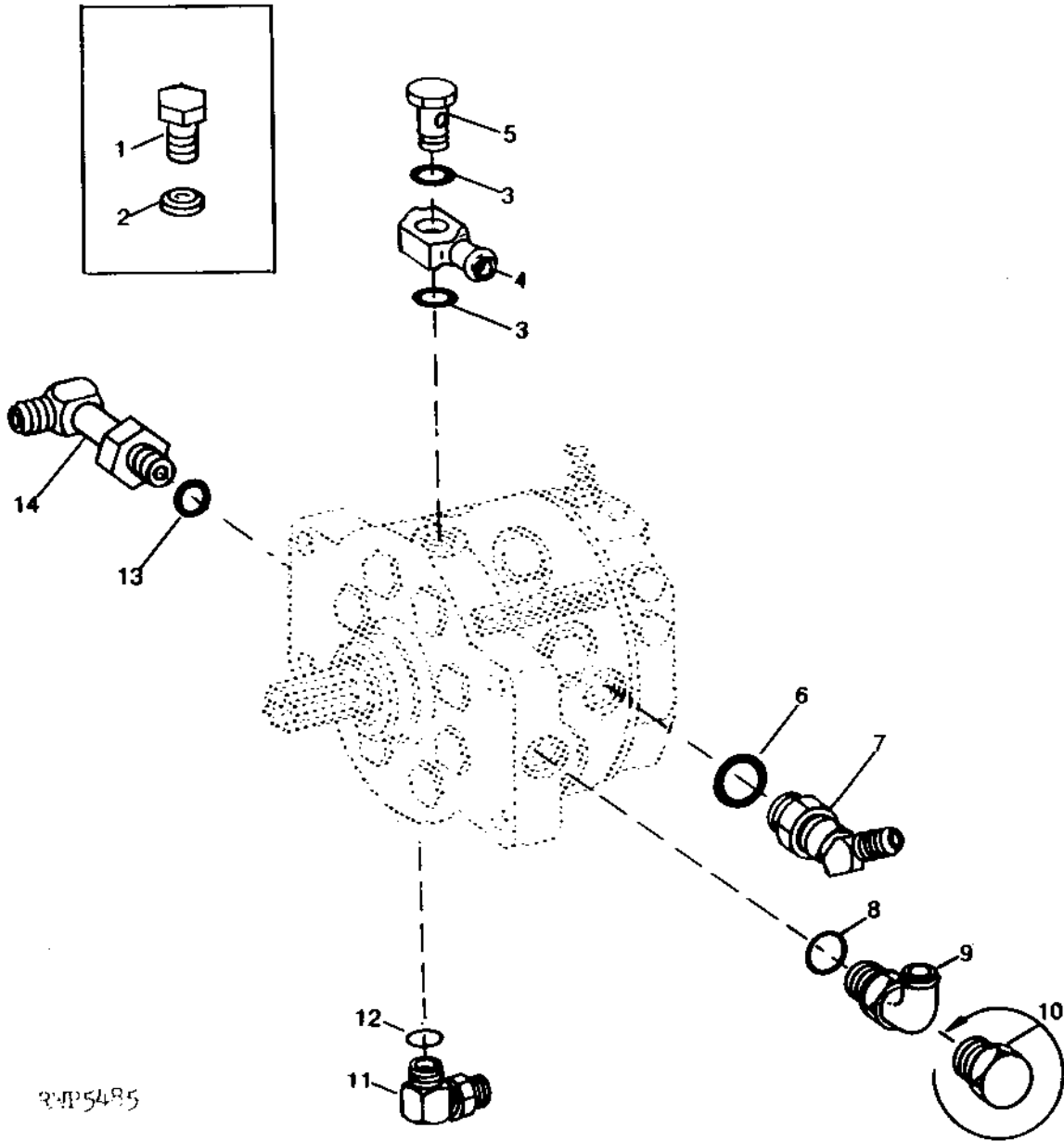
(B)SERIALIZED PUMP

3D1

RWP5485

-UN-01JAN94

HYDRAULIC PUMP CONNECTORS



RWP5485

HYDRAULIC PUMP CONNECTORS - CONTINUED

KEY	PART NO.	PART NAME	QTY	TRACTOR SERIAL NO.	REMARKS
1	H945R	FITTING	1	-153404	(B)
	R27474	DRAIN PLUG	1	-153401	(B) (D)
2	R35827	WASHER	1	-153404	(B)
	R26906	O-RING	1	-153404	(B) (D)
3	R27928	O-RING	2		(A)
	R27928	O-RING	2	153405-	(B) (C)
	R27928	O-RING	1		(D) (TOP)
	P47908	O-RING	1		(D) (BOTTOM)
4	R27926	FITTING	1		(A)
	R27926	FITTING	1	153405-	(B) (C)
5	R27927	HOLLOW SCREW	1		(A)
	R27927	HOLLOW SCREW	1	153405-	(B) (C)
6	R26906	O-RING	1		
	F3171R	O-RING	1		(D)
7	AR26744	ELBOW FITTING	1		45°
	AT33033	FITTING	1		(D)
8	U13639	O-RING	1		(C)
9	AR31531	ELBOW FITTING	1	-153404	(B) 90°
10	R39741	DRAIN PLUG	1	084072-	(A) (C)
	R39741	DRAIN PLUG	1	153405-	(B)
11	AT32335	ELBOW FITTING	1		90°, (SUB FOR AR26746)
12	R26287	O-RING	1		
13	R56751	O-RING	1		
14	AR26747	ELBOW FITTING	1		90°

(A) SYNCRO-RANGE

(B) POWER SHIFT

(C) CONTAINED IN AR44286

(D) REPLACEMENT PUMP WITH SERIAL PLATE

MEMORANDA

3D3

RE026740 -UN-20FEB96

TRANSMISSION AND HYDRAULIC OIL



RE026740



KEY	PART NO.	PART NAME	QTY	TRACTOR SERIAL NO.	REMARKS
1	AR69444	HY-GARD	1		19L (5 GAL)
	AR69445	HY-GARD	1		208L (55 GAL) (EMPTY DRUMS NOT RETURNABLE)
2	TY22043	OIL	1		(1 GAL)
	TY22044	OIL	1		19 L (5 GAL)
	TY22063	OIL	1		208 L (55 GAL)

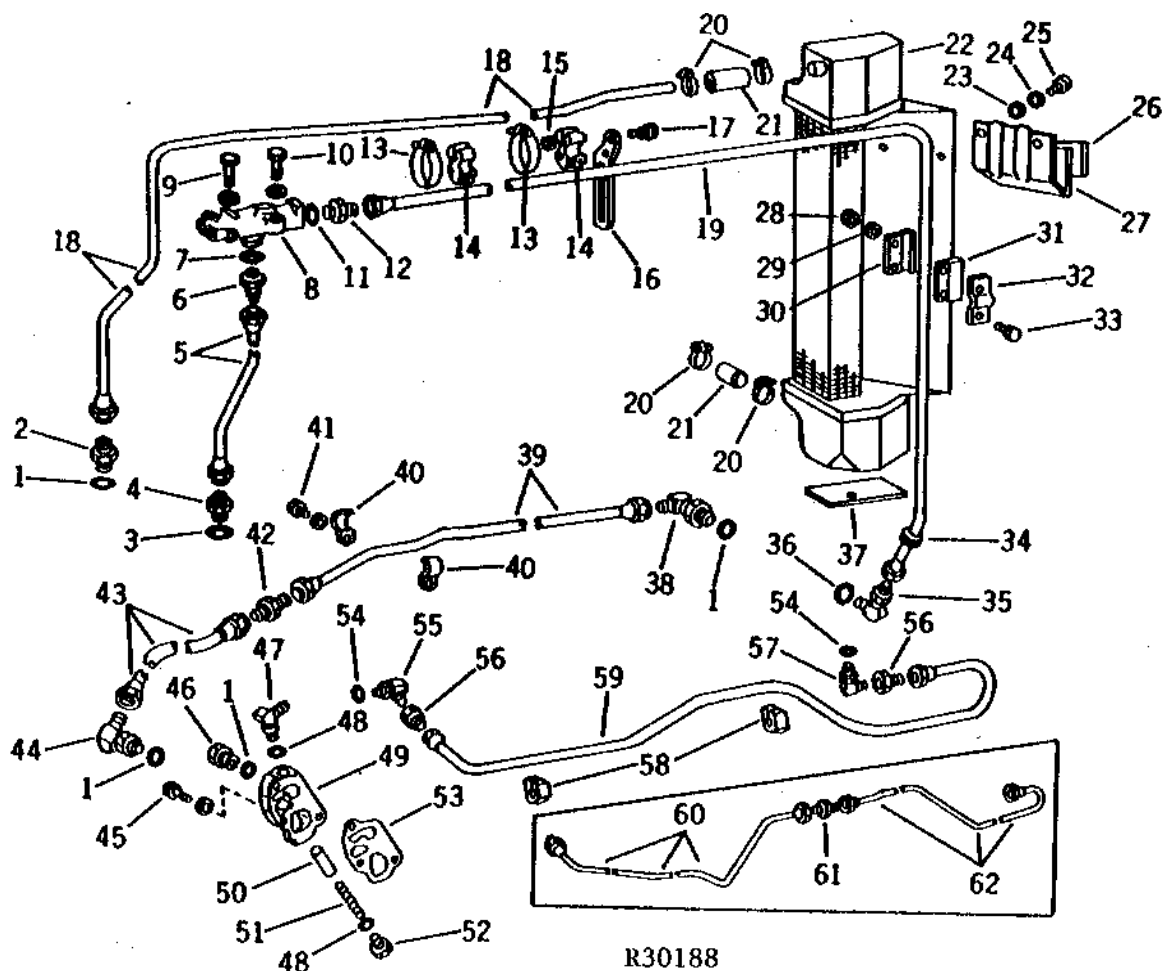
3D4

HYDRAULICS

OIL FILTER RELIEF VALVE, OIL COOLER AND OIL LINES (SYNCO-RANGE)

R30188

-UN-01JAN94



KEY	PART NO.	PART NAME	QTY	TRACTOR SERIAL NO.	REMARKS
1	F3171R	O-RING	4		
2	R27267	FITTING	1		
3	R26375	O-RING	1		(WITH ROCKSHAFT)
4	R27237	FITTING	1		(WITH ROCKSHAFT)
5	AR32607	HYDRAULIC LINE	1		(WITH ROCKSHAFT)
6	R31665	FITTING	1		(WITH ROCKSHAFT)
7	R26906	O-RING	1		(WITH ROCKSHAFT)
8	RE13273	CONTROL VALVE	1	-105111	(MARKED R31624 OR R34851) (SUB FOR AR31125, AR34662 OR AR51732)
	AR40029	HOUSING	1	105112-115465	(MARKED R40154) (SUB RE13273)
	R40559	HOUSING	1	115466-	(SUB R78495)
9	19H1732	CAP SCREW	1	-105111	3/8" X 1-1/4"
	19H1800	CAP SCREW	1	105112-	3/8" X 1-1/2"
	12H304	LOCK WASHER	1		3/8"

**OIL FILTER RELIEF VALVE, OIL COOLER AND OIL LINES - CONTINUED
(SYNCRO-RANGE)**

KEY	PART NO.	PART NAME	QTY	TRACTOR SERIAL NO.	REMARKS
10	19H1800	CAP SCREW	1	-105111	3/8" X 1-1/2"
	19H1801	CAP SCREW	1	105112-	3/8" X 2"
	12H304	LOCK WASHER	1		3/8"
11	R26906	O-RING	1		
12	R27270	FITTING	1		
13	AR21840	CLAMP	2		
14	AR41016	SPACER	2		(SUB FOR R27924)
15	14H786	NUT	2		1/4"
16	R27925	SUPPORT	1		
17	19H1898	CAP SCREW	2		1/4" X 1-1/2"
18	AR26778	HYDRAULIC LINE	1		
19	AR32935	HYDRAULIC LINE	1		
20	AR21839	CLAMP	4		
21	HOSE	2		64MM (2-1/2") (MAKE FROM R57300)
22	AR31151	OIL COOLER	1		(SUB AR44284, AR49751, AR50592, AR53119, R35827, R39215 AND TY22425)
23	14H785	NUT	2		5/16"
24	12H303	LOCK WASHER	2		5/16"
25	19H2020	CAP SCREW	2		5/16" X 1/2"
26	AR41722	BRACKET	1		(SUB FOR AR27925)
27	CUSHION	1		2 X 51 X 102MM (1/16" X 2" X 4") (MAKE FROM R30596)
28	14H786	NUT	2		1/4"
29	12H302	LOCK WASHER	2		1/4"
30	R27534	CLAMP	1		
31	R27546	PLATE	1		
32	R27251	CLAMP	1		
33	19H1914	CAP SCREW	2		1/4" X 1"
34	R27533	GROMMET	1		
35	AR26744	ELBOW FITTING	1		45°
36	R26906	O-RING	1		
37	CUSHION	1		3 X 102 X 140MM (1/8" X 4" X 5-1/2") (MAKE FROM R30597)
38	AR26747	ELBOW FITTING	1		90°
39	AR26663	HYDRAULIC LINE	1		
40	R27531	CLAMP	2		
41	19H1936	CAP SCREW	1		3/8" X 3/4"
	12H304	LOCK WASHER	1		3/8"
42	R27266	FITTING	1		
43	AR32505	HYDRAULIC LINE	1		
44	AT32331	ELBOW FITTING	1		90°, (SUB FOR AR26723)
45	19H1733	CAP SCREW	3		3/8" X 2-1/2"
	12H304	LOCK WASHER	3		3/8"
46	R27175	DRAIN PLUG	1		(LESS ROCKSHAFT)
47	AR26745	ELBOW FITTING	1		45°
48	R26375	O-RING	2		
49	R34236	HOUSING	1		
50	R57559	VALVE	1		(ALSO ORDER R33259) (SUB FOR R33162)
51	R26686	SPRING	1		
52	R33138	FITTING	1		
53	R34237	GASKET	1		
54	R26287	O-RING	2		
55	AR33988	TEE FITTING	1		
56	R64170	ADAPTER	2		
57	AT32335	ELBOW FITTING	1		90°, (SUB FOR AR26746)
58	R34542	GROMMET	1		
	R21551	CLIP	2		
59	AR42286	HOSE	1	087528-	(NYLON) (SUB AR79714 AND (2) R64170) (SUB FOR AR39710 OR AR42286)
60	AR33986	PIPE	1	-087527	(SUB AR79714 AND (2) R64170)
61	R34541	CONNECTOR	1	-087527	(SUB AR79714 AND (2) R64170)
62	AR33985	PIPE	1	-087527	(SUB AR79714 AND (2) R64170)
..	AR21969	KIT	1		CAP PLUGS

(A) WITH ROCKSHAFT

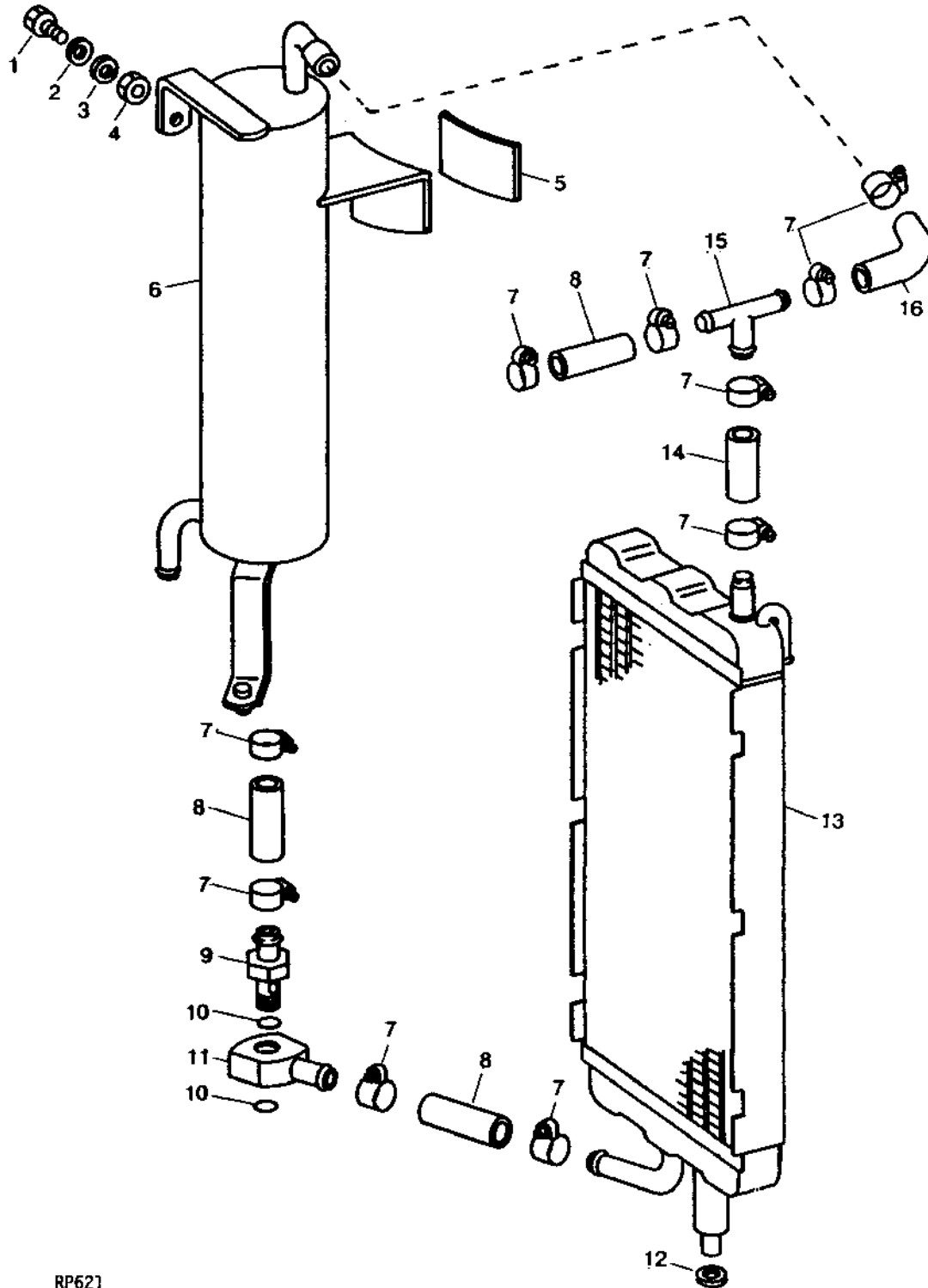
(B) LESS ROCKSHAFT

3D6

RP621

-UN-01JAN94

HYDRAULIC OIL COOLER AND RESERVOIR (SYNCRO-RANGE)



RP621

3D7

HYDRAULICS

HYDRAULIC OIL COOLER AND RESERVOIR - CONTINUED (SYNCRO-RANGE)

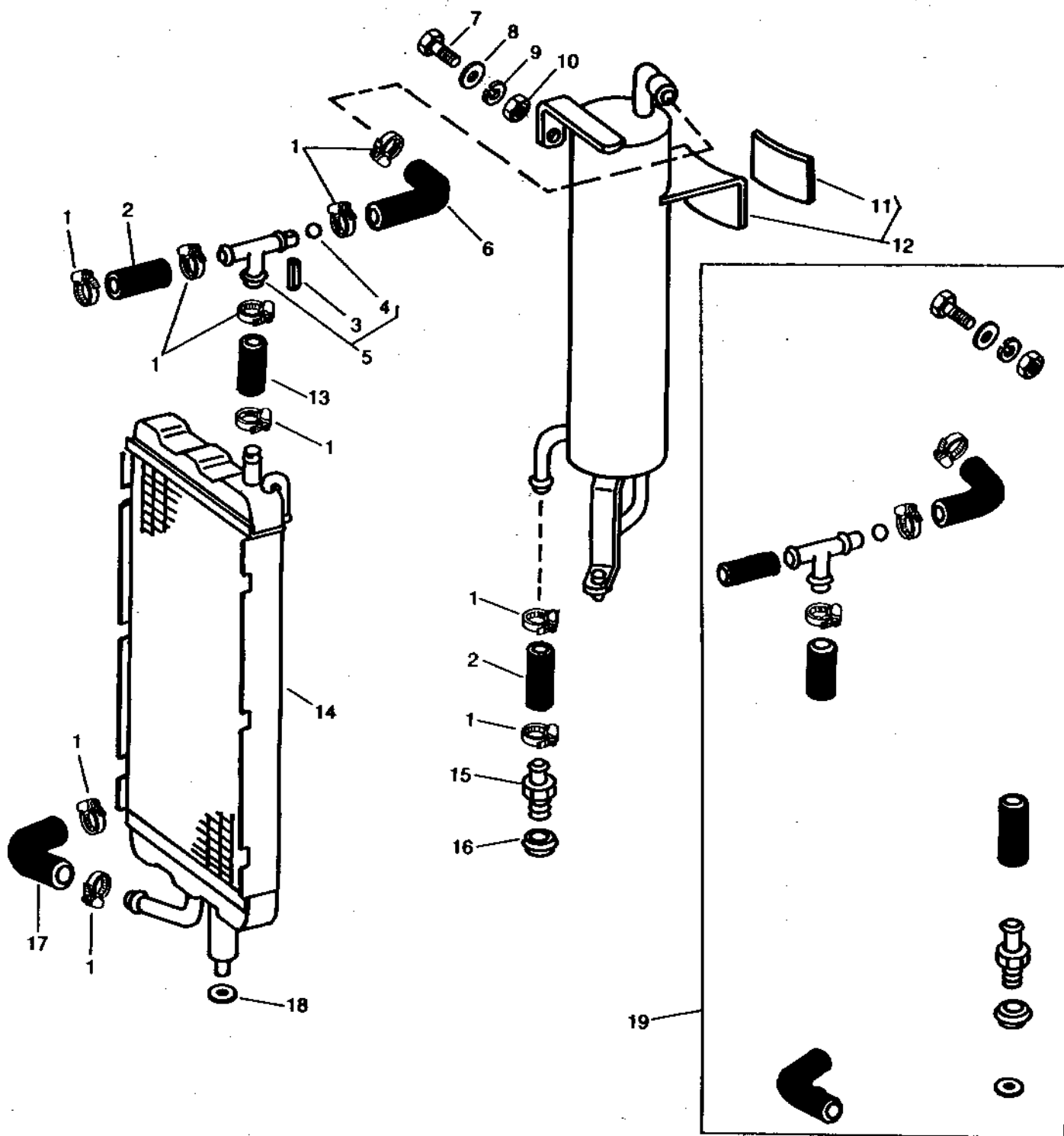
KEY	PART NO.	PART NAME	QTY	TRACTOR SERIAL NO.	REMARKS
1	19H2127	CAP SCREW	1	5/16" X 7/8"	
2	24H1136	WASHER	1	11/32" X 11/16" X 0.065"	
3	12H303	LOCK WASHER	1	5/16"	
4	14H785	NUT	1	5/16"	
5	CUSHION	1	2 X 51 X 102MM (1/16" X 2" X 4") (MAKE FROM R30936)	
6	AR45627	RESERVOIR	1	(SUB AR49751, AR50592, R35827, R39215 AND TY22425)	
7	AR21839	CLAMP	10		
8	HOSE	3	64MM (2-1/2") (MAKE FROM R57300)	
9	R43737	FITTING	1		
10	R27928	O-RING	2		
11	R27926	FITTING	1		
12	T22381	WASHER	1		
13	AR44284	OIL COOLER	1		
14	HOSE	1	57MM (2-1/4") (MAKE FROM T61939) (SUB FOR R27930 OR T35695)	
15	R44140	TEE FITTING	1		
16	TY22425	HOSE	1	(SUB FOR R44141 OR R46485)	

3D8

HYDRAULICS

HYDRAULIC OIL COOLER AND RESERVOIR (SYNCRO-RANGE)

RWP2549 -UN-01JAN94



RWP2549

3D9

HYDRAULICS

HYDRAULIC OIL COOLER AND RESERVOIR - CONTINUED (SYNCRO-RANGE)

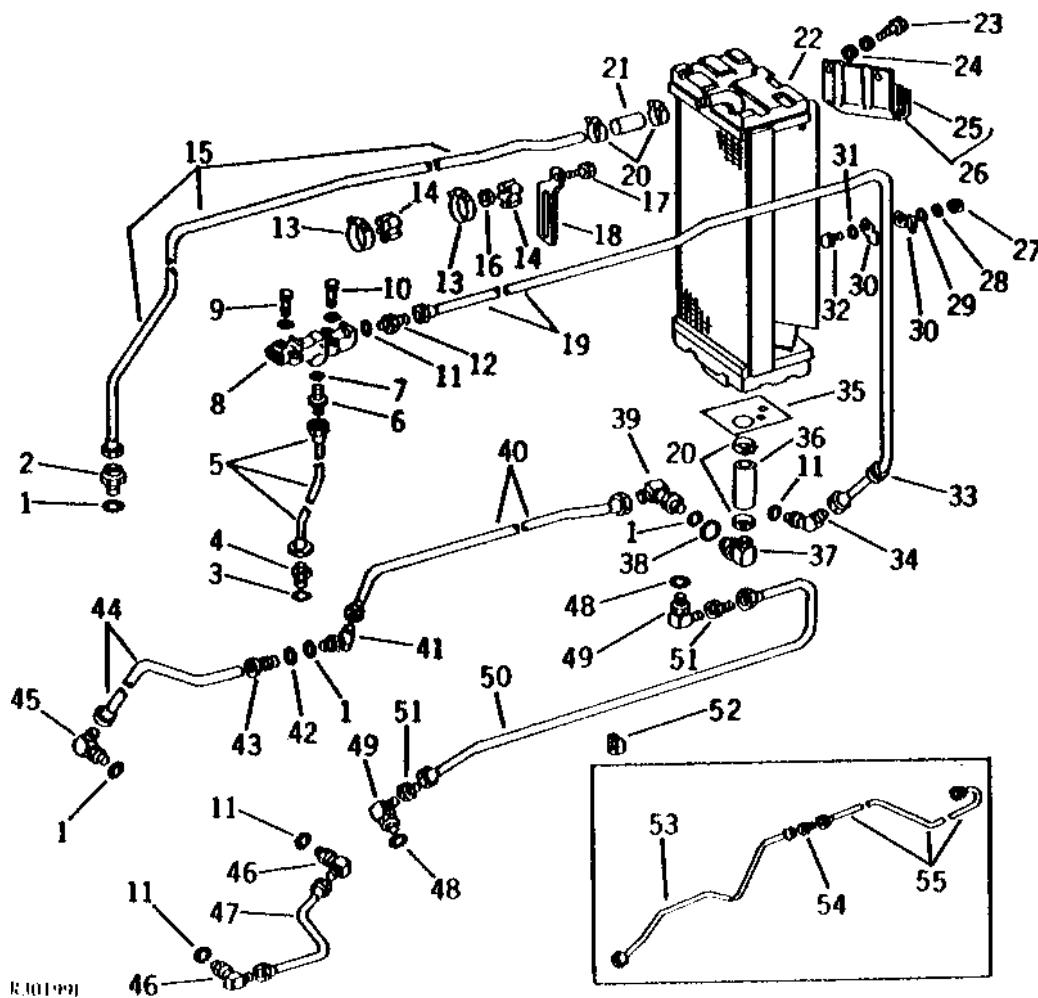
KEY	PART NO.	PART NAME	QTY	TRACTOR SERIAL NO.	REMARKS
1	AR21839	CLAMP	10		
2	HOSE	2		64MM (2-1/2") (MAKE FROM R57300)
3	34H231	SPRING PIN	1		3/32" X 3/4"
4	R48084	BALL	1		
5	AR49751	CHECK VALVE	1		
6	TY22425	HOSE	1		(SUB FOR R44141 OR R46485)
7	19H2127	CAP SCREW	1		5/16" X 7/8"
8	24H1136	WASHER	1		11/32" X 11/16" X 0.065"
9	12H303	LOCK WASHER	1		5/16"
10	14H785	NUT	1		5/16"
11	FOAM PAD	1		2 X 51 X 102MM (1/16" X 2" X 4") (MAKE FROM R30596)
12	AR50592	RESERVOIR	1		
13	HOSE	1		64MM (2-1/2") (MAKE FROM T61939) (SUB FOR R27930 OR T35695)
14	AR44284	OIL COOLER	1		
15	R39215	FITTING	1		
16	R35827	WASHER	1		
17	R47756	HOSE	1		(SUB TY22425)
18	T22381	WASHER	1		
19	AR53119	KIT	1		

3D10

HYDRAULICS

R30199 -UN-01JAN94

OIL COOLER AND OIL PIPES (POWER SHIFT) (TRACTOR SERIAL NO. -153404)



KEY	PART NO.	PART NAME	QTY	TRACTOR SERIAL NO.	REMARKS
1	F3171R	O-RING	4		
2	R27267	FITTING	1		
3	R26375	O-RING	1		(WITH ROCKSHAFT)
4	R27237	FITTING	1		(WITH ROCKSHAFT)
5	AR32607	HYDRAULIC LINE	1		(WITH ROCKSHAFT)
6	R31665	FITTING	1		(WITH ROCKSHAFT)
7	R26906	O-RING	1		(WITH ROCKSHAFT)
8	RE13273	CONTROL VALVE	1	-105111	(MARKED R31624 OR R34851) (SUB FOR AR31125, AR34662 OR AR51732)
	AR40029	HOUSING	1	105112-115465	(MARKED R40154) (SUB RE13273)
	R40559	HOUSING	1	115466-	(SUB R78495)

3D11

HYDRAULICS

OIL COOLER AND OIL PIPES - CONTINUED
(POWER SHIFT) (TRACTOR SERIAL NO. -153404)

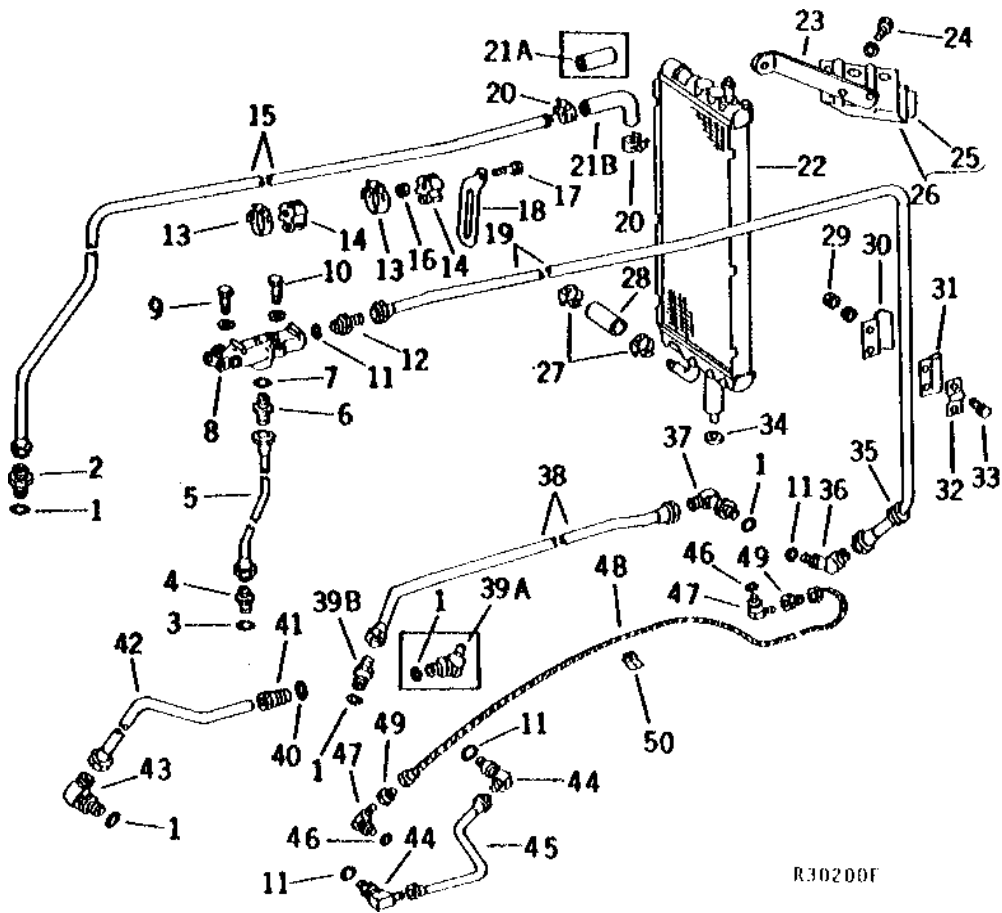
KEY	PART NO.	PART NAME	QTY	TRACTOR SERIAL NO.	REMARKS
9	19H1732	CAP SCREW	1	-105111	3/8" X 1-1/4"
	19H1800	CAP SCREW	1	105112-	3/8" X 1-1/2"
	12H304	LOCK WASHER	1		3/8"
10	19H1800	CAP SCREW	1	-105111	3/8" X 1-1/2"
	19H1801	CAP SCREW	1	105112-	3/8" X 2"
	12H304	LOCK WASHER	1		3/8"
11	R26906	O-RING	4		
12	R27270	FITTING	1		
13	AR21840	CLAMP	2		(SUB AR21999)
14	AR41016	SPACER	2		(SUB FOR R27924)
15	LINE	1		(AR32327 NO LONGER AVAILABLE)
16	14H786	NUT	2		1/4"
17	19H1898	CAP SCREW	2		1/4" X 1-1/2"
18	R27925	SUPPORT	1		
19	AR32328	HYDRAULIC LINE	1		
20	AR21839	CLAMP	4		
21	HOSE	1		64MM (2-1/2") (MAKE FROM R57300)
22	AR44284	OIL COOLER	1		(ALSO ORDER AR26693, AR32935, AR41721 AND AR44286) (SUB FOR AR32677)
23	19H2020	CAP SCREW	1		5/16" X 1/2"
	12H303	LOCK WASHER	1		5/16"
24	14H785	NUT	1		5/16"
25	CUSHION	1		2 X 51 X 102MM (1/16" X 2" X 4") (MAKE FROM R30596)
26	AR41722	BRACKET	1		(SUB FOR AR27925)
27	14H785	NUT	1		5/16"
28	12H303	LOCK WASHER	1		5/16"
29	28H1519	WASHER	1		0.493" X 0.675" X 3/8"
30	R35726	CLAMP	2		
31	24H1136	WASHER	1		11/32" X 11/16" X 0.065"
32	19H2661	CAP SCREW	1		5/16" X 1-3/8"
33	R27533	GROMMET	1		
34	AR26744	ELBOW FITTING	1		45°
35	CUSHION	1		3 X 102 X 140MM (1/8" X 4" X 5-1/2") (MAKE FROM R30597)
36	R34149	BULK HOSE	1		
37	AR31531	ELBOW FITTING	1		
38	U13639	O-RING	1		
39	AR26747	ELBOW FITTING	1		90°
40	AR32326	HYDRAULIC LINE	1		
41	AR47803	ELBOW FITTING	1		60°, (SUB FOR AR32852)
42	B2762R	O-RING	1		
43	R76494	FITTING	1		(SUB FOR R33610)
44	AR32325	LINE	1	-090999	
	AR39562	HYDRAULIC LINE	1	091000-	
45	AT32331	ELBOW FITTING	1		90°, (SUB FOR AR26723)
46	AR35712	ELBOW FITTING	2		90°
47	AR32159	HYDRAULIC LINE	1		
48	R26287	O-RING	2		
49	AT32335	ELBOW FITTING	2		90°, (SUB FOR AR26746)
50	AR42286	HOSE	1	087528-	(SUB AR79714 AND (2) R64170) (SUB FOR AR39710)
51	R64170	ADAPTER	2		
52	R21551	CLIP	2		
53	AR33987	PIPE	1	-087527	(SUB AR79714 AND (2) R64170)
54	R34541	CONNECTOR	1	-087527	(SUB AR79714 AND (2) R64170)
55	AR33985	PIPE	1	-087527	(SUB AR79714 AND (2) R64170)
..	AR21969	KIT	1		CAP PLUGS

3D12

R30200

-UN-01JAN94

OIL COOLER AND OIL PIPES (POWER SHIFT) (TRACTOR SERIAL NO. 153405-)



R30200F

3D13

HYDRAULICS

OIL COOLER AND OIL PIPES - CONTINUED
(POWER SHIFT) (TRACTOR SERIAL NO. 153405-)
TRACTOR

KEY	PART NO.	PART NAME	QTY	SERIAL NO.	REMARKS
1	F3171R	O-RING	4		
2	R27267	FITTING	1		
3	R26375	O-RING	1	(A)	
4	R27237	FITTING	1	(A)	
5	AR32607	HYDRAULIC LINE	1	(A)	
6	R31665	FITTING	1	(A)	
7	R26906	O-RING	1	(A)	
8	R40559	HOUSING	1	(SUB R78495)	
9	19H1800	CAP SCREW	1	3/8" X 1-1/2"	
	12H304	LOCK WASHER	1	3/8"	
10	19H1801	CAP SCREW	1	3/8" X 2"	
	12H304	LOCK WASHER	1	3/8"	
11	R26906	O-RING	4		
12	R27270	FITTING	1		
13	AR21840	CLAMP	2		
14	AR41016	SPACER	2		
15	AR41721	HYDRAULIC LINE	1		
16	14H786	NUT	1	1/4"	
17	19H1898	CAP SCREW	2	1/4" X 1-1/2"	
18	R27925	SUPPORT	1		
19	AR32935	HYDRAULIC LINE	1		
20	AR21839	CLAMP	2		
21A	HOSE	1	-165209	64MM (2-1/2") (MAKE FROM R57300)
21B	L35843	HOSE	1	165210-	(B) (SUB FOR T40167 OR T22958)
22	AR41724	OIL COOLER	1	-165209	(SUB AR44284 AND L35843)
	AR44284	OIL COOLER	1	165210-	
23	R41731	SUPPORT	1	(B)	
24	19H2485	CAP SCREW	3	(B) 5/16" X 7/16"	
	12H303	LOCK WASHER	3	(B) 5/16"	
25	CUSHION	1	(B) 2 X 51 X 102MM (1/16" X 2" X 4") (MAKE FROM R30596)	
26	AR41722	BRACKET	1	(B)	
27	AR21839	CLAMP	2	(B)	
28	HOSE	1	(B) 64MM (2-1/2") (MAKE FROM R57300)	
29	14H786	NUT	2	(B) 1/4"	
	12H302	LOCK WASHER	2	(B) 1/4"	
30	R27534	CLAMP	1	(B)	
31	R27546	PLATE	1	(B)	
32	R27251	CLAMP	1	(B)	
33	19H1914	CAP SCREW	2	(B) 1/4" X 1"	
34	T22381	WASHER	1	(B)	
35	R27533	GROMMET	1		
36	AR26744	ELBOW FITTING	1	45°	
37	AR26747	ELBOW FITTING	1	90°	
38	AR32326	HYDRAULIC LINE	1	-166327	
	AR41132	HYDRAULIC LINE	1	166328-	
39A	AR47803	ELBOW FITTING	1	-166327	60°, (SUB FOR AR32852)
39B	R27267	FITTING	1	166328-	
40	B2762R	O-RING	1		
41	R33610	FITTING	1		
42	AR39562	HYDRAULIC LINE	1		
43	AT32331	ELBOW FITTING	1	90°, (SUB FOR AR26723)	
44	AR35712	ELBOW FITTING	2	90°	
45	AR32159	HYDRAULIC LINE	1		
46	R26287	O-RING	2		
47	AT32335	ELBOW FITTING	2	90°, (SUB FOR AR26746)	
48	AR79714	HYDRAULIC LINE	1	(ALSO ORDER (2) R64170) (SUB FOR AR39710 OR AR42286)	
49	R64170	ADAPTER	2		
50	R21551	CLIP	2		
..	AR44286	BRACKET	1	(SUB FOR AR41742) (REQUIRED WHEN AR44284 IS INSTALLED)	
..	AR21969	KIT	1	CAP PLUGS	

(A) WITH ROCKSHAFT

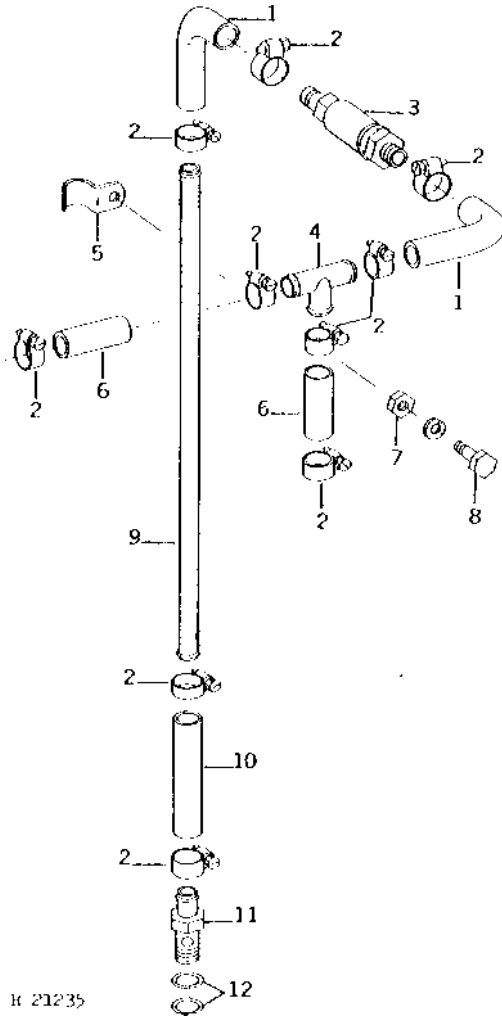
(B) CONTAINED IN AR44286

3D14

THERMOSTATIC BYPASS VALVE (POWER SHIFT) (TRACTOR SERIAL NO. 153405-)

R21235

-UN-01JAN94



R 21235

3D15

HYDRAULICS

THERMOSTATIC BYPASS VALVE - CONTINUED
(POWER SHIFT) (TRACTOR SERIAL NO. 153405-)

KEY	PART NO.	PART NAME	QTY	TRACTOR SERIAL NO.	REMARKS
1	T22958	HOSE	2		(SUB FOR T40167) (SUB L35843)
2	AR21839	CLAMP	10		
3	AR54473	VALVE	1		(NLA)
4	R61955	TEE FITTING	1		
5	R41465	CLAMP	1		
6	HOSE	2		64MM (2-1/2") (MAKE FROM R57300)
7	14H785	NUT	1		5/16"
8	19H2790	CAP SCREW	1		1/4" X 2", (NLA)
	12H303	LOCK WASHER	1		5/16"
9	R50235	TUBE	1		(NLA)
10	HOSE	1		1042MM (41") (MAKE FROM R57300) (SUB FOR R34603 OR R32087)
11	R43737	FITTING	1		
12	R27928	O-RING	2		

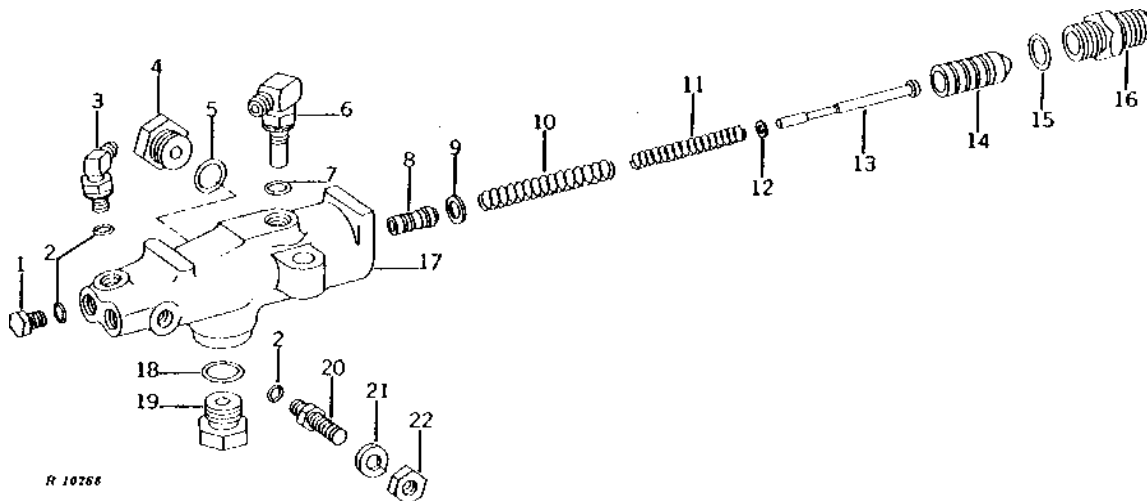
MEMORANDA

3D16

HYDRAULICS

JUNCTION BLOCK WITH STEERING AND BRAKE PRESSURE CONTROL VALVE (TRACTOR SERIAL NO. 065000-105111)

R10268 -UN-01JAN94



KEY	PART NO.	PART NAME	QTY	TRACTOR SERIAL NO.	REMARKS
1	R27216	DRAIN PLUG	2	(SUB FOR R31631)	
2	R26287	O-RING	4		
3	AT32335	ELBOW FITTING	1	90°, (SUB FOR AR26746)	
4	R27474	DRAIN PLUG	1	(A)	
5	R26906	O-RING	1	(A)	
6	AR30742	ELBOW FITTING	1	90°	
7	R26286	O-RING	1		
8	RE13273	CONTROL VALVE	1	(SUB FOR AR31124 OR AR51732)	
9	24H1652	WASHER	1	13/32" X 11/16" X 7/64"	
10	R31629	SPRING	1		
11	R68390	SPRING	1	(SUB FOR R31630)	
12	R31632	SHIM	AR		
13	R31628	SHAFT	1		
14	R31627	CONTROL VALVE	1		
15	R26906	O-RING	1		
16	R27270	FITTING	1		
17	RE13273	CONTROL VALVE	1	(MARKED R31624 OR R34851) (SUB FOR AR31125, AR34662 OR AR51732) (ALSO ORDER AT32333)	
18	R26906	O-RING	1	(B)	
19	R27474	DRAIN PLUG	1	(B)	
20	R32728	FITTING	1		
21	12H304	LOCK WASHER	1	3/8"	
22	14H1076	NUT	1	3/8"	

(A) LESS SELECTIVE CONTROL

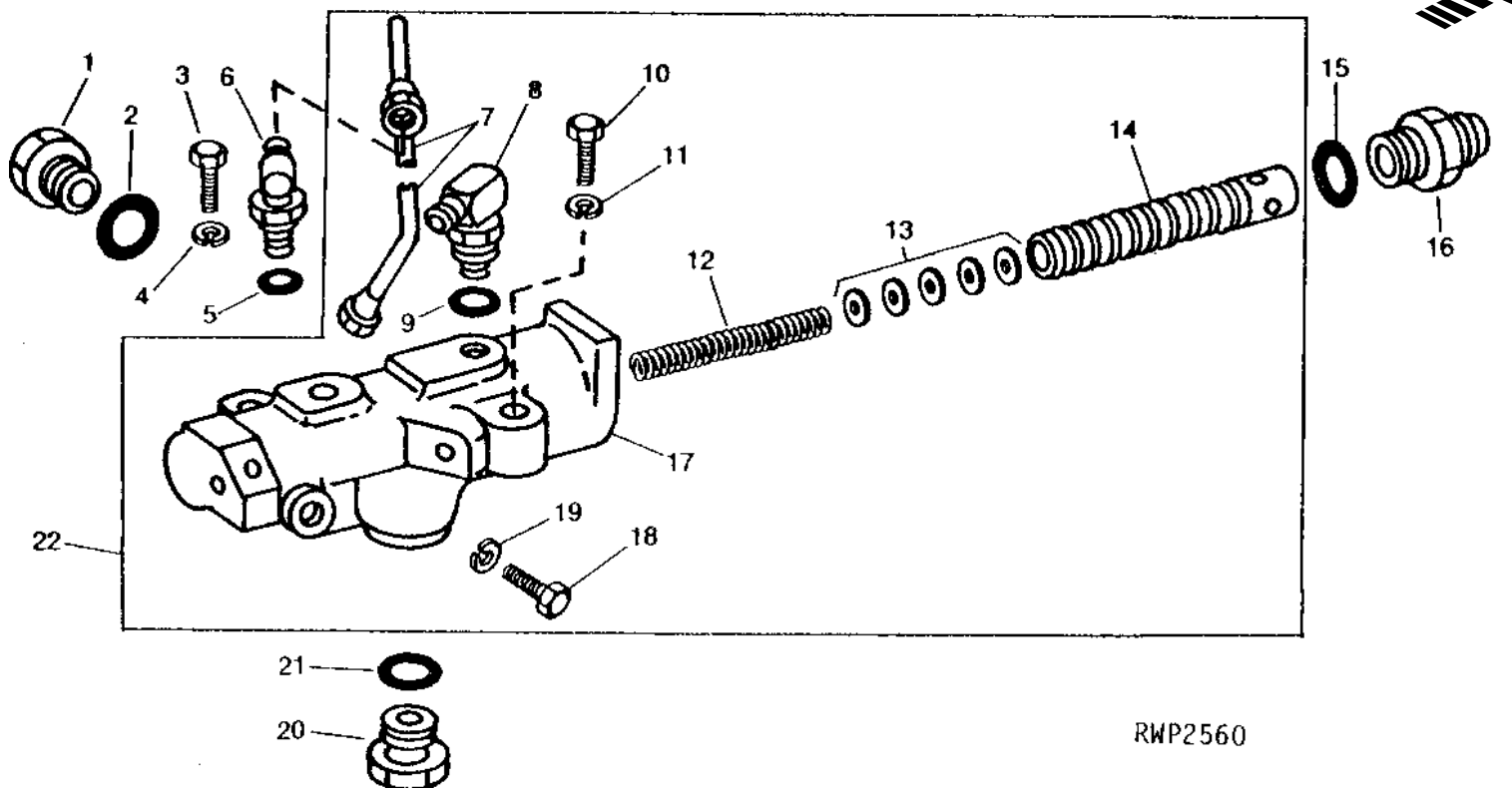
(B) LESS ROCKSHAFT

3D17

HYDRAULICS

PRESSURE CONTROL VALVE PARTS (TRACTOR SERIAL NO. 105112-115465)

RWP2560 -UN-01JAN94



RWP2560

KEY	PART NO.	PART NAME	QTY	TRACTOR SERIAL NO.	REMARKS
1	R27474	DRAIN PLUG	1	(A)	
2	R26906	O-RING	1	(A)	
3	19H1800	CAP SCREW	1	3/8" X 1-1/2"	
4	12H304	LOCK WASHER	1	3/8"	
5	R26287	O-RING	1		
6	AT32335	ELBOW FITTING	1	90°, (SUB FOR AR26746)	
7	AR48233	KIT	1	BLEED LINE, (INCLUDES (2) AR48234, (2) AR48235, (2) AR48236 AND R46141) (SUB FOR AR40035 OR AR40036)	
8	AT32333	ELBOW FITTING	1	90°, (SUB FOR AR26771)	
9	R26286	O-RING	1		
10	19H1801	CAP SCREW	1	3/8" X 2"	
11	12H304	LOCK WASHER	1	3/8"	
12	R40072	SPRING	1		
13	R33521	SHIM	AR		
14	R40145	VALVE	1	(SUB AR65881 AND R40562)	
15	R26906	O-RING	1		
16	R27270	FITTING	1		
17	AR40029	HOUSING	1	(MARKED R40154) (SUB RE13273)	
18	19H1936	CAP SCREW	1	3/8" X 3/4"	
19	12H304	LOCK WASHER	1	3/8"	
20	R27474	DRAIN PLUG	1	(B)	
21	R26906	O-RING	1	(B)	
22	AR40130	KIT	1	(SUB RE13273)	

(A) LESS SELECTIVE CONTROL

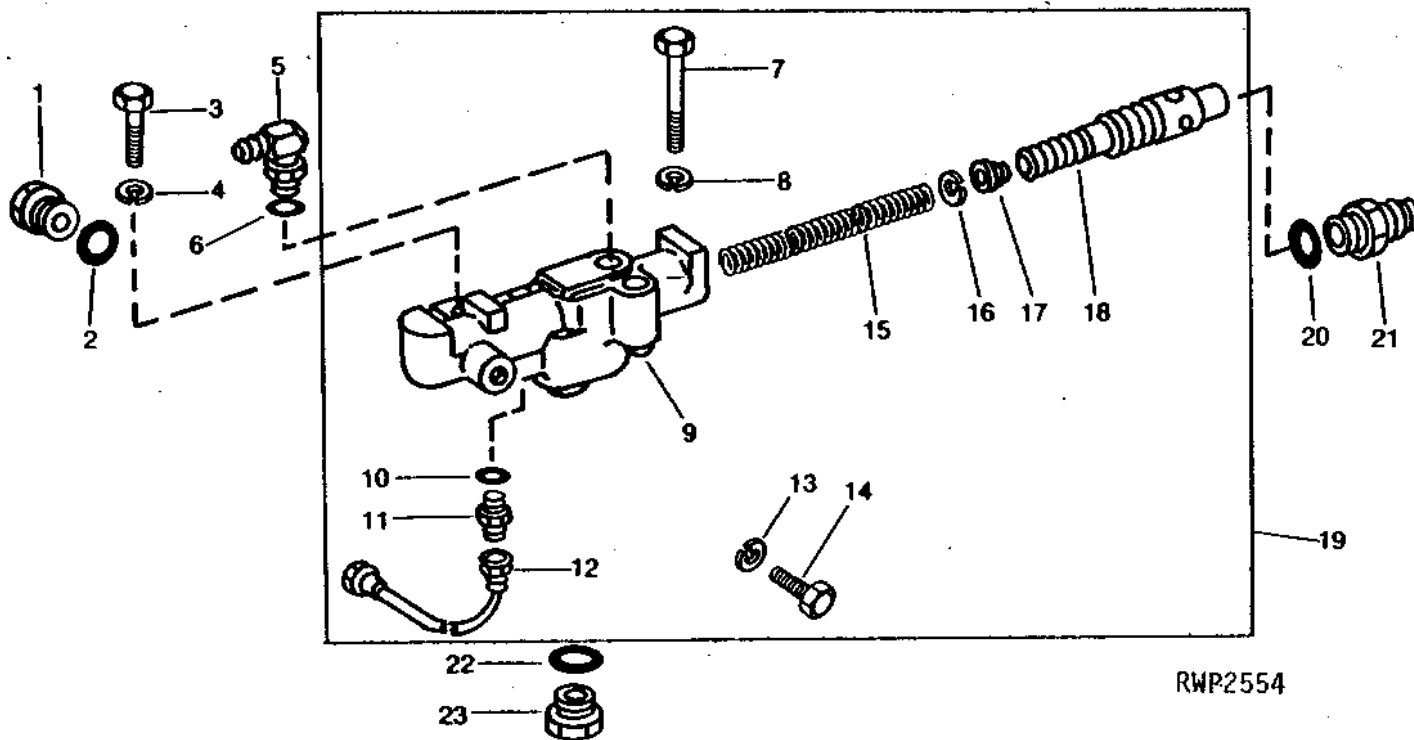
(B) LESS ROCKSHAFT

3D18

HYDRAULICS

PRESSURE CONTROL VALVE PARTS (TRACTOR SERIAL NO. 115466-)

RWP2554 -UN-01JAN94



RWP2554

KEY	PART NO.	PART NAME	QTY	TRACTOR SERIAL NO.	REMARKS
1	R27474	DRAIN PLUG	1	(A)	
2	R26906	O-RING	1	(A)	
3	19H1800	CAP SCREW	1	3/8" X 1-1/2"	
4	12H304	LOCK WASHER	1	3/8"	
5	AT32333	ELBOW FITTING	1	90°, (SUB FOR AR26771)	
6	R26286	O-RING	1		
7	19H1801	CAP SCREW	1	3/8" X 2"	
8	12H304	LOCK WASHER	1	3/8"	
9	R40559	HOUSING	1	(SUB R78495)	
10	R26287	O-RING	1	(B)	
11	R27527	ADAPTER	1	(B)	
12	AR48233	KIT	1	PIPE BLEED, (SUB FOR AR40404 OR AR44043)	
13	12H304	LOCK WASHER	1	3/8"	
14	19H1936	CAP SCREW	1	3/8" X 3/4"	
15	R40072	SPRING	1		
16	R33521	SHIM	AR		
17	R40562	APERTURE	1		
18	AR65881	VALVE	1	(SUB FOR R40561)	
19	AR51732	CONTROL VALVE	1	(SUB FOR AR40029 AND AR40130) (SUB RE13273)	
20	R26906	O-RING	1		
21	R27270	FITTING	1		
22	R26906	O-RING	1		
23	R27474	DRAIN PLUG	1		

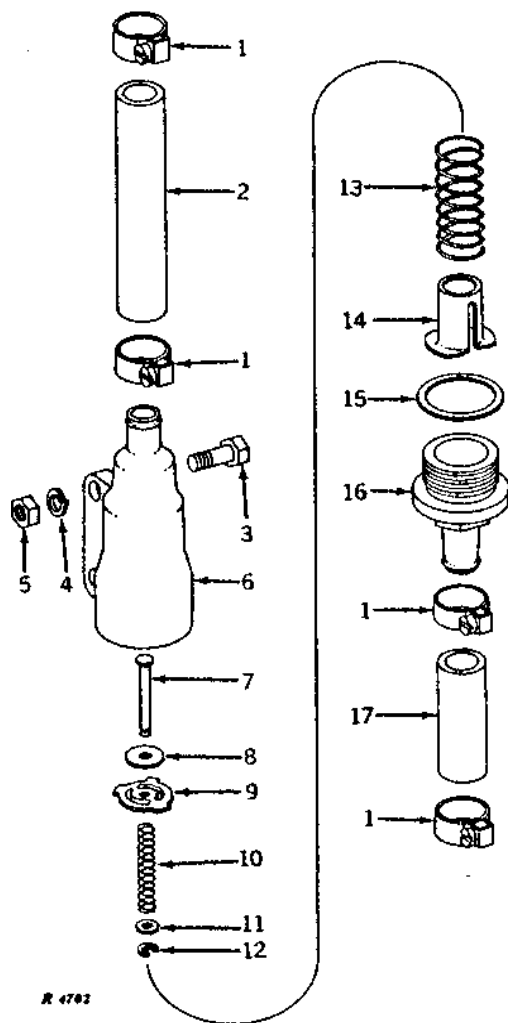
(A) LESS SELECTIVE CONTROL

(B) LESS ROCKSHAFT

3D19

R4702 -UN-01JAN94

HYDRAULIC OIL COOLER BYPASS VALVE (SYNCRO-RANGE)



KEY	PART NO.	PART NAME	QTY	TRACTOR SERIAL NO.	REMARKS
1	AR21839	CLAMP	4		
2	HOSE	1		1042MM (41") (MAKE FROM R57300) (SUB FOR R32087)
3	19H2284	CAP SCREW	2		3/8" X 7/8"
4	12H304	LOCK WASHER	2		3/8"
5	14H812	NUT	2		3/8"
6	AR31152	HOUSING	1		(MARKED R31931) (SUB AR31547, (4) AR21839, R57300, (2) 12H304, (2) 14H1076 AND (2) 19H2284)
7	R31939	PIN	1		
8	R31933	WASHER	1		
9	R31932	VALVE	1		
10	H837R	SPRING	1		
11	24H1283	WASHER	1		7/32" X 1/2" X 0.049"
12	R31935	SNAP RING	1		
13	R31934	SPRING	1		
14	R31936	GUIDE	1		
15	R31378	O-RING	1		
16	R31937	FITTING	1		
17	HOSE	1		64MM (2-1/2") (MAKE FROM R57300)

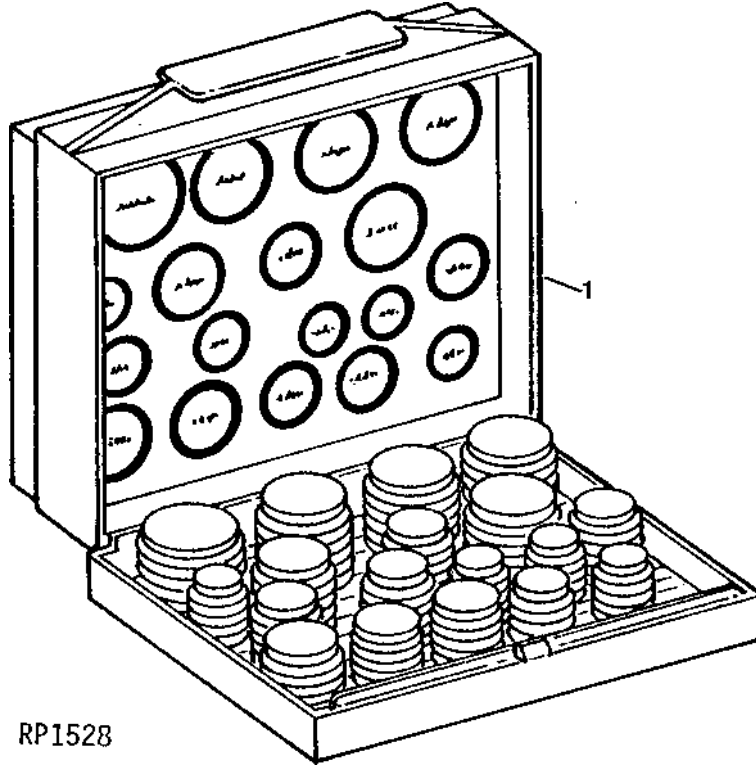
3D20

HYDRAULICS

RP1528

-UN-01JAN94

O-RING KIT



RP1528

KEY	PART NO.	PART NAME	QTY	TRACTOR SERIAL NO.	REMARKS
1	AR73500	KIT	1		

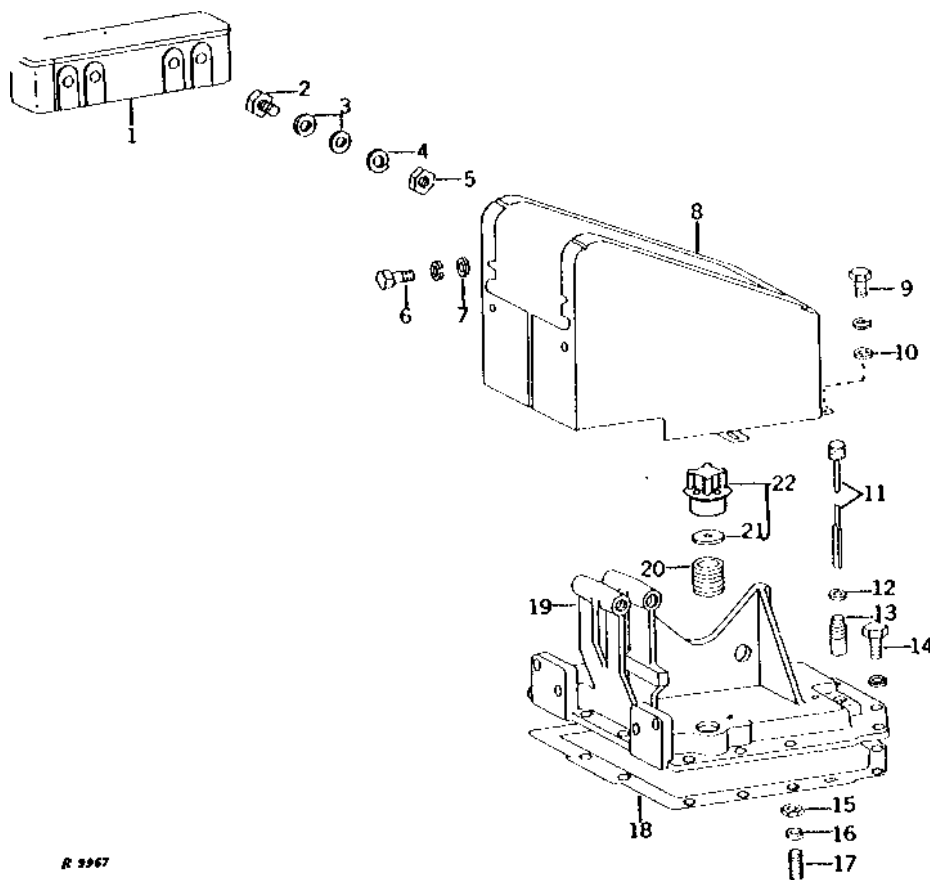
3D21

HYDRAULICS

TRANSMISSION REAR COVER, SEAT SUPPORT COVER, AND TOOL BOX (LESS ROCKSHAFT)

R9967

-UN-01JAN94



R 9967

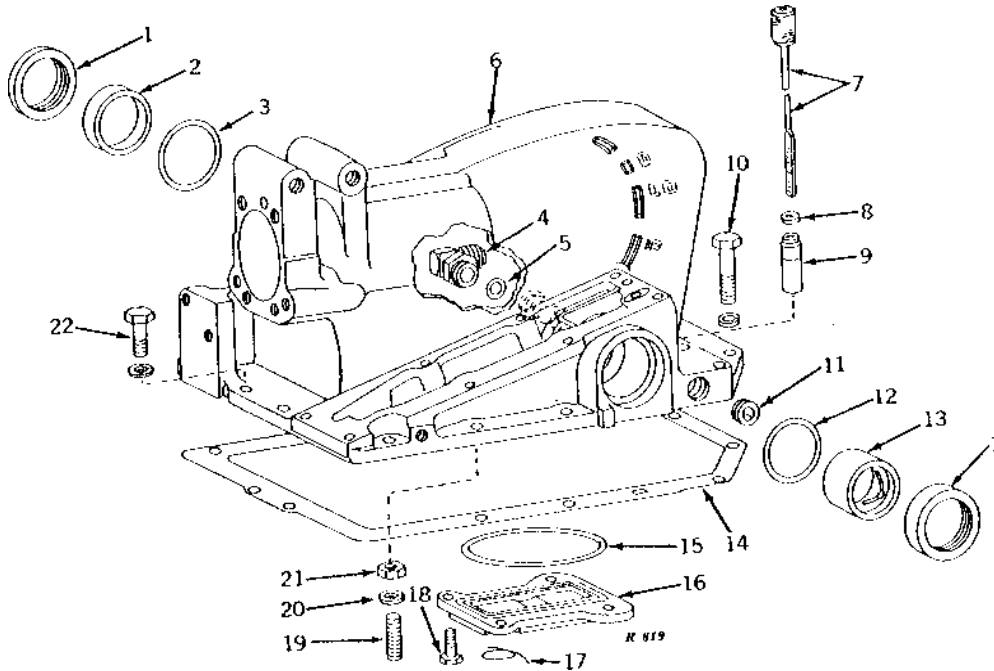
KEY	PART NO.	PART NAME	QTY	TRACTOR SERIAL NO.	REMARKS
1	AR34684	TOOLBOX	1	091000-	
2	19H1936	CAP SCREW	2	091000-	3/8" X 3/4"
3	24H1305	WASHER	4	091000-	13/32" X 13/16" X 0.065"
4	12H304	LOCK WASHER	2	091000-	3/8"
5	14H1076	NUT	2	091000-	3/8"
6	19H1936	CAP SCREW	4	091000-	3/8" X 3/4"
	12H304	LOCK WASHER	4		3/8"
7	24H1305	WASHER	4		13/32" X 13/16" X 0.065"
8	AR26846	COVER	1		
9	19H1900	CAP SCREW	4		5/16" X 3/4"
	12H303	LOCK WASHER	4		5/16"
10	24H1136	WASHER	4		11/32" X 11/16" X 0.065"
11	AR30693	DIPSTICK	1		
12	R1590R	WASHER	1		
13	R31566	TUBE	1		(SYNCRO-RANGE)
	R34294	TUBE	1		(POWER SHIFT)
14	19H3579	CAP SCREW	AR		1/2" X 1-3/8", (9 USED SYNCRO-RANGE) (7 USED POWER SHIFT)
	12H301	LOCK WASHER	AR		1/2", (9 USED SYNCRO-RANGE) (7 USED POWER SHIFT)
15	14H1040	NUT	AR		1/2", (3 USED SYNCRO-RANGE) (5 USED POWER SHIFT)
16	12H301	LOCK WASHER	AR		1/2", (3 USED SYNCRO-RANGE) (5 USED POWER SHIFT)
17	R32101	STUD	3		1/2" X 1-3/4", (3 USED SYNCRO-RANGE) (5 USED POWER SHIFT)
					(SUB FOR R34164)
18	R80964	GASKET	1		(MARKED R33875)
19	AR32905	COVER	1		
20	A4234R	ASSEMBLY LINE PARTS	1		
21	R31486	WASHER	1		
22	AR30697	CAP	1		(MARKED R32175)

3D22

HYDRAULICS

R819 -UN-01JAN94

ROCKSHAFT HOUSING, WITH BUSHINGS AND OIL SEALS



KEY	PART NO.	PART NAME	QTY	TRACTOR SERIAL NO.	REMARKS
1	AF2643R	SEAL	2		
2	R26842	BUSHING	1		
3	A4728R	O-RING	1		
4	AT32331	ELBOW FITTING	1	(A) 90°, (SUB FOR AR26723)	
	R27267	FITTING	1	(B)	
5	F3171R	O-RING	1		
6	AR32904	HOUSING	1		(MARKED R33880)
7	AR30693	DIPSTICK	1		
8	R1590R	WASHER	1		
9	R31566	TUBE	1	(A)	
	R34294	TUBE	1	(B)	
10	19H1990	CAP SCREW	2	1/2" X 2-1/4"	
	12H301	LOCK WASHER	2	1/2"	
11	15H564	PIPE PLUG	1	3/4"	
12	R26863	O-RING	1		
13	R26841	BUSHING	1		
14	R80964	GASKET	1		(SUB FOR R34164)
15	R26769	WASHER	1		
16	R55079	COVER	1		(SUB FOR R27210 OR R52246)
17	WIRE	2	-XXXXXX	(SUB FOR R61762)
18	R57725	SCREW	4		
19	R32101	STUD	AR		1/2" X 1-3/4", (3 USED SYNCRO-RANGE) (5 USED POWER SHIFT)
20	12H301	LOCK WASHER	AR		1/2", (3 USED SYNCRO-RANGE) (5 USED POWER SHIFT)
21	14H1040	NUT	AR		1/2", (3 USED SYNCRO-RANGE) (5 USED POWER SHIFT)
22	19H3579	CAP SCREW	AR		1/2" X 1-3/8", (7 USED SYNCRO-RANGE) (5 USED POWER SHIFT)
	12H301	LOCK WASHER	AR		1/2", (7 USED SYNCRO-RANGE) (5 USED POWER SHIFT)

(A) SYNCRO-RANGE

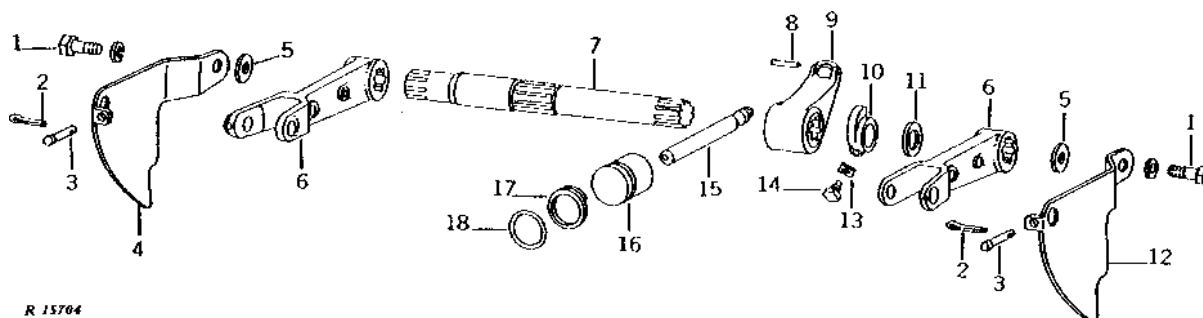
(B) POWER SHIFT

3D23

HYDRAULICS

R15704 -UN-01JAN94

ROCKSHAFT, ROCKSHAFT PISTON, AND LIFT ARMS



KEY	PART NO.	PART NAME	QTY	TRACTOR SERIAL NO.	REMARKS
1	19H1782	CAP SCREW	2		3/4" X 2-1/4"
	12H236	LOCK WASHER	2		3/4"
2	11M7081	COTTER PIN	2	158079-179456	(A) 0.098" X 0.787"
3	R41901	PIN	2	158079-179456	(A)
4	R41900	SHIELD	1	158079-179456	(A)
5	R20136	WASHER	2		
6	AR30725	LIFT ARM	2		(A) (B) (MARKED R31595)
	AR30726	LIFT ARM	1		(C) R.H. (MARKED R31597)
	AR30727	LIFT ARM	1		(C) L.H. (MARKED R31598)
	R31596	BUSHING	2		
7	R34487	SHAFT	1		
8	34H322	SPRING PIN	1		1/4" X 2-3/4"
9	R42773	ARM	1		(SUB FOR R34153)
10	R26865	CAM	1		
11	24H1602	WASHER	AR		2-17/64" X 2-3/4" X 0.060"
12	R41899	SHIELD	1	158079-179456	(A)
13	F3173R	LOCK PLATE	1		
14	R69642	CAP SCREW	1		(SUB FOR R26626)
15	AR44356	ROD	1		(SUB FOR R26456)
16	R34152	PISTON	1		
17	R59965	WEAR RING	1		(SUB FOR R34304, THIS APPLICATION)
18	R59964	SEALING WASHER	1		(SUB FOR R36424, THIS APPLICATION)

(A) STANDARD

(B) ROW-CROP

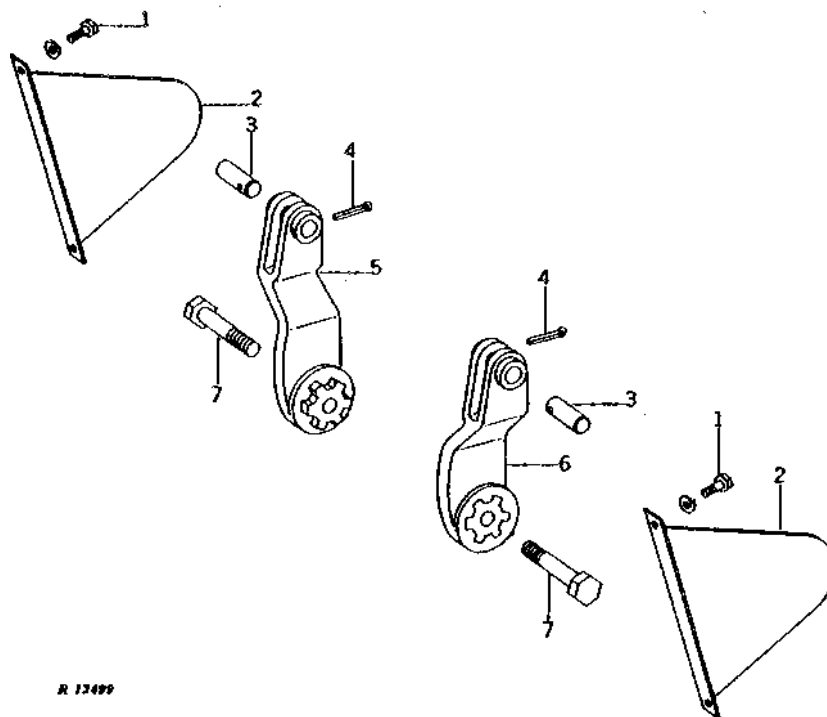
(C) HI-CROP

3D24

HYDRAULICS

R12499 -UN-01JAN94

IMPLEMENT ARMS



KEY	PART NO.	PART NAME	QTY	TRACTOR SERIAL NO.	REMARKS
1	19H1900	CAP SCREW	4	(B) 5/16" X 3/4"	
	12H303	LOCK WASHER	4	(B) 5/16"	
2	AR40977	GUARD	2	(B)	
3	R42644	PIN	2	(A) (SUB FOR R41362) (NLA)	
4	11M7096	COTTER PIN	2	(B) 5 X 80 MM	
5	AR40976	ARM	1	(A) (MARKED R26465 OR R41361) (SUB FOR AR26408)	
6	AR44765	ARM	1	(A) (MARKED R26464, R41360 OR R42643) (SUB FOR AR26404 OR AR40975) (NLA)	
7	19H2113	CAP SCREW	2	(A) 3/4" X 3-1/4"	
..	AR44872	ARM	1	(SUB FOR AR27031 OR AR41748) (LESS ROLL-GARD)	
..	AR47483	GUARD	1		

(A) AR44872 CONSISTS OF THESE PARTS

(B) AR47483 CONSISTS OF THESE PARTS

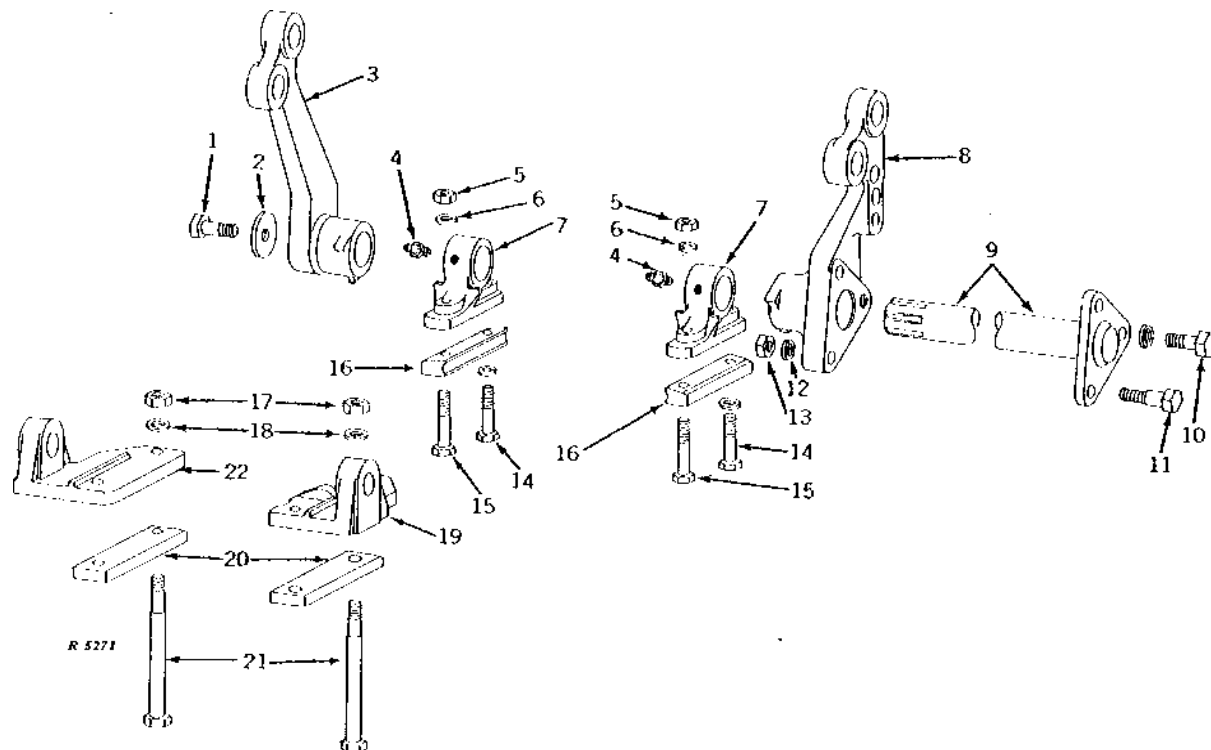
3D25

HYDRAULICS

R5271

-UN-01JAN94

FRONT MOUNTED ROCKSHAFT



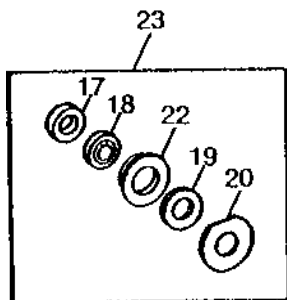
KEY	PART NO.	PART NAME	QTY	TRACTOR SERIAL NO.	REMARKS
1	19H1756	CAP SCREW	1	5/8" X 1-1/2"	
2	R20135	WASHER	1		
3	R38089	ARM	1	L.H. (SUB FOR R26709) (NLA)	
4	JD7778	LUBRICATION FITTING	2	45°	
5	14H1040	NUT	2	1/2"	
6	12H301	LOCK WASHER	2	1/2"	
7	R31403	BRACKET	2	(NLA)	
8	R26708	ARM	1	R.H. (NLA)	
9	AR34350	ROCKSHAFT	1		
10	19H1756	CAP SCREW	1	5/8" X 1-1/2"	
	12H294	LOCK WASHER	1	5/8"	
11	R27819	BOLT	2	(NLA)	
12	12H294	LOCK WASHER	2	5/8"	
13	14H1083	NUT	2	5/8"	
14	19H1990	CAP SCREW	2	1/2" X 2-1/4"	
	12H301	LOCK WASHER	2	1/2"	
15	19H1974	CAP SCREW	2	1/2" X 2-3/4"	
16	R28755	SUPPORT	2	(NLA)	
17	14H1039	NUT	4	5/8"	
18	12H294	LOCK WASHER	4	5/8"	
19	R26710	BRACKET	1	R.H. (NLA)	
20	R38093	STRAP	2	(SUB FOR R27549) (NLA)	
21	R26784	BOLT	4	(NLA)	
22	R26711	BRACKET	1	L.H. (NLA)	

3E1

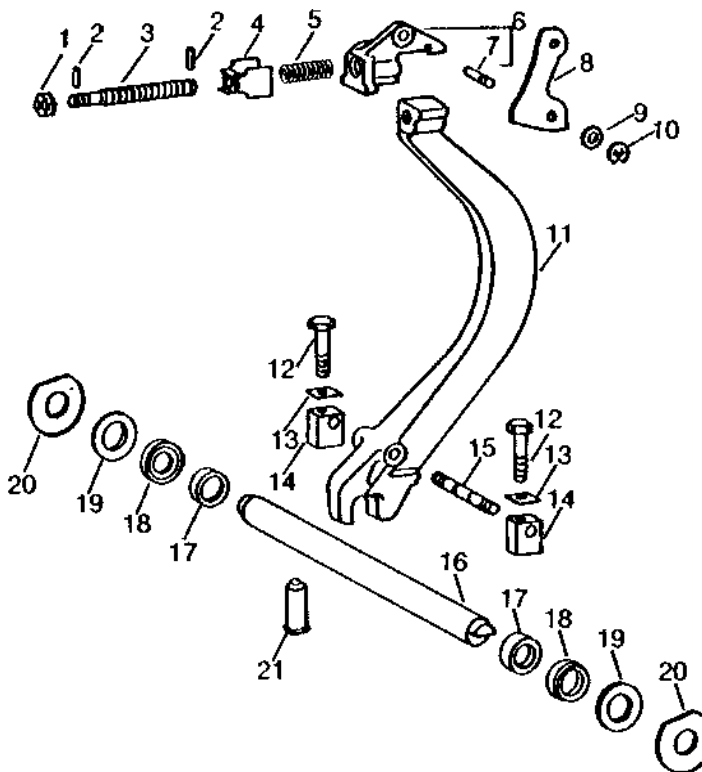
HYDRAULICS

RP1518 -UN-01JAN94

LOAD CONTROL



RP1518



KEY	PART NO.	PART NAME	QTY	TRACTOR SERIAL NO.	REMARKS
1	14H936	NUT	1	3/8"	
2	34H244	SPRING PIN	2	1/8" X 9/16"	
3	R26628	STUD	1		
4	R46443	LOCK PLATE	1	(SUB FOR R27127)	
5	F1463R	SPRING	1		
6	AR26547	EXTENSION	1	(MARKED R26868)	
7	R26869	PIN	1		
8	R26779	FOLLOWER	1		
9	24H1287	WASHER	1	9/32" X 5/8" X 0.065"	
10	R72654	SNAP RING	1	(SUB FOR R27507)	
11	R26867	ARM	1		
12	19H3181	CAP SCREW	2	3/8" X 2"	
13	R30959	LOCK PLATE	2		
14	R26476	SUPPORT	2		
15	R26630	SHAFT	1		
16	R33826	PIN	1		
17	R26505	BUSHING	2		
	R45515	BUSHING	2	0.08MM (.003") OVERSIZE	
	R45516	BUSHING	2	0.15MM (.006") OVERSIZE	
	R46801	BUSHING	2	0.76MM (.030") OVERSIZE	
18	AR84792	SEAL KIT	2	(SUB FOR AR26414, THIS APPLICATION) (SUB FOR AR78338)	
19	F2674R	WASHER	2	(SUB FOR R28960)	
20	R47566	WASHER	AR	1.2MM (.048") (USE WITH AR78338 OR AR84792)	
	R47567	WASHER	AR	0.9MM (.036") (USE WITH AR78338 OR AR84792)	
	R47568	WASHER	AR	1.6MM (.062") (USE WITH AR78338 OR AR84792)	
21	R31076	DOWEL PIN	1		
22	R48682	BUSHING	2		
23	AR51955	KIT	1	TRANSMISSION CASE LOAD CONTROL SHAFT BORE REPAIR	

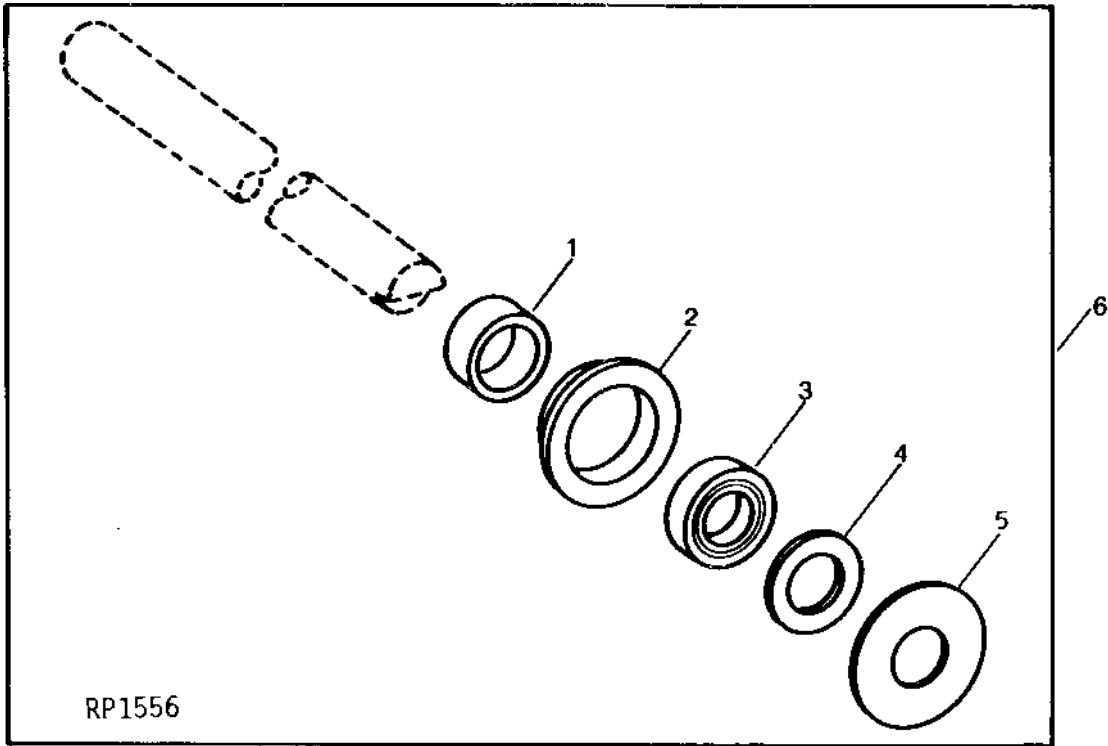
3E2

HYDRAULICS

RP1556

-UN-20NOV95

LOAD CONTROL SHAFT BUSHING KIT

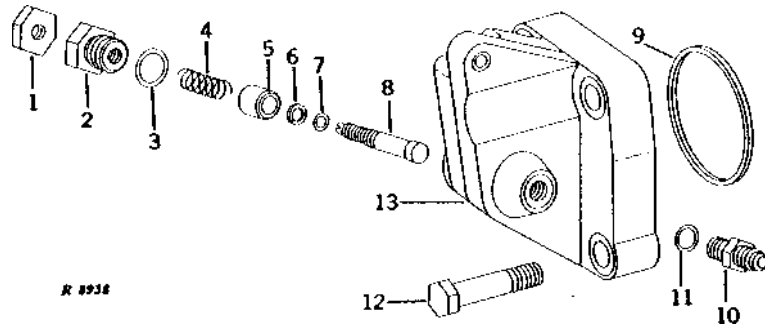


KEY	PART NO.	PART NAME	QTY	TRACTOR SERIAL NO.	REMARKS
1	R46801	BUSHING	2		0.8MM (.030") OVERSIZE
2	R48682	BUSHING	2		
3	AR26414	SEAL	2		(ORDER AR84792) (INCLUDES AR26414 AND F2674R)
4	F2674R	WASHER	2		
5	R47566	WASHER	AR		1.22MM (.048")
	R47567	WASHER	AR		0.91MM (.036")
	R47568	WASHER	AR		1.57MM (.062")
6	AR51955	KIT	1		

3E3

R8938 -UN-01JAN94

ROCKSHAFT PISTON COVER AND ASSOCIATED PARTS



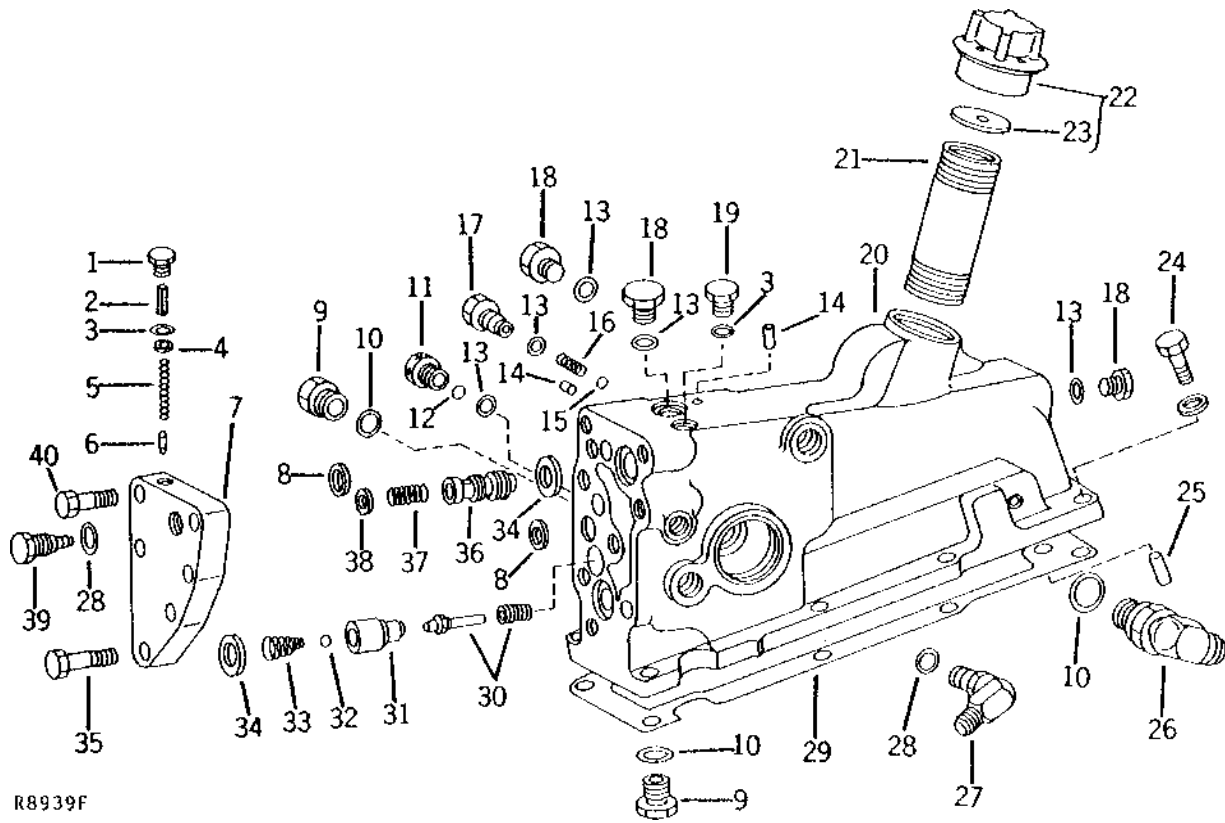
KEY	PART NO.	PART NAME	QTY	TRACTOR SERIAL NO.	REMARKS
1	14H774	NUT	1	3/8"	
2	R26458	FITTING	1		
3	R26906	O-RING	1		
4	B3686R	SPRING	1		
5	R59684	BUSHING	1	(SUB FOR R26457)	
6	R31136	BACK-UP RING	1		
7	A4365R	O-RING	1		
8	R26625	SHAFT	1		
9	R34154	WASHER	1		
10	R27212	FITTING	1		
11	R26448	O-RING	1		
12	19H1387	CAP SCREW	4	5/8" X 2-1/4"	
13	R34296	COVER	1		

3E4

R8939

-UN-01JAN94

ROCKSHAFT CONTROL VALVE HOUSING



R8939F

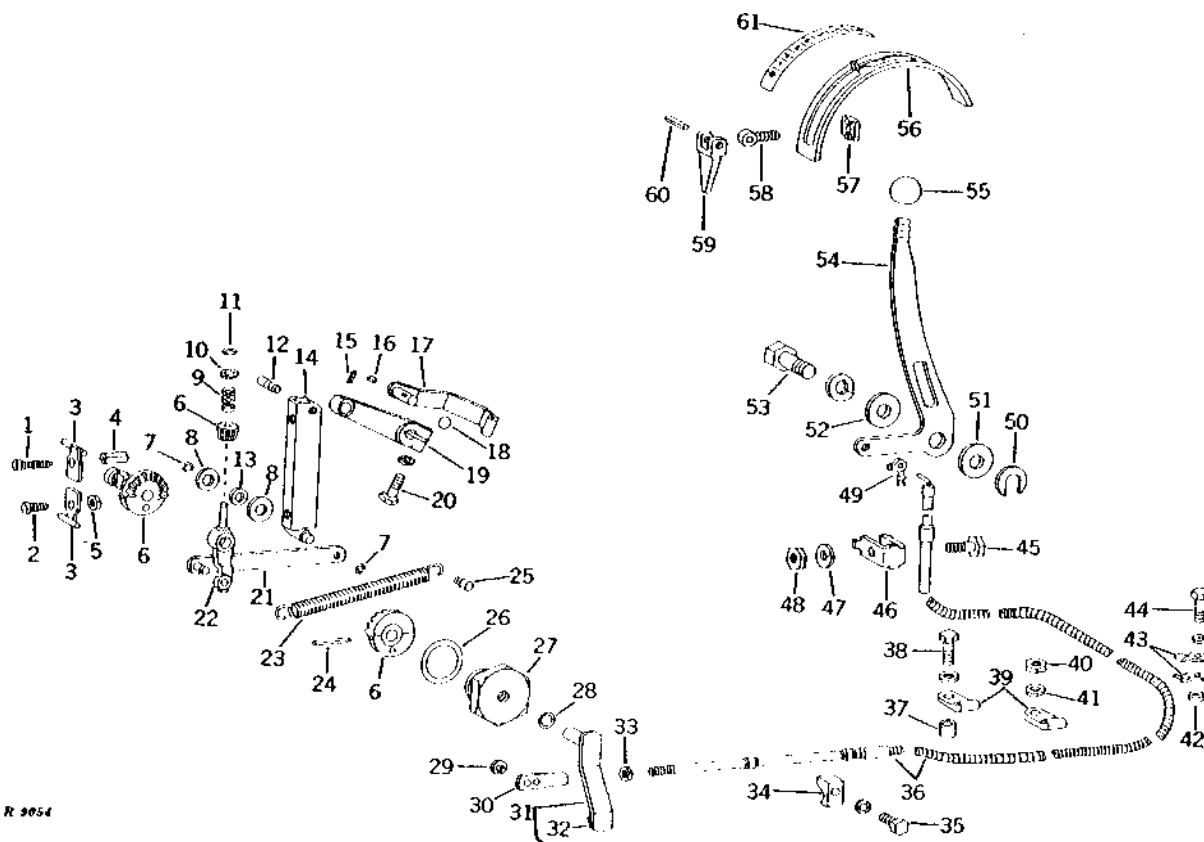
ROCKSHAFT CONTROL VALVE HOUSING - CONTINUED

KEY	PART NO.	PART NAME	QTY	TRACTOR SERIAL NO.	REMARKS
1	R27216	DRAIN PLUG	1		
2	34H247	SPRING PIN	1	1/8" X 3/4"	
3	R26287	O-RING	3		
4	R26478	SHIM	AR	0.51MM (.020")	
	R26479	SHIM	AR	0.76MM (.030")	
5	R26477	SPRING	1		
6	R55678	RELIEF VALVE	1	(SUB FOR R31565)	
7	AR31754	COVER	1	(MARKED R32387)	
8	F2741R	PACKING	2		
9	R39112	FITTING	3	(SUB FOR R28095)	
10	R26375	O-RING	4		
11	R27094	DRAIN PLUG	2		
12	R28785	SHIM	AR	0.13MM (.005")	
	R28786	SHIM	AR	0.25MM (.010")	
	R28505	SHIM	AR	0.76MM (.030")	
13	R26286	O-RING	5		
14	F1840R	DOWEL PIN	2	-079616	
15	H871R	BALL	1		
16	R27981	SPRING	1		
17	R27979	FITTING	1		
18	R27094	DRAIN PLUG	3	-079616	
19	R27216	DRAIN PLUG	1	(SUB FOR R31631)	
20	AR32608	HOUSING	1	(MARKED R34011 OR R42692)	
21	R27606	THREADED NIPPLE	1		
22	AR30697	CAP	1	(MARKED R32715)	
23	R31486	WASHER	1		
24	19H1732	CAP SCREW	8	3/8" X 1-1/4"	
	12H304	LOCK WASHER	8	3/8"	
25	R26650	DOWEL PIN	1	(SUB FOR A4879R)	
26	AT32332	ELBOW FITTING	1	90°, (SUB FOR AR26763)	
27	AT35121	ELBOW FITTING	1	90°, (SUB FOR AR26725)	
28	R26448	O-RING	2		
29	R26573	GASKET	1		
30	AR30094	SHAFT	1	RETURN	
	AR39777	SHAFT	1	PRESSURE	
31	R59083	VALVE	2	(SUB FOR R27512 OR R44299)	
32	400R	BALL	2	6MM, (1/4")	
33	R26565	SPRING	2		
34	R26149	PACKING	2		
35	19H1721	CAP SCREW	3	1/2" X 1-1/2"	
36	R26460	CONTROL VALVE	1		
37	R26566	SPRING	1		
38	B1664R	SHIM	2		
39	R40799	DRAIN PLUG	1	(ALSO ORDER (2) B1664R) (SUB FOR R32246)	
40	19H1978	CAP SCREW	3	7/16" X 1-1/2"	

3E6

R9054 -UN-01JAN94

ROCKSHAFT LINKAGE AND CONTROL



R 9054

KEY	PART NO.	PART NAME	QTY	TRACTOR SERIAL NO.	REMARKS
1	R26554	SET SCREW	1		
2	R26762	BOLT	1		
3	AR26546	LEVER	2		
4	R26567	NUT	1		
5	14H649	NUT	1	1/4"	
6	AR31272	GEAR	1		(SUB AR31274, R27674 AND R27675)
7	R72653	SNAP RING	2		(SUB FOR M2396T)
8	24M7207	WASHER	2	8.400 X 24 X 2 MM	
9	R26487	SPRING	1		
10	24H1289	WASHER	1	21/64" X 5/8" X 0.049"	
11	R26386	SNAP RING	1		
12	R27372	PIN	1		
13	R27215	WASHER	1		
14	AR26711	LINK	1		
15	34H231	SPRING PIN	1	3/32" X 3/4"	
16	26H67	SHAFT KEY	1	1/8" X 3/8"	
17	AR26450	LEVER	1		
18	R394R	O-RING	1		
19	R26571	LEVER	1		
20	19H1905	CAP SCREW	1	5/16" X 1"	
	12H303	LOCK WASHER	1	5/16"	
21	AR26523	LINK	1		
22	R26772	ARM	1		
23	R26776	SPRING	1		
24	34H239	SPRING PIN	1	3/32" X 1-1/2"	
25	R26564	PIN	1		
26	R26773	O-RING	1		
27	R27214	QUILL	1		
28	R394R	O-RING	1		
29	R72654	SNAP RING	1	(SUB FOR R27507)	
30	R31422	END	1		
31	AR26524	LEVER	1		

ROCKSHAFT LINKAGE AND CONTROL - CONTINUED

KEY	PART NO.	PART NAME	QTY	TRACTOR SERIAL NO.	REMARKS
32	R26461	PIN	1		
33	14H850	NUT	1	1/4"	
34	R26629	CLAMP	1		
35	19H1849	CAP SCREW	1	5/16" X 1-1/4"	
	12H303	LOCK WASHER	1	5/16"	
36	AR26712	PUSH PULL CABLE	1		
	R39725	SEAL	2		
	R39726	SEAL	1	BOTTOM END	
	R39727	SEAL	1	TOP END	
37	R26417	SPACER	2	(B)	
38	19H1765	CAP SCREW	2	(B) 3/8" X 1-3/4"	
	12H304	LOCK WASHER	2	(B) 3/8"	
39	T29527	CLAMP	2	(B) (SUB FOR T14050)	
40	14H785	NUT	2	-118999 (B) 5/16"	
41	12H303	LOCK WASHER	2	-118999 (B) 5/16"	
42	R27370	WASHER	1	(A)	
43	R27256	STRAP	2	(A) (ALSO ORDER R183R AND 24H1287) (SUB FOR R27369)	
44	19H1914	CAP SCREW	1	(A) 1/4" X 1"	
	12H302	LOCK WASHER	1	(A) 1/4"	
45	19H1849	CAP SCREW	1	5/16" X 1-1/4"	
46	R26870	CLAMP	1		
47	12H303	LOCK WASHER	1	5/16"	
48	14H785	NUT	1	5/16"	
49	R26491	CLIP	1		
50	R27603	WASHER	AR	1.52MM (.060")	
	R27604	WASHER	AR	3.05MM (.120") (SUB R27603)	
51	R26574	WASHER	1		
52	R63024	WASHER	1	(SUB FOR R26575)	
53	19H2356	CAP SCREW	1	9/16" X 1-3/4"	
	12H317	LOCK WASHER	1	9/16"	
54	R40477	LEVER	1	(SUB FOR R34155)	
55	R28164	KNOB	1		
56	R40476	STRAP	1	(SUB FOR R26576)	
57	R27605	NUT	1		
58	R31222	BOLT	1		
59	R34537	CAM	1		
60	34H387	SPRING PIN	1	3/16" X 3/4"	
61	R40509	LABEL	1	(SUB FOR R34228 OR R39754)	

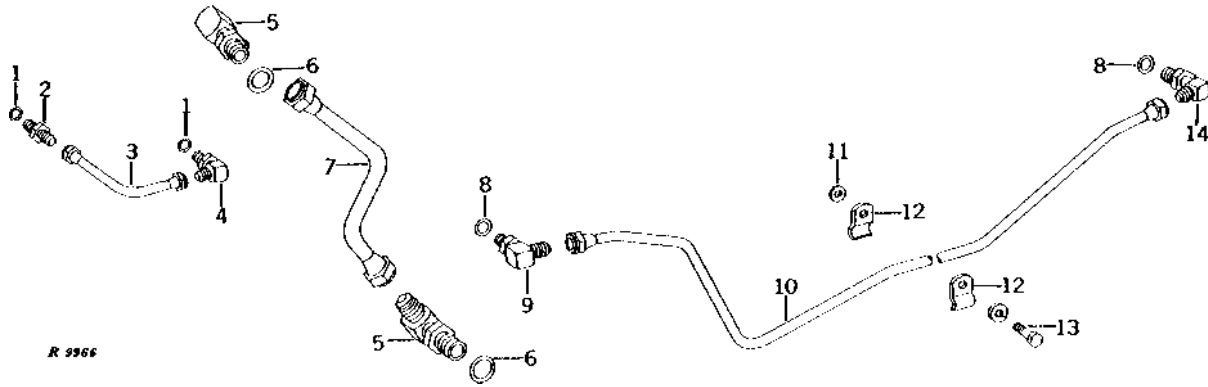
(A) SYNCRO-RANGE

(B) POWER SHIFT

ROCKSHAFT OIL PIPES
(SYNCRO-RANGE)

R9966

-UN-01JAN94

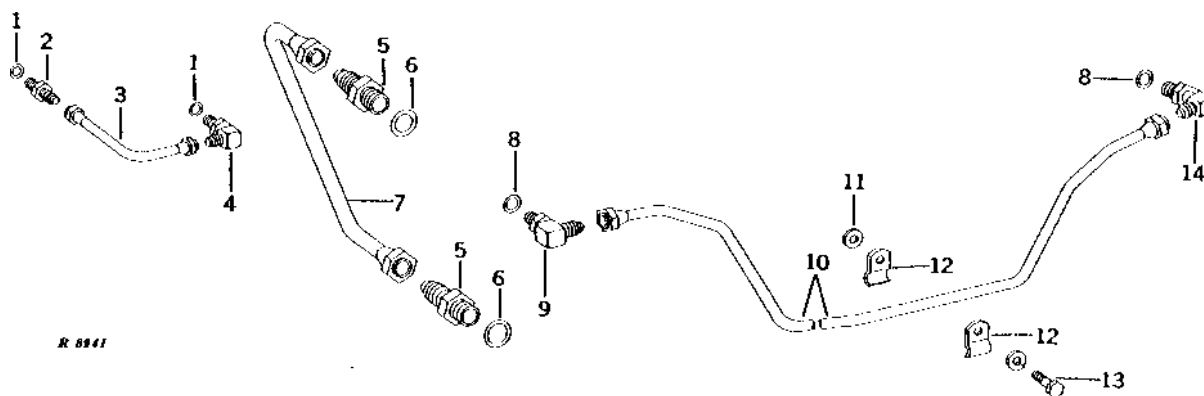


KEY	PART NO.	PART NAME	QTY	TRACTOR SERIAL NO.	REMARKS
1	R26448	O-RING	2		
2	R27212	FITTING	1		
3	AR31512	HYDRAULIC LINE	1		
4	AT35121	ELBOW FITTING	1	90°, (SUB FOR AR26725)	
5	AT32331	ELBOW FITTING	2	90°, (SUB FOR AR26723)	
6	F3171R	O-RING	2		
7	AR26780	HYDRAULIC LINE	1	RETURN	
8	R26375	O-RING	2		
9	AT32332	ELBOW FITTING	1	90°, (SUB FOR AR26763)	
10	AR34768	HYDRAULIC LINE	1	PRESSURE, (SUB FOR AR32606)	
11	A147R	LOCK WASHER	1	(SUB FOR R1929R)	
12	R27539	CLAMP	4		
13	19H1936	CAP SCREW	1	3/8" X 3/4"	
	19H1731	CAP SCREW	1	3/8" X 1"	
	12H304	LOCK WASHER	2	3/8"	
14	AR27738	ELBOW FITTING	1	90°	

ROCKSHAFT OIL PIPES (POWER SHIFT)

R8941

-UN-01JAN94

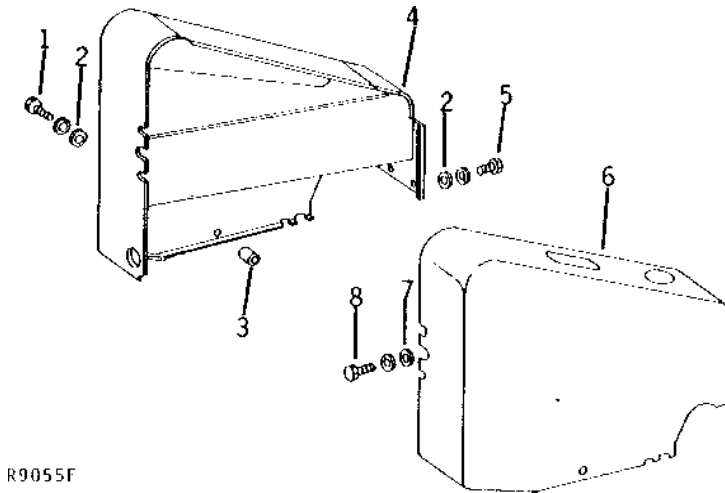


KEY	PART NO.	PART NAME	QTY	TRACTOR SERIAL NO.	REMARKS
1	R26448	O-RING	2		
2	R27212	FITTING	1		
3	AR31512	HYDRAULIC LINE	1		
4	AT35121	ELBOW FITTING	1		90°, (SUB FOR AR26725)
5	R27267	FITTING	2		
6	F3171R	O-RING	2		
7	AR32345	HYDRAULIC LINE	1		RETURN
8	R26375	O-RING	2		
9	AT32332	ELBOW FITTING	1		90°, (SUB FOR AR26763)
10	AR32344	HYDRAULIC LINE	1		PRESSURE
11	A147R	LOCK WASHER	2		(SUB FOR R1929R)
12	R27539	CLAMP	4		
13	19H1731	CAP SCREW	2		3/8" X 1"
	12H304	LOCK WASHER	2		3/8"
14	AR27738	ELBOW FITTING	1		90°

3E10

R9055 -UN-01JAN94

ROCKSHAFT HOUSING COVERS



R9055F

KEY	PART NO.	PART NAME	QTY	TRACTOR SERIAL NO.	REMARKS
1	19H1765	CAP SCREW	2	3/8" X 1-3/4"	
	12H304	LOCK WASHER	2	3/8"	
2	24H1305	WASHER	6	13/32" X 13/16" X 0.065"	
3	R27168	BUSHING	2		
4	AR32572	COVER	1	(WITH TOOL BOX AND DOOR)	
5	19H1936	CAP SCREW	4	3/8" X 3/4"	
	12H304	LOCK WASHER	4	3/8"	
6	R27543	COVER	1		
7	24H1305	WASHER	4	(A) 13/32" X 13/16" X 0.065"	
8	19H1936	CAP SCREW	4	(A) 3/8" X 3/4"	
	12H304	LOCK WASHER	4	(A) 3/8"	

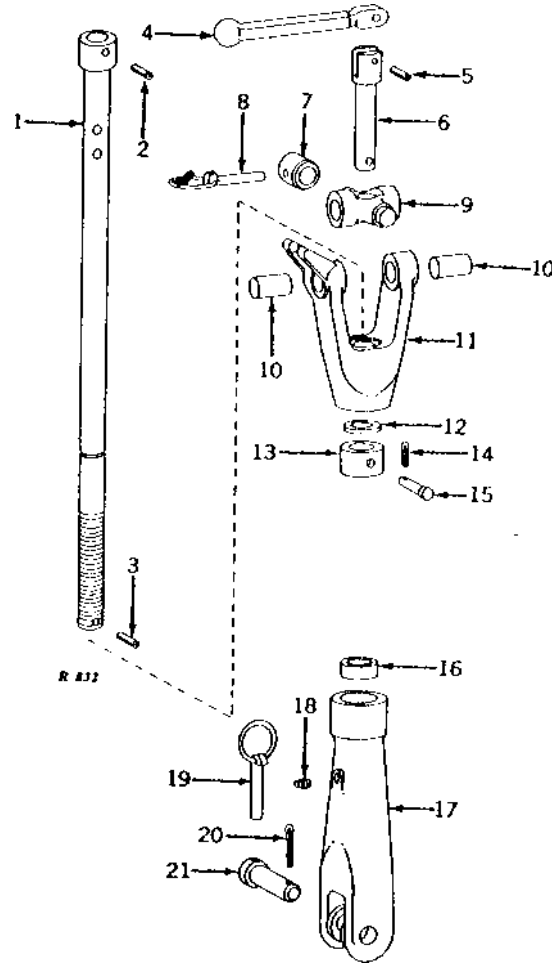
(A) LESS SELECTIVE CONTROL

3E11

HYDRAULICS

R832 -UN-01JAN94

LIFT LINKS



KEY	PART NO.	PART NAME	QTY	TRACTOR SERIAL NO.	REMARKS
1	R26611	LIFT LINK	2	(A) (B)	
	R34476	LIFT LINK	2	(C)	
2	34H316	SPRING PIN	2	1/4" X 1-1/2"	
3	34H283	SPRING PIN	2	3/16" X 1-1/8"	
4	T13858	GRIP	2		
5	34H282	SPRING PIN	2	3/16" X 1"	
6	T13859	SHAFT	2		
7	R26619	BUSHING	2	(A) (B)	
	R42582	BUSHING	2	(C)	
8	AR83396	QUICK LOCK PIN	2	(A) (B) (SUB FOR AR26556 OR AR62152)	
	R41901	PIN	2	(C)	
	11M7081	COTTER PIN	2	(C) 0.098" X 0.787"	
9	AR26691	KNUCKLE	2	(MARKED R26612)	
10	R26616	DOWEL PIN	4		
11	R26613	YOKE	1	R.H.	
	R26614	YOKE	1	L.H.	
12	R26808	WASHER	AR	0.91MM (.036")	
	R26809	WASHER	AR	1.52MM (.060")	
13	R26714	BUSHING	2		
14	11M7081	COTTER PIN	2	0.098" X 0.787"	
15	R26810	PIN	2		
16	AR26616	SEAL	2		
17	R26615	YOKE	2		
18	15H253	PIPE PLUG	2	1/8"	
19	AR62149	QUICK LOCK PIN	2	(SUB FOR R32638 OR DA5883A)	
20	11M7030	COTTER PIN	2	0.197" X 1.575"	
21	R54170	PIN	2	(SUB FOR R26618)	

(A) ROW-CROP

(B) STANDARD

(C) HI-CROP

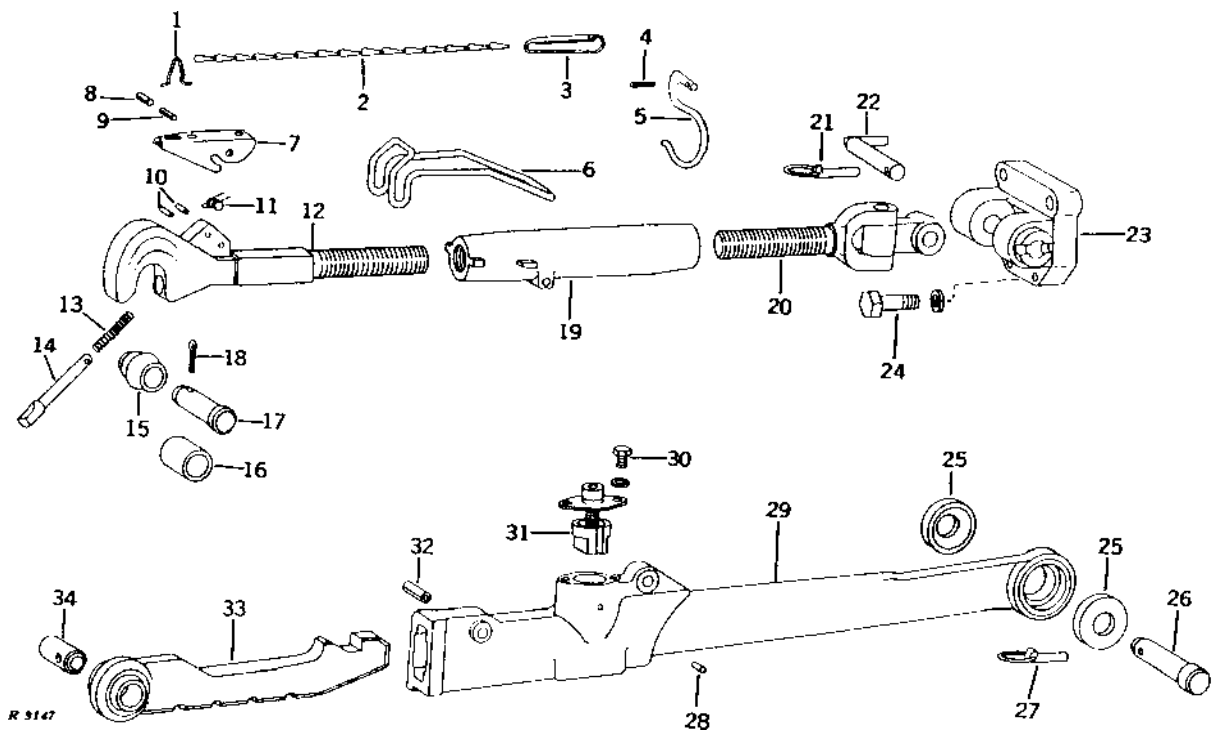
3E12

HYDRAULICS

R9147

-UN-01JAN94

DRAFT LINKS AND CENTER LINK (ROW-CROP AND STANDARD)



**DRAFT LINKS AND CENTER LINK - CONTINUED
(ROW-CROP AND STANDARD)**

KEY	PART NO.	PART NAME	QTY	TRACTOR SERIAL NO.	REMARKS
1	F2949R	CLIP	1		
2	R26814	LINK CHAIN	1		
3	F2827R	CLIP	1		
4	11M7059	COTTER PIN	1	3.200 X 20 MM	
5	R53762	HOOK	1	(SUB FOR R32119 OR R47072)	
6	R42495	HANDLE	1	(SUB FOR R27007)	
7	F2824R	HANDLE	1	(A)	
8	R56506	SPRING PIN	1	(A) 7/32" X 1-1/4"	
9	34H252	SPRING PIN	1	(A) 1/8" X 1-1/4", (SUB FOR R56505)	
10	34H283	SPRING PIN	2	(A) 3/16" X 1-1/8"	
11	F2823R	SPRING	1	(A)	
12	R26813	HOOK	1	(A)	
13	F2822R	SPRING	1	(A)	
14	R53196	LATCH	1	(A) (SUB FOR F2821R)	
15	F2680R	BALL STUD	1	(B)	
	F2681R	BALL	1	(C)	
16	28H1753	BUSHING	1	(C)	
17	R58262	PIN	1	(B) (SUB FOR F2682R, R28061 OR R44917)	
	R53296	PIN	1	(C) (SUB FOR F2683R OR R44918)	
18	11M7040	COTTER PIN	1	0.248" X 1.969"	
19	R47524	LINK BODY	1	(ALSO ORDER R53762) (SUB FOR R26811)	
20	AR32531	CENTER LINK END	1		
21	AR62151	QUICK LOCK PIN	1	(SUB FOR B11182) (SUB M115827)	
22	AR67880	PIN	1	(SUB FOR AR32532 OR AR39681)	
23	R39759	BRACKET	1	(ALSO ORDER AR67880) (SUB FOR R33860)	
24	19H1824	CAP SCREW	4	5/8" X 2-1/4"	
	12H294	LOCK WASHER	4	5/8"	
25	R26608	WASHER	4		
26	R26609	PIN	2		
27	AR62151	QUICK LOCK PIN	2	(SUB FOR B11182) (SUB M115827)	
28	B2641R	DOWEL PIN	2		
29	AR65381	LINK BODY	1	R.H. (SUB FOR AR26944)	
	AR65382	LINK BODY	1	L.H. (SUB FOR AR26945) (NLA)	
30	19H1227	CAP SCREW	4	1/4" X 1/2"	
	12H302	LOCK WASHER	4	1/4"	
31	AR90082	LOCK	2	(SUB FOR AR30288 OR AR69317)	
32	34H371	SPRING PIN	2	1/2" X 2"	
33	AR26554	DRAFT LINK END	1	L.H. (MARKED R26907)	
	AR26555	DRAFT LINK END	1	R.H. (MARKED R26911)	
34	R66432	BUSHING	2	(B) (SUB FOR F2684R) (SHORT)	
	R66433	BUSHING	2	(B) (SUB FOR F2685R) (LONG)	
..	AF2710R	BALL	1	(B) (BALL INNER DIAMETER, 49/64") (SUB F2680R, R58262, (2) R66432, (2) R66433 AND 11M7038)	
..	AF2711R	BALL	1	(C) (BALL INNER DIAMETER, 1-1/64") (CONSISTS OF F2681R, R53296, 28H1753 AND 11M7040)	
..	AF3147R	BAR	1	IMPLEMENT HITCH	

(A) CONTAINED IN AR46298

(B) CATEGORY I

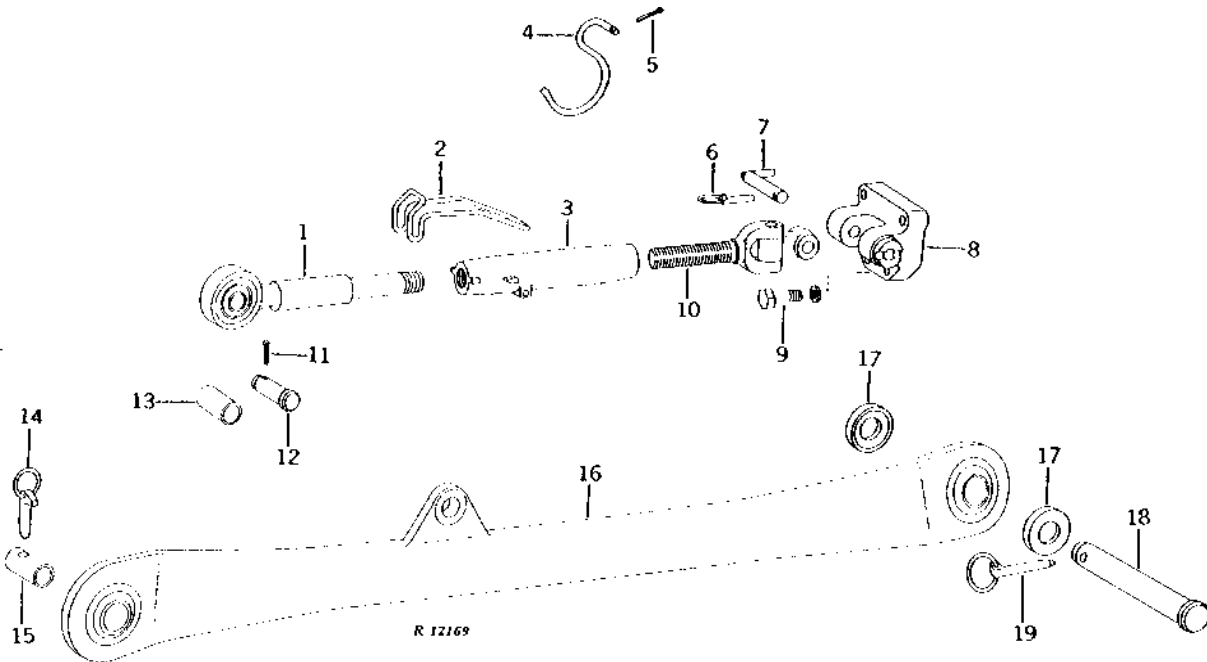
(C) CATEGORY II

3E14

HYDRAULICS

R12169 -UN-01JAN94

DRAFT LINKS AND CENTER LINK (NON-TELESCOPING HITCH)



KEY	PART NO.	PART NAME	QTY	TRACTOR SERIAL NO.	REMARKS
1	AT11684	END	1	REAR	
2	R42495	HANDLE	1	(SUB FOR R27007)	
3	R32429	LINK BODY	1		
4	R53762	HOOK	1	(SUB FOR R32119 OR R47072)	
5	11M7059	COTTER PIN	1	3.200 X 20 MM	
6	AR62151	QUICK LOCK PIN	1	(SUB FOR B11182) (SUB M115827)	
7	AR67880	PIN	1	(SUB FOR AR39681)	
8	R39759	BRACKET	1		
9	19H1387	CAP SCREW	4	5/8" X 2-1/4"	
	12H294	LOCK WASHER	4	5/8"	
10	AR32531	CENTER LINK END	1		
11	11M7040	COTTER PIN	1	6.300 X 50 MM	
	11M7038	COTTER PIN	1	0.248" X 1.575"	
12	R53296	PIN	1	(B) (SUB FOR F2683R OR R44918)	
	R58262	PIN	1	(A) (SUB FOR F2682R, R28061 OR R44917)	
13	T12553	BUSHING	1	(A)	
14	AR62149	QUICK LOCK PIN	2	(SUB FOR DA5883A)	
15	R66432	BUSHING	2	(A) (SHORT) (SUB FOR F2684R)	
	R66433	BUSHING	2	(A) (LONG) (SUB FOR F2685R)	
16	AR31485	DRAFT LINK	1	R.H.	
	AR31486	DRAFT LINK	1	L.H.	
17	R26608	WASHER	4		
18	R26609	PIN	2		
19	AR62151	QUICK LOCK PIN	2	(SUB FOR B11182) (SUB M115827)	

(A) CATEGORY I

(B) CATEGORY II

MEMORANDA

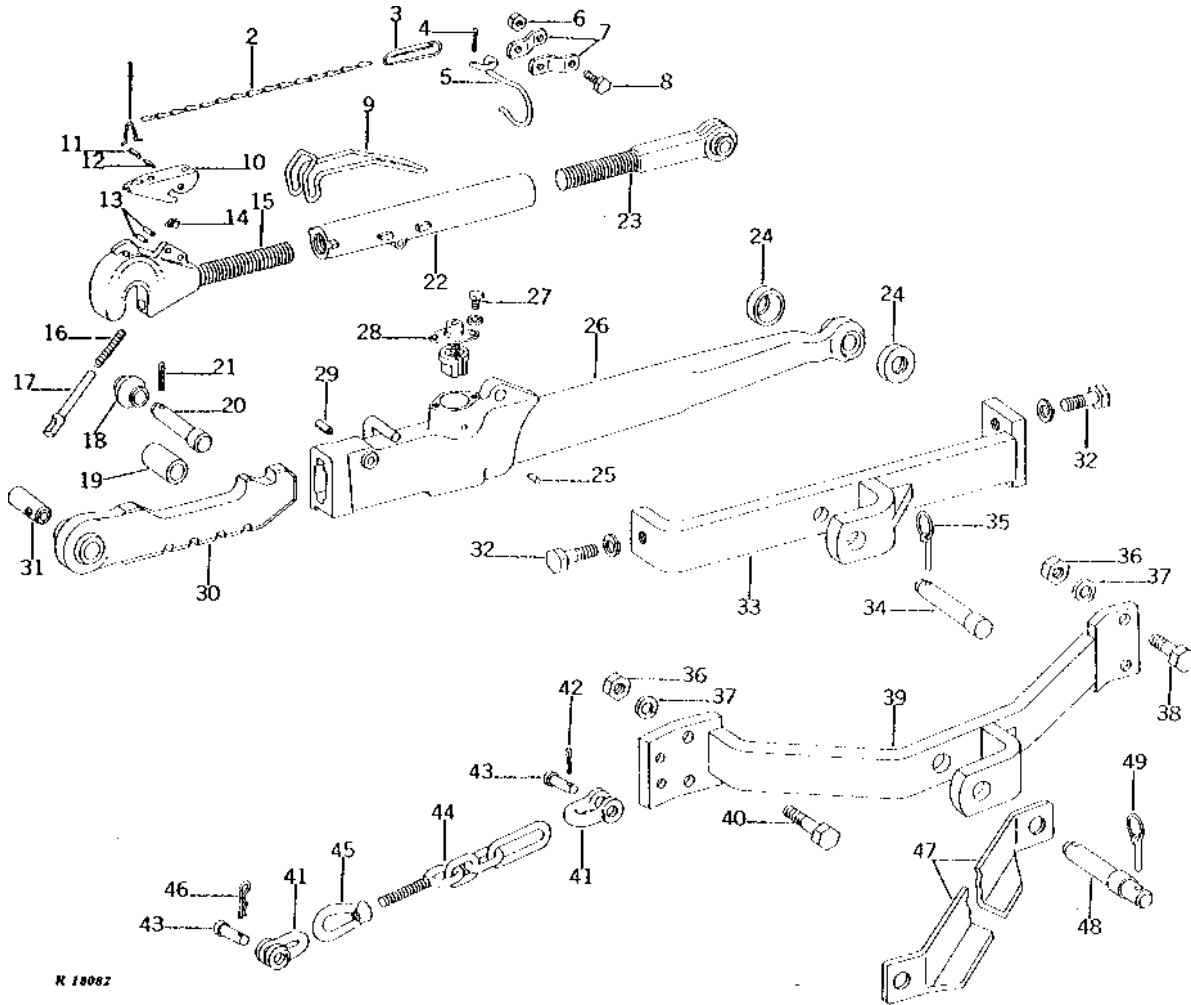
3E15

HYDRAULICS

DRAFT LINKS, CENTER LINK AND SUPPORTS (HI-CROP)

R18082

-UN-01JAN94



R 18082

KEY	PART NO.	PART NAME	QTY	TRACTOR SERIAL NO.	REMARKS
1	F2949R	CLIP	1		
2	R26814	LINK CHAIN	1		
3	F2827R	CLIP	1		
4	11M7059	COTTER PIN	1		3.200 X 20 MM
5	R53762	HOOK	1		(SUB FOR R32119 OR R47072)
6	14H785	NUT	2	119000-	5/16"
7	R40633	BRACKET	2	119000-	
8	19H1901	CAP SCREW	1	119000-	5/16" X 2"
9	R42495	HANDLE	1		(SUB FOR R27007)
10	F2824R	HANDLE	1		
11	R56506	SPRING PIN	1		7/32" X 1-14"
12	34H252	SPRING PIN	1		1/8" X 1-1/4", (SUB FOR R56505)

THIS PARTS LISTING IS CONTINUED

DRAFT LINKS, CENTER LINK AND SUPPORTS - CONTINUED
(HI-CROP)

KEY	PART NO.	PART NAME	QTY	TRACTOR SERIAL NO.	REMARKS
13	34H283	SPRING PIN	2		3/16" X 1-1/8"
14	F2823R	SPRING	1		
15	F2820R	HOOK	1		
16	F2822R	SPRING	1		
17	R53196	LATCH	1		(SUB FOR F2821R)
18	F2680R	BALL STUD	1		(A)
	F2681R	BALL	1		(B)
19	28H1753	BUSHING	1		(B)
20	R58262	PIN	1		(A) (SUB FOR F2682R, R28061 OR R44917)
	R53296	PIN	1		(B) (SUB FOR F2683R OR R44918)
21	11M7040	COTTER PIN	1		6.300 X 50 MM
22	T12552	LINK BODY	1		(NLA)
23	AT11685	END	1		
24	R26608	WASHER	4		
25	B2641R	DOWEL PIN	2		
26	AR69315	LINK BODY	1		R.H. (SUB FOR AR27649) (NLA)
	AR69316	LINK BODY	1		L.H. (SUB FOR AR27650) (NLA)
27	19H1227	CAP SCREW	4		1/4" X 1/2"
	12H302	LOCK WASHER	4		1/4"
28	AR90082	LOCK	2		(SUB FOR AR30288 OR AR69317)
29	34H371	SPRING PIN	2		1/2" X 2"
30	AR27645	DRAFT LINK END	1		R.H. (MARKED R28255)
	AR27646	DRAFT LINK END	1		L.H. (MARKED R28256)
31	R66432	BUSHING	2		(A) (SHORT) (SUB FOR F2684R)
	R66433	BUSHING	2		(A) (LONG) (SUB FOR F2685R)
32	19H2589	CAP SCREW	6		3/4" X 1-7/8"
	12H236	LOCK WASHER	6		3/4"
33	AR33952	SUPPORT	2		(WITH HITCH FOR WIDE CLEARANCE IMPLEMENTS) (NLA)
34	R26609	PIN	2		
35	AR62151	QUICK LOCK PIN	2		(SUB FOR B11182) (SUB M115827)
36	14H794	NUT	8		3/4"
37	12H236	LOCK WASHER	8		3/4"
38	19H1782	CAP SCREW	4		3/4" X 2-1/4"
39	AR33954	SUPPORT	1		R.H. (WITH HITCH FOR MODIFIED CATEGORY I OR II IMPLEMENTS) (NLA)
	AR33955	SUPPORT	1		L.H. (WITH HITCH FOR MODIFIED CATEGORY I OR II IMPLEMENTS) (NLA)
40	19H1715	CAP SCREW	4		3/4" X 3"
41	31603	CLEVIS	4		(NLA)
42	11M7084	COTTER PIN	2		5 X 25 MM
43	DA4560A	RIVET	4		
44	AR27790	LINK CHAIN	2		(NLA)
45	R21342	NUT	2		
46	A3581R	SPRING LOCKING PIN	2		
47	R28272	BRACE	2		(NLA)
48	R28271	PIN	2		(NLA)
49	AR62151	QUICK LOCK PIN	4		(SUB FOR B11182) (SUB M115827)
..	AF2710R	BALL	1		(A) (BALL INNER DIAMETER, 49/64") (SUB F2680R, R58262, (2) R66432, (2) R66433 AND 11M7038)
..	AF2711R	BALL	1		(B) (BALL INNER DIAMETER, 1-1/64") (CONSISTS OF F2681R, R53296, 28H1753 AND 11M7040)
..	AF3147R	BAR	1		IMPLEMENT HITCH

(A) CATEGORY I

(B) CATEGORY II

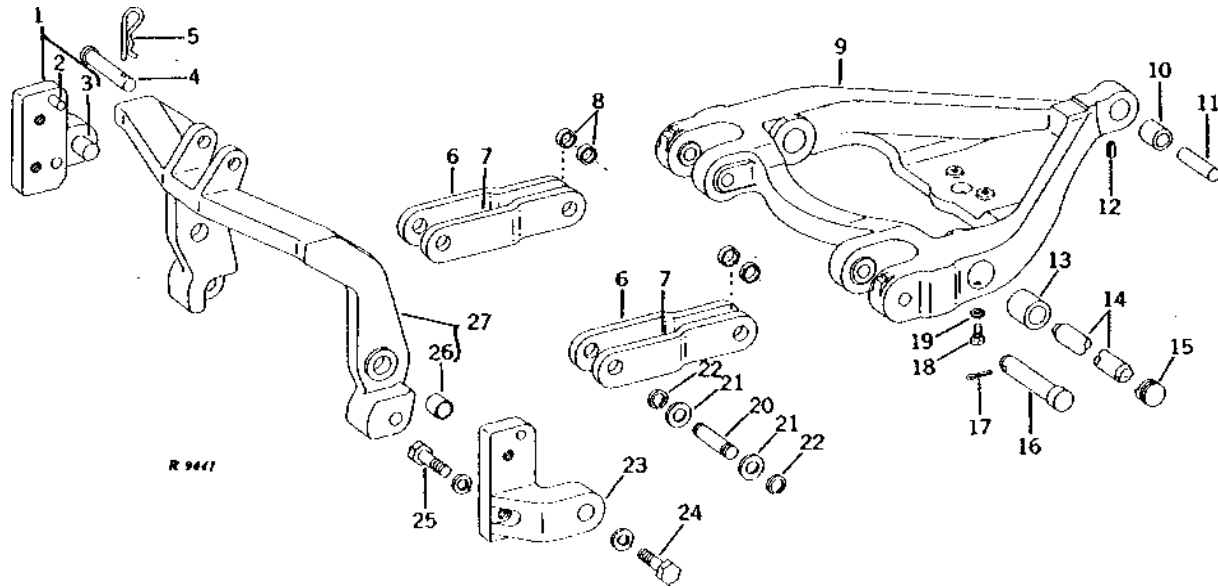
3E17

HYDRAULICS

DRAFT CENTER LINK SUPPORT ASSEMBLY (HI-CROP)

R9441

-UN-01JAN94



KEY	PART NO.	PART NAME	QTY	TRACTOR SERIAL NO.	REMARKS
1	AR56023	SUPPORT	1		(MARKED R34473, R41750 OR R51779) (SUB FOR AR33949 OR AR41774) (SUB FOR R35046)
2	R60161	DOWEL PIN	2		
3	R28381	PIN	2		
4	M2071T	PIN	1		
5	A3581R	SPRING LOCKING PIN	1		
6	R34835	DRAFT LINK	2		R.H.
7	R34836	DRAFT LINK	2		L.H.
8	28H473	BUSHING	2		1" X 1-3/8"
9	AR34602	SUPPORT	1		(MARKED R34834)
10	R31438	BUSHING	1		
11	R26503	DOWEL PIN	1		
12	34H309	SPRING PIN	1		1/4" X 5/8"
13	R26502	BUSHING	2		
14	R33826	PIN	1		LOAD CONTROL
15	R33827	RETAINER	2		
16	R26609	PIN	2		
17	AR62151	QUICK LOCK PIN	1		(SUB FOR B11182) (SUB M115827)
18	R40928	BOLT	2		(SUB FOR R27196)
19	12H303	LOCK WASHER	2		5/16"
20	R31400	PIN	2		
21	24H1396	WASHER	4		25/32" X 1-1/2" X 0.105"
22	R73380	SNAP RING	4		(SUB FOR A369R)
23	AR56022	SUPPORT	1		(MARKED R34472, R41749 OR R51778) (SUB FOR AR33948 OR AR41743)
24	19H1831	CAP SCREW	2		1/2" X 2"
	12H301	LOCK WASHER	2		1/2"
25	19H2602	CAP SCREW	4		5/8" X 2-5/8"
	12H294	LOCK WASHER	2		5/8"
26	R27899	BUSHING	2		
27	AR33950	ARM	1		(MARKED R34474) (NLA)

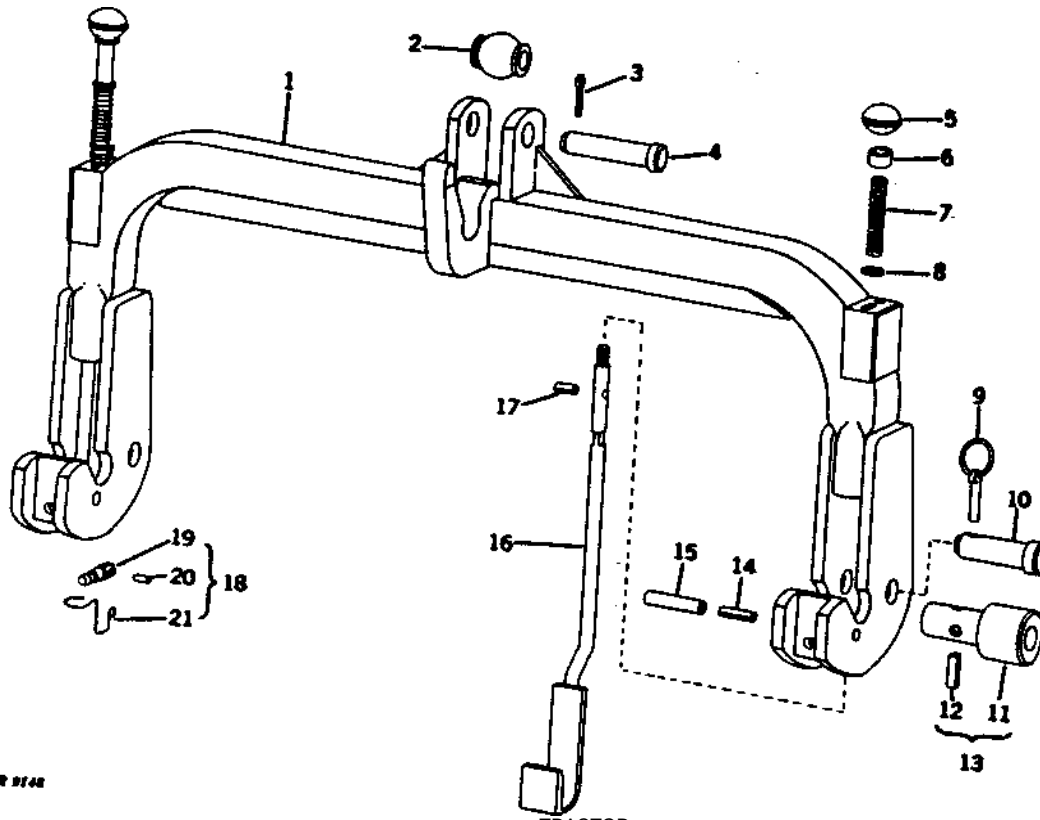
3E18

HYDRAULICS

R9148

-UN-12OCT94

REGULAR-DUTY IMPLEMENT QUICK COUPLER



R 9148

KEY	PART NO.	PART NAME	QTY	REMARKS
1	AR27047	COUPLING	1	(SUB TY16042)
2	F2681R	BALL	1	
3	11M7040	COTTER PIN	1	0.248" X 1.969"
4	R53296	PIN	1	(SUB FOR F2683R OR R44918)
5	F2861R	KNOB	2	(SUB R60458)
6	R30778	BUSHING	2	
7	R1826R	SPRING	2	
8	24H1227	WASHER	2	17/32" X 13/16" X 0.060"
9	AR62151	QUICK LOCK PIN	2	(SUB FOR B11182) (SUB M115827)
10	R58268	PIN	2	(SUB FOR R27997)
11	R27998	HALF SLEEVE	2	
12	R27999	SPRING PIN	2	
13	AR27093	ADAPTER	1	
14	34H331	SPRING PIN	2	5/16" X 1-1/2"
15	34H307	SPRING PIN	2	7/32" X 2-1/2"
16	AR27288	ROD	2	(NLA)
17	34H277	SPRING PIN	2	3/16" X 5/8"
18	AR31985	PIN	2	(SUB FOR AR31984)
19	R32717	PIN	2	(NLA)
20	34H309	SPRING PIN	2	1/4" X 5/8"
21	R32718	HOOK	2	(NLA)

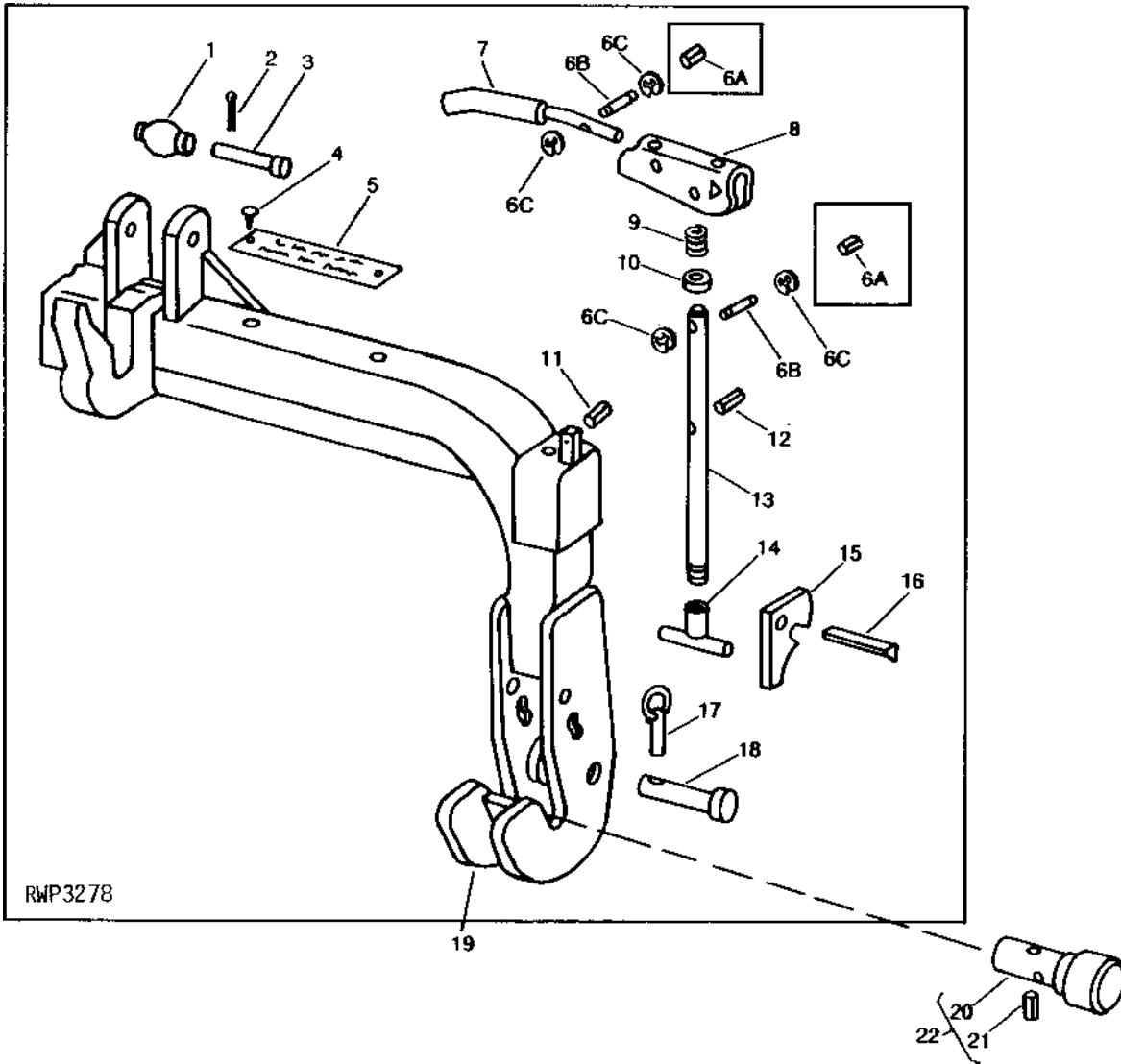
3E19

HYDRAULICS

RWP3278

-UN-06OCT94

REGULAR-DUTY IMPLEMENT QUICK COUPLER



RWP3278

3E20

HYDRAULICS

REGULAR-DUTY IMPLEMENT QUICK COUPLER - CONTINUED

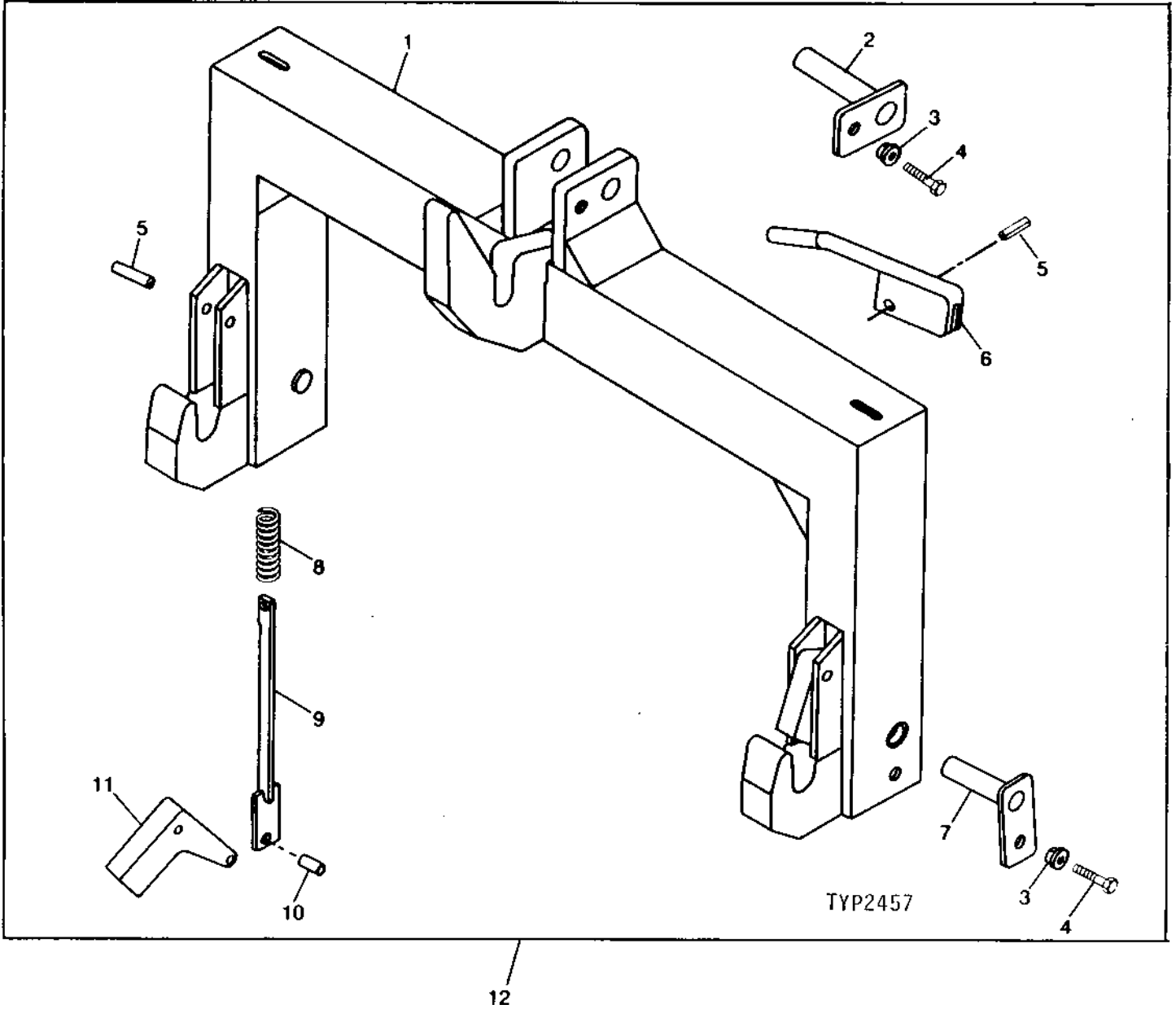
KEY	PART NO.	PART NAME	QTY	TRACTOR SERIAL NO.	REMARKS
1	F2681R	BALL	1		
2	11M7040	COTTER PIN	1		6.300 X 50 MM
3	R53296	PIN	1		(SUB FOR R44918)
4	37H44	SCREW	2		0.154" X 3/8"
5	R83535	LABEL	1		(SUB FOR R56039) (NLA)
6A	34H311	SPRING PIN	2	-XXXXXX	1/4" X 7/8"
6B	R66901	SPRING PIN	2	XXXXXX-	
6C	R72654	SNAP RING	4	XXXXXX-	(SUB FOR R27507)
7	R48163	HANDLE	2		
8	R48164	LEVER	2		
9	R43444	SPRING	2		
10	R46890	SLEEVE	2		
11	34H311	SPRING PIN	2		1/4" X 7/8"
12	34H277	SPRING PIN	2		3/16" X 5/8"
13	R46889	STUD	2		
14	AR49206	PIN	2		
15	R46893	LATCH	2		
16	34H373	SPRING PIN	2		1/2" X 2-1/2"
17	AR62151	QUICK LOCK PIN	2		(SUB FOR B11182) (SUB M115827)
18	R58268	PIN	2		(SUB FOR R27997)
19	AR49202	QUICK COUPLER	1		(SUB TY16042)
20	R27998	HALF SLEEVE	2		
21	R27999	SPRING PIN	2		
22	AR27093	ADAPTER	2		

3E21

HYDRAULICS

TYP2457 -UN-01JAN94

ECONOMY 3-POINT HITCH QUICK COUPLER



3E22

HYDRAULICS

ECONOMY 3-POINT HITCH QUICK COUPLER - CONTINUED

KEY	PART NO.	PART NAME	QTY	TRACTOR SERIAL NO.	REMARKS
1	FRAME	1		(ORDER TY15269)
2	PT9287	PIN	1		
3	PT9290	BUSHING	3		
4	19H3385	CAP SCREW	3		1/2" X 1-1/8", HS 10.9
5	34H371	SPRING PIN	2		1/2" X 2"
6	PT9281	HANDLE	2		
7	PT9286	PIN	2		
8	PT9284	SPRING	2		
9	PT9283	BAR	2		
10	34H116	SPRING PIN	4		5/16" X 1"
11	PT9282	LUG	2		
12	TY15269	HITCH	1		(SUB TY16042)

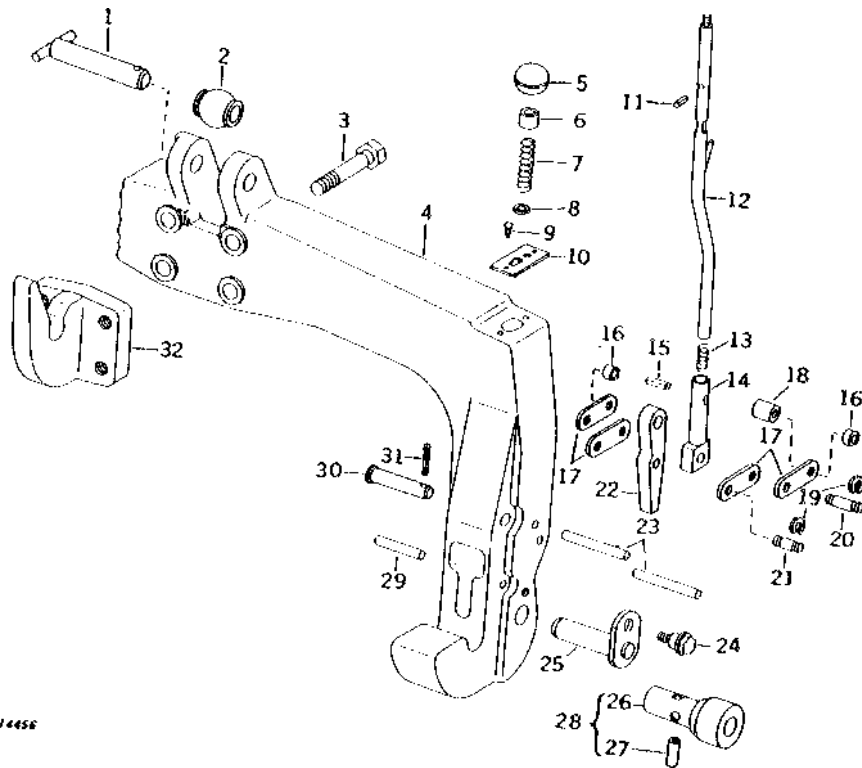
3E23

HYDRAULICS

R14456

-UN-01JAN94

HEAVY-DUTY IMPLEMENT QUICK COUPLER



R 14456

3E24

HYDRAULICS

HEAVY-DUTY IMPLEMENT QUICK COUPLER - CONTINUED

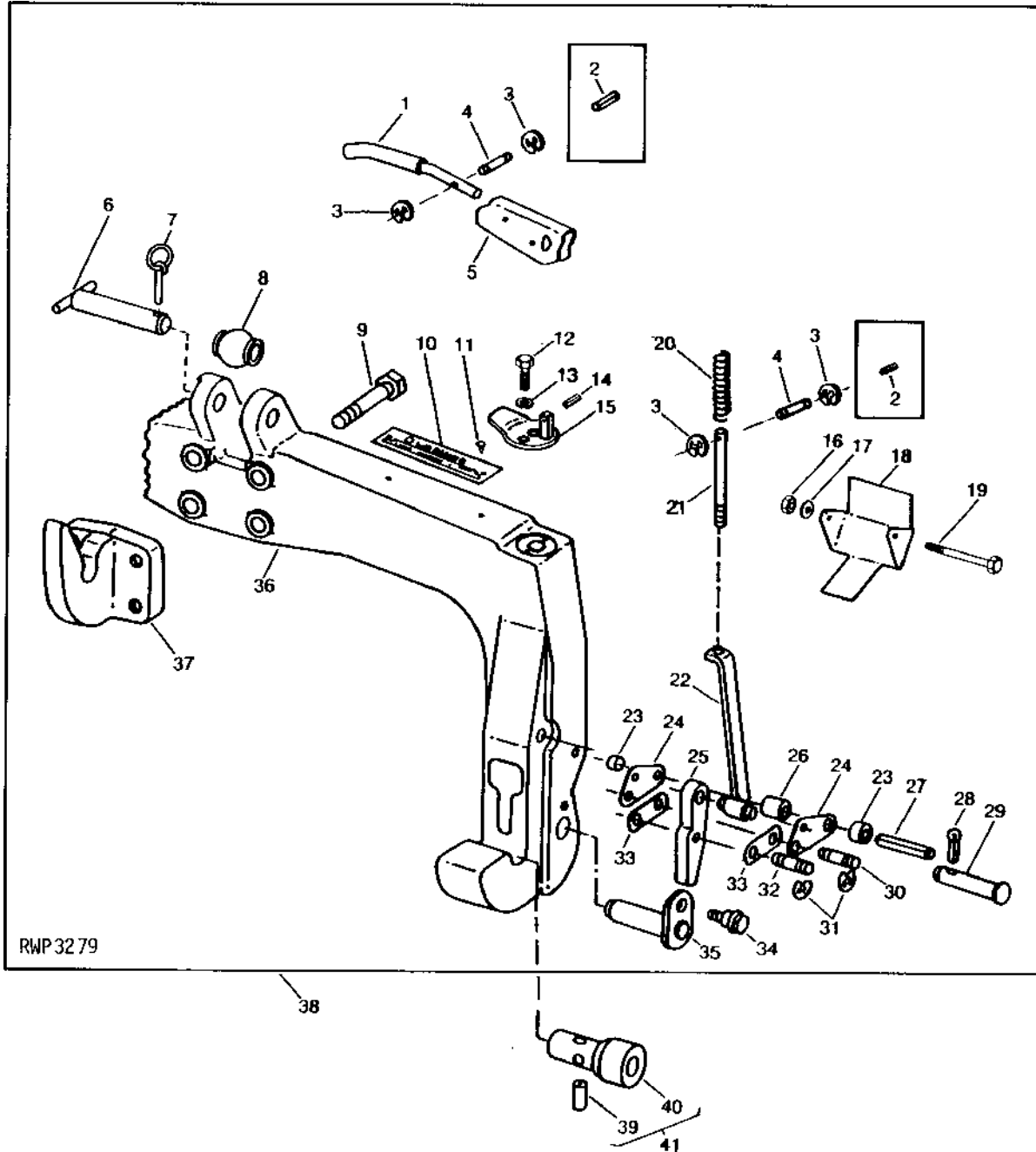
KEY	PART NO.	PART NAME	QTY	TRACTOR SERIAL NO.	REMARKS
1	AR67881	PIN	1		(SUB FOR AR39784)
2	F2681R	BALL	1		
3	19H2026	CAP SCREW	4		3/4" X 4"
4	FRAME	1		(SUB TY16042)
5	R60458	KNOB	2		(SUB FOR F2861R)
6	R39814	SLEEVE	1		
7	M60409	SPRING	2		
8	24H1658	WASHER	2		21/32" X 1" X 0.060"
9	37H71	SCREW	4		NO. 12 X 5/8"
10	R39815	BRACKET	2		
11	34H279	SPRING PIN	2		3/16" X 13/16"
12	AR40194	ROD	1		R.H. (NLA)
	AR39786	ROD	1		L.H. (NLA)
13	B3686R	SPRING	2		
14	AR41933	END	2		(NLA)
15	34H282	SPRING PIN	2		3/16" X 1"
16	F2206R	WASHER	4		
17	R65242	STRAP	8		(SUB FOR R36439 OR R47590)
18	28H1919	BUSHING	2		1/2" X 15/16"
19	F2208R	SNAP RING	8		
20	R119275	PIN	2		(SUB FOR R36613 OR R47679)
21	R119276	PIN	2		(SUB FOR R36440 OR R47678)
22	R40424	LATCH	2		
23	34H377	SPRING PIN	4		1/2" X 3-1/2"
24	AR40865	CAP SCREW	2		(USE WITH PIN WITH 1/4" THICK HANDLE) (SUB AR74673)
	AR74673	CAP SCREW	2		(USE WITH PIN WITH 3/8" THICK HANDLE) (SUB FOR AR48110)
25	AR48111	PIN	2		(ALSO ORDER AR74673) (SUB FOR AR39783)
26	R27998	HALF SLEEVE	2		
27	R27999	SPRING PIN	2		
28	AR27093	ADAPTER	2		
29	34H373	SPRING PIN	2		1/2" X 2-1/2"
30	R63736	PIN	2		(SUB FOR R40425)
31	11M7087	COTTER PIN	2		0.157" X 1.575"
32	R41861	HOOK	1		(SUB R59478)
..	AR39781	QUICK COUPLER	1		(SUB TY16042)

3F1

RWP3279

-UN-06OCT94

HEAVY-DUTY IMPLEMENT QUICK COUPLER



RWP 32 79

3F2

HYDRAULICS

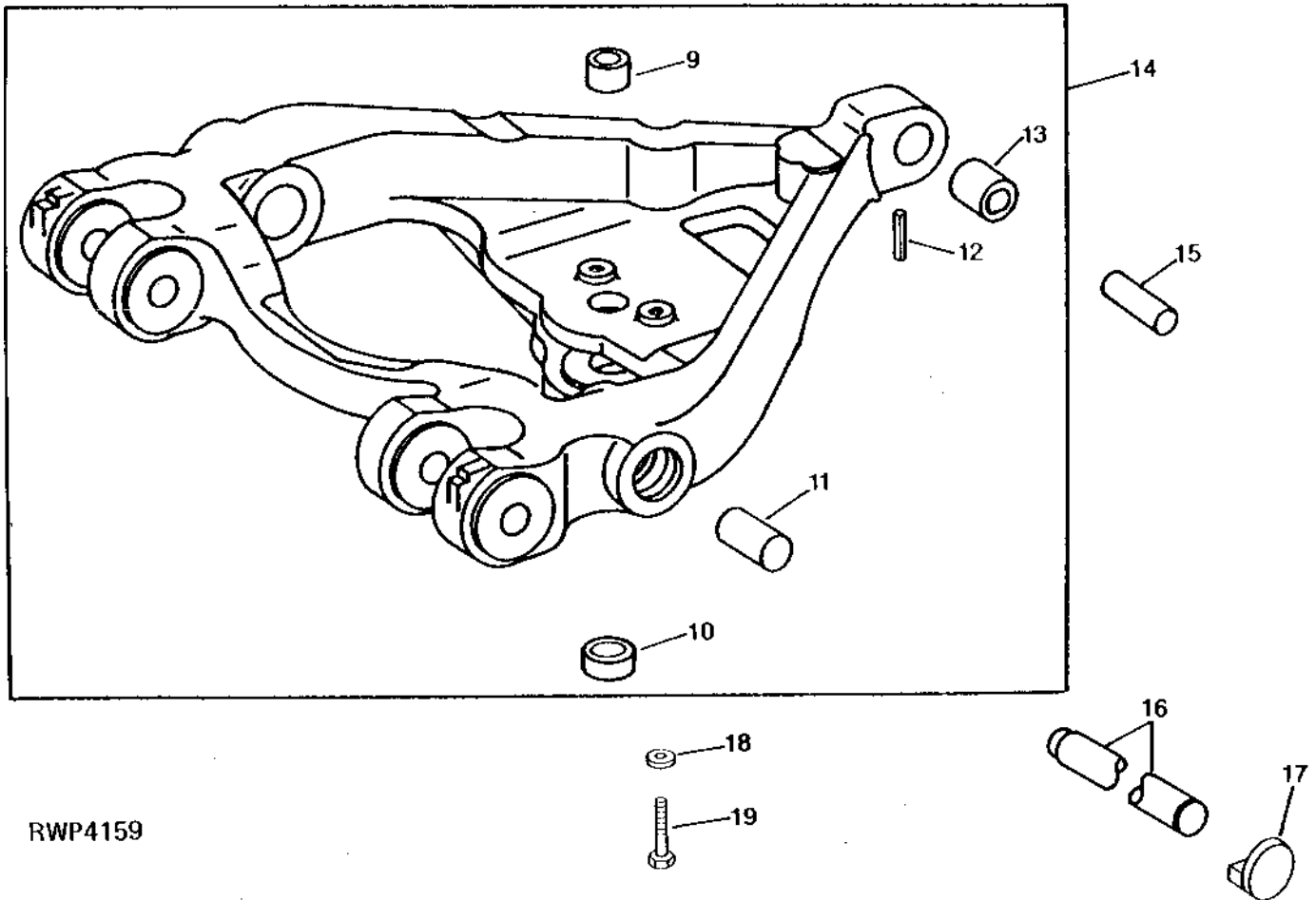
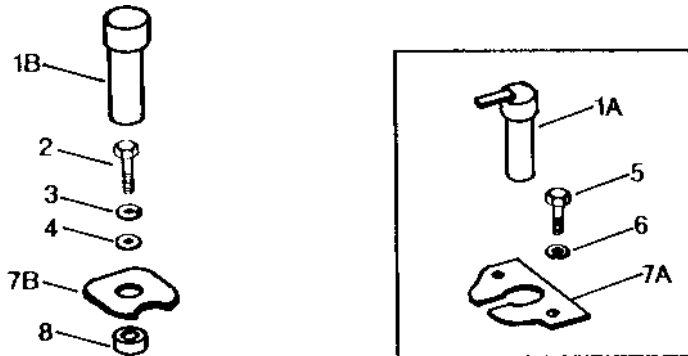
HEAVY-DUTY IMPLEMENT QUICK COUPLER - CONTINUED

KEY	PART NO.	PART NAME	QTY	TRACTOR SERIAL NO.	REMARKS
1	R48163	HANDLE	2		
2	34H311	SPRING PIN	4	-XXXXXX	1/4" X 7/8"
3	R72654	SNAP RING	8	XXXXXX-	(SUB FOR R27507)
4	R66901	SPRING PIN	4	XXXXXX-	
5	R48164	LEVER	2		
6	AR67881	PIN	1		(SUB FOR AR51867)
7	AR62151	QUICK LOCK PIN	1		(SUB FOR B11182) (SUB M115827)
8	F2681R	BALL	1		
9	19H2026	CAP SCREW	4		3/4" X 4"
10	R122428	LABEL	1		(SUB FOR R56038, R83531 OR R120103)
11	37H44	SCREW	2		0.154" X 3/8"
12	19H1731	CAP SCREW	4		3/8" X 1"
13	12H304	LOCK WASHER	4		3/8"
14	34H311	SPRING PIN	4		1/4" X 7/8"
15	AR50374	BRACKET	2		
16	14H786	NUT	2		1/4"
17	12H302	LOCK WASHER	2		1/4"
18	R53295	SHIELD	2		
19	19H2338	CAP SCREW	2		1/4" X 4-1/2"
20	R43444	SPRING	2		
21	R47578	STUD	2		
22	AR50372	BAR	1		R.H.
	AR50373	BAR	1		L.H.
23	F2206R	WASHER	4		
24	R65243	LINK	4		(SUB FOR R47581 OR R58203)
25	R40424	LATCH	2		
26	28H1919	BUSHING	2		1/2" X 15/16"
27	34H377	SPRING PIN	2		1/2" X 3-1/2"
28	11M7087	COTTER PIN	2		0.157" X 1.575"
29	R63736	PIN	2		(SUB FOR R40425)
30	R119275	PIN	2		(SUB FOR R47679)
31	F2208R	SNAP RING	8		
32	R119276	PIN	2		(SUB FOR R47678)
33	R65242	STRAP	4		(SUB FOR R47590)
34	AR74673	CAP SCREW	2		(SUB FOR AR48110)
35	AR48111	PIN	2		
36	R47577	FRAME	1		
37	R41861	HOOK	1		(SUB R59478)
38	AR50368	QUICK COUPLER	1		(SUB TY16042)
39	R27999	SPRING PIN	2		
40	R27998	HALF SLEEVE	2		
41	AR27093	ADAPTER	1		

3F3

RWP4159 -UN-01JAN94

DRAWBAR FRONT SUPPORT (ROW-CROP AND STANDARD)



RWP4159

3F4

HYDRAULICS

DRAWBAR FRONT SUPPORT - CONTINUED (ROW-CROP AND STANDARD)

KEY	PART NO.	PART NAME	QTY	TRACTOR SERIAL NO.	REMARKS
1A	AR44189	PIN	1	-XXXXXX	(SUB FOR AR32826)
1B	R56728	DOWEL PIN	1	XXXXXX-	
2	19H1732	CAP SCREW	1	XXXXXX-	3/8" X 1-1/4"
3	12H304	LOCK WASHER	1	XXXXXX-	3/8"
4	A147R	LOCK WASHER	1	XXXXXX-	
5	19H2284	CAP SCREW	2	-XXXXXX	3/8" X 7/8"
6	12H304	LOCK WASHER	2	-XXXXXX	3/8"
7A	R34253	RETAINER	1	-XXXXXX	(SUB R96420, R28040, 19H1732, 12H304 AND 19H1732)
7B	R96420	RETAINER	1	XXXXXX-	(SUB FOR R56729)
8	R28040	WASHER	1	XXXXXX-	
9	R40557	BUSHING	1		
10	R40558	BUSHING	1		
11	R26502	BUSHING	2		
12	34H309	SPRING PIN	1		1/4" X 5/8"
13	R31438	BUSHING	1		
14	AR40402	SUPPORT	1		(MARKED R33824 OR R40556) (SUB FOR AR32494)
15	R26503	DOWEL PIN	1		
16	R33826	PIN	1		
17	R33827	RETAINER	2		
18	12H303	LOCK WASHER	2		5/16"
19	R40928	BOLT	2		(SUB FOR R27196)

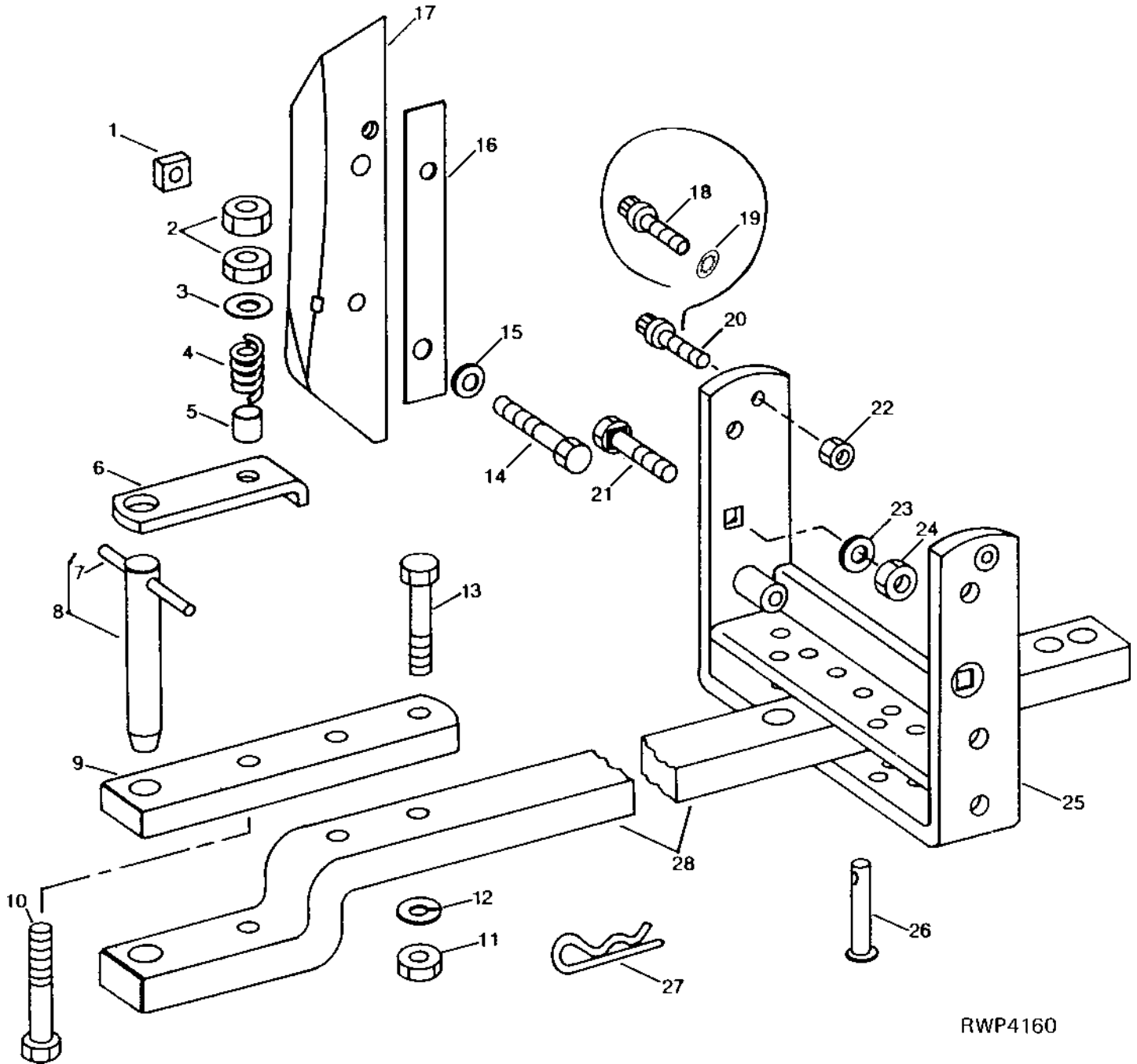
3F5

HYDRAULICS

REGULAR DRAWBAR
(ROW-CROP AND STANDARD)

RWP4160

-UN-01JAN94



RWP4160

3F6

HYDRAULICS

**REGULAR DRAWBAR - CONTINUED
(ROW-CROP AND STANDARD)**

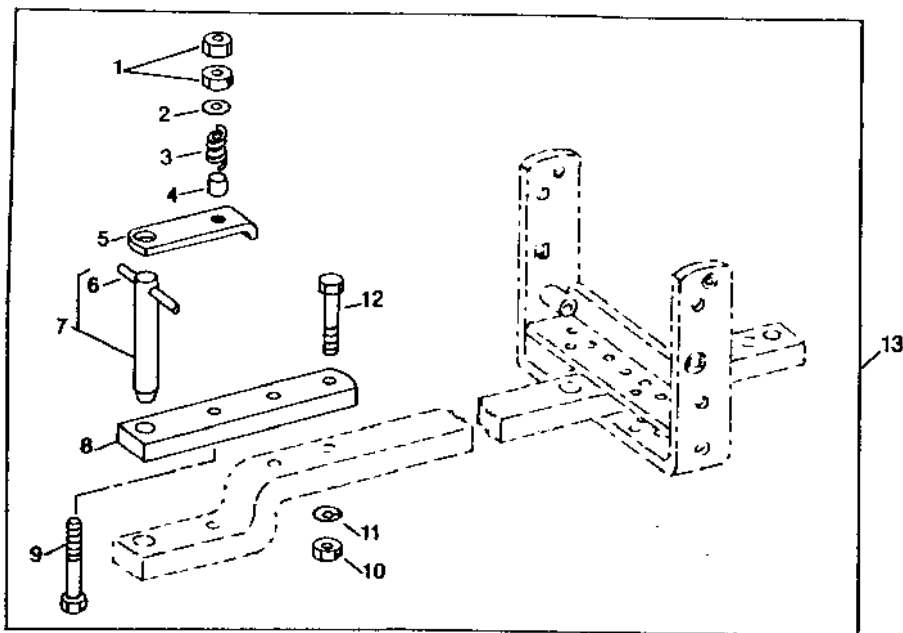
KEY	PART NO.	PART NAME	QTY	TRACTOR SERIAL NO.	REMARKS
1	14H893	NUT	2	091000-	5/8"
2	14H1039	NUT	2		5/8"
3	24H1372	WASHER	1		21/32" X 1-1/2" X 0.060"
4	F3541R	SPRING	1		
5	F3542R	BUSHING	1		
6	F3539R	RETAINER	1		
7	34H363	SPRING PIN	1		3/8" X 4"
8	AR26462	PIN	1		
9	R26584	STRAP	1		
10	19H2124	CAP SCREW	1		5/8" X 4-1/4"
11	14H794	NUT	2		3/4"
12	12H236	LOCK WASHER	2		3/4"
13	19H1735	CAP SCREW	2		3/4" X 3-1/2"
14	19H2233	CAP SCREW	2		5/8" X 3-1/2"
15	12H294	LOCK WASHER	2		5/8"
16	R65527	WASHER	2		(SUB FOR R34505)
17	R39512	SWAY BLOCK	1		R.H. (SUB FOR R33862)
	R39513	SWAY BLOCK	1		L.H. (SUB FOR R33863)
18	R41015	BOLT	2		(TRANSMISSION CASE WITH TAPPED HOLES) (SUB FOR R26508)
19	12H292	LOCK WASHER	2		1/2"
20	R42440	CAP SCREW	2		(TRANSMISSION CASE WITH REAMED HOLES)
21	R101202	BOLT	2		5/8" X 3 1/4", (SUB FOR R49106)
22	14H1040	NUT	2		1/2"
23	12H294	LOCK WASHER	2		5/8"
24	14H1039	NUT	2		5/8"
25	AR33911	SUPPORT	1		
26	R33831	PIN	2		(SUB R61967 AND A15146)
27	AR62151	QUICK LOCK PIN	2		(SUB FOR B11182) (SUB M115827)
28	R34448	DRAWBAR	1		(SUB RE20663)
	R80842	DRAWBAR	1		(HEAVY-DUTY) (NOT DRILLED FOR STRAP)

3F7

HYDRAULICS

RWP1907 -UN-06OCT94

DRAWBAR CLEVIS PIN KIT



RWP1907

KEY	PART NO.	PART NAME	QTY	TRACTOR SERIAL NO.	REMARKS
1	14H263	NUT	2	5/8"	
2	24H1372	WASHER	1	21/32" X 1-1/2" X 0.060"	
3	F3541R	SPRING	1		
4	F3542R	BUSHING	1		
5	F3539R	RETAINER	1		
6	34H363	SPRING PIN	1	3/8" X 4"	
7	AR26462	PIN	1		
8	R26584	STRAP	1		
9	19H2124	CAP SCREW	1	5/8" X 4-1/4"	
10	14H794	NUT	2	3/4"	
11	12H236	LOCK WASHER	2	3/4"	
12	19H2113	CAP SCREW	2	3/4" X 3-1/4"	
13	AR27033	CLEVIS	1		

MEMORANDA

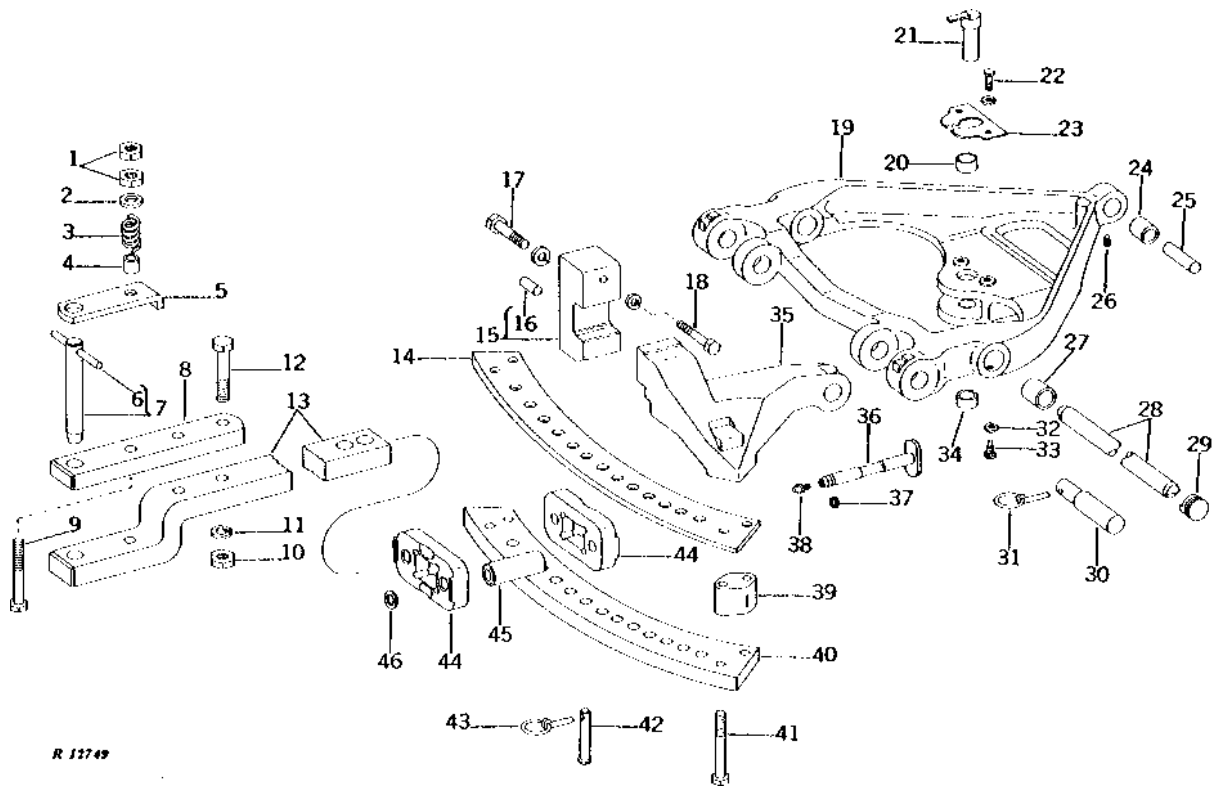
3F8

HYDRAULICS

R12749

-UN-01JAN94

WIDE SWING DRAWBAR (ROW-CROP AND STANDARD)



3F9

HYDRAULICS

WIDE SWING DRAWBAR - CONTINUED (ROW-CROP AND STANDARD)

KEY	PART NO.	PART NAME	QTY	TRACTOR SERIAL NO.	REMARKS
1	14H1039	NUT	2	5/8"	
2	24H1372	WASHER	1	21/32" X 1-1/2" X 0.060"	
3	F3541R	SPRING	1		
4	F3542R	BUSHING	1		
5	F3539R	RETAINER	1		
6	34H363	SPRING PIN	1	3/8" X 4"	
7	AR26462	PIN	1		
8	R26584	STRAP	1		
9	19H2124	CAP SCREW	1	5/8" X 4-1/4"	
10	14H794	NUT	2	3/4"	
11	12H236	LOCK WASHER	2	3/4"	
12	19H1471	CAP SCREW	2	3/4" X 3-1/2"	
13	R34448	DRAWBAR	1	(SUB RE20663)	
	R80842	DRAWBAR	1	(HEAVY-DUTY) (NOT DRILLED FOR STRAP)	
14	R34375	STRAP	1		
15	AR32497	BRACKET	1	R.H. (MARKED R33832)	
	AR32498	BRACKET	1	L.H. (MARKED R33833)	
16	R54380	DOWEL PIN	2	(SUB FOR R26015 OR T25317)	
17	19H1890	CAP SCREW	4	5/8" X 2-3/4"	
	12H294	LOCK WASHER	4	5/8"	
18	19H1820	CAP SCREW	2	1/2" X 3"	
	12H301	LOCK WASHER	2	1/2"	
19	AR40402	SUPPORT	1	(MARKED R33824 OR R40556) (SUB FOR AR32494)	
20	R40557	BUSHING	1		
21	AR44189	PIN	1	(SUB FOR AR32826)	
22	19H2284	CAP SCREW	2	3/8" X 7/8"	
	12H304	LOCK WASHER	2	3/8"	
23	R34253	RETAINER	1	(SUB R96420, R28040, A147R, 12H304 AND 19H1732)	
24	R31438	BUSHING	1		
25	R26503	DOWEL PIN	1		
26	34H309	SPRING PIN	1	1/4" X 5/8"	
27	R26502	BUSHING	2		
28	R33826	PIN	1		
29	R33827	RETAINER	2		
30	R28809	PIN	2		
31	AR62151	QUICK LOCK PIN	2	(SUB FOR B11182) (SUB M115827)	
32	12H303	LOCK WASHER	2	5/16"	
33	R40928	BOLT	2	(SUB FOR R27196)	
34	R40558	BUSHING	1		
35	R40092	SUPPORT	1	R.H. (SUB FOR R33834)	
	R40093	SUPPORT	1	L.H. (SUB FOR R33835)	
36	AR61656	PIN	2	(ALSO ORDER R73380) (SUB FOR AR35345, AR41735 OR R42660)	
37	R73380	SNAP RING	2	(SUB FOR A369R)	
38	JD7759	LUBRICATION FITTING	2	STRAIGHT	
39	R34373	SPACER	2		
40	R34376	SUPPORT	1		
41	19H2124	CAP SCREW	4	5/8" X 4-1/4"	
42	R58262	PIN	2	(SUB FOR R28061 OR R44917)	
43	AR62151	QUICK LOCK PIN	2	(SUB FOR B11182) (SUB M115827)	
44	R34450	HANGER	2		
45	R54141	BUSHING	2	(SUB FOR R35839)	
46	24H448	WASHER	2	-189533 25/32" X 1-1/8" X 0.090"	
	24M7353	WASHER	2	189534- (SUB FOR R42660)	

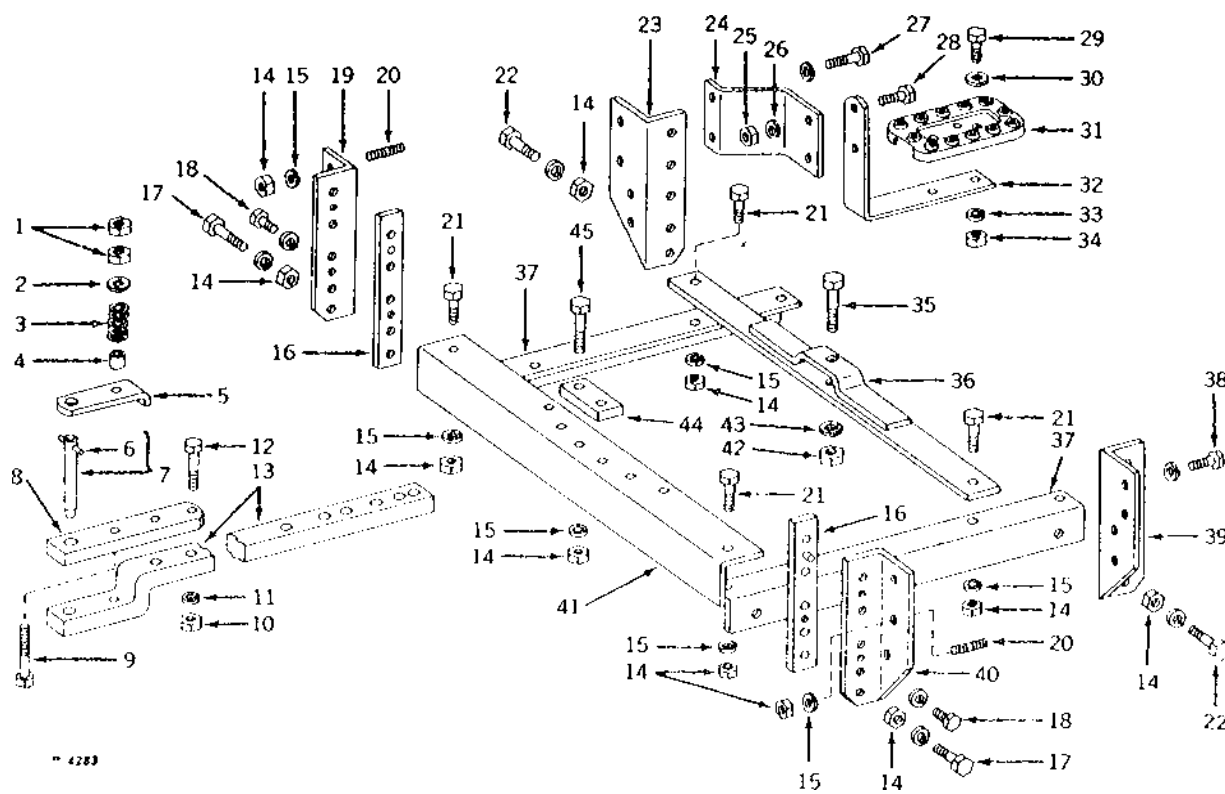
3F10

HYDRAULICS

R4283

-UN-01JAN94

DRAWBAR AND STEP (HI-CROP)



3F11

HYDRAULICS

DRAWBAR AND STEP - CONTINUED (HI-CROP)

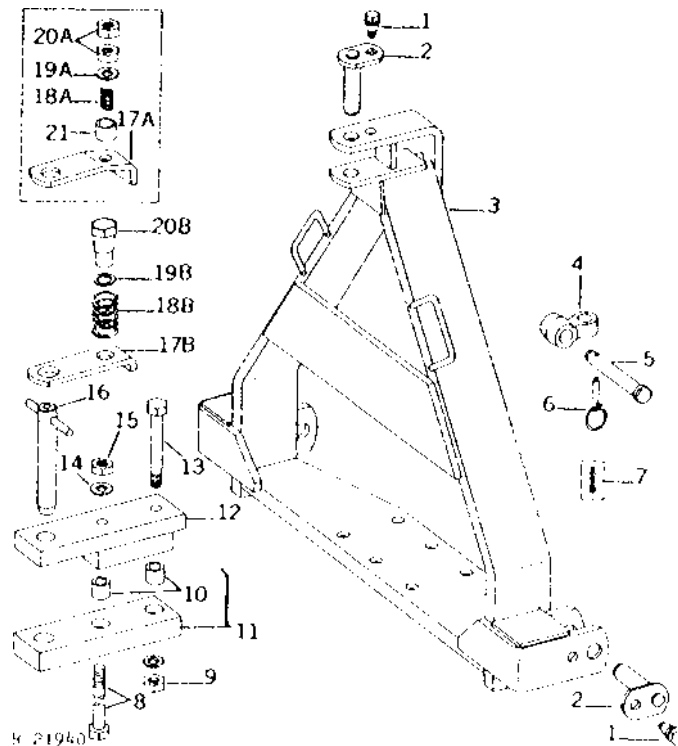
KEY	PART NO.	PART NAME	QTY	TRACTOR SERIAL NO.	REMARKS
1	14H1039	NUT	2	5/8"	
2	24H1372	WASHER	1	21/32" X 1-1/2" X 0.060"	
3	F3541R	SPRING	1		
4	F3542R	BUSHING	1		
5	F3539R	RETAINER	1		
6	34H363	SPRING PIN	1	3/8" X 4"	
7	AR26462	PIN	1		
8	R26584	STRAP	1		
9	19H2124	CAP SCREW	1	5/8" X 4-1/4"	
10	14H794	NUT	2	3/4"	
11	12H236	LOCK WASHER	2	3/4"	
12	19H2113	CAP SCREW	2	3/4" X 3-1/4"	
13	R28057	DRAWBAR	1	(SUB RE20662)	
	R81576	DRAWBAR	1	(HEAVY-DUTY) (NOT DRILLED FOR STRAP)	
14	14H794	NUT	10	3/4"	
15	12H236	LOCK WASHER	10	3/4"	
16	AR28141	SWAY BLOCK	1		
17	19H1440	CAP SCREW	2	3/4" X 3"	
	12H236	LOCK WASHER	2	3/4"	
18	19H1721	CAP SCREW	2	1/2" X 1-1/2"	
	12H301	LOCK WASHER	2	1/2"	
19	R28197	SUPPORT	1	(NLA)	
20	F1024R	STUD	4		
21	19H1768	CAP SCREW	4	3/4" X 2"	
22	19H1768	CAP SCREW	2	3/4" X 2"	
	12H236	LOCK WASHER	2	3/4"	
23	R28195	SUPPORT	1	(NLA)	
24	R51869	BRACKET	1	(SUB FOR R31129)	
25	14H1039	NUT	2	5/8"	
26	12H294	LOCK WASHER	2	5/8"	
27	19H1782	CAP SCREW	2	3/4" X 2-1/4"	
	12H236	LOCK WASHER	2	3/4"	
28	19H1356	CAP SCREW	2	5/8" X 1-3/4"	
29	19H1732	CAP SCREW	2	3/8" X 1-1/4"	
30	24H1305	WASHER	2	13/32" X 13/16" X 0.065"	
31	F3195R	STEP	1		
32	A5234R	SUPPORT	1		
33	12H304	LOCK WASHER	2	3/8"	
34	14H812	NUT	2	3/8"	
35	19H2421	CAP SCREW	1	1" X 3-3/4"	
36	AR56014	DRAWBAR	1	(SUB FOR AR27581) (NLA)	
37	R28199	DRAWBAR	2	(NLA)	
38	19H2589	CAP SCREW	2	3/4" X 1-7/8"	
	12H236	LOCK WASHER	2	3/4"	
39	R28194	SUPPORT	1	(NLA)	
40	R28196	SUPPORT	1	(NLA)	
41	R28201	DRAWBAR	1	(NLA)	
42	14H854	NUT	1	1"	
43	12H234	LOCK WASHER	1	1"	
44	R28203	STRAP	1	(NLA)	
45	19H2113	CAP SCREW	2	3/4" X 3-1/4"	

3F12

HYDRAULICS

R21940 -UN-01JAN94

POWER WEIGHT TRANSFER COUPLER



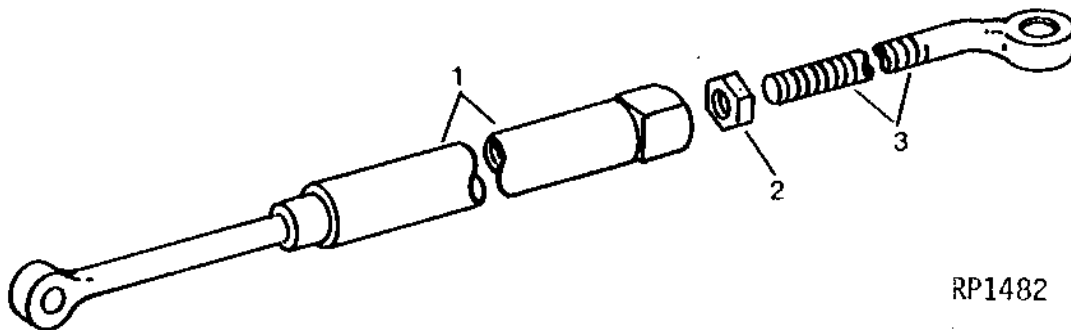
KEY	PART NO.	PART NAME	QTY	TRACTOR SERIAL NO.	REMARKS
1	AR74673	CAP SCREW	3		(SUB FOR AR48110 AND AR40865)
2	AR48111	PIN	3		(ALSO ORDER AR74673) (SUB FOR AR39783)
3	AR46828	COUPLING	1		
4	R44848	PIVOT	2		
5	R58261	PIN	1		(ALSO ORDER AR60372) (SUB FOR R40516 OR R53562)
6	AR60372	QUICK LOCK PIN	1	XXXXXX-	
7	11M7038	COTTER PIN	1	-XXXXXX	0.248" X 1.575"
8	19H3234	CAP SCREW	1	-XXXXXX	3/4" X 8-1/2"
	19H1988	CAP SCREW	1	XXXXXX-	3/4" X 6"
9	14H794	NUT	1		3/4"
	12H236	LOCK WASHER	1		3/4"
10	R35479	BUSHING	2		
11	AR47567	DRAWBAR	1		
12	AR46256	STRAP	1		
13	19H1988	CAP SCREW	1		3/4" X 6"
14	12H236	LOCK WASHER	1		3/4"
15	14H794	NUT	1	-XXXXXX	3/4"
16	AR69988	PIN	1		(SUB FOR AR937R)
17A	R36609	RETAINER	1	-XXXXXX	(SUB R54064, F304R, R72433, 19H1988 AND 24H1513)
17B	R54064	RETAINER	1	XXXXXX-	
18A	A350R	SPRING	1	-XXXXXX	
18B	F304R	SPRING	1	XXXXXX-	
19A	24H1395	WASHER	1	-XXXXXX	25/32" X 1-7/16" X 0.060"
19B	24H1513	WASHER	1	XXXXXX-	1-13/32" X 2" X 0.060"
20A	R40121	LOCK NUT	2	-XXXXXX	
20B	R54065	NUT	1	XXXXXX-	(SUB R72433)
21	R47044	BUSHING	1	-XXXXXX	

3F13

HYDRAULICS

RP1482 -UN-01JAN94

POWER WEIGHT TRANSFER IMPLEMENT LINK



RP1482

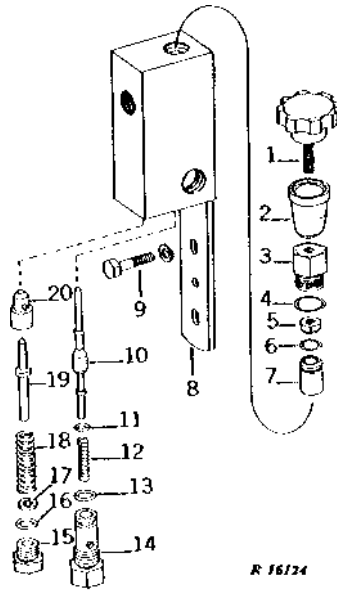
KEY	PART NO.	PART NAME	QTY	TRACTOR SERIAL NO.	REMARKS
1	AR47490	LINK	1		
2	14H887	NUT	1	1-1/8"	
3	R45447	EYEBOLT	1		

3F14

HYDRAULICS

R16124 -UN-01JAN94

POWER WEIGHT TRANSFER CONTROL VALVE



KEY	PART NO.	PART NAME	QTY	TRACTOR SERIAL NO.	REMARKS
1	AR49578	KNOB	1		
2	R54059	BOOT	1		(SUB FOR R39981)
3	R47016	ADAPTER	1		
4	F3171R	O-RING	1		
5	F3220R	LOCK NUT	1		
6	R26375	O-RING	1		
7	R47018	SHAFT	1		
8	AR49622	HOUSING	1		
9	19H2284	CAP SCREW	2	3/8" X 7/8"	
	12H304	LOCK WASHER	2	3/8"	
10	R44840	VALVE	1		
11	R375R	O-RING	1		
12	R26477	SPRING	1		
13	R495R	O-RING	1		
14	R47095	PLUG	1		
15	R27474	DRAIN PLUG	1		
16	R26906	O-RING	1		
17	R45189	SHIM	AR	0.51MM (.020")	
18	R35871	SPRING	1		
19	R45215	GUIDE	1		
20	R38543	VALVE	1		
..	R45672	LABEL	1		

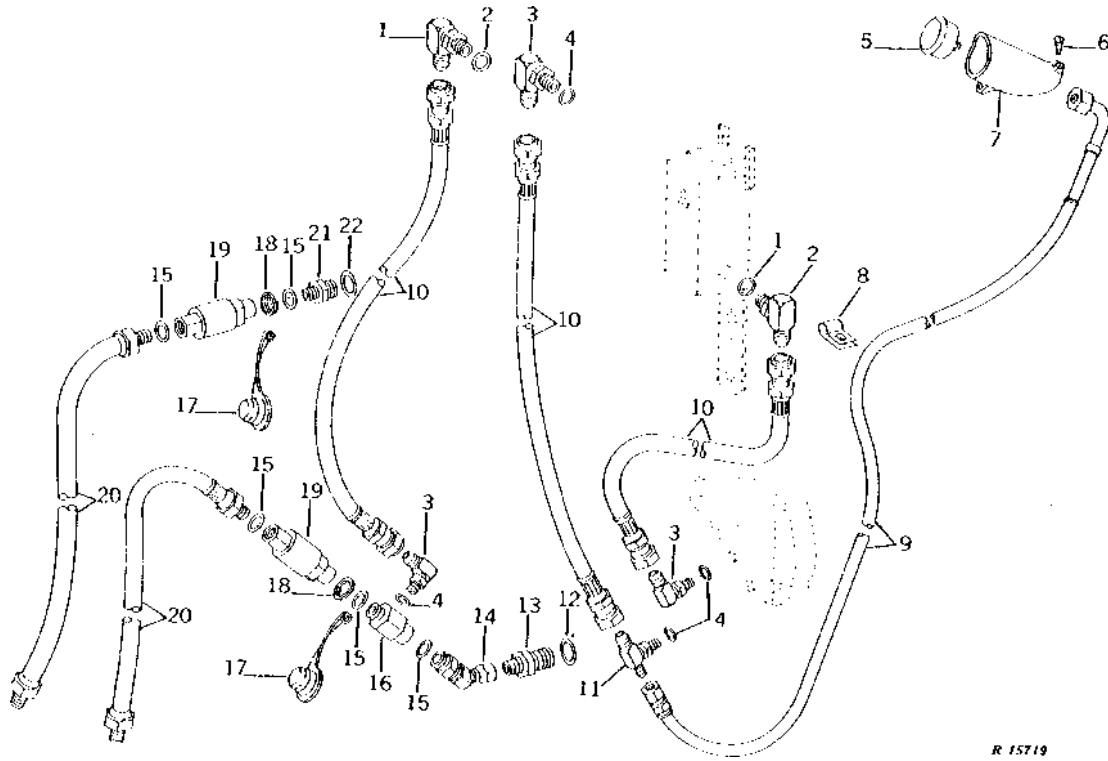
3F15

HYDRAULICS

POWER WEIGHT TRANSFER HYDRAULIC OIL PRESSURE GAUGE AND LINES

R15719

-UN-01JAN94



R 15719

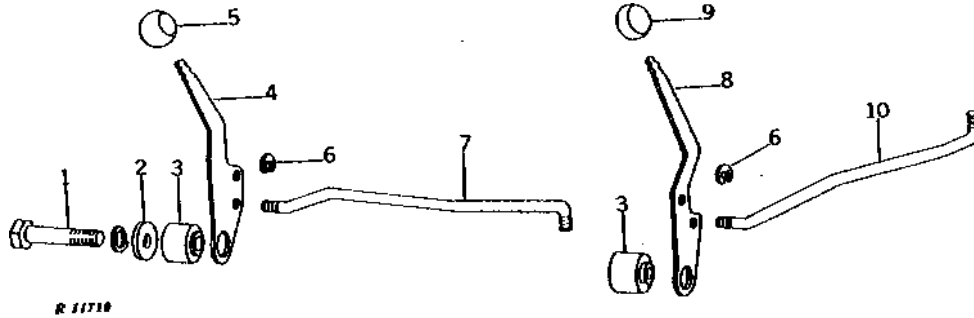
KEY	PART NO.	PART NAME	QTY	TRACTOR SERIAL NO.	REMARKS
1	AT32332	ELBOW FITTING	2	90°, (SUB FOR AR26763)	
2	R26375	O-RING	2		
3	AT35120	ELBOW FITTING	3	90°, (SUB FOR AR37017 OR AT32337)	
4	R26448	O-RING	4		
5	AR47486	PRESSURE GAUGE	1		
6	37H78	SCREW	2	0.164" X 3/4", (NLA)	
7	R46335	SUPPORT	1		
8	R34557	CLAMP	5		
9	AR43795	HYDRAULIC HOSE	1		
10	AR40465	HYDRAULIC HOSE	3		
11	AR47603	TEE FITTING	1	(NLA)	
12	H851R	WASHER	1		
13	A15532	ADAPTER	1		
14	AA14850	ELBOW FITTING	1	45°	
15	R26375	O-RING	5		
16	R45106	FITTING	1		
17	R32419	COVER	2	(SUB R80324)	
18	R36946	SPRING	2		
19	RE15361	COUPLING	2	(SUB FOR AR31611)	
20	HOSE	1		
21	R36945	FITTING	1		
22	F3171R	O-RING	1		

3F16

HYDRAULICS

R11719 -UN-01JAN94

SELECTIVE CONTROL LEVERS



KEY	PART NO.	PART NAME	QTY	TRACTOR SERIAL NO.	REMARKS
1	19H2360	CAP SCREW	1	(A) 9/16" X 2-3/4"	
	19H2659	CAP SCREW	1	(B) 9/16" X 3-3/4"	
	12H317	LOCK WASHER	1	9/16"	
2	R63024	WASHER	1	(SUB FOR R26575)	
3	R27203	BUSHING	AR	(1 USED SINGLE SELECTIVE CONTROL) (2 USED DUAL SELECTIVE CONTROL)	
4	R34235	LEVER	1	(B)	
5	R28164	KNOB	1	(B)	
6	R72653	SNAP RING	AR	(4 USED SINGLE SELECTIVE CONTROL) (8 USED SINGLE SELECTIVE CONTROL) (SUB FOR M2396T)	
7	R45306	ROD	1	(B) (SUB FOR R27241)	
8	R34234	LEVER	1	(C)	
9	R27829	KNOB	1	(C)	
10	R45305	ROD	1	(C) (SUB FOR R27240)	

(A) WITH SINGLE SELECTIVE CONTROL

(B) WITH DUAL SELECTIVE CONTROL

(C) WITH SINGLE OR DUAL SELECTIVE CONTROL

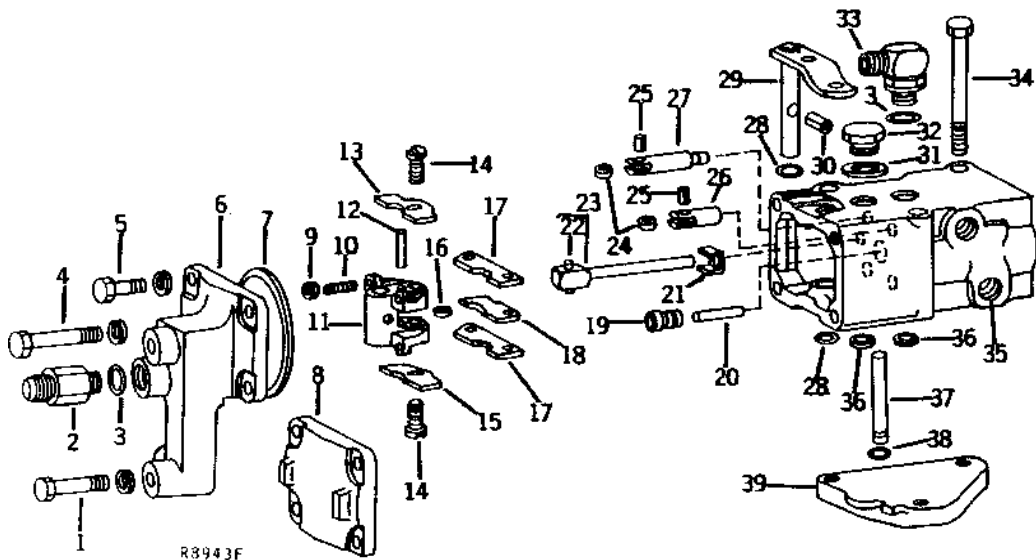
MEMORANDA

3F17

R8943

-UN-06OCT94

SELECTIVE CONTROL VALVE



3F18

HYDRAULICS

SELECTIVE CONTROL VALVE - CONTINUED

KEY	PART NO.	PART NAME	QTY	SERIAL OR MODEL NO.	REMARKS
1	19H1765	CAP SCREW	1	3/8" X 1-3/4"	
	12H304	LOCK WASHER	1	3/8"	
2	R28717	FITTING	1		
3	R26375	O-RING	2		
4	19H1726	CAP SCREW	1	3/8" X 2-1/4"	
	12H304	LOCK WASHER	1	3/8"	
5	19H1731	CAP SCREW	4	3/8" X 1"	
	12H304	LOCK WASHER	4	3/8"	
6	R49188	BRACKET	1		(ALSO ORDER R49187) (SUB FOR R27595)
7	R26544	WASHER	1		
	R49187	WASHER	1		(USE WITH R49188 OR R49186)
8	R49186	COVER	1		(ALSO ORDER R49187) (SUB FOR R27593) (DUAL SELECTIVE CONTROL)
9	14H850	NUT	4	1/4"	
10	22H791	SET SCREW	4	1/4" X 3/4"	
11	R27587	ROCKER	1		
12	R28744	PIN	1		
13	R51414	CAM	1		(SUB FOR R27588 OR R41931)
14	R27233	SCREW	2		
15	R51415	CAM	1		(SUB FOR R27589 OR R41932)
16	R51409	SPACER	1		(SUB FOR R26980 OR R41613)
17	R32389	DETENT	2		(SUB FOR AR31813)
18	R26978	CAM	1		
19	AR78483	GUIDE	1		(SUB FOR AR31703)
20	R28744	PIN	1		
21	R28635	CLIP	1		
22	R28634	PIN	1		
23	AR27867	GUIDE	1		
24	R51409	SPACER	4		(SUB FOR R26980 OR R41613)
25	34H241	SPRING PIN	4		1/8" X 3/8"
26	R26982	CAM FOLLOWER	2		
27	R27678	CAM FOLLOWER	2		
28	R394R	O-RING	2		
29	AR26657	ARM	1		
30	34H297	SPRING PIN	1		7/32" X 1"
31	AR26697	SEALING WASHER	1		
32	R41155	PLUG	1		(SUB FOR R26986)
33	AT32332	ELBOW FITTING	1		90°, (SUB FOR AR26763)
34	19H1912	CAP SCREW	3		3/8" X 3-1/2", (SINGLE SELECTIVE CONTROL)
	19H3328	CAP SCREW	3		3/8" X 6-1/2", (DUAL SELECTIVE CONTROL)
35	AR40824	HOUSING	1		(MARKED R36533 OR R41197) (SUB FOR AR35823)
36	R26149	PACKING	2		
37	R27060	PIN	1		
38	T17951	O-RING	1		(SUB FOR R27490)
39	R27492	COVER	1		
..	AR41023	KIT	1		(SINGLE SELECTIVE CONTROL LESS BRACKET AND EXTERNAL FITTINGS) (SUB AR26697, AR41043, (2) R26149, (5) R26375 AND R26544)
..	AR41039	KIT	1		(DUAL SELECTIVE CONTROL LESS COVER AND FITTINGS)

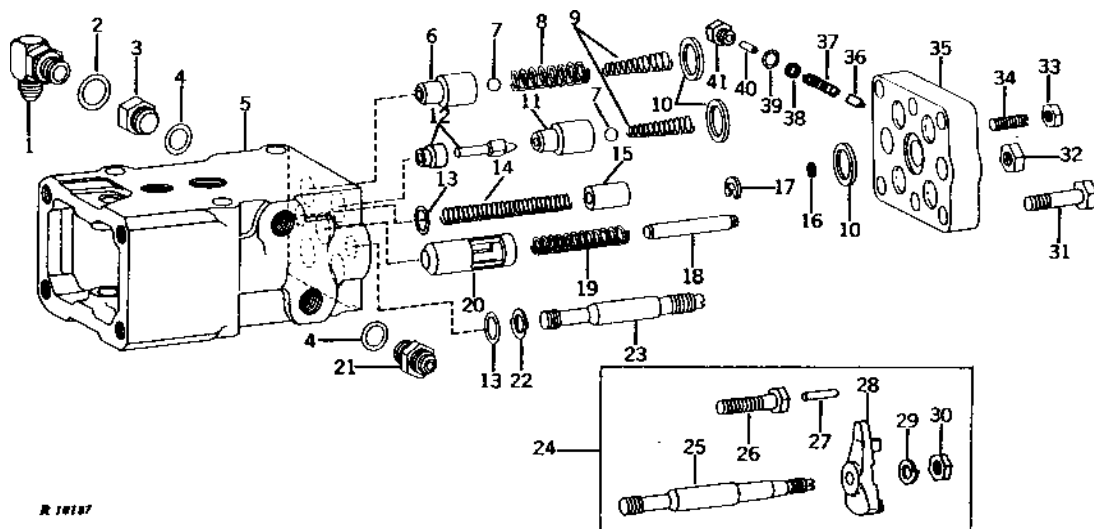
3F19

HYDRAULICS

R10187

-UN-12OCT94

SELECTIVE CONTROL VALVE



R 10187

3F20

HYDRAULICS

SELECTIVE CONTROL VALVE - CONTINUED

KEY	PART NO.	PART NAME	QTY	SERIAL OR MODEL NO.	REMARKS
1	AT32332	ELBOW FITTING	2	(B) 90°, (SUB FOR AR26763)	
2	R26375	O-RING	2	(B)	
3	R39112	FITTING	AR	(2 USED SINGLE SELECTIVE CONTROL) (4 USED DUAL SELECTIVE CONTROL) (SUB FOR R28095)	
4	R26375	O-RING	AR	(4 USED SINGLE SELECTIVE CONTROL) (6 USED DUAL SELECTIVE CONTROL)	
5	AR40824	HOUSING	1	(MARKED R36533 OR R41197) (SUB FOR AR35823)	
6	R28124	VALVE	2	-2SC2 (SUB FOR R28624) (USE WITH AR36823) (SUB R59083)	
	R41175	VALVE	2	2SC3- (USE WITH AR40824)	
7	400R	BALL	4		
8	R26823	SPRING	2	-2SC2 (A)	
9	R26565	SPRING	4		
10	R26149	PACKING	5		
11	R28124	VALVE	2	-2SC2 (SUB R59083)	
	R41175	VALVE	2	2SC3- (ALSO ORDER AR40744) (SUB FOR AR31820)	
12	R32412	SHAFT	2		
13	R394R	O-RING	2		
14	R42334	SPRING	1		(SUB FOR R28561)
15	R28563	PIN	1		
16	A4365R	O-RING	1		
17	R72653	SNAP RING	1		(SUB FOR M2396T)
18	R26822	PIN	1		
19	R26974	SPRING	1		
20	R27489	VALVE	1		
21	R27237	FITTING	2		
22	R26551	BACK-UP RING	1		
23	R27231	VALVE	1		
24	AR39747	VALVE	1		
25	R39769	VALVE	1		
26	R39771	CAP SCREW	1	(NLA)	
27	34H247	SPRING PIN	1	1/8" X 3/4"	
28	R39770	LEVER	1		
29	12H303	LOCK WASHER	1	5/16"	
30	14H650	NUT	1	5/16"	
31	19H1849	CAP SCREW	6	5/16" X 1-1/4"	
32	14H774	NUT	1	3/8"	
33	14H850	NUT	1	1/4"	
34	22H791	SET SCREW	1	1/4" X 3/4"	
35	AR31663	COVER	1	(MARKED R32411)	
36	R55678	RELIEF VALVE	1	(SUB FOR R31565)	
37	R26477	SPRING	1		
38	R26478	SHIM	AR	0.51MM (.020")	
	R26479	SHIM	AR	0.76MM (.030")	
39	R26287	O-RING	1		
40	34H247	SPRING PIN	1	1/8" X 3/4"	
41	R27216	DRAIN PLUG	1		
..	AR41023	KIT	1	(SUB AR26697, AR41043, (2) R26149, (5) R26375 AND R26544) (SINGLE SELECTIVE CONTROL LESS BRACKET AND EXTERNAL FITTINGS)	
..	AR41039	KIT	1	(DUAL SELECTIVE CONTROL LESS COVER AND EXTERNAL FITTINGS) (FOR TRACTORS ALREADY EQUIPPED WITH SINGLE SCV)	

(A) WHEN R28124 HAS BEEN INSTALLED R26823 IS NO LONGER REQUIRED.

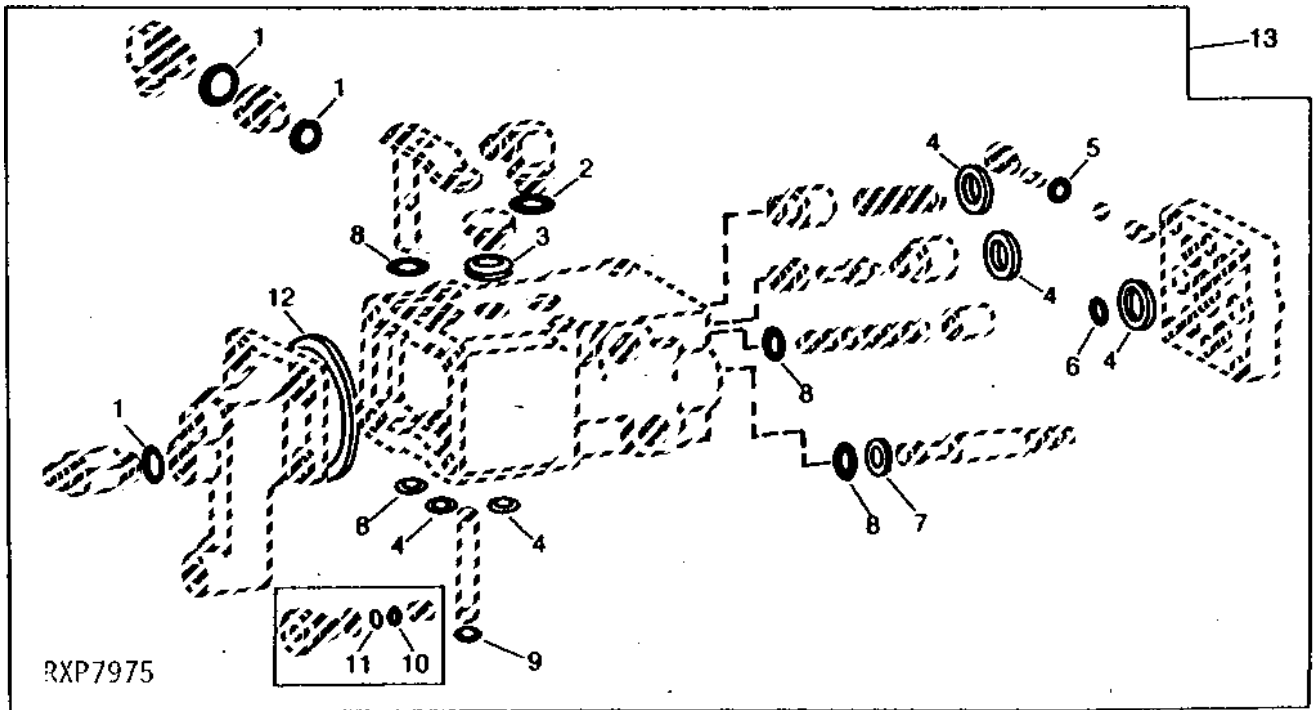
(B) DUAL SELECTIVE CONTROL

3F21

HYDRAULICS

RXP7975 -UN-01JAN94

SELECTIVE CONTROL VALVE OVERHAUL KIT

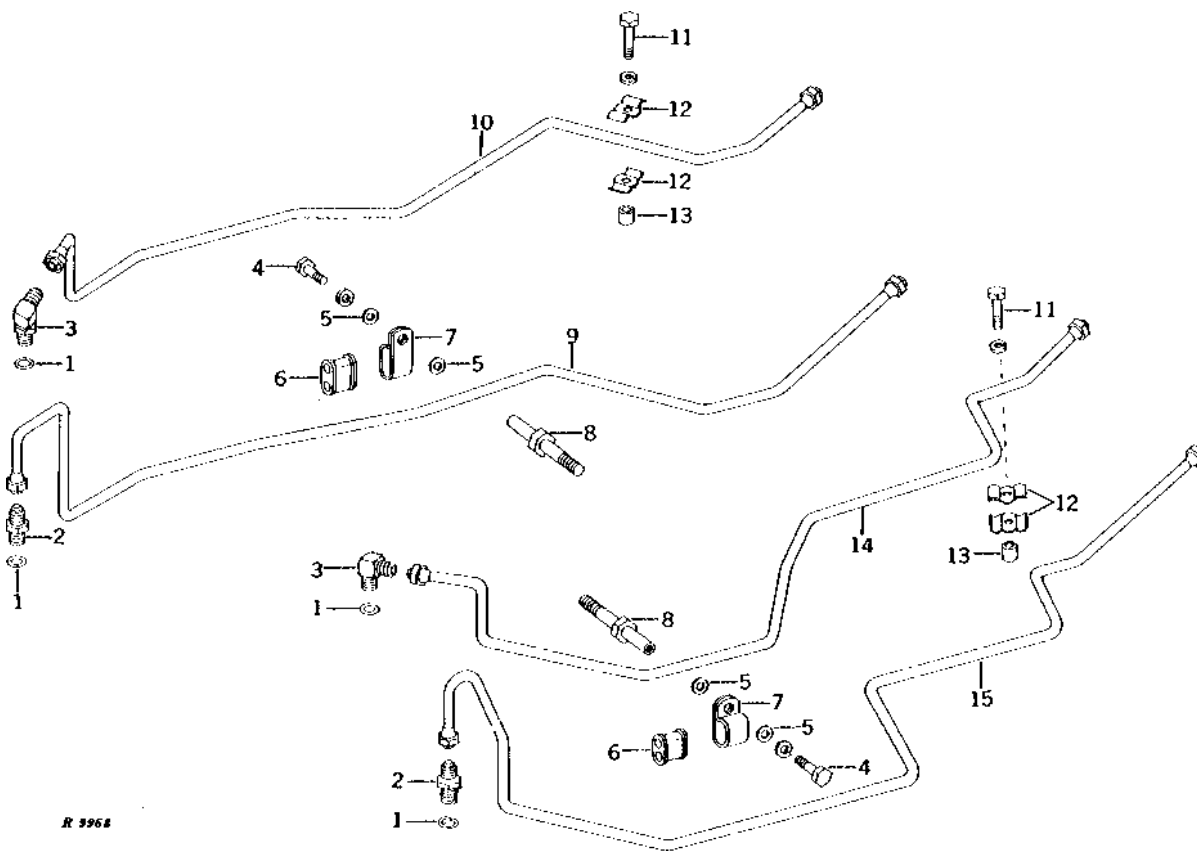


KEY	PART NO.	PART NAME	QTY	TRACTOR SERIAL NO.	REMARKS
1	R26375	O-RING	4		
2	R26375	O-RING	2		
	R26448	O-RING	2		
3	AR26697	SEALING WASHER	1		
4	R26149	PACKING	7		
5	R26287	O-RING	1		
6	A4365R	O-RING	1		
7	R26551	BACK-UP RING	1		
8	R394R	O-RING	4		
9	R27490	O-RING	1		
10	R26977	BACK-UP RING	1		
11	R26976	O-RING	1		
12	R26544	WASHER	1		
13	AR34295	KIT	1	(SUB FOR AR30690)	

MEMORANDA

R9968 -UN-01JAN94

REAR SELECTIVE CONTROL OIL LINES (SYNCRO-RANGE)



KEY	PART NO.	PART NAME	QTY	TRACTOR SERIAL NO.	REMARKS
1	R26375	O-RING	AR	(B)	
2	R27237	FITTING	AR	(A)	
3	AT32332	ELBOW FITTING	AR	(A) 90°, (SUB FOR AR26763)	
4	19H1731	CAP SCREW	AR	(A) 3/8" X 1"	
	12H304	LOCK WASHER	AR	(A) 3/8"	
5	24H1305	WASHER	AR	(B) 13/32" X 13/16" X 0.065"	
6	R35163	GROMMET	AR	(A)	
7	R28733	CLAMP	AR	(A)	
8	R34065	BOLT	AR	(A)	
9	AR32657	HYDRAULIC LINE	1	(DUAL SELECTIVE CONTROL)	
10	AR32656	HYDRAULIC LINE	1	(DUAL SELECTIVE CONTROL)	
11	19H1765	CAP SCREW	AR	(A) 3/8" X 1-3/4"	
	12H304	LOCK WASHER	AR	(A) 3/8"	
12	R34064	CLAMP	AR	(B)	
13	28H1697	SPACER	AR	(A)	
14	AR34770	HYDRAULIC LINE	1	(ALSO ORDER AR34769) (SUB FOR AR32653)	
15	AR34769	HYDRAULIC LINE	1	(ALSO ORDER AR34770) (SUB FOR AR32652)	

(A) 1 USED SINGLE, 2 USED DUAL

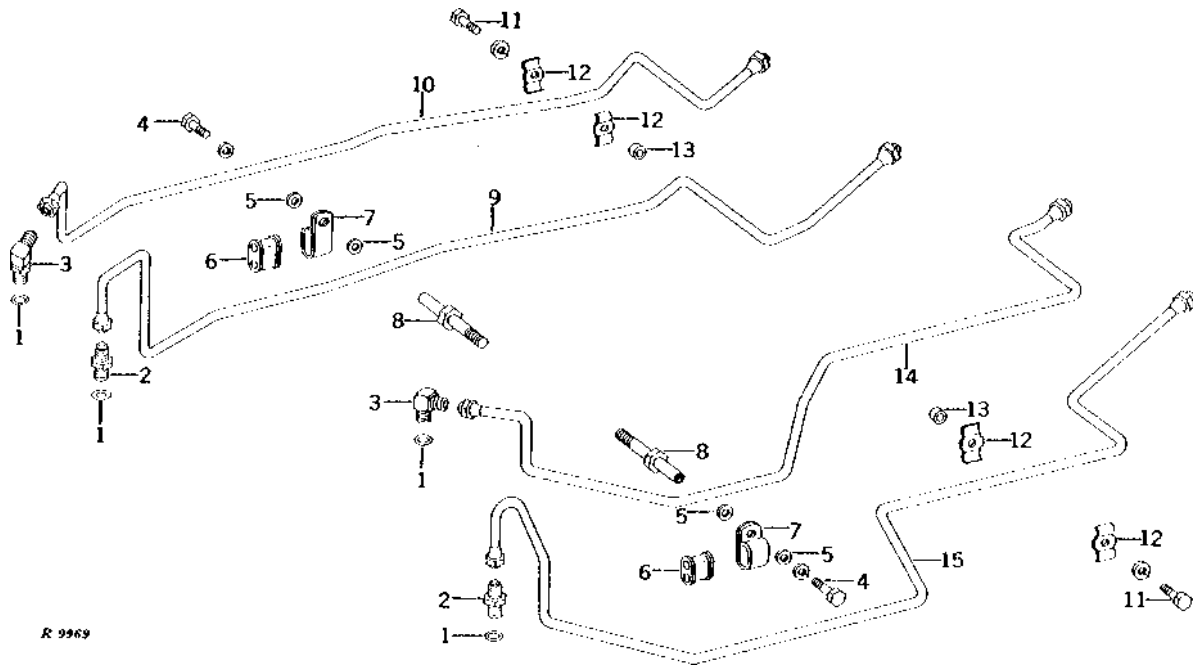
(B) 2 USED SINGLE, 4 USED DUAL

3F23

REAR SELECTIVE CONTROL OIL LINES (POWER SHIFT)

R9969

-UN-01JAN94



KEY	PART NO.	PART NAME	QTY	TRACTOR SERIAL NO.	REMARKS
1	R26375	O-RING	AR		(2 USED SINGLE SELECTIVE CONTROL) (4 USED DUAL SELECTIVE CONTROL)
2	R27237	FITTING	AR		(1 SINGLE SELECTIVE CONTROL) (2 USED DUAL SELECTIVE CONTROL)
3	AT32332	ELBOW FITTING	AR		(1 USED SINGLE SELECTIVE CONTROL) (2 USED DUAL SELECTIVE CONTROL) (SUB FOR AR26763)
4	19H1731	CAP SCREW	AR		3/8" X 1", (1 USED SINGLE SELECTIVE CONTROL) (2 USED DUAL SELECTIVE CONTROL)
	12H304	LOCK WASHER	AR		3/8", (1 USED SINGLE SELECTIVE CONTROL) (2 USED DUAL SELECTIVE CONTROL)
5	24H1305	WASHER	AR		13/32" X 13/16" X 0.065", (2 USED SINGLE SELECTIVE CONTROL) (4 USED DUAL SELECTIVE CONTROL)
6	R35163	GROMMET	AR		(1 USED SINGLE SELECTIVE CONTROL) (2 USED DUAL SELECTIVE CONTROL)
7	R28733	CLAMP	AR		(1 USED SINGLE SELECTIVE CONTROL) (2 USED DUAL SELECTIVE CONTROL)
8	R34065	BOLT	AR		(1 USED SINGLE SELECTIVE CONTROL) (2 USED DUAL SELECTIVE CONTROL)
9	AR32313	HYDRAULIC LINE	1	(A)	
10	AR32314	HYDRAULIC LINE	1	(A)	
11	19H1731	CAP SCREW	AR		3/8" X 1", (1 USED SINGLE SELECTIVE CONTROL) (2 USED DUAL SELECTIVE CONTROL)
	12H304	LOCK WASHER	AR		3/8", (1 USED SINGLE SELECTIVE CONTROL) (2 USED DUAL SELECTIVE CONTROL)
12	R34064	CLAMP	AR		(2 USED SINGLE SELECTIVE CONTROL) (4 USED DUAL SELECTIVE CONTROL)
13	R21483	WASHER	AR		(1 USED SINGLE SELECTIVE CONTROL) (2 USED DUAL SELECTIVE CONTROL)
14	AR34758	HYDRAULIC LINE	1		(ALSO ORDER AR34757) (SUB FOR AR32311)
15	AR34757	HYDRAULIC LINE	1		(ALSO ORDER AR34758) (SUB FOR AR32312)

(A) WITH DUAL SELECTIVE CONTROL

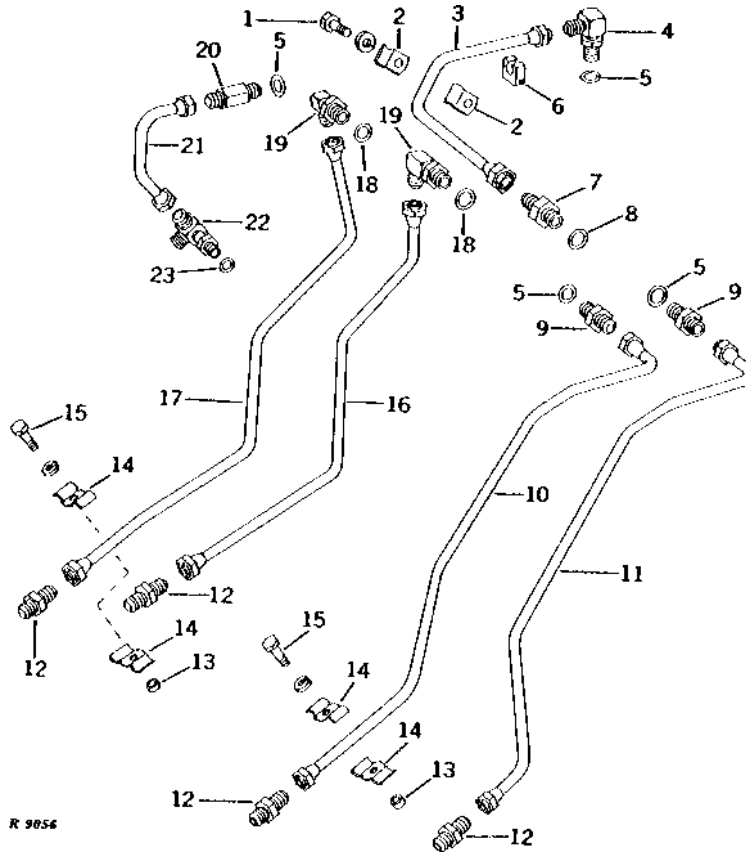
3F24

HYDRAULICS

R9056

-UN-01JAN94

FRONT SELECTIVE CONTROL OIL LINES



R 9056

KEY	PART NO.	PART NAME	QTY	TRACTOR SERIAL NO.	REMARKS
1	19H1936	CAP SCREW	1		
	12H304	LOCK WASHER	1		3/8" X 3/4"
2	R27539	CLAMP	2		3/8"
3	AR26765	HYDRAULIC LINE	1		PRESSURE
4	AT32332	ELBOW FITTING	1		90°, (SUB FOR AR26763)
5	R26375	O-RING	4		
6	R26989	GROMMET	1		
7	R31665	FITTING	1		
8	R26906	O-RING	1		
9	R27237	FITTING	2		
10	AR32651	HYDRAULIC LINE	1		
11	AR32650	LINE	1		
12	R34063	FITTING	AR		(2 USED SINGLE SELECTIVE CONTROL) (4 USED DUAL SELECTIVE CONTROL)
13	R21483	WASHER	AR		(1 USED SINGLE SELECTIVE CONTROL) (2 USED DUAL SELECTIVE CONTROL)
14	R34064	CLAMP	AR		(2 USED SINGLE SELECTIVE CONTROL) (4 USED DUAL SELECTIVE CONTROL)
15	19H2552	CAP SCREW	AR		3/8" X 1-1/8", (1 USED SINGLE SELECTIVE CONTROL) (2 USED DUAL SELECTIVE CONTROL)
	12H304	LOCK WASHER	AR		3/8", (1 USED SINGLE SELECTIVE CONTROL) (2 USED DUAL SELECTIVE CONTROL)
16	AR32655	HYDRAULIC LINE	1		(A)
17	AR32654	HYDRAULIC LINE	1		(A)
18	R26375	O-RING	2		(A)
19	AT32332	ELBOW FITTING	2		(A) 90°, (SUB FOR AR26763)
20	R28717	FITTING	1		
21	AR26766	HYDRAULIC LINE	1		RETURN
22	AR26767	TEE FITTING	1		
23	R26286	O-RING	1		

(A) WITH DUAL SELECTIVE CONTROL

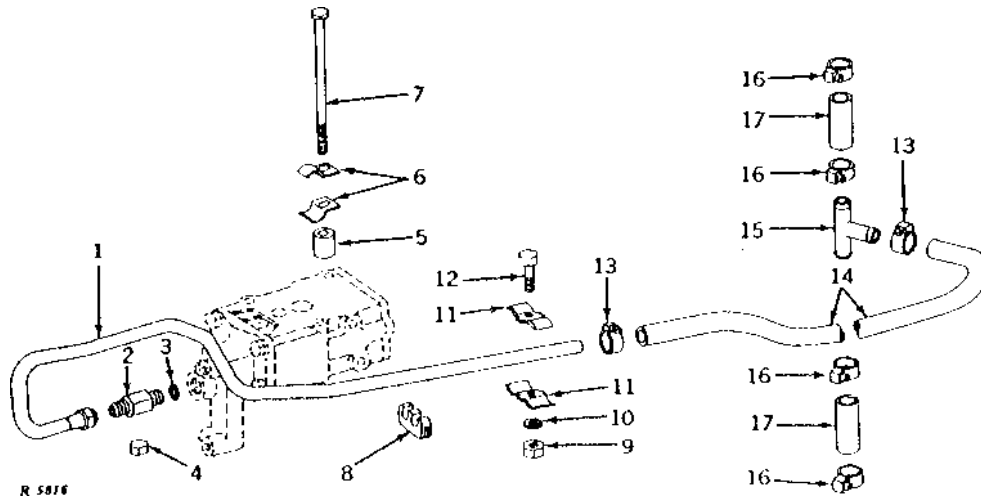
3F25

HYDRAULICS

SELECTIVE CONTROL VALVE TO OIL COOLER RETURN LINE

R5816

-UN-01JAN94



KEY	PART NO.	PART NAME	QTY	TRACTOR SERIAL NO.	REMARKS
1	AR31169	OIL LINE	1		
2	R32082	FITTING	1		
3	R26375	O-RING	1		
4	R31736	FITTING	1		
5	28H1495	SPACER	1	3/8" X 1"	
6	R35726	CLAMP	2		
7	19H2054	CAP SCREW	1	3/8" X 4-3/4", (WITH SINGLE SELECTIVE CONTROL)	
	19H3481	CAP SCREW	1	3/8" X 7-1/2", (WITH DUAL SELECTIVE CONTROL)	
8	R32081	GROMMET	1		
9	14H785	NUT	2	5/16"	
10	12H303	LOCK WASHER	2	5/16"	
11	F1682R	HALF CLAMP	4		
12	19H1849	CAP SCREW	2	5/16" X 1-1/4"	
13	AR21837	CLAMP	2		
14	HOSE	1	813MM (32") (MAKE FROM TY22328) (SUB FOR R45847)	
15	R32084	TEE FITTING	1		
16	AR21839	CLAMP	4		
17	HOSE	2	64MM (2-1/2") (MAKE FROM R57300)	
..	AR31167	OIL LINE	1	(FOR TRACTORS WITH SINGLE VALVE OUTLET ON TRACTOR WITH SINGLE SELECTIVE CONTROL VALVE)	

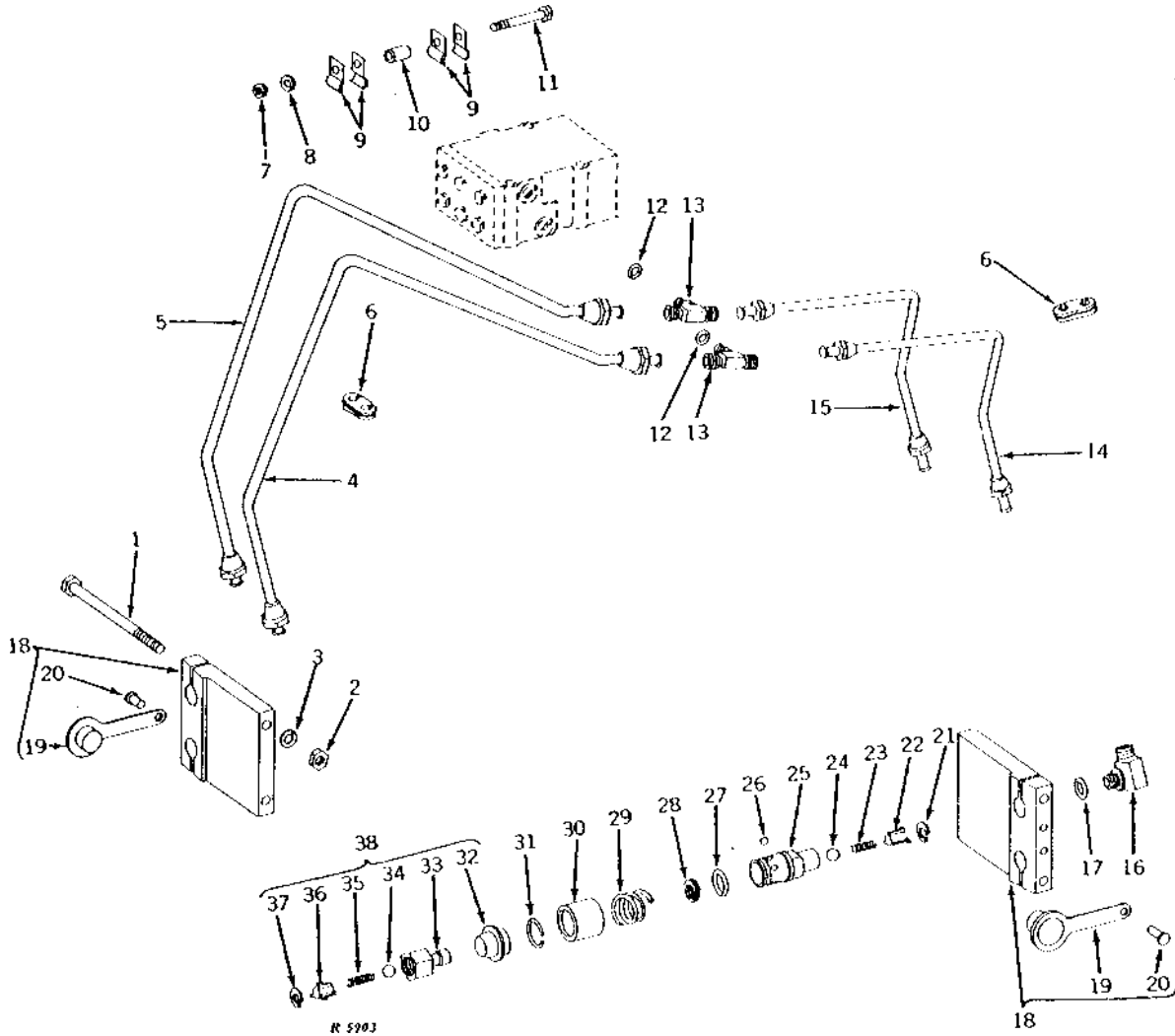
3G1

HYDRAULICS

RIGHT-HAND AND LEFT-HAND PARALLEL DUAL FRONT OUTLET WITH COUPLERS (SINGLE OR DUAL SELECTIVE CONTROL)

R5903

-UN-01JAN94



RIGHT-HAND AND LEFT-HAND PARALLEL DUAL FRONT OUTLET WITH COUPLES - CONTINUED
(WITH SINGLE OR DUAL SELECTIVE CONTROL)

KEY	PART NO.	PART NAME	QTY	TRACTOR SERIAL NO.	REMARKS
1	08H4215	BOLT	4		3/8" X 6-3/4"
2	14H1076	NUT	4		3/8"
3	12H304	LOCK WASHER	4		3/8"
4	AR31670	LINE	1		LOWER, R.H.
5	AR31669	HYDRAULIC LINE	1		UPPER, R.H.
6	R26418	GROMMET	2		
7	14H786	NUT	1		1/4"
8	12H302	LOCK WASHER	1		1/4"
9	R27720	CLAMP	4		
10	28H1697	SPACER	1		3/8" X .750
11	19H2334	CAP SCREW	1		1/4" X 2-1/2"
12	R26375	O-RING	2		
13	AR32667	TEE FITTING	2		
14	AR31672	OIL LINE	1		LOWER, L.H. (NO LONGER AVAILABLE)
15	AR31671	OIL LINE	1		UPPER, L.H. (NO LONGER AVAILABLE)
16	AR31674	FITTING	4		90°
17	R26375	O-RING	4		
18	AR31673	BRACKET	2		(MARKED R32418)
19	R32419	COVER	4		
20	A5748R	STUD	4		
21	R59633	WEAR RING	4		(SUB FOR R28204)
22	R28085	GUIDE	4		(SUB RE15361)
23	R28084	SPRING	4		
24	D2361R	BALL	4		
25	R32353	SOCKET OUTLET	4		
26	400R	BALL	24		
27	R495R	O-RING	4		
28	R26485	BACK-UP RING	4		
29	R32354	SPRING	4		
30	R32355	SLEEVE	4		
31	R32356	SNAP RING	4		
32	R28006	CAP	4		
33	R27430	HYD. QUICK-CONNECT COUPLER	2		(PRESSURE) (SUB AR93819)
	R45630	HYD. QUICK-CONNECT COUPLER	2		(RETURN) (SUB AR93820)
34	D2361R	BALL	4		
35	R28084	SPRING	4		
36	R28085	GUIDE	4		(SUB AR93819 OR AR93820, THIS APPLICATION)
37	R59633	WEAR RING	4		(SUB FOR R28204)
38	AR30210	INTERNAL HALF COUPLER	2		(PRESSURE) (SUB AR93819)
	AR47643	BREAKAWAY COUPLER	2		(RETURN) (SUB AR93820)

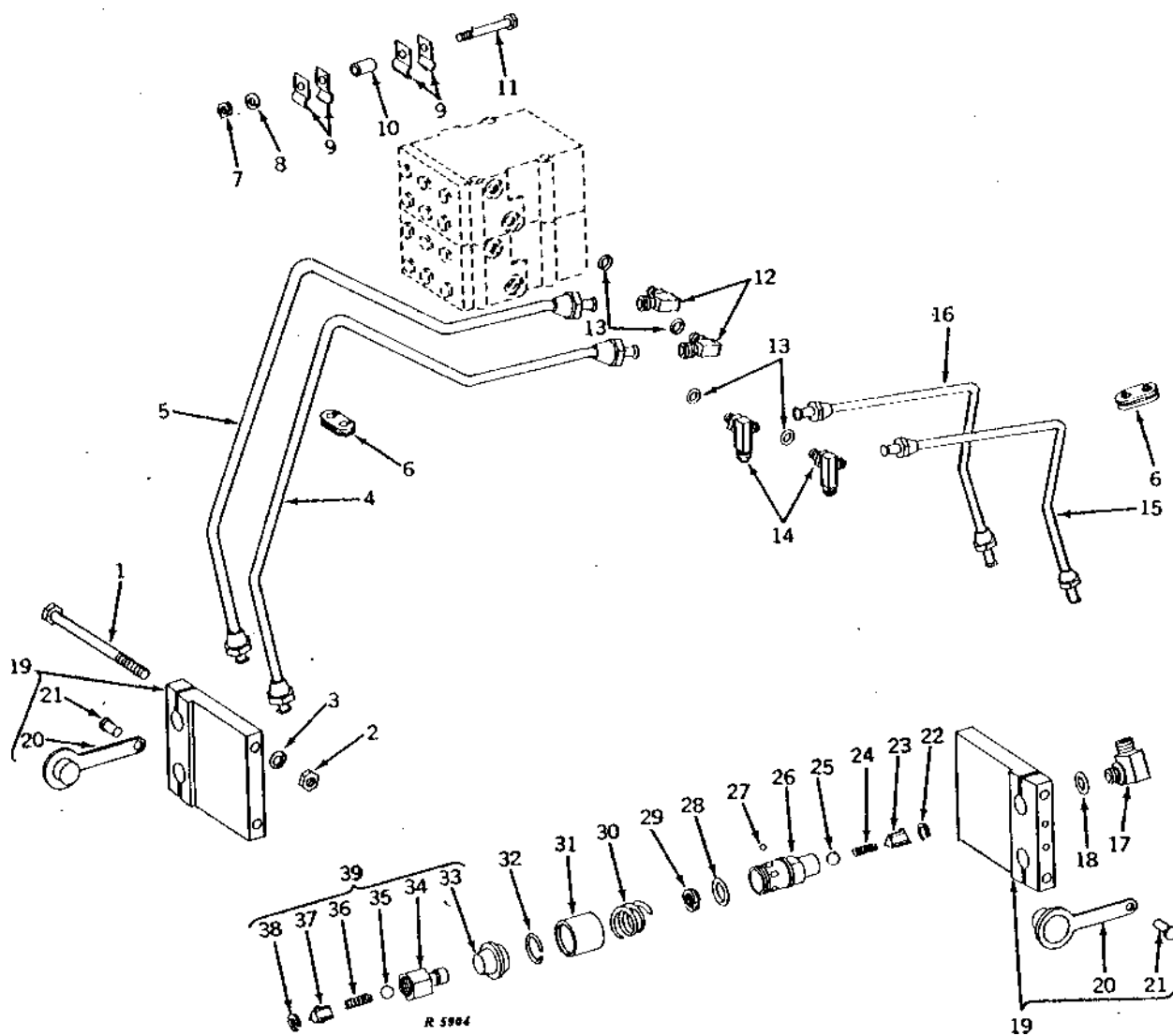
3G3

HYDRAULICS

RIGHT-HAND AND LEFT-HAND PARALLEL DUAL FRONT OUTLET WITH COUPLERS (WITH DUAL SELECTIVE CONTROL)

R5904

-UN-01JAN94



**RIGHT-HAND AND LEFT-HAND PARALLEL DUAL FRONT OUTLET WITH COUPLERS - CONTINUED
(WITH DUAL SELECTIVE CONTROL)**

KEY	PART NO.	PART NAME	QTY	TRACTOR SERIAL NO.	REMARKS
1	08H4215	BOLT	4		3/8" X 6-3/4", (NLA)
2	14H1076	NUT	4		3/8"
3	12H304	LOCK WASHER	4		3/8"
4	AR31670	LINE	1		LOWER, R.H.
5	AR31669	HYDRAULIC LINE	1		UPPER, R.H.
6	R26418	GROMMET	2		
7	14H786	NUT	1		1/4"
8	12H302	LOCK WASHER	1		1/4"
9	R27720	CLAMP	4		
10	28H1697	SPACER	1		3/8" X .750
11	19H2334	CAP SCREW	1		1/4" X 2-1/2"
12	AR31674	FITTING	2		90°
13	R26375	O-RING	4		
14	AR32665	TEE FITTING	2		
15	AR31679	OIL LINE	1		LOWER, L.H.
16	AR31678	OIL LINE	1		UPPER, L.H. (NLA)
17	AR31674	FITTING	4		90°
18	R26375	O-RING	4		
19	AR31673	BRACKET	2		(MARKED R32418)
20	R32419	COVER	4		
21	A5748R	STUD	4		
22	R59633	WEAR RING	4		(SUB FOR R28204)
23	R28085	GUIDE	4		(SUB RE15361)
24	R28084	SPRING	4		
25	D2361R	BALL	4		13MM (1/2")
26	R32353	SOCKET OUTLET	4		
27	400R	BALL	24		6MM (1/4")
28	R495R	O-RING	4		
29	R26485	BACK-UP RING	4		
30	R32354	SPRING	4		
31	R32355	SLEEVE	4		
32	R32356	SNAP RING	4		
33	R28006	CAP	4		
34	R27430	HYD. QUICK-CONNECT COUPLER	2		(PRESSURE) (SUB AR93819)
	R45630	HYD. QUICK-CONNECT COUPLER	2		(RETURN) (SUB AR93820)
35	D2361R	BALL	4		13MM (1/2")
36	R28084	SPRING	4		
37	R28085	GUIDE	4		(SUB AR93819 OR AR93820, THIS APPLICATION)
38	R59633	WEAR RING	4		(SUB FOR R28204)
39	AR30210	INTERNAL HALF COUPLER	2		(PRESSURE) (SUB AR93819)
	AR47643	BREAKAWAY COUPLER	2		(RETURN) (SUB AR93820)

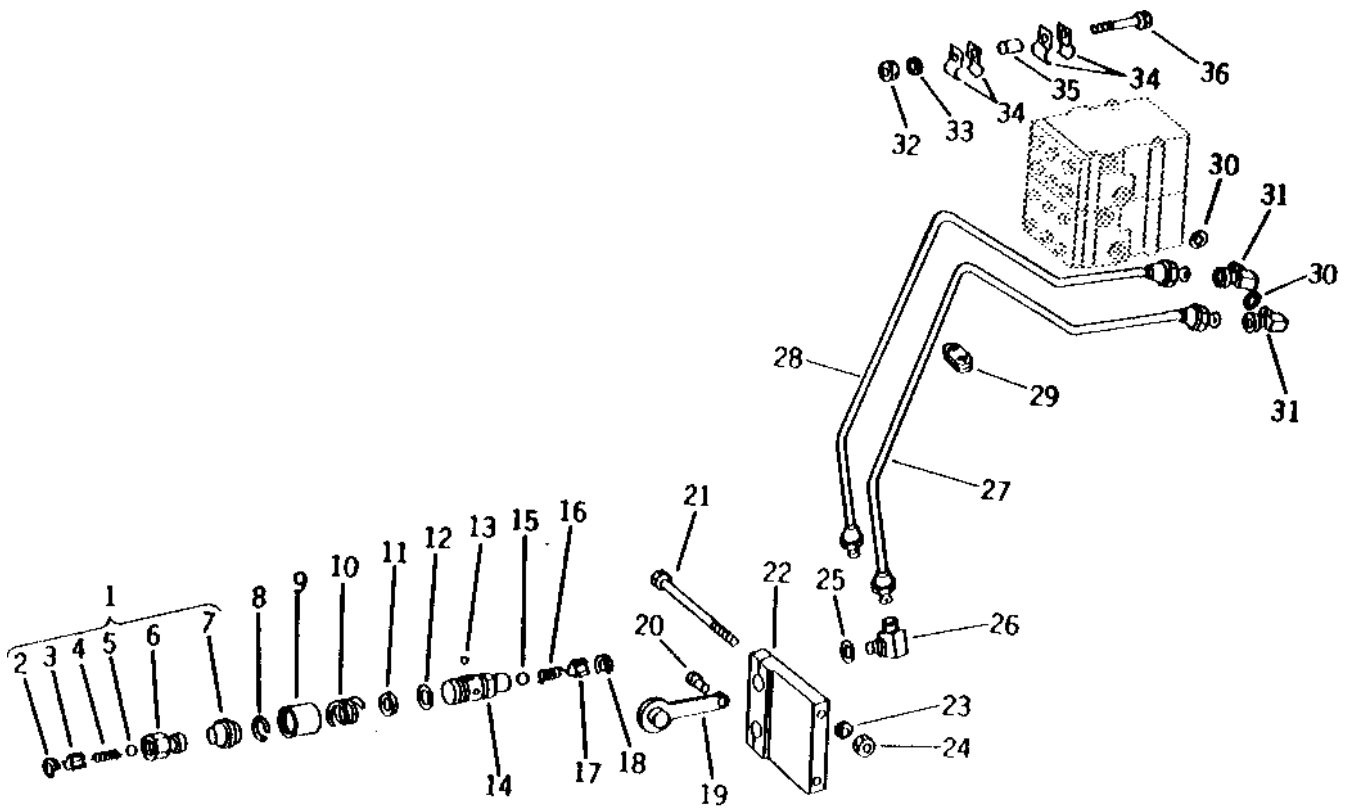
3G5

HYDRAULICS

RIGHT-HAND DUAL FRONT OUTLET WITH COUPLERS (WITH SINGLE OR DUAL SELECTIVE CONTROL)

R10219

-UN-01JAN94



R10219

3G6

HYDRAULICS

RIGHT-HAND DUAL FRONT OUTLET WITH COUPLERS - CONTINUED
(WITH SINGLE OR DUAL SELECTIVE CONTROL)

KEY	PART NO.	PART NAME	QTY	TRACTOR SERIAL NO.	REMARKS
1	AR30210	INTERNAL HALF COUPLER	1		(PRESSURE) (SUB AR93819)
	AR47643	BREAKAWAY COUPLER	1		(RETURN) (SUB AR93820)
2	R59633	WEAR RING	2		(SUB FOR R28204)
3	R28085	GUIDE	2		(SUB AR93819 OR AR93820, THIS APPLICATION)
4	R28084	SPRING	2		
5	D2361R	BALL	2		13MM (1/2")
6	R27430	HYD. QUICK-CONNECT COUPLER	1		(PRESSURE) (SUB AR93819)
	R45630	HYD. QUICK-CONNECT COUPLER	1		(RETURN) (SUB AR93820)
7	R28006	CAP	2		
8	R32356	SNAP RING	2		
9	R32355	SLEEVE	2		
10	R32354	SPRING	2		
11	R26485	BACK-UP RING	2		
12	R495R	O-RING	2		
13	400R	BALL	1		6MM (1/4")
14	R32353	SOCKET OUTLET	2		
15	D2361R	BALL	2		13MM (1/2")
16	R28084	SPRING	2		
17	R28085	GUIDE	2		(SUB RE15361)
18	R59633	WEAR RING	2		(SUB FOR R28204)
19	R32419	COVER	2		
20	A5748R	STUD	2		
21	08H4732	CAP SCREW	2		3/8" X 6-3/4"
22	AR31673	BRACKET	1		(MARKED R32418)
23	12H304	LOCK WASHER	2		3/8"
24	14H1076	NUT	2		3/8"
25	R26375	O-RING	2		
26	AR31674	FITTING	2		90°
27	AR31670	LINE	1		LOWER, R.H.
28	AR31669	HYDRAULIC LINE	1		UPPER, R.H.
29	R26418	GROMMET	1		
30	R26375	O-RING	2		
31	AR31674	FITTING	2		90°
32	14H786	NUT	1		1/4"
33	12H302	LOCK WASHER	1		1/4"
34	R27720	CLAMP	4		
35	28H1697	SPACER	1		3/8" X 3/4"
36	19H2334	CAP SCREW	1		1/4" X 2-1/2"

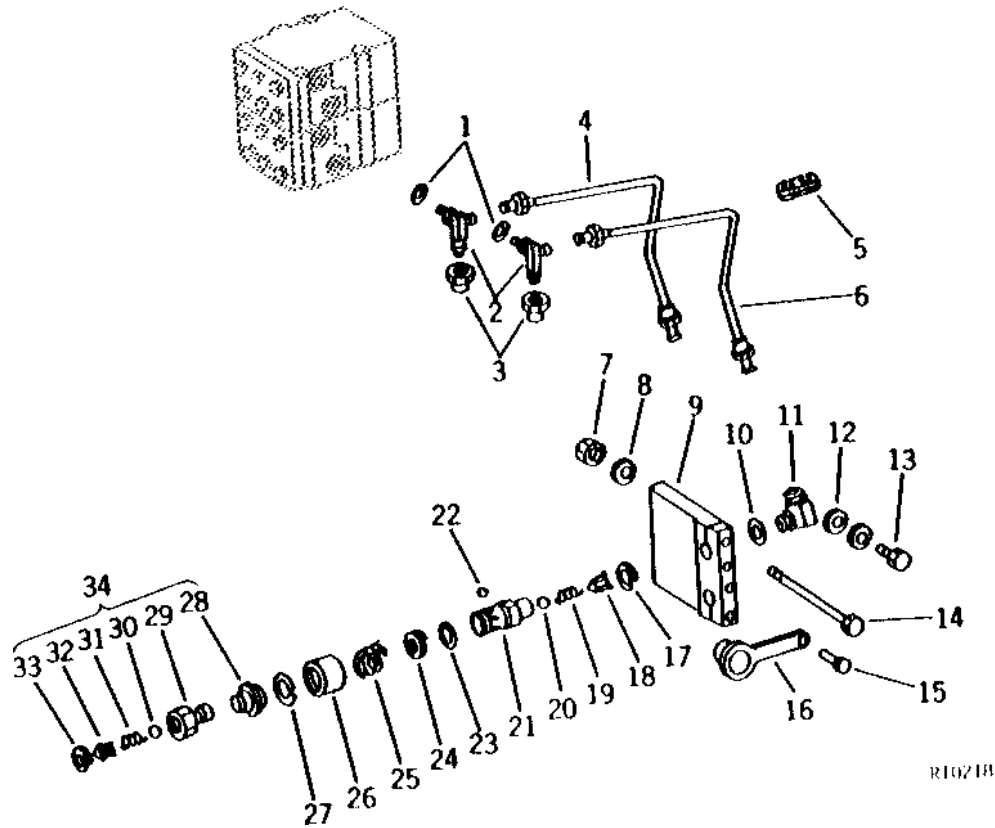
3G7

HYDRAULICS

LEFT-HAND DUAL FRONT OUTLET WITH COUPLERS (DUAL SELECTIVE CONTROL)

R10218

-UN-01JAN94



R10218

LEFT-HAND DUAL FRONT OUTLET WITH COUPLERS - CONTINUED
(DUAL SELECTIVE CONTROL)

KEY	PART NO.	PART NAME	QTY	TRACTOR SERIAL NO.	REMARKS
1	R26375	O-RING	2		
2	AR32665	TEE FITTING	2		
3	R31736	FITTING	2		
4	AR31678	OIL LINE	1		UPPER, L.H. (NO LONGER AVAILABLE)
5	R26418	GROMMET	1		
6	AR31679	OIL LINE	1		LOWER, L.H.
7	14H812	NUT	2		3/8"
8	12H304	LOCK WASHER	2		3/8"
9	AR31673	BRACKET	1		(MARKED R32418)
10	R26375	O-RING	2		
11	AR31674	FITTING	2		90°
12	24H1136	WASHER	1		11/32" X 11/16" X 0.065"
13	19H1813	CAP SCREW	1		5/16" X 5/8"
14	08H4732	CAP SCREW	2		3/8" X 6-3/4"
15	A5748R	STUD	2		
16	R32419	COVER	2		
17	R59633	WEAR RING	2		(SUB FOR R28204)
18	R28085	GUIDE	2		(SUB RE15361)
19	R28084	SPRING	2		
20	D2361R	BALL	2		13MM (1/2")
21	R32353	SOCKET OUTLET	2		
22	400R	BALL	12		6MM (1/4")
23	R495R	O-RING	2		
24	R26485	BACK-UP RING	2		
25	R32354	SPRING	2		
26	R32355	SLEEVE	2		
27	R32356	SNAP RING	2		
28	R28006	CAP	2		
29	R27430	HYD. QUICK-CONNECT COUPLER	1		(PRESSURE) (SUB AR93819)
	R45630	HYD. QUICK-CONNECT COUPLER	1		(RETURN) (SUB AR93820)
30	D2361R	BALL	2		13MM (1/2")
31	R28084	SPRING	2		(SUB AR93819 OR AR93820, THIS APPLICATION)
32	R28085	GUIDE	2		
33	R59633	WEAR RING	2		(SUB FOR R28204)
34	AR30210	INTERNAL HALF COUPLER	1		(PRESSURE) (SUB AR93819)
	AR47643	BREAKAWAY COUPLER	1		(RETURN) (SUB AR93820)

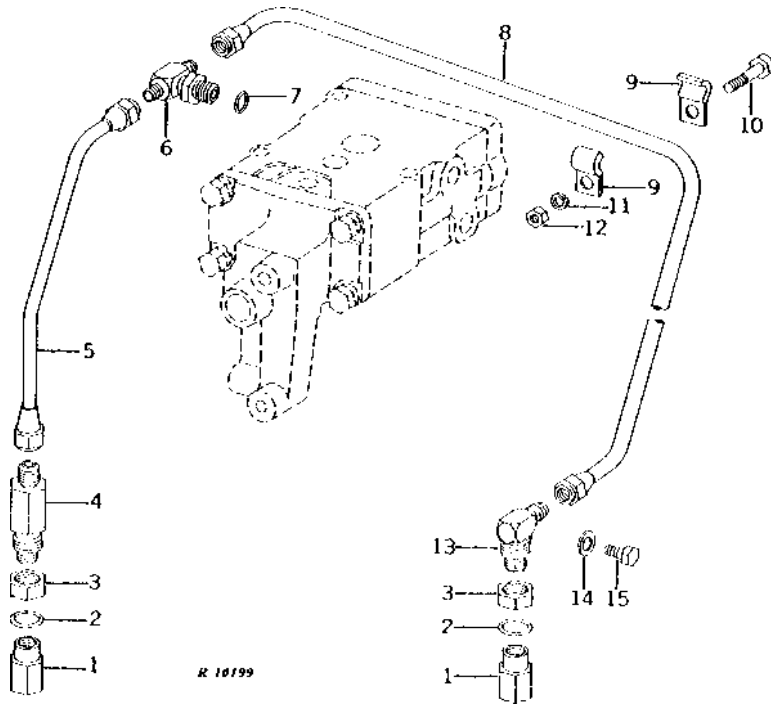
3G9

HYDRAULICS

RIGHT-HAND AND LEFT-HAND PARALLEL SINGLE FRONT OUTLET WITH CAPS (WITH SINGLE OR DUAL SELECTIVE CONTROL)

R10199

-UN-01JAN94



KEY	PART NO.	PART NAME	QTY	TRACTOR SERIAL NO.	REMARKS
1	R30886	FITTING	2		
2	R26448	O-RING	2		
3	R26627	NUT	2		
4	R30888	FITTING	1		
5	AR30001	OIL LINE	1		
6	AR32667	TEE FITTING	1		
7	R26375	O-RING	1		
8	AR30000	LINE	1		
9	R27720	CLAMP	2		
10	19H1898	CAP SCREW	1	1/4" X 1-1/2"	
11	12H302	LOCK WASHER	1	1/4"	
12	14H786	NUT	1	1/4"	
13	AR28999	FITTING	1	90°	
14	24H1136	WASHER	1	11/32" X 11/16" X 0.065"	
15	19H2020	CAP SCREW	1	5/16" X 1/2"	

MEMORANDA

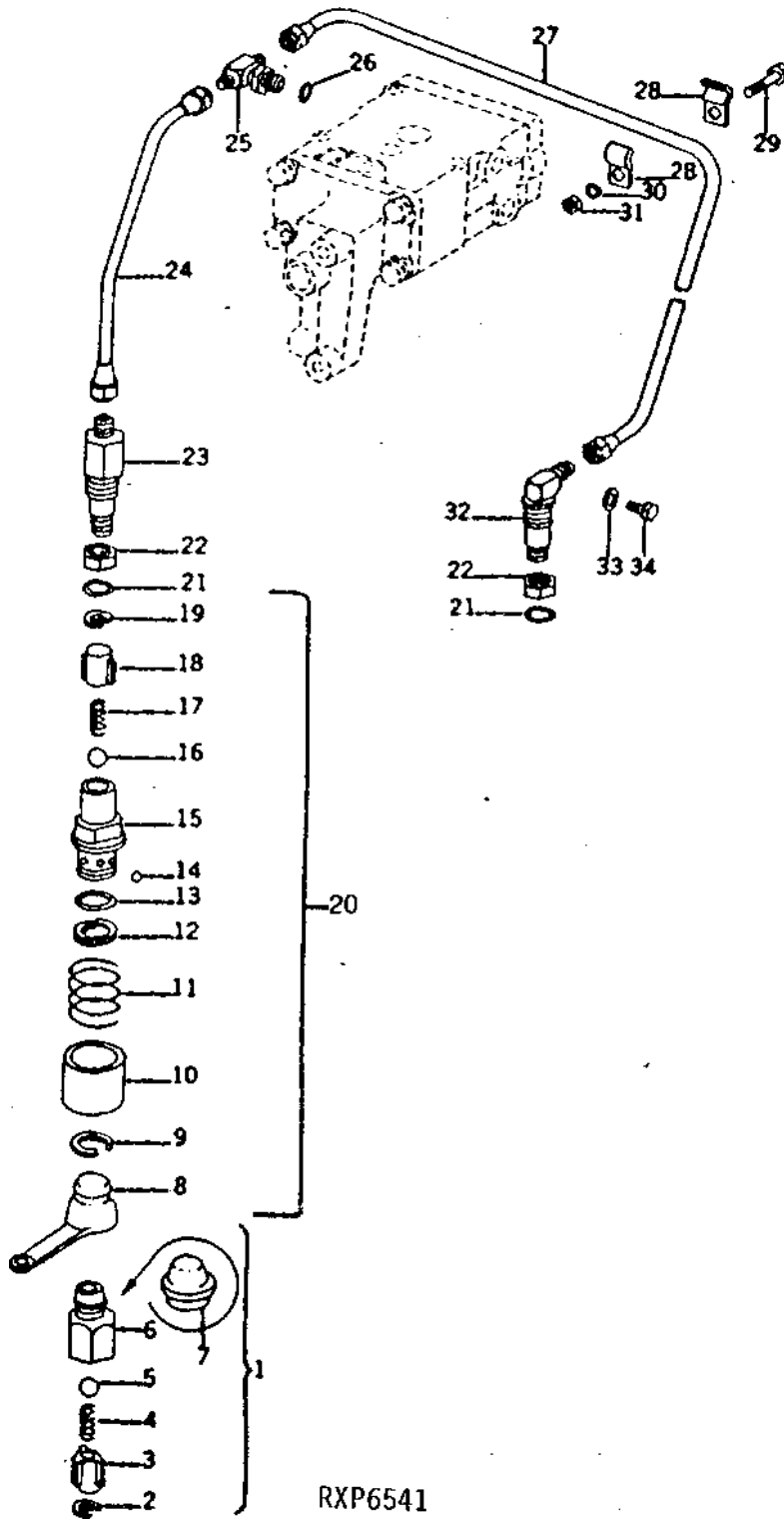
3G10

HYDRAULICS

RIGHT-HAND AND LEFT-HAND PARALLEL SINGLE FRONT OUTLET WITH COUPLERS (SINGLE OR DUAL SELECTIVE CONTROL)

RXP6541

-UN-01JAN94



RXP6541

3G11

HYDRAULICS

**RIGHT-HAND AND LEFT-HAND PARALLEL SINGLE FRONT OUTLET WITH COUPLERS - CONTINUED
(SINGLE OR DUAL SELECTIVE CONTROL)**

KEY	PART NO.	PART NAME	QTY	TRACTOR SERIAL NO.	REMARKS
1	AR30210	INTERNAL HALF COUPLER	1		(PRESSURE) (SUB AR93819)
	AR47643	BREAKAWAY COUPLER	1		(RETURN) (SUB AR93820)
2	R59633	WEAR RING	2		(SUB FOR R28204)
3	R28085	GUIDE	2		(SUB AR93819 OR AR93820, THIS APPLICATION)
4	R28084	SPRING	2		
5	D2361R	BALL	2		13MM (1/2")
6	R27430	HYD. QUICK-CONNECT COUPLER	1		(PRESSURE) (SUB AR93819)
	R45630	HYD. QUICK-CONNECT COUPLER	1		(RETURN) (SUB AR93820)
7	R28006	CAP	2		
8	R32419	COVER	2		
9	R32356	SNAP RING	2		
10	R32355	SLEEVE	2		
11	R32354	SPRING	2		
12	R26485	BACK-UP RING	2		
13	R495R	O-RING	2		
14	400R	BALL	12		6MM (1/4")
15	R32353	SOCKET OUTLET	2		
16	D2361R	BALL	2		13MM (1/2")
17	R28084	SPRING	2		
18	R28085	GUIDE	2		
19	R59633	WEAR RING	2		(SUB FOR R28204)
20	AR31611	COUPLING	1		(SUB RE15361)
21	R26375	O-RING	2		
22	14H876	NUT	2		1"
23	R39785	FITTING	1		
24	AR30001	OIL LINE	1		
25	AR32667	TEE FITTING	1		
26	R26375	O-RING	1		
27	AR30000	LINE	1		
28	R27720	CLAMP	2		
29	19H1898	CAP SCREW	1		1/4" X 1-1/2"
30	12H302	LOCK WASHER	1		1/4"
31	14H786	NUT	1		1/4"
32	AR39763	ELBOW FITTING	1		90°
33	24H1136	WASHER	1		11/32" X 11/16" X 0.065"
34	19H2020	CAP SCREW	1		5/16" X 1/2"

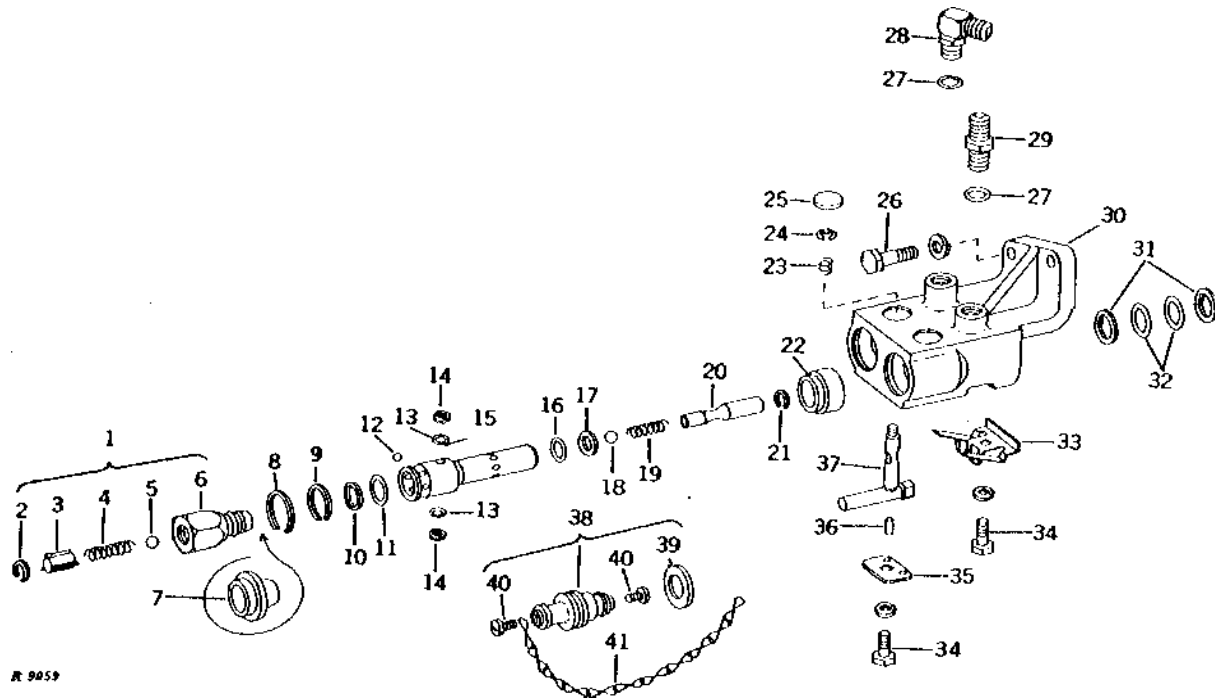
3G12

HYDRAULICS

R9059

-UN-01JAN94

BREAKAWAY COUPLER



KEY	PART NO.	PART NAME	QTY	TRACTOR SERIAL NO.	REMARKS
1	AR30210	INTERNAL HALF COUPLER	1		(PRESSURE) (SUB AR93819)
	AR47643	BREAKAWAY COUPLER	1		(RETURN) (SUB AR93820)
2	R59633	WEAR RING	2		(SUB FOR R28204)
3	R28085	GUIDE	2		(SUB AR93819 OR AR93820, THIS APPLICATION)
4	R28084	SPRING	2		
5	D2361R	BALL	2		13MM (1/2")
6	R27430	HYD. QUICK-CONNECT COUPLER	1		(PRESSURE) (SUB AR93819)
	R45630	HYD. QUICK-CONNECT COUPLER	1		(RETURN) (SUB AR93820)
7	R28006	CAP	2		
8	R34399	SNAP RING	2		
9	R32356	SNAP RING	2		
10	R26485	BACK-UP RING	2		
11	R59343	RING	2		(SUB FOR R495R)
12	400R	BALL	12		6MM (1/4")
13	A3917R	O-RING	4		
14	R26484	BACK-UP RING	4		
15	R34397	SOCKET OUTLET	2		
16	R375R	O-RING	2		
17	R26482	RING	2		
18	D2361R	BALL	2		13MM (1/2")
19	R28084	SPRING	2		
20	R34400	PLUG	2		
21	R26483	SNAP RING	2		
22	R34398	SLEEVE	2		
23	R31890	SPRING	2		
24	R72653	SNAP RING	2		(SUB FOR M2396T)
25	30H15	PLUG	2		1-1/8"
26	19H3579	CAP SCREW	2		1/2" X 1-3/8"
	12H301	LOCK WASHER	2		1/2"
27	R26375	O-RING	2		
28	AT32332	ELBOW FITTING	1		90°, (SUB FOR AR26763)

3G13

HYDRAULICS

BREAKAWAY COUPLER - CONTINUED

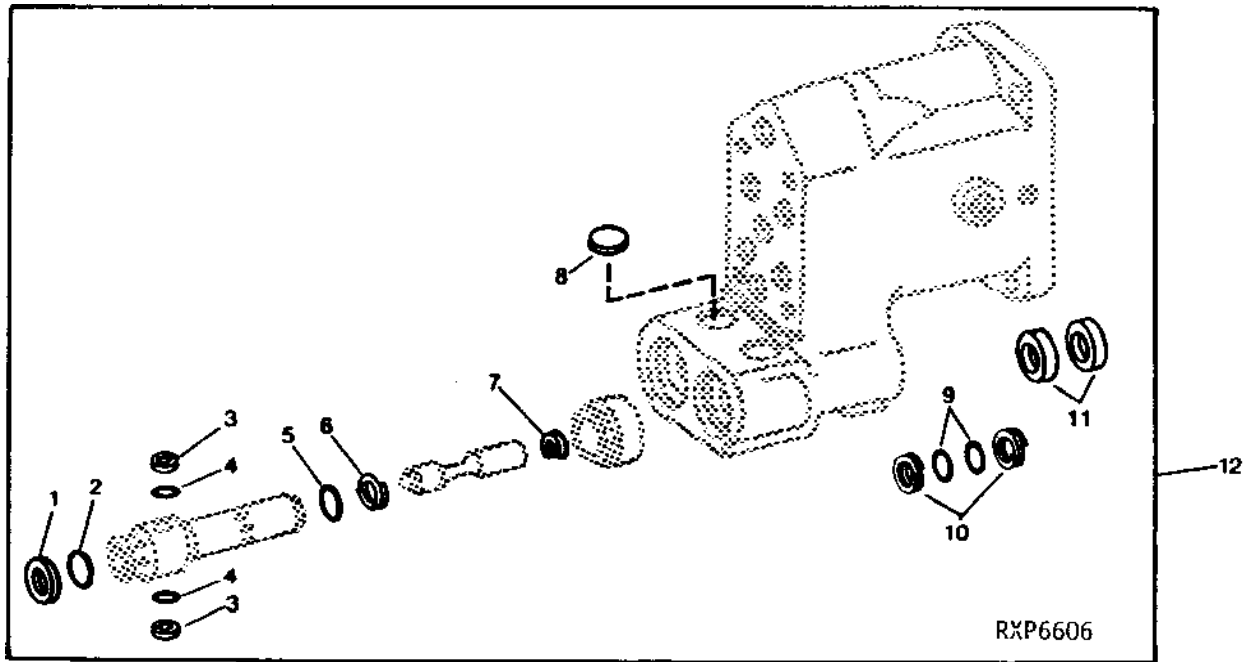
KEY	PART NO.	PART NAME	QTY	TRACTOR SERIAL NO.	REMARKS
29	R27237	FITTING	1		
30	AR52620	HOUSING	1		(MARKED R34396) (SUB FOR AR48295) (SUB R34396, R49191, R72654, 12H10 AND 24H1286)
31	R26480	BACK-UP RING	4		
32	A4730R	O-RING	4		
33	R30818	SPRING	1		
34	19H1900	CAP SCREW	2		5/16" X 3/4"
	12H303	LOCK WASHER	2		5/16"
35	R51285	PLATE	1	-XXXXXX	(SUB FOR R34402 OR R41494) (SUB R61957)
	AR75958	CAM	1	XXXXXX-	(SUB R61957)
36	34H244	SPRING PIN	2		1/8" X 9/16"
37	AR33877	LEVER	2		
38	AR52623	PLUG	2		(SUB FOR AR34059)
39	R34589	WASHER	2		
40	37H97	SCREW	4		0.242" X 3/4", (SUB FOR A4322R)
41	AN163885	LINK CHAIN	2		(SUB FOR A3184R OR R49193)
..	AR40587	BREAKAWAY COUPLER	1		(WITH ELBOW AND CONNECTOR)

3G14

HYDRAULICS

RXP6606 -UN-06OCT94

BREAKAWAY COUPLER OVERHAUL KIT



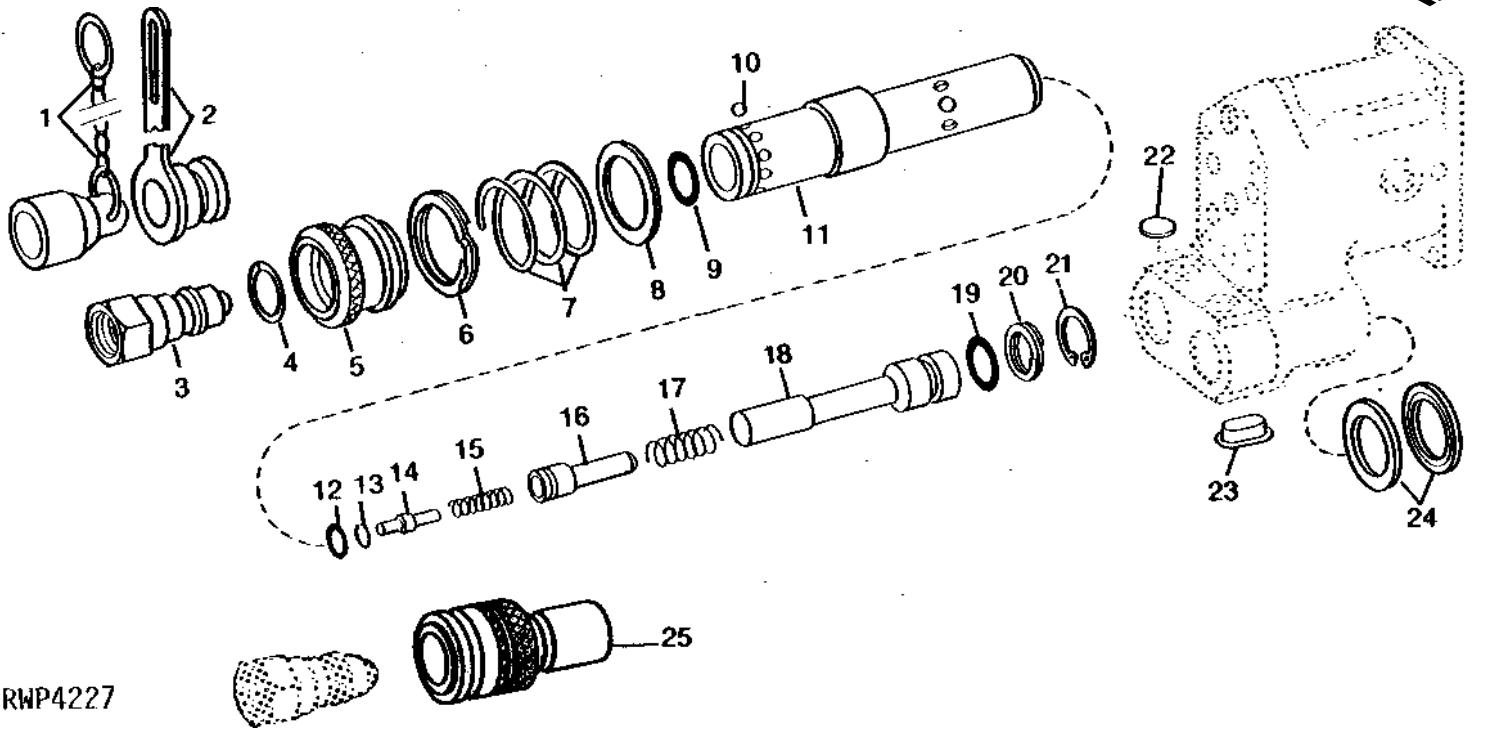
KEY	PART NO.	PART NAME	QTY	TRACTOR SERIAL NO.	REMARKS
1	R26485	BACK-UP RING	2		
2	R59343	RING	2		
3	R26484	BACK-UP RING	4		
4	A3917R	O-RING	4		
5	R375R	O-RING	2		
6	R26482	RING	2		
7	R26483	SNAP RING	2		
8	30H15	PLUG	2	1-1/8"	
9	A4730R	O-RING	4	(EARLY DESIGN)	
10	R26480	BACK-UP RING	1	(EARLY DESIGN)	
11	R79311	SEAL	4	(CURRENT DESIGN)	
12	AR82570	KIT	1	(SUB FOR AR30685)	

3G15

HYDRAULICS

ISO BREAKAWAY COUPLER (SERVICE PARTS FOR AR80911)

RWP4227 -UN-01JAN94



RWP4227

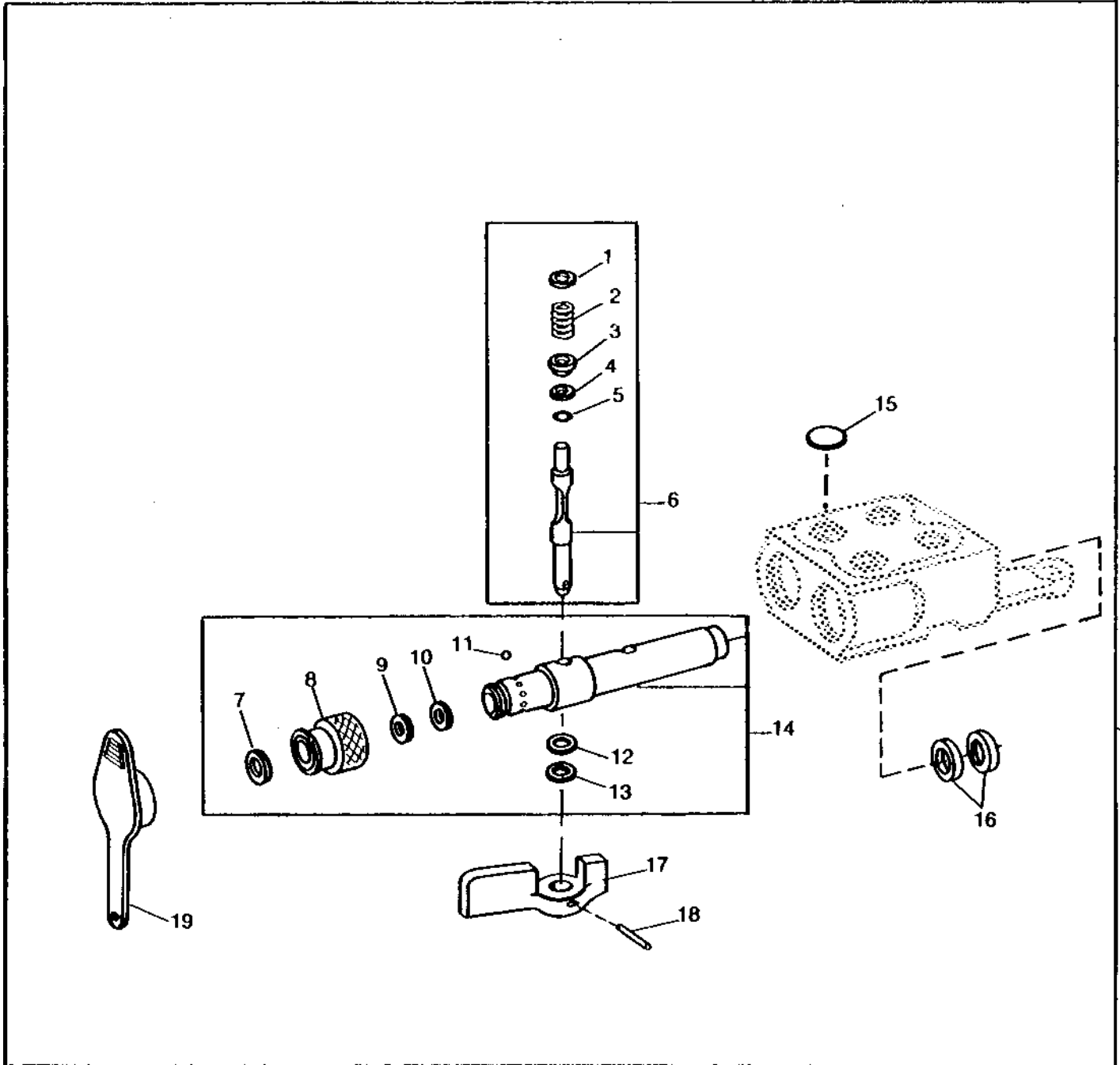
KEY	PART NO.	PART NAME	QTY	TRACTOR SERIAL NO.	REMARKS
1	A15898	CAP	1		
2	A15899	CAP	1		
3	AL26973	INTERNAL HALF COUPLER	1		(SUB AR94522)
4	R64617	SNAP RING	1		(A)
5	R64618	SLEEVE	1		(A)
6	R64615	SNAP RING	1		(A)
7	R64609	SPRING	1		(A)
8	R64608	WASHER	1		(A)
9	R21722	O-RING	1		
10	H871R	BALL	8		5MM (3/16")
11	R64605	EXTERNAL HALF COUPLER	1		(A)
12	T77613	O-RING	1		(SUB FOR R64613)
13	R64614	SNAP RING	1		(A)
14	R64612	PIN	1		(A)
15	R64611	SPRING	1		(A)
16	R64610	POPPET	1		(A)
17	R64607	SPRING	1		
18	R64606	GUIDE	1		(A)
19	R375R	O-RING	1		
20	R26482	RING	1		
21	U15969	SNAP RING	1		
22	30H15	PLUG	1		1-1/8"
23	R64561	PLUG	1		
24	R79311	SEAL	2		(SUB FOR R74530)
25	AL26972	EXTERNAL HALF COUPLER	1		

(A)SUB RE12121, R34399, R49191, R61957 AND 12H303)

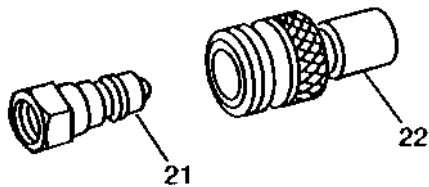
3G16

RWP3518 -UN-01JAN94

JOHN DEERE TO ISO COUPLER CONVERSION KIT



RWP3518



3G17

HYDRAULICS

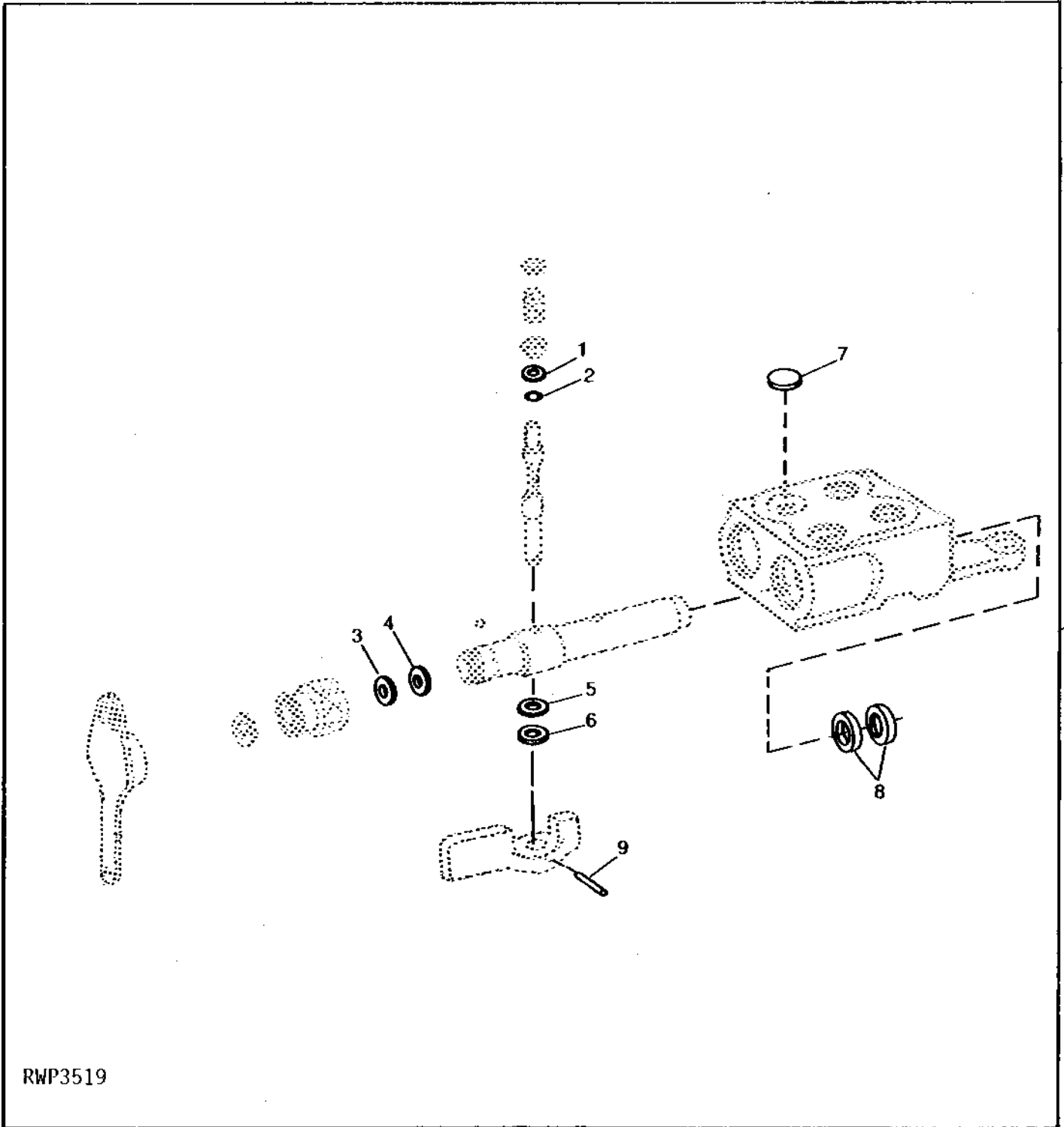
JOHN DEERE TO ISO COUPLER CONVERSION KIT - CONTINUED

KEY	PART NO.	PART NAME	QTY	TRACTOR SERIAL NO.	REMARKS
1	R54242	SNAP RING	2		
2	R78767	SPRING	2		
3	R48698	WASHER	2		
4	R31136	BACK-UP RING	2		
5	R10093	O-RING	2		
6	RE13814	SHAFT	2		
7	40M4378	SNAP RING	2		
8	R78765	SLEEVE	2		
9	R71387	WASHER	2		
10	R74210	O-RING	2		
11	H871R	BALL	16		
12	P51212	O-RING	2		
13	R78766	BACK-UP RING	2		
14	RE13813	RECEPTACLE	2		
15	30H15	PLUG	2		1-1/8"
16	R79311	SEAL	2		(SUB FOR R74530)
17	R78769	HANDLE	2		
18	34H247	SPRING PIN	2		1/8" X 3/4"
19	R78768	COVER	2		
20	RE12121	RECEIVER	1		
21	AL26973	INTERNAL HALF COUPLER	AR		(SUB AR94522)
22	AL26972	EXTERNAL HALF COUPLER	AR		

3G18

RWP3519 -UN-01JAN94

ISO COUPLER OVERHAUL KIT



RWP3519

3G19

HYDRAULICS

ISO COUPLER OVERHAUL KIT - CONTINUED

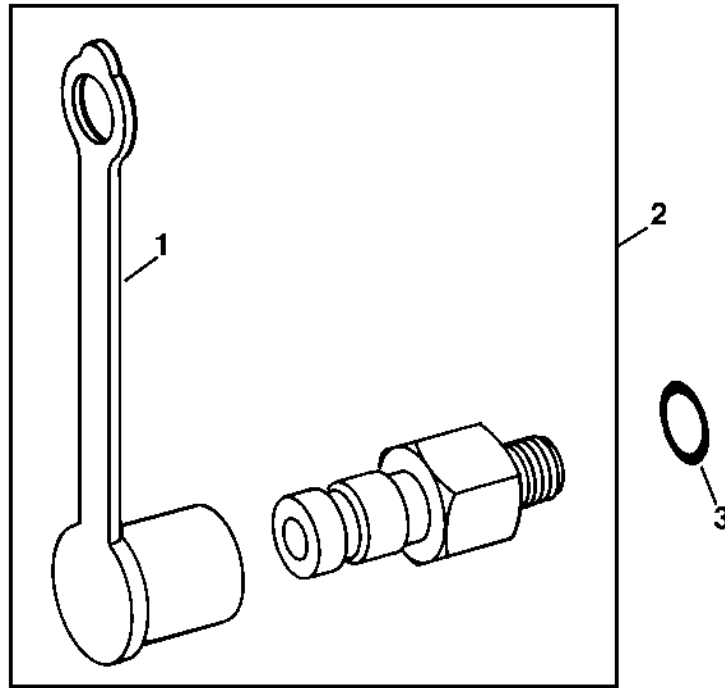
KEY	PART NO.	PART NAME	QTY	TRACTOR SERIAL NO.	REMARKS
1	R31136	BACK-UP RING	2		
2	R10093	O-RING	2		
3	R71387	WASHER	2		
4	R74210	O-RING	2		
5	P51212	O-RING	2		
6	R78766	BACK-UP RING	2		
7	30H15	PLUG	2		1-1/8"
8	R74530	SEAL	4		(SUB R79311)
9	34H247	SPRING PIN	2		1/8" X 3/4"
10	RE13815	KIT	1		

3G20

HYDRAULICS

RXP022105 -UN-17APR97

DIAGNOSTIC RECEPTACLE



RXP022105

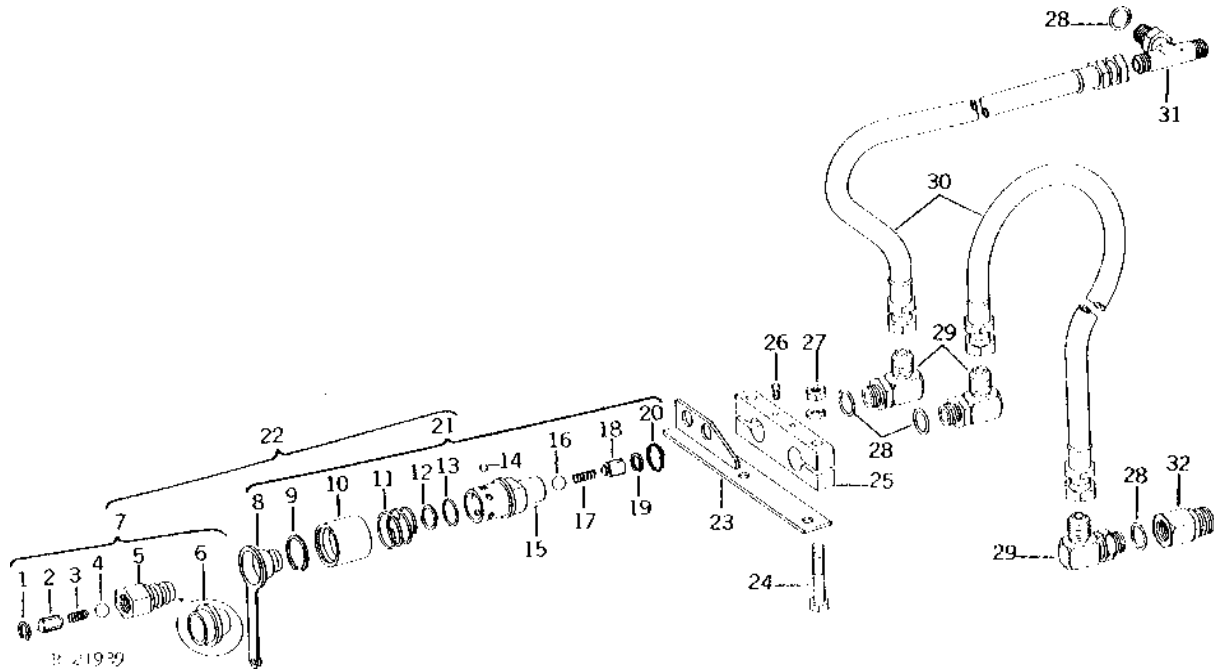
KEY	PART NO.	PART NAME	QTY	TRACTOR SERIAL NO.	REMARKS
1	R77175	COVER	1		
2	RE13561	RECEPTACLE	1	12.7MM (1/2") PORT	
	RE13562	RECEPTACLE	1	9.525MM (3/8") PORT	
3	R26286	O-RING	1	(USE WITH RE13561)	
	R26287	O-RING	1	(USE WITH RE13562)	

3G21

HYDRAULICS

AUXILIARY OUTLET COUPLER KIT

R21939 -UN-01JAN94



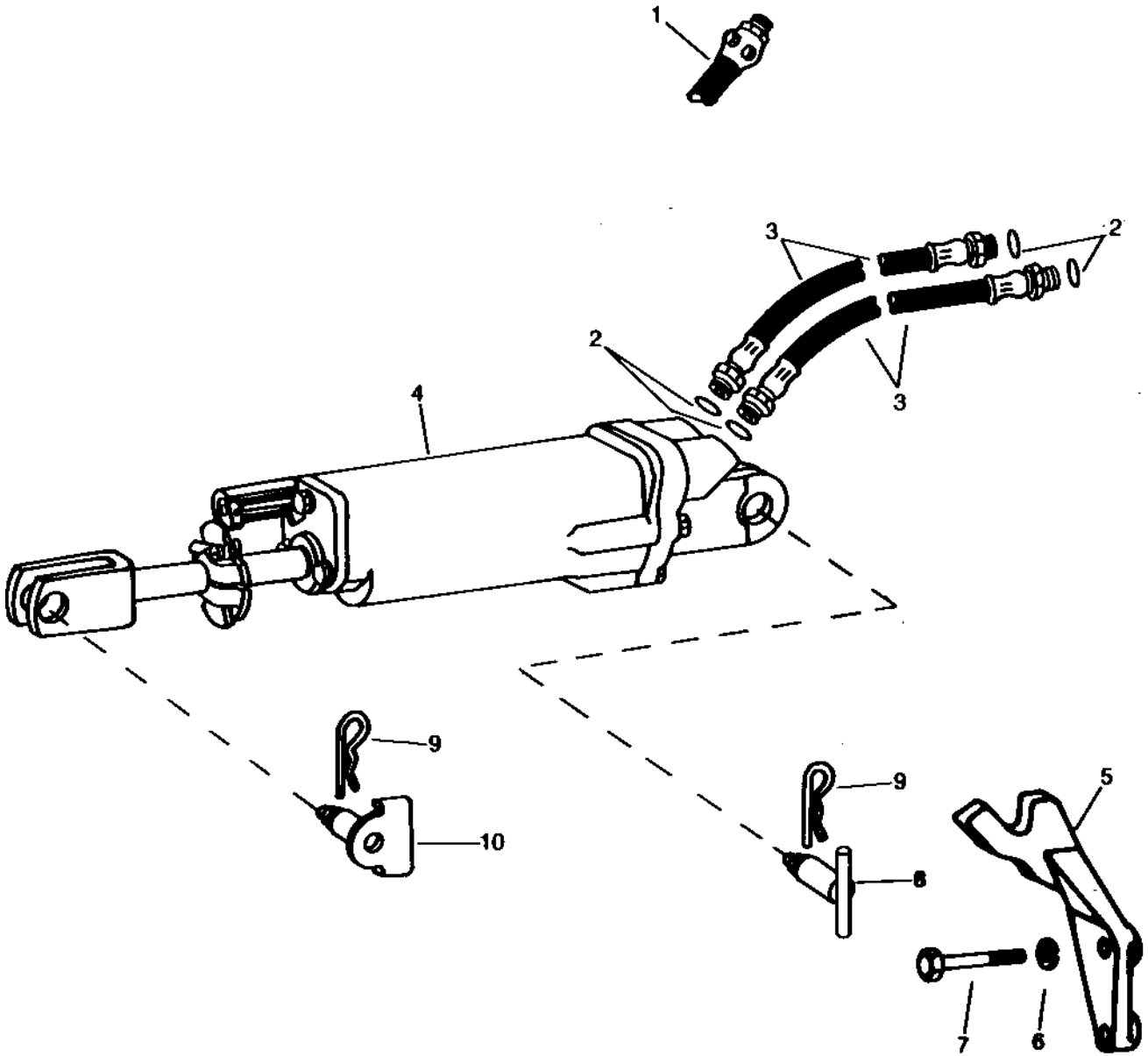
KEY	PART NO.	PART NAME	QTY	TRACTOR SERIAL NO.	REMARKS
1	R59633	WEAR RING	2	(SUB FOR R28204)	
2	R28085	GUIDE	2	(SUB AR93819 OR AR93820, THIS APPLICATION)	
3	R28084	SPRING	2		
4	D2361R	BALL	2	13MM (1/2")	
5	R27430	HYD. QUICK-CONNECT COUPLER	1	(PRESSURE) (SUB AR93819)	
	R45630	HYD. QUICK-CONNECT COUPLER	1	(RETURN) (SUB AR93820)	
6	R28006	CAP	2		
7	AR30210	INTERNAL HALF COUPLER	1	(PRESSURE) (SUB AR93819)	
	AR47643	BREAKAWAY COUPLER	1	(RETURN) (SUB AR93820)	
8	R32419	COVER	2	(SUB R80324)	
9	R32356	SNAP RING	2		
10	R32355	SLEEVE	2	(SUB RE15361)	
11	R32354	SPRING	2	(SUB RE15361)	
12	R26485	BACK-UP RING	2		
13	R495R	O-RING	2		
14	400R	BALL	12	6MM (1/4")	
15	R32353	SOCKET OUTLET	1	(SUB RE15361)	
16	D2361R	BALL	2	13MM (1/2")	
17	R28084	SPRING	2		
18	R28085	GUIDE	2	(SUB RE15361)	
19	R59633	WEAR RING	2	(SUB FOR R28204)	
20	R36946	SPRING	2		
21	AR47331	SOCKET OUTLET	2		
22	AR31611	COUPLING	1	(SUB RE15361)	
23	AN140262	SUPPORT	1		
24	19H1726	CAP SCREW	2	3/8" X 2-1/4"	
25	N140340	BRACKET	1		
26	A5748R	STUD	2		
27	14H1076	NUT	2	3/8"	
	12H304	LOCK WASHER	2	3/8"	
28	R26375	O-RING	4		
29	AT32332	ELBOW FITTING	3	90°, (SUB FOR AR26763)	
30	AN140274	HYDRAULIC HOSE	2		
31	AN140263	TEE FITTING	AR		
	AN140264	TEE FITTING	AR		
	AN140265	TEE FITTING	AR		
32	N140476	FITTING	1		

3G22

HYDRAULICS

RXP011359 -UN-12OCT94

REMOTE CYLINDER, HOSES AND ARM



RXP011359

REMOTE CYLINDER, HOSES AND ARM - CONTINUED

KEY	PART NO.	PART NAME	QTY	TRACTOR SERIAL NO.	REMARKS
1	AR30784	TEE FITTING	1		
2	R26375	O-RING	4		
3	AR26407	HYDRAULIC HOSE	2		2337MM (92")
	R32183	HYDRAULIC HOSE	2		2337MM (92")
	R36795	HYDRAULIC HOSE	2		3048MM (120")
4	AR27437	CYLINDER	1		(A) 76 X 202MM (3" X 8") (ILLUSTRATED) (ORDER AR27062) (NLA)
	AR34829	CYLINDER	1		(B) 76 X 202MM (3" X 8") (ORDER AR34827) (NLA)
	AR35261	CYLINDER	1		(A) 89 X 202MM (3-1/2" X 8") (ALSO ORDER AR36158)
	AR36303	CYLINDER	1		(B) 89 X 202MM (3-1/2" X 8") (ALSO ORDER AR36158)
5	R32118	ARM	1		L.H., (SINGLE OR DUAL) (NLA)
	R32117	ARM	1		R.H. (SINGLE OR DUAL)
6	12H304	LOCK WASHER	AR		3/8", (2 USED SINGLE) (4 USED DUAL)
7	19H1765	CAP SCREW	AR		3/8" X 1-3/4", (2 USED SINGLE) (4 USED DUAL)
8	AR47825	PIN	1		(SUB FOR AA6309R) (USE WITH AR27437)
	AR47825	PIN	2		(SUB FOR AA6309R) (USE WITH AR34829, AR35261 AND AR36303)
9	A3581R	SPRING LOCKING PIN	2		
10	AA6307R	PIN	1	-XXXXXX	(USE WITH AR27437) (SUB AR71902)
	AR71902	PIN	1	XXXXXX-	

(A) HYDRAULIC STOP

(B) MECHANICAL STOP

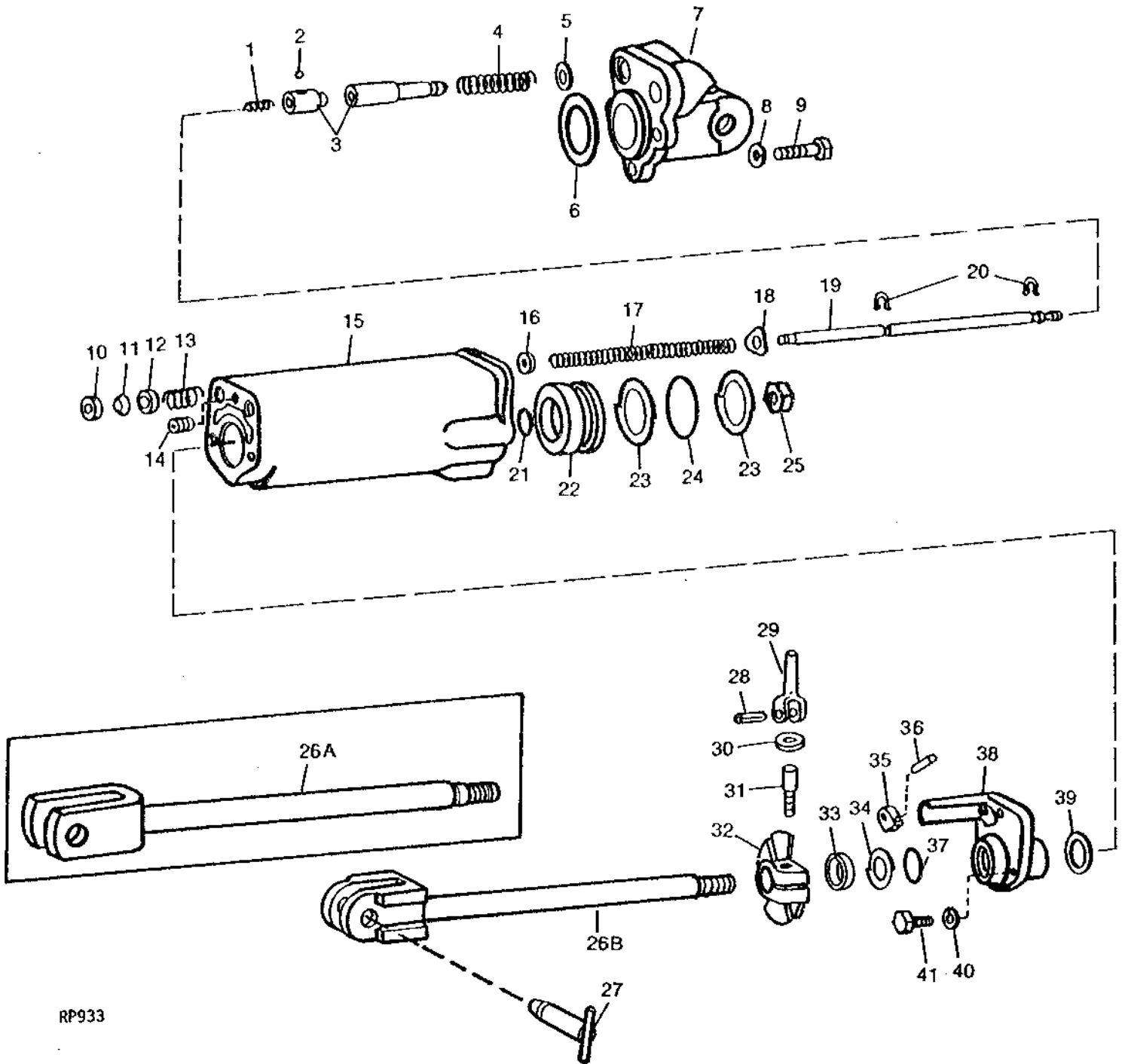
3G24

HYDRAULICS

3" X 8" REMOTE CYLINDER PARTS (HYDRAULIC STOP)

RP933

-UN-01JAN94



RP933

3G25

HYDRAULICS

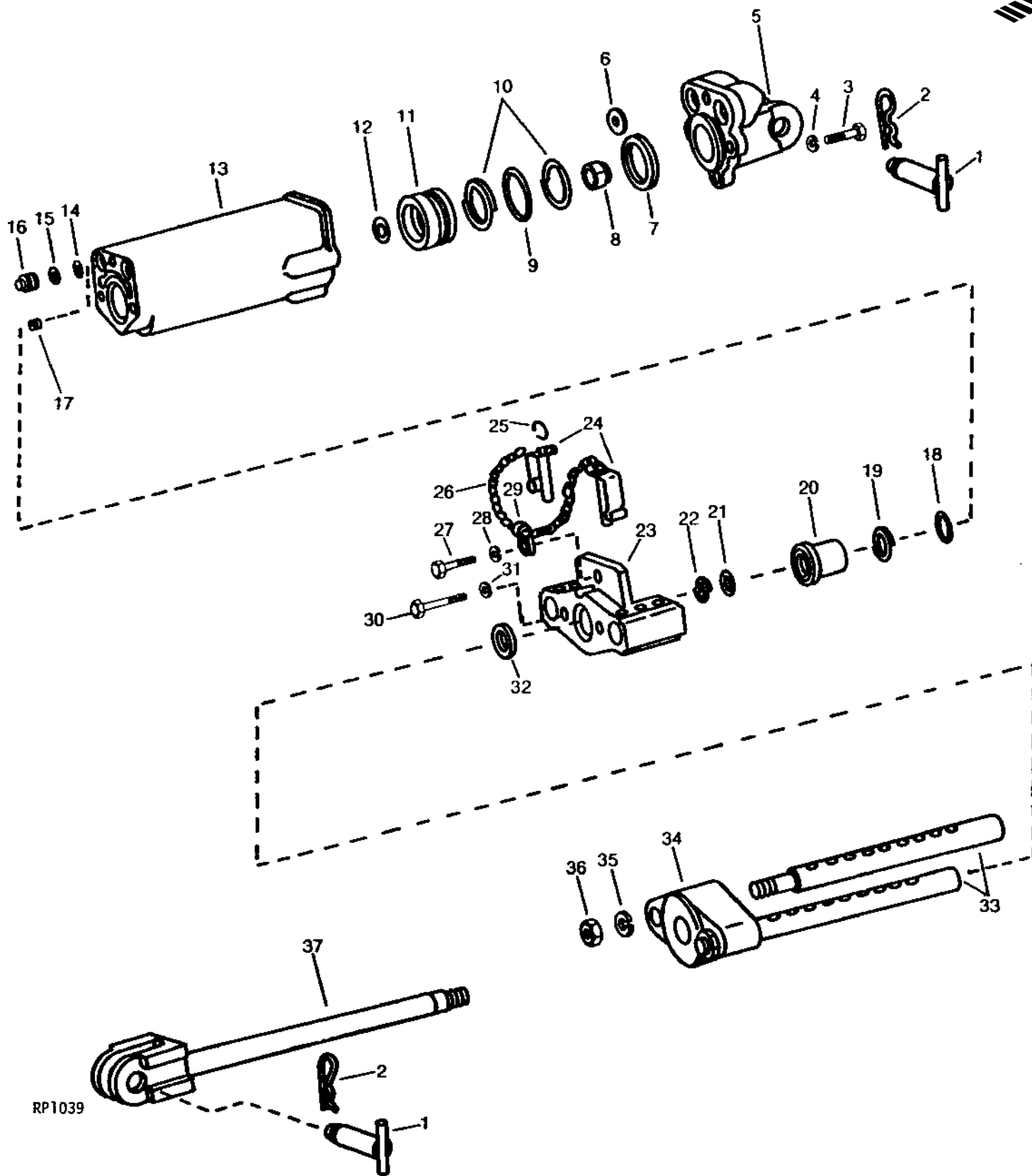
3" X 8" REMOTE CYLINDER PARTS - CONTINUED (HYDRAULIC STOP)

KEY	PART NO.	PART NAME	QTY	MODEL NO.	REMARKS
1	A4741R	SPRING	1	1RC1-1RC2	
2	A4742R	BALL	1	1RC1-1RC2	
3	AA5731R	VALVE	1	1RC1-1RC2	(ILLUSTRATED)
	R39012	VALVE	1	1RC3-	
4	R49352	SPRING	1		
5	A4723R	WASHER	2		
6	A4722R	WASHER	1		
7	R27427	HYDRAULIC CYLINDER CAP	1		
8	12H301	LOCK WASHER	4		1/2"
9	19H2473	CAP SCREW	4		1/2" X 1-3/4"
10	A4746R	ADAPTER	1		
11	A4745R	PACKING	3		
12	A4747R	WASHER	1		
13	A4748R	SPRING ASSEMBLY	1		
14	15H624	PIPE PLUG	1		1/2"
15	R27421	CYLINDER	1		
16	24H1301	WASHER	1		13/32" X 9/16" X 0.065"
17	A4737R	SPRING	1		
18	R57696	WASHER	1		(SUB FOR A4738R)
19	A4736R	ROD	1		
20	A4739R	RING	2		
21	R27564	O-RING	1	1RC2-	
22	R27422	PISTON	1	-1RC1	(SUB R44296)
	R44296	PISTON	1	1RC2-	
23	R27649	BACK-UP RING	2		
24	A4728R	O-RING	1		
25	R45620	LOCK NUT	1		(SUB FOR R41198)
26A	AF2331R	STEM	1	-1RC1	(SUB AR45545 AND AR47825)
	AR45543	ROD	1	1RC2-	(SUB AR45545 AND AR47825)
26B	AR45545	ROD	1		
27	AR47825	PIN	1		
28	34H264	SPRING PIN	1		5/32" X 7/8"
29	A5302R	YOKE	1		
30	R1870R	WASHER	1		(SUB R57696)
31	A5301R	SCREW	1		
32	R27423	STOP	1		
33	AP19547	SEAL	1		
34	R26441	BACK-UP RING	1		
35	R27426	ARM	1		
36	25H760	GROOVE PIN	1		7/32" X 1-1/4"
37	A3606R	O-RING	1		
38	R40218	GUIDE	1		
39	F1441R	WASHER	1		
40	12H304	LOCK WASHER	3		3/8"
41	19H1731	CAP SCREW	3		3/8" X 1"

3H1

3" X 8" REMOTE CYLINDER PARTS (MECHANICAL STOP)

RP1039 -UN-01JAN94



RP1039

3H2

HYDRAULICS

3" X 8" REMOTE CYLINDER PARTS - CONTINUED (MECHANICAL STOP-TYPE)

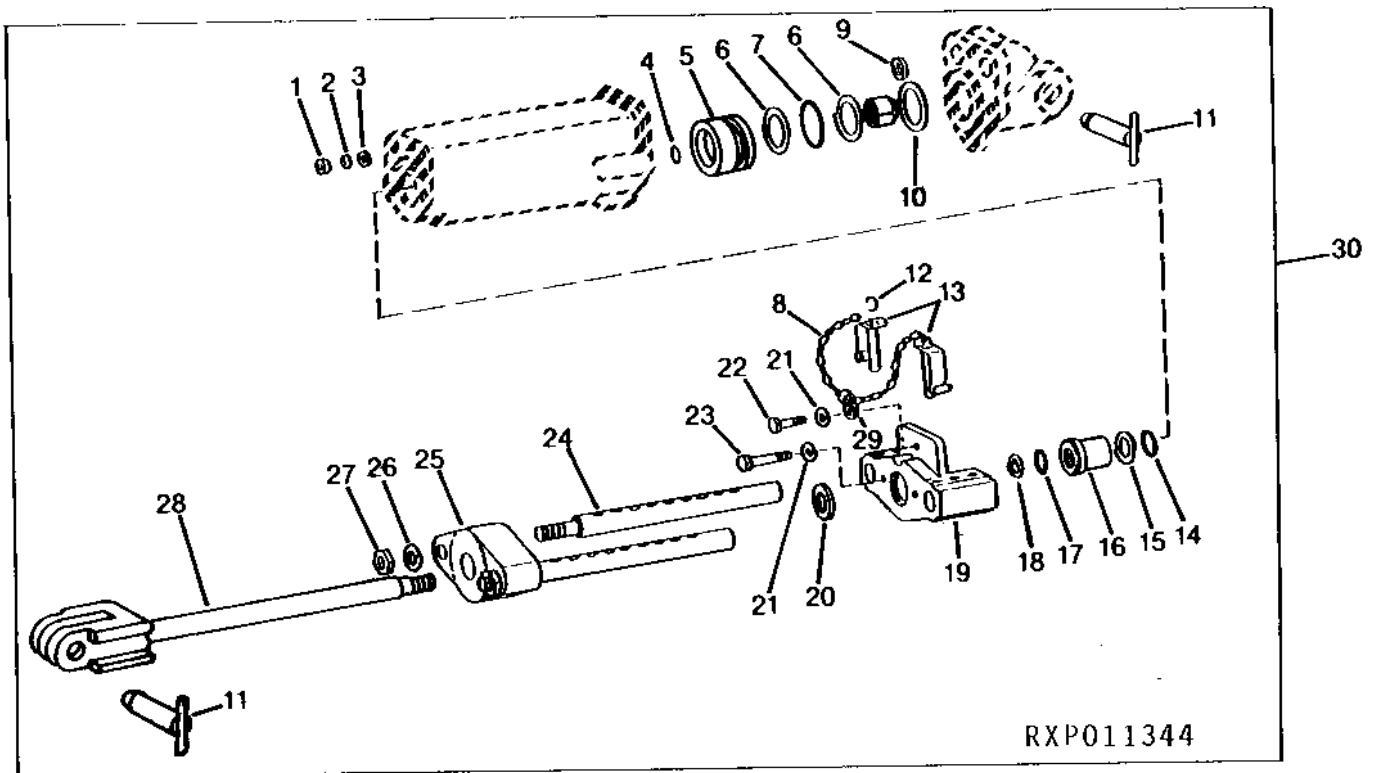
KEY	PART NO.	PART NAME	QTY	MODEL NO.	REMARKS
1	AR47825	PIN	2		(SUB FOR AA6309R)
2	A3581R	SPRING LOCKING PIN	2		
3	19H2473	CAP SCREW	4		1/2" X 1-3/4"
4	12H301	LOCK WASHER	4		1/2"
5	R27427	HYDRAULIC CYLINDER CAP	1		
6	A4723R	WASHER	2		
7	A4722R	WASHER	1		
8	R45620	LOCK NUT	1		(SUB FOR R41198)
9	A4728R	O-RING	1		
10	R27649	BACK-UP RING	2		
11	R27422	PISTON	1	-3RC1	(SUB R44296)
	R44296	PISTON	1	3RC2-	
12	R27564	O-RING	1	3RC2-	
13	R27421	CYLINDER	1		
14	R459R	O-RING	1		
15	R32588	BACK-UP RING	1		
16	R34131	PLUG	1		
17	15H624	PIPE PLUG	1		1/2"
18	R1138R	O-RING	1		
19	R34966	BACK-UP RING	1		
20	R34965	GUIDE	1		
21	A3606R	O-RING	1		
22	R26441	BACK-UP RING	1		
23	R34963	GUIDE	1	-3RC1	(SUB R44285, (2) R44287 AND (2) AR68145)
	R44285	GUIDE	1	3RC2-	
24	AR68146	PIN	2	-3RC1	(SUB FOR AR36308) (NLA)
	AR68145	QUICK LOCK PIN	2	3RC2-	(SUB FOR AR45536)
25	D2913R	LINK	2		
26	AN163885	LINK CHAIN	1		(SUB FOR A3184R OR R49193)
27	19H2552	CAP SCREW	1		
28	12H304	LOCK WASHER	1		3/8"
29	T13073	CLIP	1		
30	19H1726	CAP SCREW	2		3/8" X 2-1/4"
31	12H304	LOCK WASHER	2		3/8"
32	AP19547	SEAL	1		
33	R36954	ROD	2	-3RC1	(NLA)
	R44287	ROD	2	3RC2-	
34	R36952	STOP	1		
35	12H236	LOCK WASHER	2		3/4"
36	14H905	NUT	2		3/4"
37	AR34838	ROD	1	-3RC1	(SUB AR45545)
	AR45545	ROD	1	3RC2-	

3H3

HYDRAULICS

RXP011344 -UN-12OCT94

REMOTE CYLINDER CONVERSION KIT (3" X 8" HYDRAULIC STOP TO MECHANICAL STOP)



3H4

HYDRAULICS

REMOTE CYLINDER CONVERSION KIT - CONTINUED (3' X 8' HYDRAULIC STOP TO MECHANICAL STOP)

KEY	PART NO.	PART NAME	QTY	TRACTOR SERIAL NO.	REMARKS
1	R34131	PLUG	1		
2	R32588	BACK-UP RING	1		
3	R56464	O-RING	1		
4	R27564	O-RING	1		
5	R44296	PISTON	1		
6	R27649	BACK-UP RING	2		
7	A4728R	O-RING	1		
8	AN163885	LINK CHAIN	1		(SUB FOR R49193)
9	A4723R	WASHER	2		
10	A4722R	WASHER	1		
11	AR47825	PIN	2		
12	D2913R	LINK	2		
13	AR68145	QUICK LOCK PIN	2		
14	R1138R	O-RING	1		
15	R34966	BACK-UP RING	1		
16	R34965	GUIDE	1		
17	A3606R	O-RING	1		
18	R26441	BACK-UP RING	1		
19	R44285	GUIDE	1		
20	AP19547	SEAL	1		
21	12H304	LOCK WASHER	3		3/8"
22	19H2552	CAP SCREW	1		3/8" X 1-1/8"
23	19H1726	CAP SCREW	2		3/8" X 2-1/4"
24	R44287	ROD	2		
25	R36952	STOP	1		
26	12H236	LOCK WASHER	2		3/4"
27	14H905	NUT	2		3/4"
28	AR45545	ROD	1		
29	T13073	CLIP	1		
30	AR45535	KIT	1		(FI)

MEMORANDA

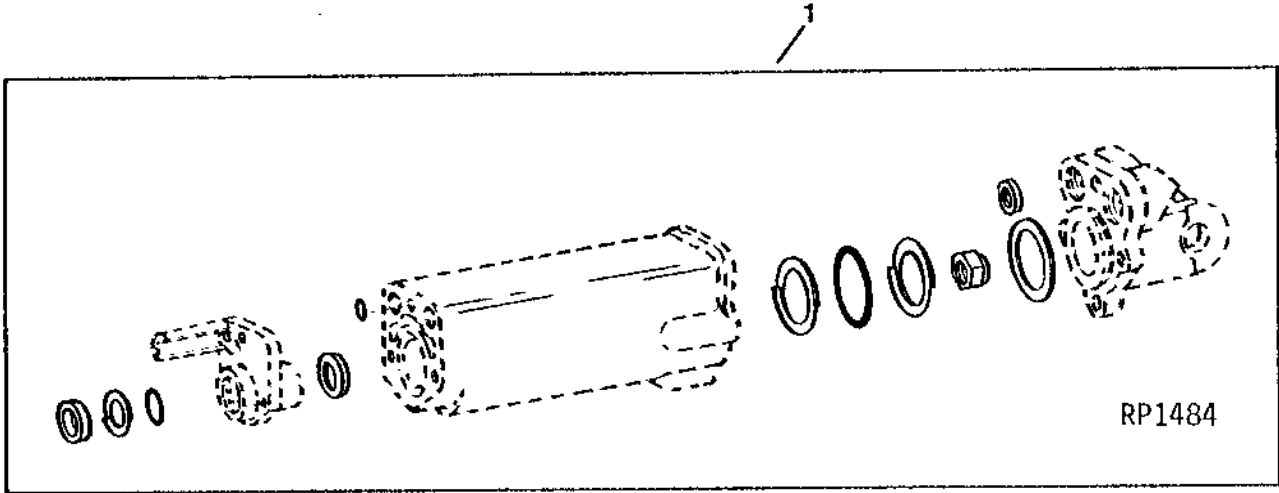
3H5

HYDRAULICS

RP1484

-UN-01JAN94

REMOTE CYLINDER OVERHAUL KIT (3" X 8" HYDRAULIC STOP TYPE)



KEY	PART NO.	PART NAME	QTY	TRACTOR SERIAL NO.	REMARKS
1	AR67389	KIT	1	(SUB FOR AR30686)	

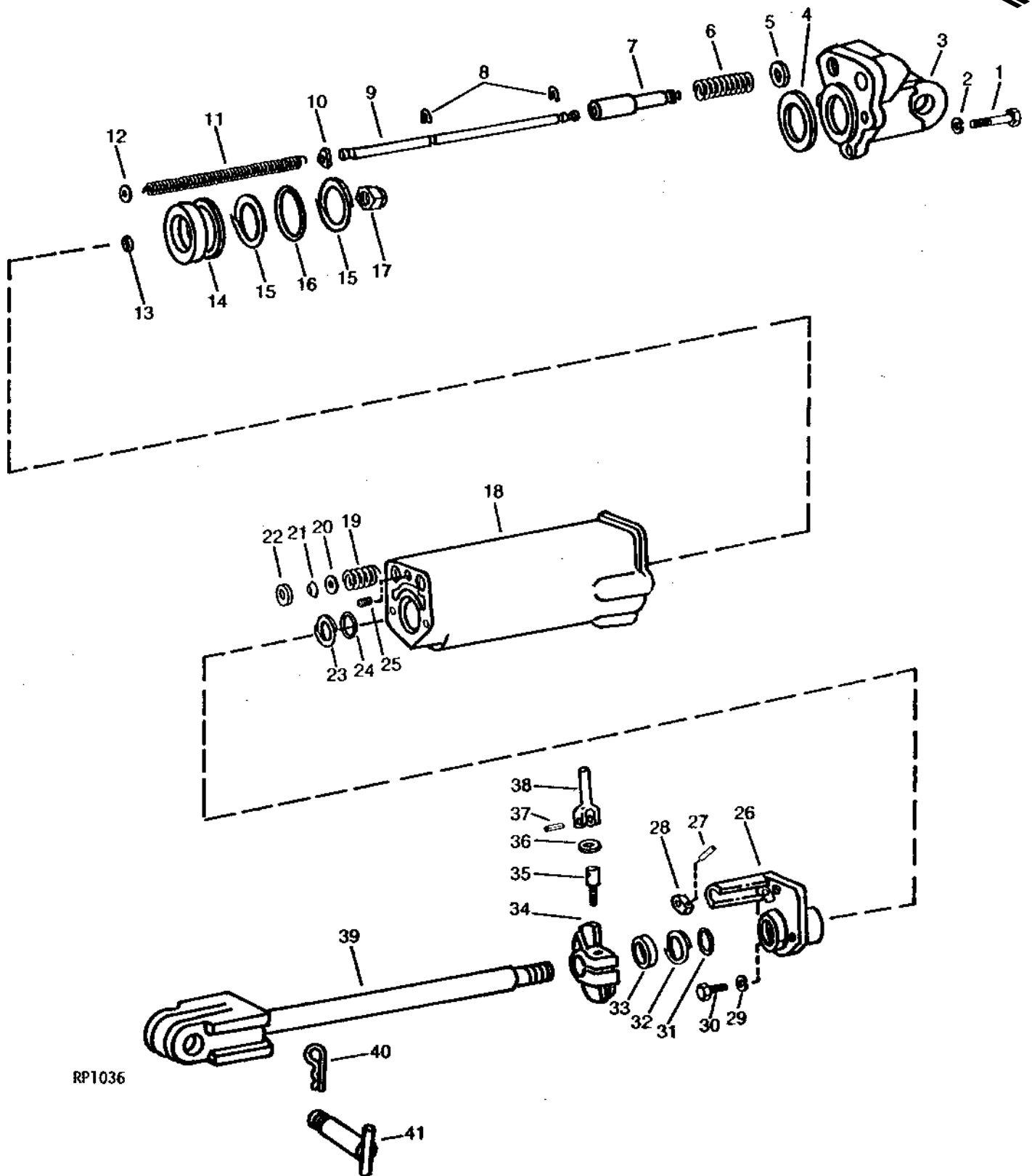
3H6

HYDRAULICS

3-1/2" X 8" REMOTE CYLINDER PARTS (HYDRAULIC STOP)

RP1036

-UN-01JAN94



RP1036

3H7

HYDRAULICS

3-1/2" X 8" REMOTE CYLINDER PARTS - CONTINUED
(HYDRAULIC STOP)

KEY	PART NO.	PART NAME	QTY	TRACTOR SERIAL NO.	REMARKS
1	19H2357	CAP SCREW	4	9/16" X 2"	
2	12H317	LOCK WASHER	4	9/16"	
3	R35452	CYLINDER HEAD	1		
4	F1427R	WASHER	1		
5	A4723R	WASHER	2		
6	R49352	SPRING	1		
7	R39012	VALVE	1		
8	A4739R	RING	2		
9	A4736R	ROD	1		
10	R57696	WASHER	1	(SUB FOR A4738R)	
11	A4737R	SPRING	1		
12	24H1301	WASHER	1	13/32" X 9/16" X 0.065"	
13	R27564	O-RING	1		
14	R44297	PISTON	1		
15	R35472	BACK-UP RING	2		
16	F1430R	O-RING	1		
17	R45620	LOCK NUT	1		
18	R35447	CYLINDER	1		
19	A4748R	SPRING ASSEMBLY	1		
20	A4747R	WASHER	1		
21	A4745R	PACKING	3		
22	A4746R	ADAPTER	1		
23	R35474	BACK-UP RING	1		
24	T19687	O-RING	1	(SUB FOR T11220)	
25	15H624	PIPE PLUG	1	1/2"	
26	R40219	GUIDE	1		
27	25H760	GROOVE PIN	1	7/32" X 1-1/4"	
28	A5304R	ARM	1		
29	12H304	LOCK WASHER	3	3/8"	
30	19H1731	CAP SCREW	3	3/8" X 1"	
31	R29463	O-RING	1		
32	R35473	BACK-UP RING	1		
33	R35738	SEAL	1		
34	R35448	STOP	1		
35	A5301R	SCREW	1		
36	R1870R	WASHER	1	(SUB R57696)	
37	34H264	SPRING PIN	1	5/32" X 7/8"	
38	A5302R	YOKE	1		
39	AR45544	ROD	1		
40	A3581R	SPRING LOCKING PIN	2		
41	AR47825	PIN	2		

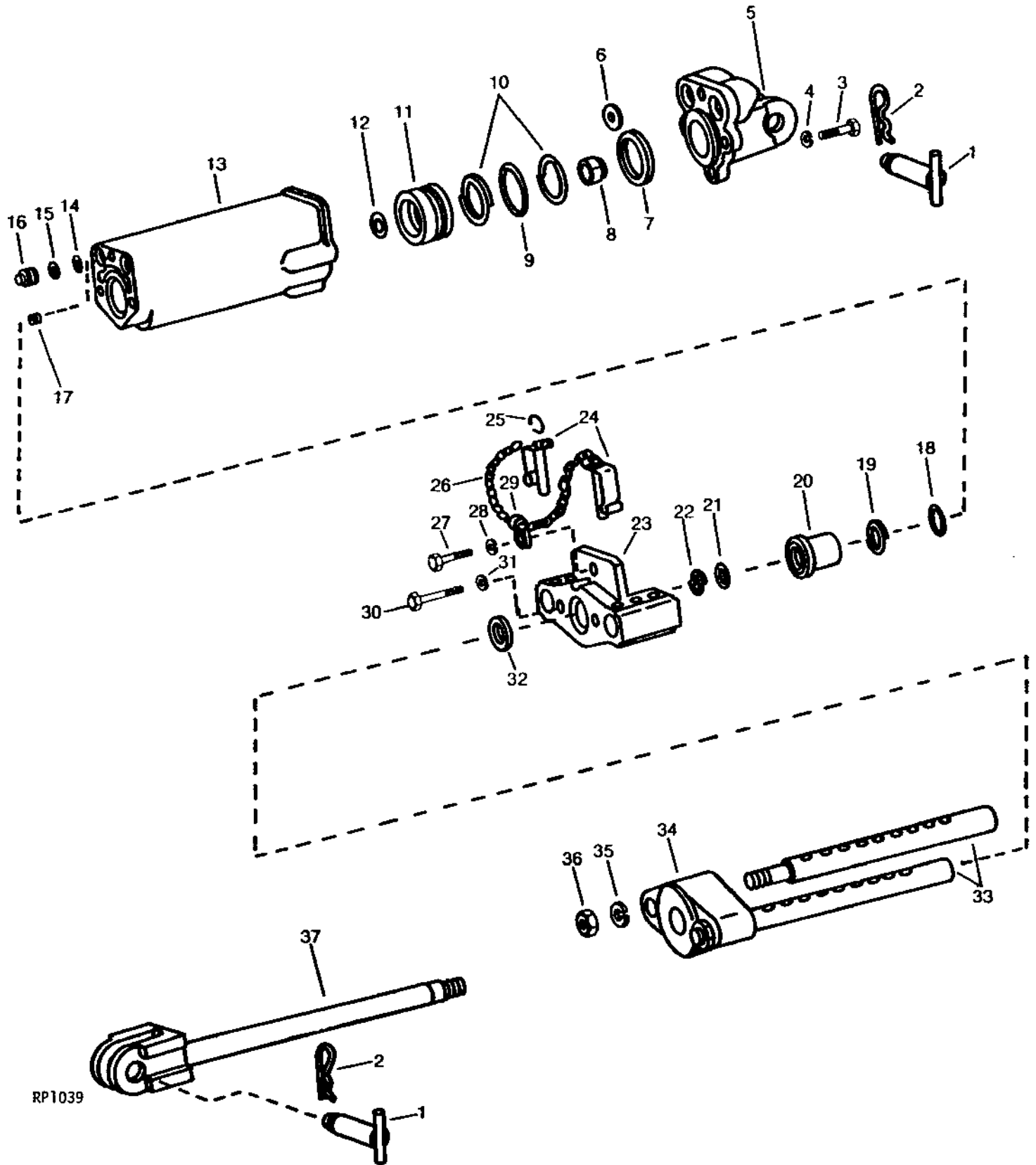
3H8

HYDRAULICS

3-1/2" X 8" REMOTE CYLINDER PARTS (MECHANICAL STOP)

RP1039

-UN-01JAN94



RP1039

3H9

HYDRAULICS

3-1/2" X 8" REMOTE CYLINDER PARTS - CONTINUED
(MECHANICAL STOP)

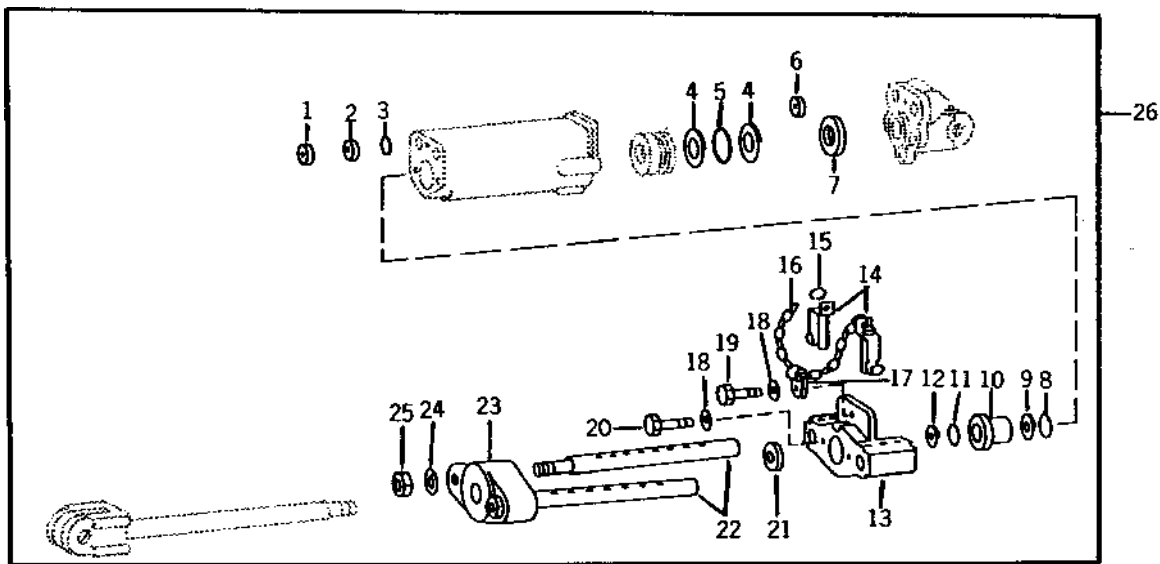
KEY	PART NO.	PART NAME	QTY	MODEL NO.	REMARKS
1	AR47825	PIN	2		
2	A3581R	SPRING LOCKING PIN	2		
3	19H2357	CAP SCREW	4		9/16" X 2"
4	12H317	LOCK WASHER	2		9/16"
5	R35452	CYLINDER HEAD	1		
6	A4723R	WASHER	2		
7	F1427R	WASHER	1		
8	R45620	LOCK NUT	1		
9	F1430R	O-RING	1		
10	R35472	BACK-UP RING	2		
11	R44297	PISTON	1		
12	R27564	O-RING	1		
13	R35447	CYLINDER	1		
14	R459R	O-RING	1		
15	R32588	BACK-UP RING	1		
16	R34131	PLUG	1		
17	15H624	PIPE PLUG	1		1/2"
18	T19687	O-RING	1		(SUB FOR T11220)
19	R35474	BACK-UP RING	1		
20	R36951	GUIDE	1		
21	R29463	O-RING	1		
22	R35473	BACK-UP RING	1		
23	R44286	GUIDE	1		
24	AR68145	QUICK LOCK PIN	2		(SUB FOR AR45536)
25	D2913R	LINK	2		
26	AN163885	LINK CHAIN	1		(SUB FOR A3184R OR R49193)
27	19H2552	CAP SCREW	1		3/8" X 1-1/8"
28	12H304	LOCK WASHER	1		3/8"
29	T13073	CLIP	1		
30	19H1726	CAP SCREW	2		3/8" X 2-1/4"
31	12H304	LOCK WASHER	2		3/8"
32	R35738	SEAL	1		
33	R44287	ROD	2		
34	R36952	STOP	1		
35	12H236	LOCK WASHER	2		3/4"
36	14H905	NUT	2		3/4"
37	AR45544	ROD	1		

3H10

HYDRAULICS

R32034 -UN-06OCT94

REMOTE CYLINDER CONVERSION KIT (3-1/2" X 8" HYDRAULIC STOP TO MECHANICAL STOP)



R32034F

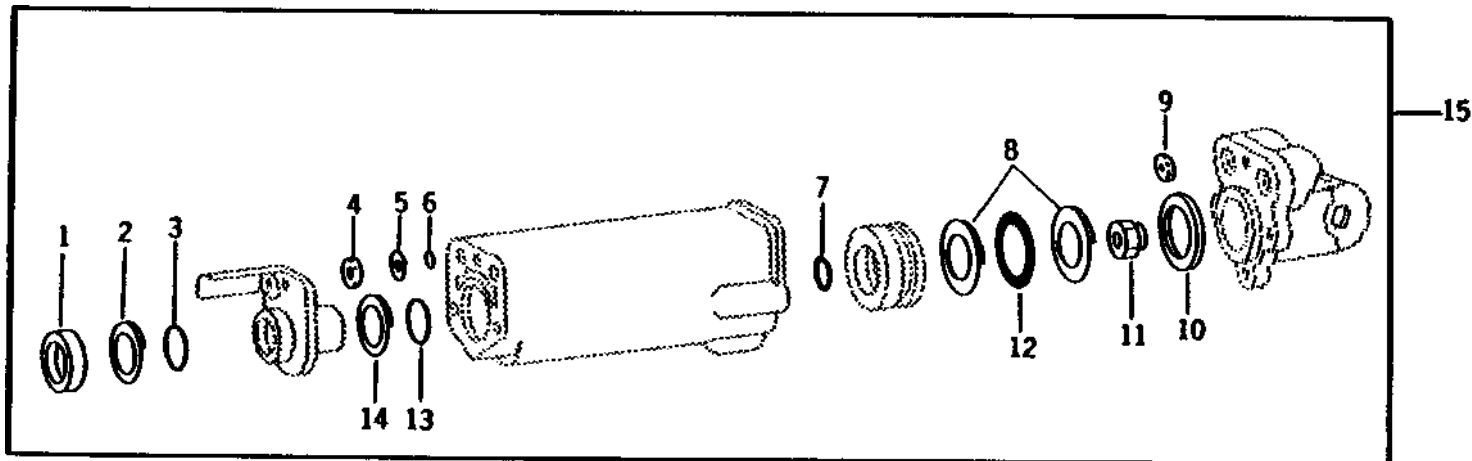
KEY	PART NO.	PART NAME	QTY	TRACTOR SERIAL NO.	REMARKS
1	R34131	PLUG	1		
2	R32588	BACK-UP RING	1		
3	R459R	O-RING	1		
4	R35472	BACK-UP RING	2		
5	F1430R	O-RING	1		
6	A4723R	WASHER	2		
7	F1427R	WASHER	1		
8	T11220	O-RING	1		
9	R35474	BACK-UP RING	1		
10	R36951	GUIDE	1		
11	R29463	O-RING	1		
12	R35473	BACK-UP RING	1		
13	R44286	GUIDE	1		
14	AR68145	QUICK LOCK PIN	2		
15	D2913R	LINK	2		
16	AN163885	LINK CHAIN	1		(SUB FOR R49193)
17	T13073	CLIP	1		
18	12H304	LOCK WASHER	3		3/8"
19	19H2552	CAP SCREW	1		3/8" X 1-1/8"
20	19H1726	CAP SCREW	2		3/8" X 2-1/4"
21	R35738	SEAL	1		
22	R44287	ROD	2		
23	R36952	STOP	1		
24	12H236	LOCK WASHER	2		3/4"
25	14H905	NUT	2		3/4"
26	AR45534	KIT	1		

3H11

HYDRAULICS

R32035 -UN-23SEP94

REMOTE CYLINDER OVERHAUL KIT (3-1/2" X 8" HYDRAULIC OR MECHANICAL STOP)



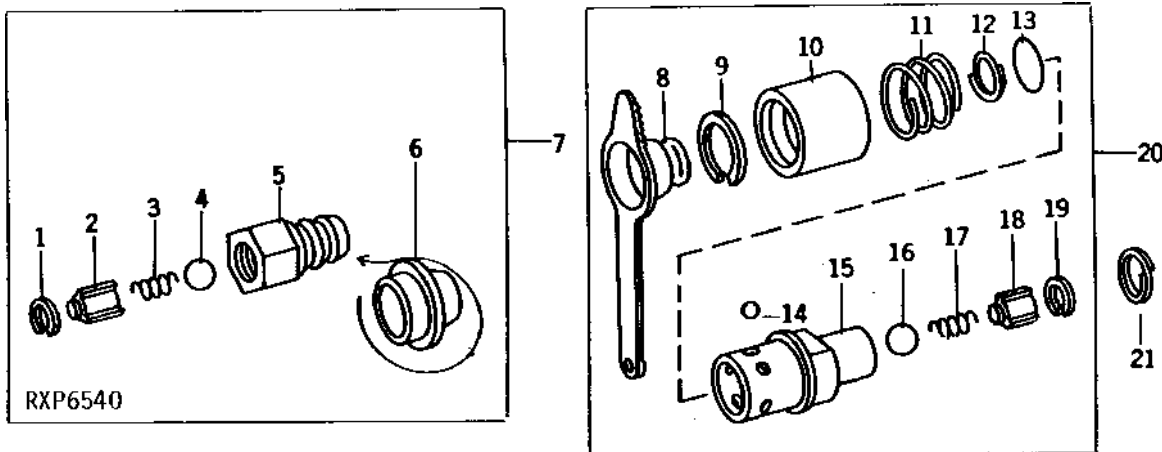
R32035F

KEY	PART NO.	PART NAME	QTY	TRACTOR SERIAL NO.	REMARKS
1	R35738	SEAL	1		
2	R35473	BACK-UP RING	1		
3	R29463	O-RING	1		
4	A4745R	PACKING	3		(HYDRAULIC STOP)
5	R32588	BACK-UP RING	1		(MECHANICAL STOP)
6	R459R	O-RING	1		(MECHANICAL STOP)
7	R27564	O-RING	1		
8	R35472	BACK-UP RING	2		
9	A4723R	WASHER	2		
10	F1427R	WASHER	1		
11	R45620	LOCK NUT	1		
12	F1430R	O-RING	1		
13	T11220	O-RING	1		
14	R35474	BACK-UP RING	1		
15	AR31945	KIT	1		

3H12

RXP6540 -UN-06OCT94

FLEXIBLE OIL LINE COUPLER



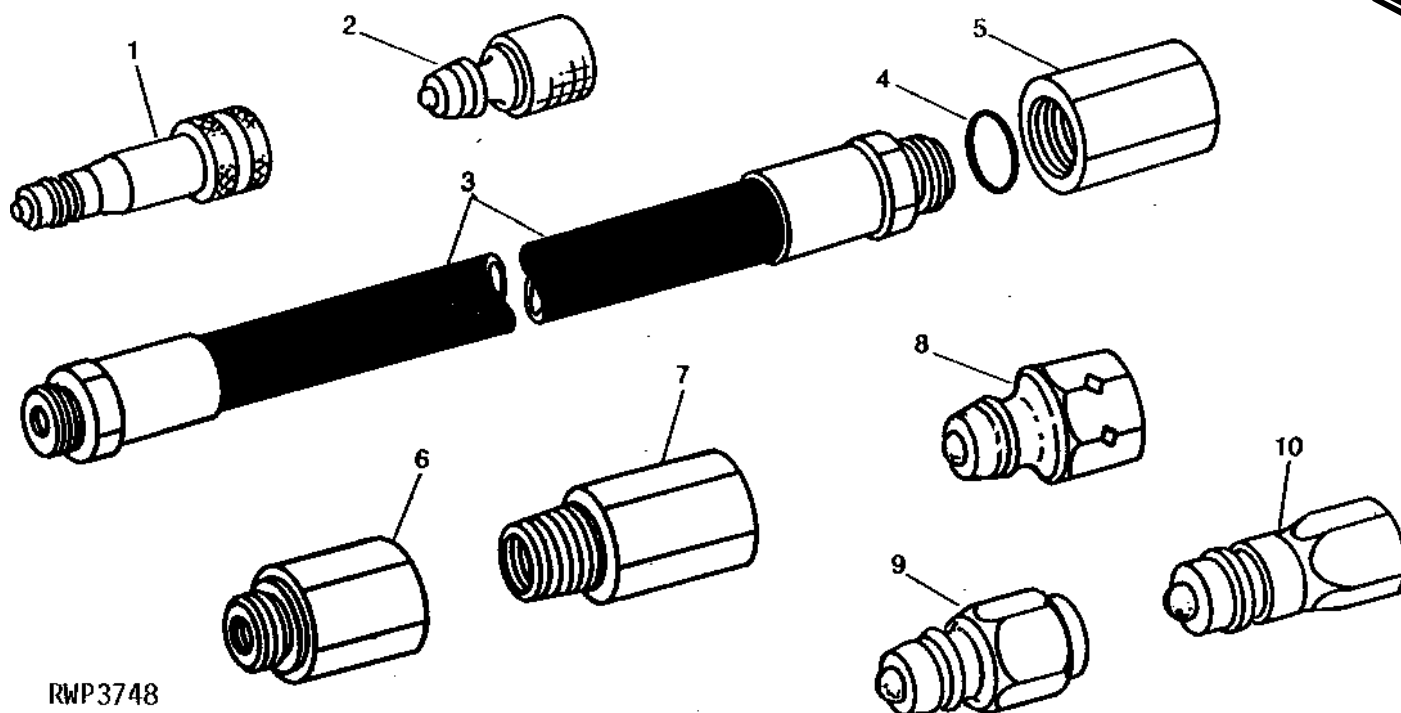
KEY	PART NO.	PART NAME	QTY	TRACTOR SERIAL NO.	REMARKS
1	R59633	WEAR RING	1		(SUB FOR R28204)
2	R28085	GUIDE	1		(SUB AR93819 OR AR93820, THIS APPLICATION)
3	R28084	SPRING	1		
4	D2361R	BALL	1		13MM (1/2")
5	R27430	HYD. QUICK-CONNECT COUPLER	1		(PRESSURE) (SUB AR93819)
	R45630	HYD. QUICK-CONNECT COUPLER	1		(RETURN) (SUB AR93820)
6	R28006	CAP	1		
7	AR30210	INTERNAL HALF COUPLER	1		(PRESSURE) (SUB AR93819)
	AR47643	BREAKAWAY COUPLER	1		(RETURN) (SUB AR93820)
8	R32419	COVER	1		(SUB R80324)
9	R32356	SNAP RING	1		
10	R32355	SLEEVE	1		(SUB RE15361)
11	R32354	SPRING	1		(SUB RE15361)
12	R26485	BACK-UP RING	1		
13	R495R	O-RING	1		
14	400R	BALL	6		6MM (1/4")
15	R32353	SOCKET OUTLET	1		(SUB RE15361)
16	D2361R	BALL	1		13MM (1/2")
17	R28084	SPRING	1		
18	R28085	GUIDE	1		(SUB RE15361)
19	R59633	WEAR RING	1		(SUB FOR R28204)
20	AR47331	SOCKET OUTLET	1		(SUB RE15361)
21	R36946	SPRING	1		

3H13

HYDRAULICS

RWP3748 -UN-01JAN94

IMPLEMENT HYDRAULIC OIL LINES AND FITTINGS

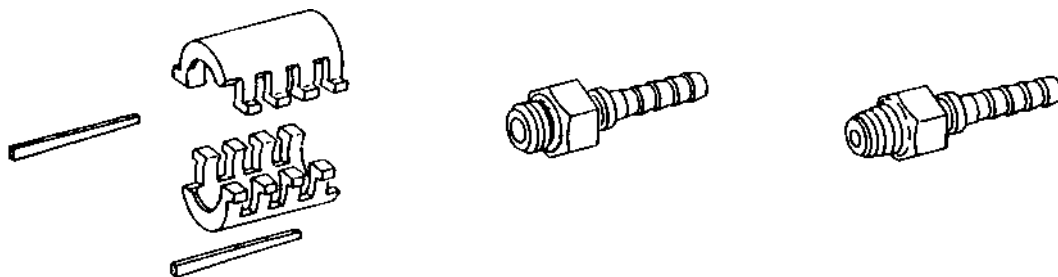


KEY	PART NO.	PART NAME	QTY	TRACTOR SERIAL NO.	REMARKS
1	AR98202	HYD. QUICK-CONNECT COUPLER	1		JOHN DEERE TO ISO
	R21722	O-RING	1		(INCLUDED IN AR98202)
	RE11457	ADAPTER	1		IHC TO ISO
2	U11647	O-RING	1		(INCLUDED IN RE11457)
	AR98201	HYD. QUICK-CONNECT COUPLER	1		ISO TO JOHN DEERE
	R21722	O-RING	1		(INCLUDED IN AR98201, RE11458 AND RE11463)
3	R71387	WASHER	1		(INCLUDED IN AR98201)
	RE11456	ADAPTER	1		IHC TO JOHN DEERE
	RE11458	ADAPTER	1		JOHN DEERE TO IHC
	RE11463	ADAPTER	1		ISO TO IHC
3	AR28754	HYDRAULIC HOSE	1		10 X 610 MM (3/8" X 24") (SUB TY3018)
	AR28755	HYDRAULIC HOSE	1		10 X 914MM (3/8" X 36") (SUB TY3019)
	R36658	HYDRAULIC HOSE	1		13 X 610MM (1/2" X 24")
	R36659	HYDRAULIC HOSE	1		13 X 914MM (1/2" X 36")
4	R26375	O-RING	1		
5	R30815	FITTING	1		3/4" THREAD
6	R30817	ADAPTER	1		3/4"-16UNF MALE X 1/2"-14NPT FEMALE
7	R30816	ADAPTER	1		1/2"-14NPT MALE X 3/4"-16UNF FEMALE
8	AR93820	FITTING	1		JOHN DEERE, 3/4"-16 UNF
9	RE11447	FITTING	1		JOHN DEERE, 1/2"-14NPT
10	AR94522	INTERNAL HALF COUPLER	1		ISO, 3/4"-16UNF

3H14

RXP7733 -UN-23SEP94

BULK FLEXIBLE OIL LINE



Oil Line (Length) Approx. 50 ft.)		Set of Ferrules with Pins*	Stem-Straight Thread with O-ring	Stem-Pipe Thread
R 34790	3/8" I.D. — 1 Wire	AR 39635* #	R 39687
R 34791	1/2" I.D. — 1 Wire	AR 39636* #	R 39688
R 34792	3/4" I.D. — 1 Wire	AR 39637#	R 39689
R 34793	3/8" I.D. — 2 Wire	AR 39632	AR 39635* #	R 39687
R 34794	1/2" I.D. — 2 Wire	AR 39636* #	R 39688
R 34795	3/4" I.D. — 2 Wire	AR 39637#	R 39689

* Each set of ferrules includes two R39681 pins - extra pins may be ordered, packed 20 in a package.
 **Includes R26375 O-ring.
 # Includes F3171R O-ring.

REUSABLE COUPLINGS (Use With Braid Flexible Oil Line)



1 WR Single Wire		2 WR Double Wire		I.D.	Thread
Coupling No.		Coupling No.			
AF 3585	R	AR 21629		3/8"	3/8" — 18 NPTF
AF 3586	R	AR 21630		1/2"	1/2" — 14 NPTF
AF 3587	R		5/8"	3/4" — 14 NPTF
AF 3588	R	AR 21632		3/4"	3/4" — 14 NPTF
		AR 21634		1"	1" — 11-1/2" NPTF
R 34644			3/8"	3/4" — 16 O-ring type thread
R 34646		R 34647		1/2"	3/4" — 16 O-ring type thread

BULK SINGLE WIRE BRAID FLEXIBLE OIL LINE (Use With Reusable Coupling for Single Wire Braid Flexible Oil Line)

Part No.	I.D.	O.D.	Length
A 5776 R	1/2"	29/32"	Approx. 50 ft.
A 5777 R	5/8"	1-1/32"	Approx. 50 ft.

BULK DOUBLE WIRE BRAID FLEXIBLE OIL LINE (Use with Reusable Coupling for Double Wire Braid Flexible Oil Line)

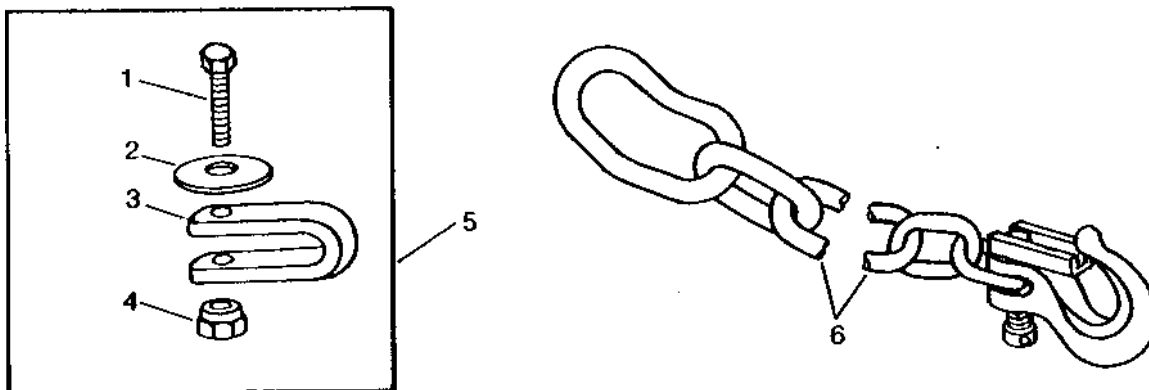
Part No.	I.D.	O.D.	Length
R 21531	3/8"	29/32"	Approx. 50 ft.
R 21532 RXP7733	1/2"	31/32"	Approx. 50 ft.

3H15

HYDRAULICS

RWP5796 -UN-01JAN94

IMPLEMENT SAFETY CHAIN



RWP5796

KEY	PART NO.	PART NAME	QTY	TRACTOR SERIAL NO.	REMARKS
1	19H1768	CAP SCREW	1	(A) (B)	
	19H2084	CAP SCREW	1	(A)	
	19H2174	CAP SCREW	1	(B)	
2	R36402	WASHER	1	(A) (B)	
3	R69408	CLEVIS	1	(A)	
	R69409	CLEVIS	1	(B)	
4	T25879	NUT	2	(A) (B)	
5	AR90577	SAFETY CHAIN ADAPTER KIT	1		CATEGORY IV DRAWBARS
	AR90578	CHAIN KIT	1		CATEGORY II AND III DRAWBARS
6	RE26739	LINK CHAIN	1		61 LINKS 6.4MM (1/4") DIA CHAIN (6,000 LB)
	AR90581	LINK CHAIN	1		61 LINKS 6.4MM (1/4") DIA CHAIN (10,000 LB)
	AR90579	LINK CHAIN	1		42 LINKS 9.5MM (3/8") DIA CHAIN
	AR90583	LINK CHAIN	1		43 LINKS 11.1MM (7/16") DIA CHAIN
	AN212996	LINK CHAIN	1		42 LINKS 12.7MM (1/2") DIA CHAIN, (SUB FOR RE26740)

(A) INCLUDED IN AR90577

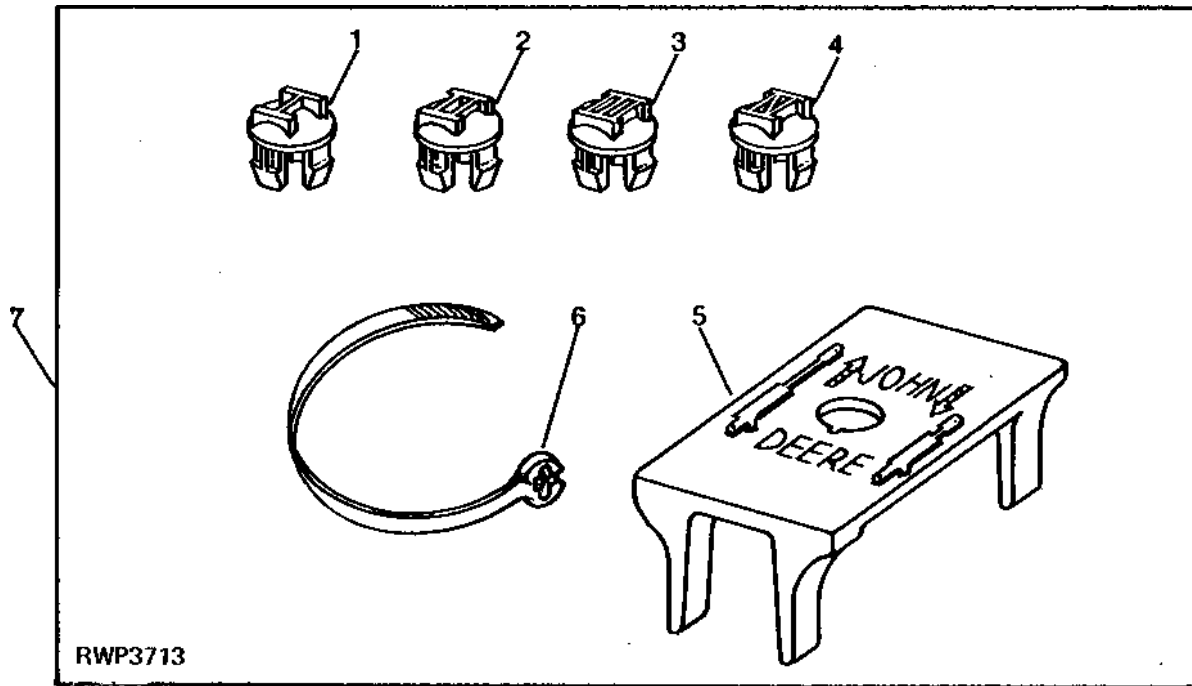
(B) INCLUDED IN AR90578

3H16

HYDRAULICS

REMOTE CYLINDER HOSE IDENTIFICATION KIT

RWP3713 -UN-01JAN94



KEY	PART NO.	PART NAME	QTY	TRACTOR SERIAL NO.	REMARKS
1	R74242	PLUG	1		
2	R74243	PLUG	1		
3	R74244	PLUG	1		
4	R74246	PLUG	1		
5	R76459	TAG	1		
6	R76477	TIE BAND	1		
7	AR103808	KIT	1		

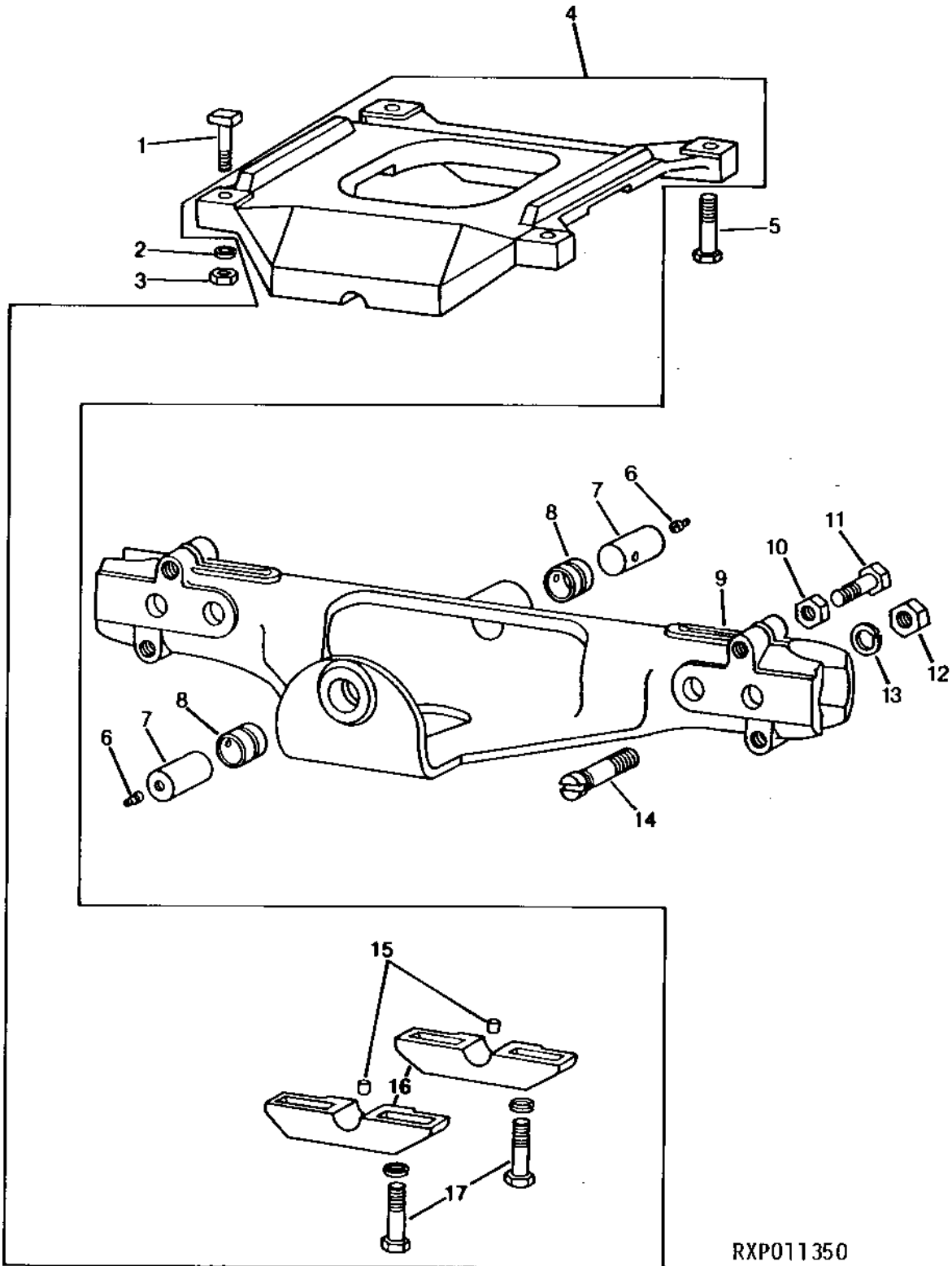
MEMORANDA

3H19

WHEELS, FRONT AXLES, SHEET METAL

RXP011350 -UN-12OCT94

FRONT AXLE HOUSING AND PIVOT BRACKET



RXP011350

3H20

WHEELS, FRONT AXLES, SHEET METAL

FRONT AXLE HOUSING AND PIVOT BRACKET-CONTINUED

KEY	PART NO.	PART NAME	QTY	TRACTOR SERIAL NO.	REMARKS
1	19H1847	CAP SCREW	2		5/8" X 2-1/2", (ALSO ORDER R49098) (SUB FOR R27818)
2	12H294	LOCK WASHER	2		5/8"
3	14H1039	NUT	2		5/8"
	R49098	NUT	2		
4	AR69836	BRACKET	1		(MARKED R27810, R44020 OR R47180) (SUB FOR AR28134 OR AR45677)
5	19H1862	CAP SCREW	2		3/4" X 2-1/2"
6	JD7759	LUBRICATION FITTING	2		
7	R27817	PIN	2		
8	A877R	BUSHING	2		
9	AR50865	HOUSING	1		(MARKED R27820, R42851, R47736 OR R51305) (SUB FOR AR30968, AR45168 OR AR45408)
10	14H794	NUT	4		3/4", (SUB FOR R27646)
11	19H2026	CAP SCREW	4		3/4" X 4"
12	14H854	NUT	2		1"
13	12H234	LOCK WASHER	2		1"
14	B2694R	BOLT	2		
15	R726R	DOWEL PIN	2		
16	AR30154	CLAMP	2		(MARKED R27809)
17	19H1707	CAP SCREW	4		3/4" X 2-3/4"
	12H236	LOCK WASHER	4		3/4"

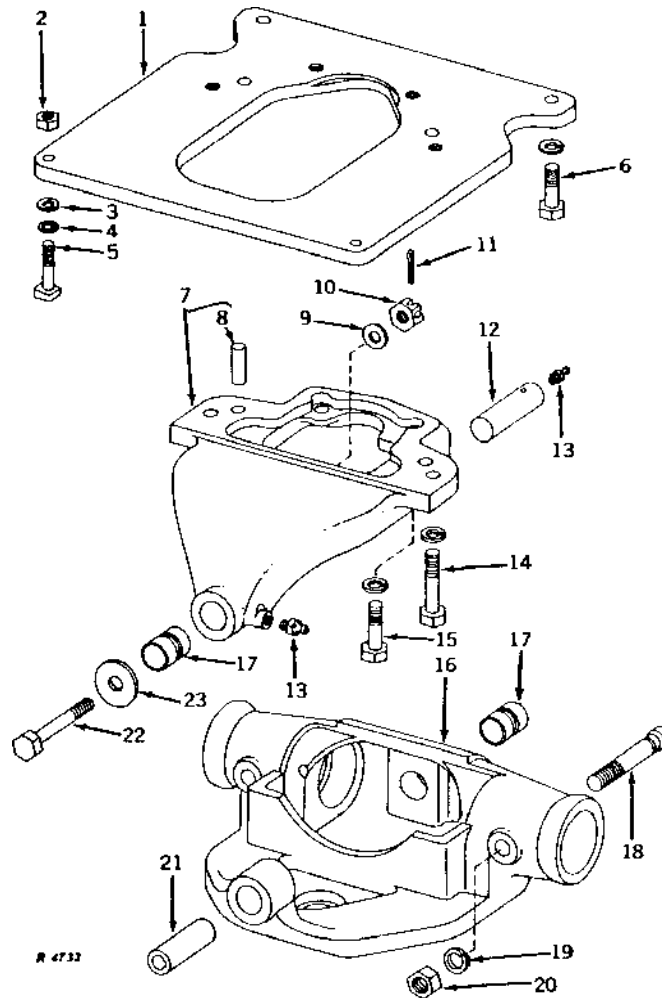
3H21

WHEELS, FRONT AXLES, SHEET METAL

FRONT AXLE HOUSING AND PIVOT BRACKET 965MM (38") FIXED TREAD

R4733

-UN-01JAN94



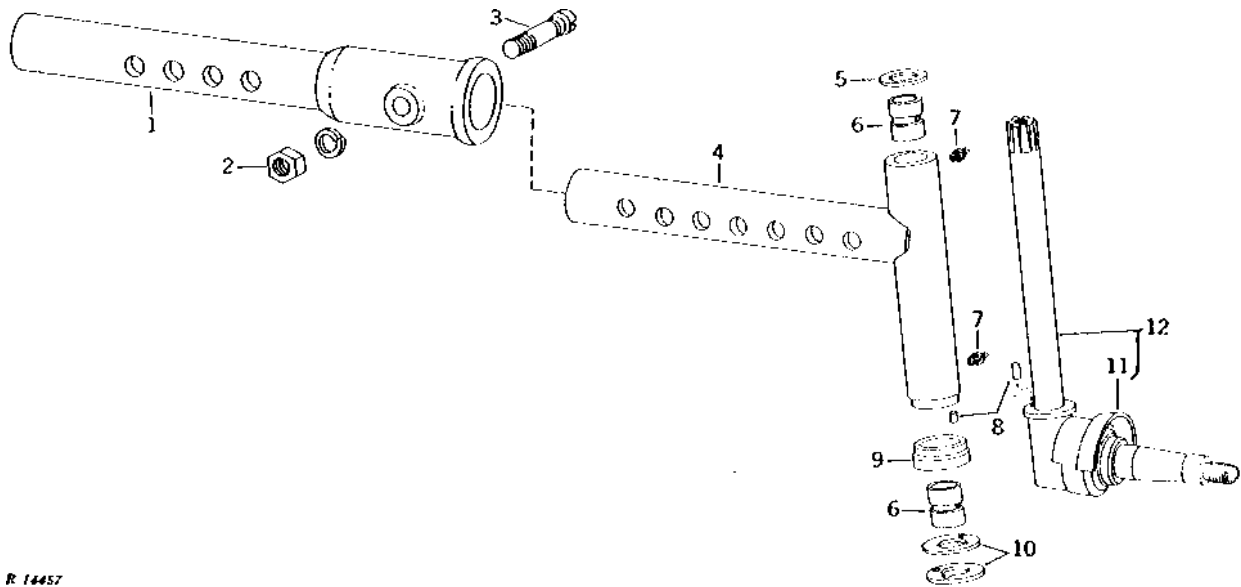
KEY	PART NO.	PART NAME	QTY	TRACTOR SERIAL NO.	REMARKS
1	R31599	ADAPTER	1	(NLA)	
2	14H1039	NUT	2	5/8"	
	R49098	NUT	2		
3	24H1367	WASHER	2	21/32" X 1-1/4" X 1/4"	
4	12H294	LOCK WASHER	2	5/8"	
5	19H1890	CAP SCREW	2	5/8" X 2-3/4", (ALSO ORDER R49098) (SUB FOR R27818)	
6	19H2663	CAP SCREW	2	3/4" X 2-1/8"	
	12H236	LOCK WASHER	2	3/4"	
7	AF968R	BRACKET	1	(MARKED F862R) (NLA)	
8	R31076	DOWEL PIN	2		
9	24H1402	WASHER	1	25/32" X 1-7/8" X 1/4"	
10	14H1086	NUT	1	3/4"	
11	11M7083	COTTER PIN	1		
12	B2688R	PIN	1	(NLA)	
13	JD7759	LUBRICATION FITTING	2		
14	19H2113	CAP SCREW	2	3/4" X 3-1/4"	
	12H236	LOCK WASHER	2	3/4"	
15	19H2589	CAP SCREW	2	3/4" X 1-7/8"	
	12H236	LOCK WASHER	2	3/4"	
16	AB4045R	HOUSING	1	(MARKED B2840R) (NLA)	
17	A877R	BUSHING	2		
18	B2694R	BOLT	2		
	12H234	LOCK WASHER	2	1"	
19	14H854	NUT	2	1"	
20	14H854	NUT	2	1"	
21	B2700R	BUSHING	1		
22	H27851	BOLT	1	(SUB FOR F2663R) (NLA)	
23	R20136	WASHER	1		

3H22

WHEELS, FRONT AXLES, SHEET METAL

R14457 -UN-01JAN94

FRONT AXLE KNEE



R 14457

KEY	PART NO.	PART NAME	QTY	TRACTOR SERIAL NO.	REMARKS
1	R30747	EXTENSION	1	(RC)(NLA)	
2	14H854	NUT	1	1", (RC)	
	12H234	LOCK WASHER	1	1", (RC)	
3	B2694R	BOLT	1	(RC)	
4	AR50962	AXLE KNEE	2	(RC) (SUB FOR AR27434)	
	AR50963	AXLE KNEE	2	(RC) (WITH 2235MM (88") ADJUSTABLE TREAD FRONT AXLE) (SUB FOR AR30538)	
	AR69835	AXLE	2	(ST) (SUB FOR AR27536)	
	AR27927	AXLE	2	(HC)	
5	D467R	WASHER	2		
	R34757	SHIM	2		
6	A877R	BUSHING	4		
7	JD7759	LUBRICATION FITTING	4		
8	34H308	SPRING PIN	4	1/4" X 1/2"	
9	B2693R	DUST SHIELD	2		
10	A890R	THRUST WASHER	4		
11	R20255	DUST SHIELD	2		
12	AR55180	KNUCKLE	2	(RC) 381MM (15") (ALSO ORDER R20135 AND 19H1890) (SUB FOR AR28050)	
	AR55179	KNUCKLE	2	(ST) 324MM (12-3/4") (ALSO ORDER R20135 AND 19H1890) (SUB FOR AR28545)	
	AR50981	KNUCKLE	2	(HC) 697MM (27.44") (ALSO ORDER R20135 AND 19H1890) (SUB FOR AR28817)	

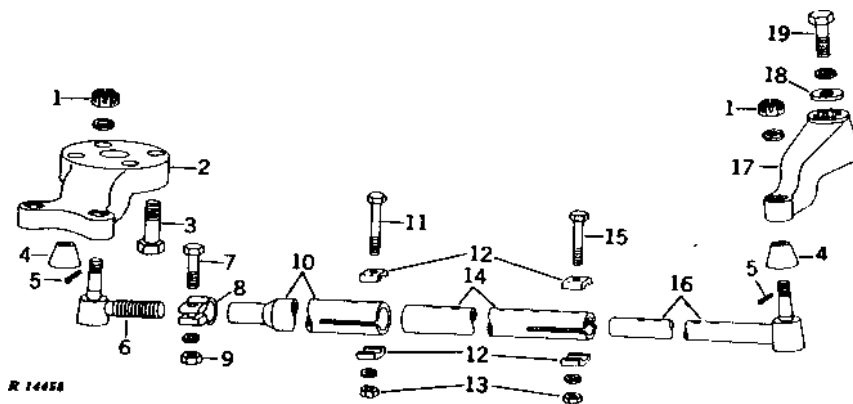
RC-ROW-CROP, ST-STANDARD, HC-HI-CROP

3H23

WHEELS, FRONT AXLES, SHEET METAL

ADJUSTABLE FRONT AXLE STEERING ARMS AND TIE RODS (ROW-CROP, STANDARD, WITH LONG WHEEL BASE AND HI-CROP)

R14458 -UN-01JAN94



KEY	PART NO.	PART NAME	QTY	TRACTOR SERIAL NO.	REMARKS
1	14H918	NUT	4	5/8"	
	12H294	LOCK WASHER	4	5/8"	
2	R27808	ARM	1		
3	19H2663	CAP SCREW	4	3/4" X 2-1/8"	
4	R40589	COVER	4	(SUB FOR R28019)	
5	11M7083	COTTER PIN	4	0.126" X 1.969"	
6	AR27351	UNIVERSAL JOINT	2		
7	19H1990	CAP SCREW	2	1/2" X 2-1/4"	
8	R28023	CLAMP	2		
9	14H1040	NUT	2	1/2"	
	12H301	LOCK WASHER	2	1/2"	
10	R28021	TUBE	2	(RC AND ST)	
	R30748	TUBE	1	(USED WITH KNEE EXTENSION (RC))(NLA)	
	R47843	TUBE	2	(HC) (SUB FOR R28743)	
11	19H2128	CAP SCREW	2	3/8" X 3"	
12	R28024	CLAMP	8		
13	E50102	LOCK NUT	4	(SUB FOR M63440)	
	12H304	LOCK WASHER	4	3/8"	
14	R28022	TUBE	2		
	R31573	TUBE	2	(RC) (WITH 2235MM (88") ADJUSTABLE TREAD FRONT AXLE)	
15	19H1733	CAP SCREW	2	3/8" X 2-1/2"	
16	AR51584	TIE ROD END	2	(SUB FOR AR27350)	
17	R47765	STEERING ARM	1	R.H. (SUB FOR R27806)	
	R47766	STEERING ARM	1	L.H. (SUB FOR R27807)	
18	B3310R	WASHER	2	-XXXXXX (25/32" I.D.)	
	R20135	WASHER	2	XXXXXX- (21/32" I.D.)	
19	19H1798	CAP SCREW	2	-XXXXXX 3/4" X 1-3/4"	
	19H1890	CAP SCREW	2	XXXXXX- 5/8" X 2-3/4"	
	12H236	LOCK WASHER	2	3/4"	

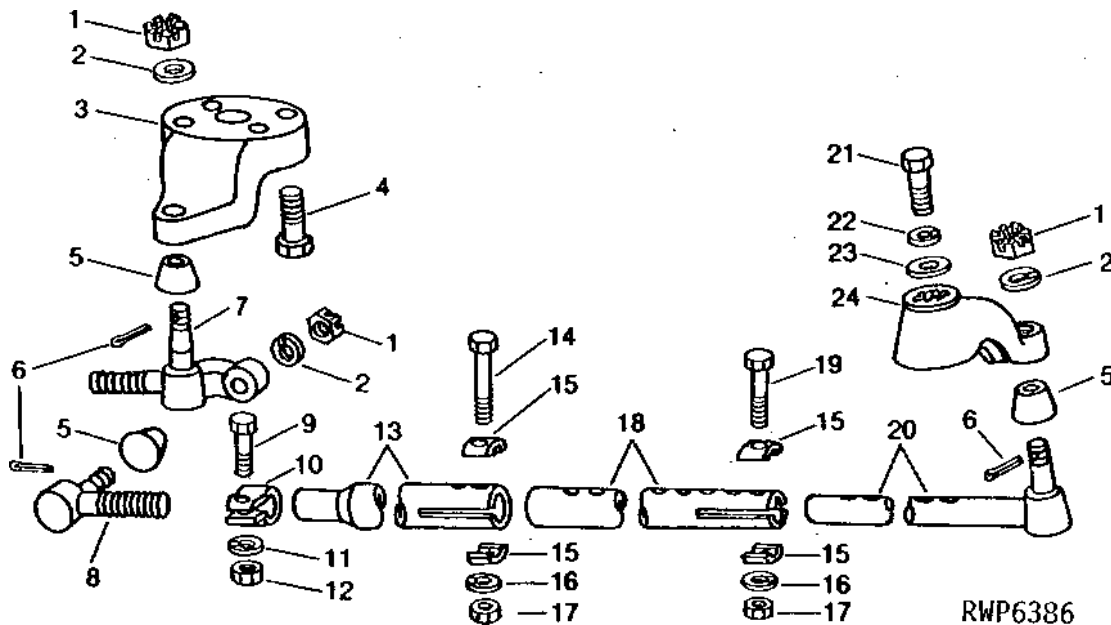
RC-ROW-CROP, ST-STANDARD, HC-HI-CROP

3H24

WHEELS, FRONT AXLES, SHEET METAL

ADJUSTABLE FRONT AXLE STEERING ARMS AND TIE RODS (STANDARD WITH SHORT WHEEL BASE)

RWP6386 -UN-01JAN94



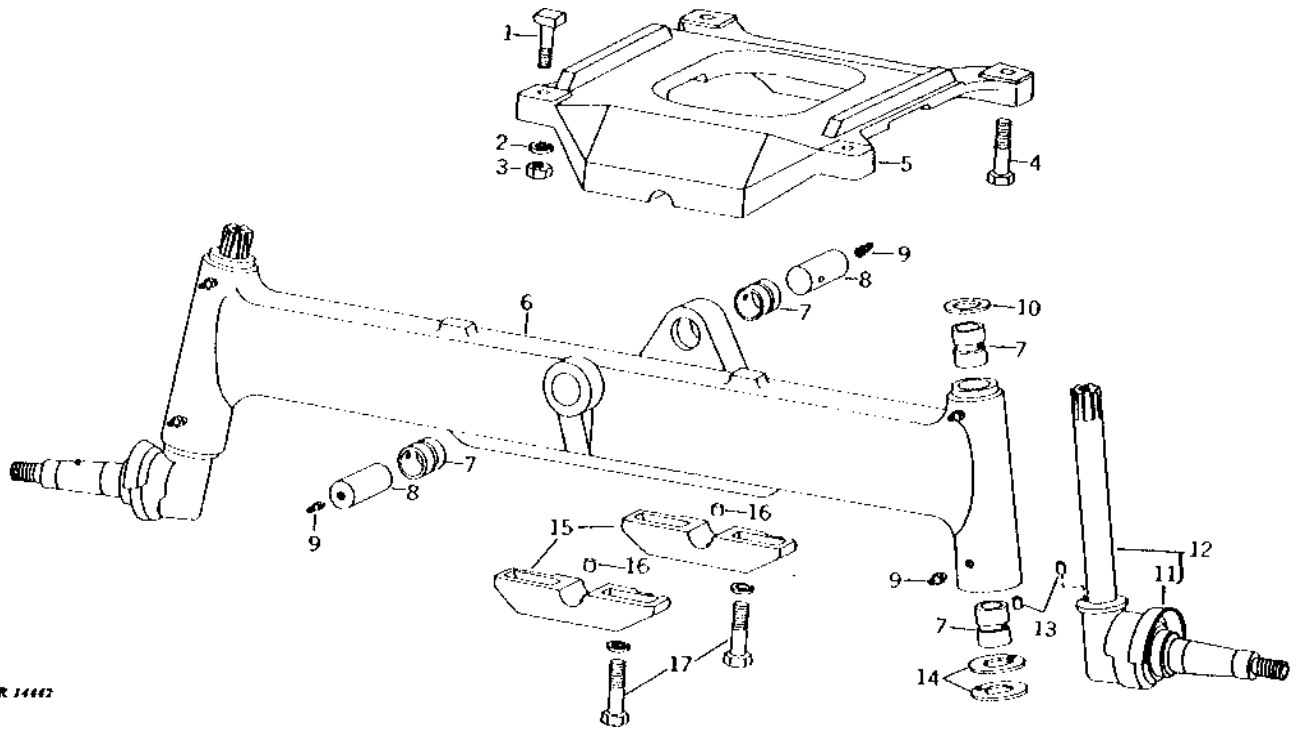
KEY	PART NO.	PART NAME	QTY	TRACTOR SERIAL NO.	REMARKS
1	14H918	NUT	4	5/8"	
2	12H294	LOCK WASHER	4	5/8"	
3	R31181	ARM	1		
4	19H2663	CAP SCREW	4	3/4" X 2-1/8"	
5	R40589	COVER	4	(SUB FOR R28019)	
6	11M7083	COTTER PIN	4	0.126" X 1.969"	
7	AR40592	TIE ROD END	1	INNER L.H. (SUB FOR AR27429)	
8	AR27351	UNIVERSAL JOINT	1	INNER R.H.	
9	19H1990	CAP SCREW	2	1/2" X 2-1/4"	
10	R28023	CLAMP	2		
11	12H301	LOCK WASHER	2	1/2"	
12	14H1040	NUT	2	1/2"	
13	R28021	TUBE	2		
14	19H2128	CAP SCREW	2	3/8" X 3"	
15	R28024	CLAMP	8		
16	12H304	LOCK WASHER	4	3/8"	
17	E50102	LOCK NUT	4	(SUB FOR E50102)	
18	R28022	TUBE	2		
19	19H1733	CAP SCREW	2	3/8" X 2-1/2"	
20	AR51584	TIE ROD END	2	(SUB FOR AR27350)	
21	19H1798	CAP SCREW	2	-XXXXXX 3/4" X 1-3/4"	
	19H1890	CAP SCREW	2	XXXXXX- 5/8" X 2-3/4"	
22	12H236	LOCK WASHER	2	3/4"	
23	B3310R	WASHER	2	-XXXXXX (25/32" I.D.)	
	R20135	WASHER	2	XXXXXX- (21/32" I.D.)	
24	R47765	STEERING ARM	1	R.H. (SUB FOR R27806)	
	R47766	STEERING ARM	1	L.H. (SUB FOR R27807)	

3H25

WHEELS, FRONT AXLES, SHEET METAL

R14442 -UN-01JAN94

FIXED TREAD FRONT AXLE (STANDARD WITH SHORT AND LONG WHEEL BASE)

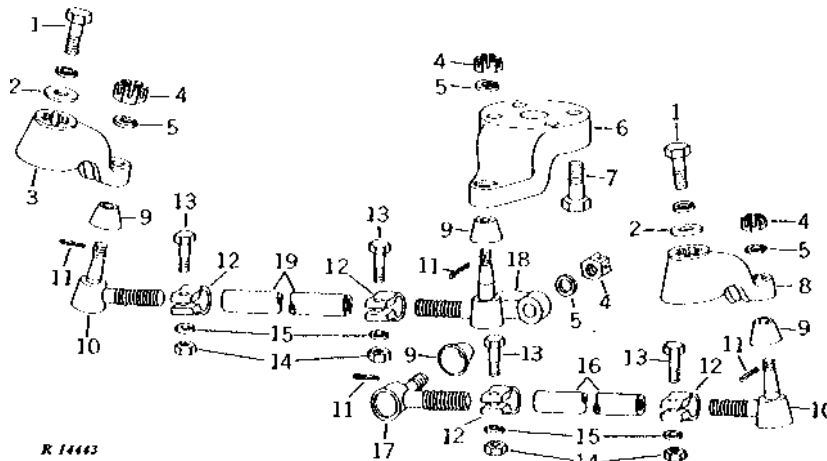


R 14442

KEY	PART NO.	PART NAME	QTY	TRACTOR SERIAL NO.	REMARKS
1	19H1890	CAP SCREW	2	5/8" X 2-3/4", (ALSO ORDER R49098) (SUB FOR R27818)	
2	12H294	LOCK WASHER	2	5/8"	
3	14H1039	NUT	2	5/8"	
	R49098	NUT	2		
4	19H1862	CAP SCREW	2	3/4" X 2-1/2"	
5	AR69836	BRACKET	1	(MARKED R27810, R44020 OR R47180) (SUB FOR AR28134 OR AR45677)	
6	AR27555	FRONT AXLE	1	(MARKED R27950) (NLA)	
7	A877R	BUSHING	6		
8	R27817	PIN	2		
9	JD7759	LUBRICATION FITTING	6		
10	D467R	WASHER	2		
	R34757	SHIM	2		
11	R20255	DUST SHIELD	2		
12	AR55179	KNUCKLE	2	(ALSO ORDER R20135 AND 19H1890) (SUB FOR AR28545)	
13	34H308	SPRING PIN	2	1/4" X 1/2"	
14	A890R	THRUST WASHER	4		
15	AR30154	CLAMP	2	(MARKED R27809)	
16	R726R	DOWEL PIN	2		
17	19H1425	CAP SCREW	4	3/4" X 2-3/4"	
	12H236	LOCK WASHER	4	3/4"	

**FIXED TREAD FRONT AXLE STEERING ARMS AND TIE RODS
(STANDARD WITH SHORT AND LONG WHEEL BASE)**

R14443 -UN-01JAN94



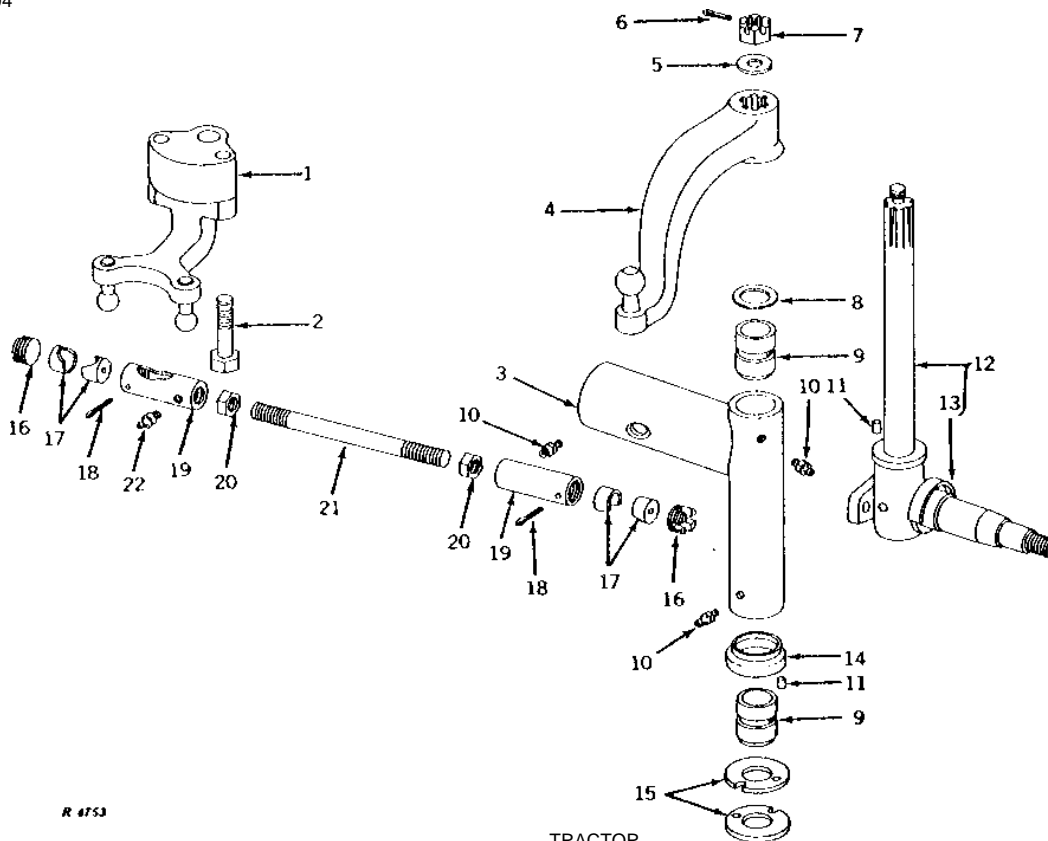
KEY	PART NO.	PART NAME	QTY	TRACTOR SERIAL NO.	REMARKS
1	19H1798	CAP SCREW	2	-XXXXXX	3/4" X 1-3/4"
	19H1890	CAP SCREW	2	XXXXXX-	5/8" X 2-3/4"
	12H236	LOCK WASHER	2		3/4"
2	B3310R	WASHER	2	-XXXXXX	(25/32" I.D.)
	R20135	WASHER	2	XXXXXX-	(21/32" I.D.)
3	R47766	STEERING ARM	1		L.H. (SUB FOR R27807)
4	14H918	NUT	4		5/8"
5	12H294	LOCK WASHER	4		5/8"
6	R31181	ARM	1		(A)
	R27808	ARM	1		(B)
7	19H2663	CAP SCREW	4		3/4" X 2-1/8"
8	R47765	STEERING ARM	1		R.H. (SUB FOR R27806)
9	R40589	COVER	4		(SUB FOR R28019)
10	AR27430	TIE ROD END	2		OUTER (L.H. THREAD)
11	11M7083	COTTER PIN	4		0.126" X 1.969"
12	R28023	CLAMP	4		
13	19H1990	CAP SCREW	4		1/2" X 2-1/4"
14	14H1040	NUT	4		1/2"
15	12H301	LOCK WASHER	4		1/2"
16	R28114	TUBE	1		R.H.
17	AR27351	UNIVERSAL JOINT	1		INNER, R.H. (R.H. THREAD)
18	AR40592	TIE ROD END	1		(A) INNER, L.H. (SUB FOR AR27429)
	AR27351	UNIVERSAL JOINT	1		(B) INNER, L.H.
19	R28115	TUBE	1		(A) L.H.
	R28114	TUBE	1		(B) L.H.

(A) SHORT WHEEL BASE

(B) LONG WHEEL BASE

R4753 -UN-01JAN94

FRONT AXLE KNEE (965MM (38") FIXED TREAD)

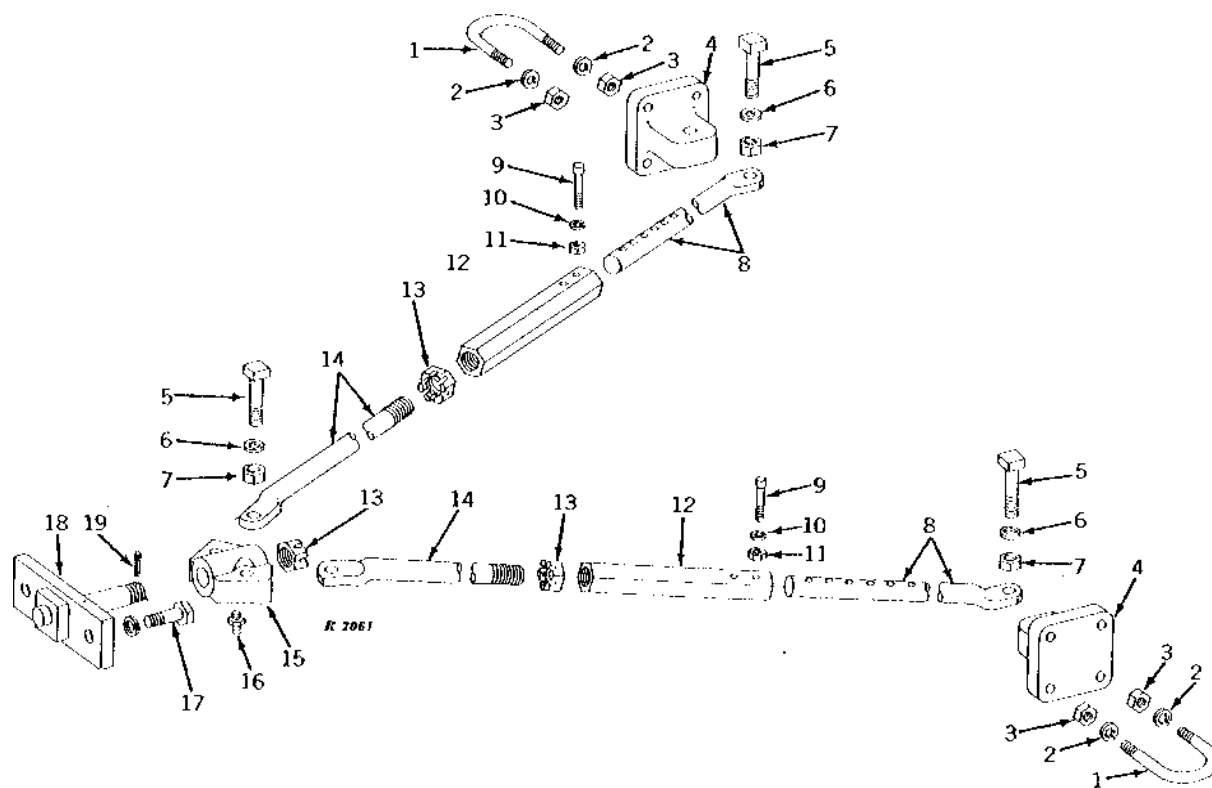


R 4753

KEY	PART NO.	PART NAME	QTY	TRACTOR SERIAL NO.	REMARKS
1	AR30733	ARM	1	(MARKED B2698R) (NLA)	
2	19H1909	CAP SCREW	2	3/4" X 3-3/4"	
3	AB4046R	AXLE KNEE	2	(NLA)	
4	AB4685R	STEERING ARM	1	R.H. (MARKED B3245R) (NLA)	
	AB4686R	STEERING ARM	1	L.H. (MARKED B3246R) (NLA)	
5	B3310R	WASHER	2		
6	11M7083	COTTER PIN	2		
7	14H1086	NUT	2	3/4"	
8	R34757	SHIM	2		
	D467R	WASHER	2		
9	A877R	BUSHING	4		
10	JD7759	LUBRICATION FITTING	6		
11	34H308	SPRING PIN	4	1/4" X 1/2"	
12	AB4013R	KNUCKLE	2	(NLA)	
13	A1424R	ASSEMBLY LINE PARTS	2		
14	B2693R	DUST SHIELD	2		
15	A890R	THRUST WASHER	2		
16	C840R	SCREW	4		
17	C838R	BEARING	8		
18	11M7083	COTTER PIN	4	0.126" X 1.969"	
19	H982R	ASSEMBLY LINE PARTS	4		
20	C985R	NUT	4		
21	B2842R	ROD	2	DRAG LINK	
22	JD7820	LUBRICATION FITTING	2	45°, (SUB FOR JD7760)	

R2061 -UN-01JAN94

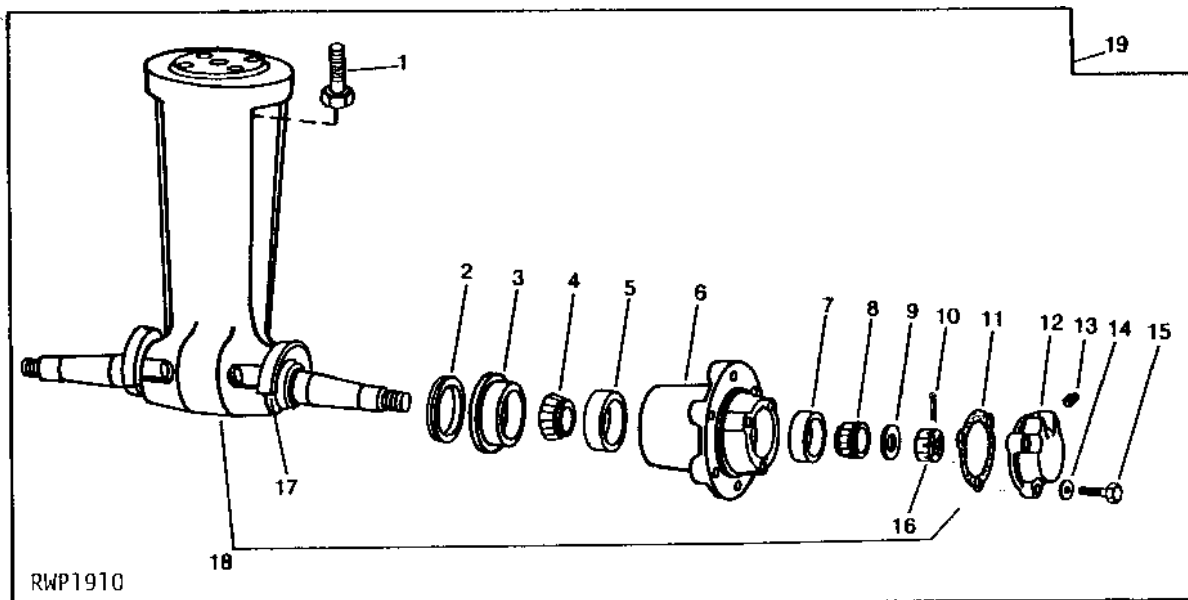
RADIUS ROD (HI-CROP)



KEY	PART NO.	PART NAME	QTY	TRACTOR SERIAL NO.	REMARKS
1	F1011R	U-BOLT	4		
2	12H294	LOCK WASHER	8	5/8"	
3	14H800	NUT	8	5/8"	
4	R28722	BRACKET	2	(NLA)	
5	19H2113	CAP SCREW	4	3/4" X 3-1/4"	
6	12H236	LOCK WASHER	4	3/4"	
7	14H794	NUT	4	3/4"	
8	R28718	ROD	2	(NLA)	
9	F1008R	BOLT	4		
10	12H293	LOCK WASHER	4	7/16"	
11	14H1047	NUT	4	7/16"	
12	R58040	COUPLING	2	(SUB FOR R34570)	
13	F562R	NUT	3		
14	R28719	ROD	2	(NLA)	
15	F1012R	PIVOT	1		
16	JD7759	LUBRICATION FITTING	1		
17	19H1768	CAP SCREW	2	3/4" X 2"	
	12H236	LOCK WASHER	2	3/4"	
18	AR27904	BRACKET	1		
19	11M7032	COTTER PIN	1	0.197" X 1.969"	

SPINDLE EXTENSION AND HUBS FOR DOUBLE FRONT WHEELS

RWP1910 -UN-06OCT94



KEY	PART NO.	PART NAME	QTY	TRACTOR SERIAL NO.	REMARKS
1	19H2663	CAP SCREW	4	3/4" X 2-1/8"	
2	AR26480	SEAL	2		
3	R26632	BUSHING	2		
4	JD8913	BEARING CONE	2		
5	JD7445	BEARING CUP	2		
6	R48763	HUB	2	(ALSO ORDER (6) JD16) (SUB FOR R26631)	
7	JD8251	BEARING CUP	2		
8	JD8929	BEARING CONE	2		
9	R28575	WASHER	2	(SUB FOR A5146R)	
10	11M7030	COTTER PIN	2	0.197" X 1.575"	
11	A1556R	GASKET	2		
12	A1555R	CAP	2		
13	15H638	PIPE PLUG	2	1/8"	
14	24H1136	WASHER	6	11/32" X 11/16" X 0.065"	
15	19H2915	CAP SCREW	6	5/16" X 1-1/4"	
16	14H920	NUT	2	1"	
17	R20255	DUST SHIELD	2		
18	AR26823	EXTENSION	1	(MARKED R26860)	
19	AR27054	KNUCKLE	1	(NLA)	

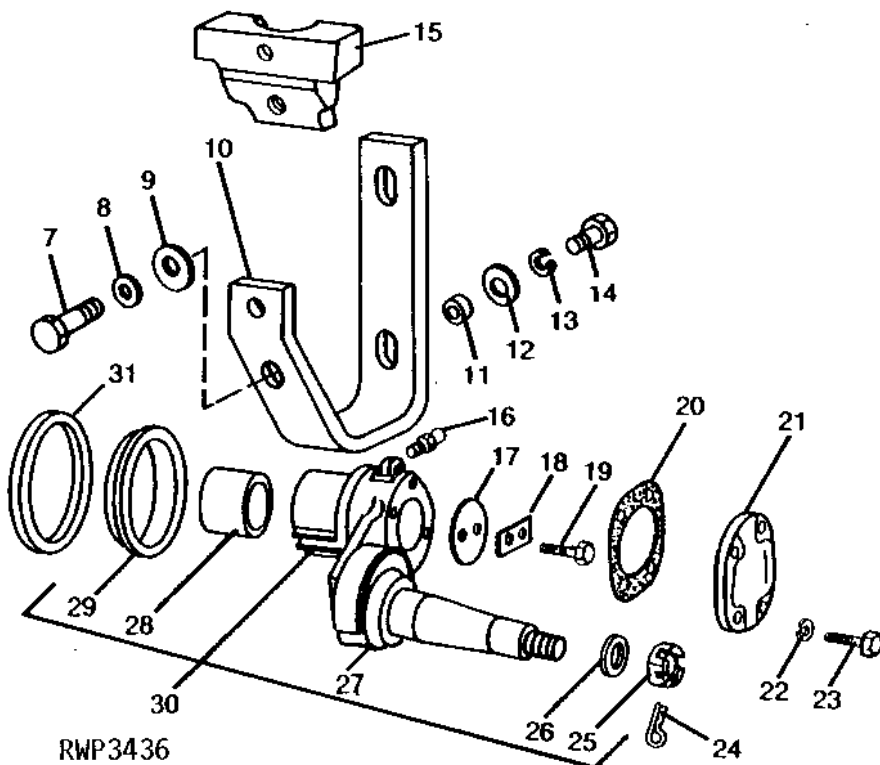
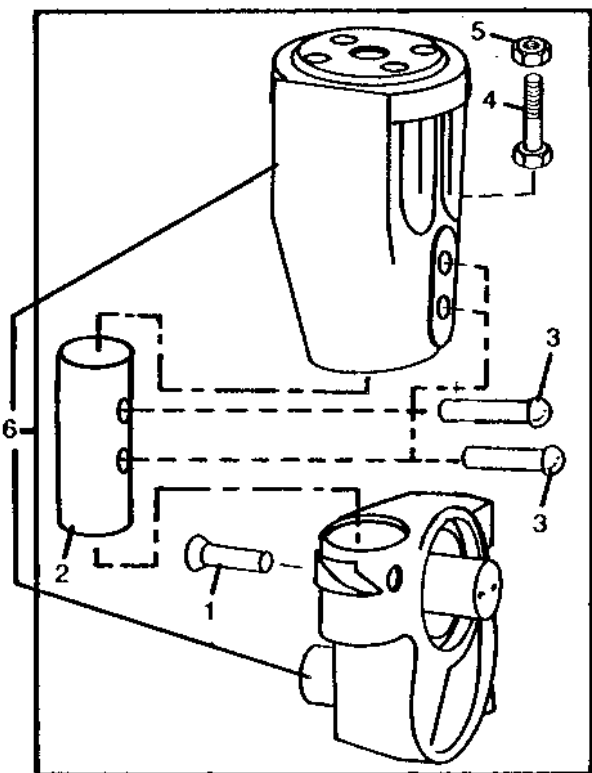
MEMORANDA

315

WHEELS, FRONT AXLES, SHEET METAL

RWP3436 -UN-01JAN94

ROLL-O-MATIC



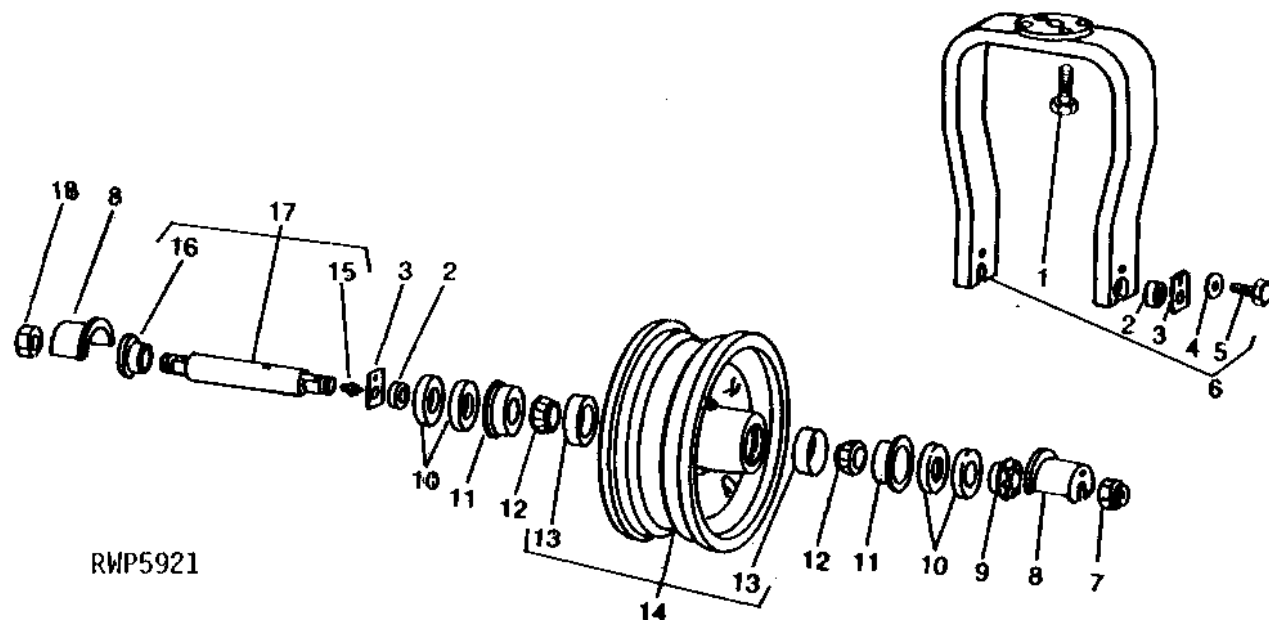
ROLL-O-MATIC - CONTINUED

KEY	PART NO.	PART NAME	QTY	TRACTOR SERIAL NO.	REMARKS
1	17H716	RIVET	1		5/8" X 4"
2	R20253	DOWEL PIN	1		(A) (ALSO USED IN AR28247)
3	17H249	RIVET	2		1/2" X 5"
	17H760	RIVET	2		(A) 5/8" X 5"
4	19H2663	CAP SCREW	4		3/4" X 2-1/8"
5	14H794	NUT	4		3/4"
6	AR28247	EXTENSION	1		(MARKED R28002 AND R32618) (NLA)
	AR28249	EXTENSION	1		(A) (MARKED R28002 AND R20252)
7	19H1708	CAP SCREW	2		5/8" X 1-3/4"
8	12H294	LOCK WASHER	2		5/8"
9	24H1106	WASHER	2		11/16" X 1-3/4" X 0.134"
10	A4118R	SUPPORT	1		
11	A4119R	SPACER	2		
12	24H1211	WASHER	2		9/16" X 1-3/8" X 0.105"
13	12H301	LOCK WASHER	2		1/2"
14	19H2473	CAP SCREW	2		1/2" X 1-3/4"
15	A4117R	LOCK	1		
16	JD7778	LUBRICATION FITTING	2		
17	A3476R	THRUST WASHER	2		
	R20260	WASHER	2		(A)
18	F3319R	ADJUSTING STRAP	2		
	R20261	PLATE	2		(A)
19	19H1936	CAP SCREW	4		3/8" X 3/4"
	19H1822	CAP SCREW	4		(A) 7/16" X 1"
20	R26947	GASKET	2		
	R30392	GASKET	2		(A)
21	AR39858	CAP	2		(MARKED R39925) (SUB FOR R26946) (NLA)
	R30391	CAP	2		(A)
22	12H303	LOCK WASHER	8		5/16", (USE WITH R26946)
	24H1136	WASHER	8		11/32" X 11/16" X 0.065", (USE WITH R39925)
	12H304	LOCK WASHER	8		(A) 3/8"
23	19H1905	CAP SCREW	8		5/16" X 1", (USE WITH R26946)
	19H2661	CAP SCREW	8		5/16" X 1-3/8", (USE WITH R39925)
	19H1732	CAP SCREW	8		(A) 3/8" X 1-1/4"
24	11M7032	COTTER PIN	2		0.197" X 1.969"
25	14H920	NUT	2		1"
26	R28575	WASHER	2		(SUB FOR A5146R)
27	R20255	DUST SHIELD	2		
28	A3481R	BUSHING	4		(SUB FOR AA4074R)
	R20942	BUSHING	4		
29	A3475R	ASSEMBLY LINE PARTS	2		
	R20256	RETAINER	2		(A)
30	AR27316	KNUCKLE	1		R.H. (MARKED R30389)
	AR27314	KNUCKLE	1		(A) R.H. (MARKED R30387)
	AR27317	KNUCKLE	1		L.H. (MARKED R30390)
	AR27315	KNUCKLE	1		(A) L.H. (MARKED R30388)
31	A3474R	WASHER	2		
	R20259	BUSHING	2		(A)

(A) HEAVY-DUTY

**SINGLE FRONT WHEEL
(7.50 X 16" TIRE)**

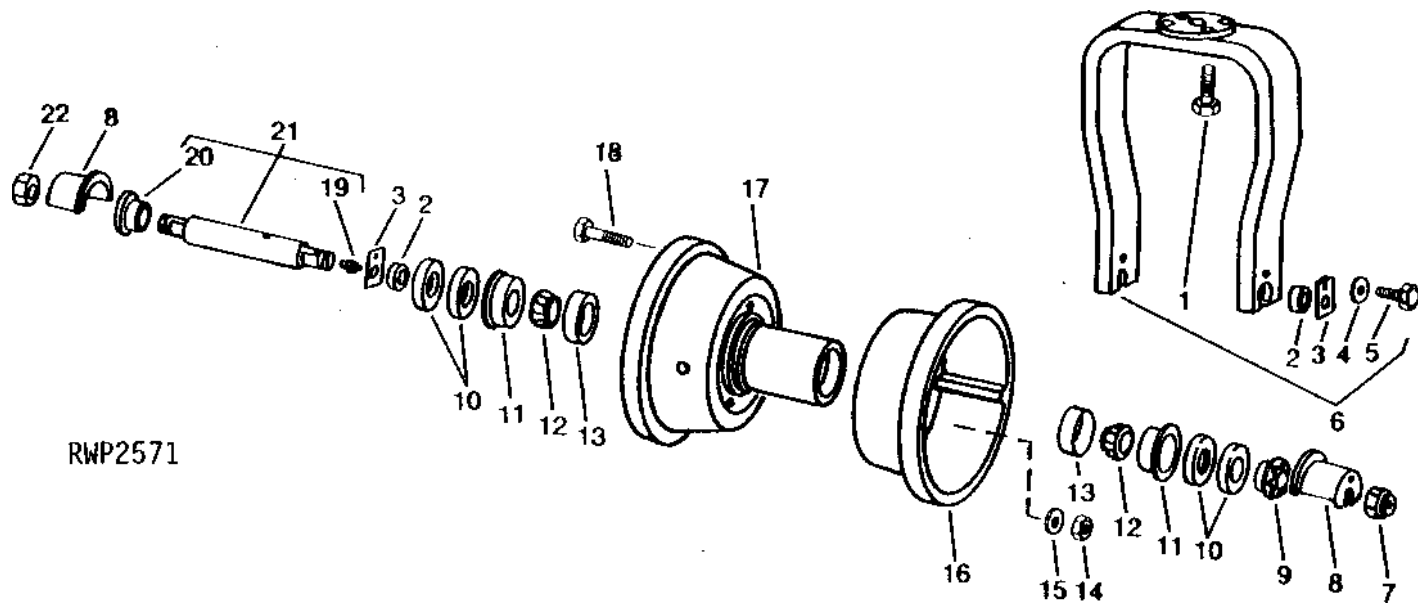
RWP5921 -UN-01JAN94



KEY	PART NO.	PART NAME	QTY	TRACTOR SERIAL NO.	REMARKS
1	19H2663	CAP SCREW	4	3/4" X 2-1/8"	
2	F3127R	SPACER	2		
3	F3126R	PLATE	2		
4	12H304	LOCK WASHER	1	3/8"	
5	H772R	SET SCREW	1		
6	AR28242	YOKE	1		(USE WITH WHEEL FOR 7.50 X 16" TIRE)
7	B551R	NUT	1		
8	H773R	DUST SHIELD	2		
9	B548R	NUT	1		
10	B90R	WASHER	4		
11	B89R	RETAINER	2		
12	JD7222	BEARING CONE	2		
13	JD7266	BEARING CUP	2		
14	AB3686R	WHEEL	1		(MARKED B2681R) (7.50 X 16" TIRE) (NLA)
15	JD7759	LUBRICATION FITTING	1	1/8"	
16	B2683R	BUSHING	1		
17	AB4259R	AXLE	1		
18	14H876	NUT	1	1"	

**SINGLE FRONT WHEEL
(11.00X 12" TIRE)**

RWP2571 -UN-01JAN94



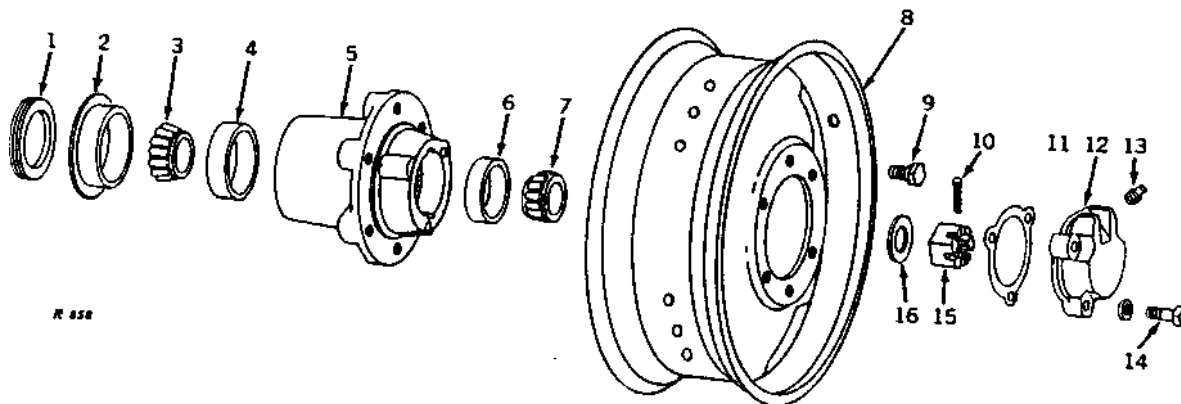
RWP2571

KEY	PART NO.	PART NAME	QTY	TRACTOR SERIAL NO.	REMARKS
1	19H2663	CAP SCREW	4		3/4" X 2-1/8"
2	R20656	SPACER	2		(A) (NLA)
3	R20648	STRAP	2		(A)
4	12H304	LOCK WASHER	1		3/8"
5	H772R	SET SCREW	1		
6	AR28243	YOKE	1		(A) (NLA)
7	14H1019	NUT	1		(A) 1-1/4"
8	R20655	DUST SHIELD	2		(A) (NLA)
9	R20653	NUT	1		(A)
10	R3R	WASHER	4		(A)
11	R2R	RETAINER	2		(A)
12	JD8913	BEARING CONE	2		(A)
13	JD7445	BEARING CUP	2		(A)
14	14H1039	NUT	4		(A) 5/8"
15	12H294	LOCK WASHER	4		(A) 5/8"
16	R31226	RIM	1		(A) (NLA)
17	R31225	HUB	1		(A) (NLA)
18	19H1824	CAP SCREW	4	009142-	5/8" X 2-1/4"
19	JD7759	LUBRICATION FITTING	1		1/8"
20	R20654	SPACER	1		(A)
21	AR20750	FRONT AXLE	1		(A) (NLA)
22	14H975	NUT	1		1-1/4"

(A) PARTS FOR HEAVY-DUTY SINGLE FRONT WHEEL ONLY.

R858 -UN-19DEC94

FRONT WHEELS (EXCEPT SINGLE FRONT WHEEL)



KEY	PART NO.	PART NAME	QTY	TRACTOR SERIAL NO.	REMARKS
1	AR26480	SEAL	1		
	D636R	WASHER	2	(A)	
2	R26632	BUSHING	1		
	D635R	RETAINER	1	(A)	
3	JD8913	BEARING CONE	1		
	JD7224	BEARING CONE	1	(A)	
4	JD7445	BEARING CUP	1		
	JD7270	BEARING CUP	1	(A)	
5	R48763	HUB	1	(ALSO ORDER (6) JD16) (SUB FOR R26631)	
	AF912R	HUB	1	(A) (MARKED F843R) (NLA)	
6	JD8251	BEARING CUP	1		
	JD7266	BEARING CUP	1	(A)	
7	JD8929	BEARING CONE	1		
	JD8186	BEARING CONE	1	(A)	
8	JD1299	WHEEL	1		(6.00X16",6-PLY TIRE) (ROW-CROP WITH DOUBLE KNUCKLE,REGULAR OR HEAVY-DUTY ROLL-O-MATIC AND ADJUSTABLE TREAD FRONT AXLE)
	JD1091	WHEEL	1		(7.50X15",6-PLY TIRE) (ROW-CROP WITH DOUBLE KNUCKLE,HEAVY-DUTY ROLL-O-MATIC AND ADJUSTABLE TREAD FRONT AXLE)
	JD3211	WHEEL	1		(7.50X18",6-PLY TIRE) (ROW-CROP WITH ADJUSTABLE TREAD FRONT AXLE AND STANDARD WITH ADJUSTABLE OR FIXED TREAD FRONT AXLE)
	JD3210	WHEEL	1		(9.00X16",10.00X16" OR 11.00X16",8-PLY TIRE) (ROW-CROP AND STANDARD)
	JD3039	WHEEL	1		(7.50X16",6-PLY TIRE) (ROW-CROP WITH HEAVY-DUTY ROLL-O-MATIC AND ADJUSTABLE TREAD FRONT AXLE) (SUB FOR JD1293)
	JD1290	WHEEL	1	(A) (SUB JD1291)	
	JD3227	RIM	1	(7.50X20",6-PLY TIRE) (HI-CROP) (SUB FOR JD1298) (SUB JD1291)	
9	JD22	WHEEL BOLT	6		
	JD16	WHEEL BOLT	6	(USE WITH R48763)	
10	11M7032	COTTER PIN	1	0.197" X 1.969"	
11	A1556R	GASKET	1		
12	A1555R	CAP	1		
13	15H638	PIPE PLUG	1	1/8"	
14	19H2915	CAP SCREW	3	5/16" X 1-1/4"	
	24H1136	WASHER	3	11/32" X 11/16" X 0.065"	
15	14H920	NUT	1	1"	
16	R28575	WASHER	1	(SUB FOR A5146R)	
..	AM30347	TIRE VALVE STEM	1		

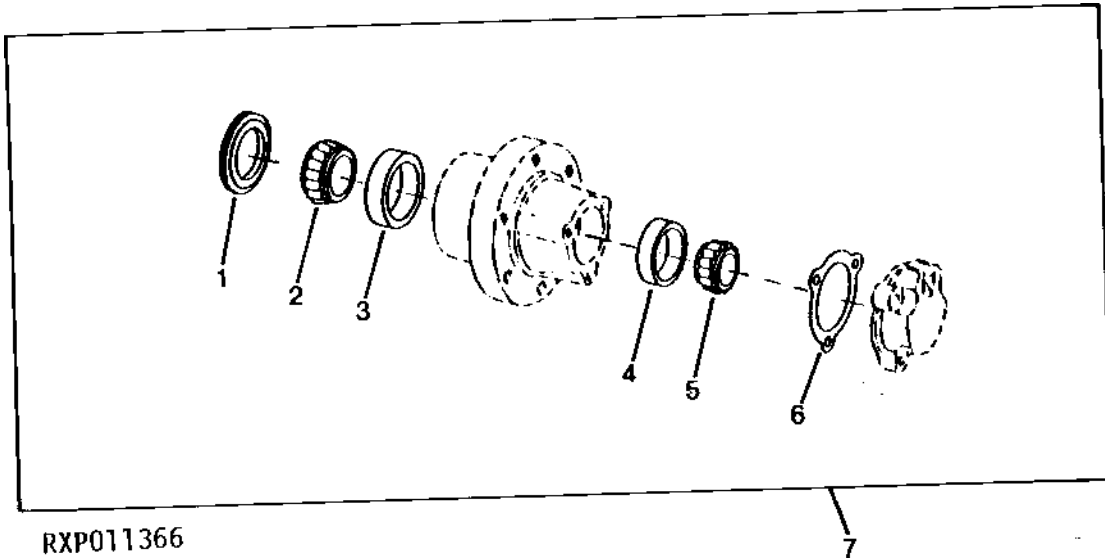
(A) WITH 965MM (38") FIXED TREAD

3110

WHEELS, FRONT AXLES, SHEET METAL

RXP011366 -UN-12OCT94

FRONT WHEEL BEARING KIT



KEY	PART NO.	PART NAME	QTY	TRACTOR SERIAL NO.	REMARKS
1	AR26480	SEAL	1		
2	JD8913	BEARING CONE	1		
3	JD7445	BEARING CUP	1		
4	JD8251	BEARING CUP	1		
5	JD8929	BEARING CONE	1		
6	A1556R	GASKET	1		
7	RE54814	BEARING KIT	1		(USE WITH R48763)

MEMORANDA

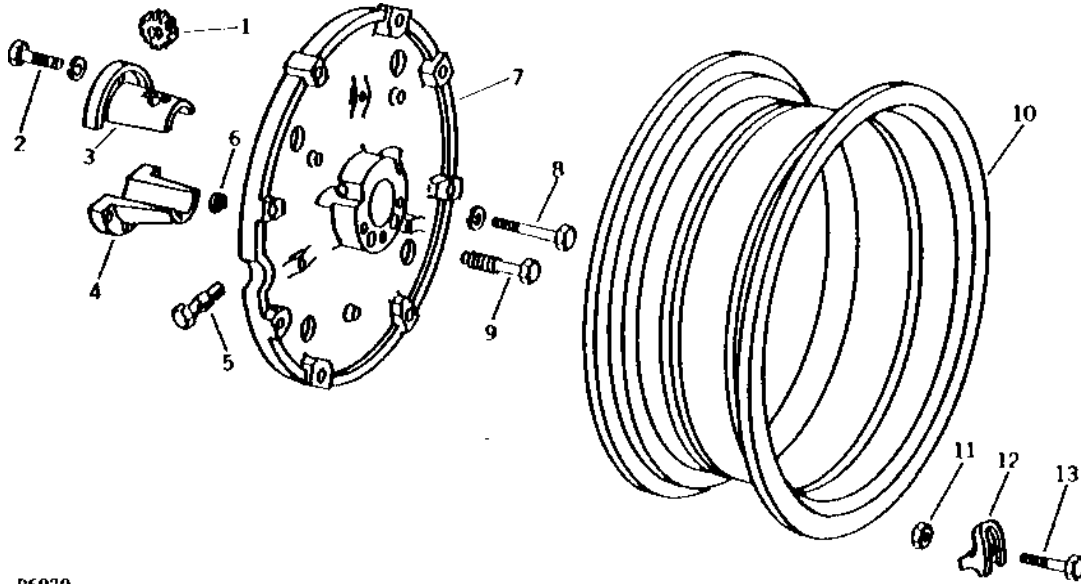
3111

WHEELS, FRONT AXLES, SHEET METAL

R6020

-UN-01JAN94

REAR WHEELS



R6020

KEY	PART NO.	PART NAME	QTY	TRACTOR SERIAL NO.	REMARKS
1	A4379R	PINION	1	(A) (RC AND ST)	
	B3014R	PINION	1	(HC)	
2	19H2600	CAP SCREW	3	3/4" X 2-5/8"	
	12H236	LOCK WASHER	3	3/4"	
3	R33531	HALF SLEEVE	1	(SUB R93955) (RC AND ST)	
	R33539	HALF SLEEVE	1	(HC)	
	A4384R	HALF SLEEVE	1	(A)	
4	R33532	HALF SLEEVE	1	(RC AND ST)	
	R33540	HALF SLEEVE	1	(HC)	
	R32224	HALF SLEEVE	1	(A)	
5	A4380R	PINION SHAFT	1		
6	A4883R	RING	2		
7	R48955	WHEEL	1	(16.9-34 OR 18.4-34 TIRE) (SUB FOR R33440)	
	R48954	WHEEL	1	(RC AND ST) (15.5-38 TIRE) (SUB FOR R33430)	
	R33450	DISK	1	(SPECIAL OFFSET) (15.5-38 OR 16.9-38 TIRE)	
	R34680	WHEEL	1	(RC) (SUB R70309)	
	R21480	WHEEL	1	(23.1-30 TIRE) (ST)	
	R21480	WHEEL	1	(18.4-34 TIRE) (HC)	
8	08H4419	CAP SCREW	3	7/8" X 6-1/2", (SUB FOR R33707)	
	19H2310	CAP SCREW	3	(A) 7/8" X 6"	
	12H245	LOCK WASHER	3	7/8"	
9	R58303	SCREW	2	(SUB FOR R33706)	
	R39758	SCREW	2	(A) (SUB FOR A4882R)	
10	R31592	RIM	1	(16.9-34 TIRE) (RC)	
	R41846	RIM	1	(16.9-38 TIRE) (RC)	
	R31943	RIM	1	(18.4-34 TIRE) (RC AND HC) (EMBOSSED DRIVER)	
	R31490	RIM	1	(13.6-38 TIRE) (RC)	
	R31491	RIM	1	(15.5-38 TIRE) (RC AND HC)	
	R34659	RIM	1	(23.1-30 TIRE) (ST)	
	R32072	RIM	1	(A) (18.4-34 TIRE) (WELDED DRIVER)	
11	14H800	NUT	AR	(B) (C) 5/8"	
12	A4388R	CLAMP	AR	(C)	
	B634R	CLAMP	AR	(B)	
13	08H4694	BOLT	AR	(C) 5/8" X 4" (HS, SAE 8) (SUB FOR A4389R)	
	A4064R	BOLT	AR	(B) 5/8" X 2-3/4", (SUB R34801)	

(A) HC WITH R21480 WHEEL

(B) 8 USED WITH R34680 AND R21480

(C) 12 USED WITH R33430, R33440, R33450, R48954, AND R48955

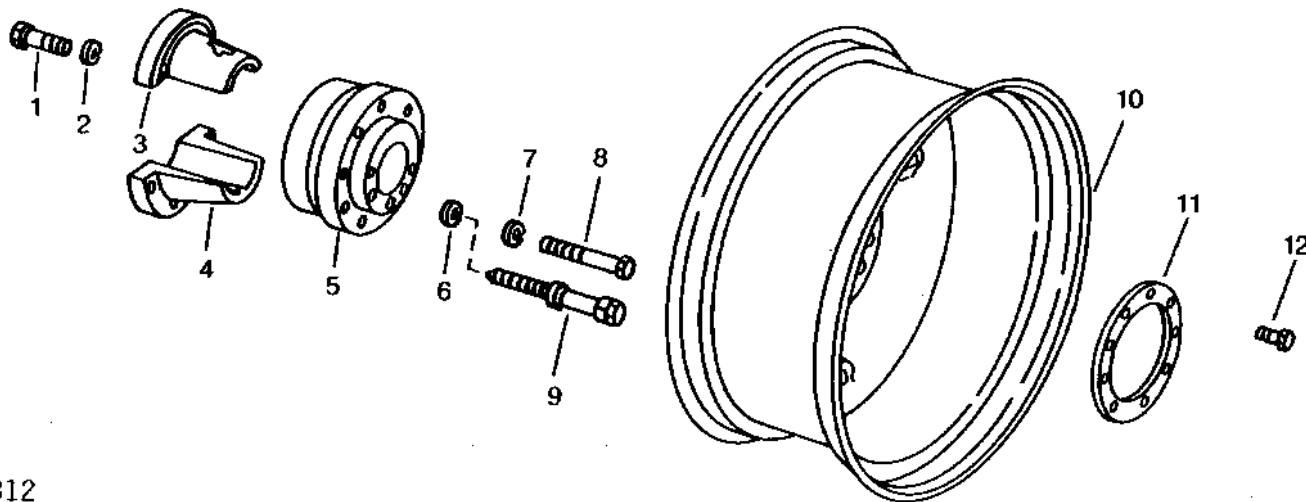
RC-ROW-CROP, ST-STANDARD, HC-HI-CROP

3112

WHEELS, FRONT AXLES, SHEET METAL

RWP6312 -UN-01JAN94

DUAL REAR WHEELS (ROW-CROP)



RWP6312

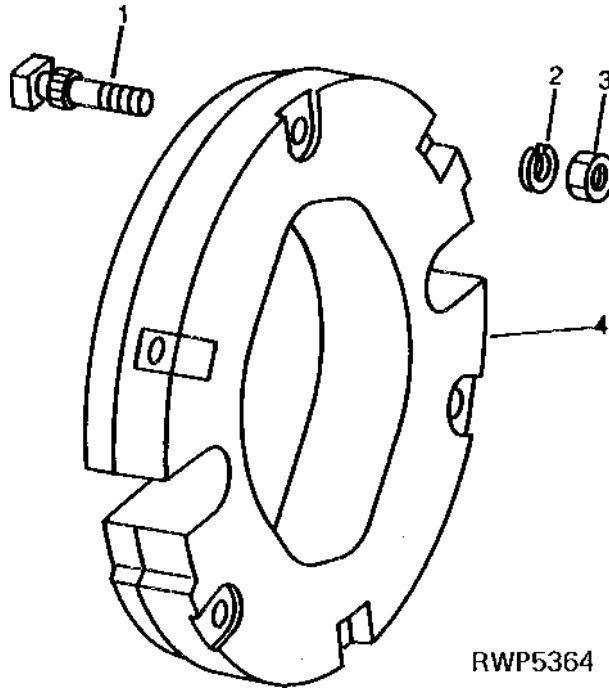
KEY	PART NO.	PART NAME	QTY	TRACTOR SERIAL NO.	REMARKS
1	19H2600	CAP SCREW	3	3/4" X 2-5/8"	
2	12H236	LOCK WASHER	3	3/4"	
3	R33533	HALF SLEEVE	1		
4	R33534	SLEEVE	1		
5	R28490	HUB	1		
6	A4883R	RING	2		
7	12H245	LOCK WASHER	3	7/8"	
8	19H2310	CAP SCREW	3	7/8" X 6"	
9	R39758	SCREW	2		
10	JD3019	WHEEL	1	(13.6-38 TIRE)	
	JD3222	WHEEL	1	(15.5-38 TIRE)	
	JD3223	WHEEL	1	(16.9-38 TIRE)	
	JD3224	WHEEL	1	(18.4-34 TIRE)	
11	R54983	WHEEL RING	1	(USE WITH JD3223 AND JD3224)	
12	JD27	SCREW	9	(USE WITH JD3019 AND JD3222)	
	19H2672	CAP SCREW	9	5/8" X 2" (HS, SAE 8) (USE WITH JD3223 AND JD3224)	

3113

WHEELS, FRONT AXLES, SHEET METAL

REAR WHEEL WEIGHTS (FIRST AND ADDITIONAL WEIGHTS TO WHEEL)

RWP5364 -UN-01JAN94



KEY	PART NO.	PART NAME	QTY	TRACTOR SERIAL NO.	REMARKS
1	R34801	BOLT	3	5/8" X 3"	
	R81272	BOLT	3	5/8" X 5-1/4", (USE WITH R48956) (SUB FOR R67235)	
2	12H294	LOCK WASHER	3	5/8"	
3	14H1039	NUT	3	5/8"	
4	R61524	WEIGHT	2	64KG (140 LBS) (34" AND 38" WHEELS)(NLA)	
	R61727	WEIGHT	2	54KG (120 LBS) (30" WHEEL)	

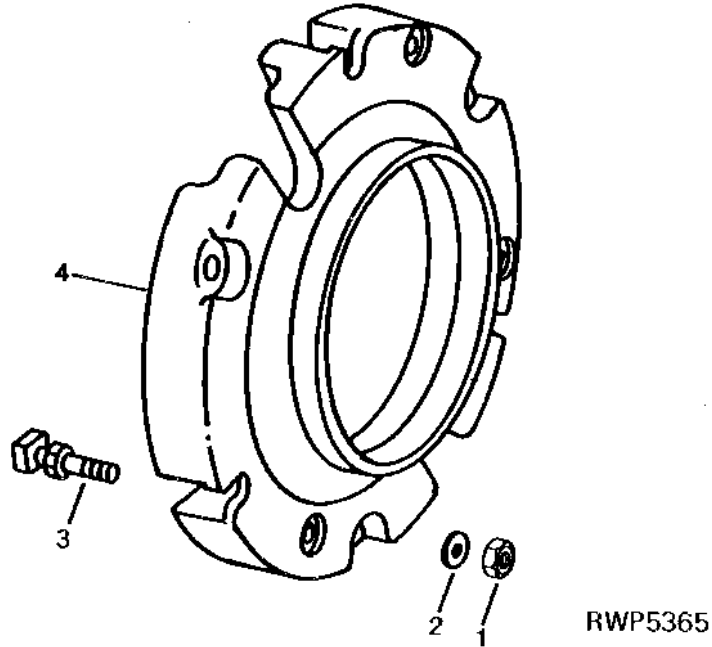
3114

WHEELS, FRONT AXLES, SHEET METAL

REAR WHEEL WEIGHTS (FOR 34" AND 38" CAST DISK WHEELS)

RWP5365

-UN-01JAN94



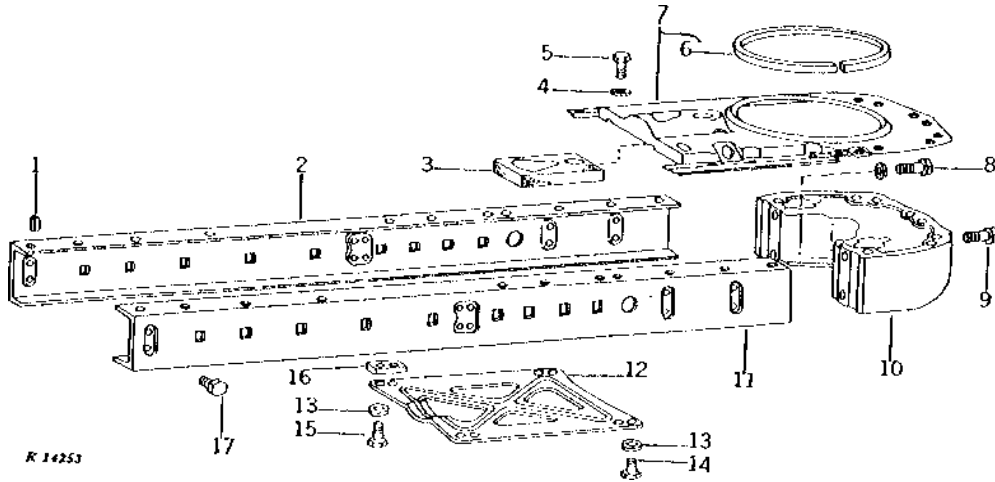
KEY	PART NO.	PART NAME	QTY	TRACTOR SERIAL NO.	REMARKS
1	14H1039	NUT	3	5/8"	
2	12H294	LOCK WASHER	3	5/8"	
3	R34801	BOLT	3	5/8" X 3"	
4	T21689	WEIGHT	1	54KG (120 LBS) (FIRST AND ADDITIONAL WEIGHTS TO WHEEL)(NLA)	

3115

WHEELS, FRONT AXLES, SHEET METAL

R14253 -UN-01JAN94

FRAME, FRAME PLATES, AND SUPPORT



KEY	PART NO.	PART NAME	QTY	TRACTOR SERIAL NO.	REMARKS
1	34H309	SPRING PIN	4	1/4" X 5/8"	
2	R34114	FRAME	1		
3	R27898	ISOLATOR	1		
4	24H1325	WASHER	8	15/32" X 59/64" X 0.065"	
5	19H1924	CAP SCREW	8	7/16" X 3/4"	
6	FOAM PAD	1	13 X 25 X 1083MM (1/2" X 1" X 42-5/8") (MAKE FROM R30936)	
7	AR45460	PLATE	1	(SUB FOR AR32697, AR32703, AR39528, AR39529 OR AR41720) (NLA)	
8	19H2706	CAP SCREW	4	5/8" X 2", (HS, SAE 8)	
	12H294	LOCK WASHER	2	5/8"	
9	19H2009	CAP SCREW	1	3/4" X 1-5/8"	
10	R41110	SUPPORT	1	(SUB FOR R34292) (NLA)	
11	R34113	FRAME	1		
12	PLATE	1	(A) (NLA)	
13	24H1325	WASHER	8	(A) 15/32" X 59/64" X 0.065"	
14	19H1924	CAP SCREW	4	(A) 7/16" X 3/4"	
15	19H2964	CAP SCREW	4	(A) 7/16" X 1-1/8"	
16	R27598	STRAP	2	(A)	
17	R31505	BOLT	20		

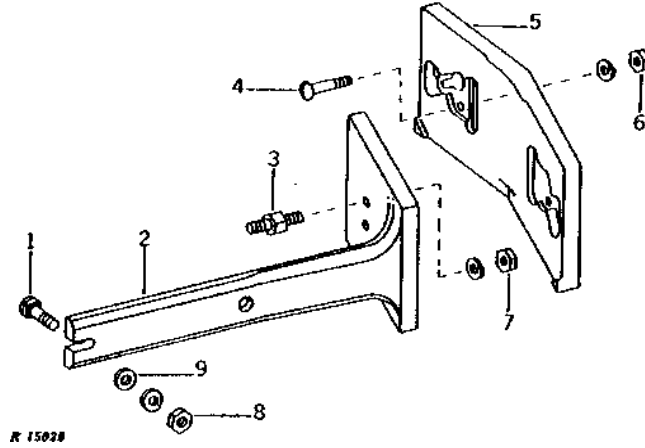
(A) EXCEPT TRACTORS WITH WIDE FRONT AXLES

3116

WHEELS, FRONT AXLES, SHEET METAL

R15028 -UN-01JAN94

FRAME SIDE AND FRONT WEIGHTS



KEY	PART NO.	PART NAME	QTY	TRACTOR SERIAL NO.	REMARKS
1	03H1857	BOLT	2		
2	R54144	WEIGHT	2		(SUB FOR R27642) (NLA)
3	R27645	STUD	2		
4	03H1857	BOLT	2		5/8" X 2-3/4"
5	R27643	WEIGHT	1		
6	14H800	NUT	2		5/8"
	12H294	LOCK WASHER	2		5/8"
7	14H794	NUT	2		3/4"
	12H236	LOCK WASHER	2		3/4"
8	14H800	NUT	2		5/8"
	12H294	LOCK WASHER	2		5/8"
9	F2783R	WASHER	2		

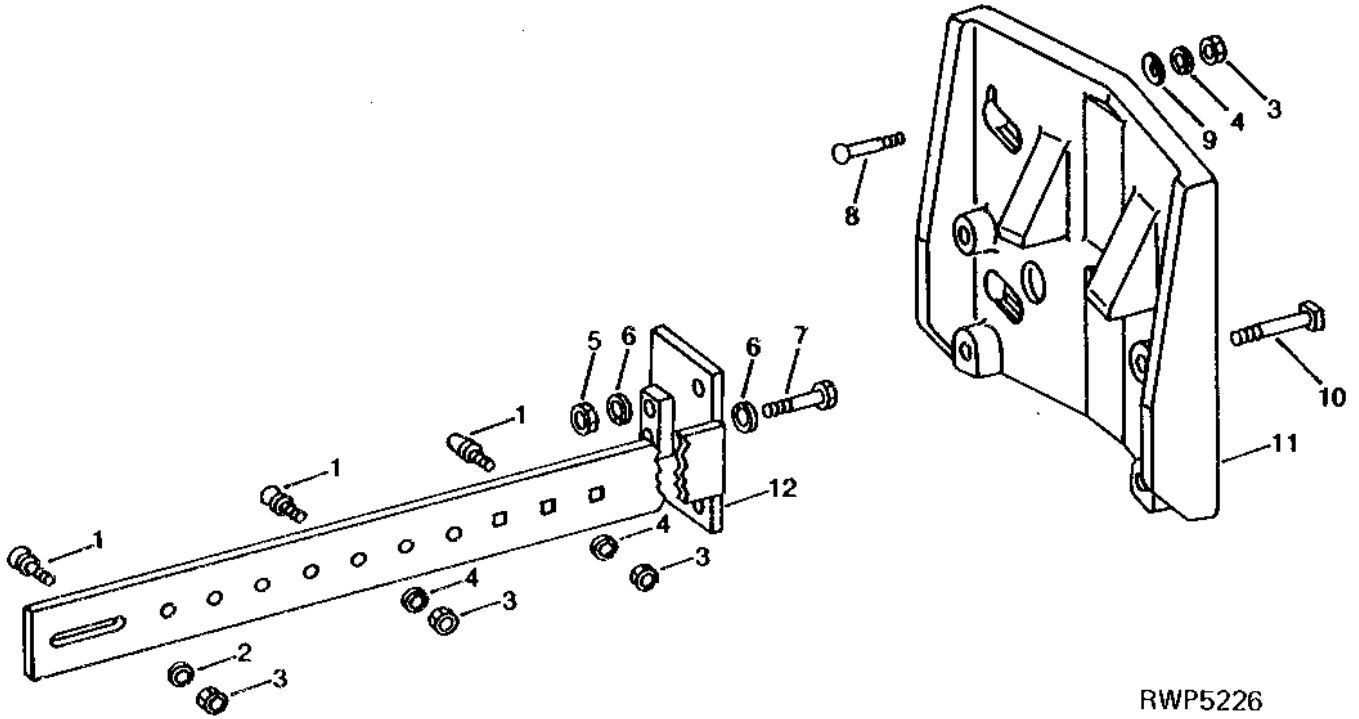
3117

WHEELS, FRONT AXLES, SHEET METAL

DOUBLE FRONT WEIGHT

RWP5226

-UN-01JAN94



RWP5226

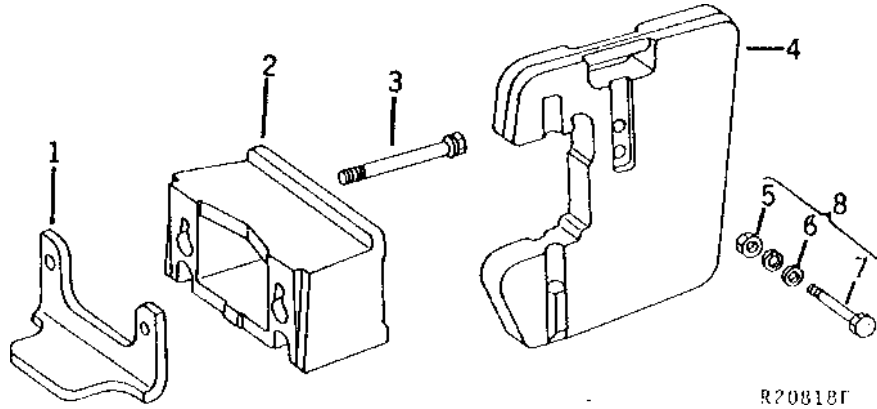
KEY	PART NO.	PART NAME	QTY	TRACTOR SERIAL NO.	REMARKS
1	03H1399	BOLT	6	5/8" X 1-3/4"	
2	24H1367	WASHER	2	21/32" X 1-1/4" X 1/4"	
3	14H1039	NUT	10	5/8"	
4	12H294	LOCK WASHER	8	5/8"	
5	14H794	NUT	4	3/4"	
6	12H236	LOCK WASHER	6	3/4"	
7	19H1909	CAP SCREW	2	3/4" X 3-3/4"	
8	03H1858	BOLT	4	5/8" X 3-1/2"	
9	R44890	NUT	4		
10	08H4222	BOLT	4	3/4" X 3-3/4"	
11	R44350	WEIGHT	1	(NLA)	
12	AR58357	SUPPORT	2	(NLA)	

3118

WHEELS, FRONT AXLES, SHEET METAL

R20818 -UN-01JAN94

TWO, FOUR, OR SIX QUIK-TATCH FRONT WEIGHTS



R20818F

KEY	PART NO.	PART NAME	QTY	TRACTOR SERIAL NO.	REMARKS
1	R52914	ADAPTER	1		
2	AR92425	SUPPORT	1		(SUB FOR AR58363 OR R51679) (NLA)
3	R52924	SELF-LOCKING SCREW	2		
4	R51680	WEIGHT	1		(NLA)
5	14H1039	NUT	1		5/8"
	12H294	LOCK WASHER	1		5/8"
6	24H1367	WASHER	1		21/32" X 1-1/4" X 1/4"
7	19H1926	CAP SCREW	1		(A) 5/8" X 4-3/4"
	08H4260	CAP SCREW	1		(B) 5/8" X 9"
	R51681	CAP SCREW	1		(C)
8	AR58350	MOUNTING PARTS	1		(A)
	AR58351	MOUNTING PARTS	1		(B)
	AR58352	MOUNTING PARTS	1		(C)
..	AR58349	SUPPORT	1		(CONSISTS OF AR92425 AND R52914)

(A) USE WITH 2 QUIK-TATCH WEIGHTS

(B) USE WITH 4 QUIK-TATCH WEIGHTS

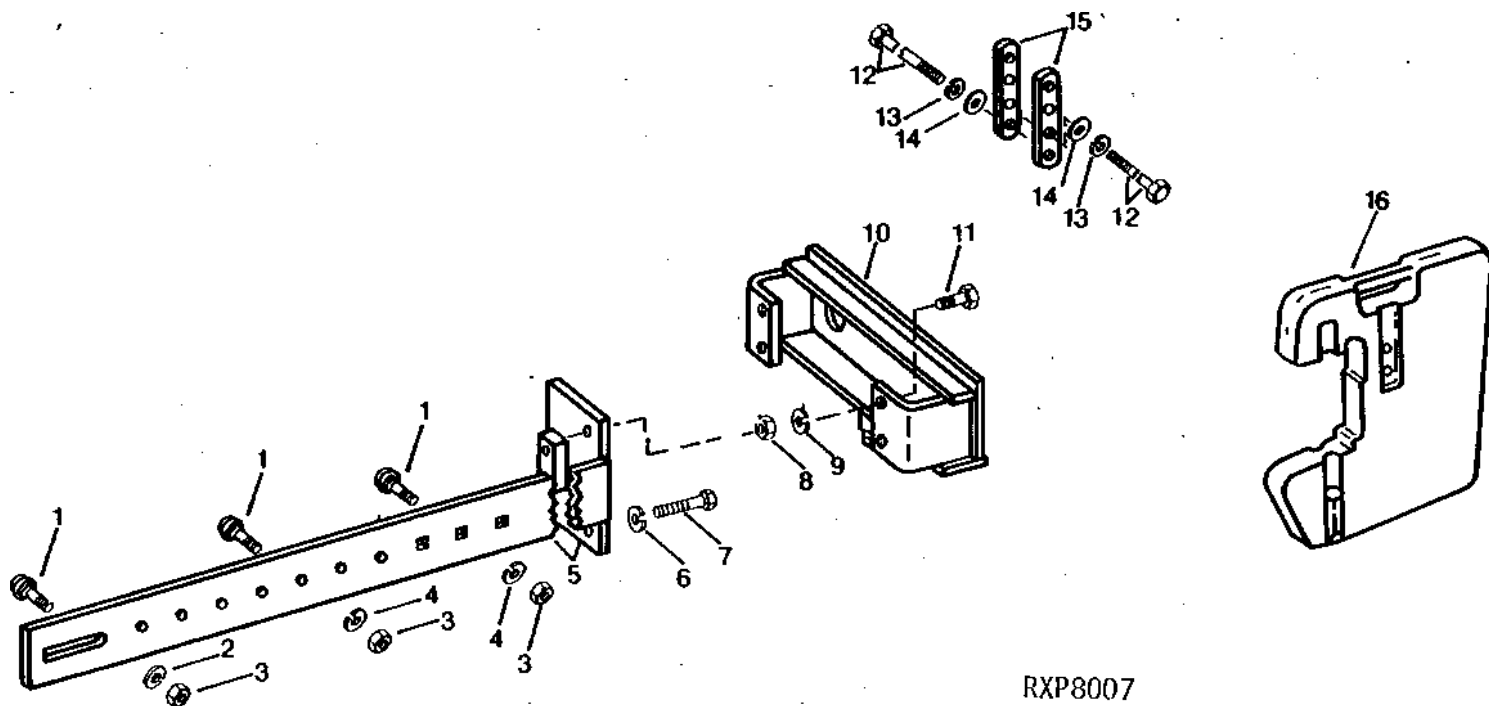
(C) USE WITH 6 QUIK-TATCH WEIGHTS

3119

WHEELS, FRONT AXLES, SHEET METAL

EIGHT OR TEN QUIK-TATCH FRONT WEIGHTS

RXP8007 -UN-01JAN94



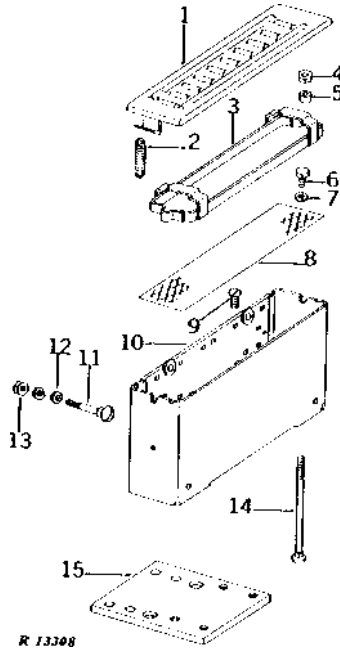
KEY	PART NO.	PART NAME	QTY	TRACTOR SERIAL NO.	REMARKS
1	03H1399	BOLT	6	5/8" X 1-3/4"	
2	24H1367	WASHER	2	21/32" X 1-1/4" X 1/4"	
3	14H1039	NUT	6	5/8"	
4	12H294	LOCK WASHER	4	5/8"	
5	SUPPORT	2	(NLA)	
6	12H236	LOCK WASHER	2	3/4"	
7	19H1909	CAP SCREW	2	3/4" X 3-3/4"	
8	14H794	NUT	4	3/4"	
9	12H236	LOCK WASHER	4	3/4"	
10	AR72132	SUPPORT	1	(NLA)	
11	19H1782	CAP SCREW	1	3/4" X 2-1/4"	
12	R51681	CAP SCREW	2		
13	12H294	LOCK WASHER	2	5/8"	
14	24H1367	WASHER	2	21/32" X 1-1/4" X 1/4"	
15	AR68801	RETAINER	2	(SUB FOR T32148) (NLA)	
16	R51680	WEIGHT	1	(NLA)	

3120

WHEELS, FRONT AXLES, SHEET METAL

R13308 -UN-01JAN94

BATTERY BOX (TRACTOR SERIAL NO. 091000-179456)



R 13308

KEY	PART NO.	PART NAME	QTY	TRACTOR SERIAL NO.	REMARKS
1	AR30468	COVER	1		
2	R2577R	SPRING	2		
3	AR26469	HOLD-DOWN CLIP	AR		(2 USED DIESEL) (1 USED GASOLINE AND LP-GAS)
4	14H786	NUT	AR		1/4", (4 USED DIESEL) (2 USED GASOLINE AND LP-GAS)
5	R20522	BUSHING	AR		(4 USED DIESEL) (2 USED GASOLINE AND LP-GAS)
6	19H1919	CAP SCREW	2		(A) 1/4" X 5/8"
7	24H1136	WASHER	2		(A) 11/32" X 11/16" X 0.065"
8	R28790	SCREEN	1		(A) (NLA)
9	21H1250	SCREW	4		1/2" X 3/4"
10	AR40039	BATTERY BOX	AR		BATTERY (2 USED DIESEL) (1 USED GASOLINE AND LP-GAS) (SUB FOR AR34613)
	AR40039	BATTERY BOX	1		(A) TOOL, (SUB FOR AR34613)
11	03H1565	BOLT	2		3/8" X 3"
12	24M7096	WASHER	2		10.500 X 18 X 1.600 MM
13	14H1076	NUT	2		3/8"
	12H304	LOCK WASHER	2		3/8"
14	03H2173	BOLT	AR		1/4" X 9-3/4", (4 USED DIESEL) (2 USED GASOLINE AND LP-GAS)
15	R39562	PLATE	1		(NLA)

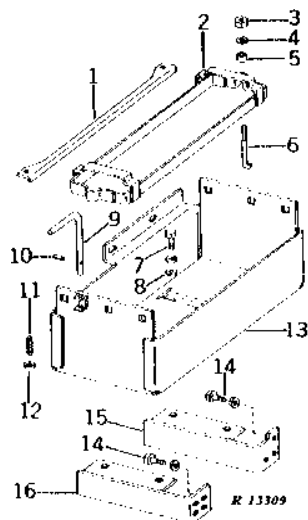
(A) GASOLINE AND LP-GAS

3121

WHEELS, FRONT AXLES, SHEET METAL

BATTERY BOX AND SUPPORTS (STANDARD TRACTOR SERIAL NO. 179457-)

R13309 -UN-01JAN94

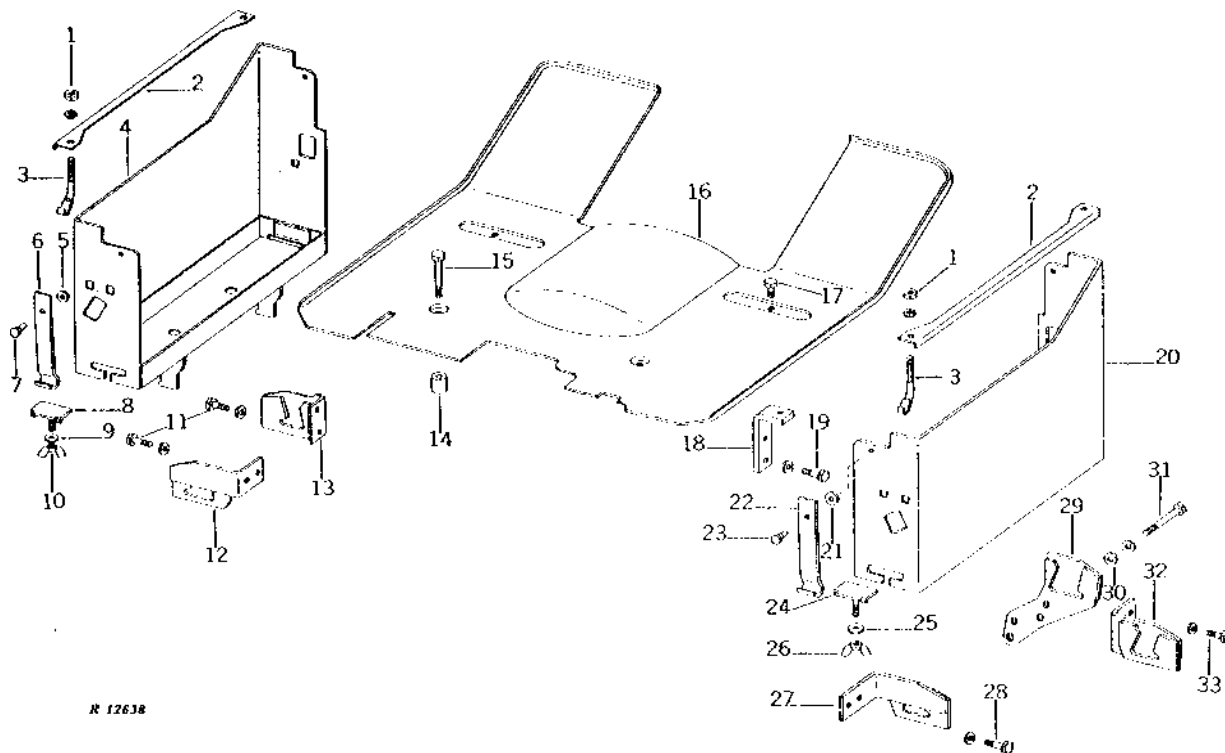


KEY	PART NO.	PART NAME	QTY	TRACTOR SERIAL NO.	REMARKS
1	R40423	CLAMP	2	(DIESEL)	
2	AR26469	HOLD-DOWN CLIP	1	(A)	
3	14H786	NUT	AR	1/4", (4 USED DIESEL) (2 USED GASOLINE AND LP-GAS)	
4	24H1821	WASHER	AR	9/32" X 47/64" X 1/16", (4 USED DIESEL) (2 USED GASOLINE AND LP-GAS)	
5	R20522	BUSHING	2	(A)	
6	R30805	ROD	AR	(4 USED DIESEL) (2 USED GASOLINE AND LP-GAS)	
7	19H2284	CAP SCREW	4	3/8" X 7/8"	
	12H304	LOCK WASHER	4	3/8"	
8	24H1302	WASHER	4	13/32" X 11/16" X 0.035"	
9	R41548	PIN	1	(NLA)	
10	34H244	SPRING PIN	1	1/8" X 9/16"	
11	H26232	SPRING	1		
12	24H1301	WASHER	1	13/32" X 9/16" X 0.065"	
13	AR45207	BOX	1	(SUB FOR AR41272) (NLA)	
14	19H2284	CAP SCREW	4	3/8" X 7/8"	
	12H304	LOCK WASHER	4	3/8"	
15	AR44727	BRACKET	1	FRONT (NLA)	
16	AR44728	BRACKET	1	REAR (NLA)	

(A) GASOLINE AND LP-GAS

PLATFORM AND BATTERY BOXES
(TRACTOR SERIAL NO. 065000-090999)

R12638 -UN-01JAN94



KEY	PART NO.	PART NAME	QTY	TRACTOR SERIAL NO.	REMARKS
1	14H786	NUT	AR	111153-	(A) 1/4", (2 USED GASOLINE AND LP-GAS) (4 USED DIESEL)
	24H1821	WASHER	AR	111153-	(A) 9/32" X 47/64" X 1/16", (2 USED GASOLINE AND LP-GAS) (4 USED DIESEL)
2	R40423	CLAMP	AR	111153-	(A) (1 USED GASOLINE AND LP-GAS) (2 USED DIESEL)
3	R30805	ROD	AR	111153-	(A) (2 USED GASOLINE AND LP-GAS) (4 USED DIESEL)
4	AR40210	BATTERY BOX	1		(SUB FOR AR32500 OR AR34821)
5	24H1283	WASHER	2		7/32" X 1/2" X 0.049"
6	R27084	CLAMP	2	-080888	
	R27084	CLAMP	1	080889-	FRONT
	R34958	LATCH	1	080889-	REAR
7	R27085	RIVET	2		
8	AR32481	CLAMP	1	-111152	(SUB R30805, T104373, 14H786 AND 24H1821)
9	24M7207	WASHER	1	-111152	8.400 X 24 X 2 MM
10	14H819	WING NUT	1	-111152	5/16", (SUB FOR R1069R)
11	19H2284	CAP SCREW	4		3/8" X 7/8"
	12H304	LOCK WASHER	4		3/8"
12	AR32503	SUPPORT	1		(B)
13	AR32333	SUPPORT	1		(C)
	AR32502	SUPPORT	1		(C)
14	28H1530	BUSHING	AR		(2 USED POWER SHIFT) (4 USED SYNCRO-RANGE)
15	19H1733	CAP SCREW	AR		3/8" X 2-1/2", (2 USED POWER SHIFT) (4 USED SYNCRO-RANGE)
16	AR40303	PLATFORM	1		(B) (ALSO ORDER (2) R40466) (SUB FOR AR32633 OR AR34785)
	AR48727	PLATFORM	1		(C) (SUB FOR AR26677, AR34781, AR40672 OR AR48004)
	R44185	STOP	4		(D)
	19H2127	CAP SCREW	4		(D) 5/16" X 7/8"
	24H1136	WASHER	4		(D) 11/32" X 11/16" X 0.065"
	14H611	NUT	4		(D) 5/16"
17	19H2021	CAP SCREW	2		(B) 3/8" X 5/8"

PLATFORM AND BATTERY BOXES - CONTINUED
(TRACTOR SERIAL NO. 065000-090999)

KEY	PART NO.	PART NAME	QTY	TRACTOR SERIAL NO.	REMARKS
18	R34033	SUPPORT	2	-118999	(B) (NLA)
	R40466	SUPPORT	2	119000-	(B) (NLA)
19	19H1731	CAP SCREW	2		(B) 3/8" X 1"
	12H304	LOCK WASHER	2		(B) 3/8"
20	AR40209	BATTERY BOX	1		(A) (SUB FOR AR32499 OR AR34820)
21	24H1283	WASHER	2		7/32" X 1/2" X 0.049"
22	R27084	CLAMP	2	-080888	
	R27084	CLAMP	1	080889-	FRONT
	R34958	LATCH	1	080889-	REAR
23	R27085	RIVET	2		
24	AR32481	CLAMP	1	-111152	(SUB R30805, T104373, 14H786 AND 24H1821)
25	24M7207	WASHER	1	-111152	8.400 X 24 X 2 MM
26	14H819	WING NUT	1	-111152	5/16", (SUB FOR R1069R)
27	AR32334	SUPPORT	1		(A) (NLA)
28	19H2284	CAP SCREW	2		(A) 3/8" X 7/8"
	12H304	LOCK WASHER	2		(A) 3/8"
29	AR34397	SUPPORT	1		(A) (B)
30	R1870R	WASHER	2		(A) (B) (SUB R57696)
31	19H3175	CAP SCREW	2		(A) (B) 3/8" X 3-5/8", HS, SAE 8
	12H304	LOCK WASHER	2		(A) (B) 3/8"
32	AR32501	SUPPORT	1		(A) (C) (NLA)
33	19H2284	CAP SCREW	2		(A) (C) 3/8" X 7/8"
	12H304	LOCK WASHER	2		(A) (C) 3/8"

(A) ALSO USED ON LP-GAS TRACTORS EQUIPPED WITH HIGH ALTITUDE PISTONS AND AN EXTRA BATTERY.

(B) POWER SHIFT

(C) SYNCRO-RANGE

(D) STOLPER CAB

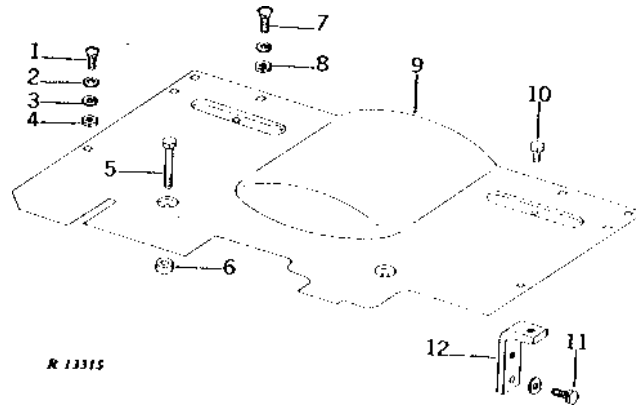
NOTE: KEYS 1 THROUGH 19 ARE USED ON GASOLINE, LP-GAS AND DIESEL TRACTORS. KEYS 20 THROUGH 33 ARE
 USED ON DIESEL TRACTORS.

3124

WHEELS, FRONT AXLES, SHEET METAL

R13315 -UN-01JAN94

PLATFORM (TRACTOR SERIAL NO. 091000-179456)



KEY	PART NO.	PART NAME	QTY	TRACTOR SERIAL NO.	REMARKS
1	03H1765	BOLT	4	3/8" X 3/4"	
2	24H1305	WASHER	4	13/32" X 13/16" X 0.065"	
3	12H304	LOCK WASHER	4	3/8"	
4	14H1076	NUT	4	3/8"	
5	19H1733	CAP SCREW	AR	3/8" X 2-1/2", (2 USED POWER SHIFT) (4 USED SYNCRO-RANGE)	
6	28H1530	BUSHING	AR	(2 USED POWER SHIFT) (4 USED SYNCRO-RANGE)	
7	03H1765	BOLT	4	3/8" X 3/4"	
	12H304	LOCK WASHER	4	3/8"	
8	14H812	NUT	4	3/8"	
9	AR40304	PLATFORM	1	(A) (ALSO ORDER (2) R40466) (SUB FOR AR34614) (NLA)	
	R34898	PLATFORM	1	(B) (NLA)	
10	19H2021	CAP SCREW	2	(A) 3/8" X 5/8"	
11	19H1731	CAP SCREW	2	(A) 3/8" X 1"	
	12H304	LOCK WASHER	2	(A) 3/8"	
12	R34033	SUPPORT	2	-118999 (A) (NLA)	
	R40466	SUPPORT	2	119000- (A) (NLA)	

(A) POWER SHIFT

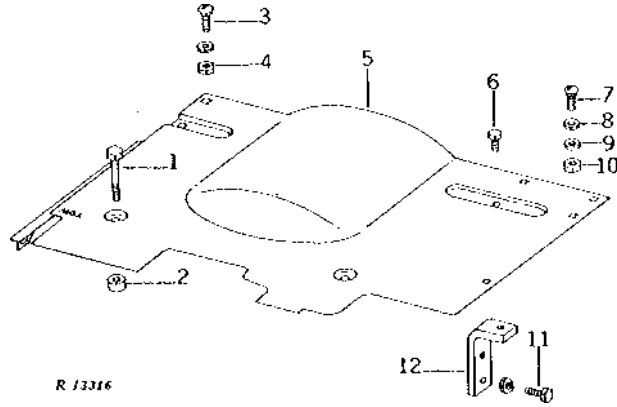
(B) SYNCRO-RANGE

3125

WHEELS, FRONT AXLES, SHEET METAL

PLATFORM
(STANDARD TRACTOR SERIAL NO. 179457-)

R13316 -UN-01JAN94



R 13316

KEY	PART NO.	PART NAME	QTY	TRACTOR SERIAL NO.	REMARKS
1	19H1733	CAP SCREW	AR		3/8" X 2-1/2", (2 USED POWER SHIFT) (4 USED SYNCRO-RANGE)
2	28H1530	BUSHING	AR		(2 USED POWER SHIFT) (4 USED SYNCRO-RANGE)
3	03H1765	BOLT	3		3/8" X 3/4"
	12H304	LOCK WASHER	3		3/8"
4	14H1076	NUT	3		3/8"
5	AR44722	PLATFORM	1		(A) (NLA)
	AR44723	PLATFORM	1		(B) (NLA)
6	19H2021	CAP SCREW	2		(A) 3/8" X 5/8"
7	03H1765	BOLT	2		3/8" X 3/4"
8	24H1305	WASHER	2		13/32" X 13/16" X 0.065"
9	12H304	LOCK WASHER	2		3/8"
10	14H1076	NUT	2		3/8"
11	19H1731	CAP SCREW	2		(A) 3/8" X 1"
	12H304	LOCK WASHER	2		(A) 3/8"
12	R40466	SUPPORT	2		(A) (NLA)

(A) POWER SHIFT

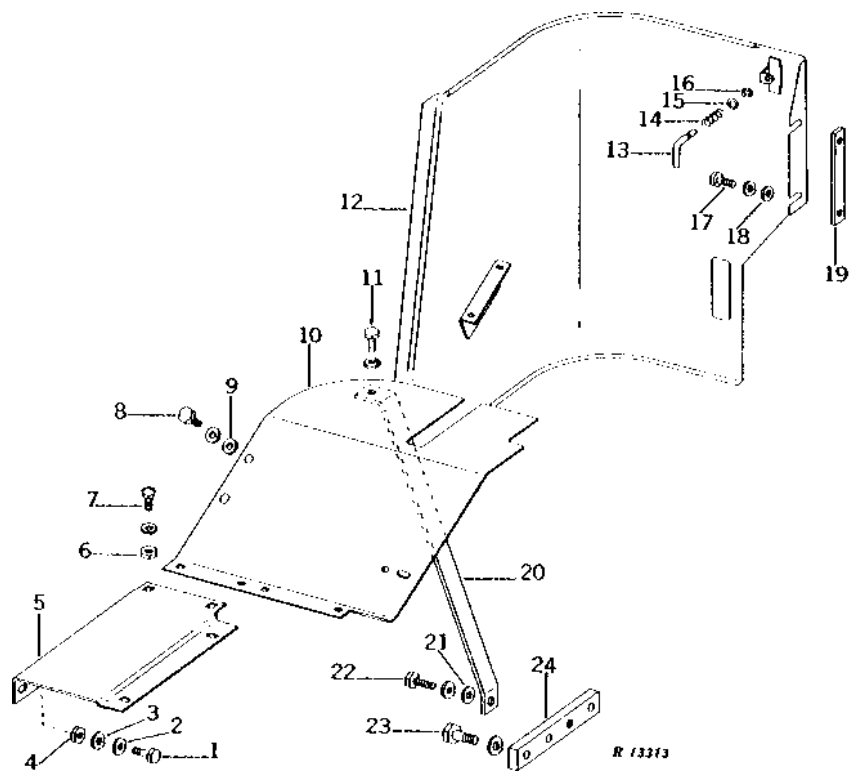
(B) SYNCRO-RANGE

3J1

WHEELS, FRONT AXLES, SHEET METAL

R13313 -UN-01JAN94

OPERATOR SHIELDS AND EXTENSIONS
(STANDARD TRACTOR SERIAL NO. 091000-179456)



3J2

WHEELS, FRONT AXLES, SHEET METAL

OPERATOR SHIELDS AND EXTENSIONS - CONTINUED (STANDARD TRACTOR SERIAL NO. 091000-179456)

KEY	PART NO.	PART NAME	QTY	TRACTOR SERIAL NO.	REMARKS
1	19H1936	CAP SCREW	AR		3/8" X 3/4", (2 USED WITH 23.1-30 TIRES) (4 USED LESS 23.1-30 TIRES)
	19H1948	CAP SCREW	2		(USED WITH 23.1-30 TIRES)
2	24H1305	WASHER	AR		13/32" X 13/16" X 0.065", (2 USED WITH 23.1-30 TIRES) (4 USED LESS 23.1-30 TIRES)
	24H1287	WASHER	2		9/32" X 5/8" X 0.065", (USED WITH 23.1-30 TIRES)
3	12H304	LOCK WASHER	AR		3/8", (2 USED WITH 23.1-30 TIRES) (4 USED LESS 23.1-30 TIRES)
	12H302	LOCK WASHER	2		1/4", (USED WITH 23.1-30 TIRES)
4	14H1076	NUT	AR		3/8", (2 USED WITH 23.1-30 TIRES) (4 USED WITH 23.1-30 TIRES)
	14H786	NUT	2		1/4", (USED WITH 23.1-30 TIRES)
5	R34878	EXTENSION	1		L.H. (NLA)
	R34877	EXTENSION	1		R.H. (NLA)
6	14H1076	NUT	4		3/8"
7	03H1765	BOLT	4		3/8" X 3/4"
	12H304	LOCK WASHER	4		3/8"
8	19H1936	CAP SCREW	4		3/8" X 3/4"
	12H304	LOCK WASHER	4		3/8"
9	24H1305	WASHER	4		13/32" X 13/16" X 0.065"
10	R34880	EXTENSION	1		L.H. (NLA)
	R41253	EXTENSION	1		R.H. (SUB FOR R34879) (NLA)
11	19H1936	CAP SCREW	2		3/8" X 3/4"
	12H304	LOCK WASHER	4		3/8"
12	AR44729	SHIELD	1		L.H. (ALSO ORDER AR46255) (SUB FOR AR34729 OR AR40446) (NLA)
	AR40445	SHIELD	1		R.H. (SUB FOR AR34728) (NLA)
13	R27506	PIN	2	119000-	(NLA)
14	R28783	SPRING	2	119000-	
15	24H1286	WASHER	2	119000-	9/32" X 1/2" X 1/16"
16	R72654	SNAP RING	2	119000-	(SUB FOR R27507)
17	19H1936	CAP SCREW	4		3/8" X 3/4"
	12H304	LOCK WASHER	4		3/8"
18	24H1305	WASHER	4		13/32" X 13/16" X 0.065"
19	R34887	STRAP	2		(NLA)
20	R34882	SUPPORT	2		(NLA)
21	24H1625	WASHER	2		17/32" X 1" X 0.120"
22	19H1792	CAP SCREW	2		1/2" X 1"
	12H301	LOCK WASHER	2		1/2"
23	19H1815	CAP SCREW	4		1/2" X 1-1/4"
	12H301	LOCK WASHER	4		1/2"
24	R34881	PLATE	2		(NLA)

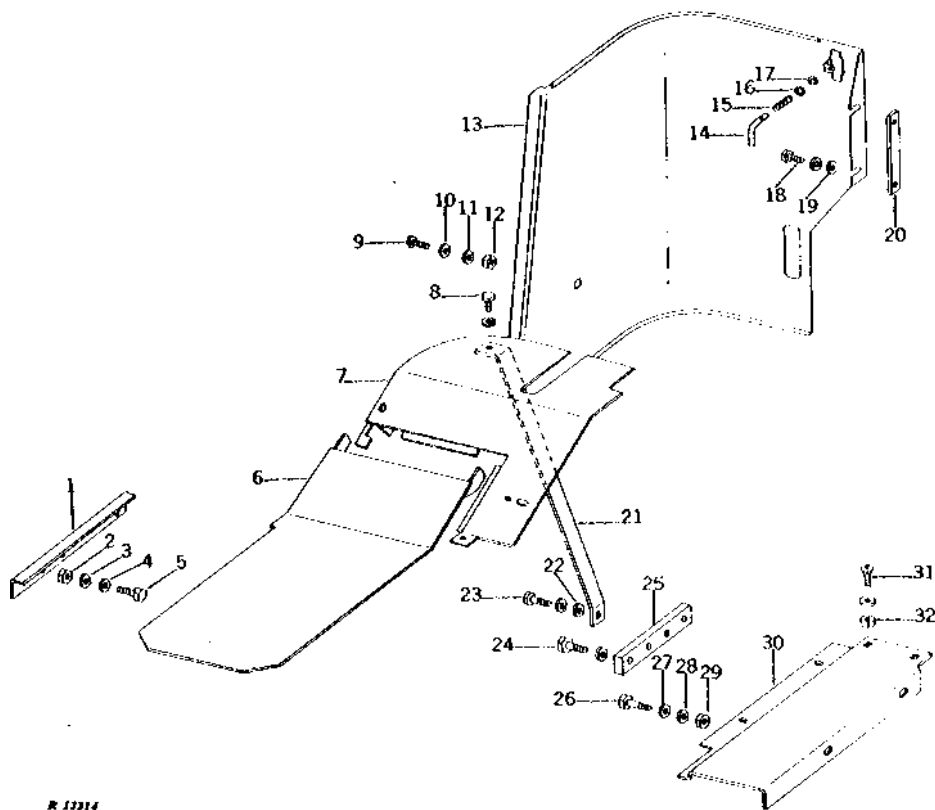
3J3

WHEELS, FRONT AXLES, SHEET METAL

OPERATOR SHIELDS, EXTENSIONS AND BATTERY BOX COVER (TRACTOR SERIAL NO. 179457-)

R13314

-UN-01JAN94



R 13314

3J4

WHEELS, FRONT AXLES, SHEET METAL

OPERATOR SHIELDS, EXTENSIONS AND BATTERY BOX COVER - CONTINUED
(TRACTOR SERIAL NO. 179457-)

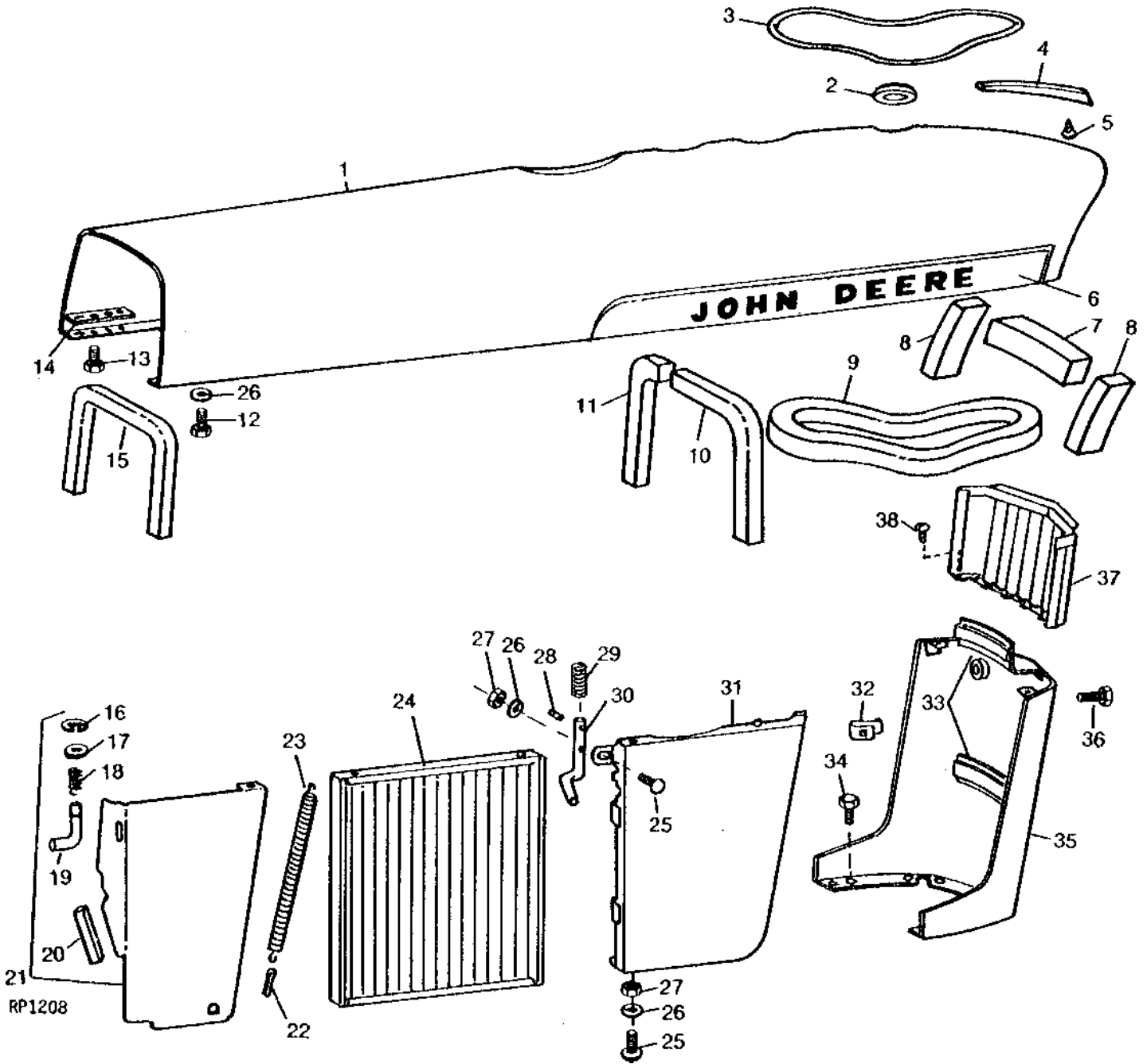
KEY	PART NO.	PART NAME	QTY	TRACTOR SERIAL NO.	REMARKS
1	R42609	SUPPORT	1	(NLA)	
2	14H1076	NUT	2	3/8"	
3	12H304	LOCK WASHER	2	3/8"	
4	24H1305	WASHER	2	13/32" X 13/16" X 0.065"	
5	19H1936	CAP SCREW	2	3/8" X 3/4"	
6	AR44725	COVER	1	(NLA)	
7	AR44724	EXTENSION	1	L.H.(NLA)	
	R41253	EXTENSION	1	R.H. (SUB FOR R34879) (NLA)	
	19H1936	CAP SCREW	2	3/8" X 3/4", R.H. EXTENSION TO OPERATOR'S SHIELD	
	12H304	LOCK WASHER	2	3/8"	
	24H1305	WASHER	2	13/32" X 13/16" X 0.065"	
8	19H1936	CAP SCREW	2	3/8" X 3/4"	
	12H304	LOCK WASHER	2	3/8"	
9	03H1500	BOLT	2	3/8" X 1"	
10	24H1305	WASHER	2	13/32" X 13/16" X 0.065"	
11	12H304	LOCK WASHER	2	3/8"	
12	14H1076	NUT	2	3/8"	
13	AR44729	SHIELD	1	L.H.(NLA)	
	AR40445	SHIELD	1	R.H.(NLA)	
14	R27506	PIN	2	(NLA)	
15	R28783	SPRING	2		
16	24H1286	WASHER	2	9/32" X 1/2" X 1/16"	
17	R72654	SNAP RING	2	(SUB FOR R27507)	
18	19H1936	CAP SCREW	4	3/8" X 3/4"	
	12H304	LOCK WASHER	4	3/8"	
19	24H1305	WASHER	4	13/32" X 13/16" X 0.065"	
20	R34887	STRAP	2	(NLA)	
21	R34882	SUPPORT	2	(NLA)	
22	24H1625	WASHER	2	17/32" X 1" X 0.120"	
23	19H1792	CAP SCREW	2	1/2" X 1"	
	12H301	LOCK WASHER	2	1/2"	
24	19H1815	CAP SCREW	4	1/2" X 1-1/4"	
	12H301	LOCK WASHER	4	1/2"	
25	R34881	PLATE	2	(NLA)	
26	19H1936	CAP SCREW	2	3/8" X 3/4"	
27	24H1305	WASHER	2	13/32" X 13/16" X 0.065"	
28	12H304	LOCK WASHER	2	3/8"	
29	14H1076	NUT	2	3/8"	
30	R42606	EXTENSION	1	(NLA)	
31	03H1765	BOLT	2	3/8" X 3/4"	
	12H304	LOCK WASHER	2	3/8"	
32	14H1076	NUT	2	3/8"	

3J5

WHEELS, FRONT AXLES, SHEET METAL

RP1208 -UN-01JAN94

HOOD AND ASSOCIATED PARTS



3J6

WHEELS, FRONT AXLES, SHEET METAL

HOOD AND ASSOCIATED PARTS - CONTINUED

KEY	PART NO.	PART NAME	QTY	TRACTOR SERIAL NO.	REMARKS
1	AR69059	HOOD	1		(A) (ALSO ORDER R44791) (SUB FOR AR32522, AR40339 OR AR41165)
	AR41166	HOOD	1		(B) (SUB FOR AR32521 OR AR40371) (SUB AR69059, R28122 AND R28123)
2	R39613	GROMMET	1		(A) (SUB FOR R34193)
3	R28122	ISOLATOR	1		(B)
4	AR28047	MEDALLION	1		(A)
5	37M7245	SCREW	2		(A) (SUB FOR S3062M)
6	AR28048	MOLDING	1		R.H. WITH SPRING NUTS
	AR28049	MOLDING	1		L.H. WITH SPRING NUTS
	R42662	NUT	10		
7	R26890	FOAM PAD	1		
8	R35340	FOAM PAD	2		
9	R28123	FOAM PAD	1		(B)
10	ISOLATOR	1		25 X 25 X 565MM (1" X 1" X 22-1/4") (MAKE FROM R30937)
11	ISOLATOR	1		(A) 25 X 25 X 191MM (1" X 1" X 7-1/2") (MAKE FROM R30937)
	ISOLATOR	1		(B) 25 X 25 X 292MM (1" X 1" X 11-1/2") (MAKE FROM R30937)
12	19H1936	CAP SCREW	2		3/8" X 3/4"
13	AR26566	SCREW	4		(SUB 19H1919, 12H302 AND 24H1821)
14	R26894	PLATE	2		
15	ISOLATOR	1		25 X 38 X 762MM (1" X 1-1/2" X 30") (MAKE FROM R28123)
16	R72654	SNAP RING	4		(SUB FOR R27507)
17	24H1286	WASHER	4		9/32" X 1/2" X 1/16"
18	R28783	SPRING	4		
19	R27506	PIN	4		
20	ISOLATOR	2		13 X 13 X 124MM (1/2" X 1/2" X 4-7/8") (MAKE FROM R91558)
21	AR26769	SHIELD	1		R.H.
	AR26770	SHIELD	1		L.H.
22	11M7084	COTTER PIN	2		5 X 25 MM
23	R26858	SPRING	2		
24	AR32720	GRILLE	2		
25	03H1075	BOLT	4		3/8" X 3/4"
26	12H304	LOCK WASHER	6		3/8"
27	14H1076	NUT	4		3/8"
28	34H194	SPRING PIN	2		3/16" X 3/4"
29	B161R	SPRING	2		
30	R26702	ROD	1		R.H.
	R26703	ROD	1		L.H.
31	AR32689	PANEL	1		R.H.
	AR32690	PANEL	1		L.H.
32	R26694	CLIP	6		
33	ISOLATOR	2		3 X 38 X 267MM (1/8" X 1-1/2" X 10-1/2") (MAKE FROM R21736)
34	19H1815	CAP SCREW	8		1/2" X 1-1/4"
35	AR32466	PLATE	1		(NLA)
36	19H2009	CAP SCREW	2		3/4" X 1-5/8"
37	AR26477	GRILLE	1		1/4" X 3/4"
38	37H84	SCREW	6		1/4" X 3/4", (SUB FOR R28291)
..	R44791	ISOLATOR	1		(AIR CONDITIONING)
..	R44590	FOAM PAD	2		(AIR CONDITIONING)(NLA)

(A) GASOLINE AND DIESEL

(B) LP-GAS

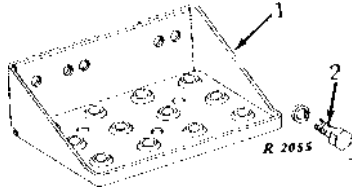
3J7

WHEELS, FRONT AXLES, SHEET METAL

TRACTOR STEP
(STANDARD TRACTOR SERIAL NO. 065000-090999)

R2055

-UN-01JAN94



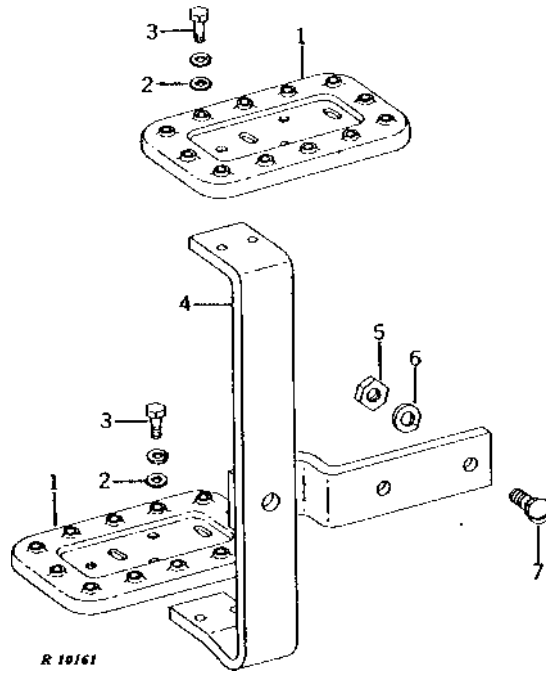
KEY	PART NO.	PART NAME	QTY	TRACTOR SERIAL NO.	REMARKS
1	R27883	STEP	2		
2	19H1815	CAP SCREW	4	1/2" X 1-1/4"	
	12H301	LOCK WASHER	4	1/2"	

3J8

WHEELS, FRONT AXLES, SHEET METAL

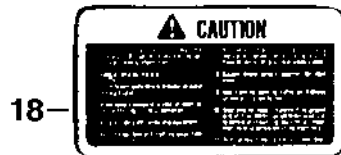
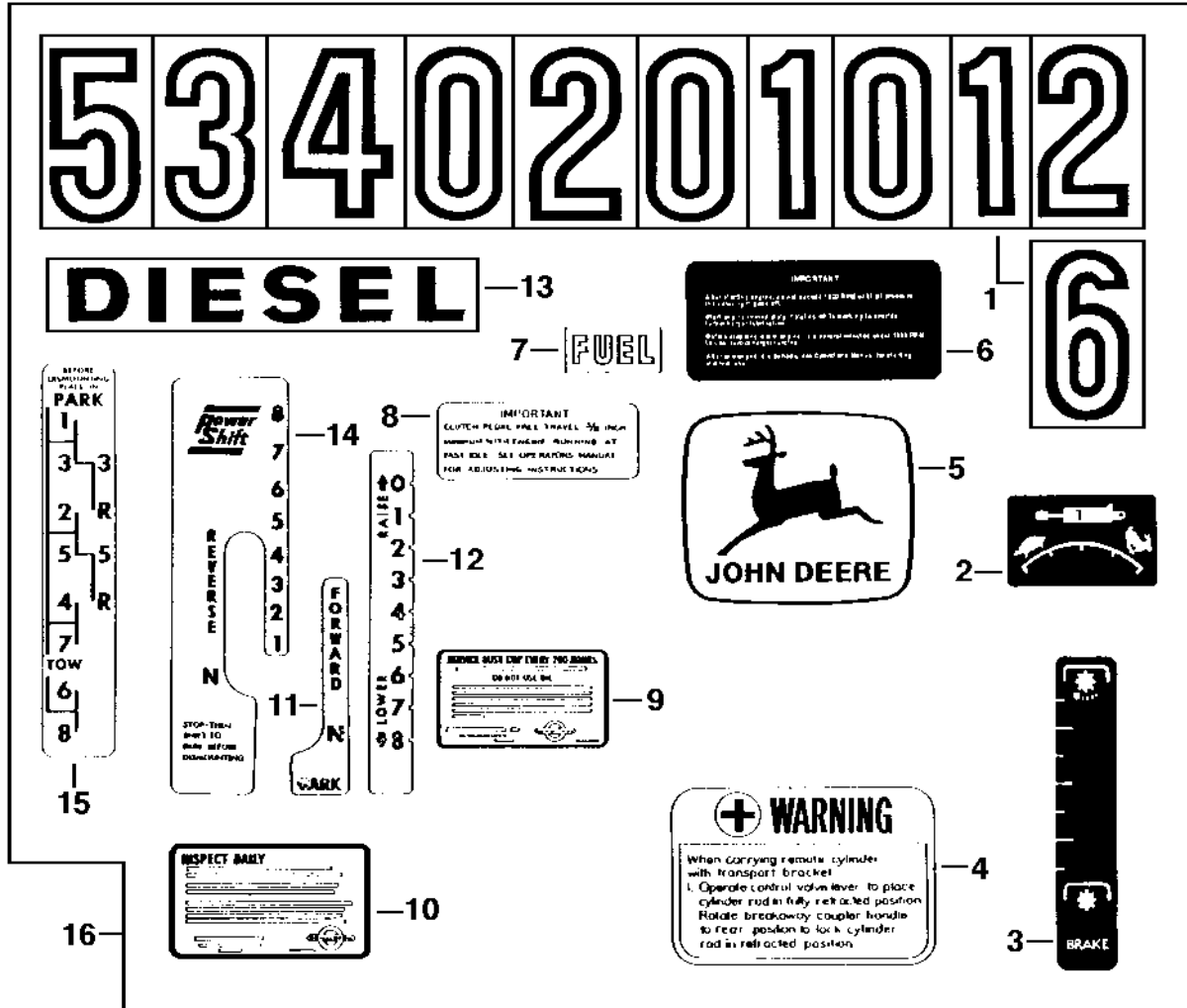
TRACTOR STEPS (STANDARD TRACTOR SERIAL NO. 091000-)

R10161 -UN-01JAN94



KEY	PART NO.	PART NAME	QTY	TRACTOR SERIAL NO.	REMARKS
1	F3195R	STEP	2		
2	24H1305	WASHER	4	13/32" X 13/16" X 0.065"	
3	19H2284	CAP SCREW	4	3/8" X 7/8"	
	12H304	LOCK WASHER	4	3/8"	
4	AR42594	SUPPORT	1	(SUB FOR AR34725) (NLA)	
5	14H1039	NUT	2	5/8"	
6	12H294	LOCK WASHER	2	5/8"	
7	03H1399	BOLT	2	5/8" X 1-3/4"	

DECAL SET



RXP021480

3J10

WHEELS, FRONT AXLES, SHEET METAL

DECAL SET - CONTINUED

KEY	PART NO.	PART NAME	QTY	TRACTOR SERIAL NO.	REMARKS
1	R48361	DECAL	2		(SUB FOR R45957)
2	R44315	LABEL	1		R.H.
	R41933	LABEL	1		L.H.
3	R53293	LABEL	1		(A) (SUB FOR R44951)
	R53294	LABEL	1		(B) (SUB FOR R44952)
4	R36689	DECAL	1		
5	JD5234	DECAL	1		(FOR SEAT POST)
6	R51908	LABEL	1		LABEL, INSTRUCTION
7	R31287	DECAL	1		
8	R34483	LABEL	1		
9	R44710	LABEL	1		
10	R34608	DECAL	1		(SUB AR52393)
11	R40505	LABEL	1		(B)
12	R40509	LABEL	1		
13	R30694	DECAL	2		
14	R40504	LABEL	1		(B)
15	R40676	LABEL	1		(A)
16	AR52393	DECAL	1		(SUB FOR AR34177 OR AR47091)
17	R83103	LABEL	1		(SUB FOR R64391) (SUB R120111)
18	R82425	LABEL	1		(SUB FOR R47739, R51821, R69270 OR R76341)
19	T84409	SAFETY SIGN	1		(SUB T134459) BYPASS START (ENGLISH)
	T84410	LABEL	1		(SUB T134452) BYPASS START (ESPANOL)
	T84411	LABEL	1		(SUB T134453) BYPASS START (FRANCAIS)
	T84412	LABEL	1		(SUB T134454) BYPASS START (DEUTSCH)
	T84413	LABEL	1		(SUB T134455) BYPASS START (ITALIANO)
	T84578	LABEL	1		(SUB T134456) BYPASS START (ENGLISH/FRANCAIS)

(A) SYNCRO-RANGE

(B) POWER SHIFT

MEMORANDA

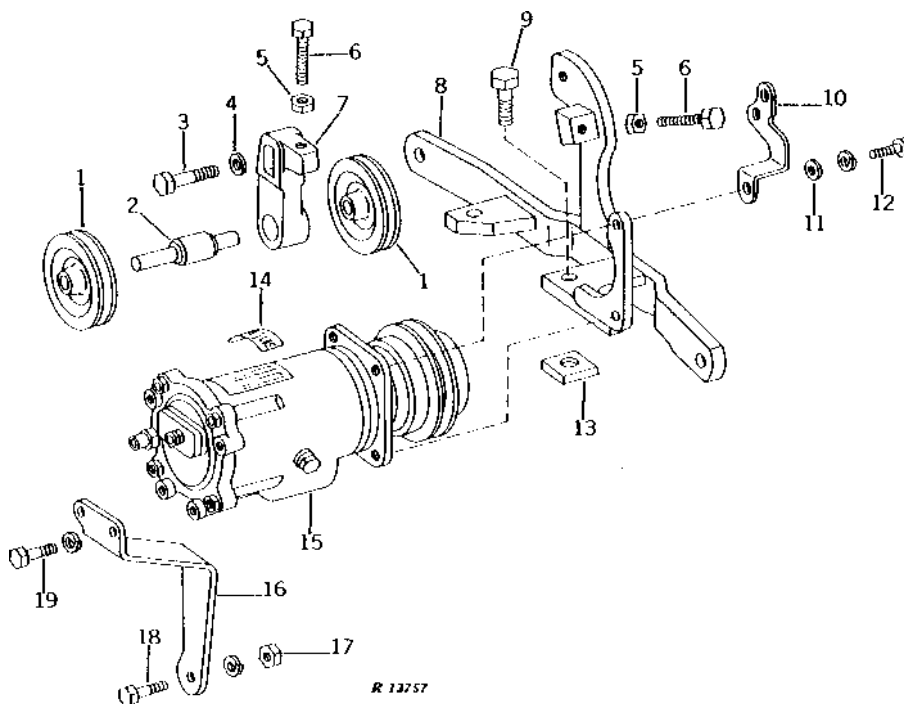
4B6

OPERATOR'S STATION

AIR CONDITIONING COMPRESSOR, MOUNTING BRACKETS AND JACKSHAFT (ORIGINAL DESIGN)

R13757

-UN-01JAN94



KEY	PART NO.	PART NAME	QTY	TRACTOR SERIAL NO.	REMARKS
1	R42748	PULLEY	2	(NLA)	
2	JD9212	BALL BEARING	1		
3	19H3265	CAP SCREW	1	1/2" X 1-7/8"	
4	24H1341	WASHER	1	17/32" X 15/16" X 0.060"	
5	14H849	NUT	2	7/16"	
6	19H2788	CAP SCREW	2	7/16" X 2-1/4"	
7	R42747	SUPPORT	1	(NLA)	
8	AR44967	SUPPORT	1	FRONT (NLA)	
9	19H1756	CAP SCREW	1	5/8" X 1-1/2"	
10	R42752	SUPPORT	1	(NLA)	
11	24H1136	WASHER	1	11/32" X 11/16" X 0.065"	
12	19H2529	CAP SCREW	2	-XXXXXX 5/16" X 1"	
	12H303	LOCK WASHER	2	-XXXXXX 5/16"	
	19M7163	CAP SCREW	2	XXXXXX- M8 X 25	
	12M7065	LOCK WASHER	2	XXXXXX- 8.100 MM	
13	R42826	STRAP	1	(NLA)	
14	R42822	LABEL	1		
15	AR47843	COMPRESSOR	1	-XXXXXX	(SUB FOR AR44971 OR AR77343) (SUB TY6665, (3) 19M7163, (2) 19M7662, (3) 12M7065, (3) 12M7066 AND 19M7170)
	AR92109	COMPRESSOR	1	XXXXXX-	(SUB TY6665)
	TY6665	COMPRESSOR	1		(REMANUFACTURED) (SUB FOR TY6601, TY6623 OR TY6628)
16	R42754	SUPPORT	1	REAR (NLA)	
17	14H1047	NUT	1	7/16"	
	12H293	LOCK WASHER	1	7/16"	
18	19H1822	CAP SCREW	1	7/16" X 1"	
19	19H1731	CAP SCREW	2	-XXXXXX 3/8" X 1"	
	12H304	LOCK WASHER	2	-XXXXXX 3/8"	
	19M7662	CAP SCREW	2	XXXXXX- M10 X 30	
	12M7066	LOCK WASHER	2	XXXXXX- 10.200 MM	

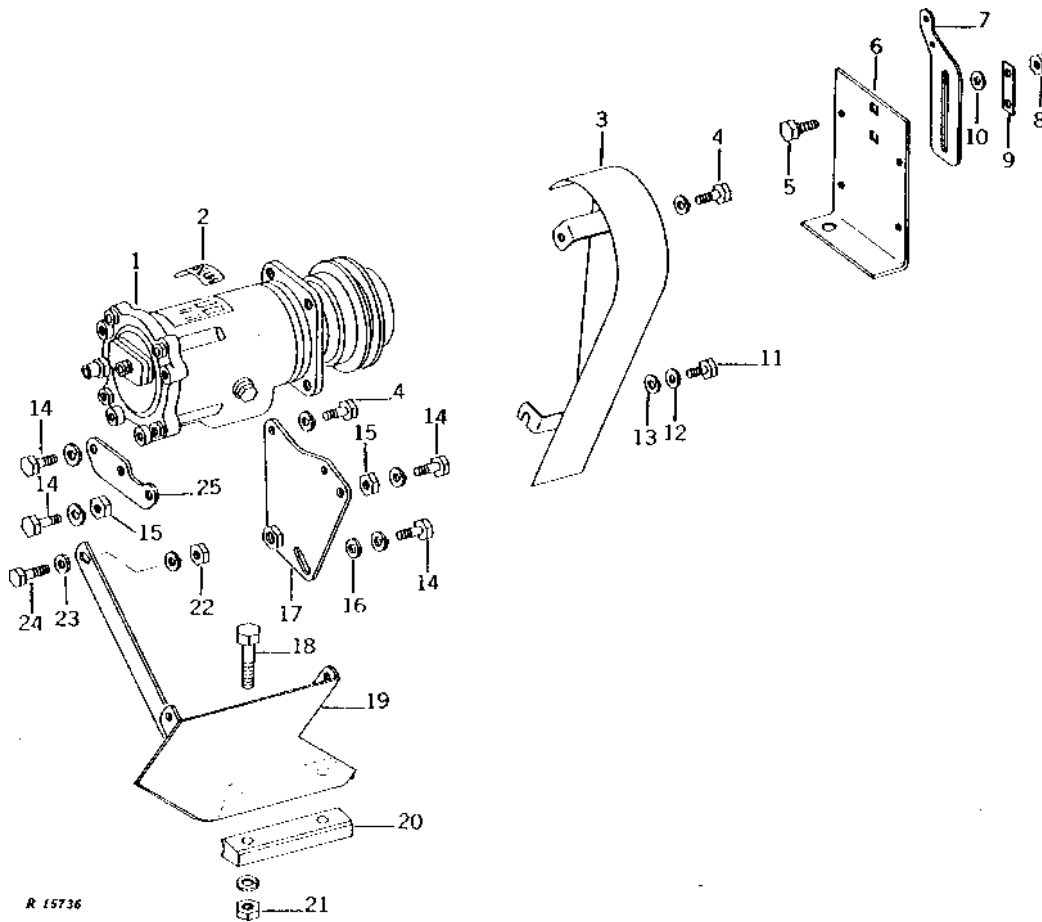
4B7

OPERATOR'S STATION

AIR CONDITIONING COMPRESSOR AND MOUNTING SUPPORTS (LATE DESIGN)

R15736

-UN-01JAN94



R 15736

4B8

OPERATOR'S STATION

**AIR CONDITIONING COMPRESSOR AND MOUNTING SUPPORTS - CONTINUED
(LATE DESIGN)**

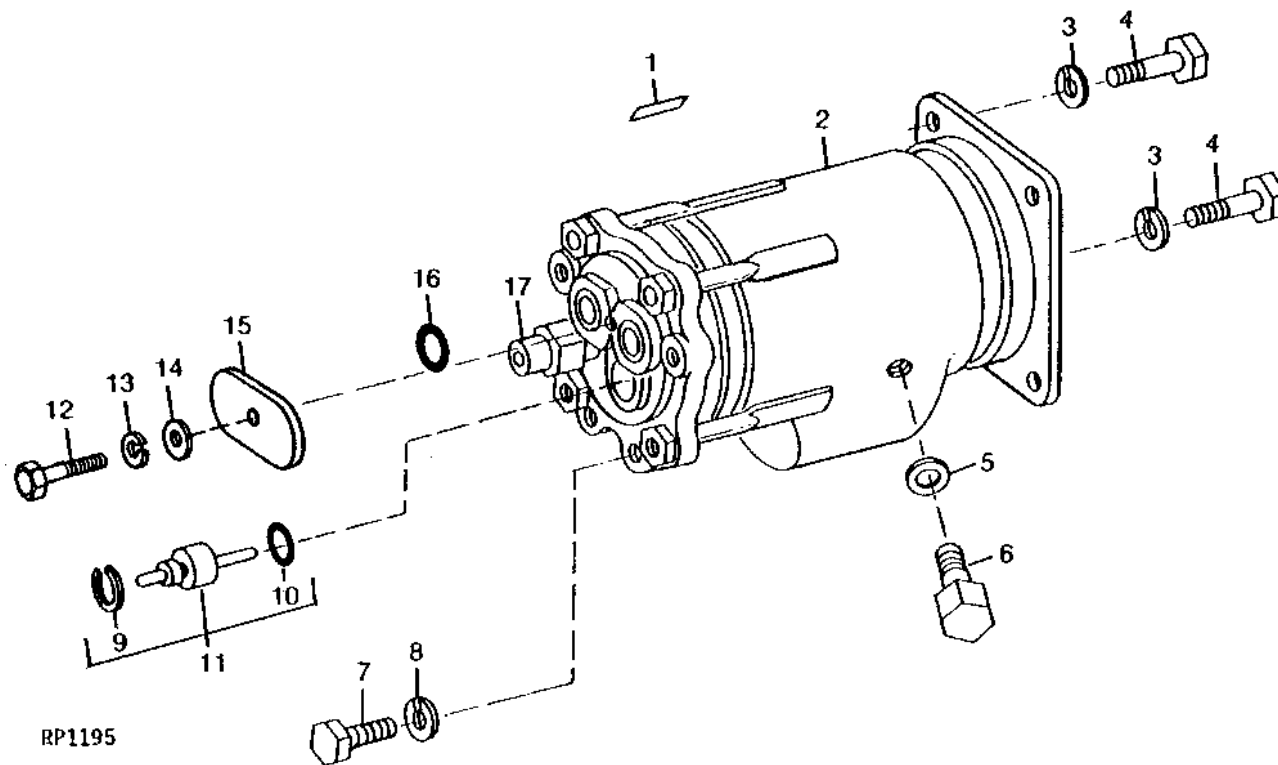
KEY	PART NO.	PART NAME	QTY	TRACTOR SERIAL NO.	REMARKS
1	AR47843	COMPRESSOR	1	-XXXXXX	(SUB FOR AR44971 OR AR77343) (SUB TY6665, (3) 19M7163, (2) 19M7662, (3) 12M7065, (3) 12M7066 AND 19M7170)
	AR92109	COMPRESSOR	1	XXXXXX-	(SUB TY6665)
	TY6665	COMPRESSOR	1		(REMANUFACTURED) (SUB FOR TY6601, TY6623 OR TY6628)
2	R42822	LABEL	1		
3	AR48201	SHIELD	1		(NLA)
4	19H2529	CAP SCREW	3	-XXXXXX	5/16" X 1"
	12H303	LOCK WASHER	3	-XXXXXX	5/16"
	19M7163	CAP SCREW	3	XXXXXX-	M8 X 25
	12M7065	LOCK WASHER	3	XXXXXX-	8.100 MM
5	03H1519	BOLT	2		3/8" X 1"
6	R26820	SUPPORT	1		(NLA)
7	R27925	SUPPORT	1		(NLA)
8	14H1076	NUT	2		3/8"
9	R27962	STRAP	1		
10	A147R	LOCK WASHER	2		
11	19H1936	CAP SCREW	1		3/8" X 3/4"
12	24H1305	WASHER	1		13/32" X 13/16" X 0.065"
13	12H304	LOCK WASHER	1		3/8"
14	19H1731	CAP SCREW	5	-XXXXXX	3/8" X 1"
	12H304	LOCK WASHER	5	-XXXXXX	3/8"
	19H1731	CAP SCREW	3	XXXXXX-	3/8" X 1"
	12H304	LOCK WASHER	3	XXXXXX-	3/8"
	19M7662	CAP SCREW	2	XXXXXX-	M10 X 30
	12M7066	LOCK WASHER	2	XXXXXX-	10.200 MM
15	14H1076	NUT	2		3/8"
16	24H1305	WASHER	1		13/32" X 13/16" X 0.065"
17	AR48200	PIVOT	1		(NLA)
18	19H1831	CAP SCREW	2		1/2" X 2"
19	AR48199	SUPPORT	1		(NLA)
20	R28755	SUPPORT	1		(NLA)
21	14H1040	NUT	2		1/2"
	12H301	LOCK WASHER	2		1/2"
22	14H812	NUT	1		3/8"
	12H304	LOCK WASHER	1		3/8"
23	24H1305	WASHER	1		13/32" X 13/16" X 0.065"
24	19H1732	CAP SCREW	1		3/8" X 1-1/4"
25	R46109	PIVOT	1		(NLA)

4B9

OPERATOR'S STATION

RP1195 -UN-01JAN94

COMPRESSOR PARTS



RP1195

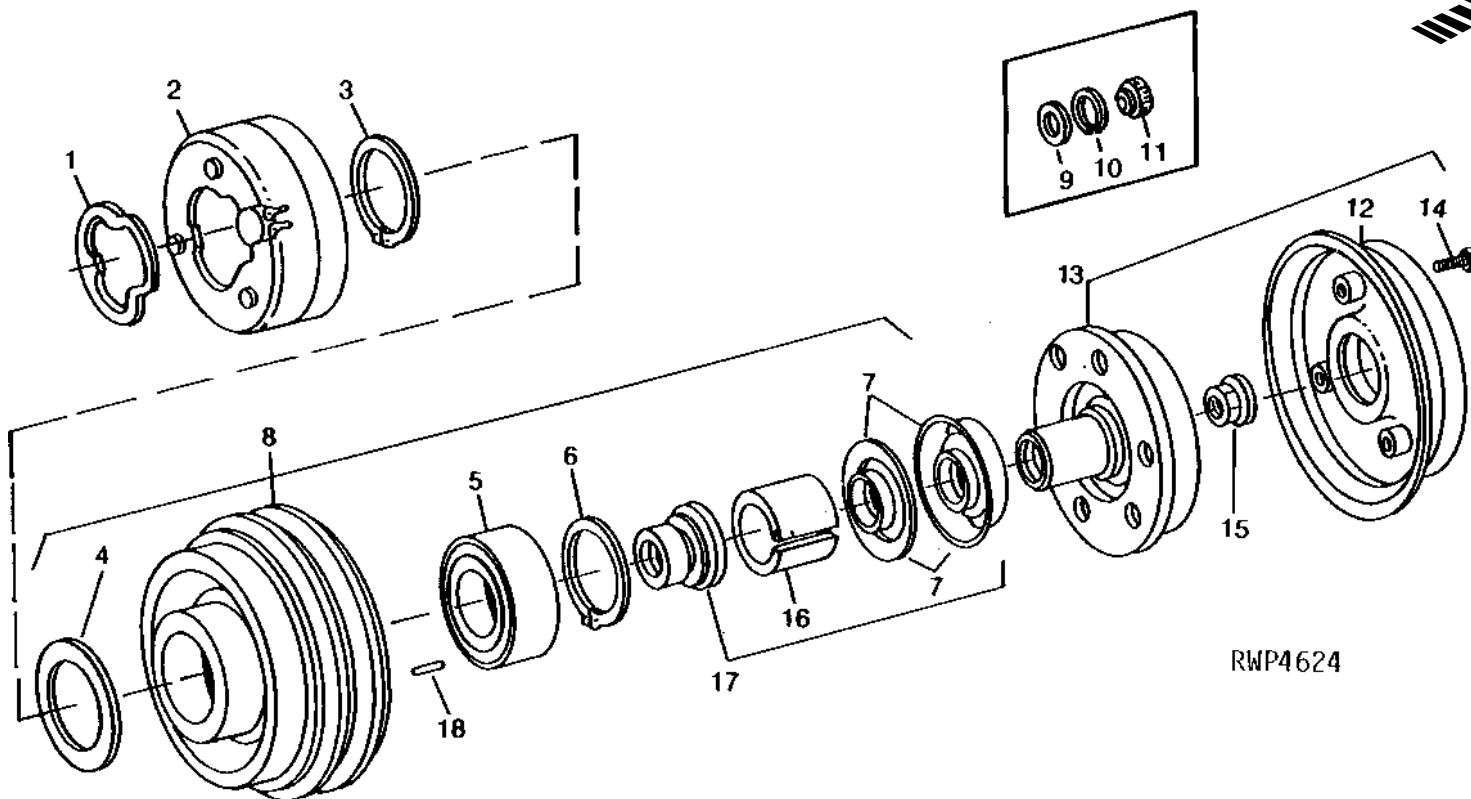
KEY	PART NO.	PART NAME	QTY	TRACTOR SERIAL NO.	REMARKS
1	R42822	LABEL	1		
2	AR77343	COMPRESSOR	1	-XXXXXX	(SUB TY6665, (3) 19M7163, (2) 19M7662, (3) 12M7065, (3) 12M7066 AND 19M7170)
	AR92109	COMPRESSOR	1	XXXXXX-	(SUB TY6665)
	TY6665	COMPRESSOR	1		(REMANUFACTURED) (SUB FOR TY6601, TY6623 OR TY6628)
3	12H303	LOCK WASHER	3	-XXXXXX	5/16"
	12M7065	LOCK WASHER	3	XXXXXX-	8.100 MM
4	19H2529	CAP SCREW	3	-XXXXXX	5/16" X 1"
	19M7163	CAP SCREW	3	XXXXXX-	M8 X 25
5	R47234	WASHER	1		
6	R47233	PLUG	1		
7	19H1731	CAP SCREW	2	-XXXXXX	3/8" X 1"
	19M7662	CAP SCREW	2	XXXXXX-	M10 X 30
8	12H304	LOCK WASHER	2	-XXXXXX	3/8"
	12M7066	LOCK WASHER	2	XXXXXX-	10.200 MM
9	R63571	SNAP RING	1		
10	32240	O-RING	1		
11	AR78501	KIT	1		SUPER HEAT ASSEMBLY
12	19H2959	CAP SCREW	1	-XXXXXX	3/8" X 2"
	19M7170	CAP SCREW	1	XXXXXX-	M10 X 50
13	12H304	LOCK WASHER	1	-XXXXXX	3/8"
	12M7066	LOCK WASHER	1	XXXXXX-	10.200 MM
14	24H1884	WASHER	1		13/32" X 13/16" X 0.120"
15	R60171	STRAP	1		
16	R74210	O-RING	2		(SUB FOR R47235)
17	AR49808	VALVE	1		
..	TY6384	OIL	1		0.9L (1 QT.) (SUB FOR R49856)

4B10

OPERATOR'S STATION

COMPRESSOR COIL, CLUTCH, AND PULLEY (STOLPER CAB)

RWP4624 -UN-01JAN94



RWP4624

KEY	PART NO.	PART NAME	QTY	CAB SERIAL NO.	REMARKS
1	R56246	GASKET	1	(A)	
2	AR49803	ELECTRICAL COIL	1	(A)	
3	R47224	SNAP RING	1	(A)	
4	R54766	WASHER	1	(A)	
5	AR71288	BALL BEARING	1	(SUB FOR AR49805)	
6	R47226	SNAP RING	1	(A)	
7	AR71289	SHIELD	1	(SUB FOR R47228 AND AR63254)	
8	AR71287	PULLEY	1	(SUB FOR AR49804) (INCLUDES R54766, AR71288 AND AR71289)	
9	R69536	WASHER	1	-XXXXXX	(SUB FOR R47230)
10	R47231	SNAP RING	1	-XXXXXX	(SUB R69297, THIS APPLICATION)
11	R69297	FLANGE NUT	1	-XXXXXX	(SUB FOR R47232)
12	AR71290	COVER	1	(SUB FOR AR53446)	
13	AR71286	CLUTCH	1	(SUB FOR AR63255)	
14	37H32	SCREW	3	0.190" X 3/8"	
15	R69297	FLANGE NUT	1	XXXXXX-	
16	R47227	SEAL	1	(A)	
17	AR71285	KIT	1	(A)	COMPRESSOR SHAFT SEAL WITH PULLEY BEARING FRONT SHIELD, (SUB FOR AR49806)
18	R47229	SHAFT KEY	1		

(A) ALSO ORDER AR71289

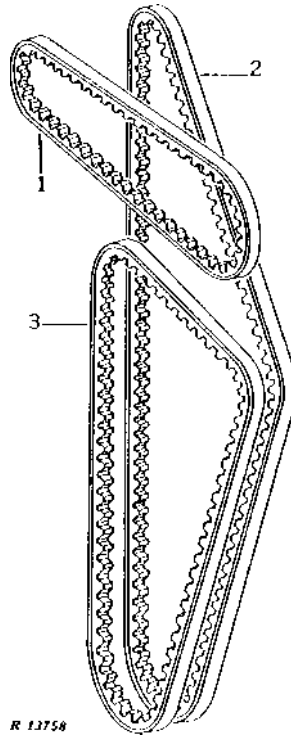
4B11

OPERATOR'S STATION

R13758

-UN-01JAN94

BELTS (AIR CONDITIONING)



KEY	PART NO.	PART NAME	QTY	TRACTOR SERIAL NO.	REMARKS
1	R42755	BELT	1		COMPRESSOR DRIVE (NLA)
2	R65712	BELT	1		JACKSHAFT DRIVE, (SUB FOR R42750)
3	R42798	BELT	1		FAN AND ALTERNATOR DRIVE (NLA)

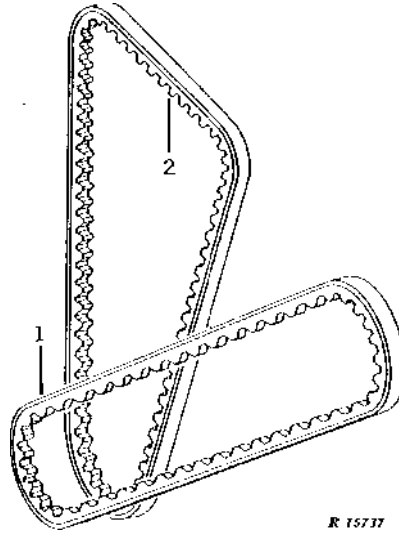
4B12

OPERATOR'S STATION

R15737

-UN-01JAN94

BELTS (AIR CONDITIONING)



KEY	PART NO.	PART NAME	QTY	TRACTOR SERIAL NO.	REMARKS
1	R46113	BELT	1	COMPRESSOR	
2	R42798	BELT	1	FAN AND ALTERNATOR (NLA)	

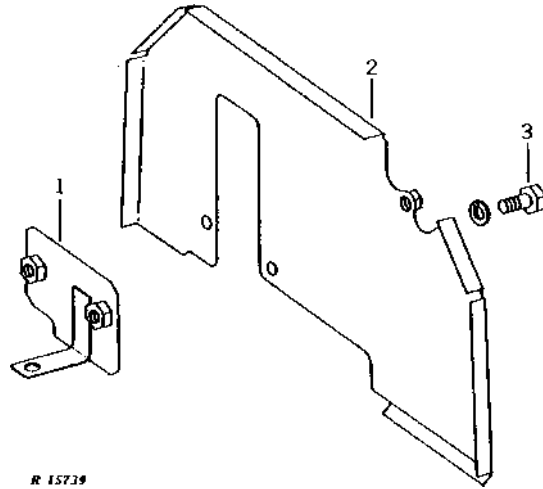
4B13

OPERATOR'S STATION

R15739

-UN-01JAN94

ENGINE HEAT SHIELD (AIR CONDITIONING)



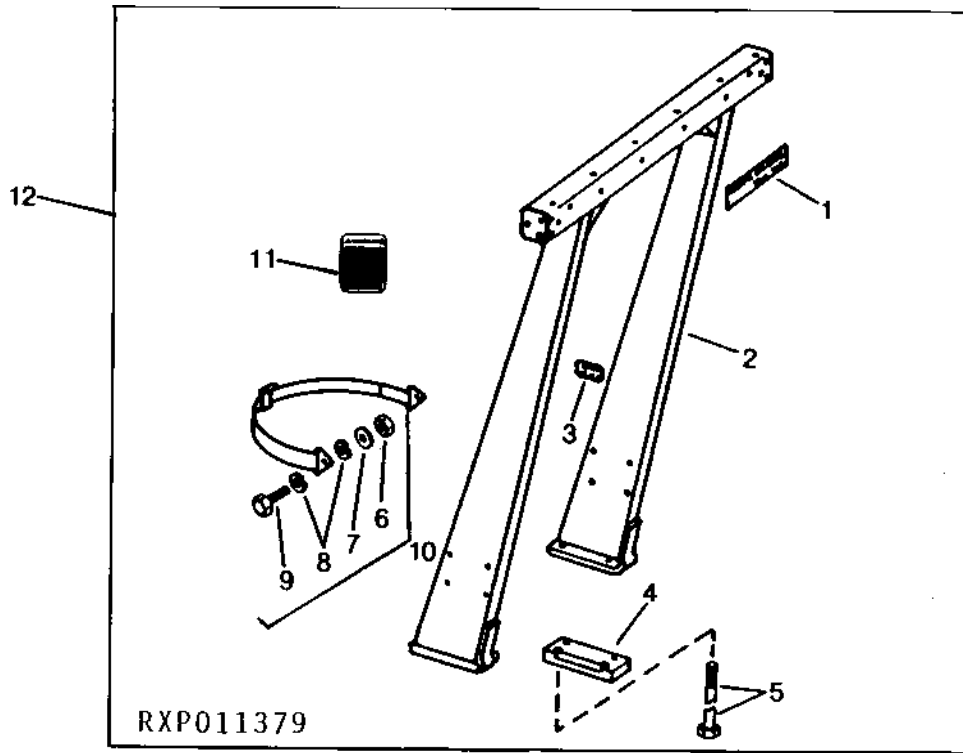
KEY	PART NO.	PART NAME	QTY	TRACTOR SERIAL NO.	REMARKS
1	AR46185	BRACKET	1	(NLA)	
2	AR46186	HEAT SHIELD	1	(NLA)	
3	19H1900	CAP SCREW	2	5/16" X 3/4"	
	12H303	LOCK WASHER	2	5/16"	

4B14

OPERATOR'S STATION

RXP011379 -UN-12OCT94

ROLL-GARD AND SEAT (ROW-CROP AND STANDARD)
(ALL ROW-CROP) (FOLDABLE ROPS)



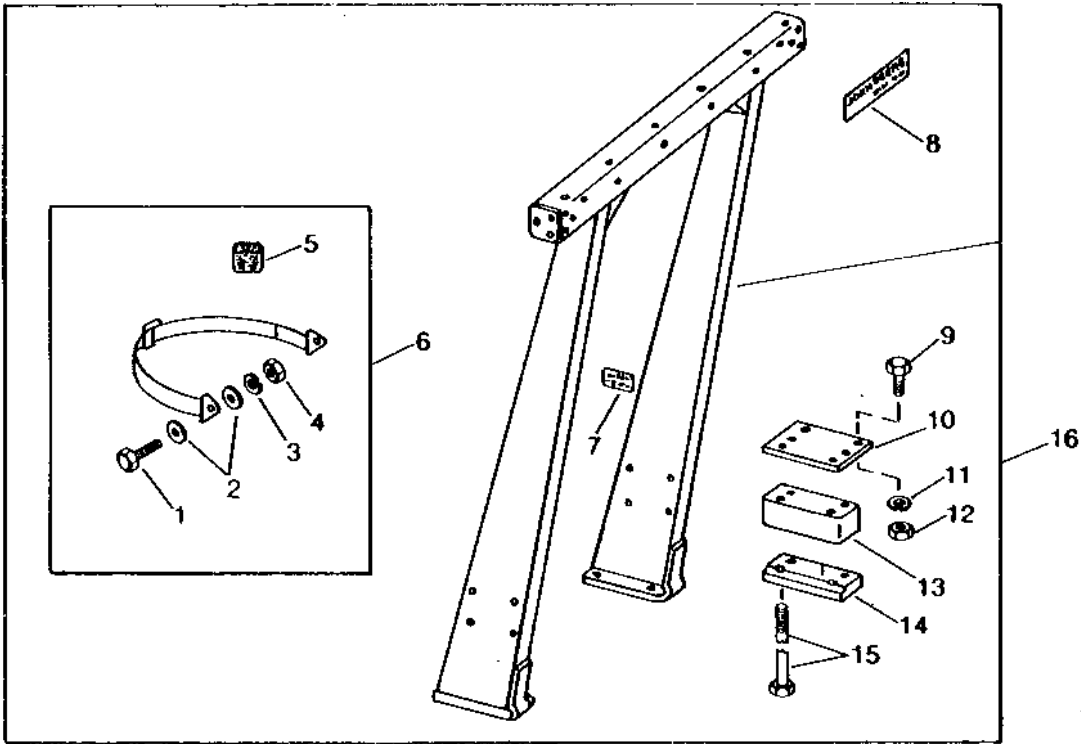
KEY	PART NO.	PART NAME	QTY	TRACTOR SERIAL NO.	REMARKS
1	T27155	LABEL	1		
2	AR51416	ROLL-GARD	1		(CONSISTS OF AR51417, AR41762, R120124, R41355, R42439 AND R44302)
3	R87527	LABEL	1		(SUB FOR R41781)
4	R41355	PLATE	2		
5	R42439	BOLT	8		
	R44529	CAP SCREW	8		(STOLPER CAB ONLY)
6	14H807	NUT	2		7/16"
7	24H1226	WASHER	4		1/2" X 1-1/4" X 0.083"
8	12H293	LOCK WASHER	2		7/16"
9	R41778	BOLT	2		
10	AR41761	SEAT BELT	1		
11	R81424	LABEL	1		
12	RE58257	ROLL-GARD	1		

4B15

OPERATOR'S STATION

RWP5711 -UN-01JAN94

ROLL-GARD AND SEAT BELT (HI-CROP)



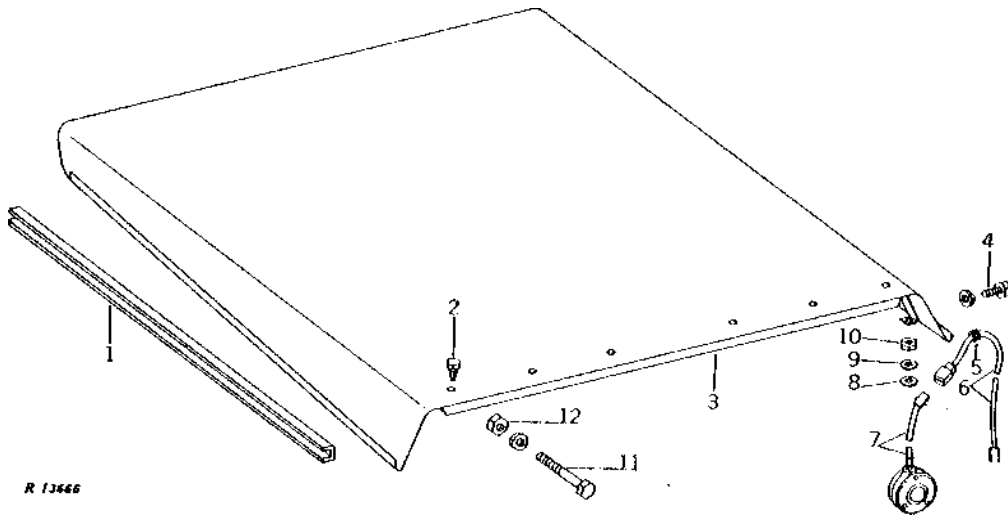
KEY	PART NO.	PART NAME	QTY	TRACTOR SERIAL NO.	REMARKS
1	T27155	LABEL	1		
2	AR44707	ROLL-GARD	1		(SUB FOR AR44708)
3	R87527	LABEL	1		(SUB FOR R41781)
4	19H2369	CAP SCREW	4		3/4" X 1"
5	R42580	PLATE	2		(SUB AR44707)
6	14H794	NUT	4		3/4"
	12H236	LOCK WASHER	4		3/4"
7	R42579	SPACER	2		
8	R41355	PLATE	2		
9	R42581	BOLT	8		
10	R41778	BOLT	2		
11	24H1226	WASHER	4		1/2" X 1-1/4" X 0.083"
12	14H807	NUT	2		7/16"
	12H293	LOCK WASHER	2		7/16"
13	AR41761	SEAT BELT	1		(INCLUDES R81424)

4B16

OPERATOR'S STATION

R13666 -UN-01JAN94

CANOPY



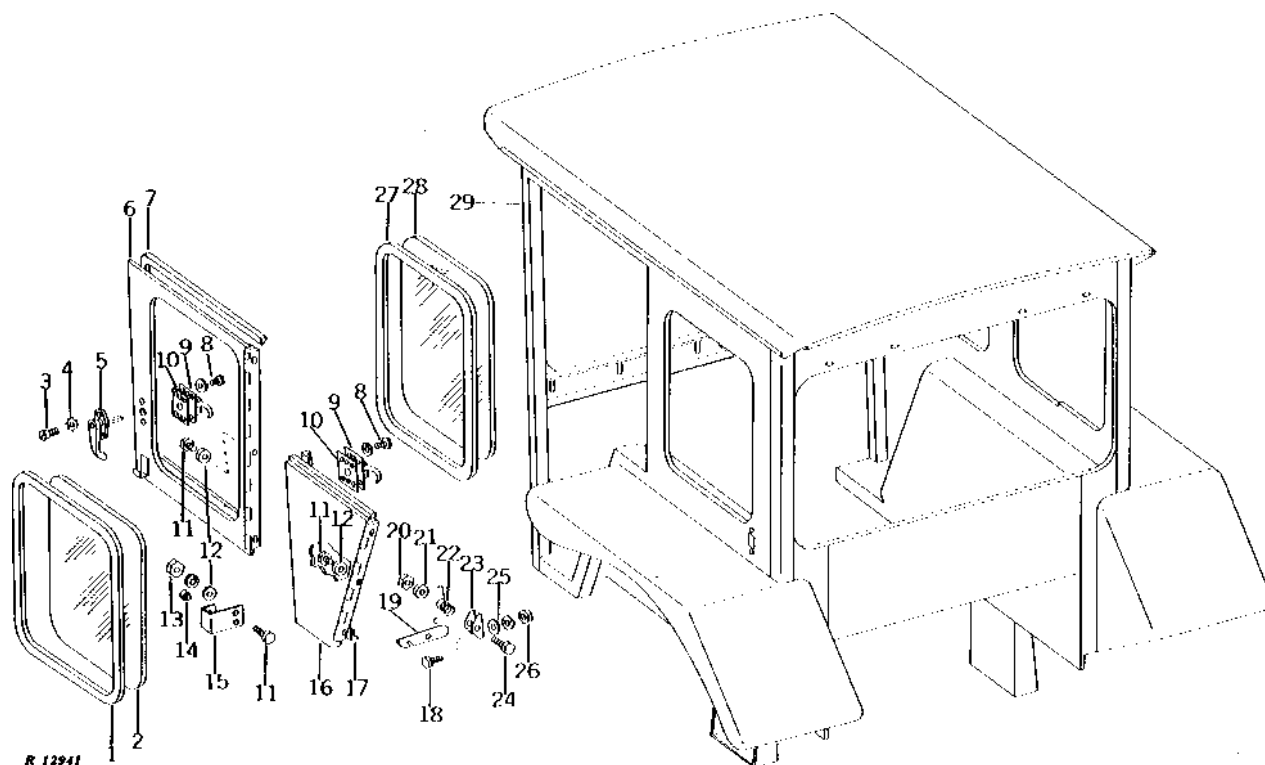
KEY	PART NO.	PART NAME	QTY	TRACTOR SERIAL NO.	REMARKS
1	R41358	ISOLATOR	2		
2	37H27	SCREW	10	5/16" X 7/8"	
3	AR51452	CANOPY	1		(SUB FOR AR41596 OR AR47210)
	R44477	HEADLINER	1		(STOLPER CAB ONLY)(NLA)
4	19H1731	CAP SCREW	6	3/8" X 1"	
	12H304	LOCK WASHER	6	3/8"	
5	R27583	GROMMET	2		
	R41440	GROMMET	4		
6	AR46411	WIRING LEAD	2		(NLA)
	T32231	CLAMP	2		
	R45211	CLAMP	2		(SUB R72853)
7	AT23467	LAMP	2		(SUB FOR AR38456)
8	R38371	WASHER	2		RUBBER
9	24H1227	WASHER	2	17/32" X 13/16" X 0.060"	
10	14H856	NUT	2	1/2"	
11	19H2054	CAP SCREW	6	3/8" X 4-3/4"	
12	14H1076	NUT	6	3/8"	
	12H304	LOCK WASHER	6	3/8"	

4B17

OPERATOR'S STATION

R12941 -UN-01JAN94

DOOR, LATCH, HOLDER AND GLASS
(CRENLO CAB SERIAL NO. 016652-020932)



KEY	PART NO.	PART NAME	QTY	TRACTOR SERIAL NO.	REMARKS
1	R41795	WEATHERSTRIP	1	(NLA)	
2	R41822	WINDOWPANE	1	(A) 543 X 594MM (21-3/8" X 23-3/8") (NLA)	
3	21H1073	SCREW	2	0.190" X 1/2"	
4	12M7060	WASHER	2	0.209"	
5	AR41798	HANDLE	1		
6	AR41822	DOOR	1	(NLA)	
7	R41796	GASKET	2	(NLA)	
8	21H1019	SCREW	8	0.190" X 1/2"	
	12H246	LOCK WASHER	8	0.190"	
9	AR41797	LATCH	2		
10	R41797	SHIM	AR	(NLA)	
11	19H1900	CAP SCREW	8	5/16" X 3/4"	
12	24H1136	WASHER	8	11/32" X 11/16" X 0.065"	
13	14H785	NUT	2	5/16"	
	12H303	LOCK WASHER	2	5/16"	
14	R41829	BUMPER	1	(NLA)	
15	R41828	BRACKET	1	(NLA)	
16	AR41823	DOOR	1	(NLA)	
17	R41796	GASKET	1	(NLA)	
18	19H1919	CAP SCREW	2	1/4" X 5/8"	
19	R41804	STRAP	1	(NLA)	
20	14H786	NUT	2	1/4"	
21	24H1287	WASHER	1	9/32" X 5/8" X 0.065"	
22	R41805	SPRING	1	(NLA)	
23	R41803	BRACKET	1	(NLA)	
	AR41799	LATCH	1	(INCLUDES KEYS 19 THROUGH 24)(NLA)	
24	19H2102	CAP SCREW	1	1/4" X 1-3/4"	
25	24H1287	WASHER	2	9/32" X 5/8" X 0.065"	
26	14H786	NUT	2	1/4"	
	12H302	LOCK WASHER	2	1/4"	
27	R41795	WEATHERSTRIP	1	(NLA)	
28	R41823	WINDOWPANE	1	(A) 543 X 676MM (21-3/8" X 26-5/8") (NLA)	
29	CAB	1	(NOT FURNISHED)	

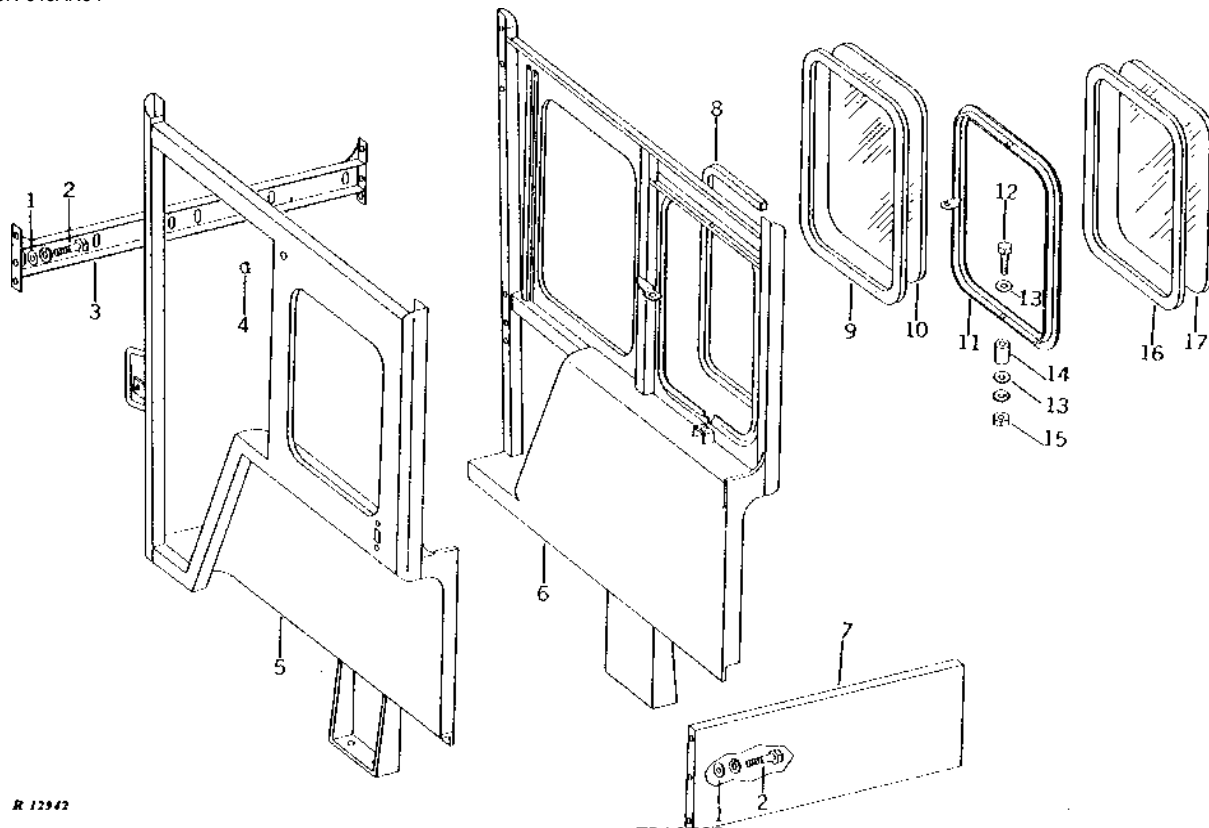
(A) 2.69" CORNER RADIUS, .218" SAFETY SHEET

4B18

OPERATOR'S STATION

SIDE AND CROSS PANELS, SIDE WINDOW AND GLASS
(CRENLO CAB SERIAL NO. 016652-020932)

R12942 -UN-01JAN94



R 12942

KEY	PART NO.	PART NAME	QTY	TRACTOR SERIAL NO.	REMARKS
1	24H1305	WASHER	12		13/32" X 13/16" X 0.065"
2	19H1731	CAP SCREW	12		3/8" X 1"
	12H304	LOCK WASHER	12		3/8"
3	AR41830	CHANNEL	1		(NLA)
4	R41818	PLUG	2		(NLA)
5	AR41839	PANEL	1		(NLA)
6	AR41838	PANEL	1		(NLA)
7	AR41829	PANEL	1		(NLA)
8	R41826	GASKET	1		(NLA)
9	R41795	WEATHERSTRIP	1		(A) (NLA)
10	R41823	WINDOWPANE	1		543 X 676MM (21-3/8" X 26-5/8") (NLA)
11	AR41821	FRAME	1		(NLA)
12	19H1801	CAP SCREW	2		3/8" X 2"
13	24H1305	WASHER	4		13/32" X 13/16" X 0.065"
14	R41827	BUSHING	2		(NLA)
15	14H1076	NUT	2		3/8"
	12H304	LOCK WASHER	2		3/8"
16	R41795	WEATHERSTRIP	1		(NLA)
17	R41822	WINDOWPANE	1		(A) 543 X 594MM (21-3/8" X 23-3/8") (NLA)

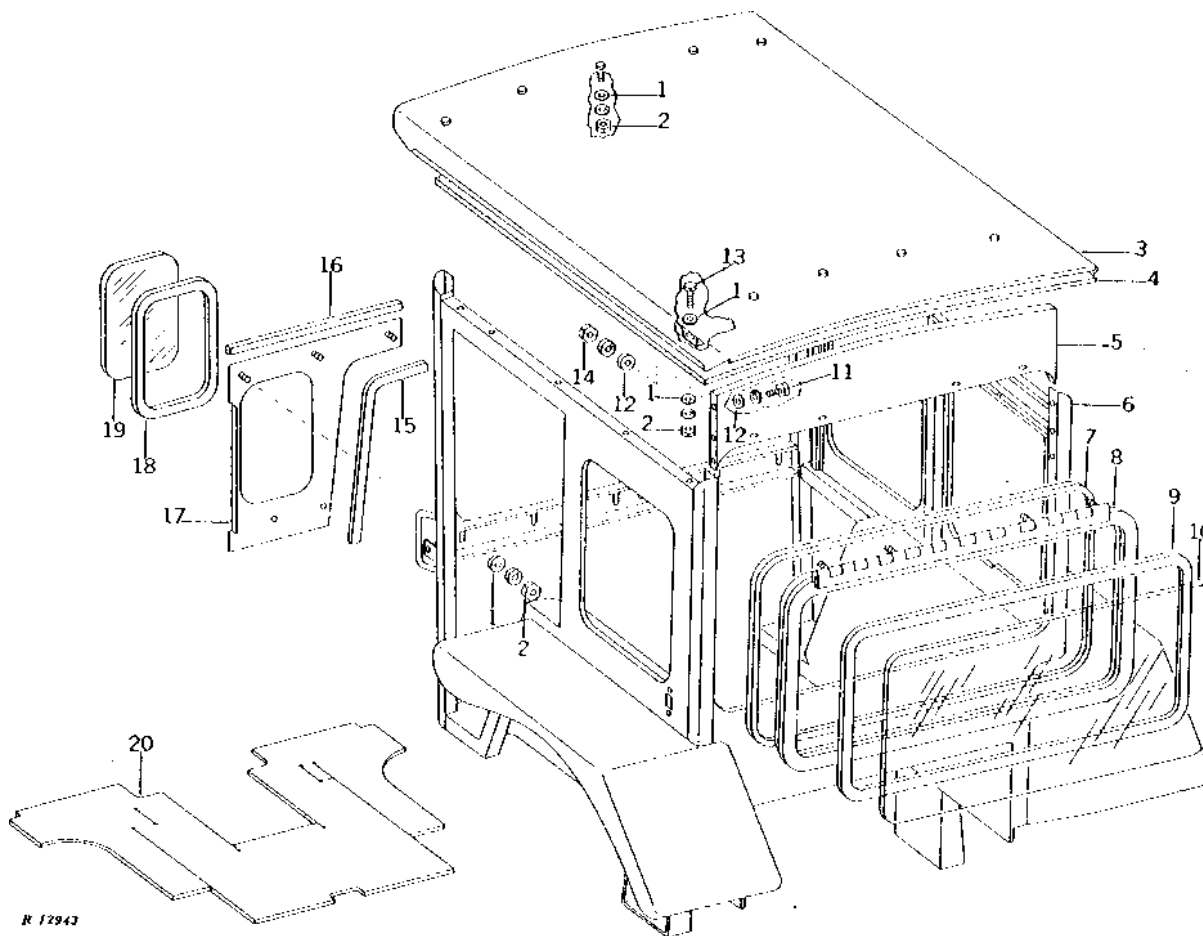
(A) 2.69" CORNER RADIUS, .218" SAFETY SHEET

4B19

OPERATOR'S STATION

WINDSHIELD, REAR WINDOW FRAME AND GLASS, AND ROOF
(CRENLO CAB SERIAL NO. 016652-020932)

R12943 -UN-01JAN94



KEY	PART NO.	PART NAME	QTY	TRACTOR SERIAL NO.	REMARKS
1	24H1136	WASHER	36	11/32" X 11/16" X 0.065"	
2	14H785	NUT	26	5/16"	
	12H303	LOCK WASHER	26	5/16"	
3	AR41826	ROOF	1	(NLA)	
4	R41834	FOAM PAD	1	(NLA)	
5	AR41827	PANEL	1	REAR (NLA)	
	AR41828	PANEL	1	FRONT (NLA)	
6	CAB	1	(NOT FURNISHED)	
7	R41820	GASKET	4	FRONT AND REAR (NLA)	
8	AR41820	FRAME	1	REAR (NLA)	
	AR41819	FRAME	1	WINDSHIELD (NLA)	
9	R41807	WEATHERSTRIP	2	FRONT AND REAR	
10	R41824	WINDOWPANE	2	(A) 616 X 1226MM (24-1/4" X 48-1/4") FRONT AND REAR (NLA)	
11	19H1731	CAP SCREW	12	3/8" X 1"	
	12H304	LOCK WASHER	12	3/8"	
12	24H1305	WASHER	20	13/32" X 13/16" X 0.065"	
13	19H1905	CAP SCREW	10	5/16" X 1"	
14	14H1076	NUT	8	3/8"	
	12H304	LOCK WASHER	8	3/8"	
15	R41800	GASKET	1		
16	R42322	GASKET	2	(NLA)	
17	AR41825	PANEL	1	L.H.(NLA)	
	AR41824	PANEL	1	R.H.(NLA)	
18	R41795	WEATHERSTRIP	2	(NLA)	
19	R41825	WINDOWPANE	2	(B) 264 X 441MM (10-3/8" X 17-3/8") (NLA)	
20	MAT	1	(NOT FURNISHED)	

(A) 2.50" CORNER RADIUS, .218" SAFETY SHEET

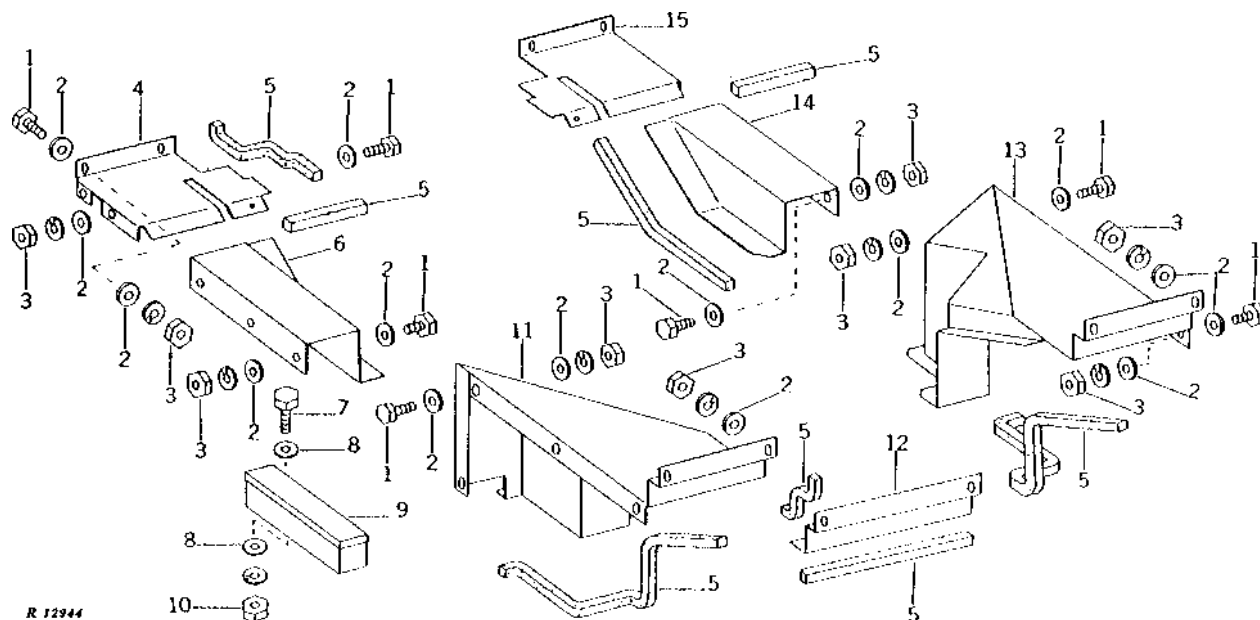
(B) 2.69" CORNER RADIUS, .218" SAFETY SHEET

4B20

OPERATOR'S STATION

R12944 -UN-01JAN94

INTERIOR PANELS AND GASKETS (CRENLO CAB SERIAL NO. 016652-020932)



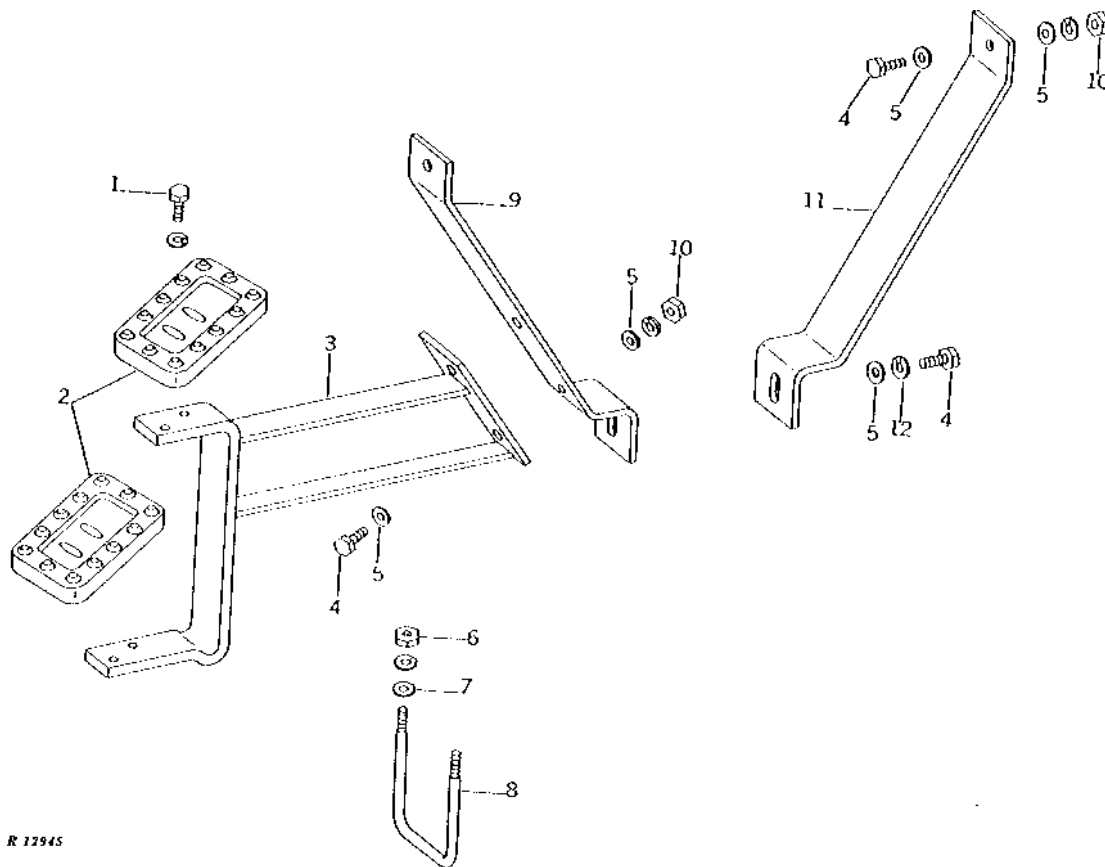
KEY	PART NO.	PART NAME	QTY	TRACTOR SERIAL NO.	REMARKS
1	19H1905	CAP SCREW	22	5/16" X 1"	
2	24H1136	WASHER	50	11/32" X 11/16" X 0.065"	
3	14H785	NUT	28	5/16"	
4	12H303	LOCK WASHER	28	5/16"	
5	R41833	PANEL	1	(NLA)	
		ISOLATOR	1	203MM (8") AND 432MM (17") (MAKE FROM R41815)	
		ISOLATOR	1	203MM (8") AND 432MM (17") (MAKE FROM R41815)	
		ISOLATOR	1	305MM (12") (MAKE FROM R41815) (NLA)	
		ISOLATOR	1	305MM (12") (MAKE FROM R41815) (NLA)	
		ISOLATOR	1	1143MM (45") (MAKE FROM R41815) (NLA)	
		ISOLATOR	1	432MM (17") (MAKE FROM R41815) (NLA)	
		ISOLATOR	1	1143MM (45") (MAKE FROM R41815) (NLA)	
6	R41831	PANEL	1	L.H.(NLA)	
7	19H1936	CAP SCREW	1	3/8" X 3/4"	
8	24H1305	WASHER	4	13/32" X 13/16" X 0.065"	
9	AR34684	TOOLBOX	1	GREEN	
10	14H1076	NUT	2	3/8"	
	12H304	LOCK WASHER	2	3/8"	
11	AR41836	PANEL	1	L.H.(NLA)	
12	R41836	PANEL	1	(NLA)	
13	AR41835	PANEL	1	R.H.(NLA)	
14	R41830	PANEL	1	(NLA)	
15	R41832	PANEL	1	(NLA)	

4B21

OPERATOR'S STATION

R12945 -UN-01JAN94

**MOUNTING BRACKETS AND STEP
(CRENLO CAB SERIAL NO. 016652-020932)**



R 12945

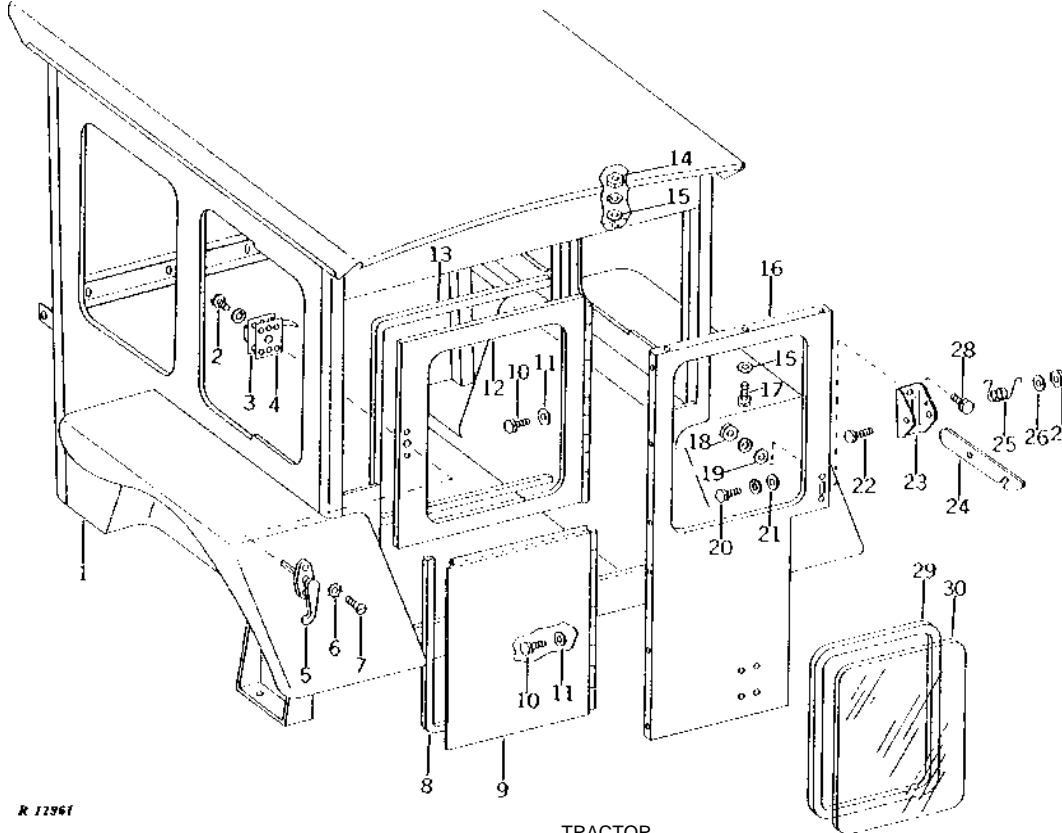
KEY	PART NO.	PART NAME	QTY	TRACTOR SERIAL NO.	REMARKS
1	19H1936	CAP SCREW	4	3/8" X 3/4"	
	12H304	LOCK WASHER	4	3/8"	
2	F3195R	STEP	2		
3	AR41837	BRACKET	1	(NLA)	
4	19H2550	CAP SCREW	6	1/2" X 1-5/8"	
5	24H1211	WASHER	8	9/16" X 1-3/8" X 0.105"	
6	14H1039	NUT	4	5/8"	
	12H294	LOCK WASHER	4	5/8"	
7	24H1139	WASHER	4	11/16" X 1-1/4" X 0.105"	
8	R26992	U-BOLT	2		
9	R41838	BRACKET	1	(NLA)	
10	14H1040	NUT	4	1/2"	
	12H301	LOCK WASHER	4	1/2"	
11	R41837	BRACKET	1	(NLA)	
12	12H301	LOCK WASHER	2	1/2"	

4B22

OPERATOR'S STATION

DOORS, REAR PANEL, LATCH, HOLDER, AND GLASS (CRENLO CAB SERIAL NO. 016652-020932)

R12961 -UN-01JAN94



KEY	PART NO.	PART NAME	QTY	TRACTOR SERIAL NO.	REMARKS
1	CAB	1	(NOT FURNISHED)	
2	21H1301	SCREW	8	0.190" X 1/2"	
	12H246	LOCK WASHER	8	0.190"	
3	AR41797	LATCH	2		
4	R41797	SHIM	AR	(NLA)	
5	AR41798	HANDLE	1		
6	12M7060	WASHER	2	0.209"	
7	21H1073	SCREW	2	0.190" X 1/2"	
8	R41796	GASKET	1	(NLA)	
9	AR41841	DOOR	1	(NLA)	
10	19H1900	CAP SCREW	6	5/16" X 3/4"	
11	24H1136	WASHER	6	11/32" X 11/16" X 0.065"	
12	AR41840	DOOR	1	(NLA)	
13	R41796	GASKET	2	(NLA)	
14	14H785	NUT	3	5/16"	
	12H303	LOCK WASHER	3	5/16"	
15	24H1136	WASHER	6	11/32" X 11/16" X 0.065"	
16	AR41842	PANEL	1	(NLA)	
17	19H1905	CAP SCREW	3	5/16" X 1"	
18	14H786	NUT	2	1/4"	
	12H302	LOCK WASHER	2	1/4"	
19	24H1287	WASHER	2	9/32" X 5/8" X 0.065"	
20	19H1905	CAP SCREW	6	5/16" X 1"	
	12H303	LOCK WASHER	6	5/16"	
21	24H1136	WASHER	6	11/32" X 11/16" X 0.065"	
22	19H2102	CAP SCREW	1	1/4" X 1-3/4"	
23	R41803	BRACKET	1	(NLA)	
24	R41804	STRAP	1	(NLA)	
	AR41799	LATCH	1	(INCLUDES KEYS 22 THROUGH 27)(NLA)	
25	R41805	SPRING	1		
26	24H1287	WASHER	1	9/32" X 5/8" X 0.065"	
27	14H786	NUT	2	1/4"	
28	19H1919	CAP SCREW	2	1/4" X 5/8"	
29	R41795	WEATHERSTRIP	2	(NLA)	
30	R41840	WINDOWPANE	2	(A) 475 X 584MM (18-11/16" X 23") (NLA)	

(A) 2.69" CORNER RADIUS, .218" SAFETY SHEET

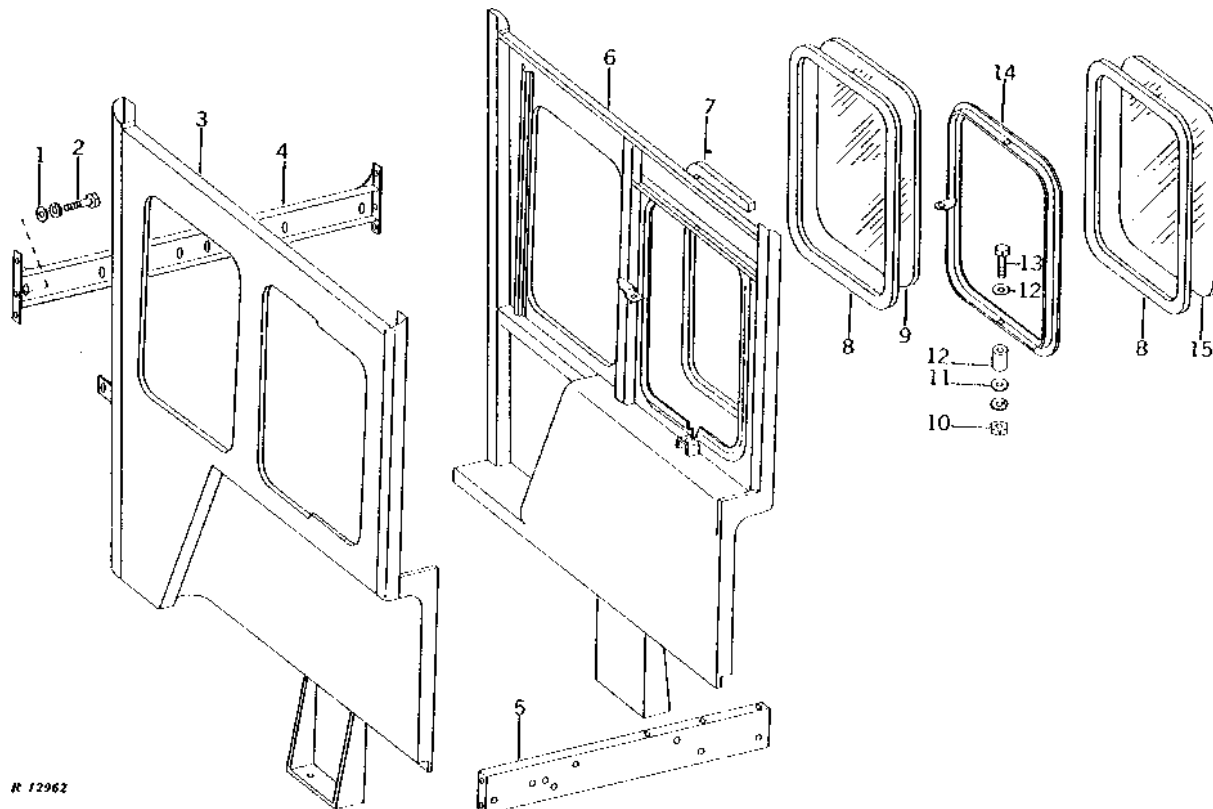
4B23

OPERATOR'S STATION

SIDE AND CROSS PANELS, SIDE WINDOWS AND GLASS
(CRENLO CAB SERIAL NO. 016652-020932)

R12962

-UN-01JAN94



R 12962

KEY	PART NO.	PART NAME	QTY	TRACTOR SERIAL NO.	REMARKS
1	24H1305	WASHER	12		13/32" X 13/16" X 0.065"
2	19H1731	CAP SCREW	12		3/8" X 1"
	12H304	LOCK WASHER	12		3/8"
3	AR41847	PANEL	1		(NLA)
4	AR41830	CHANNEL	1		(NLA)
5	R41842	CHANNEL	1		(NLA)
6	AR41846	PANEL	1		(NLA)
7	R41826	GASKET	2		(NLA)
8	R41795	WEATHERSTRIP	4		(NLA)
9	R41823	WINDOWPANE	2		(A) 543 X 676MM (21-3/8" X 26-5/8") (NLA)
10	14H1076	NUT	4		3/8"
	12H304	LOCK WASHER	4		3/8"
11	24H1305	WASHER	8		13/32" X 13/16" X 0.065"
12	R41827	BUSHING	4		(NLA)
13	19H1801	CAP SCREW	4		3/8" X 2"
14	AR41821	FRAME	2		(NLA)
15	R41822	WINDOWPANE	2		(A) 543 X 594MM (21-3/8" X 23-3/8") (NLA)

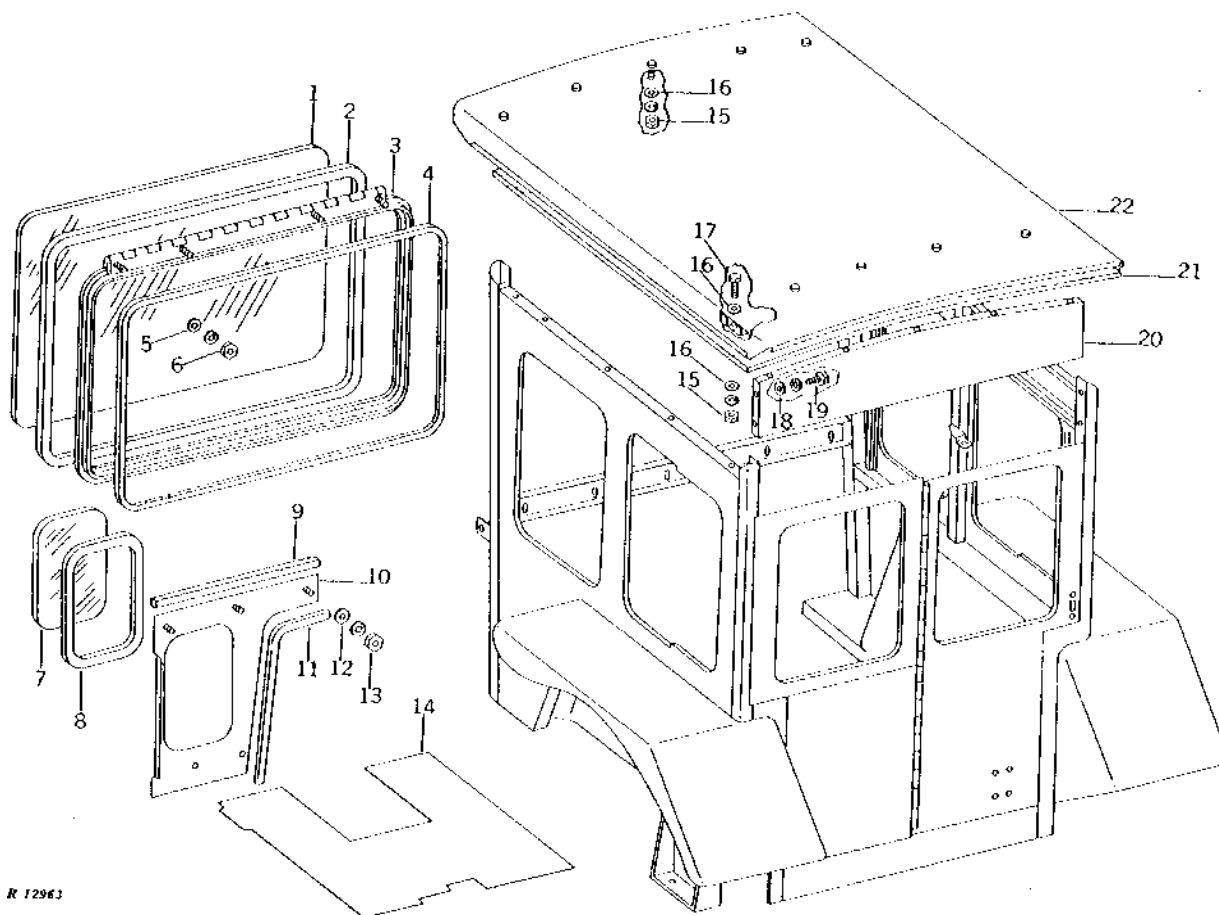
(A) 2.69" CORNER RADIUS, .218" SAFETY SHEET

4B24

OPERATOR'S STATION

R12963 -UN-01JAN94

WINDSHIELD, FRONT PANELS, GLASS, AND ROOF
(CRENLO CAB SERIAL NO. 016652-020932)



R 12963

KEY	PART NO.	PART NAME	QTY	TRACTOR SERIAL NO.	REMARKS
1	R41824	WINDOWPANE	1	(A) 616 X 1226MM (24-1/4" X 48-1/4") (NLA)	
2	R41807	WEATHERSTRIP	1		
3	AR41819	FRAME	1	(NLA)	
4	R41820	GASKET	2	(NLA)	
5	24H1305	WASHER	4	13/32" X 13/16" X 0.065"	
6	14H1076	NUT	4	3/8"	
	12H304	LOCK WASHER	4	3/8"	
7	R41825	WINDOWPANE	2	(B) 264 X 441MM (10-3/8" X 17-3/8") (NLA)	
8	R41795	WEATHERSTRIP	2	(NLA)	
9	R42322	GASKET	2	(NLA)	
10	AR41825	PANEL	1	L.H.(NLA)	
	AR41824	PANEL	1	R.H.(NLA)	
11	R41800	GASKET	1		
12	24H1136	WASHER	6	11/32" X 11/16" X 0.065"	
13	14H785	NUT	6	5/16"	
	12H303	LOCK WASHER	6	5/16"	
14	MAT	1		
15	14H785	NUT	20	5/16"	
	12H303	LOCK WASHER	20	5/16"	
16	24H1136	WASHER	30	11/32" X 11/16" X 0.065"	
17	19H1905	CAP SCREW	10	5/16" X 1"	
18	24H1305	WASHER	12	13/32" X 13/16" X 0.065"	
19	19H1731	CAP SCREW	12	3/8" X 1"	
	12H304	LOCK WASHER	12	3/8"	
20	R41841	PANEL	1	REAR (NLA)	
	AR41828	PANEL	1	FRONT (NLA)	
21	R41834	FOAM PAD	1	(NLA)	
22	AR41826	ROOF	1	(NLA)	

(A) 2.50" CORNER RADIUS, .218" SAFETY SHEET

(B) 2.69" CORNER RADIUS, .218" SAFETY SHEET

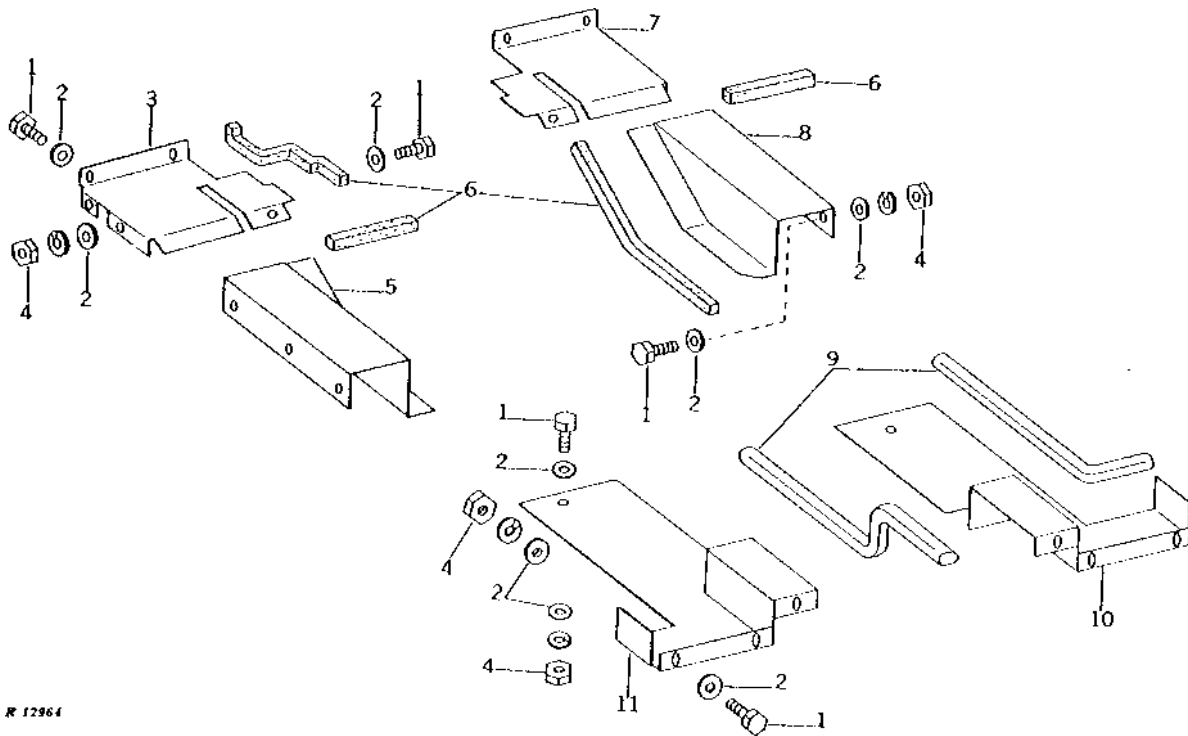
4B25

OPERATOR'S STATION

R12964

-UN-01JAN94

INTERIOR PANELS AND GASKETS (CRENLO CAB SERIAL NO. 016652-020932)



R 12964

KEY	PART NO.	PART NAME	QTY	TRACTOR SERIAL NO.	REMARKS
1	19H1905	CAP SCREW	22	5/16" X 1"	
2	24H1136	WASHER	44	11/32" X 11/16" X 0.065"	
3	R41833	PANEL	1	L.H. FRONT(NLA)	
4	14H785	NUT	22	5/16"	
	12H303	LOCK WASHER	22	5/16"	
5	R41831	PANEL	1	L.H. SIDE (NLA)	
6	R41815	ISOLATOR	1	3048MM (120") ROLL (NLA)	
7	R41832	PANEL	1	R.H. FRONT (NLA)	
8	R41830	PANEL	1	R.H. SIDE (NLA)	
9	R41800	GASKET	2		
10	AR41844	PANEL	1	R.H. REAR (NLA)	
11	AR41845	PANEL	1	L.H. REAR (NLA)	

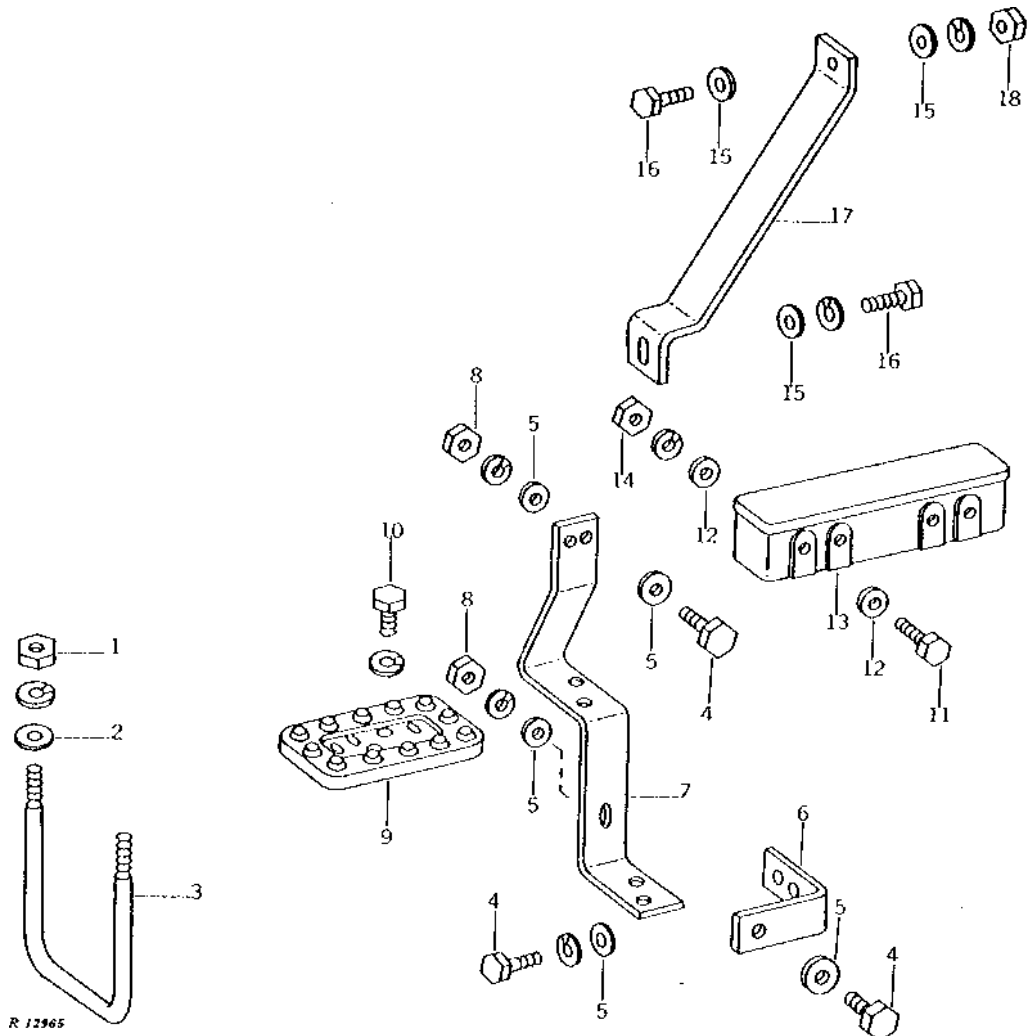
4C1

OPERATOR'S STATION

**MOUNTING BRACKET AND STEP
(CRENLO CAB SERIAL NO. 016652-020932)**

R12965

-UN-01JAN94



R 12965

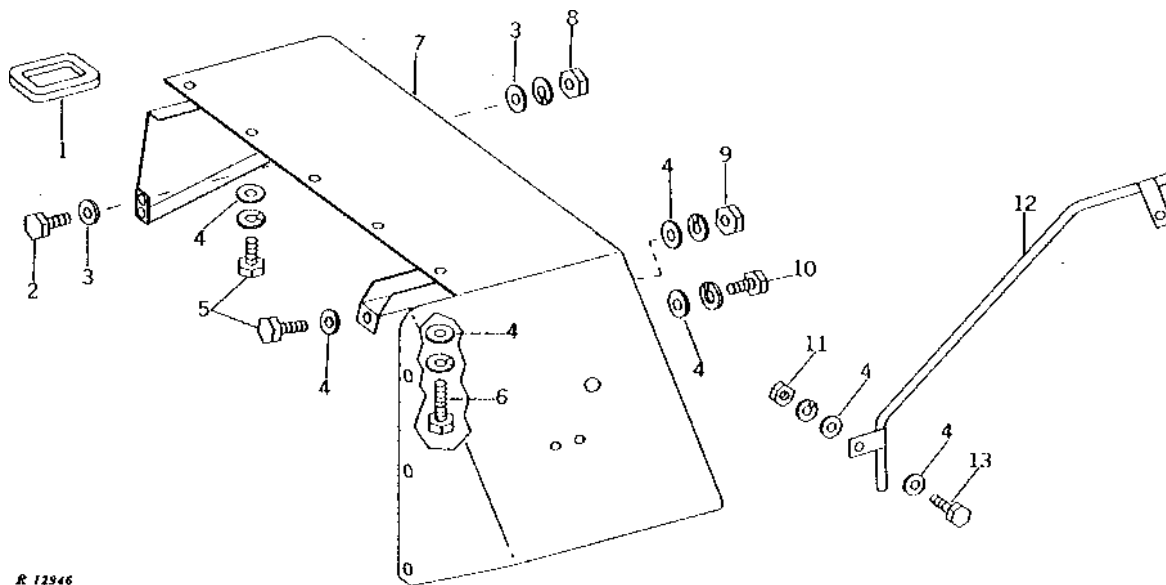
KEY	PART NO.	PART NAME	QTY	TRACTOR SERIAL NO.	REMARKS
1	14H1039	NUT	4	5/8"	
	12H294	LOCK WASHER	4	5/8"	
2	24H1139	WASHER	4	11/16" X 1-1/4" X 0.105"	
3	R26992	U-BOLT	2		
4	19H1815	CAP SCREW	5	1/2" X 1-1/4"	
	12H301	LOCK WASHER	5	1/2"	
5	24H1211	WASHER	8	9/16" X 1-3/8" X 0.105"	
6	R42378	SUPPORT	1	(NLA)	
7	R41843	BRACKET	1	(NLA)	
8	14H1040	NUT	3	1/2"	
9	F3195R	STEP	2	(NLA)	
10	19H1936	CAP SCREW	4	3/8" X 3/4"	
	12H304	LOCK WASHER	4	3/8"	
11	19H1936	CAP SCREW	2	3/8" X 3/4"	
12	24H1305	WASHER	4	13/32" X 13/16" X 0.065"	
13	AR34684	TOOLBOX	1		
14	14H1076	NUT	2	3/8"	
	12H304	LOCK WASHER	2	3/8"	
15	24H1211	WASHER	6	9/16" X 1-3/8" X 0.105"	
16	19H2510	CAP SCREW	4	1/2" X 1-5/8"	
	12H301	LOCK WASHER	2	1/2"	
17	R41837	BRACKET	2	(NLA)	
18	14H1040	NUT	2	1/2"	
	12H301	LOCK WASHER	2	1/2"	

4C2

OPERATOR'S STATION

R12946 -UN-01JAN94

FENDERS AND LAMP WIRE TUBE
(CRENLO CAB SERIAL NO. 016652-020932)



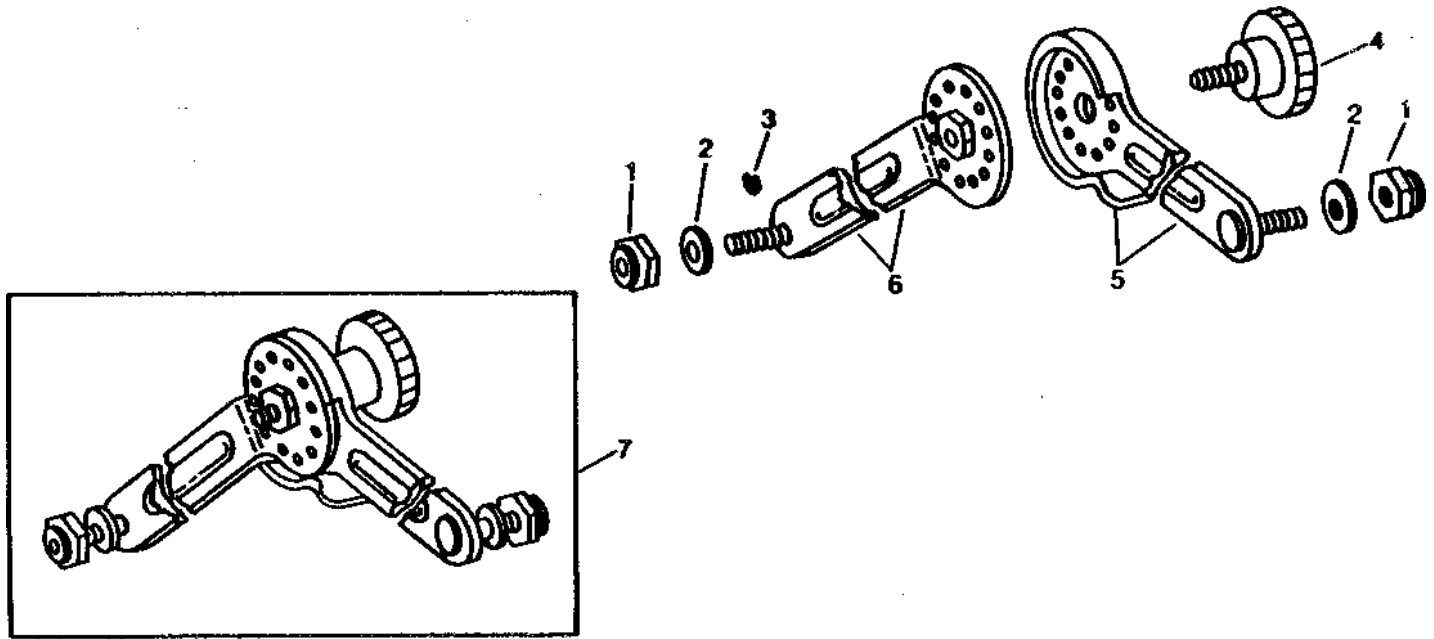
KEY	PART NO.	PART NAME	QTY	TRACTOR SERIAL NO.	REMARKS
1	R20759	GROMMET	1		
2	19H1905	CAP SCREW	4	5/16" X 1"	
3	24H1136	WASHER	4	11/32" X 11/16" X 0.065"	
4	24H1305	WASHER	22	13/32" X 13/16" X 0.065"	
5	19H1731	CAP SCREW	10	3/8" X 1"	
	12H304	LOCK WASHER	10	3/8"	
6	19H1733	CAP SCREW	2	3/8" X 2-1/2"	
7	FENDER	1	R.H. (NLA)	
	FENDER	1	L.H. (NLA)	
	R41816	PLUG	2	(NLA)	
8	14H785	NUT	4	5/16"	
	12H303	LOCK WASHER	4	5/16"	
9	14H812	NUT	2	3/8"	
	12H304	LOCK WASHER	2	3/8"	
10	19H1936	CAP SCREW	6	3/8" X 3/4"	
	12H304	LOCK WASHER	6	3/8"	
11	14H1076	NUT	2	3/8"	
	12H304	LOCK WASHER	2	3/8"	
12	AR41831	TUBE	1	R.H.(NLA)	
	AR41832	TUBE	1	L.H.(NLA)	
13	19H1731	CAP SCREW	2	3/8" X 1"	

4C3

OPERATOR'S STATION

WINDOW ADJUSTERS (CAB SERIAL NO. 016652-020932)

RWP2584 -UN-01JAN94

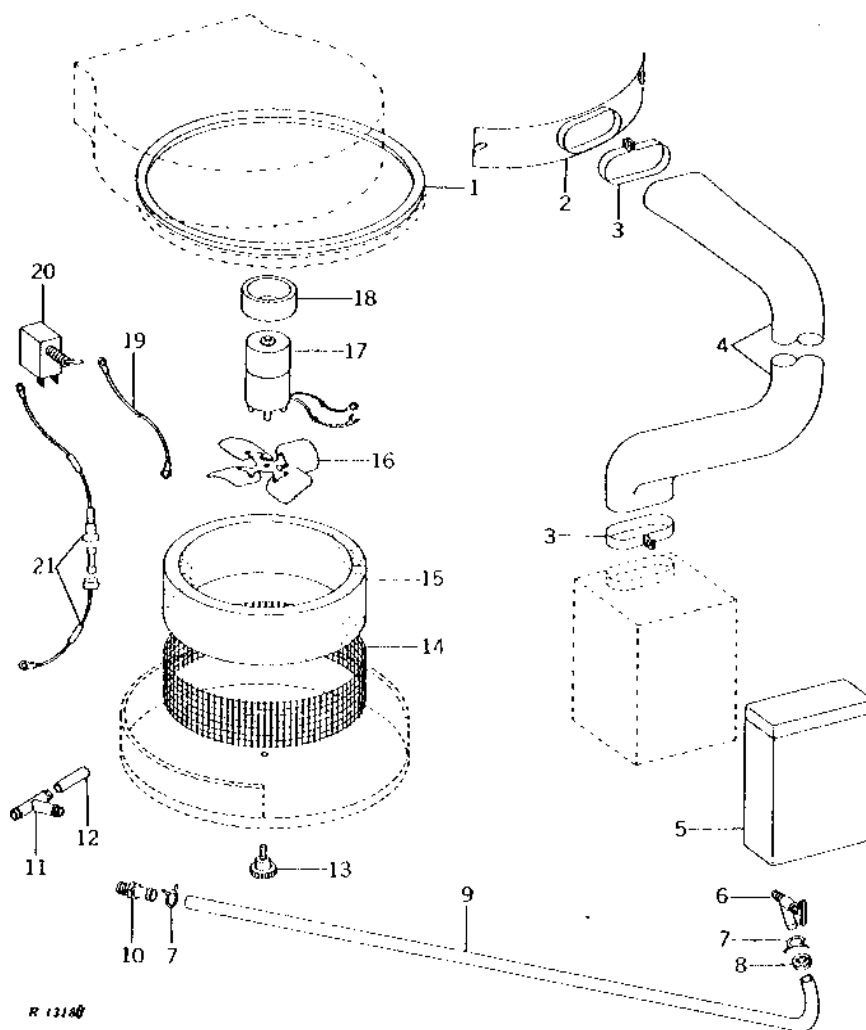


RWP2584

KEY	PART NO.	PART NAME	QTY	TRACTOR SERIAL NO.	REMARKS
1	K40003	LOCK NUT	2	(SUB FOR R41564)	
2	24H1305	WASHER	2	13/32" X 13/16" X 0.065"	
3	R54242	SNAP RING	1	(SUB FOR R41812)	
4	AR41850	KNOB	1		
5	AR41852	ARM	3	(SUB AR102219) FEMALE, R.H. WINDSHIELD, R.H. REAR WINDOW, AND R.H. SIDE WINDOW	
	AR41854	ARM	2	(SUB AR102220) FEMALE, L.H. WINDSHIELD AND L.H. REAR WINDOW	
6	AR41853	ARM	5	(SUB AR102219 AND AR102220) MALE, R.H. AND L.H. WINDSHIELD, R.H. AND L.H. REAR WINDOW AND R.H. SIDE WINDOW	
7	AR102219	LATCH	1	R.H. WINDSHIELD, R.H. REAR WINDOW, AND R.H. SIDE WINDOW	
	AR102220	LATCH	1	L.H. WINDSHIELD, L.H. REAR WINDOW	

HEATER AND PRESSURIZER
(CRENLO CAB SERIAL NO. 016652-020932)

R13180 -UN-01JAN94



R 13180

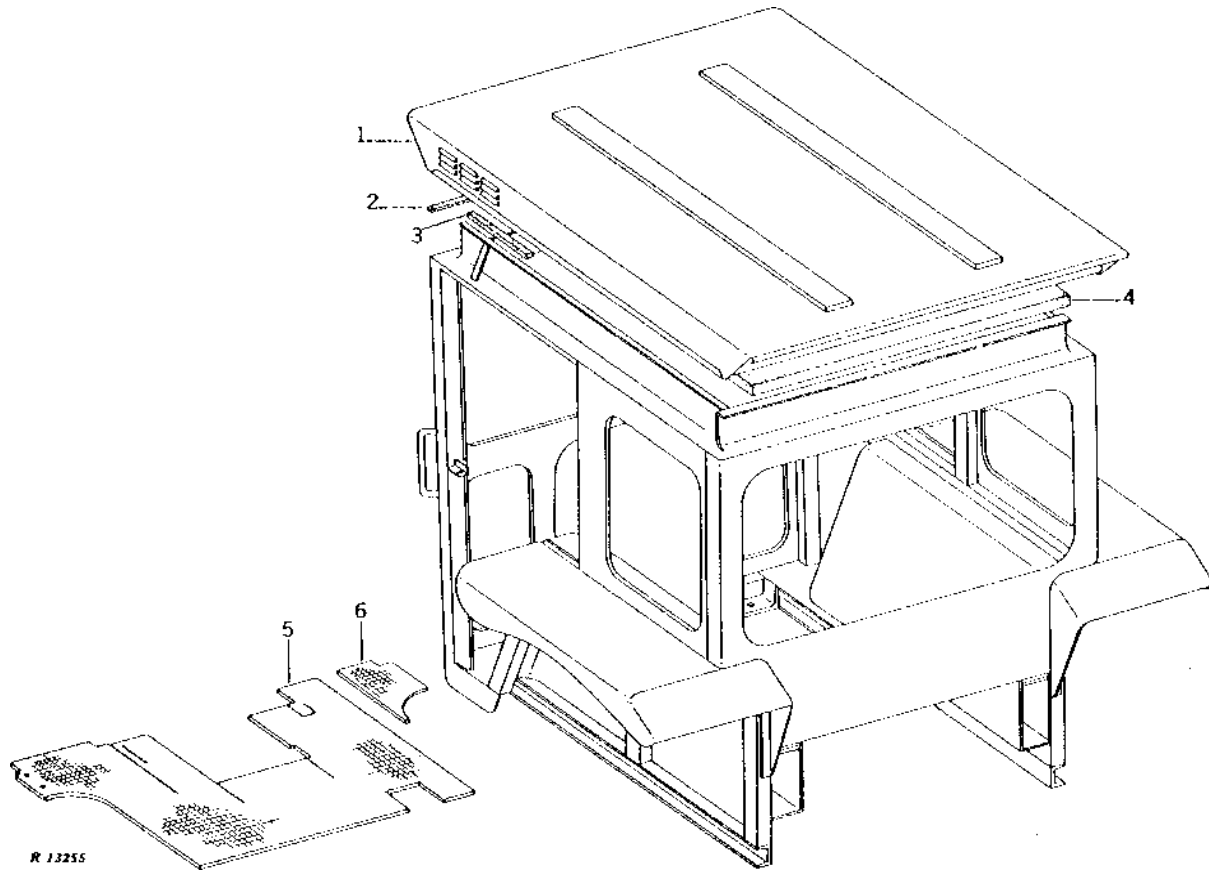
KEY	PART NO.	PART NAME	QTY	TRACTOR SERIAL NO.	REMARKS
1	R42316	GASKET	1	(NLA)	
2	AR44363	ADAPTER	1	(NLA)	
3	R42311	CLAMP	2	(NLA)	
4	R42309	HOSE	1	(NLA)	
5	AR44362	CORE	1	(NLA)	
6	AH12614	VALVE	2		
7	AR21837	CLAMP	4	(SUB FOR T439T)	
8	H23197	GROMMET	2		
9	HOSE	1	5/8" I.D.	
10	R42312	HOSE FITTING	1		
11	AR78438	TEE FITTING	1	(SUB FOR R42313) (NLA)	
12	HOSE	1	64MM (2-1/2") (MAKE FROM R57300)	
13	AR41850	KNOB	1		
14	R42317	SCREEN	1	(NLA)	
15	R42315	FILTER ELEMENT	1	(PKG OF 2)(NLA)	
16	R42314	FAN BLADE	1	(NLA)	
17	AR44369	MOTOR	1	(12-VOLT) (GASOLINE AND LP-GAS)(NLA)	
	AR44367	MOTOR	1	(24-VOLT) (DIESEL)(NLA)	
18	R42318	RUBBER MOUNT	1	(NLA)	
19	WIRING LEAD	1	4267MM (168") (MAKE FROM R66319, R32022 AND R32018) (FROM AR84006) (24-VOLT ONLY)	
20	AR44366	TOGGLE SWITCH	1	PRESSURIZER (NLA)	
21	AR44368	WIRING LEAD	1	(NLA)	

4C5

OPERATOR'S STATION

R13255 -UN-01JAN94

ROOF AND FLOOR MAT
(CRENLO CAB SERIAL NO. 020933-)



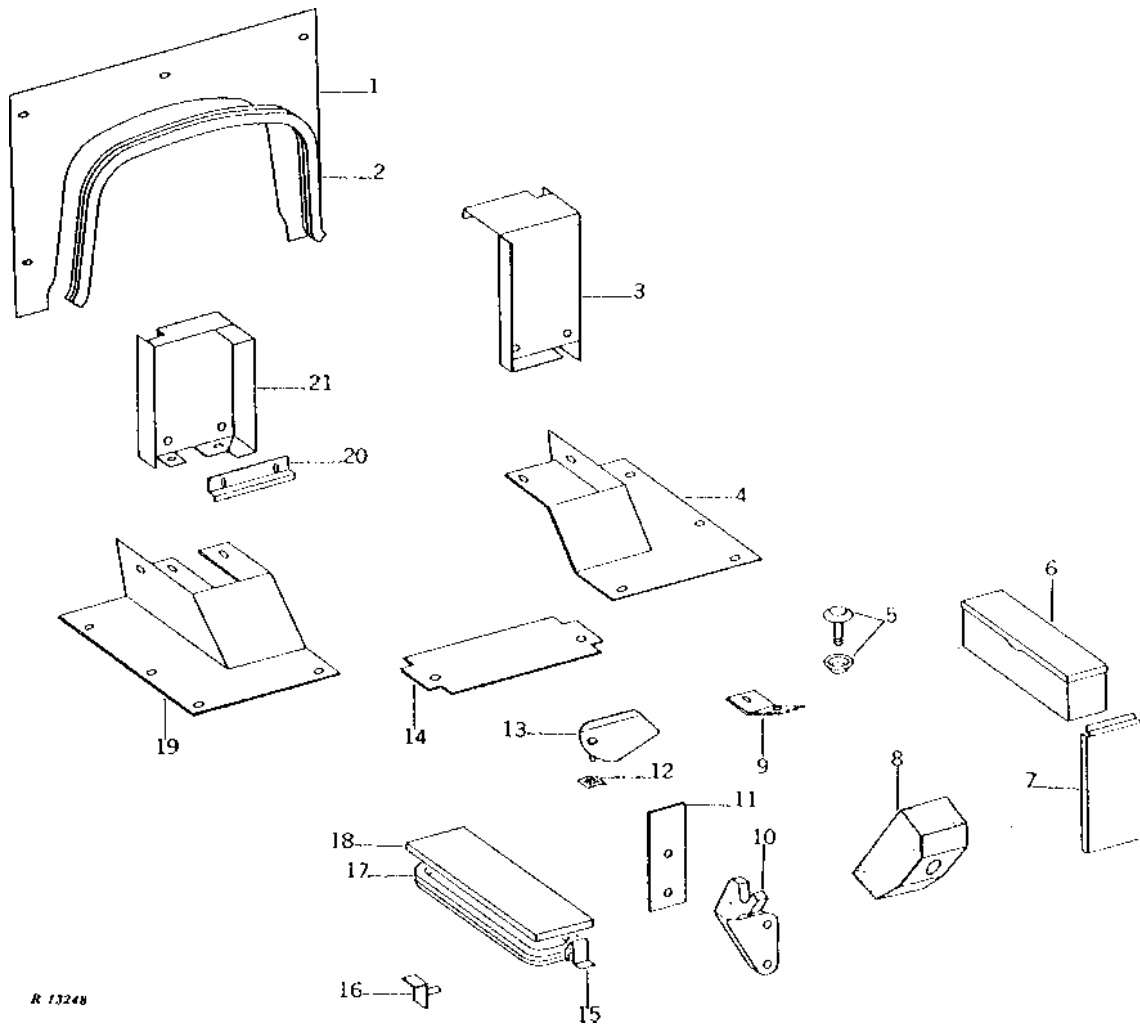
KEY	PART NO.	PART NAME	QTY	TRACTOR SERIAL NO.	REMARKS
1	ROOF	1	(NLA)	
2	R42560	GASKET	1	(NLA)	
3	R42558	GASKET	2	(NLA)	
4	R42533	FOAM PAD	1	REAR (NLA)	
	R42534	FOAM PAD	1	FRONT (NLA)	
5	R42571	MAT	1	(NOT AS ILLUSTRATED)(NLA)	
6	MAT	1		

4C6

OPERATOR'S STATION

R13248 -UN-01JAN94

INTERIOR PANELS AND GASKETS (CRENLO CAB SERIAL NO. 020933-)



R 13248

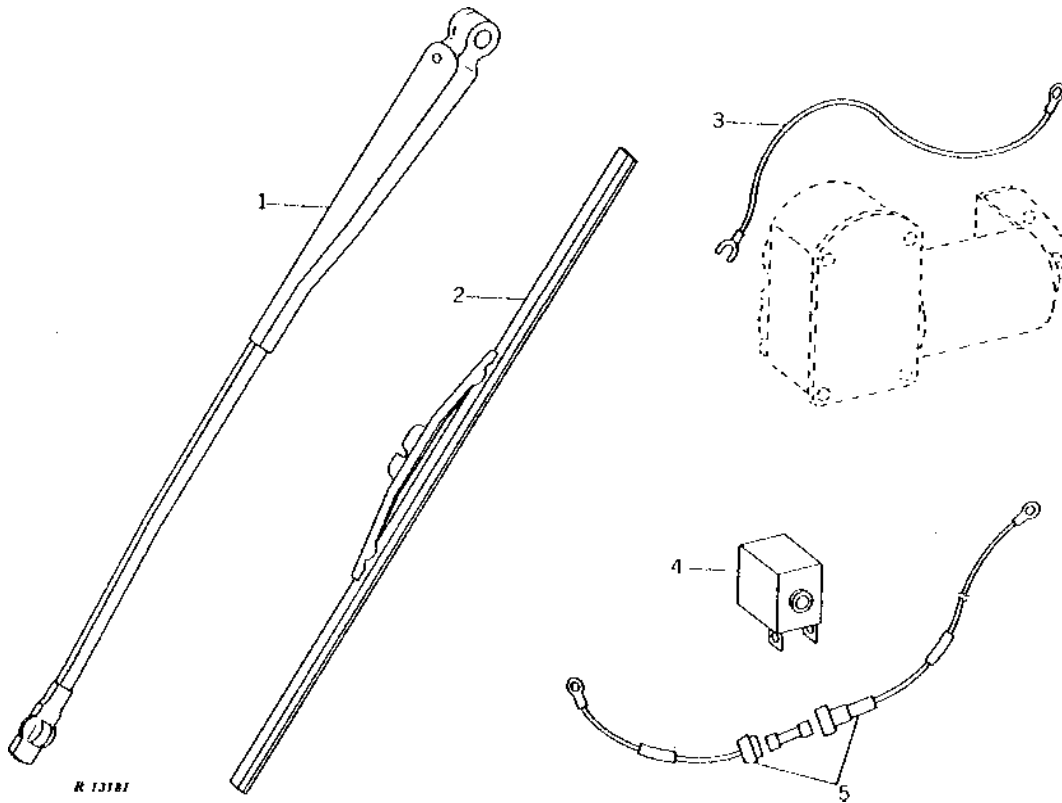
KEY	PART NO.	PART NAME	QTY	TRACTOR SERIAL NO.	REMARKS
1	AR44687	PANEL	1	(NLA)	
2	R41800	GASKET	1		
3	AR44685	PANEL	1		HEAT SHIELD (NLA)
4	R41815	ISOLATOR	1		(ALSO USED WITH L.H. HEAT SHIELD)(NLA)
	AR44681	PANEL	1		BRAKE ENCLOSURE (NLA)
	R41800	GASKET	1		(ALSO USED WITH L.H. CLUTCH PANEL)
5	AR42274	PLUNGER	1		DIFFERENTIAL LOCK PEDAL (NLA)
6	AR34684	TOOLBOX	1		
7	R42563	DOOR	1		BATTERY, R.H.(NLA)
	R42562	DOOR	1		BATTERY, L.H.(NLA)
8	AR42273	SEAL	1		TRANSMISSION FILLER PIPE (NLA)
9	R41960	COVER	1		TRANSMISSION FILLER PIPE HOLE (NLA)
10	R32118	ARM	1		L.H.(NLA)
	R32117	ARM	1		R.H.
11	R41959	PLATE	2		(NLA)
	R28473	PLUG	4		(LESS REMOTE CYLINDER)
12	R42564	CLIP	1		(NLA)
13	AR45473	COVER	1		(SUB FOR AR44666) (NLA)
14	AR44683	PANEL	1		PLATFORM (NLA)
15	R42565	CLIP	2		(NLA)
16	AR44665	CLAMP	4		(NLA)
17	R42542	GASKET	1		(NLA)
18	R42561	DOOR	2		(NLA)
19	AR44682	PANEL	1		L.H. CLUTCH (NLA)
20	R42570	ANGLE	2		(NLA)
21	AR44686	PANEL	1		L.H. HEAT SHIELD (NLA)

4C7

OPERATOR'S STATION

**WINDSHIELD WIPER
(CRENLO CAB SERIAL NO. 016652-020932)**

R13181 -UN-01JAN94



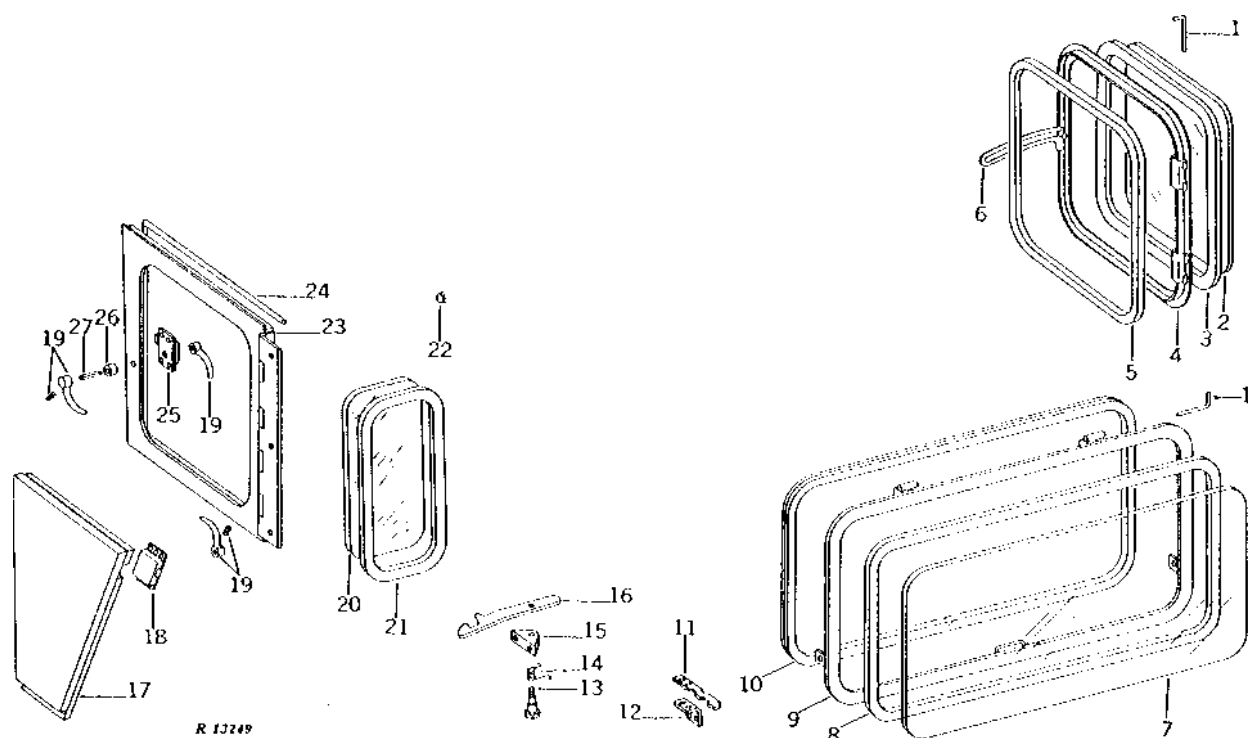
KEY	PART NO.	PART NAME	QTY	TRACTOR SERIAL NO.	REMARKS
1	AR44371	ARM	1	(NLA)	
2	R42319	BLADE	1	(NLA)	
3	WIRING LEAD	1	457MM (18") (MAKE FROM R66319, R32016 AND R32018)	
4	AR44370	SWITCH	1	(NLA)	
5	AR44368	WIRING LEAD	1	(NLA)	

4C8

OPERATOR'S STATION

DOOR, LATCH, WINDOW FRAME, AND GLASS
(CRENLO CAB SERIAL NO. 020933-)

R13249 -UN-01JAN94



KEY	PART NO.	PART NAME	QTY	TRACTOR SERIAL NO.	REMARKS
1	R42541	PIN	4	(NLA)	
2	R42553	WINDOWPANE	4	(A) 559 X 559MM (22" X 22")	SIDES AND DOOR (NLA)
3	R41807	WEATHERSTRIP	1	(NLA)	
	R41795	WEATHERSTRIP	3	(NLA)	SIDE WINDOWS AND DOOR (NLA)
4	AR44645	FRAME	1	(NLA)	
5	R42542	GASKET	1	(NLA)	
6	R42543	STRAP	1	(NLA)	
7	R42552	WINDOWPANE	2	(A) 559 X 1159MM (22" X 45-5/8")	WINDSHIELD AND REAR (NLA)
8	R41807	WEATHERSTRIP	1	(NLA)	
	R41795	WEATHERSTRIP	2	(NLA)	WINDSHIELD (NLA)
9	AR44644	FRAME	1	(NLA)	
10	R42542	GASKET	2	(NLA)	
11	R41961	BRACKET	1	(NLA)	(POWER SHIFT)(NLA)
12	R42015	SUPPORT	1	(NLA)	(POWER SHIFT)(NLA)
13	R42549	PIN	1	(NLA)	
14	R41805	SPRING	1	(NLA)	
15	R41803	BRACKET	1	(NLA)	
16	R42548	STRAP	1	(NLA)	
17	AR44642	DOOR	1	(NLA)	
18	AR44643	LATCH	1	(NLA)	
19	AR44641	HANDLE	3	(NLA)	
20	R42554	WINDOWPANE	2	(A) 238 X 533MM (9-3/8" X 21")	(NLA)
21	R41795	WEATHERSTRIP	2	(NLA)	
22	R41818	PLUG	4	(NLA)	
23	AR44639	DOOR	1	(NLA)	
	R42538	GASKET	1	(NLA)	
	R44222	STOP	1	(NLA)	
	21H1304	SCREW	2	5/16" X 3/4"	
	24H1136	WASHER	4	11/32" X 11/16" X 0.065"	
	12H303	LOCK WASHER	2	5/16"	
	14H785	NUT	2	5/16"	
24	R42537	GASKET	8	(NLA)	
	R56493	FOAM PAD	2	(NLA)	(SUB FOR R42539)
25	AR44640	LATCH	1	(NLA)	
26	R42536	SPACER	1	(NLA)	
27	R42535	SHAFT	1	(NLA)	

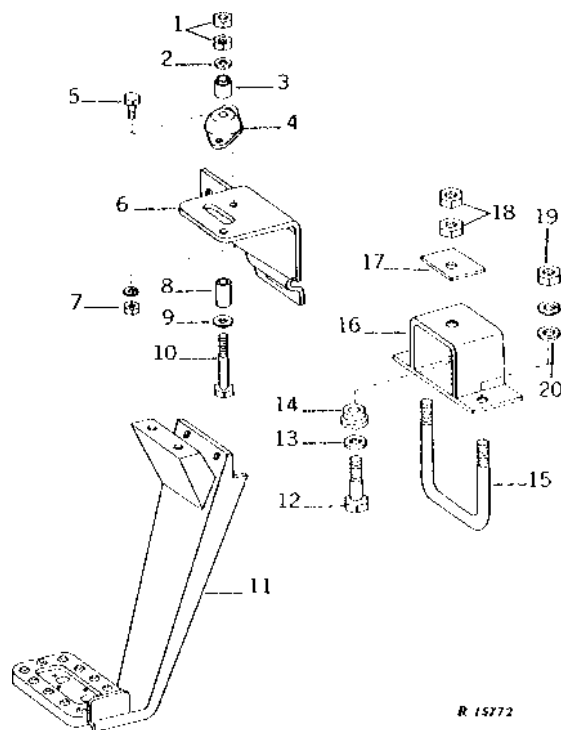
(A) 2.69" CORNER RADIUS, .219" SOLID TEMPERED GLASS.

4C9

OPERATOR'S STATION

R15772 -UN-01JAN94

MOUNTING BRACKETS AND STEP (CRENLO CAB SERIAL NO. 020933-)



R 15772

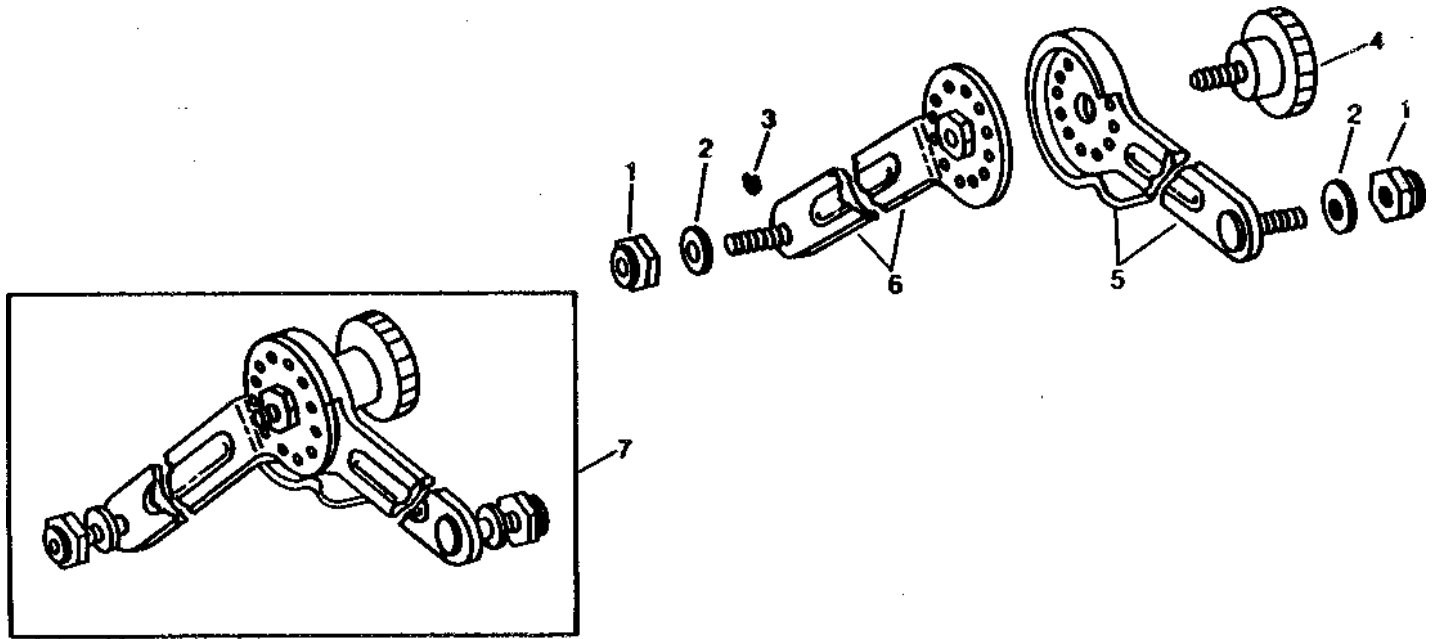
KEY	PART NO.	PART NAME	QTY	TRACTOR SERIAL NO.	REMARKS
1	R40121	LOCK NUT	4		
2	24H1396	WASHER	2	25/32" X 1-1/2" X 0.105"	
3	R44220	BUSHING	2	(NLA)	
4	AR51810	SUPPORT	2	(SUB FOR AR45469)	
5	19H1815	CAP SCREW	4	1/2" X 1-1/4"	
6	AR44675	BRACKET	1	L.H.(NLA)	
	AR44674	BRACKET	1	R.H.(NLA)	
7	14H1040	NUT	4	1/2"	
	12H301	LOCK WASHER	4	1/2"	
8	R44221	BUSHING	2	(NLA)	
9	24H1402	WASHER	2	25/32" X 1-7/8" X 1/4"	
10	19H2000	CAP SCREW	2	3/4" X 5"	
11	AR44684	STEP	1	(NLA)	
12	19H2122	CAP SCREW	2	1" X 2-1/2"	
13	24H1458	WASHER	2	1-1/32" X 2-1/4" X 0.120"	
14	R42568	GROMMET	2	(NLA)	
15	R26992	U-BOLT	2		
16	AR44676	BRACKET	2	(NLA)	
17	R42567	FOAM PAD	2	(NLA)	
18	14H806	NUT	4	1"	
19	14H1039	NUT	4	5/8"	
	12H294	LOCK WASHER	4	5/8"	
20	R28695	WASHER	4		

4C10

OPERATOR'S STATION

WINDOW ADJUSTERS
(CRENLO CAB SERIAL NO. 020933-)

RWP2584 -UN-01JAN94



RWP2584

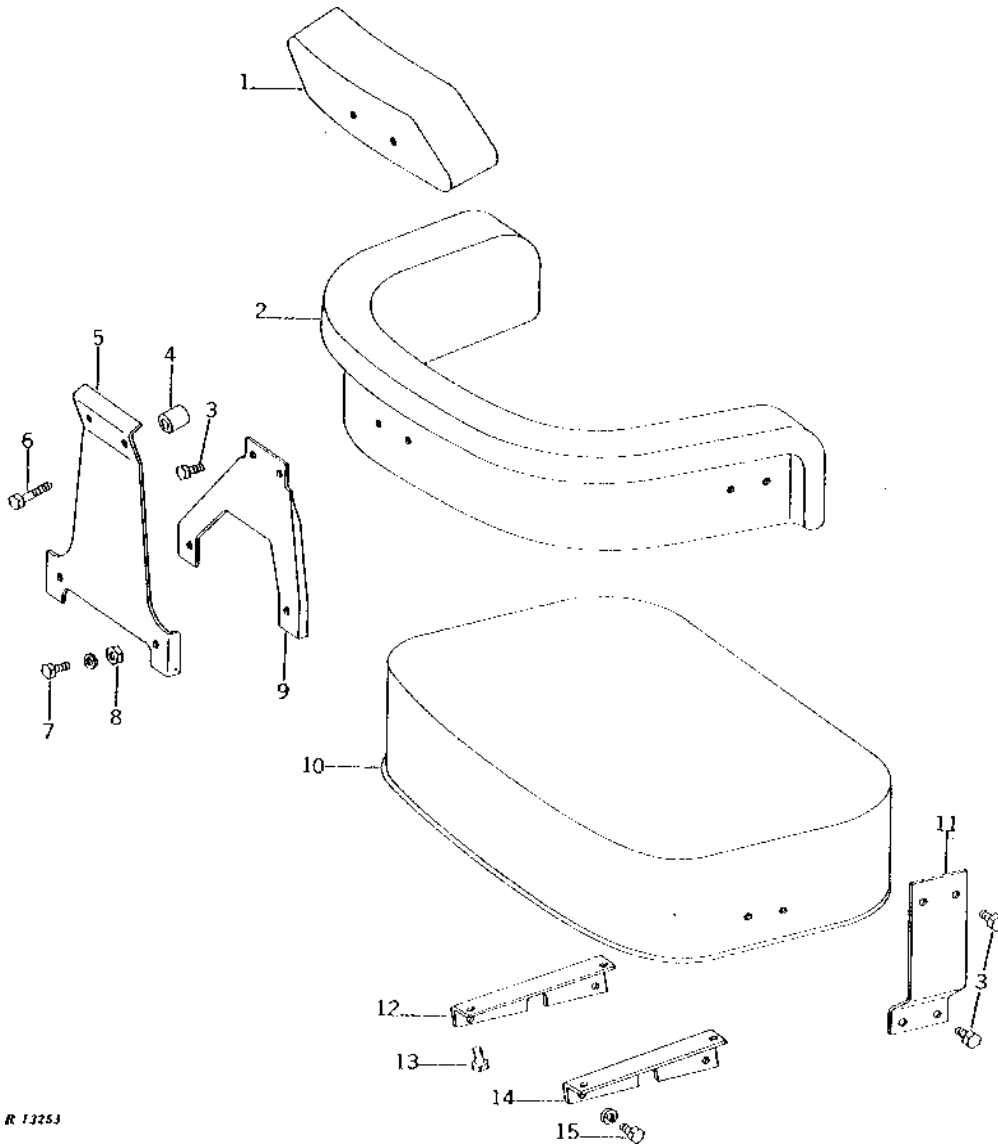
KEY	PART NO.	PART NAME	QTY	TRACTOR SERIAL NO.	REMARKS
1	K40003	LOCK NUT	2	(SUB FOR R41564)	
2	24H1305	WASHER	2	13/32" X 13/16" X 0.065"	
3	R54242	SNAP RING	1	(SUB FOR R41812)	
4	AR41850	KNOB	1		
5	AR41852	ARM	1	FEMALE, R.H. REAR WINDOW, (SUB AR102219)	
	AR41854	ARM	1	FEMALE, L.H. REAR WINDOW, (SUB AR102220)	
6	AR41853	ARM	2	MALE, (SUB AR102219 AND AR102220)	
7	AR102219	LATCH	1	R.H. REAR WINDOW	
	AR102220	LATCH	1	L.H. REAR WINDOW	

4C11

OPERATOR'S STATION

R13253 -UN-01JAN94

DELUXE SEAT
(CRENLO CAB SERIAL NO. 020933-)



R 13253

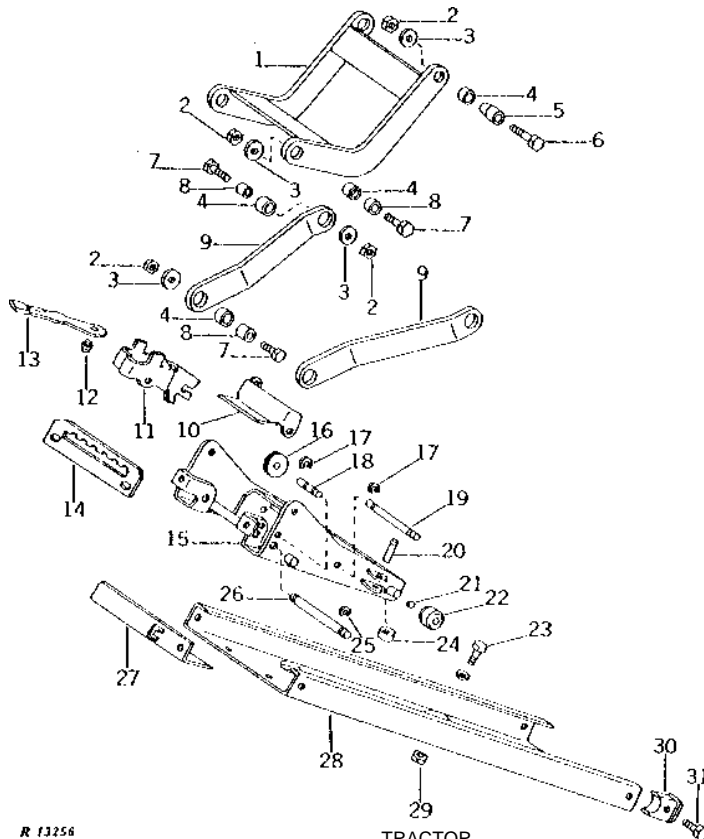
KEY	PART NO.	PART NAME	QTY	TRACTOR SERIAL NO.	REMARKS
1	AR59679	SEAT BACK	1	(YELLOW) (SUB R34267)	
	R34619	CUSHION COVER	1	(YELLOW)	
2	R34268	SEAT BACK	1	(YELLOW) (SUB AR59680)	
	R34620	CUSHION COVER	1	(YELLOW)	
3	19H1813	CAP SCREW	10	5/16" X 5/8"	
4	24H448	WASHER	2	25/32" X 1-1/8" X 0.090"	
5	R34282	SUPPORT	1		
6	19H3552	CAP SCREW	2	5/16" X 1-1/2"	
7	19H1900	CAP SCREW	2	5/16" X 3/4"	
	12H303	LOCK WASHER	2	5/16"	
8	14H785	NUT	2	5/16"	
9	R30443	SUPPORT	1		
10	R34266	CUSHION	1	(YELLOW) (SUB AR44763)	
	R34618	CUSHION COVER	1	(YELLOW)	
	R34609	COVER	1	(SUB R34618) (WHITE CANVAS)	
11	R31512	SUPPORT	1	R.H.	
	R31513	SUPPORT	1	L.H.	
	R42416	BRACKET	1	(NLA)	
12	19H1813	CAP SCREW	4	5/16" X 5/8"	
13	R42415	BRACKET	1	(NLA)	
14	19H1813	CAP SCREW	4	5/16" X 5/8"	
	12H303	LOCK WASHER	4	5/16"	

4C12

OPERATOR'S STATION

R13256 -UN-01JAN94

DELUXE SEAT SUPPORT (CRENLO CAB SERIAL NO. 020933-)



R 13256

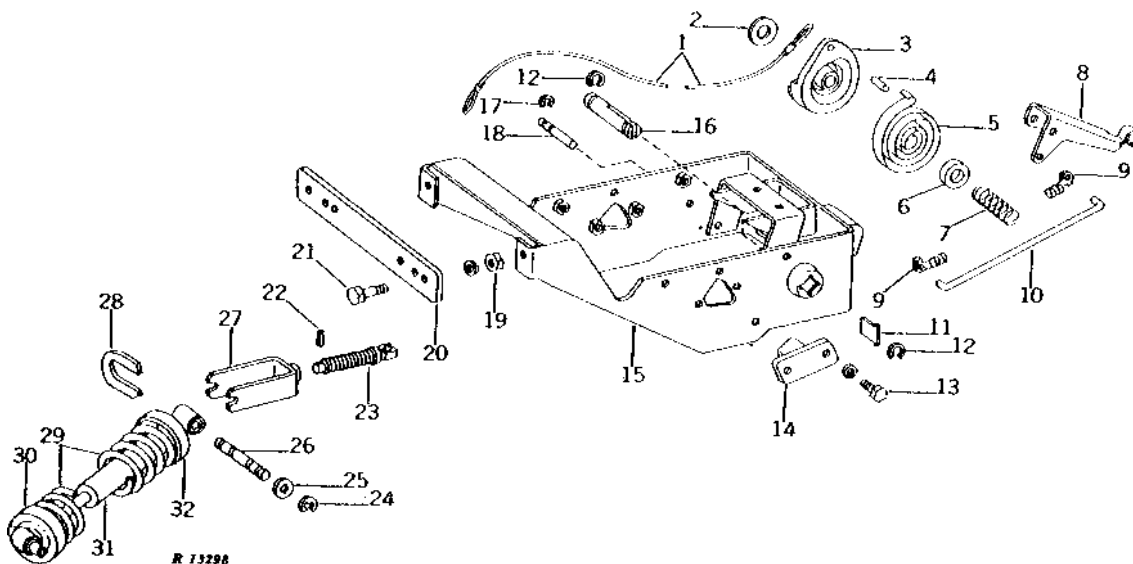
KEY	PART NO.	PART NAME	QTY	TRACTOR SERIAL NO.	REMARKS
1	AR31979	ARM	1		
2	E50102	LOCK NUT	8		(SUB FOR M63440)
3	R27441	WASHER	8		
4	R51648	WASHER	8		(SUB FOR R36704)
5	R30429	BUSHING	2		
6	19H1765	CAP SCREW	2		3/8" X 1-3/4"
7	19H3483	CAP SCREW	8		3/8" X 1-1/8", (SUB FOR 19H2552)
8	R27440	BUSHING	6		
9	AR31978	LINK	1		
10	T14035	FITTING	1		
11	T14032	LATCH	1		
12	T14031	PIN	1		
13	R28791	LEVER	1		
14	T14038	GAUGE	1		
15	AR30317	FRAME	1		
16	R30433	PULLEY	1		
17	F3396R	SNAP RING	4		
18	R30434	PIN	1		
19	R30426	PIN	1		
20	R72660	PIN	2		(SUB FOR R662R)
21	R31411	SHIM	AR		0.25MM (.010") ROLLER SHAFT, R.REAR AND L.FRONT
	R31442	SHIM	AR		0.51MM (.020") ROLLER SHAFT, R.REAR AND L.FRONT
22	R31261	BUSHING	4		
23	19H1936	CAP SCREW	4		3/8" X 3/4"
	12H304	LOCK WASHER	4		3/8"
24	R31262	WASHER	2		
25	R26871	SNAP RING	2		(SUB FOR P44982)
26	R30425	PIN	1		
27	AR34660	BRACKET	1		
28	AT13140	RAIL	1		
29	14H1076	NUT	4		3/8"
30	R28157	STOP	4		
31	19H1936	CAP SCREW	4		3/8" X 3/4"

4C13

OPERATOR'S STATION

DELUXE SEAT SUSPENSION
(CRENLO CAB SERIAL NO. 020933-)

R13298 -UN-01JAN94



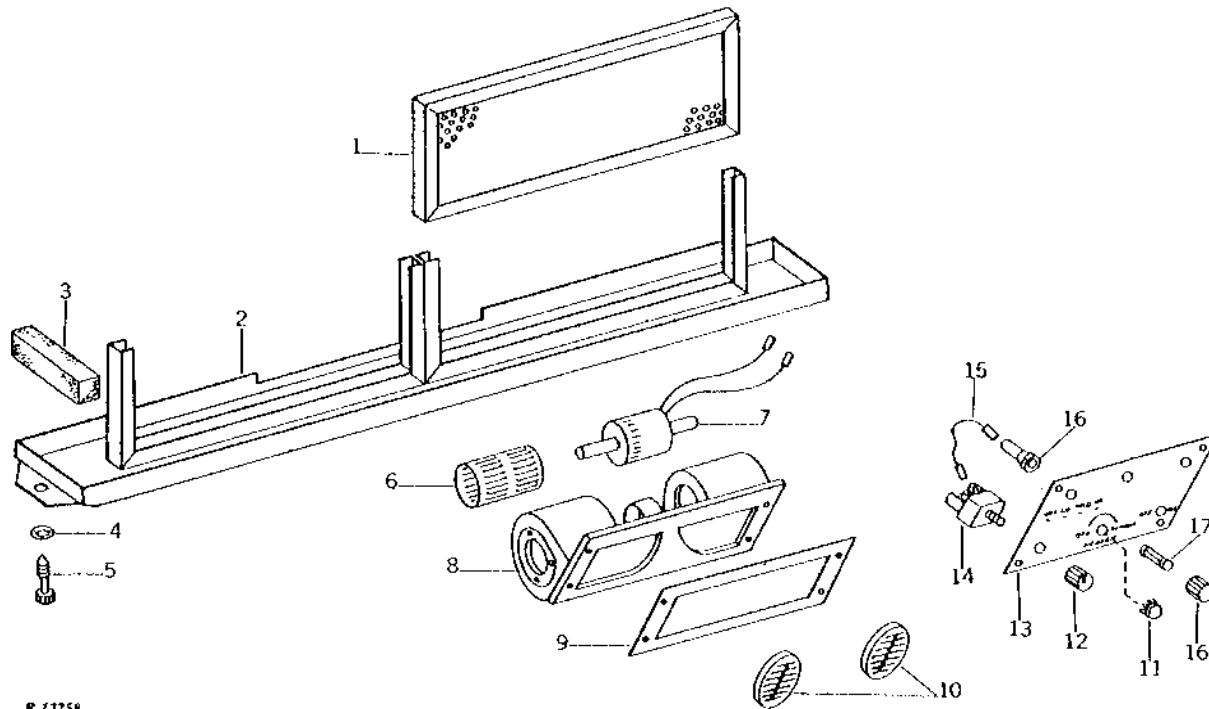
KEY	PART NO.	PART NAME	QTY	TRACTOR SERIAL NO.	REMARKS
1	AR28339	CABLE	1		
2	24H1395	WASHER	1	25/32" X 1-7/16" X 0.060"	
3	R26432	REEL	1		
4	34H282	SPRING PIN	1	3/16" X 1"	
5	R31260	SPRING	1		
6	R30432	WASHER	1		
7	A4744R	SPRING	1		
8	T14033	HANDLE	1		
9	R26524	CLIP	2		
10	T14037	PIN	1		
11	R26434	LATCH	1		
12	R73380	SNAP RING	2	(SUB FOR A369R)	
13	19H2127	CAP SCREW	4	5/16" X 7/8"	
	12H303	LOCK WASHER	4	5/16"	
14	R30440	STOP	2		
15	AR28341	FRAME	1		
16	R30431	SHAFT	1		
17	F3396R	SNAP RING	2		
18	R30435	PIN	1		
19	14H785	NUT	1	5/16"	
	12H303	LOCK WASHER	1	5/16"	
20	R42414	STRAP	1		
21	19H3552	CAP SCREW	1	5/16" X 1-1/2"	
22	34H247	SPRING PIN	1	1/8" X 3/4"	
23	R30439	SCREW	1		
24	R30437	SNAP RING	2		
25	R30610	WASHER	2		
26	R30436	SHAFT	1		
27	AR28340	YOKE	1		
28	R28938	RETAINER	1		
29	R26877	SPRING	1		
30	R27442	CAP	1		
31	AR27572	ABSORBER	1		
32	R28937	CAP	1		

4C14

OPERATOR'S STATION

R13258 -UN-01JAN94

PRESSURIZER
(CRENLO CAB SERIAL NO. 020933-)



R 13258

KEY	PART NO.	PART NAME	QTY	TRACTOR SERIAL NO.	REMARKS
1	R42547	FILTER	2	(NLA)	
2	AR44646	CONTAINER	1	(NLA)	
	R42557	GASKET	1	(NLA)	
3	R42546	GASKET	1	(NLA)	
4	R42545	RING	1	(NLA)	
5	R42544	SCREW	1	(NLA)	
6	AR44663	WHEEL	1	L.H.(NLA)	
	AR44662	WHEEL	1	R.H.(NLA)	
7	AR44668	MOTOR	1	(A) (12-VOLT)	
	AR44671	MOTOR	1	(B)	
	AR47236	BRUSH	2	(NLA)	
	AR47237	HOLDER	1	(NLA)	
8	AR44661	HOUSING	1	(NLA)	
9	R42559	GASKET	1	(NLA)	
10	AR44664	SLAT	2	(NLA)	
11	R27983	PLUG	1	(CAB LESS HEATER)	
12	R42504	KNOB	1	(SUB FOR AR44657)	
13	R42555	PLATE	1	(NLA)	
14	AR44670	SWITCH	1	(A) (12-VOLT) PRESSURIZER (NLA)	
	AR44673	SWITCH	1	(B) (24-VOLT) PRESSURIZER	
	R44165	LOCK NUT	1		
15	FUSE	1	152MM (6") (MAKE FROM R66319 AND R32027) (FROM AR84006 AND (2) R32024)	
16	AR44656	FUSE HOLDER	1		
17	FUSE	1	(A) (AGC-15)	
	FUSE	1	(B) (AGC-10)	

(A) GASOLINE AND LP-GAS

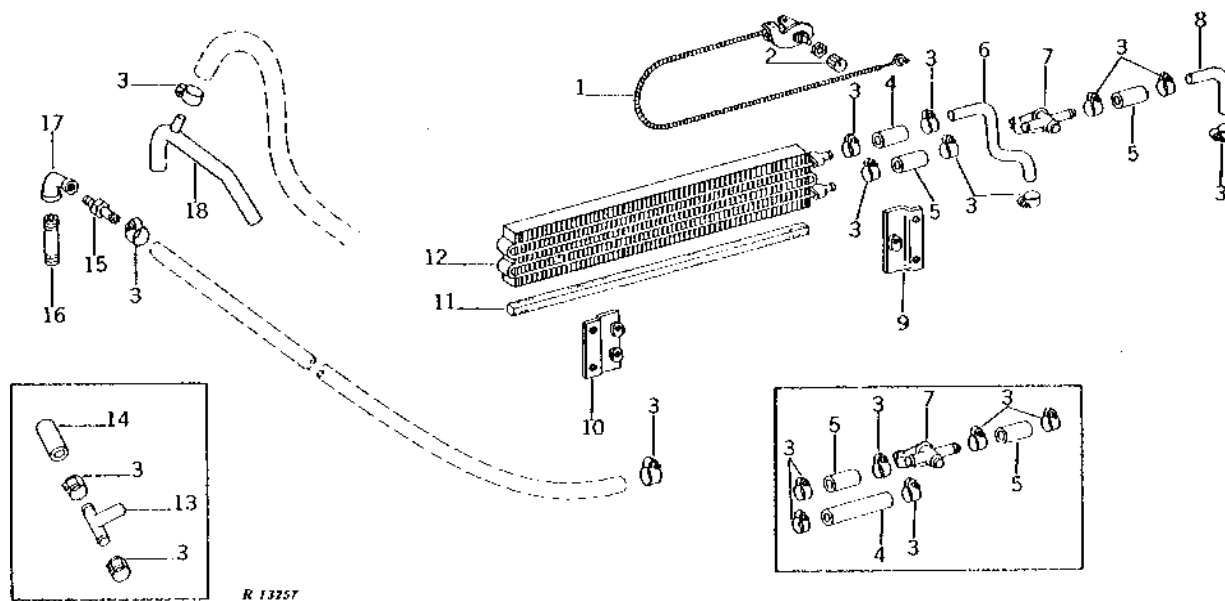
(B) DIESEL

4C15

OPERATOR'S STATION

R13257 -UN-01JAN94

HEATER (CRENLO CAB SERIAL NO. 020933-)



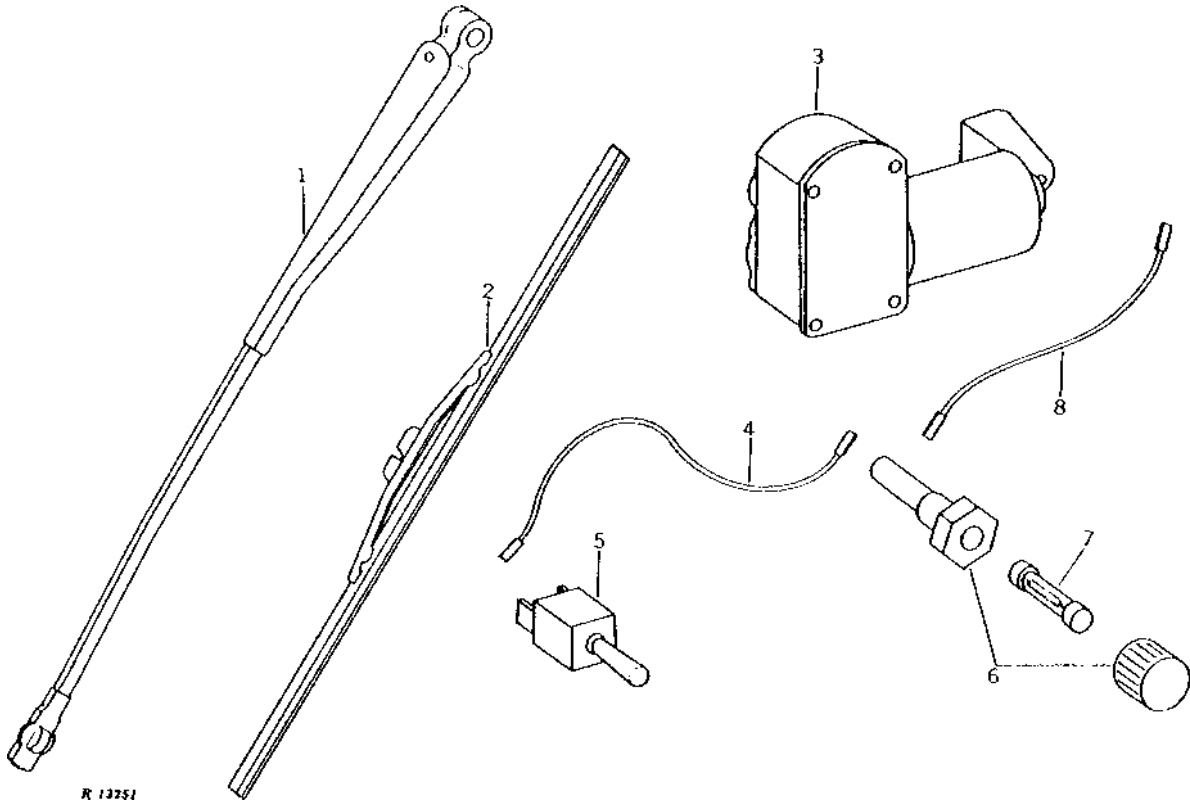
KEY	PART NO.	PART NAME	QTY	TRACTOR SERIAL NO.	REMARKS
1	AR44609	CABLE	1	(NLA)	
2	R42504	KNOB	1	(SUB FOR AR44657)	
3	AR21839	CLAMP	1		
4	HOSE	1	159MM (6-1/4") (MAKE FROM R42046) (NLA)	
5	HOSE	2	57MM (2-1/4") (MAKE FROM R42046) (NLA)	
6	R42687	TUBE	1	023784-	INLET (NLA)
7	AR44608	VALVE	1	(NLA)	
8	R42688	TUBE	1	023784-	OUTLET (NLA)
9	AR44611	BRACKET	1	(NLA)	
10	AR44612	BRACKET	1	(NLA)	
11	FOAM PAD	1	13 X 13 X 838MM (1/2" X 1/2" X 33") (MAKE FROM R91558)	
12	AR44610	CORE	1	(NLA)	
13	AR78438	TEE FITTING	1	-023783	(SUB FOR R42313) (NLA)
14	HOSE	1	-023783	64MM (2-1/2") (MAKE FROM R57300)
15	R42312	HOSE FITTING	1		
16	29H636	THREADED NIPPLE	1		3/4" X 4"
17	15H596	ELBOW FITTING	1		90°, (NLA)
18	AR44605	TUBE	1	023784-	(GASOLINE AND LP-GAS)(NLA)
	AR44606	TUBE	1	023784-	(DIESEL)(NLA)

4C16

OPERATOR'S STATION

WINDSHIELD WIPER
(CRENLO CAB SERIAL NO. 020933-)

R13251 -UN-01JAN94



R 13251

KEY	PART NO.	PART NAME	QTY	TRACTOR SERIAL NO.	REMARKS
1	AR44371	ARM	1	(NLA)	
2	R42319	BLADE	1	(NLA)	
3	AR44647	MOTOR	1	(12-VOLT)	
4	WIRING LEAD	1	152MM (6") (MAKE FROM R66319 AND R32027) (FROM AR84006 AND (2) R32024)	
5	AR44659	TOGGLE SWITCH	1	(SUB AN151934)	
6	AR44656	FUSE HOLDER	1		
7	FUSE	1	(AGC-6)	
8	WIRING LEAD	1	1067MM (42") (MAKE FROM R66319, R32016 AND R32027) (FROM AR84006 AND (2) R32024)	

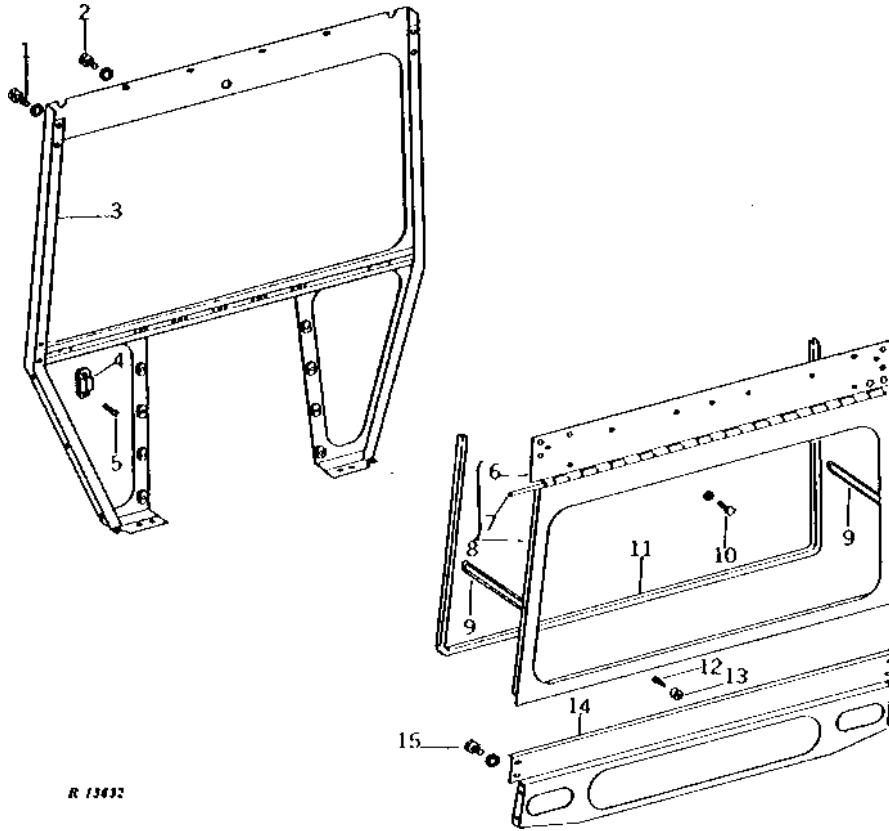
MEMORANDA

4C17

OPERATOR'S STATION

CAB FRONT AND REAR PANELS (STOLPER)

R13632 -UN-01JAN94



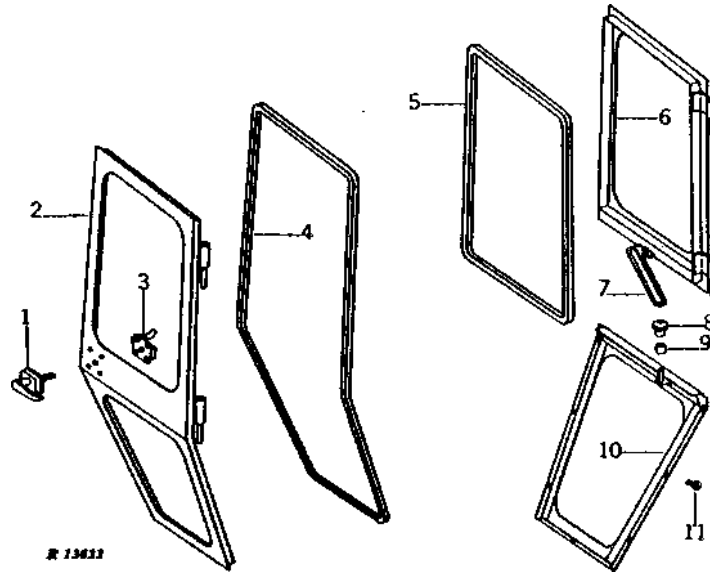
KEY	PART NO.	PART NAME	QTY	TRACTOR SERIAL NO.	REMARKS
1	19H1726	CAP SCREW	4		3/8" X 2-1/4"
	12H310	LOCK WASHER	4		3/8"
2	19H1731	CAP SCREW	6		3/8" X 1"
	12H310	LOCK WASHER	6		3/8"
3	AR45812	PANEL	1		(NLA)
4	H63952	PLATE	1		
5	21H1210	SCREW	2		1/4" X 3/4"
6	R44431	PANEL	1		
7	R44432	PIN	1		
8	AR45810	PANEL	1		(NLA)
9	R44444	ARM	2		
10	19H1905	CAP SCREW	6		5/16" X 1"
	12M7032	LOCK WASHER	6		0.331"
11	ISOLATOR	1		2908MM (114-1/2") (MAKE FROM H61993)
12	R44436	SCREW	1		
13	T101090	BUMPER	1		(SUB FOR R44434)
14	AR45811	PANEL	1		(NLA)
15	19H1936	CAP SCREW	4		3/8" X 3/4"
	12H310	LOCK WASHER	4		3/8"

4C18

OPERATOR'S STATION

CAB DOOR, RIGHT-HAND LOWER PANEL AND FRONT WINDOW (STOLPER)

R13633 -UN-01JAN94



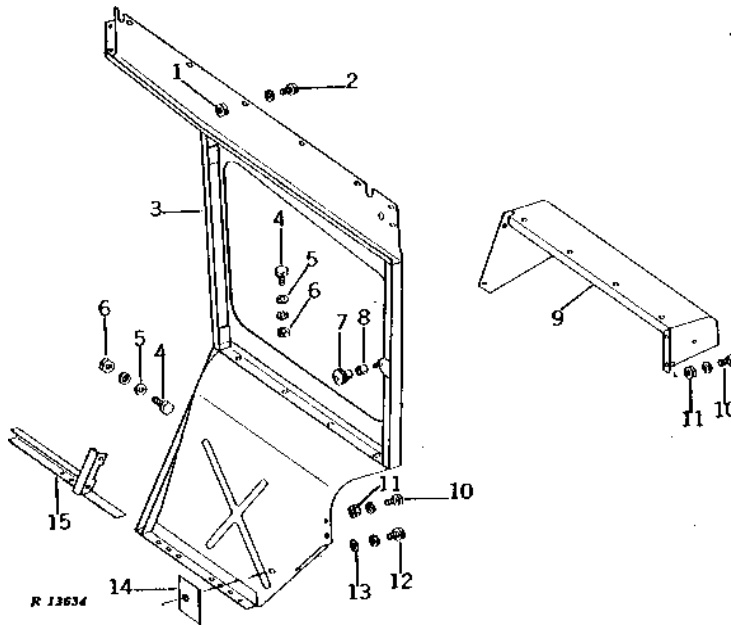
KEY	PART NO.	PART NAME	QTY	TRACTOR SERIAL NO.	REMARKS
1	AH64758	HANDLE	1		
2	AR45813	DOOR	1	(NLA)	
3	AR45814	LATCH	1	(NLA)	
4	H61993	WEATHERSTRIP	1		
5	ISOLATOR	1	2692MM (106") (MAKE FROM H61993)	
6	AR45815	WINDOW	1	(NLA)	
7	R44444	ARM	1		
8	M117057	KNOB	1	(SUB FOR R44446)	
9	R44445	BUSHING	1		
10	AR45816	PANEL	1	(NLA)	
11	21H1304	SCREW	7	5/16" X 3/4"	

4C19

OPERATOR'S STATION

CAB RIGHT-HAND SIDE AND FENDER (STOLPER)

R13634 -UN-01JAN94



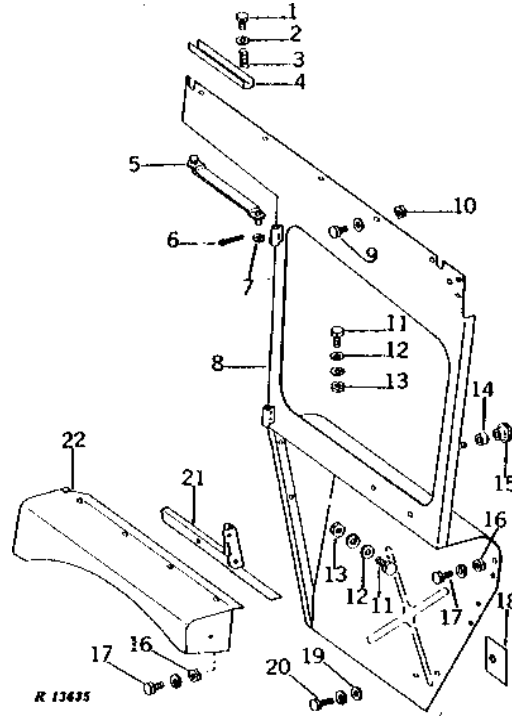
KEY	PART NO.	PART NAME	QTY	TRACTOR SERIAL NO.	REMARKS
1	14H1076	NUT	5	3/8"	
2	19H1731	CAP SCREW	6	3/8" X 1"	
	12H310	LOCK WASHER	6	3/8"	
3	AR45821	CAB	1	(NLA)	
4	19H1936	CAP SCREW	1	3/8" X 3/4"	
5	24H1305	WASHER	7	13/32" X 13/16" X 0.065"	
6	14H1076	NUT	7	3/8"	
	12H304	LOCK WASHER	7	3/8"	
7	M117057	KNOB	1	(SUB FOR R44446)	
8	R44445	BUSHING	1		
9	AR45819	FENDER	1	(NLA)	
10	19H1936	CAP SCREW	4	3/8" X 3/4"	
	12H304	LOCK WASHER	4	3/8"	
11	14H1076	NUT	4	3/8"	
12	19H1815	CAP SCREW	1	1/2" X 1-1/4"	
	12H301	LOCK WASHER	1	1/2"	
13	24H1227	WASHER	1	17/32" X 13/16" X 0.060"	
14	R42567	FOAM PAD	1	(NLA)	
15	AR45817	SILL	1	(NLA)	

4C20

OPERATOR'S STATION

CAB LEFT-HAND SIDE AND FENDER (STOLPER)

R13635 -UN-01JAN94



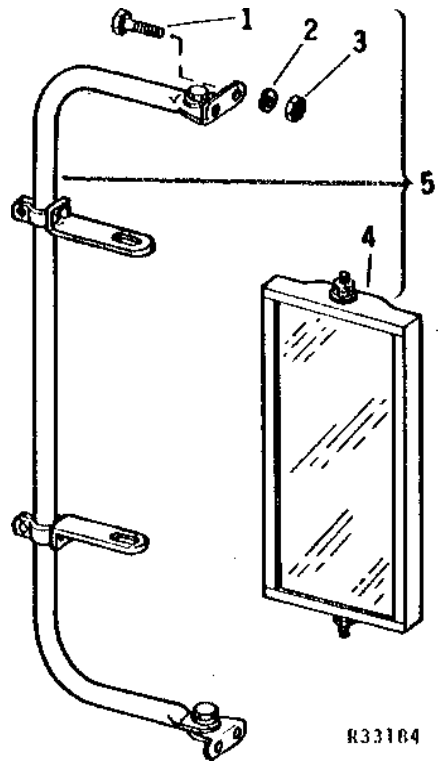
KEY	PART NO.	PART NAME	QTY	TRACTOR SERIAL NO.	REMARKS
1	19H1726	CAP SCREW	2	3/8" X 2-1/4"	
2	24H1305	WASHER	2	13/32" X 13/16" X 0.065"	
3	R44448	SPRING	2		
4	AR45823	STOP	1	(NLA)	
5	AR45824	ROD	1		
6	11M7059	COTTER PIN	1	3.200 X 20 MM	
7	24H1305	WASHER	1	13/32" X 13/16" X 0.065"	
8	AR45822	CAB	1	(NLA)	
9	19H1731	CAP SCREW	6	3/8" X 1"	
	12H310	LOCK WASHER	6	3/8"	
10	14H1076	NUT	5	3/8"	
11	19H1936	CAP SCREW	7	3/8" X 3/4"	
12	24H1305	WASHER	7	13/32" X 13/16" X 0.065"	
13	14H1076	NUT	7	3/8"	
	12H304	LOCK WASHER	7	3/8"	
14	R44445	BUSHING	1		
15	M117057	KNOB	1	(SUB FOR R44446)	
16	14H1076	NUT	4	3/8"	
17	19H1936	CAP SCREW	4	3/8" X 3/4"	
	12H304	LOCK WASHER	4	3/8"	
18	R42567	FOAM PAD	1	(NLA)	
19	24H1227	WASHER	1	17/32" X 13/16" X 0.060"	
20	19H1815	CAP SCREW	1	1/2" X 1-1/4"	
	12H301	LOCK WASHER	1	1/2"	
21	AR45818	SILL	1	(NLA)	
22	AR45820	FENDER	1	(NLA)	

4C21

OPERATOR'S STATION

R33184 -UN-01JAN94

CAB REAR VIEW MIRROR (STOLPER)



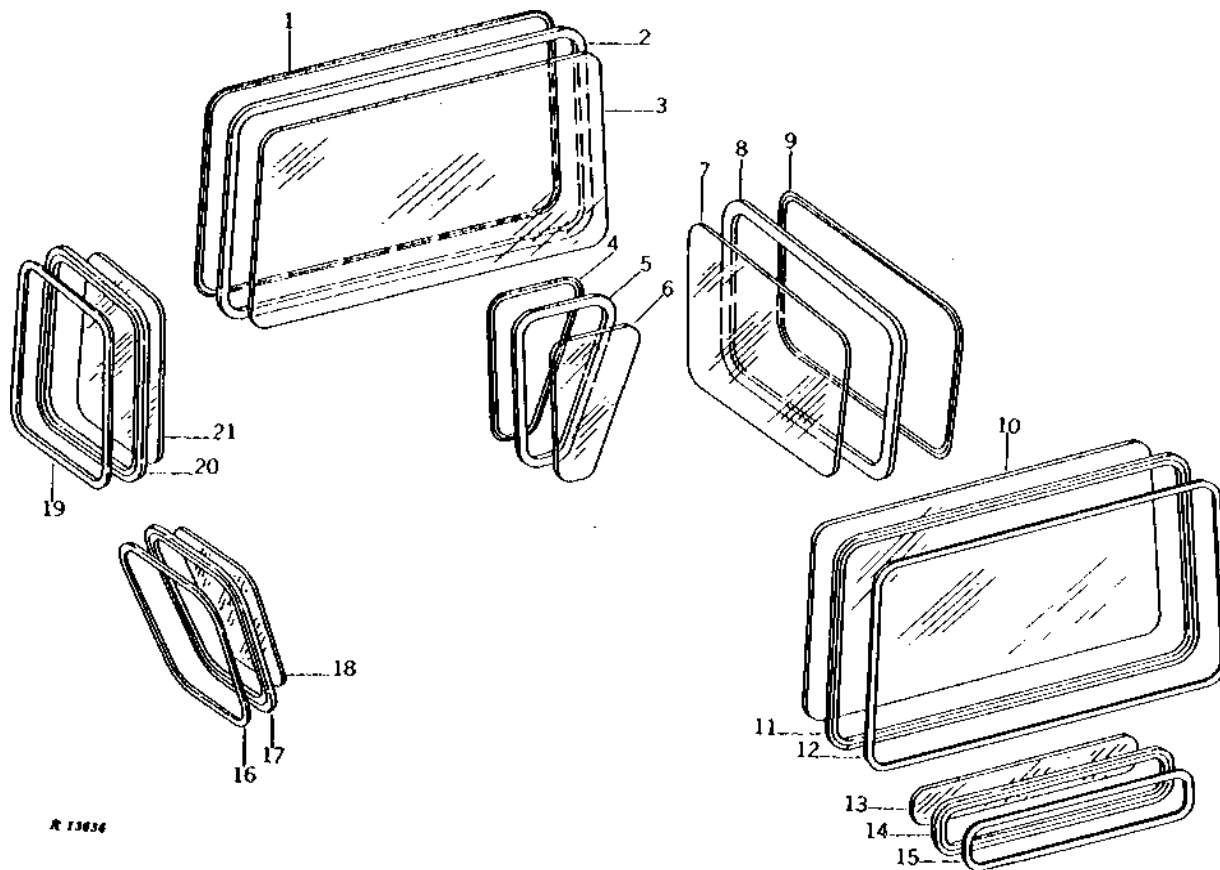
KEY	PART NO.	PART NAME	QTY	TRACTOR SERIAL NO.	REMARKS
1	19H1948	CAP SCREW	4	1/4" X 3/4"	
2	12H302	LOCK WASHER	4	1/4"	
3	14H786	NUT	4	1/4"	
4	AR52555	REAR VIEW MIRROR	1		
5	AR52554	REAR VIEW MIRROR	1		

4C22

OPERATOR'S STATION

R13636 -UN-01JAN94

CAB GLASS (STOLPER)



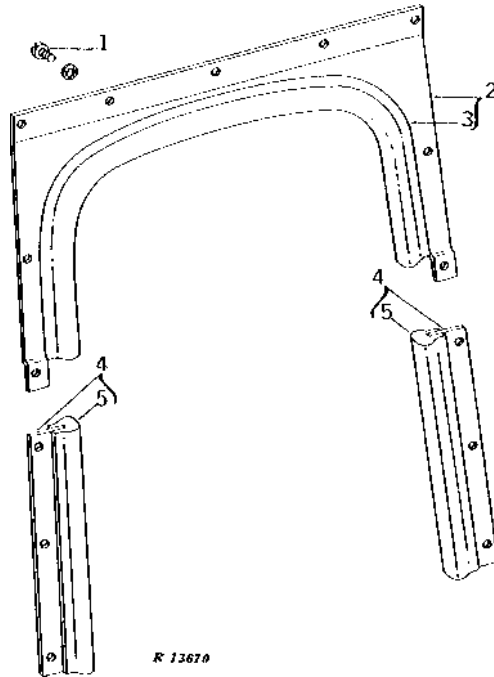
KEY	PART NO.	PART NAME	QTY	TRACTOR SERIAL NO.	REMARKS
1	R48866		1		(SUB FOR R44438) (SUB R44438 AND R49857)
2	R44437	MOLDING	1		(NLA)
3	R44439	WINDOWPANE	1		(NLA)
4	ISOLATOR	2		1632MM (64-1/4") (MAKE FROM R44438)
5	MOLDING	2		1632MM (64-1/4") (MAKE FROM R44437) (NLA)
6	R44441	WINDOWPANE	2		(NLA)
7	R44449	WINDOWPANE	2		(NLA)
8	MOLDING	2		3251MM (128") (MAKE FROM R44437) (NLA)
9	ISOLATOR	2		3251MM (128") (MAKE FROM R44438)
10	R44433	WINDOWPANE	1		
11	MOLDING	1		3810MM (150") (MAKE FROM R44437) (NLA)
12	STRIP	1		3810MM (150") (MAKE FROM R44438)
13	R44435	WINDOWPANE	1		(NLA)
14	MOLDING	1		1930MM (76") (MAKE FROM R44437) (NLA)
15	ISOLATOR	1		1930MM (76") (MAKE FROM R44438)
16	ISOLATOR	2		1943MM (76-1/2") (MAKE FROM R44438)
17	MOLDING	2		1943MM (76-1/2") (MAKE FROM R44437) (NLA)
18	R44443	WINDOWPANE	1		
19	ISOLATOR	2		2229MM (87-3/4") (MAKE FROM R44438)
20	MOLDING	2		2229MM (87-3/4") (MAKE FROM R44437) (NLA)
21	R44442	WINDOWPANE	1		

4C23

OPERATOR'S STATION

R13670 -UN-01JAN94

CAB COWL PANELS (STOLPER)



KEY	PART NO.	PART NAME	QTY	TRACTOR SERIAL NO.	REMARKS
1	21H1304	SCREW	13	5/16" X 3/4"	
	12M7032	LOCK WASHER	13	0.331"	
2	AR45004	PANEL	1	(NLA)	
3	R44585	SEAL	1		
4	AR45002	PANEL	2	(NLA)	
5	ISOLATOR	2	337MM (13-1/4")	(MAKE FROM R44585)

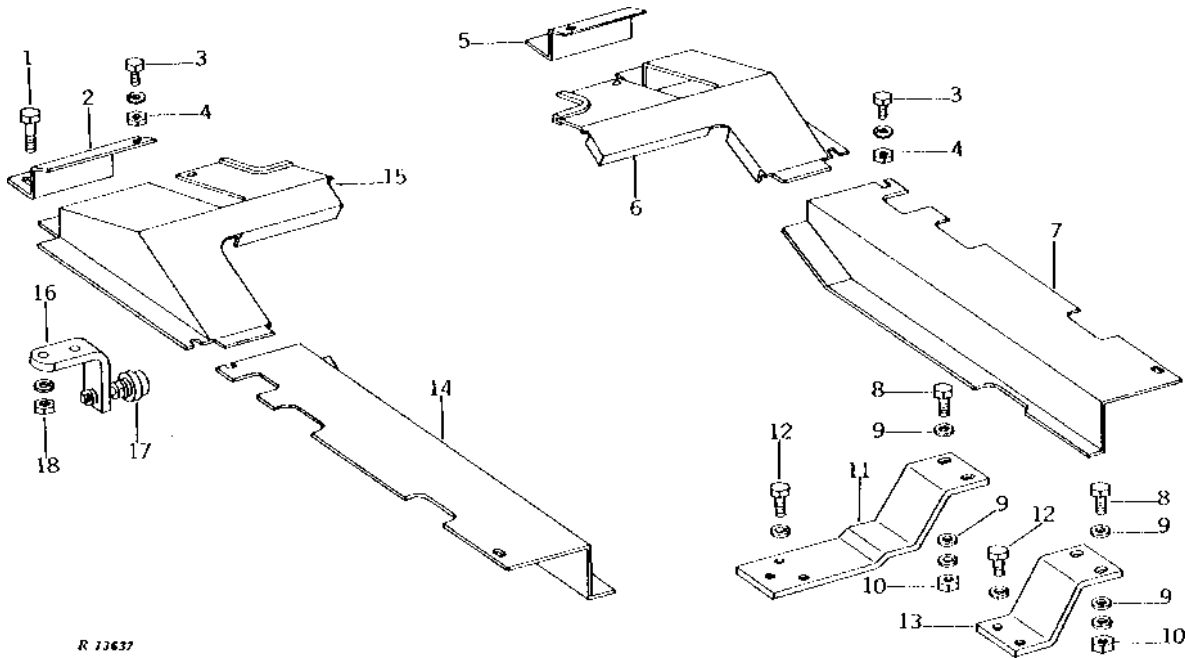
4C24

OPERATOR'S STATION

CAB PLATFORM BRACKETS, EXTENSIONS AND BAFFLES (STOLPER)

R13637

-UN-01JAN94



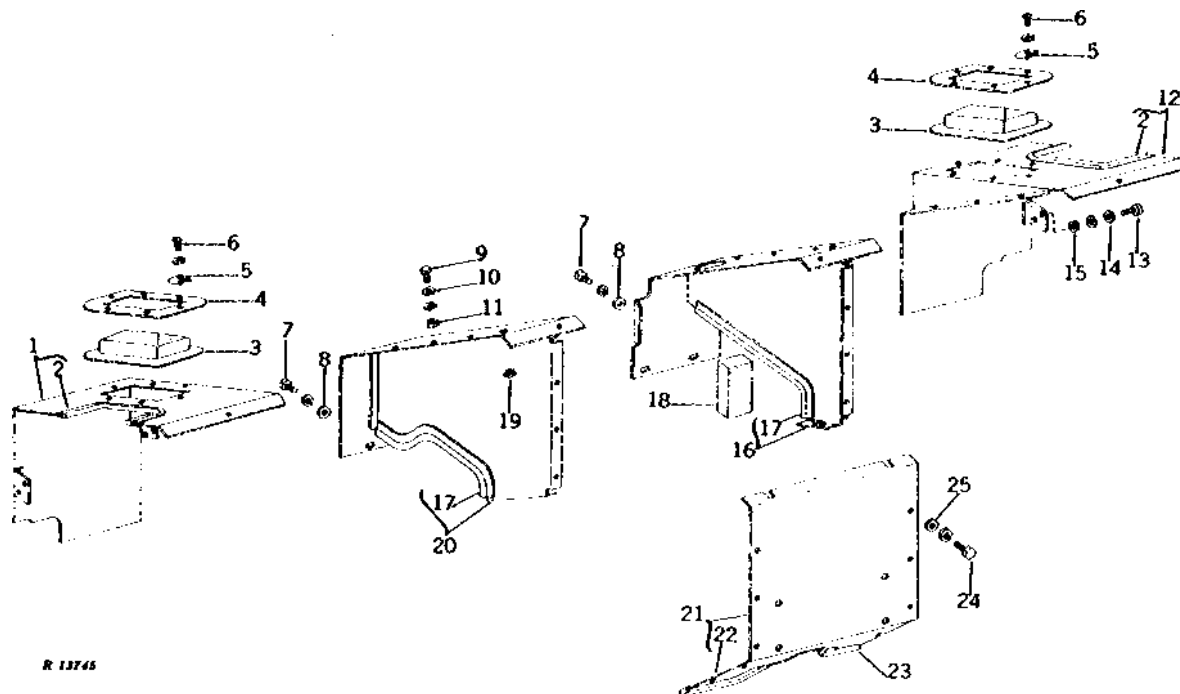
KEY	PART NO.	PART NAME	QTY	TRACTOR SERIAL NO.	REMARKS
1	19H1800	CAP SCREW	4	3/8" X 1-1/2"	
2	R42791	ISOLATOR	1	(NLA)	
3	19H1914	CAP SCREW	6	1/4" X 1"	
4	12H302	LOCK WASHER	6	1/4"	
5	14H786	NUT	6	1/4"	
6	R42790	ISOLATOR	1	(NLA)	
7	AR45005	EXTENSION	1	(NLA)	
8	R42788	EXTENSION	1	(NLA)	
9	19H1731	CAP SCREW	8	3/8" X 1"	
10	24M7096	WASHER	16	10.500 X 18 X 1.600 MM	
11	14H1076	NUT	8	3/8"	
12	12H304	LOCK WASHER	8	3/8"	
13	R42786	BRACKET	2	(NLA)	
14	19H2284	CAP SCREW	6	3/8" X 7/8"	
15	12H304	LOCK WASHER	6	3/8"	
16	R42787	BRACKET	2	(NLA)	
17	R42789	EXTENSION	1	(NLA)	
18	AR45006	EXTENSION	1	(NLA)	
..	R44480	BRACKET	2	(NLA)	
..	AR45718	SCREW	2		
..	12H301	LOCK WASHER	2	1/2"	
..	14H1040	NUT	2	1/2"	
..	14H1076	NUT	4	3/8"	
..	12H304	LOCK WASHER	4	3/8"	
..	AR44992	MAT	1	(POWER SHIFT)(NLA)	
..	AR44993	MAT	1	(SYNCHRO-RANGE)(NLA)	
..	R42781	PAD	1		

4C25

OPERATOR'S STATION

CAB HYDRAULIC COVERS (STOLPER)

R13745 -UN-01JAN94



KEY	PART NO.	PART NAME	QTY	TRACTOR SERIAL NO.	REMARKS
1	AR45030	COVER	1	(NLA)	
2	MOLDING	2	387MM (15-1/4")	(MAKE FROM R44447)
3	R44517	COVER	2	(NLA)	
4	R44518	RETAINER	2	(NLA)	
5	R87345	LOCK NUT	12	(SUB FOR R44454 OR R72380)	
6	21H1303	SCREW	12	1/4" X 3/4"	
7	12H302	LOCK WASHER	12	1/4"	
	19H1936	CAP SCREW	4	3/8" X 3/4"	
	12H304	LOCK WASHER	4	3/8"	
8	24H1305	WASHER	4	13/32" X 13/16" X 0.065"	
9	19H1948	CAP SCREW	6	1/4" X 3/4"	
10	24H1286	WASHER	6	9/32" X 1/2" X 1/16"	
11	14H786	NUT	6	1/4"	
	12H302	LOCK WASHER	6	1/4"	
12	AR45029	COVER	1	(NLA)	
13	19H1948	CAP SCREW	8	1/4" X 3/4"	
14	24H1821	WASHER	8	9/32" X 47/64" X 1/16"	
15	14H786	NUT	8	1/4"	
	12H302	LOCK WASHER	8	1/4"	
16	AR45024	COVER	1	(NLA)	
	AR45031	COVER	1	(A) (NLA)	
17	MOLDING	2	406MM (16")	(MAKE FROM R44447)
	MOLDING	2	(A) 330MM (13")	(MAKE FROM R44447)
18	R41261	ISOLATOR	1	(NLA)	
19	M42229	PLUG	2	(SUB FOR T11708)	
20	AR45025	COVER	1	(NLA)	
	AR45032	COVER	1	(A) (NLA)	
21	AR45026	COVER	1	(NLA)	
	AR45033	COVER	1	(A) (NLA)	
22	MOLDING	1	184MM (7-1/4")	(MAKE FROM R44447)
23	MOLDING	1	124MM (4-7/8")	(MAKE FROM R44447)
	MOLDING	1	(A) 172MM (6-3/4")	(MAKE FROM R44447)
24	19H1948	CAP SCREW	9	1/4" X 3/4"	
	12H302	LOCK WASHER	9	1/4"	
25	24H1821	WASHER	9	9/32" X 47/64" X 1/16"	

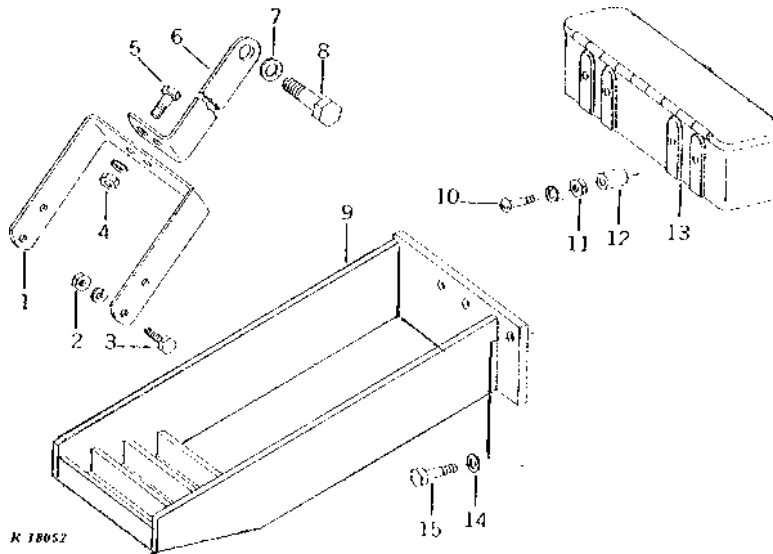
(A) LESS ROCKSHAFT

4D1

OPERATOR'S STATION

STEP AND TOOL BOX (STOLPER)

R18052 -UN-01JAN94



KEY	PART NO.	PART NAME	QTY	TRACTOR SERIAL NO.	REMARKS
1	R50430	SUPPORT	1	(NLA)	
2	14H1076	NUT	4	3/8"	
	12H304	LOCK WASHER	4	3/8"	
3	19H1732	CAP SCREW	4	3/8" X 1-1/4"	
4	14H1040	NUT	2	1/2"	
	12H301	LOCK WASHER	2	1/2"	
5	19H2898	CAP SCREW	2	1/2" X 1-1/4"	
6	R50431	STRAP	1		
7	24H448	WASHER	1	25/32" X 1-1/8" X 0.090"	
8	19H1715	CAP SCREW	1	3/4" X 3"	
9	AR44988	STEP	1	(NLA)	
10	03H1558	BOLT	2	3/8" X 1-1/2"	
11	14H1076	NUT	2	3/8"	
	12H304	LOCK WASHER	2	3/8"	
12	28H1919	BUSHING	2	1/2" X 15/16"	
13	AR34684	TOOLBOX	1		
14	R44044	THRUST WASHER	2	(SUB R47172)	
15	19H2993	CAP SCREW	2	1/2" X 1-1/2"	

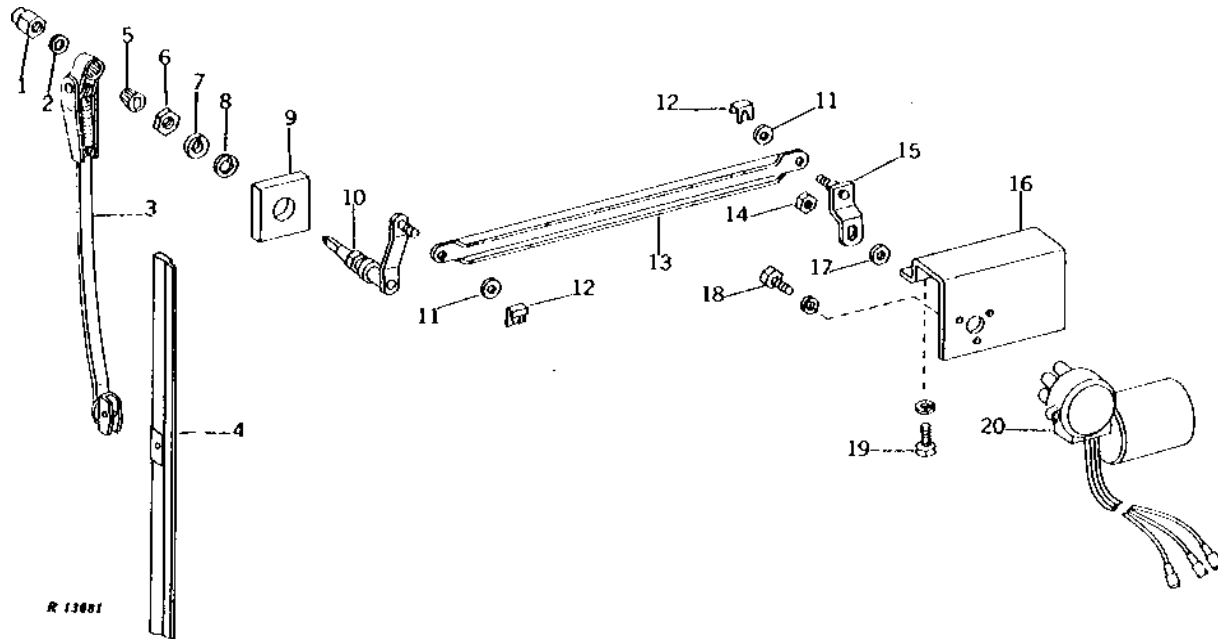
4D2

OPERATOR'S STATION

CAB WINDSHIELD WIPER (STOLPER)

R13681

-UN-01JAN94



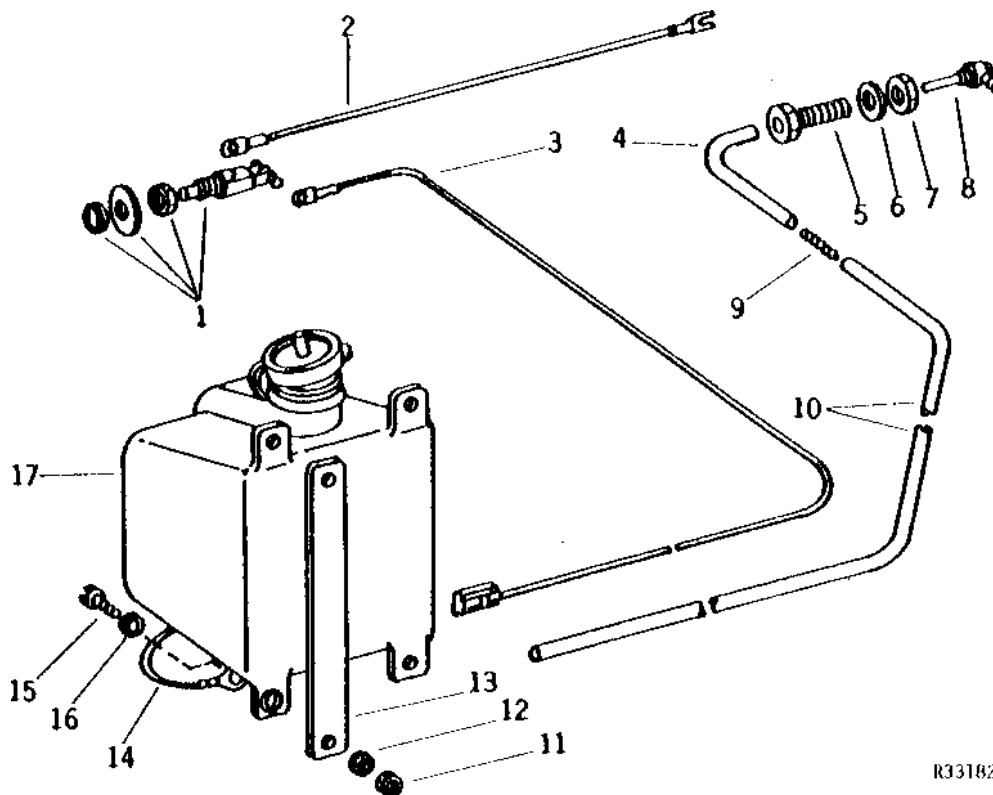
KEY	PART NO.	PART NAME	QTY	TRACTOR SERIAL NO.	REMARKS
1	U46514	NUT	1		(SUB FOR R44466)
2	12M7032	LOCK WASHER	1		0.331"
3	AR45843	ARM	1		
4	AR45844	WINDSHIELD WIPER	1		
5	R44465	DRIVER	1		(NLA)
6	R44464	NUT	1		(NLA)
7	R44467	SPACER	1		(NLA)
8	R44461	WASHER	1		(NLA)
9	R44463	SEAL	1		(NLA)
10	AR45842	SHAFT	1		(NLA)
11	R11032	SHIM	2		(NLA)
12	R44462	CLIP	2		
13	AR45841	ARM	1		(NLA)
14	14H860	NUT	1		1/4"
	12H297	LOCK WASHER	1		1/4"
15	AR45840	ARM	1		(NLA)
16	AR45838	BRACKET	1		(NLA)
17	R44460	WASHER	1		(NLA)
18	19H1948	CAP SCREW	3		1/4" X 3/4"
	12H302	LOCK WASHER	3		1/4"
19	19H1914	CAP SCREW	3		1/4" X 1"
	12H302	LOCK WASHER	3		1/4"
20	AR59444	MOTOR	1		(ALSO ORDER AR64992) (SUB FOR AR45837) (SUB AT66482)

4D3

OPERATOR'S STATION

R33182 -UN-01JAN94

WINDSHIELD WASHER



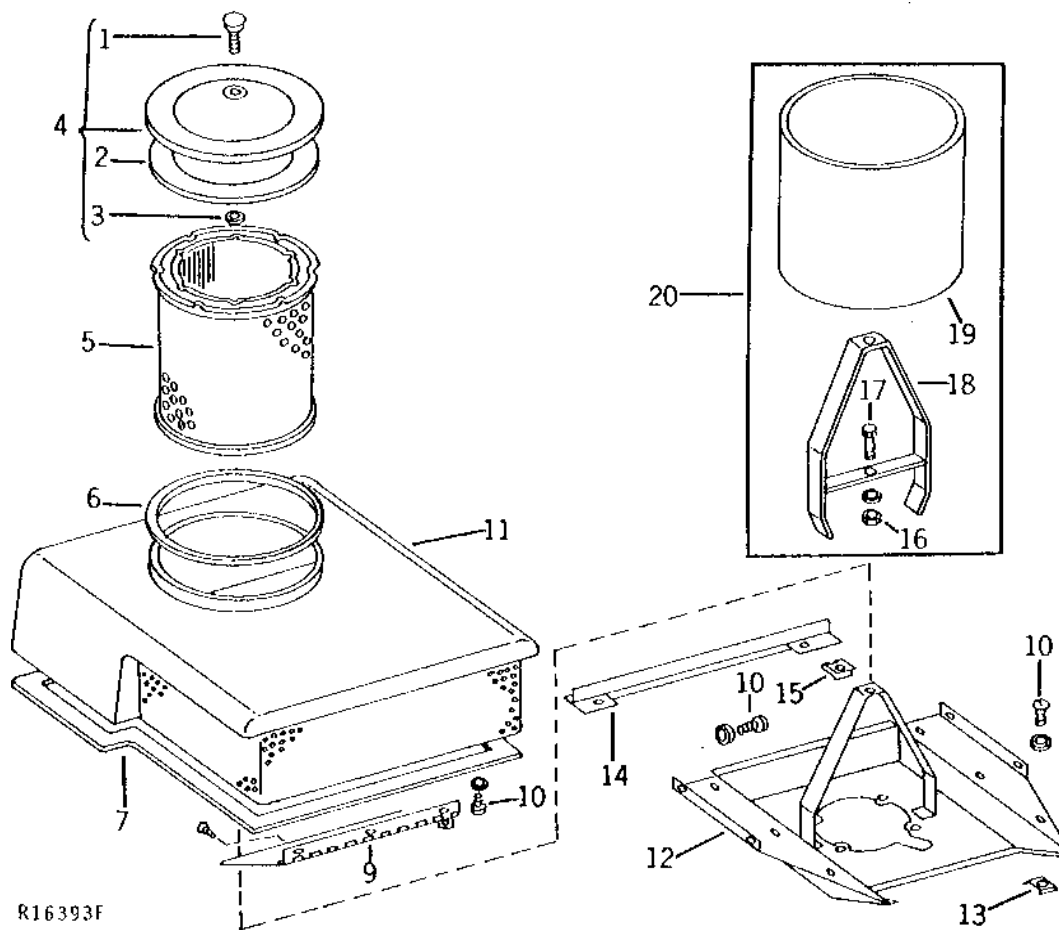
R33182

KEY	PART NO.	PART NAME	QTY	TRACTOR SERIAL NO.	REMARKS
1	AR62294	WIPER/WASHER SWITCH	1		
2	AR62295	WIRING LEAD	1		TO CIRCUIT BREAKER (NLA)
3	AR62296	WIRING LEAD	1		
4	HOSE	1		152MM (6") (MAKE FROM R54447)
5	R54446	BOLT	1		(NLA)
6	D2865R	WASHER	1		(SUB 24H1111)
7	14H1040	NUT	1		1/2"
8	NOZZLE	1		(ORDER AR62293)
9	R54443	HOSE FITTING	1		
10	R54445	HOSE	1		2540MM (100") ROLL (CUT TO LENGTH)
11	14H786	NUT	4		1/4"
12	12H302	LOCK WASHER	4		1/4"
13	R54442	BRACKET	2		(NLA)
14	WIRING LEAD	1		
15	21H1303	SCREW	4		1/4" X 3/4"
16	24H1286	WASHER	4		9/32" X 1/2" X 1/16"
17	AR62293	KIT	1		(INCLUDES AR62294) (NLA)

ROOF VENT, FILTER HOUSING AND ELEMENT (STOLPER)

R16393

-UN-01JAN94



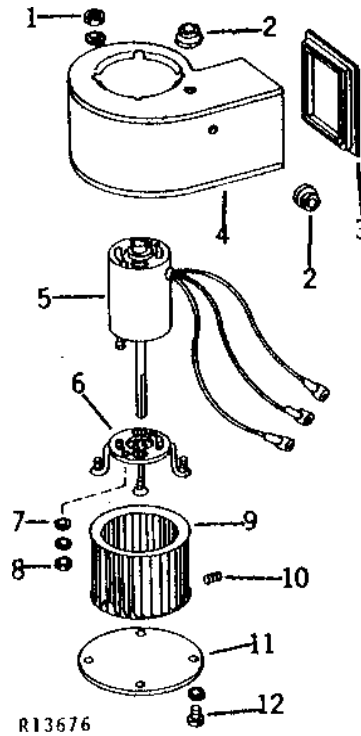
KEY	PART NO.	PART NAME	QTY	TRACTOR SERIAL NO.	REMARKS
1	AR45850	SCREW	1		
2	R44455	GASKET	1	(NLA)	
3	R44456	WASHER	1	(NLA)	
4	AR45830	COVER	1		
5	AR49680	FILTER ELEMENT	1	(SUB FOR AR45831)	
6	R44452	SLAT	1	(2 USED WITH HEAVY-DUTY AIR CLEANER)(NLA)	
7	R44453	WEATHERSTRIP	1	(NLA)	
8	37H43	SCREW	3	NO. 8 X 3/8"	
9	AR45828	DOOR	1		
10	21H1303	SCREW	12	1/4" X 3/4"	
	12H302	LOCK WASHER	12	1/4"	
11	AR45827	VENT	1	(NLA)	
12	AR45829	HOUSING	1	(NLA)	
13	R44577	NUT	6	(NLA)	
14	R44451	ISOLATOR	1	FRONT (NLA)	
15	R87345	LOCK NUT	1	(SUB FOR R44454 OR R72380)	
16	14H1040	NUT	1	1/2"	
	12H301	LOCK WASHER	1	1/2"	
17	19H1792	CAP SCREW	1	1/2" X 1"	
18	AR49679	EXTENSION	1	(NLA)	
19	R47137	HOUSING	1	UPPER (NLA)	
20	AR49678	KIT	1	HEAVY-DUTY (NLA)	

4D5

OPERATOR'S STATION

R13676 -UN-01JAN94

BLOWER HOUSING, MOTOR AND WHEEL (STOLPER)



R13676

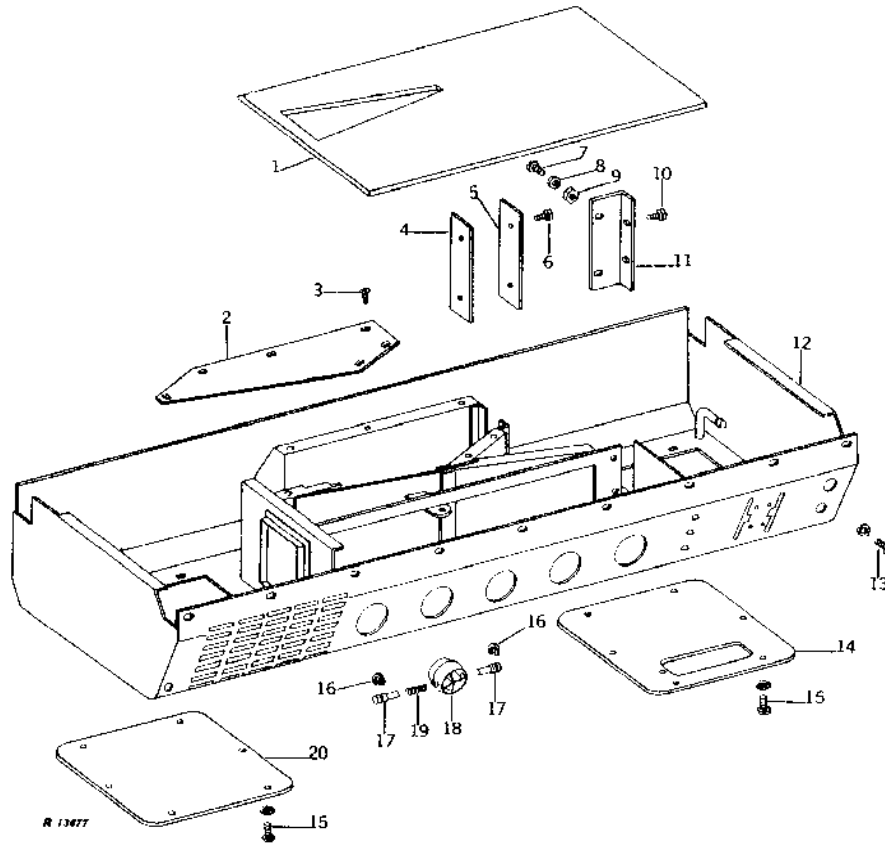
KEY	PART NO.	PART NAME	QTY	TRACTOR SERIAL NO.	REMARKS
1	14H786	NUT	4	1/4"	
	12H301	LOCK WASHER	4	1/2"	
2	R44458	GROMMET	2	(NLA)	
3	R44457	SEAL	1	(NLA)	
4	AR45832	HOUSING	1	(NLA)	
5	AR45856	MOTOR	1	(12-VOLT) (GASOLINE AND LP-GAS)	
	AR45861	MOTOR	1	(24-VOLT) (DIESEL)	
6	AR45834	BRACKET	1		
7	24H1283	WASHER	2	7/32" X 1/2" X 0.049"	
8	14H778	NUT	2	0.190"	
	12M7060	WASHER	2	0.209"	
9	AR45833	WHEEL	1		
10	22H791	SET SCREW	1	1/4" X 3/4"	
11	R44459	COVER	1	(NLA)	
12	21H1301	SCREW	4	0.190" X 1/2"	
	12M7060	WASHER	4	0.209"	

4D6

OPERATOR'S STATION

R13677 -UN-01JAN94

CAB CONSOLE (STOLPER)



KEY	PART NO.	PART NAME	QTY	TRACTOR SERIAL NO.	REMARKS
1	R44476	SEAL	1	(NLA)	
2	R44486	PLATE	1	(NLA)	
3	T10671	CAP SCREW	6		
4	R44485	PLATE	2	(A) INNER (NLA)	
5	R44484	PLATE	2	(A) OUTER (NLA)	
6	37M7245	SCREW	2	(A) NO. 10 X 3/8"	
7	21H1301	SCREW	2	0.190" X 1/2"	
8	24H1283	WASHER	2	7/32" X 1/2" X 0.049"	
9	14H778	NUT	2	0.190"	
10	37M7245	SCREW	2	NO. 10 X 3/8"	
11	R44483	ISOLATOR	1	(NLA)	
12	AR45845	PANEL	1	(NLA)	
13	21H1303	SCREW	9	1/4" X 3/4"	
	12H302	LOCK WASHER	9	1/4"	
14	R44474	PANEL	1	R.H.(NLA)	
15	21H1301	SCREW	12	0.190" X 1/2"	
	12M7060	WASHER	12	0.209"	
16	R30828	SNAP RING	10	(SUB FOR R44470)	
17	R44471	PIN	10		
18	R44468	DEFLECTOR	5	(NLA)	
19	R44469	SPRING	5		
20	R44475	PANEL	1	L.H.(NLA)	

(A) LESS HEATER

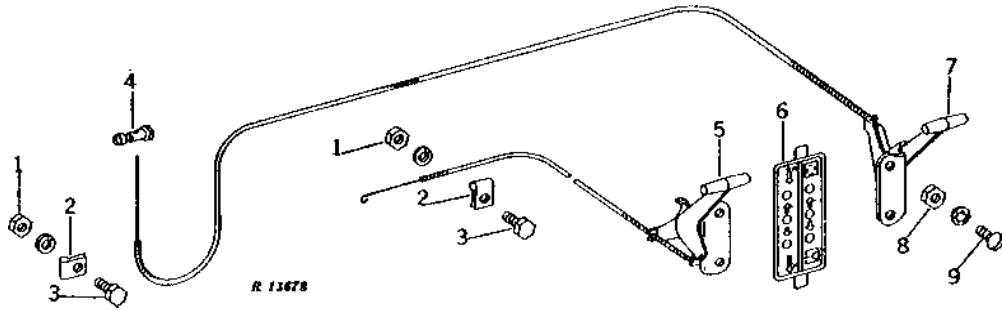
4D7

OPERATOR'S STATION

CAB CONTROLS (STOLPER)

R13678

-UN-01JAN94



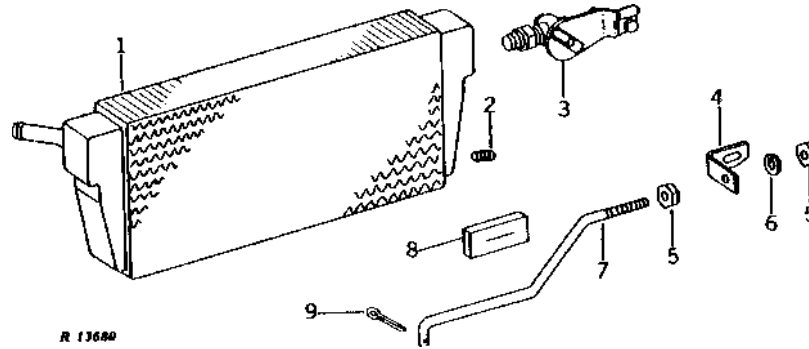
KEY	PART NO.	PART NAME	QTY	TRACTOR SERIAL NO.	REMARKS
1	14H786	NUT	2	1/4"	
	12H302	LOCK WASHER	2	1/4"	
2	R44472	CLIP	2	(NLA)	
3	19H1919	CAP SCREW	2	1/4" X 5/8"	
4	AR45846	SWIVEL	1	(NLA)	
5	AR45836	LEVER	1	(NLA)	
6	R44478	LABEL	1	(NLA)	
7	AR45835	LEVER	1	(NLA)	
8	14H778	NUT	4	0.190"	
9	21H1301	SCREW	4	0.190" X 1/2"	
	12M7060	WASHER	4	0.209"	

4D8

OPERATOR'S STATION

R13680 -UN-01JAN94

CAB HEATER (STOLPER)



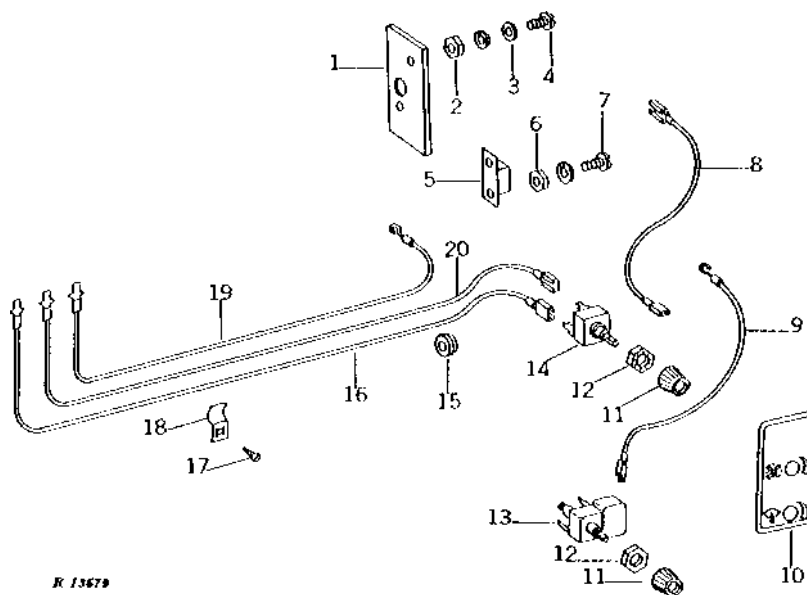
KEY	PART NO.	PART NAME	QTY	TRACTOR SERIAL NO.	REMARKS
1	AR45857	CORE	1	(NLA)	
2	15H638	PIPE PLUG	1	1/8"	
3	AR45858	VALVE	1		
4	R44489	ANGLE	1	(NLA)	
5	14H786	NUT	2	1/4"	
6	12H302	LOCK WASHER	1	1/4"	
7	R44487	LINK	1	(NLA)	
8	R44473	SEAL	1	(NLA)	
9	11M7077	COTTER PIN	1	0.063" X 0.984"	

4D9

OPERATOR'S STATION

BLOWER SWITCH, WIPER SWITCH, AND WIRING LEADS (STOLPER)

R13679 -UN-01JAN94



KEY	PART NO.	PART NAME	QTY	TRACTOR SERIAL NO.	REMARKS
1	R44479	FUSE HOLDER	1	(NLA)	
2	14H605	NUT	2	0.164"	
	12H315	LOCK WASHER	2	0.164"	
3	24H1283	WASHER	2	7/32" X 1/2" X 0.049"	
4	21H1158	SCREW	2	0.164" X 1/2"	
5	AR45859	CIRCUIT BREAKER	1	(A) (NLA)	
6	14H778	NUT	2	(A) 0.190"	
7	21H1301	SCREW	2	(A) 0.190" X 1/2"	
	12M7060	WASHER	2	(A) 0.209"	
8	WIRING LEAD	1	(MAKE FROM R32027 AND (2) R32024)	
9	AR45853	WIRING LEAD	1	(GASOLINE AND LP-GAS)(NLA)	
	AR45853	WIRING LEAD	1	(A) (NLA)	
10	R44482	LABEL	1	(NLA)	
11	T30890	KNOB	2	(SUB FOR AR45849)	
12	R44165	LOCK NUT	2		
13	AR45839	SWITCH	1	WIPER	
	AR64992	WIPER SWITCH	1	(USE WITH AR59444) (WIPER MOTOR)	
14	AR45854	SWITCH	1	BLOWER (NLA)	
15	H987R	GROMMET	2		
16	AR45851	WIRING LEAD	1	(NLA)	
17	37H15	SCREW	2	NO. 6 X 1/4"	
18	R44481	CLIP	2	(NLA)	
19	AR45860	WIRING LEAD	1	(A) (NLA)	
20	AR45852	WIRING LEAD	1	(NLA)	

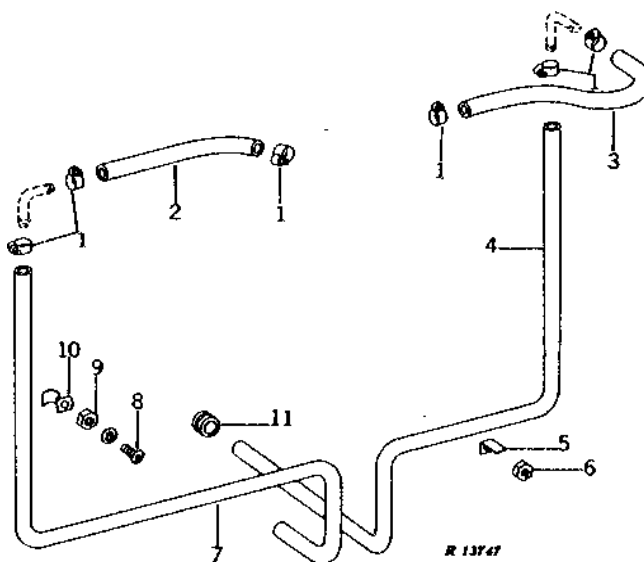
(A) DIESEL

4D10

OPERATOR'S STATION

R13747 -UN-01JAN94

CAB HEATER HOSE (STOLPER)



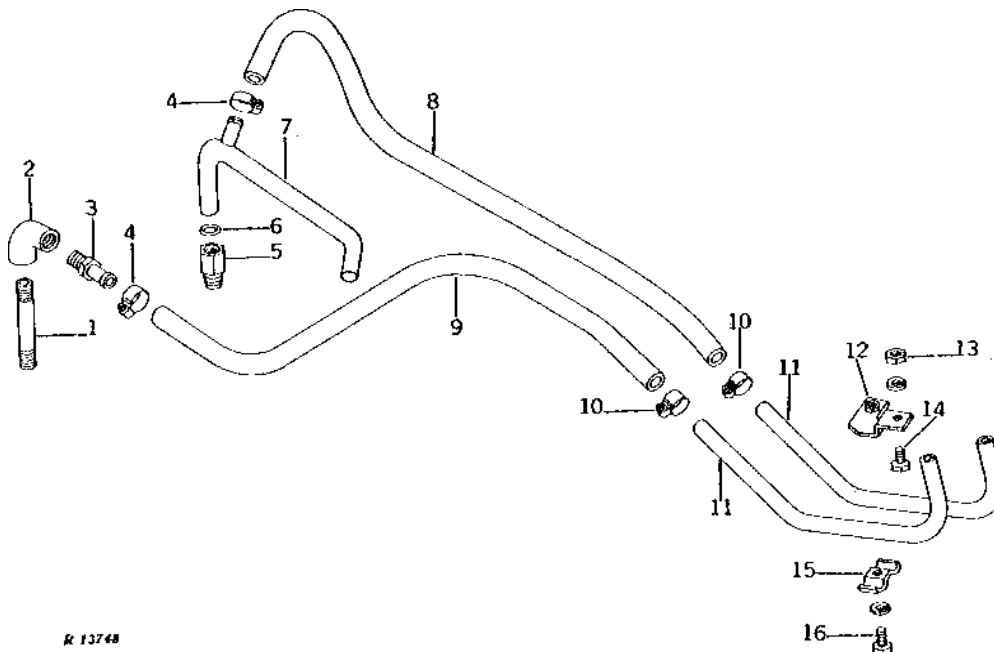
KEY	PART NO.	PART NAME	QTY	TRACTOR SERIAL NO.	REMARKS
1	AR21839	CLAMP	6		
2	HOSE	1		381MM (15") (MAKE FROM TY22328) (SUB FOR R45847)
3	HOSE	1		533MM (21") (MAKE FROM TY22328) (SUB FOR R45847)
4	HOSE	1		1422MM (56") INLET, (MAKE FROM TY22328) (SUB FOR R45847)
5	R42771	ANGLE	3		(NLA)
6	14H785	NUT	1		5/16"
7	HOSE	1		2032MM (80") OUTLET, (MAKE FROM TY22328) (SUB FOR R45847)
8	21H1302	SCREW	2		1/4" X 5/8"
	12H297	LOCK WASHER	2		1/4"
9	14H786	NUT	2		1/4"
10	R44488	CLAMP	2		(NLA)
11	H23197	GROMMET	2		

4D11

OPERATOR'S STATION

R13748 -UN-01JAN94

HEATER HOSE (STOLPER)



R 13748

KEY	PART NO.	PART NAME	QTY	TRACTOR SERIAL NO.	REMARKS
1	29H636	THREADED NIPPLE	1		3/4" X 4"
2	15H596	ELBOW FITTING	1		90°
3	R42312	HOSE FITTING	1		
4	AR21839	CLAMP	2		
5	R42738	FITTING	1		(A) (B) (NLA)
6	T13119	O-RING	1		
7	AR44605	TUBE	1		(GASOLINE AND LP-GAS)(NLA)
	AR44606	TUBE	1		(A) (NLA)
	AR44962	TUBE	1		(A) (B) (NLA)
8	HOSE	1	-188736	914MM (36") OUTLET, (MAKE FROM TY22328) (SUB FOR R45847)
9	HOSE	1	-188736	762MM (30") INLET, (MAKE FROM TY22328) (SUB FOR R45847)
10	AR21839	CLAMP	2	-188736	
11	R42768	TUBE	2	-188736	(NLA)
12	AR44987	BRACKET	1	-188376	(NLA)
13	14H785	NUT	1	-188736	5/16"
	12H303	LOCK WASHER	1	-188736	5/16"
14	19H1900	CAP SCREW	1	-188736	5/16" X 3/4"
15	R27323	CLAMP	1	-188736	
16	19H1914	CAP SCREW	1	-188736	1/4" X 1"
	12H302	LOCK WASHER	1	-188736	1/4"

(A) DIESEL

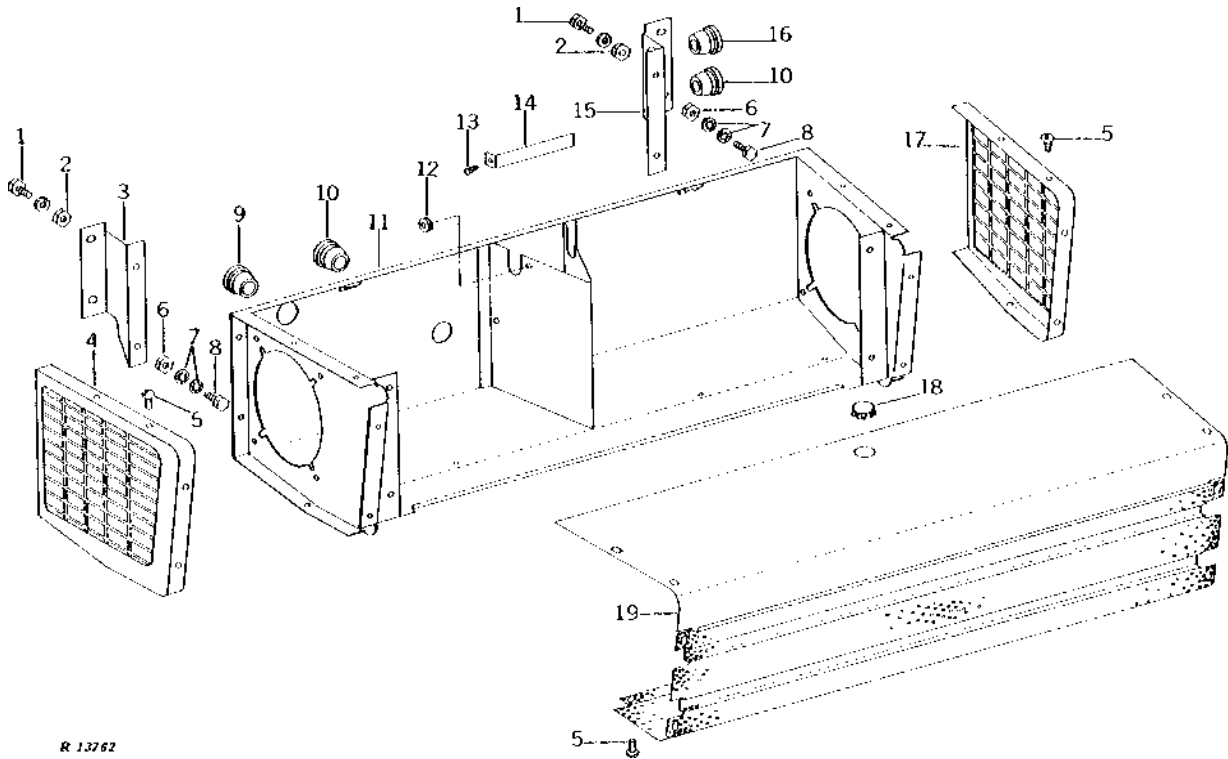
(B) WITH AIR CONDITIONING

4D12

OPERATOR'S STATION

R13762 -UN-01JAN94

CONDENSER HOUSING (STOLPER)



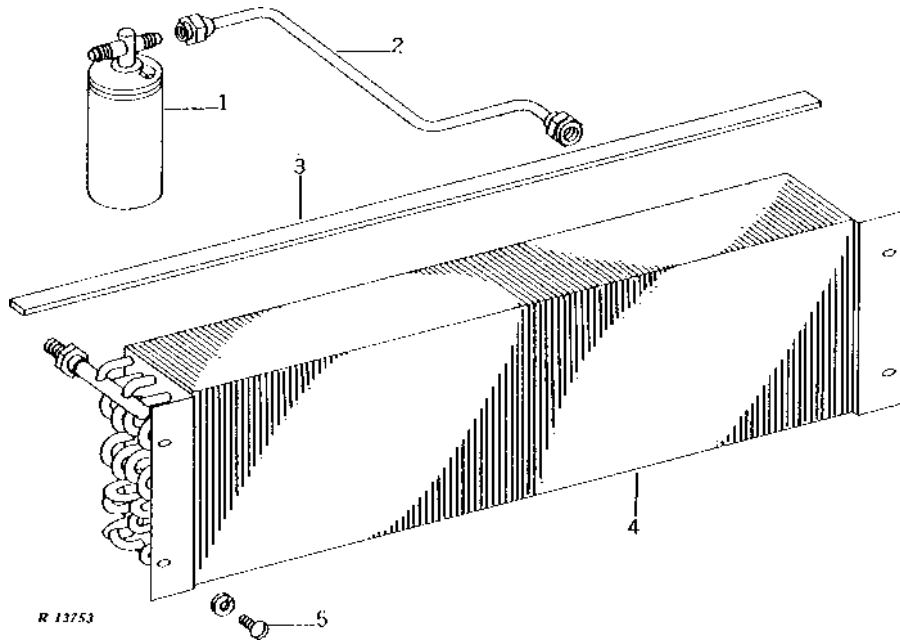
KEY	PART NO.	PART NAME	QTY	TRACTOR SERIAL NO.	REMARKS
1	19H1936	CAP SCREW	4	3/8" X 3/4"	
	12H304	LOCK WASHER	4	3/8"	
2	14H1076	NUT	4		
3	R44491	BRACKET	1	(NLA)	
4	AR45877	COVER	1	(NLA)	
5	37H78	SCREW	1	0.164" X 3/4"	
6	14H1076	NUT	2	3/8"	
7	12H310	LOCK WASHER	4	3/8"	
8	19H1731	CAP SCREW	2	3/8" X 1"	
9	R44512	GROMMET	1		
10	R44494	GROMMET	2	(NLA)	
11	AR45862	HOUSING	1	(NLA)	
12	H987R	GROMMET	1		
13	37H78	SCREW	1	0.164" X 3/4"	
14	R44492	STRAP	1	(NLA)	
15	R44490	BRACKET	1	(NLA)	
16	R44495	GROMMET	1	(NLA)	
17	AR45876	COVER	1	(NLA)	
18	R36590	PLUG	1		
19	AR45878	COVER	1	(NLA)	

4D13

OPERATOR'S STATION

CONDENSER CORE AND DEHYDRATOR RECEIVER (STOLPER)

R13753 -UN-01JAN94



KEY	PART NO.	PART NAME	QTY	TRACTOR SERIAL NO.	REMARKS
1	AR45867	RECEIVER	1		
2	AR45869	TUBE	1	(NLA)	
3	ISOLATOR	1	813MM (32")	(MAKE FROM R44453)
4	AR45863	CORE	1	(NLA)	
5	21H1303	SCREW	4	1/4" X 3/4"	
	12H302	LOCK WASHER	4	1/4"	

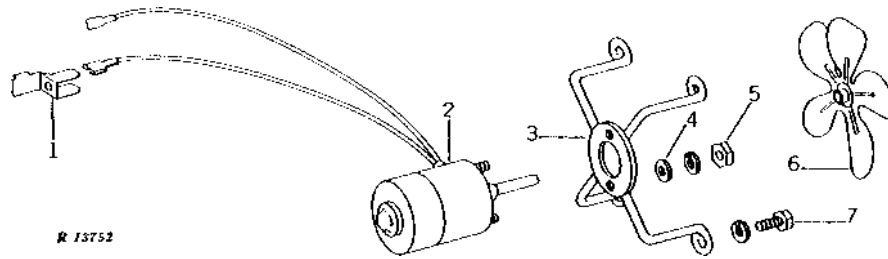
4D14

OPERATOR'S STATION

CONDENSER MOTOR (STOLPER)

R13752

-UN-01JAN94



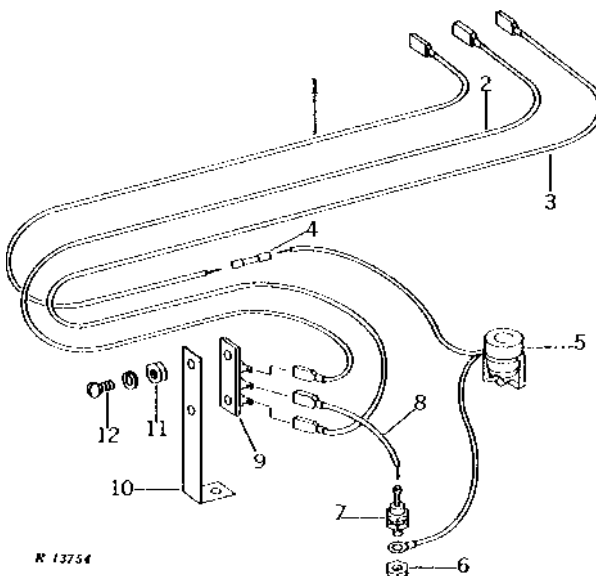
KEY	PART NO.	PART NAME	QTY	TRACTOR SERIAL NO.	REMARKS
1	R44496	ADAPTER	1		
2	AR45864	MOTOR	2	(24-VOLT)(NLA)	
3	AR45865	BRACKET	2		
4	24H1283	WASHER	4	7/32" X 1/2" X 0.049"	
5	14H778	NUT	4	0.190"	
	12M7060	WASHER	4	0.209"	
6	AR52950	FAN	2	(SUB FOR AR45866)	
7	19H1948	CAP SCREW	8	1/4" X 3/4"	
	12H302	LOCK WASHER	8	1/4"	

4D15

OPERATOR'S STATION

THERMOSTAT, DIODE, AND WIRING LEADS (STOLPER)

R13754 -UN-01JAN94



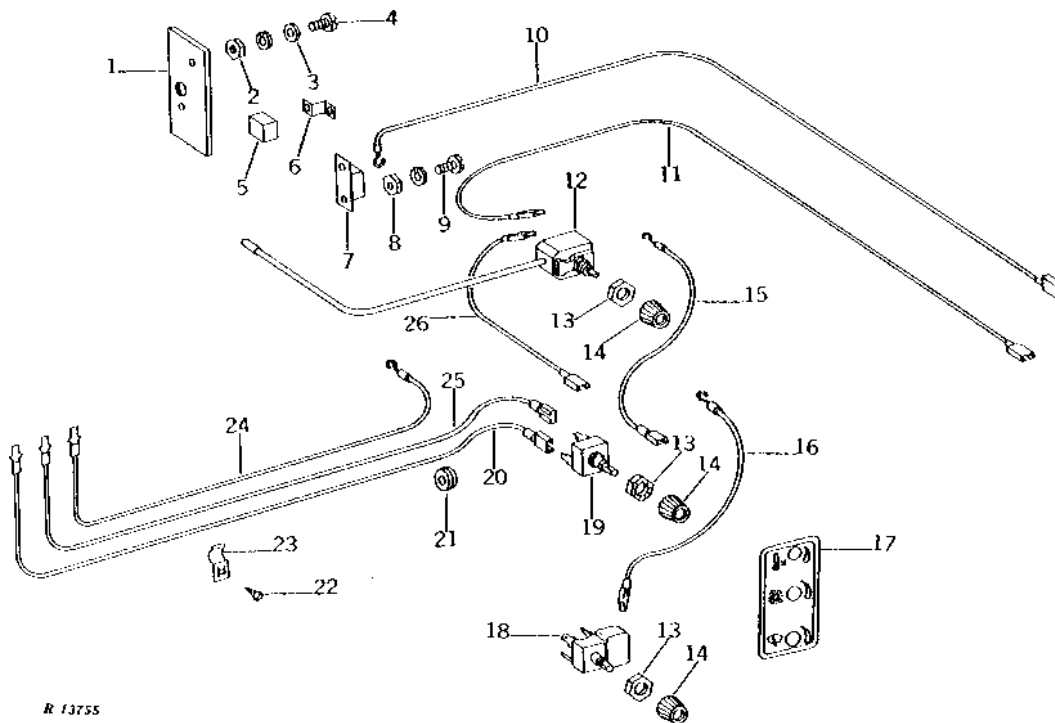
KEY	PART NO.	PART NAME	QTY	TRACTOR SERIAL NO.	REMARKS
1	WIRING LEAD	1		1118MM (44") (MAKE FROM R66319, R32027 AND (2) R32024)
2	WIRING LEAD	1		1016MM (40") (MAKE FROM R66319, R32027, R32024 AND R32025)
3	WIRING LEAD	1		1016MM (40") (MAKE FROM R66319, (2) R32027, R32024 AND R32025)
4	R44497	CONNECTOR	1		
5	AR45868	THERMOSTAT	1		
6	14H778	NUT	1	0.190"	
7	AR45871	DIODE	1		
8	WIRING LEAD	1		51MM (2") (MAKE FROM R66319, R32027 AND R32024)
9	AR45870	FLAT CONNECTOR	1		
10	R44493	BRACKET	1		
11	14H1026	NUT	2	0.138"	
12	21H1290	SCREW	2	0.138" X 1/2"	
	12H321	WASHER	2	0.138"	

4D16

OPERATOR'S STATION

SWITCHES AND WIRING LEADS (STOLPER)

R13755 -UN-01JAN94



R 13755

KEY	PART NO.	PART NAME	QTY	TRACTOR SERIAL NO.	REMARKS
1	R44479	FUSE HOLDER	1		
2	14H605	NUT	2	0.164"	
	12H315	LOCK WASHER	2	0.164"	
3	24H1283	WASHER	2	7/32" X 1/2" X 0.049"	
4	21H1158	SCREW	2	0.164" X 1/2"	
5	AR45883	CIRCUIT BREAKER	1		BLOWER
6	R44500	BRACKET	1		
7	AR45859	CIRCUIT BREAKER	1		
8	14H778	NUT	2	0.190"	
9	21H1301	SCREW	2	0.190" X 1/2"	
	12M7060	WASHER	2	0.209"	
10	WIRING LEAD	1		1422MM (56") (MAKE FROM R66319, R32016, R32027 AND R32024) TO CONDENSER
11	WIRING LEAD	1		1321MM (52") (MAKE FROM R66319, (2) R32027 AND (2) R32024) TO CONDENSER
12	AR45880	SWITCH	1		THERMOSTAT
13	R44165	LOCK NUT	3		
14	T30890	KNOB	3		(SUB FOR AR45849)
15	AR45853	WIRING LEAD	1		TO BLOWER CIRCUIT BREAKER (NLA)
16	AR45853	WIRING LEAD	1		TO CIRCUIT BREAKER (NLA)
17	R44501	LABEL	1		
18	AR45839	SWITCH	1		WIPER
19	AR45881	SWITCH	1		BLOWER
20	AR45852	WIRING LEAD	1		TO BLOWER MOTOR
21	H987R	GROMMET	2		
22	37H15	SCREW	2		NO. 6 X 1/4"
23	R44481	CLIP	2		
24	AR45860	WIRING LEAD	1		BLOWER MOTOR TO CIRCUIT BREAKER
25	AR45851	WIRING LEAD	1		TO BLOWER MOTOR
26	WIRING LEAD	1		(MAKE FROM R32027 AND (2) R32024)

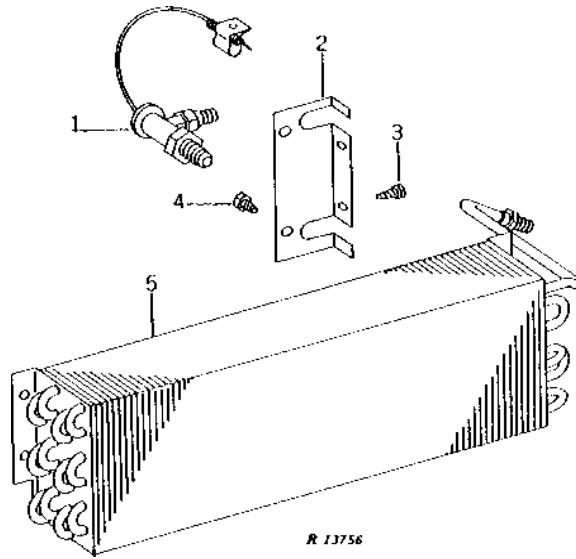
4D17

OPERATOR'S STATION

EVAPORATOR CORE AND EXPANSION VALVE (STOLPER)

R13756

-UN-01JAN94



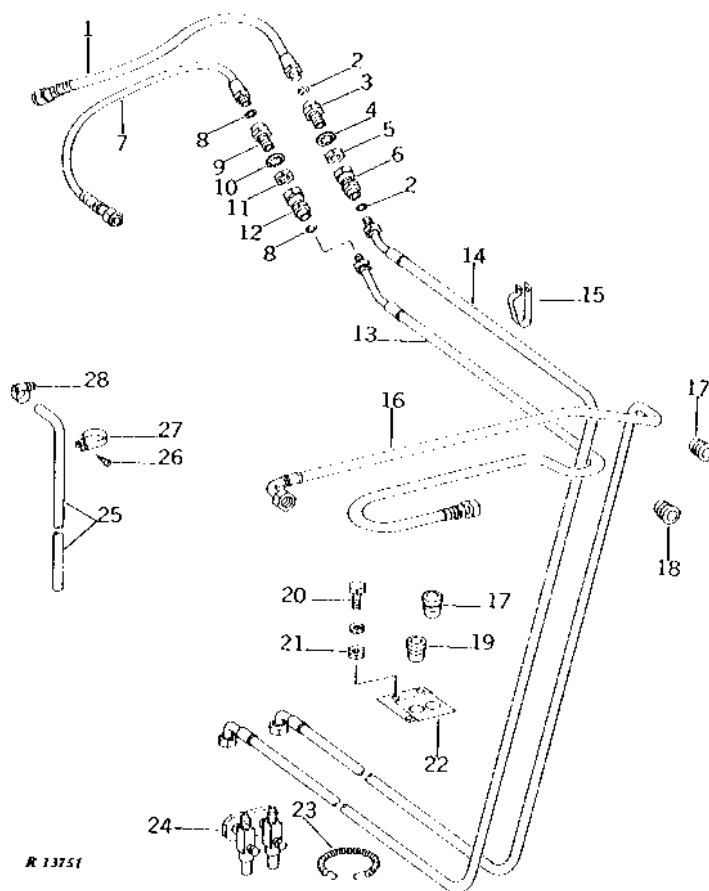
KEY	PART NO.	PART NAME	QTY	TRACTOR SERIAL NO.	REMARKS
1	AR45882	VALVE	1	(NLA)	
2	R44511	ISOLATOR	1	(NLA)	
3	37M7245	SCREW	2	NO. 10 X 3/8"	
4	37H52	SCREW	4	1/4" X 3/8"	
5	AR45879	CORE	1	(NLA)	

4D18

OPERATOR'S STATION

R13751 -UN-01JAN94

HOSES (STOLPER)



KEY	PART NO.	PART NAME	QTY	CAB SERIAL NO.	REMARKS
1	AR45887	HOSE	1		EVAPORATOR TO CONSOLE (NLA)
2	R44507	O-RING	2		(NLA)
3	R44505	FITTING	1		(NLA)
4	R44506	LOCK WASHER	1		
5	R44508	NUT	1		
6	R44509	FITTING	1		(NLA)
7	AR45886	HOSE	1		EXPANSION VALVE TO CONSOLE (NLA)
8	A3917R	O-RING	2		(SUB FOR R44498)
9	R44502	FITTING	1		(NLA)
10	R44503	LOCK WASHER	1		
11	R44504	NUT	1		
12	R44499	FITTING	1		(NLA)
13	AR45873	HOSE	1		DEHYDRATOR RECEIVER TO CONSOLE (NLA)
14	AR45889	HOSE	1		CONSOLE TO COMPRESSOR (NLA)
15	R44514	CLAMP	5		(NLA)
16	AR45888	HOSE	1		CONDENSER TO COMPRESSOR (NLA)
17	R44495	GROMMET	2		(NLA)
18	R44494	GROMMET	1		(NLA)
19	R44510	GROMMET	1		(NLA)
20	19H1948	CAP SCREW	3		1/4" X 3/4"
21	12H302	LOCK WASHER	3		1/4"
22	14H786	NUT	3		1/4"
23	R44513	PLATE	1		(NLA)
24	M3985T	SPRING	1		
25	AR45890	VALVE	1		(NLA)
26	R60172	NUT	2		
27	R44515	TUBE	2		DRAIN (NLA)
28	37H80	SCREW	4		0.190" X 1/2"
	R44516	CLAMP	4		(NLA)
	AR21836	CLAMP	2		

MEMORANDA

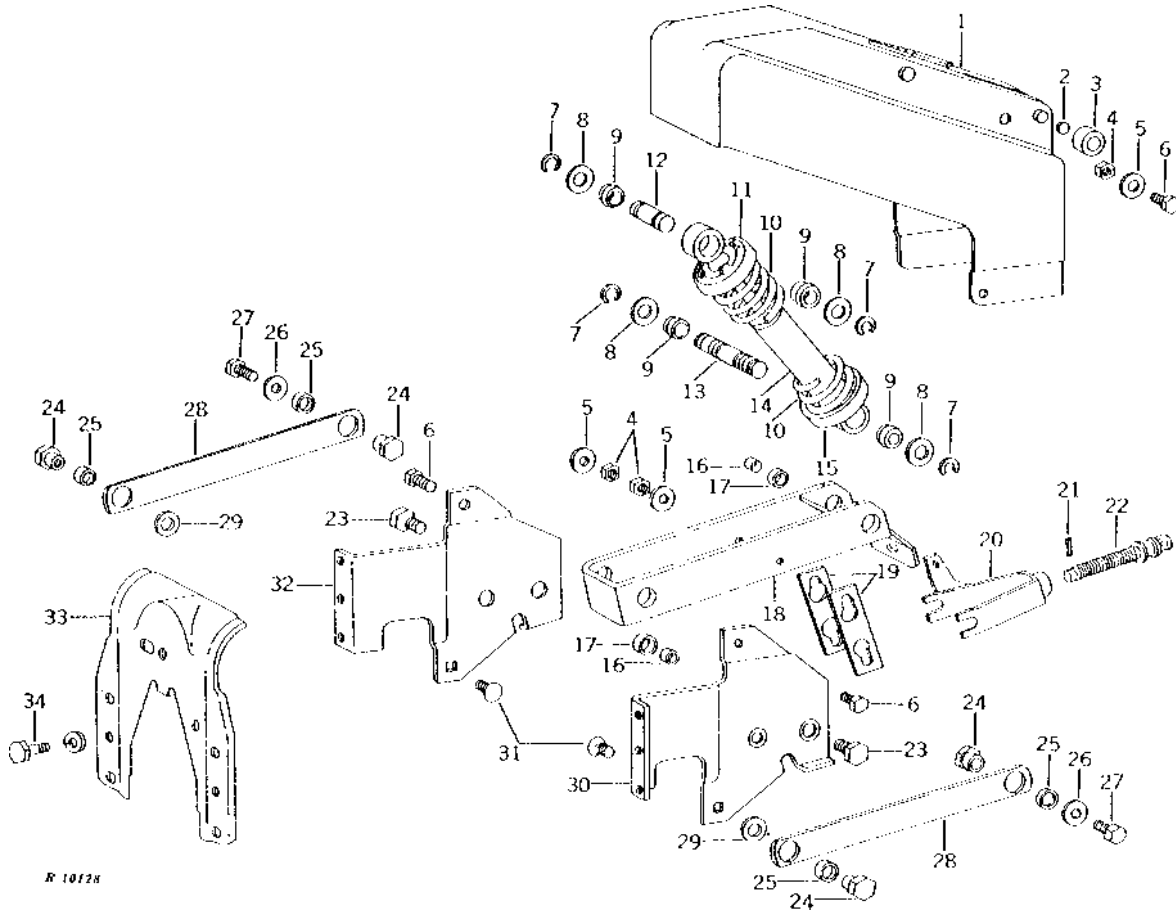
4D19

OPERATOR'S STATION

R10128

-UN-01JAN94

DELUXE SEAT SUPPORT



R 10128

4D20

OPERATOR'S STATION

DELUXE SEAT SUPPORT - CONTINUED

KEY	PART NO.	PART NAME	QTY	TRACTOR SERIAL NO.	REMARKS
1	AR26632	FRAME	1		
2	R26872	SHIM	AR	0.25MM (.010")	
	R26873	SHIM	AR	0.51MM (.020")	
3	R26436	ROLLER	4		
4	M63440	LOCK NUT	4	(SUB E50102)	
5	R27441	WASHER	4		
6	19H1732	CAP SCREW	4	3/8" X 1-1/4"	
7	F2863R	SNAP RING	4		
8	R1836R	WASHER	4		
9	R26832	BUSHING	4		
10	R26877	SPRING	1		
11	R27442	CAP	1		
12	R26875	PIN	1		
13	R26876	SHAFT	1		
14	AR71976	ABSORBER	1	(SUB FOR AR26529 OR AR69854)	
15	R26879	CAP	1		
16	R27440	BUSHING	4		
17	R51648	WASHER	4	(SUB FOR R36704)	
18	AR60029	ARM	1	(SUB FOR AR36048)	
19	R26878	LINK	2		
20	AR69271	YOKE	1	(SUB FOR AR26530)	
21	34H247	SPRING PIN	1	1/8" X 3/4"	
22	R57623	SCREW	1	(ALSO ORDER 34H323) (SUB FOR R27121)	
23	R31505	BOLT	4		
24	R26880	NUT	4		
25	R51648	WASHER	4	(SUB FOR R36704)	
26	R27441	WASHER	2		
27	19H1936	CAP SCREW	2	3/8" X 3/4"	
28	AR31977	LINK	2		
29	R48450	WASHER	2	(SUB FOR R26113)	
30	R27118	SUPPORT	1		
31	10H1026	BOLT	2	3/8" X 1"	
32	R27119	SUPPORT	1		
33	R27458	SUPPORT	1	091000-	(A) (NLA)
34	19H1936	CAP SCREW	2	091000-	(A) 3/8" X 3/4"
	12H304	LOCK WASHER	2	091000-	(A) 3/8"

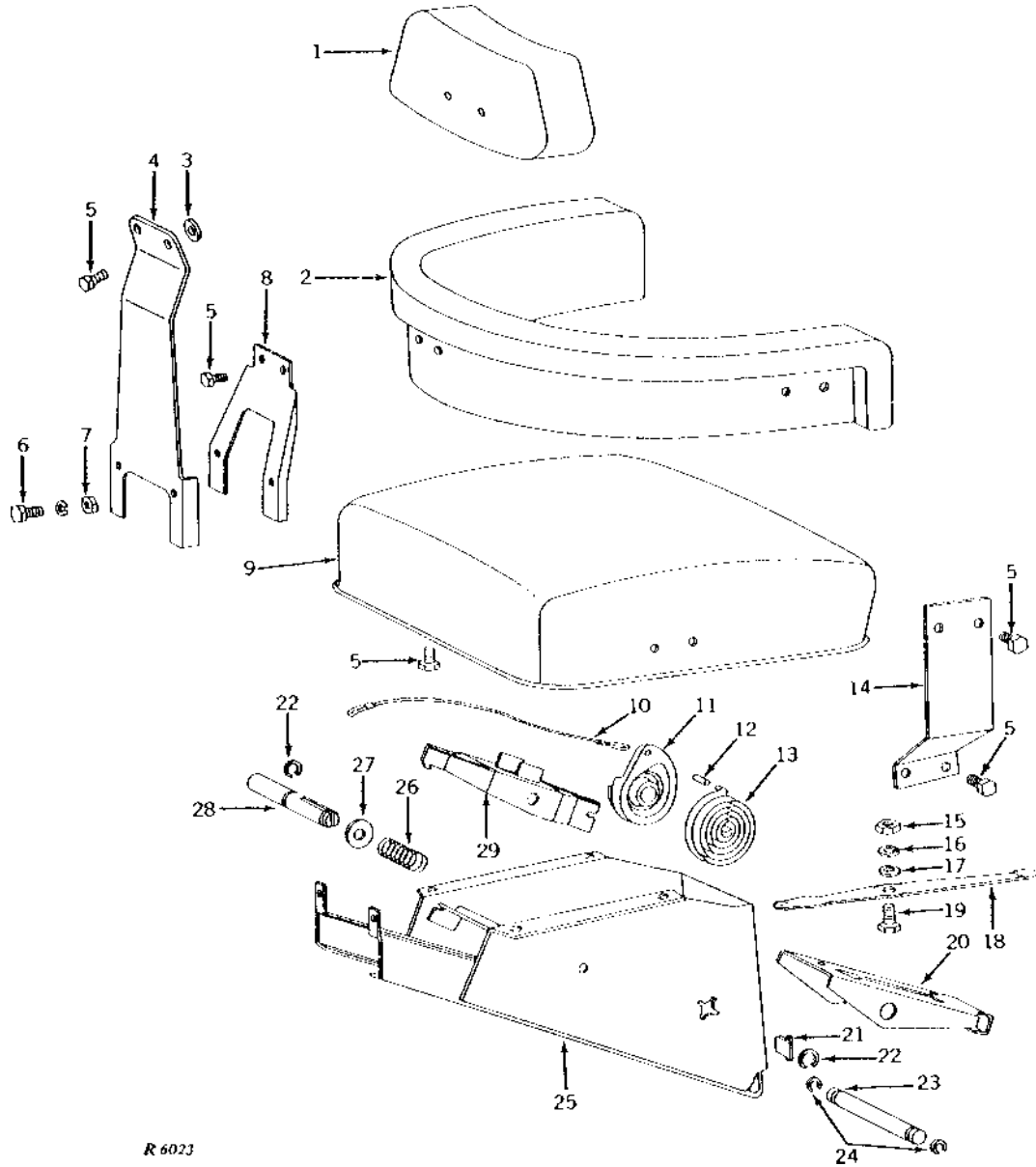
(A) STANDARD

4D21

R6023

-UN-01JAN94

DELUXE SEAT



R 6023

4D22

OPERATOR'S STATION

DELUXE SEAT - CONTINUED

KEY	PART NO.	PART NAME	QTY	TRACTOR SERIAL NO.	REMARKS
1	AR59679	SEAT BACK	1	(SUB R34267)	
	R34619	CUSHION COVER	1		
2	R34268	SEAT BACK	1	(SUB AR59680)	
	R34620	CUSHION COVER	1		
3	24H448	WASHER	2	25/32" X 1-1/8" X 0.090"	
4	R34272	SUPPORT	1		
5	19H1813	CAP SCREW	16	5/16" X 5/8"	
6	19H1905	CAP SCREW	1	5/16" X 1", (SUB FOR A4125R)	
	12H303	LOCK WASHER	2	5/16"	
7	14H785	NUT	2	5/16"	
8	R27785	SUPPORT	1		
9	R34266	CUSHION	1	(SUB AR44763)	
	R34618	CUSHION COVER	1		
	R34609	COVER	1	(SUB R34618) (WHITE CANVAS)	
10	R78257	CABLE	1	(SUB FOR AR26403)	
11	R26432	REEL	1		
12	34H282	SPRING PIN	1	3/16" X 1"	
13	R31260	SPRING	1	(SUB FOR R26433)	
14	R31512	SUPPORT	1	R.H.	
	R31513	SUPPORT	1	L.H.	
15	14H786	NUT	1	1/4"	
16	12H302	LOCK WASHER	1	1/4"	
17	24H1287	WASHER	1	9/32" X 5/8" X 0.065"	
18	R27439	LEVER	1		
19	R26431	SCREW	1		
20	R26830	HANDLE	1		
21	R26434	LATCH	1		
22	R73380	SNAP RING	2	(SUB FOR A369R)	
23	R26829	PIN	1	(NLA)	
24	R26871	SNAP RING	2	(SUB FOR P44982)	
25	AR68728	SUPPORT	1	(ALSO ORDER R57572, R73380 AND (2) 24H1384) (SUB FOR AR36047)	
26	A4744R	SPRING	1		
27	24H1395	WASHER	1	25/32" X 1-7/16" X 0.060"	
28	R26874	SHAFT	1		
29	R26828	LATCH	1		

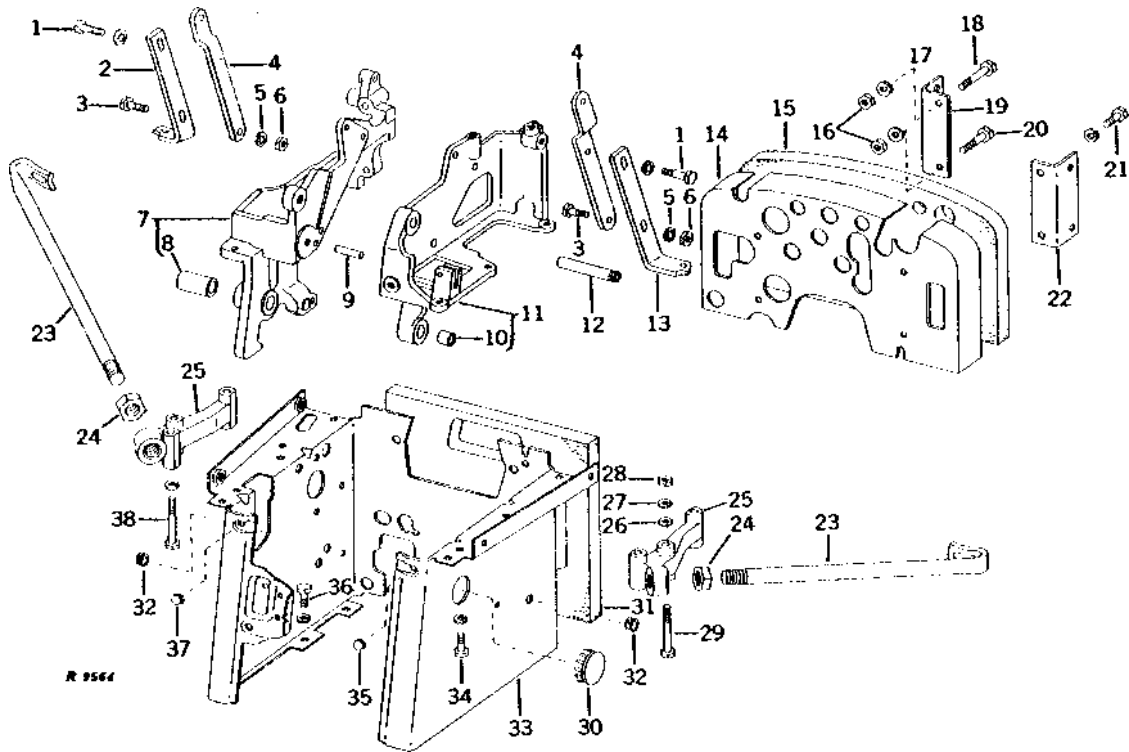
4D23

OPERATOR'S STATION

R9564

-UN-01JAN94

CONTROL SUPPORT AND ASSOCIATED PARTS



CONTROL SUPPORT AND ASSOCIATED PARTS - CONTINUED

KEY	PART NO.	PART NAME	QTY	TRACTOR SERIAL NO.	REMARKS
1	19H2552	CAP SCREW	2		3/8" X 1-1/8"
	12H310	LOCK WASHER	2		3/8"
2	R31231	SUPPORT	1		HOOD, L.H.
3	19H1731	CAP SCREW	2		3/8" X 1"
4	R31229	SUPPORT	2		DASH (NLA)
5	12H310	LOCK WASHER	2		3/8"
6	14H812	NUT	2		3/8"
7	AR41175	BRACKET	1		(A) (MARKED R33598 OR R41504) (SUB FOR AR32316)
	AR32596	BRACKET	1		(B) (MARKED R33967) (NLA)
8	R27567	BUSHING	1		
9	H826R	DOWEL PIN	1		
10	F2030R	BUSHING	1		
11	AR32315	BRACKET	1	-152460	(A) (MARKED R33597) (NLA)
	AR41207	BRACKET	1	152461-	(A) (MARKED R33597) (NLA)
	AR33334	BRACKET	1		(B) (MARKED R34332) (NLA)
12	R33601	PIN	1	-152460	(A) TRANSMISSION CONTROL LEVER (NLA)
	R41510	PIN	1	152461-	(A) TRANSMISSION CONTROL LEVER
13	R31230	SUPPORT	1		HOOD, R.H.(NLA)
14	AR34927	ISOLATOR	1		(SUB FOR AR34011) (NLA)
15	R56059	FOAM PAD	1		(SUB FOR R34562)
16	14H812	NUT	2		(C) 3/8"
17	12H304	LOCK WASHER	2		(C) 3/8"
18	19H1726	CAP SCREW	1		(C) 3/8" X 2-1/4"
19	R26895	ANGLE	1		(C) (NLA)
20	19H1765	CAP SCREW	1		(C) 3/8" X 1-3/4"
21	19H2284	CAP SCREW	2		3/8" X 7/8"
	12H304	LOCK WASHER	2		3/8"
22	R26895	ANGLE	1		(NLA)
23	R33767	SUPPORT	2	-118999	(D) (NLA)
	R33767	SUPPORT	1	119000-	(D) L.H.(NLA)
	R27941	SUPPORT	1	119000-	(D) R.H.
24	C985R	NUT	2		(D)
25	R33768		2	-118999	(D) (SUB R34743) (NLA)
	R34743	BRACKET	1	119000-	(D) L.H.(NLA)
	R38341	BRACKET	1	119000-	(D) R.H.(NOT AS ILLUSTRATED)(NLA)
26	24H1305	WASHER	1		(B) (D) 13/32" X 13/16" X 0.065"
27	12H304	LOCK WASHER	2		(D) 3/8"
28	14H812	NUT	2		(D) 3/8"
29	19H1944	CAP SCREW	2		(D) 3/8" X 2-3/4"
30	R20513	PLUG	1		
31	R26675	FOAM PAD	1		(GASOLINE AND LP-GAS)
	R44586	FOAM PAD	1		(DIESEL) (SUB FOR R34565)
32	R34811	GROMMET	2		(NYLON)
33	AR32818	SUPPORT	1		(NLA)
34	19H1731	CAP SCREW	AR		3/8" X 1", (6 USED SYNCRO-RANGE) (7 USED POWER SHIFT)
	12H304	LOCK WASHER	AR		3/8", (6 USED SYNCRO-RANGE) (7 USED POWER SHIFT)
35	R28473	PLUG	1		(DIESEL)
36	19H1936	CAP SCREW	6		3/8" X 3/4"
	12H304	LOCK WASHER	6		3/8"
37	R28473	PLUG	1		(B)
38	19H1944	CAP SCREW	3		(D) 3/8" X 2-3/4"
	12H304	LOCK WASHER	3		(D) 3/8"
..	R44588	ISOLATOR	2		(E) CONTROL SUPPORT
..	R44589	FOAM PAD	1		(W/CAB)(DUAL SELECTIVE CONTROL OIL LINES)(NLA)
..	R44591	FOAM PAD	1		(E) (STEERING LINES)(NLA)
..	R44592	FOAM PAD	1		(E) (OIL COOLER LINES)(NLA)

(A) POWER SHIFT

(B) SYNCRO-RANGE

(C) LESS SELECTIVE CONTROL

(D) LESS FENDER LAMPS

(E) WITH AIR CONDITIONING

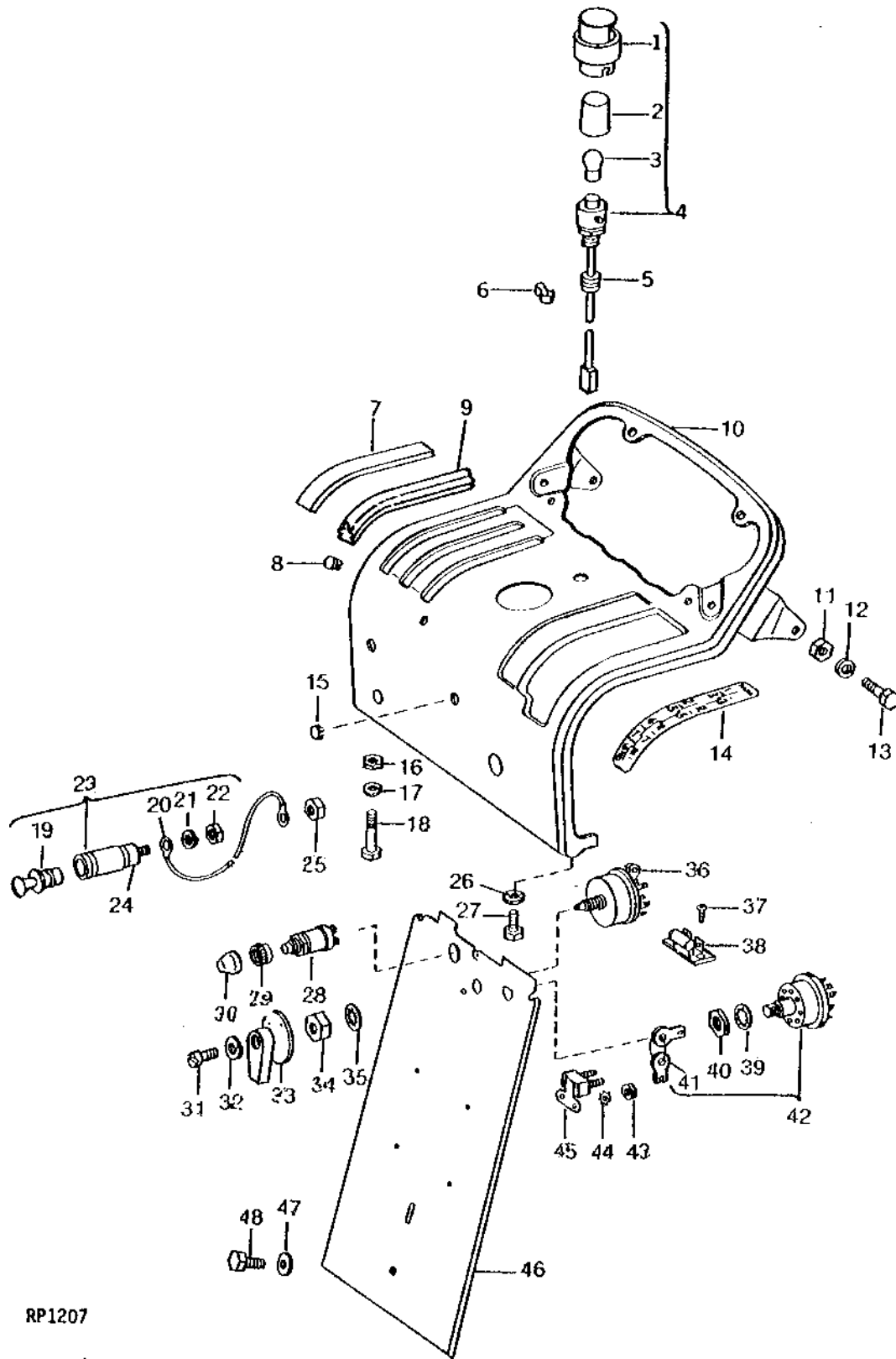
4E1

OPERATOR'S STATION

RP1207

-UN-01JAN94

CONTROL SUPPORT COVER, SWITCHES, DASH AND DASH LAMP



RP1207

CONTROL SUPPORT COVER, SWITCHES, DASH AND DASH LAMP - CONTINUED

KEY	PART NO.	PART NAME	QTY	TRACTOR SERIAL NO.	REMARKS
1	R40192	COVER	1		(SUB FOR R28793)
2	R28792	LENS	1		
3	AT12948	BULB	1		6 C.P. (12-14 VOLT)
4	AR33479	LAMP	1		(SUB FOR AR35993 OR RE13195)
5	A3411R	GROMMET	1		
6	R21551	CLIP	1		(SUB FOR F2084R)
7	R27361	ISOLATOR	AR		(1 USED LESS ROCKSHAFT) (2 USED LESS SELECTIVE CONTROL)
8	R27983	PLUG	1		(LESS ROCKSHAFT)
9	R70281	STOP	1		(SUB FOR AR91941) (NLA)
10	AR34960		1		(A) (SUB FOR AR32321) (SUB AR34962 AND R27361) (GASOLINE AND DIESEL)
	AR34962	INSTRUMENT PANEL	1		(A) (SUB FOR AR32322) (LP-GAS)(NLA)
	AR68197	INSTRUMENT PANEL	1		(B) (SUB FOR AR32761) (GASOLINE AND DIESEL)
	AR34961	INSTRUMENT PANEL	1		(B) (SUB FOR AR32762) (LP-GAS)(NLA)
11	14H1076	NUT	2		3/8"
12	12H304	LOCK WASHER	2		3/8"
13	19H1936	CAP SCREW	2		3/8" X 3/4"
14	R40504	LABEL	1		(A) (SUB FOR R34533)
	R40505	LABEL	1		(A) (SUB FOR R34534)
	R40676	LABEL	1		(B) (SUB FOR R34246)
15	M42229	PLUG	1		(SUB FOR R32234 OR T11708) (GASOLINE)
16	14H1076	NUT	1		3/8"
17	12H304	LOCK WASHER	1		3/8"
18	19H1765	CAP SCREW	1		3/8" X 1-3/4"
19	AR60937	LIGHTER	1		(SUB FOR AA5787R)
20	AR94130	WIRING LEAD	1		
21	12M7084	LOCK WASHER	1		0.169"
22	14H605	NUT	2		0.164"
23	AR48643	LIGHTER	1		(12-VOLT) (SUB FOR AR34556)
24	AR30394	CIRCUIT BREAKER	1		
25	14H631	NUT	1		0.190"
26	12H304	LOCK WASHER	1		3/8"
27	19H1936	CAP SCREW	1		3/8" X 3/4"
28	R39554	SWITCH	1	091000-	STARTER, (ALSO ORDER AR47374) (SUB FOR AR47373)
29	R21157	NUT	1	091000-	(SUB AR47374)
30	T55501	CAP	1	091000-	(SUB FOR R39549)
31	21H996	SCREW	1		0.164" X 3/8"
32	12H315	LOCK WASHER	1		0.164"
33	AT65316	KNOB	1		LIGHT SWITCH, (SUB FOR R27963)
34	A4655R	NUT	1		
35	12H292	LOCK WASHER	1		1/2"
36	AR28401	SWITCH	1	-090999	LIGHT, (GASOLINE AND LP-GAS)
	AR28402	SWITCH	1	-090999	(C) LIGHT
	AR41288	SWITCH	1	091000-	LIGHT, (SUB FOR R39551)
37	37H48	SCREW	2	-090999	(C) (SUB FOR R28030)
38	AR27238	RESISTOR	1	-090999	(C) LIGHT (NLA)
39	12M7038	LOCK WASHER	1	091000-	0.650"
40	T15969	NUT	1	091000-	(SUB FOR R39553)
41	A4700R	KEY	1		
42	AR26528	SWITCH	1	-090999	STARTER, (GASOLINE AND LP-GAS)
	AR26557	SWITCH	1	-090999	(C) STARTER
	AR39505	SWITCH	1	091000-	KEY
43	14H631	NUT	AR		0.190", (4 USED GASOLINE AND LP-GAS) (6 USED DIESEL)
44	12M7060	WASHER	AR		0.209", (4 USED GASOLINE AND LP-GAS) (6 USED DIESEL)
45	AR28403	CIRCUIT BREAKER	AR		(1 USED GASOLINE AND LP-GAS) (2 USED DIESEL)
46	AR34887	COVER	1		(A) (SUB FOR AR32319) (NLA)
	AR34886	COVER	1		(B) (SUB FOR AR30049) (NLA)
47	24H1305	WASHER	1		13/32" X 13/16" X 0.065"
48	19H1936	CAP SCREW	1		3/8" X 3/4"

(A) POWER SHIFT

(B) SYNCRO-RANGE

(C) DIESEL

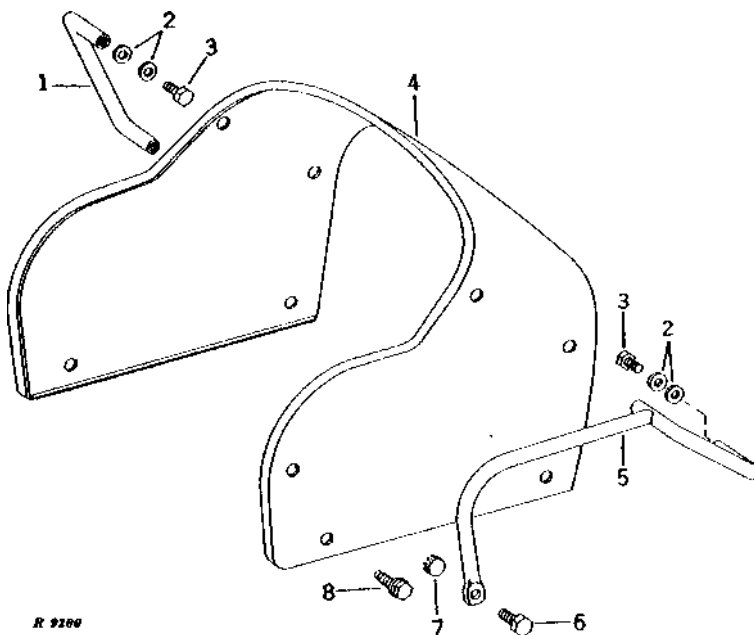
4E3

OPERATOR'S STATION

R9200

-UN-01JAN94

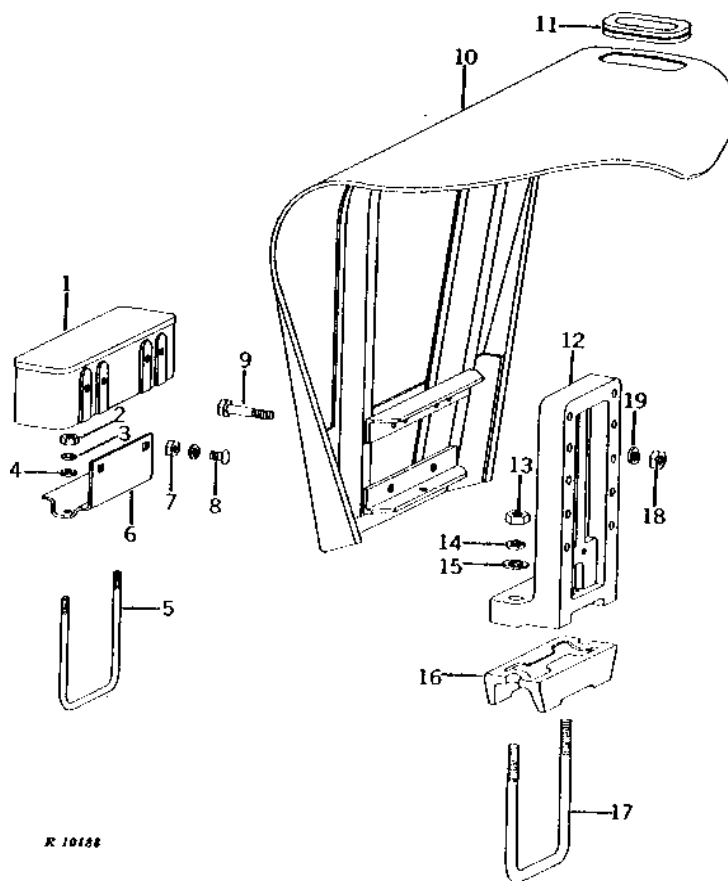
COWL



KEY	PART NO.	PART NAME	QTY	TRACTOR SERIAL NO.	REMARKS
1	R31618	HANDLE	AR		(1 USED POWER SHIFT) (2 USED SYNCRO-RANGE)
2	24H1305	WASHER	8		13/32" X 13/16" X 0.065"
3	19H1936	CAP SCREW	4		3/8" X 3/4"
4	AR41584	COWL	1		(SUB FOR AR32765 OR AR45371)
5	AR45369	HANDLE	1		(POWER SHIFT) (SUB FOR AR32829)
6	19H1732	CAP SCREW	1		3/8" X 1-1/4", (POWER SHIFT)
7	H113924	PLUG	1		(SYNCRO-RANGE) (SUB FOR R31420 OR R42451) (SUB T15005)
8	AR26568	SCREW	4		(SUB 19H1900 AND 24H1136)

R10188 -UN-01JAN94

FENDERS AND TOOL BOX (ROW-CROP)



KEY	PART NO.	PART NAME	QTY	TRACTOR SERIAL NO.	REMARKS
1	AR34684	TOOLBOX	1	-090999	(A) (SUB FOR AR27750)
2	14H812	NUT	2	-090999	(A) 3/8"
3	12H304	LOCK WASHER	2	-090999	(A) 3/8"
4	24M7096	WASHER	2	-090999	(A) 10.500 X 18 X 1.600 MM
5	R28482	U-BOLT	1	-090999	(A)
6	T14415	SUPPORT	1	-090999	(A) (NLA)
7	14H812	NUT	2	-090999	(A) 3/8"
8	03H1765	BOLT	2	-090999	(A) 3/8" X 3/4"
	12H304	LOCK WASHER	2	-090999	(A) 3/8"
9	19H1974	CAP SCREW	4		1/2" X 2-3/4"
10	AR48872	FENDER	1		R.H. (SUB FOR AR26595) (SUB RE13878)
	AR48873	FENDER	1		L.H. (SUB FOR AR20870, AR38451 OR AR45453) (SUB RE13879)
11	R20759	GROMMET	1		
12	R70588	SUPPORT	1		(SUB FOR R32120, R41296 OR R54541)
13	14H1039	NUT	2		5/8"
14	12H294	LOCK WASHER	2		5/8"
15	24H1139	WASHER	2		11/16" X 1-1/4" X 0.105"
16	R39766	SPACER	1	091000-	(USE WITH 23.1-30 TIRE)(NLA)
17	R26992	U-BOLT	1		
	R39767	U-BOLT	1	091000-	(USE WITH 23.1-30 TIRE)
18	14H1040	NUT	4		1/2"
19	12H301	LOCK WASHER	4		1/2"

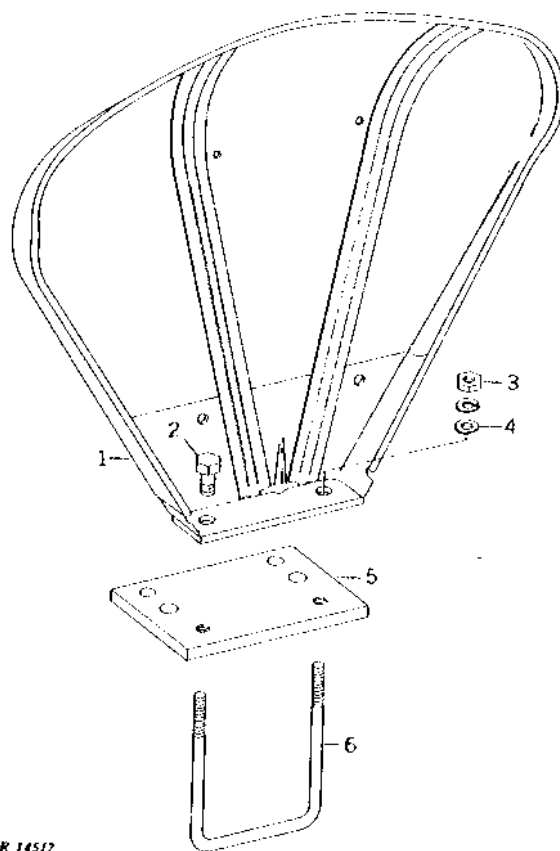
(A) LESS ROCKSHAFT

4E5

OPERATOR'S STATION

R14517 -UN-01JAN94

FENDERS (HI-CROP)



R 14517

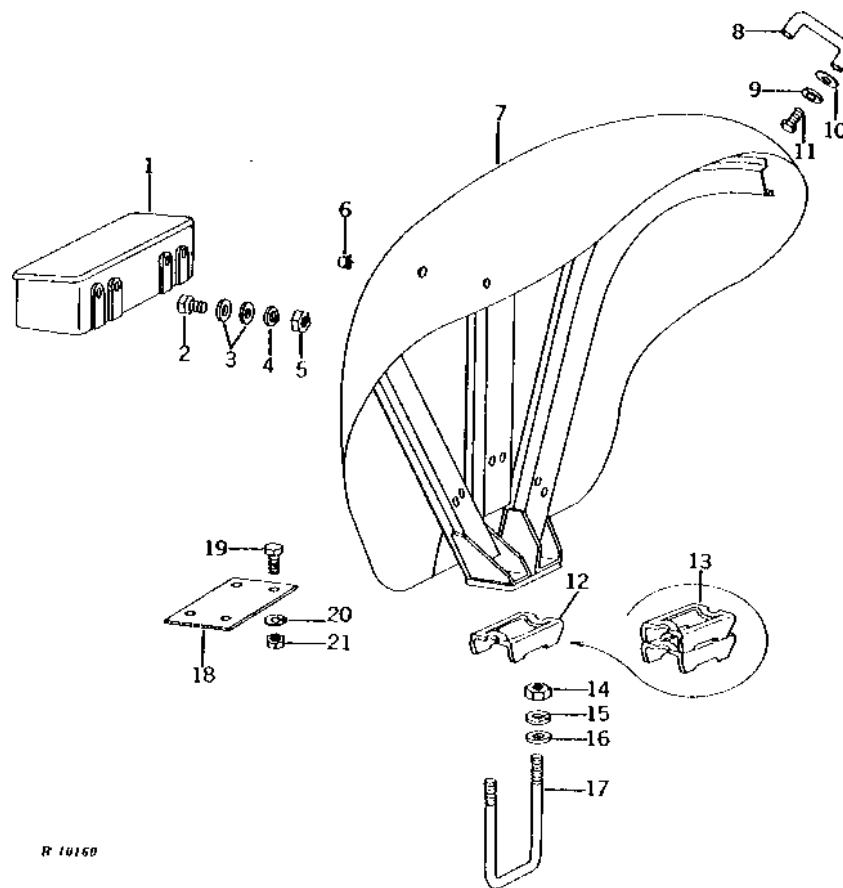
KEY	PART NO.	PART NAME	QTY	TRACTOR SERIAL NO.	REMARKS
1	AR48976	FENDER	2		(SUB FOR AR31939) (NLA)
2	19H2369	CAP SCREW	4		3/4" X 1", (ROLL-GARD)
3	14H1039	NUT	4		5/8"
	12H294	LOCK WASHER	4		5/8"
4	24H1139	WASHER	4		11/16" X 1-1/4" X 0.105"
5	R42580	PLATE	2		(ROLL-GARD) (ORDER AR44707)
6	R26992	U-BOLT	2		(LESS ROLL-GARD)

4E6

OPERATOR'S STATION

R10160 -UN-01JAN94

FENDER AND TOOL BOX (STANDARD TRACTOR SERIAL NO. 065000-090999)

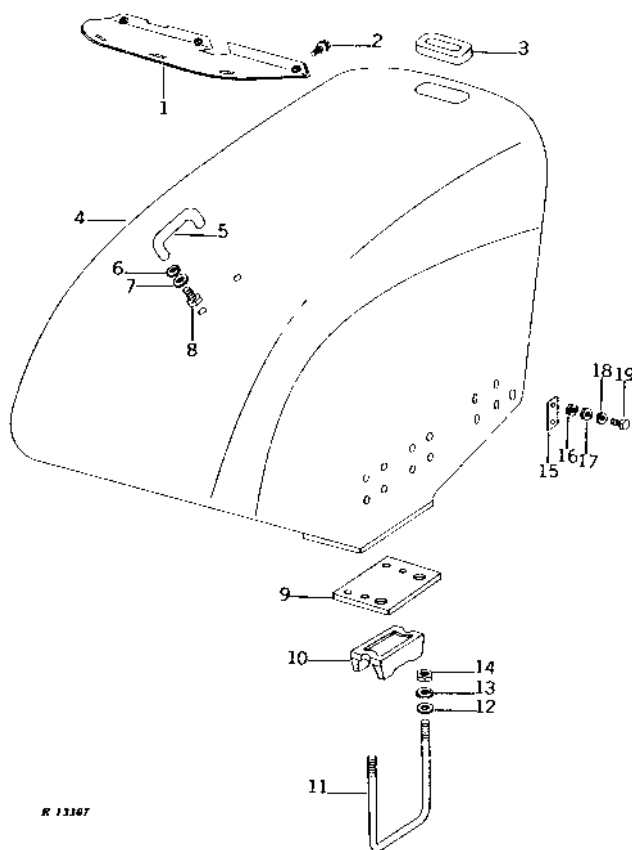


KEY	PART NO.	PART NAME	QTY	TRACTOR SERIAL NO.	REMARKS
1	AR34684	TOOLBOX	1	-090999	(A) (SUB FOR AR27750)
2	19H1936	CAP SCREW	2	-090999	(A) 3/8" X 3/4"
3	24H1305	WASHER	4	-090999	(A) 13/32" X 13/16" X 0.065"
4	12H304	LOCK WASHER	2	-090999	(A) 3/8"
5	14H1076	NUT	2	-090999	(A) 3/8"
6	H113924	PLUG	2		(SUB FOR R31420 OR R42451) (SUB T15005)
7	AR40496	FENDER	1		R.H. AND L.H. (SUB FOR AR30487)
8	R31618	HANDLE	1		
9	R27441	WASHER	2		
10	24H1309	WASHER	2		13/32" X 1-1/16" X 0.120"
11	19H1936	CAP SCREW	2		3/8" X 3/4"
12	R39766	SPACER	1		(SUB FOR R31635) (NLA)
13	AR34284	SPACER	1		(USE WITH 23.1-30 TIRE)
14	14H1039	NUT	2		5/8"
15	24H1649	WASHER	2		1-9/32" X 1-11/16"
16	24H1139	WASHER	2		11/16" X 1-1/4" X 0.105"
17	R39767	U-BOLT	1		(SUB FOR R31636)
	R34666	U-BOLT	1		(USE WITH 23.1-30 TIRE)
18	PLATE	1		(NO LONGER REQUIRED)
19	19H1387	CAP SCREW	2		5/8" X 2-1/4"
20	24H1139	WASHER	2		11/16" X 1-1/4" X 0.105"
21	14H1039	NUT	2		5/8"

(A) LESS ROCKSHAFT

R13307 -UN-01JAN94

FENDERS
(STANDARD TRACTOR SERIAL NO. 091000-)



KEY	PART NO.	PART NAME	QTY	TRACTOR SERIAL NO.	REMARKS
1	AR35271	SHIELD	1	L.H.(NLA)	
	AR35270	SHIELD	1	R.H.	
	AR26568	SCREW	6	(SUB 19H1900 AND 24H1136)	
2	R20759	GROMMET	1		
4	AR49063	FENDER	1	L.H. (SUB FOR AR36253, AR36780 OR AR40998)	
	AR81651	FENDER	1	(NLA)	
				R.H. (SUB FOR AR36252, AR36779, AR40997 OR AR49062) (NLA)	
5	R31618	HANDLE	1		
6	24H1309	WASHER	2	13/32" X 1-1/16" X 0.120"	
7	R27441	WASHER	2		
8	19H1936	CAP SCREW	2	3/8" X 3/4"	
9	R42602	PLATE	1	197457-	(NLA)
10	R39766	SPACER	2	(A) (NLA)	
11	R26992	U-BOLT	2		
	R39767	U-BOLT	2	(A)	
12	24H1139	WASHER	4	11/16" X 1-1/4" X 0.105"	
13	12H294	LOCK WASHER	4	5/8"	
14	14H1039	NUT	2	5/8"	
15	R26789	STRAP	1	(A)	
16	14H786	NUT	1	(A) 1/4"	
17	12H302	LOCK WASHER	1	(A) 1/4"	
18	24H1287	WASHER	1	(A) 9/32" X 5/8" X 0.065"	
19	19H1919	CAP SCREW	1	(A) 1/4" X 5/8"	

(A) USE WITH 23.1-30 TIRES

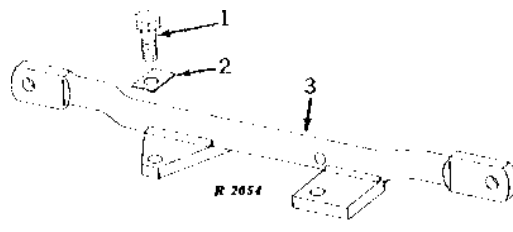
4E8

OPERATOR'S STATION

R2054

-UN-01JAN94

IMPLEMENT ATTACHING BRACKET



KEY	PART NO.	PART NAME	QTY	TRACTOR SERIAL NO.	REMARKS
1	19H1756	CAP SCREW	1		5/8" X 1-1/2"
2	PLATE	1		(NOT USED)
3	AR27050	BRACKET	1	-090999	(A) (NLA)
	AR39936	BRACKET	1	091000-	(A) (NLA)
	AR27051	BRACKET	1	-090999	(B) (NLA)
	AR39938	BRACKET	1	091000-	(B) (NLA)

(A) GASOLINE AND LP-GAS

(B) DIESEL

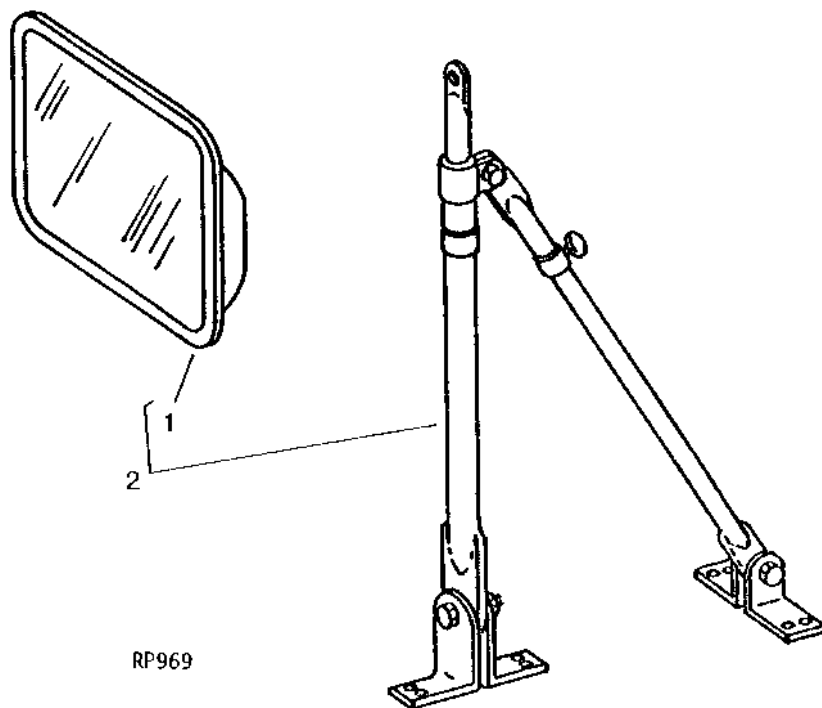
4E9

OPERATOR'S STATION

RP969

-UN-01JAN94

REAR VIEW MIRROR



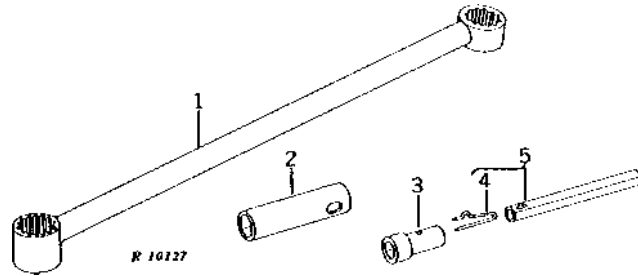
KEY	PART NO.	PART NAME	QTY	TRACTOR SERIAL NO.	REMARKS
1	AR89137	REAR VIEW MIRROR	1		(SUB FOR AR21860, R62185, R62186 OR AR44255)
2	AR44254	REAR VIEW MIRROR	1		(SUB FOR AR30003) (SUB AH85483, AR89137 AND H78354)

4E10

OPERATOR'S STATION

R10127 -UN-01JAN94

TOOLS



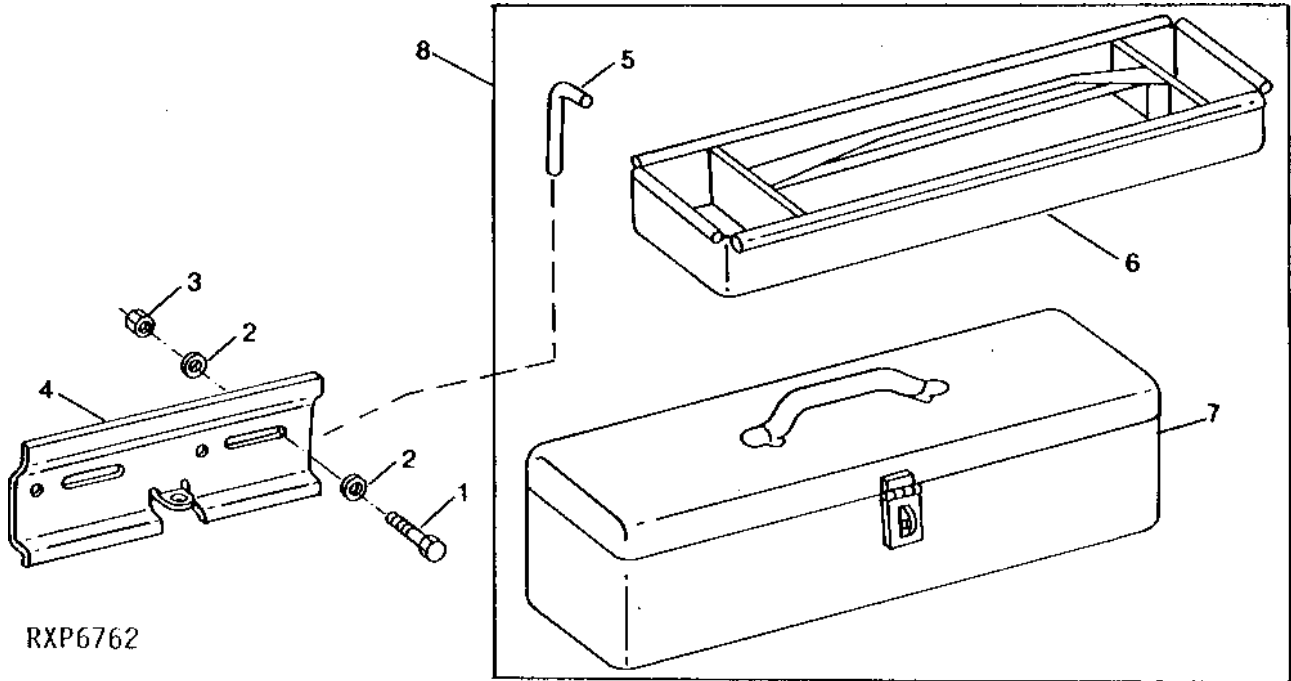
KEY	PART NO.	PART NAME	QTY	TRACTOR SERIAL NO.	REMARKS
1	R34827	WRENCH	1		
2	F3338R	WRENCH	1	(NLA)	
3	AR39683	WRENCH	1		
4	R39739	SPRING LOCKING PIN	1		
5	AR39682	EXTENSION	1		

4E11

OPERATOR'S STATION

RXP6762 -UN-01JAN94

TOOLBOX AND SUPPORTS



RXP6762

KEY	PART NO.	PART NAME	QTY	TRACTOR SERIAL NO.	REMARKS
1	19H2706	CAP SCREW	2		5/8" X 2", (HS, SAE 8)
2	12H294	LOCK WASHER	2		5/8"
3	14H1039	NUT	2		5/8"
4	T23033	BRACKET	1		
5	T23027	PIN	1		
6	AT22073	HOLDER	1		
7	AT22070	TOOLBOX	1		
8	JD5272	LABEL	1	-XXXXXX	
	JD5602	LABEL	1	XXXXXX-	

4E12

OPERATOR'S STATION

R32259

-UN-01JAN94

LOCTITE SEALANT



R32259F

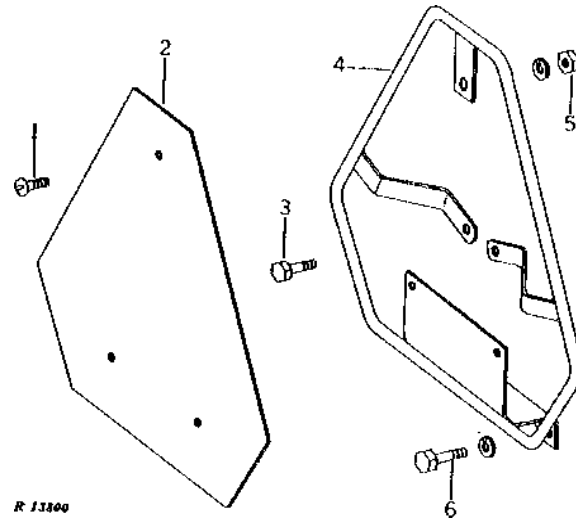
KEY	PART NO.	PART NAME	QTY	TRACTOR SERIAL NO.	REMARKS
1	TY9371	ADHESIVE	1		(SUB FOR AT14927 OR AT24538) (TUBE OF 6 CC)

4E13

OPERATOR'S STATION

R13800 -UN-01JAN94

SLOW MOVING VEHICLE EMBLEM



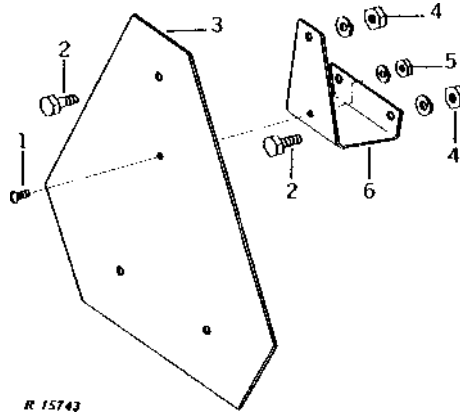
KEY	PART NO.	PART NAME	QTY	TRACTOR SERIAL NO.	REMARKS
1	21H1301	SCREW	3	0.190" X 1/2"	
2	JD5403	SMV EMBLEM	1		
3	19H1900	CAP SCREW	2	5/16" X 3/4"	
4	AR46282	SUPPORT	1		
5	14H778	NUT	3	0.190"	
	12H246	LOCK WASHER	3	0.190"	
6	19H1849	CAP SCREW	2	5/16" X 1-1/4"	
	12H303	LOCK WASHER	2	5/16"	

4E14

OPERATOR'S STATION

R15743 -UN-01JAN94

SLOW MOVING VEHICLE EMBLEM (WITH STOLPER CAB)



KEY	PART NO.	PART NAME	QTY	TRACTOR SERIAL NO.	REMARKS
1	21H1301	SCREW	1	0.190" X 1/2"	
2	19H2644	CAP SCREW	3	1/2" X 2-1/2"	
3	JD5403	SMV EMBLEM	1		
4	14H785	NUT	3	5/16"	
	12H303	LOCK WASHER	3	5/16"	
5	14H778	NUT	1	0.190"	
	12H246	LOCK WASHER	1	0.190"	
6	AR47859	BRACKET	1	(NLA)	

4E15

OPERATOR'S STATION

**PARTS FOR WEATHERSHIELDS
(NOT ILLUSTRATED)**

KEY	PART NO.	PART NAME	QTY	TRACTOR SERIAL NO.	REMARKS
..	AR20143	WINDOWPANE	2	(A) (NLA)	
..	AR30516	WINDOW	2	(A) (NLA)	
..	R20123	WINDSHIELD	2	(A)	
..	R20124	FRAME	2	(A) (NLA)	

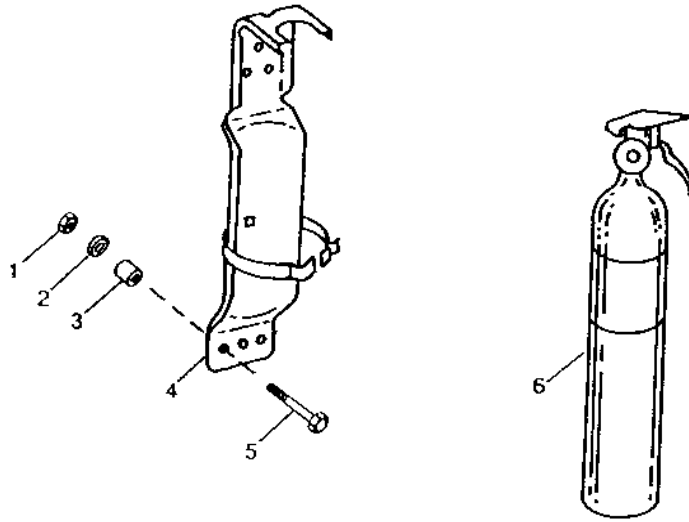
(A) ROW-CROP AND STANDARD

4E16

OPERATOR'S STATION

RWP2787 -UN-01JAN94

FIRE EXTINGUISHER



RWP2787

KEY	PART NO.	PART NAME	QTY	SG BODY SERIAL NO.	REMARKS
1	14H786	NUT	2	1/4"	
2	24H1287	WASHER	2	9/32" X 5/8" X 0.065"	
3	28H1914	BUSHING	2	1/4" X 7/8"	
4	AT75387	BRACKET	1	(SUB FOR AT62019)	
5	21H1035	SCREW	2	1/4" X 1-1/2"	
6	AT168165	FIRE EXTINGUISHER	1	(SUB FOR AT62018, AT141924 OR AT81764)	

MEMORANDA

NUMERICAL INDEX

PART NO.	GRID	KEY	PAGE	PART NO.	GRID	KEY	PAGE	PART NO.	GRID	KEY	PAGE
AA14850	3F15	14	70 - 87	AD2062R	2D21	17	40 - 71	AL37364	1D13	12	30 - 9
AA32178	2E8	..	40 - 83	AD2062R	2D21	20	40 - 71	AM30347	3I9	..	80 - 18
AA3495R	2D21	8	40 - 71	AD2062R	2D21	21	40 - 71	AM348T	2B10	31	40 - 5
AA3495R	2D22	8	40 - 72	AD2062R	2D22	16	40 - 72	AM348T	2B11	..	40 - 6
AA3495R	2D24	9	40 - 74	AD2062R	2D23	21	40 - 73	AM373T	2B8	17	40 - 3
AA3495R	2D25	18	40 - 75	AD2062R	2D23	22	40 - 73	AM373T	2B10	25	40 - 5
AA3495R	2E1	9	40 - 76	AD2062R	2D24	2	40 - 74	AM373T	2C10	17	40 - 33
AA3495R	2E2	20	40 - 77	AD2062R	2D24	7	40 - 74	AM3983T	2G22	31	50 - 25
AA34967	2E8	3	40 - 83	AD2062R	2D24	15	40 - 74	AN140262	3G21	23	70 - 121
AA34968	2E8	23	40 - 83	AD2062R	2E1	2	40 - 76	AN140263	3G21	31	70 - 121
AA4039R	2B11	..	40 - 6	AD2062R	2E1	7	40 - 76	AN140264	3G21	31	70 - 121
AA4039R	2B15	29	40 - 11	AD2062R	2E1	15	40 - 76	AN140265	3G21	31	70 - 121
AA4053R	2C10	5	40 - 33	AD2062R	2E4	1	40 - 79	AN140274	3G21	30	70 - 121
AA4074R	3I6	28	80 - 15	AD2062R	2E8	2	40 - 83	AN151934	4C16	5	90 - 36
AA4881R	2D24	3	40 - 74	AE24616	3C24	9	70 - 19	AN163885	3G13	41	70 - 113
AA4881R	2D24	8	40 - 74	AF1155R	2I23	..	50 - 80	AN163885	3H2	26	70 - 127
AA4881R	2D25	21	40 - 75	AF1156R	2I21	14	50 - 78	AN163885	3H4	8	70 - 129
AA4936R	2B23	2	40 - 19	AF1395R	1F13	3	30 - 56	AN163885	3H9	26	70 - 135
AA5302R	1F17	28	30 - 61	AF1396R	1F13	5	30 - 56	AN163885	3H10	16	70 - 136
AA5302R	1F19	29	30 - 63	AF1397R	1F13	8	30 - 56	AN212996	3H15	6	70 - 141
AA5691R	2B10	28	40 - 5	AF1398R	1F13	11	30 - 56	AN250096	3C24	5	70 - 19
AA5691R	2B15	25	40 - 11	AF1399R	1F13	12	30 - 56	AN71222	1D9	6	30 - 5
AA5691R	2B25	15	40 - 21	AF1691R	2I23	..	50 - 80	AN71222	1D11	4	30 - 7
AA5691R	2C2	15	40 - 23	AF1692R	2I23	..	50 - 80	AP19547	3G25	33	70 - 125
AA5691R	2E5	17	40 - 80	AF2331R	3G25	26A	70 - 125	AP19547	3H2	32	70 - 127
AA5691R	2E6	17	40 - 81	AF2643R	3D22	1	70 - 43	AP19547	3H4	20	70 - 129
AA5692R	2B10	28	40 - 5	AF2710R	3E13	..	70 - 59	AR100161	2D12	34	40 - 61
AA5692R	2B15	25	40 - 11	AF2710R	3E16	..	70 - 63	AR100161	2D12	45	40 - 61
AA5692R	2B25	15	40 - 21	AF2711R	3E13	..	70 - 59	AR100161	2D12	49	40 - 61
AA5692R	2C2	15	40 - 23	AF2711R	3E16	..	70 - 63	AR100161	2D15	1	40 - 64
AA5692R	2E5	18	40 - 80	AF2907R	2H7	19	50 - 37	AR10073	1F7	9	30 - 50
AA5692R	2E6	18	40 - 81	AF3147R	3E13	..	70 - 59	AR10094	1F11	11	30 - 54
AA5692R	2F3	7	40 - 102	AF3147R	3E16	..	70 - 63	AR10095	1E2	26	30 - 21
AA5731R	3G25	3	70 - 125	AF316R	2I23	11	50 - 80	AR10095	1F8	39	30 - 51
AA5787R	4E2	19	90 - 73	AF3583R	1D12	12	30 - 8	AR10096	1E2	24	30 - 21
AA6001R	1F6	22	30 - 49	AF3583R	1D13	12	30 - 9	AR10096	1F8	41	30 - 51
AA6002R	1F6	26	30 - 49	AF3892R	2D20	30	40 - 70	AR10103	1E2	61	30 - 21
AA6028R	1F10	7	30 - 53	AF3892R	2D21	2	40 - 71	AR10104	1E2	65	30 - 21
AA6037R	2E7	2	40 - 82	AF3892R	2D23	25	40 - 73	AR10107	1E2	49	30 - 21
AA6057R	1F6	29	30 - 49	AF3892R	2D25	22	40 - 75	AR10108	1E2	50	30 - 21
AA6058R	1F6	25	30 - 49	AF3892R	2E2	24	40 - 77	AR10109	1E4	1	30 - 23
AA6059R	1F6	24	30 - 49	AF912R	3I9	5	80 - 18	AR10114	1E2	46	30 - 21
AA6060R	1F6	25	30 - 49	AF968R	3H21	7	80 - 4	AR10115	1E2	53	30 - 21
AA6060R	1F6	28	30 - 49	AH10612	1E6	54	30 - 25	AR10116	1E1	17	30 - 20
AA6086R	1E1	5	30 - 20	AH10620	1E6	52	30 - 25	AR101236	3C11	2	70 - 5
AA6086R	1F7	5	30 - 50	AH12614	4C4	6	90 - 24	AR101236	3C11	3	70 - 5
AA6217R	2E5	19	40 - 80	AH13770	1D12	10	30 - 8	AR101236	3C17	23	70 - 11
AA6217R	2E6	19	40 - 81	AH20854	1D9	16	30 - 5	AR101236	3C19	3	70 - 13
AA6218R	2E3	22	40 - 78	AH20857	1D9	20	30 - 5	AR101236	3C23	28	70 - 17
AA6218R	2E5	14	40 - 80	AH20858	1D9	20	30 - 5	AR101245	2E14	3	40 - 89
AA6218R	2E6	14	40 - 81	AH64758	4C18	1	90 - 39	AR101245	2E16	4	40 - 91
AA6307R	3G23	10	70 - 123	AH77100	1F17	28	30 - 61	AR101549	1C16	8	20 - 35
AA6309R	3G23	8	70 - 123	AH77100	1F19	29	30 - 63	AR101549	1C16	..	20 - 35
AA6309R	3H2	1	70 - 127	AH80032	1E6	54	30 - 25	AR101549	1C17	5	20 - 36
AA6606R	2I21	7	50 - 78	AH85483	4E9	2	90 - 80	AR101616	2I12	25	50 - 68
AB3453R	1B12	16	20 - 7	AH93625	2E8	12	40 - 83	AR101616	2I14	15	50 - 71
AB3686R	3I7	14	80 - 16	AH95264	2E24	19	40 - 99	AR101632	3C21	28	70 - 15
AB4013R	3I2	12	80 - 10	AL14896	2E10	7	40 - 85	AR101807	3C9	1	70 - 3
AB4045R	3H21	16	80 - 4	AL2096T	1F19	45	30 - 63	AR101807	3C11	16	70 - 5
AB4046R	3I2	3	80 - 10	AL2691T	1F14	8	30 - 58	AR101807	3C11	..	70 - 5
AB4259R	3I7	17	80 - 16	AL26972	3G15	25	70 - 115	AR101807	3C19	..	70 - 13
AB4685R	3I2	4	80 - 10	AL26972	3G17	22	70 - 117	AR102219	4C3	5	90 - 23
AB4686R	3I2	4	80 - 10	AL26973	3G15	3	70 - 115	AR102219	4C3	6	90 - 23
AB4847R	1F6	29	30 - 49	AL26973	3G17	21	70 - 117	AR102219	4C3	7	90 - 23
AD2062	2D24	8	40 - 74	AL2769T	1F14	8	30 - 58	AR102219	4C10	5	90 - 30
AD2062R	2C5	4	40 - 26	AL2976T	2F10	20	40 - 109	AR102219	4C10	6	90 - 30
AD2062R	2D20	15	40 - 70	AL37364	1D12	12	30 - 8	AR102219	4C10	7	90 - 30

NUMERICAL INDEX - CONTINUED

PART NO.	GRID	KEY	PAGE	PART NO.	GRID	KEY	PAGE	PART NO.	GRID	KEY	PAGE
AR102220	4C3	5	90-23	AR11123	2D10	56	40-59	AR11305	2B8	27	40-3
AR102220	4C3	6	90-23	AR11123	2D12	61	40-61	AR11305	2C24	1	40-48
AR102220	4C3	7	90-23	AR11124	2D10	53	40-59	AR11305	2C25	..	40-49
AR102220	4C10	5	90-30	AR11124	2D12	58	40-61	AR11305	2D4	..	40-53
AR102220	4C10	6	90-30	AR11126	2D9	22	40-58	AR11330	2C17	44	40-41
AR102220	4C10	7	90-30	AR11126	2D11	24	40-60	AR11331	2C14	4	40-38
AR102454	2E11	12	40-86	AR11127	2D9	2	40-58	AR11331	2C16	4	40-40
AR10301	1E2	27	30-21	AR11127	2D11	2	40-60	AR11333	2C15	36	40-39
AR10301	1F8	38	30-51	AR11128	2D9	14	40-58	AR11333	2C17	37	40-41
AR10302	1E2	32	30-21	AR11128	2D11	15	40-60	AR11334	2C15	43	40-39
AR10303	1E2	28	30-21	AR11129	2D10	31	40-59	AR11335	2C14	28	40-38
AR10303	1F8	37	30-51	AR11129	2D13	..	40-62	AR11336	2C19	31	40-43
AR103336	2H2	15	50-32	AR11129	2D14	..	40-63	AR11337	2C19	11	40-43
AR103336	2H5	43	50-35	AR11130	2D13	7	40-62	AR11338	2C19	4	40-43
AR103337	2H2	5	50-32	AR11131	2D7	16	40-56	AR11758	2D7	7	40-56
AR103337	2H5	27	50-35	AR11131	2D13	18	40-62	AR13018	1E6	7	30-25
AR103343	2H17	12	50-48	AR11132	2D9	29	40-58	AR13019	1E6	61	30-25
AR103363	2I9	10	50-64	AR11132	2D11	31	40-60	AR13020	1E6	13	30-25
AR103363	2I9	22	50-64	AR11133	2D9	9A	40-58	AR13023	1E6	65	30-25
AR103363	2I11	18	50-67	AR11133	2D11	13A	40-60	AR13024	1E6	62	30-25
AR103808	3H16	7	70-142	AR11134	2D7	16	40-56	AR13025	1E6	47	30-25
AR103811	1B9	3	20-4	AR11134	2D13	15	40-62	AR13026	1E6	24	30-25
AR103873	2H24	9	50-55	AR11137	2C21	14	40-45	AR13027	1E6	26	30-25
AR104119	2D20	2	40-70	AR11138	2B13	25	40-9	AR13028	1E6	28	30-25
AR104119	2D20	30	40-70	AR11138	2B15	21	40-11	AR13029	1E6	46	30-25
AR104119	2D22	2	40-72	AR11138	2C2	7	40-23	AR13030	1E6	19	30-25
AR104119	2D23	25	40-73	AR11138	2C24	1	40-48	AR13033	1E6	68	30-25
AR105556	2I19	10	50-76	AR11138	2D8	..	40-57	AR13033	1E8	1	30-25B
AR11031	2C16	29	40-40	AR11138	2D10	..	40-59	AR13035	1E6	18	30-25
AR11033	2C19	5	40-43	AR11139	2D10	50	40-59	AR13037	1E6	51	30-25
AR11033	2C21	7	40-45	AR11139	2D12	55	40-61	AR14019	2C10	5	40-33
AR11035	2C21	37	40-45	AR11140	2D10	60	40-59	AR14021	2C10	5	40-33
AR11036	2C21	36	40-45	AR11140	2D12	66	40-61	AR1729R	1D14	13	30-10
AR11038	2C21	13	40-45	AR11146	2B8	16	40-3	AR20143	4E15	..	90-86
AR11039	2C19	24	40-43	AR11146	2B10	24	40-5	AR20235	2E11	10	40-86
AR11039	2C21	27	40-45	AR11146	2C10	8	40-33	AR20750	3I8	21	80-17
AR11040	2C19	30	40-43	AR11146	2C12	8	40-35	AR20846	1F10	7	30-53
AR11040	2C21	4	40-45	AR11146	2C12	..	40-35	AR20870	4E4	10	90-75
AR11041	2C19	9	40-43	AR11160	2B8	27	40-3	AR21024	1C20	1	20-39
AR11041	2C21	12	40-45	AR11160	2B10	22	40-5	AR21024	1C20	3	20-39
AR11042	2C19	21	40-43	AR11160	2B25	7	40-21	AR21059	2D21	19	40-71
AR11042	2C21	24	40-45	AR11160	2C24	1	40-48	AR21059	2D22	18	40-72
AR11051	2D14	7	40-63	AR11160	2C25	..	40-49	AR21059	2D25	22	40-75
AR11067	2C19	10	40-43	AR11160	2D2	..	40-51	AR21059	2E1	16	40-76
AR11068	2C14	14	40-38	AR11161	2B8	27	40-3	AR21059	2E2	24	40-77
AR11068	2C16	14	40-40	AR11161	2B10	22	40-5	AR21601	2I23	17	50-80
AR11074	2C14	10	40-38	AR11161	2B25	7	40-21	AR21690	1F6	13	30-49
AR11074	2C16	10	40-40	AR11161	2C24	1	40-48	AR21737	2D21	20	40-71
AR11100	2C14	15	40-38	AR11161	2C25	..	40-49	AR21737	2D23	21	40-73
AR11101	2C14	28	40-38	AR11161	2D4	..	40-53	AR21737	2D24	2	40-74
AR11104	2D1	15	40-50	AR11162	2C10	18	40-33	AR21737	2E1	2	40-76
AR11105	2D2	37	40-51	AR11300	2B8	27	40-3	AR21739	2D21	21	40-71
AR111058	2F6	20	40-105	AR11300	2B25	7	40-21	AR21739	2D23	22	40-73
AR11106	2D2	36	40-51	AR11300	2C24	1	40-48	AR21739	2D24	7	40-74
AR11107	2D1	2	40-50	AR11300	2C25	..	40-49	AR21739	2E1	7	40-76
AR11107	2D3	2	40-52	AR11300	2D2	..	40-51	AR21790	1D12	8	30-8
AR11108	2D1	24	40-50	AR11302	2B13	13	40-9	AR21790	1D13	8	30-9
AR11108	2D3	28	40-52	AR11302	2B15	20	40-11	AR21823	2B8	7	40-3
AR11109	2D1	11	40-50	AR11302	2C13	10	40-36	AR21823	2B9	8	40-4
AR11109	2D7	4	40-56	AR11302	2C17	..	40-41	AR21823	2B13	7	40-9
AR11109	2D7	7	40-56	AR11303	2B8	15	40-3	AR21823	2B14	9	40-10
AR11109	2D7	..	40-56	AR11303	2B10	21	40-5	AR21823	2E9	3	40-84
AR11111	2D3	19	40-52	AR11303	2C13	10	40-36	AR21823	2E10	2	40-85
AR11120	2D10	33	40-59	AR11303	2C15	..	40-39	AR21836	3B14	40	60-11
AR11120	2D12	35	40-61	AR11304	2B8	14	40-3	AR21836	4D18	28	90-64
AR11122	2D10	37	40-59	AR11304	2B10	20	40-5	AR21837	1C6	1	20-25
AR11122	2D12	40	40-61	AR11304	2C19	32	40-43	AR21837	1C21	4	20-40

NUMERICAL INDEX - CONTINUED

PART NO.	GRID	KEY	PAGE	PART NO.	GRID	KEY	PAGE	PART NO.	GRID	KEY	PAGE
AR21837	1D6	3	30-1	AR26356	1B10	14	20-5	AR26504	1E14	2	30-32
AR21837	1D9	3	30-5	AR26360	2G12	14	50-15	AR26505	1F7	15	30-50
AR21837	3F25	13	70-99	AR26360	2G12	15	50-15	AR26506	1F7	30	30-50
AR21837	4C4	7	90-24	AR26361	2G12	10	50-15	AR26508	1F10	8	30-53
AR21839	1C6	1	20-25	AR26368	3B15	18	60-12	AR26508	1F11	35	30-54
AR21839	1C18	12	20-37	AR26372	1E19	..	30-37	AR26516	1B9	4	20-4
AR21839	1F10	15	30-53	AR26375	2G14	28	50-17	AR26517	1C4	10	20-23
AR21839	3D5	20	70-25	AR26375	2I4	28	50-59	AR26523	3E6	21	70-52
AR21839	3D7	7	70-27	AR26389	1E20	22	30-38	AR26524	3E6	31	70-52
AR21839	3D9	1	70-29	AR26389	1F14	27	30-58	AR26525	1E14	1	30-32
AR21839	3D11	20	70-31	AR26390	1E20	7A	30-38	AR26528	2B8	6	40-3
AR21839	3D13	20	70-33	AR26390	1E20	7B	30-38	AR26528	4E2	42	90-73
AR21839	3D13	27	70-33	AR26402	3B8	52	60-5	AR26529	4D20	14	90-67
AR21839	3D15	2	70-35	AR26402	3B10	56	60-7	AR26530	4D20	20	90-67
AR21839	3D19	1	70-40	AR26403	4D22	10	90-69	AR26543	2C10	5	40-33
AR21839	3D19	6	70-40	AR26404	3D24	6	70-45	AR26544	2C10	5	40-33
AR21839	3F25	16	70-99	AR26407	3G23	3	70-123	AR26545	2C10	5	40-33
AR21839	4C15	3	90-35	AR26408	3D24	5	70-45	AR26546	3E6	3	70-52
AR21839	4D10	1	90-56	AR26414	3E1	18	70-47	AR26547	3E1	6	70-47
AR21839	4D11	4	90-57	AR26414	3E2	3	70-48	AR26554	3E13	33	70-59
AR21839	4D11	10	90-57	AR26416	1D12	13	30-8	AR26555	3E13	33	70-59
AR21840	1C8	1	20-27	AR26417	1D14	11	30-10	AR26556	3E11	8	70-57
AR21840	1D6	1	30-1	AR26417	1D14	14	30-10	AR26557	2B13	6	40-9
AR21840	1D9	1	30-5	AR26420	1F14	21	30-58	AR26557	4E2	42	90-73
AR21840	3B13	20	60-10	AR26421	1F14	11	30-58	AR26566	3J6	13	80-41
AR21840	3D5	13	70-25	AR26430	1B21	7	20-14	AR26568	4E3	8	90-74
AR21840	3D11	13	70-31	AR26431	1B21	7	20-14	AR26568	4E7	2	90-78
AR21840	3D13	13	70-33	AR26434	1D21	15	30-17	AR26570	2G8	6	50-11
AR21841	1D7	1	30-2	AR26434	1E10	16	30-27	AR26570	2G8	15	50-11
AR21841	1D9	12	30-5	AR26434	2B8	13	40-3	AR26571	2B10	28	40-5
AR21841	1D11	1	30-7	AR26434	2B10	19	40-5	AR26571	2B15	25	40-11
AR21856	2E5	9	40-80	AR26434	2B13	11	40-9	AR26571	2B25	15	40-21
AR21856	2E6	9	40-81	AR26434	2B15	18	40-11	AR26571	2C2	15	40-23
AR21856	2E7	1	40-82	AR26436	1F6	9	30-49	AR26571	2F3	1	40-102
AR21858	2E5	9	40-80	AR26437	1F12	3	30-55	AR26572	2B25	11	40-21
AR21858	2E6	9	40-81	AR26437	1F13	20	30-56	AR26572	2C2	11	40-23
AR21858	2E7	1	40-82	AR26437	1F13	21	30-56	AR26575	2B25	13	40-21
AR21860	4E9	1	90-80	AR26437	2B8	11	40-3	AR26575	2C2	13	40-23
AR21969	1B5	..	20-1	AR26437	2B10	17	40-5	AR26575	2C4	14	40-25
AR21969	1E15	..	30-33	AR26438	1B13	5	20-8	AR26584	2B25	19	40-21
AR21969	1E17	..	30-35	AR26444	1B10	5	20-5	AR26584	2C2	19	40-23
AR21969	3B14	..	60-11	AR26448	3B8	54	60-5	AR26584	2E3	1	40-78
AR21969	3D5	..	70-25	AR26448	3B10	54	60-7	AR26585	2B25	16	40-21
AR21969	3D11	..	70-31	AR26450	3E6	17	70-52	AR26585	2C2	16	40-23
AR21969	3D13	..	70-33	AR26462	3F6	8	70-77	AR26586	3B15	15	60-12
AR21999	1D6	8	30-1	AR26462	3F7	7	70-78	AR26595	4E4	10	90-75
AR21999	1D9	10	30-5	AR26462	3F9	7	70-81	AR26604	2F24	34	50-3
AR21999	1D9	12	30-5	AR26462	3F11	7	70-83	AR26616	3E11	16	70-57
AR21999	1D21	5	30-17	AR26465	1D21	14	30-17	AR26619	2B8	24	40-3
AR21999	1E10	5	30-27	AR26465	1E10	15	30-27	AR26619	2B10	31	40-5
AR21999	3D11	13	70-31	AR26469	3I20	3	80-30	AR26619	2B13	20	40-9
AR26314	1B7	1	20-2	AR26469	3I21	2	80-31	AR26621	2B13	23	40-9
AR26327	1B18	4	20-11	AR26477	3J6	37	80-41	AR26622	2B13	21	40-9
AR26328	1B20	4	20-13	AR26480	3I4	2	80-12	AR26623	1C18	9	20-37
AR26336	1B10	16	20-5	AR26480	3I9	1	80-18	AR26624	2C10	3	40-33
AR26337	1B10	16	20-5	AR26480	3I10	1	80-19	AR26625	3B6	5	60-3
AR26338	1F15	34	30-59	AR26481	2F24	30	50-3	AR26632	4D20	1	90-67
AR26338	2G19	6	50-22	AR26481	2G18	4	50-21	AR26635	1C11	9	20-30
AR26341	1E20	16	30-38	AR26482	2G18	7	50-21	AR26635	1E20	1	30-38
AR26341	1F14	18	30-58	AR26483	2G1	22	50-4	AR26635	1F10	5	30-53
AR26342	1F15	39	30-59	AR26485	2G1	14	50-4	AR26640	1D16	24	30-12
AR26347	1C4	15	20-23	AR26496	3B14	39	60-11	AR26640	1D18	16	30-14
AR26350	1C5	5	20-24	AR26499	1E14	8	30-32	AR26646	3C13	21	70-7
AR26350	1F20	1	30-64	AR26500	1E14	7	30-32	AR26647	1F6	15	30-49
AR26351	1B12	9	20-7	AR26501	1E14	6	30-32	AR26648	1F6	17	30-49
AR26353	1B12	20	20-7	AR26502	1E14	5	30-32	AR26649	1E10	7	30-27
AR26355	1B10	14	20-5	AR26503	1E14	4	30-32	AR26657	3F18	29	70-91

NUMERICAL INDEX - CONTINUED

PART NO.	GRID	KEY	PAGE	PART NO.	GRID	KEY	PAGE	PART NO.	GRID	KEY	PAGE
AR26660	1C4	9	20-23	AR26755	2D24	13	40-74	AR27062	3G23	4	70-123
AR26663	3D5	39	70-25	AR26756	2B10	29	40-5	AR27090	1D16	28	30-12
AR26670	1E15	24	30-33	AR26756	2B15	26	40-11	AR27090	1D17	18	30-13
AR26674	1D21	26	30-17	AR26756	2F3	6	40-102	AR27090	1D18	20	30-14
AR26674	1D22	12	30-18	AR26758	3C11	12	70-5	AR27093	3E18	13	70-65
AR26674	1E10	27	30-27	AR26763	2H19	8	50-50	AR27093	3E20	22	70-67
AR26674	1E11	12	30-28	AR26763	3B14	48	60-11	AR27093	3E24	28	70-71
AR26674	1E12	6	30-29	AR26763	3E5	26	70-51	AR27093	3F2	41	70-73
AR26677	3I22	16	80-32	AR26763	3E8	9	70-54	AR27139	1C20	3	20-39
AR26679	3B14	36	60-11	AR26763	3E9	9	70-55	AR27156	1D12	9	30-8
AR26688	2F23	18	50-2	AR26763	3F15	1	70-87	AR27158	1D13	9	30-9
AR26691	3E11	9	70-57	AR26763	3F18	33	70-91	AR27160	1D14	10	30-10
AR26693	3B14	22	60-11	AR26763	3F20	1	70-93	AR27232	1C4	15	20-23
AR26693	3D11	22	70-31	AR26763	3F22	3	70-96	AR27238	2C2	20	40-23
AR26696	1F6	20	30-49	AR26763	3F23	3	70-97	AR27238	4E2	38	90-73
AR26696	2B8	13	40-3	AR26763	3F24	4	70-98	AR27240	2C2	21	40-23
AR26696	2B10	19	40-5	AR26763	3F24	19	70-98	AR27253	3B14	40	60-11
AR26697	3F18	31	70-91	AR26763	3G12	28	70-112	AR27254	3B14	38	60-11
AR26697	3F18	..	70-91	AR26763	3G21	29	70-121	AR27288	3E18	16	70-65
AR26697	3F20	..	70-93	AR26765	3F24	3	70-98	AR27301	1F17	46	30-61
AR26697	3F21	3	70-94	AR26766	3F24	21	70-98	AR27314	3I6	30	80-15
AR26701	2G17	13	50-20	AR26767	3B8	15	60-5	AR27315	3I6	30	80-15
AR26701	2I7	14	50-62	AR26767	3B10	15	60-7	AR27316	3I6	30	80-15
AR26705	1C4	10	20-23	AR26767	3B14	43	60-11	AR27317	3I6	30	80-15
AR26707	2G15	3	50-18	AR26767	3F24	22	70-98	AR27350	3H23	16	80-6
AR26707	2I5	3	50-60	AR26769	3J6	21	80-41	AR27350	3H24	20	80-7
AR26708	1C16	14	20-35	AR26770	3J6	21	80-41	AR27351	3H23	6	80-6
AR26708	1F10	3	30-53	AR26771	3B13	18	60-10	AR27351	3H24	8	80-7
AR26709	1F10	4	30-53	AR26771	3B14	37	60-11	AR27351	3I1	17	80-9
AR26711	3E6	14	70-52	AR26771	3D17	8	70-38	AR27351	3I1	18	80-9
AR26712	3E7	36	70-53	AR26771	3D18	5	70-39	AR27359	2B25	12	40-21
AR26721	2B23	27	40-19	AR26773	3B8	16	60-5	AR27359	2C2	12	40-23
AR26721	2B23	28	40-19	AR26773	3B10	16	60-7	AR27359	2C3	6	40-24
AR26723	3D5	44	70-25	AR26773	3B14	44	60-11	AR27429	3H24	7	80-7
AR26723	3D11	45	70-31	AR26775	1F17	54	30-61	AR27429	3I1	18	80-9
AR26723	3D13	43	70-33	AR26775	1F19	40	30-63	AR27430	3I1	10	80-9
AR26723	3D22	4	70-43	AR26778	3D5	18	70-25	AR27434	3H22	4	80-5
AR26723	3E8	5	70-54	AR26780	3E8	7	70-54	AR27437	3G23	4	70-123
AR26725	3B6	21	60-3	AR26782	2G15	1	50-18	AR27437	3G23	8	70-123
AR26725	3B8	10	60-5	AR26782	2I5	1	50-60	AR27437	3G23	10	70-123
AR26725	3B10	10	60-7	AR26792	2E3	8	40-78	AR27446	2I23	16	50-80
AR26725	3B13	10	60-10	AR26793	2E3	4	40-78	AR27447	2G2	32	50-5
AR26725	3E5	27	70-51	AR26794	2E3	7	40-78	AR27536	3H22	4	80-5
AR26725	3E8	4	70-54	AR26811	1D13	13	30-9	AR27555	3H25	6	80-8
AR26725	3E9	4	70-55	AR26823	3I4	18	80-12	AR27558	1B17	3	20-10
AR26732	1F7	13	30-50	AR26846	3D21	8	70-42	AR27572	4C13	31	90-33
AR26744	3D2	7	70-21	AR26867	1F8	..	30-51	AR27581	3F11	36	70-83
AR26744	3D5	35	70-25	AR26904	1D6	12	30-1	AR27628	1B18	5	20-11
AR26744	3D11	34	70-31	AR26905	1D16	22	30-12	AR27628	1B20	11	20-13
AR26744	3D13	36	70-33	AR26905	1D18	14	30-14	AR27629	1B18	5	20-11
AR26745	3B14	48	60-11	AR26906	1D16	26	30-12	AR27629	1B20	11	20-13
AR26745	3D5	47	70-25	AR26906	1D17	16	30-13	AR27631	1C2	3	20-19
AR26746	2H8	3	50-38	AR26906	1D18	18	30-14	AR27632	1C2	3	20-19
AR26746	3B13	1	60-10	AR26929	1D13	3	30-9	AR27634	1C2	3	20-19
AR26746	3B20	56	60-19	AR26930	1D14	5	30-10	AR27636	1C2	3	20-19
AR26746	3B24	21	60-23	AR26930	1D14	6	30-10	AR27640	1B18	5	20-11
AR26746	3C2	21	60-25	AR26942	2G14	14	50-17	AR27640	1B20	11	20-13
AR26746	3D2	11	70-21	AR26944	3E13	29	70-59	AR27642	1B18	5	20-11
AR26746	3D5	57	70-25	AR26945	3E13	29	70-59	AR27642	1B20	11	20-13
AR26746	3D11	49	70-31	AR26967	1F6	30	30-49	AR27645	3E16	30	70-63
AR26746	3D13	47	70-33	AR26981	3B15	12	60-12	AR27646	3E16	30	70-63
AR26746	3D16	3	70-37	AR27031	3D24	..	70-45	AR27649	3E16	26	70-63
AR26746	3D17	6	70-38	AR27033	3F7	13	70-78	AR27650	3E16	26	70-63
AR26747	3D2	14	70-21	AR27047	3E18	1	70-65	AR27702	1B9	3	20-4
AR26747	3D5	38	70-25	AR27050	4E8	3	90-79	AR27703	1C3	4	20-20
AR26747	3D11	39	70-31	AR27051	4E8	3	90-79	AR27706	3B14	39	60-11
AR26747	3D13	37	70-33	AR27054	3I4	19	80-12	AR27720	2H7	26	50-37

NUMERICAL INDEX - CONTINUED

PART NO.	GRID	KEY	PAGE	PART NO.	GRID	KEY	PAGE	PART NO.	GRID	KEY	PAGE
AR27722	2G23	13A	50-26	AR28402	2B13	18	40-9	AR30288	3E16	28	70-63
AR27722	2H7	29A	50-37	AR28402	2C2	1	40-23	AR30297	3B6	33	60-3
AR27738	3E8	14	70-54	AR28402	4E2	36	90-73	AR30297	3B6	37	60-3
AR27738	3E9	14	70-55	AR28403	2B8	23	40-3	AR30317	4C12	15	90-32
AR27749	1F6	32	30-49	AR28403	2B10	32	40-5	AR30394	4E2	24	90-73
AR27749	1F12	4	30-55	AR28403	2B13	19	40-9	AR30435	1F8	33	30-51
AR27750	4E4	1	90-75	AR28403	2B15	31	40-11	AR30444	1E20	11	30-38
AR27750	4E6	1	90-77	AR28403	4E2	45	90-73	AR30444	1F14	13	30-58
AR27790	3E16	44	70-63	AR28418	2B25	20	40-21	AR30445	1F14	4	30-58
AR27808	1D14	9	30-10	AR28482	1C8	5	20-27	AR30449	1D6	7	30-1
AR27814	1F3	1	30-46	AR28483	1D21	2	30-17	AR30450	1E20	2	30-38
AR27814	1F4	1	30-47	AR28483	1E10	2	30-27	AR30468	3I20	1	80-30
AR27860	1D6	18	30-1	AR28487	3B17	2	60-15	AR30472	1F16	1	30-60
AR27864	1D7	10	30-2	AR28488	3B17	2	60-15	AR30472	1F19	1	30-63
AR27865	1D7	11	30-2	AR28545	3H22	12	80-5	AR30474	2I22	8	50-79
AR27866	1D7	12	30-2	AR28545	3H25	12	80-8	AR30475	1D23	..	30-19
AR27867	3F18	23	70-91	AR28552	2B23	14	40-19	AR30475	1D24	..	30-19A
AR27904	3I3	18	80-11	AR28556	1E21	4	30-39	AR30487	4E6	7	90-77
AR27925	3D5	26	70-25	AR28557	1E21	6	30-39	AR30516	4E15	..	90-86
AR27925	3D11	26	70-31	AR28558	1E22	4	30-40	AR30538	3H22	4	80-5
AR27927	3H22	4	80-5	AR28559	1E22	6	30-40	AR30547	1C22	5	20-41
AR27933	1C11	14	20-30	AR28588	2B23	28	40-19	AR30574	1D6	17	30-1
AR27940	1F3	6	30-46	AR28589	2B23	28	40-19	AR30575	1D7	9	30-2
AR27940	1F4	6	30-47	AR28604	1E19	36	30-37	AR30575	1D11	11	30-7
AR27944	2B8	1	40-3	AR28621	1F6	20	30-49	AR30589	3B8	8	60-5
AR27944	2B9	3	40-4	AR28646	1B17	3	20-10	AR30589	3B10	8	60-7
AR27944	2B13	1	40-9	AR28754	3H13	3	70-139	AR30590	3B8	8	60-5
AR27944	2B14	3	40-10	AR28755	3H13	3	70-139	AR30590	3B10	8	60-7
AR27944	2B23	17	40-19	AR28756	1F14	7	30-58	AR30685	3G14	12	70-114
AR27977	2B8	18	40-3	AR28817	3H22	12	80-5	AR30686	3H5	1	70-131
AR27977	2B10	15	40-5	AR28929	2B25	10	40-21	AR30690	3F21	13	70-94
AR27977	2B13	14	40-9	AR28929	2C2	10	40-23	AR30693	3D21	11	70-42
AR27977	2B15	16	40-11	AR28950	2B8	25	40-3	AR30693	3D22	7	70-43
AR27977	2B23	37	40-19	AR28950	2B10	30	40-5	AR30697	3D21	22	70-42
AR28040	1D14	11	30-10	AR28950	2B13	22	40-9	AR30697	3E5	22	70-51
AR28047	3J6	4	80-41	AR28950	2B15	27	40-11	AR30725	3D23	6	70-44
AR28048	3J6	6	80-41	AR28999	3G9	13	70-108	AR30726	3D23	6	70-44
AR28049	3J6	6	80-41	AR29615	2B23	10	40-19	AR30727	3D23	6	70-44
AR28050	3H22	12	80-5	AR30000	3G9	8	70-108	AR30733	3I2	1	80-10
AR28061	1D16	14	30-12	AR30000	3G11	27	70-111	AR30742	3B13	18	60-10
AR28062	1D16	7	30-12	AR30001	3G9	5	70-108	AR30742	3D16	6	70-37
AR28063	1D18	4	30-14	AR30001	3G11	24	70-111	AR30753	1D19	1	30-15
AR28073	1D13	10	30-9	AR30003	4E9	2	90-80	AR30762	3B4	15	60-1
AR28110	1C5	5	20-24	AR30005	1D19	1	30-15	AR30762	3B13	8	60-10
AR28134	3H20	4	80-3	AR30007	2C19	2	40-43	AR30762	3B24	15	60-23
AR28134	3H25	5	80-8	AR30007	2C21	2	40-45	AR30762	3C2	15	60-25
AR28141	3F11	16	70-83	AR30049	4E2	46	90-73	AR30784	3G23	1	70-123
AR28227	2B25	14	40-21	AR30094	3E5	30	70-51	AR30795	2G24	16	50-28
AR28227	2C2	14	40-23	AR30130	2F24	25	50-3	AR30795	2G24	17	50-28
AR28227	2D24	8	40-74	AR30154	3H20	16	80-3	AR30829	1F15	32	30-59
AR28242	3I7	6	80-16	AR30154	3H25	15	80-8	AR30855	3B19	7	60-18
AR28243	3I8	6	80-17	AR30155	2B13	12	40-9	AR30968	3H20	9	80-3
AR28247	3I6	2	80-15	AR30155	2B15	19	40-11	AR31016	3B20	33	60-19
AR28247	3I6	6	80-15	AR30155	2C21	9	40-45	AR31034	1B14	..	20-9
AR28249	3I6	6	80-15	AR30155	2C21	37	40-45	AR31124	3D16	8	70-37
AR28271	2G14	11	50-17	AR30155	2C21	..	40-45	AR31125	3D4	8	70-24
AR28271	2I3	11	50-58	AR30190	1D17	14	30-13	AR31125	3D10	8	70-30
AR28330	1D23	11	30-19	AR30210	3G2	38	70-101	AR31125	3D16	17	70-37
AR28330	1D24	8	30-19A	AR30210	3G4	39	70-103	AR31151	3D5	22	70-25
AR28330	1F1	11	30-44	AR30210	3G6	1	70-105	AR31152	3D19	6	70-40
AR28330	1F2	8	30-45	AR30210	3G8	34	70-107	AR31167	3F25	..	70-99
AR28339	4C13	1	90-33	AR30210	3G11	1	70-111	AR31169	3F25	1	70-99
AR28340	4C13	27	90-33	AR30210	3G12	1	70-112	AR31176	1D23	..	30-19
AR28341	4C13	15	90-33	AR30210	3G21	7	70-121	AR31176	1E10	26	30-27
AR28401	2B8	22	40-3	AR30210	3H12	7	70-138	AR31176	1F1	..	30-44
AR28401	2B25	1	40-21	AR30282	2B23	22	40-19	AR31272	3E6	6	70-52
AR28401	4E2	36	90-73	AR30288	3E13	31	70-59	AR31274	3E6	6	70-52

NUMERICAL INDEX - CONTINUED

PART NO.	GRID	KEY	PAGE	PART NO.	GRID	KEY	PAGE	PART NO.	GRID	KEY	PAGE
AR31485	3E14	16	70-60	AR31934	1C3	3	20-20	AR32243	3B17	7	60-15
AR31486	3E14	16	70-60	AR31939	4E5	1	90-76	AR32246	1B21	3	20-14
AR31512	3E8	3	70-54	AR31940	3B20	29	60-19	AR32247	1B21	3	20-14
AR31512	3E9	3	70-55	AR31945	3H11	15	70-137	AR32299	3B14	45	60-11
AR31531	3D2	9	70-21	AR31946	3B22	14	60-21	AR32307	3B14	22	60-11
AR31531	3D11	37	70-31	AR31977	4D20	28	90-67	AR32308	3B14	26	60-11
AR31547	3D19	6	70-40	AR31978	4C12	9	90-32	AR32309	3B14	34	60-11
AR31550	1E11	11	30-28	AR31979	4C12	1	90-32	AR32311	3F23	14	70-97
AR31551	1E10	30	30-27	AR31984	3E18	18	70-65	AR32312	3F23	15	70-97
AR31551	1E11	13	30-28	AR31985	3E18	18	70-65	AR32313	3F23	9	70-97
AR31551	1E12	7	30-29	AR31988	3B13	7	60-10	AR32314	3F23	10	70-97
AR31553	1E11	1	30-28	AR32101	2I19	10	50-76	AR32315	2I1	5	50-56
AR31553	1E12	1	30-29	AR32103	2H16	23	50-47	AR32315	4D24	11	90-71
AR31553	1E14	14	30-32	AR32103	2H17	23	50-48	AR32316	4D24	7	90-71
AR31553	1E16	19	30-34	AR32104	2H12	43	50-43	AR32319	4E2	46	90-73
AR31611	3F15	19	70-87	AR32105	2H12	25	50-43	AR32321	4E2	10	90-73
AR31611	3G11	20	70-111	AR32114	2G24	5	50-28	AR32322	4E2	10	90-73
AR31611	3G21	22	70-121	AR32114	2H2	12	50-32	AR32325	3D11	44	70-31
AR31649	2G12	26	50-15	AR32115	2H3	20	50-33	AR32326	3D11	40	70-31
AR31663	3F20	35	70-93	AR32115	2H5	39	50-35	AR32326	3D13	38	70-33
AR31669	3G2	5	70-101	AR32124	2H3	30	50-33	AR32328	3D11	19	70-31
AR31669	3G4	5	70-103	AR32127	2G24	11	50-28	AR32333	3I22	13	80-32
AR31669	3G6	28	70-105	AR32127	2H5	12	50-35	AR32334	3I23	27	80-33
AR31670	3G2	4	70-101	AR32128	2H7	23	50-37	AR32339	1B7	1	20-2
AR31670	3G4	4	70-103	AR32129	2G22	32	50-25	AR32344	3E9	10	70-55
AR31670	3G6	27	70-105	AR32130	2G22	4	50-25	AR32345	3E9	7	70-55
AR31671	3G2	15	70-101	AR32131	2G22	1	50-25	AR32396	2I2	23	50-57
AR31672	3G2	14	70-101	AR32136	2H2	1	50-32	AR32413	2B23	5	40-19
AR31673	3G2	18	70-101	AR32136	2H5	31	50-35	AR32421	1D6	10	30-1
AR31673	3G4	19	70-103	AR32137	2G22	28	50-25	AR32422	1D6	15	30-1
AR31673	3G6	22	70-105	AR32144	2I7	20	50-62	AR32423	1D6	15	30-1
AR31673	3G8	9	70-107	AR32149	2H19	9	50-50	AR32424	1D7	6	30-2
AR31674	3G2	16	70-101	AR32151	2G6	1	50-9	AR32439	2H10	11	50-41
AR31674	3G4	12	70-103	AR32153	2G17	19	50-20	AR32440	2G16	11	50-19
AR31674	3G4	17	70-103	AR32154	2H24	17	50-55	AR32440	2I6	11	50-61
AR31674	3G6	26	70-105	AR32154	2H24	20	50-55	AR32441	3B17	7	60-15
AR31674	3G6	31	70-105	AR32155	2H24	17	50-55	AR32442	2G2	33	50-5
AR31674	3G8	11	70-107	AR32155	2H24	18	50-55	AR32461	2G20	2	50-23
AR31678	3G4	16	70-103	AR32159	3D11	47	70-31	AR32461	2G25	27	50-29
AR31678	3G8	4	70-107	AR32159	3D13	45	70-33	AR32461	2H2	14	50-32
AR31679	3G4	15	70-103	AR32163	1C6	5	20-25	AR32461	2H5	19	50-35
AR31679	3G8	6	70-107	AR32167	1B7	1	20-2	AR32465	2H20	1	50-51
AR31684	1B11	2	20-6	AR32168	2G6	5	50-9	AR32465	2I9	13	50-64
AR31684	1C4	16	20-23	AR32172	1C10	12	20-29	AR32465	2I12	31	50-68
AR31684	1C4	..	20-23	AR32172	1C11	17	20-30	AR32466	3J6	35	80-41
AR31685	1C4	18	20-23	AR32176	2G10	3	50-13	AR32472	2G16	11	50-19
AR31685	1C4	19	20-23	AR32179	2G11	3	50-14	AR32472	2I6	11	50-61
AR31685	1C4	20	20-23	AR32180	2G11	5	50-14	AR32481	3I22	8	80-32
AR31703	3F18	19	70-91	AR32182	2G1	12	50-4	AR32481	3I23	24	80-33
AR31710	3C13	37	70-7	AR32185	2G20	18	50-23	AR32485	3B17	4	60-15
AR31744	1B20	9	20-13	AR32189	2G14	27	50-17	AR32487	3B24	24	60-23
AR31745	1B20	9	20-13	AR32194	1B18	10	20-11	AR32488	3B24	11	60-23
AR31754	3E5	7	70-51	AR32195	1B20	8	20-13	AR32494	3F4	14	70-75
AR31813	3F18	17	70-91	AR32199	1D21	22	30-17	AR32494	3F9	19	70-81
AR31814	2C12	8	40-35	AR32199	1E10	23	30-27	AR32497	3F9	15	70-81
AR31816	2C12	9	40-35	AR32217	1D21	12	30-17	AR32498	3F9	15	70-81
AR31820	3F20	12	70-93	AR32217	1E10	13	30-27	AR32499	3I23	20	80-33
AR31882	1C3	1	20-20	AR32218	1D21	14	30-17	AR32500	3I22	4	80-32
AR31886	1C4	..	20-23	AR32218	1E10	15	30-27	AR32501	3I23	32	80-33
AR31887	1C4	..	20-23	AR32219	1E10	35	30-27	AR32502	3I22	13	80-32
AR31894	1C10	10	20-29	AR32238	3B24	14	60-23	AR32503	3I22	12	80-32
AR31895	1C11	14	20-30	AR32238	3C2	14	60-25	AR32505	3D5	43	70-25
AR31896	1C10	2	20-29	AR32239	3B24	13	60-23	AR32506	3B14	45	60-11
AR31897	1C11	6	20-30	AR32239	3C2	13	60-25	AR32521	3J6	1	80-41
AR31904	2G10	9	50-13	AR32240	3C2	22	60-25	AR32522	3J6	1	80-41
AR31904	2G11	8	50-14	AR32241	3C2	27	60-25	AR32527	2F24	32	50-3
AR31906	2F23	5	50-2	AR32242	3C2	11	60-25	AR32527	2G18	2	50-21

NUMERICAL INDEX - CONTINUED

PART NO.	GRID	KEY	PAGE	PART NO.	GRID	KEY	PAGE	PART NO.	GRID	KEY	PAGE
AR32531	3E13	20	70-59	AR32829	4E3	5	90-74	AR34028	1E22	11	30-40
AR32531	3E14	10	70-60	AR32833	2B23	23	40-19	AR34029	1E14	12	30-32
AR32532	3E13	22	70-59	AR32852	2H8	13B	50-38	AR34029	1E21	11	30-39
AR32534	2I8	16	50-63	AR32852	3D11	41	70-31	AR34043	2H16	16	50-47
AR32538	3B14	34	60-11	AR32852	3D13	39A	70-33	AR34059	3G13	38	70-113
AR32564	1E15	23	30-33	AR32858	1F6	11	30-49	AR34060	2G19	12	50-22
AR32564	1E17	28	30-35	AR32904	3D22	6	70-43	AR34071	2I24	..	50-81
AR32564	1E19	..	30-37	AR32905	3D21	19	70-42	AR34098	3C8	4	70-1
AR32565	1B13	9	20-8	AR32921	1B14	12	20-9	AR34099	1D21	8	30-17
AR32572	3E10	4	70-56	AR32935	3D5	19	70-25	AR34099	1E10	9	30-27
AR32594	2G2	27	50-5	AR32935	3D11	22	70-31	AR34172	3B6	9	60-3
AR32596	4D24	7	90-71	AR32935	3D13	19	70-33	AR34177	3J10	16	80-45
AR32600	1F17	20	30-61	AR32995	2G14	15	50-17	AR34236	1C24	13	20-43
AR32600	1F19	20	30-63	AR33249	3C13	6	70-7	AR34237	1D2	13	20-45
AR32603	1F17	31	30-61	AR33334	2G12	3	50-15	AR34238	1B21	3	20-14
AR32606	3E8	10	70-54	AR33334	4D24	11	90-71	AR34239	1B21	3	20-14
AR32607	3D4	5	70-24	AR33458	2H7	20	50-37	AR34243	1E6	..	30-25
AR32607	3D10	5	70-30	AR33479	2B9	10	40-4	AR34244	1E3	1	30-22
AR32607	3D13	5	70-33	AR33479	2B15	11	40-11	AR34284	4E6	13	90-77
AR32608	3E5	20	70-51	AR33479	2B25	4	40-21	AR34293	1B10	13	20-5
AR32633	3I22	16	80-32	AR33479	2C2	4	40-23	AR34294	1B10	7	20-5
AR32637	1D21	30	30-17	AR33479	4E2	4	90-73	AR34295	3F21	13	70-94
AR32638	1D21	25	30-17	AR33813	1F3	15	30-46	AR34312	2I2	26	50-57
AR32638	1D23	..	30-19	AR33821	3C11	4	70-5	AR34313	2I2	28	50-57
AR32638	1F1	..	30-44	AR33877	3G13	37	70-113	AR34350	3D25	9	70-46
AR32641	2H18	1	50-49	AR33879	2B8	15	40-3	AR34356	1F17	11	30-61
AR32642	2H18	5	50-49	AR33879	2B10	21	40-5	AR34356	1F19	11	30-63
AR32650	3F24	11	70-98	AR33879	2C13	10	40-36	AR34368	1E15	..	30-33
AR32651	3F24	10	70-98	AR33879	2C15	..	40-39	AR34368	1E17	..	30-35
AR32652	3F22	15	70-96	AR33890	2H23	6	50-54	AR34379	1B14	..	20-9
AR32653	3F22	14	70-96	AR33911	3F6	25	70-77	AR34380	1B14	..	20-9
AR32654	3F24	17	70-98	AR33912	1D21	10	30-17	AR34381	1B14	..	20-9
AR32655	3F24	16	70-98	AR33912	1E10	11	30-27	AR34394	1B18	8	20-11
AR32656	3F22	10	70-96	AR33926	1E11	9	30-28	AR34397	3I23	29	80-33
AR32657	3F22	9	70-96	AR33931	1E14	12	30-32	AR34405	1B17	3	20-10
AR32665	3G4	14	70-103	AR33931	1E23	6	30-41	AR34410	1E14	6	30-32
AR32665	3G8	2	70-107	AR33931	1E23	11	30-41	AR34411	1E14	5	30-32
AR32667	3G2	13	70-101	AR33935	2G12	16	50-15	AR34412	1E14	4	30-32
AR32667	3G9	6	70-108	AR33948	3E17	23	70-64	AR34413	1E14	2	30-32
AR32667	3G11	25	70-111	AR33949	3E17	1	70-64	AR34415	1D23	..	30-19
AR32674	2H8	2	50-38	AR33950	3E17	27	70-64	AR34415	1E10	26	30-27
AR32677	3D11	22	70-31	AR33952	3E16	33	70-63	AR34415	1F1	..	30-44
AR32689	3J6	31	80-41	AR33954	3E16	39	70-63	AR34451	1C10	12	20-29
AR32690	3J6	31	80-41	AR33955	3E16	39	70-63	AR34451	1C11	17	20-30
AR32692	2G11	20	50-14	AR33962	2G6	1	50-9	AR34474	1B20	7	20-13
AR32694	1C6	7	20-25	AR33962	2I9	12	50-64	AR34475	1E11	11	30-28
AR32695	1C6	11	20-25	AR33962	2I12	30	50-68	AR34477	1F8	..	30-51
AR32696	1C6	24	20-25	AR33975	3B20	62	60-19	AR34556	2B8	4	40-3
AR32697	3I15	7	80-25	AR33976	3B20	63	60-19	AR34556	2B9	7	40-4
AR32700	3B6	16	60-3	AR33985	3D5	62	70-25	AR34556	2B13	4	40-9
AR32703	3I15	7	80-25	AR33985	3D11	55	70-31	AR34556	2B14	8	40-10
AR32713	2G17	9	50-20	AR33986	3D5	60	70-25	AR34556	4E2	23	90-73
AR32720	3J6	24	80-41	AR33987	3D11	53	70-31	AR34569	2I18	5	50-75
AR32731	1B11	2	20-6	AR33988	3B24	23	60-23	AR34590	2I21	18	50-78
AR32732	1B11	2	20-6	AR33988	3D5	55	70-25	AR34591	3B17	4	60-15
AR32732	1C4	16	20-23	AR33990	3B24	22	60-23	AR34602	3E17	9	70-64
AR32752	1D12	2	30-8	AR33994	1B18	8	20-11	AR34605	2I22	12	50-79
AR32761	4E2	10	90-73	AR33995	1B20	7	20-13	AR34613	3I20	10	80-30
AR32762	4E2	10	90-73	AR33998	2I7	9	50-62	AR34614	3I24	9	80-34
AR32765	4E3	4	90-74	AR34005	1D9	16	30-5	AR34660	4C12	27	90-32
AR32771	3B13	4	60-10	AR34006	3B8	18	60-5	AR34662	3D4	8	70-24
AR32812	2I1	9	50-56	AR34006	3B10	18	60-7	AR34662	3D10	8	70-30
AR32815	2I1	19	50-56	AR34011	4D24	14	90-71	AR34662	3D16	17	70-37
AR32818	4D24	33	90-71	AR34014	2G4	7	50-7	AR34663	2H23	11	50-54
AR32826	3F4	1A	70-75	AR34019	2F22	10	50-1	AR34682	1B13	5	20-8
AR32826	3F9	21	70-81	AR34020	2H10	7	50-41	AR34682	1B21	5	20-14
AR32827	2B23	23	40-19	AR34028	1E14	12	30-32	AR34684	3D21	1	70-42

NUMERICAL INDEX - CONTINUED

PART NO.	GRID	KEY	PAGE	PART NO.	GRID	KEY	PAGE	PART NO.	GRID	KEY	PAGE
AR34684	4B20	9	90 - 15	AR35213	2B15	28	40 - 11	AR38714	3C13	31	70 - 7
AR34684	4C1	13	90 - 21	AR35223	2B23	6	40 - 19	AR389R	2G10	8	50 - 13
AR34684	4C6	6	90 - 26	AR35223	3B10	19	60 - 7	AR389R	2G11	7	50 - 14
AR34684	4D1	13	90 - 47	AR35223	3B13	13	60 - 10	AR39505	2B10	35	40 - 5
AR34684	4E4	1	90 - 75	AR35261	3G23	4	70 - 123	AR39505	2B15	34	40 - 11
AR34684	4E6	1	90 - 77	AR35261	3G23	8	70 - 123	AR39505	4E2	42	90 - 73
AR34689	1B7	1	20 - 2	AR35270	4E7	1	90 - 78	AR39515	2G23	17	50 - 26
AR34696	2I16	5	50 - 73	AR35271	4E7	1	90 - 78	AR39519	1F3	15	30 - 46
AR34697	2I18	3	50 - 75	AR35345	3F9	36	70 - 81	AR39521	1B20	9	20 - 13
AR34698	2I18	6	50 - 75	AR35710	2I16	22	50 - 73	AR39528	3I15	7	80 - 25
AR34699	2I18	10	50 - 75	AR35710	2I18	9	50 - 75	AR39529	3I15	7	80 - 25
AR34700	1D6	17	30 - 1	AR35712	2H23	18	50 - 54	AR39539	1D11	9	30 - 7
AR34705	2I12	12	50 - 68	AR35712	3D11	46	70 - 31	AR39541	1D7	3	30 - 2
AR34706	1E16	9	30 - 34	AR35712	3D13	44	70 - 33	AR39541	1D11	6	30 - 7
AR34707	1E16	8	30 - 34	AR35782	2C4	18	40 - 25	AR39562	3D11	44	70 - 31
AR34708	1E16	6	30 - 34	AR35782	2C5	10	40 - 26	AR39562	3D13	42	70 - 33
AR34709	1E16	5	30 - 34	AR35782	2C6	13	40 - 28	AR39585	3B12	34	60 - 9
AR34710	1E16	3	30 - 34	AR35782	2D21	18	40 - 71	AR39587	1D21	10	30 - 17
AR34711	1E16	1	30 - 34	AR35782	2D22	17	40 - 72	AR39587	1E10	11	30 - 27
AR34717	2I18	16	50 - 75	AR35782	2E1	17	40 - 76	AR39595	1D21	2	30 - 17
AR34719	2I18	10	50 - 75	AR35823	3F18	35	70 - 91	AR39595	1E10	2	30 - 27
AR34725	3J8	4	80 - 43	AR35823	3F20	5	70 - 93	AR39598	1C9	2	20 - 28
AR34728	3J2	12	80 - 37	AR35993	2B25	4	40 - 21	AR39621	2G4	7	50 - 7
AR34729	3J2	12	80 - 37	AR35993	2C2	4	40 - 23	AR39625	2H10	7	50 - 41
AR34734	2H8	11	50 - 38	AR35993	4E2	4	90 - 73	AR39651	2I12	25	50 - 68
AR34755	2I19	10	50 - 76	AR36047	4D22	25	90 - 69	AR39652	2I16	33	50 - 73
AR34757	3F23	14	70 - 97	AR36048	4D20	18	90 - 67	AR39676	2I2	42	50 - 57
AR34757	3F23	15	70 - 97	AR36053	1E23	5	30 - 41	AR39678	3B24	13	60 - 23
AR34758	3F23	14	70 - 97	AR36158	3G23	4	70 - 123	AR39678	3C2	13	60 - 25
AR34758	3F23	15	70 - 97	AR36252	4E7	4	90 - 78	AR39679	2I18	21	50 - 75
AR34768	3E8	10	70 - 54	AR36253	4E7	4	90 - 78	AR39679	3B20	18	60 - 19
AR34769	3F22	14	70 - 96	AR36303	3G23	4	70 - 123	AR39681	3E13	22	70 - 59
AR34769	3F22	15	70 - 96	AR36303	3G23	8	70 - 123	AR39681	3E14	7	70 - 60
AR34770	3F22	14	70 - 96	AR36308	3H2	24	70 - 127	AR39682	4E10	5	90 - 81
AR34770	3F22	15	70 - 96	AR36383	2B23	18	40 - 19	AR39683	4E10	3	90 - 81
AR34781	3I22	16	80 - 32	AR36694	1C4	10	20 - 23	AR39694	3C9	1	70 - 3
AR34785	3I22	16	80 - 32	AR36694	1C4	15	20 - 23	AR39696	3C11	16	70 - 5
AR34807	1E16	4	30 - 34	AR36779	4E7	4	90 - 78	AR39710	3D5	59	70 - 25
AR34820	3I23	20	80 - 33	AR36780	4E7	4	90 - 78	AR39710	3D11	50	70 - 31
AR34821	3I22	4	80 - 32	AR36823	3F20	6	70 - 93	AR39710	3D13	48	70 - 33
AR34824	3B15	18	60 - 12	AR36905	1F2	..	30 - 45	AR39747	3F20	24	70 - 93
AR34825	3B15	15	60 - 12	AR37017	3F15	3	70 - 87	AR39763	3G11	32	70 - 111
AR34827	3G23	4	70 - 123	AR38451	4E4	10	90 - 75	AR39768	1B20	8	20 - 13
AR34829	3G23	4	70 - 123	AR38452	2C4	10	40 - 25	AR39769	1B18	9	20 - 11
AR34829	3G23	8	70 - 123	AR38453	2C4	9	40 - 25	AR39770	1B18	9	20 - 11
AR34838	3H2	37	70 - 127	AR38453	2C5	11	40 - 26	AR39771	1B18	9	20 - 11
AR34850	2H8	11	50 - 38	AR38453	2C6	4	40 - 28	AR39774	2I8	16	50 - 63
AR34855	1C10	10	20 - 29	AR38453	2C8	4	40 - 30	AR39777	3E5	30	70 - 51
AR34856	1C11	14	20 - 30	AR38453	2E3	13	40 - 78	AR39781	3E24	..	70 - 71
AR34865	1B7	1	20 - 2	AR38453	2E4	6	40 - 79	AR39783	3E24	25	70 - 71
AR34866	1B7	1	20 - 2	AR38454	2C6	5	40 - 28	AR39783	3F12	2	70 - 84
AR34879	1C18	3	20 - 37	AR38455	2C4	7	40 - 25	AR39784	3E24	1	70 - 71
AR34880	1C18	14	20 - 37	AR38455	2C5	13	40 - 26	AR39786	3E24	12	70 - 71
AR34881	1C18	15	20 - 37	AR38455	2C6	6	40 - 28	AR39798	1D9	17	30 - 5
AR34883	1F10	4	30 - 53	AR38455	2E3	15	40 - 78	AR39799	1D11	12	30 - 7
AR34886	4E2	46	90 - 73	AR38455	2E4	9	40 - 79	AR39811	1E16	16	30 - 34
AR34887	4E2	46	90 - 73	AR38456	2C4	11	40 - 25	AR39811	1E24	3	30 - 42
AR34901	2I12	10	50 - 68	AR38456	2C5	4	40 - 26	AR39824	2I18	6	50 - 75
AR34917	1B13	9	20 - 8	AR38456	2C6	9	40 - 28	AR39829	3C13	31	70 - 7
AR34927	4D24	14	90 - 71	AR38456	2C8	15	40 - 30	AR39831	1E1	7	30 - 20
AR34930	1E11	11	30 - 28	AR38456	2D20	15	40 - 70	AR39832	1E2	49	30 - 21
AR34960	2B23	8	40 - 19	AR38456	2D21	17	40 - 71	AR39833	1E2	62	30 - 21
AR34960	4E2	10	90 - 73	AR38456	2D22	16	40 - 72	AR39834	1E3	1	30 - 22
AR34961	4E2	10	90 - 73	AR38456	2D24	15	40 - 74	AR39858	3I6	21	80 - 15
AR34962	4E2	10	90 - 73	AR38456	2E1	15	40 - 76	AR39860	1B20	7	20 - 13
AR34985	2G22	1	50 - 25	AR38456	2E4	1	40 - 79	AR39901	3B20	46	60 - 19
AR35213	2B11	..	40 - 6	AR38456	4B16	7	90 - 11	AR39901	3B20	51	60 - 19

NUMERICAL INDEX - CONTINUED

PART NO.	GRID	KEY	PAGE	PART NO.	GRID	KEY	PAGE	PART NO.	GRID	KEY	PAGE
AR39901	3B20	52	60 - 19	AR40379	1F6	17	30 - 49	AR40616	1B18	9	20 - 11
AR39901	3B21	2	60 - 20	AR40386	1D14	6	30 - 10	AR40638	1B14	12	20 - 9
AR39902	2B23	23	40 - 19	AR40395	2D10	31	40 - 59	AR40656	1B14	12	20 - 9
AR39906	2B23	23	40 - 19	AR40395	2D12	32	40 - 61	AR40657	1B14	12	20 - 9
AR39936	4E8	3	90 - 79	AR40395	2D13	1	40 - 62	AR40667	2G20	18	50 - 23
AR39938	4E8	3	90 - 79	AR40395	2D13	9	40 - 62	AR40672	3I22	16	80 - 32
AR39997	1E14	12	30 - 32	AR40395	2D13	11	40 - 62	AR40679	1B10	14	20 - 5
AR39997	1E21	11	30 - 39	AR40395	2D13	..	40 - 62	AR40680	1B10	14	20 - 5
AR40024	3B17	4	60 - 15	AR40395	2D14	1	40 - 63	AR40698	1C10	4	20 - 29
AR40029	3D4	8	70 - 24	AR40395	2D14	..	40 - 63	AR40698	1C11	8	20 - 30
AR40029	3D10	8	70 - 30	AR40396	2D14	4	40 - 63	AR40698	1C12	5	20 - 31
AR40029	3D17	17	70 - 38	AR40397	2D14	9	40 - 63	AR40698	1C13	5	20 - 32
AR40029	3D18	19	70 - 39	AR40402	3F4	14	70 - 75	AR40698	1C14	4	20 - 33
AR40035	3B13	4	60 - 10	AR40402	3F9	19	70 - 81	AR40698	1C15	4	20 - 34
AR40035	3D17	7	70 - 38	AR40404	3B13	14	60 - 10	AR40710	2B10	28	40 - 5
AR40036	3D17	7	70 - 38	AR40404	3D18	12	70 - 39	AR40710	2B15	25	40 - 11
AR40039	3I20	10	80 - 30	AR40405	1E20	7A	30 - 38	AR40710	2B25	15	40 - 21
AR40130	3D17	22	70 - 38	AR40405	1E20	7B	30 - 38	AR40710	2C2	15	40 - 23
AR40130	3D18	19	70 - 39	AR40405	1E20	10	30 - 38	AR40710	2E5	17	40 - 80
AR40134	2B15	21	40 - 11	AR40407	1D24	12	30 - 19A	AR40710	2E6	17	40 - 81
AR40134	2C24	1	40 - 48	AR40407	1F2	12	30 - 45	AR40710	2F3	8	40 - 102
AR40134	2D8	..	40 - 57	AR40408	2B15	28	40 - 11	AR40711	2E4	11	40 - 79
AR40134	2D10	..	40 - 59	AR40409	2B15	29	40 - 11	AR40737	2I21	7	50 - 78
AR40134	2D12	47	40 - 61	AR40409	2B18	..	40 - 14	AR40737	2I21	10	50 - 78
AR40134	2D12	..	40 - 61	AR40419	2C22	14	40 - 46	AR40742	2I16	33	50 - 73
AR40145	1B20	7	20 - 13	AR40419	2C23	..	40 - 47	AR40744	3F20	12	70 - 93
AR40148	1C10	11	20 - 29	AR40421	2C22	16	40 - 46	AR40750	1B13	9	20 - 8
AR40149	1C10	11	20 - 29	AR40426	2C4	10	40 - 25	AR40791	2H21	20	50 - 52
AR40149	1C11	15	20 - 30	AR40426	2E4	5	40 - 79	AR40794	2H7	20	50 - 37
AR40155	1B18	10	20 - 11	AR40436	2C14	19	40 - 38	AR40802	2B23	22	40 - 19
AR40155	1B18	11	20 - 11	AR40436	2C14	20	40 - 38	AR40820	1E17	29	30 - 35
AR40155	1B18	12	20 - 11	AR40436	2C16	20	40 - 40	AR40824	3F18	35	70 - 91
AR40155	1B20	8	20 - 13	AR40436	2C16	21	40 - 40	AR40824	3F20	5	70 - 93
AR40155	1B20	10	20 - 13	AR40437	2B23	23	40 - 19	AR40824	3F20	6	70 - 93
AR40163	1B10	19	20 - 5	AR40445	3J2	12	80 - 37	AR40832	1C8	7	20 - 27
AR40170	2B8	14	40 - 3	AR40445	3J4	13	80 - 39	AR40865	3E24	24	70 - 71
AR40170	2B10	20	40 - 5	AR40446	3J2	12	80 - 37	AR40865	3F12	1	70 - 84
AR40170	2C19	7	40 - 43	AR40453	3B4	4	60 - 1	AR40904	1F10	4	30 - 53
AR40170	2C19	32	40 - 43	AR40465	3F15	10	70 - 87	AR40910	1C19	3	20 - 38
AR40174	2D15	1	40 - 64	AR40471	2C23	14	40 - 47	AR40917	2I2	26	50 - 57
AR40194	3E24	12	70 - 71	AR40472	2I18	21	50 - 75	AR40918	2G20	18	50 - 23
AR40209	3I23	20	80 - 33	AR40472	3B20	18	60 - 19	AR40921	1C10	10	20 - 29
AR40210	3I22	4	80 - 32	AR40474	2I18	16	50 - 75	AR40923	1C11	14	20 - 30
AR40217	2C14	14	40 - 38	AR40482	1D23	4	30 - 19	AR40929	2G23	13B	50 - 26
AR40217	2C16	14	40 - 40	AR40482	1D23	..	30 - 19	AR40929	2H7	29B	50 - 37
AR40218	1C4	10	20 - 23	AR40482	1D24	..	30 - 19A	AR40947	2E12	5	40 - 87
AR40230	2I16	5	50 - 73	AR40482	1F1	4	30 - 44	AR40975	3D24	6	70 - 45
AR40254	1B20	8	20 - 13	AR40482	1F2	..	30 - 45	AR40976	3D24	5	70 - 45
AR40258	1D21	25	30 - 17	AR40489	2C23	13	40 - 47	AR40977	3D24	2	70 - 45
AR40258	1D24	..	30 - 19A	AR40494	2I16	33	50 - 73	AR40986	2H12	25	50 - 43
AR40258	1F2	..	30 - 45	AR40496	4E6	7	90 - 77	AR40986	2H14	23	50 - 45
AR40259	1D24	..	30 - 19A	AR40507	2E3	12	40 - 78	AR40997	4E7	4	90 - 78
AR40259	1E10	26	30 - 27	AR40511	1B13	9	20 - 8	AR40998	4E7	4	90 - 78
AR40259	1F2	..	30 - 45	AR40518	2H16	19	50 - 47	AR41016	3B13	21	60 - 10
AR40303	3I22	16	80 - 32	AR40562	1B21	3	20 - 14	AR41016	3D5	14	70 - 25
AR40304	3I24	9	80 - 34	AR40563	1B21	3	20 - 14	AR41016	3D11	14	70 - 31
AR40339	3J6	1	80 - 41	AR40564	1B21	3	20 - 14	AR41016	3D13	14	70 - 33
AR40360	1D9	7	30 - 5	AR40565	1B21	3	20 - 14	AR41023	3F18	..	70 - 91
AR40360	1D11	3	30 - 7	AR40573	1D18	4	30 - 14	AR41023	3F20	..	70 - 93
AR40361	1D9	6	30 - 5	AR40574	1C24	13	20 - 43	AR41039	3F18	..	70 - 91
AR40361	1D11	4	30 - 7	AR40587	3G13	..	70 - 113	AR41039	3F20	..	70 - 93
AR40364	1D9	14	30 - 5	AR40592	3H24	7	80 - 7	AR41043	3F18	..	70 - 91
AR40365	1D6	7	30 - 1	AR40592	3I1	18	80 - 9	AR41043	3F20	..	70 - 93
AR40365	1D9	9	30 - 5	AR40604	2I18	32	50 - 75	AR41093	2F24	25	50 - 3
AR40366	1D9	14	30 - 5	AR40613	2B11	..	40 - 6	AR41094	2F24	25	50 - 3
AR40371	3J6	1	80 - 41	AR40614	2B11	..	40 - 6	AR41132	3D13	38	70 - 33
AR40378	1F6	15	30 - 49	AR40615	2B11	..	40 - 6	AR41165	3J6	1	80 - 41

NUMERICAL INDEX - CONTINUED

PART NO.	GRID	KEY	PAGE	PART NO.	GRID	KEY	PAGE	PART NO.	GRID	KEY	PAGE
AR41166	3J6	1	80-41	AR41821	4B23	14	90-18	AR42120	2D23	24	40-73
AR41175	4D24	7	90-71	AR41822	4B17	6	90-12	AR42121	2C6	2	40-28
AR41182	2I2	30	50-57	AR41823	4B17	16	90-12	AR42121	2C8	3	40-30
AR41207	2I1	5	50-56	AR41824	4B19	17	90-14	AR42121	2D20	29	40-70
AR41207	4D24	11	90-71	AR41824	4B24	10	90-19	AR42121	2D23	24	40-73
AR41272	3I21	13	80-31	AR41825	4B19	17	90-14	AR42127	2F24	25	50-3
AR41284	2C4	12	40-25	AR41825	4B24	10	90-19	AR42128	2F24	25	50-3
AR41284	2C5	7	40-26	AR41826	4B19	3	90-14	AR42273	4C6	8	90-26
AR41284	2C6	7	40-28	AR41826	4B24	22	90-19	AR42274	4C6	5	90-26
AR41288	2B10	34	40-5	AR41827	4B19	5	90-14	AR42275	2B10	31	40-5
AR41288	2B15	33	40-11	AR41828	4B19	5	90-14	AR42286	3D5	59	70-25
AR41288	4E2	36	90-73	AR41828	4B24	20	90-19	AR42286	3D11	50	70-31
AR41563	1B20	7	20-13	AR41829	4B18	7	90-13	AR42286	3D13	48	70-33
AR41584	4E3	4	90-74	AR41830	4B18	3	90-13	AR42290	2I2	23	50-57
AR41596	4B16	3	90-11	AR41830	4B23	4	90-18	AR42292	2I2	21	50-57
AR41690	1B10	19	20-5	AR41831	4C2	12	90-22	AR42325	1C21	..	20-40
AR41691	1C10	3	20-29	AR41832	4C2	12	90-22	AR42326	1C21	13	20-40
AR41691	1C11	7	20-30	AR41835	4B20	13	90-15	AR42400	3B20	29	60-19
AR41691	1C12	4	20-31	AR41836	4B20	11	90-15	AR42431	2E14	3	40-89
AR41691	1C13	4	20-32	AR41837	4B21	3	90-16	AR42432	2E14	21	40-89
AR41691	1C14	3	20-33	AR41838	4B18	6	90-13	AR42533	2I8	13	50-63
AR41691	1C15	3	20-34	AR41839	4B18	5	90-13	AR42535	2I8	8	50-63
AR41691	1C16	7	20-35	AR41840	4B22	12	90-17	AR42535	2I8	..	50-63
AR41691	1C17	4	20-36	AR41841	4B22	9	90-17	AR42590	1C21	3	20-40
AR41708	1D19	1	30-15	AR41842	4B22	16	90-17	AR42591	2D20	2	40-70
AR41709	1D19	1	30-15	AR41844	4B25	10	90-20	AR42591	2D22	2	40-72
AR41720	3I15	7	80-25	AR41845	4B25	11	90-20	AR42594	3J8	4	80-43
AR41721	3D11	22	70-31	AR41846	4B23	6	90-18	AR42883	1C21	13	20-40
AR41721	3D13	15	70-33	AR41847	4B23	3	90-18	AR42991	1C21	13	20-40
AR41722	3D5	26	70-25	AR41850	4C3	4	90-23	AR43559	3B8	18	60-5
AR41722	3D11	26	70-31	AR41850	4C4	13	90-24	AR43559	3B10	18	60-7
AR41722	3D13	26	70-33	AR41850	4C10	4	90-30	AR43594	1B11	8	20-6
AR41724	3D13	22	70-33	AR41852	4C3	5	90-23	AR43795	3F15	9	70-87
AR41735	3F9	36	70-81	AR41852	4C10	5	90-30	AR43809	3B8	18	60-5
AR41742	3D13	..	70-33	AR41853	4C3	6	90-23	AR43809	3B10	18	60-7
AR41743	3E17	23	70-64	AR41853	4C10	6	90-30	AR44030	2H8	11	50-38
AR41747	2H19	13	50-50	AR41854	4C3	5	90-23	AR44043	3B13	14	60-10
AR41748	3D24	..	70-45	AR41854	4C10	5	90-30	AR44043	3D18	12	70-39
AR41749	2I7	20	50-62	AR41870	1B5	..	20-1	AR44049	1D6	5	30-1
AR41750	2G17	19	50-20	AR41885	2I4	36	50-59	AR44049	1D9	8	30-5
AR41753	2G16	2	50-19	AR41933	3E24	14	70-71	AR44053	1F9	17	30-52
AR41753	2I6	2	50-61	AR41942	2G2	29	50-5	AR44054	1F10	2	30-53
AR41754	2E17	8	40-92	AR41950	2E12	7	40-87	AR44077	1E12	21	30-29
AR41756	2E12	2	40-87	AR41950	2E14	8	40-89	AR44077	1F20	2	30-64
AR41756	2E14	2	40-89	AR41950	2E16	8	40-91	AR44189	3F4	1A	70-75
AR41756	2E16	2	40-91	AR41950	2E17	3	40-92	AR44189	3F9	21	70-81
AR41756	2E17	1	40-92	AR41951	2E12	6	40-87	AR44254	4E9	2	90-80
AR41758	2E12	1	40-87	AR41951	2E14	7	40-89	AR44255	4E9	1	90-80
AR41758	2E14	1	40-89	AR41951	2E16	7	40-91	AR44263	2G12	10	50-15
AR41758	2E16	1	40-91	AR41951	2E17	2	40-92	AR44270	2G12	16	50-15
AR41758	2E17	10	40-92	AR42009	3B4	3	60-1	AR44284	3D5	22	70-25
AR41758	2E20	..	40-95	AR42009	3B4	10	60-1	AR44284	3D7	13	70-27
AR41761	4B14	10	90-9	AR42009	3B6	17	60-3	AR44284	3D9	14	70-29
AR41761	4B15	13	90-10	AR42072	2I18	16	50-75	AR44284	3D11	22	70-31
AR41762	4B14	2	90-9	AR42072	2I18	21	50-75	AR44284	3D13	22	70-33
AR41774	3E17	1	70-64	AR42072	2I18	32	50-75	AR44284	3D13	..	70-33
AR41785	1B5	..	20-1	AR42072	2I18	..	50-75	AR44286	3D2	..	70-21
AR41797	4B17	9	90-12	AR42072	3B20	18	60-19	AR44286	3D11	22	70-31
AR41797	4B22	3	90-17	AR42119	2C6	1	40-28	AR44286	3D13	..	70-33
AR41798	4B17	5	90-12	AR42119	2C8	1	40-30	AR44286	3D13	..	70-33
AR41798	4B22	5	90-17	AR42119	2D20	2	40-70	AR44356	3D23	15	70-44
AR41799	4B17	23	90-12	AR42119	2D20	6	40-70	AR44361	1D9	7	30-5
AR41799	4B22	24	90-17	AR42119	2D22	2	40-72	AR44361	1D11	3	30-7
AR41819	4B19	8	90-14	AR42119	2D22	7	40-72	AR44362	4C4	5	90-24
AR41819	4B24	3	90-19	AR42120	2C7	22	40-29	AR44363	4C4	2	90-24
AR41820	4B19	8	90-14	AR42120	2C8	10	40-30	AR44366	4C4	20	90-24
AR41821	4B18	11	90-13	AR42120	2D20	29	40-70	AR44367	4C4	17	90-24

NUMERICAL INDEX - CONTINUED

PART NO.	GRID	KEY	PAGE	PART NO.	GRID	KEY	PAGE	PART NO.	GRID	KEY	PAGE
AR44368	4C4	21	90-24	AR44675	4C9	6	90-29	AR44995	2C8	12	40-30
AR44368	4C7	5	90-27	AR44676	4C9	16	90-29	AR44996	2C8	16	40-30
AR44369	4C4	17	90-24	AR44681	4C6	4	90-26	AR44997	2G8	6	50-11
AR44370	4C7	4	90-27	AR44682	4C6	19	90-26	AR44997	2G8	15	50-11
AR44371	4C7	1	90-27	AR44683	4C6	14	90-26	AR45002	4C23	4	90-44
AR44371	4C16	1	90-36	AR44684	4C9	11	90-29	AR45004	4C23	2	90-44
AR44378	1C10	10	20-29	AR44685	4C6	3	90-26	AR45005	4C24	6	90-45
AR44379	1C11	14	20-30	AR44686	4C6	21	90-26	AR45006	4C24	15	90-45
AR44382	1B14	11	20-9	AR44687	4C6	1	90-26	AR45013	2E14	4	40-89
AR44390	1C3	3	20-20	AR44707	4B15	2	90-10	AR45014	2E14	17	40-89
AR44402	1B6	1	20-1A	AR44707	4B15	5	90-10	AR45015	2E14	20	40-89
AR44455	3C2	11	60-25	AR44707	4E5	5	90-76	AR45024	4C25	16	90-46
AR44456	3B24	11	60-23	AR44708	4B15	2	90-10	AR45025	4C25	20	90-46
AR44462	2C7	25	40-29	AR44713	2G15	5	50-18	AR45026	4C25	21	90-46
AR44463	2C7	24	40-29	AR44713	2G15	7	50-18	AR45029	4C25	12	90-46
AR44527	1B8	8	20-3	AR44713	2I5	5	50-60	AR45030	4C25	1	90-46
AR44528	1B8	8	20-3	AR44713	2I5	7	50-60	AR45031	4C25	16	90-46
AR44551	2H21	7	50-52	AR44722	3I25	5	80-35	AR45032	4C25	20	90-46
AR44553	2H21	4	50-52	AR44723	3I25	5	80-35	AR45033	4C25	21	90-46
AR44553	2H21	5	50-52	AR44724	3J4	7	80-39	AR45035	1D15	1	30-11
AR44554	2H21	20	50-52	AR44725	3J4	6	80-39	AR45097	1E11	9	30-28
AR44605	4C15	18	90-35	AR44727	3I21	15	80-31	AR45097	1F20	2	30-64
AR44605	4D11	7	90-57	AR44728	3I21	16	80-31	AR45099	2C8	17	40-30
AR44606	4C15	18	90-35	AR44729	3J2	12	80-37	AR45099	2D20	16	40-70
AR44606	4D11	7	90-57	AR44729	3J4	13	80-39	AR45099	2D20	28	40-70
AR44608	4C15	7	90-35	AR44745	1F17	54	30-61	AR45111	2C8	5	40-30
AR44609	4C15	1	90-35	AR44745	1F19	40	30-63	AR45112	2C8	6	40-30
AR44610	4C15	12	90-35	AR44762	2C6	12	40-28	AR45162	1E1	9	30-20
AR44611	4C15	9	90-35	AR44763	4C11	10	90-31	AR45162	1E2	49	30-21
AR44612	4C15	10	90-35	AR44763	4D22	9	90-69	AR45166	2C8	12	40-30
AR44614	2I11	14	50-67	AR44765	3D24	6	70-45	AR45168	3H20	9	80-3
AR44614	2I12	10	50-68	AR44774	1D9	17	30-5	AR45207	3I21	13	80-31
AR44624	1C2	3	20-19	AR44775	1D9	19	30-5	AR45219	1C2	3	20-19
AR44625	1B23	1	20-16	AR44793	1B8	8	20-3	AR45220	1C2	3	20-19
AR44639	4C8	23	90-28	AR44840	1C9	2	20-28	AR45240	2G12	10	50-15
AR44640	4C8	25	90-28	AR44848	1F15	32	30-59	AR45255	2H24	10	50-55
AR44641	4C8	19	90-28	AR44864	2C12	8	40-35	AR45275	1D17	3	30-13
AR44642	4C8	17	90-28	AR44872	3D24	..	70-45	AR45297	1F14	4	30-58
AR44643	4C8	18	90-28	AR44883	3B4	4	60-1	AR45299	1F14	4	30-58
AR44644	4C8	9	90-28	AR44883	3B8	40	60-5	AR45303	1D6	7	30-1
AR44645	4C8	4	90-28	AR44883	3B10	41	60-7	AR45303	1D9	9	30-5
AR44646	4C14	2	90-34	AR44893	1F9	23	30-52	AR45330	1C10	10	20-29
AR44647	4C16	3	90-36	AR44894	1F9	6	30-52	AR45332	1C11	14	20-30
AR44649	2C6	10	40-28	AR44895	1F9	12	30-52	AR45340	1C16	14	20-35
AR44650	2C6	15	40-28	AR44921	1F9	22	30-52	AR45342	2G12	16	50-15
AR44651	2C6	3	40-28	AR44952	2B10	36	40-5	AR45345	3C9	1	70-3
AR44654	2C7	21	40-29	AR44952	2B15	35	40-11	AR45345	3C11	..	70-5
AR44656	2C6	18	40-28	AR44953	2B9	9	40-4	AR45369	4E3	5	90-74
AR44656	4C14	16	90-34	AR44953	2B14	10	40-10	AR45371	4E3	4	90-74
AR44656	4C16	6	90-36	AR44954	2B15	17	40-11	AR45381	2H7	20	50-37
AR44657	4C14	12	90-34	AR44962	4D11	7	90-57	AR45408	3H20	9	80-3
AR44657	4C15	2	90-35	AR44963	1C16	14	20-35	AR45438	2B23	10	40-19
AR44659	2C6	16	40-28	AR44964	1B21	11	20-14	AR45453	4E4	10	90-75
AR44659	4C16	5	90-36	AR44965	2C22	2	40-46	AR45460	3I15	7	80-25
AR44661	4C14	8	90-34	AR44967	4B6	8	90-1	AR45469	4C9	4	90-29
AR44662	4C14	6	90-34	AR44969	1C16	15	20-35	AR45473	4C6	13	90-26
AR44663	4C14	6	90-34	AR44971	4B6	15	90-1	AR45498	1B18	4	20-11
AR44664	4C14	10	90-34	AR44971	4B8	1	90-3	AR45529	1D21	22	30-17
AR44665	4C6	16	90-26	AR44977	1E16	16	30-34	AR45529	1D22	15	30-18
AR44666	4C6	13	90-26	AR44977	1E24	3	30-42	AR45529	1E10	23	30-27
AR44668	4C14	7	90-34	AR44987	4D11	12	90-57	AR45530	1B9	3	20-4
AR44670	2C7	19	40-29	AR44988	4D1	9	90-47	AR45534	3H10	26	70-136
AR44670	4C14	14	90-34	AR44989	2C8	17	40-30	AR45535	3H4	30	70-129
AR44671	4C14	7	90-34	AR44989	2D20	16	40-70	AR45536	3H2	24	70-127
AR44673	2C7	19	40-29	AR44992	4C24	..	90-45	AR45536	3H9	24	70-135
AR44673	4C14	14	90-34	AR44993	4C24	..	90-45	AR45543	3G25	26A	70-125
AR44674	4C9	6	90-29	AR44994	2C8	11	40-30	AR45544	3H7	39	70-133

NUMERICAL INDEX - CONTINUED

PART NO.	GRID	KEY	PAGE	PART NO.	GRID	KEY	PAGE	PART NO.	GRID	KEY	PAGE
AR45544	3H9	37	70 - 135	AR45853	4D9	9	90 - 55	AR46277	2C10	3	40 - 33
AR45545	3G25	26A	70 - 125	AR45853	4D16	15	90 - 62	AR46278	2C10	3	40 - 33
AR45545	3G25	26B	70 - 125	AR45853	4D16	16	90 - 62	AR46279	2C10	3	40 - 33
AR45545	3H2	37	70 - 127	AR45854	4D9	14	90 - 55	AR46280	2C10	3	40 - 33
AR45545	3H4	28	70 - 129	AR45856	4D5	5	90 - 51	AR46282	4E13	4	90 - 84
AR45627	3D7	6	70 - 27	AR45857	4D8	1	90 - 54	AR46323	1D17	11	30 - 13
AR45634	3B19	7	60 - 18	AR45858	4D8	3	90 - 54	AR46395	1B18	5	20 - 11
AR45670	1D9	5	30 - 5	AR45859	4D9	5	90 - 55	AR46395	1B20	11	20 - 13
AR45670	1D11	5	30 - 7	AR45859	4D16	7	90 - 62	AR46396	1B18	5	20 - 11
AR45677	3H20	4	80 - 3	AR45860	4D9	19	90 - 55	AR46396	1B20	11	20 - 13
AR45677	3H25	5	80 - 8	AR45860	4D16	24	90 - 62	AR46397	1B18	5	20 - 11
AR45678	1E12	24	30 - 29	AR45861	4D5	5	90 - 51	AR46397	1B20	11	20 - 13
AR45690	1D19	1	30 - 15	AR45862	4D12	11	90 - 58	AR46398	1B18	5	20 - 11
AR45694	2B8	18	40 - 3	AR45863	4D13	4	90 - 59	AR46398	1B20	11	20 - 13
AR45694	2B10	15	40 - 5	AR45864	4D14	2	90 - 60	AR46399	1B23	1	20 - 16
AR45694	2B13	14	40 - 9	AR45865	4D14	3	90 - 60	AR46400	1B23	1	20 - 16
AR45694	2B15	16	40 - 11	AR45866	4D14	6	90 - 60	AR46401	1B23	1	20 - 16
AR45718	4C24	17	90 - 45	AR45867	4D13	1	90 - 59	AR46402	1B23	1	20 - 16
AR45723	1B18	5	20 - 11	AR45868	4D15	5	90 - 61	AR46403	1C2	3	20 - 19
AR45723	1B20	11	20 - 13	AR45869	4D13	2	90 - 59	AR46404	1C2	3	20 - 19
AR45787	1B17	3	20 - 10	AR45870	4D15	9	90 - 61	AR46405	1C2	3	20 - 19
AR45810	4C17	8	90 - 38	AR45871	4D15	7	90 - 61	AR46406	1C2	3	20 - 19
AR45811	4C17	14	90 - 38	AR45873	4D18	13	90 - 64	AR46407	1C2	3	20 - 19
AR45812	4C17	3	90 - 38	AR45876	4D12	17	90 - 58	AR46411	4B16	6	90 - 11
AR45813	4C18	2	90 - 39	AR45877	4D12	4	90 - 58	AR46412	2H3	30	50 - 33
AR45814	4C18	3	90 - 39	AR45878	4D12	19	90 - 58	AR46434	1C8	7	20 - 27
AR45815	4C18	6	90 - 39	AR45879	4D17	5	90 - 63	AR46730	2E10	3	40 - 85
AR45816	4C18	10	90 - 39	AR45880	4D16	12	90 - 62	AR46828	3F12	3	70 - 84
AR45817	4C19	15	90 - 40	AR45881	4D16	19	90 - 62	AR46846	1E24	3	30 - 42
AR45818	4C20	21	90 - 41	AR45882	4D17	1	90 - 63	AR46983	2E12	18	40 - 87
AR45819	4C19	9	90 - 40	AR45883	4D16	5	90 - 62	AR46984	2E12	17	40 - 87
AR45820	4C20	22	90 - 41	AR45886	4D18	7	90 - 64	AR46984	2E16	21	40 - 91
AR45821	4C19	3	90 - 40	AR45887	4D18	1	90 - 64	AR46985	2E12	15	40 - 87
AR45822	4C20	8	90 - 41	AR45888	4D18	16	90 - 64	AR46986	2E12	3	40 - 87
AR45823	4C20	4	90 - 41	AR45889	4D18	14	90 - 64	AR46986	2E14	3	40 - 89
AR45824	4C20	5	90 - 41	AR45890	4D18	24	90 - 64	AR46986	2E16	4	40 - 91
AR45825	2C8	13	40 - 30	AR45923	2B15	28	40 - 11	AR46986	2E16	5	40 - 91
AR45826	2C8	18	40 - 30	AR45952	1B12	20	20 - 7	AR46986	2E20	13	40 - 95
AR45827	4D4	11	90 - 50	AR45953	1B12	18	20 - 7	AR46986	2E20	15	40 - 95
AR45828	4D4	9	90 - 50	AR45953	1B12	20	20 - 7	AR47074	1B7	1	20 - 2
AR45829	4D4	12	90 - 50	AR45964	1B18	9	20 - 11	AR47091	3J10	16	80 - 45
AR45830	4D4	4	90 - 50	AR45966	1B18	8	20 - 11	AR47097	1C4	9	20 - 23
AR45831	4D4	5	90 - 50	AR46064	2B8	17	40 - 3	AR47127	1B8	8	20 - 3
AR45832	4D5	4	90 - 51	AR46064	2B10	25	40 - 5	AR47170	3C11	16	70 - 5
AR45833	4D5	9	90 - 51	AR46064	2C10	17	40 - 33	AR47210	4B16	3	90 - 11
AR45834	4D5	6	90 - 51	AR46109	1E6	43	30 - 25	AR47236	4C14	7	90 - 34
AR45835	4D7	7	90 - 53	AR46109	1E6	45	30 - 25	AR47237	4C14	7	90 - 34
AR45836	4D7	5	90 - 53	AR46109	1E6	46	30 - 25	AR47289	3B6	16	60 - 3
AR45837	4D2	20	90 - 48	AR46115	2D19	1	40 - 69	AR47304	1D23	11	30 - 19
AR45838	4D2	16	90 - 48	AR46144	1E11	11	30 - 28	AR47304	1D24	8	30 - 19A
AR45839	4D9	13	90 - 55	AR46144	1E12	5	30 - 29	AR47304	1F1	11	30 - 44
AR45839	4D16	18	90 - 62	AR46145	1E11	11	30 - 28	AR47304	1F2	8	30 - 45
AR45840	4D2	15	90 - 48	AR46149	1D9	14	30 - 5	AR47331	3G21	21	70 - 121
AR45841	4D2	13	90 - 48	AR46150	1D9	14	30 - 5	AR47331	3H12	20	70 - 138
AR45842	4D2	10	90 - 48	AR46151	1D11	9	30 - 7	AR47373	2B10	33	40 - 5
AR45843	4D2	3	90 - 48	AR46176	1D11	9	30 - 7	AR47373	2B15	32	40 - 11
AR45844	4D2	4	90 - 48	AR46185	4B13	1	90 - 8	AR47373	4E2	28	90 - 73
AR45845	4D6	12	90 - 52	AR46186	4B13	2	90 - 8	AR47374	2B10	33	40 - 5
AR45846	4D7	4	90 - 53	AR46255	3J2	12	80 - 37	AR47374	2B15	32	40 - 11
AR45847	2C8	9	40 - 30	AR46256	3F12	12	70 - 84	AR47374	2E9	1	40 - 84
AR45849	4D9	11	90 - 55	AR46264	1B20	8	20 - 13	AR47374	2E10	1	40 - 85
AR45849	4D16	14	90 - 62	AR46265	1B20	7	20 - 13	AR47374	4E2	28	90 - 73
AR45850	4D4	1	90 - 50	AR46265	1B20	8	20 - 13	AR47374	4E2	29	90 - 73
AR45851	4D9	16	90 - 55	AR46271	2B23	35	40 - 19	AR47483	3D24	..	70 - 45
AR45851	4D16	25	90 - 62	AR46273	2C10	3	40 - 33	AR47486	3F15	5	70 - 87
AR45852	4D9	20	90 - 55	AR46275	2C10	3	40 - 33	AR47490	3F13	1	70 - 85
AR45852	4D16	20	90 - 62	AR46276	2C10	3	40 - 33	AR47567	3F12	11	70 - 84

NUMERICAL INDEX - CONTINUED

PART NO.	GRID	KEY	PAGE	PART NO.	GRID	KEY	PAGE	PART NO.	GRID	KEY	PAGE
AR47580	3C11	16	70-5	AR47843	4B8	1	90-3	AR49145	1B11	2	20-6
AR47603	3F15	11	70-87	AR47859	4E14	6	90-85	AR49145	1C4	16	20-23
AR47611	2H8	27	50-38	AR47947	2B8	16	40-3	AR49202	3E20	19	70-67
AR47621	1C24	13	20-43	AR47947	2B10	24	40-5	AR49206	3E20	14	70-67
AR47622	1D2	13	20-45	AR47947	2C10	8	40-33	AR49232	1C2	3	20-19
AR47643	3G2	38	70-101	AR47947	2C12	8	40-35	AR49233	1C2	3	20-19
AR47643	3G4	39	70-103	AR47947	2C12	..	40-35	AR49234	1C2	3	20-19
AR47643	3G6	1	70-105	AR48004	3I22	16	80-32	AR49236	1C2	3	20-19
AR47643	3G8	34	70-107	AR48021	2B23	23	40-19	AR49237	1C2	3	20-19
AR47643	3G11	1	70-111	AR48022	2B23	23	40-19	AR49238	1C2	3	20-19
AR47643	3G12	1	70-112	AR48040	2D20	27	40-70	AR49239	1C2	3	20-19
AR47643	3G21	7	70-121	AR48041	2D20	26	40-70	AR49240	1C2	3	20-19
AR47643	3H12	7	70-138	AR48041	2E8	22	40-83	AR49241	1C2	3	20-19
AR47660	2B13	15	40-9	AR48110	3E24	24	70-71	AR49242	1C2	3	20-19
AR47660	2B18	..	40-14	AR48110	3F2	34	70-73	AR49243	1B23	1	20-16
AR47660	2C2	6	40-23	AR48110	3F12	1	70-84	AR49244	1B23	1	20-16
AR47661	2B8	19	40-3	AR48111	3E24	25	70-71	AR49245	1B20	..	20-13
AR47661	2B16	..	40-12	AR48111	3F2	35	70-73	AR49245	1B23	1	20-16
AR47661	2B25	6	40-21	AR48111	3F12	2	70-84	AR49246	1B23	1	20-16
AR47662	2B15	17	40-11	AR48199	4B8	19	90-3	AR49247	1B23	1	20-16
AR47662	2B19	..	40-15	AR48200	4B8	17	90-3	AR49414	2F24	32	50-3
AR47663	2B10	16	40-5	AR48201	4B8	3	90-3	AR49414	2G18	2	50-21
AR47663	2B17	..	40-13	AR48233	3B13	4	60-10	AR49414	2G18	5	50-21
AR47666	2B21	19	40-17	AR48233	3B13	14	60-10	AR49427	3C8	4	70-1
AR47676	2B21	18	40-17	AR48233	3B14	..	60-11	AR49454	1C8	7	20-27
AR47685	2B10	36	40-5	AR48233	3D17	7	70-38	AR49457	2G12	26	50-15
AR47685	2B15	35	40-11	AR48233	3D18	12	70-39	AR49532	2H16	19	50-47
AR47685	2B17	..	40-13	AR48234	3B14	..	60-11	AR49535	3B8	8	60-5
AR47685	2B19	..	40-15	AR48234	3D17	7	70-38	AR49535	3B10	8	60-7
AR47685	2B21	1	40-17	AR48235	3B14	..	60-11	AR49536	3B8	8	60-5
AR47686	2B9	9	40-4	AR48235	3D17	7	70-38	AR49536	3B10	8	60-7
AR47686	2B14	10	40-10	AR48236	3B14	..	60-11	AR49578	3F14	1	70-86
AR47686	2B17	..	40-13	AR48236	3D17	7	70-38	AR49622	3F14	8	70-86
AR47686	2B19	..	40-15	AR48295	3G13	30	70-113	AR49640	1B14	12	20-9
AR47686	2B21	4	40-17	AR48589	2H22	8	50-53	AR49650	1B13	5	20-8
AR47695	2B18	..	40-14	AR48594	2C4	9	40-25	AR49650	1B21	5	20-14
AR47696	2B16	..	40-12	AR48594	2C5	11	40-26	AR49678	4D4	20	90-50
AR47697	2B19	..	40-15	AR48594	2C6	4	40-28	AR49679	4D4	18	90-50
AR47698	2B17	..	40-13	AR48594	2C8	4	40-30	AR49680	4D4	5	90-50
AR47701	2B21	5	40-17	AR48594	2E3	13	40-78	AR49709	2H23	6	50-54
AR47710	2B16	..	40-12	AR48594	2E4	6	40-79	AR49751	3D5	22	70-25
AR47710	2B17	..	40-13	AR48643	2B8	4	40-3	AR49751	3D7	6	70-27
AR47710	2B18	..	40-14	AR48643	2B9	7	40-4	AR49751	3D9	5	70-29
AR47710	2B19	..	40-15	AR48643	2B13	4	40-9	AR49769	1D21	25	30-17
AR47710	2B21	13	40-17	AR48643	2B14	8	40-10	AR49770	1E10	26	30-27
AR47711	2B21	9	40-17	AR48643	4E2	23	90-73	AR49797	2E22	1	40-97
AR47712	2B18	..	40-14	AR48680	2H19	13	50-50	AR49798	2E22	1	40-97
AR47712	2B19	..	40-15	AR48687	1B18	12	20-11	AR49803	4B10	2	90-5
AR47712	2B21	6	40-17	AR48689	2G23	10	50-26	AR49804	4B10	8	90-5
AR47713	2B18	..	40-14	AR48689	2G23	13B	50-26	AR49805	4B10	5	90-5
AR47713	2B19	..	40-15	AR48689	2H7	26	50-37	AR49806	4B10	17	90-5
AR47715	2B21	9	40-17	AR48689	2H7	29B	50-37	AR49808	4B9	17	90-4
AR47716	2B21	12	40-17	AR48717	2E12	5	40-87	AR49982	1C6	5	20-25
AR47718	2B21	16	40-17	AR48727	3I22	16	80-32	AR50040	1E13	4	30-30
AR47719	2B21	15	40-17	AR48728	1C3	1	20-20	AR50041	1E13	8	30-30
AR47802	3C9	1	70-3	AR48872	4E4	10	90-75	AR50139	1D21	30	30-17
AR47803	2H8	13B	50-38	AR48873	4E4	10	90-75	AR50139	1D22	6	30-18
AR47803	3D11	41	70-31	AR48898	2G24	16	50-28	AR50140	1D21	30	30-17
AR47803	3D13	39A	70-33	AR48940	1C2	3	20-19	AR50140	1D22	5	30-18
AR47825	3G23	8	70-123	AR48976	4E5	1	90-76	AR50141	1D21	30	30-17
AR47825	3G25	26A	70-125	AR49025	1C3	1	20-20	AR50141	1D22	2	30-18
AR47825	3G25	27	70-125	AR49036	2E10	7	40-85	AR50143	1D21	30	30-17
AR47825	3H2	1	70-127	AR49038	2E10	8	40-85	AR50143	1D22	1	30-18
AR47825	3H4	11	70-129	AR49051	1B20	8	20-13	AR50265	1E13	13	30-30
AR47825	3H7	41	70-133	AR49062	4E7	4	90-78	AR50271	2C10	3	40-33
AR47825	3H9	1	70-135	AR49063	4E7	4	90-78	AR50352	1B14	..	20-9
AR47843	4B6	15	90-1	AR49144	1B11	2	20-6	AR50354	1B14	12	20-9

NUMERICAL INDEX - CONTINUED

PART NO.	GRID	KEY	PAGE	PART NO.	GRID	KEY	PAGE	PART NO.	GRID	KEY	PAGE
AR50355	1B14	12	20-9	AR52335	2H22	12	50-53	AR54749	1B6	4	20-1A
AR50368	3F2	38	70-73	AR52392	2E24	4	40-99	AR54904	1B10	13	20-5
AR50372	3F2	22	70-73	AR52393	3J10	10	80-45	AR54905	1B10	7	20-5
AR50373	3F2	22	70-73	AR52393	3J10	16	80-45	AR55157	2H21	11	50-52
AR50374	3F2	15	70-73	AR52450	1E1	9	30-20	AR55179	3H22	12	80-5
AR50402	2B23	23	40-19	AR52450	1E6	..	30-25	AR55179	3H25	12	80-8
AR50403	2B23	23	40-19	AR52454	1E8	2	30-25B	AR55180	3H22	12	80-5
AR50406	2B23	23	40-19	AR52494	3C15	9	70-9	AR55186	3C11	4	70-5
AR50407	2B23	23	40-19	AR52498	3B19	7	60-18	AR55216	2I6	11	50-61
AR50592	3D5	22	70-25	AR52547	1B18	11	20-11	AR55222	1E12	5	30-29
AR50592	3D7	6	70-27	AR52549	1B18	11	20-11	AR55222	1E13	14	30-30
AR50592	3D9	12	70-29	AR52554	4C21	5	90-42	AR55423	2H16	19	50-47
AR50779	2E22	2	40-97	AR52555	4C21	4	90-42	AR55423	2H17	19	50-48
AR50780	2E22	2	40-97	AR52620	3G13	30	70-113	AR55616	1C14	7	20-33
AR50781	1E16	16	30-34	AR52623	3G13	38	70-113	AR55617	1C12	8	20-31
AR50781	1E25	3	30-43	AR52720	1E25	6	30-43	AR55618	1C15	7	20-34
AR50865	3H20	9	80-3	AR52728	2H17	12	50-48	AR55619	1C13	8	20-32
AR50926	2E24	14	40-99	AR52740	2H15	1	50-46	AR55620	1C17	8	20-36
AR50927	2E22	20	40-97	AR52740	2H17	11	50-48	AR55630	1B20	7	20-13
AR50927	2E24	20	40-99	AR52765	1F12	3	30-55	AR55630	1B20	8	20-13
AR50928	2E22	18	40-97	AR52765	1F13	14	30-56	AR55655	2G20	18	50-23
AR50929	2E24	19	40-99	AR52765	1F13	15	30-56	AR55660	2F24	25	50-3
AR50930	2E24	15	40-99	AR52765	1F13	16	30-56	AR55694	2B8	1	40-3
AR50931	2E24	23	40-99	AR52765	1F13	17	30-56	AR55694	2B9	3	40-4
AR50962	3H22	4	80-5	AR52765	1F13	20	30-56	AR55694	2B13	1	40-9
AR50963	3H22	4	80-5	AR52765	2B8	11	40-3	AR55694	2B14	3	40-10
AR50981	3H22	12	80-5	AR52765	2B10	17	40-5	AR55694	2B23	12	40-19
AR51190	2H1	7	50-30	AR52766	1F13	2	30-56	AR55694	2B23	16	40-19
AR51190	2H5	17	50-35	AR52766	1F13	3	30-56	AR55694	2B23	17	40-19
AR51192	2G22	32	50-25	AR52767	1F13	18	30-56	AR55694	2E22	24	40-97
AR51416	4B14	2	90-9	AR52785	3C11	25	70-5	AR55730	1D24	..	30-19A
AR51417	4B14	2	90-9	AR52928	2C22	16	40-46	AR55866	1C4	9	20-23
AR51452	4B16	3	90-11	AR52950	4D14	6	90-60	AR55888	2D21	22	40-71
AR51483	2E14	21	40-89	AR53037	2H12	3	50-43	AR55888	2D23	23	40-73
AR51483	2E16	22	40-91	AR53037	2H16	..	50-47	AR55888	2D24	8	40-74
AR51484	2E16	19	40-91	AR53102	1C4	16	20-23	AR55888	2E1	8	40-76
AR51584	3H23	16	80-6	AR53102	1C4	..	20-23	AR56014	3F11	36	70-83
AR51584	3H24	20	80-7	AR53103	1B14	..	20-9	AR56022	3E17	23	70-64
AR51732	3D4	8	70-24	AR53103	1C4	..	20-23	AR56023	3E17	1	70-64
AR51732	3D10	8	70-30	AR53107	1C4	9	20-23	AR56160	3C9	1	70-3
AR51732	3D16	8	70-37	AR53119	3D5	22	70-25	AR56160	3C11	..	70-5
AR51732	3D16	17	70-37	AR53119	3D9	19	70-29	AR56161	3C9	1	70-3
AR51732	3D18	19	70-39	AR53205	2H5	50	50-35	AR56161	3C11	..	70-5
AR51745	3C13	9	70-7	AR53207	2H15	1	50-46	AR56784	1D19	1	30-15
AR51799	1B20	7	20-13	AR53207	2H16	11	50-47	AR57094	2D1	22	40-50
AR51810	4C9	4	90-29	AR53213	2H2	12	50-32	AR57094	2D1	24	40-50
AR51867	3F2	6	70-73	AR53228	2H14	37	50-45	AR57094	2D3	26	40-52
AR51955	3E1	23	70-47	AR53301	3C11	12	70-5	AR57094	2D3	28	40-52
AR51955	3E2	6	70-48	AR53301	3C19	10	70-13	AR57094	2D5	26	40-54
AR51973	2E16	4	40-91	AR53309	1B14	..	20-9	AR57156	2E16	4	40-91
AR52016	3B15	23	60-12	AR53310	1B14	..	20-9	AR57157	2E12	5	40-87
AR52099	3C11	25	70-5	AR53326	1B14	12	20-9	AR58165	3B21	1	60-20
AR52159	1D23	11	30-19	AR53379	1B21	3	20-14	AR58172	1B21	11	20-14
AR52159	1D24	8	30-19A	AR53380	1B21	3	20-14	AR58182	1B21	11	20-14
AR52159	1D24	..	30-19A	AR53446	4B10	12	90-5	AR58349	3I18	..	80-28
AR52159	1E10	26	30-27	AR53623	1C24	13	20-43	AR58350	3I18	8	80-28
AR52159	1F1	11	30-44	AR53624	1B18	11	20-11	AR58351	3I18	8	80-28
AR52159	1F2	8	30-45	AR53624	1C24	35	20-43	AR58352	3I18	8	80-28
AR52159	1F2	..	30-45	AR53625	1D2	13	20-45	AR58357	3I17	12	80-27
AR52171	3C2	22	60-25	AR53626	1B20	8	20-13	AR58363	3I18	2	80-28
AR52216	2G16	11	50-19	AR53626	1D2	34	20-45	AR59140	1E12	5	30-29
AR52224	3C11	7	70-5	AR53840	2H24	18	50-55	AR59295	2B8	15	40-3
AR52224	3C19	7	70-13	AR53841	2H24	20	50-55	AR59295	2B10	21	40-5
AR52251	2H22	8	50-53	AR54473	3D15	3	70-35	AR59295	2C13	10	40-36
AR52254	3C13	37	70-7	AR54487	2G16	11	50-19	AR59295	2C15	..	40-39
AR52254	3C21	33	70-15	AR54487	2I6	11	50-61	AR59444	4D2	20	90-48
AR52260	2I23	16	50-80	AR54736	2I19	10	50-76	AR59444	4D9	13	90-55

NUMERICAL INDEX - CONTINUED

PART NO.	GRID	KEY	PAGE	PART NO.	GRID	KEY	PAGE	PART NO.	GRID	KEY	PAGE
AR59651	1F15	39	30-59	AR63254	4B10	7	90-5	AR69154	2G8	6	50-11
AR59663	2E18	2	40-93	AR63255	4B10	13	90-5	AR69154	2G8	15	50-11
AR59679	4C11	1	90-31	AR63943	2D5	2	40-54	AR69271	4D20	20	90-67
AR59679	4D22	1	90-69	AR63979	1B5	1	20-1	AR69289	1E16	16	30-34
AR59680	4C11	2	90-31	AR64120	1D21	25	30-17	AR69289	1E24	3	30-42
AR59680	4D22	2	90-69	AR64120	1D22	11	30-18	AR69289	1E25	3	30-43
AR60029	4D20	18	90-67	AR64120	1D24	..	30-19A	AR69315	3E16	26	70-63
AR60083	2E20	13	40-95	AR64120	1F2	..	30-45	AR69316	3E16	26	70-63
AR60084	2E20	12	40-95	AR64992	4D2	20	90-48	AR69317	3E13	31	70-59
AR60085	2B8	27	40-3	AR64992	4D9	13	90-55	AR69317	3E16	28	70-63
AR60085	2B10	22	40-5	AR65005	2F16	1	40-115	AR69444	3D3	1	70-23
AR60085	2B25	7	40-21	AR65006	2F16	2	40-115	AR69445	3D3	1	70-23
AR60085	2C24	1	40-48	AR65235	1C2	3	20-19	AR69835	3H22	4	80-5
AR60085	2C25	..	40-49	AR65236	1C2	3	20-19	AR69836	3H20	4	80-3
AR60085	2D4	..	40-53	AR65237	1C2	3	20-19	AR69836	3H25	5	80-8
AR60085	2D5	..	40-54	AR65238	1C2	3	20-19	AR69854	4D20	14	90-67
AR60085	2D6	..	40-55	AR65239	1C2	3	20-19	AR69980	2D16	4	40-65
AR60089	2E20	14	40-95	AR65240	1C2	3	20-19	AR69984	1C3	3	20-20
AR60372	3F12	5	70-84	AR65381	3E13	29	70-59	AR69988	3F12	16	70-84
AR60372	3F12	6	70-84	AR65382	3E13	29	70-59	AR70154	2I12	12	50-68
AR60937	4E2	19	90-73	AR65493	2G11	20	50-14	AR70645	1B18	10	20-11
AR61609	2H7	26	50-37	AR65881	3D17	14	70-38	AR70645	1B18	12	20-11
AR61656	3F9	36	70-81	AR65881	3D18	18	70-39	AR70645	1B20	10	20-13
AR61965	1E13	6	30-30	AR66749	3B17	4	60-15	AR70909	1B18	4	20-11
AR62149	3E11	19	70-57	AR67389	3H5	1	70-131	AR71285	4B10	17	90-5
AR62149	3E14	14	70-60	AR67467	1C4	1	20-23	AR71286	4B10	13	90-5
AR62151	3E13	21	70-59	AR67467	1C4	2	20-23	AR71287	4B10	8	90-5
AR62151	3E13	27	70-59	AR67467	1C4	15	20-23	AR71288	4B10	5	90-5
AR62151	3E14	6	70-60	AR67718	3C17	25	70-11	AR71288	4B10	8	90-5
AR62151	3E14	19	70-60	AR67783	3B4	3	60-1	AR71289	4B10	7	90-5
AR62151	3E16	35	70-63	AR67783	3B4	10	60-1	AR71289	4B10	8	90-5
AR62151	3E16	49	70-63	AR67783	3B6	17	60-3	AR71289	4B10	..	90-5
AR62151	3E17	17	70-64	AR67783	3B12	6	60-9	AR71290	4B10	12	90-5
AR62151	3E18	9	70-65	AR67783	3B12	28	60-9	AR71822	2H3	20	50-33
AR62151	3E20	17	70-67	AR67783	3B12	29	60-9	AR71822	2H5	39	50-35
AR62151	3F2	7	70-73	AR67855	2E21	9	40-96	AR71823	2H2	15	50-32
AR62151	3F6	27	70-77	AR67855	2F8	14	40-107	AR71824	2H2	5	50-32
AR62151	3F9	31	70-81	AR67880	3E13	22	70-59	AR71824	2H5	27	50-35
AR62151	3F9	43	70-81	AR67880	3E13	23	70-59	AR71902	3G23	10	70-123
AR62152	3E11	8	70-57	AR67880	3E14	7	70-60	AR71976	4D20	14	90-67
AR62293	4D3	8	90-49	AR67881	3E24	1	70-71	AR72010	1F9	22	30-52
AR62293	4D3	17	90-49	AR67881	3F2	6	70-73	AR72132	3I19	10	80-29
AR62294	4D3	1	90-49	AR68145	3H2	23	70-127	AR72290	2B23	8	40-19
AR62294	4D3	17	90-49	AR68145	3H2	24	70-127	AR723R	1E1	12	30-20
AR62295	4D3	2	90-49	AR68145	3H4	13	70-129	AR723R	1E6	20	30-25
AR62296	4D3	3	90-49	AR68145	3H9	24	70-135	AR723R	1F7	25	30-50
AR62322	1D15	1	30-11	AR68145	3H10	14	70-136	AR72373	3B17	4	60-15
AR62360	2E23	1	40-98	AR68146	3H2	24	70-127	AR72992	2G18	7	50-21
AR62377	1D15	1	30-11	AR68197	4E2	10	90-73	AR72998	1C1	2	20-18
AR62933	1C10	2	20-29	AR68198	2B23	8	40-19	AR732R	1F9	27	30-52
AR62933	1C10	4	20-29	AR68304	2D1	11	40-50	AR73271	1C1	2	20-18
AR62933	1C11	6	20-30	AR68304	2D3	11	40-52	AR73272	1C1	2	20-18
AR62933	1C11	8	20-30	AR68304	2D5	11	40-54	AR73273	1C1	2	20-18
AR62933	1C12	5	20-31	AR68304	2D7	1	40-56	AR73274	1C1	2	20-18
AR62933	1C13	5	20-32	AR68304	2D7	4	40-56	AR73275	1C1	1	20-18
AR62933	1C14	4	20-33	AR68304	2D7	7	40-56	AR73276	1C1	1	20-18
AR62933	1C15	4	20-34	AR68304	2D7	11	40-56	AR73311	2E18	1	40-93
AR62934	1C16	8	20-35	AR68304	2D7	..	40-56	AR73500	3D20	1	70-41
AR62965	2D5	19	40-54	AR68309	1C4	15	20-23	AR73579	2E10	7	40-85
AR62966	2D5	4	40-54	AR68361	2E12	4	40-87	AR73580	2E10	8	40-85
AR62967	2D5	22	40-54	AR68361	2E12	5	40-87	AR74079	2G11	20	50-14
AR63095	1B13	5	20-8	AR68361	2E16	4	40-91	AR74673	3E24	24	70-71
AR63095	1B21	5	20-14	AR68362	2E12	5	40-87	AR74673	3E24	25	70-71
AR63193	1B17	3	20-10	AR68363	2E20	13	40-95	AR74673	3F2	34	70-73
AR63218	1B5	1	20-1	AR68728	4D22	25	90-69	AR74673	3F12	1	70-84
AR63219	1B5	1	20-1	AR68801	3I19	15	80-29	AR74673	3F12	2	70-84
AR63222	1B5	1	20-1	AR69059	3J6	1	80-41	AR74749	2G10	5	50-13

NUMERICAL INDEX - CONTINUED

PART NO.	GRID	KEY	PAGE	PART NO.	GRID	KEY	PAGE	PART NO.	GRID	KEY	PAGE
AR74814	1B23	1	20-16	AR77755	1C1	2	20-18	AR86969	2E1	7	40-76
AR74815	1B23	1	20-16	AR77755	1C2	3	20-19	AR86981	1B20	4	20-13
AR74816	1B23	1	20-16	AR77756	1C1	2	20-18	AR86982	1B18	4	20-11
AR74817	1B23	1	20-16	AR77756	1C2	3	20-19	AR88040	2H7	20	50-37
AR74818	1B23	1	20-16	AR77757	1C1	2	20-18	AR88880	2D9	9B	40-58
AR75601	2G14	11	50-17	AR77757	1C2	3	20-19	AR88880	2D9	12	40-58
AR75601	2I3	11	50-58	AR77758	1C1	2	20-18	AR88880	2D11	12	40-60
AR75603	1F20	3	30-64	AR77758	1C2	3	20-19	AR88880	2D11	13A	40-60
AR75603	2G14	11	50-17	AR77815	2G9	11	50-12	AR88880	2D11	13B	40-60
AR75603	2I3	11	50-58	AR77817	2G9	4	50-12	AR89137	4E9	1	90-80
AR75694	2E21	10	40-96	AR77819	2G9	2	50-12	AR89137	4E9	2	90-80
AR75695	2E21	2	40-96	AR77820	2G9	10	50-12	AR89691	2B8	20	40-3
AR75696	2E21	8	40-96	AR77820	2G10	5	50-13	AR89691	2B10	27	40-5
AR75958	3G13	35	70-113	AR78338	3E1	18	70-47	AR89691	2B13	16	40-9
AR76704	1E14	15	30-32	AR78338	3E1	20	70-47	AR89691	2B15	24	40-11
AR76762	3C11	4	70-5	AR78438	4C4	11	90-24	AR89691	2F4	6	40-103
AR76762	3C19	4	70-13	AR78438	4C15	13	90-35	AR89691	2G10	18	50-13
AR77324	2D21	20	40-71	AR78483	3F18	19	70-91	AR89691	2H7	22	50-37
AR77324	2D23	21	40-73	AR78485	1D14	2	30-10	AR89691	2H23	10	50-54
AR77324	2D24	2	40-74	AR78485	1D14	6	30-10	AR89859	2H15	1	50-46
AR77324	2D24	8	40-74	AR78501	4B9	11	90-4	AR89865	2H12	43	50-43
AR77324	2E1	2	40-76	AR78825	2C8	17	40-30	AR89866	2H14	37	50-45
AR77325	2D21	20	40-71	AR78825	2D20	16	40-70	AR90082	3E13	31	70-59
AR77325	2D21	22	40-71	AR78825	2D20	27	40-70	AR90082	3E16	28	70-63
AR77325	2D23	21	40-73	AR78825	2D20	28	40-70	AR90378	3C13	30	70-7
AR77325	2D23	23	40-73	AR79582	2G14	14	50-17	AR90378	3C21	48	70-15
AR77325	2D24	2	40-74	AR79681	2H12	25	50-43	AR90577	3H15	5	70-141
AR77325	2D24	8	40-74	AR79681	2H14	23	50-45	AR90577	3H15	..	70-141
AR77325	2E1	2	40-76	AR79714	3D5	59	70-25	AR90578	3H15	5	70-141
AR77325	2E1	8	40-76	AR79714	3D5	60	70-25	AR90578	3H15	..	70-141
AR77326	2B25	14	40-21	AR79714	3D5	61	70-25	AR90579	3H15	6	70-141
AR77326	2C2	14	40-23	AR79714	3D5	62	70-25	AR90581	3H15	6	70-141
AR77326	2C3	5	40-24	AR79714	3D11	50	70-31	AR90583	3H15	6	70-141
AR77326	2C4	15	40-25	AR79714	3D11	53	70-31	AR90826	2D2	36	40-51
AR77326	2C5	5	40-26	AR79714	3D11	54	70-31	AR90826	2D2	37	40-51
AR77326	2C6	11	40-28	AR79714	3D11	55	70-31	AR90850	2G24	11	50-28
AR77326	2D21	20	40-71	AR79714	3D13	48	70-33	AR90850	2H1	2	50-30
AR77326	2D21	21	40-71	AR80564	1E6	..	30-25	AR90850	2H5	12	50-35
AR77326	2D21	22	40-71	AR81178	2E11	12	40-86	AR91607	2G24	17	50-28
AR77326	2D23	21	40-73	AR81179	2E11	8	40-86	AR91607	2H1	8	50-30
AR77326	2D23	22	40-73	AR81571	2H21	20	50-52	AR91607	2H2	12	50-32
AR77326	2D23	23	40-73	AR81651	4E7	4	90-78	AR91793	2F14	42	40-113
AR77326	2D24	2	40-74	AR82570	3G14	12	70-114	AR91941	4E2	9	90-73
AR77326	2D24	7	40-74	AR83396	3E11	8	70-57	AR92109	4B6	15	90-1
AR77326	2D24	8	40-74	AR83425	2F16	8	40-115	AR92109	4B8	1	90-3
AR77326	2E1	2	40-76	AR84006	4C4	19	90-24	AR92109	4B9	2	90-4
AR77326	2E1	7	40-76	AR84006	4C14	15	90-34	AR92425	3I18	2	80-28
AR77326	2E1	8	40-76	AR84006	4C16	4	90-36	AR92425	3I18	..	80-28
AR77343	4B6	15	90-1	AR84006	4C16	8	90-36	AR93094	2I11	2	50-67
AR77343	4B8	1	90-3	AR84048	1B20	8	20-13	AR937R	3F12	16	70-84
AR77343	4B9	2	90-4	AR84239	2D9	9A	40-58	AR93819	3G2	33	70-101
AR77747	1C1	1	20-18	AR84792	3E1	18	70-47	AR93819	3G2	36	70-101
AR77747	1C2	3	20-19	AR84792	3E1	20	70-47	AR93819	3G2	38	70-101
AR77748	1C1	2	20-18	AR84792	3E2	3	70-48	AR93819	3G4	34	70-103
AR77748	1C2	3	20-19	AR85323	2B8	20	40-3	AR93819	3G4	37	70-103
AR77749	1C1	2	20-18	AR85323	2B10	27	40-5	AR93819	3G4	39	70-103
AR77749	1C2	3	20-19	AR85323	2B13	16	40-9	AR93819	3G6	1	70-105
AR77750	1C1	2	20-18	AR85323	2B15	24	40-11	AR93819	3G6	3	70-105
AR77750	1C2	3	20-19	AR85323	2F4	6	40-103	AR93819	3G6	6	70-105
AR77751	1C1	2	20-18	AR85323	2G10	18	50-13	AR93819	3G8	29	70-107
AR77751	1C2	3	20-19	AR85323	2H7	22	50-37	AR93819	3G8	31	70-107
AR77752	1C1	2	20-18	AR85323	2H23	10	50-54	AR93819	3G8	34	70-107
AR77752	1C2	3	20-19	AR85578	2E11	8	40-86	AR93819	3G11	1	70-111
AR77753	1C1	1	20-18	AR86598	1D19	1	30-15	AR93819	3G11	3	70-111
AR77753	1C2	3	20-19	AR86969	2D21	21	40-71	AR93819	3G11	6	70-111
AR77754	1C1	2	20-18	AR86969	2D23	22	40-73	AR93819	3G12	1	70-112
AR77754	1C2	3	20-19	AR86969	2D24	7	40-74	AR93819	3G12	3	70-112

NUMERICAL INDEX - CONTINUED

PART NO.	GRID	KEY	PAGE	PART NO.	GRID	KEY	PAGE	PART NO.	GRID	KEY	PAGE
AR93819	3G12	6	70 - 112	AT10845	1F11	8	30 - 54	AT18674	1D11	14	30 - 7
AR93819	3G21	2	70 - 121	AT11339	2C19	6	40 - 43	AT19314	2H8	27	50 - 38
AR93819	3G21	5	70 - 121	AT11339	2C21	8	40 - 45	AT20911	1D21	2	30 - 17
AR93819	3G21	7	70 - 121	AT11684	3E14	1	70 - 60	AT20911	1D21	4	30 - 17
AR93819	3H12	2	70 - 138	AT11685	3E16	23	70 - 63	AT20911	1E10	2	30 - 27
AR93819	3H12	5	70 - 138	AT12031	1F11	36	30 - 54	AT20911	1E10	4	30 - 27
AR93819	3H12	7	70 - 138	AT12431	2I24	26	50 - 81	AT21632	2C19	9	40 - 43
AR93820	3G2	33	70 - 101	AT124396	2I24	4	50 - 81	AT21632	2C19	21	40 - 43
AR93820	3G2	36	70 - 101	AT12948	4E2	3	90 - 73	AT21632	2C21	12	40 - 45
AR93820	3G2	38	70 - 101	AT13140	4C12	28	90 - 32	AT21632	2C21	24	40 - 45
AR93820	3G4	34	70 - 103	AT13380	2B25	9	40 - 21	AT22070	4E11	7	90 - 82
AR93820	3G4	37	70 - 103	AT13380	2C2	9	40 - 23	AT22073	4E11	6	90 - 82
AR93820	3G4	39	70 - 103	AT13380	2C3	1	40 - 24	AT23188	2C14	7	40 - 38
AR93820	3G6	1	70 - 105	AT13380	2D25	19	40 - 75	AT23188	2C16	7	40 - 40
AR93820	3G6	3	70 - 105	AT13380	2E2	21	40 - 77	AT23188	2C23	22	40 - 47
AR93820	3G6	6	70 - 105	AT13381	2B9	1	40 - 4	AT23189	2C23	18	40 - 47
AR93820	3G8	29	70 - 107	AT13381	2B14	1	40 - 10	AT23467	2C4	11	40 - 25
AR93820	3G8	31	70 - 107	AT13381	2B25	8	40 - 21	AT23467	2C5	4	40 - 26
AR93820	3G8	34	70 - 107	AT13381	2C2	8	40 - 23	AT23467	2C6	9	40 - 28
AR93820	3G11	1	70 - 111	AT13381	2C3	2	40 - 24	AT23467	2C8	15	40 - 30
AR93820	3G11	3	70 - 111	AT13381	2C5	1	40 - 26	AT23467	2D20	15	40 - 70
AR93820	3G11	6	70 - 111	AT13381	2D21	7	40 - 71	AT23467	2D21	17	40 - 71
AR93820	3G12	1	70 - 112	AT13381	2D25	19	40 - 75	AT23467	2D22	16	40 - 72
AR93820	3G12	3	70 - 112	AT13381	2E2	21	40 - 77	AT23467	2D24	15	40 - 74
AR93820	3G12	6	70 - 112	AT13740	1B14	11	20 - 9	AT23467	2E1	15	40 - 76
AR93820	3G21	2	70 - 121	AT13740	1C8	15	20 - 27	AT23467	2E4	1	40 - 79
AR93820	3G21	5	70 - 121	AT13740	1D21	19	30 - 17	AT23467	4B16	7	90 - 11
AR93820	3G21	7	70 - 121	AT13740	1E10	20	30 - 27	AT24538	4E12	1	90 - 83
AR93820	3H12	2	70 - 138	AT141924	4E16	6	90 - 87	AT25266	1F5	6	30 - 48
AR93820	3H12	5	70 - 138	AT14321	1F9	10	30 - 52	AT27153	2B8	3	40 - 3
AR93820	3H12	7	70 - 138	AT14468	2C12	9	40 - 35	AT27153	2B23	35	40 - 19
AR93820	3H13	8	70 - 139	AT14699	2B8	2	40 - 3	AT32240	1D19	1	30 - 15
AR94130	4E2	20	90 - 73	AT14699	2B9	4	40 - 4	AT32331	3D5	44	70 - 25
AR94522	3G15	3	70 - 115	AT14699	2B13	2	40 - 9	AT32331	3D11	45	70 - 31
AR94522	3G17	21	70 - 117	AT14699	2B14	4	40 - 10	AT32331	3D13	43	70 - 33
AR94522	3H13	10	70 - 139	AT14699	2B23	13	40 - 19	AT32331	3D22	4	70 - 43
AR94761	2G5	7	50 - 8	AT14927	4E12	1	90 - 83	AT32331	3E8	5	70 - 54
AR94996	2H14	37	50 - 45	AT15138	2D3	19	40 - 52	AT32332	2H19	8	50 - 50
AR95767	2H15	1	50 - 46	AT15138	2D5	16	40 - 54	AT32332	3B14	48	60 - 11
AR96321	3C23	29	70 - 17	AT151388	2H19	30	50 - 50	AT32332	3E5	26	70 - 51
AR96613	3C11	25	70 - 5	AT15140	2D1	24	40 - 50	AT32332	3E8	9	70 - 54
AR96613	3C19	19	70 - 13	AT15140	2D3	28	40 - 52	AT32332	3E9	9	70 - 55
AR96625	3C21	6	70 - 15	AT15146	2D7	7	40 - 56	AT32332	3F15	1	70 - 87
AR98146	2H7	26	50 - 37	AT15147	2D1	8	40 - 50	AT32332	3F18	33	70 - 91
AR98201	3H13	2	70 - 139	AT15147	2D3	8	40 - 52	AT32332	3F20	1	70 - 93
AR98202	3H13	1	70 - 139	AT15147	2D5	9	40 - 54	AT32332	3F22	3	70 - 96
AR98254	2H15	1	50 - 46	AT15172	1D23	15	30 - 19	AT32332	3F23	3	70 - 97
AR98564	1C17	8	20 - 36	AT15172	1F1	15	30 - 44	AT32332	3F24	4	70 - 98
AR99412	2G11	20	50 - 14	AT16288	2B25	14	40 - 21	AT32332	3F24	19	70 - 98
AT10177	1F11	12	30 - 54	AT16288	2C2	14	40 - 23	AT32332	3G12	28	70 - 112
AT10177	1F11	13	30 - 54	AT16288	2C3	5	40 - 24	AT32332	3G21	29	70 - 121
AT10177	1F11	14	30 - 54	AT16288	2C4	15	40 - 25	AT32333	3B13	18	60 - 10
AT10177	1F11	15	30 - 54	AT16288	2C5	5	40 - 26	AT32333	3B14	37	60 - 11
AT10177	1F11	16	30 - 54	AT16288	2C6	11	40 - 28	AT32333	3D16	17	70 - 37
AT10177	1F11	17	30 - 54	AT16288	2D21	21	40 - 71	AT32333	3D17	8	70 - 38
AT10177	1F11	19	30 - 54	AT16288	2D21	22	40 - 71	AT32333	3D18	5	70 - 39
AT10557	1E6	5	30 - 25	AT16288	2D23	22	40 - 73	AT32334	3B8	16	60 - 5
AT10599	1F11	25	30 - 54	AT16288	2D23	23	40 - 73	AT32334	3B10	16	60 - 7
AT10635	1D23	13	30 - 19	AT16288	2D24	7	40 - 74	AT32334	3B14	44	60 - 11
AT10635	1D24	10	30 - 19A	AT16288	2D24	8	40 - 74	AT32335	2H8	3	50 - 38
AT10635	1F1	13	30 - 44	AT16288	2E1	7	40 - 76	AT32335	3B13	1	60 - 10
AT10635	1F2	10	30 - 45	AT16288	2E1	8	40 - 76	AT32335	3B20	56	60 - 19
AT10638	1D23	16	30 - 19	AT168165	4E16	6	90 - 87	AT32335	3B24	21	60 - 23
AT10638	1D24	13	30 - 19A	AT16887	2I24	4	50 - 81	AT32335	3C2	21	60 - 25
AT10638	1F1	16	30 - 44	AT170918	1D14	14	30 - 10	AT32335	3D2	11	70 - 21
AT10638	1F2	13	30 - 45	AT170947	1D12	13	30 - 8	AT32335	3D5	57	70 - 25
AT10845	1F11	6	30 - 54	AT18674	1D9	19	30 - 5	AT32335	3D11	49	70 - 31

NUMERICAL INDEX - CONTINUED

PART NO.	GRID	KEY	PAGE	PART NO.	GRID	KEY	PAGE	PART NO.	GRID	KEY	PAGE
AT32335	3D13	47	70-33	A120R	2H10	6	50-41	A3606R	3H4	17	70-129
AT32335	3D16	3	70-37	A1424R	3I2	13	80-10	A364R	2G17	22	50-20
AT32335	3D17	6	70-38	A147R	2C19	16	40-43	A364R	2I7	23	50-62
AT32337	3F15	3	70-87	A147R	2C21	19	40-45	A369R	2G2	46	50-5
AT33033	3C9	1	70-3	A147R	2I18	34	50-75	A369R	2H6	1	50-36
AT33033	3C11	..	70-5	A147R	3E8	11	70-54	A369R	3E17	22	70-64
AT33033	3D2	7	70-21	A147R	3E9	11	70-55	A369R	3F9	37	70-81
AT33363	1D11	12	30-7	A147R	3F4	4	70-75	A369R	4C13	12	90-33
AT344T	2G16	26	50-19	A147R	3F9	23	70-81	A369R	4D22	22	90-69
AT344T	2I6	26	50-61	A147R	4B8	10	90-3	A3750R	2I21	12	50-78
AT35120	3F15	3	70-87	A15146	3F6	26	70-77	A3815R	2G25	25	50-29
AT35121	3B6	21	60-3	A15532	3F15	13	70-87	A3815R	2H5	1	50-35
AT35121	3B8	10	60-5	A1555R	3I4	12	80-12	A3910R	2H23	26	50-54
AT35121	3B10	10	60-7	A1555R	3I9	12	80-18	A3917R	2G14	26	50-17
AT35121	3B13	10	60-10	A1556R	3I4	11	80-12	A3917R	3C13	33	70-7
AT35121	3C24	4	70-19	A1556R	3I9	11	80-18	A3917R	3G12	13	70-112
AT35121	3E5	27	70-51	A1556R	3I10	6	80-19	A3917R	3G14	4	70-114
AT35121	3E8	4	70-54	A15898	3G15	1	70-115	A3917R	4D18	8	90-64
AT35121	3E9	4	70-55	A15899	3G15	2	70-115	A3959R	2I23	..	50-80
AT39043	2B8	10	40-3	A1651R	2I8	17	50-63	A39716	2E8	1	40-83
AT39043	2B10	14	40-5	A2899R	2D21	6	40-71	A4064R	3I11	13	80-21
AT39043	2B13	10	40-9	A2899R	2D22	6	40-72	A4117R	3I6	15	80-15
AT39043	2B15	15	40-11	A2899R	2D24	6	40-74	A4118R	3I6	10	80-15
AT39043	2E9	8	40-84	A2899R	2D25	20	40-75	A4119R	3I6	11	80-15
AT39043	2E11	9	40-86	A2899R	2E1	6	40-76	A4125R	4D22	6	90-69
AT42311	3C8	6	70-1	A2899R	2E2	22	40-77	A4157R	2C10	11	40-33
AT44165	2B8	1	40-3	A3030R	1F6	2	30-49	A4159R	2C10	19	40-33
AT44165	2B9	3	40-4	A3031R	2C14	22	40-38	A4234R	3D21	20	70-42
AT44165	2B13	1	40-9	A3031R	2C16	23	40-40	A4322R	3G13	40	70-113
AT44165	2B14	3	40-10	A3098R	1B12	12	20-7	A4365R	1F7	17	30-50
AT44165	2B23	17	40-19	A3125R	1B8	14	20-3	A4365R	3B8	42	60-5
AT44165	2E22	23	40-97	A3125R	1D16	10	30-12	A4365R	3B10	43	60-7
AT48673	2B23	10	40-19	A3184R	3G13	41	70-113	A4365R	3B12	19	60-9
AT48673	2E22	26	40-97	A3184R	3H2	26	70-127	A4365R	3C13	3	70-7
AT48674	2B8	1	40-3	A3184R	3H9	26	70-135	A4365R	3C17	3	70-11
AT48674	2B9	3	40-4	A3190R	1E21	9	30-39	A4365R	3C17	12	70-11
AT48674	2B13	1	40-9	A3376R	2G12	6	50-15	A4365R	3C21	3	70-15
AT48674	2B14	3	40-10	A3411R	2B9	11	40-4	A4365R	3C23	2	70-17
AT48674	2B23	14	40-19	A3411R	2B15	12	40-11	A4365R	3E3	7	70-49
AT48674	2B23	17	40-19	A3411R	2B25	2	40-21	A4365R	3F20	16	70-93
AT514T	2D2	53	40-51	A3411R	2B25	12	40-21	A4365R	3F21	6	70-94
AT514T	2D4	55	40-53	A3411R	2C2	2	40-23	A4379R	3I11	1	80-21
AT514T	2D6	20	40-55	A3411R	2C2	12	40-23	A4380R	3I11	5	80-21
AT515T	2D2	39	40-51	A3411R	2C3	6	40-24	A4384R	3I11	3	80-21
AT516T	2D2	43	40-51	A3411R	4E2	5	90-73	A4388R	3I11	12	80-21
AT516T	2D4	45	40-53	A3474R	3I6	31	80-15	A4389R	3I11	13	80-21
AT516T	2D6	10	40-55	A3475R	3I6	29	80-15	A4580R	2G22	13	50-25
AT517T	2D2	56	40-51	A3476R	3I6	17	80-15	A4605R	2H19	2	50-50
AT54179	1D9	21	30-5	A3481R	3I6	28	80-15	A4624R	2G4	12	50-7
AT55441	2E8	25	40-83	A350R	3F12	18A	70-84	A4624R	2H10	12	50-41
AT62018	4E16	6	90-87	A3539R	2C10	7	40-33	A4646R	1D16	4	30-12
AT62019	4E16	4	90-87	A354R	1C6	17	20-25	A4655R	4E2	34	90-73
AT65316	4E2	33	90-73	A3581R	3E16	46	70-63	A4669R	3B24	7	60-23
AT66482	4D2	20	90-48	A3581R	3E17	5	70-64	A4669R	3C2	7	60-25
AT71088	2D16	7	40-65	A3581R	3G23	9	70-123	A4700R	4E2	41	90-73
AT71088	2D18	7	40-67	A3581R	3H2	2	70-127	A4722R	3G25	6	70-125
AT73678	1D9	5	30-5	A3581R	3H7	40	70-133	A4722R	3H2	7	70-127
AT73678	1D11	5	30-7	A3581R	3H9	2	70-135	A4722R	3H4	10	70-129
AT75387	4E16	4	90-87	A3606R	2I4	32	50-59	A4723R	3G25	5	70-125
AT81764	4E16	6	90-87	A3606R	3B4	1	60-1	A4723R	3H2	6	70-127
AT85153	2B8	20	40-3	A3606R	3B6	19	60-3	A4723R	3H4	9	70-129
AT85153	2F4	6	40-103	A3606R	3B12	8	60-9	A4723R	3H7	5	70-133
AT85153	2G10	18	50-13	A3606R	3B12	26	60-9	A4723R	3H9	6	70-135
AT85153	2H7	22	50-37	A3606R	3B20	44	60-19	A4723R	3H10	6	70-136
AT85153	2H23	10	50-54	A3606R	3B22	1	60-21	A4723R	3H11	9	70-137
AT85174	2B23	37	40-19	A3606R	3G25	37	70-125	A4728R	3D22	3	70-43
A120R	2G4	6	50-7	A3606R	3H2	21	70-127	A4728R	3G25	24	70-125

NUMERICAL INDEX - CONTINUED

PART NO.	GRID	KEY	PAGE	PART NO.	GRID	KEY	PAGE	PART NO.	GRID	KEY	PAGE
A4728R	3H2	9	70 - 127	A4996R	1F6	23	30 - 49	B11182	3E20	17	70 - 67
A4728R	3H4	7	70 - 129	A4997R	1F6	24	30 - 49	B11182	3F2	7	70 - 73
A4730R	2H10	17	50 - 41	A4997R	1F6	28	30 - 49	B11182	3F6	27	70 - 77
A4730R	3G13	32	70 - 113	A4998R	1F6	27	30 - 49	B11182	3F9	31	70 - 81
A4730R	3G14	9	70 - 114	A4999R	1F6	3	30 - 49	B11182	3F9	43	70 - 81
A4736R	3G25	19	70 - 125	A5141R	1F6	18	30 - 49	B1402R	2H19	21	50 - 50
A4736R	3H7	9	70 - 133	A5146R	3I4	9	80 - 12	B1569R	1D9	15	30 - 5
A4737R	3G25	17	70 - 125	A5146R	3I6	26	80 - 15	B161R	3J6	29	80 - 41
A4737R	3H7	11	70 - 133	A5146R	3I9	16	80 - 18	B1664R	2I2	47	50 - 57
A4738R	3G25	18	70 - 125	A5188R	2C10	3	40 - 33	B1664R	3E5	38	70 - 51
A4738R	3H7	10	70 - 133	A5192R	1F7	6	30 - 50	B1664R	3E5	39	70 - 51
A4739R	3G25	20	70 - 125	A5195R	1F7	16	30 - 50	B169R	2H21	12	50 - 52
A4739R	3H7	8	70 - 133	A5196R	1F7	12	30 - 50	B169R	3B6	6	60 - 3
A4741R	3G25	1	70 - 125	A5234R	3F11	32	70 - 83	B17682	1E1	10	30 - 20
A4742R	2G8	9	50 - 11	A5273R	2E5	20	40 - 80	B177R	3B20	61	60 - 19
A4742R	2G8	18	50 - 11	A5273R	2E6	20	40 - 81	B178R	2G22	20	50 - 25
A4742R	3G25	2	70 - 125	A5275R	2E3	17	40 - 78	B1828R	2B8	19	40 - 3
A4744R	4C13	7	90 - 33	A5275R	2E3	24	40 - 78	B1828R	2B9	9	40 - 4
A4744R	4D22	26	90 - 69	A5275R	2E5	2	40 - 80	B1828R	2B11	..	40 - 6
A4745R	3G25	11	70 - 125	A5275R	2E5	13	40 - 80	B1828R	2B13	15	40 - 9
A4745R	3H7	21	70 - 133	A5275R	2E6	2	40 - 81	B1828R	2B13	23	40 - 9
A4745R	3H11	4	70 - 137	A5275R	2E6	13	40 - 81	B1828R	2B14	10	40 - 10
A4746R	3G25	10	70 - 125	A5276R	2E3	17	40 - 78	B1828R	2B15	28	40 - 11
A4746R	3H7	22	70 - 133	A5276R	2E5	2	40 - 80	B1828R	2B25	6	40 - 21
A4747R	3G25	12	70 - 125	A5276R	2E6	2	40 - 81	B1828R	2C2	6	40 - 23
A4747R	3H7	20	70 - 133	A5278R	2E3	20	40 - 78	B190R	2G17	24	50 - 20
A4748R	3G25	13	70 - 125	A5278R	2E5	5	40 - 80	B190R	2I7	25	50 - 62
A4748R	3H7	19	70 - 133	A5278R	2E6	5	40 - 81	B1986R	2B25	11	40 - 21
A4806R	2G14	32	50 - 17	A5279R	2E3	21	40 - 78	B1986R	2C2	11	40 - 23
A4806R	2I4	26	50 - 59	A5279R	2E5	6	40 - 80	B1986R	2C4	12	40 - 25
A4808R	2G14	30	50 - 17	A5279R	2E6	6	40 - 81	B1986R	2C7	21	40 - 29
A4808R	2I4	27	50 - 59	A5297R	1F6	21	30 - 49	B1986R	2F3	4	40 - 102
A4816R	3B6	36	60 - 3	A5301R	3G25	31	70 - 125	B207R	2G10	17	50 - 13
A4816R	3B20	30	60 - 19	A5301R	3H7	35	70 - 133	B2342R	2I23	9	50 - 80
A4827R	1B17	6	20 - 10	A5302R	3G25	29	70 - 125	B2641R	1E20	9	30 - 38
A4827R	2G4	22	50 - 7	A5302R	3H7	38	70 - 133	B2641R	1F14	22	30 - 58
A4827R	2G10	16	50 - 13	A5304R	3H7	28	70 - 133	B2641R	3E13	28	70 - 59
A4827R	2G11	15	50 - 14	A5596R	2G16	24	50 - 19	B2641R	3E16	25	70 - 63
A4827R	2H10	27	50 - 41	A5596R	2I6	24	50 - 61	B2681R	3I7	14	80 - 16
A4827R	2I22	7	50 - 79	A5748R	3G2	20	70 - 101	B2683R	3I7	16	80 - 16
A4827R	2I24	10	50 - 81	A5748R	3G4	21	70 - 103	B2688R	3H21	12	80 - 4
A48331	2E8	3	40 - 83	A5748R	3G6	20	70 - 105	B2693R	3H22	9	80 - 5
A48332	2E8	23	40 - 83	A5748R	3G8	15	70 - 107	B2693R	3I2	14	80 - 10
A4847R	3C13	32	70 - 7	A5748R	3G21	26	70 - 121	B2694R	3H20	14	80 - 3
A4879R	2H16	17	50 - 47	A655R	1C4	12	20 - 23	B2694R	3H21	18	80 - 4
A4879R	3E5	25	70 - 51	A766R	1E2	30	30 - 21	B2694R	3H22	3	80 - 5
A4881R	1D21	20	30 - 17	A776R	2G4	13	50 - 7	B2698R	3I2	1	80 - 10
A4881R	1D22	16	30 - 18	A776R	2H10	18	50 - 41	B2700R	3H21	21	80 - 4
A4881R	1E10	21	30 - 27	A877R	3H20	8	80 - 3	B2762R	1C6	25	20 - 25
A4881R	2B25	12	40 - 21	A877R	3H21	17	80 - 4	B2762R	1C24	26	20 - 43
A4881R	2C2	12	40 - 23	A877R	3H22	6	80 - 5	B2762R	1D2	17	20 - 45
A4881R	2C3	6	40 - 24	A877R	3H25	7	80 - 8	B2762R	2E20	6	40 - 95
A4882R	3I11	9	80 - 21	A877R	3I2	9	80 - 10	B2762R	2G1	21	50 - 4
A4883R	2I2	34	50 - 57	A890R	3H22	10	80 - 5	B2762R	2H21	17	50 - 52
A4883R	3I11	6	80 - 21	A890R	3H25	14	80 - 8	B2762R	3B8	34	60 - 5
A4883R	3I12	6	80 - 22	A890R	3I2	15	80 - 10	B2762R	3B10	35	60 - 7
A4928R	1F6	10	30 - 49	BP12232	1F6	1	30 - 49	B2762R	3B12	17	60 - 9
A4928R	1F10	6	30 - 53	BP13615	2G17	16	50 - 20	B2762R	3D11	42	70 - 31
A4928R	1F10	7	30 - 53	BP13615	2I7	17	50 - 62	B2762R	3D13	40	70 - 33
A4928R	1F12	2	30 - 55	B11182	3E13	21	70 - 59	B2840R	3H21	16	80 - 4
A4929R	1F6	31	30 - 49	B11182	3E13	27	70 - 59	B2842R	3I2	21	80 - 10
A4930R	1F12	11	30 - 55	B11182	3E14	6	70 - 60	B3014R	3I11	1	80 - 21
A4931R	1F12	10	30 - 55	B11182	3E14	19	70 - 60	B3245R	3I2	4	80 - 10
A4932R	1F12	9	30 - 55	B11182	3E16	35	70 - 63	B3246R	3I2	4	80 - 10
A4961R	1F17	49	30 - 61	B11182	3E16	49	70 - 63	B3285R	2B23	29	40 - 19
A4993R	1F6	29	30 - 49	B11182	3E17	17	70 - 64	B3310R	2H19	31	50 - 50
A4995R	1F6	29	30 - 49	B11182	3E18	9	70 - 65	B3310R	3H23	18	80 - 6

NUMERICAL INDEX - CONTINUED

PART NO.	GRID	KEY	PAGE	PART NO.	GRID	KEY	PAGE	PART NO.	GRID	KEY	PAGE
B3310R	3H24	23	80-7	D2913R	3H10	15	70-136	F1682R	3F25	11	70-99
B3310R	3I1	2	80-9	D454R	1F3	5	30-46	F1743R	1B8	16	20-3
B3310R	3I2	5	80-10	D454R	1F4	5	30-47	F1743R	1B12	21	20-7
B3404R	1F7	7	30-50	D467R	3H22	5	80-5	F1743R	1B13	4	20-8
B350R	2I21	3	50-78	D467R	3H25	10	80-8	F1743R	1B13	7	20-8
B3586R	1C5	4	20-24	D467R	3I2	8	80-10	F1840R	3E5	14	70-51
B3586R	1C22	3	20-41	D635R	3I9	2	80-18	F1870R	2G16	4	50-19
B3586R	1C24	15	20-43	D636R	3I9	1	80-18	F1870R	2I6	4	50-61
B3586R	1D2	21	20-45	E10118	1E6	22	30-25	F1942R	1E15	22	30-33
B3595R	2H7	18	50-37	E10121	1E6	33	30-25	F1942R	1E17	27	30-35
B367R	1B10	15	20-5	E12379	2G2	36	50-5	F2030R	2G12	4	50-15
B3685R	3B15	20	60-12	E16050	2E22	16	40-97	F2030R	2I1	5	50-56
B3686R	3E3	4	70-49	E17421	2G10	4	50-13	F2030R	4D24	10	90-71
B3686R	3E24	13	70-71	E17421	2G10	9	50-13	F2084R	2B9	12	40-4
B3690R	3B6	2	60-3	E17421	2G11	4	50-14	F2084R	2B10	29	40-5
B427R	1B12	14	20-7	E17421	2G11	8	50-14	F2084R	2B15	13	40-11
B548R	3I7	9	80-16	E41563	2D22	17	40-72	F2084R	2B15	26	40-11
B551R	3I7	7	80-16	E49906	1E2	34	30-21	F2084R	2B25	3	40-21
B634R	3I11	12	80-21	E49906	1F7	23	30-50	F2084R	2C2	3	40-23
B89R	3I7	11	80-16	E50102	3C8	1	70-1	F2084R	2C8	11	40-30
B90R	3I7	10	80-16	E50102	3C8	11	70-1	F2084R	4E2	6	90-73
CH17453	2I8	4	50-63	E50102	3H23	13	80-6	F216R	2G17	24	50-20
C1067R	2G12	21	50-15	E50102	3H24	17	80-7	F216R	2I7	25	50-62
C1067R	2G23	15	50-26	E50102	4C12	2	90-32	F2206R	3E24	16	70-71
C1067R	2H6	12	50-36	E50102	4D20	4	90-67	F2206R	3F2	23	70-73
C1067R	2I1	13	50-56	E55662	1C5	1	20-24	F2208R	2H21	1	50-52
C1104R	2G1	5	50-4	E55662	1D16	21	30-12	F2208R	3E24	19	70-71
C1200R	3B8	27	60-5	E55662	1D16	25	30-12	F2208R	3F2	31	70-73
C1220R	2F22	14	50-1	E55662	1D17	15	30-13	F2222R	1F7	19	30-50
C1220R	2G19	16	50-22	E55662	1D18	13	30-14	F228R	2I23	10	50-80
C2175R	2E3	6	40-78	E55662	1D18	17	30-14	F2367R	2G17	4	50-20
C284R	2G12	22	50-15	E55662	1E14	18	30-32	F2367R	2G17	21	50-20
C284R	2H6	11	50-36	E55662	1E16	23	30-34	F2367R	2H19	28	50-50
C838R	3I2	17	80-10	E55662	1F7	3	30-50	F2367R	2I7	4	50-62
C840R	3I2	16	80-10	E55662	2C13	1	40-36	F2367R	2I7	22	50-62
C985R	3I2	20	80-10	E55662	2C22	1	40-46	F2370R	2G25	23	50-29
C985R	4D24	24	90-71	F1000R	2I22	13	50-79	F2370R	2H5	4	50-35
DA4560A	3E16	43	70-63	F1008R	3I3	9	80-11	F2411R	1C8	13	20-27
DA5883A	3E11	19	70-57	F1011R	3I3	1	80-11	F2632R	2C10	13	40-33
DA5883A	3E14	14	70-60	F1012R	3I3	15	80-11	F2663R	3H21	22	80-4
D1761R	3B17	3	60-15	F1024R	2I22	9	50-79	F2674R	3E1	19	70-47
D1761R	3B17	6	60-15	F1024R	3F11	20	70-83	F2674R	3E2	3	70-48
D2361R	2H23	27	50-54	F1056R	3B17	10	60-15	F2674R	3E2	4	70-48
D2361R	3G2	24	70-101	F1125R	1F13	2	30-56	F2680R	3E13	15	70-59
D2361R	3G2	34	70-101	F1126R	1F13	7	30-56	F2680R	3E13	..	70-59
D2361R	3G4	25	70-103	F1127R	1F13	6	30-56	F2680R	3E16	18	70-63
D2361R	3G4	35	70-103	F1129R	1F13	13	30-56	F2680R	3E16	..	70-63
D2361R	3G6	5	70-105	F1130R	1F13	21	30-56	F2681R	3E13	15	70-59
D2361R	3G6	15	70-105	F1373R	2H3	36	50-33	F2681R	3E13	..	70-59
D2361R	3G8	20	70-107	F1373R	2I8	3	50-63	F2681R	3E16	18	70-63
D2361R	3G8	30	70-107	F1427R	3H7	4	70-133	F2681R	3E16	..	70-63
D2361R	3G11	5	70-111	F1427R	3H9	7	70-135	F2681R	3E18	2	70-65
D2361R	3G11	16	70-111	F1427R	3H10	7	70-136	F2681R	3E20	1	70-67
D2361R	3G12	5	70-112	F1427R	3H11	10	70-137	F2681R	3E24	2	70-71
D2361R	3G12	18	70-112	F1430R	3H7	16	70-133	F2681R	3F2	8	70-73
D2361R	3G21	4	70-121	F1430R	3H9	9	70-135	F2682R	3E13	17	70-59
D2361R	3G21	16	70-121	F1430R	3H10	5	70-136	F2682R	3E14	12	70-60
D2361R	3H12	4	70-138	F1430R	3H11	12	70-137	F2682R	3E16	20	70-63
D2361R	3H12	16	70-138	F1441R	3G25	39	70-125	F2683R	3E13	17	70-59
D2420R	1B17	2	20-10	F1443R	2I22	12	50-79	F2683R	3E14	12	70-60
D2420R	1C5	10	20-24	F1463R	3E1	5	70-47	F2683R	3E16	20	70-63
D2425R	1B12	17	20-7	F1483R	2I23	4	50-80	F2683R	3E18	4	70-65
D2593R	3B17	3	60-15	F1484R	2I23	5	50-80	F2684R	3E13	34	70-59
D2865R	4D3	6	90-49	F1489R	2I23	..	50-80	F2684R	3E14	15	70-60
D2913R	3H2	25	70-127	F1549R	2F22	3	50-1	F2684R	3E16	31	70-63
D2913R	3H4	12	70-129	F1649R	1C21	13	20-40	F2685R	3E13	34	70-59
D2913R	3H9	25	70-135	F1682R	1F12	6	30-55	F2685R	3E14	15	70-60

NUMERICAL INDEX - CONTINUED

PART NO.	GRID	KEY	PAGE	PART NO.	GRID	KEY	PAGE	PART NO.	GRID	KEY	PAGE
F2685R	3E16	31	70-63	F3358R	2I22	5	50-79	H837R	3D19	10	70-40
F2741R	3E5	8	70-51	F3396R	2I1	2	50-56	H851R	2G4	2	50-7
F2762R	1F17	58	30-61	F3396R	4C12	17	90-32	H851R	2H10	2	50-41
F2783R	3I16	9	80-26	F3396R	4C13	17	90-33	H851R	3F15	12	70-87
F2820R	3E16	15	70-63	F3500R	1F13	18	30-56	H858R	2I16	8	50-73
F2821R	3E13	14	70-59	F3539R	3F6	6	70-77	H871R	2H16	4	50-47
F2821R	3E16	17	70-63	F3539R	3F7	5	70-78	H871R	2H17	4	50-48
F2822R	3E13	13	70-59	F3539R	3F9	5	70-81	H871R	2I8	7	50-63
F2822R	3E16	16	70-63	F3539R	3F11	5	70-83	H871R	3B6	35	60-3
F2823R	3E13	11	70-59	F3541R	3F6	4	70-77	H871R	3E5	15	70-51
F2823R	3E16	14	70-63	F3541R	3F7	3	70-78	H871R	3G15	10	70-115
F2824R	3E13	7	70-59	F3541R	3F9	3	70-81	H871R	3G17	11	70-117
F2824R	3E15	10	70-62	F3541R	3F11	3	70-83	H945R	3D2	1	70-21
F2827R	3E13	3	70-59	F3542R	3F6	5	70-77	H982R	3I2	19	80-10
F2827R	3E15	3	70-62	F3542R	3F7	4	70-78	H987R	2E22	19	40-97
F2846R	2H8	9	50-38	F3542R	3F9	4	70-81	H987R	4D9	15	90-55
F2847R	2H8	10	50-38	F3542R	3F11	4	70-83	H987R	4D12	12	90-58
F2861R	2I2	24	50-57	F534R	1B11	9	20-6	H987R	4D16	21	90-62
F2861R	3E18	5	70-65	F534R	3B6	37	60-3	JD10168	2F24	32	50-3
F2861R	3E24	5	70-71	F562R	3I3	13	80-11	JD10168	2G18	2	50-21
F2863R	4D20	7	90-67	F785R	2I23	14	50-80	JD10168	2G18	5	50-21
F2935R	2B25	8	40-21	F843R	3I9	5	80-18	JD10168	2G18	6	50-21
F2935R	2B25	9	40-21	F862R	3H21	7	80-4	JD10527	2I24	24	50-81
F2935R	2C2	8	40-23	F991R	2I21	13	50-78	JD1091	3I9	8	80-18
F2935R	2C2	9	40-23	F997R	2I23	2	50-80	JD126	2E5	24	40-80
F2935R	2C3	1	40-24	F998R	2I23	3	50-80	JD126	2E6	22	40-81
F2935R	2C3	2	40-24	F999R	2I22	14	50-79	JD126	2E8	10	40-83
F2949R	3E13	1	70-59	GWT48-9	1E6	22	30-25	JD126	2E22	10	40-97
F2949R	3E15	1	70-62	GWT8S8-8	1E6	33	30-25	JD1290	3I9	8	80-18
F304R	3F12	17A	70-84	H104855	2F12	9	40-111	JD1291	3I9	8	80-18
F304R	3F12	18B	70-84	H113924	4E3	7	90-74	JD1293	3I9	8	80-18
F3083R	1D21	3	30-17	H113924	4E6	6	90-77	JD1298	3I9	8	80-18
F3083R	1E10	3	30-27	H20923	1E6	64	30-25	JD1299	3I9	8	80-18
F3126R	3I7	3	80-16	H20925	1E6	55	30-25	JD16	3I4	6	80-12
F3127R	3I7	2	80-16	H20926	1E6	50	30-25	JD16	3I9	5	80-18
F3128R	2G4	21	50-7	H20927	1E6	40	30-25	JD16	3I9	9	80-18
F3128R	2H10	28	50-41	H20954	1E6	63	30-25	JD22	3I9	9	80-18
F3128R	2I22	6	50-79	H20985	1E6	16	30-25	JD27	3I12	12	80-22
F3171R	1C6	22	20-25	H21000	1E6	53	30-25	JD3019	3I12	10	80-22
F3171R	2H8	12	50-38	H21033	1E6	39	30-25	JD3019	3I12	12	80-22
F3171R	3C9	1	70-3	H21058	1E6	42	30-25	JD3039	3I9	8	80-18
F3171R	3C11	14	70-5	H23193	2D4	59	40-53	JD3210	3I9	8	80-18
F3171R	3C11	..	70-5	H23193	2D6	24	40-55	JD3211	3I9	8	80-18
F3171R	3C13	20	70-7	H23195	2D1	19	40-50	JD3222	3I12	10	80-22
F3171R	3C15	6	70-9	H23195	2D3	23	40-52	JD3222	3I12	12	80-22
F3171R	3C21	36	70-15	H23197	4C4	8	90-24	JD3223	3I12	10	80-22
F3171R	3D2	6	70-21	H23197	4D10	11	90-56	JD3223	3I12	11	80-22
F3171R	3D4	1	70-24	H246R	2G5	11	50-8	JD3223	3I12	12	80-22
F3171R	3D10	1	70-30	H26232	3I21	11	80-31	JD3224	3I12	10	80-22
F3171R	3D13	1	70-33	H27851	3H21	22	80-4	JD3224	3I12	11	80-22
F3171R	3D22	5	70-43	H294R	1C4	13	20-23	JD3224	3I12	12	80-22
F3171R	3E8	6	70-54	H294R	1C6	18	20-25	JD3227	3I9	8	80-18
F3171R	3E9	6	70-55	H343R	2H12	30	50-43	JD5234	3J10	5	80-45
F3171R	3F14	4	70-86	H343R	2H14	28	50-45	JD5272	4E11	8	90-82
F3171R	3F15	22	70-87	H61993	4C17	11	90-38	JD5403	4E13	2	90-84
F3173R	2I12	27	50-68	H61993	4C18	4	90-39	JD5403	4E14	3	90-85
F3173R	3D23	13	70-44	H61993	4C18	5	90-39	JD5602	4E11	8	90-82
F3195R	3F11	31	70-83	H631R	2G5	3	50-8	JD7145	2G25	24	50-29
F3195R	3J8	1	80-43	H63858	1F13	14	30-56	JD7145	2H5	3	50-35
F3195R	4B21	2	90-16	H63952	4C17	4	90-38	JD7222	3I7	12	80-16
F3195R	4C1	9	90-21	H772R	3I7	5	80-16	JD7224	3I9	3	80-18
F3220R	3F14	5	70-86	H772R	3I8	5	80-17	JD7263	2G5	1	50-8
F3221R	2H24	4	50-55	H773R	3I7	8	80-16	JD7266	3I7	13	80-16
F3319R	3I6	18	80-15	H78354	4E9	2	90-80	JD7266	3I9	6	80-18
F3338R	4E10	2	90-81	H819R	2G14	5	50-17	JD7270	3I9	4	80-18
F3353R	1F10	11	30-53	H826R	1C4	3	20-23	JD7282	2H19	11	50-50
F3357R	2I22	3	50-79	H826R	4D24	9	90-71	JD7291	2G8	2	50-11

NUMERICAL INDEX - CONTINUED

PART NO.	GRID	KEY	PAGE	PART NO.	GRID	KEY	PAGE	PART NO.	GRID	KEY	PAGE
JD7418	2I24	6	50-81	JD8259	2I12	5	50-68	JD9355	1C13	7	20-32
JD7430	2G6	18	50-9	JD8264	2H20	3	50-51	JD9355	1C15	6	20-34
JD7438	2I24	19	50-81	JD8266	2G6	3	50-9	JD9390	2H3	37	50-33
JD7444	2I23	7	50-80	JD8268	2H19	19	50-50	JD9449	2C14	7	40-38
JD7445	3I4	5	80-12	JD8286	2I21	6	50-78	JD9449	2C16	7	40-40
JD7445	3I8	13	80-17	JD8286	2I21	10	50-78	JD9449	2C23	22	40-47
JD7445	3I9	4	80-18	JD8535	2C14	7	40-38	JD9449	2F24	26	50-3
JD7445	3I10	3	80-19	JD8535	2C16	7	40-40	JD9449	2G20	19	50-23
JD7446	2I21	6	50-78	JD8537	2G17	17	50-20	JD9812	2H21	15	50-52
JD7446	2I21	15	50-78	JD8537	2I7	18	50-62	JD9817	3B15	17	60-12
JD7448	2I23	12	50-80	JD8722	2G18	6	50-21	K3083R	1B14	15	20-9
JD7537	2G17	19	50-20	JD8724	2G17	20	50-20	K3083R	1E11	5	30-28
JD7537	2G17	20	50-20	JD8724	2I7	21	50-62	K3083R	1E12	3	30-29
JD7537	2I7	20	50-62	JD8725	2G17	5	50-20	K40003	4C3	1	90-23
JD7537	2I7	21	50-62	JD8725	2I7	5	50-62	K40003	4C10	1	90-30
JD7557	2G16	3	50-19	JD8726	2I21	2	50-78	L300T	2G22	21	50-25
JD7557	2I6	3	50-61	JD8731	2G18	6	50-21	L31750	2G22	14	50-25
JD7561	2H19	29	50-50	JD8856	2H21	16	50-52	L324T	2G23	6	50-26
JD7670	2H19	23	50-50	JD8862	1F15	35	30-59	L324T	2I1	14	50-56
JD7688	2G17	23	50-20	JD8867	1E1	14	30-20	L35843	3D13	21B	70-33
JD7688	2I7	24	50-62	JD8867	1E6	10	30-25	L35843	3D13	22	70-33
JD7759	2I23	18	50-80	JD8867	1F7	10	30-50	L35843	3D15	1	70-35
JD7759	3F9	38	70-81	JD8867	1F9	5	30-52	L364T	2G22	20	50-25
JD7759	3H20	6	80-3	JD8907	2H19	18	50-50	L4299T	1F14	8	30-58
JD7759	3H21	13	80-4	JD8913	3I4	4	80-12	L64456	2G15	1	50-18
JD7759	3H22	7	80-5	JD8913	3I8	12	80-17	L65000	2F6	10	40-105
JD7759	3H25	9	80-8	JD8913	3I9	3	80-18	M115827	3E13	21	70-59
JD7759	3I2	10	80-10	JD8913	3I10	2	80-19	M115827	3E13	27	70-59
JD7759	3I3	16	80-11	JD8919	2G8	24	50-11	M115827	3E14	6	70-60
JD7759	3I7	15	80-16	JD8922	2I24	24	50-81	M115827	3E14	19	70-60
JD7759	3I8	19	80-17	JD8929	3I4	8	80-12	M115827	3E16	35	70-63
JD7760	3I2	22	80-10	JD8929	3I9	7	80-18	M115827	3E16	49	70-63
JD7778	3D25	4	70-46	JD8929	3I10	5	80-19	M115827	3E17	17	70-64
JD7778	3I6	16	80-15	JD8942	2I21	5	50-78	M115827	3E18	9	70-65
JD7797	2G2	28	50-5	JD8947	2G5	7	50-8	M115827	3E20	17	70-67
JD7797	2G2	37	50-5	JD8954	2I9	6	50-64	M115827	3F2	7	70-73
JD7820	3I2	22	80-10	JD8954	2I11	16	50-67	M115827	3F6	27	70-77
JD7951	2H19	30	50-50	JD8954	2I12	6	50-68	M115827	3F9	31	70-81
JD8112	2I23	13	50-80	JD8969	2I24	13	50-81	M115827	3F9	43	70-81
JD8130	2I21	16	50-78	JD8970	2H20	2	50-51	M117057	4C18	8	90-39
JD8135	2I24	18	50-81	JD8971	2H20	10	50-51	M117057	4C19	7	90-40
JD8149	2I23	6	50-80	JD8976	2G5	2	50-8	M117057	4C20	15	90-41
JD8155	2H19	12	50-50	JD8977	2G6	2	50-9	M2071T	3E17	4	70-64
JD8159	2I9	20	50-64	JD8978	2G8	3	50-11	M2206T	2I24	20	50-81
JD8159	2I11	1	50-67	JD8980	2G6	17	50-9	M2396T	3E6	7	70-52
JD8159	2I12	32	50-68	JD8982	2I24	5	50-81	M2396T	3F16	6	70-88
JD8159	2I14	1	50-71	JD9012	2I21	5	50-78	M2396T	3F20	17	70-93
JD8177	2I19	14	50-76	JD9012	2I21	10	50-78	M2396T	3G12	24	70-112
JD8186	3I9	7	80-18	JD9212	1C10	6	20-29	M3636T	1E1	1	30-20
JD8191	2I19	6	50-76	JD9212	1C11	10	20-30	M3636T	2C10	12	40-33
JD8192	3C11	27	70-5	JD9212	1C12	6	20-31	M3636T	2C24	9	40-48
JD8192	3C19	21	70-13	JD9212	1C14	5	20-33	M3636T	2D5	30	40-54
JD8210	2I9	21	50-64	JD9212	4B6	2	90-1	M3649T	2H19	22	50-50
JD8210	2I11	17	50-67	JD9257	1C16	9	20-35	M3742T	2I2	36	50-57
JD8210	2I12	33	50-68	JD9257	1C17	7	20-36	M376T	1F6	1	30-49
JD8213	2I19	13	50-76	JD9270	2H19	23	50-50	M3985T	4D18	23	90-64
JD8214	2I19	7	50-76	JD9279	2I8	4	50-63	M42229	4C25	19	90-46
JD8223	2G8	25	50-11	JD9280	2H3	39	50-33	M42229	4E2	15	90-73
JD8223	3C11	26	70-5	JD9280	2I8	6	50-63	M42830	1C11	9	20-30
JD8223	3C19	20	70-13	JD9281	2F24	26	50-3	M42830	1E20	1	30-38
JD8247	2I24	25	50-81	JD9281	2G20	19	50-23	M42830	1F10	5	30-53
JD8251	3I4	7	80-12	JD9283	2G16	25	50-19	M43835	2F12	2	40-111
JD8251	3I9	6	80-18	JD9283	2I6	25	50-61	M60409	3E24	7	70-71
JD8251	3I10	4	80-19	JD9345	2G17	23	50-20	M63440	3H23	13	80-6
JD8257	2G5	8	50-8	JD9345	2I7	24	50-62	M63440	4C12	2	90-32
JD8258	2H20	9	50-51	JD9355	1C10	6	20-29	M63440	4D20	4	90-67
JD8259	2I9	5	50-64	JD9355	1C11	10	20-30	M71232	1F19	43	30-63

NUMERICAL INDEX - CONTINUED

PART NO.	GRID	KEY	PAGE	PART NO.	GRID	KEY	PAGE	PART NO.	GRID	KEY	PAGE
M72490	1C4	1	20-23	RE13561	3G20	2	70-120	RE21304	2H24	8	50-55
M72490	1C4	15	20-23	RE13561	3G20	3	70-120	RE21304	2H24	25	50-55
M80373	2G23	6	50-26	RE13562	3G20	2	70-120	RE21510	2F6	20	40-105
M80373	2I1	14	50-56	RE13562	3G20	3	70-120	RE21725	3C15	19	70-9
N115096	2F12	11	40-111	RE13813	3G17	14	70-117	RE21730	2F16	5	40-115
N140340	3G21	25	70-121	RE13814	3G17	6	70-117	RE21731	2F16	5	40-115
N140476	3G21	32	70-121	RE13815	3G19	10	70-119	RE21732	2F16	6	40-115
PM797NA	2F17	1	40-116	RE13878	4E4	10	90-75	RE21738	2F8	15	40-107
PT1293	2E8	3	40-83	RE13879	4E4	10	90-75	RE21742	2B11	..	40-6
PT1294	2E8	7	40-83	RE14069	2F4	5	40-103	RE21742	2B15	29	40-11
PT1296	2E8	14	40-83	RE14868	3C15	20	70-9	RE21790	1F5	6	30-48
PT1297	2E8	25	40-83	RE14953	1B13	5	20-8	RE22319	2H24	18	50-55
PT1624	2E8	5	40-83	RE14953	1B21	5	20-14	RE22320	2H24	3	50-55
PT18181	2E8	17	40-83	RE15361	3F15	19	70-87	RE22320	2H24	7	50-55
PT9281	3E22	6	70-69	RE15361	3G2	22	70-101	RE22320	2H24	20	50-55
PT9282	3E22	11	70-69	RE15361	3G4	23	70-103	RE22589	2F8	2	40-107
PT9283	3E22	9	70-69	RE15361	3G6	17	70-105	RE22764	1B13	5	20-8
PT9284	3E22	8	70-69	RE15361	3G8	18	70-107	RE22764	1B21	5	20-14
PT9286	3E22	7	70-69	RE15361	3G11	20	70-111	RE23000	2H2	3	50-32
PT9287	3E22	2	70-69	RE15361	3G21	10	70-121	RE23000	2H3	42	50-33
PT9290	3E22	3	70-69	RE15361	3G21	11	70-121	RE23000	2H5	29	50-35
PT9318	2E8	7	40-83	RE15361	3G21	15	70-121	RE23000	2H5	47	50-35
PT9319	2E8	5	40-83	RE15361	3G21	18	70-121	RE23000	2H12	20	50-43
PT9320	2E8	17	40-83	RE15361	3G21	22	70-121	RE23000	2H14	20	50-45
PT9390	2E8	6	40-83	RE15361	3H12	10	70-138	RE23170	1B16	1	20-9B
P28102	2G2	54	50-5	RE15361	3H12	11	70-138	RE23170	1B20	8	20-13
P44982	4C12	25	90-32	RE15361	3H12	15	70-138	RE23170	1B20	..	20-13
P44982	4D22	24	90-69	RE15361	3H12	18	70-138	RE23172	1B20	7	20-13
P47908	3C9	1	70-3	RE15361	3H12	20	70-138	RE23172	1B20	8	20-13
P47908	3C11	..	70-5	RE15427	1C8	6	20-27	RE23173	1B16	1	20-9B
P47908	3C17	22	70-11	RE16151	1F4	14	30-47	RE23173	1B20	8	20-13
P47908	3C23	26	70-17	RE16181	1F3	12	30-46	RE23173	1B20	..	20-13
P47908	3D2	3	70-21	RE16181	1F3	15	30-46	RE23182	1B6	2	20-1A
P48347	1E19	17	30-37	RE16181	1F4	11	30-47	RE23382	3C11	25	70-5
P48347	3B8	33	60-5	RE16181	1F4	16	30-47	RE23382	3C19	19	70-13
P48347	3B10	34	60-7	RE16181	1F5	3	30-48	RE24561	1F3	1	30-46
P48347	3B12	22	60-9	RE16181	1F5	7	30-48	RE24561	1F4	1	30-47
P51212	3G17	12	70-117	RE16369	2H21	7	50-52	RE25621	2F2	1	40-101
P51212	3G19	5	70-119	RE17282	2E21	10	40-96	RE26739	3H15	6	70-141
RE10712	3C13	43	70-7	RE17352	1B13	5	20-8	RE26740	3H15	6	70-141
RE10712	3C13	44	70-7	RE17352	1B21	5	20-14	RE27099	2C4	18	40-25
RE10712	3C21	40	70-15	RE19075	2C6	1	40-28	RE27099	2C5	10	40-26
RE11156	2F14	36	40-113	RE19075	2C6	2	40-28	RE27099	2C6	13	40-28
RE11157	2F14	37	40-113	RE19075	2C7	22	40-29	RE27099	2D21	18	40-71
RE11447	3H13	9	70-139	RE19075	2C8	1	40-30	RE27099	2D22	17	40-72
RE11456	3H13	2	70-139	RE19075	2C8	3	40-30	RE27099	2E1	17	40-76
RE11457	3H13	1	70-139	RE19075	2C8	10	40-30	RE27667	1D23	11	30-19
RE11458	3H13	2	70-139	RE19075	2D20	2	40-70	RE27667	1D24	8	30-19A
RE11463	3H13	2	70-139	RE19075	2D20	6	40-70	RE27667	1D24	..	30-19A
RE11777	3C19	24	70-13	RE19075	2D20	29	40-70	RE27667	1E10	26	30-27
RE11804	3C19	14	70-13	RE19075	2D20	30	40-70	RE27667	1F1	1	30-44
RE12121	3G15	..	70-115	RE19075	2D22	2	40-72	RE27667	1F1	5	30-44
RE12121	3G17	20	70-117	RE19075	2D22	7	40-72	RE27667	1F1	9	30-44
RE12162	2H21	13	50-52	RE19075	2D23	24	40-73	RE27667	1F1	11	30-44
RE12162	2H21	20	50-52	RE19075	2D23	25	40-73	RE27667	1F1	12	30-44
RE12169	3C15	19	70-9	RE19993	2H7	23	50-37	RE27667	1F1	..	30-44
RE12330	3C15	20	70-9	RE20662	3F11	13	70-83	RE27667	1F2	1	30-45
RE13195	4E2	4	90-73	RE20663	3F6	28	70-77	RE27667	1F2	6	30-45
RE13271	3C21	15	70-15	RE20663	3F9	13	70-81	RE27667	1F2	8	30-45
RE13273	3D4	8	70-24	RE20728	2G1	22	50-4	RE27667	1F2	9	30-45
RE13273	3D10	8	70-30	RE20733	2I8	14	50-63	RE27667	1F2	..	30-45
RE13273	3D16	8	70-37	RE20733	2I8	16	50-63	RE27995	2H2	3	50-32
RE13273	3D16	17	70-37	RE20733	2I8	21	50-63	RE27995	2H3	42	50-33
RE13273	3D17	17	70-38	RE21073	2F6	17	40-105	RE27995	2H5	29	50-35
RE13273	3D17	22	70-38	RE21096	2F6	11	40-105	RE27995	2H5	47	50-35
RE13273	3D18	19	70-39	RE21112	2F8	3	40-107	RE27995	2H12	20	50-43
RE13465	1B14	..	20-9	RE21113	2F8	10	40-107	RE27995	2H14	20	50-45

NUMERICAL INDEX - CONTINUED

PART NO.	GRID	KEY	PAGE	PART NO.	GRID	KEY	PAGE	PART NO.	GRID	KEY	PAGE
RE28790	3C11	7	70-5	RE41287	2D17	7	40-66	RG17901	1B20	..	20-13
RE28790	3C17	19	70-11	RE42211	1D23	1	30-19	RG17902	1B16	1	20-9B
RE28790	3C19	7	70-13	RE42211	1D23	5	30-19	RG17902	1B20	..	20-13
RE28790	3C23	23	70-17	RE42211	1D23	9	30-19	RG22790	1B24	1	20-17
RE29103	3C17	25	70-11	RE42211	1D23	11	30-19	RG22861	1B16	1	20-9B
RE29107	3C23	29	70-17	RE42211	1D23	12	30-19	RG22861	1B20	..	20-13
RE29608	2G20	18	50-23	RE42211	1D23	..	30-19	RW26466	2F6	20	40-105
RE29609	2F23	18	50-2	RE42211	1D24	1	30-19A	R100232	2G24	1	50-28
RE29769	2F24	25	50-3	RE42211	1D24	6	30-19A	R100234	2G24	7	50-28
RE30174	1F3	1	30-46	RE42211	1D24	8	30-19A	R100234	2H5	10	50-35
RE30174	1F4	1	30-47	RE42211	1D24	9	30-19A	R100308	2H23	3	50-54
RE31404	2H2	3	50-32	RE42211	1D24	..	30-19A	R100380	2D8	4	40-57
RE31404	2H3	42	50-33	RE42639	2D16	10	40-65	R100632	2G19	1	50-22
RE31701	2I23	16	50-80	RE43025	2F6	17	40-105	R100637	2I19	11	50-76
RE32529	3C15	19	70-9	RE43274	1D21	25	30-17	R100637	2I20	5	50-77
RE32529	3C24	13	70-19	RE43274	1D22	11	30-18	R100637	2I21	8	50-78
RE32681	3B18	4	60-16	RE43274	1D23	1	30-19	R10083	1E1	6	30-20
RE33013	2I20	14	50-77	RE43274	1D23	5	30-19	R10083	1F9	25	30-52
RE33013	3B18	2	60-16	RE43274	1D23	9	30-19	R10093	2H8	27	50-38
RE33636	1F3	1	30-46	RE43274	1D23	12	30-19	R10093	2H8	29	50-38
RE33636	1F4	1	30-47	RE43274	1D23	..	30-19	R10093	3G17	5	70-117
RE35992	1B6	3	20-1A	RE43274	1D24	1	30-19A	R10093	3G19	2	70-119
RE36170	2G9	2	50-12	RE43274	1D24	6	30-19A	R10098	1F7	8	30-50
RE36905	1D22	11	30-18	RE43274	1D24	9	30-19A	R10098	1F7	31	30-50
RE36905	1D23	..	30-19	RE43274	1D24	..	30-19A	R10104	1E1	18	30-20
RE36905	1D24	..	30-19A	RE44536	2D16	10	40-65	R10104	1F9	20	30-52
RE36905	1F1	1	30-44	RE44657	2E24	28	40-99	R101054	2I11	14	50-67
RE36905	1F1	5	30-44	RE46317	2F6	11	40-105	R101054	2I12	10	50-68
RE36905	1F1	9	30-44	RE46328	2I20	17	50-77	R101202	3F6	21	70-77
RE36905	1F1	12	30-44	RE46328	3B17	4	60-15	R10150	1F7	14	30-50
RE36905	1F1	..	30-44	RE46328	3B17	7	60-15	R10160	1F13	19	30-56
RE36905	1F2	1	30-45	RE46328	3B18	4	60-16	R10170	1E2	43	30-21
RE36905	1F2	6	30-45	RE46332	2I20	14	50-77	R10181	1E1	11	30-20
RE36905	1F2	9	30-45	RE46332	3B17	4	60-15	R10181	1F7	26	30-50
RE37119	2G8	6	50-11	RE46332	3B17	7	60-15	R10182	1E1	16	30-20
RE37119	2G8	15	50-11	RE46332	3B18	2	60-16	R10182	1F7	29	30-50
RE37996	2F4	4	40-103	RE46339	3B17	4	60-15	R10182	1F9	19	30-52
RE38390	2B8	20	40-3	RE46339	3B17	7	60-15	R10183	1E2	25	30-21
RE38390	2B10	27	40-5	RE46339	3B18	2	60-16	R10183	1F8	40	30-51
RE38390	2B13	16	40-9	RE46414	2F6	12	40-105	R10184	1E1	22	30-20
RE38390	2B15	24	40-11	RE46684	3C21	26	70-15	R10184	1F8	44	30-51
RE38390	2F4	6	40-103	RE46990	2G11	20	50-14	R10185	1E1	20	30-20
RE38390	2G10	18	50-13	RE47883	2I20	17	50-77	R10185	1F8	43	30-51
RE38390	2H7	22	50-37	RE50017	3C24	14	70-19	R10186	1E2	34	30-21
RE38390	2H23	10	50-54	RE53202	1B21	7	20-14	R10186	1F7	23	30-50
RE38391	2D16	7	40-65	RE53202	1B22	4	20-15	R10187	1E2	33	30-21
RE38391	2D17	7	40-66	RE53202	1B22	5	20-15	R10187	1F7	24	30-50
RE38578	1D23	4	30-19	RE53202	1B22	7	20-15	R10188	1E2	31	30-21
RE38578	1D23	..	30-19	RE53368	1B14	..	20-9	R10188	1E6	37	30-25
RE38578	1D24	3	30-19A	RE54427	2B8	3	40-3	R10188	1F8	34	30-51
RE38578	1D24	..	30-19A	RE54427	2B9	5	40-4	R10190	1E2	42	30-21
RE38578	1F1	4	30-44	RE54427	2B13	3	40-9	R10194	1E1	15	30-20
RE38578	1F2	3	30-45	RE54427	2B14	6	40-10	R10194	1F9	4	30-52
RE38578	1F2	..	30-45	RE54427	2B23	35	40-19	R10195	1E2	58	30-21
RE38707	2F6	11	40-105	RE54814	3I10	7	80-19	R10196	1E2	35	30-21
RE39061	2C24	1	40-48	RE55585	2H19	13	50-50	R10197	1E2	39	30-21
RE39061	2D8	9	40-57	RE58257	4B14	12	90-9	R10198	1E2	66	30-21
RE39838	2C24	1	40-48	RE63292	1B21	7	20-14	R10198	1F8	..	30-51
RE39838	2C25	9	40-49	RE63292	1B22	5	20-15	R10202	1E2	37	30-21
RE39838	2D4	..	40-53	RE63292	1B22	8	20-15	R10204	1E2	40	30-21
RE39838	2D5	..	40-54	RE65495	2B25	19	40-21	R10206	1E2	63	30-21
RE39838	2D6	..	40-55	RE65495	2C2	19	40-23	R10207	1E2	44	30-21
RE39951	3B18	2	60-16	RE65495	2E3	1	40-78	R10209	1E2	41	30-21
RE40463	3C15	20	70-9	RE65495	2E3	18	40-78	R10211	1E2	54	30-21
RE40463	3C24	15	70-19	RE65495	2E3	23	40-78	R10213	1E2	55	30-21
RE40566	1B20	8	20-13	RG17901	1B16	1	20-9B	R10215	1E2	51	30-21
RE41287	2D16	7	40-65	RG17901	1B20	8	20-13	R10217	1E2	52	30-21

NUMERICAL INDEX - CONTINUED

PART NO.	GRID	KEY	PAGE	PART NO.	GRID	KEY	PAGE	PART NO.	GRID	KEY	PAGE
R10218	1E2	56	30-21	R11085	2D2	31	40-51	R11126	2D9	26	40-58
R10219	1E2	55	30-21	R11085	2D4	35	40-53	R11126	2D11	28	40-60
R10220	1E1	7	30-20	R11085	2D9	4	40-58	R11127	2D9	27	40-58
R10221	1E2	57	30-21	R11086	2C14	5	40-38	R11127	2D11	29	40-60
R10222	1E2	64	30-21	R11086	2C16	5	40-40	R11128	2D9	25	40-58
R10223	1E2	45	30-21	R11087	2C14	17	40-38	R11128	2D11	27	40-60
R10224	1E2	38	30-21	R11087	2C16	16	40-40	R11129	2D9	24	40-58
R10225	1E2	59	30-21	R11087	2D2	32	40-51	R11129	2D11	26	40-60
R10226	1E2	36	30-21	R11087	2D4	36	40-53	R1113R	1E22	8	30-40
R10300	1E2	67	30-21	R11087	2D6	1	40-55	R1114R	1E22	8	30-40
R10300	1F7	11	30-50	R11087	2D10	42	40-59	R1115R	1E22	8	30-40
R10300	1F9	3	30-52	R11087	2D12	46	40-61	R11158	2C14	1	40-38
R104592	1E13	12	30-30	R11088	2C15	41	40-39	R11158	2C16	1	40-40
R105488	1B22	4	20-15	R11088	2C17	42	40-41	R11160	2C14	30	40-38
R105583	3C11	13	70-5	R11089	2C15	37	40-39	R11160	2C16	31	40-40
R105583	3C19	11	70-13	R11089	2C17	38	40-41	R11160	2D2	49	40-51
R105812	1F19	20	30-63	R1109R	1E22	8	30-40	R11161	2C14	29	40-38
R105814	1F17	20	30-61	R11094	2C15	38	40-39	R11161	2C16	30	40-40
R105942	2F6	10	40-105	R11094	2C17	39	40-41	R11162	2C14	26	40-38
R1069R	3I22	10	80-32	R11095	2D1	20	40-50	R11162	2C16	19	40-40
R1069R	3I23	26	80-33	R11095	2D3	24	40-52	R11162	2C16	27	40-40
R107239	3C13	35	70-7	R11095	2D5	23	40-54	R11188	2C14	3	40-38
R107239	3C15	15	70-9	R11095	2D9	13	40-58	R11188	2C16	3	40-40
R107239	3C17	13	70-11	R11095	2D11	14	40-60	R11189	2C13	13	40-36
R107239	3C21	30	70-15	R11096	2D1	14	40-50	R11189	2C15	33	40-39
R107239	3C23	17	70-17	R11096	2D3	18	40-52	R11189	2C17	34	40-41
R108996	2I19	18	50-76	R11096	2D5	15	40-54	R11190	2C19	8	40-43
R108996	2I20	9	50-77	R11096	2D10	32	40-59	R11191	2D2	34	40-51
R109478	2G11	18	50-14	R11096	2D15	1	40-64	R11193	2D7	4	40-56
R11000	2D10	45	40-59	R11098	2C14	21	40-38	R11194	2D7	12	40-56
R11000	2D12	50	40-61	R11098	2C16	22	40-40	R11194	2D13	12	40-62
R11015	2D9	21	40-58	R1110R	1E22	8	30-40	R11195	2D7	13	40-56
R11016	2D9	20	40-58	R11102	2C21	35	40-45	R11197	2D7	2	40-56
R11016	2D11	22	40-60	R11103	2C21	33	40-45	R11197	2D13	2	40-62
R11026	2D9	23	40-58	R11104	2D4	39	40-53	R11197	2D14	2	40-63
R11026	2D11	25	40-60	R11108	2D1	30	40-50	R11198	2D7	3	40-56
R11032	4D2	11	90-48	R11108	2D4	34	40-53	R11198	2D13	3	40-62
R11039	2D7	19	40-56	R11109	2C15	39	40-39	R11198	2D14	3	40-63
R11039	2D13	21	40-62	R11109	2C17	40	40-41	R11199	2D7	11	40-56
R11039	2D14	19	40-63	R1111R	1E22	8	30-40	R11201	2D9	21	40-58
R11042	2C14	19	40-38	R11111	2C19	32	40-43	R11201	2D11	23	40-60
R11042	2C16	20	40-40	R11111	2C21	6	40-45	R11207	2D10	40	40-59
R11043	2C14	27	40-38	R11112	2C19	7	40-43	R11207	2D12	43	40-61
R11043	2C16	28	40-40	R11112	2C21	9	40-45	R11208	2D10	57	40-59
R110464	3B17	2	60-15	R111122	3B17	2	60-15	R11208	2D12	62	40-61
R11049	2C13	15	40-36	R11113	2C14	25	40-38	R11209	2D10	55	40-59
R11049	2C14	31	40-38	R11113	2C16	18	40-40	R11209	2D12	60	40-61
R11049	2C16	32	40-40	R11113	2C16	26	40-40	R11212	2D10	35	40-59
R1105R	1E22	2	30-40	R11116	2D1	26	40-50	R11212	2D12	37	40-61
R11052	2C19	3	40-43	R11116	2D4	30	40-53	R11213	2D9	17	40-58
R11052	2C21	3	40-45	R11116	2D5	27	40-54	R11214	2D10	34	40-59
R11054	2C21	11	40-45	R11116	2D9	7	40-58	R11214	2D12	36	40-61
R11058	2D10	41	40-59	R11116	2D11	8	40-60	R11215	2D9	18	40-58
R11058	2D10	51	40-59	R11117	2D1	27	40-50	R11215	2D11	19	40-60
R11058	2D12	44	40-61	R11117	2D4	31	40-53	R11216	2D13	4	40-62
R11058	2D12	56	40-61	R11117	2D5	28	40-54	R11217	2D13	5	40-62
R11064	2D7	8	40-56	R11117	2D9	6	40-58	R11218	2D13	6	40-62
R11066	2D7	9	40-56	R11117	2D11	7	40-60	R11219	2D13	11	40-62
R11066	2D13	8	40-62	R11118	2D1	21	40-50	R11220	2D13	9	40-62
R11066	2D14	8	40-63	R11118	2D3	25	40-52	R11221	2D9	28	40-58
R11067	2D13	10	40-62	R11118	2D5	24	40-54	R11221	2D11	30	40-60
R1108R	1E22	7	30-40	R11118	2D9	10	40-58	R11222	2D9	15	40-58
R11080	2D1	28	40-50	R11118	2D11	10	40-60	R11222	2D11	16	40-60
R11080	2D4	32	40-53	R11119	2D9	8	40-58	R11223	2D9	16	40-58
R11080	2D5	29	40-54	R11119	2D11	9	40-60	R11223	2D11	17	40-60
R11084	2C19	29	40-43	R1112R	1E22	8	30-40	R11225	2D1	22	40-50
R11084	2C21	5	40-45	R11120	2D15	1	40-64	R11225	2D3	26	40-52

NUMERICAL INDEX - CONTINUED

PART NO.	GRID	KEY	PAGE	PART NO.	GRID	KEY	PAGE	PART NO.	GRID	KEY	PAGE
R11225	2D9	12	40-58	R116064	2I12	8	50-68	R15035	2C23	7	40-47
R11225	2D11	12	40-60	R116311	1B22	7	20-15	R15036	2C23	6	40-47
R11226	2D9	11	40-58	R116713	3C19	26A	70-13	R15038	2C23	25	40-47
R11226	2D11	11	40-60	R116713	3C19	26B	70-13	R15039	2C23	8	40-47
R11227	2D9	10	40-58	R116821	2I19	19	50-76	R15040	2C23	10	40-47
R11228	2D10	49	40-59	R116821	2I20	9	50-77	R15041	2C23	2	40-47
R11228	2D12	54	40-61	R119275	3E24	20	70-71	R15042	2C23	19	40-47
R11229	2D10	52	40-59	R119275	3F2	30	70-73	R15043	2C23	9	40-47
R11232	2C19	1	40-43	R119276	3E24	21	70-71	R15045	2C23	3	40-47
R11232	2C21	1	40-45	R119276	3F2	32	70-73	R1529R	1C10	5	20-29
R11233	2D10	54	40-59	R120103	3F2	10	70-73	R1529R	1C11	9	20-30
R11233	2D12	59	40-61	R120106	2F6	10	40-105	R1529R	1C12	7	20-31
R11235	2D3	15	40-52	R120107	2F6	10	40-105	R1529R	1C14	6	20-33
R11236	2D4	38	40-53	R120108	2F6	10	40-105	R1548R	2I22	4	50-79
R11236	2D6	3	40-55	R120111	3J10	17	80-45	R1572R	2G14	4	50-17
R11237	2D4	40	40-53	R120124	4B14	2	90-9	R1572R	2I3	4	50-58
R11237	2D6	5	40-55	R120752	1B22	3	20-15	R1590R	3D21	12	70-42
R11238	2D4	58	40-53	R120838	2H2	8	50-32	R1590R	3D22	8	70-43
R11238	2D6	23	40-55	R120838	2H2	9	50-32	R1612R	1B14	19	20-9
R11239	2D4	53	40-53	R120838	2H3	18	50-33	R1612R	2G4	4	50-7
R11239	2D6	18	40-55	R120838	2H3	22	50-33	R1612R	2G19	5	50-22
R11240	2D1	11	40-50	R120838	2H3	23	50-33	R1612R	2H10	4	50-41
R11240	2D3	11	40-52	R120838	2H5	23	50-35	R1646R	2B10	26	40-5
R11240	2D5	11	40-54	R120838	2H5	36	50-35	R1646R	2B15	23	40-11
R11240	2D7	..	40-56	R120838	2H12	34	50-43	R1646R	2B15	27	40-11
R11241	2D7	4	40-56	R120838	2H12	35	50-43	R1646R	2C7	21	40-29
R11242	2D7	7	40-56	R120838	2H12	43	50-43	R1662R	2C10	6	40-33
R11243	2D4	61	40-53	R120838	2H14	33	50-45	R1742R	2H8	20	50-38
R11243	2D6	26	40-55	R122428	3F2	10	70-73	R1769R	2I3	5	50-58
R11253	2D10	39	40-59	R125027	1B13	2	20-8	R1826R	3E18	7	70-65
R11253	2D12	42	40-61	R125027	1B13	3	20-8	R183R	2B8	25	40-3
R11256	2C12	19	40-35	R125027	1B13	5	20-8	R183R	2B13	22	40-9
R11258	2C12	1	40-35	R13020	1E6	17	30-25	R183R	3E7	43	70-53
R11259	2C12	2	40-35	R13021	1E6	60	30-25	R1836R	4D20	8	90-67
R11260	2C12	4	40-35	R13027	1E6	14	30-25	R1870R	3G25	30	70-125
R11261	2C12	17	40-35	R13028	1E6	41	30-25	R1870R	3H7	36	70-133
R11263	2C12	10	40-35	R13030	1E6	48	30-25	R1870R	3I23	30	80-33
R11264	2C12	5	40-35	R13035	1E6	9	30-25	R1888R	1C4	1	20-23
R11265	2C12	18	40-35	R13036	1E6	59	30-25	R1888R	2F23	9	50-2
R11265	2C12	22	40-35	R13038	1E6	6	30-25	R1888R	2G20	4	50-23
R11268	2C12	12	40-35	R13039	1E6	11	30-25	R1888R	2H16	2	50-47
R11269	2C10	18	40-33	R13040	1E6	12	30-25	R1888R	2H17	2	50-48
R11269	2C12	15	40-35	R13041	1E6	66	30-25	R1929R	3E8	11	70-54
R11270	2C12	20	40-35	R13042	1E6	49	30-25	R1929R	3E9	11	70-55
R11271	2C12	3	40-35	R13043	1E6	57	30-25	R2R	3I8	11	80-17
R11272	2C12	13	40-35	R13044	1E6	58	30-25	R20123	4E15	..	90-86
R11276	2B8	10	40-3	R13046	1E6	56	30-25	R20124	4E15	..	90-86
R11276	2B10	14	40-5	R13050	1E6	67	30-25	R20135	3D25	2	70-46
R11276	2B13	10	40-9	R13051	1E6	8	30-25	R20135	3H22	12	80-5
R11276	2B15	15	40-11	R13052	1E6	15	30-25	R20135	3H23	18	80-6
R11276	2E9	8	40-84	R13055	1E6	27	30-25	R20135	3H24	23	80-7
R11278	2E9	6	40-84	R13056	1E6	31	30-25	R20135	3H25	12	80-8
R11278	2E11	1	40-86	R13057	1E6	32	30-25	R20135	3I1	2	80-9
R112872	2H14	39	50-45	R13058	1E6	25	30-25	R20136	3D23	5	70-44
R112874	2G24	2	50-28	R13060	1E6	34	30-25	R20136	3H21	23	80-4
R112874	2H5	7	50-35	R13064	1E6	23	30-25	R20152	2G20	13	50-23
R11290	2D4	51	40-53	R13065	1E6	21	30-25	R20228	3B8	27	60-5
R11290	2D6	16	40-55	R13068	1E6	43	30-25	R20228	3B10	28	60-7
R11295	2D14	5	40-63	R13069	1E6	44	30-25	R20252	3I6	6	80-15
R113739	3B17	4	60-15	R13070	1E6	45	30-25	R20253	3I6	2	80-15
R113739	3B17	7	60-15	R13075	1E6	38	30-25	R20255	3H22	11	80-5
R113739	3B18	3	60-16	R134726	2I11	7	50-67	R20255	3H25	11	80-8
R1138R	3H2	18	70-127	R134726	2I14	10	50-71	R20255	3I4	17	80-12
R1138R	3H4	14	70-129	R15027	2C23	26	40-47	R20255	3I6	27	80-15
R115050	1B13	2	20-8	R15029	2C23	21	40-47	R20256	3I6	29	80-15
R115050	1B13	3	20-8	R15030	2C23	11	40-47	R20259	3I6	31	80-15
R116064	2I11	15	50-67	R15033	2C23	23	40-47	R20260	3I6	17	80-15

NUMERICAL INDEX - CONTINUED

PART NO.	GRID	KEY	PAGE	PART NO.	GRID	KEY	PAGE	PART NO.	GRID	KEY	PAGE
R20261	3I6	18	80 - 15	R2579R	2E5	16	40 - 80	R26108	1B10	18	20 - 5
R20423	1F14	4	30 - 58	R2579R	2E6	16	40 - 81	R26109	1B10	22	20 - 5
R20443	1D16	14	30 - 12	R26006	2G18	11	50 - 21	R26110	1B10	17	20 - 5
R20443	1D16	15	30 - 12	R26006	2G18	14	50 - 21	R26111	1B10	19	20 - 5
R20498	1E11	4	30 - 28	R26006	2I8	20	50 - 63	R26113	4D20	29	90 - 67
R20498	1E12	9	30 - 29	R26011	2I19	24	50 - 76	R26114	1B11	1	20 - 6
R20513	4D24	30	90 - 71	R26012	2I19	25	50 - 76	R26115	1B13	6	20 - 8
R20522	3I20	5	80 - 30	R26013	2I21	9	50 - 78	R26125	1B10	17	20 - 5
R20522	3I21	5	80 - 31	R26015	2G4	17	50 - 7	R26126	1B10	19	20 - 5
R20648	3I8	3	80 - 17	R26015	2G14	13	50 - 17	R26127	1F14	4	30 - 58
R20653	3I8	9	80 - 17	R26015	2H10	24	50 - 41	R26129	1F14	6	30 - 58
R20654	3I8	20	80 - 17	R26015	3F9	16	70 - 81	R26131	1F14	12	30 - 58
R20655	3I8	8	80 - 17	R26022	2I8	11	50 - 63	R26135	1E20	15	30 - 38
R20656	3I8	2	80 - 17	R26022	2I8	..	50 - 63	R26135	1F14	17	30 - 58
R20758	2B25	8	40 - 21	R26032	2I9	9	50 - 64	R26136	1E20	16	30 - 38
R20758	2B25	9	40 - 21	R26032	2I12	24	50 - 68	R26136	1F14	18	30 - 58
R20758	2C2	8	40 - 23	R26033	2I9	11	50 - 64	R26137	3C11	6	70 - 5
R20758	2C2	9	40 - 23	R26033	2I12	26	50 - 68	R26137	3C19	6	70 - 13
R20758	2C3	1	40 - 24	R26034	2I9	15	50 - 64	R26138	1E20	18	30 - 38
R20758	2C3	2	40 - 24	R26034	2I12	18	50 - 68	R26138	1F14	23	30 - 58
R20759	4C2	1	90 - 22	R26035	2I9	16	50 - 64	R26142	1E20	14	30 - 38
R20759	4E4	11	90 - 75	R26035	2I12	17	50 - 68	R26142	1F14	16	30 - 58
R20759	4E7	3	90 - 78	R26037	2I9	18	50 - 64	R26143	1C4	15	20 - 23
R20786	2E3	19	40 - 78	R26038	2I9	2	50 - 64	R26144	1C4	5	20 - 23
R20847	2B8	19	40 - 3	R26038	2I12	2	50 - 68	R26145	1B18	6	20 - 11
R20847	2B13	15	40 - 9	R26040	1B7	1	20 - 2	R26146	1C5	11	20 - 24
R20847	2B25	6	40 - 21	R26042	2I9	7	50 - 64	R26147	1C5	12	20 - 24
R20847	2C2	6	40 - 23	R26042	2I12	7	50 - 68	R26149	1C5	13	20 - 24
R20878	1C20	2	20 - 39	R26043	2I9	7	50 - 64	R26149	1F3	3	30 - 46
R20878	1C20	3	20 - 39	R26043	2I12	7	50 - 68	R26149	1F4	3	30 - 47
R20922	1C6	2	20 - 25	R26044	2I9	7	50 - 64	R26149	3C13	35	70 - 7
R20922	1C6	21	20 - 25	R26044	2I12	7	50 - 68	R26149	3E5	34	70 - 51
R20942	3I6	28	80 - 15	R26046	1B18	4	20 - 11	R26149	3F18	36	70 - 91
R21156	2E9	1	40 - 84	R26047	1B20	4	20 - 13	R26149	3F18	..	70 - 91
R21157	2E9	2	40 - 84	R26049	1B21	10	20 - 14	R26149	3F20	10	70 - 93
R21157	4E2	29	90 - 73	R26051	1B21	5	20 - 14	R26149	3F20	..	70 - 93
R21342	3E16	45	70 - 63	R26054	1B21	4	20 - 14	R26149	3F21	4	70 - 94
R21480	3I11	7	80 - 21	R26057	1B13	3	20 - 8	R26151	1C5	15	20 - 24
R21483	2H10	11	50 - 41	R26058	1B13	4	20 - 8	R26151	3B8	38	60 - 5
R21483	3F23	13	70 - 97	R26058	1C24	33	20 - 43	R26151	3B10	39	60 - 7
R21483	3F24	13	70 - 98	R26058	1D2	19	20 - 45	R26152	1C4	11	20 - 23
R21551	2B25	13	40 - 21	R26060	1B14	..	20 - 9	R26152	1C6	16	20 - 25
R21551	2C2	13	40 - 23	R26061	1B23	1	20 - 16	R26153	1C4	14	20 - 23
R21551	2C4	14	40 - 25	R26066	2G6	7	50 - 9	R26163	1C5	16	20 - 24
R21551	2C5	2	40 - 26	R26068	2G6	11	50 - 9	R26163	1C22	4	20 - 41
R21551	2C7	21	40 - 29	R26069	2G6	22	50 - 9	R26163	1C24	16	20 - 43
R21551	2E4	10	40 - 79	R26070	1B11	2	20 - 6	R26163	1D2	23	20 - 45
R21551	3D5	58	70 - 25	R26070	1B16	1	20 - 9B	R26166	1C5	8	20 - 24
R21551	3D11	52	70 - 31	R26070	1B20	8	20 - 13	R26167	1B12	9	20 - 7
R21551	3D13	50	70 - 33	R26070	1B20	9	20 - 13	R26168	1B12	8	20 - 7
R21551	4E2	6	90 - 73	R26070	1B20	10	20 - 13	R26169	1B12	7	20 - 7
R21560	1F6	12	30 - 49	R26070	1B20	..	20 - 13	R26170	1B12	20	20 - 7
R21630	1B14	13	20 - 9	R26072	2G6	14	50 - 9	R26172	1B12	4	20 - 7
R21644	1D12	6	30 - 8	R26072	2G18	16	50 - 21	R26173	1B12	5	20 - 7
R21644	1D13	6	30 - 9	R26076	2G8	28	50 - 11	R26173	1C24	29	20 - 43
R21644	1D14	7	30 - 10	R26077	1B11	8	20 - 6	R26173	1D2	33	20 - 45
R21645	1D12	7	30 - 8	R26078	1B11	4	20 - 6	R26174	1B12	1	20 - 7
R21645	1D13	7	30 - 9	R26079	1B10	6	20 - 5	R26174	1C24	30	20 - 43
R21645	1D14	8	30 - 10	R26081	1B10	2	20 - 5	R26174	1D2	32	20 - 45
R21722	3G15	9	70 - 115	R26084	1C3	2	20 - 20	R26178	2G12	18	50 - 15
R21722	3H13	1	70 - 139	R26084	1C24	34	20 - 43	R26182	2G12	9	50 - 15
R21722	3H13	2	70 - 139	R26084	1D2	15	20 - 45	R26183	2G12	8	50 - 15
R21736	3J6	33	80 - 41	R26087	1B18	5	20 - 11	R26185	2G12	14	50 - 15
R227R	3B20	21	60 - 19	R26087	1B20	11	20 - 13	R26186	2G12	15	50 - 15
R228R	2I22	16	50 - 79	R26088	1B18	7	20 - 11	R26187	2G12	11	50 - 15
R229R	2I22	15	50 - 79	R26092	1B20	6	20 - 13	R26187	2G12	14	50 - 15
R2577R	3I20	2	80 - 30	R26093	1B20	5	20 - 13	R26188	2G12	5	50 - 15

NUMERICAL INDEX - CONTINUED

PART NO.	GRID	KEY	PAGE	PART NO.	GRID	KEY	PAGE	PART NO.	GRID	KEY	PAGE
R26192	2G12	19	50 - 15	R26286	3B19	8	60 - 18	R26322	2I3	1	50 - 58
R26194	2G12	24	50 - 15	R26286	3B22	8	60 - 21	R26323	1B18	1	20 - 11
R26198	2G1	23	50 - 4	R26286	3B24	3	60 - 23	R26325	1B20	1	20 - 13
R26198	2H12	13	50 - 43	R26286	3C2	3	60 - 25	R26326	1C10	2	20 - 29
R26198	2H12	23	50 - 43	R26286	3D16	7	70 - 37	R26326	1C10	6	20 - 29
R26198	2H14	13	50 - 45	R26286	3D17	9	70 - 38	R26326	1C10	10	20 - 29
R26198	2H14	22	50 - 45	R26286	3D18	6	70 - 39	R26329	1C10	7	20 - 29
R26202	2G10	19	50 - 13	R26286	3E5	13	70 - 51	R26329	1C11	11	20 - 30
R26202	2G11	17	50 - 14	R26286	3F24	23	70 - 98	R26331	1C10	1	20 - 29
R26203	2G11	16	50 - 14	R26286	3G20	3	70 - 120	R26331	1C14	1	20 - 33
R26204	2G10	15	50 - 13	R26287	1E11	7	30 - 28	R26331	1C15	1	20 - 34
R26206	2G9	10	50 - 12	R26287	2B23	7	40 - 19	R26331	1C24	12	20 - 43
R26206	2G10	2	50 - 13	R26287	2H7	16	50 - 37	R26333	1B21	12	20 - 14
R26206	2G11	2	50 - 14	R26287	2H8	4	50 - 38	R26340	1C11	4	20 - 30
R26207	2G9	10	50 - 12	R26287	2H24	10	50 - 55	R26340	1C16	4	20 - 35
R26207	2G10	1	50 - 13	R26287	2I18	33	50 - 75	R26341	1C11	1	20 - 30
R26207	2G11	1	50 - 14	R26287	3B6	32	60 - 3	R26341	1C12	1	20 - 31
R26210	2G5	3	50 - 8	R26287	3B6	37	60 - 3	R26341	1C13	1	20 - 32
R26211	2G6	6	50 - 9	R26287	3B8	20	60 - 5	R26341	1C16	1	20 - 35
R26212	2G6	12	50 - 9	R26287	3B8	47	60 - 5	R26341	1C17	1	20 - 36
R26213	2G6	23	50 - 9	R26287	3B10	20	60 - 7	R26341	1D2	6	20 - 45
R26214	2G8	26	50 - 11	R26287	3B10	48	60 - 7	R26342	1B10	23	20 - 5
R26215	2G8	26	50 - 11	R26287	3B13	2	60 - 10	R26343	1C11	5	20 - 30
R26216	2G8	26	50 - 11	R26287	3B13	12	60 - 10	R26343	1C12	2	20 - 31
R26217	2G8	26	50 - 11	R26287	3B13	16	60 - 10	R26343	1C13	2	20 - 32
R26218	2G8	10	50 - 11	R26287	3B20	16	60 - 19	R26343	1C13	2	20 - 32
R26220	2G8	1	50 - 11	R26287	3B20	16	60 - 19	R26343	1C16	5	20 - 35
R26221	2G8	1	50 - 11	R26287	3B22	11	60 - 21	R26343	1C16	14	20 - 35
R26222	2G8	1	50 - 11	R26287	3B24	5	60 - 23	R26343	1C17	2	20 - 36
R26223	2G8	1	50 - 11	R26287	3C2	5	60 - 25	R26343	1D2	5	20 - 45
R26227	2H20	4	50 - 51	R26287	3C13	23	70 - 7	R26354	1C5	9	20 - 24
R26228	2H20	4	50 - 51	R26287	3C17	4	70 - 11	R26354	1C22	2	20 - 41
R26229	2H20	4	50 - 51	R26287	3C17	16	70 - 11	R26354	1C24	17	20 - 43
R26233	2G8	27	50 - 11	R26287	3C23	22	70 - 17	R26354	1D2	22	20 - 45
R26234	2G8	27	50 - 11	R26287	3C24	7	70 - 19	R26356	1B9	5	20 - 4
R26241	1B14	14	20 - 9	R26287	3D2	12	70 - 21	R26356	1C24	7	20 - 43
R26246	2G16	23	50 - 19	R26287	3D5	54	70 - 25	R26356	1D2	7	20 - 45
R26246	2I6	23	50 - 61	R26287	3D11	48	70 - 31	R26358	1D16	14	30 - 12
R26275	3B15	18	60 - 12	R26287	3D13	46	70 - 33	R26359	1D18	10	30 - 14
R26277	3B15	10	60 - 12	R26287	3D16	2	70 - 37	R26360	1C24	11	20 - 43
R26278	3B15	22	60 - 12	R26287	3D17	5	70 - 38	R26360	1D2	3	20 - 45
R26280	3B15	4	60 - 12	R26287	3D18	10	70 - 39	R26360	1D16	20	30 - 12
R26281	3B15	2	60 - 12	R26287	3E5	3	70 - 51	R26360	1D17	8	30 - 13
R26282	3B15	6	60 - 12	R26287	3F20	39	70 - 93	R26360	1D18	12	30 - 14
R26283	3B15	3	60 - 12	R26287	3F21	5	70 - 94	R26361	1C24	10	20 - 43
R26285	3B15	11	60 - 12	R26287	3G20	3	70 - 120	R26361	1D2	2	20 - 45
R26286	1E12	19	30 - 29	R26290	3B15	5	60 - 12	R26361	1D16	19	30 - 12
R26286	2G4	15	50 - 7	R26291	1C24	8	20 - 43	R26361	1D17	7	30 - 13
R26286	2H7	16	50 - 37	R26291	1D16	9	30 - 12	R26361	1D18	11	30 - 14
R26286	2H8	30	50 - 38	R26291	1D18	5	30 - 14	R26362	1D17	9	30 - 13
R26286	2H10	21	50 - 41	R26294	1D6	2	30 - 1	R26364	3B18	6	60 - 16
R26286	2H10	29	50 - 41	R26294	1D9	2	30 - 5	R26367	3B19	9	60 - 18
R26286	2H23	7	50 - 54	R26295	1D16	12	30 - 12	R26369	3B19	6	60 - 18
R26286	2I16	23	50 - 73	R26296	1C24	6	20 - 43	R26371	1F7	15	30 - 50
R26286	2I16	30	50 - 73	R26296	1D16	3	30 - 12	R26372	3B20	27	60 - 19
R26286	2I18	8	50 - 75	R26297	1D2	9	20 - 45	R26373	3B8	44	60 - 5
R26286	3B4	14	60 - 1	R26297	1D17	2	30 - 13	R26373	3B10	45	60 - 7
R26286	3B8	13	60 - 5	R26299	1D7	2	30 - 2	R26373	3B19	14	60 - 18
R26286	3B8	17	60 - 5	R26299	1D11	2	30 - 7	R26374	3B19	13	60 - 18
R26286	3B10	14	60 - 7	R26300	1E14	10	30 - 32	R26375	2H7	43	50 - 37
R26286	3B10	17	60 - 7	R26301	3B17	3	60 - 15	R26375	2H7	46	50 - 37
R26286	3B12	11	60 - 9	R26308	2G14	34	50 - 17	R26375	2H8	23	50 - 38
R26286	3B12	12	60 - 9	R26309	2G14	33	50 - 17	R26375	2H19	7	50 - 50
R26286	3B12	33	60 - 9	R26313	2G14	35	50 - 17	R26375	3B8	29	60 - 5
R26286	3B13	9	60 - 10	R26314	2G14	20	50 - 17	R26375	3B10	30	60 - 7
R26286	3B13	19	60 - 10	R26319	2G14	3	50 - 17	R26375	3B12	24	60 - 9
R26286	3B14	35	60 - 11	R26319	2I3	3	50 - 58	R26375	3B14	49	60 - 11
				R26322	2G14	1	50 - 17	R26375	3B20	22	60 - 19

NUMERICAL INDEX - CONTINUED

PART NO.	GRID	KEY	PAGE	PART NO.	GRID	KEY	PAGE	PART NO.	GRID	KEY	PAGE
R26375	3B22	13	60-21	R26417	1C8	14	20-27	R26476	3E1	14	70-47
R26375	3C13	27	70-7	R26417	3E7	37	70-53	R26477	3E5	5	70-51
R26375	3C15	16	70-9	R26418	3B14	33	60-11	R26477	3F14	12	70-86
R26375	3C21	23	70-15	R26418	3G2	6	70-101	R26477	3F20	37	70-93
R26375	3C21	45	70-15	R26418	3G4	6	70-103	R26478	3E5	4	70-51
R26375	3C23	3	70-17	R26418	3G6	29	70-105	R26478	3F20	38	70-93
R26375	3C23	10	70-17	R26418	3G8	5	70-107	R26479	3E5	4	70-51
R26375	3C24	12	70-19	R26419	3B4	8	60-1	R26479	3F20	38	70-93
R26375	3D4	3	70-24	R26423	3B8	1	60-5	R26480	3G13	31	70-113
R26375	3D5	48	70-25	R26425	3B8	22	60-5	R26480	3G14	10	70-114
R26375	3D10	3	70-30	R26425	3B10	23	60-7	R26482	3G12	17	70-112
R26375	3D13	3	70-33	R26431	4D22	19	90-69	R26482	3G14	6	70-114
R26375	3E5	10	70-51	R26432	4C13	3	90-33	R26482	3G15	20	70-115
R26375	3E8	8	70-54	R26432	4D22	11	90-69	R26483	3G12	21	70-112
R26375	3E9	8	70-55	R26433	4D22	13	90-69	R26483	3G14	7	70-114
R26375	3F14	6	70-86	R26434	4C13	11	90-33	R26484	3G12	14	70-112
R26375	3F15	2	70-87	R26434	4D22	21	90-69	R26484	3G14	3	70-114
R26375	3F15	15	70-87	R26436	4D20	3	90-67	R26485	3B12	31	60-9
R26375	3F18	3	70-91	R26441	3B4	2	60-1	R26485	3G2	28	70-101
R26375	3F18	..	70-91	R26441	3B6	18	60-3	R26485	3G4	29	70-103
R26375	3F20	2	70-93	R26441	3B12	7	60-9	R26485	3G6	11	70-105
R26375	3F20	4	70-93	R26441	3B12	27	60-9	R26485	3G8	24	70-107
R26375	3F20	..	70-93	R26441	3G25	34	70-125	R26485	3G11	12	70-111
R26375	3F21	1	70-94	R26441	3H2	22	70-127	R26485	3G12	10	70-112
R26375	3F21	2	70-94	R26441	3H4	18	70-129	R26485	3G14	1	70-114
R26375	3F22	1	70-96	R26448	2F4	2	40-103	R26485	3G21	12	70-121
R26375	3F23	1	70-97	R26448	2H23	21	50-54	R26485	3H12	12	70-138
R26375	3F24	5	70-98	R26448	3B6	22	60-3	R26487	3E6	9	70-52
R26375	3F24	18	70-98	R26448	3B8	11	60-5	R26491	3E7	49	70-53
R26375	3F25	3	70-99	R26448	3B10	11	60-7	R26493	1C4	4	20-23
R26375	3G2	12	70-101	R26448	3B12	5	60-9	R26493	1C6	15	20-25
R26375	3G2	17	70-101	R26448	3B13	11	60-10	R26497	2G10	13	50-13
R26375	3G4	13	70-103	R26448	3C13	2	70-7	R26498	1F15	43	30-59
R26375	3G4	18	70-103	R26448	3C13	8	70-7	R26499	1C24	25	20-43
R26375	3G6	25	70-105	R26448	3C15	1	70-9	R26499	1E1	4	30-20
R26375	3G6	30	70-105	R26448	3C17	1	70-11	R26499	1E1	9	30-20
R26375	3G8	1	70-107	R26448	3C21	2	70-15	R26499	1E2	49	30-21
R26375	3G8	10	70-107	R26448	3C21	8	70-15	R26499	1E6	4	30-25
R26375	3G9	7	70-108	R26448	3C23	1	70-17	R26499	1F7	4	30-50
R26375	3G11	21	70-111	R26448	3C23	8	70-17	R26499	1F9	7	30-52
R26375	3G11	26	70-111	R26448	3C24	3	70-19	R26500	1F15	44	30-59
R26375	3G12	27	70-112	R26448	3C24	7	70-19	R26501	1F15	42	30-59
R26375	3G21	28	70-121	R26448	3E3	11	70-49	R26502	3E17	13	70-64
R26375	3G23	2	70-123	R26448	3E5	28	70-51	R26502	3F4	11	70-75
R26375	3H13	4	70-139	R26448	3E8	1	70-54	R26502	3F9	27	70-81
R26376	3B20	20	60-19	R26448	3E9	1	70-55	R26503	3E17	11	70-64
R26384	3B20	54	60-19	R26448	3F15	4	70-87	R26503	3F4	15	70-75
R26385	2I16	14	50-73	R26448	3F21	2	70-94	R26503	3F9	25	70-81
R26385	3B20	60	60-19	R26448	3G9	2	70-108	R26505	2G4	20	50-7
R26386	2I16	13	50-73	R26456	3D23	15	70-44	R26505	2H10	31	50-41
R26386	3B20	58	60-19	R26457	3E3	5	70-49	R26505	3E1	17	70-47
R26386	3E6	11	70-52	R26458	3E3	2	70-49	R26508	3F6	18	70-77
R26399	1E20	22	30-38	R26460	3E5	36	70-51	R26517	1F14	1	30-58
R26399	1F14	27	30-58	R26461	3E7	32	70-53	R26518	1F15	40	30-59
R26401	1E20	21	30-38	R26464	3D24	6	70-45	R26522	1D14	2	30-10
R26401	1F14	26	30-58	R26465	3D24	5	70-45	R26524	1F15	41	30-59
R26402	1E20	24	30-38	R26469	1C9	5	20-28	R26524	1F15	42	30-59
R26402	1F14	29	30-58	R26471	1C18	3	20-37	R26524	1F17	43	30-61
R26403	1E20	20	30-38	R26472	1C8	17	20-27	R26524	4C13	9	90-33
R26403	1F14	25	30-58	R26473	1C9	4	20-28	R26528	1D21	4	30-17
R26405	1B9	2	20-4	R26473	1C24	9	20-43	R26528	1E10	4	30-27
R26407	1E20	10	30-38	R26473	1D2	4	20-45	R26529	1D21	9	30-17
R26409	1D21	30	30-17	R26474	1C18	7	20-37	R26529	1E10	8	30-27
R26409	1D22	3	30-18	R26474	1C19	6	20-38	R26531	1D6	2	30-1
R26409	2C10	2	40-33	R26474	1C24	4	20-43	R26531	1D9	2	30-5
R26413	1C7	5	20-26	R26474	1D2	8	20-45	R26531	1D21	6	30-17
R26416	1C8	16	20-27	R26475	1C8	2	20-27	R26531	1E10	6	30-27

NUMERICAL INDEX - CONTINUED

PART NO.	GRID	KEY	PAGE	PART NO.	GRID	KEY	PAGE	PART NO.	GRID	KEY	PAGE
R26532	1F6	4	30-49	R26621	3C13	34	70-7	R26753	2G25	22	50-29
R26543	3B6	30	60-3	R26625	3E3	8	70-49	R26753	2H5	5	50-35
R26544	3F18	7	70-91	R26626	3D23	14	70-44	R26754	3B6	30	60-3
R26544	3F18	..	70-91	R26627	3G9	3	70-108	R26755	3B4	5	60-1
R26544	3F20	..	70-93	R26628	3E1	3	70-47	R26760	3B4	10	60-1
R26544	3F21	12	70-94	R26629	3E7	34	70-53	R26760	3B6	17	60-3
R26546	3B8	35	60-5	R26630	3E1	15	70-47	R26762	3B8	53	60-5
R26546	3B10	36	60-7	R26631	3I4	6	80-12	R26762	3B10	55	60-7
R26546	3B12	16	60-9	R26631	3I9	5	80-18	R26762	3E6	2	70-52
R26547	3B12	25	60-9	R26632	3I4	3	80-12	R26767	3B17	5	60-15
R26550	1B21	7	20-14	R26632	3I9	2	80-18	R26769	3D22	15	70-43
R26551	3B12	20	60-9	R26637	2F24	21	50-3	R26772	3E6	22	70-52
R26551	3F20	22	70-93	R26637	2G20	8	50-23	R26773	3E6	26	70-52
R26551	3F21	7	70-94	R26638	2F24	22	50-3	R26776	3E6	23	70-52
R26552	3B8	24	60-5	R26639	2F23	7	50-2	R26779	3E1	8	70-47
R26552	3B10	25	60-7	R26641	2F22	6	50-1	R26784	3D25	21	70-46
R26553	3B8	50	60-5	R26642	2F22	7	50-1	R26789	1E14	15	30-32
R26553	3B10	57	60-7	R26643	2G1	10	50-4	R26789	1E16	2	30-34
R26554	3B8	55	60-5	R26643	2H3	33	50-33	R26789	1E16	20	30-34
R26554	3B10	53	60-7	R26647	2G1	19	50-4	R26789	4E7	15	90-78
R26554	3E6	1	70-52	R26650	2H16	16	50-47	R26790	1E14	15	30-32
R26559	1B10	11	20-5	R26650	2H16	17	50-47	R26790	1E16	2	30-34
R26560	1B21	7	20-14	R26650	2H17	17	50-48	R26790	1E16	20	30-34
R26564	3E6	25	70-52	R26650	3E5	25	70-51	R26792	2G18	10	50-21
R26565	3B8	5	60-5	R26652	2G1	6	50-4	R26799	2F23	19	50-2
R26565	3B10	5	60-7	R26656	2F24	27	50-3	R26804	2F23	11	50-2
R26565	3E5	33	70-51	R26658	2F23	11	50-2	R26808	3E11	12	70-57
R26565	3F20	9	70-93	R26658	2F23	12	50-2	R26809	3E11	12	70-57
R26566	3E5	37	70-51	R26658	2F23	16	50-2	R26810	3E11	15	70-57
R26567	3E6	4	70-52	R26659	2F23	17	50-2	R26811	3E13	19	70-59
R26571	3E6	19	70-52	R26663	2F22	5	50-1	R26813	3E13	12	70-59
R26573	3E5	29	70-51	R26663	2G18	8	50-21	R26814	3E13	2	70-59
R26574	3E7	51	70-53	R26664	2G1	14	50-4	R26814	3E15	2	70-62
R26575	3E7	52	70-53	R26666	2G2	31	50-5	R26820	2C19	14	40-43
R26575	3F16	2	70-88	R26667	2G2	30	50-5	R26820	2C21	17	40-45
R26576	3E7	56	70-53	R26669	1F17	7	30-61	R26820	4B8	6	90-3
R26584	3F6	9	70-77	R26669	1F19	7	30-63	R26822	3F20	18	70-93
R26584	3F7	8	70-78	R26670	1F17	8	30-61	R26823	3F20	8	70-93
R26584	3F9	8	70-81	R26670	1F19	8	30-63	R26825	1B14	27	20-9
R26584	3F11	8	70-83	R26675	4D24	31	90-71	R26826	1B14	28	20-9
R26593	1D21	11	30-17	R26683	2G2	52	50-5	R26826	1C24	32	20-43
R26593	1E10	12	30-27	R26686	2H8	32	50-38	R26826	1D2	29	20-45
R26593	1F6	14	30-49	R26686	2I3	18	50-58	R26828	4D22	29	90-69
R26594	1D21	13	30-17	R26686	2I3	23	50-58	R26829	4D22	23	90-69
R26594	1E10	14	30-27	R26686	3D5	51	70-25	R26830	4D22	20	90-69
R26594	1F6	16	30-49	R26694	3J6	32	80-41	R26832	4D20	9	90-67
R26602	2C13	3	40-36	R26702	3J6	30	80-41	R26833	2G1	2	50-4
R26603	2C13	9	40-36	R26703	3J6	30	80-41	R26841	3D22	13	70-43
R26606	1C10	14	20-29	R26708	3D25	8	70-46	R26842	3D22	2	70-43
R26606	2C13	16	40-36	R26709	3D25	3	70-46	R26858	3J6	23	80-41
R26607	1C11	19	20-30	R26710	3D25	19	70-46	R26860	3I4	18	80-12
R26607	2C13	16	40-36	R26711	3D25	22	70-46	R26861	2C10	4	40-33
R26608	3E13	25	70-59	R26714	3E11	13	70-57	R26862	2C10	1	40-33
R26608	3E14	17	70-60	R26720	1B21	3	20-14	R26863	3B18	7	60-16
R26608	3E16	24	70-63	R26726	1E14	16	30-32	R26863	3D22	12	70-43
R26609	3E13	26	70-59	R26726	1E16	21	30-34	R26865	3D23	10	70-44
R26609	3E14	18	70-60	R26726	1E19	3	30-37	R26867	3E1	11	70-47
R26609	3E16	34	70-63	R26726	1F3	19	30-46	R26868	3E1	6	70-47
R26609	3E17	16	70-64	R26726	1F4	20	30-47	R26869	3E1	7	70-47
R26611	3E11	1	70-57	R26727	1B17	7	20-10	R26870	3E7	46	70-53
R26612	3E11	9	70-57	R26727	2I24	9	50-81	R26871	4C12	25	90-32
R26613	3E11	11	70-57	R26728	1E14	15	30-32	R26871	4D22	24	90-69
R26614	3E11	11	70-57	R26728	1E16	2	30-34	R26872	4D20	2	90-67
R26615	3E11	17	70-57	R26728	1E16	20	30-34	R26873	4D20	2	90-67
R26616	3E11	10	70-57	R26738	1C24	28	20-43	R26874	4D22	28	90-69
R26618	3E11	21	70-57	R26738	1F10	12	30-53	R26875	4D20	12	90-67
R26619	3E11	7	70-57	R26748	1B10	12	20-5	R26876	4D20	13	90-67

NUMERICAL INDEX - CONTINUED

PART NO.	GRID	KEY	PAGE	PART NO.	GRID	KEY	PAGE	PART NO.	GRID	KEY	PAGE
R26877	4C13	29	90-33	R26947	3I6	20	80-15	R27148	3C11	10	70-5
R26877	4D20	10	90-67	R26952	1F17	5	30-61	R27149	3B19	12	60-18
R26878	4D20	19	90-67	R26952	1F19	5	30-63	R27149	3B22	10	60-21
R26879	4D20	15	90-67	R26958	1F17	12	30-61	R27149	3C11	11	70-5
R26880	4D20	24	90-67	R26958	1F19	12	30-63	R27149	3C17	20	70-11
R26890	3J6	7	80-41	R26967	1D16	7	30-12	R27149	3C19	9	70-13
R26892	1C10	5	20-29	R26972	3B17	8	60-15	R27149	3C23	24	70-17
R26892	1C18	8	20-37	R26973	3B17	9	60-15	R27150	3C11	5	70-5
R26892	1E20	3	30-38	R26974	3F20	19	70-93	R27150	3C19	5	70-13
R26894	3J6	14	80-41	R26976	3F21	11	70-94	R27154	3C11	18	70-5
R26895	4D24	19	90-71	R26977	3F21	10	70-94	R27155	3C11	17	70-5
R26895	4D24	22	90-71	R26978	3F18	18	70-91	R27156	3C11	19	70-5
R26906	2H23	19	50-54	R26980	3F18	16	70-91	R27157	3C11	20	70-5
R26906	3C9	1	70-3	R26980	3F18	24	70-91	R27159	3C13	18	70-7
R26906	3C13	10	70-7	R26982	3F18	26	70-91	R27166	3C13	14	70-7
R26906	3C15	2	70-9	R26986	3F18	32	70-91	R27166	3C13	43	70-7
R26906	3C17	2	70-11	R26989	3F24	6	70-98	R27166	3C13	44	70-7
R26906	3C17	15	70-11	R26992	4B21	8	90-16	R27166	3C15	5	70-9
R26906	3C21	16	70-15	R26992	4C1	3	90-21	R27166	3C17	6	70-11
R26906	3C23	6	70-17	R26992	4C9	15	90-29	R27166	3C21	42	70-15
R26906	3C23	26	70-17	R26992	4E4	17	90-75	R27166	3C23	14	70-17
R26906	3C24	1	70-19	R26992	4E5	6	90-76	R27167	3C13	16	70-7
R26906	3D2	2	70-21	R26992	4E7	11	90-78	R27168	3E10	3	70-56
R26906	3D2	6	70-21	R27000	2G17	3	50-20	R27170	3C13	19	70-7
R26906	3D4	7	70-24	R27000	2I7	3	50-62	R27171	3C13	5	70-7
R26906	3D5	11	70-25	R27007	3E13	6	70-59	R27172	3C13	11	70-7
R26906	3D5	36	70-25	R27007	3E14	2	70-60	R27173	3C13	17	70-7
R26906	3D10	7	70-30	R27007	3E15	9	70-62	R27174	3C13	15	70-7
R26906	3D11	11	70-31	R27033	2F24	20	50-3	R27174	3C17	7	70-11
R26906	3D13	7	70-33	R27035	2F22	16	50-1	R27175	3C11	15	70-5
R26906	3D13	11	70-33	R27036	2F22	17	50-1	R27175	3D5	46	70-25
R26906	3D16	5	70-37	R27042	2F24	33	50-3	R27177	1D18	4	30-14
R26906	3D16	15	70-37	R27058	1F10	9	30-53	R27179	1D21	32	30-17
R26906	3D16	18	70-37	R27060	3F18	37	70-91	R27180	1D21	29	30-17
R26906	3D17	2	70-38	R27072	1F16	1	30-60	R27180	2C3	3	40-24
R26906	3D17	15	70-38	R27072	1F19	1	30-63	R27180	2C6	12	40-28
R26906	3D17	21	70-38	R27074	1E11	6	30-28	R27180	2C8	13	40-30
R26906	3D18	2	70-39	R27074	1E12	4	30-29	R27180	2C8	18	40-30
R26906	3D18	20	70-39	R27075	1F16	3	30-60	R27181	1D21	16	30-17
R26906	3D18	22	70-39	R27075	1F19	3	30-63	R27181	1E10	17	30-27
R26906	3E3	3	70-49	R27084	3I22	6	80-32	R27182	1D21	17	30-17
R26906	3F14	16	70-86	R27084	3I23	22	80-33	R27182	1E10	18	30-27
R26906	3F24	8	70-98	R27085	3I22	7	80-32	R27183	1D21	1	30-17
R26907	3E13	33	70-59	R27085	3I23	23	80-33	R27183	1E10	1	30-27
R26911	3E13	33	70-59	R27087	3B6	15	60-3	R27184	1F6	6	30-49
R26919	1E12	17	30-29	R27089	3B4	9	60-1	R27185	1B17	3	20-10
R26919	1E12	18	30-29	R27090	3B4	7	60-1	R27196	3E17	18	70-64
R26928	1D6	9	30-1	R27091	3B4	6	60-1	R27196	3F4	19	70-75
R26933	3B6	8	60-3	R27094	2G4	16	50-7	R27196	3F9	33	70-81
R26934	1B14	20	20-9	R27094	2H7	15	50-37	R27203	3F16	3	70-88
R26934	1D21	28	30-17	R27094	2H8	31	50-38	R27205	1F14	9	30-58
R26934	1E10	29	30-27	R27094	2H10	22	50-41	R27206	1E20	25	30-38
R26936	2B8	9	40-3	R27094	2H10	30	50-41	R27206	1F14	30	30-58
R26936	2B13	9	40-9	R27094	2H23	8	50-54	R27207	1E20	5	30-38
R26936	2B23	19	40-19	R27094	2I16	31	50-73	R27208	1C8	8	20-27
R26936	2B23	26	40-19	R27094	3E5	11	70-51	R27209	1C8	4	20-27
R26936	2C3	4	40-24	R27094	3E5	18	70-51	R27210	3D22	16	70-43
R26936	2C5	6	40-26	R27095	3B14	32	60-11	R27212	3C24	6	70-19
R26936	2C5	8	40-26	R27116	2G22	3	50-25	R27212	3E3	10	70-49
R26941	2B9	2	40-4	R27118	4D20	30	90-67	R27212	3E8	2	70-54
R26941	2B14	2	40-10	R27119	4D20	32	90-67	R27212	3E9	2	70-55
R26941	2B25	21	40-21	R27121	4D20	22	90-67	R27214	3E6	27	70-52
R26941	2C2	22	40-23	R27127	3E1	4	70-47	R27215	3E6	13	70-52
R26941	3B14	41	60-11	R27137	3B19	11	60-18	R27216	2H7	15	50-37
R26946	3I6	21	80-15	R27137	3B22	9	60-21	R27216	2H8	1	50-38
R26946	3I6	22	80-15	R27145	3C11	31	70-5	R27216	2H24	10	50-55
R26946	3I6	23	80-15	R27146	3C11	32	70-5	R27216	3B8	46	60-5

NUMERICAL INDEX - CONTINUED

PART NO.	GRID	KEY	PAGE	PART NO.	GRID	KEY	PAGE	PART NO.	GRID	KEY	PAGE
R27216	3B10	47	60-7	R27315	2G4	14	50-7	R27458	4D20	33	90-67
R27216	3C13	24	70-7	R27318	3B6	20	60-3	R27460	2D20	8	40-70
R27216	3D16	1	70-37	R27319	3B6	26	60-3	R27460	2D21	14	40-71
R27216	3E5	1	70-51	R27320	3B6	13	60-3	R27460	2D22	9	40-72
R27216	3E5	19	70-51	R27323	3B14	29	60-11	R27460	2D24	10	40-74
R27216	3F20	41	70-93	R27323	4D11	15	90-57	R27460	2E1	10	40-76
R27218	2G4	18	50-7	R27324	3B14	30	60-11	R27471	3C13	44	70-7
R27218	2H10	25	50-41	R27329	2G15	2	50-18	R27472	3C13	43	70-7
R27218	2H23	20	50-54	R27329	2G16	9	50-19	R27474	3D2	1	70-21
R27218	3C13	7	70-7	R27329	2G17	12	50-20	R27474	3D16	4	70-37
R27218	3C21	7	70-15	R27329	2I5	2	50-60	R27474	3D16	19	70-37
R27231	3F20	23	70-93	R27329	2I6	9	50-61	R27474	3D17	1	70-38
R27233	3F18	14	70-91	R27329	2I7	12	50-62	R27474	3D17	20	70-38
R27237	3D4	4	70-24	R27346	1E2	58	30-21	R27474	3D18	1	70-39
R27237	3D10	4	70-30	R27346	1E11	2	30-28	R27474	3D18	23	70-39
R27237	3D13	4	70-33	R27346	1E12	2	30-29	R27474	3F14	15	70-86
R27237	3F20	21	70-93	R27346	1E13	5	30-30	R27475	3C13	1	70-7
R27237	3F22	2	70-96	R27347	1F7	18	30-50	R27475	3C21	1	70-15
R27237	3F23	2	70-97	R27347	2B10	26	40-5	R27476	3C13	13	70-7
R27237	3F24	9	70-98	R27348	1F7	20	30-50	R27478	3C11	33	70-5
R27237	3G13	29	70-113	R27350	1F10	14	30-53	R27478	3C15	12	70-9
R27240	3F16	10	70-88	R27352	1F10	16	30-53	R27478	3C19	29	70-13
R27241	3F16	7	70-88	R27354	1F10	10	30-53	R27479	3C11	33	70-5
R27243	2G11	18	50-14	R27361	4E2	7	90-73	R27479	3C15	13	70-9
R27251	3D5	32	70-25	R27361	4E2	10	90-73	R27479	3C19	29	70-13
R27251	3D13	32	70-33	R27369	3E7	43	70-53	R27483	2G4	1	50-7
R27256	2B23	4	40-19	R27370	3E7	42	70-53	R27483	2H10	1	50-41
R27256	3E7	43	70-53	R27372	3E6	12	70-52	R27489	3F20	20	70-93
R27257	1F6	7	30-49	R27421	3G25	15	70-125	R27490	1E2	60	30-21
R27261	1C5	3	20-24	R27421	3H2	13	70-127	R27490	3F18	38	70-91
R27266	3D5	42	70-25	R27422	3G25	22	70-125	R27490	3F21	9	70-94
R27267	1C6	23	20-25	R27422	3H2	11	70-127	R27492	3F18	39	70-91
R27267	2H8	13A	50-38	R27423	3G25	32	70-125	R27506	3J2	13	80-37
R27267	3D4	2	70-24	R27426	3G25	35	70-125	R27506	3J4	14	80-39
R27267	3D10	2	70-30	R27427	3G25	7	70-125	R27506	3J6	19	80-41
R27267	3D13	2	70-33	R27427	3H2	5	70-127	R27507	1E1	23	30-20
R27267	3D13	39B	70-33	R27430	3G2	33	70-101	R27507	1F8	42	30-51
R27267	3D22	4	70-43	R27430	3G4	34	70-103	R27507	3E1	10	70-47
R27267	3E9	5	70-55	R27430	3G6	6	70-105	R27507	3E6	29	70-52
R27270	3D5	12	70-25	R27430	3G8	29	70-107	R27507	3E20	6C	70-67
R27270	3D11	12	70-31	R27430	3G11	6	70-111	R27507	3F2	3	70-73
R27270	3D13	12	70-33	R27430	3G12	6	70-112	R27507	3J2	16	80-37
R27270	3D16	16	70-37	R27430	3G21	5	70-121	R27507	3J4	17	80-39
R27270	3D17	16	70-38	R27430	3H12	5	70-138	R27507	3J6	16	80-41
R27270	3D18	21	70-39	R27439	4D22	18	90-69	R27510	3B6	37	60-3
R27272	2I16	25	50-73	R27440	4C12	8	90-32	R27512	3E5	31	70-51
R27272	2I16	28	50-73	R27440	4D20	16	90-67	R27523	1F7	28	30-50
R27272	2I18	7	50-75	R27441	4C12	3	90-32	R27527	3B8	19	60-5
R27272	2I18	13	50-75	R27441	4D20	5	90-67	R27527	3B10	19	60-7
R27284	1D21	31	30-17	R27441	4D20	26	90-67	R27527	3B13	3	60-10
R27284	1D22	7	30-18	R27441	4E6	9	90-77	R27527	3B13	13	60-10
R27285	1B14	21	20-9	R27441	4E7	7	90-78	R27527	3B13	15	60-10
R27285	1C24	31	20-43	R27442	4C13	30	90-33	R27527	3B20	17	60-19
R27285	1D2	30	20-45	R27442	4D20	11	90-67	R27527	3B20	19	60-19
R27285	1D21	27	30-17	R27443	1B10	9	20-5	R27527	3B20	56	60-19
R27285	1D22	9	30-18	R27453	3B6	11	60-3	R27527	3B24	6	60-23
R27285	1E10	28	30-27	R27457	2B8	19	40-3	R27527	3C2	6	60-25
R27286	1B14	22	20-9	R27457	2B8	21	40-3	R27527	3D18	11	70-39
R27289	1E10	33	30-27	R27457	2B10	16	40-5	R27528	2B23	3	40-19
R27296	3B8	12	60-5	R27457	2B13	15	40-9	R27529	1B10	3	20-5
R27296	3B10	13	60-7	R27457	2B13	17	40-9	R27531	3D5	40	70-25
R27296	3B24	2	60-23	R27457	2B15	17	40-11	R27533	3D5	34	70-25
R27296	3C2	2	60-25	R27457	2B15	23	40-11	R27533	3D11	33	70-31
R27299	3B6	10	60-3	R27457	2B25	6	40-21	R27533	3D13	35	70-33
R27303	2G1	13	50-4	R27457	2B25	11	40-21	R27534	3D5	30	70-25
R27304	2G1	1	50-4	R27457	2C2	6	40-23	R27534	3D13	30	70-33
R27305	2G1	4	50-4	R27457	2C2	11	40-23	R27539	2B8	19	40-3

1K23

4020 TRACTOR - (TRACTOR SERIAL NO. -200999)

NUMERICAL INDEX - CONTINUED

PART NO.	GRID	KEY	PAGE	PART NO.	GRID	KEY	PAGE	PART NO.	GRID	KEY	PAGE
R27539	2B9	9	40-4	R27646	3H20	10	80-3	R27926	3D2	4	70-21
R27539	2B13	15	40-9	R27649	3G25	23	70-125	R27926	3D7	11	70-27
R27539	2B14	10	40-10	R27649	3H2	10	70-127	R27927	3D2	5	70-21
R27539	2B25	6	40-21	R27649	3H4	6	70-129	R27928	3C17	22	70-11
R27539	2C2	6	40-23	R27674	3E6	6	70-52	R27928	3C23	26	70-17
R27539	3B14	46	60-11	R27675	3E6	6	70-52	R27928	3D2	3	70-21
R27539	3E8	12	70-54	R27678	3F18	27	70-91	R27928	3D7	10	70-27
R27539	3E9	12	70-55	R27693	1B17	10	20-10	R27928	3D15	12	70-35
R27539	3F24	2	70-98	R27720	3B13	17	60-10	R27930	3D7	14	70-27
R27543	3E10	6	70-56	R27720	3G2	9	70-101	R27930	3D9	13	70-29
R27545	2I18	31	50-75	R27720	3G4	9	70-103	R27941	4D24	23	90-71
R27545	3B13	6	60-10	R27720	3G6	34	70-105	R27948	1D2	27	20-45
R27546	3D5	31	70-25	R27720	3G9	9	70-108	R27949	1C6	19	20-25
R27546	3D13	31	70-33	R27720	3G11	28	70-111	R27950	3H25	6	80-8
R27547	1C11	10	20-30	R27729	2G8	7	50-11	R27951	1D2	28	20-45
R27547	1C11	14	20-30	R27730	2G8	8	50-11	R27962	2C19	17	40-43
R27547	1C12	8	20-31	R27730	2G8	17	50-11	R27962	2C21	20	40-45
R27548	1B8	13	20-3	R27747	2I2	43	50-57	R27962	4B8	9	90-3
R27548	1C6	10	20-25	R27781	1E14	3	30-32	R27963	4E2	33	90-73
R27548	1C10	8	20-29	R27781	1E14	13	30-32	R27975	1B10	21	20-5
R27548	1C11	12	20-30	R27781	1E16	7	30-34	R27976	1B10	20	20-5
R27548	1C16	13	20-35	R27782	1E14	3	30-32	R27976	1C24	3	20-43
R27549	3D25	20	70-46	R27782	1E14	13	30-32	R27976	2D12	67	40-61
R27564	3C13	12	70-7	R27782	1E16	7	30-34	R27976	2D15	1	40-64
R27564	3C15	4	70-9	R27783	1E14	3	30-32	R27979	3E5	17	70-51
R27564	3C17	5	70-11	R27783	1E14	13	30-32	R27981	3E5	16	70-51
R27564	3C21	43	70-15	R27783	1E16	7	30-34	R27983	4C14	11	90-34
R27564	3C23	15	70-17	R27785	4D22	8	90-69	R27983	4E2	8	90-73
R27564	3G25	21	70-125	R27806	3H23	17	80-6	R27997	3E18	10	70-65
R27564	3H2	12	70-127	R27806	3H24	24	80-7	R27997	3E20	18	70-67
R27564	3H4	4	70-129	R27806	3I1	8	80-9	R27998	3E18	11	70-65
R27564	3H7	13	70-133	R27807	3H23	17	80-6	R27998	3E20	20	70-67
R27564	3H9	12	70-135	R27807	3H24	24	80-7	R27998	3E24	26	70-71
R27564	3H11	7	70-137	R27807	3I1	3	80-9	R27998	3F2	40	70-73
R27567	4D24	8	90-71	R27808	3H23	2	80-6	R27999	3E18	12	70-65
R27574	1C24	5	20-43	R27808	3I1	6	80-9	R27999	3E20	21	70-67
R27574	1D16	13	30-12	R27809	3H20	16	80-3	R27999	3E24	27	70-71
R27575	1D16	6	30-12	R27809	3H25	15	80-8	R27999	3F2	39	70-73
R27579	2E3	9	40-78	R27810	3H20	4	80-3	R28002	3I6	6	80-15
R27580	2E3	5	40-78	R27810	3H25	5	80-8	R28006	3G2	32	70-101
R27582	2B25	18	40-21	R27817	3H20	7	80-3	R28006	3G4	33	70-103
R27582	2C2	18	40-23	R27817	3H25	8	80-8	R28006	3G6	7	70-105
R27582	2E3	10	40-78	R27818	3H20	1	80-3	R28006	3G8	28	70-107
R27583	2B25	17	40-21	R27818	3H21	5	80-4	R28006	3G11	7	70-111
R27583	2C2	17	40-23	R27818	3H25	1	80-8	R28006	3G12	7	70-112
R27583	2C8	2	40-30	R27819	3D25	11	70-46	R28006	3G21	6	70-121
R27583	2E3	11	40-78	R27820	3H20	9	80-3	R28006	3H12	6	70-138
R27583	2E12	16	40-87	R27829	3F16	9	70-88	R28007	1F17	9	30-61
R27583	2E16	20	40-91	R27833	1D6	9	30-1	R28007	1F19	9	30-63
R27583	4B16	5	90-11	R27880	2G24	13	50-28	R28008	1F17	16	30-61
R27587	3F18	11	70-91	R27883	3J7	1	80-42	R28008	1F19	16	30-63
R27588	3F18	13	70-91	R27888	2G22	14	50-25	R28009	1F17	6	30-61
R27589	3F18	15	70-91	R27898	3I15	3	80-25	R28009	1F19	6	30-63
R27593	3F18	8	70-91	R27899	3E17	26	70-64	R28015	1C7	1	20-26
R27595	3F18	6	70-91	R27906	3B24	1	60-23	R28019	3H23	4	80-6
R27598	3I15	16	80-25	R27906	3C2	1	60-25	R28019	3H24	5	80-7
R27603	3E7	50	70-53	R27919	1C4	15	20-23	R28019	3I1	9	80-9
R27604	3E7	50	70-53	R27922	1F14	3	30-58	R28021	3H23	10	80-6
R27605	3E7	57	70-53	R27923	1F15	33	30-59	R28021	3H24	13	80-7
R27606	3E5	21	70-51	R27924	3B13	21	60-10	R28022	3H23	14	80-6
R27612	2H10	19	50-41	R27924	3D5	14	70-25	R28022	3H24	18	80-7
R27612	2I2	48	50-57	R27924	3D11	14	70-31	R28023	3H23	8	80-6
R27633	2G12	12	50-15	R27925	3B14	25	60-11	R28023	3H24	10	80-7
R27640	2F22	26	50-1	R27925	3D5	16	70-25	R28023	3I1	12	80-9
R27642	3I16	2	80-26	R27925	3D11	18	70-31	R28024	3H23	12	80-6
R27643	3I16	5	80-26	R27925	3D13	18	70-33	R28024	3H24	15	80-7
R27645	3I16	3	80-26	R27925	4B8	7	90-3	R28030	4E2	37	90-73

NUMERICAL INDEX - CONTINUED

PART NO.	GRID	KEY	PAGE	PART NO.	GRID	KEY	PAGE	PART NO.	GRID	KEY	PAGE
R28040	3F4	7A	70 - 75	R28201	3F11	41	70 - 83	R28676	3B15	8	60 - 12
R28040	3F4	8	70 - 75	R28203	3F11	44	70 - 83	R28677	3B15	9	60 - 12
R28040	3F9	23	70 - 81	R28204	3G2	21	70 - 101	R28695	4C9	20	90 - 29
R28057	3F11	13	70 - 83	R28204	3G2	37	70 - 101	R28717	3F18	2	70 - 91
R28061	3E13	17	70 - 59	R28204	3G4	22	70 - 103	R28717	3F24	20	70 - 98
R28061	3E14	12	70 - 60	R28204	3G4	38	70 - 103	R28718	3I3	8	80 - 11
R28061	3E16	20	70 - 63	R28204	3G6	2	70 - 105	R28719	3I3	14	80 - 11
R28061	3F9	42	70 - 81	R28204	3G6	18	70 - 105	R28720	1B17	3	20 - 10
R28084	3G2	23	70 - 101	R28204	3G8	17	70 - 107	R28722	3I3	4	80 - 11
R28084	3G2	35	70 - 101	R28204	3G8	33	70 - 107	R28733	3F22	7	70 - 96
R28084	3G4	24	70 - 103	R28204	3G11	2	70 - 111	R28733	3F23	7	70 - 97
R28084	3G4	36	70 - 103	R28204	3G11	19	70 - 111	R28743	3H23	10	80 - 6
R28084	3G6	4	70 - 105	R28204	3G12	2	70 - 112	R28744	3F18	12	70 - 91
R28084	3G6	16	70 - 105	R28204	3G21	1	70 - 121	R28744	3F18	20	70 - 91
R28084	3G8	19	70 - 107	R28204	3G21	19	70 - 121	R28746	1C10	9	20 - 29
R28084	3G8	31	70 - 107	R28204	3H12	1	70 - 138	R28746	1C11	13	20 - 30
R28084	3G11	4	70 - 111	R28204	3H12	19	70 - 138	R28755	3D25	16	70 - 46
R28084	3G11	17	70 - 111	R28226	1B18	5	20 - 11	R28755	4B8	20	90 - 3
R28084	3G12	4	70 - 112	R28226	1B20	11	20 - 13	R28774	3B20	24	60 - 19
R28084	3G12	19	70 - 112	R28228	1B18	5	20 - 11	R28775	3B20	25	60 - 19
R28084	3G21	3	70 - 121	R28228	1B20	11	20 - 13	R28776	3B20	26	60 - 19
R28084	3G21	17	70 - 121	R28230	1B18	5	20 - 11	R28776	3B22	12	60 - 21
R28084	3H12	3	70 - 138	R28230	1B20	11	20 - 13	R28781	3C13	39	70 - 7
R28084	3H12	17	70 - 138	R28248	1B23	1	20 - 16	R28781	3C21	35	70 - 15
R28085	3G2	22	70 - 101	R28250	1B23	1	20 - 16	R28782	3C13	38	70 - 7
R28085	3G2	36	70 - 101	R28252	1B23	1	20 - 16	R28782	3C17	9	70 - 11
R28085	3G4	23	70 - 103	R28255	3E16	30	70 - 63	R28782	3C21	34	70 - 15
R28085	3G4	37	70 - 103	R28256	3E16	30	70 - 63	R28782	3C23	11	70 - 17
R28085	3G6	3	70 - 105	R28271	3E16	48	70 - 63	R28783	3J2	14	80 - 37
R28085	3G6	17	70 - 105	R28272	3E16	47	70 - 63	R28783	3J4	15	80 - 39
R28085	3G8	18	70 - 107	R28291	3J6	38	80 - 41	R28783	3J6	18	80 - 41
R28085	3G8	32	70 - 107	R28359	2G19	7	50 - 22	R28785	3B8	14	60 - 5
R28085	3G11	3	70 - 111	R28359	2H7	26	50 - 37	R28785	3E5	12	70 - 51
R28085	3G11	18	70 - 111	R28361	2G19	8	50 - 22	R28786	3B8	14	60 - 5
R28085	3G12	3	70 - 112	R28381	3E17	3	70 - 64	R28786	3E5	12	70 - 51
R28085	3G21	2	70 - 121	R28399	2H7	50	50 - 37	R28789	1D16	2	30 - 12
R28085	3G21	18	70 - 121	R28401	2H7	24	50 - 37	R28789	1D18	2	30 - 14
R28085	3H12	2	70 - 138	R28401	2H7	27	50 - 37	R28790	3I20	8	80 - 30
R28085	3H12	18	70 - 138	R28473	4C6	11	90 - 26	R28791	4C12	13	90 - 32
R28095	3B8	28	60 - 5	R28473	4D24	35	90 - 71	R28792	4E2	2	90 - 73
R28095	3E5	9	70 - 51	R28473	4D24	37	90 - 71	R28793	4E2	1	90 - 73
R28095	3F20	3	70 - 93	R28482	4E4	5	90 - 75	R28794	1D12	11	30 - 8
R28110	2I4	29	50 - 59	R28490	3I12	5	80 - 22	R28794	1D13	11	30 - 9
R28114	3I1	16	80 - 9	R28505	3B8	14	60 - 5	R28795	1D14	12	30 - 10
R28114	3I1	19	80 - 9	R28505	3E5	12	70 - 51	R28796	1C8	8	20 - 27
R28115	3I1	19	80 - 9	R28561	3F20	14	70 - 93	R28797	1D12	1	30 - 8
R28122	3J6	1	80 - 41	R28563	3F20	15	70 - 93	R28798	1D13	1	30 - 9
R28122	3J6	3	80 - 41	R28575	3I4	9	80 - 12	R28799	1D14	1	30 - 10
R28123	3J6	1	80 - 41	R28575	3I6	26	80 - 15	R28809	3F9	30	70 - 81
R28123	3J6	9	80 - 41	R28575	3I9	16	80 - 18	R28810	1B21	3	20 - 14
R28123	3J6	15	80 - 41	R28583	1F3	17	30 - 46	R28811	1B21	4	20 - 14
R28124	3B8	7	60 - 5	R28583	1F4	18	30 - 47	R28914	2H8	22	50 - 38
R28124	3B10	7	60 - 7	R28583	1F5	4	30 - 48	R28937	4C13	32	90 - 33
R28124	3F20	6	70 - 93	R28584	1F3	16	30 - 46	R28938	4C13	28	90 - 33
R28124	3F20	11	70 - 93	R28584	1F4	17	30 - 47	R28960	3E1	19	70 - 47
R28128	2I19	4	50 - 76	R28594	2G14	9	50 - 17	R28970	1B18	7	20 - 11
R28128	2I23	15	50 - 80	R28594	2I3	9	50 - 58	R28971	1B18	7	20 - 11
R28136	3B15	21	60 - 12	R28612	2I22	8	50 - 79	R28972	1B20	6	20 - 13
R28157	4C12	30	90 - 32	R28624	3F20	6	70 - 93	R28973	1B20	6	20 - 13
R28164	3E7	55	70 - 53	R28633	1D6	16	30 - 1	R28999	1B21	6	20 - 14
R28164	3F16	5	70 - 88	R28633	1D7	8	30 - 2	R29340	2I1	11	50 - 56
R28171	2I21	4	50 - 78	R28633	1D9	15	30 - 5	R29463	3H7	31	70 - 133
R28194	3F11	39	70 - 83	R28633	1D11	10	30 - 7	R29463	3H9	21	70 - 135
R28195	3F11	23	70 - 83	R28634	3F18	22	70 - 91	R29463	3H10	11	70 - 136
R28196	3F11	40	70 - 83	R28635	3F18	21	70 - 91	R29463	3H11	3	70 - 137
R28197	3F11	19	70 - 83	R28653	1B7	3	20 - 2	R29936	3C23	21	70 - 17
R28199	3F11	37	70 - 83	R28654	1B7	3	20 - 2	R29936	3C23	25	70 - 17

1K25

4020 TRACTOR - (TRACTOR SERIAL NO. -200999)

NUMERICAL INDEX - CONTINUED

PART NO.	GRID	KEY	PAGE	PART NO.	GRID	KEY	PAGE	PART NO.	GRID	KEY	PAGE
R3R	3I8	10	80-17	R30596	1D9	13	30-5	R30964	2B10	23	40-5
R30181	2D20	7	40-70	R30596	1D11	8	30-7	R30964	2B13	24	40-9
R30181	2D21	8	40-71	R30596	3D5	27	70-25	R30964	2B15	22	40-11
R30181	2D22	8	40-72	R30596	3D9	11	70-29	R31R	2I22	10	50-79
R30181	2D24	8	40-74	R30596	3D11	25	70-31	R31026	2G8	14	50-11
R30181	2D24	9	40-74	R30596	3D13	25	70-33	R31026	2G8	19	50-11
R30181	2D25	18	40-75	R30597	1C7	2	20-26	R31027	2G8	5	50-11
R30181	2E1	9	40-76	R30597	3D5	37	70-25	R31028	2G8	16	50-11
R30181	2E2	20	40-77	R30597	3D11	35	70-31	R31076	2G4	23	50-7
R30182	2D21	1	40-71	R30610	4C13	25	90-33	R31076	2H10	32	50-41
R30182	2D22	19	40-72	R30653	1E21	5	30-39	R31076	3E1	21	70-47
R30182	2D24	1	40-74	R30655	1E21	10	30-39	R31076	3H21	8	80-4
R30182	2D24	8	40-74	R30656	1E21	8	30-39	R31129	3F11	24	70-83
R30182	2D25	23	40-75	R30657	1E21	8	30-39	R31131	2F23	3	50-2
R30182	2E1	1	40-76	R30658	1E21	8	30-39	R31136	3E3	6	70-49
R30182	2E2	25	40-77	R30659	1E21	8	30-39	R31136	3G17	4	70-117
R30319	2G16	16	50-19	R30660	1E21	8	30-39	R31136	3G19	1	70-119
R30319	2I6	16	50-61	R30661	1E22	5	30-40	R31142	1D17	10	30-13
R30323	3B8	32	60-5	R30663	1E22	10	30-40	R31181	3H24	3	80-7
R30323	3B10	33	60-7	R30694	3J10	13	80-45	R31181	3I1	6	80-9
R30323	3B12	23	60-9	R30712	1E20	23	30-38	R31189	2I9	10	50-64
R30378	2B8	1	40-3	R30712	1F14	28	30-58	R31190	2I9	3	50-64
R30378	2B9	3	40-4	R30713	1E20	13	30-38	R31190	2I12	3	50-68
R30378	2B13	1	40-9	R30713	1E20	17	30-38	R31195	2I9	17	50-64
R30378	2B14	3	40-10	R30713	1F14	15	30-58	R31196	2I9	22	50-64
R30378	2B23	11	40-19	R30713	1F14	19	30-58	R31197	3B8	25	60-5
R30378	2B23	15	40-19	R30713	2H19	14	50-50	R31197	3B10	26	60-7
R30378	2B23	17	40-19	R30747	3H22	1	80-5	R31201	3B6	34	60-3
R30378	2E22	25	40-97	R30748	3H23	10	80-6	R31202	3B6	31	60-3
R30378	2F14	43	40-113	R30759	1F6	20	30-49	R31217	3B8	53	60-5
R30379	2B23	12	40-19	R30778	3E18	6	70-65	R31217	3B10	55	60-7
R30379	2B23	16	40-19	R30805	3I21	6	80-31	R31222	3E7	58	70-53
R30387	3I6	30	80-15	R30805	3I22	3	80-32	R31225	3I8	17	80-17
R30388	3I6	30	80-15	R30805	3I22	8	80-32	R31226	3I8	16	80-17
R30389	3I6	30	80-15	R30805	3I23	24	80-33	R31229	4D24	4	90-71
R30390	3I6	30	80-15	R30815	3H13	5	70-139	R31230	4D24	13	90-71
R30391	3I6	21	80-15	R30816	3H13	7	70-139	R31231	4D24	2	90-71
R30392	3I6	20	80-15	R30817	3H13	6	70-139	R31250	2D21	1	40-71
R30399	2I24	2	50-81	R30818	3G13	33	70-113	R31250	2D22	19	40-72
R30402	2B25	8	40-21	R30828	1F16	4	30-60	R31250	2D24	1	40-74
R30402	2B25	9	40-21	R30828	1F19	4	30-63	R31250	2D25	23	40-75
R30402	2C2	8	40-23	R30828	4D6	16	90-52	R31250	2E1	1	40-76
R30402	2C2	9	40-23	R30829	2F24	31	50-3	R31250	2E2	25	40-77
R30409	1D23	14	30-19	R30829	2G18	3	50-21	R31260	4C13	5	90-33
R30409	1F1	14	30-44	R30877	1C7	6	20-26	R31260	4D22	13	90-69
R30410	1D23	7	30-19	R30877	2F22	24	50-1	R31261	4C12	22	90-32
R30410	1D24	4	30-19A	R30886	3G9	1	70-108	R31262	4C12	24	90-32
R30410	1F1	7	30-44	R30888	3G9	4	70-108	R31267	3B20	46	60-19
R30410	1F2	4	30-45	R30903	2I18	1	50-75	R31271	1F17	19	30-61
R30425	4C12	26	90-32	R30903	3B20	32	60-19	R31271	1F19	19	30-63
R30426	4C12	19	90-32	R30903	3B20	49	60-19	R31271	3B20	48	60-19
R30429	4C12	5	90-32	R30903	3B22	7	60-21	R31272	3B20	52	60-19
R30431	4C13	16	90-33	R30920	2G24	8	50-28	R31273	3B20	59	60-19
R30432	4C13	6	90-33	R30920	2H16	26	50-47	R31278	3B8	30	60-5
R30433	4C12	16	90-32	R30920	2H17	26	50-48	R31278	3B10	31	60-7
R30434	4C12	18	90-32	R30929	1B18	3	20-11	R31287	3J10	7	80-45
R30435	4C13	18	90-33	R30936	1C7	3	20-26	R31304	1E22	9	30-40
R30436	4C13	26	90-33	R30936	3D7	5	70-27	R31337	1E20	11	30-38
R30437	4C13	24	90-33	R30936	3I15	6	80-25	R31337	1F14	13	30-58
R30439	4C13	23	90-33	R30937	3J6	10	80-41	R31338	1F14	4	30-58
R30440	4C13	14	90-33	R30937	3J6	11	80-41	R31340	1C24	23	20-43
R30443	4C11	9	90-31	R30939	1B20	3	20-13	R31340	1D2	18	20-45
R30587	2H2	2	50-32	R30958	2G1	15	50-4	R31340	1E20	6	30-38
R30587	2H5	30	50-35	R30958	2G25	21	50-29	R31340	1F14	5	30-58
R30587	2H14	35	50-45	R30959	2G25	19	50-29	R31346	1E20	4	30-38
R30596	1D6	14	30-1	R30959	3E1	13	70-47	R31350	1D7	3	30-2
R30596	1D7	5	30-2	R30964	2B8	26	40-3	R31351	1D17	3	30-13

NUMERICAL INDEX - CONTINUED

PART NO.	GRID	KEY	PAGE	PART NO.	GRID	KEY	PAGE	PART NO.	GRID	KEY	PAGE
R31359	2H2	17	50-32	R31530	3B15	18	60-12	R31711	2G20	11	50-23
R31359	2H3	24	50-33	R31542	1F15	46	30-59	R31712	2G20	14	50-23
R31359	2H5	34	50-35	R31561	3B15	14	60-12	R31713	2G20	15	50-23
R31359	2H5	41	50-35	R31565	3E5	6	70-51	R31714	2G20	5	50-23
R31359	2H12	33	50-43	R31565	3F20	36	70-93	R31725	2H7	49	50-37
R31359	2H14	31	50-45	R31566	3D21	13	70-42	R31736	3F25	4	70-99
R31374	2F22	8	50-1	R31566	3D22	9	70-43	R31736	3G8	3	70-107
R31378	2I8	15	50-63	R31573	3H23	14	80-6	R31781	3C13	41	70-7
R31378	3D19	15	70-40	R31589	2H7	47	50-37	R31781	3C21	38	70-15
R31393	2G1	8	50-4	R31592	3I11	10	80-21	R31890	3G12	23	70-112
R31393	2G1	11	50-4	R31595	3D23	6	70-44	R31931	3D19	6	70-40
R31394	2G1	8	50-4	R31596	3D23	6	70-44	R31932	3D19	9	70-40
R31394	2G1	11	50-4	R31597	3D23	6	70-44	R31933	3D19	8	70-40
R31400	3E17	20	70-64	R31598	3D23	6	70-44	R31934	3D19	13	70-40
R31403	3D25	7	70-46	R31599	3H21	1	80-4	R31935	3D19	12	70-40
R31404	2H5	29	50-35	R31602	3B20	66	60-19	R31936	3D19	14	70-40
R31404	2H5	47	50-35	R31618	4E3	1	90-74	R31937	3D19	16	70-40
R31404	2H12	20	50-43	R31618	4E6	8	90-77	R31939	3D19	7	70-40
R31404	2H14	20	50-45	R31618	4E7	5	90-78	R31943	3I11	10	80-21
R31406	1D16	24	30-12	R31624	3D4	8	70-24	R32007	2B14	7	40-10
R31406	1D18	16	30-14	R31624	3D10	8	70-30	R32008	2D10	52	40-59
R31407	1D17	14	30-13	R31624	3D16	17	70-37	R32011	2F10	1	40-109
R31411	4C12	21	90-32	R31627	3D16	14	70-37	R32016	2B8	12	40-3
R31420	4E3	7	90-74	R31628	3D16	13	70-37	R32016	2B9	2	40-4
R31420	4E6	6	90-77	R31629	3D16	10	70-37	R32016	2B10	18	40-5
R31422	3E6	30	70-52	R31630	3D16	11	70-37	R32016	2B14	2	40-10
R31425	1C10	2	20-29	R31631	2H24	10	50-55	R32016	2B25	22	40-21
R31427	1C11	6	20-30	R31631	3B6	25	60-3	R32016	2C2	23	40-23
R31438	3E17	10	70-64	R31631	3B8	46	60-5	R32016	2C4	16	40-25
R31438	3F4	13	70-75	R31631	3B10	47	60-7	R32016	2C4	17	40-25
R31438	3F9	24	70-81	R31631	3D16	1	70-37	R32016	2C5	2	40-26
R31442	4C12	21	90-32	R31631	3E5	19	70-51	R32016	2C5	3	40-26
R31449	3B20	51	60-19	R31632	3D16	12	70-37	R32016	2C5	8	40-26
R31454	3B20	29	60-19	R31635	4E6	12	90-77	R32016	2C5	9	40-26
R31455	3B19	1	60-18	R31636	4E6	17	90-77	R32016	2C6	8	40-28
R31455	3B22	2	60-21	R31638	1B21	3	20-14	R32016	2C6	14	40-28
R31457	3B20	45	60-19	R31639	3B19	10	60-18	R32016	2C7	20	40-29
R31458	3B20	47	60-19	R31654	1F3	13	30-46	R32016	2D20	3	40-70
R31459	3B20	50	60-19	R31654	1F4	13	30-47	R32016	2D21	3	40-71
R31464	3B20	38	60-19	R31654	2I18	14	50-75	R32016	2D22	3	40-72
R31465	3B20	36	60-19	R31654	2I18	20	50-75	R32016	2D24	3	40-74
R31467	3B20	37	60-19	R31654	3B24	9	60-23	R32016	2D25	21	40-75
R31468	3B20	34	60-19	R31654	3B24	11	60-23	R32016	2E1	3	40-76
R31468	3B22	6	60-21	R31654	3B24	17	60-23	R32016	2E2	23	40-77
R31469	3B20	35	60-19	R31654	3B24	27	60-23	R32016	2E7	2	40-82
R31469	3B22	5	60-21	R31654	3C2	9	60-25	R32016	2F10	10	40-109
R31486	1B13	10	20-8	R31654	3C2	11	60-25	R32016	4C7	3	90-27
R31486	3D21	21	70-42	R31654	3C2	17	60-25	R32016	4C16	8	90-36
R31486	3E5	23	70-51	R31654	3C2	25	60-25	R32016	4D16	10	90-62
R31488	3B12	13	60-9	R31655	2I18	22	50-75	R32017	2D10	52	40-59
R31489	3B12	30	60-9	R31655	2I18	31	50-75	R32017	2D12	57	40-61
R31490	3I11	10	80-21	R31655	3B24	8	60-23	R32017	2F10	11	40-109
R31491	3I11	10	80-21	R31655	3B24	11	60-23	R32018	2B8	5	40-3
R31493	2F22	12	50-1	R31655	3B24	26	60-23	R32018	2B9	6	40-4
R31493	2G19	14	50-22	R31655	3C2	8	60-25	R32018	2B13	5	40-9
R31494	2F22	11	50-1	R31655	3C2	11	60-25	R32018	2B14	7	40-10
R31494	2G19	13	50-22	R31655	3C2	24	60-25	R32018	2C14	27	40-38
R31502	3B20	62	60-19	R31665	3D4	6	70-24	R32018	2C16	28	40-40
R31503	3B20	63	60-19	R31665	3D10	6	70-30	R32018	2D16	8	40-65
R31505	3B15	19	60-12	R31665	3D13	6	70-33	R32018	2D17	4	40-66
R31505	3I15	17	80-25	R31665	3F24	7	70-98	R32018	2D18	4	40-67
R31505	4D20	23	90-67	R31692	2G24	16	50-28	R32018	2F10	12	40-109
R31512	4C11	11	90-31	R31695	2G24	12	50-28	R32018	4C4	19	90-24
R31512	4D22	14	90-69	R31698	2G15	4	50-18	R32018	4C7	3	90-27
R31513	4C11	11	90-31	R31698	2I5	4	50-60	R32019	2B16	..	40-12
R31513	4D22	14	90-69	R31709	2G20	6	50-23	R32019	2B17	..	40-13
R31530	3B15	17	60-12	R31710	2G20	12	50-23	R32019	2B18	..	40-14

NUMERICAL INDEX - CONTINUED

PART NO.	GRID	KEY	PAGE	PART NO.	GRID	KEY	PAGE	PART NO.	GRID	KEY	PAGE
R32019	2B19	..	40 - 15	R32026	2F14	48	40 - 113	R32101	2G16	13	50 - 19
R32019	2B21	9	40 - 17	R32027	2B8	5	40 - 3	R32101	2G17	6	50 - 20
R32019	2B21	12	40 - 17	R32027	2B8	12	40 - 3	R32101	2G19	24	50 - 22
R32019	2B21	15	40 - 17	R32027	2B9	2	40 - 4	R32101	2H10	5	50 - 41
R32019	2B21	16	40 - 17	R32027	2B9	6	40 - 4	R32101	2I6	13	50 - 61
R32019	2F10	13	40 - 109	R32027	2B10	18	40 - 5	R32101	2I7	6	50 - 62
R32019	2F14	51	40 - 113	R32027	2B10	28	40 - 5	R32101	3D21	17	70 - 42
R32021	2B18	..	40 - 14	R32027	2B13	5	40 - 9	R32101	3D22	19	70 - 43
R32021	2B19	..	40 - 15	R32027	2B14	2	40 - 10	R32111	1E11	10	30 - 28
R32021	2B21	16	40 - 17	R32027	2B14	7	40 - 10	R32117	3G23	5	70 - 123
R32021	2F10	14	40 - 109	R32027	2B15	25	40 - 11	R32117	4C6	10	90 - 26
R32022	2B16	..	40 - 12	R32027	2B25	22	40 - 21	R32118	3G23	5	70 - 123
R32022	2B17	..	40 - 13	R32027	2C2	23	40 - 23	R32118	4C6	10	90 - 26
R32022	2B18	..	40 - 14	R32027	2C4	8	40 - 25	R32119	3E13	5	70 - 59
R32022	2B19	..	40 - 15	R32027	2C4	10	40 - 25	R32119	3E14	4	70 - 60
R32022	2B21	9	40 - 17	R32027	2C4	16	40 - 25	R32119	3E15	5	70 - 62
R32022	2B21	12	40 - 17	R32027	2C5	2	40 - 26	R32120	4E4	12	90 - 75
R32022	2F10	15	40 - 109	R32027	2C5	3	40 - 26	R32122	1C6	5	20 - 25
R32022	4C4	19	90 - 24	R32027	2C5	8	40 - 26	R32123	1C6	6	20 - 25
R32023	2C5	9	40 - 26	R32027	2C5	12	40 - 26	R32123	1C24	19	20 - 43
R32023	2F10	16	40 - 109	R32027	2C6	5	40 - 28	R32123	1D2	26	20 - 45
R32023	2F14	51	40 - 113	R32027	2C6	8	40 - 28	R32136	1E15	25	30 - 33
R32024	2B10	28	40 - 5	R32027	2C6	17	40 - 28	R32136	1E17	30	30 - 35
R32024	2B15	25	40 - 11	R32027	2C7	20	40 - 29	R32151	1E11	11	30 - 28
R32024	2C4	8	40 - 25	R32027	2C8	7	40 - 30	R32175	3D21	22	70 - 42
R32024	2C4	10	40 - 25	R32027	2D16	5	40 - 65	R32183	3G23	3	70 - 123
R32024	2C5	12	40 - 26	R32027	2E3	14	40 - 78	R32186	3B6	14	60 - 3
R32024	2C6	5	40 - 28	R32027	2E4	7	40 - 79	R32192	1B21	2	20 - 14
R32024	2C6	17	40 - 28	R32027	2E4	8	40 - 79	R32192	2G20	17	50 - 23
R32024	2C7	20	40 - 29	R32027	2F3	5	40 - 102	R32224	3I11	4	80 - 21
R32024	2C8	7	40 - 30	R32027	2F10	18	40 - 109	R32234	4E2	15	90 - 73
R32024	2E3	14	40 - 78	R32027	4C14	15	90 - 34	R32235	1D17	12	30 - 13
R32024	2F3	5	40 - 102	R32027	4C16	4	90 - 36	R32236	1D17	11	30 - 13
R32024	2F16	3	40 - 115	R32027	4C16	8	90 - 36	R32246	3E5	39	70 - 51
R32024	4C14	15	90 - 34	R32027	4D9	8	90 - 55	R32272	2G2	24	50 - 5
R32024	4C16	4	90 - 36	R32027	4D15	1	90 - 61	R32276	2E22	..	40 - 97
R32024	4C16	8	90 - 36	R32027	4D15	2	90 - 61	R32276	2E24	11	40 - 99
R32024	4D9	8	90 - 55	R32027	4D15	3	90 - 61	R32305	1F17	25	30 - 61
R32024	4D15	1	90 - 61	R32027	4D15	8	90 - 61	R32305	1F19	26	30 - 63
R32024	4D15	2	90 - 61	R32027	4D16	10	90 - 62	R32306	1F3	4	30 - 46
R32024	4D15	3	90 - 61	R32027	4D16	11	90 - 62	R32306	1F4	4	30 - 47
R32024	4D15	8	90 - 61	R32027	4D16	26	90 - 62	R32313	2H3	43	50 - 33
R32024	4D16	10	90 - 62	R32028	2C4	17	40 - 25	R32320	2B10	16	40 - 5
R32024	4D16	11	90 - 62	R32028	2C6	14	40 - 28	R32320	2B15	17	40 - 11
R32024	4D16	26	90 - 62	R32028	2F10	19	40 - 109	R32344	3C13	42	70 - 7
R32025	2B8	5	40 - 3	R32029	2C8	8	40 - 30	R32353	3G2	25	70 - 101
R32025	2B8	12	40 - 3	R32029	2F10	20	40 - 109	R32353	3G4	26	70 - 103
R32025	2B9	2	40 - 4	R32034	1B10	22	20 - 5	R32353	3G6	14	70 - 105
R32025	2B10	18	40 - 5	R32035	1B10	18	20 - 5	R32353	3G8	21	70 - 107
R32025	2B10	28	40 - 5	R32042	2H10	9	50 - 41	R32353	3G11	15	70 - 111
R32025	2B13	5	40 - 9	R32049	2F24	25	50 - 3	R32353	3G21	15	70 - 121
R32025	2B14	2	40 - 10	R32050	1B20	8	20 - 13	R32353	3H12	15	70 - 138
R32025	2B14	7	40 - 10	R32072	3I11	10	80 - 21	R32354	3G2	29	70 - 101
R32025	2B15	25	40 - 11	R32073	1B20	7	20 - 13	R32354	3G4	30	70 - 103
R32025	2B25	22	40 - 21	R32073	1B20	8	20 - 13	R32354	3G6	10	70 - 105
R32025	2C2	23	40 - 23	R32081	3F25	8	70 - 99	R32354	3G8	25	70 - 107
R32025	2C4	16	40 - 25	R32082	3F25	2	70 - 99	R32354	3G11	11	70 - 111
R32025	2C5	2	40 - 26	R32084	3F25	15	70 - 99	R32354	3G21	11	70 - 121
R32025	2C5	3	40 - 26	R32087	3D15	10	70 - 35	R32354	3H12	11	70 - 138
R32025	2C5	8	40 - 26	R32087	3D19	2	70 - 40	R32355	3G2	30	70 - 101
R32025	2C6	8	40 - 28	R32090	3B19	5	60 - 18	R32355	3G4	31	70 - 103
R32025	2F3	5	40 - 102	R32091	3B19	4	60 - 18	R32355	3G6	9	70 - 105
R32025	2F16	4	40 - 115	R32092	3B19	2	60 - 18	R32355	3G8	26	70 - 107
R32025	4D15	2	90 - 61	R32092	3B22	3	60 - 21	R32355	3G11	10	70 - 111
R32025	4D15	3	90 - 61	R32100	1D2	17	20 - 45	R32355	3G21	10	70 - 121
R32026	2C8	7	40 - 30	R32101	2F22	22	50 - 1	R32355	3H12	10	70 - 138
R32026	2F10	17	40 - 109	R32101	2G4	5	50 - 7	R32356	3G2	31	70 - 101

NUMERICAL INDEX - CONTINUED

PART NO.	GRID	KEY	PAGE	PART NO.	GRID	KEY	PAGE	PART NO.	GRID	KEY	PAGE
R32356	3G4	32	70 - 103	R32622	1C11	8	20 - 30	R33050	2H12	4	50 - 43
R32356	3G6	8	70 - 105	R32627	3B15	13	60 - 12	R33050	2H14	4	50 - 45
R32356	3G8	27	70 - 107	R32629	2G10	4	50 - 13	R33051	2H12	1	50 - 43
R32356	3G11	9	70 - 111	R32629	2G11	4	50 - 14	R33051	2H14	1	50 - 45
R32356	3G12	9	70 - 112	R32630	2G10	9	50 - 13	R33052	2H12	17	50 - 43
R32356	3G21	9	70 - 121	R32630	2G11	8	50 - 14	R33053	2H12	6	50 - 43
R32356	3H12	9	70 - 138	R32631	2F23	2	50 - 2	R33053	2H14	6	50 - 45
R32376	3B20	65	60 - 19	R32632	2F24	24	50 - 3	R33054	2H12	15	50 - 43
R32387	3E5	7	70 - 51	R32635	2F23	15	50 - 2	R33054	2H14	15	50 - 45
R32389	3F18	17	70 - 91	R32637	3B8	14	60 - 5	R33058	2H16	9	50 - 47
R32397	2G12	27	50 - 15	R32638	3E11	19	70 - 57	R33058	2H17	9	50 - 48
R32399	3B17	5	60 - 15	R32680	1B8	11	20 - 3	R33058	2H19	3	50 - 50
R32403	2G14	2	50 - 17	R32702	3B20	23	60 - 19	R33059	2H2	9	50 - 32
R32403	2I3	2	50 - 58	R32715	3E5	22	70 - 51	R33059	2H3	22	50 - 33
R32411	3F20	35	70 - 93	R32717	3E18	19	70 - 65	R33059	2H12	35	50 - 43
R32412	3F20	12	70 - 93	R32718	3E18	21	70 - 65	R33060	2G19	12	50 - 22
R32418	3G2	18	70 - 101	R32728	3D16	20	70 - 37	R33061	2G24	5	50 - 28
R32418	3G4	19	70 - 103	R32731	3B6	9	60 - 3	R33061	2H2	12	50 - 32
R32418	3G6	22	70 - 105	R32731	3B12	2	60 - 9	R33062	2G6	1	50 - 9
R32418	3G8	9	70 - 107	R33003	2I19	22	50 - 76	R33062	2H20	1	50 - 51
R32419	3F15	17	70 - 87	R33004	2I19	18	50 - 76	R33062	2I9	12	50 - 64
R32419	3G2	19	70 - 101	R33005	2I19	10	50 - 76	R33062	2I9	13	50 - 64
R32419	3G4	20	70 - 103	R33006	2H20	1	50 - 51	R33062	2I12	30	50 - 68
R32419	3G6	19	70 - 105	R33006	2I9	13	50 - 64	R33062	2I12	31	50 - 68
R32419	3G8	16	70 - 107	R33006	2I12	31	50 - 68	R33069	2H2	12	50 - 32
R32419	3G11	8	70 - 111	R33007	2H16	23	50 - 47	R33072	2H3	20	50 - 33
R32419	3G21	8	70 - 121	R33007	2H17	23	50 - 48	R33072	2H5	39	50 - 35
R32419	3H12	8	70 - 138	R33008	2H16	24	50 - 47	R33073	2H3	19	50 - 33
R32426	1B12	2	20 - 7	R33008	2H17	24	50 - 48	R33073	2H5	38	50 - 35
R32428	1B11	2	20 - 6	R33009	2H16	16	50 - 47	R33075	2H8	11	50 - 38
R32428	1C4	20	20 - 23	R33011	2H16	5	50 - 47	R33076	2H23	6	50 - 54
R32429	3E14	3	70 - 60	R33011	2H17	5	50 - 48	R33077	2H22	12	50 - 53
R32442	3C13	31	70 - 7	R33012	2H12	43	50 - 43	R33079	2H16	20	50 - 47
R32489	1E10	10	30 - 27	R33013	2H14	36	50 - 45	R33079	2H17	20	50 - 48
R32507	2G14	10	50 - 17	R33014	2H14	38	50 - 45	R33081	2H16	25	50 - 47
R32507	2I3	10	50 - 58	R33015	2I19	2	50 - 76	R33081	2H17	25	50 - 48
R32508	1D21	18	30 - 17	R33016	2I19	2	50 - 76	R33082	2H16	3	50 - 47
R32522	2B10	31	40 - 5	R33018	2I19	2	50 - 76	R33082	2H17	3	50 - 48
R32527	1E23	10	30 - 41	R33020	2I19	5	50 - 76	R33083	2H16	13	50 - 47
R32528	1E23	9	30 - 41	R33021	2I19	19	50 - 76	R33083	2H17	13	50 - 48
R32529	1E23	9	30 - 41	R33022	2I19	16	50 - 76	R33085	2H16	8	50 - 47
R32530	1E23	9	30 - 41	R33022	2I20	8	50 - 77	R33086	2H16	14	50 - 47
R32531	1E23	9	30 - 41	R33023	2I19	23	50 - 76	R33087	2H16	7	50 - 47
R32532	1E23	9	30 - 41	R33024	2I19	15	50 - 76	R33088	2H16	18	50 - 47
R32533	1E23	9	30 - 41	R33024	3B17	1	60 - 15	R33088	2H17	18	50 - 48
R32534	1E23	9	30 - 41	R33026	2I19	3	50 - 76	R33089	2H16	15	50 - 47
R32535	1E23	9	30 - 41	R33026	2I20	1	50 - 77	R33089	2H16	16	50 - 47
R32536	1E23	9	30 - 41	R33027	2I19	12	50 - 76	R33089	2H17	15	50 - 48
R32539	1E23	8	30 - 41	R33027	2I20	6	50 - 77	R33090	2G4	7	50 - 7
R32540	1E23	7	30 - 41	R33028	2G16	18	50 - 19	R33091	2H16	21	50 - 47
R32542	1E23	5	30 - 41	R33028	2I6	18	50 - 61	R33091	2H17	21	50 - 48
R32545	1E23	2	30 - 41	R33028	2I19	17	50 - 76	R33092	2H16	12	50 - 47
R32585	1F17	14	30 - 61	R33029	2I19	21	50 - 76	R33093	2H16	6	50 - 47
R32585	1F19	14	30 - 63	R33029	2I20	11	50 - 77	R33093	2H17	6	50 - 48
R32588	3B8	3	60 - 5	R33039	2H12	12	50 - 43	R33094	2H16	10	50 - 47
R32588	3B10	3	60 - 7	R33039	2H14	12	50 - 45	R33094	2H17	10	50 - 48
R32588	3B12	15	60 - 9	R33040	2H12	16	50 - 43	R33095	2H12	27	50 - 43
R32588	3H2	15	70 - 127	R33040	2H14	16	50 - 45	R33109	2H3	31	50 - 33
R32588	3H4	2	70 - 129	R33041	2H12	25	50 - 43	R33110	2H10	7	50 - 41
R32588	3H9	15	70 - 135	R33042	2H12	47	50 - 43	R33111	2H12	14	50 - 43
R32588	3H10	2	70 - 136	R33042	2H14	41	50 - 45	R33111	2H14	14	50 - 45
R32588	3H11	5	70 - 137	R33045	2H12	24	50 - 43	R33112	2H16	11	50 - 47
R32593	1B9	5	20 - 4	R33045	2H14	24	50 - 45	R33113	2H12	22	50 - 43
R32593	1C24	7	20 - 43	R33047	2H12	2	50 - 43	R33114	2H2	16	50 - 32
R32593	1D2	7	20 - 45	R33047	2H14	2	50 - 45	R33114	2H3	25	50 - 33
R32618	3I6	6	80 - 15	R33048	2H12	21	50 - 43	R33114	2H5	33	50 - 35
R32622	1C10	4	20 - 29	R33049	2H20	6	50 - 51	R33114	2H5	42	50 - 35

NUMERICAL INDEX - CONTINUED

PART NO.	GRID	KEY	PAGE	PART NO.	GRID	KEY	PAGE	PART NO.	GRID	KEY	PAGE
R33114	2H12	32	50-43	R33183	2H2	5	50-32	R33255	2H19	15	50-50
R33114	2H14	30	50-45	R33183	2H5	27	50-35	R33256	2H19	10	50-50
R33115	2H12	44	50-43	R33184	2H2	15	50-32	R33257	2H19	10	50-50
R33116	2H3	35	50-33	R33184	2H5	43	50-35	R33258	2H19	10	50-50
R33116	2I8	2	50-63	R33186	2H2	9	50-32	R33259	1E19	1	30-37
R33117	2H3	29	50-33	R33186	2H3	18	50-33	R33259	2H8	18	50-38
R33118	2H3	32	50-33	R33186	2H3	22	50-33	R33259	2H18	8	50-49
R33119	2H20	5	50-51	R33186	2H3	23	50-33	R33259	2I3	17	50-58
R33121	2H20	7	50-51	R33187	2H3	44	50-33	R33259	2I3	22	50-58
R33133	2G24	11	50-28	R33187	2H5	45	50-35	R33259	3D5	50	70-25
R33133	2H5	12	50-35	R33188	2H3	41	50-33	R33261	2H12	8	50-43
R33135	2G20	7	50-23	R33188	2H5	48	50-35	R33261	2H14	8	50-45
R33136	2H7	42	50-37	R33197	1B18	10	20-11	R33262	2H12	34	50-43
R33137	2H7	36	50-37	R33197	1B18	11	20-11	R33263	2H12	18	50-43
R33138	2H7	44	50-37	R33198	2H8	11	50-38	R33264	2H19	17	50-50
R33138	2H7	45	50-37	R33205	2I8	8	50-63	R33265	2H19	13	50-50
R33138	2H8	24	50-38	R33206	2I8	8	50-63	R33266	2H18	9	50-49
R33138	2I3	19	50-58	R33208	2I8	9	50-63	R33267	2H21	7	50-52
R33138	3D5	52	70-25	R33208	2I8	12	50-63	R33268	2H24	10	50-55
R33140	2F22	10	50-1	R33212	2I7	9	50-62	R33269	2I1	9	50-56
R33145	2H7	25	50-37	R33216	2F22	20	50-1	R33270	2I1	19	50-56
R33145	2H7	28	50-37	R33216	2G19	19	50-22	R33271	2H24	25	50-55
R33147	2G22	30	50-25	R33218	2H19	24	50-50	R33272	2H24	3	50-55
R33148	2G22	28	50-25	R33219	2H20	11	50-51	R33273	2H23	1	50-54
R33149	2G22	4	50-25	R33221	2H19	27	50-50	R33274	2H23	3	50-54
R33153	2G22	16	50-25	R33223	2H19	16	50-50	R33275	2H24	14	50-55
R33154	2G22	26	50-25	R33226	2H18	14	50-49	R33276	2H22	3	50-53
R33155	2H7	20	50-37	R33227	2H18	7	50-49	R33277	2H23	4	50-54
R33156	2H7	17	50-37	R33228	2H18	6	50-49	R33278	2I2	22	50-57
R33157	2H6	7	50-36	R33229	2H3	38	50-33	R33279	2I2	29	50-57
R33161	2H7	20	50-37	R33229	2I8	5	50-63	R33280	2H22	9	50-53
R33162	2H8	18	50-38	R33230	2I8	10	50-63	R33281	2I2	42	50-57
R33162	2I3	17	50-58	R33231	2G18	13	50-21	R33282	2H22	11	50-53
R33162	2I3	22	50-58	R33231	2I8	21	50-63	R33282	2I3	25	50-58
R33162	3D5	50	70-25	R33232	2I8	18	50-63	R33284	2H22	5	50-53
R33163	2H8	21	50-38	R33236	2F22	21	50-1	R33287	2H24	7	50-55
R33164	2H7	34	50-37	R33236	2G17	8	50-20	R33287	2H24	8	50-55
R33164	2H8	16	50-38	R33236	2G19	23	50-22	R33290	2H24	21	50-55
R33165	2H6	9	50-36	R33236	2I7	8	50-62	R33291	2H24	23	50-55
R33166	2G24	7	50-28	R33237	2H21	11	50-52	R33292	2H24	24	50-55
R33166	2H5	10	50-35	R33238	2H21	13	50-52	R33293	2H22	8	50-53
R33167	2G24	3	50-28	R33239	2H21	21	50-52	R33294	2H22	10	50-53
R33168	2G20	1	50-23	R33240	2H18	12	50-49	R33294	2I3	24	50-58
R33168	2G25	26	50-29	R33241	2H19	4	50-50	R33301	2I1	3	50-56
R33168	2H2	13	50-32	R33243	2G6	1	50-9	R33302	2I1	16	50-56
R33168	2H5	18	50-35	R33243	2I9	12	50-64	R33303	2I1	17	50-56
R33169	2H2	11	50-32	R33243	2I12	30	50-68	R33304	2H23	2	50-54
R33169	2H5	20	50-35	R33244	2H12	10	50-43	R33305	2H23	5	50-54
R33170	1B14	12	20-9	R33244	2H12	28	50-43	R33306	2H22	6	50-53
R33171	2G24	1	50-28	R33245	2H12	9	50-43	R33307	2H22	2	50-53
R33172	2H6	3	50-36	R33246	2H2	10	50-32	R33309	2I2	21	50-57
R33173	2H7	38	50-37	R33246	2H3	21	50-33	R33320	2G16	14	50-19
R33174	2H7	39	50-37	R33246	2H5	22	50-35	R33320	2I6	14	50-61
R33175	2H7	40	50-37	R33246	2H5	37	50-35	R33321	2G17	16	50-20
R33177	2H7	35	50-37	R33246	2H12	36	50-43	R33321	2I7	17	50-62
R33177	2H8	17	50-38	R33246	2H14	34	50-45	R33322	2G17	18	50-20
R33178	2H7	33	50-37	R33247	2H2	6	50-32	R33322	2I7	19	50-62
R33178	2H8	15	50-38	R33247	2H3	26	50-33	R33324	2G16	1	50-19
R33179	2H6	4	50-36	R33247	2H5	26	50-35	R33324	2I6	1	50-61
R33180	1B11	2	20-6	R33247	2H5	32	50-35	R33325	2G17	1	50-20
R33180	1B14	12	20-9	R33247	2H12	31	50-43	R33325	2I7	1	50-62
R33180	1B16	1	20-9B	R33247	2H14	29	50-45	R33337	2G4	29	50-7
R33180	1B18	12	20-11	R33248	2H19	6	50-50	R33337	2G16	12	50-19
R33180	1B20	8	20-13	R33250	1B7	1	20-2	R33337	2H10	38	50-41
R33180	1B20	9	20-13	R33251	2H21	9	50-52	R33337	2I6	12	50-61
R33180	1B20	10	20-13	R33252	2H21	16	50-52	R33338	2G17	7	50-20
R33180	1B20	..	20-13	R33253	2H21	15	50-52	R33338	2I7	7	50-62

NUMERICAL INDEX - CONTINUED

PART NO.	GRID	KEY	PAGE	PART NO.	GRID	KEY	PAGE	PART NO.	GRID	KEY	PAGE
R33339	2G16	20	50 - 19	R33413	2H20	8	50 - 51	R33610	3D11	43	70 - 31
R33339	2I6	20	50 - 61	R33414	2G6	1	50 - 9	R33610	3D13	41	70 - 33
R33340	2G16	26	50 - 19	R33414	2G6	19	50 - 9	R33634	1B8	15	20 - 3
R33340	2I6	26	50 - 61	R33414	2H20	8	50 - 51	R33688	1D7	4	30 - 2
R33342	2G16	5	50 - 19	R33415	2G6	19	50 - 9	R33699	2H10	11	50 - 41
R33342	2I6	5	50 - 61	R33415	2H20	8	50 - 51	R33700	2H10	10	50 - 41
R33343	2G16	11	50 - 19	R33418	2G18	5	50 - 21	R33701	2H10	16	50 - 41
R33343	2I6	11	50 - 61	R33424	2G4	10	50 - 7	R33703	2H10	8	50 - 41
R33344	2G16	19	50 - 19	R33425	2G4	9	50 - 7	R33703	2H12	26	50 - 43
R33344	2I6	19	50 - 61	R33428	2G14	25	50 - 17	R33703	2H14	25	50 - 45
R33345	2G18	9	50 - 21	R33429	2G14	21	50 - 17	R33706	3I11	9	80 - 21
R33346	2G6	16	50 - 9	R33430	3I11	7	80 - 21	R33707	3I11	8	80 - 21
R33346	2G18	12	50 - 21	R33431	2I19	26	50 - 76	R33716	2G2	33	50 - 5
R33347	2G6	15	50 - 9	R33437	2G14	37	50 - 17	R33730	2G10	6	50 - 13
R33347	2G18	15	50 - 21	R33438	2G14	24	50 - 17	R33730	2G11	6	50 - 14
R33348	2G15	10	50 - 18	R33440	3I11	7	80 - 21	R33731	2G10	21	50 - 13
R33348	2I5	10	50 - 60	R33441	2G14	18	50 - 17	R33732	3B15	7	60 - 12
R33349	2G15	5	50 - 18	R33450	3I11	7	80 - 21	R33733	3B14	42	60 - 11
R33349	2I5	5	50 - 60	R33459	2G16	2	50 - 19	R33765	2G11	12	50 - 14
R33352	1C6	26	20 - 25	R33459	2I6	2	50 - 61	R33767	4D24	23	90 - 71
R33359	2G23	10	50 - 26	R33485	2G17	25	50 - 20	R33768	4D24	25	90 - 71
R33361	2I4	33	50 - 59	R33486	2G17	9	50 - 20	R33769	2C2	23	40 - 23
R33362	2I4	36	50 - 59	R33487	2G16	11	50 - 19	R33770	2B8	21	40 - 3
R33363	2I4	35	50 - 59	R33487	2I6	11	50 - 61	R33770	2B13	17	40 - 9
R33364	2I4	34	50 - 59	R33488	2G17	2	50 - 20	R33770	2B16	..	40 - 12
R33365	2G5	6	50 - 8	R33488	2I7	2	50 - 62	R33770	2B18	..	40 - 14
R33366	2G5	4	50 - 8	R33489	2G4	28	50 - 7	R33778	1B11	2	20 - 6
R33367	2G6	5	50 - 9	R33489	2H10	37	50 - 41	R33817	3B17	4	60 - 15
R33369	2G6	24	50 - 9	R33498	2G4	24	50 - 7	R33819	3B17	5	60 - 15
R33370	2G6	21	50 - 9	R33498	2H10	33	50 - 41	R33823	2B8	21	40 - 3
R33371	2G8	23	50 - 11	R33517	2H2	8	50 - 32	R33823	2B10	26	40 - 5
R33372	1B18	9	20 - 11	R33517	2H2	9	50 - 32	R33823	2B13	17	40 - 9
R33372	1B18	11	20 - 11	R33518	2H2	7	50 - 32	R33823	2B15	23	40 - 11
R33374	1B18	9	20 - 11	R33518	2H5	25	50 - 35	R33823	2B16	..	40 - 12
R33375	1B20	7	20 - 13	R33519	2G19	1	50 - 22	R33823	2B17	..	40 - 13
R33380	1C10	11	20 - 29	R33520	2H3	45	50 - 33	R33823	2B18	..	40 - 14
R33380	1C11	15	20 - 30	R33520	2H5	44	50 - 35	R33823	2B19	..	40 - 15
R33382	2G8	11	50 - 11	R33521	2H7	37	50 - 37	R33823	2B21	2	40 - 17
R33383	2G8	20	50 - 11	R33521	2H8	26	50 - 38	R33824	3F4	14	70 - 75
R33384	2G8	22	50 - 11	R33521	3D17	13	70 - 38	R33824	3F9	19	70 - 81
R33385	2G5	10	50 - 8	R33521	3D18	16	70 - 39	R33826	3E1	16	70 - 47
R33386	2G6	20	50 - 9	R33523	2H8	25	50 - 38	R33826	3E17	14	70 - 64
R33387	2G6	8	50 - 9	R33524	2H8	19	50 - 38	R33826	3F4	16	70 - 75
R33388	2G6	10	50 - 9	R33524	2I3	21	50 - 58	R33826	3F9	28	70 - 81
R33390	2G8	13	50 - 11	R33525	2G19	3	50 - 22	R33827	3E17	15	70 - 64
R33391	2G8	4	50 - 11	R33526	2G19	2	50 - 22	R33827	3F4	17	70 - 75
R33392	2G10	7	50 - 13	R33527	2G22	29	50 - 25	R33827	3F9	29	70 - 81
R33393	2G10	5	50 - 13	R33528	2G19	4	50 - 22	R33831	3F6	26	70 - 77
R33394	2G10	3	50 - 13	R33530	1B21	3	20 - 14	R33832	3F9	15	70 - 81
R33398	2G11	3	50 - 14	R33531	3I11	3	80 - 21	R33833	3F9	15	70 - 81
R33399	2G11	5	50 - 14	R33532	3I11	4	80 - 21	R33834	3F9	35	70 - 81
R33400	2G11	20	50 - 14	R33533	3I12	3	80 - 22	R33835	3F9	35	70 - 81
R33402	2G1	12	50 - 4	R33534	3I12	4	80 - 22	R33837	2G19	11	50 - 22
R33403	2F22	25	50 - 1	R33539	3I11	3	80 - 21	R33837	2H6	5	50 - 36
R33404	3B10	34	60 - 7	R33540	3I11	4	80 - 21	R33852	2G16	15	50 - 19
R33405	2G8	12	50 - 11	R33550	2F23	10	50 - 2	R33852	2I6	15	50 - 61
R33406	2G6	9	50 - 9	R33551	2F23	14	50 - 2	R33853	2G16	17	50 - 19
R33407	2G5	9	50 - 8	R33552	2F24	23	50 - 3	R33853	2I6	17	50 - 61
R33408	2G5	9	50 - 8	R33587	2H24	9	50 - 55	R33854	2G16	21	50 - 19
R33409	2G5	9	50 - 8	R33588	2H16	22	50 - 47	R33854	2I6	21	50 - 61
R33410	2G6	1	50 - 9	R33588	2H17	22	50 - 48	R33855	2G16	6	50 - 19
R33410	2G6	4	50 - 9	R33597	2I1	5	50 - 56	R33855	2I6	6	50 - 61
R33411	2G6	1	50 - 9	R33597	4D24	11	90 - 71	R33856	2G18	1	50 - 21
R33411	2G6	4	50 - 9	R33598	4D24	7	90 - 71	R33860	3E13	23	70 - 59
R33412	2G6	4	50 - 9	R33601	2I1	6	50 - 56	R33862	3F6	17	70 - 77
R33413	2G6	1	50 - 9	R33601	4D24	12	90 - 71	R33863	3F6	17	70 - 77
R33413	2G6	19	50 - 9	R33606	2I3	15A	50 - 58	R33867	2I8	23	50 - 63

NUMERICAL INDEX - CONTINUED

PART NO.	GRID	KEY	PAGE	PART NO.	GRID	KEY	PAGE	PART NO.	GRID	KEY	PAGE
R33868	2I8	19	50-63	R34109	1C6	9	20-25	R34235	3F16	4	70-88
R33869	2G23	4	50-26	R34109	1C24	18	20-43	R34236	3D5	49	70-25
R33871	2H12	7	50-43	R34109	1D2	31	20-45	R34237	3D5	53	70-25
R33872	2H12	5	50-43	R34110	1C6	14	20-25	R34246	4E2	14	90-73
R33873	2H2	4	50-32	R34110	1C24	21	20-43	R34253	3F4	7A	70-75
R33873	2H3	43	50-33	R34110	1D2	24	20-45	R34253	3F9	23	70-81
R33873	2H5	28	50-35	R34113	3I15	11	80-25	R34258	2B23	36	40-19
R33873	2H5	46	50-35	R34114	3I15	2	80-25	R34259	2B23	1	40-19
R33873	2H12	19	50-43	R34118	3B6	16	60-3	R34262	2B8	3	40-3
R33875	3D21	19	70-42	R34119	3B8	18	60-5	R34262	2B9	5	40-4
R33880	3D22	6	70-43	R34119	3B10	18	60-7	R34262	2B13	3	40-9
R33892	2G22	7	50-25	R34120	3B4	4	60-1	R34262	2B14	6	40-10
R33895	2F22	1	50-1	R34121	3B4	11	60-1	R34262	2B23	35	40-19
R33911	2I4	30	50-59	R34122	3B8	39	60-5	R34263	2B23	18	40-19
R33913	2H19	26	50-50	R34122	3B10	40	60-7	R34266	4C11	10	90-31
R33958	2G2	27	50-5	R34123	3B8	36	60-5	R34266	4D22	9	90-69
R33959	2G1	18	50-4	R34123	3B10	37	60-7	R34267	4C11	1	90-31
R33960	2G2	44	50-5	R34124	3B8	37	60-5	R34267	4D22	1	90-69
R33961	2G2	42	50-5	R34124	3B10	38	60-7	R34268	4C11	2	90-31
R33962	2G2	39	50-5	R34125	3B6	28	60-3	R34268	4D22	2	90-69
R33962	2G22	25	50-25	R34126	3B8	23	60-5	R34272	4D22	4	90-69
R33963	2G2	40	50-5	R34128	3B8	26	60-5	R34277	2B8	19	40-3
R33963	2G22	24	50-25	R34128	3B10	27	60-7	R34277	2B25	6	40-21
R33964	2G2	48	50-5	R34129	3B8	41	60-5	R34278	2B13	15	40-9
R33965	2G6	16	50-9	R34129	3B10	42	60-7	R34278	2C2	6	40-23
R33967	4D24	7	90-71	R34129	3B12	18	60-9	R34282	4C11	5	90-31
R33972	1F17	21	30-61	R34130	3B8	2	60-5	R34289	2I3	20	50-58
R33972	1F19	21	30-63	R34130	3B10	2	60-7	R34290	2I3	13	50-58
R33976	1F17	20	30-61	R34131	3B8	9	60-5	R34291	2I3	12	50-58
R33976	1F19	20	30-63	R34131	3B10	9	60-7	R34292	3I15	10	80-25
R33978	1F17	26	30-61	R34131	3H2	16	70-127	R34294	3D21	13	70-42
R33978	1F19	27	30-63	R34131	3H4	1	70-129	R34294	3D22	9	70-43
R33983	1F17	60	30-61	R34131	3H9	16	70-135	R34295	2G25	24	50-29
R33983	1F19	36	30-63	R34131	3H10	1	70-136	R34295	2H5	2	50-35
R33986	1F17	44	30-61	R34132	3B8	40	60-5	R34296	3E3	13	70-49
R33987	1F17	61	30-61	R34132	3B10	41	60-7	R34304	3D23	17	70-44
R33988	1F17	31	30-61	R34140	2H3	28	50-33	R34311	1B8	12	20-3
R33991	1F17	38	30-61	R34141	2H3	27	50-33	R34311	1C24	1	20-43
R33992	1F17	39	30-61	R34147	1F10	16	30-53	R34311	1D2	1	20-45
R33993	1F15	45	30-59	R34149	3D11	36	70-31	R34324	3B6	1	60-3
R33993	1F17	42	30-61	R34152	3D23	16	70-44	R34328	2G17	14	50-20
R33994	1F17	53	30-61	R34153	3D23	9	70-44	R34328	2I7	15	50-62
R33994	1F19	38	30-63	R34154	3E3	9	70-49	R34330	1B14	12	20-9
R33996	1F19	34	30-63	R34155	3E7	54	70-53	R34332	2G12	3	50-15
R33997	1F19	50	30-63	R34164	3D21	18	70-42	R34332	4D24	11	90-71
R33998	1F19	42	30-63	R34164	3D22	14	70-43	R34336	3B8	45	60-5
R33999	1F17	33	30-61	R34166	2I7	26	50-62	R34336	3B10	46	60-7
R33999	1F19	48	30-63	R34175	2H22	4	50-53	R34338	2B23	20	40-19
R34000	1F19	43	30-63	R34185	2I19	11	50-76	R34339	2B23	20	40-19
R34001	1F19	46	30-63	R34191	1F17	59	30-61	R34340	1B11	2	20-6
R34011	3E5	20	70-51	R34191	1F19	41	30-63	R34340	1B14	12	20-9
R34028	2H8	27	50-38	R34193	3J6	2	80-41	R34340	1B16	1	20-9B
R34028	2H8	28	50-38	R34201	2F24	29	50-3	R34340	1B18	12	20-11
R34033	3I23	18	80-33	R34204	2H3	34	50-33	R34340	1B20	8	20-13
R34033	3I24	12	80-34	R34204	2I8	1	50-63	R34340	1B20	9	20-13
R34042	2G23	17	50-26	R34205	2B23	8	40-19	R34340	1B20	10	20-13
R34046	2B25	11	40-21	R34206	2B23	24	40-19	R34340	1B20	..	20-13
R34046	2C2	11	40-23	R34209	2B23	30	40-19	R34342	2G23	17	50-26
R34046	2C4	12	40-25	R34210	2B23	8	40-19	R34346	2I1	1	50-56
R34063	3F24	12	70-98	R34211	2B23	30	40-19	R34347	3C11	16	70-5
R34064	3F22	12	70-96	R34212	2G2	38	50-5	R34348	3C11	30	70-5
R34064	3F23	12	70-97	R34213	1B21	2	20-14	R34349	3C11	28	70-5
R34064	3F24	14	70-98	R34213	2F24	28	50-3	R34353	3C11	1	70-5
R34065	3F22	8	70-96	R34228	3E7	61	70-53	R34354	3C11	14	70-5
R34065	3F23	8	70-97	R34232	2G2	55	50-5	R34354	3C11	15	70-5
R34090	1C8	3	20-27	R34233	2G2	56	50-5	R34354	3C11	16	70-5
R34108	1C6	11	20-25	R34234	3F16	8	70-88	R34358	3C8	9	70-1

NUMERICAL INDEX - CONTINUED

PART NO.	GRID	KEY	PAGE	PART NO.	GRID	KEY	PAGE	PART NO.	GRID	KEY	PAGE
R34359	3C8	6	70-1	R34542	3D5	58	70-25	R34708	1F17	41	30-61
R34360	3C8	3	70-1	R34554	3B6	33	60-3	R34733	2G14	3	50-17
R34360	3C8	5	70-1	R34555	2B13	23	40-9	R34733	2G14	4	50-17
R34362	3C8	2	70-1	R34557	2B10	30	40-5	R34733	2I3	3	50-58
R34363	3C8	11	70-1	R34557	2B11	..	40-6	R34733	2I3	4	50-58
R34364	1B21	11	20-14	R34557	2C8	13	40-30	R34733	2I3	13	50-58
R34366	1B21	11	20-14	R34557	2C8	18	40-30	R34733	3B8	1	60-5
R34369	1F17	37	30-61	R34557	3F15	8	70-87	R34733	3B10	1	60-7
R34370	2H21	3	50-52	R34558	2B11	..	40-6	R34733	3B12	10	60-9
R34371	2H21	4	50-52	R34558	2B15	27	40-11	R34737	1B17	3	20-10
R34373	3F9	39	70-81	R34558	2B15	28	40-11	R34743	4D24	25	90-71
R34375	3F9	14	70-81	R34559	2B8	25	40-3	R34747	3B20	39	60-19
R34376	3F9	40	70-81	R34559	2B10	30	40-5	R34748	3B15	13	60-12
R34385	3B20	39	60-19	R34559	2B13	22	40-9	R34753	1C24	20	20-43
R34388	1F3	14	30-46	R34559	2B15	27	40-11	R34753	1D2	25	20-45
R34388	1F4	12	30-47	R34562	4D24	15	90-71	R34754	1E11	11	30-28
R34393	1F3	2	30-46	R34565	4D24	31	90-71	R34757	3H22	5	80-5
R34394	1F3	7	30-46	R34570	3I3	12	80-11	R34757	3H25	10	80-8
R34394	1F4	7	30-47	R34573	2B25	5	40-21	R34757	3I2	8	80-10
R34394	1F5	1	30-48	R34573	2C2	5	40-23	R34758	2B23	21	40-19
R34395	1F3	8	30-46	R34574	1E23	4	30-41	R34760	1E16	14	30-34
R34395	1F4	8	30-47	R34575	1E23	3	30-41	R34761	1E16	15	30-34
R34396	3G13	30	70-113	R34577	1C9	1	20-28	R34762	1E16	11	30-34
R34397	3G12	15	70-112	R34578	1C9	1	20-28	R34763	1E16	10	30-34
R34398	3G12	22	70-112	R34581	2I16	2	50-73	R34764	1E16	17	30-34
R34399	3G12	8	70-112	R34582	2I8	24	50-63	R34764	1E24	1	30-42
R34399	3G15	..	70-115	R34582	2I16	20	50-73	R34764	1E25	2	30-43
R34400	3G12	20	70-112	R34583	2H16	1	50-47	R34765	1E16	13	30-34
R34402	3G13	35	70-113	R34583	2H17	1	50-48	R34766	1E16	12	30-34
R34403	2G16	22	50-19	R34589	3G13	39	70-113	R34767	1E16	18	30-34
R34403	2I6	22	50-61	R34593	1B8	15	20-3	R34767	1E24	2	30-42
R34404	1E19	17	30-37	R34594	2I24	28	50-81	R34785	1E16	2	30-34
R34404	3B8	33	60-5	R34603	3D15	10	70-35	R34785	1E16	20	30-34
R34404	3B12	22	60-9	R34604	1D13	2	30-9	R34786	1E16	2	30-34
R34446	1E11	8	30-28	R34608	3J10	10	80-45	R34786	1E16	20	30-34
R34447	1E11	7	30-28	R34609	4C11	10	90-31	R34787	1E16	2	30-34
R34447	1E13	2	30-30	R34609	4D22	9	90-69	R34787	1E16	20	30-34
R34448	3F6	28	70-77	R34611	2H12	38	50-43	R34799	2I12	25	50-68
R34448	3F9	13	70-81	R34611	2H14	36	50-45	R34800	2I12	10	50-68
R34450	3F9	44	70-81	R34612	2H12	42	50-43	R34801	3I11	13	80-21
R34453	2G22	15	50-25	R34612	2H14	38	50-45	R34801	3I13	1	80-23
R34454	2G22	10	50-25	R34616	1B17	1	20-10	R34801	3I14	3	80-24
R34455	2G22	9	50-25	R34617	1B18	9	20-11	R34802	3C21	12	70-15
R34456	2G4	3	50-7	R34618	4C11	10	90-31	R34809	1F7	7	30-50
R34456	2H10	3	50-41	R34618	4D22	9	90-69	R34811	1F17	..	30-61
R34472	3E17	23	70-64	R34619	4C11	1	90-31	R34811	1F19	..	30-63
R34473	3E17	1	70-64	R34619	4D22	1	90-69	R34811	4D24	32	90-71
R34474	3E17	27	70-64	R34620	4C11	2	90-31	R34812	1E19	26	30-37
R34476	3E11	1	70-57	R34620	4D22	2	90-69	R34815	2I16	21	50-73
R34483	3J10	8	80-45	R34621	1E19	36	30-37	R34819	2I18	14	50-75
R34487	3D23	7	70-44	R34650	2G24	14	50-28	R34821	2I16	11	50-73
R34492	2I16	18	50-73	R34650	2H1	5	50-30	R34827	4E10	1	90-81
R34495	2I16	24	50-73	R34650	2H5	15	50-35	R34831	2I21	18	50-78
R34496	2I16	26	50-73	R34651	3B24	16	60-23	R34832	2I21	1	50-78
R34505	3F6	16	70-77	R34651	3C2	16	60-25	R34833	3B17	4	60-15
R34508	2I16	6	50-73	R34656	1D21	18	30-17	R34833	3B18	2	60-16
R34513	2I12	29	50-68	R34656	1E10	19	30-27	R34834	3E17	9	70-64
R34522	2I16	12	50-73	R34659	3I11	10	80-21	R34835	3E17	6	70-64
R34523	2I16	7	50-73	R34666	4E6	17	90-77	R34836	3E17	7	70-64
R34531	3B20	62	60-19	R34669	1D7	13	30-2	R34838	1E10	33	30-27
R34532	3B20	63	60-19	R34671	1D7	7	30-2	R34840	2I21	10	50-78
R34533	4E2	14	90-73	R34680	3I11	7	80-21	R34841	2I16	33	50-73
R34534	4E2	14	90-73	R34701	2E9	7	40-84	R34844	2G10	14	50-13
R34537	3E7	59	70-53	R34702	2B8	8	40-3	R34844	2G10	15	50-13
R34538	1F3	11	30-46	R34702	2B13	8	40-9	R34844	2G11	13	50-14
R34541	3D5	61	70-25	R34702	2E9	4A	40-84	R34844	2G11	14	50-14
R34541	3D11	54	70-31	R34707	1F19	30	30-63	R34844	2I18	12	50-75

NUMERICAL INDEX - CONTINUED

PART NO.	GRID	KEY	PAGE	PART NO.	GRID	KEY	PAGE	PART NO.	GRID	KEY	PAGE
R34848	2I19	11	50-76	R34985	1C10	5	20-29	R36265	2H7	22	50-37
R34848	2I21	8	50-78	R34986	1C11	9	20-30	R36265	2H23	10	50-54
R34850	1B7	1	20-2	R34987	1C10	5	20-29	R36295	2G17	15	50-20
R34851	3D4	8	70-24	R34987	1C11	9	20-30	R36295	2I7	16	50-62
R34851	3D10	8	70-30	R34990	1B7	1	20-2	R36311	2G2	35	50-5
R34851	3D16	17	70-37	R34993	1C18	10	20-37	R36318	2I1	18	50-56
R34854	2I12	16	50-68	R34995	1C18	3	20-37	R36358	3C21	11	70-15
R34855	2I12	20	50-68	R34997	1C18	3	20-37	R36364	2H24	6	50-55
R34855	2I14	4	50-71	R35046	3E17	2	70-64	R36402	3H15	2	70-141
R34856	2I9	10	50-64	R35075	2G22	33	50-25	R36424	3D23	18	70-44
R34856	2I9	22	50-64	R35127	1B11	7	20-6	R36439	3E24	17	70-71
R34856	2I12	34	50-68	R35128	1B13	2	20-8	R36440	3E24	21	70-71
R34857	2I12	14	50-68	R35128	1C4	6	20-23	R36533	3F18	35	70-91
R34858	2I12	13	50-68	R35155	2H22	7	50-53	R36533	3F20	5	70-93
R34862	2I12	28	50-68	R35155	2H22	8	50-53	R36590	4D12	18	90-58
R34863	2I12	11	50-68	R35163	3F22	6	70-96	R36609	3F12	17A	70-84
R34864	2I12	9	50-68	R35163	3F23	6	70-97	R36613	3E24	20	70-71
R34865	2I12	22	50-68	R35340	3J6	8	80-41	R36658	3H13	3	70-139
R34866	2I12	21	50-68	R35377	2H19	20	50-50	R36659	3H13	3	70-139
R34868	2I16	24	50-73	R35447	3H7	18	70-133	R36666	2G1	23	50-4
R34869	2B10	26	40-5	R35447	3H9	13	70-135	R36666	2H12	13	50-43
R34869	2B15	23	40-11	R35448	3H7	34	70-133	R36666	2H12	23	50-43
R34869	2B16	..	40-12	R35452	3H7	3	70-133	R36666	2H12	25	50-43
R34869	2B17	..	40-13	R35452	3H9	5	70-135	R36666	2H14	13	50-45
R34869	2B18	..	40-14	R35472	3H7	15	70-133	R36666	2H14	22	50-45
R34869	2B19	..	40-15	R35472	3H9	10	70-135	R36689	3J10	4	80-45
R34869	2B21	2	40-17	R35472	3H10	4	70-136	R36704	4C12	4	90-32
R34877	3J2	5	80-37	R35472	3H11	8	70-137	R36704	4D20	17	90-67
R34878	3J2	5	80-37	R35473	3H7	32	70-133	R36704	4D20	25	90-67
R34879	3J2	10	80-37	R35473	3H9	22	70-135	R36710	1E21	3	30-39
R34879	3J4	7	80-39	R35473	3H10	12	70-136	R36711	1E22	3	30-40
R34880	3J2	10	80-37	R35473	3H11	2	70-137	R36715	1C4	12	20-23
R34881	3J2	24	80-37	R35474	3H7	23	70-133	R36732	2E24	24	40-99
R34881	3J4	25	80-39	R35474	3H9	19	70-135	R36757	1D9	..	30-5
R34882	3J2	20	80-37	R35474	3H10	9	70-136	R36757	1D11	..	30-7
R34882	3J4	21	80-39	R35474	3H11	14	70-137	R36757	1D15	..	30-11
R34887	3J2	19	80-37	R35479	3F12	10	70-84	R36795	3G23	3	70-123
R34887	3J4	20	80-39	R35644	2G2	34	50-5	R36814	1C9	2	20-28
R34890	2G4	7	50-7	R35668	2B13	23	40-9	R36846	1C9	1	20-28
R34891	2I8	23	50-63	R35726	3D11	30	70-31	R36847	1C9	1	20-28
R34896	3B4	3	60-1	R35726	3F25	6	70-99	R36945	3F15	21	70-87
R34898	3I24	9	80-34	R35738	3H7	33	70-133	R36946	3F15	18	70-87
R34920	2H10	7	50-41	R35738	3H9	32	70-135	R36946	3G21	20	70-121
R34940	2I19	10	50-76	R35738	3H10	21	70-136	R36946	3H12	21	70-138
R34958	3I22	6	80-32	R35738	3H11	1	70-137	R36951	3H9	20	70-135
R34958	3I23	22	80-33	R35791	2E5	25	40-80	R36951	3H10	10	70-136
R34963	3H2	23	70-127	R35798	2G16	26	50-19	R36952	3H2	34	70-127
R34965	3H2	20	70-127	R35798	2I6	26	50-61	R36952	3H4	25	70-129
R34965	3H4	16	70-129	R35823	2G23	11	50-26	R36952	3H9	34	70-135
R34966	3H2	19	70-127	R35827	3C17	22	70-11	R36952	3H10	23	70-136
R34966	3H4	15	70-129	R35827	3D2	2	70-21	R36954	3H2	33	70-127
R34969	2C22	15	40-46	R35827	3D5	22	70-25	R36976	2C5	7	40-26
R34973	2H8	11	50-38	R35827	3D7	6	70-27	R37426	3B6	20	60-3
R34974	2H8	11	50-38	R35827	3D9	16	70-29	R375R	1E12	17	30-29
R34976	1C10	2	20-29	R35839	3F9	45	70-81	R375R	3F14	11	70-86
R34976	1C10	6	20-29	R35871	3F14	18	70-86	R375R	3G12	16	70-112
R34976	1C10	10	20-29	R36086	3B24	31	60-23	R375R	3G14	5	70-114
R34977	1C11	10	20-30	R36086	3C2	29	60-25	R375R	3G15	19	70-115
R34977	1C11	14	20-30	R36123	1F19	47	30-63	R38089	3D25	3	70-46
R34977	1C12	8	20-31	R36137	2G22	18	50-25	R38093	3D25	20	70-46
R34980	3B15	18	60-12	R36235	2E22	22	40-97	R38178	2H20	5	50-51
R34981	1C10	2	20-29	R36265	2B8	20	40-3	R38181	2G11	14	50-14
R34981	1C10	6	20-29	R36265	2B10	27	40-5	R38185	2G20	9	50-23
R34981	1C10	10	20-29	R36265	2B13	16	40-9	R38341	4D24	25	90-71
R34982	1C11	10	20-30	R36265	2B15	24	40-11	R38371	2C4	11	40-25
R34982	1C11	14	20-30	R36265	2F4	6	40-103	R38371	2D20	14	40-70
R34982	1C12	8	20-31	R36265	2G10	18	50-13	R38371	2D22	15	40-72

NUMERICAL INDEX - CONTINUED

PART NO.	GRID	KEY	PAGE	PART NO.	GRID	KEY	PAGE	PART NO.	GRID	KEY	PAGE
R38371	2E4	2	40-79	R39553	4E2	40	90-73	R39767	4E6	17	90-77
R38371	4B16	8	90-11	R39554	2B10	33	40-5	R39767	4E7	11	90-78
R38376	1F17	5	30-61	R39554	2B15	32	40-11	R39769	3F20	25	70-93
R38376	1F17	7	30-61	R39554	4E2	28	90-73	R39770	3F20	28	70-93
R38376	1F19	5	30-63	R39555	2B10	36	40-5	R39771	3F20	26	70-93
R38376	1F19	7	30-63	R39555	2B15	35	40-11	R39785	3G11	23	70-111
R38377	1F17	5	30-61	R39562	3I20	15	80-30	R39792	2I8	16	50-63
R38377	1F17	7	30-61	R39570	1F4	14	30-47	R39792	2I8	21	50-63
R38377	1F19	5	30-63	R39571	1F4	15	30-47	R39794	2G14	3	50-17
R38377	1F19	7	30-63	R39586	2I3	15B	50-58	R39794	2I3	3	50-58
R38531	3C11	19	70-5	R39587	2H8	8	50-38	R39795	2G14	1	50-17
R38543	3F14	20	70-86	R39596	2G14	4	50-17	R39795	2I3	1	50-58
R39012	3G25	3	70-125	R39596	2I3	4	50-58	R39796	2I3	13	50-58
R39012	3H7	7	70-133	R39597	2I18	2	50-75	R39797	2I3	12	50-58
R39067	3C11	13	70-5	R39608	1C8	7	20-27	R39803	2C23	17	40-47
R39067	3C19	11	70-13	R39613	3J6	2	80-41	R39804	2C23	6	40-47
R39074	3C11	21	70-5	R39615	1D21	3	30-17	R39807	2I3	20	50-58
R39112	3B8	28	60-5	R39615	1E10	3	30-27	R39808	2H8	19	50-38
R39112	3B10	29	60-7	R39617	2C4	12	40-25	R39808	2I3	21	50-58
R39112	3E5	9	70-51	R39618	2C4	13	40-25	R39814	3E24	6	70-71
R39112	3F20	3	70-93	R39641	2B9	9	40-4	R39815	3E24	10	70-71
R39174	3C11	23	70-5	R39641	2B14	10	40-10	R39825	1D9	18	30-5
R39175	3C11	24	70-5	R39644	2B10	16	40-5	R39825	1D11	13	30-7
R39215	3D5	22	70-25	R39645	2B15	17	40-11	R39826	1D9	21	30-5
R39215	3D7	6	70-27	R39650	2B9	13	40-4	R39827	1D11	16	30-7
R39215	3D9	15	70-29	R39650	2B15	14	40-11	R39828	1D11	15	30-7
R39228	3C11	22	70-5	R39650	2E9	4B	40-84	R39857	2D2	39	40-51
R39228	3C19	16	70-13	R39661	2C3	3	40-24	R39874	1E1	8	30-20
R39253	1B13	7	20-8	R39662	2C3	4	40-24	R39875	2I12	8	50-68
R39325	2H3	43	50-33	R39662	2C5	6	40-26	R39876	2G24	15	50-28
R394R	2G14	2	50-17	R39663	2E5	25	40-80	R39876	2H1	6	50-30
R394R	2G14	3	50-17	R39690	1C9	2	20-28	R39876	2H5	16	50-35
R394R	2G14	7	50-17	R39700	2I21	10	50-78	R39877	2D3	15	40-52
R394R	2G14	36	50-17	R39708	2I8	14	50-63	R39877	2D5	13	40-54
R394R	2I3	2	50-58	R39710	1D7	4	30-2	R39878	1D16	12	30-12
R394R	2I3	3	50-58	R39710	1D11	7	30-7	R39885	1E24	5	30-42
R394R	2I3	7	50-58	R39712	2B15	29	40-11	R39886	1E24	4	30-42
R394R	2I3	13	50-58	R39713	2B15	30	40-11	R39886	1E25	4	30-43
R394R	3B12	21	60-9	R39714	2B10	30	40-5	R39887	1E24	6	30-42
R394R	3E6	18	70-52	R39714	2B15	27	40-11	R39888	1E24	7	30-42
R394R	3E6	28	70-52	R39715	2B15	28	40-11	R39889	1E24	9	30-42
R394R	3F18	28	70-91	R39716	2B15	29	40-11	R39890	1E24	8	30-42
R394R	3F20	13	70-93	R39719	2B15	28	40-11	R39892	2G20	12	50-23
R394R	3F21	8	70-94	R39725	2I2	42	50-57	R39893	2G20	5	50-23
R39501	1F12	13	30-55	R39725	3E7	36	70-53	R39893	2G20	12	50-23
R39502	1F10	7	30-53	R39726	2I2	42	50-57	R39895	1D21	4	30-17
R39503	1C10	5	20-29	R39726	3E7	36	70-53	R39895	1E10	4	30-27
R39503	1C11	9	20-30	R39727	2I2	42	50-57	R39925	3I6	21	80-15
R39503	1C16	14	20-35	R39727	3E7	36	70-53	R39925	3I6	22	80-15
R39503	1C18	17	20-37	R39729	3C11	9	70-5	R39925	3I6	23	80-15
R39506	1C18	16	20-37	R39729	3C17	17	70-11	R39927	1B20	7	20-13
R39507	1C18	11	20-37	R39730	2I16	17	50-73	R39980	3B20	46	60-19
R39512	3F6	17	70-77	R39731	2I16	16	50-73	R39981	3B20	51	60-19
R39513	3F6	17	70-77	R39732	2I16	15	50-73	R39981	3F14	2	70-86
R39516	1C8	7	20-27	R39739	4E10	4	90-81	R39982	3B20	52	60-19
R39516	1C8	8	20-27	R39741	3C11	15	70-5	R39985	1F17	20	30-61
R39520	1B13	10	20-8	R39741	3C19	13	70-13	R39985	1F19	20	30-63
R39525	2B23	18	40-19	R39741	3D2	10	70-21	R40017	1B18	10	20-11
R39531	1E11	11	30-28	R39754	3E7	61	70-53	R40017	1B18	12	20-11
R39534	1F3	2	30-46	R39758	3I11	9	80-21	R40072	3D17	12	70-38
R39534	1F4	2	30-47	R39758	3I12	9	80-22	R40072	3D18	15	70-39
R39549	2E9	1	40-84	R39759	3E13	23	70-59	R40092	3F9	35	70-81
R39549	4E2	30	90-73	R39759	3E14	8	70-60	R40093	3F9	35	70-81
R39550	2B14	5	40-10	R39766	4E4	16	90-75	R40121	3F12	20A	70-84
R39551	2B10	34	40-5	R39766	4E6	12	90-77	R40121	4C9	1	90-29
R39551	2B15	33	40-11	R39766	4E7	10	90-78	R40138	2B23	18	40-19
R39551	4E2	36	90-73	R39767	4E4	17	90-75	R40145	3D17	14	70-38

NUMERICAL INDEX - CONTINUED

PART NO.	GRID	KEY	PAGE	PART NO.	GRID	KEY	PAGE	PART NO.	GRID	KEY	PAGE
R40147	2G14	32	50 - 17	R40548	2D14	10	40 - 63	R40835	2G8	29	50 - 11
R40147	2I4	26	50 - 59	R40556	3F4	14	70 - 75	R40860	1B14	12	20 - 9
R40148	2G12	5	50 - 15	R40556	3F9	19	70 - 81	R40860	1B18	12	20 - 11
R40149	3B4	7	60 - 1	R40557	3F4	9	70 - 75	R40870	1B14	12	20 - 9
R40152	2I20	14	50 - 77	R40557	3F9	20	70 - 81	R40880	1B18	10	20 - 11
R40152	3B17	2	60 - 15	R40558	3F4	10	70 - 75	R40880	1B18	12	20 - 11
R40152	3B17	4	60 - 15	R40558	3F9	34	70 - 81	R40890	1B11	2	20 - 6
R40153	2I20	14	50 - 77	R40559	3D4	8	70 - 24	R40890	1B14	12	20 - 9
R40153	3B17	4	60 - 15	R40559	3D10	8	70 - 30	R40890	1B16	1	20 - 9B
R40154	3D4	8	70 - 24	R40559	3D13	8	70 - 33	R40890	1B18	12	20 - 11
R40154	3D10	8	70 - 30	R40559	3D18	9	70 - 39	R40890	1B20	8	20 - 13
R40154	3D17	17	70 - 38	R40561	3D18	18	70 - 39	R40890	1B20	9	20 - 13
R40192	4E2	1	90 - 73	R40562	3D17	14	70 - 38	R40890	1B20	10	20 - 13
R40211	1C10	11	20 - 29	R40562	3D18	17	70 - 39	R40890	1B20	..	20 - 13
R40212	1C10	11	20 - 29	R40565	1D24	11	30 - 19A	R40900	1B11	2	20 - 6
R40212	1C11	15	20 - 30	R40565	1F2	11	30 - 45	R40900	1B14	12	20 - 9
R40218	3G25	38	70 - 125	R40567	3B6	30	60 - 3	R40900	1B16	1	20 - 9B
R40219	3H7	26	70 - 133	R40567	3B12	9	60 - 9	R40900	1B18	12	20 - 11
R40223	1B10	19	20 - 5	R40576	2C13	..	40 - 36	R40900	1B20	8	20 - 13
R40226	1B23	1	20 - 16	R40589	3H23	4	80 - 6	R40900	1B20	9	20 - 13
R40236	2I11	15	50 - 67	R40589	3H24	5	80 - 7	R40900	1B20	10	20 - 13
R40236	2I12	8	50 - 68	R40589	3I1	9	80 - 9	R40900	1B20	..	20 - 13
R40262	2I19	2	50 - 76	R40595	3B8	23	60 - 5	R40906	1B10	23	20 - 5
R40335	2I12	9	50 - 68	R40595	3B10	24	60 - 7	R40910	1B16	1	20 - 9B
R40336	2I8	14	50 - 63	R40596	3B10	27	60 - 7	R40910	1B20	8	20 - 13
R40337	2D1	30	40 - 50	R40597	3B10	28	60 - 7	R40910	1B20	..	20 - 13
R40337	2D4	34	40 - 53	R40603	1B14	17	20 - 9	R40911	2H10	11	50 - 41
R40337	2D5	31	40 - 54	R40606	2C23	12	40 - 47	R40912	2H10	10	50 - 41
R40337	2D9	3	40 - 58	R40614	1B18	10	20 - 11	R40928	3E17	18	70 - 64
R40337	2D11	3	40 - 60	R40615	1B20	8	20 - 13	R40928	3F4	19	70 - 75
R40338	3B8	12	60 - 5	R40617	2I16	28	50 - 73	R40928	3F9	33	70 - 81
R40338	3B10	12	60 - 7	R40617	2I18	13	50 - 75	R40930	1B7	5	20 - 2
R40367	2D15	1	40 - 64	R40629	2I16	26	50 - 73	R40930	1B8	6	20 - 3
R40368	2D15	1	40 - 64	R40629	2I16	33	50 - 73	R40930	1B8	7	20 - 3
R40423	3I21	1	80 - 31	R40631	2I16	33	50 - 73	R40930	1B8	8	20 - 3
R40423	3I22	2	80 - 32	R40633	3E15	7	70 - 62	R40930	1B8	17	20 - 3
R40424	3E24	22	70 - 71	R40634	1B11	4	20 - 6	R40930	1B8	19	20 - 3
R40424	3F2	25	70 - 73	R40662	1C10	7	20 - 29	R40930	1B8	20	20 - 3
R40425	3E24	30	70 - 71	R40662	1C11	11	20 - 30	R40930	1B10	14	20 - 5
R40425	3F2	29	70 - 73	R40676	3J10	15	80 - 45	R40930	1B10	23	20 - 5
R40426	2H12	41A	50 - 43	R40676	4E2	14	90 - 73	R40930	1B11	2	20 - 6
R40466	3I22	16	80 - 32	R40726	1B21	3	20 - 14	R40930	1B11	4	20 - 6
R40466	3I23	18	80 - 33	R40727	1B21	3	20 - 14	R40930	1B11	6	20 - 6
R40466	3I24	9	80 - 34	R40728	1B21	3	20 - 14	R40930	1B13	4	20 - 8
R40466	3I24	12	80 - 34	R40729	1B21	3	20 - 14	R40930	1B13	7	20 - 8
R40466	3I25	12	80 - 35	R40731	1B21	2	20 - 14	R40930	1B13	8	20 - 8
R40476	3E7	56	70 - 53	R40731	2F24	28	50 - 3	R40930	1B13	9	20 - 8
R40477	3E7	54	70 - 53	R40732	2F24	23	50 - 3	R40930	1B13	10	20 - 8
R40501	2D15	1	40 - 64	R40733	2F23	19	50 - 2	R40930	1B14	11	20 - 9
R40502	2H7	50	50 - 37	R40733	1D18	4	30 - 14	R40930	1B14	12	20 - 9
R40503	2H7	50	50 - 37	R40741	1E1	4	30 - 20	R40930	1B14	17	20 - 9
R40504	3J10	14	80 - 45	R40741	1F7	4	30 - 50	R40930	1B14	..	20 - 9
R40504	4E2	14	90 - 73	R40757	3B8	25	60 - 5	R40930	1B16	1	20 - 9B
R40505	3J10	11	80 - 45	R40757	3B10	26	60 - 7	R40930	1B18	12	20 - 11
R40505	4E2	14	90 - 73	R40761	3B15	21	60 - 12	R40930	1B20	8	20 - 13
R40509	3E7	61	70 - 53	R40776	1E20	14	30 - 38	R40930	1B20	10	20 - 13
R40509	3J10	12	80 - 45	R40776	1F14	16	30 - 58	R40930	1B20	..	20 - 13
R40516	3F12	5	70 - 84	R40777	1C24	24	20 - 43	R40940	1B7	1	20 - 2
R40522	1D9	11	30 - 5	R40777	1D2	20	20 - 45	R40940	1B7	5	20 - 2
R40524	1D9	11	30 - 5	R40778	1B18	9	20 - 11	R40940	1B8	6	20 - 3
R40529	1D14	2	30 - 10	R40787	2I8	8	50 - 63	R40940	1B8	7	20 - 3
R40531	3B4	8	60 - 1	R40789	3B20	39	60 - 19	R40940	1B8	18	20 - 3
R40545	2D11	18	40 - 60	R40789	3B20	40	60 - 19	R40940	1B10	14	20 - 5
R40545	2D15	1	40 - 64	R40789	3B20	42	60 - 19	R40940	1B10	23	20 - 5
R40546	2D14	6	40 - 63	R40799	3E5	39	70 - 51	R40940	1B11	2	20 - 6
R40547	2D14	11	40 - 63	R40805	2G20	6	50 - 23	R40940	1B11	4	20 - 6
R40548	2D13	10	40 - 62	R40806	2G20	14	50 - 23	R40940	1B11	6	20 - 6

NUMERICAL INDEX - CONTINUED

PART NO.	GRID	KEY	PAGE	PART NO.	GRID	KEY	PAGE	PART NO.	GRID	KEY	PAGE
R40940	1B13	4	20-8	R41170	2H21	13	50-52	R41439	2B19	..	40-15
R40940	1B13	7	20-8	R41171	2H18	9	50-49	R41439	2B21	17	40-17
R40940	1B13	8	20-8	R41174	2H12	21	50-43	R41439	2C6	12	40-28
R40940	1B13	9	20-8	R41175	3F20	6	70-93	R41439	2C8	14	40-30
R40940	1B13	10	20-8	R41175	3F20	11	70-93	R41439	2D16	2	40-65
R40940	1B14	11	20-9	R41178	2F23	11	50-2	R41439	2E24	13	40-99
R40940	1B14	12	20-9	R41178	2F23	12	50-2	R41440	4B16	5	90-11
R40940	1B14	17	20-9	R41178	2F23	16	50-2	R41465	3D15	5	70-35
R40940	1B18	12	20-11	R41179	2F23	15	50-2	R41494	3G13	35	70-113
R40940	1B20	10	20-13	R41180	2G1	11	50-4	R41498	2G23	10	50-26
R40974	1B8	12	20-3	R41197	3F18	35	70-91	R41499	2G23	5	50-26
R40974	1C24	1	20-43	R41197	3F20	5	70-93	R41501	2G23	8	50-26
R40974	1D2	1	20-45	R41198	3G25	25	70-125	R41502	2H7	47	50-37
R40978	1C10	2	20-29	R41198	3H2	8	70-127	R41503	2H7	47	50-37
R40978	1C10	4	20-29	R41218	2G8	23	50-11	R41503	2H7	50	50-37
R40978	1C14	2	20-33	R41253	3J2	10	80-37	R41504	4D24	7	90-71
R40979	1C11	6	20-30	R41253	3J4	7	80-39	R41510	2I1	6	50-56
R40979	1C11	8	20-30	R41261	4C25	18	90-46	R41510	4D24	12	90-71
R40979	1C12	3	20-31	R41285	1C19	9	20-38	R41514	2D22	11	40-72
R40979	1C13	3	20-32	R41286	1C19	10	20-38	R41548	3I21	9	80-31
R40979	1C16	6	20-35	R41287	1C19	8	20-38	R41564	4C3	1	90-23
R40979	1C17	3	20-36	R41288	1C19	10	20-38	R41564	4C10	1	90-30
R41015	3F6	18	70-77	R41289	1C19	3	20-38	R41613	3F18	16	70-91
R41016	2I12	22	50-68	R41291	1C19	3	20-38	R41613	3F18	24	70-91
R41017	2I12	21	50-68	R41293	1C19	3	20-38	R41623	2H18	13	50-49
R41017	2I14	3	50-71	R41295	1F12	13	30-55	R41627	1C10	14	20-29
R41035	2G24	2	50-28	R41296	4E4	12	90-75	R41627	2C13	16	40-36
R41035	2H5	7	50-35	R41313	1C10	2	20-29	R41628	1C11	19	20-30
R41036	2G24	5	50-28	R41313	1C10	6	20-29	R41628	1C16	17	20-35
R41036	2H2	12	50-32	R41313	1C10	10	20-29	R41628	2C13	16	40-36
R41038	2H2	8	50-32	R41315	1C11	10	20-30	R41668	2H7	20	50-37
R41038	2H2	9	50-32	R41315	1C11	14	20-30	R41681	1C11	19	20-30
R41039	2H2	9	50-32	R41315	1C13	8	20-32	R41681	2C13	16	40-36
R41039	2H3	18	50-33	R41316	1C16	14	20-35	R41707	1B18	6	20-11
R41039	2H3	22	50-33	R41317	1C10	2	20-29	R41708	3B4	10	60-1
R41039	2H3	23	50-33	R41317	1C10	6	20-29	R41708	3B6	17	60-3
R41039	2H5	35	50-35	R41317	1C10	10	20-29	R41716	1E12	11	30-29
R41039	2H5	40	50-35	R41318	1C11	10	20-30	R41717	1E12	13	30-29
R41039	2H12	34	50-43	R41318	1C11	14	20-30	R41718	1E12	14	30-29
R41039	2H12	43	50-43	R41318	1C13	8	20-32	R41719	1E12	12	30-29
R41040	2I21	10	50-78	R41321	1C10	2	20-29	R41720	1E12	16	30-29
R41041	2G24	9	50-28	R41321	1C15	2	20-34	R41721	1E12	15	30-29
R41050	2I9	18	50-64	R41325	2E5	10	40-80	R41722	1E12	17	30-29
R41050	2I12	28	50-68	R41325	2E6	10	40-81	R41722	1E12	18	30-29
R41052	2I16	33	50-73	R41326	2E5	11	40-80	R41723	1E12	20	30-29
R41057	3C13	43	70-7	R41326	2E6	11	40-81	R41724	3B8	2	60-5
R41057	3C13	44	70-7	R41327	2E5	7	40-80	R41724	3B10	2	60-7
R41057	3C15	7	70-9	R41327	2E6	7	40-81	R41731	3D13	23	70-33
R41057	3C21	41	70-15	R41328	2E5	8	40-80	R41745	2I8	23	50-63
R41057	3C23	13	70-17	R41328	2E6	8	40-81	R41749	3E17	23	70-64
R41070	1B14	17	20-9	R41355	4B14	2	90-9	R41750	3E17	1	70-64
R41105	2H2	8	50-32	R41355	4B14	4	90-9	R41752	2H3	29	50-33
R41105	2H2	..	50-32	R41355	4B15	8	90-10	R41778	4B14	9	90-9
R41110	3I15	10	80-25	R41358	4B16	1	90-11	R41778	4B15	10	90-10
R41131	2H21	18	50-52	R41360	3D24	6	70-45	R41781	4B14	3	90-9
R41153	2H7	20	50-37	R41361	3D24	5	70-45	R41781	4B15	3	90-10
R41155	3F18	32	70-91	R41362	3D24	3	70-45	R41795	4B17	1	90-12
R41165	2H12	34	50-43	R41377	2H12	25	50-43	R41795	4B17	27	90-12
R41166	2H2	9	50-32	R41377	2H14	23	50-45	R41795	4B18	9	90-13
R41166	2H2	..	50-32	R41378	2H12	29	50-43	R41795	4B18	16	90-13
R41166	2H3	22	50-33	R41378	2H14	27	50-45	R41795	4B19	18	90-14
R41166	2H5	23	50-35	R41379	2H12	28	50-43	R41795	4B22	29	90-17
R41166	2H5	36	50-35	R41404	2H8	11	50-38	R41795	4B23	8	90-18
R41166	2H12	35	50-43	R41406	1B13	3	20-8	R41795	4B24	8	90-19
R41166	2H14	33	50-45	R41439	2B16	..	40-12	R41795	4C8	3	90-28
R41168	2H2	..	50-32	R41439	2B17	..	40-13	R41795	4C8	8	90-28
R41168	2H14	39	50-45	R41439	2B18	..	40-14	R41795	4C8	21	90-28

NUMERICAL INDEX - CONTINUED

PART NO.	GRID	KEY	PAGE	PART NO.	GRID	KEY	PAGE	PART NO.	GRID	KEY	PAGE
R41796	4B17	7	90-12	R41843	4C1	7	90-21	R42312	4C15	15	90-35
R41796	4B17	17	90-12	R41845	2I19	2	50-76	R42312	4D11	3	90-57
R41796	4B22	8	90-17	R41846	3I11	10	80-21	R42313	4C4	11	90-24
R41796	4B22	13	90-17	R41853	1C9	2	20-28	R42313	4C15	13	90-35
R41797	4B17	10	90-12	R41855	1C24	22	20-43	R42314	4C4	16	90-24
R41797	4B22	4	90-17	R41861	3E24	32	70-71	R42315	4C4	15	90-24
R41800	4B19	15	90-14	R41861	3F2	37	70-73	R42316	4C4	1	90-24
R41800	4B24	11	90-19	R41879	2E12	5	40-87	R42317	4C4	14	90-24
R41800	4B25	9	90-20	R41879	2E14	6	40-89	R42318	4C4	18	90-24
R41800	4C6	2	90-26	R41880	2E12	10	40-87	R42319	4C7	2	90-27
R41800	4C6	4	90-26	R41880	2E14	13	40-89	R42319	4C16	2	90-36
R41803	4B17	23	90-12	R41880	2E16	13	40-91	R42322	4B19	16	90-14
R41803	4B22	23	90-17	R41880	2E17	4	40-92	R42322	4B24	9	90-19
R41803	4C8	15	90-28	R41883	1B14	17	20-9	R42334	3F20	14	70-93
R41804	4B17	19	90-12	R41899	3D23	12	70-44	R42339	1B11	1	20-6
R41804	4B22	24	90-17	R41900	3D23	4	70-44	R42354	1B11	8	20-6
R41805	4B17	22	90-12	R41901	3D23	3	70-44	R42357	2I18	31	50-75
R41805	4B22	25	90-17	R41901	3E11	8	70-57	R42357	3B13	6	60-10
R41805	4C8	14	90-28	R41903	2I9	11	50-64	R42364	1B7	4	20-2
R41807	4B19	9	90-14	R41903	2I12	26	50-68	R42378	4C1	6	90-21
R41807	4B24	2	90-19	R41909	2I18	19	50-75	R42414	4C13	20	90-33
R41807	4C8	3	90-28	R41910	2I18	27	50-75	R42415	4C11	14	90-31
R41807	4C8	8	90-28	R41911	2I18	15	50-75	R42416	4C11	12	90-31
R41812	4C3	3	90-23	R41920	1C4	2	20-23	R42420	1B10	18	20-5
R41812	4C10	3	90-30	R41920	1C4	15	20-23	R42424	1B17	1	20-10
R41815	4B20	5	90-15	R41920	1E20	5	30-38	R42424	1C22	1	20-41
R41815	4B25	6	90-20	R41931	3F18	13	70-91	R42424	1C24	14	20-43
R41815	4C6	3	90-26	R41932	3F18	15	70-91	R42424	1D2	14	20-45
R41816	4C2	7	90-22	R41933	3J10	2	80-45	R42439	4B14	2	90-9
R41818	4B18	4	90-13	R41934	1B22	1	20-15	R42439	4B14	5	90-9
R41818	4C8	22	90-28	R41959	4C6	11	90-26	R42440	3F6	20	70-77
R41819	2D21	11	40-71	R41960	4C6	9	90-26	R42444	2I9	16	50-64
R41820	4B19	7	90-14	R41961	4C8	11	90-28	R42444	2I12	17	50-68
R41820	4B24	4	90-19	R41984	1C21	15	20-40	R42446	2I9	15	50-64
R41822	4B17	2	90-12	R41985	1C21	6	20-40	R42446	2I12	18	50-68
R41822	4B18	17	90-13	R42015	4C8	12	90-28	R42448	2I12	16	50-68
R41822	4B23	15	90-18	R42039	2I8	10	50-63	R42451	4E3	7	90-74
R41823	4B17	28	90-12	R42039	2I8	..	50-63	R42451	4E6	6	90-77
R41823	4B18	10	90-13	R42042	2I8	9	50-63	R42462	1B8	7	20-3
R41823	4B23	9	90-18	R42042	2I8	12	50-63	R42462	1B8	8	20-3
R41824	4B19	10	90-14	R42042	2I8	..	50-63	R42463	1B8	6	20-3
R41824	4B24	1	90-19	R42043	2I8	9	50-63	R42463	1B8	8	20-3
R41825	4B19	19	90-14	R42043	2I8	..	50-63	R42464	1B7	5	20-2
R41825	4B24	7	90-19	R42045	1C21	12	20-40	R42464	1B8	8	20-3
R41826	4B18	8	90-13	R42046	1C21	7	20-40	R42465	1B7	5	20-2
R41826	4B23	7	90-18	R42046	1C21	8	20-40	R42465	1B8	8	20-3
R41827	4B18	14	90-13	R42046	4C15	4	90-35	R42466	1B8	7	20-3
R41827	4B23	12	90-18	R42046	4C15	5	90-35	R42466	1B8	8	20-3
R41828	4B17	15	90-12	R42054	1C5	3	20-24	R42467	3C11	29	70-5
R41829	4B17	14	90-12	R42058	2G20	8	50-23	R42484	2H21	7	50-52
R41830	4B20	14	90-15	R42101	2I19	20	50-76	R42485	2H21	9	50-52
R41830	4B25	8	90-20	R42101	2I19	22	50-76	R42491	2H21	13	50-52
R41831	4B20	6	90-15	R42110	2G20	6	50-23	R42491	2H21	20	50-52
R41831	4B25	5	90-20	R42113	1F17	33	30-61	R42492	2H18	14	50-49
R41832	4B20	15	90-15	R42113	1F19	48	30-63	R42492	2H21	13	50-52
R41832	4B25	7	90-20	R42127	2G12	8	50-15	R42492	2H21	20	50-52
R41833	4B20	4	90-15	R42167	1F15	43	30-59	R42495	3E13	6	70-59
R41833	4B25	3	90-20	R42168	1F10	14	30-53	R42495	3E14	2	70-60
R41834	4B19	4	90-14	R42170	1F10	1	30-53	R42495	3E15	9	70-62
R41834	4B24	21	90-19	R42225	3B17	8	60-15	R42504	4C14	12	90-34
R41836	4B20	12	90-15	R42260	3C13	40	70-7	R42504	4C15	2	90-35
R41837	4B21	11	90-16	R42260	3C21	37	70-15	R42505	2I11	14	50-67
R41837	4C1	17	90-21	R42293	1D17	3	30-13	R42505	2I12	10	50-68
R41838	4B21	9	90-16	R42304	1F10	16	30-53	R42522	1B23	1	20-16
R41840	4B22	30	90-17	R42309	4C4	4	90-24	R42523	1B23	1	20-16
R41841	4B24	20	90-19	R42311	4C4	3	90-24	R42533	4C5	4	90-25
R41842	4B23	5	90-18	R42312	4C4	10	90-24	R42534	4C5	4	90-25

NUMERICAL INDEX - CONTINUED

PART NO.	GRID	KEY	PAGE	PART NO.	GRID	KEY	PAGE	PART NO.	GRID	KEY	PAGE
R42535	4C8	27	90-28	R42666	2D22	16	40-72	R42800	2E14	5	40-89
R42536	4C8	26	90-28	R42666	2D24	15	40-74	R42801	2E14	18	40-89
R42537	4C8	24	90-28	R42666	2E1	15	40-76	R42802	2E14	19	40-89
R42538	4C8	23	90-28	R42666	2E4	1	40-79	R42822	4B6	14	90-1
R42539	4C8	24	90-28	R42667	2D20	15	40-70	R42822	4B8	2	90-3
R42541	4C8	1	90-28	R42667	2D21	17	40-71	R42822	4B9	1	90-4
R42542	4C6	17	90-26	R42667	2D22	16	40-72	R42826	4B6	13	90-1
R42542	4C8	5	90-28	R42667	2D24	15	40-74	R42849	2G24	6	50-28
R42542	4C8	10	90-28	R42667	2E1	15	40-76	R42849	2H5	9	50-35
R42543	4C8	6	90-28	R42667	2E4	1	40-79	R42849	2H19	5	50-50
R42544	4C14	5	90-34	R42684	3B20	25	60-19	R42849	3B8	31	60-5
R42545	4C14	4	90-34	R42687	4C15	6	90-35	R42849	3B10	32	60-7
R42546	4C14	3	90-34	R42688	4C15	8	90-35	R42849	3B20	28	60-19
R42547	4C14	1	90-34	R42689	2D20	1	40-70	R42849	3B24	4	60-23
R42548	4C8	16	90-28	R42689	2D22	1	40-72	R42849	3C2	4	60-25
R42549	4C8	13	90-28	R42692	3E5	20	70-51	R42850	2H2	8	50-32
R42550	2C6	10	40-28	R42693	1C9	4	20-28	R42850	2H2	9	50-32
R42551	2C6	15	40-28	R42693	1C24	9	20-43	R42850	2H2	..	50-32
R42552	4C8	7	90-28	R42693	1D2	4	20-45	R42850	2H5	24	50-35
R42553	4C8	2	90-28	R42694	1C18	7	20-37	R42851	3H20	9	80-3
R42554	4C8	20	90-28	R42694	1C19	6	20-38	R42901	2I19	22	50-76
R42555	4C14	13	90-34	R42694	1C24	4	20-43	R42946	1C8	3	20-27
R42556	2C6	4	40-28	R42694	1D2	8	20-45	R42962	1C8	8	20-27
R42557	4C14	2	90-34	R42697	2H23	5	50-54	R42991	1B23	1	20-16
R42558	4C5	3	90-25	R42707	3B4	4	60-1	R43216	2H16	7	50-47
R42559	4C14	9	90-34	R42709	1F9	2	30-52	R43216	2H17	7	50-48
R42560	4C5	2	90-25	R42710	1F9	16	30-52	R43418	2F23	14	50-2
R42561	4C6	18	90-26	R42711	1F9	28	30-52	R43444	3E20	9	70-67
R42562	4C6	7	90-26	R42712	1F9	12	30-52	R43444	3F2	20	70-73
R42563	4C6	7	90-26	R42712	1F9	13	30-52	R43634	1B13	7	20-8
R42564	4C6	12	90-26	R42713	1F9	8	30-52	R43664	2C22	12	40-46
R42565	4C6	15	90-26	R42713	1F9	12	30-52	R43664	2C23	27	40-47
R42567	4C9	17	90-29	R42714	1F9	11	30-52	R43680	1B8	15	20-3
R42567	4C19	14	90-40	R42715	1F9	26	30-52	R43681	1B8	15	20-3
R42567	4C20	18	90-41	R42716	1F9	29	30-52	R43682	1B8	15	20-3
R42568	4C9	14	90-29	R42721	2I8	19	50-63	R43683	1B8	15	20-3
R42570	4C6	20	90-26	R42721	2I8	25	50-63	R43684	2H6	4	50-36
R42571	4C5	5	90-25	R42729	1C4	15	20-23	R43721	3B8	18	60-5
R42579	4B15	7	90-10	R42738	4D11	5	90-57	R43721	3B10	18	60-7
R42580	4B15	5	90-10	R42741	1C16	10	20-35	R43737	3D7	9	70-27
R42580	4E5	5	90-76	R42742	2C22	6	40-46	R43737	3D15	11	70-35
R42581	4B15	9	90-10	R42747	4B6	7	90-1	R43742	1B11	8	20-6
R42582	3E11	7	70-57	R42748	4B6	1	90-1	R43754	1B11	7	20-6
R42584	2G15	7	50-18	R42750	4B11	2	90-6	R43763	2F23	11	50-2
R42585	2G15	8	50-18	R42752	4B6	10	90-1	R43962	3B8	18	60-5
R42585	2I5	8	50-60	R42753	2C22	13	40-46	R43962	3B10	18	60-7
R42602	4E7	9	90-78	R42754	4B6	16	90-1	R44008	2C22	17	40-46
R42606	3J4	30	80-39	R42755	4B11	1	90-6	R44020	3H20	4	80-3
R42609	3J4	1	80-39	R42768	4D11	11	90-57	R44020	3H25	5	80-8
R42613	2H6	3	50-36	R42771	4D10	5	90-56	R44030	2H24	10	50-55
R42624	1F15	33	30-59	R42773	3D23	9	70-44	R44044	4D1	14	90-47
R42626	1F17	55	30-61	R42777	2D20	18	40-70	R44079	1F14	4	30-58
R42629	3B6	7	60-3	R42778	2D20	20	40-70	R44101	1E11	10	30-28
R42636	1D9	21	30-5	R42779	2D20	17	40-70	R44101	1E12	25	30-29
R42637	1D11	16	30-7	R42781	4C24	..	90-45	R44119	1C10	2	20-29
R42643	3D24	6	70-45	R42783	2G22	18	50-25	R44119	1C10	6	20-29
R42644	3D24	3	70-45	R42786	4C24	11	90-45	R44119	1C10	10	20-29
R42645	1D9	21	30-5	R42787	4C24	13	90-45	R44122	1C11	10	20-30
R42660	3F9	36	70-81	R42788	4C24	7	90-45	R44122	1C11	14	20-30
R42660	3F9	46	70-81	R42789	4C24	14	90-45	R44122	1C13	8	20-32
R42661	3B8	37	60-5	R42790	4C24	5	90-45	R44140	3D7	15	70-27
R42661	3B10	38	60-7	R42791	4C24	2	90-45	R44141	3D7	16	70-27
R42662	3J6	6	80-41	R42798	4B11	3	90-6	R44141	3D9	6	70-29
R42663	3C13	31	70-7	R42798	4B12	2	90-7	R44161	1B20	6	20-13
R42664	1C9	2	20-28	R42799	2E16	3	40-91	R44162	1B20	6	20-13
R42666	2D20	15	40-70	R42799	2E17	9	40-92	R44163	1B20	6	20-13
R42666	2D21	17	40-71	R42799	2E20	..	40-95	R44164	2H7	20	50-37

NUMERICAL INDEX - CONTINUED

PART NO.	GRID	KEY	PAGE	PART NO.	GRID	KEY	PAGE	PART NO.	GRID	KEY	PAGE
R44165	4C14	14	90-34	R44373	1D2	3	20-45	R44466	4D2	1	90-48
R44165	4D9	12	90-55	R44373	1D16	20	30-12	R44467	4D2	7	90-48
R44165	4D16	13	90-62	R44373	1D17	8	30-13	R44468	4D6	18	90-52
R44174	1B10	22	20-5	R44373	1D18	12	30-14	R44469	4D6	19	90-52
R44175	1B10	18	20-5	R44374	1C24	10	20-43	R44470	4D6	16	90-52
R44180	2G1	8	50-4	R44374	1D2	2	20-45	R44471	4D6	17	90-52
R44185	3I22	16	80-32	R44374	1D16	19	30-12	R44472	4D7	2	90-53
R44220	4C9	3	90-29	R44374	1D17	7	30-13	R44473	4D8	8	90-54
R44221	4C9	8	90-29	R44374	1D18	11	30-14	R44474	4D6	14	90-52
R44222	4C8	23	90-28	R44378	1B18	5	20-11	R44475	4D6	20	90-52
R44257	1B18	4	20-11	R44378	1B20	11	20-13	R44476	4D6	1	90-52
R44277	2G1	8	50-4	R44419	1B17	3	20-10	R44477	4B16	3	90-11
R44277	2G1	11	50-4	R44431	4C17	6	90-38	R44478	4D7	6	90-53
R44285	3H2	23	70-127	R44432	4C17	7	90-38	R44479	4D9	1	90-55
R44285	3H4	19	70-129	R44433	4C22	10	90-43	R44479	4D16	1	90-62
R44286	3H9	23	70-135	R44434	4C17	13	90-38	R44480	4C24	16	90-45
R44286	3H10	13	70-136	R44435	4C22	13	90-43	R44481	4D9	18	90-55
R44287	3H2	23	70-127	R44436	4C17	12	90-38	R44481	4D16	23	90-62
R44287	3H2	33	70-127	R44437	4C22	2	90-43	R44482	4D9	10	90-55
R44287	3H4	24	70-129	R44437	4C22	5	90-43	R44483	4D6	11	90-52
R44287	3H9	33	70-135	R44437	4C22	8	90-43	R44484	4D6	5	90-52
R44287	3H10	22	70-136	R44437	4C22	11	90-43	R44485	4D6	4	90-52
R44296	3G25	22	70-125	R44437	4C22	14	90-43	R44486	4D6	2	90-52
R44296	3H2	11	70-127	R44437	4C22	17	90-43	R44487	4D8	7	90-54
R44296	3H4	5	70-129	R44437	4C22	20	90-43	R44488	4D10	10	90-56
R44297	3H7	14	70-133	R44438	4C22	1	90-43	R44489	4D8	4	90-54
R44297	3H9	11	70-135	R44438	4C22	4	90-43	R44490	4D12	15	90-58
R44299	3E5	31	70-51	R44438	4C22	9	90-43	R44491	4D12	3	90-58
R44302	1F5	2	30-48	R44438	4C22	12	90-43	R44492	4D12	14	90-58
R44302	2B8	19	40-3	R44438	4C22	15	90-43	R44493	4D15	10	90-61
R44302	2B8	21	40-3	R44438	4C22	16	90-43	R44494	4D12	10	90-58
R44302	2B10	16	40-5	R44438	4C22	19	90-43	R44494	4D18	18	90-64
R44302	2B10	26	40-5	R44439	4C22	3	90-43	R44495	4D12	16	90-58
R44302	2B13	15	40-9	R44441	4C22	6	90-43	R44495	4D18	17	90-64
R44302	2B13	17	40-9	R44442	4C22	21	90-43	R44496	4D14	1	90-60
R44302	2B15	17	40-11	R44443	4C22	18	90-43	R44497	4D15	4	90-61
R44302	2B15	23	40-11	R44444	4C17	9	90-38	R44498	4D18	8	90-64
R44302	2B15	27	40-11	R44444	4C18	7	90-39	R44499	4D18	12	90-64
R44302	2B16	..	40-12	R44445	4C18	9	90-39	R44500	4D16	6	90-62
R44302	2B17	..	40-13	R44445	4C19	8	90-40	R44501	4D16	17	90-62
R44302	2B18	..	40-14	R44445	4C20	14	90-41	R44502	4D18	9	90-64
R44302	2B19	..	40-15	R44446	4C18	8	90-39	R44503	4D18	10	90-64
R44302	2B21	..	40-17	R44446	4C19	7	90-40	R44504	4D18	11	90-64
R44302	2B25	6	40-21	R44446	4C20	15	90-41	R44505	4D18	3	90-64
R44302	2B25	11	40-21	R44447	4C25	2	90-46	R44506	4D18	4	90-64
R44302	2C2	6	40-23	R44447	4C25	17	90-46	R44507	4D18	2	90-64
R44302	2C2	11	40-23	R44447	4C25	22	90-46	R44508	4D18	5	90-64
R44302	2C7	21	40-29	R44447	4C25	23	90-46	R44509	4D18	6	90-64
R44302	2C10	3	40-33	R44448	4C20	3	90-41	R44510	4D18	19	90-64
R44302	2C10	6	40-33	R44449	4C22	7	90-43	R44511	4D17	2	90-63
R44302	2C25	3	40-49	R44451	4D4	14	90-50	R44512	4D12	9	90-58
R44302	2D8	6	40-57	R44452	4D4	6	90-50	R44513	4D18	22	90-64
R44302	2D16	1	40-65	R44453	4D4	7	90-50	R44514	4D18	15	90-64
R44302	2E8	24	40-83	R44453	4D13	3	90-59	R44515	4D18	25	90-64
R44302	2E24	12	40-99	R44454	4C25	5	90-46	R44516	4D18	27	90-64
R44302	2F4	1	40-103	R44454	4D4	15	90-50	R44517	4C25	3	90-46
R44302	2F8	1	40-107	R44455	4D4	2	90-50	R44518	4C25	4	90-46
R44302	4B14	2	90-9	R44456	4D4	3	90-50	R44529	4B14	5	90-9
R44315	3J10	2	80-45	R44457	4D5	3	90-51	R44577	4D4	13	90-50
R44324	1C4	12	20-23	R44458	4D5	2	90-51	R44585	4C23	3	90-44
R44328	2I12	22	50-68	R44459	4D5	11	90-51	R44585	4C23	5	90-44
R44328	2I14	2	50-71	R44460	4D2	17	90-48	R44586	4D24	31	90-71
R44331	1E12	23	30-29	R44461	4D2	8	90-48	R44588	4D24	..	90-71
R44350	3I17	11	80-27	R44462	4D2	12	90-48	R44589	4D24	..	90-71
R44361	2I24	11	50-81	R44463	4D2	9	90-48	R44590	3J6	..	80-41
R44372	2I24	11	50-81	R44464	4D2	6	90-48	R44591	4D24	..	90-71
R44373	1C24	11	20-43	R44465	4D2	5	90-48	R44592	4D24	..	90-71

NUMERICAL INDEX - CONTINUED

PART NO.	GRID	KEY	PAGE	PART NO.	GRID	KEY	PAGE	PART NO.	GRID	KEY	PAGE
R44637	2G8	13	50 - 11	R45211	4B16	6	90 - 11	R459R	2H14	40	50 - 45
R44638	2G8	4	50 - 11	R45215	3F14	19	70 - 86	R459R	2I16	19	50 - 73
R44710	3J10	9	80 - 45	R45227	3C11	14	70 - 5	R459R	3B8	4	60 - 5
R44742	2H12	37	50 - 43	R45227	3C11	15	70 - 5	R459R	3B10	4	60 - 7
R44791	3J6	1	80 - 41	R45227	3C11	16	70 - 5	R459R	3B12	14	60 - 9
R44791	3J6	..	80 - 41	R45228	3C11	14	70 - 5	R459R	3B19	3	60 - 18
R44802	3C13	31	70 - 7	R45228	3C11	15	70 - 5	R459R	3B22	4	60 - 21
R44814	2H3	29	50 - 33	R45228	3C11	16	70 - 5	R459R	3H2	14	70 - 127
R44814	2H19	13	50 - 50	R45297	3B6	16	60 - 3	R459R	3H9	14	70 - 135
R44815	2H12	28	50 - 43	R45305	3F16	10	70 - 88	R459R	3H10	3	70 - 136
R44815	2H14	26	50 - 45	R45306	3F16	7	70 - 88	R459R	3H11	6	70 - 137
R44816	2H12	10	50 - 43	R45358	2G2	54	50 - 5	R45928	3B20	39	60 - 19
R44816	2H12	28	50 - 43	R45422	3C19	26A	70 - 13	R45928	3B20	40	60 - 19
R44816	2H14	10	50 - 45	R45425	3C19	22A	70 - 13	R45928	3B20	42	60 - 19
R44817	2H12	9	50 - 43	R45438	3C11	1	70 - 5	R45929	3B20	39	60 - 19
R44817	2H14	9	50 - 45	R45438	3C19	1	70 - 13	R45929	3B20	42	60 - 19
R44823	3C11	10	70 - 5	R45447	3F13	3	70 - 85	R45936	2D20	24	40 - 70
R44831	2F23	11	50 - 2	R45515	2G4	20	50 - 7	R45937	2D20	25	40 - 70
R44831	2F23	12	50 - 2	R45515	2H10	31	50 - 41	R45957	3J10	1	80 - 45
R44831	2F23	16	50 - 2	R45515	3E1	17	70 - 47	R460R	1E19	16	30 - 37
R44840	3F14	10	70 - 86	R45516	2G4	20	50 - 7	R46095	2F23	19	50 - 2
R44843	1C16	10	20 - 35	R45516	2H10	31	50 - 41	R46095	2F24	23	50 - 3
R44843	1C16	14	20 - 35	R45516	3E1	17	70 - 47	R46109	4B8	25	90 - 3
R44848	3F12	4	70 - 84	R45573	2H8	27	50 - 38	R46113	4B12	1	90 - 7
R44853	1B12	1	20 - 7	R45600	2H19	17	50 - 50	R46141	3B14	..	60 - 11
R44853	1C24	30	20 - 43	R45615	1B8	12	20 - 3	R46141	3D17	7	70 - 38
R44853	1D2	32	20 - 45	R45615	1C24	1	20 - 43	R46192	1B14	28	20 - 9
R44890	3I17	9	80 - 27	R45615	1D2	1	20 - 45	R46192	1C24	32	20 - 43
R44917	3E13	17	70 - 59	R45620	3G25	25	70 - 125	R46192	1D2	29	20 - 45
R44917	3E14	12	70 - 60	R45620	3H2	8	70 - 127	R463R	1D2	12	20 - 45
R44917	3E16	20	70 - 63	R45620	3H7	17	70 - 133	R463R	1E14	11	30 - 32
R44917	3F9	42	70 - 81	R45620	3H9	8	70 - 135	R463R	1E14	12	30 - 32
R44918	3E13	17	70 - 59	R45620	3H11	11	70 - 137	R463R	1E21	1	30 - 39
R44918	3E14	12	70 - 60	R45622	2H5	21	50 - 35	R463R	1E21	11	30 - 39
R44918	3E16	20	70 - 63	R45630	3G2	33	70 - 101	R463R	1E22	1	30 - 40
R44918	3E18	4	70 - 65	R45630	3G4	34	70 - 103	R463R	1E23	1	30 - 41
R44918	3E20	3	70 - 67	R45630	3G6	6	70 - 105	R463R	1E23	5	30 - 41
R44925	1B18	5	20 - 11	R45630	3G8	29	70 - 107	R46323	2I9	7	50 - 64
R44925	1B20	11	20 - 13	R45630	3G11	6	70 - 111	R46323	2I12	7	50 - 68
R44926	1B18	5	20 - 11	R45630	3G12	6	70 - 112	R46324	2I9	7	50 - 64
R44926	1B20	11	20 - 13	R45630	3G21	5	70 - 121	R46324	2I12	7	50 - 68
R44927	1B18	5	20 - 11	R45630	3H12	5	70 - 138	R46325	2I9	7	50 - 64
R44927	1B20	11	20 - 13	R45642	2B18	..	40 - 14	R46325	2I12	7	50 - 68
R44928	1B18	5	20 - 11	R45642	2B19	..	40 - 15	R46335	3F15	7	70 - 87
R44928	1B20	11	20 - 13	R45642	2B21	8	40 - 17	R46350	1B16	1	20 - 9B
R44951	3J10	3	80 - 45	R45642	2C25	4	40 - 49	R46350	1B20	8	20 - 13
R44952	3J10	3	80 - 45	R45643	2B16	..	40 - 12	R46350	1B20	..	20 - 13
R45106	3F15	16	70 - 87	R45643	2B17	..	40 - 13	R46373	2G19	4	50 - 22
R45134	1B11	2	20 - 6	R45645	2B21	14	40 - 17	R46391	2H2	4	50 - 32
R45134	1C4	16	20 - 23	R45672	3F14	..	70 - 86	R46391	2H3	43	50 - 33
R45134	1C4	18	20 - 23	R45779	2I19	26	50 - 76	R46391	2H5	28	50 - 35
R45134	1C4	..	20 - 23	R45780	3B17	5	60 - 15	R46391	2H5	46	50 - 35
R45136	2E12	13	40 - 87	R45781	3B17	5	60 - 15	R46391	2H12	19	50 - 43
R45136	2E16	17	40 - 91	R45792	3B6	1	60 - 3	R46391	2H14	19	50 - 45
R45137	2E12	14	40 - 87	R45822	3C8	4	70 - 1	R46394	2G5	9	50 - 8
R45137	2E16	18	40 - 91	R45847	2D16	6	40 - 65	R46395	2G5	9	50 - 8
R45161	1B8	7	20 - 3	R45847	3F25	14	70 - 99	R46400	2G6	6	50 - 9
R45189	3F14	17	70 - 86	R45847	4D10	2	90 - 56	R46401	2G6	9	50 - 9
R45190	1B7	1	20 - 2	R45847	4D10	3	90 - 56	R46402	2G6	12	50 - 9
R45192	1B8	6	20 - 3	R45847	4D10	4	90 - 56	R46403	2G6	23	50 - 9
R45192	1B8	19	20 - 3	R45847	4D10	7	90 - 56	R46414	2D8	8	40 - 57
R45193	1B7	5	20 - 2	R45847	4D11	8	90 - 57	R46425	2F23	15	50 - 2
R45193	1B8	17	20 - 3	R45847	4D11	9	90 - 57	R46428	1B11	2	20 - 6
R45194	1B7	5	20 - 2	R45874	3C11	32	70 - 5	R46430	1B16	1	20 - 9B
R45194	1B8	18	20 - 3	R459R	1E12	22	30 - 29	R46430	1B20	8	20 - 13
R45195	1B8	7	20 - 3	R459R	2H10	20	50 - 41	R46430	1B20	..	20 - 13
R45195	1B8	20	20 - 3	R459R	2H12	46	50 - 43	R46435	2G6	22	50 - 9

NUMERICAL INDEX - CONTINUED

PART NO.	GRID	KEY	PAGE	PART NO.	GRID	KEY	PAGE	PART NO.	GRID	KEY	PAGE
R46443	3E1	4	70-47	R47421	1D21	30	30-17	R48240	3B18	5	60-16
R46451	2H1	4	50-30	R47421	1D22	4	30-18	R48293	2D20	1	40-70
R46451	2H5	14	50-35	R47433	1E13	1	30-30	R48293	2D22	1	40-72
R46485	3D7	16	70-27	R47474	2E12	14	40-87	R48298	3C11	24	70-5
R46485	3D9	6	70-29	R47474	2E16	18	40-91	R48361	3J10	1	80-45
R46505	2E12	5	40-87	R47508	2G16	11	50-19	R48370	2H24	24	50-55
R46568	1E12	18	30-29	R47508	2I6	11	50-61	R48399	1D21	25	30-17
R46620	2B21	3	40-17	R47509	2H7	47	50-37	R48399	1D22	10	30-18
R46675	1E24	8	30-42	R47509	2H7	50	50-37	R48399	1E10	26	30-27
R46723	1C2	3	20-19	R47524	3E13	19	70-59	R48450	4D20	29	90-67
R46747	2G6	16	50-9	R47566	3E1	20	70-47	R48476	3B17	5	60-15
R46747	2G18	12	50-21	R47566	3E2	5	70-48	R48647	2H22	6	50-53
R46774	3C8	9	70-1	R47567	3E1	20	70-47	R48649	2H2	12	50-32
R46791	2E10	5	40-85	R47567	3E2	5	70-48	R48682	3E1	22	70-47
R46801	2G4	20	50-7	R47568	3E1	20	70-47	R48682	3E2	2	70-48
R46801	2H10	31	50-41	R47568	3E2	5	70-48	R48685	2G4	6	50-7
R46801	3E1	17	70-47	R47577	3F2	36	70-73	R48685	2H10	6	50-41
R46801	3E2	1	70-48	R47578	3F2	21	70-73	R48698	3G17	3	70-117
R46807	2G20	14	50-23	R47581	3F2	24	70-73	R48738	3C11	23	70-5
R46815	2H7	35	50-37	R47590	3E24	17	70-71	R48738	3C19	17	70-13
R46815	2H8	17	50-38	R47590	3F2	33	70-73	R48755	1B14	20	20-9
R46816	2H7	33	50-37	R47624	1B21	11	20-14	R48755	1D21	28	30-17
R46816	2H8	15	50-38	R47630	2B23	8	40-19	R48755	1D22	8	30-18
R46817	2H23	1	50-54	R47678	3E24	21	70-71	R48755	1E10	29	30-27
R46818	2H23	3	50-54	R47678	3F2	32	70-73	R48763	3I4	6	80-12
R46889	3E20	13	70-67	R47679	3E24	20	70-71	R48763	3I9	5	80-18
R46890	3E20	10	70-67	R47679	3F2	30	70-73	R48763	3I9	9	80-18
R46893	3E20	15	70-67	R47694	3B4	12	60-1	R48763	3I10	7	80-19
R46903	1B11	1	20-6	R47694	3B12	31	60-9	R48769	2H22	8	50-53
R46921	1C2	3	20-19	R47731	1E25	5	30-43	R48866	4C22	1	90-43
R46923	1C2	3	20-19	R47736	3H20	9	80-3	R48887	2F12	17	40-111
R46925	1C2	3	20-19	R47739	3J10	18	80-45	R48954	3I11	7	80-21
R46927	1C2	3	20-19	R47756	3D9	17	70-29	R48955	3I11	7	80-21
R46929	1C2	3	20-19	R47765	3H23	17	80-6	R48956	3I13	1	80-23
R46930	1C2	3	20-19	R47765	3H24	24	80-7	R49071	3C13	25	70-7
R46931	1C2	3	20-19	R47765	3I1	8	80-9	R49071	3C13	27	70-7
R46979	2I3	20	50-58	R47766	3H23	17	80-6	R49071	3C13	28	70-7
R47016	3F14	3	70-86	R47766	3H24	24	80-7	R49071	3C13	29	70-7
R47018	3F14	7	70-86	R47766	3I1	3	80-9	R49071	3C13	30	70-7
R47038	1E6	39	30-25	R47843	3H23	10	80-6	R49071	3C13	31	70-7
R47044	3F12	21	70-84	R47860	2E22	9	40-97	R49071	3C15	9	70-9
R47072	3E13	5	70-59	R47861	2E22	9	40-97	R49072	3C13	26	70-7
R47072	3E14	4	70-60	R47998	3B6	1	60-3	R49072	3C15	14	70-9
R47072	3E15	5	70-62	R48000	1E16	18	30-34	R49098	3H20	1	80-3
R47082	2F22	1	50-1	R48000	1E24	2	30-42	R49098	3H20	3	80-3
R47083	3B15	21	60-12	R48000	1E25	1	30-43	R49098	3H21	2	80-4
R47095	3F14	14	70-86	R48013	2H22	10	50-53	R49098	3H21	5	80-4
R47137	4D4	19	90-50	R48013	2I3	24	50-58	R49098	3H25	1	80-8
R47159	2H23	6	50-54	R48026	2E22	..	40-97	R49098	3H25	3	80-8
R47160	1F5	5	30-48	R48027	2E22	..	40-97	R49106	3F6	21	70-77
R47172	4D1	14	90-47	R48028	2E22	28	40-97	R49186	3F18	7	70-91
R47180	3H20	4	80-3	R48048	2E22	17	40-97	R49186	3F18	8	70-91
R47180	3H25	5	80-8	R48049	2E22	27	40-97	R49187	3F18	6	70-91
R47203	2G12	14	50-15	R48071	1E13	3	30-30	R49187	3F18	7	70-91
R47224	4B10	3	90-5	R48084	3D9	4	70-29	R49187	3F18	8	70-91
R47226	4B10	6	90-5	R48109	2H16	12	50-47	R49188	3F18	6	70-91
R47227	4B10	16	90-5	R48163	3E20	7	70-67	R49188	3F18	7	70-91
R47228	4B10	7	90-5	R48163	3F2	1	70-73	R49191	3G13	30	70-113
R47229	4B10	18	90-5	R48164	3E20	8	70-67	R49191	3G15	..	70-115
R47230	4B10	9	90-5	R48164	3F2	5	70-73	R49193	3G13	41	70-113
R47231	4B10	10	90-5	R48174	2H5	17	50-35	R49193	3H2	26	70-127
R47232	4B10	11	90-5	R48176	2H1	3	50-30	R49193	3H4	8	70-129
R47233	4B9	6	90-4	R48176	2H5	13	50-35	R49193	3H9	26	70-135
R47234	4B9	5	90-4	R48235	2H12	7	50-43	R49193	3H10	16	70-136
R47235	4B9	16	90-4	R48235	2H14	7	50-45	R49207	2G10	13	50-13
R47358	1E13	7	30-30	R48236	2H12	5	50-43	R49258	2H17	11	50-48
R47393	2H22	9	50-53	R48236	2H14	5	50-45	R49259	2H17	8	50-48

NUMERICAL INDEX - CONTINUED

PART NO.	GRID	KEY	PAGE	PART NO.	GRID	KEY	PAGE	PART NO.	GRID	KEY	PAGE
R49260	2H17	14	50-48	R49816	2H24	8	50-55	R51748	3B8	50	60-5
R49261	2H14	17	50-45	R49816	2H24	18	50-55	R51748	3B10	57	60-7
R49263	2H17	16	50-48	R49816	2H24	25	50-55	R51778	3E17	23	70-64
R49285	1F13	2	30-56	R49817	2H24	3	50-55	R51779	3E17	1	70-64
R49285	1F13	3	30-56	R49817	2H24	7	50-55	R51821	3J10	18	80-45
R49287	1F13	17	30-56	R49817	2H24	20	50-55	R51869	3F11	24	70-83
R49288	1F13	15	30-56	R49819	2H24	3	50-55	R51908	3J10	6	80-45
R49289	1F13	16	30-56	R49819	2H24	7	50-55	R51921	2G5	4	50-8
R49294	2G24	1	50-28	R49819	2H24	8	50-55	R52168	3B20	47	60-19
R49295	2G24	7	50-28	R49819	2H24	18	50-55	R52169	3B20	45	60-19
R49295	2H5	10	50-35	R49819	2H24	20	50-55	R52246	3D22	16	70-43
R49297	3C11	21	70-5	R49819	2H24	25	50-55	R52408	2E16	6	40-91
R49297	3C19	15	70-13	R49856	4B9	..	90-4	R52498	2G8	7	50-11
R49352	3G25	4	70-125	R49857	4C22	1	90-43	R52499	2G8	5	50-11
R49352	3H7	6	70-133	R49866	1B9	5	20-4	R52499	2G8	7	50-11
R49372	2H16	24	50-47	R49866	1C24	7	20-43	R52589	2H8	21	50-38
R49372	2H17	24	50-48	R49866	1D2	7	20-45	R52773	1B10	23	20-5
R49393	2D7	11	40-56	R50034	3B20	66	60-19	R52833	1C11	16	20-30
R49394	2D7	10	40-56	R50226	1F17	20	30-61	R52882	2G12	5	50-15
R49430	2G8	26	50-11	R50226	1F19	20	30-63	R52914	3I18	1	80-28
R49431	2G8	26	50-11	R50235	3D15	9	70-35	R52914	3I18	..	80-28
R49432	2G8	26	50-11	R50298	2G16	11	50-19	R52924	3I18	3	80-28
R49433	2G8	26	50-11	R50298	2I6	11	50-61	R53031	1B21	11	20-14
R49496	2H14	21	50-45	R50365	2G6	15	50-9	R53169	2G14	28	50-17
R49497	2H14	37	50-45	R50365	2G18	15	50-21	R53169	2I4	28	50-59
R49498	2H14	18	50-45	R50430	4D1	1	90-47	R53196	3E13	14	70-59
R49499	2H14	32	50-45	R50431	4D1	6	90-47	R53196	3E16	17	70-63
R495R	1B9	1	20-4	R50566	2H23	2	50-54	R53202	2I9	14	50-64
R495R	1C24	2	20-43	R50567	2H23	1	50-54	R53202	2I12	15	50-68
R495R	1D2	10	20-45	R50568	2H23	3	50-54	R53202	2I12	19	50-68
R495R	2H10	17	50-41	R50575	2H21	9	50-52	R53247	2G12	14	50-15
R495R	3B4	13	60-1	R50585	2I20	14	50-77	R53282	1B17	1	20-10
R495R	3B12	32	60-9	R50879	3B20	65	60-19	R53282	1C24	14	20-43
R495R	3C11	2	70-5	R51114	1F16	2	30-60	R53282	1D2	14	20-45
R495R	3F14	13	70-86	R51114	1F19	2	30-63	R53289	1B18	1	20-11
R495R	3G2	27	70-101	R51159	2H3	34	50-33	R53290	1B20	1	20-13
R495R	3G4	28	70-103	R51159	2I8	1	50-63	R53291	1B18	2	20-11
R495R	3G6	12	70-105	R51200	2H20	11	50-51	R53292	1B20	2	20-13
R495R	3G8	23	70-107	R51201	2H22	5	50-53	R53293	3J10	3	80-45
R495R	3G11	13	70-111	R51285	3G13	35	70-113	R53294	3J10	3	80-45
R495R	3G12	11	70-112	R51303	2H16	19	50-47	R53295	3F2	18	70-73
R495R	3G21	13	70-121	R51303	2H17	19	50-48	R53296	3E13	17	70-59
R495R	3H12	13	70-138	R51304	2H12	4	50-43	R53296	3E13	..	70-59
R49528	1B21	3	20-14	R51304	2H14	4	50-45	R53296	3E14	12	70-60
R49529	1B21	3	20-14	R51305	3H20	9	80-3	R53296	3E16	20	70-63
R49550	1B7	1	20-2	R51391	2F23	19	50-2	R53296	3E16	..	70-63
R49550	1B7	5	20-2	R51391	2F24	23	50-3	R53296	3E18	4	70-65
R49550	1B8	6	20-3	R51409	3F18	16	70-91	R53296	3E20	3	70-67
R49550	1B8	7	20-3	R51409	3F18	24	70-91	R53409	2E18	1	40-93
R49550	1B8	18	20-3	R51414	3F18	13	70-91	R53410	2E18	3	40-93
R49550	1B10	14	20-5	R51415	3F18	15	70-91	R53512	2E20	1	40-95
R49550	1B10	23	20-5	R51518	2G8	13	50-11	R53512	2E20	11	40-95
R49550	1B11	2	20-6	R51573	2H7	33	50-37	R53515	2E20	2	40-95
R49550	1B11	4	20-6	R51573	2H8	15	50-38	R53516	2E20	3	40-95
R49550	1B11	6	20-6	R51608	2I23	2	50-80	R53517	2E20	10	40-95
R49550	1B13	4	20-8	R51609	2I23	3	50-80	R53518	2E20	4	40-95
R49550	1B13	7	20-8	R51648	4C12	4	90-32	R53519	2E20	5	40-95
R49550	1B13	8	20-8	R51648	4D20	17	90-67	R53520	2E20	7	40-95
R49550	1B13	9	20-8	R51648	4D20	25	90-67	R53521	2E20	8	40-95
R49550	1B13	10	20-8	R51671	2C24	3	40-48	R53522	2E20	9	40-95
R49550	1B14	11	20-9	R51679	3I18	2	80-28	R53562	3F12	5	70-84
R49550	1B14	12	20-9	R51680	3I18	4	80-28	R53585	2F24	33	50-3
R49550	1B14	17	20-9	R51680	3I19	16	80-29	R53641	2I19	2	50-76
R49550	1B14	..	20-9	R51681	3I18	7	80-28	R53642	2I19	2	50-76
R49550	1B18	12	20-11	R51681	3I19	12	80-29	R53643	2I19	2	50-76
R49550	1B20	10	20-13	R51718	2H16	25	50-47	R53644	2I19	2	50-76
R49579	2F24	24	50-3	R51718	2H17	25	50-48	R53658	2I19	1	50-76

NUMERICAL INDEX - CONTINUED

PART NO.	GRID	KEY	PAGE	PART NO.	GRID	KEY	PAGE	PART NO.	GRID	KEY	PAGE
R53658	2I19	2	50-76	R55742	1C2	3	20-19	R57119	1D14	6	30-10
R53740	2I9	11	50-64	R55743	1C2	3	20-19	R57158	1B23	..	20-16
R53740	2I12	26	50-68	R55744	1C2	3	20-19	R57159	1C2	..	20-19
R53741	1B17	3	20-10	R55745	1C2	3	20-19	R57258	1E13	7	30-30
R53762	3E13	5	70-59	R55746	1C2	3	20-19	R57269	2I19	4	50-76
R53762	3E13	19	70-59	R55910	2G11	18	50-14	R57269	2I20	2	50-77
R53762	3E14	4	70-60	R55929	2I20	9	50-77	R57269	2I23	15	50-80
R53762	3E15	5	70-62	R56038	3F2	10	70-73	R57269	2I23	16	50-80
R54059	3B20	51	60-19	R56039	3E20	5	70-67	R57300	1C18	13	20-37
R54059	3F14	2	70-86	R56059	4D24	15	90-71	R57300	1F10	16	30-53
R54063	3B12	4	60-9	R56246	4B10	1	90-5	R57300	3D5	21	70-25
R54064	3F12	17A	70-84	R56462	2G14	19	50-17	R57300	3D7	8	70-27
R54064	3F12	17B	70-84	R56463	3C11	2	70-5	R57300	3D9	2	70-29
R54065	3F12	20B	70-84	R56463	3C17	24	70-11	R57300	3D11	21	70-31
R54141	3F9	45	70-81	R56463	3C19	2	70-13	R57300	3D13	21A	70-33
R54144	3I16	2	80-26	R56463	3C23	27	70-17	R57300	3D13	28	70-33
R54170	3E11	21	70-57	R56464	3H4	3	70-129	R57300	3D15	6	70-35
R54180	2I12	15	50-68	R56481	1B14	16	20-9	R57300	3D15	10	70-35
R54180	2I12	16	50-68	R56481	1D16	11	30-12	R57300	3D19	2	70-40
R54180	2I12	18	50-68	R56481	1D18	6	30-14	R57300	3D19	6	70-40
R54182	2I9	14	50-64	R56481	1E6	1	30-25	R57300	3D19	17	70-40
R54182	2I12	19	50-68	R56481	1E15	21	30-33	R57300	3F25	17	70-99
R54242	3G17	1	70-117	R56481	1E17	26	30-35	R57300	4C4	12	90-24
R54242	4C3	3	90-23	R56481	1F7	1	30-50	R57300	4C15	14	90-35
R54242	4C10	3	90-30	R56481	2C10	12	40-33	R57345	2H5	46	50-35
R54380	2G4	17	50-7	R56481	2C24	9	40-48	R57452	2D7	11	40-56
R54380	2G14	13	50-17	R56493	4C8	24	90-28	R57559	2H8	18	50-38
R54380	2H10	24	50-41	R56505	3E13	9	70-59	R57559	2I3	17	50-58
R54380	3F9	16	70-81	R56505	3E15	12	70-62	R57559	2I3	22	50-58
R54442	4D3	13	90-49	R56506	3E13	8	70-59	R57559	3D5	50	70-25
R54443	4D3	9	90-49	R56506	3E15	11	70-62	R57572	4D22	25	90-69
R54445	4D3	10	90-49	R56603	1C4	15	20-23	R57584	1B23	1	20-16
R54446	4D3	5	90-49	R56728	3F4	1B	70-75	R57623	4D20	22	90-67
R54447	4D3	4	90-49	R56729	3F4	7B	70-75	R57696	3G25	18	70-125
R54467	2E22	15	40-97	R56733	2I20	4	50-77	R57696	3G25	30	70-125
R54541	4E4	12	90-75	R56734	3B17	5	60-15	R57696	3H7	10	70-133
R54565	1B10	3	20-5	R56749	3C11	3	70-5	R57696	3H7	36	70-133
R54565	1B10	5	20-5	R56751	3C17	8	70-11	R57696	3I23	30	80-33
R54584	2D5	20	40-54	R56751	3C17	21	70-11	R57725	2G8	29	50-11
R54585	2D5	21	40-54	R56751	3C21	19	70-15	R57725	3D22	18	70-43
R54750	2G14	1	50-17	R56751	3C23	7	70-17	R57778	1C1	1	20-18
R54750	2G14	3	50-17	R56751	3C23	12	70-17	R57815	3B20	42	60-19
R54750	2I3	1	50-58	R56751	3C23	20	70-17	R57915	2G24	7	50-28
R54750	2I3	3	50-58	R56751	3C23	21	70-17	R57915	2H5	10	50-35
R54751	2I3	12	50-58	R56751	3C23	25	70-17	R58040	3I3	12	80-11
R54751	2I3	13	50-58	R56751	3D2	13	70-21	R58203	3F2	24	70-73
R54766	4B10	4	90-5	R56753	3C11	8	70-5	R58261	3F12	5	70-84
R54766	4B10	8	90-5	R56753	3C17	18	70-11	R58262	3E13	17	70-59
R54785	2G4	20	50-7	R56754	3C13	35	70-7	R58262	3E13	..	70-59
R54962	2I3	15B	50-58	R56755	3C13	32	70-7	R58262	3E14	12	70-60
R54983	3I12	11	80-22	R56755	3C15	10	70-9	R58262	3E16	20	70-63
R55079	3D22	16	70-43	R56755	3C17	10	70-11	R58262	3E16	..	70-63
R55162	2D5	8	40-54	R56755	3C21	29	70-15	R58262	3F9	42	70-81
R55184	2F23	11	50-2	R56755	3C23	9	70-17	R58268	3E18	10	70-65
R55184	2F23	16	50-2	R56756	3C13	33	70-7	R58268	3E20	18	70-67
R55396	2C24	9	40-48	R56756	3C15	3	70-9	R58303	3I11	9	80-21
R55396	2E3	6	40-78	R56756	3C17	12	70-11	R58425	2I9	11	50-64
R55559	2G12	27	50-15	R56757	3C13	34	70-7	R58425	2I12	26	50-68
R55596	1C2	3	20-19	R56757	3C15	11	70-9	R58499	3C13	44	70-7
R55597	1C2	3	20-19	R56757	3C17	11	70-11	R58879	1B18	2	20-11
R55678	3E5	6	70-51	R56757	3C21	31	70-15	R58879	1B18	4	20-11
R55678	3F20	36	70-93	R56757	3C23	18	70-17	R58880	1B20	2	20-13
R55737	1C2	3	20-19	R57025	2D3	15	40-52	R58880	1B20	4	20-13
R55738	1C2	3	20-19	R57025	2D5	13	40-54	R59083	3B8	7	60-5
R55739	1C2	3	20-19	R57034	3B8	50	60-5	R59083	3B10	7	60-7
R55740	1C2	3	20-19	R57034	3B10	57	60-7	R59083	3E5	31	70-51
R55741	1C2	3	20-19	R57119	1D14	1	30-10	R59083	3F20	6	70-93

NUMERICAL INDEX - CONTINUED

PART NO.	GRID	KEY	PAGE	PART NO.	GRID	KEY	PAGE	PART NO.	GRID	KEY	PAGE
R59083	3F20	11	70 - 93	R61133	2D7	10	40 - 56	R63477	2I9	15	50 - 64
R59299	1E14	15	30 - 32	R61133	2D7	11	40 - 56	R63477	2I11	12	50 - 67
R59299	1E16	20	30 - 34	R61134	2D7	11	40 - 56	R63477	2I12	16	50 - 68
R59300	1E14	15	30 - 32	R61146	1E14	15	30 - 32	R63477	2I12	18	50 - 68
R59343	3G12	11	70 - 112	R61175	2I19	5	50 - 76	R63477	2I14	6	50 - 71
R59343	3G14	2	70 - 114	R61176	2I19	10	50 - 76	R63548	3C13	33	70 - 7
R59433	1E2	55	30 - 21	R61289	1B23	1	20 - 16	R63548	3C15	3	70 - 9
R59459	2H3	20	50 - 33	R61524	3I13	4	80 - 23	R63571	4B9	9	90 - 4
R59460	2I11	9	50 - 67	R61567	2G9	10	50 - 12	R63691	2I24	15	50 - 81
R59460	2I14	12	50 - 71	R61567	2G10	5	50 - 13	R63691	2I24	21	50 - 81
R59478	3E24	32	70 - 71	R61608	1B23	1	20 - 16	R63692	2I24	15	50 - 81
R59478	3F2	37	70 - 73	R61609	1B23	1	20 - 16	R63692	2I24	21	50 - 81
R59494	2H1	8	50 - 30	R61610	1B23	1	20 - 16	R63736	3E24	30	70 - 71
R59494	2H2	12	50 - 32	R61611	1B23	1	20 - 16	R63736	3F2	29	70 - 73
R59494	2H5	21	50 - 35	R61727	3I13	4	80 - 23	R64148	2H12	25	50 - 43
R59495	2H5	39	50 - 35	R61762	3D22	18	70 - 43	R64148	2H14	23	50 - 45
R59633	3G2	21	70 - 101	R61775	2E21	7	40 - 96	R64170	3D5	56	70 - 25
R59633	3G2	37	70 - 101	R61776	2E21	3	40 - 96	R64170	3D5	59	70 - 25
R59633	3G4	22	70 - 103	R61932	2D4	57	40 - 53	R64170	3D5	60	70 - 25
R59633	3G4	38	70 - 103	R61932	2D6	22	40 - 55	R64170	3D5	61	70 - 25
R59633	3G6	2	70 - 105	R61932	2D10	61	40 - 59	R64170	3D5	62	70 - 25
R59633	3G6	18	70 - 105	R61932	2D12	65	40 - 61	R64170	3D11	50	70 - 31
R59633	3G8	17	70 - 107	R61955	3D15	4	70 - 35	R64170	3D11	51	70 - 31
R59633	3G8	33	70 - 107	R61957	3G13	35	70 - 113	R64170	3D11	53	70 - 31
R59633	3G11	2	70 - 111	R61957	3G15	..	70 - 115	R64170	3D11	54	70 - 31
R59633	3G11	19	70 - 111	R61967	3F6	26	70 - 77	R64170	3D11	55	70 - 31
R59633	3G12	2	70 - 112	R62185	4E9	1	90 - 80	R64170	3D13	48	70 - 33
R59633	3G21	1	70 - 121	R62186	4E9	1	90 - 80	R64170	3D13	49	70 - 33
R59633	3G21	19	70 - 121	R62418	1B8	6	20 - 3	R64326	2F22	1	50 - 1
R59633	3H12	1	70 - 138	R62418	1B8	19	20 - 3	R64391	3J10	17	80 - 45
R59633	3H12	19	70 - 138	R62419	1B7	5	20 - 2	R64561	3G15	23	70 - 115
R59641	2G8	13	50 - 11	R62419	1B8	17	20 - 3	R64605	3G15	11	70 - 115
R59684	3E3	5	70 - 49	R62420	1B7	5	20 - 2	R64606	3G15	18	70 - 115
R59860	2G8	8	50 - 11	R62420	1B8	18	20 - 3	R64607	3G15	17	70 - 115
R59860	2G8	17	50 - 11	R62421	1B8	7	20 - 3	R64608	3G15	8	70 - 115
R59929	2I19	18	50 - 76	R62421	1B8	20	20 - 3	R64609	3G15	7	70 - 115
R59930	2I19	19	50 - 76	R62685	2I20	16	50 - 77	R64610	3G15	16	70 - 115
R59931	2I20	14	50 - 77	R62686	3B17	5	60 - 15	R64611	3G15	15	70 - 115
R59933	2I20	12	50 - 77	R62806	2G9	9	50 - 12	R64612	3G15	14	70 - 115
R59935	2I19	2	50 - 76	R62892	1D7	2	30 - 2	R64613	3G15	12	70 - 115
R59964	3D23	18	70 - 44	R62892	1D11	2	30 - 7	R64614	3G15	13	70 - 115
R59965	3D23	17	70 - 44	R62986	1C1	1	20 - 18	R64615	3G15	6	70 - 115
R60032	2I19	24	50 - 76	R62987	1C1	2	20 - 18	R64617	3G15	4	70 - 115
R60076	2I19	2	50 - 76	R62988	1C1	2	20 - 18	R64618	3G15	5	70 - 115
R60077	2I19	2	50 - 76	R63002	1C1	2	20 - 18	R64699	2E11	3	40 - 86
R60078	2I19	2	50 - 76	R63003	1C1	2	20 - 18	R64700	2E11	7	40 - 86
R60161	3E17	2	70 - 64	R63004	1C1	2	20 - 18	R65192	3C13	44	70 - 7
R60171	4B9	15	90 - 4	R63005	1C1	2	20 - 18	R65194	3C13	43	70 - 7
R60172	4D18	24	90 - 64	R63006	1C1	2	20 - 18	R65242	3E24	17	70 - 71
R60458	2I2	24	50 - 57	R63007	1C1	2	20 - 18	R65242	3F2	33	70 - 73
R60458	3E18	5	70 - 65	R63008	1C1	2	20 - 18	R65243	3F2	24	70 - 73
R60458	3E24	5	70 - 71	R63009	1C1	2	20 - 18	R653R	2I1	10	50 - 56
R60472	1B23	1	20 - 16	R63010	1C1	1	20 - 18	R653R	2I2	25	50 - 57
R60473	1B23	1	20 - 16	R63024	3E7	52	70 - 53	R653R	2I2	31	50 - 57
R60474	1B23	1	20 - 16	R63024	3F16	2	70 - 88	R65342	2G8	4	50 - 11
R60475	1B23	1	20 - 16	R63069	2G9	3	50 - 12	R65478	2H12	28	50 - 43
R60484	1C1	1	20 - 18	R63070	2G9	1	50 - 12	R65478	2H14	26	50 - 45
R60650	1B10	3	20 - 5	R63072	2G9	8	50 - 12	R65479	2H12	10	50 - 43
R60650	1B10	5	20 - 5	R63073	2G9	5	50 - 12	R65479	2H12	28	50 - 43
R60731	2D20	18	40 - 70	R63074	2G9	6	50 - 12	R65479	2H14	10	50 - 45
R60732	3C11	29	70 - 5	R63075	2G9	7	50 - 12	R65480	2H12	9	50 - 43
R60746	1E16	17	30 - 34	R63076	2G9	10	50 - 12	R65480	2H14	9	50 - 45
R60746	1E24	1	30 - 42	R63076	2G10	5	50 - 13	R65500	2I21	9	50 - 78
R60746	1E25	2	30 - 43	R63105	2I19	5	50 - 76	R65527	3F6	16	70 - 77
R61033	2I19	17	50 - 76	R63112	2I19	18	50 - 76	R65543	2I19	15	50 - 76
R61033	2I20	10	50 - 77	R63180	2E5	20	40 - 80	R65543	3B17	1	60 - 15
R61107	2G11	20	50 - 14	R63180	2E6	20	40 - 81	R65543	3B18	1	60 - 16

NUMERICAL INDEX - CONTINUED

PART NO.	GRID	KEY	PAGE	PART NO.	GRID	KEY	PAGE	PART NO.	GRID	KEY	PAGE
R65563	2G12	21	50 - 15	R66319	2C4	8	40 - 25	R66715	2I14	14	50 - 71
R65563	2G23	15	50 - 26	R66319	2C4	10	40 - 25	R66821	1E13	7	30 - 30
R65563	2H6	12	50 - 36	R66319	2C4	16	40 - 25	R66901	3E20	6B	70 - 67
R65563	2I1	13	50 - 56	R66319	2C4	17	40 - 25	R66901	3F2	4	70 - 73
R65591	2H12	29	50 - 43	R66319	2C5	2	40 - 26	R67235	3I13	1	80 - 23
R65591	2H14	27	50 - 45	R66319	2C5	3	40 - 26	R67484	2H7	20	50 - 37
R65592	2H12	8	50 - 43	R66319	2C5	8	40 - 26	R67840	2H2	7	50 - 32
R65592	2H12	29	50 - 43	R66319	2C5	9	40 - 26	R67840	2H5	25	50 - 35
R65592	2H14	8	50 - 45	R66319	2C5	12	40 - 26	R67875	2H12	38	50 - 43
R65593	2D16	5	40 - 65	R66319	2C6	8	40 - 28	R67875	2H14	36	50 - 45
R65593	2D16	8	40 - 65	R66319	2C6	14	40 - 28	R67876	2H12	42	50 - 43
R65593	2D17	4	40 - 66	R66319	2C6	17	40 - 28	R67876	2H14	38	50 - 45
R65593	2D18	4	40 - 67	R66319	2C7	20	40 - 29	R67989	2F22	11	50 - 1
R65593	2F10	4	40 - 109	R66319	2C8	7	40 - 30	R67989	2G19	13	50 - 22
R65594	2F10	2	40 - 109	R66319	2D20	3	40 - 70	R68167	2I11	6	50 - 67
R65595	2F10	21	40 - 109	R66319	2D21	3	40 - 71	R68167	2I14	9	50 - 71
R65595	2F12	11	40 - 111	R66319	2D22	3	40 - 72	R68170	2I11	7	50 - 67
R65596	2F10	22	40 - 109	R66319	2D24	3	40 - 74	R68170	2I14	10	50 - 71
R65597	2E4	8	40 - 79	R66319	2D25	21	40 - 75	R68171	2I11	8	50 - 67
R65597	2F10	23	40 - 109	R66319	2E1	3	40 - 76	R68171	2I14	11	50 - 71
R65598	2F10	24	40 - 109	R66319	2E2	23	40 - 77	R68173	2I11	5	50 - 67
R65599	2D16	5	40 - 65	R66319	2E3	14	40 - 78	R68173	2I14	7	50 - 71
R65599	2D16	8	40 - 65	R66319	2E4	7	40 - 79	R68390	3D16	11	70 - 37
R65599	2D17	4	40 - 66	R66319	2E4	8	40 - 79	R68625	2C12	18	40 - 35
R65599	2D18	4	40 - 67	R66319	2F3	5	40 - 102	R68625	2C12	22	40 - 35
R65599	2F10	25	40 - 109	R66319	2F10	3	40 - 109	R68817	2H23	1	50 - 54
R65600	2E4	7	40 - 79	R66319	4C4	19	90 - 24	R68818	2H23	3	50 - 54
R65600	2E4	8	40 - 79	R66319	4C7	3	90 - 27	R68821	2H22	3	50 - 53
R65600	2F10	26	40 - 109	R66319	4C14	15	90 - 34	R68823	2H12	39	50 - 43
R65601	2F10	27	40 - 109	R66319	4C16	4	90 - 36	R68824	2H12	41B	50 - 43
R65602	2F10	28	40 - 109	R66319	4C16	8	90 - 36	R69109	2E24	1	40 - 99
R65602	2F14	49	40 - 113	R66319	4D15	1	90 - 61	R69214	2G6	20	50 - 9
R65603	2F10	29	40 - 109	R66319	4D15	2	90 - 61	R69262	3C13	44	70 - 7
R65604	2F10	30	40 - 109	R66319	4D15	3	90 - 61	R69270	3C15	15	70 - 9
R65605	2F10	31	40 - 109	R66319	4D15	8	90 - 61	R69270	3J10	18	80 - 45
R65606	2F10	32	40 - 109	R66319	4D16	10	90 - 62	R69279	3C13	35	70 - 7
R65606	2F14	55	40 - 113	R66319	4D16	11	90 - 62	R69279	3C17	13	70 - 11
R65607	2F10	33	40 - 109	R66320	2B16	..	40 - 12	R69279	3C21	30	70 - 15
R65607	2F14	46	40 - 113	R66320	2B17	..	40 - 13	R69279	3C23	17	70 - 17
R65608	2F10	5	40 - 109	R66320	2B18	..	40 - 14	R69297	4B10	10	90 - 5
R65609	2F10	8	40 - 109	R66320	2B19	..	40 - 15	R69297	4B10	11	90 - 5
R65610	2F10	9	40 - 109	R66320	2D12	57	40 - 61	R69297	4B10	15	90 - 5
R65648	2I19	5	50 - 76	R66320	2E7	2	40 - 82	R69408	3H15	3	70 - 141
R65648	2I20	3	50 - 77	R66320	2F10	7	40 - 109	R69409	3H15	3	70 - 141
R65712	4B11	2	90 - 6	R66320	2F12	24	40 - 111	R69536	4B10	9	90 - 5
R65741	2I9	14	50 - 64	R66321	2F10	6	40 - 109	R69585	2G24	1	50 - 28
R65741	2I12	15	50 - 68	R66321	2F12	24	40 - 111	R69588	2H1	8	50 - 30
R65741	2I12	19	50 - 68	R66432	3E13	34	70 - 59	R69588	2H2	12	50 - 32
R65892	2G14	8	50 - 17	R66432	3E13	..	70 - 59	R69588	2H5	8	50 - 35
R65892	2I3	8	50 - 58	R66432	3E14	15	70 - 60	R69589	2G24	11	50 - 28
R66064	2I3	5	50 - 58	R66432	3E16	31	70 - 63	R69589	2H5	12	50 - 35
R66069	2E11	3	40 - 86	R66432	3E16	..	70 - 63	R69642	3D23	14	70 - 44
R66197	2H16	7	50 - 47	R66433	3E13	34	70 - 59	R699R	1D16	8	30 - 12
R66197	2H17	7	50 - 48	R66433	3E13	..	70 - 59	R70210	2F14	41	40 - 113
R662R	2I2	35	50 - 57	R66433	3E14	15	70 - 60	R70211	2F14	40	40 - 113
R662R	4C12	20	90 - 32	R66433	3E16	31	70 - 63	R70212	2F14	41	40 - 113
R66319	2B8	5	40 - 3	R66433	3E16	..	70 - 63	R70213	2F14	40	40 - 113
R66319	2B8	12	40 - 3	R66452	1B20	1	20 - 13	R70214	2F14	41	40 - 113
R66319	2B9	2	40 - 4	R66454	1B18	1	20 - 11	R70215	2F14	40	40 - 113
R66319	2B9	6	40 - 4	R66612	2H2	17	50 - 32	R70216	2F14	41	40 - 113
R66319	2B10	18	40 - 5	R66612	2H3	24	50 - 33	R70217	2F14	40	40 - 113
R66319	2B10	28	40 - 5	R66612	2H5	34	50 - 35	R70218	2F14	41	40 - 113
R66319	2B13	5	40 - 9	R66612	2H5	41	50 - 35	R70219	2F14	40	40 - 113
R66319	2B14	2	40 - 10	R66612	2H12	33	50 - 43	R70220	2F14	50	40 - 113
R66319	2B15	25	40 - 11	R66612	2H14	31	50 - 45	R70221	2F14	39	40 - 113
R66319	2B25	22	40 - 21	R66670	2H21	3	50 - 52	R70222	2F14	38	40 - 113
R66319	2C2	23	40 - 23	R66715	2I11	4	50 - 67	R70236	2I9	18	50 - 64

NUMERICAL INDEX - CONTINUED

PART NO.	GRID	KEY	PAGE	PART NO.	GRID	KEY	PAGE	PART NO.	GRID	KEY	PAGE
R70236	2I11	10	50-67	R72886	3C11	24	70-5	R77467	2F12	34	40-111
R70236	2I12	28	50-68	R72886	3C19	18	70-13	R77468	2F12	32	40-111
R70236	2I14	13	50-71	R73142	2C10	21	40-33	R77469	2F14	35	40-113
R70251	2H5	10	50-35	R73380	2G2	46	50-5	R77470	2F14	45	40-113
R70268	1B8	6	20-3	R73380	2H6	1	50-36	R77471	2F14	45	40-113
R70281	4E2	9	90-73	R73380	3E17	22	70-64	R77472	2F14	45	40-113
R70309	3I11	7	80-21	R73380	3F9	36	70-81	R77473	2F14	45	40-113
R70351	3C13	13	70-7	R73380	3F9	37	70-81	R77474	2F14	44	40-113
R70559	3C13	43	70-7	R73380	4C13	12	90-33	R77475	2F12	13	40-111
R70588	4E4	12	90-75	R73380	4D22	22	90-69	R77476	2F12	3	40-111
R70617	3C21	9	70-15	R73380	4D22	25	90-69	R77477	2F12	4	40-111
R70617	3C24	2	70-19	R73736	3C21	24	70-15	R77478	2F12	15	40-111
R708R	3B17	3	60-15	R73737	3B6	20	60-3	R77479	2F12	5	40-111
R70826	1B10	5	20-5	R73741	3C19	14	70-13	R77480	2F12	6	40-111
R70838	2I11	2	50-67	R73989	2H10	11	50-41	R77481	2F12	7	40-111
R70867	3C21	21	70-15	R74210	3G17	10	70-117	R77482	2F12	8	40-111
R70868	3C21	22	70-15	R74210	3G19	4	70-119	R77483	2F12	16	40-111
R71321	3C13	42	70-7	R74210	4B9	16	90-4	R77484	2F12	19	40-111
R71321	3C21	39	70-15	R74242	3H16	1	70-142	R77485	2F12	21	40-111
R71387	3G17	9	70-117	R74243	3H16	2	70-142	R77486	2F12	22	40-111
R71387	3G19	3	70-119	R74244	3H16	3	70-142	R77487	2F12	23	40-111
R71387	3H13	2	70-139	R74246	3H16	4	70-142	R77488	2E21	8	40-96
R71459	1C11	19	20-30	R74530	3G15	24	70-115	R77488	2F14	51	40-113
R71459	1C16	17	20-35	R74530	3G17	16	70-117	R77489	2F8	13	40-107
R71459	2C13	16	40-36	R74530	3G19	8	70-119	R77489	2F14	51	40-113
R715R	2I16	27	50-73	R74675	2I11	11	50-67	R77490	2F14	51	40-113
R71598	3C19	25A	70-13	R74675	2I14	8	50-71	R77491	2F14	54	40-113
R71918	1B17	1	20-10	R74852	2H12	15	50-43	R77492	2F14	54	40-113
R71918	1C22	1	20-41	R74852	2H14	15	50-45	R77493	2F14	51	40-113
R71918	1C24	14	20-43	R74993	2D17	3	40-66	R77494	2F14	55	40-113
R71918	1D2	14	20-45	R74993	2D18	3	40-67	R77495	2F14	52	40-113
R72169	2I19	23	50-76	R75376	3C21	26	70-15	R77496	2F14	52	40-113
R72169	2I20	13	50-77	R75564	3C21	18	70-15	R77497	2F14	53	40-113
R72260	2H14	32	50-45	R75642	3C21	17	70-15	R77498	2F12	24	40-111
R72260	2H14	37	50-45	R75833	2E11	3	40-86	R77499	2F12	24	40-111
R72380	4C25	5	90-46	R75879	3C21	5	70-15	R77500	2F12	24	40-111
R72380	4D4	15	90-50	R75938	3C21	44	70-15	R77501	2F12	24	40-111
R72411	2H24	23	50-55	R75938	3C23	16	70-17	R77502	2F14	56	40-113
R72433	3F12	17A	70-84	R76126	1B7	4	20-2	R77503	2F14	56	40-113
R72433	3F12	20B	70-84	R76126	1B8	8	20-3	R776R	2G2	26	50-5
R72507	3C19	23	70-13	R76341	3J10	18	80-45	R776R	2G22	27	50-25
R72587	2I9	14	50-64	R76459	3H16	5	70-142	R77611	3C19	24	70-13
R72587	2I12	15	50-68	R76477	2C25	2	40-49	R77611	3C23	19	70-17
R72587	2I12	19	50-68	R76477	2D8	5	40-57	R77712	3C21	28	70-15
R726R	3H20	15	80-3	R76477	3H16	6	70-142	R77903	3C19	22A	70-13
R726R	3H25	16	80-8	R76494	3D11	43	70-31	R78124	1B13	2	20-8
R72653	3E6	7	70-52	R76504	2H21	9	50-52	R78124	1B13	3	20-8
R72653	3F16	6	70-88	R76514	2H5	6	50-35	R78257	4D22	10	90-69
R72653	3F20	17	70-93	R76845	2I19	10	50-76	R78293	3C11	10	70-5
R72653	3G12	24	70-112	R77145	2I9	14	50-64	R78293	3C19	8	70-13
R72654	1E1	23	30-20	R77145	2I9	15	50-64	R78429	3B17	4	60-15
R72654	1F8	42	30-51	R77145	2I11	3	50-67	R78429	3B17	5	60-15
R72654	3E1	10	70-47	R77145	2I12	15	50-68	R78429	3B17	7	60-15
R72654	3E6	29	70-52	R77145	2I12	19	50-68	R78429	3B18	3	60-16
R72654	3E20	6C	70-67	R77145	2I14	5	50-71	R78430	3B17	5	60-15
R72654	3F2	3	70-73	R77175	3G20	1	70-120	R78495	3D4	8	70-24
R72654	3G13	30	70-113	R77456	2F12	27	40-111	R78495	3D10	8	70-30
R72654	3J2	16	80-37	R77457	2F12	29	40-111	R78495	3D13	8	70-33
R72654	3J4	17	80-39	R77458	2F12	28	40-111	R78495	3D18	9	70-39
R72654	3J6	16	80-41	R77459	2F12	28	40-111	R78765	3G17	8	70-117
R72660	2I2	35	50-57	R77460	2F12	28	40-111	R78766	3G17	13	70-117
R72660	4C12	20	90-32	R77461	2F12	28	40-111	R78766	3G19	6	70-119
R72853	2D16	3	40-65	R77462	2F12	25	40-111	R78767	3G17	2	70-117
R72853	4B16	6	90-11	R77463	2F12	30	40-111	R78768	3G17	19	70-117
R72858	3B6	9	60-3	R77464	2F12	26	40-111	R78769	3G17	17	70-117
R72858	3B12	1	60-9	R77465	2F12	31	40-111	R79077	2H12	38	50-43
R72858	3B12	3	60-9	R77466	2F12	33	40-111	R79077	2H14	36	50-45

NUMERICAL INDEX - CONTINUED

PART NO.	GRID	KEY	PAGE	PART NO.	GRID	KEY	PAGE	PART NO.	GRID	KEY	PAGE
R79078	2H12	42	50 - 43	R85557	3C19	26A	70 - 13	R97350	1D24	..	30 - 19A
R79078	2H14	38	50 - 45	R85557	3C19	27	70 - 13	R97350	1E10	26	30 - 27
R79151	3C19	22B	70 - 13	R85558	3C19	26B	70 - 13	R97350	1E10	28	30 - 27
R79151	3C19	25A	70 - 13	R85708	3B17	4	60 - 15	R97350	1F1	1	30 - 44
R79152	3C19	22B	70 - 13	R85708	3B17	7	60 - 15	R97350	1F1	5	30 - 44
R79152	3C19	25A	70 - 13	R85708	3B18	3	60 - 16	R97350	1F1	9	30 - 44
R79152	3C19	25B	70 - 13	R87345	4C25	5	90 - 46	R97350	1F1	11	30 - 44
R79266	3C21	10	70 - 15	R87345	4D4	15	90 - 50	R97350	1F1	12	30 - 44
R79267	3C21	14	70 - 15	R87527	4B14	3	90 - 9	R97350	1F1	..	30 - 44
R79268	3C21	13	70 - 15	R87527	4B15	3	90 - 10	R97350	1F2	1	30 - 45
R79311	3G14	11	70 - 114	R87712	2H5	28	50 - 35	R97350	1F2	6	30 - 45
R79311	3G15	24	70 - 115	R88042	1B8	7	20 - 3	R97350	1F2	9	30 - 45
R79311	3G17	16	70 - 117	R88042	1B8	8	20 - 3	R97350	1F2	..	30 - 45
R79311	3G19	8	70 - 119	R88042	1B8	20	20 - 3	R97786	2I20	14	50 - 77
R79985	2H21	9	50 - 52	R88043	1B8	6	20 - 3	R97799	2I20	15	50 - 77
R80324	3F15	17	70 - 87	R88043	1B8	8	20 - 3	R97799	3B18	3	60 - 16
R80324	3G21	8	70 - 121	R88043	1B8	19	20 - 3	R97998	2I19	19	50 - 76
R80324	3H12	8	70 - 138	R88044	1B7	5	20 - 2	R97998	2I20	7	50 - 77
R80558	3C19	28	70 - 13	R88044	1B8	8	20 - 3	R98912	2I22	3	50 - 79
R80813	2H3	43	50 - 33	R88044	1B8	17	20 - 3	R98926	2H7	33	50 - 37
R80842	3F6	28	70 - 77	R88045	1B7	5	20 - 2	R98926	2H8	15	50 - 38
R80842	3F9	13	70 - 81	R88045	1B8	8	20 - 3	R99292	2F22	1	50 - 1
R80964	3D21	18	70 - 42	R88045	1B8	18	20 - 3	R99556	2G10	21	50 - 13
R80964	3D22	14	70 - 43	R88397	1C9	4	20 - 28	S3062M	2B23	9	40 - 19
R81R	2I23	8	50 - 80	R88397	1C24	9	20 - 43	S3062M	2B23	25	40 - 19
R81176	2D3	9	40 - 52	R88397	1D2	4	20 - 45	S3062M	3J6	5	80 - 41
R81176	2D5	10	40 - 54	R89720	2H10	16	50 - 41	TY1435	2C24	1	40 - 48
R81272	3I13	1	80 - 23	R90085	3B17	2	60 - 15	TY1435	2C25	..	40 - 49
R81424	4B14	11	90 - 9	R90086	3B17	2	60 - 15	TY1435	2D2	..	40 - 51
R81424	4B15	13	90 - 10	R91558	2F22	24	50 - 1	TY1439	2B8	15	40 - 3
R81494	2H12	8	50 - 43	R91558	3J6	20	80 - 41	TY1439	2B10	21	40 - 5
R81494	2H12	29	50 - 43	R91558	4C15	11	90 - 35	TY1439	2C13	10	40 - 36
R81494	2H14	8	50 - 45	R92474	2H22	3	50 - 53	TY1439	2C15	..	40 - 39
R81576	3F11	13	70 - 83	R93219	2F16	7	40 - 115	TY1447	2B13	13	40 - 9
R82024	2H24	23	50 - 55	R93220	2F16	7	40 - 115	TY1447	2B15	20	40 - 11
R82175	2I19	24	50 - 76	R93221	2F16	7	40 - 115	TY1447	2C13	10	40 - 36
R82236	2F6	16	40 - 105	R93222	2F16	7	40 - 115	TY1447	2C17	..	40 - 41
R82237	2F6	14	40 - 105	R933R	1E21	2	30 - 39	TY1448	2C22	14	40 - 46
R82238	2F6	15	40 - 105	R934R	1E21	7	30 - 39	TY1448	2C23	..	40 - 47
R82239	2F6	13	40 - 105	R93623	2I9	14	50 - 64	TY1456	2C24	1	40 - 48
R82243	2F6	18	40 - 105	R93623	2I12	15	50 - 68	TY1456	2C25	..	40 - 49
R82355	2F6	4	40 - 105	R93623	2I12	16	50 - 68	TY1456	2D4	..	40 - 53
R82423	2F8	8	40 - 107	R93623	2I12	18	50 - 68	TY15155	2E14	3	40 - 89
R82425	3J10	18	80 - 45	R93643	2I12	19	50 - 68	TY15155	2E16	4	40 - 91
R82916	2I19	22	50 - 76	R93955	3I11	3	80 - 21	TY15156	2E16	4	40 - 91
R83020	1C24	11	20 - 43	R94321	2H23	1	50 - 54	TY15263	2E8	26	40 - 83
R83020	1D2	3	20 - 45	R94331	2H8	17	50 - 38	TY15269	3E22	1	70 - 69
R83020	1D16	20	30 - 12	R96420	3F4	7A	70 - 75	TY15269	3E22	12	70 - 69
R83020	1D17	8	30 - 13	R96420	3F4	7B	70 - 75	TY15857	2B8	16	40 - 3
R83020	1D18	12	30 - 14	R96420	3F9	23	70 - 81	TY15857	2B10	24	40 - 5
R83021	1C24	10	20 - 43	R97350	1B14	21	20 - 9	TY15857	2C10	8	40 - 33
R83021	1D2	2	20 - 45	R97350	1C24	31	20 - 43	TY15857	2C12	10	40 - 35
R83021	1D16	19	30 - 12	R97350	1D2	30	20 - 45	TY15857	2C12	15	40 - 35
R83021	1D17	7	30 - 13	R97350	1D21	25	30 - 17	TY15857	2C12	20	40 - 35
R83021	1D18	11	30 - 14	R97350	1D21	27	30 - 17	TY15857	2C12	..	40 - 35
R83055	2F8	9	40 - 107	R97350	1D22	9	30 - 18	TY16004	1B6	2	20 - 1A
R83103	3J10	17	80 - 45	R97350	1D22	11	30 - 18	TY16005	1B6	3	20 - 1A
R83109	2F8	11	40 - 107	R97350	1D23	1	30 - 19	TY16005	1B6	..	20 - 1A
R83508	3C11	24	70 - 5	R97350	1D23	5	30 - 19	TY16042	3E18	1	70 - 65
R83508	3C19	18	70 - 13	R97350	1D23	9	30 - 19	TY16042	3E20	19	70 - 67
R83531	3F2	10	70 - 73	R97350	1D23	11	30 - 19	TY16042	3E22	12	70 - 69
R83535	3E20	5	70 - 67	R97350	1D23	12	30 - 19	TY16042	3E24	4	70 - 71
R83540	3B18	2	60 - 16	R97350	1D23	..	30 - 19	TY16042	3E24	..	70 - 71
R84158	2F8	13	40 - 107	R97350	1D24	1	30 - 19A	TY16042	3F2	38	70 - 73
R84411	2C25	10	40 - 49	R97350	1D24	6	30 - 19A	TY16055	2E8	26	40 - 83
R85027	1B10	14	20 - 5	R97350	1D24	8	30 - 19A	TY16078	2E21	8	40 - 96
R85029	3B17	5	60 - 15	R97350	1D24	9	30 - 19A	TY16078	2F12	24	40 - 111

NUMERICAL INDEX - CONTINUED

PART NO.	GRID	KEY	PAGE	PART NO.	GRID	KEY	PAGE	PART NO.	GRID	KEY	PAGE
TY21725	2C10	5	40-33	TY6665	4B9	2	90-4	T10397	2D2	52	40-51
TY21733	2D19	1	40-69	TY6689	2D10	31	40-59	T104373	3I22	8	80-32
TY22007	1B5	2	20-1	TY6689	2D12	32	40-61	T104373	3I23	24	80-33
TY22008	1B5	2	20-1	TY6689	2D13	1	40-62	T10514	1F13	2	30-56
TY22009	1B5	1	20-1	TY6689	2D14	1	40-63	T10671	4D6	3	90-52
TY22010	1B5	2	20-1	TY6690	2D1	11	40-50	T10702	1E6	35	30-25
TY22011	1B5	2	20-1	TY6690	2D3	11	40-52	T10745	2C13	14	40-36
TY22043	3D3	2	70-23	TY6690	2D5	11	40-54	T10745	2C14	32	40-38
TY22044	3D3	2	70-23	TY6690	2D7	1	40-56	T10745	2C16	33	40-40
TY22063	3D3	2	70-23	TY6690	2D7	11	40-56	T10794	2D4	57	40-53
TY22327	1D6	4	30-1	TY6691	2B8	27	40-3	T10804	1D23	8	30-19
TY22327	1D9	4	30-5	TY6691	2B10	22	40-5	T10804	1D24	5	30-19A
TY22328	2D16	6	40-65	TY6691	2B25	7	40-21	T10804	1F1	8	30-44
TY22328	3F25	14	70-99	TY6691	2C24	1	40-48	T10804	1F2	5	30-45
TY22328	4D10	2	90-56	TY6691	2C25	..	40-49	T11220	3H7	24	70-133
TY22328	4D10	3	90-56	TY6691	2D2	33	40-51	T11220	3H9	18	70-135
TY22328	4D10	4	90-56	TY6691	2D2	..	40-51	T11220	3H10	8	70-136
TY22328	4D10	7	90-56	TY6694	2C24	1	40-48	T11220	3H11	13	70-137
TY22328	4D11	8	90-57	TY6694	2C25	..	40-49	T11290	1E19	18	30-37
TY22328	4D11	9	90-57	TY6694	2D4	..	40-53	T11292	1E14	17	30-32
TY22425	3D5	22	70-25	TY6703	2B13	25	40-9	T11292	1F3	18	30-46
TY22425	3D7	6	70-27	TY6703	2B15	21	40-11	T11334	1F11	27	30-54
TY22425	3D7	16	70-27	TY6703	2C2	7	40-23	T11648	2C15	35	40-39
TY22425	3D9	6	70-29	TY6703	2C24	1	40-48	T11648	2C17	36	40-41
TY22425	3D9	17	70-29	TY6703	2D8	..	40-57	T11649	2C14	13	40-38
TY22473	1D7	1	30-2	TY6703	2D10	43	40-59	T11649	2C16	13	40-40
TY22473	1D9	12	30-5	TY6703	2D10	..	40-59	T11650	2C14	20	40-38
TY22473	1D11	1	30-7	TY6703	2D12	47	40-61	T11650	2C16	21	40-40
TY3018	3H13	3	70-139	TY6703	2D12	..	40-61	T11651	2C14	11	40-38
TY3019	3H13	3	70-139	TY6722	2B8	27	40-3	T11651	2C16	11	40-40
TY6073	2C10	5	40-33	TY6722	2B10	22	40-5	T11652	2C14	12	40-38
TY6074	2C10	5	40-33	TY6722	2B25	7	40-21	T11652	2C16	12	40-40
TY6121	2D19	1	40-69	TY6722	2C24	1	40-48	T11655	2D10	63	40-59
TY6280	1B5	1	20-1	TY6722	2D4	37	40-53	T11655	2D12	71	40-61
TY6297	1B5	1	20-1	TY6722	2D4	..	40-53	T11656	2C14	26	40-38
TY6298	1B5	1	20-1	TY6722	2D5	..	40-54	T11656	2C16	19	40-40
TY6300	1B5	1	20-1	TY6722	2D6	2	40-55	T11656	2C16	27	40-40
TY6301	1B5	1	20-1	TY6722	2D6	..	40-55	T11660	2C14	6	40-38
TY6311	1B5	1	20-1	TY6740	1C11	14	20-30	T11660	2C16	6	40-40
TY6312	1B5	1	20-1	TY9305	2E8	26	40-83	T11672	2D1	3	40-50
TY6313	1B5	1	20-1	TY9321	2E8	25	40-83	T11672	2D3	3	40-52
TY6359	1B5	1	20-1	TY9371	4E12	1	90-83	T11672	2D5	3	40-54
TY6360	1B5	1	20-1	T101090	4C17	13	90-38	T11673	2D1	8	40-50
TY6361	1B5	1	20-1	T10255	1F11	23	30-54	T11674	2D1	7	40-50
TY6364	1B5	1	20-1	T10256	1F11	2	30-54	T11674	2D3	7	40-52
TY6384	4B9	..	90-4	T10257	1F11	28	30-54	T11675	2D1	9	40-50
TY6389	1B5	2	20-1	T10258	1F11	31	30-54	T11675	2D3	9	40-52
TY6390	1B5	2	20-1	T10259	1F11	16	30-54	T11675	2D5	10	40-54
TY6391	1B5	2	20-1	T10260	1F11	5	30-54	T11680	2D4	41	40-53
TY6392	1B5	2	20-1	T10262	1F11	21	30-54	T11680	2D6	6	40-55
TY6393	1B5	2	20-1	T10263	1F11	12	30-54	T11682	2D1	5	40-50
TY6394	1B5	2	20-1	T10264	1F11	9	30-54	T11682	2D3	5	40-52
TY6601	4B6	15	90-1	T10265	1F11	17	30-54	T11682	2D5	5	40-54
TY6601	4B8	1	90-3	T10266	1F11	30	30-54	T11683	2D3	21	40-52
TY6601	4B9	2	90-4	T10267	1F11	26	30-54	T11684	2D3	20	40-52
TY6622	2C24	1	40-48	T10268	1F11	24	30-54	T11708	4C25	19	90-46
TY6622	2D10	..	40-59	T10269	1F11	29	30-54	T11708	4E2	15	90-73
TY6622	2D12	47	40-61	T10270	1F11	3	30-54	T11739	2D4	57	40-53
TY6622	2D12	..	40-61	T10273	1F11	22	30-54	T11739	2D6	22	40-55
TY6623	4B6	15	90-1	T10274	1F11	15	30-54	T11739	2D10	61	40-59
TY6623	4B8	1	90-3	T10275	1F11	20	30-54	T11739	2D12	65	40-61
TY6623	4B9	2	90-4	T10276	1F11	13	30-54	T11743	2D9	1	40-58
TY6628	4B6	15	90-1	T10277	1F11	14	30-54	T11743	2D11	1	40-60
TY6628	4B8	1	90-3	T10278	1F11	34	30-54	T11882	1E19	9	30-37
TY6628	4B9	2	90-4	T10279	1F11	4	30-54	T11883	1E19	8	30-37
TY6665	4B6	15	90-1	T10280	1F11	6	30-54	T11884	1E19	10	30-37
TY6665	4B8	1	90-3	T10281	1F11	10	30-54	T11899	1E19	6	30-37

NUMERICAL INDEX - CONTINUED

PART NO.	GRID	KEY	PAGE	PART NO.	GRID	KEY	PAGE	PART NO.	GRID	KEY	PAGE
T11917	1E19	13	30-37	T13814	2B13	23	40-9	T18110	2D14	2	40-63
T11918	1E19	19	30-37	T13814	2B14	10	40-10	T18113	2D1	7	40-50
T11921	1E19	24	30-37	T13814	2B25	6	40-21	T18113	2D3	7	40-52
T11921	1E19	29	30-37	T13814	2C2	6	40-23	T18113	2D5	7	40-54
T11934	1E19	2	30-37	T13857	1B11	5	20-6	T18353	2C14	18	40-38
T11934	2H18	8	50-49	T13857	2G14	16	50-17	T18353	2C16	17	40-40
T11939	1E19	35	30-37	T13857	2G24	4	50-28	T18353	2D2	35	40-51
T11940	1E19	14	30-37	T13858	3E11	4	70-57	T18353	2D4	39	40-53
T11940	1E19	34	30-37	T13859	3E11	6	70-57	T18353	2D10	44	40-59
T11941	1E19	30	30-37	T14031	4C12	12	90-32	T18354	2D7	4	40-56
T11942	1E19	5	30-37	T14032	4C12	11	90-32	T18717	2I24	15	50-81
T12083	2F22	4	50-1	T14033	4C13	8	90-33	T18718	2I24	3	50-81
T12552	3E16	22	70-63	T14035	4C12	10	90-32	T18996	2I24	2	50-81
T12553	3E14	13	70-60	T14037	4C13	10	90-33	T19036	2I2	40	50-57
T12860	3B8	33	60-5	T14038	4C12	14	90-32	T19088	2C12	6	40-35
T12860	3B10	34	60-7	T14050	1D22	16	30-18	T19178	2D20	9	40-70
T12870	2C13	12	40-36	T14050	3E7	39	70-53	T19178	2D21	15	40-71
T12870	2C15	34	40-39	T14264	2C8	13	40-30	T19178	2D22	10	40-72
T12870	2C17	35	40-41	T14264	2C8	18	40-30	T19178	2E1	11	40-76
T13073	3H2	29	70-127	T14264	2E24	8	40-99	T19179	2D21	16	40-71
T13073	3H4	29	70-129	T14415	4E4	6	90-75	T19179	2D22	12	40-72
T13073	3H9	29	70-135	T146102	2C25	1	40-49	T19179	2E1	12	40-76
T13073	3H10	17	70-136	T146102	2D8	1	40-57	T19604	2D7	6	40-56
T13119	1C13	6	20-32	T146104	2C25	10	40-49	T19606	2D7	2	40-56
T13119	1C15	5	20-34	T146104	2D8	10	40-57	T19606	2D7	5	40-56
T13119	1C17	6	20-36	T146106	2C25	10	40-49	T19608	2D3	14	40-52
T13119	1C19	7	20-38	T146106	2D8	10	40-57	T19609	2D7	11	40-56
T13119	1C24	27	20-43	T146515	2C25	10	40-49	T19610	2D3	17	40-52
T13119	1D2	16	20-45	T146515	2D8	10	40-57	T19610	2D5	14	40-54
T13119	4D11	6	90-57	T146516	2C25	10	40-49	T19687	3H7	24	70-133
T13325	2I24	7	50-81	T146516	2D8	10	40-57	T19687	3H9	18	70-135
T13326	2I24	8	50-81	T146517	2C25	10	40-49	T19909	2D9	30	40-58
T13329	2I24	22	50-81	T146517	2D8	10	40-57	T19909	2D12	33	40-61
T13330	2I24	21	50-81	T15005	4E3	7	90-74	T20055	1D2	11	20-45
T13331	2I24	17	50-81	T15005	4E6	6	90-77	T20055	1E14	17	30-32
T13332	2I24	17	50-81	T15539	1B23	2	20-16	T20055	1E16	22	30-34
T13333	2I24	17	50-81	T15539	1C2	4	20-19	T20055	1E19	2	30-37
T13339	2I24	11	50-81	T15712	1E19	4	30-37	T20055	1E19	7	30-37
T13340	2I24	11	50-81	T15715	1E19	27	30-37	T20055	1F3	18	30-46
T13340	2I24	17	50-81	T15721	1E19	28	30-37	T20055	1F4	19	30-47
T13341	2I24	11	50-81	T15969	4E2	40	90-73	T21689	3I14	4	80-24
T134452	2C25	10	40-49	T16106	1F9	15	30-52	T22381	3D7	12	70-27
T134452	2D8	10	40-57	T16109	1F9	9	30-52	T22381	3D9	18	70-29
T134452	3J10	19	80-45	T16109	1F9	12	30-52	T22381	3D13	34	70-33
T134453	2C25	10	40-49	T16122	1F9	14	30-52	T22404	1C21	11	20-40
T134453	2D8	10	40-57	T16193	2I1	3	50-56	T22645	1C21	11	20-40
T134453	3J10	19	80-45	T16911	2F4	3	40-103	T22958	3D13	21B	70-33
T134454	2C25	10	40-49	T16911	2G4	19	50-7	T22958	3D15	1	70-35
T134454	2D8	10	40-57	T16911	2G10	20	50-13	T23027	4E11	5	90-82
T134454	3J10	19	80-45	T16911	2H7	21	50-37	T23033	4E11	4	90-82
T134455	2C25	10	40-49	T16911	2H10	26	50-41	T23531	1F9	5	30-52
T134455	2D8	10	40-57	T16911	2H23	9	50-54	T23610	2C23	24	40-47
T134455	3J10	19	80-45	T16911	2I18	4	50-75	T23688	1F19	45	30-63
T134456	2C25	10	40-49	T17058	2D1	10	40-50	T23925	1C20	3	20-39
T134456	2D8	10	40-57	T17058	2D3	10	40-52	T25317	2G4	17	50-7
T134456	3J10	19	80-45	T17148	3B6	4	60-3	T25317	2G14	13	50-17
T134459	2C25	1	40-49	T17512	2H8	27	50-38	T25317	2H10	24	50-41
T134459	2D8	1	40-57	T17951	1E2	60	30-21	T25317	3F9	16	70-81
T134459	3J10	19	80-45	T17951	3F18	38	70-91	T25343	2C23	25	40-47
T13471	2I24	16	50-81	T17953	1E19	23	30-37	T25879	3H15	4	70-141
T13744	2C8	13	40-30	T17987	2D1	1	40-50	T26396	1F9	24	30-52
T13744	2C8	18	40-30	T17987	2D3	1	40-52	T26407	1F9	1	30-52
T13814	2B8	19	40-3	T17987	2D5	1	40-54	T26565	2F22	14	50-1
T13814	2B8	25	40-3	T18105	2D7	8	40-56	T26565	2G19	16	50-22
T13814	2B9	9	40-4	T18106	2D14	16	40-63	T27155	4B14	1	90-9
T13814	2B13	15	40-9	T18107	2D14	12	40-63	T27155	4B15	1	90-10
T13814	2B13	22	40-9	T18109	2D7	10	40-56	T27860	1B13	2	20-8

NUMERICAL INDEX - CONTINUED

PART NO.	GRID	KEY	PAGE	PART NO.	GRID	KEY	PAGE	PART NO.	GRID	KEY	PAGE
T27860	1B13	3	20-8	T743T	2D2	38	40-51	400R	3B20	15	60-19
T27860	1B13	5	20-8	T77613	3G15	12	70-115	400R	3B20	31	60-19
T28583	2E4	8	40-79	T84409	2C25	1	40-49	400R	3E5	32	70-51
T28583	2F10	34	40-109	T84409	2D8	1	40-57	400R	3F20	7	70-93
T28583	2F12	1	40-111	T84409	3J10	19	80-45	400R	3G2	26	70-101
T28585	2E4	7	40-79	T84410	2C25	10	40-49	400R	3G4	27	70-103
T28585	2E4	8	40-79	T84410	2D8	10	40-57	400R	3G6	13	70-105
T28585	2F10	35	40-109	T84410	3J10	19	80-45	400R	3G8	22	70-107
T28585	2F12	12	40-111	T84411	2D8	10	40-57	400R	3G11	14	70-111
T28586	2F12	14	40-111	T84411	3J10	19	80-45	400R	3G12	12	70-112
T29242	2I24	8	50-81	T84412	2C25	10	40-49	400R	3G21	14	70-121
T29527	1D21	22	30-17	T84412	2D8	10	40-57	400R	3H12	14	70-138
T29527	1D22	16	30-18	T84412	3J10	19	80-45	405R	2G24	6	50-28
T29527	1E10	23	30-27	T84413	2C25	10	40-49	405R	2H19	5	50-50
T29527	3E7	39	70-53	T84413	2D8	10	40-57	405R	3B8	31	60-5
T30890	4D9	11	90-55	T84413	3J10	19	80-45	405R	3B10	32	60-7
T30890	4D16	14	90-62	T84578	2C25	10	40-49	405R	3B20	28	60-19
T31783	2G25	18	50-29	T84578	2D8	10	40-57	405R	3B24	4	60-23
T31784	2G24	9	50-28	T84578	3J10	19	80-45	405R	3C2	4	60-25
T31785	2G25	20	50-29	U11647	3H13	1	70-139	80-171	1E1	10	30-20
T32148	3I19	15	80-29	U12198	2I3	16	50-58	810074	2C12	21	40-35
T32231	4B16	6	90-11	U13639	3C11	14	70-5	810620	2D2	55	40-51
T33483	2I2	40	50-57	U13639	3C17	14	70-11	811912	2C12	18	40-35
T33745	2D20	20	40-70	U13639	3C19	12	70-13	811912	2C12	22	40-35
T34067	2F12	18	40-111	U13639	3C23	21	70-17	816784	2C12	6	40-35
T35695	3D7	14	70-27	U13639	3D2	8	70-21	820148	2D1	16	40-50
T35695	3D9	13	70-29	U13639	3D11	38	70-31	820148	2D3	20	40-52
T40167	3D13	21B	70-33	U15969	3G15	21	70-115	820149	2D1	17	40-50
T40167	3D15	1	70-35	U46370	2F10	36	40-109	820149	2D3	20	40-52
T40308	3C13	28	70-7	U46370	2F12	20	40-111	820149	2D3	21	40-52
T40308	3C15	17	70-9	U46514	4D2	1	90-48				
T40308	3C21	46	70-15	U46662	2F8	12	40-107				
T40308	3C23	4	70-17	U46662	2F10	37	40-109				
T40308	3C24	11	70-19	U46662	2F12	10	40-111				
T43535	3C24	8	70-19	U46663	2F10	38	40-109				
T43535	3C24	9	70-19	U46664	2F10	39	40-109				
T439T	4C4	7	90-24	U46664	2F14	47	40-113				
T55451	2I3	20	50-58	Z36276	3C24	8	70-19				
T55452	2I3	20	50-58	Z36276	3C24	9	70-19				
T55501	2E9	1	40-84	12	2B21	9	40-17				
T55501	2E9	2	40-84	12	2B21	12	40-17				
T55501	2E10	1	40-85	12	2B21	15	40-17				
T55501	2E11	11	40-86	12	2B21	16	40-17				
T55501	4E2	30	90-73	1838436	2D1	22	40-50				
T57374	3C13	29	70-7	1838486	2D3	26	40-52				
T57374	3C15	18	70-9	1873796	2D1	25	40-50				
T57374	3C21	47	70-15	1873796	2D3	29	40-52				
T57374	3C23	5	70-17	1873796	2D5	25	40-54				
T57374	3C24	10	70-19	1881371	2C12	16	40-35				
T61939	3D7	14	70-27	1904292	2C12	14	40-35				
T61939	3D9	13	70-29	1909273	2C12	23	40-35				
T67029	2H7	35	50-37	1909654	2D9	3	40-58				
T67029	2H8	17	50-38	1916529	2D9	30	40-58				
T735T	2D2	51	40-51	1916529	2D12	33	40-61				
T736T	2D2	54	40-51	1931784	2D10	38	40-59				
T736T	2D4	56	40-53	1931784	2D12	41	40-61				
T736T	2D6	21	40-55	1931812	2D10	63	40-59				
T738T	2D2	50	40-51	31603	3E16	41	70-63				
T738T	2D4	52	40-53	32240	4B9	10	90-4				
T738T	2D6	17	40-55	37517	2D1	23	40-50				
T739T	2D2	49	40-51	37517	2D3	27	40-52				
T739T	2D4	51	40-53	400R	2H12	40	50-43				
T739T	2D6	16	40-55	400R	3B6	12	60-3				
T740T	2D2	48	40-51	400R	3B8	6	60-5				
T740T	2D4	50	40-53	400R	3B8	43	60-5				
T740T	2D6	15	40-55	400R	3B10	6	60-7				
T741T	2D2	57	40-51	400R	3B10	44	60-7				