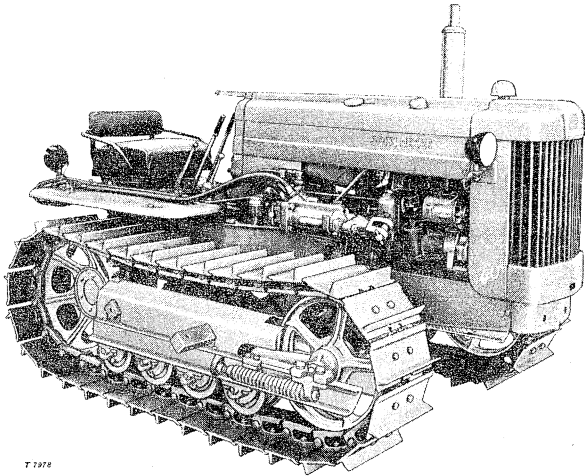




JOHN DEERE
Parts Catalog

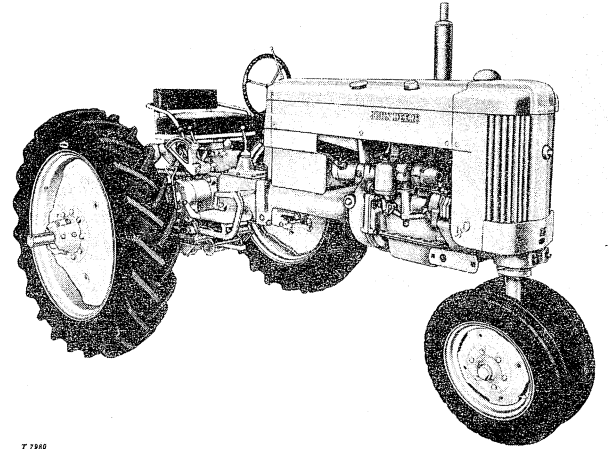
40 SERIES TRACTOR

PC862



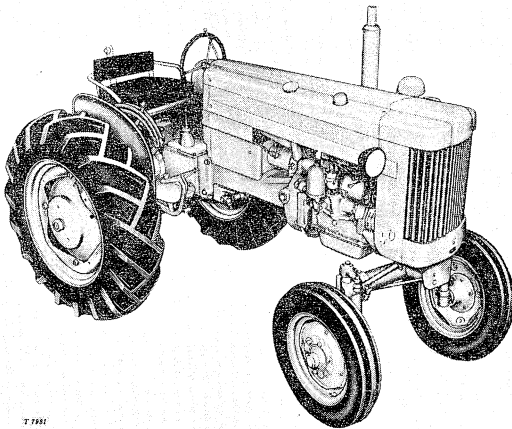
T 7376

40 Crawler - Designation (C)



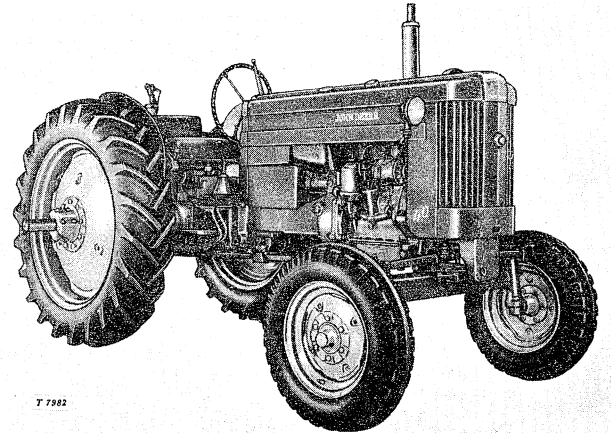
T 7380

40 Tricycle - Designation (T)



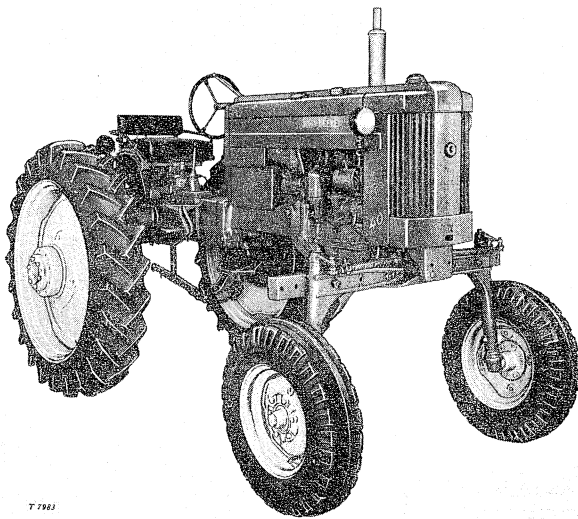
T 7381

40 Standard - Designation (S)



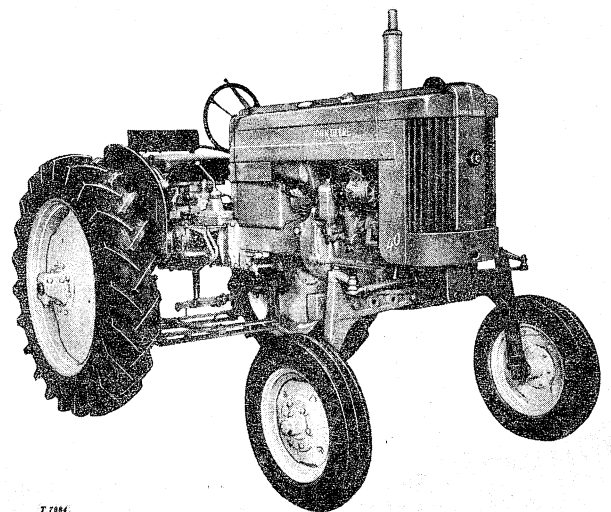
T 7382

40 Two-Row Utility - Designation (W)



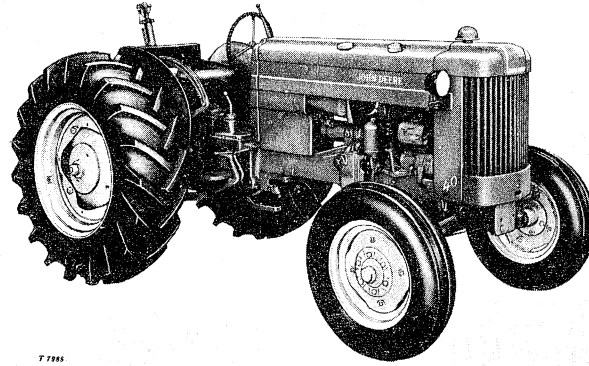
T 7383

40 Hi-Crop - Designation (H)



T 7384

40 Special - Designation (V)



T 7786

40 Utility - Designation (U)

AN EXPLANATION OF SERIAL NUMBER LISTING

Each model of the 40 Series has its own individual serial number range, that is, the model 40C, 40H, 40S, 40T, 40U, 40V, and 40W each beginning with serial number 60001. In cases where serial numbers are shown and are applicable to more than one model of the 40 Series, a serial number for each model affected will be listed consecutively in the serial number column with the model designation shown in the description column.

As an example:

AM	586 T	(-60121)	Seal, oil (C)
AM	586 T	(-60080)	Seal, oil (H)
AM	586 T	(-62119)	Seal, oil (S)
AM	586 T	(-75190)	Seal, oil (T)
AM	586 T	(-65743)	Seal, oil (U)
AM	586 T	(-68217)	Seal, oil (V)
AM	586 T	(-70146)	Seal, oil (W)

Serial number information given on any page is applicable only to parts listed and illustrated on that page.

When the parentheses include only the dash (-) the part is used on all machines except in the description column.

When a serial number appears before the dash (00000-) the part was introduced beginning with that serial number and is still being used.

When a serial number appears after the dash (-00000) the part was used up to and including that serial number but was not used after that serial number.

When serial numbers appear both before and after the dash (00000-00000) the part was used beginning with the first serial number but was not used after the second serial number.

EXPLANATION OF SUBSTITUTION INFORMATION

Part substitution information given on any page is applicable only to parts listed and illustrated on that page.

PACKAGED PARTS

For added protection and ease of handling between the factory, branch houses, parts depots, and most dealers, some parts which appear in this catalog, such as gaskets, are packed in packages which contain more than one of the part. Dealers may order either the packages or the individual parts from the branch houses. However, when possible the package or multiples of the package should be specified.

SECTIONAL INDEX

Section 10-Engine	Section 60-Hydraulic System
Section 15-Engine Accessories	Section 65-Drawbar and Crossbar
Section 20-Cooling System	Section 70-Front Wheels and Axles
Section 25-Fuel System	Section 75-Rear Wheels and Weights
Section 30-Center Frame	Section 80-Brakes
Section 35-Transmission	Section 85-Sheet Metal
Section 40-Steering Clutch Assembly	Section 90-3-Point Hitch
Section 45-Final Drive	Section 95-Track Assembly
Section 50-Instrument Panel and Steering	Section 100-Electrical System
Section 55-Front End Support and Grille and Light Guard	Section 105-Gasket Sets, Decalcomanias, Operator Manuals, and Loctite Sealant
	Section 110-Numerical Index

ALPHABETICAL INDEX

A		Page		Page	
Adjustable front axle (H)	70-8, 10	Adjustable front axle (S)	70-6	Adjustable front axle (T)	70-8, 10
Adjustable front axle (U)	70-12	Adjustable front axle (V)	70-14	Adjustable front axle (W)	70-16
Air cleaner	15-2	All-fuel attachment	25-6	Ammeter	100-8
Anchor yoke assembly	35-11, 12, 13, 14, 15	Arm, rocker	10-6	Axle, front, adjustable (H)	70-4
Axle, front, adjustable (S)	70-6	Axle, front, adjustable (T)	70-8, 10	Axle, front, adjustable (U)	70-12
Axle, front, adjustable (V)	70-14	Axle, front, adjustable (W)	70-16		
B		Page		Page	
Back, seat	85-5, 6, 7	Battery box	85-4	Bearing cap, main	10-2
Bearing, main, front	10-2, 6	Bearing, main, rear	10-2, 6	Belt, generator	20-1
Belt, pulley	35-16	Blade, fan	20-1	Block, cylinder	10-2
Bottom guard (C)	55-8	Box, battery	85-4	Box, tool	85-4
Bracket, draft link (H)	90-4	Bracket, front, fuel tank	25-2	Bracket, front, starting tank, all-fuel	20-2, 25-6
Brackets, implement (H, S, T, U, V, W)	30-1	Bracket, sway brace (S, V)	35-2	Brake assembly (H, S, U, V, W)	80-2
Brake assembly (T)	80-4	Brake linkage (C)	40-4	Brake pedal (C)	30-4
Breakaway coupling (C)	60-24	Breakaway coupling (H, S, T, U, W)	60-25	Bumper (C)	55-6, 8
C		Page		Page	
Cables, battery	85-4	Camshaft	10-6	Cap, fuel tank	25-2, 6
Cap, main bearing	10-2	Cap, radiator	20-2	Cap, weather	15-3
Carburetor	25-4	Carburetor gasket set	25-4, 105-2	Carburetor kit	25-4
Carburetor rod	15-5	Case, transmission	35-2	Center frame	30-1
Choke controls	15-5	Cigarette lighter attachment	100-8	Cleaner, air	15-2
Clutch housing, steering (C)	40-2	Clutch pedal (C)	30-4	Clutch pedal (H, S, T, U, V, W)	30-5
Clutch, steering (C)	35-8	Condenser, distributor	100-10	Connecting rod	10-6
Controls, choke and starter	15-5	Control valve assembly (C)	60-20	Control valve assembly (H, S, T, U, W)	60-22
Control valve linkage (H, S, T, U, W)	60-26	Coupling, breakaway (C)	60-24	Coupling, breakaway (H, S, T, U, W)	60-25
Cover, front, touch-o-matic (H, T, V, W)	60-10	Cover, gear	10-2, 6	Cover, rear, transmission (C, H, S, T, U, V)	35-10, 11, 12, 13, 14
Cover, rear (W)	35-15	Cover, top, transmission	35-9	Crank assembly, starting	55-1
Crankshaft	10-6	Crossbar (C)	65-2	Current-voltage regulator	100-9
Cushion, seat	85-5, 6, 7	Cylinder block	10-2	Cylinder head	10-6
Cylinder, remote control (C)	60-28, 30	Cylinder, remote control (H, S, T, U, W)	60-30		
D		Page		Page	
Decalcomanias	105-5	Differential assembly (H, S, U, V, W)	35-6	Differential assembly (T)	35-7
Distributor	100-10	Draft link (H)	90-4	Drawbar assembly, front (C)	55-8
Drawbar (C)	65-2	Drawbar (H)	65-3	Drawbar (S)	65-4
Drawbar (T)	65-5	Drawbar (U)	65-6, 7	Drawbar (V)	65-8
Drawbar (W)	65-9				
E		Page		Page	
Element, oil filter	10-8	Engine overhaul gasket set	105-2	Engine tune-up gasket set	105-2
Exhaust manifold	15-2	Exhaust pipe	15-3, 4	Exhaust, rear (S, U, W)	15-4
F		Page		Page	
Fan assembly	20-1	Fan drive pulley	55-1		

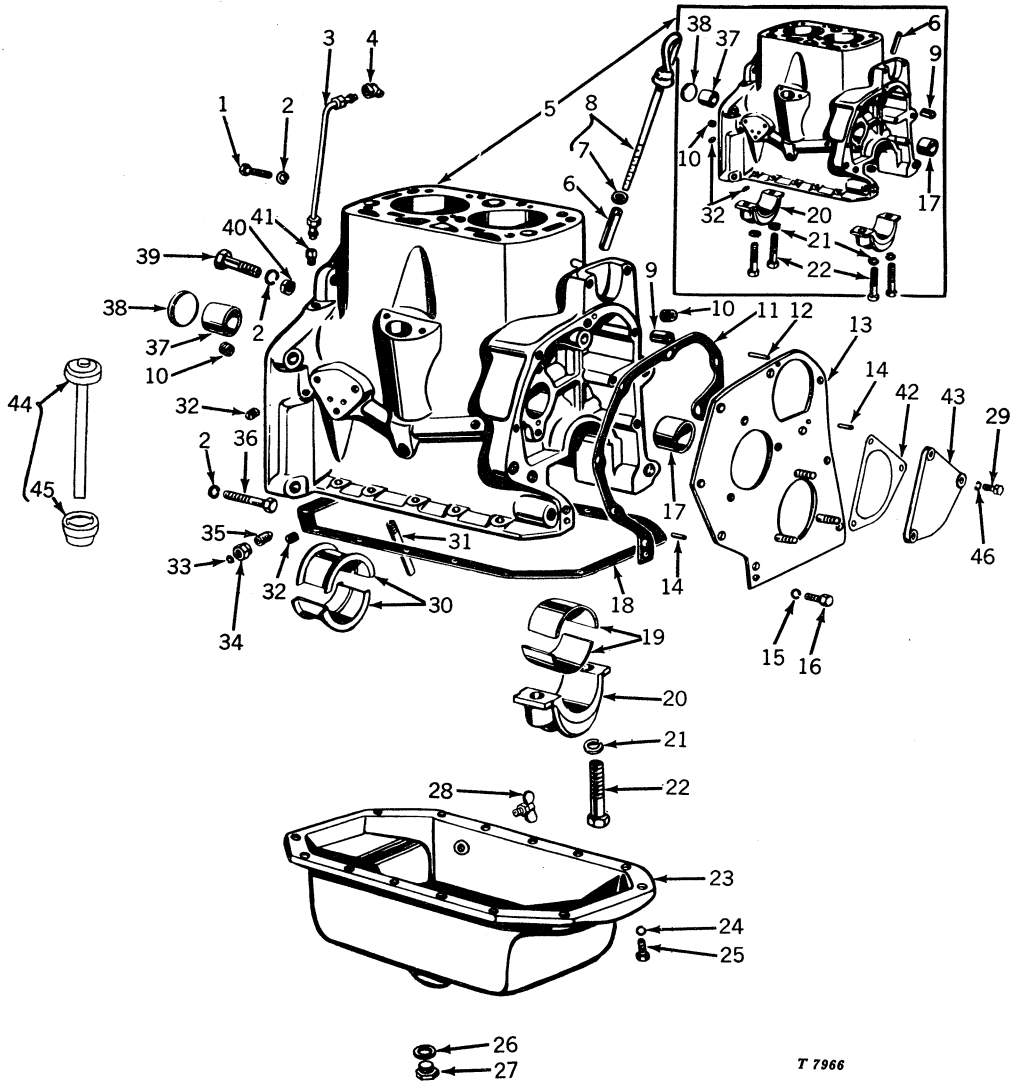
ALPHABETICAL INDEX -- Continued

	Page		Page
Fender assembly (C)	85- 8	Housing, rockshaft (U)	60-17
Fender assembly (S)	85- 9	Hub, fan	20- 1
Fender assembly (T)	85-10	Hydraulic pump	60-1, 2
Fender assembly (U)	85-11	Hydraulic system gasket sets	105- 4
Fender assembly (V)	85-12	Hydraulic system oil lines (C)	60- 4
Fender assembly (W)	85-13		
Fender attachment (T)	85-10	I	
Filter, oil	10- 8	Idler assembly, 5-roller (C)	95- 6
Final drive (C)	45-2, 4	Idler assembly, 4-roller (C)	95- 4
Final drive gasket set	105- 3	Idler, upper, 5-roller (C)	95- 1
Final drive (H)	45- 6	Implement brackets (H, S, T, U, V, W)	30- 1
Final drive (S, U, V, W)	45-8, 10	Indicator, heat	100- 8
Final drive (T)	45-12	Instrument panel	50- 2
5-roller track frame (C)	95-10		
Flywheel	30- 2	K	
Footrests (C)	85- 8	Kit, carburetor	25- 4
Footrests (H)	85- 9		
Footrests (S)	85- 9	L	
Footrests (T)	85-10	Lever, control	15- 5
4-roller track frame (C)	95- 8	Light assembly, rear	100- 3
Frame assembly, side (C)	95- 3	Light guard (C)	55- 8
Frame assembly, track (C)	95-2, 8, 10	Light guard (U)	55-10
Frame, center	30- 1	Light, rear (C)	100-3, 4
Front end support (C)	55- 6	Light, rear (H, T, V, W)	100-3, 5
Front end support (H, V, W)	55- 3	Light, rear (S, U)	100-3, 6
Front end support (S, U)	55-2, 3	Lights, front	100- 2
Front end support (T)	55- 4	Light, warning (H, S, T, U, V, W)	100- 7
Front lights	100- 2	Lines, fuel	25-2, 6
Front main bearing	10-2, 6	Linkage, control valve (H, S, T, U, W)	60-26
Front tire attachment, oversize (T)	70- 2	Linkage, steering and brake (C)	40- 4
Front weight attachment (U)	55-10	Loctite Sealant	105- 6
Front weight (H, S, T, U, V, W)	55- 7		
Front wheel	70- 2	M	
Front wheel, single	70- 3	Main bearing, front	10-2, 6
Fuel tank	25- 2	Main bearing, rear	10-2, 6
		Manifold, exhaust	15- 2
G		Manifold, water	20- 2
Gasket sets	25-4, 105-2, 3, 4	Manuals, operator's	105- 6
Gauge, oil, bayonet	10- 2	Meter, hour	100- 3
Gauge, oil pressure	10- 8	Motor, starting	100-14, 16
Gear cover	10-2, 6	Muffler	15- 3
Gear, ring (C)	35- 8		
Gear, steering (H, T)	50-5, 7	O	
Gear, steering (S, U)	50-4, 7	Oil filter	10- 8
Gear, steering (V, W)	50- 7	Oil lines, hydraulic system (C)	60- 4
Gears, transmission	35- 4	Oil lines, remote control (H, W)	60- 5
Generator	100-12	Oil lines, remote control (S, U)	60- 6
Governor	15- 6	Oil lines, remote control (T)	60- 7
Governor rod	15- 5	Oil lines, touch-o-matic (H, S, T, U, V, W)	60- 2
Grille (C)	85- 2	Oil pressure gauge	10- 8
Grille guard (C)	55- 8	Oil pump, engine	10- 9
Grille guard (U)	55-10	Oil reservoir assembly (C)	60-27
Grille (H, T, V, W)	85- 3	Operator's manuals	105- 6
Grille (S, U)	85-2, 3		
Guard, grille, light, bottom (C)	55- 8	P	
Guard, grille (U)	55-10	Pan, sod (C)	55- 6
Guard, light (U)	55-10	Panel, instrument	50- 2
Guard, powershaft (C, H, U, W)	35-18	Pedal, brake (C)	30- 4
		Pedal, brake (T)	80- 4
H		Pedal, clutch (C)	30- 4
Harness, wiring, front lights	100- 2	Pedals, brake (H, S, U, V, W)	80- 2
Harness, wiring, rear light	100-4, 5, 6	Pedals, clutch (H, S, T, U, V, W)	30- 5
Head, cylinder	10- 6	Pipe, exhaust	15-3, 4
Heat indicator	100- 8	Pipe, tail (S, U, W)	15- 4
Hitch, 3-point (H, S, T, U, V, W)	90- 2	Piston	10- 6
Hood (C)	85- 2	Piston ring	10- 6
Hood (H, T, V, W)	85- 3	Plate, pressure	30-2, 8
Hood (S, U)	85-2, 3	Plug, spark	100-10
Hour meter attachment	100- 3	Point set, distributor	100-10
Housing, final drive (C)	45-2, 4	Power adjusted rear wheels (S, U)	75- 4
Housing, final drive (H)	45- 6	Powershaft attachment (C, H, U, W)	35-18
Housing, final drive (S, U, V, W)	45-8, 10	Power take-off shift lever assembly	35-17
Housing, final drive (T)	45-12	Pressure plate	30-2, 8
Housing, rockshaft (H, T, V, W)	60-18	Propeller shaft	30- 2
Housing, rockshaft (S)	60-16	Pulley, belt	35-16

ALPHABETICAL INDEX -- Continued

	Page		Page
Pulley, fan	20- 1	Steering gear support (H, S, U, V, W)	55- 3
Pulley, fan drive	55- 1	Steering gear (V, W)	50- 7
Pump, hydraulic	60-1, 2	Steering linkage (C)	40- 4
Pump, oil, engine	10- 9	Steering shaft	50- 2
		Steering wheel	50- 2
		Strainer, fuel	25- 2
Q		Support, front end (C)	55- 6
Quadrant assembly (H, S, T, U, V, W)	60-8, 9, 10	Support, front end (H, V, W)	55- 3
		Support, front end (S, U)	55-2, 3
R		Support, front end (T)	55- 4
Radiator	20- 2	Support, steering gear (H, S, U, V, W)	55- 3
Radiator shutter assembly	20- 3	Sway chain front anchor attachment (U)	65- 6
Rear cover (W)	35-15	Switch	100- 8
Rear exhaust (S, U, W)	15- 4		
Rear light assembly	100- 3	T	
Rear light (C)	100-3, 4	Tank, fuel	25- 2
Rear light (H, T, V, W)	100-3, 5	Tank, starting - all-fuel	25- 6
Rear light (S, U)	100-3, 6	3-point hitch (H, S, T, U, V, W)	90- 2
Rear main bearing	10-2, 6	Tool box	85- 4
Rear wheel (H)	75- 2	Touch-o-matic cylinder and valve housing (H, T, V, W)	60-14
Rear wheel spacer attachment (S, U)	75- 3	Touch-o-matic cylinder and valve housing (S, U)	60-12
Rear wheel (S, U)	75- 3	Touch-o-matic front cover (H, T, V, W) ...	60-10
Rear wheel (T, V, W)	75- 5	Touch-o-matic oil lines (H, S, T, U, V, W)	60- 2
Rear wheel weight attachment (H)	75- 2	Touch-o-matic quadrant assembly (H, S, T, U, V, W)	60-8, 9, 10
Rear wheel weight attachment (S, U)	75- 3	Touch-o-matic rockshaft (H, T, V, W)	60-18
Regulator, current-voltage	100- 9	Touch-o-matic rockshaft (S)	60-16
Remote control cylinder (C)	60-28, 30	Touch-o-matic rockshaft (U)	60-17
Remote control cylinder (H, S, T, U, W) ...	60-30	Track	95-12, 14
Remote control oil lines (H, W)	60- 5	Track roller and frame assembly (C) ..	95-2, 8, 10
Remote control oil lines (S, U)	60- 6	Track roller and idler assembly, 5-roller (C) .	95- 6
Remote control oil lines (T)	60- 7	Track roller and idler assembly, 4-roller (C) .	95- 4
Reservoir assembly, oil (C)	60-27	Track shoe	95-12, 14
Ring gear (C)	35- 8	Transmission case	35- 2
Ring, piston	10- 6	Transmission gasket set	105- 3
Rocker arms	10- 6	Transmission gears and shafts	35- 4
Rock guards (C)	95-8, 10	Transmission rear cover (C, H, S, T, U, V)	35-10, 11, 12, 13, 14
Rod, carburetor	15- 5	Transmission shifting parts	35- 9
Rod, connecting	10- 6	Transmission top cover	35- 9
Rod, governor	15- 5		
Rod, push	10- 6	U	
Rod, starter	15- 5	Upper spindle (T)	55- 4
S		V	
Seat assembly (C)	85- 5	Valve	10- 6
Seat assembly (H, T, V, W)	85- 7	Valve assembly, control (C)	60-20
Seat assembly (S, U)	85- 6	Valve assembly, control (H, S, T, U, W) ...	60-22
Seat attachment (C)	85- 5	Valve housing, touch-o-matic (H, T, V, W)	60-14
Shaft, pinion, output	35-4, 6, 7, 8	Valve housing, touch-o-matic (S, U)	60-12
Shaft, propeller	30- 2		
Shaft, steering	50- 2	W	
Shafts, transmission	35- 4	Warning light (H, S, T, U, V, W)	100- 7
Shield, powershaft (C, H, U, W)	35-18	Water manifold	20- 2
Shifting parts, transmission	35- 9	Weight attachment, front (U)	55-10
Shift lever assembly, power take-off	35-17	Weight, front (H, S, T, U, V, W)	55- 7
Shoe, track	95-12, 14	Weight, side (T)	55- 7
Shroud, radiator	20- 2	Weight, wheel, rear (H)	75- 2
Shutter assembly, radiator	20- 3	Weight, wheel, rear (S, U)	75- 3
Side frame assembly (C)	95- 3	Weight, wheel, rear (T, V, W)	75- 5
Side weight (T)	55- 7	Wheel, front	70- 2
Single front wheel attachment	70- 3	Wheel, front, single	70- 3
Socket, auxiliary light	100-4, 5, 6	Wheel, rear (H)	75- 2
Sod pan (C)	55- 6	Wheels, rear, power adjusted (S, U)	75- 4
Spark plug	100-10	Wheel, rear (S, U)	75- 3
Spindle, upper (T)	55- 4	Wheel, rear (T, V, W)	75- 5
Spindle, wheel, front, dual (T)	70- 2	Wheel, spindle, front, dual (T)	70- 2
Starter controls	15- 5	Wheel, steering	50- 2
Starter rod	15- 5	Wheel weight, rear (H)	75- 2
Starting crank assembly	55- 1	Wheel weight, rear (S, U)	75- 3
Starting motor	100-14, 16	Wheel weight, rear (T, V, W)	75- 5
Starting motor, replacement	100-16	Wheel, spindle, front, dual (T)	70- 2
Starting tank - all-fuel	25- 6	Wheel, steering	50- 2
Steering clutch (C)	35- 8	Wheel weight, rear (H)	75- 2
Steering clutch housing (C)	40- 2	Wheel weight, rear (S, U)	75- 3
Steering gear (H, T)	50-5, 7	Wheel weight, rear (T, V, W)	75- 5
Steering gear (S, U)	50-4, 7		

CYLINDER BLOCK ASSEMBLY

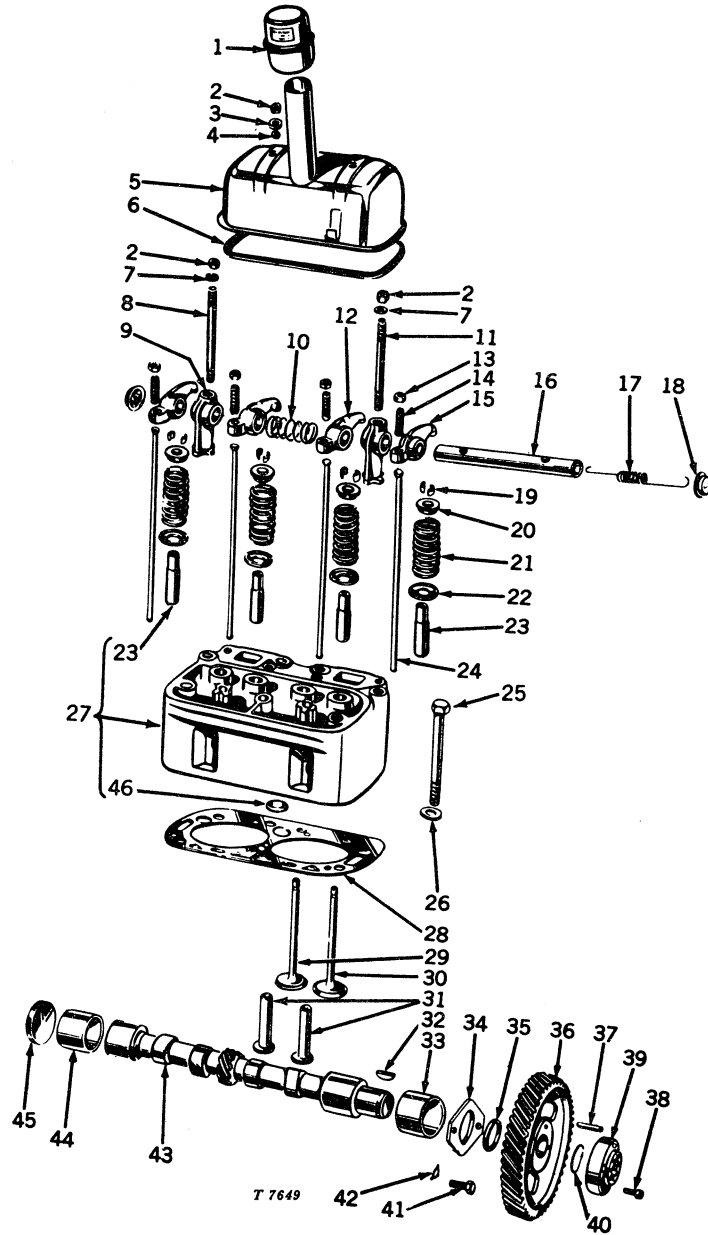


T 7966

CYLINDER BLOCK ASSEMBLY -- Continued

Key	Part No.	Serial No.	Description
1	19H 1831 A	(-)	Screw, cap, 1/2" x 2" (2 used)
2	12H 301 A	(-)	Washer, lock, 1/2" (6 used)
3	AM 753 T	(-)	Line, with nuts and ferrules
4	AM 234 T	(-)	Elbow, with nut and ferrule
5	AT 10904 T	(-)	Block, cylinder (T10966T), with front and rear camshaft bushing, main bearing caps and cap screws, camshaft rear oil seal, governor rear bushing, oil filler cap and dipstick, filler neck and pipe plugs (sub. for M64T and AM754T)
6	L 4263 T	(-)	Bushing, bayonet gauge
7	L 4256 T	(-)	Washer, felt
8	AM 232 T	(-)	Gauge, bayonet, with felt washer
9	L 4266 T	(-)	Bushing, governor shaft
10	15H 275 A	(-)	Plug, pipe, 1/4" (2 used)
11	M 111 T	(-)	Gasket
12	L 4129 T	(-)	Pin, dowel, long
13	AM 902 T	(-)	Cover (sub. for AM931T)
14	L 4128 T	(-)	Pin, dowel, short (2 used) (packed 3 in a pkg.)
15	12H 304 A	(-)	Washer, lock, 3/8" (5 used)
16	19H 2284 A	(-)	Screw, cap, 3/8" x 7/8" (5 used)
17	M 761 T	(-)	Bushing, camshaft, front (sub. for AM677T)
18	M 85 T	(-)	Gasket (packed 3 in a pkg.)
19	AM 718 T	(-)	Bearing, front main, standard (2 halves)
	AM 719 T	(-)	Bearing, front main, .003" undersize (2 halves)
	AM 720 T	(-)	Bearing, front main, .005" undersize (2 halves)
20	AM 756 T	(-)	Cap, main bearing (M26T), with shims (2 used)
21	12H 294 A	(-)	Washer, lock, 5/8" (4 used)
22	19H 1890 A	(-)	Screw, cap, 5/8" x 2-3/4" (4 used)
23	AM 1788 T	(-)	Pan, oil (gasoline)
	AM 2137 T	(-)	Pan, oil (all-fuel)
24	12H 303 A	(-)	Washer, lock, 5/16" (14 used)
25	19H 1900 A	(-)	Screw, cap, 5/16" x 3/4" (14 used)
26	T 13213 T	(-)	Washer, aluminum (sub. for M1038T)
27	M 1746 T	(-)	Plug, drain
28	AM 292 T	(-)	Cock, drain (all-fuel)
29	19H 2127 A	(-)	Screw, cap, 5/16" x 7/8" (3 used) (C)
30	AM 724 T	(-)	Bearing, rear main, standard (2 halves)
	AM 725 T	(-)	Bearing, rear main, .003" undersize (2 halves)
	AM 726 T	(-)	Bearing, rear main, .005" undersize (2 halves)
31	M 98 T	(-)	Pipe, oil
32	15H 566 A	(-)	Plug, pipe, 1/8", slotted (2 used) (sub. for L756T)
33	30H 6 A	(-)	Plug, expansion, 9/16"
34	M 463 T	(-)	Nut, hex., special
35	L 4121 T	(-)	Screw, set, 1/2" x 1-1/8"
36	19H 1805 A	(-)	Screw, cap, 1/2" x 2-1/4" (2 used)
37	M 762 T	(-)	Bushing, camshaft, rear (sub. for AM682T)
38	M 108 T	(-)	Plug, cup
39	19H 1820 A	(-)	Screw, cap, 1/2" x 3" (2 used)
40	14H 809 A	(-)	Nut, hex., 1/2" (2 used)
41	AM 235 T	(-)	Connector, with nut and ferrule
42	M 1068 T	(-)	Gasket, pump opening (C)
43	M 1067 T	(-)	Cover, pump opening (C) (sub. for AM1088T)
44	AT 11968 T	(-)	Cap, filler and dipstick (used when AT10904T cylinder block has been installed) (also order one T12752T) (sub. for AT10301T)
45	T 12752 T	(-)	Neck, filler (used when AT10904T cylinder block has been installed) (also order one AT11968T) (sub. for T10476T)
46	12H 303 A	(-)	Washer, lock, 5/16" (3 used) (C)

CYLINDER HEAD AND VALVE ASSEMBLY

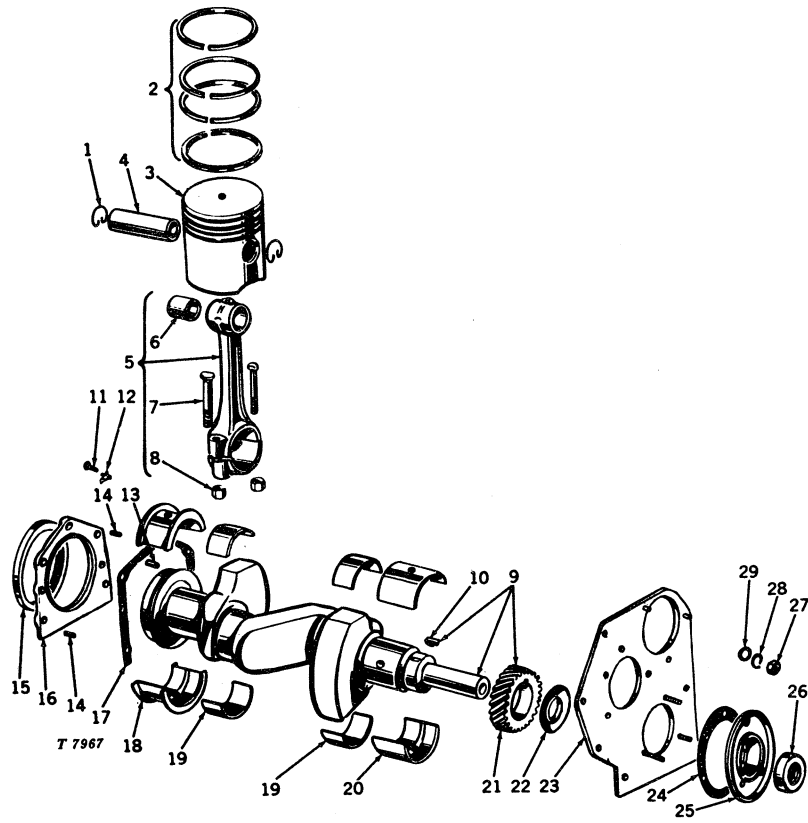


T 7649

CYLINDER HEAD AND VALVE ASSEMBLY -- Continued

Key	Part No.	Serial No.	Description
1	AM 669 T	(-)	Cap, breather
2	14H 807 A	(-)	Nut, hex., 7/16" (4 used)
3	L 4183 T	(-)	Retainer, seal (2 used)
4	M 282 T	(-)	Seal (2 used) (packed 2 in a pkg.)
5	AM 275 T	(-)	Cover (sub. for AM670T)
6	M 230 T	(-)	Gasket (packed 5 in a pkg.)
7	24H 1219 A	(-)	Washer, plain, 7/16" x 1" x .075" (2 used)
8	M 284 T	(-)	Stud, rear
9	AM 271 T	(-)	Bracket (2 used) (sub. for AM683T)
10	M 81 T	(-)	Spring
11	M 283 T	(-)	Stud, front
12	AM 272 T	(-)	Arm, rocker, intake (2 used) (sub. for AM671T)
13	14H 469 A	(-)	Nut, hex. jam, 7/16" (4 used)
14	M 74 T	(-)	Screw, adjusting, special (4 used)
15	AM 273 T	(-)	Arm, rocker, exhaust (2 used) (sub. for AM672T)
16	M 72 T	(-)	Shaft
17	M 76 T	(-)	Spring
18	AM 274 T	(-)	Cap (2 used)
19	B 367 R	(-)	Lock (8 used)
20	H 118 RT	(-)	Cap (4 used)
21	M 102 T	(-)	Spring (4 used)
22	M 105 T	(-)	Cup (4 used)
23	M 40 T	(-)	Guide, valve (4 used)
24	M 30 T	(-)	Rod, push (gasoline and high altitude all-fuel) (4 used)
	M 1528 T	(-)	Rod, push (all-fuel) (4 used)
25	M 285 T	(-)	Screw, cap, special (7 used) (packed 5 in a pkg.)
26	M 3244 T	(-)	Washer, plain, special (7 used) (packed 4 in a pkg.)
27	AM 1786 T	(-)	Head, cylinder (M1768T), with valve guides and expansion plug (gasoline)
	AM 2115 T	(-)	Head, cylinder (M2340T), with valve guides and expansion plug (all-fuel)
	AT 10205 T	(-)	Head, cylinder (M1768T), with valve guides and expansion plug (high altitude gasoline)
	AT 10202 T	(-)	Head, cylinder (M2340T), with valve guides and expansion plug (high altitude all-fuel)
28	AM 240 T	(-)	Gasket (packed 3 in a pkg.)
29	M 100 T	(-)	Valve, intake (2 used) (sub. for AM675T) (packed 2 in a pkg.)
30	M 101 T	(-)	Valve, exhaust (2 used) (sub. for AM676T) (packed 2 in a pkg.)
31	M 3414 T	(-)	Follower, cam (4 used) (sub. for M27T)
32	26H 77 A	(-)	Key, Woodruff, 3/16" x 3/4"
33	M 761 T	(-)	Bushing, camshaft, front (sub. for AM677T)
34	M 13 T	(-)	Plate, thrust
35	M 12 T	(-)	Washer
36	M 49 T	(-)	Gear, camshaft (sub. for AM678T)
37	M 510 T	(-)	Pin, dowel
38	M 511 T	(-)	Screw, cap, special, 1/4" x 3/4" (2 used)
39	M 1845 T	(-)	Coupling
40	M 22 T	(-)	Ring, snap (packed 20 in a pkg.)
41	19H 2284 A	(-)	Screw, cap, 3/8" x 7/8" (2 used)
42	M 112 T	(-)	Lock (2 used) (sub. for AM680T) (packed 3 in a pkg.)
43	AM 3631 T	(-)	Camshaft (sub. for M11T, M3908T, and AM681T)
44	M 762 T	(-)	Bushing, camshaft, rear (sub. for AM682T)
45	M 108 T	(-)	Plug
46	M 460 T	(-)	Plug, expansion, 1-1/4"

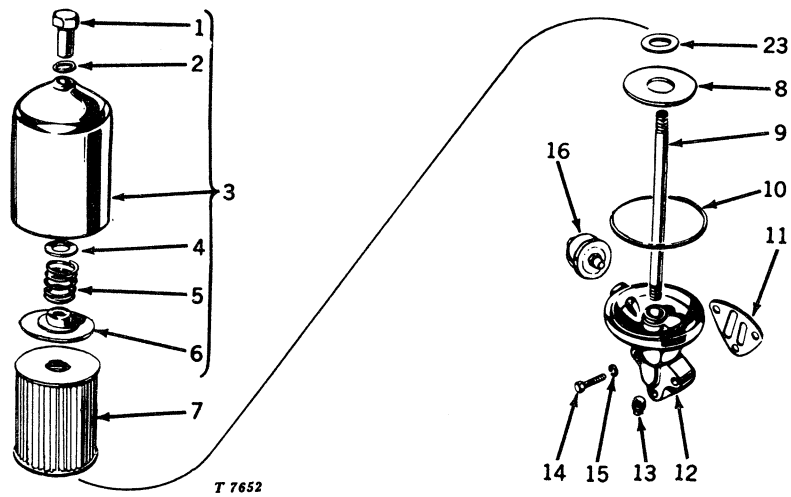
CRANKSHAFT, CONNECTING RODS, AND PISTONS



CRANKSHAFT, CONNECTING RODS, AND PISTONS -- Continued

Key	Part No.	Serial No.	Description
1	M 67 T	(-)	Ring, snap (4 used) (packed 2 in a pkg.)
2	AM 1625 T	(-)	Rings, piston, 4" standard (set of 8) (1 set used)
	AM 1637 T	(-)	Rings, piston, .020" oversize (set of 8) (1 set used)
	AM 1638 T	(-)	Rings, piston, .040" oversize (set of 8) (1 set used)
3	M 1837 T	(-)	Piston, 4" standard (2 used)
	M 1838 T	(-)	Piston, .020" oversize (2 used)
	M 1839 T	(-)	Piston, .040" oversize (2 used)
4	M 35 T	(-)	Pin, piston (packed 2 in a pkg.) (sub. for AM813T)
5	AM 1782 T	(-)	Rod, connecting (M1691T), with bolts, hex. nuts, and pin bushings (2 used)
6	M 711 T	(-)	Bushing (2 used)
7	M 1846 T	(-)	Bolt, special (4 used)
8	M 2576 T	(-)	Nut, hex., 7/16" (4 used) (packed 5 in a pkg.)
9	AM 3012 T	(-)	Crankshaft (M3114T), with gear, Woodruff Key, and dowel pin (sub. for M1692T and AM1779T)
10	26H 77 A	(-)	Key, Woodruff, 3/16" x 3/4"
11	19H 1900 A	(-)	Screw, cap, 5/16" x 3/4" (5 used)
12	L 4187 T	(-)	Lock (5 used) (packed 5 in a pkg.)
13	M 17 T	(-)	Pin, dowel
14	L 4126 T	(-)	Pin, dowel (2 used)
15	AM 220 T	(-)	Seal, oil (sub. for AM727T)
16	M 18 T	(-)	Plate (sub. for AM728T)
17	M 19 T	(-)	Gasket
18	AM 724 T	(-)	Bearing, rear main, standard (2 halves)
	AM 725 T	(-)	Bearing, rear main, .003" undersize (2 halves)
	AM 726 T	(-)	Bearing, rear main, .005" undersize (2 halves)
19	AM 1783 T	(-)	Bearing, connecting rod, standard (2 halves) (2 used)
	AM 1784 T	(-)	Bearing, connecting rod, .003" undersize (2 halves) (2 used)
20	AM 718 T	(-)	Bearing, front main, standard (2 halves)
	AM 719 T	(-)	Bearing, front main, .003" undersize (2 halves)
	AM 720 T	(-)	Bearing, front main, .005" undersize (2 halves)
21	M 16 T	(-)	Gear (sub. for AM722T)
22	L 768 T	(-)	Thrower, oil
23	AM 902 T	(-)	Cover (sub. for AM931T)
24	L 4152 T	(-)	Gasket
25	L 4115 T	(-)	Plate
26	AL 2653 T	(-)	Seal, oil
27	14H 785 A	(-)	Nut, hex., 5/16" (3 used)
28	12H 303 A	(-)	Washer, lock, 5/16" (3 used)
29	L 1198 T	(-)	Washer, plain (3 used)

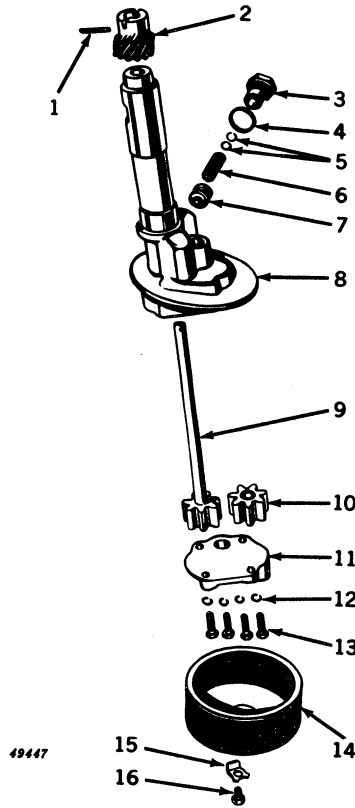
OIL FILTER ASSEMBLY



T 7652

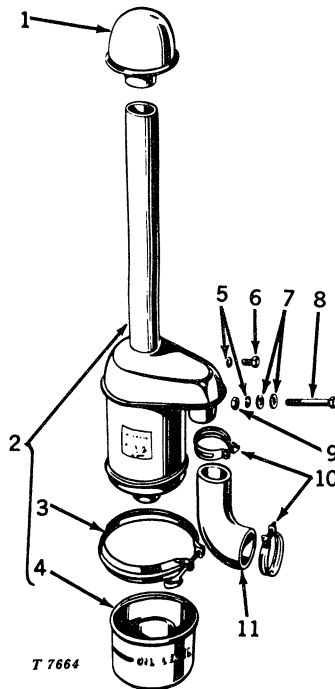
Key	Part No.	Serial No.	Description
1	M 94 T	(-)	Nut
2	M 93 T	(-)	Gasket
3	AM 236 T	(-)	Case, oil filter (sub. for AM738T)
4	M 91 T	(-)	Washer (packed 2 in a pkg.)
5	M 90 T	(-)	Spring
6	M 293 T	(-)	Plate, upper sealing (sub. for AM735T)
7	AH 1111 RT	(-)	Element, oil filter (pkg. of 4)
8	M 88 T	(-)	Plate, lower sealing
9	M 95 T	(-)	Stud
10	M 96 T	(-)	Gasket (packed 3 in a pkg.)
11	M 97 T	(-)	Gasket
12	M 59 T	(-)	Base (sub. for AM736T)
13	15H 604 A	(-)	Plug, pipe, 1/4", sq. hd.
14	19H 1800 A	(-)	Screw, cap, 3/8" x 1-1/2" (3 used)
15	12H 304 A	(-)	Washer, lock, 3/8" (3 used)
16	AM 284 T	(-)	Gauge, oil pressure (sub. for AM737T)

LUBRICATING OIL PUMP



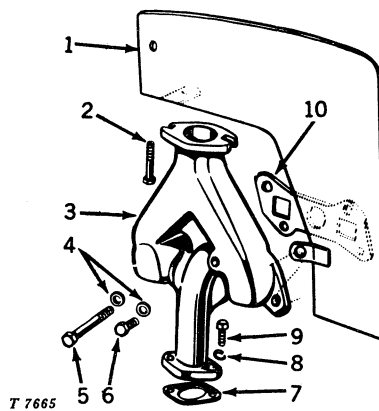
Key	Part No.	Serial No.	Description
1	25H 52 A	(-)	Pin, groov-, 5/32" x 1"
2	M 75 T	(-)	Gear, drive (sub. for AM729T)
3	L 4122 T	(-)	Plug
4	L 754 T	(-)	Gasket
5	L 4232 T	(-)	Washer (2 used) (packed 3 in a pkg.)
6	L 752 T	(-)	Spring
7	L 4233 T	(-)	Piston, pressure regulating
8	AM 730 T	(-)	Body (M38T), with idler shaft
9	AM 229 T	(-)	Shaft, drive, with gear (sub. for AM731T)
10	M 73 T	(-)	Gear, idler (sub. for AM732T)
11	M 39 T	(-)	Cover (sub. for AM733T)
12	12H 302 A	(-)	Washer, lock, 1/4" (4 used)
13	19H 1914 A	(-)	Screw, cap, 1/4" x 1" (4 used)
14	AM 230 T	(-)	Strainer (sub. for AM734T)
15	M 80 T	(-)	Lock, screw
16	19H 2020 A	(-)	Screw, cap, 5/16" x 1/2"
..	AM 228 T	(-)	Oil pump assembly (sub. for AM739T)

AIR CLEANER



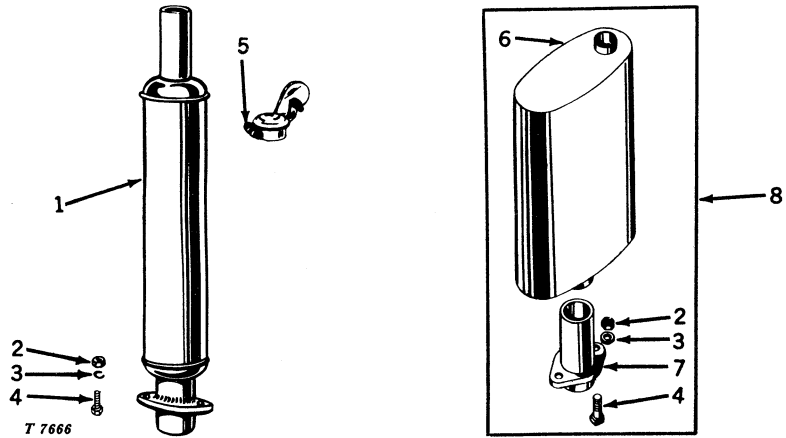
Key	Part No.	Serial No.	Description
1	AM 371 T	(-)	Cap (sub. for AM467T)
2	AM 1795 T AT 10206 T	(-)	Sub. one AT10206T, one M3058T, one 19H1900A, and one 14H785A Air cleaner assembly
3	AB 1629 R	(-)	Clamp
4	AM 2088 T	(-)	Cup, oil
5	12H 304 A	(-)	Washer, lock, 3/8" (2 used)
6	19H 1936 A	(-)	Screw, cap, 3/8" x 3/4"
7	M 413 T	(-)	Washer, special (2 used)
8	19H 2023 A	(-)	Screw, cap, 3/8" x 3-1/4"
9	14H 812 A	(-)	Nut, hex., 3/8"
10	AR 21840 R	(-)	Clamp (2 used) (sub. for M2392T, M2393T, AM369T, and AM370T)
11	M 412 T	(-)	Hose

EXHAUST MANIFOLD



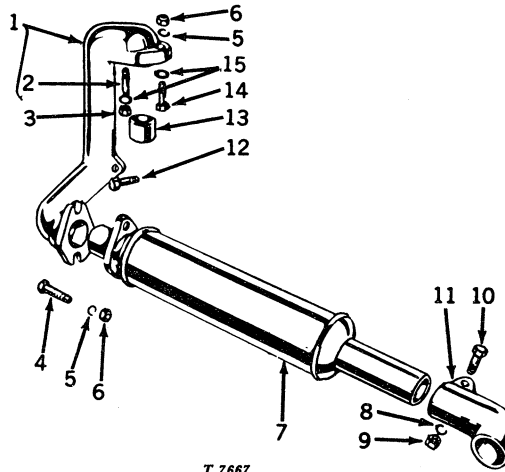
Key	Part No.	Serial No.	Description
1	AM 315 T	(-)	Baffle, heat
2	19H 1740 A	(-)	Screw, cap, 7/16" x 1-3/4" (2 used)
3	M 1799 T M 1526 T	(-)	Manifold, gasoline Manifold, all-fuel (sub. for AM1627T)
4	L 853 T	(-)	Washer, special (4 used)
5	19H 2058 A	(-)	Screw, cap, 7/16" x 3-3/4"
6	19H 1821 A	(-)	Screw, cap, 7/16" x 1-1/4" (3 used)
7	M 410 T	(-)	Gasket
8	12H 304 A	(-)	Washer, lock, 3/8" (2 used)
9	19H 1731 A	(-)	Screw, cap, 3/8" x 1" (2 used)
10	M 1861 T	(-)	Gasket (sub. for M409T) (packed 3 in a pkg.)

MUFFLER



Key	Part No.	Serial No.	Description
1	AM 364 T	(-)	Muffler, vertical, with mounting flange (sub. for AM625T)
2	14H 813 A	(-)	Nut, hex., 7/16" (2 used)
3	12H 293 A	(-)	Washer, lock, 7/16" (2 used)
4	19H 1740 A	(-)	Screw, cap, 7/16" x 1-3/4" (2 used)
5	AT 10610 T	(-)	WEATHER CAP ATTACHMENT
6	AM 2219 T	(-)	Muffler, reduced noise level
7	AM 2220 T	(-)	Pipe, exhaust
8	AM 2218 T	(-)	MUFFLER ATTACHMENT, REDUCED NOISE LEVEL

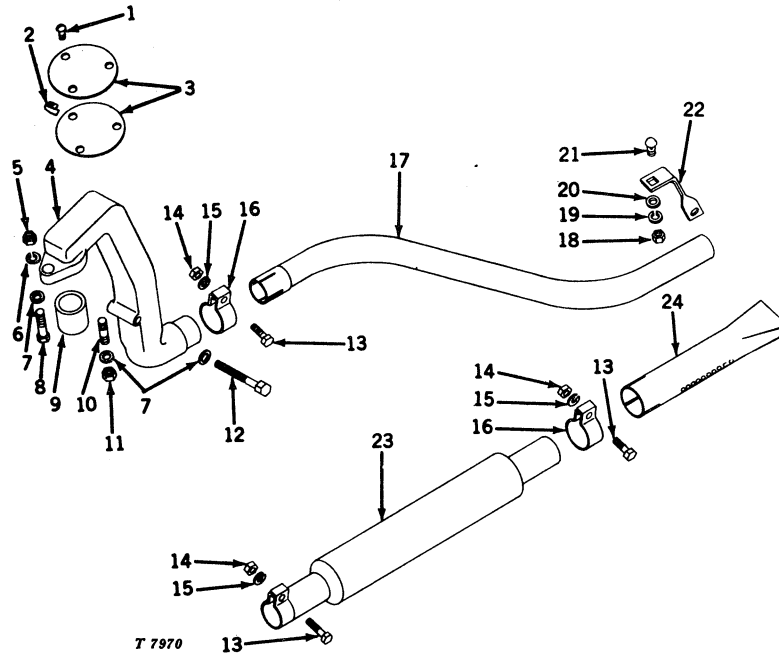
EXHAUST PIPE ATTACHMENT



Key	Part No.	Serial No.	Description
1	AM 2835 T	(-)	Pipe, exhaust (M3030T), with stud (sub. for M1195T and AM1213T)
2	M 1202 T	(-)	Stud
3	L 852 T	(-)	Nut, special, 7/16" (packed 5 in a pkg.)
4	19H 1740 A	(-)	Screw, cap, 7/16" x 1-3/4" (2 used)
5	12H 293 A	(-)	Washer, lock, 7/16" (3 used)
6	14H 813 A	(-)	Nut, hex., 7/16" (3 used)
7	AM 364 T	(-)	Muffler, with mounting flange (sub. for AM625T)
8	12H 303 A	(-)	Washer, lock, 5/16"
9	14H 785 A	(-)	Nut, hex., 5/16"
10	19H 1789 A	(-)	Screw, cap, 5/16" x 1-3/8"
11	M 1196 T	(-)	Deflector, exhaust (sub. for AM1214T)
12	19H 2055 A	(-)	Screw, cap, 7/16" x 2-1/4"
13	M 1201 T	(-)	Sleeve
14	19H 1899 A	(-)	Screw, cap, 7/16" x 2"
15	L 853 T	(-)	Washer, special (2 used)
..	AM 2833 T	(-)	EXHAUST PIPE ATTACHMENT, LESS MUFFLER (SUB. FOR AM1196T)

Capital letters indicate an attachment. Attachments must be listed on separate order from repair parts.

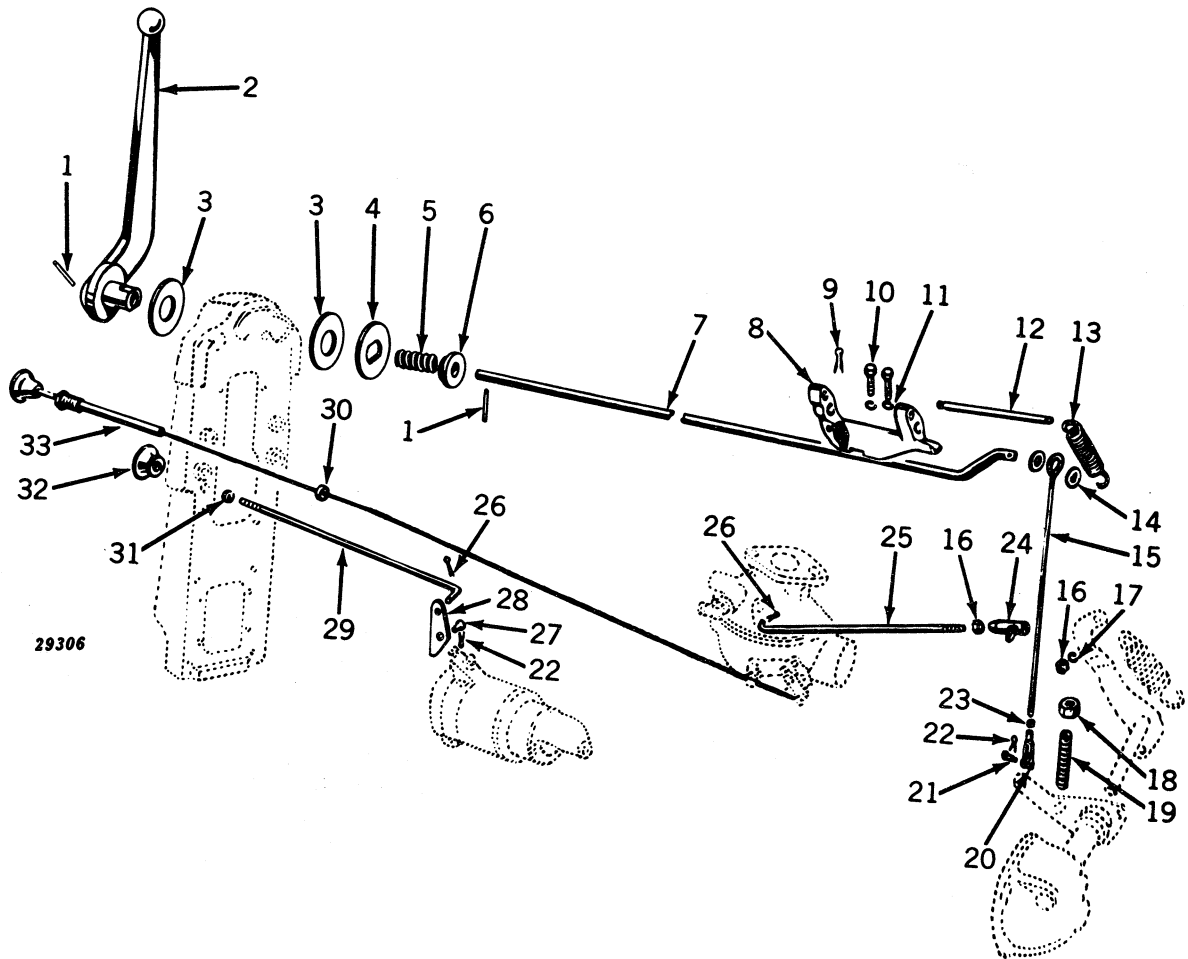
REAR EXHAUST ASSEMBLY
Standard, Utility, and Row-Crop Utility



T 7970

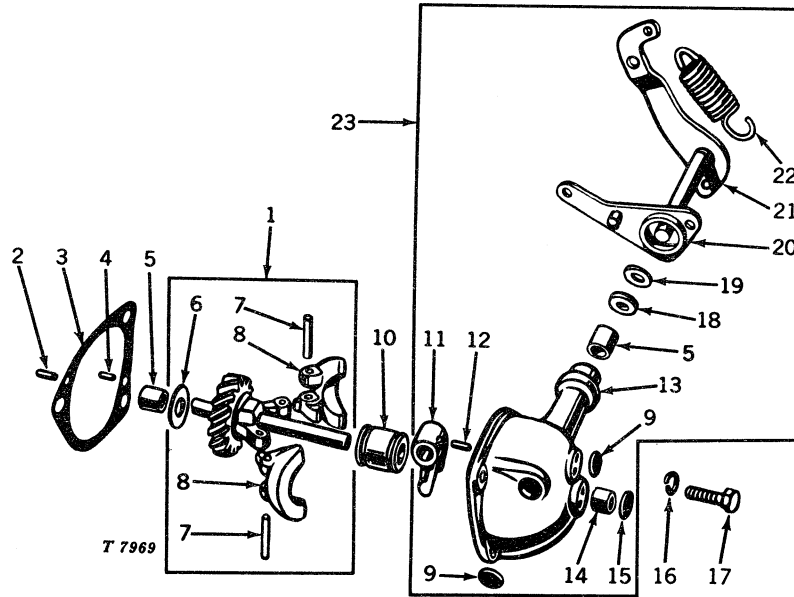
Key	Part No.	Serial No.	Description
1	M 1093 T	(-)	Screw, No. 10 x 5/8" (3 used)
2	M 1094 T	(-)	Nut, speed (3 used)
3	M 1519 T	(-)	Cover (2 used)
4	AM 2922 T	(-)	Pipe, exhaust (M3115T), with stud
5	14H 813 A	(-)	Nut, hex., 7/16"
6	12H 293 A	(-)	Washer, lock, 7/16"
7	L 853 T	(-)	Washer, plain, special (3 used)
8	19H 1899 A	(-)	Screw, cap, 7/16" x 2"
9	M 1201 T	(-)	Sleeve
10	M 1202 T	(-)	Stud
11	L 852 T	(-)	Nut, special (packed 5 in a pkg.)
12	19H 1189 A	(-)	Screw, cap, 7/16" x 3-1/4"
13	19H 1849 A	(-)	Screw, cap, 5/16" x 1-1/4" (3 used)
14	14H 785 A	(-)	Nut, hex., 5/16" (3 used)
15	12H 303 A	(-)	Washer, lock, 5/16" (3 used)
16	M 3119 T	(-)	Clamp (2 used)
17	M 3116 T	(-)	Tube, exhaust
18	14H 812 A	(-)	Nut, hex., 3/8"
19	12H 304 A	(-)	Washer, lock, 3/8"
20	24H 1303 A	(-)	Washer, plain, 13/32" x 11/16" x .060"
21	3H 1519 A	(-)	Bolt, rd. hd., 3/8" x 1"
22	M 3118 T	(-)	Bracket
23	AT 201 T	(-)	Muffler
24	M 3117 T	(-)	Pipe, tail

THROTTLE, CHOKE, AND STARTER CONTROLS



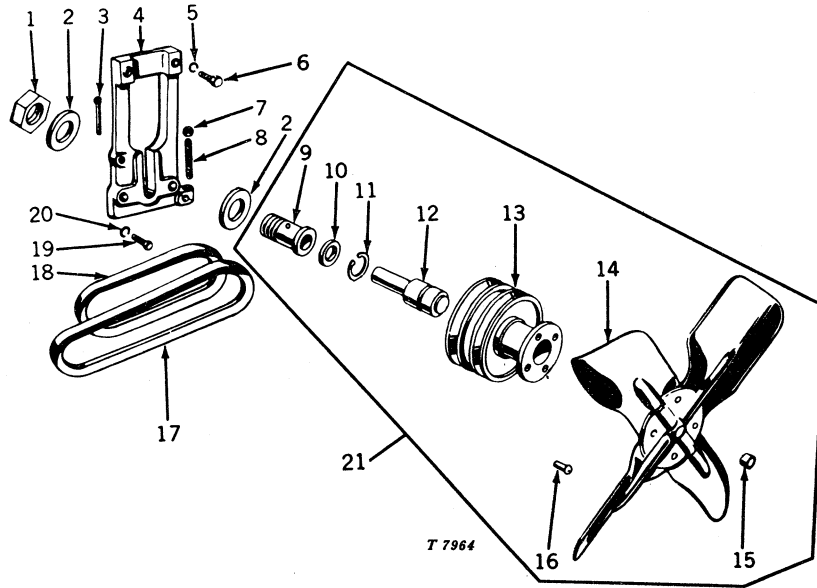
Key	Part No.	Serial No.	Description
1	34H 62 A	(-)	Pin, roll, 5/32" x 1-1/4" (2 used)
2	M 1758 T	(-)	Lever, control (C, S, T, U, V, W)
	M 2681 T	(-)	Lever, control (H)
3	M 1860 T	(-)	Disk, friction (2 used) (packed 4 in a pkg.)
4	M 1859 T	(-)	Washer, thrust
5	M 1858 T	(-)	Spring
6	M 1857 T	(-)	Washer, retaining
7	M 1855 T	(-)	Rod, control
8	T 10906 T	(-)	Bracket (sub. for M1061T and AM492T)
9	11H 236 A	(-)	Pin, cotter, 1/8" x 1"
10	19H 2127 A	(-)	Screw, cap, 5/16" x 7/8" (2 used)
11	12H 303 A	(-)	Washer, lock, 5/16" (2 used)
12	M 280 T	(-)	Anchor
13	M 1853 T	(-)	Spring
14	24H 1325 A	(-)	Washer, plain, 15/32" x 59/64" x .060" (2 used)
15	M 278 T	(-)	Rod, governor connecting
16	14H 860 A	(-)	Nut, hex., 1/4" (2 used)
17	12H 302 A	(-)	Washer, lock, 1/4"
18	14H 611 A	(-)	Nut, hex. jam, 5/16"
19	22H 684 A	(-)	Screw, set, 5/16" x 1-3/4"
20	L 987 T	(-)	Yoke
21	L 985 T	(-)	Pin (packed 2 in a pkg.)
22	11H 231 A	(-)	Pin, cotter, 1/16" x 1" (2 used)
23	14H 631 A	(-)	Nut, hex., No. 10
24	AL 2096 T	(-)	Joint, ball
25	M 277 T	(-)	Rod, carburetor connecting
26	11H 233 A	(-)	Pin, cotter, 3/32" x 1/2" (2 used)
27	1880254	(-)	Pin (furnished by J. D. W. T. W)
28	M 1863 T	(-)	Lever
29	M 1864 T	(-)	Rod, starter
30	14H 774 A	(-)	Nut, hex. jam, 3/8"
31	M 302 T	(-)	Grommet
32	M 2544 T	(-)	Knob (sub. for AM346T)
33	AM 1799 T	(-)	Control, choke

GOVERNOR ASSEMBLY



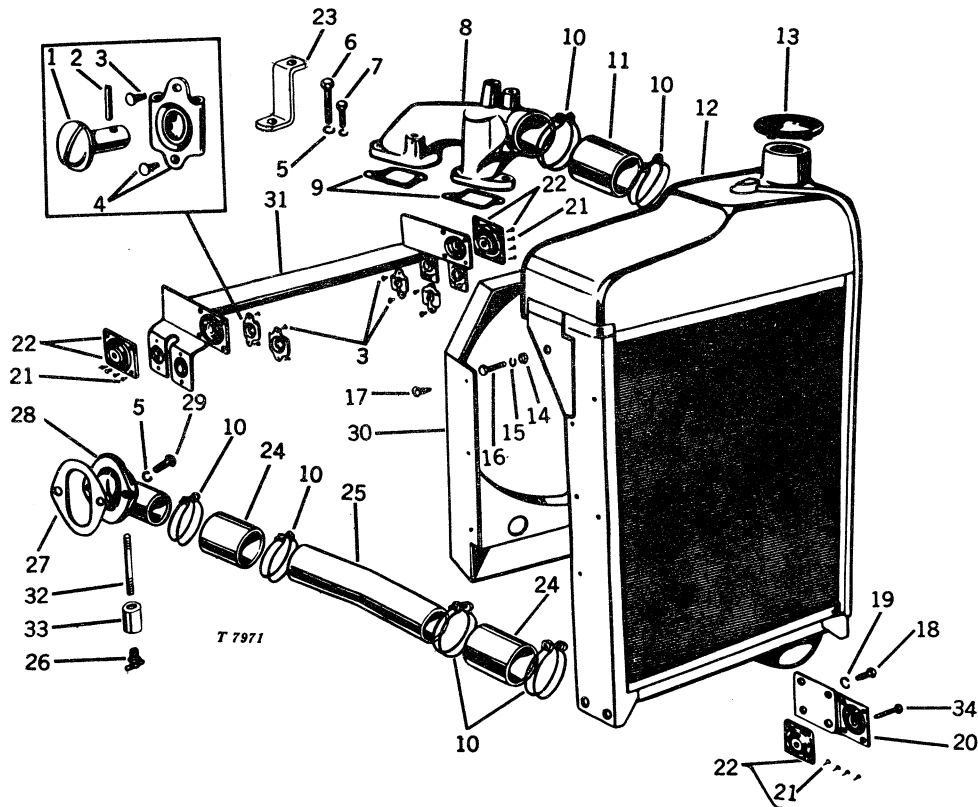
Key	Part No.	Serial No.	Description
1	AM 1791 T	(-)	Shaft (M273T), with weight carrier, thrust washer, gear, and weights
2	L 4129 T	(-)	Pin, dowel, long
3	M 276 T	(-)	Gasket (packed 2 in a pkg.)
4	L 4128 T	(-)	Pin, dowel, short (packed 3 in a pkg.)
5	L 4266 T	(-)	Bushing (2 used)
6	L 4177 T	(-)	Washer, thrust (packed 3 in a pkg.)
7	M 1817 T	(-)	Pin (2 used) (packed 2 in a pkg.)
8	M 1683 T	(-)	Weight (2 used)
9	30H 7 A	(-)	Plug, expansion, 5/8" (2 used)
10	AL 2691 T	(-)	Bearing, thrust, with bushings
11	L 4158 T	(-)	Fork
12	25H 50 A	(-)	Pin, groov-, 5/32" x 3/4"
13	AM 1792 T	(-)	Case, governor (M1709T), with bushings and front expansion plug
14	L 4265 T	(-)	Bushing
15	30H 9 A	(-)	Plug, expansion, 3/4"
16	12H 304 A	(-)	Washer, lock, 3/8" (3 used)
17	19H 1732 A	(-)	Screw, cap, 3/8" x 1-1/4" (3 used)
18	L 4176 T	(-)	Seal
19	L 4183 T	(-)	Retainer
20	AM 295 T	(-)	Lever
21	AM 3451 T	(-)	Lever and shaft assembly (sub. for AM609T)
22	M 1853 T	(-)	Spring
23	AM 3577 T	(-)	Case, governor (M1709T), with lever assembly (sub. for AM1790T and AM3439T)

FAN ASSEMBLY



Key	Part No.	Serial No.	Description
1	14H 876 A	(-)	Nut, hex. jam, 1"
2	M 2397 T	(-)	Washer (2 used)
3	11H 237 A	(-)	Pin, cotter, 1/8" x 2"
4	M 1803 T	(-)	Bracket, fan
5	12H 304 A	(-)	Washer, lock, 3/8" (2 used)
6	19H 1731 A	(-)	Screw, cap, 3/8" x 1" (2 used)
7	14H 611 A	(-)	Nut, hex. jam, 5/16"
8	22H 684 A	(-)	Screw, set, 5/16" x 1-3/4"
9	(-)	Sleeve, bracket (sub. AM1810T)
10	(-)	Washer, rubber (sub. AM1810T)
11	(-)	Ring, snap (sub. AM1810T)
12	(-)	Shaft, bearing (sub. AM1810T)
13	(-)	Hub and pulley assembly (sub. AM1810T)
14	(-)	Blade, fan (sub. AM1810T)
15	(-)	Cap, front (sub. AM1810T)
16	(-)	Rivet (4 used) (sub. AM1810T)
17	M 1900 T	(-)	Belt, fan
18	M 1862 T	(-)	Belt, generator
19	19H 1740 T	(-)	Screw, cap, 7/16" x 1-3/4" (2 used)
20	12H 293 A	(-)	Washer, lock, 7/16" (2 used)
21	AM 1810 T	(-)	Fan assembly

RADIATOR AND ASSOCIATED PARTS

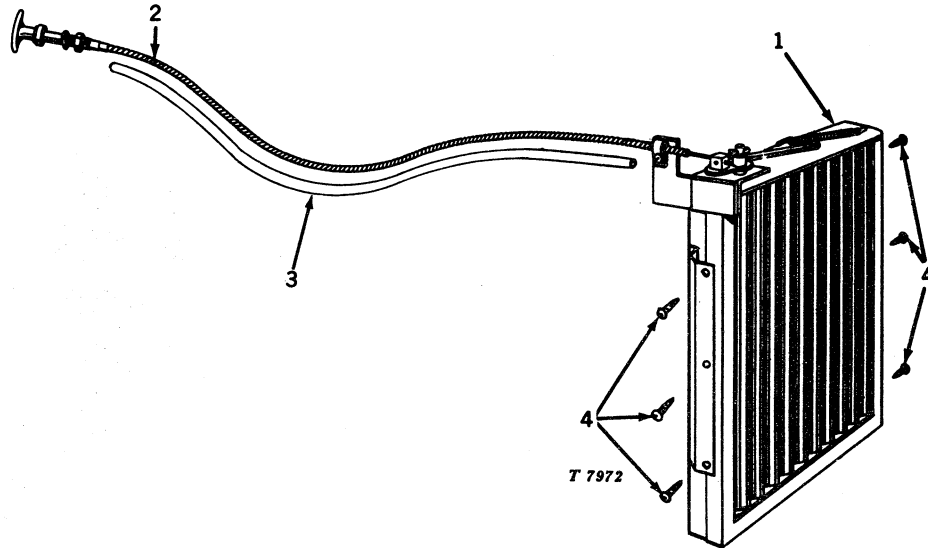


Key	Part No.	Serial No.	Description
1	M 315 T	(-)	Stud, fastener, short (for rigid receptacle) (9 used) (packed 2 in a pkg.)
	M 322 T	(-)	Stud, fastener, long (for floating receptacle) (3 used) (packed 2 in a pkg.)
2	M 316 T	(-)	Pin, cross (12 used) (packed 2 in a pkg.)
3	16H 87 A	(-)	Rivet, 1/8" x 1/4" (24 used)
4	AM 635 T	(-)	Receptacle, rigid, with rivets (9 used)
	AM 636 T	(-)	Receptacle, floating, with rivets (3 used)
5	12H 304 A	(-)	Washer, lock, 3/8" (6 used)
6	19H 1944 A	(-)	Screw, cap, 3/8" x 2-3/4"
7	19H 1731 A	(-)	Screw, cap, 3/8" x 1" (3 used gasoline, 2 used all-fuel)
	19H 1139 A	(-)	Screw, cap, 3/8" x 1-1/8" (1 used all-fuel)
8	AM 638 T	(-)	Manifold, outlet (M1520T)
9	M 262 T	(-)	Gasket (2 used) (packed 2 in a pkg.)
10	AR 21840 R	(-)	Clamp (6 used) (sub. for AL20103T and AL20104T)
11	M 263 T	(-)	Hose
12	AM 1771 T	(-)	Radiator
13	AL 2275 T	(-)	Cap, radiator
14	14H 786 A	(-)	Nut, hex., 1/4" (4 used) (C, T)
	14H 786 A	(-69403)	Nut, hex., 1/4" (4 used) (S)
	14H 786 A	(69404-)	Nut, hex., 1/4" (2 used) (S)
	14H 786 A	(-63119)	Nut, hex., 1/4" (4 used) (U)
	14H 786 A	(63120-)	Nut, hex., 1/4" (2 used) (U)
	14H 786 A	(-)	Nut, hex., 1/4" (2 used) (H, V, W)
15	12H 302 A	(-)	Washer, lock, 1/4" (4 used)
16	19H 1791 A	(-)	Screw, cap, 1/4" (2 used)
17	M 1093 T	(-)	Screw, No. 10 x 5/8" (6 used)
18	19H 1900 A	(-)	Screw, cap, 5/16" x 3/4" (4 used)
19	12H 303 A	(-)	Washer, lock, 5/16" (4 used)
20	AM 298 T	(-)	Bracket, with cushion (2 used)
21	16H 173 A	(-)	Rivet, 5/32" x 5/16" (16 used)
22	AM 640 T	(-)	Cushion, with rivets (4 used)
23	M 1527 T	(-)	Bracket, front starting tank (all-fuel)
24	L 4576 T	(-)	Hose (2 used)
25	M 265 T	(-)	Tube
26	AM 2780 T	(-)	Cock, drain
27	M 264 T	(-)	Gasket
28	M 2946 T	(-)	Elbow (sub. for M63T and AM641T)
29	19H 1732 A	(-)	Screw, cap, 3/8" x 1-1/4" (2 used)

RADIATOR AND ASSOCIATED PARTS -- Continued

Key	Part No.	Serial No.	Description
30	AM 1766 T	(-)	Shroud, radiator
31	AM 2852 T	(-)	Support, upper radiator, with radiator mounting cushions and sheet metal receptacles (sub. for AM637T)
32	29H 97 A	(-)	Nipple, pipe, 1/4" x 3" (H, V)
33	15H 632 A	(-)	Coupling, pipe, 1/4" (H, V)
34	19H 1898 A	(-)	Screw, cap, 1/4" x 1-1/2" (2 used) (C, T)
	19H 1898 A	(-69403)	Screw, cap, 1/4" x 1-1/2" (2 used) (S)
	19H 1791 A	(69404-)	Screw, cap, 1/4" x 1-1/4" (2 used) (S)
	19H 1898 A	(-63119)	Screw, cap, 1/4" x 1-1/2" (2 used) (U)
	19H 1791 A	(63120-)	Screw, cap, 1/4" x 1-1/4" (2 used) (U)
19H 1791 A	(-)	(-)	Screw, cap, 1/4" x 1-1/4" (2 used) (H, V, W)

RADIATOR SHUTTER ASSEMBLY



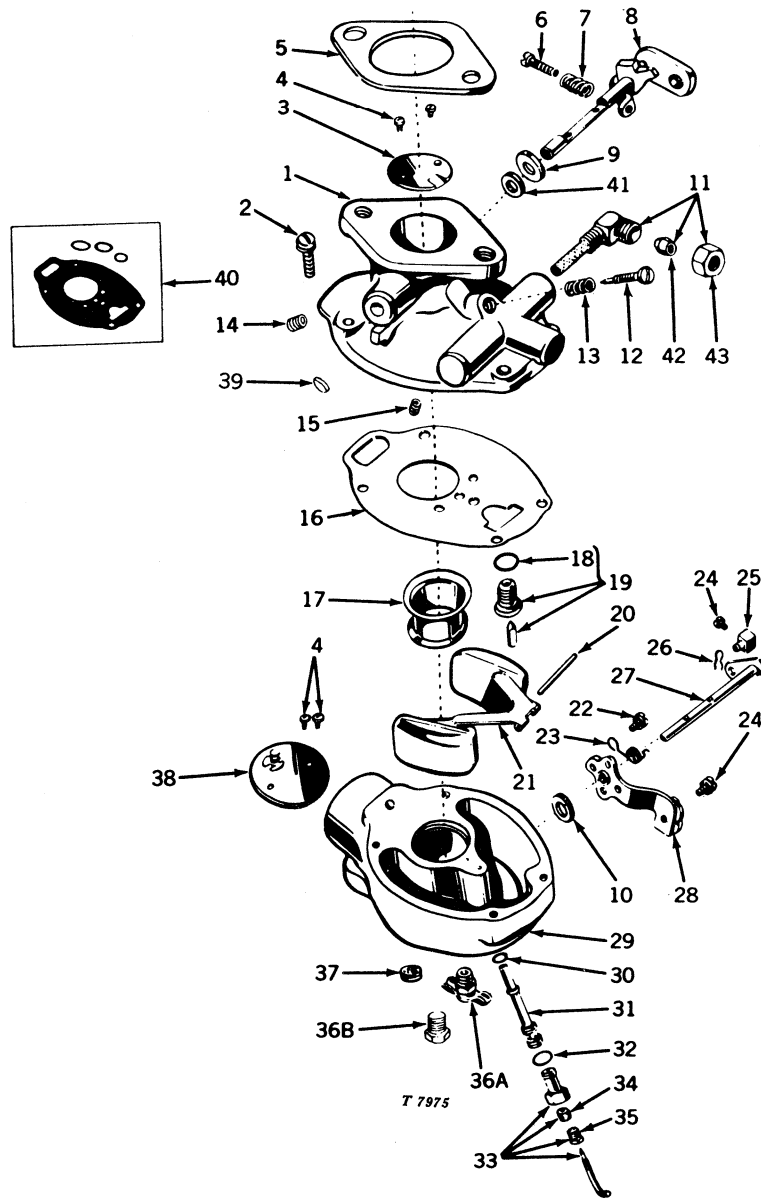
Key	Part No.	Serial No.	Description
1	AM 2057 T	(-)	Radiator shutter assembly
2	AM 2058 T	(-)	Control, radiator shutter
3	M 2279 T	(-)	Loom, shutter control
4	M 1093 T	(-)	Screw, No. 10 x 5/8" (6 used)
..	AM 2059 T	(-)	RADIATOR SHUTTER ATTACHMENT

Capital letters indicate an attachment. Attachments must be listed on separate order from replacement parts.

FUEL TANK, FUEL FILTER, AND ASSOCIATED PARTS -- Continued

Key	Part No.	Serial No.	Description
1	M 315 T	(-)	Stud, fastener, short (for rigid receptacles) (9 used) (packed 2 in a pkg.)
	M 322 T	(-)	Stud, fastener, long (for floating receptacle) (2 used) (packed 2 in a pkg.)
2	M 316 T	(-)	Pin, cross (12 used) (packed 2 in a pkg.)
3	16H 87 A	(-)	Rivet, 1/8" x 1/4" (24 used)
4	AM 635 T	(-)	Receptacle, floating, with rivets (9 used)
	AM 636 T	(-)	Receptacle, rigid, with rivets (3 used)
5	AM 3892 T	(-)	Cap (sub. for AM2307T)
6	19H 1813 A	(-)	Screw, cap, 5/16" x 5/8" (4 used)
7	12H 303 A	(-)	Washer, lock, 5/16" (4 used)
8	AT 10222 T	(-)	Tank, fuel (sub. for AM1811T and AM2359T)
9	67-523	(-)	Strainer and elbow assembly
10	AM 1817 T	(-)	Line, fuel, with sleeves
11	AL 2730 T	(-)	Elbow assembly
12	AM 3100 T	(-)	Fuel filter assembly (sub. for AM706T)
13	M 727 T	(-)	Body
14	AL 2117 T	(-)	Valve, shut-off
15	L 885 T	(-)	Screen
16	L 886 T	(-)	Gasket (packed 10 in a pkg.)
17	M 3340 T	(-)	Bowl (sub. for AL884T)
18	AL 2119 T	(-)	Nut, thumb
19	AL 2118 T	(-)	Clamp with stud
20	14H 785 A	(-)	Nut, hex., 5/16" (4 used)
21	M 411 T	(-61790)	Clip (C)
	M 411 T	(-62531)	Clip (S)
	M 411 T	(-65905)	Clip (T)
	R 10188 R	(61791-)	Clip (C) (sub. for 29-81)
	R 10188 R	(62532-)	Clip (S) (sub. for 29-81)
	R 10188 R	(65906-)	Clip (T) (sub. for 29-81)
	R 10188 R	(60001-)	Clip (H, V, W) (sub. for 29-81)
22	12H 302 A	(-61790)	Washer, lock, 1/4" (C)
	12H 302 A	(-62531)	Washer, lock, 1/4" (S)
	12H 302 A	(-65905)	Washer, lock, 1/4" (T)
23	L 1199 T	(-61790)	Screw, mach., special (C)
	L 1199 T	(-62531)	Screw, mach., special (S)
	L 1199 T	(-65905)	Screw, mach., special (T)
	M 2308 T	(61791-)	Screw, No. 8 x 1/2" (C)
	M 2308 T	(62532-)	Screw, No. 8 x 1/2" (S)
	M 2308 T	(65906-)	Screw, No. 8 x 1/2" (T)
	M 2308 T	(60001-)	Screw, No. 8 x 1/2" (H, V, W)
24	AM 3437 T	(-)	Bracket, front (sub. for AM1812T)
25	M 1916 T	(-)	Grommet
26	19H 1731 A	(-)	Screw, cap, 3/8" x 1" (2 used)
27	12H 304 A	(-)	Washer, lock, 3/8" (2 used)
28	L 588 T	(-)	Nut (2 used) (packed 5 in a pkg.)
29	M 377 T	(-)	Screw, self threading, 5/16" x 7/8" (4 used)
30	AM 1814 T	(-)	Bracket, left rear, with stud receptacle
31	AM 1815 T	(-)	Bracket, right rear, with stud receptacle
32	L 587 T	(-)	Ferrule (2 used)
33	T 16055 T	(-)	Gasket

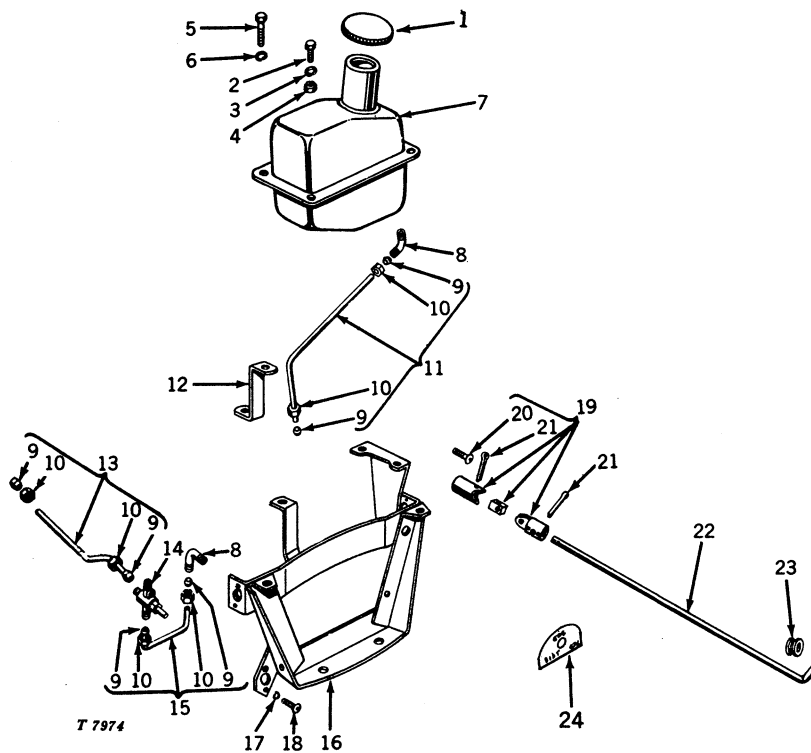
CARBURETOR



CARBURETOR -- Continued
Gasoline and All-fuel

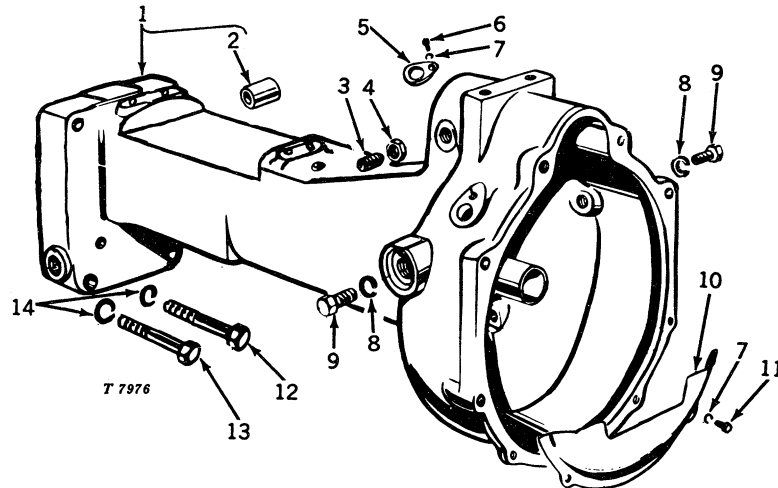
Key	Part No.	Serial No.	Description
1	227-1304	(-)	Body assembly, carburetor (gasoline)
	227-1323	(-)	Body assembly, carburetor (all-fuel)
2	15-A85	(-)	Screw, with lock washer, No. 12 x 3/4" (4 used)
3	14-213	(-)	Fly, throttle
4	15-483*†	(-)	Screw, with lock washer, No. 6 x 1/4" (4 used)
5	M 410 T	(-)	Gasket
6	21H 977 A	(-)	Screw, mach., No. 8 x 3/4"
7	R 10104 R	(-)	Spring (sub. for 24-262)
8	13-831*†	(-)	Shaft, throttle
9	55-261*†	(-)	Retainer (packed 2 in a pkg.)
10	44-38*†	(-)	Packing (packed 5 in a pkg.)
11	67-523	(-)	Elbow and strainer assembly, with ferrule and nut
12	44-33*†	(-)	Needle, idle adjusting
13	24-340*†	(-)	Spring
14	49-285*†	(-)	Jet, idle
15	49-219*	(-)	Jet, economizer (gasoline)
	49-218†	(-)	Jet, economizer (all-fuel)
16	16-A41	(-)	Gasket (packed 5 in a pkg.)
17	46-A11	(-)	Venturi
18	(-)	Gasket, float valve seat (order No. 16-654 gasket set)
19	233-543*†	(-)	Float valve, seat, and gasket assembly
20	R 10211 R*†	(-)	Shaft, float (sub. for 32-16)
21	30-739	(-)	Float and lever assembly (sub. for 30-631)
22	21H 996 A	(-)	Screw, mach., No. 8 x 5/16" (sub. for 15-A93 and AR10303R)
	12H 290 A	(-)	Washer, lock, No. 8
23	24-A3*†	(-)	Spring
24	21H 971 A	(-)	Screw, mach., No. 8 x 5/16" (3 used)
	12H 315 A	(-)	Washer, lock, No. 8
25	28-49	(-)	Swivel, choke
26	R 10185 R	(-)	Cotter, hair pin (sub. for 82-16)
27	26-666	(-)	Shaft, choke (includes keys 22, 25, and 26)
28	29-538	(-)	Bracket, choke (includes key 22)
29	10-2991	(-)	Bowl, carburetor
30	(-)	Gasket, main nozzle (order No. 16-654 gasket set)
31	47-391	(-)	Nozzle, main (gasoline)
	47-410	(-)	Nozzle, main (all-fuel)
32	(-)	Gasket, load needle seat (order No. 16-654 gasket set)
33	43-699	(-)	Needle, main adjusting, seat, packing, and packing retainer assembly (gasoline) (sub. for 43-622)
	43-669	(-)	Needle, main adjusting, seat, packing, and packing retainer assembly (all-fuel)
34	44-51	(-)	Packing
35	55-285	(-)	Retainer
36A	AR 10075 R	(-)	Cock, drain (all-fuel) (sub. for 87-3)
36B	R 10160 R	(-)	Plug, drain (gasoline) (sub. for 99-7)
37	95-78	(-)	Strainer, gasoline drain
38	27-540	(-)	Fly, choke
39	R 10134 R	(-)	Plug, cup (sub. for 55-358)
40	16-654*†	(-)	Gasket set for carburetor
41	44-68*†	(-)	Packing
42	L 587 T	(-)	Ferrule (2 used)
43	L 588 T	(-)	Nut (packed 5 in a pkg.)
..	AM 1794 T	(-)	Carburetor (gasoline)
	AM 2067 T	(-)	Carburetor (all-fuel)
..	286-1005	(-)	Kit, carburetor repair (gasoline) (includes all part nos. followed by an asterisk (*))
..	286-1047	(-)	Kit, carburetor repair (all-fuel) (includes all part nos. followed by a dagger (†))

ALL-FUEL ATTACHMENT



Key	Part No.	Serial No.	Description
1	AL 2275 T	(-)	Cap, fuel tank filler
2	19H 1813 A	(-)	Screw, cap, 5/16" x 5/8" (4 used)
3	12H 303 A	(-)	Washer, lock, 5/16" (4 used)
4	14H 785 A	(-)	Nut, hex., 5/16" (4 used)
5	19H 1139 A	(-)	Screw, cap, 3/8" x 1-1/8"
6	12H 304 A	(-)	Washer, lock, 3/8"
7	AM 1619 T	(-)	Starting tank assembly (sub. for AM1628T)
8	AL 2730 T	(-)	Elbow assembly (2 used)
9	L 587 T	(-)	Ferrule (6 used)
10	L 588 T	(-)	Nut (6 used) (packed 5 in a pkg.)
11	AM 2143 T	(-)	Line, fuel, with ferrules, three-way valve to starting tank assembly
12	M 1527 T	(-)	Bracket, front, starting tank
13	AM 2144 T	(-)	Line, fuel, with ferrules, carburetor to three-way valve
14	AM 1621 T	(-)	Valve, three-way, with ferrules, nuts, and yoke assembly (includes one key 19) (sub. for AM1629T)
15	AM 2142 T	(-)	Line, fuel, with ferrules, three-way valve to fuel filter assembly
16	AM 3438 T	(-)	Support, front, with receptacles (sub. for AM2090T)
17	12H 302 A	(-)	Washer, lock, 1/4" (2 used)
18	21H 1018 A	(-)	Screw, mach., 1/4" x 3/8" (2 used)
19	AM 1642 T	(-)	Yoke assembly
20	21H 1066 A	(-)	Screw, mach., No. 6 x 1/2"
21	11H 211 A	(-)	Pin, cotter, 1/8" x 3/4" (2 used)
22	M 2307 T	(-)	Rod, control
23	M 1536 T	(-)	Grommet
24	M 1541 T	(-)	Decalcomania, three-way valve

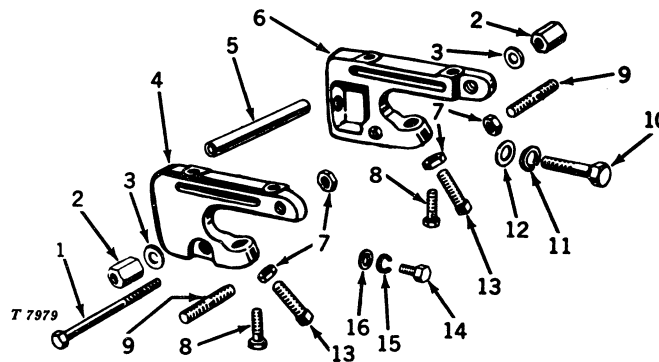
CENTER FRAME ASSEMBLY



Key	Part No.	Serial No.	Description
1	AT 10863 T	(-)	Frame, center (T11006T), with sleeve and bushing (sub. for AM1822T, AM3121T, M1782T, and M3349T)
2	M 3581 T	(-)	Bushing
3	L 4168 T	(-)	Screw, set, special, 5/8" x 1-1/2"
4	14H 821 A	(-)	Nut, hex. jam, 5/8"
5	L 689 T	(-)	Cover
6	21H 1144 A	(-)	Screw, mach., 1/4" x 1/2"
7	12H 302 A	(-)	Washer, lock, 1/4" (3 used)
8	12H 236 A	(-)	Washer, lock, 3/4" (2 used)
9	19H 1768 A	(-)	Screw, cap, 3/4" x 2" (2 used)
10	M 28 T	(-)	Cover
11	19H 1227 A	(-)	Screw, cap, 1/4" x 1/2" (2 used)
12	19H 2124 A	(-)	Screw, cap, 5/8" x 4-1/4", left (C)
	19H 2133 A	(-)	Screw, cap, 5/8" x 4-1/2", left (H, S, T, U, V, W)
13	19H 2124 A	(-)	Screw, cap, 5/8" x 4-1/4", right (C, H, S, T, U, V, W)
14	12H 294 A	(-)	Washer, lock, 5/8" (2 used)

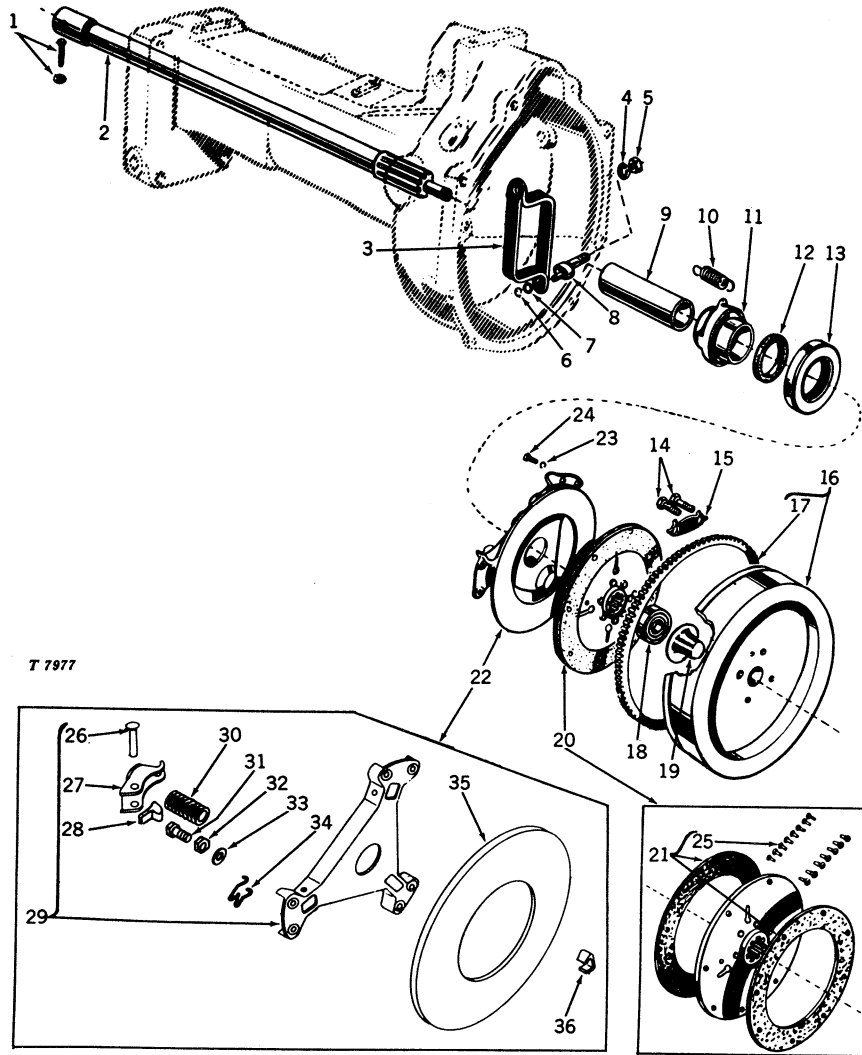
IMPLEMENT ATTACHING BRACKETS

Hi-Crop, Standard, Tricycle, Utility, Special, and Two-Row Utility



Key	Part No.	Serial No.	Description
1	8H 4226 A	(-)	Bolt, cge., 1/2" x 6-1/2"
2	AA 4963 R	(-)	Nut, special (2 used)
3	M 1554 T	(-)	Washer, special (2 used)
4	M 1397 T	(-)	Bracket, right, implement (sub. for AM1390T)
5	M 1399 T	(-)	Spacer (H, S, T, V, W)
	M 1399 T	(-62733)	Spacer (U)
6	M 1398 T	(-)	Bracket, left, implement (sub. for AM1391T)
7	14H 821 A	(-)	Nut, hex. jam, 5/8" (4 used)
8	19H 1899 A	(-)	Screw, cap, 7/16" x 2" (4 used)
9	M 1400 T	(-)	Stud (2 used)
10	19H 2133 A	(-)	Screw, cap, 5/8" x 4-1/2"
11	12H 294 A	(-)	Washer, lock, 5/8" (2 used)
12	24H 1375 A	(-)	Washer, plain, 11/16" x 1-1/8" x .060"
13	22H 255 A	(-)	Screw, set, 5/8" x 2-1/2" (2 used)
14	19H 1822 A	(-)	Screw, cap, 7/16" x 1"
15	12H 293 A	(-)	Washer, lock, 7/16"
16	24H 1325 A	(-)	Washer, plain, 15/32" x 59/64" x .060"

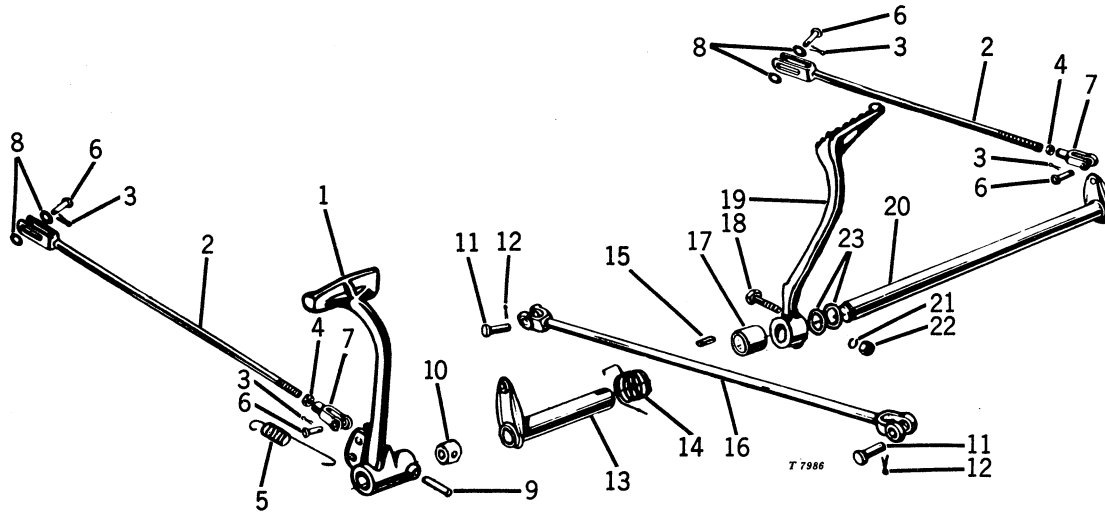
CLUTCH, PROPELLER SHAFT, AND FLYWHEEL



CLUTCH, PROPELLER SHAFT, AND FLYWHEEL -- Continued

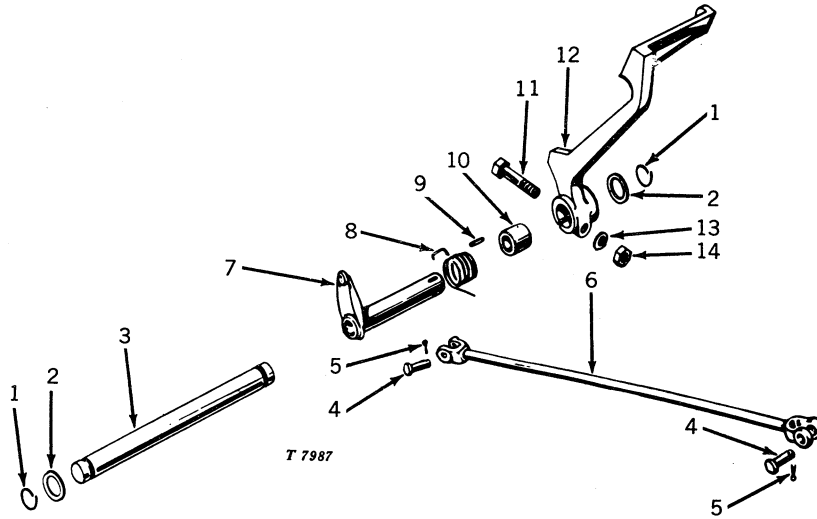
Key	Part No.	Serial No.	Description
1	AM 1513 T	(-)	Pin and washer
2	AM 2675 T	(-)	Propeller shaft assembly (sub. for AM1595T) (C, S, T, U, V, W)
	AM 2464 T	(-)	Propeller shaft assembly (H)
3	M 1842 T	(-)	Yoke, throw-out
4	12H 301 A	(-)	Washer, lock, 1/2"
5	14H 809 A	(-)	Nut, hex., 1/2"
6	M 331 T	(-)	Ring, snap (packed 2 in a pkg.)
7	L 853 T	(-)	Washer
8	AM 320 T	(-)	Cam
9	M 217 T	(-)	Sleeve (sub. for AM644T)
10	M 226 T	(-)	Spring
11	M 57 T	(-)	Carrier (sub. for AM645T)
12	M 225 T	(-)	Washer, felt
13	AL 2116 T	(-)	Bearing, throw-out
14	19H 1262 A	(-)	Screw, cap, 1/2" x 1-3/8" (4 used) (sub. for M464T)
15	M 23 T	(-)	Lock (packed 2 in a pkg.) (sub. for AM646T)
16	AM 1778 T	(-)	Flywheel (M1833T), with ring gear
17	M 21 T	(-)	Gear, ring (sub. for AM648T)
18	JD 8511 T	(-)	Bearing, ball, clutch pilot
19	M 1511 T	(-)	Retainer, grease
20	AM 3791 T	(-)	Disk, driven, with facings (C)
	AM 2575 T	(-)	Disk, driven, with facings (H, V, W)
	AM 3183 T	(-69178)	Disk, driven, with facings (sub. for AM649T) (S)
	AM 2575 T	(69179-)	Disk, driven, with facings (S)
	AM 3183 T	(-75417)	Disk, driven, with facings (sub. for AM649T) (T)
	AM 2575 T	(75418-)	Disk, driven, with facings (T)
	AM 3183 T	(-63057)	Disk, driven, with facings (sub. for AM649T) (U)
	AM 2575 T	(63058-)	Disk, driven, with facings (U)
21	AM 3184 T	(-)	Facings, with rivets (1 set used) (C)
	AM 2577 T	(-)	Sub. AM2575T (H, V, W)
	AM 3184 T	(-69178)	Facings, with rivets (1 set used) (sub. for AM651T) (S)
	AM 2577 T	(69179-)	Sub. AM2575T (S)
	AM 3184 T	(-75417)	Facings, with rivets (1 set used) (sub. for AM651T) (T)
	AM 2577 T	(75418-)	Sub. AM2575T (T)
	AM 3184 T	(-63057)	Facings, with rivets (1 set used) (sub. for AM651T) (U)
	AM 2577 T	(63058-)	Sub. AM2575T (U)
22	AM 227 T	(-)	Plate, pressure (sub. for AM650T) (C)
	AM 2576 T	(-)	Plate, pressure (H, V, W)
	AM 227 T	(-69178)	Plate, pressure (sub. for AM650T) (S)
	AM 2576 T	(69179-)	Plate, pressure (S)
	AM 227 T	(-75417)	Plate, pressure (sub. for AM650T) (T)
	AM 2576 T	(75418-)	Plate, pressure (T)
	AM 227 T	(-63057)	Plate, pressure (sub. for AM650T) (U)
	AM 2576 T	(63058-)	Plate, pressure (U)
23	12H 303 A	(-)	Washer, lock, 5/16" (6 used)
24	L 372 T	(-)	Screw, cap, special (6 used)
25	L 4043 T	(-)	Rivet (16 used) (packed 20 in a pkg.) (C)
	L 4043 T	(-69178)	Rivet (16 used) (packed 20 in a pkg.) (S)
	L 4043 T	(-75417)	Rivet (16 used) (packed 20 in a pkg.) (T)
	L 4043 T	(-63057)	Rivet (16 used) (packed 20 in a pkg.) (U)
26	T 11700 T	(-)	Pin, pivot (3 used) (packed 3 in a pkg.)
27	T 11701 T	(-)	Lever, clutch (3 used) (packed 3 in a pkg.)
28	T 11702 T	(-)	Spring, cushion (3 used) (packed 3 in a pkg.) (C)
	T 11702 T	(-69178)	Spring, cushion (3 used) (packed 3 in a pkg.) (S)
	T 11702 T	(-75417)	Spring, cushion (3 used) (packed 3 in a pkg.) (T)
	T 11702 T	(-63057)	Spring, cushion (3 used) (packed 3 in a pkg.) (U)
29	AT 11353 T	(-)	Bracket and lever service kit (C)
	AT 11354 T	(-)	Bracket and lever service kit (H, V, W)
	AT 11353 T	(-69178)	Bracket and lever service kit (S)
	AT 11354 T	(69179-)	Bracket and lever service kit (S)
	AT 11353 T	(-75417)	Bracket and lever service kit (T)
	AT 11354 T	(75418-)	Bracket and lever service kit (T)
	AT 11353 T	(-63057)	Bracket and lever service kit (U)
	AT 11354 T	(63058-)	Bracket and lever service kit (U)
30	T 11694 T	(-)	Spring, pressure (3 used) (packed 3 in a pkg.)
31	T 11695 T	(-)	Screw, adjusting cap (3 used)
32	14H 463 A	(-)	Nut, hex. jam, 5/16" (3 used)
33	T 11697 T	(-)	Washer, adjusting screw (3 used)
34	T 11696 T	(-)	Spring, pressure plate return (3 used) (packed 3 in a pkg.)
35	T 11698 T	(-)	Plate, pressure
36	T 11699 T	(-)	Clip, clutch, installation tool (3 used) (use to install replacement parts listed under key 22) (packed 3 in a pkg.)

CLUTCH AND BRAKE PEDAL ASSEMBLY
Crawler



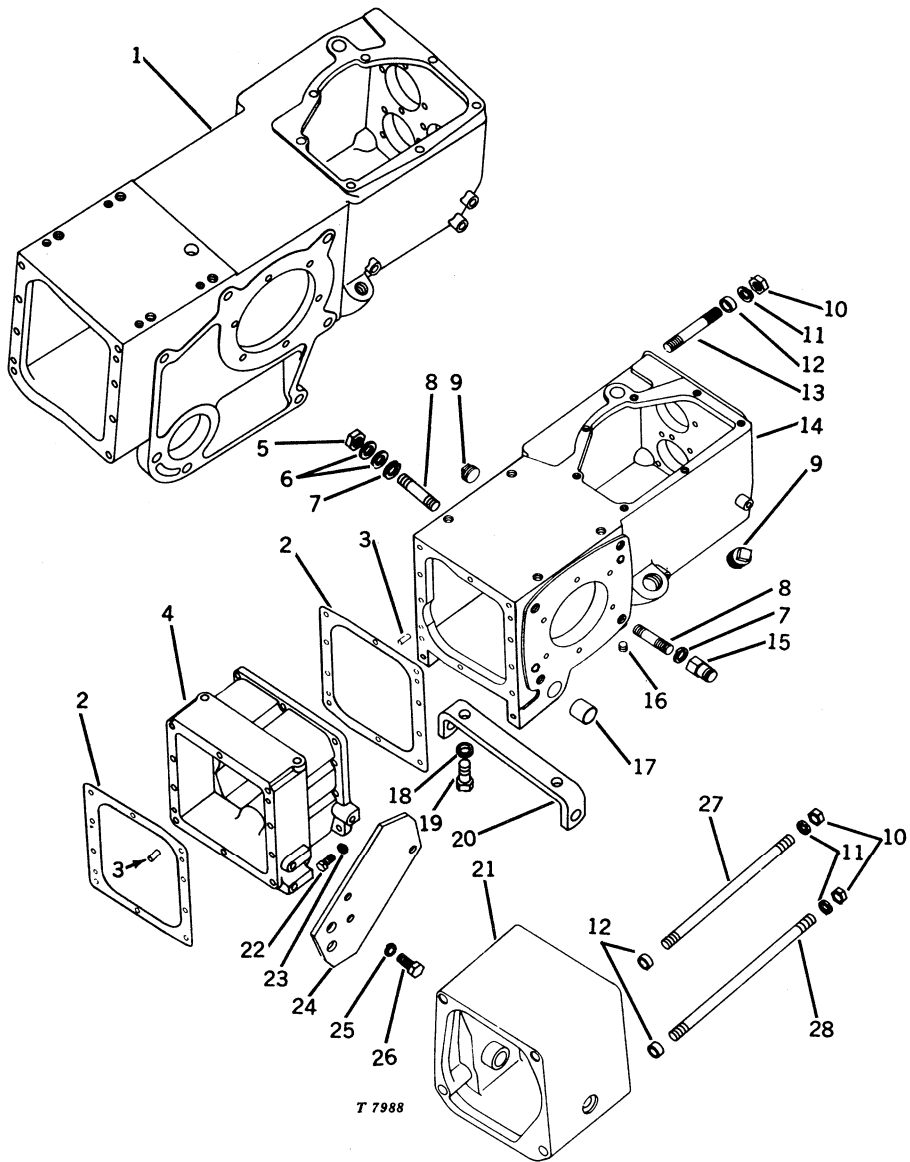
Key	Part No.	Serial No.	Description
1	M 1759 T	(-)	Pedal, brake
2	AM 859 T	(-)	Rod, brake (2 used)
3	11H 233 A	(-)	Pin, cotter, 3/32" x 1/2" (4 used)
4	14H 463 A	(-)	Nut, hex., 5/16" (2 used)
5	L 4223 T	(-)	Spring, return
6	L 307 T	(-)	Pin (4 used)
7	L 299 T	(-)	Yoke, adjustable (2 used)
8	L 1198 T	(-)	Washer (4 used)
9	25H 125 A	(-)	Pin, groov-, 5/16" x 1-3/4"
10	M 3581 T	(-)	Bushing
11	L 364 T	(-)	Pin (2 used)
12	11H 206 A	(-)	Pin, cotter, 3/32" x 3/4" (2 used)
13	AM 322 T	(-)	Shaft, clutch control (sub. for AM686T)
14	M 335 T	(-)	Spring, return
15	M 788 T	(-)	Key, Woodruff, special
16	AM 321 T	(-)	Rod, clutch control
17	M 219 T	(-)	Bushing
18	19H 1801 A	(-)	Screw, cap, 3/8" x 2"
19	M 862 T	(-)	Pedal, clutch (sub. for AM949T)
20	AM 1882 T	(-)	Shaft, brake pedal
21	12H 304 A	(-)	Washer, lock, 3/8"
22	14H 812 A	(-)	Nut, hex., 3/8"
23	L 308 T	(-)	Washer (2 used)

CLUTCH PEDAL ASSEMBLY
Hi-Crop, Standard, Tricycle, Utility, Special, and Two-Row Utility



Key	Part No.	Serial No.	Description
1	L 357 T	(-)	Ring, snap (2 used)
2	L 308 T	(-)	Washer (2 used)
3	M 1945 T	(-)	Shaft, clutch pedal
4	L 364 T	(-)	Pin (2 used)
5	11H 206 A	(-)	Pin, cotter, 3/32" x 3/4" (2 used)
6	AM 321 T	(-)	Rod
7	AM 322 T	(-)	Shaft, clutch control (sub. for AM686T)
8	M 335 T	(-)	Spring, return
9	M 788 T	(-)	Key, special
10	M 219 T	(-)	Bushing
11	19H 1801 A	(-)	Screw, cap, 3/8" x 2"
12	M 1764 T	(-)	Pedal, clutch (S, U, W)
	M 2702 T	(-)	Pedal, clutch (H)
	M 1693 T	(-)	Pedal, clutch (T, V)
13	12H 304 A	(-)	Washer, lock, 3/8"
14	14H 812 A	(-)	Nut, hex., 3/8"

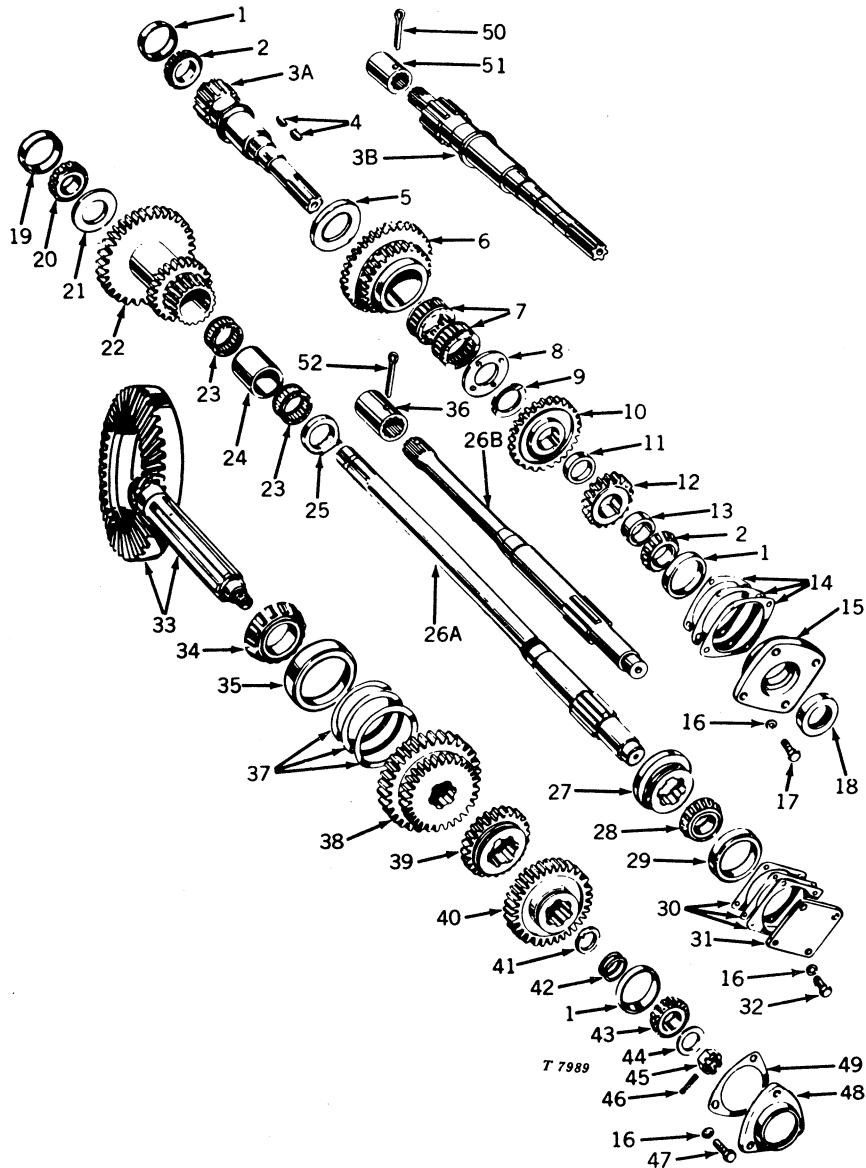
TRANSMISSION HOUSING AND ASSOCIATED PARTS



TRANSMISSION HOUSING AND ASSOCIATED PARTS -- Continued

Key	Part No.	Serial No.	Description
1	AM 1852 T	(-)	Case, transmission (M2030T) (T)
2	T 12840 T	(-)	Gasket (C, H, S, T, U) (sub. for M174T) (packed 3 in a pkg.)
	T 12840 T	(-)	Gasket (2 used) (V, W) (sub. for M174T) (packed 3 in a pkg.)
3	L 4126 T	(-)	Pin, dowel (2 used) (C, H, S, T, U)
	L 4126 T	(-)	Pin, dowel (4 used) (V, W)
4	M 2775 T	(-)	Extension (V, W)
5	14H 760 A	(-)	Nut, hex., 5/8" (8 used) (C)
	14H 760 A	(-)	Nut, hex., 5/8" (6 used) (H, S, U, V, W)
6	24H 1368 A	(70595-)	Washer, plain, 21/32" x 1-5/16" x .090" (2 on each transmission left rear studs) (4 used) (S)
	24H 1368 A	(64250-)	Washer, plain, 21/32" x 1-5/16" x .090" (2 on each transmission left rear studs) (4 used) (U)
7	12H 294 A	(-)	Washer, lock, 5/8" (8 used) (C, H, V, W)
8	M 3210 T	(-)	Stud (8 used) (C, V, W) (sub. for M113T)
	M 3210 T	(-64249)	Stud (8 used) (sub. for M113T) (U)
	M 3210 T	(64250-)	Stud (6 used) (sub. for M113T) (U)
	M 4272 T	(-)	Stud (8 used) (sub. for M2703T) (H)
	M 3211 T	(64250-)	Stud, left rear (2 used) (sub. for M2277T) (U)
	M 3210 T	(-70594)	Stud, front (4 used) (sub. for M113T) (S)
	M 3210 T	(70595-)	Stud, front and right rear (6 used) (sub. for M113T) (S)
	M 3211 T	(-70594)	Stud, rear (4 used) (sub. for M2277T) (S)
	M 3211 T	(70595-)	Stud, left rear (2 used) (sub. for M2277T) (S)
9	15H 585 A	(-)	Plug, pipe, sq. hd., 3/4" (2 used)
10	14H 760 A	(-)	Nut, hex., 5/8" (2 used) (C, S, T, U, V, W)
	14H 760 A	(-)	Nut, hex., 5/8" (4 used) (H)
11	12H 294 A	(-)	Washer, lock, 5/8" (2 used) (C, S, T, U, V, W)
	12H 294 A	(-)	Washer, lock, 5/8" (4 used) (H)
12	M 14 T	(-)	Dowel, hollow (2 used) (C, S, T, U, V, W)
	M 14 T	(-)	Dowel, hollow (4 used) (H)
13	M 3209 T	(-)	Stud (2 used) (sub. for M114T) (C, S, T, U, V, W)
14	M 4005 T	(-)	Case, transmission (sub. for M2341T, M2698T, M2980T, M3432T, M3841T and AM1889T) (C, H, S, U, V, W)
15	M 2704 T	(-)	Shaft, brake lock (2 used) (H)
	M 2153 T	(-)	Shaft, brake lock (2 used) (S, U, V, W)
16	15H 275 A	(-)	Plug, pipe, hex. ctsk., 1/4" (C, S, U, V, W)
17	M 2038 T	(-)	Bushing (2 used) (H, S, U, V, W)
18	12H 294 A	(70595-)	Washer, lock, 5/8" (2 used) (S)
19	19H 1756 A	(70595-)	Screw, cap, 5/8" x 1-1/2" (2 used) (S)
20	M 2978 T	(70595-)	Bracket, sway brace (S)
21	M 2697 T	(-)	Spacer, frame (H)
22	19H 1139 A	(-)	Screw, cap, 3/8" x 1-1/8" (10 used) (V, W)
23	12H 304 A	(-)	Washer, lock, 3/8" (10 used) (V, W)
24	M 2803 T	(-)	Bracket, sway brace (2 used) (V)
25	12H 293 A	(-)	Washer, lock, 7/16" (6 used) (V)
26	19H 1773 A	(-)	Screw, cap, 7/16" x 1-1/8" (6 used) (V)
27	M 2699 T	(-)	Stud, upper, 5/8" x 11-5/8" (2 used) (H)
28	M 2700 T	(-)	Stud, lower, 5/8" x 12-7/8" (2 used) (H)

TRANSMISSION GEARS AND SHAFTS

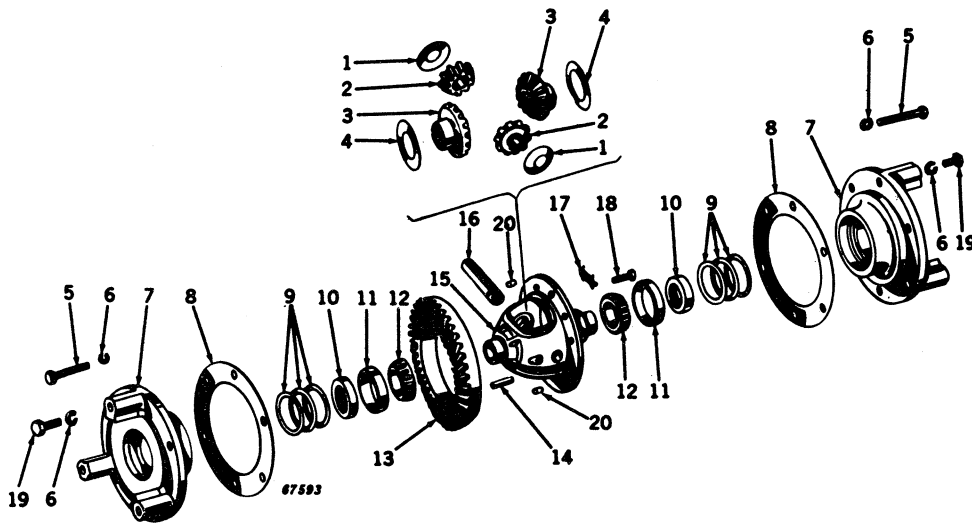


Key	Part No.	Serial No.	Description
1	JD 7432 R	(-)	Cup, bearing (3 used)
2	JD 8117 T	(-)	Cone, bearing (2 used)
3A	M 1686 T	(-62263)	Shaft, input (C)
	M 1686 T	(-)	Shaft, input (H, S, T, V)
3B	M 2342 T	(62264-)	Shaft, input (C)
	M 2342 T	(-)	Shaft, input (U, W)
4	26H 82 A	(-)	Key, Woodruff, 1/4" x 7/8" (2 used)
5	T 11999 T	(-)	Washer, rear (sub. for M140T and T10247T)
6	M 1752 T	(-)	Gear, first speed cluster (23 and 37 teeth) (C)
	M 4268 T	(-)	Gear, first speed cluster (27 and 37 teeth) (sub. for M1688T) (H, S, T, U, V, W)
7	JD 7938 T	(-)	Bearing (2 used)
8	M 571 T	(-)	Washer, front
9	M 555 T	(-)	Washer, spring
10	M 1450 T	(-)	Gear, fourth speed (23 teeth) (sub. for AM1457T) (C)
	M 143 T	(-)	Gear, fourth speed (27 teeth) (sub. for AM654T) (H, S, T, U, V, W)
11	M 144 T	(-)	Spacer
12	M 1689 T	(-)	Gear, third speed (16 teeth)
13	M 146 T	(-)	Spacer
14	M 147 T	(-)	Shim, .002" (use quantity required) (packed 6 in a pkg.)
	M 148 T	(-)	Shim, .005" (use quantity required) (packed 6 in a pkg.)
	M 149 T	(-)	Shim, .010" (use quantity required) (packed 6 in a pkg.)

TRANSMISSION GEARS AND SHAFTS -- Continued

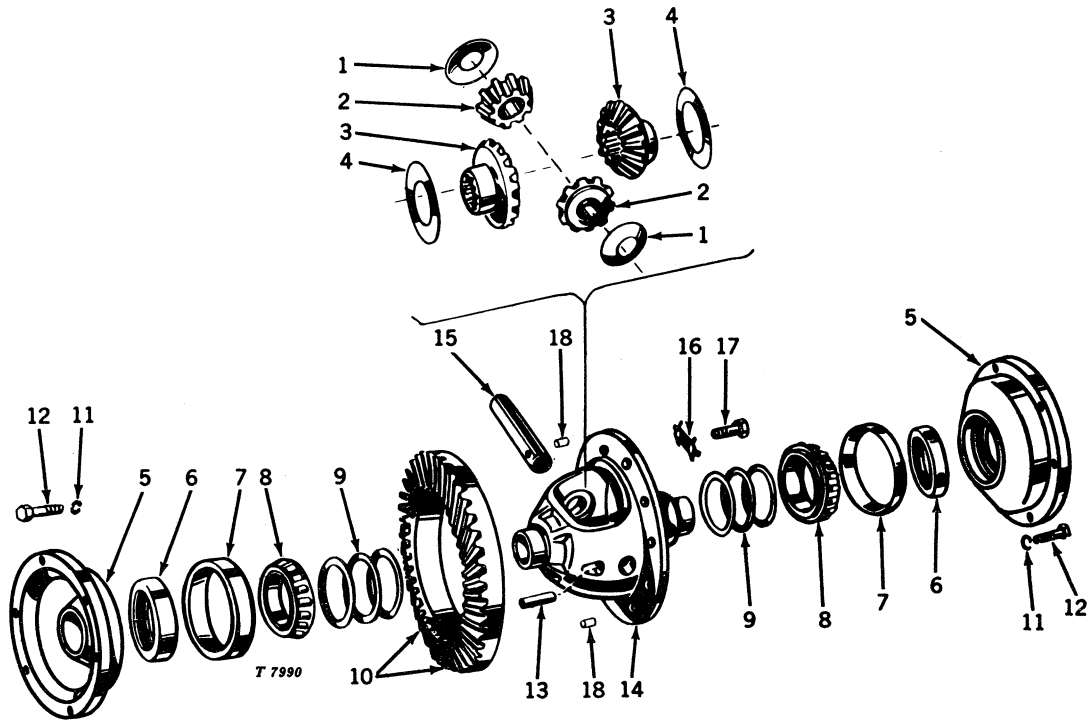
Key	Part No.	Serial No.	Description
15	M 47 T	(-)	Quill (sub. for AM656T)
16	12H 304 A	(-)	Washer, lock, 3/8" (11 used)
17	19H 1732 A	(-)	Screw, cap, 3/8" x 1-1/4" (4 used)
18	AL 2122 T	(-)	Seal, oil
19	JD 7262 R	(-)	Cup, bearing
20	JD 7207 R	(-)	Cone, bearing
21	T 11400 T	(-)	Washer, spacer (sub. for M135T)
22	AT 16550 T	(-)	Gear, cluster (19, 26, 43 teeth) (sub. for M1687T, M3591T, M4205T, and AT10746T)
23	JD 7939 T	(-)	Bearing (2 used)
24	M 132 T	(-)	Spacer (sub. for AM658T)
25	M 1926 T	(-)	Washer, front
26A	M 130 T	(-62263)	Shaft, power (sub. for AM659T) (C)
	M 130 T	(-)	Shaft, power (S)
	M 867 T	(-)	Shaft, power (sub. for AM948T) (T)
26B	M 2349 T	(62264-)	Shaft, power (C)
	M 2349 T	(-)	Shaft, power (U)
	M 2857 T	(-)	Shaft, power (W)
	M 2777 T	(-)	Shaft, power (V)
	M 2663 T	(-)	Shaft, power (H)
27	M 3590 T	(-)	Coupling (sub. for M1924T)
28	JD 8124 T	(-)	Cone, bearing
29	JD 7443 T	(-)	Cup, bearing
30	M 136 T	(-)	Shim, .002" (use quantity required) (packed 10 in a pkg.)
	M 137 T	(-)	Shim, .005" (use quantity required) (packed 10 in a pkg.)
	M 138 T	(-)	Shim, .010" (use quantity required) (packed 5 in a pkg.)
31	M 234 T	(-)	Cover
32	19H 1731 A	(-)	Screw, cap, 3/8" x 1" (4 used)
33	AT 16611 T	(-)	Shaft, output pinion (T18453T) (7 teeth) gear, ring, differential (T18451T) (32 teeth) matched set (sub. for M150T, M1631T, M4104T, M4395T, AM1720T and AM3991T) (C, H, S, T, U, V)
	AM 2615 T	(-)	Shaft, output pinion (M2774T) (8 teeth); gear, ring, differential (M2776T) (41 teeth) (matched set) (W)
34	JD 8123 T	(-)	Cone, bearing
35	JD 7442 T	(-)	Cup, bearing
36	M 2350 T	(62264-)	Coupling, power shaft (C)
	M 2350 T	(-)	Coupling, power shaft (U)
37	M 116 T	(-)	Shim, .002" (use quantity required) (packed 6 in a pkg.)
	M 117 T	(-)	Shim, .005" (use quantity required) (packed 6 in a pkg.)
	M 118 T	(-)	Shim, .010" (use quantity required) (packed 9 in a pkg.)
38	M 1685 T	(-)	Gear, second and reverse speed sliding (31 and 38 teeth)
39	M 1451 T	(-)	Gear, first and fourth speed sliding (28 teeth) (sub. for AM1458T) (C)
	M 152 T	(-)	Gear, first and fourth speed sliding (24 teeth) (sub. for AM662T) (H, S, T, U, V, W)
40	M 1690 T	(-)	Gear, third speed sliding (35 teeth)
41	M 154 T	(-)	Washer, spacer
42	M 155 T	(-)	Shim, .002" (use quantity required) (packed 6 in a pkg.)
	M 156 T	(-)	Shim, .005" (use quantity required) (packed 9 in a pkg.)
	M 157 T	(-)	Shim, .010" (use quantity required) (packed 15 in a pkg.)
43	JD 8110 R	(-)	Cone, bearing
44	L 273 T	(-)	Washer
45	14H 534 A	(-)	Nut, hex., slotted, 3/4"
46	11H 237 A	(-)	Pin, cotter, 1/8" x 2"
47	19H 1936 A	(-)	Screw, cap, 3/8" x 3/4" (3 used)
48	M 160 T	(-)	Cover
49	M 159 T	(-)	Gasket
50	11H 222 A	(62264-)	Pin, cotter, 3/16" x 2" (C)
	11H 222 A	(-)	Pin, cotter, 3/16" x 2" (U, W)
51	M 2343 T	(62264-)	Coupling, input shaft (C)
	M 2343 T	(-)	Coupling, input shaft (U, W)
52	11H 250 A	(62264-)	Pin, cotter, 1/4" x 2-1/2" (C)
	11H 250 A	(-)	Pin, cotter, 1/4" x 2-1/2" (U, W)

DIFFERENTIAL ASSEMBLY
Hi-Crop, Standard, Utility, Special, and Two-Row Utility



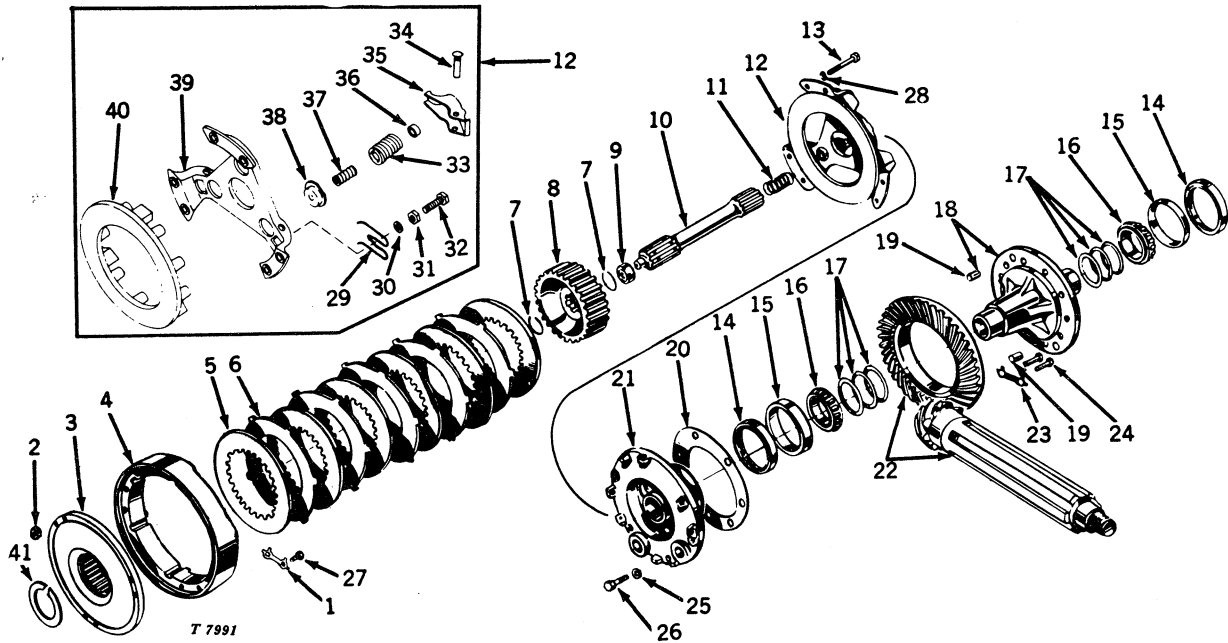
Key	Part No.	Serial No.	Description
1	M 164 T	(-)	Washer, pinion thrust (2 used)
2	M 163 T	(-)	Pinion (2 used) (sub. for AM664T)
3	M 1682 T	(-)	Gear (2 used)
4	M 1948 T	(-)	Washer, gear thrust (2 used)
5	19H 1944 A	(-)	Screw, cap, 3/8" x 2-3/4" (6 used)
6	12H 304 A	(-)	Washer, lock, 3/8" (6 used)
7	M 1791 T	(-)	Quill (2 used)
8	M 2165 T	(-)	Gasket
9	M 808 T	(-)	Shim, .002" (approx. 4 used) (packed 4 in a pkg.)
	M 809 T	(-)	Shim, .005" (approx. 6 used) (packed 6 in a pkg.)
	M 810 T	(-)	Shim, .010" (approx. 12 used) (packed 12 in a pkg.)
10	AM 253 T	(-)	Seal, oil (2 used)
11	JD 8205 T	(-)	Cup, bearing (2 used)
12	JD 8144 T	(-)	Cone, bearing (2 used)
13	AT 16611 T	(-)	Shaft, pinion (T18453T) (7 teeth); gear ring (T18451T) (32 teeth) (H, S, U, W -- regular transmission; V -- optional transmission) (matched set) (sub. for AM1720T, AM3991T, M150T, M1631T, M4104T, and M4395T)
	AM 2615 T	(-)	Shaft, pinion (M2774T) (8 teeth); gear, ring (M2776T) (41 teeth) (V-- regular transmission) (matched set)
14	25H 100 A	(-)	Pin, groov-, 1/4" x 2"
15	AT 10444 T	(-)	Cage, differential, with attaching cap screws, cap screw locks and dowels (sub. for M1681T and AM3795T)
16	M 165 T	(-)	Shaft, pinion
17	M 254 T	(-)	Lock, cap screw (6 used) (sub. for AM668T) (packed 6 in a pkg.)
18	L 495 T	(-)	Screw, cap, special, 3/8" x 1" (10 used) (packed 5 in a pkg.)
	M 4062 T	(-)	Screw, cap, special, 3/8" x 1-1/8" (10 used) (used when AM3795T or AT10444T differential cage has been installed)
19	19H 1139 A	(-)	Screw, cap, 3/8" x 1-1/8" (6 used)
20	M 4339 T	(-)	Dowel (2 used)

DIFFERENTIAL ASSEMBLY
Tricycle



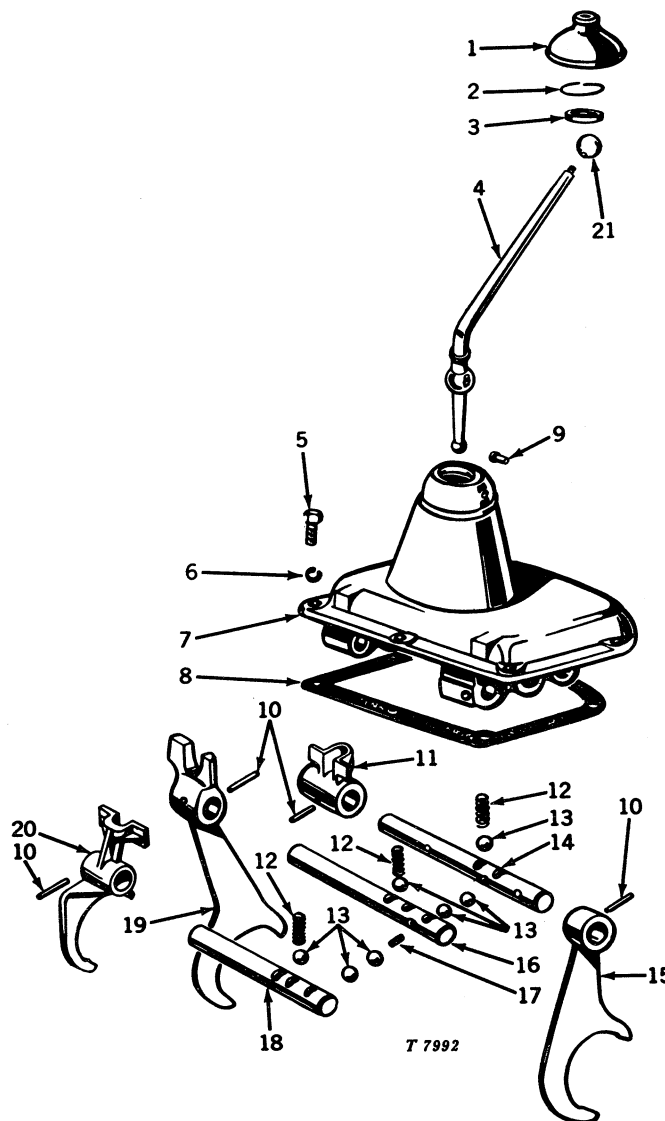
Key	Part No.	Serial No.	Description
1	M 164 T	(-)	Washer, pinion thrust (2 used)
2	M 163 T	(-)	Pinion (2 used) (sub. for AM664T)
3	M 1682 T	(-)	Gear (2 used)
4	M 1948 T	(-)	Washer, gear thrust (2 used)
5	M 1711 T	(-)	Quill (2 used)
6	AM 253 T	(-)	Seal, oil (2 used)
7	JD 8205 T	(-)	Cup, bearing (2 used)
8	JD 8144 T	(-)	Cone, bearing (2 used)
9	M 808 T	(-)	Shim, .002" (approx. 4 used) (packed 4 in a pkg.)
	M 809 T	(-)	Shim, .005" (approx. 6 used) (packed 6 in a pkg.)
	M 810 T	(-)	Shim, .010" (approx. 12 used) (packed 12 in a pkg.)
10	AT 16611 T	(-)	Shaft, pinion (T18453T) (matched set) (7 teeth); gear, ring, (T18451T) (matched set) (32 teeth) (sub. for AM1720T, M150T, M1631T, M4104T, M4395T, and AM3991T)
11	12H 304 A	(-)	Washer, lock, 3/8" (12 used)
12	19H 1139 A	(-)	Screw, cap, 3/8" x 1-1/8" (12 used)
13	25H 100 A	(-)	Pin, groov-, 1/4" x 2"
14	AT 10444 T	(-)	Cage, differential, with attaching cap screws, cap screw locks, and dowels (sub. for M1681T and AM3795T)
15	M 165 T	(-)	Shaft, pinion
16	M 254 T	(-)	Lock, double (6 used) (sub. for AM668T) (packed 6 in a pkg.)
17	L 495 T	(-)	Screw, cap, special, 3/8" x 1" (10 used) (packed 5 in a pkg.)
	M 4062 T	(-)	Screw, cap, special, 3/8" x 1-1/8" (10 used) (use when AM3795T has been installed)
18	M 4339 T	(-)	Dowel (2 used)

STEERING CLUTCH AND RING GEAR ASSEMBLY
Crawler



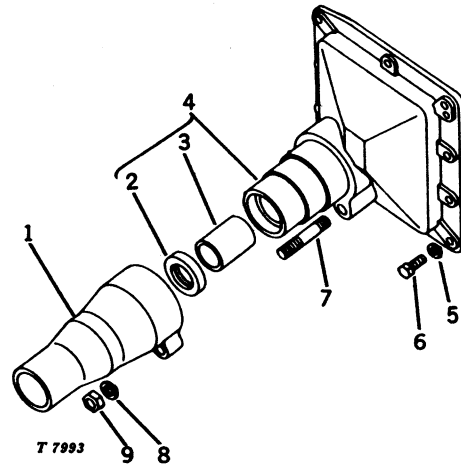
Key	Part No.	Serial No.	Description
1	M 254 T	(-)	Lock (2 used) (sub. for AM668T) (packed 6 in a pkg.)
2	14H 785 A	(-)	Nut, hex., 5/16" (6 used)
3	M 1468 T	(-62263)	Disk, driven (sub. for AM1480T)
	M 2376 T	(62264-)	Disk, driven
4	M 870 T	(-)	Drum, brake (sub. for AM982T)
5	M 871 T	(-)	Facing (6 used) (sub. for AM983T)
6	M 872 T	(-)	Plate, driving (5 used) (sub. for AM984T)
7	M 1619 T	(-)	Ring, snap (2 used) (packed 2 in a pkg.)
8	M 2378 T	(-)	Hub (sub. for M1618T)
9	JD 8567 T	(-)	Bearing, ball, pilot (sub. for JD7137T)
10	M 1635 T	(-)	Shaft, drive
11	M 815 T	(-)	Spring, equalizer
12	AT 11853 T	(-)	Plate, pressure (sub. for AM1930T)
13	19H 1913 A	(-)	Screw, cap, 5/16" x 2-1/4" (6 used)
14	AM 1717 T	(-)	Seal, oil (2 used)
15	JD 8217 T	(-)	Cup, bearing (2 used)
16	JD 8171 T	(-)	Cone, bearing (2 used)
17	M 1632 T	(-)	Shim, .002" (use quantity required) (packed 10 in a pkg.)
	M 1633 T	(-)	Shim, .005" (use quantity required) (packed 10 in a pkg.)
	M 1634 T	(-)	Shim, .010" (use quantity required) (packed 10 in a pkg.)
18	AM 3796 T	(-)	Hub, with dowels and attaching cap screws (sub. for AM1714T)
19	M 4339 T	(-)	Dowel (2 used) (sub. for M1470T)
20	M 811 T	(-)	Gasket (2 used) (packed 3 in a pkg.)
21	AM 1721 T	(-)	Quill (2 used) (M1615T)
22	AT 16611 T	(-)	Shaft, output pinion (T18453T) (7 teeth) gear, ring, differential (T18451T) matched set (32 teeth) (sub. for M4104T, M4395T, AM1720T and AM3991T)
23	M 254 T	(-62263)	Lock (6 used) (sub. for AM668T) (packed 6 in a pkg.)
24	L 495 T	(-62263)	Screw, cap, special, 3/8" x 1" (10 used) (packed 5 in a pkg.)
	M 4062 T	(62264-)	Screw, cap, special, 3/8" x 1-1/8" (10 used) (used when AM3796T has been installed)
25	12H 304 A	(-)	Washer, lock, 3/8" (12 used)
26	19H 1139 A	(-)	Screw, cap, 3/8" x 1-1/8" (12 used)
27	19H 1938 A	(-62263)	Screw, cap, 3/8" x 13/16" (4 used)
28	12H 303 A	(-)	Washer, lock, 5/16" (6 used)
29	T 11696 T	(-)	Spring, pressure plate return (3 used)
30	T 11697 T	(-)	Washer, adjusting screw (3 used)
31	14H 463 A	(-)	Nut, hex., 5/16" (3 used)
32	T 13734 T	(-)	Screw, adjusting (3 used)
33	T 14503 T	(-)	Spring, pressure (3 used) (packed 3 in a pkg.)
34	T 11700 T	(-)	Pin, pivot (3 used) (packed 3 in a pkg.)
35	T 18542 T	(-)	Lever, clutch (3 used) (packed 3 in a pkg.) (sub. for T14505T)
36	T 14501 T	(-)	Retainer, auxiliary spring (3 used) (packed 3 in a pkg.)
37	T 14502 T	(-)	Spring, auxiliary pressure (3 used) (packed 3 in a pkg.)
38	T 14504 T	(-)	Cup, spring (3 used) (packed 3 in a pkg.)
39	T 14507 T	(-)	Bracket, clutch
40	T 14506 T	(-)	Plate, pressure
41	M 2377 T	(62264-)	Ring, snap (2 used)

TRANSMISSION TOP COVER AND SHIFTING PARTS



Key	Part No.	Serial No.	Description
1	AL 4022 T	(-)	Boot
2	L 4035 T	(-)	Ring, snap
3	L 4027 T	(-)	Bearing
4	M 2751 T	(-)	Lever, shift (sub. for M1943T)
5	19H 1731 A	(-)	Screw, cap, 3/8" x 1" (7 used)
6	12H 304 A	(-)	Washer, lock, 3/8" (7 used)
7	M 1788 T	(-)	Cover
8	M 186 T	(-)	Gasket (packed 5 in a pkg.)
9	M 1970 T	(-)	Pin, lock
10	25H 903 A	(-)	Pin, groov-, 7/32" x 1-1/8" (4 used)
11	M 178 T	(-)	Shifter, third speed (sub. for AM698T)
12	L 468 T	(-)	Spring (3 used)
13	M 405 R	(-)	Ball (7 used) (sub. for L467T)
14	M 176 T	(-)	Shaft, third speed shift
15	M 3965 T	(-)	Fork, third speed shift (sub. for M177T and AM699T)
16	M 179 T	(-)	Shaft, first and fourth speed shift
17	M 180 T	(-)	Pin, inter-lock
18	M 1931 T	(-)	Shaft, second speed and reverse shift
19	M 3966 T	(-)	Fork, first and fourth speed shift (sub. for M181T and AM700T)
20	T 16267 T	(-)	Fork, second speed and reverse shift (sub. for M1684T and M3967T)
21	M 526 T	(66485-)	Knob (C)
	M 526 T	(60001-)	Knob (H, V, W)
	M 526 T	(68866-)	Knob (S)
	M 526 T	(75142-)	Knob (T)
	M 526 T	(62698-)	Knob (U)

TRANSMISSION REAR COVER
Crawler (Serial No. 60001-62263)

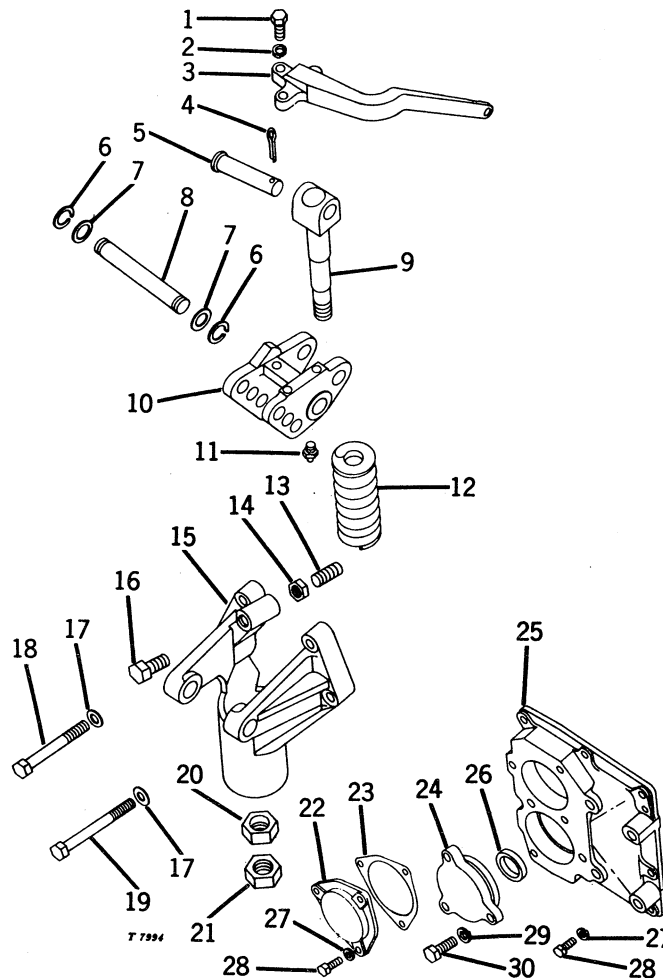


Key	Part No.	Serial No.	Description
1	M 1800 T	(-62263)	Guard
2	AM 253 T	(-62263)	Seal, oil
3	M 170 T	(-62263)	Bearing
4	AM 1887 T	(-62263)	Cover, rear (M1843T), with bearing, oil seal, and stud
5	12H 304 A	(-62263)	Washer, lock, 3/8" (10 used)
6	19H 1731 A	(-62263)	Screw, cap, 3/8" x 1" (10 used)
7	M 2017 T	(-62263)	Stud
8	12H 301 A	(-62263)	Washer, lock, 1/2"
9	14H 809 A	(-62263)	Nut, hex., 1/2"

TRANSMISSION REAR COVER AND ANCHOR YOKE ASSEMBLY

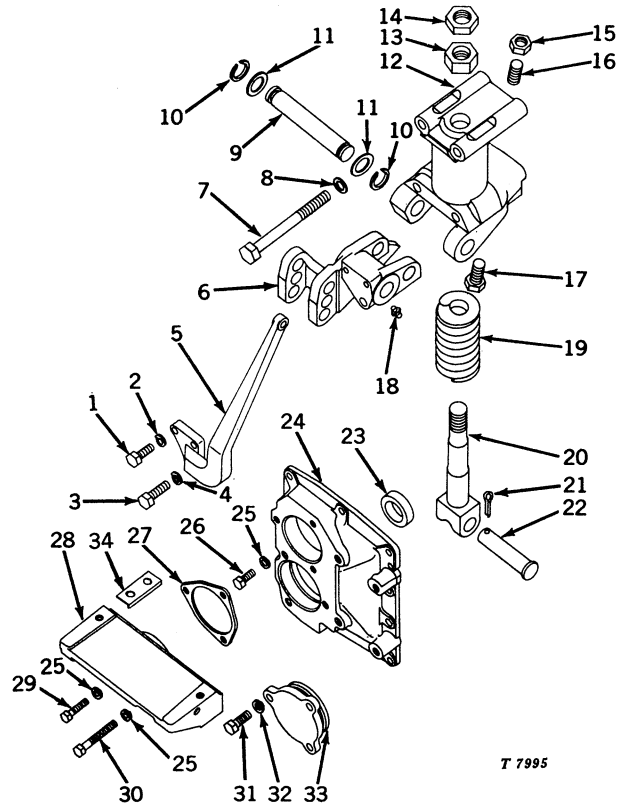
Crawler (Serial No. 62264-Up)

Utility (Serial No. 60001-Up)



Key	Part No.	Serial No.	Description
1	19H 2117 A	(-)	Screw, cap, 5/16" x 1-1/8" (3 used) (U)
2	12H 303 A	(-)	Washer, lock, 5/16" (3 used) (U)
3	M 2419 T	(-)	Arm, control (U)
4	11H 218 A	(-)	Pin, cotter, 3/16" x 1-1/2" (U)
5	M 2024 T	(-)	Pin (U)
6	L 357 T	(-)	Ring, snap (2 used) (U)
7	24H 1424 A	(-)	Washer, plain, 29/32" x 1-1/2" x .060" (2 used) (U)
8	M 2418 T	(-)	Pin (U)
9	M 1762 T	(-)	Link, tension (U)
10	M 2417 T	(-)	Yoke, anchor (U)
11	JD 7797	(-)	Fitting, grease (U)
12	M 2215 T	(-)	Spring (U)
13	22H 703 A	(-)	Screw, set, 5/8" x 1-1/2" (U)
14	14H 821 A	(-)	Nut, hex. jam, 5/8" (U)
15	M 2416 T	(-)	Housing, spring (U)
16	19H 1756 A	(-)	Screw, cap, 5/8" x 1-1/2" (U)
17	24H 1341 A	(-)	Washer, plain, 17/32" x 15/16" x .060" (4 used) (U)
18	19H 1266 A	(-)	Screw, cap, 1/2" x 5-7/8" (2 used) (U)
19	19H 1265 A	(-)	Screw, cap, 9/16" x 5-7/8" (2 used) (U)
20	M 1991 T	(-)	Nut, hex., special (U)
21	14H 806 A	(-)	Nut, hex. jam, 1" (U)
22	M 2345 T	(-)	Cover (C, U)
23	M 2346 T	(-)	Gasket (C, U)
24	M 2347 T	(-)	Cover (C, U)
25	M 4214 T	(-)	Cover, transmission rear (C, U) (sub. for M2344T)
26	M 2348 T	(-)	Seal, oil (C, U)
27	12H 304 A	(-)	Washer, lock, 3/8" (12 used) (C, U)
28	19H 1731 A	(-)	Screw, cap, 3/8" x 1" (12 used) (C, U)
29	12H 293 A	(-)	Washer, lock, 7/16" (3 used) (C, U)
30	19H 1821 A	(-)	Screw, cap, 7/16" x 1-1/4" (3 used) (C, U)

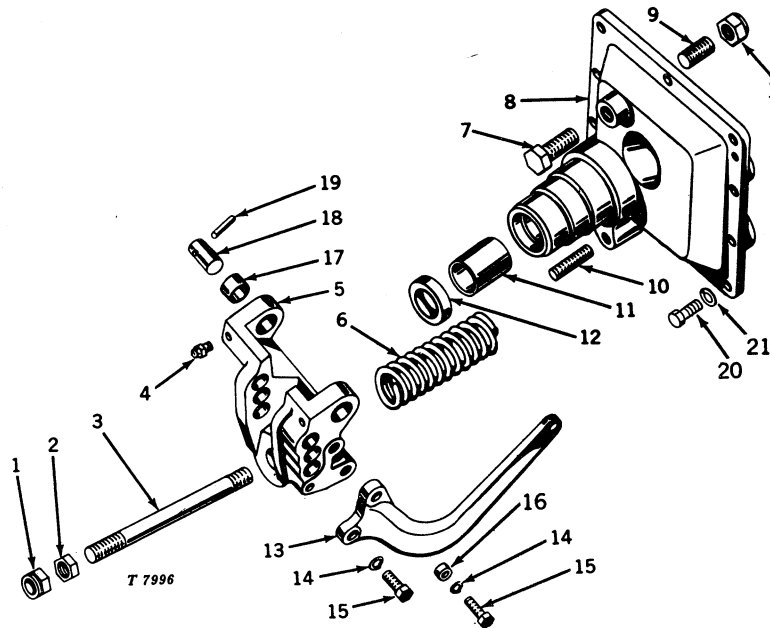
TRANSMISSION REAR COVER AND ANCHOR YOKE ASSEMBLY
Hi-Crop



T 7995

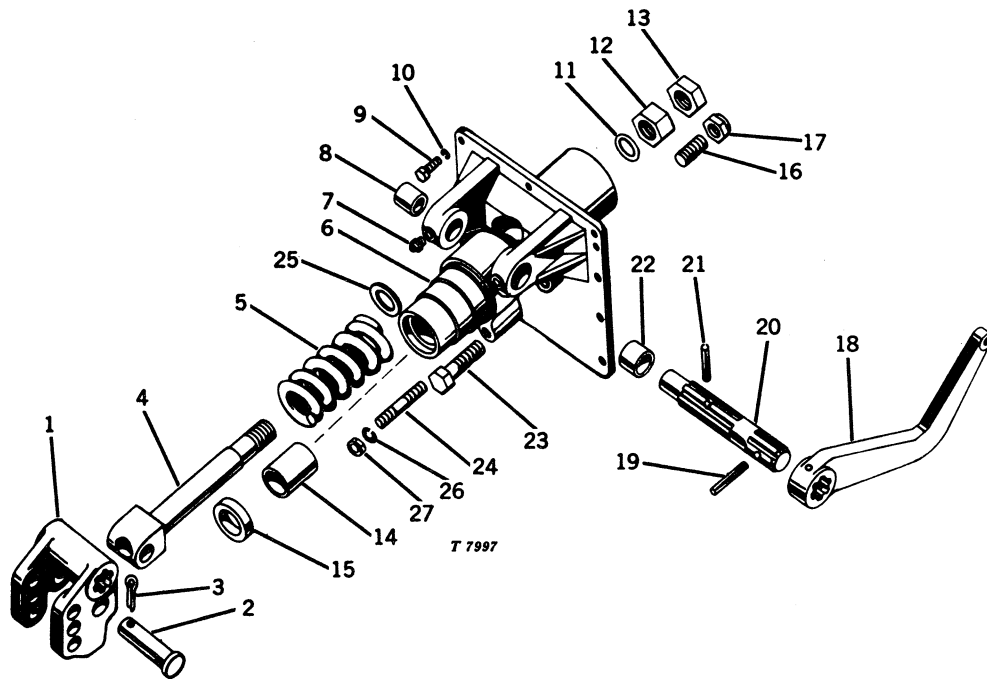
Key	Part No.	Serial No.	Description
1	19H 2117 A	(-)	Screw, cap, 5/16" x 1-1/8" (2 used)
2	12H 303 A	(-)	Washer, lock, 5/16" (2 used)
3	19H 1978 A	(-)	Screw, cap, 7/16" x 1-1/2"
4	12H 293 A	(-)	Washer, lock, 7/16"
5	M 2712 T	(-)	Arm, control
6	M 2710 T	(-)	Yoke, anchor
7	19H 1265 A	(-)	Screw, cap, 9/16" x 5-7/8" (4 used)
8	M 3244 T	(-)	Washer, plain, special (4 used) (packed 4 in a pkg.)
9	M 2711 T	(-)	Pin, yoke
10	M 2679 T	(-)	Ring, snap (2 used) (packed 10 in a pkg.)
11	24H 1452 A	(-)	Washer, plain, 1-1/32" x 1-3/4" x .105" (2 used)
12	M 2709 T	(-60063)	Housing, spring
	M 2898 T	(60064-)	Housing, spring
13	M 1991 T	(-)	Nut, tension link
14	14H 806 A	(-)	Nut, hex. jam, 1"
15	14H 821 A	(-)	Nut, hex. jam, 5/8"
16	22H 703 A	(-)	Screw, set, 5/8" x 1-1/2"
17	19H 1756 A	(-)	Screw, cap, 5/8" x 1-1/2"
18	JD 7797	(-)	Fitting, grease
19	M 2215 T	(-)	Spring
20	M 1762 T	(-)	Link, tension
21	11H 218 A	(-)	Pin, cotter, 3/16" x 1-1/2"
22	M 2024 T	(-)	Pin
23	AT 15561 T	(-)	Seal, oil (sub. for AF1934R)
24	M 2664 T	(-60063)	Cover, transmission rear
	T 11424 T	(60064-)	Cover, transmission rear (sub. for M2856T)
25	12H 304 A	(-)	Washer, lock, 3/8" (12 used)
26	19H 1731 A	(-)	Screw, cap, 3/8" x 1" (9 used)
27	M 2346 T	(-)	Gasket
28	M 2708 T	(-)	Support
29	19H 1800 A	(-)	Screw, cap, 3/8" x 1-1/2" (2 used)
30	19H 1944 A	(-)	Screw, cap, 3/8" x 2-3/4"
31	19H 1821 A	(-)	Screw, cap, 7/16" x 1-1/4" (3 used)
32	12H 293 A	(-)	Washer, lock, 7/16" (3 used)
33	M 2347 T	(-)	Cover
34	T 12818 T	(-)	Shim (use quantity required)

TRANSMISSION REAR COVER AND ANCHOR YOKE ASSEMBLY
Standard



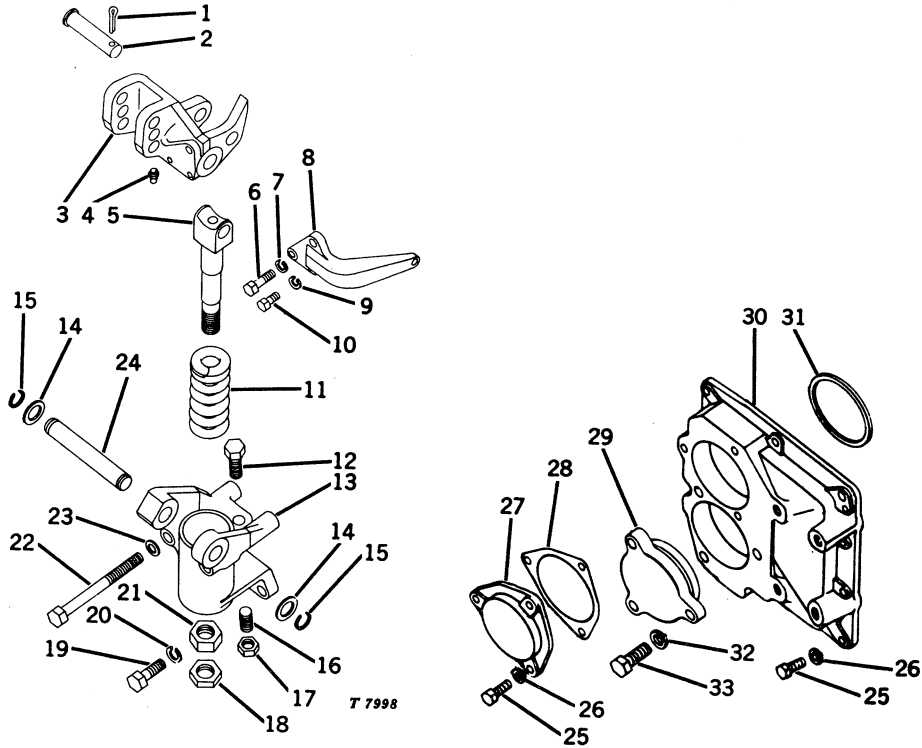
Key	Part No.	Serial No.	Description
1	M 2023 T	(-)	Nut, stop (2 used)
2	M 2203 T	(-)	Nut
3	M 2200 T	(-)	Stud
4	JD 7797	(-)	Fitting, grease (2 used)
5	AM 1987 T	(-)	Yoke, anchor assembly, with bushings and grease fittings
6	M 2212 T	(-)	Spring
7	M 2211 T	(-)	Screw, cap, special (packed 2 in a pkg.)
8	AM 2053 T	(-)	Cover assembly (M2210T), rear
9	22H 703 A	(-)	Screw, set, 5/8" x 1-1/2"
10	M 2017 T	(-)	Stud
11	M 170 T	(-)	Bushing (sub. for AM605T)
12	AM 253 T	(-)	Seal, oil
13	M 1829 T	(-)	Arm, control
14	12H 303 A	(-)	Washer, lock, 5/16" (3 used)
15	19H 2117 A	(-)	Screw, cap, 5/16" x 1-1/8" (3 used)
16	M 2152 T	(-)	Dowel, hollow (2 used)
17	M 2214 T	(-)	Bushing (2 used)
18	M 2143 T	(-)	Pin, pivot (2 used)
19	34H 188 A	(-)	Pin, roll, 5/16" x 1-3/4" (2 used)
20	19H 1731 A	(-)	Screw, cap, 3/8" x 1" (10 used)
21	12H 304 A	(-)	Washer, lock, 3/8" (10 used)

TRANSMISSION REAR COVER AND ANCHOR YOKE ASSEMBLY
Tricycle and Special



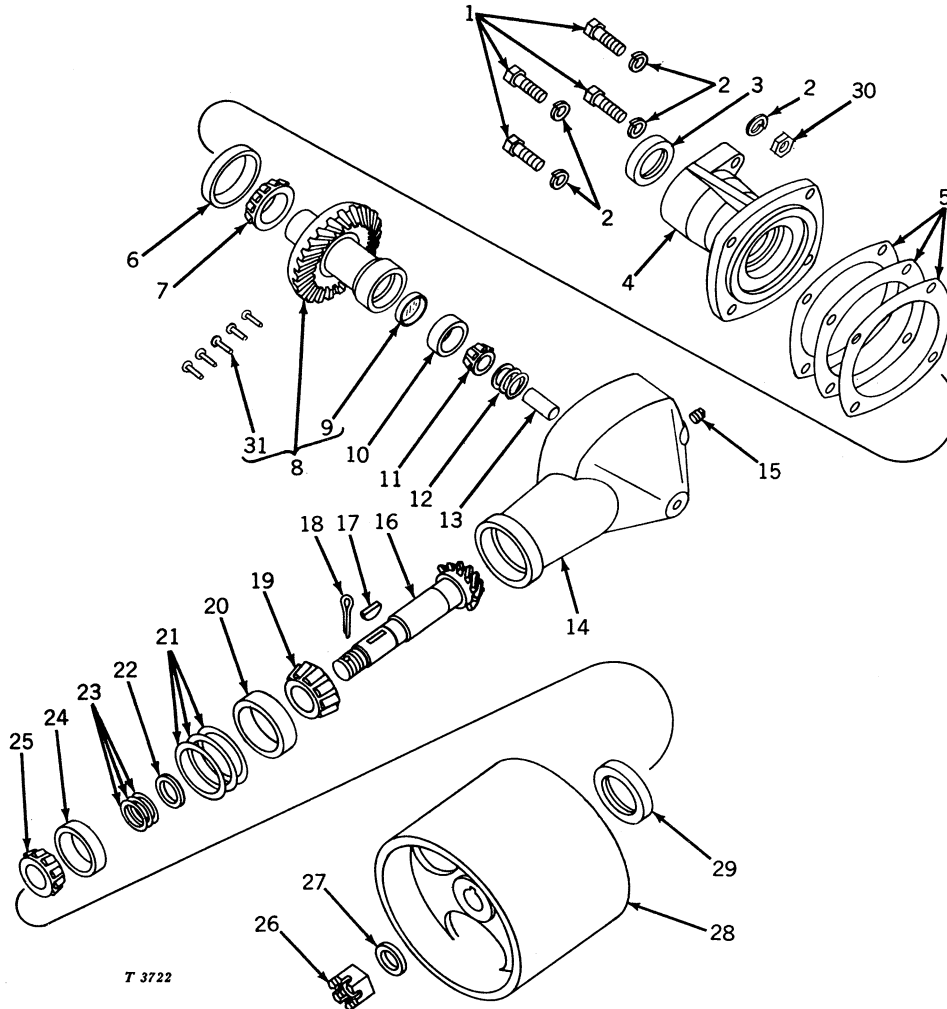
Key	Part No.	Serial No.	Description
1	M 1730 T	(-)	Yoke, anchor
2	M 2024 T	(-)	Pin
3	11H 218 A	(-)	Pin, cotter, 3/16" x 1-1/2"
4	M 1762 T	(-)	Link, tension
5	M 2215 T	(-)	Spring
6	AM 1965 T	(-)	Cover, rear (M1944T), with bushings, stud, oil seal and bearing
7	JD 7797	(-)	Fitting, grease (2 used)
8	M 2019 T	(-)	Bushing
9	19H 1731 A	(-)	Screw, cap, 3/8" x 1" (10 used)
10	12H 304 A	(-)	Washer, lock, 3/8" (10 used)
11	M 2020 T	(-)	Seal, "O" ring
12	M 1991 T	(-)	Nut, special, tension link
13	14H 806 A	(-)	Nut, hex. jam, 1"
14	M 170 T	(-)	Bushing, powershaft (sub. for AM605T)
15	AM 253 T	(-)	Seal, oil
16	22H 703 A	(-)	Screw, set, 5/8" x 1-1/2"
17	M 2023 T	(-)	Nut, stop, special
18	M 1774 T	(-)	Arm, control
19	34H 164 A	(-)	Pin, roll, 5/16" x 2-1/8"
20	M 2001 T	(-)	Shaft
21	34H 120 A	(-)	Pin, roll, 5/16" x 2"
22	M 2018 T	(-)	Bushing
23	M 2022 T	(-)	Screw, stop, special
24	M 2017 T	(-)	Stud
25	24H 1487 A	(-)	Washer, plain, 1-7/32" x 2-3/8" x .060"
26	12H 301 A	(-)	Washer, lock, 1/2"
27	14H 809 A	(-)	Nut, hex., 1/2"

REAR COVER AND ANCHOR YOKE
Two-Row Utility



Key	Part No.	Serial No.	Description
1	11H 218 A	(-)	Pin, cotter, 3/16" x 1-1/2"
2	M 2024 T	(-)	Pin
3	M 2873 T	(-)	Yoke, anchor
4	JD 7797	(-)	Fitting, grease
5	M 1762 T	(-)	Link, tension
6	19H 1978 A	(-)	Screw, cap, 7/16" x 1-1/2"
7	12H 293 A	(-)	Washer, lock, 7/16"
8	M 2874 T	(-)	Arm, control
9	12H 303 A	(-)	Washer, lock, 5/16" (2 used)
10	19H 2117 A	(-)	Screw, cap, 5/16" x 1-1/8" (2 used)
11	M 2215 T	(-)	Spring, load control
12	M 2211 T	(-)	Screw, cap, special, 5/8" x 1-3/4" (packed 2 in a pkg.)
13	M 2868 T	(-)	Housing, spring
14	24H 1452 A	(-)	Washer, plain, 1-1/32" x 1-3/4" x .105" (2 used)
15	M 2679 T	(-)	Ring, snap (2 used) (packed 10 in a pkg.)
16	22H 703 A	(-)	Screw, set, 5/8" x 1-1/2"
17	14H 821 A	(-)	Nut, hex. jam, 5/8"
18	14H 806 A	(-)	Nut, hex. jam, 1"
19	19H 1243 A	(-)	Screw, cap, 9/16" x 1-3/4" (2 used)
20	12H 317 A	(-)	Washer, lock, 9/16" (2 used)
21	M 1991 T	(-)	Nut, tension link
22	8H 4161 A	(-)	Bolt, cge., 9/16" x 6-1/4" (2 used)
23	M 3244 T	(-)	Washer, plain, special (2 used) (packed 4 in a pkg.)
24	M 2711 T	(-)	Pin
25	19H 1731 A	(-)	Screw, cap, 3/8" x 1" (12 used)
26	12H 304 A	(-)	Washer, lock, 3/8" (12 used)
27	M 2345 T	(-)	Cover, auxiliary power shaft
28	M 2346 T	(-)	Gasket
29	M 2347 T	(-)	Cover, power shaft
30	T 11424 T	(-)	Cover, rear (sub. for M2856T)
31	AT 15561 T	(-)	Seal, oil (sub. for AF1934R)
32	12H 293 A	(-)	Washer, lock, 7/16" (3 used)
33	19H 1821 A	(-)	Screw, cap, 7/16" x 1-1/4" (3 used)

BELT PULLEY
(Single 540 R.P.M. PTO)



T 3722

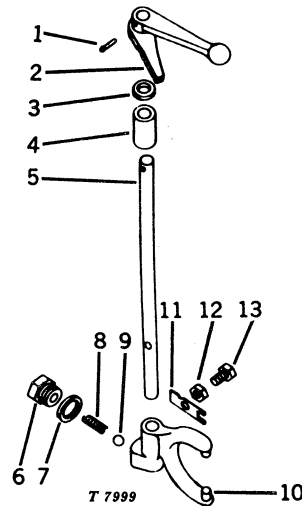
Key	Part No.	Serial No.	Description
1	19H 1721 A	(-)	Screw, cap, 1/2" x 1-1/2" (4 used)
2	12H 301 A	(-)	Washer, lock, 1/2" (5 used)
3	AM 1977 T	(-)	Seal, oil
4	M 1784 T	(-)	Quill
5	M 2050 T	(-)	Shim, gear case quill, .002" (approx. 2 used) (packed 2 in a pkg.)
	M 2051 T	(-)	Shim, gear case quill, .005" (approx. 1 used) (packed 2 in a pkg.)
	M 2052 T	(-)	Shim, gear case quill, .010" (approx. 6 used) (packed 2 in a pkg.)
6	JD 8220 T	(-)	Cup, bearing
7	JD 8179 T	(-)	Cone, bearing
8	AM 1978 T	(-)	Gear, drive assembly
9	M 2206 T	(-)	Plug, cup
10	JD 7438 R	(-)	Cup, bearing
11	JD 8135 R	(-)	Cone, bearing
12	M 2053 T	(-)	Shim, bearing shaft, .002" (approx. 2 used) (packed 2 in a pkg.)
	M 2054 T	(-)	Shim, bearing shaft, .005" (approx. 2 used) (packed 2 in a pkg.)
	M 2055 T	(-)	Shim, bearing shaft, .010" (approx. 3 used) (packed 2 in a pkg.)
13	M 1996 T	(-)	Shaft
14	AM 1979 T	(-)	Case (M1785T), with shaft
15	15H 623 A	(-)	Plug, pipe, sq. hd., 3/8"
16	M 1696 T	(-)	Shaft
17	26H 23 A	(-)	Key, Woodruff, 5/16" x 1"
18	11H 222 A	(-)	Pin, cotter, 3/16" x 2"
19	JD 8180 T	(-)	Cone, bearing
20	JD 8221 T	(-)	Cup, bearing
21	M 2059 T	(-)	Shim, inner bearing, .002" (approx. 2 used) (packed 3 in a pkg.)
	M 2060 T	(-)	Shim, inner bearing, .005" (approx. 2 used) (packed 3 in a pkg.)
	M 2061 T	(-)	Shim, inner bearing, .010" (approx. 3 used) (packed 3 in a pkg.)
22	M 2123 T	(-)	Spacer

BELT PULLEY -- Continued
(Single 540 R.P.M. PTO)

Key	Part No.	Serial No.	Description
23	M 2056 T	(-)	Shim, outer bearing, .002" (approx. 2 used) (packed 10 in a pkg.)
	M 2057 T	(-)	Shim, outer bearing, .005" (approx. 3 used) (packed 10 in a pkg.)
	M 2058 T	(-)	Shim, outer bearing, .010" (approx. 5 used) (packed 10 in a pkg.)
24	JD 7449 D	(-)	Cup, bearing
25	JD 8134 D	(-)	Cone, bearing
26	14H 540 A	(-)	Nut, hex., 1"
27	24H 1452 A	(-)	Washer, plain, 1-1/32" x 1-3/4" x .105"
28	M 1786 T	(-)	Pulley, belt, dia., 9"
	M 2521 T	(-)	Pulley, belt, dia., 5-5/8"
29	AM 1717 T	(-)	Seal, oil
30	14H 809 A	(-)	Nut, hex., 1/2"
31	16H 698 A	(-)	Rivet, 1/4" x 1" (5 used)
..	AM 1947 T	(-)	BELT PULLEY ATTACHMENT

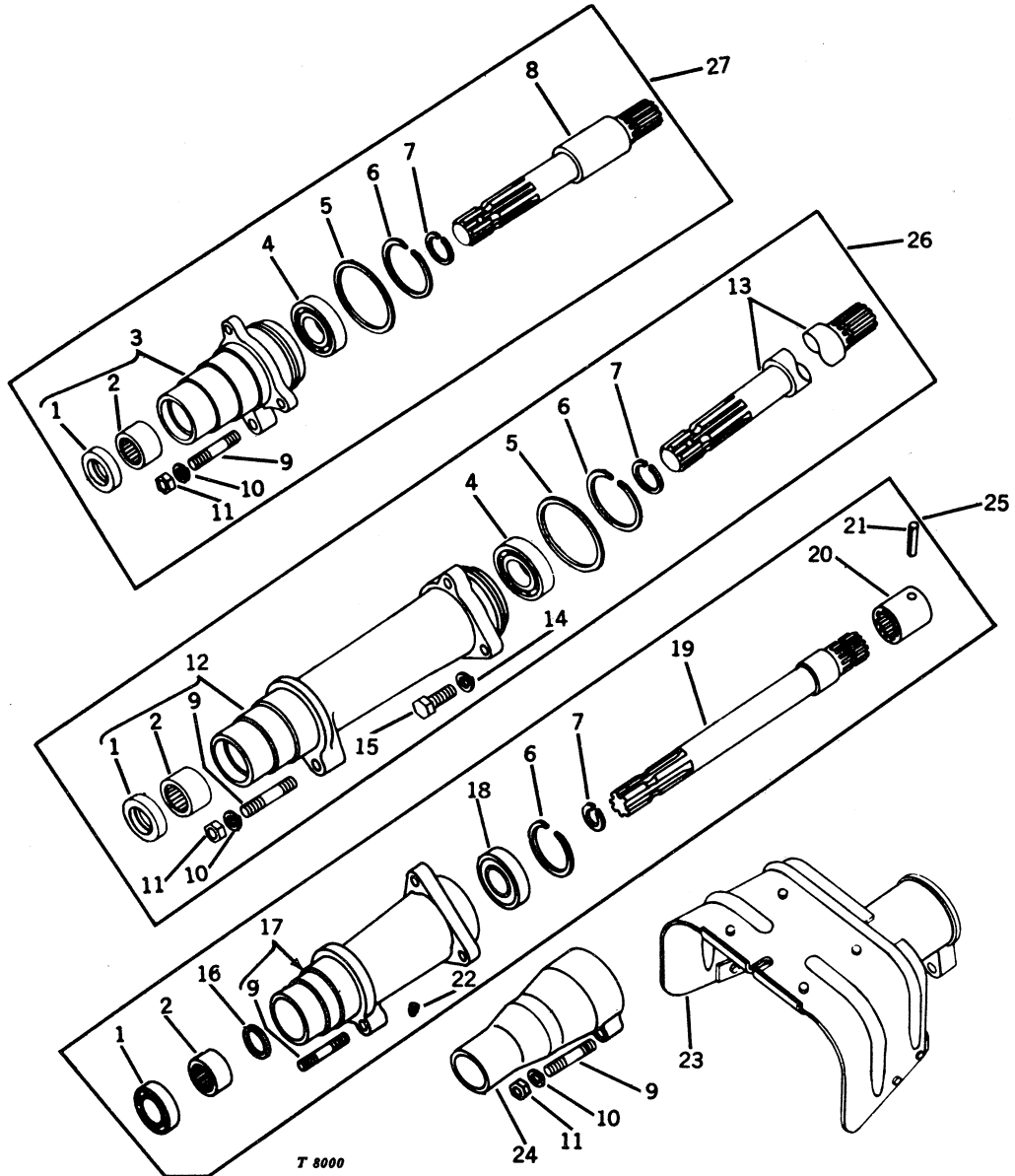
Capital letters indicate an attachment. Attachments must be listed on separate order from replacement order.

POWER TAKE-OFF SHIFT LEVER ASSEMBLY



Key	Part No.	Serial No.	Description
1	25H 50 A	(-)	Pin, groov-, 5/32" x 3/4"
2	M 120 T	(-)	Lever, shifter
3	M 121 T	(-)	Washer, felt
4	M 115 T	(-)	Bushing
5	M 119 T	(-)	Shaft
6	M 124 T	(-)	Holder, poppet
7	L 754 T	(-)	Gasket
8	L 468 T	(-)	Spring
9	405 R	(-)	Ball (sub. for L467T)
10	M 3874 T	(-)	Fork (sub. for M122T and AM608T)
11	M 123 T	(-)	Lock
12	14H 611 A	(-)	Nut, hex. jam, 5/16"
13	22H 674 A	(-)	Screw, set, 5/16" x 7/8"

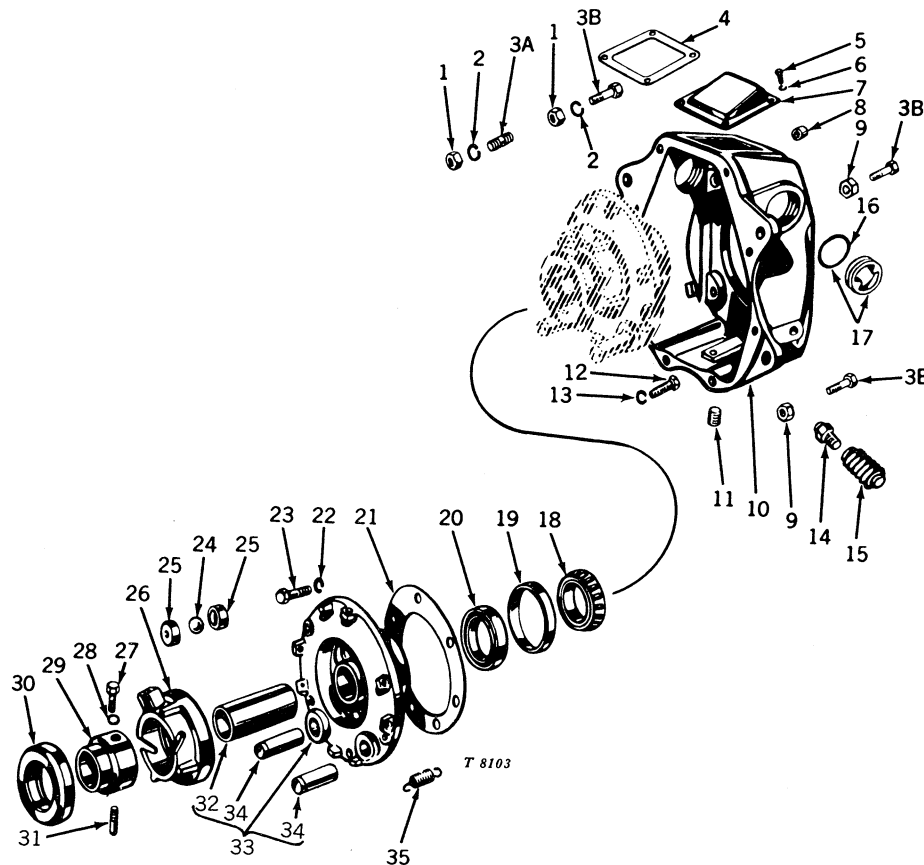
POWERSHAFT ATTACHMENT
Crawler (Serial No. 62264-Up)
Hi-Crop, Utility, Two-Row Utility (Serial No. 60001-Up)



POWERSHAFT ATTACHMENT -- Continued
Crawler (Serial No. 62264-Up)
Hi-Crop, Utility, Two-Row Utility (Serial No. 60001-Up)

Key	Part No.	Serial No.	Description
1	AM 253 T	(-)	Seal, oil (C, H, U, W)
2	JD 8819 T	(-)	Bearing, needle (sub. for AM2119T) (C, H, U, W)
3	AM 2118 T	(-)	Housing (M2351T), with needle bearing, oil seal and stud (C)
4	JD 7699 H	(-)	Bearing, ball (C, U)
5	M 2348 T	(-)	Seal, oil (C, U)
6	M 2354 T	(-)	Ring, snap (C, H, U, W)
7	M 2353 T	(-)	Ring, snap (C, H, U, W)
8	M 2352 T	(-)	Shaft, power take-off (C)
9	M 2017 T	(-)	Stud (C, H, U, W)
10	12H 301 A	(-)	Washer, lock, 1/2" (C, U)
11	14H 809 A	(-)	Nut, hex., 1/2" (C, U)
12	AM 2187 T	(-)	Housing (M2442T), with needle bearing, oil seal, and stud (U)
13	M 2443 T	(-)	Shaft, power take-off (U)
14	12H 293 A	(-)	Washer, lock, 7/16" (3 used) (C, U)
15	19H 1978 A	(-)	Screw, cap, 7/16" x 1-1/2" (3 used) (C, U)
16	AM 2553 T	(-)	Seal, oil (H, W)
17	AM 2554 T	(-)	Housing (M2744T), with stud (H)
	AM 2727 T	(-)	Housing (M2880T), with stud (W)
18	JD 7198 H	(-)	Bearing, ball (H, W)
19	M 2745 T	(-)	Shaft, power take-off (H)
	M 2881 T	(-)	Shaft, power take-off (W)
20	M 2746 T	(-)	Coupling (H, W)
21	34H 107 A	(-)	Pin, roll, 1/4" x 1-3/4" (H, W)
22	15H 566 A	(-)	Plug, pipe, slotted, 1/8" (sub. for L756T) (H, W)
23	AT 10664 T	(-)	Shield, powershaft (sub. for AM1959T and M2065T) (C, H, U, W)
24	M 1800 T	(-)	Guard (C, H, U, W)
25	AM 2547 T	(-)	Power take-off attachment, with guard and shield (H)
	AM 2725 T	(-)	Power take-off attachment, with guard and shield (W)
26	AM 2185 T	(-)	Power take-off attachment, with guard and shield (U)
27	AM 2116 T	(-)	Power take-off attachment, with guard and shield (C)

STEERING CLUTCH HOUSING, THROW-OUT BEARING AND CARRIER ASSEMBLY
Crawler

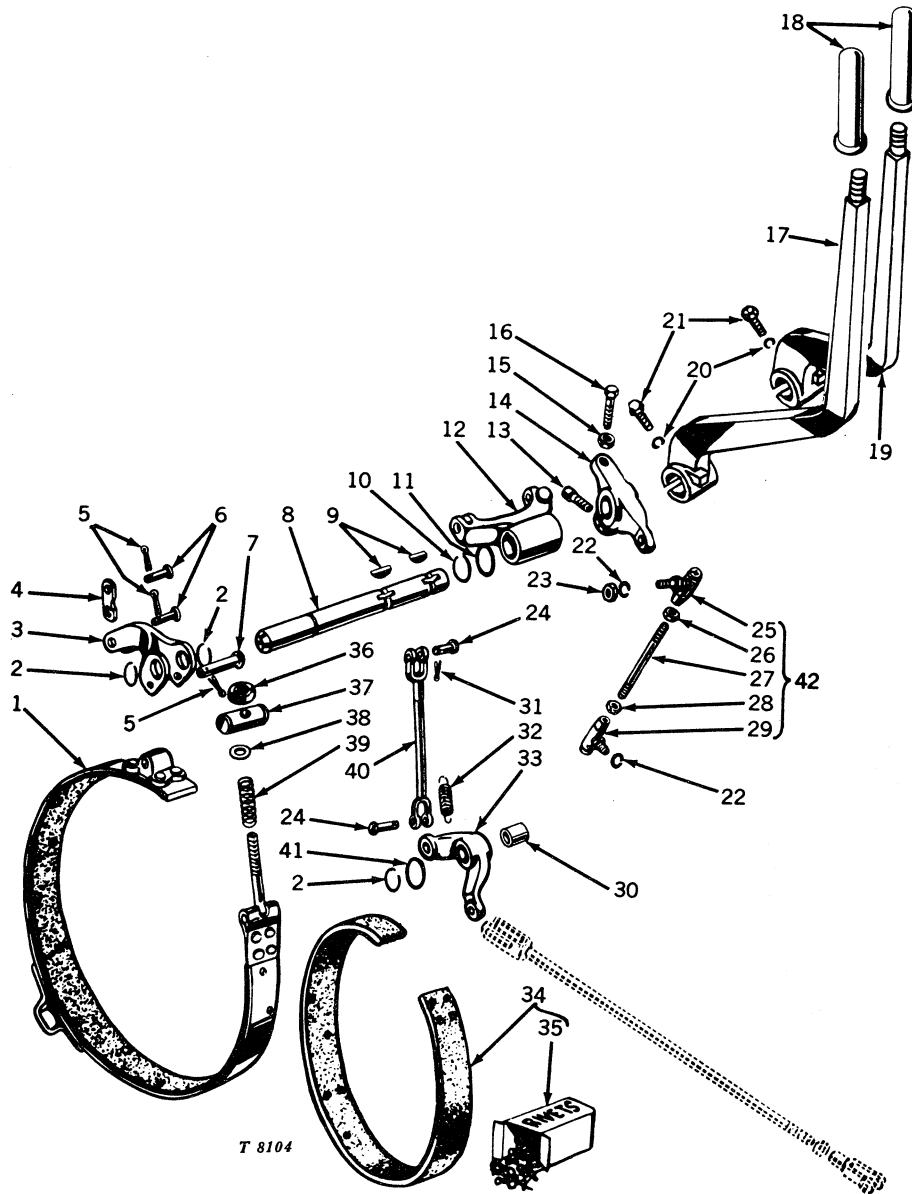


STEERING CLUTCH HOUSING, THROW-OUT BEARING AND
CARRIER ASSEMBLY -- Continued
Crawler

Key	Part No.	Serial No.	Description
1	14H 394 A	(-64914)	Nut, hex., rear studs, 9/16" (2 used)
	14H 394 A	(64915-)	Nut, hex., rear top stud (1 used)
2	12H 317 A	(-64914)	Washer, lock, 9/16" (2 used)
	12H 317 A	(64915-)	Washer, lock, 9/16" (1 used)
3A	M 878 T	(-64914)	Stud (4 used)
	M 878 T	(64915-)	Stud, rear top (1 used)
3B	M 2560 T	(64915-)	Screw, cap, 9/16" x 1-7/8" (3 used)
4	M 1487 T	(-)	Gasket (packed 2 in a pkg.)
5	19H 1227 A	(-)	Screw, cap, 1/4" x 1/2" (4 used)
6	12H 302 A	(-)	Washer, lock, 1/4" (4 used)
7	M 907 T	(-)	Cover (sub. for AM998T)
8	M 1638 T	(-)	Bushing
9	M 375 T	(-)	Nut, hex., special, 9/16" (2 used) (packed 10 in a pkg.)
10	AM 3520 T	(-)	Housing, (M3705T) steering clutch, with bushing, plug, gasket, and attaching hardware (sub. for M1797T, M2124T, AM1936T, and AM2361T)
11	15H 564 A	(-)	Plug, pipe, hex. ctsk., 3/4"
12	19H 1978 A	(-)	Screw, cap, 7/16" x 1-1/2" (2 used)
13	12H 293 A	(-)	Washer, lock, 7/16" (2 used)
14	M 1447 T	(-)	Nipple, boot
15	M 1448 T	(-)	Boot
16	M 2133 T	(-)	Gasket
17	AM 1935 T	(-)	Plug and gasket assembly
18	JD 8171 T	(-)	Cone, bearing
19	JD 8217 T	(-)	Cup, bearing
20	AM 1717 T	(-)	Seal, oil
21	M 811 T	(-)	Gasket (packed 3 in a pkg.)
22	12H 304 A	(-)	Washer, lock, 3/8" (6 used)
23	19H 1139 A	(-)	Screw, cap, 3/8" x 1-1/8" (6 used)
24	M 886 T	(-)	Ball (3 used)
25	M 885 T	(-)	Inserts (6 used)
26	M 1616 T	(-)	Cam
27	M 2136 T	(-)	Screw, cap, special, 5/16" x 13/16"
28	24H 1136 A	(-)	Washer, plain, 11/32" x 11/16" x .060"
29	M 1617 T	(-)	Carrier, bearing
30	AL 2116 T	(-)	Bearing, throw-out
31	M 889 T	(-)	Stud
32	M 1636 T	(-)	Sleeve
33	AM 1721 T	(-)	Quill (M1615T), with sleeve and pivot pins
34	M 814 T	(-)	Pin, pivot (2 used)
35	M 891 T	(-)	Spring (4 used)

Note: Quantity shown above is for one assembly only. When two assemblies are used in a tractor, double the quantity shown must be ordered. When no quantity is shown, only one part should be used.

STEERING AND BRAKE LINKAGE ASSEMBLY
Crawler

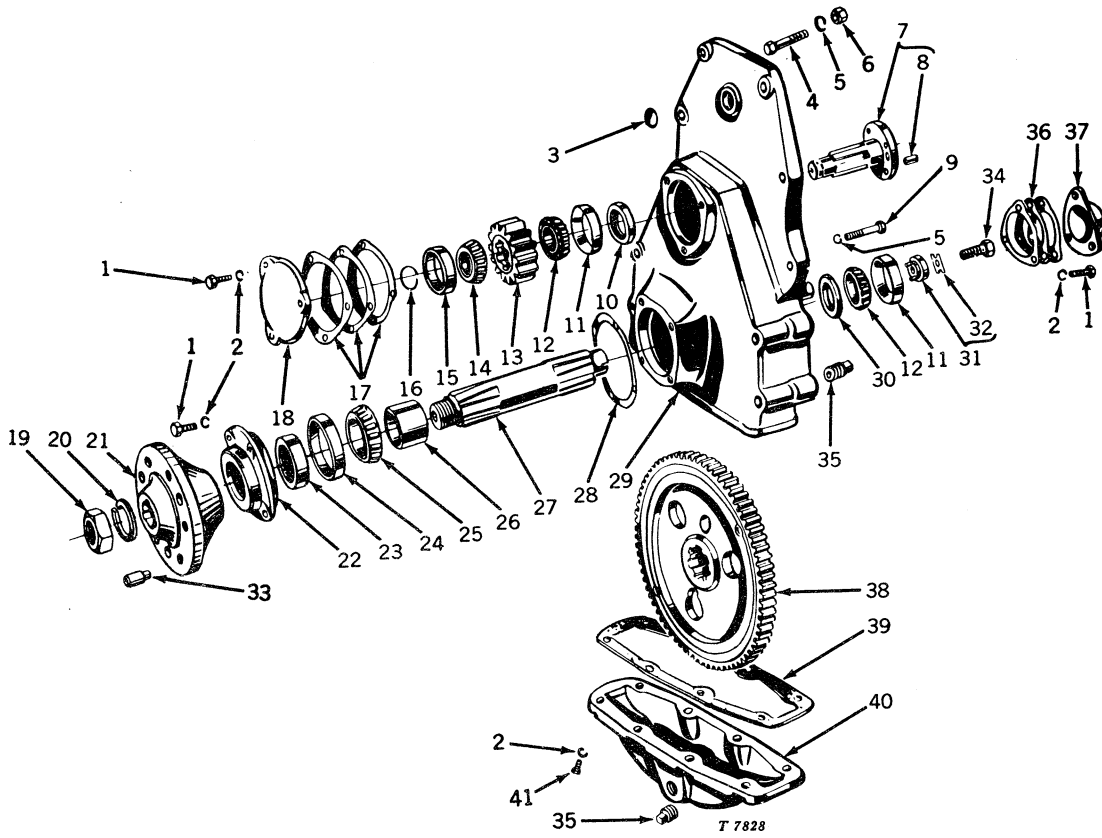


STEERING AND BRAKE LINKAGE ASSEMBLY -- Continued
Crawler

Key	Part No.	Serial No.	Description
1	AT 10566 T	(-)	Band assembly, brake, with lining and adjusting screw pin (sub. for M895T and AM995T)
2	M 488 T	(-)	Ring, snap (3 used)
3	AM 895 T	(-)	Lever, toggle (sub. for AM997T)
4	M 903 T	(-)	Link
5	11H 206 A	(-)	Pin, cotter, 3/32" x 3/4" (3 used)
6	M 904 T	(-)	Pin (2 used)
7	M 902 T	(-)	Pin
8	M 2010 T	(-)	Shaft
9	26H 77 A	(-)	Key, Woodruff, 3/16" x 3/4" (2 used)
10	L 357 T	(-)	Ring, snap
11	L 308 T	(-)	Washer
12	M 1641 T	(-)	Lever, brake (sub. for AM991T)
13	M 882 T	(-)	Screw, cap, socket hd., special, 5/16" x 1-1/4"
14	M 1402 T	(-)	Arm, rocker (sub. for AM1407T)
15	14H 611 A	(-)	Nut, hex., 5/16"
16	19H 124 A	(-)	Screw, cap, 5/16" x 1-1/4"
17	M 1754 T	(-)	Lever, steering, right
18	M 884 T	(-)	Handle, lever (sub. for AM992T)
19	M 1755 T	(-)	Lever, steering, left
20	12H 303 A	(-)	Washer, lock, 5/16"
21	19H 1275 A	(-)	Screw, cap, 5/16" x 1-5/8"
22	12H 304 A	(-)	Washer, lock, 3/8" (2 used)
23	14H 846 A	(-)	Nut, hex., 3/8"
24	L 307 T	(-)	Pin (2 used)
25	AM 1405 T	(-)	Sub. AM3893T
	AM 3894 T	(-)	Joint, ball, L. H. thread (replacement part for AM3893T)
26	14H 769 A	(-)	Nut, hex. jam, L. H. thread, 3/8"
27	M 1404 T	(-)	Sub. AM3893T
	M 1404 T	(-)	Rod, steering clutch throw-out (replacement part for AM3893T)
28	14H 774 A	(-)	Nut, hex. jam, R. H. thread, 3/8"
29	AM 1406 T	(-)	Sub. AM3893T
	AM 3895 T	(-)	Joint, ball, R. H. thread (replacement part for AM3893T)
30	M 1640 T	(-)	Bushing
31	11H 233 A	(-)	Pin, cotter, 3/32" x 1/2"
32	M 906 T	(-)	Spring
33	AM 1719 T	(-)	Bellcrank, brake (sub. for AM980T)
34	AM 3676 T	(-)	Lining, with rivets (contains linings and rivets for complete tractor) (one AM3676T subs. for two AM996T)
35	T 10812 T	(-)	Rivets, special (14 used) (sub. for AL2177T) (packed 28 in a pkg.)
36	M 905 T	(-)	Nut, brake adjusting
37	M 899 T	(-)	Pin
38	24H 1303 A	(-)	Washer, plain, 13/32" x 11/16" x .060"
39	M 898 T	(-)	Spring
40	AM 860 T	(-)	Rod, connecting
41	24H 1265 A	(-)	Washer, plain, 13/16" x 1-1/4" x .060"
42	AM 3893 T	(-)	Control rod assembly, with ball joints and hex. nuts

Note: Quantity shown above is for one assembly only. When two assemblies are used in a tractor, double the quantity shown must be ordered. When no quantity is shown, only one part should be used.

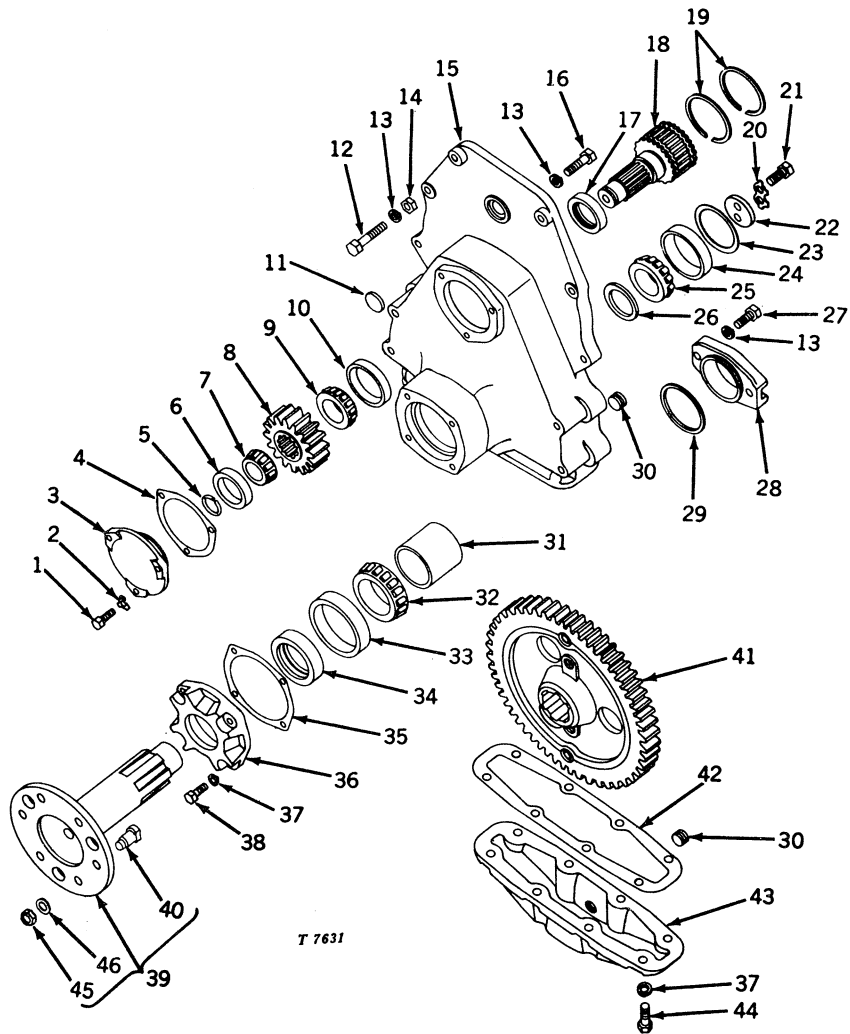
FINAL DRIVE
Crawler (Serial No. 60001-62263)



FINAL DRIVE -- Continued
Crawler (Serial No. 60001-62263)

Key	Part No.	Serial No.	Description
1	19H 1731 A	(-62263)	Screw, cap, 3/8" x 1" (10 used)
2	12H 304 A	(-62263)	Washer, lock, 3/8" (18 used)
3	30H 17 A	(-62263)	Plug, expansion, 1-1/4"
4	19H 1876 A	(-62263)	Screw, cap, 7/16" x 2-1/8" (6 used)
5	12H 293 A	(-62263)	Washer, lock, 7/16" (8 used)
6	14H 813 A	(-62263)	Nut, hex., 7/16" (6 used)
7	AM 1478 T	(-62263)	Shaft, final drive (M1469T), with two dowel pins (sub. for AM1479T)
8	M 4339 T	(-62263)	Pin, dowel (2 used) (sub. for M1470T)
9	19H 1978 A	(-62263)	Screw, cap, 7/16" x 1-1/2" (2 used)
10	AM 263 T	(-62263)	Seal, oil
11	JD 7262 R	(-62263)	Cup, bearing (2 used)
12	JD 7372 T	(-62263)	Cone, bearing (2 used)
13	M 941 T	(-62263)	Pinion (sub. for AM1004T)
14	JD 8121 T	(-62263)	Cone, bearing
15	JD 7259 R	(-62263)	Cup, bearing
16	M 205 T	(-62263)	Ring, snap
17	M 942 T	(-62263)	Shim, .002" (use quantity required) (packed 10 in a pkg.)
	M 943 T	(-62263)	Shim, .005" (use quantity required) (packed 5 in a pkg.)
	M 944 T	(-62263)	Shim, .010" (use quantity required) (packed 5 in a pkg.)
18	M 945 T	(-62263)	Quill (sub. for AM1005T)
19	14H 416 A	(-62263)	Nut, hex., 1-1/4"
20	24H 1175 A	(-62263)	Washer, plain, 1-9/32" x 2-3/8" x .250"
21	AM 1665 T	(-62263)	Hub, sprocket drive (M1559T)
22	M 55 T	(-62263)	Quill (sub. for AM775T)
23	AM 2773 T	(-62263)	Seal, oil (sub. for AM776T)
24	JD 7406 T	(-62263)	Cup, bearing
25	JD 7369 T	(-62263)	Cone, bearing
26	M 210 T	(-62263)	Spacer
27	AM 1643 T	(-62263)	Shaft, axle (M1548T)
28	M 214 T	(-62263)	Gasket
29	AM 909 T	(-62263)	Housing, final drive (M938T) (sub. for AM1002T)
30	M 212 T	(-62263)	Washer
31	AM 1528 T	(-62263)	Lock and plate cap screw
32	M 1481 T	(-62263)	Plate, lock
33	M 1579 T	(-62263)	Dowel, hub (3 used)
34	19H 1756 A	(-62263)	Screw, cap, 5/8" x 1-1/2"
35	15H 584 A	(-62263)	Plug, pipe, 1/2" (2 used)
36	L 4381 T	(-62263)	Shim, .003" (use quantity required) (packed 2 in a pkg.)
	L 4382 T	(-62263)	Shim, .005" (use quantity required) (packed 2 in a pkg.)
	L 4383 T	(-62263)	Shim, .010" (use quantity required) (packed 2 in a pkg.)
37	M 54 T	(-62263)	Cover (sub. for AM779T)
38	AM 266 T	(-62263)	Gear (sub. for M53T, M211T, and AM780T)
39	M 947 T	(-62263)	Gasket (packed 5 in a pkg.)
40	M 946 T	(-62263)	Pan (sub. for AM1006T)
41	19H 1139 A	(-62263)	Screw, cap, 3/8" x 1-1/8" (8 used)

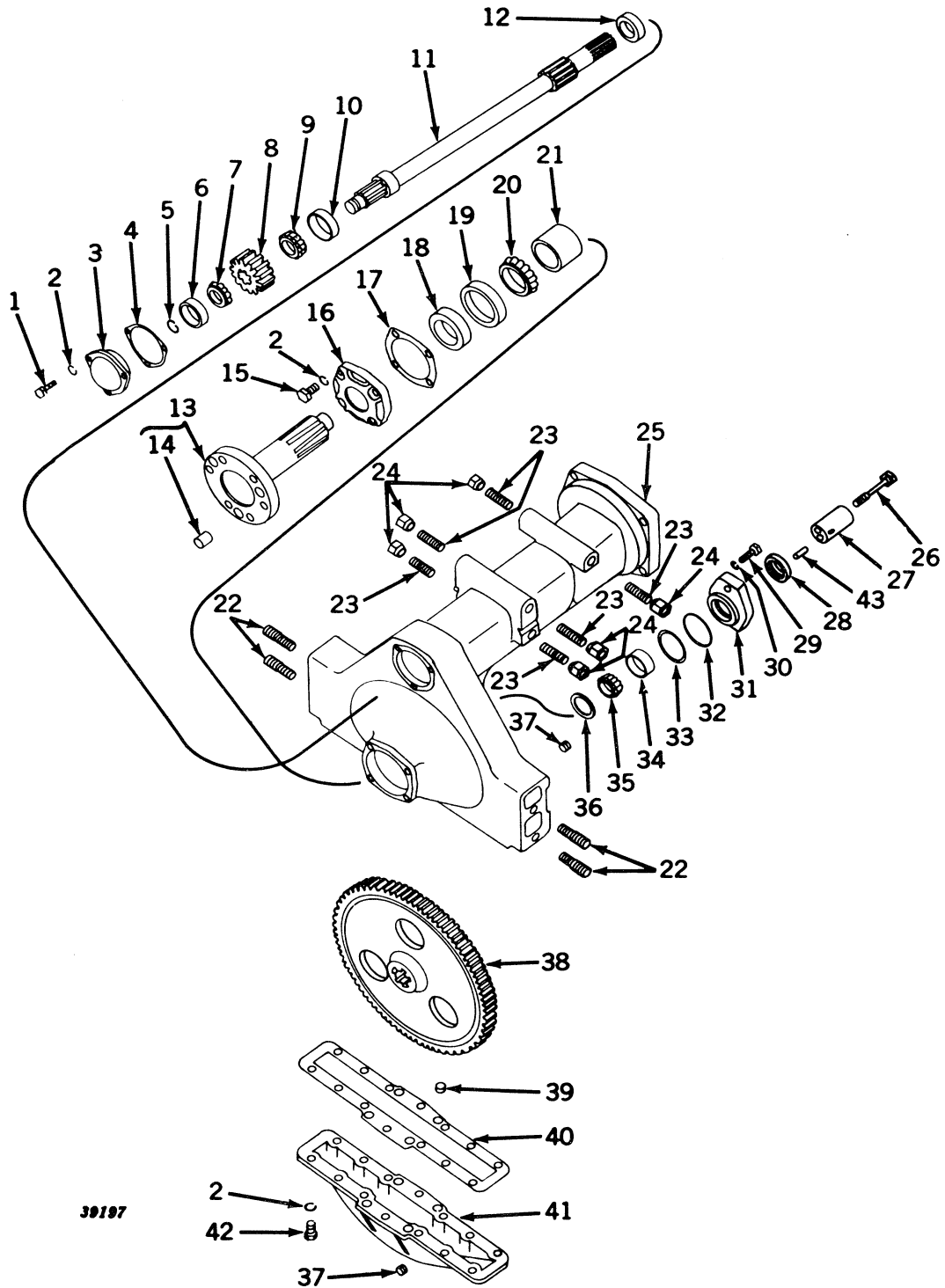
FINAL DRIVE
Crawler (Serial No. 62264-Up)



FINAL DRIVE -- Continued
Crawler (Serial No. 62264-Up)

Key	Part No.	Serial No.	Description
1	19H 1731 A	(62264-)	Screw, cap, 3/8" x 1" (3 used)
2	M 112 T	(62264-)	Lock, screw (3 used) (sub. for AM680T) (packed 3 in a pkg.)
3	M 2363 T	(62264-)	Quill, final drive shaft
4	M 942 T	(62264-)	Shim, .002" (approx. 4 used) (packed 10 in a pkg.)
	M 943 T	(62264-)	Shim, .005" (approx. 2 used) (packed 5 in a pkg.)
	M 944 T	(62264-)	Shim, .010" (approx. 1 used) (packed 5 in a pkg.)
5	M 593 T	(62264-)	Ring, snap (sub. for M22T)
6	JD 7449 H	(62264-)	Cup, bearing
7	JD 8134 D	(62264-)	Cone, bearing
8	M 2362 T	(62264-)	Pinion
9	JD 8179 T	(62264-)	Cone, bearing
10	JD 8220 T	(62264-)	Cup, bearing
11	30H 17 A	(62264-)	Plug, expansion, 1-1/4"
12	19H 1876 A	(62264-)	Screw, cap, 7/16" x 2-1/8" (6 used)
13	12H 293 A	(62264-)	Washer, lock, 7/16" (10 used)
14	14H 813 A	(62264-)	Nut, hex., 7/16" (6 used)
15	AM 3368 T	(62264-)	Housing assembly (M3687T), final drive (sub. for M2361T, AM2132T, and AM3225T)
16	19H 1978 A	(62264-)	Screw, cap, 7/16" x 1-1/2" (2 used)
17	AT 14924 T	(62264-)	Seal, oil (sub. for AM2133T)
18	T 16282 T	(62264-)	Shaft, final drive (sub. for M2359T)
19	M 2377 T	(62264-)	Ring, snap (2 used)
20	M 2370 T	(62264-)	Lock, cap screw
21	19H 1792 A	(62264-)	Screw, cap, 1/2" x 1" (2 used)
22	M 2369 T	(62264-)	Retainer
23	M 2371 T	(62264-)	Shim, .002" (approx. 2 used) (packed 4 in a pkg.)
	M 2372 T	(62264-)	Shim, .005" (approx. 2 used) (packed 4 in a pkg.)
	M 2373 T	(62264-)	Shim, .010" (approx. 2 used) (packed 4 in a pkg.)
24	JD 8314 T	(62264-)	Cup, bearing
25	JD 7590 T	(62264-)	Cone, bearing
26	M 1005 T	(62264-)	Washer
27	19H 1773 A	(62264-)	Screw, cap, 7/16" x 1-1/8" (2 used)
28	M 2375 T	(62264-)	Cover
29	M 2374 T	(62264-)	Ring, sealing
30	15H 624 A	(62264-)	Plug, pipe, 1/2" (3 used)
31	M 2368 T	(62264-)	Spacer
32	JD 7589 T	(62264-)	Cone, bearing
33	JD 8315 T	(62264-)	Cup, bearing
34	AM 2775 T	(62264-68813)	Seal, oil (sub. for AM973T)
	AM 2723 T	(68814-)	Seal, oil
35	T 15600 T	(62264-)	Gasket (sub. for M2367T)
36	M 2878 T	(62264-)	Quill (sub. for M2366T)
37	12H 304 A	(62264-)	Washer, lock, 3/8" (12 used)
38	19H 1100 A	(62264-)	Screw, cap, 3/8" x 1-3/8" (4 used)
39	AT 15211 T	(62264-)	Shaft (T17087T), flanged axle, with bolts, hex. nuts, and washers (sub. for AM2136T)
40	M 2365 T	(62264-)	Dowel (3 used) (used with AM2136T axle shaft) (packed 3 in a pkg.)
	T 16321 T	(62264-)	Bolt, special (3 used) (used with AT15211T axle shaft)
41	AT 15155 T	(62264-)	Gear assembly (M211T and M2364T) (sub. for AM2135T)
42	M 947 T	(62264-)	Gasket (packed 5 in a pkg.)
43	M 946 T	(62264-)	Pan, oil (sub. for AM1006T)
44	19H 1139 A	(62264-)	Screw, cap, 3/8" x 1-1/2" (8 used)
45	14H 863 A	(62264-)	Nut, hex., 3/4" (3 used) (used with AT15211T axle shaft)
46	T 10510 T	(62264-)	Washer, plain, special (3 used) (used with AT15211T axle shaft)

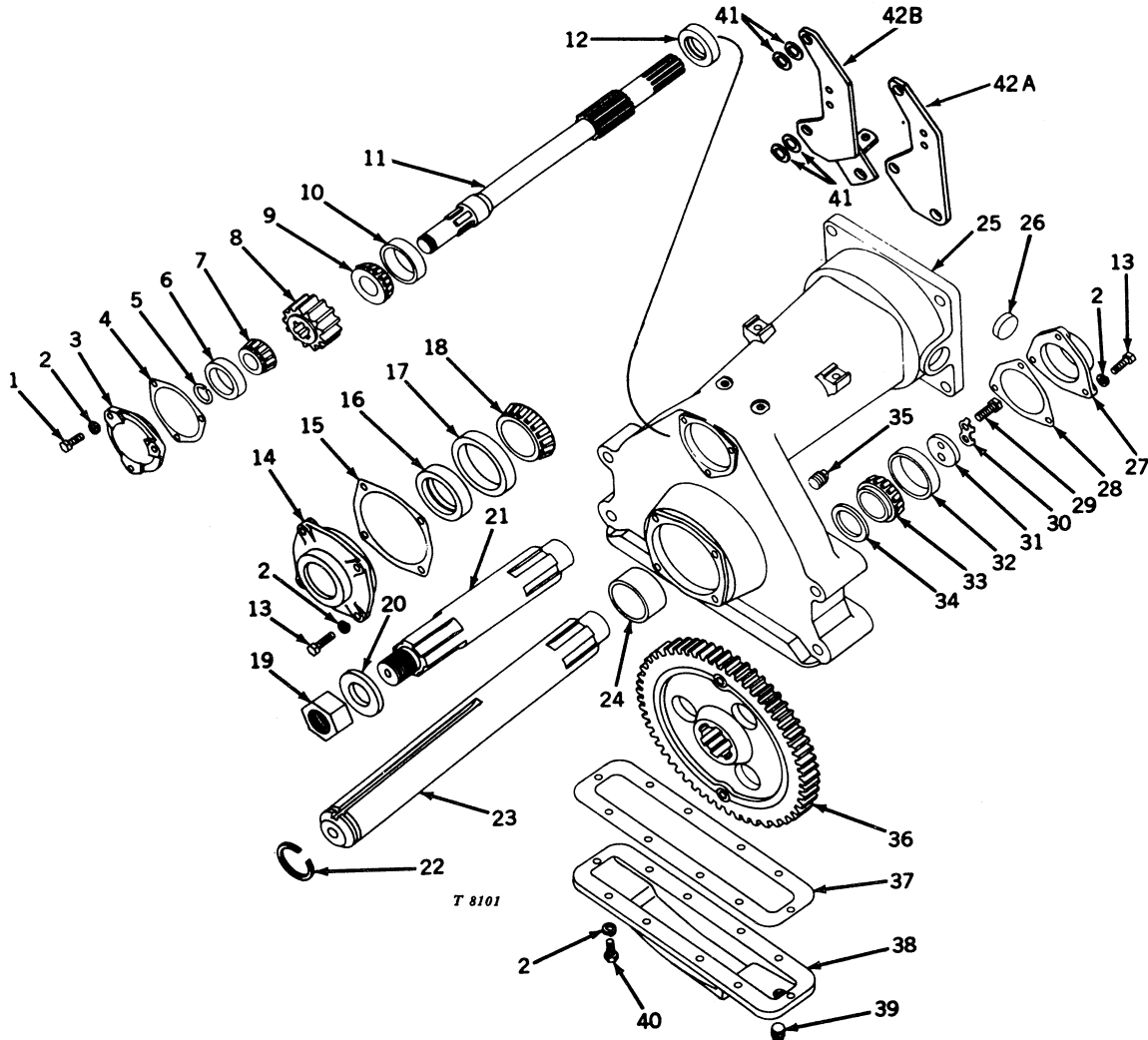
FINAL DRIVE ASSEMBLY
Hi-Crop



FINAL DRIVE ASSEMBLY -- Continued
Hi-Crop

Key	Part No.	Serial No.	Description
1	19H 1731 A	(-)	Screw, cap, 3/8" x 1" (3 used)
2	12H 304 A	(-)	Washer, lock, 3/8" (21 used)
3	M 1792 T	(-)	Quill
4	M 2176 T	(-)	Shim, .002" (approx. 2 used) (packed 4 in a pkg.)
	M 2177 T	(-)	Shim, .005" (approx. 2 used) (packed 4 in a pkg.)
	M 2178 T	(-)	Shim, .010" (approx. 1 used) (packed 2 in a pkg.)
5	M 205 T	(-)	Ring, snap
6	JD 7259 R	(-)	Cup, bearing
7	JD 8121 T	(-)	Cone, bearing
8	M 204 T	(-)	Gear, pinion (sub. for AM773T)
9	JD 7207 R	(-)	Cone, bearing
10	JD 7409 H	(-)	Cup, bearing
11	M 2683 T	(-)	Shaft, final drive
12	AT 12542 T	(-)	Seal, oil (sub. for AM1977T)
13	AM 2759 T	(-)	Shaft, flanged axle, with dowel pins
14	M 2365 T	(-)	Pin, dowel (3 used) (packed 3 in a pkg.)
15	19H 1100 A	(-)	Screw, cap, 3/8" x 1-3/8" (4 used)
16	M 2878 T	(-)	Quill (sub. for M2366T)
17	T 15600 T	(-)	Gasket (sub. for M2367T)
18	AM 939 T	(-)	Seal, oil (sub. for AM973T and AM2775T)
19	JD 8315 T	(-)	Cup, bearing
20	JD 7589 T	(-)	Cone, bearing
21	M 2368 T	(-)	Spacer
22	F 1024 R	(-)	Stud, 3/4" x 2-3/4" (4 used)
23	C 1479 R	(-)	Stud, 5/8" x 2-1/4" (6 used)
24	A 1892 R	(-)	Nut, special, 5/8" (6 used)
25	M 2682 T	(-)	Housing, final drive
26	M 2122 T	(-)	Screw, cap, special, 1/2" x 3-3/4" (2 used)
27	AM 2760 T	(-)	Shaft, planter drive
28	AM 1717 T	(-)	Seal, oil
29	19H 1978 A	(-)	Screw, cap, 7/16" x 1-1/2" (2 used)
30	12H 293 A	(-)	Washer, lock, 7/16" (2 used)
31	M 2689 T	(-)	Cover
32	M 2374 T	(-)	Ring, sealing
33	M 2371 T	(-)	Shim, .002" (approx. 2 used) (packed 4 in a pkg.)
	M 2372 T	(-)	Shim, .005" (approx. 2 used) (packed 4 in a pkg.)
	M 2373 T	(-)	Shim, .010" (approx. 2 used) (packed 4 in a pkg.)
34	JD 8314 T	(-)	Cup, bearing
35	JD 7590 T	(-)	Cone, bearing
36	M 1005 T	(-)	Washer
37	15H 624 A	(-)	Plug, pipe, 1/2" (3 used)
38	AM 2457 T	(-)	Gear, final drive
39	M 1873 T	(-)	Dowel (4 used)
40	M 2686 T	(-)	Gasket
41	M 2687 T	(-)	Pan, oil
42	19H 1139 A	(-)	Screw, cap, 3/8" x 1-1/8" (14 used)
43	M 2934 T	(-)	Pin, dowel (2 used)

FINAL DRIVE ASSEMBLY
Standard, Utility, Special, and Two-Row Utility



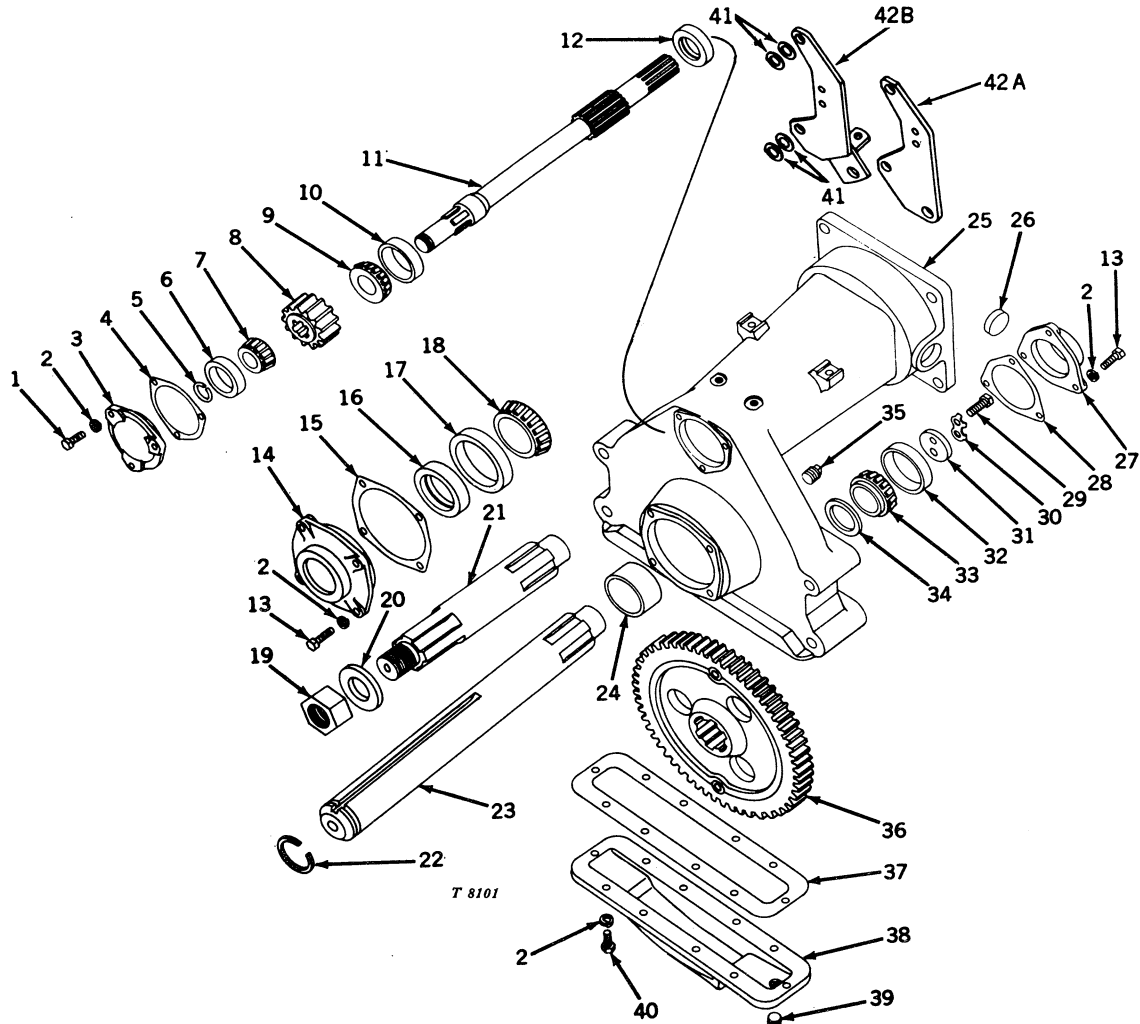
Key	Part No.	Serial No.	Description
1	19H 1731 A	(-)	Screw, cap, 3/8" x 1" (3 used)
2	12H 304 A	(-)	Washer, lock, 3/8" (20 used)
3	M 1792 T	(-)	Quill
4	M 2176 T	(-)	Shim, .002" (use quantity required) (packed 4 in a pkg.)
	M 2177 T	(-)	Shim, .005" (use quantity required) (packed 4 in a pkg.)
	M 2178 T	(-)	Shim, .010" (use quantity required) (packed 2 in a pkg.)
5	M 205 T	(-)	Ring, snap
6	JD 7259 R	(-)	Cup, bearing
7	JD 8121 T	(-)	Cone, bearing
8	M 204 T	(-68876)	Gear, pinion (sub. for AM773T) (S)
	M 1483 T	(68877-)	Gear, pinion (sub. for AM1533T) (S)
	M 204 T	(-62733)	Gear, pinion (sub. for AM773T) (U)
	M 1483 T	(-)	Gear, pinion (for 11-26, 12-26, 13-26 tires) (sub. for AM1533T) (U)
	M 1483 T	(-)	Gear, pinion (sub. for AM1533T) (V, W)
9	JD 7207 R	(-)	Cone, bearing
10	JD 7409 H	(-)	Cup, bearing
11	M 1712 T	(-)	Shaft, final drive
12	AT 12542 T	(-)	Seal, oil (sub. for AM1977T)
13	19H 1731 A	(-68876)	Screw, cap, 3/8" x 1" (7 used) (S)
	19H 1139 A	(68877-)	Screw, cap, 3/8" x 1-1/8" (7 used) (S)
	19H 1731 A	(-62733)	Screw, cap, 3/8" x 1" (7 used) (U)
	19H 1139 A	(62734-)	Screw, cap, 3/8" x 1-1/8" (7 used) (U)
	19H 1139 A	(-)	Screw, cap, 3/8" x 1-1/8" (7 used) (V, W)
14	M 55 T	(-68876)	Quill (sub. for AM775T) (S)
	M 2600 T	(68877-)	Quill (S)
	M 55 T	(-62733)	Quill (sub. for AM775T) (U)
	M 2600 T	(62734-)	Quill (U)
	M 2600 T	(-)	Quill (V, W)

FINAL DRIVE ASSEMBLY -- Continued
Standard, Utility, Special, and Two-Row Utility

Key	Part No.	Serial No.	Description
15	M 214 T	(-68876)	Gasket (S)
	M 2599 T	(68877-)	Gasket (S)
	M 214 T	(-62733)	Gasket (U)
	M 2599 T	(62734-)	Gasket (U)
16	M 2599 T	(-)	Gasket (V, W)
	AM 268 T	(-68876)	Seal, oil (sub. for AM776T and AM2773T) (S)
	AM 939 T	(68877-)	Seal, oil (sub. for AM973T and AM2775T) (S)
	AM 268 T	(-62733)	Seal, oil (sub. for AM776T and AM2773T) (U)
	AM 939 T	(62734-)	Seal, oil (sub. for AM973T and AM2775T) (U)
17	AM 939 T	(-)	Seal, oil (sub. for AM973T and AM2775T) (V, W)
	JD 7406 T	(-68876)	Cup, bearing (S)
	JD 8315 T	(68877-)	Cup, bearing (S)
	JD 7406 T	(-62733)	Cup, bearing (U)
	JD 8315 T	(62734-)	Cup, bearing (U)
18	JD 8315 T	(-)	Cup, bearing (V, W)
	JD 7369 T	(-68876)	Cone, bearing (S)
	JD 7589 T	(68877-)	Cone, bearing (S)
	JD 7369 T	(-62733)	Cone, bearing (U)
19	JD 7589 T	(62734-)	Cone, bearing (U)
	JD 7589 T	(-)	Cone, bearing (V, W)
	14H 416 A	(-68876)	Nut, hex., 1-1/4" (S)
	14H 656 A	(68877-)	Nut, hex., 1-1/2" (S)
20	14H 416 A	(-62733)	Nut, hex., 1-1/4" (U)
	14H 656 A	(62734-)	Nut, hex., 1-1/2" (U)
	24H 1175 A	(-68876)	Washer, plain, 1-9/32" x 2-3/8" x .250" (S)
	24H 1542 A	(68877-)	Washer, plain, 1-17/32" x 3" x .312" (S)
21	24H 1175 A	(-62733)	Washer, plain, 1-9/32" x 2-3/8" x .250" (U)
	24H 1542 A	(62734-)	Washer, plain, 1-17/32" x 3" x .312" (U)
	AM 1643 T	(-68876)	Shaft, axle (S)
	M 2598 T	(68877-)	Shaft, axle (S)
	M 2532 T	(-62733)	Shaft, axle (U)
	M 2444 T	(-62733)	Shaft, axle (for 11-26, 12-26, 13-26 tires) (U)
22	M 2627 T	(62734-)	Shaft, axle (U)
	M 2628 T	(62734-)	Shaft, axle (for 11-26, 12-26, 13-26 tires) (U)
23	M 1515 T	(-)	Ring, snap (V, W)
	M 3806 T	(-)	Shaft, axle (sub. for M2779T) (V)
24	M 2836 T	(-)	Shaft, axle (W)
	M 210 T	(-68876)	Spacer (S)
	M 2601 T	(68877-)	Spacer (S)
	M 210 T	(-62733)	Spacer (U)
25	M 2601 T	(62734-)	Spacer (U)
	M 2601 T	(-)	Spacer (V, W)
	AM 2243 T	(-68876)	Housing (M2495T), final drive, with cupped plugs and pipe plug (sub. for M1789T) (S)
	AM 2716 T	(68877-70594)	Sub. one AM2761T and four 24H1368A (also order one AM2842T for R. H. final drive or one AM2843T for L. H. final drive) (S)
	AM 2761 T	(70595-)	Housing (M2932T), final drive, with cupped plugs and pipe plugs (S)
	AM 2243 T	(-62733)	Housing (M2495T), final drive, with cupped plugs and pipe plug (U)
26	AM 2761 T	(62734-)	Housing (M2932T), final drive, with cupped plugs and pipe plug (U)
	AM 2761 T	(-)	Housing (M2932T), final drive, with cupped plugs and pipe plug (V, W)
27	M 1206 T	(-)	Plug, cupped (2 used)
	M 54 T	(-68876)	Cover (sub. for AM779T) (S)
	M 2605 T	(68877-)	Cover (S)
	M 54 T	(-62733)	Cover (sub. for AM779T) (U)
28	M 2605 T	(62734-)	Cover (U)
	M 2605 T	(-)	Cover (V, W)
	L 4381 T	(-68876)	Shim, .003" (use quantity required) (packed 2 in a pkg.) (S)
	L 4381 T	(-62733)	Shim, .003" (use quantity required) (packed 2 in a pkg.) (U)
	L 4382 T	(-68876)	Shim, .005" (use quantity required) (packed 2 in a pkg.) (S)
	L 4382 T	(-62733)	Shim, .005" (use quantity required) (packed 2 in a pkg.) (U)
	L 4383 T	(-68876)	Shim, .010" (use quantity required) (packed 2 in a pkg.) (S)
	L 4383 T	(-62733)	Shim, .010" (use quantity required) (packed 2 in a pkg.) (U)
	M 2602 T	(68877-)	Shim, .002" (use quantity required) (packed 4 in a pkg.) (S)
	M 2602 T	(62734-)	Shim, .002" (use quantity required) (packed 4 in a pkg.) (U)
	M 2602 T	(-)	Shim, .002" (use quantity required) (packed 4 in a pkg.) (V, W)
	M 2603 T	(68877-)	Shim, .005" (use quantity required) (packed 4 in a pkg.) (S)
	M 2603 T	(62734-)	Shim, .005" (use quantity required) (packed 4 in a pkg.) (U)
	M 2603 T	(-)	Shim, .005" (use quantity required) (packed 4 in a pkg.) (V, W)
M 2604 T	(68877-)	Shim, .010" (use quantity required) (packed 4 in a pkg.) (S)	
M 2604 T	(62734-)	Shim, .010" (use quantity required) (packed 4 in a pkg.) (U)	
M 2604 T	(-)	Shim, .010" (use quantity required) (packed 4 in a pkg.) (V, W)	

Keys 29 thru 42 continued on pages 45-10 and 45-11.

FINAL DRIVE ASSEMBLY -- Continued
Standard, Utility, Special, and Two-Row Utility



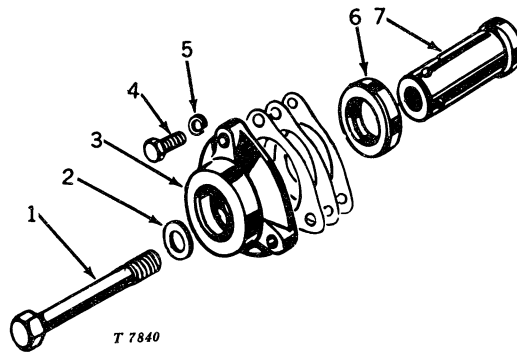
Key	Part No.	Serial No.	Description
29	19H 1756 A	(-68876)	Screw, cap, 5/8" x 1-1/2" (S)
	19H 1815 A	(68877-)	Screw, cap, 1/2" x 1-1/4" (2 used) (S)
	19H 1756 A	(-62733)	Screw, cap, 5/8" x 1-1/2" (U)
	19H 1815 A	(62734-)	Screw, cap, 1/2" x 1-1/4" (2 used) (U)
	19H 1815 A	(-)	Screw, cap, 1/2" x 1-1/4" (2 used) (V, W)
30	M 1481 T	(-68876)	Plate (S)
	M 2370 T	(68877-)	Lock (S)
	M 1481 T	(-62733)	Plate (U)
	M 2370 T	(62734-)	Lock (U)
	M 2370 T	(-)	Lock (V, W)
31	AM 1528 T	(-68876)	Lock and plate (S)
	M 2369 T	(68877-)	Retainer (S)
	AM 1528 T	(-62733)	Lock and plate (U)
	M 2369 T	(62734-)	Retainer (U)
	M 2369 T	(-)	Retainer (V, W)
32	JD 7262 R	(-68876)	Cup, bearing (S)
	JD 8314 T	(68877-)	Cup, bearing (S)
	JD 7262 R	(-62733)	Cup, bearing (U)
	JD 8314 T	(62734-)	Cup, bearing (U)
	JD 8314 T	(-)	Cup, bearing (V, W)
33	JD 7372 R	(-68876)	Cone, bearing (S)
	JD 7590 T	(68877-)	Cone, bearing (S)
	JD 7372 R	(-62733)	Cone, bearing (U)
	JD 7590 T	(62734-)	Cone, bearing (U)
	JD 7590 T	(-)	Cone, bearing (V, W)

Keys 1 thru 28 are located on pages 45-8 and 45-9.

FINAL DRIVE ASSEMBLY -- Continued
Standard, Utility, Special, and Two-Row Utility

Key	Part No.	Serial No.	Description
34	M 212 T	(-68876)	Washer (S)
	M 1005 T	(68877-)	Washer (S)
	M 212 T	(-62733)	Washer (U)
	M 1005 T	(62734-)	Washer (U)
	M 1005 T	(-)	Washer (V, W)
35	15H 584 A	(-)	Plug, pipe, sq. hd., 1/2"
36	AM 266 T	(-68876)	Gear, final drive (sub. for M53T, M211T, and AM780T) (S)
	AM 2409 T	(68877-)	Gear, final drive (sub. for M2597T and M1495T) (S)
	AM 266 T	(-62733)	Gear, final drive (sub. for M53T, M211T, and AM780T) (U)
	AM 1563 T	(-62733)	Gear, final drive (for 11-26, 12-26, 13-26 tires) (sub. for M53T, M1495T, and AM1570T) (U)
	AM 2409 T	(62734-)	Gear, final drive (sub. for M2597T and M1495T) (U)
	AM 2409 T	(-)	Gear, final drive (sub. for M2597T and M1495T) (V, W)
37	M 2226 T	(-)	Gasket
38	AM 2244 T	(-)	Pan, final drive (M2401T), with pipe plug (sub. for M1802T) (S, U, W)
	M 2780 T	(-)	Pan, final drive (V)
39	15H 623 A	(-)	Plug, pipe, sq. hd., 3/8" (2 used)
40	19H 1139 A	(-)	Screw, cap, 3/8" x 1-1/8" (10 used)
41	24H 1368 A	(68877-)	Washer, plain, 21/32" x 1-5/16" x .090" (4 used) (S)
42A	M 2656 T	(60001-70594)	Bracket, sway brace (2 used) (when equipped with AM2716T final drive housing) (S)
42B	AM 2842 T	(68877-70594)	Bracket, sway brace, right (when equipped with AM2761T final drive housing) (S)
	AM 2743 T	(68877-70594)	Bracket, sway brace, left (when equipped with AM2761T final drive housing) (S)

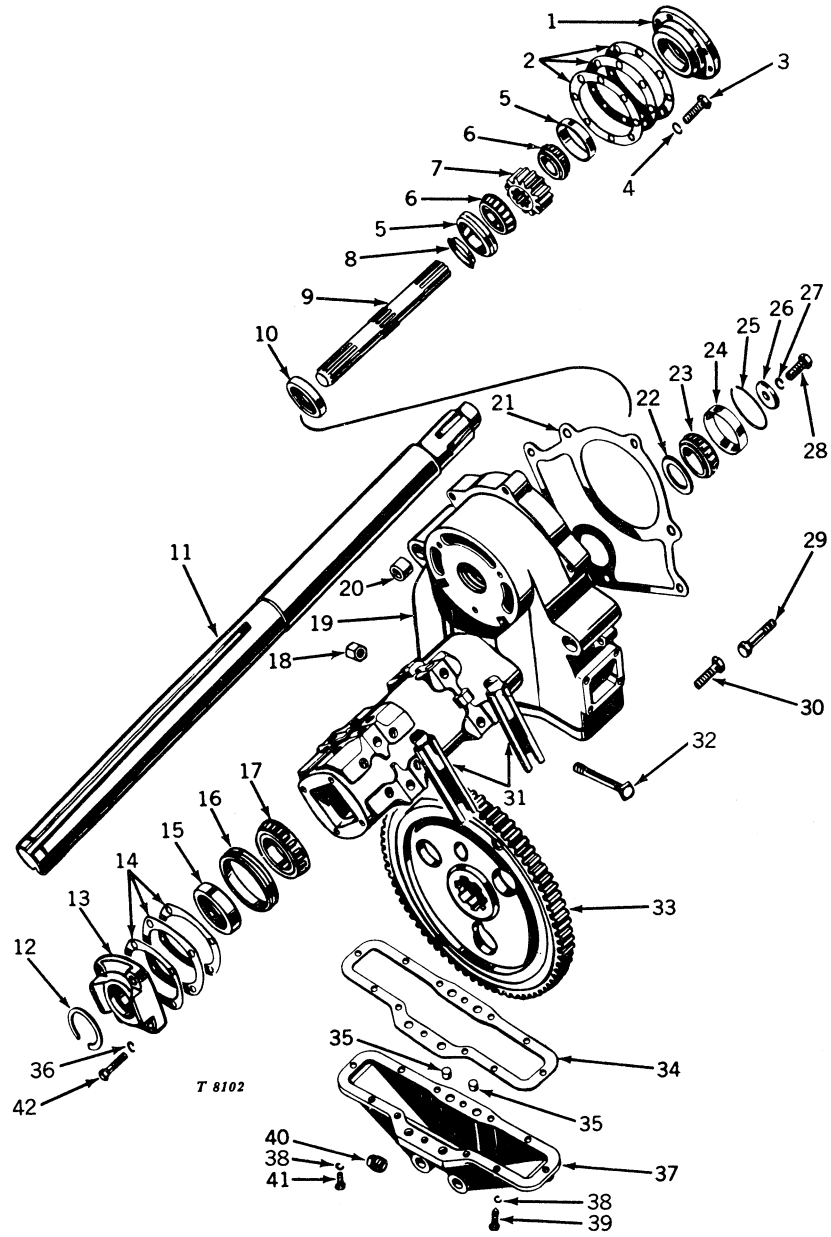
PLANTER DRIVE ATTACHMENT
Standard



Key	Part No.	Serial No.	Description
1	M 444 T	(-68876)	Screw, cap, special
	M 2122 T	(68877-)	Screw, cap, 1/2" x 3-3/4" (2 used)
2	24H 1368 A	(-68876)	Washer, plain, 21/32" x 1-5/16" x .090"
3	M 290 T	(-68876)	Quill (sub. for AM633T)
	M 2606 T	(68877-)	Quill
4	19H 1732 A	(-68876)	Screw, cap, 3/8" x 1-1/4" (3 used)
	19H 1800 A	(68877-)	Screw, cap, 3/8" x 1-1/2" (3 used)
5	12H 304 A	(-)	Washer, lock, 3/8" (3 used)
6	AA 2296 R	(-68876)	Seal, oil
	AM 1717 T	(68877-)	Seal, oil
7	M 779 T	(-68876)	Shaft (sub. for AM634T)
	M 2662 T	(68877-)	Shaft
..	AM 574 T	(-68876)	PLANTER DRIVE ATTACHMENT
..	AM 2585 T	(68877-)	PLANTER DRIVE ATTACHMENT

Capital letters indicate an attachment. Attachments must be ordered on separate order from replacement parts.

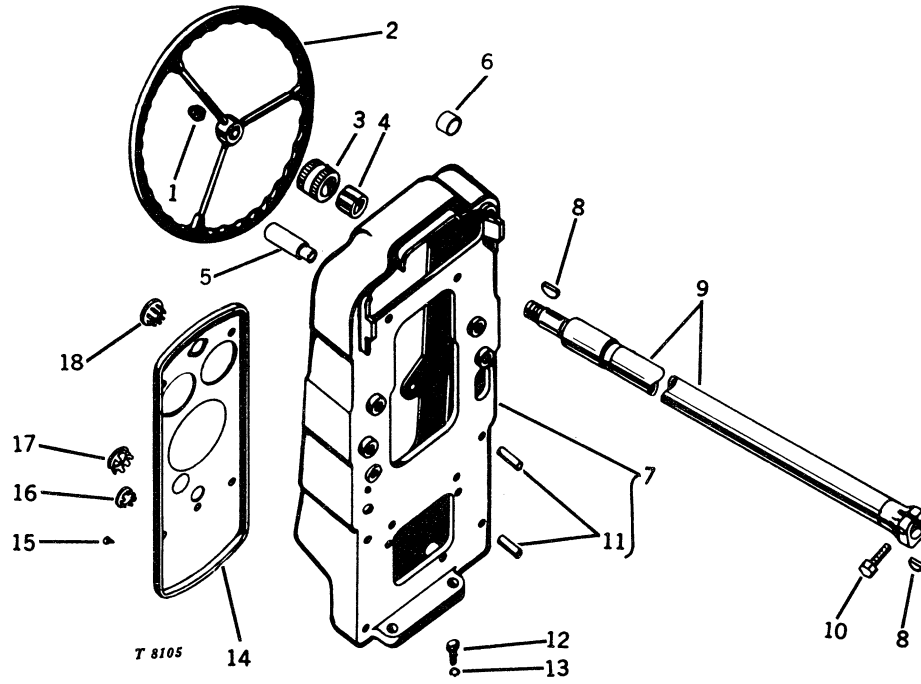
FINAL DRIVE
Tricycle



FINAL DRIVE -- Continued
Tricycle

Key	Part No.	Serial No.	Description
1	M 1710 T	(-)	Quill, bearing
2	M 994 T	(-)	Shim, .002" (use quantity required) (packed 4 in a pkg.)
	M 995 T	(-)	Shim, .005" (use quantity required) (packed 4 in a pkg.)
	M 996 T	(-)	Shim, .010" (use quantity required) (packed 4 in a pkg.)
3	19H 1905 A	(-)	Screw, cap, 5/16" x 1" (4 used)
4	12H 303 A	(-)	Washer, lock, 5/16" (16 used)
5	JD 7409 H	(-)	Cup, bearing
6	JD 7372 T	(-)	Cone, bearing
7	M 1680 T	(-)	Pinion
8	M 1876 T	(-)	Slinger, oil
9	M 1961 T	(-)	Shaft
10	AM 1842 T	(-)	Seal, oil
11	M 4097 T	(-)	Axle, long (sub. for M1000T, M2646T, and AM971T)
	M 1516 T	(-)	Axle, short (sub. for M2647T and AM1602T)
12	M 1515 T	(-)	Ring, snap
13	M 1001 T	(-)	Quill (sub. for AM972T)
14	M 1002 T	(-)	Shim, .002" (use quantity required) (packed 4 in a pkg.)
	M 1003 T	(-)	Shim, .005" (use quantity required) (packed 4 in a pkg.)
	M 1004 T	(-)	Shim, .010" (use quantity required) (packed 4 in a pkg.)
15	AM 939 T	(-)	Seal, oil (sub. for AM973T and AM2775T)
16	JD 8315 T	(-)	Cup, bearing
17	JD 7589 T	(-)	Cone, bearing
18	A 1892 R	(-)	Nut, hex., special, 5/8" (4 used)
19	AM 1958 T	(-)	Housing (M1783T), final drive with two bushings
20	M 2038 T	(-)	Bushing, brake shaft
21	M 1013 T	(-)	Gasket
22	M 1005 T	(-)	Washer
23	JD 7590 T	(-)	Cone, bearing
24	JD 8314 T	(-)	Cup, bearing
25	M 1007 T	(-)	Ring, snap
26	M 1006 T	(-)	Washer
27	12H 294 A	(-)	Washer, lock, 5/8"
28	19H 1756 A	(-)	Screw, cap, 5/8" x 1-1/2"
29	M 1042 T	(-)	Screw, cap, special, final drives to transmission (5 used on left, 7 used on right)
30	M 1795 T	(-)	Screw, cap, special, left upper and upper rear, final drive to transmission (2 used)
31	M 1010 T	(-)	Clip (2 used) (sub. for AM975T)
32	M 1011 T	(-)	Bolt, implement, special (4 used)
33	AM 1532 T	(-)	Gear (sub. for M998T, M1484T, and AM1534T)
34	M 1962 T	(-)	Gasket
35	M 1873 T	(-)	Dowel (4 used)
36	12H 293 A	(-)	Washer, lock, 7/16" (4 used)
37	M 1765 T	(-)	Pan
38	12H 304 A	(-)	Washer, lock, 3/8" (12 used)
39	19H 1100 A	(-)	Screw, cap, 3/8" x 1-3/8" (6 used)
40	15H 584 A	(-)	Plug, pipe, 1/2" (2 used)
41	19H 1139 A	(-)	Screw, cap, 3/8" x 1-1/8" (6 used)
42	19H 1978 A	(-)	Screw, cap, 7/16" x 1-1/2" (4 used)

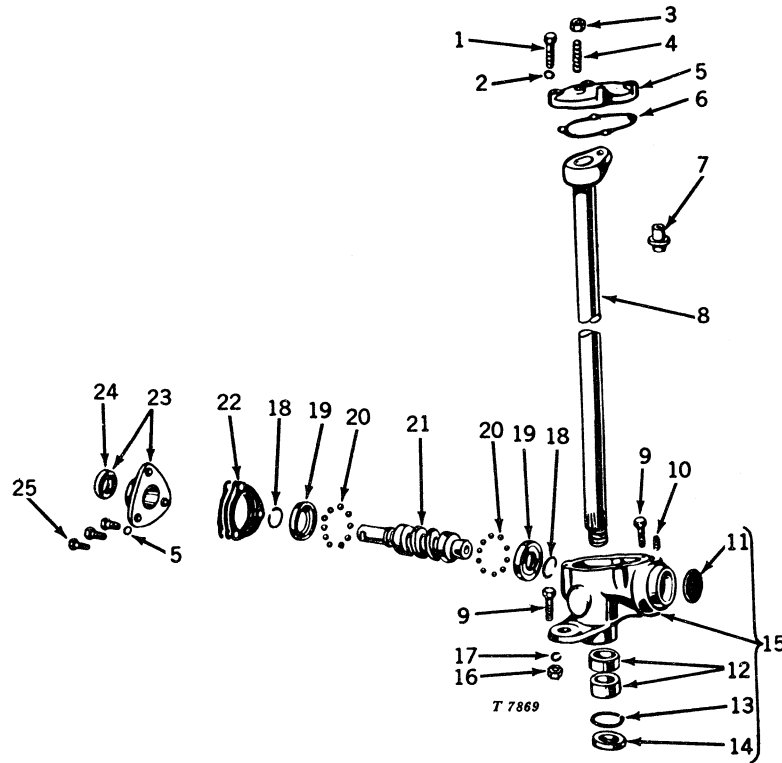
INSTRUMENT PANEL AND STEERING SHAFT



INSTRUMENT PANEL AND STEERING SHAFT -- Continued

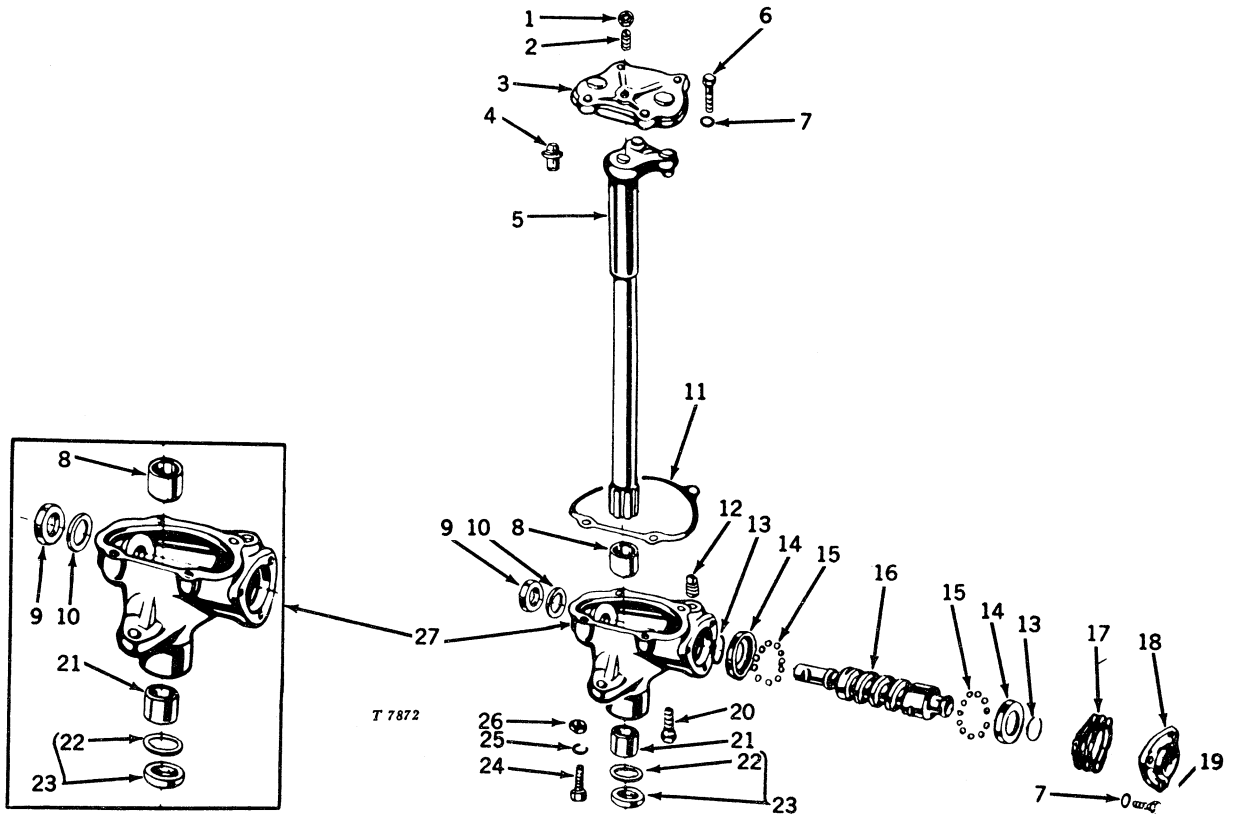
Key	Part No.	Serial No.	Description
1	AL 2315 T	(-)	Nut, hex., special
2	AL 2180 T	(-69403)	Wheel, steering (S)
	AL 2180 T	(-75498)	Wheel, steering (T)
	AL 2180 T	(-63119)	Wheel, steering (U)
	AM 2600 T	(60001-)	Wheel, steering (H, V, W)
	AM 2600 T	(69404-)	Wheel, steering (S)
	AM 2600 T	(75499-)	Wheel, steering (T)
3	AM 2600 T	(63120-)	Wheel, steering (U)
	M 301 T	(-69403)	Bushing (S)
	M 301 T	(-75498)	Bushing (T)
	M 301 T	(-63119)	Bushing (U)
	M 2756 T	(60001-)	Bushing (V, W)
	M 2756 T	(69404-)	Bushing (S)
	M 2756 T	(75499-)	Bushing (T)
4	M 2756 T	(63120-)	Bushing (U)
	M 2772 T	(60001-)	Bushing (H)
	M 2757 T	(60001-)	Bushing (V, W)
	M 2757 T	(69404-)	Bushing (S)
	M 2757 T	(75499-)	Bushing (T)
5	M 2757 T	(63120-)	Bushing (U)
	AM 2598 T	(-)	Support, with bushing (H)
	6 A 3142 R	(-)	Plug (C)
	7 AM 2707 T	(-)	Housing, instrument panel (M2855T), with roll pins (sub. for AM1941T) (C)
	AM 2707 T	(-)	Housing, instrument panel (M2855T), with roll pins (sub. for AM2597T) (H)
	AM 2707 T	(-69403)	Housing, instrument panel (M2855T), with roll pins (sub. for AM1877T) (also order one M301T) (S)
	AM 2707 T	(69404-)	Housing, instrument panel (M2855T), with roll pins (also order one M2556T and one M2757T) (S)
	AM 2707 T	(-75498)	Housing, instrument panel (M2855T), with roll pins (sub. for AM1877T) (also order one M301T) (T)
	AM 2707 T	(75499-)	Housing, instrument panel (M2855T), with roll pins (also order one M2756T and one M2757T) (T)
	AM 2707 T	(-63119)	Housing, instrument panel (M2855T), with roll pins (sub. for AM1877T) (also order one M301T) (U)
	AM 2707 T	(63120-)	Housing, instrument panel (M2855T), with roll pins (also order one M2756T and one M2757T) (U)
	AM 2707 T	(60001-)	Housing, instrument panel (M2855T), with roll pins (also order one M2756T and one M2757T) (V, W)
	8	26H 77 A	(-)
9	AM 2595 T	(-)	Tube, steering (H)
	AM 1830 T	(-69403)	Sub. one AM2589T, one M2756T and one M2757T (S)
	AM 2589 T	(69404-)	Tube, steering (S)
	AM 1830 T	(-75498)	Sub. one AM2589T, one M2756T and one M2757T (T)
	AM 2589 T	(75499-)	Tube, steering (T)
	AM 1830 T	(-63119)	Sub. one AM2589T, one M2756T and one M2757T (U)
	AM 2589 T	(63120-)	Tube, steering (U)
10	AM 2589 T	(60001-)	Tube, steering (V, W)
11	M 594 T	(-)	Screw, cap, special, 1/4" x 1-1/2" (packed 5 in a pkg.) (H, S, T, U, V, W)
12	34H 102 A	(-)	Pin, roll, 1/4" x 1-1/8" (2 used)
13	19H 1732 A	(-)	Screw, cap, 3/8" x 1-1/4" (3 used)
14	12H 304 A	(-)	Washer, lock, 3/8" (3 used)
15	M 1923 T	(-)	Panel, instrument (C, H, S, T, V, W)
	M 2654 T	(-)	Panel, instrument (U)
16	21H 1144 A	(-)	Screw, mach., 1/4" x 1/2" (4 used)
17	M 2655 T	(-)	Plug, button, mower by-pass switch (U)
18	M 2291 T	(-)	Plug, button, cigarette lighter
	M 2047 T	(-)	Plug, button, dash lamp

STEERING GEAR ASSEMBLY
 Standard (Serial No. 60001-69403)
 Utility (Serial No. 60001-63119)



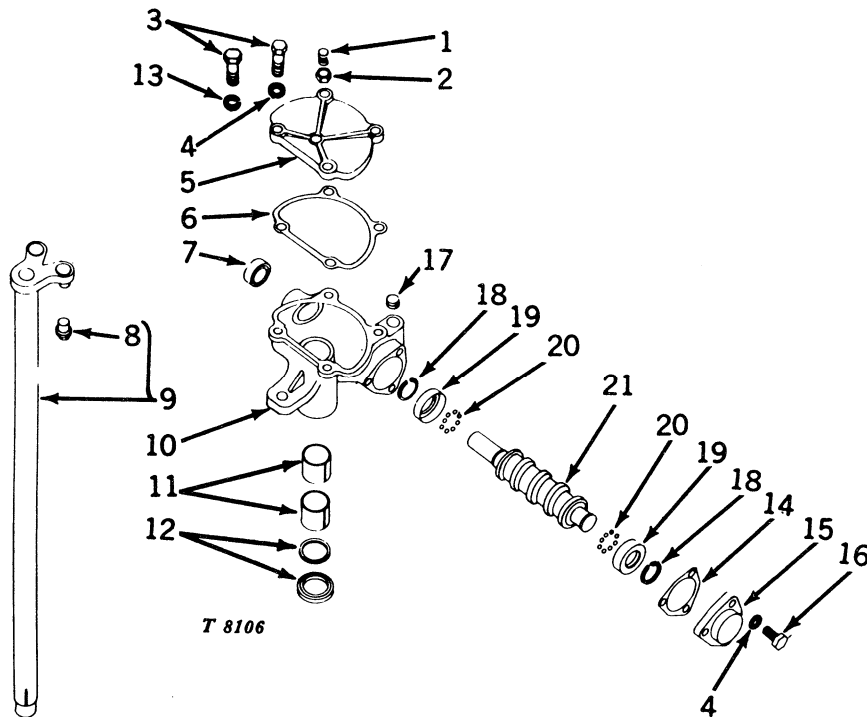
Key	Part No.	Serial No.	Description
1	M 735 T	(-)	Screw, cap, special (4 used)
2	M 728 T	(-)	Washer, copper (7 used)
3	14H 469 A	(-)	Nut, hex. jam, 7/16"
4	M 714 T	(-)	Screw, adjusting
5	M 715 T	(-)	Cover
6	M 716 T	(-)	Gasket
7	AM 1515 T	(-)	Stud, lever shaft (packed 2 in a pkg.)
8	AM 2574 T	(-)	Shaft, steering (sub. for AM819T)
9	19H 1732 A	(-)	Screw, cap, 3/8" x 1-1/4" (2 used)
10	15H 604 A	(-)	Plug, pipe, sq. hd., 1/4"
11	30H 17 A	(-)	Plug, expansion, 1-1/4"
12	M 724 T	(-)	Bushing, upper (2 used)
13	M 725 T	(-)	Sub. AM509T
14	AM 509 T	(-)	Seal, upper oil, with cork washer (sub. for AM798T)
15	AM 508 T	(-)	Housing, steering gear, with bushings, oil seal, and expansion plug (sub. for AM794T)
16	14H 812 A	(-)	Nut, hex., 3/8" (2 used)
17	12H 304 A	(-)	Washer, lock, 3/8" (2 used)
18	M 717 T	(-)	Ring, snap (2 used)
19	M 718 T	(-)	Race, ball bearing (2 used)
20	R 26552 R	(-)	Ball (20 used) (sub. for M719T)
21	M 736 T	(-)	Worm, steering gear (sub. for AM820T)
22	M 720 T	(-)	Shim, .002" (approx. 2 used) (packed 5 in a pkg.)
	M 721 T	(-)	Shim, .003" (approx. 2 used) (packed 5 in a pkg.)
	M 722 T	(-)	Shim, .010" (approx. 1 used) (packed 3 in a pkg.)
23	AM 795 T	(-)	Cover, rear, with oil seal
24	AM 796 T	(-)	Seal, oil
25	M 723 T	(-)	Screw, cap, special (3 used)

STEERING GEAR ASSEMBLY
 Hi-Crop (Serial No. 60001-60060)
 Tricycle (Serial No. 60001-77354)



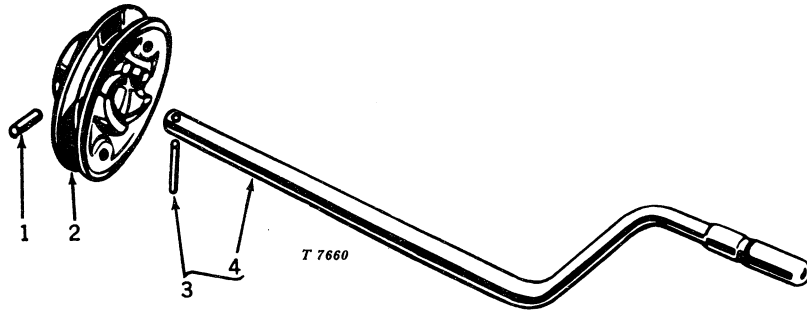
Key	Part No.	Serial No.	Description
1	14H 469 A	(-)	Nut, hex. jam, 7/16"
2	M 937 T	(-)	Screw, special
3	M 936 T	(-)	Cover, top
4	AM 1514 T	(-)	Stud, steering shaft (2 used) (packed 2 in a pkg.)
5	AM 2381 T	(-75498)	Shaft, steering, with studs and steer worm kit (sub. for AM1027T) (T)
	AM 2396 T	(75499-)	Shaft, vertical, with studs (T)
	AM 2544 T	(-)	Shaft, vertical, with studs (H)
6	M 735 T	(-)	Screw, cap, special (4 used)
7	M 728 T	(-)	Washer, copper (7 used)
8	P 44271 H	(-)	Bushing
9	AM 796 T	(-)	Seal, oil
10	M 930 T	(-)	Washer, backing
11	M 935 T	(-)	Gasket
12	15H 604 A	(-)	Plug, pipe, sq. hd., 1/4"
13	M 933 T	(-)	Ring, snap (2 used)
14	M 932 T	(-)	Cup (2 used)
15	R 26552 R	(-)	Ball (22 used) (sub. for M719T)
16	AM 2381 T	(-75498)	Worm, steering, and vertical shaft with studs, kit (sub. for AM1028T) (T)
	M 2573 T	(75499-)	Worm, steering (T)
	M 2741 T	(-)	Worm, steering (H)
17	M 720 T	(-)	Shim, .002" (use quantity required) (packed 5 in a pkg.)
	M 721 T	(-)	Shim, .003" (use quantity required) (packed 5 in a pkg.)
	M 722 T	(-)	Shim, .010" (use quantity required) (packed 3 in a pkg.)
18	AM 3669 T	(-)	Cover, with washers and cap screws (sub. for M934T)
19	M 723 T	(-)	Screw, cap, special (3 used)
	19H 2127 A	(-)	Screw, cap, 5/16" x 7/8" (3 used) (used when AM3669T cover has been installed as a replacement unit)
20	JD 19 R	(-)	Bolt (packed 20 in a pkg.)
21	P 44271 H	(-)	Bushing, lower
22	M 977 T	(-)	Sub. AM906T
23	AM 906 T	(-)	Seal, oil, with cork washer
24	19H 1732 A	(-)	Screw, cap, 3/8" x 1-1/4"
25	12H 304 A	(-)	Washer, lock, 3/8"
26	14H 812 A	(-)	Nut, hex., 3/8"
27	AM 3159 T	(-)	Housing, steering gear, with bushings, oil seal and backing washers (sub. for AM1026T)

STEERING GEAR ASSEMBLY
 Hi-Crop (Serial No. 60061-Up)
 Standard (Serial No. 69404-Up)
 Tricycle (Serial No. 77355-Up)
 Utility (Serial No. 63120-Up)
 Special and Two-Row Utility (Serial No. 60001-Up)



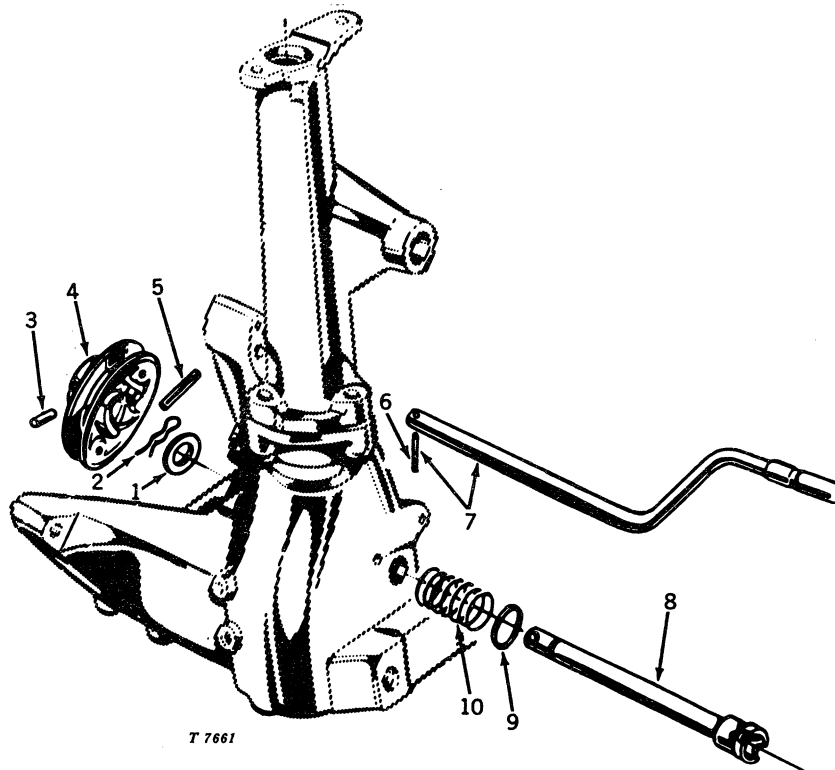
Key	Part No.	Serial No.	Description
1	M 937 T	(-)	Screw, adjusting
2	14H 469 A	(-)	Nut, hex. jam, 7/16"
3	M 735 T	(-)	Screw, cap, special (4 used)
4	M 728 T	(-)	Washer, copper (5 used)
5	M 2838 T	(-)	Cover, top
6	M 2839 T	(-)	Gasket
7	AM 2684 T	(-)	Seal, oil
8	AM 1514 T	(-)	Stud, lever shaft (2 used) (packed 2 in a pkg.)
9	AM 2683 T	(-)	Lever shaft assembly (H, S, U, V, W)
	AM 2396 T	(-)	Lever shaft assembly (T)
10	AM 2724 T	(-)	Housing, with bushings and oil seals
11	P 44271 H	(-)	Bushing, trunnion (2 used)
12	AM 906 T	(-)	Seal, oil, with cork washer
13	12H 303 A	(-)	Washer, lock, 5/16" (2 used)
14	M 720 T	(-)	Shim, .002" (use quantity required) (packed 5 in a pkg.)
	M 721 T	(-)	Shim, .003" (use quantity required) (packed 5 in a pkg.)
	M 722 T	(-)	Shim, .010" (use quantity required) (packed 3 in a pkg.)
15	AM 3669 T	(-)	Cover, front, with washers and cap screws (sub. for M934T)
16	M 723 T	(-)	Screw, cap, special (3 used)
	19H 2127 A	(-)	Screw, cap, 5/16" x 7/8" (3 used) (used when AM3669T cover has been installed)
17	15H 604 A	(-)	Plug, pipe, sq. hd., 1/4"
18	M 933 T	(-)	Ring, snap (2 used)
19	M 932 T	(-)	Cup, ball bearing (2 used)
20	R 26552 R	(-)	Ball bearing (22 used) (sub. for M719T) (packed 2 in a pkg.)
21	M 2741 T	(-)	Worm, steering (H, S, U, V, W)
	M 2573 T	(-)	Worm, steering (T)

STARTING CRANK ASSEMBLY
Crawler, Hi-Crop, Standard, Utility, Special, and Two-Row Utility



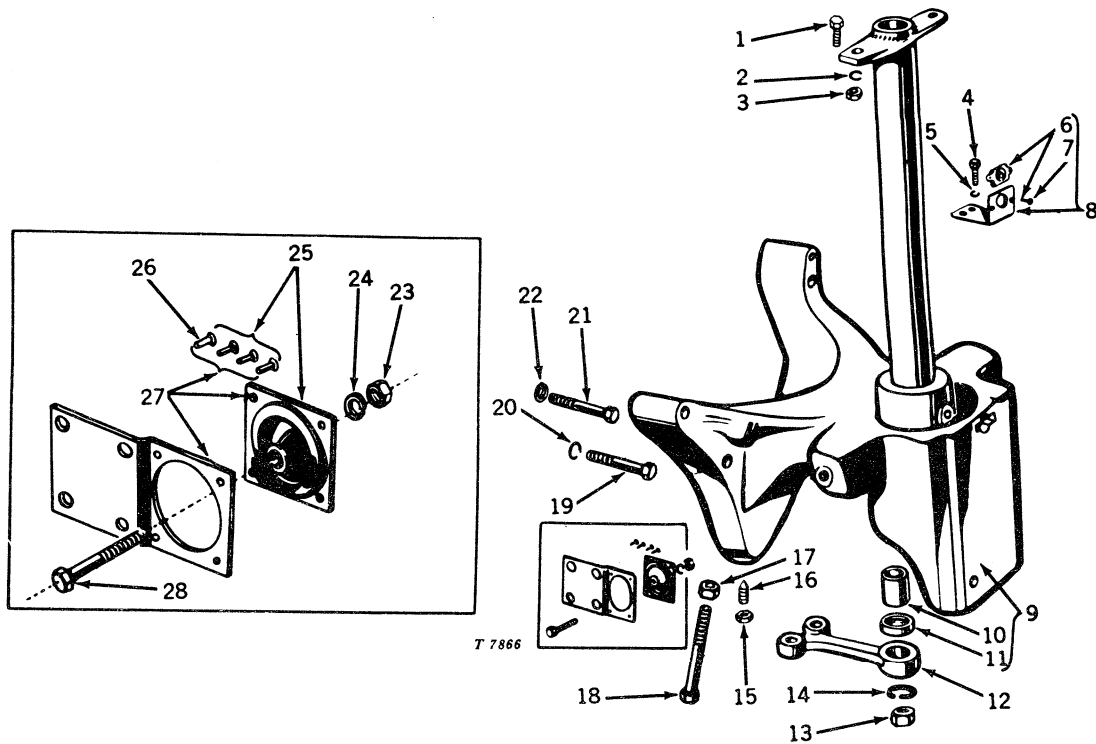
Key	Part No.	Serial No.	Description
1	25H 126 A	(-)	Pin, groov-, 5/16" x 2"
2	M 1766 T	(-)	Pulley, fan drive
3	M 1437 T	(-68879)	Pin (S)
	M 1437 T	(-62732)	Pin (U)
	M 1437 T	(-)	Pin (C)
4	AM 223 T	(-)	Crank, with pin (sub. for AM629T) (C)
	AT 237 T	(-)	Crank, with pin (H, S, U, V, W)

STARTING CRANK ASSEMBLY
Tricycle



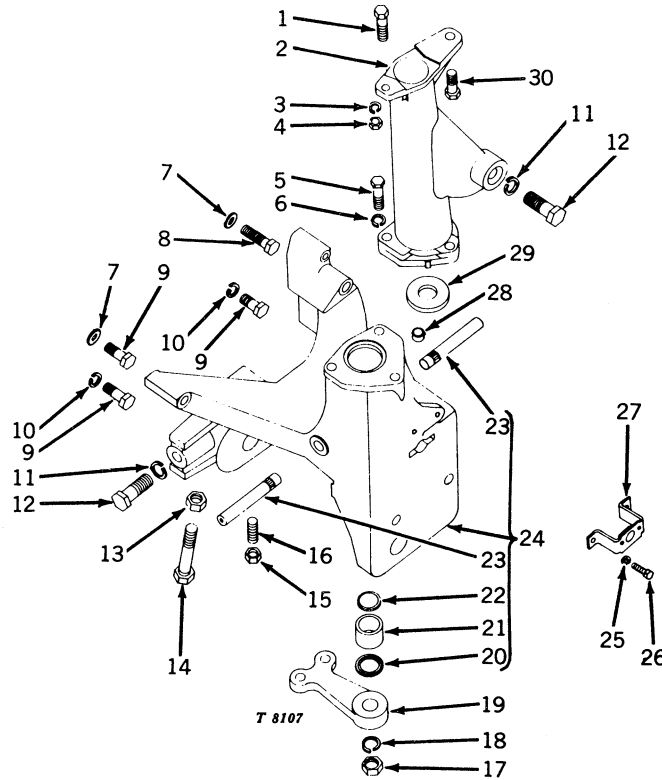
Key	Part No.	Serial No.	Description
1	24H 1392 A	(-)	Washer, plain, 25/32" x 1-3/8" x .120"
2	L 4416 T	(-)	Cotter, hair pin
3	25H 126 A	(-)	Pin, groov-, 5/16" x 2"
4	M 1766 T	(-)	Pulley, fan drive
5	M 1164 T	(-)	Pin
6	M 1437 T	(-)	Pin, starting crank
7	AM 1126 T	(-)	Crank, starting
8	AM 3149 T	(-)	Shaft, starting crank (sub. for AM945T)
9	M 847 T	(-)	Washer, front
10	M 848 T	(-)	Spring

FRONT END SUPPORT ASSEMBLY
 Standard (Serial No. 60001-69403)
 Utility (Serial No. 60001-63119)



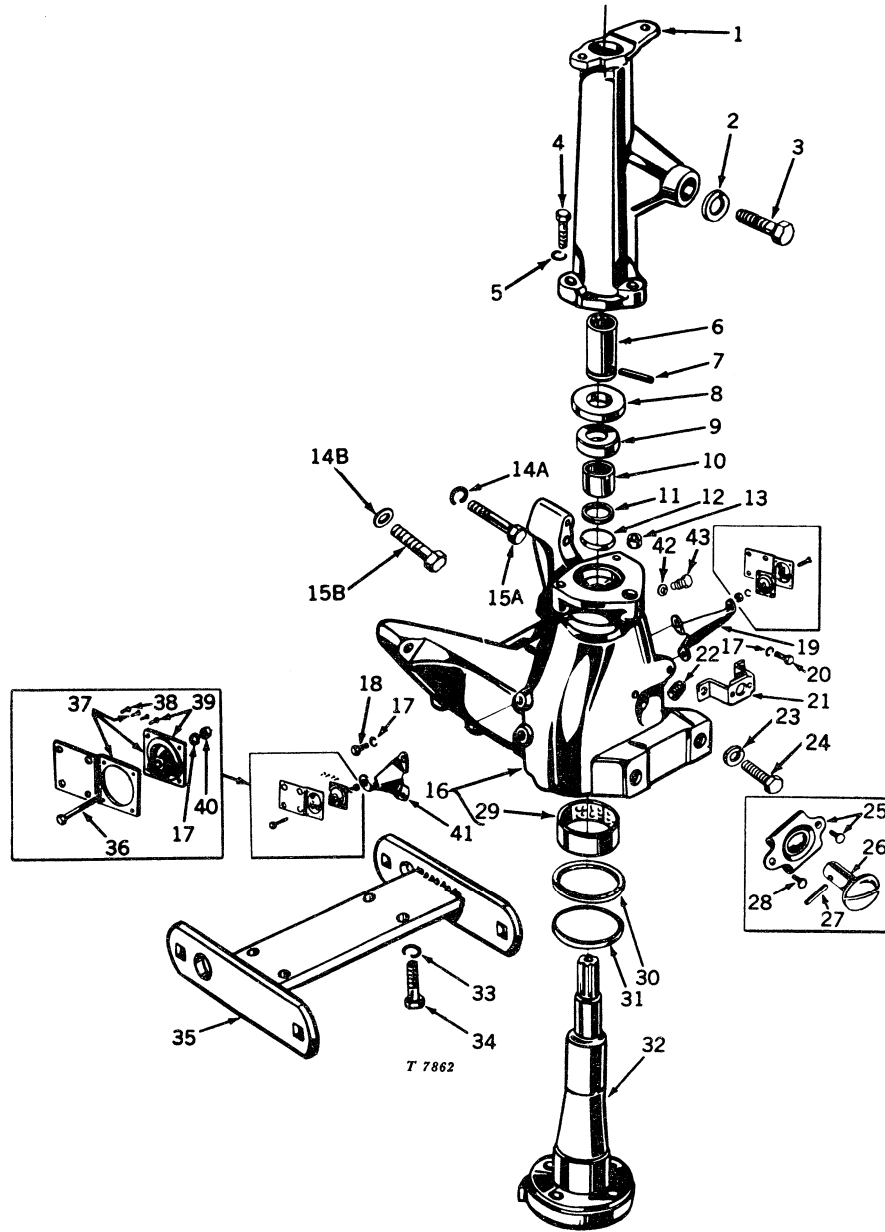
Key	Part No.	Serial No.	Description
1	19H 1732 A	(-)	Screw, cap, 3/8" x 1-1/4" (2 used)
2	12H 304 A	(-)	Washer, lock, 3/8" (2 used)
3	14H 812 A	(-)	Nut, hex., 3/8" (2 used)
4	19H 1813 A	(-)	Screw, cap, 5/16" x 5/8" (2 used)
5	12H 303 A	(-)	Washer, lock, 5/16" (2 used)
6	AM 635 T	(-)	Receptacle, fastener, with rivets
7	16H 87 A	(-)	Rivet, 1/8" x 1/4" (2 used)
8	AM 314 T	(-)	Bracket, front grille, with receptacle
9	AM 1703 T	(-)	Support (M1611T), front end, with vertical pipe, bushing, and oil seal
10	M 421 T	(-)	Bushing, lower
11	AM 381 T	(-)	Seal, oil, lower
12	M 435 T	(-)	Arm, center steering (sub. for AM800T)
13	M 726 T	(-)	Nut, lever shaft
14	12H 236 A	(-)	Washer, lock, 3/4"
15	14H 826 A	(-)	Nut, hex. jam, 1/2"
16	22H 713 A	(-)	Screw, set, 1/2" x 2"
17	14H 760 A	(-)	Nut, hex., 5/8"
18	19H 1890 A	(-)	Screw, cap, 5/8" x 2-3/4"
19	M 434 T	(-)	Screw, cap, special (3 used)
20	12H 317 A	(-)	Washer, lock, 9/16", lower screws (2 used)
21	M 285 T	(-)	Screw, cap, special, upper left hand hole (packed 5 in a pkg.)
22	24H 1354 A	(-)	Washer, plain, 37/64" x 1" x .090", upper screws (2 used)
23	14H 786 A	(-)	Nut, hex., 1/4" (2 used)
24	12H 302 A	(-)	Washer, lock, 1/4" (2 used)
25	AM 640 T	(-)	Cushion, radiator, with rivets (2 used)
26	16H 173 A	(-)	Rivet, 5/32" x 3/8" (8 used)
27	AM 298 T	(-)	Bracket, radiator, lower, with cushion (2 used)
28	19H 1898 A	(-)	Screw, cap, 1/4" x 1-1/2" (2 used)

FRONT END AND STEERING GEAR SUPPORT
 Hi-Crop, Special, and Two-Row Utility (Serial No. 60001-Up)
 Standard (Serial No. 69404-Up)
 Utility (Serial No. 63120-Up)



Key	Part No.	Serial No.	Description
1	19H 1800 A	(-)	Screw, cap, 3/8" x 1-1/2"
2	M 849 T	(-)	Support, steering gear (sub. for AM946T)
3	12H 304 A	(-)	Washer, lock, 3/8"
4	14H 812 A	(-)	Nut, hex., 3/8"
5	19H 1899 A	(-)	Screw, cap, 7/16" x 2" (3 used)
6	12H 293 A	(-)	Washer, lock, 7/16" (3 used)
7	M 3244 T	(-)	Washer, plain, special (2 used) (packed 4 in a pkg.)
8	M 285 T	(-)	Screw, cap, special, 9/16" x 5-1/2" (packed 5 in a pkg.)
9	M 434 T	(-)	Screw, cap, special, 9/16" x 3-1/2" (3 used)
10	12H 317 A	(-)	Washer, lock, 9/16" (2 used)
11	12H 236 A	(-)	Washer, lock, 3/4" (3 used)
12	19H 1768 A	(-)	Screw, cap, 3/4" x 2" (3 used)
13	14H 760 A	(-)	Nut, hex., 5/8"
14	M 2671 T	(-)	Screw, cap, special
15	14H 826 A	(-)	Nut, hex. jam, 1/2"
16	22H 713 A	(-)	Screw, set, 1/2" x 2"
17	M 2837 T	(-)	Nut, hex., special, 7/8" (S, U, V, W)
	M 726 T	(-60060)	Nut, hex., special, 3/4" (H)
	M 2837 T	(60061-)	Nut, hex., special, 7/8" (H)
18	12H 245 A	(-)	Washer, lock, 7/8" (S, U, V, W)
	12H 236 A	(-60060)	Washer, lock, 3/4" (H)
	12H 245 A	(60061-)	Washer, lock, 7/8" (H)
19	T 11329 T	(-)	Arm, steering (sub. for M2742T)
20	AM 2555 T	(-)	Seal, oil, lower
21	M 2670 T	(-)	Bushing
22	M 2667 T	(-)	Seal, upper
23	M 2669 T	(-)	Support, radiator (2 used)
24	AM 3846 T	(-)	Support, front end (M4152T), with radiator supports, oil seal, bushing, cap screw, and hex. nut (sub. for M2665T and AM2447T)
25	12H 302 A	(-)	Washer, lock, 1/4" (2 used)
26	19H 1948 A	(-)	Screw, cap, 1/4" x 3/4" (2 used)
27	AM 917 T	(-)	Bracket (sub. for AM964T)
28	M 827 T	(-)	Dowel, hollow
29	M 4377 T	(-)	Washer, thrust (sub. for M842T)
30	JD 19 R	(-)	Bolt, special (packed 20 in a pkg.)

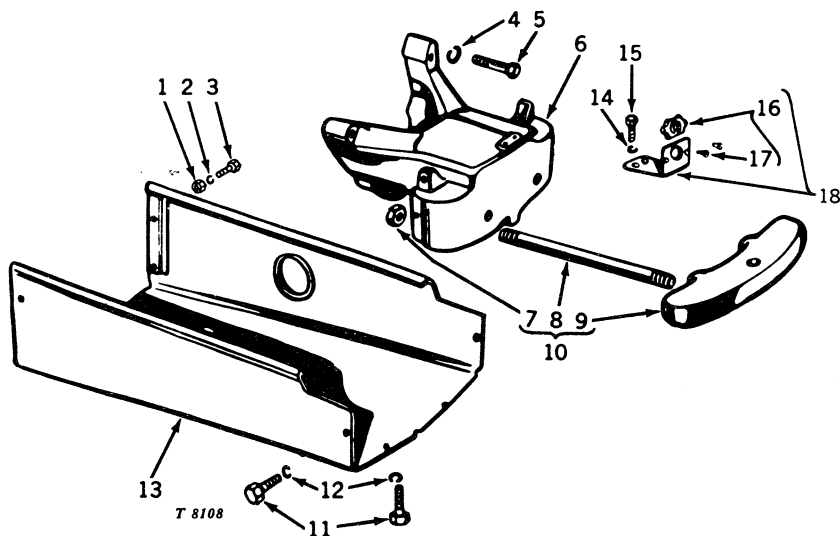
FRONT END SUPPORT AND UPPER SPINDLE
Tricycle



FRONT END SUPPORT AND UPPER SPINDLE -- Continued
Tricycle

Key	Part No.	Serial No.	Description
1	M 849 T	(-)	Support, steering gear (sub. for AM946T)
2	12H 236 A	(-)	Washer, lock, 3/4"
3	19H 1768 A	(-)	Screw, cap, 3/4" x 2"
4	19H 1899 A	(-)	Screw, cap, 7/16" x 2" (3 used)
5	12H 293 A	(-)	Washer, lock, 7/16" (3 used)
6	M 844 T	(-)	Coupling (sub. for AM944T)
7	25H 1160 A	(-)	Pin, groov-, 1/4" x 1-5/8"
8	M 4377 T	(-)	Washer, thrust bearing (sub. for M842T)
9	JD 8404 T	(-)	Bearing, thrust
10	JD 8820 T	(-)	Bearing, needle (sub. for AM623T)
11	M 431 T	(-)	Seal
12	M 550 T	(-70986)	Retainer
13	M 827 T	(-)	Dowel, hollow
14A	12H 317 A	(-)	Washer, lock, 9/16" (2 used)
14B	M 3244 T	(-)	Washer, plain, upper left and right screws (2 used) (packed 4 in a pkg.)
15A	M 434 T	(-)	Screw, cap, special (3 used)
15B	M 285 T	(-)	Screw, cap, special, upper left hole (1 used) (packed 5 in a pkg.)
16	AM 1773 T	(-)	Support, front end, with bushing (sub. for AM941T)
17	12H 302 A	(-)	Washer, lock, 1/4" (8 used)
18	19H 1919 A	(-)	Screw, cap, 1/4" x 5/8" (4 used)
19	M 857 T	(-)	Bracket, radiator lower left mounting (sub. for AM923T)
20	19H 1948 A	(-)	Screw, cap, 1/4" x 3/4" (2 used)
21	AM 917 T	(-)	Bracket, grille (sub. for AM964T)
22	15H 623 A	(-)	Plug, pipe, sq. hd., 3/8"
23	12H 294 A	(-)	Washer, lock, 5/8" (2 used)
24	19H 1756 A	(-)	Screw, cap, 5/8" x 1-1/2" (2 used)
25	AM 635 T	(-)	Receptacle, rigid, with rivets (9 used)
	AM 636 T	(-)	Receptacle, floating, with rivets (3 used)
26	M 315 T	(-)	Stud (9 used) (packed 2 in a pkg.)
	M 322 T	(-)	Stud, fastener, long (2 used) (packed 2 in a pkg.)
27	M 316 T	(-)	Pin, cross stud (12 used) (packed 2 in a pkg.)
28	16H 87 A	(-)	Rivet, 1/8" x 1/4" (24 used)
29	T 12727 T	(-)	Bushing (sub. for AM942T)
30	M 840 T	(-)	Seal, lower, upper spindle
31	M 841 T	(-)	Retainer, upper spindle lower seal
32	M 843 T	(-)	Spindle, upper (sub. for AM943T)
33	12H 301 A	(-)	Washer, lock, 1/2" (4 used)
34	19H 1721 A	(-)	Screw, cap, 1/2" x 1-1/2" (4 used)
35	AM 1182 T	(-)	Support, implement mounting
36	19H 1791 A	(-)	Screw, cap, 1/4" x 1-1/4" (2 used)
37	AM 298 T	(-)	Mounting, lower, radiator, with cushion (2 used)
38	16H 173 A	(-)	Rivet, 5/32" x 3/8" (4 used each mounting) (16 used)
39	AM 640 T	(-)	Cushion, mounting, with rivets (2 used)
40	14H 786 A	(-)	Nut, hex., 1/4" (2 used)
41	M 856 T	(-)	Bracket, radiator lower right mounting (sub. for AM922T)
42	T 12729 T	(-)	Washer, copper
43	T 12732 T	(-)	Plug, screw

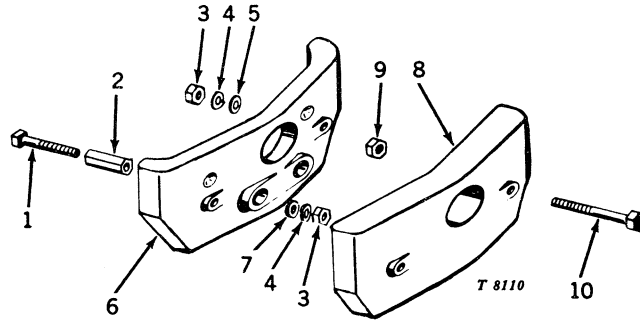
FRONT END SUPPORT AND SOD PAN
Crawler



Key	Part No.	Serial No.	Description
1	14H 813 A	(-)	Nut, hex., 7/16" (2 used)
2	12H 293 A	(-)	Washer, lock, 7/16" (2 used)
3	3H 1574 A	(-)	Bolt, cge., 7/16" x 1-1/2" (2 used)
4	12H 317 A	(-)	Washer, lock, 9/16" (4 used)
5	M 434 T	(-)	Screw, cap, special (4 used)
6	M 1018 T	(-)	Support, front end (sub. for AM1013T)
7	14H 836 A	(-)	Nut, hex., 7/8" (2 used)
8	M 1024 T	(-)	Rod, bumper (2 used)
9	M 1023 T	(-)	Bumper, front
10	AM 956 T	(-)	BUMPER ATTACHMENT
11	19H 1936 A	(-)	Screw, cap, 3/8" x 3/4" (4 used)
12	12H 304 A	(-)	Washer, lock, 3/8" (4 used)
13	AM 3361 T	(-)	Pan, sod (sub. for AM1014T)
14	12H 303 A	(-)	Washer, lock, 5/16" (2 used)
15	19H 1813 A	(-)	Screw, cap, 5/16" x 5/8" (2 used)
16	AM 635 T	(-)	Receptacle, rigid, with rivets
17	16H 87 A	(-)	Rivet, 1/8" x 1/4" (2 used)
18	AM 1940 T	(-)	Bracket, with receptacle and rivets

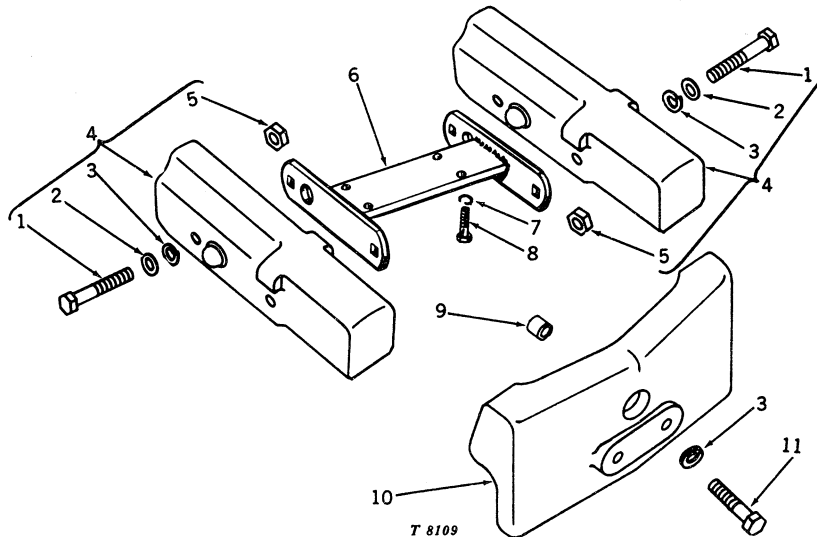
Capital letters indicate an attachment. Attachments must be listed on separate order from replacement parts.

FRONT WEIGHT ATTACHMENT
Hi-Crop, Standard, Utility, Special, and Two-Row Utility



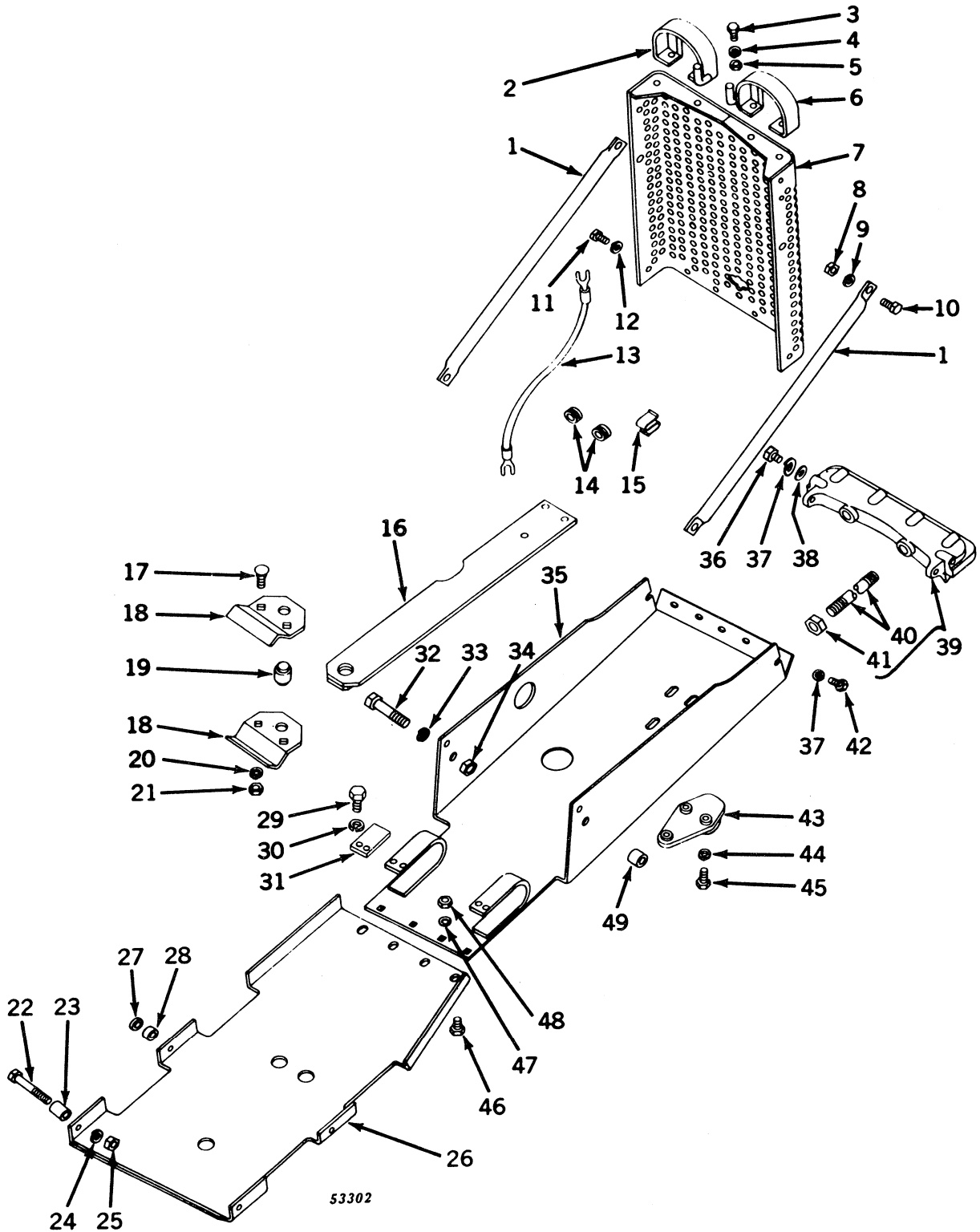
Key	Part No.	Serial No.	Description
1	M 2582 T	(-)	Bolt, special, 5/8" x 5-1/2" (2 used) (sub. for M2220T)
2	M 2160 T	(-)	Pilot (2 used)
3	14H 760 A	(-)	Nut, hex., 5/8" (4 used)
4	12H 294 A	(-)	Washer, lock, 5/8" (4 used)
5	24H 1368 A	(-)	Washer, plain, 21/32" x 1-5/16" x .090" (2 used)
6	AM 2332 T	(-)	WEIGHT, INNER (145 LBS.) (CONSISTS OF ONE M2546T FRONT WEIGHT AND ONE AT15577T PACKAGE OF ATTACHING HARDWARE)
7	24H 1106 A	(-)	Washer, plain, 11/16" x 1-3/4" x .134" (2 used)
8	AM 2333 T	(-)	WEIGHT, OUTER (145 LBS.) (CONSISTS OF ONE M2547T FRONT WEIGHT AND ONE AT16776T PACKAGE OF ATTACHING HARDWARE)
9	14H 821 A	(-)	Nut, hex., 5/8" (2 used)
10	M 2548 T	(-)	Bolt, special, 5/8" x 7-3/4" (2 used)

FRONT AND SIDE WEIGHT ATTACHMENT
Tricycle



Key	Part No.	Serial No.	Description
1	3H 762 A	(-)	Bolt, cge., 5/8" x 6" (4 used)
2	24H 1139 A	(-)	Washer, plain, 11/16" x 1-1/4" x .105" (4 used)
3	12H 294 A	(-)	Washer, lock, 5/8" (6 used)
4	AT 15583 T	(-)	WEIGHT, SIDE (83 LBS. EACH) (CONSISTS OF TWO M1844T SIDE WEIGHT AND ONE AT15591T PACKAGE OF ATTACHING HARDWARE) (SUB. FOR AM1870T)
5	14H 760 A	(-)	Nut, hex., 5/8" (4 used)
6	AM 1182 T	(-)	Support, implement
7	12H 301 A	(-)	Washer, lock, 1/2" (4 used)
8	19H 1721 A	(-)	Screw, cap, 1/2" x 1-1/2" (4 used)
9	M 1647 T	(-)	Dowel, hollow (2 used)
10	AM 1869 T	(-)	WEIGHT, FRONT (145 LBS.) (CONSISTS OF ONE AM1780T FRONT WEIGHT AND ONE AT15575T PACKAGE OF ATTACHING HARDWARE)
11	19H 2124 A	(-)	Screw, cap, 5/8" x 4-1/4" (2 used)

GRILLE GUARD, LIGHT GUARD, AND BOTTOM GUARD ATTACHMENT
Crawler

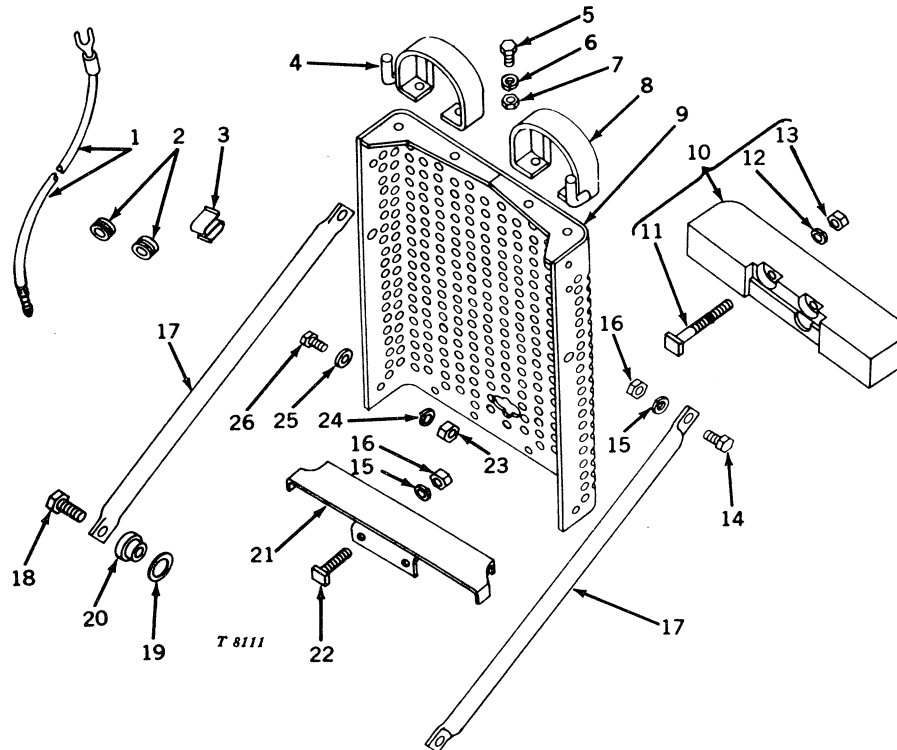


GRILLE GUARD, LIGHT GUARD, AND BOTTOM GUARD ATTACHMENT -- Continued
Crawler

Key	Part No.	Serial No.	Description
1	M 2314 T	(-)	Brace (2 used)
2	AM 2097 T	(-)	Guard, light, left
3	19H 1792 A	(-)	Screw, cap, 1/2" x 1" (4 used)
4	12H 301 A	(-)	Washer, lock, 1/2" (4 used)
5	14H 809 A	(-)	Nut, hex., 1/2" (4 used)
6	AM 2098 T	(-)	Guard, light, right
7	AM 2096 T	(-)	Guard, grille
8	14H 760 A	(-)	Nut, hex., 5/8" (2 used)
9	12H 294 A	(-)	Washer, lock, 5/8" (2 used)
10	19H 1756 A	(-)	Screw, cap, 5/8" x 1-1/2" (2 used)
11	19H 1773 A	(-)	Screw, cap, 7/16" x 1-1/8" (6 used)
12	12H 293 A	(-)	Washer, lock, 7/16" (6 used)
13	AM 2099 T	(-)	Lead, left front light
14	M 1895 T	(-)	Grommet, light leads in grille (2 used) (packed 2 in a pkg.)
15	M 633 T	(-)	Clip, wiring
16	AM 2101 T	(-)	Drawbar assembly, front
17	3H 1407 A	(-)	Bolt, cge., 5/8" x 2-1/2" (2 used)
18	TE 259 YT	(-62263)	Plate, drawbar clevis (2 used)
	M 2385 T	(62264-)	Plate, drawbar clevis (2 used)
19	TE 436 YT	(-)	Pin, drawbar pivot
20	12H 294 A	(-)	Washer, lock, 5/8" (2 used)
21	14H 760 A	(-)	Nut, hex., 5/8" (2 used)
22	19H 1739 A	(-)	Screw, cap, 1/2" x 4-1/2" (4 used)
23	M 2323 T	(-)	Dowel, rear (2 used)
24	L 139 T	(-)	Washer, plain (4 used)
25	14H 809 A	(-)	Nut, hex., 1/2" (4 used)
26	M 2321 T	(-)	Plate, rear bottom
27	M 2497 T	(-)	Spacer (2 used)
28	M 2322 T	(-)	Dowel, front (2 used)
29	19H 2127 A	(-62263)	Screw, cap, 5/16" x 7/8" (4 used)
30	12H 303 A	(-62263)	Washer, lock, 5/16" (4 used)
31	M 2498 T	(-62263)	Spacer (2 used)
32	19H 2055 A	(-)	Screw, cap, 7/16" x 2-1/4" (2 used)
33	12H 293 A	(-)	Washer, lock, 7/16" (2 used)
34	14H 813 A	(-)	Nut, hex., 7/16" (2 used)
35	AM 3469 T	(-)	Plate, front bottom (sub. for AM2100T) (also order two M3796T)
36	19H 1821 A	(-)	Screw, cap, 7/16" x 1-1/4" (2 used)
37	12H 293 A	(-)	Washer, lock, 7/16" (7 used)
38	24H 1325 A	(-)	Washer, plain, 15/32" x 59/64" x .060" (2 used)
39	AM 2094 T	(-)	BUMPER ATTACHMENT (M2189T)
40	M 1024 T	(-)	Rod, tension (2 used)
41	14H 836 A	(-)	Nut, hex., 7/8" (2 used)
42	19H 1773 A	(-)	Screw, cap, 7/16" x 1-1/8" (5 used)
43	M 2268 T	(-)	Hitch, front
44	12H 294 A	(-)	Washer, lock, 5/8" (3 used)
45	19H 1708 A	(-)	Screw, cap, 5/8" x 1-3/4" (3 used)
46	TE 24 YT	(-)	Bolt, 5/8" x 1-7/16" (4 used)
47	M 495 T	(-)	Washer, plain, special (4 used)
48	9027 YT	(-)	Nut, hex., special (4 used)
49	M 3796 T	(-)	Spacer (2 used) (order only when AM3469T has been installed)
..	AM 2092 T	(-)	GRILLE GUARD ATTACHMENT
..	AM 2093 T	(-)	LIGHT GUARD ATTACHMENT

Capital letters indicate an attachment. Attachments must be listed on separate order from replacement parts.

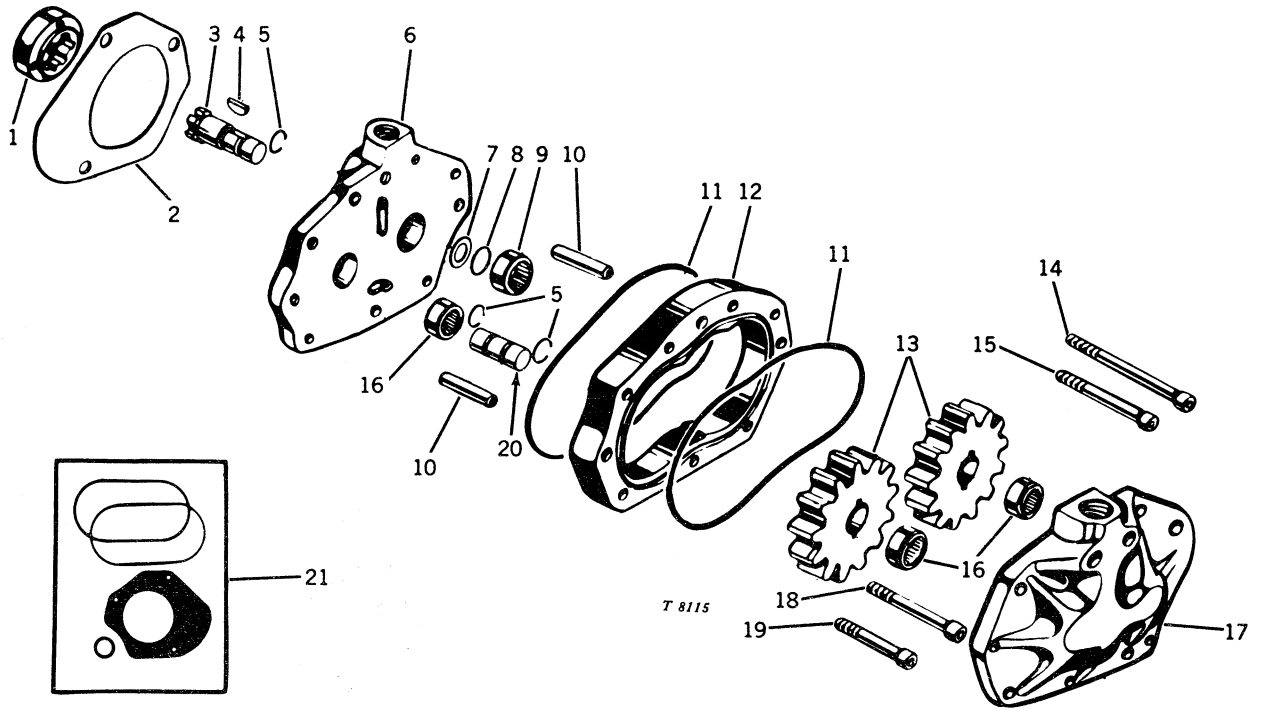
GRILLE GUARD AND FRONT WEIGHT ATTACHMENT
Utility



Key	Part No.	Serial No.	Description
1	AM 2099 T	(-)	Lead, left front light
2	M 1895 T	(-)	Grommet, light leads in grille (2 used) (packed 2 in a pkg.)
3	M 633 T	(-)	Clip, wiring
4	AM 2097 T	(-)	Guard, light, left
5	19H 1792 A	(-)	Screw, cap, 1/2" x 1" (4 used)
6	12H 301 A	(-)	Washer, lock, 1/2" (4 used)
7	14H 809 A	(-)	Nut, hex., 1/2" (4 used)
8	AM 2098 T	(-)	Guard, light, right
9	AM 2096 T	(-)	Guard, grille
10	AM 2402 T	(-)	WEIGHT, FRONT (70 LBS.) (CONTAINS ONE M2581T WEIGHT AND ONE AT15574T PACKAGE OF ATTACHING HARDWARE)
11	M 2582 T	(-)	Bolt, sq. hd., special, 5/8" x 5-1/2" (2 used)
12	12H 294 A	(-)	Washer, lock, 5/8" (2 used)
13	14H 760 A	(-)	Nut, hex., 5/8" (2 used)
14	19H 1756 A	(-)	Screw, cap, 5/8" x 1-1/2" (2 used)
15	12H 294 A	(-)	Washer, lock, 5/8" (4 used)
16	14H 760 A	(-)	Nut, hex., 5/8" (4 used)
17	M 2314 T	(-)	Brace (2 used)
18	19H 1768 A	(-)	Screw, cap, 3/4" x 2" (2 used)
19	24H 1540 A	(-)	Washer, plain, 1-17/32" x 2-5/8" x .036" (2 used)
20	TE 239 YT	(-)	Bushing (2 used)
21	AM 2403 T	(-)	Support assembly
22	8H 4194 A	(-)	Bolt, sq. hd., 5/8" x 2-1/4" (2 used)
23	14H 813 A	(-)	Nut, hex., 7/16" (6 used)
24	12H 293 A	(-)	Washer, lock, 7/16" (6 used)
25	24H 1325 A	(-)	Washer, plain, 15/32" x 59/64" x .060" (2 used)
26	19H 1821 A	(-)	Screw, cap, 7/16" x 1-1/4" (6 used)
..	AM 2401 T	(-)	GRILLE GUARD ATTACHMENT
..	AM 2093 T	(-)	LIGHT GUARD ATTACHMENT

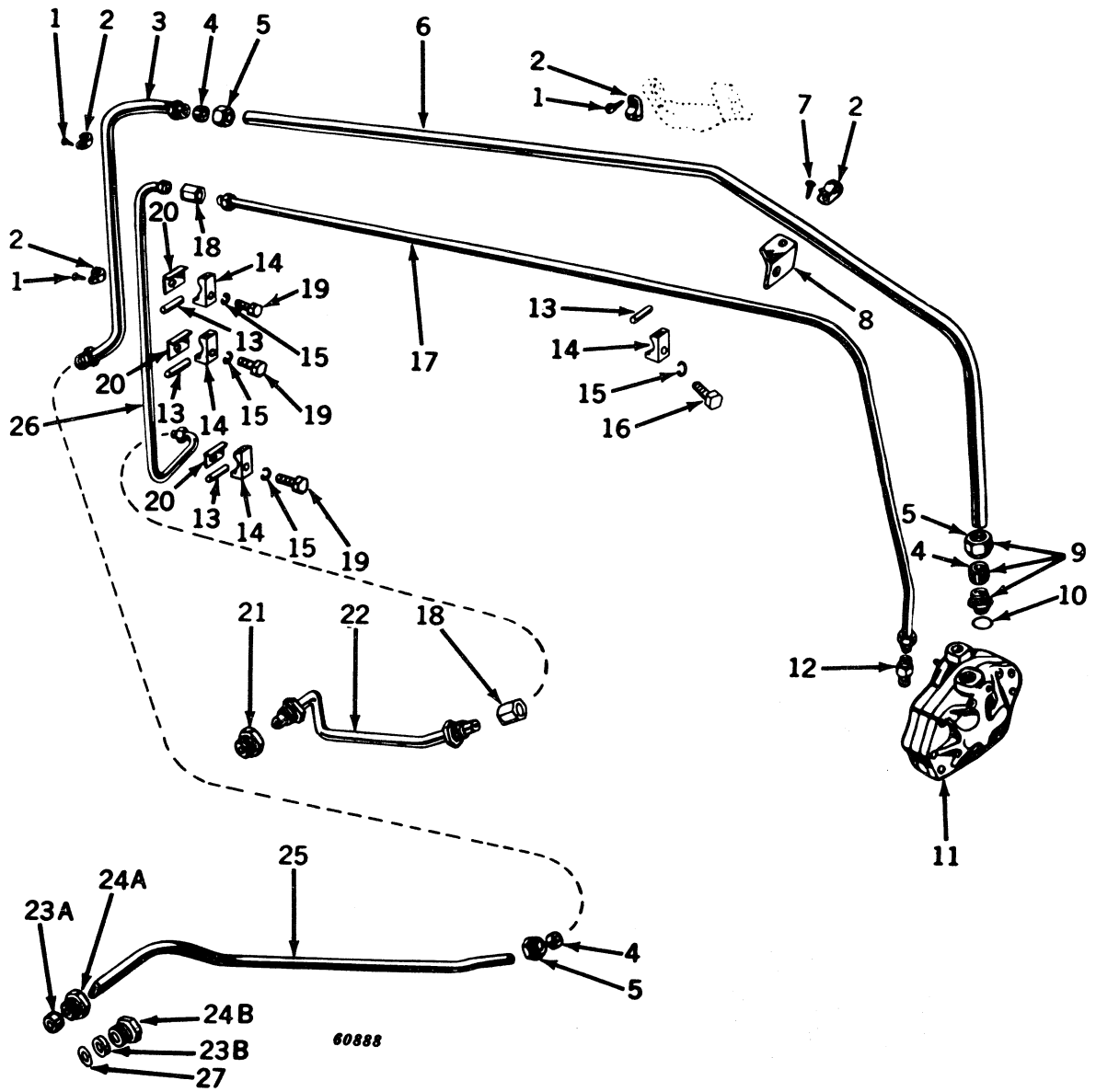
Capital letters indicate an attachment. Attachments must be listed on separate order from replacement parts.

HYDRAULIC PUMP



Key	Part No.	Serial No.	Description
1	M 1845 T	(-)	Coupling
2	M 1039 T	(-)	Gasket (packed 2 in a pkg.)
3	M 1868 T	(-)	Shaft, drive
4	M 1869 T	(-)	Key, Woodruff, special
5	M 1871 T	(-)	Ring, snap (3 used)
6	M 1769 T	(-)	Base
7	M 1865 T	(-)	Washer, special (packed 5 in a pkg.)
8	M 1866 T	(-)	Ring, "O"
9	JD 8804 T	(-)	Bearing, needle (sub. for AM409T)
10	M 1027 T	(-)	Pin, dowel (2 used)
11	T 16572 T	(-)	Ring, sealing (2 used) (sub. for M1030T)
12	M 1029 T	(-)	Center (sub. for AM1100T)
13	M 1870 T	(-)	Gear (2 used)
14	M 508 T	(-)	Screw, cap, special, 5/16" x 3-1/4"
15	M 507 T	(-)	Screw, cap, special, 5/16" x 2-1/2" (2 used)
16	JD 8803 T	(-)	Bearing, needle (3 used) (sub. for AM1806T)
17	M 1770 T	(-)	Cover
18	M 1036 T	(-)	Screw, cap, special, 5/16" x 2-1/4"
19	M 1035 T	(-)	Screw, cap, special, 5/16" x 1-3/4" (4 used)
20	M 1867 T	(-)	Shaft, idler
21	AM 1149 T	(-)	Gasket set for Series "40" pump
..	AM 1808 T	(-)	Pump assembly

TOUCH-O-MATIC OIL LINES
Hi-Crop, Standard, Tricycle, Utility, Special, and Two-Row Utility

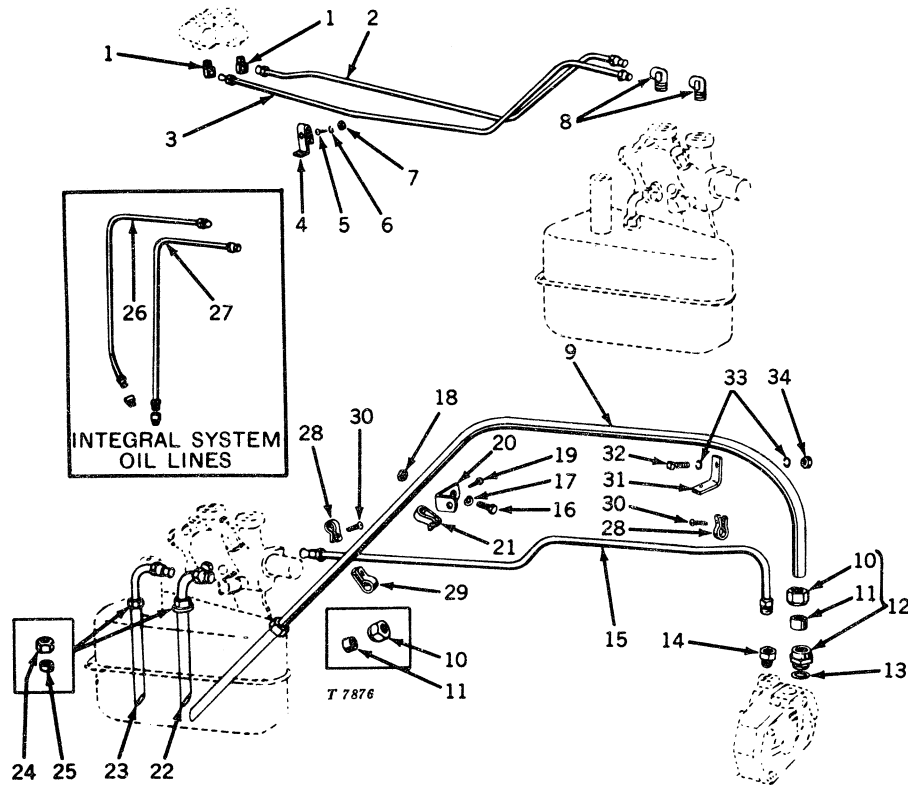


TOUCH-O-MATIC OIL LINES -- Continued
Hi-Crop, Standard, Tricycle, Utility, Special, and Two-Row Utility

Key	Part No.	Serial No.	Description
1	M 567 T	(-)	Screw, No. 10 x 1-1/4" (3 used)
2	AM 1120 T	(-)	Clamp, tube, with speed nut (4 used)
3	AM 1122 T	(-)	Line, pump suction, in panel (4 used)
4	M 1040 T	(-)	Seal (3 used)
5	M 1041 T	(-)	Nut (3 used) (sub. for M1158T)
6	M 1153 T	(-)	Line, pump suction, front
	AM 3842 T	(-)	Line, pump suction, front (U, with power steering)
7	M 2474 T	(-)	Screw, special, No. 10 x 1" (sub. for M364T) (packed 4 in a pkg.)
8	M 2193 T	(-)	Bracket
9	AM 1087 T	(-)	Connector assembly
10	T 13213 T	(-)	Washer, aluminum (sub. for M1038T)
11	AM 1808 T	(-)	Pump, touch-o-matic
12	M 1370 T	(-)	Connector
13	M 2395 T	(64815-)	Sleeve (4 used) (S)
	M 2395 T	(68288-)	Sleeve (4 used) (T)
	M 2395 T	(-)	Sleeve (4 used) (H, U, V, W)
14	M 2163 T	(-64814)	Sub. one M2394T and one M2395T (S)
	M 2163 T	(-68287)	Sub. one M2394T and one M2395T (T)
	M 2394 T	(64815-)	Clamp (4 used) (S)
	M 2394 T	(68288-)	Clamp (4 used) (T)
	M 2394 T	(-)	Clamp (4 used) (H, U, V, W)
15	12H 302 A	(-)	Washer, lock, 1/4" (4 used)
16	19H 2036 A	(-)	Screw, cap, 1/4" x 7/8"
17	AM 1448 T	(-)	Line, pump pressure, with nuts
18	M 1350 T	(-)	Union (2 used)
19	19H 1898 A	(-)	Screw, cap, 1/4" x 1-1/2" (3 used)
20	M 2187 T	(-61355)	Support, clamp (3 used) (S)
	M 2187 T	(-64860)	Support, clamp (3 used) (T)
21	M 1370 T	(-)	Connector
22	AM 2037 T	(-)	Line, pump pressure, rear, with nuts (S, U)
	AM 1821 T	(-)	Line, pump pressure, rear, with nuts (T)
	AM 2636 T	(-)	Line, pump pressure, rear, with nuts (V, W)
	AM 2475 T	(-)	Line, pump pressure, rear, with nuts (H)
23A	M 1162 T	(-)	Seal
23B	M 3278 T*	(-)	Seal (S, U)
24A	M 1161 T	(-)	Nut
24B	M 3277 T*	(-)	Nut (S, U)
25	M 2265 T	(-)	Line, pump suction, rear (S, U)
	M 1947 T	(-)	Line, pump suction, rear (T)
	M 2807 T	(-)	Line, pump suction, rear (V, W)
	M 2723 T	(-)	Line, pump suction, rear (H)
26	AM 1449 T	(-)	Line, pump pressure, in panel
27	M 3279 T*	(-)	Washer (S, U)

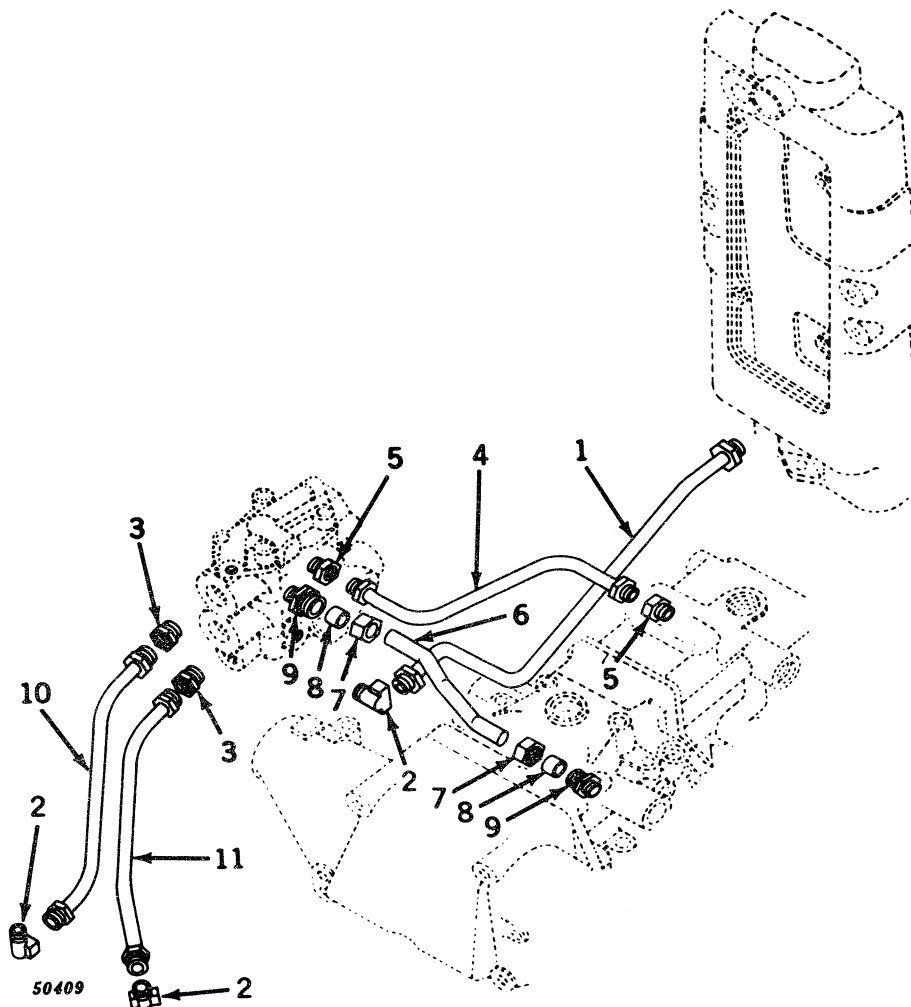
*M3277T, M3278T and M3279T should be ordered when AM3003T (S), or AT11951T (U) rockshaft housings have been installed.

HYDRAULIC SYSTEM OIL LINES Crawler



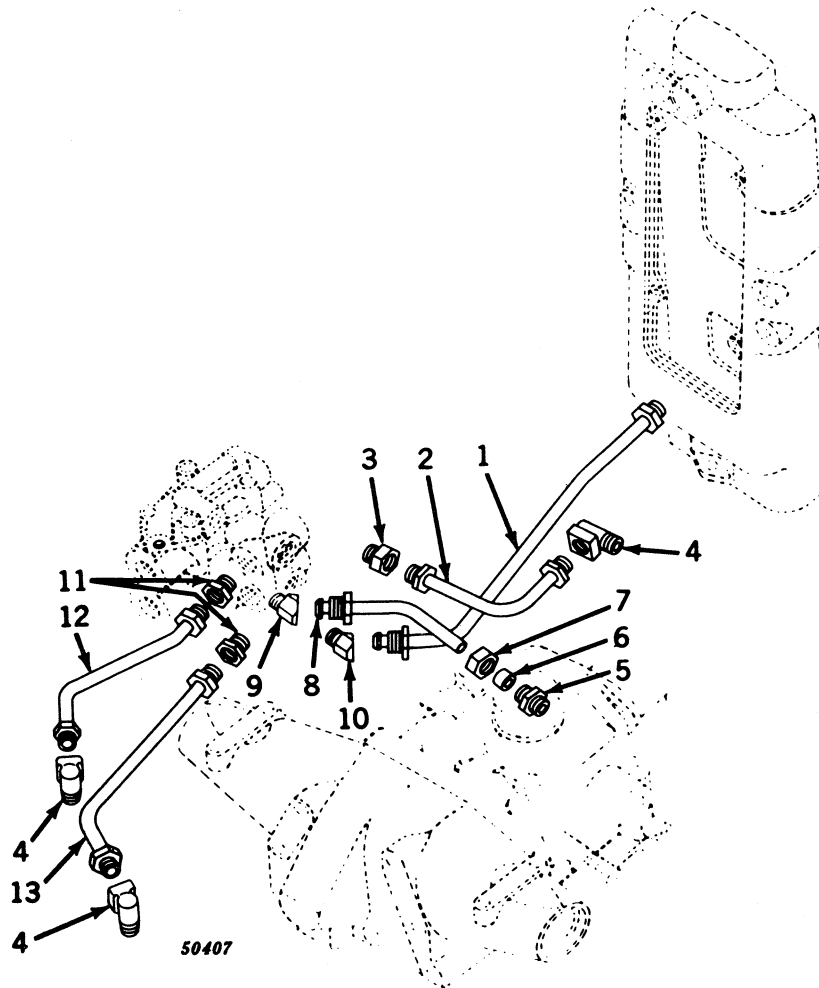
Key	Part No.	Serial No.	Description
1	M 1342 T	(-)	Elbow (2 used)
2	AM 1344 T	(-)	Line, oil, control valve, front check valve to coupling body left elbow (remote cylinder only)
3	AM 1343 T	(-)	Line, oil, control valve, rear check valve to coupling body right elbow (remote cylinder only)
4	M 1372 T	(-)	Clamp
5	21H 1195 A	(-)	Screw, mach., No. 10 x 7/8"
6	12H 246 A	(-)	Washer, lock, No. 10
7	14H 778 A	(-)	Nut, hex., No. 10
8	M 1361 T	(-)	Elbow (2 used)
9	M 1346 T	(-)	Line, oil pump inlet, oil reservoir to hydraulic pump
10	M 1041 T	(-)	Nut (2 used)
11	M 1040 T	(-)	Seal (2 used)
12	AM 1087 T	(-)	Connector assembly
13	T 13213 T	(-)	Washer, aluminum (sub. for M1038T)
14	M 1370 T	(-)	Connector (one used for remote cylinder: three used for integral cylinder)
15	AM 1323 T	(-)	Line, oil, pump outlet line from pump assembly to control valve oil inlet elbow
16	19H 2021 A	(-)	Screw, cap, 3/8" x 5/8"
17	12H 304 A	(-)	Washer, lock, 3/8"
18	14H 812 A	(-)	Nut, hex., 3/8"
19	M 1221 T	(-)	Screw, self-tapping
20	M 1371 T	(-)	Support, tube clamp
21	AM 1120 T	(-)	Clamp, with speed nut
22	AM 1329 T	(-)	Line, oil, bypass control valve assembly to oil reservoir
23	AM 1328 T	(-)	Line, oil, discharge, control valve assembly to oil reservoir
24	M 1166 T	(-)	Nut (2 used)
25	M 1167 T	(-)	Sleeve (2 used)
26	AM 1358 T	(-)	Line, oil, control valve to connector, long (integral cylinder only)
27	AM 1357 T	(-)	Line, oil, control valve to connector, short (integral cylinders only)
28	AM 1119 T	(-)	Clamp, with speed nut (2 used)
29	M 1546 T	(-)	Clamp
30	M 1151 T	(-)	Screw (2 used)
31	M 1547 T	(-)	Bracket, support
32	19H 2024 A	(-)	Screw, cap, 5/16" x 1-1/2"
33	12H 303 A	(-)	Washer, lock, 5/16"
34	14H 785 A	(-)	Nut, hex., 5/16"

REMOTE CONTROL HYDRAULIC OIL LINES
Hi-Crop and Two-Row Utility



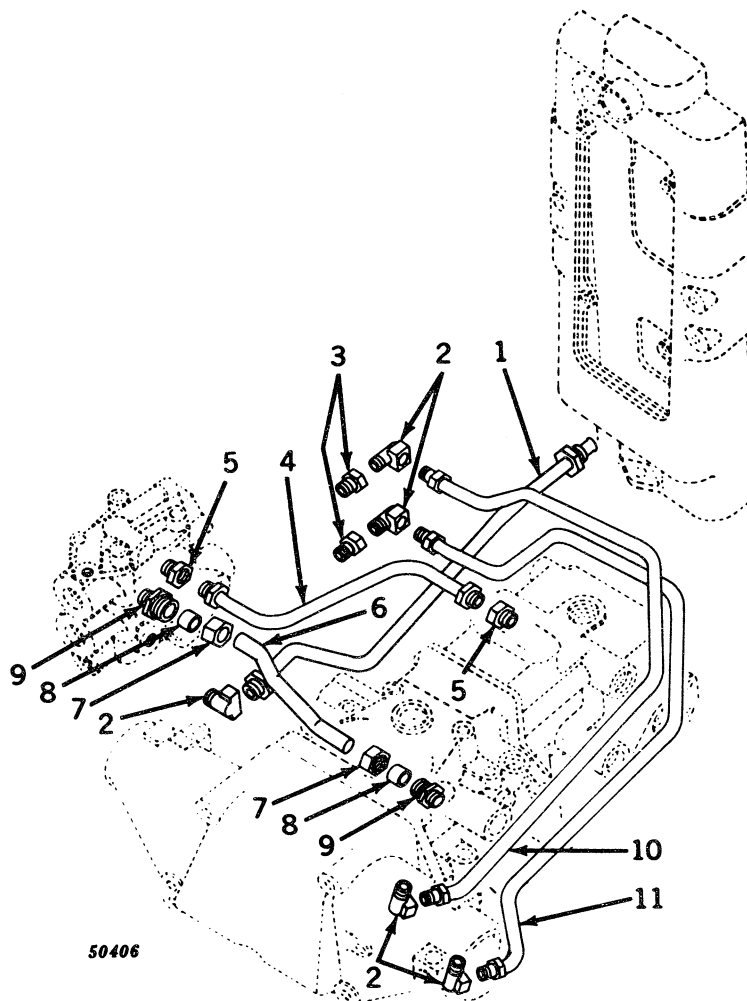
Key	Part No.	Serial No.	Description
1	AM 2754 T	(-)	Line, instrument panel to control valve (H)
	AM 2808 T	(-)	Line, instrument panel to control valve (W)
2	M 1342 T	(-)	Elbow, control valve (3 used)
3	L 1670 C	(-)	Adaptor, control valve (2 used)
4	AM 2453 T	(-)	Line, control valve to front cover
5	M 1370 T	(-)	Connector (2 used)
6	M 2677 T	(-)	Line, bypass, control valve to front cover
7	M 1166 T	(-)	Nut, connector (2 used)
8	M 1167 T	(-)	Seal, connector (2 used)
9	M 2638 T	(-)	Body, connector (2 used)
10	AM 2756 T	(-)	Line, coupling, left
11	AM 2755 T	(-)	Line, coupling, right

REMOTE CONTROL HYDRAULIC OIL LINES
Standard and Utility



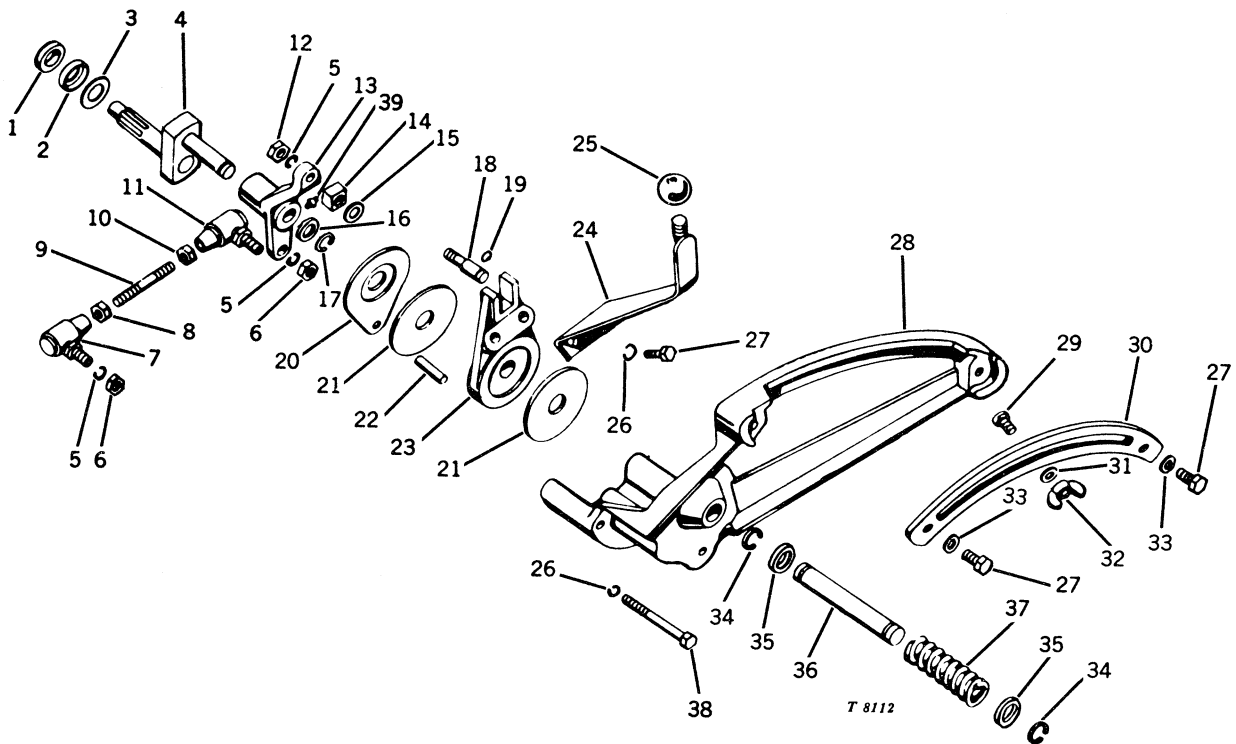
Key	Part No.	Serial No.	Description
1	AM 2423 T	(-)	Line, instrument panel to control valve
2	AM 2424 T	(-)	Line, control valve to cylinder and valve housing
3	M 1370 T	(-)	Connector, control valve
4	M 1342 T	(-)	Elbow (3 used)
5	M 2638 T	(-)	Body, connector
6	M 1167 T	(-)	Seal
7	M 1166 T	(-)	Nut
8	AM 2425 T	(-)	Line, bypass, control valve to front cover
9	M 2642 T	(-)	Elbow, control valve
10	M 1345 T	(-)	Elbow
11	L 1670 C	(-)	Adaptor, control valve (2 used)
12	AM 2427 T	(-)	Line, coupling, left
13	AM 2426 T	(-)	Line, coupling, right

REMOTE CONTROL HYDRAULIC OIL LINES
Tricycle



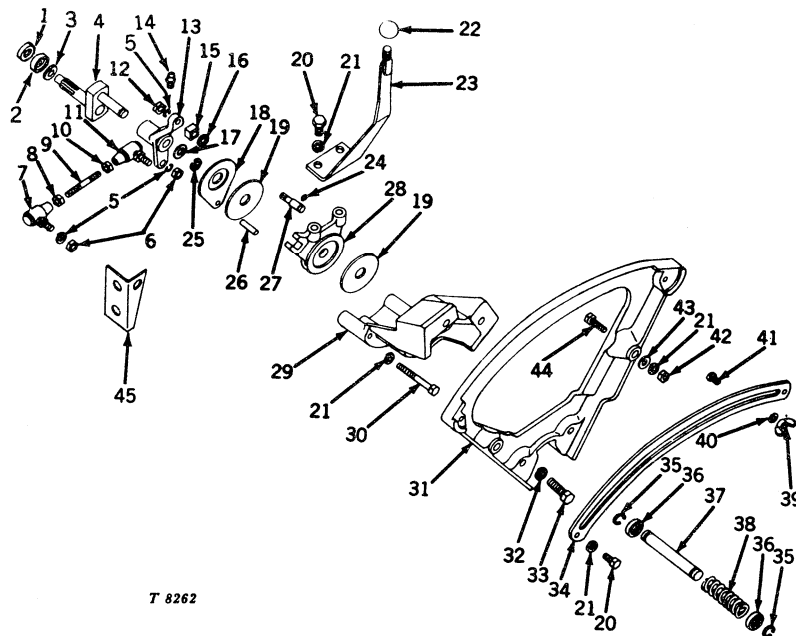
Key	Part No.	Serial No.	Description
1	AM 2452 T	(-)	Line, instrument panel to control valve
2	M 1342 T	(-)	Elbow, control valve (5 used)
3	15H 586 A	(-)	Bushing, control valve (2 used)
4	AM 2453 T	(-)	Line, control valve to front cover
5	M 1370 T	(-)	Connector (2 used)
6	M 2677 T	(-)	Line, bypass, control valve to front cover
7	M 1166 T	(-)	Nut, connector (2 used)
8	M 1167 T	(-)	Seal, connector (2 used)
9	M 2638 T	(-)	Body, connector (2 used)
10	AM 2534 T	(-)	Line, coupling, left
11	AM 2533 T	(-)	Line, coupling, right

TOUCH-O-MATIC QUADRANT ASSEMBLY
Standard



Key	Part No.	Serial No.	Description
1	AT 11952 T	(-)	Seal (sub. for M2093T) (packed 2 in a pkg.)
2	AT 11952 T	(-)	Retainer (sub. for M2012T)
3	M 91 T	(-)	Washer (packed 2 in a pkg.)
4	AM 2031 T	(-)	Shaft assembly
5	14H 846 A	(-)	Nut, hex., 3/8" (2 used)
6	12H 304 A	(-)	Washer, lock, 3/8" (3 used)
7	AM 1925 T	(-)	Joint assembly, ball, L. H. thread
8	14H 769 A	(-)	Nut, hex. jam, 3/8", L. H. thread
9	M 2141 T	(-)	Rod
10	14H 774 A	(-)	Nut, hex. jam, 3/8", R. H. thread
11	AM 1924 T	(-)	Joint assembly, ball, R. H. thread
12	14H 812 A	(-)	Nut, hex., 3/8"
13	M 1828 T	(-)	Lever, equalizing
14	M 2159 T	(-)	Crosshead
15	L 853 T	(-)	Washer, plain
16	M 1304 T	(-)	Washer, retaining (packed 2 in a pkg.)
17	M 1306 T	(-)	Ring, snap (packed 2 in a pkg.)
18	M 2000 T	(-)	Pin
19	M 331 T	(-)	Ring, snap (packed 2 in a pkg.)
20	M 2181 T	(-)	Plate, friction
21	M 2097 T	(-)	Disk, friction
22	34H 117 A	(-)	Pin, roll, 5/16" x 1-1/4"
23	M 1921 T	(-)	Anchor
24	AM 2033 T	(-)	Lever, control
25	M 526 T	(-)	Knob
26	12H 303 A	(-)	Washer, lock, 5/16" (5 used)
27	19H 1813 A	(-)	Screw, cap, 5/16" x 5/8" (4 used)
28	M 1822 T	(-)	Quadrant
29	M 1211 T	(-)	Screw, stop
30	M 2101 T	(-)	Segment
31	M 1977 T	(-)	Washer
32	14H 819 A	(-)	Nut, wing, 5/16"
33	24H 1289 A	(-)	Washer, plain, 21/64" x 5/8" x .048" (2 used)
34	M 2095 T	(-)	Ring, snap (2 used)
35	M 2170 T	(-)	Retainer (2 used)
36	M 1997 T	(-)	Shaft, pivot
37	M 2096 T	(-)	Spring
38	19H 1907 A	(-)	Screw, cap, 5/16" x 2-3/4" (3 used)
39	JD 7797	(67434-)	Fitting, grease

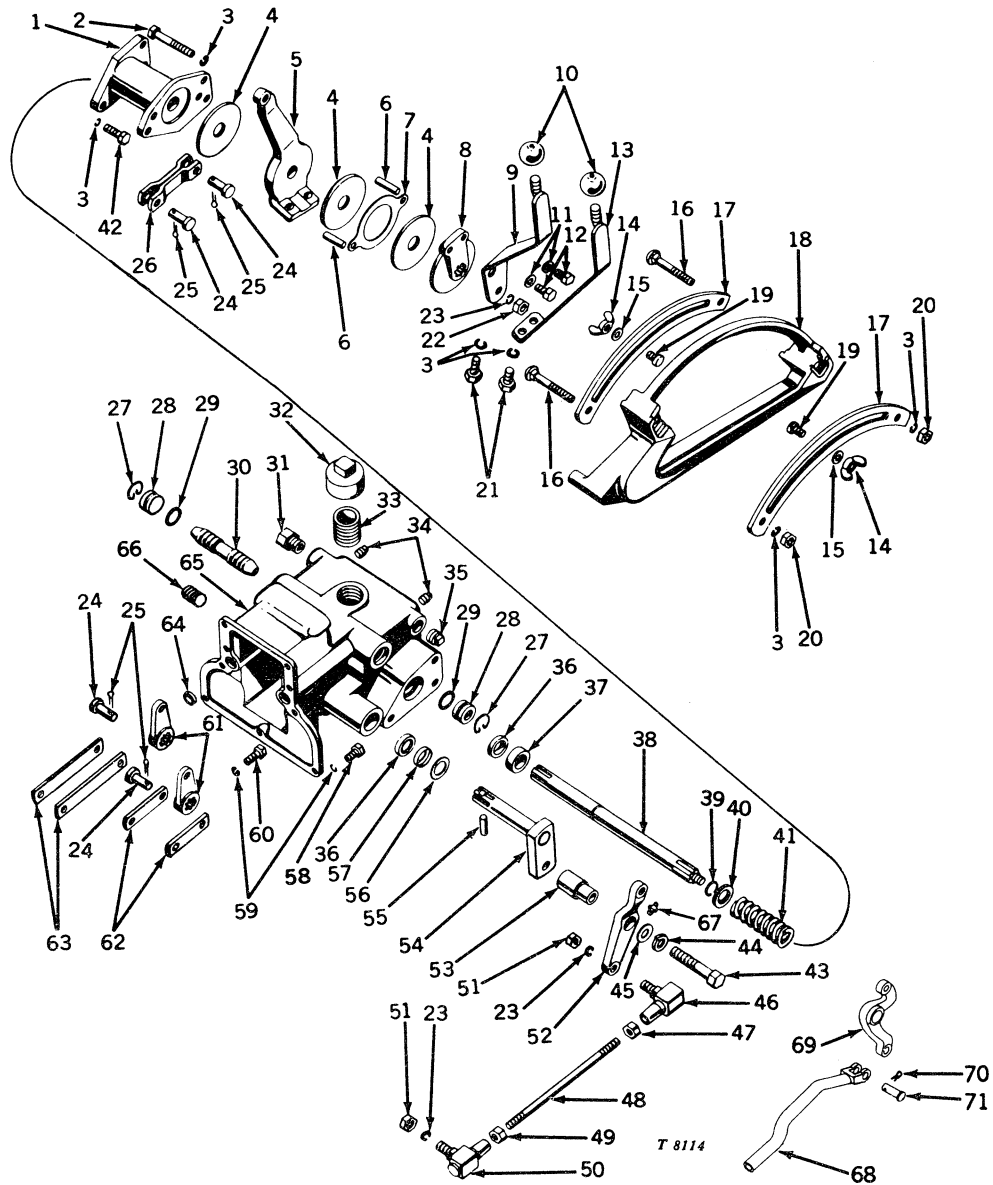
TOUCH-O-MATIC QUADRANT ASSEMBLY Utility



T 8262

Key	Part No.	Serial No.	Description
1	M 2093 T	(-)	Seal (packed 2 in a pkg.)
2	M 2012 T	(-)	Retainer
3	M 91 T	(-)	Washer (packed 2 in a pkg.)
4	AM 2170 T	(-)	Shaft assembly
5	12H 304 A	(-)	Washer, lock, 3/8" (3 used)
6	14H 846 A	(-)	Nut, hex., 3/8" (2 used)
7	AM 1925 T	(-)	Joint assembly, ball, L. H. thread
8	14H 769 A	(-)	Nut, hex. jam, 3/8", L. H. thread
9	M 2420 T	(-)	Rod, control
	M 2562 T	(-)	Rod, control (used when 3-point hitch is not installed)
10	14H 774 A	(-)	Nut, hex. jam, 3/8", R. H. thread
11	AM 1924 T	(-)	Joint assembly, ball, R. H. thread
12	14H 812 A	(-)	Nut, hex., 3/8"
13	M 2408 T	(-)	Lever, equalizing
14	JD 7797	(-)	Fitting, grease
15	M 2159 T	(-)	Crosshead
16	L 853 T	(-)	Washer, plain
17	M 1304 T	(-)	Washer, retaining (packed 2 in a pkg.)
18	M 2181 T	(-)	Plate, friction
19	M 2097 T	(-)	Disk, friction (2 used)
20	19H 1813 A	(-)	Screw, cap, 5/16" x 5/8" (4 used)
21	12H 303 A	(-)	Washer, lock, 5/16" (9 used)
22	M 526 T	(-)	Knob
23	AM 2172 T	(-)	Lever, control
24	M 331 T	(-)	Ring, snap (packed 2 in a pkg.)
25	M 1306 T	(-)	Ring, snap
26	34H 117 A	(-)	Pin, roll, 5/16" x 1-1/4"
27	M 2000 T	(-)	Pin
28	M 2412 T	(-)	Anchor
29	M 2478 T	(-)	Hub, quadrant
30	19H 1907 A	(-)	Screw, cap, 5/16" x 2-3/4" (3 used)
31	M 2409 T	(-)	Quadrant
32	12H 293 A	(-)	Washer, lock, 7/16" (2 used)
33	19H 1978 A	(-)	Screw, cap, 7/16" x 1-1/2" (2 used)
34	M 2410 T	(-)	Segment
35	M 2095 T	(-)	Ring, snap (2 used)
36	M 2170 T	(-)	Retainer (2 used)
37	M 1997 T	(-)	Shaft, pivot
38	M 2096 T	(-)	Spring
39	14H 819 A	(-)	Nut, wing, 5/16"
40	M 1977 T	(-)	Washer
41	M 1211 T	(-)	Screw, stop
42	14H 785 A	(-)	Nut, hex., 5/16" (2 used)
43	24H 1122 A	(-)	Washer, plain, 3/8" x 7/8" x .075" (2 used)
44	19H 1849 A	(-)	Screw, cap, 5/16" x 1-1/4"
45	M 2563 T	(-)	Bracket, anchor (used when 3-point hitch is not installed)

TOUCH-O-MATIC FRONT COVER AND QUADRANT
Hi-Crop, Tricycle, Special, and Two-Row Utility

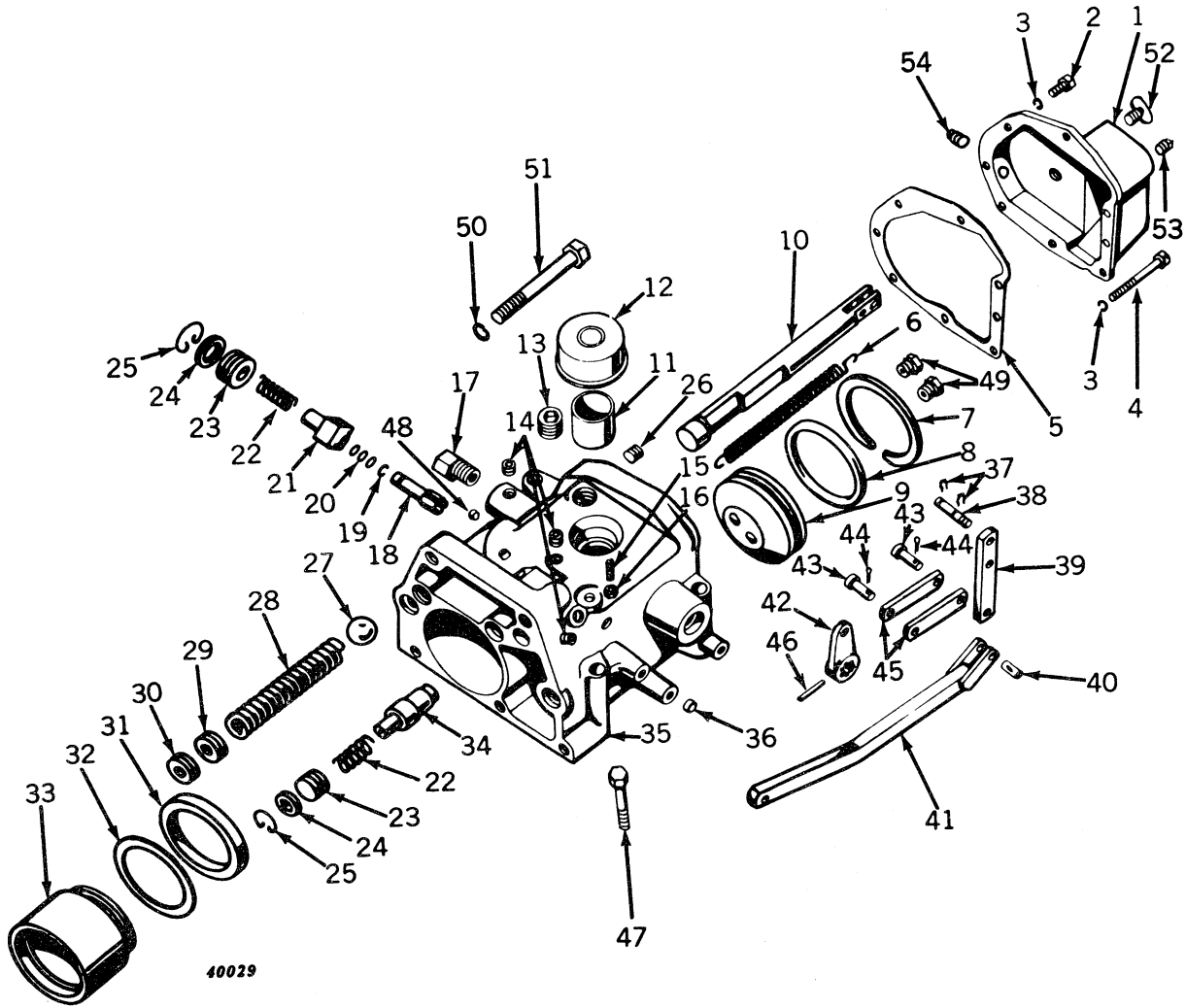


Key	Part No.	Serial No.	Description
1	M 1821 T	(-)	Spacer
2	19H 1905 A	(-)	Screw, cap, 5/16" x 1" (3 used)
3	12H 303 A	(-)	Washer, lock, 5/16" (10 used)
4	M 2097 T	(-)	Disk, friction (3 used)
5	M 1805 T	(-)	Lever
6	34H 117 A	(-)	Pin, roll, 5/16" x 1-1/4" (2 used)
7	M 1910 T	(-)	Plate, friction
8	M 1809 T	(-)	Hub
9	AM 1916 T	(-)	Lever, left control
10	M 526 T	(-)	Knob, control lever (2 used)
11	24H 1287 A	(-)	Washer, plain, 9/32" x 5/8" x .060" (2 used)
12	19H 1919 A	(-)	Screw, cap, 1/4" x 5/8" (2 used)
13	AM 1917 T	(-)	Lever, right control
14	14H 819 A	(-)	Nut, wing, 5/16" (2 used)
15	L 1198 T	(-)	Washer, plain (2 used) (H, T, V)
	M 1977 T	(-)	Washer, plain (2 used) (W)
16	3H 1549 A	(-)	Bolt, carriage, 5/16" x 2-1/4" (2 used)
17	M 2101 T	(-)	Segment (2 used)
18	M 1820 T	(-)	Quadrant
19	M 1211 T	(-)	Screw, stop (2 used)
20	14H 785 A	(-)	Nut, hex., 5/16" (2 used)
21	19H 1813 A	(-)	Screw, cap, 5/16" x 5/8" (2 used)

TOUCH-O-MATIC FRONT COVER AND QUADRANT -- Continued
Hi-Crop, Tricycle, Special, and Two-Row Utility

Key	Part No.	Serial No.	Description
22	14H 812 A	(-)	Nut, hex., 3/8"
23	12H 304 A	(-)	Washer, lock, 3/8" (3 used)
24	L 307 T	(-)	Pin (4 used)
25	11H 233 A	(-)	Pin, cotter, 3/32" x 1/2" (4 used)
26	AM 1918 T	(-)	Link, assembly (H, T, V)
	AM 2732 T	(-)	Link, assembly (W)
27	M 597 T	(-)	Ring, snap (2 used) (packed 2 in a pkg.)
	M 3265 T	(-)	Ring, snap (2 used) (use if M3266T or T12619T plug has been installed as a replacement part) (packed 2 in a pkg.)
28	M 542 T	(-)	Sub. one T12619T, one T13119T, and one M3265T
	M 3266 T	(-)	Sub. one T12619T and one T13119T
29	M 543 T	(-)	Sub. one T13119T and one T12619T
30	M 2919 T	(-)	Valve, shuttle (sub. for M1096T)
31	M 1370 T	(-)	Connector
32	A 3131 R	(-)	Cap, filler
33	29H 488 A	(-)	Pipe, oil filler
34	15H 253 A	(-)	Plug, pipe, 1/8", sq. hd. (2 used)
35	15H 583 A	(-)	Plug, pipe, 3/8", hex. ctsk.
36	AT 11952 T	(-)	Seal, oil (2 used) (sub. for M2093T)
37	M 1976 T	(-)	Dowel
38	M 1937 T	(-)	Shaft, left control
39	M 2095 T	(-)	Ring, snap
40	M 2170 T	(-)	Retainer
41	M 2096 T	(-)	Spring
42	19H 1905 A	(-)	Screw, cap, 5/16" x 1" (3 used)
43	19H 1146 A	(-)	Screw, cap, 7/16" x 2-1/2"
44	12H 293 A	(-)	Washer, lock, 7/16"
45	24H 1325 A	(-)	Washer, plain, 15/32" x 15/16" x .060"
46	AM 1924 T	(-)	Joint assembly, ball (H, T, V)
47	14H 774 A	(-)	Nut, hex. jam, 3/8"
48	M 2713 T	(-)	Rod, control (H)
	M 1979 T	(-)	Rod, control (T, V, W)
49	14H 769 A	(-)	Nut, hex. jam, 3/8", L. H. thread
50	AM 1925 T	(-)	Joint assembly, ball, L. H. thread
51	14H 846 A	(-)	Nut, hex., 3/8" (2 used)
52	M 2714 T	(-)	Lever, equalizing (H)
	M 1807 T	(-)	Lever, equalizing (T, V)
53	M 1972 T	(-)	Bushing
54	AM 1915 T	(-)	Shaft, lever assembly (H, T, V)
	AM 2731 T	(-)	Shaft, lever assembly (W)
55	34H 47 A	(-)	Pin, roll, 1/8" x 1-1/4"
56	M 91 T	(-)	Washer (packed 2 in a pkg.)
57	AT 11952 T	(-)	Retainer (sub. for M2012T)
58	19H 1948 A	(-)	Screw, cap, 1/4" x 3/4" (8 used)
59	12H 302 A	(-)	Washer, lock, 1/4" (9 used)
60	19H 1914 A	(-)	Screw, cap, lower center, 1/4" x 1"
61	M 1806 T	(-)	Crank, control (2 used)
62	M 1980 T	(-)	Link, right (2 used)
63	M 2157 T	(-)	Link, left (2 used)
64	M 3150 T	(-)	Seal (2 used) (sub. for M1116T) (packed 5 in a pkg.)
65	AM 3005 T	(-60151)	Cover, front (M3264T), with plug (also order one M2919T, two M3265T, two T12619T and two T13119T) (sub. for M1801T, M2657T and AM2438T) (H)
	AM 3005 T	(60152-)	Cover, front (M3264T), with plug (also order two M3265T, two T12619T and two T13119T) (sub. for M2920T and AM2778T) (H)
	AM 3005 T	(-76482)	Cover, front (M3264T), with plug (also order one M2919T, two M3265T, two T12619T and two T13119T) (sub. for M1801T, M2657T, and AM2438T) (T)
	AM 3005 T	(76483-)	Cover, front (M3264T), with plug (also order two M3265T, two T12619T and two T13119T) (sub. for M2920T and AM2778T) (T)
	AM 3005 T	(-)	Cover, front (M3264T), with plug (also order two M3265T, two T12619T and two T13119T) (sub. for M2920T and AM2778T) (V, W)
66	15H 624 A	(-)	Plug, pipe, 1/2"
67	JD 7797	(-)	Fitting, grease (H, V, W)
	JD 7797	(74787-)	Fitting, grease (T)
68	AM 2729 T	(-)	Link, control (W)
69	M 2875 T	(-)	Lever, equalizing (W)
70	11H 206 A	(-)	Pin, cotter, 3/32" x 3/4" (W)
71	L 4668 T	(-)	Pin (W)

TOUCH-O-MATIC CYLINDER AND VALVE HOUSING
Standard and Utility

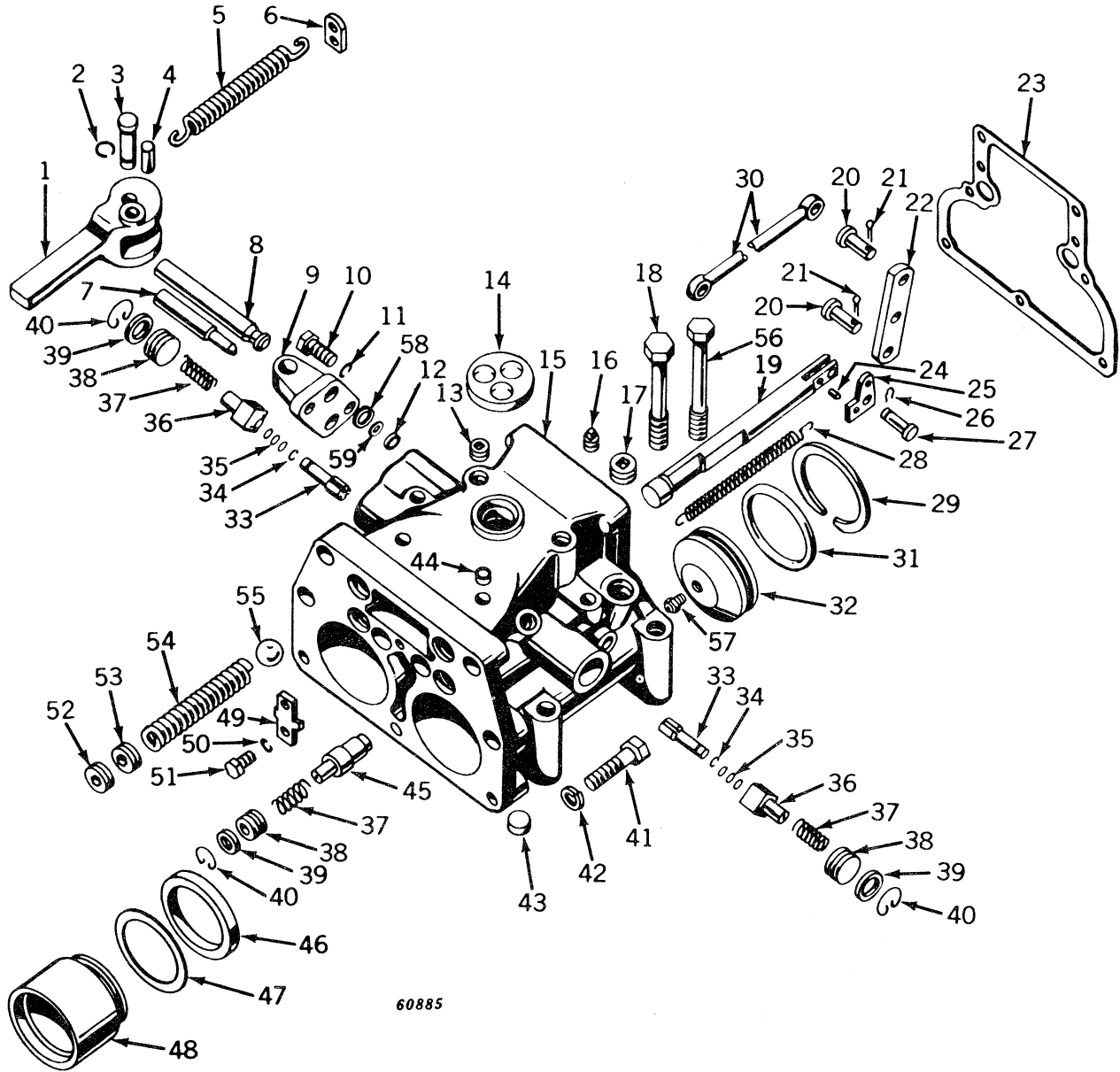


Key	Part No.	Serial No.	Description
1	AM 2437 T	(-)	Cover, front (M2491T), with pipe plug (sub. for M1778T, M2618T, and AM2241T)
2	19H 2127 A	(-)	Screw, cap, 5/16" x 7/8" (6 used)
3	12H 303 A	(-)	Washer, lock, 5/16" (8 used)
4	19H 1904 A	(-)	Screw, cap, 5/16" x 3" (2 used)

TOUCH-O-MATIC CYLINDER AND VALVE HOUSING -- Continued
Standard and Utility

Key	Part No.	Serial No.	Description
5	M 2264 T	(-)	Gasket
6	M 2260 T	(-)	Spring
7	M 2262 T	(-71256)	Sub. one M3042T and one M3329T (S)
	M 3042 T	(71257-)	Ring, snap (S)
	M 2262 T	(-64823)	Sub. one M3042T and one M3329T (U)
	M 3042 T	(64824-)	Ring, snap (U)
8	M 2261 T	(-)	Seal
9	AM 2837 T	(-71256)	Sub. one M3329T and one M3042T (S)
	M 3329 T	(71257-)	Head, cylinder (S)
	AM 2837 T	(-64823)	Sub. one M3329T and one M3042T (U)
	M 3329 T	(64824-)	Head, cylinder (U)
10	AM 1920 T	(-)	Valve, control
11	AM 1576 T	(-)	Tube, filler
12	AM 1586 T	(-)	Cap, breather
13	15H 624 A	(-)	Plug, pipe, hex. ctsk., 1/2"
14	15H 275 A	(-)	Plug, pipe, hex. ctsk., 1/4" (3 used)
15	22H 567 A	(-)	Screw, set, 1/4" x 1-1/4"
16	14H 786 A	(-)	Nut, hex., 1/4"
17	M 1370 T	(-)	Connector
18	M 1964 T	(-)	Rod, push
19	M 519 T	(-)	Ring, snap (packed 3 in a pkg.)
20	M 515 T	(-)	Shim, .002", check valve push rod (as required) (sub. for AM762T) (packed 5 in a pkg.)
	R 28785 R	(-)	Shim, .005", check valve push rod (as required) (sub. for AM763T) (packed 5 in a pkg.)
	R 28786 R	(-)	Shim, .010", check valve push rod (as required) (sub. for AM764T) (packed 5 in a pkg.)
21	M 2623 T	(-)	Valve, check (sub. for M1901T)
22	F 3322 R	(-)	Spring (2 used) (sub. for H834R)
23	M 542 T	(-)	Sub. one T12619T, one T13119T, and one M3265T
	M 3266 T	(-)	Sub. one T12619T and one T13119T
24	M 543 T	(-)	Sub. one T13119T and one T12619T
25	M 597 T	(-)	Ring, snap (2 used) (packed 2 in a pkg.)
	M 3265 T	(-)	Ring, snap (2 used) (use if M3266T or T12619T bypass plug or AM3160T cylinder and valve housing has been installed as a replacement part) (packed 2 in a pkg.)
26	15H 583 A	(-)	Plug, pipe, hex. ctsk., 3/8"
27	M 886 T	(-)	Ball, relief valve
28	M 1552 T	(-)	Spring, relief
29	M 521 T	(-)	Screw, adjusting
30	M 1832 T	(-)	Screw, lock
31	F 834 R	(-)	Ring, piston
32	F 919 R	(-)	Washer
33	M 1780 T	(-)	Piston
34	M 522 T	(-)	Valve, bypass
35	AM 2230 T	(-71256)	Sub. one AM3160T, two M3265T, two T12619T, two T13119T, one M3329T, and one M3042T (S)
	AM 2838 T	(71257-71814)	Sub. one AM3160T, two M3265T, two T12619T, and two T13119T (S)
	AM 3160 T	(-)	Housing (M3330T), cylinder and valve, with cupped plugs (S)
	AM 2230 T	(-64823)	Sub. one AM3160T, two M3265T, two T12619T, two T13119T, one M3329T, and one M3042T (U)
	AM 2838 T	(64824-65208)	Sub. one AM3160T, two M3265T, two T12619T, and two T13119T (U)
	AM 3160 T	(-)	Housing (M3330T), cylinder and valve, with cupped plugs (U)
36	M 523 T	(-)	Plug, cupped
37	M 2396 T	(-)	Ring, snap (2 used) (sub. for M561T) (packed 10 in a pkg.)
38	M 1955 T	(-)	Pin
39	M 2154 T	(-)	Sub. one T13860T, one T13861T, and one 34H7A
40	L 307 T	(-)	Pin (also order one 11H233A)
41	AM 2035 T	(-)	Link, control
42	M 1815 T	(-)	Crank, control
43	L 307 T	(-)	Pin (2 used)
44	11H 231 A	(-)	Pin, cotter, 1/16" x 1" (2 used)
45	M 1980 T	(-)	Link, connecting (2 used)
46	34H 47 A	(-)	Pin, roll, 1/8" x 1-1/4"
47	M 804 T	(-)	Screw, cap, special, 1/2" x 4-1/4" (4 used)
48	M 1102 T	(-)	Plug, cupped
49	AM 2074 T	(-)	Valve, relief (2 used)
50	12H 301 A	(-)	Washer, lock, 1/2"
51	19H 1781 A	(-)	Screw, cap, 1/2" x 3-1/2"
52	AM 292 T	(66971-)	Cock, drain (S)
	AM 292 T	(60001-)	Cock, drain (U)
53	15H 275 A	(-66970)	Plug, pipe, 1/4" (S)
54	15H 624 A	(68881-)	Plug, pipe, 1/2"

TOUCH-O-MATIC CYLINDER AND VALVE HOUSING
Hi-Crop, Tricycle, Special, and Two-Row Utility



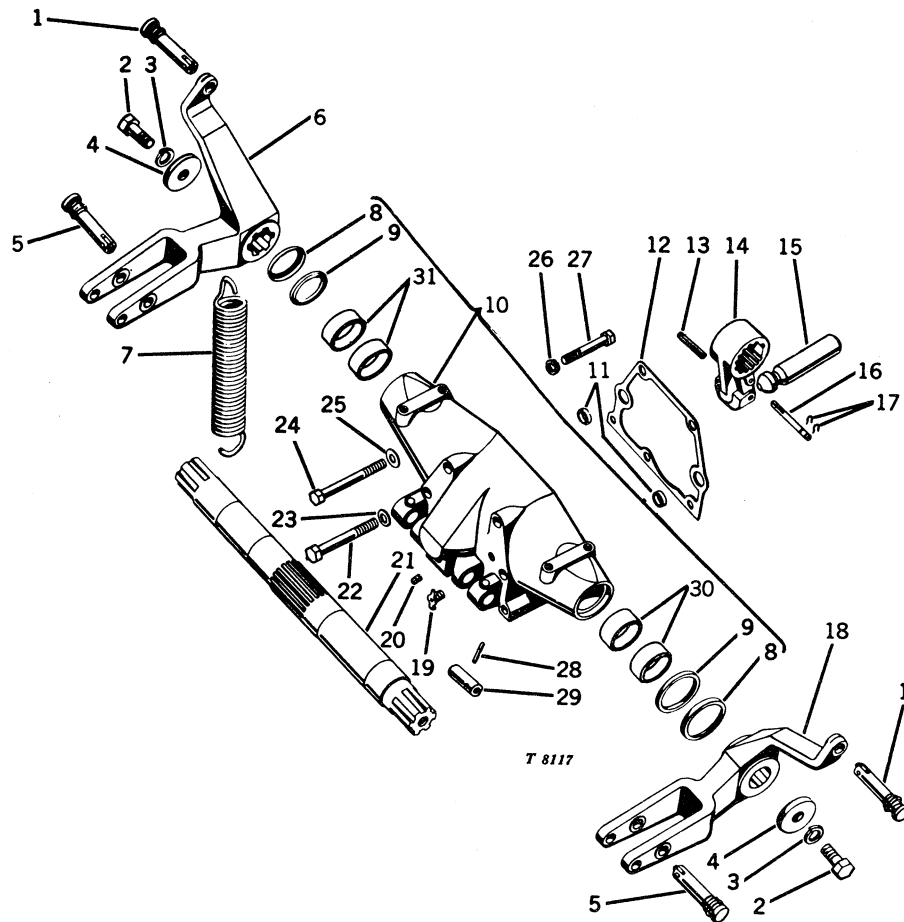
60885

Key	Part No.	Serial No.	Description
1	M 2828 T	(-)	Lever, selector (sub. for M1813T)
2	M 331 T	(-)	Ring, snap (packed 2 in a pkg.)
3	M 2004 T	(-)	Pin, pivot
4	M 2106 T	(-)	Pin, groov-, 5/16" x 1"
5	M 2112 T	(-)	Spring

TOUCH-O-MATIC CYLINDER AND VALVE HOUSING -- Continued
Hi-Crop, Tricycle, Special, and Two-Row Utility

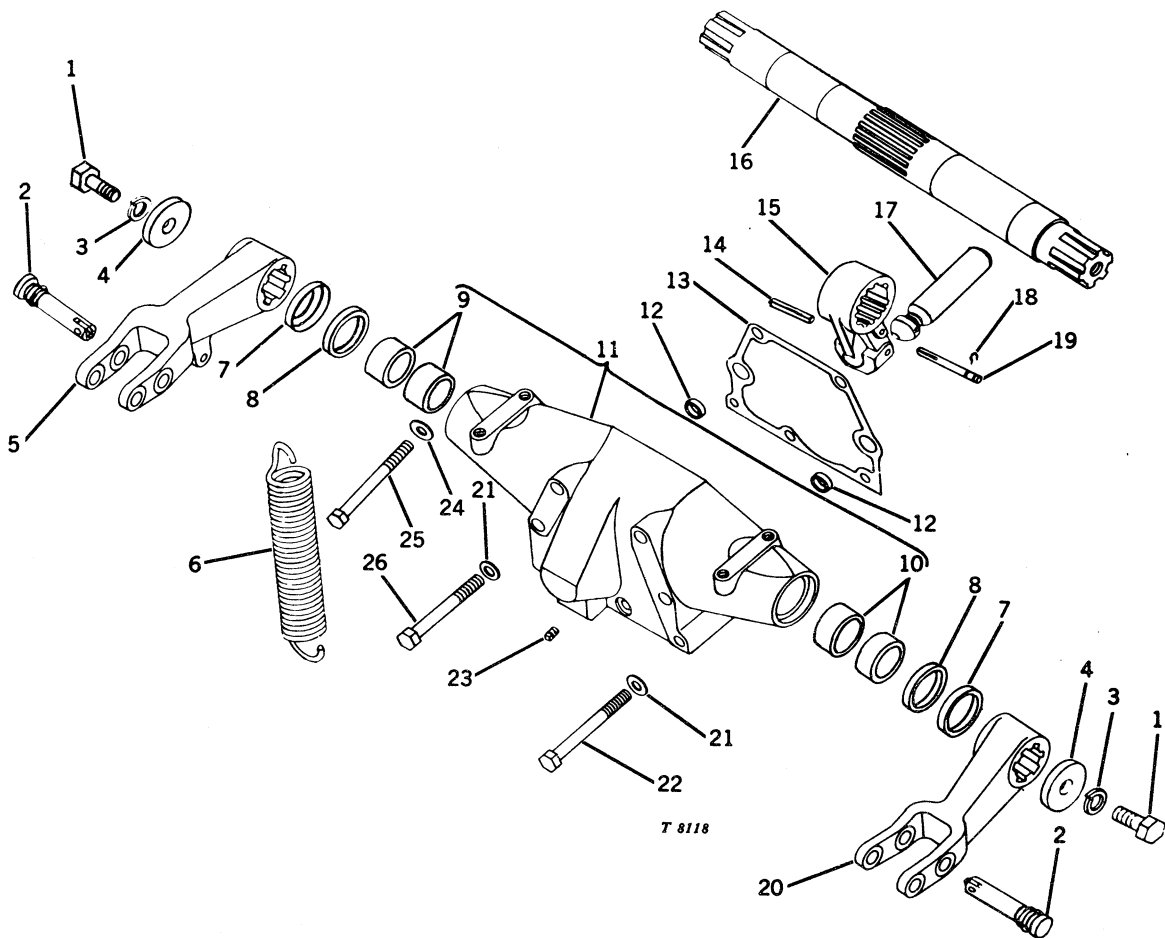
Key	Part No.	Serial No.	Description
6	M 3374 T	(-)	Clip, attaching (sub. for M1971T)
7	M 1927 T	(-)	Valve, crossover, bottom
8	M 1992 T	(-)	Valve, crossover, top
9	M 1812 T	(-74103)	Sub. one M2555T and two M2552T (T)
	M 2555 T	(74104-)	Bracket (T)
	M 2555 T	(-)	Bracket (H, V, W)
10	19H 2284 A	(-)	Screw, cap, 3/8" x 7/8" (2 used)
11	12H 304 A	(-)	Washer, lock, 3/8" (2 used)
12	M 3150 T	(-)	Seal, oil (2 used) (sub. for M1116T) (packed 5 in a pkg.)
13	15H 275 A	(-)	Plug, pipe, hex. ctsk., 1/4" (8 used)
14	AM 1074 T	(-)	Breather
15	M 1773 T	(-66324)	Sub. one AM2227T and two M804T (T)
	AM 2227 T	(66325-)	Housing (M2296T), cylinder and valve, with cupped plugs (T)
	AM 2227 T	(-)	Housing (M2296T), cylinder and valve, with cupped plugs (H, V, W)
16	15H 253 A	(-)	Plug, pipe, sq. hd., 1/8" (3 used)
17	15H 624 A	(-)	Plug, pipe, hex. ctsk., 1/2" (2 used)
18	M 2122 T	(-66324)	Screw, cap, special, 1/2" x 3-3/4" (4 used) (T)
	M 2122 T	(66325-)	Screw, cap, rear, special, 1/2" x 3-3/4" (2 used) (T)
	M 2122 T	(-)	Screw, cap, rear, special, 1/2" x 3-3/4" (2 used) (H, V, W)
19	AM 1920 T	(-)	Valve, control, with roll pin (2 used)
20	L 307 T	(-)	Pin (4 used)
21	11H 233 A	(-)	Pin, cotter, 3/32" x 1/2" (4 used)
22	M 1984 T	(-)	Equalizer (2 used)
23	M 1117 T	(-)	Gasket, front cover (packed 2 in a pkg.)
24	34H 35 A	(-)	Pin, roll, 1/8" x 3/8" (2 used)
25	M 1898 T	(-)	Clip (2 used)
26	M 2396 T	(-)	Ring, snap (2 used) (packed 10 in a pkg.)
27	M 2104 T	(-)	Pin (2 used)
28	M 2105 T	(-)	Spring (2 used)
29	M 596 T	(-)	Ring, snap (2 used)
	M 3267 T	(-)	Ring, retaining (2 used) (when M3268T has been installed)
30	AM 1078 T	(-)	Rod, valve control (2 used)
31	M 540 T	(-)	Seal (2 used)
32	M 3268 T	(-)	Head, cylinder (2 used) (also order one M3267T) (sub. for AM2076T)
33	M 1964 T	(-)	Rod, check valve push (2 used)
34	M 519 T	(-)	Ring, snap (2 used) (packed 3 in a pkg.)
35	M 515 T	(-)	Shim, .002", check valve push rod (as required) (sub. for AM762T) (packed 5 in a pkg.)
	R 28785 R	(-)	Shim, .005", check valve push rod (as required) (sub. for AM763T) (packed 5 in a pkg.)
	R 28786 R	(-)	Shim, .010", check valve push rod (as required) (sub. for AM764T) (packed 5 in a pkg.)
36	M 2623 T	(-)	Valve, check (2 used) (sub. for M1901T)
37	F 3322 R	(-)	Spring (4 used) (sub. for H834R)
38	M 542 T	(-)	Sub. one T12619T, one T13119T, and one M3265T
	M 3266 T	(-)	Sub. one T12619T and one T13119T
39	M 543 T	(-)	Sub. one T13119T and one T12619T
40	M 597 T	(-)	Ring, snap (4 used) (packed 2 in a pkg.)
	M 3265 T	(-)	Ring, snap (4 used) (use if T12619T or M3266T plug has been installed as a replacement part) (packed 2 in a pkg.)
41	19H 1740 A	(-)	Screw, cap, 7/16" x 1-3/4" (2 used)
42	12H 293 A	(-)	Washer, lock, 7/16" (2 used)
43	M 1098 T	(-)	Plug, cup
44	M 1102 T	(-)	Plug, cup (2 used)
45	M 522 T	(-)	Valve, bypass (2 used)
46	A 3459 RT	(-)	Ring, piston (2 used)
47	A 3460 RT	(-)	Washer (2 used)
48	M 2041 T	(-)	Piston (2 used)
49	M 2103 T	(-)	Anchor, spring
50	12H 303 A	(-)	Washer, lock, 5/16"
51	19H 2020 A	(-)	Screw, cap, 5/16" x 1/2"
52	M 1832 T	(-)	Screw, lock (2 used)
53	M 521 T	(-)	Screw, adjusting (2 used)
54	M 1552 T	(-)	Spring (2 used)
55	M 886 T	(-)	Ball (2 used)
56	M 804 T	(66325-)	Screw, cap, front, special, 1/2" x 4-1/4" (2 used) (T)
	M 804 T	(-)	Screw, cap, front, special, 1/2" x 4-1/4" (2 used) (H, V, W)
57	AM 2074 T	(-)	Valve, relief (2 used)
58	M 3110 T	(74104-)	Washer, retaining (2 used) (sub. for M2552T) (T)
	M 3110 T	(-)	Washer, retaining (2 used) (sub. for M2552T) (H, V, W)
59	M 4009 T	(-)	Washer, back-up (2 used) (packed 4 in a pkg.)

TOUCH-O-MATIC ROCKSHAFT ASSEMBLY
Standard



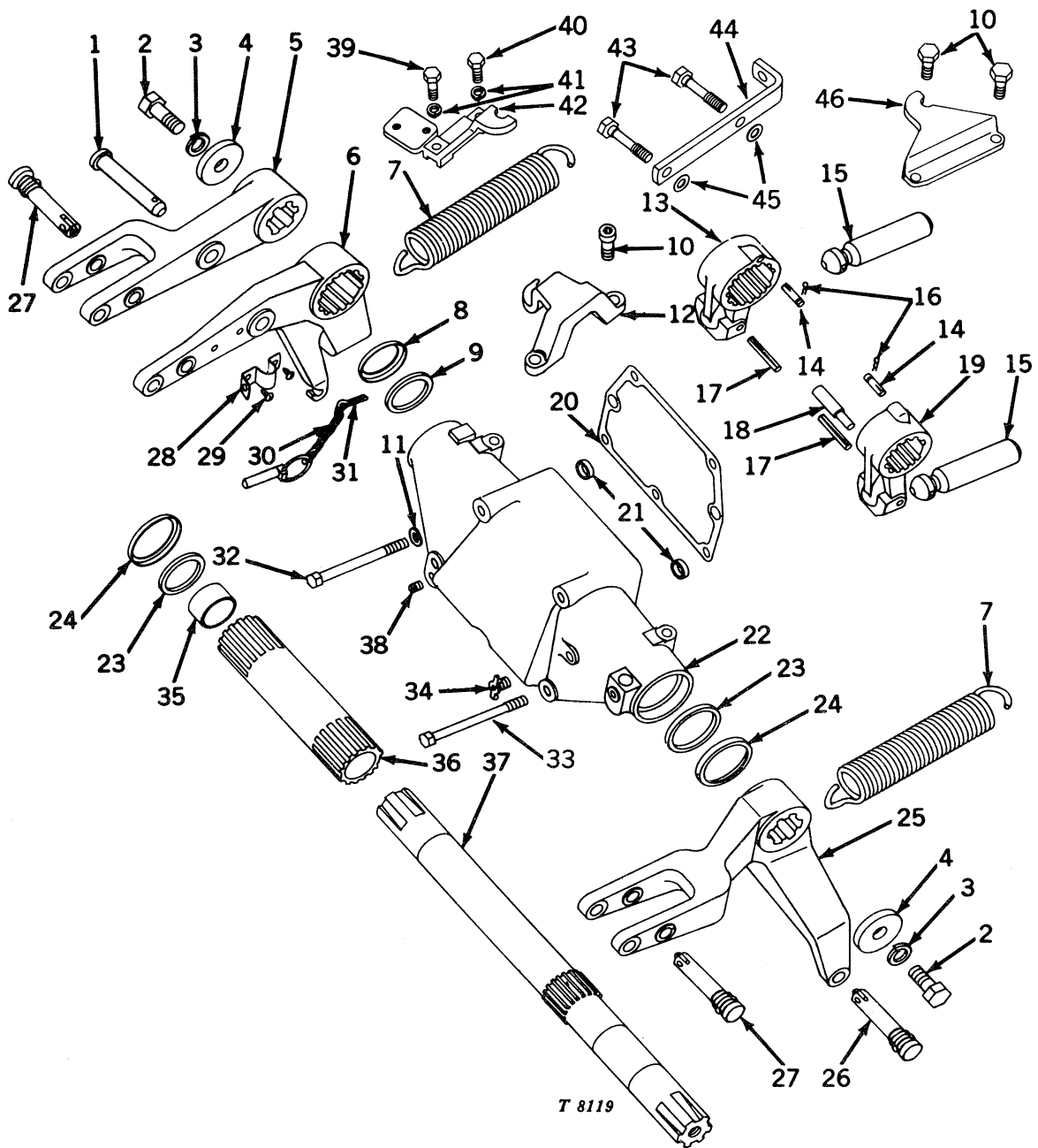
Key	Part No.	Serial No.	Description
1	AM 1928 T	(-)	Pin, clevis, implement (2 used)
2	T 11297 T	(-)	Screw, cap, special (2 used) (sub. for M1664T) (packed 100 in a pkg.)
3	12H 294 A	(-)	Washer, lock, 5/8" (2 used)
4	24H 1374 A	(-)	Washer, plain, 21/32" x 3" x .375" (2 used)
5	T 18536 T	(-)	Pin (2 used) (also order one A3581R) (sub. for AM1927T and AT11986T)
6	M 1841 T	(-)	Arm, left lift
7	M 2118 T	(-69581)	Spring
	M 2421 T	(69582-)	Spring
8	M 1880 T	(-)	Sub. AT13262T
9	M 2107 T	(-)	Sub. AT13262T
10	AM 3003 T	(-)	Housing, rockshaft (also order one M3277T, one M3278T, and one M3279T) (sub. for AM2296T)
11	M 14 T	(-)	Dowel, hollow (2 used)
12	M 3327 T	(-)	Gasket (sub. for M2263T)
13	34H 123 A	(-)	Pin, roll, 5/16" x 2-3/4"
14	M 1810 T	(-)	Arm, crank
15	M 2142 T	(-)	Rod, connecting
16	M 553 T	(-)	Pin, groov-
17	M 2396 T	(-)	Ring, snap (2 used) (sub. for M561T) (packed 10 in a pkg.)
18	M 1840 T	(-)	Arm, right lift
19	AM 292 T	(-66970)	Cock, drain
	15H 275 A	(66971-)	Plug, pipe, hex. ctsk., 1/4"
20	15H 583 A	(-)	Plug, pipe, hex. ctsk., 3/8"
21	M 2139 T	(-)	Rockshaft
22	19H 1259 A	(-)	Screw, cap, 9/16" x 4-3/4" (2 used)
23	M 3244 T	(-)	Washer, plain, special (2 used) (packed 4 in a pkg.)
24	19H 1258 A	(-)	Screw, cap, 1/2" x 4-3/4" (4 used)
25	24H 1341 A	(-)	Washer, plain, 17/32" x 15/16" x .060" (4 used)
26	12H 301 A	(-)	Washer, lock, 1/2"
27	19H 1781 A	(-)	Screw, cap, 1/2" x 3-1/2"
28	34H 188 A	(-)	Pin, roll, 5/16" x 1-3/4" (2 used)
29	M 2143 T	(-)	Pin, pivot (2 used)
30	T 12738 T	(-)	Bushing (2 used)
31	T 12739 T	(-)	Bushing (2 used)

TOUCH-O-MATIC ROCKSHAFT ASSEMBLY
Utility



Key	Part No.	Serial No.	Description
1	T 11297 T	(-)	Screw, cap, special (2 used) (sub. for M1664T)
2	T 18536 T	(-)	Pin (2 used) (also order one A3581R) (sub. for AM1927T and AT11986T)
3	12H 294 A	(-)	Washer, lock, 5/8" (2 used)
4	24H 1374 A	(-)	Washer, plain, 21/32" x 3" x 3/8" (2 used)
5	M 2415 T	(-)	Arm, left lift
6	M 2421 T	(-62733)	Spring, down pressure
	M 2593 T	(62734-)	Spring, down pressure
7	M 1880 T	(-)	Sub. AT13262T
8	M 2107 T	(-)	Sub. AT13262T
9	T 12739 T	(-)	Bushing (2 used)
10	T 12738 T	(-)	Bushing (2 used)
11	AT 11951 T	(-)	Housing, rockshaft (also order one M3277T, one M3278T, and one M3279T) (sub. for M3280T)
12	M 14 T	(-)	Dowel, hollow (2 used)
13	M 3327 T	(-)	Gasket (sub. for M2263T)
14	34H 123 A	(-)	Pin, roll, 5/16" x 2-3/4"
15	M 1810 T	(-)	Arm, crank
16	M 2139 T	(-)	Rockshaft
17	M 2142 T	(-)	Rod, connecting
18	M 2396 T	(-)	Ring, snap (2 used) (packed 10 in a pkg.)
19	M 553 T	(-)	Pin, groov-, 5/16" x 3-1/4"
20	M 2414 T	(-)	Arm, right lift
21	24H 1341 A	(-)	Washer, plain, 17/32" x 15/16" x .060" (4 used)
22	19H 1258 A	(-)	Screw, cap, 1/2" x 4-3/4" (2 used)
23	15H 275 A	(-)	Plug, pipe, hex. ctsk., 1/4"
24	M 3244 T	(-)	Washer, plain, special (2 used) (packed 4 in a pkg.)
25	19H 1265 A	(-)	Screw, cap, 9/16" x 5-7/8" (2 used)
26	19H 1266 A	(-)	Screw, cap, 1/2" x 5-7/8" (2 used)

TOUCH-O-MATIC ROCKSHAFT ASSEMBLY
Hi-Crop, Tricycle, Special, and Two-Row Utility

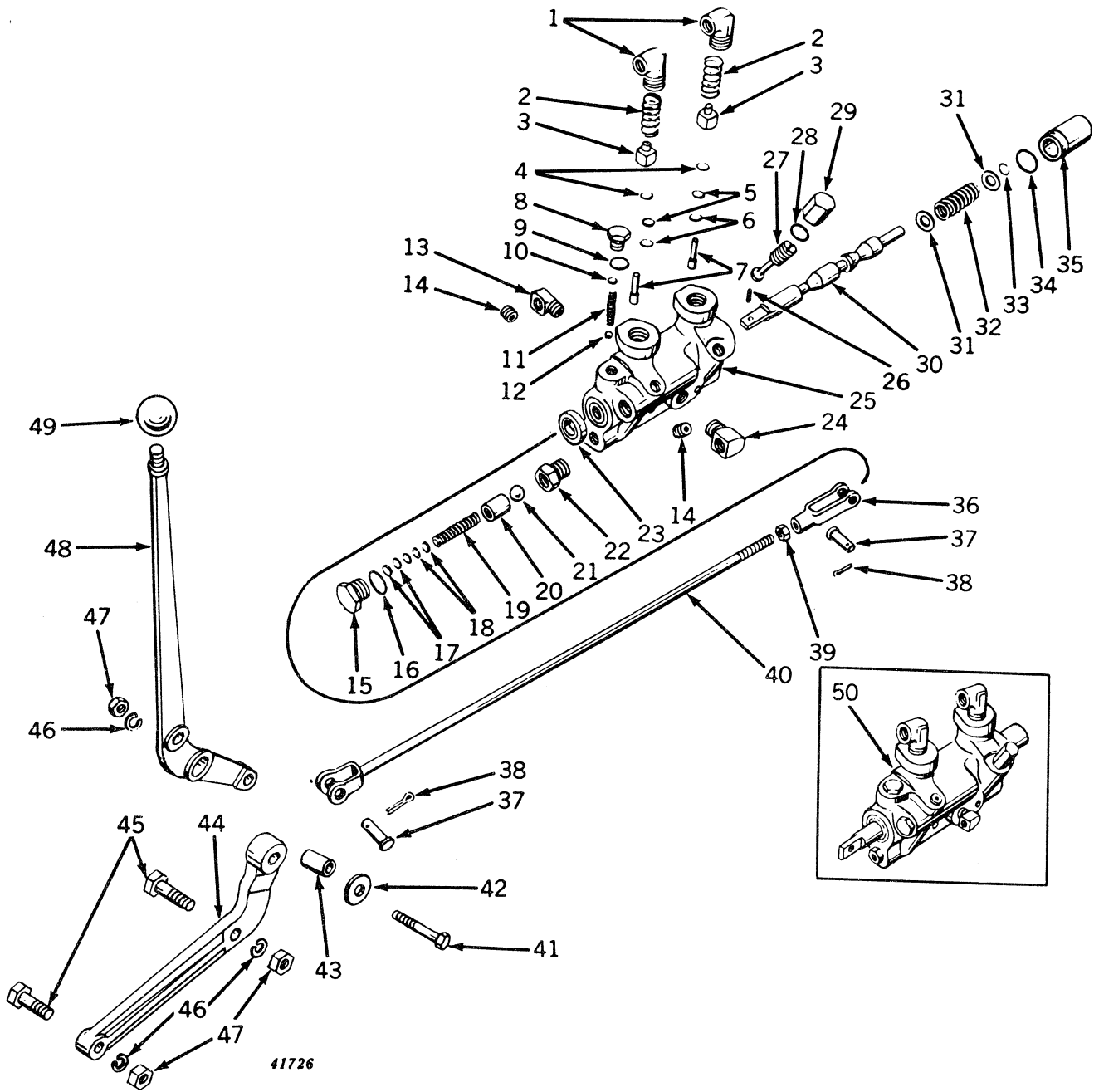


T 8119

TOUCH-O-MATIC ROCKSHAFT ASSEMBLY -- Continued
Hi-Crop, Tricycle, Special, and Two-Row Utility

Key	Part No.	Serial No.	Description
1	M 2113 T	(-)	Pin
2	T 11297 T	(-)	Screw, cap, special (2 used) (sub. for M1664T) (packed 100 in a pkg.)
3	12H 294 A	(-)	Washer, lock, 5/8" (2 used)
4	24H 1374 A	(-)	Washer, plain, 21/32" x 3" x .375" (2 used)
5	M 2851 T	(-)	Arm, left lift (W)
	M 1742 T	(-)	Arm, left lift (H, T, V)
6	M 2853 T	(-)	Arm, lift, inner (W)
	M 1740 T	(-)	Arm, lift, inner (H, T, V)
7	M 2118 T	(-)	Spring (2 used)
8	M 1886 T	(-)	Retainer
9	M 2108 T	(-)	Seal, oil
10	M 2805 T	(-)	Screw, cap, special, 1/2" x 1-1/4" (2 used) (V, W)
11	M 2834 T	(-)	Washer, plain, special (2 used)
12	M 2973 T	(-)	Anchor, spring (sub. for M2804T) (W)
13	M 2138 T	(-)	Arm, crank, left
14	M 2109 T	(-)	Pin, groov-, 5/16" x 1-1/4" (2 used)
15	M 554 T	(-)	Rod, connecting (2 used) (sub. for AM761T)
16	M 2396 T	(-)	Ring, snap (2 used) (packed 10 in a pkg.)
17	34H 167 A	(-)	Pin, roll, 1/4" x 2-1/8" (2 used)
18	M 1975 T	(-)	Spacer
19	M 2137 T	(-)	Arm, crank, right
20	M 3326 T	(-)	Gasket (sub. for M2111T)
21	M 827 T	(-)	Dowel, hollow (2 used)
22	M 1798 T	(-)	Housing, rockshaft
23	M 2107 T	(-)	Sub. AT13262T
24	M 1880 T	(-)	Sub. AT13262T
25	M 2852 T	(-)	Arm, right, lift (W)
	M 1741 T	(-)	Arm, right, lift (H, T, V)
26	AM 1928 T	(-)	Pin, quik-lock (2 used)
27	T 18536 T	(-)	Pin (2 used) (also order one A3581R) (sub. for AM1927T and AT11986T)
28	M 2011 T	(-)	Clip
29	M 2119 T	(-)	Screw, special (2 used)
30	AM 1926 T	(-)	Pin, quik-lock and chain
31	M 2092 T	(-)	Pin, cotter
32	M 2121 T	(-)	Screw, cap, special, 1/2" x 5" (2 used)
33	M 2120 T	(-)	Screw, cap, special, 7/16" x 5-1/4" (3 used)
34	AM 292 T	(-)	Cock, drain
35	M 3292 T	(-)	Bushing (sub. for M2110T)
36	AM 1922 T	(-)	Rockshaft, hollow, with bushing
37	M 2005 T	(-)	Rockshaft
38	15H 604 A	(-)	Plug, pipe, sq. hd., 1/4"
39	19H 1800 A	(-)	Screw, cap, 3/8" x 1-1/2" (H)
40	19H 1732 A	(-)	Screw, cap, 3/8" x 1-1/4" (H)
41	12H 304 A	(-)	Washer, lock, 3/8" (2 used) (H)
42	M 2728 T	(-)	Anchor, spring (H)
43	M 1795 T	(-)	Screw, cap, special, 9/16" x 2-7/8" (2 used) (T)
44	M 2033 T	(-)	Anchor, spring (T)
45	24H 1363 A	(-)	Washer, plain, 41/64" x 1-1/16" x .105" (2 used) (T)
46	M 2804 T	(-)	Anchor, spring (V)

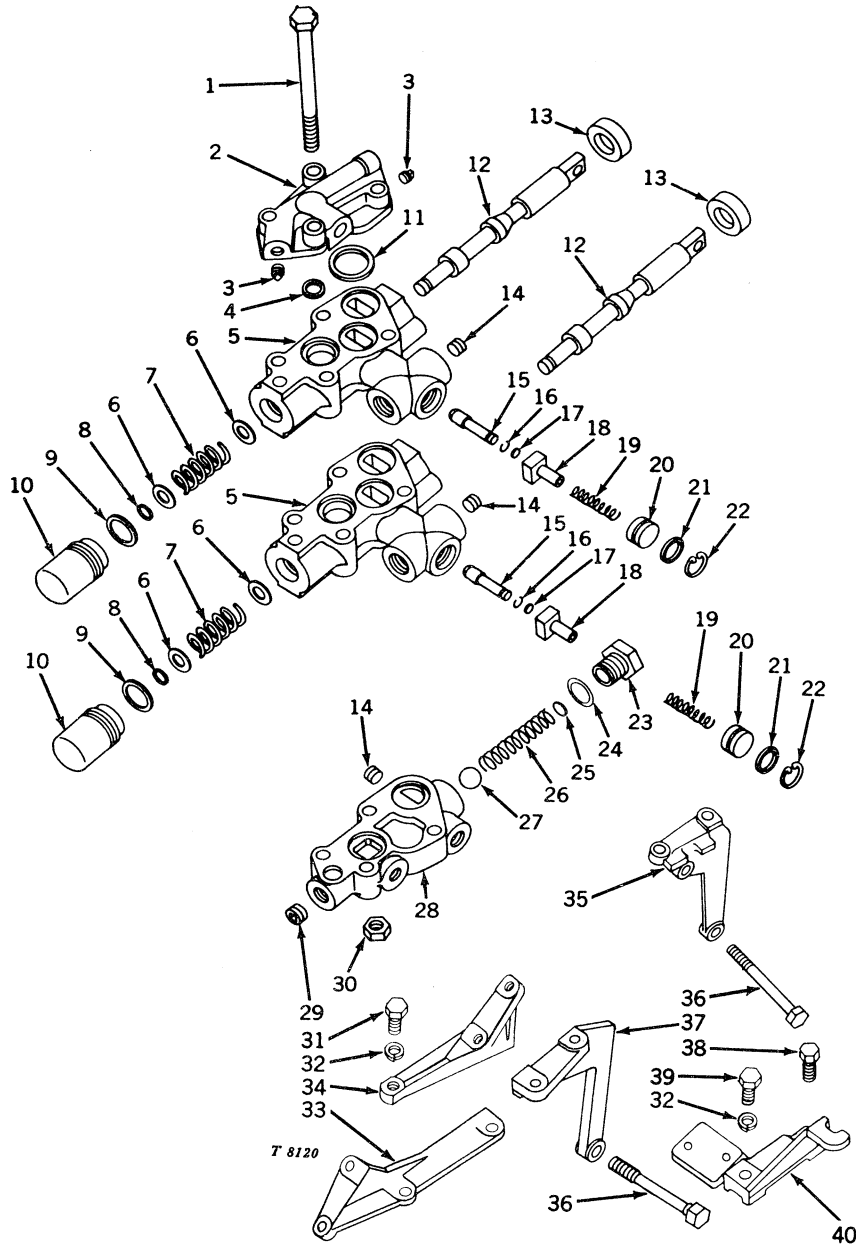
HYDRAULIC CONTROL VALVE ASSEMBLY Crawler



HYDRAULIC CONTROL VALVE ASSEMBLY -- Continued
Crawler

Key	Part No.	Serial No.	Description
1	M 1361 T	(-)	Elbow (2 used)
2	T 10604 T	(-)	Spring (2 used) (sub. for M1321T)
3	M 1320 T	(-)	Valve, check (2 used)
4	R 28786 R	(-)	Shim, .010" (sub. for AM764T) (packed 5 in a pkg.)
5	R 28785 R	(-)	Shim, .005" (sub. for AM763T) (packed 5 in a pkg.)
6	M 515 T	(-)	Shim, .002" (sub. for AM762T) (packed 5 in a pkg.)
7	M 1319 T	(-)	Rod, push, check valve (2 used)
8	M 1311 T	(-)	Retainer
9	M 1312 T	(-)	Gasket, copper
10	M 1310 T	(-)	Shim, control valve (packed 5 in a pkg.) (sub. for AM1361T)
11	M 1309 T	(-)	Spring
12	405 R	(-)	Ball (sub. for L467T)
13	M 1342 T	(-)	Elbow, inlet
14	15H 583 A	(-)	Plug, pipe, hex. ctsk., 3/8" (2 used)
15	M 1318 T	(-)	Plug
16	T 13213 T	(-)	Washer, aluminum (sub. for M1038T)
17	M 1317 T	(-)	Shim, .027" (sub. for AM1333T) (packed 5 in a pkg.)
18	M 1477 T	(-)	Shim, .010" (sub. for AM1524T) (packed 5 in a pkg.)
19	M 1316 T	(-)	Spring
20	M 1363 T	(-)	Follower
21	M 886 T	(-)	Ball
22	M 1343 T	(-)	Connector
23	AM 586 T	(-)	Seal, oil
24	M 1344 T	(-)	Elbow
25	M 1302 T	(-)	Housing, control valve (sub. for AM1332T)
26	25H 266 A	(-)	Pin, groov-, 1/8" x 1/2"
27	M 1313 T	(-)	Screw, float
28	M 1312 T	(-)	Gasket
29	M 1314 T	(-)	Cap
30	M 1303 T	(-)	Valve, control (sub. for AM1360T)
31	M 1304 T	(-)	Washer, special (2 used) (packed 2 in a pkg.)
32	M 1305 T	(-)	Spring
33	M 1306 T	(-)	Ring, snap (packed 2 in a pkg.)
34	M 1307 T	(-)	Washer, copper
35	M 1308 T	(-)	Cap
36	L 300 T	(-)	Yoke, end
37	L 364 T	(-)	Pin (2 used)
38	11H 206 A	(-)	Pin, cotter, 3/32" x 3/4" (2 used)
39	14H 807 A	(-)	Nut, hex., 7/16"
40	AM 2054 T	(-)	Rod, valve control
41	19H 1123 A	(-)	Screw, cap, 3/8" x 1-7/8"
42	M 1340 T	(-)	Washer, special
43	M 1339 T	(-)	Spacer
44	M 1887 T	(-)	Bracket
45	19H 1139 A	(-)	Screw, cap, 3/8" x 1-1/8" (2 used)
46	12H 304 A	(-)	Washer, lock, 3/8" (3 used)
47	14H 812 A	(-)	Nut, hex., 3/8" (3 used)
48	M 1818 T	(-)	Lever, control
49	M 526 T	(-)	Knob
50	AM 1315 T	(-)	Control valve assembly

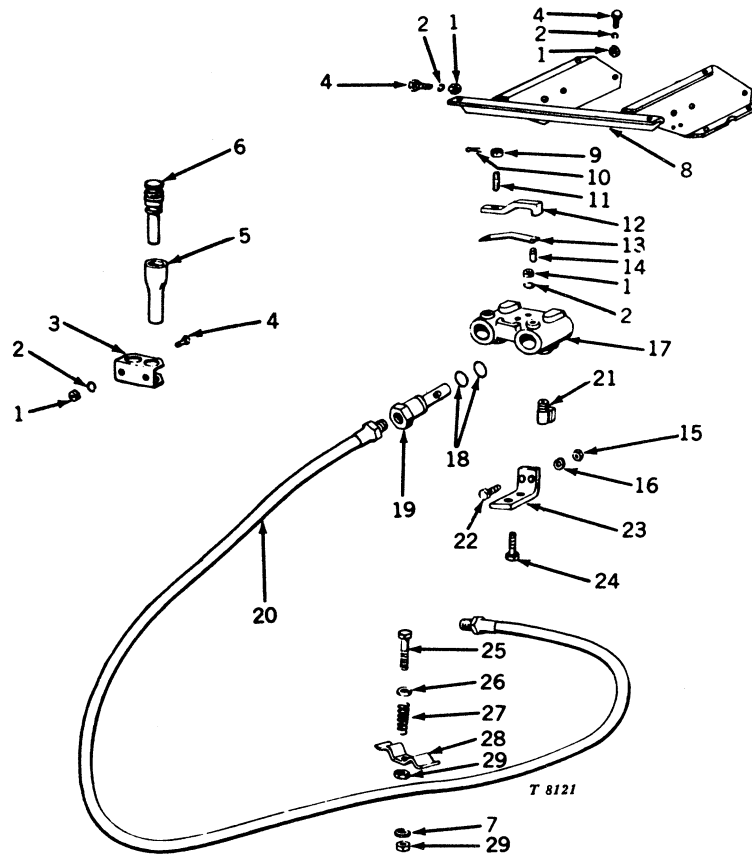
CONTROL VALVE ASSEMBLY
Hi-Crop, Standard, Tricycle, Utility, and Two-Row Utility



CONTROL VALVE ASSEMBLY -- Continued
Hi-Crop, Standard, Tricycle, Utility, and Two-Row Utility

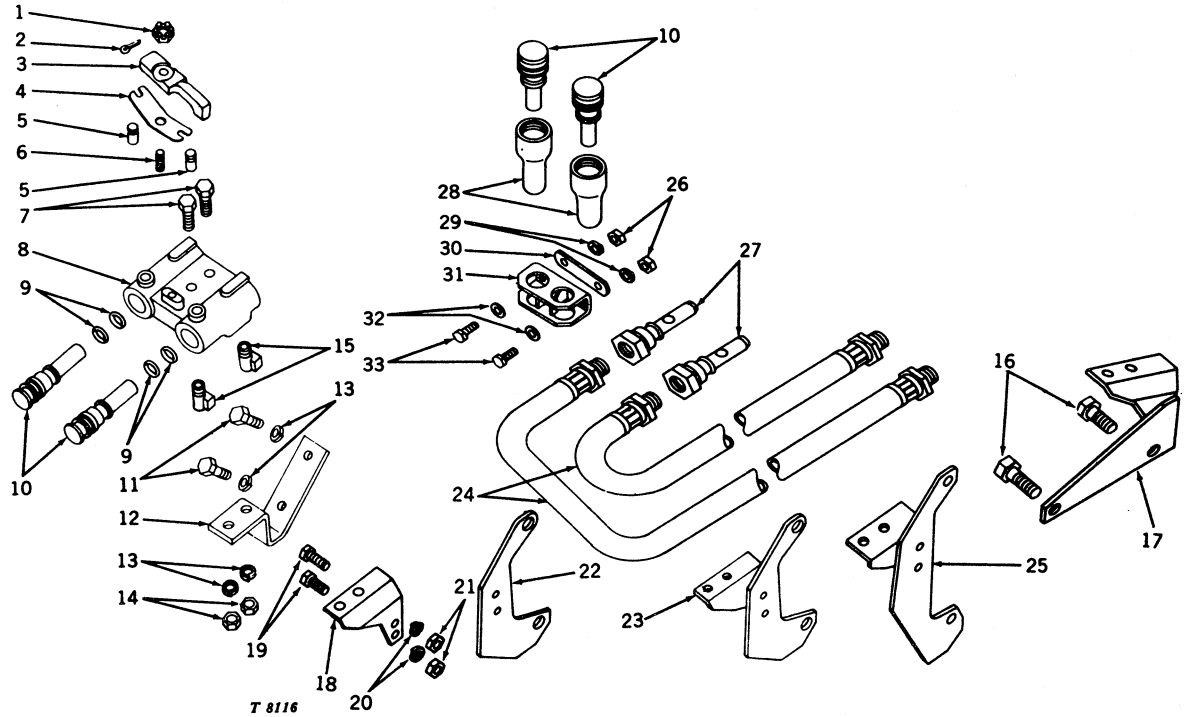
Key	Part No.	Serial No.	Description
1	8H 2711 A	(-)	Bolt, cge., 3/8" x 6-3/4" (4 used)
2	M 4039 T	(-)	Cover (sub. for M2613T)
3	15H 253 A	(-)	Plug, pipe, sq. hd., 1/8" (2 used)
4	M 3150 T	(-)	Seal, oil (3 used) (sub. for M116T) (packed 5 in a pkg.)
5	M 3331 T	(-)	Housing, control valve (2 used) (sub. for M2610T)
6	M 1304 T	(-)	Washer, special (4 used) (packed 2 in a pkg.)
	M 4090 T	(-)	Washer, special (4 used) (use if M4088T has been installed)
7	M 2620 T	(-)	Spring (2 used) (packed 2 in a pkg.)
8	M 2833 T	(-)	Ring, retaining (2 used)
	M 4089 T	(-)	Ring, snap (2 used) (use if M4088T has been installed)
9	M 1307 T	(-)	Washer, copper (2 used)
10	M 2621 T	(-)	Cap (2 used)
11	M 2624 T	(-)	Seal (8 used) (packed 8 in a pkg.)
12	M 2619 T	(-)	Sub. one M4088T, one M4089T, and one M4090T
	M 4088 T	(-)	Piston (2 used)
13	AM 586 T	(-)	Seal, oil (2 used)
14	15H 624 A	(-)	Plug, pipe, hex. ctsk., 1/2" (3 used)
15	M 1964 T	(-)	Rod, push (2 used)
16	M 519 T	(-)	Ring, snap (packed 3 in a pkg.)
17	M 515 T	(-)	Shim, .002" (packed 5 in a pkg.) (sub. for AM762T)
	R 28785 R	(-)	Shim, .005" (packed 5 in a pkg.) (sub. for AM763T)
	R 28786 R	(-)	Shim, .010" (packed 5 in a pkg.) (sub. for AM764T)
18	M 2623 T	(-)	Valve, check (2 used)
19	F 3322 R	(-)	Spring (2 used) (sub. for H834R)
20	M 542 T	(-)	Sub. one T18526T, one T13119T, and one M3265T
	M 3266 T	(-)	Sub. one T18526T and one T13119T
21	M 543 T	(-)	Sub. one T13119T and one T18526T
22	M 597 T	(-)	Ring, snap (2 used) (packed 2 in a pkg.)
	M 3265 T	(-)	Ring, snap (2 used) (use if T12619T or M3266T plug has been installed as a replacement part) (packed 2 in a pkg.)
23	M 2626 T	(-)	Plug
24	T 13213 T	(-)	Washer, aluminum (sub. for M1038T)
25	M 1317 T	(-)	Shim, .027" (packed 5 in a pkg.) (sub. for AM1333T)
	M 1477 T	(-)	Shim, .010" (packed 5 in a pkg.) (sub. for AM1524T)
26	M 2625 T	(-)	Spring
27	M 886 T	(-)	Ball
28	M 3049 T	(-)	Base, control valve (sub. for M2611T)
29	15H 583 A	(-)	Plug, pipe, hex. ctsk., 3/8" (used with M2611T)
	15H 624 A	(-)	Plug, pipe, hex. ctsk., 1/2" (used with M3049T)
30	14H 812 A	(-)	Nut, hex., 3/8" (2 used)
31	19H 1139 A	(-)	Screw, cap, 3/8" x 1-1/8" (2 used) (S, U, W)
32	12H 304 A	(-)	Washer, lock, 3/8" (2 used) (S, U, W, H)
33	M 2658 T	(-)	Bracket, control valve (U)
34	M 2614 T	(-)	Bracket, control valve (S)
35	M 2672 T	(-)	Bracket, control valve (T)
36	M 828 T	(-)	Screw, cap, special, 7/16" x 4-1/4" (2 used) (T)
37	M 2977 T	(-)	Bracket, control valve (W)
38	19H 1732 A	(-)	Screw, cap, 3/8" x 1-1/4" (H)
39	19H 1800 A	(-)	Screw, cap, 3/8" x 1-1/2" (H)
40	M 2728 T	(-)	Bracket, control valve (H)

BREAKAWAY COUPLING AND FLEXIBLE OIL LINES Crawler



Key	Part No.	Serial No.	Description
1	14H 812 A	(-)	Nut, hex., 3/8" (8 used)
2	12H 304 A	(-)	Washer, lock, 3/8" (8 used)
3	AA 3754 R	(-)	Bracket, with spring
4	19H 1936 A	(-)	Screw, cap, 3/8" x 3/4" (6 used)
5	A 3614 R	(-)	Cap (2 used)
6	M 1324 T	(-)	Plug (2 used) (sub. for AM1335T)
7	12H 293 A	(-)	Washer, lock, 7/16" (2 used)
8	AM 1954 T	(-)	Support, seat
9	14H 511 A	(-)	Nut, hex., 5/16"
10	11H 231 A	(-)	Pin, cotter, 1/16" x 1"
11	A 3612 R	(-)	Stud
12	A 3611 R	(-)	Cam
13	A 3610 R	(-)	Spring
14	A 3609 R	(-)	Pawl (2 used)
15	14H 785 A	(-)	Nut, hex., 5/16" (2 used)
16	12H 303 A	(-)	Washer, lock, 5/16" (2 used)
17	M 1323 T	(-)	Body, breakaway coupling (sub. for AM1334T)
18	A 3190 R	(-)	Seal, O-ring (4 used)
19	A 3613 R	(-)	Coupling (2 used)
20	AA 4279 R	(-)	Line, oil (2 used)
21	M 1342 T	(-)	Elbow (2 used)
22	19H 1900 A	(-)	Screw, cap, 5/16" x 3/4" (2 used)
23	M 2127 T	(-)	Bracket
24	19H 1800 A	(-)	Screw, cap, 3/8" x 1-1/2" (2 used)
25	19H 2055 A	(-)	Screw, cap, 7/16" x 2-1/4" (2 used)
26	24H 1325 A	(-)	Washer, plain, 15/32" x 59/64" x .060" (2 used)
27	M 898 T	(-)	Spring (2 used)
28	M 1369 T	(-)	Clip, hose (2 used)
29	14H 849 A	(-)	Nut, hex. jam, 7/16" (4 used)

BREAKAWAY COUPLING AND COUPLING BRACKET
Hi-Crop, Standard, Tricycle, Utility, and Two-Row Utility



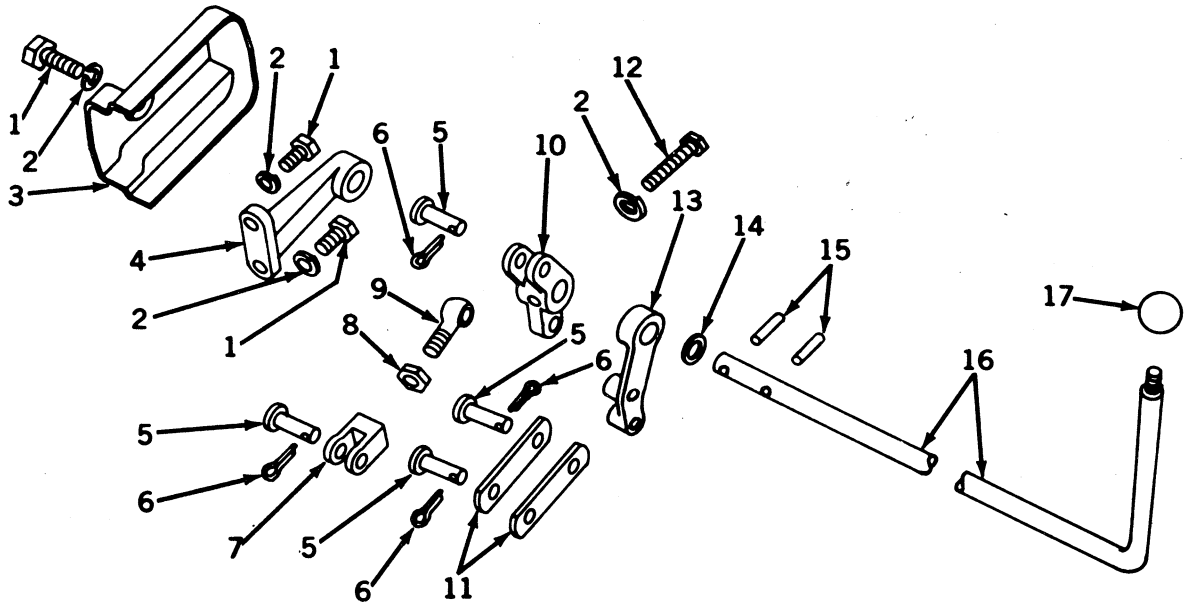
Key	Part No.	Serial No.	Description
1	14H 511 A	(-)	Nut, hex., slotted, 5/16"
2	11H 231 A	(-)	Pin, cotter, 1/16" x 1"
3	A 3611 R	(-)	Cam
4	A 3610 R	(-)	Spring (packed 5 in a pkg.)
5	A 3609 R	(-)	Pawl (2 used) (packed 5 in a pkg.)
6	A 3612 R	(-)	Stud
7	19H 1800 A	(-)	Screw, cap, 3/8" x 1-1/2" (2 used)
8	M 1323 T	(-)	Body (sub. for AM1334T)
9	A 3190 R	(-)	Seal, O-ring (4 used) (packed 5 in a pkg.)
10	M 1324 T	(-)	Plug (2 used) (sub. for AM1335T)
11	19H 1731 A	(-)	Screw, cap, 3/8" x 1" (2 used) (T)
12	M 2678 T	(-)	Bracket, coupling (T)
13	12H 304 A	(-)	Washer, lock, 3/8" (2 used)
14	14H 812 A	(-)	Nut, hex., 3/8" (2 used)
15	M 1342 T	(-)	Elbow (2 used)
16	19H 339 A	(-)	Screw, cap, 7/16" x 1-3/8" (2 used) (W)
17	AM 2809 T	(-)	Bracket, coupling (W)
18	M 2645 T*	(-70594)	Bracket, coupling (S)
19	19H 1731 A*	(-70594)	Screw, cap, 3/8" x 1" (2 used) (S)
20	12H 304 A*	(-70594)	Washer, lock, 3/8" (2 used) (S)
21	14H 812 A*	(-70594)	Nut, hex., 3/8" (2 used) (S)
22	M 3050 T**	(70595-)	Brace, coupling, bracket (S)
23	AM 2841 T***	(70595-)	Bracket, coupling (S)
	AM 2841 T	(-)	Bracket, coupling (U)
24	AA 4279 R	(-)	Line, flexible oil (2 used)
25	AM 2753 T	(-)	Bracket, coupling (H)
26	14H 812 A	(-)	Nut, hex., 3/8" (2 used) (S, U)
	14H 786 A	(-)	Nut, hex., 1/4" (2 used) (H, T, W)
27	A 3613 R	(-)	Coupling (2 used)
28	A 3614 R	(-)	Cap (2 used) (packed 5 in a pkg.)
29	12H 304 A	(-)	Washer, lock, 3/8" (2 used) (S, U)
	12H 302 A	(-)	Washer, lock, 1/4" (2 used) (H, T, W)
30	M 1980 T	(-)	Clamp (H, T, W)
31	AA 3754 R	(-)	Bracket, plug, with spring
32	24H 1303 A	(-)	Washer, plain, 13/32" x 11/16" x .060" (2 used) (S, U)
	24H 1287 A	(-)	Washer, plain, 9/32" x 5/8" x .060" (2 used) (H, T, W)
33	19H 1936 A	(-)	Screw, cap, 3/8" x 3/4" (2 used) (S, U)
	19H 1948 A	(-)	Screw, cap, 1/4" x 3/4" (2 used) (H, T, W)

*Replacement parts for factory installed remote control attachments, serial number 60001-70594. Replacement parts for field installed remote control attachments, serial number 60001-up.

**Replacement part for field installed remote control attachments only, serial number 70595-up.

***Replacement part for factory installed remote control attachments only, serial number 70595-up.

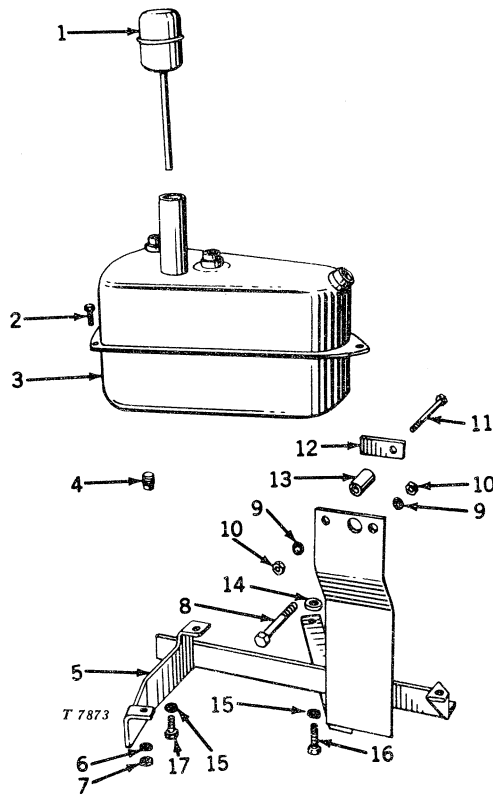
CONTROLS AND LINKAGE FOR CONTROL VALVE ASSEMBLY
Hi-Crop, Standard, Tricycle, Utility, and Row-Crop Utility



50404

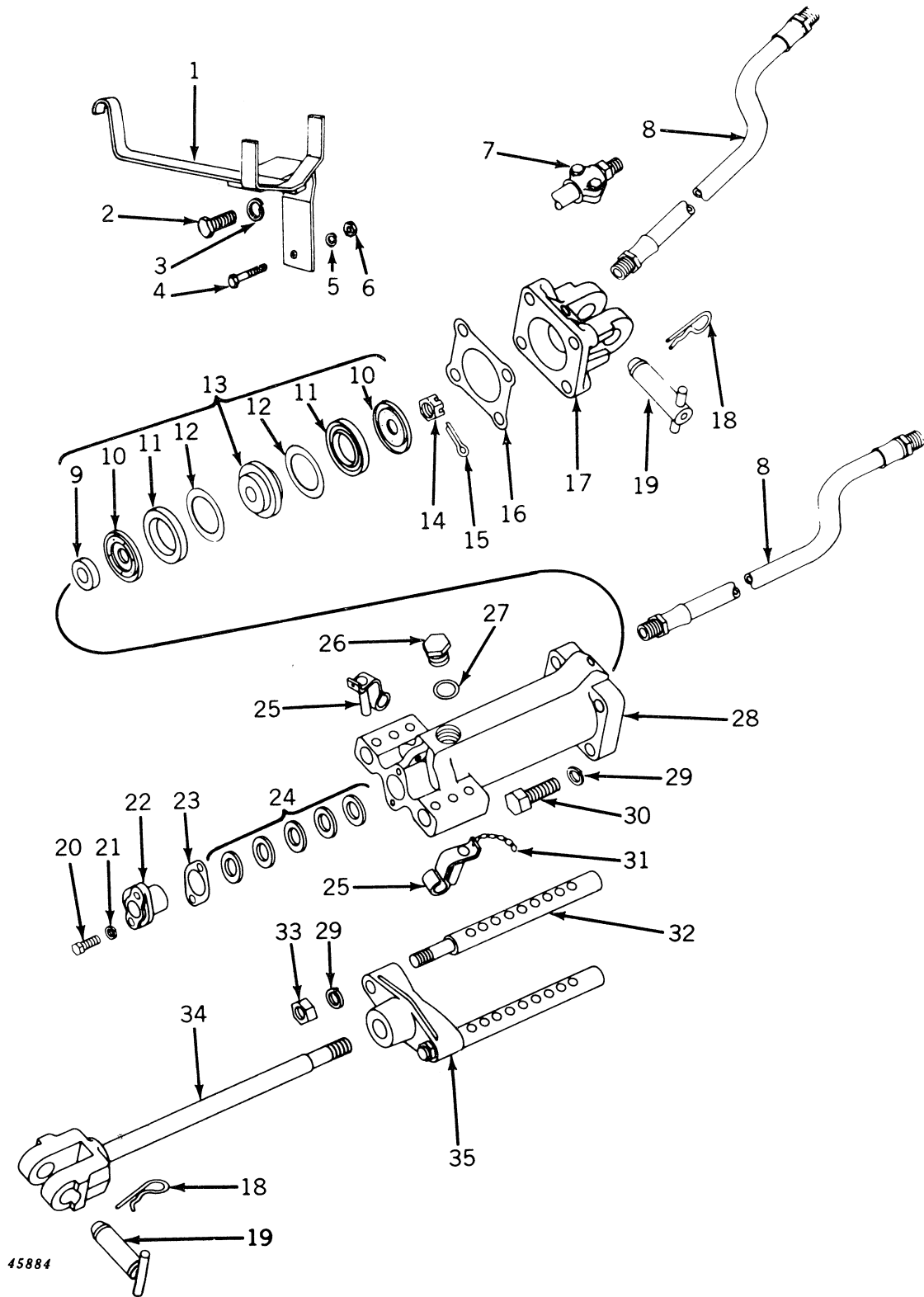
Key	Part No.	Serial No.	Description
1	19H 2127 A	(-)	Screw, cap, 5/16" x 7/8" (3 used)
2	12H 303 A	(-)	Washer, lock, 5/16" (5 used)
3	M 2636 T	(-)	Guard
4	M 2615 T	(-)	Bracket, control shaft, left
5	L 4668 T	(-)	Pin (4 used)
6	11H 206 A	(-)	Pin, cotter, 3/32" x 3/4" (4 used)
7	M 1716 T	(-)	End, yoke
8	14H 774 A	(-)	Nut, hex. jam, 3/8"
9	M 2634 T	(-)	Bolt, eye
10	M 2616 T	(-)	Crank
11	M 2635 T	(-)	Link (2 used)
12	19H 1275 A	(-)	Screw, cap, 5/16" x 1-5/8" (2 used) (H, T, W)
	19H 2043 A	(-)	Screw, cap, 5/16" x 3-1/2" (2 used) (S, U)
13	M 2673 T	(-)	Bracket, control shaft, right (H, T, W)
	M 2617 T	(-)	Bracket, control shaft, right (S, U)
14	24H 1375 A	(-)	Washer, plain, 11/16" x 1-1/16" x .060"
15	25H 903 A	(-)	Pin, groov-, 7/32" x 1-1/8" (2 used)
16	M 2674 T	(-)	Shaft, control (H, T, W)
	M 2637 T	(-)	Shaft, control (S, U)
17	M 526 T	(-)	Knob

OIL RESERVOIR ASSEMBLY
Crawler



Key	Part No.	Serial No.	Description
1	AM 1319 T	(-)	Breather, with bayonet oil gauge (sub. for AM1337T)
2	19H 1900 A	(-)	Screw, cap, 5/16" x 3/4" (3 used)
3	AM 1317 T	(-)	Reservoir, oil (sub. for AM1336T)
4	AM 1320 T	(-)	Plug, magnetic drain
5	AM 1321 T	(-)	Bracket, reservoir
6	12H 303 A	(-)	Washer, lock, 5/16" (3 used)
7	14H 785 A	(-)	Nut, hex., 5/16" (3 used)
8	19H 2128 A	(-)	Screw, cap, 3/8" x 3"
9	12H 304 A	(-)	Washer, lock, 3/8" (2 used)
10	14H 812 A	(-)	Nut, hex., 3/8" (2 used)
11	19H 2054 A	(-)	Screw, cap, 3/8" x 4-3/4"
12	M 1365 T	(-)	Plate, reinforcing
13	28H 1729 A	(-)	Spacer, pipe, 1/2" x 1-9/16" (sub. for M1364T)
14	M 1335 T	(-)	Spacer
15	12H 293 A	(-)	Washer, lock, 7/16" (3 used)
16	19H 339 A	(-)	Screw, cap, 7/16" x 1-3/8"
17	19H 1822 A	(-)	Screw, cap, 7/16" x 1" (2 used)

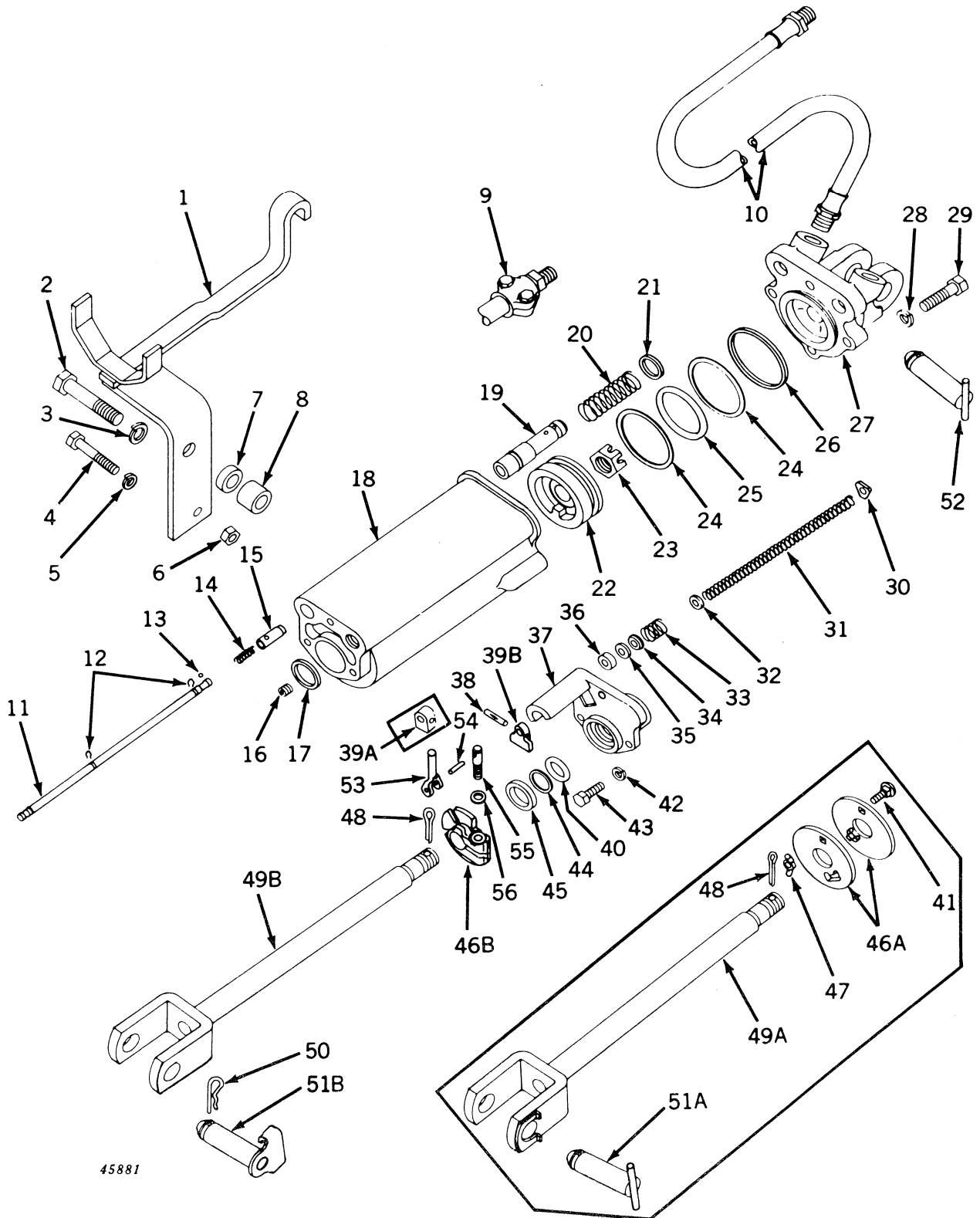
REMOTE CONTROL CYLINDER
Crawler (Serial No. 60001-62763)



REMOTE CONTROL CYLINDER -- Continued
Crawler (Serial No. 60001-62763)

Key	Part No	Cylinder Serial No.	Description
1	AM 1348 T	(-)	Carrier, cylinder assembly
2	19H 1862 A	(-)	Screw, cap, 3/4" x 2-1/2"
3	12H 236 A	(-)	Washer, lock, 3/4"
4	19H 1899 A	(-)	Screw, cap, 7/16" x 2"
5	12H 293 A	(-)	Washer, lock, 7/16"
6	14H 813 A	(-)	Nut, hex., 7/16"
7	AA 4864 R	(3 RC100 -)	Coupling for flexible oil line
8	AA 4279 R	(3 RC100 -)	Line, flexible oil, 88" (2 used)
9	A 4230 R	(3 RC86799-)	Spacer, piston
10	A 4229 R	(3 RC86799-)	Retainer, piston packing (2 used)
11	A 3169 R	(3 RC44351-)	Packing, "U" cup (2 used)
12	A 3952 R	(3 RC44351-)	Washer, backing, piston ring (2 used)
13	AA 4493 R	(3 RC44351-)	Piston, A3951R, with rings, retainers, washers, and spacer
14	14H 534 A	(3 RC100 -)	Nut, slotted, 3/4"
15	11H 237 A	(3 RC100 -)	Pin, cotter, 1/8" x 2"
16	A 3164 R	(3 RC100 -)	Gasket
17	A 3578 R	(3 RC26259-)	Cap, remote cylinder
18	A 3581 R	(3 RC26259-)	Pin, spring locking (2 used)
19	AR 1362 R	(3 RC26259-)	Pin, attaching (2 used) (sub. for AA4282R)
20	19H 1731 A	(3 RC100 -)	Screw, cap, 3/8" x 1" (2 used)
21	12H 304 A	(3 RC100 -)	Washer, lock, 3/8" (2 used)
22	A 3172 R	(3 RC100 -)	Retainer, piston rod oil seal
23	A 3173 R	(3 RC100 -)	Shim, .010" (4 used)
	A 3174 R	(3 RC100 -)	Shim, 1/32" (2 used)
24	AA 3741 R	(3 RC100 -)	V-seal assembly
25	AA 3749 R	(3 RC100 -)	Pin, stop, with spring (2 used)
26	H 945 R	(3 RC100 -)	Plug, remote cylinder inspection
27	D 465 R	(3 RC100 -)	Gasket
28	A 3162 R	(3 RC100 -)	Cylinder, remote, housing
29	12H 294 A	(3 RC100 -)	Washer, lock, 5/8" (6 used)
30	19H 1374 A	(3 RC100 -)	Screw, cap, 5/8" x 2" (4 used)
31	D 2913 R	(3 RC100 -)	Link, chain end (2 used)
	A 3184 R	(3 RC100 -)	Chain
32	A 3176 R	(3 RC100 -)	Rod, piston stop (2 used)
33	14H 479 A	(3 RC100 -)	Nut, 5/8" (2 used)
34	AA 4281 R	(3 RC26259-)	Rod, piston, with A3579R yoke
35	A 3175 R	(3 RC100 -)	Stop, piston rod

REMOTE CONTROL CYLINDER
Crawler (Serial No. 62764-Up)
Hi-Crop, Standard, Tricycle, Utility, and Two-Row Utility (Serial No. 60001-Up)



45881

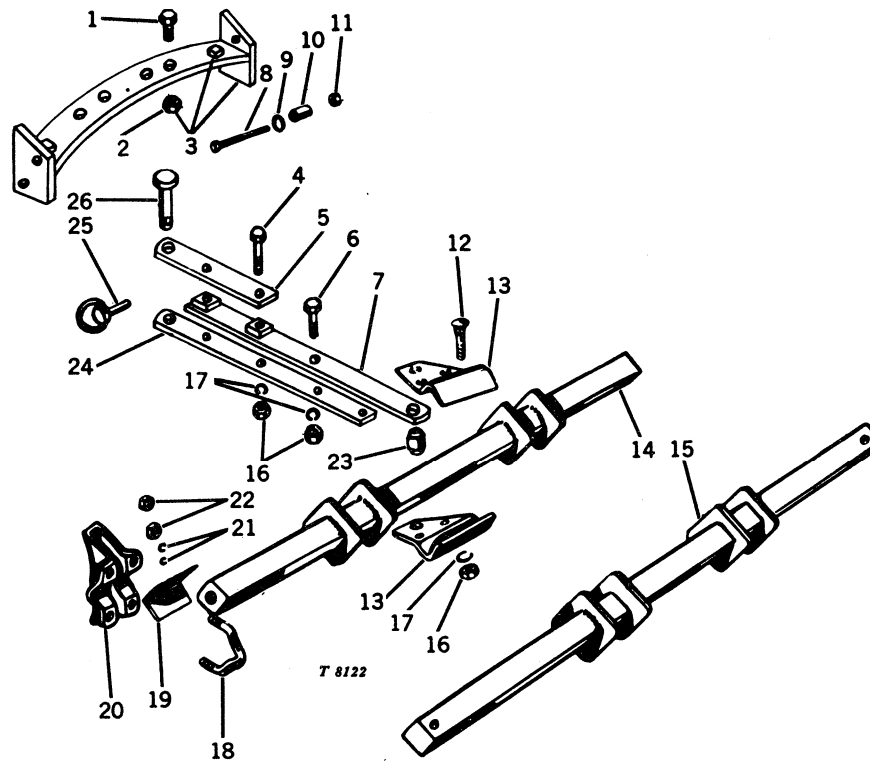
REMOTE CONTROL CYLINDER -- Continued

Crawler (Serial No. 62764-Up)

Hi-Crop, Standard, Tricycle, Utility, and Two-Row Utility (Serial No. 60001-Up)

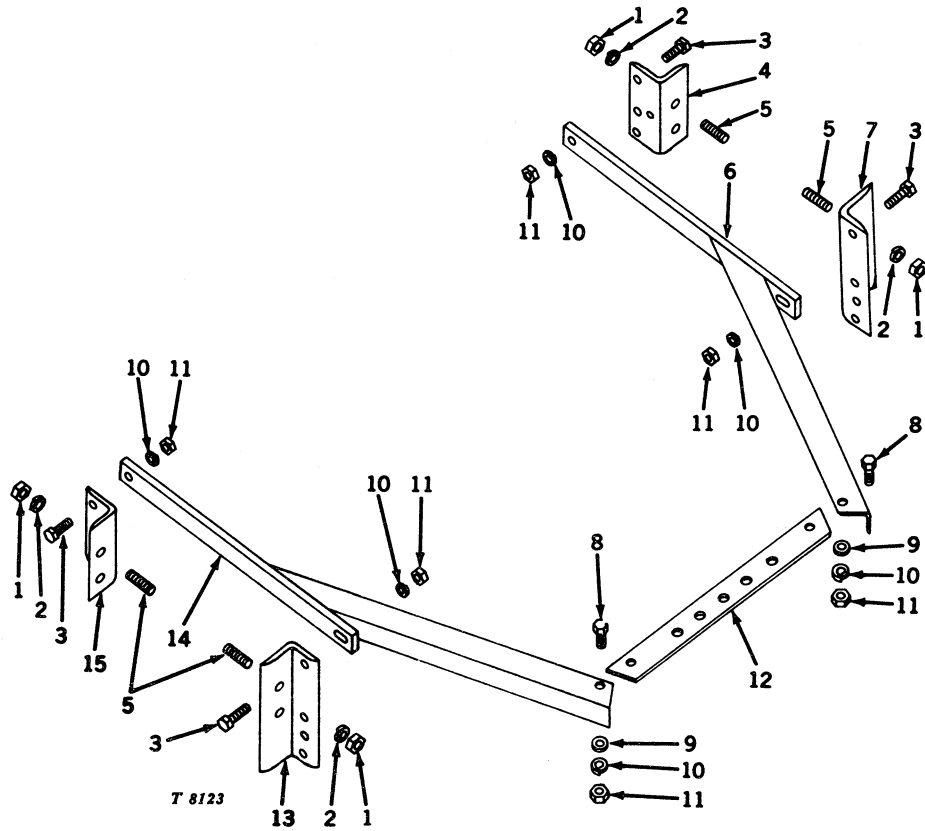
Key	Part No.	Cylinder Serial No.	Description
1	AM 2240 T	(-)	Carrier, cylinder assembly (C)
2	19H 2113 A	(-)	Screw, cap, 3/4" x 3-1/4" (C)
3	12H 236 A	(-)	Washer, lock, 3/4" (C)
4	19H 1146 A	(-)	Screw, cap, 7/16" x 2-1/2" (used when front bottom plate is attached) (C)
	19H 1899 A	(-)	Screw, cap, 7/16" x 2" (used when regular sod pan is attached) (C)
5	12H 293 A	(-)	Washer, lock, 7/16" (C)
6	14H 813 A	(-)	Nut, hex., 7/16" (C)
7	M 2489 T	(-)	Spacer (used when regular sod pan is attached) (C)
8	M 2490 T	(-)	Spacer (used when front bottom plate is attached) (C)
9	AA 4864 R	(3-1/2 RC100 -)	Coupling for flexible oil line
10	AA 4542 R	(3-1/2 RC100 -)	Line, flexible oil, 88" (2 used) (sub. for AA4279R)
11	A 4736 R	(3-1/2 RC100 -)	Rod, stop
12	A 4739 R	(3-1/2 RC100 -)	Ring, snap (2 used)
13	A 4742 R	(3-1/2 RC100 -)	Ball, bleed valve
14	A 4741 R	(3-1/2 RC100 -)	Spring, bleed valve
15	AA 5731 R	(3-1/2 RC100 -)	Valve, bleed (sub. for A4740R)
16	A 3125 R	(3-1/2 RC100 -)	Plug, pipe
17	F 1441 R	(3-1/2 RC100 -)	Gasket, piston rod guide
18	F 1425 R	(3-1/2 RC100 -)	Cylinder, remote, housing
19	AA 5731 R	(3-1/2 RC100 -)	Valve, stop (sub. for A4743R)
20	A 4744 R	(3-1/2 RC100 -)	Spring, stop valve
21	A 4723 R	(3-1/2 RC100 -)	Gasket (2 used)
22	F 1428 R	(3-1/2 RC100 -)	Piston
23	F 2439 R	(3-1/2 RC100 -)	Nut, special lock (packed 10 in a pkg.) (sub. for C1104R)
24	F 1431 R	(3-1/2 RC100 -)	Washer, piston packing (2 used)
25	F 1430 R	(3-1/2 RC100 -)	Packing, O-ring
26	F 1427 R	(3-1/2 RC100 -)	Gasket
27	F 1426 R	(3-1/2 RC100 -)	Cap, remote cylinder
28	12H 301 A	(3-1/2 RC100 -)	Washer, lock, 1/2" (4 used)
29	19H 474 A	(3-1/2 RC100 -)	Screw, cap, 1/2" x 1-7/8" (4 used)
30	A 4738 R	(3-1/2 RC100 -)	Washer, stop rod
31	A 4737 R	(3-1/2 RC100 -)	Spring, stop rod
32	24H 1301 A	(3-1/2 RC100 -)	Washer, stop rod
33	A 4748 R	(3-1/2 RC100 -)	Spring, stop rod packing
34	A 4747 R	(3-1/2 RC100 -)	Adapter, stop rod packing, male
35	A 4745 R	(3-1/2 RC100 -)	V-packing, stop rod (3 used)
36	A 4746 R	(3-1/2 RC100 -)	Adapter, stop rod packing, female
37	F 1440 R	(3-1/2 RC100 -)	Guide, piston rod
38	25H 760 A	(3-1/2 RC100 -)	Pin, groov-, stop rod arm
39A	A 4749 R	(3-1/2 RC100 -29375)	Arm, stop rod (sub. A5304R)
39B	A 5304 R	(3-1/2 RC29376-)	Arm, stop rod
40	A 3606 R	(3-1/2 RC100 -)	Packing, O-ring, piston rod
41	3H 1524 A	(3-1/2 RC100 -29375)	Bolt, rd. hd., 5/16" x 1"
42	12H 304 A	(3-1/2 RC100 -)	Washer, lock, 3/8" (3 used)
43	19H 1731 A	(3-1/2 RC100 -)	Screw, cap, 3/8" x 1" (3 used)
44	F 1432 R	(3-1/2 RC100 -)	Washer, piston rod packing
45	AP 19547 H	(3-1/2 RC100 -)	Seal, oil, piston rod wiper
46A	F 1435 R	(3-1/2 RC100 -29375)	Stop, piston rod (2 used) (sub. R27423R with A5302R, 34H58A, A5301R, and R1870R)
46B	R 27423 R	(3-1/2 RC29376-)	Stop, piston rod (sub. for F2300R)
47	A 4735 R	(3-1/2 RC100 -29375)	Nut, wing
48	11H 237 A	(3-1/2 RC100 -)	Pin, cotter, 1/8" x 2"
49A	AF 1588 R	(3-1/2 RC100 -29375)	Rod, piston, with yoke and clip (sub. one AA6307R with AF2433R)
49B	AF 2433 R	(3-1/2 RC29376-)	Rod, piston, with yoke and clip
50	A 3581 R	(3-1/2 RC100 -)	Pin, spring, locking (2 used)
51A	AA 5605 R	(3-1/2 RC100 -29375)	Pin, attaching (sub. one AA6307R)
51B	AA 6307 R	(3-1/2 RC100 -)	Pin, attaching, with clip
52	AA 5605 R	(3-1/2 RC100 -29375)	Pin, attaching (sub. one AA6309R)
	AA 6309 R	(3-1/2 RC29376-)	Pin, attaching
53	A 5302 R	(3-1/2 RC29376-)	Lever, stop
54	34H 58 A	(3-1/2 RC29376-)	Pin, roll, in stop lever
55	A 5301 R	(3-1/2 RC29376-)	Screw, stop
56	A 147 R	(3-1/2 RC29376-)	Washer, on stop screw (sub. for R1870R)

DRAWBAR AND CROSSBAR ASSEMBLY Crawler



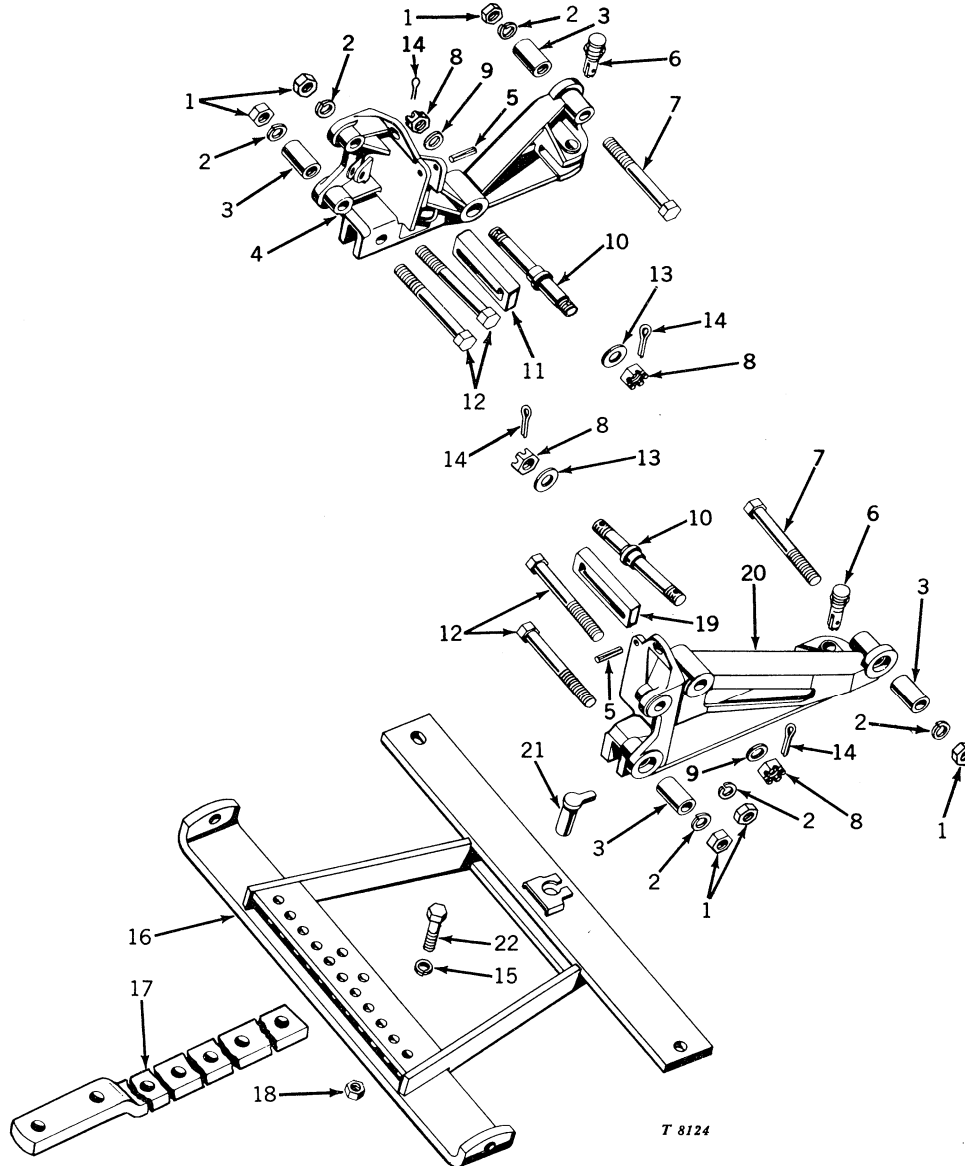
Key	Part No.	Serial No.	Description
1	8H 528 A	(-)	Bolt, cge., 1/2" x 1-1/4" (2 used)
2	14H 809 A	(-)	Nut, hex., 1/2" (2 used)
3	ATE 2267 YT	(-)	Quadrant, with mach. bolts and hex. nuts
4	19H 2133 A	(-)	Screw, cap, 5/8" x 4-1/2" (2 used)
5	M 1679 T	(-)	Extension, top
6	19H 1847 A	(-)	Screw, cap, 5/8" x 2-1/2"
7	AM 1751 T	(-)	Drawbar assembly
8	M 804 T	(-)	Screw, cap, special (4 used)
9	L 139 T	(-)	Washer (4 used)
10	M 803 T	(-)	Dowel (4 used)
11	14H 809 A	(-)	Nut, hex., 1/2" (4 used)
12	3H 1407 A	(-)	Bolt, cge., 5/8" x 2-1/2" (2 used)
13	TE 259 YT	(-62263)	Plate, clevis (2 used)
	M 2385 T	(62264-)	Plate, clevis (2 used)
14	ATE 2237 YT	(-62263)	Member, cross, rear
	AM 2148 T	(62264-64940)	Member, cross, rear
	AM 2338 T	(64941-)	Member, cross, rear
15	ATE 2211 YT	(-62263)	Member, cross, front
	AM 2147 T	(62264-)	Member, cross, front
16	14H 760 A	(-)	Nut, hex., 5/8" (5 used)
17	12H 294 A	(-)	Washer, lock, 5/8" (5 used)
18	F 125 YT	(-62263)	Bolt "V" (4 used)
	M 2387 T	(62264-)	Bolt "V" (4 used)
19	TE 273 YT	(-)	Shim (use quantity required)
20	TE 277 YT	(-62263)	Block, safety (2 used)
	M 2386 T	(62264-)	Block, safety (2 used)
21	12H 301 A	(-)	Washer, lock, 1/2" (4 used)
22	14H 808 A	(-62263)	Nut, hex., 5/8" (8 used)
	14H 809 A	(62264-)	Nut, hex., 1/2" (8 used)
23	TE 436 YT	(-)	Pin, pivot
24	M 1678 T	(-)	Extension, bottom
25	DA 5883 A	(-)	Pin, quik-lock (sub. for AM1752T)
26	T 12846 T	(-)	Pin (sub. for AM1135T)

DRAWBAR
Hi-Crop



Key	Part No.	Serial No.	Description
1	14H 794 A	(-)	Nut, hex., 3/4" (8 used)
2	12H 236 A	(-)	Washer, lock, 3/4" (8 used)
3	19H 1377 A	(-)	Screw, cap, 5/8" x 2-1/8" (4 used)
4	M 2927 T	(-)	Bracket, right front
5	F 1024 R	(-)	Stud (8 used)
6	AM 2958 T	(-)	Drawbar, right side member (sub. for AM2591T) (also order one AM2957T)
7	M 2929 T	(-)	Bracket, right rear
8	19H 1374 A	(-)	Screw, cap, 5/8" x 2" (2 used)
9	24H 1139 A	(-)	Washer, plain, 11/16" x 1-1/4" x .105" (2 used)
10	12H 294 A	(-)	Washer, lock, 5/8" (6 used)
11	14H 760 A	(-)	Nut, hex., 5/8" (6 used)
12	M 2767 T	(-)	Drawbar, rear member
13	M 2928 T	(-)	Bracket, left rear
14	AM 2957 T	(-)	Drawbar, left side member (sub. for AM2590T) (also order one AM2958T)
15	M 2926 T	(-)	Bracket, left front

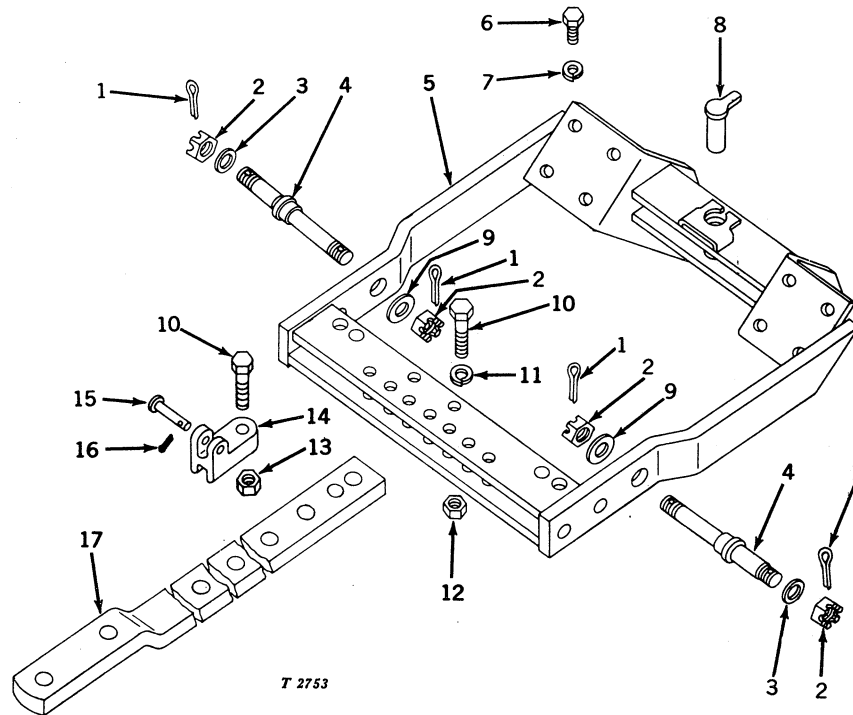
DRAWBAR ASSEMBLY Standard



T 8124

Key	Part No.	Serial No.	Description
1	14H 760 A	(-)	Nut, hex., 5/8" (6 used)
2	12H 294 A	(-)	Washer, lock, 5/8" (6 used)
3	M 1568 T	(-)	Dowel, hollow (4 used)
4	M 1834 T	(-69581)	Sub. one M2523T and one M2421T
	M 2523 T	(69582-)	Mount, left load link
5	25H 152 A	(-69581)	Pin, groov-, 3/8" x 1-1/2" (2 used)
6	AM 2046 T	(-)	Pin, clevis (4 used) (sub. one T11439T and one 11H218A)
7	8H 4073 A	(-)	Bolt, cge., 5/8" x 6-1/2" (2 used)
8	14H 534 A	(-)	Nut, hex., slotted, 3/4" (4 used)
9	M 1993 T	(-)	Washer, plain, outer, special (2 used)
10	M 2149 T	(-)	Bolt, trunnion (2 used)
11	M 1848 T	(-69581)	Stop, left load link
12	19H 1872 A	(-)	Screw, cap, 5/8" x 6" (4 used)
13	24H 1396 A	(-)	Washer, plain, 25/32" x 1-1/2" x .105" (2 used)
14	11H 237 A	(-)	Pin, cotter, 1/8" x 2" (4 used)
15	12H 301 A	(-)	Washer, lock, 1/2" (2 used)
16	AM 2045 T	(-)	Drawbar assembly
17	T 10820 T	(-)	Drawbar (sub. for M2148T)
18	14H 809 A	(-)	Nut, hex., 1/2" (2 used)
19	M 1848 T	(-69581)	Stop, right load link (sub. for M1849T)
20	M 3738 T	(-)	Mount, right load link (sub. for M2524T)
21	AA 5365 R	(-)	Pin, pivot
22	19H 1820 A	(-)	Screw, cap, 1/2" x 3" (2 used)

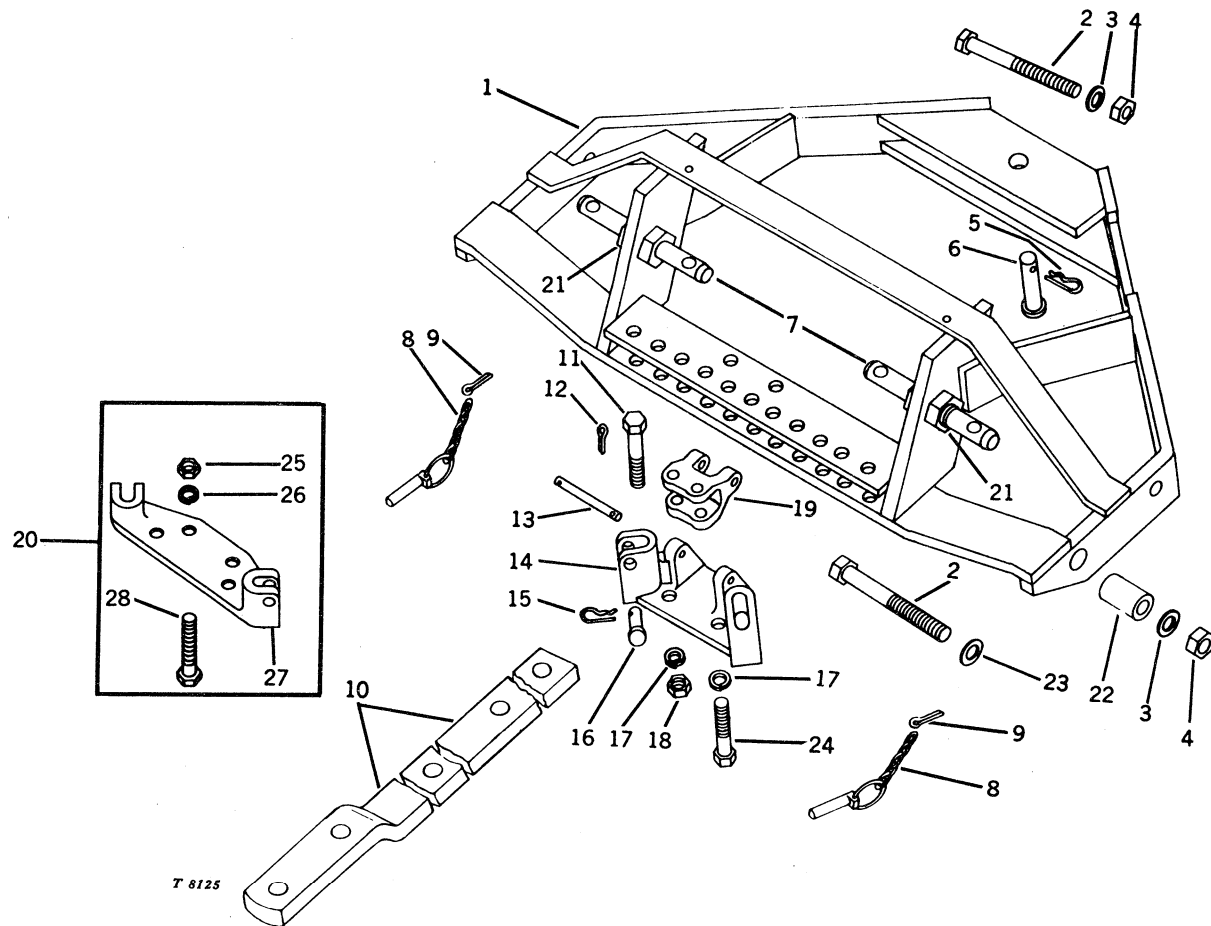
DRAWBAR ASSEMBLY Tricycle



T 2753

Key	Part No.	Serial No.	Description
1	11H 237 A	(-)	Pin, cotter, 1/8" x 2" (4 used)
2	14H 534 A	(-)	Nut, hex., 3/4" (4 used)
3	M 1993 T	(-)	Washer, plain, special (2 used)
4	M 1925 T	(-)	Trunnion (2 used)
5	AM 1890 T	(-)	Drawbar assembly
6	19H 1821 A	(-)	Screw, cap, 7/16" x 1-1/4" (8 used)
7	12H 293 A	(-)	Washer, lock, 7/16" (8 used)
8	AA 5365 R	(-)	Pin, pivot
9	24H 1396 A	(-)	Washer, plain, 25/32" x 1-1/2" x .105" (2 used)
10	19H 1820 A	(-)	Screw, cap, 1/2" x 3" (4 used)
11	12H 301 A	(-)	Washer, lock, 1/2" (2 used)
12	14H 809 A	(-)	Nut, hex., 1/2" (2 used)
13	M 2545 T	(-)	Nut, hex., special (2 used)
14	M 1763 T	(-)	Anchor, sway chain, front (2 used)
15	M 2479 T	(-)	Pin (2 used)
16	11H 206 A	(-)	Pin, cotter, 3/32" x 3/4" (2 used)
17	T 10822 T	(-)	Drawbar (sub. for M2077T)

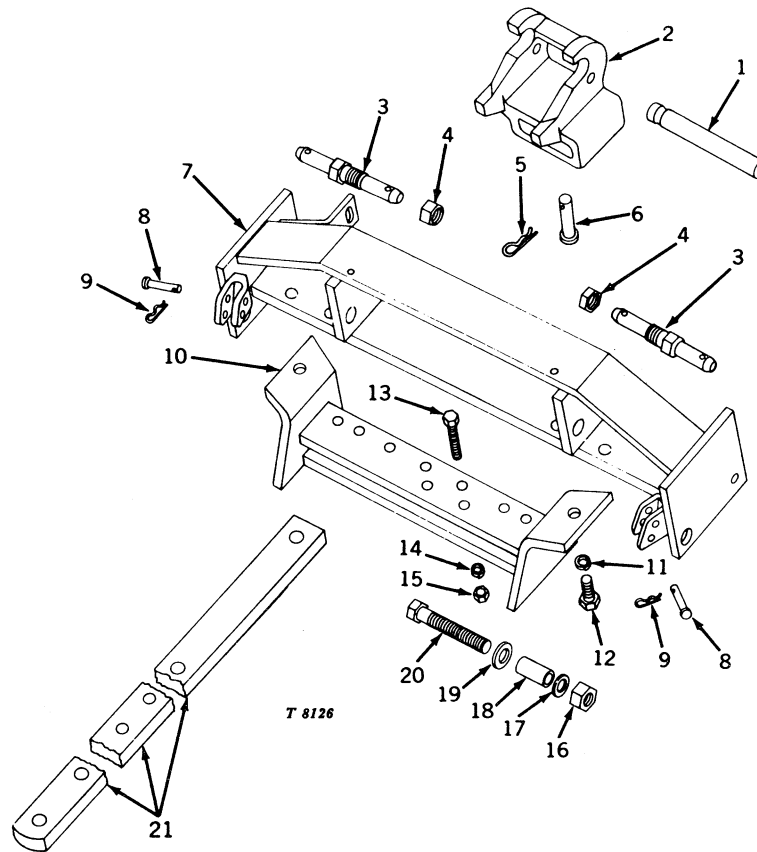
DRAWBAR ASSEMBLY
Utility (Serial No. 60001-62733)



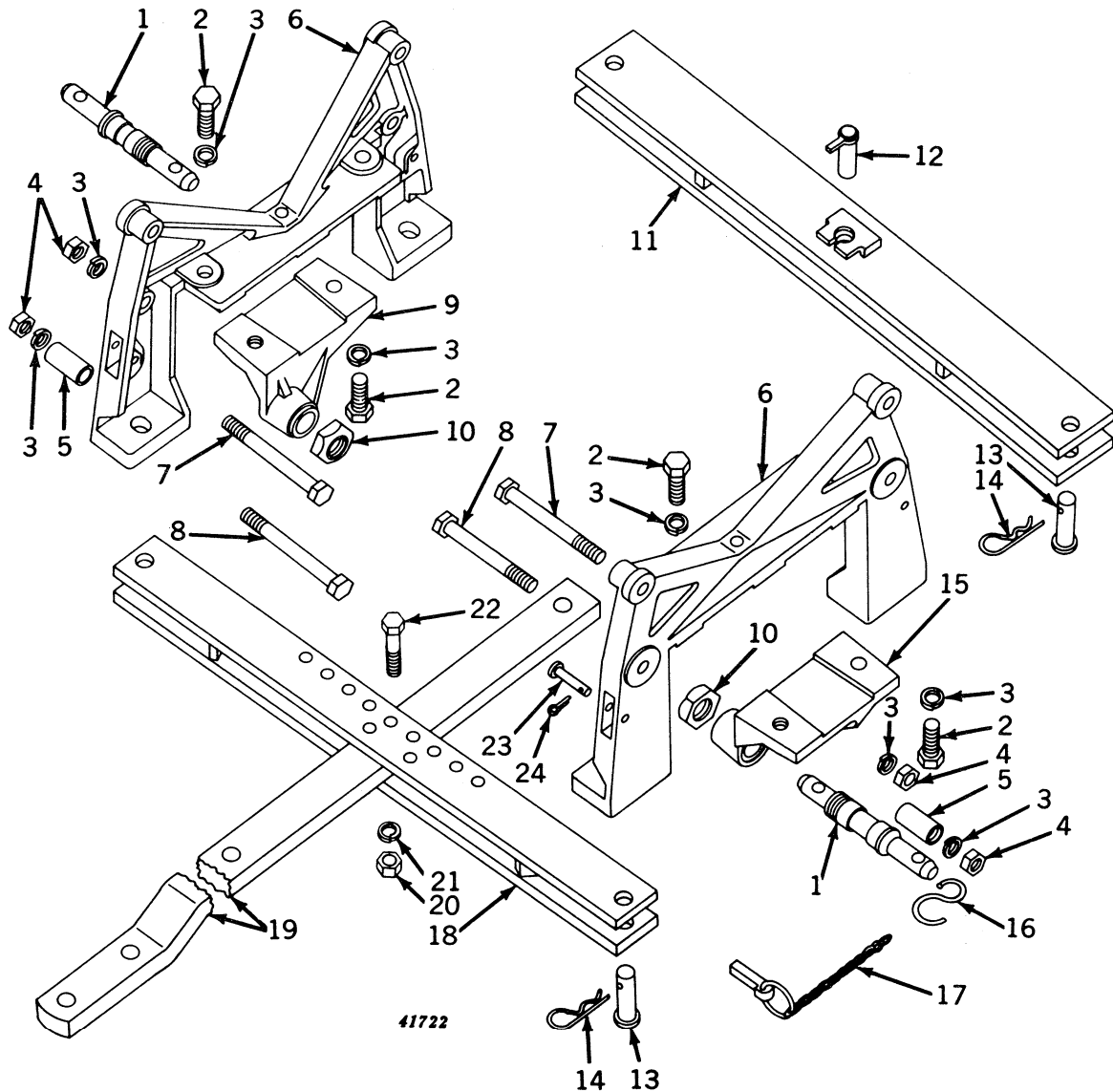
Key	Part No.	Serial No.	Description
1	AM 2175 T	(-62733)	Drawbar assembly
2	19H 1923 A	(-62733)	Screw, cap, 5/8" x 5-1/2" (4 used)
3	24H 1368 A	(-62733)	Washer, plain, 21/32" x 1-5/16" x .090" (4 used)
4	14H 760 A	(-62733)	Nut, hex., 5/8" (4 used)
5	A 3581 R	(-62733)	Pin, spring locking
6	M 2485 T	(-62733)	Pin, pivot
7	M 2430 T	(-62733)	Bolt, trunnion (2 used)
8	AM 1909 T	(-62733)	Pin, quik-lock, and chain (2 used)
9	M 2092 T	(-62733)	Pin, cotter (2 used)
10	M 2435 T	(-62733)	Drawbar
11	19H 1781 A	(-62733)	Screw, cap, 1/2" x 3-1/2" (2 used)
12	11H 206 A	(-62733)	Pin, cotter, 3/32" x 3/4" (2 used)
13	M 2533 T	(-62733)	Pin
14	M 2466 T	(-62733)	Anchor, sway chain, outer
15	J 16931 N	(-62733)	Pin, spring locking (2 used)
16	M 2479 T	(-62733)	Pin (2 used)
17	12H 301 A	(-62733)	Washer, lock, 1/2" (4 used)
18	14H 809 A	(-62733)	Nut, hex., 1/2" (2 used)
19	M 2467 T	(-62733)	Anchor, sway chain, inner
20	AM 2397 T	(-62733)	SWAY CHAIN FRONT ANCHOR ATTACHMENT
21	M 2434 T	(-62733)	Nut (2 used)
22	M 1568 T	(-62733)	Dowel, hollow (2 used)
23	M 1554 T	(-62733)	Washer, plain (2 used)
24	19H 1820 A	(-62733)	Screw, cap, 1/2" x 3" (2 used)
25	14H 809 A	(-62733)	Nut, hex., 1/2" (4 used)
26	12H 301 A	(-62733)	Washer, lock, 1/2" (4 used)
27	M 2574 T	(-62733)	Anchor, sway chain
28	19H 1781 T	(-62733)	Screw, cap, 1/2" x 3-1/2" (4 used)

Capital letters indicate an attachment. Attachments must be ordered separately from replacement parts.

DRAWBAR ASSEMBLY
Utility (Serial No. 62734-Up)

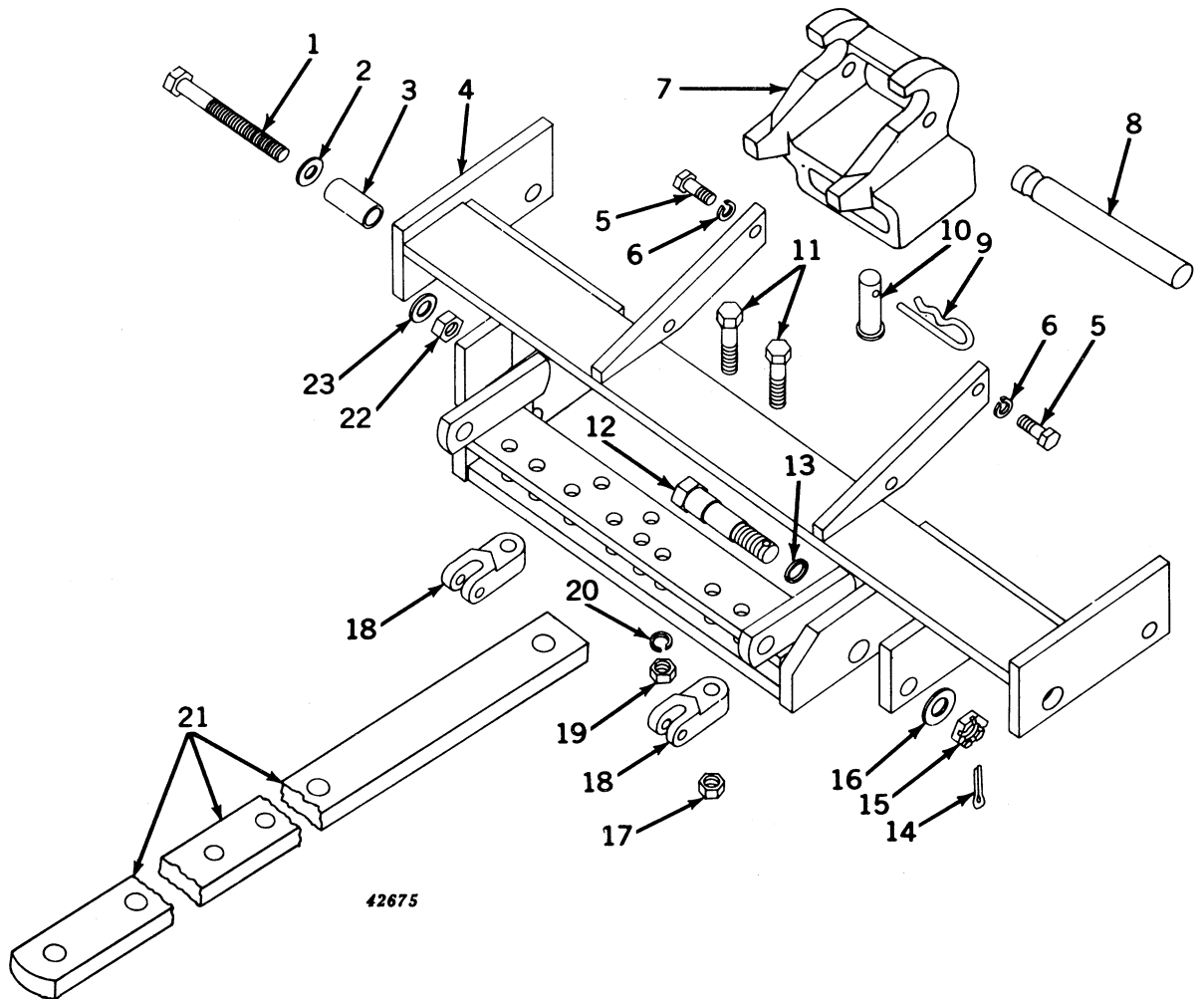


Key	Part No.	Serial No.	Description
1	M 2732 T	(62734-)	Bar
2	M 2595 T	(62734-)	Support, front
3	M 2430 T	(62734-)	Bolt, trunnion (2 used)
4	M 2434 T	(62734-)	Nut (2 used)
5	A 3581 R	(62734-)	Pin, spring locking
6	M 2485 T	(62734-)	Pin, pivot
7	AM 2405 T	(62734-)	Load link mount assembly
8	M 2479 T	(62734-)	Pin (2 used)
9	J 16931 N	(62734-)	Pin, spring locking (2 used)
10	AM 2406 T	(62734-)	Support, rear
11	12H 294 A	(62734-)	Washer, lock, 5/8" (2 used)
12	19H 1756 A	(62734-)	Screw, cap, 5/8" x 1-1/2" (2 used)
13	19H 1874 A	(62734-)	Screw, cap, 1/2" x 2-3/4" (2 used)
14	12H 301 A	(62734-)	Washer, lock, 1/2" (2 used)
15	14H 809 A	(62734-)	Nut, hex., 1/2" (2 used)
16	14H 760 A	(62734-)	Nut, hex., 5/8" (2 used)
17	24H 1368 A	(62734-)	Washer, plain, 21/32" x 1-5/16" x .090" (4 used)
18	M 1568 T	(62734-)	Dowel, hollow, rear holes (2 used)
19	M 1554 T	(62734-)	Washer, plain, rear holes, 21/32" x 1-7/16" x .1875" (2 used)
20	19H 2076 A	(62734-)	Screw, cap, 5/8" x 5" (4 used)
21	M 2594 T	(62734-)	Drawbar

DRAWBAR
Special

Key	Part No.	Serial No.	Description
1	M 2791 T	(-)	Bolt, trunnion (2 used)
2	19H 1362 A	(-)	Screw, cap, 5/8" x 1-7/8" (4 used)
3	12H 294 A	(-)	Washer, lock, 5/8" (12 used)
4	14H 760 A	(-)	Nut, hex., 5/8" (8 used)
5	M 1568 T	(-)	Dowel, hollow (2 used)
6	M 2788 T	(-)	Mount, draft link (2 used)
7	19H 1923 A	(-)	Screw, cap, 5/8" x 5-1/2" (4 used)
8	19H 2076 A	(-)	Screw, cap, 5/8" x 5" (4 used)
9	M 2790 T	(-)	Support, trunnion, left
10	M 2434 T	(-)	Nut, trunnion (2 used)
11	AM 2624 T	(-)	Drawbar assembly, front
12	AA 5365 R	(-)	Pin, pivot
13	M 2485 T	(-)	Pin (4 used)
14	A 3581 R	(-)	Pin, spring locking (4 used)
15	M 2789 T	(-)	Support, trunnion, right
16	M 2517 T	(-)	Hook, "S" (2 used)
17	AM 1909 T	(-)	Pin, quik-lock, and chain (2 used)
18	AM 2625 T	(-)	Drawbar assembly, rear
19	T 10825 T	(-)	Drawbar (sub. for M2792T)
20	14H 809 A	(-)	Nut, hex., 1/2" (2 used)
21	12H 301 A	(-)	Washer, lock, 1/2" (2 used)
22	19H 1820 A	(-)	Screw, cap, 1/2" x 3" (2 used)
23	M 2479 T	(-)	Pin (2 used)
24	11H 206 A	(-)	Pin, cotter, 3/32" x 3/4" (2 used)

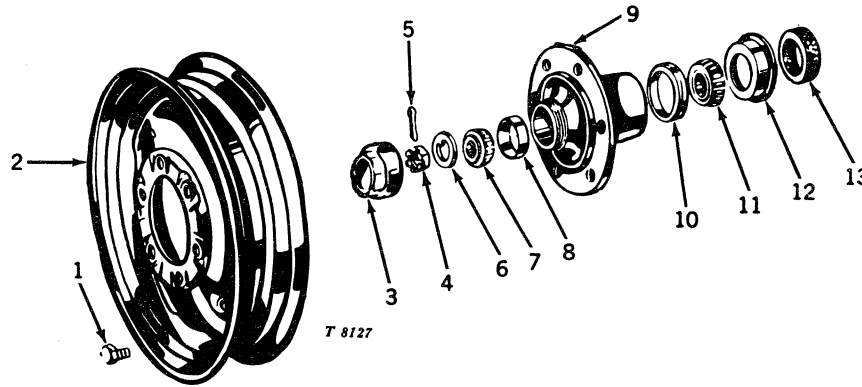
DRAWBAR
Two-Row Utility



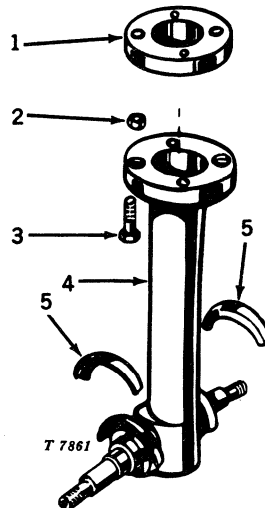
42675

Key	Part No.	Serial No.	Description
1	19H 2076 A	(-)	Screw, cap, 5/8" x 5" (4 used)
2	24H 1368 A	(-)	Washer, plain, 21/32" x 1-5/16" x .090" (4 used)
3	M 1568 T	(-)	Dowel, hollow (2 used)
4	AM 2740 T	(-)	Drawbar assembly
5	19H 1821 A	(-)	Screw, cap, 7/16" x 1-1/4" (4 used)
6	12H 293 A	(-)	Washer, lock, 7/16" (4 used)
7	M 2595 T	(-)	Support, front
8	M 2732 T	(-)	Bar
9	A 3581 R	(-)	Pin, spring locking
10	M 2485 T	(-)	Pin
11	19H 1874 A	(-)	Screw, cap, 1/2" x 2-3/4" (4 used)
12	M 2908 T	(-)	Trunnion (2 used)
13	M 1993 T	(-)	Washer, plain, 49/64" x 1-1/16" x 3/16" (2 used)
14	11H 237 A	(-)	Pin, cotter, 1/8" x 2" (2 used)
15	14H 534 A	(-)	Nut, hex., slotted, 3/4" (2 used)
16	24H 1396 A	(-)	Washer, plain, 25/32" x 1-1/2" x .105" (2 used)
17	M 2545 T	(-)	Nut, lock (2 used)
18	M 2876 T	(-)	Anchor, sway chain, front (2 used)
19	14H 809 A	(-)	Nut, hex., 1/2" (2 used)
20	12H 301 A	(-)	Washer, lock, 1/2" (2 used)
21	M 2870 T	(-)	Drawbar
22	14H 760 A	(-)	Nut, hex., 5/8" (4 used)
23	M 1554 T	(-)	Washer, plain, 21/32" x 1-7/16" x .1875" (2 used)

FRONT WHEEL AND HUB ASSEMBLY



Key	Part No.	Serial No.	Description
1	JD 19 R	(-)	Bolt, hub (6 used)
2	JD 3000 T	(-)	Wheel, 15" rim (S, T, U, V, W)
	JD 3002 T	(-)	Wheel, 16" rim (S, T, U, V, W)
	JD 3003 T	(-)	Wheel, 16" rim (for 7:50 x 16" tire only) (H, U)
3	M 825 T	(-)	Cap, hub (sub. for AM978T)
4	14H 534 A	(-)	Nut, hex., slotted, 3/4"
5	11H 240 A	(-)	Pin, cotter, 5/32" x 1-1/2"
6	M 824 T	(-)	Washer
7	JD 8135 R	(-)	Cone, bearing
8	JD 7438 R	(-)	Cup, bearing
9	AM 953 T	(-)	Hub, with bearing cups (M979T) (sub. for AM977T)
	AM 1728 T	(-)	Hub (M1645T) with bearing cups (for 6:00 x 16" 6 ply tire) (T)
10	JD 7449 D	(-)	Cup, bearing
11	JD 8134 D	(-)	Cone, bearing
12	L 105 T	(-)	Retainer
13	L 106 T	(-)	Washer, felt

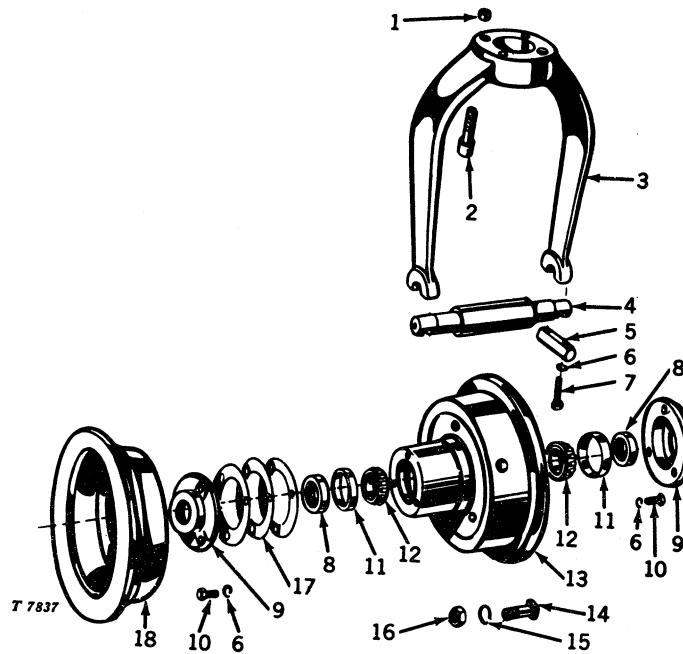
DUAL FRONT WHEEL SPINDLE ASSEMBLY
Tricycle

Key	Part No.	Serial No.	Description
1	M 1646 T*	(-)	Spacer (when equipped with oversize 6:00 - 16-6 ply front tire)
2	M 14 T	(-)	Dowel, hollow (2 used)
	M 1647 T*	(-)	Dowel, hollow
3	19H 1364 A	(-)	Screw, cap, 5/8" x 1-7/8" (4 used)
4	AM 914 T	(-)	Spindle and double knuckle assembly, with dust shields (sub. for AM958T)
	19H 1414 A*	(-)	Screw, cap, 5/8" x 2-5/8" (4 used)
5	H 196 RT	(-)	Shield, dust (2 used)
..	AM 1761 T	(-)	OVERSIZE 6:00 - 16-6 PLY FRONT TIRE ATTACHMENT

*Used only on tractors equipped with 6:00 - 16-6 ply tires

Capital letters indicate an attachment. Attachments must be listed on separate order from repair parts.

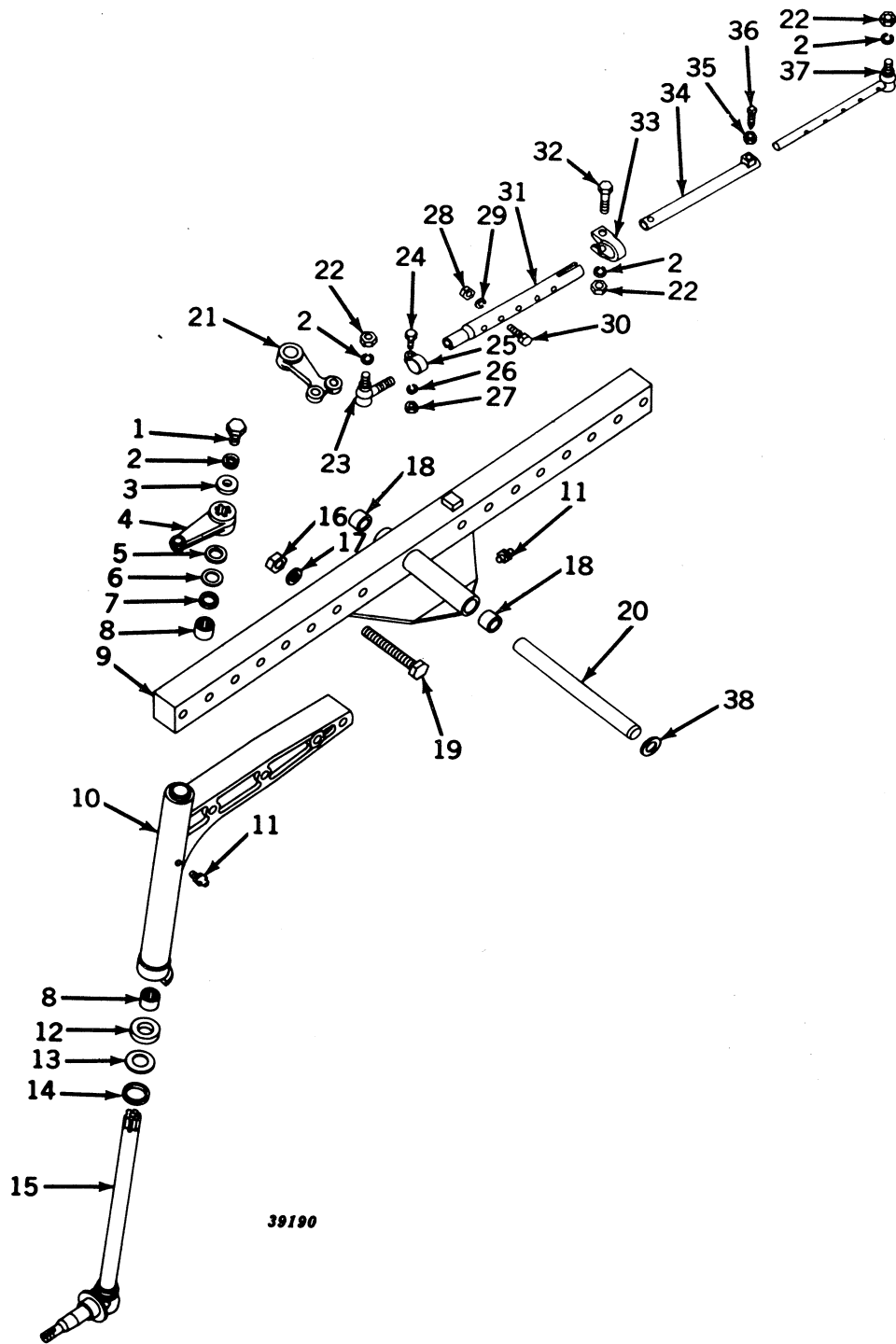
SINGLE FRONT WHEEL ATTACHMENT



Key	Part No.	Serial No.	Description
1	M 14 T	(-)	Dowel, hollow (2 used)
2	M 1172 T	(-)	Screw, cap, 5/8" x 2-1/4"
3	M 1171 T	(-)	Fork (sub. for AM1187T)
4	M 1174 T	(-)	Shaft, axle (sub. for AM1185T)
5	M 1180 T	(-)	Clamp (2 used)
6	12H 304 A	(-)	Washer, lock, 3/8" (10 used)
7	19H 1082 A	(-)	Screw, cap, 3/8" x 1-3/4" (4 used)
8	AM 1162 T	(-)	Seal, oil (2 used)
9	M 1178 T	(-)	Cover, bearing (2 used) (sub. for AM1186T)
10	19H 1731 A	(-)	Screw, cap, 3/8" x 1" (6 used)
11	JD 7449 D	(-)	Cup, bearing (2 used)
12	JD 8134 D	(-)	Cone, bearing (2 used)
13	M 1173 T	(-)	Rim, half, with hub (sub. for AM1174T)
14	8H 4230 A	(-)	Bolt, mach., 5/8" x 2", sq. hd., less nut (3 used)
15	12H 294 A	(-)	Washer, lock, 5/8" (3 used)
16	14H 760 A	(-)	Nut, hex., 5/8" (3 used)
17	M 1177 T	(-)	Shim, .002" (use quantity required) (packed 4 in a pkg.)
	M 1176 T	(-)	Shim, .005" (use quantity required) (packed 4 in a pkg.)
	M 1175 T	(-)	Shim, .010" (use quantity required) (packed 2 in a pkg.)
18	M 1179 T	(-)	Rim, half (sub. for AM1176T)
..	AM 1037 T	(-)	SINGLE FRONT WHEEL ATTACHMENT

Capital letters indicate an attachment. Attachments must be ordered on separate order from replacement parts.

ADJUSTABLE FRONT AXLE
Hi-Crop

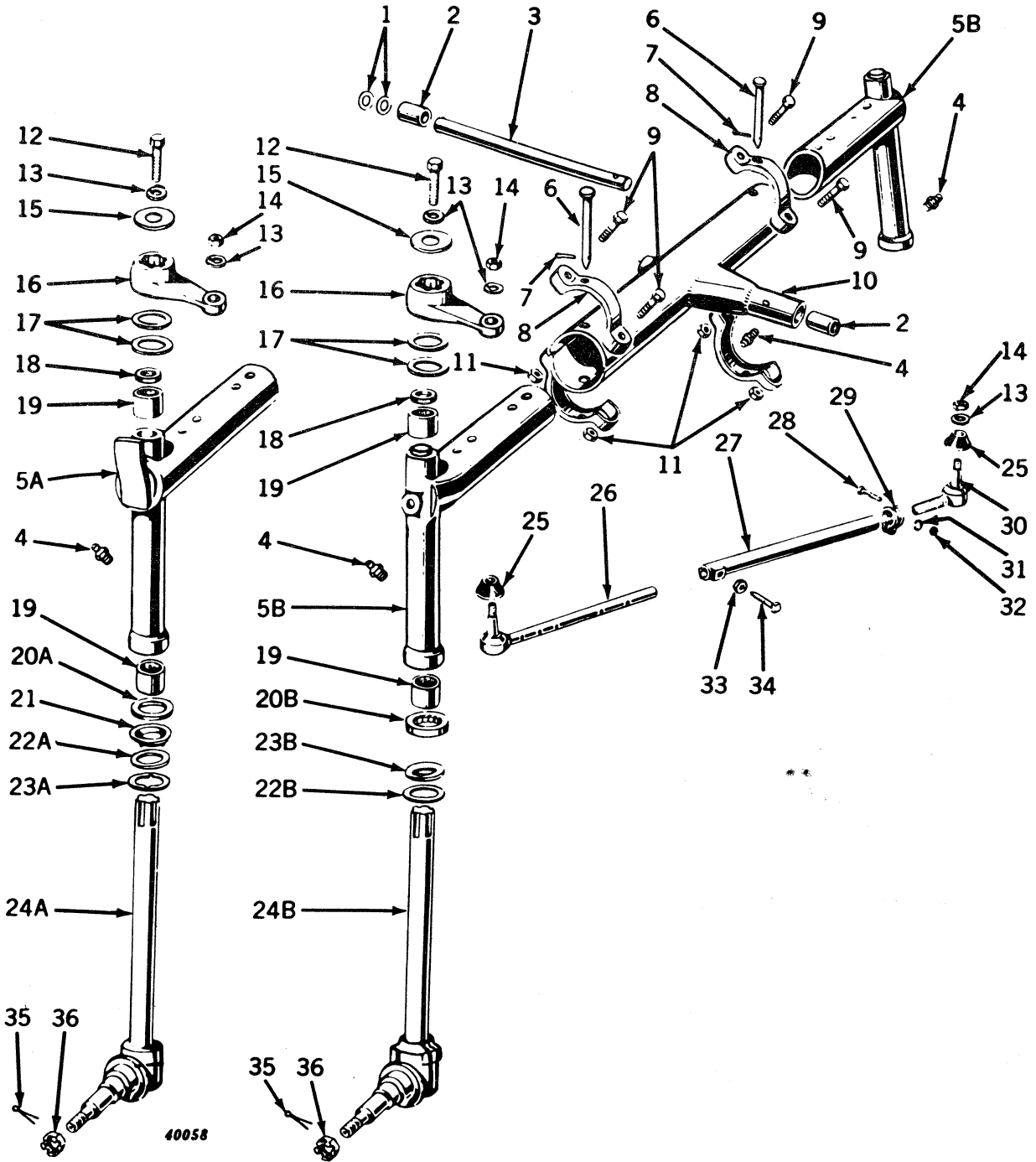


39190

ADJUSTABLE FRONT AXLE -- Continued
Hi-Crop

Key	Part No.	Serial No.	Description
1	19H 1815 A	(-)	Screw, cap, 1/2" x 1-1/4" (2 used)
2	12H 301 A	(-)	Washer, lock, 1/2" (8 used)
3	M 557 T	(-)	Washer, plain, special (2 used)
4	M 3433 T	(-)	Arm, steering, right (sub. for M2706T)
	M 3434 T	(-)	Arm, steering, left (sub. for M2707T)
5	M 1249 T	(-)	Shim, .010" (approx. 2 used) (packed 5 in a pkg.)
6	M 1250 T	(-)	Shim, .027" (approx. 1 used) (packed 2 in a pkg.)
7	M 1518 T	(-)	Seal, spindle, upper
8	JD 8820 T	(-)	Bearing, needle (4 used)
9	AM 2468 T	(-)	Bar, axle assembly, with bushings and grease fitting
10	AM 2461 T	(-)	End, adjustable, with needle bearings and grease fitting (2 used)
11	JD 7759	(-)	Fitting, grease (3 used)
12	JD 8407 H	(-)	Bearing, thrust (2 used)
13	M 2283 T	(-)	Retainer, lower seal (2 used)
14	M 2282 T	(-)	Seal, spindle, lower (2 used)
15	AM 2462 T	(-)	Spindle and knuckle assembly (2 used)
16	14H 863 A	(-)	Nut, hex., 3/4" (4 used)
17	24H 1392 A	(-)	Washer, plain, 25/32" x 1-3/8" x .120" (4 used)
18	M 1111 T	(-)	Bushing (2 used)
19	M 2696 T	(-)	Screw, cap, 3/4" x 6" (4 used)
20	M 2666 T	(-)	Shaft, pivot
21	T 11329 T	(-)	Arm, steering, center (sub. for M2742T)
22	14H 865 A	(-)	Nut, hex., 1/2" (6 used)
23	AM 496 T	(-)	End, tie rod, with dust cover and hex. nut (2 used) (sub. for AM498T)
24	19H 1000 A	(-)	Screw, cap, 3/8" x 1-5/8" (2 used)
25	M 2300 T	(-)	Clamp (2 used)
26	12H 304 A	(-)	Washer, lock, 3/8" (2 used)
27	14H 846 A	(-)	Nut, hex., 3/8" (2 used)
28	14H 650 A	(-)	Nut, hex., 5/16" (2 used)
29	12H 303 A	(-)	Washer, lock, 5/16" (2 used)
30	19H 1061 A	(-)	Screw, cap, 5/16" x 1-5/8" (2 used)
31	M 2740 T	(-)	Tube, tie rod, outer (2 used)
32	19H 1805 A	(-)	Screw, cap, 1/2" x 2-1/4" (2 used)
33	M 2301 T	(-)	Clamp (2 used)
34	AM 2743 T	(-)	Tube, tie rod, inner (2 used) (sub. for AM2542T)
35	14H 463 A	(-)	Nut, hex. jam, 5/16" (2 used)
36	M 2561 T	(-)	Screw, set, 5/16" x 27/32" (2 used)
37	AM 2543 T	(-)	End, adjustable (2 used)
38	M 4144 T	(-)	Washer, plain, special, 1-13/32" x 2" x .090" (2 used)
	M 4143 T	(-)	Washer, plain, special, 1-13/32" x 2" x .030"

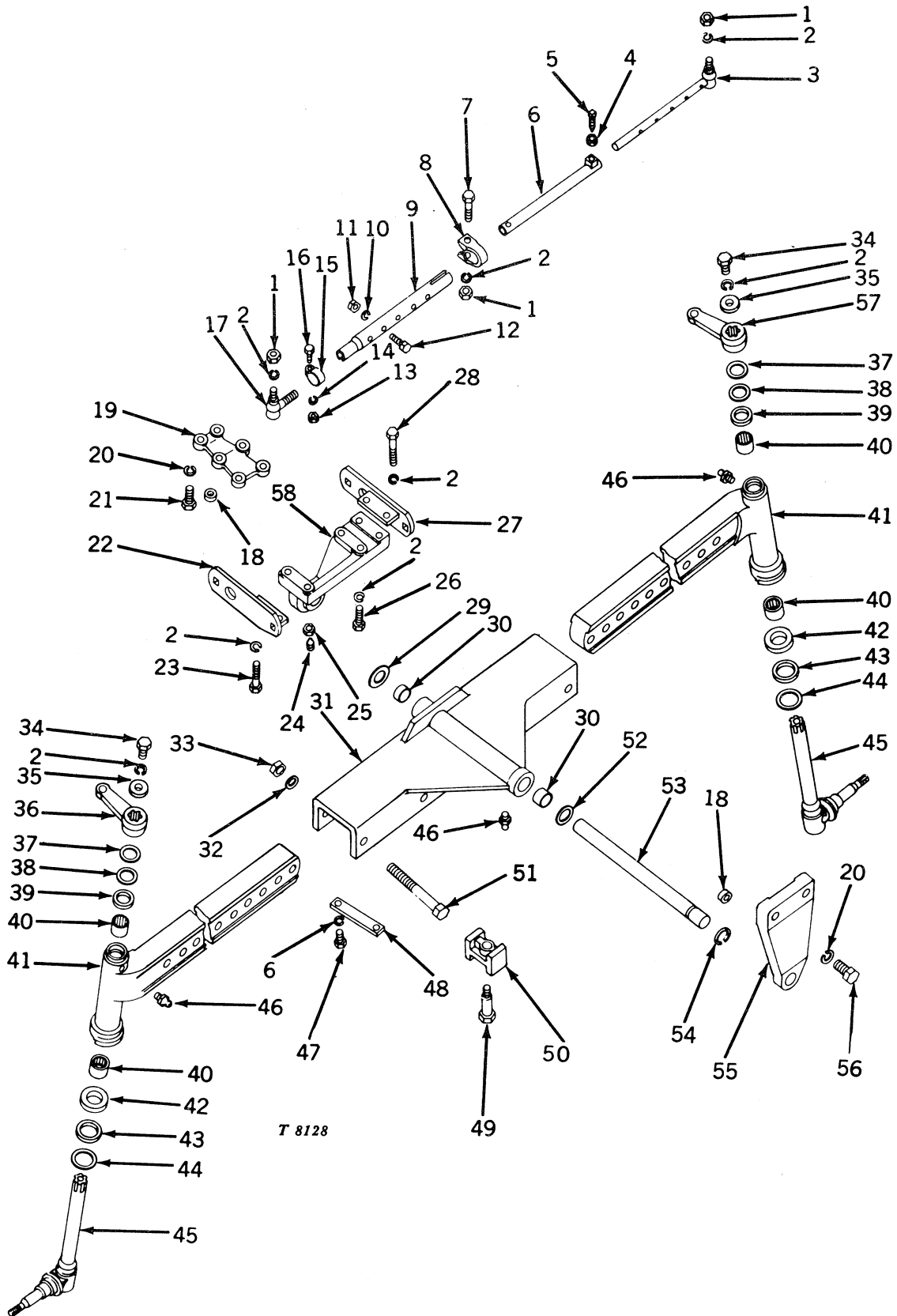
ADJUSTABLE FRONT AXLE
Standard



ADJUSTABLE FRONT AXLE -- Continued
Standard

Key	Part No.	Serial No.	Description
1	24H 1451 A	(-69403)	Washer, plain, 1-1/32" x 1-3/4" x .060" (approx. 2 used)
	M 4144 T	(69404-)	Washer, plain, special, 1-13/32" x 2" x .090" (approx. 2 used)
2	M 1594 T	(-69403)	Bushing (2 used)
	M 1111 T	(69404-)	Bushing (2 used)
3	M 1593 T	(-69403)	Shaft, pivot
	M 2666 T	(69404-)	Shaft, pivot
4	JD 7759	(-)	Fitting, grease (3 used)
5A	AM 1998 T	(-69403)	Pipe, adjustable, with needle bearings (2 used)
5B	AM 3952 T	(69404-)	Pipe, adjustable, with needle bearings (2 used) (sub. for AM2570T)
6	M 1387 T	(-)	Pin, clamp (2 used)
7	11H 236 A	(-)	Pin, cotter, 1/8" x 1" (2 used)
8	M 1460 T	(-)	Clamp (4 used) (sub. for AM1474T)
9	19H 1456 A	(-)	Screw, cap, 5/8" x 3-1/4" (4 used)
10	AM 1687 T	(-69403)	Axle, cross tube assembly, with bushings
	AM 2639 T	(69404-)	Axle, cross tube assembly, with bushings
11	14H 808 A	(-)	Nut, hex., 5/8" (4 used)
12	19H 1815 A	(-)	Screw, cap, 1/2" x 1-1/4" (2 used)
13	12H 301 A	(-)	Washer, lock, 1/2" (6 used)
14	14H 865 A	(-)	Nut, hex., 1/2" (4 used)
15	M 557 T	(-)	Washer, special (2 used)
16	M 1251 T	(-69403)	Arm, steering, right (sub. for AM1277T)
	M 2811 T	(69404-)	Arm, steering, right
	M 1252 T	(-69403)	Arm, steering, left (sub. for AM1278T)
	M 2812 T	(69404-)	Arm, steering, left
17	M 1249 T	(-)	Shim, .010" (approx. 4 used) (packed 5 in a pkg.)
	M 1250 T	(-)	Shim, .027" (approx. 4 used) (packed 2 in a pkg.)
18	M 1518 T	(-)	Seal, upper spindle (2 used)
19	JD 8820 T	(-)	Bearing, needle (4 used) (sub. for AM623T)
20A	M 427 T	(-69403)	Washer, thrust, upper (2 used)
20B	JD 8407 H	(69404-)	Bearing, thrust (2 used)
21	L 4620 T	(-69403)	Washer, thrust, lower (2 used)
22A	M 432 T	(-69403)	Seal, lower (2 used)
22B	M 2282 T	(69404-)	Seal, lower (2 used)
23A	L 4622 T	(-69403)	Washer, retaining (2 used)
23B	M 2283 T	(69404-)	Washer, retaining (2 used)
24A	AM 1463 T	(-69403)	Spindle and knuckle assembly (2 used) (sub. for AM1470T)
24B	AM 2571 T	(69404-)	Spindle and knuckle assembly (2 used)
25	M 648 T	(-)	Cover, dust, rubber (4 used)
26	AM 3951 T	(-)	End, adjustable, tie rod (2 used) (sub. for AM2001T)
27	AM 2795 T	(-)	Tube, tie rod (2 used) (sub. for AM524T)
28	L 410 T	(-)	Bolt, inner (2 used)
29	L 409 T	(-)	Clamp (2 used) (packed 3 in a pkg.)
30	AM 496 T	(-)	End, with dust cover (2 used) (sub. for AM498T)
31	12H 303 A	(-)	Washer, lock, 5/16" (2 used)
32	14H 650 A	(-)	Nut, hex., 5/16" (2 used)
33	14H 463 A	(-)	Nut, hex. jam, 5/16" (2 used)
34	M 2561 T	(-)	Screw, set, 5/16" x 27/32" (2 used)
35	11H 240 A	(-)	Pin, cotter, 5/32" x 1-1/2" (2 used)
36	14H 534 A	(-)	Nut, hex., slotted (2 used)

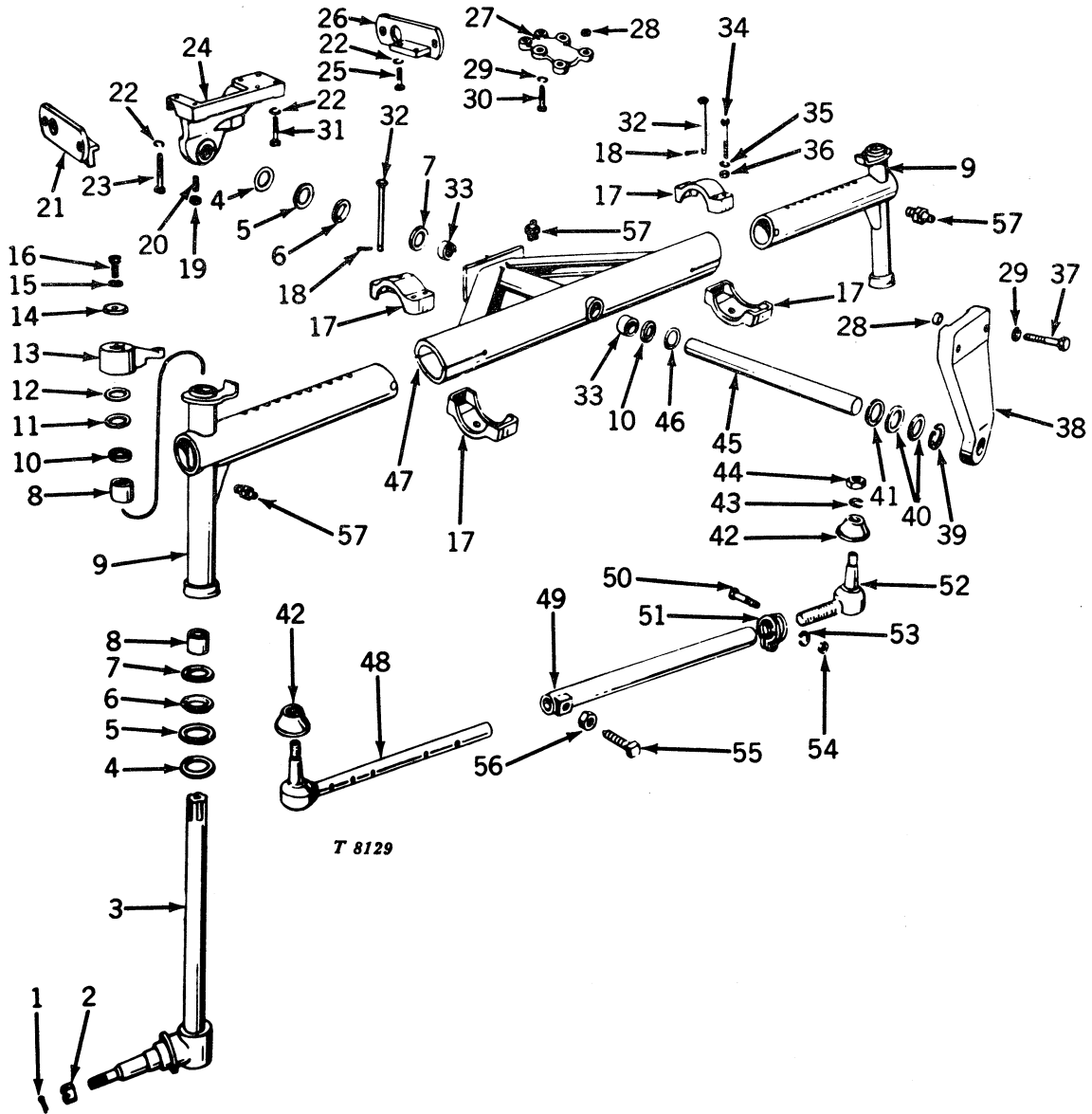
ADJUSTABLE FRONT AXLE (48"-80")
Tricycle



ADJUSTABLE FRONT AXLE (48"-80") -- Continued
Tricycle

Key	Part No.	Serial No.	Description
1	14H 865 A	(-)	Nut, hex., 1/2" (6 used)
2	12H 301 A	(-)	Washer, lock, 1/2" (14 used)
3	AM 2793 T	(-)	End, adjustable (2 used) (sub. for AM2086T)
4	14H 463 A	(-)	Nut, hex. jam, 5/16" (2 used)
5	M 2561 T	(-)	Screw, set, 5/16" x 27/32" (2 used)
6	AM 2794 T	(-)	Tube, tie rod, inner (2 used) (sub. for AM2087T)
7	19H 1805 A	(-)	Screw, cap, 1/2" x 2-1/4" (2 used)
8	M 2301 T	(-)	Clamp (2 used)
9	M 2961 T	(-)	Tube, tie rod, outer (2 used) (sub. for M2299T)
10	12H 303 A	(-)	Washer, lock, 5/16" (2 used)
11	14H 650 A	(-)	Nut, hex., 5/16" (2 used)
12	19H 1061 A	(-)	Screw, cap, 5/16" x 1-5/8" (2 used)
13	14H 846 A	(-)	Nut, hex., 3/8" (2 used)
14	12H 304 A	(-)	Washer, lock, 3/8" (8 used)
15	M 2300 T	(-)	Clamp (2 used)
16	19H 1000 A	(-)	Screw, cap, 3/8" x 1-5/8" (2 used)
17	AM 496 T	(-)	End, tie rod, with dust cover and hex. nut (2 used) (sub. for AM498T)
18	M 14 T	(-)	Dowel, hollow (4 used)
	M 4158 T	(-)	Dowel, hollow, front (2 used) (use when M4156T has been installed)
19	M 2219 T	(-)	Lever, steering
20	12H 294 A	(-)	Washer, lock, 5/8" (6 used)
21	19H 1338 A	(-)	Screw, cap, 5/8" x 1-1/2"
22	AM 2069 T	(-)	Plate, implement mounting, right
23	19H 1820 A	(-)	Screw, cap, 1/2" x 3" (2 used)
24	22H 713 A	(-)	Screw, set, 1/2" x 2"
	22H 727 A	(-)	Screw, set, 1/2" x 2-3/4" (use when M4159T has been installed)
25	14H 826 A	(-)	Nut, hex. jam, 1/2"
26	19H 1930 A	(-)	Screw, cap, 1/2" x 2-1/2" (2 used)
27	AM 2070 T	(-)	Plate, implement mounting, left
28	19H 1721 A	(-)	Screw, cap, 1/2" x 1-1/2" (2 used)
29	M 4142 T	(-)	Washer, plain, special, 1-13/32" x 2-1/2" x .060"
30	M 1111 T	(-)	Bushing (2 used)
31	AM 2063 T	(-)	Center assembly (M2225T)
32	L 273 T	(-)	Washer, plain (3 used)
33	14H 863 A	(-)	Nut, hex., 3/4" (3 used)
34	19H 1815 A	(-)	Screw, cap, 1/2" x 1-1/4" (2 used)
35	M 557 T	(-)	Washer, plain
36	M 2217 T	(-)	Arm, steering, right
37	M 1249 T	(-)	Shim, .010" (approx. 2 used each spindle) (packed 5 in a pkg.)
38	M 1250 T	(-)	Shim, .027" (approx. 1 used each spindle) (packed 2 in a pkg.)
39	M 1518 T	(-)	Seal, upper (2 used)
40	JD 8820 T	(-)	Bearing, needle (4 used) (sub. for AM623T)
41	AM 2065 T	(-)	End, adjustable (M22280T), with needle bearing and grease fittings (2 used)
42	JD 8407 H	(-)	Bearing, thrust (2 used)
43	M 2283 T	(-)	Retainer, lower seal (2 used)
44	M 2282 T	(-)	Seal, lower (2 used)
45	AM 3816 T	(-)	Spindle (M2281T) and knuckle (M3410T) assembly (2 used) (sub. for AM2066T)
46	JD 7759	(-)	Fitting, grease (3 used)
47	19H 1731 A	(-)	Screw, cap, 3/8" x 1" (6 used)
48	M 2287 T	(-)	Bar, stop (3 used)
49	M 3365 T	(-)	Bolt, spacer (2 used) (sub. for M2286T)
50	M 2171 T	(-)	Spacer (2 used)
51	8H 3813 A	(-)	Bolt, cge., 3/4" x 7" (3 used)
52	M 4144 T	(-)	Washer, plain, special, 1-13/32" x 2" x .090"
53	M 1379 T	(-)	Shaft, pivot (sub. for AM1392T)
54	M 1381 T	(-)	Ring, snap
55	M 1392 T	(-)	Sub. one M4156T and two M4158T
	M 4156 T	(-)	Support, pivot shaft, front
56	19H 1847 A	(-)	Screw, cap, 5/8" x 1-1/2" (2 used)
57	M 2218 T	(-)	Arm, steering, left
58	M 2190 T	(-75341)	Sub. one M4159T and one 22H27A
	M 2571 T	(75342-	Sub. one M4159T and one 22H27A
	M 4159 T	(-)	Support, pivot shaft, rear

ADJUSTABLE FRONT AXLE ATTACHMENT (68"-88")
Tricycle



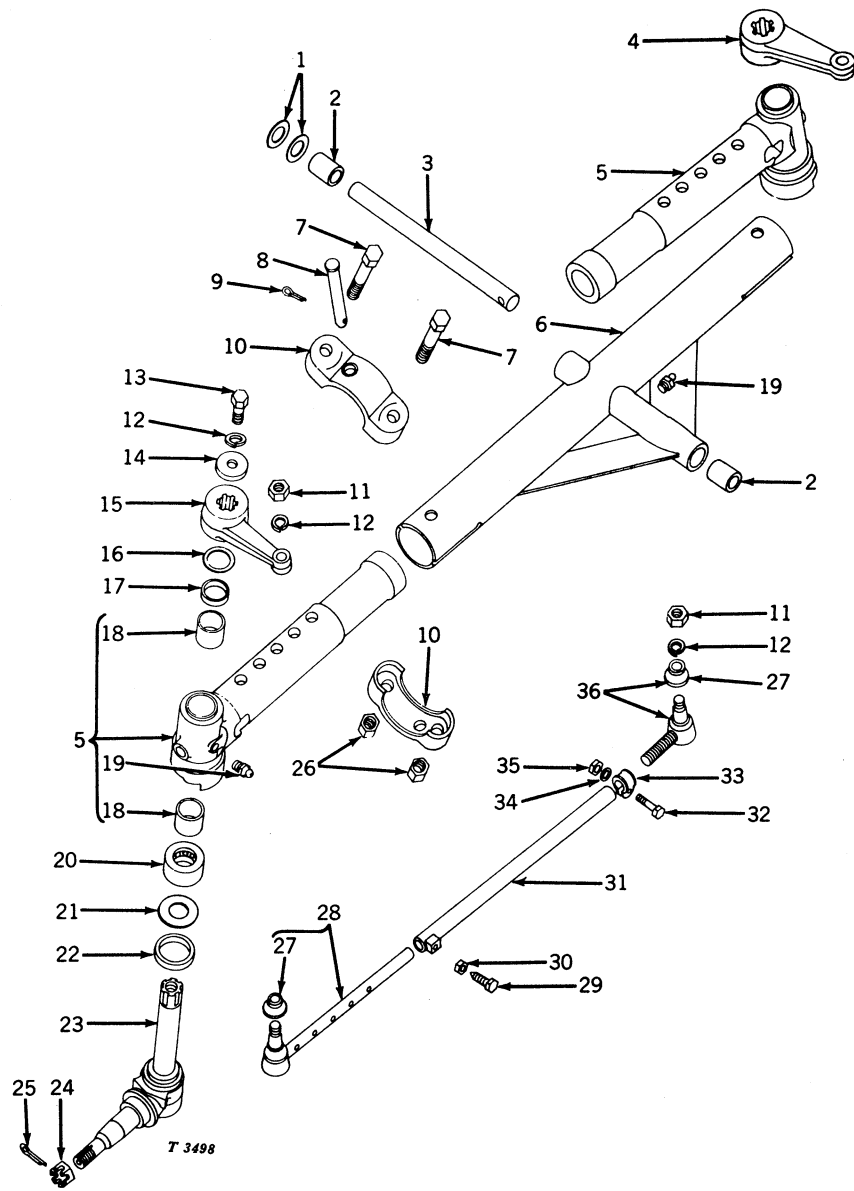
T 8129

ADJUSTABLE FRONT AXLE ATTACHMENT (68"-88") -- Continued
Tricycle

Key	Part No.	Serial No.	Description
1	11H 240 A	(-)	Pin, cotter, 5/32" x 1-1/2" (2 used)
2	14H 534 A	(-)	Nut, hex., slotted, 3/4" (2 used)
3	AM 1369 T	(-)	Spindle (M1385T) and knuckle (L4616T) assembly (2 used) (sub. for AM1394T)
4	L 4622 T	(-)	Washer, special (3 used)
5	M 432 T	(-)	Seal (3 used)
6	L 4620 T	(-)	Washer, thrust, rear (3 used)
7	M 427 T	(-)	Washer, thrust, front (3 used)
8	JD 8820 T	(-)	Bearing, needle (sub. for AM623T) (4 used)
9	AM 1367 T	(-)	Pipe, adjustable front axle, with bearings (2 used) (sub. for AM1393T)
10	M 1518 T	(-)	Seal, upper (3 used)
11	M 1250 T	(-)	Shim, steering arm adjusting, .027" (2 used) (packed 2 in a pkg.)
12	M 1249 T	(-)	Shim, steering arm adjusting, .010" (2 used) (packed 5 in a pkg.)
13	M 1251 T	(-)	Arm, steering, right (sub. for AM1277T)
	M 1252 T	(-)	Arm, steering, left (sub. for AM1278T)
14	M 557 T	(-)	Washer (2 used)
15	12H 301 A	(-)	Washer, lock, 1/2" (2 used)
16	19H 1815 A	(-)	Screw, cap, 1/2" x 1-1/4" (2 used)
17	M 1386 T	(-)	Clamp (4 used) (sub. for AM1395T)
18	11H 236 A	(-)	Pin, cotter, 1/8" x 1" (2 used)
19	14H 826 A	(-)	Nut, hex. jam, 1/2"
20	22H 713 A	(-)	Screw, set, 1/2" x 2"
	22H 727 A	(-)	Screw, set, 1/2" x 2-3/4" (use when M4157T has been installed)
21	AM 2069 T	(-)	Plate, right implement attaching (sub. for AM1374T)
22	12H 301 A	(-)	Washer, lock, 1/2" (4 used)
23	19H 1820 A	(-)	Screw, cap, 1/2" x 3" (2 used)
24	M 2570 T	(-)	Sub. one M4157T and one 22H27A
	M 4157 T	(-)	Support, rear
25	19H 1721 A	(-)	Screw, cap, 1/2" x 1-1/2" (2 used)
26	AM 1375 T	(-)	Plate, left implement attaching
27	M 1393 T	(-)	Lever, steering (sub. for AM1397T)
28	M 14 T	(-)	Dowel (2 used)
	M 4158 T	(-)	Dowel (2 used) (use when M4156T has been installed)
29	12H 294 A	(-)	Washer, lock, 5/8" (4 used)
30	19H 1338 A	(-)	Screw, cap, 5/8" x 1-1/2" (4 used)
31	19H 1930 A	(-)	Screw, cap, 1/2" x 2-1/2" (2 used)
32	M 1387 T	(-)	Pin, locating (2 used)
33	M 1111 T	(-)	Bushing, pivot (2 used)
34	19H 1868 A	(-)	Screw, cap, 1/2" x 3-3/4" (8 used)
35	24H 1111 A	(-)	Washer, plain, 17/32" x 1-1/16" x .090" (8 used)
36	14H 809 A	(-)	Nut, hex., 1/2" (8 used)
37	19H 1847 A	(-)	Screw, cap, 5/8" x 2-1/2" (2 used)
38	M 1392 T	(-)	Sub. one M4156T and two M4158T
	M 4156 T	(-)	Support, front
39	M 1381 T	(-)	Ring, snap
40	M 555 T	(-)	Washer, spring (2 used)
41	M 4144 T	(-)	Washer, plain, special, 1-13/32" x 2" x .090"
42	M 648 T	(-)	Cover, dust, rubber (4 used)
43	12H 301 A	(-)	Washer, lock, 1/2" (4 used)
44	14H 865 A	(-)	Nut, hex., 1/2" (4 used)
45	M 1379 T	(-)	Shaft, front axle (sub. for AM1392T)
46	M 550 T	(-)	Retainer, seal front
47	AM 1379 T	(-)	Tube, cross, with bushings (sub. for AM1398T)
48	AM 1373 T	(-)	End, tie rod, adjustable (48"-68") (2 used) (sub. for AM1396T)
	AM 1383 T	(-)	End, tie rod, adjustable (68"-88") (2 used) (sub. for AM1399T)
49	AM 1372 T	(-)	Tube, tie rod (48"-68") (2 used)
	AM 1382 T	(-)	Tube, tie rod (68"-88") (2 used)
50	L 410 T	(-)	Bolt (2 used)
51	L 409 T	(-)	Clamp (2 used) (packed 3 in a pkg.)
52	AM 496 T	(-)	End, tie rod, with dust cover, R. H. thread, and hex. nut (2 used) (sub. for AM498T)
53	12H 303 A	(-)	Washer, lock, 5/16" (2 used)
54	14H 650 A	(-)	Nut, hex., 5/16" (2 used)
55	M 2561 T	(-)	Screw, set, 5/16" x 27/32" (2 used)
56	14H 463 A	(-)	Nut, hex., 5/16" (2 used)
57	JD 7759	(-)	Fitting, grease (3 used)
..	AM 1385 T	(-)	AXLE, FRONT, ADJUSTABLE, ATTACHMENT (68"-88")

Capital letters indicate an attachment. Attachments must be listed on separate order from replacement parts.

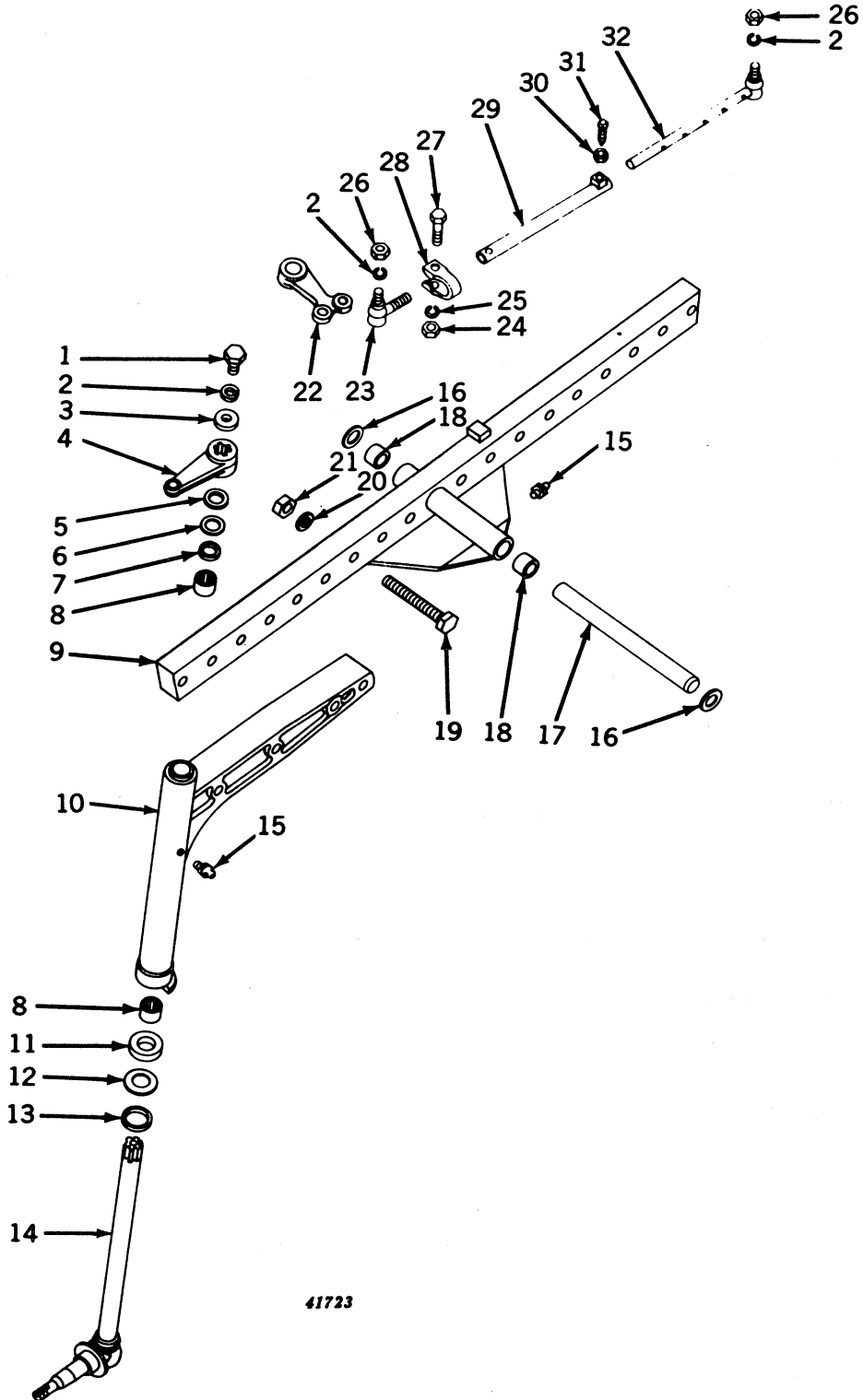
ADJUSTABLE FRONT AXLE
Utility



ADJUSTABLE FRONT AXLE -- Continued
Utility

Key	Part No.	Serial No.	Description
1	24H 1451 A	(-63119)	Washer, plain, 1-1/32" x 1-3/4" x .060" (approx. 2 used)
	M 4144 T	(63120-)	Washer, plain, special, 1-13/32" x 2" x .090" (2 used)
2	M 1594 T	(-63119)	Bushing (2 used)
	M 1111 T	(63120-)	Bushing (2 used)
3	M 1593 T	(-63119)	Shaft, pivot
	M 2666 T	(63120-)	Shaft, pivot
4	AM 1278 T	(-63119)	Arm, steering, left (sub. for M2404T)
	M 2812 T	(63120-)	Arm, steering, left
5	AM 2676 T	(-)	End, front axle (M2824T), with needle bearings and grease fitting (2 used) (sub. for AM2162T and M2402T)
6	AM 2164 T	(-63119)	Cross tube, front axle, with bushings
	AM 2643 T	(63120-)	Cross tube, front axle, with bushings
7	19H 1456 A	(-)	Screw, cap, 5/8" x 3-1/4" (4 used)
8	M 1387 T	(-)	Pin, clamp (2 used)
9	11H 236 A	(-)	Pin, cotter, 1/8" x 1" (2 used)
10	M 1460 T	(-)	Clamp (4 used) (sub. for AM1474T)
11	14H 865 A	(-)	Nut, hex., 1/2" (6 used)
12	12H 301 A	(-)	Washer, lock, 1/2" (6 used)
13	19H 1815 A	(-)	Screw, cap, 1/2" x 1-1/4" (2 used)
14	M 557 T	(-)	Washer, plain (2 used)
15	AM 1277 T	(-63119)	Arm, steering, right (sub. for M2403T)
	M 2811 T	(63120-)	Arm, steering, right
16	M 1249 T	(-)	Shim, .010" (approx. 4 used) (packed 5 in a pkg.)
	M 1250 T	(-)	Shim, .027" (approx. 4 used) (packed 2 in a pkg.)
17	M 1518 T	(-)	Seal, upper spindle (2 used)
18	JD 8820 T	(-)	Bearing, needle (4 used) (sub. for AM623T)
19	JD 7759	(-)	Fitting, grease (3 used)
20	JD 8407 H	(-)	Bearing, thrust (2 used)
21	M 2283 T	(-)	Washer, seal retaining (2 used)
22	M 2282 T	(-)	Seal, lower, spindle (2 used)
23	AM 2163 T	(-)	Spindle and knuckle assembly (2 used)
24	14H 534 A	(-)	Nut, hex., slotted (2 used)
25	11H 240 A	(-)	Pin, cotter, 5/32" x 1-1/2" (2 used)
26	14H 808 A	(-)	Nut, hex., 5/8" (4 used)
27	M 648 T	(-)	Cover, dust (4 used)
28	AM 2168 T	(-)	End, adjustable, with dust cover
29	M 2561 T	(-)	Screw, set, special, 5/16" x 27/32" (2 used)
30	14H 463 A	(-)	Nut, hex. jam, 5/16" (2 used)
31	AM 2167 T	(-)	Tube, tie rod (2 used)
32	L 410 T	(-)	Bolt, clamp (2 used)
33	L 409 T	(-)	Clamp (2 used) (packed 3 in a pkg.)
34	12H 303 A	(-)	Washer, lock, 5/16" (2 used)
35	14H 650 A	(-)	Nut, hex., 5/16" (2 used)
36	AM 496 T	(-)	End, with dust cover (2 used) (sub. for AM498T)

ADJUSTABLE FRONT AXLE
Special



41723

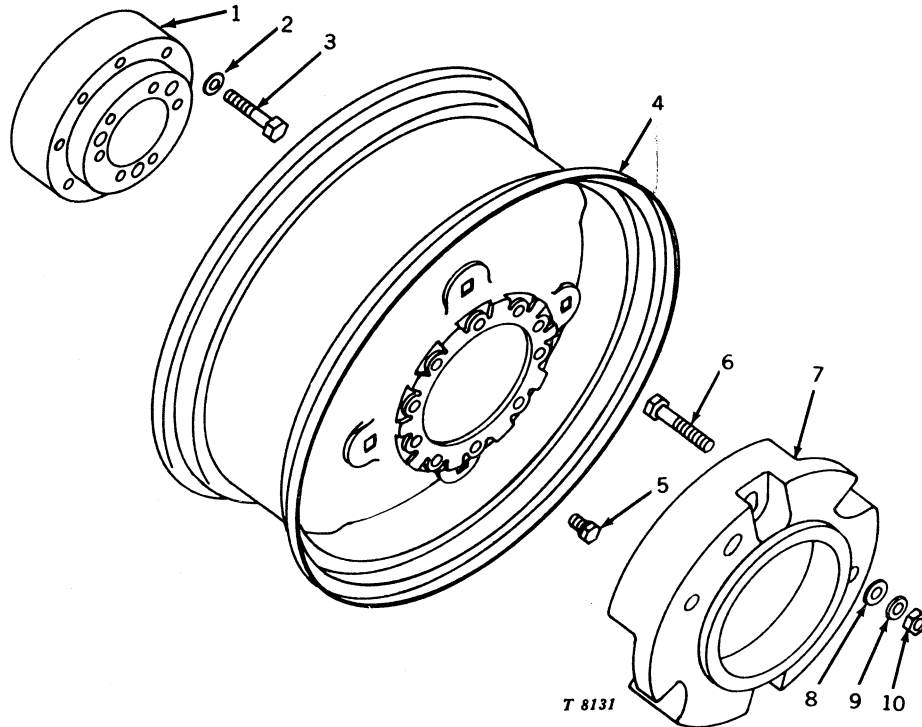
ADJUSTABLE FRONT AXLE -- Continued
Special

Key	Part No.	Serial No.	Description
1	19H 1815 A	(-)	Screw, cap, 1/2" x 1-1/4" (2 used)
2	12H 301 A	(-)	Washer, lock, 1/2" (6 used)
3	M 557 T	(-)	Washer, special (2 used)
4	M 3433 T	(-)	Arm, steering, right (sub. for M2706T)
	M 3434 T	(-)	Arm, steering, left (sub. for M2707T)
5	M 1249 T	(-)	Shim, .010" (approx. 4 used) (packed 5 in a pkg.)
6	M 1250 T	(-)	Shim, .027" (approx. 2 used) (packed 2 in a pkg.)
7	M 1518 T	(-)	Seal, upper (2 used)
8	JD 8820 T	(-)	Bearing, needle (4 used)
9	AM 2658 T	(-)	Center bar, front axle
10	AM 2661 T	(-)	End, adjustable, with needle bearings and grease fittings
11	JD 8407 H	(-)	Bearing, thrust (2 used)
12	M 2283 T	(-)	Washer, retainer (2 used)
13	M 2282 T	(-)	Seal, lower (2 used)
14	AM 2662 T	(-)	Spindle and knuckle assembly (2 used)
15	JD 7759	(-)	Fitting, grease (3 used)
16	M 4144 T	(-)	Washer, plain, special, 1-13/32" x 2" x .090" (2 used)
	M 4143 T	(-)	Washer, plain, special, 1-13/32" x 2" x .030"
17	M 2666 T	(-)	Shaft, pivot
18	M 1111 T	(-)	Bushing (2 used)
19	M 2818 T	(-)	Screw, cap, special, 3/4" x 5-1/4" (4 used)
20	24H 1392 A	(-)	Washer, plain, 25/32" x 1-3/8" x .120" (4 used)
21	14H 863 A	(-)	Nut, hex., 3/4" (4 used)
22	T 11329 T	(-)	Arm, center steering (sub. for M2742T)
23	AM 496 T	(-)	End, with dust cover (2 used) (sub. for AM498T)
24	14H 650 A	(-)	Nut, hex., 5/16" (2 used)
25	12H 303 A	(-)	Washer, lock, 5/16" (2 used)
26	14H 865 A	(-)	Nut, hex., 1/2" (4 used)
27	L 410 T	(-)	Bolt, clamp (2 used)
28	L 409 T	(-)	Clamp (2 used) (packed 3 in a pkg.)
29	AM 2666 T	(-)	Tube, tie rod (2 used)
30	14H 463 A	(-)	Nut, hex. jam, 5/16" (2 used)
31	M 2561 T	(-)	Screw, set, 5/16" x 27/32" (2 used)
32	AM 2665 T	(-)	End, adjustable tie rod (2 used)

ADJUSTABLE FRONT AXLE -- Continued
Two-Row Utility

Key	Part No.	Serial No.	Description
1	14H 865 A	(-)	Nut, hex., 1/2" (6 used)
2	12H 301 A	(-)	Washer, lock, 1/2" (8 used)
3	M 648 T	(-)	Cover, dust (4 used)
4	AM 2741 T	(-)	End, adjustable (2 used)
5	M 2561 T	(-)	Screw, set, 5/16" x 27/32" (2 used)
6	14H 463 A	(-)	Nut, hex. jam, 5/16" (8 used)
7	AM 2743 T	(-)	Intermediate assembly (2 used)
8	M 2301 T	(-)	Clamp (2 used)
9	19H 485 A	(-)	Screw, cap, 1/2" x 2-1/4" (2 used)
10	M 2913 T	(-)	Intermediate (2 used)
11	14H 650 A	(-)	Nut, hex., 5/16" (2 used)
12	12H 303 A	(-)	Washer, lock, 5/16" (2 used)
13	19H 1000 A	(-)	Screw, cap, 3/8" x 1-5/8" (2 used)
14	19H 1061 A	(-)	Screw, cap, 5/16" x 1-5/8" (2 used)
15	12H 304 A	(-)	Washer, lock, 3/8" (2 used)
16	14H 846 A	(-)	Nut, hex., 3/8" (2 used)
17	AM 496 T	(-)	End, tie rod, with dust cover and hex. nut (2 used) (sub. for AM498T)
18	19H 1890 A	(-)	Screw, cap, 5/8" x 2-3/4" (2 used)
19	AM 2688 T	(-)	Center assembly
20	M 2850 T	(-)	Spacer (2 used)
21	M 2882 T	(-)	Nut, stop, special (2 used)
22	M 2818 T	(-)	Screw, cap, 3/4" x 5-1/4" (3 used)
23	M 4144 T	(-)	Washer, plain, special, 1-13/32" x 2" x .090" (2 used)
24	M 2666 T	(-)	Shaft, pivot
25	L 273 T	(-)	Washer, plain, 25/32" x 1-1/2" x .125" (6 used)
26	M 1111 T	(-)	Bushing (2 used)
27	JD 7759	(-)	Fitting, grease (3 used)
28	14H 863 A	(-)	Nut, hex., 3/4" (3 used)
29	19H 1815 A	(-)	Screw, cap, 1/2" x 1-1/4" (2 used)
30	M 557 T	(-)	Washer, plain, 17/32" x 1-3/4" x 1/4" (2 used)
31	M 2917 T	(-)	Arm, steering, left
	M 2918 T	(-)	Arm, steering, right
32	M 1249 T	(-)	Shim, .010" (4 used) (packed 5 in a pkg.)
33	M 1250 T	(-)	Shim, .027" (2 used) (packed 2 in a pkg.)
34	M 1518 T	(-)	Seal, spindle, upper (2 used)
35	JD 8820 T	(-)	Bearing, needle (4 used)
36	AM 2692 T	(-)	End, adjustable axle, with needle bearings and grease fitting (2 used)
37	JD 8407 H	(-)	Bearing, thrust (2 used)
38	M 2283 T	(-)	Washer, retaining (2 used)
39	M 2282 T	(-)	Seal, spindle, lower (2 used)
40	AM 2693 T	(-)	Spindle and knuckle assembly (2 used)
41	M 2300 T	(-)	Clamp (2 used)

**REAR WHEELS AND WHEEL WEIGHTS
Hi-Crop**

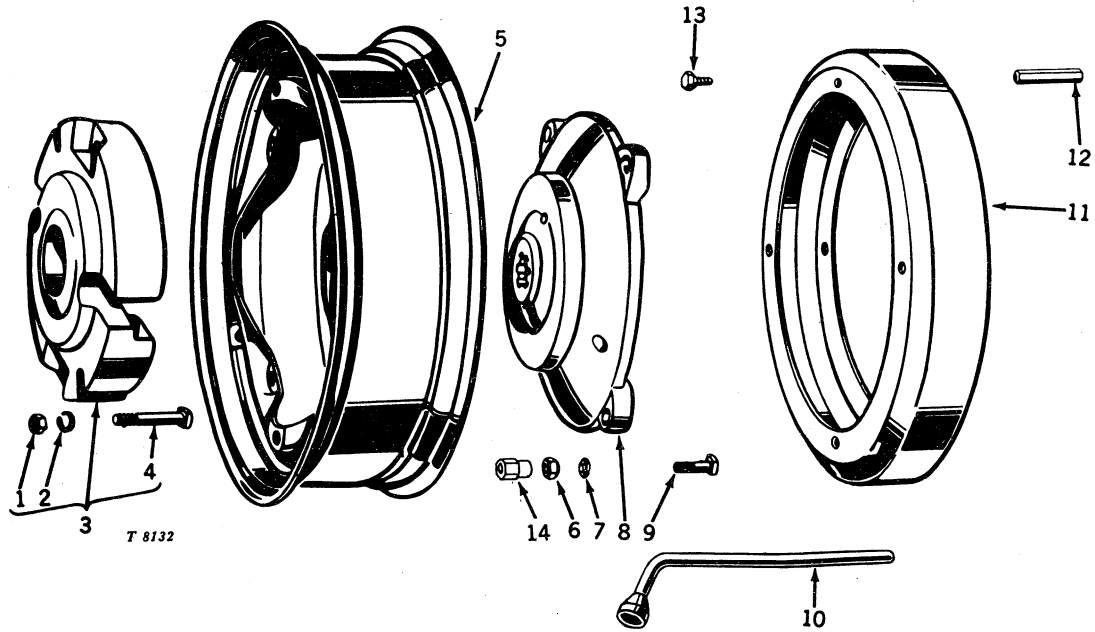


Key	Part No.	Serial No.	Description
1	M 2690 T	(-)	Hub, wheel
2	24H 1363 A	(-)	Washer, plain, 41/64" x 1-1/16" x .105" (6 used)
3	19H 1276 A	(-)	Screw, cap, 9/16" x 3-1/4" (6 used)
4	JD 3004 T	(-)	Wheel, rear, W-10-38 rim
5	JD 16 R	(-)	Bolt, hub, special (9 used)
6	3H 1728 A	(-)	Bolt, cge., 3/4" x 3-3/4" (4 used)
7	D 2628 R	(-)	Weight, wheel, rear (2 used)
8	24H 1392 A	(-)	Washer, plain, 25/32" x 1-3/8" x .120" (4 used)
9	12H 236 A	(-)	Washer, lock, 3/4" (4 used)
10	14H 794 A	(-)	Nut, hex., 3/4" (4 used)
..	AA 7393 R	(-)	REAR WHEEL WEIGHT ATTACHMENT WITH ATTACHING BOLTS

NOTE: Quantities shown are for one assembly only. When two assemblies are used, double the quantity shown.

Capital letters indicate an attachment. Attachments must be listed on separate order from replacement order.

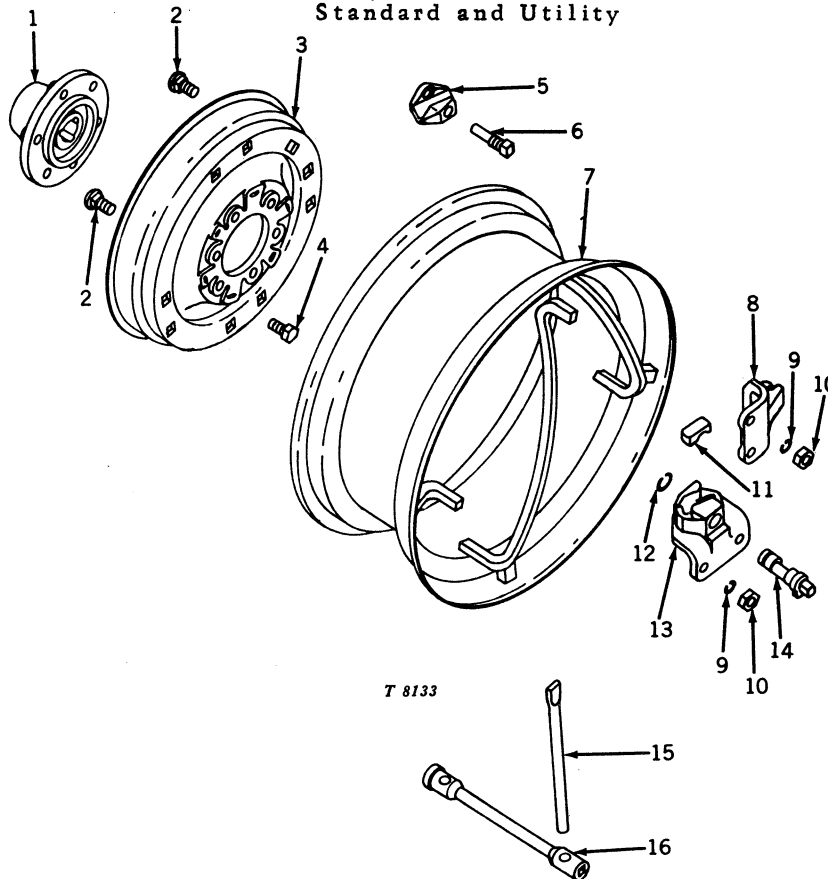
REAR WHEELS AND WHEEL WEIGHTS
Standard and Utility



Key	Part No.	Serial No.	Description
1	14H 794 A	(-)	Nut, hex., 3/4" (2 used)
2	12H 236 A	(-)	Washer, lock, 3/4" (2 used)
3	AT 15588 T	(-)	REAR WHEEL WEIGHT (150 LBS.) (CONSISTS OF TWO M2729T AND ONE AT15596T PACKAGE OF HARDWARE) (SUB. FOR AM2089T, AM2525T, M2292T, AND M2794T)
4	8H 3505 A	(-)	Bolt, mach., 3/4" x 5" (2 used)
5	AM 3478 T	(-)	Rim and flange, 9-24 and 10-24 (W-8 rim) (sub. for AM325T)
	AM 3479 T	(-)	Rim and flange, 10-24 and 11-24 (W-10 rim) (sub. for AM2073T)
	AM 3150 T	(-)	Rim and flange, 11-26 and 12-26 (W-11 rim) (sub. for AM2194T) (U)
6	M 375 T	(-)	Nut, special (4 used) (packed 10 in a pkg.)
7	M 2254 T	(-)	Ring, snap (4 used) (packed 4 in a pkg.)
8	M 1549 T	(-68876)	Web (S)
	M 2609 T	(68877-)	Web (S)
	M 1549 T	(-62733)	Web (U)
	M 2609 T	(62734-)	Web (U)
9	M 3800 T	(-)	Bolt, special, 9/16" x 3-1/4" (4 used) (sub. for M2253T) (packed 4 in a pkg.) (when equipped with M2195T spacer)
	M 3801 T	(-)	Bolt, special, 9/16" x 2-1/4" (4 used) (sub. for M373T) (packed 5 in a pkg.)
10	M 2278 T	(-)	Wrench, rim
11	M 1452 T	(-)	Spacer, 4"
12	M 2223 T	(-)	Extension (4 used)
13	JD 16 R	(-)	Bolt (4 used)
14	M 2195 T	(-)	Spacer, 1-5/16" (4 used)
..	AM 2060 T	(-)	SPACER ATTACHMENT, REAR WHEEL

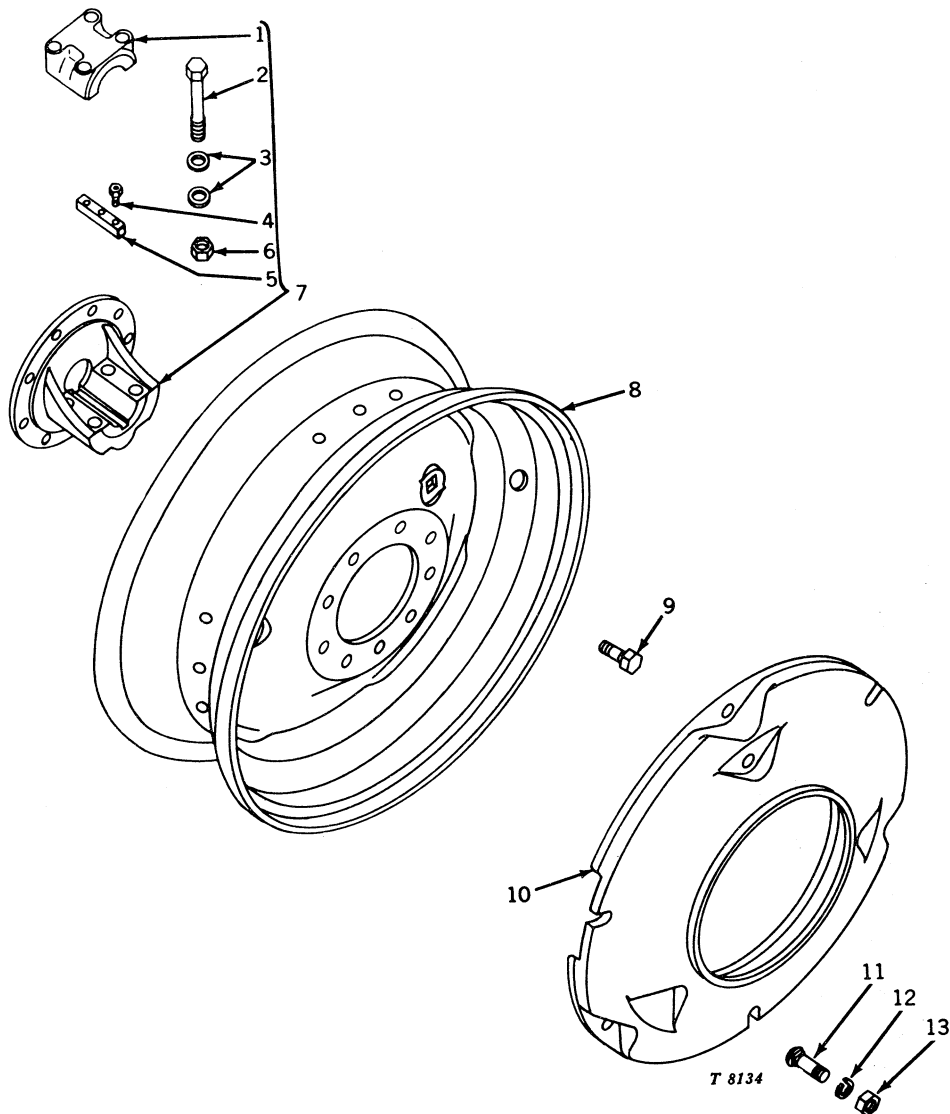
Capital letters indicate an attachment. Attachments must be listed on separate order from replacement order.

POWER ADJUSTED REAR WHEELS
Standard and Utility



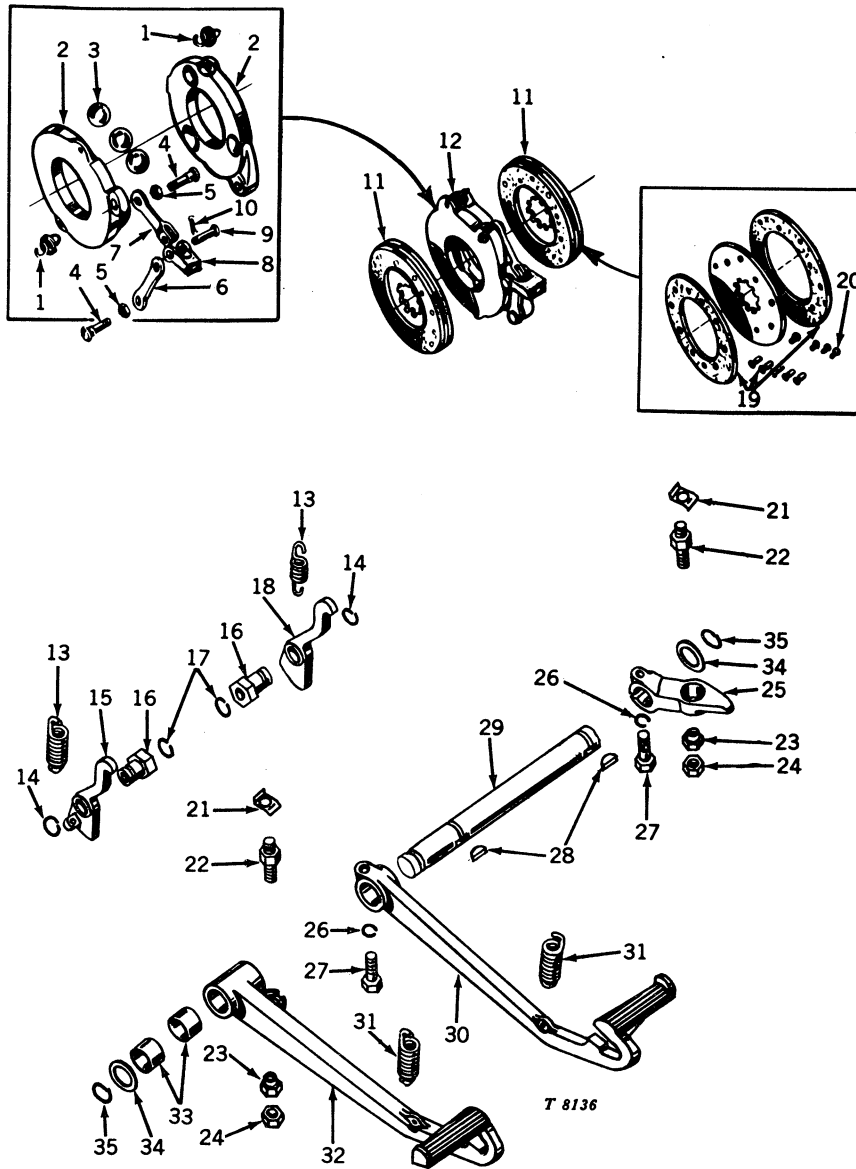
Key	Part No.	Serial No.	Description
1	M 1772 T	(-68876)	Hub (S)
	M 2652 T	(68877-)	Hub (S)
	M 1772 T	(-62733)	Hub (U)
	M 2652 T	(62734-)	Hub (U)
2	M 2332 T	(-)	Bolt, cge., special, 5/8" x 1-1/2" (8 used)
3	M 2326 T	(-)	Disk, wheel
4	JD 16 R	(-)	Bolt, hub (6 used)
5	M 2334 T	(-)	Body, stop (2 used)
6	M 2335 T	(-)	Screw, stop (2 used)
7	AM 2108 T	(-)	Rim assembly
8	M 2331 T	(-)	Body, non-adjustable
9	12H 294 A	(-)	Washer, lock, 5/8" (8 used)
10	M 2333 T	(-)	Nut, hex., special, 5/8" (8 used)
11	M 2330 T	(-)	Block, eccentric pin (3 used)
12	M 2329 T	(-)	Ring, snap (3 used)
13	M 2327 T	(-)	Body, eccentric pin (3 used)
14	M 2328 T	(-)	Pin, eccentric (3 used)
15	M 2269 T	(-)	Handle, wrench
16	M 2270 T	(-)	Body, wrench

REAR WHEELS AND WHEEL WEIGHTS
Tricycle, Special, and Two-Row Utility



Key	Part No.	Serial No.	Description
1	M 3808 T	(-)	Cap, rear wheel hub (sub. for M1794T, M2650T, and M3805T)
	T 10172 T	(-)	Cap, rear wheel hub (repairs when AT10094T has been installed)
2	T 14943 T	(-)	Screw, cap, special (4 used) (sub. for M2042T)
3	24H 1139 A	(-)	Washer, plain, 11/16" x 1-1/4" x .105" (8 used)
4	M 511 T	(-)	Screw, cap, 1/4" x 3/4" (1 used) (V, W)
	M 511 T	(-75072)	Screw, cap, 1/4" x 3/4" (4 used) (T)
	M 511 T	(75073-)	Screw, cap, 1/4" x 3/4" (1 used) (T)
5	M 2651 T	(-)	Key (1 used) (sub. for M865T) (V, W)
	M 2651 T	(-75072)	Key (2 used) (sub. for M865T) (T)
	M 2651 T	(75073-)	Key (1 used) (sub. for M865T) (T)
6	14H 760 A	(-)	Nut, hex., 5/8" (4 used)
7	AT 10094 T	(-)	Hub, rear wheel (T10171T), with cap, keys, cap screws, washers, and hex. nuts (sub. for AM1871T, AM2428T, and AM3496T)
8	JD 3001 T	(-)	Wheel, rear (34 inch rim)
	JD 3007 T	(-)	Wheel, rear (28 inch rim)
9	JD 16 R	(-)	Bolt, special (9 used)
10	AT 15587 T	(-)	Weight, rear wheel (140 lbs.) (consists of two M926T and one AT15595T package of attaching hardware) (sub. for AM904T)
11	3H 1727 A	(-)	Bolt, cge., 3/4" x 2-1/2" (3 used)
12	12H 236 A	(-)	Washer, lock, 3/4" (3 used)
13	14H 794 A	(-)	Nut, hex., 3/4" (3 used)

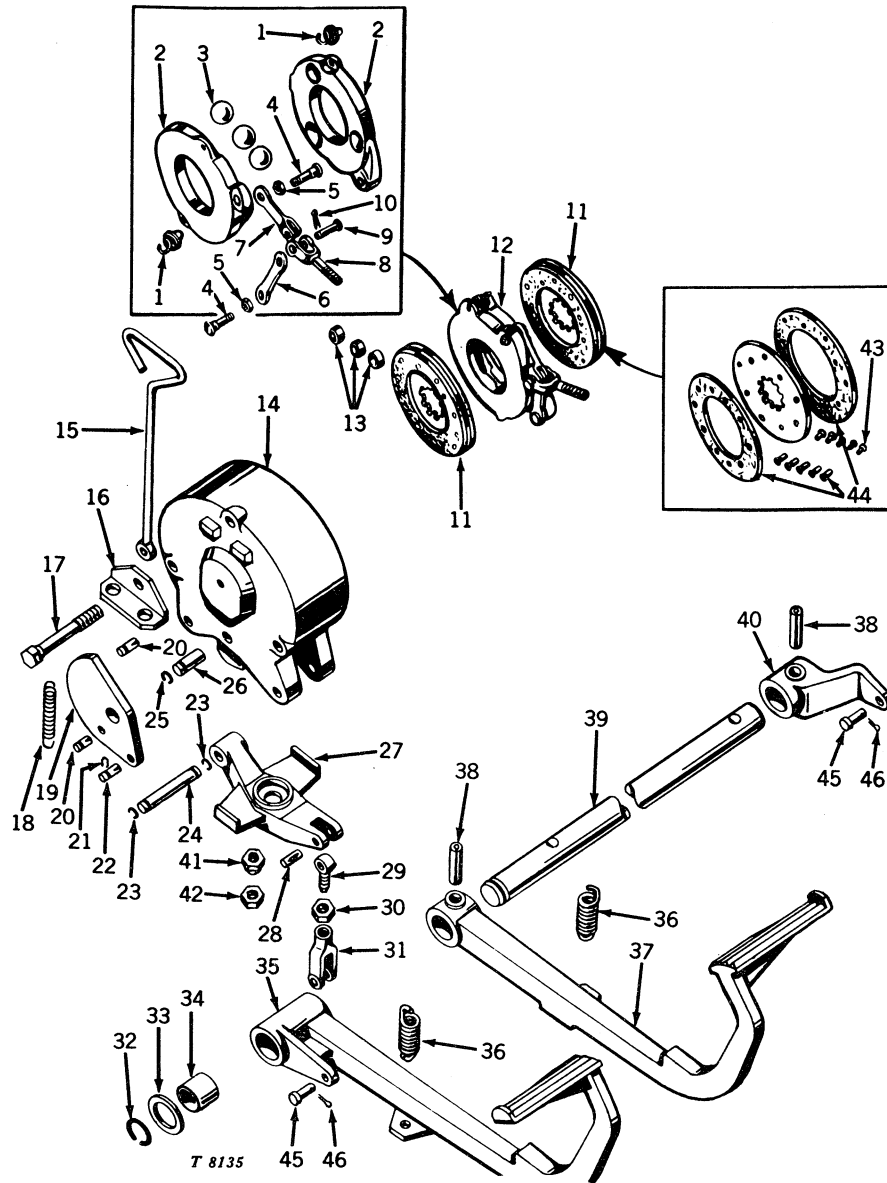
BRAKE ASSEMBLY
Hi-Crop, Standard, Utility, Special, and Two-Row Utility



BRAKE ASSEMBLY -- Continued
Hi-Crop, Standard, Utility, Special, and Two-Row Utility

Key	Part No.	Serial No.	Description
1	M 831 T	(-)	Spring (2 used) (packed 2 in a pkg.)
2	M 829 T	(-)	Disk, actuating (2 used) (sub. for AM928T)
3	M 830 T	(-)	Ball (3 used) (packed 3 in a pkg.)
4	M 834 T	(-)	Screw (2 used)
5	14H 463 A	(-)	Nut, hex. jam, 5/16" (2 used)
6	M 833 T	(-)	Link, plain
7	M 832 T	(-)	Link, yoke type
8	M 1716 T	(-)	Yoke
9	L 4668 T	(-)	Pin, yoke
10	11H 206 A	(-)	Pin, cotter, 3/32" x 3/4"
11	AM 1967 T	(-)	Disk, driven, with facings (2 used)
12	AM 851 T	(-)	Brake assembly, less driven disks (sub. for AM927T)
13	M 2221 T	(-)	Spring (2 used)
14	L 357 T	(-)	Ring, snap (2 used)
15	M 1811 T	(-)	Lock, brake, right
16	M 2153 T	(-)	Shaft, brake lock (2 used) (S, U, V, W)
	M 2704 T	(-)	Shaft, brake lock (2 used) (H)
17	12H 294 A	(-)	Washer, lock, 5/8" (2 used)
18	M 1814 T	(-)	Lock, brake, left
19	AM 1967 T	(-)	Disk, driven, with facings (2 used) (sub. for AM930T)
20	M 837 T	(-)	Rivet (10 used) (packed 10 in a pkg.)
21	M 2179 T	(-)	Lock (2 used) (packed 2 in a pkg.)
22	M 1963 T	(-)	Rod (2 used)
23	M 949 T	(-)	Nut, hex., special (2 used)
24	14H 774 A	(-)	Nut, hex. jam, 3/8" (2 used)
25	M 1713 T	(-)	Lever, left brake
26	12H 293 A	(-)	Washer, lock, 7/16" (2 used)
27	19H 1899 A	(-)	Screw, cap, 7/16" x 2" (2 used)
28	26H 27 A	(-)	Key, Woodruff, 5/16" x 1-1/8" (2 used)
29	M 2140 T	(-)	Shaft, brake
30	M 1714 T	(-)	Pedal, left
31	M 2222 T	(-)	Spring (2 used)
32	AM 1996 T	(-)	Pedal, right (M1715T), with bushings
33	M 2038 T	(-)	Bushing (2 used)
34	24H 1474 A	(-)	Washer, plain, 1-5/32" x 1-1/2" x .060" (2 used)
35	M 205 T	(-)	Ring, snap (2 used)

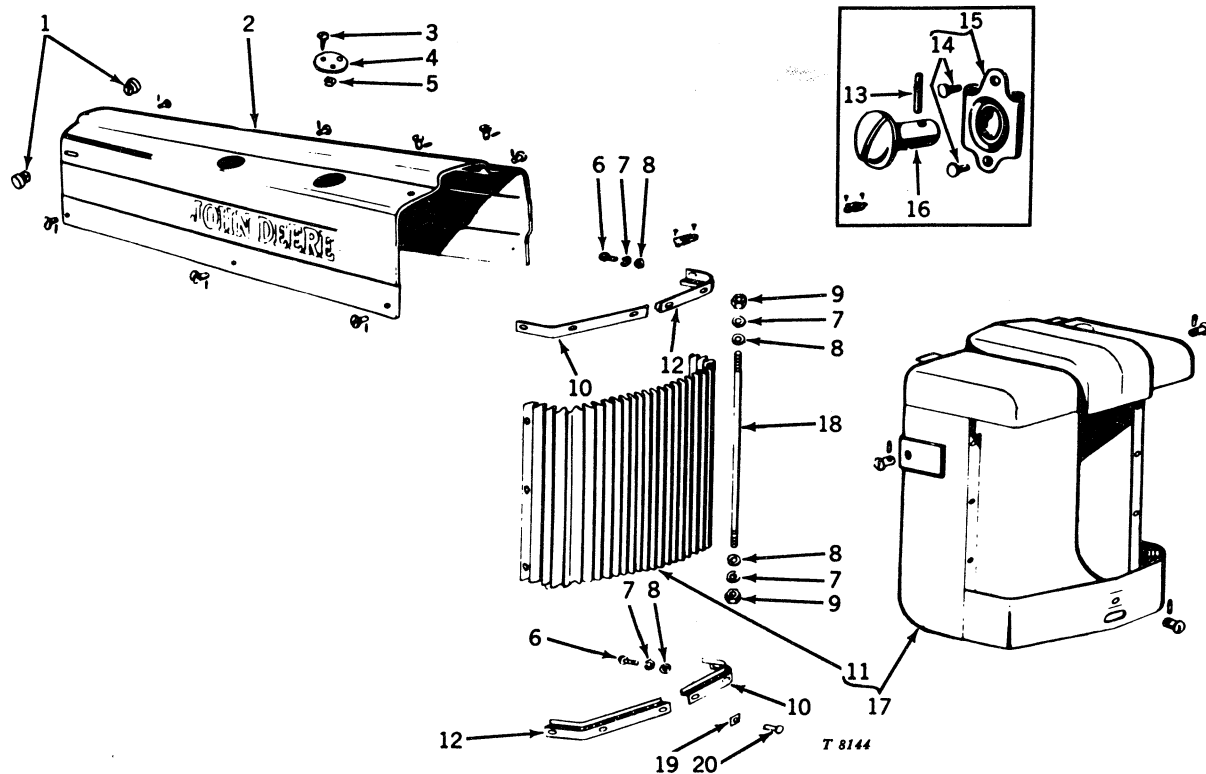
BRAKE ASSEMBLY
Tricycle



BRAKE ASSEMBLY -- Continued
Tricycle

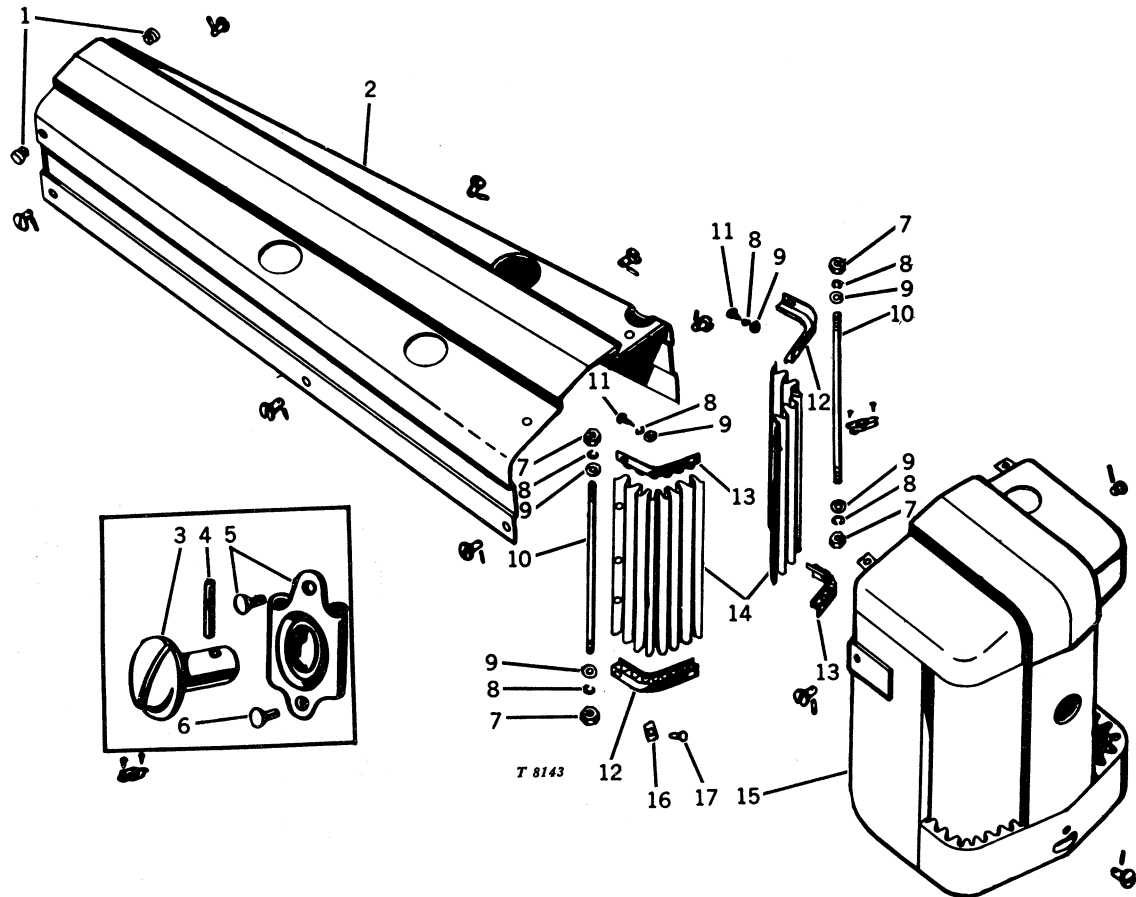
Key	Part No.	Serial No.	Description
1	M 831 T	(-)	Spring (2 used) (packed 2 in a pkg.)
2	M 829 T	(-)	Disk, actuating (2 used) (sub. for AM928T)
3	M 830 T	(-)	Ball, 7/8" dia. (3 used) (packed 3 in a pkg.)
4	M 834 T	(-)	Screw, special (2 used)
5	14H 463 A	(-)	Nut, hex. jam, 5/16" (2 used)
6	M 833 T	(-)	Link, plain
7	M 832 T	(-)	Link, yoke type
8	T 19037 T	(-)	End, rod (sub. for M948T)
9	L 4668 T	(-)	Pin, yoke
10	11H 206 A	(-)	Pin, cotter, 3/32" x 3/4"
11	AM 1828 T	(-)	Disk, driven, with facings (2 used)
12	AM 851 T	(-)	Brake assembly, less driven disks (sub. for AM927T)
13	M 827 T	(-)	Dowel, hollow (3 used)
14	M 1781 T	(-)	Housing, brake
15	AM 1859 T	(-)	Lever
16	M 2035 T	(-)	Retainer
17	M 1949 T	(-)	Screw, cap, special, 7/16" x 3-3/4" (3 used)
18	M 2036 T	(-)	Spring
19	AM 1858 T	(-)	Cam, left, with groov- pins
	AM 1861 T	(-)	Cam, right, with groov- pins
20	M 2034 T	(-)	Pin, groov- (2 used)
21	M 2396 T	(-)	Ring, snap (packed 10 in a pkg.)
22	M 2049 T	(-)	Pin, groov-
23	M 331 T	(-)	Ring, snap (2 used) (packed 2 in a pkg.)
24	M 952 T	(-)	Pin
25	M 1306 T	(-)	Ring, snap (packed 2 in a pkg.)
26	M 2014 T	(-)	Pin, groov-
27	M 1756 T	(-)	Lever
28	25H 797 A	(-)	Pin, groov-, 5/16" x 7/8"
29	M 2037 T	(-)	Bolt, eye
30	14H 463 A	(-)	Nut, hex. jam, 5/16"
31	L 299 T	(-)	Yoke, adjustable
32	M 205 T	(-)	Ring, snap
33	24H 1474 A	(-)	Washer, plain, 1-5/32" x 1-1/2" x .060"
34	M 2038 T	(-)	Bushing (4 used)
35	AM 1862 T	(-)	Pedal, right brake (M1731T), with bushings
36	M 2039 T	(-)	Spring (2 used)
37	M 1732 T	(-)	Pedal, left brake
38	34H 132 A	(-)	Pin, roll, 3/8" x 2" (2 used)
39	M 1994 T	(-)	Shaft
40	M 1735 T	(-)	Lever, left brake
41	M 949 T	(-)	Nut, hex., special
42	14H 774 A	(-)	Nut, hex. jam
43	M 837 T	(-)	Rivet (10 used) (packed 10 in a pkg.)
44	AM 1828 T	(-)	Disk, driven, with facings (2 used) (sub. for AM930T)
45	L 307 T	(-)	Pin
46	11H 206 A	(-)	Pin, cotter, 3/32" x 3/4"

HOOD AND GRILLE ASSEMBLY
 Crawler (Serial No. 60001-Up)
 Standard (Serial No. 60001-69403)
 Utility (Serial No. 60001-63119)



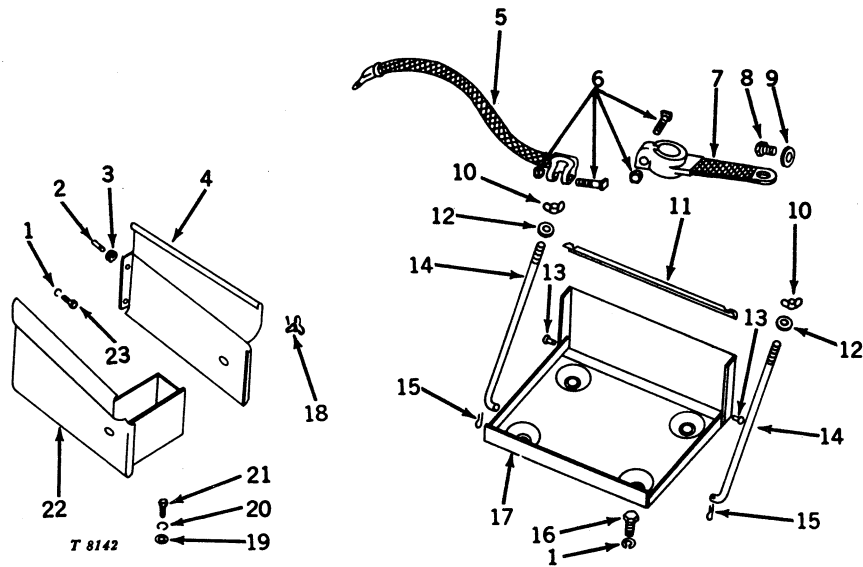
Key	Part No.	Serial No.	Description
1	M 1605 T	(-)	Bumper, hood (2 used)
2	AM 2971 T	(-)	Hood assembly, complete, with fasteners (gasoline) (sub. for AM748T and AM3089T)
	AM 1622 T	(-)	Hood assembly, complete, with fasteners (all-fuel) (sub. for AM1633T)
3	M 1093 T	(-)	Screw, special (3 used) (orchard exhaust)
4	M 1519 T	(-)	Cover (2 used) (orchard exhaust)
5	M 1094 T	(-)	Nut, speed (3 used) (orchard exhaust)
6	21H 1207 A	(-)	Screw, mach., 1/4" x 7/16" (8 used)
7	12H 302 A	(-)	Washer, lock, 1/4" (12 used)
8	24H 1287 A	(-)	Washer, plain, 9/32" x 5/8" x .060" (12 used)
9	14H 786 A	(-)	Nut, hex., 1/4" (4 used)
10	M 1727 T	(-)	Frame, upper right and lower left (2 used)
11	M 1728 T	(-)	Screen
12	M 1726 T	(-)	Frame, upper left and lower right (2 used)
13	M 316 T	(-)	Pin, cross, fastener (12 used)
14	16H 87 A	(-)	Rivet, 1/8" x 1/4" (24 used)
15	AM 635 T	(-)	Receptacle, rigid, with rivets (10 used)
	AM 636 T	(-)	Receptacle, floating, with rivets (2 used)
16	AM 315 T	(-)	Stud, fastener, short, for rigid receptacle (10 used) (packed 2 in a pkg.)
	M 322 T	(-)	Stud, fastener, long, for floating receptacle (2 used) (packed 2 in a pkg.)
17	AM 1962 T	(-)	Sub. one AM1960T and one AM3177T (S, U)
	AM 1943 T	(-)	Sub. one AM3050T and one AM3177T (C)
18	M 1729 T	(-)	Rod, grille (2 used)
19	M 378 T	(-)	Nut, speed (6 used) (packed 6 in a pkg.)
20	16H 246 A	(-)	Rivet, 3/16" x 3/8" (6 used)

HOOD AND GRILLE ASSEMBLY
 Hi-Crop, Tricycle, Special, and Two-Row Utility (Serial No. 60001-Up)
 Standard (Serial No. 69404-Up)
 Utility (Serial No. 63120-Up)



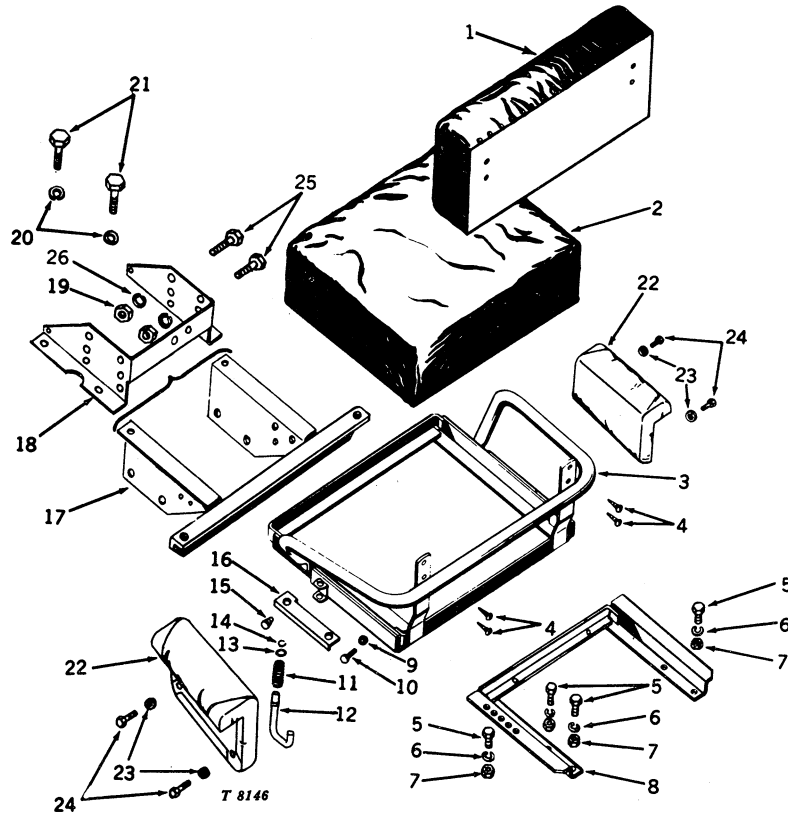
Key	Part No.	Serial No.	Description
1	M 1605 T	(-)	Bumper, hood (2 used)
2	AM 2971 T	(-)	Hood assembly, complete, with fasteners (gasoline) (sub. for AM748T and AM3089T)
	AM 1622 T	(-)	Hood assembly, complete, with fasteners (all-fuel) (sub. for AM1633T)
3	M 315 T	(-)	Stud, fastener, short, for rigid receptacle (9 used) (packed 2 in a pkg.)
	M 322 T	(-)	Stud, fastener, long, for floating receptacle (2 used) (packed 2 in a pkg.)
4	M 316 T	(-)	Pin, cross (12 used) (packed 2 in a pkg.)
5	AM 635 T	(-)	Receptacle, rigid, with rivets (9 used)
	AM 636 T	(-)	Receptacle, floating, with rivets (3 used)
6	16H 87 A	(-)	Rivet, 1/8" x 1/4" (24 used)
7	14H 786 A	(-)	Nut, hex., 1/4" (4 used)
8	12H 302 A	(-)	Washer, lock, 1/4" (12 used)
9	24H 1287 A	(-)	Washer, plain, 9/32" x 5/8" x .060" (12 used)
10	M 1729 T	(-)	Rod, grille (2 used)
11	21H 1207 A	(-)	Screw, mach., 1/4" x 7/16" (8 used)
12	M 2002 T	(-)	Frame, upper left and lower right (2 used)
13	M 2003 T	(-)	Frame, upper right and lower left (2 used)
14	M 4326 T	(-)	Screen, grille (2 used) (sub. for M1906T)
15	AM 1881 T	(-)	Sub. one AT10214T and one AM3177T (T, V)
	AT 10214 T	(-)	Grille assembly, with screws, fasteners, and screens (sub. for AM3049T) (T, V)
	AM 2538 T	(-)	Sub. one AM3947T and one AM3177T (H, S, U, W)
	AM 3947 T	(-)	Grille assembly, with screws, fasteners, and screens (sub. for AM3048T) (H, S, U, W)
16	M 378 T	(-)	Nut, special (12 used) (packed 6 in a pkg.)
17	16H 246 A	(-)	Rivet, 3/16" x 3/8" (12 used)

BATTERY BOX ASSEMBLY



Key	Part No.	Serial No.	Description
1	12H 302 A	(-)	Washer, lock, 1/4" (7 used)
2	34H 102 A	(-)	Pin, roll, 1/4" x 1-1/8" (2 used)
3	M 1895 T	(-62278)	Grommet (2 used) (packed 2 in a pkg.) (C)
	M 1895 T	(-65972)	Grommet (2 used) (packed 2 in a pkg.) (S)
	M 1895 T	(-69558)	Grommet (2 used) (packed 2 in a pkg.) (T)
	M 1895 T	(-65209)	Grommet (2 used) (packed 2 in a pkg.) (U)
4	AM 1809 T	(-)	Cover
5	AM 349 T	(-)	Cable, battery, with bolt and nut
6	AM 505 T	(-)	Bolt, with nut, special (2 used)
7	AL 2823 T	(-)	Strap, battery ground
8	19H 2021 A	(-)	Screw, cap, 3/8" x 5/8"
9	12H 304 A	(-)	Washer, lock, 3/8"
10	14H 844 A	(-)	Nut, wing, 1/4" (2 used)
11	M 1879 T	(-)	Angle, battery hold-down
12	24H 1287 A	(-)	Washer, plain, 9/32" x 5/8" x .060"
13	16H 646 A	(-)	Rivet, 1/4" x 1/2" (2 used)
14	M 1890 T	(-)	Bolt, battery hold-down (2 used)
15	11H 233 A	(-)	Pin, cotter, 3/32" x 1/2" (2 used)
16	19H 1948 A	(-)	Screw, cap, 1/4" x 3/4" (4 used)
17	AM 1793 T	(-)	Tray, battery
18	M 1896 T	(-)	Stud
19	L 1198 T	(-)	Washer, plain, special (2 used)
20	12H 303 A	(-)	Washer, lock, 5/16" (2 used)
21	19H 1813 A	(-)	Screw, cap, 5/16" x 5/8" (2 used)
22	AM 1800 T	(-)	Box, tool, and battery shield assembly
23	19H 1227 A	(-)	Screw, cap, 1/4" x 1/2" (3 used)

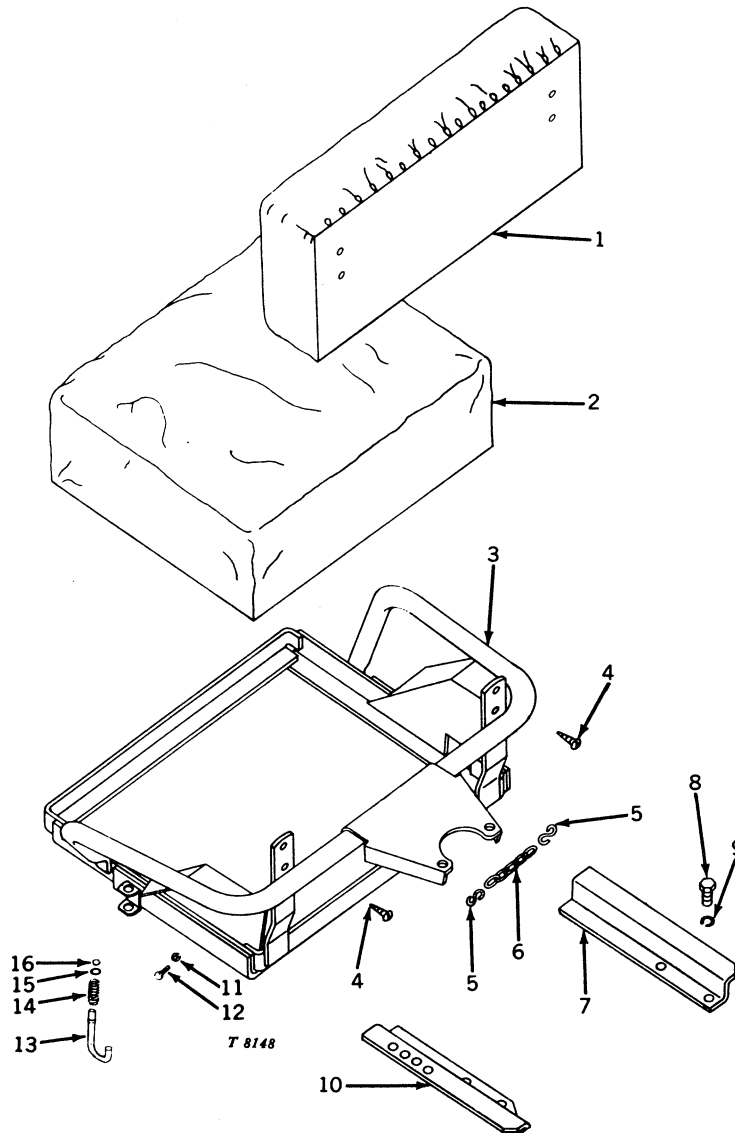
SEAT ASSEMBLY
Crawler



Key	Part No.	Serial No.	Description
1	AM 339 T	(-)	Back, seat (black)
2	AM 1767 T	(-)	Cushion (black)
3	AM 1956 T	(-)	Frame, seat
4	M 2474 T	(-)	Screw, special, No. 10 x 7/8" (4 used) (packed 4 in a pkg.)
5	19H 1936 A	(-)	Screw, cap, 3/8" x 3/4" (4 used)
6	12H 304 A	(-)	Washer, lock, 3/8" (4 used)
7	14H 812 A	(-)	Nut, hex., 3/8" (4 used)
8	AT 10432 T	(-)	Bracket, seat
9	M 453 T	(-)	Nut, stop
10	19H 2036 A	(-)	Screw, cap, 1/4" x 1"
11	M 358 T	(-)	Spring
12	M 1501 T	(-)	Pin, lock
13	M 359 T	(-)	Washer, special
14	M 360 T	(-)	Ring, snap (packed 2 in a pkg.)
15	M 4146 T	(-)	Pin (when equipped with No. 50 or 51 backhoe)
16	M 4147 T	(-)	Lever (when equipped with No. 50 or 51 backhoe)
17	AT 10431 T	(-)	Support, seat (when equipped with No. 50 or 51 backhoe)
	AM 1954 T	(-)	Support, seat (when not equipped with backhoe)
18	T 10574 T	(-)	Support, seat base (when equipped with No. 50 or 51 backhoe)
19	14H 809 A	(-)	Nut, hex., 1/2" (4 used) (when equipped with No. 50 or 51 backhoe)
20	12H 301 A	(-)	Washer, lock, 1/2" (4 used)
21	19H 1792 A	(-)	Screw, cap, 1/2" x 1" (4 used)
22	AA 6023 R	(-)	Cushion, side (2 used)
23	12H 302 A	(-)	Washer, lock, 1/4" (4 used)
24	21H 1214 A	(-)	Screw, mach., 1/4" x 1-1/2" (4 used)
25	19H 1792 A	(-)	Screw, cap, 1/2" x 1" (4 used) (when equipped with No. 50 or 51 backhoe)
26	12H 301 A	(-)	Washer, lock, 1/2" (4 used) (when equipped with No. 50 or 51 backhoe)
..	AT 12232 T	(-)	SEAT ATTACHMENT FOR TRACTORS EQUIPPED WITH NO. 50 OR 51 BACKHOE

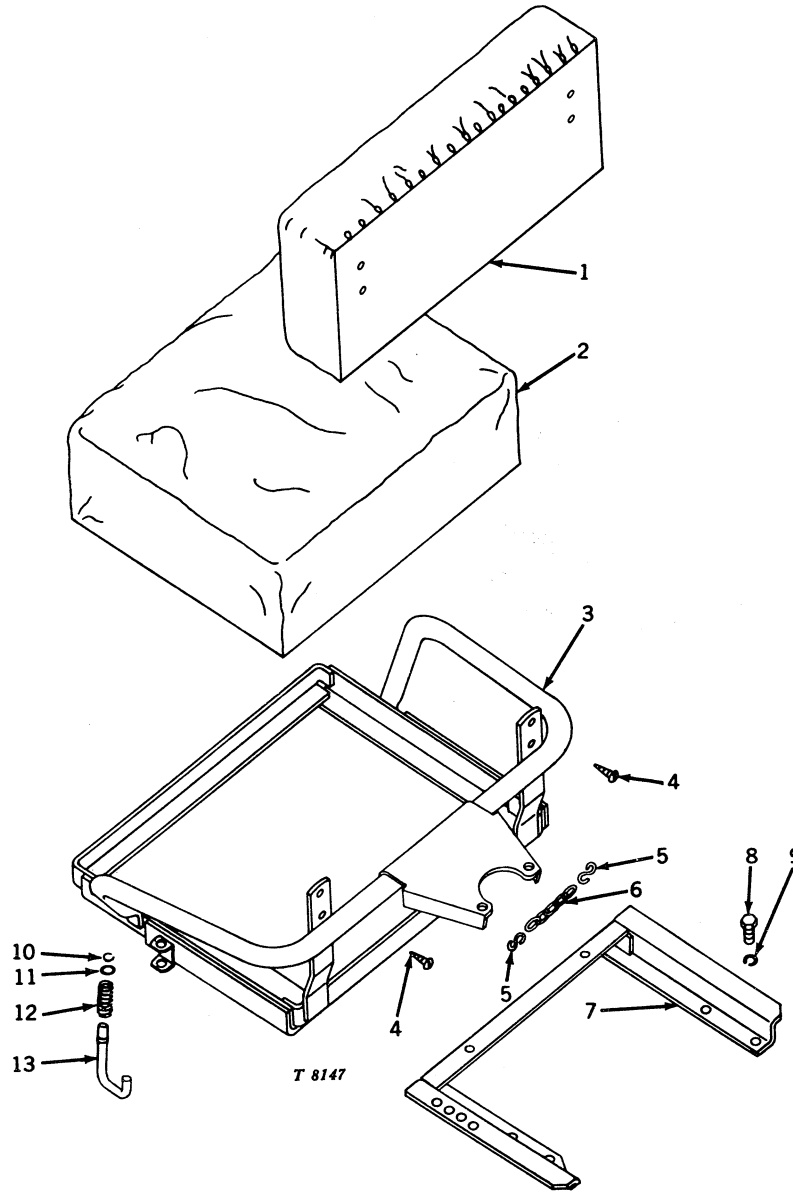
Capital letters indicate an attachment. Attachments must be listed on separate order from replacement parts.

SEAT ASSEMBLY Standard and Utility



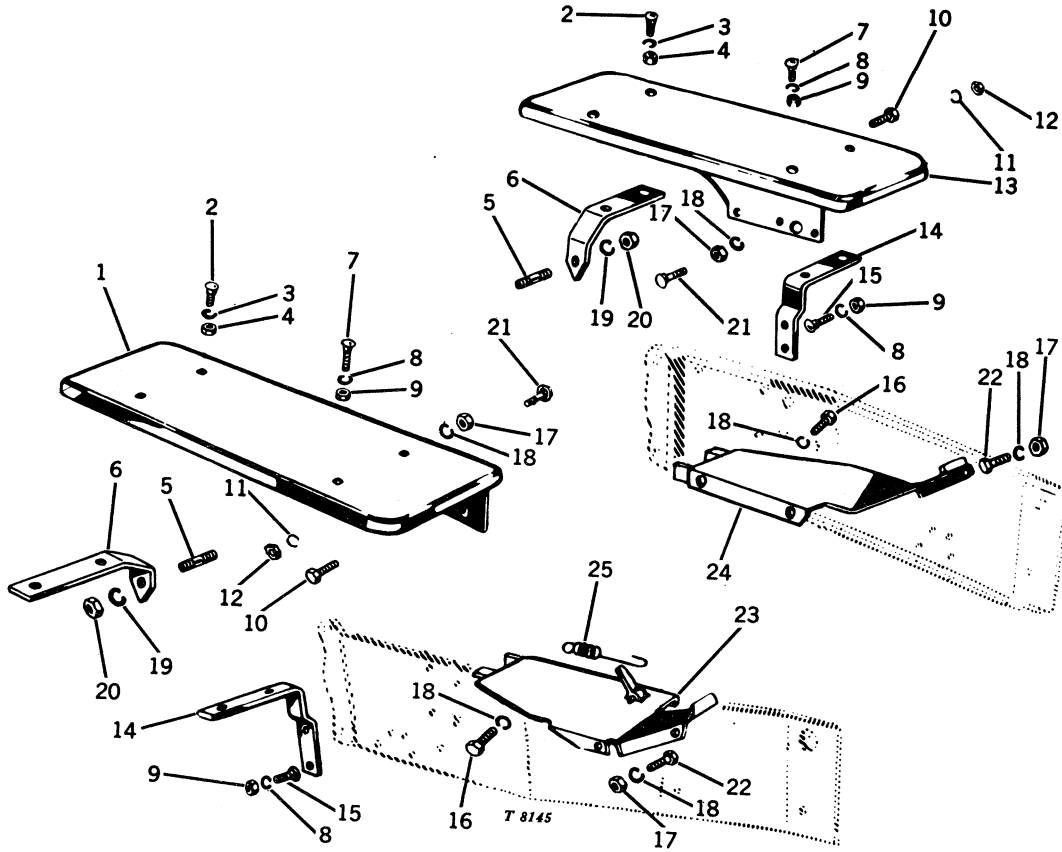
Key	Part No.	Serial No.	Description
1	AM 339 T	(-)	Back, seat
2	AM 1839 T	(-)	Cushion
3	AM 2211 T	(-)	Frame (U)
	AM 1956 T	(-)	Frame (S)
4	M 2474 T	(-)	Screw, special, No. 10 x 1" (4 used) (packed 4 in a pkg.)
5	M 2517 T	(-)	Hook (2 used) (U)
6	AM 2286 T	(-)	Chain (U)
7	M 2167 T	(-)	Bracket, right
8	19H 1936 A	(-)	Screw, cap, 3/8" x 3/4" (4 used)
9	12H 304 A	(-)	Washer, lock, 3/8" (4 used)
10	M 2457 T	(-)	Bracket, left (U)
	M 2168 T	(-)	Bracket, left (S)
11	M 453 T	(-)	Nut, lock
12	19H 2036 A	(-)	Screw, cap, 1/4" x 7/8"
13	M 1501 T	(-)	Pin, lock
14	M 358 T	(-)	Spring
15	M 359 T	(-)	Washer, special
16	M 360 T	(-)	Ring, snap (packed 2 in a pkg.)

SEAT ASSEMBLY
Hi-Crop, Tricycle, Special, and Two-Row Utility



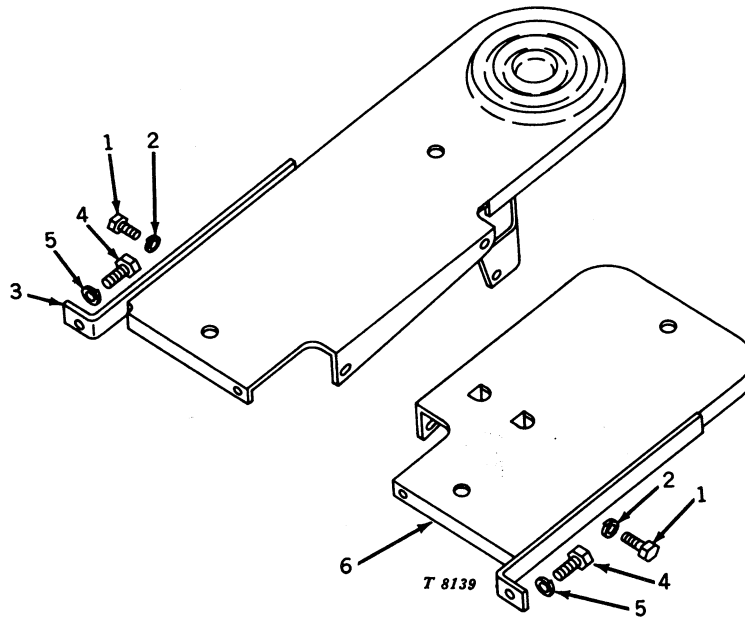
Key	Part No.	Serial No.	Description
1	AM 339 T	(-)	Back, seat
2	AM 1839 T	(-)	Cushion
3	AM 2739 T	(-)	Frame (W)
	AM 1838 T	(-)	Frame (H, T, V)
4	M 2474 T	(-)	Screw, No. 10 x 1" (4 used) (packed 4 in a pkg.)
5	M 2517 T	(-)	Hook (2 used) (W)
6	AM 2286 T	(-)	Chain (W)
7	AM 1836 T	(-)	Bracket, mounting
8	19H 1936 A	(-)	Screw, cap, 3/8" x 3/4" (4 used)
9	12H 304 A	(-)	Washer, lock, 3/8" (4 used)
10	M 360 T	(-)	Ring, snap (packed 2 in a pkg.)
11	M 359 T	(-)	Washer, special
12	M 358 T	(-)	Spring
13	M 1501 T	(-)	Pin, lock

FENDER ASSEMBLY
Crawler



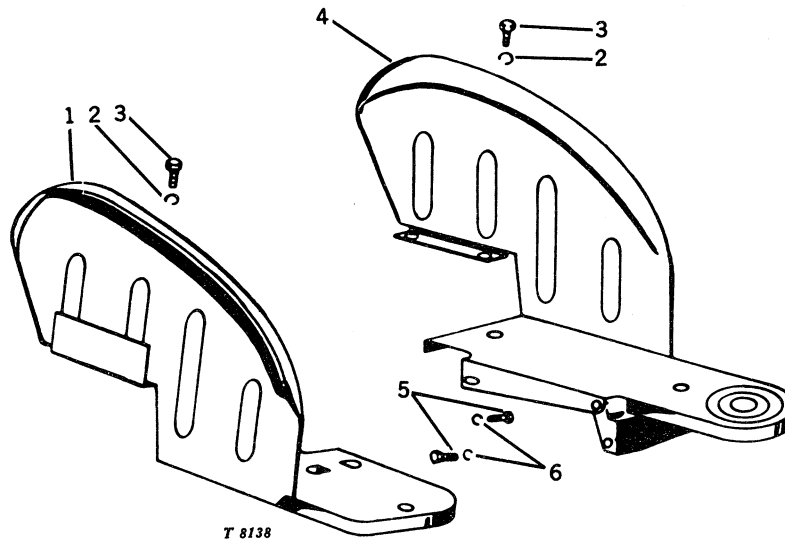
Key	Part No.	Serial No.	Description
1	AM 2383 T	(-)	Fender assembly, right (sub. for ATE2290YT)
2	3H 1572 A	(-)	Bolt, rd. hd., 7/16" x 1" (4 used)
3	12H 293 A	(-)	Washer, lock, 7/16" (4 used)
4	14H 813 A	(-)	Nut, hex., 7/16" (4 used)
5	M 878 T	(-)	Stud (2 used)
6	TE 281 YT	(-)	Bracket, rear (2 used)
7	3H 1572 A	(-66920)	Bolt, rd. hd., 7/16" x 1" (4 used)
8	12H 293 A	(-66920)	Washer, lock, 7/16" (8 used)
9	14H 813 A	(-66920)	Nut, hex., 7/16" (8 used)
10	3H 1268 A	(-66920)	Bolt, rd. hd., 5/16" x 3/4" (4 used)
	3H 1524 A	(66921-)	Bolt, rd. hd., 5/16" x 1" (4 used)
11	12H 293 A	(69921-)	Washer, lock, 7/16" (2 used)
12	14H 813 A	(66921-)	Nut, hex., 7/16" (2 used)
13	AM 2382 T	(-)	Fender assembly, left (sub. for ATE2289YT)
14	TE 279 YT	(-66920)	Bracket, front (2 used)
15	3H 1686 A	(-66920)	Bolt, rd. hd., 7/16" x 1-1/4" (4 used)
16	19H 1900 A	(-)	Screw, cap, 5/16" x 3/4" (4 used)
17	14H 785 A	(-)	Nut, hex., 5/16" (8 used)
18	12H 303 A	(-)	Washer, lock, 5/16" (8 used)
19	12H 317 A	(-)	Washer, lock, 9/16" (2 used)
20	14H 394 A	(-)	Nut, hex., 9/16" (2 used)
21	3H 1572 A	(66921-)	Bolt, rd. hd., 7/16" x 1" (2 used)
22	3H 1524 A	(-)	Bolt, rd. hd., 5/16" x 1" (4 used)
23	AM 3365 T	(-)	Footrest, right (M1760T), with brake lock (sub. for AM1883T)
24	AM 3366 T	(-)	Footrest, left (sub. for AM1884T)
25	L 4223 T	(-)	Spring

FOOTREST ASSEMBLY
Hi-Crop



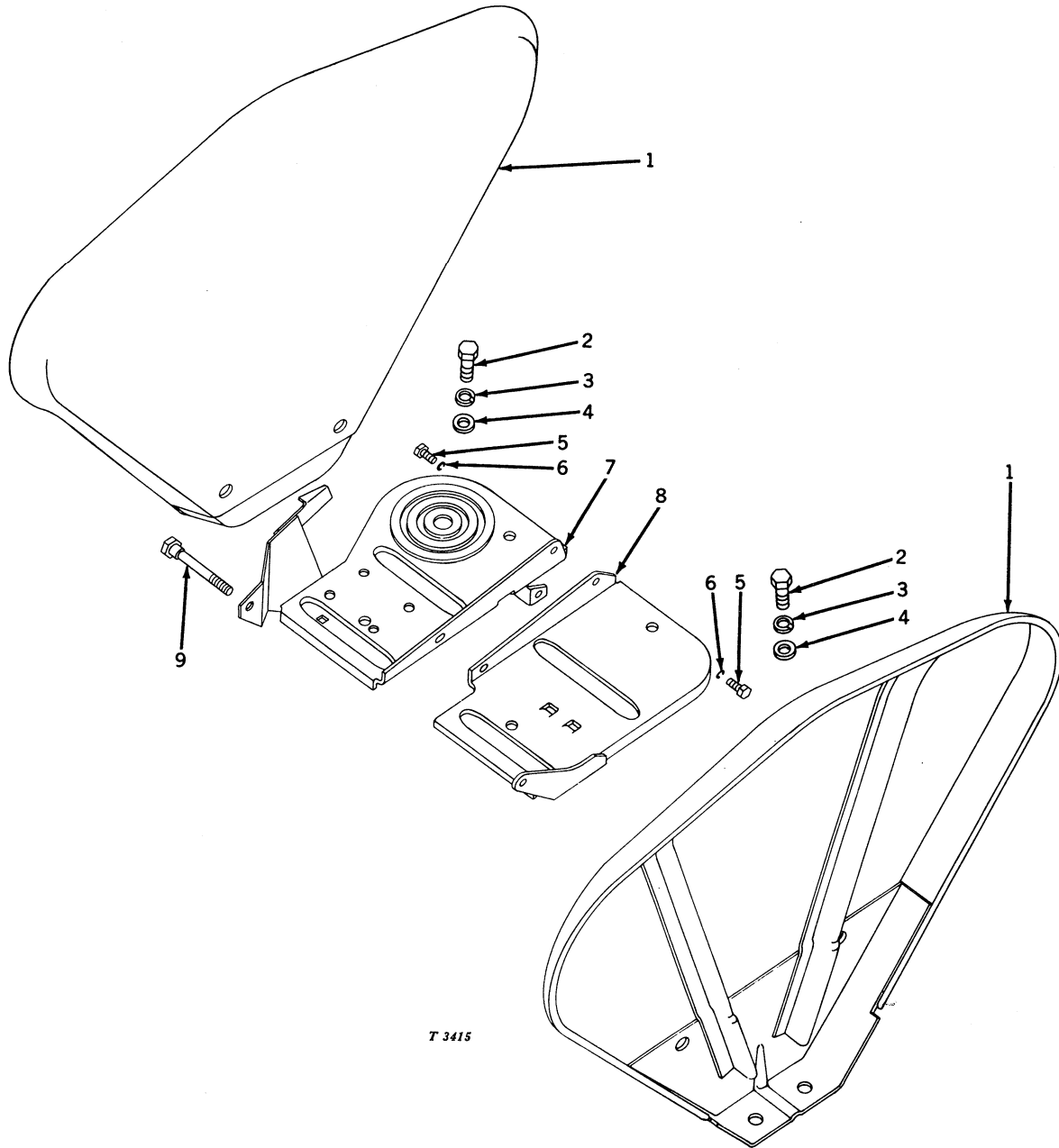
Key	Part No.	Serial No.	Description
1	19H 1900 A	(-)	Screw, cap, 5/16" x 3/4" (5 used)
2	12H 303 A	(-)	Washer, lock, 5/16" (5 used)
3	AM 3278 T	(-)	Footrest assembly, left (sub. for AM2483T)
4	19H 2284 A	(-)	Screw, cap, 3/8" x 7/8" (2 used)
5	12H 304 A	(-)	Washer, lock, 3/8" (2 used)
6	AM 2484 T	(-)	Footrest assembly, right

FENDER ASSEMBLY
Standard



Key	Part No.	Serial No.	Description
1	AM 1971 T	(-)	Fender, right, with footrest
2	12H 304 A	(-)	Washer, lock, 3/8" (4 used)
3	19H 1936 A	(-)	Screw, cap, 3/8" x 3/4" (4 used)
4	AM 3277 T	(-)	Fender, left, with footrest (sub. for AM1973T and AM2287T)
5	19H 1900 A	(-)	Screw, cap, 5/16" x 3/4" (5 used)
6	12H 303 A	(-)	Washer, lock, 5/16" (5 used)

FENDERS AND FOOTRESTS
Tricycle

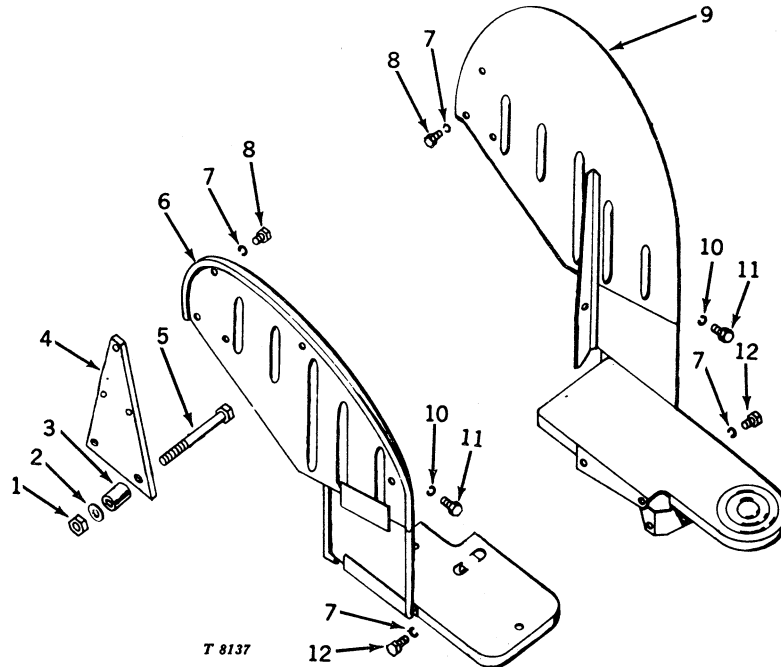


T 3415

Key	Part No.	Serial No.	Description
1	AM 1834 T	(-)	Fender assembly (2 used)
2	19H 1833 A	(-)	Screw, cap, 5/8" x 1-1/4" (4 used)
3	12H 294 A	(-)	Washer, lock, 5/8" (4 used)
4	24H 1106 A	(-)	Washer, plain, 11/16" x 1-7/32" x .105" (4 used)
5	19H 1900 A	(-)	Screw, cap, 5/16" x 3/4" (6 used)
6	12H 303 A	(-)	Washer, lock, 5/16" (6 used)
7	AM 3270 T	(-)	Platform, left (sub. for AM1832T)
8	AM 1831 T	(-)	Platform, right
9	M 1949 T	(-)	Screw, cap, special, 7/16" x 3-3/4" (2 used)
..	AM 1835 T	(-)	FENDER ATTACHMENT

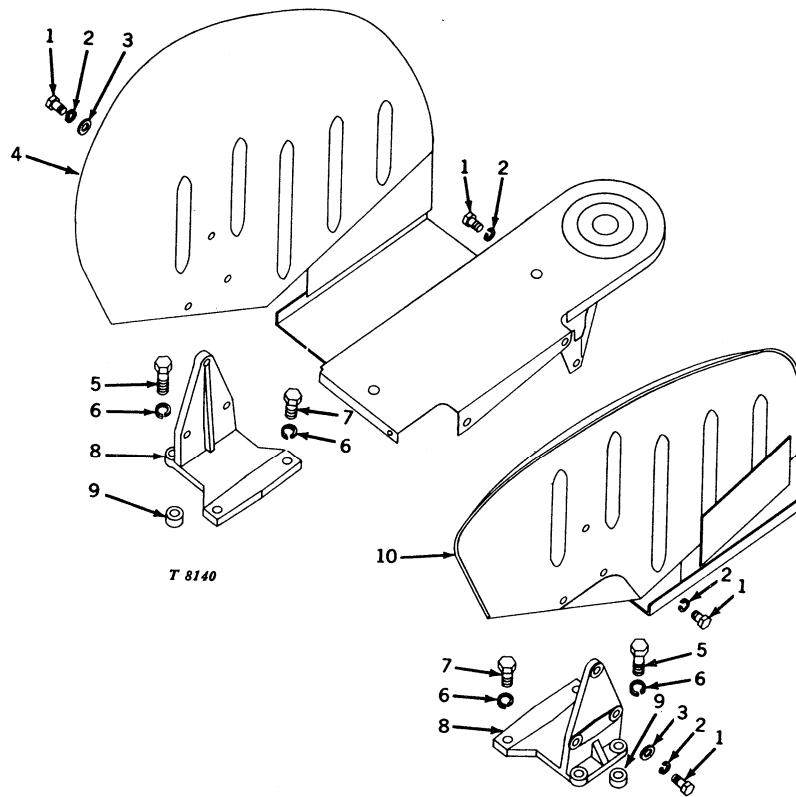
Capital letters indicate an attachment. Attachments must be listed on separate order from replacement parts.

FENDER ASSEMBLY
Utility



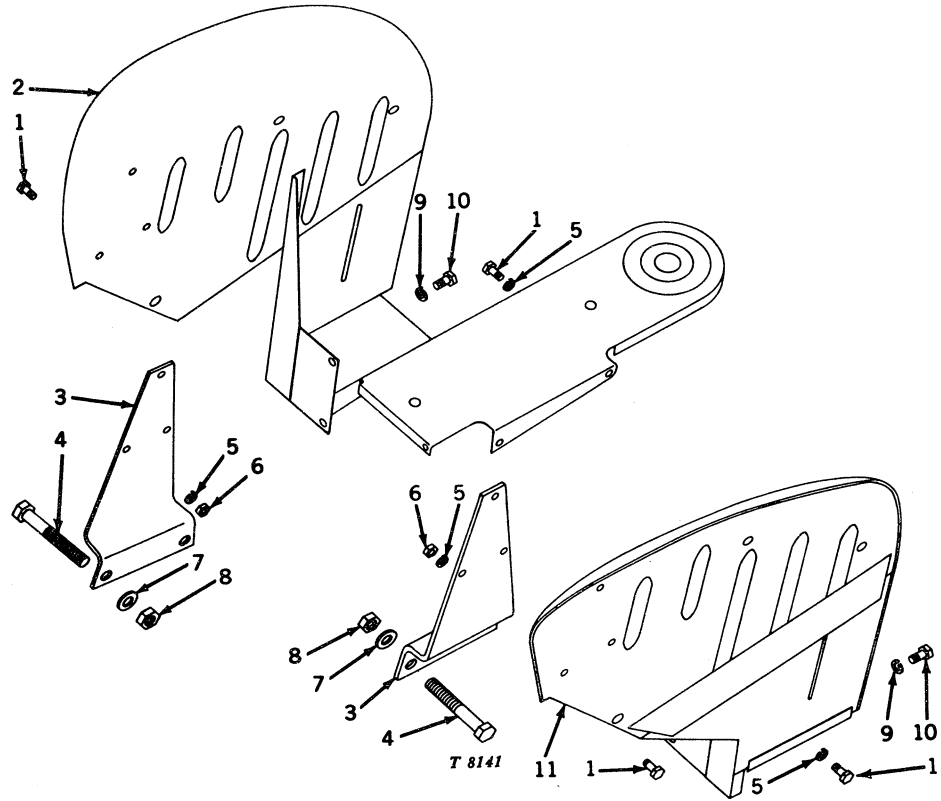
Key	Part No.	Serial No.	Description
1	14H 760 A	(-)	Nut, hex., 5/8" (4 used)
2	24H 1368 A	(-)	Washer, plain, 21/32" x 1-5/16" x .090" (4 used)
3	M 2529 T	(-)	Spacer (4 used)
4	M 2528 T	(-)	Plate, fender attaching (2 used)
5	19H 1872 A	(-)	Screw, cap, 5/8" x 6" (4 used)
6	AM 2206 T	(-)	Fender assembly, right
7	12H 303 A	(-)	Washer, lock, 5/16" (11 used)
8	19H 1268 A	(-)	Screw, cap, 5/16" x 3/8" (6 used)
9	AM 3276 T	(-)	Fender assembly, left (sub. for AM2208T)
10	12H 304 A	(-)	Washer, lock, 3/8" (4 used)
11	19H 1936 A	(-)	Screw, cap, 3/8" x 3/4" (4 used)
12	19H 1900 A	(-)	Screw, cap, 5/16" x 3/4" (5 used)

FENDERS AND FOOTREST
Special



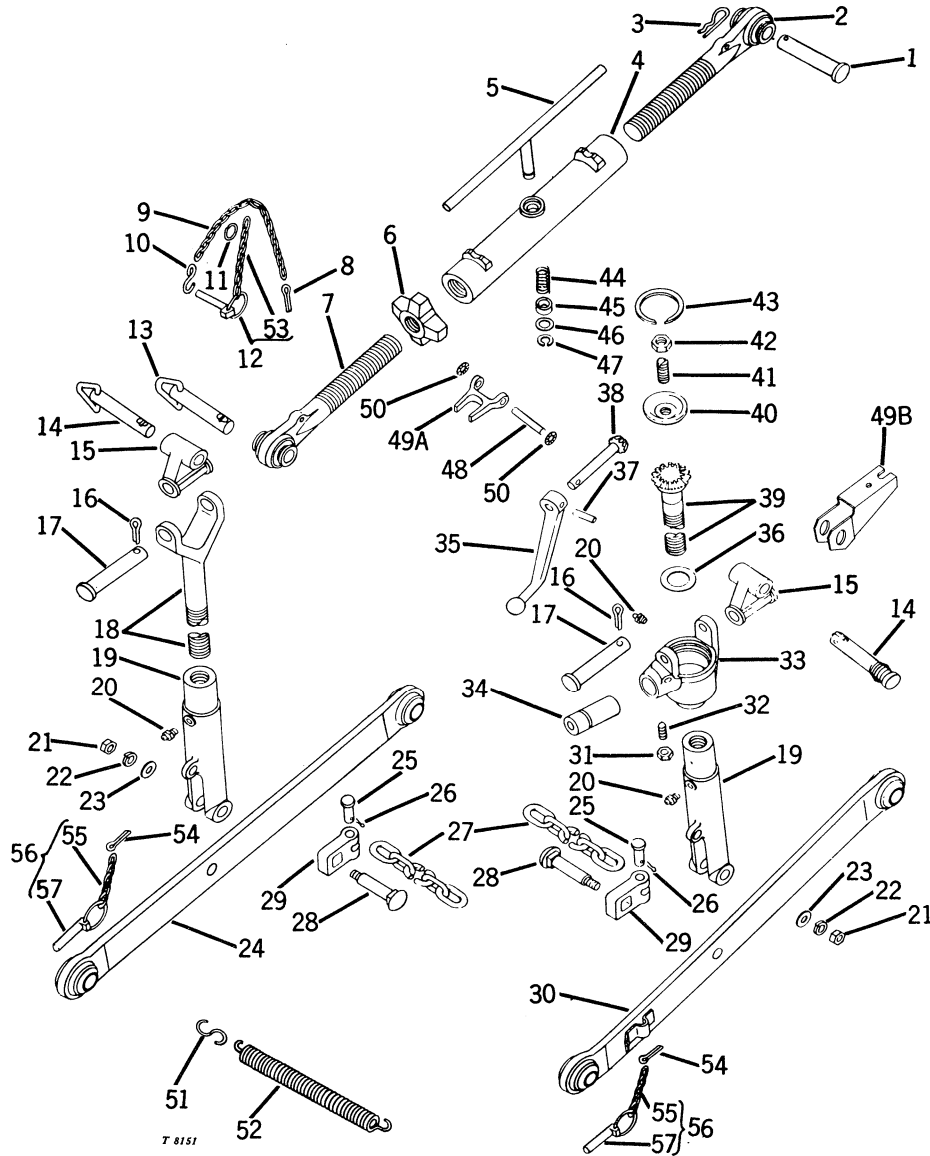
Key	Part No.	Serial No.	Description
1	19H 1900 A	(-)	Screw, cap, 5/16" x 3/4" (11 used)
2	12H 303 A	(-)	Washer, lock, 5/16" (11 used)
3	24H 1122 A	(-)	Washer, plain, 3/8" x 7/8" x .075" (6 used)
4	AM 3279 T	(-)	Fender assembly, left (sub. for AM2622T)
5	19H 1800 A	(-)	Screw, cap, 3/8" x 1-1/2" (4 used)
6	12H 304 A	(-)	Washer, lock, 3/8" (8 used)
7	19H 1139 A	(-)	Screw, cap, 3/8" x 1-1/8" (4 used)
8	M 2781 T	(-)	Bracket, fender (2 used)
9	M 2782 T	(-)	Spacer (4 used)
10	AM 2619 T	(-)	Fender assembly, right

FENDERS AND FOOTREST ASSEMBLY
Two-Row Utility



Key	Part No.	Serial No.	Description
1	19H 1900 A	(-)	Screw, cap, 5/16" x 3/4" (11 used)
2	AM 2734 T	(-)	Fender assembly, left
3	M 2888 T	(-)	Plate, attaching (2 used)
4	19H 2124 A	(-)	Screw, cap, 5/8" x 4-1/4" (4 used)
5	12H 303 A	(-)	Washer, lock, 5/16" (11 used)
6	14H 785 A	(-)	Nut, hex., 5/16" (6 used)
7	24H 1368 A	(-)	Washer, plain, 21/32" x 1-5/16" x .090" (4 used)
8	14H 760 A	(-)	Nut, hex., 5/8" (4 used)
9	12H 304 A	(-)	Washer, lock, 3/8" (4 used)
10	19H 1936 A	(-)	Screw, cap, 3/8" x 3/4" (4 used)
11	AM 2736 T	(-)	Fender assembly, right

3-POINT HITCH
Hi-Crop, Standard, Tricycle, Utility, Special, and Two-Row Utility

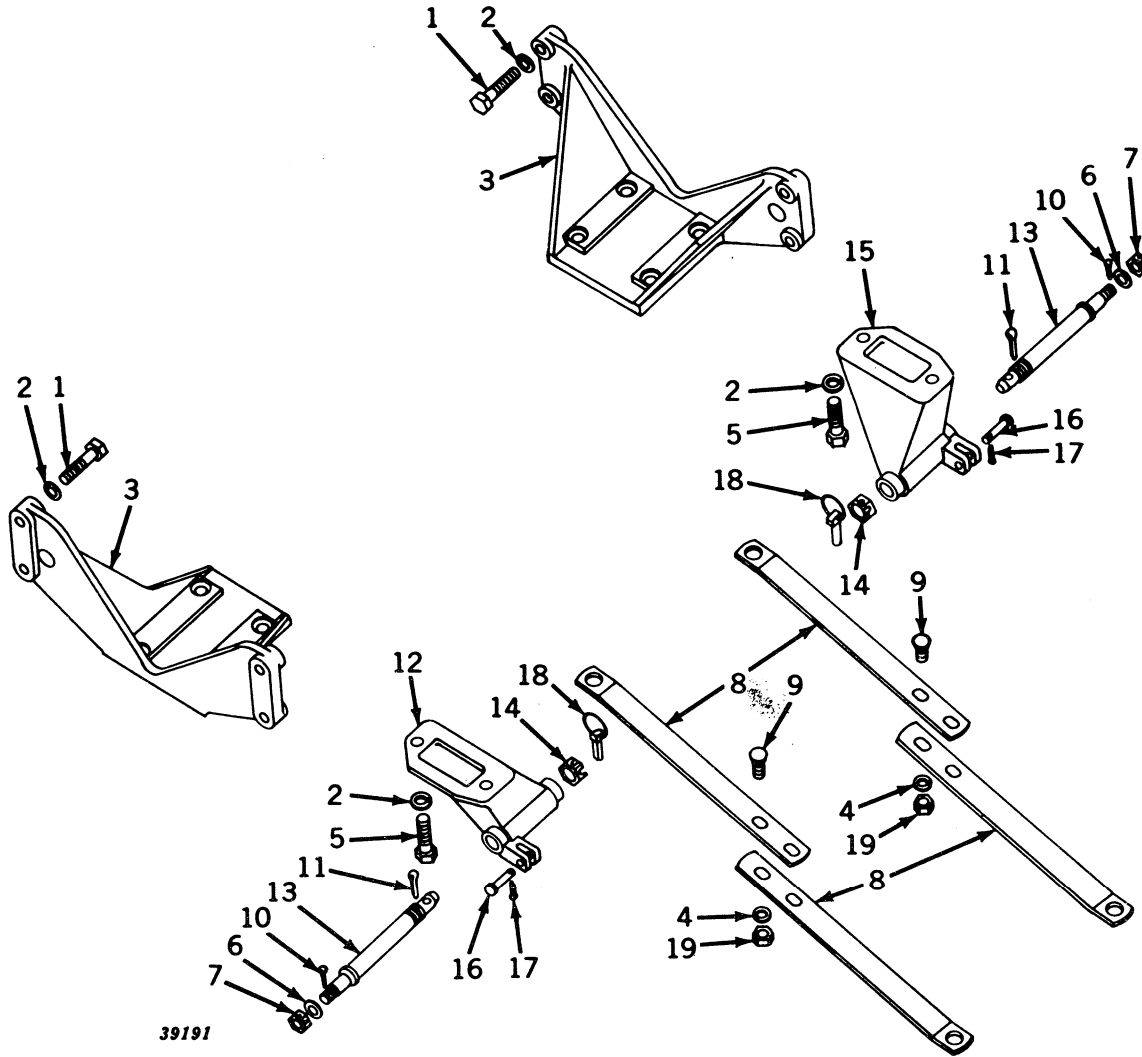


Key	Part No.	Serial No.	Description
1	M 2071 T	(-)	Pin, front (H, T, U, V, W)
	M 2150 T	(-)	Pin, front (S)
2	AM 1905 T	(-)	Link, upper, front (M1738T), L. H. thread
3	A 3581 R	(-)	Pin, spring, cotter (packed 25 in a pkg.)
4	M 2469 T	(-)	Turnbuckle (H, U, W)
	M 1737 T	(-)	Turnbuckle (S, T)
	M 2802 T	(-)	Turnbuckle (V)
5	AM 2297 T	(-)	Handle (sub. for AM1904T) (H, S, T, U, W)
	AM 2634 T	(-)	Handle (V)
6	M 2515 T	(-)	Nut
7	AM 1906 T	(-)	Link, upper, rear (M2087T), R. H. thread
8	M 2092 T	(-)	Pin, cotter, special
9	AM 1908 T	(-)	Chain
10	M 2517 T	(-)	Hook
11	M 2090 T	(-)	Ring
12	AM 1909 T	(-)	Pin, quik-lock, and chain
13	AT 11985 T	(-)	Pin, rear (sub. for M1703T)
14	T 18536 T	(-)	Pin (2 used) (also order one A3581R) (sub. for AM1927T and AT11986T)
15	M 1701 T	(-)	Connector, sway (2 used)
16	11H 239 A	(-)	Pin, cotter, 5/32" x 1" (2 used)
17	M 2072 T	(-)	Pin (2 used)

3-POINT HITCH -- Continued
Hi-Crop, Standard, Tricycle, Utility, Special, and Two-Row Utility

Key	Part No.	Serial No.	Description
18	AM 2472 T	(-)	Link, left lift (H)
	AM 1896 T	(-)	Link, left lift (S, T, U, W)
	AM 2628 T	(-)	Link, left lift (V)
19	M 2653 T	(-)	Fork, lift link (2 used) (sub. for M1697T)
20	JD 7797	(-)	Fitting, grease (3 used)
21	14H 813 A	(-)	Nut, hex., 7/16" (2 used)
22	12H 293 A	(-)	Washer, lock, 7/16" (2 used)
23	24H 1325 A	(-)	Washer, plain, 15/32" x 59/64" x .060" (2 used)
24	AM 2473 T	(-)	Link, draft, left (H)
	AM 1891 T	(-)	Link, draft, left (S, T)
	AM 2176 T	(-)	Link, draft, left (U)
	AM 2627 T	(-)	Link, draft, left (V)
	AM 2713 T	(-)	Link, draft, left (W)
25	M 2479 T	(-)	Pin (2 used) (sub. for M902T)
26	11H 206 A	(-)	Pin, cotter, 3/32" x 3/4" (2 used)
27	AM 2758 T	(-)	Chain, sway (2 used) (H)
	AM 1901 T	(-)	Chain, sway (2 used) (S, T)
	AM 2408 T	(-)	Chain, sway (2 used) (V)
	AM 2224 T	(-62733)	Chain, sway (2 used) (U)
	AM 2408 T	(62734-	Chain, sway (2 used) (U)
	AM 2779 T	(-)	Chain, sway (2 used) (W)
28	M 2084 T	(-)	Bolt, sway chain (2 used)
29	M 1702 T	(-)	Anchor, rear (2 used)
30	AM 2474 T	(-)	Link, draft, right (H)
	AM 1894 T	(-)	Link, draft, right (S, T)
	AM 2177 T	(-)	Link, draft, right (U)
	AM 2632 T	(-)	Link, draft, right (V)
	AM 2715 T	(-)	Link, draft, right (W)
31	14H 463 A	(-)	Nut, hex. jam, 5/16"
32	22H 794 A	(-)	Screw, set, 5/16" x 7/8"
33	M 2437 T	(-)	Housing (H, U, V, W)
	M 1698 T	(-)	Sub. one M2437T, one 34H164A, two M2494T, and one M2735T (S, T)
34	M 1995 T	(-)	Bushing (H, S, T, V, W)
	M 2440 T	(-)	Bushing (U)
35	M 2438 T	(-)	Crank, leveling (sub. for M1700T) (H, S, U, V, W)
	M 2191 T	(-)	Crank, leveling (T)
36	M 2078 T	(-)	Washer, thrust
37	34H 90 A	(-)	Pin, roll, 7/32" x 1-1/4"
38	M 1699 T	(-)	Pinion (H, S, T, V, W)
	M 2439 T	(-)	Pinion (U)
39	AM 2578 T	(-)	Gear, with shaft (H)
	M 1744 T	(-)	Gear, with shaft (S, T, U, W)
	AM 2631 T	(-)	Gear, with shaft (V)
40	AM 1900 T	(-)	Plate, thrust
41	22H 803 A	(-)	Screw, set, 1/2" x 1-1/2"
42	14H 856 A	(-)	Nut, hex. jam, 1/2"
43	M 2083 T	(-)	Ring, snap
44	M 2085 T	(-)	Spring (packed 2 in a pkg.)
45	M 1930 T	(-)	Bushing
46	24H 1227 A	(-)	Washer, plain, 17/32" x 13/16" x .060"
47	M 2086 T	(-)	Ring, snap (packed 3 in a pkg.)
48	34H 164 A	(-)	Pin, roll, 5/16" x 2-1/8" (sub. for M2493T)
49A	M 2735 T	(-)	Lock, crank (H, V, W)
	M 2492 T	(-)	Lock, crank (U)
49B	M 2519 T	(-)	Lock, crank (sub. for M2080T and M2081T) (S)
	M 2518 T	(-)	Lock, crank (T)
50	M 2494 T	(-)	Washer, spring (2 used)
51	M 2733 T	(-)	Hook (H, V)
	M 2733 T	(69582-	Hook (S)
	M 2733 T	(62734-	Hook (U)
52	M 2734 T	(-)	Spring (H, V)
	M 2734 T	(69582-	Spring (S)
	M 2734 T	(62734-	Spring (U)
53	AM 1910 T	(-)	Sub. one AM1909T
54	M 2092 T	(-)	Pin, quik-lock, and chain (2 used)
55	AM 1910 T	(-)	Sub. one AM1909T
56	AM 1909 T	(-)	Pin, quik-lock, and chain (2 used)
57	DA 5883 A	(-)	Pin, quik-lock, assembly (2 used)

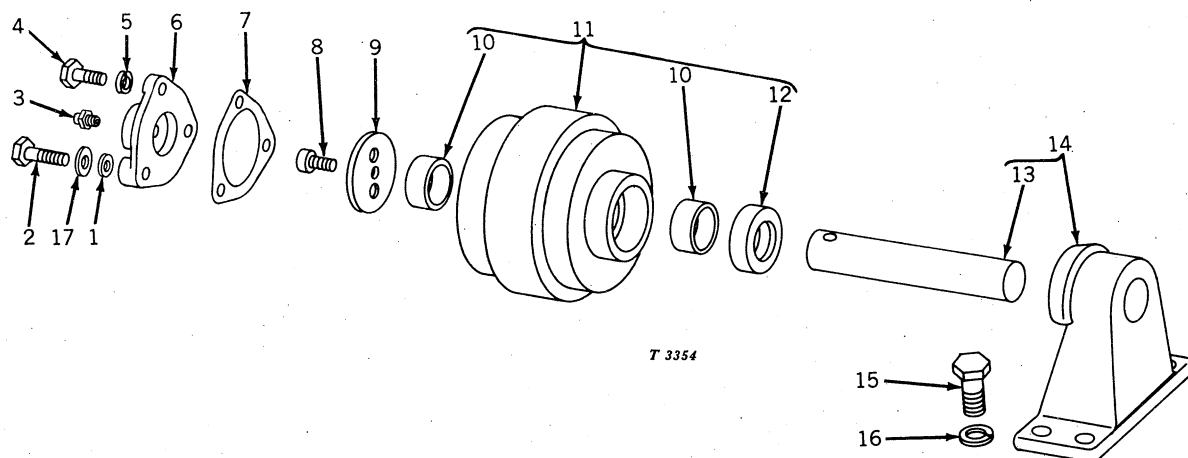
DRAFT LINK MOUNTING ASSEMBLY
Hi-Crop



39191

Key	Part No.	Serial No.	Description
1	19H 1715 A	(-)	Screw, cap, 3/4" x 3" (8 used)
2	12H 236 A	(-)	Washer, lock, 3/4" (12 used)
3	M 2869 T	(-)	Bracket, draft link (2 used)
4	12H 294 A	(-)	Washer, lock, 5/8" (4 used)
5	19H 1862 A	(-)	Screw, cap, 3/4" x 2-1/2" (4 used)
6	24H 1396 A	(-)	Washer, plain, 25/32" x 1-1/2" x .105" (2 used)
7	14H 534 A	(-)	Nut, hex., slotted, 3/4" (2 used)
8	M 2931 T	(-)	Brace, centering (4 used)
9	3H 1504 A	(-)	Bolt, cge., 5/8" x 1-1/4" (4 used)
10	11H 237 A	(-)	Pin, cotter, 1/8" x 2" (2 used)
11	11H 222 A	(-)	Pin, cotter, 3/16" x 2" (2 used)
12	M 2886 T	(-)	Support, left trunnion
13	M 2930 T	(-)	Bolt, trunnion (2 used)
14	14H 540 A	(-)	Nut, hex., slotted, 1" (2 used)
15	M 2887 T	(-)	Support, right trunnion
16	M 2743 T	(-)	Pin (2 used)
17	11H 206 A	(-)	Pin, cotter, 3/32" x 3/4" (2 used)
18	AM 1752 T	(-)	Pin, quik-lock (2 used)
19	14H 760 A	(-)	Nut, hex., 5/8" (4 used)

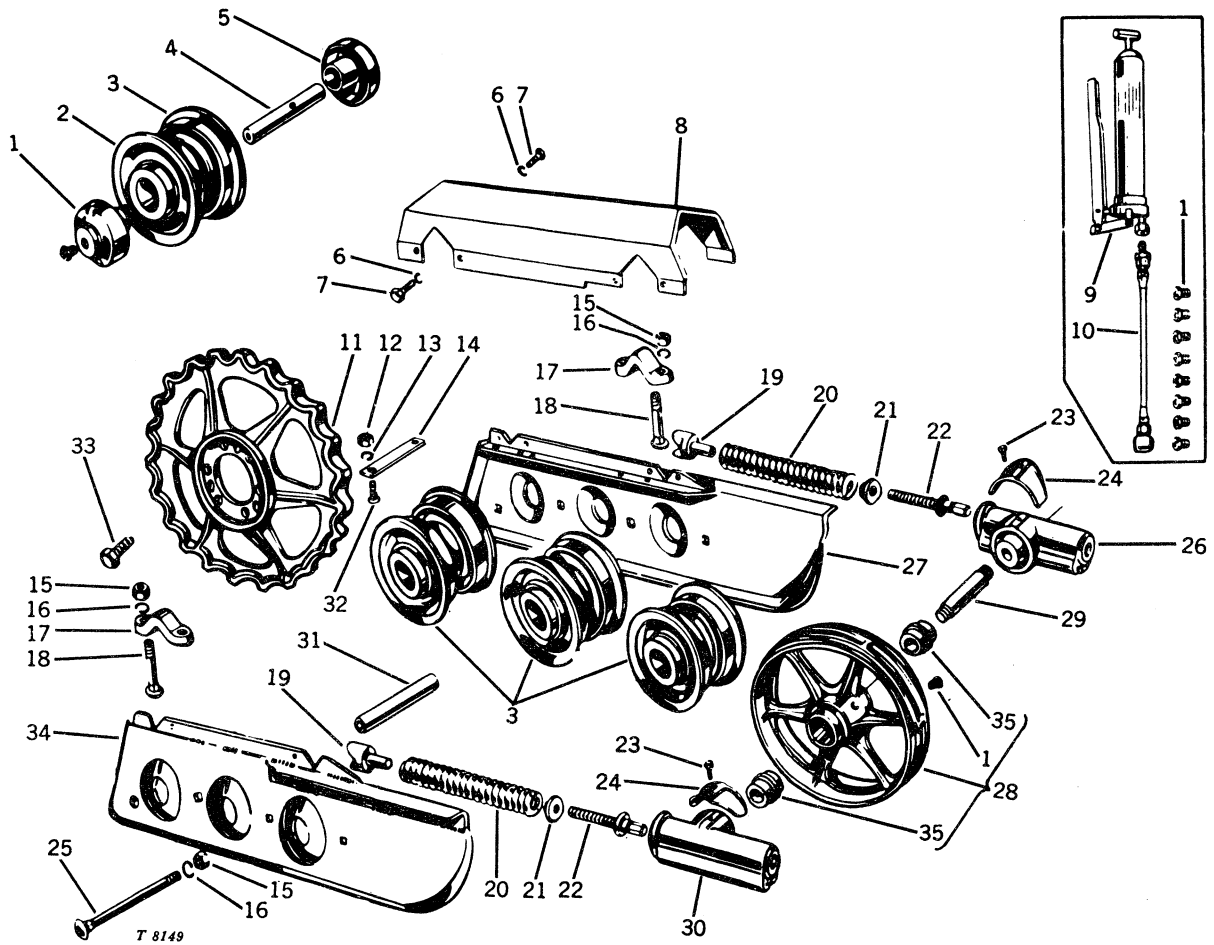
FIVE-ROLLER UPPER IDLER ASSEMBLY
 (When Idler Assembly Kit has been Installed)
 Crawler (Serial No. 62264-Up)



Key	Part No.	Serial No.	Description
1	M 3971 T*	(62264-)	Gasket
2	19H 1765 A*	(62264-)	Screw, cap, 3/8" x 1-3/4"
3	JD 7828*	(62264-)	Fitting, grease
4	19H 1139 A*	(62264-)	Screw, cap, 3/8" x 1-1/8" (2 used)
5	12H 304 A*	(62264-)	Washer, lock, 3/8" (2 used)
6	T 13880 T*	(62264-)	Cover
7	T 14776 T*	(62264-)	Shim, .005" (approx. 5 used)
8	M 2502 T	(62264-)	Screw, cap, socket hd., 3/8" x 3/4" (2 used)
9	M 2501 T	(62264-)	Plate, thrust
10	M 1111 T*	(62264-)	Bushing (2 used)
11	AT 12783 T*	(62264-)	Idler, upper (T14777T), with bushings and oil seal
12	AT 12784 T*	(62264-)	Seal, oil
13	M 2500 T	(62264-)	Shaft
14	AM 2256 T	(62264-)	Support, with shaft, right
	AM 2255 T	(62264-)	Support, with shaft, left
15	19H 1649 A	(62264-)	Screw, cap, 1/2" x 1-1/8" (2 used)
	19H 463 A	(62264-)	Screw, cap, 1/2" x 1-1/2" (2 used)
16	12H 301 A	(62264-)	Washer, lock, 1/2" (4 used)
17	24H 1303 A*	(62264-)	Washer, plain, 13/32" x 11/16" x .060"
..	AT 15917 T	(62264-)	Cover and idler support kit (includes all items followed by an asterisk (*))

Quantity shown above is for one assembly only. When two assemblies are used on a tractor, double the quantity shown must be ordered.

TRACK ROLLER AND FRAME ASSEMBLY
Crawler (Serial No. 60001-62263)



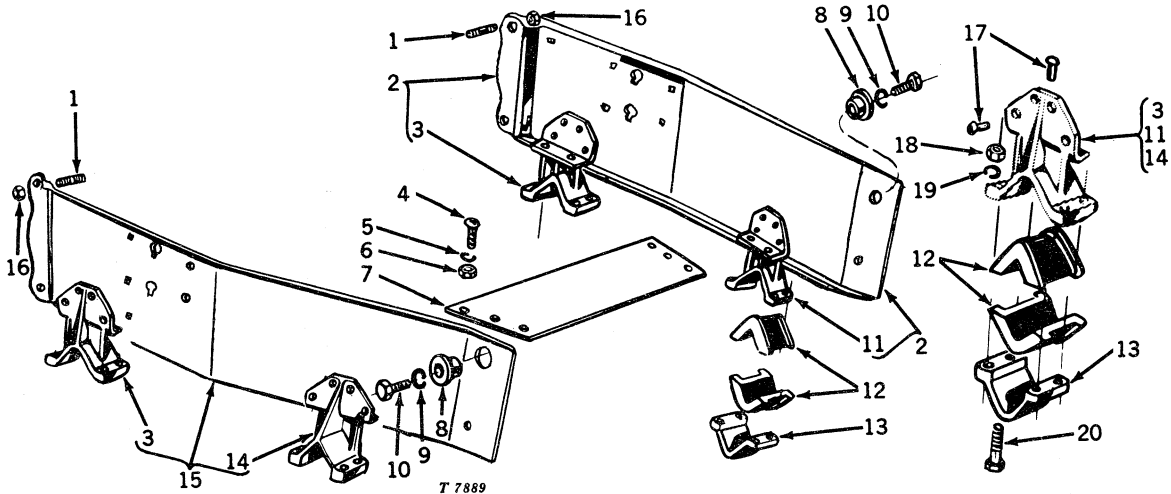
Key	Part No.	Serial No.	Description
1	JD 7821*	(60001-62263)	Fitting, grease (4 used) (No. A1188)
2	TE 45 YT	(60001-62263)	Sleeve, outside (3 used) (sub. for AM1127T)
3	ATE 1044 YT	(60001-62263)	Roller assembly (3 used)
4	TE 745 YT	(60001-62263)	Shaft (3 used)
5	TE 46 YT	(60001-62263)	Sleeve, inside (3 used) (sub. for AM1128T)
6	12H 303 A	(60001-62263)	Washer, lock, 5/16" (6 used)
7	19H 2020 A	(60001-62263)	Screw, cap, 5/16" x 1-1/2"
8	TE 295 YT	(60001-62263)	Cover, track frame
9	JD 7822*	(60001-62263)	Gum, grease (No. 4023C)
10	JD 7823*	(60001-62263)	Hose, with swivel and btn. hd. coupler (No. 7089)
11	TE 235 YT	(60001-62263)	Sprocket, drive, 36"-46" tread
	TE 225 YT	(60001-62263)	Sprocket, drive, 38"-44" tread
12	14H 812 A	(60001-62263)	Nut, hex., 3/8" (2 used)
13	12H 304 A	(60001-62263)	Washer, lock, 3/8" (2 used)
14	TE 22 YT	(60001-62263)	Strap
15	14H 760 A	(60001-62263)	Nut, hex., 5/8" (12 used)
16	12H 294 A	(60001-62263)	Washer, lock, 5/8" (12 used)
17	TE 25 YT	(60001-62263)	Clamp (4 used) (sub. for AM1129T)
18	3H 1605 A	(60001-62263)	Bolt, cge., 5/8" x 4" (8 used)
19	TE 219 YT	(60001-62263)	Head (2 used)
20	TE 746 YT	(60001-62263)	Spring (2 used)
21	TE 217 YT	(60001-62263)	Nut (2 used)
22	ATE 2213 YT	(60001-62263)	Bolt (2 used) (sub. for AM1136T)
23	9042 YT	(60001-62263)	Screw, self-tapping (2 used)
24	TE 297 YT	(60001-62263)	Cover, dust (2 used)
25	3H 1493 A	(60001-62263)	Bolt, cge., 5/8" x 8-3/4" (4 used)
26	TE 231 YT	(60001-62263)	Bracket, left (sub. for AM1646T)
27	ATE 2079 YT	(60001-62263)	Frame, left side
28	ATE 2229 YT	(60001-62263)	Wheel, idler assembly, with grease fitting
29	TE 234 YT	(60001-62263)	Shaft, front idler

TRACK ROLLER AND FRAME ASSEMBLY -- Continued
Crawler (Serial No. 60001-62263)

Key	Part No.	Serial No.	Description
30	TE 232 YT	(60001-62263)	Bracket, right (sub. for AM1647T)
31	TE 23 YT	(60001-62263)	Spacer (4 used)
32	3H 1519 A	(60001-62263)	Bolt, cge., 3/8" x 1" (2 used)
33	JD 21 T	(60001-62263)	Bolt, hub, special (6 used)
34	ATE 2078 YT	(60001-62263)	Side frame, right
35	TE 20 YT	(60001-62263)	Hub, idler (2 used)

*Branch house and dealers stock shall be obtained from an authorized Alemite distributor.

SIDE FRAME ASSEMBLY
Crawler



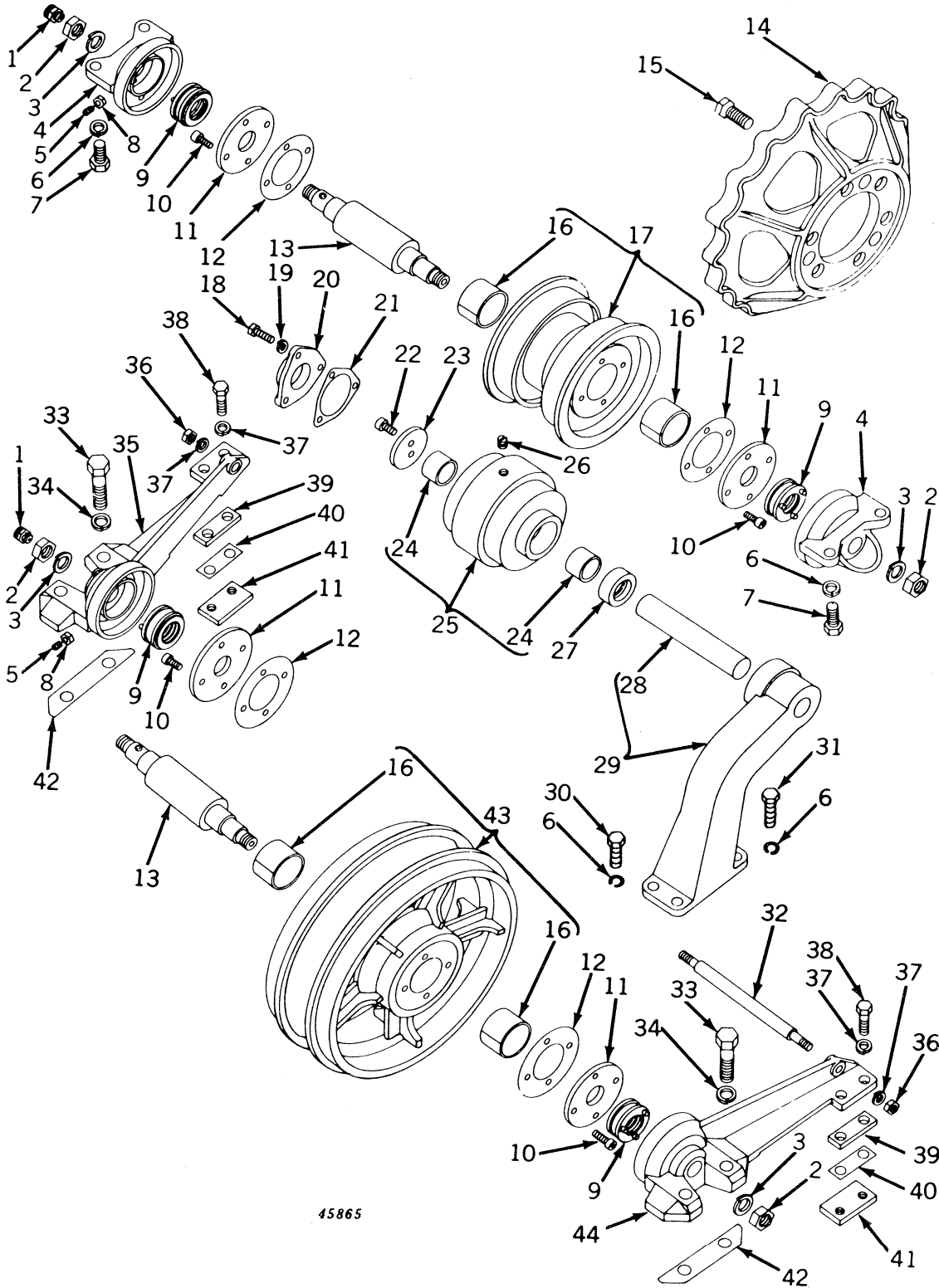
Key	Part No.	Serial No.	Description
1	M 878 T	(-64914)	Stud (4 used)
	M 2560 T	(64915-)	Screw, cap, 9/16" x 1-7/8" (3 used)
2	ATE 2293 YT	(-62263)	Frame, left
	AM 2150 T	(62264-64940)	Frame, left
	AM 3364 T	(64941-)	Frame, left (also order one M3706T) (sub. for AM2339T and AM2915T)
3	TE 209 YT	(-62263)	Bracket, rear (2 used)
	M 2390 T	(62264-64940)	Bracket, rear (2 used)
	M 3520 T	(64941-)	Bracket, rear (2 used) (sub. for M2549T)
4	3H 1519 A	(-)	Bolt, rd. hd., 3/8" x 1" (6 used)
5	12H 304 A	(-)	Washer, lock, 3/8" (6 used)
6	14H 812 A	(-)	Nut, hex., 3/8" (6 used)
7	T 11035 T	(-)	Brace (sub. for TE283YT)
8	TE 239 YT	(-)	Bushing (2 used)
9	12H 236 A	(-)	Washer, lock, 3/4" (2 used)
10	19H 1768 A	(-)	Screw, cap, 3/4" x 2" (2 used)
11	TE 207 YT	(-62263)	Bracket, left front
	M 3519 T	(62264-)	Bracket, left front (sub. for M2391T)
12	TE 203 YT	(-62263)	Mounting, rubber (set of 2) (4 sets used) (sub. for AM1137T)
	M 2384 T	(62264-)	Mounting, rubber (8 used)
13	TE 201 YT	(-62263)	Cap (4 used)
	M 2383 T	(62264-)	Cap (4 used)
14	TE 208 YT	(-62263)	Bracket, right, front
	M 2389 T	(62264-)	Bracket, right, front
15	ATE 2294 YT	(-62263)	Frame, right
	AM 2149 T	(62264-64940)	Frame, right
	AM 3363 T	(64941-)	Frame, right (also order one M3706T) (sub. for AM2340T and AM2912T)
16	M 375 T	(-)	Nut, hex., special (4 used) (packed 10 in a pkg.)
17	16H 1342 A	(-)	Rivet, 3/8" x 1-1/4" (24 used)
18	14H 809 A	(-)	Nut, hex., 1/2" (16 used)
19	12H 301 A	(-)	Washer, lock, 1/2" (16 used)
20	3H 1591 A	(-)	Bolt, rd. hd., 1/2" x 2-1/4" (16 used)

FOUR-ROLLER TRACK ROLLER AND IDLER ASSEMBLY -- Continued
Crawler (Serial No. 62264-Up)

Key	Part No.	Serial No.	Description
1	JD 7828*†#	(62264-)	Fitting, grease (5 used)
2	14H 482 A*†#	(62264-)	Nut, hex. jam, 3/4" (10 used)
3	12H 236 A*†#	(62264-)	Washer, lock, 3/4" (10 used)
4	M 2239 T#	(62264-)	Bracket, roller (8 used)
5	22H 712 A#	(62264-)	Screw, set, 5/16" x 1-1/2" (5 used)
6	12H 301 A	(62264-)	Washer, lock, 1/2" (16 used)
7	19H 1940 A	(62264-)	Screw, cap, 1/2" x 1-1/4" (16 used)
8	14H 611 A#	(62264-)	Nut, hex. jam, 5/16" (5 used)
9	AM 2011 T#	(62264-)	Seal, oil (10 used) (packed 6 in a pkg.)
10	M 2237 T*†#	(62264-)	Screw, cap, socket hd., 5/16" x 3/4" (40 used) (packed 50 in a pkg.)
11	M 2236 T*†#	(62264-)	Plate, thrust (10 used)
12	M 2235 T*†#	(62264-)	Shim, thrust plate, .005" (10 used) (packed 6 in a pkg.)
13	M 3785 T*†#	(62264-)	Shaft, roller and idler (5 used) (sub. for M2238T)
14	TE 235 YT	(62264-)	Sprocket, drive, 36"-46" tread
	TE 225 YT	(62264-)	Sprocket, drive, 38"-44" tread
15	JD 21 T	(62264-)	Bolt, hub, special (6 used)
16	M 2266 T*†#	(62264-)	Bushing (10 used)
17	AM 2009 T#	(62264-)	Roller (M2233T), and bushing assembly (4 used)
18	12H 294 A	(62264-)	Washer, lock, 5/8" (4 used)
19	19H 1377 A	(62264-)	Screw, cap, 5/8" x 2-1/8" (4 used)
20	M 1823 T	(62264-)	Bracket, right idler
21	14H 813 A	(62264-)	Nut, hex., 7/16" (2 used)
22	12H 293 A	(62264-)	Washer, lock, 7/16" (6 used)
23	19H 1978 A	(62264-)	Screw, cap, 7/16" x 1-1/2" (4 used)
24	M 2242 T	(62264-)	Spacer, guide (2 used)
25	M 2241 T	(62264-)	Shim, guide spacer, .010" (12 used) (packed 4 in a pkg.)
26	M 2243 T	(62264-)	Guide (2 used)
27	T 16669 T	(62264-)	Shim, idler bracket, .010" (12 used) (sub. for M2247T)
28	AM 2645 T†	(62264-)	Idler and bushing assembly, standard (sub. for M1827T, M2295T, M2768T, and AM2075T)
	AM 2646 T*	(62264-)	Idler and bushing assembly, oversize (sub. for M2295T, M2445T, M2769T, and AM2252T)
29	M 1824 T	(62264-)	Bracket, left idler
30	M 2814 T	(62264-)	Spacer (sub. for M2240T)
..	JD 7830	(62264-)	Gun, grease
..	JD 7831	(62264-)	Hose, with coupler
..	AT 12233 T	(62264-)	Idler, front, oversize (includes all part numbers followed by an asterisk (*) which is sufficient to service one front idler)
..	AT 12234 T	(62264-)	Idler, front, (includes all part numbers followed by a dagger (†) which is sufficient to service one front idler)
..	AM 2008 T	(62264-)	Roller and bracket assembly (includes all part numbers followed by a number sign (#) which is sufficient to service one roller and bracket assembly)

NOTE: Quantity shown above is for one assembly only. When two assemblies are used in a tractor, double the quantity shown must be ordered. When no quantity is shown, only one part should be used.

FIVE-ROLLER TRACK ROLLER AND IDLER ASSEMBLY
Crawler (Serial No. 62264-Up)



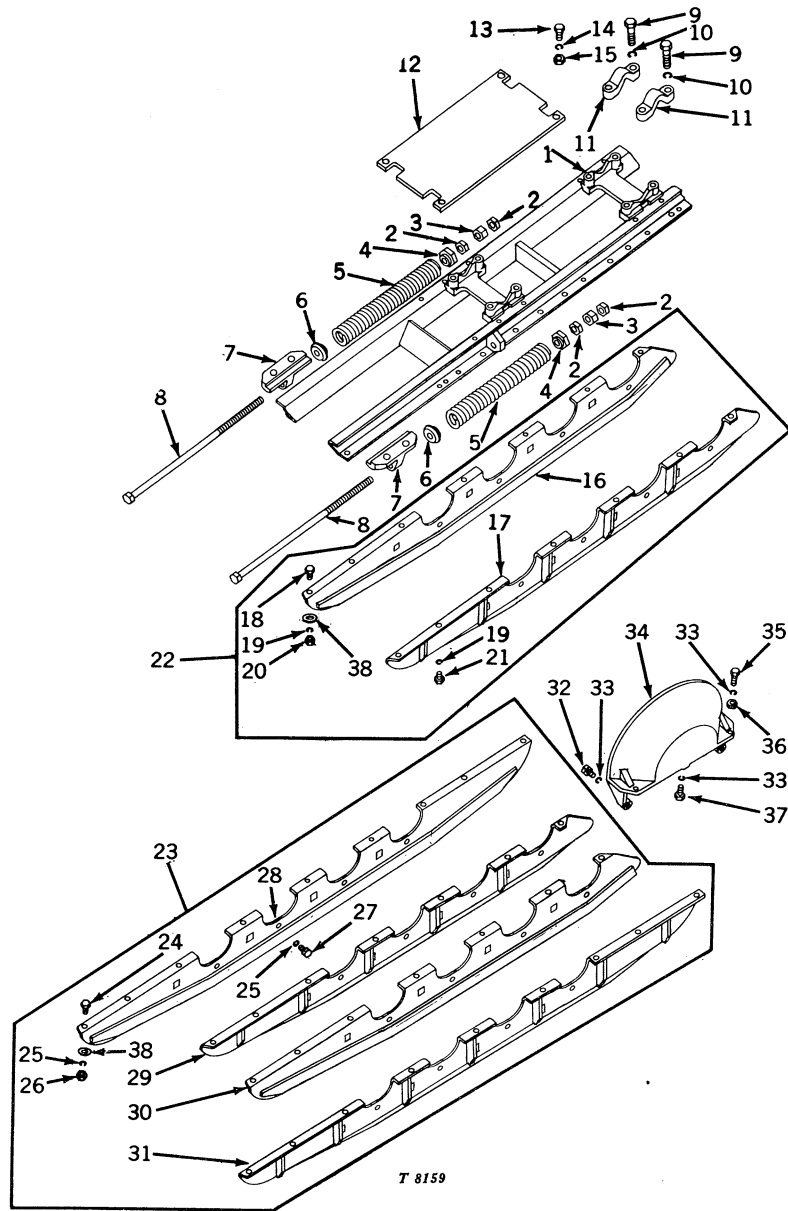
45865

FIVE-ROLLER TRACK ROLLER AND IDLER ASSEMBLY -- Continued
Crawler (Serial No. 62264-Up)

Key	Part No.	Serial No.	Description
1	JD 7828*	(62264-)	Fitting, grease (6 used)
2	14H 482 A*	(62264-)	Nut, hex. jam, 3/4" (12 used)
3	12H 236 A*	(62264-)	Washer, lock, 3/4" (12 used)
4	M 2239 T	(62264-)	Bracket, roller (10 used)
5	22H 712 A	(62264-)	Screw, set, 5/16" x 1-1/2" (6 used)
6	12H 301 A	(62264-)	Washer, lock, 1/2" (24 used)
7	19H 1940 A	(62264-)	Screw, cap, 1/2" x 1-1/4" (20 used)
8	14H 611 A	(62264-)	Nut, hex. jam (6 used)
9	AM 2011 T	(62264-)	Seal, oil (12 used) (packed 6 in a pkg.)
10	M 2237 T*	(62264-)	Screw, cap, socket hd., 5/16" x 3/4" (48 used) (packed 50 in a pkg.)
11	M 2236 T*	(62264-)	Plate, thrust (12 used)
12	M 2235 T*	(62264-)	Shim, thrust plate, .005" (12 used) (packed 6 in a pkg.)
13	M 3785 T*	(62264-)	Shaft, roller and idler (6 used) (sub. for M2238T)
14	TE 235 YT	(62264-)	Sprocket, 36"-46" tread
	TE 255 YT	(62264-)	Sprocket, 38"-44" tread
15	JD 21 T	(62264-)	Bolt, hub, special (6 used)
16	M 2266 T*	(62264-)	Bushing (12 used)
17	AM 2009 T	(62264-)	Roller (M2233T), and bushing assembly (5 used)
18	19H 1139 A	(62264-)	Screw, cap, 3/8" x 1-1/8" (3 used)
19	12H 304 A	(62264-)	Washer, lock, 3/8" (3 used)
20	M 2337 T	(62264-)	Cover
21	M 2503 T	(62264-)	Shim, .005", idler cover (approx. 3 used) (packed 4 in a pkg.)
22	M 2502 T	(62264-)	Screw, cap, socket hd. (2 used)
23	M 2501 T	(62264-)	Plate, thrust
24	M 1111 T	(62264-)	Bushing (2 used)
25	AM 2257 T	(62264-)	Sub. one AT15917T (see page 95-1)
26	15H 566 A	(62264-)	Plug, pipe, slotted, 1/8" (sub. for L756T)
27	AT 12784 T	(62264-)	Seal, oil (sub. for AM2258T)
28	M 2500 T	(62264-)	Shaft, support, idler
29	AM 2256 T	(62264-)	Support and shaft assembly, right idler
	AM 2255 T	(62264-)	Support and shaft assembly, left idler
30	19H 1649 A	(62264-)	Screw, cap, idler support to frame inside, 1/2" x 1-1/8" (2 used)
31	19H 463 A	(62264-)	Screw, cap, idler support to frame outside, 1/2" x 1-1/2" (2 used)
32	M 2814 T	(62264-)	Spacer (sub. for M2240T)
33	19H 1377 A	(62264-)	Screw, cap, 5/8" x 2-1/8" (4 used)
34	12H 294 A	(62264-)	Washer, lock, 5/8" (4 used)
35	M 1823 T	(62264-)	Bracket, right idler
36	14H 813 A	(62264-)	Nut, hex., 7/16" (2 used)
37	12H 293 A	(62264-)	Washer, lock, 7/16" (6 used)
38	19H 1978 A	(62264-)	Screw, cap, 7/16" x 1-1/2" (4 used)
39	M 2242 T	(62264-)	Spacer, guide (2 used)
40	M 2241 T	(62264-)	Shim, .010", guide spacer (6 used) (packed 4 in a pkg.)
41	M 2243 T	(62264-)	Guide (2 used)
42	T 16669 T	(62264-)	Shim, idler bracket, .010" (12 used) (sub. for M2247T)
43	AM 2646 T*	(62264-)	Idler and bushing assembly, front (sub. for M2295T, M2445T, M2769T, and AM2252T)
44	M 1824 T	(62264-)	Bracket, left idler
..	JD 7830	(62264-)	Gun, grease
..	JD 7831	(62264-)	Hose, with coupler
..	AT 12233 T	(62264-)	Idler, front (includes all part numbers followed by an asterisk (*) which is sufficient to service one front idler)

NOTE: Quantity shown above is for one assembly only. When two assemblies are used in a tractor, double the quantity shown must be ordered. When no quantity is shown, only one part should be used.

FOUR-ROLLER TRACK FRAME AND ROCK GUARDS
Crawler (Serial No. 62264-Up)



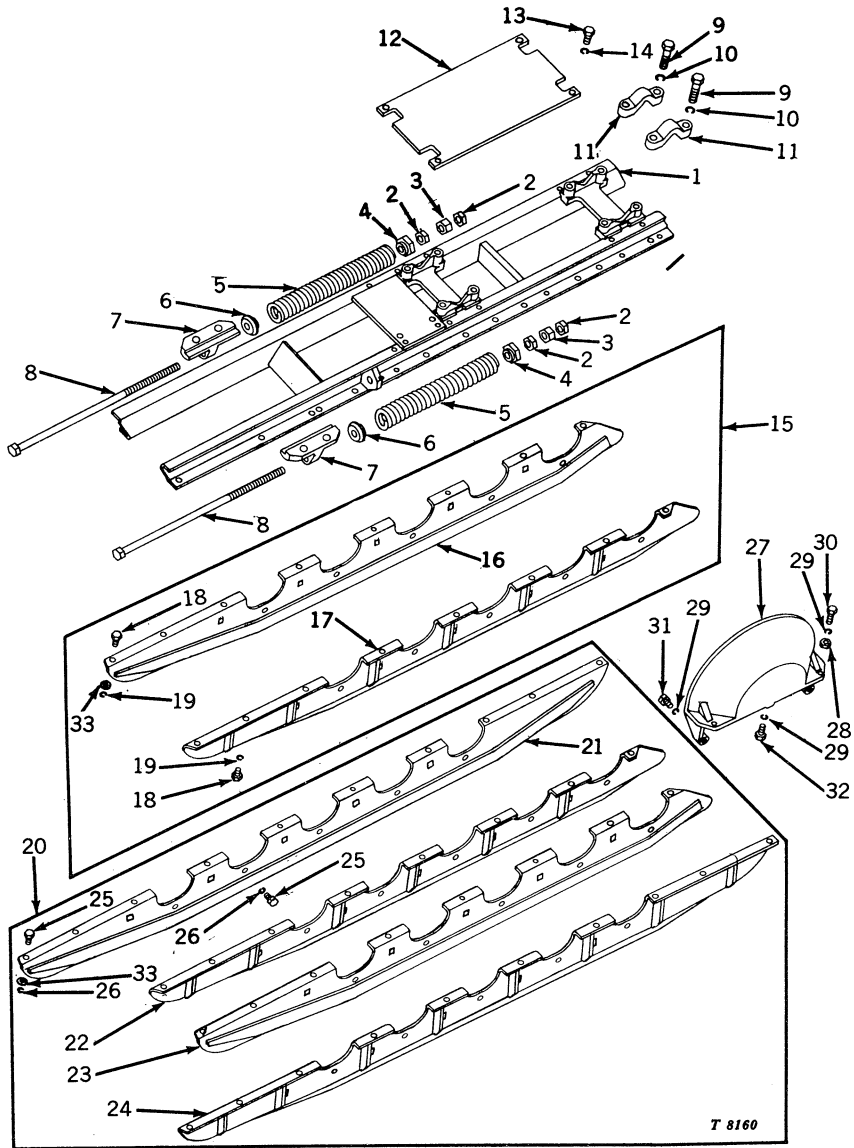
FOUR-ROLLER TRACK FRAME AND ROCK GUARDS -- Continued
Crawler (Serial No. 62264-Up)

Key	Part No.	Serial No.	Description
1	AM 2007 T	(62264-)	Frame assembly
	AM 2292 T	(62264-)	Frame assembly, right (used when sprocket shields are installed)
	AM 2291 T	(62264-)	Frame assembly, left (used when sprocket shields are installed)
2	14H 793 A	(62264-)	Nut, hex., jam, 3/4" (4 used)
3	14H 794 A	(62264-)	Nut, hex., 3/4" (2 used)
4	M 2246 T	(62264-)	Nut, adjusting (2 used)
5	TE 746 YT	(62264-)	Spring, idler (2 used)
6	M 2245 T	(62264-)	Washer, retaining (2 used)
7	M 2244 T	(62264-)	Bracket, idler spring (2 used)
8	M 2256 T	(62264-)	Bolt, mach., special, 3/4" x 23-1/2" (2 used)
9	19H 1643 A	(62264-)	Screw, cap, 5/8" x 3-1/8" (8 used)
10	12H 294 A	(62264-)	Washer, lock, 5/8" (8 used)
11	M 2835 T	(62264-)	Clamp (4 used) (sub. for M2382T)
12	M 3411 T	(62264-)	Cover, track (sub. for M2388T)
13	L 372 T	(62264-)	Screw, cap, 5/16" x 7/8" (10 used)
14	12H 303 A	(62264-)	Washer, lock, 5/16" (10 used)
15	14H 785 A	(62264-)	Nut, hex., 5/16" (10 used)
16	AM 3371 T	(62264-)	Guard, rock, right (also order five 19H1732A and seven 24H1304A) (sub. for M2248T and AM2762T)
17	AM 3372 T	(62264-)	Guard, rock, left (also order five 19H1732A and seven 24H1304A) (sub. for M2249T and AM2763T)
18	19H 1731 A	(62264-)	Screw, cap, 3/8" x 1" (10 used)
	19H 1732 A	(62264-)	Screw, cap, 3/8" x 1-1/4" (10 used) (used only when AM3371T right, or AM3372T left rock guard has been installed)
19	12H 304 A	(62264-)	Washer, lock, 3/8" (22 used)
20	14H 812 A	(62264-)	Nut, hex., 3/8" (10 used)
21	19H 1648 A	(62264-)	Screw, cap, 3/8" x 3/4" (12 used)
22	AM 2022 T	(62264-)	ROCK GUARD ATTACHMENT (NOT DESIGNED FOR SPROCKET SHIELDS)
23	(62264-)	ROCK GUARD ATTACHMENT (DESIGNED FOR USE WITH SPROCKET SHIELDS)
24	19H 1731 A	(62264-)	Screw, cap, 3/8" x 1" (24 used)
	19H 1732 A	(62264-)	Screw, cap, 3/8" x 1-1/4" (10 used) (used only when AM3371T or AM3372T rock guard is installed)
	19H 1732 A	(62264-)	Screw, cap, 3/8" x 1-1/4" (14 used) (used only when AM3373T or AM3375T rock guard is installed)
25	12H 304 A	(62264-)	Washer, lock, 3/8" (48 used)
26	14H 812 A	(62264-)	Nut, hex., 3/8" (24 used)
27	19H 1648 A	(62264-)	Screw, cap, 3/8" x 3/4" (24 used)
28	AM 3375 T	(62264-)	Guard, rock, outside right track frame assembly (used with sprocket shields) (also order seven 19H1732A and nine 24H1304A) (sub. for M2525T and AM2764T)
29	AM 3372 T	(62264-)	Guard, rock, inside track frame assembly (used with sprocket shields) (also order five 19H1732A and seven 24H1304A) (sub. for M2249T and AM2763T)
30	AM 3371 T	(62264-)	Guard, rock, inside left track frame assembly (used with sprocket shields) (also order five 19H1732A and seven 24H1304A) (sub. for M2248T and AM2762T)
31	AM 3373 T	(62264-)	Guard, rock, outside left track frame assembly (used with sprocket shields) (also order seven 19H1732A and nine 24H1304A) (sub. for M2526T and AM2765T)
32	19H 1800 A	(62264-)	Screw, cap, 3/8" x 1-1/2" (2 used)
33	12H 304 A	(62264-)	Washer, lock, 3/8" (5 used)
34	M 3371 T	(62264-)	Shield, sprocket (sub. for M2358T)
35	19H 1765 A	(62264-)	Screw, cap, 3/8" x 1-3/4" (2 used)
36	14H 812 A	(62264-)	Nut, hex., 3/8" (2 used)
37	19H 1800 A	(62264-)	Screw, cap, 3/8" x 1-1/2"
38	24H 1304 A	(62264-)	Washer, plain, 13/32" x 23/32" x .120" (10 used) (used only when AM3371T or AM3372T rock guard is installed)
	24H 1304 A	(62264-)	Washer, plain, 13/32" x 23/32" x .120" (18 used) (used only when AM3373T or AM3375T rock guard is installed)

Note: Quantity shown above is for one assembly only. When two assemblies are used in a tractor, double the quantity shown must be ordered. When no quantity is shown, only one part should be used.

Capital letters indicate an attachment. Attachments must be listed on separate order from replacement parts.

FIVE-ROLLER TRACK FRAME AND ROCK GUARDS
Crawler (Serial No. 62264-Up)



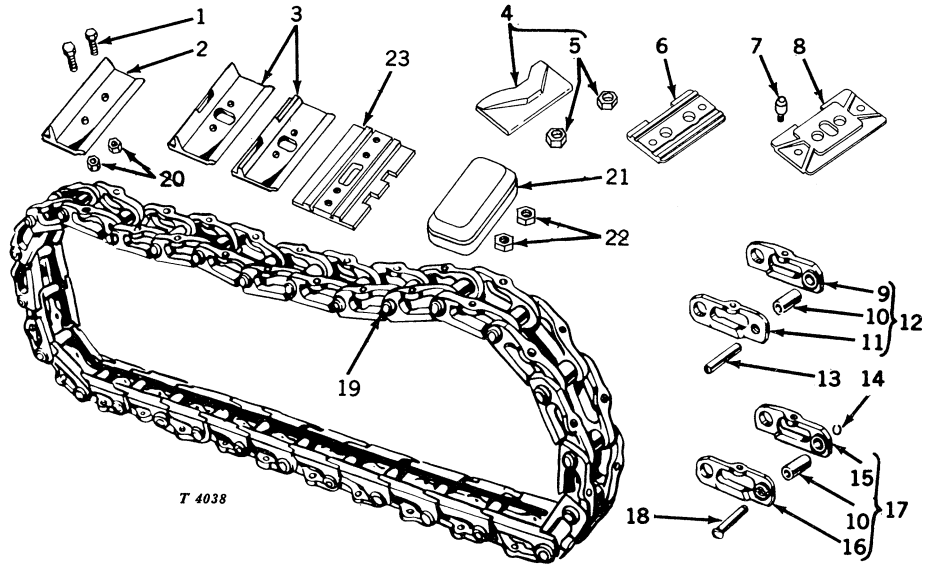
FIVE-ROLLER TRACK FRAME AND ROCK GUARD -- Continued
Crawler (Serial No. 62264-Up)

Key	Part No.	Serial No.	Description
1	AM 2250 T	(62264-)	Frame assembly, right
	AM 2249 T	(62264-)	Frame assembly, left
	AM 2264 T	(62264-)	Frame assembly, right (used when sprocket shields are installed)
	AM 2263 T	(62264-)	Frame assembly, left (used when sprocket shields are installed)
2	14H 793 A	(62264-)	Nut, hex. jam, 3/4" (4 used)
3	14H 794 A	(62264-)	Nut, hex., 3/4" (2 used)
4	M 2246 T	(62264-)	Nut, adjusting (2 used)
5	TE 746 YT	(62264-)	Spring, idler (2 used)
6	M 2245 T	(62264-)	Washer, retaining (2 used)
7	M 2244 T	(62264-)	Bracket, idler spring (2 used)
8	M 2256 T	(62264-)	Bolt, mach., special, 3/4" x 23-1/2"
9	19H 1643 A	(62264-)	Screw, cap, 5/8" x 3-1/8" (8 used)
10	12H 294 A	(62264-)	Washer, lock, 5/8" (8 used)
11	M 2835 T	(62264-)	Clamp (4 used) (sub. for M2382T)
12	M 3411 T	(62264-)	Cover, right and left (2 used) (sub. for M2504T and M2505T)
13	19H 1813 A	(62264-)	Screw, cap, 5/16" x 5/8" (10 used)
14	12H 303 A	(62264-)	Washer, lock, 5/16" (10 used)
15	AM 2267 T	(62264-)	ROCK GUARD ATTACHMENT (NOT DESIGNED FOR SPROCKET SHIELDS)
16	AM 3377 T	(62264-)	Guard, rock, right (2 used) (not used with sprocket shields) (also order eight 19H1732A and eight 24H1304A) (sub. for M2506T and AM2766T)
17	AM 3380 T	(62264-)	Guard, rock, left (2 used) (not used with sprocket shields) (also order eight 19H1732A and eight 24H1304A) (sub. for M2507T and AM2767T)
18	19H 1648 A	(62264-)	Screw, cap, 3/8" x 3/4" (26 used)
	19H 1732 A	(62264-)	Screw, cap, 3/8" x 1-1/4" (16 used) (used only when AM3377T or AM3380T rock guard is installed)
19	12H 304 A	(62264-)	Washer, lock, 3/8" (26 used)
20	(62264-)	ROCK GUARD ATTACHMENT (DESIGNED FOR USE WITH SPROCKET SHIELDS)
21	AM 3381 T	(62264-)	Guard, rock, outside right track frame assembly (used with sprocket shields) (also order ten 19H1732A and ten 24H1304A) (sub. for M2508T and AM2768T)
22	AM 3380 T	(62264-)	Guard, rock, inside right track frame assembly (used with sprocket shields) (also order eight 19H1732A and eight 24H1304A) (sub. for M2507T and AM2767T)
23	AM 3377 T	(62264-)	Guard, rock, inside left track frame assembly (used with sprocket shields) (also order eight 19H1732A and eight 24H1304A) (sub. for M2506T and AM2766T)
24	AM 3378 T	(62264-)	Guard, rock, outside left track frame assembly (used with sprocket shields) (also order ten 19H1732A and ten 24H1304A) (sub. for M2509T and AM2769T)
25	19H 1648 A	(62264-)	Screw, cap, 3/8" x 3/4" (56 used)
	19H 1732 A	(62264-)	Screw, cap, 3/8" x 1-1/4" (16 used) (used only when AM3377T or AM3380T rock guard is installed)
	19H 1732 A	(62264-)	Screw, cap, 3/8" x 1-1/4" (20 used) (used only when AM3378T or AM3381T rock guard is installed)
26	12H 304 A	(62264-)	Washer, lock, 3/8" (56 used)
27	M 3371 T	(62264-)	Shield, sprocket (sub. for M2358T)
28	14H 812 A	(62264-)	Nut, hex., 3/8" (2 used)
29	12H 304 A	(62264-)	Washer, lock, 3/8" (5 used)
30	19H 1765 A	(62264-)	Screw, cap, 3/8" x 1-3/4" (2 used)
31	19H 1800 A	(62264-)	Screw, cap, 3/8" x 1-1/2" (2 used)
32	19H 1800 A	(62264-)	Screw, cap, 3/8" x 1-1/2"
33	24H 1304 A	(62264-)	Washer, plain, 13/32" x 23/32" x .120" (16 used) (used only when AM3377T or AM3380T rock guard is installed)
	24H 1304 A	(62264-)	Washer, plain, 13/32" x 23/32" x .120" (20 used) (used only when AM3378T or AM3381T rock guard is installed)

NOTE: Quantity shown above is for one assembly only with the exception of keys 25 and 26, which includes both assemblies.

Capital letters indicate an attachment. Attachments must be listed on separate order from replacement parts.

TRACK AND TRACK SHOE ASSEMBLY
Crawler

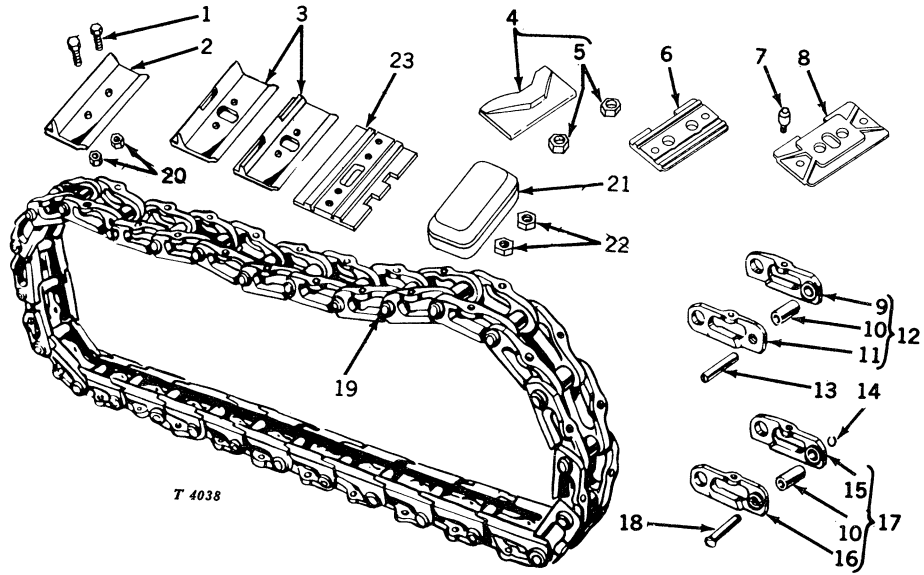


TRACK AND TRACK SHOE ASSEMBLY -- Continued
Crawler

Key	Part No.	Serial No.	Description
1	T 11297 T	(-62263)	Screw, cap (2 per shoe) (56 per track) (sub. for M1664T) (packed 100 in a pkg.)
	T 11297 T	(62264-)	Screw, cap, (2 per shoe) (62 per track) (4-roller) (sub. for M1664T) (packed 100 in a pkg.)
	T 11297 T	(63414-)	Screw, cap (2 per shoe) (64 per track) (4-roller with oversize idler) (sub. for M1664T) (packed 100 in a pkg.)
	T 11297 T	(62364-)	Screw, cap (2 per shoe) (70 per track) (5-roller) (sub. for M1664T) (packed 100 in a pkg.)
2	M 1747 T	(-62263)	Shoe, track, 10" (28 per track)
	M 1747 T	(62264-)	Shoe, track, 10" (31 per track) (4-roller)
	M 1747 T	(63414-)	Shoe, track, 10" (32 per track) (4-roller with oversize idler)
	M 1747 T	(62364-)	Shoe, track, 10" (35 per track) (5-roller)
	M 1748 T	(-62263)	Shoe, track, 12" (28 per track)
	M 1748 T	(62264-)	Shoe, track, 12" (31 per track) (4-roller)
	M 1748 T	(63414-)	Shoe, track, 12" (32 per track) (4-roller with oversize idler)
	M 1748 T	(62364-)	Shoe, track, 12" (35 per track) (5-roller)
	M 3960 T	(-62263)	Shoe, track, 12", hardened (28 per track)
	M 3960 T	(62264-)	Shoe, track, 12", hardened (31 per track) (4-roller)
	M 3960 T	(63414-)	Shoe, track, 12", hardened (32 per track) (4-roller with oversize idler)
	M 3690 T	(62364-)	Shoe, track, 12", hardened (35 per track) (5-roller)
	M 1749 T	(-62263)	Shoe, track, 14" (28 per track)
	M 1749 T	(62264-)	Shoe, track, 14" (31 per track) (4-roller)
M 1749 T	(63414-)	Shoe, track, 14" (32 per track) (4-roller with oversize idler)	
M 1749 T	(62364-)	Shoe, track, 14" (35 per track) (5-roller)	
3	M 1826 T	(-62263)	Shoe, track, snow, 12" center notch (14 per track)
	M 1826 T	(62264-)	Shoe, track, snow, 12" center notch (16 per track) (4-roller)
	M 1826 T	(63414-)	Shoe, track, snow, 12" center notch (16 per track) (4-roller with oversize idler)
	M 1826 T	(62364-)	Shoe, track, snow, 12" center notch (18 per track) (5-roller)
	M 3961 T	(-62263)	Shoe, track, snow, 12" center notch, hardened (14 per track)
	M 3961 T	(62264-)	Shoe, track, snow, 12" center notch, hardened (16 per track) (4 roller)
	M 3961 T	(63414-)	Shoe, track, snow, 12" center notch, hardened (16 per track) (4-roller with oversize idler)
	M 3961 T	(62364-)	Shoe, track, snow, 12" center notch, hardened (18 per track) (5-roller)
	M 1827 T	(-62263)	Shoe, track, snow, 12" end notch (14 per track)
	M 1827 T	(62264-)	Shoe, track, snow, 12" end notch (15 per track) (4-roller)
	M 1827 T	(63414-)	Shoe, track, snow, 12" end notch (16 per track) (4-roller with oversize idler)
	M 1827 T	(62364-)	Shoe, track, snow, 12" end notch (17 per track) (5-roller)
	M 3962 T	(-62263)	Shoe, track, snow, 12" end notch, hardened (14 per track)
	M 3962 T	(62264-)	Shoe, track, snow, 12" end notch, hardened (15 per track) (4-roller)
	M 3962 T	(63414-)	Shoe, track, snow, 12" end notch, hardened (16 per track) (4-roller with oversize idler)
	M 3962 T	(62364-)	Shoe, track, snow, 12" end notch, hardened (17 per track) (5-roller)
	M 3893 T	(-62263)	Shoe, track, snow, 14" center notch (14 per track)
	M 3893 T	(62264-)	Shoe, track, snow, 14" center notch (16 per track) (4-roller)
	M 3893 T	(63414-)	Shoe, track, snow, 14" center notch (16 per track) (4-roller with oversize idler)
	M 3893 T	(62364-)	Shoe, track, snow, 14" center notch (18 per track) (5-roller)
M 3894 T	(-62263)	Shoe, track, snow, 14" end notch (14 per track)	
M 3894 T	(62264-)	Shoe, track, snow, 14" end notch (15 per track) (4-roller)	
M 3894 T	(63414-)	Shoe, track, snow, 14" end notch (16 per track) (4-roller with oversize idler)	
M 3894 T	(62364-)	Shoe, track, snow, 14" end notch (17 per track) (5-roller)	
4	ATE 2638 YT	(-62263)	Shoe, track, rubber, with nuts (28 per track)
	ATE 2638 YT	(62264-)	Shoe, track, rubber, with nuts (31 per track) (4-roller)
	ATE 2638 YT	(63414-)	Shoe, track, rubber, with nuts (32 per track) (4-roller with oversize idler)
	ATE 2638 YT	(62364-)	Shoe, track, rubber, with nuts (35 per track) (5-roller)
5	9027 YT	(-62263)	Nut, hex. lock (56 per track)
	9027 YT	(62264-)	Nut, hex. lock (62 per track) (4-roller)
	9027 YT	(63414-)	Nut, hex. lock (64 per track) (4-roller with oversize front idler)
	9027 YT	(62364-)	Nut, hex. lock (70 per track) (5-roller)
6	M 2569 T	(-62263)	Shoe, track, flat street-type, 10" (28 per track)
	M 2569 T	(62264-)	Shoe, track, flat street-type, 10" (31 per track) (4-roller)
	M 2569 T	(63414-)	Shoe, track, flat street-type, 10" (32 per track) (4-roller with oversize idler)
M 2569 T	(62364-)	Shoe, track, flat street-type, 10" (35 per track) (5-roller)	
7	M 3950 T	(-62263)	Calk, snow (for flat street-type shoes) (56 per track)
	M 3950 T	(62264-)	Calk, snow (for flat street-type shoes) (62 per track) (4-roller)
	M 3950 T	(63414-)	Calk, snow (for flat street-type shoes) (64 per track) (4-roller with oversize idler)
	M 3950 T	(62364-)	Calk, snow (for flat street-type shoes) (70 per track) (5-roller)

Keys 8 thru 23 continued on pages 95-14 and 95-15.

TRACK AND TRACK SHOE ASSEMBLY -- Continued
Crawler

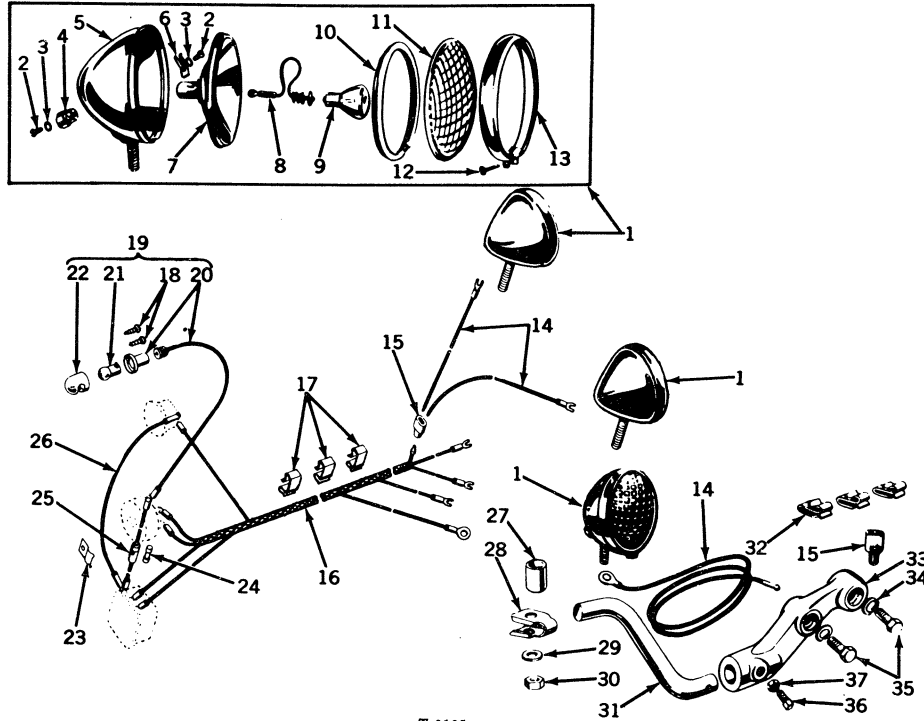


TRACK AND TRACK SHOE ASSEMBLY -- Continued
Crawler

Key	Part No.	Serial No.	Description	
8	M 2747 T	(-62263)	Shoe, track, flat street-type, 12" (28 per track)	
	M 2747 T	(62264-)	Shoe, track, flat street-type, 12" (31 per track) (4-roller)	
	M 2747 T	(63414-)	Shoe, track, flat street-type, 12" (32 per track) (4-roller with oversize idler)	
9	M 2747 T	(62364-)	Shoe, track, flat street-type, 12" (35 per track) (5-roller)	
	TE 29 YT	(-62263)	Link, track, left (27 per track) (sub. for AM1144T)	
	TE 29 YT	(62264-)	Link, track, left (30 per track) (4-roller) (sub. for AM1144T)	
	TE 29 YT	(63414-)	Link, track, left (31 per track) (4-roller with oversize idler) (sub. for AM1144T)	
10	TE 29 YT	(62364-)	Link, track, left (34 per track) (5-roller) (sub. for AM1144T)	
	M 2259 T	(-62263)	Bushing, track link (28 per track) (packed 28 in a pkg.)	
	M 2259 T	(62264-)	Bushing, track link (31 per track) (packed 28 in a pkg.) (4-roller)	
	M 2259 T	(63414-)	Bushing, track link (32 per track) (packed 28 in a pkg.) (4-roller with oversize idler)	
11	M 2259 T	(62364-)	Bushing, track link (35 per track) (packed 28 in a pkg.) (5-roller)	
	TE 28 YT	(-62263)	Link, track, right (27 per track) (sub. for AM1134T)	
	TE 28 YT	(62264-)	Link, track, right (30 per track) (4-roller) (sub. for AM1134T)	
	TE 28 YT	(63414-)	Link, track, right (31 per track) (4-roller with oversize idler) (sub. for AM1134T)	
12	TE 28 YT	(62364-)	Link, track, right (34 per track) (5-roller) (sub. for AM1134T)	
	ATE 1028 YT	(-62263)	Link assembly, plain (27 per track) (sub. for AM1145T)	
	ATE 1028 YT	(62264-)	Link assembly, plain (30 per track) (4-roller) (sub. for AM1145T)	
	ATE 1028 YT	(63414-)	Link assembly, plain (31 per track) (4-roller with oversize idler) (sub. for AM1145T)	
13	ATE 1028 YT	(62364-)	Link assembly, plain (34 per track) (5-roller) (sub. for AM1145T)	
	M 2559 T	(-62263)	Pin, track, plain (27 per track) (sub. for TE35YT) (packed 27 in a pkg.)	
	M 2559 T	(62264-)	Pin, track, plain (30 per track) (4-roller) (sub. for TE35YT) (packed 27 in a pkg.)	
	M 2559 T	(63414-)	Pin, track, plain (31 per track) (4-roller with oversize idler) (sub. for TE35YT) (packed 27 in a pkg.)	
14	M 2559 T	(62364-)	Pin, track, plain (34 per track) (5-roller) (sub. for TE35YT) (packed 27 in a pkg.)	
	14	5787 YT	(-)	Ring, snap, track lock, master pin (packed 20 in a pkg.)
	15	TE 30 YT	(-)	Link, track master, right (sub. for AM1132T)
	16	TE 31 YT	(-)	Link, track master, left (sub. for AM1133T)
17	ATE 2030 YT	(-)	Link assembly, master (one left link, one right link, and one bushing, assembled) (sub. for AM1146T)	
18	TE 433 YT	(-)	Pin, track, master	
19	ATE 1035 YT	(-62263)	Track assembly, less shoes (28 links)	
	AM 2016 T	(62264-)	Track assembly, less shoes (31 links) (4-roller)	
	AM 2325 T	(63414-)	Track assembly, less shoes (32 links) (4-roller with oversize idler)	
	AM 2271 T	(62364-)	Track assembly, less shoes (35 links) (5-roller)	
20	M 1665 T	(-62263)	Nut, hex. (2 used per shoe) (56 per track) (packed 100 in a pkg.)	
	M 1665 T	(62264-)	Nut, hex. (2 used per shoe) (62 per track) (4-roller) (packed 100 in a pkg.)	
	M 1665 T	(63414-)	Nut, hex. (2 used per shoe) (64 per track) (4-roller with oversize idler) (packed 100 in a pkg.)	
	M 1665 T	(62364-)	Nut, hex. (2 used per shoe) (70 per track) (5-roller) (packed 100 in a pkg.)	
21	AT 10961 T	(-62263)	Shoe, track, rubber, heavy-duty (28 per track)	
	AT 10961 T	(62264-)	Shoe, track, rubber, heavy-duty (31 per track) (4-roller)	
	AT 10961 T	(63414-)	Shoe, track, rubber, heavy-duty (32 per track) (4-roller with oversize idler)	
	AT 10961 T	(62364-)	Shoe, track, rubber, heavy-duty (35 per track) (5-roller)	
22	14H 865 A	(-62263)	Nut, hex., 1/2" (2 per shoe) (56 per track)	
	14H 865 A	(62264-)	Nut, hex., 1/2" (2 per shoe) (62 per track) (4-roller)	
	14H 865 A	(63414-)	Nut, hex., 1/2" (2 per shoe) (64 per track) (4-roller with oversize idler)	
	14H 865 A	(62364-)	Nut, hex., 1/2" (2 per shoe) (70 per track) (5-roller)	
23	T 11787 T	(-62263)	Shoe, track, all-purpose semi-grouser, 1/2" (28 per track)	
	T 11787 T	(62264-)	Shoe, track, all-purpose semi-grouser, 1/2" (31 per track) (4-roller)	
	T 11787 T	(63414-)	Shoe, track, all-purpose semi-grouser, 1/2" (32 per track) (4-roller with oversize idler)	
	T 11787 T	(62364-)	Shoe, track, all-purpose semi-grouser, 1/2" (35 per track) (5-roller)	

Keys 1 thru 7 are located on pages 95-12 and 95-13.

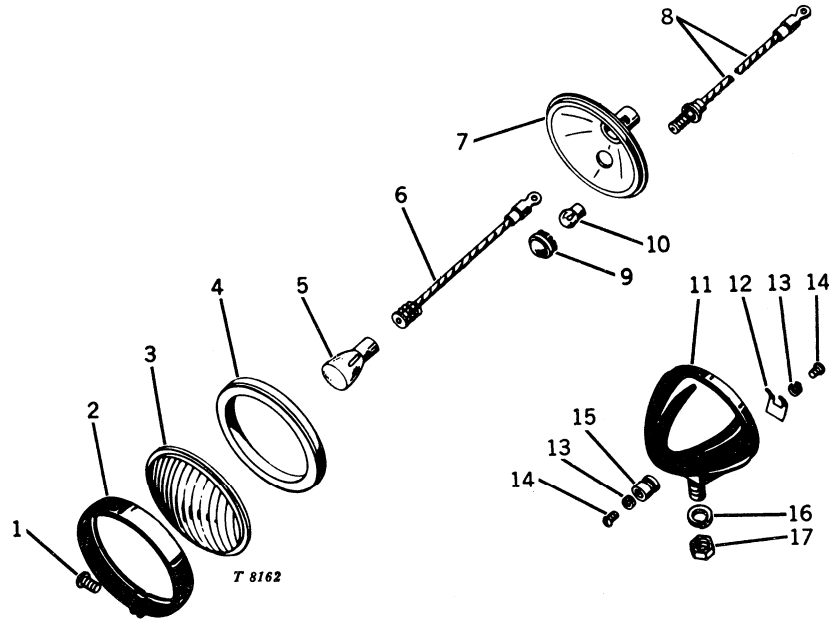
FRONT LIGHTS AND WIRING HARNESS



T 8165

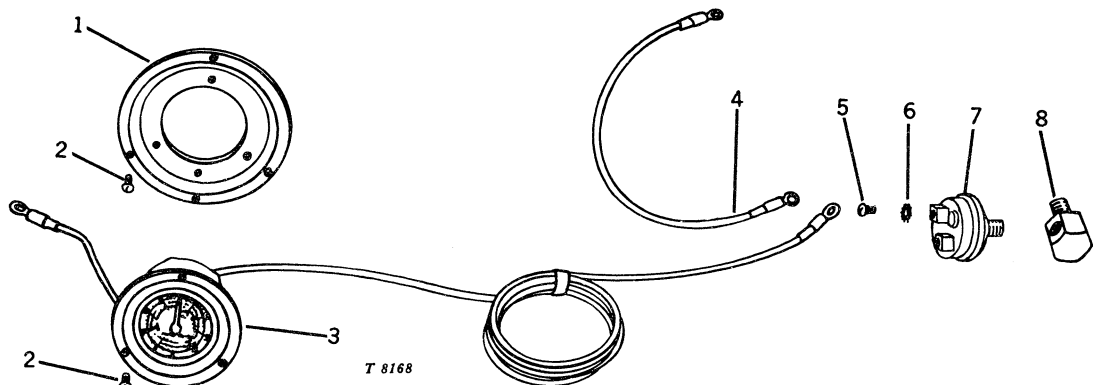
Key	Part No.	Serial No.	Description
1	AT 10571 T	(-)	Lamp, front (2 used) (sub. for AL2855T and AM3257T)
2	21H 972 A	(-)	Screw, mach., No. 8 x 5/16"
3	12H 290 A	(-)	Washer, lock, No. 8 internal tooth (sub. for A2734R)
4	AA 3495 R	(-)	Post, terminal
5	AT 11119 T	(-)	Body (sub. for 924009)
6	A 2899 R	(-)	Spring
7	AA 3238 R	(-)	Reflector (sub. for 923119)
8	AA 3240 R	(-)	Lead, wire, bulb contact to terminal post
9	AB 2820 R	(-)	Bulb
12	A 2729 R	(-)	Screw
10	AA 3239 R	(-)	Gasket
11	T 11335 T	(-)	Lens (sub. for 5936059)
13	AA 3241 R	(-)	Molding
14	AL 2971 T	(-)	Lead, wire, harness to lamp (2 used)
	AM 2099 T	(-)	Lead, wire, harness to left lamp (C when equipped with light guard attachment)
15	AM 531 T	(-)	Connector, three wire
16	AM 1865 T	(-)	Harness, wiring
17	M 632 T	(-)	Clip (3 used)
18	M 2207 T	(-)	Screw, No. 6 x 5/16" (2 used)
19	AM 1879 T	(-)	Lamp, dash
20	AB 4725 R	(-)	Wire, assembly
21	AB 2582 R	(-)	Bulb
22	B 3267 R	(-)	Cover
23	M 459 T	(-)	Clip, fuse
24	AL 2919 T	(-)	Fuse (20 amps) (packed 10 in a pkg.)
25	AM 393 T	(-)	Lead, wire, voltage regulator to switch
26	AM 355 T	(-)	Lead, wire, voltage regulator to ammeter
27	M 640 T	(-)	Spacer
28	M 1482 T	(-)	Clamp
29	24H 1111 A	(-)	Washer, plain, 17/32" x 1-1/16" x .090"
30	14H 809 A	(-)	Nut, hex., 1/2"
31	T 11022 T	(-)	Arm, front (sub. for M647T)
32	M 644 T	(-)	Clip (3 used)
33	M 646 T	(-)	Bracket, front
34	12H 303 A	(-)	Washer, lock, 5/16" (4 used)
35	19H 1849 A	(-)	Screw, cap, 5/16" x 1-1/4" (2 used)
36	22H 724 A	(-)	Screw, set, 5/16" x 1"
37	14H 611 A	(-)	Nut, hex. jam, 5/16"

REAR LIGHT ASSEMBLY



Key	Part No.	Serial No.	Description
1	A 2729 R	(-)	Screw
2	AA 3241 R	(-)	Molding
3	A 2731 R	(-)	Lens
4	AA 3239 R	(-)	Gasket
5	AB 2820 R	(-)	Bulb, 6-8 volt, 32 C.P., single contact
6	AA 4666 R	(-)	Lead, large bulb
7	AA 4924 R	(-)	Reflector
8	AA 4926 R	(-)	Lead, warning bulb
9	AA 4925 R	(-)	Jewel, red
10	AB 4059 R	(-)	Bulb, 6-8 volt, 1 C.P., single contact
11	(-)	Body (sub. for AR28227R)
12	A 2899 R	(-)	Spring, terminal (2 used)
13	12H 290 A	(-)	Washer, lock, No. 8 (4 used) (sub. for A2734R)
14	21H 972 A	(-)	Screw, mach., No. 8 x 5/16" (4 used)
15	AB 3739 R	(-)	Post, terminal (2 used)
16	24H 1111 A	(-)	Washer, plain, 17/32" x 1-1/16" x .090"
17	14H 809 A	(-)	Nut, hex., 1/2"

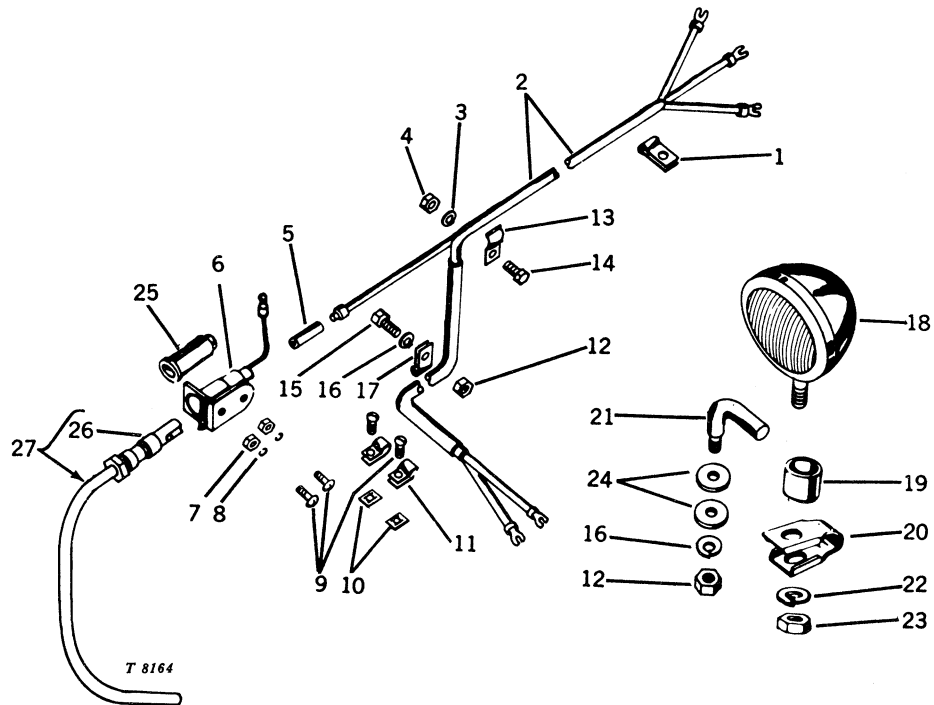
HOUR METER ATTACHMENT



Key	Part No.	Serial No.	Description
1	AM 1664 T	(-)	Vibration dampener
2	21H 1076 A	(-)	Screw, mach., No. 6 x 5/16" (6 used)
3	AM 1660 T	(-)	Hour meter assembly
4	AM 1663 T	(-)	Lead, wire
5	21H 1189 A	(-)	Screw, mach., No. 10 x 1/4" (2 used)
6	12H 246 A	(-)	Washer, lock, No. 10 (2 used)
7	AM 1661 T	(-)	Switch, pressure
8	T 16671 T	(-)	Adaptor (sub. for M1577T)
..	AM 1945 T	(-)	HOUR METER ATTACHMENT

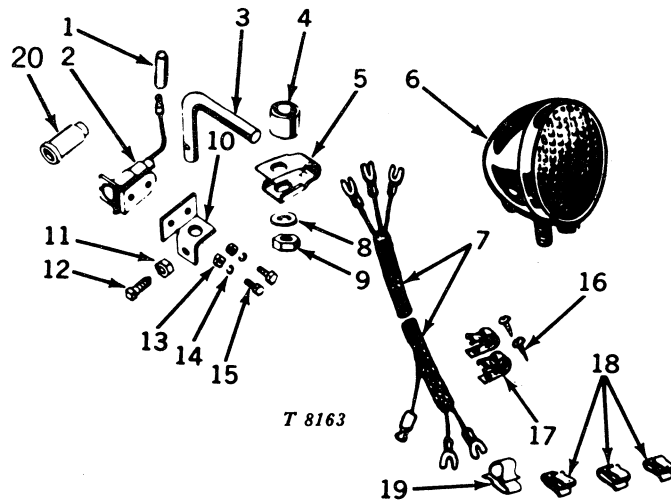
Capital letters indicate an attachment. Attachments must be listed on separate order from replacement parts.

REAR LIGHT AND WIRING HARNESS



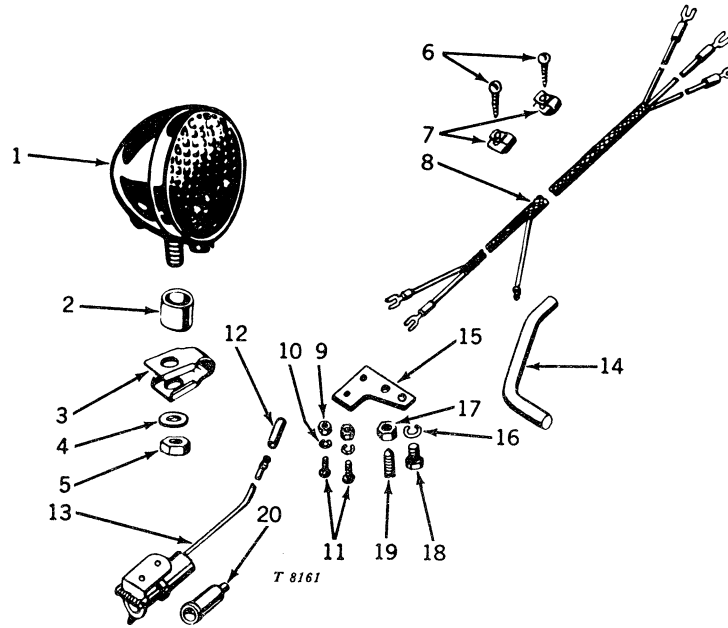
Key	Part No.	Serial No.	Description
1	L 4353 T	(-)	Clamp
2	AM 2038 T	(-)	Harness, wiring assembly, rear
3	12H 303 A	(-)	Washer, lock, 5/16"
4	14H 785 A	(-)	Nut, hex., 5/16"
5	AL 2976 T	(-)	Connector, two wire
6	AM 2049 T	(-)	Socket, auxiliary light (sub. for AM1982T)
7	14H 778 A	(-)	Nut, hex., No. 10 (2 used)
8	12H 246 A	(-)	Washer, lock, No. 10 (2 used)
9	21H 1019 A	(-)	Screw, mach., No. 10 x 1/2" (4 used)
10	M 1409 T	(-)	Nut, speed (2 used)
11	M 2267 T	(-)	Clamp (2 used)
12	14H 812 A	(-)	Nut, hex., 3/8" (2 used)
13	M 459 T	(-)	Clip
14	19H 2020 A	(-)	Screw, cap, 5/16" x 1/2"
15	19H 1732 A	(-)	Screw, cap, 3/8" x 1-1/4"
16	12H 304 A	(-)	Washer, lock, 3/8" (2 used)
17	L 4353 T	(-)	Clamp
18	AR 28227 R	(-)	Lamp, rear (sub. for AM1980T and AT10569T)
19	M 640 T	(-)	Spacer
20	M 1482 T	(-)	Clamp
21	M 1406 T	(-)	Bracket
22	12H 301 A	(-)	Washer, lock, 1/2"
23	14H 809 A	(-)	Nut, hex., 1/2"
24	M 1407 T	(-)	Washer, plain (2 used)
25	M 2399 T	(-)	Sleeve, connector
26	AA 5692 R	(-)	Plug
27	AA 5691 R	(-)	Plug, with 25-ft. cable

REAR LIGHT AND WIRING HARNESS
Hi-Crop, Tricycle, Special, and Two-Row Utility



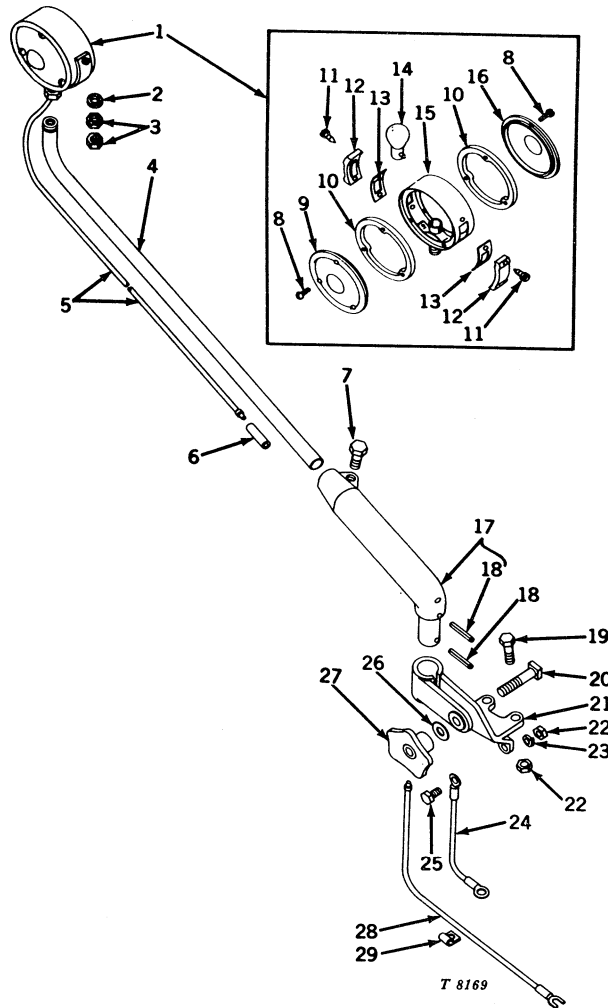
Key	Part No.	Serial No.	Description
1	AL 2976 T	(-)	Connector, two wire
2	AM 2049 T	(-)	Socket, auxiliary light
3	T 11341 T	(-)	Arm, rear light (sub. for M2015T)
4	M 640 T	(-)	Spacer
5	M 1482 T	(-)	Clamp
6	AR 28227 R	(-)	Lamp, rear (sub. for AM1980T and AT10569T)
7	AM 1981 T	(-)	Harness, wiring assembly, rear (T, V, W)
	AM 2549 T	(-)	Harness, wiring assembly, rear (H)
8	24H 1111 A	(-)	Washer, plain, 17/32" x 1-1/16" x .090"
9	14H 809 A	(-)	Nut, hex., 1/2"
10	M 2068 T	(-)	Bracket, auxiliary light socket
11	14H 611 A	(-)	Nut, hex. jam, 5/16"
12	22H 724 A	(-)	Screw, set, 5/16" x 1"
13	14H 778 A	(-)	Nut, hex., No. 10 (2 used)
14	12H 246 A	(-)	Washer, lock, No. 10 (2 used)
15	21H 1019 A	(-)	Screw, mach., No. 10 x 1/2" (2 used)
16	M 2474 T	(-)	Screw, No. 10 x 1" (2 used) (sub. for M364T)
17	AM 1120 T	(-)	Clamp, tube, with speed nut (2 used)
18	M 633 T	(-)	Clip, wiring (3 used)
19	M 644 T	(-)	Clip, wiring
20	M 2399 T	(-)	Sleeve, connector

REAR LIGHT AND WIRING HARNESS
Standard and Utility



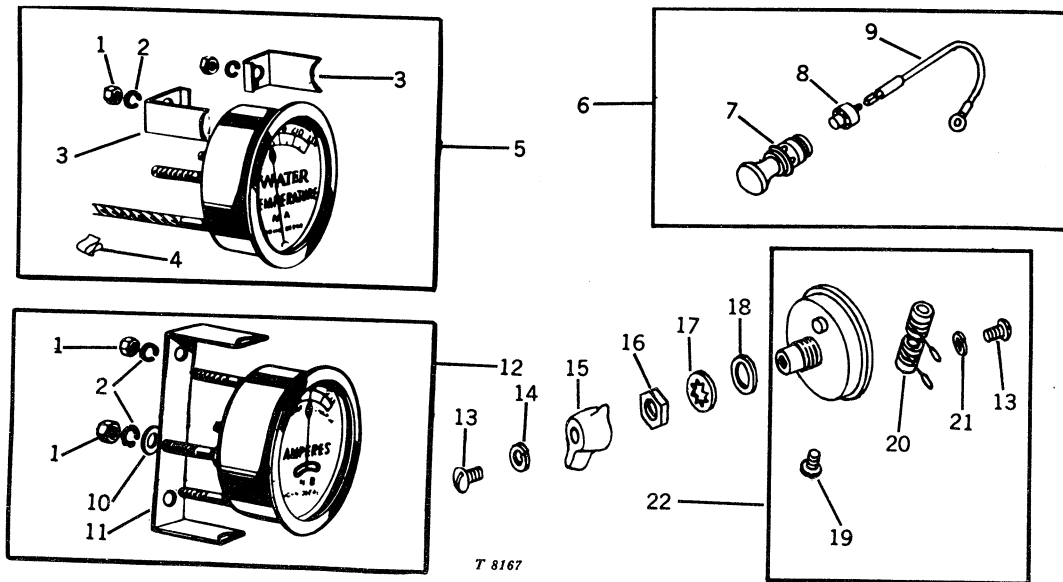
Key	Part No.	Serial No.	Description
1	AR 28227 R	(-)	Lamp assembly, rear (sub. for AM1980T and AT10569T)
2	M 640 T	(-)	Spacer
3	M 1482 T	(-)	Clamp
4	24H 1111 A	(-)	Washer, plain, 17/32" x 1-1/16" x .090"
5	14H 809 A	(-)	Nut, hex., 1/2"
6	M 2474 T	(-)	Screw, No. 10 x 1" (2 used) (sub. for M364T)
7	AM 1120 T	(-)	Clamp, tube, with speed nut
8	AM 2050 T	(-)	Harness, wiring, rear
9	14H 778 A	(-)	Nut, hex., No. 10 (2 used)
10	12H 246 A	(-)	Washer, lock, No. 10 (2 used)
11	21H 1019 A	(-)	Screw, mach., No. 10 x 1/2" (2 used)
12	AL 2976 T	(-)	Connector, two wire
13	AM 2049 T	(-)	Socket, auxiliary light
14	M 2201 T	(-)	Arm, rear light
15	M 2186 T	(-)	Bracket
16	12H 303 A	(-)	Washer, lock, 5/16"
17	14H 611 A	(-)	Nut, hex. jam, 5/16"
18	19H 2020 A	(-)	Screw, cap, 5/16" x 1/2"
19	22H 724 A	(-)	Screw, set, 5/16" x 1"
20	M 2399 T	(-)	Sleeve, connector, rubber

WARNING LIGHT ATTACHMENT
 Hi-Crop, Standard, Tricycle, Utility, Special, and Row-Crop Utility



Key	Part No.	Serial No.	Description
1	AM 2813 T	(-)	Warning lamp assembly
2	24H 1625 A	(-)	Washer, plain, 17/32" x 1" x .120"
3	14H 849 A	(-)	Nut, hex. jam, 7/16" (2 used)
4	AM 2810 T	(-)	Mast assembly
5	AM 3144 T	(-)	Lead, light, 94"
6	AL 2976 T	(-)	Connector
7	19H 1732 A	(-)	Screw, cap, 3/8" x 1-1/4"
8	21H 964 A	(-)	Screw, mach., No. 6 x 1/2" (6 used)
9	A 5276 R	(-)	Lens, red
10	A 5277 R	(-)	Gasket (2 used) (packed 2 in a pkg.)
11	M 2207 T	(-)	Screw, special (4 used)
12	A 5278 R	(-)	Lens, outlook (2 used)
13	A 5279 R	(-)	Gasket (2 used) (packed 2 in a pkg.)
14	AA 6165 R	(-)	Bulb
15	(-)	Sub. AM2813T
16	A 5275 R	(-)	Lens, amber
17	AM 2815 T	(-)	Socket assembly, with roll pin
18	34H 82 A	(-)	Pin, roll, 3/16" x 1-5/8" (2 used)
19	19H 1906 A	(-)	Screw, cap, 5/16" x 1-1/2" (2 used)
20	8H 555 A	(-)	Bolt, cge., 1/2" x 2-1/4"
21	M 2987 T	(-)	Clamp, pivot
22	14H 785 A	(-)	Nut, hex., 5/16" (3 used)
23	12H 303 A	(-)	Washer, lock, 5/16"
24	AM 2812 T	(-)	Lead, ground
25	19H 2127 A	(-)	Screw, cap, 5/16" x 7/8"
26	24H 1111 A	(-)	Washer, plain, 17/32" x 1-1/16" x .090"
27	D 1748 R	(-)	Wheel, hand tightener
28	AL 2971 T	(-)	Lead, light, 23"
29	M 644 T	(-)	Clip, wiring (5 used)

GAUGES, SWITCH, AND CIGARETTE LIGHTER

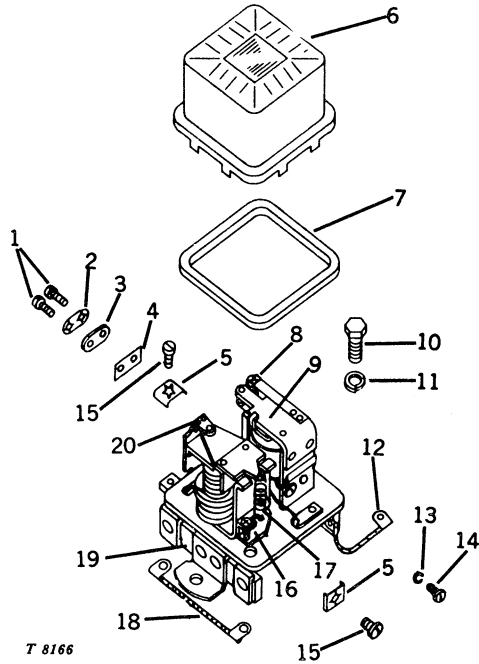


T 8167

Key	Part No.	Serial No.	Description
1	14H 631 A	(-)	Nut, hex., No. 10 (6 used)
2	12H 246 A	(-)	Washer, lock, No. 10 (6 used)
3	M 2398 T	(-66957)	Clip (2 used) (C)
	M 2398 T	(-69514)	Clip (2 used) (S)
	M 2398 T	(-75586)	Clip (2 used) (T)
	M 2398 T	(-63185)	Clip (2 used) (U)
	T 366 T	(66958-)	Bracket (C)
	T 366 T	(69515-)	Bracket (S)
	T 366 T	(75587-)	Bracket (T)
	T 366 T	(63186-)	Bracket (U)
	T 366 T	(60001-)	Bracket (H, V, W)
4	M 633 T	(-)	Clip (3 used)
5	AM 2444 T	(-)	Indicator, heat (sub. for AM1801T)
6	AM 1949 T	(-)	CIGARETTE LIGHTER ATTACHMENT
7	AM 2091 T	(-)	Pop-out unit
8	AM 2151 T	(-)	Fuse, cigarette lighter
9	AM 2152 T	(-)	Cord
10	M 731 T	(-)	Washer, plain (2 used)
11	AM 2158 T	(-)	Clamp
12	AF 2749 R	(-)	Ammeter (sub. for AB1190R and AM1864T)
13	21H 973 A	(-)	Screw, mach., No. 8 x 3/8" (3 used) (sub. for M2064T)
14	12H 315 A	(-)	Washer, lock, No. 8 (sub. for M2064T and A766R)
15	1902694	(-)	Lever
16	A 4655 R	(-)	Nut, hex. (sub. for 1902692)
17	12H 292 A	(-)	Washer, lock, 1/2" internal tooth (sub. for 138549)
18	1902924	(-)	Washer, plain
19	21H 971 A	(-)	Screw, mach., No. 8 x 5/16" (4 used)
20	1929313	(-)	Coil, dimmer (Delco-Remy) (sub. for 814545)
	AM 2757 T	(-)	Coil, dimmer (Cole-Hersee)
21	12H 290 A	(-)	Washer, lock, No. 8 (6 used) (sub. for A2734R)
22	AM 1866 T	(-)	Switch, less lever

Capital letters indicate an attachment. Attachments must be listed on separate order from replacement parts.

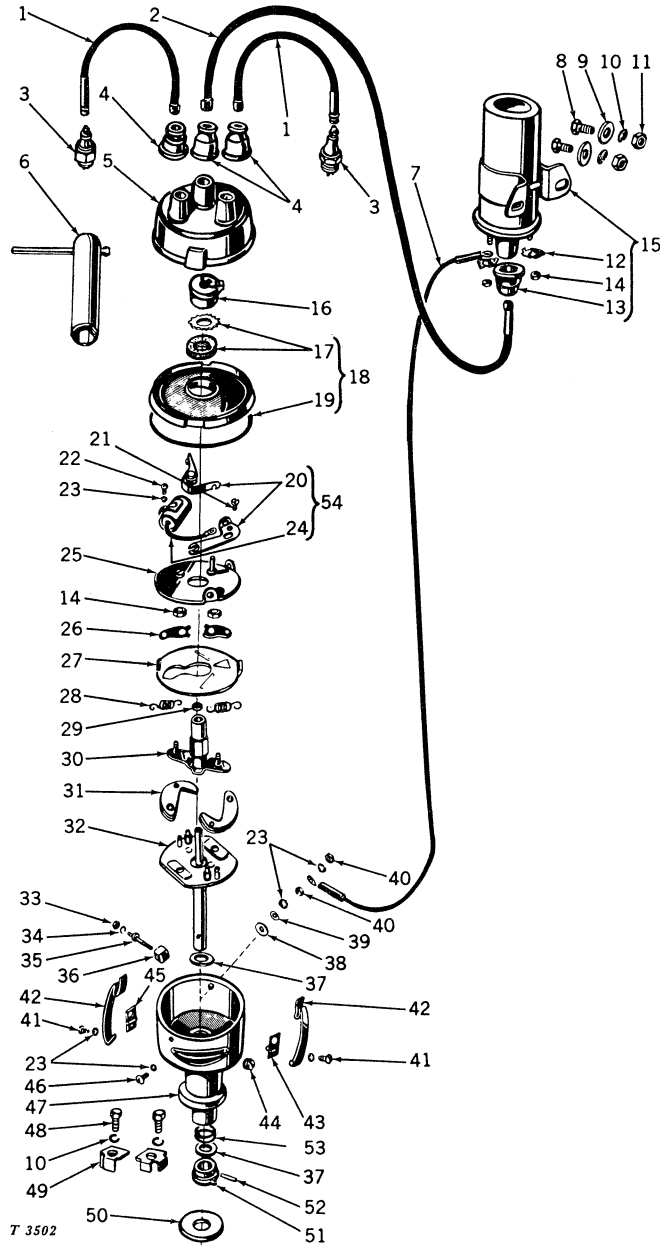
CURRENT-VOLTAGE REGULATOR
Delco-Remy No. 1118308



Key	Part No.	Serial No.	Description
1	R 11103 R	(-)	Screw, mach. (2 used) (sub. for 1878516)
2	R 11101 R	(-)	Washer, lock, double (sub. for 1878505)
3	R 11167 R	(-)	Bushing, insulating (2 used) (sub. for 1878506)
4	R 11102 R	(-)	Insulator (2 used) (sub. for 1878507)
5	12H 290 A	(-)	Washer, lock, No. 8 (4 used) (sub. for 1868137 and A2734R)
6	1909034*	(-)	Cover
7	1909035*	(-)	Gasket
8	R 11111 R	(-)	Screw, adjusting, armature (sub. for 1912159)
9	AH 14145 H	(-)	Armature assembly, relay (sub. for 1878780)
10	19H 1227 A	(-)	Screw, cap, 1/4" x 1/2" (2 used)
11	12H 302 A	(-)	Washer, lock, 1/4" (2 used)
12	1885467	(-)	Lead assembly
13	12H 314 A	(-)	Washer, lock, No. 6 (2 used) (sub. for 1904377 and R11106R)
14	1904817*	(-)	Screw, mach. (2 used)
15	21H 971 A	(-)	Screw, mach., No. 8 x 5/16" (4 used)
16	H 24106 H	(-)	Screw, adjusting, contact spring (sub. for 1922408 and T11662T)
17	R 11112 R	(-)	Spring, contact (sub. for 1912176)
18	1885297*	(-)	Resistance assembly
19	1913064	(-)	Mounting, shock
20	AR 11103 R	(-)	Support, assembly, contact (sub. for 1878517)
..	AM 1863 T	(-)	Regulator, current-voltage

*Furnished by John Deere Waterloo Tractor Works of Waterloo, Iowa.

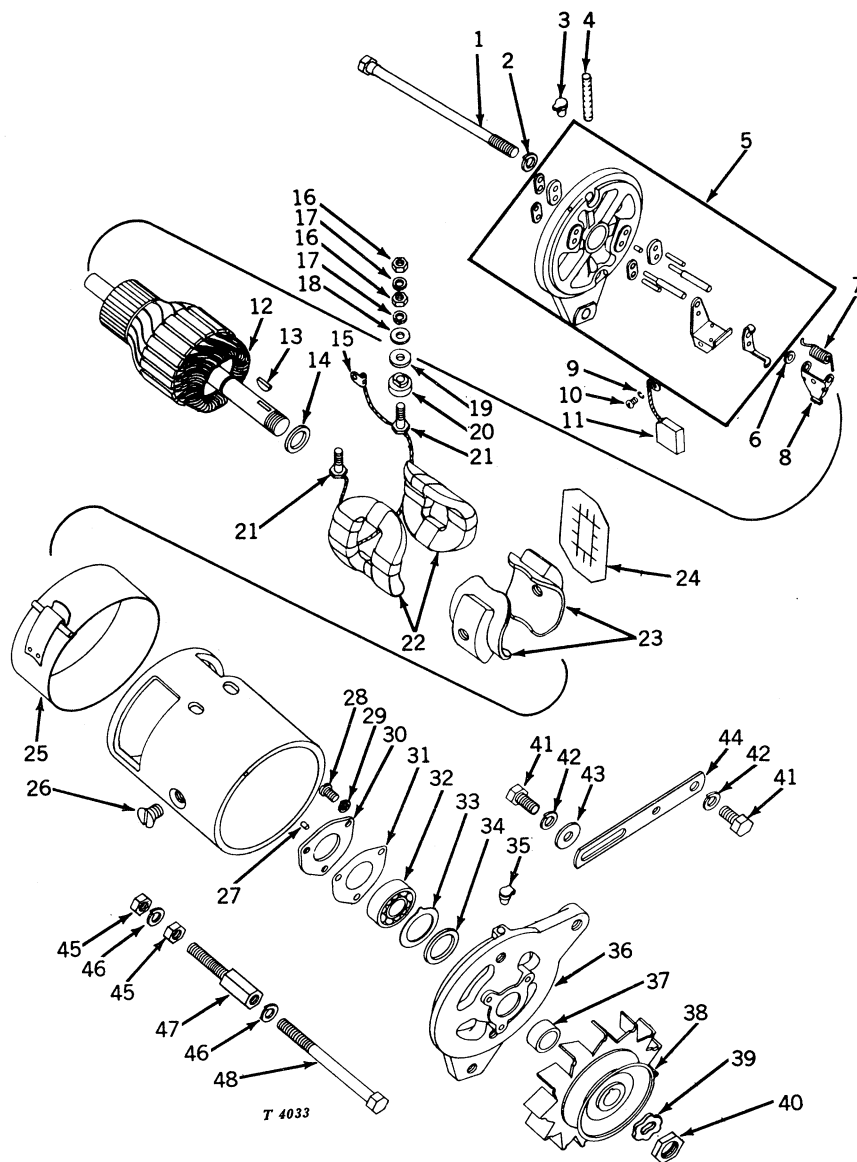
DISTRIBUTOR
Delco-Remy No. 1111709



DISTRIBUTOR -- Continued
Delco-Remy No. 1111709

Key	Part No.	Serial No.	Description
1	AM 3055 T	(-)	Cable, spark plug (2 used) (sub. for AM376T)
2	AM 374 T	(-)	Cable, coil
3	AM 514 T	(-)	Plug, spark, Champion, type H-10 (2 used) (gasoline)
	AM 1535 T	(-)	Plug, spark, A. C., type 45L (2 used) (gasoline)
	AT 17208 T	(-)	Plug, spark, Prestolite, type 14L7B (2 used) (gasoline) (sub. for AM1536T)
	AM 1640 T	(-)	Plug, spark, Champion, type J-14 (2 used) (all-fuel)
4	A 3539 R	(-)	Nipple, rubber (3 used) (sub. for M417T)
5	1909008	(-)	Cap, with carbon button
6	AM 1000 T	(-)	Wrench, spark plug
7	AM 355 T	(-)	Wire, lead, coil (sub. for AM375T)
8	19H 1900 A	(-)	Screw, cap, 5/16" x 3/4" (2 used)
9	L 1183 T	(-)	Washer (2 used)
10	12H 303 A	(-)	Washer, lock, 5/16" (4 used)
11	14H 785 A	(-)	Nut, hex., 5/16" (2 used)
12	1909206	(-)	Lock (2 used)
13	M 416 T	(-)	Nipple, rubber
14	14H 631 A	(-)	Nut, hex., No. 10 (2 used)
15	AM 373 T	(-)	Coil, ignition (sub. for AM791T) (Delco-Remy No. 1115379)
16	820445	(-)	Rotor (sub. for 1905590)
17	1914309	(-)	Seal, with retainer
18	1900119	(-)	Cover, with seal and gasket
19	1889966	(-)	Gasket
20	AT 14467 T	(-)	Point set, regular (sub. for 1911119) (packed 10 in a pkg.)
	AT 14469 T	(-)	Point set, heavy-duty (sub. for 1882965) (packed 10 in a pkg.)
21	816784	(-)	Screw, mach., adjusting
22	21H 968 A	(-)	Screw, mach., No. 8 x 3/16"
23	12H 290 A	(-)	Washer, lock, No. 8 (8 used) (sub. for 121841 and A2734R)
24	AT 14468 T	(-)	Condenser (sub. for 1869704) (packed 10 in a pkg.)
25	1847643	(-)	Plate, breaker
26	1877510	(-)	Washer, lock (2 used) (furnished by J. D. H. W.)
27	1885557	(-)	Plate (sub. for 1886131)
28	1901737	(-)	Spring (2 used)
29	816803	(-)	Wick, felt
30	1909004	(-)	Cam
31	1880902	(-)	Weight (2 used)
32	1909667	(-)	Plate
33	817363	(-)	Nut, hex., inside
34	810794	(-)	Washer, inside
35	1847647	(-)	Stud
36	1878405	(-)	Bushing, insulating, inside
37	811912	(-)	Washer, spacer (2 used)
38	1882247	(-)	Washer, insulating, outside
39	024754	(-)	Washer, outside (sub. for 813731) (packed 2 in a pkg.)
40	14H 605 A	(-)	Nut, hex., No. 8 (2 used)
41	21H 996 A	(-)	Screw, mach., No. 8 x 3/8" (2 used)
42	1889967	(-)	Spring (2 used)
43	1889999	(-)	Support
44	15H 566 A	(-)	Plug, pipe, slotted, 1/8" (sub. for L756T)
45	1847289	(-)	Support
46	21H 972 A	(-)	Screw, mach., No. 8 x 5/16" (2 used)
47	1909269 H	(-)	Housing, distributor (furnished by J. D. D. T. W.)
48	19H 1905 A	(-)	Screw, cap, 5/16" x 1" (2 used)
49	M 415 T	(-)	Clip, mounting (2 used)
50	F 2632 R	(-)	Gasket (sub. for M414T)
51	1909273	(-)	Coupling
52	829421	(-)	Pin
53	810074	(-)	Shim, .005" (as needed)
	810078	(-)	Shim, .010" (as needed)
54	AT 14465 T	(-)	Point set with condenser, regular (packed 10 in a pkg.)
	AT 14466 T	(-)	Point set with condenser, heavy-duty (packed 10 in a pkg.)
..	AM 372 T	(-)	Distributor, complete (sub. for AM792T)

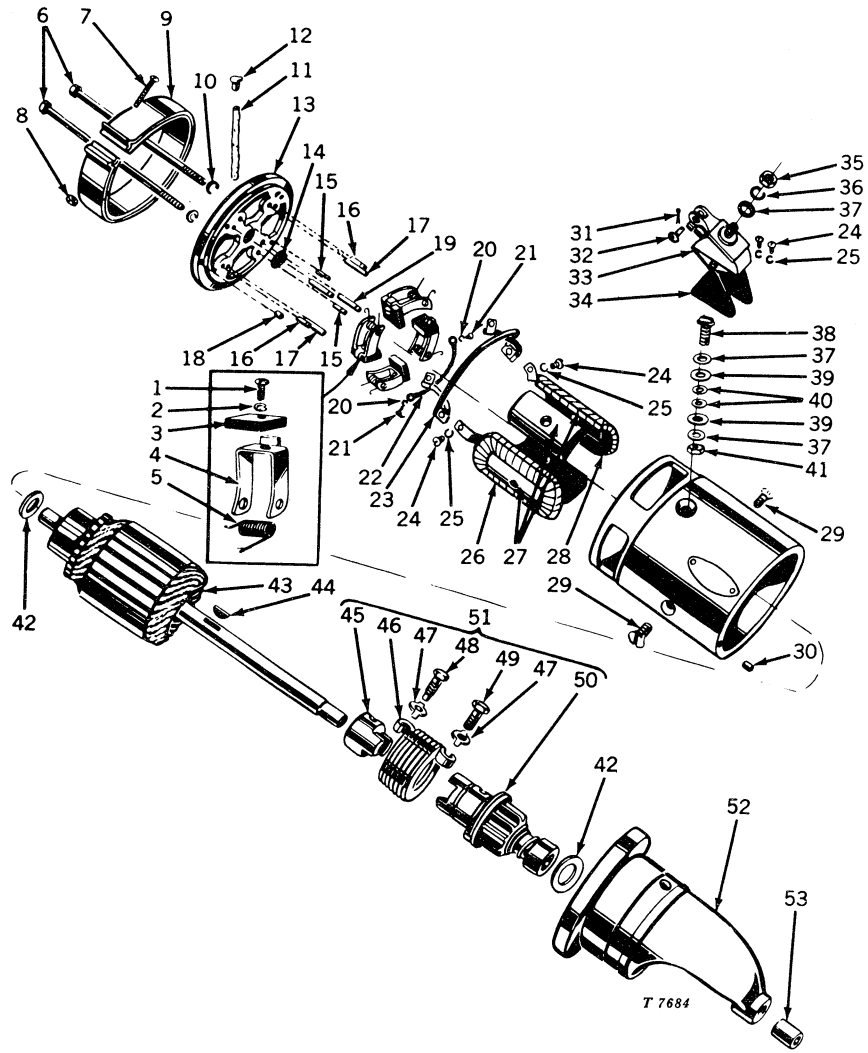
GENERATOR
Delco-Remy No. 1101859



GENERATOR -- Continued
Delco-Remy No. 1101859

Key	Part No.	Serial No.	Description
1	1905673	(-)	Bolt, thru (2 used)
2	12H 303 A	(-)	Washer, lock, 5/16" (2 used)
3	E 2302 RT	(-)	Cup, oil
4	T 12868 T	(-)	Wick (sub. for 804080)
5	1925748	(-)	Commutator end frame and brush holder assembly
6	1857412	(-)	Washer, brush arm spacer (2 used)
7	1878184	(-)	Spring, main brush (2 used)
8	T 11649 T	(-)	Arm, brush (2 used) (sub. for 1878183)
9	12H 314 A	(-)	Washer, lock, No. 6 (2 used) (sub. for 1904377 and R11106R)
10	21H 1114 A	(-)	Screw, mach., brush lead, No. 6 x 1/4" (2 used) (sub. for 132688)
11	AT 14388 T	(-)	Brush assembly (2 used) (sub. for 1906950)
12	1917296	(-)	Armature assembly
13	26H 72 A	(-)	Key, Woodruff, 1/8" x 5/8"
14	R 11088 R	(-)	Washer, spacer (sub. for 809945)
15	200182	(-)	Terminal (furnished by I. D. W. T. W.)
16	14H 608 A	(-)	Nut, hex., No. 12 (4 used)
17	12H 316 A	(-)	Washer, lock, No. 12 (4 used) (sub. for A3011R)
18	A 3031 R	(-)	Washer, terminal stud (2 used)
19	R 11098 R	(-)	Washer, insulating (2 used) (sub. for 1858753)
20	T 11650 T	(-)	Insulator, terminal stud (2 used) (sub. for 1885090)
21	1858751	(-)	Stud, terminal (2 used)
22	1925098	(-)	Coil assembly, field
23	1916747	(-)	Shoe, pole (2 used)
24	1916748	(-)	Insulator, field coil (2 used) (packed 2 in a pkg.)
25	1861502	(-)	Band, cover assembly
26	R 11097 R	(-)	Screw, pole shoe (2 used) (sub. for 1843646)
27	R 11087 R	(-)	Pin, dowel (sub. for 809593)
28	21H 1127 A	(-)	Screw, mach., No. 10 x 7/16" (3 used) (sub. for 1904370 and R11105R)
29	12H 246 A	(-)	Washer, lock, No. 10 (3 used) (sub. for A3009R)
30	R 11109 R	(-)	Plate, inner bearing (sub. for 1911263)
31	R 11110 R	(-)	Gasket (sub. for 1912008)
32	JD 7180 R	(-)	Bearing assembly, inner
33	R 11094 R	(-)	Retainer, felt washer (sub. for 819104)
34	R 11089 R	(-)	Washer, felt (sub. for 809961)
35	AT 12050 T	(-)	Cup, oil (sub. for 1880641)
36	T 12869 T	(-)	Frame, drive end, with oiler (sub. for 1925097)
37	T 11648 T	(-)	Collar, drive end (sub. for 1858603)
38	1911978	(-)	Pulley and fan assembly
39	T 10745 T	(-)	Washer, spring (sub. for 804000)
40	806915	(-)	Nut, hex., armature shaft (furnished by I. D. W. T. W.)
41	19H 1813 A	(-)	Screw, cap, 5/16" x 5/8" (2 used)
42	12H 303 A	(-)	Washer, lock, 5/16" (2 used)
43	L 1183 T	(-)	Washer, plain
44	M 245 T	(-)	Link, adjusting
45	14H 812 A	(-)	Nut, hex., 3/8" (2 used)
46	12H 304 A	(-)	Washer, lock, 3/8" (2 used)
47	M 386 T	(-)	Stud, pivot
48	19H 1697 A	(-)	Screw, cap, 3/8" x 4"
..	AM 1803 T	(-)	Generator assembly

STARTING MOTOR
Delco-Remy No. 1107127

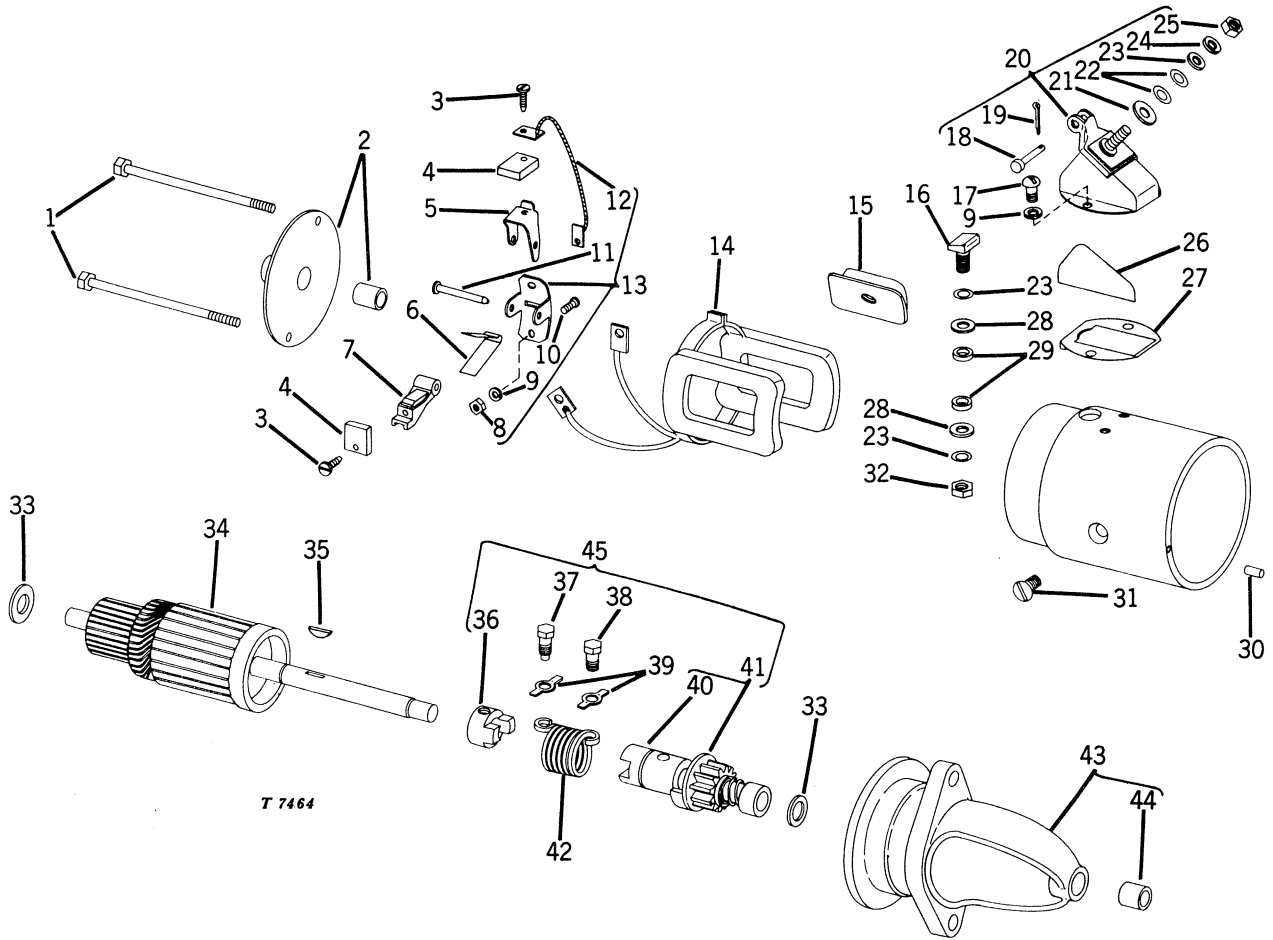


STARTING MOTOR -- Continued
Delco-Remy No. 1107127

Key	Part No.	Serial No.	Description
1	21H 964 A	(-)	Screw, mach., No. 6 x 1/2" (4 used)
2	12H 314 A	(-)	Washer, lock, No. 6 (4 used) (sub. for A765R)
3	811553*	(-)	Brush (4 used)
4	R 11090 R	(-)	Holder, brush (4 used) (sub. for 810226)
5	R 11091 R	(-)	Spring, brush (4 used) (sub. for 813521)
6	809053	(-)	Bolt, thru (2 used)
7	21H 986 A	(-)	Screw, mach., No. 10 x 1-1/4"
8	14H 631 A	(-)	Nut, hex., No. 10
9	AR 11066 R	(-)	Band, cover (sub. for 1886923)
10	12H 302 A	(-)	Washer, lock, 1/4" (2 used)
11	H 23193 H	(-)	Wick, oiler (sub. for 802691)
12	114998*	(-)	Oiler
13	1881625	(-)	Frame, commutator end, with pins and oiler
14	1865182*	(-)	Plug, expansion
15	AR 11062 R	(-)	Pin and insulator, stop (sub. for 812015)
16	R 11093 R	(-)	Pin, stop (2 used) (sub. for 817314)
17	R 11092 R	(-)	Pin, hinge (2 used) (sub. for 817313)
18	R 11086 R	(-)	Pin, dowel (sub. for 809062)
19	AR 11063 R	(-)	Pin and insulator, hinge (2 used) (sub. for 812016)
20	12H 290 A	(-)	Washer, lock, No. 8 (2 used) (sub. for A2734R)
21	21H 969 A	(-)	Screw, mach., No. 8 x 1/4" (2 used)
22	AR 11064 R	(-)	Lead, brush ground (2 used) (sub. for 813554)
23	AR 11065 R	(-)	Lead, brush jumper (sub. for 819362)
24	21H 1189 A	(-)	Screw, mach., No. 10 x 1/4" (4 used)
25	12H 246 A	(-)	Washer, lock, No. 10 (4 used) (sub. for A767R)
26	1923195	(-)	Coil, field, R. H. (distributor side of tractor)
27	810601*	(-)	Shoe, pole (4 used)
28	1923194	(-)	Coil, field, L. H. (carburetor side of tractor)
29	R 11104 R	(-)	Screw, pole shoe (4 used) (sub. for 1881869)
30	R 11087 R	(-)	Pin, dowel, drive body to main body (sub. for 809593)
31	11H 231 A	(-)	Pin, cotter, 1/16" x 1"
32	1880254*	(-)	Pin, switch
33	1882323	(-)	Switch, with hardware
34	816911*	(-)	Insulation, switch side (2 used)
35	14H 812 A	(-)	Nut, hex., 3/8"
36	12H 304 A	(-)	Washer, lock, switch terminal, 3/8"
37	24H 1303 A	(-)	Washer, plain, 13/32" x 11/16" x .060" (3 used)
38	821524	(-)	Stud
39	R 11099 R	(-)	Washer, insulating, large (2 used) (sub. for 1861076)
40	R 11107 R	(-)	Washer, insulating, small (2 used) (sub. for 1904669)
41	14H 732 A	(-)	Nut, hex. jam, 3/8"
42	R 11096 R	(-)	Washer (2 used) (sub. for 833602)
43	1872505	(-)	Armature
44	26H 10 A	(-)	Key, Woodruff, 5/32" x 5/8"
45	1848530	(-)	Head, drive
46	1860639	(-)	Spring, drive
47	A 2783 R	(-)	Washer, lock (2 used) (sub. for 805057)
48	1850811*	(-)	Screw, head spring (sub. for A2787R)
49	1850810*	(-)	Screw, shaft spring (sub. for A2786R)
50	1855629	(-)	Gear and shaft, with service sleeve
51	1868804	(-)	Drive assembly
52	1924229	(-)	Housing, drive, with bushing
53	810620*	(-)	Bushing, drive housing
..	AM 1802 T	(-)	Starting motor

*Parts provided to John Deere Branch Houses by John Deere Waterloo Tractor Works of Waterloo, Iowa.

AT16881T REPLACEMENT STARTING MOTOR
Delco-Remy No. 1107200



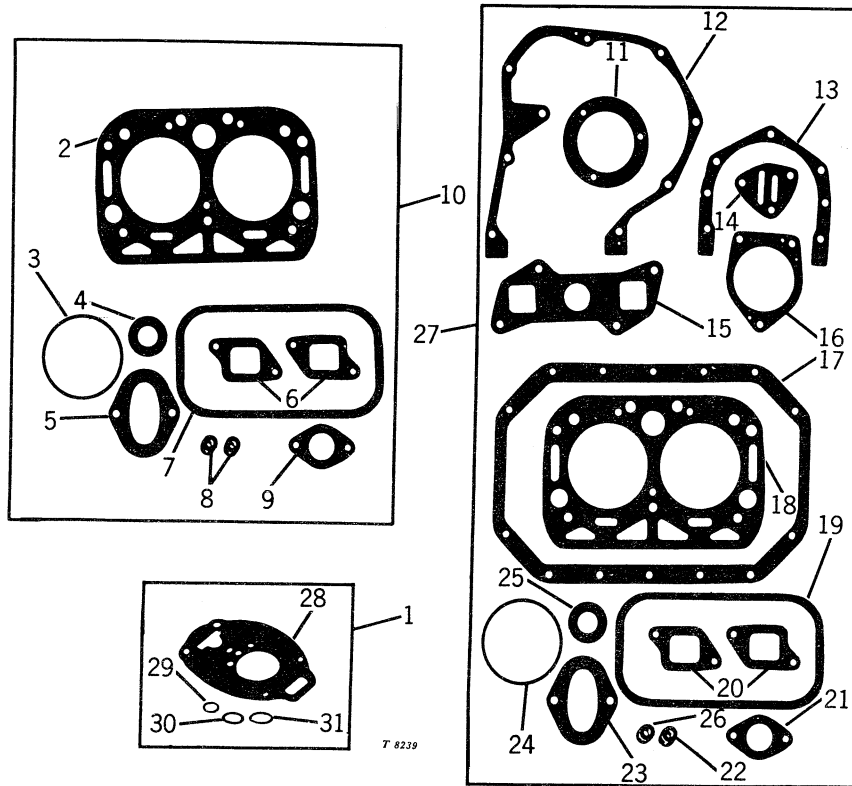
T 7464

AT16881T REPLACEMENT STARTING MOTOR -- Continued
Delco-Remy No. 1107200

Key	Part No.	Serial No.	Description
1	T 741 T	(-)	Bolt, thru (2 used)
2	AT 517 T	(-)	End, commutator, with bearing
3	T 742 T	(-)	Screw, special (4 used)
4	T 18712 T	(-)	Brush (4 used)
5	T 738 T	(-)	Holder, brush, ground (2 used)
6	T 740 T	(-)	Spring, brush (2 used)
7	T 18099 T	(-)	Holder, brush, insulated (2 used)
8	14H 778 A	(-)	Nut, hex., No. 10 (4 used)
9	12H 246 A	(-)	Washer, lock, No. 10 (6 used)
10	21H 1020 A	(-)	Screw, mach., No. 10 x 1/2" (4 used)
11	T 736 T	(-)	Pin, brush holder (2 used)
12	AT 514 T	(-)	Lead assembly (2 used)
13	AT 516 T	(-)	Brush support package, includes ground lead, brush holder pin, support, screws, lock washers, and hex. nuts (2 used)
14	T 18713 T	(-)	Coil, field
15	810601*	(-)	Pole, piece (4 used)
16	821524	(-)	Screw, terminal
17	21H 1189 A	(-)	Screw, mach., No. 10 x 1/4" (2 used)
18	1880254*	(-)	Pin, switch
19	11H 231 A	(-)	Pin, cotter, 1/16" x 1"
20	1882323	(-)	Switch, starter
21	T 18711 T	(-)	Washer, large
22	T 18710 T	(-)	Washer, special snap-on (2 used)
23	24H 1303 A	(-)	Washer, plain, 13/32" x 11/16" x .060" (3 used)
24	12H 304 A	(-)	Washer, lock, 3/8"
25	14H 732 A	(-)	Nut, hex., 3/8" (2 used)
26	816911*	(-)	Insulation, side (2 used)
27	T 18714 T	(-)	Gasket, switch to starter
28	R 11099 R	(-)	Washer, insulating, large (2 used)
29	R 11107 R	(-)	Washer, insulating, small (2 used)
30	R 11087 R	(-)	Pin, dowel
31	R 11104 R	(-)	Screw, pole shoe (4 used)
32	T 10793 T	(-)	Nut, hex., 3/8"
33	R 11096 R	(-)	Washer, thrust (2 used)
34	1872505	(-)	Armature
35	26H 10 A	(-)	Key, Woodruff, 5/32" x 5/8"
36	1848530*	(-)	Head, drive
37	1850811*	(-)	Screw, spring, head
38	1850810*	(-)	Screw, spring, shaft
39	A 2783 R	(-)	Washer, lock, special (2 used)
40	1849782*	(-)	Sleeve, service
41	1855629	(-)	Gear and shaft, with service sleeve
42	1860639	(-)	Spring, drive
43	1924229	(-)	Housing, drive
44	810620*	(-)	Bushing, drive housing
45	1868804	(-)	Drive assembly
..	AT 16881 T	(-)	Starting motor assembly

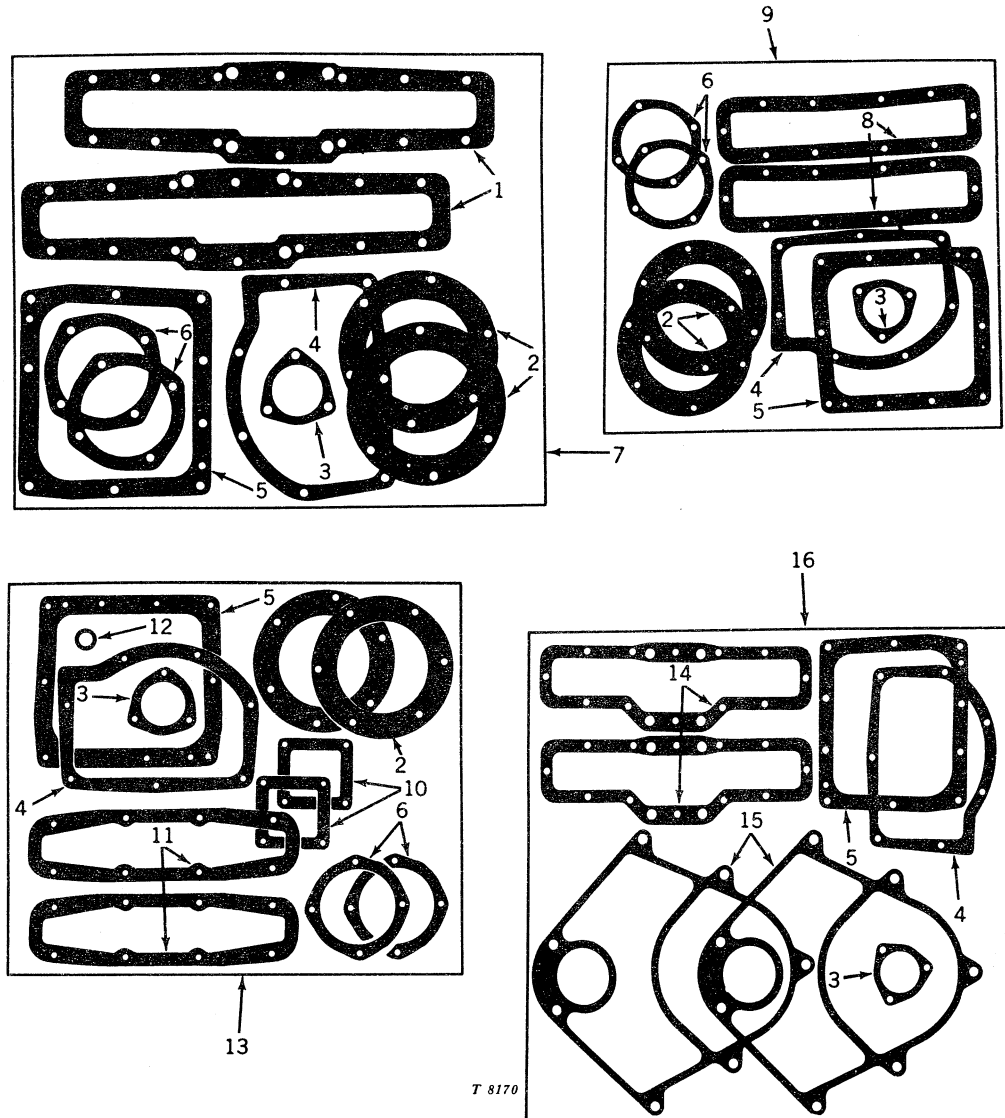
*Parts provided to John Deere Branch Houses by John Deere Waterloo Tractor Works of Waterloo, Iowa.

ENGINE TUNE-UP, OVERHAUL, AND CARBURETOR GASKET SETS



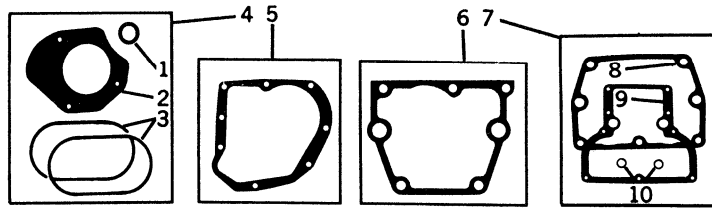
Key	Part No.	Serial No.	Description
1	16-654	(-)	Gasket set for carburetor
2	AM 240 T	(-)	Gasket, cylinder head (packed 3 in a pkg.)
3	M 96 T	(-)	Gasket, oil filter case (packed 3 in a pkg.)
4	F 2632 R	(-)	Gasket, distributor to cylinder block (sub. for M414T)
5	M 264 T	(-)	Gasket, lower water elbow
6	M 262 T	(-)	Gasket, water outlet manifold (2 used) (packed 2 in a pkg.)
7	M 230 T	(-)	Gasket, rocker arm cover (packed 5 in a pkg.)
8	M 282 T	(-)	Seal, rocker arm cover stud (2 used) (packed 2 in a pkg.)
9	M 410 T	(-)	Gasket, carburetor to manifold
10	AM 808 T	(-)	Gasket set for engine tune-up
11	L 4152 T	(-)	Gasket, crankshaft front oil seal plate
12	M 111 T	(-)	Gasket, gear cover
13	M 19 T	(-)	Gasket, crankshaft rear oil seal plate
14	M 97 T	(-)	Gasket, oil filter to cylinder block
15	M 1861 T	(-)	Gasket, manifold to cylinder head (packed 3 in a pkg.)
16	M 276 T	(-)	Gasket, governor case to gear cover (packed 2 in a pkg.)
17	M 85 T	(-)	Gasket, oil pan (packed 3 in a pkg.)
18	AM 240 T	(-)	Gasket, cylinder head (packed 3 in a pkg.)
19	M 230 T	(-)	Gasket, rocker arm cover (packed 5 in a pkg.)
20	M 262 T	(-)	Gasket, water outlet manifold (2 used) (packed 2 in a pkg.)
21	M 410 T	(-)	Gasket, carburetor to manifold
22	M 282 T	(-)	Seal, rocker arm cover stud (2 used) (packed 2 in a pkg.)
23	M 264 T	(-)	Gasket, lower water elbow
24	M 96 T	(-)	Gasket, oil filter case (packed 3 in a pkg.)
25	F 2632 R	(-)	Gasket, distributor to cylinder block (sub. for M414T)
26	T 13213 T	(-)	Washer, aluminum (sub. for M1038T)
27	AM 2153 T	(-)	Gasket set for engine overhaul
28	16A-41	(-)	Gasket, throttle body to bowl (packed 5 in a pkg.)
29	16-4	(-)	Gasket, float valve seat
30	16-456	(-)	Gasket, main nozzle
31	16-47	(-)	Gasket, main adjustment needle seat (2 used)

TRANSMISSION AND FINAL DRIVE GASKET SETS



Key	Part No.	Serial No.	Description
1	M 2686 T	(-)	Gasket, final drive pan (2 used) (H)
2	M 2165 T	(-)	Gasket, differential quill (2 used) (H, S, U, V, W)
	M 811 T	(-)	Gasket, ring gear quill (2 used) (packed 3 in a pkg.) (C)
3	M 159 T	(-)	Gasket, output shaft cover (C, H, S, T, U, V, W)
4	M 186 T	(-)	Gasket, transmission case top cover (packed 5 in a pkg.) (C, H, S, T, U, V, W)
5	T 12840 T	(-)	Gasket, transmission case rear cover (sub. for M174T) (packed 3 in a pkg.) (C, H, S, T, U, V, W)
6	T 15600 T	(-)	Gasket, axle shaft bearing quill (2 used) (H, V, W)
	M 214 T	(-68876)	Gasket, axle shaft bearing quill (2 used) (S)
	M 2599 T	(68877-)	Gasket, axle shaft bearing quill (2 used) (S)
	M 214 T	(-62733)	Gasket, axle shaft bearing quill (2 used) (U)
	M 2599 T	(62734-)	Gasket, axle shaft bearing quill (2 used) (U)
	M 214 T	(-62263)	Gasket, axle shaft bearing quill (2 used) (C)
	T 15600 T	(62264-)	Gasket, axle shaft bearing quill (2 used) (sub. for M2367T) (C)
7	AM 2592 T	(-)	Gasket set, transmission and final drive (H)
8	M 2226 T	(-)	Gasket, final drive oil pan (S, U, V, W)
9	AM 2604 T	(-)	Gasket set, transmission and final drive (S, U)
	AM 3584 T	(-)	Gasket set, transmission and final drive (V, W)
10	M 1487 T	(-)	Gasket, steering clutch housing cover (2 used) (packed 2 in a pkg.) (C)
11	M 947 T	(-)	Gasket, final drive oil pan (2 used) (packed 5 in a pkg.) (C)
12	L 754 T	(-)	Gasket, power shaft poppet holder (C)
13	AT 14913 T	(-)	Gasket set, transmission and final drive (C)
14	M 1962 T	(-)	Gasket, final drive oil pan (2 used) (T)
15	M 1013 T	(-)	Gasket, final drive (2 used) (T)
16	AM 2156 T	(-)	Gasket set, transmission and final drive (T)

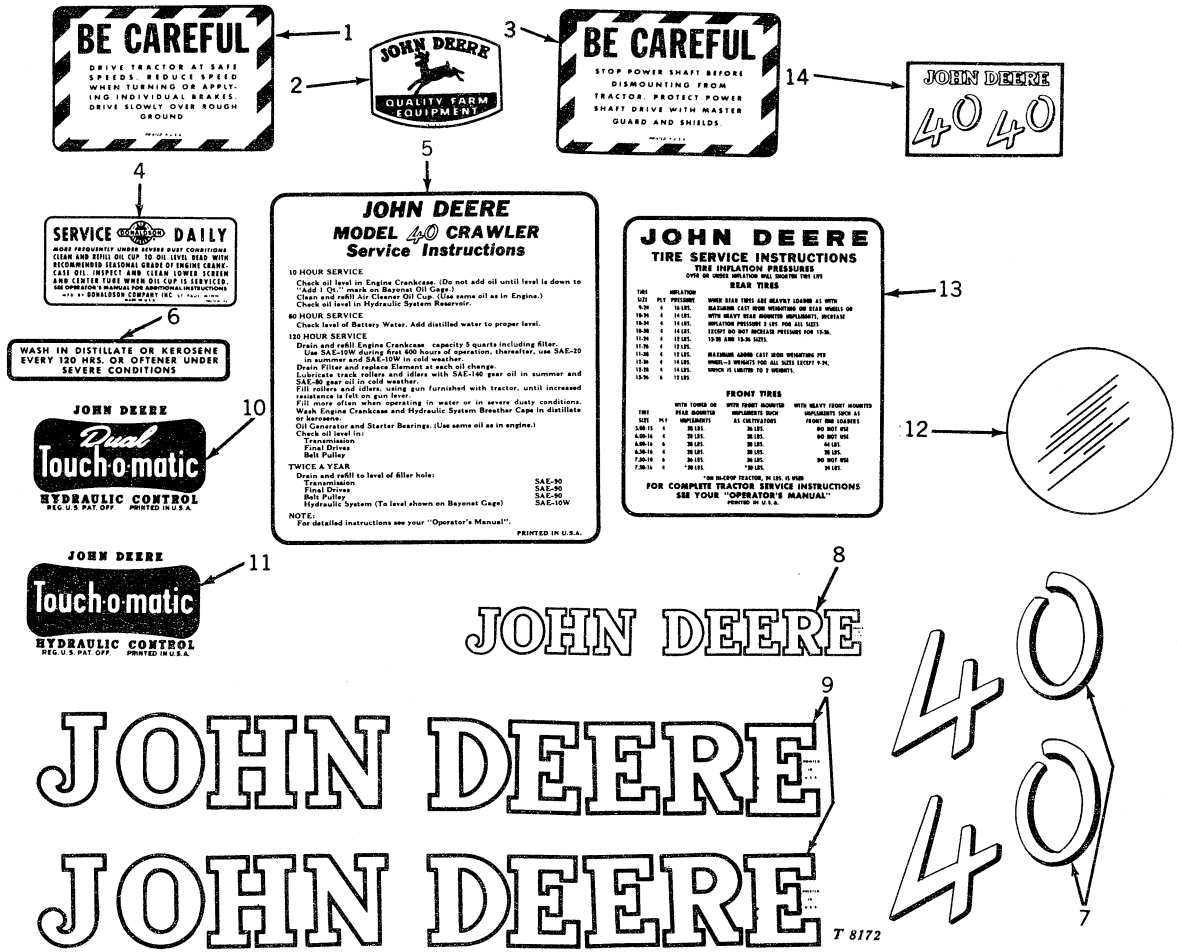
HYDRAULIC SYSTEM GASKET SETS



T 8171

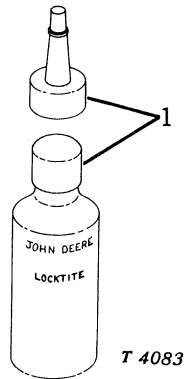
Key	Part No.	Serial No.	Description
1	T 13213 T	(-)	Gasket, pump outlet line connector
2	M 1039 T	(-)	Gasket, pump to gear cover
3	T 16572 T	(-)	Ring, pump sealing (2 used)
4	AM 1149 T	(-)	Gasket set for touch-o-matic pump
5	M 2264 T	(-)	Gasket, cylinder and valve housing to cover (S, U)
6	M 3327 T	(-)	Gasket, cylinder and valve housing to rockshaft housing (S, U)
7	AM 2154 T	(-)	Gasket set for touch-o-matic system (H, T, V, W)
8	M 3326 T	(-)	Gasket, cylinder and valve housing to rockshaft housing (H, T, V, W)
9	M 1117 T	(-)	Gasket, cylinder and valve housing to front cover (H, T, V, W)
10	M 3150 T	(-)	Seal, cylinder and valve housing to front cover (2 used) (H, T, V, W)

DECALCOMANIAS



Key	Part No.	Serial No.	Description
1	A 5176 R	(-)	"Be Careful" decalcomania for speed safety
2	JD 260 R	(-)	"Leaping Deer" decalcomania for instrument panel
3	A 5177 R	(-)	"Be Careful" decalcomania for powershaft safety shield
4	T 14668 T	(-)	"Servicing Instructions" decalcomania for air cleaner
5	M 3386 T	(-)	"Servicing Instructions" decalcomania for inside battery box cover
6	M 2988 T	(-)	"Servicing Instructions" decalcomania for breather cap
7	M 2990 T	(-)	Model designation decalcomania for grille (2 used) (packed 2 in a pkg.) (agricultural green tractor)
	M 3394 T	(-)	Model designation decalcomania for grille (2 used) (packed 2 in a pkg.) (industrial yellow tractor)
8	JD 250 R	(-)	"John Deere" decalcomania for center of grille (agricultural green tractor)
	M 1255 T	(-)	"John Deere" decalcomania for center of grille (industrial yellow tractor)
9	JD 251 R	(-)	"John Deere" decalcomania for sides of hood (2) (agricultural green tractor)
	M 3858 T	(-)	"John Deere" decalcomania for sides of hood (2) (industrial yellow tractor)
10	M 2989 T	(-)	Decal, dual touch-o-matic (H, T, V, W)
11	M 3388 T	(-)	Decal, touch-o-matic (S, U)
12	M 3491 T	(-)	Mask, gauge (3)
13	M 3802 T	(-)	Decal, tire inflation (H, S, T, U, V, W)
14	AM 3177 T	(-)	Decalcomania kit for grille
..	AM 3736 T	(-)	Decalcomania kit (for agricultural green tractor) (sub. for AM2124T, AM2130T, AM2155T, AM2157T, AM2337T, AM2593T, AM2698T, AM2717T, AM3151T, AM3152T, AM3153T, AM3154T, AM3155T, AM3156T, and AM3157T)
..	AM 3735 T	(-)	Decalcomania kit (for industrial yellow tractor) (sub. for AM3088T)

LOCTITE SEALANT



Key	Part No.	Serial No.	Description
1	AT 14264 T	(-)	Sealant, Loctite (approx. 2 fl. oz.) (packed 5 in a pkg.)
	AT 14927 T	(-)	Sealant, Loctite (2 cc tube) (packed 10 in a pkg.)

OPERATOR'S MANUALS (Not Illustrated)

Part No.	Serial No.	Description
OM-T3	(-62263)	Manual, operator's, Model 40 Crawler
OM-T9	(62264-)	Manual, operator's, Model 40 Crawler
OM-T2	(-)	Manual, operator's, Model 40 Tricycle
OM-T4	(-)	Manual, operator's, Model 40 Standard
OM-T6	(-)	Manual, operator's, Model 40 Utility
OM-T10	(-)	Manual, operator's, Model 40 Hi-Crop (also order OM-T2 manual)
OM-T13	(-)	Manual, operator's, Model 40 Special (also order OM-T2 manual)
OM-T14	(-)	Manual, operator's, Model 40 Two-Row Utility (also order OM-T2 manual)

NUMERICAL INDEX
Tractors -- 40 Series

110-1

Part No.	Page	Key	Part No.	Page	Key	Part No.	Page	Key	Part No.	Page	Key
3H 762 A	55-	7 1	14H 808 A	65-	2 22	19H 1756 A	35-	3 19	21H 1189 A	100-	3 5
3H 1268 A	85-	8 10	14H 809 A	35-	17 30	19H 1765 A	95-	1 2	21H 1195 A	60-	4 5
3H 1407 A	55-	9 17	14H 812 A	60-	4 18	19H 1768 A	30-	1 9	21H 1207 A	85-	2 6
3H 1493 A	95-	2 25	14H 813 A	15-	3 2	19H 1773 A	45-	5 27	21H 1214 A	85-	5 24
3H 1504 A	90-	4 9	14H 819 A	60-	9 39	19H 1781 A	60-	13 51	22H 255 A	30-	1 13
3H 1519 A	15-	4 21	14H 821 A	30-	1 7	19H 1789 A	15-	3 10	22H 567 A	60-	13 15
3H 1524 A	60-	31 41	14H 826 A	55-	3 15	19H 1791 A	55-	5 36	22H 674 A	35-	17 13
3H 1549 A	60-	10 16	14H 836 A	55-	6 7	19H 1792 A	55-	9 3	22H 684 A	20-	1 8
3H 1572 A	85-	8 2	14H 844 A	85-	4 10	19H 1800 A	10-	8 14	22H 703 A	35-	11 13
3H 1574 A	55-	6 3	14H 846 A	60-	8 5	19H 1801 A	30-	4 18	22H 712 A	95-	5 5
3H 1591 A	95-	3 20	14H 849 A	60-	24 29	19H 1805 A	10-	3 36	22H 713 A	55-	3 16
3H 1605 A	95-	2 18	14H 856 A	90-	3 42	19H 1813 A	25-	3 6	22H 724 A	100-	2 36
3H 1686 A	85-	8 15	14H 860 A	15-	5 16	19H 1815 A	45-	10 29	22H 727 A	70-	9 24
3H 1727 A	75-	5 11	14H 863 A	45-	5 45	19H 1820 A	10-	3 39	22H 794 A	90-	3 32
3H 1728 A	75-	2 6	14H 865 A	70-	5 22	19H 1821 A	15-	2 6	24H 1106 A	55-	7 7
8H 528 A	65-	2 1	14H 876 A	20-	1 1	19H 1822 A	30-	1 14	24H 1111 A	70-	11 35
8H 555 A	100-	7 20	15H 253 A	60-	11 34	19H 1831 A	10-	3 1	24H 1122 A	60-	9 43
8H 2711 A	60-	23 1	15H 275 A	60-	13 14	19H 1833 A	85-	10 2	24H 1136 A	40-	3 28
8H 3505 A	75-	3 4	15H 564 A	40-	3 11	19H 1847 A	65-	2 6	24H 1139 A	55-	7 2
8H 3813 A	70-	9 51	15H 566 A	35-	19 22	19H 1849 A	15-	4 13	24H 1175 A	45-	3 20
8H 4073 A	65-	4 7	15H 583 A	60-	11 35	19H 1862 A	60-	29 2	24H 1219 A	10-	5 7
8H 4161 A	35-	15 22	15H 584 A	45-	3 35	19H 1868 A	70-	11 34	24H 1227 A	90-	3 46
8H 4226 A	30-	1 1	15H 585 A	35-	3 9	19H 1872 A	65-	4 12	24H 1265 A	40-	5 41
8H 4230 A	70-	3 14	15H 586 A	60-	7 3	19H 1874 A	65-	7 13	24H 1287 A	60-	10 11
11H 206 A	60-	11 70	15H 604 A	50-	4 10	19H 1876 A	45-	3 4	24H 1289 A	60-	8 33
11H 211 A	25-	6 21	15H 623 A	35-	16 15	19H 1890 A	10-	3 22	24H 1301 A	60-	31 32
11H 218 A	35-	11 4	15H 624 A	45-	5 30	19H 1898 A	20-	3 34	24H 1303 A	40-	5 38
11H 222 A	35-	16 18	15H 632 A	20-	3 33	19H 1899 A	15-	4 8	24H 1304 A	95-	9 38
11H 231 A	60-	13 44	16H 87 A	20-	2 3	19H 1900 A	10-	7 11	24H 1325 A	15-	5 14
11H 233 A	60-	11 25	16H 173 A	55-	2 26	19H 1904 A	60-	13 4	24H 1341 A	35-	11 17
11H 236 A	15-	5 9	16H 246 A	85-	2 20	19H 1905 A	45-	13 3	24H 1354 A	55-	2 22
11H 237 A	35-	5 46	16H 646 A	85-	4 13	19H 1906 A	100-	7 19	24H 1363 A	60-	19 45
11H 239 A	90-	2 16	16H 698 A	35-	17 31	19H 1907 A	60-	8 38	24H 1368 A	45-	9 25
11H 240 A	70-	2 5	19H 124 A	40-	5 16	19H 1913 A	35-	8 13	24H 1374 A	60-	16 4
11H 250 A	35-	5 52	19H 210 A	10-	3 16	19H 1914 A	10-	9 13	24H 1375 A	30-	1 12
12H 236 A	30-	1 8	19H 339 A	60-	25 16	19H 1919 A	55-	5 18	24H 1392 A	55-	1 1
12H 245 A	55-	3 18	19H 463 A	95-	1 15	19H 1923 A	65-	6 2	24H 1396 A	65-	4 13
12H 246 A	60-	4 6	19H 474 A	60-	31 29	19H 1930 A	70-	9 26	24H 1424 A	35-	11 7
12H 290 A	25-	5 22	19H 485 A	70-	17 9	19H 1936 A	55-	6 11	24H 1451 A	70-	7 1
12H 292 A	100-	8 17	19H 1000 A	70-	9 16	19H 1938 A	35-	8 27	24H 1452 A	35-	17 27
12H 293 A	15-	3 5	19H 1061 A	70-	5 30	19H 1940 A	95-	5 7	24H 1474 A	80-	3 34
12H 294 A	35-	3 7	19H 1082 A	70-	3 7	19H 1944 A	35-	6 5	24H 1487 A	35-	14 25
12H 301 A	35-	10 8	19H 1100 A	45-	5 38	19H 1948 A	55-	3 26	24H 1540 A	55-	10 19
12H 302 A	15-	5 17	19H 1123 A	60-	21 41	19H 1978 A	35-	15 6	24H 1542 A	45-	9 20
12H 303 A	15-	4 15	19H 1139 A	25-	6 5	19H 2020 A	10-	9 16	24H 1625 A	100-	7 2
12H 304 A	15-	2 5	19H 1146 A	60-	11 43	19H 2021 A	60-	4 16	25H 50 A	35-	17 1
12H 314 A	100-	9 13	19H 1189 A	15-	4 12	19H 2023 A	15-	2 8	25H 52 A	10-	9 1
12H 315 A	25-	5 24	19H 1227 A	40-	3 5	19H 2024 A	60-	4 32	25H 100 A	35-	6 14
12H 316 A	100-	13 17	19H 1243 A	35-	15 19	19H 2036 A	60-	3 16	25H 125 A	30-	4 9
12H 317 A	40-	3 2	19H 1258 A	60-	17 22	19H 2043 A	60-	26 12	25H 126 A	55-	1 1
14H 394 A	40-	3 1	19H 1259 A	60-	16 22	19H 2054 A	60-	27 11	25H 152 A	65-	4 5
14H 416 A	45-	3 19	19H 1262 A	30-	3 14	19H 2055 A	15-	3 12	25H 266 A	60-	21 26
14H 463 A	30-	3 32	19H 1265 A	60-	17 25	19H 2058 A	15-	2 5	25H 760 A	60-	31 38
14H 469 A	50-	4 3	19H 1266 A	35-	11 18	19H 2076 A	65-	7 20	25H 797 A	80-	5 28
14H 479 A	60-	29 33	19H 1268 A	85-	11 8	19H 2113 A	60-	31 2	25H 903 A	35-	9 10
14H 482 A	95-	5 2	19H 1275 A	40-	5 21	19H 2117 A	35-	11 1	25H 1160 A	55-	5 7
14H 511 A	60-	24 9	19H 1276 A	75-	2 3	19H 2124 A	55-	7 11	26H 10 A	100-	15 44
14H 534 A	35-	5 45	19H 1338 A	70-	9 21	19H 2127 A	60-	13 2	26H 23 A	35-	16 17
14H 540 A	35-	17 26	19H 1362 A	65-	8 2	19H 2128 A	60-	27 8	26H 27 A	80-	3 28
14H 605 A	100-	11 40	19H 1364 A	70-	2 3	19H 2133 A	30-	1 10	26H 72 A	100-	13 13
14H 608 A	100-	13 16	19H 1374 A	60-	29 30	21H 964 A	100-	7 8	26H 77 A	10-	7 10
14H 611 A	40-	5 15	19H 1377 A	65-	3 3	21H 968 A	100-	11 22	26H 82 A	35-	4 4
14H 631 A	15-	5 23	19H 1414 A	70-	2 3	19H 971 A	25-	5 24	28H 1729 A	60-	27 13
14H 650 A	70-	5 28	19H 1456 A	70-	7 9	21H 972 A	100-	2 2	29H 97 A	20-	3 32
14H 656 A	45-	9 19	19H 1643 A	95-	9 9	21H 973 A	100-	8 13	29H 488 A	60-	11 33
14H 760 A	55-	7 3	19H 1648 A	95-	9 21	21H 977 A	25-	5 6	30H 6 A	10-	3 33
14H 769 A	60-	9 8	19H 1649 A	95-	1 15	21H 986 A	100-	15 7	30H 7 A	15-	6 9
14H 774 A	15-	5 30	19H 1697 A	100-	13 48	21H 996 A	25-	5 22	30H 9 A	15-	6 15
14H 778 A	60-	4 7	19H 1708 A	55-	9 45	21H 1018 A	25-	6 18	30H 17 A	45-	3 3
14H 785 A	15-	4 14	19H 1715 A	90-	4 1	21H 1019 A	100-	4 9	34H 7 A	60-	13 39
14H 786 A	60-	13 16	19H 1721 A	35-	16 1	21H 1066 A	25-	6 20	34H 35 A	60-	15 24
14H 793 A	95-	9 2	19H 1731 A	20-	1 6	21H 1076 A	100-	3 2	34H 47 A	60-	11 55
14H 794 A	65-	3 1	19H 1732 A	60-	19 40	21H 1114 A	100-	13 10	34H 58 A	60-	31 54
14H 806 A	35-	11 21	19H 1739 A	55-	9 22	21H 1127 A	100-	13 28	34H 62 A	15-	5 1
14H 807 A	10-	5 2	19H 1740 A	20-	1 19	21H 1144 A	50-	3 15	34H 82 A	100-	7 18

NUMERICAL INDEX
Tractors -- 40 Series

Part No.	Page	Key	Part No.	Page	Key	Part No.	Page	Key	Part No.	Page	Key
34H 90 A	90-	3 37	024754	100-11	39	1869704	100-11	24			
34H 102 A	50-	3 11	114998	100-15	12	1872505	100-15	43			
34H 107 A	35-19	21	121841	100-11	23	1872505	100-17	34	A	147 R	60-31 56
34H 117 A	60- 8	22	132688	100-13	10	1877510	100-11	26	A	765 R	100-15 2
34H 120 A	35-14	21	138549	100- 8	17	1878183	100-13	8	A	766 R	100- 8 14
34H 123 A	60-17	14	200182	100-13	15	1878184	100-13	7	A	767 R	100-15 25
34H 132 A	80- 5	38	802691	100-15	11	1878405	100-11	36	A	1892 R	45- 7 24
34H 164 A	35-14	19	804000	100-13	39	1878505	100- 9	2	A	1892 R	45-13 18
34H 167 A	60-19	17	804080	100-13	4	1878506	100- 9	3	A	2729 R	100- 2 12
34H 188 A	35-13	19	805057	100-15	47	1878507	100- 9	4	A	2729 R	100- 3 1
			806915	100-13	40	1878516	100- 9	1	A	2731 R	100- 3 3
			809053	100-15	6	1878517	100- 9	20	A	2734 R	100- 2 3
10-2991	25- 5	29	809062	100-15	18	1878780	100- 9	9	A	2734 R	100- 3 13
13-831	25- 5	8	809593	100-13	27	1880254	15- 5	27	A	2734 R	100- 8 21
14-213	25- 5	3	809593	100-15	30	1880254	100-15	32	A	2734 R	100- 9 5
15-A85	25- 5	2	809945	100-13	14	1880254	100-17	18	A	2734 R	100-11 23
15-A93	25- 5	22	809961	100-13	34	1880641	100-13	35	A	2734 R	100-15 20
15-483	25- 5	4	810074	100-11	53	1880902	100-11	31	A	2783 R	100-15 47
16-4	105- 2	29	810078	100-11	53	1881625	100-15	13	A	2783 R	100-17 39
16-A41	25- 5	16	810226	100-15	4	1881869	100-15	29	A	2786 R	100-15 49
16A-41	105- 2	28	810601	100-15	27	1882247	100-11	38	A	2787 R	100-15 48
16-47	105- 2	31	810601	100-17	15	1882323	100-15	33	A	2899 R	100- 2 6
16-456	105- 2	30	810620	100-15	53	1882323	100-17	20	A	2899 R	100- 3 12
16-654	25- 5	18	810620	100-17	44	1882965	100-11	20	A	3009 R	100-13 29
16-654	25- 5	30	810794	100-11	34	1885297	100- 9	18	A	3011 R	100-13 17
16-654	25- 5	32	811553	100-15	3	1885090	100-13	20	A	3031 R	100-13 18
16-654	25- 5	40	811912	100-11	37	1885467	100- 9	12	A	3125 R	60-31 16
16-654	105- 2	1	812015	100-15	15	1885557	100-11	27	A	3131 R	60-11 32
24-A3	25- 5	23	812016	100-15	19	1886131	100-11	27	A	3142 R	50- 3 6
24-262	25- 5	7	813521	100-15	5	1886923	100-15	9	A	3162 R	60-29 28
24-340	25- 5	13	813554	100-15	22	1889966	100-11	19	A	3164 R	60-29 16
26-666	25- 5	27	813731	100-11	39	1889967	100-11	42	A	3169 R	60-29 11
27-540	25- 5	38	814545	100- 8	20	1889999	100-11	43	A	3172 R	60-29 22
28-49	25- 5	25	816784	100-11	21	1900119	100-11	18	A	3173 R	60-29 23
29-81	25- 3	21	816803	100-11	29	1901737	100-11	28	A	3174 R	60-29 23
29-538	25- 5	28	816911	100-15	34	1902692	100- 8	16	A	3175 R	60-29 35
30-631	25- 5	21	816911	100-17	26	1902694	100- 8	15	A	3176 R	60-29 32
30-739	25- 5	21	817313	100-15	17	1902924	100- 8	18	A	3184 R	60-29 31
32-16	25- 5	20	817314	100-15	16	1904370	100-13	28	A	3190 R	60-24 18
43-622	25- 5	33	817363	100-11	33	1904377	100- 9	13	A	3190 R	60-25 9
43-669	25- 5	33	819104	100-13	33	1904377	100-13	9	A	3459 RT	60-15 46
43-699	25- 5	33	819362	100-15	23	1904669	100-15	40	A	3460 RT	60-15 47
44-33	25- 5	12	820445	100-11	16	1904817	100- 9	14	A	3539 R	100-11 4
44-38	25- 5	10	821524	100-15	38	1905590	100-11	16	A	3578 R	60-29 17
44-51	25- 5	34	821524	100-17	16	1905673	100-13	1	A	3579 R	60-29 34
44-68	25- 5	41	829421	100-11	52	1906950	100-13	11	A	3581 R	60-16 5
46-A11	25- 5	17	833602	100-15	42	1909004	100-11	30	A	3581 R	60-17 2
47-391	25- 5	31	923119	100- 2	7	1909008	100-11	5	A	3581 R	60-19 27
47-410	25- 5	31	924009	100- 2	5	1909034	100- 9	6	A	3581 R	60-29 18
49-218	25- 5	15	1115379	100-11	15	1909035	100- 9	7	A	3581 R	60-31 50
49-219	25- 5	15	1843646	100-13	26	1909206	100-11	12	A	3581 R	65- 6 5
49-285	25- 5	14	1847289	100-11	45	1909269 H	100-11	47	A	3581 R	65- 7 5
55-261	25- 5	9	1847643	100-11	25	1909273	100-11	51	A	3581 R	65- 8 14
55-285	25- 5	35	1847647	100-11	35	1909667	100-11	32	A	3581 R	65- 9 9
55-358	25- 5	39	1848530	100-15	45	1911119	100-11	20	A	3581 R	90- 2 3
67-523	25- 3	9	1848530	100-17	36	1911263	100-13	30	A	3581 R	90- 2 14
67-523	25- 5	11	1849782	100-17	40	1911978	100-13	38	A	3606 R	60-31 40
82-16	25- 5	26	1850810	100-15	49	1912008	100-13	31	A	3609 R	60-24 14
87-3	25- 5	36A	1850810	100-17	38	1912159	100- 9	8	A	3609 R	60-25 5
95-78	25- 5	37	1850811	100-15	48	1912176	100- 9	17	A	3610 R	60-24 13
99-7	25- 5	36B	1850811	100-17	37	1913064	100- 9	19	A	3610 R	60-25 4
227-1304	25- 5	1	1855629	100-15	50	1914309	100-11	17	A	3611 R	60-24 12
227-1323	25- 5	1	1855629	100-17	41	1916747	100-13	23	A	3611 R	60-25 3
233-543	25- 5	19	1857412	100-13	6	1916748	100-13	24	A	3612 R	60-24 11
286-1005	25- 5	..	1858603	100-13	37	1917296	100-13	12	A	3612 R	60-25 6
286-1047	25- 5	..	1858751	100-13	21	1922408	100- 9	16	A	3613 R	60-24 19
			1858753	100-13	19	1923194	100-15	28	A	3613 R	60-25 27
			1860639	100-15	46	1923195	100-15	26	A	3614 R	60-24 5
			1860639	100-17	42	1924229	100-15	52	A	3614 R	60-25 28
405 R 35- 9	35-	9 13	1861076	100-15	39	1924229	100-17	43	A	3951 R	60-29 13
405 R 35-17	35-17	9	1861502	100-13	25	1925097	100-13	36	A	3952 R	60-29 12
405 R 60-21	60-21	12	1865182	100-15	14	1925098	100-13	22	A	4229 R	60-29 10
5787 YT 95-15	95-15	14	1868137	100- 9	5	1925748	100-13	5	A	4230 R	60-29 9
9027 YT 55- 9	55- 9	48	1868804	100-15	51	1929313	100- 8	20	A	4655 R	100- 8 16
9042 YT 95- 2	95- 2	23	1868804	100-17	45	5936059	100- 2	11	A	4723 R	60-31 21
9027 YT 95-13	95-13	5									

NUMERICAL INDEX
Tractors -- 40 Series

110-3

Part No.	Page	Key	Part No.	Page	Key	Part No.	Page	Key	Part No.	Page	Key
A 4735 R	60-31	47	AB			AM 240 T	105- 2	2	AM 531 T	100- 2	15
A 4736 R	60-31	11	AB 1190 R	100- 8	12	AM 240 T	105- 2	18	AM 574 T	45-11	..
A 4737 R	60-31	31	AB 1629 R	15- 2	3	AM 253 T	35- 6	10	AM 586 T	60-21	23
A 4738 R	60-31	30	AB 2582 R	100- 2	21	AM 253 T	35- 7	6	AM 586 T	60-23	13
A 4739 R	60-31	12	AB 2820 R	100- 2	9	AM 253 T	35-10	2	AM 605 T	35-13	11
A 4740 R	60-31	15	AB 2820 R	100- 3	5	AM 253 T	35-13	12	AM 605 T	35-14	14
A 4741 R	60-31	14	AB 3739 R	100- 3	15	AM 253 T	35-14	15	AM 608 T	35-17	10
A 4742 R	60-31	13	AB 4059 R	100- 3	10	AM 253 T	35-19	1	AM 609 T	15- 6	21
A 4743 R	60-31	19	AB 4725 R	100- 2	20	AM 263 T	45- 3	10	AM 623 T	55- 5	10
A 4744 R	60-31	20	AF			AM 266 T	45- 3	38	AM 623 T	70- 7	19
A 4745 R	60-31	35	AF 1588 R	60-31	49A	AM 266 T	45-11	36	AM 623 T	70- 9	40
A 4746 R	60-31	36	AF 1934 R	35-12	23	AM 268 T	45- 9	16	AM 623 T	70-11	8
A 4747 R	60-31	34	AF 1934 R	35-15	31	AM 271 T	10- 5	9	AM 623 T	70-13	18
A 4748 R	60-31	33	AF 2433 R	60-31	49A	AM 272 T	10- 5	12	AM 625 T	15- 3	1
A 4749 R	60-31	39A	AF 2433 R	60-31	49B	AM 273 T	10- 5	15	AM 625 T	15- 3	7
A 4924 R	100- 3	7	AF 2749 R	100- 8	12	AM 274 T	10- 5	18	AM 629 T	55- 1	4
A 5176 R	105- 5	1	AH			AM 275 T	10- 5	5	AM 633 T	45-11	3
A 5177 R	105- 5	3	AH 1111 RT	10- 8	7	AM 284 T	10- 8	16	AM 634 T	45-11	7
A 5275 R	100- 7	16	AH 14145 H	100- 9	9	AM 292 T	10- 3	28	AM 635 T	20- 2	4
A 5276 R	100- 7	9	AL			AM 292 T	60-13	52	AM 635 T	25- 3	4
A 5278 R	100- 7	12	AL 884 T	25- 3	17	AM 292 T	60-16	19	AM 635 T	55- 2	6
A 5279 R	100- 7	13	AL 2096 T	15- 5	24	AM 292 T	60-19	34	AM 635 T	55- 5	25
A 5301 R	60-31	46A	AL 2116 T	30- 3	13	AM 295 T	15- 6	20	AM 635 T	55- 6	16
A 5301 R	60-31	55	AL 2116 T	40- 3	30	AM 298 T	20- 2	20	AM 635 T	85- 2	15
A 5302 R	60-31	46A	AL 2117 T	25- 3	14	AM 298 T	55- 2	27	AM 635 T	85- 3	5
A 5302 R	60-31	53	AL 2118 T	25- 3	19	AM 298 T	55- 5	37	AM 636 T	20- 2	4
A 5304 R	60-31	39A	AL 2119 T	25- 3	18	AM 314 T	55- 2	8	AM 636 T	25- 3	4
A 5304 R	60-31	39B	AL 2122 T	35- 5	18	AM 315 T	15- 2	1	AM 636 T	55- 5	25
AA			AL 2177 T	40- 5	35	AM 320 T	30- 3	8	AM 636 T	85- 2	15
AA 2296 R	45-11	6	AL 2180 T	50- 3	2	AM 321 T	30- 4	16	AM 636 T	85- 3	5
AA 3238 R	100- 2	7	AL 2275 T	20- 2	13	AM 321 T	30- 5	6	AM 637 T	20- 3	31
AA 3239 R	100- 2	10	AL 2275 T	25- 6	1	AM 322 T	30- 4	13	AM 637 T	20- 3	8
AA 3239 R	100- 3	4	AL 2315 T	50- 3	1	AM 322 T	30- 5	7	AM 640 T	20- 2	22
AA 3240 R	100- 2	8	AL 2653 T	10- 7	26	AM 325 T	75- 3	5	AM 640 T	55- 2	25
AA 3241 R	100- 2	13	AL 2691 T	15- 6	10	AM 339 T	85- 5	1	AM 640 T	55- 5	39
AA 3241 R	100- 3	2	AL 2730 T	25- 3	11	AM 339 T	85- 6	1	AM 641 T	20- 2	28
AA 3495 R	100- 2	4	AL 2730 T	25- 6	8	AM 339 T	85- 7	1	AM 644 T	30- 3	9
AA 3741 R	60-29	24	AL 2823 T	85- 4	7	AM 346 T	15- 5	32	AM 645 T	30- 3	11
AA 3749 R	60-29	25	AL 2855 T	100- 2	1	AM 349 T	85- 4	5	AM 646 T	30- 3	15
AA 3754 R	60-24	3	AL 2919 T	100- 2	24	AM 355 T	100- 2	26	AM 648 T	30- 3	17
AA 3754 R	60-25	31	AL 2971 T	100- 2	14	AM 355 T	100-11	7	AM 649 T	30- 3	20
AA 4279 R	60-24	20	AL 2971 T	100- 7	28	AM 364 T	15- 3	1	AM 650 T	30- 3	22
AA 4279 R	60-25	24	AL 2976 T	100- 4	5	AM 364 T	15- 3	7	AM 650 T	30- 3	22
AA 4279 R	60-29	8	AL 2976 T	100- 5	1	AM 369 T	15- 2	10	AM 651 T	30- 3	21
AA 4279 R	60-31	10	AL 2976 T	100- 6	12	AM 370 T	15- 2	10	AM 654 T	35- 4	10
AA 4281 R	60-29	34	AL 2976 T	100- 7	6	AM 371 T	15- 2	1	AM 656 T	35- 5	15
AA 4282 R	60-29	19	AL 4022 T	35- 9	1	AM 372 T	100-11	..	AM 658 T	35- 5	24
AA 4493 R	60-29	13	AL 20103 T	20- 2	10	AM 373 T	100-11	15	AM 659 T	35- 5	26A
AA 4542 R	60-31	10	AL 20104 T	20- 2	10	AM 374 T	100-11	2	AM 662 T	35- 5	39
AA 4666 R	100- 3	6	AM			AM 375 T	100-11	7	AM 664 T	35- 6	2
AA 4864 R	60-29	7	AM 220 T	10- 7	15	AM 376 T	100-11	1	AM 664 T	35- 7	2
AA 4864 R	60-31	9	AM 223 T	55- 1	4	AM 381 T	55- 2	11	AM 668 T	35- 6	17
AA 4925 R	100- 3	9	AM 227 T	30- 3	22	AM 393 T	100- 2	25	AM 668 T	35- 7	16
AA 4926 R	100- 3	8	AM 227 T	30- 3	22	AM 409 T	60- 1	9	AM 668 T	35- 8	1
AA 4963 R	30- 1	2	AM 228 T	10- 9	..	AM 492 T	15- 5	8	AM 668 T	35- 8	23
AA 5365 R	65- 4	21	AM 229 T	10- 9	9	AM 496 T	70- 5	23	AM 669 T	10- 5	1
AA 5365 R	65- 5	8	AM 230 T	10- 9	14	AM 496 T	70- 7	30	AM 670 T	10- 5	5
AA 5365 R	65- 8	12	AM 232 T	10- 3	8	AM 496 T	70- 9	17	AM 671 T	10- 5	12
AA 5605 R	60-31	51A	AM 234 T	10- 3	4	AM 496 T	70-11	52	AM 672 T	10- 5	15
AA 5605 R	60-31	52	AM 235 T	10- 3	4	AM 496 T	70-13	36	AM 675 T	10- 5	29
AA 5691 R	100- 4	27	AM 236 T	10- 8	3	AM 496 T	70-15	23	AM 676 T	10- 5	30
AA 5692 R	100- 4	26	AM 240 T	10- 5	28	AM 498 T	70-17	17	AM 677 T	10- 3	17
AA 5731 R	60-31	15				AM 498 T	70- 5	23	AM 677 T	10- 5	33
AA 5731 R	60-31	19				AM 498 T	70- 7	30	AM 678 T	10- 5	36
AA 6023 R	85- 5	22				AM 498 T	70- 9	17	AM 680 T	10- 5	42
AA 6165 R	100- 7	14				AM 498 T	70-11	52	AM 680 T	45- 5	2
AA 6307 R	60-31	49A				AM 498 T	70-13	36	AM 681 T	10- 5	43
AA 6307 R	60-31	51A				AM 498 T	70-15	23	AM 682 T	10- 3	37
AA 6307 R	60-31	51B				AM 498 T	70-17	17	AM 682 T	10- 5	44
AA 6309 R	60-31	52				AM 505 T	85- 4	6	AM 683 T	10- 5	9
AA 7393 R	75- 2	..				AM 508 T	50- 4	15	AM 686 T	30- 4	13
						AM 509 T	50- 4	13	AM 686 T	30- 5	7
						AM 509 T	50- 4	14	AM 698 T	35- 9	11
						AM 514 T	100-11	3	AM 699 T	35- 9	15
						AM 524 T	70- 7	27	AM 700 T	35- 9	19

Part No.	Page	Key	Part No.	Page	Key	Part No.	Page	Key	Part No.	Page	Key
AM 706 T	25-	3 12	AM 906 T	50-	5 22	AM 1120 T	100-	6 7	AM 1396 T	70-	11 48
AM 718 T	10-	3 19	AM 906 T	50-	5 23	AM 1122 T	60-	3 3	AM 1397 T	70-	11 27
AM 718 T	10-	7 20	AM 906 T	50-	6 12	AM 1126 T	55-	1 7	AM 1398 T	70-	11 47
AM 719 T	10-	3 19	AM 909 T	45-	3 29	AM 1127 T	95-	2 2	AM 1399 T	70-	11 48
AM 719 T	10-	7 20	AM 914 T	70-	2 4	AM 1128 T	95-	2 5	AM 1405 T	40-	5 25
AM 720 T	10-	3 19	AM 917 T	55-	3 27	AM 1129 T	95-	2 17	AM 1406 T	40-	5 29
AM 720 T	10-	7 20	AM 917 T	55-	5 21	AM 1132 T	95-	15 15	AM 1407 T	40-	5 14
AM 722 T	10-	7 21	AM 922 T	55-	5 41	AM 1133 T	95-	15 16	AM 1448 T	60-	3 17
AM 724 T	10-	3 30	AM 923 T	55-	5 19	AM 1134 T	95-	15 11	AM 1449 T	60-	3 26
AM 724 T	10-	7 18	AM 927 T	80-	3 12	AM 1135 T	65-	2 26	AM 1457 T	35-	4 10
AM 725 T	10-	3 30	AM 927 T	80-	5 12	AM 1136 T	95-	2 22	AM 1458 T	35-	5 39
AM 725 T	10-	7 18	AM 928 T	80-	3 2	AM 1137 T	95-	3 12	AM 1463 T	70-	7 24A
AM 726 T	10-	3 30	AM 928 T	80-	5 2	AM 1144 T	95-	15 9	AM 1470 T	70-	7 24A
AM 726 T	10-	7 18	AM 930 T	80-	3 19	AM 1145 T	95-	15 12	AM 1474 T	70-	7 8
AM 727 T	10-	7 15	AM 930 T	80-	5 44	AM 1146 T	95-	15 17	AM 1474 T	70-	13 10
AM 728 T	10-	7 16	AM 931 T	10-	3 13	AM 1149 T	60-	1 21	AM 1478 T	45-	3 7
AM 729 T	10-	9 3	AM 931 T	10-	7 23	AM 1149 T	105-	4 4	AM 1479 T	45-	3 7
AM 730 T	10-	9 8	AM 939 T	45-	7 18	AM 1162 T	70-	3 8	AM 1480 T	35-	8 3
AM 731 T	10-	9 9	AM 939 T	45-	9 16	AM 1174 T	70-	3 13	AM 1513 T	30-	3 1
AM 732 T	10-	9 10	AM 939 T	45-	13 15	AM 1176 T	70-	3 18	AM 1514 T	50-	5 4
AM 733 T	10-	9 11	AM 941 T	55-	5 16	AM 1182 T	55-	5 35	AM 1514 T	50-	6 8
AM 734 T	10-	9 14	AM 942 T	55-	5 29	AM 1182 T	55-	7 6	AM 1515 T	50-	4 7
AM 735 T	10-	8 6	AM 943 T	55-	5 32	AM 1185 T	70-	3 4	AM 1524 T	60-	21 18
AM 736 T	10-	8 12	AM 944 T	55-	5 6	AM 1186 T	70-	3 9	AM 1524 T	60-	23 25
AM 737 T	10-	8 16	AM 945 T	55-	1 8	AM 1187 T	70-	3 3	AM 1528 T	45-	3 31
AM 738 T	10-	8 3	AM 946 T	55-	3 2	AM 1196 T	15-	3 ..	AM 1528 T	45-	10 31
AM 739 T	10-	9 ..	AM 946 T	55-	5 1	AM 1213 T	15-	3 1	AM 1532 T	45-	13 33
AM 748 T	85-	2 2	AM 948 T	35-	5 26A	AM 1214 T	15-	3 11	AM 1533 T	45-	8 8
AM 748 T	85-	3 2	AM 949 T	30-	4 19	AM 1277 T	70-	7 16	AM 1534 T	45-	13 33
AM 753 T	10-	3 3	AM 953 T	70-	2 9	AM 1277 T	70-	11 13	AM 1535 T	100-	11 3
AM 754 T	10-	3 5	AM 956 T	55-	6 10	AM 1277 T	70-	13 15	AM 1536 T	100-	11 3
AM 756 T	10-	3 20	AM 958 T	70-	2 4	AM 1278 T	70-	7 16	AM 1563 T	45-	11 36
AM 761 T	60-	19 15	AM 964 T	55-	3 27	AM 1278 T	70-	11 13	AM 1570 T	45-	11 36
AM 762 T	60-	13 20	AM 964 T	55-	5 21	AM 1278 T	70-	13 4	AM 1576 T	60-	13 11
AM 762 T	60-	15 35	AM 971 T	45-	13 11	AM 1315 T	60-	21 50	AM 1586 T	60-	13 12
AM 762 T	60-	21 6	AM 972 T	45-	13 13	AM 1317 T	60-	27 3	AM 1595 T	30-	3 2
AM 762 T	60-	23 17	AM 973 T	45-	5 34	AM 1319 T	60-	27 1	AM 1602 T	45-	13 11
AM 763 T	60-	13 20	AM 973 T	45-	7 18	AM 1320 T	60-	27 4	AM 1619 T	25-	6 7
AM 763 T	60-	15 35	AM 973 T	45-	9 16	AM 1321 T	60-	27 5	AM 1621 T	25-	6 14
AM 763 T	60-	21 5	AM 973 T	45-	13 15	AM 1323 T	60-	4 15	AM 1622 T	85-	2 2
AM 763 T	60-	23 17	AM 975 T	45-	13 31	AM 1328 T	60-	4 23	AM 1622 T	85-	3 2
AM 764 T	60-	13 20	AM 977 T	70-	2 9	AM 1329 T	60-	4 22	AM 1625 T	10-	7 2
AM 764 T	60-	15 35	AM 978 T	70-	2 3	AM 1332 T	60-	21 25	AM 1627 T	15-	2 3
AM 764 T	60-	21 4	AM 980 T	40-	5 33	AM 1333 T	60-	21 17	AM 1628 T	25-	6 7
AM 764 T	60-	23 17	AM 982 T	35-	8 4	AM 1333 T	60-	23 25	AM 1629 T	25-	6 14
AM 773 T	45-	7 8	AM 983 T	35-	8 5	AM 1334 T	60-	24 17	AM 1633 T	85-	2 2
AM 773 T	45-	8 8	AM 984 T	35-	8 6	AM 1334 T	60-	25 8	AM 1633 T	85-	3 2
AM 775 T	45-	3 22	AM 991 T	40-	5 12	AM 1335 T	60-	24 6	AM 1637 T	10-	7 2
AM 775 T	45-	8 14	AM 992 T	40-	5 18	AM 1335 T	60-	25 10	AM 1638 T	10-	7 2
AM 776 T	45-	3 23	AM 995 T	40-	5 1	AM 1336 T	60-	27 3	AM 1640 T	100-	11 3
AM 776 T	45-	9 16	AM 996 T	40-	5 34	AM 1337 T	60-	27 1	AM 1642 T	25-	6 19
AM 779 T	45-	3 37	AM 997 T	40-	5 3	AM 1343 T	60-	4 3	AM 1643 T	45-	9 21
AM 779 T	45-	9 27	AM 998 T	40-	3 7	AM 1344 T	60-	4 2	AM 1643 T	45-	3 27
AM 780 T	45-	3 38	AM 1000 T	100-	11 6	AM 1348 T	60-	29 1	AM 1646 T	95-	2 26
AM 780 T	45-	11 36	AM 1002 T	45-	3 29	AM 1357 T	60-	4 27	AM 1647 T	95-	3 30
AM 791 T	100-	11 15	AM 1004 T	45-	3 13	AM 1358 T	60-	4 26	AM 1660 T	100-	3 3
AM 792 T	100-	11 ..	AM 1005 T	45-	3 18	AM 1360 T	60-	21 30	AM 1661 T	100-	3 7
AM 794 T	50-	4 15	AM 1006 T	45-	3 40	AM 1361 T	60-	21 10	AM 1663 T	100-	3 4
AM 795 T	50-	4 23	AM 1006 T	45-	5 43	AM 1367 T	70-	11 9	AM 1664 T	100-	3 1
AM 796 T	50-	4 24	AM 1013 T	55-	6 6	AM 1369 T	70-	11 3	AM 1665 T	45-	3 21
AM 796 T	50-	5 9	AM 1014 T	55-	6 13	AM 1372 T	70-	11 49	AM 1687 T	70-	7 10
AM 798 T	50-	4 14	AM 1026 T	50-	5 27	AM 1373 T	70-	11 48	AM 1703 T	55-	2 9
AM 800 T	55-	2 12	AM 1027 T	50-	5 5	AM 1374 T	70-	11 21	AM 1714 T	35-	8 18
AM 808 T	105-	2 10	AM 1028 T	50-	5 16	AM 1375 T	70-	11 26	AM 1717 T	35-	8 14
AM 813 T	10-	7 4	AM 1037 T	70-	3 ..	AM 1379 T	70-	11 47	AM 1717 T	35-	17 29
AM 819 T	50-	4 8	AM 1074 T	60-	15 14	AM 1382 T	70-	11 49	AM 1717 T	40-	3 20
AM 820 T	50-	4 21	AM 1078 T	60-	15 30	AM 1383 T	70-	11 48	AM 1717 T	45-	7 28
AM 851 T	80-	3 12	AM 1087 T	60-	3 9	AM 1385 T	70-	11 ..	AM 1717 T	45-	11 6
AM 851 T	80-	5 12	AM 1087 T	60-	4 12	AM 1390 T	30-	1 4	AM 1719 T	40-	5 33
AM 859 T	30-	4 2	AM 1088 T	10-	3 43	AM 1391 T	30-	1 6	AM 1720 T	35-	5 33
AM 860 T	40-	5 40	AM 1100 T	60-	1 12	AM 1392 T	70-	9 53	AM 1720 T	35-	6 13
AM 895 T	40-	5 3	AM 1119 T	60-	4 28	AM 1392 T	70-	11 45	AM 1720 T	35-	7 10
AM 902 T	10-	3 13	AM 1120 T	60-	3 2	AM 1393 T	70-	11 9	AM 1720 T	35-	8 22
AM 902 T	10-	7 23	AM 1120 T	60-	4 21	AM 1394 T	70-	11 3	AM 1721 T	35-	8 21
AM 904 T	75-	5 10	AM 1120 T	100-	5 17	AM 1395 T	70-	11 17	AM 1721 T	40-	3 33

NUMERICAL INDEX
Tractors -- 40 Series

110-5

Part No.	Page	Key	Part No.	Page	Key	Part No.	Page	Key	Part No.	Page	Key
AM 1728 T	70-	2 9	AM 1882 T	30-	4 20	AM 1987 T	35-13	5	AM 2142 T	25-	6 15
AM 1751 T	65-	2 7	AM 1883 T	85-	8 23	AM 1996 T	80-	3 32	AM 2143 T	25-	6 11
AM 1752 T	65-	2 25	AM 1884 T	85-	8 24	AM 1998 T	70-	7 5A	AM 2144 T	25-	6 13
AM 1752 T	90-	4 18	AM 1887 T	35-	10 4	AM 2001 T	70-	7 26	AM 2147 T	65-	2 15
AM 1761 T	70-	2 ..	AM 1889 T	35-	3 14	AM 2007 T	95-	9 1	AM 2148 T	65-	2 14
AM 1766 T	20-	3 30	AM 1890 T	65-	5 5	AM 2008 T	95-	5 ..	AM 2149 T	95-	3 15
AM 1767 T	85-	5 2	AM 1891 T	90-	3 24	AM 2009 T	95-	5 17	AM 2150 T	95-	3 2
AM 1771 T	20-	2 12	AM 1894 T	90-	3 30	AM 2009 T	95-	7 17	AM 2151 T	100-	8 8
AM 1773 T	55-	5 16	AM 1896 T	90-	3 18	AM 2011 T	95-	5 9	AM 2152 T	100-	8 9
AM 1778 T	30-	3 16	AM 1900 T	90-	3 40	AM 2011 T	95-	7 9	AM 2153 T	105-	2 27
AM 1779 T	10-	7 9	AM 1901 T	90-	3 27	AM 2016 T	95-15	19	AM 2154 T	105-	4 7
AM 1780 T	55-	7 10	AM 1904 T	90-	2 5	AM 2022 T	95-	9 22	AM 2155 T	105-	5 ..
AM 1782 T	10-	7 5	AM 1905 T	90-	2 2	AM 2031 T	60-	8 4	AM 2156 T	105-	3 16
AM 1783 T	10-	7 19	AM 1906 T	90-	2 7	AM 2033 T	60-	8 24	AM 2157 T	105-	5 ..
AM 1784 T	10-	7 19	AM 1908 T	90-	2 9	AM 2035 T	60-13	41	AM 2158 T	100-	8 11
AM 1786 T	10-	5 27	AM 1909 T	65-	6 8	AM 2037 T	60-	3 22	AM 2162 T	70-	13 5
AM 1788 T	10-	3 23	AM 1909 T	65-	8 17	AM 2038 T	100-	4 2	AM 2163 T	70-	13 23
AM 1790 T	15-	6 23	AM 1909 T	90-	2 12	AM 2045 T	65-	4 16	AM 2164 T	70-	13 6
AM 1791 T	15-	6 1	AM 1909 T	90-	3 53	AM 2046 T	65-	4 6	AM 2167 T	70-	13 31
AM 1792 T	15-	6 13	AM 1909 T	90-	3 55	AM 2049 T	100-	4 6	AM 2168 T	70-	13 28
AM 1793 T	85-	4 17	AM 1909 T	90-	3 56	AM 2049 T	100-	5 2	AM 2170 T	60-	9 4
AM 1794 T	25-	5 ..	AM 1910 T	90-	3 53	AM 2049 T	100-	6 13	AM 2172 T	60-	9 23
AM 1795 T	15-	2 2	AM 1910 T	90-	3 55	AM 2050 T	100-	6 8	AM 2175 T	65-	6 1
AM 1799 T	15-	5 33	AM 1915 T	60-11	54	AM 2053 T	35-13	8	AM 2176 T	90-	3 24
AM 1800 T	85-	4 22	AM 1916 T	60-10	9	AM 2054 T	60-21	40	AM 2177 T	90-	3 30
AM 1801 T	100-	8 5	AM 1917 T	60-10	13	AM 2057 T	20-	3 1	AM 2185 T	35-19	26
AM 1802 T	100-15	..	AM 1918 T	60-11	26	AM 2058 T	20-	3 2	AM 2187 T	35-19	12
AM 1803 T	100-13	..	AM 1920 T	60-13	10	AM 2059 T	20-	3 ..	AM 2194 T	75-	3 5
AM 1806 T	60-	1 16	AM 1920 T	60-15	19	AM 2060 T	75-	3 ..	AM 2206 T	85-11	6
AM 1808 T	60-	1 ..	AM 1922 T	60-19	36	AM 2063 T	70-	9 31	AM 2208 T	85-11	9
AM 1808 T	60-	3 11	AM 1924 T	60-	8 11	AM 2065 T	70-	9 41	AM 2211 T	85-	6 3
AM 1809 T	85-	4 4	AM 1924 T	60-	9 11	AM 2066 T	70-	9 45	AM 2218 T	15-	3 8
AM 1810 T	20-	1 9	AM 1924 T	60-11	46	AM 2067 T	25-	5 ..	AM 2219 T	15-	3 6
AM 1810 T	20-	1 10	AM 1925 T	60-	8 7	AM 2069 T	70-	9 22	AM 2220 T	15-	3 7
AM 1810 T	20-	1 11	AM 1925 T	60-	9 7	AM 2069 T	70-11	21	AM 2224 T	90-	3 27
AM 1810 T	20-	1 12	AM 1925 T	60-11	50	AM 2070 T	70-	9 27	AM 2227 T	60-15	15
AM 1810 T	20-	1 13	AM 1926 T	60-19	30	AM 2073 T	75-	3 5	AM 2230 T	60-13	35
AM 1810 T	20-	1 14	AM 1927 T	60-16	5	AM 2074 T	60-13	49	AM 2240 T	60-31	1
AM 1810 T	20-	1 15	AM 1927 T	60-17	2	AM 2074 T	60-15	57	AM 2241 T	60-13	1
AM 1810 T	20-	1 16	AM 1927 T	60-19	27	AM 2075 T	95-	5 28	AM 2243 T	45-	9 25
AM 1810 T	20-	1 21	AM 1927 T	90-	2 14	AM 2076 T	60-15	32	AM 2244 T	45-11	38
AM 1811 T	25-	3 8	AM 1928 T	60-16	1	AM 2086 T	70-	9 3	AM 2249 T	95-11	1
AM 1812 T	25-	3 24	AM 1928 T	60-19	26	AM 2087 T	70-	9 6	AM 2250 T	95-11	1
AM 1814 T	25-	3 30	AM 1930 T	35-	8 12	AM 2088 T	15-	2 4	AM 2252 T	95-	5 28
AM 1815 T	25-	3 31	AM 1935 T	40-	3 17	AM 2089 T	75-	3 3	AM 2252 T	95-	7 43
AM 1817 T	25-	3 10	AM 1936 T	40-	3 10	AM 2090 T	25-	6 16	AM 2255 T	95-	1 14
AM 1821 T	60-	3 22	AM 1940 T	55-	6 18	AM 2091 T	100-	8 7	AM 2255 T	95-	7 29
AM 1822 T	30-	1 1	AM 1941 T	50-	3 7	AM 2092 T	55-	9 ..	AM 2256 T	95-	1 14
AM 1828 T	80-	5 11	AM 1943 T	85-	2 17	AM 2093 T	55-	9 ..	AM 2256 T	95-	7 29
AM 1828 T	80-	5 44	AM 1945 T	100-	3 ..	AM 2093 T	55-10	..	AM 2257 T	95-	7 25
AM 1830 T	50-	3 9	AM 1947 T	35-17	..	AM 2094 T	55-	9 39	AM 2258 T	95-	7 27
AM 1831 T	85-	10 8	AM 1949 T	100-	8 6	AM 2096 T	55-	9 7	AM 2263 T	95-11	1
AM 1832 T	85-10	7	AM 1954 T	60-24	8	AM 2096 T	55-10	9	AM 2264 T	95-11	1
AM 1834 T	85-10	1	AM 1954 T	85-	5 17	AM 2097 T	55-	9 2	AM 2267 T	95-11	15
AM 1835 T	85-10	..	AM 1956 T	85-	5 3	AM 2097 T	55-10	4	AM 2271 T	95-15	19
AM 1836 T	85-	7 7	AM 1956 T	85-	6 3	AM 2098 T	55-	9 6	AM 2286 T	85-	6 6
AM 1838 T	85-	7 3	AM 1958 T	45-13	19	AM 2098 T	55-10	8	AM 2286 T	85-	7 6
AM 1839 T	85-	6 2	AM 1959 T	35-19	23	AM 2099 T	55-	9 13	AM 2287 T	85-	9 4
AM 1839 T	85-	7 2	AM 1960 T	85-	2 17	AM 2099 T	55-10	1	AM 2291 T	95-	9 1
AM 1842 T	45-13	10	AM 1962 T	85-	2 17	AM 2099 T	100-	2 14	AM 2292 T	95-	9 1
AM 1852 T	35-	3 1	AM 1965 T	35-14	6	AM 2100 T	55-	9 35	AM 2296 T	60-16	10
AM 1858 T	80-	5 19	AM 1967 T	80-	3 11	AM 2101 T	55-	9 16	AM 2297 T	90-	2 5
AM 1859 T	80-	5 15	AM 1967 T	80-	3 19	AM 2108 T	75-	4 7	AM 2307 T	25-	3 5
AM 1861 T	80-	5 19	AM 1971 T	85-	9 1	AM 2115 T	10-	5 27	AM 2325 T	95-15	19
AM 1862 T	80-	5 35	AM 1973 T	85-	9 4	AM 2116 T	35-19	27	AM 2332 T	55-	7 6
AM 1863 T	100-	9 ..	AM 1977 T	35-16	3	AM 2118 T	35-19	3	AM 2333 T	55-	7 8
AM 1864 T	100-	8 12	AM 1977 T	45-	7 12	AM 2119 T	35-19	2	AM 2337 T	105-	5 ..
AM 1865 T	100-	2 16	AM 1977 T	45-	8 12	AM 2124 T	105-	5 ..	AM 2338 T	65-	2 14
AM 1866 T	100-	8 22	AM 1978 T	35-16	8	AM 2130 T	105-	5 ..	AM 2339 T	95-	3 2
AM 1869 T	55-	7 10	AM 1979 T	35-16	14	AM 2132 T	45-	5 15	AM 2340 T	95-	3 15
AM 1870 T	55-	7 4	AM 1980 T	100-	4 18	AM 2133 T	45-	5 17	AM 2359 T	25-	3 8
AM 1871 T	75-	5 7	AM 1980 T	100-	5 6	AM 2135 T	45-	5 41	AM 2361 T	40-	3 10
AM 1877 T	50-	3 7	AM 1980 T	100-	6 1	AM 2136 T	45-	5 39	AM 2381 T	50-	5 5
AM 1879 T	100-	2 19	AM 1981 T	100-	5 7	AM 2136 T	45-	5 40	AM 2381 T	50-	5 16
AM 1881 T	85-	3 15	AM 1982 T	100-	4 6	AM 2137 T	10-	3 23	AM 2382 T	85-	8 13

Part No.	Page	Key	Part No.	Page	Key	Part No.	Page	Key	Part No.	Page	Key
AM 2383 T	85-	8 1	AM 2684 T	50-	6 7	AM 2794 T	70-	9 6	AM 3372 T	95-	9 17
AM 2396 T	50-	5 5	AM 2688 T	70-	17 19	AM 2795 T	70-	7 27	AM 3372 T	95-	9 18
AM 2396 T	50-	6 9	AM 2692 T	70-	17 36	AM 2808 T	60-	5 1	AM 3372 T	95-	9 24
AM 2397 T	65-	6 20	AM 2693 T	70-	17 40	AM 2809 T	60-	25 17	AM 3372 T	95-	9 29
AM 2401 T	55-	10 ..	AM 2713 T	90-	3 24	AM 2810 T	100-	7 4	AM 3372 T	95-	9 38
AM 2402 T	55-	10 10	AM 2707 T	50-	3 7	AM 2812 T	100-	7 24	AM 3373 T	95-	9 24
AM 2403 T	55-	10 21	AM 2715 T	90-	3 30	AM 2813 T	100-	7 1	AM 3373 T	95-	9 31
AM 2405 T	65-	7 7	AM 2716 T	45-	11 42A	AM 2813 T	100-	7 15	AM 3373 T	95-	9 38
AM 2406 T	65-	7 10	AM 2716 T	45-	9 25	AM 2815 T	100-	7 17	AM 3375 T	95-	9 24
AM 2408 T	90-	3 27	AM 2632 T	90-	3 30	AM 2833 T	15-	3 ..	AM 3375 T	95-	9 28
AM 2408 T	90-	3 27	AM 2634 T	90-	2 5	AM 2835 T	15-	3 1	AM 3375 T	95-	9 38
AM 2409 T	45-	11 36	AM 2636 T	60-	3 22	AM 2837 T	60-	13 9	AM 3377 T	95-	11 16
AM 2423 T	60-	6 1	AM 2639 T	70-	7 10	AM 2838 T	60-	13 35	AM 3377 T	95-	11 18
AM 2424 T	60-	6 2	AM 2643 T	70-	13 6	AM 2841 T	60-	25 23	AM 3377 T	95-	11 23
AM 2425 T	60-	6 8	AM 2645 T	95-	5 28	AM 2842 T	45-	9 25	AM 3377 T	95-	11 25
AM 2426 T	60-	6 13	AM 2646 T	95-	5 28	AM 2842 T	45-	11 42B	AM 3377 T	95-	11 33
AM 2427 T	60-	6 12	AM 2646 T	95-	7 43	AM 2843 T	45-	9 25	AM 3378 T	95-	11 24
AM 2428 T	75-	5 7	AM 2658 T	70-	15 9	AM 2852 T	20-	3 31	AM 3378 T	95-	11 25
AM 2437 T	60-	13 1	AM 2661 T	70-	15 10	AM 2912 T	95-	3 15	AM 3378 T	95-	11 33
AM 2438 T	60-	11 65	AM 2662 T	70-	15 14	AM 2915 T	95-	3 2	AM 3380 T	95-	11 17
AM 2444 T	100-	8 5	AM 2665 T	70-	15 32	AM 2922 T	15-	4 4	AM 3380 T	95-	11 18
AM 2447 T	55-	3 24	AM 2666 T	70-	15 29	AM 2957 T	65-	3 6	AM 3380 T	95-	11 22
AM 2452 T	60-	7 1	AM 2698 T	105-	5 ..	AM 2957 T	65-	3 14	AM 3380 T	95-	11 25
AM 2453 T	60-	5 4	AM 2683 T	50-	6 9	AM 2958 T	65-	3 6	AM 3380 T	95-	11 33
AM 2453 T	60-	7 4	AM 2676 T	70-	13 5	AM 2958 T	65-	3 14	AM 3381 T	95-	11 21
AM 2457 T	45-	7 38	AM 2675 T	30-	3 2	AM 2971 T	85-	2 2	AM 3381 T	95-	11 25
AM 2461 T	70-	5 10	AM 2717 T	105-	5 ..	AM 2971 T	85-	3 2	AM 3381 T	95-	11 33
AM 2462 T	70-	5 15	AM 2723 T	45-	5 34	AM 3003 T	60-	16 10	AM 3437 T	25-	3 24
AM 2464 T	30-	3 2	AM 2724 T	50-	6 10	AM 3005 T	60-	11 65	AM 3438 T	25-	6 16
AM 2468 T	70-	5 9	AM 2725 T	35-	19 25	AM 3012 T	10-	7 9	AM 3439 T	15-	6 23
AM 2472 T	90-	3 18	AM 2727 T	35-	19 17	AM 3048 T	85-	3 15	AM 3451 T	15-	6 21
AM 2473 T	90-	3 24	AM 2729 T	60-	11 68	AM 3049 T	85-	3 15	AM 3469 T	55-	9 35
AM 2474 T	90-	3 30	AM 2731 T	60-	11 54	AM 3050 T	85-	2 17	AM 3469 T	55-	9 49
AM 2475 T	60-	3 22	AM 2732 T	60-	11 26	AM 3055 T	100-	11 1	AM 3478 T	75-	3 5
AM 2483 T	85-	9 3	AM 2734 T	85-	13 2	AM 3088 T	105-	5 ..	AM 3479 T	75-	3 5
AM 2484 T	85-	9 6	AM 2736 T	85-	13 11	AM 3089 T	85-	2 2	AM 3496 T	75-	5 7
AM 2525 T	75-	3 3	AM 2739 T	85-	7 3	AM 3089 T	85-	3 2	AM 3520 T	40-	3 10
AM 2533 T	60-	7 11	AM 2740 T	65-	9 4	AM 3100 T	25-	3 12	AM 3577 T	15-	6 23
AM 2534 T	60-	7 10	AM 2741 T	70-	17 4	AM 3121 T	30-	1 1	AM 3584 T	105-	3 9
AM 2538 T	85-	3 15	AM 2743 T	45-	11 42B	AM 3144 T	100-	7 5	AM 3631 T	10-	5 43
AM 2542 T	70-	5 34	AM 2743 T	70-	5 34	AM 3149 T	55-	1 8	AM 3669 T	50-	5 18
AM 2543 T	70-	5 37	AM 2743 T	70-	17 7	AM 3150 T	75-	3 5	AM 3669 T	50-	5 19
AM 2544 T	50-	5 5	AM 2753 T	60-	25 25	AM 3151 T	105-	5 ..	AM 3669 T	50-	6 15
AM 2547 T	35-	19 25	AM 2754 T	60-	5 1	AM 3152 T	105-	5 ..	AM 3669 T	50-	6 16
AM 2549 T	100-	5 7	AM 2755 T	60-	5 11	AM 3153 T	105-	5 ..	AM 3676 T	40-	5 34
AM 2553 T	35-	19 16	AM 2756 T	60-	5 10	AM 3154 T	105-	5 ..	AM 3735 T	105-	5 ..
AM 2554 T	35-	19 17	AM 2757 T	100-	8 20	AM 3155 T	105-	5 ..	AM 3736 T	105-	5 ..
AM 2555 T	55-	3 20	AM 2758 T	90-	3 27	AM 3156 T	105-	5 ..	AM 3791 T	30-	3 20
AM 2570 T	70-	7 5B	AM 2759 T	45-	7 13	AM 3157 T	105-	5 ..	AM 3795 T	35-	6 15
AM 2571 T	70-	7 24B	AM 2760 T	45-	7 27	AM 3159 T	50-	5 27	AM 3795 T	35-	6 18
AM 2574 T	50-	4 8	AM 2761 T	45-	9 25	AM 3160 T	60-	13 25	AM 3795 T	35-	7 14
AM 2575 T	30-	3 20	AM 2761 T	45-	11 42B	AM 3160 T	60-	13 35	AM 3795 T	35-	7 17
AM 2575 T	30-	3 21	AM 2762 T	95-	9 16	AM 3177 T	85-	2 17	AM 3796 T	35-	8 18
AM 2576 T	30-	3 22	AM 2762 T	95-	9 30	AM 3177 T	85-	3 15	AM 3796 T	35-	8 24
AM 2577 T	30-	3 21	AM 2763 T	95-	9 17	AM 3177 T	105-	5 14	AM 3816 T	70-	9 45
AM 2578 T	90-	3 39	AM 2763 T	95-	9 29	AM 3183 T	30-	3 20	AM 3842 T	60-	3 6
AM 2585 T	45-	11 ..	AM 2764 T	95-	9 28	AM 3184 T	30-	3 21	AM 3846 T	55-	3 24
AM 2589 T	50-	3 9	AM 2765 T	95-	9 31	AM 3225 T	45-	5 15	AM 3892 T	25-	3 5
AM 2590 T	65-	3 14	AM 2766 T	95-	11 16	AM 3257 T	100-	2 1	AM 3893 T	40-	5 25
AM 2591 T	65-	3 6	AM 2766 T	95-	11 23	AM 3270 T	85-	10 7	AM 3893 T	40-	5 25
AM 2592 T	105-	3 7	AM 2767 T	95-	11 17	AM 3276 T	85-	11 9	AM 3893 T	40-	5 27
AM 2593 T	105-	5 ..	AM 2767 T	95-	11 22	AM 3277 T	85-	9 4	AM 3893 T	40-	5 29
AM 2595 T	50-	3 9	AM 2768 T	95-	11 21	AM 3278 T	85-	9 3	AM 3893 T	40-	5 29
AM 2597 T	50-	3 7	AM 2769 T	95-	11 24	AM 3279 T	85-	12 4	AM 3893 T	40-	5 42
AM 2598 T	50-	3 5	AM 2773 T	45-	3 23	AM 3361 T	55-	6 13	AM 3894 T	40-	5 25
AM 2600 T	50-	3 2	AM 2773 T	45-	9 16	AM 3363 T	95-	3 15	AM 3895 T	40-	5 29
AM 2604 T	105-	3 9	AM 2775 T	45-	5 34	AM 3364 T	95-	3 2	AM 3947 T	85-	3 15
AM 2615 T	35-	6 13	AM 2775 T	45-	7 18	AM 3365 T	85-	8 23	AM 3951 T	70-	7 26
AM 2619 T	85-	12 10	AM 2775 T	45-	9 16	AM 3366 T	85-	8 24	AM 3952 T	70-	7 5B
AM 2622 T	85-	12 4	AM 2775 T	45-	13 15	AM 3368 T	45-	5 15	AM 3991 T	35-	5 33
AM 2624 T	65-	8 11	AM 2778 T	60-	11 65	AM 3371 T	95-	9 16	AM 3991 T	35-	6 13
AM 2625 T	65-	8 18	AM 2779 T	90-	3 27	AM 3371 T	95-	9 18	AM 3991 T	35-	7 10
AM 2627 T	90-	3 24	AM 2780 T	20-	2 26	AM 3371 T	95-	9 24	AM 3991 T	35-	8 22
AM 2628 T	90-	3 18	AM 2780 T	20-	2 26	AM 3371 T	95-	9 30			
AM 2631 T	90-	3 39	AM 2793 T	70-	9 3	AM 3371 T	95-	9 38			

NUMERICAL INDEX
Tractors -- 40 Series

Part No.	Page	Key	Part No.	Page	Key	Part No.	Page	Key	Part No.	Page	Key
AP			AT 12233 T	95-	5 ..				C		
AP 19547 H	60-31	45	AT 12233 T	95-	7 ..	C 1104 R	60-31	23	JD 16 R	75-	5 9
			AT 12234 T	95-	5 ..	C 1479 R	45-	7 23	JD 19 R	50-	5 20
			AT 12542 T	45-	7 12				JD 19 R	55-	3 30
			AT 12542 T	45-	8 12				JD 19 R	70-	2 1
AR			AT 12783 T	95-	1 11				JD 21 T	95-	3 33
AR 1362 R	60-29	19	AT 12784 T	95-	1 12				JD 21 T	95-	5 15
AR 10075 R	25-	5 36A	AT 12784 T	95-	7 27				JD 21 T	95-	7 15
AR 10303 R	25-	5 22	AT 13262 T	60-	16 8				JD 250 R	105-	5 8
AR 11062 R	100-	15 15	AT 13262 T	60-	16 9	D 465 R	60-29	27	JD 251 R	105-	5 9
AR 11063 R	100-	15 19	AT 13262 T	60-	17 7	D 1748 R	100-	7 27	JD 260 R	105-	5 2
AR 11064 R	100-	15 22	AT 13262 T	60-	17 8	D 2628 R	75-	2 7	JD 3000 T	70-	2 2
AR 11065 R	100-	15 23	AT 13262 T	60-	19 23	D 2913 R	60-29	31	JD 3001 T	75-	5 8
AR 11066 R	100-	15 9	AT 13262 T	60-	19 24				JD 3002 T	70-	2 2
AR 11103 R	100-	9 20	AT 14264 T	105-	6 1				JD 3003 T	70-	2 2
AR 21840 R	15-	2 10	AT 14388 T	100-	13 11				JD 3004 T	75-	2 4
AR 21840 R	20-	2 10	AT 14465 T	100-	11 54				JD 3007 T	75-	5 8
AR 28227 R	100-	3 11	AT 14466 T	100-	11 54				JD 7137 T	35-	8 9
AR 28227 R	100-	4 18	AT 14467 T	100-	11 20	DA 5883 A	65-	2 25	JD 7180 R	100-	13 32
AR 28227 R	100-	5 6	AT 14468 T	100-	11 24	DA 5883 A	90-	3 57	JD 7198 H	35-	19 18
AR 28227 R	100-	6 1	AT 14469 T	100-	11 20				JD 7207 R	35-	5 20
			AT 14913 T	105-	3 13				JD 7207 R	45-	7 9
			AT 14924 T	45-	5 17				JD 7207 R	45-	8 9
			AT 14927 T	105-	6 1				JD 7259 R	45-	3 15
			AT 15155 T	45-	5 41				JD 7259 R	45-	7 6
			AT 15211 T	45-	5 39				JD 7259 R	45-	8 6
			AT 15211 T	45-	5 40				JD 7262 R	35-	5 19
			AT 15211 T	45-	5 45				JD 7262 R	45-	3 11
			AT 15211 T	45-	5 46				JD 7262 R	45-	10 32
			AT 15561 T	35-	12 23	F 125 YT	65-	2 18	JD 7369 T	45-	3 25
			AT 15561 T	35-	15 31	F 834 R	60-	13 31	JD 7369 T	45-	9 18
			AT 15574 T	55-	10 10	F 919 R	60-	13 32	JD 7372 T	45-	3 12
			AT 15575 T	55-	7 10	F 1024 R	45-	7 22	JD 7372 R	45-	10 33
			AT 15577 T	55-	7 6	F 1024 R	65-	3 5	JD 7372 T	45-	13 6
			AT 15583 T	55-	7 4	F 1425 R	60-	31 18	JD 7406 T	45-	3 24
			AT 15587 T	75-	5 10	F 1426 R	60-	31 27	JD 7406 T	45-	9 17
			AT 15588 T	75-	3 3	F 1428 R	60-	31 22	JD 7409 H	45-	7 10
			AT 15591 T	55-	7 4	F 1430 R	60-	31 25	JD 7409 H	45-	8 10
			AT 15595 T	75-	5 10	F 1431 R	60-	31 24	JD 7409 H	45-	13 5
			AT 15596 T	75-	3 3	F 1432 R	60-	31 44	JD 7432 R	35-	4 1
			AT 15917 T	95-	1 ..	F 1435 R	60-	31 46A	JD 7438 R	35-	16 10
			AT 15917 T	95-	7 25	F 1440 R	60-	31 37	JD 7438 R	70-	2 8
			AT 16550 T	35-	5 22	F 1441 R	60-	31 17	JD 7442 T	35-	5 35
			AT 16611 T	35-	5 33	F 2300 R	60-	31 46F	JD 7443 T	35-	5 29
			AT 16611 T	35-	6 13	F 2439 R	60-	31 23	JD 7449 D	35-	17 24
			AT 16611 T	35-	7 10	F 2632 R	100-	11 50	JD 7449 H	45-	5 6
			AT 16611 T	35-	8 22	F 2632 R	105-	2 4	JD 7449 D	70-	2 10
			AT 16776 T	55-	7 8	F 2632 R	105-	2 25	JD 7449 D	70-	3 11
			AT 16881 T	100-	17 ..	F 3322 R	60-	13 22	JD 7589 T	45-	5 32
			AT 17208 T	100-	11 3	F 3322 R	60-	15 37	JD 7589 T	45-	7 20
			ATE			F 3322 R	60-	23 19	JD 7589 T	45-	9 18
			ATE 1028 YT	95-	15 12				JD 7589 T	45-	13 17
			ATE 1035 YT	95-	15 19				JD 7590 T	45-	5 25
			ATE 1044 YT	95-	2 3				JD 7590 T	45-	7 35
			ATE 2030 YT	95-	15 17				JD 7590 T	45-	10 33
			ATE 2078 YT	95-	3 34				JD 7590 T	45-	13 23
			ATE 2079 YT	95-	2 27				JD 7699 H	35-	19 4
			ATE 2211 YT	65-	2 15				JD 7759	70-	5 11
			ATE 2213 YT	95-	2 22				JD 7759	70-	7 4
			ATE 2229 YT	95-	2 28				JD 7759	70-	9 46
			ATE 2237 YT	65-	2 14				JD 7759	70-	11 57
			ATE 2267 YT	65-	2 3				JD 7759	70-	13 19
			ATE 2289 YT	85-	8 13				JD 7759	70-	15 15
			ATE 2290 YT	85-	8 1				JD 7759	70-	17 27
			ATE 2293 YT	95-	3 2				JD 7797	35-	11 11
			ATE 2294 YT	95-	3 15				JD 7797	35-	12 18
			ATE 2638 YT	95-	13 4				JD 7797	35-	13 4
			B						JD 7797	35-	14 7
			B 367 R	10-	5 19				JD 7797	35-	15 4
			B 3267 R	100-	2 22				JD 7797	60-	8 39
									JD 7797	60-	9 14
									JD 7797	60-	11 67
									JD 7797	90-	3 20
									JD 7821	95-	2 1
									JD 7822	95-	2 9
									JD 7823	95-	2 10

NUMERICAL INDEX
Tractors -- 40 Series

Part No.	Page	Key	Part No.	Page	Key	Part No.	Page	Key	Part No.	Page	Key
JD 7828	95- 1	3	L 299 T	30- 4	7	L 4027 T	35- 9	3	M 30 T	10- 5	24
JD 7828	95- 5	1	L 299 T	80- 5	31	L 4035 T	35- 9	2	M 35 T	10- 7	4
JD 7828	95- 7	1	L 300 T	60-21	36	L 4043 T	30- 3	25	M 38 T	10- 9	8
JD 7830	95- 5	..	L 307 T	30- 4	6	L 4115 T	10- 7	25	M 39 T	10- 9	11
JD 7830	95- 7	..	L 307 T	40- 5	24	L 4121 T	10- 3	35	M 40 T	10- 5	23
JD 7831	95- 5	..	L 307 T	60-11	24	L 4122 T	10- 9	3	M 47 T	35- 5	15
JD 7831	95- 7	..	L 307 T	60-13	40	L 4126 T	10- 7	14	M 49 T	10- 5	36
JD 7938 T	35- 4	7	L 307 T	60-13	43	L 4126 T	35- 3	3	M 53 T	45- 3	38
JD 7939 T	35- 5	23	L 307 T	60-15	20	L 4128 T	10- 3	14	M 53 T	45-11	36
JD 8110 R	35- 5	43	L 307 T	80- 5	45	L 4128 T	15- 6	4	M 54 T	45- 3	37
JD 8117 T	35- 4	2	L 308 T	30- 4	23	L 4129 T	10- 3	12	M 54 T	45- 9	27
JD 8121 T	45- 3	14	L 308 T	30- 5	2	L 4129 T	15- 6	2	M 55 T	45- 3	22
JD 8121 T	45- 7	7	L 308 T	40- 5	11	L 4152 T	10- 7	24	M 55 T	45- 8	14
JD 8121 T	45- 8	7	L 357 T	30- 5	1	L 4152 T	105- 2	11	M 57 T	30- 3	11
JD 8123 T	35- 5	34	L 357 T	35-11	6	L 4158 T	15- 6	11	M 59 T	10- 8	12
JD 8124 T	35- 5	28	L 357 T	40- 5	10	L 4168 T	30- 1	3	M 63 T	20- 2	28
JD 8134 D	35-17	25	L 357 T	80- 3	14	L 4176 T	15- 6	18	M 64 T	10- 3	5
JD 8134 D	45- 5	7	L 364 T	30- 4	11	L 4177 T	15- 6	6	M 67 T	10- 7	1
JD 8134 D	70- 2	11	L 364 T	30- 5	4	L 4183 T	10- 5	3	M 72 T	10- 5	16
JD 8134 D	70- 3	12	L 364 T	60-21	37	L 4183 T	15- 6	19	M 73 T	10- 9	10
JD 8135 R	35-16	11	L 372 T	30- 3	24	L 4187 T	10- 7	12	M 74 T	10- 5	14
JD 8135 R	70- 2	7	L 372 T	95- 9	13	L 4223 T	30- 4	5	M 75 T	10- 9	2
JD 8144 T	35- 6	12	L 409 T	70- 7	29	L 4223 T	85- 8	25	M 76 T	10- 5	17
JD 8144 T	35- 7	8	L 409 T	70-11	51	L 4232 T	10- 9	5	M 80 T	10- 9	15
JD 8171 T	35- 8	16	L 409 T	70-13	33	L 4233 T	10- 9	7	M 81 T	10- 5	10
JD 8171 T	40- 3	18	L 409 T	70-15	28	L 4256 T	10- 3	7	M 85 T	10- 3	18
JD 8179 T	35-16	7	L 410 T	70- 7	28	L 4263 T	10- 3	6	M 85 T	105- 2	17
JD 8179 T	45- 5	9	L 410 T	70-11	50	L 4265 T	15- 6	14	M 88 T	10- 8	8
JD 8180 T	35-16	19	L 410 T	70-13	32	L 4266 T	10- 3	9	M 90 T	10- 8	5
JD 8205 T	35- 6	11	L 410 T	70-15	27	L 4266 T	15- 6	5	M 91 T	10- 8	4
JD 8205 T	35- 7	7	L 467 T	35- 9	13	L 4353 T	100- 4	1	M 91 T	60- 8	3
JD 8217 T	35- 8	15	L 467 T	35-17	9	L 4353 T	100- 4	17	M 91 T	60- 9	3
JD 8217 T	40- 3	19	L 467 T	60-21	12	L 4381 T	45- 3	36	M 91 T	60-11	56
JD 8220 T	35-16	6	L 468 T	35- 9	12	L 4381 T	45- 9	28	M 93 T	10- 8	2
JD 8220 T	45- 5	10	L 468 T	35-17	8	L 4382 T	45- 3	36	M 94 T	10- 8	1
JD 8221 T	35-16	20	L 495 T	35- 6	18	L 4382 T	45- 9	28	M 95 T	10- 8	9
JD 8314 T	45- 5	24	L 495 T	35- 7	17	L 4383 T	45- 3	36	M 96 T	10- 8	10
JD 8314 T	45- 7	34	L 495 T	35- 8	24	L 4383 T	45- 9	28	M 96 T	105- 2	3
JD 8314 T	45-10	32	L 587 T	25- 3	32	L 4416 T	55- 1	2	M 96 T	105- 2	24
JD 8314 T	45-13	24	L 587 T	25- 5	42	L 4576 T	20- 2	24	M 97 T	10- 8	11
JD 8315 T	45- 5	33	L 587 T	25- 6	9	L 4616 T	70-11	3	M 97 T	105- 2	14
JD 8315 T	45- 7	19	L 588 T	25- 3	28	L 4620 T	70- 7	21	M 98 T	10- 3	31
JD 8315 T	45- 9	17	L 588 T	25- 5	43	L 4620 T	70-11	6	M 100 T	10- 5	29
JD 8315 T	45-13	16	L 588 T	25- 6	10	L 4622 T	70- 7	23A	M 101 T	10- 5	30
JD 8404 T	55- 5	9	L 689 T	30- 1	5	L 4622 T	70-11	4	M 102 T	10- 5	21
JD 8407 H	70- 5	12	L 752 T	10- 9	6	L 4668 T	80- 3	9	M 105 T	10- 5	22
JD 8407 H	70- 7	20B	L 754 T	10- 9	4	L 4668 T	80- 5	9	M 108 T	10- 3	38
JD 8407 H	70- 9	42	L 754 T	35-17	7	L 4668 T	60-11	71	M 108 T	10- 5	45
JD 8407 H	70-13	20	L 754 T	105- 3	12	L 4668 T	60-26	5	M 111 T	10- 3	11
JD 8407 H	70-15	11	L 756 T	10- 3	32				M 111 T	105- 2	12
JD 8407 H	70-17	37	L 756 T	35-19	22				M 112 T	10- 5	42
JD 8511 T	30- 3	18	L 756 T	95- 7	26				M 112 T	45- 5	2
JD 8567 T	35- 8	9	L 756 T	100-11	44				M 113 T	35- 3	8
JD 8803 T	60- 1	16	L 768 T	10- 7	22	M 11 T	10- 5	43	M 114 T	35- 3	13
JD 8804 T	60- 1	9	L 852 T	15- 3	3	M 12 T	10- 5	35	M 115 T	35-17	4
JD 8819 T	35-19	2	L 852 T	15- 4	11	M 13 T	10- 5	34	M 116 T	35- 5	37
JD 8820 T	55- 5	10	L 853 T	15- 2	4	M 14 T	35- 3	12	M 116 T	60-23	4
JD 8820 T	70- 5	8	L 853 T	15- 3	15	M 14 T	60-16	11	M 117 T	35- 5	37
JD 8820 T	70- 7	19	L 853 T	15- 4	7	M 14 T	60-17	12	M 118 T	35- 5	37
JD 8820 T	70- 9	40	L 853 T	30- 3	7	M 14 T	70- 2	2	M 119 T	35-17	5
JD 8820 T	70-11	8	L 853 T	60- 8	15	M 14 T	70- 3	1	M 120 T	35-17	2
JD 8820 T	70-13	18	L 853 T	60- 9	16	M 14 T	70- 9	18	M 121 T	35-17	3
JD 8820 T	70-15	8	L 885 T	25- 3	15	M 14 T	70-11	28	M 122 T	35-17	10
JD 8820 T	70-17	35	L 886 T	25- 3	16	M 16 T	10- 7	21	M 123 T	35-17	11
			L 985 T	15- 5	21	M 17 T	10- 7	13	M 124 T	35-17	6
			L 987 T	15- 5	20	M 18 T	10- 7	16	M 130 T	35- 5	26A
	L		L 1183 T	100-11	9	M 19 T	10- 7	17	M 132 T	35- 5	24
			L 1183 T	100-13	43	M 19 T	105- 2	13	M 136 T	35- 5	30
L 105 T	70- 2	12	L 1198 T	10- 7	29	M 21 T	30- 3	17	M 137 T	35- 5	30
L 106 T	70- 2	13	L 1198 T	30- 4	8	M 22 T	10- 5	40	M 138 T	35- 5	30
L 139 T	55- 9	24	L 1198 T	60-10	15	M 22 T	45- 5	5	M 140 T	35- 4	5
L 139 T	65- 2	9	L 1198 T	85- 4	19	M 23 T	30- 3	15	M 143 T	35- 4	10
L 273 T	35- 5	44	L 1199 T	25- 3	23	M 26 T	10- 3	20	M 144 T	35- 4	11
L 273 T	70- 9	32	L 1670 C	60- 5	3	M 27 T	10- 5	31	M 146 T	35- 4	13
L 273 T	70-17	25	L 1670 C	60- 6	11	M 28 T	30- 1	10	M 147 T	35- 4	14

NUMERICAL INDEX
Tractors -- 40 Series

110-9

Part No.	Page	Key	Part No.	Page	Key	Part No.	Page	Key	Part No.	Page	Key
M 148 T	35-	4 14	M 278 T	15-	5 15	M 432 T	70-11	5	M 633 T	55-10	3
M 149 T	35-	4 14	M 280 T	15-	5 12	M 434 T	55-	2 19	M 633 T	100-	5 18
M 150 T	35-	5 33	M 282 T	10-	5 4	M 434 T	55-	3 9	M 633 T	100-	8 4
M 150 T	35-	6 13	M 282 T	105-	2 8	M 434 T	55-	5 15A	M 640 T	100-	2 27
M 150 T	35-	7 10	M 282 T	105-	2 22	M 434 T	55-	6 5	M 640 T	100-	4 19
M 152 T	35-	5 39	M 283 T	10-	5 11	M 435 T	55-	2 12	M 640 T	100-	5 4
M 154 T	35-	5 41	M 284 T	10-	5 8	M 444 T	45-11	1	M 640 T	100-	6 2
M 155 T	35-	5 42	M 285 T	10-	5 25	M 453 T	85-	5 9	M 644 T	100-	2 32
M 156 T	35-	5 42	M 285 T	55-	2 21	M 453 T	85-	6 11	M 644 T	100-	5 19
M 157 T	35-	5 42	M 285 T	55-	3 8	M 459 T	100-	2 23	M 644 T	100-	7 29
M 159 T	35-	5 49	M 285 T	55-	5 15B	M 459 T	100-	4 13	M 646 T	100-	2 33
M 159 T	105-	3 3	M 290 T	45-11	3	M 460 T	10-	5 46	M 647 T	100-	2 31
M 160 T	35-	5 48	M 293 T	10-	8 6	M 463 T	10-	3 34	M 648 T	70-	7 25
M 163 T	35-	6 2	M 301 T	50-	3 3	M 464 T	30-	3 14	M 648 T	70-11	42
M 163 T	35-	7 2	M 301 T	50-	3 7	M 488 T	40-	5 2	M 648 T	70-13	27
M 164 T	35-	6 1	M 302 T	15-	5 31	M 495 T	55-	9 47	M 648 T	70-17	3
M 164 T	35-	7 1	M 315 T	20-	2 1	M 507 T	60-	1 15	M 711 T	10-	7 6
M 165 T	35-	6 16	M 315 T	25-	3 1	M 508 T	60-	1 14	M 714 T	50-	4 4
M 165 T	35-	7 15	M 315 T	55-	5 26	M 510 T	10-	5 37	M 715 T	50-	4 5
M 170 T	35-10	3	M 315 T	85-	2 16	M 511 T	10-	5 38	M 716 T	50-	4 6
M 170 T	35-13	11	M 315 T	85-	3 3	M 511 T	75-	5 4	M 717 T	50-	4 18
M 170 T	35-14	14	M 316 T	20-	2 2	M 515 T	60-13	20	M 718 T	50-	4 19
M 174 T	35-	3 2	M 316 T	25-	3 2	M 515 T	60-15	35	M 719 T	50-	4 20
M 174 T	105-	3 5	M 316 T	55-	5 27	M 515 T	60-21	6	M 719 T	50-	5 15
M 176 T	35-	9 14	M 316 T	85-	2 13	M 515 T	60-23	17	M 719 T	50-	6 20
M 177 T	35-	9 15	M 316 T	85-	3 4	M 519 T	60-13	19	M 720 T	50-	4 22
M 178 T	35-	9 11	M 322 T	20-	2 1	M 519 T	60-15	34	M 720 T	50-	5 17
M 179 T	35-	9 16	M 322 T	25-	3 1	M 519 T	60-23	16	M 720 T	50-	6 14
M 180 T	35-	9 17	M 322 T	55-	5 26	M 521 T	60-13	29	M 721 T	50-	4 22
M 181 T	35-	9 19	M 322 T	85-	2 16	M 521 T	60-15	53	M 721 T	50-	5 17
M 186 T	35-	9 8	M 322 T	85-	3 3	M 522 T	60-13	34	M 721 T	50-	6 14
M 186 T	105-	3 4	M 331 T	30-	3 6	M 522 T	60-15	45	M 722 T	50-	4 22
M 204 T	45-	7 8	M 331 T	60-	8 19	M 523 T	60-13	36	M 722 T	50-	5 17
M 204 T	45-	8 8	M 331 T	60-	9 24	M 526 T	35-	9 21	M 722 T	50-	6 14
M 205 T	45-	3 16	M 331 T	60-15	2	M 526 T	60-	8 25	M 723 T	50-	4 25
M 205 T	45-	7 5	M 331 T	80-	5 23	M 526 T	60-	9 22	M 723 T	50-	5 19
M 205 T	45-	8 5	M 335 T	30-	4 14	M 526 T	60-10	10	M 723 T	50-	6 16
M 205 T	80-	3 35	M 335 T	30-	5 8	M 526 T	60-21	49	M 724 T	50-	4 12
M 205 T	80-	5 32	M 358 T	85-	5 11	M 526 T	60-26	17	M 725 T	50-	4 13
M 210 T	45-	3 26	M 358 T	85-	6 14	M 540 T	60-15	31	M 726 T	55-	2 13
M 210 T	45-	9 24	M 358 T	85-	7 12	M 542 T	60-11	28	M 726 T	55-	3 17
M 211 T	45-	3 38	M 359 T	85-	5 13	M 542 T	60-13	23	M 727 T	25-	3 13
M 211 T	45-	5 41	M 359 T	85-	6 15	M 542 T	60-15	38	M 728 T	50-	4 2
M 211 T	45-11	36	M 359 T	85-	7 11	M 542 T	60-23	20	M 728 T	50-	5 7
M 212 T	45-	3 30	M 360 T	85-	5 14	M 543 T	60-11	29	M 728 T	50-	6 4
M 212 T	45-11	34	M 360 T	85-	6 16	M 543 T	60-13	24	M 731 T	100-	8 10
M 214 T	45-	3 28	M 360 T	85-	7 10	M 543 T	60-15	39	M 735 T	50-	4 1
M 214 T	45-	9 15	M 364 T	100-	5 16	M 543 T	60-23	21	M 735 T	50-	5 6
M 214 T	105-	3 6	M 364 T	100-	6 6	M 550 T	55-	5 12	M 735 T	50-	6 3
M 217 T	30-	3 9	M 375 T	40-	3 9	M 550 T	70-11	46	M 736 T	50-	4 21
M 219 T	30-	4 17	M 375 T	75-	3 6	M 553 T	60-16	16	M 761 T	10-	3 17
M 219 T	30-	5 10	M 375 T	95-	3 16	M 553 T	60-17	19	M 761 T	10-	5 33
M 225 T	30-	3 12	M 377 T	25-	3 29	M 554 T	60-19	15	M 762 T	10-	3 37
M 226 T	30-	3 10	M 378 T	85-	2 19	M 555 T	35-	4 9	M 762 T	10-	5 44
M 230 T	10-	5 6	M 378 T	85-	3 16	M 555 T	70-11	40	M 779 T	45-11	7
M 230 T	105-	2 7	M 386 T	100-13	47	M 557 T	70-	5 3	M 788 T	30-	4 15
M 230 T	105-	2 19	M 409 T	15-	2 10	M 557 T	70-	7 15	M 788 T	30-	5 9
M 234 T	35-	5 31	M 410 T	15-	2 7	M 557 T	70-	9 35	M 803 T	65-	2 10
M 245 T	100-13	44	M 410 T	25-	5 5	M 557 T	70-11	14	M 804 T	60-13	47
M 254 T	35-	6 17	M 410 T	105-	2 9	M 557 T	70-13	14	M 804 T	60-15	15
M 254 T	35-	7 16	M 410 T	105-	2 21	M 557 T	70-15	3	M 804 T	60-15	56
M 254 T	35-	8 1	M 411 T	25-	3 21	M 557 T	70-17	30	M 804 T	65-	2 8
M 254 T	35-	8 23	M 412 T	15-	2 11	M 561 T	60-13	37	M 808 T	35-	6 9
M 262 T	20-	2 9	M 413 T	15-	2 7	M 561 T	60-16	17	M 808 T	35-	7 9
M 262 T	105-	2 6	M 414 T	100-11	50	M 567 T	60-	3 1	M 809 T	35-	6 9
M 262 T	105-	2 20	M 414 T	105-	2 4	M 571 T	35-	4 8	M 809 T	35-	7 9
M 263 T	20-	2 11	M 414 T	105-	2 25	M 593 T	45-	5 5	M 810 T	35-	6 9
M 264 T	20-	2 27	M 415 T	100-11	49	M 594 T	50-	3 10	M 810 T	35-	7 9
M 264 T	105-	2 5	M 416 T	100-11	13	M 596 T	60-15	29	M 811 T	35-	8 20
M 264 T	105-	2 23	M 417 T	100-11	4	M 597 T	60-11	27	M 811 T	40-	3 21
M 265 T	20-	2 25	M 421 T	55-	2 10	M 597 T	60-13	25	M 811 T	105-	3 2
M 273 T	15-	6 1	M 427 T	70-	7 20A	M 597 T	60-15	40	M 814 T	40-	3 34
M 276 T	15-	6 3	M 427 T	70-11	7	M 597 T	60-23	22	M 815 T	35-	8 11
M 276 T	105-	2 16	M 431 T	55-	5 11	M 632 T	100-	2 17	M 824 T	70-	2 6
M 277 T	15-	5 25	M 432 T	70-	7 22A	M 633 T	55-	9 15	M 825 T	70-	2 3

Part No.	Page	Key	Part No.	Page	Key	Part No.	Page	Key	Part No.	Page	Key
M 827 T	55-	3 28	M 942 T	45-	3 17	M 1111 T	70-11	33	M 1307 T	60-21	34
M 827 T	55-	5 13	M 942 T	45-	5 4	M 1111 T	70-13	2	M 1307 T	60-23	9
M 827 T	60-19	21	M 943 T	45-	3 17	M 1111 T	70-15	18	M 1308 T	60-21	35
M 827 T	80-	5 13	M 943 T	45-	5 4	M 1111 T	70-17	26	M 1309 T	60-21	11
M 828 T	60-23	36	M 944 T	45-	3 17	M 1111 T	95-	1 10	M 1310 T	60-21	10
M 829 T	80-	3 2	M 944 T	45-	5 4	M 1111 T	95-	7 24	M 1311 T	60-21	8
M 829 T	80-	5 2	M 945 T	45-	3 18	M 1116 T	60-11	64	M 1312 T	60-21	9
M 830 T	80-	3 3	M 946 T	45-	3 40	M 1116 T	60-15	12	M 1312 T	60-21	28
M 830 T	80-	5 3	M 946 T	45-	5 43	M 1117 T	60-15	23	M 1313 T	60-21	27
M 831 T	80-	3 1	M 947 T	45-	3 39	M 1117 T	105-	4 9	M 1314 T	60-21	29
M 831 T	80-	5 1	M 947 T	45-	5 42	M 1151 T	60-	4 30	M 1316 T	60-21	19
M 832 T	80-	3 7	M 947 T	105-	3 11	M 1153 T	60-	3 6	M 1317 T	60-21	17
M 832 T	80-	5 7	M 948 T	80-	5 8	M 1158 T	60-	3 5	M 1317 T	60-23	25
M 833 T	80-	3 6	M 949 T	80-	3 23	M 1161 T	60-	3 24A	M 1318 T	60-21	15
M 833 T	80-	5 6	M 949 T	80-	5 41	M 1162 T	60-	3 23A	M 1319 T	60-21	7
M 834 T	80-	3 4	M 952 T	80-	5 24	M 1164 T	55-	1 5	M 1320 T	60-21	3
M 834 T	80-	5 4	M 977 T	50-	5 22	M 1166 T	60-	4 24	M 1321 T	60-21	2
M 837 T	80-	3 20	M 979 T	70-	2 9	M 1166 T	60-	5 7	M 1323 T	60-24	17
M 837 T	80-	5 43	M 994 T	45-13	2	M 1166 T	60-	6 7	M 1323 T	60-25	8
M 840 T	55-	5 30	M 995 T	45-13	2	M 1166 T	60-	7 7	M 1324 T	60-24	6
M 841 T	55-	5 31	M 996 T	45-13	2	M 1167 T	60-	4 25	M 1324 T	60-25	10
M 842 T	55-	3 29	M 998 T	45-13	33	M 1167 T	60-	5 8	M 1335 T	60-27	14
M 842 T	55-	5 8	M 1000 T	45-13	11	M 1167 T	60-	6 6	M 1339 T	60-21	43
M 843 T	55-	5 32	M 1001 T	45-13	13	M 1167 T	60-	7 8	M 1340 T	60-21	42
M 844 T	55-	5 6	M 1002 T	45-13	14	M 1171 T	70-	3 3	M 1342 T	60-	4 1
M 847 T	55-	1 9	M 1003 T	45-13	14	M 1172 T	70-	3 2	M 1342 T	60-	5 2
M 848 T	55-	1 10	M 1004 T	45-13	14	M 1173 T	70-	3 13	M 1342 T	60-	6 4
M 849 T	55-	3 2	M 1005 T	45-	5 26	M 1174 T	70-	3 4	M 1342 T	60-	7 2
M 849 T	55-	5 1	M 1005 T	45-	7 36	M 1175 T	70-	3 17	M 1342 T	60-21	13
M 856 T	55-	5 41	M 1005 T	45-11	34	M 1176 T	70-	3 17	M 1342 T	60-24	21
M 857 T	55-	5 19	M 1005 T	45-13	22	M 1177 T	70-	3 17	M 1342 T	60-25	15
M 862 T	30-	4 19	M 1006 T	45-13	26	M 1178 T	70-	3 9	M 1343 T	60-21	22
M 865 T	75-	5 5	M 1007 T	45-13	25	M 1179 T	70-	3 18	M 1344 T	60-21	24
M 867 T	35-	5 26A	M 1010 T	45-13	31	M 1180 T	70-	3 5	M 1345 T	60-	6 10
M 870 T	35-	8 4	M 1011 T	45-13	32	M 1195 T	15-	3 1	M 1346 T	60-	4 9
M 871 T	35-	8 5	M 1013 T	45-13	21	M 1196 T	15-	3 11	M 1350 T	60-	3 18
M 872 T	35-	8 6	M 1013 T	105-	3 15	M 1201 T	15-	3 13	M 1361 T	60-	4 8
M 878 T	40-	3 3A	M 1018 T	55-	6 6	M 1201 T	15-	4 9	M 1361 T	60-21	1
M 878 T	85-	8 5	M 1023 T	55-	6 9	M 1202 T	15-	3 2	M 1363 T	60-21	20
M 878 T	95-	3 1	M 1024 T	55-	6 8	M 1202 T	15-	4 10	M 1364 T	60-27	13
M 882 T	40-	5 13	M 1024 T	55-	9 40	M 1206 T	45-	9 26	M 1365 T	60-27	12
M 884 T	40-	5 18	M 1027 T	60-	1 10	M 1211 T	60-	8 29	M 1369 T	60-24	28
M 885 T	40-	3 25	M 1029 T	60-	1 12	M 1211 T	60-	9 41	M 1370 T	60-	3 12
M 886 T	40-	3 24	M 1030 T	60-	1 11	M 1211 T	60-10	19	M 1370 T	60-	3 21
M 886 T	60-13	27	M 1035 T	60-	1 19	M 1221 T	60-	4 19	M 1370 T	60-	4 14
M 886 T	60-15	55	M 1036 T	60-	1 18	M 1249 T	70-	5 5	M 1370 T	60-	5 5
M 886 T	60-21	21	M 1038 T	10-	3 26	M 1249 T	70-	7 17	M 1370 T	60-	6 3
M 886 T	60-23	27	M 1038 T	60-	3 10	M 1249 T	70-	9 37	M 1370 T	60-	7 5
M 889 T	40-	3 31	M 1038 T	60-	4 13	M 1249 T	70-11	12	M 1370 T	60-11	31
M 891 T	40-	3 35	M 1038 T	60-21	16	M 1249 T	70-13	16	M 1370 T	60-13	17
M 895 T	40-	5 1	M 1038 T	60-23	24	M 1249 T	70-15	5	M 1371 T	60-	4 20
M 898 T	40-	5 39	M 1038 T	105-	2 26	M 1249 T	70-17	32	M 1372 T	60-	4 4
M 898 T	60-24	27	M 1039 T	60-	1 2	M 1250 T	70-	5 6	M 1379 T	70-	9 53
M 899 T	40-	5 37	M 1039 T	105-	4 2	M 1250 T	70-	7 17	M 1379 T	70-11	45
M 902 T	40-	5 7	M 1040 T	60-	3 4	M 1250 T	70-	9 38	M 1381 T	70-	9 54
M 902 T	90-	3 25	M 1040 T	60-	4 11	M 1250 T	70-11	11	M 1381 T	70-11	39
M 903 T	40-	5 4	M 1041 T	60-	3 5	M 1250 T	70-13	16	M 1385 T	70-11	3
M 904 T	40-	5 6	M 1041 T	60-	4 10	M 1250 T	70-15	6	M 1386 T	70-11	17
M 905 T	40-	5 36	M 1042 T	45-13	29	M 1250 T	70-17	33	M 1387 T	70-	7 6
M 906 T	40-	5 32	M 1061 T	15-	5 8	M 1251 T	70-	7 16	M 1387 T	70-11	32
M 907 T	40-	3 7	M 1067 T	10-	3 43	M 1251 T	70-11	13	M 1387 T	70-13	8
M 926 T	75-	5 10	M 1068 T	10-	3 42	M 1252 T	70-	7 16	M 1392 T	70-	9 55
M 930 T	50-	5 10	M 1093 T	15-	4 1	M 1252 T	70-11	13	M 1392 T	70-11	38
M 932 T	50-	5 14	M 1093 T	20-	2 17	M 1255 T	105-	5 8	M 1393 T	70-11	27
M 932 T	50-	6 19	M 1093 T	20-	3 4	M 1302 T	60-21	25	M 1397 T	30-	1 4
M 933 T	50-	5 13	M 1093 T	85-	2 3	M 1303 T	60-21	30	M 1398 T	30-	1 6
M 933 T	50-	6 18	M 1094 T	15-	4 2	M 1304 T	60-	8 16	M 1399 T	30-	1 5
M 934 T	50-	5 18	M 1094 T	85-	2 5	M 1304 T	60-	9 17	M 1400 T	30-	1 9
M 934 T	50-	6 15	M 1096 T	60-11	30	M 1304 T	60-21	31	M 1402 T	40-	5 14
M 935 T	50-	5 11	M 1098 T	60-15	43	M 1304 T	60-23	6	M 1404 T	40-	5 27
M 936 T	50-	5 3	M 1102 T	60-13	48	M 1305 T	60-21	32	M 1406 T	100-	4 21
M 937 T	50-	5 2	M 1102 T	60-15	44	M 1306 T	60-	8 17	M 1407 T	100-	4 24
M 937 T	50-	6 1	M 1111 T	70-	5 18	M 1306 T	60-	9 25	M 1409 T	100-	4 10
M 938 T	45-	3 29	M 1111 T	70-	7 2	M 1306 T	60-21	33	M 1437 T	55-	1 3
M 941 T	45-	3 13	M 1111 T	70-	9 30	M 1306 T	80-	5 25	M 1437 T	55-	1 6

NUMERICAL INDEX
Tractors -- 40 Series

110-11

Part No.	Page	Key	Part No.	Page	Key	Part No.	Page	Key	Part No.	Page	Key
M 1447 T	40-	3 14	M 1617 T	40-	3 29	M 1748 T	95-	13 2	M 1833 T	30-	3 16
M 1448 T	40-	3 15	M 1618 T	35-	8 8	M 1749 T	95-	13 2	M 1834 T	65-	4 4
M 1450 T	35-	4 10	M 1619 T	35-	8 7	M 1752 T	35-	4 6	M 1837 T	10-	7 3
M 1451 T	35-	5 39	M 1631 T	35-	5 33	M 1754 T	40-	5 17	M 1838 T	10-	7 3
M 1452 T	75-	3 11	M 1631 T	35-	6 13	M 1755 T	40-	5 19	M 1839 T	10-	7 3
M 1460 T	70-	7 8	M 1631 T	35-	7 10	M 1756 T	80-	5 27	M 1840 T	60-	16 18
M 1460 T	70-	13 10	M 1632 T	35-	8 17	M 1758 T	15-	5 2	M 1841 T	60-	16 6
M 1468 T	35-	8 3	M 1633 T	35-	8 17	M 1759 T	30-	4 1	M 1842 T	30-	3 3
M 1469 T	45-	3 7	M 1634 T	35-	8 17	M 1760 T	85-	8 23	M 1843 T	35-	10 4
M 1470 T	35-	8 19	M 1635 T	35-	8 10	M 1762 T	35-	11 9	M 1844 T	55-	7 4
M 1470 T	45-	3 8	M 1636 T	40-	3 32	M 1762 T	35-	12 20	M 1845 T	10-	5 39
M 1477 T	60-	21 18	M 1638 T	40-	3 8	M 1762 T	35-	14 4	M 1845 T	60-	1 1
M 1477 T	60-	23 25	M 1640 T	40-	5 30	M 1762 T	35-	15 5	M 1846 T	10-	7 7
M 1481 T	45-	3 32	M 1641 T	40-	5 12	M 1763 T	65-	5 14	M 1848 T	65-	4 11
M 1481 T	45-	10 30	M 1645 T	70-	2 9	M 1764 T	30-	5 12	M 1848 T	65-	4 19
M 1482 T	100-	2 28	M 1646 T	70-	2 1	M 1765 T	45-	13 37	M 1849 T	65-	4 19
M 1482 T	100-	4 20	M 1647 T	55-	7 9	M 1766 T	55-	1 2	M 1853 T	15-	5 13
M 1482 T	100-	5 5	M 1647 T	70-	2 2	M 1766 T	55-	1 4	M 1853 T	15-	6 22
M 1482 T	100-	6 3	M 1664 T	60-	17 1	M 1768 T	10-	5 27	M 1855 T	15-	5 7
M 1483 T	45-	8 8	M 1664 T	60-	19 2	M 1769 T	60-	1 6	M 1857 T	15-	5 6
M 1484 T	45-	13 33	M 1664 T	95-	13 1	M 1770 T	60-	1 17	M 1858 T	15-	5 5
M 1487 T	40-	3 4	M 1665 T	95-	15 20	M 1772 T	75-	4 1	M 1859 T	15-	5 4
M 1487 T	105-	3 10	M 1678 T	65-	2 24	M 1773 T	60-	15 15	M 1860 T	15-	5 3
M 1495 T	45-	11 36	M 1679 T	65-	2 5	M 1774 T	35-	14 18	M 1861 T	15-	2 10
M 1501 T	85-	5 12	M 1680 T	45-	13 7	M 1778 T	60-	13 1	M 1861 T	105-	2 15
M 1501 T	85-	6 13	M 1681 T	35-	6 15	M 1780 T	60-	13 33	M 1862 T	20-	1 18
M 1501 T	85-	7 13	M 1681 T	35-	7 14	M 1781 T	80-	5 14	M 1863 T	15-	5 28
M 1511 T	30-	3 19	M 1682 T	35-	6 3	M 1782 T	30-	1 1	M 1864 T	15-	5 29
M 1515 T	45-	9 22	M 1682 T	35-	7 3	M 1783 T	45-	13 19	M 1865 T	60-	1 7
M 1515 T	45-	13 12	M 1683 T	15-	6 8	M 1784 T	35-	16 4	M 1866 T	60-	1 8
M 1516 T	45-	13 11	M 1684 T	35-	9 20	M 1785 T	35-	16 14	M 1867 T	60-	1 20
M 1518 T	70-	5 7	M 1685 T	35-	5 38	M 1786 T	35-	17 28	M 1868 T	60-	1 3
M 1518 T	70-	7 18	M 1686 T	35-	4 3A	M 1788 T	35-	9 7	M 1869 T	60-	1 4
M 1518 T	70-	9 39	M 1687 T	35-	5 22	M 1789 T	45-	9 25	M 1870 T	60-	1 13
M 1518 T	70-	11 10	M 1688 T	35-	4 6	M 1791 T	35-	6 7	M 1871 T	60-	1 5
M 1518 T	70-	13 17	M 1689 T	35-	4 12	M 1792 T	45-	7 3	M 1873 T	45-	7 39
M 1518 T	70-	15 7	M 1690 T	35-	5 40	M 1792 T	45-	8 3	M 1873 T	45-	13 35
M 1518 T	70-	17 34	M 1691 T	10-	7 5	M 1794 T	75-	5 1	M 1876 T	45-	13 8
M 1519 T	15-	4 3	M 1692 T	10-	7 9	M 1795 T	45-	13 30	M 1879 T	85-	4 11
M 1519 T	85-	2 4	M 1693 T	30-	5 12	M 1795 T	60-	19 43	M 1880 T	60-	16 8
M 1520 T	20-	2 8	M 1696 T	35-	16 16	M 1797 T	40-	3 10	M 1880 T	60-	17 7
M 1526 T	15-	2 3	M 1697 T	90-	3 19	M 1798 T	60-	19 22	M 1880 T	60-	19 24
M 1527 T	20-	2 23	M 1698 T	90-	3 33	M 1799 T	15-	2 3	M 1886 T	60-	19 8
M 1527 T	25-	6 12	M 1699 T	90-	3 38	M 1800 T	35-	10 1	M 1887 T	60-	21 44
M 1528 T	10-	5 24	M 1700 T	90-	3 35	M 1800 T	35-	19 24	M 1890 T	85-	4 14
M 1536 T	25-	6 23	M 1701 T	90-	2 15	M 1801 T	60-	11 65	M 1895 T	55-	9 14
M 1541 T	25-	6 24	M 1702 T	90-	3 29	M 1802 T	45-	11 38	M 1895 T	55-	10 2
M 1546 T	60-	4 29	M 1703 T	90-	2 13	M 1803 T	20-	1 4	M 1895 T	85-	4 3
M 1547 T	60-	4 31	M 1709 T	15-	6 13	M 1805 T	60-	10 5	M 1896 T	85-	4 18
M 1548 T	45-	3 27	M 1709 T	15-	6 23	M 1806 T	60-	11 61	M 1898 T	60-	15 25
M 1549 T	75-	3 8	M 1710 T	45-	13 1	M 1807 T	60-	11 52	M 1900 T	20-	1 17
M 1552 T	60-	13 28	M 1711 T	35-	7 5	M 1809 T	60-	10 8	M 1901 T	60-	13 21
M 1552 T	60-	15 54	M 1712 T	45-	8 11	M 1810 T	60-	16 14	M 1901 T	60-	15 36
M 1554 T	30-	1 3	M 1713 T	80-	3 25	M 1810 T	60-	17 15	M 1906 T	85-	3 14
M 1554 T	65-	6 23	M 1714 T	80-	3 30	M 1811 T	80-	3 15	M 1910 T	60-	10 7
M 1554 T	65-	7 19	M 1715 T	80-	3 32	M 1812 T	60-	15 9	M 1916 T	25-	3 25
M 1554 T	65-	9 23	M 1716 T	60-	26 7	M 1813 T	60-	15 1	M 1921 T	60-	8 23
M 1559 T	45-	3 21	M 1716 T	80-	3 8	M 1814 T	80-	3 18	M 1923 T	50-	3 14
M 1568 T	65-	4 3	M 1726 T	85-	2 12	M 1815 T	60-	13 42	M 1924 T	35-	5 27
M 1568 T	65-	6 22	M 1727 T	85-	2 10	M 1817 T	15-	6 7	M 1925 T	65-	5 4
M 1568 T	65-	7 18	M 1728 T	85-	2 11	M 1818 T	60-	21 48	M 1926 T	35-	5 25
M 1568 T	65-	8 5	M 1729 T	85-	2 18	M 1820 T	60-	10 18	M 1927 T	60-	15 7
M 1568 T	65-	9 3	M 1729 T	85-	3 10	M 1821 T	60-	10 1	M 1930 T	90-	3 45
M 1577 T	100-	3 8	M 1730 T	35-	14 1	M 1822 T	60-	8 28	M 1931 T	35-	9 18
M 1579 T	45-	3 33	M 1731 T	80-	5 35	M 1823 T	95-	5 20	M 1937 T	60-	11 38
M 1593 T	70-	7 3	M 1732 T	80-	5 37	M 1823 T	95-	7 35	M 1943 T	35-	9 4
M 1593 T	70-	13 3	M 1735 T	80-	5 40	M 1824 T	95-	5 29	M 1944 T	35-	14 6
M 1594 T	70-	7 2	M 1737 T	90-	2 4	M 1824 T	95-	7 44	M 1945 T	30-	5 3
M 1594 T	70-	13 2	M 1738 T	90-	2 2	M 1826 T	95-	13 3	M 1947 T	60-	3 25
M 1605 T	85-	2 1	M 1740 T	60-	19 6	M 1827 T	95-	5 28	M 1948 T	35-	6 4
M 1605 T	85-	3 1	M 1741 T	60-	19 25	M 1827 T	95-	13 3	M 1948 T	35-	7 4
M 1611 T	55-	2 9	M 1742 T	60-	19 5	M 1828 T	60-	8 13	M 1949 T	80-	5 17
M 1615 T	35-	8 21	M 1744 T	90-	3 39	M 1829 T	35-	13 13	M 1949 T	85-	10 9
M 1615 T	40-	3 33	M 1746 T	10-	3 27	M 1832 T	60-	13 30	M 1955 T	60-	13 38
M 1616 T	40-	3 26	M 1747 T	95-	13 2	M 1832 T	60-	15 52	M 1961 T	45-	13 9

Part No.	Page	Key	Part No.	Page	Key	Part No.	Page	Key	Part No.	Page	Key
M 1962 T	45-13	34	M 2050 T	35-16	5	M 2139 T	60-17	16	M 2237 T	95- 5	10
M 1962 T	105- 3	14	M 2051 T	35-16	5	M 2140 T	80- 3	29	M 2237 T	95- 7	10
M 1963 T	80- 3	22	M 2052 T	35-16	5	M 2141 T	60- 8	9	M 2238 T	95- 5	13
M 1964 T	60-13	18	M 2053 T	35-16	12	M 2142 T	60-16	15	M 2238 T	95- 7	13
M 1964 T	60-15	33	M 2054 T	35-16	12	M 2142 T	60-17	17	M 2239 T	95- 5	4
M 1964 T	60-23	15	M 2055 T	35-16	12	M 2143 T	35-13	18	M 2239 T	95- 7	4
M 1970 T	35- 9	9	M 2056 T	35-16	23	M 2143 T	60-16	29	M 2240 T	95- 5	30
M 1971 T	60-15	6	M 2057 T	35-16	23	M 2148 T	65- 4	17	M 2240 T	95- 7	32
M 1972 T	60-11	53	M 2058 T	35-16	23	M 2149 T	65- 4	10	M 2241 T	95- 5	25
M 1975 T	60-19	18	M 2059 T	35-16	21	M 2150 T	90- 2	1	M 2241 T	95- 7	40
M 1976 T	60-11	37	M 2060 T	35-16	21	M 2152 T	35-13	16	M 2242 T	95- 5	24
M 1977 T	60- 8	31	M 2061 T	35-16	21	M 2153 T	35- 3	15	M 2242 T	95- 7	39
M 1977 T	60- 9	40	M 2064 T	100- 8	13	M 2153 T	80- 3	16	M 2243 T	95- 5	26
M 1977 T	60-10	15	M 2064 T	100- 8	14	M 2154 T	60-13	39	M 2243 T	95- 7	41
M 1979 T	60-11	48	M 2065 T	35-19	23	M 2157 T	60-11	63	M 2244 T	95- 9	7
M 1980 T	60-11	62	M 2068 T	100- 5	10	M 2159 T	60- 8	14	M 2244 T	95-11	7
M 1980 T	60-13	45	M 2071 T	90- 2	1	M 2159 T	60- 9	15	M 2245 T	95- 9	6
M 1980 T	60-25	30	M 2072 T	90- 2	17	M 2160 T	55- 7	2	M 2245 T	95-11	6
M 1984 T	60-15	22	M 2077 T	65- 5	17	M 2163 T	60- 3	14	M 2246 T	95- 9	4
M 1991 T	35-11	20	M 2078 T	90- 3	36	M 2165 T	35- 6	8	M 2246 T	95-11	4
M 1991 T	35-12	13	M 2080 T	90- 3	49B	M 2165 T	105- 3	2	M 2247 T	95- 5	27
M 1991 T	35-14	12	M 2081 T	90- 3	49B	M 2167 T	85- 6	7	M 2247 T	95- 7	42
M 1991 T	35-15	21	M 2083 T	90- 3	43	M 2168 T	85- 6	10	M 2248 T	95- 9	16
M 1992 T	60-15	8	M 2084 T	90- 3	28	M 2170 T	60- 8	35	M 2248 T	95- 9	30
M 1993 T	65- 4	9	M 2085 T	90- 3	44	M 2170 T	60- 9	36	M 2249 T	95- 9	17
M 1993 T	65- 5	3	M 2086 T	90- 3	47	M 2170 T	60-11	40	M 2249 T	95- 9	29
M 1993 T	65- 9	13	M 2087 T	90- 2	7	M 2171 T	70- 9	50	M 2253 T	75- 3	9
M 1994 T	80- 5	39	M 2090 T	90- 2	11	M 2176 T	45- 7	4	M 2254 T	75- 3	7
M 1995 T	90- 3	34	M 2092 T	60-19	31	M 2176 T	45- 8	4	M 2256 T	95- 9	8
M 1996 T	35-16	13	M 2092 T	65- 6	9	M 2177 T	45- 7	4	M 2256 T	95-11	8
M 1997 T	60- 8	36	M 2092 T	90- 2	8	M 2177 T	45- 8	4	M 2259 T	95-15	10
M 1997 T	60- 9	37	M 2092 T	90- 3	54	M 2178 T	45- 7	4	M 2260 T	60-13	6
M 2000 T	60- 8	18	M 2093 T	60- 8	1	M 2178 T	45- 8	4	M 2261 T	60-13	8
M 2000 T	60- 9	27	M 2093 T	60- 9	1	M 2179 T	80- 3	21	M 2262 T	60-13	7
M 2001 T	35-14	20	M 2093 T	60-11	36	M 2181 T	60- 8	20	M 2263 T	60-16	12
M 2002 T	85- 3	12	M 2095 T	60- 8	34	M 2181 T	60- 9	18	M 2263 T	60-17	13
M 2003 T	85- 3	13	M 2095 T	60- 9	35	M 2186 T	100- 6	15	M 2264 T	60-13	5
M 2004 T	60-15	3	M 2095 T	60-11	39	M 2187 T	60- 3	20	M 2264 T	105- 4	5
M 2005 T	60-19	37	M 2096 T	60- 8	37	M 2189 T	55- 9	39	M 2265 T	60- 3	25
M 2010 T	40- 5	8	M 2096 T	60- 9	38	M 2190 T	70- 9	58	M 2266 T	95- 5	16
M 2011 T	60-19	28	M 2096 T	60-11	41	M 2191 T	90- 3	35	M 2266 T	95- 7	16
M 2012 T	60- 8	2	M 2097 T	60- 8	21	M 2193 T	60- 3	8	M 2267 T	100- 4	11
M 2012 T	60- 9	2	M 2097 T	60- 9	19	M 2195 T	75- 3	9	M 2268 T	55- 9	43
M 2012 T	60-11	57	M 2097 T	60-10	4	M 2195 T	75- 3	14	M 2269 T	75- 4	15
M 2014 T	80- 5	26	M 2101 T	60- 8	30	M 2200 T	35-13	3	M 2270 T	75- 4	16
M 2015 T	100- 5	3	M 2101 T	60-10	17	M 2201 T	100- 6	14	M 2277 T	35- 3	8
M 2017 T	35-10	7	M 2103 T	60-15	49	M 2203 T	35-13	2	M 2278 T	75- 3	10
M 2017 T	35-13	10	M 2104 T	60-15	27	M 2206 T	35-16	9	M 2279 T	20- 3	3
M 2017 T	35-14	24	M 2105 T	60-15	28	M 2207 T	100- 2	18	M 2280 T	70- 9	41
M 2017 T	35-19	9	M 2106 T	60-15	4	M 2207 T	100- 7	11	M 2281 T	70- 9	45
M 2018 T	35-14	22	M 2107 T	60-16	9	M 2210 T	35-13	8	M 2282 T	70- 5	14
M 2019 T	35-14	8	M 2107 T	60-17	8	M 2211 T	35-13	7	M 2282 T	70- 7	22B
M 2020 T	35-14	11	M 2107 T	60-19	23	M 2211 T	35-15	12	M 2282 T	70- 9	44
M 2022 T	35-14	23	M 2108 T	60-19	9	M 2212 T	35-13	6	M 2282 T	70-13	22
M 2023 T	35-13	1	M 2109 T	60-19	14	M 2214 T	35-13	17	M 2282 T	70-15	13
M 2023 T	35-14	17	M 2110 T	60-19	35	M 2215 T	35-11	12	M 2282 T	70-17	39
M 2024 T	35-11	5	M 2111 T	60-19	20	M 2215 T	35-12	19	M 2283 T	70- 5	13
M 2024 T	35-12	22	M 2112 T	60-15	5	M 2215 T	35-14	5	M 2283 T	70- 7	23B
M 2024 T	35-14	2	M 2119 T	60-19	29	M 2215 T	35-15	11	M 2283 T	70- 9	43
M 2024 T	35-15	2	M 2113 T	60-19	1	M 2217 T	70- 9	36	M 2283 T	70-13	21
M 2030 T	35- 3	1	M 2118 T	60-16	7	M 2218 T	70- 9	57	M 2283 T	70-15	12
M 2033 T	60-19	44	M 2118 T	60-19	7	M 2219 T	70- 9	19	M 2283 T	70-17	38
M 2034 T	80- 5	20	M 2120 T	60-19	33	M 2220 T	55- 7	1	M 2286 T	70- 9	49
M 2035 T	80- 5	16	M 2121 T	60-19	32	M 2221 T	80- 3	13	M 2287 T	70- 9	48
M 2036 T	80- 5	18	M 2122 T	45- 7	26	M 2222 T	80- 3	31	M 2291 T	50- 3	17
M 2037 T	80- 5	29	M 2122 T	45-11	1	M 2223 T	75- 3	12	M 2292 T	75- 3	3
M 2038 T	35- 3	17	M 2122 T	60-15	18	M 2225 T	70- 9	31	M 2295 T	95- 5	28
M 2038 T	45-13	20	M 2123 T	35-16	22	M 2226 T	45-11	37	M 2295 T	95- 7	43
M 2038 T	80- 3	33	M 2124 T	40- 3	10	M 2226 T	105- 3	8	M 2296 T	60-15	15
M 2038 T	80- 5	34	M 2127 T	60-24	23	M 2233 T	95- 5	17	M 2299 T	70- 9	9
M 2039 T	80- 5	36	M 2133 T	40- 3	16	M 2233 T	95- 7	17	M 2300 T	70- 5	25
M 2041 T	60-15	48	M 2136 T	40- 3	27	M 2235 T	95- 5	12	M 2300 T	70- 9	15
M 2042 T	75- 5	2	M 2137 T	60-19	19	M 2235 T	95- 7	12	M 2300 T	70-17	41
M 2047 T	50- 3	18	M 2138 T	60-19	13	M 2236 T	95- 5	11	M 2301 T	70- 5	33
M 2049 T	80- 5	22	M 2139 T	60-16	21	M 2236 T	95- 7	11	M 2301 T	70- 9	8

NUMERICAL INDEX
Tractors -- 40 Series

110-13

Part No.	Page	Key	Part No.	Page	Key	Part No.	Page	Key	Part No.	Page	Key
M 2301 T	70-17	8	M 2386 T	65- 2	20	M 2485 T	65- 7	6	M 2581 T	55-10	10
M 2307 T	25- 6	22	M 2387 T	65- 2	18	M 2485 T	65- 8	13	M 2582 T	55- 7	1
M 2308 T	25- 3	23	M 2388 T	95- 9	12	M 2485 T	65- 9	10	M 2582 T	55-10	11
M 2314 T	55- 9	1	M 2389 T	95- 3	14	M 2489 T	60-31	7	M 2593 T	60-17	6
M 2314 T	55-10	17	M 2382 T	95- 9	11	M 2490 T	60-31	8	M 2594 T	65- 7	21
M 2321 T	55- 9	26	M 2382 T	95-11	11	M 2491 T	60-13	1	M 2595 T	65- 7	2
M 2322 T	55- 9	28	M 2383 T	95- 3	13	M 2492 T	90- 3	49A	M 2595 T	65- 9	7
M 2323 T	55- 9	23	M 2384 T	95- 3	12	M 2493 T	90- 3	48	M 2597 T	45-11	36
M 2326 T	75- 4	3	M 2390 T	95- 3	3	M 2494 T	90- 3	33	M 2598 T	45- 9	21
M 2327 T	75- 4	13	M 2391 T	95- 3	11	M 2494 T	90- 3	50	M 2599 T	45- 9	15
M 2328 T	75- 4	14	M 2392 T	15- 2	10	M 2495 T	45- 9	25	M 2599 T	105- 3	6
M 2329 T	75- 4	12	M 2393 T	15- 2	10	M 2497 T	55- 9	27	M 2600 T	45- 8	14
M 2330 T	75- 4	11	M 2394 T	60- 3	14	M 2498 T	55- 9	31	M 2601 T	45- 9	24
M 2331 T	75- 4	8	M 2395 T	60- 3	13	M 2500 T	95- 1	13	M 2602 T	45- 9	28
M 2332 T	75- 4	2	M 2395 T	60- 3	14	M 2500 T	95- 7	28	M 2603 T	45- 9	28
M 2333 T	75- 4	10	M 2396 T	60-13	37	M 2501 T	95- 1	9	M 2604 T	45- 9	28
M 2334 T	75- 4	5	M 2396 T	60-15	26	M 2501 T	95- 7	23	M 2605 T	45- 9	27
M 2335 T	75- 4	6	M 2396 T	60-16	17	M 2502 T	95- 1	8	M 2606 T	45-11	3
M 2337 T	95- 7	20	M 2396 T	60-17	18	M 2502 T	95- 7	22	M 2609 T	75- 3	8
M 2340 T	10- 5	27	M 2396 T	60-19	16	M 2503 T	95- 7	21	M 2610 T	60-23	5
M 2341 T	35- 3	14	M 2396 T	80- 5	21	M 2504 T	95-11	12	M 2611 T	60-23	28
M 2342 T	35- 4	3B	M 2397 T	20- 1	2	M 2505 T	95-11	12	M 2611 T	60-23	29
M 2343 T	35- 5	51	M 2398 T	100- 8	3	M 2506 T	95-11	16	M 2613 T	60-23	2
M 2344 T	35-11	25	M 2399 T	100- 4	25	M 2506 T	95-11	23	M 2614 T	60-23	34
M 2345 T	35-11	22	M 2399 T	100- 5	20	M 2507 T	95-11	17	M 2615 T	35- 5	33
M 2345 T	35-15	27	M 2399 T	100- 6	20	M 2507 T	95-11	22	M 2615 T	60-26	4
M 2346 T	35-11	23	M 2401 T	45-11	38	M 2508 T	95-11	21	M 2616 T	60-26	10
M 2346 T	35-12	27	M 2402 T	70-13	5	M 2509 T	95-11	24	M 2617 T	60-26	13
M 2346 T	35-15	28	M 2403 T	70-13	15	M 2515 T	90- 2	6	M 2618 T	60-13	1
M 2347 T	35-11	24	M 2404 T	70-13	4	M 2517 T	65- 8	16	M 2619 T	60-23	12
M 2347 T	35-12	33	M 2408 T	60- 9	13	M 2517 T	85- 6	5	M 2620 T	60-23	7
M 2347 T	35-15	29	M 2409 T	60- 9	31	M 2517 T	85- 7	5	M 2621 T	60-23	10
M 2348 T	35-11	26	M 2410 T	60- 9	34	M 2517 T	90- 2	10	M 2622 T	60-13	21
M 2348 T	35-19	5	M 2412 T	60- 9	28	M 2518 T	90- 3	49B	M 2623 T	60-15	36
M 2349 T	35- 5	26B	M 2414 T	60-17	20	M 2519 T	90- 3	49B	M 2623 T	60-23	18
M 2350 T	35- 5	36	M 2415 T	60-17	5	M 2521 T	35-17	28	M 2624 T	60-23	11
M 2351 T	35-19	3	M 2416 T	35-11	15	M 2523 T	65- 4	4	M 2625 T	60-23	26
M 2352 T	35-19	8	M 2417 T	35-11	10	M 2523 T	65- 4	4	M 2626 T	60-23	23
M 2353 T	35-19	7	M 2418 T	35-11	8	M 2524 T	65- 4	20	M 2627 T	45- 9	21
M 2354 T	35-19	6	M 2419 T	35-11	3	M 2525 T	95- 9	28	M 2628 T	45- 9	21
M 2358 T	95- 9	34	M 2420 T	60- 9	9	M 2526 T	95- 9	31	M 2634 T	60-26	9
M 2358 T	95-11	27	M 2421 T	60-16	7	M 2528 T	85-11	4	M 2635 T	60-26	11
M 2359 T	45- 5	18	M 2421 T	60-17	6	M 2529 T	85-11	3	M 2636 T	60-26	3
M 2361 T	45- 5	15	M 2421 T	65- 4	4	M 2532 T	45- 9	21	M 2637 T	60-26	16
M 2362 T	45- 5	8	M 2421 T	65- 4	7	M 2533 T	65- 6	13	M 2638 T	60- 5	9
M 2363 T	45- 5	3	M 2430 T	65- 6	7	M 2544 T	15- 5	32	M 2638 T	60- 6	5
M 2364 T	45- 5	41	M 2430 T	65- 7	3	M 2545 T	65- 5	13	M 2638 T	60- 7	9
M 2365 T	45- 5	40	M 2434 T	65- 6	21	M 2545 T	65- 9	17	M 2642 T	60- 6	9
M 2365 T	45- 7	14	M 2434 T	65- 7	4	M 2546 T	55- 7	6	M 2645 T	60-25	18
M 2366 T	45- 5	36	M 2435 T	65- 8	10	M 2547 T	55- 7	8	M 2646 T	45-13	11
M 2366 T	45- 7	16	M 2437 T	65- 6	10	M 2548 T	55- 7	10	M 2647 T	45-13	11
M 2367 T	45- 5	35	M 2437 T	90- 3	33	M 2549 T	95- 3	3	M 2650 T	75- 5	1
M 2367 T	45- 7	17	M 2438 T	90- 3	35	M 2552 T	60-15	9	M 2651 T	75- 5	5
M 2367 T	105- 3	6	M 2439 T	90- 3	38	M 2552 T	60-15	58	M 2652 T	75- 4	1
M 2368 T	45- 5	31	M 2440 T	90- 3	34	M 2555 T	60-15	9	M 2653 T	90- 3	19
M 2368 T	45- 7	21	M 2442 T	35-19	12	M 2556 T	50- 3	7	M 2654 T	50- 3	14
M 2369 T	45- 5	22	M 2443 T	35-19	13	M 2559 T	95-15	13	M 2655 T	50- 3	16
M 2369 T	45-10	31	M 2444 T	45- 9	21	M 2560 T	40- 3	3B	M 2656 T	45-11	42A
M 2370 T	45- 5	20	M 2445 T	95- 5	28	M 2560 T	95- 3	1	M 2657 T	60-11	65
M 2370 T	45-10	30	M 2445 T	95- 7	43	M 2561 T	70- 5	36	M 2658 T	60-23	33
M 2371 T	45- 5	23	M 2457 T	85- 6	10	M 2561 T	70- 7	34	M 2662 T	45-11	7
M 2371 T	45- 7	33	M 2466 T	65- 6	14	M 2561 T	70- 9	5	M 2663 T	35- 5	26B
M 2372 T	45- 5	23	M 2467 T	65- 6	19	M 2561 T	70-11	55	M 2664 T	35-12	24
M 2372 T	45- 7	33	M 2469 T	90- 2	4	M 2561 T	70-13	29	M 2665 T	55- 3	24
M 2373 T	45- 5	23	M 2474 T	60- 3	7	M 2561 T	70-15	31	M 2666 T	70- 5	20
M 2373 T	45- 7	33	M 2474 T	85- 5	4	M 2561 T	70-17	5	M 2666 T	70- 7	3
M 2374 T	45- 5	29	M 2474 T	85- 6	4	M 2562 T	60- 9	9	M 2666 T	70-13	3
M 2374 T	45- 7	32	M 2474 T	85- 7	4	M 2563 T	60- 9	45	M 2666 T	70-15	17
M 2375 T	45- 5	28	M 2474 T	100- 5	16	M 2569 T	95-13	6	M 2666 T	70-17	24
M 2376 T	35- 8	3	M 2478 T	60- 9	29	M 2570 T	70-11	24	M 2667 T	55- 3	22
M 2377 T	35- 8	41	M 2479 T	65- 5	15	M 2571 T	70- 9	58	M 2669 T	55- 3	23
M 2377 T	45- 5	19	M 2479 T	65- 6	16	M 2573 T	50- 5	16	M 2670 T	55- 3	21
M 2378 T	35- 8	8	M 2479 T	65- 7	8	M 2573 T	50- 6	21	M 2671 T	55- 3	14
M 2385 T	55- 9	18	M 2479 T	65- 8	23	M 2574 T	65- 6	27	M 2672 T	60-23	35
M 2385 T	65- 2	13	M 2479 T	90- 3	25	M 2576 T	10- 7	8	M 2673 T	60-26	13
			M 2485 T	65- 6	6						

Part No.	Page	Key	Part No.	Page	Key	Part No.	Page	Key	Part No.	Page	Key
M 2674 T	60-26	16	M 2780 T	45-11	38	M 2977 T	60-23	37	M 3329 T	60-13	7
M 2677 T	60- 5	6	M 2781 T	85-12	8	M 2978 T	35- 3	20	M 3329 T	60-13	9
M 2677 T	60- 7	6	M 2782 T	85-12	9	M 2980 T	35- 3	14	M 3329 T	60-13	35
M 2678 T	60-25	12	M 2788 T	65- 8	6	M 2987 T	100- 7	21	M 3330 T	60-13	35
M 2679 T	35-12	10	M 2789 T	65- 8	15	M 2988 T	105- 5	6	M 3331 T	60-23	5
M 2679 T	35-15	15	M 2790 T	65- 8	9	M 2989 T	105- 5	10	M 3340 T	25- 3	17
M 2681 T	15- 5	2	M 2791 T	65- 8	1	M 2990 T	105- 5	7	M 3349 T	30- 1	1
M 2682 T	45- 7	25	M 2792 T	65- 8	19	M 3030 T	15- 3	1	M 3365 T	70- 9	49
M 2683 T	45- 7	11	M 2794 T	75- 3	3	M 3042 T	60-13	7	M 3371 T	95- 9	34
M 2686 T	45- 7	40	M 2802 T	90- 2	4	M 3042 T	60-13	9	M 3371 T	95-11	27
M 2686 T	105- 3	1	M 2803 T	35- 3	24	M 3042 T	60-13	35	M 3374 T	60-15	6
M 2687 T	45- 7	41	M 2804 T	60-19	12	M 3049 T	60-23	28	M 3386 T	105- 5	5
M 2689 T	45- 7	31	M 2804 T	60-19	46	M 3049 T	60-23	29	M 3388 T	105- 5	11
M 2690 T	75- 2	1	M 2805 T	60-19	10	M 3050 T	60-25	22	M 3394 T	105- 5	7
M 2696 T	70- 5	19	M 2807 T	60- 3	25	M 3058 T	15- 2	2	M 3410 T	70- 9	45
M 2697 T	35- 3	21	M 2811 T	70- 7	16	M 3110 T	60-15	58	M 3411 T	95- 9	12
M 2698 T	35- 3	14	M 2812 T	70- 7	16	M 3114 T	10- 7	9	M 3411 T	95-11	12
M 2699 T	35- 3	27	M 2811 T	70-13	15	M 3115 T	15- 4	4	M 3414 T	10- 5	31
M 2700 T	35- 3	28	M 2812 T	70-13	4	M 3116 T	15- 4	17	M 3432 T	35- 3	14
M 2702 T	30- 5	12	M 2814 T	95- 5	30	M 3117 T	15- 4	24	M 3433 T	70- 5	4
M 2703 T	35- 3	8	M 2814 T	95- 7	32	M 3118 T	15- 4	22	M 3433 T	70-15	4
M 2704 T	35- 3	15	M 2818 T	70-15	19	M 3119 T	15- 4	16	M 3434 T	70- 5	4
M 2704 T	80- 3	16	M 2818 T	70-17	22	M 3150 T	60-11	64	M 3434 T	70-15	4
M 2706 T	70- 5	4	M 2824 T	70-13	5	M 3150 T	60-15	12	M 3491 T	105- 5	12
M 2706 T	70-15	4	M 2828 T	60-15	1	M 3150 T	60-23	4	M 3519 T	95- 3	11
M 2707 T	70- 5	4	M 2833 T	60-23	8	M 3150 T	105- 4	10	M 3520 T	95- 3	3
M 2707 T	70-15	4	M 2834 T	60-19	11	M 3209 T	35- 3	13	M 3581 T	30- 1	2
M 2708 T	35-12	28	M 2835 T	95- 9	11	M 3210 T	35- 3	8	M 3581 T	30- 4	10
M 2709 T	35-12	12	M 2835 T	95-11	11	M 3211 T	35- 3	8	M 3590 T	35- 5	27
M 2710 T	35-12	6	M 2836 T	45- 9	23	M 3244 T	10- 5	26	M 3591 T	35- 5	22
M 2711 T	35-12	9	M 2837 T	55- 3	17	M 3244 T	35-12	8	M 3687 T	45- 5	15
M 2711 T	35-15	24	M 2838 T	50- 6	5	M 3244 T	35-15	23	M 3705 T	40- 3	10
M 2712 T	35-12	5	M 2839 T	50- 6	6	M 3244 T	55- 3	7	M 3706 T	95- 3	2
M 2713 T	60-11	48	M 2850 T	70-17	20	M 3244 T	55- 5	14B	M 3706 T	95- 3	15
M 2714 T	60-11	52	M 2851 T	60-19	5	M 3244 T	60-16	23	M 3738 T	65- 4	20
M 2723 T	60- 3	25	M 2852 T	60-19	25	M 3244 T	60-17	24	M 3785 T	95- 5	13
M 2728 T	60-19	42	M 2853 T	60-19	6	M 3264 T	60-11	65	M 3785 T	95- 7	13
M 2728 T	60-23	40	M 2855 T	50- 3	7	M 3265 T	60-11	27	M 3796 T	55- 9	35
M 2729 T	75- 3	3	M 2856 T	35-12	24	M 3265 T	60-11	28	M 3796 T	55- 9	49
M 2732 T	65- 7	1	M 2856 T	35-15	30	M 3265 T	60-11	65	M 3800 T	75- 3	9
M 2732 T	65- 9	8	M 2857 T	35- 5	26B	M 3265 T	60-13	23	M 3801 T	75- 3	9
M 2733 T	90- 3	51	M 2868 T	35-15	13	M 3265 T	60-13	25	M 3802 T	105- 5	13
M 2734 T	90- 3	52	M 2869 T	90- 4	3	M 3265 T	60-13	35	M 3805 T	75- 5	1
M 2735 T	90- 3	33	M 2870 T	65- 9	21	M 3265 T	60-15	38	M 3806 T	45- 9	23
M 2735 T	90- 3	49A	M 2873 T	35-15	3	M 3265 T	60-15	40	M 3808 T	75- 5	1
M 2740 T	70- 5	31	M 2874 T	35-15	8	M 3265 T	60-23	20	M 3841 T	35- 3	14
M 2741 T	50- 5	16	M 2875 T	60-11	69	M 3265 T	60-23	22	M 3858 T	105- 5	9
M 2741 T	50- 6	21	M 2876 T	65- 9	18	M 3266 T	60-11	27	M 3874 T	35-17	10
M 2742 T	55- 3	19	M 2878 T	45- 5	36	M 3266 T	60-11	28	M 3893 T	95-13	3
M 2742 T	70- 5	21	M 2878 T	45- 7	16	M 3266 T	60-13	23	M 3894 T	95-13	3
M 2742 T	70-15	22	M 2880 T	35-19	17	M 3266 T	60-13	25	M 3908 T	10- 5	43
M 2743 T	90- 4	16	M 2881 T	35-19	19	M 3266 T	60-15	38	M 3950 T	95-13	7
M 2744 T	35-19	17	M 2882 T	70-17	21	M 3266 T	60-15	40	M 3960 T	95-13	2
M 2745 T	35-19	19	M 2886 T	90- 4	12	M 3266 T	60-23	20	M 3961 T	95-13	3
M 2746 T	35-19	20	M 2887 T	90- 4	15	M 3266 T	60-23	22	M 3962 T	95-13	3
M 2747 T	95-15	8	M 2888 T	85-13	3	M 3267 T	60-15	29	M 3965 T	35- 9	15
M 2751 T	35- 9	4	M 2898 T	35-12	12	M 3267 T	60-15	32	M 3966 T	35- 9	19
M 2756 T	50- 3	3	M 2908 T	65- 9	12	M 3268 T	60-15	29	M 3967 T	35- 9	20
M 2756 T	50- 3	7	M 2913 T	70-17	10	M 3268 T	60-15	32	M 3971 T	95- 1	1
M 2756 T	50- 3	9	M 2917 T	70-17	31	M 3277 T	60- 3	24B	M 4005 T	35- 3	14
M 2757 T	50- 3	4	M 2918 T	70-17	31	M 3277 T	60-16	10	M 4039 T	60-23	2
M 2757 T	50- 3	7	M 2919 T	60-11	30	M 3277 T	60-17	11	M 4062 T	35- 6	18
M 2757 T	50- 3	9	M 2919 T	60-11	65	M 3278 T	60- 3	23B	M 4062 T	35- 7	17
M 2767 T	65- 3	12	M 2920 T	60-11	65	M 3278 T	60-16	10	M 4062 T	35- 8	24
M 2768 T	95- 5	28	M 2926 T	65- 3	15	M 3278 T	60-17	11	M 4088 T	60-23	6
M 2769 T	95- 5	28	M 2927 T	65- 3	4	M 3279 T	60- 3	27	M 4088 T	60-23	8
M 2769 T	95- 7	43	M 2928 T	65- 3	13	M 3279 T	60-16	10	M 4088 T	60-23	12
M 2772 T	50- 3	4	M 2929 T	65- 3	7	M 3279 T	60-17	11	M 4089 T	60-23	8
M 2774 T	35- 5	33	M 2930 T	90- 4	13	M 3280 T	60-17	11	M 4089 T	60-23	12
M 2774 T	35- 6	13	M 2931 T	90- 4	8	M 3292 T	60-19	35	M 4090 T	60-23	6
M 2775 T	35- 3	4	M 2932 T	45- 9	25	M 3326 T	60-19	20	M 4090 T	60-23	12
M 2776 T	35- 5	33	M 2934 T	45- 7	43	M 3326 T	105- 4	8	M 4097 T	45-13	11
M 2776 T	35- 6	13	M 2946 T	20- 2	28	M 3327 T	60-16	12	M 4099 T	60-15	59
M 2777 T	35- 5	26B	M 2961 T	70- 9	9	M 3327 T	60-17	13	M 4104 T	35- 5	33
M 2779 T	45- 9	23	M 2973 T	60-19	12	M 3327 T	105- 4	6	M 4104 T	35- 6	13

Part No.	Page	Key	Part No.	Page	Key	Part No.	Page	Key	Part No.	Page	Key
TE	239	YT 55-10		20							
TE	239	YT 95-		3	8						
TE	255	YT 95-		7	14						
TE	259	YT 55-		9	18						
TE	259	YT 65-		2	13						
TE	273	YT 65-		2	19						
TE	277	YT 65-		2	20						
TE	279	YT 85-		8	14						
TE	281	YT 85-		8	6						
TE	283	YT 95-		3	7						
TE	295	YT 95-		2	8						
TE	297	YT 95-		2	24						
TE	433	YT 95-15			18						
TE	436	YT 55-		9	19						
TE	436	YT 65-		2	23						
TE	745	YT 95-		2	4						
TE	746	YT 95-		2	20						
TE	746	YT 95-		9	5						
TE	746	YT 95-11			5						