

1A2

TRACTOR - 2510

RWP4414 -UN-01JAN94



JOHN DEERE 2510 ROW-CROP TRACTOR

RWP4415 -UN-01JAN94



JOHN DEERE 2510 HI-CROP TRACTOR

(SPECIFICATIONS AND DESIGN SUBJECT TO CHANGE WITHOUT NOTICE)

COPYRIGHT (C) 1996. DEERE & COMPANY. MOLINE, ILLINOIS. ALL RIGHTS RESERVED.

1A3

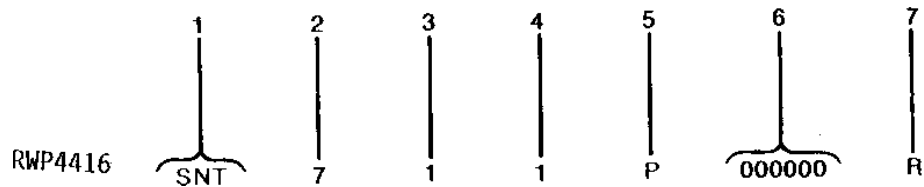
TRACTOR - 2510

SERIAL NUMBERS

EACH 2510 TRACTOR HAS THE FOLLOWING SERIAL NUMBER PLATES: BASIC TRACTOR AND ENGINE.

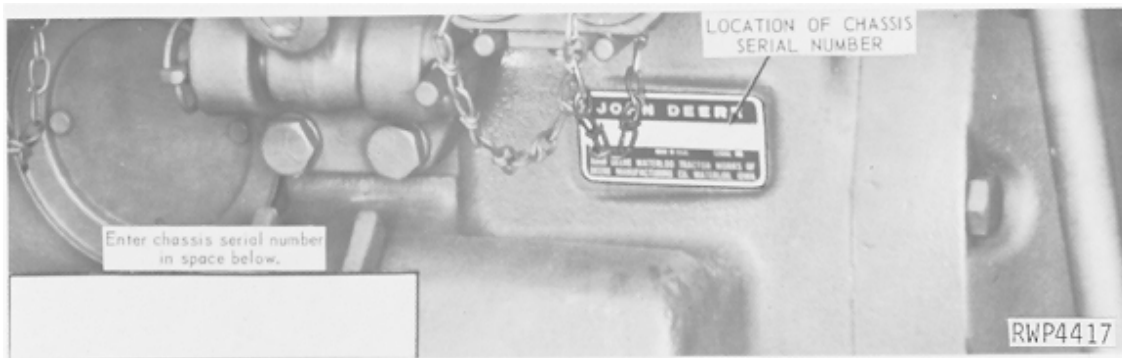
BASIC TRACTOR SERIAL NUMBER

RWP4416 -UN-01JAN94



- | | |
|---|------------------------------|
| 1. DESIGNATES TRACTOR | SNT- TRACTOR |
| 2. DESIGNATES TRACTOR SERIES | 7 - 2510 |
| 3. DESIGNATES CHASSIS DESIGN | 1 - ROW-CROP |
| | 3 - HI-CROP |
| 4. DESIGNATES ENGINE TYPE | 1 - GASOLINE |
| | 3 - DIESEL |
| 5. DESIGNATES TRANSMISSION TYPE | R - SYNCRO-RANGE |
| | P - POWER SHIFT |
| 6. DESIGNATES TRACTOR CHASSIS SERIAL NUMBER | |
| 7. DESIGNATES TRACTOR MANUFACTURER | R - JOHN DEERE TRACTOR WORKS |

RWP4417 -UN-01JAN94



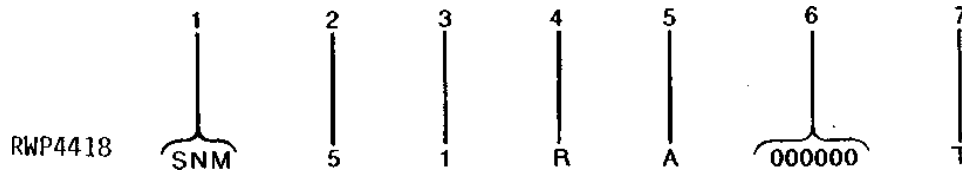
THE BASIC TRACTOR CHASSIS SERIAL NUMBER PLATE IS LOCATED AT THE REAR OF THE TRANSMISSION CASE.

1A4

TRACTOR - 2510

ENGINE SERIAL NUMBER

RWP4418 -UN-01JAN94



1. DESIGNATES ENGINE
2. DESIGNATES ENGINE SERIES
3. DESIGNATES FUEL TYPE
4. DESIGNATES FACTORY USER
5. DESIGNATES TRACTOR TYPE
6. DESIGNATES ENGINE SERIAL NUMBER
7. DESIGNATES ENGINE MANUFACTURER

- SNM- ENGINE
5 - FOUR-CYLINDER
1 - GASOLINE
3 - DIESEL
R - JOHN DEERE TRACTOR WORKS
A - ROW-CROP
B - HI-CROP
T - JOHN DEERE DUBUQUE WORKS

RWP4419 -UN-01JAN94



THE ENGINE SERIAL NUMBER PLATE IS LOCATED ON THE RIGHT-HAND SIDE OF THE CYLINDER BLOCK.

1A5

TRACTOR - 2510

SERIAL NUMBER LISTING INFORMATION

SERIAL NUMBER INFORMATION IS LISTED TO SHOW ON WHICH MACHINES EACH PART CAN BE USED; FOR EXAMPLE:

- THE PART CAN BE USED ON ALL MACHINES.
- 000000- THE PART CAN BE USED ON ALL MACHINES BEGINNING WITH THE SERIAL NUMBER LISTED.
- 000000 THE PART CAN BE USED ON ALL MACHINES UP TO AND INCLUDING THE SERIAL NUMBER LISTED.
- 000000-000000 THE PART CAN BE USED ON ALL MACHINES BETWEEN AND INCLUDING THE SERIAL NUMBERS LISTED.

- 15BV1- WHEN A MODEL NUMBER BEGINS WITH 15BV, 14HA, 15PP, 25SC, 2RC, 4RC, 15RS, 3CY, 2SP, OR 31SV, IT REFERS TO THE MODEL NUMBER OF THE BRAKE VALVE, HYDRAULIC ACCUMULATOR, HYDRAULIC PUMP, REMOTE CYLINDER SELECTIVE CONTROL VALVE FOR NO ROCKSHAFT, REMOTE CYLINDER SELCTIVE CONTROL VALVES, REMOTE CYLINDERS, REMOTE CYLINDERS WITH MECHANICAL STOPS, ROCKSHAFT CONTROL VALVE, STEERING CYLINDER, STEERING METERING PUMP, OR STEERING VALVE.

WHEN XXXXXX'S ARE LISTED IN PLACE OF A SERIAL NUMBER, A SERIAL NUMBER CHANGE WAS MADE BUT THE EXACT SERIAL NUMBER WAS NOT AVAILABLE WHEN THE CATALOG WAS PRODUCED.

MODEL NUMBERS

THE FOLLOWING COMPONENTS HAVE MODEL NUMBERS:

HYDRAULIC PUMP (49CM3 (3 IN3))	1PP4
HYDRAULIC PUMP (66CM3 (4 IN3))	8PP1
REMOTE CYLINDER SELECTIVE CONTROL VALVE - SINGLE	23SC1
REMOTE CYLINDER SELECTIVE CONTROL VALVE FOR ROCKSHAFT - DUAL	23SC1
REMOTE CYLINDER (76 X 203MM (3" X 8"))	1RC3
REMOTE CYLINDER (89 X 203MM (3-1/2" X 8"))	2RC4
REMOTE CYLINDER WITH MECHANICAL STOP (76 X 203MM (3" X 8"))	3RC2
REMOTE CYLINDER WITH MECHANICAL STOP (89 X 203MM (3-1/2" X 8"))	4RC3
ROCKSHAFT CONTROL VALVE	10RS1
STEERING VALVE	14SV1

EACH OF THE ABOVE COMPONENTS HAS A MODEL NUMBER. WHEN THE DESIGN OF ONE OF THESE COMPONENTS IS CHANGED, THE MODEL NUMBER FOR THE NEWLY DESIGNED COMPONENT IS CHANGED.

1A6

TRACTOR - 2510

DIRECTION ARROW

ARROWS ARE USED WITH ILLUSTRATIONS TO INDICATE THE FRONT OF THE UNIT. "RIGHT-HAND" AND "LEFT-HAND" SIDES ARE DETERMINED BY FACING IN THE DIRECTION OF MACHINE FORWARD TRAVEL.

BOX-ENCLOSED ILLUSTRATIONS

A KEY NUMBER, SHOWN IN THE PARTS LIST, IS ASSIGNED TO A BOX ENCLOSING ALL PARTS SOLD AS A SERVICE ASSEMBLY.

BOLT AND CAP SCREW STRENGTH IDENTIFICATION

U.S. CUSTOMARY DIMENSIONED PRODUCT: BOLTS AND CAP SCREWS REQUIRED TO HAVE HIGH-STRENGTH QUALITIES EQUIVALENT TO SAE GRADE 8 ARE IDENTIFIED THROUGHOUT THIS CATALOG BY THE DESCRIPTION HS SAE 8. ALL STANDARD BOLTS AND CAP SCREWS ARE SAE GRADE 5 OR LOWER.

METRIC DIMENSIONED PRODUCT: BOLTS AND CAP SCREWS REQUIRED TO HAVE HIGH-STRENGTH QUALITIES EQUIVALENT TO PROPERTY CLASS 10.9 ARE IDENTIFIED THROUGHOUT THIS CATALOG BY THE DESCRIPTION HS 10.9. ALL STANDARAD BOLTS AND CAP SCREWS ARE PROPERTY CLASS 8.8 OR LOWER.

JDM REMANUFACTURED COMPONENTS

THE SERVICE PARTS LISTED IN THIS CATALOG ARE INTENDED FOR THE REPAIR OF ORIGINAL EQUIPMENT COMPONENTS. ALTHOUGH MOST SERVICE PARTS MAY BE USED TO REPAIR REMANUFACTURED COMPONENTS, THE REMANUFACTURING PROCESS MAY CHANGE PARTS SUFFICIENTLY SO THAT SERVICE PARTS ARE INADEQUATE OR NOT USABLE.

TRADEMARKS

THROUGHOUT THIS PARTS CATALOG, YOU WILL FIND THE FOLLOWING DEERE AND COMPANY TRADEMARKS:

HYDRACUSHIONED™
INTELLITRAK®
PERSONAL-POSTURE™
QUAD-RANGE™
PERFORMANCE TRAK™ II

ROLL-GARD®
SOUND-GARD®
TORQ-GARD PLUS 50®
HY-GARD®
QUIK-TATCH®

CHANGE INDICATOR LINE (MICROFICHE CATALOGS ONLY)

CHANGES AFFECTING THE ORDERING OF PARTS ARE IDENTIFIED BY VERTICAL LINES MARKED IN THE LEFT-HAND MARGIN OF REVISED PARTS LISTING IMAGES. A LINE IS ALSO AT THE LEFT-HAND EDGE OF THE SAME PART NUMBER IN THE NUMERICAL INDEX TO SHOW THE LOCATION OF REVISED INFORMATION.

1A7

TRACTOR - 2510

CODES USED IN "REMARKS" COLUMN

RXP020961 -UN-17OCT94

	ENGLISH
ALSO ORDER	ALSO ORDER
AMP	AMPERE
AND	AND
APPL	THIS APPLICATION ONLY
AR	AS REQUIRED
ASSY	COMPLETE ASSEMBLY
COMPLETE	COMPLETE
FRONT	FRONT
HP	HORSEPOWER
ID	INSIDE DIAMETER
INCL KEYS	INCLUDES KEYS
KIT	KIT
LH	LEFT-HAND
LOW	LOWER
MARKED	MARKED
MF	MAKE FROM
MFWD	MECHANICAL FRONT WHEEL DRIVE
NA	NOT USED THIS APPLICATION
NLA	NO LONGER AVAILABLE
NSEP	NOT SUPPLIED SEPARATELY
OD	OUTSIDE DIAMETER
OR	OR
ORD	ORDER
OS	OVERSIZE
PKG	PACKAGE
REAR	REAR
RH	RIGHT-HAND
STD	STANDARD
SUB	REPLACED BY
SUB FOR	SUBSTITUTES FOR
TK	THICKNESS
UP	UPPER
US	UNDERSIZE
USE WITH	USE WITH
W /	WITH
W/O	WITHOUT
Z	GEAR AND SPROCKET TEETH NUMBER

RXP020961

1A8

TRACTOR - 2510

QUANTITY COLUMN OR REMARKS COLUMN

GENERALLY THE QUANTITY SHOWN IS FOR THE ENTIRE TRACTOR AT ANY GIVEN LOCATION. THERE ARE EXCEPTIONS AS IN WHEEL HARDWARE WHERE ONLY ENOUGH IS SHOWN FOR ONE WHEEL.

THE FOLLOWING ABBREVIATIONS ARE USED IN THE REMARKS COLUMN:

NLR - NO LONGER REQUIRED

NA - NOT APPLICABLE

NLA - NO LONGER AVAILABLE

FI - FIELD INSTALLED

CA - CONVENIENCE ASSEMBLY

CA AND FI ARE OPTIONS THAT MUST BE ORDERED DIRECT FROM THE PRODUCING FACTORY.

1A9

TRACTOR - 2510

SECTION INDEX

GENERAL INFORMATION	10
ENGINE	20
FUEL AND AIR	30
ELECTRICAL	40
POWER TRAIN	50
STEERING AND BRAKES	60
HYDRAULICS	70
WHEELS, FRONT AXLES, SHEET METAL	80
OPERATOR'S STATION	90
NUMERICAL INDEX	95

1A10

TRACTOR - 2510

ALPHABETICAL INDEX

GRID		PAGE	GRID		PAGE
A					
2B3	ACCUMULATOR PISTON, CLUTCH OIL	50-8	1B5	BLOCK, CYLINDER	20-9
1F16	ADAPTER, COLD WEATHER STARTING AID.....	30-63	1B6	BLOCK, SHORT	20-10
2H25	ADAPTER, IMPLEMENT QUIK-COUPLER	70-95	2I5	BLOCK, SWAY CONTROL (ROW-CROP)	70-99
2I1	ADAPTER, IMPLEMENT QUIK-COUPLER	70-96	2B19	BLOCKERS, TRANSMISSION	50-28
1B24	ADAPTER, SPEED-HOUR METER DRIVE.....	20-26	3B12	BLOWER MOTOR (STOLPER)	90-17
1D12	AIR CLEANER (DIESEL)	30-10	3B12	BLOWER MOTOR WHEEL (STOLPER).....	90-17
1D10	AIR CLEANER (GASOLINE)	30-8	1H9	BLOWER SWITCH (STOLPER).....	40-36
1D15	AIR CLEANER ELEMENT GUN	30-13	1G5	BOOT, SPARK PLUG	40-9
1D12	AIR INTAKE PIPE (DIESEL)	30-10	2J4	BOX, BATTERY (COLD WEATHER START)	80-14
1D10	AIR INTAKE PIPE (GASOLINE)	30-8	2D2	BOX, TOOL.....	50-64
1D14	AIR STACK.....	30-12	3B23	BOX, TOOL.....	90-28
1G10	ALTERNATOR	40-14	3B22	BOX, TOOL (STOLPER)	90-27
1F21	ALTERNATOR (DIESEL)	40-2	1H20	BRACKET, ELECTRICAL REMOTE CONTROL	40-47
1F23	ALTERNATOR (GASOLINE)	40-4	2J7	BRACKET, FRONT AXLE PIVOT	80-17
1G10	ALTERNATOR BELT	40-14	2J10	BRACKET, FRONT AXLE PIVOT (FIXED TREAD)	80-20
3B1	ALTERNATOR INDICATOR LAMP	90-6	3B20	BRACKET, PLATFORM	90-25
1G10	ALTERNATOR REGULATOR.....	40-14	2D18	BRAKE FACING	60-5
1D18	ARM, FOOT SPEED CONTROL	30-16	2D22	BRAKE OIL PRESSURE LINES (POWER SHIFT).....	60-8
2H7	ARM, FRONT ROCKSHAFT	70-76	2D20	BRAKE OIL PRESSURE LINES (SYNCRO-RANGE).....	60-6
2H5	ARM, LIFT.....	70-74	2D15	BRAKE PEDALS.....	60-2
2H8	ARM, LOAD CONTROL	70-77	2D18	BRAKE PLATES.....	60-5
2G17	ARM, REMOTE CYLINDER TRANSPORT	70-58	2D15	BRAKE VALVE	60-2
2H5	ARM, ROCKSHAFT CRANK	70-74	2D17	BRAKE VALVE OVERHAUL KIT	60-4
2B22	ARM, SPEED CHANGE SHIFTER	50-31	2G13	BREAKAWAY COUPLER	70-54
2B21	ARM, SPEED RANGE SHIFTER.....	50-30	2G16	BREAKAWAY COUPLER OVERHAUL KIT.....	70-57
2H6	ARMS, ROCKSHAFT IMPLEMENT	70-75	1I7	BREAKER, ELECTRICAL OUTLET CIRCUIT	40-56
1B8	ASSEMBLY, SHORT BLOCK	20-11A	2H9	BUSHING KIT, LOAD CONTROL SHAFT.....	70-78
1I8	AUXILIARY ELECTRICAL OUTLET, 7-TERMINAL.....	40-57	C		
2J10	AXLE PIVOT BRACKET, FRONT (FIXED TREAD)	80-20	3B13	CAB CONSOLE	90-18
2J7	AXLE, FRONT	80-17	3B19	CAB COWL PANELS	90-24
2J10	AXLE, FRONT (FIXED TREAD)	80-20	3B15	CAB DOOR.....	90-20
2J7	AXLE, PIVOT, BRACKET, FRONT	80-17	3B14	CAB FRONT AND REAR PANELS	90-19
2D9	AXLE, REAR.....	50-72	3B18	CAB GLASS	90-23
2D12	AXLE, REAR (HI-CROP)	50-75	3B8	CAB HEATER HOSE	90-13
2J19	AXLE, SINGLE FRONT	80-29	1H6	CAB LAMP WIRING	40-33
B					
3A22	BACK, SEAT.....	90-2	3B17	CAB, LEFT HAND SIDE	90-22
2I22	BAFFLE, HOOD	80-6	3B16	CAB, RIGHT HAND SIDE	90-21
3B20	BAFFLE, PLATFORM.....	90-25	2J4	CABLE, BATTERY	80-14
1B23	BALANCER SHAFT, ENGINE	20-25	1D18	CABLE, CHOKE	30-16
1G4	BATTERY	40-8	1G5	CABLE, SPARK PLUG.....	40-9
2J4	BATTERY BOX (COLD WEATHER START).....	80-14	1I11	CABLE, WIRING	40-60
2J2	BATTERY BOXES	80-12	1B3	CAMSHAFT.....	20-6
2J4	BATTERY CABLE.....	80-14	3C1	CANOPY	90-30
2J2	BATTERY CLAMP	80-12	1D20	CAP, FUEL FILLER	30-18
1B22	BEARING, CAP, MAIN	20-24	1B22	CAP, MAIN BEARING	20-24
1B18	BEARING, CONNECTING ROD (GASOLINE)	20-20	1C16	CAP, RADIATOR	20-42
1B22	BEARING, MAIN.....	20-24	1D21	CARBURETOR	30-19
1B14	BEARINGS, CONNECTING RODS	20-16	1D22	CARBURETOR	30-20
2D13	BELT PULLEY	50-76	1D24	CARBURETOR	30-22
1G10	BELT, FAN AND ALTERNATOR DRIVE	40-14	1E1	CARBURETOR	30-24
1C10	BELT, FAN AND ALTERNATOR DRIVE	20-36	1E3	CARBURETOR	30-26
1C12	BELT, FAN AND ALTERNATOR DRIVE	20-38	1D24	CARBURETOR BOWL ASSEMBLY	30-22
1C13	BELT, FAN AND ALTERNATOR DRIVE	20-39	1E5	CARBURETOR REPAIR KIT	30-28
3C5	BELT, SEAL (W/O HI CROP)	90-33A	1E7	CARBURETOR REPAIR KIT	30-30
3C4	BELT, SEAT (HI-CROP).....	90-33	1E6	CARBURETOR REPAIR KIT (GASOLINE)	30-29
3C3	BELT, SEAT (ROW-CROP AND STANDARD)	90-32	1D24	CARBURETOR THROTTLE BODY ASSEMBLY.....	30-22
2D3	BEVEL GEAR, DIFFERENTIAL	50-65	1D16	CARRIER, GOVERNOR WEIGHT	30-14
2D4	BEVEL GEAR, DIFFERENTIAL	50-67	2D9	CARRIER, PLANET PINION	50-72
2B18	BEVEL PINION SHAFT (SYNCRO-RANGE).....	50-27	2C12	CARRIER, PLANET PINION (POWER SHIFT).....	50-47
2D3	BEVEL PINION, DIFFERENTIAL	50-65	2C5	CASE, TRANSMISSION (POWER SHIFT)	50-40
2D4	BEVEL PINION, DIFFERENTIAL	50-67	2B15	CASE, TRANSMISSION (SYNCRO-RANGE)	50-24
			2J23	CAST DISK WHEEL (ROW-CROP).....	80-31
			2J24	CAST DISK WHEELS (HI-CROP)	80-32
			2J25	CAST DISK WHEELS (HI-CROP)	80-34

1A12

TRACTOR - 2510

ALPHABETICAL INDEX - CONTINUED

<i>GRID</i>		<i>PAGE</i>	<i>GRID</i>		<i>PAGE</i>
2I5	DRAWBAR, REGULAR (ROW-CROP)	70-99	1C10	FAN BELT	20-36
2I6	DRAWBAR, WIDE SWING (ROW-CROP).....	70-100	1C12	FAN BELT	20-38
2D10	DRIVE SHAFT (HI-CROP)	50-73	1C13	FAN BELT	20-39
2D10	DRIVE SHAFT HOUSING (HI-CROP).....	50-73	1G10	FAN BELT	40-14
2E13	DRIVE, HYDRAULIC PUMP.....	70-2	1C10	FAN PULLEY	20-36
2B9	DRUM, CLUTCH (POWER SHIFT)	50-16	1C12	FAN PULLEY	20-38
2B19	DRUM, SYNCHRONIZER.....	50-28	1C13	FAN PULLEY	20-39
2G5	DUAL FRONT OUTLET	70-46	1C16	FAN SHROUD	20-42
2G22	DUST COVER, BREAKAWAY COUPLER.....	70-63	3B16	FENDER	90-21
			3B17	FENDER	90-22
			2J1	FENDERS (HI-CROP)	80-11
			2I25	FENDERS (ROW-CROP)	80-10
			1C7	FILLER, INLET OIL	20-33
			3B11	FILTER COVER (STOLPER)	90-16
			1B11	FILTER, ENGINE OIL.....	20-13
			1E9	FILTER, FUEL	30-32
			2C22	FILTER, TRANSMISSION (POWER SHIFT)	50-59
			2B24	FILTER, TRANSMISSION HYDRAULIC OIL.....	50-34
			2D11	FINAL DRIVE (HI-CROP).....	50-74
			2D12	FINAL DRIVE (HI-CROP).....	50-75
			2D11	FINAL DRIVE HOUSING (HI-CROP).....	50-74
			2D9	FINAL DRIVE SHAFT AND SUN PINION.....	50-72
			3C11	FIRE EXTINGUISHER	90-38
			2C11	FIRST PLANETARY BRAKE (POWER SHIFT).....	50-46
			2F13	FITTINGS, HYDRAULIC PUMP	70-27
			2G22	FLEXIBLE OIL LINE COUPLER	70-63
			2H3	FLEXIBLE OIL LINE, BULK	70-72
			1F16	FLUID, STARTING	30-63
			1B24	FLYWHEEL.....	20-26
			1B24	FLYWHEEL HOUSING.....	20-26
			2B5	FORK CLUTCH (POWER SHIFT)	50-10
			2B1	FORK, CLUTCH (SYNCHRO-RANGE)	50-6
			2C8	FOURTH PLANETARY BRAKE (POWER SHIFT)	50-43
			2I17	FRAME	80-1
			2J7	FRONT AXLE HOUSING	80-17
			2J10	FRONT AXLE HOUSING (FIXED TREAD)	80-20
			2J8	FRONT AXLE KNEE	80-18
			2J12	FRONT AXLE KNEE (FIXED TREAD)	80-22
			2J8	FRONT AXLE KNEE EXTENTION	80-18
			2J19	FRONT AXLE, SINGLE	80-29
			1H3	FRONT LAMPS.....	40-30
			2H7	FRONT MOUNTED ROCKSHAFT.....	70-76
			2G5	FRONT OUTLET, DUAL	70-46
			2G11	FRONT OUTLET, SINGLE, R.H. AND L.H.	70-52
			3B14	FRONT PANEL, CAB	90-19
			2I22	FRONT PLATE	80-6
			1B25	FRONT PLATE, ENGINE	20-27
			2I19	FRONT WEIGHT	80-3
			2I18	FRONT WEIGHTS	80-2
			2I20	FRONT WEIGHTS	80-4
			2I21	FRONT WEIGHTS	80-5
			2J19	FRONT WHEEL, SINGLE	80-29
			2J18	FRONT WHEELS	80-28
			2J20	FRONT WHEELS	80-30
			3B15	FRONT WINDOW, R.H. CAB	90-20
			1E9	FUEL FILTER	30-32
			3B1	FUEL GAUGE	90-6
			1D20	FUEL GAUGE SENDER	30-18
			1E12	FUEL INJECTION NOZZLE	30-35
			1E13	FUEL INJECTION NOZZLE	30-36
			1E14	FUEL INJECTION NOZZLE	30-37
			1E15	FUEL INJECTION NOZZLE	30-38
			1E17	FUEL INJECTION NOZZLE	30-40
			1E22	FUEL INJECTION PUMP	30-45
			1E23	FUEL INJECTION PUMP ADVANCE PISTON	30-46
			1F9	FUEL INJECTION PUMP ADVANCE PISTON	30-56
			1F13	FUEL INJECTION PUMP ADVANCE PISTON	30-60

E

F

1A13

TRACTOR - 2510

ALPHABETICAL INDEX - CONTINUED

<i>GRID</i>		<i>PAGE</i>	<i>GRID</i>		<i>PAGE</i>
1F10	FUEL INJECTION PUMP DELIVERY VALVE	30-57	1I9	HARNES,WIRING, SUPPLEMENTARY WIRING KIT.....	40-58
1E24	FUEL INJECTION PUMP END PLATE	30-47	1B1	HEAD, CYLINDER	20-4
1F1	FUEL INJECTION PUMP GASKET OVERHAUL KIT.....	30-48	1E19	HEAD, FUEL INJECTION PUMP.....	30-42
1E21	FUEL INJECTION PUMP GOVERNOR.....	30-44	1F5	HEAD, FUEL INJECTION PUMP.....	30-52
1F7	FUEL INJECTION PUMP GOVERNOR.....	30-54	1F12	HEAD, FUEL INJECTION PUMP.....	30-59
1F14	FUEL INJECTION PUMP GOVERNOR.....	30-61	1H14	HEADPHONE, RADIO	40-42
1E19	FUEL INJECTION PUMP HEAD	30-42	3B10	HEATER (STOLPER)	90-15
1F5	FUEL INJECTION PUMP HEAD	30-52	3B9	HEATER CONTROLS	90-14
1F12	FUEL INJECTION PUMP HEAD	30-59	3B8	HEATER HOSE, CAB	90-13
1F11	FUEL INJECTION PUMP SHUT-OFF SOLENOID	30-58	3B7	HEATER HOSE, TRACTOR.....	90-12
1F15	FUEL INJECTION PUMP SHUT-OFF SOLENOID	30-62	1C8	HEATER, ENGINE COOLANT.....	20-34
1E9	FUEL LINES	30-32	2I1	HITCH, 3-POINT QUIK-COUPLER, IMPLEMENT.....	70-96
1D21	FUEL LINES (GASOLINE)	30-19	2I22	HOOD	80-6
1D20	FUEL PIPES	30-18	2I22	HOOD BAFFLE.....	80-6
1E9	FUEL PUMP	30-32	2I22	HOOD ORNAMENT	80-6
1E10	FUEL PUMP	30-33	1H11	HORN	40-38
1E11	FUEL PUMP	30-34	1H12	HORN	40-39
1D21	FUEL PUMP (GASOLINE)	30-19	1H13	HORN	40-40
1D20	FUEL TANK	30-18	2G23	HOSE IDENTIFICATION KIT, REMOTE CYLINDER	70-65
G					
1F1	GASKET KIT, FUEL INJECTION PUMP OVERHAUL	30-48	1D12	HOSE, AIR INTAKE (DIESEL).....	30-10
1C21	GASKET SET, ENGINE OVERHAUL (DIESEL)	20-48	1D10	HOSE, AIR INTAKE (GASOLINE)	30-8
1C23	GASKET SET, ENGINE OVERHAUL (GASOLINE)	20-50	3B8	HOSE, CAB HEATER	90-13
1C19	GASKET SET, ENGINE TUNE-UP (DIESEL)	20-46	1C16	HOSE, RADIATOR.....	20-42
1C20	GASKET SET, ENGINE TUNE-UP (GAS).....	20-47	2G17	HOSE, REMOTE CYLINDER	70-58
3B1	GAUGE, FUEL	90-6	2H3	HOSE, REMOTE CYLINDER.....	70-72
3B1	GAUGE, OIL TEMPERATURE.....	90-6	3B7	HOSE, TRACTOR HEATER.....	90-12
3B1	GAUGE, WATER TEMPERATURE	90-6	2C17	HOUSING CONTROL VALVE	50-52
2D3	GEAR, BEVEL, DIFFERENTIAL	50-65	3B12	HOUSING, BLOWER (STOLPER)	90-17
1B3	GEAR, CAMSHAFT	20-6	2B3	HOUSING, CLUTCH (POWER SHIFT)	50-8
2B17	GEAR, COUNTERSHAFT (SYNCRO-RANGE)	50-26	2A23	HOUSING, CLUTCH (SYNCRO-RANGE)	50-2
1B20	GEAR, CRANKSHAFT	20-22	2B14	HOUSING, CLUTCH REGULATING VALVE	50-23
1C3	GEAR, OIL PUMP DRIVE	20-30	2B12	HOUSING, CLUTCH VALVE (POWER SHIFT).....	50-20
2C24	GEAR, PTO DRIVE (POWER SHIFT).....	50-61	2F17	HOUSING, CONTROL PRESSURE VALVE	70-32
2C25	GEAR, PTO DRIVE (POWER SHIFT).....	50-62	2D3	HOUSING, DIFFERENTIAL	50-65
2C2	GEAR, PTO DRIVE (SYNCRO-RANGE).....	50-37	2D4	HOUSING, DIFFERENTIAL	50-67
2C3	GEAR, PTO DRIVE (SYNCRO-RANGE).....	50-38	2D5	HOUSING, DIFFERENTIAL LOCK VALVE	50-68
2B23	GEAR, SHIFT LEVER (SYNCRO-RANGE).....	50-32	2D10	HOUSING, DRIVE SHAFT (HI-CROP)	50-73
2B21	GEAR, SHIFTER (SYNCRO-RANGE)	50-30	3B11	HOUSING, FILTER (STOLPER)	90-16
2B22	GEAR, SHIFTER (SYNCRO-RANGE)	50-31	2D11	HOUSING, FINAL DRIVE (HI-CROP)	50-74
1B24	GEAR, STARTER	20-26	1B24	HOUSING, FLYWHEEL	20-26
2C14	GEARS, TRANSMISSION (POWER SHIFT).....	50-49	1D16	HOUSING, GOVERNOR	30-14
2C3	GEARS, TRANSMISSION (SYNCRO-RANGE).....	50-38	2F15	HOUSING, OIL FILTER RELIEF VALVE.....	70-30
2B24	GEARS, TRANSMISSION OIL PUMP.....	50-34	2F15	HOUSING, PRESSURE CONTROL VALVE	70-30
2B23	GEARSHIFT LEVER (SYNCRO-RANGE)	50-32	2F19	HOUSING, PRESSURE CONTROL VALVE	70-35
3B18	GLASS, CAB.....	90-23	2D9	HOUSING, REAR AXLE.....	50-72
1D16	GOVERNOR	30-14	2H4	HOUSING, ROCKSHAFT	70-73
1E21	GOVERNOR, FUEL INJECTION PUMP	30-44	2H11	HOUSING, ROCKSHAFT CONTROL VALVE	70-80
1F7	GOVERNOR, FUEL INJECTION PUMP	30-54	2E8	HOUSING, STEERING MOTOR	60-20
1F14	GOVERNOR, FUEL INJECTION PUMP	30-61	1C18	HOUSING, THERMOSTAT.....	20-45
2I22	GRILLE	80-6	3B21	HYDRAULIC COVER	90-26
2I22	GRILLE SCREEN, FRONT	80-6	2G15	HYDRAULIC DIAGNOSTIC RECEPTACLE	70-56
2C25	GUARD, FRONT PTO (POWER SHIFT).....	50-62	2E12	HYDRAULIC OIL	70-1
2C3	GUARD, MID PTO (SYNCRO-RANGE).....	50-38	2F17	HYDRAULIC OIL COOLER (POWER SHIFT).....	70-32
2C23	GUARD, REAR PTO (POWER SHIFT).....	50-60	2H2	HYDRAULIC OIL LINES, IMPLEMENT	70-71
2C1	GUARD, REAR PTO (SYNCRO-RANGE).....	50-36	2F15	HYDRAULIC OIL RESERVOIR	70-30
1D15	GUN, AIR CLEANER ELEMENT CLEANING	30-13	2F13	HYDRAULIC PUMP CONNECTORS AND FITTINGS	70-27
H					
2I24	HANDLE, TRACTOR MOUNTING	80-9	2E19	HYDRAULIC PUMP CRANKCASE OUTLET VALVE KIT	70-8
1I5	HARNES, WIRING (PERFORMANCE TRAK II MINI-MONITOR).....	40-54	2E13	HYDRAULIC PUMP DRIVE	70-2
			2F1	HYDRAULIC PUMP ELECTRIC DESTROKE KIT.....	70-14
			2F9	HYDRAULIC PUMP ELECTRIC DESTROKE KIT.....	70-22
			2F3	HYDRAULIC PUMP OVERHAUL KIT	70-16
			2F11	HYDRAULIC PUMP OVERHAUL KIT	70-24
			2E19	HYDRAULIC PUMP OVERHAUL KIT (1.5 IN3)	70-8
			2F5	HYDRAULIC PUMP REPLACEMENT	70-18
			2E17	HYDRAULIC PUMP STROKE CONTROL VALVE	70-6
			2E23	HYDRAULIC PUMP STROKE CONTROL VALVE	70-12

1A14

TRACTOR - 2510

ALPHABETICAL INDEX - CONTINUED

GRID		PAGE	GRID		PAGE
2F7	HYDRAULIC PUMP STROKE CONTROL VALVE	70-20	1B16	KIT, PISTON LINER (DIESEL)	20-18
2E15	HYDRAULIC PUMP, (1.5 IN3).....	70-4	1B17	KIT, PISTON LINER (GASOLINE).....	20-19
I					
2C4	IDLER GEARS, PTO (SYNCRO-RANGE).....	50-39	1H19	KIT, RADIO MOUNTING	40-46
1C10	IMPELLER, WATER PUMP	20-36	2G19	KIT, REMOTE CYLINDER OVERHAUL	70-60
1C12	IMPELLER, WATER PUMP	20-38	2G21	KIT, REMOTE CYLINDER OVERHAUL	70-62
1C13	IMPELLER, WATER PUMP	20-39	1C14	KIT, REPLACEMENT WATER PUMP	20-40
2H6	IMPLEMENT ARMS, ROCKSHAFT	70-75	1G13	KIT, STARTER SOLENOID COVER	40-16A
2H2	IMPLEMENT HYDRAULIC OIL LINES	70-71	1F17	KIT, STARTING FLUID TUBE	30-64
2H25	IMPLEMENT QUIK-COUPLER.....	70-95	2D24	KIT, STEERING PISTON CYLINDER AND VALVE	60-10
2I1	IMPLEMENT QUIK-COUPLER.....	70-96	2E4	KIT, STEERING VALVE CYLINDER OVERHAUL	60-16
2H1	IMPLEMENT SAFETY CHAIN	70-70	2E17	KIT, STROKE CONTROL VALVE SHUT-OFF	70-6
1G25	IMPLEMENT WARNING LAMP KIT	40-27	2E23	KIT, STROKE CONTROL VALVE SHUT-OFF	70-12
1E12	INJECTION NOZZLE	30-35	2F7	KIT, STROKE CONTROL VALVE SHUT-OFF	70-20
1E13	INJECTION NOZZLE	30-36	1I9	KIT, SUPPLEMENTARY WIRING	40-58
1E14	INJECTION NOZZLE	30-37	1I11	KIT, TERMINAL AND WIRING	40-60
1E15	INJECTION NOZZLE	30-38	1C15	KIT, WATER PUMP OVERHAUL	20-41
1E17	INJECTION NOZZLE, FUEL	30-40	1C14	KIT, WATER PUMP REPLACEMENT	20-40
1E12	INJECTION PUMP	30-35	1I18	KIT,ELECTRICAL CONNECTOR AND TERMINAL.....	40-67
1E13	INJECTION PUMP	30-36	1G14	KIT,STARTER SOLENOID COVER.....	40-16B
1E14	INJECTION PUMP	30-37	1G3	KIT,STARTING CIRCUIT RELAY(12-VOLT)	40-7A
1E15	INJECTION PUMP	30-38	2J12	KNEE, FRONT AXLE (FIXED TREAD).....	80-22
1F3	INJECTION PUMP GASKET KIT.....	30-50	1D18	KNOB, HAND SPEED CONTROL LEVER	30-16
1F1	INJECTION PUMP GASKET OVERHAUL KIT	30-48	2J8	KNUCKLE, FRONT AXLE	80-18
1C7	INLET, OIL FILTER	20-33	2J12	KNUCKLE, FRONT AXLE (FIXED TREAD)	80-22
3B1	INSTRUMENT PANEL	90-6	2J16	KNUCKLE, ROLL-O-MATIC	80-26
1B3	INTAKE VALVE	20-6	L		
2G24	ISO COUPLER OVERHAUL KIT	70-68	2K2	LABEL KIT	80-36
K					
1I8	KIT, AUXILIARY ELECTRICAL OUTLET SOCKET	40-57	3B9	LABEL, CONTROL LEVERS (STOLPER).....	90-14
2D15	KIT, BRAKE VALVE OVERHAUL	60-2	1G13	LABEL, STARTER SOLENOID COVER	40-16A
2D17	KIT, BRAKE VALVE OVERHAUL	60-4	1G14	LABEL,STARTER SOLENOID START	40-16B
2G16	KIT, BREAKAWAY COUPLER OVERHAUL	70-57	1H7	LAMP.....	40-34
1E5	KIT, CARBURETOR REPAIR	30-28	1H1	LAMP WIRING	40-28
1E7	KIT, CARBURETOR REPAIR	30-30	1H3	LAMP, FRONT	40-30
1E6	KIT, CARBURETOR REPAIR (GASOLINE)	30-29	1H3	LAMP, REAR	40-30
2H18	KIT, CENTER LINK	70-87	1H5	LAMP, WARNING (HI-CROP)	40-32
2I10	KIT, CLEVIS, DRAWBAR PIN	70-104	3B9	LEVER, CONTROL (STOLPER)	90-14
2G23	KIT, CYLINDER HOSE IDENTIFICATION.....	70-65	2C13	LEVER, DISCONNECT (POWER SHIFT).....	50-48
2K2	KIT, DECAL	80-36	2B23	LEVER, GEARSHIFT (SYNCRO-RANGE).....	50-32
1I13	KIT, ELECTRICAL CONNECTOR SERVICE.....	40-62	1D16	LEVER, GOVERNOR	30-14
1I15	KIT, ELECTRICAL CONNECTOR SERVICE.....	40-64	2H13	LEVER, LOAD SELECTOR CONTROL.....	70-82
1H21	KIT, ELECTRICAL REMOTE CONTROL	40-48	2B7	LEVER, PTO CLUTCH (POWER SHIFT)	50-12
1H23	KIT, ELECTRICAL REMOTE CONTROL WIRING	40-50	2C20	LEVER, SHIFTER (POWER SHIFT)	50-56
1C5	KIT, ENGINE OIL PUMP	20-32	2F25	LEVERS, SELECTIVE CONTROL	70-41
1C6	KIT, ENGINE OIL PUMP	20-32B	2H24	LIFT LINKS	70-93
1F1	KIT, FUEL INJECTION PUMP GASKET OVERHAUL	30-48	3B5	LIGHTER, CIGAR	90-10
1E10	KIT, FUEL PUMP OVERHAUL	30-33	1B12	LINER, CYLINDER	20-14
2E19	KIT, HYDRAULIC PUMP CRANKCASE OUTLET VALVE	70-8	1B13	LINER, CYLINDER	20-15
2F9	KIT, HYDRAULIC PUMP ELECTRIC DESTORKE	70-22	2F15	LINES, OIL	70-30
2F1	KIT, HYDRAULIC PUMP ELECTRIC DESTROKE	70-14	2H2	LINES, OIL, IMPLEMENT HYDRAULIC	70-71
2F3	KIT, HYDRAULIC PUMP OVERHAUL.....	70-16	2I14	LINES, OIL, POWER WEIGHT TRANSFER HITCH.....	70-108
2F11	KIT, HYDRAULIC PUMP OVERHAUL.....	70-24	2G3	LINES, SELECTIVE CONTROL, FRONT	70-44
2E19	KIT, HYDRAULIC PUMP OVERHAUL (1.5 IN3)	70-8	2G1	LINES, SELECTIVE CONTROL, REAR.....	70-42
1G25	KIT, IMPLEMENT WARNING LAMP	40-27	2G2	LINES, SELECTIVE CONTROL, REAR.....	70-43
1F3	KIT, INJECTION PUMP GASKET	30-50	2H19	LINK, CENTER	70-88
2H9	KIT, LOAD CONTROL SHAFT BUSHING.....	70-78	2H21	LINK, CENTER (HI-CROP)	70-90
1G8	KIT, NEUTRAL START SWITCH.....	40-12	2H23	LINK, CENTER DRAFT SUPPORT	70-92
2F14	KIT, O-RING	70-29	2H19	LINK, DRAFT	70-88
			2H21	LINK, DRAFT (HI-CROP)	70-90
			2H24	LINK, LIFT	70-93
			2I12	LINK, POWER HITCH IMPLEMENT	70-106
			1D18	LINKAGE, FOOT SPEED CONTROL	30-16
			1D18	LINKAGE, HAND SPEED CONTROL	30-16
			2H13	LINKAGE, ROCKSHAFT CONTROL	70-82
			2H9	LOAD CONTROL SHAFT BUSHING KIT	70-78

1A15

TRACTOR - 2510

ALPHABETICAL INDEX - CONTINUED

GRID	PAGE	GRID	PAGE			
2H13	LOAD SELECTOR CONTROL.....	70-82	2F17	OIL PIPES, HYDRAULIC SYSTEM(POWER SHIFT)	70-32	
2H8	LOAD, CONTROL.....	70-77	1C2	OIL PRESSURE RELIEF VALVE (GAS).....	20-29	
2C16	LOCK, TRANSMISSION (POWER SHIFT)	50-51	1C5	OIL PUMP KIT, ENGINE	20-32	
1A23	LUBRICANT, ENGINE VALVE STEM	20-2	1C6	OIL PUMP KIT, ENGINE	20-32B	
M						
1B22	MAIN BEARINGS	20-24	2B8	OIL PUMP, CLUTCH (POWER SHIFT).....	50-14	
1B22	MAIN BEARINGS CAPS	20-24	1C3	OIL PUMP, ENGINE.....	20-30	
2B8	MANIFOLD, CLUTCH OIL (POWER SHIFT).....	50-14	2B24	OIL PUMP, TRANSMISSION.....	50-34	
1D3	MANIFOLD, HORIZONTAL EXHAUST (DIESEL).....	30-1	3B1	OIL TEMPERATURE GAUGE	90-6	
1D4	MANIFOLD, HORIZONTAL EXHAUST (GASOLINE)	30-2	1A22	OIL, ENGINE	20-1	
1D5	MANIFOLD, VERTICAL EXHAUST (DIESEL).....	30-3	2E12	OIL, HYDRAULIC AND TRANSMISSION	70-1	
1D6	MANIFOLD, VERTICAL EXHAUST (GASOLINE)	30-4	2I19	OOUBLE FRONT WEIGHT	80-3	
3B1	METER, SPEED-HOUR	90-6	2I22	ORNAMENT, HOOD.....	80-6	
1I5	MINI-MONITOR, (PERFORMANCE TRAK II)	40-54	2G5	OUTLET, DUAL FRONT	70-46	
3C7	MIRROR, REAR VIEW.....	90-34	2G9	OUTLET, L.H., FRONT.....	70-50	
1I5	MONITOR, MINI (PERFORMANCE TRAK II)	40-54	2G7	OUTLET, R.H. FRONT.....	70-48	
3B12	MOTOR, BLOWER (STOLPER).....	90-17	2G8	OUTLET, R.H. FRONT.....	70-49	
1G12	MOTOR, STARTING.....	40-16	2G11	OUTLET, SINGLE FRONT, R.H. AND L.H.	70-52	
1G16	MOTOR, STARTING.....	40-18	1C21	OVERHAUL GASKET SET, ENGINE (DIESEL)	20-48	
1G17	MOTOR, STARTING.....	40-19	1C23	OVERHAUL GASKET SET, ENGINE (GASOLINE)	20-50	
1G18	MOTOR, STARTING.....	40-20	2G16	OVERHAUL KIT, BREAKAWAY COUPLER	70-57	
1G23	MOTOR, STARTING.....	40-25	2G24	OVERHAUL KIT, ISO COUPLER	70-68	
1G24	MOTOR, STARTING.....	40-26	2F24	OVERHAUL KIT, SELECTIVE CONTROL VALVE	70-40	
2E8	MOTOR, STEERING	60-20	P			
2I24	MOUNTING HANDLE	80-9	1B10	PAN, OIL.....	20-12	
1H19	MOUNTING, RADIO, KIT	40-46	3B1	PANEL INSTRUMENT	90-6	
1D8	MUFFLER COVER	30-6	3B15	PANEL, R.H. LOWER, CAB.....	90-20	
1D7	MUFFLER, EXTENSION	30-5	2I22	PANEL, SIDE	80-6	
1D9	MUFFLER, REAR EXHAUST.....	30-7	3B19	PANELS, COWL, CAB	90-24	
1D7	MUFFLER, VERTICAL	30-5	3B14	PANELS, FRONT AND REAR, CAB	90-19	
N						
1G8	NEUTRAL START SWITCH.....	40-12	2D15	PEDAL, BRAKE	60-2	
1G8	NEUTRAL START SWITCH KIT	40-12	2B12	PEDAL, CLUTCH (POWER SHIFT)	50-20	
1G8	NEUTRAL START SWITCH WIRING HARNESS	40-12	2B1	PEDAL, CLUTCH (SYNCRO-RANGE)	50-6	
1E17	NOZZLE, FUEL INJECTION	30-40	2D5	PEDAL, DIFFERENTIAL LOCK	50-68	
1E12	NOZZLE, INJECTION.....	30-35	2B19	PINION LOW RANGE	50-28	
1E13	NOZZLE, INJECTION.....	30-36	2D3	PINION, BEVEL, DIFFERENTIAL	50-65	
1E14	NOZZLE, INJECTION.....	30-37	2B19	PINION, HIGH RANGE.....	50-28	
1E15	NOZZLE, INJECTION.....	30-38	2D9	PINION, PLANET	50-72	
O						
2F14	O-RING PACKING KIT.....	70-29	2C12	PINIONS, PLANETARY (POWER SHIFT).....	50-47	
1A24	OFF-SEASON STORAGE KIT.....	20-3	1D12	PIPE, AIR INTAKE (DIESEL).....	30-10	
2F17	OIL COOLER, HYDRAULIC (POWER SHIFT)	70-32	1D10	PIPE, AIR INTAKE (GASOLINE)	30-8	
2B24	OIL FILTER ELEMENT, TRANSMISSION.....	50-34	1D9	PIPE, REAR EXHAUST	30-7	
1C7	OIL FILTER INLET	20-33	1E9	PIPES, FUEL	30-32	
2F15	OIL FILTER RELIEF VALVE HOUSING	70-30	1D21	PIPES, FUEL (GASOLINE)	30-19	
2C22	OIL FILTER, ELEMENT, TRANSMISSION	50-59	1E12	PIPES, FUEL INJECTION	30-35	
1B11	OIL FILTER, ENGINE.....	20-13	1E13	PIPES, FUEL INJECTION	30-36	
1H10	OIL HEATER.....	40-37	1E14	PIPES, FUEL INJECTION	30-37	
2F15	OIL LINES.....	70-30	1E15	PIPES, FUEL INJECTION	30-38	
2D22	OIL LINES, BRAKE (POWER SHIFT).....	60-8	2D22	PIPES, OIL, BRAKE (POWER SHIFT)	60-8	
2D20	OIL LINES, BRAKE (SYNCRO-RANGE)	60-6	2D20	PIPES, OIL, BRAKE (SYNCRO-RANGE)	60-6	
2H2	OIL LINES, HYDRAULIC, IMPLEMENT	70-71	2D7	PIPES, OIL, DIFFERENTIAL LOCK	50-70	
2I4	OIL LINES, POWER WEIGHT TRANSFER HITCH	70-108	2D8	PIPES, OIL, DIFFERENTIAL LOCK	50-71	
2E6	OIL LINES, STEERING	60-18	2H16	PIPES, OIL, ROCKSHAFT (POWER SHIFT)	70-85	
1B10	OIL PAN	20-12	2H15	PIPES, OIL, ROCKSHAFT (SYNCRO-RANGE)	70-84	
2D7	OIL PIPES, DIFFERENTIAL LOCK	50-70	2E6	PIPES, OIL, STEERING.....	60-18	
2D8	OIL PIPES, DIFFERENTIAL LOCK	50-71	1B16	PISTON LINER KIT (DIESEL)	20-18	
			1B17	PISTON LINER KIT (GASOLINE)	20-19	
			1B14	PISTON RINGS	20-16	
			1B18	PISTON RINGS (GASOLINE)	20-20	
			2B3	PISTON, CLUTCH ACCUMULATOR (POWER SHIFT)	50-8	
			1B14	PISTON, ENGINE	20-16	
			1B18	PISTON, ENGINE (GASOLINE).....	20-20	
			1E23	PISTON, FUEL INJECTION PUMP ADVANCE.....	30-46	
			1F9	PISTON, FUEL INJECTION PUMP ADVANCE.....	30-56	
			1F13	PISTON, FUEL INJECTION PUMP ADVANCE.....	30-60	

1A16

TRACTOR - 2510

ALPHABETICAL INDEX - CONTINUED

GRID	PAGE	GRID	PAGE		
2H5	PISTON, ROCKSHAFT.....	70-74	1E11	PUMP, FUEL TRANSFER	30-34
2D24	PISTON, STEERING CYLINDER.....	60-10	2E15	PUMP, HYDRAULIC (1.5 IN3).....	70-4
2E1	PISTON, STEERING VALVE	60-13	2B24	PUMP, OIL, TRANSMISSION	50-34
2J7	PIVOT BRACKET, FRONT AXLE	80-17	2E21	PUMP, REPLACEMENT HYDRAULIC	70-10
2J10	PIVOT BRACKET, FRONT AXLE (FIXED TREAD)	80-20	2B8	PUMP, TRANSMISSION CLUTCH (POWER SHIFT).....	50-14
2D9	PLANET PINION CARRIER	50-72	1C10	PUMP, WATER.....	20-36
2C12	PLANETARY ASSEMBLY (POWER SHIFT).....	50-47	1C12	PUMP, WATER.....	20-38
2C11	PLANETARY BRAKE, FIRST (POWER SHIFT)	50-46	1C13	PUMP, WATER.....	20-39
2C8	PLANETARY BRAKE, FOURTH (POWER SHIFT).....	50-43	1C9	PUMP, WATER (COMPLETE).....	20-35
2C10	PLANETARY BRAKE, SECOND (POWER SHIFT).....	50-45			
2C9	PLANETARY BRAKE, THRID (POWER SHIFT).....	50-44		Q	
2C8	PLANETARY CLUTCH (POWER SHIFT)	50-43	2B23	QUADRANT, SPEED CHANGE (SYNCRO-RANGE)	50-32
2C9	PLANETARY CLUTCH (POWER SHIFT)	50-44	2B23	QUADRANT, SPEED RANGE (SYNCRO-RANGE)	50-32
2C10	PLANETARY CLUTCH (POWER SHIFT)	50-45	2I3	QUICK COUPLER, THREE-POINT HITCH	70-97A
2C11	PLANETARY CLUTCH (POWER SHIFT)	50-46	2H25	QUIK-COUPLER	70-95
2C7	PLANETARY, TRANSMISSION (POWER SHIFT)	50-42	2I1	QUIK-COUPLER	70-96
2D18	PLATE, BRAKE FACING	60-5	2I20	QUIK-TATCH FRONT WEIGHTS	80-4
2D18	PLATE, BRAKE PRESSURE	60-5	2I21	QUIK-TATCH FRONTS WEIGHTS	80-5
2B9	PLATE, CLUTCH DRIVE (POWER SHIFT)	50-16	2C24	QUILL, PTO REAR BEARING (POWER SHIFT)	50-61
1B25	PLATE, ENGINE FRONT	20-27	2C2	QUILL, PTO REAR BEARING (SYNCRO-RANGE)	50-37
2I17	PLATE, FRAME	80-1			
2I22	PLATE, FRONT	80-6		R	
2B19	PLATE, SYNCHRONIZER	50-28	3B15	R.H. LOWER PANEL CAB.....	90-20
2J2	PLATFORM.....	80-12	1I1	RADAR SENSOR	40-52
3B20	PLATFORM BAFFLES	90-25	1I3	RADAR SENSOR	40-53A
3B20	PLATFORM BRACKET.....	90-25	1C16	RADIATOR	20-42
3B20	PLATFORM EXTENSION.....	90-25	1C16	RADIATOR CAP	20-42
2I13	POWER HITCH CONTROL VALVE	70-107	1H15	RADIO (BENDIX)	40-43
2I12	POWER HITCH IMPLEMENT LINK.....	70-106	1H16	RADIO (MOTOROLA).....	40-44
2I14	POWER HITCH OIL LINES	70-108	1H17	RADIO (MOTOROLA).....	40-45A
2I14	POWER HITCH OIL PRESSURE GAUGE	70-108	1H18	RADIO (MOTOROLA).....	40-45B
2I11	POWER WEIGHT TRANSFER HITCH COUPLER	70-105	1H14	RADIO HEADPHONE	40-42
2I13	POWER WEIGHT TRANSFER VALVE	70-107	1H19	RADIO MOUNTING KIT	40-46
1D14	PRE-CLEANER.....	30-12	2J13	RADIUS ROD (HI-CROP).....	80-23
1D14	PRE-SCREENER	30-12	2D9	REAR AXLE	50-72
2F19	PRESSURE CONTROL VALVE.....	70-35	2D9	REAR AXLE SHAFT.....	50-72
2F15	PRESSURE CONTROL VALVE HOUSING	70-30	2D12	REAR AXLE SHAFT (HI-CROP)	50-75
2F17	PRESSURE CONTROL VALVE HOUSING	70-32	1H3	REAR LAMP	40-30
1B24	PRESSURE SWITCH, ENGINE OIL	20-26	3B14	REAR PANEL, CAB	90-19
2B9	PTO CLUTCH (POWER SHIFT)	50-16	3C7	REAR VIEW MIRROR	90-34
2A25	PTO CLUTCH (SYNCRO-RANGE)	50-5	2J24	REAR WHEELS (HI-CROP).....	80-32
2B7	PTO CLUTCH CONTROL (POWER SHIFT).....	50-12	2J25	REAR WHEELS (HI-CROP).....	80-34
2C25	PTO DRIVE GEAR (POWER SHIFT)	50-62	2J23	REAR WHEELS (ROW-CROP)	80-31
2D1	PTO DRIVE GEAR (POWER SHIFT)	50-63	2G15	RECEPTACLE, DIAGNOSTIC	70-56
2C2	PTO DRIVE GEAR (SYNCRO-RANGE)	50-37	1G10	REGULATOR, ALTERNATOR	40-14
2C3	PTO DRIVE GEAR (SYNCRO-RANGE)	50-38	1I9	RELAY, SUPPLEMENTARY WIRING	40-58
2C4	PTO DRIVE SHAFT (SYNCRO-RANGE)	50-39	1G3	RELAY,STARTING CIRCUIT KIT(12-VOLT)	40-7A
2C4	PTO IDLER GEARS (SYNCRO-RANGE)	50-39	1H21	REMOTE CONTROL KIT, ELECTRICAL	40-48
2C23	PTO MASTER SHIELD (POWER SHIFT)	50-60	1H23	REMOTE CONTROL WIRING KIT, ELECTRICAL	40-50
2C1	PTO MASTER SHIELD (SYNCRO-RANGE)	50-36	1H22	REMOTE CONTROL WIRING, ELECTRICAL.....	40-49
1G10	PULLEY, ALTERNATOR	40-14	1H20	REMOTE CONTROL, ELECTRICAL	40-47
2D13	PULLEY, BELT	50-76	2G17	REMOTE CYLINDER	70-58
1B20	PULLEY, CRANKSHAFT	20-22	2G19	REMOTE CYLINDER	70-60
1C10	PULLEY, FAN	20-36	2G23	REMOTE CYLINDER HOSE IDENTIFICATION KIT.....	70-65
1C12	PULLEY, FAN	20-38	2G21	REMOTE CYLINDER OVERHAUL KIT	70-62
1C13	PULLEY, FAN.....	20-39	1E5	REPAIR KIT, CARBURETOR	30-28
1C14	PULLEY, WATER PUMP	20-40	1E7	REPAIR KIT, CARBURETOR	30-30
2E13	PUMP DRIVE COUPLER.....	70-2	1E6	REPAIR KIT, CRBURETOR (GASOLINE).....	30-29
2F5	PUMP REPLACEMENT, HYDRAULIC	70-18	2E21	REPLACEMENT HYDRAULIC PUMP	70-10
1C3	PUMP, ENGINE OIL.....	20-30	1C14	REPLACEMENT, WATER PUMP KIT	20-40
1E9	PUMP, FUEL	30-32	2J24	RIM, DEMOUNTABLE (HI-CROP)	80-32
1E10	PUMP, FUEL	30-33	2J25	RIM, DEMOUNTABLE (HI-CROP).....	80-34
1D21	PUMP, FUEL (GASOLINE)	30-19	2J23	RIM, DEMOUNTABLE (ROW-CROP)	80-31
1E12	PUMP, FUEL INJECTION	30-35			
1E13	PUMP, FUEL INJECTION	30-36			
1E14	PUMP, FUEL INJECTION	30-37			
1E15	PUMP, FUEL INJECTION	30-38			

1A17

TRACTOR - 2510

ALPHABETICAL INDEX - CONTINUED

GRID		PAGE	GRID		PAGE
2J19	RIM, FRONT WHEEL.....	80-29	2B1	SHAFT, CLUTCH FORK (SYNCRO-RANGE).....	50-6
1B14	RINGS, PISTON.....	20-16	2D10	SHAFT, DRIVE AND PINION (HI-CROP).....	50-73
1B18	RINGS, PISTON (GASOLINE).....	20-20	1B23	SHAFT, ENGINE BALANCER.....	20-25
1B1	ROCKER ARM COVER.....	20-4	2D9	SHAFT, FINAL DRIVE.....	50-72
1B3	ROCKER ARMS.....	20-6	2D9	SHAFT, PLANET PINION.....	50-72
2H11	ROCKSHAFT CONTROL VALVE HOUSING.....	70-80	2D1	SHAFT, PTO DRIVE (POWER SHIFT).....	50-63
2H5	ROCKSHAFT CRANK ARM.....	70-74	2C4	SHAFT, PTO DRIVE (SYNCRO-RANGE).....	50-39
2H4	ROCKSHAFT HOUSING.....	70-73	2D9	SHAFT, REAR AXLE.....	50-72
2H4	ROCKSHAFT HOUSING BOTTOM COVER.....	70-73	2D12	SHAFT, REAR AXLE (HI-CROP).....	50-75
2H17	ROCKSHAFT HOUSING COVERS.....	70-86	2C24	SHAFT, REAR PTO (POWER SHIFT).....	50-61
2H6	ROCKSHAFT IMPLEMENT ARMS.....	70-75	2C14	SHAFT, REDUCTION GEAR (POWER SHIFT).....	50-49
2H5	ROCKSHAFT LIFT ARM.....	70-74	2B19	SHAFT, TRANSMISSION.....	50-28
2H11	ROCKSHAFT LINKAGE AND CONTROL.....	70-80	2B21	SHAFTS, SHIFTER (SYNCRO-RANGE).....	50-30
2H16	ROCKSHAFT OIL PIPES (POWER SHIFT).....	70-85	2B22	SHAFTS, SHIFTER (SYNCRO-RANGE).....	50-31
2H15	ROCKSHAFT OIL PIPES (SYNCRO-RANGE).....	70-84	2C23	SHIELD, PTO MASTER (POWER SHIFT).....	50-60
2H5	ROCKSHAFT PISTON.....	70-74	2C1	SHIELD, PTO MASTER (SYNCRO-RANGE).....	50-36
2H10	ROCKSHAFT PISTON COVER.....	70-79	2I22	SHIELD, SIDE.....	80-6
2H7	ROCKSHAFT, FRONT MOUNTED.....	70-76	2C20	SHIFTER CONTROL LEVER (POWER SHIFT).....	50-56
2H13	ROCKSHAFT, LINKAGE AND CONTROL.....	70-82	2B21	SHIFTER SHAFTS (SYNCRO-RANGE).....	50-30
2J13	ROD, RADIUS (HI-CROP).....	80-23	2B22	SHIFTER SHAFTS (SYNCRO-RANGE).....	50-31
1B14	RODS, CONNECTING.....	20-16	1B6	SHORT BLOCK.....	20-10
1B18	RODS, CONNECTING (GASOLINE).....	20-20	1B8	SHORT BLOCK ASSEMBLY.....	20-11A
3C4	ROLL-GARD (HI-CROP).....	90-33	1C16	SHROUD, FAN.....	20-42
3C3	ROLL-GARD (ROW-CROP AND STANDARD).....	90-32	2I17	SIDE FRAMES.....	80-1
3C5	ROLL-GARD (W/O HI CROP).....	90-33A	2I22	SIDE PANEL.....	80-6
2J16	ROLL-O-MATIC.....	80-26	2I22	SIDE SHIELD.....	80-6
3B11	ROOF VENT (STOLPER).....	90-16	2I18	SIDE WEIGHTS.....	80-2
3B11	ROOF VENT FILTER ELEMENT (STOLPER).....	90-16	2G11	SINGLE FRONT OUTLET, R.H. AND L.H.....	70-52
			2J18	SINGLE FRONT WHEEL.....	80-28
			3C10	SLOW MOVING VEHICLE EMBLEM (STOLPER CAB).....	90-37
			1I7	SOCKET, ELECTRICAL OUTLET.....	40-56
			1I8	SOCKET, ELECTRICAL OUTLET, 7-TERMINAL.....	40-57
			1G15	SOLENOID SWITCH.....	40-17
			1G17	SOLENOID SWITCH.....	40-19
			1G18	SOLENOID SWITCH.....	40-20
			1G22	SOLENOID SWITCH.....	40-24
			1G24	SOLENOID SWITCH.....	40-26
			1F11	SOLENOID, FUEL INJECTION PUMP SHUT-OFF.....	30-58
			1F15	SOLENOID, FUEL INJECTION PUMP SHUT-OFF.....	30-62
			1G5	SPARK PLUGS.....	40-9
			2B22	SPEED CHANGE ARM (SYNCRO-RANGE).....	50-31
			1D18	SPEED CONTROL LINKAGE, FOOT.....	30-16
			1D18	SPEED CONTROL LINKAGE, HAND.....	30-16
			2B21	SPEED RANGE ARM (SYNCRO-RANGE).....	50-30
			3B1	SPEED-HOUR METER.....	90-6
			2J15	SPINDLE EXTENSION, FRONT WHEEL.....	80-25
			1G12	STARTER.....	40-16
			1G16	STARTER.....	40-18
			1G17	STARTER.....	40-19
			1G23	STARTER.....	40-25
			1G24	STARTER.....	40-26
			1B24	STARTER GEAR.....	20-26
			1G13	STARTER SOLENOID COVER KIT.....	40-16A
			1G14	STARTER SOLENOID COVER KIT.....	40-16B
			1G13	STARTER SOLENOID COVER LABEL.....	40-16A
			1G14	STARTER SOLENOID SAFTEY START LABEL.....	40-16B
			1G3	STARTING CIRCUIT RELAY KIT(12-VOLT).....	40-7A
			1F16	STARTING FLUID.....	30-63
			1F17	STARTING FLUID TUBE KIT.....	30-64
			1G18	STARTING MOTOR.....	40-20
			1G20	STARTING MOTOR BRUSHES.....	40-22
			1G20	STARTING MOTOR COIL ASSEMBLY.....	40-22
			1G20	STARTING MOTOR HOUSING.....	40-22
			1F21	STARTING MOTOR WIRING (DIESEL).....	40-2
			1F23	STARTING MOTOR WIRING (GASOLINE).....	40-4
			2J9	STEERING ARM.....	80-19
			2E8	STEERING MOTOR.....	60-20

S

2H1	SAFETY CHAIN, IMPLEMENT.....	70-70
2I22	SCREEN, FRONT GRILLE.....	80-6
1C10	SEAL, WATER PUMP.....	20-36
1C12	SEAL, WATER PUMP.....	20-38
1C13	SEAL, WATER PUMP.....	20-39
3C8	SEALANT, LOCTITE.....	90-35
3A22	SEAT BACK.....	90-2
3A22	SEAT BACK CUSHION.....	90-2
3C4	SEAT BELT (HI-CROP).....	90-33
3C3	SEAT BELT (ROW-CROP AND STANDARD).....	90-32
3C5	SEAT BELT (W/O HI CROP).....	90-33A
3A22	SEAT CUSHION.....	90-2
3A22	SEAT SUPPORT.....	90-2
2D2	SEAT SUPPORT COVER (LESS ROCKSHAFT).....	50-64
3A24	SEAT, DELUXE, SUSPENSION.....	90-4
2C10	SECOND PLANETARY BRAKE (POWER SHIFT).....	50-45
2F25	SELECTIVE CONTROL LEVERS.....	70-41
2G3	SELECTIVE CONTROL LINES, FRONT.....	70-44
2G1	SELECTIVE CONTROL LINES, REAR.....	70-42
2G2	SELECTIVE CONTROL LINES, REAR.....	70-43
2F20	SELECTIVE CONTROL VALVE.....	70-36
2F22	SELECTIVE CONTROL VALVE.....	70-38
2F24	SELECTIVE CONTROL VALVE OVERHAUL KIT.....	70-40
1D20	SENDER, FUEL GAUGE.....	30-18
3B1	SENSOR, ENGINE OIL PRESSURE.....	90-6
1I1	SENSOR, RADAR.....	40-52
1I3	SENSOR, RADAR.....	40-53A
1I13	SERVICE KIT, ELECTRICAL CONNECTORS.....	40-62
1I15	SERVICE KIT, ELECTRICAL CONNECTORS.....	40-64
1C19	SET, ENGINE TUNE-UP GASKET (DIESEL).....	20-46
1C20	SET, ENGINE TUNE-UP GASKET (GAS).....	20-47
2B5	SHAFT CLUTCH FORK (POWER SHIFT).....	50-10
2D24	SHAFT STEERING.....	60-10
2B4	SHAFT, CLUTCH (POWER SHIFT).....	50-9
2A25	SHAFT, CLUTCH (SYNCRO-RANGE).....	50-5

1A18

TRACTOR - 2510

ALPHABETICAL INDEX - CONTINUED

GRID	PAGE	GRID	PAGE		
2E6	STEERING OIL LINES.....	60-18	2J6	TRACTOR STEP (HI-CROP).....	80-16
2E2	STEERING VALVE ASSEMBLY.....	60-14	2C17	TRANSMISSION CONTROL VALVE (POWER SHIFT).....	50-52
2D24	STEERING VALVE CYLINDER.....	60-10	2C5	TRANSMISSION CASE (POWER SHIFT).....	50-40
2E1	STEERING VALVE CYLINDER COVER.....	60-13	2B15	TRANSMISSION CASE (SYNCRO-RANGE).....	50-24
2E4	STEERING VALVE CYLINDER OVERHAUL KIT.....	60-16	2B9	TRANSMISSION CLUTCH PACK (POWER SHIFT).....	50-16
2D24	STEERING VALVE PISTON.....	60-10	2B8	TRANSMISSION CLUTCH PUMP (POWER SHIFT).....	50-14
2D24	STEERING WHEEL.....	60-10	2B14	TRANSMISSION CLUTCH REGULATING VALVE.....	50-23
2I8	STEP (HI-CROP).....	70-102	2B12	TRANSMISSION CLUTCH VALVE (POWER SHIFT).....	50-20
3B22	STEP (STOLPER).....	90-27	2C18	TRANSMISSION CONTROL VALVE COVER (PST).....	50-53
2J5	STEP, TRACTOR.....	80-15	2B17	TRANSMISSION COUNTERSHAFT (SYNCRO-RANGE).....	50-26
2J6	STEP, TRACTOR (HI-CROP).....	80-16	2D2	TRANSMISSION COVER (LESS ROCKSHAFT).....	50-64
1A24	STORAGE KIT, OFF-SEASON.....	20-3	2B15	TRANSMISSION COVER (SYNCRO-RANGE).....	50-24
2E17	STROKE CONTROL VALVE SHUT-OFF KIT.....	70-6	2D2	TRANSMISSION DIPSTICK.....	50-64
2E23	STROKE CONTROL VALVE SHUT-OFF KIT.....	70-12	2B5	TRANSMISSION DISCONNECT (POWER SHIFT).....	50-10
2F7	STROKE CONTROL VALVE SHUT-OFF KIT.....	70-20	2C13	TRANSMISSION DISCONNECT (POWER SHIFT).....	50-48
2E17	STROKE CONTROL VALVE, HYDRAULIC PUMP.....	70-6	2B4	TRANSMISSION DISCONNECT CLUTCH.....	50-9
2E23	STROKE CONTROL VALVE, HYDRAULIC PUMP.....	70-12	2C5	TRANSMISSION FRONT COVER (POWER SHIFT).....	50-40
2F7	STROKE CONTROL VALVE, HYDRAULIC PUMP.....	70-20	2B24	TRANSMISSION HYDRAULIC OIL FILTER.....	50-34
1I8	SUPPLEMENTARY OUTLET, 7-TERMINAL.....	40-57	2C16	TRANSMISSION LOCK (POWER SHIFT).....	50-51
1I17	SUPPLEMENTARY TERMINALS AND CONNECTORS.....	40-66	2C20	TRANSMISSION LOCK CONTROL (POWER SHIFT).....	50-56
1I9	SUPPLEMENTARY WIRING KIT.....	40-58	2E12	TRANSMISSION OIL.....	70-1
2H23	SUPPORT, CENTER LINK.....	70-92	2B24	TRANSMISSION OIL FILTER ELEMENT.....	50-34
3B3	SUPPORT, CONTROL.....	90-8	2B24	TRANSMISSION OIL PUMP.....	50-34
2I17	SUPPORT, FRONT PLATE.....	80-1	2B24	TRANSMISSION OIL PUMP GEARS.....	50-34
2E13	SUPPORT, HYDRAULIC PUMP DRIVE.....	70-2	3B1	TRANSMISSION OIL TEMPERATURE GAUGE.....	90-6
3A22	SUPPORT, SEAT.....	90-2	2C7	TRANSMISSION PLANETARY (POWER SHIFT).....	50-42
3B23	SUPPORT, TOOL BOX.....	90-28	2C19	TRANSMISSION SHIFT VALVE (POWER SHIFT).....	50-55
3A24	SUSPENSION, DELUXE SEAT.....	90-4	2C20	TRANSMISSION SHIFTER CONTROL (PST).....	50-56
2I5	SWAY CONTROL BLOCKS (ROW-CROP).....	70-99			
1G8	SWITCH NEUTRAL START.....	40-12		V	
1H9	SWITCH, BLOWER (STOLPER).....	40-36			
1H20	SWITCH, ELECTRICAL REMOTE CONTROL.....	40-47			
3B1	SWITCH, ENGINE OIL PRESSURE.....	90-6	1A23	VALVE STEM LUBRICANT, ENGINE.....	20-2
1H12	SWITCH, HORN.....	40-39	2D15	VALVE, BRAKE.....	60-2
3B5	SWITCH, KEY.....	90-10	1F10	VALVE, DELIVERY FUEL INJECTION PUMP.....	30-57
3B5	SWITCH, LIGHT.....	90-10	2D5	VALVE, DIFFERENTIAL LOCK.....	50-68
1B24	SWITCH, PRESSURE, ENGINE.....	20-26	1B3	VALVE, EXHAUST.....	20-6
1G15	SWITCH, SOLENOID.....	40-17	1B3	VALVE, INTAKE.....	20-6
1G17	SWITCH, SOLENOID.....	40-19	1C2	VALVE, OIL PRESSURE RELIEF (GAS).....	20-29
1G18	SWITCH, SOLENOID.....	40-20	2I13	VALVE, POWER HITCH CONTROL.....	70-107
1G22	SWITCH, SOLENOID.....	40-24	2I13	VALVE, POWER WEIGHT TRANSFER.....	70-107
1G24	SWITCH, SOLENOID.....	40-26	2F19	VALVE, PRESSURE CONTROL.....	70-35
2C17	SWITCH, START-SAFETY (POWER SHIFT).....	50-52	2H10	VALVE, ROCKSHAFT THROTTLE.....	70-79
2B21	SWITCH, START-SAFETY (SYNCRO-RANGE).....	50-30	2F20	VALVE, SELECTIVE CONTROL.....	70-36
3B5	SWITCH, STARTER.....	90-10	2F22	VALVE, SELECTIVE CONTROL.....	70-38
1H9	SWITCH, WIPER (STOLPER).....	40-36	2E2	VALVE, STEERING ASSEMBLY.....	60-14
			2C17	VALVE, TRANSMISSION (POWER SHIFT).....	50-52
			2C18	VALVE, TRANSMISSION (POWER SHIFT).....	50-53
			2B12	VALVE, TRANSMISSION CLUTCH (POWER SHIFT).....	50-20
			2B14	VALVE, TRANSMISSION CLUTCH REGULATING.....	50-23
			2C19	VALVE, TRANSMISSION SHIFT (POWER SHIFT).....	50-55
			3B11	VENT, ROOF (STOLPER).....	90-16
				W	
3B1	TACHOMETER.....	90-6	1H7	WARNING LAMP.....	40-34
1D20	TANK, FUEL.....	30-18	1H5	WARNING LAMP (HI-CROP).....	40-32
1I11	TERMINAL AND WIRING KIT.....	40-60	1G25	WARNING LAMP KIT, IMPLEMENT.....	40-27
1I17	TERMINALS, ELECTRICAL, SUPPLEMENTARY.....	40-66	1C10	WATER PUMP.....	20-36
1C18	THERMOSTAT.....	20-45	1C12	WATER PUMP.....	20-38
2C9	THIRD PLANETARY BRAKE (POWER SHIFT).....	50-44	1C13	WATER PUMP.....	20-39
2I3	THREE-POINT HITCH QUICK COUPLER.....	70-97A	1C9	WATER PUMP (COMPLETE).....	20-35
2J9	TIE RODS.....	80-19	1C15	WATER PUMP OVERHAUL KIT.....	20-41
1C1	TIMING GEAR COVER (DIESEL).....	20-28	1C14	WATER PUMP PULLEY.....	20-40
1C2	TIMING GEAR COVER (GASOLINE).....	20-29	1C14	WATER PUMP REPLACEMENT KIT.....	20-40
2D2	TOOL BOX.....	50-64	3B1	WATER TEMPERATURE GAUGE.....	90-6
3B23	TOOL BOX.....	90-28			
3B22	TOOL BOX (STOLPER).....	90-27			
3B23	TOOL BOX SUPPORT.....	90-28			
3B24	TOOLS.....	90-29			
3B7	TRACTOR HEATER HOSE.....	90-12			
2J5	TRACTOR STEP.....	80-15			

1A19

TRACTOR - 2510

ALPHABETICAL INDEX - CONTINUED

<i>GRID</i>		<i>PAGE</i>	<i>GRID</i>	<i>PAGE</i>
3C9	WEATHERSHIELD PARTS	90-36		
2I18	WEIGHT, FRONT	80-2		
2I19	WEIGHT, FRONT	80-3		
2I20	WEIGHT, FRONT	80-4		
2I21	WEIGHT, FRONT	80-5		
1D16	WEIGHT, GOVERNOR.....	30-14		
2K1	WEIGHT, WHEEL.....	80-35		
2J19	WHEEL RIM, FRONT.....	80-29		
2K1	WHEEL WEIGHT	80-35		
2J19	WHEEL, SINGLE FRONT	80-29		
2D24	WHEEL, STEERING.....	60-10		
2J18	WHEELS, FRONT.....	80-28		
2J20	WHEELS, FRONT.....	80-30		
2J24	WHEELS, REAR (HI-CROP)	80-32		
2J25	WHEELS, REAR (HI-CROP)	80-34		
2J23	WHEELS, REAR (ROW-CROP).....	80-31		
2I6	WIDE SWING DRAWBAR (ROW-CROP)	70-100		
3B15	WINDOW, R.H. FRONT, CAB	90-20		
1H8	WINDSHIELD WIPER.....	40-35		
1H9	WIPER, SWITCH (STOLPER)	40-36		
1H8	WIPER, WINDSHIELD	40-35		
1I11	WIRING AND TERMINAL KIT	40-60		
1I11	WIRING CRIMPING TOOL	40-60		
1G8	WIRING HARNESS, NEUTRAL START SWITCH	40-12		
1I5	WIRING HARNESS, PERFORMANCE TRAK II (MINI-MONITOR)	40-54		
1H23	WIRING KIT, ELECTRICAL REMOTE CONTROL	40-50		
1I11	WIRING STRIPPING TOOL	40-60		
1H6	WIRING, CAB LAMP	40-33		
1I8	WIRING, ELECTRICAL OUTLET, 7-TERMINAL	40-57		
1H22	WIRING, ELECTRICAL REMOTE CONTROL.....	40-49		
1H1	WIRING, LAMP.....	40-28		
1I9	WIRING, SUPPLEMENTARY.....	40-58		
Y				
2C13	YOKE, TRANSMISSION DISCONNECT SHIFTER.....	50-48		

1A22

ENGINE

TORQ-GARD PLUS 50 ENGINE OIL
RGP3291 -UN-01JAN94



RGP 3291

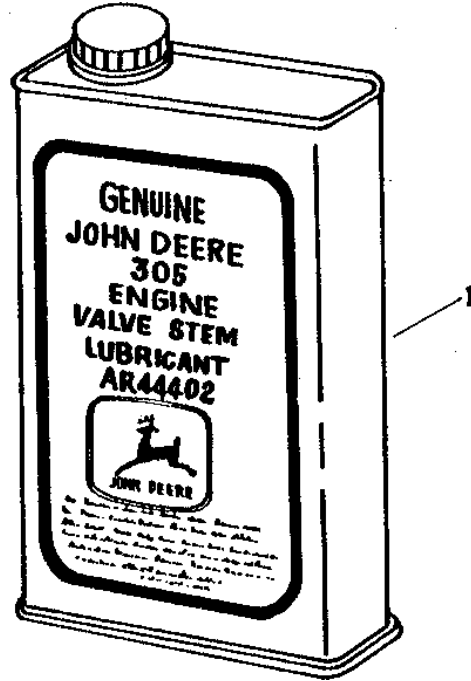
KEY	PART NO.	PART NAME	QTY	ENGINE SERIAL NO.	REMARKS
1	TY6359	OIL	1	(SAE 5W/30), 0.9L (1 QT)	
	TY6360	OIL	1	(SAE 5W/30), 19L (5 GAL)	
	TY6361	OIL	1	(SAE 5W/30), 208L (55 GAL)	
	TY6297	OIL	1	(SAE 15W/40), 0.9L (1 QT)	
	TY6298	OIL	1	(SAE 15W/40), 19L (5 GAL)	
	TY6300	OIL	1	(SAE 15W/40), 113.6L (30 GAL)	
	TY6301	OIL	1	(SAE 15W/40), 208L (55 GAL)	
	TY6311	OIL	1	(SAE 10W), 0.9L (1 QT)	
	TY22009	OIL	1	(SAE 10), 3.8L (1 GAL)	
	TY6312	OIL	1	(SAE 10W), 19L (5 GAL)	
	TY6313	OIL	1	(SAE 10W), 208L (55 GAL)	
	AR63979	OIL	1	(SAE 30), 0.2L (.25 QT)	
	AR63218	OIL	1	(SAE 30), 0.9L (1 QT)	
	AR63219	OIL	1	(SAE 30), 19L (5 GAL)	
TY6280	OIL	1	(SAE 30), 113.6L (30 GAL)		
2	AR63222	OIL	1	(SAE 30), 208L (55 GAL)	
	TY6389	OIL	1	(SAE 15W/40), 0.9L (1 QT)	
	TY22008	OIL	1	(SAE 15W/40), 3.8L (1 GAL)	
	TY6390	OIL	1	(SAE 15W/40), 19L (5 GAL)	
	TY22010	OIL	1	(SAE 15W/40), 113.6L (30 GAL)	
	TY6391	OIL	1	(SAE 15W/40), 208L (55 GAL)	
	TY6392	OIL	1	(SAE 30), 0.9L (1 QT)	
	TY22007	OIL	1	(SAE 30), 3.8L (1 GAL)	
	TY6393	OIL	1	(SAE 30), 19L (5 GAL)	
	TY22011	OIL	1	(SAE 30), 113.6L (30 GAL)	
TY6394	OIL	1	(SAE 30), 208L (55 GAL)		

1A23

ENGINE

T71654 -UN-01JAN94

ENGINE VALVE STEM LUBRICANT



T71654

KEY	PART NO.	PART NAME	QTY	ENGINE SERIAL NO.	REMARKS
1	AR44402	OIL	1		0.9L (1 QT.) CAN

1A24

ENGINE

KIT FOR OFF-SEASON STORAGE

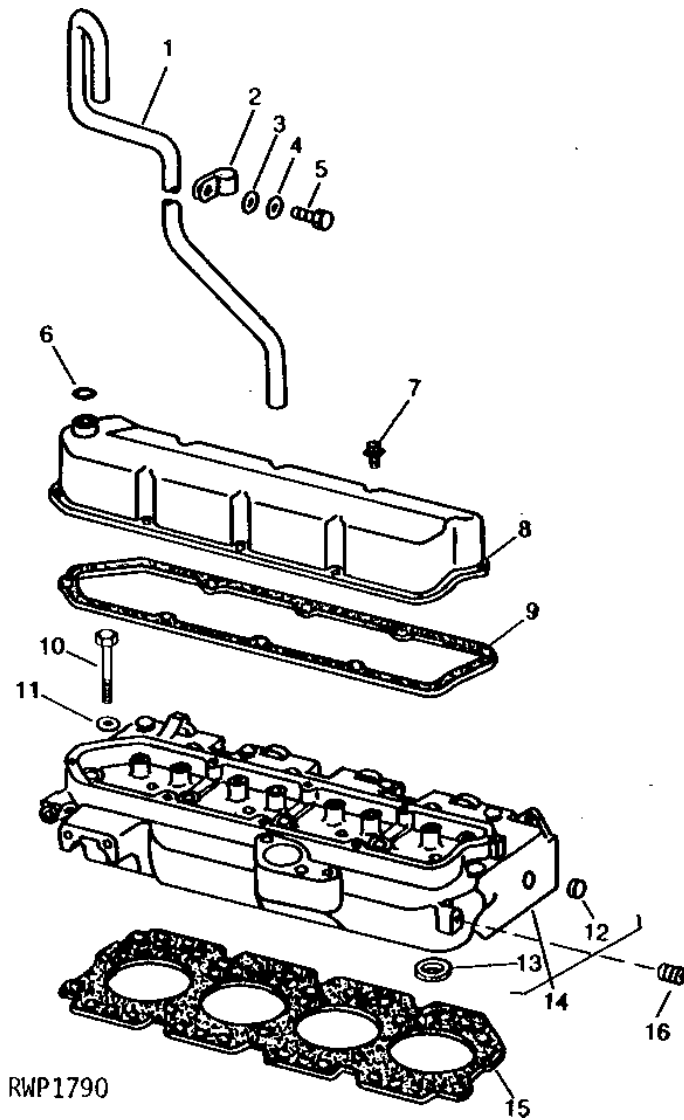
KEY	PART NO.	PART NAME	QTY	ENGINE SERIAL NO.	REMARKS
..	AR41785	KIT	1		CONTAINS 0.9 L (1 QT.) CAN OF INTERNAL CORROSION INHIBITOR, (1) ROLL OF TAPE, AND (6) PLASTIC BAGS
..	AR41870	RUST INHIBITOR	1		0.9 L (1 QT.) CAN, (SUB AR41785)

1B1

ENGINE

RWP1790 -UN-01JAN94

CYLINDER HEAD AND ROCKER ARM COVER



1B2

ENGINE

CYLINDER HEAD AND ROCKER ARM COVER - CONTINUED

KEY	PART NO.	PART NAME	QTY	ENGINE SERIAL NO.	REMARKS
1	R38336	TUBE	1		(NO LONGER AVAILABLE)
2	R40791	CLAMP	1		(SUB FOR A4656R)
3	24H1136	WASHER	1		11/32" X 11/16" X 0.065"
4	12H303	LOCK WASHER	1		5/16"
5	19H1813	CAP SCREW	1		5/16" X 5/8"
6	R495R	O-RING	1		
7	AR45530	SCREW, WITH WASHER	8	-XXXXXX	(SUB FOR AR27702) (SUB AR103811)
	AR100124	SCREW, WITH WASHER	8	XXXXXX-	
8	AT18015	VALVE COVER	1		
9	T20075	GASKET	1	-XXXXXX	(SUB AR100596 AND (8) AR100124)
	AR100596	GASKET	1	XXXXXX-	
10	T20182	CAP SCREW	14		(B)
	T20184	BOLT	4		(B)
	T20183	CAP SCREW	18		(A)
	R53223	CAP SCREW	18		(A) (USE WITH R53250 OR R55034)
11	T20168	WASHER	18		
12	A3910R	CAP	2		
13	R51734	VALVE SEAT INSERT	4		(A) (EXHAUST)
14	AT21334	CYLINDER HEAD	1		(B) (MARKED T19973)
	RE35279	CYLINDER HEAD	1		(A) (MARKED T23486, T24756, R54560 OR R56790) (SUB FOR AT21335, AT21801, AR63657 OR AR62452) (SUB RE56308)
15	R52790	GASKET	1		(SUB FOR T20040)
16	15H559	PIPE PLUG	1		(A) 1/4"

(A) DIESEL
(B) GASOLINE

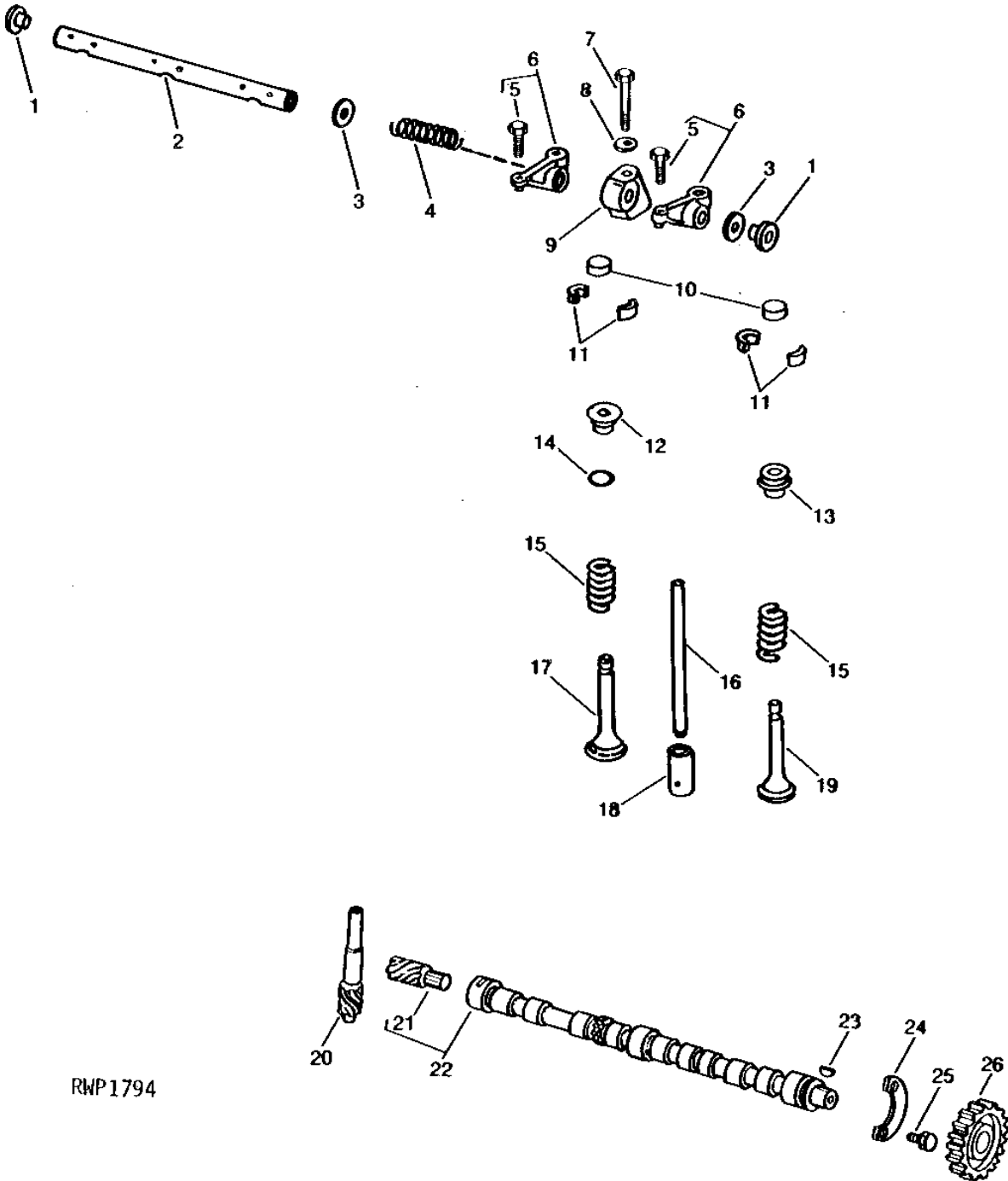
1B3

ENGINE

RWP1794

-UN-01JAN94

CAMSHAFT, ROCKER ARMS, VALVES AND GEAR



RWP1794

1B4

ENGINE

CAMSHAFT, ROCKER ARMS, VALVES AND GEAR - CONTINUED

KEY	PART NO.	PART NAME	QTY	ENGINE SERIAL NO.	REMARKS
1	R54565	PLUG	2		(SUB FOR T23469)
2	R54987	SHAFT	1		(ALSO ORDER (2) R54565) (SUB FOR T23470)
3	T20316	WASHER	2		
4	T20314	SPRING	3		
5	SCREW	8		(SUB RE31973)
6	RE19031	ROCKER ARM	8		(SUB FOR AT22665, AT18129 OR AT31250) (SUB RE31973)
7	19H1733	CAP SCREW	4		3/8" X 2-1/2"
8	24M7106	WASHER	4		10 X 18 X 2.500 MM, (SUB FOR T23594)
9	T20315	SUPPORT	4		
10	T20129	CAP	8		(A)
11	T20077	RETAINER	16		
12	T20169	CAP	4		(B)
	T20176	RETAINER	4		(A) (SUB RE11410)
13	T20287	ROTATOR	4		(B)
	T20176	RETAINER	4		(A) (SUB RE11410)
14	R27976	O-RING	4		(B)
15	R26125	SPRING	8		
16	T20297	PIN	8		(B)
	T20310	PIN	8		(A) (SUB R82896)
17	T25466	INTAKE VALVE	4		(B) STANDARD STEM
	T26175	INTAKE VALVE	4		(B) 0.08MM (.003") OVERSIZE STEM
	T26176	INTAKE VALVE	4		(B) 0.38MM (.015") OVERSIZE STEM
	T26177	INTAKE VALVE	4		(B) 0.76MM (.030") OVERSIZE STEM
	R52251	INTAKE VALVE	4		(A) STD STEM, (SUB FOR T20174) (SUB R79623)
	R57332	INTAKE VALVE	4		(A) 0.08MM (.003") OVERSIZE STEM, (SUB FOR T23546) (SUB R79628)
	R57334	INTAKE VALVE	4		(A) 0.38MM (.015") OVERSIZE STEM, (SUB FOR T23547) (SUB R79629)
	R57336	INTAKE VALVE	4		(A) 0.76MM (.030") OS STEM, (SUB FOR T23548) (NLA)
18	T20073	TAPPET	8		
19	T25467	EXHAUST VALVE	4		(B) STANDARD STEM
	T26178	EXHAUST VALVE	4		(B) 0.08MM (.003") OVERSIZE STEM
	T26179	EXHAUST VALVE	4		(B) 0.38MM (.015") OVERSIZE STEM
	T26180	EXHAUST VALVE	4		(B) 0.76MM (.030") OVERSIZE STEM
	R52252	EXHAUST VALVE	4		(A) STANDARD STEM, (SUB FOR T20175) (SUB R79624)
	R57333	EXHAUST VALVE	4		(A) 0.08MM (.003") OS STEM, (SUB FOR T23549) (SUB R79625)
	R57335	EXHAUST VALVE	4		(A) 0.38MM (.015") OVERSIZE STEM, (SUB FOR T23550) (SUB R79626)
	R57337	EXHAUST VALVE	4		(A) 0.76MM (.030") OS STEM, (SUB FOR T23551) (NLA)
20	T22536	GEAR	1		SPEED-HOUR METER DRIVE
21	T22535	SHAFT	1		SPEED-HOUR METER DRIVE
22	AT20830	CAMSHAFT	1		(MARKED T20013) (SUB R81514 AND R82820)
23	26H72	SHAFT KEY	1		1/8" X 5/8"
24	T20072	PLATE	1		
25	19H1731	CAP SCREW	2		3/8" X 1"
26	T20070	GEAR	1		(48 TEETH)

(A) DIESEL
(B) GASOLINE

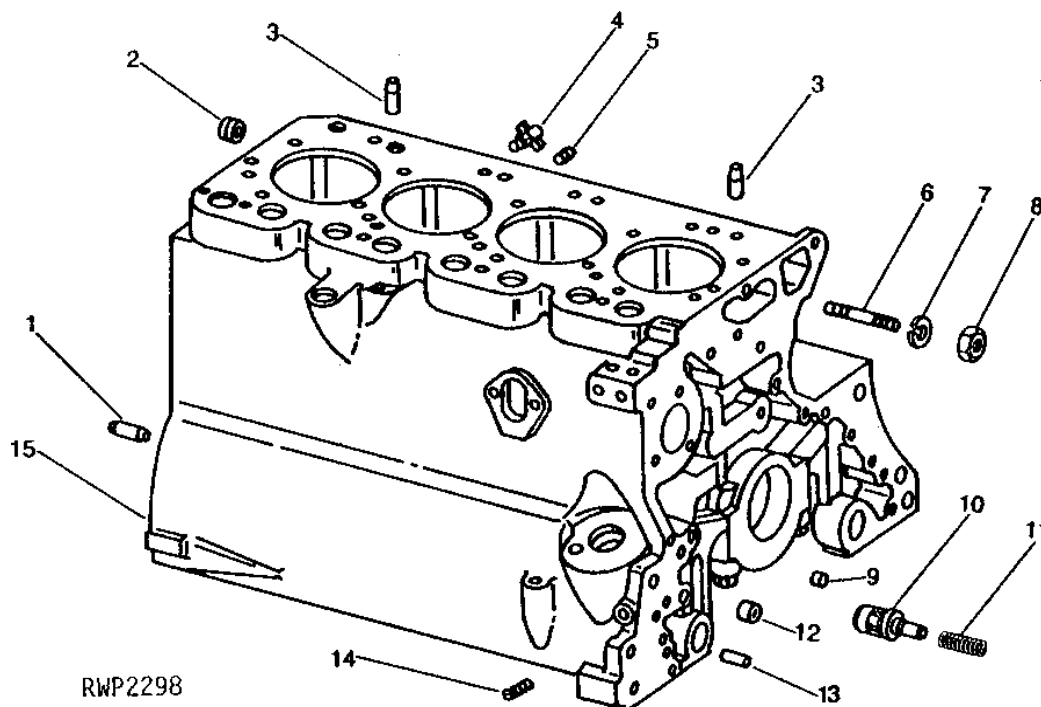
MEMORANDA

1B5

ENGINE

RWP2298 -UN-01JAN94

CYLINDER BLOCK



RWP2298

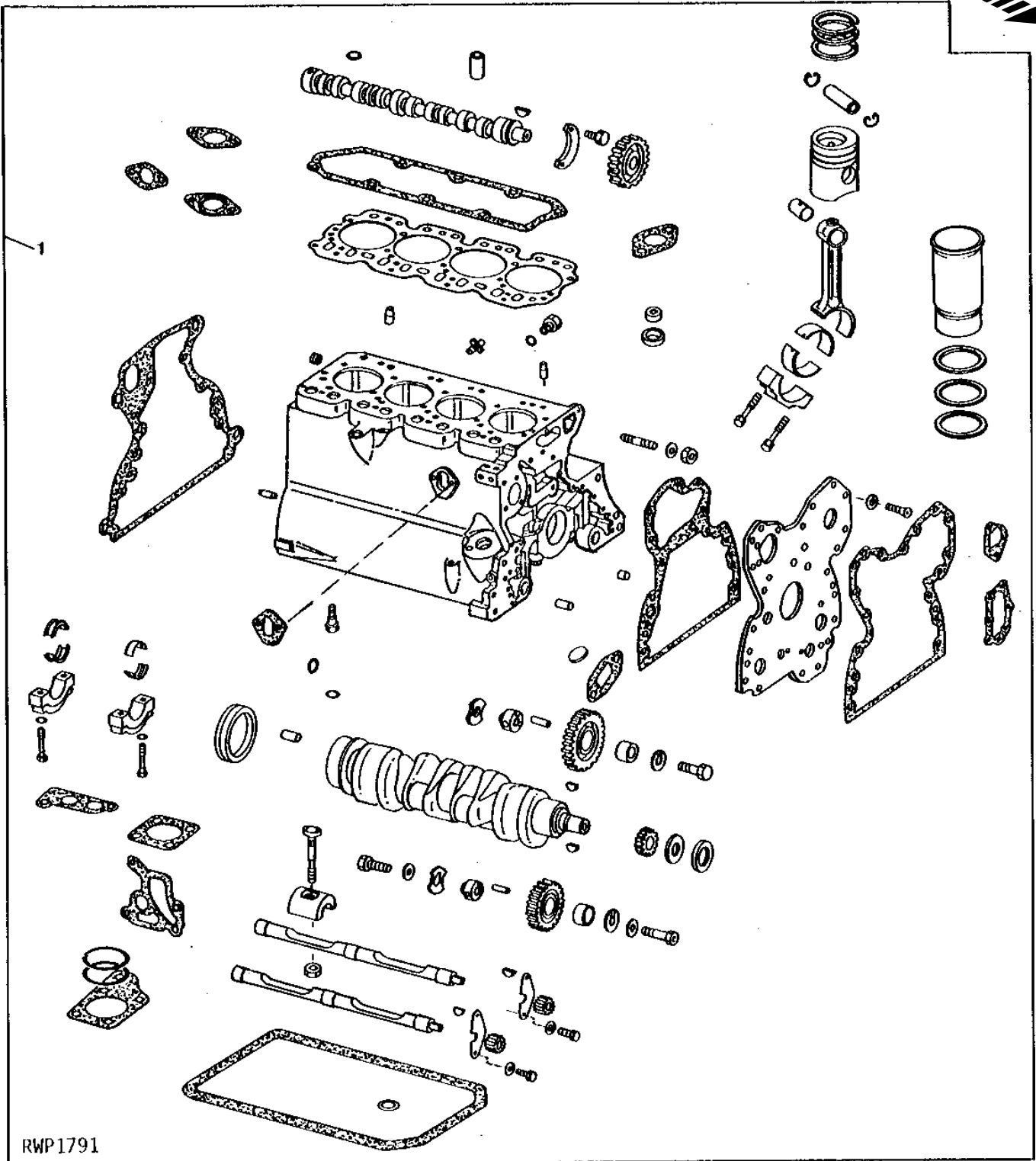
KEY	PART NO.	PART NAME	QTY	TRACTOR SERIAL NO.	REMARKS
1	R48685	DOWEL PIN	2		(SUB FOR A120R)
2	15H562	PIPE PLUG	1		1"
3	R26241	DOWEL PIN	2		(SUB R48685)
4	AT13740	DRAIN VALVE	1		(SUB FOR AT27653)
5	15H275	PIPE PLUG	1		1/4"
6	T33279	STUD	2		
	T25701	STUD	1		
7	12H304	LOCK WASHER	3		3/8"
8	14H1076	NUT	3		3/8"
9	T18891	CAP	2	-XXXXXX	
	T18891	CAP	1	XXXXXX-	
10	R73139	VALVE	1	XXXXXX-	
11	R46625	SPRING	1	XXXXXX-	
12	R26493	BUSHING	1		
13	R26650	DOWEL PIN	2		
14	15H255	PIPE PLUG	1		3/8"
15	AR97028	CYLINDER BLOCK	1		(DIESEL) (MARKED T23406, T24961, T26933, T32342, R53250, R55034 OR R72973) (ALSO ORDER (4) AR71617, (18) R53223, (4) T32340, R46625, R73139 AND R73140) (SUB FOR AT18084, AT22749 OR AT24997) (ALSO ORDER (18) R53223, R46625 R73139 AND R73140) (SUB FOR AT31590) (ALSO ORDER R46625 R73139 AND R73140) (SUB FOR AR59057 OR AR64725)
	AR97090	CYLINDER BLOCK	1		(GASOLINE) (MARKED T23405, T24960, T26932, T32349 OR R72981) (ALSO ORDER (4) AR71617, (4) T32350, (2) T27657, (2) T27658, T20050, R46625, R73139 AND R73140) (SUB FOR AT18083) (ALSO ORDER (4) T32350, R46625, R73139 AND R73140) (SUB FOR AT22748 OR AT24996) (ALSO ORDER R46625, R73139 AND R73140) (SUB FOR AT31585) (NLA)

1B6

ENGINE

RWP1791 -UN-01JAN94

SHORT BLOCK ASSEMBLY



1B7

ENGINE

SHORT BLOCK ASSEMBLY - CONTINUED

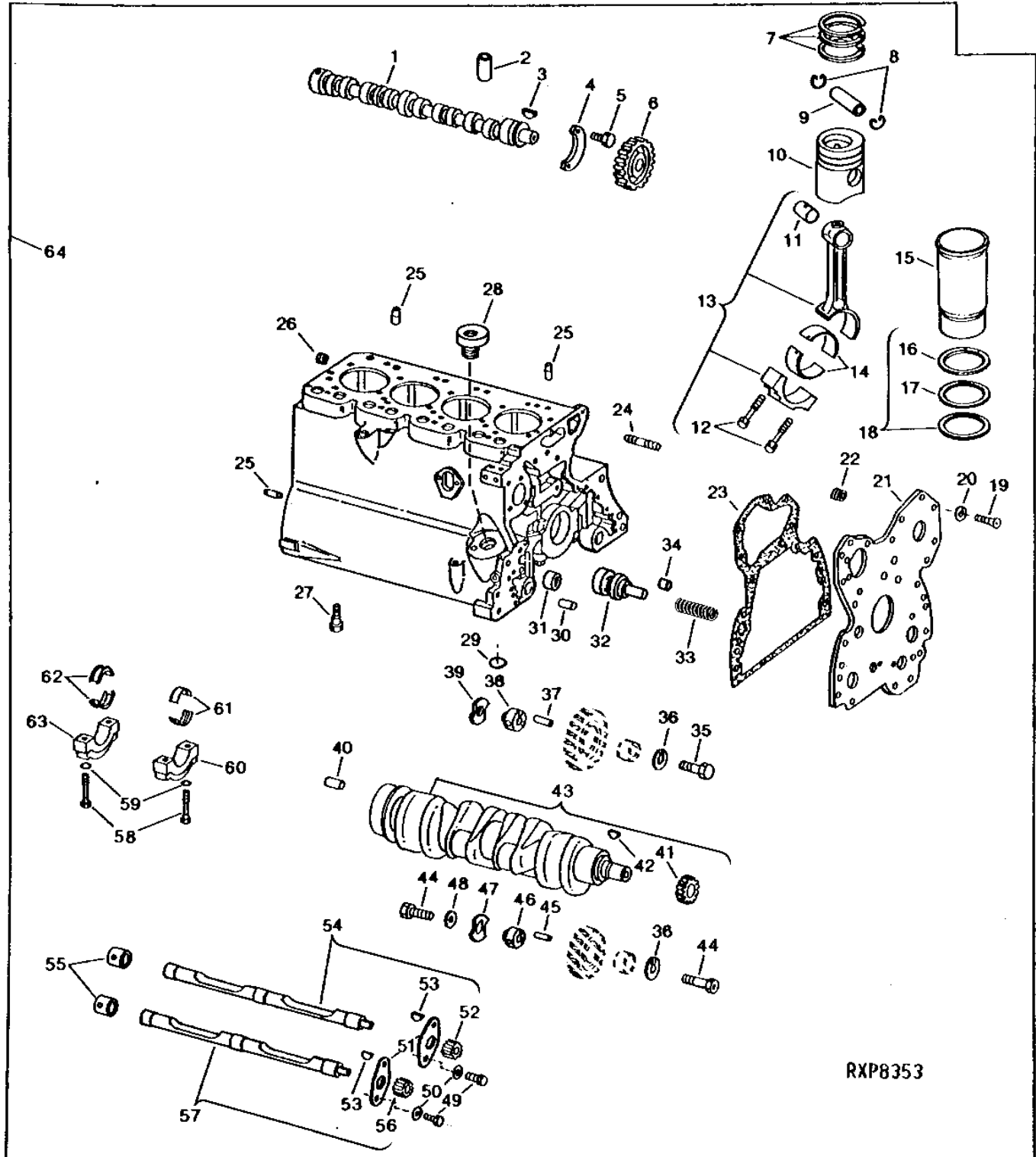
KEY	PART NO.	PART NAME	QTY	ENGINE SERIAL NO.	REMARKS
1	AR97042	SHORT BLOCK ASSEMBLY	1		(DIESEL) (ALSO ORDER (18) R53223) (SUB FOR AT23075, AT25171, AT31565 OR AR59066) (SUB RE19855, RE55343, R97342, R81514 AND (18) R85363)
	AR97108	SHORT BLOCK ASSEMBLY	1		(GASOLINE) (SUB FOR AT23077, AT25172 OR AT31576) (NLA)

1B8

ENGINE

SHORT BLOCK ASSEMBLY (DIESEL) (RE19855)

RXP8353 -UN-01JAN94



1B9

ENGINE

**SHORT BLOCK ASSEMBLY - CONTINUED
(DIESEL) (RE19855)**

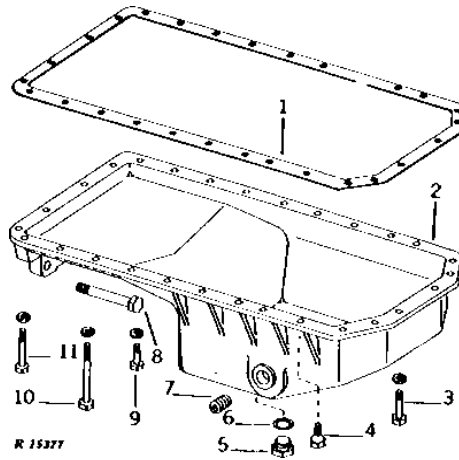
KEY	PART NO.	PART NAME	QTY	TRACTOR SERIAL NO.	REMARKS
1	R82820	CAMSHAFT	1		
2	T20073	TAPPET	8		
3	T28041	SHAFT KEY	1		
4	T20072	PLATE	1		
5	19H218	CAP SCREW	2		3/8" X 1"
6	T20070	GEAR	1		
7	AR55760	PISTON RING KIT	1		
8	M41029	SNAP RING	2		
9	R125754	PISTON PIN	1		(SUB FOR R51731)
10	AR77762	PISTON	1		
11	R55647	BUSHING	1		
12	R80033	SCREW	2		
13	RE21076	CONNECTING ROD	1		
14	AT21138	BEARING	8		
15	T32343	CYLINDER LINER	4		
16	R48768	WASHER	4		
17	T32344	O-RING	4		
18	AR71618	KIT	4		
19	T20166	SCREW	5		
20	12H324	WASHER	5		3/8"
21	RE16149	PLATE	1		
22	AT21191	SET SCREW	8		
	AT22919	SET SCREW	2		
23	R90648	GASKET	1		
24	T33279	STUD	1		TIMING GEAR PUMP
	T25701	STUD	1		WATER PUMP
25	R48685	DOWEL PIN	3		
26	15H562	PIPE PLUG	1		1"
27	R54802	ORIFICE	1		
28	T23435	THREADED NIPPLE	1		
29	R75892	O-RING	1		
30	R26650	DOWEL PIN	2		
31	R26493	BUSHING	1		
32	R73139	VALVE	1		
33	R46625	SPRING	1		
34	T18891	CAP	1		
35	T26327	SCREW	1		
36	T26326	THRUST WASHER	2		
37	34H283	SPRING PIN	1		3/16" X 1-1/8"
38	T26323	SHAFT	1		(SUB R89824, THIS APPLICATION)
39	T26324	THRUST WASHER	1		
40	R48685	DOWEL PIN	1		
41	T20094	GEAR	1		
42	26H72	SHAFT KEY	1		
43	AT18030	CRANKSHAFT	1		
44	T26325	SCREW	2		
45	34H286	SPRING PIN	1		3/16" X 1-1/2"
46	T26323	SHAFT	1		(SUB R89824, R100105, 19H3011, 14H865, THIS APPLICATION)
47	T26324	THRUST WASHER	1		
48	R76126	WASHER	1		
49	19H2021	CAP SCREW	4		3/8" X 5/8"
50	12H304	LOCK WASHER	4		3/8"
51	R58007	STOP	2		(SUB FOR T20193)
52	T20133	GEAR	1		
53	T28041	SHAFT KEY	2		
54	AR61352	BALANCER SHAFT	1		L.H.
55	R57160	BUSHING	2		
56	T20130	GEAR	1		
57	AR61351	BALANCER SHAFT	1		R.H.
58	T23474	CAP SCREW	2		
59	T20168	WASHER	2		
60	R65215	BEARING CAP	4		
61	AT21140	BEARING	8		
62	AT21139	BEARING	2		
63	R79089	CAP	1		
64	RE19855	SHORT BLOCK ASSEMBLY	1		(ALSO ORDER T22720, R81513, R92425 AND (18) R85363)

1B10

ENGINE

R15377 -UN-01JAN94

OIL PAN



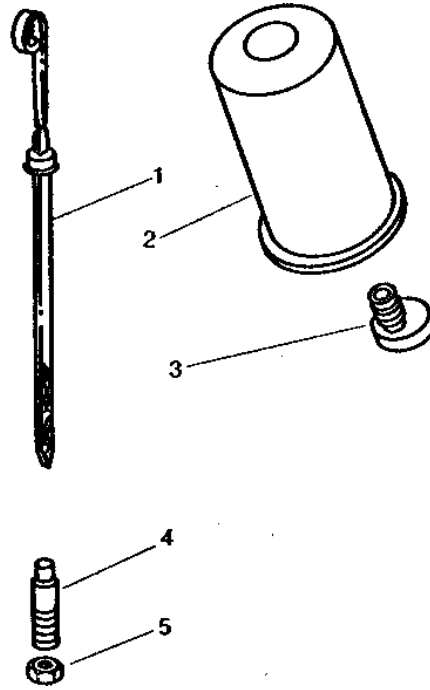
KEY	PART NO.	PART NAME	QTY	ENGINE SERIAL NO.	REMARKS
1	R49515	GASKET	1		(SUB FOR T22720)
2	T20163	OIL PAN	1		(ROW-CROP)
	T20302	OIL PAN	1		(HI-CROP) (NO LONGER AVAILABLE)
3	19H1765	CAP SCREW	6		3/8" X 1-3/4"
	12H304	LOCK WASHER	6		3/8"
4	T20309	WHEEL BOLT	2		
5	M1746T	DRAIN PLUG	1		
6	T13213	WASHER	1		(ALUMINUM)
7	15H690	PIPE PLUG	1		3/4", (ALUMINUM)
8	19H3022	CAP SCREW	2		5/8" X 4"
9	19H1732	CAP SCREW	16		3/8" X 1-1/4"
	12H304	LOCK WASHER	16		3/8"
10	19H2228	CAP SCREW	2		3/8" X 4"
	12H304	LOCK WASHER	2		3/8"
11	19H1733	CAP SCREW	2		3/8" X 2-1/2"
	12H304	LOCK WASHER	2		3/8"

1B11

ENGINE

RP205 -UN-01JAN94

ENGINE OIL FILTER AND DIPSTICK



RP205

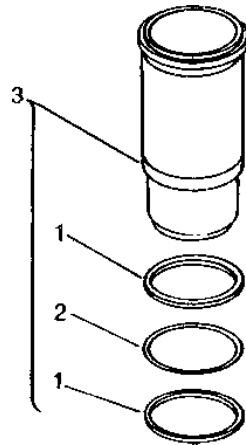
KEY	PART NO.	PART NAME	QTY	ENGINE SERIAL NO.	REMARKS
1	AT21534	DIPSTICK	1		
2	T19044	OIL FILTER	1		
3	T23435	THREADED NIPPLE	1		
4	R55299	THREADED NIPPLE	1		(ALSO ORDER R10093) (SUB FOR T24409)
5	14H826	NUT	1		1/2"

1B12

ENGINE

RWP5401 -UN-01JAN94

CYLINDER LINERS



RWP5401

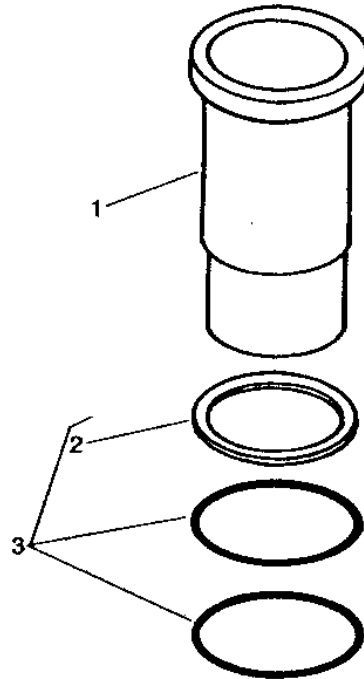
KEY	PART NO.	PART NAME	QTY	ENGINE SERIAL NO.	REMARKS
1	R48637	WASHER	8		
2	R48638	O-RING	4		
3	AR51902	KIT	4		(DIESEL) (USE WITH T23406, T24961 OR T26933)
	AR52252	KIT	4		(SUB FOR T20085) (GASOLINE) (USE WITH T23405, T24960 OR T26932) (SUB FOR T20080)
..	AR54749	LUBRICANT	1		0.9 L (1 QT)

1B13

ENGINE

RP204 -UN-01JAN94

CYLINDER LINERS



RP204

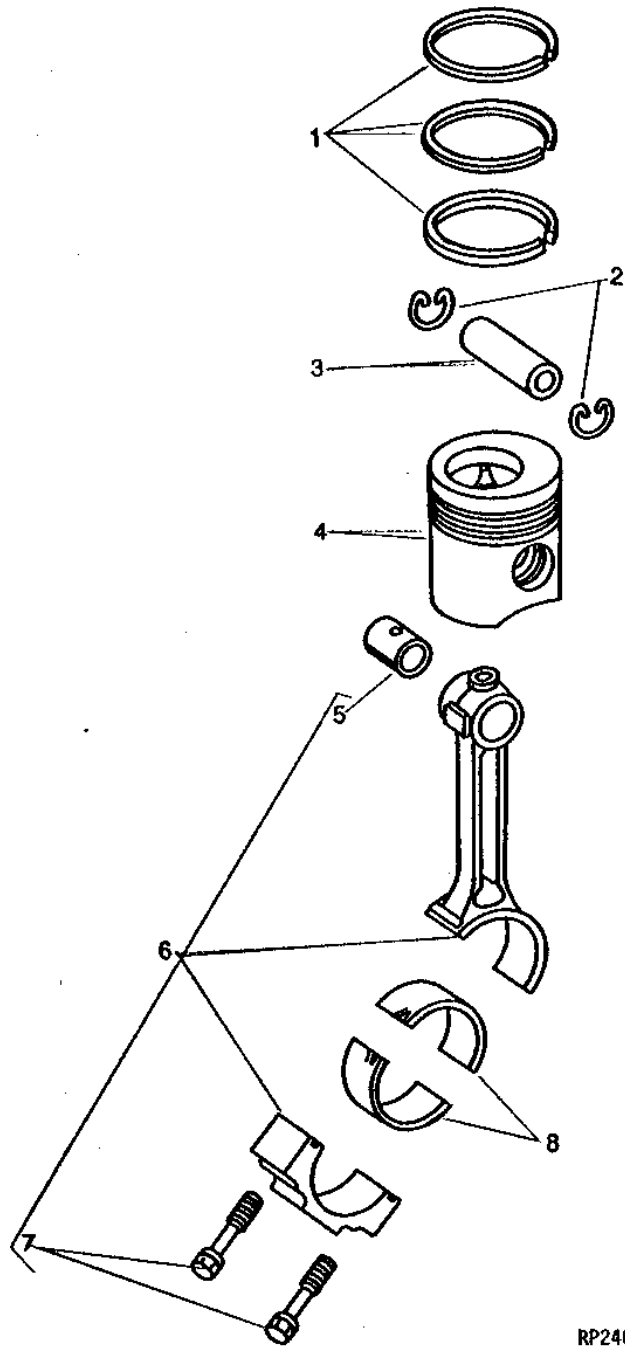
KEY	PART NO.	PART NAME	QTY	TRACTOR SERIAL NO.	REMARKS
1	T32340	CYLINDER LINER	4		(DIESEL) (USE WITH T32342, R53250 OR R55034)
	T32350	CYLINDER LINER	4		(GASOLINE) (USE WITH T32349)
2	R48767	PACKING	4		(SUB FOR T16164, T25374 OR T32261)
3	AR71617	KIT	4		(USE WITH T32342, T32349, R53250 OR R55034)
					(SUB FOR AT31609, AR54747 OR AR65070)
..	AR54749	LUBRICANT	1		0.9L (1 QT)

1B14

ENGINE

RP240 -UN-01JAN94

PISTONS, RINGS AND CONNECTING ROD
(DIESEL)



RP240

1B15

ENGINE

PISTONS, RINGS AND CONNECTING ROD - CONTINUED (DIESEL)

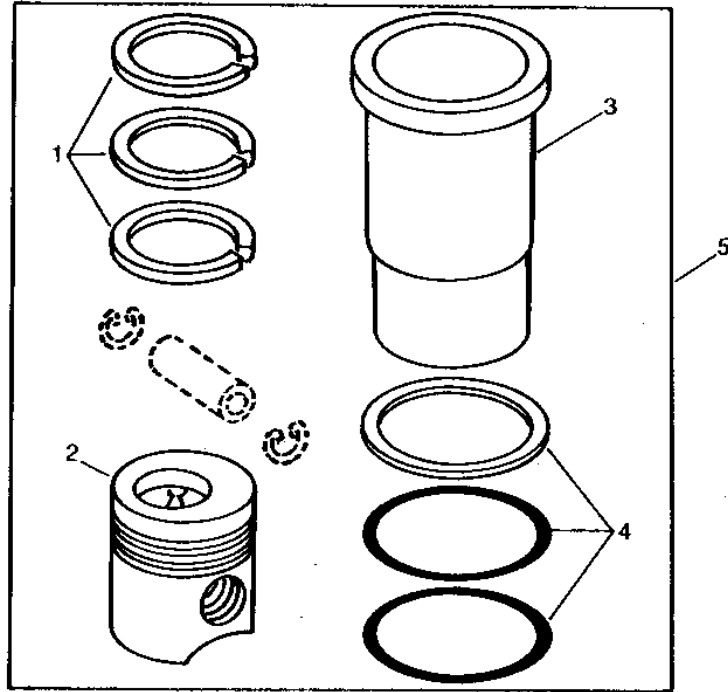
KEY	PART NO.	PART NAME	QTY	ENGINE SERIAL NO.	REMARKS
1	AR70633	PISTON RING KIT	4		(SUB FOR AT18012 OR AR55758) (SET OF 3 RINGS)
2	R51112	SNAP RING	8		(SUB FOR M67T)
3	T23482	PISTON PIN	4		
4	T23481	PISTON	4		
5	T23471	BUSHING	4		
6	AT18005	CONNECTING ROD	4		(SUB RE19733)
7	R74194	SCREW	8		(SUB FOR T19812 OR T20009)
	R80033	SCREW	8		(USE WITH RE19733)
8	AT21138	BEARING	4		(PKG. OF 2 HALVES)
	AT21122	BEARING	4		0.05MM (.002") UNDERSIZE (PKG. OF 2 HALVES)
	AT21124	BEARING	4		0.25MM (.010") UNDERSIZE (PKG. OF 2 HALVES)
	AT21126	BEARING	4		0.51MM (.020") UNDERSIZE (PKG. OF 2 HALVES)
	AT21128	BEARING	4		0.76MM (.030") UNDERSIZE (PKG. OF 2 HALVES)

1B16

ENGINE

RWP2613 -UN-01JAN94

PISTON LINER KIT (DIESEL)



RWP2613

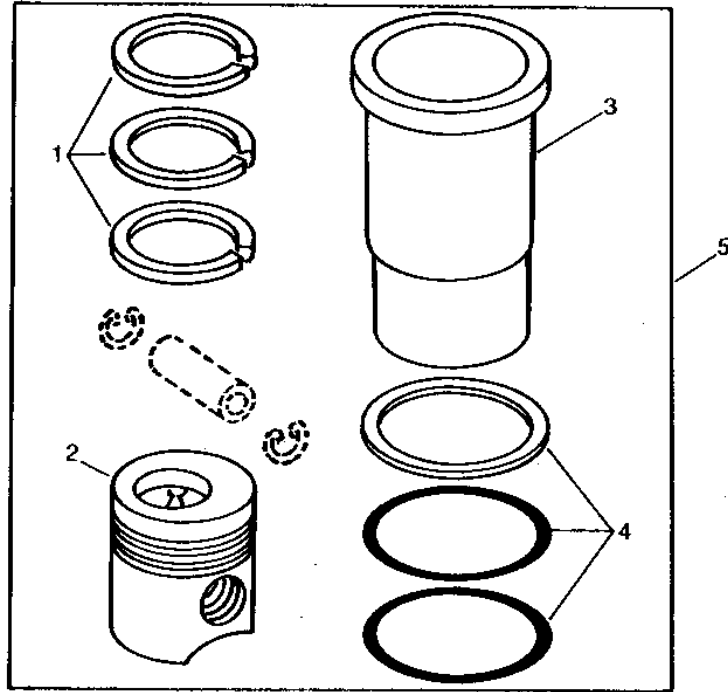
KEY	PART NO.	PART NAME	QTY	ENGINE SERIAL NO.	REMARKS
1	AR70633	PISTON RING KIT	1		
2	T23481	PISTON	1		
3	T32340	CYLINDER LINER	1		
4	AR71617	KIT	1		
5	AR71591	PISTON-LINER KIT	1		(MARKED T32340) (USE WITH T32342, R53250 OR R55034)

1B17

ENGINE

RWP2613 -UN-01JAN94

PISTON LINER KIT (GASOLINE)



RWP2613

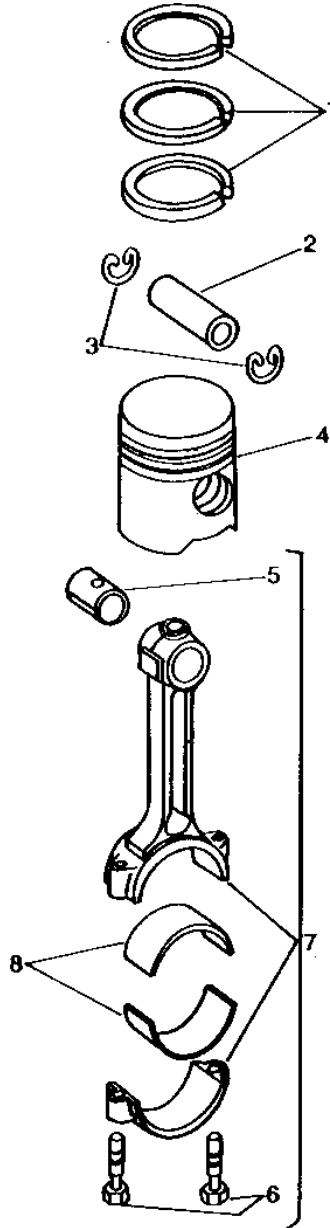
KEY	PART NO.	PART NAME	QTY	ENGINE SERIAL NO.	REMARKS
1	AR70633	PISTON RING KIT	1	(SUB FOR AR55761)	
2	T23504	PISTON	1		
3	T32350	CYLINDER LINER	1	(USE WITH T32349)	
4	AR71617	KIT	1		
5	AR71590	PISTON-LINER KIT	4	(USE WITH T32349)	

1B18

ENGINE

PISTON, RINGS AND CONNECTING ROD (GASOLINE)

RWP4401 -UN-01JAN94



RWP4401

1B19

ENGINE

**PISTON, RINGS AND CONNECTING ROD - CONTINUED
(GASOLINE)**

KEY	PART NO.	PART NAME	QTY	ENGINE SERIAL NO.	REMARKS
1	AR70633	PISTON RING KIT	4		(SUB FOR AT18006 OR AR55758) (SET OF 3 RINGS)
2	T18838	PISTON PIN	4		
3	R51112	SNAP RING	8		(SUB FOR M67T)
4	T23504	PISTON	4		
5	T526T	BUSHING	4		
6	T19173	BOLT	8		
7	AT18147	CONNECTING ROD	4		
8	AT10123	BEARING	4		
	AT21116	BEARING	4		0.05MM (.002") UNDERSIZE (PKG. OF 2 HALVES)
	AT21117	BEARING	4		0.25MM (.010") UNDERSIZE (PKG. OF 2 HALVES)
	AT21119	BEARING	4		0.51MM (.020") UNDERSIZE (PKG. OF 2 HALVES)
	AT10519	BEARING	4		0.76MM (.030") UNDERSIZE (PKG. OF 2 HALVES)

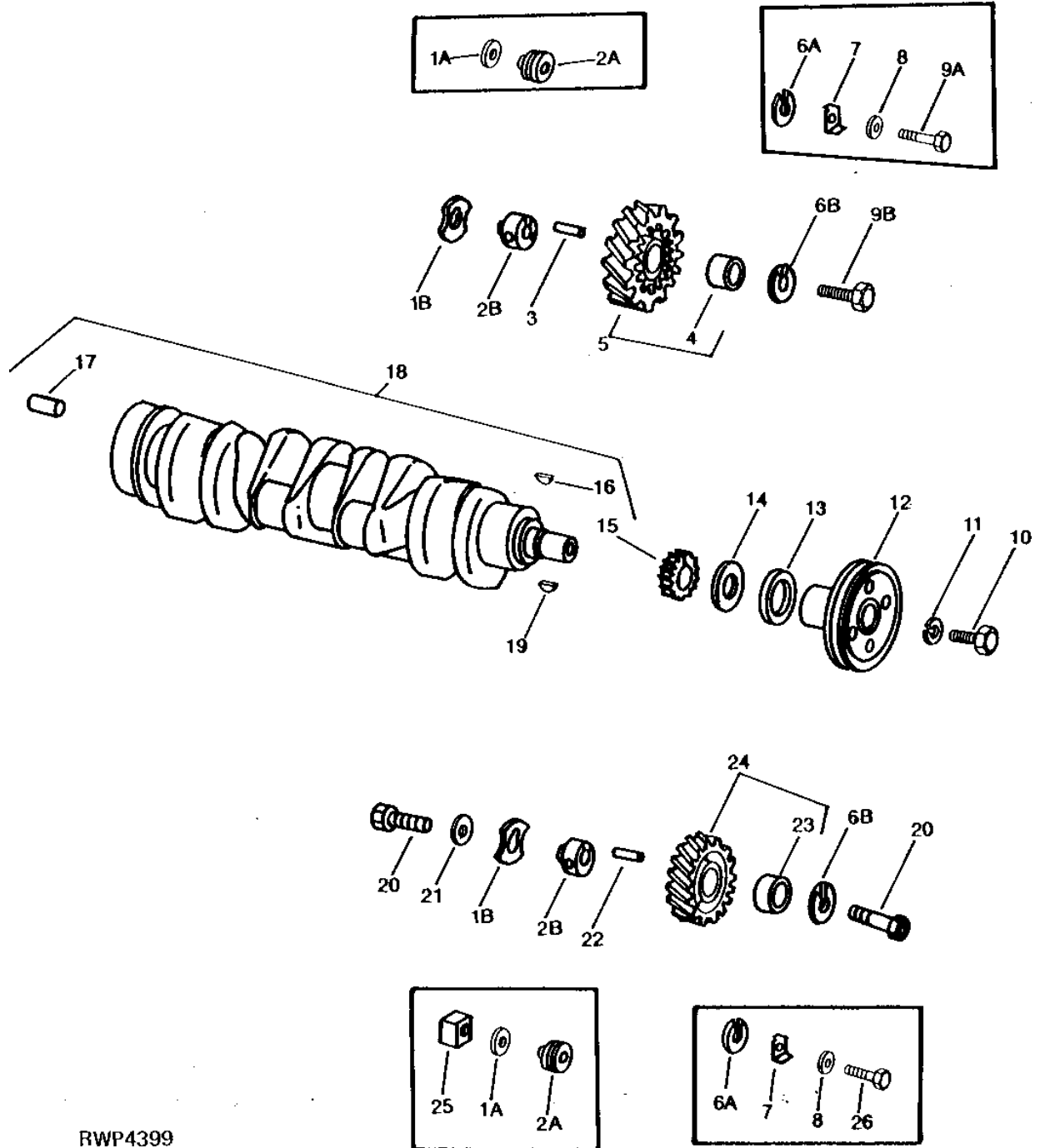
1B20

ENGINE

RWP4399

-UN-01JAN94

CRANKSHAFT AND IDLER GEARS



RWP4399

1B21

ENGINE

CRANKSHAFT AND IDLER GEARS - CONTINUED

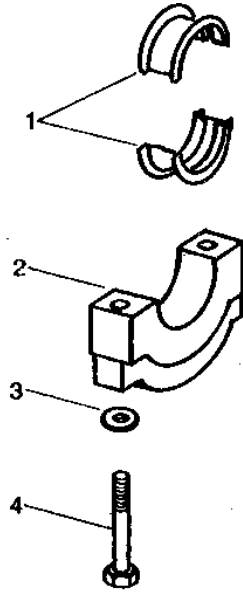
KEY	PART NO.	PART NAME	QTY	TRACTOR SERIAL NO.	REMARKS
1A	T20037	THRUST WASHER	2	-082720	INNER, (SUB T26324)
1B	T26324	THRUST WASHER	2	082721-	INNER
2A	T20036	SHAFT	2	-082720	(SUB T26323)
2B	T26323	SHAFT	2	082721-	
3	34H283	SPRING PIN	1	082721-	3/16" X 1-1/8"
4	T20034	BUSHING	1		
5	AR91660	GEAR	1		(55 TEETH) (MARKED T20029 OR R70182) (SUB FOR AT18009)
6A	T20038	THRUST WASHER	2	-082720	(SUB T26326)
6B	T26326	THRUST WASHER	2	082721-	
7	T20291	WEAR PLATE	2	-082720	
8	T20290	SHIM	2	-082720	
9A	19H1990	CAP SCREW	1	-082720	1/2" X 2-1/4"
9B	T26327	SCREW	1	082721-	
10	19H1721	CAP SCREW	1		1/2" X 1-1/2"
11	T20217	WASHER	1		
12	T24440	PULLEY	1		
13	AR67942	SEAL	1		(SUB FOR AT21608)
14	T20046	OIL SLINGER	1		
15	T20094	GEAR	1		(24 TEETH)
16	26H72	SHAFT KEY	1		1/8" X 5/8"
17	T26565	DOWEL PIN	1		
18	AT21047	CRANKSHAFT	1		(GASOLINE) (MARKED T23483)
	AT18030	CRANKSHAFT	1		(DIESEL) (MARKED T23517 OR T23480)
19	T23604	SHAFT KEY	1		
20	T26325	SCREW	2	082721-	
21	24H1272	WASHER	1	082721-	9/16" X 1-1/4" X 1/4"
22	34H286	SPRING PIN	1	082721-	3/16" X 1-1/2"
23	T20034	BUSHING	1	-082720	
	T26321	BUSHING	1	082721-	
24	AT18039	GEAR	1	-082720	(45 TEETH) (MARKED T20135) (SUB AT24252)
	AT24252	GEAR	1	082721-	(45 TEETH) (MARKED T26322)
25	T20136	FITTING	1	-082720	LOWER IDLER GEAR TUBE
26	19H2644	CAP SCREW	1	-082720	1/2" X 2-1/2"

1B22

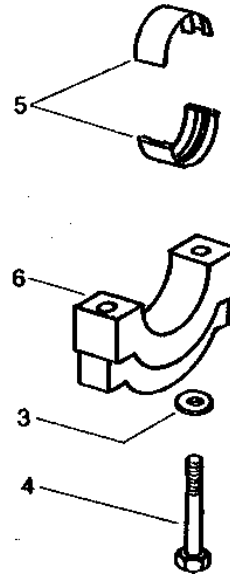
ENGINE

RP210 -UN-01JAN94

CRANKSHAFT BEARINGS AND CAPS



RP210



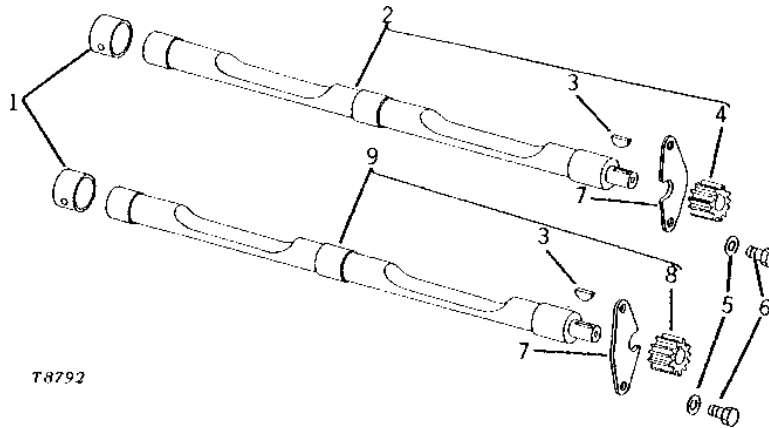
KEY	PART NO.	PART NAME	QTY	ENGINE SERIAL NO.	REMARKS
1	AT21139	BEARING	1		(PKG. OF 2 HALVES)
	AT21130	BEARING	1		0.05MM (.002") UNDERSIZE, REAR (PKG. OF 2 HALVES)
	AT21132	BEARING	1		0.25MM (.010") UNDERSIZE, REAR (PKG. OF 2 HALVES)
	AT21134	BEARING	1		0.51MM (.020") UNDERSIZE, REAR (PKG. OF 2 HALVES)
	AT21136	BEARING	1		0.76MM (.030") UNDERSIZE, REAR (PKG. OF 2 HALVES)
2	AR82295	BEARING CAP	1		(SUB FOR AT21227) (SUB R79089)
3	T20168	WASHER	AR		(6 USED GASOLINE) (10 USED DIESEL)
4	T23474	CAP SCREW	AR		(6 USED GASOLINE) (10 USED DIESEL)
5	AT21140	BEARING	AR		(PKG. OF (2) T23214) (2 USED GASOLINE) (4 USED DIESEL)
	AT21108	BEARING	AR		0.05MM (.002") UNDERSIZE (PKG. (2) T23552) (2 USED GASOLINE) (4 USED DIESEL)
	AT21110	BEARING	AR		0.25MM (.010") UNDERSIZE (PKG. OF (2) T23554) (2 USED GASOLINE) (4 USED DIESEL)
	AT21112	BEARING	AR		0.51MM (.020") UNDERSIZE (PKG. OF (2) T23556) (2 USED GASOLINE) (4 USED DIESEL)
	AT21114	BEARING	AR		0.76MM (.030") UNDERSIZE, PLAIN (PKG. OF (2) T23558) (2 USED GASOLINE) (4 USED DIESEL)
6	R65215	BEARING CAP	AR		(2 USED GASOLINE) (4 USED DIESEL) (SUB FOR AT21226 OR AR82294)

1B23

ENGINE

T8792 -UN-01JAN94

ENGINE BALANCER SHAFT



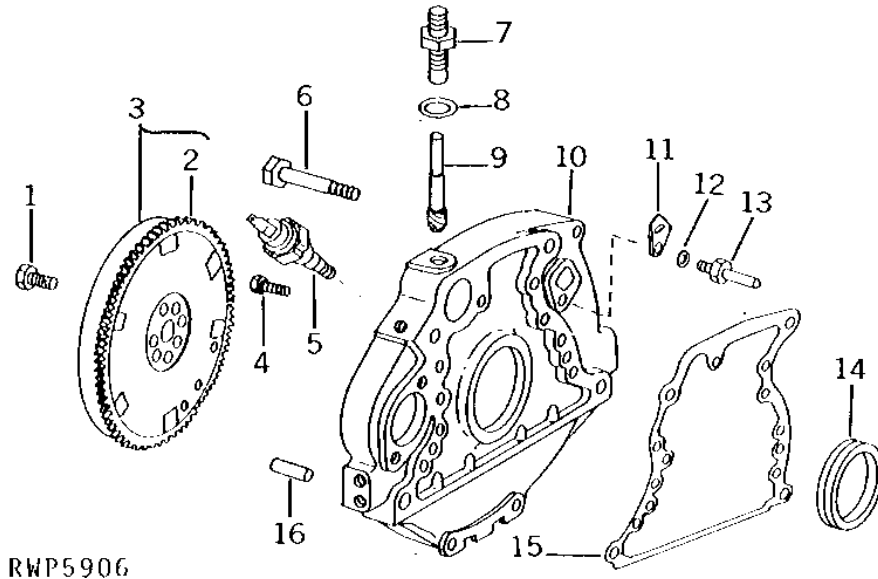
KEY	PART NO.	PART NAME	QTY	ENGINE SERIAL NO.	REMARKS
1	R57160	BUSHING	6		(SUB FOR T20283)
2	AT18155	BALANCER SHAFT	1		L.H. (MARKED T20132 OR T25431)
3	26H72	SHAFT KEY	2		1/8" X 5/8"
4	T20133	GEAR	1		L.H. (12 TEETH)
5	12H304	LOCK WASHER	4		3/8"
6	19H2021	CAP SCREW	4		3/8" X 5/8"
7	T20193	STOP	2		
8	T20130	GEAR	1		R.H. (12 TEETH)
9	AT18156	BALANCER SHAFT	1		R.H. (MARKED T20132 OR T25431)

1B24

ENGINE

RWP5906 -UN-01JAN94

FLYWHEEL HOUSING AND FLYWHEEL



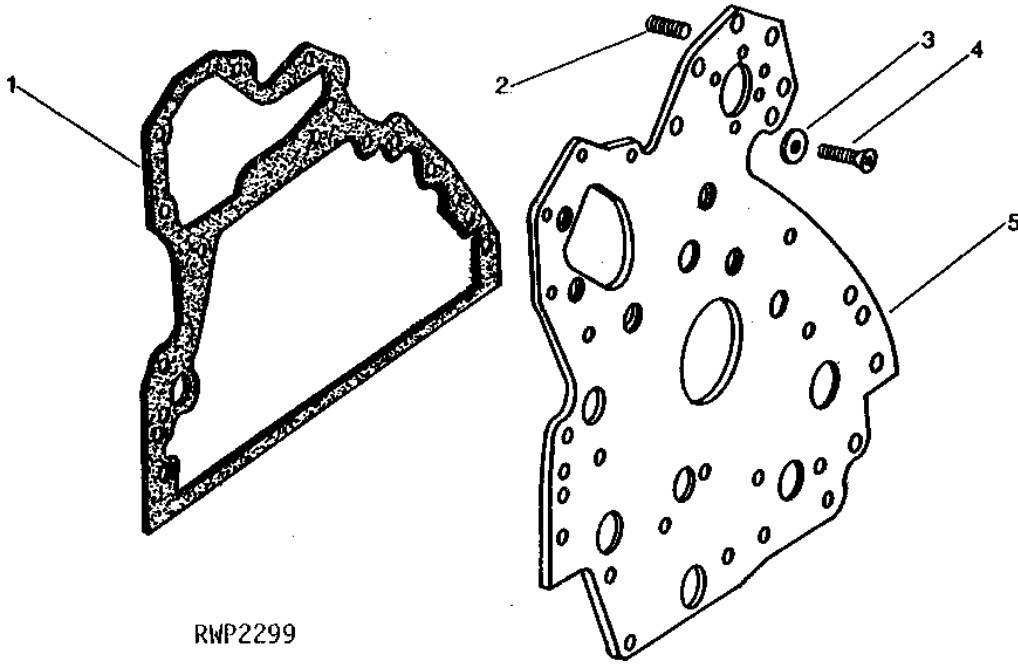
KEY	PART NO.	PART NAME	QTY	ENGINE SERIAL NO.	REMARKS
1	T20306	CAP SCREW	4		
2	T20088	GEAR	1		
3	AT23169	FLYWHEEL	1		(MARKED T20322 OR T25322) (SUB FOR AT18133)
4	19H1800	CAP SCREW	8		3/8" X 1-1/2"
	12H304	LOCK WASHER	8		3/8"
5	AR27977	TOUCH SWITCH	1		OIL PRESSURE
6	19H2233	CAP SCREW	1		5/8" X 3-1/2"
	12H294	LOCK WASHER	1		5/8"
7	T22537	FITTING	1		SPEED-HOUR METER DRIVE
8	H1058R	WASHER	1		
9	T22536	GEAR	1		SPEED-HOUR METER DRIVE
10	T20300	HOUSING	1	-047545	(SUB T25115 AND RE24959)
	T25115	HOUSING	1	047546-	
11	T20089	COVER	1		TIMING HOLE
12	12H301	LOCK WASHER	1		1/2"
13	T20090	SCREW	1		
14	T20326	SEAL	1	-047545	
	AR92893	SEAL	1	047546-	(SUB FOR AT22965) (SUB RE24959)
15	R70483	GASKET	1		(SUB FOR T23596 OR R49516) (SUB R97351)
16	T26565	DOWEL PIN	2		

1B25

ENGINE

RWP2299 -UN-01JAN94

ENGINE FRONT PLATE



RWP2299

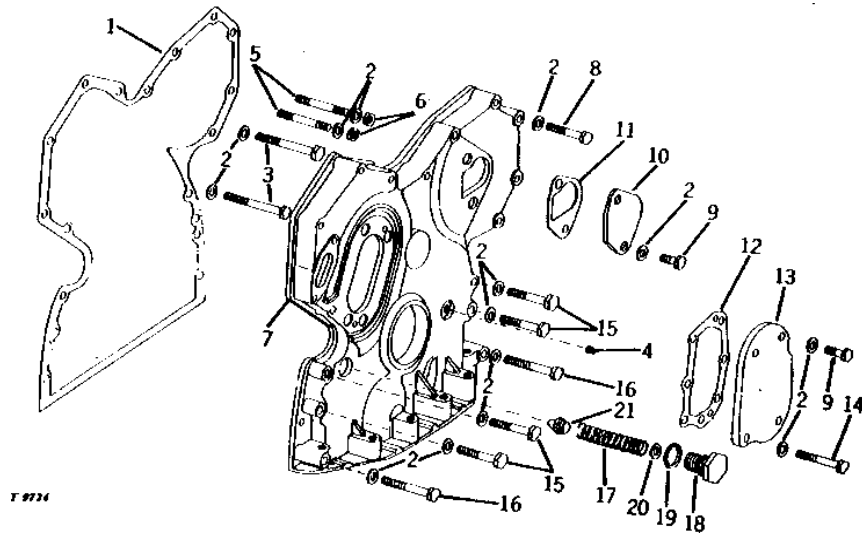
KEY	PART NO.	PART NAME	QTY	ENGINE SERIAL NO.	REMARKS
1	R73140	GASKET	1		(SUB FOR T24965)
2	AT21191	SET SCREW	5		(DIESEL)
	AT22919	SET SCREW	2		(DIESEL)
3	12H324	WASHER	5		3/8"
4	T20166	SCREW	5		
5	R56737	PLATE	1		(SUB FOR T20024) (GASOLINE)
	R56736	PLATE	1		(SUB FOR T20295) (SUB RE16149, (2) AT22919 AND (8) AT21191) (DIESEL)

1C1

ENGINE

TIMING GEAR COVER (DIESEL)

T9724 -UN-01JAN94



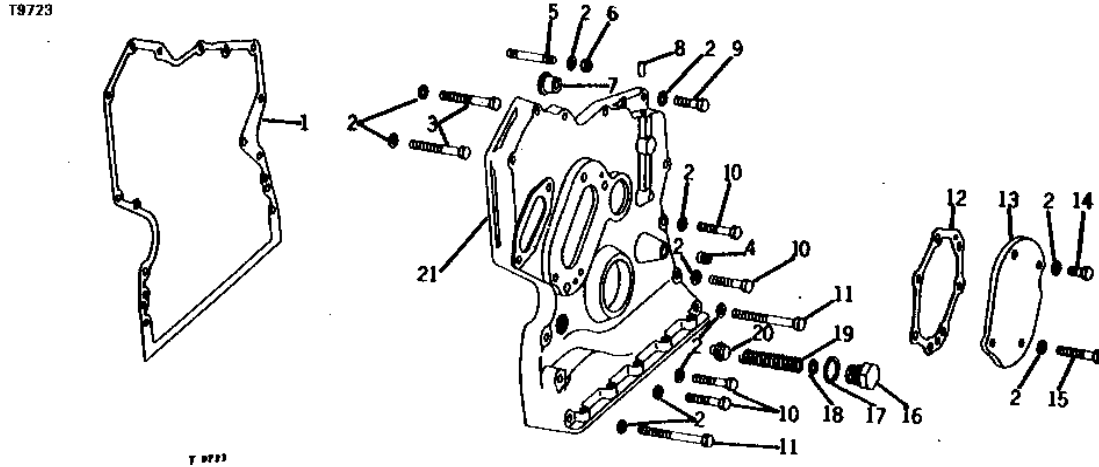
KEY	PART NO.	PART NAME	QTY	ENGINE SERIAL NO.	REMARKS
1	T20155	GASKET	1		
2	24M7106	WASHER	21		10 X 18 X 2.500 MM
3	19H2128	CAP SCREW	2		3/8" X 3"
4	15H275	PIPE PLUG	1		1/4"
5	T33279	STUD	2		
6	14H1076	NUT	2		3/8"
7	AR58196	COVER	1		(MARKED T20153 OR R52880) (SUB FOR AT19509)
8	19H1801	CAP SCREW	5		3/8" X 2"
9	19H2284	CAP SCREW	5		3/8" X 7/8"
10	R126041	COVER	1		(SUB FOR T20362)
11	R69260	GASKET	1		(SUB FOR T20364)
12	T20273	GASKET	1		
13	T20272	COVER	1		
14	19H1726	CAP SCREW	1		3/8" X 2-1/4"
15	19H1801	CAP SCREW	4		3/8" X 2"
16	19H1733	CAP SCREW	2		3/8" X 2-1/2"
17	T20303	SPRING	1	-027733	(APPROX. FREE LENGTH, 86MM (3-3/8"))
	T24964	SPRING	1	027734-	(APPROX. FREE LENGTH, 86MM (3-3/8")) (SUB T27658 AND T27657)
18	T27658	SPRING	1	027734-	(APPROX. FREE LENGTH, 119MM (4-11/16"))
	T20069	CAP SCREW	1		RELIEF VALVE (LENGTH, 32MM (1-1/4")) (USE WITH T20303 OR T24964) (SUB T27657, T27658 AND R51516)
	T27657	FITTING PLUG	1		RELIEF VALVE (LENGTH, 38MM (1-1/2")) (USE WITH T27658)
19	A4827R	WASHER	1		
20	24H1290	WASHER	AR		21/64" X 3/4" X 0.035"
21	R51516	VALVE	1		OIL PRESSURE RELIEF, (SUB FOR T20067)

1C2

ENGINE

TIMING GEAR COVER (GASOLINE)

T9723 -UN-01JAN94



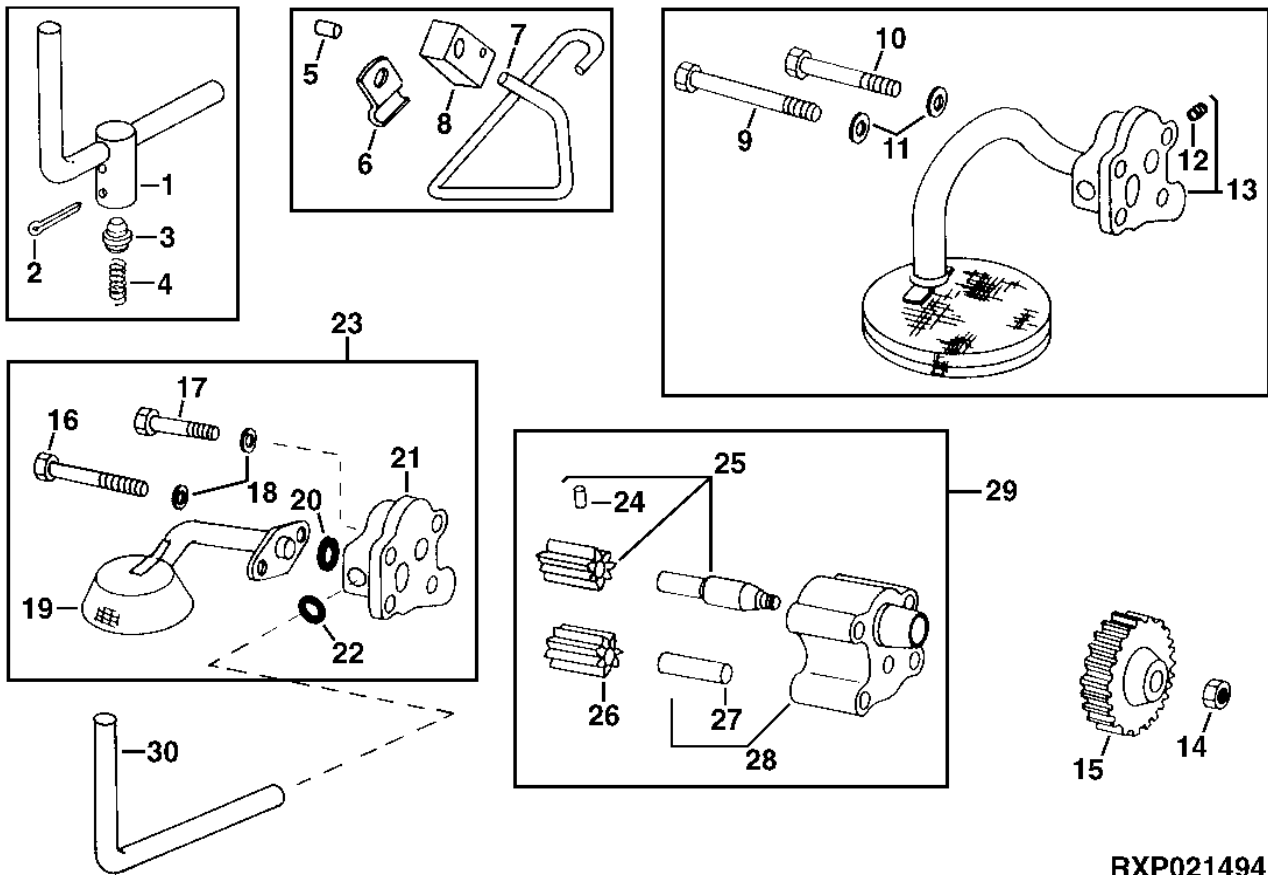
KEY	PART NO.	PART NAME	QTY	ENGINE SERIAL NO.	REMARKS
1	T20154	GASKET	1		
2	24M7106	WASHER	15	10 X 18 X 2.500 MM	
3	19H2128	CAP SCREW	2	3/8" X 3"	
4	15H275	PIPE PLUG	1	1/4"	
5	T33279	STUD	2		
6	14H1076	NUT	2	3/8"	
7	T20146	BUSHING	1	GOVERNOR SHAFT	
8	T16468	DOWEL PIN	1		
9	19H2665	CAP SCREW	1	3/8" X 1-5/8"	
10	19H1801	CAP SCREW	4	3/8" X 2"	
11	19H1733	CAP SCREW	2	3/8" X 2-1/2"	
12	T20273	GASKET	1		
13	T20272	COVER	1		
14	19H2284	CAP SCREW	3	3/8" X 7/8"	
15	19H1726	CAP SCREW	1	3/8" X 2-1/4"	
16	T20069	CAP SCREW	1	RELIEF VALVE (LENGTH, 32MM (1-1/4")) (USE WITH T20303 OR T24964) (SUB T27657, T27658 AND R51516)	
	T27657	FITTING PLUG	1	RELIEF VALVE (LENGTH, 38MM (1-1/2")) (USE WITH T27658)	
17	A4827R	WASHER	1		
18	24H1290	WASHER	AR		21/64" X 3/4" X 0.035"
19	T20303	SPRING	1	-027733	(APPROX. FREE LENGTH, 86MM (3-3/8"))
	T24964	SPRING	1	027734-	(APPROX. FREE LENGTH, 86MM (3-3/8")) (SUB T27658 AND T27657)
	T27658	SPRING	1	027734-	(APPROX. FREE LENGTH, 119MM (4-11/16"))
20	R51516	VALVE	1		OIL PRESSURE RELIEF, (SUB FOR T20067)
21	AT19508	COVER	1		(MARKED T20152)

1C3

ENGINE

RXP021494 -UN-09APR96

LUBRICATING OIL PUMP



RXP021494

1C4

ENGINE

LUBRICATING OIL PUMP - CONTINUED

KEY	PART NO.	PART NAME	QTY	TRACTOR SERIAL NO.	REMARKS
1	AT21199	SET SCREW	1	-082857	(B) (NLA)
	AT21199	SET SCREW	1	-082720	(A) (NLA)
2	11M7030	COTTER PIN	1	-082857	(B) 0.197" X 1.575"
	11M7030	COTTER PIN	1	-082720	(A) 0.197" X 1.575"
3	R51516	VALVE	1	-082857	(B) (SUB FOR T20067)
	R51516	VALVE	1	-082720	(A) (SUB FOR T20067)
4	T23619	SPRING	1	-082857	(B)
	T23619	SPRING	1	-082720	(A)
5	B2641R	DOWEL PIN	1	-082720	
6	R27528	CLAMP	1	-082720	
7	T24758	OIL LINE	1	-082857	(B)
	T24758	OIL LINE	1	-082720	(A)
8	T20136	FITTING	1	-082720	
9	19H1854	CAP SCREW	1		3/8" X 3-3/4"
10	19H1944	CAP SCREW	3		3/8" X 2-3/4"
11	12H304	LOCK WASHER	4		3/8"
12	15H560	PIPE PLUG	1		1/16"
13	AT24254	COVER	1		(SUB FOR AT18020 OR AT23045) (SUB RE55345 AND R113752)
14	14H826	NUT	1		1/2"
15	T20298	GEAR	1		(33 TEETH)
16	19H2228	CAP SCREW	2		3/8" X 4"
17	R57059	CAP SCREW	2		
18	12H304	LOCK WASHER	4		3/8"
19	AR60701	FILLER NECK	1		
20	A4730R	O-RING	1		
21	R53382	COVER	1		
22	R27166	O-RING	1		
23	AR67670	KIT	1		OIL PUMP INTAKE, (SUB RE55345 AND R113752)
24	M3853T	GROOVE PIN	1		
25	AT18126	DRIVE SHAFT	1		(USE WITH T20078)
	AR62978	PINION	1		
26	T20097	GEAR	1		(7 TEETH) (USE WITH T20078)
	R54614	GEAR	1		(7 TEETH)
27	T20091	DOWEL PIN	1		
28	AR62979	HOUSING	1		(MARKED T20078 OR R54615) (ALSO ORDER AR62978 AND R54614) (SUB FOR AT18021 OR AT32606) (SUB RE55343 AND R113752) (USE WITH AT18021)
	T20093	BUSHING	1		(SUB RE55343 AND R113752)
29	AR67074	OIL PUMP	1		(SUB RE55343 AND R113752)
30	T20050	OIL TUBE	1	082858-	(B)
	T20050	OIL TUBE	1	082721-	(A)

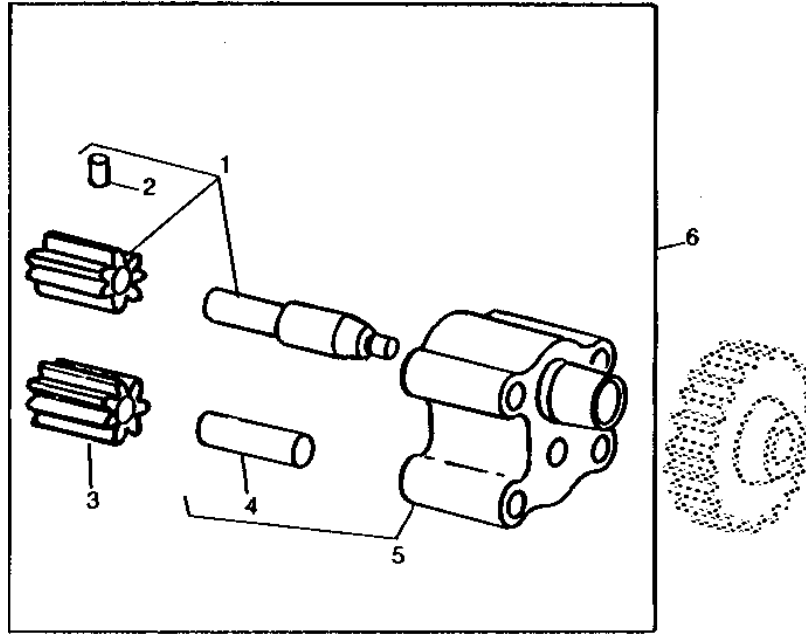
(A) DIESEL
(B) GASOLINE

1C5

ENGINE

RWP3500 -UN-01JAN94

ENGINE OIL PUMP KIT



RWP3500

KEY	PART NO.	PART NAME	QTY	ENGINE SERIAL NO.	REMARKS
1	AR62978	PINION	1		
2	M3853T	GROOVE PIN	1		
3	R54614	GEAR	2		
4	T20091	DOWEL PIN	1		
5	AR62979	HOUSING	1		(MARKED R54615) (SUB RE55343 AND R113752)
6	RE15381	OIL PUMP	1		(SUB RE55343 AND R113752)

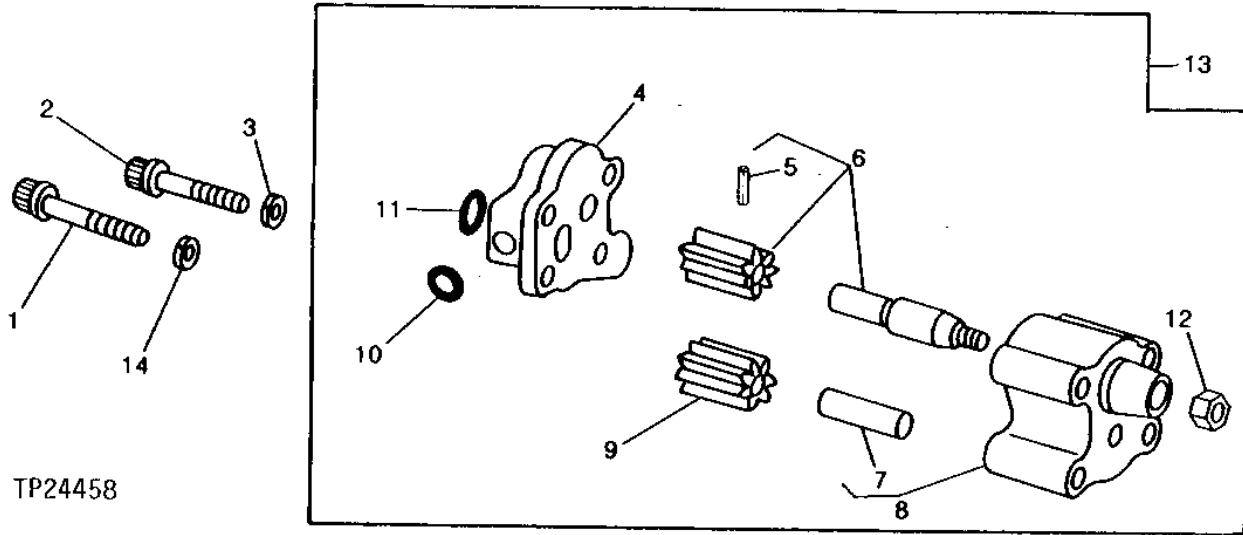
MEMORANDA

1C6

ENGINE

TP24458 -UN-01JAN94

ENGINE OIL PUMP KIT



TP24458

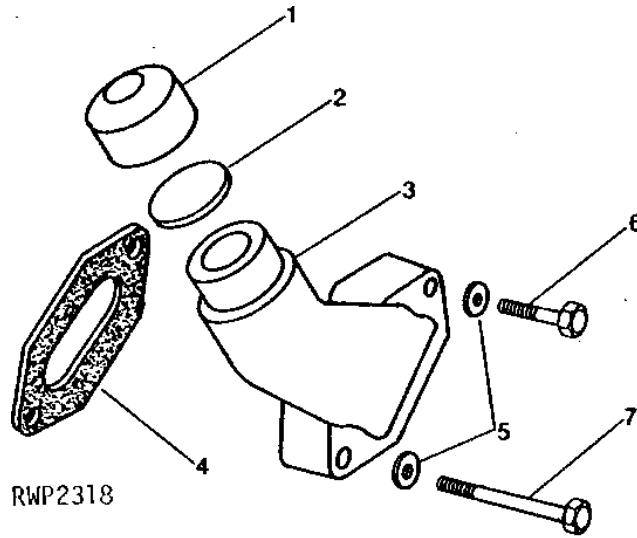
KEY	PART NO.	PART NAME	QTY	ENGINE SERIAL NO.	REMARKS
1	R74552	CAP SCREW	2		
2	R57059	CAP SCREW	2		
3	12H304	LOCK WASHER	2	3/8"	
4	COVER	1		
5	M3853T	GROOVE PIN	1		
6	AR62978	PINION	1		
7	T20091	DOWEL PIN	1		
8	HOUSING	1	(MARKED R54615)	
9	R54614	GEAR	2		
10	R74354	O-RING	1		
11	R61871	O-RING	1		
12	14H826	NUT	1	1/2"	
13	RE55343	KIT	1	(SUB FOR RE15381 OR RE35685)	
14	12H304	LOCK WASHER	2	3/8"	
	R74553	WASHER	2		
..	R113752	OIL TUBE	1		

1C7

ENGINE

RWP2318 -UN-01JAN94

OIL FILLER INLET



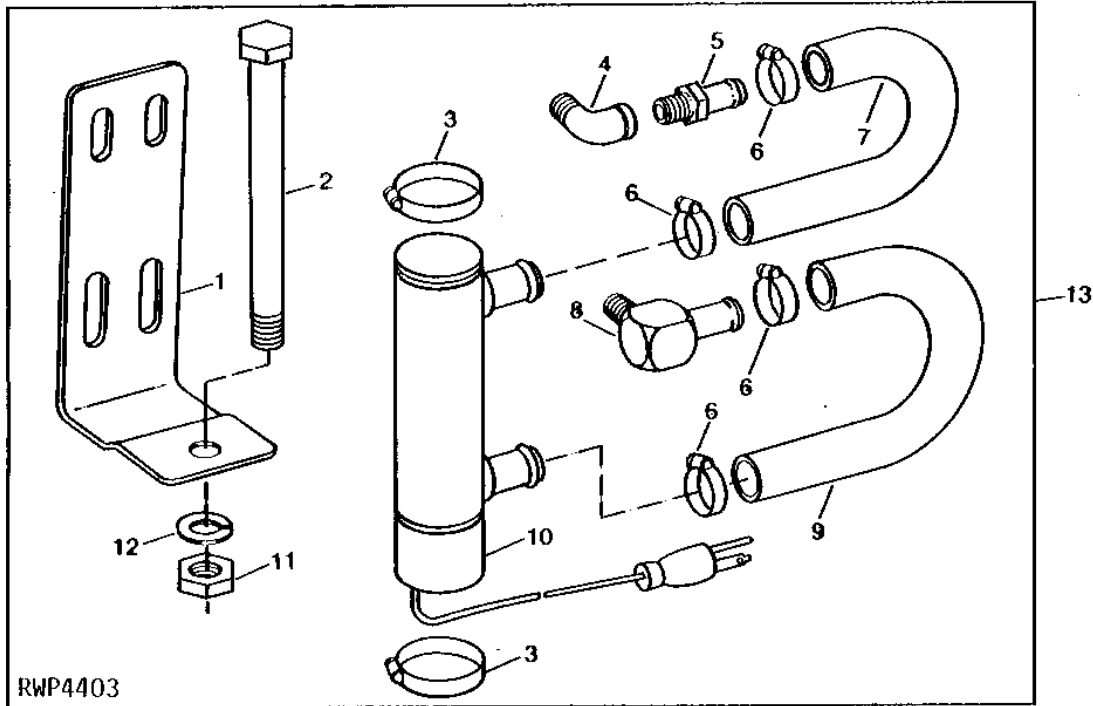
KEY	PART NO.	PART NAME	QTY	ENGINE SERIAL NO.	REMARKS
1	T20294	CAP	1		
2	T20328	GASKET	1		
3	T23614	FILLER NECK	1		
4	T20336	GASKET	1		
5	24M7106	WASHER	2		10 X 18 X 2.500 MM
6	19H2665	CAP SCREW	1		3/8" X 1-5/8"
7	19H2128	CAP SCREW	1		3/8" X 3"

1C8

ENGINE

RWP4403 -UN-01JAN94

ENGINE COOLANT HEATER



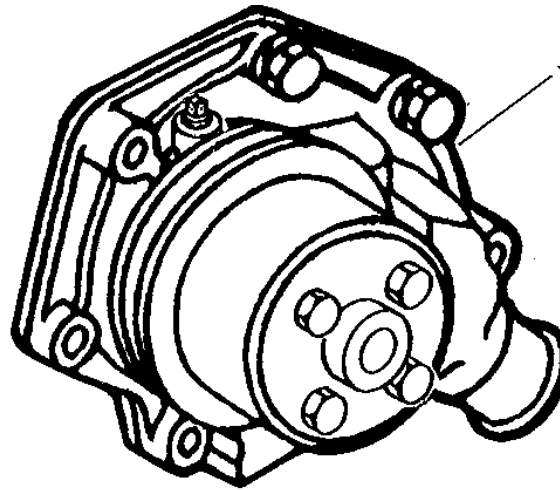
KEY	PART NO.	PART NAME	QTY	ENGINE SERIAL NO.	REMARKS
1	R38553	BRACKET	1		
2	19H1872	CAP SCREW	1	5/8" X 6"	
3	AR21840	CLAMP	2		
4	15H613	ELBOW FITTING	1	90°	
5	T29388	UNION FITTING	1		
6	AR21837	CLAMP	4		
7	R38557	HOSE	1		
8	AR38837	FITTING	1	90°	
9	R38556	HOSE	1		
10	AT27413	COOLANT HEATER	1	(SUB AR72957, R60123 AND (2) R60124)	
	R44302	TIE BAND	1		
11	14H1039	NUT	1	5/8"	
12	12H294	LOCK WASHER	1	5/8"	
13	AR38848	HEATER	1		
..	R42825	LABEL	1		

1C9

ENGINE

RWP1578 -UN-01JAN94

WATER PUMP COMPLETE



RWP 1578

KEY	PART NO.	PART NAME	QTY	ENGINE SERIAL NO.	REMARKS
1	AT29617 RE19717	WATER PUMP KIT	1 1		(GASOLINE) (SUB FOR AT21203) (DIESEL) (SUB FOR AT21204, AT27596 OR AT29620) (SUB RE25043)

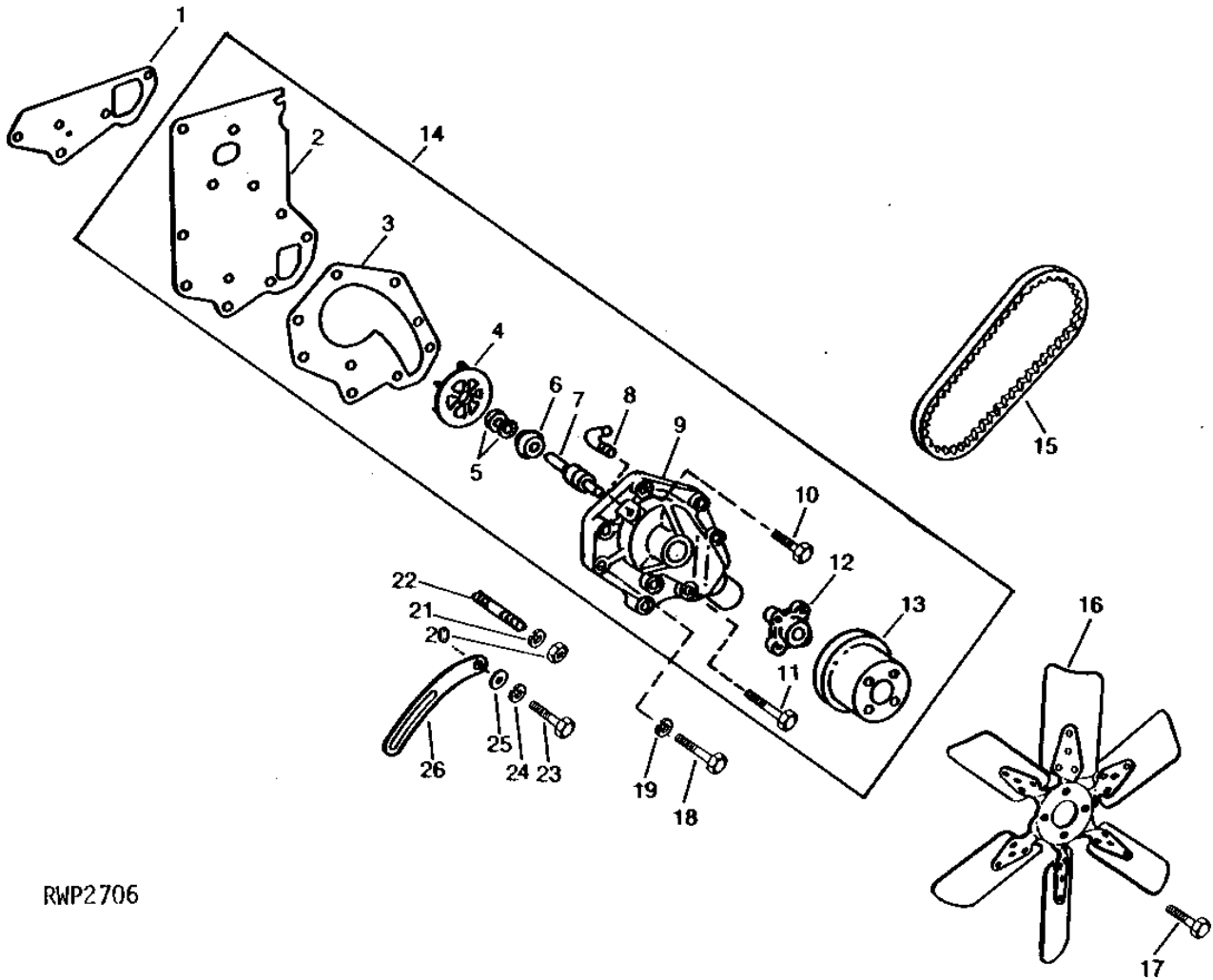
1C10

ENGINE

RWP2706

-UN-01JAN94

WATER PUMP



RWP2706

1C11

ENGINE

WATER PUMP - CONTINUED

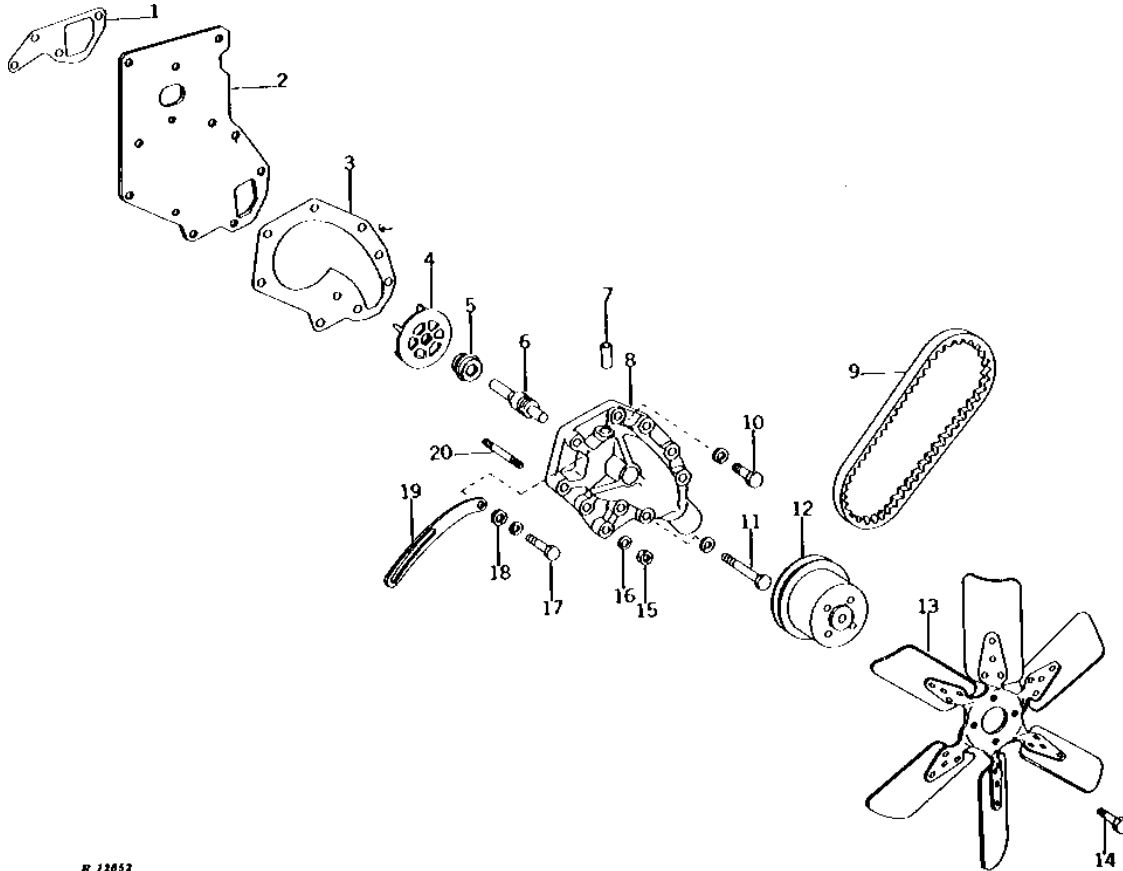
KEY	PART NO.	PART NAME	QTY	ENGINE SERIAL NO.	REMARKS
1	T20243	GASKET	1		
2	T28747	PLATE	1		
3	T20242	GASKET	1		
4	T30897	IMPELLER	1		(ALSO ORDER AR101549) (SUB FOR T20236)
5	AR41691	INSERT	1		
6	T27261	SEAL	1		(SUB AR101549)
7	JD9257	BALL BEARING	1		
8	T19653	ELBOW FITTING	1		
9	T29521	HOUSING	1		
	15H584	PIPE PLUG	1	1/2"	
10	19H3219	CAP SCREW	3	3/8" X 1-3/8"	
11	19H1801	CAP SCREW	1	3/8" X 2"	
12	T30720	HUB	1		
13	T30721	PULLEY	1		
14	AT29620	WATER PUMP	1		(SUB RE25043)
15	T24473	BELT	1		
16	AR38790	FAN	1		
17	19H2127	CAP SCREW	4	5/16" X 7/8"	
18	19H1912	CAP SCREW	2	3/8" X 3-1/2"	
	19H1801	CAP SCREW	1	3/8" X 2", (DIESEL)	
	19H2665	CAP SCREW	1	3/8" X 1-5/8", (GASOLINE)	
19	12H304	LOCK WASHER	3	3/8"	
20	14H1076	NUT	1	3/8"	
21	12H304	LOCK WASHER	1	3/8"	
22	T25701	STUD	1		
23	19H1726	CAP SCREW	1	3/8" X 2-1/4"	
24	12H304	LOCK WASHER	1	3/8"	
25	24M7106	WASHER	1	10 X 18 X 2.500 MM	
26	T20204	STRAP	1		

1C12

ENGINE

WATER PUMP (GASOLINE)

R12052 -UN-01JAN94



R 12052

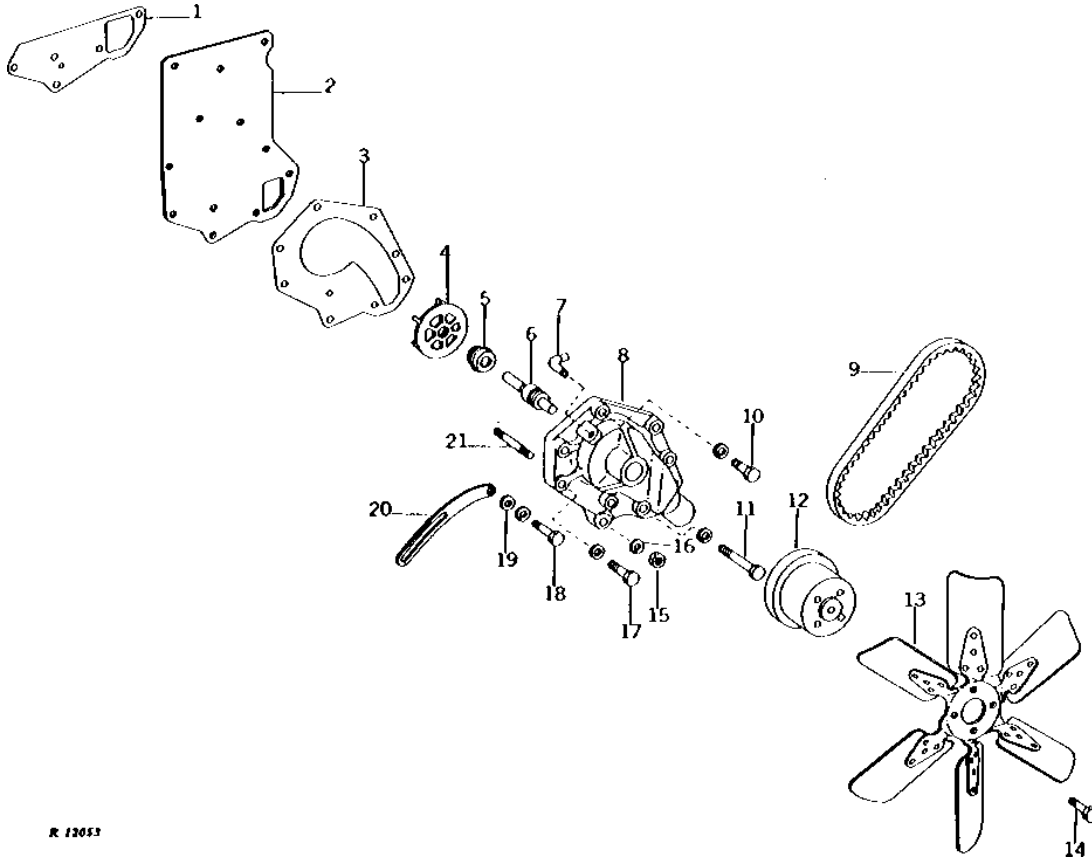
KEY	PART NO.	PART NAME	QTY	ENGINE SERIAL NO.	REMARKS
1	T20239	GASKET	1		
2	T20237	COVER	1		
3	T20238	GASKET	1		
4	T30897	IMPELLER	1		(ALSO ORDER AR101549) (SUB FOR T20236)
	AR41691	INSERT	1		
5	T27261	SEAL	1		(SUB AR101549)
6	JD9257	BALL BEARING	1		
7	T20209	BUSHING	1	-XXXXX	(NLA)
	T19651	HOSE FITTING	1	XXXXX-	
8	T29520	HOUSING	1		(SUB FOR T23629)
	15H584	PIPE PLUG	1		1/2"
9	T24473	BELT	1		
10	19H1800	CAP SCREW	5		3/8" X 1-1/2"
	19H2665	CAP SCREW	1		3/8" X 1-5/8"
	12H304	LOCK WASHER	6		3/8"
11	19H1912	CAP SCREW	2		3/8" X 3-1/2"
	12H304	LOCK WASHER	2		3/8"
12	T23628	PULLEY	1		
13	AR38790	FAN	1		(SUB FOR T23419)
14	19H2127	CAP SCREW	4		5/16" X 7/8"
	14H1076	NUT	1		3/8"
15	12H304	LOCK WASHER	1		3/8"
16	12H304	LOCK WASHER	1		3/8"
17	19H1726	CAP SCREW	1		3/8" X 2-1/4"
	12H304	LOCK WASHER	1		3/8"
18	24M7106	WASHER	1		10 X 18 X 2.500 MM
19	T20204	STRAP	1		
20	T25701	STUD	1		
..	AT29617	WATER PUMP	1		(SUB FOR AT21203)

1C13

ENGINE

WATER PUMP (DIESEL)

R12053 -UN-01JAN94



R 12053

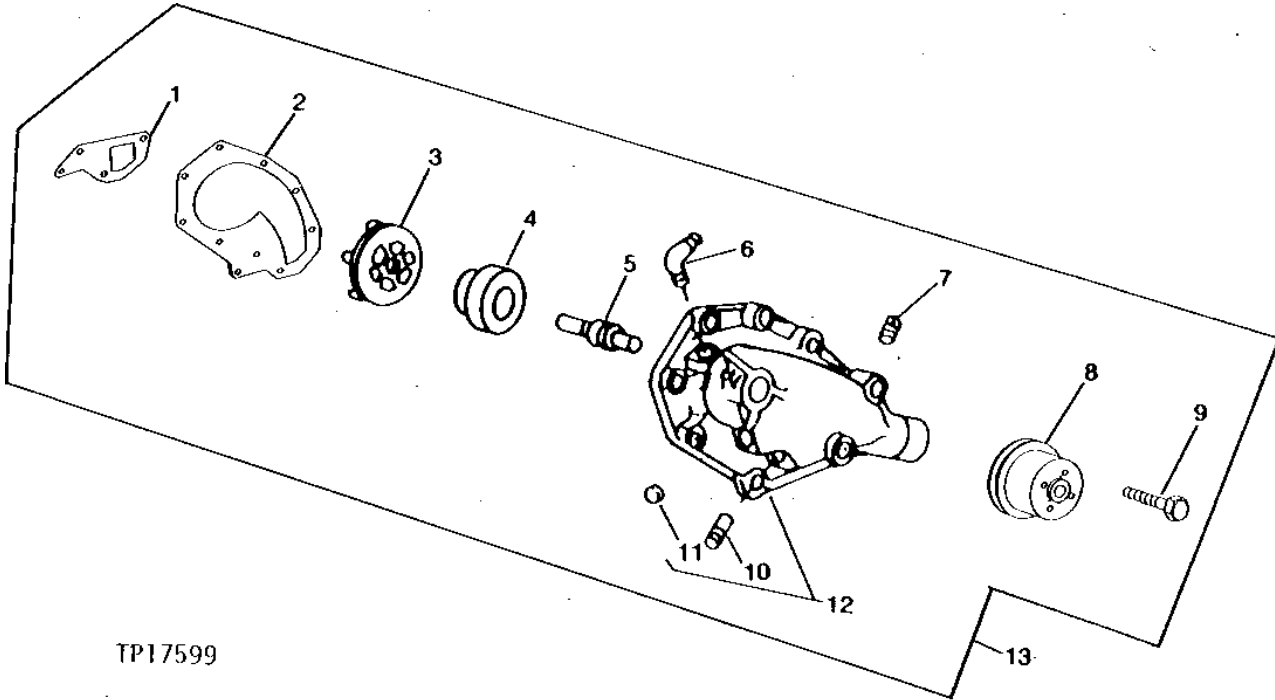
KEY	PART NO.	PART NAME	QTY	ENGINE SERIAL NO.	REMARKS
1	T20243	GASKET	1		
2	T28747	PLATE	1		(SUB FOR T20241)
3	T20242	GASKET	1		
4	T30897	IMPELLER	1		(ALSO ORDER AR101549) (SUB FOR T20236)
	AR41691	INSERT	1		
5	T27261	SEAL	1		(SUB AR101549)
6	JD9257	BALL BEARING	1		
7	T19653	ELBOW FITTING	1		
8	T29521	HOUSING	1		(SUB FOR T23630)
	15H584	PIPE PLUG	1		1/2"
9	T24473	BELT	1		
10	19H1800	CAP SCREW	3		3/8" X 1-1/2"
	12H304	LOCK WASHER	3		3/8"
11	19H1912	CAP SCREW	2		3/8" X 3-1/2"
	12H304	LOCK WASHER	2		3/8"
12	T23628	PULLEY	1		
13	AR38790	FAN	1		(SUB FOR T23419)
14	19H2127	CAP SCREW	4		5/16" X 7/8"
15	14H1076	NUT	1		3/8"
16	12H304	LOCK WASHER	1		3/8"
17	19H1819	CAP SCREW	1		3/8" X 2-1/8"
	12H304	LOCK WASHER	1		3/8"
18	19H1726	CAP SCREW	2		3/8" X 2-1/4"
	12H304	LOCK WASHER	2		3/8"
19	24M7106	WASHER	1		10 X 18 X 2.500 MM
20	T20204	STRAP	1		
21	T25701	STUD	1		
..	AT29620	WATER PUMP	1		(SUB FOR AT21204 OR AT27596) (SUB RE25043)

1C14

ENGINE

REPLACEMENT WATER PUMP KIT

TP17599 -UN-01JAN94



TP17599

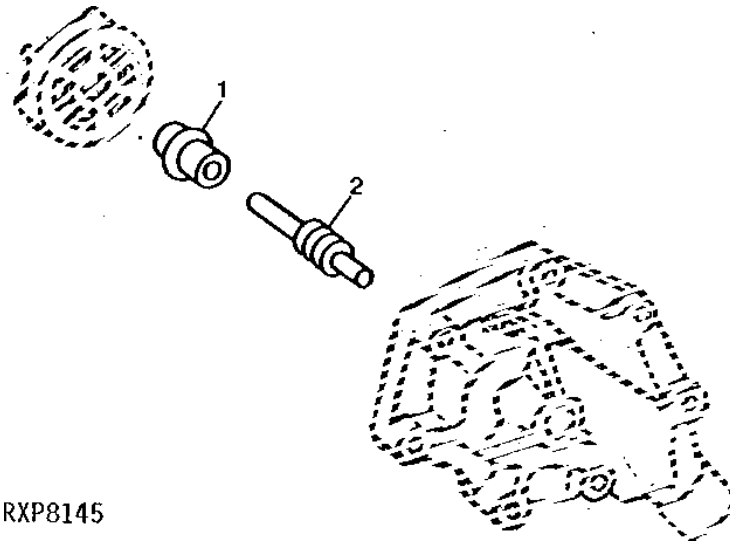
KEY	PART NO.	PART NAME	QTY	TRACTOR SERIAL NO.	REMARKS
1	T20243	GASKET	1		
2	R55405	GASKET	1		
3	R94419	IMPELLER	1		(SUB FOR T30897)
4	AR101549	SEAL KIT	1		
5	JD9257	BALL BEARING	1		
6	T19653	ELBOW FITTING	1		
7	15H584	PIPE PLUG	1	1/2"	
8	T23628	PULLEY	1		
9	19H2127	CAP SCREW	4	5/16" X 7/8"	
10	R48993	TUBE	2		
11	M1098T	CAP	2		(USE AS REQUIRED)
12	RE19719	HOUSING	1		(MARKED R55164) (SUB FOR T29521)
13	RE25043	WATER PUMP	1		(SUB FOR AT29620 OR RE19717) (ALSO ORDER R55760 AND (3) 19H3219)

1C15

ENGINE

RXP8145 -UN-01JAN94

WATER PUMP OVERHAUL KIT



RXP8145

KEY	PART NO.	PART NAME	QTY	ENGINE SERIAL NO.	REMARKS
1	AR101549	SEAL KIT	1		(SUB FOR AT32489 OR RE19505)
2	JD9257	BALL BEARING	1		

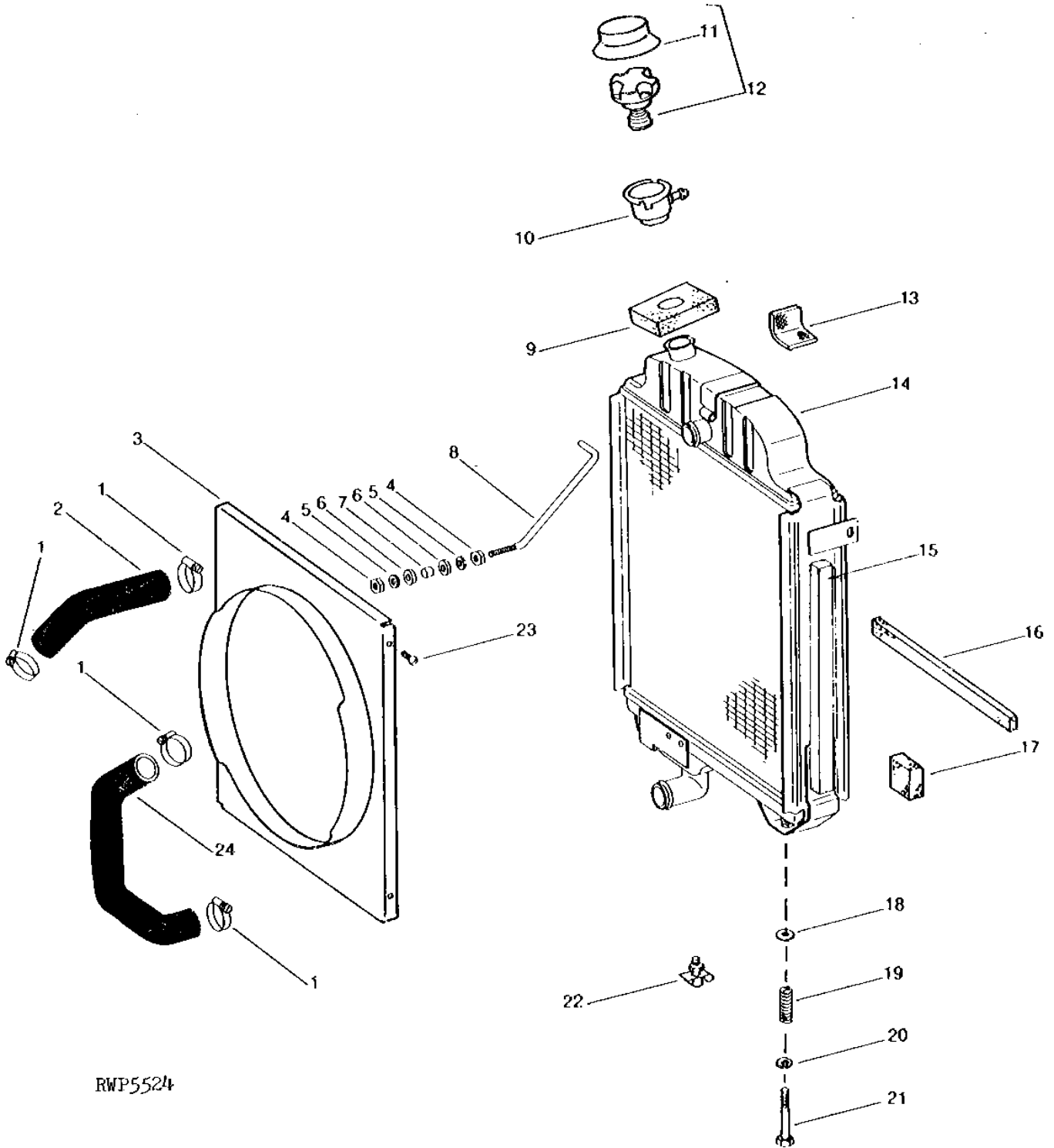
1C16

ENGINE

RWP5524

-UN-01JAN94

RADIATOR



RWP5524

1C17

ENGINE

RADIATOR - CONTINUED

KEY	PART NO.	PART NAME	QTY	TRACTOR SERIAL NO.	REMARKS
1	AR21840	CLAMP	4		
2	R38481	HOSE	1		(SUB FOR R38310 OR R38312) (SUB TY22409)
3	R38343	SHROUD	1		
4	14H1076	NUT	2		3/8"
5	R27441	WASHER	2		
6	A4666R	WASHER	2		RUBBER
7	B1828R	BUSHING	1		
8	R38309	ROD	1		(NLA)
	11M7081	COTTER PIN	1		0.098" X 0.787", (NLA)
9	R28015	FOAM PAD	1		
10	RE15427	FILLER NECK	1		
11	R27209	COVER	1		
12	AR28482	CAP	1		
13	ISOLATOR	1		3 X 76 X 76MM (1/8" X 3" X 3") (MAKE FROM R30597)
14	AR38551	RADIATOR	1		(ALSO ORDER R38480) (SUB FOR AR38364) (NLA)
15	FOAM PAD	2		25.4 X 25.4 X 406.4MM (1" X 1" X 16") (MAKE FROM R30937)
16	FOAM PAD	1		12.7 X 25.4 X 400.1MM (1/2" X 1" X 15-3/4") (MAKE FROM R30936)
17	FOAM PAD	2		25.4 X 50.8 X 50.8MM (1" X 2" X 2") (MAKE FROM R28123)
18	T22381	WASHER	2		RUBBER
19	R62372	SPRING	2		(SUB FOR R34352)
20	24H1652	WASHER	2		13/32" X 11/16" X 7/64"
21	19H2128	CAP SCREW	2		3/8" X 3"
22	AT13740	DRAIN VALVE	1		(SUB FOR AT27653)
23	37H79	SCREW	4		1/4" X 5/8"
24	R38313	HOSE	1		(DIESEL)
	R38311	HOSE	1		(GASOLINE)

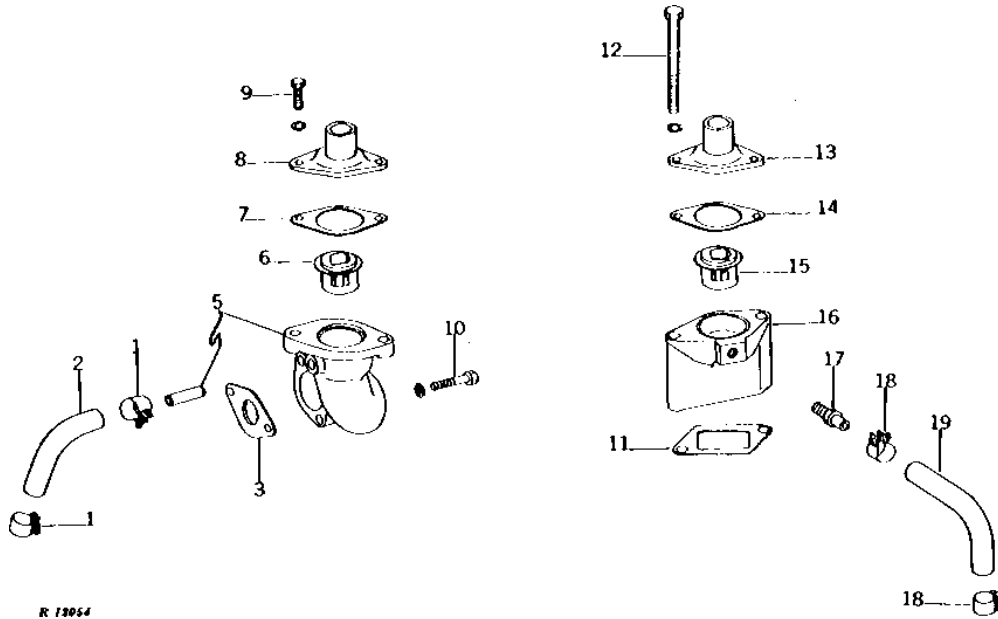
MEMORANDA

1C18

ENGINE

R12054 -UN-01JAN94

THERMOSTAT HOUSING ASSEMBLY



KEY	PART NO.	PART NAME	QTY	ENGINE SERIAL NO.	REMARKS
1	AR21839	CLAMP	2	(A)	
2	T12815	HOSE	1	(A)	(SUB FOR T20220 OR T18783)
3	T20219	GASKET	1	(A)	
4	T20209	BUSHING	1	-XXXXXX	(A) (NLA)
	T19651	HOSE FITTING	1	XXXXXX-	(A)
5	AT18074	HOUSING	1	(A)	(MARKED T20218)
6	AT22961	THERMOSTAT	1	(A)	82°C (180°F) (NORMAL SERVICE) (SUB FOR AT10995)
	AT22962	THERMOSTAT	1	(A)	71°C (160°F) (HEAVY-DUTY SERVICE)
	AT22963	THERMOSTAT	1	(A)	89°C (192°F) (LIGHT SERVICE)
7	T20215	GASKET	1	(A)	
8	T20317	COVER	1	(A)	
9	19H1732	CAP SCREW	2	(A)	3/8" X 1-1/4"
	24M7096	WASHER	2	(A)	10.500 X 18 X 1.600 MM
10	19H1726	CAP SCREW	2	(A)	3/8" X 2-1/4"
	12H304	LOCK WASHER	2	(A)	3/8"
11	T20212	GASKET	1	(B)	
12	19H1925	CAP SCREW	2	(B)	3/8" X 4-1/4"
	24M7096	WASHER	2	(B)	10.500 X 18 X 1.600 MM
13	T20317	COVER	1	(B)	
14	T20215	GASKET	1	(B)	
15	AT22961	THERMOSTAT	1	(B)	82°C (180°F) (NORMAL SERVICE) (SUB FOR AT10996)
	AT22962	THERMOSTAT	1	(B)	71°C (160°F) (HEAVY-DUTY SERVICE)
	AT22963	THERMOSTAT	1	(B)	89°C (192°F) (LIGHT SERVICE)
16	T20210	HOUSING	1	(B)	
17	T19651	HOSE FITTING	1	(B)	
18	AR21839	CLAMP	2	(B)	
19	T20277	HOSE	1	(B)	(SUB FOR T20216)

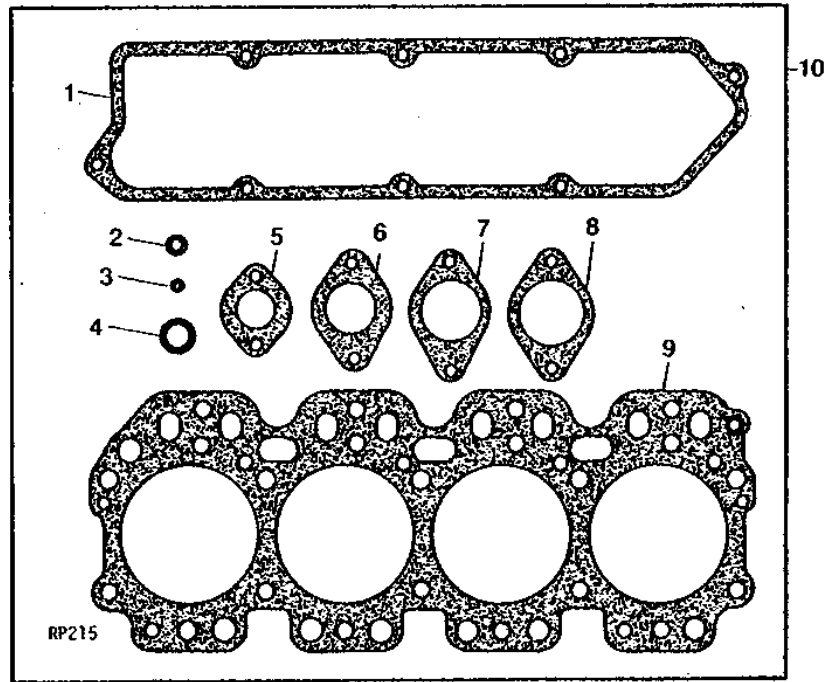
(A) DIESEL
(B) GASOLINE

1C19

ENGINE

ENGINE TUNE-UP GASKET SET (DIESEL)

RP215 -UN-01JAN94



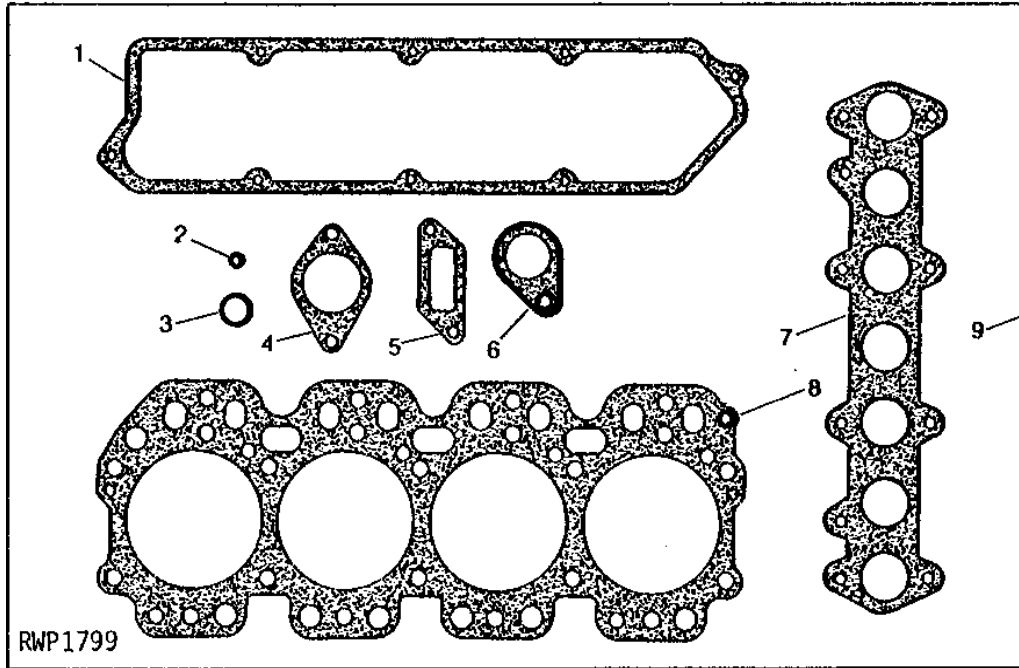
KEY	PART NO.	PART NAME	QTY	ENGINE SERIAL NO.	REMARKS
1	R73521	GASKET	1		(ALSO ORDER (8) AR100124) (SUB FOR T20075 OR AR100596)
2	R34764	WASHER	4		FUEL INJECTION NOZZLE, UPPER
3	R48000	WASHER	4		FUEL INJECTION NOZZLE, LOWER, (SUB FOR R34767)
4	R56463	O-RING	1		VENT TUBE, (SUB FOR R495R, THIS APPLICATION)
5	T20219	GASKET	1		THERMOSTAT HOUSING
6	R90658	GASKET	4		EXHAUST MANIFOLD, (SUB FOR T20006)
7	T20215	GASKET	1		THERMOSTAT COVER
8	R81275	GASKET	1		AIR INLET (NOT INCLUDED IN KIT)
9	R98461	GASKET	1		(SUB FOR T20040 OR R52790)
10	RE38847	GASKET KIT	1		(ALSO ORDER (8) AR100124) (SUB FOR AT21627 OR AR100417)

1C20

ENGINE

ENGINE TUNE-UP GASKET SET (GASOLINE)

RWP1799 -UN-01JAN94



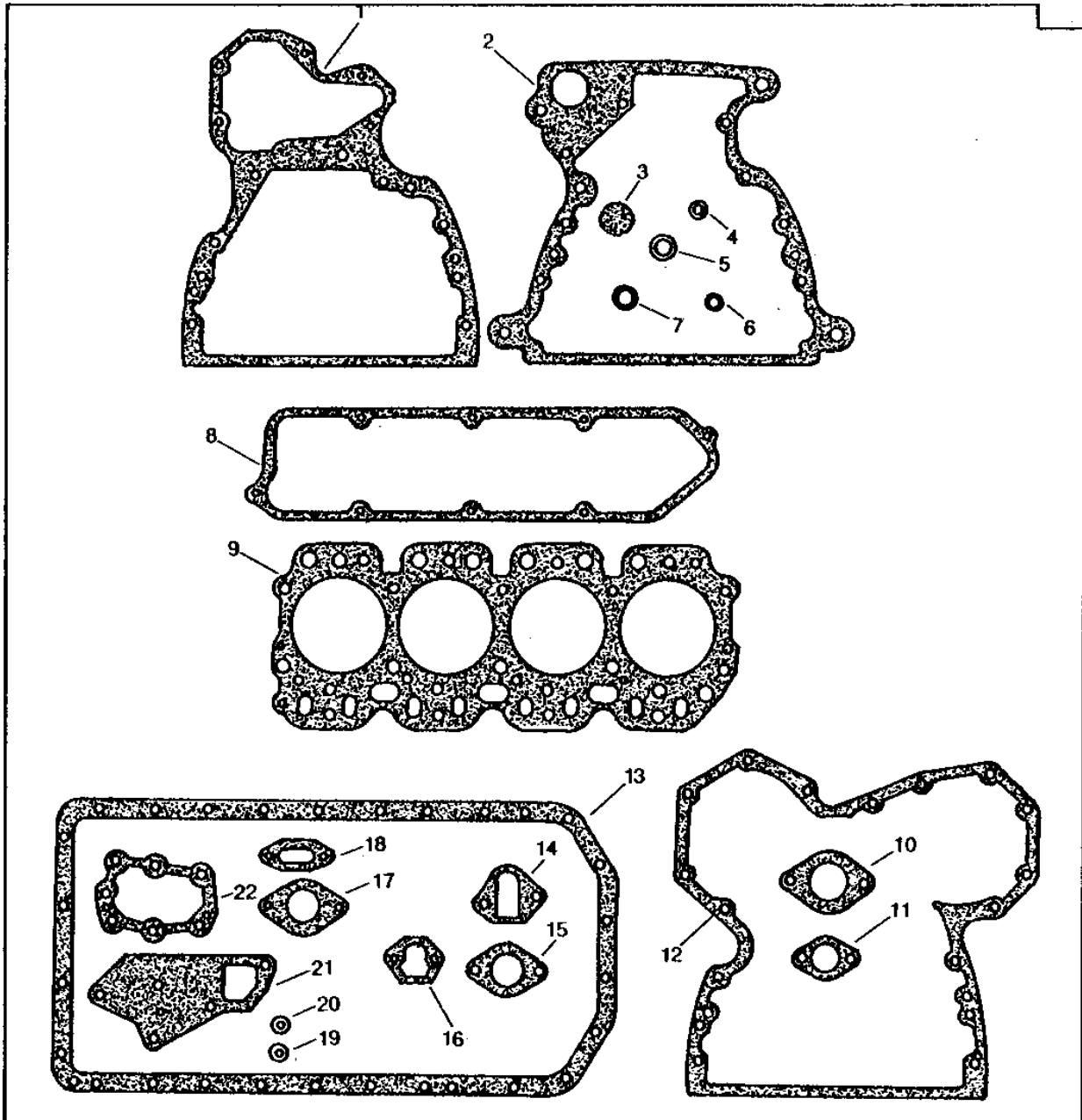
KEY	PART NO.	PART NAME	QTY	ENGINE SERIAL NO.	REMARKS
1	R73521	GASKET	1		ROCKER ARM COVER, (ALSO ORDER (8) AR100124) (SUB FOR T20075 OR AR100596)
2	R27976	O-RING	4		INTAKE VALVE
3	R56463	O-RING	1		VENT TUBE, (SUB FOR R495R, THIS APPLICATION)
4	T20215	GASKET	1		THERMOSTAT COVER
5	T20212	GASKET	1		THERMOSTAT HOUSING
6	T20208	GASKET	1		EXHAUST MANIFOLD
7	R98836	GASKET	1		MANIFOLD, (SUB FOR T20207)
8	R98461	GASKET	1		CYLINDER HEAD, (SUB FOR T20040 OR R52790)
9	RE38565	GASKET KIT	1		(ALSO ORDER (8) AR100124) (SUB FOR AT21625 OR AR100423)

1C21

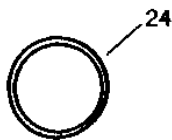
ENGINE

ENGINE OVERHAUL GASKET SET (DIESEL)

RWP2185 -UN-01JAN94



RWP2185



1C22

ENGINE

ENGINE OVERHAUL GASKET SET - CONTINUED (DIESEL)

KEY	PART NO.	PART NAME	QTY	ENGINE SERIAL NO.	REMARKS
1	R73140	GASKET	1		CYLINDER BLOCK, (SUB FOR T24965)
2	R97351	GASKET	1		FLYWHEEL HOUSING, (SUB FOR T23596)
3	T20328	GASKET	1		OIL FILTER CAP
4	T20304	WASHER	1		TACHOMETER DRIVE SHAFT
5	T13213	WASHER	1		(ALUMINUM) OIL DRAIN PLUG
6	R74354	O-RING	1		OIL PUMP OUTLET TUBE, (SUB FOR R27166, THIS APPLICATION)
7	R56463	O-RING	1		VENT TUBE, (SUB FOR R495R, THIS APPLICATION)
8	R73521	GASKET	1		(ALSO ORDER (8) AR100124) (SUB FOR T20075 OR AR100596)
9	R98461	GASKET	1		CYLINDER HEAD, (SUB FOR T20040 OR R52790)
	R92425	GASKET	1		(NOT INCLUDED IN KIT) (USE WITH RE19855)
10	R81275	GASKET	1		AIR INLET, (SUB FOR T20159)
11	T20219	GASKET	1		THERMOSTAT HOUSING
12	R97454	GASKET	1		TIMING GEAR COVER, (SUB FOR T20155)
13	R97342	GASKET	1		OIL PAN, (SUB FOR T22720 OR R49515)
14	R78366	GASKET	1		INJECTION PUMP COVER, (SUB FOR T20364 OR R69260)
15	R90658	GASKET	4		EXHAUST MANIFOLD, (SUB FOR T20006)
16	R97350	GASKET	1		FUEL PUMP, (SUB FOR R27285)
17	T20215	GASKET	1		THERMOSTAT COVER
18	T20336	GASKET	1		OIL FILLER INLET
19	R34764	WASHER	4		FUEL INJECTION NOZZLE, UPPER
20	R48000	WASHER	4		FUEL INJECTION NOZZLE, LOWER, (SUB FOR R34767)
21	T20243	GASKET	1		WATER PUMP COVER
22	T20273	GASKET	1		TIMING GEAR COVER OPENING COVER
23	RE38558	GASKET KIT	1		(A) (ALSO ORDER (4) AR71617 AND (8) AR100124) (SUB FOR AT21896, AT23200, AR97199 OR AR100416)
24	R48767	PACKING	4		CYLINDER LINER, (SUB FOR T25374)

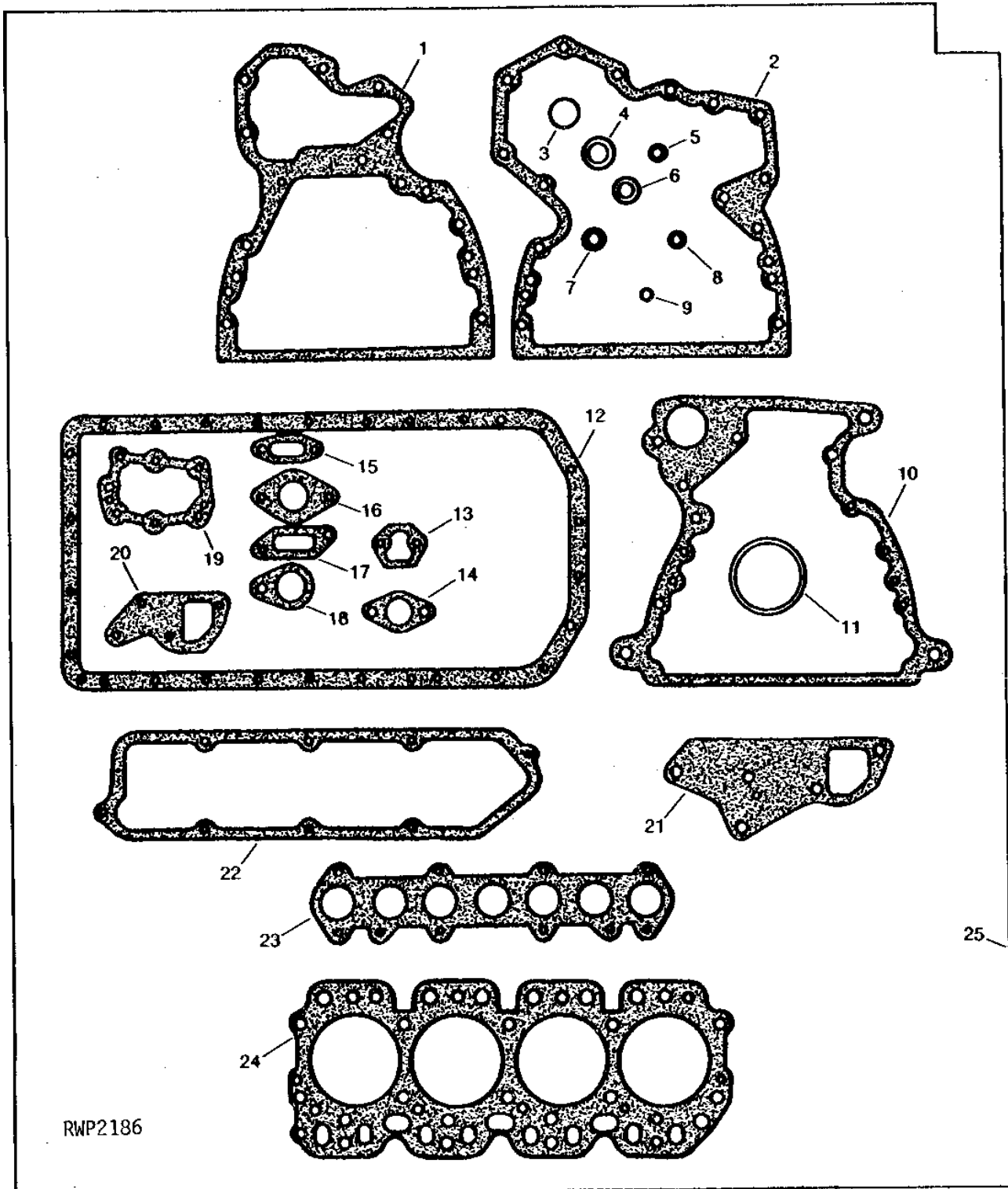
(A) WHEN RE19855 HAS BEEN INSTALLED, ALSO ORDER R92425

1C23

ENGINE

ENGINE OVERHAUL GASKET SET (GASOLINE)

RWP2186 -UN-01JAN94



RWP2186

1C24

ENGINE

ENGINE OVERHAUL GASKET SET - CONTINUED (GASOLINE)

KEY	PART NO.	PART NAME	QTY	ENGINE SERIAL NO.	REMARKS
1	R73140	GASKET	1		CYLINDER BLOCK PLATE (EARLY BLOCKS)
	R90648	GASKET	1		CYLINDER BLOCK PLATE, (SUB FOR T24965 OR R73140)
2	T20154	GASKET	1		TIMING GEAR COVER
3	T20328	GASKET	1		OIL FILLER CAP
4	T20112	GASKET	1		DISTRIBUTOR
5	T20304	WASHER	1		TACHOMETER DRIVE SHAFT
6	T13213	WASHER	1		(ALUMINUM) OIL DRAIN PLUG
7	R56463	O-RING	1		VENT TUBE, (SUB FOR R495R, THIS APPLICATION)
8	R74354	O-RING	1		OIL PUMP OUTLET TUBE, (SUB FOR R27166, THIS APPLICATION)
9	R27976	O-RING	4		INTAKE VALVES
10	R97351	GASKET	1		FLYWHEEL HOUSING, (SUB FOR T23596 OR R70483)
11	T20232	WASHER	1		GOVERNOR HOUSING
12	R97342	GASKET	1		OIL PAN (SUB FOR T22720 AND R49515, APPL)
13	R97350	GASKET	1		FUEL PUMP, (SUB FOR R27285)
14	R98821	GASKET	1		CARBURETOR, (SUB FOR T10079)
15	R97352	GASKET	1		OIL FILLER INLET, (SUB FOR T20336)
16	T20215	GASKET	1		THERMOSTAT COVER
17	T20212	GASKET	1		THERMOSTAT HOUSING
18	R98837	GASKET	1		EXHAUST MANIFOLD, (SUB FOR T20208)
19	T20273	GASKET	1		TIMING GEAR COVER OPENING COVER
20	T20239	GASKET	1		WATER PUMP COVER
21	T20243	GASKET	1		WATER PUMP COVER
22	R73521	GASKET	1		(SUB FOR T20075 OR AR100596) (ALSO ORDER (8) AR100124)
23	R98836	GASKET	1		MANIFOLD, (SUB FOR T20207 OR R52790)
24	R98461	GASKET	1		(SUB FOR T20040) CYLINDER HEAD
25	RE38559	GASKET KIT	1		(SUB FOR AT21895, AT23199, AR53370, AR97184 OR AR100419) (ALSO ORDER (4) AR71617 AND (8) AR100124)

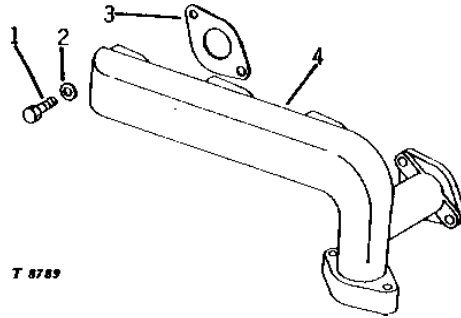
MEMORANDA

1D3

FUEL AND AIR

HORIZONTAL EXHAUST MANIFOLD (DIESEL)

T8789 -UN-01JAN94



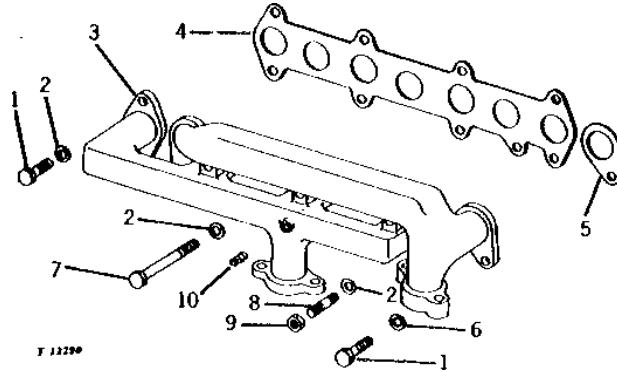
KEY	PART NO.	PART NAME	QTY	ENGINE SERIAL NO.	REMARKS
1	19H1732	CAP SCREW	8	3/8" X 1-1/4"	
2	24M7106	WASHER	8	10 X 18 X 2.500 MM	
3	R90658	GASKET	4	(SUB FOR T20006)	
4	R56474	EXHAUST MANIFOLD	1	(SUB FOR T20255)	

1D4

FUEL AND AIR

HORIZONTAL EXHAUST MANIFOLD (GASOLINE)

T12290 -UN-01JAN94



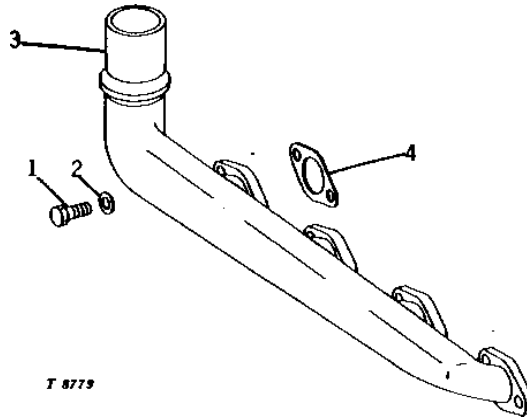
KEY	PART NO.	PART NAME	QTY	ENGINE SERIAL NO.	REMARKS
1	19H1732	CAP SCREW	6		3/8" X 1-1/4"
2	24M7106	WASHER	10		10 X 18 X 2.500 MM
3	T20254	MANIFOLD	1		
4	T20207	GASKET	1		(SUB R98836)
5	T20208	GASKET	1		(SUB R98837)
6	24H1682	WASHER	1		13/32" X 7/8" X 0.120"
7	19H2007	CAP SCREW	3		3/8" X 4-1/2"
8	M1112T	STUD	2		
9	14H1076	NUT	2		3/8"
10	15H558	PIPE PLUG	1		1/8"

1D5

FUEL AND AIR

VERTICAL EXHAUST MANIFOLD (DIESEL)

T8779 -UN-01JAN94



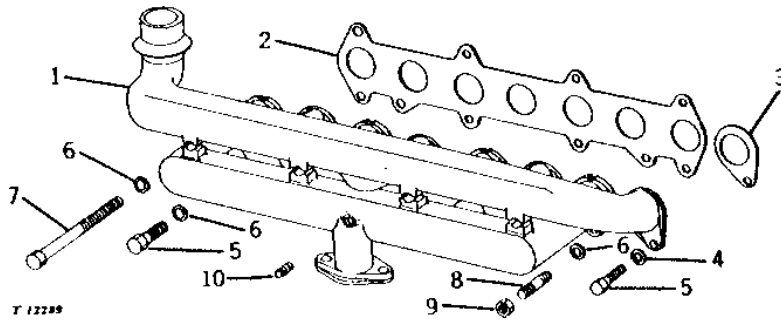
KEY	PART NO.	PART NAME	QTY	ENGINE SERIAL NO.	REMARKS
1	19H1732	CAP SCREW	8	3/8" X 1-1/4"	
2	24M7106	WASHER	8	10 X 18 X 2.500 MM	
3	T20249	EXHAUST MANIFOLD	1		
4	T20006	GASKET	4		

1D6

FUEL AND AIR

VERTICAL EXHAUST MANIFOLD (GASOLINE)

T12289 -UN-01JAN94



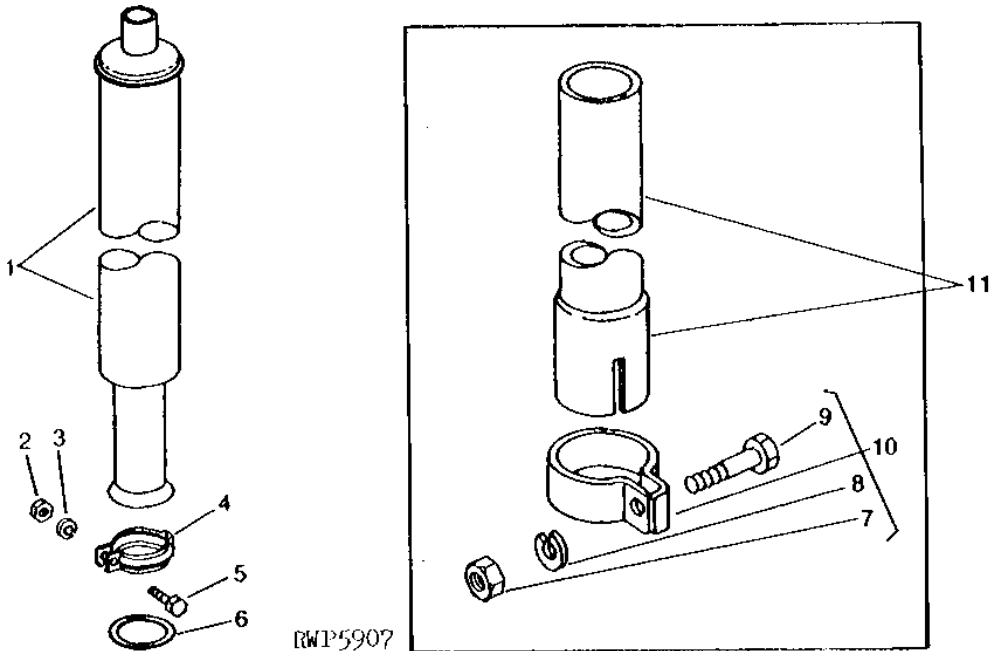
KEY	PART NO.	PART NAME	QTY	ENGINE SERIAL NO.	REMARKS
1	T20247	MANIFOLD	1		
2	T20207	GASKET	1	(SUB R98836)	
3	T20208	GASKET	1	(SUB R98837)	
4	24H1682	WASHER	1	13/32" X 7/8" X 0.120"	
5	19H1732	CAP SCREW	5	3/8" X 1-1/4"	
6	24M7106	WASHER	10	10 X 18 X 2.500 MM	
7	19H2007	CAP SCREW	4	3/8" X 4-1/2"	
8	M1112T	STUD	2		
9	14H1076	NUT	2	3/8"	
10	15H558	PIPE PLUG	1	1/8"	

1D7

FUEL AND AIR

RWP5907 -UN-01JAN94

MUFFLER AND MUFFLER EXTENSION



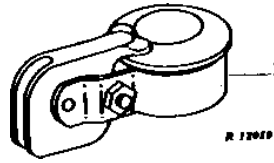
KEY	PART NO.	PART NAME	QTY	TRACTOR SERIAL NO.	REMARKS
1	AR38383	MUFFLER	1		
2	14H785	NUT	1	5/16"	
3	12H303	LOCK WASHER	1	5/16"	
4	T20142	CLAMP	1	(SUB (2) AT63813, (2) 19H1849, (2) 12H303 AND (2) 14H785)	
5	19H1901	CAP SCREW	1	5/16" X 2"	
6	T20141	SEAL	1		
7	14H785	NUT	1	5/16"	
8	12H303	LOCK WASHER	1	5/16"	
9	19H1849	CAP SCREW	1	5/16" X 1-1/4"	
10	AR38398	CLAMP	1		
11	AR38397	MUFFLER EXTENSION	1		

1D8

FUEL AND AIR

R12019 -UN-01JAN94

EXHAUST MUFFLER COVER



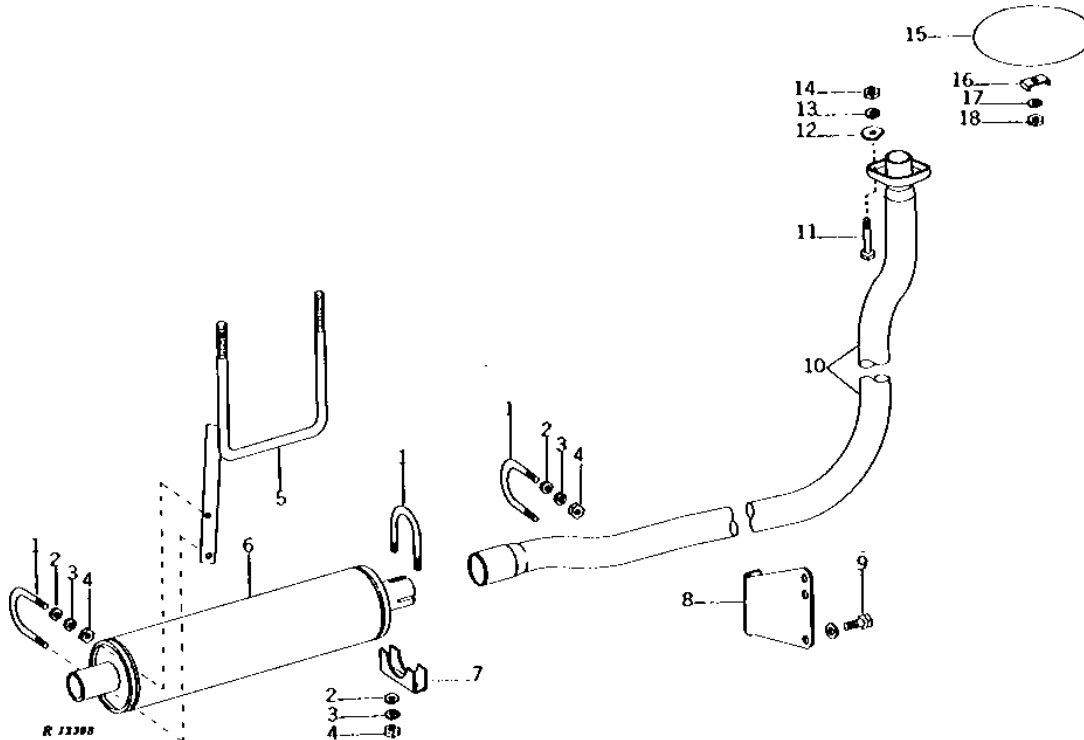
KEY	PART NO.	PART NAME	QTY	TRACTOR SERIAL NO.	REMARKS
1	AR56782	EXHAUST CAP	1	(SUB FOR AR38508)	

1D9

FUEL AND AIR

R12398 -UN-01JAN94

REAR MUFFLER AND EXHAUST PIPE



KEY	PART NO.	PART NAME	QTY	TRACTOR SERIAL NO.	REMARKS
1	R31754	U-BOLT	3		
2	24H1136	WASHER	6	11/32" X 11/16" X 0.065"	
3	12H303	LOCK WASHER	6	5/16"	
4	14H785	NUT	6	5/16"	
5	AR30842	U-BOLT	1	(NO LONGER AVAILABLE)	
6	R31769	MUFFLER	1	(NO LONGER AVAILABLE)	
7	R31772	CLAMP	1	(NO LONGER AVAILABLE)	
8	R34712	SUPPORT	1	(NO LONGER AVAILABLE)	
9	19H1792	CAP SCREW	2	1/2" X 1"	
	12H301	LOCK WASHER	2	1/2"	
10	AR38490	EXHAUST PIPE	1	(NO LONGER AVAILABLE)	
11	19H1726	CAP SCREW	2	3/8" X 2-1/4"	
12	R38395	SPACER	1	(NO LONGER AVAILABLE)	
13	12H304	LOCK WASHER	2	3/8"	
14	14H1076	NUT	2	3/8"	
15	AR38491	COVER	1	MUFFLER OPENING IN HOOD (NO LONGER AVAILABLE)	
16	A471R	CLAMP	4		
17	12H297	LOCK WASHER	4	1/4"	
18	14H786	NUT	4	1/4"	

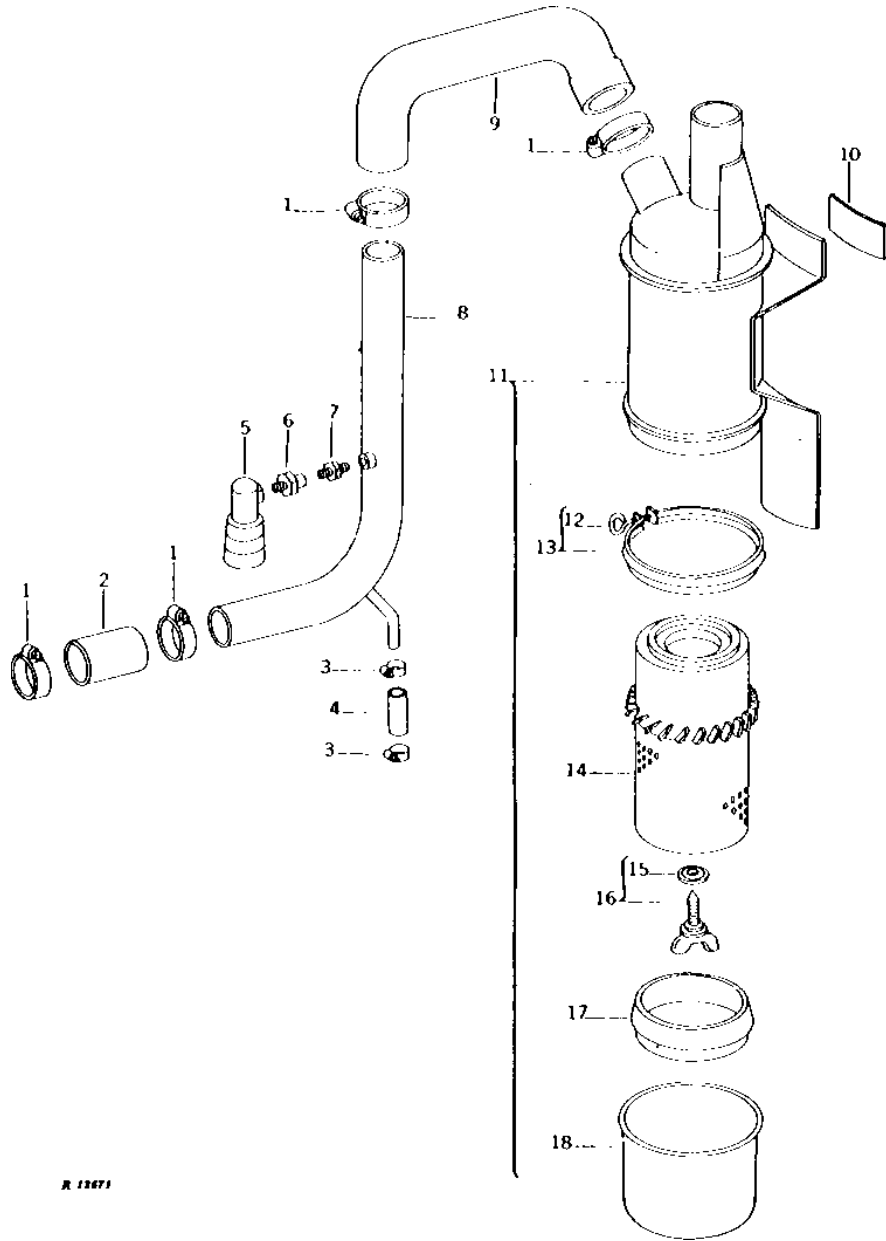
1D10

FUEL AND AIR

R12671

-UN-01JAN94

DRY AIR CLEANER (GASOLINE)



R 12671

1D11

FUEL AND AIR

DRY AIR CLEANER - CONTINUED
(GASOLINE)

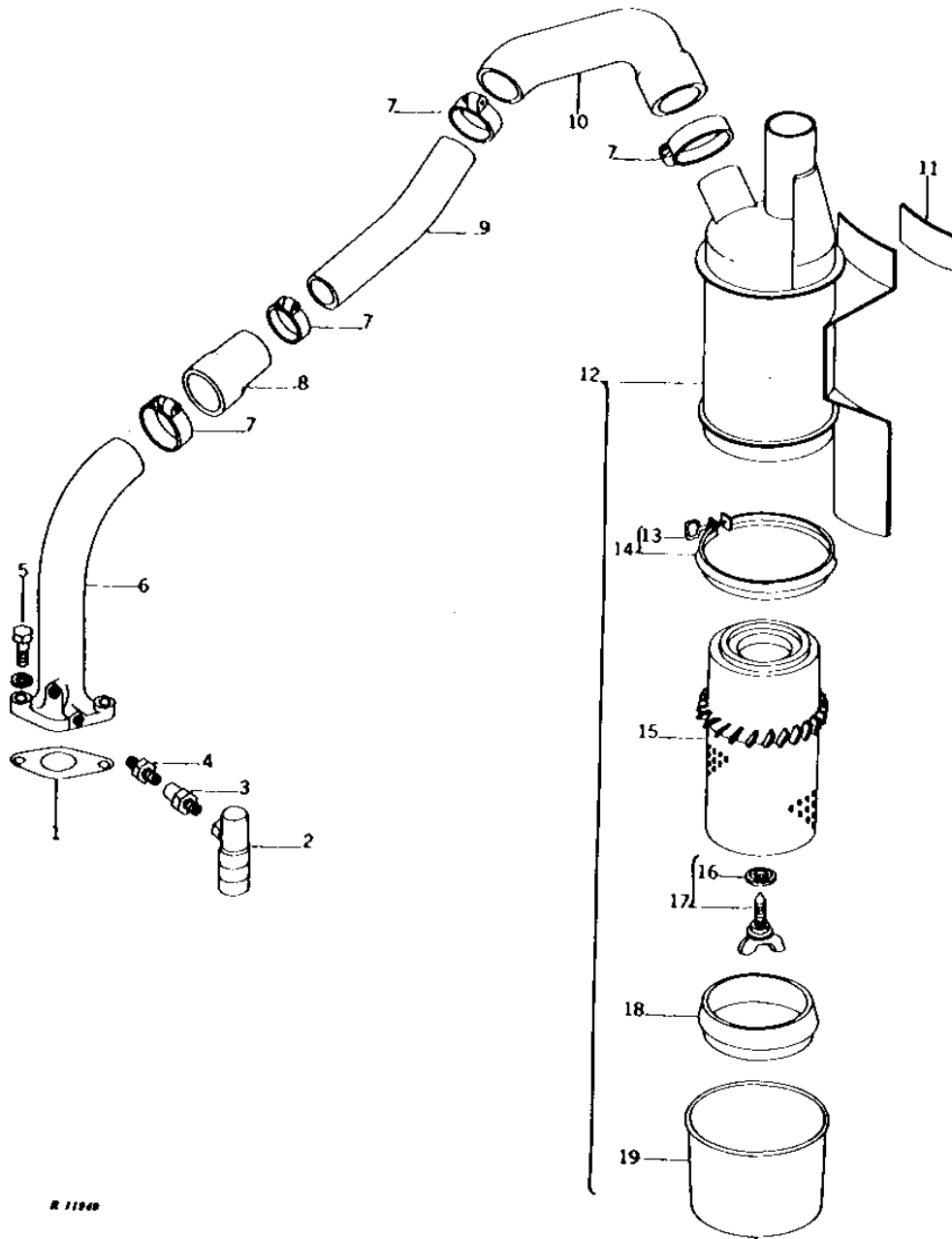
KEY	PART NO.	PART NAME	QTY	TRACTOR SERIAL NO.	REMARKS
1	AR21840	CLAMP	4		
2	R38258	HOSE	1		
3	T20137	CLAMP	2	-013110	
4	T11146	HOSE	1	-013110	
5	AT73678	AIR RESTRICTION INDICATOR	1		(SUB FOR AR45670)
6	AR40361	ADAPTER	1		(SUB AN71222)
7	AR44361	FITTING	1		(SUB FOR AR40360)
8	AR38509	PIPE	1	-013110	(ALSO ORDER AR38510) (SUB FOR AR38444 OR AR38446) (NO LONGER AVAILABLE)
	AR38603	PIPE	1	013111-	(NO LONGER AVAILABLE)
9	R38255	HOSE	1		
10	FOAM PAD	2		2 X 51 X 102MM (1/16" X 2" X 4") (MAKE FROM R30596)
11	AR46147	AIR CLEANER	1		(SUB FOR AR38443) (NO LONGER AVAILABLE)
12	B1569R	BOLT	1		
13	AH20854	CLAMP	1		
14	AH19848	FILTER ELEMENT	1		
15	R39825	SEAL	1		
16	AT18674	BOLT	1		
17	AH20857	ISOLATOR	1		
18	AR40470	DUST BOWL	1		
	R42635	O-RING	1		
..	R36757	AIR CLEANER	1		FILTER ELEMENT CLEANING 1.8 KG (4 LBS.) (NO LONGER AVAILABLE)

1D12

FUEL AND AIR

R11940 -UN-01JAN94

DRY AIR CLEANER
(DIESEL)



R 11940

1D13

FUEL AND AIR

DRY AIR CLEANER - CONTINUED
(DIESEL)

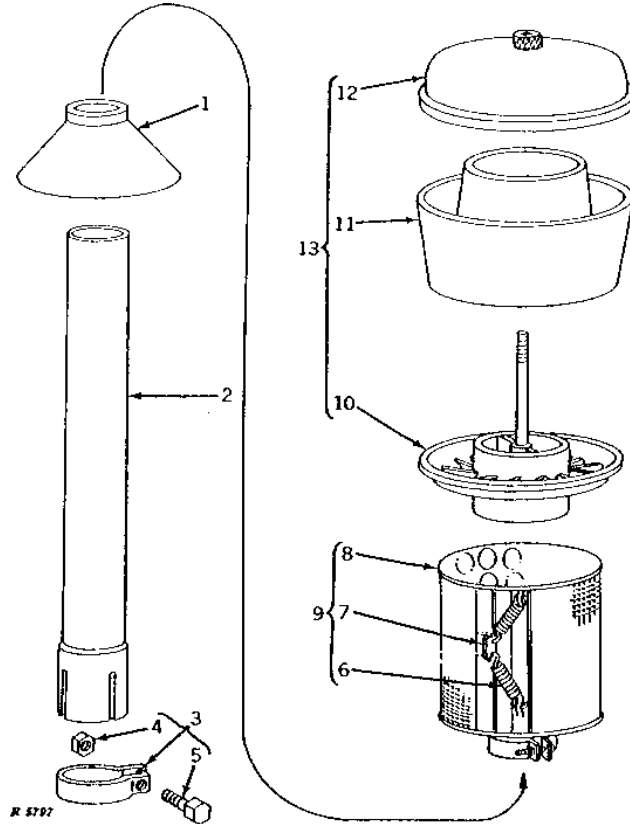
KEY	PART NO.	PART NAME	QTY	TRACTOR SERIAL NO.	REMARKS
1	R81275	GASKET	1		
2	AT73678	AIR RESTRICTION INDICATOR	1		(SUB FOR AR45670)
3	AR40361	ADAPTER	1		(SUB AN71222)
4	AR44361	FITTING	1		(SUB FOR AR40360)
5	19H1731	CAP SCREW	2		3/8" X 1"
	12H304	LOCK WASHER	2		3/8"
6	AIR INTAKE	1		(SUB FOR AR38445, R38368 OR R38404) (NO LONGER AVAILABLE)
7	AR21840	CLAMP	4		
8	R38249	HOSE	1		
9	R38248	PIPE	1		
10	R38367	HOSE	1		(NO LONGER AVAILABLE)
11	FOAM PAD	2		2 X 51 X 102MM (1/16" X 2" X 4") (MAKE FROM R30596)
12	AR46147	AIR CLEANER	1		(SUB FOR AR38443) (NO LONGER AVAILABLE)
13	B1569R	BOLT	1		
14	AH20854	CLAMP	1		
15	AH19848	FILTER ELEMENT	1		
16	R39825	SEAL	1		
17	AT18674	BOLT	1		
18	AH20857	ISOLATOR	1		
19	AR40470	DUST BOWL	1		
	R42635	O-RING	1		
..	R36757	AIR CLEANER	1		1.8 KG (4 LBS) FILTER ELEMENT CLEANING (NO LONGER AVAILABLE)

1D14

FUEL AND AIR

R5797 -UN-01JAN94

PRE-CLEANER



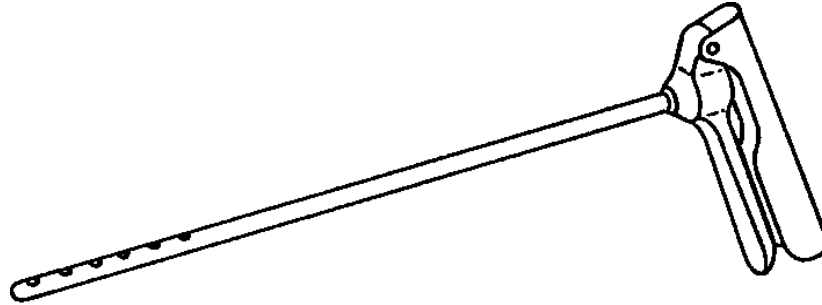
KEY	PART NO.	PART NAME	QTY	TRACTOR SERIAL NO.	REMARKS
1	R28798	SEAL	1		
2	R34604	AIR INTAKE STACK	1		
3	AR26929	CLAMP	1		
4	14H1076	NUT	1	3/8"	
5	19H2552	CAP SCREW	1	3/8" X 1-1/8"	
6	R21644	SPRING	2		
7	R21645	RETAINER	1		
8	AR21790	SCREEN	1		
9	AR27158	PRESCREENER	1		
10	AR28073	BASE	1		
11	R28794	DUST BOWL	1		
12	AL37364	COVER	1	(SUB FOR AF3583R)	
13	AR26811	PRESCREENER	1		

1D15

FUEL AND AIR

RP474 -UN-01JAN94

DRY AIR CLEANER ELEMENT CLEANING GUN



RP474

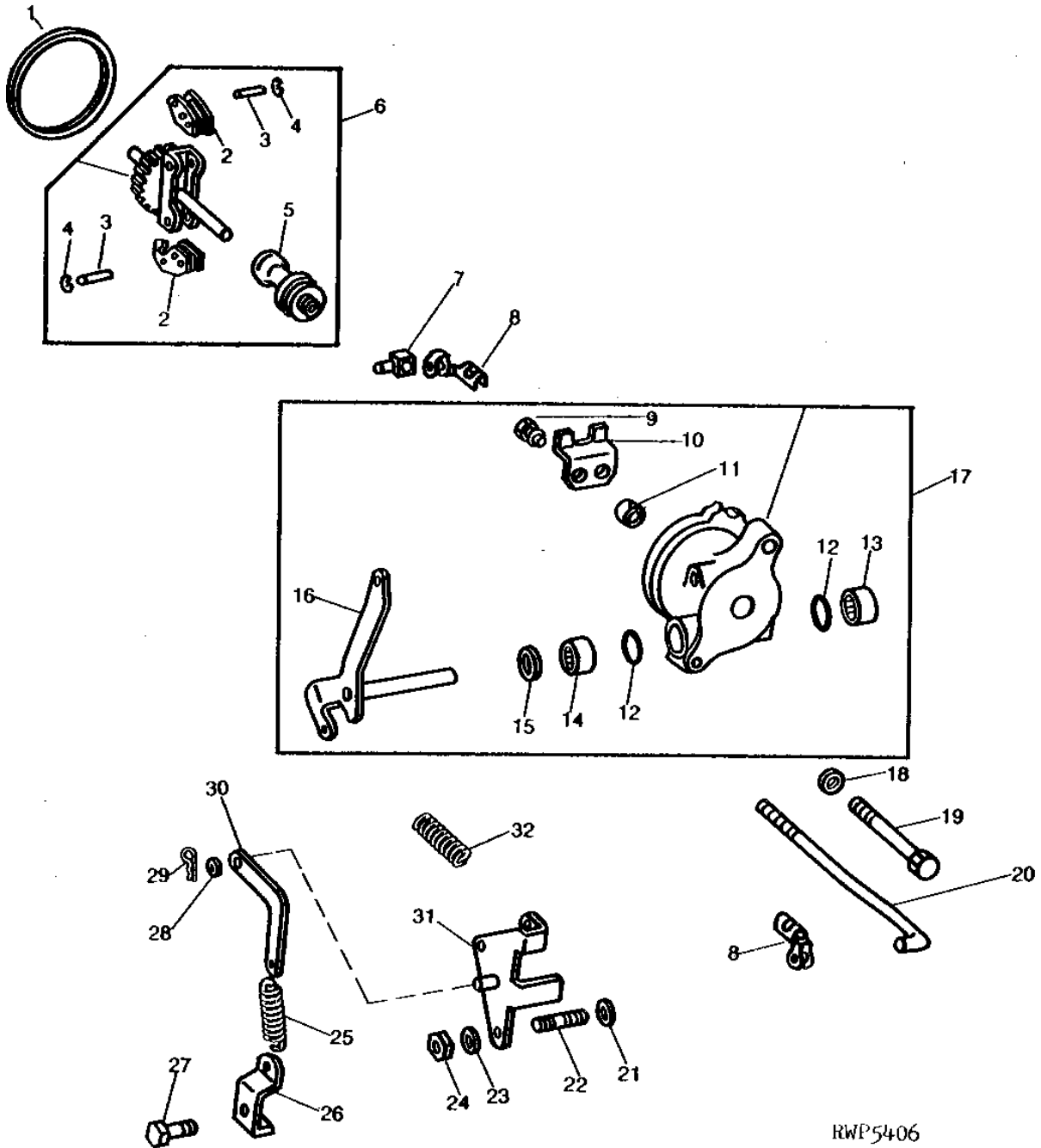
KEY	PART NO.	PART NAME	QTY	TRACTOR SERIAL NO.	REMARKS
..	AR62322	GREASE GUN	1		(SUB FOR AR45035 OR AR62377) (NO LONGER AVAILABLE)
..	R36757	AIR CLEANER	1		(NO LONGER AVAILABLE)

1D16

FUEL AND AIR

GOVERNOR ASSEMBLY (GASOLINE)

RWP5406 -UN-01JAN94



RWP5406

1D17

FUEL AND AIR

GOVERNOR ASSEMBLY - CONTINUED (GASOLINE)

KEY	PART NO.	PART NAME	QTY	ENGINE SERIAL NO.	REMARKS
1	T20232	WASHER	1		
2	AT15604	WEIGHT	2		
3	P47892	PIN	2		
4	P47893	SNAP RING	2		
5	AT15601	BEARING	1		
6	AT18073	SHAFT	1		
7	R26500	SWIVEL	1		
8	R26501	CLIP	2		
9	T20231	SCREW	2		INCLUDES WASHER
10	T19996	YOKE	1		
11	T11107	BUSHING	1		
12	T20229	WASHER	2		
13	JD9810	NEEDLE BEARING	1		
14	JD8833	NEEDLE BEARING	1		
15	T20223	SEAL	1		
16	LEVER	1		(SUB AT21373)
17	AT21373	HOUSING	1		
18	24M7106	WASHER	2		10 X 18 X 2.500 MM
19	19H2228	CAP SCREW	2		3/8" X 4"
20	T25030	ROD	1		(SUB FOR T20167)
21	24H1305	WASHER	1		13/32" X 13/16" X 0.065"
22	M3636T	STUD	1		
23	24M7096	WASHER	1		10.500 X 18 X 1.600 MM
24	T11234	LOCK NUT	1		
25	T23226	SPRING	1		
26	T24805	BRACKET	1	-019844	(SUB T24878 AND R62569)
	R62569	BRACKET	1	019845-	(SUB FOR T24880) (NO LONGER AVAILABLE)
27	21H1250	SCREW	1		1/2" X 3/4", (NO LONGER AVAILABLE)
28	24H1286	WASHER	1		9/32" X 1/2" X 1/16"
29	11M7077	COTTER PIN	1		0.063" X 0.984"
30	T23665	LEVER	1	-019844	COUNTER BALANCE SPRING, (SUB T24878 AND R62569) (NO LONGER AVAILABLE)
	T24878	ARM	1	019845-	COUNTER BALANCE SPRING
31	AT21225	LEVER	1		SPEED CHANGE
32	T17609	SPRING	1		

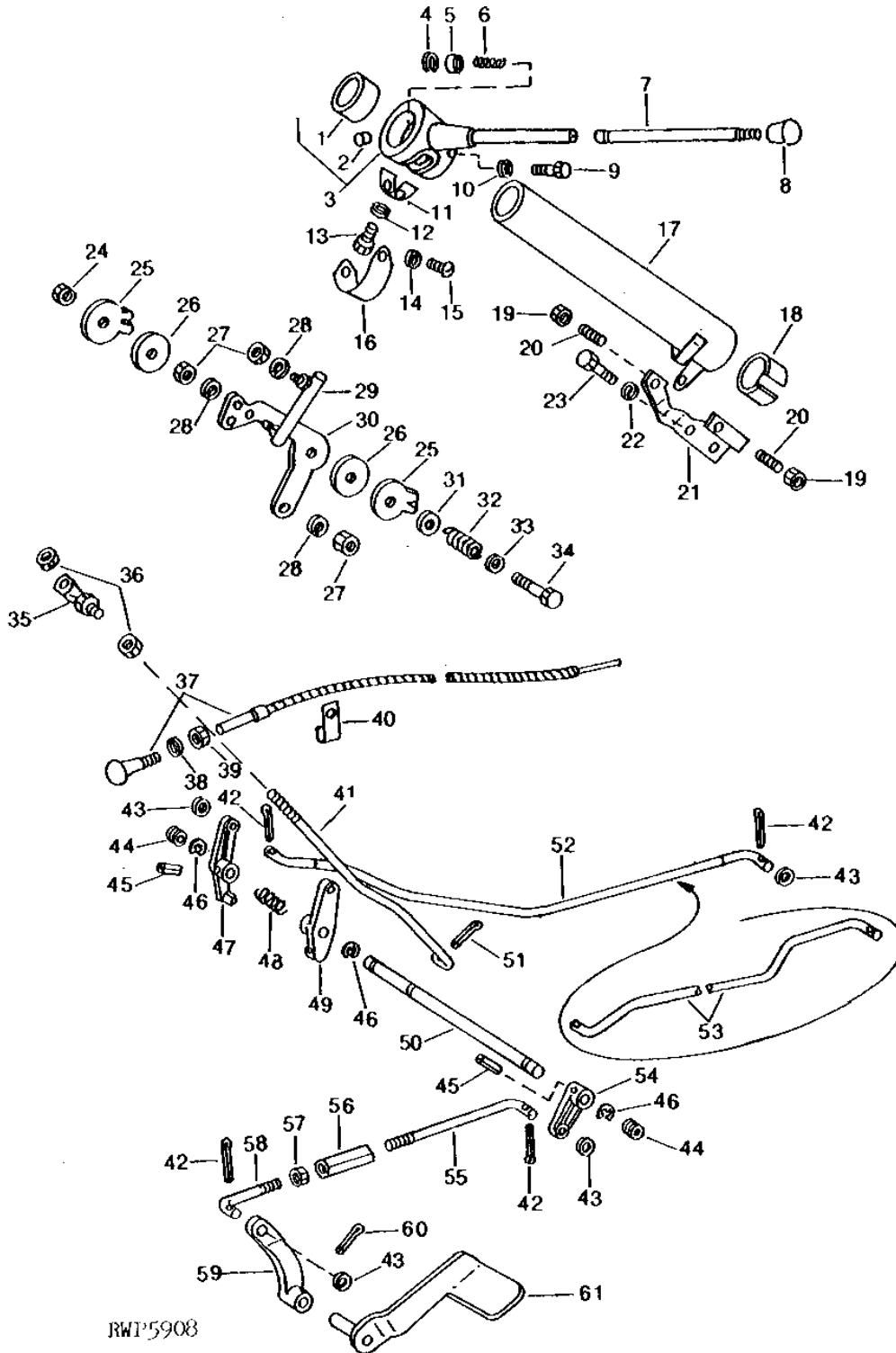
1D18

FUEL AND AIR

RWP5908

-UN-01JAN94

SPEED CONTROL LINKAGE



RWP5908

1D19

FUEL AND AIR

SPEED CONTROL LINKAGE - CONTINUED

KEY	PART NO.	PART NAME	QTY	TRACTOR SERIAL NO.	REMARKS
1	R27075	BUSHING	1		
2	R51114	DOWEL PIN	1		
3	AR38290	HUB	1	-014296	(MARKED R38127) (NLA)
	AR30472	HUB	1	014297-	(MARKED R27072)
4	R30828	SNAP RING	1		
5	R38377	WASHER	1		
6	R28009	SPRING	1		
7	R38376	LEVER	1		
8	R26670	KNOB	1		
9	R28007	BOLT	1		
10	12H310	LOCK WASHER	1		3/8"
11	R38130	STOP	1	-014296	(NO LONGER AVAILABLE)
12	12M7032	LOCK WASHER	1	-014296	0.331"
13	R38131	CAP SCREW	1	-014296	
14	12M7060	WASHER	2	-014296	0.209"
15	21H1294	SCREW	2	-014296	0.190" X 5/16"
16	R38132	COVER	1	-014296	(NO LONGER AVAILABLE)
17	AR38279	TUBE	1	-014296	(NO LONGER AVAILABLE)
	AR38598	TUBE	1	014297-	(NO LONGER AVAILABLE)
18	R26958	ISOLATOR	1		
19	14H611	NUT	2		5/16"
20	R32585	SET SCREW	2		
21	R28008	BRACKET	1		(NO LONGER AVAILABLE)
22	12H304	LOCK WASHER	2		3/8"
23	19H1731	CAP SCREW	2		3/8" X 1"
24	14H732	NUT	1		3/8"
25	R33976	PLATE	2		
26	R39985	WASHER	2		(SUB R105814, THIS APPLICATION)
27	14H649	NUT	3		1/4"
28	12H302	LOCK WASHER	3		1/4"
29	R33972	BALL JOINT	1		
30	R38513	LEVER	1		(SUB FOR R38134) (NO LONGER AVAILABLE)
31	R27441	WASHER	1		
32	R31271	SPRING	1		
33	24H1305	WASHER	1		13/32" X 13/16" X 0.065"
34	19H2553	CAP SCREW	1		3/8" X 2-5/8"
35	AA5302R	BALL JOINT	1		
36	14H850	NUT	2		1/4"
37	AR27301	PUSH PULL CABLE	1		(A)
38	12H310	LOCK WASHER	1		(A) 3/8"
39	14H774	NUT	1		(A) 3/8"
40	B1986R	CLIP	1		(A)
41	R38514	STUD	1		(SUB FOR R38135) (NO LONGER AVAILABLE)
42	11M7081	COTTER PIN	4		0.098" X 0.787"
43	24H1287	WASHER	4		9/32" X 5/8" X 0.065"
44	R34811	GROMMET	2		
45	34H282	SPRING PIN	1		3/16" X 1"
46	R26871	SNAP RING	3		(SUB FOR R38126 OR P44982)
47	R38145	LEVER	1		(NO LONGER AVAILABLE)
48	R38143	SPRING	1		(SUB R117129)
49	R38142	ARM	1		(NO LONGER AVAILABLE)
50	R38144	SHAFT	1		(NO LONGER AVAILABLE)
51	11M7082	COTTER PIN	1		0.098" X 0.984"
52	R38402	ROD	1		(A) (SUB FOR R38201) (NO LONGER AVAILABLE)
	R26524	CLIP	1		(A)
53	R38202	ROD	1	-014296	(B) (NO LONGER AVAILABLE)
	R38510	ROD	1	014297-	(B) (NO LONGER AVAILABLE)
54	R38136	ARM	1		(NO LONGER AVAILABLE)
55	R38140	BOLT	1		(NO LONGER AVAILABLE)
56	R38147	COUPLING	1		(NO LONGER AVAILABLE)
57	14H850	NUT	1		1/4"
58	R38139	ROD	1		(NO LONGER AVAILABLE)
59	R38488	ARM	1		(SUB FOR R38141) (NO LONGER AVAILABLE)
60	34H312	SPRING PIN	1		1/4" X 1"
61	AR38280	PEDAL	1		(NO LONGER AVAILABLE)

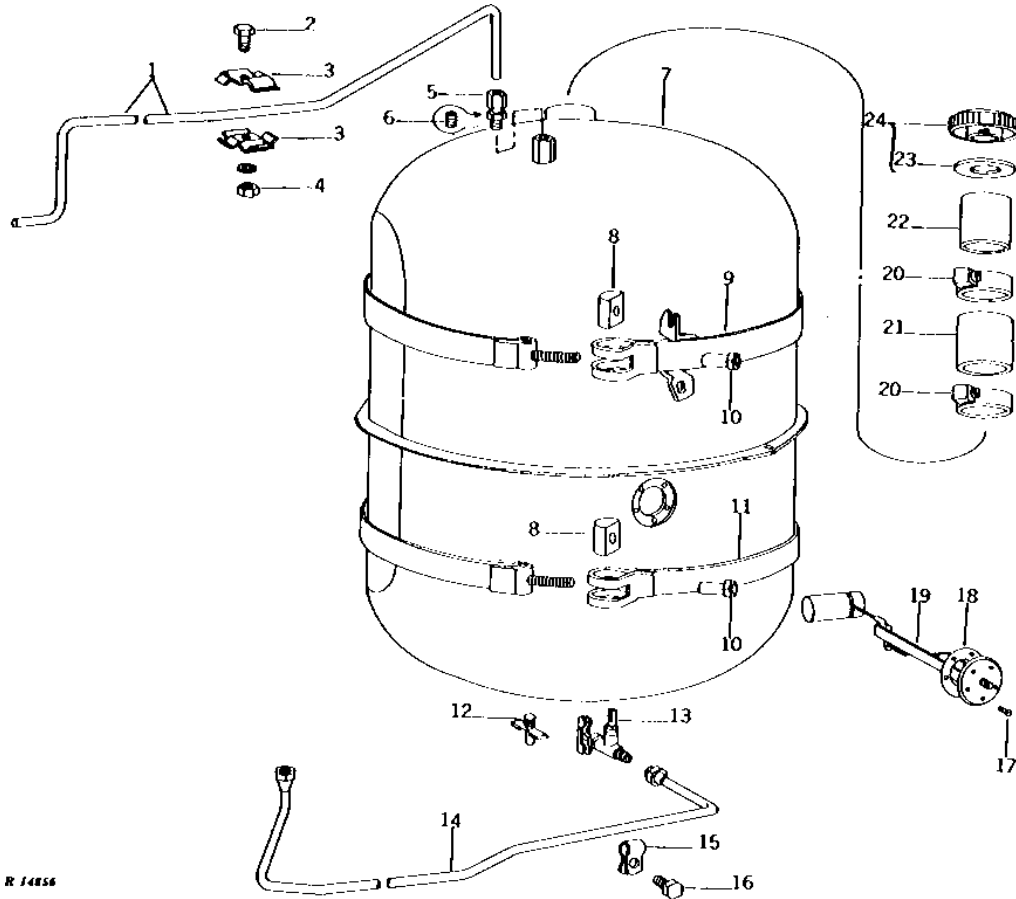
(A) GASOLINE
(B) DIESEL

1D20

FUEL AND AIR

R14856 -UN-01JAN94

FUEL TANK



R 14856

KEY	PART NO.	PART NAME	QTY	TRACTOR SERIAL NO.	REMARKS
1	R38109	OIL TUBE	1	(A)	
2	19H1948	CAP SCREW	1	(A) 1/4" X 3/4"	
3	R34838	CLAMP	2	(A)	
4	14H786	NUT	1	(A) 1/4"	
5	12H302	LOCK WASHER	1	(A) 1/4"	
6	AR26649	FITTING	1	(A)	
7	15H559	PIPE PLUG	1	1/4"	
8	AR38267	FUEL TANK	1		
9	R26593	GUIDE	2		
10	AR26736	STRAP	1		
11	R26594	NUT	2		
12	AR26737	STRAP	1		
13	AT13740	DRAIN VALVE	1	(SUB FOR AT27653)	
14	R34656	SHUT-OFF VALVE	1		
15	AR38268	FUEL LINE	1		
16	T14050	CLIP	1		
17	19H2021	CAP SCREW	1	3/8" X 5/8"	
18	37H95	SCREW	5	NO. 8 X 1/2", (SUB FOR R27182)	
19	12M7084	LOCK WASHER	1	0.169"	
20	R27181	GASKET	1		
21	AR38269	SENDER	1		
22	AR21840	CLAMP	2		
23	R26531	HOSE	1		
24	R39895	FILLER NECK	1		
	R39615	WASHER	1		
	AT20911	FILLER CAP	1	(SUB FOR AR39595)	

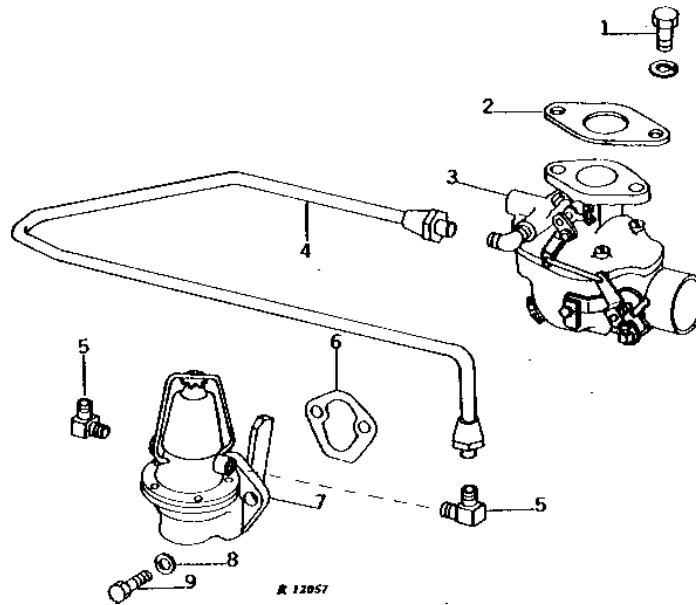
(A) DIESEL

1D21

FUEL AND AIR

R12057 -UN-01JAN94

GASOLINE FUEL SYSTEM



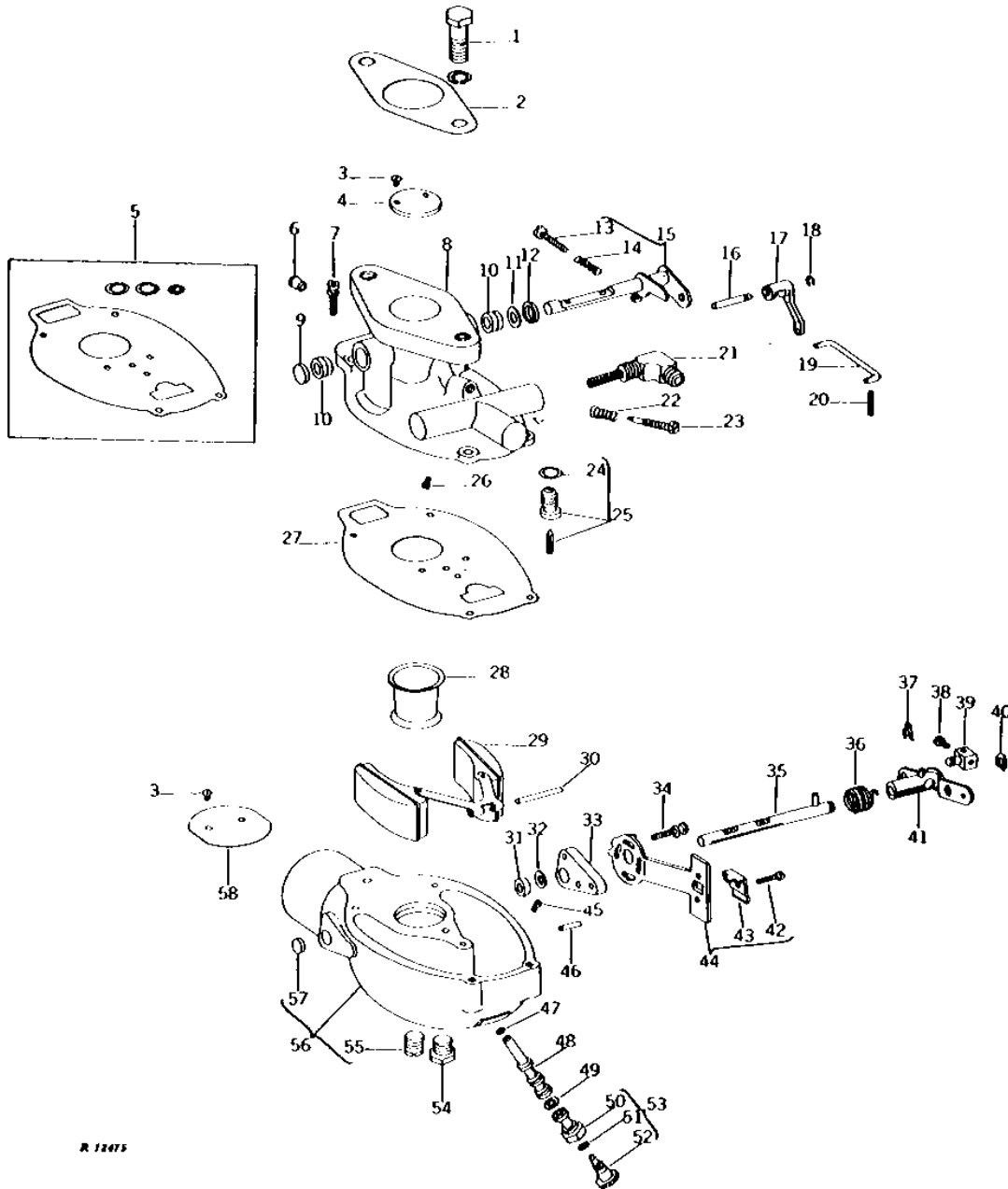
KEY	PART NO.	PART NAME	QTY	ENGINE SERIAL NO.	REMARKS
1	19H1731	CAP SCREW	2		3/8" X 1"
	12H304	LOCK WASHER	2		3/8"
2	T10079	GASKET	1		
3	AT21848	CARBURETOR	1	-045638	(MARVEL-SCHEBLER) (SUB RE19402)
	AR62244	CARBURETOR	1	045639-	(MARVEL-SCHEBLER) (ALSO ORDER AR67706) (SUB FOR AT22994) (SUB RE19402 AND RE19408)
4	AT21424	FUEL LINE	1		
5	AR26674	ELBOW FITTING	2		90°
6	R27285	GASKET	1		
7	AR64120	FUEL PUMP	1		(SUB FOR AR40258, AR52158 OR AR52159) (SUB RE43274 AND R97350)
8	R20498	WASHER	2		
9	19H1849	CAP SCREW	2		5/16" X 1-1/4"

1D22

FUEL AND AIR

CARBURETOR
(MARVEL-SCHEBLER TSX-894, 905 OR 9055L)
(GASOLINE)
(ENGINE SERIAL NO. -045638)

R12475 -UN-01JAN94



R 12475

1D23

FUEL AND AIR

CARBURETOR - CONTINUED
(MARVEL-SCHEBLER TSX-894, 905 OR 9055L)
(GASOLINE)
(ENGINE SERIAL NO. -045638)

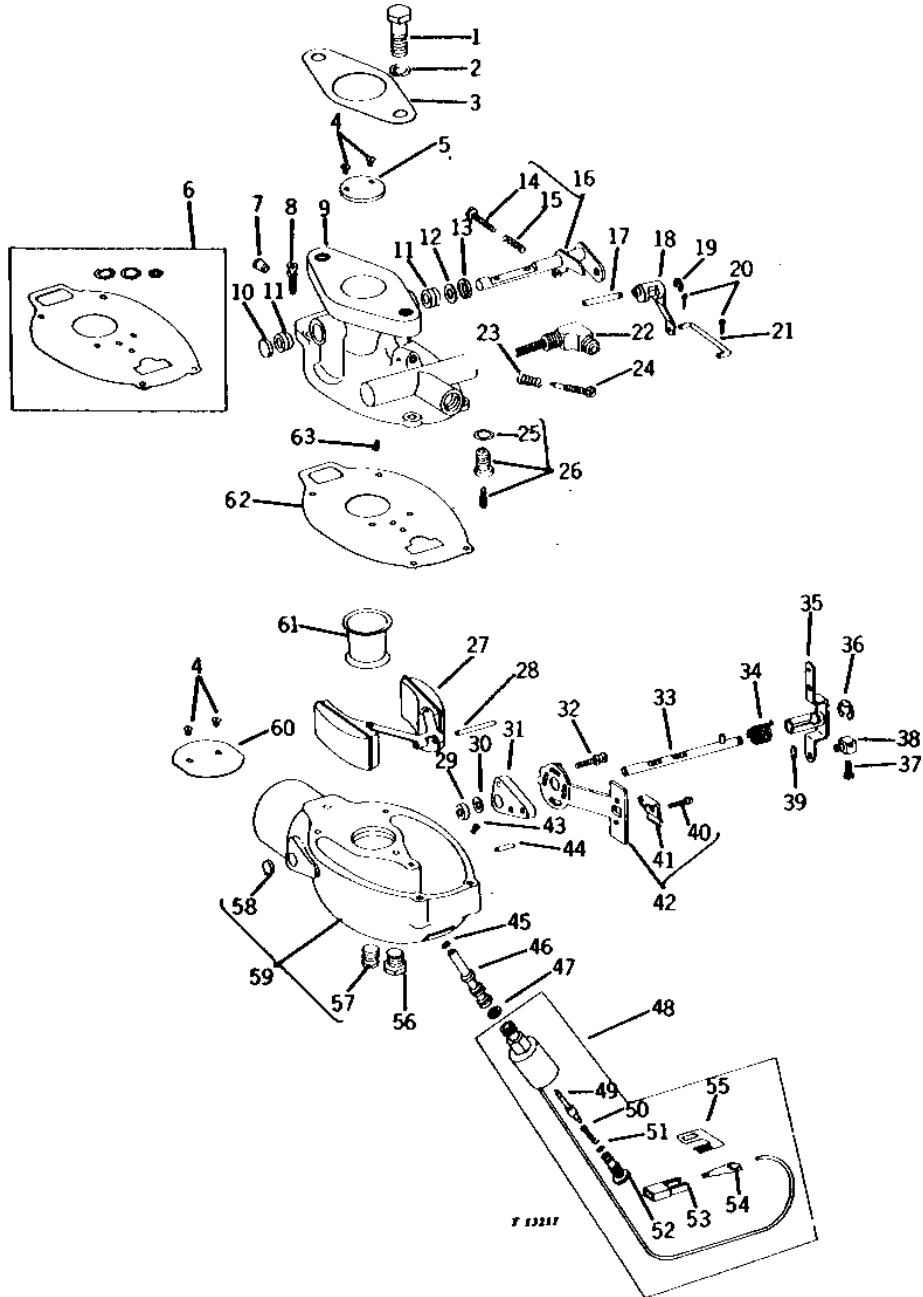
KEY	PART NO.	PART NAME	QTY	ENGINE SERIAL NO.	REMARKS
1	19H1731	CAP SCREW	2	3/8" X 1"	
	12H304	LOCK WASHER	2	3/8"	
2	T10079	GASKET	1		
3	15-483	SCREW	4		
4	R56747	ACCELERATOR	1	(SUB FOR 14-273)	
5	AR56086	GASKET KIT	1	(SUB FOR 16-654)	
6	B17682	PLUG	1	IDLE DRILL HOLE	
7	15-A85	SCREW	4	NO. 12 X 3/4"	
8	AT23016	HOUSING	1	(SUB RE19402)	
9	R10300	CAP	1		
10	T23531	NEEDLE BEARING	2	(SUB JD8867)	
11	R10194	PACKING	1		
12	R10182	RETAINER	1		
13	T27410	SCREW	1		
14	R10104	SPRING	1		
15	AT25819	SHAFT	1	(SUB FOR AT22992)	
16	T25147	PIN	1		
17	T25158	LEVER	1	FAST IDLE CAM	
18	R31935	SNAP RING	1	(SUB FOR T25148)	
19	T25149	PIN	1		
20	11M7075	COTTER PIN	2	1.200 X 12 MM	
21	T23528	STRAINER	1		
22	24-340	SPRING	1		
23	43-33	NEEDLE	1	IDLE ADJUSTING	
24	R10170	GASKET	1		
25	AT25491	VALVE	1	(ALSO ORDER T23532 AND T23536) (SUB FOR AT17437)	
26	49-101L	NOZZLE	1		
27	16-A41	GASKET	1		
28	T23525	VENTURI	1	(SUB R61642)	
29	30-739	FLOAT	1		
30	R10211	SHAFT	1		
31	R10186	SEAL	1	CHOKE SHAFT	
32	R10187	SHIM	1		
33	SPACER	1	(NOT REQUIRED)	
34	T23522	SCREW	2		
35	AT22990	SHAFT	1	CHOKE	
36	T23523	SPRING	1		
37	R10185	SPRING PIN	1		
38	21H971	SCREW	1	0.164" X 5/16"	
39	R10184	SWIVEL	1		
40	T23529	SNAP RING	1		
41	AT22989	LEVER	1		
42	15-A295	SCREW	1		
43	R10188	CLIP	1		
44	AT22993	BRACKET	1		
45	T25157	NOZZLE	1		
46	34H242	SPRING PIN	1	1/8" X 7/16"	
47	16-456	GASKET	1		
48	T719T	NOZZLE	1	MAIN	
49	16-47	GASKET	1		
50	T16310	PLUG	1		
51	T17951	O-RING	1	(SUB FOR R27490)	
52	AT23014	NEEDLE	1	(NO LONGER AVAILABLE)	
53	AT23015	NEEDLE	1		
54	R10160	PIPE PLUG	1		
55	99-4	PIPE PLUG	1	3MM (1/8")	
56	AT21353	HOUSING	1	(SUB RE19402)	
57	R10150	CAP	1		
58	T23524	CHOKE	1		
..	AT21848	CARBURETOR	1	(SUB RE19402)	
..	AR52589	KIT	1	CARBURETOR REPAIR, (SUB FOR AT22995)	

1D24

FUEL AND AIR

CARBURETOR
(MARVEL-SCHEBLER TSX-894, 905 OR 9055L)
(GASOLINE)
(ENGINE SERIAL NO. 045639-)

T13217 -UN-01JAN94



1D25

FUEL AND AIR

CARBURETOR - CONTINUED
(MARVEL-SCHEBLER TSX-894, 905 OR 9055L)
(GASOLINE)
(ENGINE SERIAL NO. 045639-)

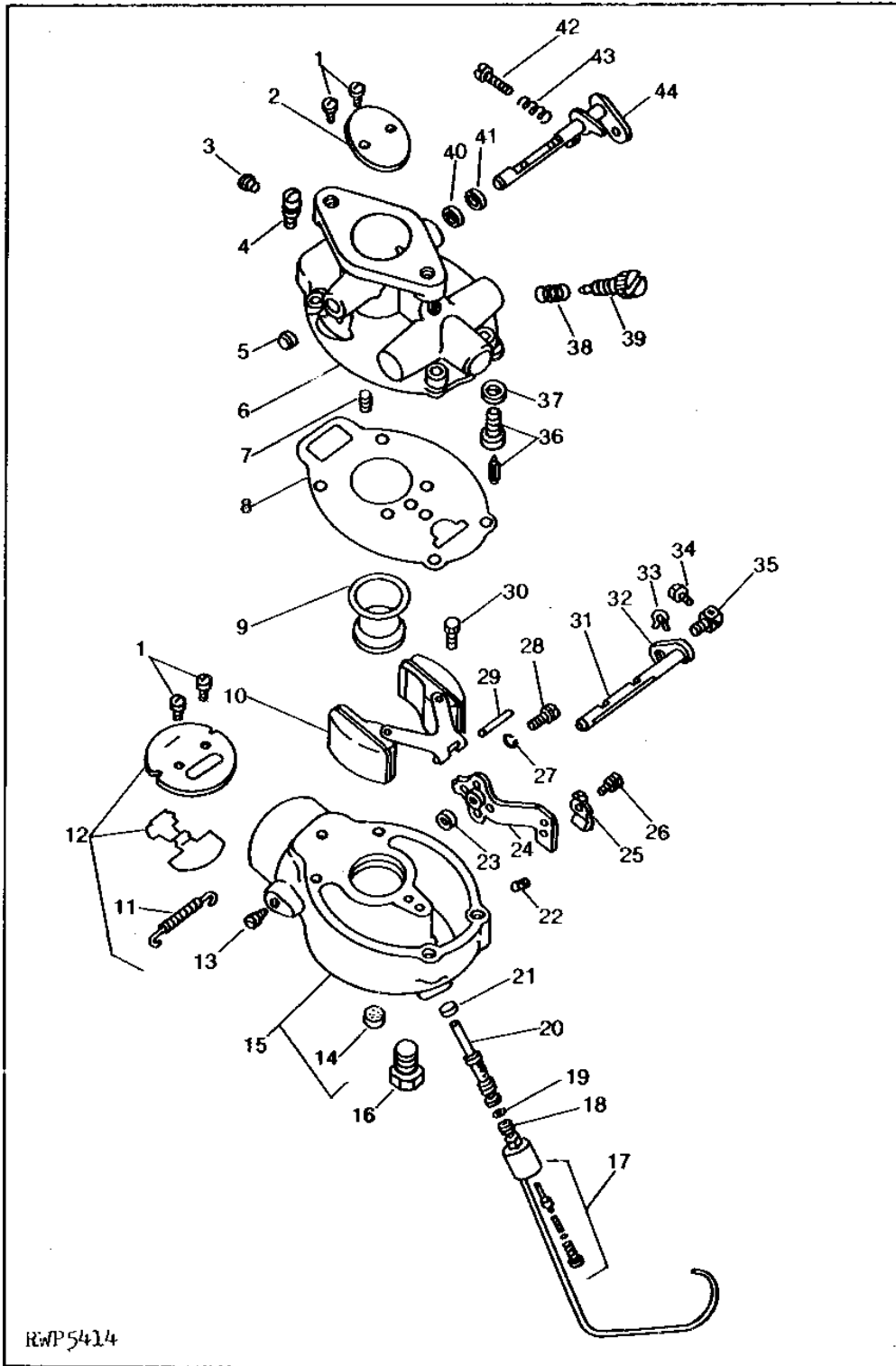
KEY	PART NO.	PART NAME	QTY	ENGINE SERIAL NO.	REMARKS
1	19H1731	CAP SCREW	2		
2	12H304	LOCK WASHER	2	3/8" X 1"	
3	T10079	GASKET	1	3/8"	
4	15-483	SCREW	4		
5	R56747	ACCELERATOR	1		(SUB FOR 14-273)
6	AR56086	GASKET KIT	1		(SUB FOR 16-654)
7	B17682	PLUG	1		IDLE DRILL HOLE
8	15-A85	SCREW	4		
9	AT22997	HOUSING	1		(SUB RE19402 AND RE19408)
10	R10300	CAP	1		
11	T23531	NEEDLE BEARING	2		(SUB JD8867)
12	R10194	PACKING	1		
13	R10182	RETAINER	1		
14	T27410	SCREW	1		
15	R10104	SPRING	1		
16	AT25819	SHAFT	1		(SUB FOR AT22992)
17	T25147	PIN	1		
18	T25158	LEVER	1		FAST IDLE CAM
19	R31935	SNAP RING	1		(SUB FOR T25148)
20	11M7075	COTTER PIN	2		
21	T25149	PIN	1		
22	T23528	STRAINER	1		
23	24-340	SPRING	1		
24	43-33	NEEDLE	1		
25	R10170	GASKET	1		
26	AT25491	VALVE	1		(ALSO ORDER T23532 AND T23536) (SUB FOR AT17437)
27	30-739	FLOAT	1		
28	R10211	SHAFT	1		
29	R10186	SEAL	1		CHOKE SHAFT
30	R10187	SHIM	1		
31	SPACER	1		(NOT REQUIRED)
32	T23522	SCREW	2		
33	AT22990	SHAFT	1		
34	T23523	SPRING	1		
35	AT22989	LEVER	1		
36	T23529	SNAP RING	1		
37	21H971	SCREW	1	0.164" X 5/16"	
38	R10184	SWIVEL	1		
39	R10185	SPRING PIN	1		
40	15-A295	SCREW	1		
41	R10188	CLIP	1		
42	AT22993	BRACKET	1		
43	T25157	NOZZLE	1		
44	34H242	SPRING PIN	1	1/8" X 7/16"	
45	16-456	GASKET	1		
46	T719T	NOZZLE	1		MAIN
47	16-47	GASKET	1		
48	AR67706	SOLENOID	1		(SUB FOR AT22996 OR AT31877)
49	AT31878	NEEDLE	1		(SUB FOR AT22991)
50	T25152	SPRING	1		
51	T25154	O-RING	1		
52	T32554	SCREW	1		(SUB FOR T25151)
53	T25156	TERMINAL	1		
54	T25155	CONNECTOR	1		
55	T25153	CLIP	1		(NO LONGER AVAILABLE)
56	R10160	PIPE PLUG	1		
57	99-4	PIPE PLUG	1		
58	R10150	CAP	1		
59	AT21353	HOUSING	1		(SUB RE19402)
60	T23524	CHOKE	1		
61	T23525	VENTURI	1		(SUB R61642)
62	16-A41	GASKET	1		
63	49-101L	NOZZLE	1		
..	AT22994	CARBURETOR	1		(ALSO ORDER AR67706) (SUB RE19402) (ALSO ORDER RE19408)
..	AR52589	KIT	1		CARBURETOR REPAIR, (SUB FOR AT22995)

1E1

FUEL AND AIR

CARBURETOR
(MARVEL-SCHEBLER NO. TSXU-963)

RWP5414 -UN-01JAN94



1E2

FUEL AND AIR

**CARBURETOR - CONTINUED
(MARVEL-SCHEBLER NO. TSXU-963)**

KEY	PART NO.	PART NAME	QTY	ENGINE SERIAL NO.	REMARKS
1	15-483	SCREW	4		
2	14-273	ACCELERATOR	1		
3	B17682	PLUG	1		
4	15-A85	SCREW	4		
5	R10198	CAP	1		
6	HOUSING	1		(SUB RE19402 AND RE19408)
7	49-101L	NOZZLE	1		
8	16-A41	GASKET	1		
9	R61642	VENTURI	1		
10	30-739	FLOAT	1		
11	H22551	SPRING	1		
12	AR102785	CHOKE	1		
13	T16106	SET SCREW	1		(NO LONGER AVAILBLE)
14	95-78	STRAINER	1		
15	AT14777	HOUSING	1		(NO LONGER AVAILABLE)
16	R10160	PIPE PLUG	3		
17	AT31442	VALVE	1		
18	AR67706	SOLENOID	1		
19	16-47	GASKET	1		
20	T719T	NOZZLE	1		
21	16-456	GASKET	1		
22	R75968	INJECTION NOZZLE	1		(NO LONGER AVAILABLE)
23	44-38	PACKING	1		
24	BRACKET	1		(NO LONGER AVAILABLE)
25	R10188	CLIP	1		
26	21H1299	SCREW	1		0.164" X 3/8"
27	12M7084	LOCK WASHER	1		0.169"
28	15-A295	SCREW	2		
29	R10211	SHAFT	1		
30	37H99	SCREW	2		0.099" X 1/4"
31	R75967	SHAFT	1		
32	AR66031	LEVER	1		
33	R10185	SPRING PIN	1		
34	21H971	SCREW	1		0.164" X 5/16"
35	SWIVEL	1		(NO LONGER AVAILABLE)
36	AT14476	SEAT	1		
37	R10170	GASKET	1		
38	24-340	SPRING	1		
39	43-33	NEEDLE	1		IDLE ADJUSTING
40	44-68	PACKING	2		
41	55-261	RETAINER	2		
42	21H977	SCREW	1		0.164" X 3/4"
43	R10104	SPRING	1		
44	AR102781	SHAFT	1		
45	AR62244	CARBURETOR	1		COMPLETE, (SUB RE19402 AND RE19408)
..	AR102783	KIT	1		ADAPTER, (INCLUDED IN AR62244)
..	AR102784	KIT	1		REPAIR, (INCLUDED IN AR62244)

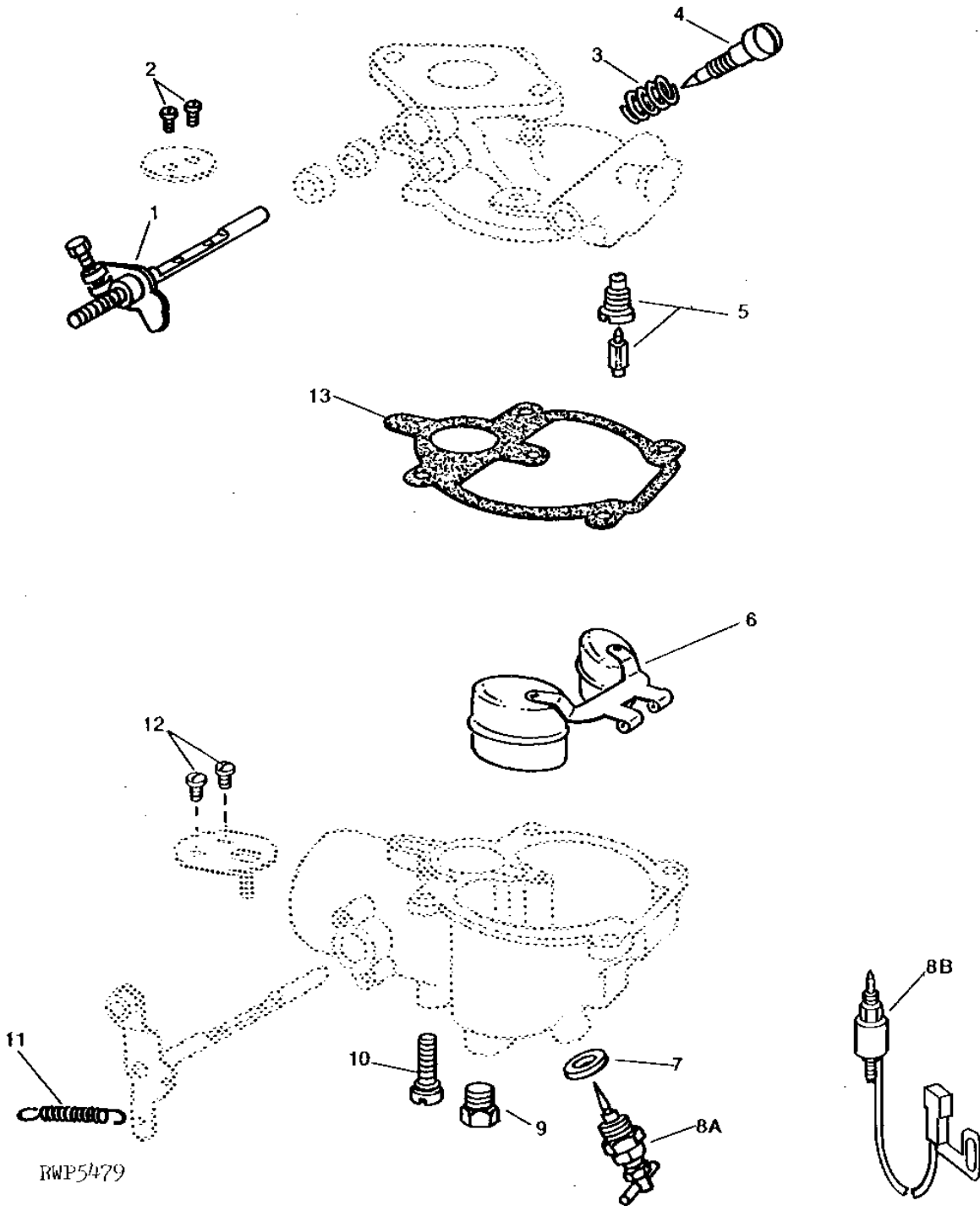
1E3

FUEL AND AIR

RWP5479

-UN-01JAN94

CARBURETOR



1E4

FUEL AND AIR

CARBURETOR - CONTINUED

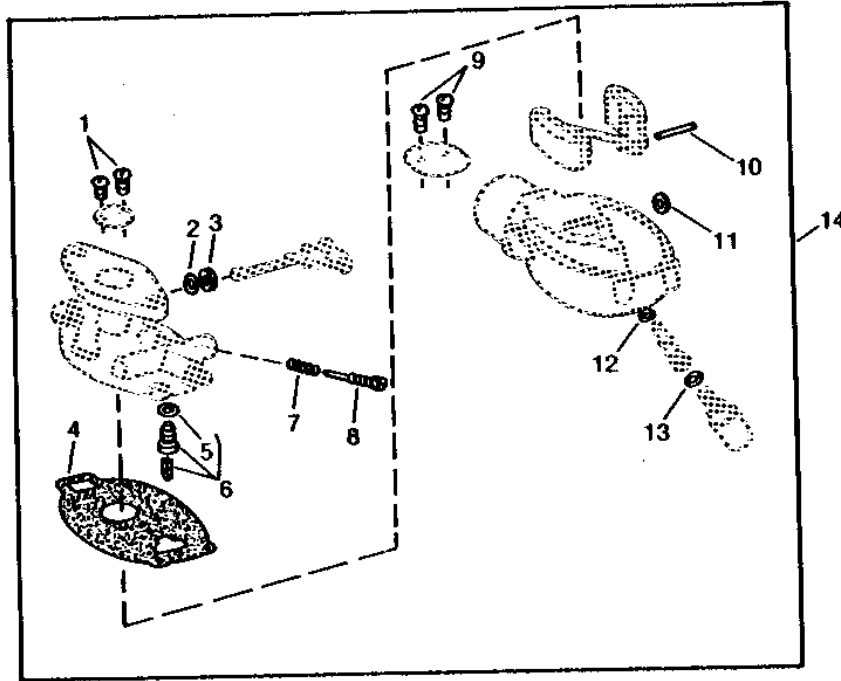
KEY	PART NO.	PART NAME	QTY	ENGINE SERIAL NO.	REMARKS
1	RE19405	SHAFT	1		
2	E34355	SCREW	2		
3	H20993	SPRING	1		
4	H81551	SCREW	1		
5	AH80032	VALVE	1		
6	RE19403	FLOAT	1		
7	H20925	WASHER	1		
8A	RE19406	SCREW	1		
8B	RE19408	SOLENOID	1		
9	R47038	PIPE PLUG	1		
10	RE19407	SCREW, WITH WASHER	1		
11	R52627	SPRING	1		
12	E34355	SCREW	2		
13	GASKET	1		(ORDER RE19404)
..	RE19402	CARBURETOR	1		
..	RE19404	KIT	1		CARBURETOR REPAIR

1E5

FUEL AND AIR

RWP2192 -UN-01JAN94

CARBURETOR REPAIR KIT



RWP2192

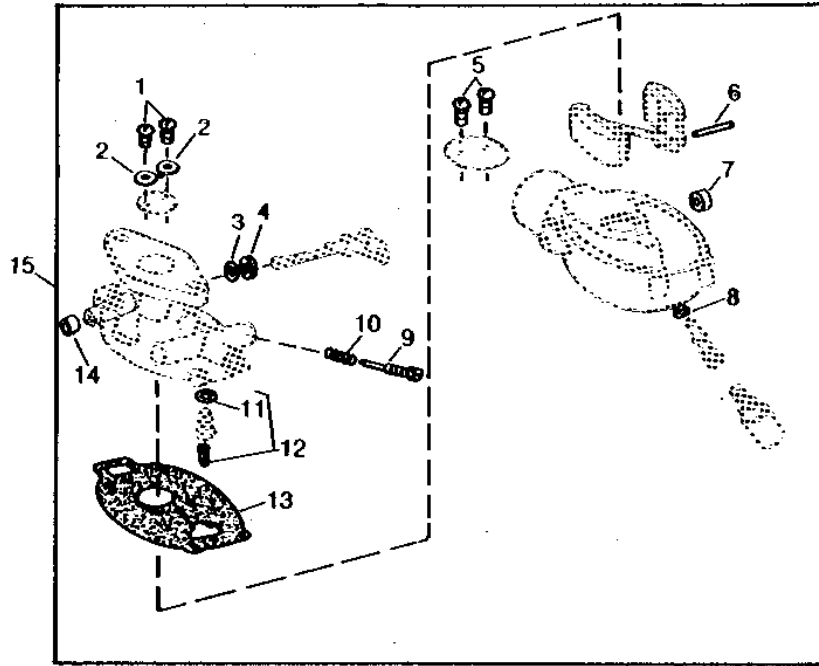
KEY	PART NO.	PART NAME	QTY	ENGINE SERIAL NO.	REMARKS
1	AT25821	SCREW	2		
2	R10194	PACKING	1		
3	R10182	RETAINER	1		
4	16-A41	GASKET	1		
5	R10170	GASKET	1		
6	AT25491	VALVE	1		FLOAT
7	24-340	SPRING	1		
8	43-33	NEEDLE	1		
9	15-483	SCREW	1		
10	R10211	SHAFT	1		FLOAT
11	R10186	SEAL	1		CHOKE SHAFT
12	16-456	GASKET	1		NOZZLE
13	16-47	GASKET	1		SOLENOID
14	AR52589	KIT	1		(USE WITH AT22994) (SUB FOR AT22995)

1E6

FUEL AND AIR

CARBURETOR REPAIR KIT (GASOLINE)

RWP4671 -UN-01JAN94



RWF 4671

KEY	PART NO.	PART NAME	QTY	ENGINE SERIAL NO.	REMARKS
1	21H962	SCREW	2	0.138" X 1/4"	
2	12H314	LOCK WASHER	2	0.138"	
3	44-68	PACKING	1		
4	55-261	RETAINER	1		
5	AT14314	SCREW	2	(NO LONGER AVAILABLE)	
6	R10211	SHAFT	1		
7	44-38	PACKING	1		
8	16-456	GASKET	1		
9	43-33	NEEDLE	1		
10	24-340	SPRING	1		
11	R10170	GASKET	1		
12	AT25491	VALVE	1		
13	16-A41	GASKET	1		
14	R10133	CAP	1		
15	AR52593	KIT	1	(USE WITH AR62244) (SUB FOR AT14780)	

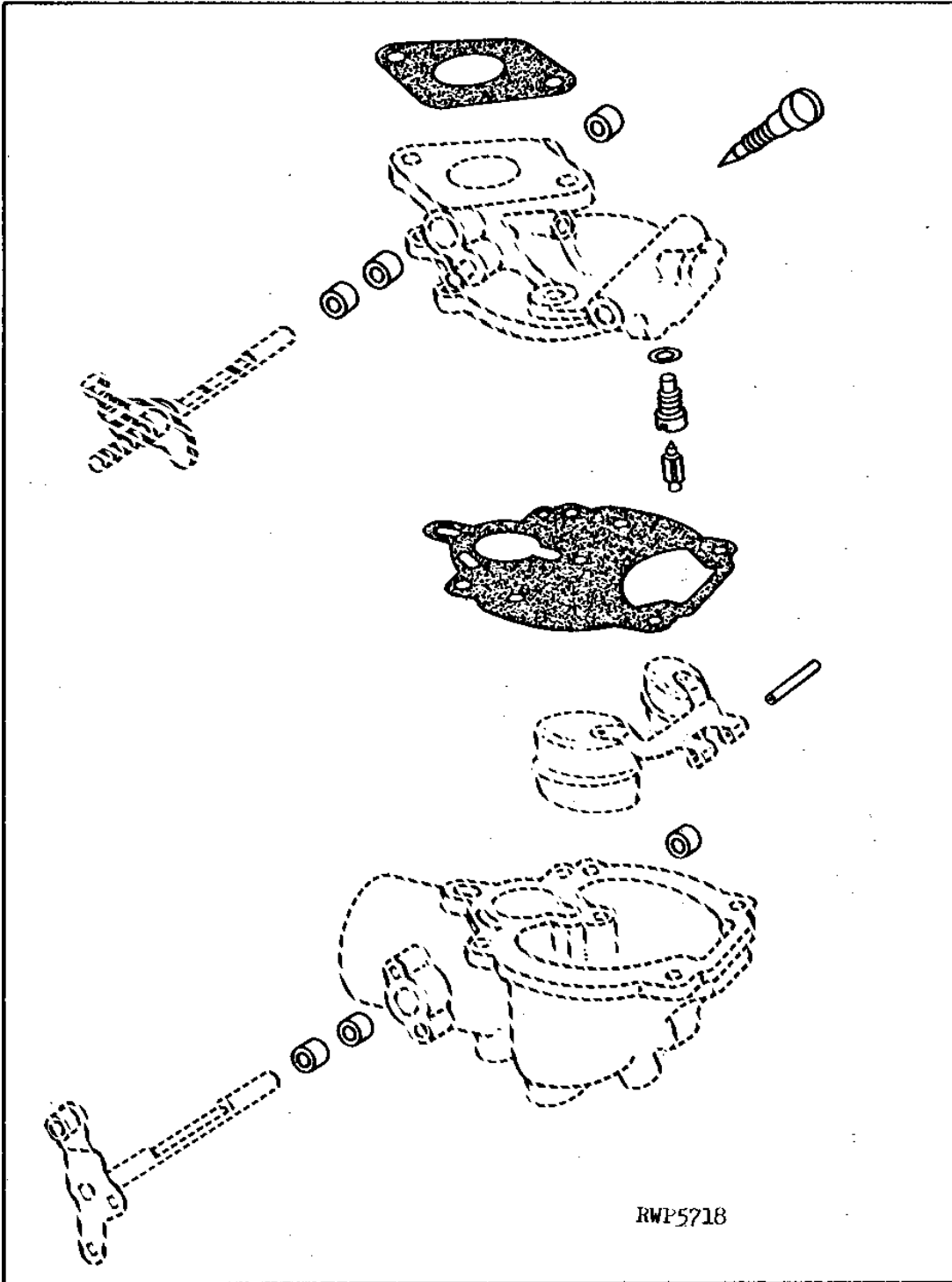
1E7

FUEL AND AIR

RWP5718

-UN-01JAN94

CARBURETOR REPAIR KIT



1E8

FUEL AND AIR

CARBURETOR REPAIR KIT - CONTINUED

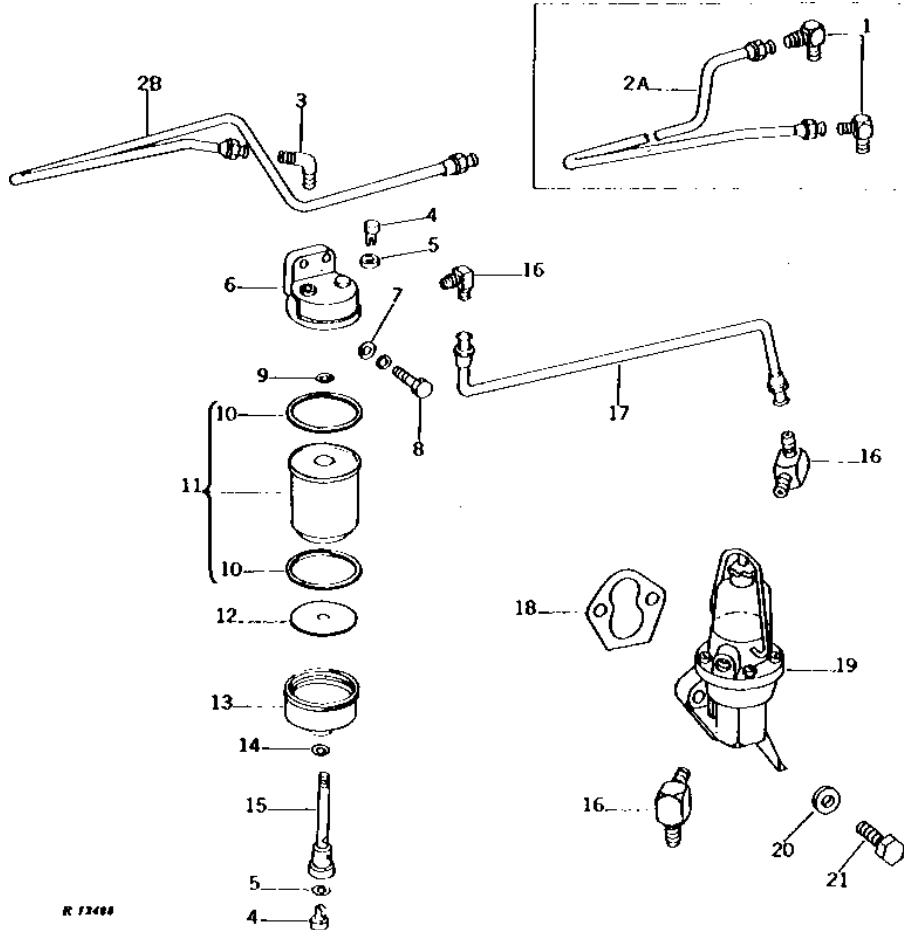
KEY	PART NO.	PART NAME	QTY	TRACTOR SERIAL NO.	REMARKS
1	RE19404	KIT	1		(USE WITH RE19402)

1E9

FUEL AND AIR

R12488 -UN-01JAN94

FUEL FILTER



R 12488

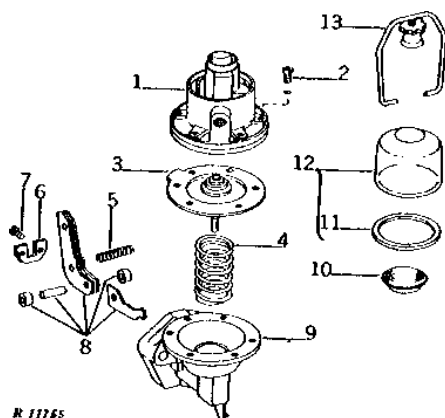
KEY	PART NO.	PART NAME	QTY	ENGINE SERIAL NO.	REMARKS
1	AR26674	ELBOW FITTING	2	-088892	90°
2A	AT18028	FUEL LINE	1	-088892	
2B	AT23044	LINE	1	088893-	
3	T13201	ELBOW FITTING	1	088893-	45°
4	R34446	DRAIN PLUG	2		
5	R26287	O-RING	2		
6	T19123	CAP	1		
7	24M7096	WASHER	2		10.500 X 18 X 1.600 MM
8	19H1732	CAP SCREW	2		3/8" X 1-1/4"
	12H304	LOCK WASHER	2		3/8"
9	R459R	O-RING	1		(SUB FOR T19118)
10	R64374	WASHER	1		(SUB FOR T19114)
	R64373	SEAL	1		(LOWER)
11	AT17387	FILTER ELEMENT	1		
12	SCREEN	1		(NOT REQUIRED)
13	T19119	SEDIMENT BOWL	1		
14	T19117	WASHER	1		
15	T32365	HOLLOW SCREW	1		(SUB FOR AT17388)
16	AR26674	ELBOW FITTING	3		90°
17	AT20266	FUEL LINE	1		
18	R27285	GASKET	1		
19	AR52159	FUEL PUMP	1		(SUB FOR AR40259)
20	R20498	WASHER	2		
21	19H1849	CAP SCREW	2		5/16" X 1-1/4"

1E10

FUEL AND AIR

R11755 -UN-01JAN94

FUEL PUMP PARTS



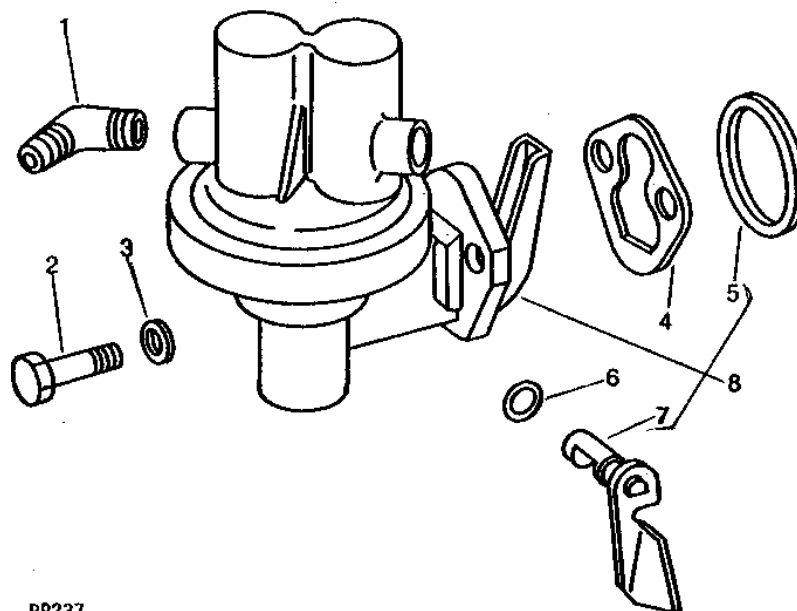
KEY	PART NO.	PART NAME	QTY	ENGINE SERIAL NO.	REMARKS
1	COVER	1	(SUB AR52159)	
2	21H1295	SCREW	6	0.190" X 5/8"	
	12H246	LOCK WASHER	6	0.190"	
3	DIAPHRAGM	1	(SUB AR40482)	
4	R30410	SPRING	1		
5	T10804	SPRING	1		
6	RETAINER	1	(SUB AR52159)	
7	21H1308	SCREW	2	0.138" X 3/8"	
8	AR47304	KIT	1	(SUB FOR AR28330) (SUB AR52159)	
9	HOUSING	1	(SUB AR52159)	
10	AT10635	SCREEN	1		
11	R40565	WASHER	1		
12	AR40407	SEDIMENT BOWL	1		
13	AT10638	BAIL	1		
..	AR64120	FUEL PUMP	1	(GASOLINE) (SUB FOR AR40258) (SUB RE43274 AND R97350)	
..	AR40259	FUEL PUMP	1	(DIESEL) (SUB RE42211 AND R97350)	
..	AR40482	KIT	1	FUEL PUMP OVERHAUL, (USE WITH AR40258 AND AR40259)	

1E11

FUEL AND AIR

RP237 -UN-01JAN94

FUEL TRANSFER PUMP



RP237

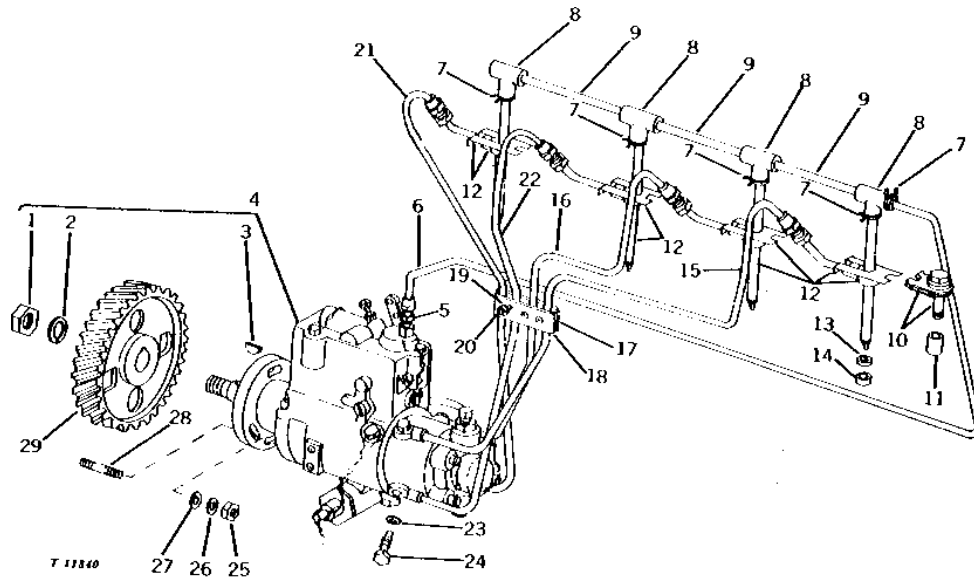
KEY	PART NO.	PART NAME	QTY	ENGINE SERIAL NO.	REMARKS
1	AR26674	ELBOW FITTING	1	90°, (OUTLET)	
2	19H1849	CAP SCREW	2	5/16" X 1-1/4"	
3	R20498	WASHER	2		
4	R27285	GASKET	1		
5	R48399	WASHER	1		
6	A4365R	O-RING	1	(SUB FOR R49139)	
7	AR52556	LEVER	1	PRIMING	
8	AR52159	FUEL PUMP	1	(DIESEL) (SUB FOR AR40259) (SUB RE42211 AND R97350)	
	AR64120	FUEL PUMP	1	(GASOLINE) (SUB FOR AR40258 OR AR52158) (SUB RE43274 AND R97350)	

1E12

FUEL AND AIR

FUEL INJECTION PUMP AND FUEL PIPES (ENGINE SERIAL NO. -088892)

T11840 -UN-01JAN94



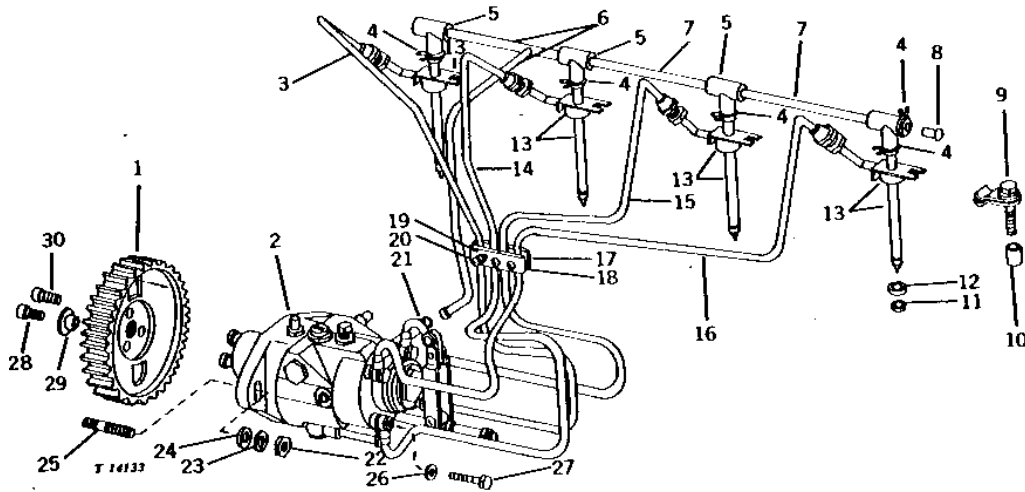
KEY	PART NO.	PART NAME	QTY	ENGINE SERIAL NO.	REMARKS
1	14H832	NUT	1	9/16"	
2	12H317	LOCK WASHER	1	9/16"	
3	26H10	SHAFT KEY	1	5/32" X 5/8"	
4	AT18026	FUEL PUMP	1		(ROOSA-MASTER NO. DBGFC431-2DH) (SUB AR70144)
	AR70144	FUEL PUMP	1		(ROOSA-MASTER NO. DBGFC431-25AJ)
5	R35352	FITTING	1		
6	AT20285	FUEL LINE	1		LEAK-OFF
7	R34766	CLAMP	11		
8	T23425	BOOT	4		
9	T23422	TUBE	3		LEAK-OFF
10	R34760	CLAMP	4		
11	R34761	SPACER	4		
12	AT18064	INJECTION NOZZLE	4		(SUB AR89564)
13	R34764	WASHER	4		
14	R48000	WASHER	4		(SUB FOR R34767)
15	AT18176	FUEL LINE	1		NO. 4
16	AT18175	FUEL LINE	1		NO. 3
17	T23463	STRAP	1		(SUB (2) R59299, R59300, R61146 AND (3) AR76704)
18	T23462	CLAMP	1		(SUB (2) R59299, R59300, R61146 AND (3) AR76704)
19	12H246	LOCK WASHER	3	0.190"	
20	21H1317	SCREW	3	0.190" X 5/8"	
21	AT18173	FUEL LINE	1		NO. 1
22	AT18174	FUEL LINE	1		NO. 2
23	T20055	WASHER	8		
24	R26726	FITTING	4		
25	14H1076	NUT	2	3/8"	
26	12H304	LOCK WASHER	2	3/8"	
27	24M7096	WASHER	2	10.500 X 18 X 1.600 MM	
28	T20052	STUD	2		
29	T20165	GEAR	1		(48 TEETH)
..	AR34368	PLUG	1		

1E13

FUEL AND AIR

FUEL INJECTION PUMP AND FUEL PIPES (ENGINE SERIAL NO. 088893-106891)

T14133 -UN-01JAN94



1E14

FUEL AND AIR

**FUEL INJECTION PUMP AND FUEL PIPES - CONTINUED
(ENGINE SERIAL NO. 088893-106891)**

KEY	PART NO.	PART NAME	QTY	ENGINE SERIAL NO.	REMARKS
1	T24772	GEAR	1		(48 TEETH)
2	AT22628	FUEL INJECTION PUMP	1		(ROOSA-MASTER NOS. CDC431-6DG, CDC431-9DG AND CDC431-14DG) (SUB AR69819, AT30145, T31123, T26496 AND T26497) (ALSO ORDER AR69810, AR50896, AR50897, AT27620 AND R48127)
	AT29734	FUEL PUMP	1		(ROOSA-MASTER NO. CBC431-15AL) (SUB AR69819) (ALSO ORDER AR69810, AR50896, AR50897, AT27620 AND R48127)
3	AT23463	FUEL LINE	1		NO. 1
4	R34766	CLAMP	12		
5	T23425	BOOT	4		
6	AT21845	FUEL LINE	1		LEAK-OFF
7	T23422	TUBE	2		
8	16H644	RIVET	1		1/4" X 1/2"
9	R34760	CLAMP	4		
10	R34761	SPACER	4		
11	R48000	WASHER	4		(SUB FOR R34767)
12	R34764	WASHER	4		
13	AT18064	INJECTION NOZZLE	4	-092279	(SUB AR89564)
	AT30299	INJECTION NOZZLE	4	092280-	(SUB FOR AT25502) (SUB AR89564)
14	AT23464	FUEL LINE	1		NO. 2
15	AT23465	FUEL LINE	1		NO. 3
16	AT23466	FUEL LINE	1		NO. 4
17	T23463	STRAP	1		(SUB (2) R59299, R59300, R61146 AND (3) AR76704)
18	T23462	CLAMP	1		(SUB (2) R59299, R59300, R61146 AND (3) AR76704)
19	12H246	LOCK WASHER	3		0.190"
20	21H1162	SCREW	3		0.190" X 5/8"
21	HOSE	1		48MM (1-7/8") LEAK-OFF, (MAKE FROM R68281) (SUB FOR T24773 OR AT32064)
22	14H785	NUT	2		5/16"
23	12H303	LOCK WASHER	2		5/16"
24	24H1685	WASHER	2		11/32" X 47/64" X 0.083"
25	T25813	STUD	2		
26	T20055	WASHER	8		
27	R41680	SCREW	4		
28	19H2948	SCREW	1		1/4" X 0.380"
29	T26496	BUSHING	NA		(A)
30	T26497	SCREW	NA		(A)
..	AR34368	PLUG	1		

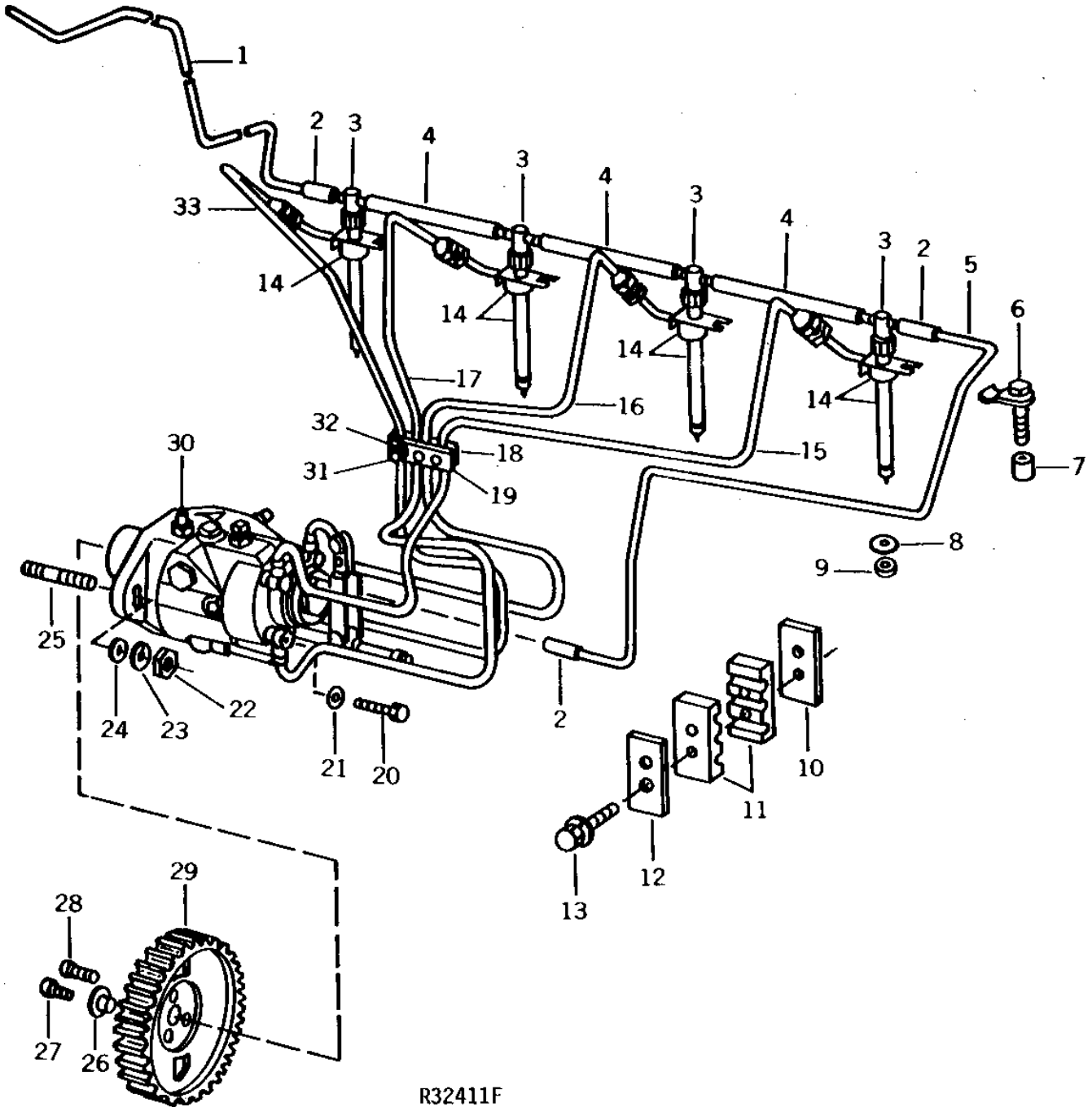
SEE YOUR AUTHORIZED PUMP REPAIR STATION FOR PARTS NOT AVAILABLE (NA)

1E15

FUEL AND AIR

FUEL INJECTION PUMP AND FUEL PIPES (ENGINE SERIAL NO. 106892-)

R32411 -UN-01JAN94



R32411F

1E16

FUEL AND AIR

FUEL INJECTION PUMP AND FUEL PIPES - CONTINUED (ENGINE SERIAL NO. 106892-)

KEY	PART NO.	PART NAME	QTY	ENGINE SERIAL NO.	REMARKS
1	R38109	OIL TUBE	1		LEAK-OFF, (NOT AS ILLUSTRATED)
2	HOSE	3		44MM (1-3/4") (MAKE FROM R68281) (SUB FOR T27466 OR AT32064)
3	AT27622	CAP	4		LEAK-OFF
4	HOSE	3		113MM (4-7/16") (MAKE FROM R68281) (SUB FOR T27465 OR AT32064)
5	T29534	FUEL LINE	1		LEAK-OFF (NO LONGER AVAILABLE)
6	R34760	CLAMP	4		
7	R34761	SPACER	4		
8	R34764	WASHER	4		
9	R48000	WASHER	4		(SUB FOR R34767)
10	R61145	STRAP	1		
11	R59297	HALF CLAMP	2		
12	R59298	STRAP	1		
13	AR76704	SCREW	2		
14	AT30299	INJECTION NOZZLE	4		(SUB FOR AT25502) (SUB AR89564)
15	AT23466	FUEL LINE	1		NO. 4
16	AT23465	FUEL LINE	1		NO. 3
17	AT23464	FUEL LINE	1		NO. 2
18	T23463	STRAP	1		(SUB (2) R59299, R59300, R61146 AND (3) AR76704)
19	T23462	CLAMP	1		(SUB (2) R59299, R59300, R61146 AND (3) AR76704)
20	R41680	SCREW	4		
21	T20055	WASHER	8		
22	14H785	NUT	2		5/16"
23	12H303	LOCK WASHER	2		5/16"
24	24H1685	WASHER	2		11/32" X 47/64" X 0.083"
25	T25813	STUD	2		
26	T26496	BUSHING	NA		(A)
27	19H2948	SCREW	1		1/4" X 0.380"
28	T26497	SCREW	NA		(A)
29	T24772	GEAR	1		(48 TEETH)
30	AT22628	FUEL INJECTION PUMP	1		(ROOSA-MASTER NO. CDC431-6DG, CDC431-9DG AND CDC431-14DG) (SUB AR69819, AT30145 AND T31123) (ALSO ORDER AR69810, AR50896, AR50897, AT27620 AND R48127)
	AT29734	FUEL PUMP	1		(ROOSA-MASTER NO. CBC431-15AL) (SUB AR69819) (ALSO ORDER AR69810, AR50897, AR50896, AT27620 AND R48127)
31	21H1162	SCREW	5		0.190" X 5/8"
32	12H246	LOCK WASHER	5		0.190"
33	AT23463	FUEL LINE	1		NO. 1
..	AR34368	PLUG	1		

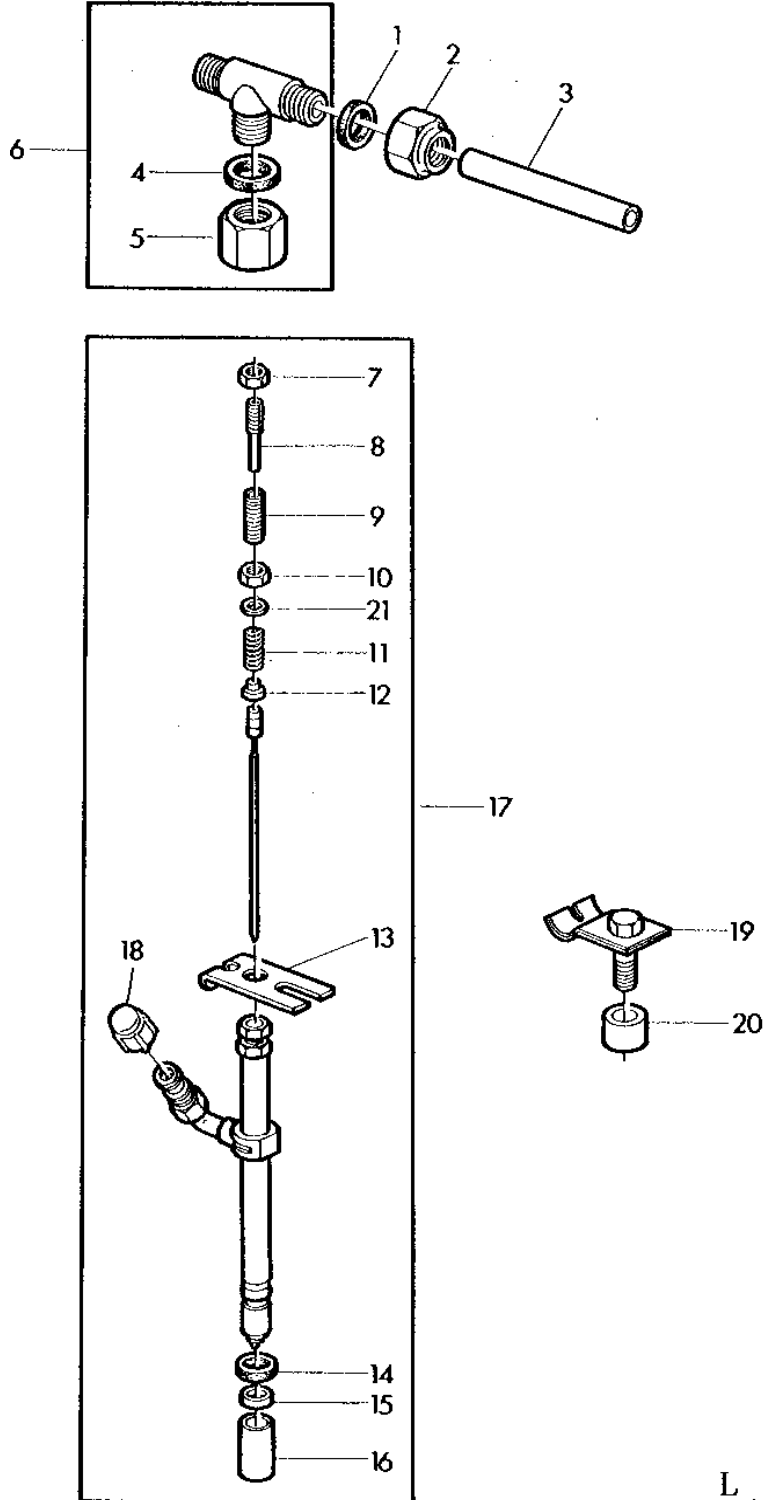
(A) SEE YOUR AUTHORIZED PUMP REPAIR STATION FOR PART NOT AVAILABLE (NA)

1E17

FUEL AND AIR

L40740 -UN-01JAN94

FUEL INJECTION NOZZLE



L 40740

1E18

FUEL AND AIR

FUEL INJECTION NOZZLE - CONTINUED

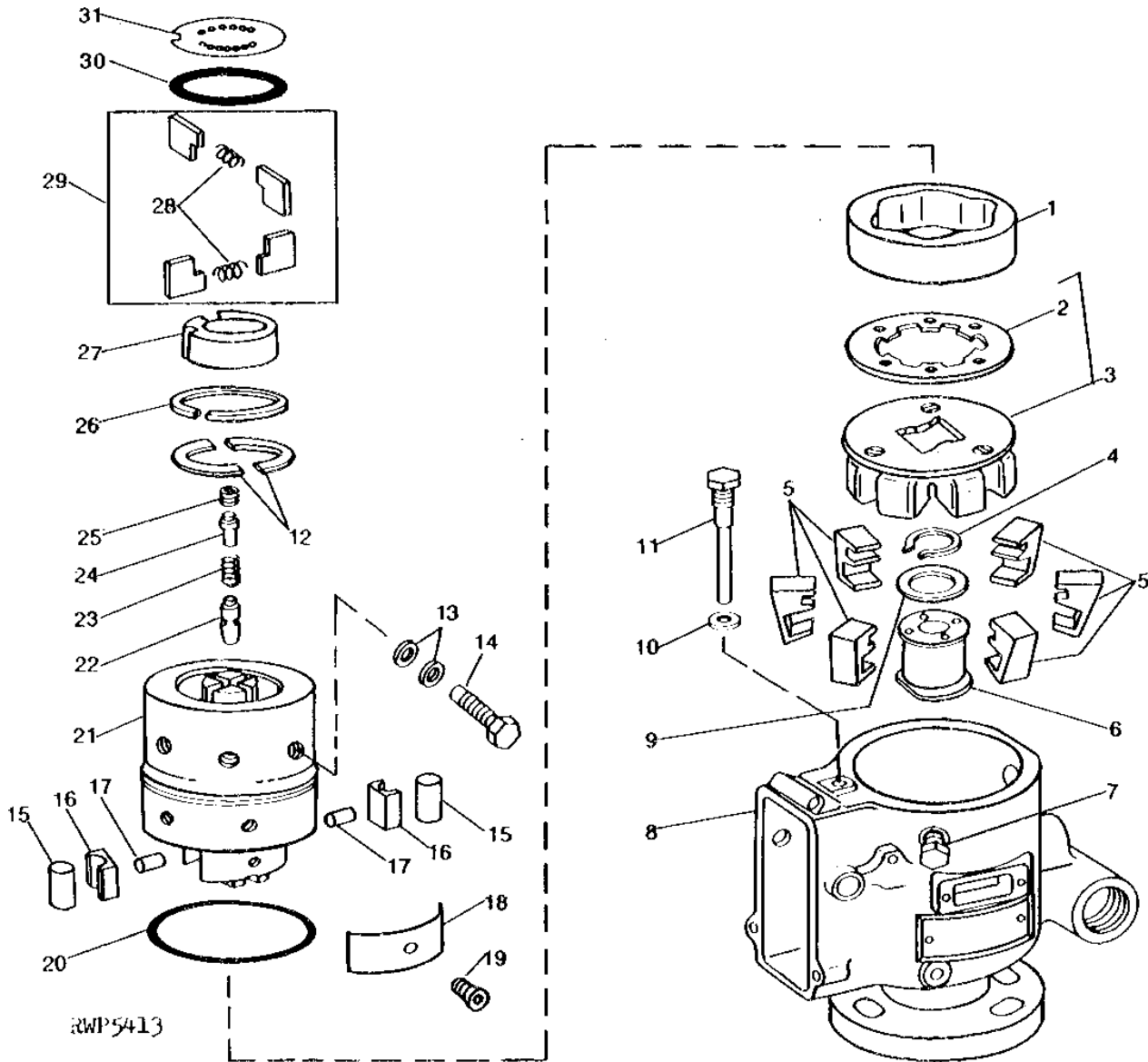
KEY	PART NO.	PART NAME	QTY	TRACTOR SERIAL NO.	REMARKS
1	R51936	PACKING	1		
2	R51937	TUBE NUT	1		
3	R66090	TUBE	1		
4	R79605	WASHER	1		
5	R79604	TUBE NUT	1		
6	AR85618	CAP	1		(USE WITH AR89564) (SUB FOR AT27622) (SUB R79604, R79605, R79606)
7	R47733	LOCK NUT	1		
8	R69433	SEAL	1		
9	R62984	SCREW	1		
10	R46675	NUT	1		(NLA)
11	R69442	SPRING	1		
12	R62982	GUIDE	1		
13	R67779	CLAMP	1		
14	R34764	WASHER	1		
	R60746	WASHER	1		(SUB FOR AT25502, AT18064, AT30299, AR56290 OR AR73673) (SUB AR89564)
15	R48000	WASHER	1		
16	T24472	PLUG	1		
17	AR88239	INJECTION NOZZLE	1		
18	T31174	PLUG	1		
19	R34760	CLAMP	1		
20	R34761	SPACER	1		

1E19

FUEL AND AIR

FUEL INJECTION PUMP HEAD AND ROTOR ASSEMBLY (ROOSA-MASTER NO. DBGFC 431-2DH) (ENGINE SERIAL NO. -088892)

RWP5413 -UN-01JAN94



1E20

FUEL AND AIR

FUEL INJECTION PUMP HEAD AND ROTOR ASSEMBLY - CONTINUED
 (ROOSA-MASTER NO. DBGFC 431-2DH)
 (ENGINE SERIAL NO. -088892)

KEY	PART NO.	PART NAME	QTY	ENGINE SERIAL NO.	REMARKS
1	T11952	RING	NA		
2	R42483	RING	NA	(SUB FOR R34572)	
3	AR44542	RETAINER	NA	(SUB FOR AR28639)	
4	T11931	RING	NA		
5	T11910	WEIGHT	NA	GOVERNOR	
6	T16601	SLEEVE	NA	(SUB R74472)	
7	R30714	BOLT	NA		
8	AR52690	HOUSING	NA	(SUB FOR AT21009)	
9	T11909	WASHER	NA		
10	T11943	WASHER	NA		
11	T11923	STUD	NA		
12	T11890	RETAINER	NA	(A)	
13	T20055	WASHER	8		
14	R26726	FITTING	4		
15	T11886	NEEDLE ROLLER	NA	(A)	
16	R56483	SHOE	NA	(SUB FOR T11885)	
17	R30728	PLUNGER	NA	ROTOR A	
	R30729	PLUNGER	NA	ROTOR B	
	R30730	PLUNGER	NA	ROTOR C	
	R30731	PLUNGER	NA	ROTOR D	
23	R30735	SPRING	NA		
24	T26223	STOP	NA	(SUB FOR R30736)	
25	R30737	SCREW	NA		
26	T11889	SNAP RING	NA		
27	T26238	SLEEVE	NA	(SUB FOR T11892)	
28	R34630	SPRING	NA		
29	AR73828	KIT	NA	(A) STANDARD (PKG. OF (4) BLADES) (SUB FOR R45045 AND R34626)	
	AR73829	KIT	NA	OVERSIZE, (RED) (PKG. OF (4) BLADES) (SUB FOR R45045 OR R34626)	
30	T11894	O-RING	NA		
31	R34631	PLATE	NA		
..	AT18026	FUEL PUMP	1	(SUB AR70144)	
..	AR34612	GASKET KIT	NA	OVERHAUL	

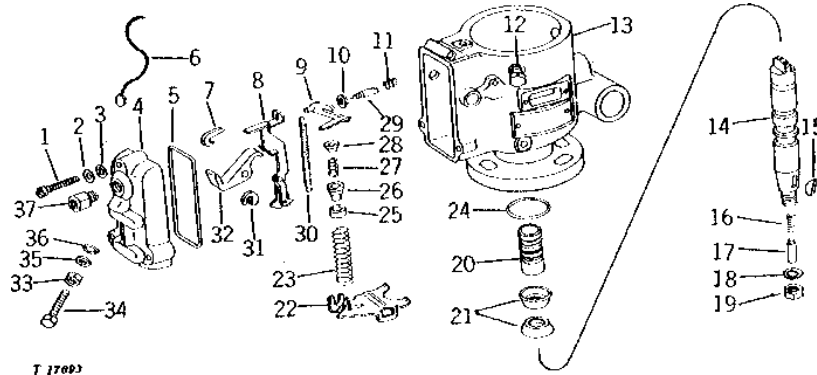
SEE YOUR AUTHORIZED PUMP REPAIR STATION FOR PARTS NOT AVAILABLE (NA)

1E21

FUEL AND AIR

FUEL INJECTION PUMP GOVERNOR AND DRIVE SHAFT
(ROOSA-MASTER NO. DBGFC 431-2DH)
(ENGINE SERIAL NO. -088892)

T17093 -UN-01JAN94



KEY	PART NO.	PART NAME	QTY	ENGINE SERIAL NO.	REMARKS
1	T15721	SCREW	3		
2	T15715	WASHER	3		
3	12M7060	WASHER	3	0.209"	
4	T17945	COVER	NA		
5	T11918	GASKET	1		
6	T11877	WIRE	NA		
7	R30721	CAM	NA		SHUT-OFF ASSEMBLY
8	AT11520	HOOK	NA		
	T15699	HOOK	NA		
	AR28602	LINK	NA		
	R30718	SCREW	NA		
	R30719	LOCK WASHER	NA		
9	AR30736	ARM	1		
10	R30732	SHIM	NA		
11	R58422	SPRING	NA	(SUB FOR T11907)	
12	R30714	BOLT	NA		
13	AT21009	HOUSING	NA		
14	R36538	DRIVE SHAFT	NA		
15	26H10	SHAFT KEY	1	5/32" X 5/8"	
16	R36540	SPRING	1		
17	T19855	PIN	1		
18	12H317	LOCK WASHER	1	9/16"	
19	14H832	NUT	1	9/16"	
20	T19865	BUSHING	NA		
21	T11290	SEAL	2		
22	T16602	ARM	NA	GOVERNOR	
23	T15700	SPRING	NA	(RED AND YELLOW)	
24	T19854	O-RING	1		
25	T17952	WASHER	NA		
26	T11924	RETAINER	NA		
27	T11913	SPRING	NA	IDLING	
28	T11914	GUIDE	NA		
29	R48500	VALVE	NA	METERING, (SUB AR91548) (SUB FOR T17115)	
30	T11911	SPRING	NA		
31	T11929	CLIP	NA		
32	T11927	LEVER	NA		
33	T11921	NUT	1		
34	T17953	CAP SCREW	1	LOW IDLE ADJUSTING	
35	T17947	WASHER	1		
36	R34812	O-RING	NA	(SUB FOR T17951 AND T11906)	
37	AT16555	FITTING	NA		
..	AT18026	FUEL PUMP	1	(SUB AR70144)	
..	AR34612	GASKET KIT	NA	OVERHAUL	

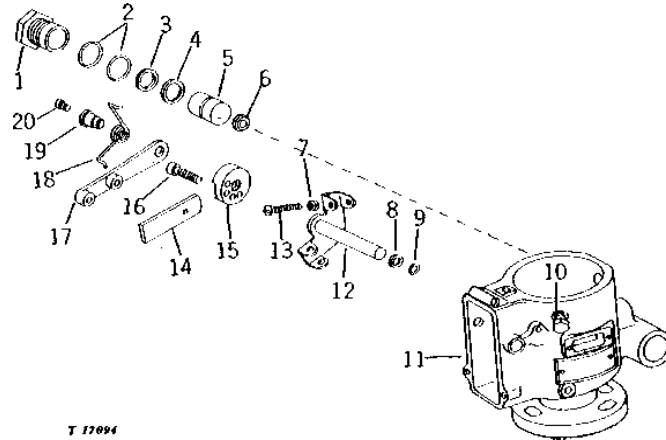
SEE YOUR AUTHORIZED PUMP REPAIR STATION FOR PARTS NOT AVAILABLE (NA)

1E22

FUEL AND AIR

FUEL INJECTION PUMP POWER PISTON AND THROTTLE ASSEMBLY (ROOSA-MASTER NO. DBGFC 431-2DH) (ENGINE SERIAL NO. -088892)

T17094 -UN-01JAN94



T 17094

KEY	PART NO.	PART NAME	QTY	ENGINE SERIAL NO.	REMARKS
1	R74310	PLUG	NA		(SUB FOR T15707 OR R49212)
2	T15710	O-RING	2		
3	R49211	WASHER	NA		(SUB FOR R36651)
4	R34635	WASHER	NA		
5	T19863	PISTON	NA		
6	T15705	WASHER	NA		
7	T11921	NUT	1		
8	T15720	WASHER	NA	MYLAR	
9	T11915	O-RING	1		
10	R30714	BOLT	NA		
11	AT21009	HOUSING	NA		
12	R36542	SHAFT	NA		
13	R30722	BOLT	NA		FAST IDLE ADJUSTING
14	T19860	STRAP	1		
15	T19861	SPACER	1		
16	T19859	SCREW	1		
17	T19858	LEVER	1		
18	T17949	SPRING	1		
19	T17950	RETAINER	1		
20	T11917	SCREW	1		
..	AT18026	FUEL PUMP	1		(SUB AR70144)
..	AR34612	GASKET KIT	NA		OVERHAUL

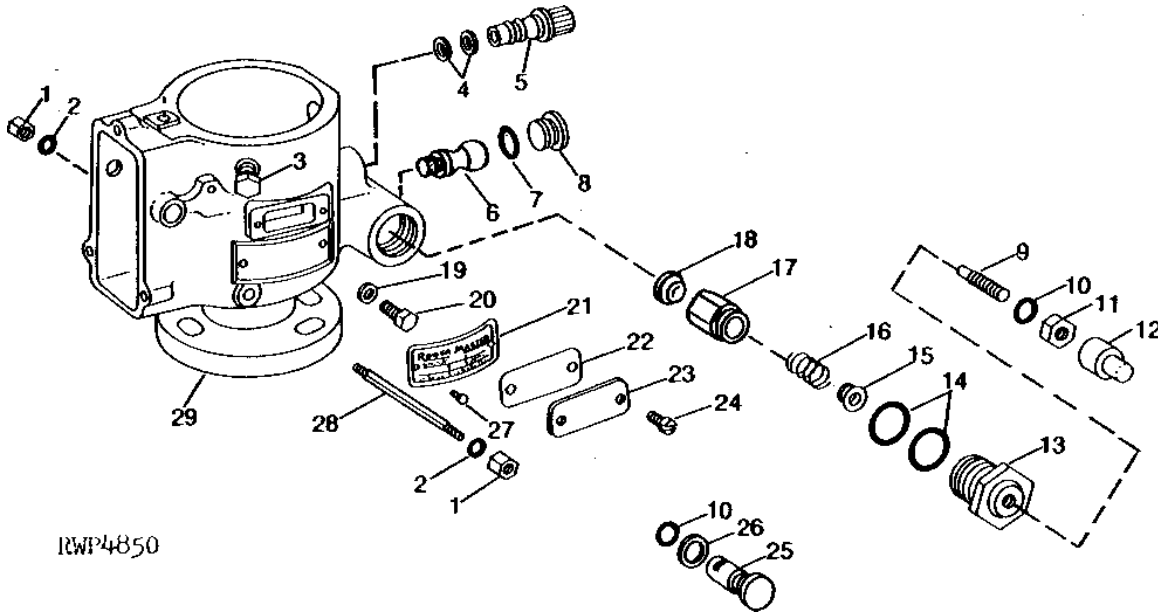
SEE YOUR AUTHORIZED PUMP REPAIR STATION FOR PARTS NOT AVAILABLE (NA)

1E23

FUEL AND AIR

FUEL INJECTION PUMP ADVANCE PISTON ASSEMBLY (ROOSA-MASTER NO. DBGFC 431-2DH) (ENGINE SERIAL NO. -088892)

RWP4850 -UN-01JAN94



RWP4850

KEY	PART NO.	PART NAME	QTY	ENGINE SERIAL NO.	REMARKS
1	T11932	NUT	NA		
2	R34812	O-RING	2		(SUB FOR T11906)
3	R30714	BOLT	NA		
4	T11899	O-RING	2		
5	AR51712	SCREW	NA		(SUB FOR R34637)
6	R36646	SCREW	NA		
7	T15712	O-RING	1		
8	T15711	PLUG	NA		
9	T17123	SET SCREW	NA		
10	T11915	O-RING	2		(SUB R76578)
11	T17122	NUT	NA		
12	T17117	CAP	NA		
13	T17126	PLUG	NA		
14	T15710	O-RING	2		
15	T17125	GUIDE	NA		
16	T19864	SPRING	NA		
17	T18529	PISTON	NA		(SUB FOR T17120 OR R74325)
18	T15705	WASHER	NA		
19	T11878	WASHER	2		
20	T11930	SCREW	NA		
21	T11875	IDENTIFICATION PLATE	NA		
22	T11883	GASKET	1		
23	T11882	COVER	1		TIMING HOLE
24	T11884	SCREW	2		
25	T17946	SHAFT	NA		SHUT-OFF
26	T15720	WASHER	NA		
27	T11876	SCREW	NA		
28	T11925	SHAFT	NA		GOVERNOR ARM PIVOT
29	AR52690	HOUSING	NA		(SUB FOR AT21009)
..	AT18026	FUEL PUMP	1		(SUB AR70144)
..	AR34612	GASKET KIT	NA		OVERHAUL

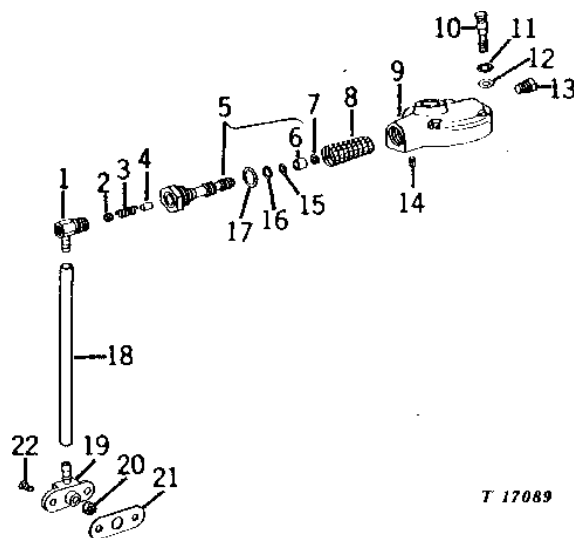
SEE YOUR AUTHORIZED PUMP REPAIR STATION FOR PARTS NOT AVAILABLE (NA)

1E24

FUEL AND AIR

FUEL INJECTION PUMP END PLATE
(ROOSA-MASTER NO. DBGFC 431-2DH)
(ENGINE SERIAL NO. -088892)

T17089 -UN-01JAN94



T 17089

KEY	PART NO.	PART NAME	QTY	ENGINE SERIAL NO.	REMARKS
1	AT16553	FITTING	NA		FUEL INLET
2	R34623	PLUG	NA		
3	T30502	SPRING	NA		
4	T11900	DOWEL PIN	NA		
5	AT25959	SLEEVE	NA		
6	T25142	SEAL	NA		
7	T25142	SEAL	NA		(SUB FOR R34633)
8	R34625	STRAINER	NA		
9	R34624	PLATE	NA		
10	R48498	BOLT	NA		(SUB FOR T11944)
11	12M7060	WASHER	4		0.209"
12	T15715	WASHER	4		
13	R34629	PIPE PLUG	NA		
14	34H240	SPRING PIN	1		1/8" X 1/4"
15	T11899	O-RING	1		
16	R34632	WASHER	NA		
17	R33259	O-RING	1		(SUB FOR T11934)
18	T18379	HOSE	NA		
19	AT16552	FITTING	NA		FUEL RETURN
20	T19876	SCREEN	NA		
21	T18380	GASKET	NA		
22	T11884	SCREW	2		
..	AT18026	FUEL PUMP	1		(SUB AR70144)
..	AR34612	GASKET KIT	NA		OVERHAUL

SEE YOUR AUTHORIZED PUMP REPAIR STATION FOR PARTS NOT AVAILABLE (NA)

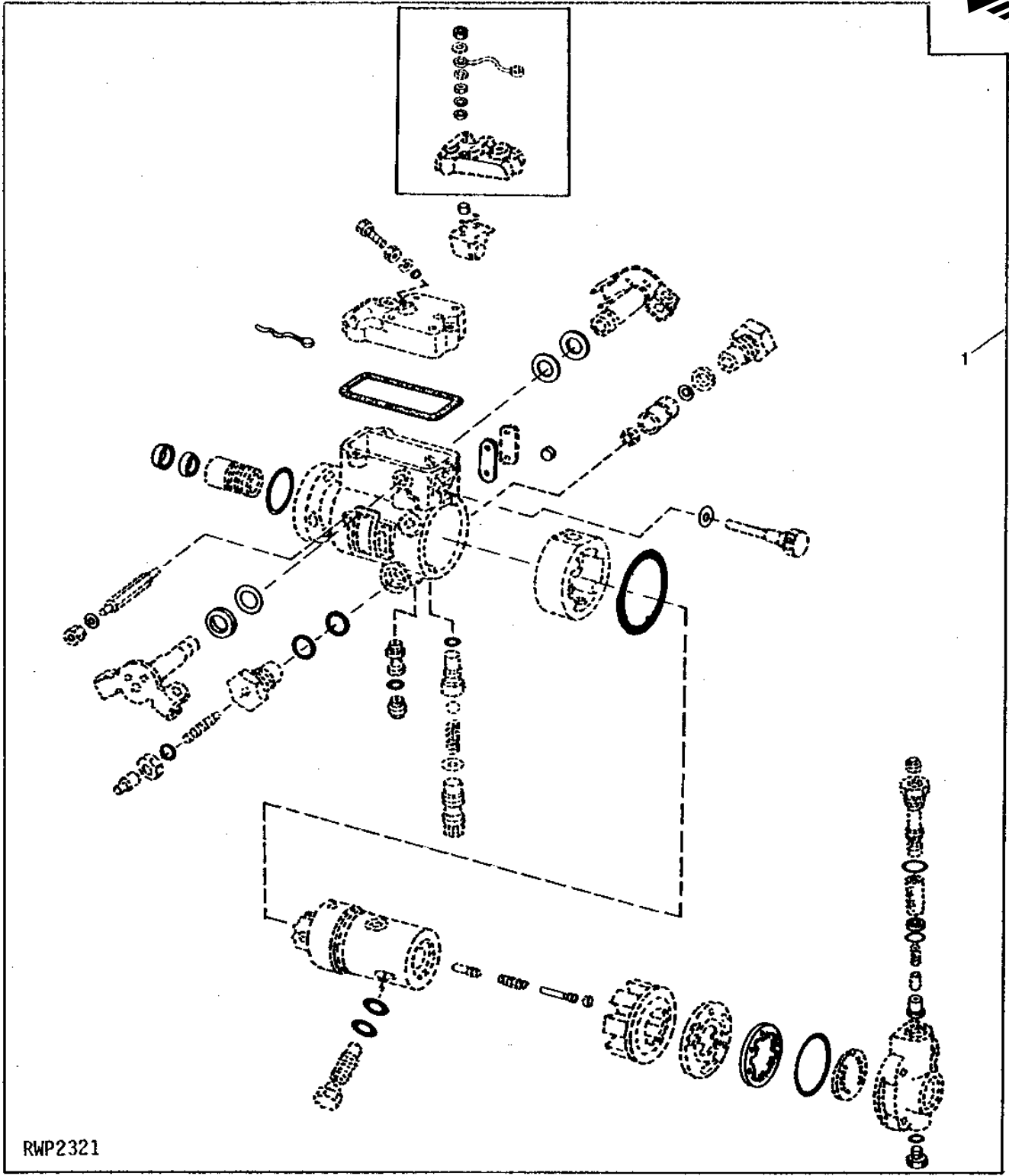
1F1

FUEL AND AIR

RWP2321

-UN-01JAN94

FUEL INJECTION PUMP GASKET OVERHAUL KIT



RWP2321

1F2

FUEL AND AIR

FUEL INJECTION PUMP GASKET OVERHAUL KIT - CONTINUED

KEY	PART NO.	PART NAME	QTY	ENGINE SERIAL NO.	REMARKS
1	AR34612	GASKET KIT	NA		(A) (USE WITH ROOSA-MASTER NO. DBGFC431-2DH OR DBGFC431-25AJ) (SUB FOR AR51713)

SEE YOUR AUTHORIZED PUMP REPAIR STATION FOR PARTS NOT AVAILABLE (NA)

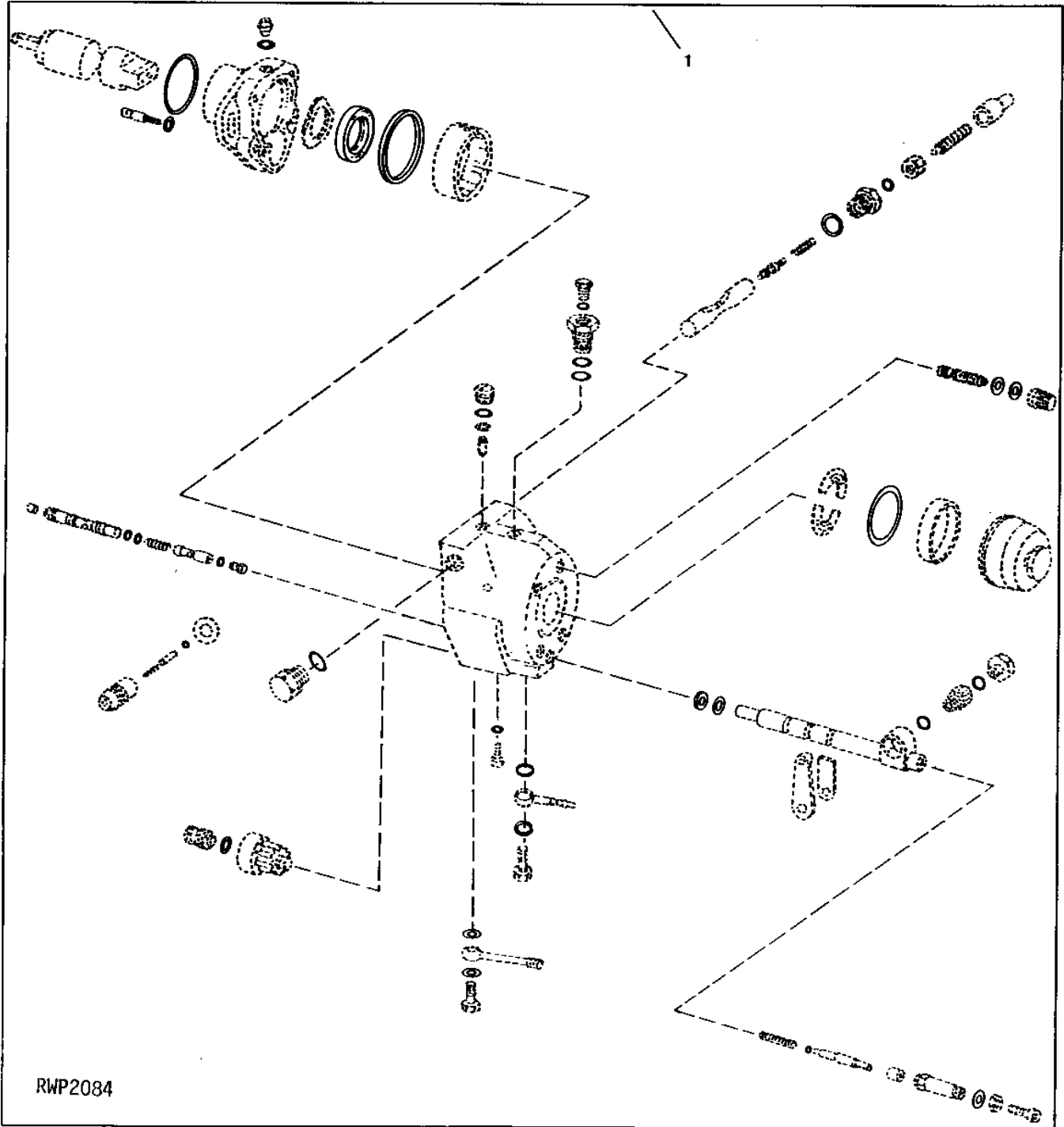
1F3

FUEL AND AIR

RWP2084

-UN-01JAN94

OVERHAUL GASKET KIT



1F4

FUEL AND AIR

OVERHAUL GASKET KIT - CONTINUED

KEY	PART NO.	PART NAME	QTY	ENGINE SERIAL NO.	REMARKS
1	AT24462	GASKET KIT	NA		(A) (USE WITH ROOSA-MASTER NOS. CDC431-6DG, CDC431-9DG AND CDC431-14DG) (SUB RE21230)
	AR52271	KIT	NA		(A) (USE WITH ROOSA-MASTER NO. CBC431-15AL) (SUB FOR AR46977) (SUB RE21230)

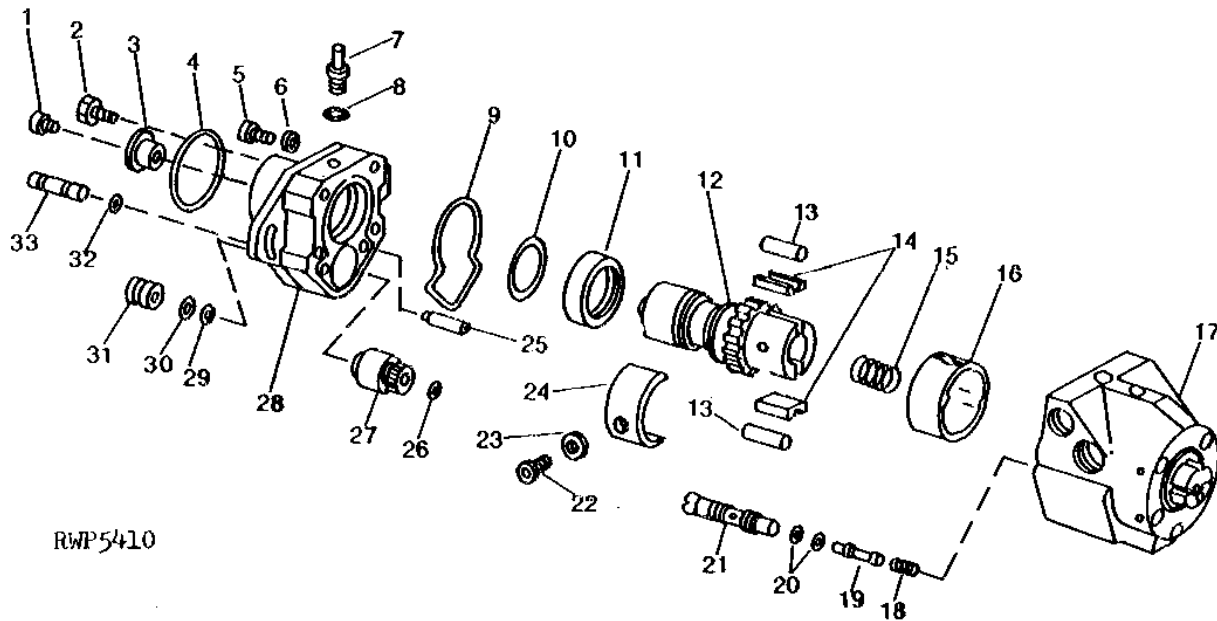
SEE YOUR AUTHORIZED PUMP REPAIR STATION FOR PARTS NOT AVAILABLE (NA)

1F5

FUEL AND AIR

FUEL INJECTION PUMP HEAD, DRIVE SHAFT AND DRIVE HOUSING
(ROOSA-MASTER NO. CDC 431-6DG) (ENGINE SERIAL NO. 088893-093588)
(ROOSA-MASTER NO. CDC 431-9DG) (ENGINE SERIAL NO. 093589-099474)
(ROOSA-MASTER NO. CDC 431-14DG) (ENGINE SERIAL NO. 099475-)

RWP5410 -UN-01JAN94



1F6

FUEL AND AIR

FUEL INJECTION PUMP HEAD, DRIVE SHAFT AND DRIVE HOUSING-CONTINUED
(ROOSA-MASTER NO. CDC 431-6DG) (ENGINE SERIAL NO. 088893-093588)
(ROOSA-MASTER NO. CDC 431-9DG) (ENGINE SERIAL NO. 093589-099474)
(ROOSA-MASTER NO. CDC 431-14DG) (ENGINE SERIAL NO. 099475-)

KEY	PART NO.	PART NAME	QTY	ENGINE SERIAL NO.	REMARKS
1	19H2948	SCREW	1		1/4" X 0.380"
2	T26497	SCREW	NA		
3	T26496	BUSHING	NA		
4	T28582	O-RING	1		
5	T26227	SCREW	NA		
6	T26226	WASHER	NA		
7	T26233	PIN	NA		TIMING
8	T11878	WASHER	1		
9	T11891	O-RING	NA		
10	T26231	SNAP RING	NA		
11	AT24203	SEAL	NA		
12	AT24204	SHAFT	NA	-093588	
	AT27168	SHAFT	NA	093589-	
13	T11886	NEEDLE ROLLER	NA		
14	R56483	SHOE	NA		(SUB FOR T11885)
15	T26235	SPRING	NA		
16	T26210	RING	NA	-099474	(SUB T29678)
	T29678	CAM	NA	099475-	(SUB FOR T26210 OR T30078)
	T30078	CAM	NA		(A) (SUB T29678)
17	AT28537	HOUSING	1		(A) (SUB FOR AT24202 OR AT27167) (NO LONGER AVAILABLE)
18	T26214	SPRING	NA		
19	T26213	PISTON	NA		TRANSFER PUMP REGULATING
20	T26212	O-RING	NA		
21	T26211	SLEEVE	NA		
22	T26232	SCREW	NA		
23	T31124	SHIM	NA		0.13MM (.005") (NO LONGER AVAILABLE)
	T31125	SHIM	NA		0.15MM (.006") (NO LONGER AVAILABLE)
	T31126	SHIM	NA		0.18MM (.007") (NO LONGER AVAILABLE)
	T31127	SHIM	NA		0.20MM (.008") (NO LONGER AVAILABLE)
	T31128	SHIM	NA		0.23MM (.009") (NO LONGER AVAILABLE)
24	R30724	LEAF SPRING	NA		
25	AT30203	KIT	NA		HOUSING PRESSURE REGULATOR (INCLUDES VALVE AND SPRING) (SUB FOR AT24212)
26	T30244	SHIM	NA		0.25MM (.010") (SUB FOR T26244)
	T30245	SHIM	NA		0.30MM (.012") (SUB FOR T26245)
	T30246	SHIM	NA		0.35MM (.014") (SUB FOR T26246)
	T30247	SHIM	NA		0.41MM (.016") (SUB FOR T26247)
27	AT31165	KIT	NA		(SUB FOR AT24205)
28	T26234	HOUSING	NA		
29	T26251	THRUST WASHER	NA		
30	T26243	O-RING	NA		
31	T26242	SCREW	1		
32	T26230	O-RING	NA		
33	T26229	PLUG	NA		
..	AT22628	FUEL INJECTION PUMP	1		(SUB AR69819, AT30145 AND T31123) (ALSO ORDER (3) T26497 AND T26496)
..	RE21230	KIT	NA		OVERHAUL, (SUB FOR RE21230)

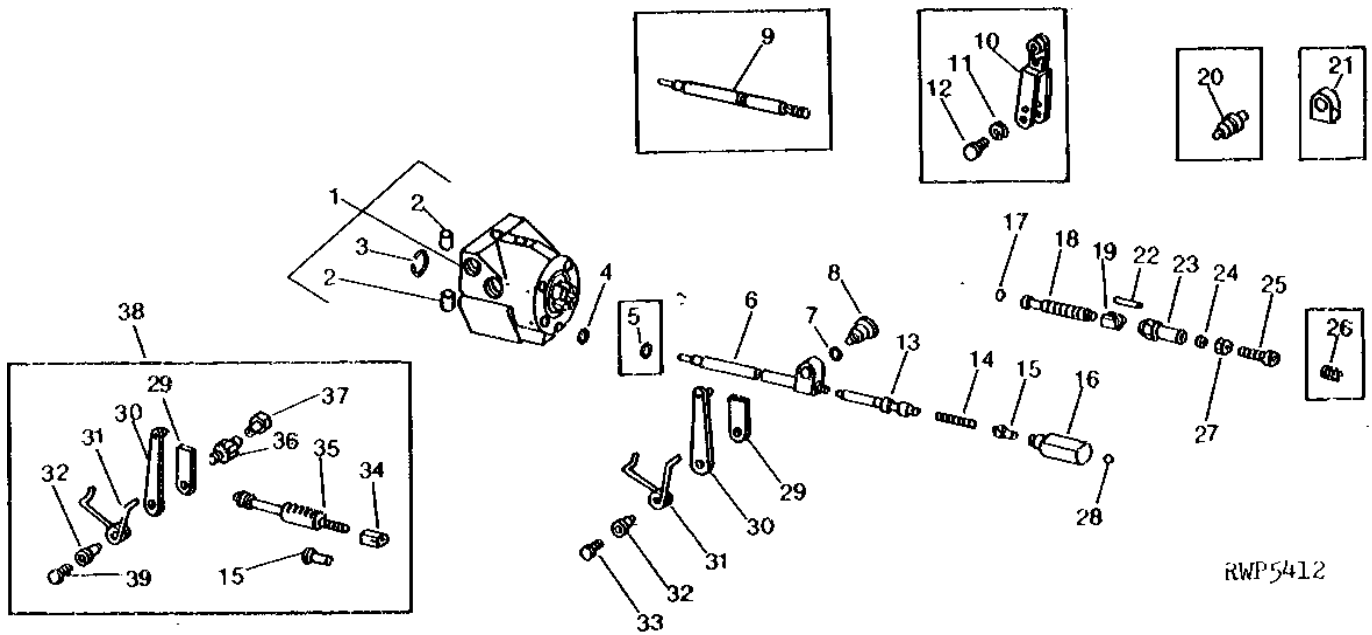
SEE YOUR AUTHORIZED PUMP REPAIR STATION FOR PARTS NOT AVAILABLE (NA)
 (A) WENT INTO EFFECT WITH ROOSA-MASTER SERIAL NO. 1033884

1F7

FUEL AND AIR

FUEL INJECTION PUMP GOVERNOR AND THROTTLE CONTROL
(ROOSA-MASTER NO. CDC 431-6DG) (ENGINE SERIAL NO. 088893-093588)
(ROOSA-MASTER NO. CDC 431-9DG) (ENGINE SERIAL NO. 093589-099474)
(ROOSA-MASTER NO. CDC 431-14DG) (ENGINE SERIAL NO. 099475-)

RWP5412 -UN-01JAN94



RWP5412

1F8

FUEL AND AIR

FUEL INJECTION PUMP GOVERNOR AND THROTTLE CONTROL - CONTINUED
(ROOSA-MASTER NO. CDC 431-6DG) (ENGINE SERIAL NO. 088893-093588)
(ROOSA-MASTER NO. CDC 431-9DG) (ENGINE SERIAL NO. 093589-099474)
(ROOSA-MASTER NO. CDC 431-14DG) (ENGINE SERIAL NO. 099475-)

KEY	PART NO.	PART NAME	QTY	ENGINE SERIAL NO.	REMARKS
1	AT28537	HOUSING	1		(A) (SUB FOR AT24202 OR AT27167) (NO LONGER AVAILABLE)
2	T29171	PLUNGER	2		ROTOR A (NO LONGER AVAILABLE)
	T29172	PLUNGER	NA		ROTOR B
	T29173	PLUNGER	NA		ROTOR C
	T29174	PLUNGER	2		ROTOR D (NO LONGER AVAILABLE)
3	T26221	SNAP RING	NA		
4	T11899	O-RING	1		
5	T29165	SNAP RING	NA	-099474	
6	AT27144	VALVE	NA	093589-099474	
	AT27862	VALVE	NA	099475-	
7	T26256	O-RING	2		
8	T29166	GEAR	NA	099475-	
9	AT24206	SLEEVE	NA	-093588	
10	AT24207	LEVER	NA	-099474	
11	12H246	LOCK WASHER	2	-099474	0.190"
12	T26273	CAP SCREW	NA	-099474	
13	T26248	VALVE	NA	-099474	METERING
	AT27863	VALVE	NA	099475-	METERING
14	T26249	SPRING	NA		(BLUE AND PLAIN)
	T30001	SPRING	NA		(A) (BLACK AND PLAIN)
15	T26253	GUIDE	NA	-099474	
	T29112	GUIDE	NA	099475-	
16	T29113	SPACER	NA	099475-	
17	T26257	O-RING	NA		
18	T26259	SCREW	NA		THROTTLE ADJUSTING, (SUB AT30118)
19	AT24208	NUT	NA		HIGH IDLE ADJUSTING
20	T26255	PIN	NA	-099474	
21	T26258	SUPPORT	NA	-093588	
22	T26260	DOWEL PIN	NA		
23	T26261	CAP	NA		
24	AT24209	SEAL	1		
25	T17948	SCREW	1		
26	T26250	SPRING	NA	-099474	
27	14H631	NUT	1		0.190"
28	T26254	BALL	NA		
29	T29164	LEVER	1	099475-	THROTTLE
30	T19858	LEVER	1	099475-	THROTTLE, (SUB FOR AT27194)
31	T17949	SPRING	1	099475-	
32	T17950	RETAINER	1	099475-	
33	T17948	SCREW	1	099475-	
34	R45057	NUT	NA		
35	T31122	RACK	NA		
36	R45054	GEAR	NA		
37	R45058	NUT	NA		
38	AT30118	KIT	NA		THROTTLE CONTROL
39	T19859	SCREW	1		
..	AT22628	FUEL INJECTION PUMP	1		(SUB AR69819, AT30145 AND T31123) (ALSO ORDER T26496 AND (3) T26497)
..	RE21230	KIT	NA		OVERHAUL, (SUB FOR AT24462)

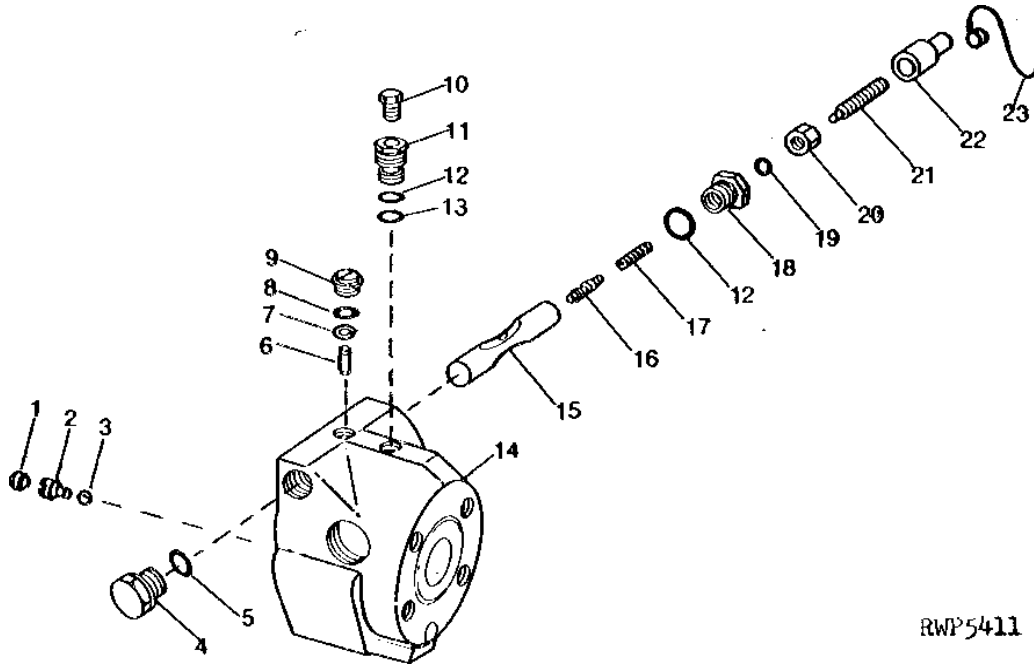
SEE YOUR AUTHORIZED PUMP REPAIR STATION FOR PARTS NOT AVAILABLE (NA)
(A) WENT INTO EFFECT WITH ROOSA-MASTER SERIAL NO. 1033884

1F9

FUEL AND AIR

FUEL INJECTION PUMP ADVANCE PISTON ASSEMBLY
 (ROOSA-MASTER NO. CDC 431-6DG) (ENGINE SERIAL NO. 088893-093588)
 (ROOSA-MASTER NO. CDC 431-9DG) (ENGINE SERIAL NO. 093589-099474)
 (ROOSA-MASTER NO. CDC 431-14DG) (ENGINE SERIAL NO. 099475-)

RWP5411 -UN-01JAN94



RWP5411

KEY	PART NO.	PART NAME	QTY	ENGINE SERIAL NO.	REMARKS
1	T26219	SET SCREW	1		
2	T26218	SCREW	1		
3	T26220	BALL	1		
4	T26265	DRAIN PLUG	1		
5	R33259	O-RING	1		
6	T27306	PIN	NA		
7	T27300	SNAP RING	NA		
8	T15712	O-RING	1		
9	T26263	PLUG	NA		
	T27307	ADAPTER	NA	093589-	
10	R34629	PIPE PLUG	1		
11	T26208	BUSHING	NA		AIR BLEED
12	R33259	O-RING	2		(SUB FOR T11934)
13	T26209	RING	1		
14	AT28537	HOUSING	1		(A) (SUB FOR AT24202 OR AT27167) (NO LONGER AVAILABLE)
15	T26268	PISTON	NA		
16	AT25325	PISTON	NA		
17	T11901	SPRING	NA	-093588	
	T30502	SPRING	NA	093589-	
18	T26266	ADAPTER	NA	-093588	
19	T11915	O-RING	1		
20	T17122	NUT	NA		
21	T26267	SET SCREW	NA		ADVANCE ADJUSTMENT
22	T17117	CAP	NA		
23	T11877	WIRE	NA		
..	AT22628	FUEL INJECTION PUMP	1		(SUB AR69819, AT30145 AND T31123) (ALSO ORDER T26496 AND (3) T26497)
..	RE21230	KIT	NA		OVERHAUL, (SUB FOR AT24462)

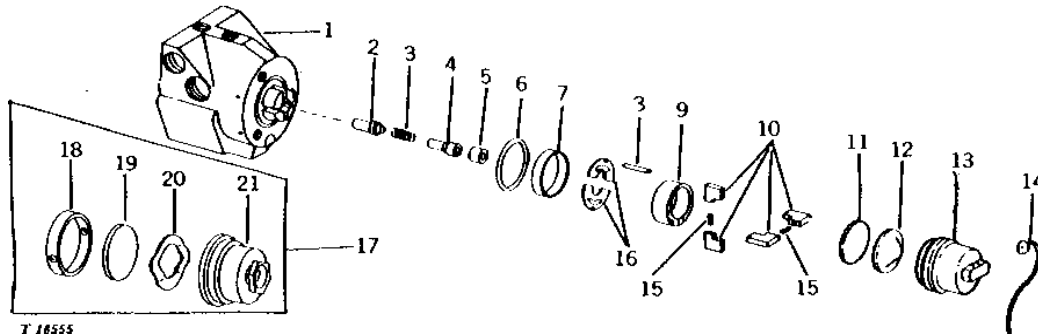
SEE YOUR AUTHORIZED PUMP REPAIR STATION FOR PARTS NOT AVAILABLE (NA)
 (A) WENT INTO EFFECT WITH ROOSA-MASTER SERIAL NO. 1033884

1F10

FUEL AND AIR

FUEL INJECTION PUMP DELIVERY VALVE AND TRANSFER PUMP
 (ROOSA-MASTER NO. CDC 431-6DG) (ENGINE SERIAL NO. 088893-093588)
 (ROOSA-MASTER NO. CDC 431-9DG) (ENGINE SERIAL NO. 093589-099474)
 (ROOSA-MASTER NO. CDC 431-14DG) (ENGINE SERIAL NO. 099475-)

T18555 -UN-01JAN94



KEY	PART NO.	PART NAME	QTY	ENGINE SERIAL NO.	REMARKS
1	AT28537	HOUSING	1		(A) (SUB FOR AT24202 OR AT27167) (NO LONGER AVAILABLE)
2	R30733	VALVE	NA	-099474	
	T19856	VALVE	NA	099475-	
	R30734	VALVE	NA	-099474	USED ON ROTOR MARKED "OV"
	T19857	VALVE	NA	099475-	USED ON ROTOR MARKED "OV"
3	R30735	SPRING	NA		
4	T26223	STOP	NA		
5	R30737	SCREW	NA		
6	T26236	O-RING	NA		
7	T26237	BUSHING	NA		TRANSFER PUMP LINER LOCATOR
8	T26239	DOWEL PIN	NA		TRANSFER PUMP LINER
9	T26238	SLEEVE	NA		
10	AR73828	KIT	NA		(PKG OF (4) BLADES) (SUB FOR R45045 OR R34626)
	AR73829	KIT	NA		(RED) (PKG OF (4) BLADES) (OVERSIZE) (SUB FOR R45045 OR R34626)
11	T27304	PLATE	NA	099475-	THRUST
12	T26240	CAP	NA	-099474	(SUB AT30117)
	T27302	PLATE	NA	099475-	(SUB AT30117)
13	T26241	PLATE	NA	-099474	(SUB AT30117)
	T27303	CAP	NA	099475-	(SUB AT30117)
14	T11877	WIRE	NA		
15	R34630	SPRING	NA		
16	T26222	RETAINER	NA		
17	AT30117	KIT	NA		TRANSFER PUMP
18	R45044	WASHER	NA		
19	T27304	PLATE	NA		THRUST
20	R45046	WASHER	NA		
21	R45047	CAP	NA		
..	AT22628	FUEL INJECTION PUMP	1		(SUB AR69819, AT30145, T31123 AND 19H2948) (ALSO ORDER T26496 AND (3) T26497)
..	AT29734	FUEL PUMP	1		(SUB AR69810, AR69819, AR50897 AND AT27620)
..	RE21230	KIT	NA		OVERHAUL, (SUB FOR AT24462)

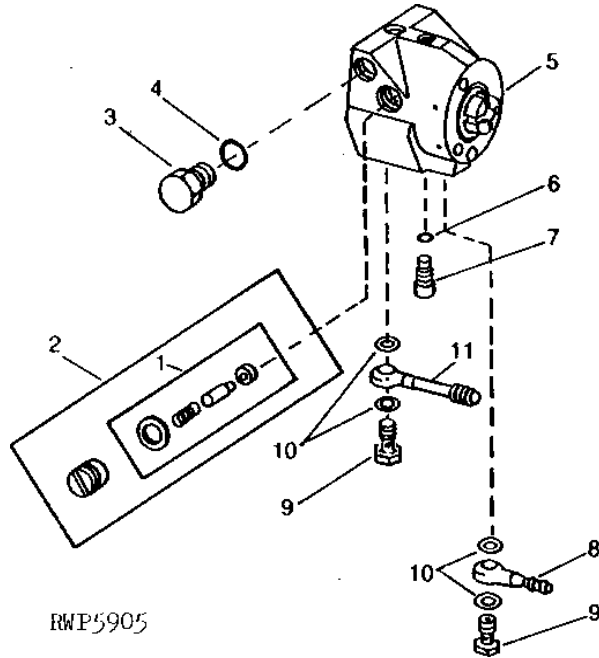
SEE YOUR AUTHORIZED REPAIR STATION FOR PARTS NOT AVAILABLE (NA)
 (A) WENT INTO EFFECT WITH ROOSA-MASTER SERIAL NO. 1033884

1F11

FUEL AND AIR

FUEL INJECTION PUMP SHUT-OFF SOLENOID AND FITTINGS
 (ROOSA-MASTER NO. CDC 431-6DG) (ENGINE SERIAL NO. 088843-093588)
 (ROOSA-MASTER NO. CDC 431-9DG) (ENGINE SERIAL NO. 093589-099474)
 (ROOSA-MASTER NO. CDC431-14DG) (ENGINE SERIAL NO. 099475-)

RWP5905 -UN-01JAN94



RWP5905

KEY	PART NO.	PART NAME	QTY	ENGINE SERIAL NO.	REMARKS
1	AT28952	KIT	NA		SOLENOID REPAIR (REPAIRS ONLY FOR AR28951 SOLENOID)
2	AT28951	KIT	NA		SOLENOID REPLACEMENT, (SUB FOR AT24735)
3	T26265	DRAIN PLUG	NA		
4	R33259	O-RING	1		(SUB FOR T11934)
5	AT28537	HOUSING	1		(A) (SUB FOR AT24202 OR AT27167) (NO LONGER AVAILABLE)
6	T26215	O-RING	NA		
7	T26216	SCREW	NA		
8	AT24201	FITTING	1		FUEL RETURN
9	T26217	FITTING	2		
10	T20055	WASHER	4		
11	AT24200	FITTING	1		FUEL INLET
..	AT22628	FUEL INJECTION PUMP	1		(SUB AR69819, AT30145, T31123 AND 19H2948) (ALSO ORDER T26496 AND (3) T26497)
..	RE21230	KIT	NA		OVERHAUL, (SUB FOR AT24462)

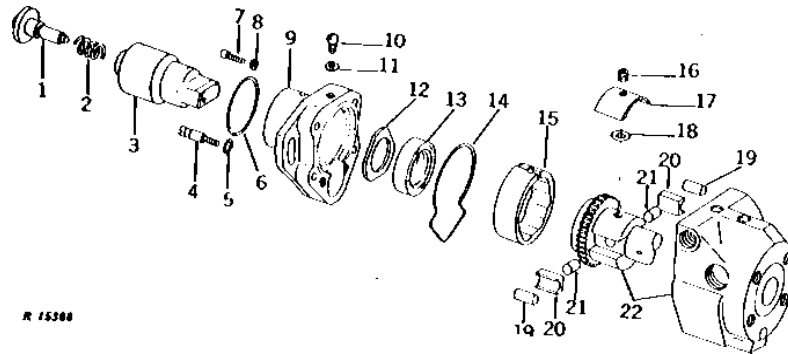
SEE YOUR AUTHORIZED PUMP REPAIR STATION FOR PARTS NOT AVAILABLE (NA)
 (A) WENT INTO EFFECT WITH ROOSA-MASTER SERIAL NO. 1033884

1F12

FUEL AND AIR

FUEL INJECTION PUMP HEAD, DRIVE SHAFT, AND DRIVE HOUSING (ROOSA-MASTER NO. CBC431-15AL) (SERVICE REPLACEMENT)

R15388 -UN-01JAN94



KEY	PART NO.	PART NAME	QTY	ENGINE SERIAL NO.	REMARKS
1	AT30145	PUSH BUTTON	1		
2	T31123	SPRING	1		
3	AT29831	SHAFT	NA		
4	T26229	PLUG	NA		REGULATING SLEEVE ADJUSTING HOLE
5	T26230	O-RING	NA		
6	T28582	O-RING	1		
7	T26227	SCREW	NA		
8	T26226	WASHER	NA		
9	R45040	HOUSING	NA		
10	T26233	PIN	NA		
11	T11878	WASHER	1		
12	R45041	GUIDE	NA		
13	AT30144	SEAL	NA		
14	T11891	O-RING	NA		
15	T32242	RING	NA		(SUB FOR T31131)
16	T11887	SCREW	NA		
17	T11888	LEAF SPRING	NA		
18	T31124	SHIM	NA		0.13MM (.005") (NO LONGER AVAILABLE)
	T31125	SHIM	NA		0.15MM (.006") (NO LONGER AVAILABLE)
	T31126	SHIM	NA		0.18MM (.007") (NO LONGER AVAILABLE)
	T31127	SHIM	NA		0.20MM (.008") (NO LONGER AVAILABLE)
	T31128	SHIM	NA		0.23MM (.009") (NO LONGER AVAILABLE)
19	T11886	NEEDLE ROLLER	NA		
20	R56483	SHOE	NA		
21	R30728	PLUNGER	NA		ROTOR A
	R30729	PLUNGER	NA		ROTOR B
	R30730	PLUNGER	NA		ROTOR C
	R30731	PLUNGER	NA		ROTOR D
22	AR52436	KIT	1		(SUB AR69819, AR69810, AR50897 AND AT27620)
..	AT29734	FUEL PUMP	1		(SUB AR69819, AR69810, AR50897 AND AT27620)
..	RE21230	KIT	NA		OVERHAUL, (SUB FOR AR52271)

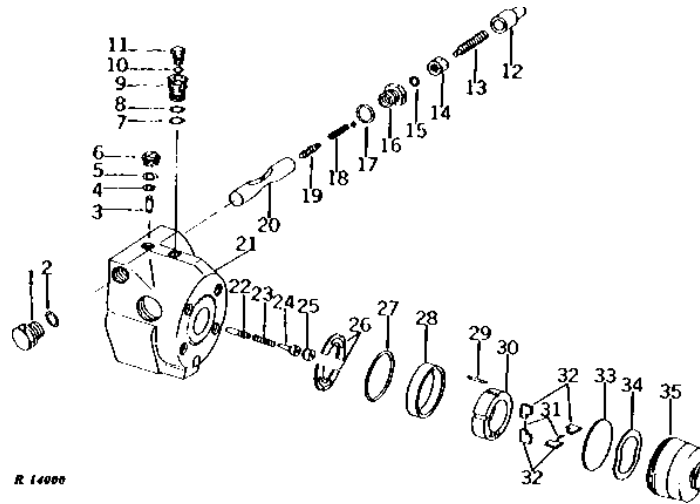
SEE YOUR AUTHORIZED PUMP REPAIR STATION FOR PARTS NOT AVAILABLE (NA)

1F13

FUEL AND AIR

FUEL INJECTION PUMP ADVANCE PISTON, DELIVERY VALVE, AND TRANSFER PUMP (ROOSA-MASTER NO. CBC431-15AL) (SERVICE REPLACEMENT)

R14000 -UN-01JAN94



KEY	PART NO.	PART NAME	QTY	ENGINE SERIAL NO.	REMARKS
1	T26265	DRAIN PLUG	NA		PISTON HOLE
2	R33259	O-RING	1		
3	T27306	PIN	NA		
4	T27300	SNAP RING	NA		
5	T15712	O-RING	1		
6	T26263	PLUG	NA		ADVANCE PIN HOLE
7	T26209	RING	1		AIR BLEED PLUG
8	R33259	O-RING	1		AIR BLEED PLUG, TOP
9	R45036	PLUG	NA		AIR BLEED
10	T26256	O-RING	1		
11	T30607	DRAIN PLUG	NA		AIR BLEED
12	T17117	CAP	NA		
13	T26267	SET SCREW	NA		ADVANCE ADJUSTING
14	T17122	NUT	NA		
15	T11915	O-RING	1		
16	R45060	DRAIN PLUG	NA		PISTON HOLE
17	R33259	O-RING	1		
18	T31482	SPRING	NA		(RED AND BLUE) AUTOMATIC ADVANCE
19	AT25325	PISTON	NA		
20	T26268	PISTON	NA		
21	AR52436	KIT	1		(SUB AR69819, AR69810, AR50897 AND AT27620)
22	T31129	VALVE	NA		DELIVERY
23	T31125	SHIM	NA		(USE WITH ROTOR MARKED "OV")
24	R30735	SPRING	NA		
25	T26223	STOP	NA		
26	R30737	SCREW	NA		
27	T26222	RETAINER	NA		
28	T26236	O-RING	NA		
29	R45044	WASHER	NA		LINER LOCATING
30	T26239	DOWEL PIN	NA		LINER LOCATING
31	T26238	SLEEVE	NA		TRANSFER PUMP
32	R34630	SPRING	NA		
32	AR73828	KIT	NA		(PKG OF (4) BLADES AND (2) R34630) (STANDARD) (SUB FOR R45045)
	AR73829	KIT	NA		(RED) (PKG OF (4) BLADES AND (2) R34630) (OVERSIZE) (SUB FOR R45045)
33	T27304	PLATE	NA		
34	R45046	WASHER	NA		
35	R45047	CAP	NA		
..	AT29734	FUEL PUMP	1		(SUB AR69819, AR69810, AR50897 AND AT27620)
..	RE21230	KIT	NA		OVERHAUL, (SUB FOR AR52271)

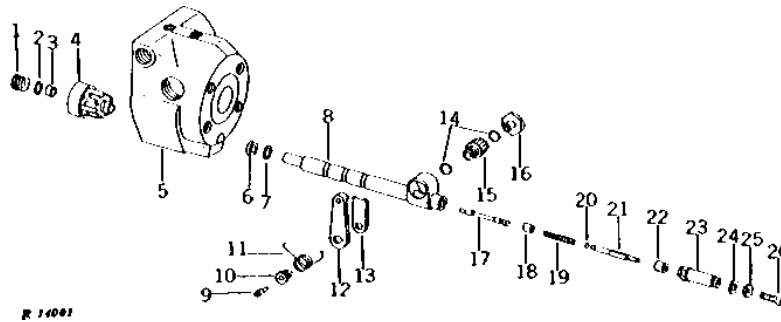
SEE YOUR AUTHORIZED PUMP REPAIR STATION FOR PARTS NOT AVAILABLE (NA)

1F14

FUEL AND AIR

FUEL INJECTION PUMP GOVERNOR AND THROTTLE CONTROL (ROOSA MASTER NO. CBC431-15AL) (SERVICE REPLACEMENT)

R14001 -UN-01JAN94



KEY	PART NO.	PART NAME	QTY	ENGINE SERIAL NO.	REMARKS
1	R46618	SCREW	NA		
2	T26243	O-RING	NA		
3	R45051	INSERT	NA		GOVERNOR THRUST, (SUB R46618)
4	AR46841	GOVERNOR	NA		
5	AR52436	KIT	1		(SUB AR69819, AR69810, AR50897 AND AT27620)
6	R45052	WASHER	NA		GOVERNOR SLEEVE
7	T11899	O-RING	1		
8	AT30146	SLEEVE	NA		
9	T19859	SCREW	1		
10	T17950	RETAINER	1		
11	T17949	SPRING	1		
12	T19858	LEVER	1		THROTTLE
13	T29164	LEVER	1		THROTTLE
14	T26256	O-RING	2		
15	R45054	GEAR	NA		
16	R45058	NUT	NA		
17	R45049	VALVE	NA		METERING
18	R46619	WASHER	NA		
19	T31481	SPRING	NA		
20	T26257	O-RING	NA		
21	R45055	ROD	NA		THROTTLE ADJUSTING
22	R45057	NUT	NA		
23	R45056	CAP	NA		
24	AT24209	SEAL	1		
25	14H631	NUT	1		0.190"
26	T17948	SCREW	1		LOW IDLE ADJUSTING
..	AT29734	FUEL PUMP	1		(SUB AR69819, AR69810, AR50897 AND AT27620)
..	RE21230	KIT	NA		OVERHAUL, (SUB FOR AT52271)

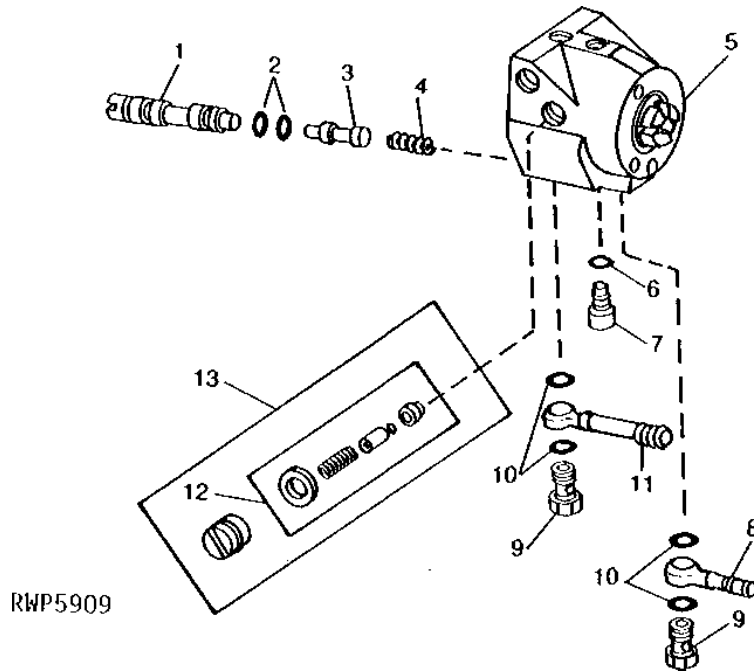
SEE YOUR AUTHORIZED PUMP REPAIR STATION FOR PARTS NOT AVAILABLE (NA)

1F15

FUEL AND AIR

FUEL INJECTION PUMP SHUT-OFF SOLENOID AND FITTINGS (ROOSA-MASTER NO. CBC431-15AL) (SERVICE REPLACEMENT)

RWP5909 -UN-01JAN94



RWP5909

KEY	PART NO.	PART NAME	QTY	ENGINE SERIAL NO.	REMARKS
1	T26211	SLEEVE	NA		TRANSFER PUMP REGULATOR
2	T26212	O-RING	NA		
3	T26213	PISTON	NA		TRANSFER PUMP REGULATOR
4	T26214	SPRING	NA		
5	AR52436	KIT	1		(SUB AR69819, AR69810, AR50897 AND AT27620)
6	T26215	O-RING	NA		
7	T26216	SCREW	NA		
8	AT24201	FITTING	1		FUEL RETURN
9	T26217	FITTING	2		
10	T20055	WASHER	4		
11	AT24200	FITTING	1		FUEL RETURN
12	AT28952	KIT	NA		SOLENOID REPAIR
13	AT28951	KIT	NA		SOLENOID REPLACEMENT
..	AT29734	FUEL PUMP	1		(SUB AR69819, AR69810, AR50897 AND AT27620)
..	RE21230	KIT	NA		OVERHAUL, (SUB FOR AR52271)

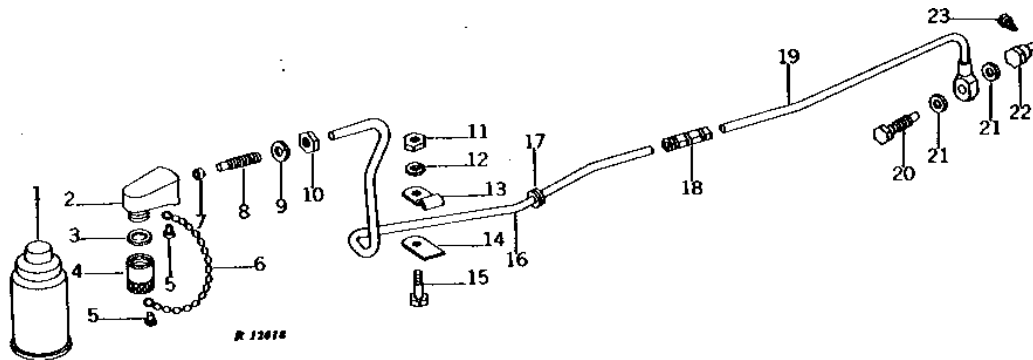
SEE YOUR AUTHORIZED PUMP REPAIR STATION FOR PARTS NOT AVAILABLE (NA)

1F16

FUEL AND AIR

COLD WEATHER STARTING AID (DIESEL)

R12018 -UN-01JAN94



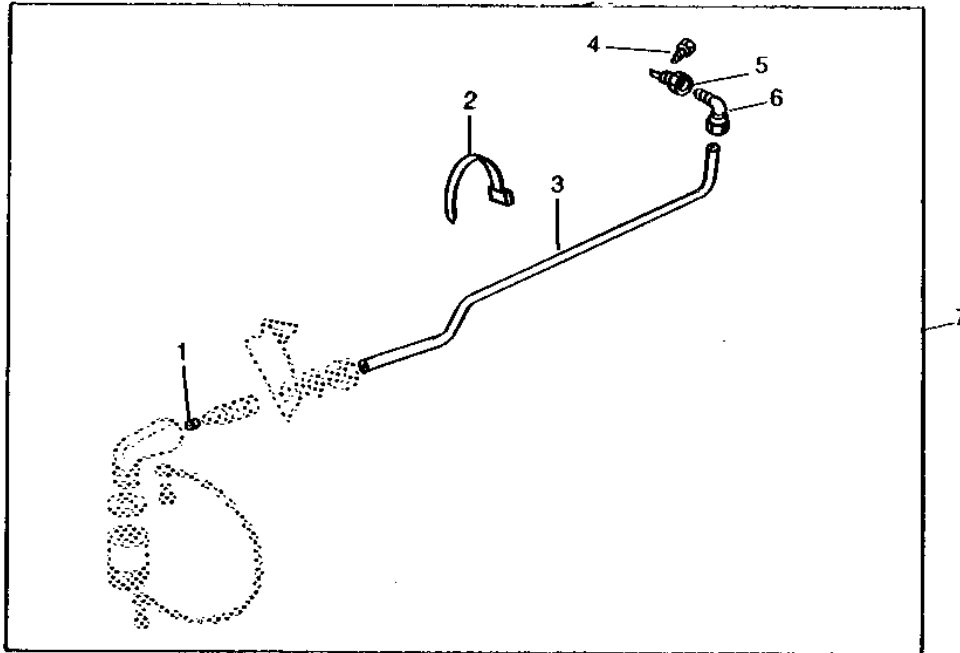
KEY	PART NO.	PART NAME	QTY	TRACTOR SERIAL NO.	REMARKS
1	RE30174	STARTING FLUID	1		(SUB FOR AR27814 OR RE24561) (SUB RE33636)
2	R39534	ADAPTER	1		
3	R26149	PACKING	1		
4	R32306	CAP	1		
5	37H44	SCREW	2	0.151" X 3/8"	
6	AR27940	LINK CHAIN	1		
7	R34394	WASHER	1		
8	R34395	ADAPTER	1		
9	12H301	LOCK WASHER	1	1/2"	
10	14H1040	NUT	1	1/2"	
11	NUT	1		(NO LONGER REQUIRED)
12	LOCK WASHER	1		(NO LONGER REQUIRED)
13	HALF CLAMP	1		(NO LONGER REQUIRED)
14	HALF CLAMP	1		(NO LONGER REQUIRED)
15	CAP SCREW	1		(NO LONGER REQUIRED)
16	TUBE	1		(ORDER RE16181)
17	R27180	GROMMET	1		
18	R34388	UNION FITTING	1		
19	LINE	1		(ORDER RE16181)
20	R26726	FITTING	1		
21	T20055	WASHER	2		
22	R28584	FITTING	1		
23	R28583	NOZZLE	1		

1F17

FUEL AND AIR

RWP5037 -UN-01JAN94

STARTING FLUID TUBE KIT



RWP5037

KEY	PART NO.	PART NAME	QTY	TRACTOR SERIAL NO.	REMARKS
1	R34394	WASHER	1		
2	R44302	TIE BAND	5		
3	TUBE	1		(ORDER RE16181)
4	R28583	NOZZLE	1		
5	R47160	NOZZLE HOLDER	1		
6	RE21790	ELBOW FITTING	1		(SUB FOR AT25266)
7	RE16181	KIT	1		

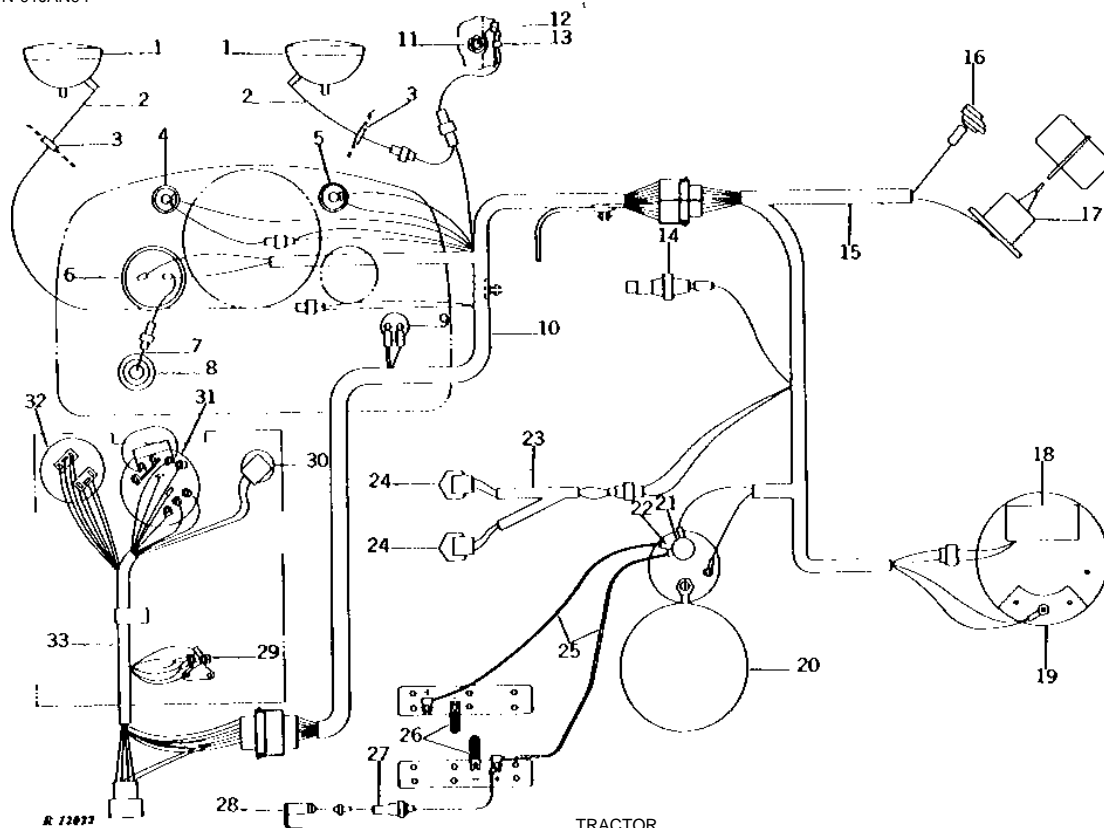
MEMORANDA

1F21

ELECTRICAL

ALTERNATOR AND STARTING MOTOR WIRING (DIESEL)

R12022 -UN-01JAN94



KEY	PART NO.	PART NAME	QTY	TRACTOR SERIAL NO.	REMARKS
1	AT13381 24H1111 12H301 14H1040	LAMP WASHER LOCK WASHER NUT	2 2 2 2	(A) (B) SIDE (B) (B) 1/2" (B) 1/2"	
2	WIRING LEAD	2	(B) 686MM (27") (MAKE FROM R66319, R32016, R32027 AND AR65005)	
3	R26941	GROMMET	2	(B)	
4	AR27944	LAMP	1		ENGINE OIL PRESSURE INDICATOR, (SUB AT48674, AR55694, AT44165 AND R30378)
5	AT14699	LAMP	1		ALTERNATOR
6	R34262	GAUGE	1		FUEL
7	WIRING LEAD	1		305MM (12") CIGAR LIGHTER, (MAKE FROM R66319, R32018, R32027 AND AR65005)
8	AR48643	LIGHTER	1		(A) (SUB FOR AR34556)
9	AR21823	SWITCH	1		HORN, (SUB FOR AR20235) (FI)
10	AR47686 R34557 24H1302 28H1495 19H2873 12H304 14H1076 R34557	WIRING HARNESS CLAMP WASHER SPACER CAP SCREW LOCK WASHER NUT CLAMP	1 1 1 1 1 1 1 1		INSTRUMENT, (SUB FOR R39641 OR AR44953) INSTRUMENT HARNESS TO CONTROL SUPPORT 13/32" X 11/16" X 0.035" 3/8" X 1" 3/8" X 2-3/4" 3/8" 3/8" INSTRUMENT HARNESS TO L.H. REAR DASH TO CONTROL SUPPORT SCREW
	B1828R 24H1302 14H1076	BUSHING WASHER NUT	1 1 1		13/32" X 11/16" X 0.035" 3/8"

1F22

ELECTRICAL

ALTERNATOR AND STARTING MOTOR WIRING - CONTINUED (DIESEL)

KEY	PART NO.	PART NAME	QTY	TRACTOR SERIAL NO.	REMARKS
11	AR33479	LAMP	1		DASH
12	A3411R	GROMMET	1		
13	F2084R	CLIP	1		
14	AR27977	TOUCH SWITCH	1		ENGINE OIL PRESSURE
	AR45694	WIRING LEAD	1		
15	AR38597	WIRING HARNESS	1		ENGINE, (SUB FOR AR38197) (SUB AR38872)
	T24875	WIRING LEAD	1	014297-	DIESEL FUEL SHUT-OFF
	R44302	TIE BAND	9		(SUB FOR R27457)
	R32320	CLIP	1		
16	AT39043	HIGH NOTE HORN	1		(A) (LOW NOTE) (SUB FOR R11276)
17	AR38269	SENDER	1		FUEL GAUGE
18	AR78298	VOLTAGE REGULATOR	1		(A) (MOTOROLA MODEL NO. R3JD1-B) (SUB FOR AR38459 OR AR52927)
19	AR38458	ALTERNATOR	1		(A) (MOTOROLA MODEL NO. RA12NJD453-S) (SUB TY1427)
	TY1427	ALTERNATOR	1		(REMANUFACTURED) (SUB FOR AR38458) (35 AMP)
20	AT25619	STARTER	1		(DELCO-REMY NO. 1107863) (SUB FOR AT18150)
					(DELCO-REMY NO. 1107577) (SUB TY6702)
	TY6702	STARTER	1		(REMANUFACTURED) (SUB FOR AT25619 OR TY6620)
21	R30964	COVER	1		STARTER TERMINAL
22	R30964	COVER	1		L.H. BATTERY CABLE, (SUB FOR R38375)
23	AR38418	WIRING HARNESS	1		(POWER SHIFT) NEUTRAL START SWITCH TO ENGINE HARNESS
	R33823	WIRING HARNESS	1		(SYNCO-RANGE) NEUTRAL START SWITCH TO ENGINE HARNESS
	A5172R	CLIP	1		(POWER SHIFT)
24	RE38390	SWITCH	AR		NEUTRAL START (1 USED SYNCO-RANGE) (2 USED POWER SHIFT) (SUB FOR R36265, AR85323, AR89691 OR AT85153)
					POSITIVE, (SUB FOR AR38359)
25	AR45923	CABLE	2		
	R27533	GROMMET	2		
	T13814	CLAMP	2		
	24H1302	WASHER	2		13/32" X 11/16" X 0.035"
	B1828R	BUSHING	2		
26	AR26622	GROUND CABLE	2		NEGATIVE
	24M7096	WASHER	2		10.500 X 18 X 1.600 MM
27	AR26756	WIRING LEAD	1		WITH FUSE
	R44302	TIE BAND	1		(SUB FOR R27457)
28	AR26571	SOCKET	1		ELECTRICAL OUTLET
	21H1301	SCREW	2		0.190" X 1/2"
	12M7060	WASHER	2		0.209"
	14H778	NUT	2		0.190"
	AR40710	PLUG	1		(SUB FOR AA5691R) (FI)
	AA5692R	ELECTRICAL PLUG	1		
29	AR28403	CIRCUIT BREAKER	1		
30	R39554	SWITCH	1		STARTER, (SUB FOR AR47373)
31	AR41288	SWITCH	1		LIGHT, (SUB FOR R39551)
32	AR39505	SWITCH	1		KEY
33	AR47685	WIRING HARNESS	1		SWITCH, (SUB FOR R39555 OR AR44952)
..	AT66865	LUBRICANT	1		0.15L (5.3 OZ) TUBE, ELECTRICAL, (SUB FOR AR94760)

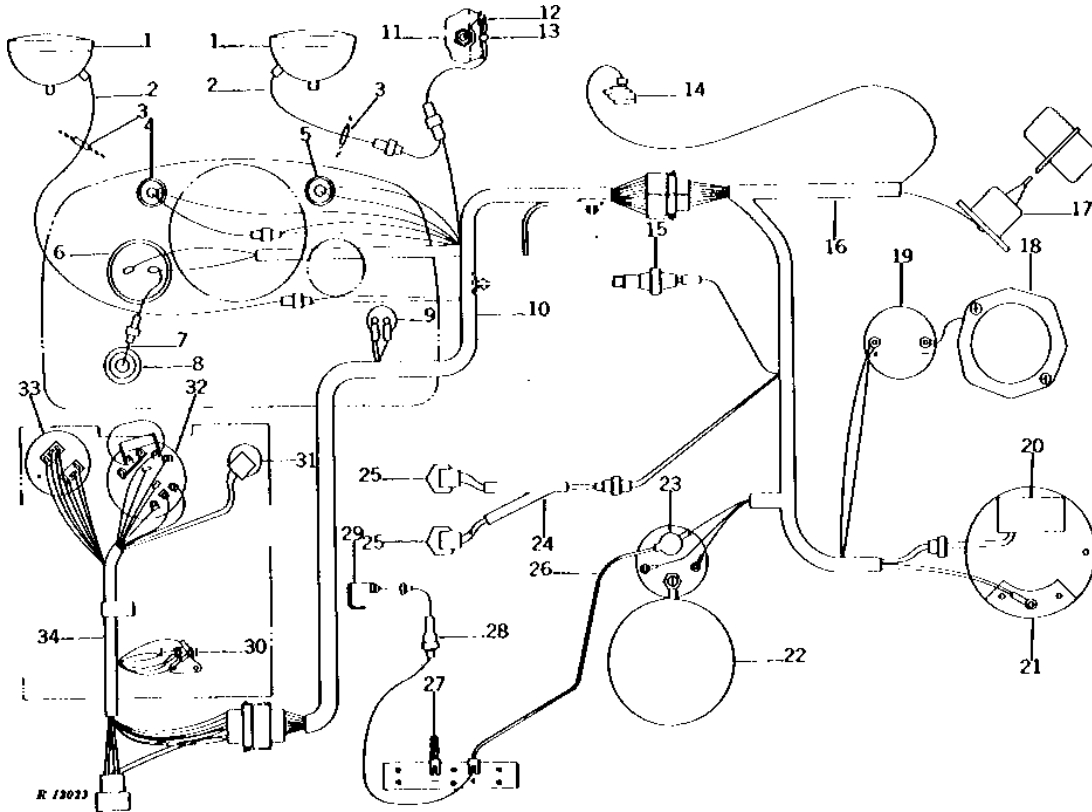
(A) 12-VOLT
(B) HI-CROP

1F23

ELECTRICAL

ALTERNATOR, IGNITION, AND STARTING MOTOR WIRING (GASOLINE)

R12023 -UN-01JAN94



KEY	PART NO.	PART NAME	QTY	TRACTOR SERIAL NO.	REMARKS
1	AT13381	LAMP	2	(A) (B) SIDE	
	D2865R	WASHER	2	(B) (SUB 24H1111)	
	12H301	LOCK WASHER	2	(B) 1/2"	
	14H1040	NUT	2	(B) 1/2"	
2	WIRING LEAD	2	(B) 686MM (27") SIDE LAMP, (MAKE FROM R66319, R32016, R32027 AND AR65005)	
3	R26941	GROMMET	2	(B)	
4	AR27944	LAMP	1	ENGINE OIL PRESSURE INDICATOR, (SUB AT48674, AR55694, AT44165 AND R30378)	
5	AT14699	LAMP	1	ALTERNATOR	
6	R34262	GAUGE	1	FUEL	
7	WIRING LEAD	1	305MM (12") (MAKE FROM R66319, R32018, R32027 AND AR65005)	
8	AR48643	LIGHTER	1	(A) (SUB FOR AR34556)	
9	AR21823	SWITCH	1	HORN, (SUB FOR AR20235)	
10	AR47686	WIRING HARNESS	1	INSTRUMENT, (SUB FOR R39641 OR AR44953)	
	R34557	CLAMP	1	INSTRUMENT HARNESS TO CONTROL SUPPORT	
	24H1302	WASHER	1	13/32" X 11/16" X 0.035"	
	28H1495	SPACER	1	3/8" X 1"	
	19H2873	CAP SCREW	1	3/8" X 2-3/4"	
	12H304	LOCK WASHER	1	3/8"	
	14H1076	NUT	1	3/8"	
	R34557	CLAMP	1	INSTRUMENT HARNESS TO L.H. REAR DASH TO CONTROL SUPPORT	
	B1828R	BUSHING	1		
	24H1302	WASHER	1	13/32" X 11/16" X 0.035"	
	14H1076	NUT	1	3/8"	

1F24

ELECTRICAL

ALTERNATOR, IGNITION AND STARTING MOTOR WIRING - CONTINUED (GASOLINE)

KEY	PART NO.	PART NAME	QTY	TRACTOR SERIAL NO.	REMARKS
11	AR33479	LAMP	1		DASH
12	A3411R	GROMMET	1		
13	F2084R	CLIP	1		
14	AT39043	HIGH NOTE HORN	1		(A) (LOW NOTE) (SUB FOR R11276)
15	AR27977	TOUCH SWITCH	1		ENGINE OIL PRESSURE
	AR45694	WIRING LEAD	1		
16	AR38195	WIRING HARNESS	1		ENGINE, (SUB AR38873)
	R44302	TIE BAND	9		(SUB FOR R27457)
	R32320	CLIP	1		
17	AR38269	SENDER	1		FUEL GAUGE
18	AT21351	IGNITION DISTRIBUTOR	1		(PRESTOLITE NO. IBT-4101U)
19	AT14385	ELECTRICAL COIL	1		(PRESTOLITE)
20	AR78298	VOLTAGE REGULATOR	1		(A) (MOTOROLA MODEL NO. R3JD1-B) (SUB FOR AR38459 OR AR52927)
21	AR38458	ALTERNATOR	1		(A) (MOTOROLA MODEL NO. RA12NJD453-S) (SUB TY1427)
	TY1427	ALTERNATOR	1		(REMANUFACTURED) (354 AMP) (SUB FOR AR38458)
22	AR91813	STARTER	1		(DELCO-REMY NO. 1107339) (SUB FOR AT18025) (SUB TY6706)
	TY6706	STARTER	1		(REMANUFACTURED) (SUB FOR AR91813 OR TY6639)
23	R30964	COVER	1		STARTER TERMINAL
24	AR38418	WIRING HARNESS	1		(POWER SHIFT) NEUTRAL START SWITCH TO ENGINE HARNESS
	R33823	WIRING HARNESS	1		(SYNCRANGE) NEUTRAL START SWITCH TO ENGINE HARNESS
	A5172R	CLIP	1		(POWER SHIFT)
25	RE38390	SWITCH	1		NEUTRAL START (1 USED SYNCRANGE) (2 USED POWER SHIFT) (SUB FOR R36265, AR85323, AR89691 OR AT85153)
26	AR45923	CABLE	1		POSITIVE, R.H. (SUB FOR AR38359)
	R27533	GROMMET	1		
	T13814	CLAMP	1		
	24H1302	WASHER	1		13/32" X 11/16" X 0.035"
	B1828R	BUSHING	1		
27	AR26622	GROUND CABLE	1		NEGATIVE, R.H.
	24M7096	WASHER	1		10.500 X 18 X 1.600 MM
28	AR26756	WIRING LEAD	1		WITH FUSE
	R44302	TIE BAND	1		(SUB FOR R27457)
29	AR26571	SOCKET	1		ELECTRICAL OUTLET
	21H1301	SCREW	2		0.190" X 1/2"
	12M7060	WASHER	2		0.209"
	14H778	NUT	2		0.190"
	AR40710	PLUG	1		(SUB FOR AA5691R) (FI)
	AA5692R	ELECTRICAL PLUG	1		
30	AR28403	CIRCUIT BREAKER	1		
31	R39554	SWITCH	1		STARTER, (SUB FOR AR47373)
32	AR41288	SWITCH	1		LIGHT, (SUB R39551)
33	AR39505	SWITCH	1		KEY
34	AR47685	WIRING HARNESS	1		SWITCH, (SUB FOR R39555 OR AR44952)
..	AT66865	LUBRICANT	1		0.15L (5.3 OZ) TUBE, ELECTRICAL, (SUB FOR AR94760)

(A) 12-VOLT
(B) HI-CROP

1G1

ELECTRICAL

ENGINE, SWITCH, AND INSTRUMENT WIRING REPLACEMENT KIT
(DIESEL)
(NOT ILLUSTRATED)

KEY	PART NO.	PART NAME	QTY	TRACTOR SERIAL NO.	REMARKS
..	AR38875	WIRING HARNESS	1		(B) ENGINE
..	AR47685	WIRING HARNESS	1		(B) SWITCH
..	AR47686	WIRING HARNESS	1		(B) INSTRUMENT
..	AR38418	WIRING HARNESS	1		(B) (POWER SHIFT) NEUTRAL START SWITCH
..	R33823	WIRING HARNESS	1		(B) (SYNCRO-RANGE) NEUTRAL START SWITCH
..	12H246	LOCK WASHER	4		(A) (B) 0.190"
..	14H631	NUT	4		(A) (B) 0.190"
..	21H1286	SCREW	4		(A) (B) 1/8" X 7/16"
..	AR21840	CLAMP	1		(A) (B)
..	AR47710	CIRCUIT BREAKER	1		(A) (B) ACCESSORY
..	AR47711	CIRCUIT BREAKER	1		(A) (B) MAIN
..	WIRING LEAD	1		(A) (B) 305MM (12") (MAKE FROM R66320, R32019 AND R32021) CIRCUIT BREAKER TO ALTERNATOR
..	WIRING LEAD	1		(A) (B) 152MM (6") (MAKE FROM R66321, R32019 AND R32022) CIRCUIT BREAKER TO STARTER
..	R38587	BRACKET	1		(A) (B)
..	R41439	GROMMET	5		(A) (B)
..	R44302	TIE BAND	10		(A) (B)
..	R45645	BRACKET	1		(A) (B)

(A) AR38874 KIT CONSISTS OF THESE PARTS
(B) AR38872 KIT CONSISTS OF THESE PARTS

1G2

ELECTRICAL

**ENGINE, SWITCH, AND INSTRUMENT WIRING REPLACEMENT KIT
(GASOLINE)
(NOT ILLUSTRATED)**

KEY	PART NO.	PART NAME	QTY	TRACTOR SERIAL NO.	REMARKS
..	AR38876	WIRING HARNESS	1		(B) ENGINE
..	AR47685	WIRING HARNESS	1		(B) SWITCH
..	AR47686	WIRING HARNESS	1		(B) INSTRUMENT
..	AR38418	WIRING HARNESS	1		(B) (POWER SHIFT) NEUTRAL START SWITCH
..	R33823	WIRING HARNESS	1		(B) (SYNCRO-RANGE) NEUTRAL START SWITCH
..	12H246	LOCK WASHER	4		(A) (B) 0.190"
..	14H631	NUT	4		(A) (B) 0.190"
..	21H1286	SCREW	4		(A) (B) 1/8" X 7/16"
..	AR21840	CLAMP	1		(A) (B)
..	AR47710	CIRCUIT BREAKER	1		(A) (B) ACCESSORY
..	AR47711	CIRCUIT BREAKER	1		(A) (B) MAIN
..	WIRING LEAD	1		(A) (B) 305MM (12") (MAKE FROM R66320, R32019 AND R32021) CIRCUIT BREAKER TO ALTERNATOR
..	WIRING LEAD	1		(A) (B) 152MM (6") (MAKE FROM R66321, R32019 AND R32022) CIRCUIT BREAKER TO STARTER
..	R38587	BRACKET	1		(A) (B)
..	R41439	GROMMET	5		(A) (B)
..	R44302	TIE BAND	10		(A) (B)
..	R45645	BRACKET	1		(A) (B)

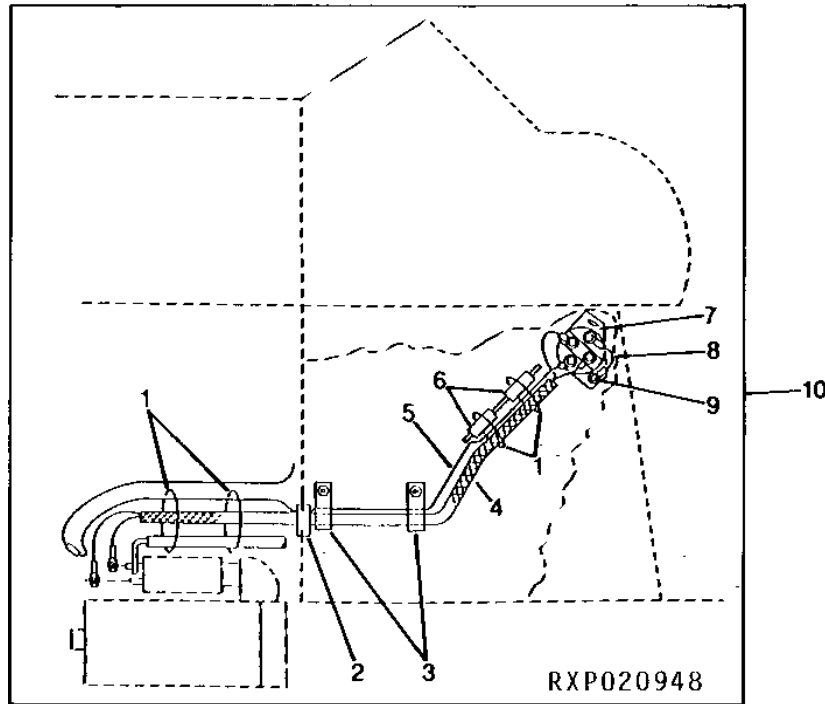
(A) AR38874 CONSISTS OF THESE PARTS
(B) AR38873 CONSISTS OF THESE PARTS

1G3

ELECTRICAL

STARTING CIRCUIT RELAY KIT (TRACTOR SERIAL NO. 065000-200999)

RXP020948 -UN-12OCT94



KEY	PART NO.	PART NAME	QTY	TRACTOR SERIAL NO.	REMARKS
1	R44302	TIE BAND	AR		
2	R41439	GROMMET	1		
3	R72853	CLAMP	2		
	19H1919	CAP SCREW	2	1/4" X 5/8"	
	24H1286	WASHER	2	9/32" X 1/2" X 1/16"	
	12H297	LOCK WASHER	2	1/4"	
	14H786	NUT	2	1/4"	
4	AR69980	WIRING HARNESS	1		
5	WIRING LEAD	1		(MAKE FROM R65593, R65599 AND R32027)
6	HOSE	2		(MAKE FROM TY22328) (SUB FOR R45847)
7	RE38391	RELAY	1		(12-VOLT) (CONTAINS (2) 12H297, (2) 14H786 AND (2) 24H1286) (ALSO ORDER RE41287)
	AT71088	RELAY	1		(24-VOLT) (ALSO ORDER (2) 12H297, (2) 14H786 AND (2) 24H1286)
8	WIRING LEAD	1		RELAY GROUND, (MAKE FROM R65593, R65599 AND R32018)
9	19H1919	CAP SCREW	2	1/4" X 5/8"	
	24H1286	WASHER	2	9/32" X 1/2" X 1/16"	
	12H297	LOCK WASHER	2	1/4"	
	14H786	NUT	2	1/4"	
10	RE44536	KIT	1		(12-VOLT) (FI)
	RE42636	KIT	1		(24-VOLT) (FI)

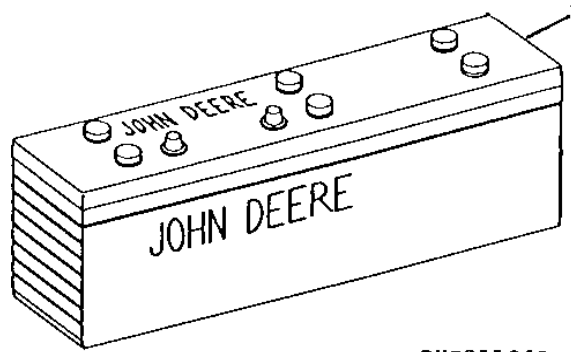
MEMORANDA

1G4

ELECTRICAL

RXP011348 -UN-12OCT94

BATTERY



RXP011348

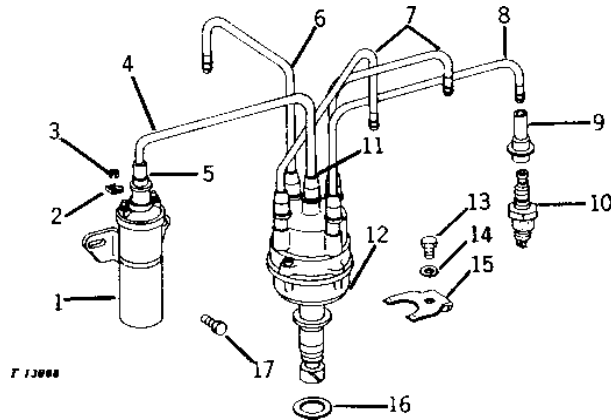
KEY	PART NO.	PART NAME	QTY	TRACTOR SERIAL NO.	REMARKS
..	TY21733	BATTERY	AR		(12-VOLT) 60 COLD CRANKING AMPS AT -18°C (0°F) 130 MINUTE RESERVE CAPACITY AT 120 AMPS (1 USED GASOLINE) (2 USED DIESEL) (DO NOT ACTIVATE UNTIL PLACED IN SERVICE) (SUB FOR TY6121 OR AR46115)
..	AR61868	CAP	AR		(6 USED PER BATTERY)

1G5

ELECTRICAL

T13088 -UN-04JAN95

DISTRIBUTOR, COIL, SPARK PLUGS AND CABLES



KEY	PART NO.	PART NAME	QTY	ENGINE SERIAL NO.	REMARKS
1	AT14385	ELECTRICAL COIL	1		(PRESTOLITE NO. 200627)
2	12H246	LOCK WASHER	2		0.190", (SUB FOR T18836)
3	14H631	NUT	2		0.190"
4	CABLE	1		(A) 229MM (9")
5	A4159R	BOOT	1		
6	CABLE	1		(A) 184MM (7-1/4") SPARK PLUG, NO. 3
7	CABLE	1		(A) 289MM (11-3/8") SPARK PLUG, NO. 2 AND 4
8	CABLE	1		(A) 352MM (13-7/8") SPARK PLUG, NO. 1
9	T20115	BOOT	4		
10	AT21177	SPARK PLUG	4		(CHAMPION N-6) (HEAVY-DUTY SERVICE)
	AT21658	SPARK PLUG	4		(PRESTOLITE 14G3-E) (HEAVY-DUTY SERVICE)
	AT21343	SPARK PLUG	4		(CHAMPION N-11Y) (MEDIUM-DUTY SERVICE)
11	A3539R	TERMINAL NIPPLE	1		
12	AT21351	IGNITION DISTRIBUTOR	1		(ALSO ORDER AT21941) (PRESTOLITE NO. IBT-4101U)
13	19H1905	CAP SCREW	1		5/16" X 1"
14	12H303	LOCK WASHER	1		5/16"
15	T20113	CLAMP	1		
16	T20112	GASKET	1		
17	19H1813	CAP SCREW	2		5/16" X 5/8"
..	AR38807	KIT	1		SPARK PLUG CABLE (FOR USE WITH RADIO)

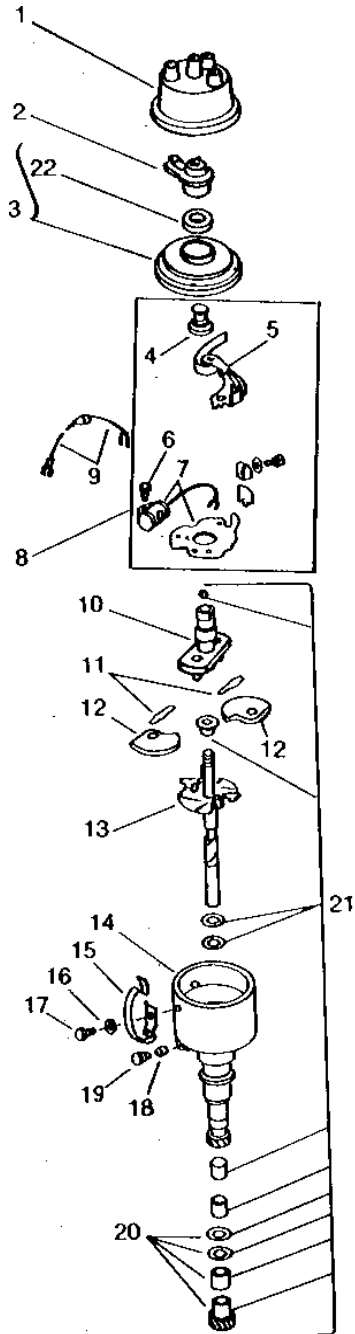
(A) ORDER AR50270 SPARK PLUG CABLE KIT

1G6

ELECTRICAL

RWP5472 -UN-01JAN94

DISTRIBUTOR PARTS



RW1 5472

1G7

ELECTRICAL

DISTRIBUTOR PARTS - CONTINUED

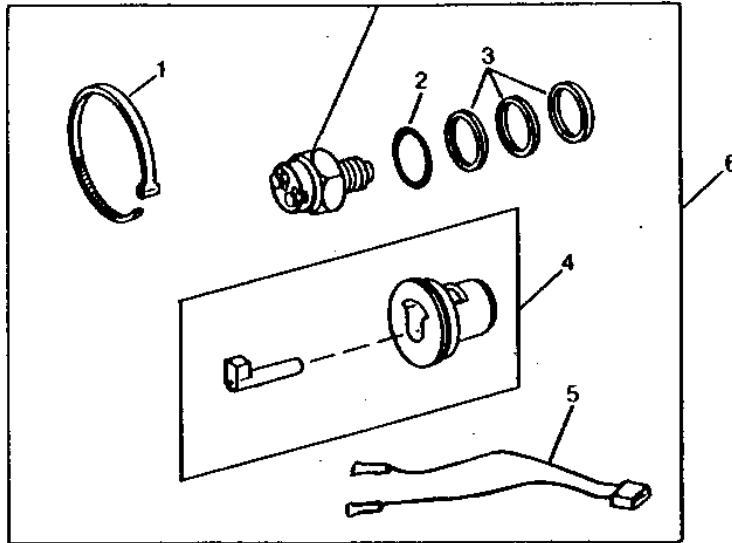
KEY	PART NO.	PART NAME	QTY	ENGINE SERIAL NO.	REMARKS
1	AT14692	CAP	1		
2	AT14680	ROTOR	1		
3	AT14682	COVER	1		
4	21H968	SCREW	1	0.164" X 3/16"	
5	AT21062	CONTACT	1	POINTS	
6	21H1132	SCREW	1	0.138" X 5/32"	
7	AT14684	VAPOR CONDENSER	1		
8	AT21719	PLATE	1	BREAKER	
9	T24526	WIRING LEAD	1		
10	AT14693	PLATE	1	(SUB RE16946)	
11	AT21720	SPRING	1	GOVERNOR WEIGHT	
12	T16580	WEIGHT	2		
13	AT21995	SHAFT	1		
14	HOUSING	1	(SUB AT21351)	
15	AT14679	CLAMP	2		
16	12H315	LOCK WASHER	2	0.164"	
17	21H1293	SCREW	2	0.164" X 5/16"	
18	T24525	WICK	1	(SUB AT25575)	
19	T24524	PLUG	1	(SUB AT25575)	
20	AT21722	KIT	1	GEAR REPLACEMENT	
21	AT21721	KIT	1	SHAFT BEARINGS, WASHERS, AND SPACERS	
22	BUSHING	1	(ORDER AT14682)	
..	AT21351	IGNITION DISTRIBUTOR	1	(ALSO ORDER AT21941) (PRESTOLITE NO. IBT-4101U)	

1G8

ELECTRICAL

RXP8097 -UN-01JAN94

NEUTRAL START SWITCH KIT



RXP8097

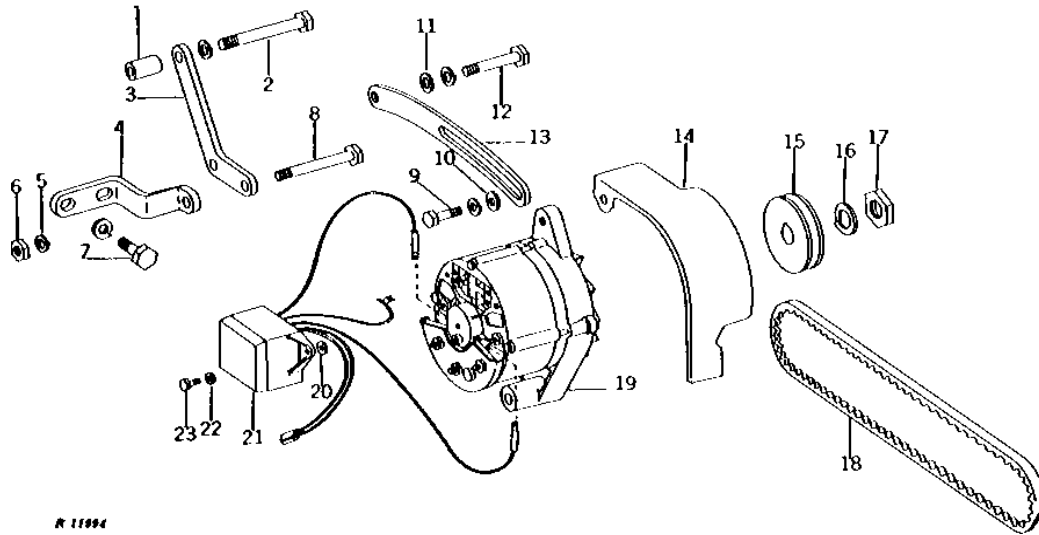
KEY	PART NO.	PART NAME	QTY	TRACTOR SERIAL NO.	REMARKS
1	R44302	TIE BAND	2		
2	R26448	O-RING	1		
3	T16911	SHIM	3		
4	RE37996	GAUGE	1		(NEUTRAL START SWITCH ADJ.)
5	RE14069	WIRING HARNESS	1		
6	RE38390	SWITCH	1		(SUB FOR AR89691 OR AR85153)

1G9

ELECTRICAL

R11994 -UN-01JAN94

ALTERNATOR, REGULATOR, AND MOUNTING BRACKETS



R 11994

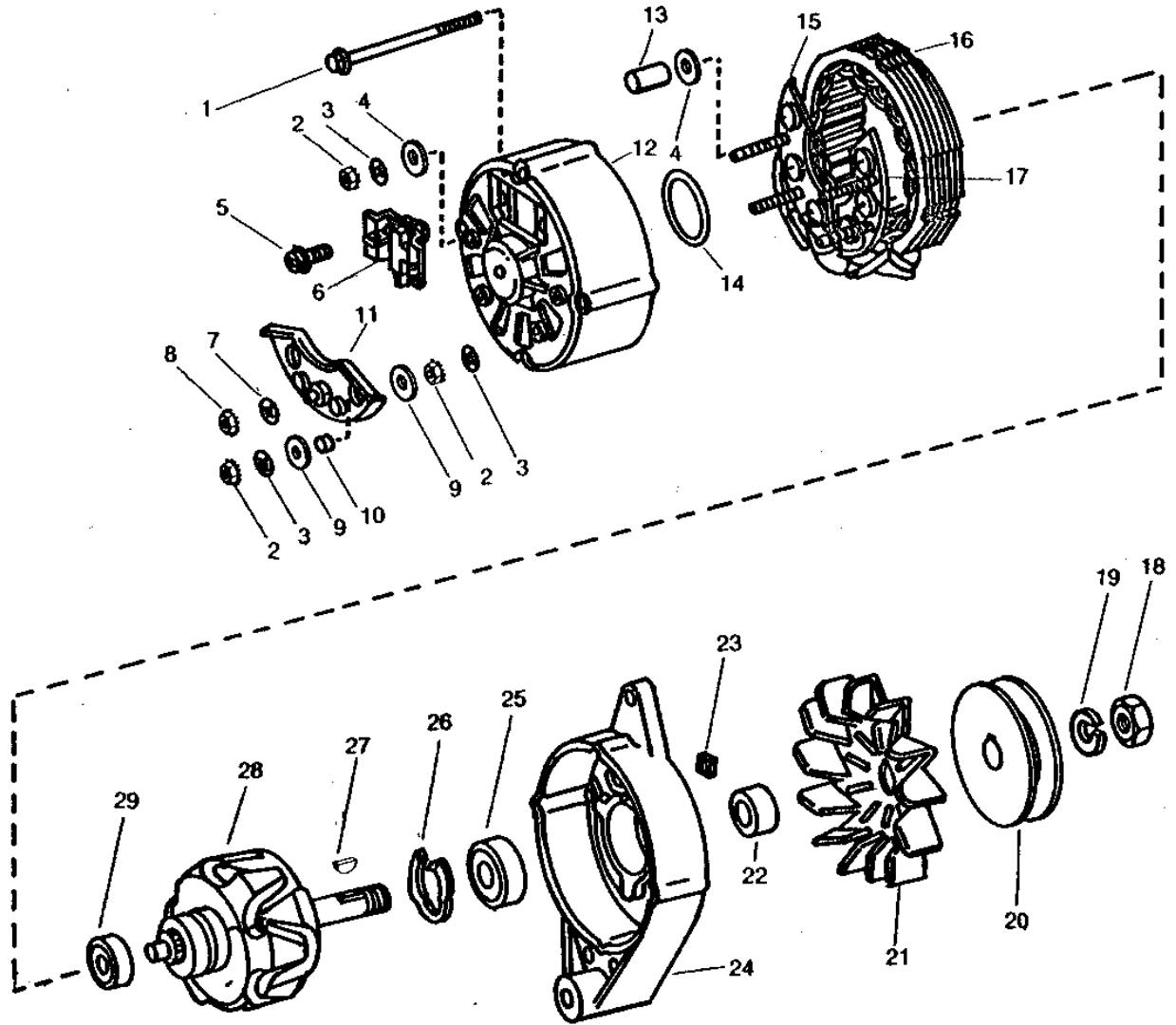
KEY	PART NO.	PART NAME	QTY	TRACTOR SERIAL NO.	REMARKS
1	28H2547	SPACER	2	3/8" X 1"	
2	19H2128	CAP SCREW	2	3/8" X 3"	
	12H304	LOCK WASHER	2	3/8"	
	24M7096	WASHER	2	10.500 X 18 X 1.600 MM	
3	T20202	BRACKET	1	FRONT	
4	R38372	BRACKET	1		
5	12H304	LOCK WASHER	1	3/8"	
6	14H1076	NUT	1	3/8"	
7	19H1731	CAP SCREW	2	3/8" X 1"	
	12H304	LOCK WASHER	2	3/8"	
8	19H2128	CAP SCREW	1	3/8" X 3"	
9	19H2127	CAP SCREW	1	5/16" X 7/8"	
	12H303	LOCK WASHER	1	5/16"	
10	24H1292	WASHER	1	11/32" X 3/4" X 0.120"	
11	24M7106	WASHER	1	10 X 18 X 2.500 MM	
12	19H1726	CAP SCREW	1	3/8" X 2-1/4"	
	12H304	LOCK WASHER	1	3/8"	
13	T20204	STRAP	1		
14	R40575	SHIELD	1		
15	T24474	PULLEY	1		
16	12H294	LOCK WASHER	1	5/8"	
17	14H866	NUT	1	5/8"	
18	T24473	BELT	1		FAN AND ALTERNATOR
19	AR38458	ALTERNATOR	1		(12-VOLT) (MOTOROLA MODEL NO. RA12NDJ453-S) (LESS PULLEY) (SUB TY1427)
	TY1427	ALTERNATOR	1		(REMANUFACTURED) (SUB FOR AR38458) (35 AMP)
20	R15036	WASHER	3	-010237	(SUB FOR R39804)
21	AR78298	VOLTAGE REGULATOR	1		(12-VOLT) (MOTOROLA MODEL NO. R3JD1-B) (SUB FOR AR38459 OR AR52927)
22	12M7060	WASHER	3		0.209"
23	R44008	SCREW	3		(SUB FOR R38373 OR AR40938)

1G10

ELECTRICAL

ALTERNATOR PARTS (12-VOLT)

RP186 -UN-01JAN94



RP186

1G11

ELECTRICAL

ALTERNATOR PARTS - CONTINUED (12-VOLT)

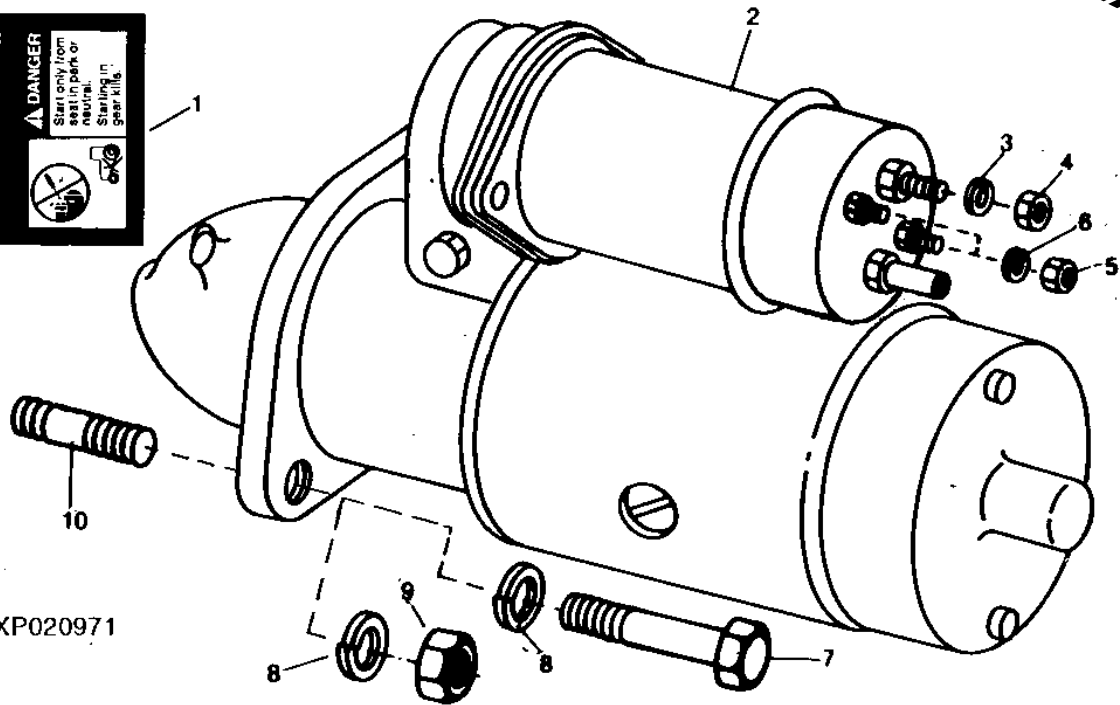
KEY	PART NO.	PART NAME	QTY	TRACTOR SERIAL NO.	REMARKS
1	T23598	SCREW	4		
2	14H778	NUT	6	0.190"	
3	12M7060	WASHER	6	0.209"	
4	R15036	WASHER	4		
5	37H95	SCREW	2	NO. 8 X 1/2"	
6	AT27128	HOLDER	1	(SUB FOR R15026)	
7	12H297	LOCK WASHER	1	1/4"	
8	14H786	NUT	1	1/4"	
9	R15036	WASHER	2	(SUB FOR R39804)	
10	R39803	WASHER	1		
11	AR38461	DIODE	1		
12	R38374	HOUSING	1		
13	R15035	SLEEVE	2		
14	R15030	O-RING	1		
15	R15023	DIODE	1	POSITIVE	
16	AT21161	STATOR	1		
17	R15024	DIODE	1	NEGATIVE	
18	14H866	NUT	1	5/8"	
19	12H294	LOCK WASHER	1	5/8"	
20	T24474	PULLEY	1		
21	R15027	FAN	1		
22	T25343	BUSHING	1	(SUB FOR R15038)	
23	T23610	NUT	4		
24	R15033	HOUSING	1		
25	JD9449	BALL BEARING	1	(SUB FOR JD8535 OR AT23188)	
26	R15029	RETAINER	1		
27	26H72	SHAFT KEY	1	1/8" X 5/8"	
28	AT21160	ROTOR	1		
29	AT23189	BALL BEARING	1	(SUB FOR R15028)	
..	AR38458	ALTERNATOR	1	(12-VOLT) (MOTOROLA MODEL NO. RA12NJD453-S)	
				(LESS PULLEY) (SUB TY1427)	
..	TY1427	ALTERNATOR	1	(REMANUFACTURED) (35 AMP) (SUB FOR AR38458)	

1G12

ELECTRICAL

RXP020971 -UN-14NOV94

STARTING MOTOR AND ATTACHING PARTS



RXP020971

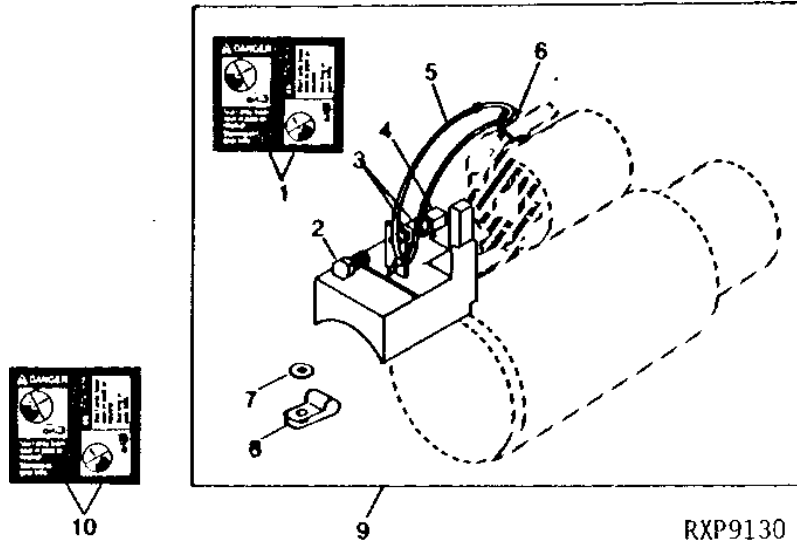
KEY	PART NO.	PART NAME	QTY	ENGINE SERIAL NO.	REMARKS
1	T146102	WARNING LABEL	1	(ENGLISH) (SUB FOR T84409 OR T134450)	
	T146106	WARNING LABEL	1	(ESPAÑOL) (SUB FOR T84410 OR T134452)	
	T146104	WARNING LABEL	1	(FRANCAIS) (SUB FOR T84411 OR T134453)	
	T146517	WARNING LABEL	1	(ENGLISH/FRANCAIS) (SUB FOR T84578 OR T134456)	
	T146515	WARNING LABEL	1	(DEUTSCH) (SUB FOR T84412 OR T134454)	
	T146516	WARNING LABEL	1	(ITALIANO) (SUB FOR T84413 OR T134455)	
2	TY6702	STARTER	1	(REMANUFACTURED) (DELCO-REMY) (DIESEL) (SUB FOR AT18150, AT25619, RE19187, TY1458 OR TY6620) (CONTAINS RE39061)	
	TY6706	STARTER	1	(REMANUFACTURED) (DELCO-REMY) (GASOLINE) (SUB FOR AT18025, AR91813, TY1465 OR TY6638) (CONTAINS RE39838)	
3	12M7013	LOCK WASHER	1	M10, (USE WITH RE19187)	
4	14M7274	NUT	1	M10, (USE WITH RE19187)	
5	14M7297	NUT	2	M5, (USE WITH RE19187)	
6	12M7064	LOCK WASHER	2	M5, (USE WITH RE19187)	
7	19H1731	CAP SCREW	1	3/8" X 1"	
8	12H304	LOCK WASHER	2	3/8"	
9	14H1076	NUT	1	3/8"	
10	M3636T	STUD	1		

1G13

ELECTRICAL

RXP9130 -UN-01JAN94

STARTER SOLENOID COVER KIT



RXP9130

KEY	PART NO.	PART NAME	QTY	TRACTOR SERIAL NO.	REMARKS
1	T146102	WARNING LABEL	1	(ENGLISH) (SUB FOR T84409 OR T134459)	
2	19H2038	CAP SCREW	1	3/8" X 1/2"	
3	24H1305	WASHER	2	13/32" X 13/16" X 0.065"	
4	R100380	NUT	1		
5	H113196	TIE BAND	1		
6	R44302	TIE BAND	1		
7	24H1289	WASHER	1	21/64" X 5/8" X 0.049"	
8	R46414	CLAMP	1		
9	RE39061	SHIELD	1	(A)	
10	T146106	WARNING LABEL	1	(ESPANOL) (SUB FOR T84411 OR T134452)	
	T146104	WARNING LABEL	1	(FRANCAIS) (SUB FOR T84411 OR T134453)	
	T146517	WARNING LABEL	1	(ENGLISH/FRANCAIS) (SUB FOR T84578 OR T134456)	
	T146515	WARNING LABEL	1	(DEUTSCH) (SUB FOR T84412 OR T134454)	
	T146516	WARNING LABEL	1	(ITALIANO) (SUB FOR T84413 OR T134455)	

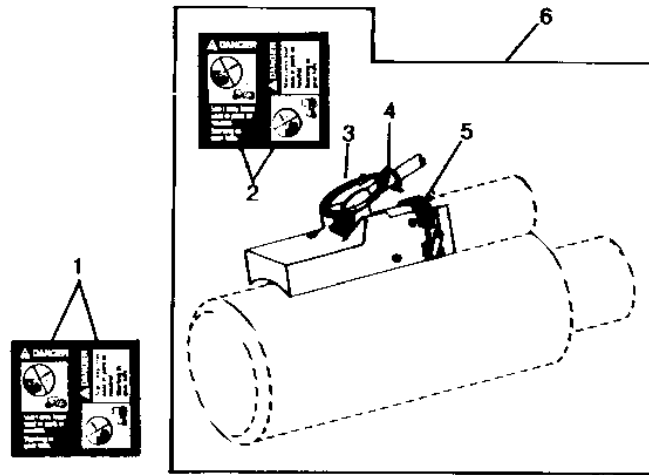
(A) USE W/AT18150,AT25619,RE19187,TY1458,TY6620 OR TY6702

1G14

ELECTRICAL

RXP9139 -UN-12OCT94

STARTER SOLENOID COVER KIT



RXP9139

KEY	PART NO.	PART NAME	QTY	ENGINE SERIAL NO.	REMARKS
1	T146106	WARNING LABEL	1		(ESPAÑOL) (SUB FOR T84410 OR T134452)
	T146104	WARNING LABEL	1		(FRANÇAIS) (SUB FOR T84411 OR T134453)
	T146515	WARNING LABEL	1		(DEUTSCH) (SUB FOR T84412 OR T134454)
	T146516	WARNING LABEL	1		(ITALIANO) (SUB FOR T84413 OR T134455)
	T146517	WARNING LABEL	1		(ENGLISH/FRANÇAIS) (SUB FOR T84578 OR T134456)
2	T146102	WARNING LABEL	1		(ENGLISH) (SUB FOR T84409 OR T134459)
3	R76477	TIE BAND	1		
4	R44302	TIE BAND	1		
5	AR40418	CLAMP	1		
6	RE39838	SHIELD	1	(A)	

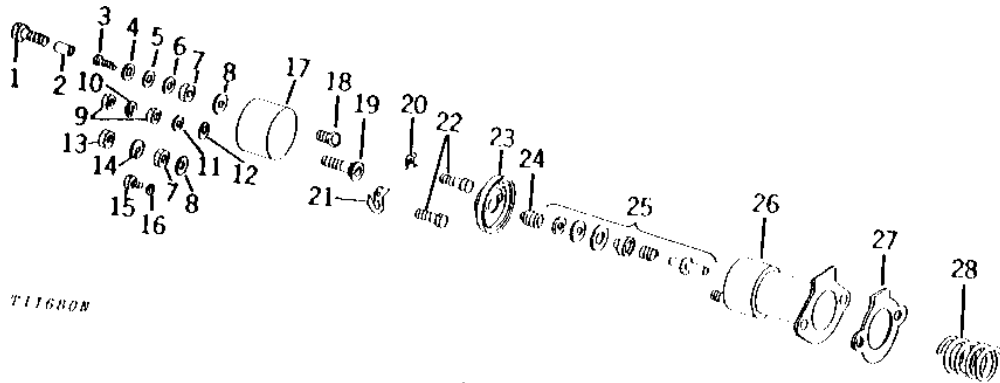
(A) USE WITH AT18025,AR91813,TY1465,TY6639 OR TY6706

1G15

ELECTRICAL

SOLENOID SWITCH (GASOLINE AND DIESEL)

T11680 -UN-01JAN94



T11680N

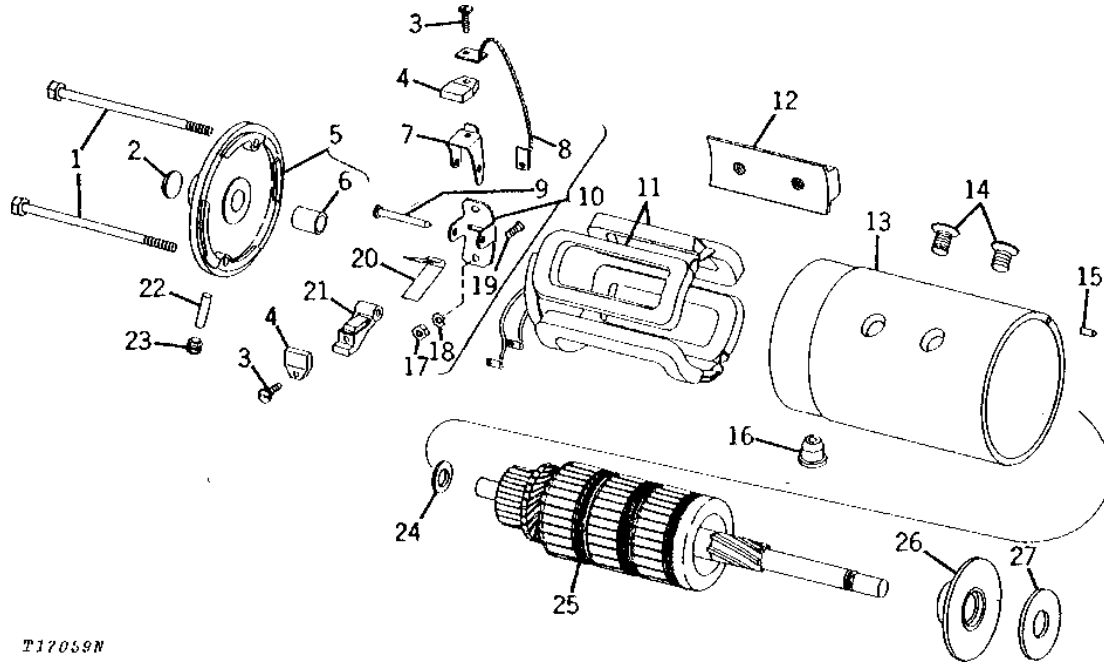
KEY	PART NO.	PART NAME	QTY	TRACTOR SERIAL NO.	REMARKS
1	T19610	CAP SCREW	1		
2	T19608	BUSHING	1		
3	T15564	SCREW	1		
4	12M7060	WASHER	1	0.209"	
5	T19600	WASHER	1		
6	T19602	WASHER	1		
7	14H732	NUT	2	3/8", (SUB FOR R11195)	
8	T18107	WASHER	2		
9	14H605	NUT	4	0.164"	
10	T19603	LOCK WASHER	2		
11	T19601	WASHER	2		
12	T19607	WASHER	2		
13	14H732	NUT	1	3/8"	
14	12H304	LOCK WASHER	1	3/8"	
15	21H1127	SCREW	2	0.190" X 7/16"	
16	R11039	WASHER	2		
17	R61134	COVER	1	(SUB FOR T19609 OR R49393) (SUB AR68304)	
18	T18354	SCREW	1		
19	T18105	STUD	1		
20	T19605	CLIP	1		
21	T19604	CONTACT	1		
22	T19606	STUD	2		
23	R61133	GASKET	1	(SUB FOR T18109 OR R49394)	
24	R11066	SPRING	1		
25	AT15146	CONTACT	1		
26	AR68304	SOLENOID	1	(SUB FOR R11240)	
	TY6690	SOLENOID	1	(REMANUFACTURED)	
27	T17058	GASKET	1		
28	T11675	SPRING	1		
..	AR68304	SOLENOID	1	(DELCO-REMY NO. 1114356) (SUB FOR R11240)	

1G16

ELECTRICAL

STARTING MOTOR COIL ASSEMBLY, HOUSING AND ARMATURE (DELCO-REMY NO. 1107871) (DIESEL)

T17059 -UN-01JAN94



T17059N

KEY	PART NO.	PART NAME	QTY	TRACTOR SERIAL NO.	REMARKS
1	R11243	CAP SCREW	2		
2	30H9	PLUG	1	3/4"	
3	37H78	SCREW	4	0.164" X 3/4"	
	12M7084	LOCK WASHER	4	0.169"	
4	R11239	BRUSH	4		
5	R11238	END PLATE	1		
6	R61932	BUSHING	1		(SUB FOR T11739)
7	T738T	HOLDER	2		
8	AT514T	WIRING LEAD	2		
9	T736T	PIN	2		
10	AT516T	KIT	2		
11	AT16290	FIELD WINDING COIL	1		
12	T11680	SHOE	4		
13	HOUSING	1		(ORDER TY6702)
14	21H1280	SCREW	8	3/8" X 3/4"	
15	R11087	DOWEL PIN	1		
16	R11236	GROMMET	1		
17	14H778	NUT	4	0.190"	
18	12H246	LOCK WASHER	4	0.190"	
19	21H1301	SCREW	4	0.190" X 1/2"	
20	T740T	SPRING	4		
21	T739T	HOLDER	2		
22	H23193	FELT	1		
23	15H558	PIPE PLUG	1	1/8"	
24	R11096	WASHER	1		
25	AT16291	ARMATURE	1		
26	820149	BEARING	1		
27	R11095	WASHER	1		
..	AT25619	STARTER	1		(SUB TY6702)
..	TY6702	STARTER	1		(SUB FOR AT25619, TY1458 OR TY6620) (REMANUFACTURED)

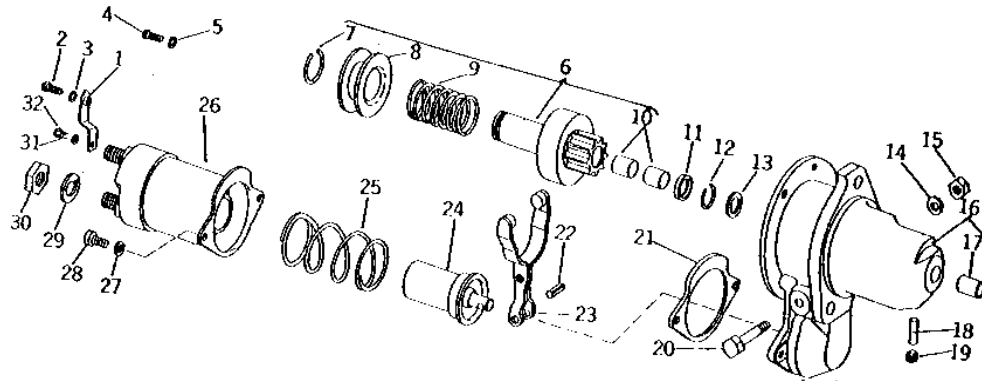
1G17

ELECTRICAL

STARTING MOTOR DRIVE MOTOR AND SWITCH ASSEMBLY
(DELCO-REMY NO. 1107871)
(DIESEL)

T17061 -UN-01JAN94

T17061



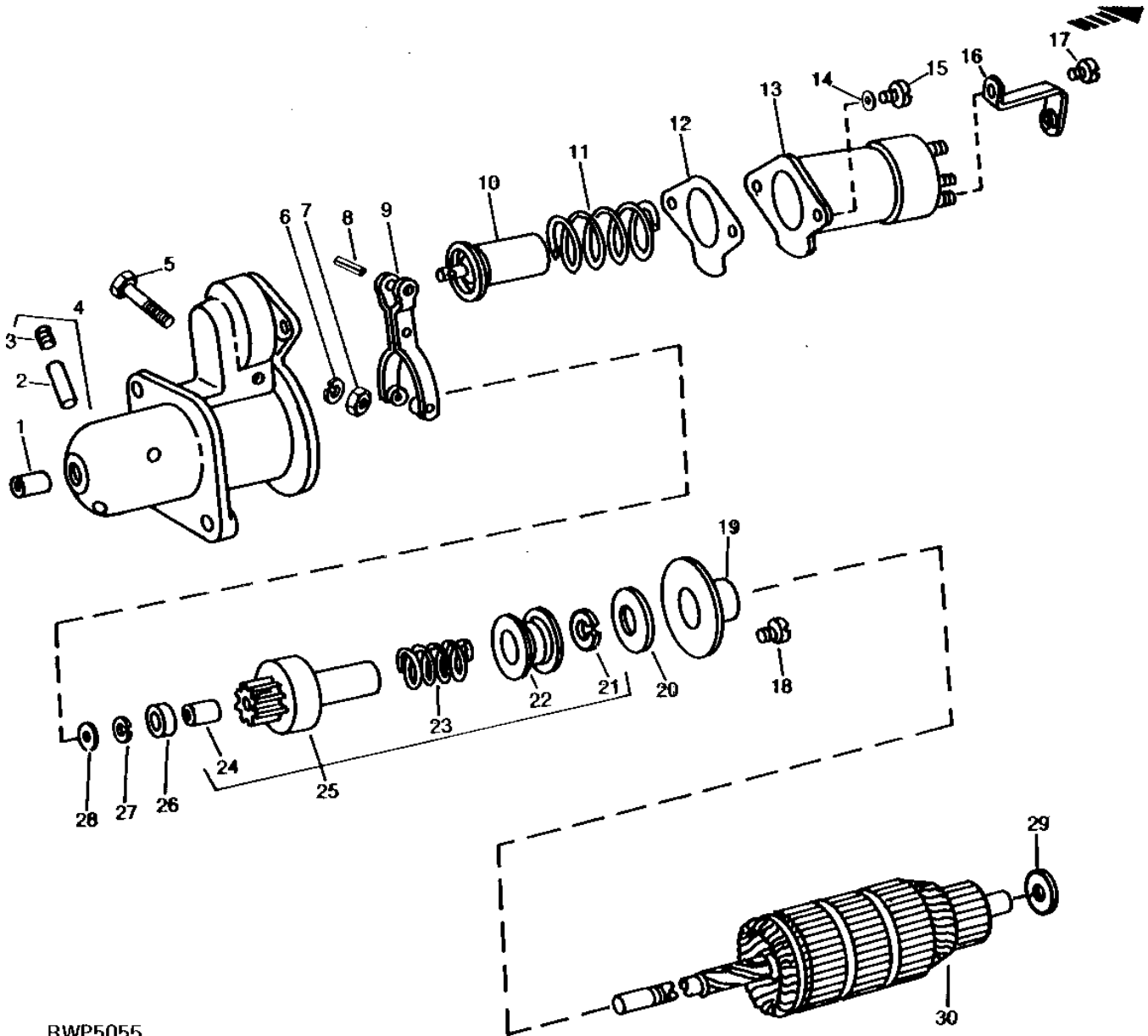
KEY	PART NO.	PART NAME	QTY	TRACTOR SERIAL NO.	REMARKS
1	R39877	BRACKET	1	(SUB FOR T29511)	
2	21H1127	SCREW	1	0.190" X 7/16"	
3	12H246	LOCK WASHER	1	0.190"	
4	T19589	SCREW	2		
5	T19569	LOCK WASHER	2		
6	AR54923	BENDIX DRIVE	1	(SUB FOR AT17981, AT23160 OR AT25651)	
7	R11118	WIRE	1	(SUB FOR T26602) (USE WITH AT17981, AT23160 OR AT25651)	
8	R11225	LOCKING COLLAR	1	(SUB FOR 1838436) (ORDER AR54923)	
9	T26601	SPRING	1	(USE WITH AT17981, AT23160 OR AT25651)	
10	1873796	BUSHING	2	(USE WITH AT17981, AT23160 OR AT25651)	
11	R11116	SPACER	1		
12	R11117	SNAP RING	1		
13	T24539	WASHER	1		
14	12H303	LOCK WASHER	1	5/16"	
15	14H611	NUT	1	5/16"	
16	AR70082	HOUSING	1	(SUB FOR AT20662) (SUB RE19193)	
17	T17987	BUSHING	1		
18	R40337	WICK	1	(SUB FOR R11108)	
19	15H558	PIPE PLUG	1	1/8"	
20	T11672	CAP SCREW	1		
21	T17058	GASKET	1		
22	34H279	SPRING PIN	1	3/16" X 13/16"	
23	T18113	SHIFTER	1	(SUB FOR T11674)	
24	AT15147	PLUNGER	1		
25	T11675	SPRING	1		
26	AR68304	SOLENOID	1	(SUB FOR R11240)	
	TY6690	SOLENOID	1	REMANUFACTURED	
27	12H302	LOCK WASHER	2	1/4"	
28	21H1142	SCREW	2	1/4" X 1/2"	
29	12H304	LOCK WASHER	1	3/8"	
30	14H732	NUT	1	3/8"	
31	12M7060	WASHER	1	0.209"	
32	T15564	SCREW	1		
..	AT25619	STARTER	1	(SUB TY6702)	
..	TY6702	STARTER	1	(SUB FOR AT25619, TY1458 OR TY6620) (REMANUFACTURED)	

1G18

ELECTRICAL

STARTING MOTOR DRIVE MOTOR AND SWITCH ASSEMBLY (DELCO-REMY NO. 1998367) (DIESEL)

RWP5055 -UN-01JAN94



RWP5055

1G19

ELECTRICAL

STARTING MOTOR DRIVE MOTOR AND SWITCH ASSEMBLY - CONTINUED
(DELCO-REMY NO. 1998367)
(DIESEL)

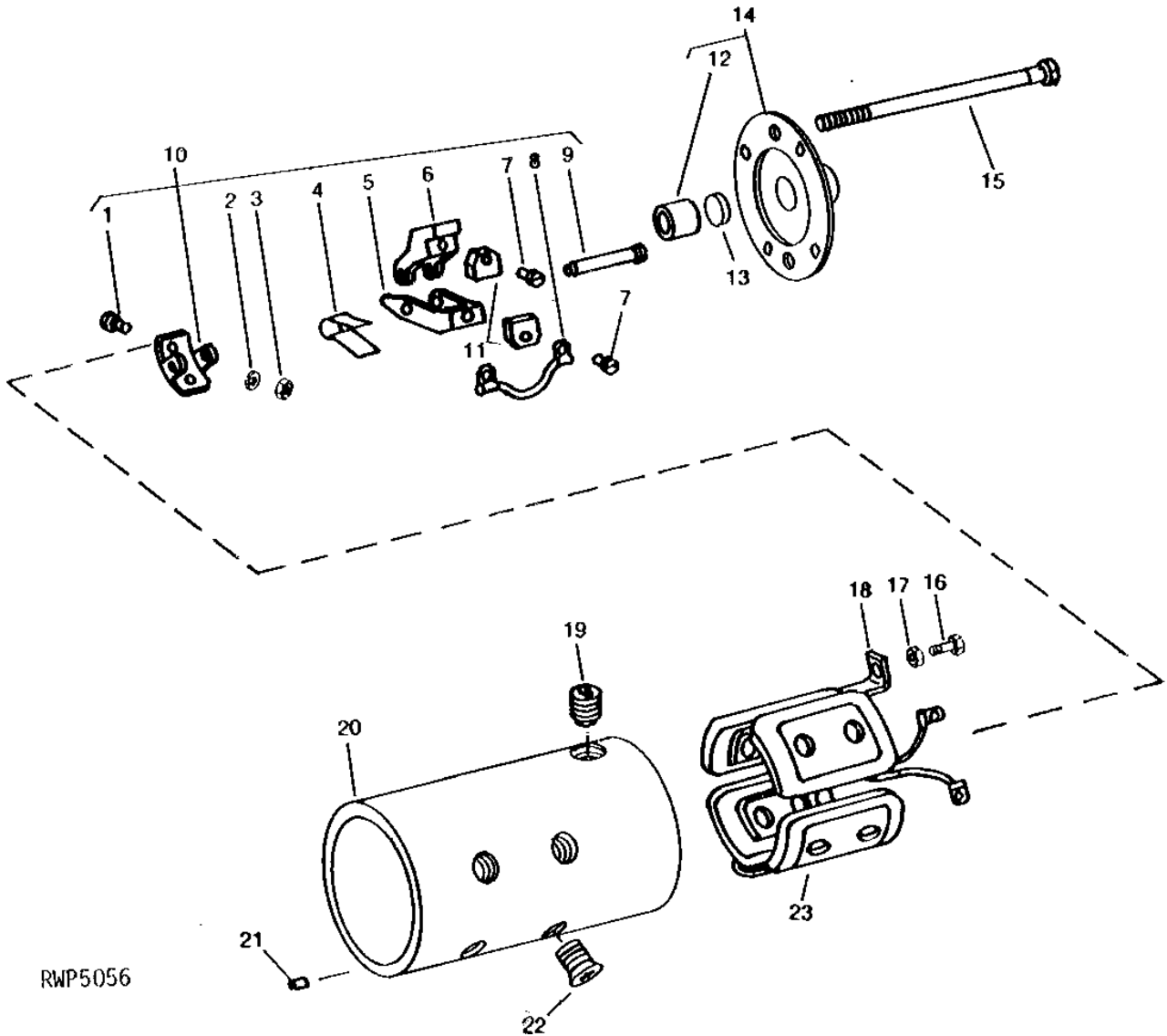
KEY	PART NO.	PART NAME	QTY	ENGINE SERIAL NO.	REMARKS
1	R57029	BUSHING	1		
2	R81175	WICK	1		
3	R81174	PLUG	1		
4	RE19193	HOUSING	1		
5	T11672	CAP SCREW	1		
6	12H303	LOCK WASHER	1	5/16"	
7	14H611	NUT	1	5/16"	
8	34H279	SPRING PIN	1	3/16" X 13/16"	
9	T18113	SHIFTER	1		
10	AM39970	PLUNGER	1		
11	R81176	COMPRESSION SPRING	1		
12	T17058	GASKET	1		
13	AM39968	SOLENOID	1		(DELCO-REMY NO. 1114524)
14	12H302	LOCK WASHER	2	1/4"	
15	21H1142	SCREW	2	1/4" X 1/2"	
16	R57025	FITTING	1		
17	T15564	SCREW	1		
18	RE19191	SCREW, WITH WASHER	2		
19	RE19192	PLATE	1		
20	R81172	WASHER	1		
21	R11118	WIRE	1		
22	SHIFT COLLAR	1		(SUB AR54923)
23	T26601	SPRING	1		
24	1873796	BUSHING	2		
25	AR54923	BENDIX DRIVE	1		
26	R11116	SPACER	1		
27	R11117	SNAP RING	1		
28	T24539	WASHER	1		
29	R81198	THRUST WASHER	1		
30	AR68299	ARMATURE	1		(SUB RE62916 OR TY6702)
..	RE19187	STARTER	1		(DELCO-REMY NO. 1998367) (SUB TY6702 OR RE62916)
..	TY6702	STARTER	1		(REMANUFACTURED)

1G20

ELECTRICAL

STARTING MOTOR COIL ASSEMBLY, HOUSING AND BRUSHES (DELCO-REMY NO. 1998367) (DIESEL)

RWP5056 -UN-01JAN94



RWP5056

1G21

ELECTRICAL

STARTING MOTOR COIL ASSEMBLY, HOUSING AND BRUSHES - CONTINUED
(DELCO-REMY NO. 1998367)
(DIESEL)

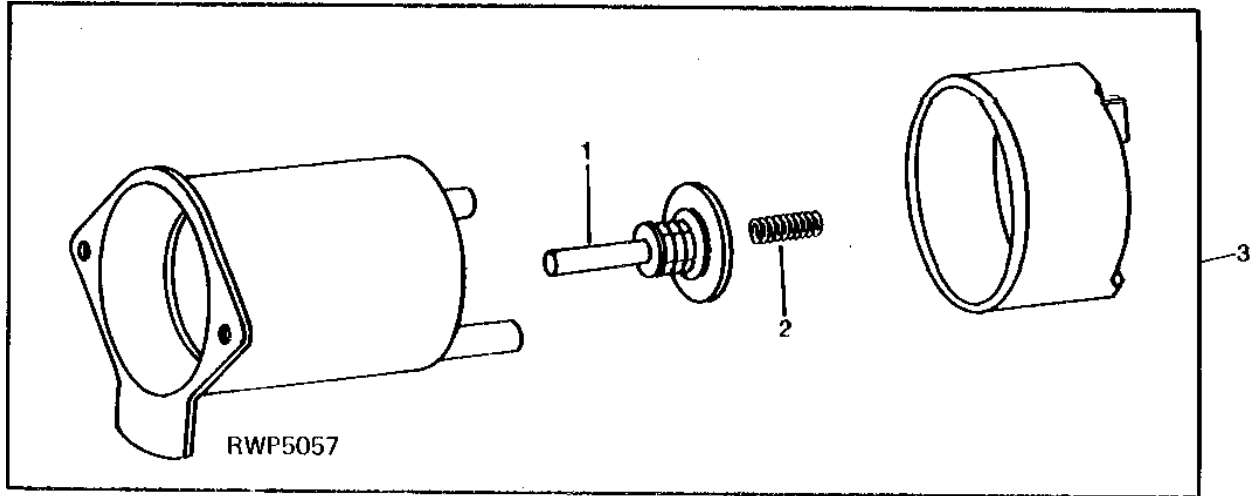
KEY	PART NO.	PART NAME	QTY	ENGINE SERIAL NO.	REMARKS
1	21H1301	SCREW	4		0.190" X 1/2"
2	12H246	LOCK WASHER	4		0.190"
3	14H778	NUT	4		0.190"
4	R81170	SPRING	2		
5	R57027	HOLDER	2		
6	R81169	CARBON BRUSH HOLDER	2		
7	37H78	SCREW	4		0.164" X 3/4"
8	R57028	WIRING LEAD	2		
9	T736T	PIN	2		
10	AR68302	KIT	2		
11	R81168	BRUSH	4		
12	R61932	BUSHING	1		
13	R61934	WICK	1		
14	R81167	END PLATE	1		
15	R81171	BOLT	2		
16	37H91	SCREW	1		0.190" X 1/2"
17	12H246	LOCK WASHER	1		0.190"
18	RE19188	FIELD WINDING COIL	1		
19	R11236	GROMMET	1		
20	HOUSING	1		(ORDER TY6702 OR RE62916)
21	R81173	DOWEL PIN	1		
22	21H1280	SCREW	8		3/8" X 3/4"
23	T11680	SHOE	4		
..	RE19187	STARTER	1		(DELCO-REMY NO. 1998367) (SUB TY6702 OR RE62916)
..	TY6702	STARTER	1		(REMANUFACTURED)

1G22

ELECTRICAL

SOLENOID SWITCH
(DELCO-REMY NO. 1114524)
(DIESEL)

RWP5057 -UN-01JAN94



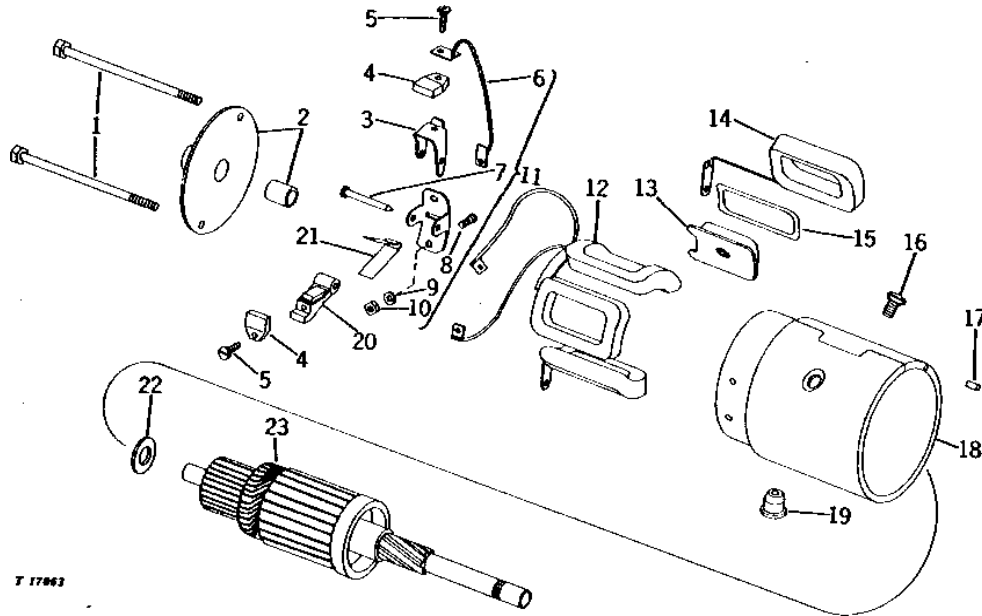
KEY	PART NO.	PART NAME	QTY	ENGINE SERIAL NO.	REMARKS
1	AM39969	CONTACT	1		
2	R11066	SPRING	1		
3	AM39968	SOLENOID	1		(12-VOLT) (DELCO-REMY 1114524) (USE WITH RE19187)

1G23

ELECTRICAL

STARTING MOTOR COIL ASSEMBLY, HOUSING AND ARMATURE
(DELCO-REMY NO. 1108319)
(GASOLINE)

T17063 -UN-01JAN94



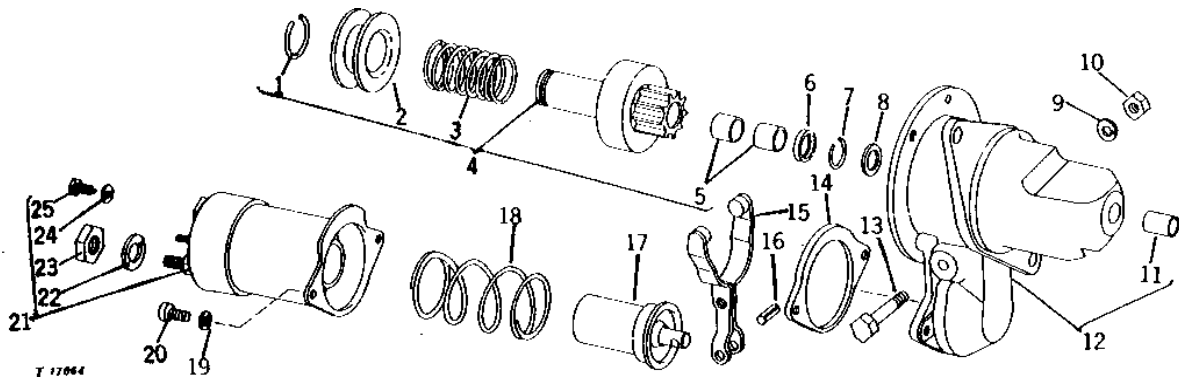
KEY	PART NO.	PART NAME	QTY	TRACTOR SERIAL NO.	REMARKS
1	T741T	BOLT	2		
2	AT517T	FRAME	1		
3	T738T	HOLDER	2		
4	T735T	BRUSH	4		
5	37H2	SCREW	4		0.164" X 5/8"
6	AT514T	WIRING LEAD	2		
7	T736T	PIN	2		
8	21H1301	SCREW	4		0.190" X 1/2"
9	12H246	LOCK WASHER	4		0.190"
10	14H778	NUT	4		0.190"
11	AT516T	KIT	2		
12	AR90826	FIELD WINDING COIL	1	-XXXXXX	(SUB FOR AR11105 OR AR88016)
	AR91815	FIELD WINDING COIL	1	XXXXXX-	
13	R39857	SHOE	4	-XXXXXX	
	810601	SHOE	4	XXXXXX-	
14	AR11106	FIELD WINDING COIL	1		(SUB AR90826)
15	T743T	INSULATOR	4		
16	21H1280	SCREW	4		3/8" X 3/4"
17	R11087	DOWEL PIN	1		
18	HOUSING	1		(ORDER TY6706)
19	R11191	GROMMET	1		
20	T739T	HOLDER	2		(SUB FOR T18099)
21	T740T	SPRING	2		
22	R46191	WASHER	1		(SUB FOR 818265)
23	AT20663	ARMATURE	1	-XXXXXX	
	AR91814	ARMATURE	1	XXXXXX-	
..	AT18025	STARTER	1	-XXXXXX	(SUB TY6706)
..	AR91813	STARTER	1	XXXXXX-	(SUB TY6706)
..	TY6706	STARTER	1		(REMANUFACTURED) (SUB FOR AT18025, AT91814, TY1465 OR TY6639)

1G24

ELECTRICAL

STARTING MOTOR DRIVE AND SWITCH ASSEMBLY (DELCO-REMY NO. 1108319) (GASOLINE)

T17064 -UN-01JAN94



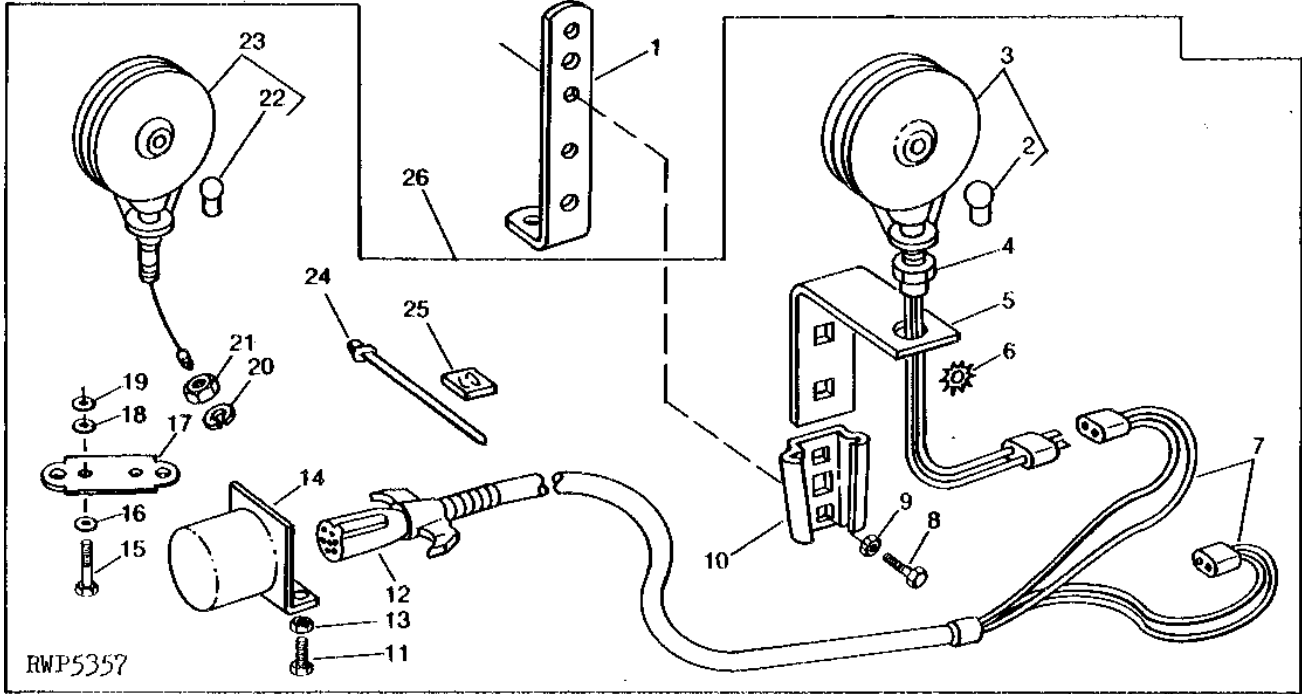
KEY	PART NO.	PART NAME	QTY	TRACTOR SERIAL NO.	REMARKS
1	R11118	WIRE	1		(SUB FOR T26602) (USE WITH AT17981, AT23160 OR AT25651)
2	R11225	LOCKING COLLAR	1		(SUB FOR 1838436) (SUB AR54923)
3	T26601	SPRING	1		(USE WITH AT17981, AT23160 OR AT25651)
4	AR54923	BENDIX DRIVE	1		(SUB FOR AT17981, AT23160 OR AT25651)
5	1873796	BUSHING	1		(USE WITH AT17981, AT23160 OR AT25651)
6	R11116	SPACER	1		
7	R11117	SNAP RING	1		
8	T24539	WASHER	1		
9	12H303	LOCK WASHER	1	5/16"	
10	14H611	NUT	1	5/16"	
11	R40801	BUSHING	1		(SUB FOR 1839345)
12	AT20664	HOUSING	1		
13	T11672	CAP SCREW	1		
14	T17058	GASKET	1		
15	T18113	SHIFTER	1		(SUB FOR T11674)
16	34H279	SPRING PIN	1		3/16" X 13/16"
17	AT15147	PLUNGER	1		
18	T11675	SPRING	1		
19	12H302	LOCK WASHER	2	1/4"	
20	21H1142	SCREW	2	1/4" X 1/2"	
21	AR68304	SOLENOID	1		(SUB FOR R11240)
	TY6690	SOLENOID	1		REMANUFACTURED
22	12H304	LOCK WASHER	1	3/8"	
23	14H732	NUT	1	3/8"	
24	12M7060	WASHER	1	0.209"	
25	T15564	SCREW	1		
..	AT18025	STARTER	1	-XXXXXX	(SUB TY6706)
..	AR91813	STARTER	1	XXXXXX-	(SUB TY6706)
..	TY6706	STARTER	1		(REMANUFACTURED) (SUB FOR AT18025, AT91813, TY1465 OR TY6639)

1G25

ELECTRICAL

RWP5357 -UN-01JAN94

IMPLEMENT WARNING LAMP KIT



KEY	PART NO.	PART NAME	QTY	TRACTOR SERIAL NO.	REMARKS
1	A39716	BRACKET	2		
2	AD2062R	BULB	2		
3	AA34967	LAMP	2		
	A48331	LENS	2		
4	12H301	LOCK WASHER	2	1/2"	
	14H856	NUT	2	1/2"	
5	PT18180	BRACKET	2		(SUB FOR PT1624 OR PT9319)
6	PT9390	WASHER	1		
7	PT9318	WIRING HARNESS	1		(SUB FOR PT1294)
8	37H57	SCREW	5	5/16" X 3/4"	
9	14H785	NUT	5	5/16"	
10	JD126	SOCKET	2		
11	37H3	SCREW	2	1/4" X 5/8"	
12	AH93625	PLUG	1		
13	14H786	NUT	2	1/4"	
14	PT1296	BRACKET	1		
15	37H57	SCREW	5	5/16" X 3/4"	
16	24H1822	WASHER	1	11/32" X 7/8" X 1/16"	
17	PT18181	BRACKET	1		(SUB FOR PT9320)
18	24H1822	WASHER	1	11/32" X 7/8" X 1/16"	
19	14H788	NUT	5	3/8"	
20	12H301	LOCK WASHER	1	1/2"	
21	14H856	NUT	1	1/2"	
22	AR48041	BULB	1		
23	AA34968	TAIL LAMP	1		
	A48332	LENS	1		
24	R44302	TIE BAND	AR		
25	AT55441	BASE	AR		(SUB FOR PT9321)
26	TY16055	KIT	1		(SUB FOR TY9305 OR TY15263)
..	AA32178	WIRING LEAD	1		ACCESSORY

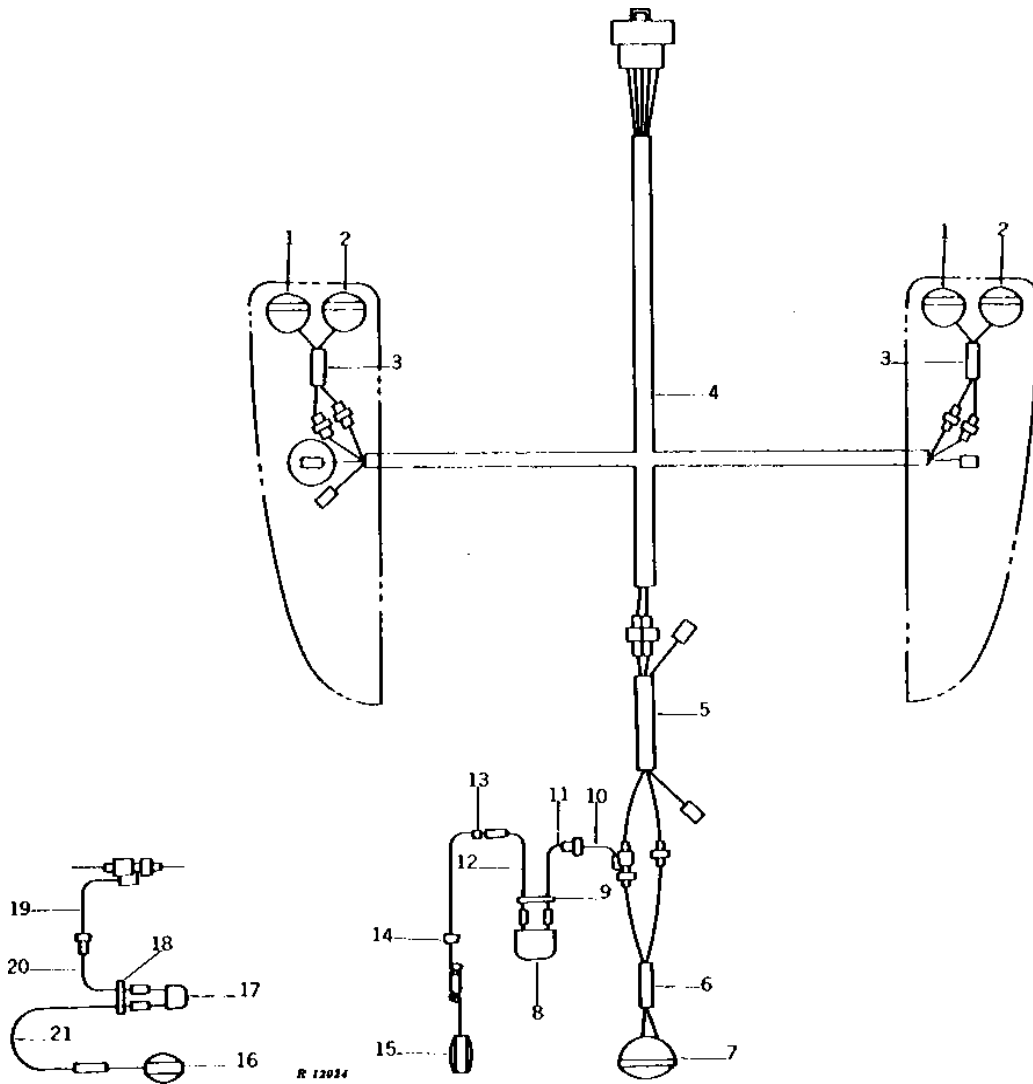
1H1

ELECTRICAL

R12024

-UN-01JAN94

LAMP WIRING



1H2

ELECTRICAL

LAMP WIRING - CONTINUED

KEY	PART NO.	PART NAME	QTY	TRACTOR SERIAL NO.	REMARKS
1	AT13380	HEADLIGHT	2	(R)	(12-VOLT FLOOD) OUTER
	R48663	WASHER	2	(R)	
	F2935R	WASHER	2	(R)	
	12H301	LOCK WASHER	2	1/2" (R)	
	14H1040	NUT	2	1/2" (R)	
2	AT13381	LAMP	2	(R)	(12-VOLT) INNER
	R48663	WASHER	2	(R)	
	F2935R	WASHER	2	(R)	
	12H301	LOCK WASHER	2	1/2" (R)	
	14H1040	NUT	2	1/2" (R)	
3	AR27359	WIRING HARNESS	2	(R)	
	A3411R	GROMMET	2	(R)	
	A4881R	CLIP	4	(R)	
	19H2487	CAP SCREW	4	5/16" X 9/16" (R)	
	12H303	LOCK WASHER	4	5/16" (R)	
4	AR41284	WIRING HARNESS	1	(SUB FOR R39617)	
	B1986R	CLIP	1		
	R34045	COVER	2		
	19H2020	CAP SCREW	2	5/16" X 1/2"	
	12H303	LOCK WASHER	2	5/16"	
5	R39618	WIRING HARNESS	1		
6	AR26575	WIRING HARNESS	1		
	R21551	CLIP	1		
7	AR77326	FLOODLAMP	1		FLOOD AND TAIL, (SUB FOR AT16288)
	12H301	LOCK WASHER	1	1/2"	
	14H1040	NUT	1	1/2"	
8	AR48594	FLASHER	1	(H)	(SUB FOR AR38453)
9	R21551	CLIP	1	(H)	
10	AR38455	WIRING LEAD	1	(H)	
11	WIRING LEAD	1	(H)	76MM (3") (MAKE FROM R66319, R32027 AND (2) AR65006)
12	AR40507	WIRING LEAD	1	(H)	
13	R27583	GROMMET	1	(H)	
14	R27582	BUSHING	1	(H)	(NO LONGER AVAILABLE)
15	RE65495	LAMP	1	(H)	WARNING, (SUB FOR AR26584)
16	AR38456	LAMP	1	(R)	WARNING
	R38371	WASHER	1	(R)	
	24H1227	WASHER	1	17/32" X 13/16" X 0.060" (R)	
	14H856	NUT	1	1/2" (R)	
17	AR48594	FLASHER	1	(R)	(SUB FOR AR38453)
18	R21551	CLIP	1	(R)	
19	AR38455	WIRING LEAD	1	(R)	
20	WIRING LEAD	1	(R)	76MM (3") (MAKE FROM R66319, R32027 AND (2) AR65006)
21	AR38452	WIRING LEAD	1	(R)	

R - ROW-CROP, H - HI-CROP

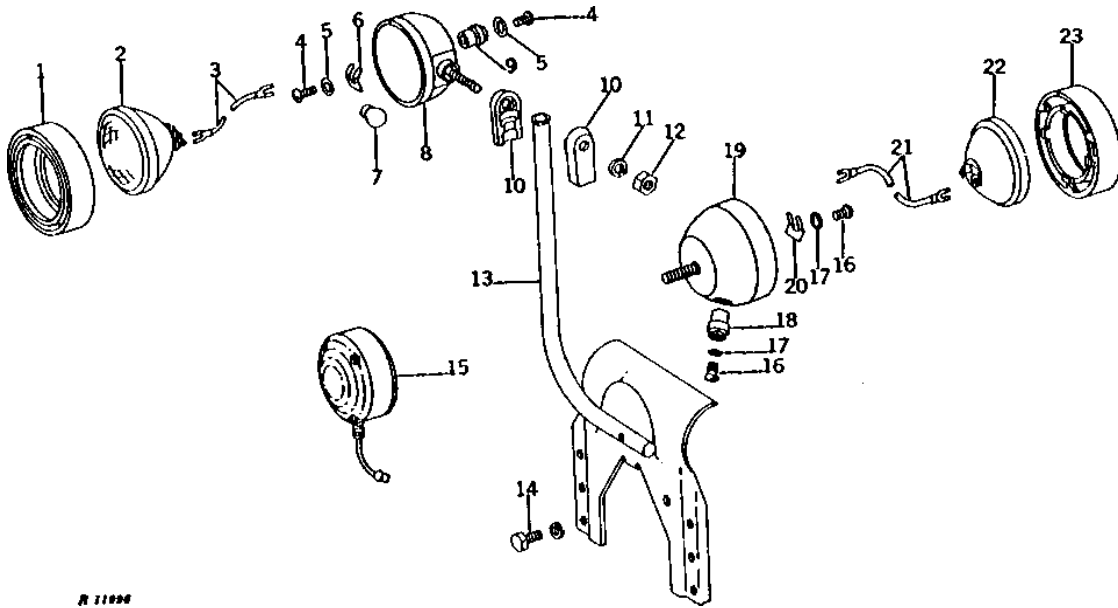
1H3

ELECTRICAL

R11996

-UN-01JAN94

FRONT AND REAR LAMP PARTS AND REAR LAMP SUPPORT



R 11996

1H4

ELECTRICAL

FRONT AND REAR LAMP PARTS AND REAR LAMP SUPPORT - CONTINUED

KEY	PART NO.	PART NAME	QTY	TRACTOR SERIAL NO.	REMARKS
1	R30182	BEZEL	1	(B)	
	R31250	BEZEL	1	(C)	
2	AR21737	LAMP	1	-XXXXXX	(SUB AR77324, AD2062R AND AR77325)
	AR77324	LAMP	1		(USE WITH AR77326)
3	WIRING LEAD	2		165MM (6-1/2") (MAKE FROM R66319 AND (2) R32016)
4	21H1293	SCREW	4		0.164" X 5/16"
5	12M7084	LOCK WASHER	4		0.169"
6	A2899R	ASSEMBLY LINE PARTS	2		(C)
7	AR86969	BULB	1		(A) 15 C.P. (USE WITH AT16288) (SUB FOR AR21739)
	AD2062R	BULB	1		(A) 32 C.P. (USE WITH AR77326)
8	AR77326	FLOODLAMP	1		FLOOD AND TAIL, (SUB FOR AT16288)
	AR55888	SOCKET	1		(USE WITH AT16288)
	AR77325	SOCKET	1		(USE WITH AR77326)
9	R30181	PLATE	2		(B)
	AA3495R	SUPPORT	2		(C)
10	R27460	CLAMP	2		
11	12H301	LOCK WASHER	1		1/2"
12	14H1040	NUT	1		1/2" HS, SAE 8
13	AR26755	SUPPORT	1		
14	19H1936	CAP SCREW	2		3/8" X 3/4"
	12H304	LOCK WASHER	2		3/8"
15	AR38456	LAMP	1		WARNING
	AD2062R	BULB	1		32 C.P.
	R42666	LENS	1		AMBER
	R42667	LENS	1		RED
16	21H1293	SCREW	2		0.164" X 5/16"
17	12M7084	LOCK WASHER	2		0.169"
18	R30181	PLATE	1		(B)
	AA3495R	SUPPORT	1		(C)
19	AT13381	LAMP	2		(A) (R AND H)
	AT13380	HEADLIGHT	2		(A) (R) (FENDER LAMP ONLY)
20	A2899R	ASSEMBLY LINE PARTS	1		(C)
21	WIRING LEAD	1		165MM (6-1/2") (MAKE FROM R66319 AND (2) R32016)
22	AF3892R	HEADLIGHT	1		(A) (R AND H)
	AR21059	HEADLIGHT	1		(A) (R) (FENDER LAMP ONLY)
23	R30182	BEZEL	1		(B)
	R31250	BEZEL	1		(C)

R - ROW-CROP, H - HI-CROP

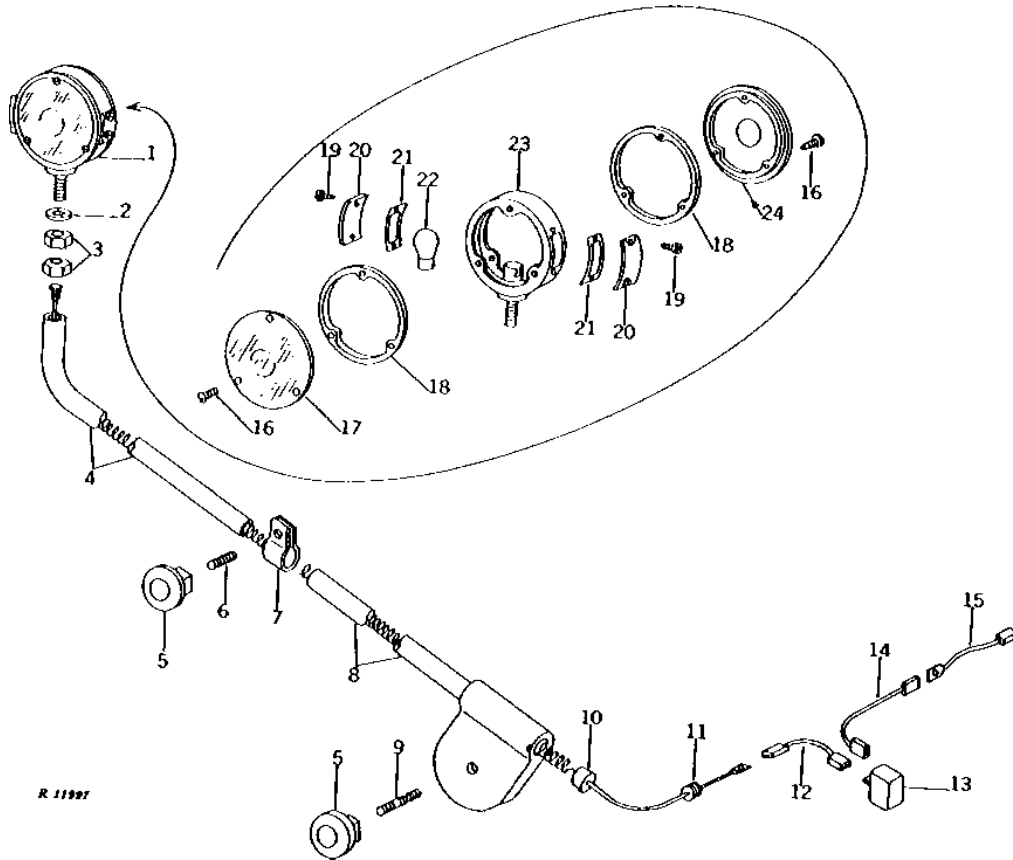
- (A) 12-VOLT
- (B) HOBBS
- (C) GUIDE

1H5

ELECTRICAL

WARNING LAMP (HI-CROP)

R11997 -UN-01JAN94



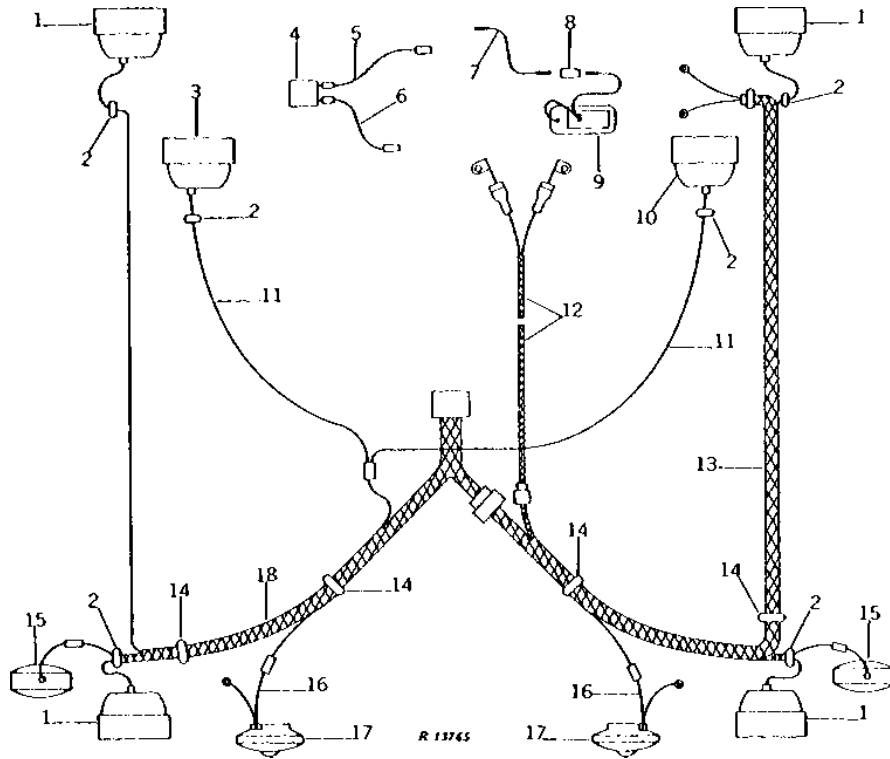
KEY	PART NO.	PART NAME	QTY	TRACTOR SERIAL NO.	REMARKS
1	RE65495	LAMP	1		(SUB FOR AR26584)
2	24H1625	WASHER	1		17/32" X 1" X 0.120"
3	14H849	NUT	2		7/16"
4	AR26793	MAST	1		(NO LONGER AVAILABLE)
5	R27580	KNOB	2		
6	R55396	STUD	1		(SUB FOR C2175R)
7	AR26794	CLAMP	1		(NO LONGER AVAILABLE)
8	AR26792	BASE	1		
9	R27579	STUD	1		(NO LONGER AVAILABLE)
10	R27582	BUSHING	1		(NO LONGER AVAILABLE)
11	R27583	GROMMET	1		
12	AR40507	WIRING LEAD	1		
13	AR48594	FLASHER	1		(SUB FOR AR38453)
14	WIRING LEAD	1		76MM (3") (MAKE FROM R66319, R32027 AND AR65006)
15	AR38455	WIRING LEAD	1		
16	21H1290	SCREW	6		0.138" X 1/2"
17	A5275R	LENS	1		AMBER
	A5276R	LENS	1		RED
18	GASKET	2		(SUB RE65495)
19	37H46	SCREW	4		NO. 6 X 3/8"
20	A5278R	LENS	2		
21	A5279R	GASKET	2		
22	AA6218R	BULB	1		21 C.P.
23	HOUSING	1		(ORDER RE65495)
24	A5275R	LENS	1		AMBER

1H6

ELECTRICAL

CAB LAMP WIRING (STOLPER)

R13765 -UN-01JAN94



KEY	PART NO.	PART NAME	QTY	CAB SERIAL NO.	REMARKS
1	AR42119	LAMP	4		(A) (SUB RE19075, THIS APPLICATION) (GUIDE OR HOBBS)
2	R27583	GROMMET	6		
3	RE19075	LAMP	1		(A) (LOWER) (SUB FOR AR42121)
4	AR48594	FLASHER	1		(SUB FOR AR38453)
5	AR38752	WIRING LEAD	1		TO LIGHT SWITCH
6	AR45112	WIRING LEAD	1		TO WIRING HARNESS
7	WIRING LEAD	1		254MM (10") (MAKE FROM R66319, R32026 AND R32027)
8	R32029	TERMINAL	1		
9	AR45847	LAMP	1		DOME
10	RE19075	LAMP	1		(A) (LOWER) (SUB FOR AR42120)
11	AR44994	WIRING HARNESS	1		
	F2084R	CLIP	4		
12	AR44995	WIRING HARNESS	1		TO ALTERNATOR
13	AR45825	WIRING HARNESS	1		
	T14264	CLAMP	1		
	T13744	CLAMP	1		
	R34557	CLAMP	1		
	R27180	GROMMET	1		
14	R41439	GROMMET	4		
15	AR38456	LAMP	2		WARNING
16	AR44996	WIRING LEAD	1		
17	AR78825	TAIL LAMP	2		(SUB FOR AR44989 OR AR45099)
18	AR45826	WIRING HARNESS	1		
	T14264	CLAMP	1		
	T13744	CLAMP	1		
	R34557	CLAMP	1		
	R27180	GROMMET	1		

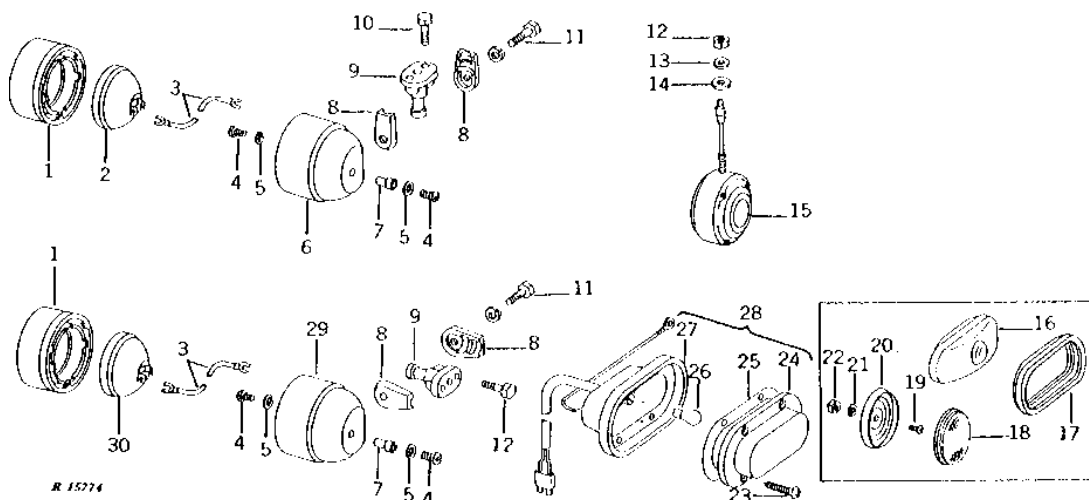
(A) 12-VOLT

1H7

ELECTRICAL

LAMP PARTS, WARNING LAMP AND REFLECTOR (STOLPER)

R15774 -UN-01JAN94



KEY	PART NO.	PART NAME	QTY	CAB SERIAL NO.	REMARKS
1	R42689	BEZEL	6	(HOBBS)	
	R48293	BEZEL	6	(GUIDE)	
2	AR42591	HEADLIGHT	4	(A) (FRONT AND REAR UPPER LAMPS) (USE WITH AR42119)	
	AR104119	HEADLIGHT	4	(A) (FRONT AND REAR UPPER LAMPS) (USE WITH RE19075)	
3	WIRING LEAD	1	165MM (6-1/2") (MAKE FROM R66319 AND (2) R32016)	
4	21H1293	SCREW	12	0.164" X 5/16"	
5	12M7084	LOCK WASHER	12	0.169"	
6	AR42119	LAMP	4	(A) (GUIDE OR HOBBS) (FRONT AND REAR UPPER) (SUB RE19075, THIS APPLICATION)	
7	R30181	PLATE	6	(HOBBS)	
8	R27460	CLAMP	12		
9	T19178	BRACKET	6		
10	37H106	SCREW	12	3/8" X 5/8"	
11	19H2644	CAP SCREW	6	1/2" X 2-1/2"	
	12H301	LOCK WASHER	6	1/2"	
12	14H856	NUT	2	1/2"	
13	24H1227	WASHER	2	17/32" X 13/16" X 0.060"	
14	R38371	WASHER	2		
15	AR38456	LAMP	2	WARNING	
	AD2062R	BULB	1	32 C.P.	
	R42666	LENS	1	AMBER	
	R42667	LENS	1	RED	
16	AR78825	TAIL LAMP	2	(SUB FOR AR44989 OR AR45099)	
17	R42779	GROMMET	2		
18	R60731	REFLECTOR	2	(SUB FOR R42777)	
19	21H979	SCREW	2	0.190" X 5/16"	
20	R60731	REFLECTOR	2	(SUB FOR R42778) (SUB T33745)	
21	12M7060	WASHER	2	0.209"	
22	14H631	NUT	2	0.190"	
23	37H2	SCREW	8	0.164" X 5/8"	
24	R45936	LENS	2		
25	R45937	GASKET	2		
26	AR48041	BULB	2		
27	AR48040	HOUSING	2	(SUB AR78825)	
28	AR78825	TAIL LAMP	2	(SUB FOR AR45099)	
29	RE19075	LAMP	1	(A) (SUB FOR AR42120 OR AR42121) (FRONT AND REAR LOWER)	
30	AF3892R	HEADLIGHT	2	(A)	

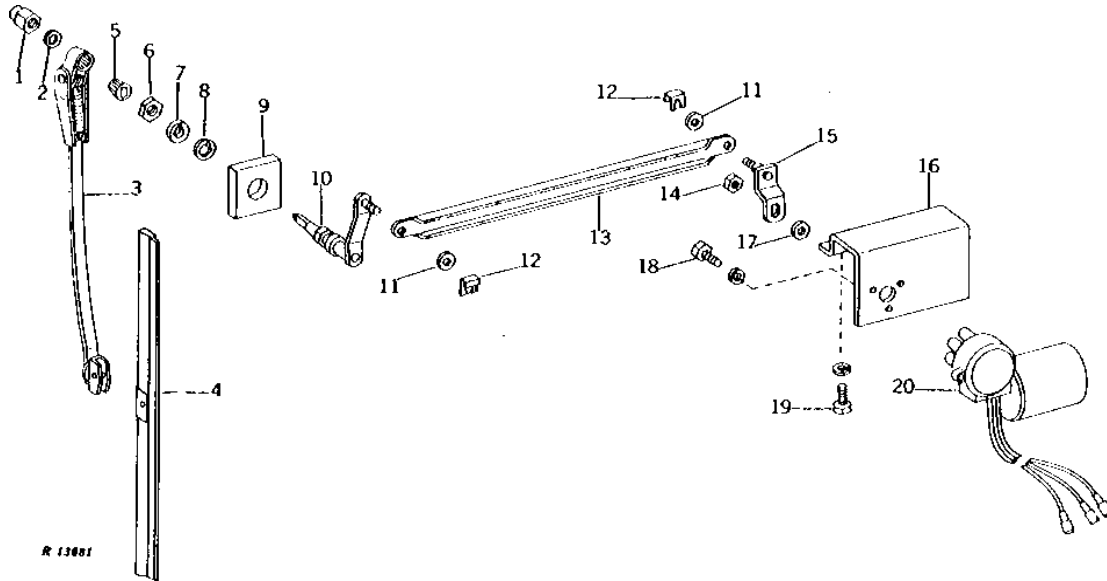
(A) 12-VOLT

1H8

ELECTRICAL

WINDSHIELD WIPER (STOLPER)

R13681 -UN-01JAN94



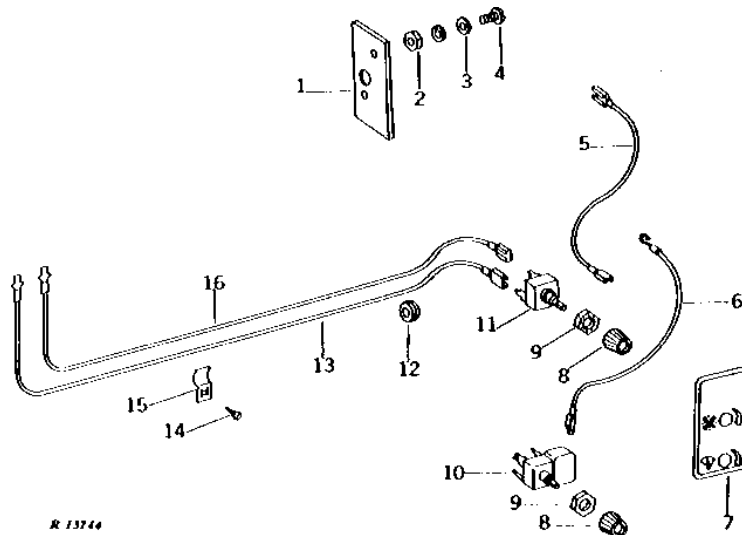
KEY	PART NO.	PART NAME	QTY	CAB SERIAL NO.	REMARKS
1	U46514	NUT	1		(SUB FOR R44466)
2	12M7032	LOCK WASHER	1		0.331"
3	AR45843	ARM	1		
4	AR45844	WINDSHIELD WIPER	1		
5	R44465	DRIVER	1		
6	R44464	NUT	1		
7	R44467	SPACER	1		
8	R44461	WASHER	1		
9	R44463	SEAL	1		
10	AR45842	SHAFT	1		
11	R11032	SHIM	2		
12	R44462	CLIP	2		
13	AR45841	ARM	1		
14	14H860	NUT	1		1/4"
	12H297	LOCK WASHER	1		1/4"
15	AR45840	ARM	1		
16	AR45838	BRACKET	1		
17	R44460	WASHER	1		
18	19H1948	CAP SCREW	3		1/4" X 3/4"
	12H302	LOCK WASHER	3		1/4"
19	19H1914	CAP SCREW	3		1/4" X 1"
	12H302	LOCK WASHER	3		1/4"
20	AR59444	MOTOR	1		(ALSO ORDER AR64992) (SUB FOR AR45837) (SUB AT66481 AND AT66482)
	AT66481	MOTOR	1		(ALSO ORDER AT66482) (SUB FOR AR45037 OR AR59444)

1H9

ELECTRICAL

BLOWER SWITCH, WIPER SWITCH, AND WIRING LEADS (STOLPER)

R13744 -UN-01JAN94



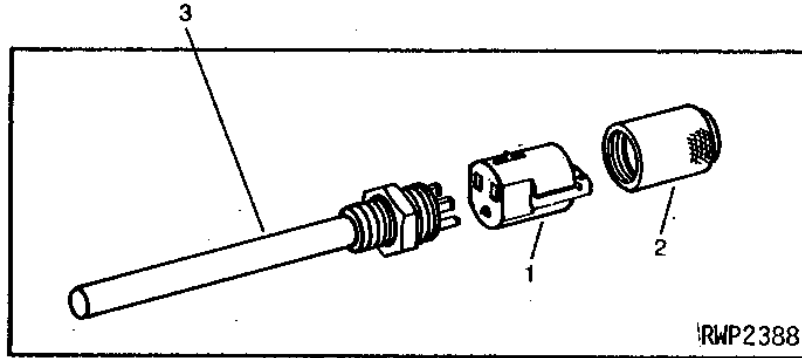
KEY	PART NO.	PART NAME	QTY	TRACTOR SERIAL NO.	REMARKS
1	R44479	FUSE HOLDER	1		
2	14H605	NUT	2	0.164"	
	12H315	LOCK WASHER	2	0.164"	
3	24H1283	WASHER	2	7/32" X 1/2" X 0.049"	
4	21H1158	SCREW	2	0.164" X 1/2"	
5	WIRING LEAD	1		(MAKE FROM R32027 AND (2) AR65006) (FROM AR84006 AND (2) AR65006)
6	AR45853	WIRING LEAD	1		TO FUSE BLOCK (NLA)
7	R44482	LABEL	1		(NO LONGER AVAILABLE)
8	T30890	KNOB	2		(SUB FOR AR45849)
9	R44165	LOCK NUT	2		
10	AR45839	SWITCH	1		WIPER (NLA)
	AR64992	WIPER SWITCH	1		WIPER, (USE WITH AR59444) (WIPER MOTOR)
11	AR45854	SWITCH	1		BLOWER
12	H987R	GROMMET	2		
13	AR45851	WIRING LEAD	1		TO BLOWER MOTOR
14	37H15	SCREW	2		NO. 6 X 1/4"
15	R44481	CLIP	2		
16	AR45852	WIRING LEAD	1		TO BLOWER MOTOR

1H10

ELECTRICAL

RWP2388 -UN-01JAN94

OIL HEATER



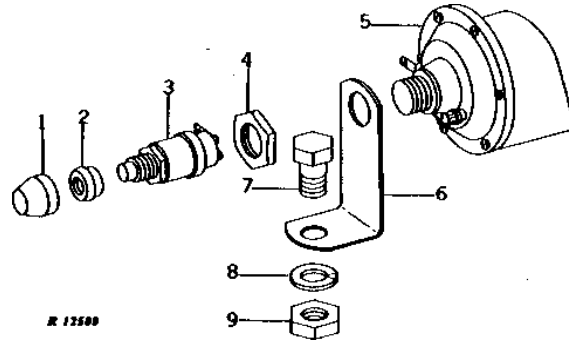
KEY	PART NO.	PART NAME	QTY	TRACTOR SERIAL NO.	REMARKS
1	AR21024	FITTING	1		
2	R20878	PLUG	1		
3	AR27139	HEATING ELEMENT	1		240-WATT, (SUB AR21024, R20878 AND T23925)

1H11

ELECTRICAL

R12589 -UN-01JAN94

HORN



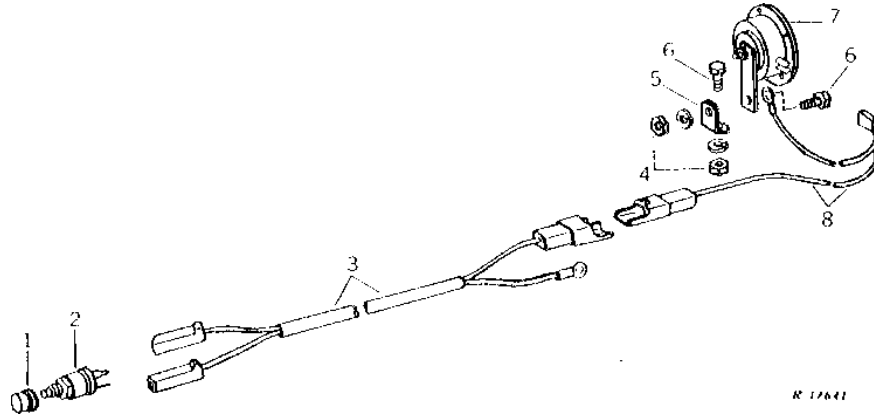
KEY	PART NO.	PART NAME	QTY	TRACTOR SERIAL NO.	REMARKS
1	T55501	CAP	1		(SUB FOR R39549 OR AR47374, THIS APPLICATION)
2	R21157	NUT	1		(SUB T55501)
3	AR21823	SWITCH	1		(SUB FOR AR20235)
4	R11278	NUT	1		
5	AT39043	HIGH NOTE HORN	1		(12-VOLT) (LOW NOTE) (SUB FOR R11276)
6	R34701	BRACKET	1		
7	19H2367	CAP SCREW	1	5/8" X 3/4"	
8	12H294	LOCK WASHER	1	5/8"	
9	14H479	NUT	1		
..	AR38462	HORN	1		(SUB AR102454)

1H12

ELECTRICAL

R17641 -UN-01JAN94

HORN



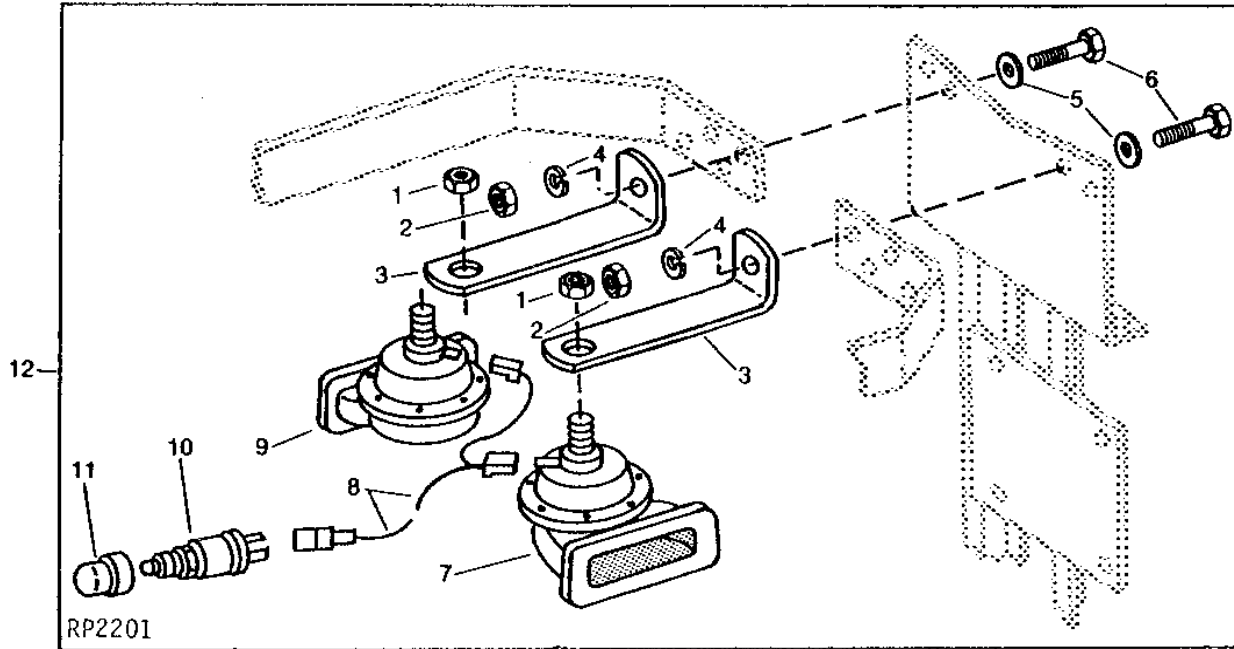
KEY	PART NO.	PART NAME	QTY	TRACTOR SERIAL NO.	REMARKS
1	T55501	CAP	1		(SUB FOR AR47374)
2	AR21823	SWITCH	1		
3	AR46730	WIRING HARNESS	1		
4	14H785	NUT	2	5/16"	
	12H303	LOCK WASHER	2	5/16"	
5	R46791	BRACKET	1		
6	19H1813	CAP SCREW	2	5/16" X 5/8"	
7	AL14896	HORN	1		(12-VOLT) ELECTRIC
8	AR73580	WIRING HARNESS	1		(SUB FOR AR49038)
..	AR49032	HORN	1		(SUB AR102454)

1H13

ELECTRICAL

RP2201 -UN-01JAN94

DUAL HORN ASSEMBLY



KEY	PART NO.	PART NAME	QTY	TRACTOR SERIAL NO.	REMARKS
1	R11278	NUT	2		
2	14H785	NUT	2	5/16"	
3	R66069	BRACKET	2		(ILLUSTRATED)
	R75833	BRACKET	2		
4	12H303	LOCK WASHER	2	5/16"	
5	24H1136	WASHER	2		
6	19H1849	CAP SCREW	2	5/16" X 1-1/4"	
7	R64700	LOW NOTE HORN	1		(12-VOLT) (HIGH NOTE)
8	AR85578	WIRING HARNESS	1		50° MM (20")
9	AT39043	HIGH NOTE HORN	1		(12-VOLT) (LOW NOTE)
10	AR20235	SWITCH	1		
11	T55501	CAP	1		
12	AR102454	HORN	1		(SUB FOR AR49032 OR AR81178) (ORDER COMPONENT PARTS)

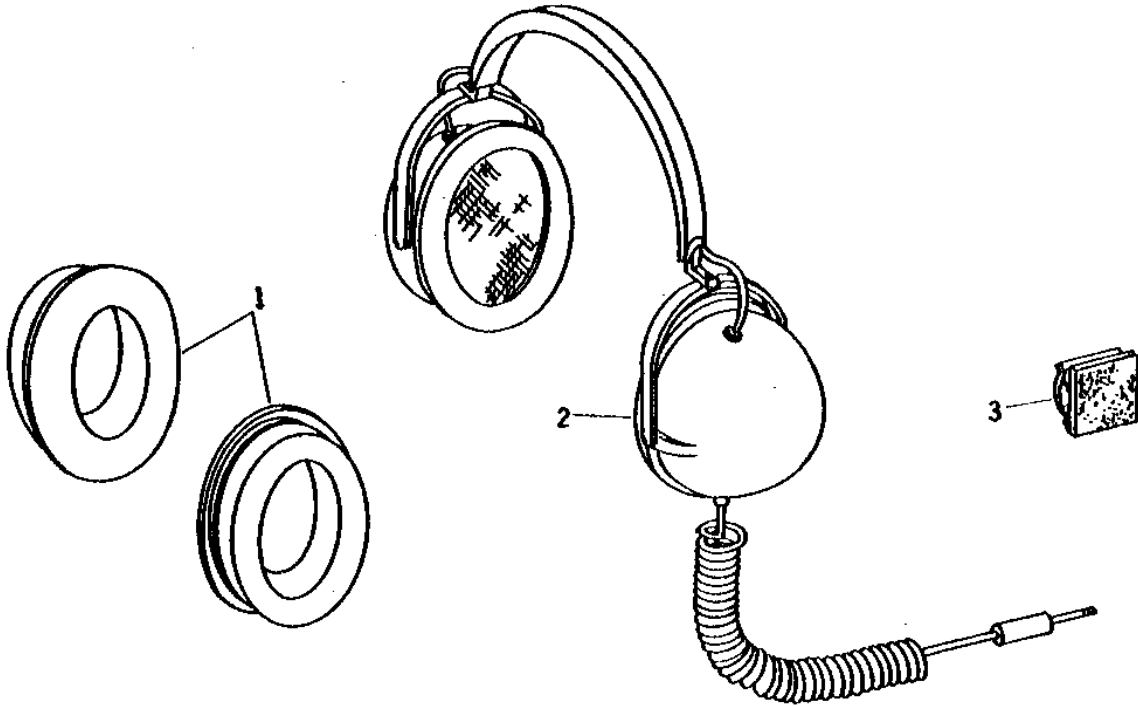
MEMORANDA

1H14

ELECTRICAL

R33062 -UN-01JAN94

RADIO HEADPHONES



R33062

KEY	PART NO.	PART NAME	QTY	TRACTOR SERIAL NO.	REMARKS
1	AR73311	FOAM PAD	1		(PKG OF 2) (SUB FOR R53409)
2	AR59663	HEADPHONES	1		(INCLUDES EAR PADS AND CLIP)
3	R53410	CLIP	1		(A) (NLA)

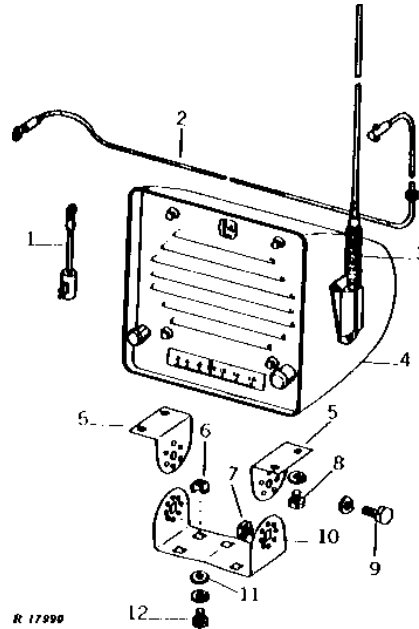
(A) CHECK AUDIOVOX DIRECT - SHIP PROGRAM GUIDE

1H15

ELECTRICAL

RADIO (BENDIX)

R17990 -UN-01JAN94



KEY	PART NO.	PART NAME	QTY	TRACTOR SERIAL NO.	REMARKS
1	AR41758	CAPACITOR	1		
2	AR41756	WIRING LEAD	1		
3	AR41760	ANTENNA	1		
4	AR46986 AR101245	ANTENNA RADIO	1 1		(THREADED TYPE) (A) (ALSO ORDER AR46986) (SUB FOR AR40947, AR48717, AR57157, AR68362 OR AR68361) (NLA)
5	R41879 R46505	BRACKET BRACKET	2 2		(USE WITH AR40947) (NLA) (USE WITH AR48717, AR57157 OR AR68362) (NLA)
6	AR41951	NUT	4		
7	AR41950	NUT	2		
8	19H1227 12H302	CAP SCREW LOCK WASHER	4 4	1/4" X 1/2" 1/4"	
9	19H1936 12H310	CAP SCREW LOCK WASHER	2 2	3/8" X 3/4" 3/8"	
10	R41880	BRACKET	1		FENDER
11	24H1294	WASHER	4		11/32" X 1-1/8" X 1/16"
12	19H1813 12M7032	CAP SCREW LOCK WASHER	4 4		5/16" X 5/8" 0.331"

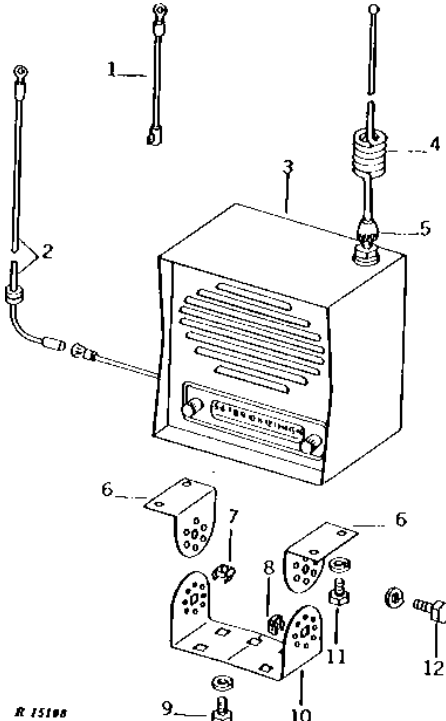
(A) CHECK AUDIOVOX DIRECT - SHIP PROGRAM GUIDE

1H16

ELECTRICAL

R15198 -UN-01JAN94

RADIO (MOTOROLA)



KEY	PART NO.	PART NAME	QTY	TRACTOR SERIAL NO.	REMARKS
1	AR41758	CAPACITOR	1		
2	AR41756	WIRING LEAD	1		
	R42799	RESISTOR	1		
3	TY15155	RADIO	1		(A) (SUB FOR AR42431) (ALSO ORDER AR46986) (NLA)
4	AR45013	MAST	1		(WIRE TYPE)
	AR46986	ANTENNA	1		(THREADED TYPE)
5	R42800	NUT	1		
6	R41879	BRACKET	2		
7	AR41951	NUT	4		
8	AR41950	NUT	2		
9	19H1813	CAP SCREW	4		5/16" X 5/8"
	12M7032	LOCK WASHER	4		0.331"
10	R41880	BRACKET	1		
11	19H1227	CAP SCREW	4		1/4" X 1/2"
	12H297	LOCK WASHER	4		1/4"
12	19H1936	CAP SCREW	2		3/8" X 3/4"
	12H310	LOCK WASHER	2		3/8"

(A) CHECK AUDIOVOX DIRECT - SHIP PROGRAM GUIDE

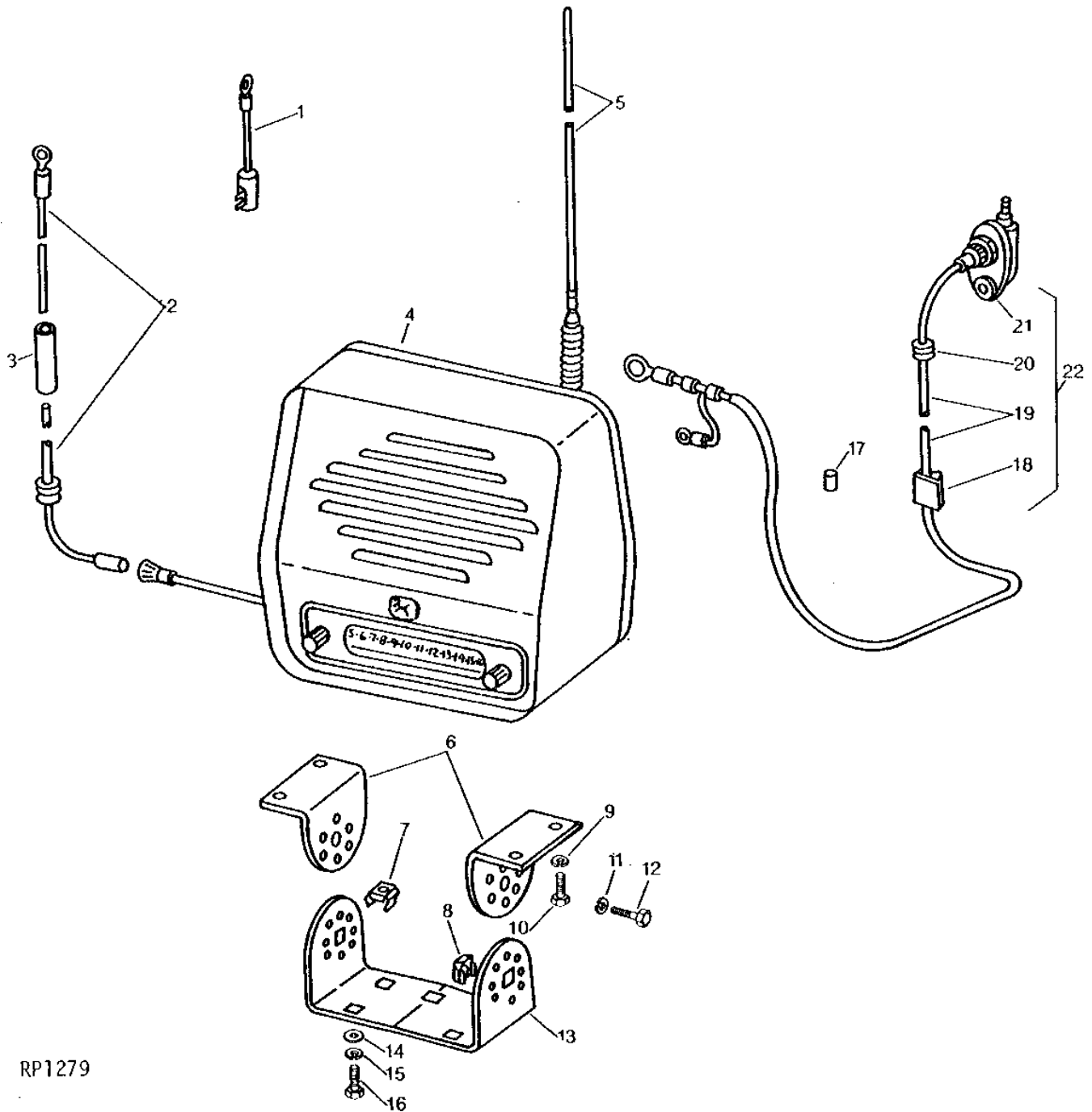
MEMORANDA

1H17

ELECTRICAL

RP1279 -UN-01JAN94

RADIO
(MOTOROLA)



RP1279

1H18

ELECTRICAL

RADIO - CONTINUED
(MOTOROLA)

KEY	PART NO.	PART NAME	QTY	TRACTOR SERIAL NO.	REMARKS
1	AR41758	CAPACITOR	1		
2	AR41756	WIRING LEAD	1		
3	R42799	RESISTOR	1		
4	TY15156	KIT	1		(A) (ALSO ORDER AR46986) (SUB FOR AR51973, AR57156, AR68361, AR101245 OR TY15155) (NLA)
5	AR46986	ANTENNA	1		
6	R52408	BRACKET	2		
7	AR41951	NUT	4	5/16"	
8	AR41950	NUT	2	3/8"	
9	12H302	LOCK WASHER	4	1/4"	
10	19H1227	CAP SCREW	4	1/4" X 1/2"	
11	12H310	LOCK WASHER	2	3/8"	
12	19H1936	CAP SCREW	2	3/8" X 3/4"	
13	R41880	BRACKET	1		
14	24H1294	WASHER	3	11/32" X 1-1/8" X 1/16"	
15	12M7032	LOCK WASHER	3	0.331"	
16	19H1813	CAP SCREW	3	5/16" X 5/8"	
17	R45136	PLUG	1		
18	R47474	CLIP	4	(SUB FOR R45137)	
19	AR51484	WIRING LEAD	1		
20	R27583	GROMMET	1		
21	AR46984	BASE	1		
22	AR51483	BASE	1	(WITH CAB)	

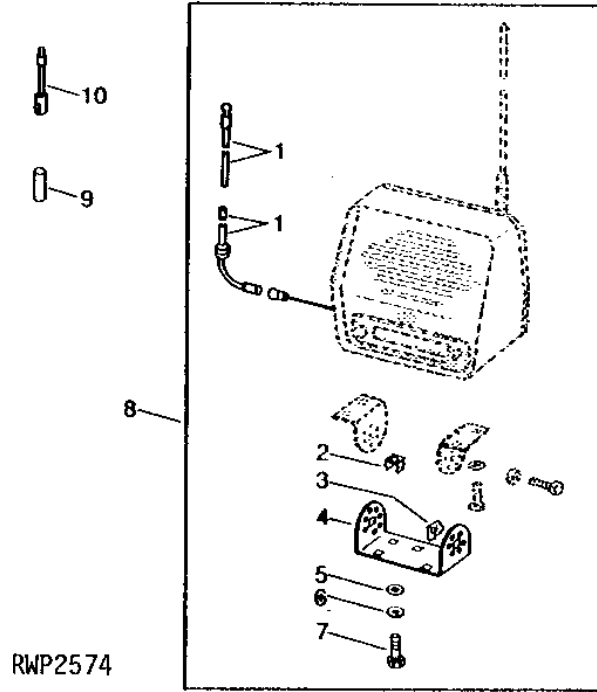
(A) CHECK AUDIOVOX DIRECT-SHIP PROGRAM GUIDE

1H19

ELECTRICAL

RWP2574 -UN-01JAN94

RADIO MOUNTING KIT



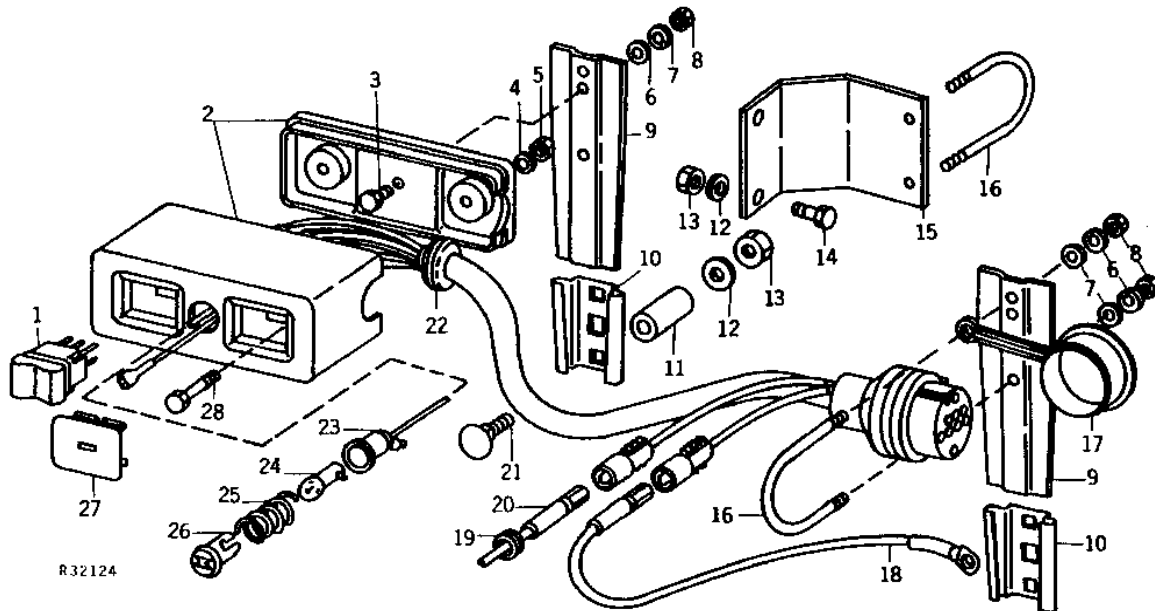
KEY	PART NO.	PART NAME	QTY	TRACTOR SERIAL NO.	REMARKS
1	AR41756	WIRING LEAD	1		
2	AR41951	NUT	4	5/16"	
3	AR41950	NUT	2	3/8"	
4	R41880	BRACKET	1		
5	24H1294	WASHER	4	11/32" X 1-1/8" X 1/16"	
6	12M7032	LOCK WASHER	4	0.331"	
7	19H1813	CAP SCREW	4	5/16" X 5/8"	
8	AR41754	KIT	1		MOUNTING FOR 2ND VEHICLE
9	R42799	RESISTOR	1		
10	AR41758	CAPACITOR	1		NOISE SUPPRESSOR

1H20

ELECTRICAL

R32124 -UN-01JAN94

ELECTRICAL REMOTE CONTROL



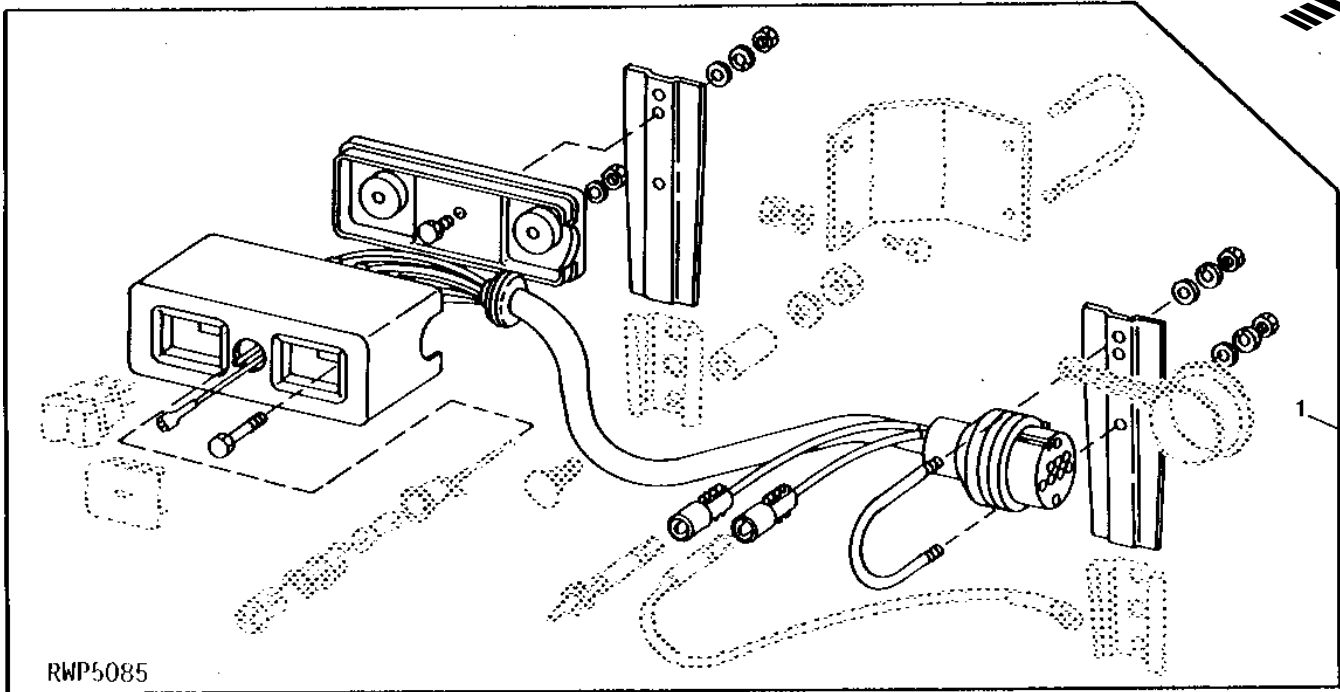
KEY	PART NO.	PART NAME	QTY	TRACTOR SERIAL NO.	REMARKS
1	AR49797	TOGGLE SWITCH	1		MOMENTARY ROCKER (FI)
	AR49798	ROCKER SWITCH	1		DETENT ROCKER (FI)
2	AR50779	WIRING HARNESS	1		TWO SWITCH CONTROL
	AR50780	WIRING HARNESS	1		FOUR SWITCH CONTROL
3	19H1914	CAP SCREW	1		1/4" X 1"
4	12H315	LOCK WASHER	2		0.164"
5	14H605	NUT	2		0.164"
6	24H1821	WASHER	3		9/32" X 47/64" X 1/16"
7	12H302	LOCK WASHER	3		1/4"
8	14H786	NUT	3		1/4"
9	R47861	BRACKET	AR		(2 USED, TWO SWITCH) (1 USED, FOUR SWITCH)
	R47860	BRACKET	1		(FOUR SWITCH)
10	JD126	SOCKET	2		
11	28H1495	SPACER	2		3/8" X 1"
12	24M7207	WASHER	4		8.400 X 24 X 2 MM
13	14H785	NUT	4		5/16"
14	21H1304	SCREW	2		5/16" X 3/4"
15	R54467	BRACKET	1		
16	E16050	U-BOLT	1		
17	R48048	CAP	1		
18	AR50928	WIRING LEAD	1		SWITCH BOX GROUND
19	H987R	GROMMET	4		
20	AR50927	WIRING LEAD	1		RELAY TO SWITCH BOX
21	03H1515	BOLT	2		5/16" X 2"
22	R36235	GROMMET	1		
23	AT44165	WIRING LEAD	1		INDICATOR
24	AR55694	BULB	1		
25	R30378	SPRING	1		
26	AT48673	LENS	1		
27	R48049	PLUG	1		
28	R48028	SCREW	2		
..	R48026	DECAL	1		WARNING
..	R48027	GROMMET	1		(CAB OPENING)
..	R32276	PLUG	1		(CAB OPENING)

1H21

ELECTRICAL

RWP5085 -UN-01JAN94

ELECTRICAL REMOTE CONTROL KIT



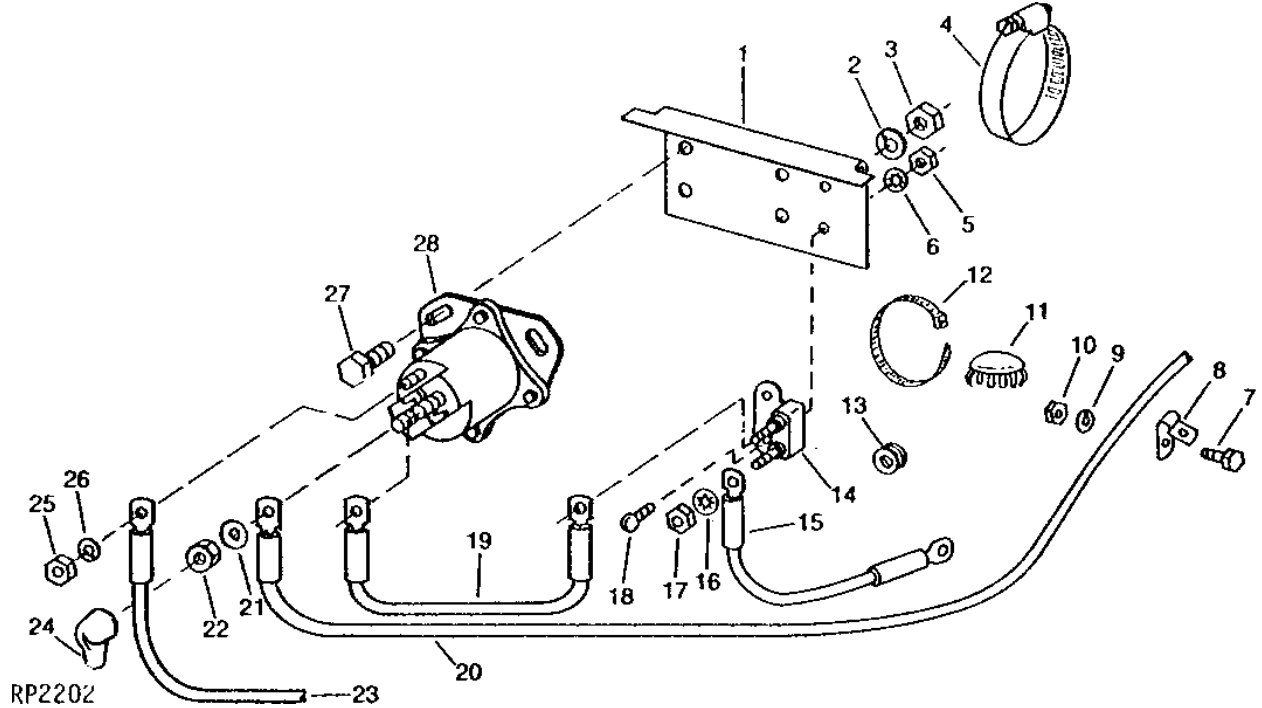
KEY	PART NO.	PART NAME	QTY	TRACTOR SERIAL NO.	REMARKS
1	AR62360	KIT	1		(TWO SWITCHES) (FI)

1H22

ELECTRICAL

RP2202 -UN-01JAN94

ELECTRIC REMOTE CONTROL WIRING



KEY	PART NO.	PART NAME	QTY	TRACTOR SERIAL NO.	REMARKS
1	R69109	BRACKET	1	(SUB FOR R47859)	
2	12H297	LOCK WASHER	2	1/4"	
3	14H786	NUT	2	1/4"	
4	AR52392	CLAMP	2		
5	14H631	NUT	2	0.190"	
6	12M7060	WASHER	2	0.209"	
7	19H1731	CAP SCREW	2	3/8" X 1"	
8	T14264	CLAMP	2		
9	12H304	LOCK WASHER	2	3/8"	
10	14H732	NUT	2	3/8"	
11	R32276	PLUG	1	(CAB OPENING)	
12	R44302	TIE BAND	AR		
13	R41439	GROMMET	1	(USED FOR BANDING)	
14	AR50926	CIRCUIT BREAKER	1		
15	AR50930	WIRING LEAD	1		CIRCUIT BREAKER TO STARTER
16	12M7060	WASHER	2	0.209"	
17	14H631	NUT	2	0.190"	
18	21H1295	SCREW	2	0.190" X 5/8"	
19	AR50929	WIRING LEAD	1		CIRCUIT BREAKER TO RELAY
20	AR50927	WIRING LEAD	1		RELAY TO SWITCH BOX
21	12H303	LOCK WASHER	2	5/16"	
22	14H785	NUT	2	5/16"	
23	AR50931	WIRING LEAD	1		RELAY TO IGNITION SWITCH
24	R36732	BOOT	2		
25	14H631	NUT	1	0.190"	
26	12H246	LOCK WASHER	1	0.190"	
27	19H1919	CAP SCREW	2	1/4" X 5/8"	
28	RE44657	RELAY	1	(FI)	

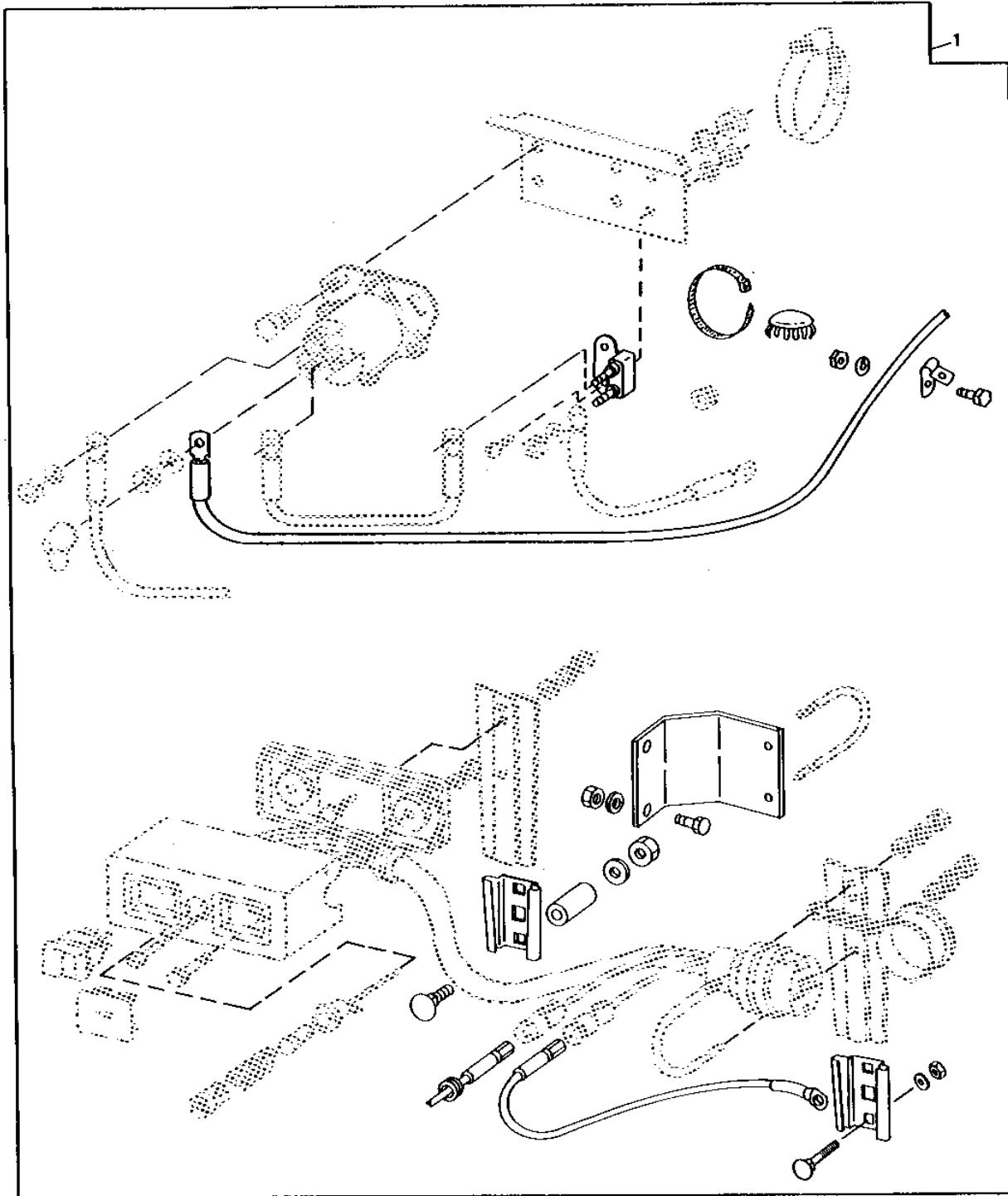
1H23

ELECTRICAL

RWP5666

-UN-01JAN94

ELECTRICAL REMOTE CONTROL WIRING KIT



RWP5666

1H24

ELECTRICAL

ELECTRICAL REMOTE CONTROL WIRING KIT - CONTINUED

KEY	PART NO.	PART NAME	QTY	TRACTOR SERIAL NO.	REMARKS
1	RE25621	KIT	1	(SUB FOR AR62359)	

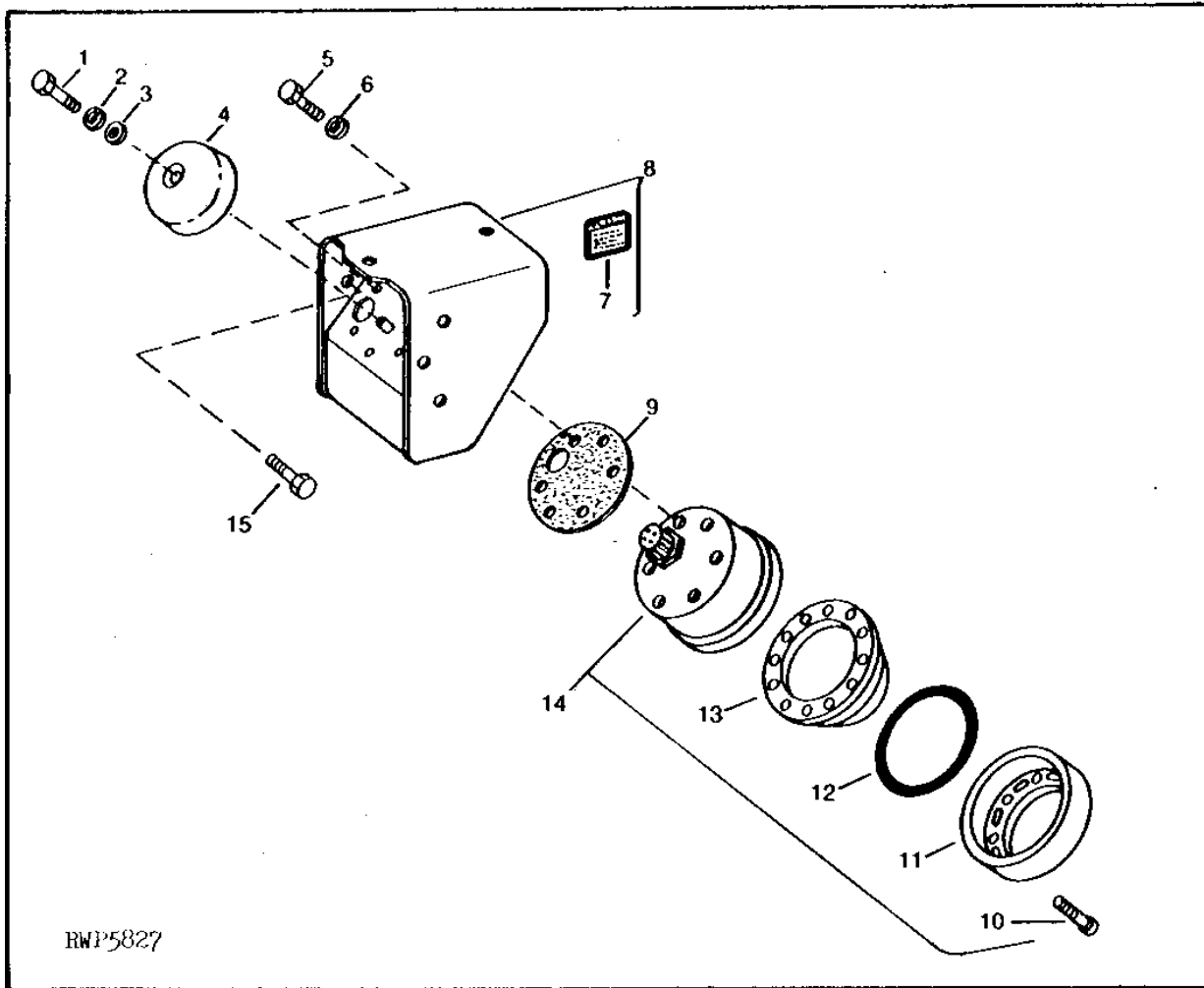
111

ELECTRICAL

RWP5827

-UN-01JAN94

RADAR SENSOR



RWP5827

16

112

ELECTRICAL

RADAR SENSOR - CONTINUED

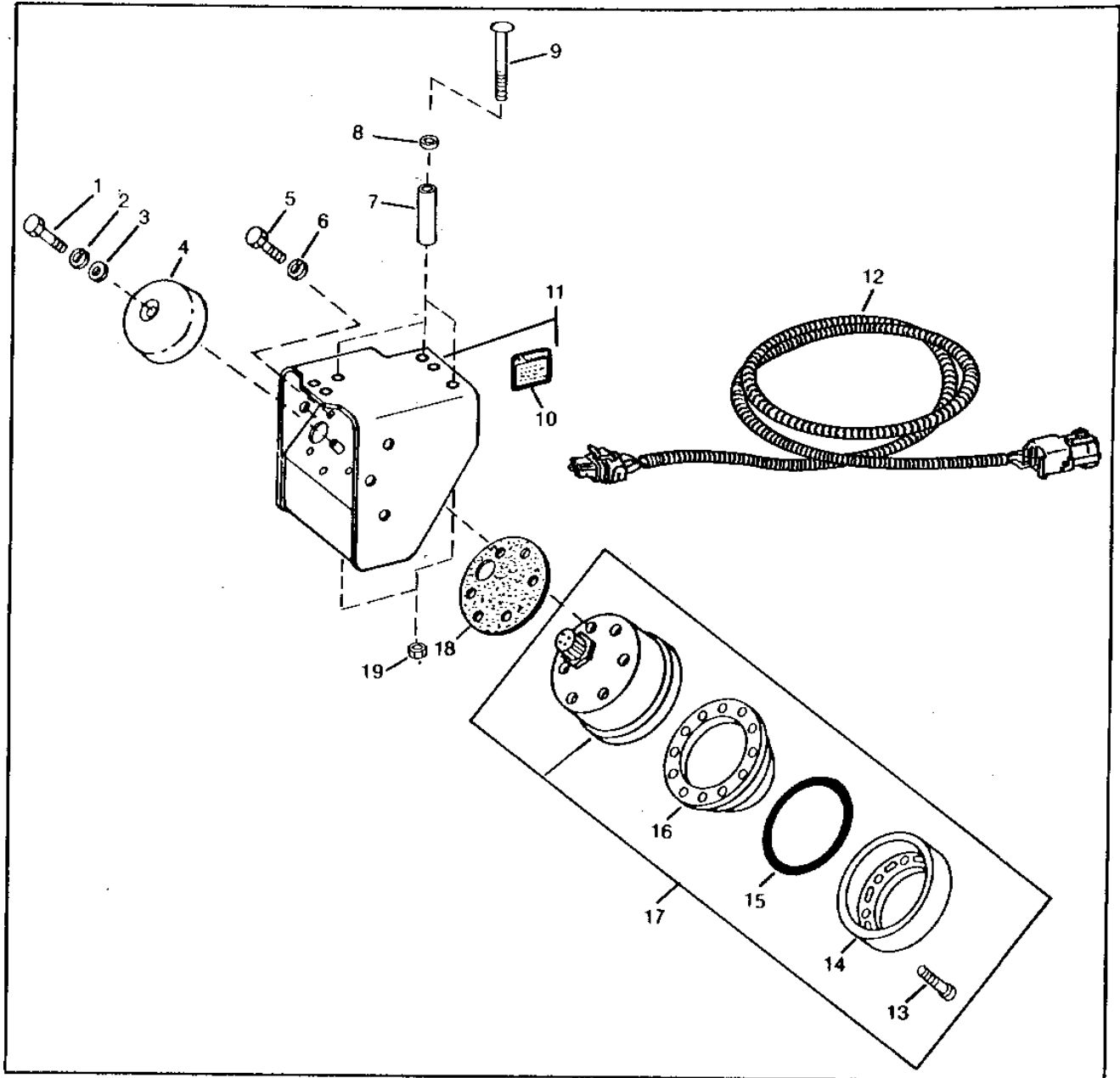
KEY	PART NO.	PART NAME	QTY	TRACTOR SERIAL NO.	REMARKS
1	19H1813	CAP SCREW	1		5/16" X 5/8"
2	12H303	LOCK WASHER	1		5/16"
3	24H1136	WASHER	1		11/32" X 11/16" X 0.065"
4	R82355	SHIELD	1		
5	19H1813	CAP SCREW	6		5/16" X 5/8"
6	12H303	LOCK WASHER	6		5/16"
7	A49853	SIGN	2		(SUB R120107) (ENGLISH)
	R120106	LABEL	1		(FRENCH)
	R120108	LABEL	1		(SPANISH)
8	RE38707	BRACKET	1		(SUB FOR RE21096)
9	R82243	GASKET	1		
10	R82239	SCREW	12		
11	R82237	SNAP RING	1		
12	R82238	O-RING	1		
13	R82236	COVER	1		
14	RE43025	SENSOR	1		(SUB FOR RE21073 OR TY6663)
	RE66845	RADAR SENSOR	1		(REMANUFACTURED)
15	03H1492	BOLT	2		1/2" X 2"
16	RW26466	SENSOR	1		(SUB FOR RE21510) (SUB AR111058)

113

ELECTRICAL

RXP9306 -UN-01JAN94

RADAR SENSOR



RXP9306

20

114

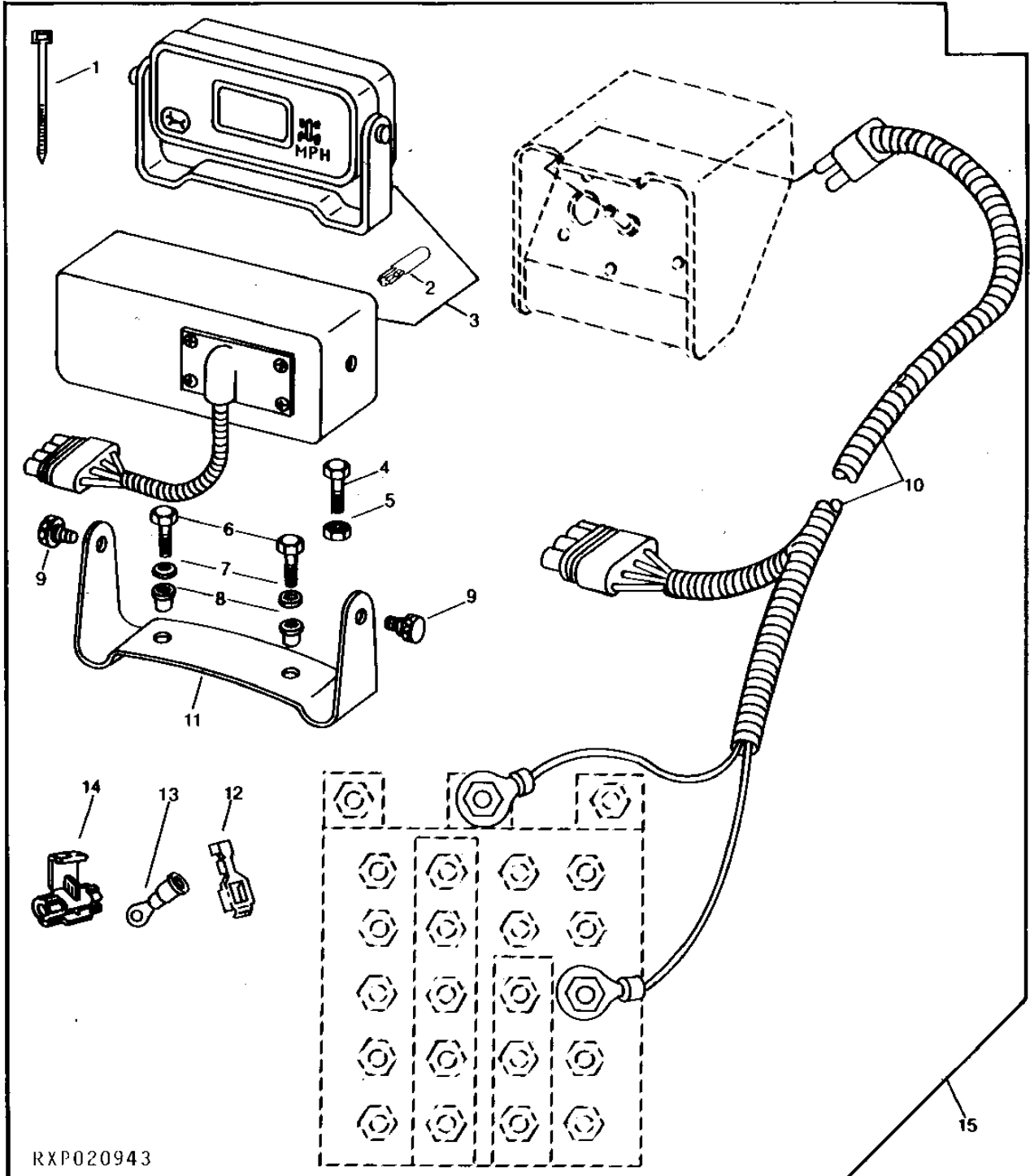
ELECTRICAL

RADAR SENSOR-CONTINUED

KEY	PART NO.	PART NAME	QTY	TRACTOR SERIAL NO.	REMARKS
1	19H1813	CAP SCREW	1	5/16" X 5/8"	
2	12H303	LOCK WASHER	1	5/16"	
3	24H1136	WASHER	1	11/32" X 11/16" X 0.065"	
4	R82355	SHIELD	1		
5	19H1813	CAP SCREW	6	5/16" X 5/8"	
6	12H303	LOCK WASHER	6	5/16"	
7	28H3343	BUSHING	3	0.546" X 0.840" X 5-3/8"	
8	24H1625	WASHER	2	17/32" X 1" X 0.120"	
9	03H2052	BOLT	3	1/2" X 6-1/2"	
10	R120107	LABEL	1	(ENGLISH)	
	R120106	LABEL	1	(FRENCH)	
	R105942	LABEL	1	(GERMAN)	
	R120108	LABEL	1	(SPANISH)	
	L65000	LABEL	1		
11	RE46317	BRACKET	1	(SUB FOR RE21096 OR RE38707)	
12	RE46414	WIRING HARNESS	1		
13	R82239	SCREW	12		
14	R82237	SNAP RING	1		
15	R82238	O-RING	1		
16	R82236	COVER	1		
17	RE43025	RADAR SENSOR	1		
	RE66845	RADAR SENSOR	1	(REMANUFACTURED)	
18	R82243	GASKET	1		
19	14H1040	NUT	3	1/2"	
20	AR111058	SENSOR	1	(FI)	

RXP020943 -UN-12OCT94

PERFORMANCE TRAK II MINI-MONITOR AND WIRING HARNESS



RXP020943

116

ELECTRICAL

PERFORMANCE TRAK II MINI-MONITOR - CONTINUED
(ANALOG TACHOMETER)

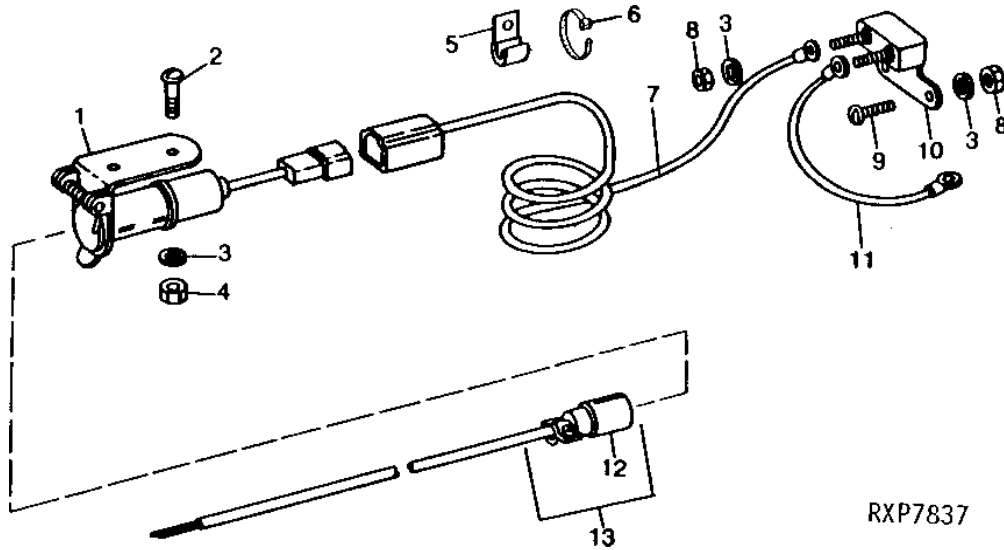
KEY	PART NO.	PART NAME	QTY	TRACTOR SERIAL NO.	REMARKS
1	R44302	TIE BAND	AR		
2	RE22589	LAMP	1		
3	RE21112	MONITOR CONSOLE	1		
4	19H1978	CAP SCREW	3	7/16" X 1-1/2"	
	12H293	LOCK WASHER	3	7/16"	
5	14H1047	NUT	3	7/16"	
	14H786	NUT	2	1/4"	
6	19H1914	CAP SCREW	2	1/4" X 1"	
7	24H1287	WASHER	4	9/32" X 5/8" X 0.065"	
8	R82423	NUT	2	RUBBER	
9	R83055	WING SCREW	2		
10	RE21113	WIRING HARNESS	1	3500 MM (138")	
11	R83109	BRACKET	1		
12	U46662	TERMINAL	1		
13	R77489	TERMINAL	1		
	R84158	TERMINAL	1		
14	AR67855	CONNECTOR	3		
15	RE21738	MONITOR CONSOLE	1	(FI)	

117

ELECTRICAL

RXP7837 -UN-23SEP94

ELECTRICAL OUTLET SOCKET



RXP7837

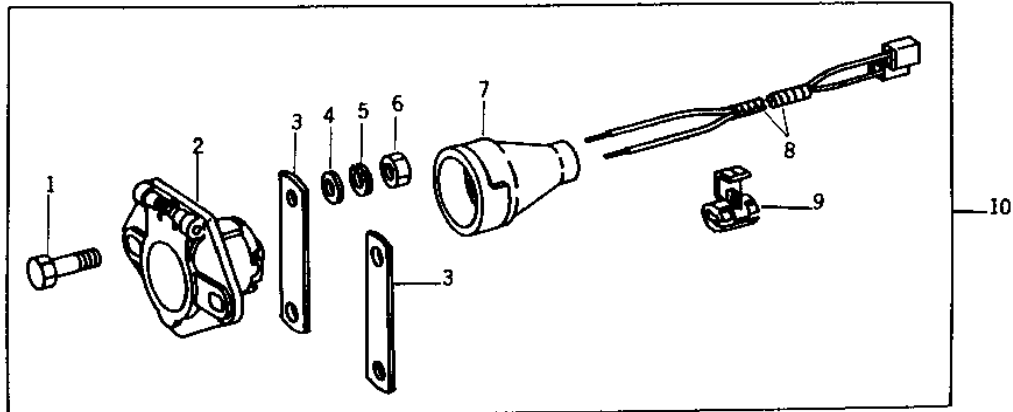
KEY	PART NO.	PART NAME	QTY	TRACTOR SERIAL NO.	REMARKS
1	AR26571	SOCKET	1		
2	21H1301	SCREW	2	0.190" X 1/2"	
3	12M7060	WASHER	6	0.209"	
4	14H778	NUT	2	0.190"	
5	T32231	CLAMP	2	(SUB FOR R55618)	
6	R44302	TIE BAND	5		
7	WIRING LEAD	1	4153MM (163-1/2") (MAKE FROM R66321, T28585, U46662, R77493 AND R77471)	
8	14H631	NUT	4	0.190"	
9	21H1295	SCREW	2	0.190" X 5/8"	
10	AR28403	CIRCUIT BREAKER	1		
11	WIRING LEAD	1	152MM (6") (MAKE FROM R66321 AND (2) R77493)	
12	AA5692R	ELECTRICAL PLUG	1		
13	AR40710	PLUG	1		

118

ELECTRICAL

R32128 -UN-01JAN94

7-TERMINAL ELECTRICAL OUTLET SOCKET



R32128

KEY	PART NO.	PART NAME	QTY	TRACTOR SERIAL NO.	REMARKS
1	19H1905	CAP SCREW	4	5/16" X 1"	
2	AR75695	SOCKET OUTLET	1		
3	R61776	STRAP	2		
4	24H1136	WASHER	4	11/32" X 11/16" X 0.065"	
5	12H303	LOCK WASHER	4	5/16"	
6	14H785	NUT	2	5/16"	
7	R61775	BOOT	1		
8	AR75696	WIRING HARNESS	1		
	WIRING LEAD	1		400 MM (16") GROUND, (MAKE FROM R77500 AND R77488)
9	AR67855	WIRING LEAD	1		3963 MM (156") TAIL LAMP, (MAKE FROM R77500)
		CONNECTOR	4		WIRE TAP
10	RE17282	KIT	1		(SUB FOR AR75694) (FI)

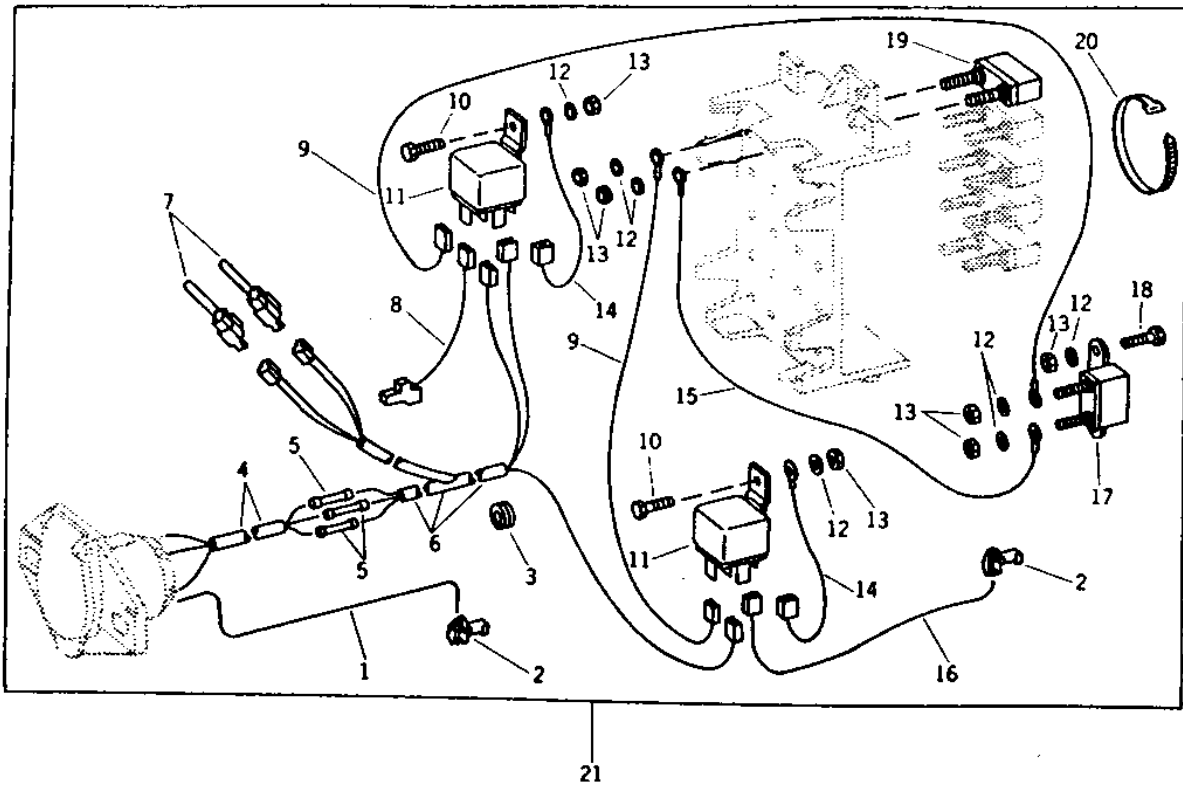
119

ELECTRICAL

R32129

-UN-07JAN91

7-TERMINAL SOCKET (SUPPLEMENTARY WIRING KIT)



1110

ELECTRICAL

**7-TERMINAL SOCKET - CONTINUED
(SUPPLEMENTARY WIRING KIT)**

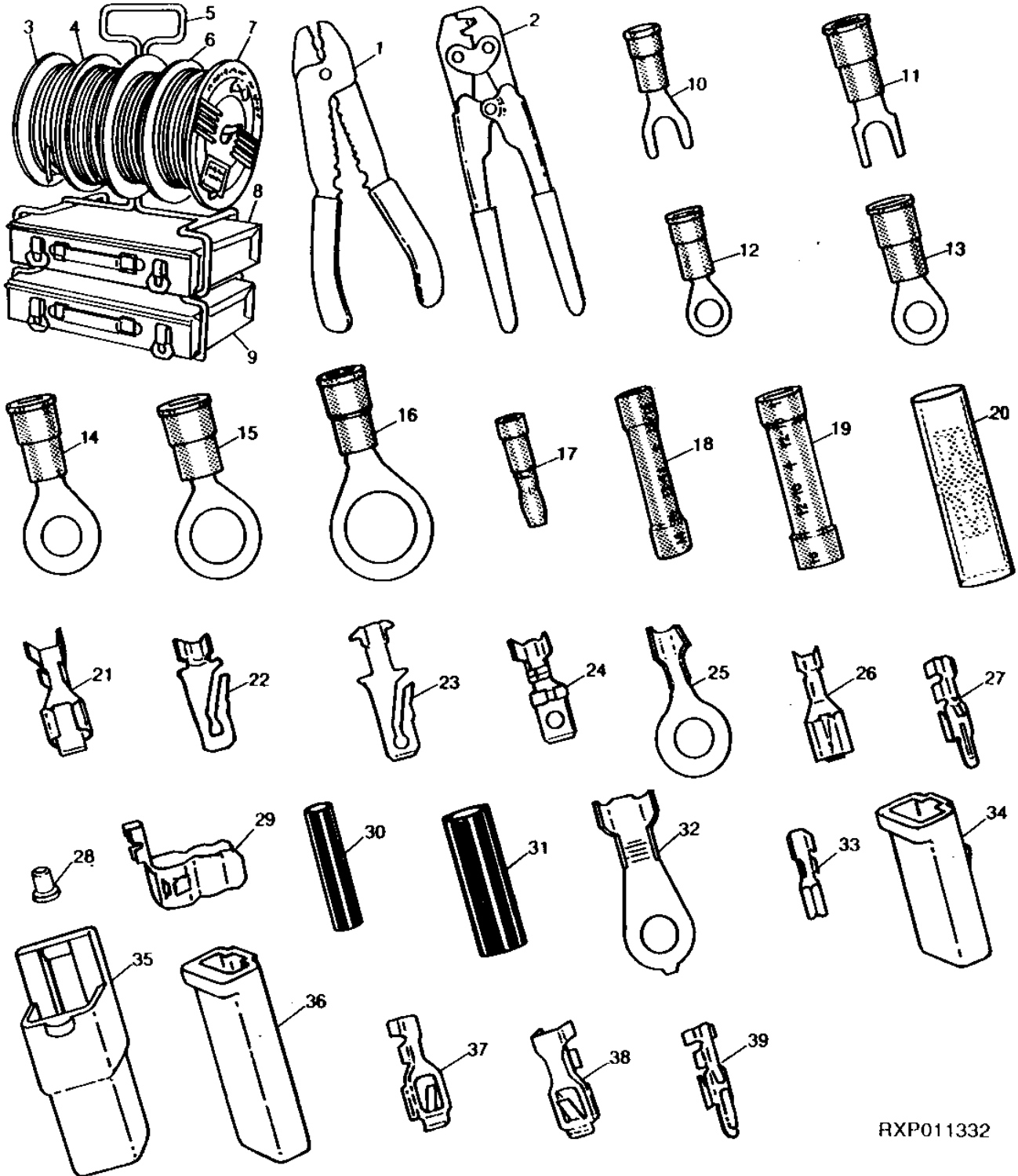
KEY	PART NO.	PART NAME	QTY	TRACTOR SERIAL NO.	REMARKS
1	WIRING LEAD	1		3962MM (156") (MAKE FROM R66319) (FROM AR84006)
2	AR67855	CONNECTOR	2		WIRE TAP
3	R40445	GROMMET	1		
4	AR82910	WIRING HARNESS	1		
5	R32027	CONNECTOR	4		SPLICE
6	AR82912	WIRING HARNESS	1		
7	AR82911	WIRING LEAD	2		
8	AR50834	WIRING LEAD	1		
9	WIRING LEAD	3		311MM (12-1/4") (MAKE FROM R66319, R32018, R32027 AND R32024)
10	21H1282	SCREW	2		0.190" X 7/8"
11	AR74411	RELAY	2		
12	12M7060	WASHER	8		0.209"
13	14H631	NUT	8		0.190"
14	WIRING LEAD	2		152MM (6") (MAKE FROM R66319, R32021, R32027 AND R32025)
15	WIRING LEAD	2		152MM (6") (MAKE FROM R66319 AND (2) R32018)
16	AR82909	WIRING LEAD	1		
17	AR49352	CIRCUIT BREAKER	1		(30 AMP)
18	21H1295	SCREW	2		0.190" X 5/8"
19	AR28403	CIRCUIT BREAKER	1		(20 AMP)
20	R44302	TIE BAND	AR		
21	AR78052	KIT	1		(USE WITH AR75694)

1111

ELECTRICAL

RXP011332 -UN-27SEP94

ELECTRICAL TERMINALS, CONNECTORS AND WIRING



RXP011332

1112

ELECTRICAL

ELECTRICAL TERMINALS, CONNECTORS AND WIRING - CONTINUED

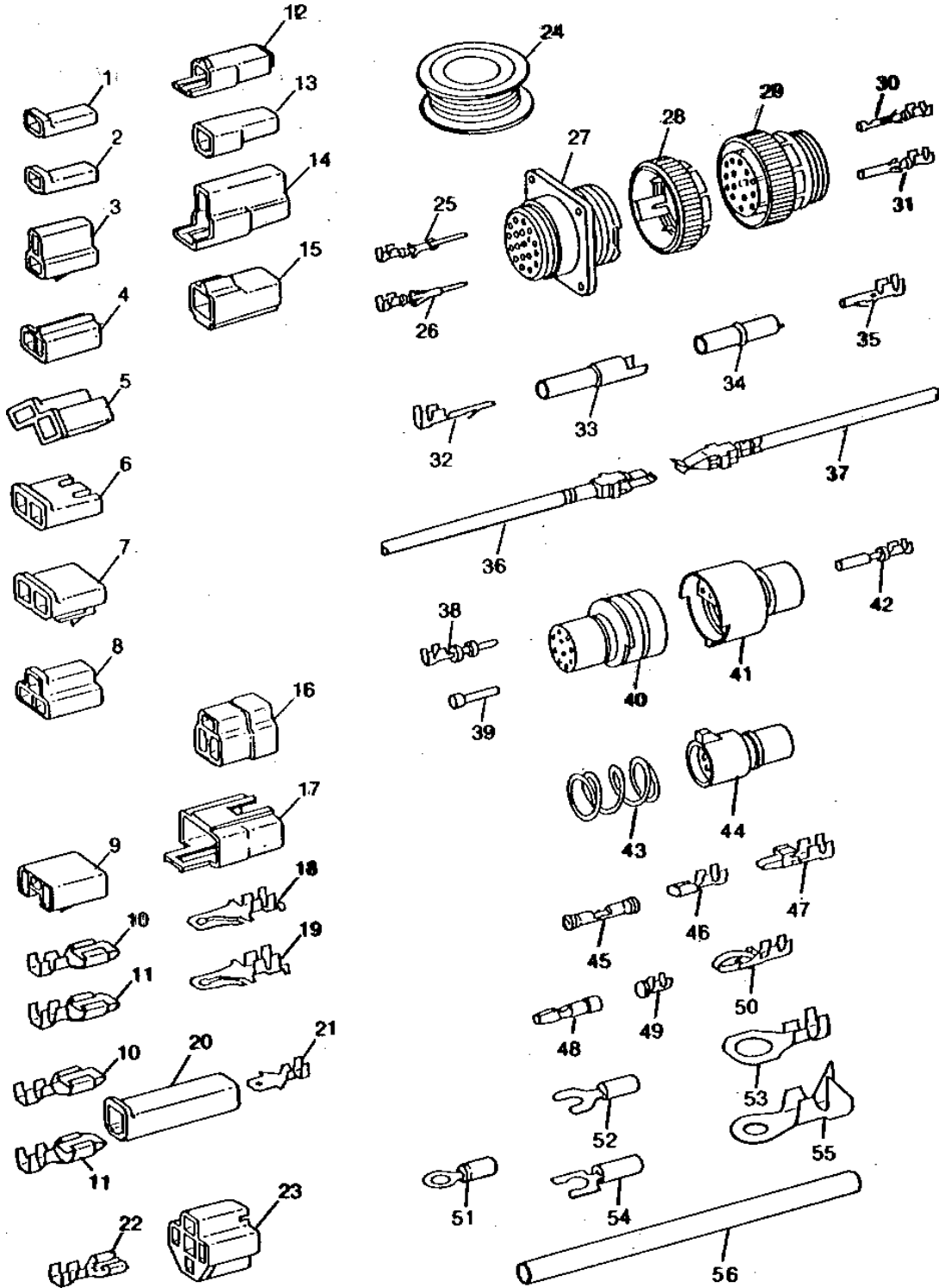
KEY	PART NO.	PART NAME	QTY	TRACTOR SERIAL NO.	REMARKS
1	R32011	TOOL	1	(NLA)	
2	R65594	TOOL	1		
3	R66319	WIRING LEAD	1	14 GA., 30.5 M (100 FT.) (1 SPOOL)	
4	R65593	WIRING LEAD	1	16 GA., 30.5 M (100 FT.) (1 SPOOL)	
5	R65608	RACK	1		
6	R66321	WIRING LEAD	1	10 GA., 15 M (50 FT.) (1 SPOOL)	
7	R66320	WIRING LEAD	1	12 GA., 30.5 M (100 FT.) (1 SPOOL)	
8	R65609	CONTAINER	1	(NLA)	
9	R65610	CONTAINER	1		
10	R32016	TERMINAL	1	14-16 GA., NO. 10 SPADE	
11	R32017	TERMINAL	1	10-12 GA., NO. 10 SPADE	
12	R32018	TERMINAL	1	14-16 GA., NO. 10 EYELET	
13	R32019	TERMINAL	1	10-12 GA., NO. 10 EYELET	
14	R32021	TERMINAL	1	10-12 GA., 1/4" EYELET	
15	R32022	TERMINAL	1	10-12 GA., 3/8" EYELET	
16	R32023	TERMINAL	1	10-12 GA., 1/2" EYELET	
17	R32026	TERMINAL	1	MALE BULLETT	
18	R32027	CONNECTOR	1	SPLICE, 14-16 GA.	
19	R32028	TERMINAL	1	SPLICE, 10-12 GA.	
20	AL2976T	CONNECTOR	1	2-WIRE BULLETT CONNECTOR, (SUB FOR R32029)	
21	R65595	TERMINAL	1	FEMALE, 10 GA.	
22	R65596	TERMINAL	1	MALE, 10 GA. OR TWO 14 GA. CABLES	
23	R65597	TERMINAL	1	MALE, 14-16 GA.	
24	R65598	TERMINAL	1	MALE, SHORT, 14-16 GA.	
25	R65599	TERMINAL	1	14-16 GA., 1/4" EYELET	
26	R65600	TERMINAL	1	FEMALE, 14-16 GA.	
27	R65601	TERMINAL	1	TWIN-LOCK, TWO 16 GA. CABLES	
28	R65602	SOCKET CONTACT	1	BULB SOCKET, 16-18 GA.	
29	R65603	TERMINAL NIPPLE	1	FUSE	
30	R65604	INSULATING SLEEVE	1	14-18 GA.	
31	R65605	INSULATING SLEEVE	1	8-12 GA.	
32	R65606	TERMINAL	1	6-8 GA., 1/4" EYELET	
33	R65607	TERMINAL	1	18-20 GA.	
34	T28583	RECEPTACLE	1	ONE CONTACT LOCK-TYPE, MALE	
35	T28585	TERMINAL	1	ONE CONTACT LOCK-TYPE, FEMALE	
36	U46370	CONNECTOR	1	CONNECTOR, ONE CONTACT SINGLE BODY, MALE	
37	U46662	TERMINAL	1	FEMALE	
38	U46663	TERMINAL	1	FEMALE	
39	U46664	TERMINAL	1	FEMALE	

1113

ELECTRICAL

RXP010581 -UN-01JAN94

ELECTRICAL CONNECTOR, TERMINALS AND WIRING



RXP010581

1114

ELECTRICAL

ELECTRICAL CONNECTORS, TERMINALS AND WIRING

KEY	PART NO.	PART NAME	QTY	TRACTOR SERIAL NO.	REMARKS
1	T28583	RECEPTACLE	1	(B)	
2	M43835	FLAT CONNECTOR	1	(B)	
3	R77476	CONNECTOR	1	(A)	
4	R77477	CONNECTOR	1	(A)	
5	R77479	CONNECTOR	1	(A)	
6	R77480	CONNECTOR	1	(A)	
7	R77481	CONNECTOR	1	(A)	
8	R77482	CONNECTOR	1		
9	H104855	CONNECTOR	1		
10	U46662	TERMINAL	1	(E) (F)	
11	N115096	TERMINAL	1	(G) (PKG 15) (SUB R65595)	
12	T28585	TERMINAL	1	(B)	
13	R77475	CONNECTOR	1	(B)	
14	T28586	CONNECTOR	1	(A)	
15	R77478	CONNECTOR	1	(A)	
16	R77483	CONNECTOR	1		
17	R48887	RECEPTACLE	1		
18	T34067	TERMINAL	1	(E) (F)	
19	R77484	TERMINAL	1	(G) (PKG. OF 15)	
20	U46370	CONNECTOR	1	(B)	
21	R77485	TAB	1	(C) (F)	
22	R77486	TERMINAL	1	(E) (F)	
23	R77487	CONNECTOR	1	(B)	
24	R66321	WIRING LEAD	1	15M (50 FT.) 10 GA.	
	R66320	WIRING LEAD	1	30.5M (100 FT.) 12 GA.	
	R77501	WIRE	1	30.5M (100 FT.) 14 GA.	
	R77500	WIRE	1	30.5M (100 FT.) 16 GA.	
	R77499	WIRE	1	30.5M (100 FT.) 18 GA.	
	R77498	WIRE	1	30.5M (100 FT.) 20 GA.	
25	R77462	PIN CONTACT	1	(PKG. OF 40) (20-22 OR 24 GA. WIRE)	
26	R77464	PIN CONTACT	1	(H) (PKG. OF 50)	
27	R77456	RECEPTACLE	1	(37 WAY)	
28	R77458	CONNECTOR	1	(A) (SIZE 23)	
	R77459	CONNECTOR	1	(A) (SIZE 17)	
	R77460	CONNECTOR	1	(A) (SIZE 13)	
	R77461	CONNECTOR	1	(A) (SIZE 11)	
29	R77457	ELECTRICAL PLUG	1	(37 WAY)	
30	R77463	SOCKET CONTACT	1	(PKG. OF 40) (20-22 OR 24 GA. WIRE)	
31	R77465	SOCKET CONTACT	1	(H) (PKG. OF 50)	
32	R77468	TERMINAL	1	(PKG. OF 5)	
33	R77466	CONNECTOR	1	(A)	
34	R77467	CONNECTOR	1	(A)	

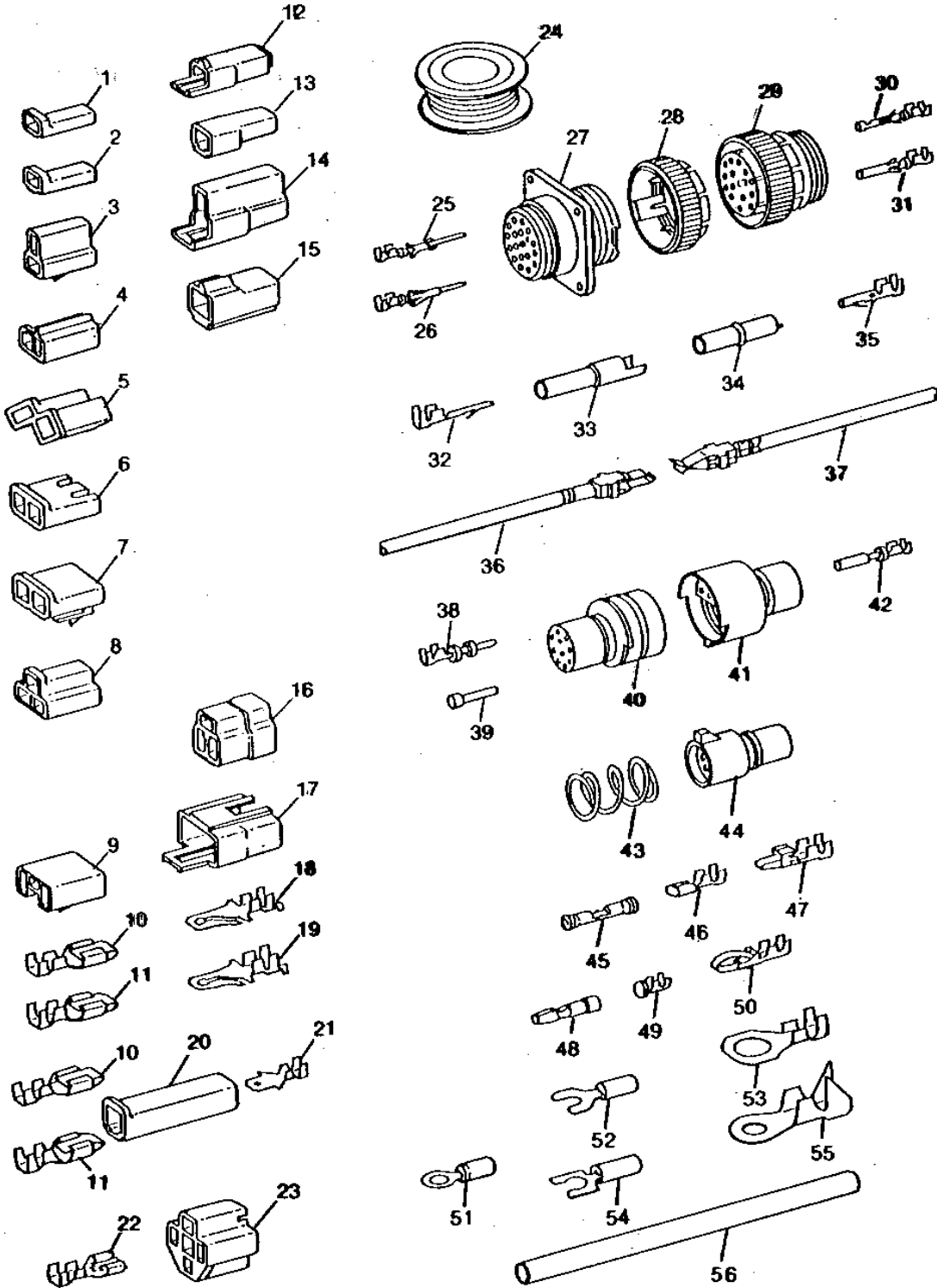
- (A) PKG. OF 2
- (B) PKG. OF 3
- (C) PKG. OF 10
- (D) PKG. OF 20
- (E) PKG. OF 25
- (F) 14 OR 16 GA. WIRE
- (G) 10 OR 12 GA. WIRE
- (H) 14-16 OR 18 GA. WIRE

1115

ELECTRICAL

RXP010581 -UN-01JAN94

ELECTRICAL CONNECTORS, TERMINALS AND WIRING - CONTINUED



RXP010581

1116

ELECTRICAL

ELECTRICAL CONNECTORS, TERMINALS AND WIRING - CONTINUED

KEY	PART NO.	PART NAME	QTY	TRACTOR SERIAL NO.	REMARKS
35	R77469	TERMINAL	1		(PKG. OF 5)
36	RE11156	TERMINAL	1		(B) (MALE)
37	RE11157	TERMINAL	1		(B) (FEMALE)
38	R70222	PIN CONTACT	1		(D) (H)
39	R70221	ELECTRICAL PLUG	1		(E)
40	R70219	PLUG	1		(A) (10 WAY)
	R70217	PLUG	1		(A) (7 WAY)
	R70215	PLUG	1		(A) (4 WAY)
	R70213	PLUG	1		(A) (3 WAY)
41	R70211	CONNECTOR	1		(A) (2 WAY)
	R70218	RECEPTACLE	1		(A) (10 WAY)
	R70216	RECEPTACLE	1		(A) (7 WAY)
	R70214	RECEPTACLE	1		(A) (4 WAY)
	R70212	RECEPTACLE	1		(A) (3 WAY)
	R70210	RECEPTACLE	1		(A) (2 WAY)
42	AR91793	SOCKET CONTACT	1		(D)
43	R30378	SPRING	1		(C)
44	R77474	CONNECTOR	1		(A) (6 WAY)
45	R77470	TERMINAL	1		SPLICE (PKG. OF 15) (16-18-20 OR 22 GA. WIRE)
	R77471	TERMINAL	1		(C) (G) SPLICE
	R77472	TERMINAL	1		(A) SPLICE (8 GA. WIRE)
	R77473	TERMINAL	1		(A) SPLICE (6 GA. WIRE)
46	R65607	TERMINAL	1		(C) (18 OR 20 GA. WIRE)
47	U46664	TERMINAL	1		(C) (F)
48	R32026	TERMINAL	1		(D) (F)
49	R65602	SOCKET CONTACT	1		(C) (16 OR 18 GA. WIRE)
50	R70220	TERMINAL	1		(C) (18 OR 20 GA. WIRE)
51	R77489	TERMINAL	1		(D) (14-16-18 OR 20 GA. WIRE) (NO. 10 EYELET)
	R77493	TERMINAL	1		(D) (G) (NO. 10 EYELET)
	R77488	TERMINAL	1		(D) (14-16-18 OR 20 GA. WIRE) (3/8" EYELET)
	R77490	TERMINAL	1		(D) (G) (1/2" EYELET)
52	R77496	TERMINAL	1		(D) (F) (NO. 8 SPADE)
	R77495	TERMINAL	1		(D) (18 GA. WIRE) (NO. 10 SPADE)
53	R77497	TERMINAL	1		(D) (F) (NO. 6 SPADE)
54	R77491	TERMINAL	1		(D) (G) (3/8" EYELET)
	R77492	TERMINAL	1		(D) (G) (1/4" EYELET)
55	R77494	TERMINAL	1		(D) (6 OR 8 GA. WIRE) (1/4" EYELET)
56	R77502	TUBE	1		(PKG. OF 8) 3/8" (HEAT SHRINK)
	R77503	TUBE	1		(PKG. OF 8) 3/16" (HEAT SHRINK)

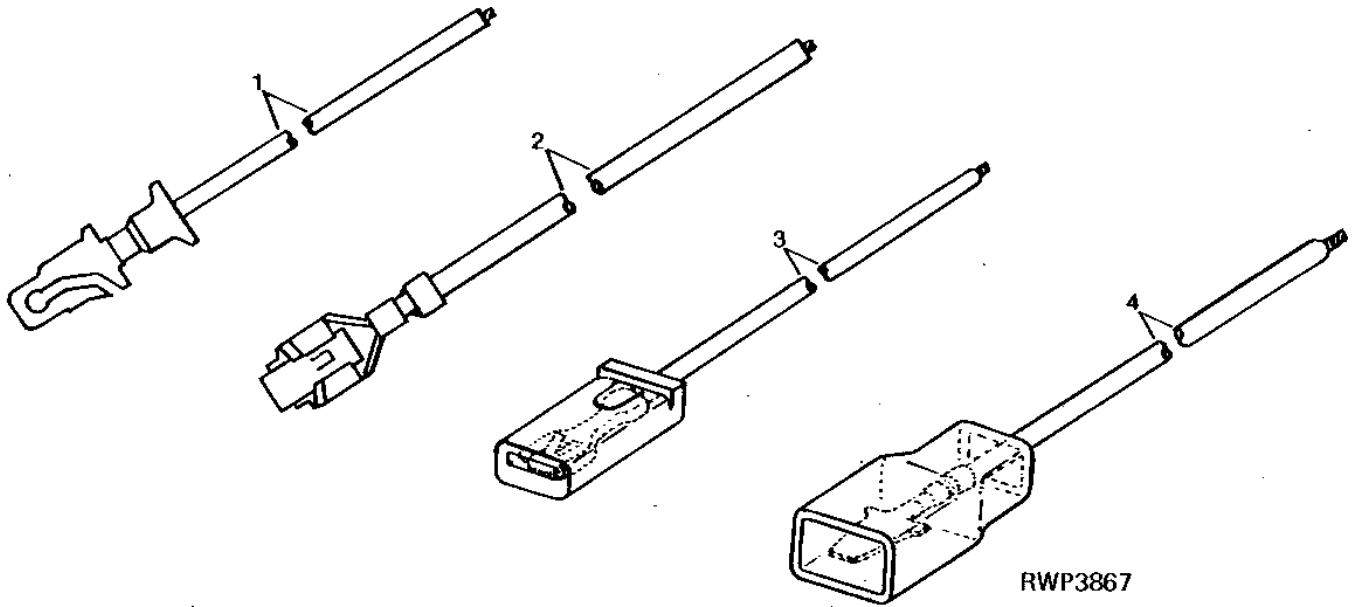
- (A) PKG. OF 2
- (B) PKG. OF 3
- (C) PKG. OF 10
- (D) PKG. OF 20
- (E) PKG. OF 25
- (F) 14 OR 16 GA. WIRE
- (G) 10 OR 12 GA. WIRE
- (H) 14-16 OR 18 GA. WIRE

1117

ELECTRICAL

RWP3867 -UN-01JAN94

SUPPLEMENTARY TERMINALS AND CONNECTORS



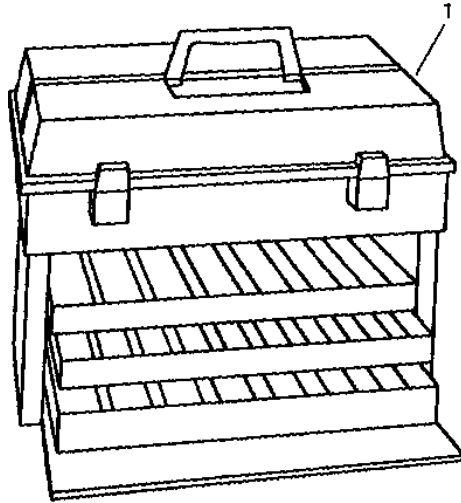
KEY	PART NO.	PART NAME	QTY	TRACTOR SERIAL NO.	REMARKS
1	AR65005	TERMINAL	1		
2	AR65006	TERMINAL	1		
3	R32024	WIRING LEAD	1		
4	R32025	WIRING LEAD	1		

1118

ELECTRICAL

RXP010001 -UN-01JAN94

ELECTRICAL CONNECTOR AND TERMINAL KIT



RXP010001

KEY	PART NO.	PART NAME	QTY	TRACTOR SERIAL NO.	REMARKS
1	PM797NA	KIT	1	(A)	

(A) KIT INCLUDES CONNECTORS,TERMINALS AND TOOLS

MEMORANDA

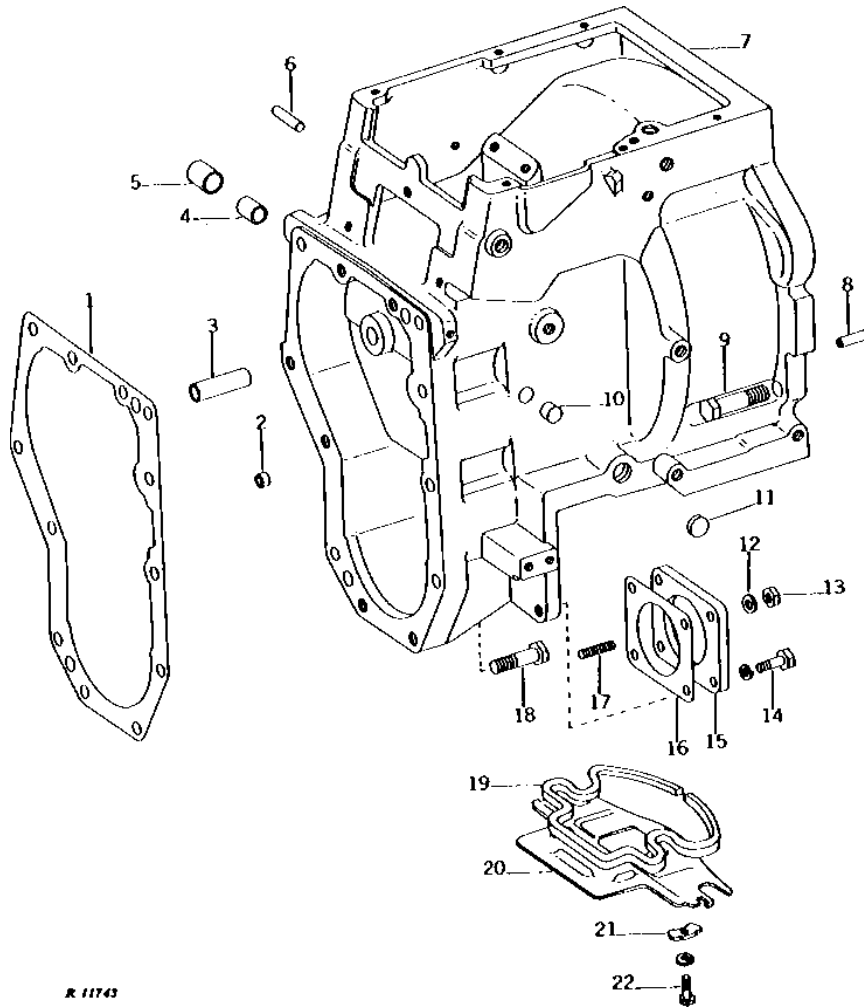
MEMORANDA

2A23

POWER TRAIN

R11743 -UN-01JAN94

CLUTCH HOUSING (SYNCRO-RANGE)



R 11743

2A24

POWER TRAIN

CLUTCH HOUSING - CONTINUED (SYNCRO-RANGE)

KEY	PART NO.	PART NAME	QTY	TRACTOR SERIAL NO.	REMARKS
1	R38339	GASKET	1		
2	T12083	CAP	1		(LESS PTO)
3	R26663	DOWEL PIN	1		PTO IDLER GEAR
4	R26641	BUSHING	1		CLUTCH FORK SHAFT, R.H.
5	R26642	BUSHING	1		CLUTCH FORK SHAFT, L.H.
6	34H371	SPRING PIN	1		1/2" X 2"
7	HOUSING	1		(MARKED R38000) (NO LONGER AVAILABLE)
8	T26565	DOWEL PIN	2		(SUB FOR C1220R)
9	19H1926	CAP SCREW	3	-014924	5/8" X 4-3/4"
	19H1550	CAP SCREW	3	014925-	5/8" X 5"
	19H1387	CAP SCREW	1	-014924	5/8" X 2-1/4"
	19H1847	CAP SCREW	1	014925-	5/8" X 2-1/2"
	R36995	WASHER	4	-014924	(SUB FOR R42363)
	R70268	WASHER	4	014925-	(SUB FOR R42363)
10	R27035	CAP	1		
11	R27036	CAP	2		
12	12H301	LOCK WASHER	2		1/2"
13	14H1040	NUT	2		1/2"
14	19H1721	CAP SCREW	2		1/2" X 1-1/2"
	12H301	LOCK WASHER	2		1/2"
15	R33216	COVER	1		(LESS PTO)
16	R33236	GASKET	1		
17	R32101	STUD	2		
18	19H2706	CAP SCREW	1		5/8" X 2", HS, SAE 8
	19H1847	CAP SCREW	2		5/8" X 2-1/2"
19	R91558	FOAM PAD	1		
20	R38428	COVER	1		(SUB FOR R38225 OR R30877) (NLA)
21	R27640	CLAMP	2		
22	19H1731	CAP SCREW	2		3/8" X 1"
	12H304	LOCK WASHER	2		3/8"

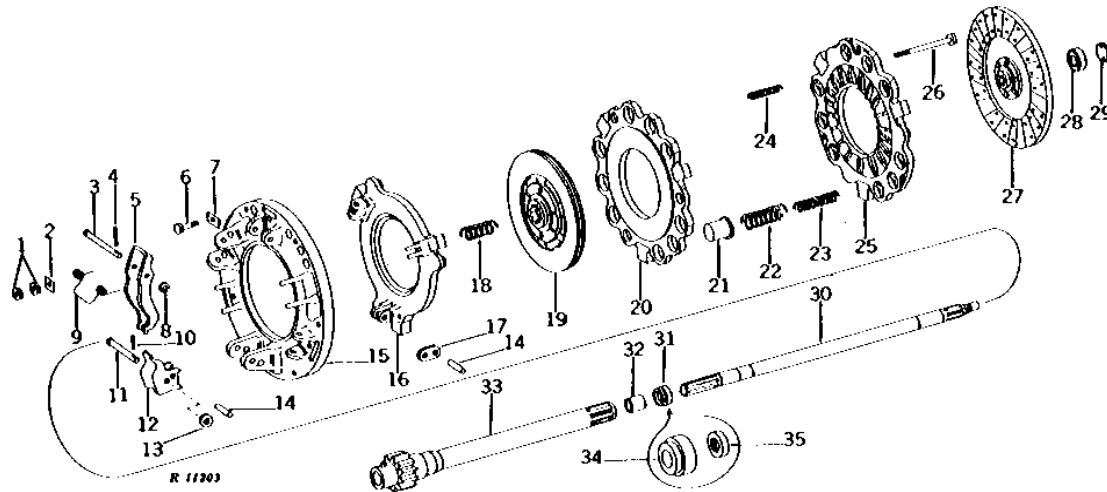
MEMORANDA

2A25

POWER TRAIN

TRANSMISSION AND PTO CLUTCH (SYNCRO-RANGE)

R11203 -UN-01JAN94



KEY	PART NO.	PART NAME	QTY	TRACTOR SERIAL NO.	REMARKS
1	14H774	NUT	6	3/8"	
2	R38171	STRAP	3	(NLA)	
3	R38169	PIN	3		
4	11M7021	COTTER PIN	3	0.157" X 0.984"	
5	R38168	LEVER	3		
6	19H1732	CAP SCREW	6	3/8" X 1-1/4"	
7	R1888R	STRAP	6		
8	24M7096	WASHER	3	10.500 X 18 X 1.600 MM	
9	R38170	SPRING	3		
10	11M7021	COTTER PIN	3	(A) 0.157" X 0.984"	
11	R38155	PIN	3	(A)	
12	R38154	LEVER	3	(A) PTO CLUTCH OPERATING	
13	24H1325	WASHER	3	(A) 15/32" X 59/64" X 0.065"	
14	R26027	PIN	6	(A)	
15	R38496	COVER	1	(NLA) (SUB FOR R38026)	
16	R38187	PLATE	1	(A) PTO CLUTCH, REAR	
17	R38153	STRAP	3	(A)	
18	R26659	SPRING	3	(A)	
19	RE29611	CLUTCH DISK	1	(A) (SUB FOR AR38286)	
20	R38186	PLATE	1	PTO CLUTCH, FRONT	
21	R27033	BUSHING	9		
22	R26637	SPRING	9	OUTER	
23	R38185	SPRING	9	INNER	
24	R38188	SPRING	3		
25	R38184	CLUTCH PLATE	1		
26	R49579	BOLT	3	(SUB FOR R32632)	
27	RE29773	CLUTCH DISK	1	(SUB FOR AR38345 OR AR38498)	
28	JD9449	BALL BEARING	1	(SUB FOR JD9281)	
29	R38227	WASHER	1		
30	R38230	SHAFT	1	(NLA)	
31	AR26532	SEAL	1	(A)	
32	R30854	BUSHING	1	(A)	
33	AR38212	SHAFT	1	(A) (WITH BUSHING) (NLA)	
34	R53585	QUILL	1	(LESS PTO) (SUB FOR R27042)	
35	AR26602	SEAL	1	(LESS PTO)	

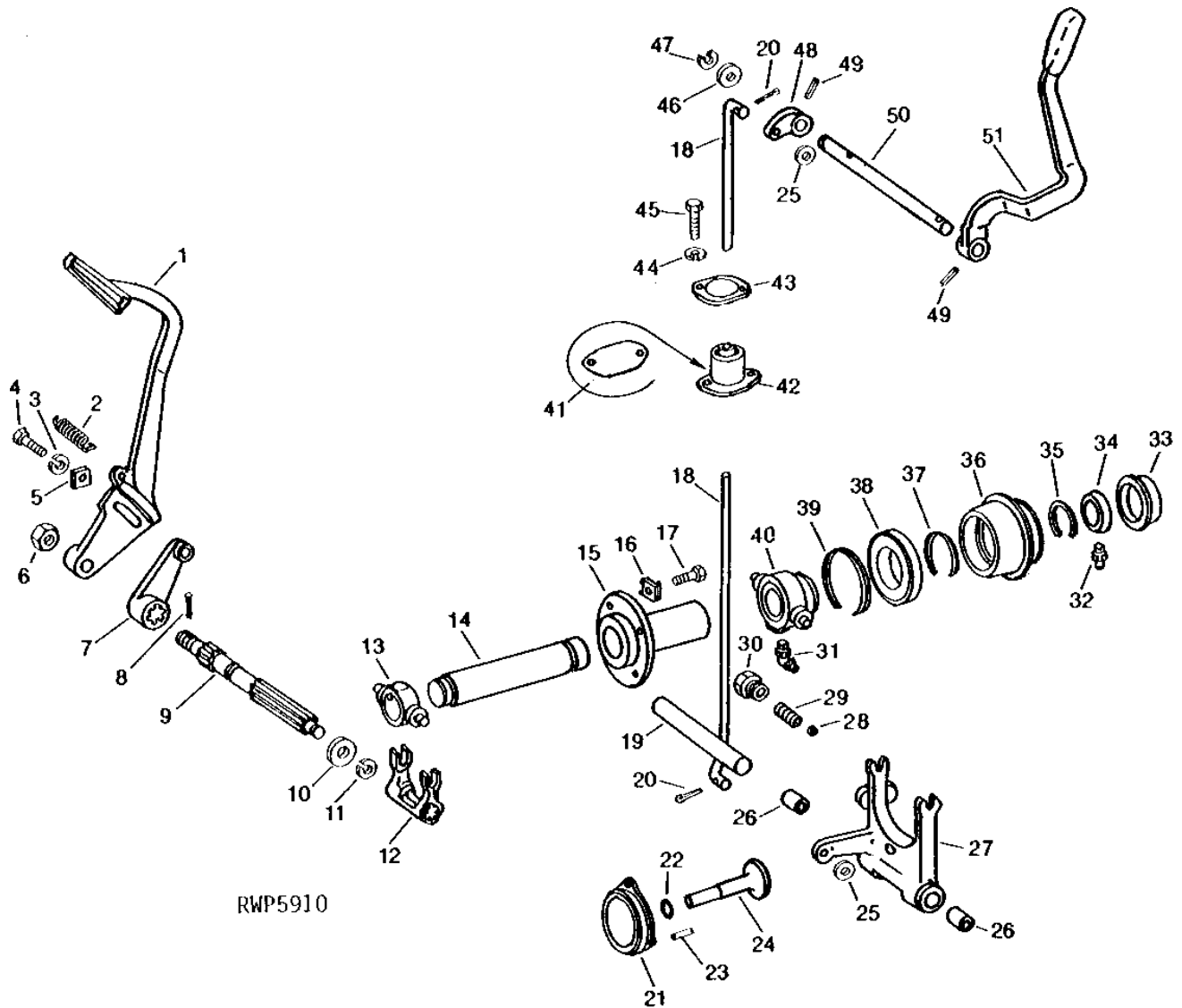
(A) NOT REQUIRED ON TRACTORS LESS PTO

2B1

POWER TRAIN

TRANSMISSION AND PTO CLUTCH CONTROLS (SYNCRO-RANGE)

RWP5910 -UN-01JAN94



RWP5910

2B2

POWER TRAIN

TRANSMISSION AND PTO CLUTCH CONTROLS - CONTINUED (SYNCRO-RANGE)

KEY	PART NO.	PART NAME	QTY	TRACTOR SERIAL NO.	REMARKS
1	R27304	PEDAL	1	(NLA)	
2	R26833	EXTENSION SPRING	1		
3	12H301	LOCK WASHER	1	1/2"	
4	19H1721	CAP SCREW	1	1/2" X 1-1/2"	
5	R27305	STRAP	1		
6	C1104R	NUT	1		
7	R26652	LEVER	1		
8	11M7083	COTTER PIN	1	0.126" X 1.969"	
9	R44277	SHAFT	1	(SUB FOR R31394)	
10	24H1477	WASHER	1	1-5/32" X 1-3/4" X 0.060"	
11	R26643	SNAP RING	1		
12	R31393	FORK	1		
13	AR27472	SHIFT COLLAR	1	(MARKED R27660)	
14	R38018	BUSHING	1	(NLA)	
15	AR38285	SUPPORT	1	(MARKED R27028) (NLA)	
16	R30958	LOCK PLATE	4		
17	19H2284	CAP SCREW	4	3/8" X 7/8"	
18	R38156	ROD	1	(A) (NO LONGER AVAILABLE)	
19	R33925	DOWEL PIN	1	(A) PTO CLUTCH FORK	
20	11M7015	COTTER PIN	2	(A) 3.200 X 25 MM	
21	RE20730	BRAKE SHOE	1	(A) (SUB FOR AR32294 OR AR45170)	
22	B2762R	O-RING	1	(A)	
23	R36666	DOWEL PIN	3	(A)	
24	R33574	SHAFT	1	(A) (NO LONGER AVAILABLE)	
25	24H1341	WASHER	2	(A) 17/32" X 15/16" X 0.060"	
26	R776R	BUSHING	2	(A)	
27	AR38171	FORK	1	(A) (MARKED R38151) (NO LONGER AVAILABLE)	
28	M886T	BALL	1	(A) 13MM (1/2")	
29	R62372	SPRING	1	(A) (SUB FOR R34352)	
30	R38181	FITTING	1		
31	JD7778	LUBRICATION FITTING	1	(A) 30°, 1/8"	
32	JD7797	LUBRICATION FITTING	1	STRAIGHT, 1/4"	
33	AR41794	THRUST BEARING	1	(SUB FOR AR26533, THIS APPLICATION)	
34	R27027	LOCKING COLLAR	1		
35	A5518R	SNAP RING	1		
36	R38152	LOCKING COLLAR	1	(A) (NLA)	
37	F1334R	SNAP RING	1	(A)	
38	AR26845	BALL BEARING	1	(A)	
39	F1373R	SNAP RING	1	(A)	
40	AR38281	SLEEVE	1	(A) (NLA) (MARKED R38150)	
41	R34212	GASKET	1	(LESS PTO)	
42	R33962	BOOT	1	(A)	
43	R33963	CLAMP	1		
44	12H303	LOCK WASHER	2	5/16"	
45	19H2127	CAP SCREW	2	5/16" X 7/8"	
46	24H1396	WASHER	1	(A) 25/32" X 1-1/2" X 0.105"	
47	R73380	SNAP RING	1	(A) (SUB FOR A369R)	
48	R38308	ARM	1	(A) (NLA)	
49	34H331	SPRING PIN	2	(A) 5/16" X 1-1/2"	
50	R38307	SHAFT	1	(A) (NLA)	
51	R38306	LEVER	1	(A) (NO LONGER AVAILABLE)	

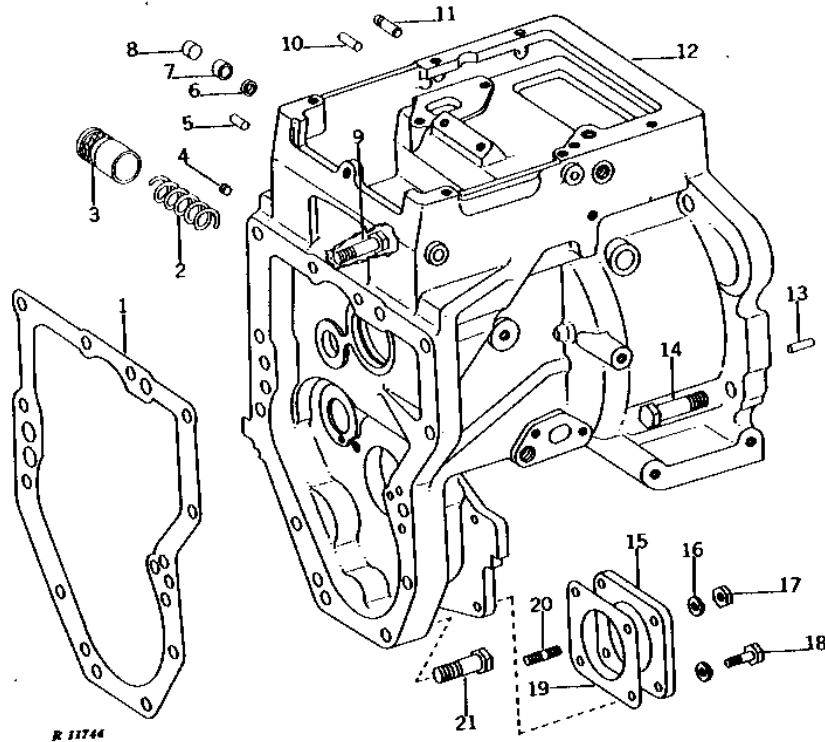
(A) NOT REQUIRED ON TRACTORS LESS PTO

2B3

POWER TRAIN

R11744 -UN-01JAN94

CLUTCH HOUSING (POWER SHIFT)



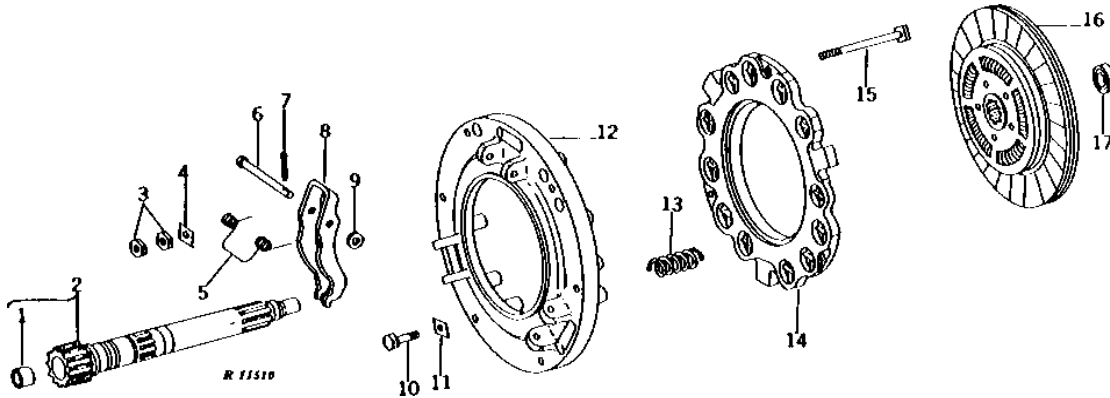
KEY	PART NO.	PART NAME	QTY	TRACTOR SERIAL NO.	REMARKS
1	R38174	GASKET	1		
2	R33526	SPRING	1		
3	R33525	PISTON	1		
4	R46373	PIPE PLUG	1		ACCUMULATOR BYPASS ORIFICE, (SUB FOR R33528)
5	R1612R	DOWEL PIN	2		
6	AR26338	SEAL	1		
7	R28359	WASHER	1		
8	R28361	DOWEL PIN	1		(LESS PTO)
9	19H1847	CAP SCREW	2		5/8" X 2-1/2"
10	34H351	SPRING PIN	2		3/8" X 1-1/2"
11	R33837	PIN	1		
12	AR38409	HOUSING	1		(MARKED R38070) (NO LONGER AVAILABLE)
13	T26565	DOWEL PIN	2		(SUB FOR C1220R)
14	19H1926	CAP SCREW	3	-014924	5/8" X 4-3/4"
	19H1550	CAP SCREW	3	014925-	5/8" X 5"
	19H1387	CAP SCREW	1	-014924	5/8" X 2-1/4"
	19H1847	CAP SCREW	1	014925-	5/8" X 2-1/2"
	R36995	WASHER	4	-014924	(SUB R42363)
	R70268	WASHER	4	014925-	(SUB FOR R42363)
15	R33216	COVER	1		(LESS PTO)
16	12H301	LOCK WASHER	2		1/2"
17	14H1040	NUT	2		1/2" HS, SAE 8
18	19H1721	CAP SCREW	2		1/2" X 1-1/2"
	12H301	LOCK WASHER	2		1/2"
19	R33236	GASKET	1		
20	R32101	STUD	2		1/2" X 1-3/4"
21	19H1847	CAP SCREW	7		5/8" X 2-1/2"
	19H2233	CAP SCREW	2		5/8" X 3-1/2"
	T15539	BOLT	1		

2B4

POWER TRAIN

TRANSMISSION DISCONNECT CLUTCH (POWER SHIFT)

R11510 -UN-01JAN94



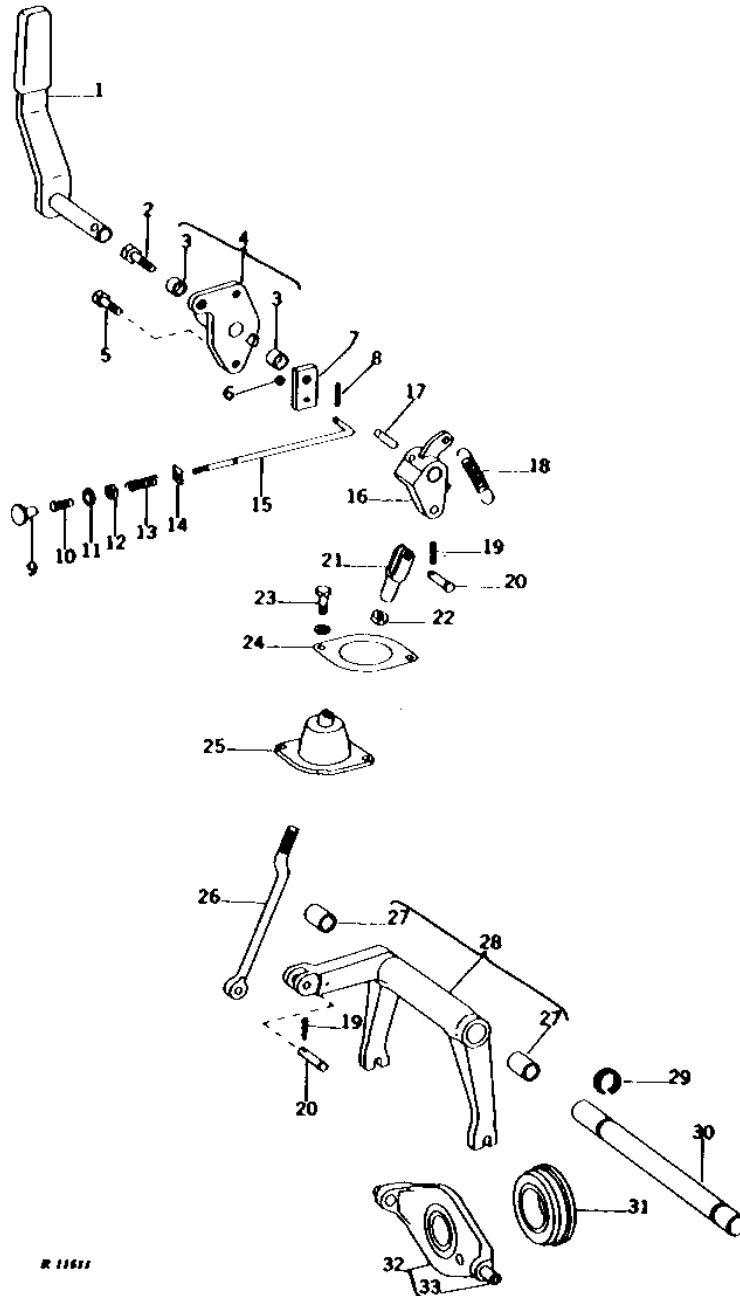
KEY	PART NO.	PART NAME	QTY	TRACTOR SERIAL NO.	REMARKS
1	R33168	BUSHING	1		
2	AR38299	SHAFT	1	(NLA)	
3	14H774	NUT	6	3/8"	
4	R38171	STRAP	3	(NLA)	
5	R38170	SPRING	3		
6	R38169	PIN	3		
7	11M7021	COTTER PIN	3	0.157" X 0.984"	
8	R38168	LEVER	3		
9	24M7096	WASHER	3	10.500 X 18 X 1.600 MM	
10	19H2552	CAP SCREW	6	3/8" X 1-1/8"	
11	R1888R	STRAP	6		
12	R38025	COVER	1	(NLA)	
13	R26637	SPRING	12		
14	R38592	PLATE	1	(SUB FOR R38167) (NLA)	
15	R49579	BOLT	3	(SUB FOR R32632)	
16	AR38576	CLUTCH DISK	1	(SUB FOR AR38282 OR AR38496)	
17	JD9449	BALL BEARING	1	(SUB FOR JD9281)	

2B5

POWER TRAIN

TRANSMISSION DISCONNECT CLUTCH CONTROL (POWER SHIFT)

R11511 -UN-01JAN94



2B6

POWER TRAIN

TRANSMISSION DISCONNECT CLUTCH CONTROL - CONTINUED (POWER SHIFT)

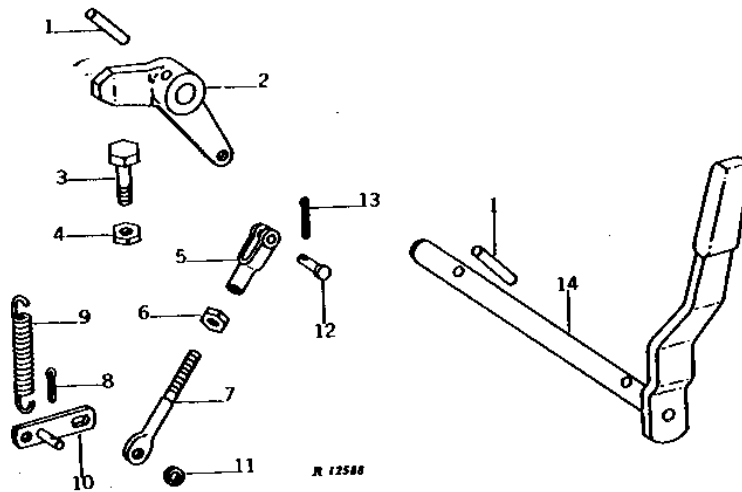
KEY	PART NO.	PART NAME	QTY	TRACTOR SERIAL NO.	REMARKS
1	AR34985	LEVER	1	(NLA)	
2	19H1815	CAP SCREW	1	1/2" X 1-1/4"	
3	R27116	BUSHING	2		
4	AR32130	SUPPORT	1	(MARKED R33149) (NLA)	
5	19H2021	CAP SCREW	2	3/8" X 5/8"	
6	24H1283	WASHER	1	7/32" X 1/2" X 0.049"	
7	R33892	PAWL	1	(NLA)	
8	11M7005	COTTER PIN	1	0.063" X 0.394"	
9	R34455	KNOB	1	(NLA)	
10	R34454	SLEEVE	1	(NLA)	
11	12H310	LOCK WASHER	1	3/8"	
12	14H774	NUT	1	3/8"	
13	A4580R	SPRING	1		
14	L31750	CLIP	1	(SUB FOR R27888)	
15	R34453	HOOK BOLT	1		
16	R33153	ARM	1	(NO LONGER AVAILABLE)	
17	34H351	SPRING PIN	1	3/8" X 1-1/2"	
18	R42783	SPRING	1	(SUB FOR R36137)	
19	11M7015	COTTER PIN	2	3.200 X 25 MM	
20	B178R	PIN	2	(SUB FOR L364T)	
21	L300T	YOKE	1		
22	14H469	NUT	1	7/16"	
23	19H2127	CAP SCREW	2	5/16" X 7/8"	
	12H303	LOCK WASHER	2	5/16"	
24	R33963	CLAMP	1		
25	R33962	BOOT	1		
26	R38471	ROD	1	(SUB FOR R38163) (NLA)	
27	R27320	BUSHING	2		
28	AR32140	FORK	1	(MARKED R33195)	
29	B169R	SNAP RING	2		
30	R33194	SHAFT	1		
31	AM3983T	THRUST BEARING	1	(SUB AR41942, THIS APPLICATION)	
32	AR38284	CRADLE	1	(MARKED R38162) (NLA)	
33	R35075	QUICK LOCK PIN	2		

2B7

POWER TRAIN

PTO CLUTCH CONTROL (POWER SHIFT)

R12588 -UN-01JAN94



KEY	PART NO.	PART NAME	QTY	TRACTOR SERIAL NO.	REMARKS
1	34H331	SPRING PIN	2		
2	R38267	ARM	1		(NO LONGER AVAILABLE)
3	19H2024	CAP SCREW	1		5/16" X 1-1/2"
4	14H785	NUT	1		5/16"
5	M3742T	YOKE	1		
6	14H649	NUT	1		1/4"
7	R38268	ROD	1		(NLA)
8	11M7077	COTTER PIN	1		0.063" X 0.984"
9	R27571	SPRING	1		
10	AR27722	ARM	1		
11	24H1286	WASHER	1		9/32" X 1/2" X 1/16"
12	R72660	PIN	1		(SUB FOR R662R)
13	11M7077	COTTER PIN	1		0.063" X 0.984"
14	AR38305	LEVER	1		(NO LONGER AVAILABLE)

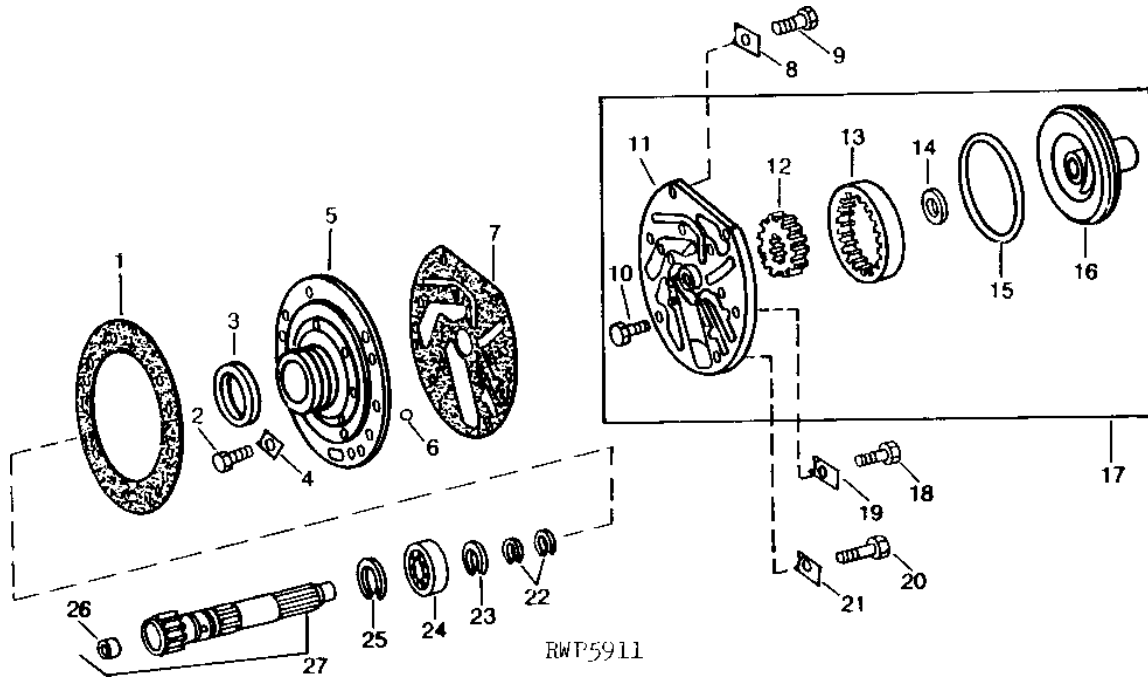
MEMORANDA

2B8

POWER TRAIN

TRANSMISSION CLUTCH OIL PUMP AND MANIFOLD (POWER SHIFT)

RWP5911 -UN-12OCT94



KEY	PART NO.	PART NAME	QTY	TRACTOR SERIAL NO.	REMARKS
1	R100232	GASKET	1		(SUB FOR R33171, R49294 OR R69585)
2	19H2661	CAP SCREW	6	-XXXXXX	5/16" X 1-3/8"
	R112874	CAP SCREW	6	XXXXXX-	
3	R33167	RING	4		(.124 WIDE)
4	T13857	LOCK PLATE	6	-XXXXXX	
5	R33061	MANIFOLD	1		(.1285" RING GROOVE) (USE WITH AR38295 OR AR38478)
6	R42849	BALL	2		10MM (3/8") (SUB FOR 405R)
7	R100234	GASKET	1		(SUB FOR R33166, R49295, R57915, R69587 OR R70251)
8	R30920	PLATE	2		3/8" X 1-1/4"
9	19H1732	CAP SCREW	2		3/8" X 1-1/4"
10	19H1849	CAP SCREW	1	-XXXXXX	5/16" X 1-1/4"
	19H1900	CAP SCREW	1	XXXXXX-	5/16" X 3/4"
11	AR90850	HOUSING	1		(MARKED R33133 OR R69589) (SUB FOR AR32127)
12	R31695	GEAR	1		(20.5 MM .809")
13	R27880	GEAR	1		(20.5 MM .809")
14	R34650	SEAL	1		
15	R39876	PACKING	1		
16	AR48898	HOUSING	1		(MARKED R31692) (SUB FOR AR30795)
17	AR91607	OIL PUMP	1		(SUB FOR AR53213)
18	19H1800	CAP SCREW	3		3/8" X 1-1/2"
19	R30959	LOCK PLATE	3		
20	19H1765	CAP SCREW	1		3/8" X 1-3/4"
21	R30958	LOCK PLATE	1		
22	R26753	RING	2		
23	F2370R	SNAP RING	1		
24	JD7145	BALL BEARING	1		
25	A3815R	SNAP RING	1		
26	R33168	BUSHING	1		
27	AR38299	SHAFT	1		(NLA)

MEMORANDA

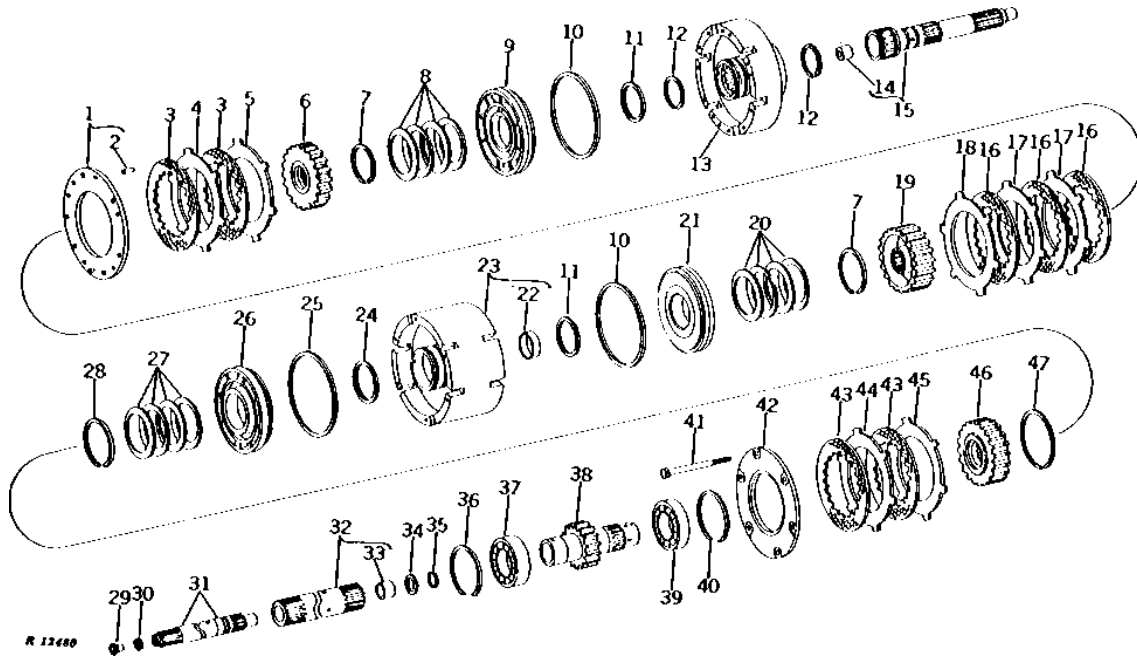
2B9

POWER TRAIN

TRANSMISSION CLUTCH PACK (POWER SHIFT)

R12480

-UN-01JAN94



2B10

POWER TRAIN

TRANSMISSION CLUTCH PACK - CONTINUED (POWER SHIFT)

KEY	PART NO.	PART NAME	QTY	TRACTOR SERIAL NO.	REMARKS
1	AR32136	PLATE	1		
2	R30587	DOWEL PIN	2		
3	RE27995	CLUTCH DISK	1	-008957	(SUB FOR R31404 OR RE23000) LOW RANGE
	RE27995	CLUTCH DISK	2	008958-	(SUB FOR R31404 OR RE23000) LOW RANGE
4	R39325	CLUTCH PLATE	1	008958-	LOW RANGE, (SUB FOR R32313)
5	R80813	CLUTCH PLATE	1		LOW RANGE, (SUB FOR R33873)
6	R38286	HUB	1	-008957	(NO LONGER AVAILABLE)
	R38391	HUB	1	008958-	(NLA)
7	R33247	SNAP RING	2		
8	R67840	DISK SPRING	2	-008957	(SUB FOR R33518)
	R67840	DISK SPRING	4	008958-	(SUB FOR R33518)
9	R41160	PISTON	1	-010857	(ALSO ORDER R120838) (SUB FOR R38175)
	R41105	PISTON	1	010868-	(ALSO ORDER R120838) (SUB FOR R33517)
10	R33059	SEALING WASHER	2		(USE WITH R38175 OR R33517)
	R120838	PACKING	2		(USE WITH R41160 OR R41105)
11	R33246	SEAL	2		
12	R33169	SNAP RING	2		
13	AR38295	DRUM	1	-008957	(MARKED R38233) (NO LONGER AVAILABLE)
	AR38478	DRUM	1	008958-010867	(MARKED R38389) (SUB R41036, AR42093, R41105 AND R120838)
14	R33168	BUSHING	1		
15	AR38299	SHAFT	1		(NLA)
16	RE27995	CLUTCH DISK	3		(SUB FOR R31404 OR RE23000) HIGH RANGE
17	R57345	CLUTCH PLATE	2		HIGH RANGE, (SUB FOR R32313)
18	R46391	CLUTCH PLATE	1		HIGH RANGE, (SUB FOR R33873)
19	R38287	HUB	1	-008957	(NO LONGER AVAILABLE)
	R38392	HUB	1	008958-	(NLA)
20	R67840	DISK SPRING	4		(SUB FOR R33518)
21	R41160	PISTON	1		(ALSO ORDER R120838) (SUB FOR R38175)
22	R33073	BUSHING	1		
23	AR38296	DRUM	1	-008957	(MARKED R38234) (NLA)
	AR38479	DRUM	1	008958-	(MARKED R38390) (NLA)
24	R33246	SEAL	1		(A)
25	R33059	SEALING WASHER	1		(A) (USE WITH R38175)
	R120838	PACKING	1		(A) (USE WITH R41160)
26	R41160	PISTON	1		(A) (ALSO ORDER R120838) (SUB FOR R38175)
27	R67840	DISK SPRING	4		(A) (SUB FOR R33518)
28	R33247	SNAP RING	1		(A)
29	R34141	RETAINER	1	-013688	
30	R34140	RING	1	-013688	
31	R33124	SHAFT	1	-013688	LOW RANGE DRIVE
	R41751	SHAFT	1	013689-	LOW RANGE DRIVE
32	AR32125	SHAFT	1	-010867	HIGH RANGE DRIVE, (SUB AR42093)
	AR42093	SHAFT	1	010868-	HIGH RANGE DRIVE
33	R33109	BUSHING	1		
34	R33118	THRUST WASHER	1		
35	R26643	SNAP RING	1		
36	F1373R	SNAP RING	1		
37	JD9390	BALL BEARING	1		
38	R38056	SHAFT	1	-008957	PTO DRIVE AND GEAR, (SUB R38393)
	R38393	SHAFT	1	008958-	PTO DRIVE AND GEAR
39	JD9292	BALL BEARING	1		
40	31415	SNAP RING	1		
41	19H2729	CAP SCREW	6	-008957	5/16" X 4-1/4"
	19H2852	CAP SCREW	6	008958-	5/16" X 4"
42	R33188	PLATE	1		(A)
43	RE27995	CLUTCH DISK	2		(A) (SUB FOR R31404 OR RE23000)
44	R39325	CLUTCH PLATE	1		(A) (SUB FOR R32313)
45	R80813	CLUTCH PLATE	1		(A) (SUB FOR R33873 OR R46391)
46	R38288	HUB	1		(A) PTO CLUTCH (NLA)
47	R33520	SNAP RING	1		(A)

(A) NOT REQUIRED ON TRACTORS LESS PTO

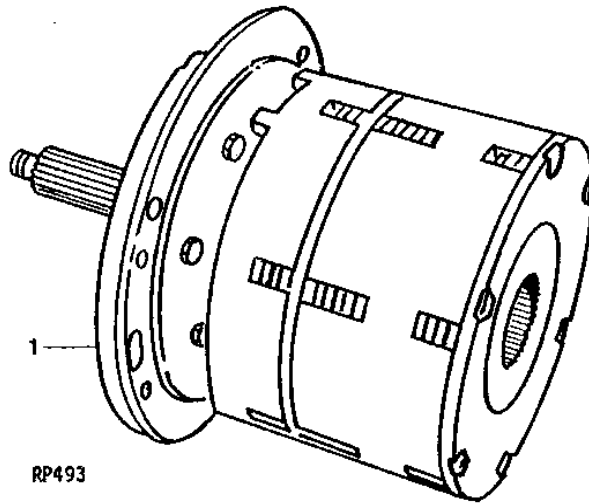
MEMORANDA

2B11

POWER TRAIN

RP493 -UN-01JAN94

CLUTCH ASSEMBLY
(POWER SHIFT)



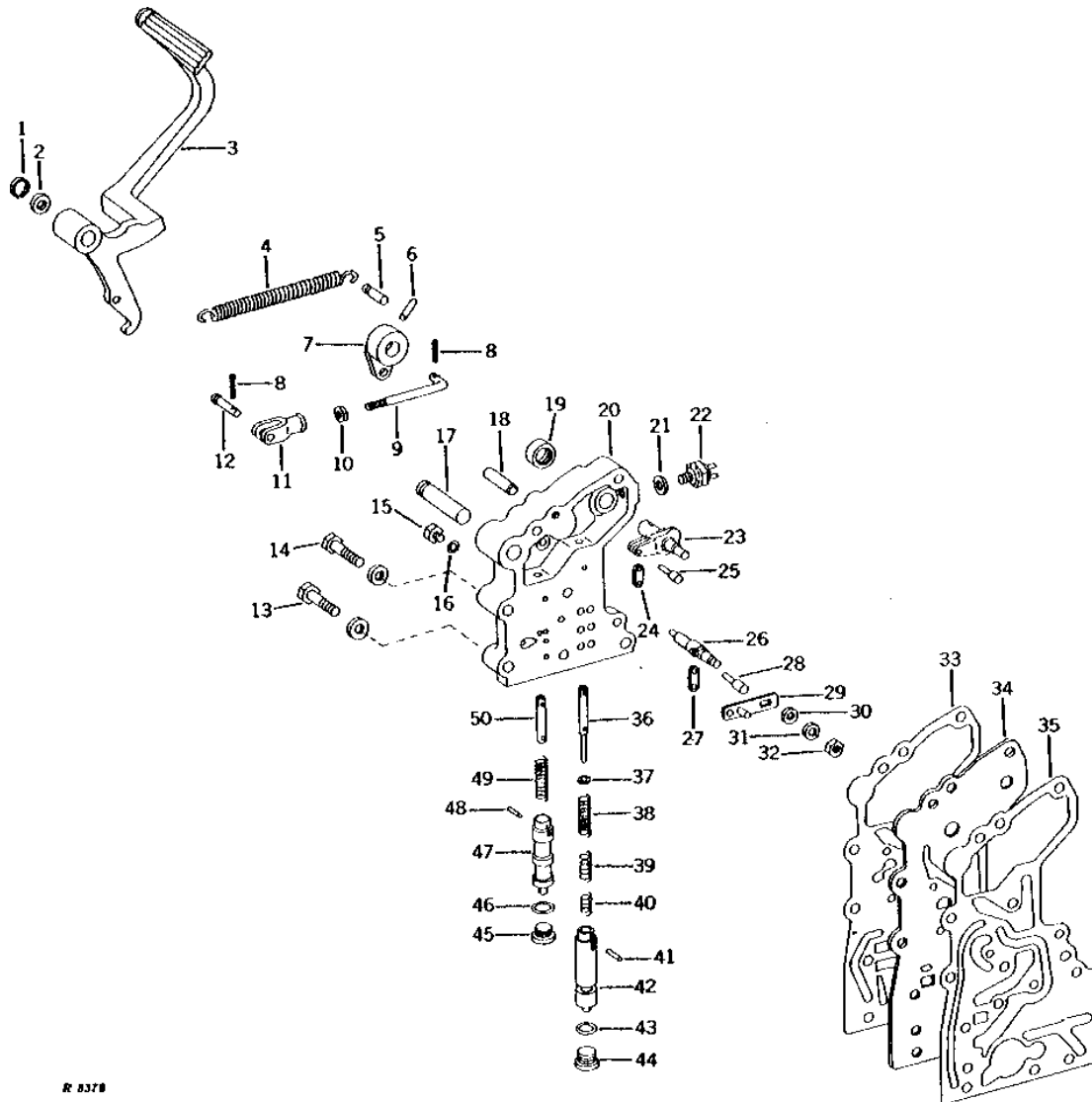
KEY	PART NO.	PART NAME	QTY	TRACTOR SERIAL NO.	REMARKS
1	AR38947	CLUTCH	1	(PTO) (NLA)	
2	AR38946	CLUTCH	1	(LESS PTO) (NLA)	

2B12

POWER TRAIN

TRANSMISSION CLUTCH VALVE (POWER SHIFT)

R8378 -UN-01JAN94



R 8378

2B13

POWER TRAIN

TRANSMISSION CLUTCH VALVE - CONTINUED (POWER SHIFT)

KEY	PART NO.	PART NAME	QTY	TRACTOR SERIAL NO.	REMARKS
1	R73380	SNAP RING	1		(SUB FOR A369R)
2	24H1395	WASHER	1		25/32" X 1-7/16" X 0.060"
3	R33172	PEDAL	1	-014775	(SUB R42613)
	R42613	PEDAL	1	014776-	
4	R43684	SPRING	1		(SUB FOR R33179)
5	R33837	PIN	1		
6	34H188	SPRING PIN	1		5/16" X 1-3/4"
7	R33157	LEVER	1		
8	11M7081	COTTER PIN	2		0.098" X 0.787"
9	R33165	HOOK BOLT	1		
10	14H732	NUT	1		3/8"
11	C284R	YOKE	1		
12	R65563	PIN	1		(SUB FOR C1067R)
13	19H2055	CAP SCREW	5		7/16" X 2-1/4"
	12H293	LOCK WASHER	5		7/16"
14	19H2227	CAP SCREW	2		7/16" X 2-1/2"
	12H293	LOCK WASHER	2		7/16"
15	R27094	DRAIN PLUG	3		
16	R26286	O-RING	3		
17	R33156	PIN	1		
18	B3595R	DOWEL PIN	2		
19	AF2907R	SEAL	1		
20	AR45381	HOUSING	1		(MARKED R33155, R33161, R41153, R41668 OR R44164) (SUB FOR AR33458 OR AR40794) (SUB AR88040 AND 15H558)
21	T16911	SHIM	AR		
22	RE38390	SWITCH	1		NEUTRAL START, (SUB FOR R36265, AR85323, AR89691 OR AT85153)
23	AR32128	SHAFT	1		(SUB RE19993)
24	R28401	LINK	1		
25	R33145	PIN	2		
26	AR61609	SHAFT	1		(A) (ALSO ORDER AR48689) (SUB FOR AR27720) (SUB FOR AR48690) (SUB AR98146 AND (2) R28359)
27	R28401	LINK	1		(A)
28	R33145	PIN	2		(A)
29	AR27722	ARM	1		(A) (USE WITH AR27720)
	AR48689	ARM	1		(A) (USE WITH AR48690 OR AR61609)
30	24H1287	WASHER	1		(A) 9/32" X 5/8" X 0.065"
31	12H302	LOCK WASHER	1		(A) 1/4"
32	14H786	NUT	1		(A) 1/4"
33	R98926	GASKET	1		(SUB FOR R33178, R46816 OR R51573)
34	R33164	PLATE	1		
35	R94331	GASKET	1		(SUB FOR R33177, R46815 OR T67029)
36	R33137	SHAFT	1		
37	R33521	SHIM	1		0.76MM (.030")
38	R33173	SPRING	1		
39	R33174	SPRING	1		
40	R33175	SPRING	1		
41	34H245	SPRING PIN	1		1/8" X 5/8"
42	R33136	VALVE	1		
43	R26375	O-RING	1		
44	R33138	FITTING	1		
45	R33138	FITTING	1		(A)
46	R26375	O-RING	1		(A)
47	R31589	VALVE	1	-008997	(A) PTO CLUTCH, (SUB R47509, R41503 AND 34H260)
	R47509	VALVE	1	008998-	(A) PTO CLUTCH, (SUB FOR R41502)
48	34H245	SPRING PIN	1	-008997	(A) 1/8" X 5/8"
	34H260	SPRING PIN	1	008998-	(A) 5/32" X 5/8"
49	R31725	SPRING	1		(A)
50	R28399	SHAFT	1	-008997	(A) PTO CLUTCH, (SUB R40502, R40503, R47509, R41503 AND 34H260)
	R41503	SHAFT	1	008998-	(A) PTO CLUTCH

(A) NOT REQUIRED ON TRACTORS LESS PTO

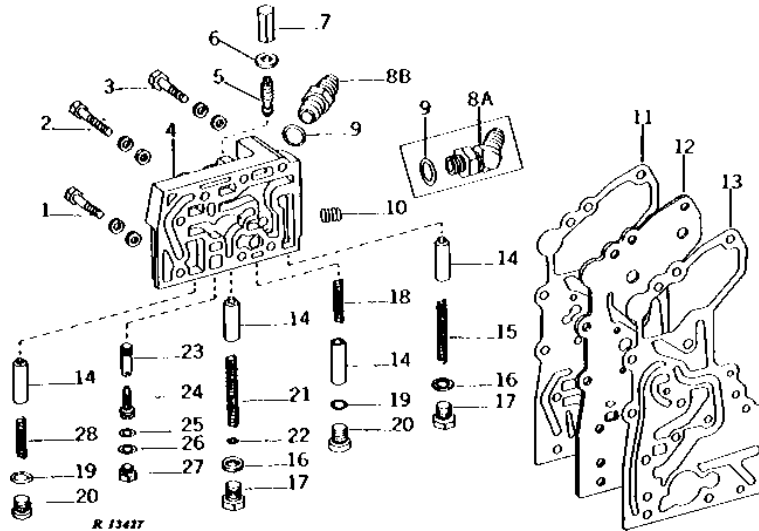
MEMORANDA

2B14

POWER TRAIN

TRANSMISSION CLUTCH REGULATING VALVE (POWER SHIFT)

R13427 -UN-01JAN94



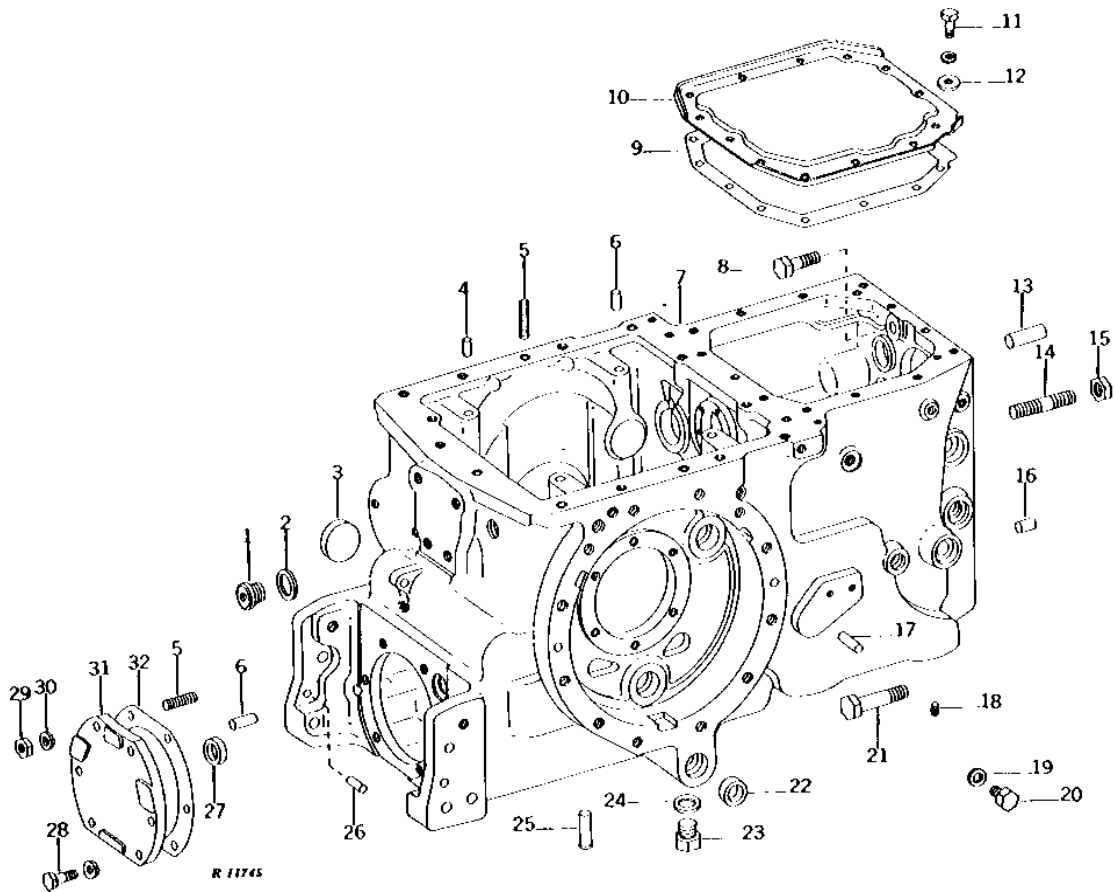
KEY	PART NO.	PART NAME	QTY	TRACTOR SERIAL NO.	REMARKS
1	19H2055 12H293 24H1325	CAP SCREW LOCK WASHER WASHER	4 4 4		7/16" X 2-1/4" 7/16" 15/32" X 59/64" X 0.065"
2	19H1828 12H293 24H1325	CAP SCREW LOCK WASHER WASHER	2 2 2		7/16" X 4" 7/16" 15/32" X 59/64" X 0.065"
3	19H2055 12H293 24H1325	CAP SCREW LOCK WASHER WASHER	1 1 1		7/16" X 2-1/4" 7/16" 15/32" X 59/64" X 0.065"
4	AR34850 R41404	HOUSING HOUSING	1 1	-012743 012744-	(MARKED R34973) (MARKED R41404 OR R42155) (ALSO ORDER 15H561) OIL BYPASS
5	R39587	SET SCREW	1		
6	F2846R	WASHER	1		
7	F2847R	NUT	1		
8A	AR47803	ELBOW FITTING	1	-012743	60°, (SUB FOR AR32852)
8B	R27267	FITTING	1	012744-	
9	F3171R	O-RING	1		
10	15H624	PIPE PLUG	1	012744-	1/2"
11	R98926	GASKET	1		(SUB FOR R33178, R46816 OR R51573)
12	R33164	PLATE	1		
13	R94331	GASKET	1		(SUB FOR R33177, R46815 OR T67029)
14	R33162	VALVE	4		(SUB R33259 AND R57559)
15	R39808	SPRING	1		
16	R1742R	WASHER	2		
17	R52589	FITTING PLUG	2		(SUB FOR R33163)
18	R28914	SPRING	1		
19	R26375	O-RING	2		
20	R33138	FITTING	2		
21	R33523	SPRING	1		PRESSURE VALVE
22	R33521	SHIM	AR		0.76MM (.030")
23	AR47611	ORIFICE	1		(SUB FOR T24533 OR AT19314)
24	R34028	BOLT	1		
25	R10093	O-RING	1		
26	R26286	O-RING	1		
27	R27094	DRAIN PLUG	1		
28	R26686	SPRING	1		

2B15

POWER TRAIN

TRANSMISSION CASE AND COVER (SYNCRO-RANGE)

R11745 -UN-01JAN94



2B16

POWER TRAIN

TRANSMISSION CASE AND COVER - CONTINUED (SYNCRO-RANGE)

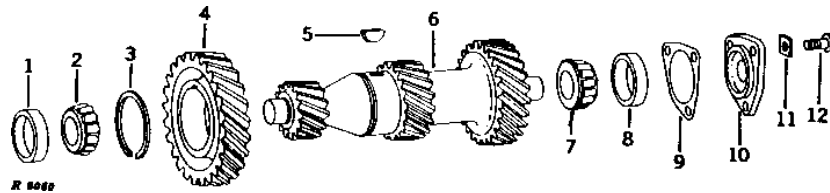
KEY	PART NO.	PART NAME	QTY	TRACTOR SERIAL NO.	REMARKS
1	R27483	PLUG	1		LOAD CONTROL ARM ADJUSTING HOLE
2	H851R	WASHER	1		
3	R38344	CAP	1		(USE WITH 1000 RPM PTO ONLY OR LESS PTO)
4	R1612R	DOWEL PIN	4		
5	R32101	STUD	5		1/2" X 1-3/4"
6	R48685	DOWEL PIN	4		(SUB FOR A120R)
7	AR38411	TRANSMISSION CASE	1		(MARKED R38050) (NO LONGER AVAILABLE)
8	19H2706	CAP SCREW	2		5/8" X 2", HS, SAE 8
9	R33714	GASKET	1		
10	R33713	COVER	1		
11	19H1731	CAP SCREW	AR		3/8" X 1", (12 USED GASOLINE) (11 USED DIESEL) (LESS SELECTIVE CONTROL)
	19H1731	CAP SCREW	AR		3/8" X 1", (11 USED GASOLINE) (10 USED DIESEL) (USE WITH SINGLE SELECTIVE CONTROL)
	19H1731	CAP SCREW	AR		3/8" X 1", (10 USED GASOLINE) (9 USED DIESEL) (USE WITH DUAL SELECTIVE CONTROL)
	19H1726	CAP SCREW	1		3/8" X 2-1/4", (USE WITH SINGLE SELECTIVE CONTROL)
	19H1800	CAP SCREW	AR		3/8" X 1-1/2", (1 USED GASOLINE) (2 USED DIESEL)
	12H304	LOCK WASHER	13		3/8"
12	A4624R	WASHER	13		
13	A776R	PIN	2		
14	B2484R	STUD	3		5/8" X 3"
15	14H1039	NUT	3		5/8"
16	R27315	DOWEL PIN	2		
17	T26565	DOWEL PIN	4		(SUB FOR C1220R)
18	15H253	PIPE PLUG	1		1/8"
19	R51494	WASHER	1		(LESS DIFFERENTIAL LOCK)
20	R27218	FITTING PLUG	1		(LESS DIFFERENTIAL LOCK)
21	19H2706	CAP SCREW	2		5/8" X 2", HS, SAE 8
	19H1847	CAP SCREW	2		5/8" X 2-1/2"
22	R27018	BUSHING	2		STANDARD
	R45513	BUSHING	2		0.08MM (.003") OVERSIZE
	R45514	BUSHING	2		0.15MM (.006") OVERSIZE
	R46799	BUSHING	2		0.23MM (.009") OS, (SUB AR89132)
23	F3128R	DRAIN PLUG	1		
24	A4827R	WASHER	1		
25	R31075	PIN	1		LOAD CONTROL SHAFT STOP (NLA)
26	34H348	SPRING PIN	2		3/8" X 1"
27	R33498	CAP	1		(USE WITH 1000 RPM PTO ONLY OR LESS PTO)
28	19H3385	CAP SCREW	4		1/2" X 1-1/8"
	12H301	LOCK WASHER	4		1/2"
29	14H1040	NUT	2		1/2"
30	12H301	LOCK WASHER	2		1/2"
31	R33489	COVER	1		(LESS PTO)
32	R33337	GASKET	1		

2B17

POWER TRAIN

R9060 -UN-01JAN94

COUNTERSHAFT (SYNCRO-RANGE)



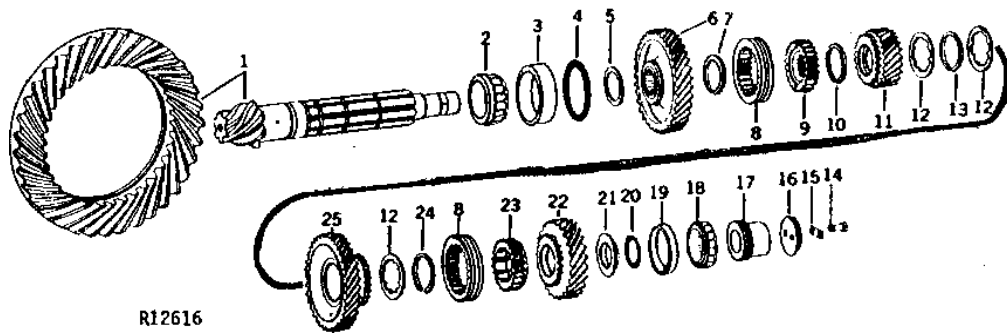
KEY	PART NO.	PART NAME	QTY	TRACTOR SERIAL NO.	REMARKS
1	JD8239	BEARING CUP	1		
2	JD8905	BEARING CONE	1		
3	R26246	SNAP RING	1		
4	R33500	GEAR	1		(33 TEETH) (6TH AND 8TH SPEED)
5	26H82	SHAFT KEY	1		1/4" X 7/8", (SUB FOR 26H19)
6	R38176	COUNTERSHAFT	1		(NLA)
7	JD8194	BEARING CONE	1		
8	JD8230	BEARING CUP	1		
9	R33461	SHIM	AR		0.15MM (.006")
	R33462	SHIM	AR		0.25MM (.010")
	R33463	SHIM	AR		0.46MM (.018")
10	R38177	RETAINER	1		(NLA)
11	H246R	STRAP	3		
12	19H1731	CAP SCREW	3		3/8" X 1"

2B18

POWER TRAIN

DIFFERENTIAL DRIVE AND BEVEL PINION ASSEMBLY (SYNCRO-RANGE)

R12616 -UN-01JAN94



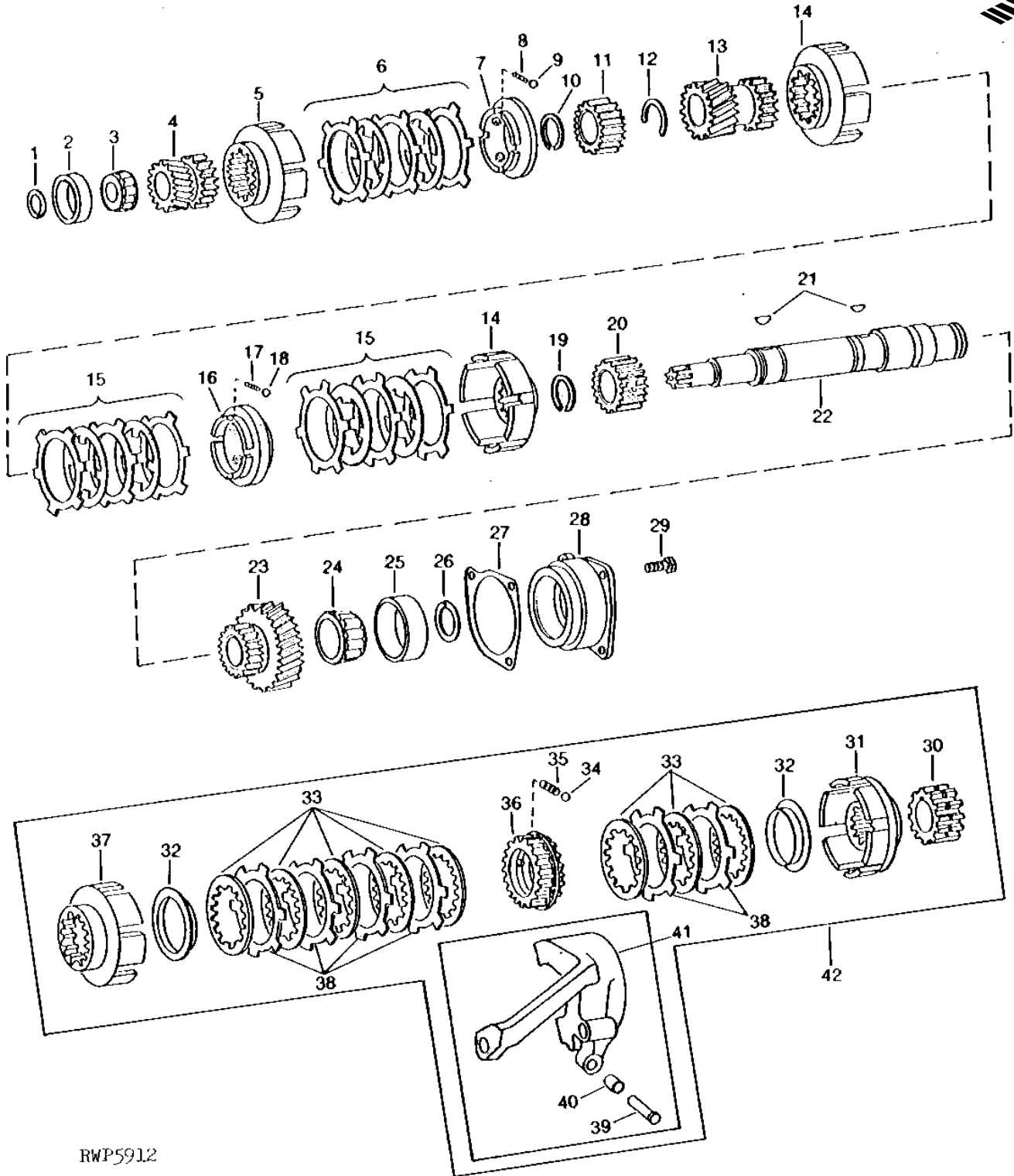
KEY	PART NO.	PART NAME	QTY	TRACTOR SERIAL NO.	REMARKS
1	AR34735	BEVEL GEAR DRIVE	1		(MARKED R34875 AND R34873) (MATCHED SET)
2	JD8973	BEARING CONE	1		
3	JD8246	BEARING CUP	1		
4	R26227	SHIM	AR		0.08MM (.003")
	R26228	SHIM	AR		0.13MM (.005")
	R26229	SHIM	AR		0.25MM (.010") (SUB R26228)
5	R38178	BUSHING	1		
6	AR87813	GEAR	1		1ST AND 3RD SPEED, (MARKED R33501 OR R67423) (SUB FOR AR32237)
7	R26264	SNAP RING	1		
8	T23519	SHIFT COLLAR	2		(SUB FOR R26251)
9	R33510	GEAR	1		
10	R33474	SNAP RING	1		
11	R33511	GEAR	1		6TH AND 8TH SPEED
12	R26253	THRUST WASHER	3		
13	R26265	SNAP RING	1		
14	19H1731	CAP SCREW	2		3/8" X 1"
15	R26072	STRAP	1		
16	R50365	PLATE	1		(SUB FOR R33347)
17	R33795	BEARING RACE	1		(LESS PTO) (SUB FOR R33928)
18	JD8999	BEARING CONE	1		
19	JD8275	BEARING CUP	1		
20	R33413	SHIM	AR		0.08MM (.003")
	R33414	SHIM	AR		0.13MM (.005")
	R33415	SHIM	AR		0.25MM (.010")
21	R38179	BUSHING	1		(NLA)
22	R26990	GEAR	1		4TH AND 7TH SPEED
23	R26255	GEAR	1		
24	R26266	SNAP RING	1		
25	R33503	GEAR	1		2ND AND 5TH SPEED

2B19

POWER TRAIN

TRANSMISSION DRIVE SHAFT ASSEMBLY (SYNCRO-RANGE)

RWP5912 -UN-01JAN94



RWP5912

2B20

POWER TRAIN

TRANSMISSION DRIVE SHAFT ASSEMBLY - CONTINUED (SYNCRO-RANGE)

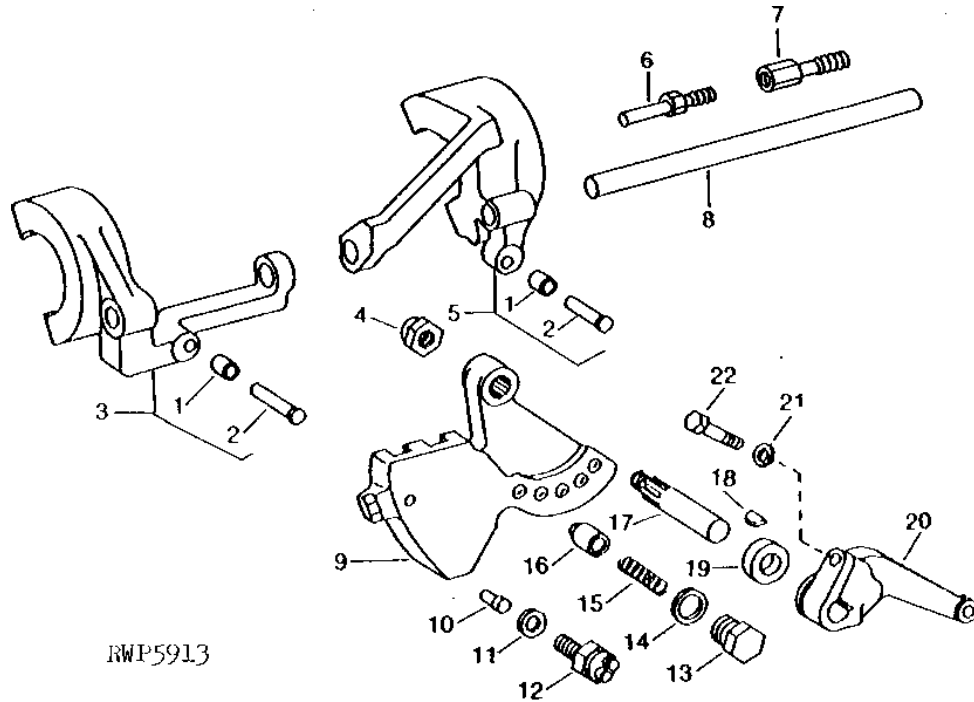
KEY	PART NO.	PART NAME	QTY	TRACTOR SERIAL NO.	REMARKS
1	R26220	SNAP RING	1		1.9MM (.076")
	R26221	SNAP RING	1		2MM (.079")
	R26222	SNAP RING	1		2.1MM (.082")
	R26223	SNAP RING	1		2.2MM (.085")
2	JD7449	BEARING CUP	1		
3	JD8190	BEARING CONE	1		
4	R33479	PINION	1		REVERSE RANGE
5	R52499	DRUM	1		REVERSE RANGE, (SUB FOR R31027)
6	AR69154	SYNCHRONIZER	1		(SUB FOR AR44997)
7	R52498	STOP	1		REVERSE RANGE, (ALSO ORDER R52499) (SUB FOR R27729)
8	R59860	SPRING	4		(SUB FOR R27730)
9	A4742R	BALL	4		3.96MM (5/32")
10	R33475	SNAP RING	1		
11	R33480	SHIFT COLLAR	1		REVERSE RANGE
12	R33476	SNAP RING	1		
13	R59536	PINION	1		LOW RANGE, (SUB FOR R44640 OR R50367)
14	R31026	DRUM	2		LOW AND HIGH RANGE
15	AR69154	SYNCHRONIZER	2		(SUB FOR AR44997)
16	R31028	SYNCHRONIZER	1		LOW AND HIGH RANGE
17	R59860	SPRING	4		(SUB FOR R27730)
18	A4742R	BALL	4		3.96MM (5/32")
19	R26218	SNAP RING	1		
20	R33383	SHIFT COLLAR	1		LOW AND HIGH RANGE
21	26H77	SHAFT KEY	2		3/16" X 3/4"
22	R33512	SHAFT	1		
23	R44639	PINION	1		HIGH RANGE, (SUB FOR R33477)
24	JD8910	BEARING CONE	1		
25	JD7421	BEARING CUP	1		
26	R33470	SNAP RING	1		1.9MM (.076")
	R33471	SNAP RING	1		2MM (.079")
	R33472	SNAP RING	1		2.08MM (.082")
	R33473	SNAP RING	1		2.16MM (.085")
27	R33467	SHIM	AR		0.15MM (.006")
	R33468	SHIM	AR		0.25MM (.010")
	R33469	SHIM	AR		0.45MM (.018")
28	R33514	HOUSING	1		FRONT BEARING
29	R57725	SCREW	3		(SUB FOR R40835)
30	R62806	SHIFT COLLAR	1		LOW AND HIGH RANGE
31	R63072	DRUM	1		HIGH RANGE
32	R63070	RETAINER	2		
33	RE36170	DISK, INNER SPLINE	8		(SUB FOR AR77819)
34	R63075	BALL	4		5.5MM (7/32")
35	R63074	SPRING	4		
36	AR77817	SYNCHRONIZER	1		LOW AND HIGH RANGE
37	R63073	BRAKE DRUM	1		LOW RANGE
38	R63069	CLUTCH PLATE	6		SYNCHRONIZER
39	R26206	PIN	1		
40	R26207	ROLLER	1		
41	AR77821	SHIFTER	1		
42	AR77814	KIT	1		(SYNCHRONIZER LOW AND HIGH RANGE)

2B21

POWER TRAIN

RANGE SHIFTERS AND SHIFTER SHAFT (SYNCRO-RANGE)

RWP5913 -UN-01JAN94



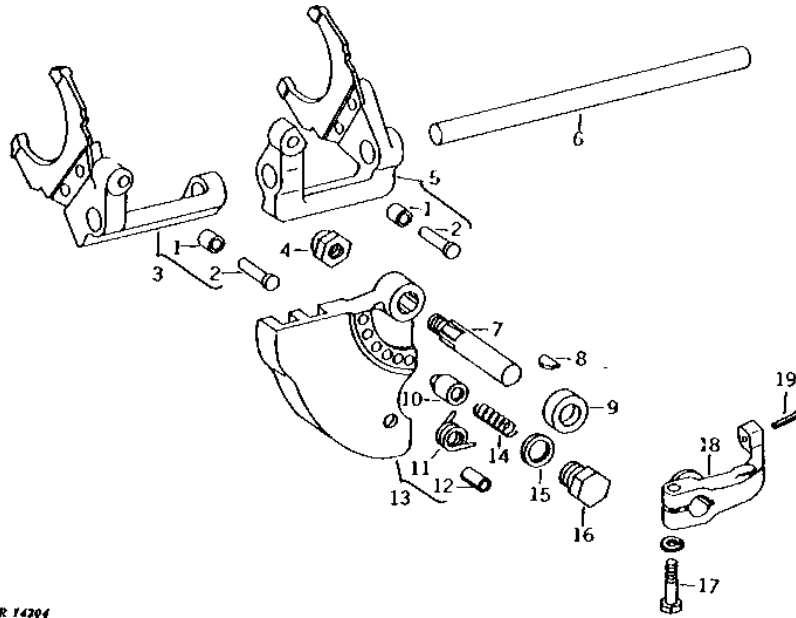
KEY	PART NO.	PART NAME	QTY	TRACTOR SERIAL NO.	REMARKS
1	R26207	ROLLER	2		
2	R26206	PIN	2		
3	AR32191	SHIFTER	1		REVERSE RANGE, (MARKED R33445)
4	E17421	LOCK NUT	1		(SUB FOR R32629)
5	AR77821	SHIFTER	1		LOW AND HIGH RANGE, (MARKED R33444, R56956, R61563 OR R63077) (ALSO ORDER R61564 AND R61565) (SUB FOR AR32190, AR68147 OR AR74748)
6	R61564	SCREW	1		
7	R61565	SCREW	1		
8	R33449	PIN	1		SHIFTER SHAFT
9	R33443	CAM	1		
10	R99556	PIN	1		(SUB FOR R33731)
11	T16911	SHIM	1		
12	RE38390	SWITCH	1		NEUTRAL START, (SUB FOR R36265, AR85323, AR89691 OR AT85153)
13	R34844	RETAINER	1		
14	A4827R	WASHER	1		
15	R26203	SPRING	1		
16	R26202	PAWL	1		
17	AR31903	SHAFT	1		
18	26H17	SHAFT KEY	1		3/16" X 7/8"
19	AR389R	SEAL	1		
20	R26398	LEVER	1		
21	12H304	LOCK WASHER	1		3/8"
22	19H1800	CAP SCREW	1		3/8" X 1-1/2"

2B22

POWER TRAIN

GEAR SHIFTERS AND SHIFTER SHAFT (SYNCRO-RANGE)

R14204 -UN-01JAN94



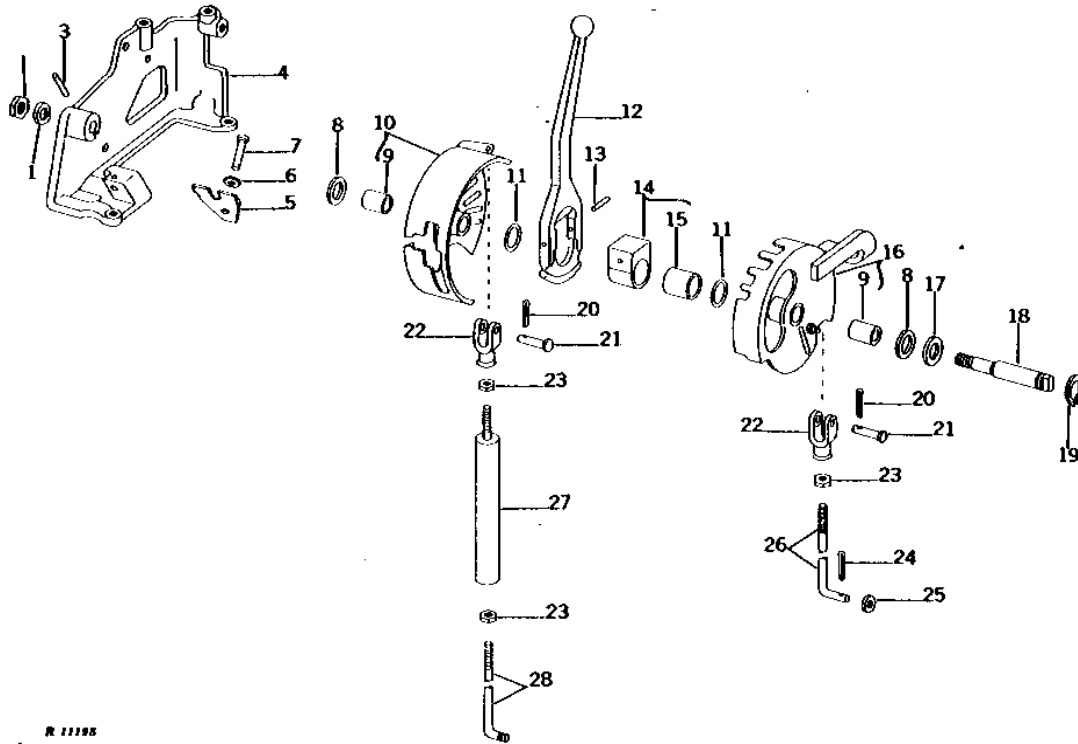
KEY	PART NO.	PART NAME	QTY	TRACTOR SERIAL NO.	REMARKS
1	R26207	ROLLER	2		
2	R26206	PIN	2		
3	AR32196	LEVER	1		1ST AND 3RD, 6TH AND 8TH SPEED, (MARKED R33451)
4	E17421	LOCK NUT	1		(SUB FOR R32629)
5	AR32197	LEVER	1		2ND AND 5TH, 4TH AND 7TH SPEED, (MARKED R33452)
6	R33449	PIN	1		
7	AR31903	SHAFT	1		
8	26H17	SHAFT KEY	1		3/16" X 7/8"
9	AR389R	SEAL	1		
10	R26202	PAWL	1		
11	R109478	SPRING	1		(SUB FOR R27243 OR R55910)
12	34H365	SPRING PIN	1		1/2" X 7/8"
13	AR74078	CAM	1		(MARKED R33771, R56752, R58445 OR R61106) (SUB FOR AR32693, AR65492, AR68149 OR AR70157)
14	R26203	SPRING	1		
15	A4827R	WASHER	1		
16	R34844	RETAINER	1		
17	19H1800	CAP SCREW	1		3/8" X 1-1/2"
	12H304	LOCK WASHER	1		3/8"
18	R33772	ARM	1		
19	11M7083	COTTER PIN	1		0.126" X 1.969"

2B23

POWER TRAIN

TRANSMISSION SHIFTER CONTROL (SYNCRO-RANGE)

R11198 -UN-01JAN94



KEY	PART NO.	PART NAME	QTY	TRACTOR SERIAL NO.	REMARKS
1	14H1039	NUT	1		5/8"
2	12H294	LOCK WASHER	1		5/8"
3	34H252	SPRING PIN	1		1/8" X 1-1/4"
4	R38189	BRACKET	1		(NLA)
5	R52882	LATCH	1		(SUB FOR R40148 OR R42128)
6	R1870R	WASHER	1	-010364	(SUB R57696)
7	R65563	PIN	1	-010364	(SUB FOR C1067R)
	R38400	PIN	1	010365-	
8	R42127	WASHER	2		(SUB FOR R26183)
9	R26182	BUSHING	2		
10	AR45240	QUADRANT	1		(SUB FOR AR26361 OR AR44263)
11	R26187	WASHER	2		
12	R27633	GEARSHIFT LEVER	1		
13	34H314	SPRING PIN	2		1/4" X 1-1/4"
14	AR26360	PIVOT	1	-XXXXXX	(MARKED R26185) (SUB R53247 AND (2) R26187)
	R53247	PIVOT	1	XXXXXX-	(ALSO ORDER (2) R26187) (SUB FOR AR26360 OR R47203)
15	R26186	BUSHING	1		(USE WITH R26185)
16	AR45342	QUADRANT	1		(SUB FOR AR33935 OR AR44270)
17	24H1423	WASHER	AR		29/32" X 1-1/2" X 0.036"
	24H1422	SHIM	AR		0.018"
	24H1660	WASHER	AR		57/64" X 1-3/8" X 0.060"
18	R26178	SHAFT	1		
19	R26192	SNAP RING	1		
20	11M7081	COTTER PIN	2		0.098" X 0.787"
21	R65563	PIN	2		(SUB FOR C1067R)
22	C284R	YOKE	2		
23	14H732	NUT	3		3/8"
24	11M7059	COTTER PIN	1		3.200 X 20 MM
25	24H1302	WASHER	1		13/32" X 11/16" X 0.035"
26	R38114	HOOK BOLT	1		
27	AR49457	SPRING ASSEMBLY	1		(SUB FOR AR31649)
28	R38113	HOOK BOLT	1		

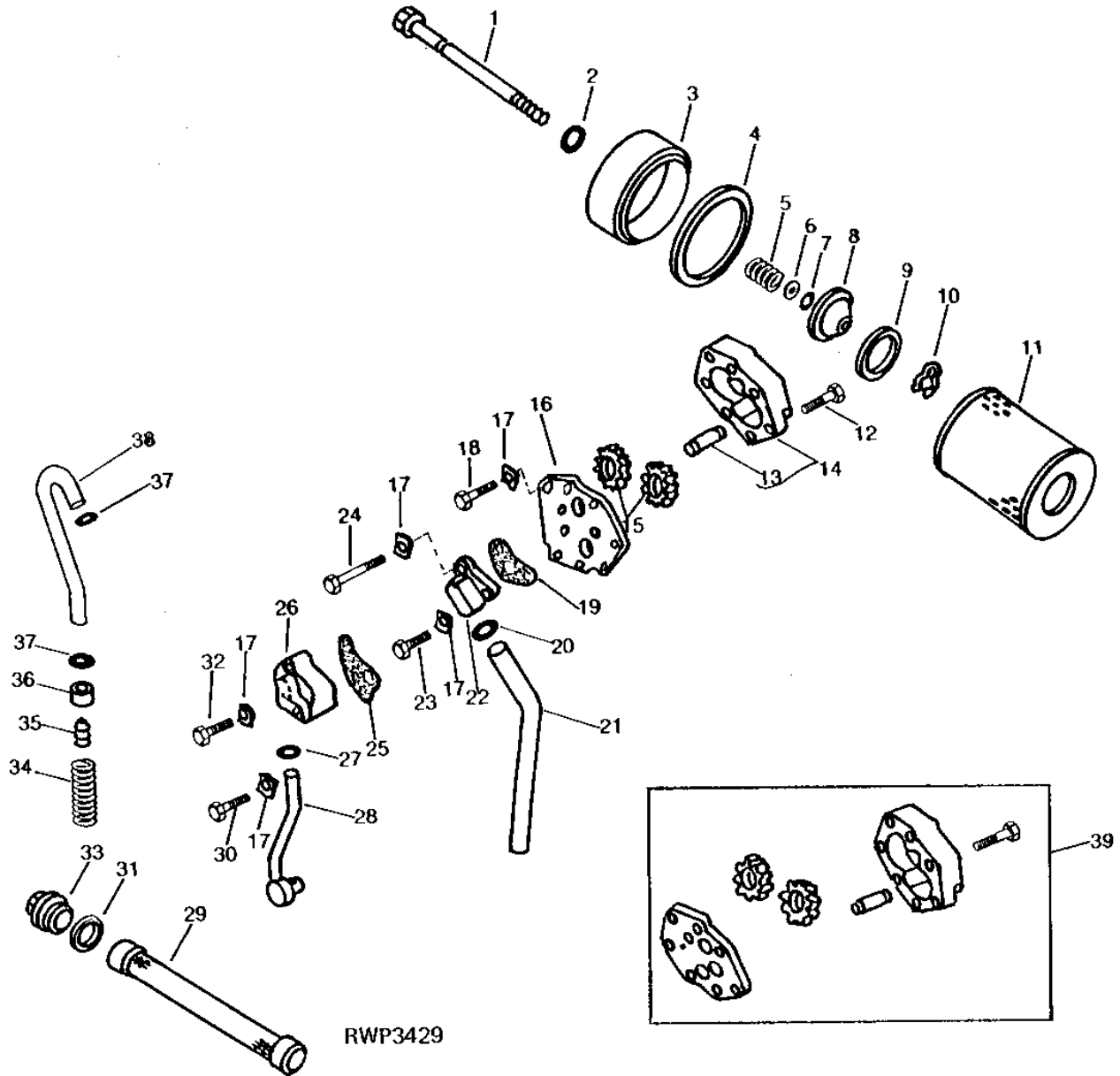
MEMORANDA

2B24

POWER TRAIN

TRANSMISSION OIL FILTER AND OIL PUMP (SYNCRO-RANGE)

RWP3429 -UN-01JAN94



2B25

POWER TRAIN

TRANSMISSION OIL FILTER AND OIL PUMP - CONTINUED (SYNCRO-RANGE)

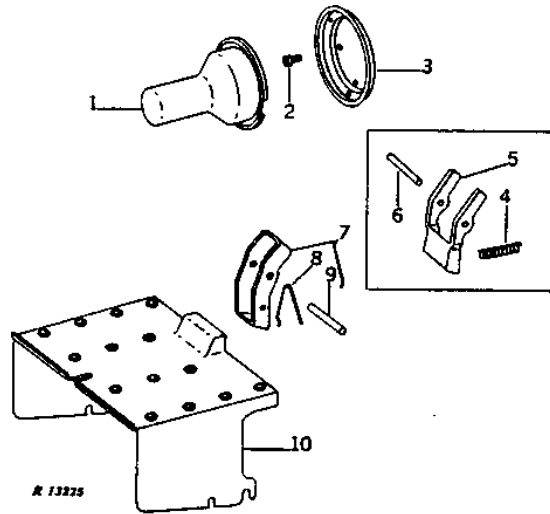
KEY	PART NO.	PART NAME	QTY	TRACTOR SERIAL NO.	REMARKS
1	R54750	CAP SCREW	1		(SUB FOR R26322 OR R39795)
2	R394R	O-RING	1		
3	R39794	COVER	1		
4	R34733	WASHER	1		
5	R66064	SPRING	1		(SUB FOR R1769R)
6	24H1227	WASHER	1		17/32" X 13/16" X 0.060"
7	R394R	O-RING	1		
8	R65892	RETAINER	1		(SUB FOR R28593)
9	R28594	WASHER	1		(NO LONGER AVAILABLE)
10	R32507	SNAP RING	1		
11	AR75603	FILTER ELEMENT	1		(SUB FOR AR28271 OR AR75601)
12	19H1849	CAP SCREW	2		5/16" X 1-1/4"
13	R54380	DOWEL PIN	1		(SUB FOR R26015 OR T25317)
14	AR32186	HOUSING	1		(MARKED R33426) (NO LONGER AVAILABLE)
15	AR79582	GEAR	1		(SUB FOR AR26942)
16	R33435	COVER	1		(NLA)
17	T13857	LOCK PLATE	6		
18	19H1913	CAP SCREW	1		5/16" X 2-1/4"
19	R33441	GASKET	1		
20	R56462	O-RING	1		
21	R33433	OIL TUBE	1		
22	R33429	PUMP	1		INLET
23	19H1849	CAP SCREW	1		5/16" X 1-1/4"
24	19H1949	CAP SCREW	1		5/16" X 2-1/2"
25	R33438	GASKET	1		
26	R33428	PUMP	1		OUTLET (NLA)
27	A3917R	O-RING	1		
28	AR32188	HYDRAULIC LINE	1		
29	R53169	SCREEN	1		(NYLON)
	AR26375	SCREEN	1		(STEEL)
30	19H1897	CAP SCREW	1		5/16" X 3-3/4"
31	A4808R	WASHER	1		
32	19H3552	CAP SCREW	1		5/16" X 1-1/2"
33	R40147	FITTING	1		(SUB FOR A4806R)
34	R26309	SPRING	1		
35	R26308	VALVE	1		
36	R26313	BUSHING	1		
37	R394R	O-RING	2		
38	R33432	OIL TUBE	1		
39	AR33331	OIL PUMP	1		

2C1

POWER TRAIN

540 RPM AND 1000 RPM PTO MASTER SHIELD AND REAR GUARD (SYNCRO-RANGE)

R13225 -UN-12OCT94



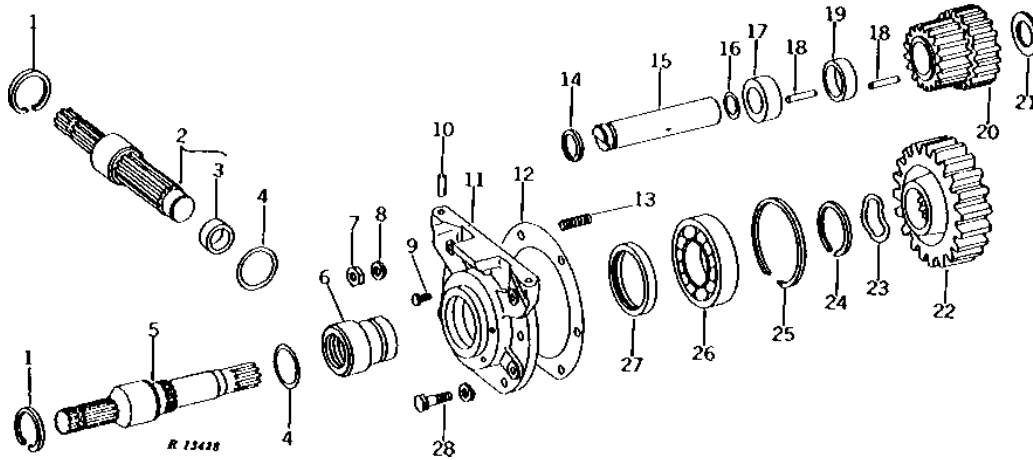
KEY	PART NO.	PART NAME	QTY	TRACTOR SERIAL NO.	REMARKS
1	AR26782	GUARD	1		
2	R27329	SCREW	2		
3	AR26707	RETAINER	1		
4	R31698	SPRING	1	-016229	
5	R33797	RETAINER	1	-016229	(SUB AR44712)
6	34H336	SPRING PIN	1	-016229	5/16" X 2-1/4"
7	AR44712	RETAINER	1	016230-	
8	R42585	SPRING	1	016230-	
9	34H335	SPRING PIN	1	016230-	5/16" X 2-1/8"
10	R33348	SHIELD	1		

2C2

POWER TRAIN

540 RPM AND 1000 RPM PTO REAR DRIVE GEAR AND SHAFTS (SYNCRO-RANGE)

R13428 -UN-01JAN94



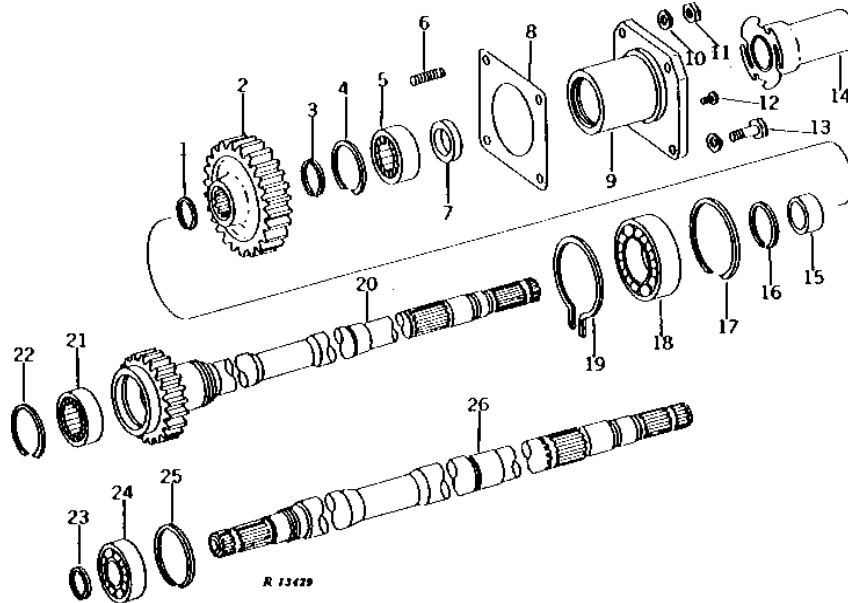
KEY	PART NO.	PART NAME	QTY	TRACTOR SERIAL NO.	REMARKS
1	R38221	SNAP RING	2		
2	R38223	SHAFT	1	-010490	540 RPM, (SUB AR41752)
	AR41752	SHAFT	1	010491-	540 RPM
3	JD7557	BEARING RACE	1	010491-	
4	P50631	O-RING	2		
5	R38224	SHAFT	1		1000 RPM
6	R45126	GUIDE	1		(SUB FOR R38220)
7	14H1040	NUT	2		1/2"
8	12H301	LOCK WASHER	2		1/2"
9	R27329	SCREW	2		
10	34H348	SPRING PIN	2		3/8" X 1"
11	AR38168	QUILL	1		(MARKED R38218)
	AR54487	QUILL	1		(1000 RPM PTO ONLY) (MARKED R33487 OR R50298) (ALSO ORDER AR55216) (SUB FOR AR32440)
12	R33337	GASKET	1		
13	R32101	STUD	2		1/2" X 1-3/4"
14	R33320	SNAP RING	1		
15	R33852	COUNTERSHAFT	1		
16	R30319	O-RING	1		
17	R38216	SPACER	1		
18	R26006	NEEDLE ROLLER	48		
19	R38215	WASHER	1		
20	R38214	GEAR	1		PTO COUNTERSHAFT
21	R33853	THRUST WASHER	1		
22	R38207	GEAR	1		(NLA)
23	R38219	THRUST WASHER	1		540 RPM
24	F1334R	SNAP RING	1		
25	C1919R	SNAP RING	1		
26	JD9320	BALL BEARING	1		
27	AT16431	SEAL	1		(SUB RE13181, THIS APPLICATION)
	AT344T	SEAL	1		(1000 RPM PTO ONLY) (SUB FOR R35798)
28	19H1721	CAP SCREW	4		1/2" X 1-1/2"
	12H301	LOCK WASHER	4		1/2"

2C3

POWER TRAIN

540 RPM AND 1000 RPM PTO DRIVE GEAR, SHAFTS AND FRONT GUARD (SYNCRO-RANGE)

R13429 -UN-01JAN94



KEY	PART NO.	PART NAME	QTY	TRACTOR SERIAL NO.	REMARKS
1	R38209	SNAP RING	1	(NLA)	
2	R38211	GEAR	1	(NLA)	
3	A562R	SNAP RING	1		
4	B334R	SNAP RING	1		
5	JD7954	ROLLER BEARING	1		
6	R32101	STUD	2	1/2" X 1-3/4"	
7	R33338	SEAL	1		
8	R33236	GASKET	1		
9	AR38404	QUILL	1	FRONT BEARING, (MARKED R38212) (NLA)	
10	12H301	LOCK WASHER	2	1/2"	
11	14H1040	NUT	2	1/2"	
12	R27329	SCREW	2		
13	19H1721	CAP SCREW	2	1/2" X 1-1/2"	
	12H301	LOCK WASHER	2	1/2"	
14	AR26701	GUARD	1	FRONT	
15	R38208	BUSHING	1	(NLA)	
16	R36295	SNAP RING	1		
17	BP13615	SNAP RING	1		
18	JD8537	BEARING	1		
19	R33322	SNAP RING	1		
20	AR38292	SHAFT	1	(NLA)	
21	JD7537	ROLLER BEARING	1		
22	F2367R	SNAP RING	1		
23	A364R	SNAP RING	1	(A)	
24	JD9345	BALL BEARING	1	(A) (SUB FOR JD7688)	
25	B190R	SNAP RING	1	(A)	
26	R38213	SHAFT	1	(A) (NLA)	

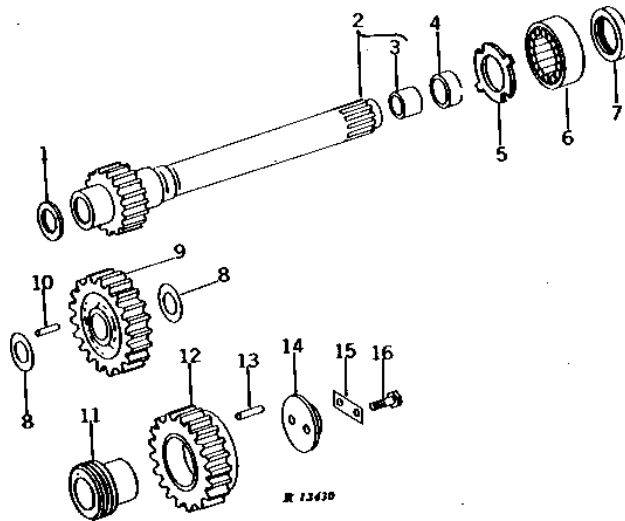
(A) USE WITH 1000 RPM PTO ONLY

2C4

POWER TRAIN

540 RPM AND 1000 RPM PTO DRIVE SHAFT AND IDLER GEARS (SYNCRO-RANGE)

R13430 -UN-01JAN94



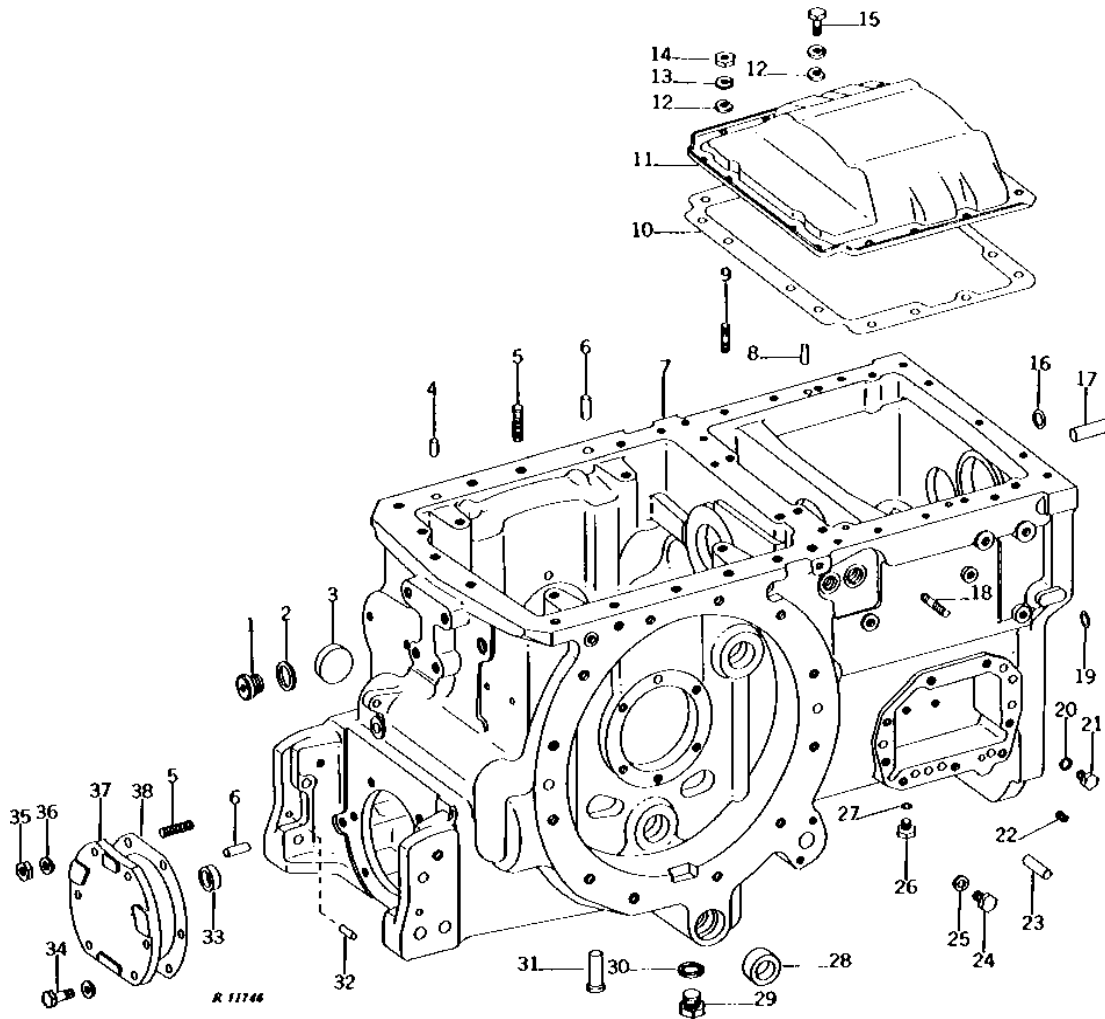
KEY	PART NO.	PART NAME	QTY	TRACTOR SERIAL NO.	REMARKS
1	R33580	WASHER	1		
2	AR38212	SHAFT	1	(NLA)	
3	R30854	BUSHING	1		
4	AR26532	SEAL	1		
5	R33579	WASHER	1		
6	JD8723	ROLLER BEARING	1		
7	R33578	SEAL	1		
8	R33345	THRUST WASHER	2		
9	R33793	GEAR	1	(COUNTERSHAFT)	
10	R26006	NEEDLE ROLLER	18		
11	R33795	BEARING RACE	1		
12	R33794	GEAR	1	(DIFFERENTIAL SHAFT)	
13	R26006	NEEDLE ROLLER	33		
14	R50365	PLATE	1	(SUB FOR R33347)	
15	R26072	STRAP	1		
16	19H1731	CAP SCREW	2	3/8" X 1"	

2C5

POWER TRAIN

TRANSMISSION CASE AND COVER (POWER SHIFT)

R11746 -UN-01JAN94



2C6

POWER TRAIN

TRANSMISSION CASE AND COVER - CONTINUED (POWER SHIFT)

KEY	PART NO.	PART NAME	QTY	TRACTOR SERIAL NO.	REMARKS
1	R27483	PLUG	1		LOAD CONTROL ADJUSTING HOLE
2	H851R	WASHER	1		
3	R38344	CAP	1		(WITH 1000 RPM PTO ONLY OR LESS PTO)
4	R1612R	DOWEL PIN	4		
5	R32101	STUD	5		1/2" X 1-3/4"
6	R48685	DOWEL PIN	4		(SUB FOR A120R)
7	AR38413	TRANSMISSION CASE	1		(MARKED R38060) (NLA)
8	R33703	DOWEL PIN	2		
9	R32042	STUD	3		3/8" X 1-3/8"
10	R40912	GASKET	1		(SUB FOR R33700)
11	R40911	COVER	1		(SUB FOR R33699)
12	A4624R	WASHER	15		
13	12H304	LOCK WASHER	3		3/8"
14	14H1076	NUT	3		3/8"
15	19H1731	CAP SCREW	9		3/8" X 1"
	19H1800	CAP SCREW	AR		3/8" X 1-1/2", (2 USED GASOLINE) (1 USED DIESEL)
	19H1801	CAP SCREW	AR		3/8" X 2", (1 USED GASOLINE) (2 USED DIESEL)
	12H304	LOCK WASHER	12		3/8"
16	A4730R	O-RING	2		
17	A776R	PIN	2		
18	R699R	STUD	1		3/8" X 2-1/2"
19	R459R	O-RING	3		
20	R26286	O-RING	1		(A)
21	R27094	DRAIN PLUG	1		(A)
22	15H559	PIPE PLUG	2		1/4"
23	T26565	DOWEL PIN	4		(SUB FOR C1220R)
24	R27218	FITTING PLUG	1		(A)
25	R51494	WASHER	1		(A)
26	R27094	DRAIN PLUG	6		
27	R26286	O-RING	6		
28	R27018	BUSHING	2		
	R45513	BUSHING	2		0.08MM (.003") OVERSIZE
	R45514	BUSHING	2		0.15MM (.006") OVERSIZE
	R46799	BUSHING	2		0.23MM (.009") OVERSIZE, (SUB AR89132)
29	F3128R	DRAIN PLUG	1		
30	A4827R	WASHER	1		
31	R31075	PIN	1		LOAD CONTROL SHAFT STOP (NLA)
32	34H348	SPRING PIN	2		3/8" X 1"
33	R33498	CAP	1		(WITH 1000 RPM PTO ONLY OR LESS PTO)
34	19H3385	CAP SCREW	4		1/2" X 1-1/8"
	12H301	LOCK WASHER	4		1/2"
35	14H1040	NUT	2		1/2"
36	12H301	LOCK WASHER	2		1/2"
37	R33489	COVER	1		(LESS PTO)
38	R33337	GASKET	1		

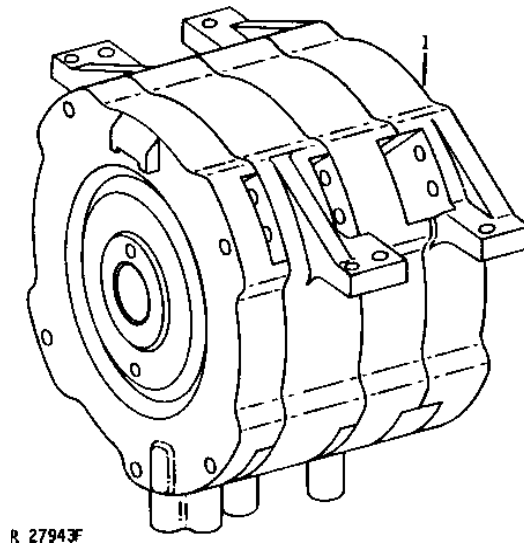
(A) LESS DIFFERENTIAL LOCK

2C7

POWER TRAIN

R27943 -UN-01JAN94

TRANSMISSION PLANETARY (POWER SHIFT)



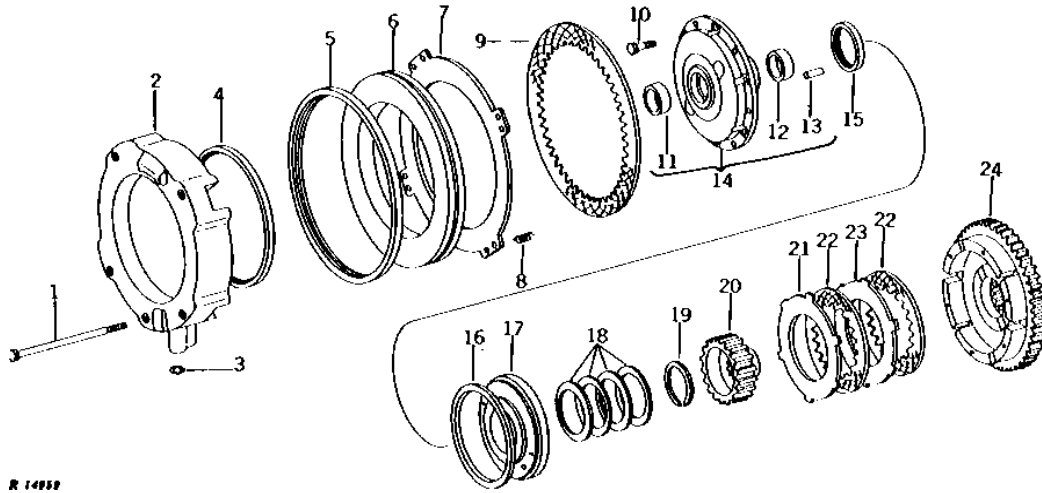
KEY	PART NO.	PART NAME	QTY	TRACTOR SERIAL NO.	REMARKS
1	AR53212	TRANSMISSION	1		(THREE PLATE CLUTCH) (SUB AR89854)

2C8

POWER TRAIN

FOURTH PLANETARY BRAKE AND CLUTCH PACK (POWER SHIFT)

R14959 -UN-01JAN94



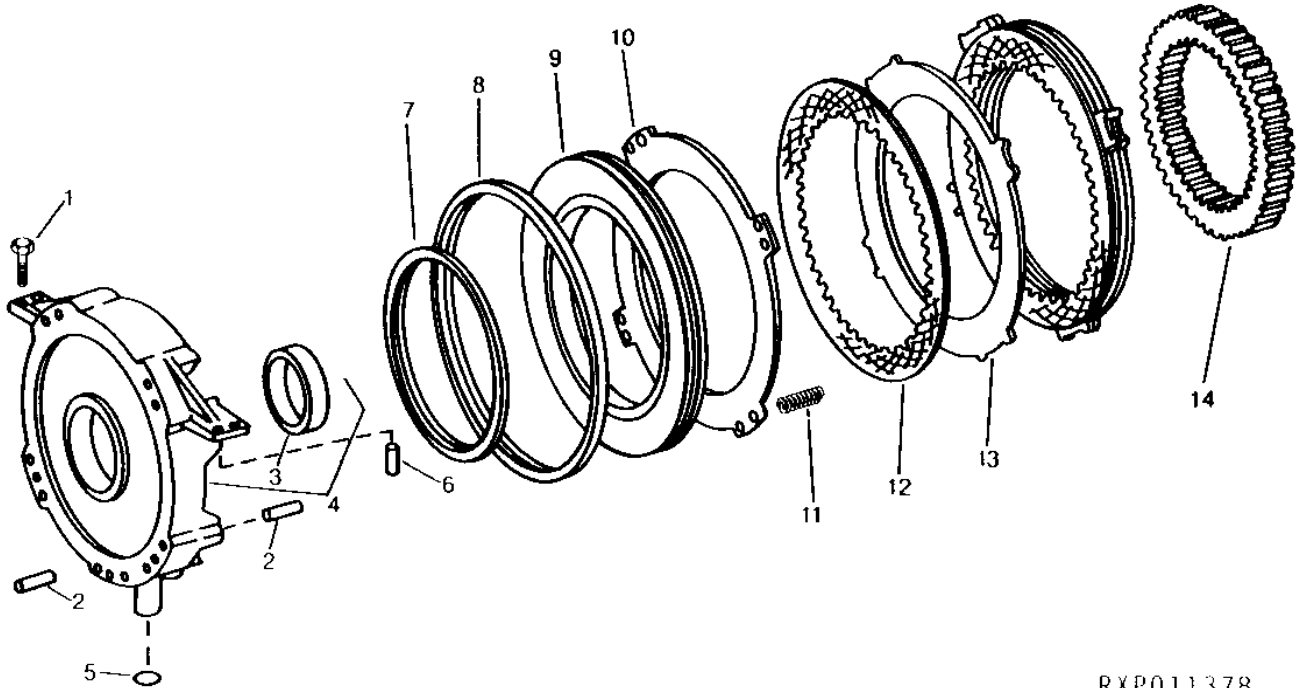
KEY	PART NO.	PART NAME	QTY	TRACTOR SERIAL NO.	REMARKS
1	19H3481	CAP SCREW	5	3/8" X 7-1/2"	
2	R38245	HOUSING	1		
3	R459R	O-RING	2		
4	R65479	PACKING	1		INNER, (SUB FOR R33244 OR R44816)
5	R65480	PACKING	1		(OUTER) (SUB FOR R33245 OR R44817)
6	R33261	PISTON	1		
7	R48235	PLATE	1		(SUB FOR R33871)
8	R33054	SPRING	8		(SUB R74852, THIS APPLICATION)
9	R33053	DISK, INNER SPLINE	1		
10	R41168	CAP SCREW	6		
11	R34613	BUSHING	1		REAR
12	R85041	BUSHING	1		(FRONT) (SUB FOR R34614)
13	R28671	DOWEL PIN	1		
14	AR89864	HOUSING	1		(MARKED R38238) (SUB FOR AR38297)
15	R33246	SEAL	1		INNER
16	R33059	SEALING WASHER	1		(TWO PLATE CLUTCH) OUTER
17	R120838	PACKING	1		(THREE PLATE CLUTCH) OUTER
17	R38235	PISTON	1		(TWO PLATE CLUTCH) (NLA)
17	R41160	PISTON	1		(THREE PLATE CLUTCH)
18	R67840	DISK SPRING	4		(SUB FOR R33518)
19	R33247	SNAP RING	1		
20	R38237	HUB	1		
21	R80813	CLUTCH PLATE	1		(SUB FOR R33873 OR R46391, APPL)
22	RE27995	CLUTCH DISK	2		(TWO PLATE CLUTCH) (SUB FOR R31404 OR RE23000)
	RE27995	CLUTCH DISK	3		(THREE PLATE CLUTCH) (SUB FOR R31404 OR RE23000)
23	R39325	CLUTCH PLATE	1		(TWO PLATE CLUTCH) (SUB FOR R32313) (SUB R57345)
	R39325	CLUTCH PLATE	2		(THREE PLATE CLUTCH) (SUB FOR R32313) (SUB R57345)
24	R38236	DRUM	1		

2C9

POWER TRAIN

THIRD PLANETARY BRAKE (POWER SHIFT)

RXP011378 -UN-12OCT94



RXP011378

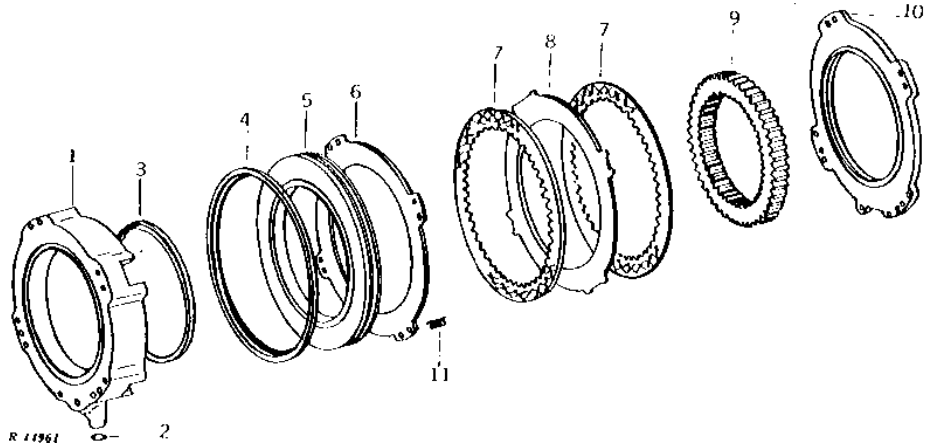
KEY	PART NO.	PART NAME	QTY	TRACTOR SERIAL NO.	REMARKS
1	19H1849	CAP SCREW	2	5/16" X 1-1/4"	
2	R36666	DOWEL PIN	4		
3	R33045	BUSHING	1		
4	AR38300 AR40800	HOUSING	1		(TWO PLATE CLUTCH) (MARKED R38244) (NLA) (THREE PLATE CLUTCH) (MARKED R41162)
5	R459R	O-RING	1		
6	R33703	DOWEL PIN	2		
7	R65479 R65478	PACKING	1		(TWO PLATE CLUTCH) (SUB FOR R33244 OR R44816) (THREE PLATE CLUTCH) (SUB FOR R41379 OR R44815)
8	R65480	PACKING	1		(SUB FOR R33245 OR R44817)
9	R65592	PISTON	1		(TWO PLATE CLUTCH) (SUB FOR R33261) (SUB R81494)
	R65591	PISTON	1		(THREE PLATE CLUTCH) (SUB FOR R41378) (SUB R81493)
10	R48235	PLATE	1		(SUB FOR R33871)
11	R33054	SPRING	8		(SUB R74852)
12	R33053	DISK, INNER SPLINE	2		(TWO PLATE CLUTCH)
	R33053	DISK, INNER SPLINE	3		(THREE PLATE CLUTCH)
13	R48236	PLATE	1		(TWO PLATE CLUTCH) (SUB FOR R33872)
	R48236	PLATE	2		(THREE PLATE CLUTCH) (SUB FOR R33872)
14	R38149	GEAR	1		(THREE PLATE CLUTCH)

2C10

POWER TRAIN

SECOND PLANETARY BRAKE (POWER SHIFT)

R14961 -UN-01JAN94



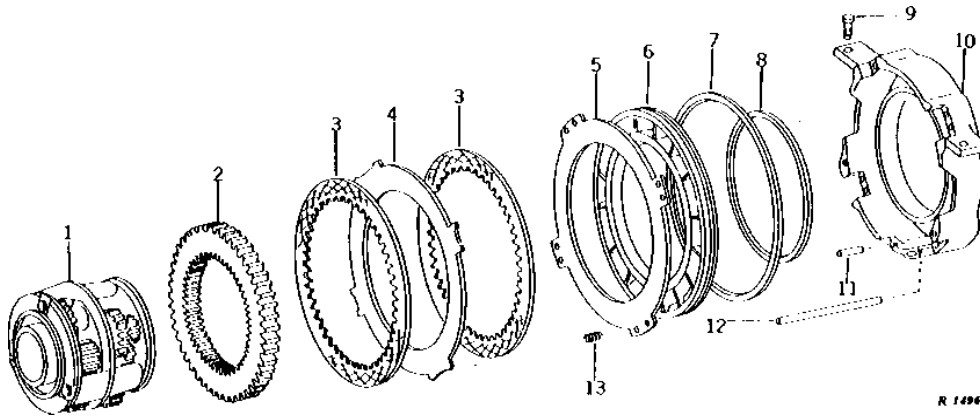
KEY	PART NO.	PART NAME	QTY	TRACTOR SERIAL NO.	REMARKS
1	R38243	HOUSING	1		(TWO PLATE CLUTCH) (NLA)
	R41161	HOUSING	1		(THREE PLATE CLUTCH)
2	R459R	O-RING	1		
3	R65479	PACKING	1		INNER, (SUB FOR R33244 OR R44816)
4	R65480	PACKING	1		OUTER, (SUB FOR R33245 OR R44817)
5	R65592	PISTON	1		(SUB FOR R33261) (SUB R81494)
6	R48235	PLATE	1		(SUB FOR R33871)
7	R33053	DISK, INNER SPLINE	2		
8	R48236	PLATE	1		(SUB FOR R33872)
9	R33051	RING GEAR	1		
10	R38200	PLATE	1		
11	R38198	SPRING	4		

2C11

POWER TRAIN

FIRST PLANETARY BRAKE (POWER SHIFT)

R14962 -UN-01JAN94



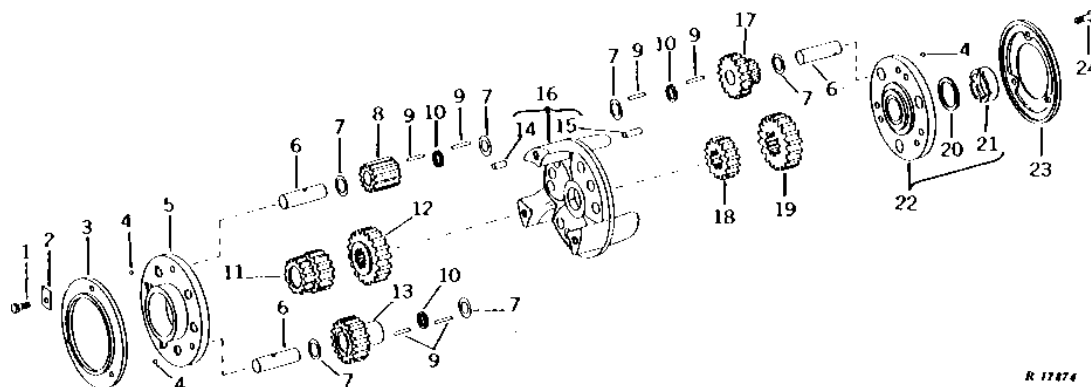
KEY	PART NO.	PART NAME	QTY	TRACTOR SERIAL NO.	REMARKS
1	AR53036	PLANETARY ASSEMBLY	1		
2	R38148	GEAR	1		
3	R33053	DISK, INNER SPLINE	2		
4	R48236	PLATE	1		(SUB FOR R33872)
5	R48235	PLATE	1		(SUB FOR R33871)
6	R65592	PISTON	1		(SUB FOR R33261) (SUB R81494)
7	R65480	PACKING	1		279.91MM (11.02") OUTER, (SUB FOR R33245) (SUB R44817)
8	R65479	PACKING	1		225.55MM (8.88") OUTER, (SUB FOR R33244) (SUB R44816)
9	19H1978	CAP SCREW	2		7/16" X 1-1/2"
10	R33035	HOUSING	1		
11	R36666	DOWEL PIN	2		
12	R33111	PIN	4		
13	R38198	SPRING	4		

2C12

POWER TRAIN

PLANETARY CARRIER ASSEMBLY (POWER SHIFT)

R17874 -UN-01JAN94



R 17874

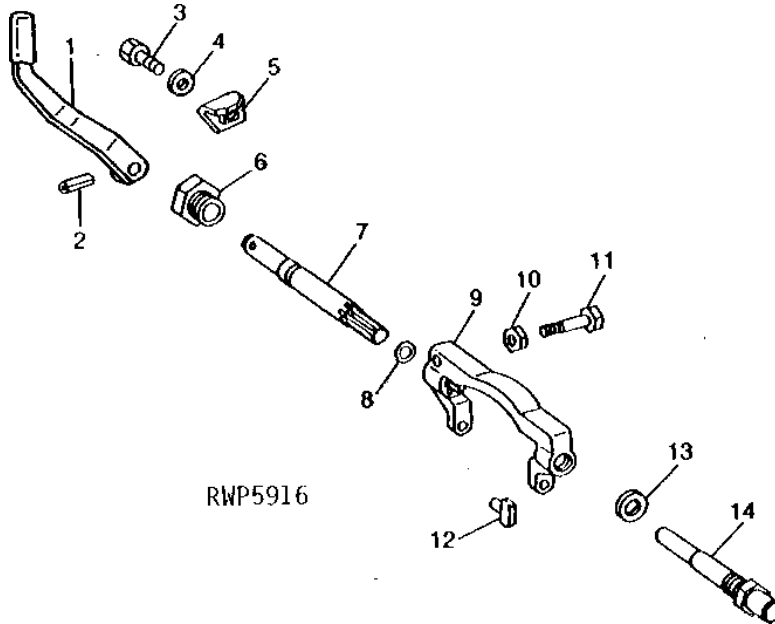
KEY	PART NO.	PART NAME	QTY	TRACTOR SERIAL NO.	REMARKS
1	R34583	CAP SCREW	3		
2	R1888R	STRAP	3		
3	R33082	RETAINER	1		REAR
4	H871R	BALL	9		
5	R33011	COVER	1		REAR
6	R38193	SHAFT	9		
7	R66197	THRUST WASHER	18		(SUB FOR R33087 OR R43216)
8	R38195	PINION	3		THIRD PLANET
9	R33058	NEEDLE ROLLER	558		
10	R33088	WASHER	9		
11	R33112	PINION	1		FOURTH PLANET SUN
12	R38197	PLANET PINION	1		THIRD PLANET SUN
13	R38196	PINION	3		FOURTH PLANET
14	R33089	BUSHING	3		
15	R26650	DOWEL PIN	3		
16	AR38403	PLANET PINION CARRIER	1		(MARKED R38194)
17	AR55423	PINION	1		(SUB FOR AR40518 OR AR49532) (SUB R51303)
18	R33091	PLANET PINION	1		SECOND PLANET SUN
19	R33588	PLANET PINION	1		FIRST PLANET SUN
20	R49370	WASHER	1		(USE WITH COVER MARKED R49371)
21	R49372	BUSHING	1		(SUB FOR R33008)
22	AR52929	COVER	1		(MARKED R49371, R41373 OR R38246) (SUB FOR AR38301 OR AR40985)
23	R51718	RETAINER	1		FRONT, (SUB FOR R33081)
24	R46567	CAP SCREW	3		
..	AR53036	PLANETARY ASSEMBLY	1		

2C13

POWER TRAIN

TRANSMISSION DISCONNECT SHIFTER YOKE AND LEVER (POWER SHIFT)

RWP5916 -UN-01JAN94



RWP5916

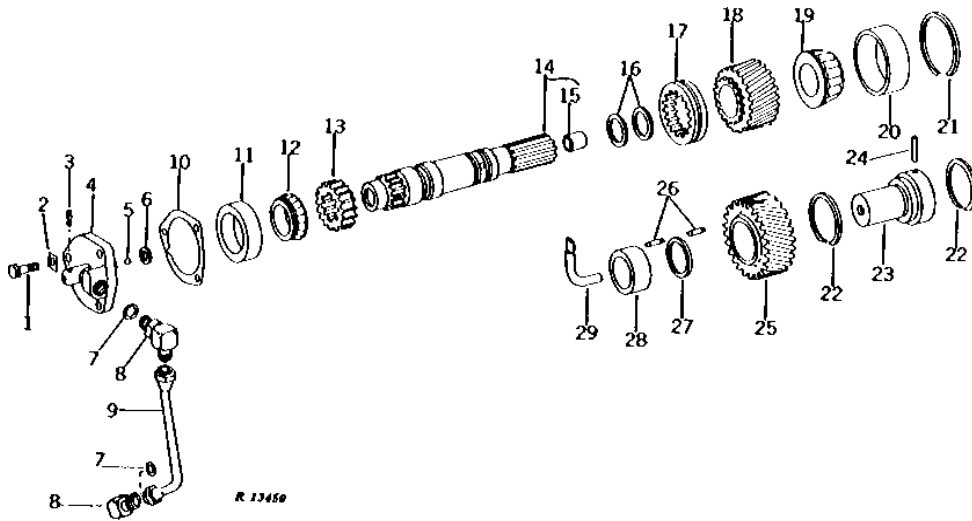
KEY	PART NO.	PART NAME	QTY	TRACTOR SERIAL NO.	REMARKS
1	AR32722	LEVER	1	(NLA)	
2	34H312	SPRING PIN	1	1/4" X 1"	
3	19H2021	CAP SCREW	1	3/8" X 5/8"	
4	24H1652	WASHER	1	13/32" X 11/16" X 7/64"	
5	AR32723	STOP	1	(NO LONGER AVAILABLE)	
6	R33228	RETAINER	1		
7	R33227	PIN	1		
8	T11934	O-RING	1		
9	R41164	YOKE	1	(SUB FOR R33736)	
10	14H1076	NUT	1	3/8"	
11	19H2791	CAP SCREW	1	3/8" X 1-3/4"	
12	R33240	PIN	2		
13	R41623	WASHER	1		
14	R42492	SHAFT	1	(SUB FOR R33226)	

2C14

POWER TRAIN

TRANSMISSION GEAR REDUCTION AND IDLER GEAR AND SHAFT (POWER SHIFT)

R13450 -UN-01JAN94



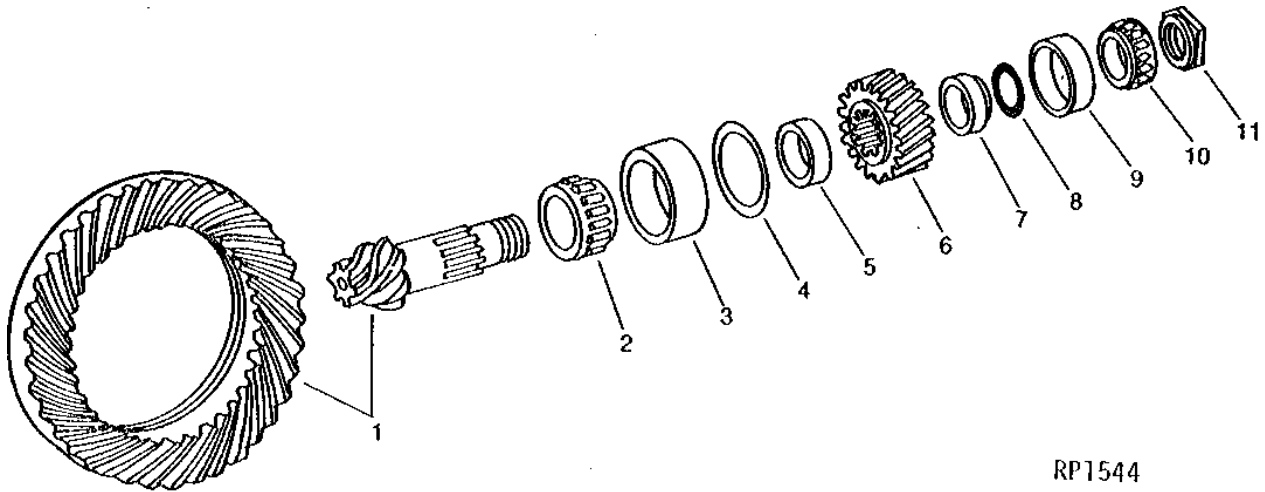
KEY	PART NO.	PART NAME	QTY	TRACTOR SERIAL NO.	REMARKS
1	19H2552	CAP SCREW	3		3/8" X 1-1/8"
2	R1888R	STRAP	3		
3	R33058	NEEDLE ROLLER	1		
4	R33122	RETAINER	1		
5	R42849	BALL	1		10MM (3/8") (SUB FOR 405R)
6	R33248	PISTON RING	1		
7	R26375	O-RING	2		
8	AT32332	ELBOW FITTING	2		90°, (SUB FOR AR26763)
9	AR32126	HYDRAULIC LINE	1		PLANET CLUTCH
10	R33105	SHIM	AR		0.08MM (.003")
	R33106	SHIM	AR		0.13MM (.005")
	R33107	SHIM	AR		0.25MM (.010") (SUB R33106)
11	JD8237	BEARING CUP	1		
12	JD8902	BEARING CONE	1		
13	R33131	SLEEVE	1		
14	R33129	SHAFT	1	-013688	(SUB RE55584)
	AR48679	SHAFT	1	013689-	(SUB FOR AR41746) (SUB RE55584)
15	R30713	BUSHING	1	013689-	
16	R33104	RING	2		
17	R33735	RIM	1		
18	R45598	GEAR	1		(SUB FOR R33099)
19	JD8974	BEARING CONE	1		
20	JD8268	BEARING CUP	1		
21	R35377	SNAP RING	1		
22	M3649T	SNAP RING	2		
23	R38539	SHAFT	1		IDLER GEAR (NLA) (ALSO ORDER R38538) (SUB FOR R38292)
24	34H275	SPRING PIN	1		3/16" X 1/2"
25	R38291	GEAR	1		(NLA)
26	R38295	NEEDLE ROLLER	56		
27	R38294	WASHER	1		(NLA)
28	R38293	BUSHING	1		(NLA)
29	R38538	TUBE	1		IDLER GEAR SHAFT (NLA) (SUB FOR R38290)

2C15

POWER TRAIN

TRANSMISSION DIFFERENTIAL DRIVE (POWER SHIFT)

RP1544 -UN-01JAN94



RP1544

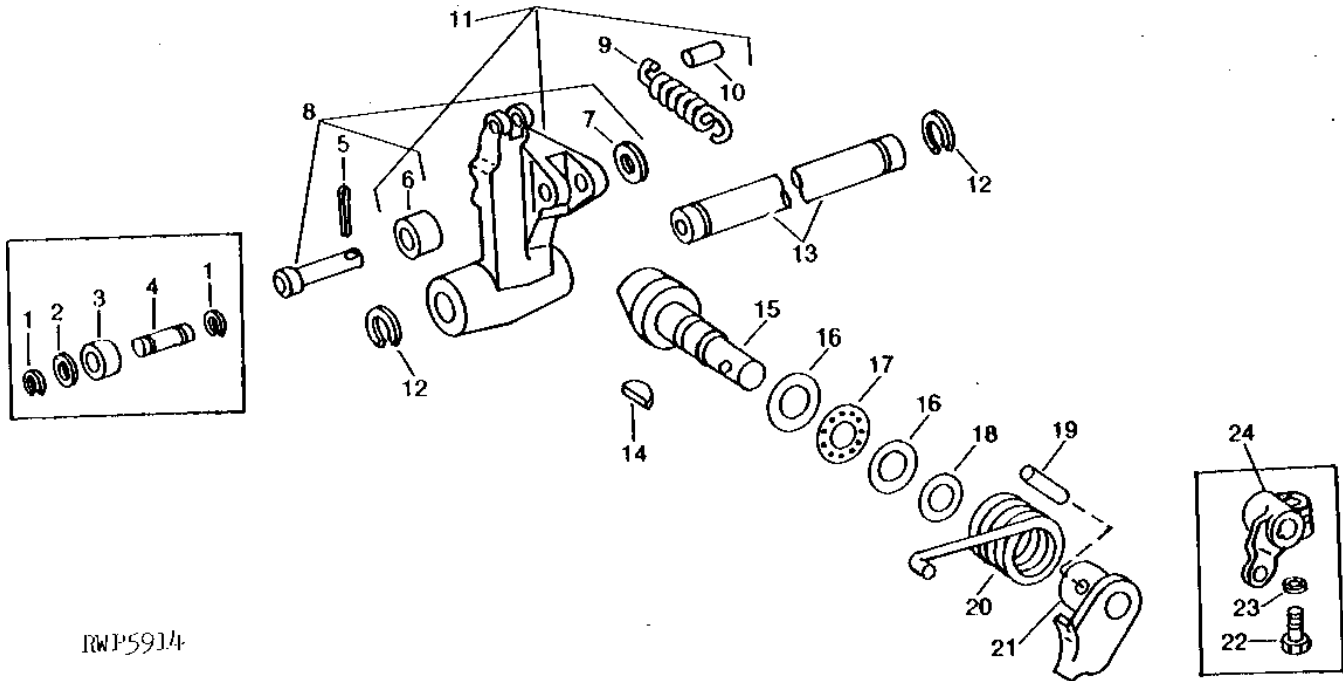
KEY	PART NO.	PART NAME	QTY	TRACTOR SERIAL NO.	REMARKS
1	AR34736	BEVEL GEAR DRIVE	1		(MARKED R34875 AND R34874) (SUB RE50113, AR34723 AND R51200)
2	JD8973	BEARING CONE	1		
3	JD8246	BEARING CUP	1		
4	R26227	SHIM	AR	0.08MM (.003")	
	R26228	SHIM	AR	0.13MM (.005")	
5	R33125	BUSHING	1		
6	R33097	GEAR	1		
7	R38289	BUSHING	1	(NLA)	
8	R33413	SHIM	AR	0.08MM (.003")	
	R33414	SHIM	AR	0.13MM (.005")	
	R33415	SHIM	AR	0.25MM (.010")	
9	JD7425	BEARING CUP	1		
10	JD9002	BEARING CONE	1		
11	R51200	LOCK NUT	1	(SUB FOR R33219)	

2C16

POWER TRAIN

TRANSMISSION LOCK (POWER SHIFT)

RWP5914 -UN-01JAN94



RWP5914

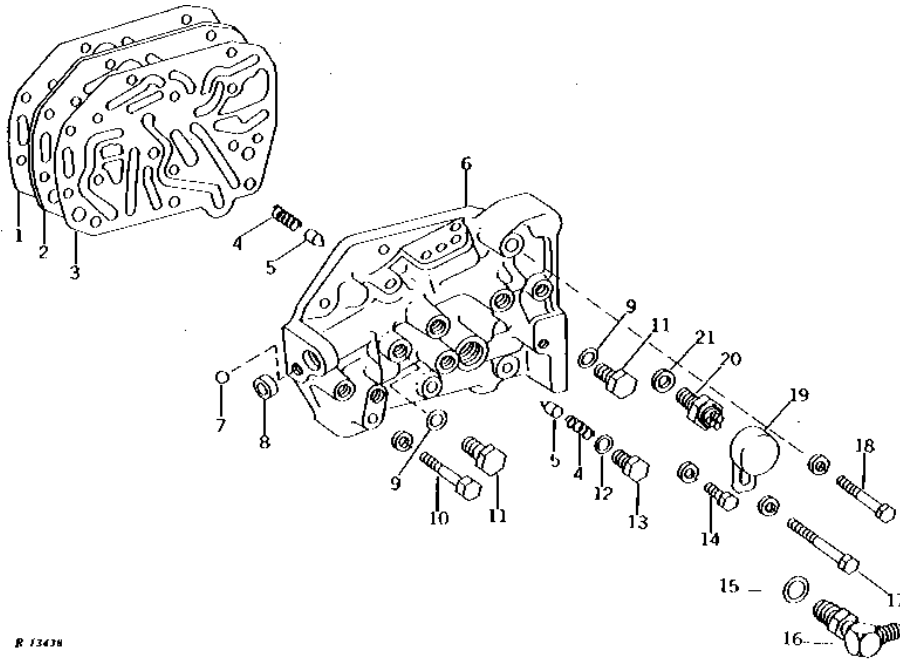
KEY	PART NO.	PART NAME	QTY	TRACTOR SERIAL NO.	REMARKS
1	F2208R	SNAP RING	2	-015268	
2	24H1227	WASHER	1	-015268	17/32" X 13/16" X 0.060"
3	R34370	BUSHING	1	-015268	(SUB R66670)
4	R34371	SHAFT	1	-015268	(SUB AR44553)
5	11M7021	COTTER PIN	1	015269-	0.157" X 0.984"
6	R66670	ROLLER	1		
7	24H1227	WASHER	1	015269-	17/32" X 13/16" X 0.060"
8	AR44553	PIN	1	015269-	
9	R33251	SPRING	1	-015268	
	R79985	SPRING	1	015269-	(SUB FOR R42485, R76504 OR R50575)
10	34H311	SPRING PIN	1	015269-	1/4" X 7/8"
11	R33101	PAWL	1	-015268	(SUB RE16370)
	AR44552	PAWL	1	015269-	(MARKED R42487) (SUB RE16370)
12	B169R	SNAP RING	2		
13	R51066	SHAFT	1		(SUB FOR R33128) (NLA)
14	26H14	SHAFT KEY	1	-010181	3/16" X 3/4", (SUB 26H77)
15	R33238	CAM	1	-010181	
	R41170	CAM	1	010182-015243	(SUB R42491, R42492, RE12162 AND 34H314)
	R42491	CAM	1	015244-	
16	JD9812	THRUST BEARING	2		
17	JD8856	NEEDLE BEARING	1		
18	B2762R	O-RING	1		
19	34H268	SPRING PIN	1	010182-015243	5/32" X 1-1/4"
	34H314	SPRING PIN	1	015244-	1/4" X 1-1/4"
20	R41131	TORSION SPRING	1	010182-	
21	AR40791	ARM	1	010182-015243	(SUB RE12162, R42491 AND 34H314)
	AR81571	ARM	1	015244-	(SUB FOR AR44554) (SUB RE12162)
22	19H1732	CAP SCREW	1	-010181	3/8" X 1-1/4"
23	12H304	LOCK WASHER	1	-010181	3/8"
24	R33239	ARM	1	-010181	

2C17

POWER TRAIN

TRANSMISSION CONTROL VALVE (POWER SHIFT)

R13438 -UN-01JAN94



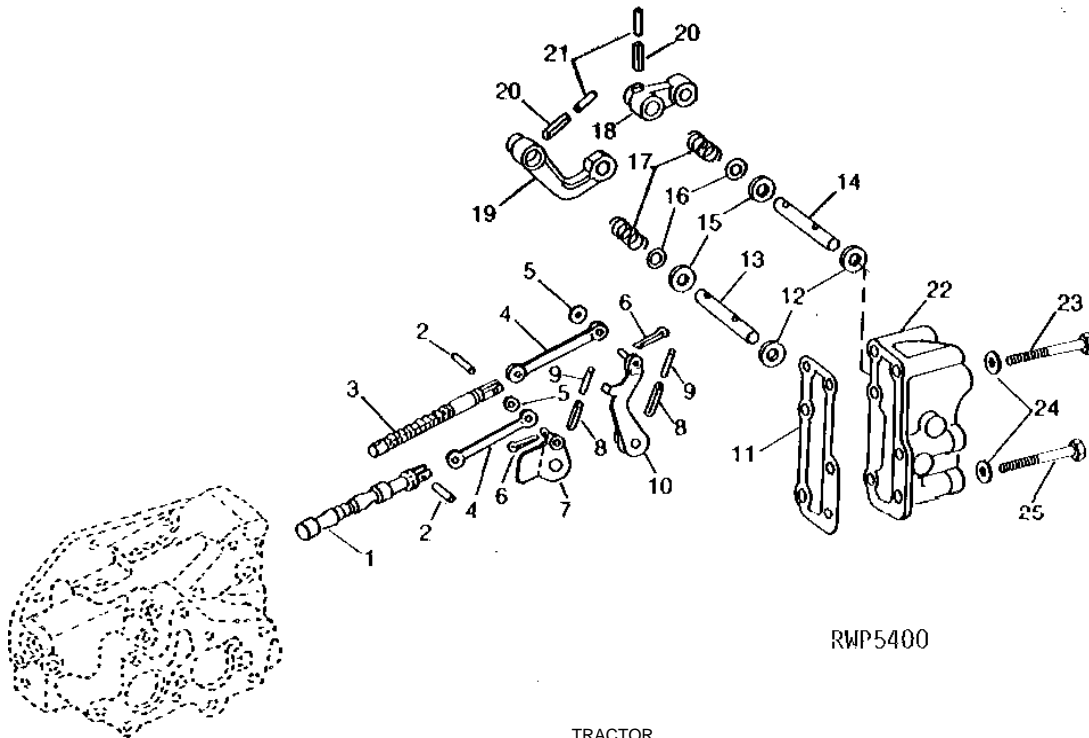
KEY	PART NO.	PART NAME	QTY	TRACTOR SERIAL NO.	REMARKS
1	R68817	GASKET	1		(SUB FOR R33273, R46817 OR R50567)
2	R50566	PLATE	1		(SUB FOR R33304)
3	R68818	GASKET	1		(SUB FOR R33274, R46818, R47073 OR R50568)
4	R33277	SPRING	4		
5	R42697	DETENT	4		(SUB FOR R33305)
6	AR49709	HOUSING	1		(MARKED R47159 OR R33076) (SUB FOR AR33890)
7	D2361R	BALL	3		12.7MM (1/2")
8	A3910R	CAP	1		
9	R26286	O-RING	2		
10	19H2128	CAP SCREW	2		3/8" X 3", (ALSO ORDER R49816, R49819, 34H251, 34H252, 34H297 AND 34H299 UNLESS PREVIOUSLY INSTALLED)
	12H304	LOCK WASHER	2		3/8"
11	R27094	DRAIN PLUG	2		
12	R26448	O-RING	2		
13	R27218	FITTING PLUG	2		
14	19H1732	CAP SCREW	2		3/8" X 1-1/4"
	19H1765	CAP SCREW	2		3/8" X 1-3/4"
	12H304	LOCK WASHER	4		3/8"
15	R26906	O-RING	1		
16	AR35712	ELBOW FITTING	1		90°
17	19H2228	CAP SCREW	1		3/8" X 4"
	12H304	LOCK WASHER	1		3/8"
18	19H2023	CAP SCREW	1		3/8" X 3-1/4"
	12H304	LOCK WASHER	1		3/8"
19	AR34663	COVER	1		
20	RE38390	SWITCH	1		NEUTRAL START, (SUB FOR R36265, AR85323, AR89691 OR AT85153)
21	T16911	SHIM	AR		

2C18

POWER TRAIN

TRANSMISSION CONTROL VALVE COVER, CONTROL VALVES, AND ARMS (POWER SHIFT)

RWP5400 -UN-01JAN94



KEY	PART NO.	PART NAME	QTY	TRACTOR SERIAL NO.	REMARKS
1	R82024	VALVE	1	(SUB FOR R33291 OR R72411)	
2	34H309	SPRING PIN	2	1/4" X 5/8"	
3	R48370	VALVE	1	(SUB FOR R33292)	
4	R33290	LINK	2		
5	24H1287	WASHER	2	9/32" X 5/8" X 0.065"	
6	11M7077	COTTER PIN	2	0.063" X 0.984"	
7	RE22320	ARM	1	(SUB FOR AR32154 OR AR53841) (ALSO ORDER R49817, R49819, 34H251, 34H252, 34H297 AND 34H299 UNLESS PREVIOUSLY INSTALLED)	
8	34H282	SPRING PIN	2	3/16" X 1", (USE WITH AR32154 OR AR32155)	
9	34H297	SPRING PIN	2	7/32" X 1"	
10	RE21304	ARM	1	(SUB FOR AR32155 OR AR53840) (ALSO ORDER R49816, R49819, 34H251, 34H252, 34H297 AND 34H299 UNLESS PRVIOUSLY INSTALLED)	
11	R33275	GASKET	1		
12	R33587	SEAL	2		
13	R49819	PIN	1	(ALSO ORDER RE21304, R49816, 34H251, 34H252, 34H297 AND 34H299) (SUB FOR R33287)	
14	R49819	PIN	1	(ALSO ORDER RE22320, R49817, 34H251, 34H252, 34H297 AND 34H299) (SUB FOR R33287)	
15	R36364	WASHER	2	FELT	
16	24H1359	WASHER	2	5/8" X 7/8" X 0.060"	
17	F3221R	SPRING	2		
18	R49817	LEVER	1	(ALSO ORDER RE22320, R49819, 34H251, 34H252, 34H297 AND 34H299) (SUB FOR R33272)	
19	R49816	LEVER	1	(ALSO ORDER RE21304, R49819, 34H251, 34H252, 34H297 AND 34H299) (SUB FOR R33271)	
20	34H299	SPRING PIN	2	7/32" X 1-1/4"	
21	34H252	SPRING PIN	2	1/8" X 1-1/4"	
22	AR45255	COVER	1	(MARKED R33268) (NLA)	
	R26287	O-RING	1		
	R27216	DRAIN PLUG	1	(SUB FOR R31631)	
23	19H2023	CAP SCREW	5	3/8" X 3-1/4"	
24	24M7096	WASHER	6	10.500 X 18 X 1.600 MM	
25	19H1854	CAP SCREW	1	3/8" X 3-3/4"	

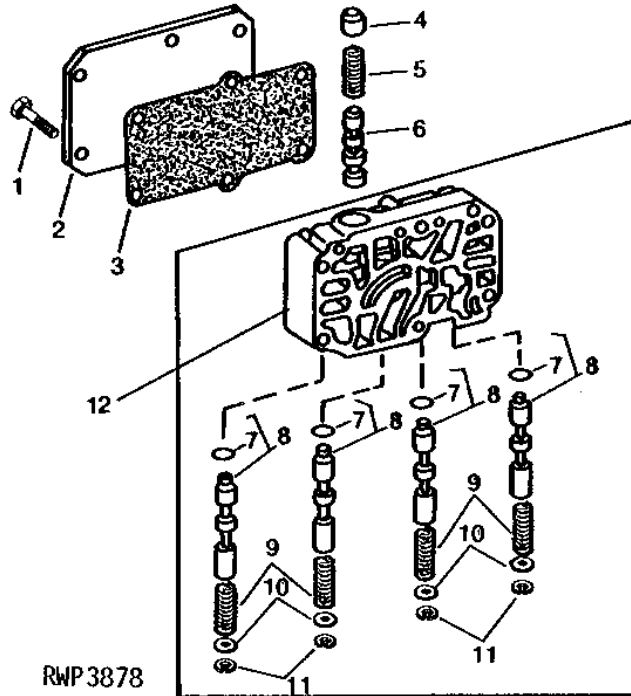
MEMORANDA

2C19

POWER TRAIN

TRANSMISSION SHIFT VALVE (POWER SHIFT)

RWP3878 -UN-01JAN94



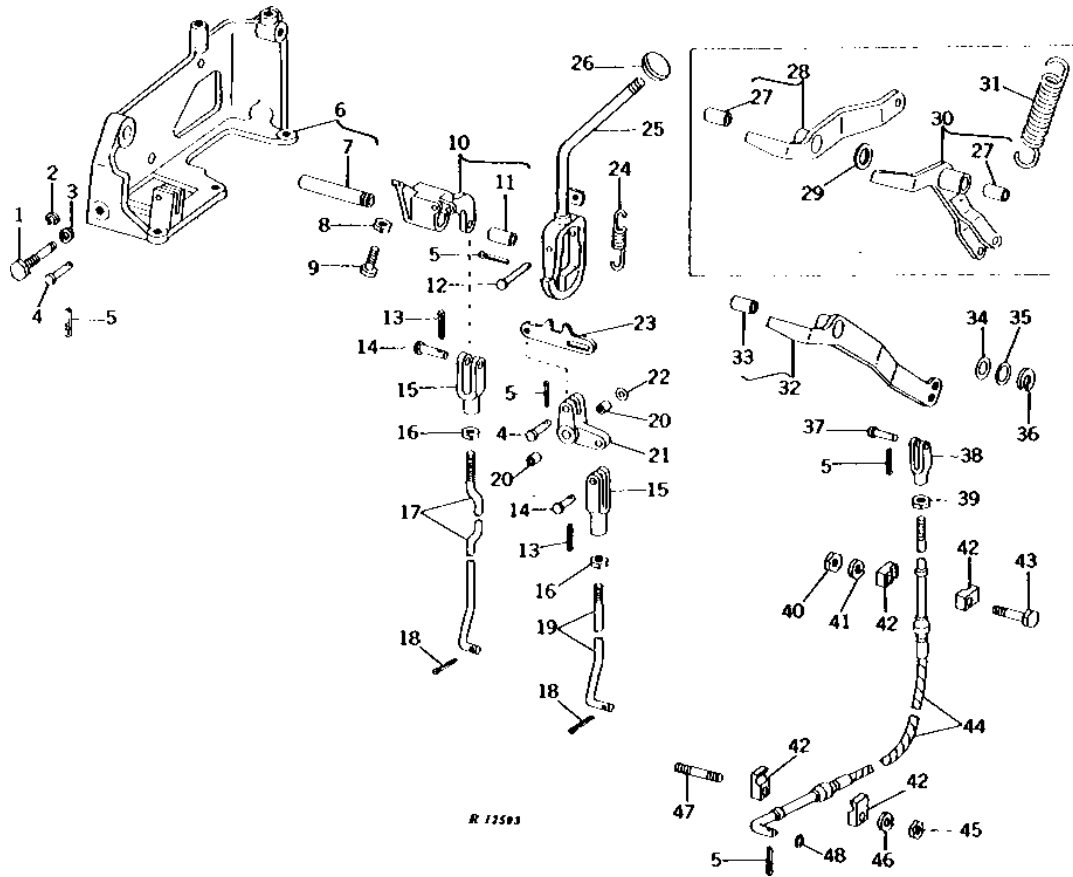
KEY	PART NO.	PART NAME	QTY	TRACTOR SERIAL NO.	REMARKS
1	19H1949	CAP SCREW	6	5/16" X 2-1/2"	
2	R33307	COVER	1		
3	R92474	GASKET	1		(SUB FOR R33276 OR R68821)
4	R34175	BOLT	1		
5	R51201	SPRING	1		(SUB FOR R33284)
6	R48647	VALVE	1		(SUB FOR R33306)
7	R35155	O-RING	4		
8	AR52251	VALVE	4		(SUB R48769 AND R35155)
9	R47393	SPRING	4		(SUB FOR R33280)
10	R48013	WASHER	4		(SUB FOR R33294)
11	R33282	SNAP RING	4		
12	AR52335	HOUSING	1		(MARKED R33077)

2C20

POWER TRAIN

TRANSMISSION SHIFTER CONTROL AND LOCK CONTROL (POWER SHIFT)

R12593 -UN-01JAN94



2C21

POWER TRAIN

TRANSMISSION SHIFTER CONTROL AND LOCK CONTROL - CONTINUED (POWER SHIFT)

KEY	PART NO.	PART NAME	QTY	TRACTOR SERIAL NO.	REMARKS
1	R34346	SCREW	1		
2	F3396R	SNAP RING	1		
3	12H301	LOCK WASHER	1		1/2"
4	T16193	PIN	2		(SUB FOR R33301)
5	11M7079	COTTER PIN	5		0.098" X 0.472"
6	AR38320	BRACKET	1	-010181	(MARKED R38191) (NLA)
	AR38500	BRACKET	1	010182-	(MARKED R38191) (NLA)
7	R33601	PIN	1	-010181	
	R41510	PIN	1	010182-	
8	14H611	NUT	1		5/16"
9	19H1905	CAP SCREW	1		5/16" X 1"
10	AR32812	PIVOT	1		(MARKED R33269)
11	R653R	BUSHING	1		
12	R29340	PIN	1		
13	11M7081	COTTER PIN	2		0.098" X 0.787"
14	R65563	PIN	2		(SUB FOR C1067R)
15	L324T	YOKE	2		
16	14H774	NUT	2		3/8"
17	R38112	ROD	1		CONTROL VALVE (NO LONGER AVAILABLE)
18	11M7059	COTTER PIN	2		3.200 X 20 MM
19	R38111	ROD	1		REVERSE VALVE (NO LONGER AVAILABLE)
20	R36318	WASHER	2		
21	AR32815	LEVER	1		(MARKED R33270)
22	24H1302	WASHER	1		13/32" X 11/16" X 0.035"
23	R33309	LINK	1	-012418	(SUB AR42292)
	AR42292	LINK	1	012419-	
24	R33278	SPRING	1		
25	AR32396	LEVER	1	-012418	(NLA)
	AR42290	LEVER	1	012419-	(NLA)
26	F2861R	KNOB	1		(SUB R60458)
27	R653R	BUSHING	2	-010181	
28	AR34312	ARM	1	-007947	(SUB AR40917)
	AR40917	ARM	1	007948-010181	
29	24H1375	WASHER	1	-010181	11/16" X 1-1/8" X 0.060"
30	AR34313	ARM	1	-010181	
31	R33279	SPRING	1	-010181	
32	AR41182	ARM	1	010182-	
33	R653R	BUSHING	1	010182-	
34	24H1366	WASHER	AR		21/32" X 1-1/8" X 0.036"
35	24H1658	WASHER	AR		21/32" X 1" X 0.060"
36	A4883R	RING	1		
37	R72660	PIN	1		(SUB FOR R662R)
38	M3742T	YOKE	1		
39	14H649	NUT	1		1/4"
40	14H785	NUT	1		5/16"
41	12H303	LOCK WASHER	1		5/16"
42	T19036	CLAMP	4		
43	03H1790	BOLT	1		5/16" X 1-1/2"
44	AR39676	PUSH PULL CABLE	1		
	R39725	SEAL	2		CABLE HOUSING
	R39726	SEAL	1		BOTTOM
	R39727	SEAL	1		TOP
45	14H1076	NUT	1		3/8"
	14H732	NUT	1		3/8"
46	12H304	LOCK WASHER	1		3/8"
47	R699R	STUD	1		3/8" X 2-1/2"
48	B1664R	SHIM	1		

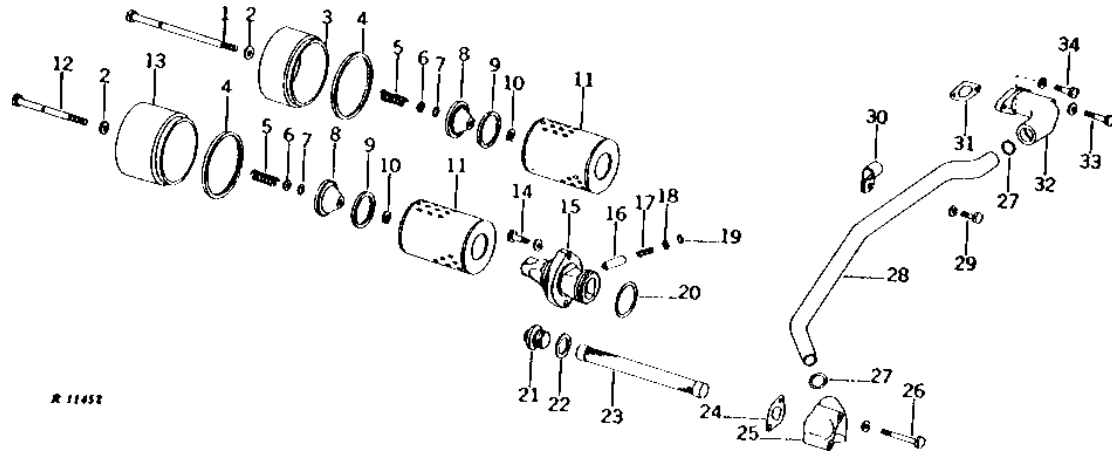
MEMORANDA

2C22

POWER TRAIN

OIL FILTERS AND TRANSMISSION OIL PUMP INTAKE (POWER SHIFT)

R11452 -UN-01JAN94



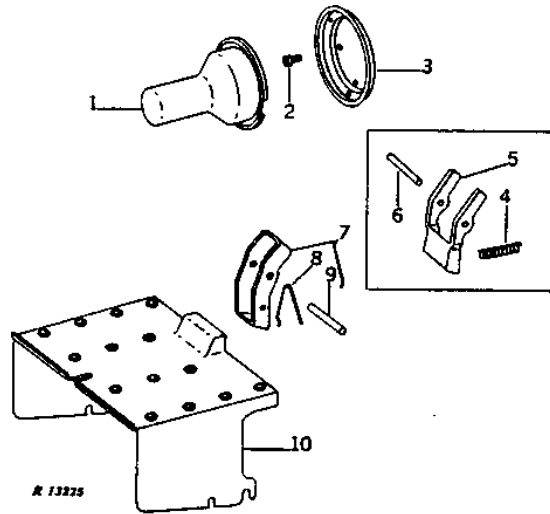
KEY	PART NO.	PART NAME	QTY	TRACTOR SERIAL NO.	REMARKS
1	R54750	CAP SCREW	1		(SUB FOR R39795)
2	R394R	O-RING	2		
3	R39794	COVER	1		
4	R34733	WASHER	2		
5	R66064	SPRING	2		(SUB FOR R1769R)
6	24H1227	WASHER	2		17/32" X 13/16" X 0.060"
7	R394R	O-RING	2		
8	R65892	RETAINER	2		(SUB FOR R28593)
9	R28594	WASHER	2		
10	R32507	SNAP RING	2		
11	AR75603	FILTER ELEMENT	1		(SUB FOR AR28271 OR AR75601)
12	R54751	CAP SCREW	1		(SUB FOR R39797)
13	R39796	COVER	1		
14	19H1800	CAP SCREW	2		3/8" X 1-1/2"
	12H304	LOCK WASHER	2		3/8"
15	R54962	HOUSING	1		(SUB FOR R39586)
16	R33162	VALVE	1		(SUB R33259 AND R57559)
17	R26686	SPRING	1		BYPASS VALVE
18	R48013	WASHER	1		(SUB FOR R33294)
19	R33282	SNAP RING	1		
20	U12198	O-RING	1		
21	R40147	FITTING	1		(SUB FOR A4806R)
22	A4808R	WASHER	1		
23	R53169	SCREEN	1		NYLON
	AR26375	SCREEN	1		STEEL
24	R28110	GASKET	1		
25	R33911	ADAPTER	1		
26	19H1944	CAP SCREW	2		3/8" X 2-3/4"
	12H304	LOCK WASHER	2		3/8"
27	A3606R	O-RING	2		
28	R33914	HYDRAULIC LINE	1		
29	19H1936	CAP SCREW	1		3/8" X 3/4"
	12H304	LOCK WASHER	1		3/8"
30	R33364	CLAMP	1		
31	R33363	GASKET	1		
32	AR41885	ADAPTER	1		(MARKED R33362)
33	19H1765	CAP SCREW	1		3/8" X 1-3/4"
	12H304	LOCK WASHER	1		3/8"
34	19H1732	CAP SCREW	1		3/8" X 1-1/4"
	12H304	LOCK WASHER	1		3/8"

2C23

POWER TRAIN

540 RPM AND 1000 RPM PTO MASTER SHIELD AND REAR GUARD (POWER SHIFT)

R13225 -UN-12OCT94



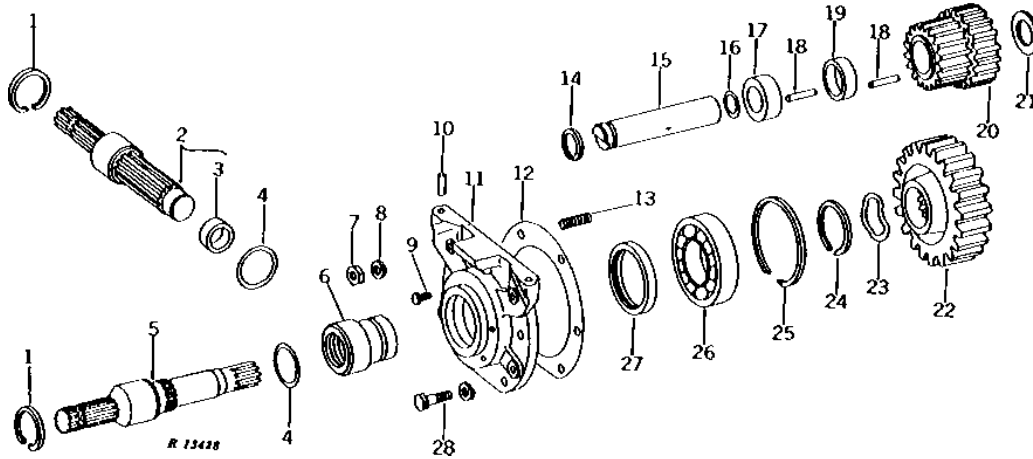
KEY	PART NO.	PART NAME	QTY	TRACTOR SERIAL NO.	REMARKS
1	AR26782	GUARD	1		
2	R27329	SCREW	2		
3	AR26707	RETAINER	1		
4	R31698	SPRING	1	-016229	
5	R33797	RETAINER	1	-016229	(SUB AR44712)
6	34H336	SPRING PIN	1	-016229	5/16" X 2-1/4"
7	AR44712	RETAINER	1	016230-	
8	R42585	SPRING	1	016230-	
9	34H335	SPRING PIN	1	016230-	5/16" X 2-1/8"
10	R33348	SHIELD	1		

2C24

POWER TRAIN

540 RPM AND 1000 RPM PTO REAR DRIVE GEAR AND SHAFTS (POWER SHIFT)

R13428 -UN-01JAN94



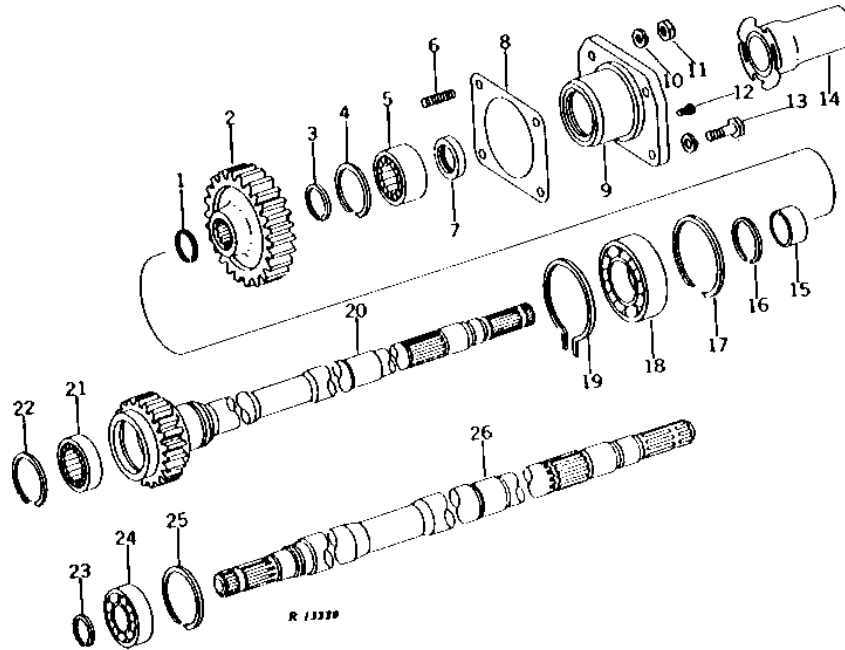
KEY	PART NO.	PART NAME	QTY	TRACTOR SERIAL NO.	REMARKS
1	R38221	SNAP RING	2		
2	R38223	SHAFT	1	-010490	540 RPM, (SUB AR41752)
	AR41752	SHAFT	1	010491-	540 RPM
3	JD7557	BEARING RACE	1	010491-	
4	P50631	O-RING	2		
5	R38224	SHAFT	1		1000 RPM
6	R45126	GUIDE	1		(SUB FOR R38220)
7	14H1040	NUT	2		1/2"
8	12H301	LOCK WASHER	2		1/2"
9	R27329	SCREW	2		
10	34H348	SPRING PIN	2		3/8" X 1"
11	AR38168	QUILL	1		(MARKED R38218) (SUB RE47805, RE13181, R106866 AND R106715)
	AR54487	QUILL	1		(1000 RPM PTO ONLY) (MARKED R33487 OR R50298) (ALSO ORDER AR55216) (SUB FOR AR32440)
12	R33337	GASKET	1		
13	R32101	STUD	2		
14	R33320	SNAP RING	1		
15	R33852	COUNTERSHAFT	1		
16	R30319	O-RING	1		
17	R38216	SPACER	1		
18	R26006	NEEDLE ROLLER	48		
19	R38215	WASHER	1		
20	R38214	GEAR	1		
21	R33853	THRUST WASHER	1		
22	R38207	GEAR	1		(NLA)
23	R38219	THRUST WASHER	1		540 RPM
24	F1334R	SNAP RING	1		
25	C1919R	SNAP RING	1		
26	JD9320	BALL BEARING	1		
27	AT16431	SEAL	1		(SUB RE13181, THIS APPLICATION)
	AT344T	SEAL	1		(1000 RPM PTO ONLY) (SUB FOR R35798)
28	19H1721	CAP SCREW	4		1/2" X 1-1/2"
	12H301	LOCK WASHER	4		1/2"

2C25

POWER TRAIN

540 RPM AND 1000 RPM PTO DRIVE GEAR, SHAFTS AND FRONT GUARD (POWER SHIFT)

R13229 -UN-01JAN94



KEY	PART NO.	PART NAME	QTY	TRACTOR SERIAL NO.	REMARKS
1	R38209	SNAP RING	1	(NLA)	
2	R38203	STEERING GEAR	1	(NLA)	
3	A562R	SNAP RING	1		
4	B334R	SNAP RING	1		
5	JD7954	ROLLER BEARING	1		
6	R32101	STUD	2	1/2" X 1-3/4"	
7	R33338	SEAL	1		
8	R33236	GASKET	1		
9	AR38405	QUILL	1	(MARKED R38204) (NLA)	
10	12H301	LOCK WASHER	2	1/2"	
11	14H1040	NUT	2	1/2"	
12	R27329	SCREW	2		
13	19H1721	CAP SCREW	2	1/2" X 1-1/2"	
	12H301	LOCK WASHER	2	1/2"	
14	AR26701	GUARD	1		
15	R38208	BUSHING	1	(NLA)	
16	R36295	SNAP RING	1		
17	BP13615	SNAP RING	1		
18	JD8537	BEARING	1		
19	R33322	SNAP RING	1		
20	AR38291	SHAFT	1	(NLA)	
21	JD7537	ROLLER BEARING	1		
22	F2367R	SNAP RING	1		
23	A364R	SNAP RING	1	(A)	
24	JD9345	BALL BEARING	1	(A) (SUB FOR JD7688)	
25	B190R	SNAP RING	1	(A)	
26	R38205	SHAFT	1	(A) (NLA)	

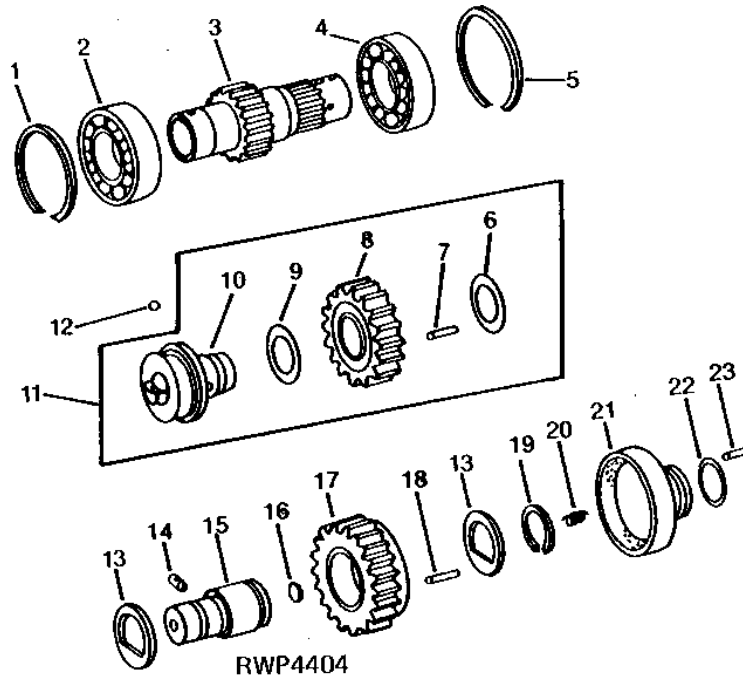
(A) USE WITH TRACTORS EQUIPPED WITH 1000 RPM PTO ONLY

2D1

POWER TRAIN

540 RPM AND 1000 RPM PTO DRIVE SHAFT AND IDLER GEARS (POWER SHIFT)

RWP4404 -UN-01JAN94



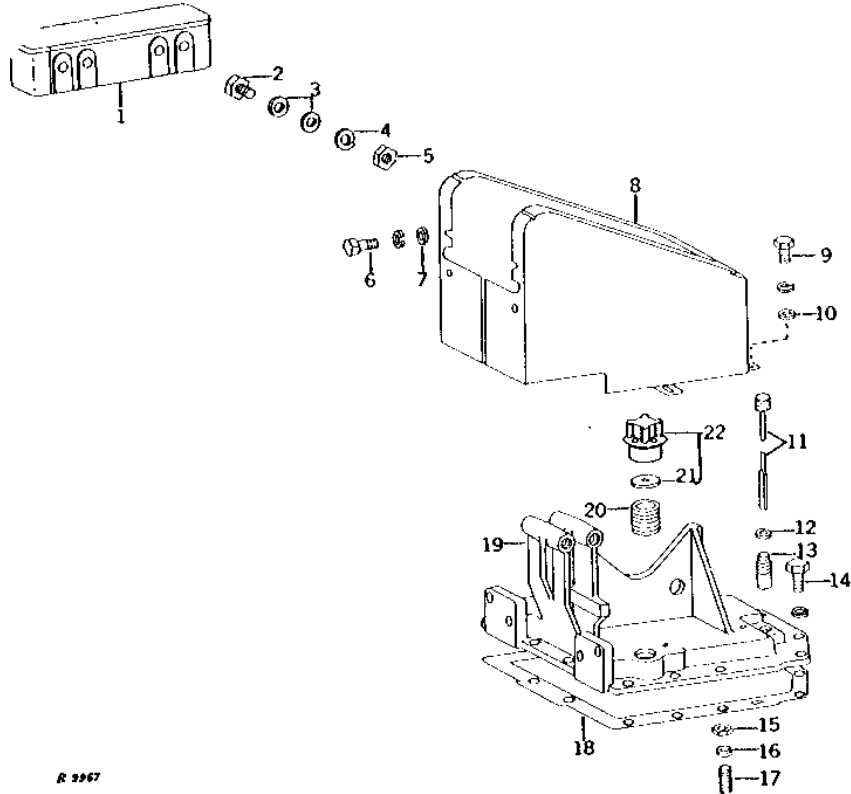
KEY	PART NO.	PART NAME	QTY	TRACTOR SERIAL NO.	REMARKS
1	F1373R	SNAP RING	1		
2	JD9279	BALL BEARING	1		
3	R38056	SHAFT	1	-008957	(SUB R38393)
	R38393	SHAFT	1	008958-	
4	JD9292	BALL BEARING	1		
5	31415	SNAP RING	1		
6	R33330	WASHER	1		
7	R26022	NEEDLE ROLLER	21	-011444	
	R26022	NEEDLE ROLLER	24	011445-	
8	R33334	GEAR	1	-011444	(SUB AR42221)
	R41954	GEAR	1	011445-	
9	R33330	WASHER	1	-011444	
	R41956	WASHER	1	011445-	
10	R33329	QUILL	1	-011444	(SUB AR42221)
	R33327	SHAFT	1	-011444	(SUB AR42221)
	AR42223	QUILL	1	011445-	
11	AR42221	QUILL	1	-011444	
12	H871R	BALL	1		5MM (3/16")
13	R42720	THRUST WASHER	2		(SUB FOR R33331)
14	R34582	SET SCREW	1	008578-	
15	R34892	SHAFT	1	-008577	(NLA)
	R41744	SHAFT	1	008578-	
16	30H9	PLUG	1		3/4"
17	R33335	GEAR	1		
18	R26006	NEEDLE ROLLER	29		
19	R34222	SNAP RING	1		
20	A1651R	SPRING	1		
21	RE20731	BRAKE SHOE	1		(SUB FOR AR39773)
22	T11220	O-RING	1		
23	R40336	DOWEL PIN	1		

2D2

POWER TRAIN

TRANSMISSION REAR COVER, SEAT SUPPORT COVER, AND TOOL BOX (LESS ROCKSHAFT)

R9967 -UN-01JAN94



R 9967

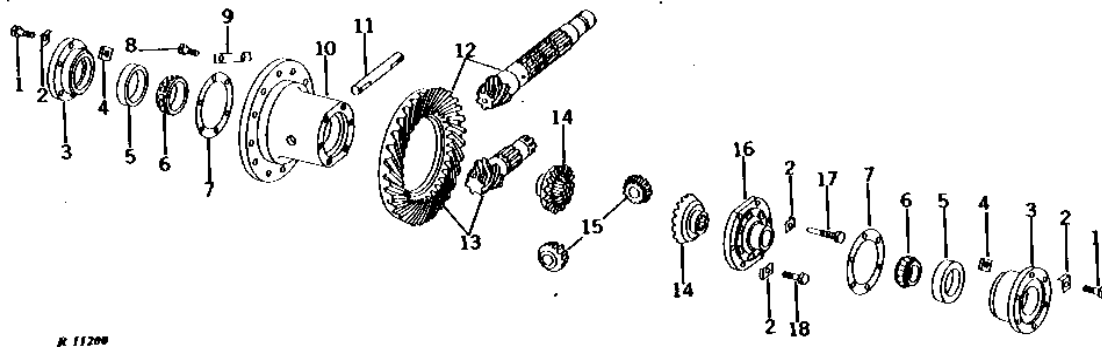
KEY	PART NO.	PART NAME	QTY	TRACTOR SERIAL NO.	REMARKS
1	AR34684	TOOLBOX	1		
2	19H1936	CAP SCREW	2	3/8" X 3/4"	
3	24H1305	WASHER	4	13/32" X 13/16" X 0.065"	
4	12H304	LOCK WASHER	2	3/8"	
5	14H1076	NUT	2	3/8"	
6	19H1936	CAP SCREW	4	3/8" X 3/4"	
	12H304	LOCK WASHER	4	3/8"	
7	24H1305	WASHER	4	13/32" X 13/16" X 0.065"	
8	AR26846	COVER	1	(NLA)	
9	19H1900	CAP SCREW	4	5/16" X 3/4"	
	12H303	LOCK WASHER	4	5/16"	
10	24H1136	WASHER	4	11/32" X 11/16" X 0.065"	
11	AR30692	DIPSTICK	1		
12	R1590R	WASHER	1		
13	R31566	TUBE	1	(SYNCRO-RANGE)	
	R34294	TUBE	1	(POWER SHIFT) (NLA)	
14	19H3579	CAP SCREW	8	1/2" X 1-3/8"	
	19H1990	CAP SCREW	1	1/2" X 2-1/4"	
	12H301	LOCK WASHER	9	1/2"	
15	14H1040	NUT	3	1/2"	
16	12H301	LOCK WASHER	3	1/2"	
17	R32101	STUD	3	1/2" X 1-3/4"	
18	R34161	GASKET	1		
19	AR32903	COVER	1	(MARKED R33889) (NLA)	
20	A4234R	ASSEMBLY LINE PARTS	1		
21	R31486	WASHER	1		
22	AR30697	CAP	1	(MARKED R32175)	

2D3

POWER TRAIN

DIFFERENTIAL (LESS DIFFERENTIAL LOCK)

R11200 -UN-01JAN94



KEY	PART NO.	PART NAME	QTY	TRACTOR SERIAL NO.	REMARKS
1	19H1721	CAP SCREW	12		
2	R26038	LOCK PLATE	17		1/2" X 1-1/2"
3	R26105	QUILL	2		(NLA)
4	14H823	NUT	2		1/2"
5	JD8206	BEARING CUP	2		
6	JD8946	BEARING CONE	2		
7	R46323	SHIM	AR		0.08MM (.003") (SUB FOR R26042)
	R46324	SHIM	AR		0.13MM (.005") (SUB FOR R26043)
8	19H3697	CAP SCREW	10		1/2" X 1-3/16"
9	R34488	PLATE	5		(NLA)
10	R38231	HOUSING	1		(NLA)
11	R38419	SHAFT	1		(SUB FOR R26101)
12	AR34735	BEVEL GEAR DRIVE	1		(MARKED R34875 AND R34873) (SYNCRO-RANGE)
13	AR34736	BEVEL GEAR DRIVE	1		(MARKED R34875 AND R34874) (SUB RE50113, AR34723 AND R51200) (POWER SHIFT)
14	R26102	BEVEL GEAR	2		
15	R26103	PINION	2		
16	R31413	COVER	1		(NLA)
17	R70236	CAP SCREW	1		(SUB FOR R26037 OR R41050)
18	19H3579	CAP SCREW	5		1/2" X 1-3/8"

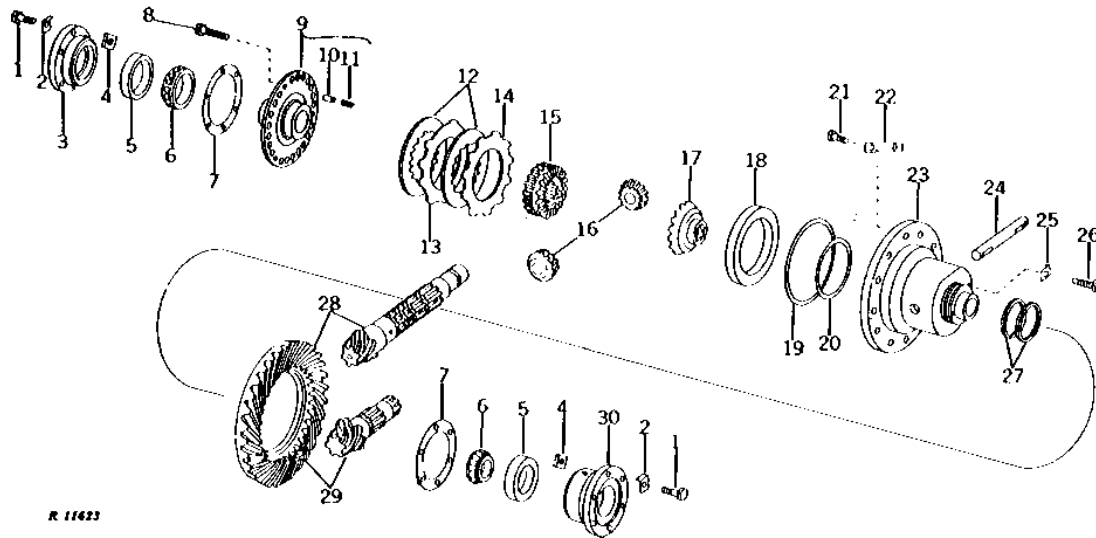
MEMORANDA

2D4

POWER TRAIN

DIFFERENTIAL (DIFFERENTIAL LOCK)

R11623 -UN-01JAN94



R 11623

KEY	PART NO.	PART NAME	QTY	TRACTOR SERIAL NO.	REMARKS
1	19H1721	CAP SCREW	12		1/2" X 1-1/2"
2	R26038	LOCK PLATE	12		
3	R26105	QUILL	1		L.H. (NLA)
4	14H823	NUT	2		1/2"
5	JD8206	BEARING CUP	2		
6	JD8946	BEARING CONE	2		
7	R46323	SHIM	AR		0.08MM (.003") (SUB FOR R26042)
	R46324	SHIM	AR		0.13MM (.005") (SUB FOR R26043)
8	R40235	CAP SCREW	10		(USE WITH R38264)
	R38614	CAP SCREW	10		(USE WITH R38613)
9	AR38923	COVER	1		(MARKED R38264 OR R38613) (ALSO ORDER (10) R38614) (SUB FOR AR38131) (NO LONGER AVAILABLE)
10	34H297	SPRING PIN	2		7/32" X 1"
11	R34863	SPRING	2		(SUB FOR R34822)
12	AR69349	DISK	2		(SUB FOR AR33974)
13	R34520	CLUTCH PLATE	1		
14	R78156	CLUTCH PLATE	1		(SUB FOR R34517)
15	R38262	GEAR	1		(NLA)
16	R42443	PINION	2		(SUB FOR R33496)
17	R38261	GEAR	1		(NLA)
18	R34526	PISTON	1		
19	R41018	PACKING	1		(SUB FOR R34515)
20	R44327	WASHER	1		(SUB FOR R34516 OR R41019)
21	19H3697	CAP SCREW	10		1/2" X 1-3/16"
22	R34488	PLATE	5		(NLA)
23	AR38407	HOUSING	1		(MARKED R38259) (NLA)
24	R38418	PINION SHAFT	1		(SUB FOR R38260) (NLA)
25	F3173R	LOCK PLATE	1	-011386	
26	R34510	BOLT	1	-011386	(NLA)
	R70236	CAP SCREW	1	011387-	(SUB FOR R41050)
27	R34513	RING	2		
28	AR34735	BEVEL GEAR DRIVE	1		(SYNCRO-RANGE) (MARKED R34875 AND R34873)
29	AR34736	BEVEL GEAR DRIVE	1		(POWER SHIFT) (MARKED R34875 AND R34874) (SUB RE50113, AR34723 AND R51200)
30	R38263	QUILL	1		R.H. (NLA)

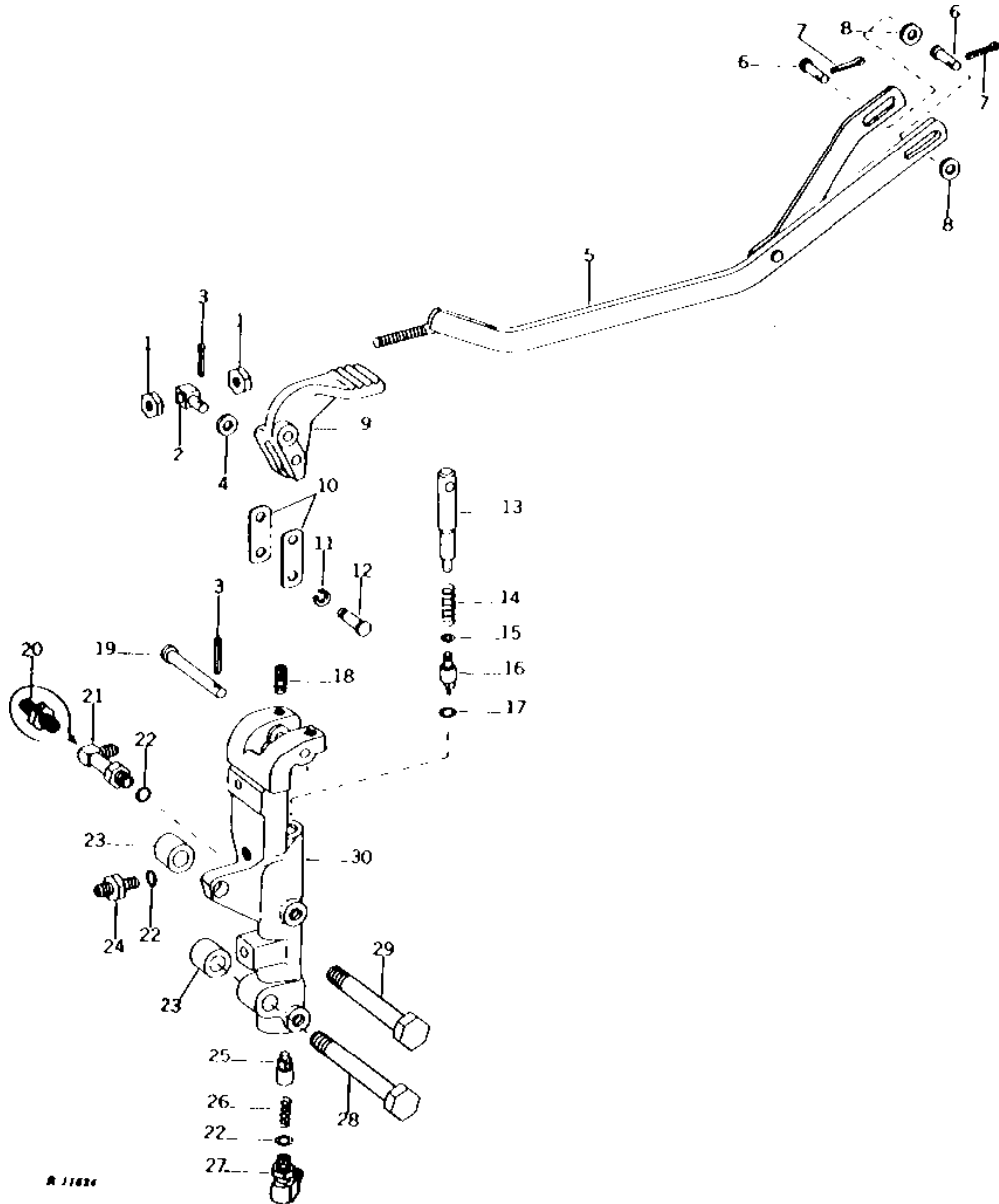
2D5

POWER TRAIN

R11624

-UN-01JAN94

DIFFERENTIAL LOCK VALVE, PEDAL AND RELEASE LINK



2D6

POWER TRAIN

DIFFERENTIAL LOCK VALVE, PEDAL AND RELEASE LINK - CONTINUED

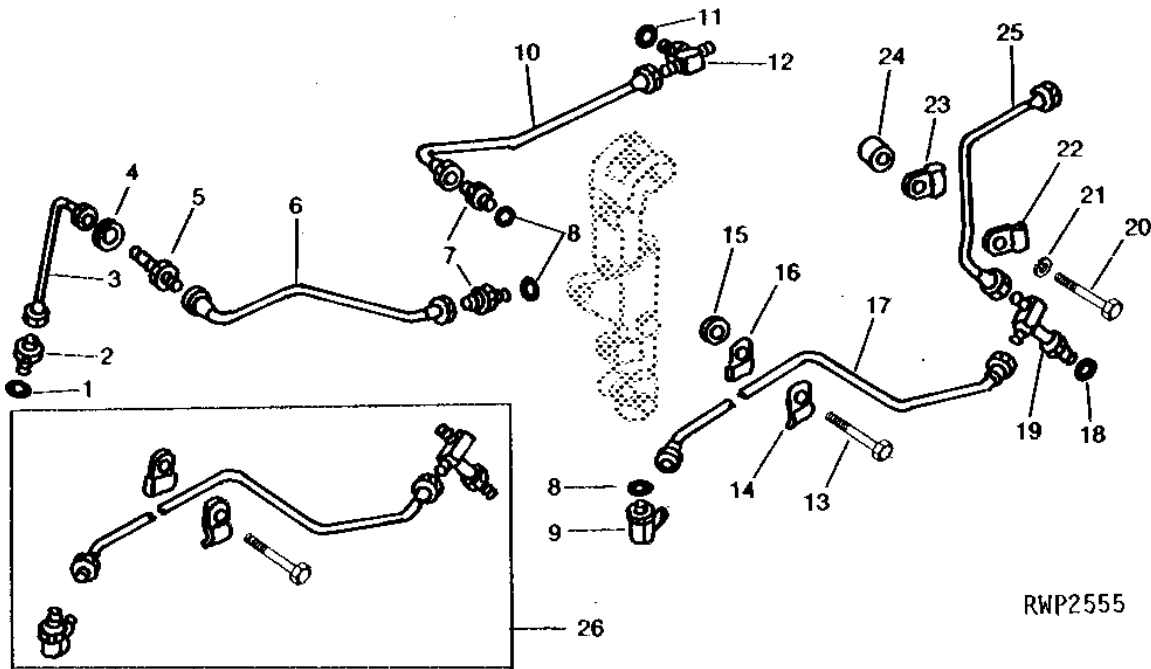
KEY	PART NO.	PART NAME	QTY	TRACTOR SERIAL NO.	REMARKS
1	14H1076	NUT	2		3/8"
2	R34581	SWIVEL	1		
3	11M7059	COTTER PIN	2		3.200 X 20 MM
4	24M7096	WASHER	1		10.500 X 18 X 1.600 MM
5	AR40234	LINK	1		(NLA)
6	H858R	PIN	2		
7	11M7079	COTTER PIN	2		0.098" X 0.472"
8	24H1136	WASHER	2		11/32" X 11/16" X 0.065"
9	R34821	PEDAL	1		(NLA)
10	R34522	STRAP	2		
11	R26386	SNAP RING	2		
12	R26385	PIN	2		
13	R39732	VALVE	1		RETURN
14	R39731	SPRING	1		
15	R39730	SHIM	AR		0.15MM (.006")
16	R34492	VALVE	1		FLOW CONTROL
17	R459R	O-RING	1		
18	R34582	SET SCREW	1		
19	R34815	PIN	1		
20	R27272	FITTING	1		(SYNCRO-RANGE)
21	AR35710	ELBOW FITTING	1		90°, (POWER SHIFT)
22	R26286	O-RING	3		
23	R34495	SPACER	2		
24	R27272	FITTING	1		
25	R34496	VALVE	1	-001919	(NLA)
	R40629	VALVE	1	001920-	
26	R715R	SPRING	1		
27	AT32333	ELBOW FITTING	1	-002470	90°, (SUB FOR AR26771)
	AR40475	ELBOW FITTING	1	002471-	90°
28	19H2365	CAP SCREW	1		9/16" X 5"
29	19H2364	CAP SCREW	1		9/16" X 4-1/2"
30	AR42109	HOUSING	1		(MARKED R34814, R36902, R40632 OR R41929) (ALSO ORDER R40629) (SUB FOR AR36272 OR AR40493)
	R27094	DRAIN PLUG	2		(USE WITH R34814, R36902 OR R40632)
	R27094	DRAIN PLUG	4		(USE WITH R41929)
	R26286	O-RING	2		(USE WITH R34814, R36902 OR R40632)
	R26286	O-RING	4		(USE WITH R41929)
	15H559	PIPE PLUG	2		1/4", (USE WITH R36902 OR R40632)

2D7

POWER TRAIN

DIFFERENTIAL LOCK VALVE OIL PIPES (SYNCRO-RANGE)

RWP2555 -UN-01JAN94



RWP2555

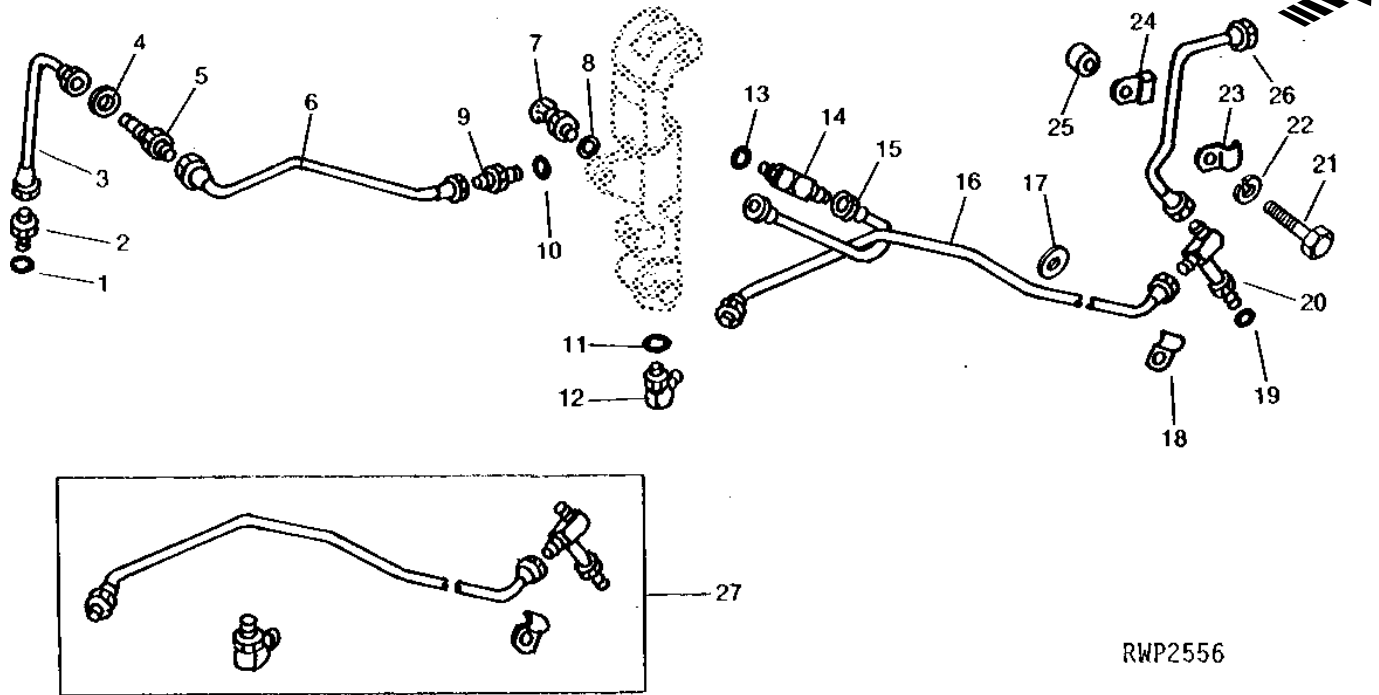
KEY	PART NO.	PART NAME	QTY	TRACTOR SERIAL NO.	REMARKS
1	R30903	O-RING	1		
2	R39597	ADAPTER	1		
3	AR42613	HYDRAULIC LINE	1		INNER, (SUB FOR AR33967)
4	T16911	SHIM	1		
5	AR34569	FITTING	1		
6	AR34568	HYDRAULIC LINE	1		OUTER (ROW-CROP)
	AR39823	LINE	1		OUTER (HI-CROP) (NLA)
7	R27272	FITTING	2		
8	R26286	O-RING	3		
9	AT32333	ELBOW FITTING	1	-002470	90°, (SUB FOR AR26771)
	AR40475	ELBOW FITTING	1	002471-	90°
10	AR39792	LINE	1		(NLA)
11	R26287	O-RING	1		
12	AR39795	TEE FITTING	1		
13	19H2128	CAP SCREW	1	-002470	3/8" X 3"
	19H1944	CAP SCREW	1	002471-	3/8" X 2-3/4"
14	R42357	CLAMP	1	-002470	(SUB FOR R27545)
	R31654	CLAMP	1	002471-	
15	A147R	LOCK WASHER	1	-002470	
16	R34819	PLATE	1	-002470	
	R31655	STRAP	1	002471-	
17	AR33971	LINE	1	-002470	(SUB AR40602)
	AR40477	HYDRAULIC LINE	1	002471-	
18	R26287	O-RING	1		
19	AR39679	TEE FITTING	1	-002470	(SUB AR40602)
	AR40472	TEE FITTING	1	002471-	
20	19H2661	CAP SCREW	1		5/16" X 1-3/8"
21	12H303	LOCK WASHER	1		5/16"
22	R31654	CLAMP	1		
23	R31655	STRAP	1		
24	28H3381	SPACER	1		3/8" X 5/8"
25	AR39678	HYDRAULIC LINE	1		LOWER
26	AR40602	LINE	1	-002470	BRAKE VALVE TO DIFFERENTIAL LOCK VALVE

2D8

POWER TRAIN

DIFFERENTIAL LOCK VALVE OIL PIPES (POWER SHIFT)

RWP2556 -UN-01JAN94



RWP2556

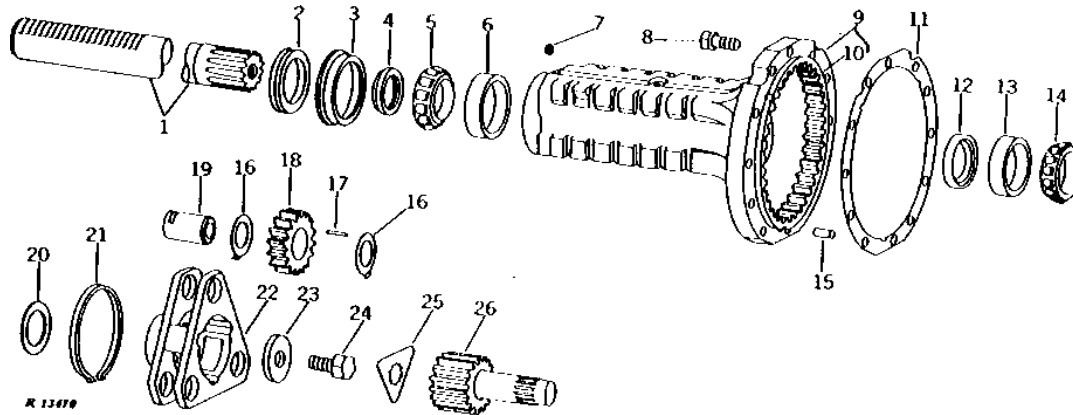
KEY	PART NO.	PART NAME	QTY	TRACTOR SERIAL NO.	REMARKS
1	R30903	O-RING	1		
2	R39597	ADAPTER	1		
3	AR42613	HYDRAULIC LINE	1		INNER, (SUB FOR AR33967)
4	T16911	SHIM	1		
5	AR34569	FITTING	1		
6	AR34568	HYDRAULIC LINE	1		OUTER, (ROW-CROP)
	AR39823	LINE	1		OUTER (HI-CROP) (NLA)
7	AR35710	ELBOW FITTING	1		90°
8	R26286	O-RING	1		
9	R27272	FITTING	1		
10	R26286	O-RING	1		
11	R26286	O-RING	1		
12	AT32333	ELBOW FITTING	1	-002470	90°, (SUB FOR AR26771)
	AR40475	ELBOW FITTING	1	002471-	90°
13	R26286	O-RING	1		
14	AT32333	ELBOW FITTING	1		90°, (SUB FOR AR26771)
15	AR34733	HYDRAULIC LINE	1		
16	AR34732	LINE	1	-002470	(SUB AR40603, AR40472, AR40475, AR40478, R31654 AND R31655)
	AR40478	HYDRAULIC LINE	1	002471-	
17	A147R	LOCK WASHER	1	-002470	
18	R42357	CLAMP	1	-002470	(SUB FOR R27545)
	R31654	CLAMP	1	002471-	
19	R26287	O-RING	1		
20	AR39679	TEE FITTING	1	-002470	(SUB AR40603, AR40472, AR40475, AR40478, R31654 AND R31655)
	AR40472	TEE FITTING	1	002461-	
21	19H2661	CAP SCREW	1		5/16" X 1-3/8"
22	12H303	LOCK WASHER	1		5/16"
23	R31654	CLAMP	1		
24	R31655	STRAP	1		
25	28H3381	SPACER	1		3/8" X 5/8"
26	AR39678	HYDRAULIC LINE	1		LOWER
27	AR40603	LINE	1	-002470	BRACLE VALVE TO DIFFERENTIAL LOCK VALVE, (SUB AR40472, AR40475, AR40478, R31654 AND R31655)

2D9

POWER TRAIN

R13470 -UN-01JAN94

PLANETARY AND REAR AXLE



KEY	PART NO.	PART NAME	QTY	TRACTOR SERIAL NO.	REMARKS
1	R55490	SHAFT	1	841MM (33-1/8"), (REGULAR) (SUB FOR R38062)	
	R38071	SHAFT	1	964MM (37-15/16") (NLA)	
	R53637	SHAFT	1	(A) 1153MM (45-3/8") (SUB FOR R33693)	
2	AR27446	SEAL	1	(SUB RE31701 AND R57269)	
3	R57269	OIL CUP	1	(SUB FOR R28128)	
4	R38063	BUSHING	1		
	R55428	SPACER	1	(A) (SUB FOR R28127)	
5	JD8164	BEARING CONE	1		
	JD8167	BEARING CONE	1	(A)	
6	JD8210	BEARING CUP	1		
	JD8214	BEARING CUP	1	(A)	
7	15H559	PIPE PLUG	1	1/4"	
8	19H2361	CAP SCREW	AR	9/16" X 3", (11 USED LESS REMOTE CYLINDER SELECTIVE CONTROL) (10 USED WITH REMOTE CYLINDER SELECTIVE CONTROL)	
9	AR38208	HOUSING	1	(MARKED R38020) (NLA)	
	AR38568	HOUSING	1	(A) (MARKED R33000)	
10	GEAR	1	(ORDER AR38208 OR AR38568)	
11	R34184	GASKET	1		
12	AR42330	SEAL	1	(SUB FOR AR26321)	
	AR42005	SEAL	1	(A)	
13	JD8206	BEARING CUP	1		
	JD8207	BEARING CUP	1	(A)	
14	JD8162	BEARING CONE	1		
	JD8152	BEARING CONE	1	(A)	
15	R65543	DOWEL PIN	3	(SUB FOR R33024)	
16	R38064	THRUST WASHER	6		
17	R26022	NEEDLE ROLLER	93		
	R33028	NEEDLE ROLLER	93	(A)	
18	R38065	PINION	3	(NLA)	
	R38500	PINION	3	(A)	
19	R26021	SHAFT	3		
	R38499	PINION SHAFT	3	(A)	
20	R38532	SHIM	1	015575-	
	F2253R	SHIM	1	015575-	(A)
21	R38066	SNAP RING	1		
22	R38028	PLANET PINION CARRIER	1	(NLA)	
	R38498	PLANET PINION CARRIER	1	(A)	
23	R38067	WASHER	1		
	R33877	WASHER	1	(A)	
24	R38068	CAP SCREW	1		
	R69210	CAP SCREW	1	(A) (SUB FOR R26025 OR R60033) (SUB R82944)	
25	R38069	PLATE	1		
	R26026	PLATE	1	(A)	
26	R38232	SHAFT	1	(NOT USED ON HI-CROP) (NLA)	
	R38501	SHAFT	1	(A) (NOT USED ON HI-CROP) (NLA)	

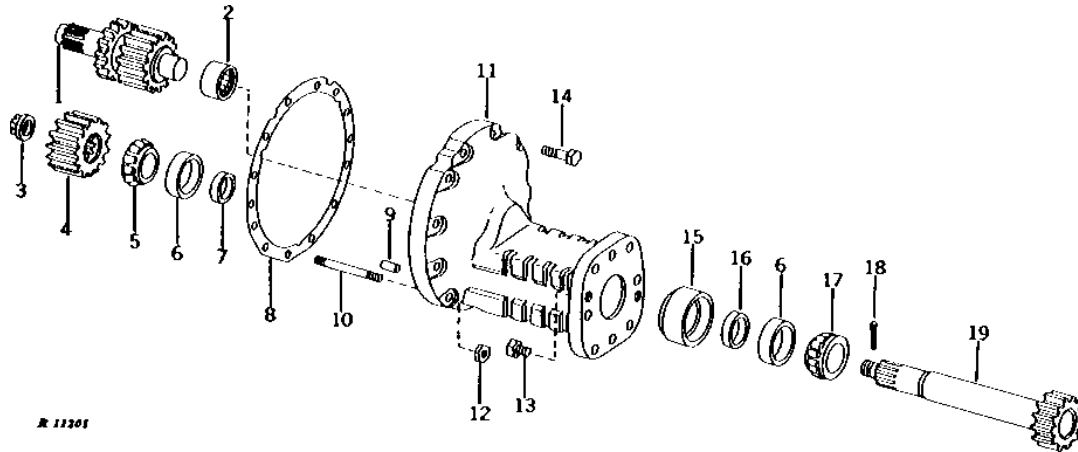
(A) 3048MM (120") TREAD

2D10

POWER TRAIN

DRIVE SHAFT AND DRIVE SHAFT HOUSING (HI-CROP)

R11201 -UN-01JAN94



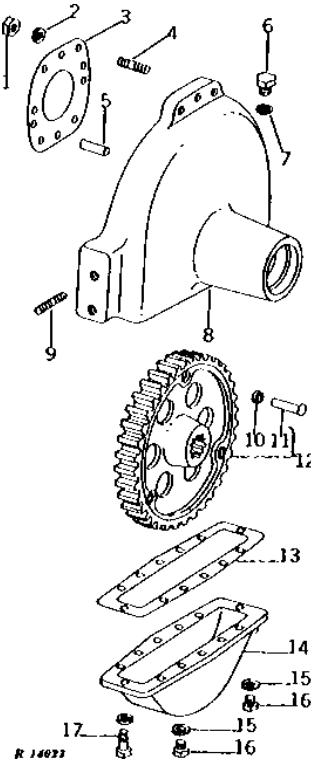
KEY	PART NO.	PART NAME	QTY	TRACTOR SERIAL NO.	REMARKS
1	R38342	SHAFT	1	(NLA)	
2	JD8623	ROLLER BEARING	1		
3	B350R	NUT	1		
4	R34466	GEAR	1	(NLA)	
5	JD8942	BEARING CONE	1		
6	JD7446	BEARING CUP	2		
7	AA6606R	SEAL	1		
8	R34184	GASKET	1		
9	R65543	DOWEL PIN	3	(SUB FOR R33024)	
10	B1789R	STUD	2	9/16" X 6-1/2"	
11	R34470	HOUSING	1	(NLA)	
12	14H961	NUT	2	9/16"	
13	A3750R	FITTING	2		
14	19H2361	CAP SCREW	AR	9/16" X 3", (9 USED LESS REMOTE CYLINDER SELECTIVE CONTROL) (8 USED WITH REMOTE CYLINDER SELECTIVE CONTROL)	
15	F991R	ADAPTER	1		
16	AF1156R	SEAL	1		
17	JD8130	BEARING CONE	1		
18	11M7032	COTTER PIN	1	0.197" X 1.969"	
19	AR28034	SHAFT	1	(NLA) (MARKED R28169)	

2D11

POWER TRAIN

FINAL DRIVE GEAR HOUSING, GEAR, AND COVER (HI-CROP)

R14022 -UN-01JAN94



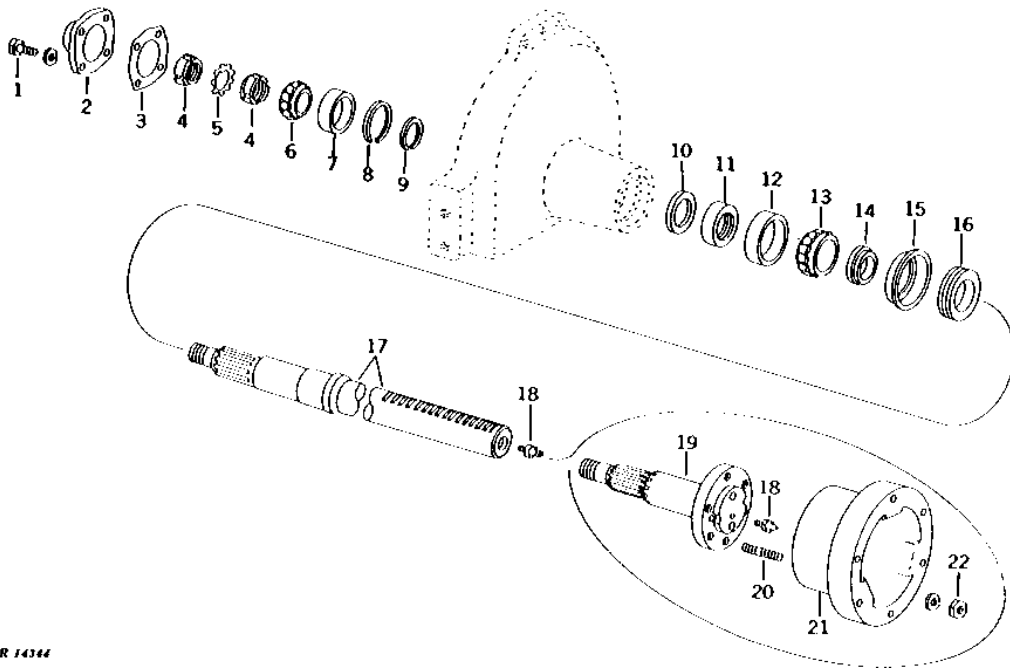
KEY	PART NO.	PART NAME	QTY	TRACTOR SERIAL NO.	REMARKS
1	14H858	NUT	6	3/4"	
2	12H236	LOCK WASHER	6	3/4"	
3	F3357R	GASKET	1	(SUB R98912)	
4	R1548R	STUD	6	3/4" X 3-1/2"	
5	F3358R	DOWEL PIN	2		
6	F3128R	DRAIN PLUG	1		
7	A4827R	WASHER	1		
8	AR30474	HOUSING	1	(MARKED R28612) (NLA)	
9	F1024R	STUD	2	3/4" X 2-3/4"	
10	R31R	WASHER	6	(NLA)	
11	16H1175	RIVET	3	5/16" X 2-1/2"	
12	AR27746	GEAR	1	(INCLUDES F1443R)	
13	F1000R	GASKET	1		
14	F999R	COVER	1	(NLA)	
15	R229R	WASHER	2		
16	R228R	FITTING	2		
17	19H1978	CAP SCREW	12	7/16" X 1-1/2"	
	12H293	LOCK WASHER	12	7/16"	

2D12

POWER TRAIN

REAR AXLE SHAFT, BEARINGS, AND OIL SEALS (HI-CROP)

R14344 -UN-01JAN94



R 14344

KEY	PART NO.	PART NAME	QTY	TRACTOR SERIAL NO.	REMARKS
1	19H1732	CAP SCREW	4	3/8" X 1-1/4"	
	12H304	LOCK WASHER	4	3/8"	
2	R51608	COVER	1	(SUB FOR F997R) (NLA)	
3	R51609	GASKET	1	(SUB FOR F998R)	
4	F1483R	NUT	2		
5	F1484R	LOCK WASHER	1		
6	JD8149	BEARING CONE	1		
7	JD7444	BEARING CUP	1		
8	R81R	SNAP RING	1		
9	B2342R	SNAP RING	1		
10	F228R	WASHER	1		
11	AF316R	SEAL	1		
12	JD7448	BEARING CUP	1		
13	JD8112	BEARING CONE	1		
14	F785R	SPACER	1		
15	R57269	OIL CUP	1	(SUB FOR R28128)	
16	AR27446	SEAL	1	(SUB RE31701 AND R57269)	
17	AR21601	SHAFT	1		
18	JD7759	LUBRICATION FITTING	1		
19	AF1160R	SHAFT	1	(NLA)	
20	A2833R	STUD	6	7/8" X 3-1/4"	
21	R28578	HUB	1	(NLA)	
22	14H1077	NUT	6	7/8"	
	12H245	LOCK WASHER	6	7/8"	
..	A3959R	DOWEL PIN	2	(A)	
..	AF1155R	SEAL	1	(A) (NLA)	
..	AF1691R	FLANGE	1	SPROCKET ADAPTER (NLA)	
..	AF1692R	COVER	1	SPROCKET ADAPTER (NLA)	
..	F1489R	GASKET	1	(A) (NLA)	
..	19H1847	CAP SCREW	1	SPROCKET ADAPTER FLANGE TO REAR AXLE SHAFT	
..	12H294	LOCK WASHER	1		

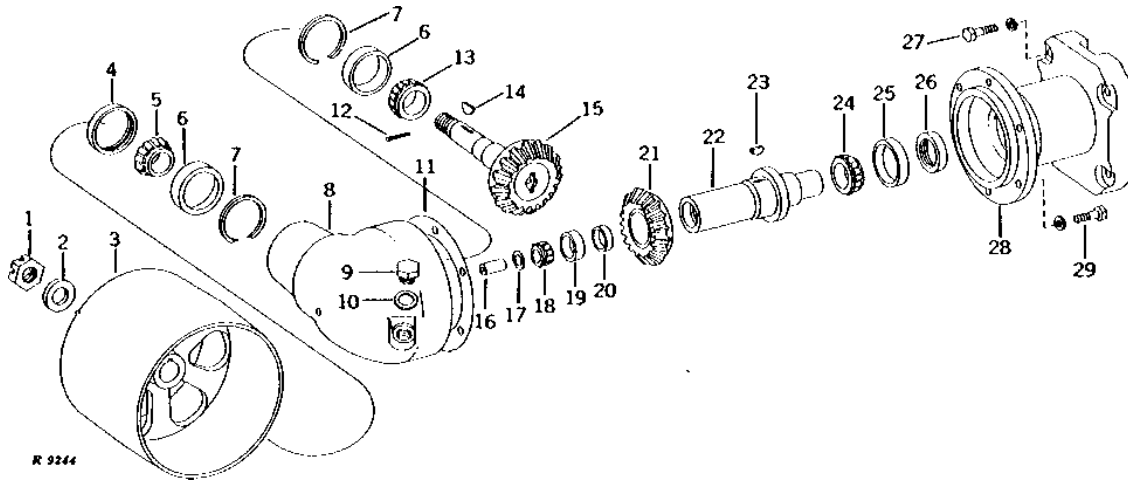
(A) SPROCKET ADAPTER FLANGE

2D13

POWER TRAIN

BELT PULLEY (1000 RPM PTO)

R9244 -UN-01JAN94



KEY	PART NO.	PART NAME	QTY	TRACTOR SERIAL NO.	REMARKS
1	14H540	NUT	1	1"	
2	R30399	WASHER	1	(SUB FOR T18996)	
3	T18718	PULLEY	1		
4	AT16887	SEAL	1		
5	JD8982	BEARING CONE	1		
6	JD7418	BEARING CUP	2		
7	T13325	SNAP RING	2		
8	T29242	CASE	1	(SUB FOR T13326)	
9	R26727	DRAIN PLUG	1		
10	A4827R	WASHER	1		
11	R44372	SHIM	AR	0.13MM (.005") PAPER	
	R44361	SHIM	AR	0.13MM (.005")	
	T13341	SHIM	AR	0.25MM (.010")	
12	11M7032	COTTER PIN	1	0.197" X 1.969"	
13	JD8969	BEARING CONE	1		
14	26H93	SHAFT KEY	1	1/4" X 1-1/4"	
15	R63691	SHAFT	1	(ALSO ORDER R63692) (SUB FOR T18717)	
16	T13471	PIN	1		
17	T13331	SHIM	AR	0.08MM (.003")	
	T13332	SHIM	AR	0.13MM (.005")	
	T13333	SHIM	AR	0.25MM (.010")	
18	JD8135	BEARING CONE	1		
19	JD7438	BEARING CUP	1		
20	M2206T	CAP	1		
21	R63692	GEAR	1	(ALSO ORDER R63691) (SUB FOR T13330)	
22	T13329	HUB	1		
23	26H85	SHAFT KEY	1	1/4" X 1"	
24	JD8922	BEARING CONE	1		
25	JD8247	BEARING CUP	1		
26	AT12431	SEAL	1		
27	19H1831	CAP SCREW	4	1/2" X 2"	
	12H301	LOCK WASHER	4	1/2"	
28	R34594	QUILL	1	(NLA)	
29	19H3579	CAP SCREW	6	1/2" X 1-3/8"	
	12H301	LOCK WASHER	6	1/2"	

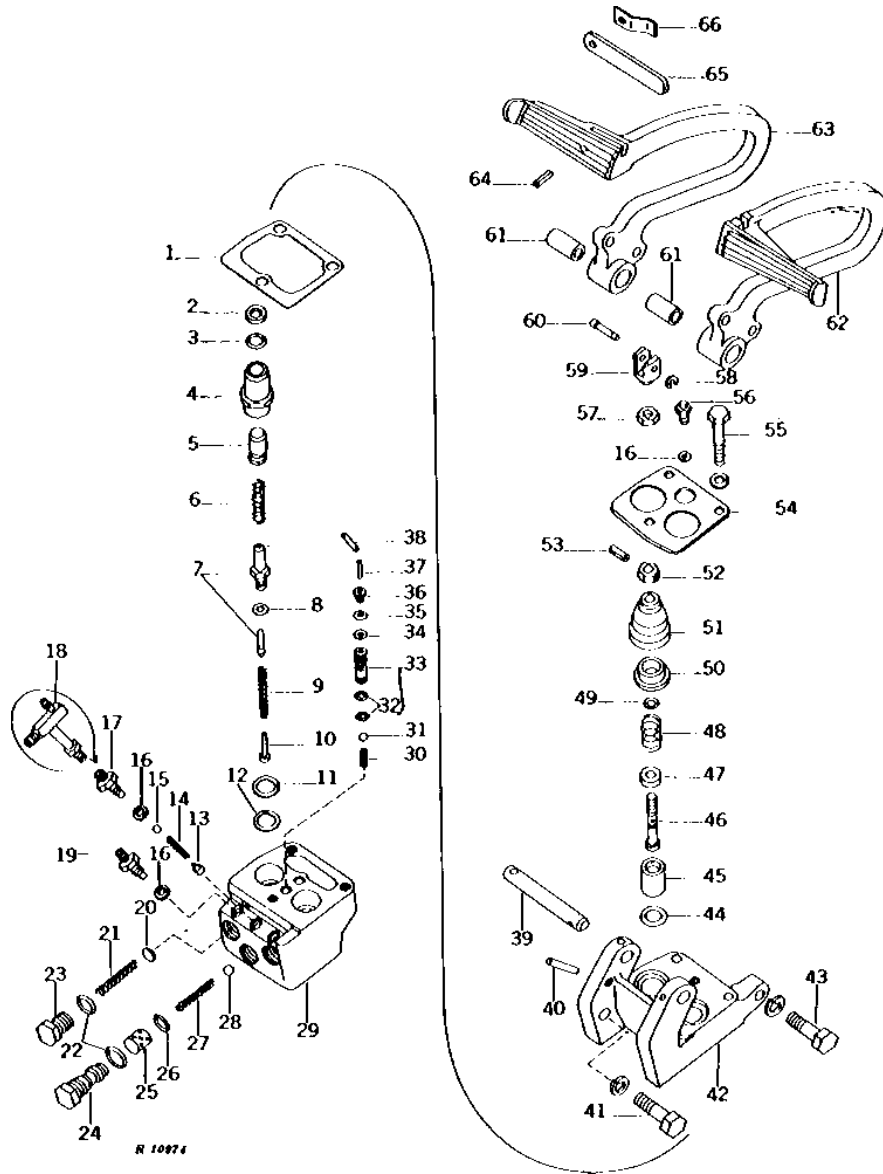
MEMORANDA

2D15

STEERING AND BRAKES

R10974 -UN-01JAN94

BRAKE VALVE AND PEDALS



KEY	PART NO.	PART NAME	QTY	TRACTOR SERIAL NO.	REMARKS
1	R31455	GASKET	1		
2	R32092	WASHER	2		PAPER
3	R459R	O-RING	2		
4	R32091	PISTON	2		
5	R32090	PLUNGER	2		
6	R26369	SPRING	2		
7	AR52498	VALVE	2		(SUB FOR AR30855)
8	R26286	O-RING	2		
9	R26367	SPRING	2		
10	R31639	PIN	2		
11	R27137	BACK-UP RING	2		
12	R27149	O-RING	2		
13	R26374	STOP	1		
14	R26373	SPRING	1		

2D16

STEERING AND BRAKES

BRAKE VALVE AND PEDALS - CONTINUED

KEY	PART NO.	PART NAME	QTY	TRACTOR SERIAL NO.	REMARKS
15	400R	BALL	1		6MM (1/4")
16	R26287	O-RING	4		
17	R27527	ADAPTER	1		(LESS DIFFERENTIAL LOCK)
18	AR39679	TEE FITTING	1	-002470	(DIFFERENTIAL LOCK) (SUB AR40602, AR40472, AR40475, AR40478, R31654 AND R31655) (SYNCRO-RANGE) (SUB AR40603) (POWER SHIFT)
	AR40472	TEE FITTING	1	002471-	(DIFFERENTIAL LOCK)
19	R27527	ADAPTER	2		
20	R26376	DISK	2		
21	R227R	SPRING	2		
22	R26375	O-RING	3		
23	R32702	FITTING	2		
24	R28774	FITTING	1		
25	R42684	STRAINER	1		(SUB FOR R28775)
26	R28776	O-RING	1		
27	R26372	SPRING	1		
28	R42849	BALL	1		10MM (3/8") (SUB FOR 405R)
29	AR42400	HOUSING	1		(MARKED R31454 OR R42007) (SUB FOR AR31940)
30	A4816R	SPRING	2		
31	400R	BALL	2		6MM (1/4")
32	R30903	O-RING	4		
33	AR31016	GUIDE	2		
34	R31468	O-RING	2		
35	R31469	SHIM	2		
36	R31465	SLEEVE	2		
37	R31467	PIN	2		
38	R31464	PIN	2		
39	R34747	GROOVE PIN	1		(USE WITH R34642 OR R40789)
	R45929	GROOVE PIN	1		(USE WITH R45928 OR R57815)
40	34H252	SPRING PIN	1		1/8" X 1-1/4", (USE WITH R34642 OR R40789)
	34H286	SPRING PIN	1		3/16" X 1-1/2", (USE WITH R45928 OR R57815)
41	19H2550	CAP SCREW	1		1/2" X 1-5/8"
	12H301	LOCK WASHER	1		1/2"
42	R57815	BRACKET	1		(SUB FOR R34642, R40789 OR R45928) (ALSO ORDER R45929 AND 34H286)
43	19H1721	CAP SCREW	1		1/2" X 1-1/2"
	12H301	LOCK WASHER	1		1/2"
44	A3606R	O-RING	2		
45	R52169	GUIDE	2		(SUB FOR R31457)
46	R39980	BOLT	2		
47	R52168	STOP	2		(SUB FOR R31458)
48	R31271	SPRING	2		
49	R30903	O-RING	2		
50	R31459	RETAINER	2		
51	R54059	BOOT	2		(SUB FOR R39981)
52	R39982	NUT	2		
53	34H245	SPRING PIN	2		1/8" X 5/8"
54	R26384	RETAINER	1		
55	19H1733	CAP SCREW	3		3/8" X 2-1/2"
	12H304	LOCK WASHER	3		3/8"
56	R27527	ADAPTER	1		(SYNCRO-RANGE) (ILLUSTRATED)
	AT32335	ELBOW FITTING	1		90° (POWER SHIFT) (SUB FOR AR26746)
57	14H732	NUT	2		3/8"
58	R26386	SNAP RING	2		
59	R31273	YOKE	2		
60	R26385	PIN	2		
61	B177R	BUSHING	2		
62	AR33975	PEDAL	1		(MARKED R34531)
63	AR33976	PEDAL	1		(MARKED R34532) (NLA)
64	34H312	SPRING PIN	1		1/4" X 1"
65	R50879	ARM	1		(SUB FOR R32376)
66	R50034	LEAF SPRING	1		(SUB FOR R31602)

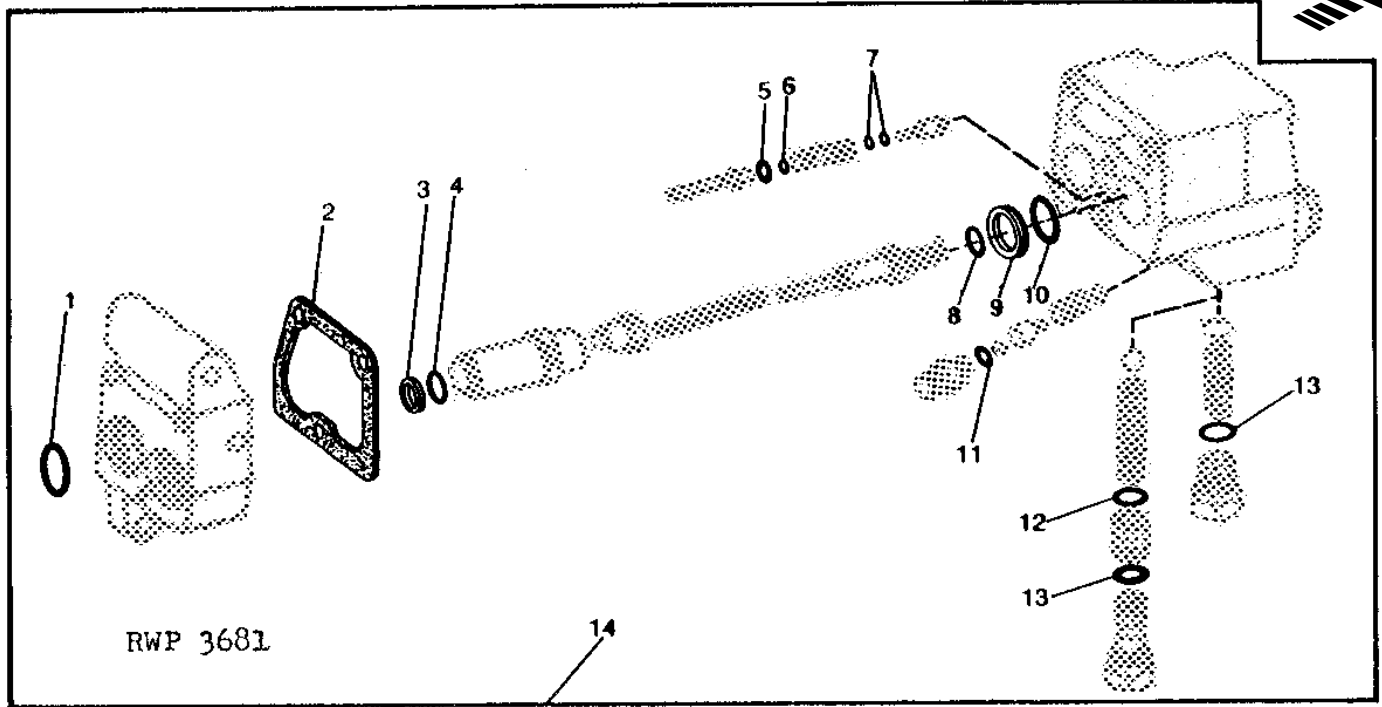
2D17

STEERING AND BRAKES

RWP3681

-UN-01JAN94

BRAKE VALVE OVERHAUL KIT



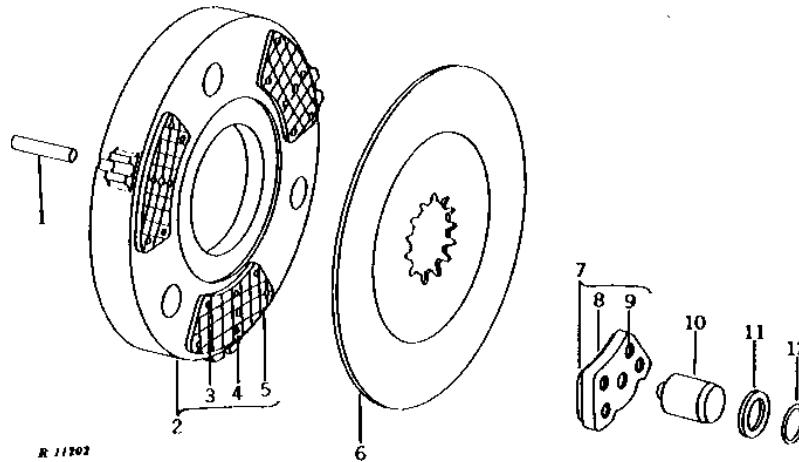
KEY	PART NO.	PART NAME	QTY	MODEL NO.	REMARKS
1	A3606R	O-RING	2		
2	R31455	GASKET	1		
3	R32092	WASHER	2		
4	R459R	O-RING	2		
5	R31469	SHIM	2		
6	R31468	O-RING	2		
7	R30903	O-RING	4		
8	R26286	O-RING	2		
9	R27137	BACK-UP RING	2		
10	R27149	O-RING	2		
11	R26287	O-RING	4		
12	R28776	O-RING	1		
13	R26375	O-RING	3		
14	AR31946	KIT	1		

2D18

STEERING AND BRAKES

R11202 -UN-01JAN94

BRAKE PLATES AND FACINGS



KEY	PART NO.	PART NAME	QTY	TRACTOR SERIAL NO.	REMARKS
1	R65543	DOWEL PIN	6		(SUB FOR R33024)
2	AR93366	PLATE	2		(ROW-CROP) (MARKED R33813, R38072, R48576, R64066 OR R79410) (SUB FOR AR32483, AR51801 OR AR68265) (SUB RE46335, (3) RE46330 AND R91782)
	AR33930	PLATE	2		(HI-CROP) (MARKED R34467) (NLA)
3	D1761R	RIVET	AR		(6 USED WITH R38072) (9 USED WITH R33813, R34467, R48576, R64066, OR R79410)
4	R708R	RIVET	AR		(6 USED WITH R38072) (9 USED WITH R33813, R34467, R48576, R64066, OR R79410)
5	R90090	BRAKE SHOE	6		(USE WITH R38072) (SUB FOR AR38048 OR R38024)
	R26969	BRAKE SHOE	6		(USE WITH R33813, R34467, R48576, R64066 OR R79410) (SUB FOR AR28487) (SUB R111122)
6	R38615	BRAKE DISK	2		(ROW-CROP) (SUB FOR R38073 OR R73644) (SUB (3) RE46330, RE46335 AND R91782)
	R33816	DISK	2		(HI-CROP) (SUB FOR R33815) (NLA)
7	AR38213	PLATE	6		(SUB FOR AR38778) (SUB RE46335, (3) RE46330 AND R91782)
8	R90090	BRAKE SHOE	6		(SUB FOR AR38048 OR R38024) (SUB RE46335, (3) RE46330 AND R91782)
9	D1761R	RIVET	24		
10	R38021	PISTON	6		
11	R38022	WASHER	6	PAPER	
12	A4540R	O-RING	6		

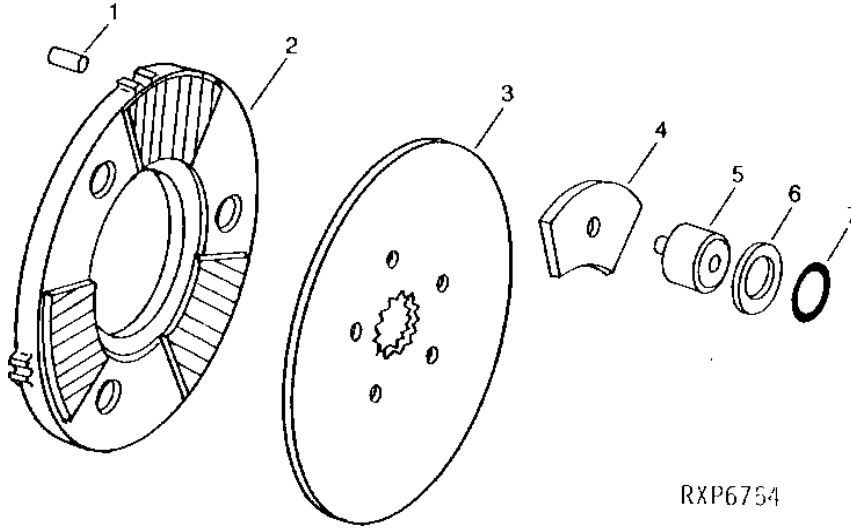
MEMORANDA

2D19

STEERING AND BRAKES

RXP6754 -UN-01JAN94

BRAKE DISK



RXP6754

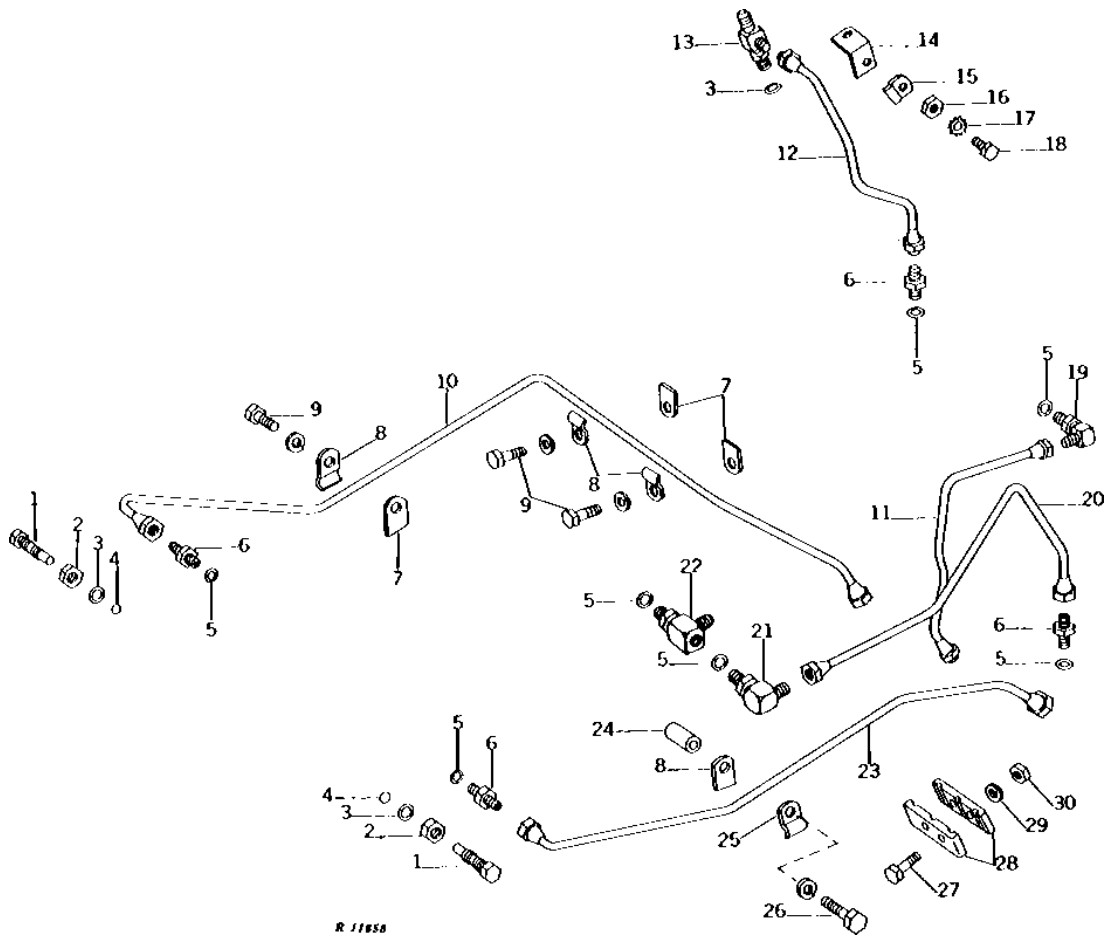
KEY	PART NO.	PART NAME	QTY	TRACTOR SERIAL NO.	REMARKS
1	R65543	DOWEL PIN	6		
2	RE46335	PLATE	2		(MARKED R79673) (SUB FOR RE32969)
3	R91782	BRAKE DISK	2		
4	RE46330	PLATE	6		(SUB FOR RE36657)
5	R38021	PISTON	6		
6	R38022	WASHER	6		
7	A4540R	O-RING	6		

2D20

STEERING AND BRAKES

R11858 -UN-01JAN94

BRAKE OIL LINES (SYNCRO-RANGE)



2D21

STEERING AND BRAKES

BRAKE OIL LINES - CONTINUED (SYNCRO-RANGE)

KEY	PART NO.	PART NAME	QTY	TRACTOR SERIAL NO.	REMARKS
1	R27906	SCREW	2		BLEED VALVE
2	R27296	NUT	2		
3	R26286	O-RING	3		
4	R42849	BALL	2		10MM (3/8") (SUB FOR 405R)
5	R26287	O-RING	7		
6	R27527	ADAPTER	4		
7	R31655	STRAP	3		
8	R31654	CLAMP	4		
9	19H1936	CAP SCREW	3		3/8" X 3/4"
	12H304	LOCK WASHER	3		3/8"
10	AR26848	HYDRAULIC LINE	1		L.H.
11	AR32239	HYDRAULIC LINE	1		(A) LOWER PRESSURE
	AR39678	HYDRAULIC LINE	1		(B) LOWER PRESSURE
12	AR38321	HYDRAULIC LINE	1		UPPER PRESSURE
13	AR30762	TEE FITTING	1		(SUB FOR AR39668)
14	R34651	BRACKET	1		
15	R31654	CLAMP	1		
16	14H785	NUT	1		5/16"
17	12M7032	LOCK WASHER	1		0.331"
18	19H1813	CAP SCREW	1		5/16" X 5/8"
19	AT32335	ELBOW FITTING	1		90°, (SUB FOR AR26746)
20	AR39791	HYDRAULIC LINE	1		RETURN
21	AT32335	ELBOW FITTING	1		(A) 90°, (SUB FOR AR26746)
	AR39795	TEE FITTING	1		(B)
22	AR33988	TEE FITTING	1		
23	AR33970	HYDRAULIC LINE	1		R.H.
24	28H1497	BUSHING	1		3/8" X 1-1/2"
25	R31655	STRAP	1		(A)
	R34819	PLATE	1		(B)
26	19H1944	CAP SCREW	1		3/8" X 2-3/4"
	12H304	LOCK WASHER	1		3/8"
27	19H1849	CAP SCREW	2		(A) 5/16" X 1-1/4"
28	R36086	CLAMP	2		(A)
29	12H303	LOCK WASHER	2		(A) 5/16"
30	14H785	NUT	2		(A) 5/16"

(A) LESS DIFFERENTIAL LOCK

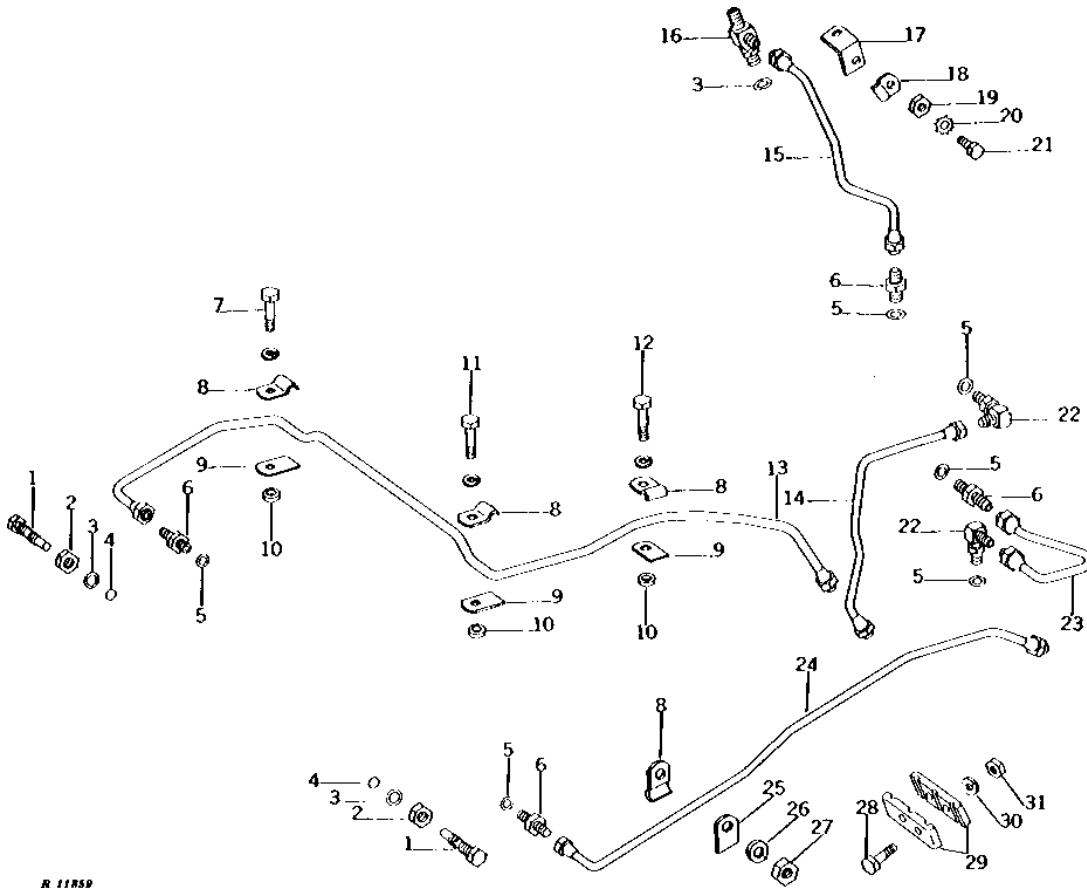
(B) DIFFERENTIAL LOCK

2D22

STEERING AND BRAKES

BRAKE OIL LINES (POWER SHIFT)

R11859 -UN-01JAN94



R 11859

2D23

STEERING AND BRAKES

BRAKE OIL LINES - CONTINUED (POWER SHIFT)

KEY	PART NO.	PART NAME	QTY	TRACTOR SERIAL NO.	REMARKS
1	R27906	SCREW	2		BLEED VALVE
2	R27296	NUT	2		
3	R26286	O-RING	3		
4	R42849	BALL	2		10MM (3/8") (SUB FOR 405R)
5	R26287	O-RING	6		
6	R27527	ADAPTER	4		
7	19H1800	CAP SCREW	1		3/8" X 1-1/2", GASOLINE
	19H1801	CAP SCREW	1		3/8" X 2", DIESEL
	12H304	LOCK WASHER	1		3/8"
8	R31654	CLAMP	4		
9	R31655	STRAP	3		
10	R21483	WASHER	3		
11	19H1801	CAP SCREW	1		3/8" X 2"
	12H304	LOCK WASHER	1		3/8"
12	19H1800	CAP SCREW	1		3/8" X 1-1/2"
	12H304	LOCK WASHER	1		3/8"
13	AR32384	HYDRAULIC LINE	1		L.H.
14	AR32239	HYDRAULIC LINE	1		(A) LOWER PRESSURE
	AR39678	HYDRAULIC LINE	1		(B) LOWER PRESSURE
15	AR38321	HYDRAULIC LINE	1		UPPER PRESSURE
16	AR30762	TEE FITTING	1		(SUB FOR AR39668)
17	R34651	BRACKET	1		
18	R31654	CLAMP	1		
19	14H785	NUT	1		5/16"
20	12M7032	LOCK WASHER	1		0.331"
21	19H1813	CAP SCREW	1		5/16" X 5/8"
22	AT32335	ELBOW FITTING	2		90°, (SUB FOR AR26746)
23	AR44430	HYDRAULIC LINE	1		RETURN, (SUB FOR AR32382)
24	AR34782	HYDRAULIC LINE	1		R.H.
25	R31655	STRAP	1		(A)
	R34819	PLATE	1		(B)
26	12H304	LOCK WASHER	1		3/8"
27	14H1076	NUT	1		3/8"
28	19H1849	CAP SCREW	2		(A) 5/16" X 1-1/4"
29	R36086	CLAMP	2		(A)
30	12H303	LOCK WASHER	2		(A) 5/16"
31	14H785	NUT	2		(A) 5/16"

(A) LESS DIFFERENTIAL LOCK
(B) DIFFERENTIAL LOCK

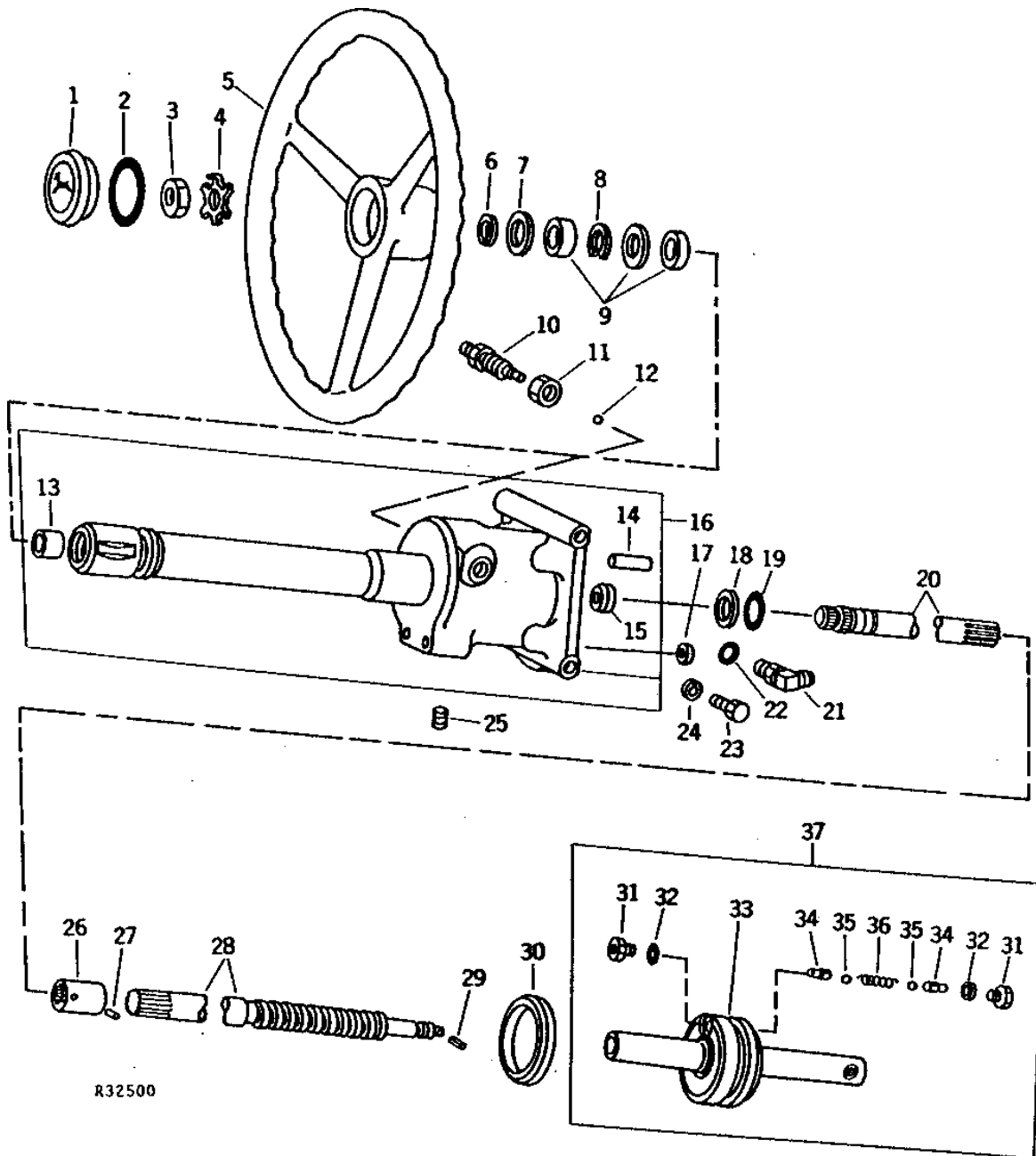
2D24

STEERING AND BRAKES

R32500

-UN-01JAN94

STEERING VALVE CYLINDER, SHAFT AND PISTON



R32500

2D25

STEERING AND BRAKES

STEERING VALVE CYLINDER, SHAFT AND PISTON - CONTINUED

KEY	PART NO.	PART NAME	QTY	TRACTOR SERIAL NO.	REMARKS
1	R47998	CAP	1		(SUB FOR R34324 OR R45792)
2	B3690R	O-RING	1		
3	14H904	NUT	1		3/4"
4	T17148	LOCK WASHER	1		
5	AR26625	STEERING WHEEL	1		
6	B169R	SNAP RING	1		
7	R42629	WASHER	1		
8	R26933	SNAP RING	1		
9	AR34172	SEAL KIT	1		
10	R27299	SCREW	1		BLEED
	21H1335	SCREW	1		0.190" X 5/16"
11	R27453	NUT	1		
12	400R	BALL	1		6MM (1/4")
13	R27320	BUSHING	1		
14	R32186	DOWEL PIN	2		
15	R27087	WASHER	1		
16	AR38043	CYLINDER	1	-014296	(MARKED R38110)
	AR47290	CYLINDER	1	014297-	(MARKED R41124 OR R44846) (SUB FOR AR40786)
	R26287	O-RING	1	-014296	
	R27216	DRAIN PLUG	1	-014296	(SUB FOR R31631)
17	AR67783	O-RING KIT	1		(STEERING VALVE CYLINDER TO COVER) (SUB FOR R26760 OR AR42009)
18	R26441	BACK-UP RING	2		
19	A3606R	O-RING	2		
20	R73737	SHAFT	1		(SUB FOR R37426)
21	AT35121	ELBOW FITTING	1		90°, (SUB FOR AR26725)
22	R26448	O-RING	1		
23	19H1732	CAP SCREW	4		3/8" X 1-1/4"
24	12H304	LOCK WASHER	4		3/8"
25	15H558	PIPE PLUG	1		1/8"
26	R27319	SPLINED COUPLING	1		
27	34H282	SPRING PIN	1		3/16" X 1"
28	R34125	SHAFT	1		
29	11M7081	COTTER PIN	1		0.098" X 0.787"
30	R40567	WASHER	1		
31	R31202	VALVE	2		
32	R26287	O-RING	2		
33	AR30298	PISTON	1		(SUB AR30297, THIS APPLICATION)
34	R31201	SHAFT	2		
35	H871R	BALL	2		5MM (3/16")
36	A4816R	SPRING	1		
37	AR30297	PISTON	1		

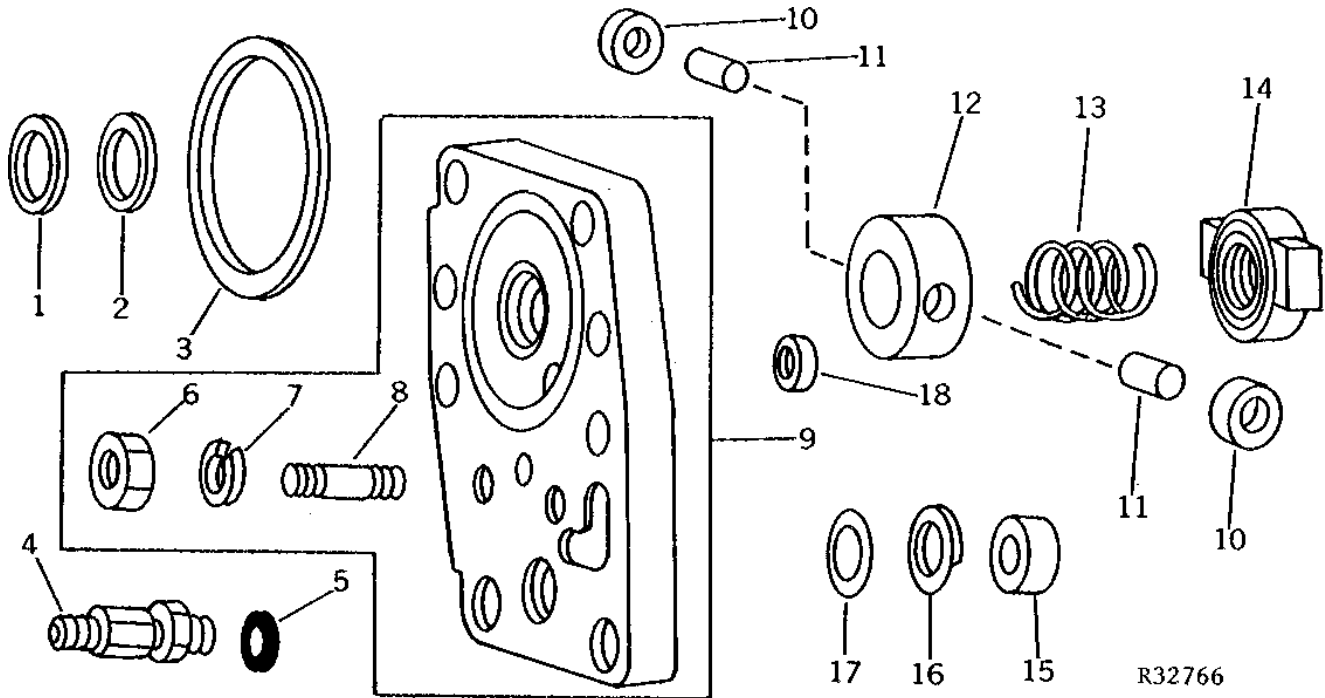
MEMORANDA

2E1

STEERING AND BRAKES

R32766 -UN-01JAN94

STEERING VALVE CYLINDER COVER



R32766

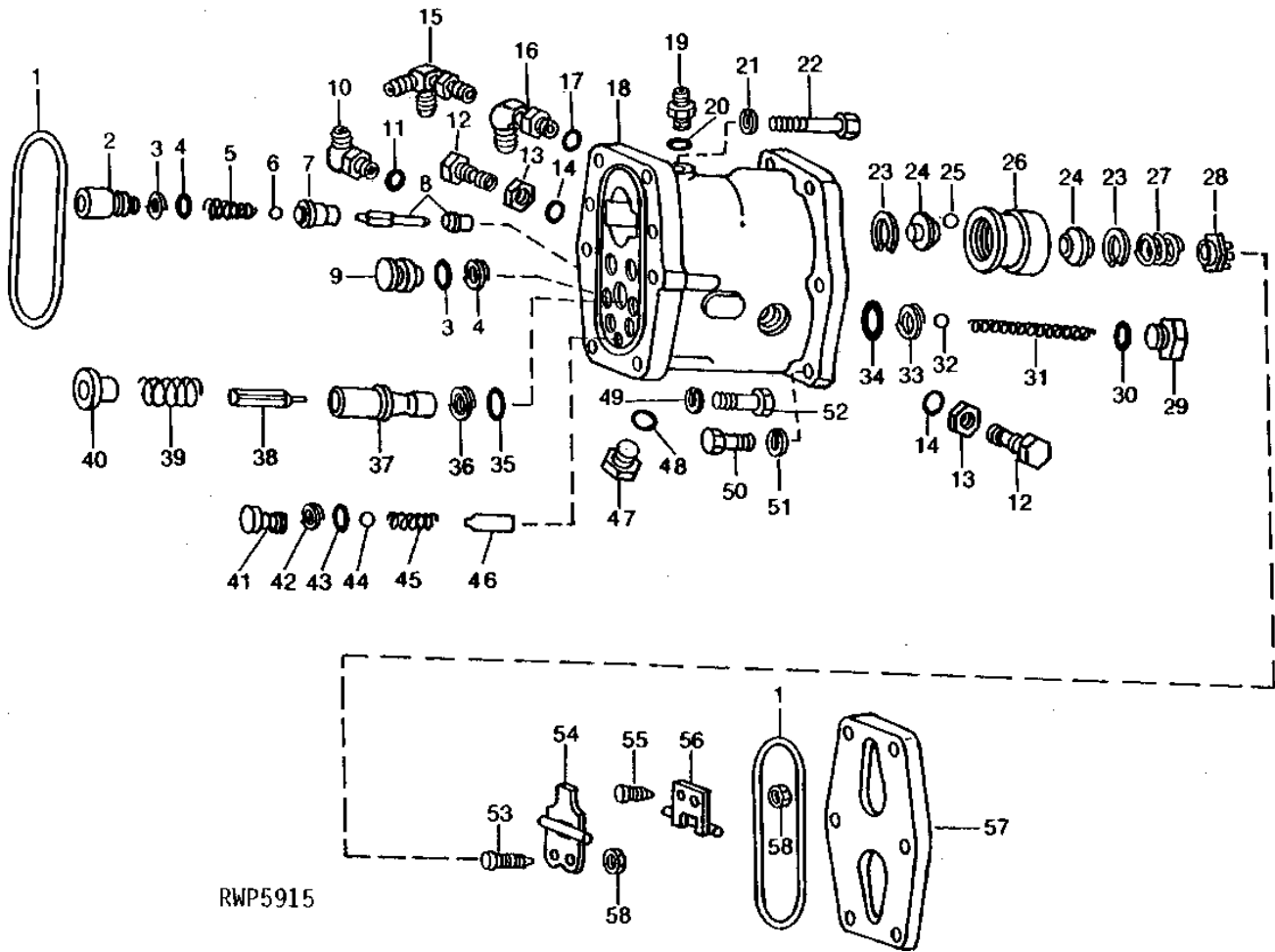
KEY	PART NO.	PART NAME	QTY	TRACTOR SERIAL NO.	REMARKS
1	R26441	BACK-UP RING	2		
2	A3606R	O-RING	2		
3	AR67783	O-RING KIT	1		(STEERING VALVE COVER TO CYLINDER) (SUB FOR R34896 OR AR42009)
4	AR30762	TEE FITTING	1		
5	R26286	O-RING	1		
6	14H1047	NUT	2	7/16"	
7	12H293	LOCK WASHER	2	7/16"	
8	R55183	STUD	2		
9	AR44883	COVER	1		(MARKED R34120 OR R42707) (SUB FOR AR40453)
10	R26755	WASHER	2		
11	R27091	PIN	2		
12	R40149	LOCKING COLLAR	1		
13	R40531	SPRING	1		
14	R27089	NUT	1		
15	R34121	PISTON	1		
16	R47694	BACK-UP RING	1		
17	R495R	O-RING	1		
18	AR67783	O-RING KIT	1		(STEERING VALVE COVER TO CYLINDER) (SUB FOR R26760 OR AR42009)

2E2

STEERING AND BRAKES

RWP5915 -UN-01JAN94

STEERING VALVE ASSEMBLY



2E3

STEERING AND BRAKES

STEERING VALVE ASSEMBLY - CONTINUED

KEY	PART NO.	PART NAME	QTY	TRACTOR SERIAL NO.	REMARKS
1	R34733	WASHER	2		
2	R41724	PLUG	4		(SUB FOR R34130)
3	R32588	BACK-UP RING	6		
4	R459R	O-RING	6		
5	R26565	SPRING	4		
6	400R	BALL	4		6MM (1/4")
7	R28124	VALVE	4		
8	AR49535	SHAFT	2		UPPER, (SUB FOR AR30589)
	AR49536	SHAFT	2		LOWER, (SUB FOR AR30590)
9	R34131	PLUG	2		
10	AT35121	ELBOW FITTING	1		90°, (SUB FOR AR26725)
11	R26448	O-RING	1		
12	R40338	DRAIN PLUG	2		
13	R27296	NUT	2		
14	R26286	O-RING	2		
15	AR26767	TEE FITTING	1		(SELECTIVE CONTROL)
16	AT32334	FITTING	1		90° (LESS SELECTIVE CONTROL) (SUB FOR AR26773)
17	R26286	O-RING	1		
18	AR43809	HOUSING	1		(MARKED R34119 OR R43962) (SUB FOR AR34006)
19	R27527	ADAPTER	1	-014805	(ILLUSTRATED)
	AR35223	ELBOW FITTING	1	014806-	90°
20	R26287	O-RING	1		
21	12H301	LOCK WASHER	4		1/2"
22	19H1990	CAP SCREW	4		1/2" X 2-1/4"
23	R26425	SNAP RING	2	-003761	
	R26425	SNAP RING	1	003762-	
24	R40595	BEARING RACE	2		
25	R26552	BALL	13		8MM (5/16")
26	R40757	BUSHING	1		(SUB FOR R31197)
27	R34128	WASHER	4	-003761	
	R40596	SPRING	1	003762-	(ILLUSTRATED)
28	R20228	NUT	1	-003761	(SUB 14H862)
	R40597	LOCK NUT	1	003762-	
29	R39112	FITTING	1		
30	R26375	O-RING	1		
31	R31278	SPRING	1		
32	R42849	BALL	1		10MM (3/8") (SUB FOR 405R)
33	R30323	BACK-UP RING	1		
34	T12860	O-RING	1		
35	B2762R	O-RING	1		
36	R26546	BACK-UP RING	1		
37	R34123	VALVE SEAT	1		
38	R42661	SEAT	1		(SUB FOR R34124)
39	R26151	SPRING	1		
40	R34122	STOP	1		
41	R34132	VALVE SEAT	1		(SUB AR44883)
42	R34129	BACK-UP RING	1		
43	A4365R	O-RING	1		
44	400R	BALL	1		6MM (1/4")
45	R26373	SPRING	1		
46	R34336	GUIDE	1		
47	R27216	DRAIN PLUG	1		(SUB FOR R31631)
48	R26287	O-RING	1		
49	12H301	LOCK WASHER	2		1/2"
50	19H2959	CAP SCREW	6		3/8" X 2"
51	12H304	LOCK WASHER	6		3/8"
52	19H1721	CAP SCREW	2		1/2" X 1-1/2"
53	R26554	SET SCREW	2		
54	AR26448	LEVER	1		LOWER
55	R26762	BOLT	2		
56	AR26402	LEVER	1		UPPER
57	R57034	COVER	1		(SUB FOR R26553 OR R51748)
58	14H649	NUT	4		1/4"

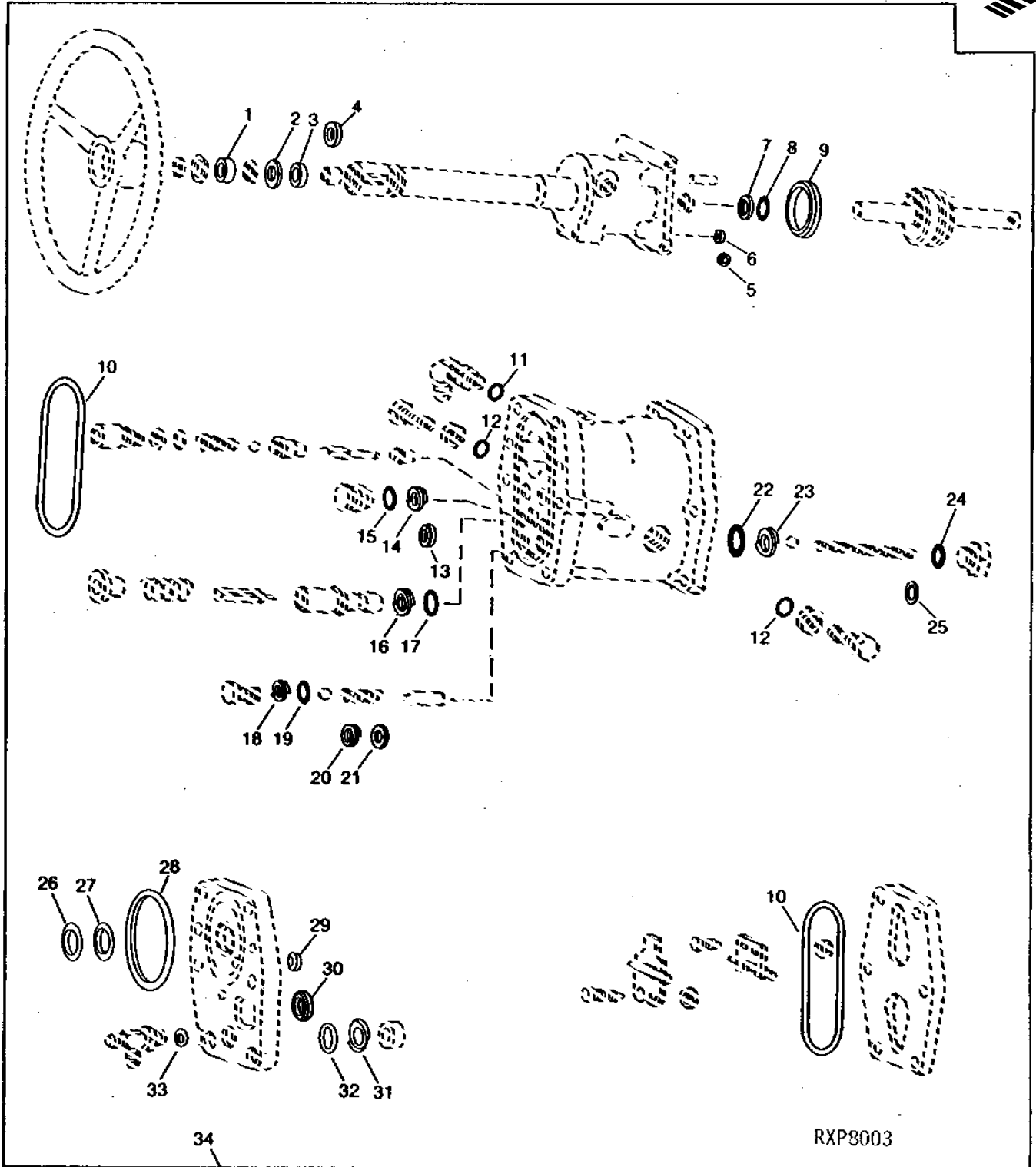
2E4

STEERING AND BRAKES

RXP8003

-UN-01JAN94

STEERING VALVE CYLINDER OVERHAUL KIT



RXP8003

2E5

STEERING AND BRAKES

STEERING VALVE CYLINDER OVERHAUL KIT - CONTINUED

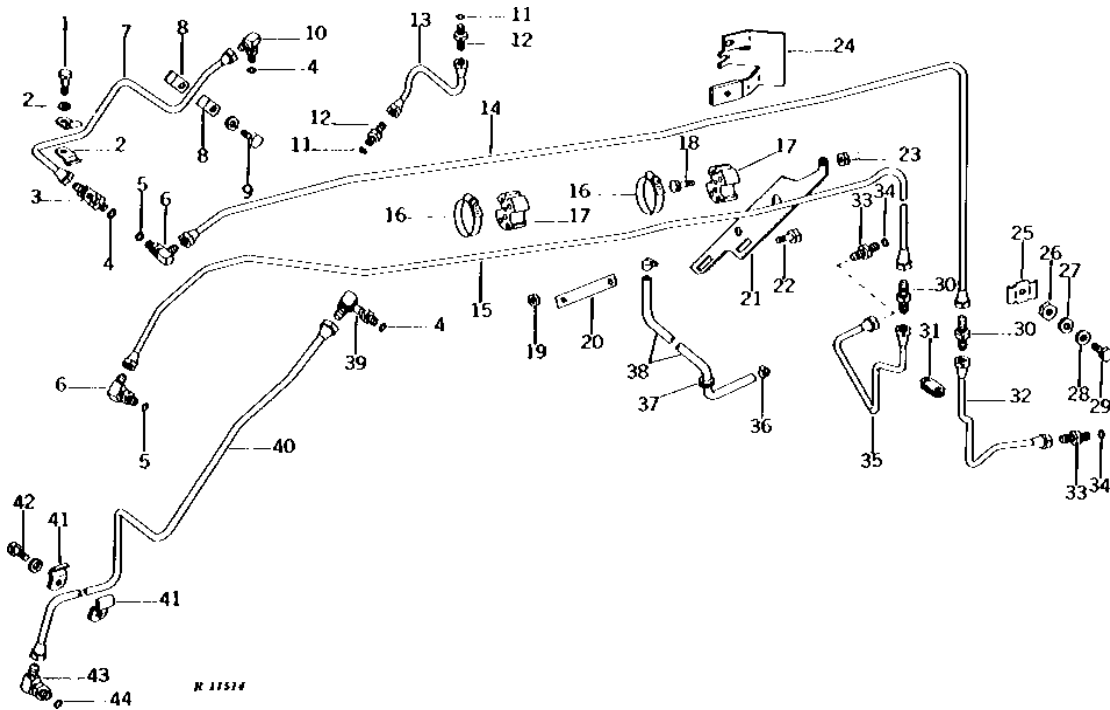
KEY	PART NO.	PART NAME	QTY	TRACTOR SERIAL NO.	REMARKS
1	AR39585	KIT	1		

2E6

STEERING AND BRAKES

R11514 -UN-01JAN94

STEERING OIL LINES



2E7

STEERING AND BRAKES

STEERING OIL LINES - CONTINUED

KEY	PART NO.	PART NAME	QTY	TRACTOR SERIAL NO.	REMARKS
1	19H1731	CAP SCREW	1		3/8" X 1"
	12H304	LOCK WASHER	1		3/8"
2	R42357	CLAMP	2		(SUB FOR R27545)
3	AR30762	TEE FITTING	1		
4	R26286	O-RING	3		
5	R26448	O-RING	2		
6	AT35121	ELBOW FITTING	2		90°, (SUB FOR AR26725)
7	AR31988	HYDRAULIC LINE	1		PRESSURE, STEERING VALVE TO PRESSURE CONTROL VALVE
8	R27720	CLAMP	2		
9	19H1936	CAP SCREW	1		3/8" X 3/4"
	12H304	LOCK WASHER	1		3/8"
10	AT32333	ELBOW FITTING	1		90°, (SUB FOR AR26771)
11	R26287	O-RING	2		
12	R27527	ADAPTER	2	-014805	(ILLUSTRATED)
	R27527	ADAPTER	1	014806-	
	AR35223	ELBOW FITTING	1	014806-	90°
13	AR48233	KIT	1		BLEED LINE, (CONSISTS OF (2) AR48234, (2) AR48235, (2) AR48236 AND R46141) (SUB FOR AR40404)
14	AR26812	HYDRAULIC LINE	1		TOP, R.H.
15	AR26813	HYDRAULIC LINE	1		TOP, L.H.
16	AR21840	CLAMP	2		
17	AR41016	SPACER	2		(SUB FOR R27924)
18	19H1898	CAP SCREW	2		1/4" X 1-1/2"
19	14H1076	NUT	2		3/8"
20	R38327	PLATE	1		(NLA)
21	R38326	SUPPORT	1		(NLA)
22	03H1500	BOLT	2		3/8" X 1"
23	14H786	NUT	2		1/4"
24	R38061	SUPPORT	1		(NLA)
25	R27323	CLAMP	1		
26	14H786	NUT	1		1/4"
27	12H302	LOCK WASHER	1		1/4"
28	24H1287	WASHER	1		9/32" X 5/8" X 0.065"
29	19H1948	CAP SCREW	1		1/4" X 3/4"
30	R27095	FITTING	2		
31	R26418	GROMMET	1		
32	AR38228	HYDRAULIC LINE	1		BOTTOM, R.H.
33	R27212	FITTING	2		
34	R26448	O-RING	2		
35	AR38229	HYDRAULIC LINE	1		BOTTOM, L.H.
36	AR21836	CLAMP	2		(SUB FOR AR27253)
37	R26941	GROMMET	1		
38	HOSE	1		(A) 572MM (22-1/2") (MAKE FROM R32639)
	HOSE	1		(B) 229MM (9") (MAKE FROM R32639)
39	AR26767	TEE FITTING	1		(WITH SELECTIVE CONTROL)
	AT32334	FITTING	1		90°, (LESS SELECTIVE CONTROL) (SUB FOR AR26773)
40	AR38324	LINE	1		(A) (ILLUSTRATED) RETURN, STEERING VALVE TO HYDRAULIC OIL FILTER (NO LONGER AVAILABLE)
	AR38322	LINE	1		(B) RETURN, STEERING VALVE TO OIL FILTER RELIEF VALVE (NLA)
41	R27539	CLAMP	2		
42	19H1936	CAP SCREW	1		3/8" X 3/4"
	12H304	LOCK WASHER	1		3/8"
43	AT32332	ELBOW FITTING	1		(A) 90°, (SUB FOR AR26763)
	AR27699	ELBOW FITTING	1		(B) 90°
44	R26375	O-RING	1		
..	AR21969	KIT	1		CAP PLUG ASSORTMENT

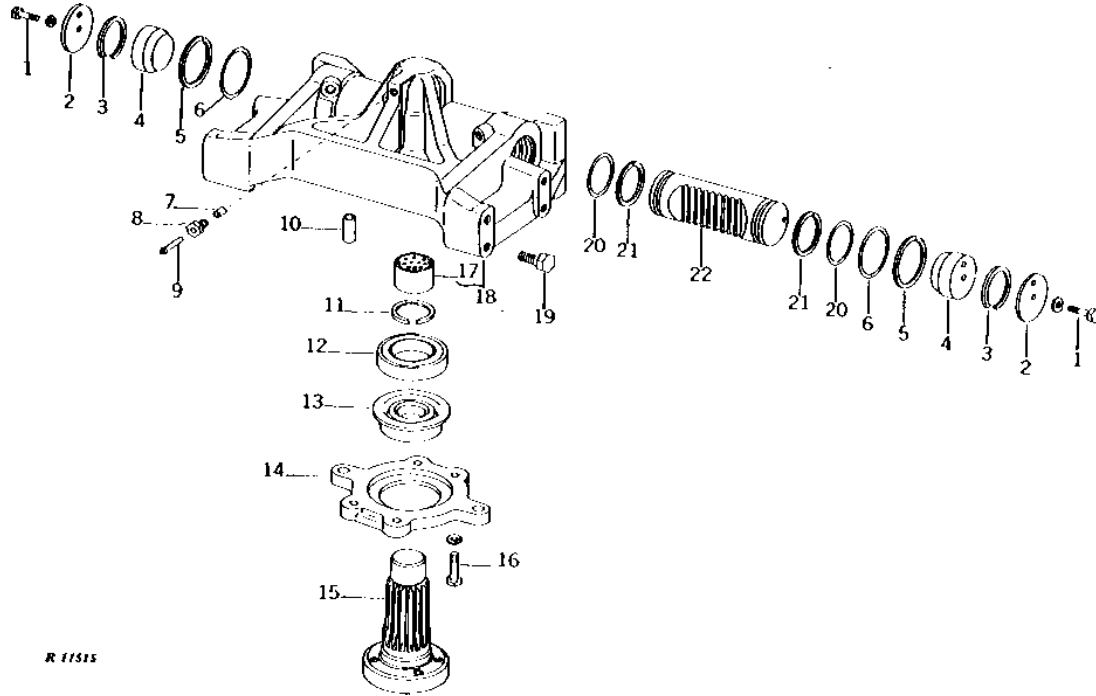
(A) POWER SHIFT
(B) SYNCRO-RANGE

2E8

STEERING AND BRAKES

R11515 -UN-01JAN94

STEERING MOTOR



KEY	PART NO.	PART NAME	QTY	TRACTOR SERIAL NO.	REMARKS
1	19H2552	CAP SCREW	2	3/8" X 1-1/8"	
	12H304	LOCK WASHER	2	3/8"	
2	R38118	WASHER	2	(NLA)	
3	R38121	SNAP RING	2	(NLA)	
4	R38015	PLUG	2	(NLA)	
5	R78821	BACK-UP RING	2	(SUB FOR R38120)	
6	R26543	O-RING	2		
7	R28677	SLEEVE	1		
8	R28676	FITTING	1		
9	R38123	TUBE	1	(NLA)	
10	R26277	DOWEL PIN	2		
11	R26246	SNAP RING	1		
12	JD9329	BALL BEARING	1	(NLA)	
13	AR38277	SEAL	1		
14	R38122	RETAINER	1	(NLA)	
15	R38016	SPINDLE	1	(NLA)	
16	19H2550	CAP SCREW	4	1/2" X 1-5/8"	
	12H301	LOCK WASHER	4	1/2"	
17	R38528	BUSHING	1	(SUB FOR R38014) (NLA)	
18	AR38209	HOUSING	1	(MARKED R38013)	
19	R31505	BOLT	8		
20	U10063	O-RING	2		
21	R38117	BACK-UP RING	2		
22	R38115	PISTON	1	(NLA)	

2E12

HYDRAULICS

RE026740 -UN-20FEB96

TRANSMISSION AND HYDRAULIC OIL



RE026740

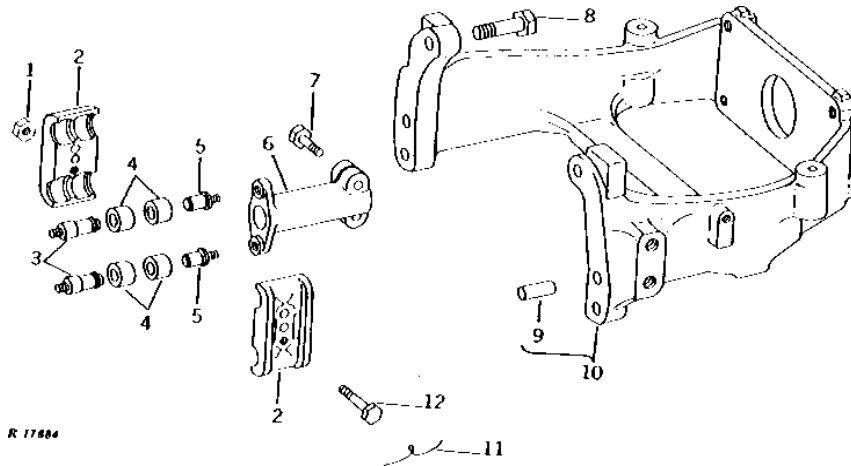
KEY	PART NO.	PART NAME	QTY	TRACTOR SERIAL NO.	REMARKS
1	AR69444	HY-GARD	1	19L (5 GAL)	
	AR69445	HY-GARD	1	208L (55 GAL)	(EMPTY DRUMS NOT RETURNABLE)
2	TY22043	OIL	1	(1 GAL)	
	TY22044	OIL	1	19 L (5 GAL)	
	TY22063	OIL	1	208 L (55 GAL)	

2E13

HYDRAULICS

R17884 -UN-01JAN94

HYDRAULIC PUMP DRIVE AND SUPPORT



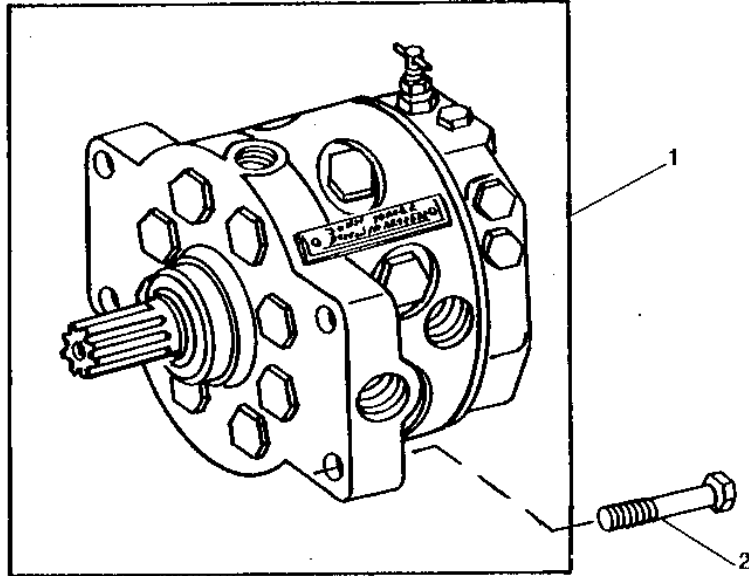
KEY	PART NO.	PART NAME	QTY	TRACTOR SERIAL NO.	REMARKS
1	M63440	LOCK NUT	2	XXXXXX-	(SUB E50102)
2	R38348	EXTERNAL HALF COUPLER	2		
3	R38347	FITTING	2		
4	R45822	BUSHING	1		(PKG. OF 4) (SUB FOR AR34098 OR AR49427)
5	R34360	SCREW	2		
6	R38346	SHAFT	1		
7	19H1732	CAP SCREW	2		3/8" X 1-1/4"
8	19H2706	CAP SCREW	4		5/8" X 2" HS, SAE 8
9	R54380	DOWEL PIN	2		(SUB FOR T25317 OR R26015)
10	R38084	SUPPORT	1		(MARKED R38084) (SUB FOR AR38406 OR AR38898)
11	WIRE	1	-XXXXXX	304.8MM (12")
12	R34363	CAP SCREW	2	-XXXXXX	(SUB 19H2116 AND E50102)
	19H2116	CAP SCREW	2	XXXXXX-	3/8" X 2-1/2"

2E14

HYDRAULICS

RP3196 -UN-01JAN94

HYDRAULIC PUMP ASSEMBLY



RP3196

KEY	PART NO.	PART NAME	QTY	TRACTOR SERIAL NO.	REMARKS
1	AR97872	HYDRAULIC PUMP	1		(A) 40 CM3 (2.4 IN.3) (MODEL EA1) (REPLACEMENT PUMP) (ALSO ORDER AT33033, R39741, P47908, U13639 AND F3171R) (SUB FOR AR38217, AR39695 AND AR90459)
2	19H1990	CAP SCREW	4		1/2" X 2-1/4"

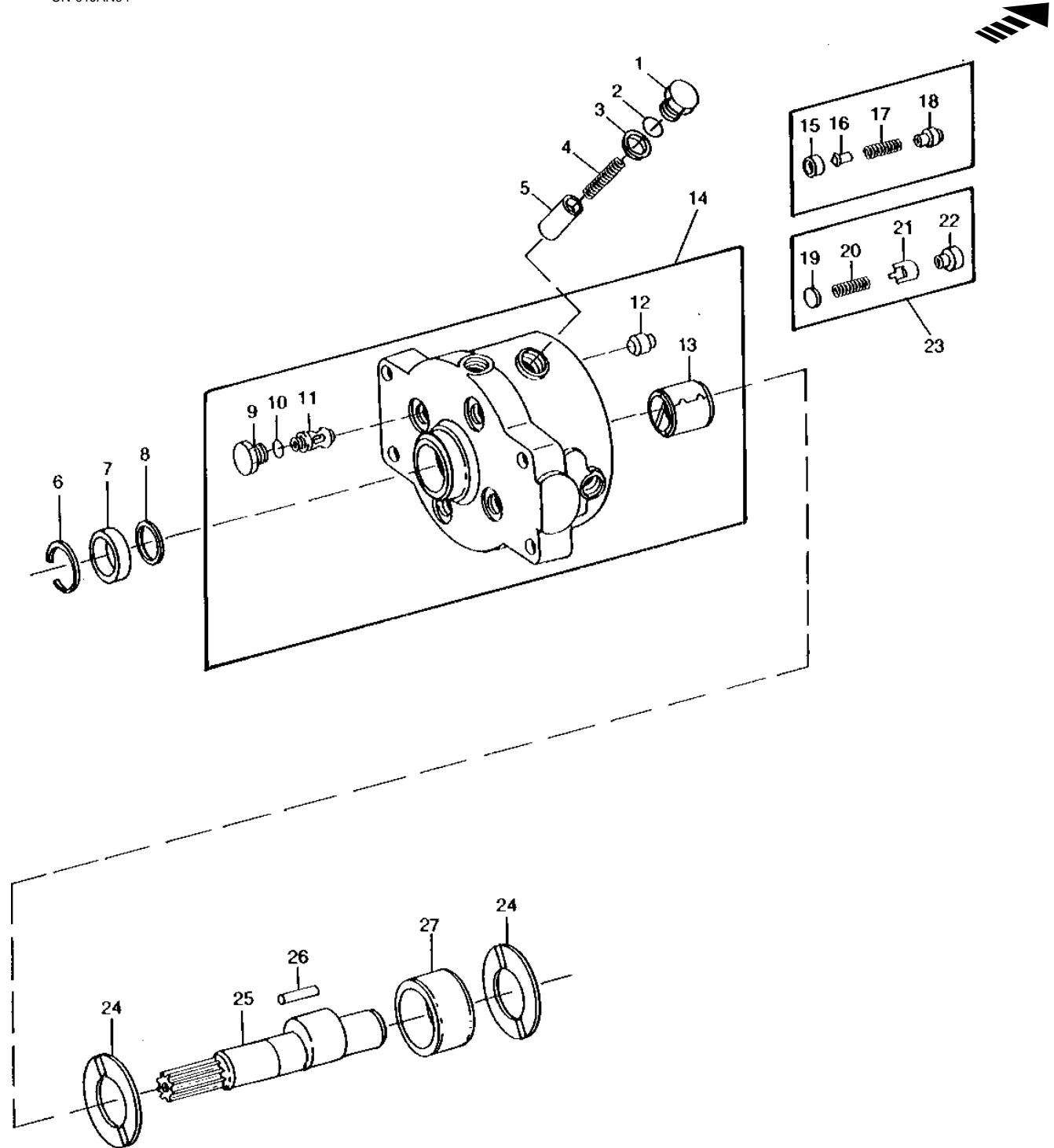
(A) ALSO ORDER AR38926 IF ORIGINAL FOUR PISTON PUMP IS BEING REPLACED

2E15

HYDRAULICS

FOUR PISTON HYDRAULIC PUMP
24.5 CM3 (1.5 IN.3)
(LESS SERIAL PLATE)

RP3694 -UN-01JAN94



RP3694

2E16

HYDRAULICS

FOUR PISTON HYDRAULIC PUMP - CONTINUED
24.5 CM3 (1.5 IN.3)
(LESS SERIAL PLATE)

KEY	PART NO.	PART NAME	QTY	MODEL NO.	REMARKS
1	R45438	FITTING	4		(SUB FOR R34353)
2	R495R	O-RING	4		(SUB (4) R56463 AND AR101236)
3	AR101236	SHIELD	1	XXXX-	(SET OF 8) (4 USED)
4	AR76761	SPRING	1		(SET OF 4) (SUB FOR AR40452)
5	R27150	PISTON	4		
6	R26137	SNAP RING	1		
7	RE28790	SEAL	1		(SUB FOR AR52224)
8	R39729	O-RING	1		
9	R78293	FITTING	4		(SUB FOR R27148 OR R44823)
10	R27149	O-RING	4		
11	AR53301	VALVE	4		(INLET) (SUB FOR AR26758)
12	R105583	SEAT	4	5PP3-	
13	R38036	BUSHING	1		
14	AR38219	HOUSING	1	-5PP1	(MARKED R38035) (SUB AR38885 AND (4) RE23382)
	AR38850	HOUSING	1	-5PP2	(MARKED R38561) (SUB AR38885 AND (4) RE23382)
	AR38885	HOUSING	1	5PP3-	(MARKED R38561)
15	R27155	WASHER	4	5PP1-5PP2	
16	R27154	POPPET	4	5PP1-5PP2	
17	R38531	SPRING	4	5PP1-5PP2	(SUB FOR R27156)
18	R27157	GUIDE	4	5PP1-5PP2	
19	R49297	DISK	4	5PP3-	
20	R39228	SPRING	4	5PP3-	
21	R48738	GUIDE	4	5PP3-	(SUB FOR R39174)
22	R83508	STOP	4	5PP3-	(SUB FOR R39175, R49298 OR R72886)
23	RE23382	VALVE	4	5PP3-	(OUTLET) (SUB FOR AR39026, AR52099, AR52785 OR AR96613)
24	R38038	THRUST WASHER	2		
25	R38037	SHAFT	1		
26	R27145	NEEDLE ROLLER	36		
27	R45874	BEARING RACE	1		
..	AR38217	HYDRAULIC PUMP	1		(SUB AR97872) (ALSO ORDER AR38926, AT33033, R39741, P47908, U13639 AND F3171R)

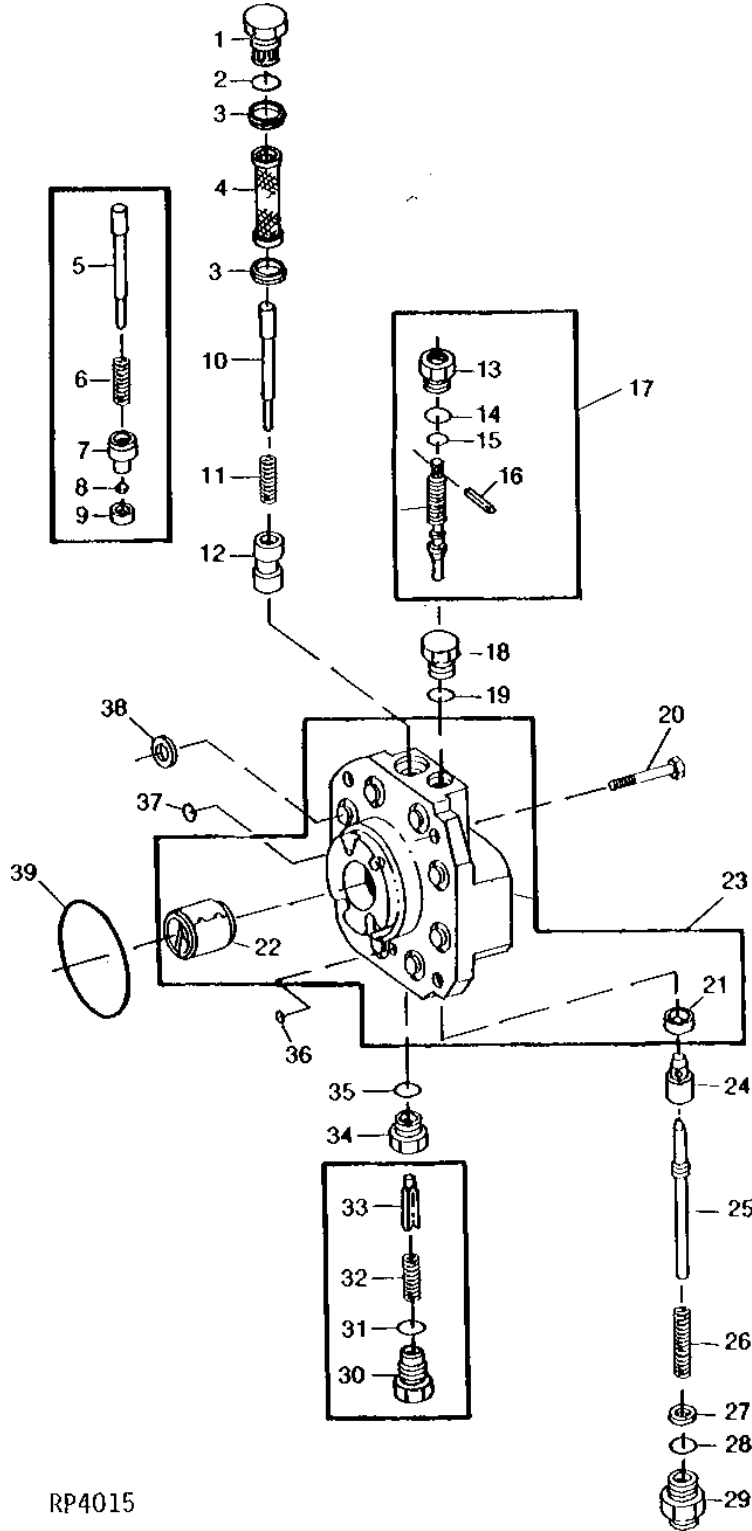
2E17

HYDRAULICS

FOUR PISTON HYDRAULIC PUMP STROKE CONTROL VALVE 24.5 CM³ (1.5 IN.³) (LESS SERIAL PLATE)

RP4015

-UN-01JAN94



RP4015

2E18

HYDRAULICS

FOUR PISTON HYDRAULIC PUMP STROKE CONTROL VALVE - CONTINUED
 24.5 CM3 (1.5 IN.3)
 (LESS SERIAL PLATE)

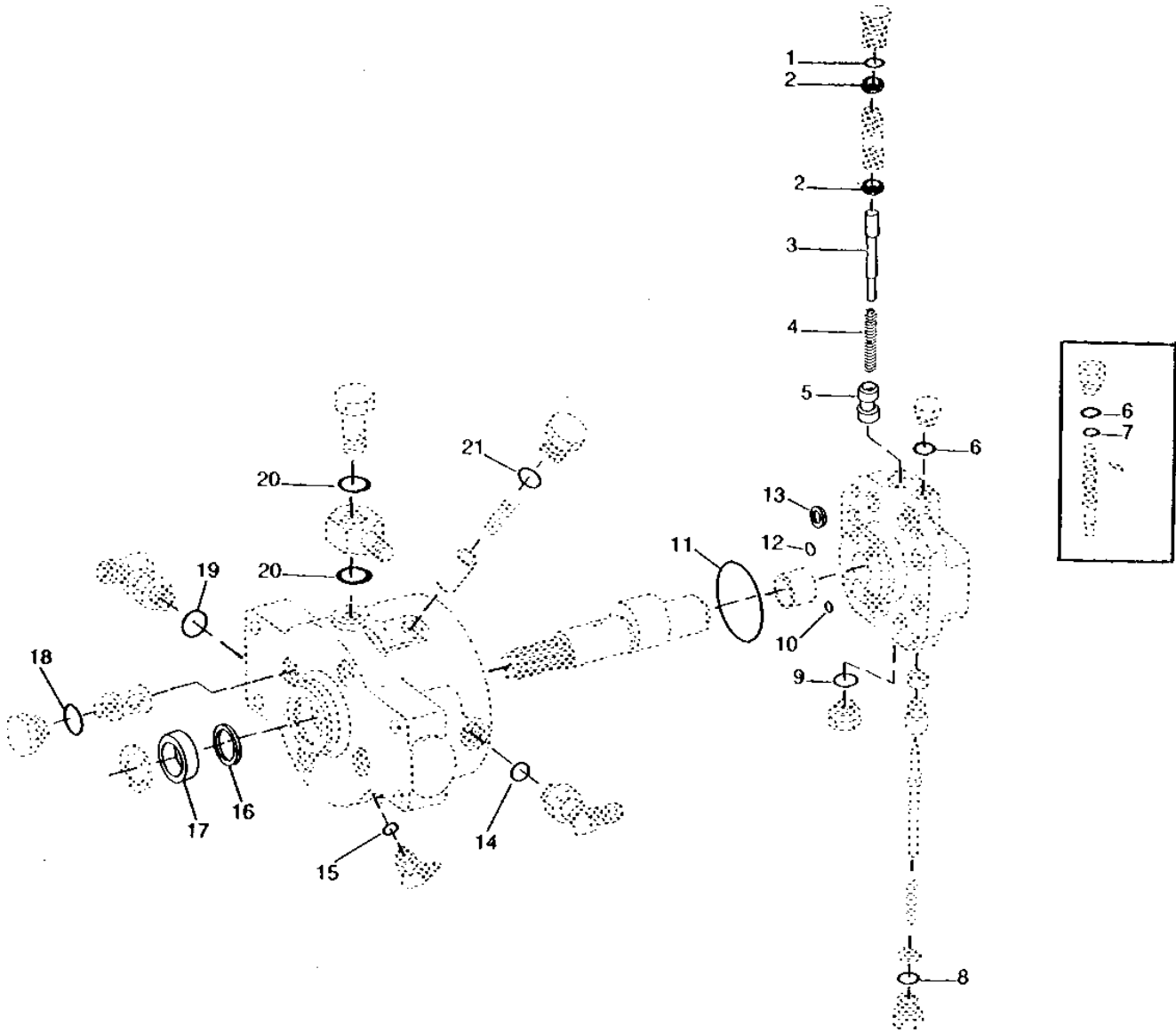
KEY	PART NO.	PART NAME	QTY	TRACTOR SERIAL NO.	REMARKS
1	R38045	PLUG	1	(NLA)	
2	F3171R	O-RING	1		
3	R27174	PACKING	2		
4	R27173	FILTER ELEMENT	1		
5	R38044	VALVE	1	-012975	(SUB AR38511)
6	R68390	SPRING	1	-012975	
7	R38043	GUIDE	1	-012975	(SUB AR38511)
8	H23836	BALL	1	-012975	(SUB FOR R29194)
9	R38042	VALVE SEAT	1	-012975	(SUB FOR AR38511)
10	R38424	VALVE	1	012976-	(SUB AR38511)
11	R62372	SPRING	1	012976-	(SUB FOR R34352)
12	R38425	SLEEVE	1	012976-	
13	R38053	BUSHING	1		
14	R26375	O-RING	1		
15	R30903	O-RING	1		
16	34H244	SPRING PIN	1		1/8" X 9/16"
17	AR38225	SCREW	1		MANUAL DESTROKE KIT (OPTIONAL)
18	R39112	PLUG	1		
19	R26375	O-RING	1		
20	19H2644	CAP SCREW	4		1/2" X 2-1/2"
21	R38544	VALVE SEAT INSERT	1		(ALSO ORDER R38543) (SUB FOR R38041)
22	R38036	BUSHING	1		
23	AR38784	HOUSING	1		(MARKED R38039) (SUB AR97872) (ALSO ORDER AR38926, AT33033, R39741, P47908, U13639 AND F3171R) (SUB FOR AR38223 OR AR38590) (ALSO ORDER R38544) (SUB FOR R40758) (SUB AR103040 AND R76167) (SUB FOR R39242)
24	R38543	VALVE	1		
25	R68383	GUIDE	1		
26	R39240	SPRING	1		
27	24M7096	WASHER	1		
28	R26906	O-RING	1		
29	AR89073	ADJUSTER	1		(SUB AR103040 AND R76167) (SUB FOR AR39106)
30	R38047	PLUG	1	-012975	(SUB AR38511 AND R27474)
31	R26906	O-RING	1	-012975	
32	R38401	SPRING	1	-012975	(SUB AR38511)
33	R38046	PLUNGER	1	-012975	(SUB AR38511)
34	R27474	PLUG	1	012976-	
35	R26906	O-RING	1	012976-	
36	A3917R	O-RING	1		
37	R375R	O-RING	1		
38	R69279	WASHER	8		(SUB FOR R26149)
39	R26621	O-RING	1		

2E19

HYDRAULICS

FOUR PISTON HYDRAULIC PUMP AND STROKE CONTROL VALVE OVERHAUL KIT 24.5 CM³ (1.5 IN.³) (PUMP LESS SERIAL PLATE)

RP3087 -UN-01JAN94



RP 3087

2E20

HYDRAULICS

FOUR PISTON HYDRAULIC PUMP AND STROKE CONTROL VALVE OVERHAUL KIT - CONTINUED
24.5 CM3 (1.5 IN.3)
(PUMP LESS SERIAL PLATE)

KEY	PART NO.	PART NAME	QTY	TRACTOR SERIAL NO.	REMARKS
1	F3171R	O-RING	1	(A)	
2	R27174	PACKING	2	(A)	
3	R38424	VALVE	1		
4	R62372	SPRING	1		
5	R38425	SLEEVE	1		
6	R26375	O-RING	1	(A)	
7	R30903	O-RING	1	(A)	
8	R26906	O-RING	1	(A)	
9	R26906	O-RING	1	(A)	
10	A3917R	O-RING	1	(A)	
11	R56757	O-RING	1	(A)	(SUB FOR R26621)
12	R375R	O-RING	1	(A)	
13	R107239	PACKING	8	(A)	
14	R26906	O-RING	1	(A)	
15	R26287	O-RING	1	(A)	
16	R39729	O-RING	1	(A)	
17	RE28790	SEAL	1	(A)	
18	R27149	O-RING	4	(A)	
19	F3171R	O-RING	1	(A)	
20	R27928	O-RING	2	(A)	
21	R495R	O-RING	4	(A)	

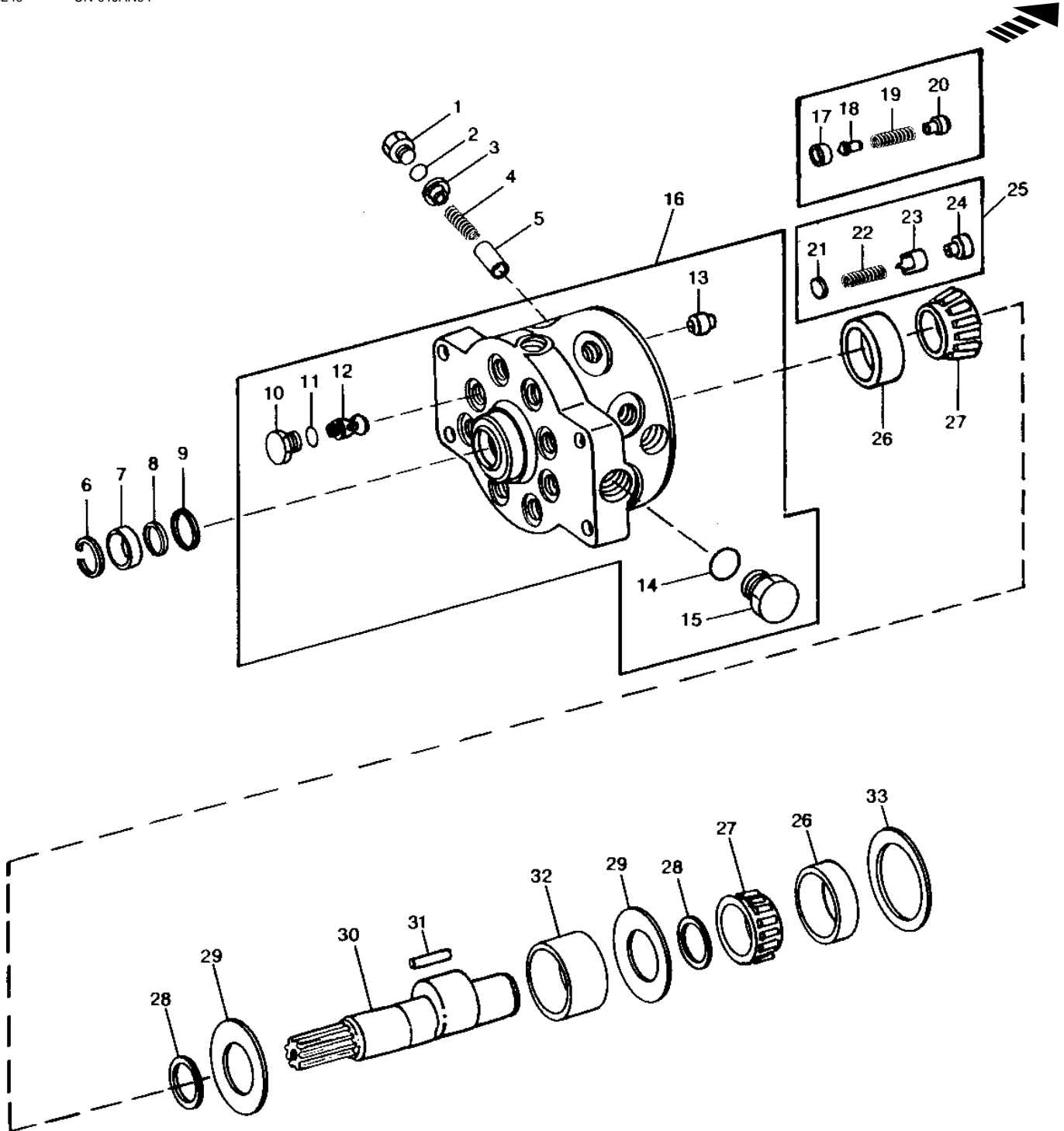
(A) RE29102 HYDRAULIC PUMP OVERHAUL KIT

2E21

HYDRAULICS

HYDRAULIC PUMP
39 CM3 (2.4 IN.3)
(REPLACEMENT PUMP LESS SERIAL PLATE)

RP3249 -UN-01JAN94



RP3249

2E22

HYDRAULICS

HYDRAULIC PUMP - CONTINUED
 39 CM3 (2.4 IN.3)
 (REPLACEMENT PUMP LESS SERIAL PLATE)

KEY	PART NO.	PART NAME	QTY	MODEL NO.	REMARKS
1	R45438	FITTING	8		
2	R495R	O-RING	8	-XXXX	(SUB R56463 AND AR101236, THIS APPLICATION)
	R56463	O-RING	8	XXXX-	
3	AR101236	SHIELD	1	XXXX-	(SET OF 8) (SUB FOR R56749)
4	AR76762	SPRING	1		(SET OF 8) (SUB FOR AR33821 OR AR55186)
5	R27150	PISTON	8		
6	R26137	SNAP RING	1		
7	RE28790	SEAL	1		(SUB FOR AR52224)
8	R56753	SHIM	1	XXXX-	
9	R39729	O-RING	1		
10	R78293	FITTING	8		(SUB FOR R27148 OR R44823)
11	R27149	O-RING	8		
12	AR53301	VALVE	8		(SUB FOR AR26758)
13	R105583	SEAT	8	2PP3-2PP4	
14	U13639	O-RING	1		(USE WITH R34354 OR R45228)
	F3171R	O-RING	1		(USE WITH R45227)
15	R39741	PLUG	1		(USE WITH R34354 OR R45228)
	R27175	PLUG	1		(USE WITH R45227)
16	AR47580	HOUSING	1	2PP1-2PP2	(MARKED R34347 OR R34354) (ALSO ORDER (8) RE23382 AND (8) R78293) (SUB AR97872) (ALSO ORDER AT33033, R39741, P47908, U13639 AND F3171R) (SUB FOR AR39696 AND AR47170)
	AR47580	HOUSING	1	2PP3-2PP4	(MARKED R45227 OR R45228) (SUB AR97872) (ALSO ORDER AT33033, R39741, P47908, U13639 AND F3171R) (SUB FOR AR39696 OR AR47170)
17	R27155	WASHER	8	2PP1-2PP2	
18	R27154	POPPET	8	2PP1-2PP2	
19	R38531	SPRING	8	2PP1-2PP2	
20	R27157	GUIDE	8	2PP1-2PP2	
21	R49297	DISK	8	2PP3-2PP4	
22	R39228	SPRING	8	2PP3-2PP4	
23	R48738	GUIDE	8	2PP3-2PP4	(SUB FOR R39174)
24	R83508	STOP	8	2PP3-2PP4	(SUB FOR R39175 OR R49298)
25	RE23382	VALVE	8	2PP3-2PP4	(SUB FOR AR39026, AR52099, AR52785 OR AR96613)
26	JD8223	BEARING CUP	2		
27	JD8192	BEARING CONE	2		
28	R34349	WASHER	2		
29	R60732	WASHER	2		(SUB FOR R42467)
30	R39843	SHAFT	1		
31	R27145	NEEDLE ROLLER	36		
32	R45874	BEARING RACE	1		
33	R27478	SHIM	AR		0.15MM (.006")
	R27479	SHIM	AR		0.25MM (.010")
..	AR39695	HYDRAULIC PUMP	1		(SUB AR97872) (ALSO ORDER AT33033, R39741, P47908, U13639 AND F3171R)
..	AR90459	HYDRAULIC PUMP	1		(SUB AR97872) (ALSO ORDER AT33033, R39741, P47908, U13639 AND F3171R) (SUB FOR AR39695)

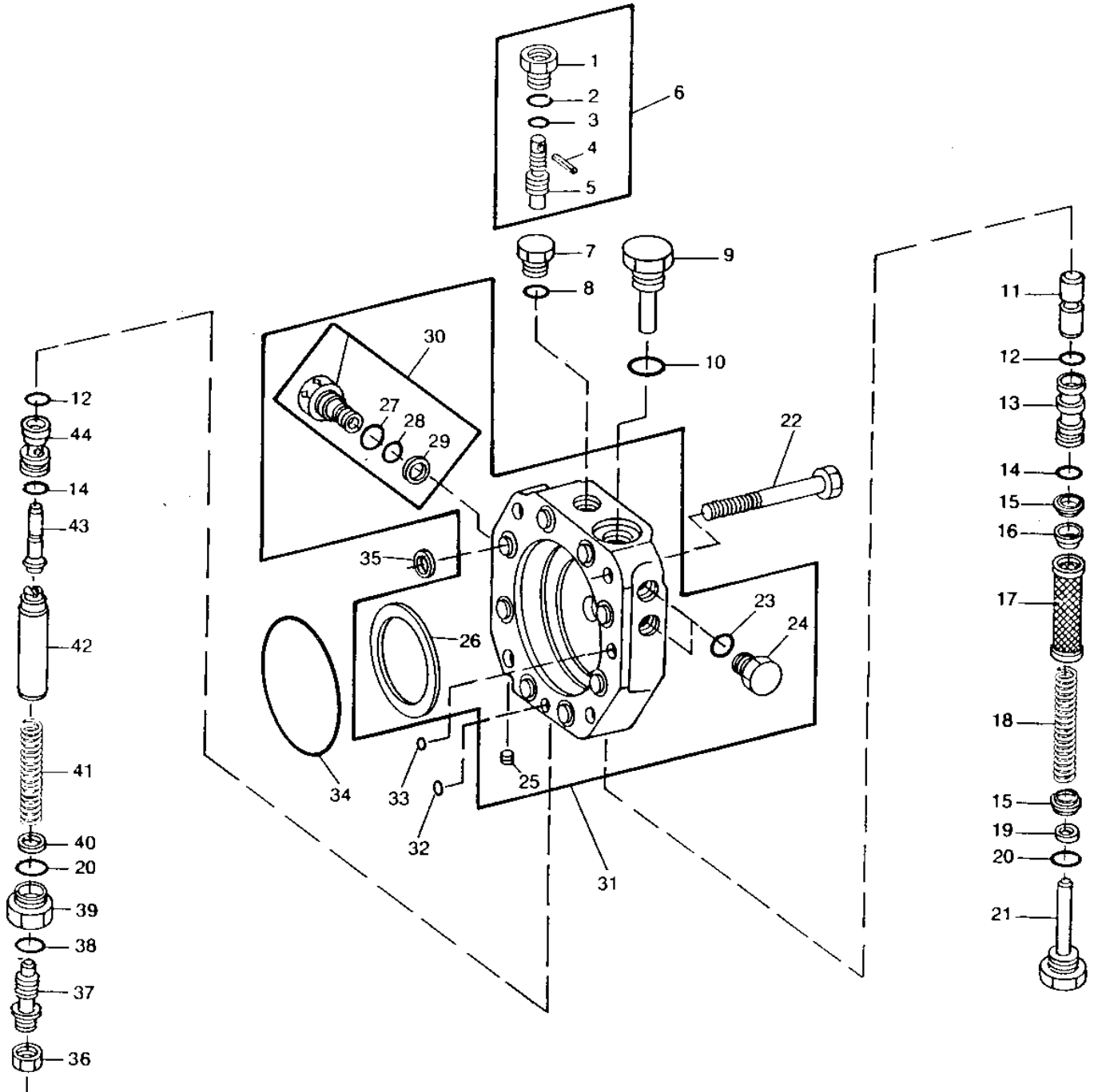
2E23

HYDRAULICS

HYDRAULIC PUMP STROKE CONTROL VALVE 39 CM³ (2.4 IN.³) (REPLACEMENT PUMP LESS SERIAL PLATE)

RP3510

-UN-01JAN94



RP 3510

2E24

HYDRAULICS

HYDRAULIC PUMP STROKE CONTROL VALVE - CONTINUED
 39 CM3 (2.4 IN.3)
 (REPLACEMENT PUMP LESS SERIAL PLATE)

KEY	PART NO.	PART NAME	QTY	TRACTOR SERIAL NO.	REMARKS
1	R27475	FITTING	1		
2	R26448	O-RING	1		
3	A4365R	O-RING	1		
4	34H254	SPRING PIN	1	1/8" X 1-1/2"	
5	R27171	SCREW	1		
6	AR33249	SCREW	1		(MANUAL DESTROKE)
7	R27218	FITTING PLUG	1		(USE WITHOUT MANUAL DESTROKE)
8	R26448	O-RING	1		(USE WITHOUT MANUAL DESTROKE)
9	AR51745	PLUG	1		
10	R26906	O-RING	1		
11	R27172	VALVE	1		
12	R27564	O-RING	2		
13	R70351	SLEEVE	1		
14	R27166	O-RING	2		
15	R27174	PACKING	2		
16	R27167	GUIDE	1		
17	R27173	FILTER ELEMENT	1		
18	R27159	SPRING	1		
19	R27170	SHIM	AR	0.010"	
	24H1298	WASHER	AR	0.030"	
20	R56751	PLUG	2		
21	AR26646	PLUG	1		
22	19H3520	CAP SCREW	4	1/2" X 3-1/4"	
23	R26287	O-RING	2		
24	R27216	PLUG	2		
25	15H560	PIPE PLUG	1	1/16", (USE WITH R49071)	
26	R49072	WASHER	1	(NOT USED IN ALL APPLICATIONS)	
27	R26375	O-RING	1	(USE WITH R49071)	
28	T40308	O-RING	1	(USE WITH R49071)	
29	T57374	BACK-UP RING	1	(USE WITH R49071)	
30	AR90378	PLUG	1	(USE WITH R49071)	
31	AR38714	HOUSING	1	(MARKED R27470, R31747, R32442, R42663, R44802 OR R49071)	
32	R56755	WASHER	1		
33	R56756	O-RING	1		
34	R56757	O-RING	1		
35	R69279	WASHER	8	(SUB FOR R56754)	
36	14H1021	NUT	1	7/16"	
37	AR52254	SET SCREW	1		
38	R28782	O-RING	1		
39	R28781	FITTING	1		
40	R42260	WASHER	1		
41	R31781	SPRING	1		
42	R71321	GUIDE	1	(SUB FOR R32344)	
43	R70559	CONTROL VALVE	1	(SUB RE10712, R27166 AND R41057) (SUB FOR R27166 OR R65194)	
44	R69262	SLEEVE	1	(SUB RE10712, R27166, R41057) (SUB FOR R27471, R58499 OR R65192)	

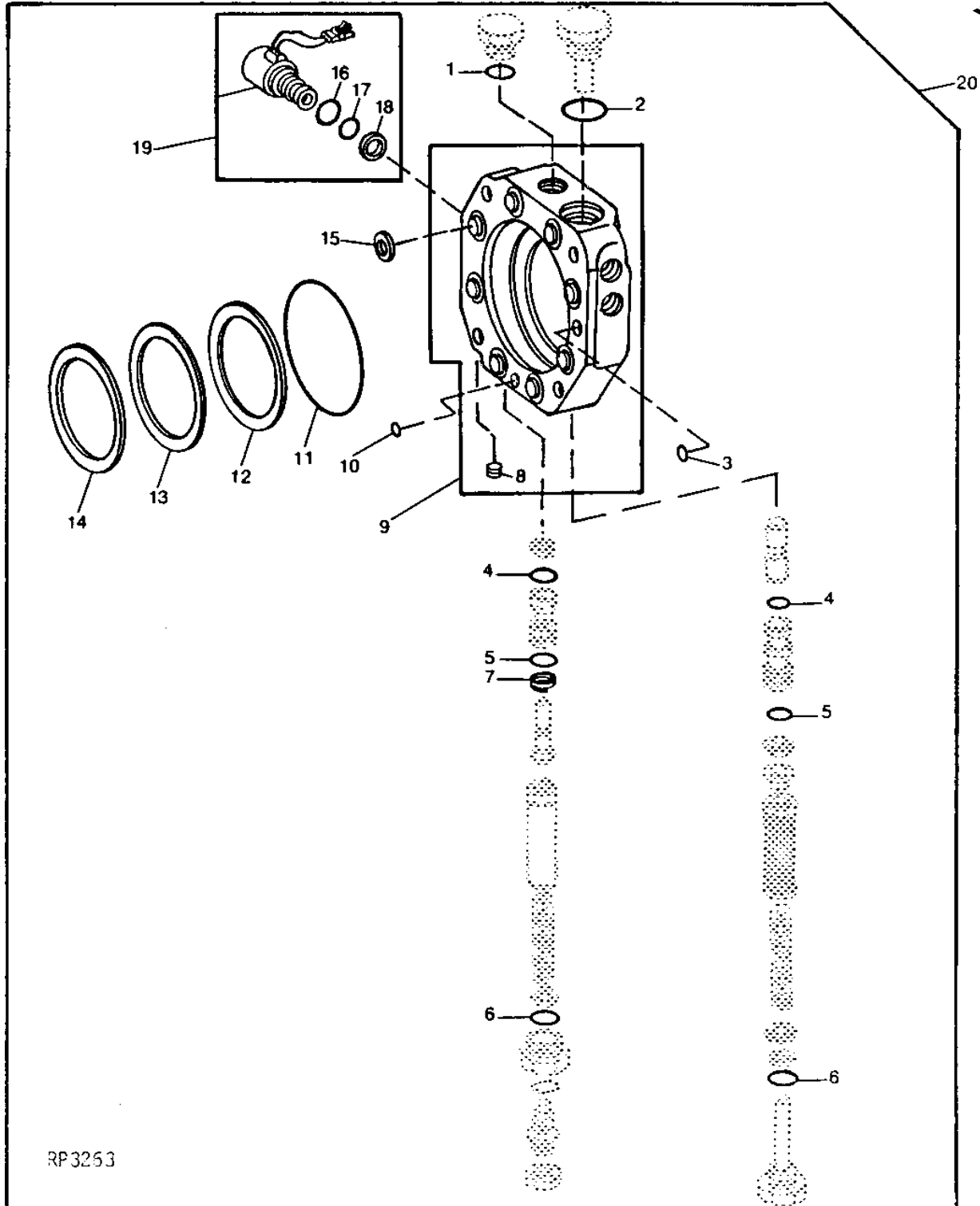
2F1

HYDRAULICS

HYDRAULIC PUMP ELECTRIC DESTROKE KIT
39 CM3 (2.4 IN.3)
(REPLACEMENT PUMP LESS SERIAL PLATE)

RP3263

-UN-01JAN94



RP3263

2F2

HYDRAULICS

HYDRAULIC PUMP ELECTRIC DESTROKE KIT - CONTINUED
39 CM3 (2.4 IN.3)
(REPLACEMENT PUMP LESS SERIAL PLATE)

KEY	PART NO.	PART NAME	QTY	TRACTOR SERIAL NO.	REMARKS
1	R26448	O-RING	1		
2	R26906	O-RING	1		
3	R56756	O-RING	1		
4	R27564	O-RING	2		
5	R27166	O-RING	2		
6	F3171R	O-RING	2		
7	R41057	BACK-UP RING	1		
8	15H560	PIPE PLUG	1		1/16"
9	AR52494	HOUSING	1		(MARKED R49071)
10	R56755	WASHER	1		
11	R56757	O-RING	1		
12	R27478	SHIM	2		0.15MM (.006")
13	R27479	SHIM	2		0.25MM (.010")
14	R49072	WASHER	1		(NOT USED IN ALL APPLICATIONS)
15	R69279	WASHER	8		
16	R26375	O-RING	1		
17	T40308	O-RING	1		
18	T57374	BACK-UP RING	1		
19	RE32529	SOLENOID VALVE	1		(SUB FOR RE21725)
20	RE14868	KIT	1		(A) (SUB RE40463)

(A) INCLUDES RE12330 WIRE CONNECTORS

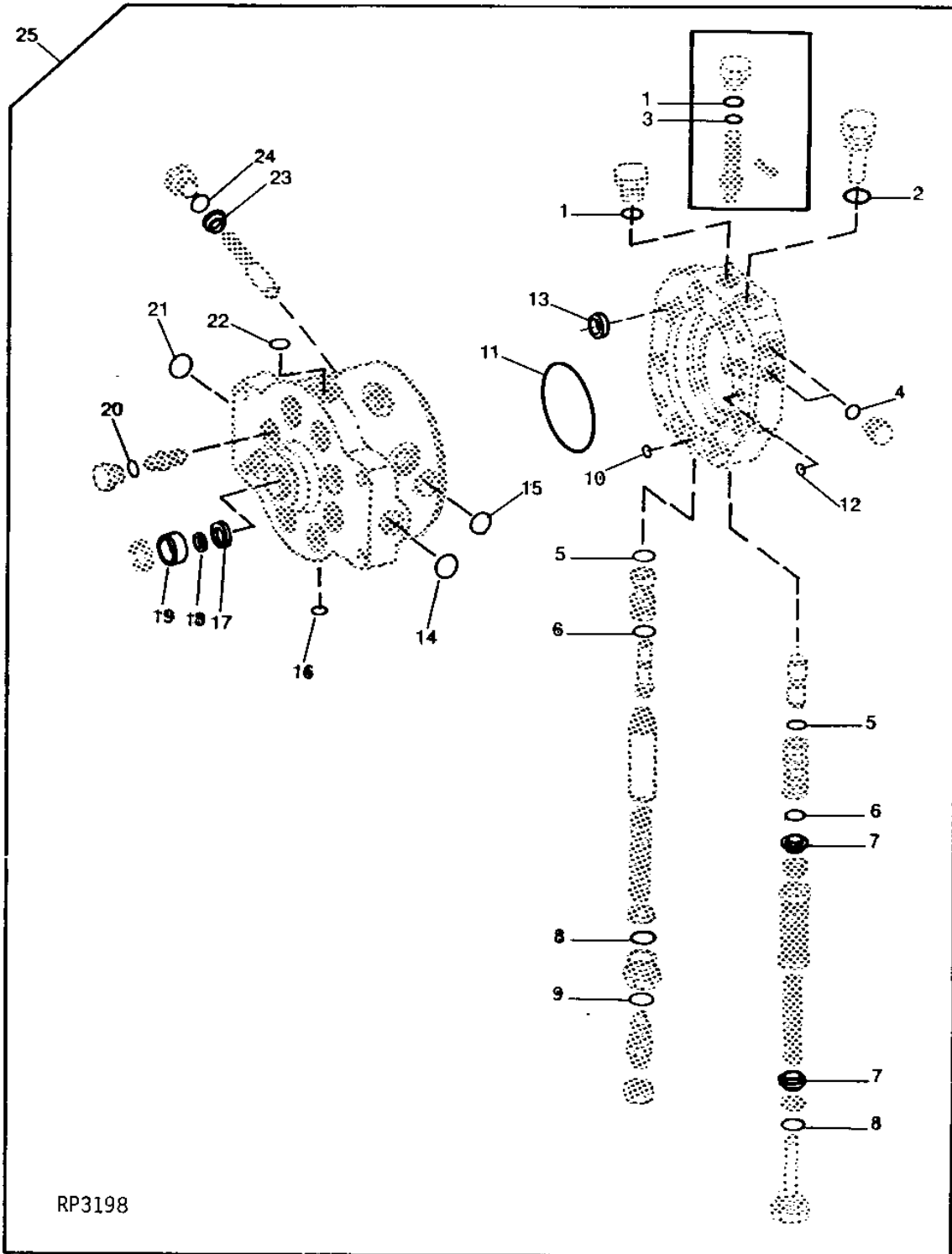
2F3

HYDRAULICS

HYDRAULIC PUMP AND STROKE CONTROL VALVE OVERHAUL KIT 39 CM3 (2.4 IN.3) (REPLACEMENT PUMP LESS SERIAL PLATE)

RP3198

-UN-01JAN94



2F4

HYDRAULICS

HYDRAULIC PUMP AND STROKE CONTROL VALVE OVERHAUL KIT - CONTINUED
39 CM3 (2.4 IN.3)
(REPLACEMENT PUMP LESS SERIAL PLATE)

KEY	PART NO.	PART NAME	QTY	TRACTOR SERIAL NO.	REMARKS
1	R26448	O-RING	2		
2	R26906	O-RING	1		
3	A4365R	O-RING	1		
4	R26287	O-RING	2		
5	R27564	O-RING	2		
6	R27166	O-RING	2		
7	R27174	PACKING	2		
8	R56751	O-RING	2		
9	R28782	O-RING	1		
10	R56755	WASHER	1		
11	R56757	O-RING	1		
12	R56756	O-RING	1		(A)
	A4365R	O-RING	1		(A)
13	R69279	WASHER	8		
14	U13639	O-RING	1		
15	R26906	O-RING	1		
16	R26287	O-RING	1		
17	R39729	O-RING	1		
18	R56753	SHIM	1		
19	RE28790	SEAL	1		(SUB FOR AR52224)
20	R27149	O-RING	8		
21	R56751	O-RING	1		
22	R27928	O-RING	2		(A) TOP
	P47908	O-RING	1		(A) BOTTOM
	R35827	WASHER	1		(A)
23	AR101236	SHIELD	1		(SET OF 8)
24	R56463	O-RING	8		
25	RE29103	KIT	1		(A) (SUB FOR AR67718)

(A) UNIVERSAL KIT - APPLICATIONS WILL VARY

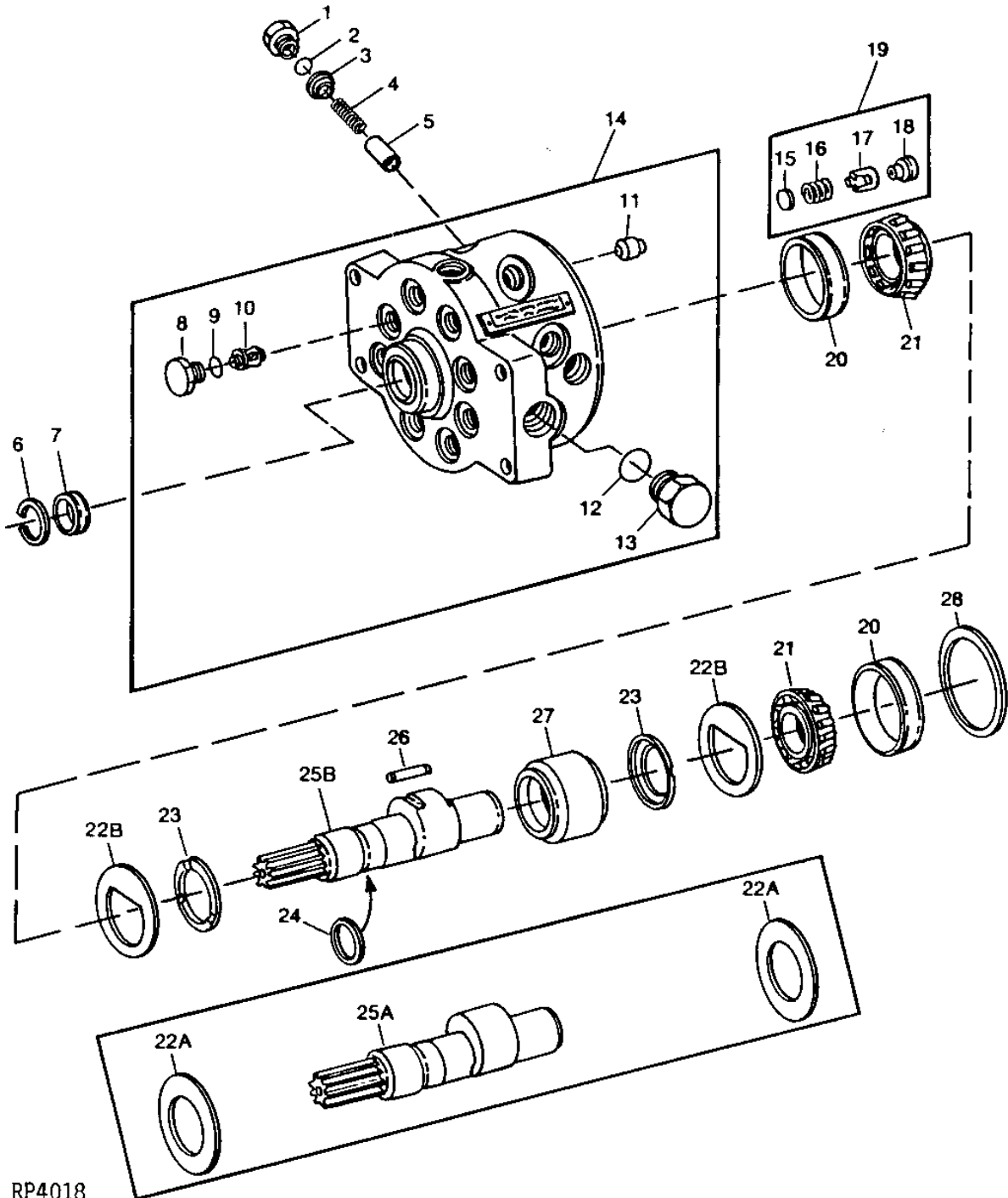
2F5

HYDRAULICS

HYDRAULIC PUMP - MODEL EA1
40 CM3 (2.4 IN.3)
(REPLACEMENT PUMP WITH SERIAL PLATE)

RP4018

-UN-18OCT94



RP4018

2F6

HYDRAULICS

HYDRAULIC PUMP - MODEL EA1 - CONTINUED
40 CM3 (2.4 IN.3)
(REPLACEMENT PUMP WITH SERIAL PLATE)

KEY	PART NO.	PART NAME	QTY	PUMP SERIAL NO.	REMARKS
1	R45438	FITTING	8		
2	R56463	O-RING	8		
3	AR101236	SHIELD	1		(SET OF 8)
4	AR76762	SPRING	1		(SET OF 8)
5	R27150	PISTON	8		
6	R26137	SNAP RING	1		
7	RE28790	SEAL	1		(SUB FOR AR52224)
8	R78293	FITTING	8		
9	R27149	O-RING	8		
10	AR53301	VALVE	8		(INLET)
11	R105583	SEAT	8		
12	U13639	O-RING	1		
13	R39741	PLUG	1		
14	RE11804	HOUSING	1		(MODEL PJ1) (MARKED R73741)
15	R49297	DISK	8		
16	R39228	SPRING	8		
17	R48738	GUIDE	8		
18	R83508	STOP	8		(SUB FOR R72886)
19	RE23382	VALVE	8		(OUTLET) (SUB FOR AR96613)
20	JD8223	BEARING CUP	2		
21	JD8192	BEARING CONE	2		
22A	R77903	WASHER	2	-014818	(SUB FOR R45425)
22B	R79151	LOCK WASHER	2	014819-	(USE WITH R79150)
23	R72507	THRUST WASHER	2		
24	R77611	RING	1		(SEALING) (SUB FOR R68252 OR RE11777)
25A	R73228	SHAFT	1	-014818	(SUB R79150) (ALSO ORDER (2) R79151)
25B	R79150	SHAFT	1	014819-	
26	R45422	NEEDLE ROLLER	25		
27	R80558	BEARING RACE	1		(SUB FOR R72506)
28	R27478	SHIM	AR		0.15MM (.006")
	R27479	SHIM	AR		0.25MM (.010")
..	AR97872	HYDRAULIC PUMP	1		

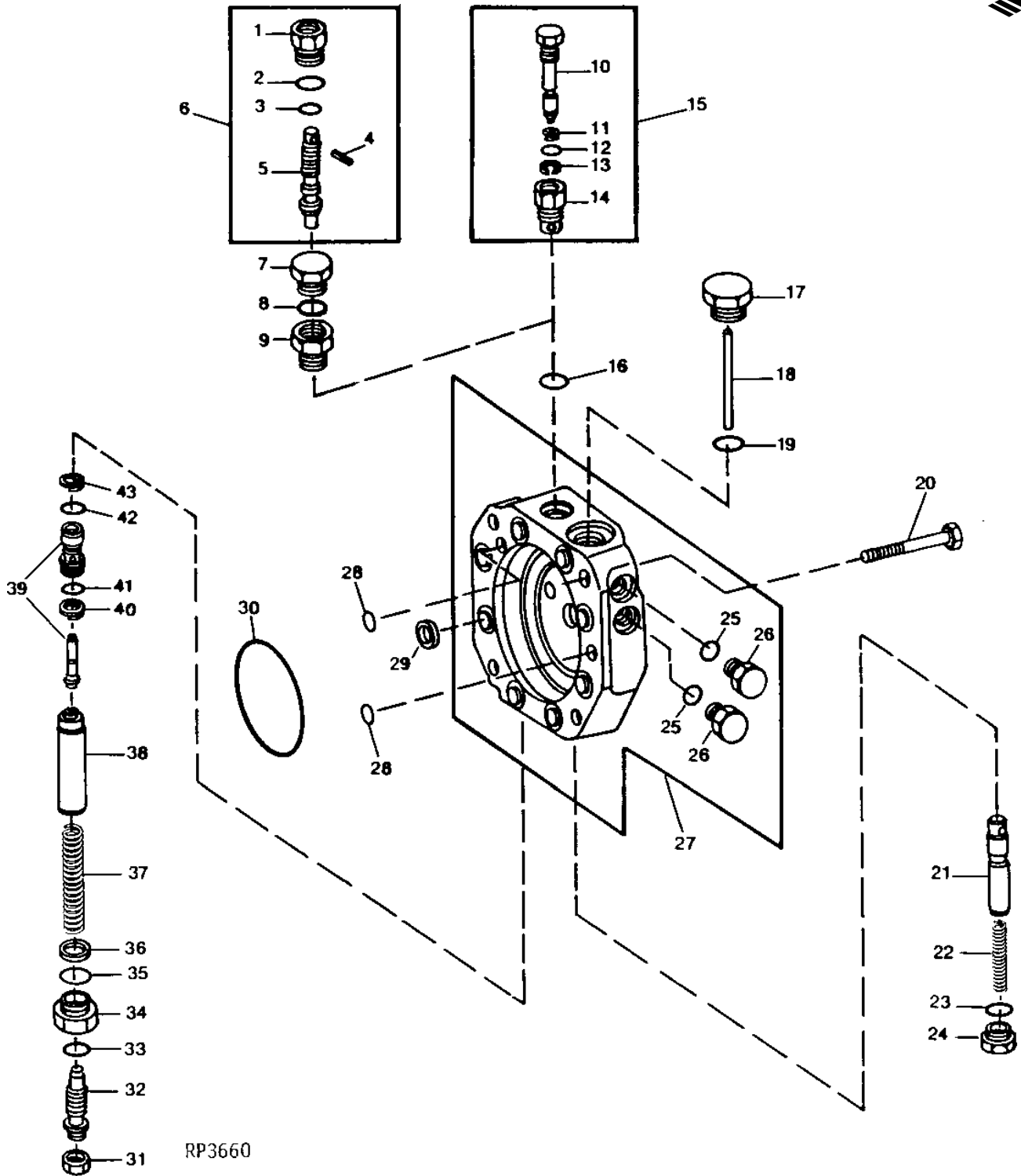
2F7

HYDRAULICS

HYDRAULIC PUMP STROKE CONTROL VALVE
40 CM3 (2.4 IN.3)
(REPLACEMENT PUMP WITH SERIAL PLATE)

RP3660

-UN-14SEP94



RP3660

2F8

HYDRAULICS

HYDRAULIC PUMP STROKE CONTROL VALVE - CONTINUED
 40 CM3 (2.4 IN.3)
 (REPLACEMENT PUMP WITH SERIAL PLATE)

KEY	PART NO.	PART NAME	QTY	PUMP SERIAL NO.	REMARKS
1	R27475	FITTING	1		
2	R26448	O-RING	1		
3	A4365R	O-RING	1		
4	34H254	SPRING PIN	1	1/8" X 1-1/2"	
5	R75879	SCREW	1		
6	AR96625	SCREW	1		(A) (MANUAL DESTROKE) (OPTIONAL)
7	R27218	FITTING PLUG	1		(USE WITHOUT MANUAL DESTROKE)
8	R26448	O-RING	1		(USE WITHOUT MANUAL DESTROKE)
9	R70617	PIPE PLUG	1		
10	R79266	SCREW	1		
11	R36358	BACK-UP RING	1		
12	R34802	O-RING	1		
13	R79268	SNAP RING	1		
14	R79267	PLUG	1		
15	RE13271	SCREW	1		(A) (MANUAL DESTROKE) (OPTIONAL)
16	R26906	O-RING	1		
17	R75642	PLUG	1		
18	R75564	PIN	1		
19	R56751	O-RING	1		
20	19H3520	CAP SCREW	4	1/2" X 3-1/4"	
21	R70867	VALVE	1		
22	R70868	SPRING	1		
23	R26375	O-RING	1		
24	R73736	PLUG	1		
25	R26448	O-RING	2		
26	R75376	PLUG	2		
27	RE12470	HOUSING	1		(MARKED R77714)
28	R56755	WASHER	2		
29	R69279	WASHER	8		
30	R56757	O-RING	1		
31	14H1021	NUT	1	7/16"	
32	AR52254	SET SCREW	1		
33	R28782	O-RING	1		
34	R28781	FITTING	1		
35	F3171R	O-RING	1		
36	R42260	WASHER	1		
37	R31781	SPRING	1		
38	R71321	GUIDE	1		
39	RE10712	CONTROL VALVE	1		
40	R41057	BACK-UP RING	1		
41	R27166	O-RING	1		
42	R27564	O-RING	1		
43	R75938	WASHER	1		

(A) DESIGNS INTERCHANGEABLE

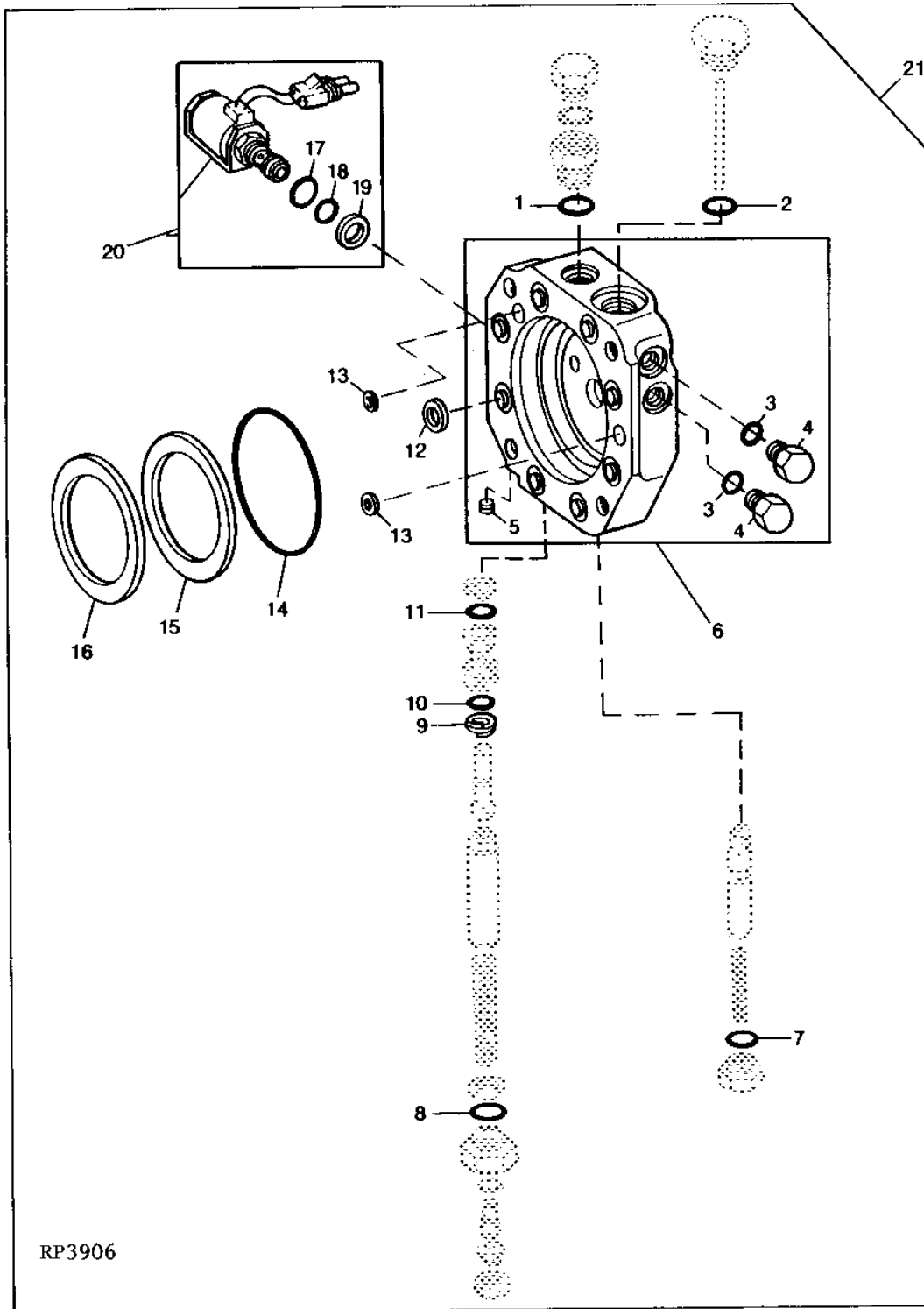
2F9

HYDRAULICS

HYDRAULIC PUMP ELECTRIC DESTROKE KIT 40 CM3 (2.4 IN.3) (REPLACEMENT PUMP WITH SERIAL PLATE)

RP3906

-UN-12OCT94



2F10

HYDRAULICS

HYDRAULIC PUMP ELECTRIC DESTROKE KIT - CONTINUED
40 CM3 (2.4 IN.3)
(REPLACEMENT PUMP WITH SERIAL PLATE)

KEY	PART NO.	PART NAME	QTY	PUMP SERIAL NO.	REMARKS
1	R26906	O-RING	1		
2	R56751	O-RING	1		
3	R26448	O-RING	2		
4	R75376	PLUG	2		
5	15H560	PIPE PLUG	1	1/16"	
6	AR101632	HOUSING	1	(MARKED R77712)	
7	R26375	O-RING	1		
8	F3171R	O-RING	1		
9	R41057	BACK-UP RING	1		
10	R27166	O-RING	1		
11	R27564	O-RING	1		
12	R69279	WASHER	8		
13	R56755	WASHER	2		
14	R56757	O-RING	1		
15	R27478	SHIM	2	0.15MM (.006")	
16	R27479	SHIM	2	0.25MM (.010")	
17	R26375	O-RING	1		
18	T40308	O-RING	1		
19	T57374	BACK-UP RING	1		
20	RE32529	SOLENOID VALVE	1	(SUB FOR RE21725)	
21	RE24647	KIT	1	(A) (SUB RE40463)	

(A) INCLUDES RE12330 WIRE CONNECTORS

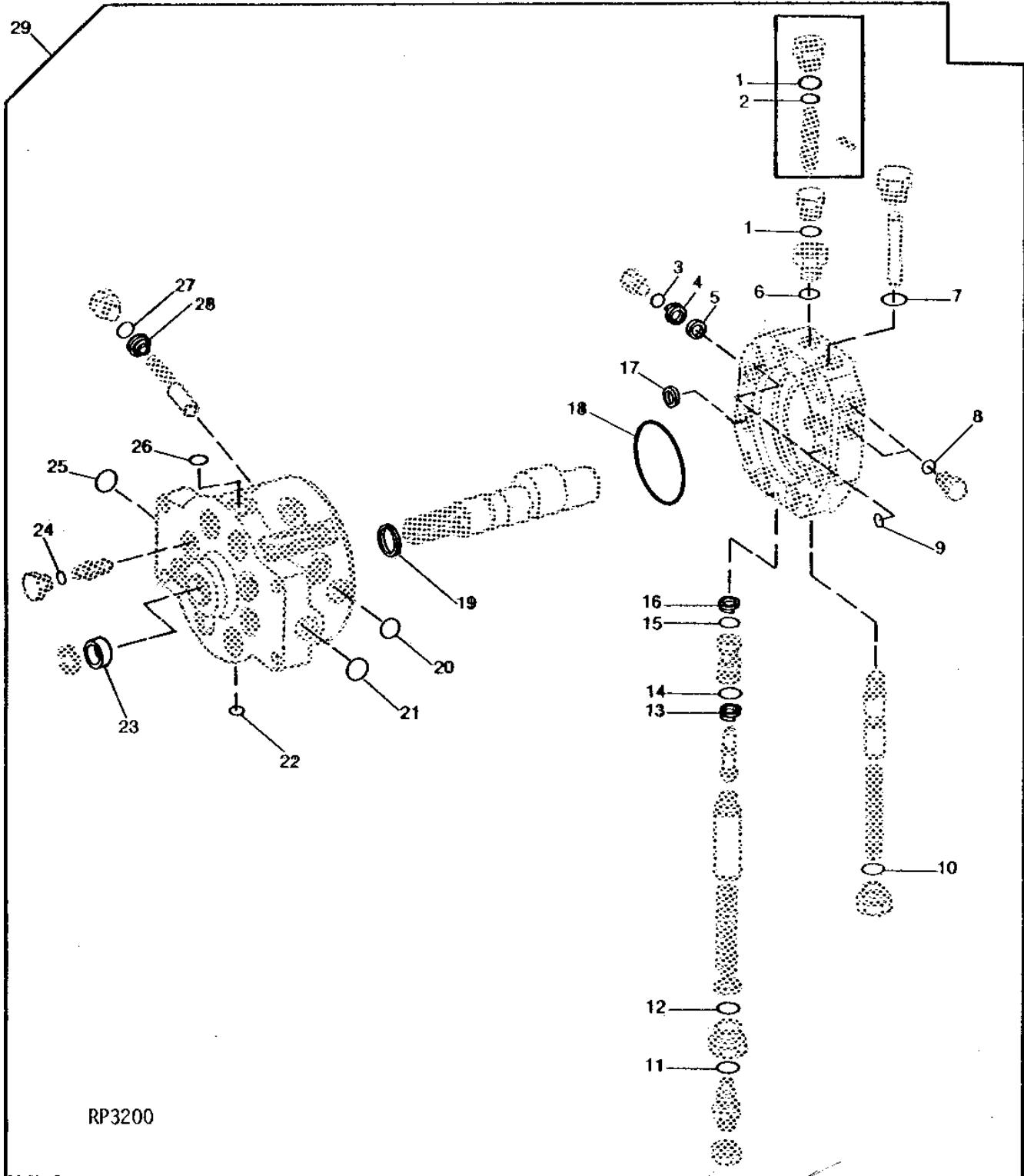
2F11

HYDRAULICS

HYDRAULIC PUMP AND STROKE CONTROL VALVE OVERHAUL KIT 40 CM3 (2.4 IN.3) (REPLACEMENT PUMP WITH SERIAL PLATE)

RP3200

-UN-01JAN94



RP3200

2F12

HYDRAULICS

HYDRAULIC PUMP AND STROKE CONTROL VALVE OVERHAUL KIT - CONTINUED
 40 CM3 (2.4 IN.3)
 (REPLACEMENT PUMP WITH SERIAL PLATE)

KEY	PART NO.	PART NAME	QTY	PUMP SERIAL NO.	REMARKS
1	R26448	O-RING	1		
2	A4365R	O-RING	1		
3	R26375	O-RING	1	(A)	
4	T40308	O-RING	1	(A)	
5	T57374	BACK-UP RING	1	(A)	
6	R26906	O-RING	1		
7	R56751	O-RING	1		
8	R26448	O-RING	2		
9	R56755	WASHER	2		
10	R26375	O-RING	1		
11	R28782	O-RING	1		
12	R56751	O-RING	1		
13	R41057	BACK-UP RING	1		
14	R27166	O-RING	1		
15	R27564	O-RING	1		
16	R75938	WASHER	1		
17	R69279	WASHER	8		
18	R56757	O-RING	1		
19	R77611	RING	1	(SEALING) (SUB FOR RE11777)	
20	R56751	O-RING	1		
21	U13639	O-RING	1	(A)	
	R56751	O-RING	1	(A)	
	R29936	O-RING	1	(A)	
22	R26287	O-RING	1		
23	RE28790	SEAL	1	(SUB FOR AR52224)	
24	R27149	O-RING	8		
25	R56751	O-RING	1	(A)	
	R29936	O-RING	1	(A)	
26	R27928	O-RING	1	(A) TOP	
	P47908	O-RING	1	(A) BOTTOM	
	R26906	O-RING	1	(A)	
27	R56463	O-RING	8		
28	AR101236	SHIELD	1	(SET OF 8)	
29	RE29107	KIT	1	(A) (SUB FOR AR96321)	

(A) UNIVERSAL KIT - APPLICATIONS WILL VARY

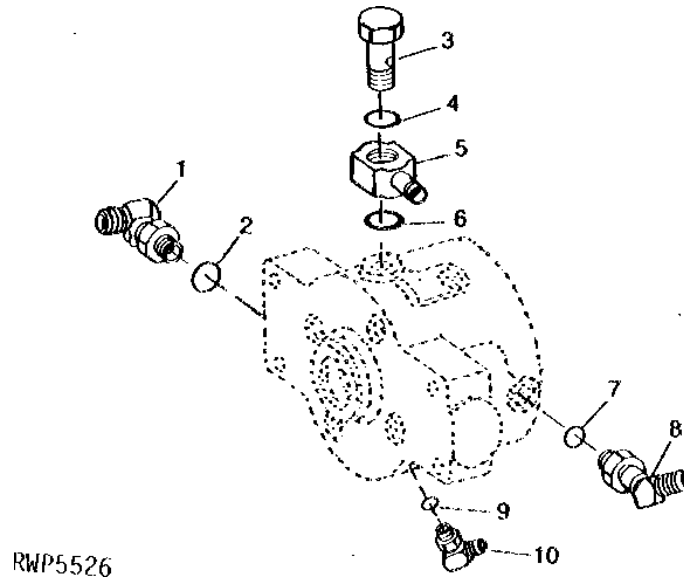
MEMORANDA

2F13

HYDRAULICS

RWP5526 -UN-01JAN94

HYDRAULIC PUMP CONNECTORS AND FITTINGS



RWP5526

KEY	PART NO.	PART NAME	QTY	TRACTOR SERIAL NO.	REMARKS
1	AR47803	ELBOW FITTING	1		(SUB FOR AR32852)
2	F3171R	O-RING	1		
3	R27927	HOLLOW SCREW	1		
4	R27928	O-RING	1		
5	R27926	FITTING	1		
6	R27928	O-RING	1		
	P47908	O-RING	1	(A)	
7	R26906	O-RING	1	(A)	
	F3171R	O-RING	1	(A)	
8	AR26744	ELBOW FITTING	1		
	AT33033	FITTING	1	(A)	
9	R26287	O-RING	1		
10	AT32335	ELBOW FITTING	1		

(A) REPLACEMENT PUMP WITH SERIAL PLATE

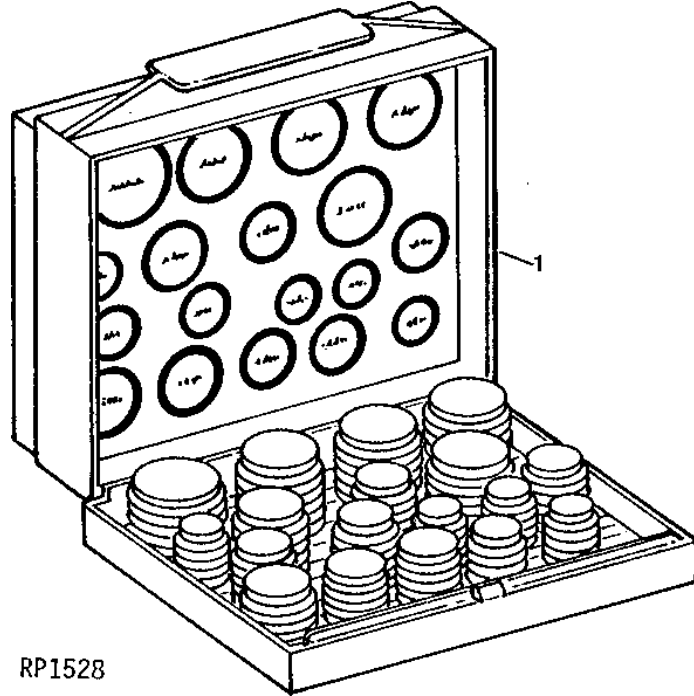
MEMORANDA

2F14

HYDRAULICS

RP1528 -UN-01JAN94

O-RING KIT



RP1528

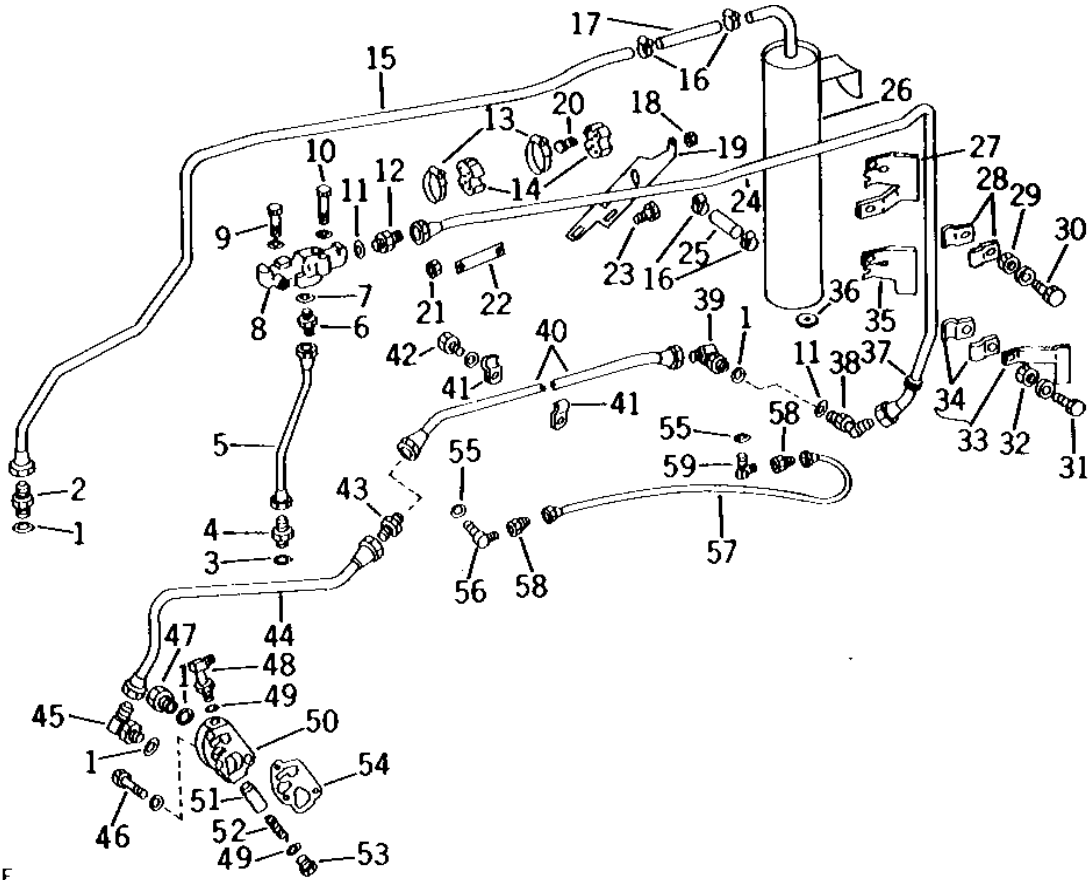
KEY	PART NO.	PART NAME	QTY	TRACTOR SERIAL NO.	REMARKS
1	AR73500	KIT	1	(SUB FOR AR34473)	

2F15

HYDRAULICS

OIL FILTER RELIEF VALVE, OIL RESERVOIR, AND OIL LINES (SYNCRO-RANGE)

R30189 -UN-01JAN94



R30189F

KEY	PART NO.	PART NAME	QTY	TRACTOR SERIAL NO.	REMARKS
1	F3171R	O-RING	4		
2	R27267	FITTING	1		
3	R26375	O-RING	1	(A)	
4	R27237	FITTING	1	(A)	
5	AR38246	LINE	1	(A)	TO CLUTCH HOUSING, PRESSURE (NLA)
6	R31665	FITTING	1	(A)	
7	R26906	O-RING	1	(A)	
8	R78495	HOUSING	1	(SUB FOR R40559)	
9	19H1800	CAP SCREW	1	3/8" X 1-1/2"	
	12H304	LOCK WASHER	1	3/8"	
10	19H1801	CAP SCREW	1	3/8" X 2"	
	12H304	LOCK WASHER	1	3/8"	
11	R26906	O-RING	2		
12	R27270	FITTING	1		
13	AR21840	CLAMP	2		
14	AR41016	SPACER	2	(SUB FOR R27924)	
15	AR38323	OIL LINE	1		TO CLUTCH HOUSING (NO LONGER AVAILABLE)
16	AR21839	CLAMP	4		
17	HOSE	1		86MM (3-3/8") (MAKE FROM R57300) (SUB FOR R32087)
18	14H786	NUT	2	1/4"	
19	R38326	SUPPORT	1	(NLA)	
20	19H1898	CAP SCREW	2	1/4" X 1-1/2"	

2F16

HYDRAULICS

OIL FILTER RELIEF VALVE, OIL RESERVOIR, AND OIL LINES - CONTINUED (SYNCRO-RANGE)

KEY	PART NO.	PART NAME	QTY	TRACTOR SERIAL NO.	REMARKS
21	14H1076	NUT	2		3/8"
22	R38327	PLATE	1		(NLA)
23	03H1500	BOLT	2		3/8" X 1"
24	AR38329	HYDRAULIC LINE	1		TO HYDRAULIC PUMP, PRESSURE
25	HOSE	1		64MM (2-1/2") (MAKE FROM R57300)
26	AR38884	RESERVOIR	1		(SUB FOR AR38326) (NLA)
27	R38061	SUPPORT	1		(NLA)
28	R35726	CLAMP	2		
29	14H1076	NUT	1		3/8"
30	19H2284	CAP SCREW	1		3/8" X 7/8"
	12H304	LOCK WASHER	1		3/8"
31	19H2552	CAP SCREW	1		3/8" X 1-1/8"
	12H304	LOCK WASHER	1		3/8"
32	14H1076	NUT	1		3/8"
33	AR38495	BRACE	1		(NLA)
34	R40663	CLAMP	2		
35	R38383	SUPPORT	1		(NLA)
36	T22381	WASHER	1		RUBBER
37	R27533	GROMMET	1		
38	AR26744	ELBOW FITTING	1		45°
39	AR47803	ELBOW FITTING	1		60°, (SUB FOR AR32852)
40	AR38327	HYDRAULIC LINE	1		TO HYDRAULIC PUMP
41	R38323	CLAMP	2		
42	19H1936	CAP SCREW	1		3/8" X 3/4"
	12H304	LOCK WASHER	1		3/8"
43	R27266	FITTING	1		
44	AR38339	HYDRAULIC LINE	1		
45	AT32331	ELBOW FITTING	1		90°, (SUB FOR AR26723)
46	19H1733	CAP SCREW	3		3/8" X 2-1/2"
	12H304	LOCK WASHER	3		3/8"
47	R27175	DRAIN PLUG	1		(LESS ROCKSHAFT)
48	AR27699	ELBOW FITTING	1		90°
49	R26375	O-RING	2		
50	R34236	HOUSING	1		OIL FILTER RELIEF VALVE
51	R33162	VALVE	1		(SUB R33259 AND R57559)
52	R26686	SPRING	1		
53	R33138	FITTING	1		
54	R34237	GASKET	1		
55	R26287	O-RING	2		
56	AR33988	TEE FITTING	1		
57	AR87534	OIL LINE	1		(NYLON) (ALSO ORDER (2) R64170) (SUB FOR AR39691, AR42285 OR AR79709)
	R44302	TIE BAND	AR		(SUB FOR R27456)
58	R64170	ADAPTER	2		
59	AT32335	ELBOW FITTING	1		90°, (SUB FOR AR26746)
..	AR21969	KIT	1		CAP PLUGS

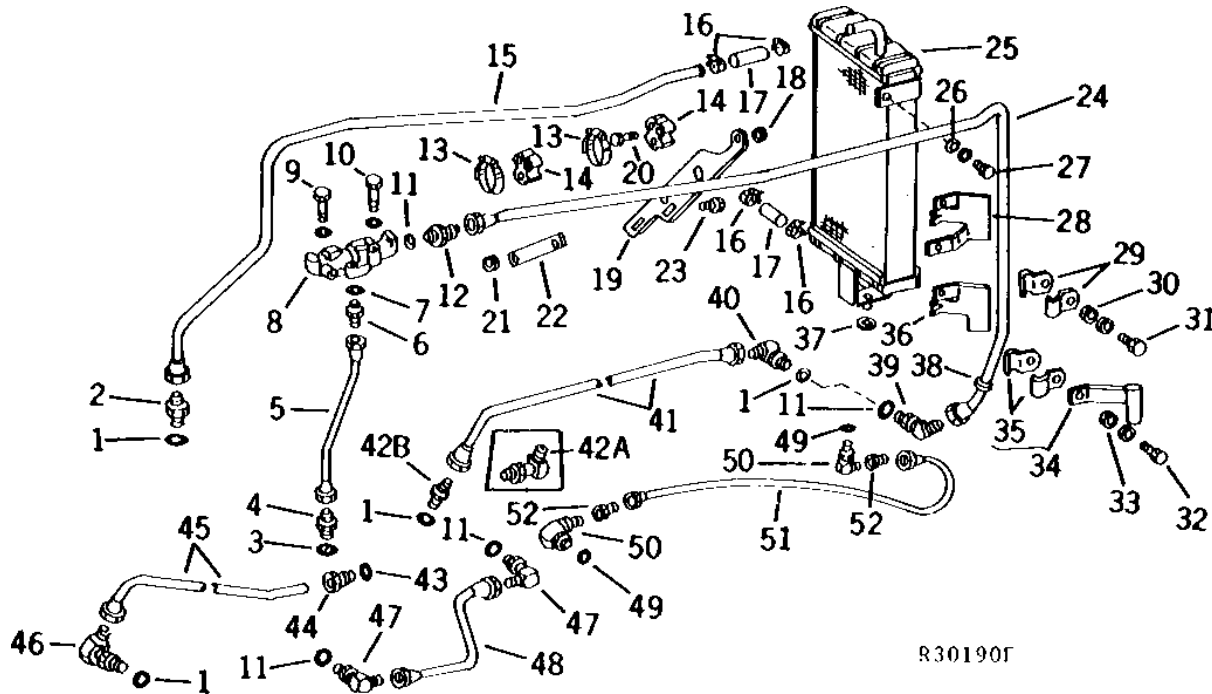
(A) WITH ROCKSHAFT

2F17

HYDRAULICS

R30190 -UN-01JAN94

OIL COOLER AND OIL LINES (POWER SHIFT)



R30190T

KEY	PART NO.	PART NAME	QTY	TRACTOR SERIAL NO.	REMARKS
1	F3171R	O-RING	4		
2	R27267	FITTING	1		
3	R26375	O-RING	1	(A)	
4	R27237	FITTING	1	(A)	
5	AR38246	LINE	1	(A)	TO CLUTCH HOUSING, PRESSURE (NLA)
6	R31665	FITTING	1	(A)	
7	R26906	O-RING	1	(A)	
8	R78495	HOUSING	1	(SUB FOR R40559)	
9	19H1800	CAP SCREW	1	3/8" X 1-1/2"	
	12H304	LOCK WASHER	1	3/8"	
10	19H1801	CAP SCREW	1	3/8" X 2"	
	12H304	LOCK WASHER	1	3/8"	
11	R26906	O-RING	4		
12	R27270	FITTING	1		
13	AR21840	CLAMP	2		
14	AR41016	SPACER	2	(SUB FOR R27924)	
15	AR38325	OIL LINE	1		TO CLUTCH HOUSING (NLA)
16	AR21839	CLAMP	4		
17	HOSE	2		64MM (2-1/2") (MAKE FROM R57300)
18	14H786	NUT	2	1/4"	
19	R38326	SUPPORT	1	(NLA)	
20	19H1898	CAP SCREW	2	1/4" X 1-1/2"	
21	14H1076	NUT	2	3/8"	
22	R38327	PLATE	1	(NLA)	
23	03H1500	BOLT	2	3/8" X 1"	
24	AR38329	HYDRAULIC LINE	1		TO HYDRAULIC PUMP, PRESSURE
25	AR38132	OIL COOLER	1		(NLA)
26	24H1298	WASHER	1	3/8" X 5/8" X 0.032"	
27	19H1936	CAP SCREW	1	3/8" X 3/4"	
	12H304	LOCK WASHER	1	3/8"	

2F18

HYDRAULICS

OIL COOLER AND OIL LINES - CONTINUED (POWER SHIFT)

KEY	PART NO.	PART NAME	QTY	TRACTOR SERIAL NO.	REMARKS
28	R38061	SUPPORT	1		(NLA)
29	R35726	CLAMP	2		
30	14H1076	NUT	1		3/8"
31	19H2284	CAP SCREW	1		3/8" X 7/8"
	12H304	LOCK WASHER	1		3/8"
32	19H2552	CAP SCREW	1		3/8" X 1-1/8"
	12H304	LOCK WASHER	1		3/8"
33	14H1076	NUT	1		3/8"
34	AR38495	BRACE	1		(NLA)
35	R40663	CLAMP	2		
36	R38383	SUPPORT	1		(NLA)
37	T22381	WASHER	1		RUBBER
38	R27533	GROMMET	1		
39	AR26744	ELBOW FITTING	1		45°
40	AR47803	ELBOW FITTING	1		60°, (SUB FOR AR32852)
41	AR38330	OIL LINE	1	-012743	HYDRAULIC PUMP TO CLUTCH OIL PRESSURE REGULATING VALVE (NLA)
	AR44031	HYDRAULIC LINE	1	012744-	HYDRAULIC PUMP TO CLUTCH OIL PRESSURE REGULATING VALVE (NLA)
42A	AR47803	ELBOW FITTING	1	-012743	60°, (SUB FOR AR32852)
42B	R27267	FITTING	1	012744-	
43	B2762R	O-RING	1		
44	R76494	FITTING	1		(SUB FOR R33610)
45	AR39561	HYDRAULIC LINE	1		CLUTCH OIL PRESSURE REGULATING VALVE TO TRANSMISSION CASE
46	AT32331	ELBOW FITTING	1		90°, (SUB FOR AR26723)
47	AR35712	ELBOW FITTING	2		90°
48	AR32162	HYDRAULIC LINE	1		TRANSMISSION CONTROL VALVE TO CLUTCH HOUSING (NLA)
49	R26287	O-RING	2		
50	AT32335	ELBOW FITTING	2		90°, (SUB FOR AR26746)
51	AR87534	OIL LINE	1		(NYLON) (ALSO ORDER (2) R64170) (SUB FOR AR39691, AR42285 OR AR79709)
	R44302	TIE BAND	AR		(SUB FOR R27457)
52	R64170	ADAPTER	2		
..	AR21969	KIT	1		CAP PLUGS

(A) ROCKSHAFT

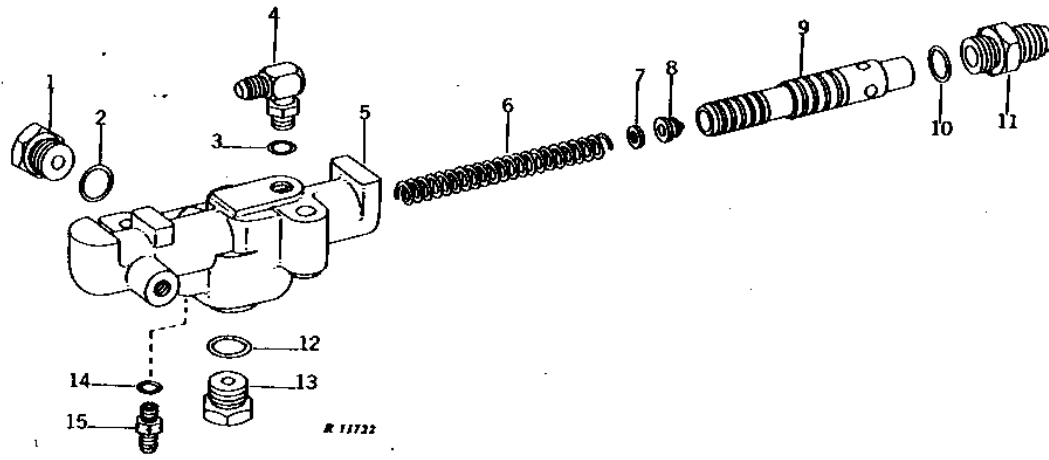
MEMORANDA

2F19

HYDRAULICS

R11722 -UN-01JAN94

PRESSURE CONTROL VALVE PARTS



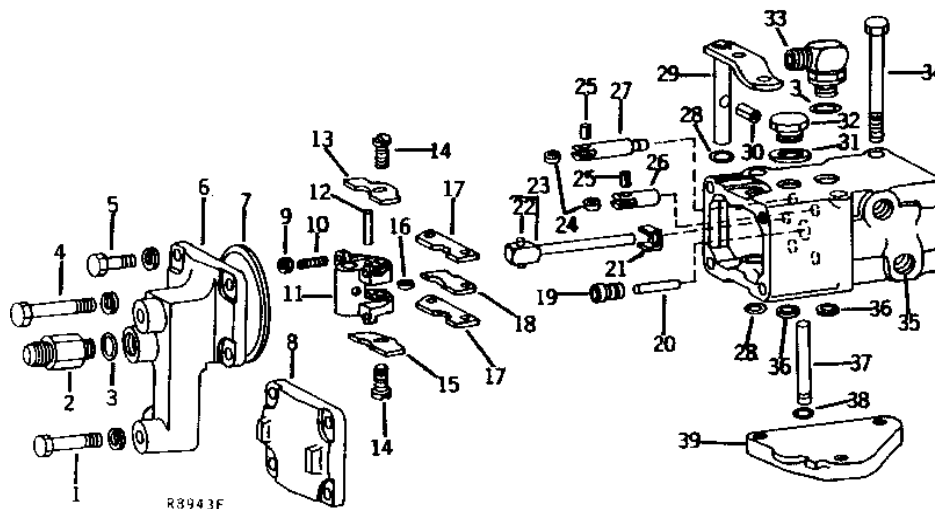
KEY	PART NO.	PART NAME	QTY	TRACTOR SERIAL NO.	REMARKS
1	R27474	DRAIN PLUG	1		(LESS SELECTIVE CONTROL)
2	R26906	O-RING	1		(LESS SELECTIVE CONTROL)
3	R26286	O-RING	1		
4	AT32333	ELBOW FITTING	1		90°, (SUB FOR AR26771)
5	R78495	HOUSING	1		(SUB FOR R40559)
6	R40072	SPRING	1		
7	R33521	SHIM	AR		
8	R40562	APERTURE	1		
9	AR65881	VALVE	1		(SUB FOR R40561)
10	R26906	O-RING	1		
11	R27270	FITTING	1		
12	R26906	O-RING	1		(LESS ROCKSHAFT)
13	R27474	DRAIN PLUG	1		(LESS ROCKSHAFT)
14	R26287	O-RING	1		
15	R27527	ADAPTER	1		

2F20

HYDRAULICS

R8943 -UN-06OCT94

SELECTIVE CONTROL VALVE



KEY	PART NO.	PART NAME	QTY	MODEL NO.	REMARKS
1	19H1765	CAP SCREW	1	3/8" X 1-3/4"	
	12H304	LOCK WASHER	1	3/8"	
2	R28717	FITTING	1		
3	R26375	O-RING	2		
4	19H1726	CAP SCREW	1	3/8" X 2-1/4"	
	12H304	LOCK WASHER	1	3/8"	
5	19H1731	CAP SCREW	4	3/8" X 1"	
	12H304	LOCK WASHER	4	3/8"	
6	R49188	BRACKET	1	(ALSO ORDER R49187) (SUB FOR R27595)	
7	R26544	WASHER	1		
	R49187	WASHER	1	(USE WITH R49188 OR R49186)	
8	R49186	COVER	1	(DUAL SELECTIVE CONTROL) (ALSO ORDER R49187)	
				(SUB FOR R27593)	
9	14H850	NUT	4	1/4"	
10	22H791	SET SCREW	4	1/4" X 3/4"	
11	R27587	ROCKER	1		
12	R28744	PIN	1		
13	R51414	CAM	1	(SUB FOR R27588 OR R41931)	
14	R27233	SCREW	2		
15	R51415	CAM	1	(SUB FOR R27589 OR R41932)	
16	R51409	SPACER	1	(SUB FOR R26980 OR R41613)	
17	AR31813	CAM	1	(SET OF 2) (SUB R32389)	
18	R26978	CAM	1		
19	AR78483	GUIDE	1	(SUB FOR AR31703)	
20	R28744	PIN	1		
21	R28635	CLIP	1		
22	R28634	PIN	1		
23	AR27867	GUIDE	1		
24	R51409	SPACER	4	(SUB FOR R26980 OR R41613)	
25	34H241	SPRING PIN	4	1/8" X 3/8"	
26	R26982	CAM FOLLOWER	2		

2F21

HYDRAULICS

SELECTIVE CONTROL VALVE - CONTINUED

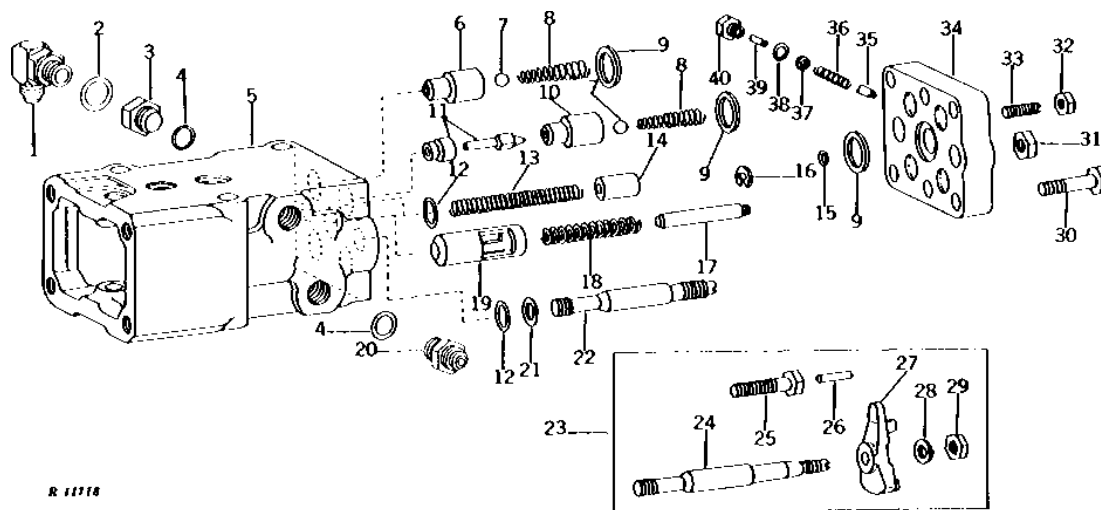
KEY	PART NO.	PART NAME	QTY	MODEL NO.	REMARKS
27	R27678	CAM FOLLOWER	2		
28	R394R	O-RING	2		
29	AR26657	ARM	1		
30	34H297	SPRING PIN	1	7/32" X 1"	
31	AR26697	SEALING WASHER	1		
32	R41155	PLUG	1	(SUB FOR R26986)	
33	AT32332	ELBOW FITTING	1	90°, (SUB FOR AR26763)	
34	19H1912	CAP SCREW	3	3/8" X 3-1/2", (SINGLE SELECTIVE CONTROL)	
	19H3328	CAP SCREW	3	3/8" X 6-1/2", (DUAL SELECTIVE CONTROL)	
35	AR35823	HOUSING	1	-2SC2	(MARKED R36533) (SUB AR40824)
	AR40824	HOUSING	1	2SC3-	(MARKED R41197)
36	R26149	PACKING	2		
37	R27060	PIN	1		
38	T17951	O-RING	1	(SUB FOR R27490)	
39	R27492	COVER	1		
..	AR41023	KIT	1		SINGLE SELECTIVE CONTROL, LESS BRACKET AND EXTERNAL FITTINGS
..	AR41039	KIT	1		DUAL SELECTIVE CONTROL, LESS COVER AND EXTERNAL FITTINGS

2F22

HYDRAULICS

R11718 -UN-01JAN94

SELECTIVE CONTROL VALVE



R 11718

KEY	PART NO.	PART NAME	QTY	MODEL NO.	REMARKS
1	AR31674	FITTING	1		90° (DUAL SELECTIVE CONTROL)
2	R26375	O-RING	2		(DUAL SELECTIVE CONTROL)
3	R39112	FITTING	AR		(2 USED SINGLE SELECTIVE CONTROL) (4 USED DUAL SELECTIVE CONTROL)
4	R26375	O-RING	AR		(4 USED SINGLE SELECTIVE CONTROL) (6 USED DUAL SELECTIVE CONTROL)
5	AR35823	HOUSING	1	-2SC2	(MARKED R36533) (SUB AR40824)
	AR40824	HOUSING	1	2SC3-	(MARKED R41197)
6	R28124	VALVE	2	-2SC2	RETURN
	R41175	VALVE	2	2SC3-	RETURN
7	400R	BALL	4		6MM (1/4")
8	R26565	SPRING	4		
9	R26149	PACKING	5		
10	R28124	VALVE	2	-2SC2	CONTROL
	R41175	VALVE	2	2SC3-	CONTROL
11	R32412	SHAFT	2		(ALSO ORDER AR40744) (SUB FOR AR31820)
12	R394R	O-RING	2		
13	R42334	SPRING	1		(SUB FOR R28561)
14	R28563	PIN	1		
15	A4365R	O-RING	1		
16	R72653	SNAP RING	1		(SUB FOR M2396T)
17	R26822	PIN	1		
18	R26974	SPRING	1		
19	R27489	VALVE	1		FLOW
20	R36426	FITTING	2		
21	R26551	BACK-UP RING	1		
22	R27231	VALVE	1		METERING VALVE
23	AR39747	VALVE	1		METERING, VARIABLE FLOW CONTROL (NLA)
24	R39769	VALVE	1		METERING (NLA)
25	R39771	CAP SCREW	1		(NLA)
26	34H247	SPRING PIN	1		1/8" X 3/4"

2F23

HYDRAULICS

SELECTIVE CONTROL VALVE - CONTINUED

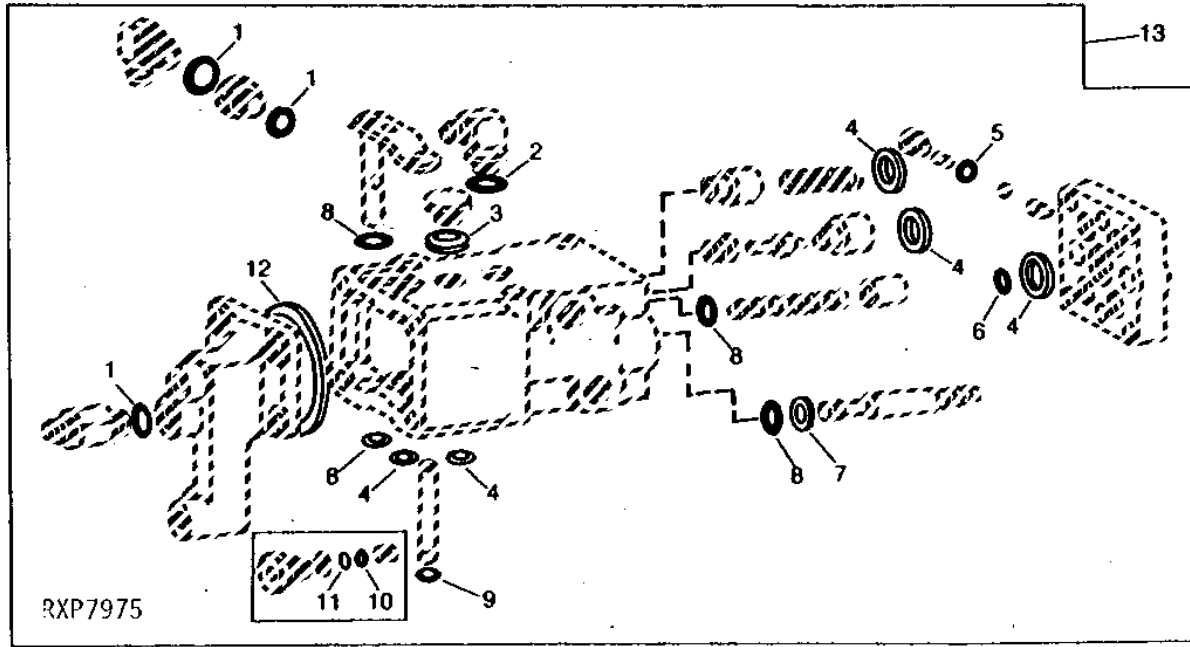
KEY	PART NO.	PART NAME	QTY	MODEL NO.	REMARKS
27	R39770	LEVER	1	(NLA)	
28	12H303	LOCK WASHER	1	5/16"	
29	14H650	NUT	1	5/16"	
30	19H1849	CAP SCREW	6	5/16" X 1-1/4"	
31	14H774	NUT	1	3/8"	
32	14H850	NUT	1	1/4"	
33	22H791	SET SCREW	1	1/4" X 3/4"	
34	AR31663	COVER	1	(MARKED R32411)	
35	R55678	RELIEF VALVE	1	THERMAL, (SUB FOR R31565)	
36	R26477	SPRING	1		
37	R26478	SHIM	AR	0.50MM (.020")	
	R26479	SHIM	AR	0.76MM (.030")	
38	R26287	O-RING	1		
39	34H247	SPRING PIN	1	1/8" X 3/4"	
40	R27216	DRAIN PLUG	1		
..	AR41023	KIT	1		SINGLE SELECTIVE CONTROL, LESS BRACKET AND EXTERNAL FITTING
..	AR41039	KIT	1		DUAL SELECTIVE CONTROL, LESS COVER AND EXTERNAL FITTING

2F24

HYDRAULICS

RXP7975 -UN-01JAN94

SELECTIVE CONTROL VALVE OVERHAUL KIT



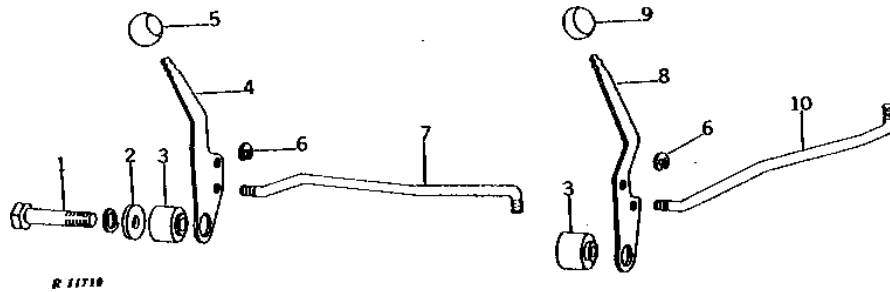
KEY	PART NO.	PART NAME	QTY	TRACTOR SERIAL NO.	REMARKS
1	AR34295	KIT	1	(SUB FOR AR30690)	

2F25

HYDRAULICS

R11719 -UN-01JAN94

SELECTIVE CONTROL LEVERS



KEY	PART NO.	PART NAME	QTY	TRACTOR SERIAL NO.	REMARKS
1	19H2360	CAP SCREW	1		9/16" X 2-3/4", (SINGLE SELECTIVE CONTROL)
	19H2659	CAP SCREW	1		(A) 9/16" X 3-3/4"
	12H317	LOCK WASHER	1		9/16"
2	R63024	WASHER	1		
3	R27203	BUSHING	AR		(1 USED SINGLE SELECTIVE CONTROL) (2 USED DUAL SELECTIVE CONTROL)
4	R34235	LEVER	1		(A) OUTER
5	R28164	KNOB	1		(A)
6	R72653	SNAP RING	AR		(4 USED SINGLE SELECTIVE CONTROL) (8 USED DUAL SELECTIVE CONTROL) (SUB FOR M2396T)
7	R45306	ROD	1		(A) (SUB FOR R27241)
8	R34234	LEVER	1		(B) INNER
9	R27829	KNOB	1		(B)
10	R45305	ROD	1		(B) (SUB FOR R27240)

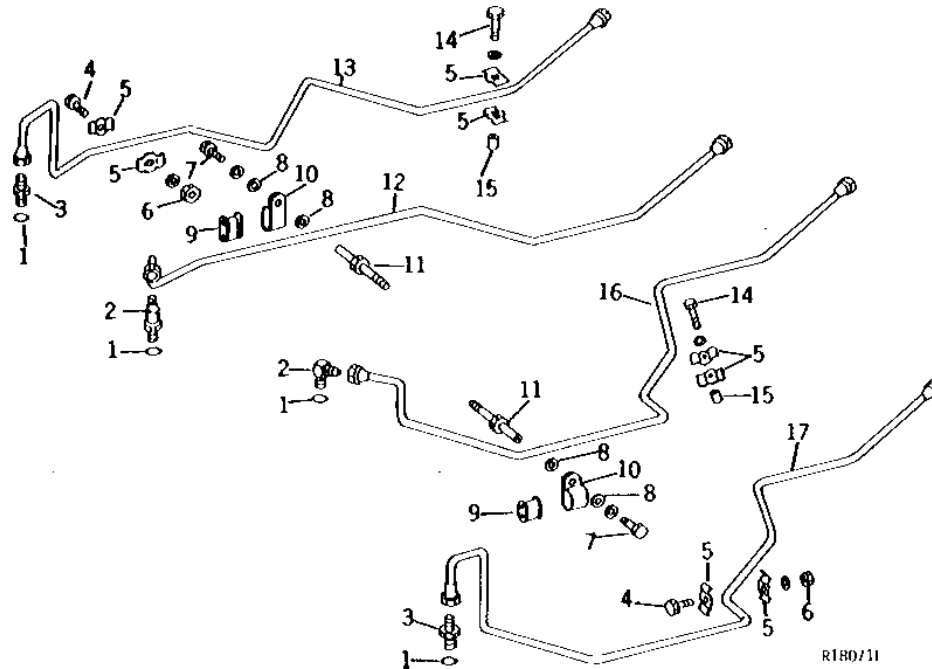
(A) DUAL SELECTIVE CONTROL
 (B) SINGLE OR DUAL SELECTIVE CONTROL

2G1

HYDRAULICS

REAR SELECTIVE CONTROL OIL LINES (SYNCRO-RANGE)

R18071 -UN-01JAN94



KEY	PART NO.	PART NAME	QTY	TRACTOR SERIAL NO.	REMARKS
1	R26375	O-RING	AR	(B)	
2	AR31674	FITTING	AR	(A) 90°	
3	R36426	FITTING	AR	(A)	
4	19H1936	CAP SCREW	AR	(A) 3/8" X 3/4"	
5	R27491	CLAMP	AR	(4 USED SINGLE SELECTIVE CONTROL) (8 USE DUAL SELECTIVE CONTROL)	
6	14H1076	NUT	AR	(A) 3/8"	
	12H304	LOCK WASHER	AR	(A) 3/8"	
7	19H1731	CAP SCREW	AR	(A) 3/8" X 1"	
	12H304	LOCK WASHER	AR	(A) 3/8"	
8	24H1305	WASHER	AR	(B) 13/32" X 13/16" X 0.065"	
9	R28734	GROMMET	AR	(A)	
10	R28733	CLAMP	AR	(A)	
11	R34298	BOLT	AR	(A)	
12	AR38471	HYDRAULIC LINE	1		L.H. INNER (DUAL SELECTIVE CONTROL)
13	AR38470	HYDRAULIC LINE	1		L.H. OUTER (DUAL SELECTIVE CONTROL)
	19H1726	CAP SCREW	AR	(A) 3/8" X 2-1/4"	
	12H304	LOCK WASHER	AR	(A) 3/8"	
15	28H1495	SPACER	AR	(A)	
16	AR38315	HYDRAULIC LINE	1		R.H. INNER
17	AR38314	HYDRAULIC LINE	1		R.H. OUTER

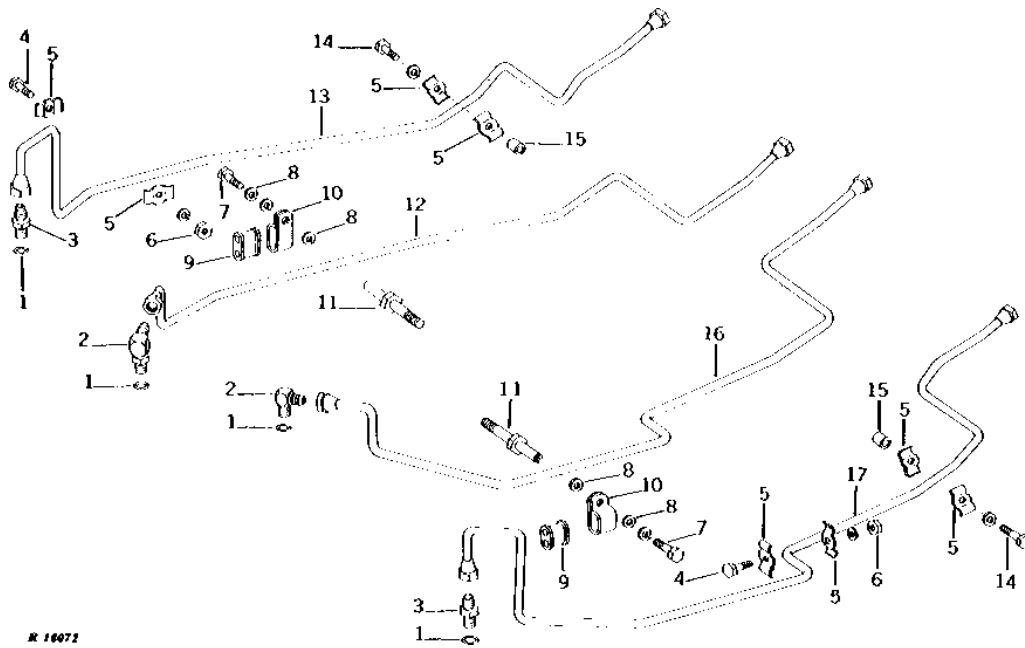
(A) (1 USED SINGLE SELECTIVE CONTROL) (2 USED DUAL SELECTIVE CONTROL)
 (B) (2 USED SINGLE SELECTIVE CONTROL) (4 USED DUAL SELECTIVE CONTROL)

2G2

HYDRAULICS

REAR SELECTIVE CONTROL OIL LINES (POWER SHIFT)

R18072 -UN-01JAN94



R 18072

KEY	PART NO.	PART NAME	QTY	TRACTOR SERIAL NO.	REMARKS
1	R26375	O-RING	AR	(B)	
2	AR31674	FITTING	AR	(A) 90°	
3	R36426	FITTING	AR	(A)	
4	19H1936	CAP SCREW	AR	(A) 3/8" X 3/4"	
5	R27491	CLAMP	AR	(4 USED SINGLE SELECTIVE CONTROL) (8 USED DUAL SELECTIVE CONTROL)	
6	14H1076	NUT	AR	(A) 3/8"	
	12H304	LOCK WASHER	AR	(A) 3/8"	
7	19H1731	CAP SCREW	AR	(A) 3/8" X 1"	
	12H304	LOCK WASHER	AR	(A) 3/8"	
8	24H1305	WASHER	AR	(B) 13/32" X 13/16" X 0.065"	
9	R28734	GROMMET	AR	(A)	
10	R28733	CLAMP	AR	(A)	
11	R34298	BOLT	AR	(A)	
12	AR38473	OIL LINE	1		L.H. INNER (DUAL SELECTIVE CONTROL) (NLA)
13	AR38472	OIL LINE	1		L.H. OUTER (DUAL SELECTIVE CONTROL) (NO LONGER AVAILABLE)
14	19H1726	CAP SCREW	AR	(A) 3/8" X 2-1/4"	
	12H304	LOCK WASHER	AR	(A) 3/8"	
15	28H1495	SPACER	AR	(A)	
16	AR38317	LINE	1		R.H. INNER (NLA)
17	AR38316	LINE	1		R.H. OUTER (NLA)

(A) (1 USED SINGLE SELECTIVE CONTROL) (2 USED DUAL SELECTIVE CONTROL)

(B) (2 USED SINGLE SELECTIVE CONTROL) (4 USED DUAL SELECTIVE CONTROL)

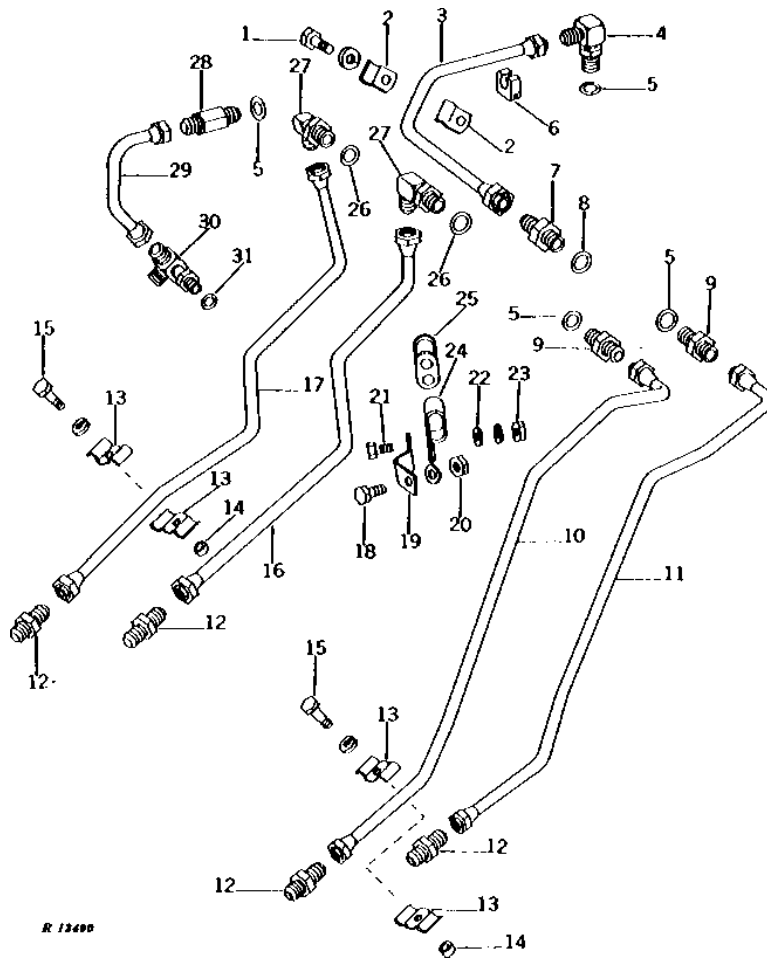
2G3

HYDRAULICS

R12490

-UN-01JAN94

FRONT SELECTIVE CONTROL OIL LINES



2G4

HYDRAULICS

FRONT SELECTIVE CONTROL OIL LINES - CONTINUED

KEY	PART NO.	PART NAME	QTY	TRACTOR SERIAL NO.	REMARKS
1	19H1936	CAP SCREW	1		3/8" X 3/4"
	12H304	LOCK WASHER	1		3/8"
2	R27539	CLAMP	2		
3	AR26765	HYDRAULIC LINE	1		PRESSURE
4	AT32332	ELBOW FITTING	1		90°, (SUB FOR AR26763)
5	R26375	O-RING	4		
6	R26989	GROMMET	1		(NLA)
7	R31665	FITTING	1		
8	R26906	O-RING	1		
9	R36426	FITTING	2		
10	AR38313	HYDRAULIC LINE	1		R.H. INNER
11	AR38312	HYDRAULIC LINE	1		R.H. OUTER
12	R27095	FITTING	AR		(2 USED SINGLE SELECTIVE CONTROL) (4 USED DUAL SELECTIVE CONTROL)
13	R27491	CLAMP	AR		(2 USED SINGLE SELECTIVE CONTROL) (4 USED DUAL SELECTIVE CONTROL)
14	R21483	WASHER	AR		(1 USED SINGLE SELECTIVE CONTROL) (2 USED DUAL SELECTIVE CONTROL)
15	19H2552	CAP SCREW	AR		3/8" X 1-1/8", (1 USED SINGLE SELECTIVE CONTROL) (2 USED DUAL SELECTIVE CONTROL)
	12H304	LOCK WASHER	AR		3/8", (1 USED SINGLE SELECTIVE CONTROL) (2 USED DUAL SELECTIVE CONTROL)
16	AR38475	LINE	1		(A) L.H. INNER (NLA)
	AR38307	OIL LINE	1		L.H. INNER, (WITH DUAL SELECTIVE CONTROL AND AR38036 L.H. DUAL FRONT OUTLET) (NO LONGER AVAILABLE)
17	AR38474	HYDRAULIC LINE	1		(A) L.H. OUTER
	AR38306	OIL LINE	1		L.H. OUTER, (WITH DUAL SELECTIVE CONTROL AND AR38036 L.H. DUAL FRONT OUTLET) (NO LONGER AVAILABLE)
18	19H1813	CAP SCREW	1		(A) 5/16" X 5/8"
19	R38384	BRACKET	1		(A) (NLA)
20	14H785	NUT	1		(A) 5/16"
	12H303	LOCK WASHER	1		(A) 5/16"
21	19H1936	CAP SCREW	1		(A) 3/8" X 3/4"
22	24M7096	WASHER	1		(A) 10.500 X 18 X 1.600 MM
23	14H1076	NUT	1		(A) 3/8"
	12H304	LOCK WASHER	1		(A) 3/8"
24	R28733	CLAMP	1		(A)
25	R28734	GROMMET	1		(A)
26	R26375	O-RING	2		(A)
27	AR31674	FITTING	2		(A) 90°
28	R28717	FITTING	1		
29	AR26766	HYDRAULIC LINE	1		RETURN
30	AR26767	TEE FITTING	1		TO STEERING VALVE
31	R26286	O-RING	1		

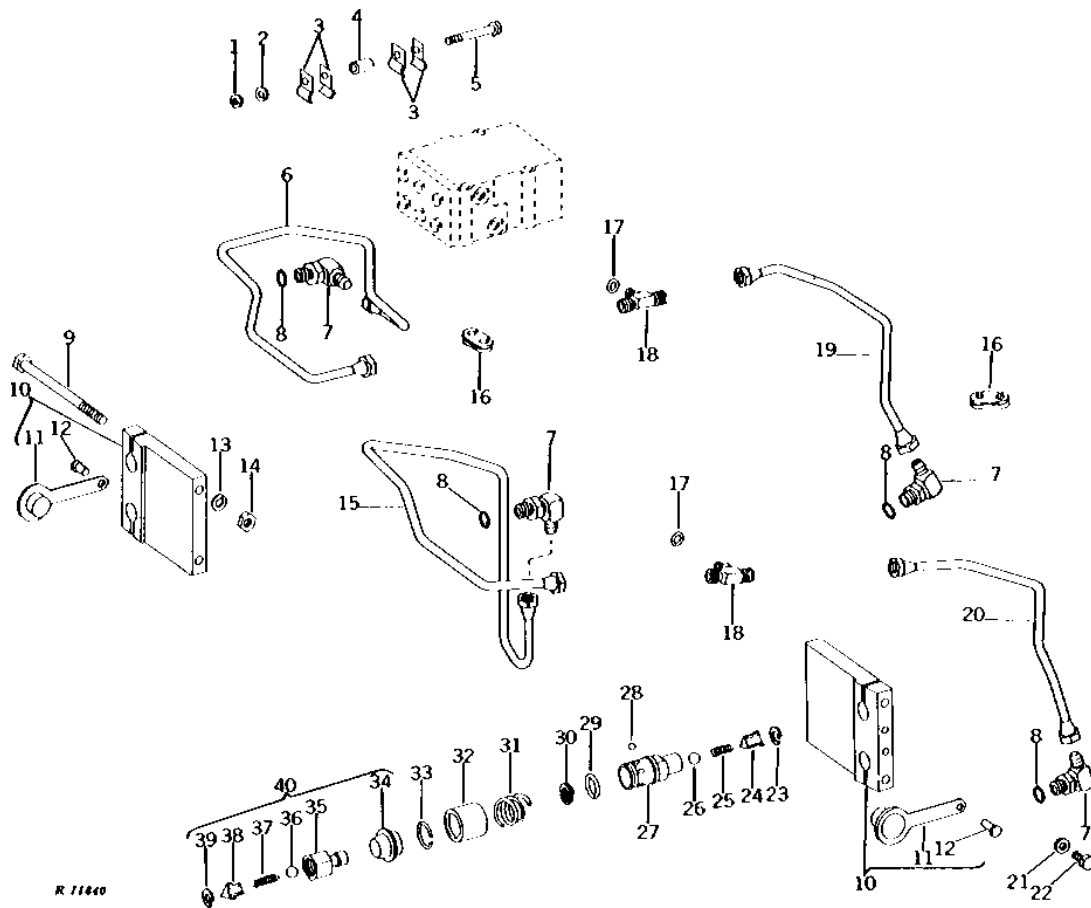
(A) DUAL SELECTIVE CONTROL

2G5

HYDRAULICS

RIGHT-HAND AND LEFT-HAND PARALLEL DUAL FRONT OUTLET WITH COUPLERS (SINGLE OR DUAL SELECTIVE CONTROL)

R11840 -UN-01JAN94



2G6

HYDRAULICS

**RIGHT-HAND AND LEFT-HAND PARALLEL DUAL FRONT OUTLET WITH COUPLERS - CONTINUED
(SINGLE OR DUAL SELECTIVE CONTROL)**

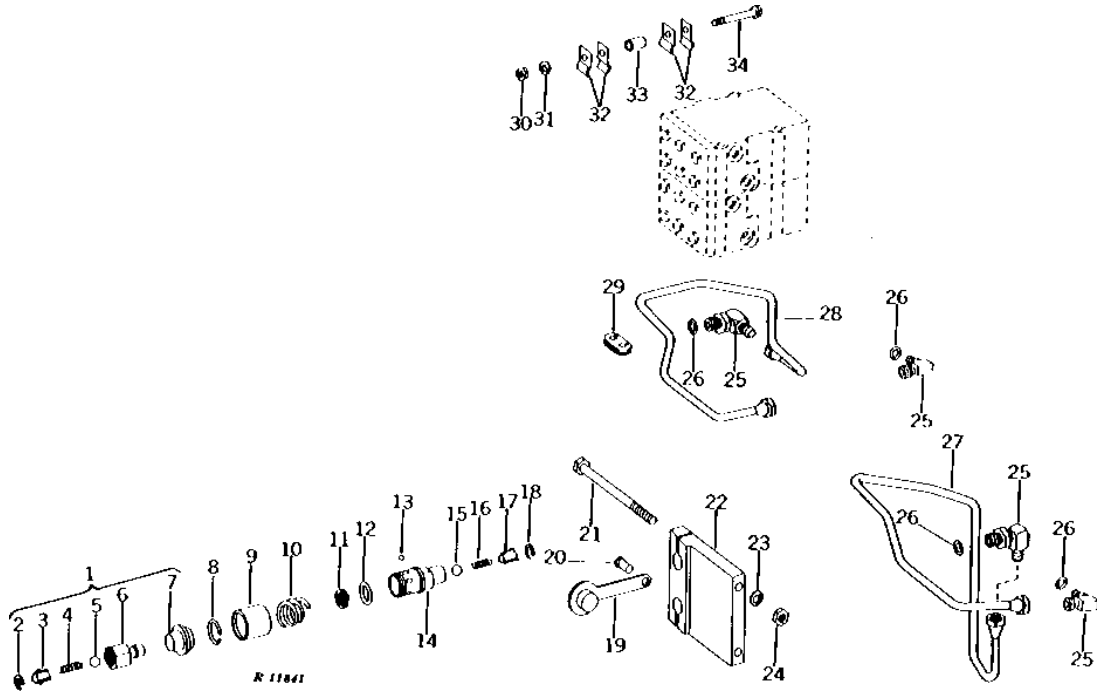
KEY	PART NO.	PART NAME	QTY	TRACTOR SERIAL NO.	REMARKS
1	14H786	NUT	1		1/4"
2	12H302	LOCK WASHER	1		1/4"
3	R27720	CLAMP	4		
4	28H1697	SPACER	1		3/8" X 3/4"
5	19H2334	CAP SCREW	1		1/4" X 2-1/2"
6	AR38331	OIL LINE	1		TO FRONT COUPLER, UPPER, R.H. (NLA)
7	AR31674	FITTING	1		90°
8	R26375	O-RING	4		
9	08H4732	CAP SCREW	4		3/8" X 6-3/4"
10	AR31673	BRACKET	1		(MARKED R32418) (NLA)
11	R32419	COVER	4		
12	A5748R	STUD	4		
13	12H304	LOCK WASHER	4		3/8"
14	14H1076	NUT	4		3/8"
15	AR38332	OIL LINE	1		TO FRONT COUPLER, LOWER, R.H. (NLA)
16	R26418	GROMMET	2		
17	R26375	O-RING	2		
18	AR32667	TEE FITTING	2		
19	AR38333	OIL LINE	1		TO FRONT COUPLER, UPPER, L.H. (NO LONGER AVAILABLE)
20	AR38334	OIL LINE	1		TO FRONT COUPLER, LOWER, L.H. (NO LONGER AVAILABLE)
21	24H1136	WASHER	1		11/32" X 11/16" X 0.065", COWL TO CONTROL SUPPORT
22	19H1813	CAP SCREW	1		5/16" X 5/8", COWL TO CONTROL SUPPORT
23	R59633	WEAR RING	4		(SUB FOR R28204)
24	R28085	GUIDE	4		(SUB RE15361)
25	R28084	SPRING	4		
26	D2361R	BALL	4		13MM (1/2")
27	R32353	SOCKET OUTLET	4		
28	400R	BALL	24		6MM (1/4")
29	R495R	O-RING	4		
30	R26485	BACK-UP RING	4		
31	R32354	SPRING	4		
32	R32355	SLEEVE	4		
33	R32356	SNAP RING	4		
34	R28006	CAP	4		
35	R27430	HYD. QUICK-CONNECT COUPLER	2		(PRESSURE) (SUB AR93819)
	R45630	HYD. QUICK-CONNECT COUPLER	2		(RETURN) (SUB AR93820)
36	D2361R	BALL	4		13MM (1/2")
37	R28084	SPRING	4		
38	R28085	GUIDE	4		(SUB AR93819 OR AR93820, APPL)
39	R59633	WEAR RING	4		(SUB FOR R28204)
40	AR30210	INTERNAL HALF COUPLER	2		(PRESSURE) (SUB AR93819)
	AR47643	BREAKAWAY COUPLER	2		(RETURN) (SUB AR93820)

2G7

HYDRAULICS

RIGHT-HAND DUEL FRONT OUTLET WITH COUPLERS (SINGLE OR DUAL SELECTIVE CONTROL)

R11841 -UN-01JAN94



2G8

HYDRAULICS

**RIGHT-HAND DUAL FRONT OUTLET WITH COUPLERS - CONTINUED
(SINGLE OR DUAL SELECTIVE CONTROL)**

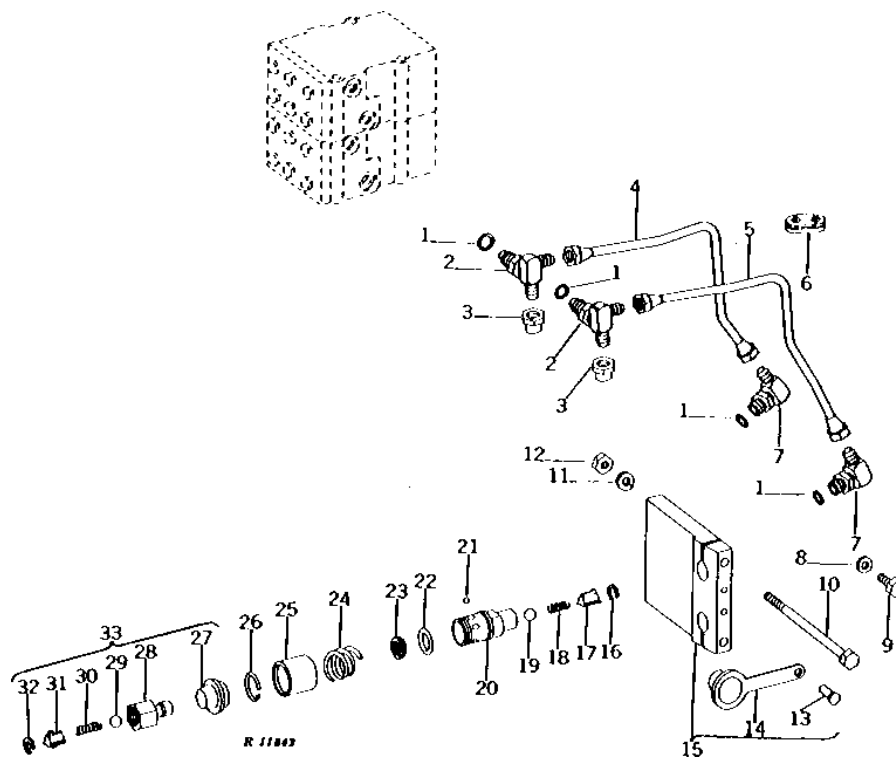
KEY	PART NO.	PART NAME	QTY	TRACTOR SERIAL NO.	REMARKS
1	AR30210	INTERNAL HALF COUPLER	1		(PRESSURE) (SUB AR93819)
	AR47643	BREAKAWAY COUPLER	1		(RETURN) (SUB AR93820)
2	R59633	WEAR RING	2		(SUB FOR R28204)
3	R28085	GUIDE	2		(SUB AR93819 OR AR93820, APPL)
4	R28084	SPRING	2		
5	D2361R	BALL	2		13MM (1/2")
6	R27430	HYD. QUICK-CONNECT COUPLER	1		(PRESSURE) (SUB AR93819)
	R45630	HYD. QUICK-CONNECT COUPLER	1		(RETURN) (SUB AR93820)
7	R28006	CAP	2		
8	R32356	SNAP RING	2		
9	R32355	SLEEVE	2		(SUB RE15361)
10	R32354	SPRING	2		(SUB RE15361)
11	R26485	BACK-UP RING	2		
12	R495R	O-RING	2		
13	400R	BALL	12		6MM (1/4")
14	R32353	SOCKET OUTLET	2		(SUB RE15361)
15	D2361R	BALL	2		13MM (1/2")
16	R28084	SPRING	2		
17	R28085	GUIDE	2		(SUB RE15361)
18	R59633	WEAR RING	2		(SUB FOR R28204)
19	R32419	COVER	2		(SUB R80324)
20	A5748R	STUD	2		
21	08H4732	CAP SCREW	2		3/8" X 6-3/4"
22	AR31673	BRACKET	1		(MARKED R32418) (NLA)
23	12H304	LOCK WASHER	2		3/8"
24	14H1076	NUT	2		3/8"
25	AR31674	FITTING	4		90°
26	R26375	O-RING	4		
27	AR38332	OIL LINE	1		TO FRONT COUPLER, LOWER, R.H. (NLA)
28	AR38331	OIL LINE	1		TO FRONT COUPLER, UPPER, R.H. (NLA)
29	R26418	GROMMET	1		
30	14H786	NUT	1		1/4"
31	12H302	LOCK WASHER	1		1/4"
32	R27720	CLAMP	4		
33	28H1697	SPACER	1		3/8" X 3/4"
34	19H2334	CAP SCREW	1		1/4" X 2-1/2"

2G9

HYDRAULICS

LEFT-HAND DUAL FRONT OUTLET WITH COUPLERS (DUAL SELECTIVE CONTROL)

R11842 -UN-01JAN94



KEY	PART NO.	PART NAME	QTY	TRACTOR SERIAL NO.	REMARKS
1	R26375	O-RING	4		
2	AR38337	TEE FITTING	2		
3	R39783	FITTING	2		
4	AR38335	OIL LINE	1		TO FRONT COUPLER, UPPER, L.H. (NO LONGER AVAILABLE)
5	AR38336	OIL LINE	1		TO FRONT COUPLER, LOWER, L.H. (NO LONGER AVAILABLE)
6	R26418	GROMMET	1		
7	AR31674	FITTING	2		90°
8	24H1136	WASHER	1		11/32" X 11/16" X 0.065", COWL TO CONTROL SUPPORT
9	19H1813	CAP SCREW	1		5/16" X 5/8", COWL TO CONTROL SUPPORT
10	08H4732	CAP SCREW	2		3/8" X 6-3/4"
11	12H304	LOCK WASHER	2		3/8"
12	14H1076	NUT	2		3/8"
13	A5748R	STUD	2		
14	R32419	COVER	2		(SUB R80324)
15	AR31673	BRACKET	1		(MARKED R32418) (NLA)
16	R59633	WEAR RING	2		(SUB FOR R28204)
17	R28085	GUIDE	2		(SUB RE15361)
18	R28084	SPRING	2		
19	D2361R	BALL	2		13MM (1/2")
20	R32353	SOCKET OUTLET	2		(SUB RE15361)
21	400R	BALL	12		6MM (1/4")
22	R495R	O-RING	2		
23	R26485	BACK-UP RING	2		
24	R32354	SPRING	2		(SUB RE15361)

2G10

HYDRAULICS

LEFT-HAND DUAL FRONT OUTLET WITH COUPLERS - CONTINUED
(DUAL SELECTIVE CONTROL)

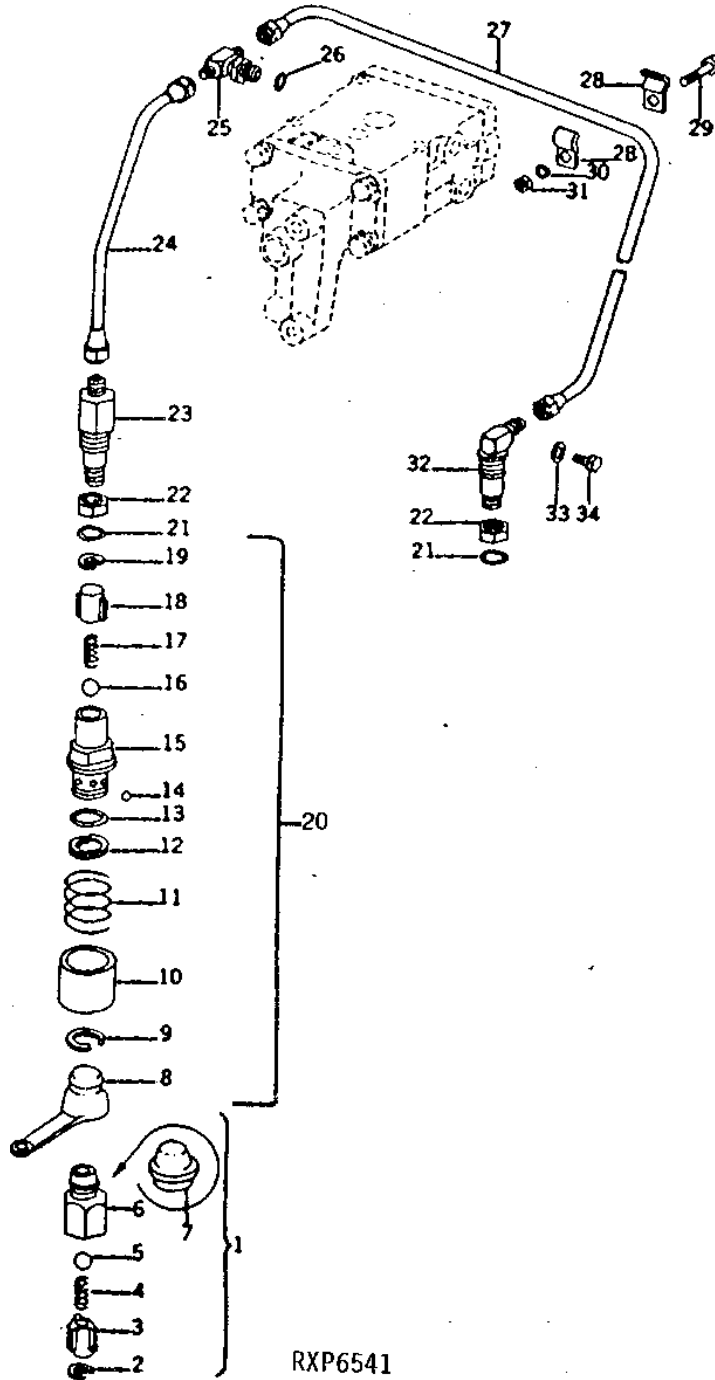
KEY	PART NO.	PART NAME	QTY	TRACTOR SERIAL NO.	REMARKS
25	R32355	SLEEVE	2		(SUB RE15361)
26	R32356	SNAP RING	2		
27	R28006	CAP	2		
28	R27430	HYD. QUICK-CONNECT COUPLER	1		(PRESSURE) (SUB AR93819)
	R45630	HYD. QUICK-CONNECT COUPLER	1		(RETURN) (SUB AR93820)
29	D2361R	BALL	2		13MM (1/2")
30	R28084	SPRING	2		
31	R28085	GUIDE	2		(SUB AR93819 OR AR93820, APPL)
32	R59633	WEAR RING	2		(SUB FOR R28204)
33	AR30210	INTERNAL HALF COUPLER	1		(PRESSURE) (SUB AR93819)
	AR47643	BREAKAWAY COUPLER	1		(RETURN) (SUB AR93820)

2G11

HYDRAULICS

RIGHT-HAND AND LEFT-HAND PARALLEL SINGLE FRONT OUTLET WITH COUPLERS
(SINGLE OR DUAL SELECTIVE CONTROL)

RXP6541 -UN-01JAN94



2G12

HYDRAULICS

**RIGHT-HAND AND LEFT-HAND PARALLEL SINGLE FRONT OUTLET WITH COUPLERS - CONTINUED
(SINGLE OR DUAL SELECTIVE CONTROL)**

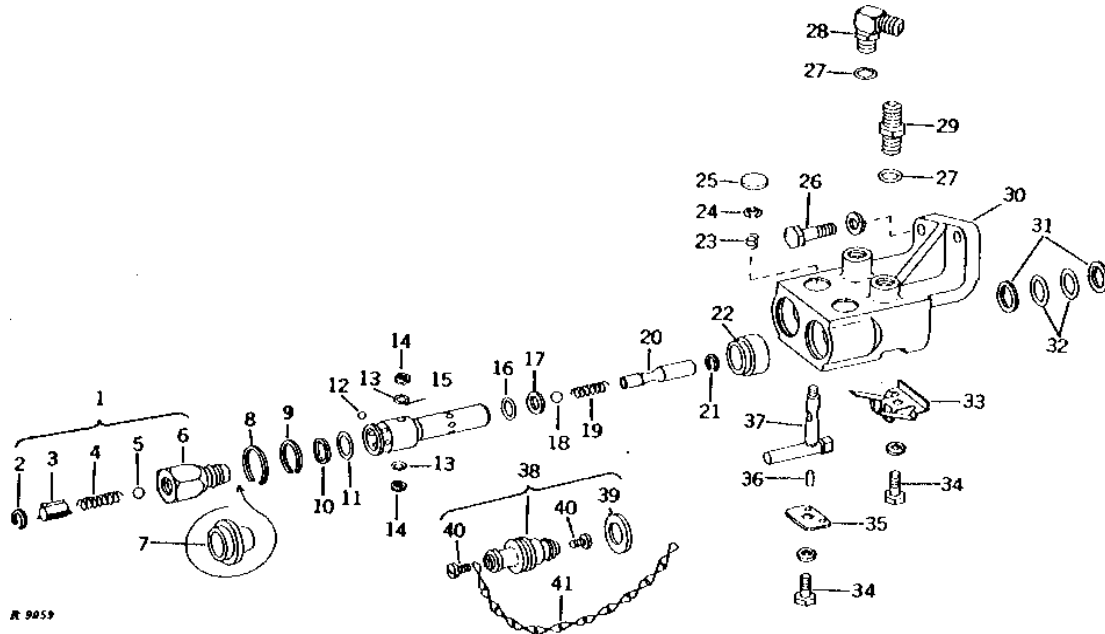
KEY	PART NO.	PART NAME	QTY	TRACTOR SERIAL NO.	REMARKS
1	AR30210	INTERNAL HALF COUPLER	1		(PRESSURE) (SUB AR93819)
	AR47643	BREAKAWAY COUPLER	1		(RETURN) (SUB AR93820)
2	R59633	WEAR RING	2		(SUB FOR R28204)
3	R28085	GUIDE	2		(SUB AR93819 OR AR93820, APPL)
4	R28084	SPRING	2		
5	D2361R	BALL	2		13MM (1/2")
6	R27430	HYD. QUICK-CONNECT COUPLER	1		(PRESSURE) (SUB AR93819)
	R45630	HYD. QUICK-CONNECT COUPLER	1		(RETURN) (SUB AR93820)
7	R28006	CAP	2		
8	R32419	COVER	2		(SUB R80324)
9	R32356	SNAP RING	2		
10	R32355	SLEEVE	2		(SUB RE15361)
11	R32354	SPRING	2		(SUB RE15361)
12	R26485	BACK-UP RING	2		
13	R495R	O-RING	2		
14	400R	BALL	12		6MM (1/4")
15	R32353	SOCKET OUTLET	2		(SUB RE15361)
16	D2361R	BALL	2		13MM (1/2")
17	R28084	SPRING	2		
18	R28085	GUIDE	2		
19	R59633	WEAR RING	2		(SUB FOR R28204)
20	AR47331	SOCKET OUTLET	1		(SUB RE15361)
21	R26375	O-RING	2		
22	14H876	NUT	2		1"
23	R39785	FITTING	1		(NO LONGER AVAILABLE)
24	AR30001	OIL LINE	1		SELECTIVE CONTROL VALVE TO CONTROL SUPPORT, L.H. (NLA)
25	AR32667	TEE FITTING	1		
26	R26375	O-RING	1		
27	AR30000	LINE	1		SELECTIVE CONTROL VALVE TO CONTROL SUPPORT, R.H. (NLA)
28	R27720	CLAMP	2		
29	19H1898	CAP SCREW	1		1/4" X 1-1/2"
30	12H302	LOCK WASHER	1		1/4"
31	14H786	NUT	1		1/4"
32	AR39763	ELBOW FITTING	1		90°, (NO LONGER AVAILABLE)
33	24H1136	WASHER	1		11/32" X 11/16" X 0.065", COWL TO CONTROL SUPPORT
34	19H2020	CAP SCREW	1		5/16" X 1/2", COWL TO CONTROL SUPPORT

2G13

HYDRAULICS

R9059 -UN-01JAN94

BREAKAWAY COUPLER



KEY	PART NO.	PART NAME	QTY	TRACTOR SERIAL NO.	REMARKS
1	AR30210	INTERNAL HALF COUPLER	1		(PRESSURE) (SUB AR93819)
	AR47643	BREAKAWAY COUPLER	1		(RETURN) (SUB AR93820)
2	R59633	WEAR RING	2		(SUB FOR R28204)
3	R28085	GUIDE	2		(SUB AR93819 OR AR93820, APPL)
4	R28084	SPRING	2		
5	D2361R	BALL	2		13MM (1/2")
6	R27430	HYD. QUICK-CONNECT COUPLER	1		(PRESSURE) (SUB AR93819)
	R45630	HYD. QUICK-CONNECT COUPLER	1		(RETURN) (SUB AR93820)
7	R28006	CAP	2		
8	R34399	SNAP RING	2		
9	R32356	SNAP RING	2		
10	R26485	BACK-UP RING	2		
11	R495R	O-RING	2		
12	400R	BALL	12		6MM (1/4")
13	R65286	O-RING	4		
14	R26484	BACK-UP RING	4		
15	R34397	SOCKET OUTLET	2		
16	R375R	O-RING	2		
17	R26482	RING	2		
18	D2361R	BALL	1		13MM (1/2")
19	R28084	SPRING	2		
20	R34400	PLUG	2		
21	R26483	SNAP RING	2		
22	R34398	SLEEVE	2		
23	R31890	SPRING	2		
24	R72653	SNAP RING	2		(SUB FOR M2396T)
25	30H15	PLUG	2		1-1/8"
26	19H3579	CAP SCREW	2		1/2" X 1-3/8"
	12H301	LOCK WASHER	2		1/2"
	R26375	O-RING	2		
28	AR31674	FITTING	1		90°
29	R36426	FITTING	1		

2G14

HYDRAULICS

BREAKAWAY COUPLER - CONTINUED

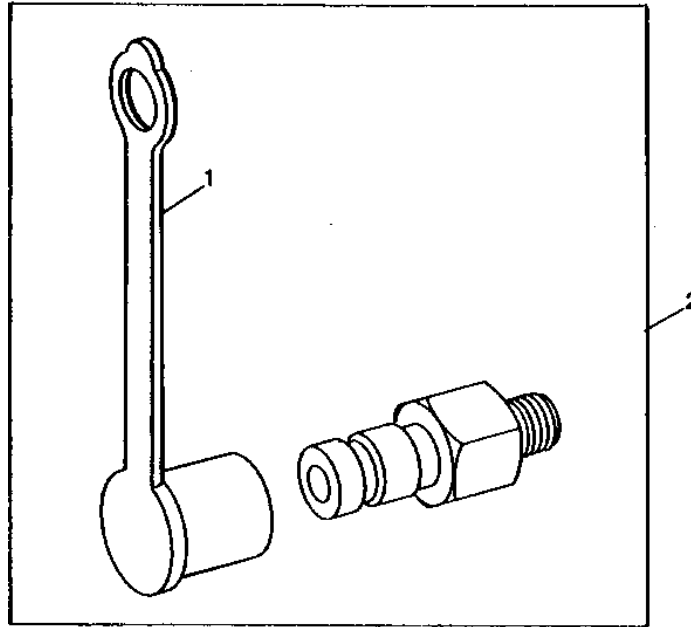
KEY	PART NO.	PART NAME	QTY	TRACTOR SERIAL NO.	REMARKS
30	AR52620	HOUSING	1		(MARKED R34396)
	R27507	SNAP RING	1		
	R49191	SCREW	1		
	12H303	LOCK WASHER	1	5/16"	
	24H1286	WASHER	1	9/32" X 1/2" X 1/16"	
31	R26480	BACK-UP RING	4		
32	A4730R	O-RING	4		
33	R30818	SPRING	1		
34	19H1900	CAP SCREW	2	5/16" X 3/4"	
	12H303	LOCK WASHER	2	5/16"	
35	R51285	PLATE	1		(SUB FOR R34402 OR R41494) (SUB AR75958)
36	34H244	SPRING PIN	2	1/8" X 9/16"	
37	AR33877	LEVER	2		
38	AR52623	PLUG	2		(SUB FOR AR34059)
39	R34589	WASHER	2		
40	37H97	SCREW	4	0.242" X 3/4",	(SUB FOR A4322R)
41	R49193	LINK CHAIN	1		(SUB FOR A3184R)

2G15

HYDRAULICS

RWP5202 -UN-01JAN94

DIAGNOSTIC RECEPTACLE



RWP5202

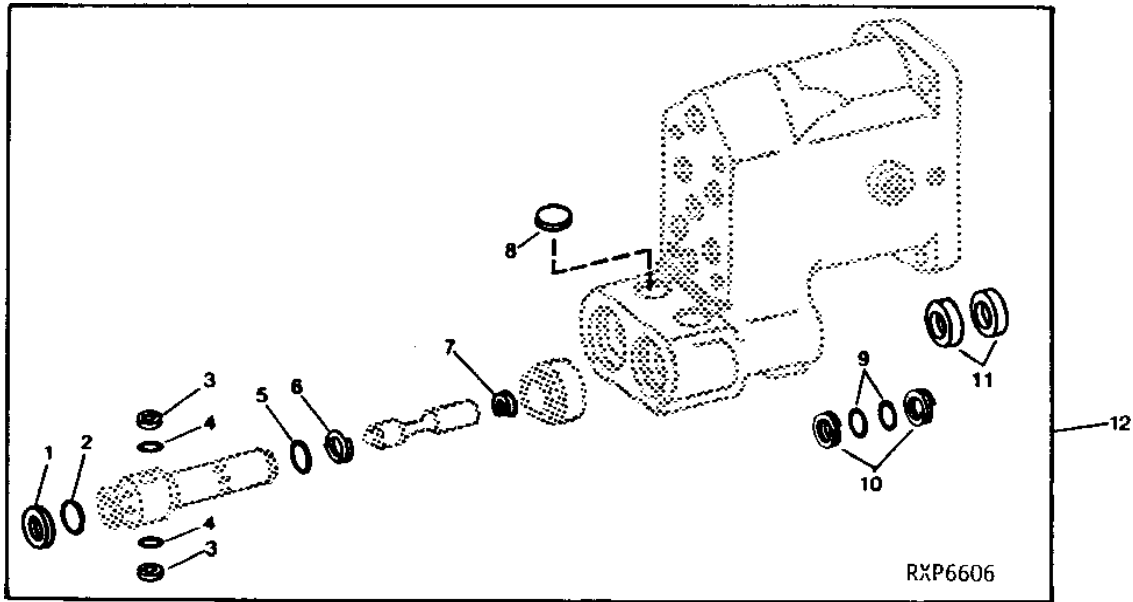
KEY	PART NO.	PART NAME	QTY	TRACTOR SERIAL NO.	REMARKS
1	R77175	COVER	1		
2	RE13561	RECEPTACLE	1	12.7MM (1/2") PORT	
	RE13562	RECEPTACLE	1	9.525MM (3/8") PORT	

2G16

HYDRAULICS

RXP6606 -UN-06OCT94

BREAKAWAY COUPLER OVERHAUL KIT



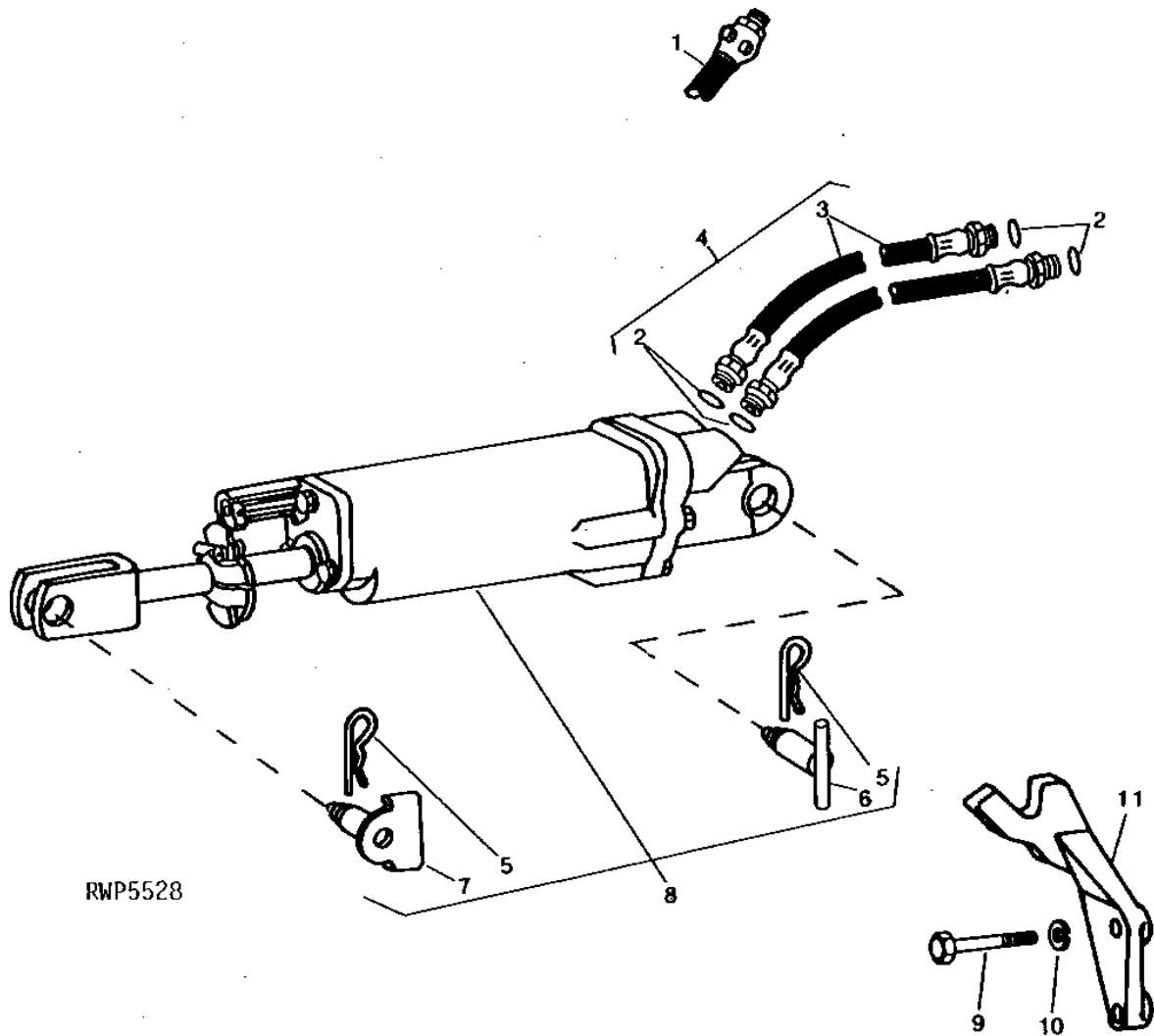
KEY	PART NO.	PART NAME	QTY	TRACTOR SERIAL NO.	REMARKS
1	R26485	BACK-UP RING	2		
2	R59343	RING	2		
3	R26484	BACK-UP RING	4		
4	A3917R	O-RING	4		
5	R375R	O-RING	2		
6	R26482	RING	2		
7	R26483	SNAP RING	2		
8	30H15	PLUG	2	1-1/8"	
9	A4730R	O-RING	4	(EARLY DESIGN)	
10	R26480	BACK-UP RING	4	(EARLY DESIGN)	
11	R79311	SEAL	4	(CURRENT DESIGN) (SUB FOR R65285 OR R74530)	
12	AR82570	KIT	1	(SUB FOR AR30685)	

2G17

HYDRAULICS

RWP5528 -UN-01JAN94

REMOTE CYLINDER, HOSES AND ARM
(2-1/2" X 8")



2G18

HYDRAULICS

REMOTE CYLINDER, HOSES AND ARM - CONTINUED
(2-1/2" X 8")

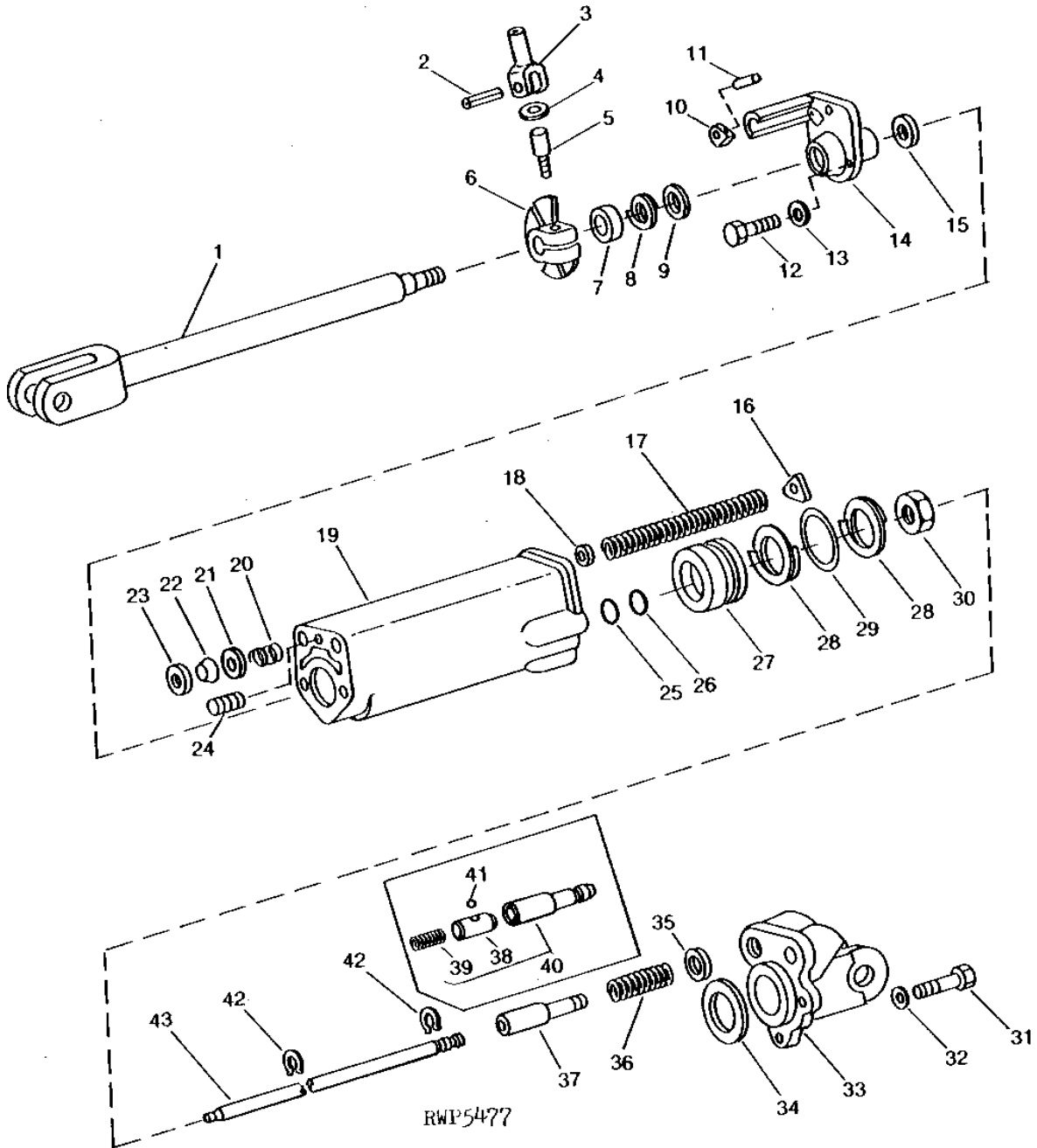
KEY	PART NO.	PART NAME	QTY	TRACTOR SERIAL NO.	REMARKS
1	AR30784	TEE FITTING	1		
2	R26375	O-RING	4		
3	AR26407	HYDRAULIC HOSE	2		10 X 2337MM (3/8" X 92")
	R32183	HYDRAULIC HOSE	2		10 X 2337MM (3/8" X 92")
4	AR27440	HYDRAULIC HOSE	1		(SUB (2) AR26407 AND (4) R26375)
5	A3581R	SPRING LOCKING PIN	2		
6	AR47825	PIN	1		(SUB FOR AA6309R)
7	AA6307R	PIN	1	-XXXXXX	(SUB AR71902)
	AR71902	PIN	1	XXXXXX-	
8	AR38426	HYDRAULIC CYLINDER	1		(SUB AR38239, AR47825, AR71902, AR93819, AR93820 AND (2) A15146)
9	19H1765	CAP SCREW	AR		3/8" X 1-3/4", (2 USED SINGLE SELECTIVE CONTROL) (4 USED DUAL SELECTIVE CONTROL)
10	12H304	LOCK WASHER	AR		3/8", (2 USED SINGLE SELECTIVE CONTROL) (4 USED DUAL SELECTIVE CONTROL)
11	R32118	ARM	1		L.H. (WITH SINGLE OR DUAL SELECTIVE CONTROL) (NLA)
	R32117	ARM	1		R.H. (WITH DUAL SELECTIVE CONTROL)

2G19

HYDRAULICS

REMOTE CYLINDER PARTS (HYDRAULIC STOP) (2-1/2" X 8")

RWP5477 -UN-01JAN94



2G20

HYDRAULICS

REMOTE CYLINDER PARTS - CONTINUED
(HYDRAULIC STOP)
(2-1/2" X 8")

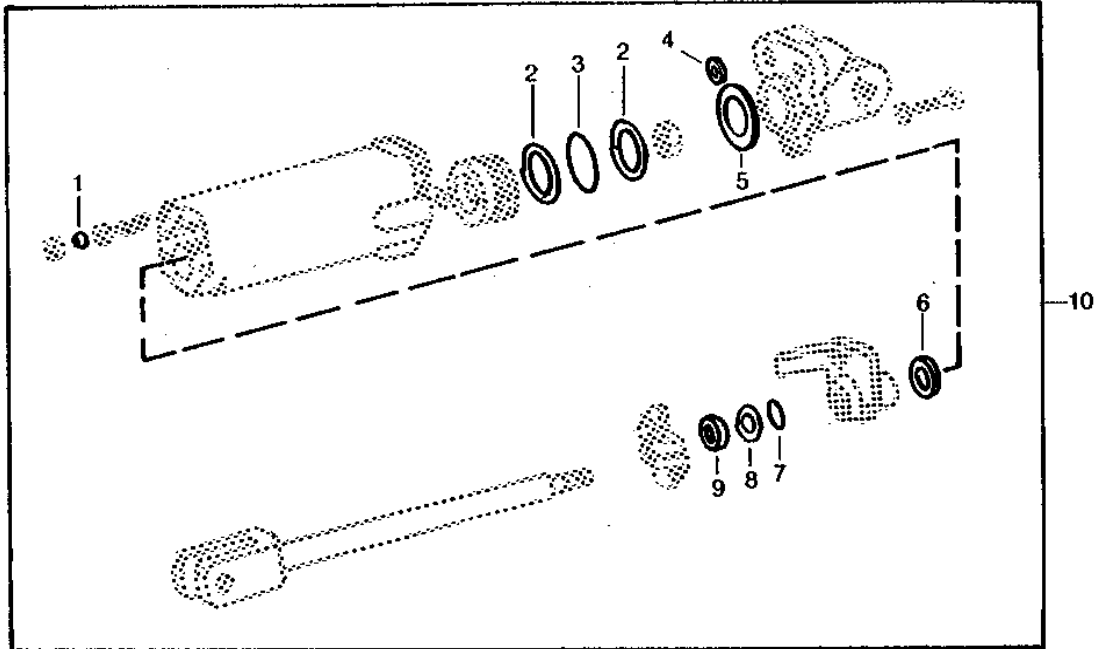
KEY	PART NO.	PART NAME	QTY	MODEL NO.	REMARKS
1	AR38849	ROD	1		(SUB FOR AR39034)
2	34H264	SPRING PIN	1		5/32" X 7/8"
3	A5302R	YOKE	1		
4	A147R	LOCK WASHER	1		
5	A5301R	SCREW	1		
6	R39064	STOP	1		
7	AA5607R	SEAL	1		
8	A4731R	WASHER	1		PAPER
9	A4730R	O-RING	1		
10	R27426	ARM	1		
11	25H760	GROOVE PIN	1		7/32" X 1-1/4"
12	19H2552	CAP SCREW	3		3/8" X 1-1/8"
13	12H304	LOCK WASHER	3		3/8"
14	A4732R	GUIDE	1		
15	A4733R	WASHER	1		
16	R57696	WASHER	1		(SUB FOR A4738R)
17	A4737R	SPRING	1		
18	24H1301	WASHER	1		13/32" X 9/16" X 0.065"
19	R39006	CYLINDER	1		
20	A4748R	SPRING ASSEMBLY	1		
21	A4747R	WASHER	1		
22	A4745R	PACKING	3		
23	A4746R	ADAPTER	1		
24	15H624	PIPE PLUG	1		1/2"
25	A4730R	O-RING	1	5RC2-	
26	R26480	BACK-UP RING	1	5RC2-	
27	R39008	PISTON	1	-5RC1	
	R38537	PISTON	1	5RC2-	
28	R39009	BACK-UP RING	2		
29	L2104N	O-RING	1		
30	H34753	LOCK NUT	1		(SUB FOR A5401R)
31	19H2473	CAP SCREW	4		1/2" X 1-3/4"
32	12H301	LOCK WASHER	4		1/2"
33	R39013	COVER	1		
34	R39029	WASHER	1		
35	A4723R	WASHER	2		
36	R49352	SPRING	1		
37	R39012	VALVE	1	5RC3-	
38	A4740R	VALVE	1	-5RC2	(SUB AA5731R)
39	A4741R	SPRING	1	-5RC2	
40	AA5731R	VALVE	1	-5RC2	(ILLUSTRATED)
41	A4742R	BALL	1	-5RC2	
42	A4739R	RING	2		
43	A4736R	ROD	1		

2G21

HYDRAULICS

RP576 -UN-01JAN94

REMOTE CYLINDER OVERHAUL KIT



RP576

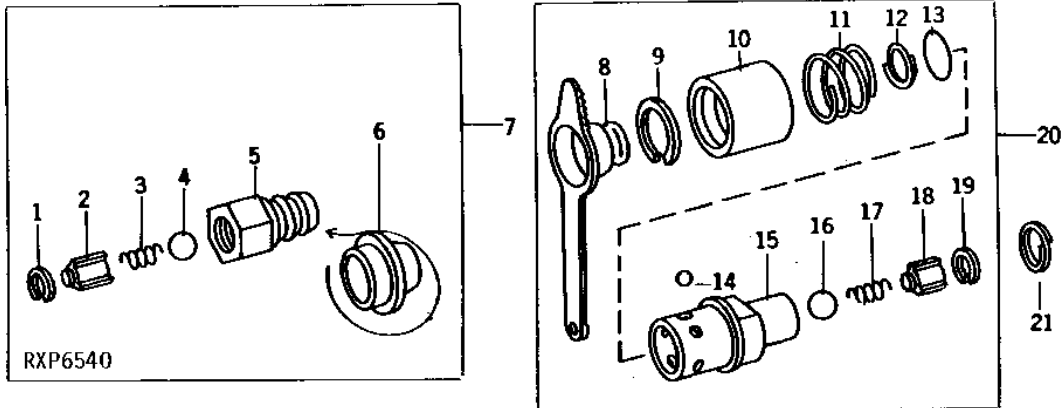
KEY	PART NO.	PART NAME	QTY	TRACTOR SERIAL NO.	REMARKS
1	A4745R	PACKING	3		
2	R39009	BACK-UP RING	2		
3	L2104N	O-RING	1		
4	A4723R	WASHER	2		
5	R39029	WASHER	1		
6	A4733R	WASHER	1		
7	A4730R	O-RING	1		
8	A4731R	WASHER	1		
9	AA5607R	SEAL	1		
10	AR38713	KIT	1		

2G22

HYDRAULICS

RXP6540 -UN-06OCT94

FLEXIBLE OIL LINE COUPLER



KEY	PART NO.	PART NAME	QTY	TRACTOR SERIAL NO.	REMARKS
1	R59633	WEAR RING	1		
2	R28085	GUIDE	1		(SUB AR93819 OR AR93820, APPL)
3	R28084	SPRING	1		
4	D2361R	BALL	1		13MM (1/2")
5	R27430	HYD. QUICK-CONNECT COUPLER	1		(PRESSURE) (SUB AR93819)
	R45630	HYD. QUICK-CONNECT COUPLER	1		(RETURN) (SUB AR93820)
6	R28006	CAP	1		
7	AR30210	INTERNAL HALF COUPLER	1		(PRESSURE) (SUB AR93819)
	AR47643	BREAKAWAY COUPLER	1		(RETURN) (SUB AR93820)
8	R32419	COVER	1		(SUB R80324)
9	R32356	SNAP RING	1		
10	R32355	SLEEVE	1		(SUB RE15361)
11	R32354	SPRING	1		(SUB RE15361)
12	R26485	BACK-UP RING	1		
13	R495R	O-RING	1		
14	400R	BALL	6		6MM (1/4")
15	R32353	SOCKET OUTLET	1		(SUB RE15361)
16	D2361R	BALL	1		13MM (1/2")
17	R28084	SPRING	1		
18	R28085	GUIDE	1		(SUB RE15361)
19	R59633	WEAR RING	1		
20	AR47331	SOCKET OUTLET	1		(SUB RE15361)
21	R36946	SPRING	1		

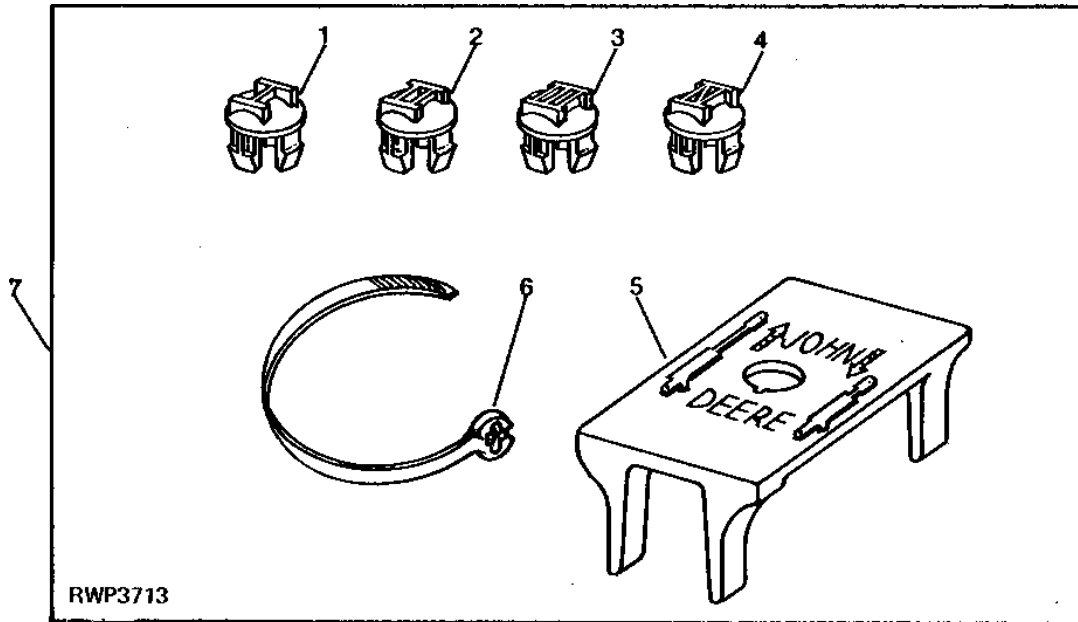
MEMORANDA

2G23

HYDRAULICS

RWP3713 -UN-01JAN94

REMOTE CYLINDER HOSE IDENTIFICATION KIT



KEY	PART NO.	PART NAME	QTY	TRACTOR SERIAL NO.	REMARKS
1	R74242	PLUG	1		
2	R74243	PLUG	1		
3	R74244	PLUG	1		
4	R74246	PLUG	1		
5	R76459	TAG	1		
6	R76477	TIE BAND	2		
7	AR103808	KIT	1		

MEMORANDA

MEMORANDA

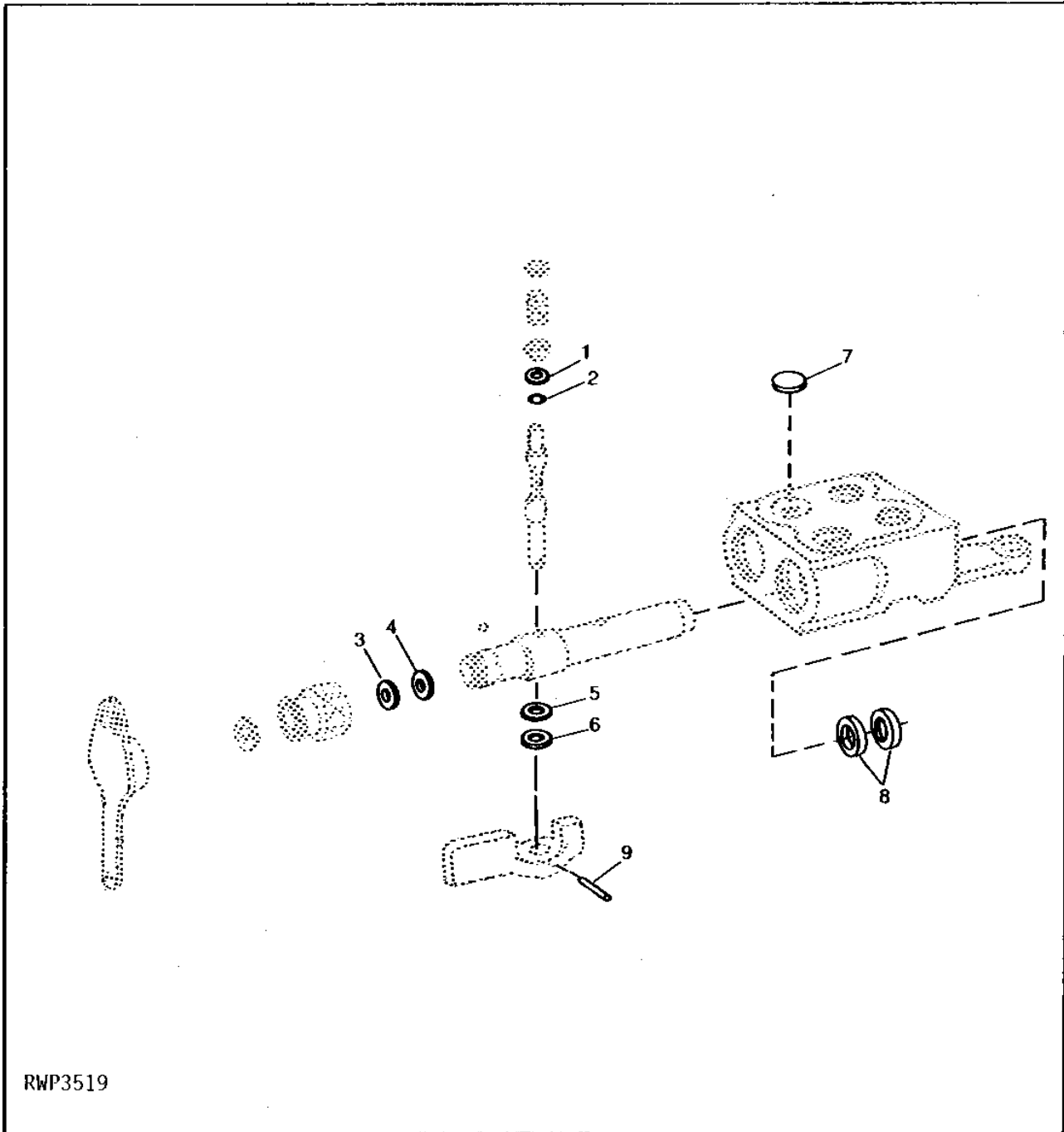
2G24

HYDRAULICS

RWP3519

-UN-01JAN94

ISO COUPLER OVERHAUL KIT



2G25

HYDRAULICS

ISO COUPLER OVERHAUL KIT - CONTINUED

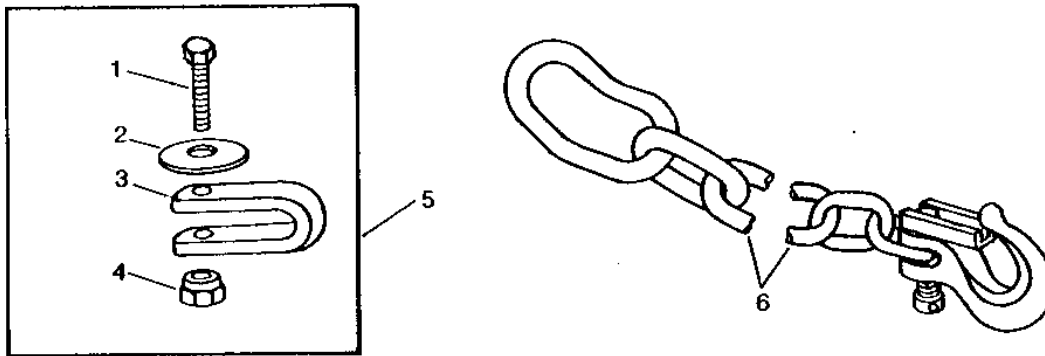
KEY	PART NO.	PART NAME	QTY	TRACTOR SERIAL NO.	REMARKS
1	R31136	BACK-UP RING	2		
2	R10093	O-RING	2		
3	R71387	WASHER	2		
4	R74210	O-RING	2		
5	P51212	O-RING	2		
6	R78766	BACK-UP RING	2		
7	30H15	PLUG	2	1-1/8"	
8	R74530	SEAL	4	(SUB (4) A4730R AND (4) R26480, THIS APPLICATION)	
9	34H247	SPRING PIN	2	1/8" X 3/4"	
10	RE13815	KIT	1		

2H1

HYDRAULICS

RWP5796 -UN-01JAN94

IMPLEMENT SAFETY CHAIN



RWP5796

KEY	PART NO.	PART NAME	QTY	TRACTOR SERIAL NO.	REMARKS
1	19H1768	CAP SCREW	1	(A) (B)	
	19H2084	CAP SCREW	1	(A)	
	19H2174	CAP SCREW	1	(B)	
2	R36402	WASHER	1		
3	R69408	CLEVIS	1	(A)	
	R69409	CLEVIS	1	(B)	
4	T25879	NUT	2		
5	AR90577	SAFETY CHAIN ADAPTER KIT	1		CATEGORY IV DRAWBARS
	AR90578	CHAIN KIT	1		CATEGORY II AND III DRAWBARS
6	RE26739	LINK CHAIN	1		61 LINKS 6.4 MM (1/4") DIA CHAIN (6,000 LB)
	AR90581	LINK CHAIN	1		61 LINKS 6.4 MM (1/4") DIA CHAIN (10,000 LB)
	AR90579	LINK CHAIN	1		42 LINKS 9.5 MM (3/8") DIA CHAIN
	AR90583	LINK CHAIN	1		43 LINKS 11.1 MM (7/16") DIA CHAIN
	AN212996	LINK CHAIN	1		42 LINKS 12.7 MM (1/2") DIA CHAIN, (SUB FOR RE26740)

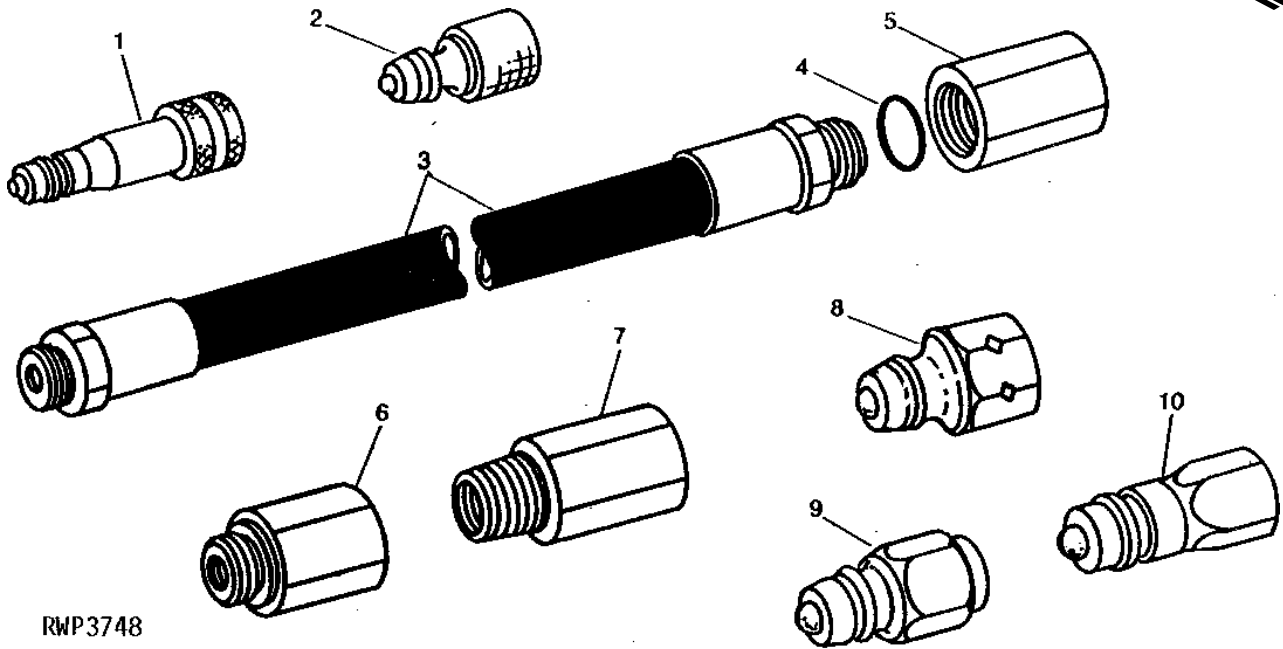
(A) INCLUDED IN AR90577
 (B) INCLUDED IN AR90578

2H2

HYDRAULICS

RWP3748 -UN-01JAN94

IMPLEMENT HYDRAULIC OIL LINES AND FITTINGS



KEY	PART NO.	PART NAME	QTY	TRACTOR SERIAL NO.	REMARKS
1	AR98202	HYD. QUICK-CONNECT COUPLER	1	JOHN DEERE TO ISO	
	R21722	O-RING	1	(INCLUDED IN AR98202)	
	RE11457	ADAPTER	1	IHC TO ISO	
2	U11647	O-RING	1	(INCLUDED IN RE11457)	
	AR98201	HYD. QUICK-CONNECT COUPLER	1	ISO TO JOHN DEERE	
	R21722	O-RING	1	(INCLUDED IN AR98201, RE11458 AND RE11463)	
3	R71387	WASHER	1	(INCLUDED IN AR98201)	
	RE11456	ADAPTER	1	IHC TO JOHN DEERE	
	RE11458	ADAPTER	1	JOHN DEERE TO IHC	
	RE11463	ADAPTER	1	ISO TO IHC	
4	AR28754	HYDRAULIC HOSE	1	10 X 610MM (3/8" X 24") (SUB TY3018)	
	AR28755	HYDRAULIC HOSE	1	10 X 914MM (3/8" X 36") (SUB TY3019)	
	R36658	HYDRAULIC HOSE	1	13 X 610MM (1/2" X 24")	
5	R36659	HYDRAULIC HOSE	1	13 X 914MM (1/2" X 36")	
	R26375	O-RING	1		
6	R30815	FITTING	1	3/4" THREAD	
7	R30817	ADAPTER	1	3/4"-16UNF MALE X 1/2"-14NPT FEMALE	
8	R30816	ADAPTER	1	1/2"-14NPT MALE X 3/4"-16UNF FEMALE	
9	AR93820	FITTING	1	JOHN DEERE, 3/4"-16 UNF	
10	RE11447	FITTING	1	JOHN DEERE, 1/2"-14NPT	
	AR94522	INTERNAL HALF COUPLER	1	ISO, 3/4"-16UNF	

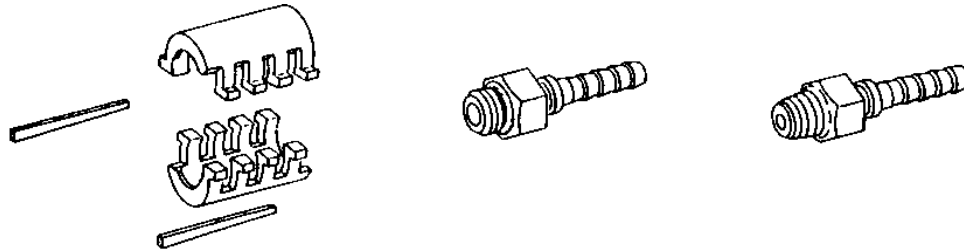
2H3

HYDRAULICS

RXP7733

-UN-23SEP94

BULK FLEXIBLE OIL LINE AND REUSABLE LOK-PIN COUPLINGS



Oil Line (Length) Approx. 50 ft.)		Set of Ferrules with Pins*	Stem-Straight Thread with O-ring	Stem-Pipe Thread
R 34790	3/8" I.D. — 1 Wire	AR 39635* *	R 39687
R 34791	1/2" I.D. — 1 Wire	AR 39636* *	R 39688
R 34792	3/4" I.D. — 1 Wire	AR 39637#	R 39689
R 34793	3/8" I.D. — 2 Wire	AR 39632	AR 39635* *	R 39687
R 34794	1/2" I.D. — 2 Wire	AR 39636* *	R 39688
R 34795	3/4" I.D. — 2 Wire	AR 39637#	R 39689

* Each set of ferrules includes two R39681 pins - extra pins may be ordered, packed 20 in a package.
 **Includes R26375 O-ring.
 # Includes F3171R O-ring.

REUSABLE COUPLINGS (Use With Braid Flexible Oil Line)



1 WR Single Wire		2 WR Double Wire		I.D.	Thread
<i>Coupling No.</i>		<i>Coupling No.</i>			
AF 3585	R	AR 21629		3/8"	18 NPTF
AF 3586	R	AR 21630		1/2"	14 NPTF
AF 3587	R		5/8"	14 NPTF
AF 3588	R	AR 21632		3/4"	14 NPTF
R 34644		AR 21634		1"	11-1/2" NPTF
R 34646		R 34647		3/8"	16 O-ring type thread
				1/2"	16 O-ring type thread

BULK SINGLE WIRE BRAID FLEXIBLE OIL LINE (Use With Reusable Coupling for Single Wire Braid Flexible Oil Line)

Part No.	I.D.	O.D.	Length
A 5776 R	1/2"	29/32"	Approx. 50 ft.
A 5777 R	5/8"	1-1/32"	Approx. 50 ft.

BULK DOUBLE WIRE BRAID FLEXIBLE OIL LINE (Use with Reusable Coupling for Double Wire Braid Flexible Oil Line)

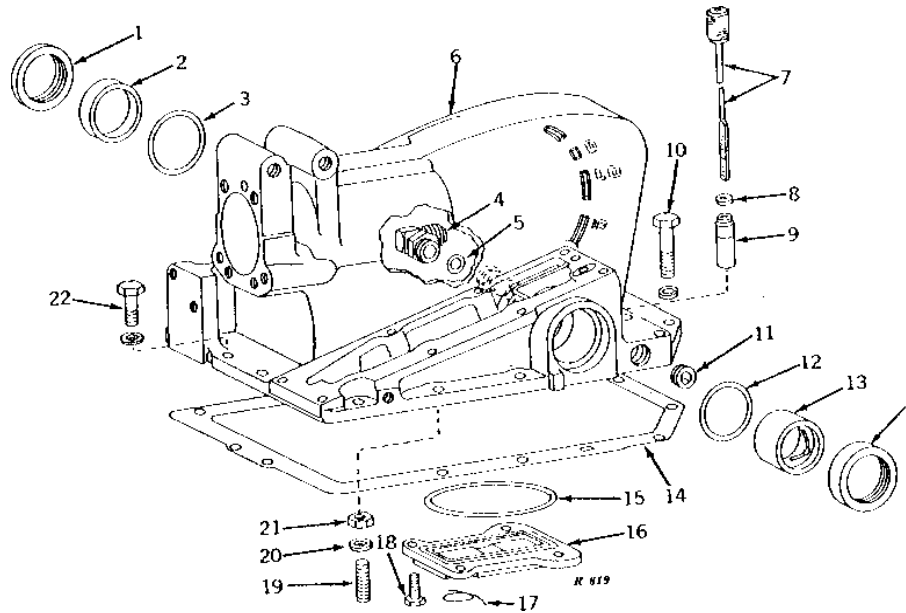
Part No.	I.D.	O.D.	Length
R 21531	3/8"	29/32"	Approx. 50 ft.
R 21532 RXP7733	1/2"	31/32"	Approx. 50 ft.

2H4

HYDRAULICS

R819 -UN-01JAN94

ROCKSHAFT HOUSING, WITH BUSHINGS AND OIL SEALS



KEY	PART NO.	PART NAME	QTY	TRACTOR SERIAL NO.	REMARKS
1	AF2643R	SEAL	2		
2	R26842	BUSHING	1		
3	A4728R	O-RING	1		
4	AT32331	ELBOW FITTING	1		90° (SYNCRANGE) (SUB FOR AR26723)
	R27267	FITTING	1		(NOT ILLUSTRATED) (POWER SHIFT)
5	F3171R	O-RING	1		
6	AR40417	HOUSING	1		(MARKED R34670) (NLA)
7	AR30692	DIPSTICK	1		
8	R1590R	WASHER	1		
9	R31566	TUBE	1		(SYNCRANGE)
	R34294	TUBE	1		(POWER SHIFT) (NLA)
10	19H1990	CAP SCREW	4		1/2" X 2-1/4"
	12H301	LOCK WASHER	4		1/2"
11	15H564	PIPE PLUG	1		3/4"
12	R26863	O-RING	1		
13	R26841	BUSHING	1		
14	R34161	GASKET	1		
15	R26769	WASHER	1		
16	R55079	COVER	1		(SUB FOR R27210 OR R52246)
17	WIRE	1		305MM (12") X 16 GA.
18	D459R	BOLT	4		
19	R32101	STUD	3		
20	12H301	LOCK WASHER	3		1/2"
21	14H1040	NUT	3		1/2"
22	19H3579	CAP SCREW	5		1/2" X 1-3/8"
	12H301	LOCK WASHER	5		1/2"

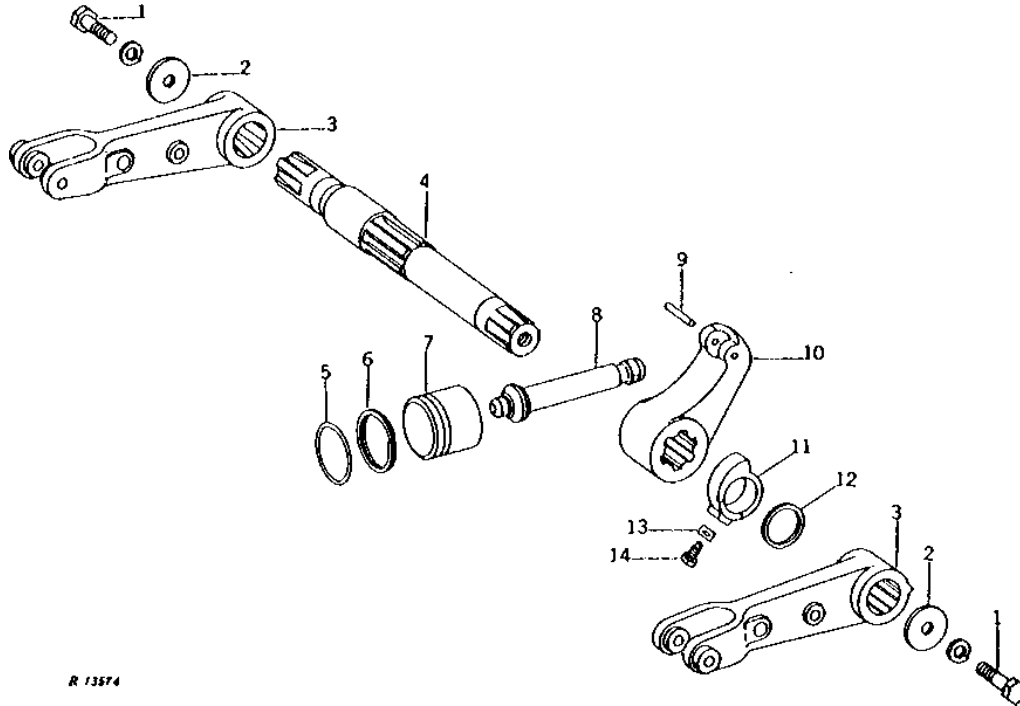
2H5

HYDRAULICS

R13574

-UN-01JAN94

ROCKSHAFT, ROCKSHAFT PISTON AND LIFT ARMS



R 13574

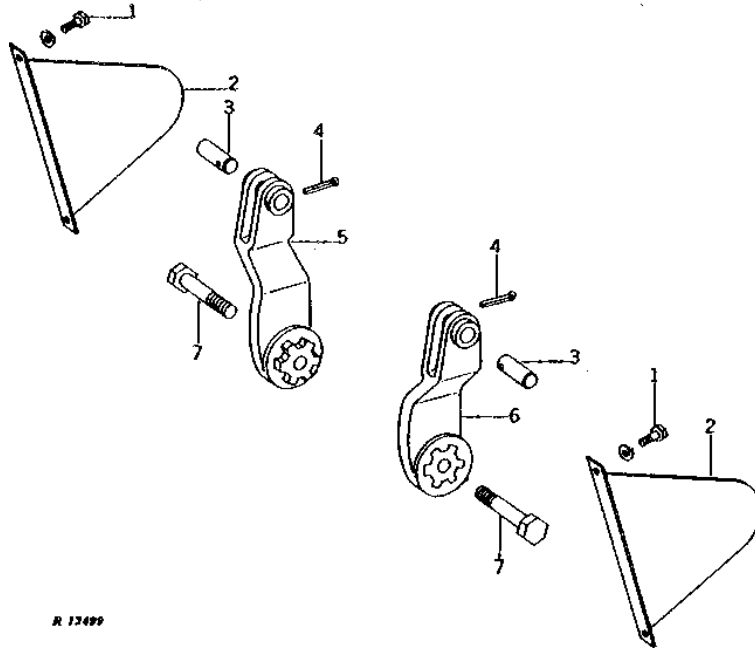
KEY	PART NO.	PART NAME	QTY	TRACTOR SERIAL NO.	REMARKS
1	19H1782	CAP SCREW	2		3/4" X 2-1/4"
	12H236	LOCK WASHER	2		3/4"
2	R20136	WASHER	2		
3	AR30725	LIFT ARM	2		(ROW-CROP) (MARKED R31595) (NLA)
	AR30726	LIFT ARM	1		R.H. (HI-CROP) (MARKED R31597) (NO LONGER AVAILABLE)
	AR30727	LIFT ARM	1		L.H. (HI-CROP) (NLA) (MARKED R31598)
	R31596	BUSHING	2		(NLA)
4	R34487	SHAFT	1		
5	A4728R	O-RING	1		
6	R27649	BACK-UP RING	1		
7	R42298	PISTON	1		(SUB FOR R27648)
8	AR44356	ROD	1		(SUB FOR R26456)
9	34H321	SPRING PIN	1		1/4" X 2-1/2"
10	R42773	ARM	1		(SUB FOR R34153)
11	R26865	CAM	1		
12	24H1602	WASHER	AR		2-17/64" X 2-3/4" X 0.060"
13	F3173R	LOCK PLATE	1		
14	R69642	CAP SCREW	1		(SUB FOR R26626)

2H6

HYDRAULICS

R12499 -UN-01JAN94

IMPLEMENT ARMS



R 13489

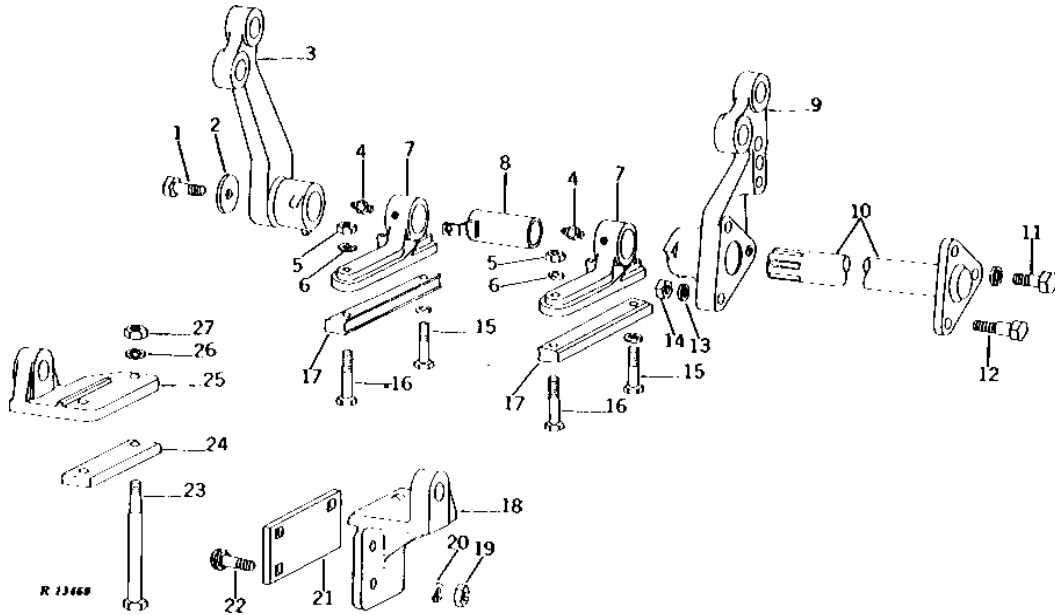
KEY	PART NO.	PART NAME	QTY	TRACTOR SERIAL NO.	REMARKS
1	19H1900	CAP SCREW	4	5/16" X 3/4"	
	12H303	LOCK WASHER	4	5/16"	
2	AR40977	GUARD	2	(NLA)	
3	R42644	PIN	2	(SUB FOR R41362) (NLA)	
4	11M7096	COTTER PIN	2	5 X 80 MM	
5	AR40976	ARM	1	(MARKED R26465 OR R41361) (SUB FOR AR26408)	
6	AR44765	ARM	1	(MARKED R26464, R41360 OR R42643) (ALSO ORDER R42644) (SUB FOR AR26404 OR AR40975) (NLA)	
7	19H2113	CAP SCREW	2	3/4" X 3-1/4"	

2H7

HYDRAULICS

R13469 -UN-01JAN94

FRONT MOUNTED ROCKSHAFT



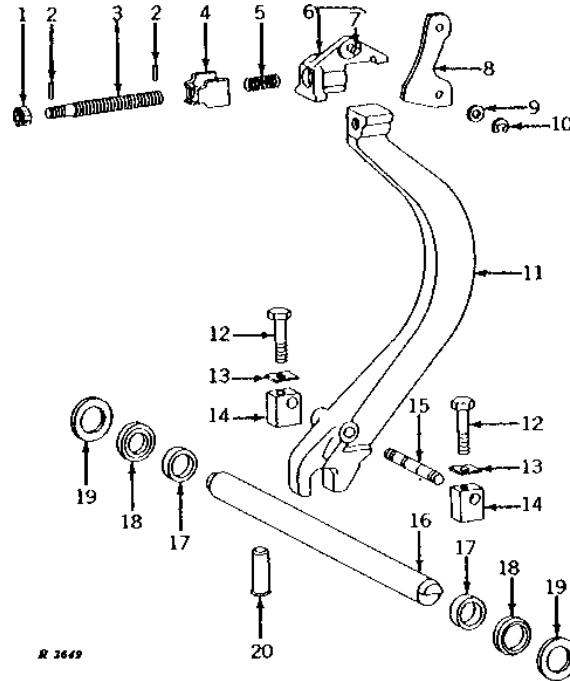
KEY	PART NO.	PART NAME	QTY	TRACTOR SERIAL NO.	REMARKS
1	19H1756	CAP SCREW	1	5/8" X 1-1/2"	
2	R20135	WASHER	1		
3	R38089	ARM	1	(NLA)	
4	JD7778	LUBRICATION FITTING	2	30°	
5	14H813	NUT	2	7/16"	
6	12H293	LOCK WASHER	2	7/16"	
7	R38091	BRACKET	2	-010250	(SUB R41657)
	R41657	BRACKET	2	010251-	
8	AR38580	SHIELD	1		(NO LONGER AVAILABLE)
9	R38088	ARM	1	(NLA)	
10	AR34350	ROCKSHAFT	1	(NLA)	
11	19H1756	CAP SCREW	1	5/8" X 1-1/2"	
	12H294	LOCK WASHER	1	5/8"	
12	R27819	BOLT	2	(NLA)	
13	12H294	LOCK WASHER	2	5/8"	
14	14H1083	NUT	2	5/8"	
15	19H1899	CAP SCREW	2	7/16" X 2"	
	12H293	LOCK WASHER	2	7/16"	
16	19H2227	CAP SCREW	2	7/16" X 2-1/2"	
17	R38087	SUPPORT	2	(NLA)	
18	R38094	BRACKET	1	(NLA)	
19	14H1039	NUT	3	5/8"	
20	12H294	LOCK WASHER	3	5/8"	
21	R38092	REINFORCEMENT	1	(NLA)	
22	03H1399	BOLT	3	5/8" X 1-3/4"	
23	R26784	BOLT	2	(NLA)	
24	R38093	STRAP	1	(NLA)	
25	R26711	BRACKET	1	(NLA)	
26	12H294	LOCK WASHER	2	5/8"	
27	14H1039	NUT	2	5/8"	

2H8

HYDRAULICS

R3649 -UN-01JAN94

LOAD CONTROL



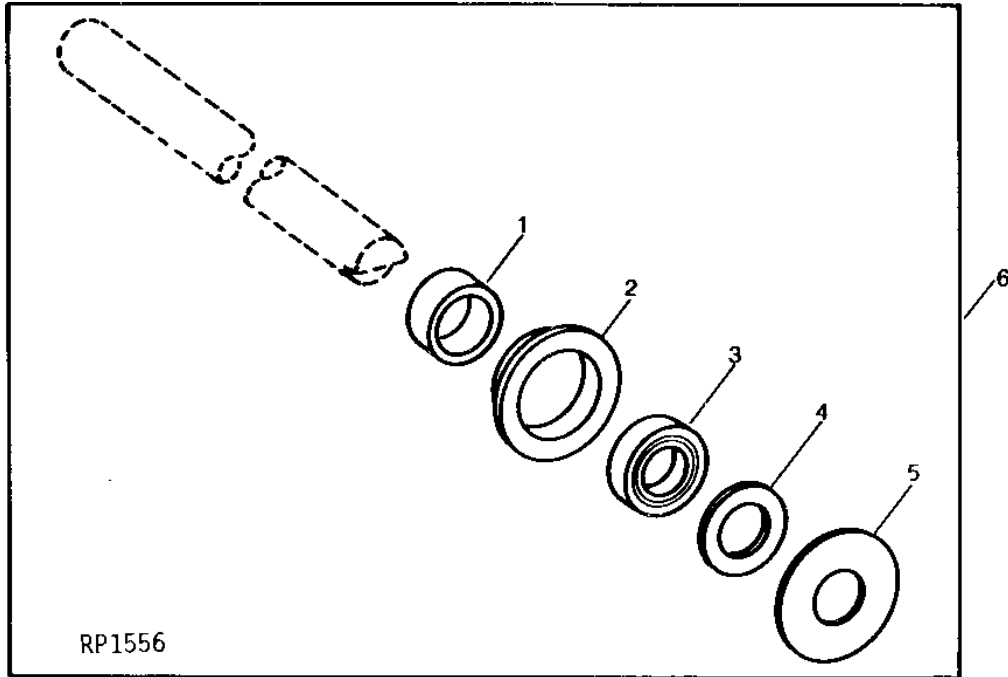
KEY	PART NO.	PART NAME	QTY	TRACTOR SERIAL NO.	REMARKS
1	14H936	NUT	1	3/8"	
2	34H244	SPRING PIN	2	1/8" X 9/16"	
3	R26628	STUD	1		
4	R46443	LOCK PLATE	1	(SUB FOR R27127)	
5	F1463R	SPRING	1		
6	AR26547	EXTENSION	1	(MARKED R26868)	
7	R26869	PIN	1		
8	R26779	FOLLOWER	1		
9	24H1287	WASHER	1	9/32" X 5/8" X 0.065"	
10	R27507	SNAP RING	1		
11	R27651	ARM	1		
12	19H1800	CAP SCREW	2	3/8" X 1-1/2"	
13	R30958	LOCK PLATE	2		
14	R27652	SUPPORT	2	(NLA)	
15	R26630	SHAFT	1		
16	R33883	PIN	1		
17	R27018	BUSHING	2		
	R45513	BUSHING	2	0.07MM (.003") OVERSIZE	
	R45514	BUSHING	2	0.15MM (.006") OVERSIZE	
	R46799	BUSHING	2	0.23MM (.009") OVERSIZE, (SUB AR89132)	
18	AR84791	SEAL	2	(SUB FOR AR27371 OR AR78337)	
19	R28961	WASHER	2		
20	R31075	PIN	1	(NLA)	

2H9

HYDRAULICS

RP1556 -UN-20NOV95

LOAD CONTROL SHAFT BUSHING KIT



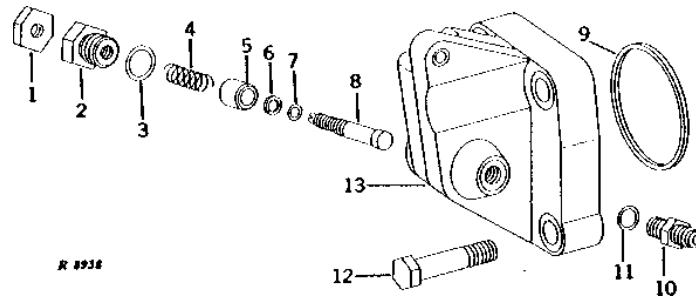
KEY	PART NO.	PART NAME	QTY	TRACTOR SERIAL NO.	REMARKS
1	R68424	BUSHING	2		.030 OVERSIZE
2	R68428	BUSHING	2		
3	AR27371	SEAL	2		
4	R28961	WASHER	2		
5	R68425	WASHER	AR		1.22MM (.048")
	R68426	WASHER	AR		0.91MM (.036")
	R68427	WASHER	AR		1.57MM (.062")
6	AR89132	KIT	1		

2H10

HYDRAULICS

R8938 -UN-01JAN94

ROCKSHAFT PISTON COVER AND THROTTLE VALVE



KEY	PART NO.	PART NAME	QTY	TRACTOR SERIAL NO.	REMARKS
1	14H774	NUT	1	3/8"	
2	R26458	FITTING	1		
3	R26906	O-RING	1		
4	B3686R	SPRING	1		
5	R26457	VALVE	1		
6	R31136	BACK-UP RING	1		
7	A4365R	O-RING	1		
8	R26625	SHAFT	1		
9	R34154	WASHER	1		
10	R27212	FITTING	1		
11	R26448	O-RING	1		
12	19H1387	CAP SCREW	4	5/8" X 2-1/4"	
13	R34296	COVER	1	(NLA)	

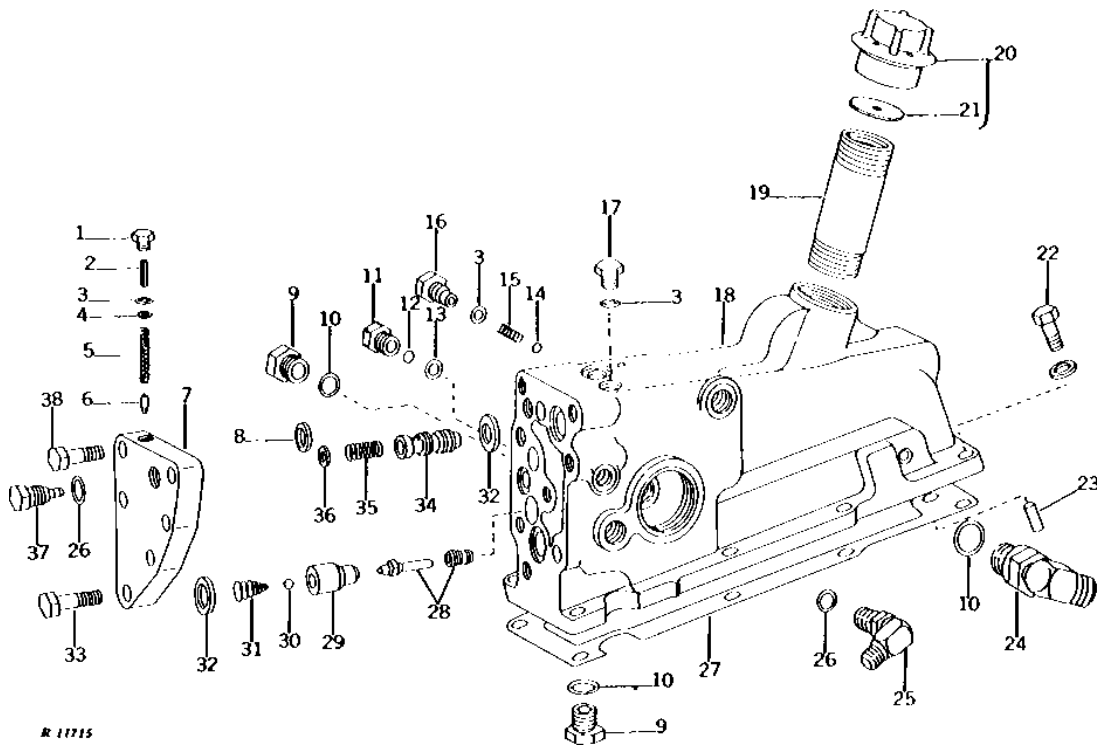
2H11

HYDRAULICS

R11715

-UN-01JAN94

ROCKSHAFT CONTROL VALVE HOUSING



2H12

HYDRAULICS

ROCKSHAFT CONTROL VALVE HOUSING - CONTINUED

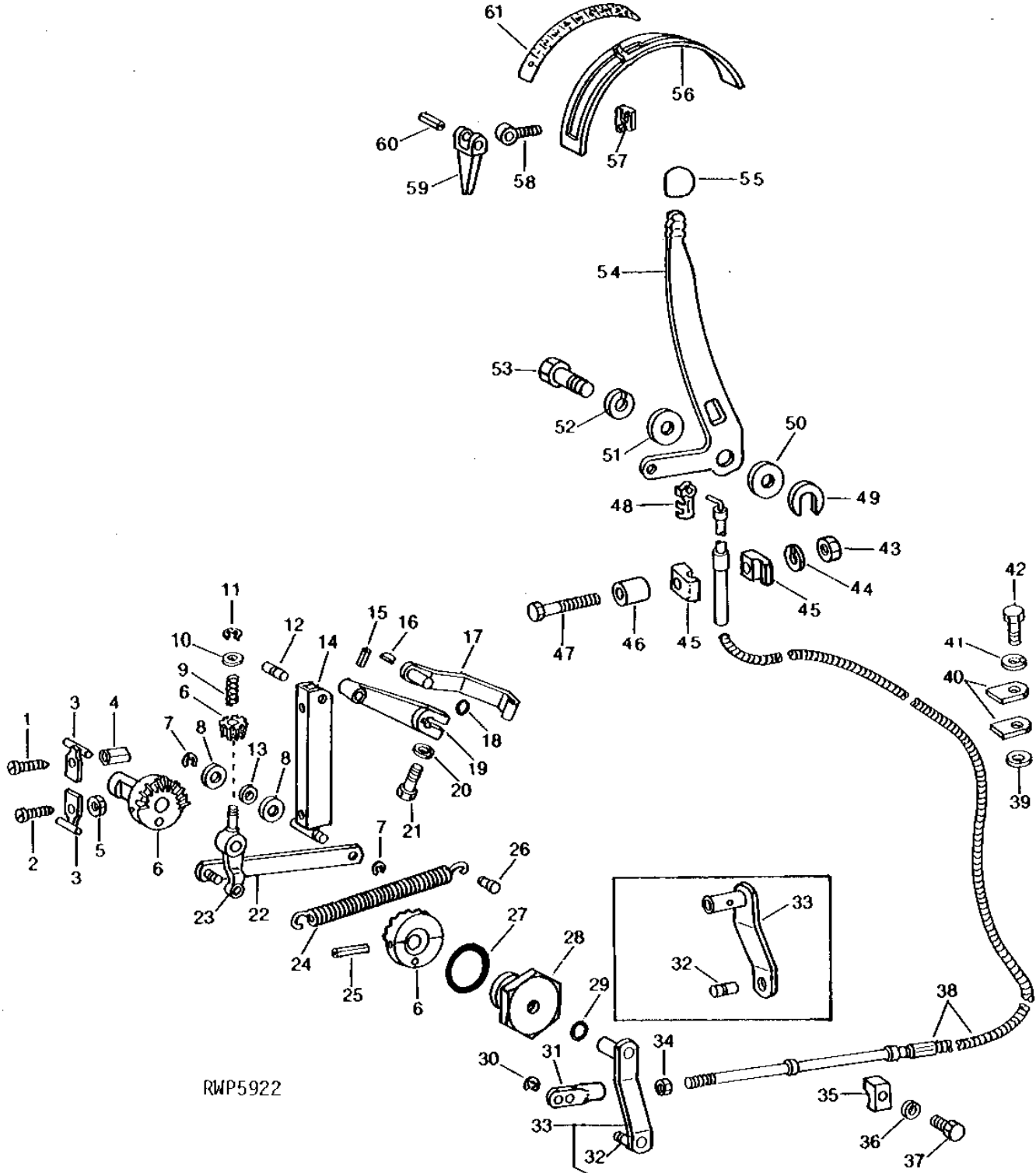
KEY	PART NO.	PART NAME	QTY	TRACTOR SERIAL NO.	REMARKS
1	R27216	DRAIN PLUG	1		
2	34H247	SPRING PIN	1	1/8" X 3/4"	
3	R26287	O-RING	3		
4	R26478	SHIM	AR	0.51MM (.020")	
	R26479	SHIM	AR	0.76MM (.030")	
5	R26477	SPRING	1		
6	R55678	RELIEF VALVE	1	(SUB FOR R31565)	
7	AR31754	COVER	1	(MARKED R32387)	
8	F2741R	PACKING	1		
9	R39112	FITTING	3		
10	R26375	O-RING	4		
11	R27094	DRAIN PLUG	2		
12	R28785	SHIM	AR	0.13MM (.005")	
	R28786	SHIM	AR	0.25MM (.010")	
	R28505	SHIM	AR	0.76MM (.030")	
13	R26286	O-RING	2		
14	H871R	BALL	1	5MM (3/16")	
15	R27981	SPRING	2		
16	R27979	FITTING	1	(NLA)	
17	R27216	DRAIN PLUG	1	(SUB FOR R31631)	
18	AR32608	HOUSING	1	(MARKED R34011 OR R42692)	
19	R27606	THREADED NIPPLE	1	(NLA)	
20	AR30697	CAP	1	(MARKED R32715)	
21	R31486	WASHER	1		
22	19H1732	CAP SCREW	8	3/8" X 1-1/4"	
	12H304	LOCK WASHER	8	3/8"	
23	R26650	DOWEL PIN	1		
24	AT32332	ELBOW FITTING	1	90°, (SUB FOR AR26763)	
25	AT35121	ELBOW FITTING	1	90°, (SUB FOR AR26725)	
26	R26448	O-RING	2		
27	R26573	GASKET	1		
28	AR30094	SHAFT	1	RETURN	
	AR39777	SHAFT	1	PRESSURE	
29	R59083	VALVE	2	(SUB FOR R27512 OR R44299)	
30	400R	BALL	2	6MM (1/4")	
31	R26565	SPRING	2		
32	R26149	PACKING	3		
33	19H1721	CAP SCREW	3	1/2" X 1-1/2"	
34	AR50088	VALVE	1	FLOW CONTROL, (SUB FOR AR38477)	
35	R26566	SPRING	1		
36	B1664R	SHIM	3		
37	R40799	DRAIN PLUG	1		
38	19H1978	CAP SCREW	3	7/16" X 1-1/2"	

2H13

HYDRAULICS

RWP5922 -UN-01JAN94

ROCKSHAFT LINKAGE AND CONTROL



RWP5922

2H14

HYDRAULICS

ROCKSHAFT LINKAGE AND CONTROL - CONTINUED

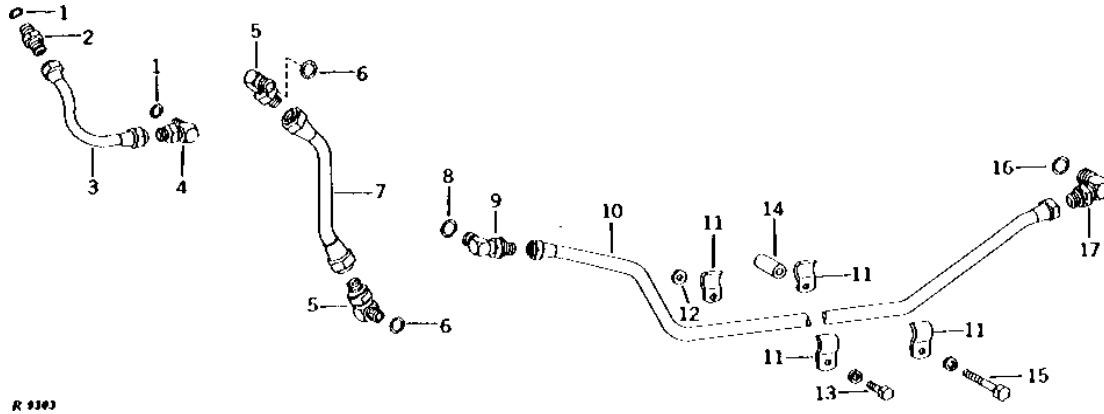
KEY	PART NO.	PART NAME	QTY	TRACTOR SERIAL NO.	REMARKS
1	R26554	SET SCREW	1		
2	R26762	BOLT	1		
3	AR26546	LEVER	2		
4	R26567	NUT	1	(NLA)	
5	14H649	NUT	1	1/4"	
6	AR31272	GEAR	1	(SUB AR31274, R27674 AND R27675)	
7	R72653	SNAP RING	2	(SUB FOR M2396T)	
8	24M7207	WASHER	2	8.400 X 24 X 2 MM	
9	R26487	SPRING	1		
10	24H1289	WASHER	1	21/64" X 5/8" X 0.049"	
11	R26386	SNAP RING	1		
12	R27372	PIN	1		
13	R27215	WASHER	1		
14	AR26711	LINK	1		
15	34H231	SPRING PIN	1	3/32" X 3/4"	
16	26H67	SHAFT KEY	1	1/8" X 3/8"	
17	AR26450	LEVER	1		
18	R394R	O-RING	1		
19	R26571	LEVER	1		
20	12H303	LOCK WASHER	1	5/16"	
21	19H1905	CAP SCREW	1	5/16" X 1"	
22	AR26523	LINK	1		
23	R26772	ARM	1		
24	R26776	SPRING	1		
25	34H239	SPRING PIN	1	3/32" X 1-1/2"	
26	R26564	PIN	1		
27	R26773	O-RING	1		
28	R27214	QUILL	1	(NLA)	
29	R394R	O-RING	1		
30	R27507	SNAP RING	1		
31	R31422	END	1		
32	R26461	PIN	1	(NLA)	
33	AR26524	LEVER	1		
34	14H850	NUT	1	1/4"	
35	R26629	CLAMP	1		
36	12H303	LOCK WASHER	1	5/16"	
37	19H1849	CAP SCREW	1	5/16" X 1-1/4"	
38	AR26810	PUSH PULL CABLE	1		
	R39725	SEAL	2	CABLE HOUSING	
	R39726	SEAL	1	BOTTOM END	
	R39727	SEAL	1	TOP END	
39	R27370	WASHER	1		
40	R27256	STRAP	2	(ALSO ORDER R183R AND 24H1287) (SUB FOR R27369)	
41	12H302	LOCK WASHER	1	1/4"	
42	19H1914	CAP SCREW	1	1/4" X 1"	
43	14H1076	NUT	1	3/8"	
44	12H304	LOCK WASHER	1	3/8"	
45	T19036	CLAMP	2		
46	28H1495	SPACER	1	3/8" X 1"	
47	19H2873	CAP SCREW	1	3/8" X 2-3/4", (NLA)	
48	R26524	CLIP	1		
49	R27603	WASHER	AR	1.52MM (.060") (SUB FOR R27604)	
50	R26574	WASHER	1		
51	R63024	WASHER	1		
52	12H317	LOCK WASHER	1	9/16"	
53	19H2356	CAP SCREW	1	9/16" X 1-3/4"	
54	R40477	LEVER	1		
55	R28164	KNOB	1		
56	R40476	STRAP	1		
57	R27605	NUT	1		
58	R31222	BOLT	1		
59	R34537	CAM	1		
60	34H194	SPRING PIN	1	3/16" X 3/4"	
61	R40509	LABEL	1	(SUB FOR R39754)	

2H15

HYDRAULICS

ROCKSHAFT OIL PIPES (SYNCRO-RANGE)

R9303 -UN-01JAN94



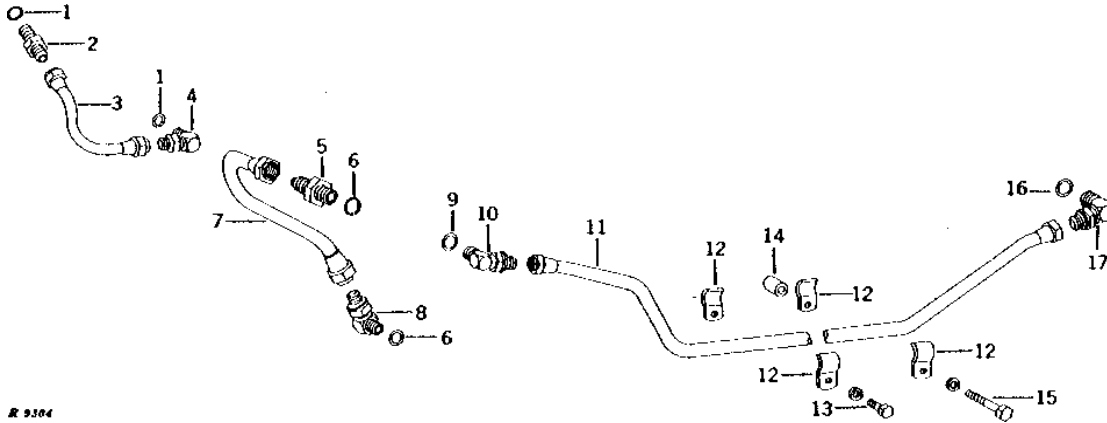
KEY	PART NO.	PART NAME	QTY	TRACTOR SERIAL NO.	REMARKS
1	R26448	O-RING	2		
2	R27212	FITTING	1		
3	AR31512	HYDRAULIC LINE	1		HOUSING TO PISTON COVER
4	AT35121	ELBOW FITTING	1		90°, (SUB FOR AR26725)
5	AT32331	ELBOW FITTING	2		90°, (SUB FOR AR26723)
6	F3171R	O-RING	2		
7	AR26836	LINE	1		RETURN (NLA)
8	R26375	O-RING	1		
9	AT32332	ELBOW FITTING	1		90°, (SUB FOR AR26763)
10	AR32580	HYDRAULIC LINE	1		PRESSURE
11	R27539	CLAMP	4		
12	A147R	LOCK WASHER	1		
13	19H1731	CAP SCREW	1		3/8" X 1"
	12H304	LOCK WASHER	1		3/8"
14	28H1530	BUSHING	1		3/8" X 1-13/16"
15	19H1944	CAP SCREW	1		3/8" X 2-3/4"
	12H304	LOCK WASHER	1		3/8"
16	R26375	O-RING	1		
17	AR27738	ELBOW FITTING	1		90°

2H16

HYDRAULICS

ROCKSHAFT OIL PIPES (POWER SHIFT)

R9304 -UN-01JAN94



R 9304

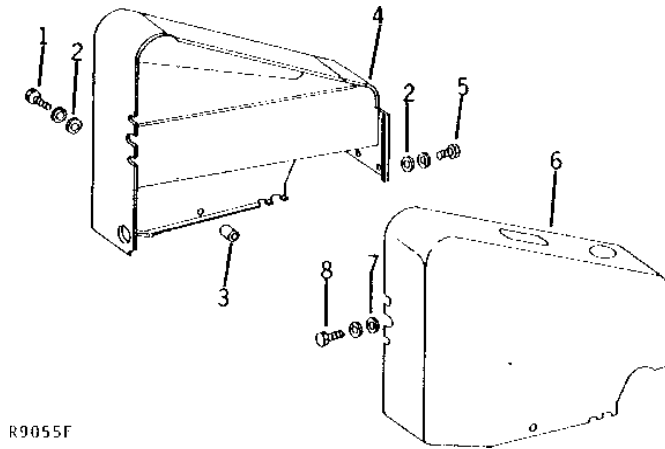
KEY	PART NO.	PART NAME	QTY	TRACTOR SERIAL NO.	REMARKS
1	R26448	O-RING	2		
2	R27212	FITTING	1		
3	AR31512	HYDRAULIC LINE	1		HOUSING TO PISTON COVER
4	AT35121	ELBOW FITTING	1		90°, (SUB FOR AR26725)
5	R27267	FITTING	1		
6	F3171R	O-RING	2		
7	AR32401	LINE	1		RETURN (NLA)
8	AT32331	ELBOW FITTING	1		90°, (SUB FOR AR26723)
9	R26375	O-RING	1		
10	AT32332	ELBOW FITTING	1		90°, (SUB FOR AR26763)
11	AR32400	HYDRAULIC LINE	1		PRESSURE
12	R27539	CLAMP	4		
13	19H1732	CAP SCREW	1		3/8" X 1-1/4"
	12H304	LOCK WASHER	1		3/8"
14	28H1495	SPACER	1		3/8" X 1"
15	19H1765	CAP SCREW	1		3/8" X 1-3/4"
	12H304	LOCK WASHER	1		3/8"
16	R26375	O-RING	1		
17	AR27738	ELBOW FITTING	1		90°

2H17

HYDRAULICS

R9055 -UN-01JAN94

ROCKSHAFT HOUSING COVERS



KEY	PART NO.	PART NAME	QTY	TRACTOR SERIAL NO.	REMARKS
1	19H1765	CAP SCREW	2	3/8" X 1-3/4"	
	12H304	LOCK WASHER	2	3/8"	
2	24H1305	WASHER	6	13/32" X 13/16" X 0.065"	
3	R27168	BUSHING	2		
4	AR32572	COVER	1		WITH TOOLBOX AND DOOR (NLA)
5	19H1936	CAP SCREW	4	3/8" X 3/4"	
	12H304	LOCK WASHER	4	3/8"	
6	R27543	COVER	1		
7	24H1305	WASHER	4	(A) 13/32" X 13/16" X 0.065"	
8	19H1936	CAP SCREW	4	(A) 3/8" X 3/4"	
	12H304	LOCK WASHER	4	(A) 3/8"	

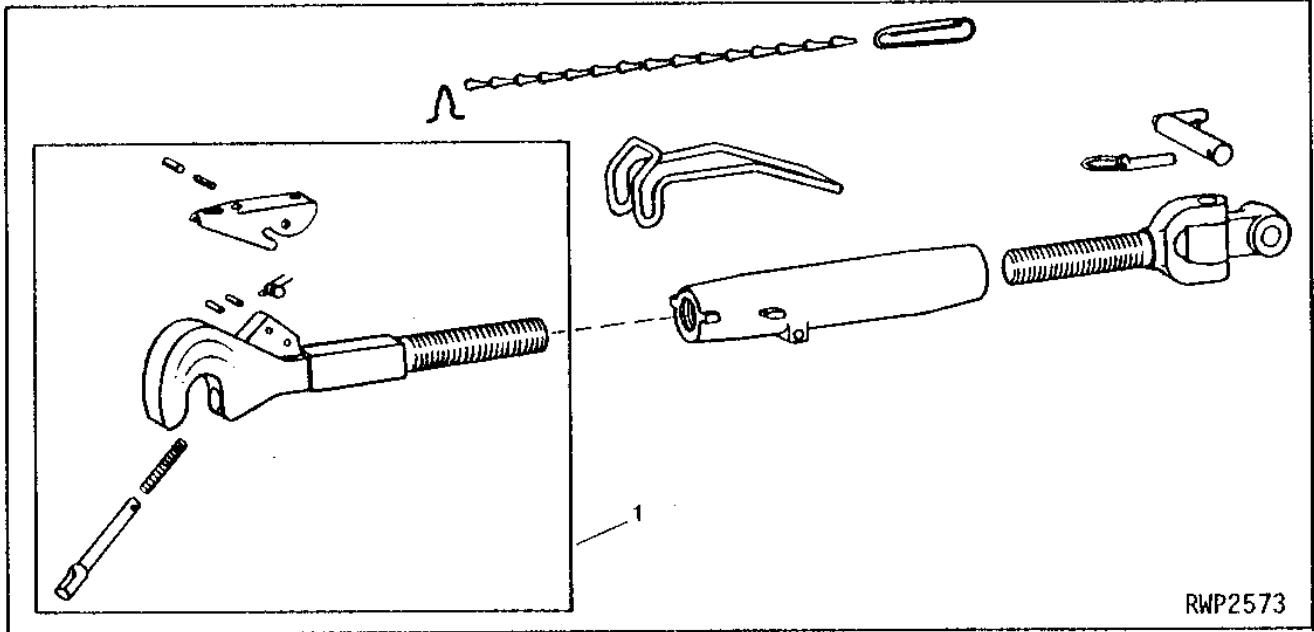
(A) LESS SELECTIVE CONTROL

2H18

HYDRAULICS

RWP2573 -UN-01JAN94

CENTER LINK KITS



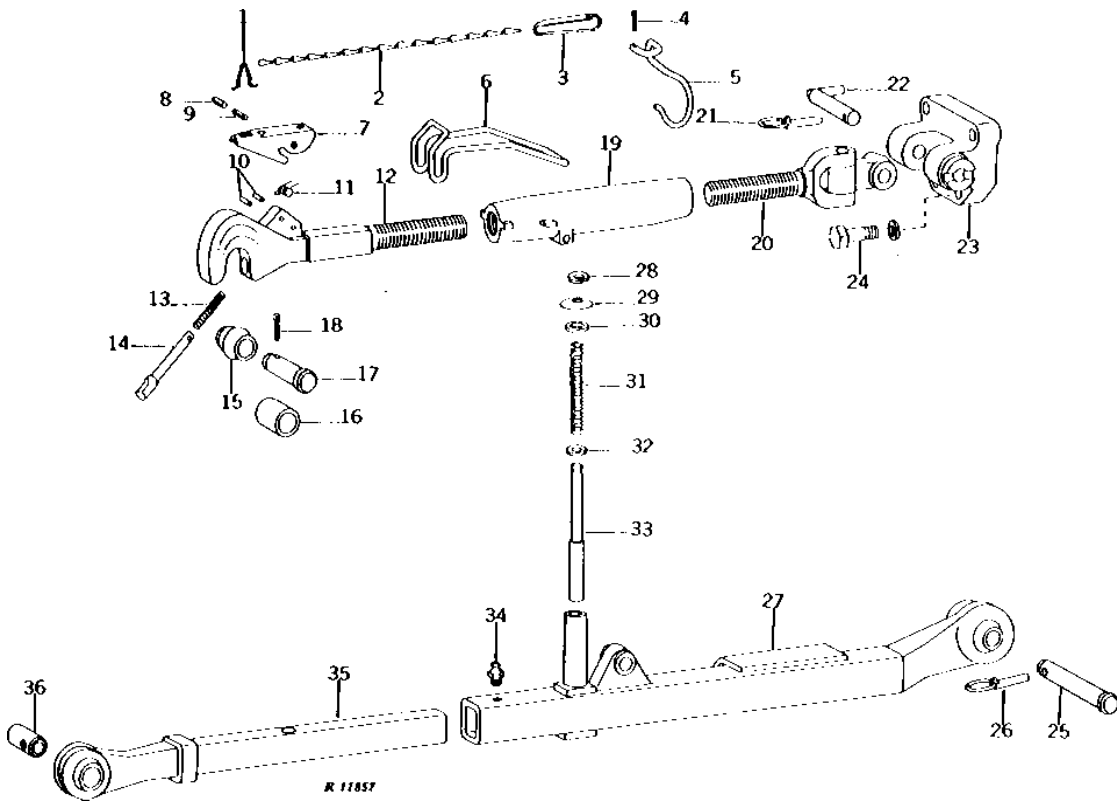
KEY	PART NO.	PART NAME	QTY	TRACTOR SERIAL NO.	REMARKS
1	AR46298	HOOK	1		
2	AR34208	LINK	1		

2H19

HYDRAULICS

R11857 -UN-01JAN94

DRAFT LINKS AND CENTER LINK



2H20

HYDRAULICS

DRAFT LINKS AND CENTER LINK - CONTINUED

KEY	PART NO.	PART NAME	QTY	TRACTOR SERIAL NO.	REMARKS
1	F2949R	CLIP	1	(NLA)	
2	R26814	LINK CHAIN	1	(NLA)	
3	F2827R	CLIP	1		
4	11M7059	COTTER PIN	1	3.200 X 20 MM	
5	R53762	HOOK	1	(SUB FOR R32119 OR R47072)	
6	R42495	HANDLE	1	(SUB FOR R27007)	
7	F2824R	HANDLE	1		
8	R56506	SPRING PIN	1		
9	34H252	SPRING PIN	1	1/8" X 1-1/4", (SUB FOR R56505)	
10	34H283	SPRING PIN	2	3/16" X 1-1/8"	
11	F2823R	SPRING	1		
12	R26813	HOOK	1		
13	F2822R	SPRING	1		
14	R53196	LATCH	1	(SUB FOR F2821R)	
15	F2680R	BALL STUD	1	(A)	
	F2681R	BALL	1	(B)	
16	28H1753	BUSHING	1	(B)	
17	R58262	PIN	1	(A) (SUB FOR F2682R, R28061 OR R44917)	
	R53296	PIN	1	(B) (SUB FOR F2683R OR R44918)	
18	11M7038	COTTER PIN	1	(A) 0.248" X 1.575"	
	11M7040	COTTER PIN	1	(B) 0.248" X 1.969"	
19	R47524	LINK BODY	1	(ALSO ORDER R53762) (SUB FOR R26811)	
20	AR32531	CENTER LINK END	1		
21	AR62151	QUICK LOCK PIN	1	(SUB FOR B11182) (SUB M115827)	
22	AR67880	PIN	1	(SUB FOR AR39681)	
23	R39759	BRACKET	1		
24	19H1824	CAP SCREW	4	5/8" X 2-1/4"	
	12H294	LOCK WASHER	4	5/8"	
25	R58261	PIN	2	(ALSO ORDER AR60372) (SUB FOR R40516 OR R53562)	
26	AR62151	QUICK LOCK PIN	1	(SUB FOR B11182) (SUB M115827)	
27	AR32547	TUBE	1	R.H.	
	AR32548	TUBE	1	L.H.	
28	F2208R	SNAP RING	2		
29	B2477R	WASHER	2		
30	F2694R	WASHER	2		
31	F2695R	SPRING	2		
32	D2865R	WASHER	2	(SUB 24H1111)	
33	F2693R	PIN	2		
34	JD7759	LUBRICATION FITTING	2		
35	AR28570	BAR	2		
36	R66432	BUSHING	2	(A) IMPLEMENT HITCH ADAPTER, SHORT, (SUB FOR F2684R)	
	R66433	BUSHING	2	(A) IMPLEMENT HITCH ADAPTER, LONG, (SUB FOR F2685R)	
..	AF2710R	BALL	1	(A) (I.D. 49/64") (SUB F2680R, R58262, (2) R66432, (2) R66433 AND 11M7038)	
..	AF2711R	BALL	1	(B) (I.D. 1-1/64") (CONSISTS OF F2681R, R53296, F3029R AND 11M7040)	
..	AF3147R	BAR	1	(NOT ILLUSTRATED)	

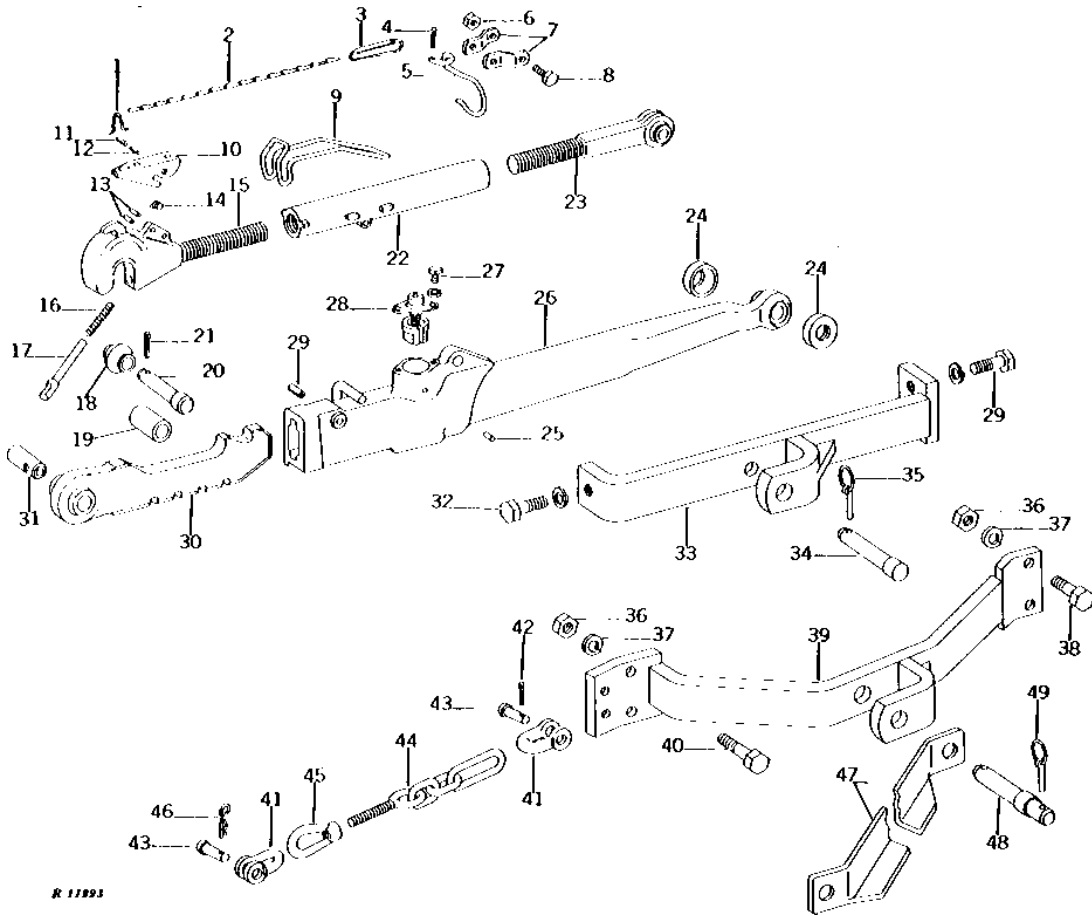
(A) CATEGORY I
(B) CATEGORY II

2H21

HYDRAULICS

DRAFT LINKS, CENTER LINK AND SUPPORTS (HI-CROP)

R11993 -UN-01JAN94



R 11993

2H22

HYDRAULICS

DRAFT LINKS, CENTER LINK AND SUPPORTS - CONTINUED

KEY	PART NO.	PART NAME	QTY	TRACTOR SERIAL NO.	REMARKS
1	F2949R	CLIP	1	(NLA)	
2	R26814	LINK CHAIN	1	(NLA)	
3	F2827R	CLIP	1		
4	11M7059	COTTER PIN	1	3.200 X 20 MM	
5	R53762	HOOK	1	(SUB FOR R32119 OR R47072)	
6	14H785	NUT	2	5/16"	
7	R40633	BRACKET	2		
8	19H1901	CAP SCREW	1	5/16" X 2"	
9	R42495	HANDLE	1	(SUB FOR R27007)	
10	F2824R	HANDLE	1		
11	R56506	SPRING PIN	1		
12	34H252	SPRING PIN	1	1/8" X 1-1/4", (SUB FOR R56505)	
13	34H283	SPRING PIN	2	3/16" X 1-1/8"	
14	F2823R	SPRING	1		
15	F2820R	HOOK	1		
16	F2822R	SPRING	1		
17	R53196	LATCH	1	(SUB FOR F2821R)	
18	F2680R	BALL STUD	1	(A)	
	F2681R	BALL	1	(B)	
19	28H1753	BUSHING	1	(B)	
20	R58262	PIN	1	(A) (SUB FOR F2682R, R28061 OR R44917)	
	R53296	PIN	1	(B) (SUB FOR F2683R OR R44918)	
21	11M7038	COTTER PIN	1	(A) 0.248" X 1.575"	
	11M7040	COTTER PIN	1	(B) 0.248" X 1.969"	
22	T12552	LINK BODY	1	(NLA)	
23	AT11685	END	1		
24	R26608	WASHER	4		
25	B2641R	DOWEL PIN	2		
26	AR69315	LINK BODY	1	R.H. (SUB FOR AR27649) (NLA)	
	AR69316	LINK BODY	1	L.H. (SUB FOR AR27650) (NLA)	
27	19H1227	CAP SCREW	4	1/4" X 1/2"	
	12H302	LOCK WASHER	4	1/4"	
28	AR90082	LOCK	2	(SUB FOR AR30288 OR AR69317)	
29	34H371	SPRING PIN	2	1/2" X 2"	
30	AR27645	DRAFT LINK END	1	R.H. (MARKED R28255)	
	AR27646	DRAFT LINK END	1	L.H. (MARKED R28256)	
31	R66432	BUSHING	2	(A) IMPLEMENT HITCH ADAPTER, SHORT, (SUB FOR F2684R)	
	R66433	BUSHING	2	(A) IMPLEMENT HITCH ADAPTER, LONG, (SUB FOR F2685R)	
32	19H2589	CAP SCREW	6	3/4" X 1-7/8"	
	12H236	LOCK WASHER	6	3/4"	
33	AR33952	SUPPORT	2	(HITCH FOR WIDE CLEARANCE IMPLEMENTS) (NO LONGER AVAILABLE)	
34	R26609	PIN	2		
35	AR62151	QUICK LOCK PIN	2	(SUB FOR B11182) (SUB M115827)	
36	14H794	NUT	8	3/4"	
37	12H236	LOCK WASHER	8	3/4"	
38	19H1782	CAP SCREW	4	3/4" X 2-1/4"	
39	AR33954	SUPPORT	1	R.H. (HITCH FOR MODIFIED CATEGORY I OR CATEGORY II IMPLEMENTS) (NLA)	
	AR33955	SUPPORT	1	L.H. (HITCH FOR MODIFIED CATEGORY I OR CATEGORY II IMPLEMENTS) (NLA)	
40	19H1715	CAP SCREW	4	3/4" X 3"	
41	31603	CLEVIS	4	(NLA)	
42	11M7084	COTTER PIN	2	5 X 25 MM	
43	RV695A	PIN	4		
44	AR27790	LINK CHAIN	2	(NLA)	
45	R21342	NUT	2		
46	A3581R	SPRING LOCKING PIN	2		
47	R28272	BRACE	2	(NLA)	
48	R28271	PIN	2		
49	AR62151	QUICK LOCK PIN	4	(SUB FOR B11182) (SUB M115827)	
..	AF2710R	BALL	1	(A) (I.D. 49/64") (SUB F2680R, R58262, (2) R66432, (2) R66433 AND 11M7038)	
..	AF2711R	BALL	1	(B) (I.D. 1-1/64") (CONSISTS OF F2681R, R53296, F3029R AND 11M7040)	
..	AF3147R	BAR	1	(NOT ILLUSTRATED)	

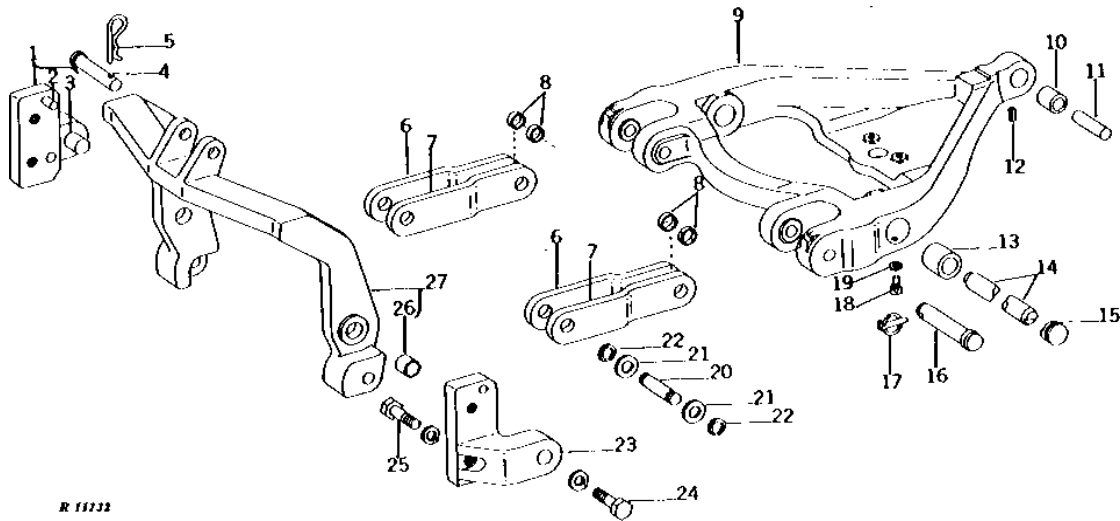
(A) CATEGORY I
(B) CATEGORY II

2H23

HYDRAULICS

DRAFT CENTER LINK SUPPORT ASSEMBLY (HI-CROP)

R11732 -UN-01JAN94



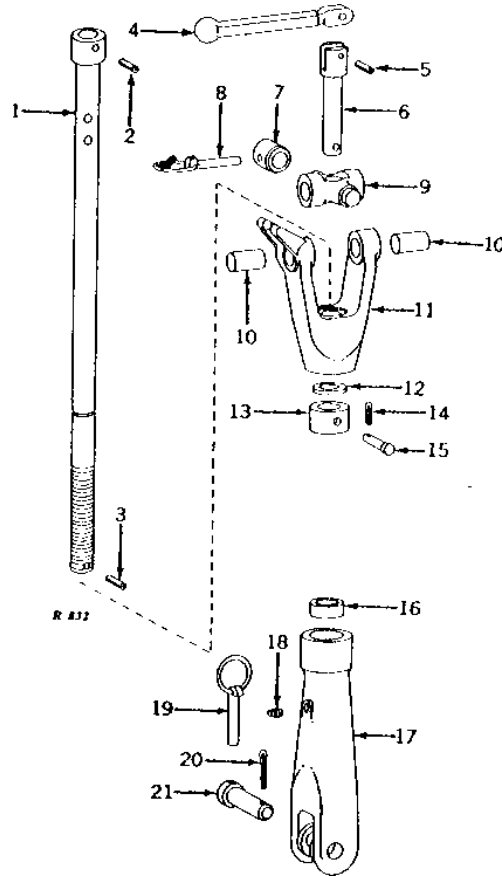
KEY	PART NO.	PART NAME	QTY	TRACTOR SERIAL NO.	REMARKS
1	AR56023	SUPPORT	1		(MARKED R34473, R41750 OR R51779) (SUB FOR AR33949 OR AR41744)
2	R60161	DOWEL PIN	2		(SUB FOR R35046)
3	R28381	PIN	2		
4	M2071T	PIN	1		
5	A3581R	SPRING LOCKING PIN	1		
6	R34579	DRAFT LINK	2		R.H. (NO LONGER AVAILABLE)
7	R34477	DRAFT LINK	2		L.H. (NLA)
8	A2530R	WASHER	4		
9	AR33951	SUPPORT	1		(MARKED R34475) (NO LONGER AVAILABLE)
10	R31438	BUSHING	1		
11	R26503	DOWEL PIN	1		
12	34H309	SPRING PIN	1		1/4" X 5/8"
13	R27016	BUSHING	2		
14	R33883	PIN	1		LOAD CONTROL
15	R33884	RETAINER	2		
16	R58261	PIN	2		(ALSO ORDER AR60372) (SUB FOR R40516 OR R53562)
17	AR62151	QUICK LOCK PIN	2		(SUB FOR B11182) (SUB M115827)
18	R40928	BOLT	2		(SUB FOR R27196)
19	12H303	LOCK WASHER	2		5/16"
20	R31400	PIN	1		
21	24H1396	WASHER	4		25/32" X 1-1/2" X 0.105"
22	R73380	SNAP RING	4		(SUB FOR A369R)
23	AR56022	SUPPORT	1		(MARKED R34472, R41749 OR R51778) (SUB FOR AR33948 OR AR41743)
24	19H1831	CAP SCREW	2		1/2" X 2"
	12H301	LOCK WASHER	2		1/2"
25	19H2602	CAP SCREW	4		5/8" X 2-5/8"
	12H294	LOCK WASHER	4		5/8"
26	R27899	BUSHING	2		
27	AR33950	ARM	1		(NLA) (MARKED R34474)

2H24

HYDRAULICS

R832 -UN-01JAN94

LIFT LINKS



KEY	PART NO.	PART NAME	QTY	TRACTOR SERIAL NO.	REMARKS
1	R26611	LIFT LINK	2	(R)	
	R34476	LIFT LINK	2	(H) (NLA)	
2	34H316	SPRING PIN	2	1/4" X 1-1/2"	
3	34H283	SPRING PIN	2	3/16" X 1-1/8"	
4	T13858	GRIP	2		
5	34H282	SPRING PIN	2	3/16" X 1"	
6	T13859	SHAFT	2		
7	R26619	BUSHING	2	(R)	
	R42582	BUSHING	2	(H) (NLA)	
8	AR83396	QUICK LOCK PIN	2	(R) (SUB FOR AR26556 OR AR62152)	
	R41901	PIN	2	(H) (NOT ILLUSTRATED) (NLA)	
	11M7081	COTTER PIN	2	0.098" X 0.787", (H)	
9	AR26691	KNUCKLE	2	(MARKED R26612)	
10	R26616	DOWEL PIN	4		
11	R26613	YOKE	1	R.H.	
	R26614	YOKE	1	L.H.	
12	R26808	WASHER	AR	0.91MM (.036")	
	R26809	WASHER	AR	1.52MM (.060")	
13	R26714	BUSHING	2		
14	11M7081	COTTER PIN	2	0.098" X 0.787"	
15	R26810	PIN	2		
16	AR26616	SEAL	2		
17	R26615	YOKE	2		
18	15H253	PIPE PLUG	2	1/8"	
19	AR62149	QUICK LOCK PIN	2	(SUB FOR DA5883A)	
20	11M7030	COTTER PIN	2	0.197" X 1.575"	
21	R54170	PIN	2	(SUB FOR R26618)	

R-ROW-CROP, H-HI-CROP

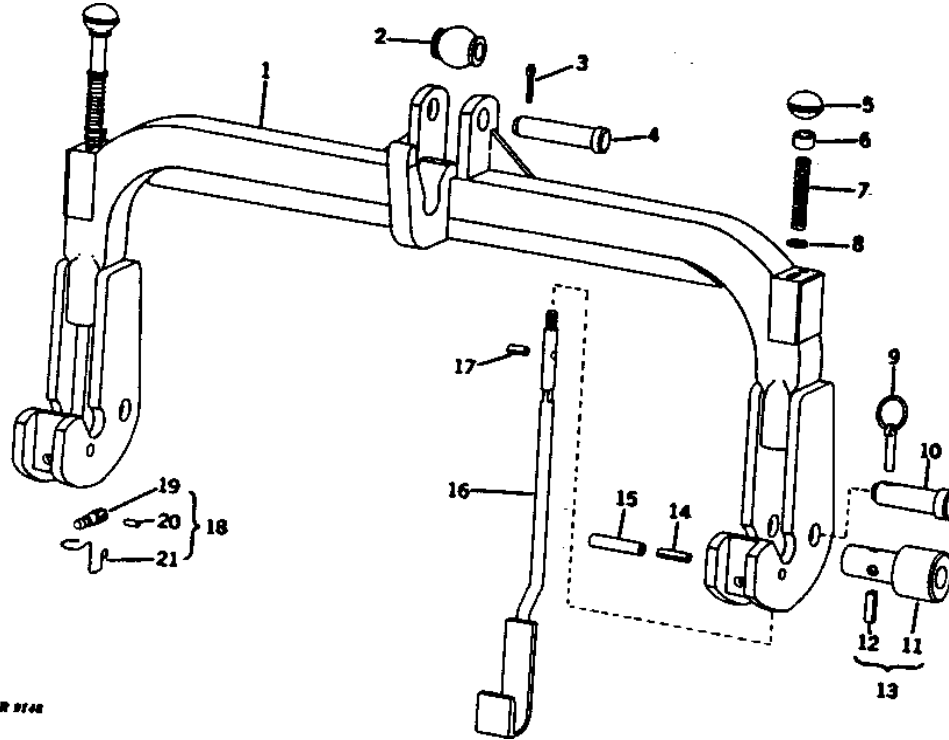
MEMORANDA

2H25

HYDRAULICS

R9148 -UN-12OCT94

IMPLEMENT QUIK-COUPLER



KEY	PART NO.	PART NAME	QTY	TRACTOR SERIAL NO.	REMARKS
1	AR27047	COUPLING	1	(SUB TY16042)	
2	F2681R	BALL	1		
3	11M7040	COTTER PIN	1	0.248" X 1.969"	
4	R53296	PIN	1	(SUB FOR F2683R OR R44918)	
5	F2861R	KNOB	2	(SUB R60458)	
6	R30778	BUSHING	2		
7	R1826R	SPRING	2		
8	24H1227	WASHER	2	17/32" X 13/16" X 0.060"	
9	AR62151	QUICK LOCK PIN	2	(SUB FOR B11182) (SUB M115827)	
10	R58268	PIN	2	(SUB FOR R27997)	
11	R27998	HALF SLEEVE	2		
12	R27999	SPRING PIN	2		
13	AR27093	ADAPTER	1		
14	34H331	SPRING PIN	2	5/16" X 1-1/2"	
15	34H307	SPRING PIN	2	7/32" X 2-1/2"	
16	AR27288	ROD	2	(NLA)	
17	34H277	SPRING PIN	2	3/16" X 5/8"	
18	AR31984	PIN	1	(SUB AR31985)	
19	R32717	PIN	2	(NLA)	
20	34H309	SPRING PIN	2	1/4" X 5/8"	
21	R32718	HOOK	2	(NLA)	

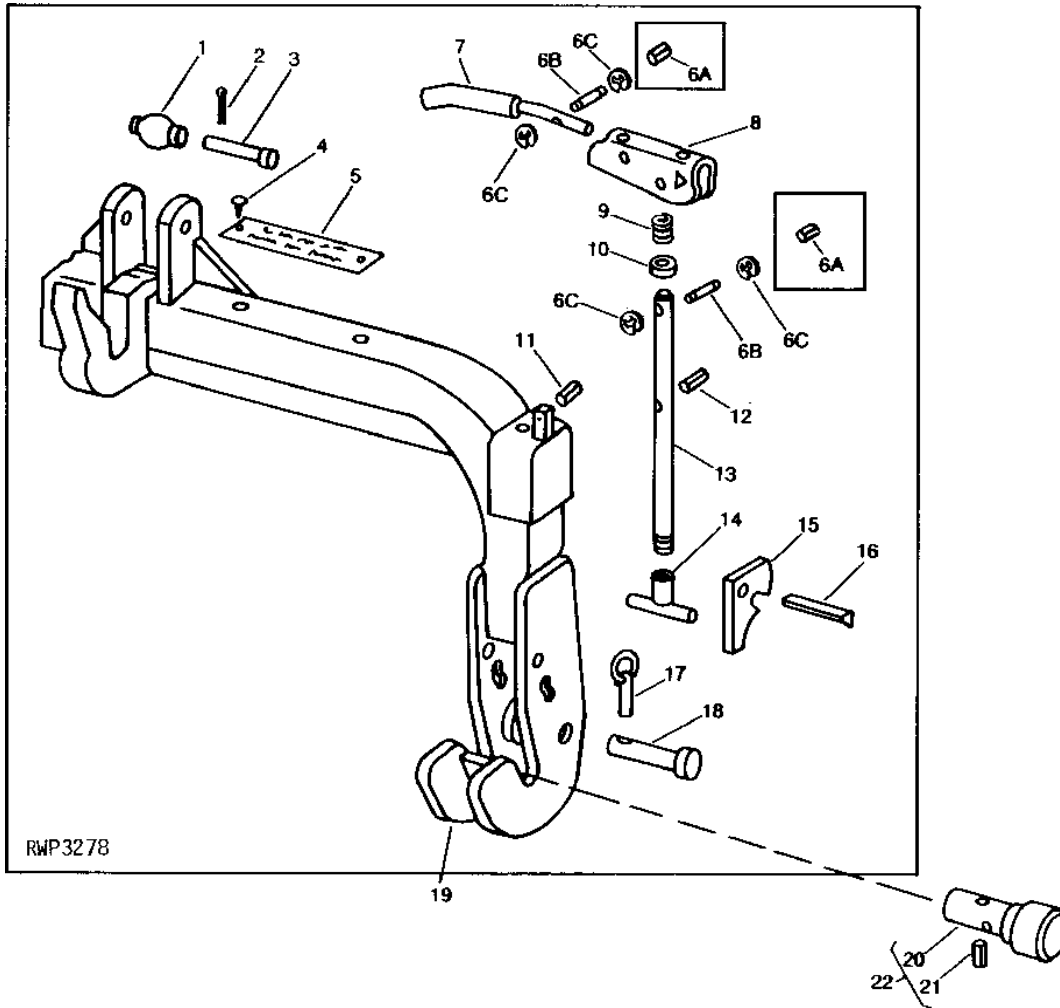
211

HYDRAULICS

RWP3278

-UN-06OCT94

REGULAR-DUTY IMPLEMENT QUICK-COUPLER



212

HYDRAULICS

REGULAR-DUTY IMPLEMENT QUICK-COUPLER - CONTINUED

KEY	PART NO.	PART NAME	QTY	TRACTOR SERIAL NO.	REMARKS
1	F2681R	BALL	1		
2	11M7040	COTTER PIN	1		0.248" X 1.969"
3	R53296	PIN	1		(SUB FOR R44918)
4	37H44	SCREW	2		0.151" X 3/8"
5	R56039	DECAL	1		
6A	34H311	SPRING PIN	4	-XXXXXX	1/4" X 7/8"
6B	R66901	SPRING PIN	4	XXXXXX-	
6C	R27507	SNAP RING	8	XXXXXX-	
7	R48163	HANDLE	2		
8	R48164	LEVER	2		
9	R43444	SPRING	2		
10	R46890	SLEEVE	2		
11	34H311	SPRING PIN	2		1/4" X 7/8"
12	34H277	SPRING PIN	2		3/16" X 5/8"
13	R46889	STUD	2		
14	AR49206	PIN	2		
15	R46893	LATCH	2		
16	34H373	SPRING PIN	2		1/2" X 2-1/2"
17	AR62151	QUICK LOCK PIN	2		(SUB FOR B11182) (SUB M115827)
18	R58268	PIN	2		(SUB FOR R27997)
19	AR49202	QUICK COUPLER	1		(SUB TY16042)
20	R27998	HALF SLEEVE	2		
21	R27999	SPRING PIN	2		
22	AR27093	ADAPTER	2		

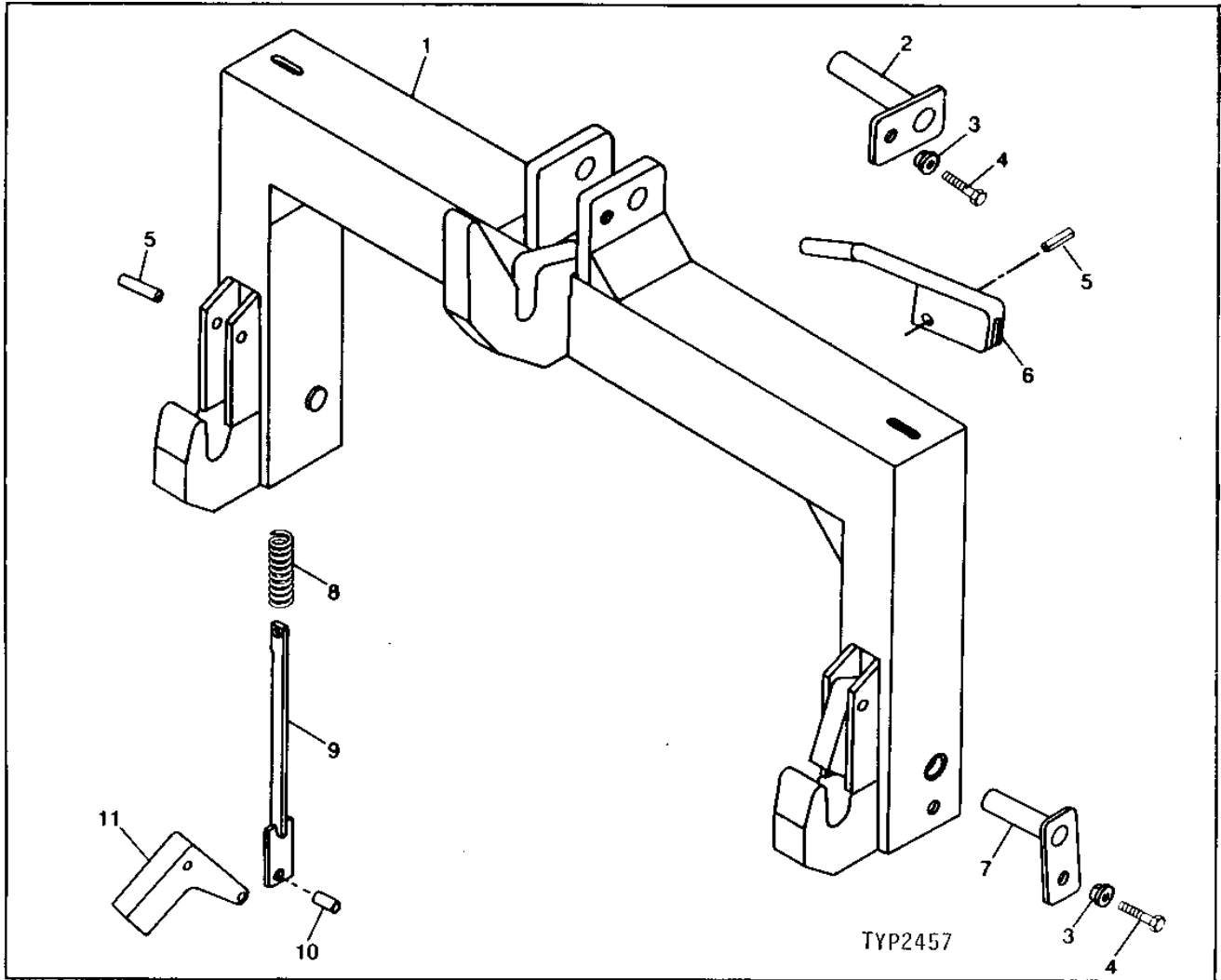
213

HYDRAULICS

TYP2457

-UN-01JAN94

3-POINT HITCH QUICK COUPLER



TYP2457

12

214

HYDRAULICS

3-POINT HITCH QUICK COUPLER - CONTINUED

KEY	PART NO.	PART NAME	QTY	SERIAL NO. OR YEAR	REMARKS
1	FRAME	1		(ORDER TY16042)
2	PT9287	PIN	1		
3	PT9290	BUSHING	3		
4	19H2632	CAP SCREW	3	1/2" X 1-1/8"	
5	34H371	SPRING PIN	4	1/2" X 2"	
6	PT9281	HANDLE	2		
7	PT9286	PIN	2		
8	PT9284	SPRING	2		
9	PT9283	BAR	2		
10	34H327	SPRING PIN	2	5/16" X 1"	
11	PT9282	LUG	2		
12	TY16042	HITCH	1		(CATEGORY II) (SUB FOR TY15269)
..	PT9292	DECAL KIT	1		

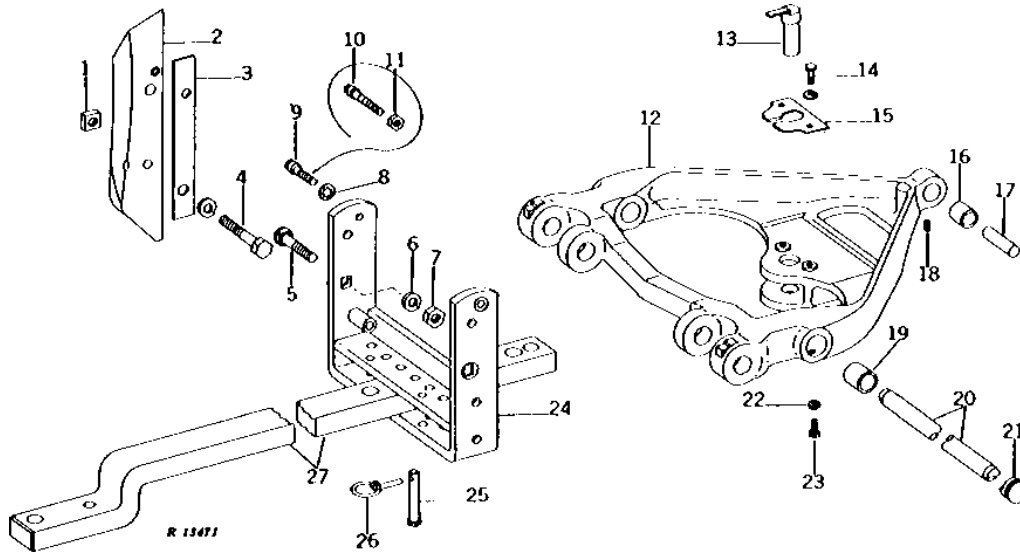
MEMORANDA

215

HYDRAULICS

R13471 -UN-01JAN94

REGULAR DRAWBAR (ROW-CROP)



KEY	PART NO.	PART NAME	QTY	TRACTOR SERIAL NO.	REMARKS
1	14H893	NUT	2	5/8"	
2	R39512	SWAY BLOCK	1	R.H.	
	R39513	SWAY BLOCK	1	L.H.	
3	R65527	WASHER	2	(SUB FOR R34505)	
4	19H2233	CAP SCREW	2	5/8" X 3-1/2"	
	12H294	LOCK WASHER	2	5/8"	
5	09H959	BOLT	2	5/8" X 3"	
6	12H294	LOCK WASHER	2	5/8"	
7	14H1039	NUT	2	5/8"	
8	12H292	LOCK WASHER	2	1/2"	
9	R41015	BOLT	2	(TRANSMISSION CASE WITH TAPPED HOLES) (SUB FOR R26508)	
10	R42440	CAP SCREW	2	(TRANSMISSION CASE WITH REAMED HOLES)	
11	14H1040	NUT	2	1/2", (TRANSMISSION CASE WITH REAMED HOLES)	
12	AR38260	SUPPORT	1	(MARKED R38101) (NLA)	
13	AR38256	PIN	1		
14	19H2284	CAP SCREW	2	3/8" X 7/8"	
	12H304	LOCK WASHER	2	3/8"	
15	R56729	RETAINER	1	(ALSO ORDER A147R, R28040, 19H1732 AND 12H304) (SUB FOR R34253) (SUB R96420)	
16	R31438	BUSHING	1		
17	R26503	DOWEL PIN	1		
18	34H309	SPRING PIN	1	1/4" X 5/8"	
19	R27016	BUSHING	2		
20	R33883	PIN	1	LOAD CONTROL	
21	R33884	RETAINER	1		
22	12H303	LOCK WASHER	2	5/16"	
23	R40928	BOLT	2	(SUB FOR R27196)	
24	AR38255	SUPPORT	1	(NLA)	
25	E58599	PIN	2	(SUB FOR R33831)	
26	AR62151	QUICK LOCK PIN	2	(SUB FOR B11182) (SUB M115827)	
27	R27692	DRAWBAR	1		

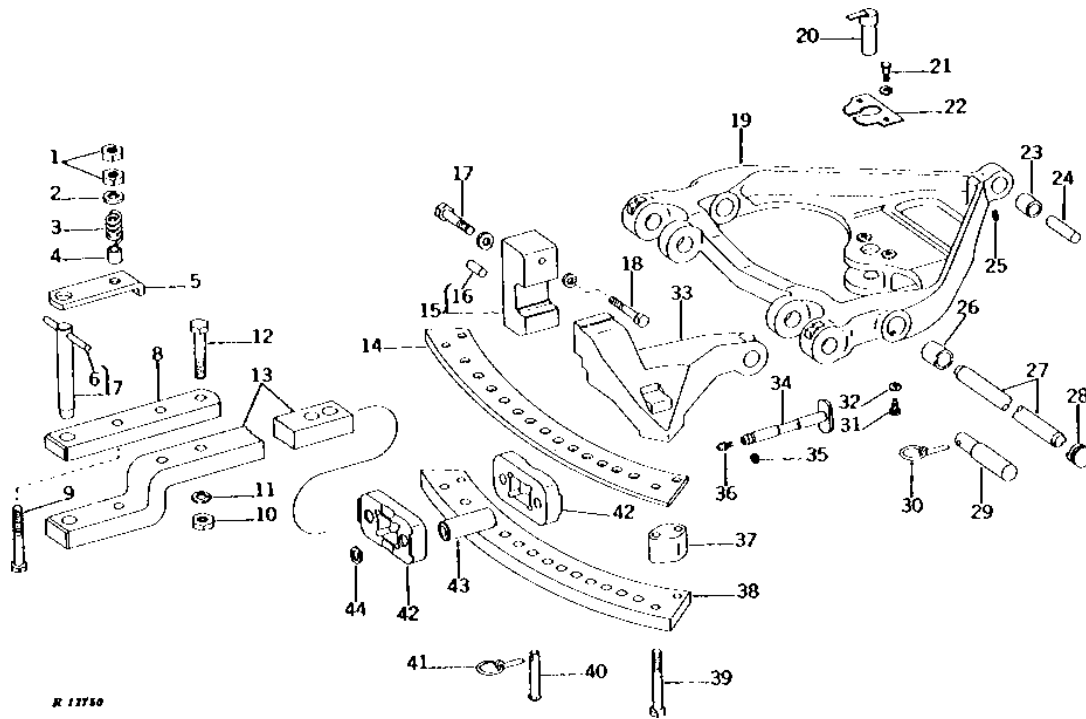
216

HYDRAULICS

R12750

-UN-01JAN94

WIDE SWING DRAWBAR (ROW-CROP)



WIDE SWING DRAWBAR - CONTINUED
(ROW-CROP)

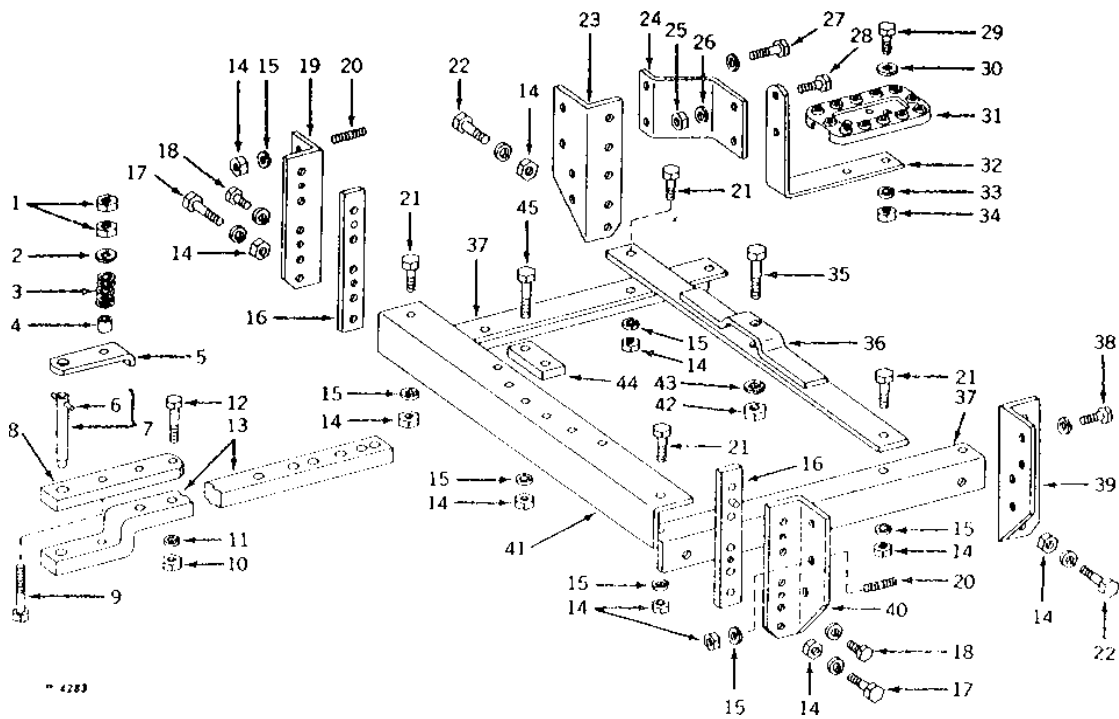
KEY	PART NO.	PART NAME	QTY	TRACTOR SERIAL NO.	REMARKS
1	14H1039	NUT	2		5/8"
2	24H1372	WASHER	1		21/32" X 1-1/2" X 0.060"
3	F3541R	SPRING	1		
4	F3542R	BUSHING	1		
5	F3539R	RETAINER	1		
6	34H363	SPRING PIN	1		3/8" X 4"
7	AR26462	PIN	1		
8	R26584	STRAP	1		
9	19H2124	CAP SCREW	1		5/8" X 4-1/4"
10	14H794	NUT	2		3/4"
11	12H236	LOCK WASHER	2		3/4"
12	19H3027	CAP SCREW	2		3/4" X 3-1/2"
13	R28057	DRAWBAR	1		(SUB RE20662)
14	R34375	STRAP	1		
15	AR32497	BRACKET	1		R.H. (MARKED R33832) (NLA)
	AR32498	BRACKET	1		L.H. (MARKED R33833) (NLA)
16	T25317	DOWEL PIN	2		(SUB FOR R26015)
17	19H1890	CAP SCREW	4		5/8" X 2-3/4"
	12H294	LOCK WASHER	4		5/8"
18	19H1820	CAP SCREW	2		1/2" X 3"
	12H301	LOCK WASHER	2		1/2"
19	AR32555	SUPPORT	1		(MARKED R33882)
20	AR44189	PIN	1		(SUB FOR AR32826)
21	19H2284	CAP SCREW	2		3/8" X 7/8"
	12H304	LOCK WASHER	2		3/8"
22	R56729	RETAINER	1		(ALSO ORDER A147R, R28040, 19H1732 AND 12H304) (SUB FOR R34253) (SUB R96420)
23	R31438	BUSHING	1		
24	R26503	DOWEL PIN	1		
25	34H309	SPRING PIN	1		1/4" X 5/8"
26	R27016	BUSHING	2		
27	R33883	PIN	1		LOAD CONTROL
28	R33884	RETAINER	2		
29	R58261	PIN	2		(ALSO ORDER AR60372) (SUB FOR R40516 OR R53562)
30	AR62151	QUICK LOCK PIN	2		(SUB FOR B11182) (SUB M115827)
31	R40928	BOLT	2		(SUB FOR R27196)
32	12H303	LOCK WASHER	2		5/16"
33	R34286	SUPPORT	1		R.H. (NLA)
	R34287	SUPPORT	1		L.H. (NLA)
34	AR61656	PIN	2		(ALSO ORDER R73380 AND R42660) (SUB FOR AR35345, AR41753 OR AR44820)
35	R73380	SNAP RING	2		(SUB FOR A369R)
36	JD7759	LUBRICATION FITTING	2		
37	R34373	SPACER	2		
38	R34376	SUPPORT	1		
39	19H2124	CAP SCREW	4		5/8" X 4-1/4"
40	R58262	PIN	2		(SUB FOR R28061 OR R44917)
41	AR62151	QUICK LOCK PIN	2		(SUB FOR B11182) (SUB M115827)
42	R34374	HANGER	2		(NLA)
43	R54141	BUSHING	2		(SUB FOR R35839)
44	24H448	WASHER	2	-015708	25/32" X 1-1/8" X 0.090"
	R42660	WASHER	2	015709-	(SUB FOR R42660)

218

HYDRAULICS

R4283 -UN-01JAN94

DRAWBAR AND STEP (HI-CROP)



DRAWBAR AND STEP - CONTINUED
(HI-CROP)

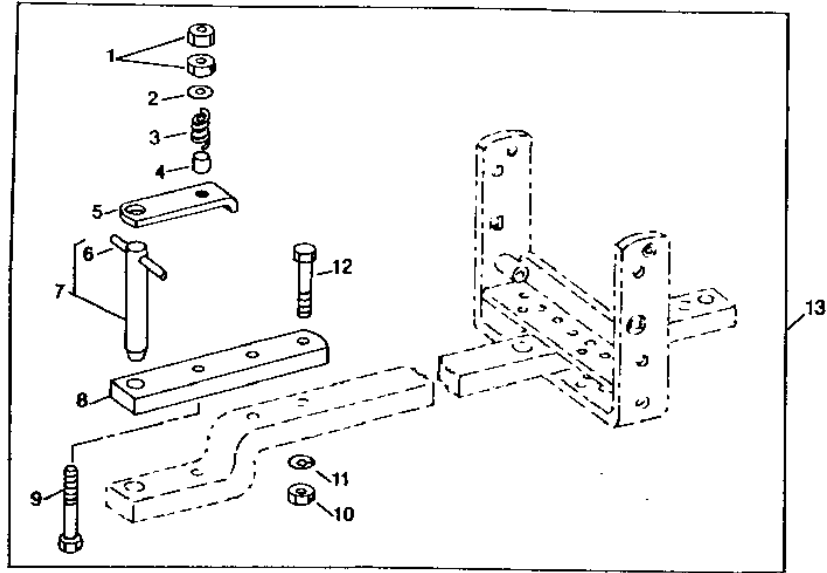
KEY	PART NO.	PART NAME	QTY	TRACTOR SERIAL NO.	REMARKS
1	14H1039	NUT	2	5/8"	
2	24H1372	WASHER	1	21/32" X 1-1/2" X 0.060"	
3	F3541R	SPRING	1		
4	F3542R	BUSHING	1		
5	F3539R	RETAINER	1		
6	34H363	SPRING PIN	1	3/8" X 4"	
7	AR26462	PIN	1		
8	R26584	STRAP	1		
9	19H2124	CAP SCREW	1	5/8" X 4-1/4"	
10	14H794	NUT	2	3/4"	
11	12H236	LOCK WASHER	2	3/4"	
12	19H1471	CAP SCREW	2	3/4" X 3-1/2"	
13	R28057	DRAWBAR	1	(SUB RE20662)	
	R81576	DRAWBAR	1	(HEAVY-DUTY) (NOT DRILLED FOR STRAP)	
14	14H794	NUT	10	3/4"	
15	12H236	LOCK WASHER	10	3/4"	
16	AR28141	SWAY BLOCK	2	(NLA)	
17	19H1440	CAP SCREW	2	3/4" X 3"	
	12H236	LOCK WASHER	2	3/4"	
18	19H1721	CAP SCREW	2	1/2" X 1-1/2"	
	12H301	LOCK WASHER	2	1/2"	
19	R28197	SUPPORT	1	(NLA)	
20	F1024R	STUD	4		
21	19H1768	CAP SCREW	4	3/4" X 2"	
22	19H1768	CAP SCREW	2	3/4" X 2"	
	12H236	LOCK WASHER	2	3/4"	
23	R28195	SUPPORT	1	(NLA)	
24	R51869	BRACKET	1	(SUB FOR R31129) (NLA)	
25	14H1039	NUT	2	5/8"	
26	12H294	LOCK WASHER	2	5/8"	
27	19H1782	CAP SCREW	2	3/4" X 2-1/4"	
	12H236	LOCK WASHER	2	3/4"	
28	19H1356	CAP SCREW	2	5/8" X 1-3/4"	
29	19H1732	CAP SCREW	2	3/8" X 1-1/4"	
30	24H1305	WASHER	2	13/32" X 13/16" X 0.065"	
31	F3195R	STEP	1		
32	A5234R	SUPPORT	1		
33	12H304	LOCK WASHER	2	3/8"	
34	14H1076	NUT	2	3/8"	
35	19H2421	CAP SCREW	1	1" X 3-3/4"	
36	AR56014	DRAWBAR	1	(SUB FOR AR27581) (NLA)	
37	R28199	DRAWBAR	2	(NLA)	
38	19H2589	CAP SCREW	2	3/4" X 1-7/8"	
	12H236	LOCK WASHER	2	3/4"	
39	R28194	SUPPORT	1	(NLA)	
40	R28196	SUPPORT	1	(NLA)	
41	R28201	DRAWBAR	1	(NLA)	
42	14H854	NUT	1	1"	
43	12H234	LOCK WASHER	1	1"	
44	R28203	STRAP	1	(NLA)	
45	19H2113	CAP SCREW	2	3/4" X 3-1/4"	

2110

HYDRAULICS

RWP1907 -UN-06OCT94

DRAWBAR CLEVIS PIN KIT



RWP1907

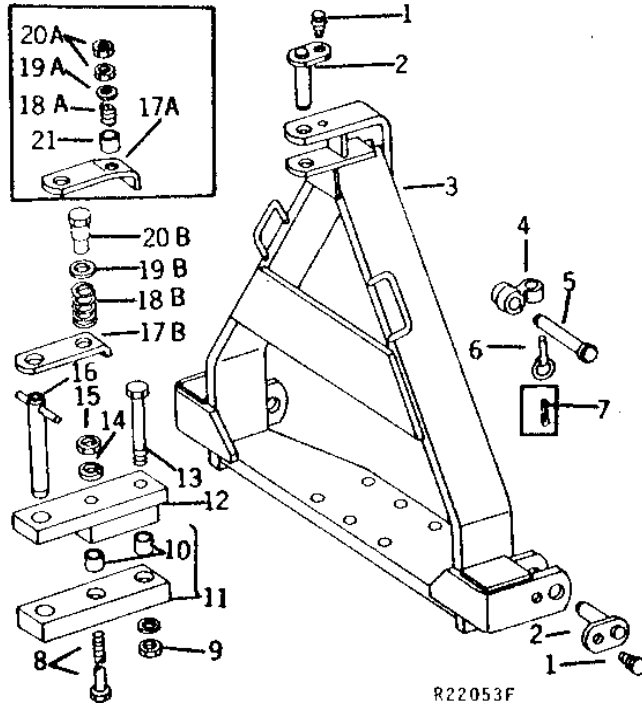
KEY	PART NO.	PART NAME	QTY	TRACTOR SERIAL NO.	REMARKS
1	14H1039	NUT	2	5/8"	
2	24H1372	WASHER	1	21/32" X 1-1/2" X 0.060"	
3	F3541R	SPRING	1		
4	F3542R	BUSHING	1		
5	F3539R	RETAINER	1		
6	34H363	SPRING PIN	1	3/8" X 4"	
7	AR26462	PIN	1		
8	R26584	STRAP	1		
9	19H2124	CAP SCREW	1	5/8" X 4-1/4"	
10	14H794	NUT	2	3/4"	
11	12H236	LOCK WASHER	2	3/4"	
12	19H2113	CAP SCREW	2	3/4" X 3-1/4"	
13	AR27033	CLEVIS	1		

2111

HYDRAULICS

R22053 -UN-01JAN94

POWER WEIGHT TRANSFER COUPLER



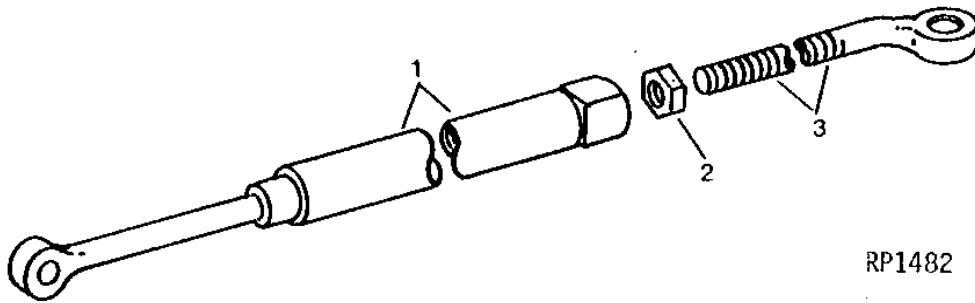
KEY	PART NO.	PART NAME	QTY	TRACTOR SERIAL NO.	REMARKS
1	AR74673	CAP SCREW	3		(USE WITH PIN WITH 6.35MM (1/4") THICK HANDLE) (SUB FOR AR40865)
	AR74673	CAP SCREW	3		(USE WITH PIN WITH 9.53MM (3/8") THICK HANDLE) (SUB FOR AR48110)
2	AR48111	PIN	3		(ALSO ORDER AR74673) (SUB FOR AR39783)
3	AR46828	COUPLING	1		(SUB AR99336)
4	R44848	PIVOT	2		(NLA)
5	R58261	PIN	1		(ALSO ORDER AR60372) (SUB FOR R40516)
6	AR60372	QUICK LOCK PIN	1	XXXXXX-	
7	11M7038	COTTER PIN	1	-XXXXXX	0.248" X 1.575"
8	19H3234	CAP SCREW	1	-XXXXXX	3/4" X 8-1/2"
	19H1988	CAP SCREW	1	XXXXXX-	3/4" X 6"
9	14H794	NUT	1		3/4"
	12H236	LOCK WASHER	1		3/4"
10	R35479	BUSHING	2		
11	AR47567	DRAWBAR	1		(NLA)
12	AR46256	STRAP	1		
13	19H1988	CAP SCREW	1		3/4" X 6"
14	12H236	LOCK WASHER	1		3/4"
15	14H794	NUT	1	-XXXXXX	3/4"
16	AR69988	PIN	1		(SUB FOR AR937R)
17A	R36609	RETAINER	1	-XXXXXX	(SUB R54064, R72433, F304R, 19H1988 AND 24H1513)
17B	R54064	RETAINER	1	XXXXXX-	
18A	A350R	SPRING	1	-XXXXXX	
18B	F304R	SPRING	1	XXXXXX-	
19A	24H1395	WASHER	1	-XXXXXX	25/32" X 1-7/16" X 0.060"
19B	24H1513	WASHER	1	XXXXXX-	1-13/32" X 2" X 0.060"
20A	R40121	LOCK NUT	2	-XXXXXX	
20B	R54065	NUT	1	XXXXXX-	(SUB R72433)
21	R47044	BUSHING	1	-XXXXXX	(NLA)

2112

HYDRAULICS

RP1482 -UN-01JAN94

POWER WEIGHT TRANSFER IMPLEMENT LINK



RP1482

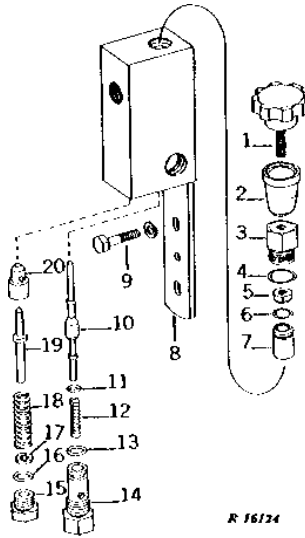
KEY	PART NO.	PART NAME	QTY	TRACTOR SERIAL NO.	REMARKS
1	AR47490	LINK	1		
2	14H887	NUT	1	1-1/8"	
3	R45447	EYEBOLT	1		

2113

HYDRAULICS

R16124 -UN-01JAN94

POWER WEIGHT TRANSFER VALVE



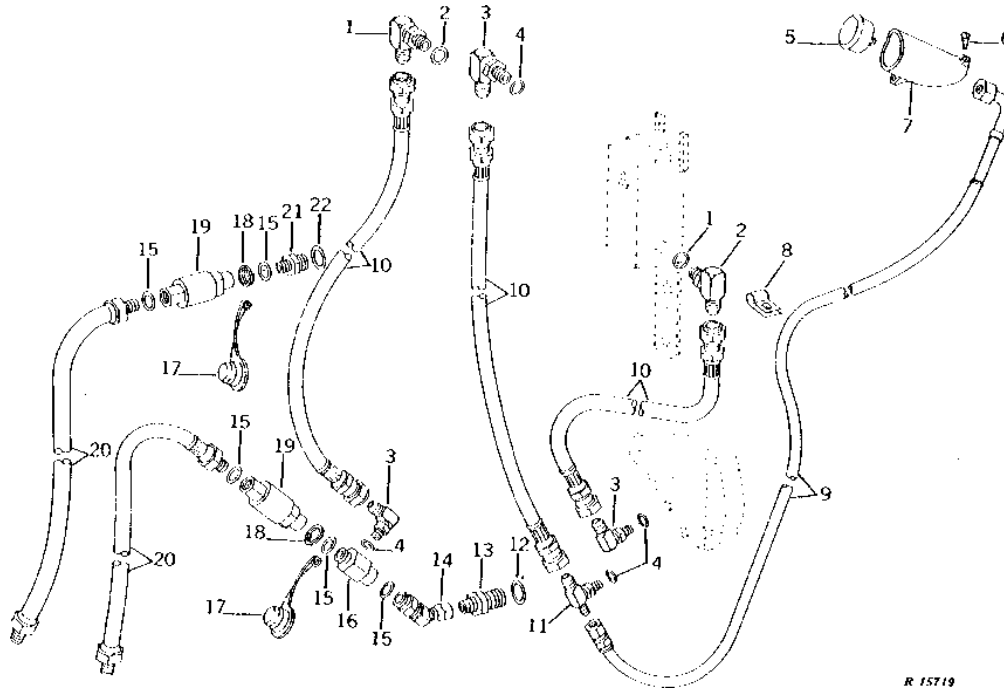
KEY	PART NO.	PART NAME	QTY	TRACTOR SERIAL NO.	REMARKS
1	AR49578	KNOB	1		
2	R54059	BOOT	1		(SUB FOR R39981)
3	R47016	ADAPTER	1		
4	F3171R	O-RING	1		
5	F3220R	LOCK NUT	1		
6	R26375	O-RING	1		
7	R47018	SHAFT	1		
8	AR49622	HOUSING	1		
9	19H2284	CAP SCREW	2	3/8" X 7/8"	
	12H304	LOCK WASHER	2	3/8"	
10	R44840	VALVE	1		
11	R375R	O-RING	1		
12	R26477	SPRING	1		
13	R495R	O-RING	1		
14	R47095	PLUG	1		
15	R27474	DRAIN PLUG	1		
16	R26906	O-RING	1		
17	R45189	SHIM	AR	0.51MM (.020")	
18	R35871	SPRING	1		
19	R45215	GUIDE	1		
20	R38543	VALVE	1		

2114

HYDRAULICS

R15719 -UN-01JAN94

POWER WEIGHT TRANSFER HYDRAULIC OIL PRESSURE GAUGE AND LINES



R 15719

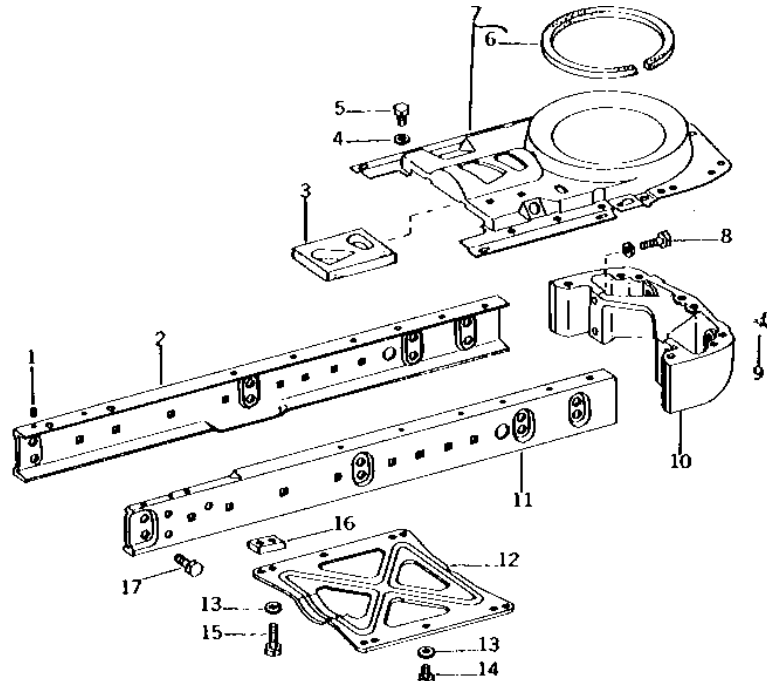
KEY	PART NO.	PART NAME	QTY	TRACTOR SERIAL NO.	REMARKS
1	AT32332	ELBOW FITTING	2		90°, (SUB FOR AR26763)
2	R26375	O-RING	2		
3	AT35120	ELBOW FITTING	3		(SUB FOR AR37017 OR AT32337)
4	R26448	O-RING	4		
5	AR47486	PRESSURE GAUGE	1		(NLA)
6	37H78	SCREW	2		0.164" X 3/4"
7	R46335	SUPPORT	1		(NLA)
8	R34557	CLAMP	5		
9	AR43795	HYDRAULIC HOSE	1		(NLA)
10	AR40465	HYDRAULIC HOSE	3		
11	AR47603	TEE FITTING	1		(NLA)
12	H851R	WASHER	1		
13	A15532	ADAPTER	1		
14	AA14850	ELBOW FITTING	1		45°
15	R26375	O-RING	5		
16	R45106	FITTING	1		
17	R32419	COVER	2		
18	R36946	SPRING	2		
19	AR31611	COUPLING	2		(SUB RE15361)
20	AR28754	HYDRAULIC HOSE	1		10 X 610MM (3/8" X 24")
	AR28755	HYDRAULIC HOSE	1		10 X 914MM (3/8" X 36")
21	R36945	FITTING	1		
22	F3171R	O-RING	1		

2117

WHEELS, FRONT AXLES, SHEET METAL

R15027 -UN-01JAN94

FRAME, FRAME PLATES AND SUPPORT



R 15027

KEY	PART NO.	PART NAME	QTY	TRACTOR SERIAL NO.	REMARKS
1	34H309	SPRING PIN	4	1/4" X 5/8"	
2	R38165	FRAME	1		
3	R27898	ISOLATOR	1		
4	R26559	WASHER	8		
5	19H1924	CAP SCREW	8	7/16" X 3/4"	
6	FOAM PAD	1	13 X 25 X 1083MM (1/2" X 1" X 42-5/8") (MAKE FROM R30936)	
7	AR38038	PLATE	1	(NLA)	
8	19H2706	CAP SCREW	4	5/8" X 2"	
	12H294	LOCK WASHER	4	5/8"	
9	19H2009	CAP SCREW	2	3/4" X 1-5/8"	
10	R38029	SUPPORT	1	(NLA)	
11	R38517	FRAME	1	(SUB FOR R38164) (NLA)	
12	R39934	PLATE	1	(A) (NO LONGER AVAILABLE)	
13	24H1325	WASHER	10	(A) 15/32" X 59/64" X 0.065"	
14	19H1924	CAP SCREW	6	(A) 7/16" X 3/4"	
15	19H2964	CAP SCREW	4	(A) 7/16" X 1-1/8"	
16	R27598	STRAP	2	(A)	
17	R31505	BOLT	16		

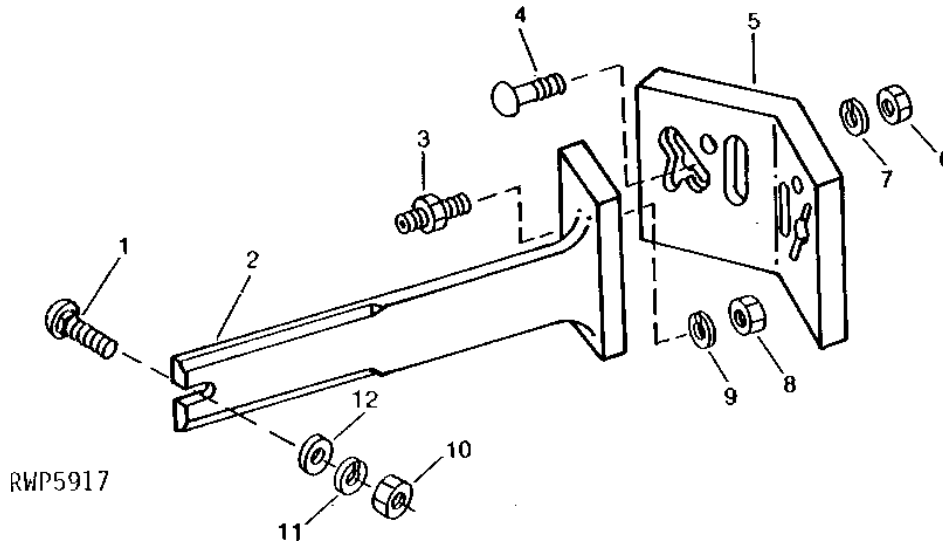
(A) NOT USED WITH WIDE FRONT AXLES

2118

WHEELS, FRONT AXLES, SHEET METAL

FRAME SIDE AND FRONT WEIGHTS

RWP5917 -UN-01JAN94



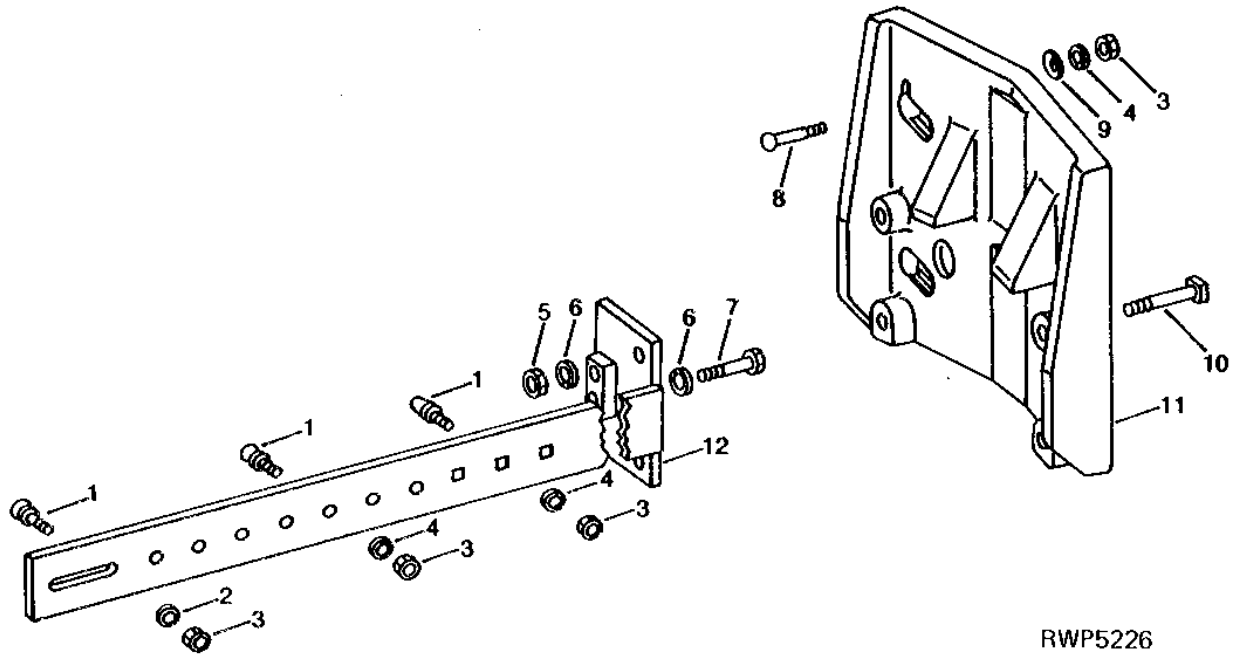
KEY	PART NO.	PART NAME	QTY	TRACTOR SERIAL NO.	REMARKS
1	03H1857	BOLT	2	5/8" X 2-3/4"	
2	R54144	WEIGHT	2	(SUB FOR R27642) (NO LONGER AVAILABLE)	
3	R27645	STUD	2	1" X 4"	
4	03H1857	BOLT	2	5/8" X 2-3/4"	
5	R27643	WEIGHT	1		
6	14H800	NUT	2	5/8"	
7	12H294	LOCK WASHER	2	5/8"	
8	14H794	NUT	2	3/4"	
9	12H236	LOCK WASHER	2	3/4"	
10	14H800	NUT	2	5/8"	
11	12H294	LOCK WASHER	2	5/8"	
12	F2783R	WASHER	2		

2119

WHEELS, FRONT AXLES, SHEET METAL

RWP5226 -UN-01JAN94

DOUBLE FRONT WEIGHT



RWP5226

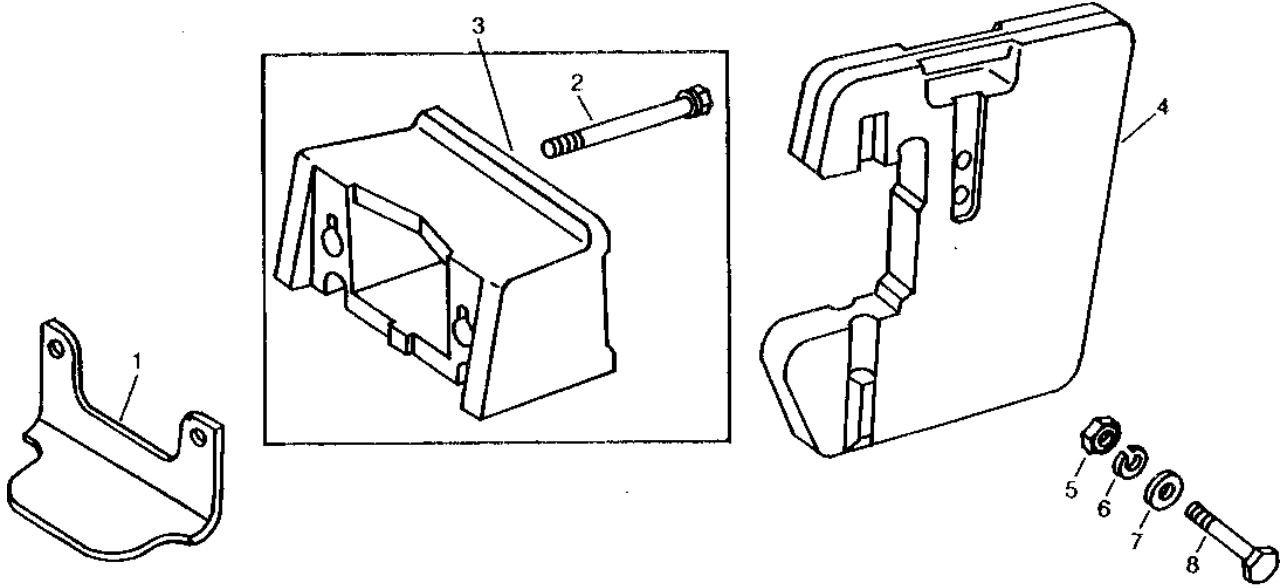
KEY	PART NO.	PART NAME	QTY	TRACTOR SERIAL NO.	REMARKS
1	03H1399	BOLT	6	5/8" X 1-3/4"	
2	24H1367	WASHER	2	21/32" X 1-1/4" X 1/4"	
3	14H1039	NUT	10	5/8"	
4	12H294	LOCK WASHER	10	5/8"	
5	14H794	NUT	4	3/4"	
6	12H236	LOCK WASHER	6	3/4"	
7	19H1909	CAP SCREW	2	3/4" X 3-3/4"	
8	03H1858	BOLT	4	5/8" X 3-1/2"	
9	R44890	NUT	4		
10	08H4222	BOLT	4	3/4" X 3-3/4"	
11	R44350	WEIGHT	1	(NO LONGER AVAILABLE)	
12	AR58357	SUPPORT	2	(SUB FOR AR46289) (NO LONGER AVAILABLE)	

2120

WHEELS, FRONT AXLES, SHEET METAL

FRONT WEIGHTS (TWO, FOUR, OR SIX QUIK-TATCH)

RWP5530 -UN-01JAN94



RWP5530

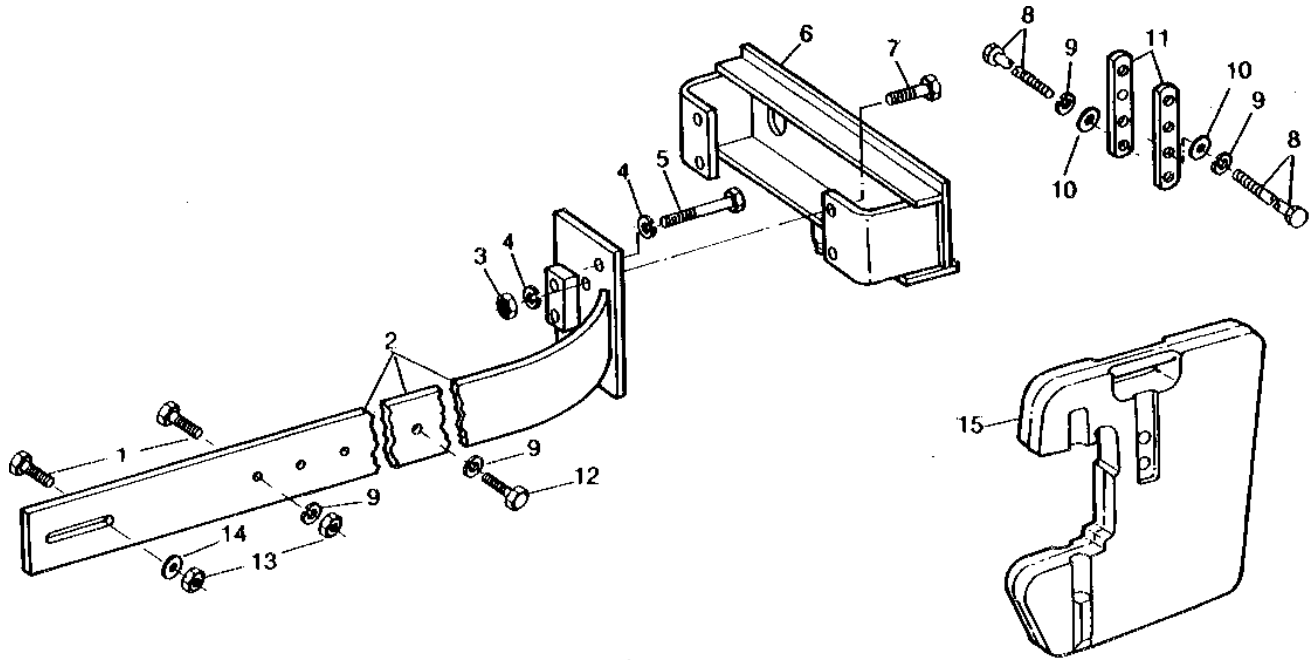
KEY	PART NO.	PART NAME	QTY	TRACTOR SERIAL NO.	REMARKS
1	R52914	ADAPTER	1		
2	R52924	SELF-LOCKING SCREW	2		
3	AR92425	SUPPORT	1		(SUB FOR AR58363 OR R51679) (SUB R70417)
4	R51680	WEIGHT	1		
5	14H1039	NUT	1	5/8"	
6	12H294	LOCK WASHER	1	5/8"	
7	24H1367	WASHER	1	21/32" X 1-1/4" X 1/4"	
8	08H4738	BOLT	1	5/8" X 9", (USE WITH 4 QUIK-TATCH WEIGHTS)	
	R51681	CAP SCREW	1	(USED WITH 6 QUIK-TATCH WEIGHTS)	
	19H1926	CAP SCREW	1	5/8" X 4-3/4", (USE WITH 2 QUIK-TATCH WEIGHTS)	

2121

WHEELS, FRONT AXLES, SHEET METAL

FRONT WEIGHTS (EIGHT OR TEN QUIK-TATCH)

RWP5566 -UN-01JAN94



RWP5566

KEY	PART NO.	PART NAME	QTY	TRACTOR SERIAL NO.	REMARKS
1	03H1399	BOLT	6	5/8" X 1-3/4"	
2	AR58357	SUPPORT	2	(NO LONGER AVAILABLE)	
3	14H794	NUT	4	3/4"	
4	12H236	LOCK WASHER	6	3/4"	
5	19H1909	CAP SCREW	2	3/4" X 3-3/4"	
6	AR72132	SUPPORT	1		
7	19H1782	CAP SCREW	4	3/4" X 2-1/4"	
8	R51681	CAP SCREW	2		
9	12H294	LOCK WASHER	6	5/8"	
10	24H1367	WASHER	2	21/32" X 1-1/4" X 1/4"	
11	AR68801	RETAINER	2	(SUB FOR T32148)	
12	03H1399	BOLT	2	5/8" X 1-3/4"	
13	14H1039	NUT	6	5/8"	
14	24H1367	WASHER	2	21/32" X 1-1/4" X 1/4"	
15	R51680	WEIGHT	1		

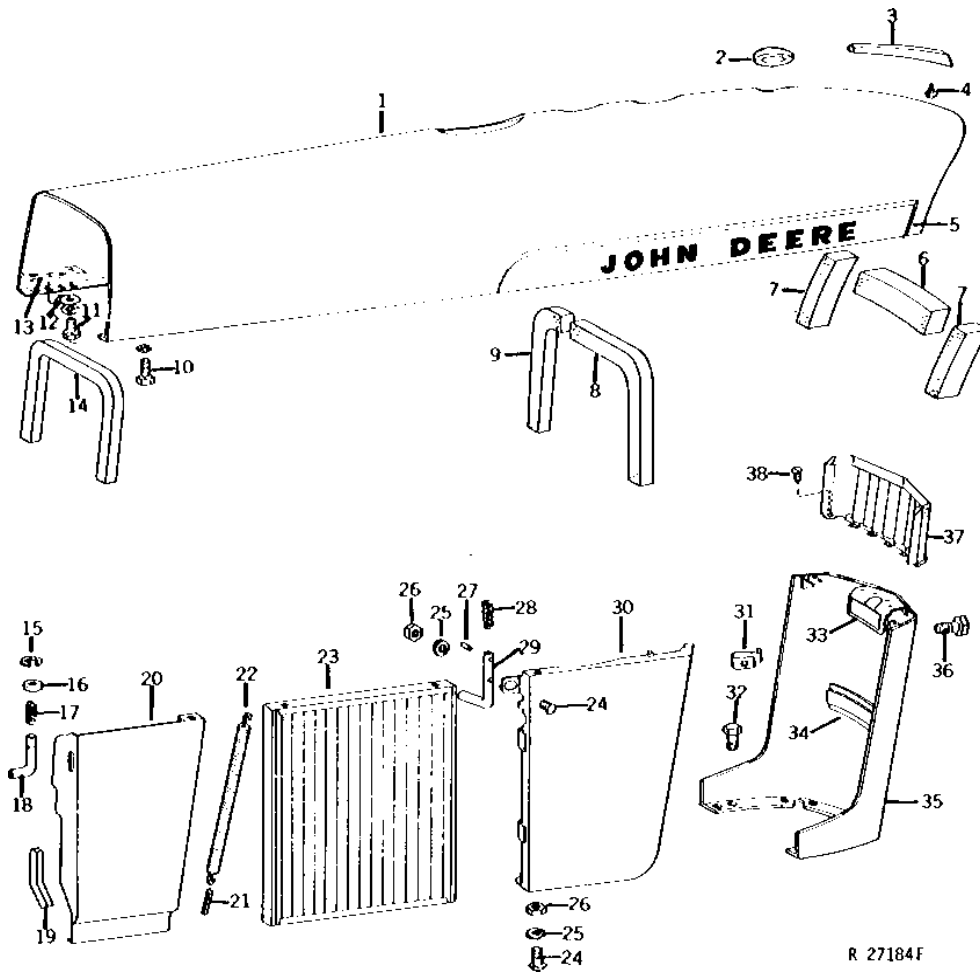
2122

WHEELS, FRONT AXLES, SHEET METAL

R27184

-UN-01JAN94

HOOD AND ASSOCIATED PARTS



2123

WHEELS, FRONT AXLES, SHEET METAL

HOOD AND ASSOCIATED PARTS - CONTINUED

KEY	PART NO.	PART NAME	QTY	TRACTOR SERIAL NO.	REMARKS
1	AR38779	HOOD	1		(NLA) (SUB FOR AR38210)
2	R39613	GROMMET	1		
3	AR28047	MEDALLION	1		
4	37M7245	SCREW	2		NO. 10 X 3/8"
5	AR28048	MOLDING	1		R.H.
	AR28049	MOLDING	1		L.H.
	R42662	NUT	10		
6	R26890	FOAM PAD	1		
7	ISOLATOR	2		51 X 51 X 203MM (2" X 2" X 8") (MAKE FROM R35340)
8	ISOLATOR	1		25 X 25 X 514MM (1" X 1" X 20-1/4") (MAKE FROM R30937)
9	ISOLATOR	1		25 X 25 X 273MM (1" X 1" X 10-3/4") (MAKE FROM R30937)
10	19H1936	CAP SCREW	2		3/8" X 3/4"
	12H304	LOCK WASHER	2		3/8"
11	19H1919	CAP SCREW	4		1/4" X 5/8"
	12H302	LOCK WASHER	4		1/4"
12	24H1821	WASHER	4		9/32" X 47/64" X 1/16"
13	R26894	PLATE	2		
14	ISOLATOR	1		25 X 25 X 737MM (1" X 1" X 29") (MAKE FROM R30937)
15	R27507	SNAP RING	4		
16	24H1286	WASHER	4		9/32" X 1/2" X 1/16"
17	R28783	SPRING	4		
18	R27506	PIN	4		
19	ISOLATOR	1		13 X 13 X 225MM (1/2" X 1/2" X 8-7/8") R.H. (MAKE FROM R91558)
	ISOLATOR	1		13 X 13 X 264MM (1/2" X 1/2" X 10-3/8") L.H. (MAKE FROM R91558)
20	AR38202	SHIELD	1		R.H.
	AR38203	SHIELD	1		L.H. (NLA)
	AR38206	SHIELD	1		R.H. (EQUIPPED WITH FRONT-MOUNTED ROCKSHAFT WITH SINGLE OR DUAL CONTROL) (NO LONGER AVAILABLE)
	AR38207	SHIELD	1		L.H. (EQUIPPED WITH FRONT-MOUNTED ROCKSHAFT WITH DUAL CONTROL) (NO LONGER AVAILABLE)
21	11M7084	COTTER PIN	2		5 X 25 MM
22	R26858	SPRING	2		
	R26858	SPRING	2		
23	AR38234	GRILLE	2		
24	03H1765	BOLT	4		3/8" X 3/4"
25	12H304	LOCK WASHER	4		3/8"
26	14H1076	NUT	4		3/8"
27	34H194	SPRING PIN	4		3/16" X 3/4"
28	B161R	SPRING	2		
29	R38054	PIN	1		R.H. (NLA)
	R38055	PIN	1		L.H. (NLA)
30	AR38204	PANEL	1		R.H. (NLA)
	AR38205	PANEL	1		L.H. (NLA)
31	R26694	CLIP	6		
32	19H1815	CAP SCREW	8		1/2" X 1-1/4"
33	ISOLATOR	1		3 X 38 X 292MM (1/8" X 1-1/2" X 11-1/2") (MAKE FROM R21736)
34	ISOLATOR	1		3 X 38 X 268MM (1/8" X 1-1/2" X 10-1/2") (MAKE FROM R21736)
35	AR38232	PLATE	1		(NLA)
36	19H2009	CAP SCREW	2		3/4" X 1-5/8"
37	AR38233	GRILLE	1		(NLA)
38	37H84	SCREW	6		1/4" X 3/4", (SUB FOR R28291)

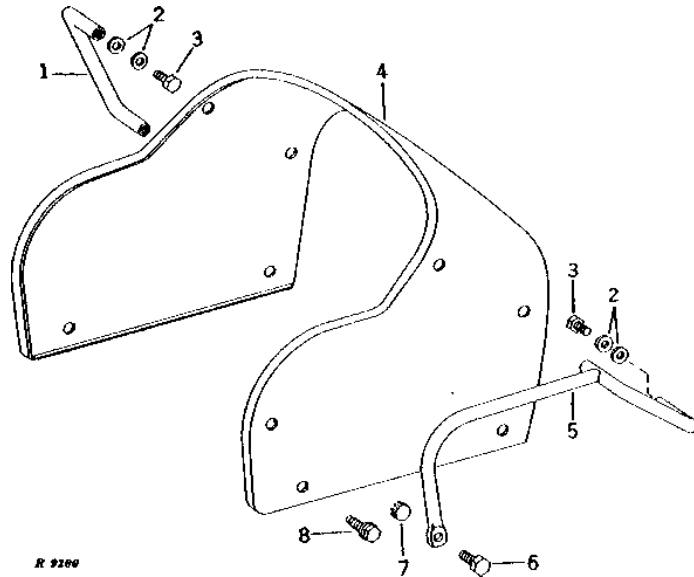
MEMORANDA

2124

WHEELS, FRONT AXLES, SHEET METAL

R9200 -UN-01JAN94

COWL



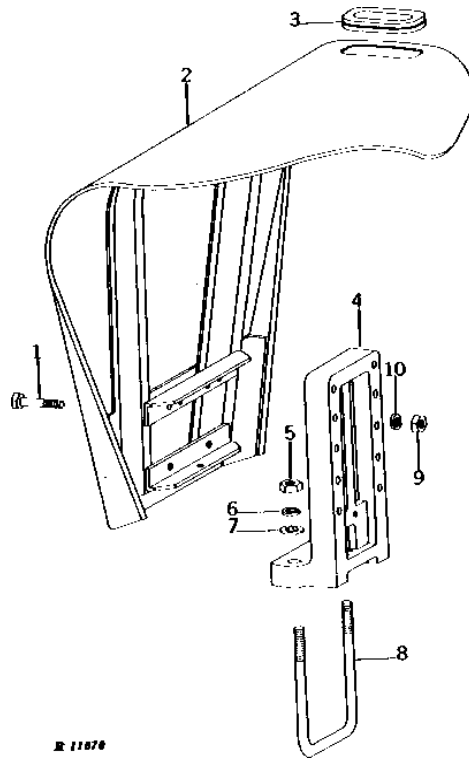
KEY	PART NO.	PART NAME	QTY	TRACTOR SERIAL NO.	REMARKS
1	R31618	HANDLE	AR		(1 USED POWER SHIFT) (2 USED SYNCRO-RANGE)
2	24H1305	WASHER	8		13/32" X 13/16" X 0.065"
3	19H1936	CAP SCREW	4		3/8" X 3/4"
4	AR41584	COWL	1		(SUB FOR AR32765 OR AR45371)
5	AR45369	HANDLE	1		(POWER SHIFT) (SUB FOR AR32829)
6	19H1732	CAP SCREW	1		3/8" X 1-1/4"
7	R42451	PLUG	1		(SYNCRO-RANGE) (SUB FOR R31420)
8	AR26568	SCREW	4		

2125

WHEELS, FRONT AXLES, SHEET METAL

FENDERS (ROW-CROP)

R11870 -UN-01JAN94



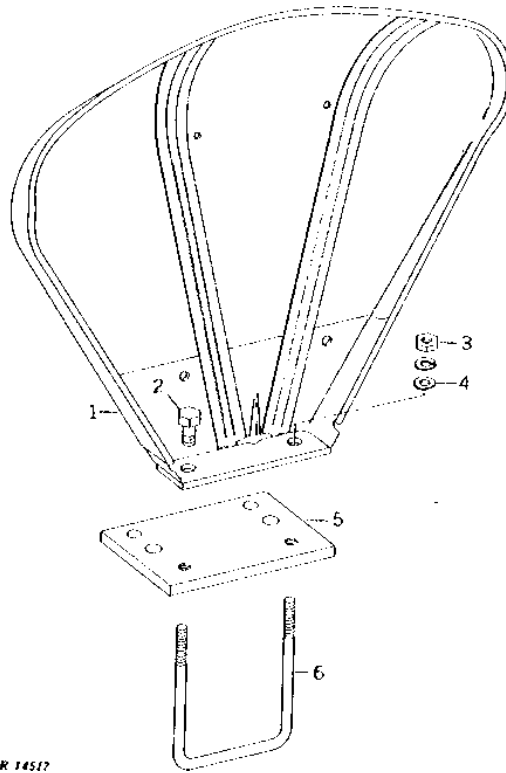
KEY	PART NO.	PART NAME	QTY	TRACTOR SERIAL NO.	REMARKS
1	19H1974	CAP SCREW	4	1/2" X 2-3/4"	
	19H1820	CAP SCREW	4	1/2" X 3", (USE WITH ROLL-GARD)	
	12H301	LOCK WASHER	4	1/2", (USE WITH ROLL-GARD)	
2	AR48872	FENDER	1	R.H. (SUB FOR AR26595) (SUB RE13878)	
	AR48873	FENDER	1	L.H. (SUB FOR AR38451 OR AR45453) (SUB RE13879)	
3	R20759	GROMMET	1		
4	R70588	SUPPORT	1	(SUB FOR R32120, R41296, R54541, R64540 OR R67410)	
5	14H1039	NUT	2	5/8"	
6	12H294	LOCK WASHER	2	5/8"	
7	24H1139	WASHER	2	11/16" X 1-1/4" X 0.105"	
8	R26992	U-BOLT	1		
9	14H1040	NUT	4	1/2"	
10	12H301	LOCK WASHER	4	1/2"	

2J1

WHEELS, FRONT AXLES, SHEET METAL

R14517 -UN-01JAN94

FENDERS (HI-CROP)



KEY	PART NO.	PART NAME	QTY	TRACTOR SERIAL NO.	REMARKS
1	AR48976	FENDER	2		L.H. AND R.H. (SUB FOR AR31939) (NLA)
2	19H2369	CAP SCREW	4		3/4" X 1"
3	14H1039	NUT	4		5/8"
4	12H294	LOCK WASHER	4		5/8"
4	24H1139	WASHER	4		11/16" X 1-1/4" X 0.105"
5	R42580	PLATE	2		(NO LONGER AVAILABLE)
6	R26992	U-BOLT	2		

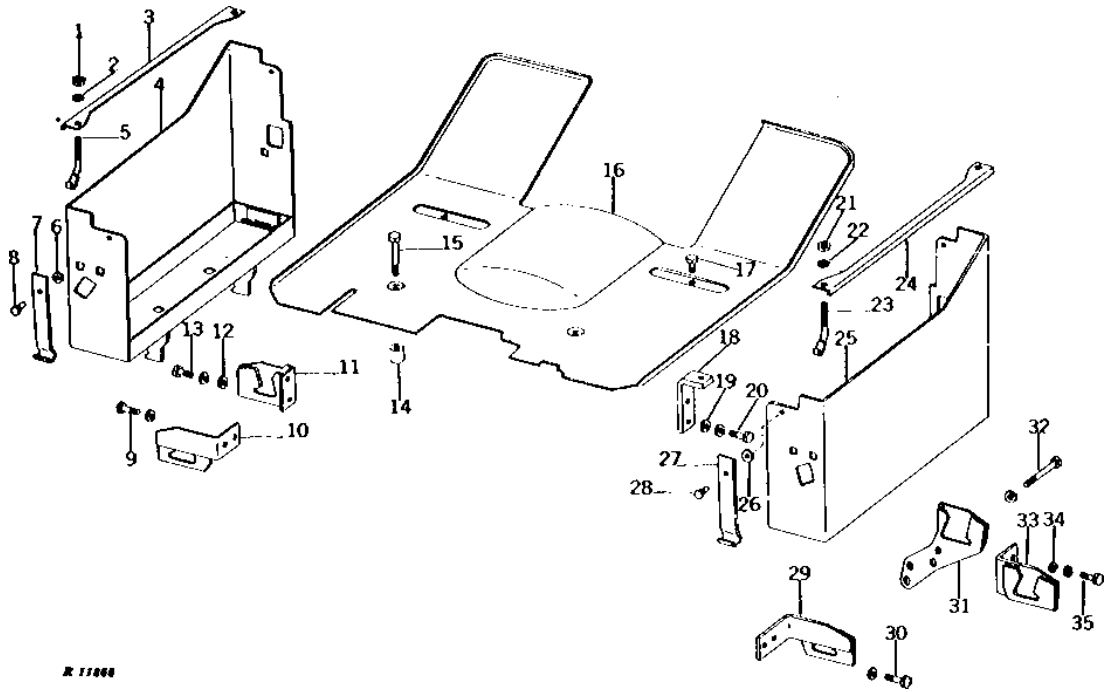
2J2

WHEELS, FRONT AXLES, SHEET METAL

R11868

-UN-01JAN94

PLATFORM AND BATTERY BOXES



R 11868

2J3

WHEELS, FRONT AXLES, SHEET METAL

PLATFORM AND BATTERY BOXES - CONTINUED

KEY	PART NO.	PART NAME	QTY	TRACTOR SERIAL NO.	REMARKS
1	14H786	NUT	2	(A) 1/4"	
2	24H1287	WASHER	2	(A) 9/32" X 5/8" X 0.065"	
3	R40423	CLAMP	1	(A)	
4	AR40208	BATTERY BOX	1		
5	R30805	ROD	2	(A)	
6	24H1283	WASHER	2	(A) 7/32" X 1/2" X 0.049"	
7	R27084	CLAMP	1	(A) FRONT	
	R34958	LATCH	1	(A) REAR	
8	R27085	RIVET	2	(A)	
9	19H2284	CAP SCREW	2	(A) 3/8" X 7/8"	
	12H304	LOCK WASHER	2	(A) 3/8"	
10	AR32503	SUPPORT	1	(A) (B) (NLA)	
	AR32480	SUPPORT	1	(A) (C) (NO LONGER AVAILABLE)	
11	AR32399	SUPPORT	1	(A) (B) (NO LONGER AVAILABLE)	
	AR32478	SUPPORT	1	(A) (C) (NLA)	
12	R1870R	WASHER	2	(A) (SUB R57696)	
13	19H1731	CAP SCREW	2	(A) 3/8" X 1"	
	12H304	LOCK WASHER	2	(A) 3/8"	
14	28H1530	BUSHING	AR	(2 USED POWER SHIFT) (4 USED SYNCRO-RANGE)	
15	19H1733	CAP SCREW	AR	3/8" X 2-1/2", (2 USED POWER SHIFT) (4 USED SYNCRO-RANGE)	
16	AR40226	PLATFORM	1	(B) (NO LONGER AVAILABLE)	
	AR32849	PLATFORM	1	(WITH CAB) (NO LONGER AVAILABLE)	
	AR38247	PLATFORM	1	(C) (NO LONGER AVAILABLE)	
17	19H2021	CAP SCREW	2	(B) 3/8" X 5/8"	
18	R40466	SUPPORT	2	(B) (NLA)	
19	A147R	LOCK WASHER	1	(B) R.H. (LESS ROCKSHAFT)	
20	19H1731	CAP SCREW	1	(B) 3/8" X 1" L.H.	
	R34583	CAP SCREW	1	(B) R.H.	
	12H304	LOCK WASHER	2	(B) 3/8"	
21	14H786	NUT	2	1/4"	
22	24H1287	WASHER	2	9/32" X 5/8" X 0.065"	
23	R30805	ROD	2		
24	R40423	CLAMP	1		
25	AR40207	BATTERY BOX	1		
26	24H1283	WASHER	2	7/32" X 1/2" X 0.049"	
27	R27084	CLAMP	1	FRONT	
	R34958	LATCH	1	REAR	
28	R27085	RIVET	2		
29	AR32479	SUPPORT	1		
30	19H2284	CAP SCREW	2	3/8" X 7/8"	
	12H304	LOCK WASHER	2	3/8"	
31	AR34396	SUPPORT	1	(B) (NLA)	
32	19H3175	CAP SCREW	2	(B) 3/8" X 3-5/8", HS, SAE 8	
	12H304	LOCK WASHER	2	(B) 3/8"	
33	AR32477	SUPPORT	1	(C)	
34	R1870R	WASHER	2	(C) (SUB R57696)	
35	19H1731	CAP SCREW	2	(C) 3/8" X 1"	
	12H304	LOCK WASHER	2	(C) 3/8"	

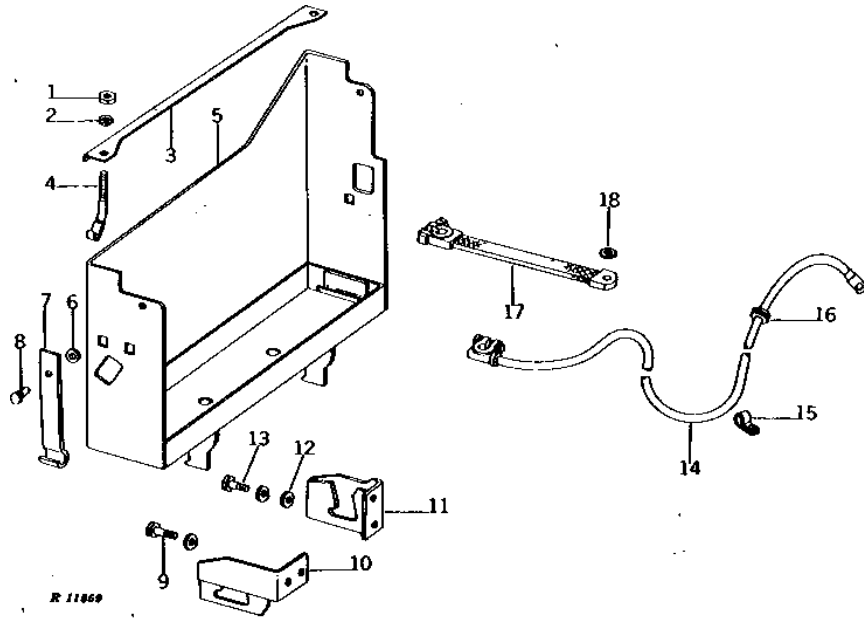
- (A) DIESEL
- (B) POWER SHIFT
- (C) SYNCRO-RANGE

2J4

WHEELS, FRONT AXLES, SHEET METAL

BATTERY BOX FOR COLD WEATHER STARTING (GASOLINE)

R11869 -UN-01JAN94



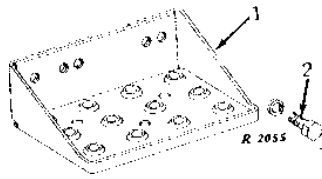
KEY	PART NO.	PART NAME	QTY	TRACTOR SERIAL NO.	REMARKS
1	14H786	NUT	2	1/4"	
2	24H1287	WASHER	2	9/32" X 5/8" X 0.065"	
3	R40423	CLAMP	1		
4	R30805	ROD	2		
5	AR40208	BATTERY BOX	1		
6	24H1283	WASHER	2	7/32" X 1/2" X 0.049"	
7	R27084	CLAMP	1	FRONT	
	R34958	LATCH	1	REAR	
8	R27085	RIVET	2		
9	19H2284	CAP SCREW	2	3/8" X 7/8"	
	12H304	LOCK WASHER	2	3/8"	
10	AR32503	SUPPORT	1	(POWER SHIFT) (NLA)	
	AR32480	SUPPORT	1	(SYNCRO-RANGE) (NO LONGER AVAILABLE)	
11	AR32399	SUPPORT	1	(POWER SHIFT) (NO LONGER AVAILABLE)	
	AR32478	SUPPORT	1	(SYNCRO-RANGE) (NLA)	
12	R1870R	WASHER	2	(SUB R57696)	
13	19H1731	CAP SCREW	2	3/8" X 1"	
	12H304	LOCK WASHER	2	3/8"	
14	AR45923	CABLE	1	POSITIVE, (SUB FOR AR38359)	
15	T13814	CLAMP	1		
16	R27533	GROMMET	1		
17	AR26622	GROUND CABLE	1		
18	24M7096	WASHER	1	10.500 X 18 X 1.600 MM	

2J5

WHEELS, FRONT AXLES, SHEET METAL

R2055 -UN-01JAN94

TRACTOR STEP



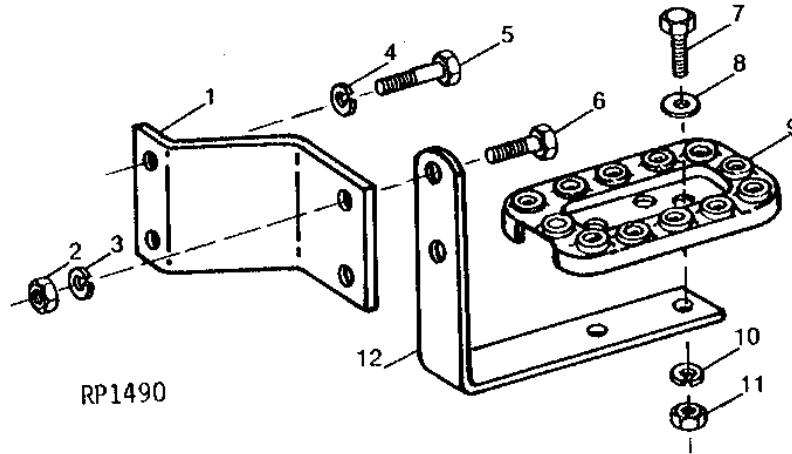
KEY	PART NO.	PART NAME	QTY	TRACTOR SERIAL NO.	REMARKS
1	R27883	STEP	2		
2	19H1815	CAP SCREW	4	1/2" X 1-1/4"	
	12H302	LOCK WASHER	4	1/4"	

2J6

WHEELS, FRONT AXLES, SHEET METAL

TRACTOR STEP (HI-CROP)

RP1490 -UN-01JAN94



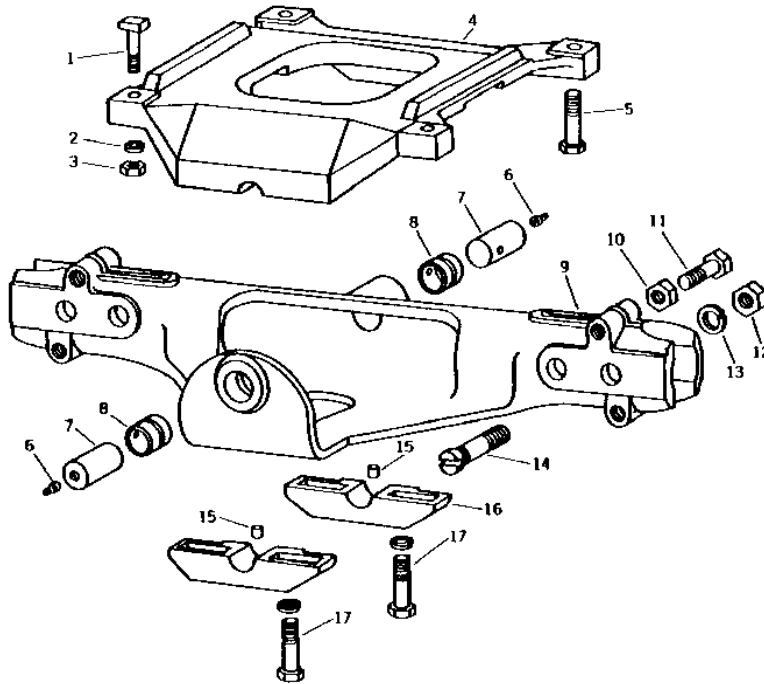
KEY	PART NO.	PART NAME	QTY	TRACTOR SERIAL NO.	REMARKS
1	R51869	BRACKET	1		(SUB FOR R31129) (NLA)
2	14H1039	NUT	2		5/8"
3	12H294	LOCK WASHER	2		5/8"
4	12H236	LOCK WASHER	2		3/4"
5	19H1782	CAP SCREW	2		3/4" X 2-1/4"
6	19H1356	CAP SCREW	2		5/8" X 1-3/4"
7	19H1732	CAP SCREW	2		3/8" X 1-1/4"
8	24H1305	WASHER	2		13/32" X 13/16" X 0.065"
9	F3195R	STEP	1		
10	12H304	LOCK WASHER	2		3/8"
11	14H1076	NUT	2		3/8"
12	A5234R	SUPPORT	1		

2J7

WHEELS, FRONT AXLES, SHEET METAL

R4846 -UN-01JAN94

FRONT AXLE HOUSING AND PIVOT BRACKET



R4846

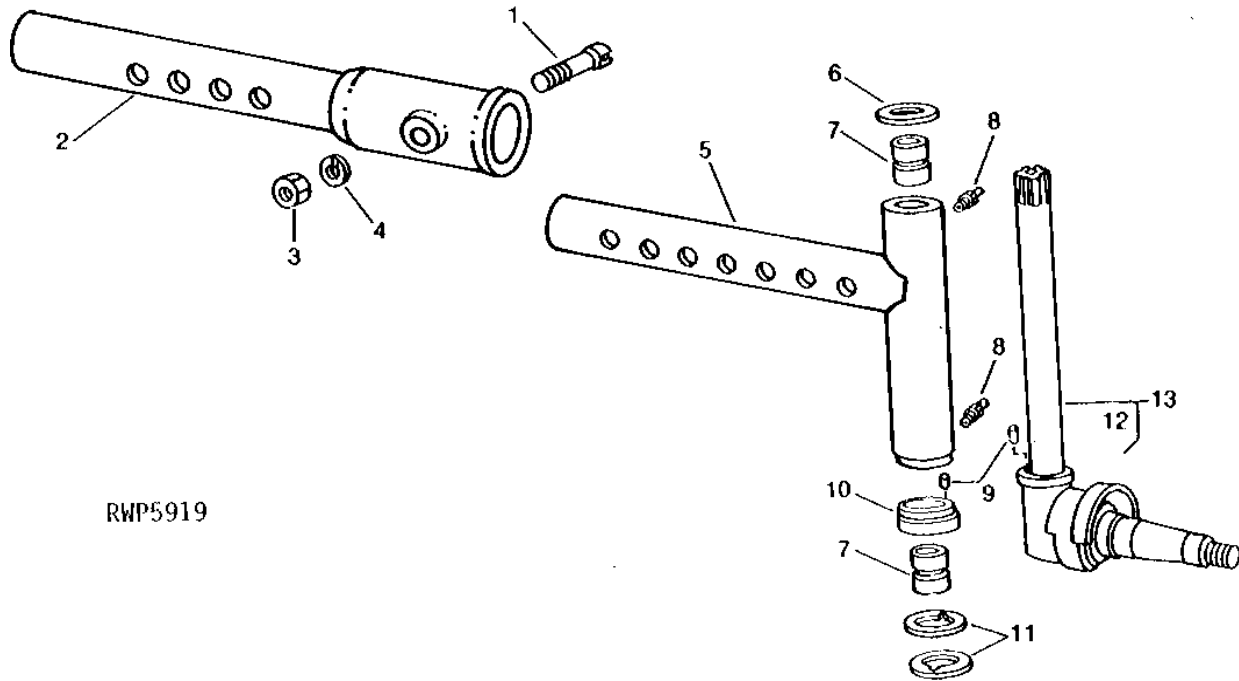
KEY	PART NO.	PART NAME	QTY	TRACTOR SERIAL NO.	REMARKS
1	19H1847	CAP SCREW	2		5/8" X 2-1/2", (ALSO ORDER R49098) (SUB FOR R27818)
2	12H294	LOCK WASHER	2		5/8"
3	14H1039 R49098	NUT NUT	2 2		5/8", (USE WITH R27818) (USE WITH 19H1847)
4	AR69836	BRACKET	1		(MARKED R27810 OR R44020) (SUB FOR AR28134 OR AR45677)
5	19H1862	CAP SCREW	2		3/4" X 2-1/2"
6	JD7759	LUBRICATION FITTING	2		3.18MM (1/8")
7	R27817	PIN	2		
8	A877R	BUSHING	2		
9	AR50865	HOUSING	1		(MARKED R27820, R42851, R47735 OR R47736) (SUB FOR AR30968, AR45168 OR AR45408)
10	14H794	NUT	4		3/4"
11	19H2026	CAP SCREW	4		3/4" X 4"
12	14H854	NUT	2		1"
13	12H234	LOCK WASHER	2		1"
14	B2694R	BOLT	2		
15	R726R	DOWEL PIN	2		
16	AR30154	CLAMP	2		(MARKED R27809)
17	19H1707 12H236	CAP SCREW LOCK WASHER	4 4		3/4" X 2-3/4" 3/4"

2J8

WHEELS, FRONT AXLES, SHEET METAL

ADJUSTABLE FRONT AXLE KNEE

RWP5919 -UN-01JAN94



RWP5919

KEY	PART NO.	PART NAME	QTY	TRACTOR SERIAL NO.	REMARKS
1	B2694R	BOLT	1	(A)	
2	R30747	EXTENSION	1	(A) (NLA)	
3	14H854	NUT	1	(A) 1"	
4	12H234	LOCK WASHER	1	(A) 1"	
5	AR50962	AXLE KNEE	2	(A) (SUB FOR AR27434)	
	AR50963	AXLE KNEE	2	(A) (WITH 2235MM (88") ADJUSTABLE TREAD FRONT AXLE) (SUB FOR AR30538)	
	AR27927	AXLE	2	(B)	
6	D467R	WASHER	2		
	R34757	SHIM	2		
7	A877R	BUSHING	4		
8	JD7759	LUBRICATION FITTING	4	STRAIGHT	
9	34H308	SPRING PIN	4	1/4" X 1/2"	
10	B2693R	DUST SHIELD	2		
11	A890R	THRUST WASHER	4		
12	R20255	DUST SHIELD	2		
13	AR55180	KNUCKLE	2	(A) (ALSO ORDER R20135 AND 19H1890) (SUB FOR AR28050 OR AR50984)	
	AR50981	KNUCKLE	2	(B) (ALSO ORDER R20135 AND 19H1890) (SUB FOR AR28817)	

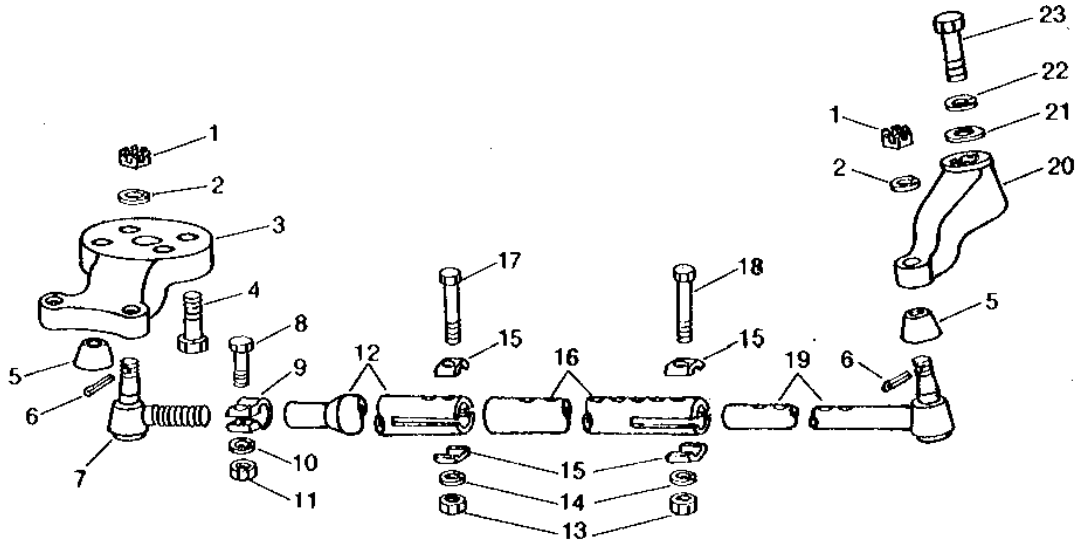
(A) ROW-CROP
(B) HI-CROP

2J9

WHEELS, FRONT AXLES, SHEET METAL

ADJUSTABLE FRONT AXLE STEERING ARMS AND TIE RODS

RWP5920 -UN-01JAN94



RWP5920

KEY	PART NO.	PART NAME	QTY	TRACTOR SERIAL NO.	REMARKS
1	14H918	NUT	4	5/8"	
2	12H294	LOCK WASHER	4	5/8"	
3	R27808	ARM	1		
4	19H2663	CAP SCREW	4	3/4" X 2-1/8"	
5	R40589	COVER	4		
6	11M7083	COTTER PIN	4	0.126" X 1.969"	
7	AR27351	UNIVERSAL JOINT	2		
8	19H1990	CAP SCREW	2	1/2" X 2-1/4"	
9	R28023	CLAMP	2		
10	12H301	LOCK WASHER	2	1/2"	
11	14H1040	NUT	2	1/2"	
12	R28021	TUBE	2	(A)	
	R30748	TUBE	2	(A) (USED WITH KNEE EXTENSION) (NLA)	
	R28743	TUBE	2	(B) (SUB R47843)	
13	C744DN	LOCK NUT	4	(SUB FOR T11234)	
14	12H304	LOCK WASHER	4	3/8"	
15	R28024	CLAMP	8		
16	R28022	TUBE	2		
	R31573	TUBE	2	(A) (WITH 2235MM (88") ADJUSTABLE TREAD FRONT AXLE)	
17	19H2128	CAP SCREW	2	3/8" X 3"	
18	19H1733	CAP SCREW	2	3/8" X 2-1/2"	
19	AR51584	TIE ROD END	2	(SUB FOR AR27350)	
20	R47765	STEERING ARM	1	R.H. (SUB FOR R27806)	
	R47766	STEERING ARM	1	L.H. (SUB FOR R27807)	
21	B3310R	WASHER	2	(USE WITH AR28050 OR AR28817)	
	R20135	WASHER	2	(USE WITH AR50984, AR50981 OR AR55180)	
22	12H236	LOCK WASHER	2	3/4", (USE WITH AR28050 OR AR28817)	
23	19H1798	CAP SCREW	2	3/4" X 1-3/4", (USE WITH AR28050 OR AR28817)	
	19H1890	CAP SCREW	2	(A) 5/8" X 2-3/4", (USE WITH AR50984, AR50981 OR AR55180)	

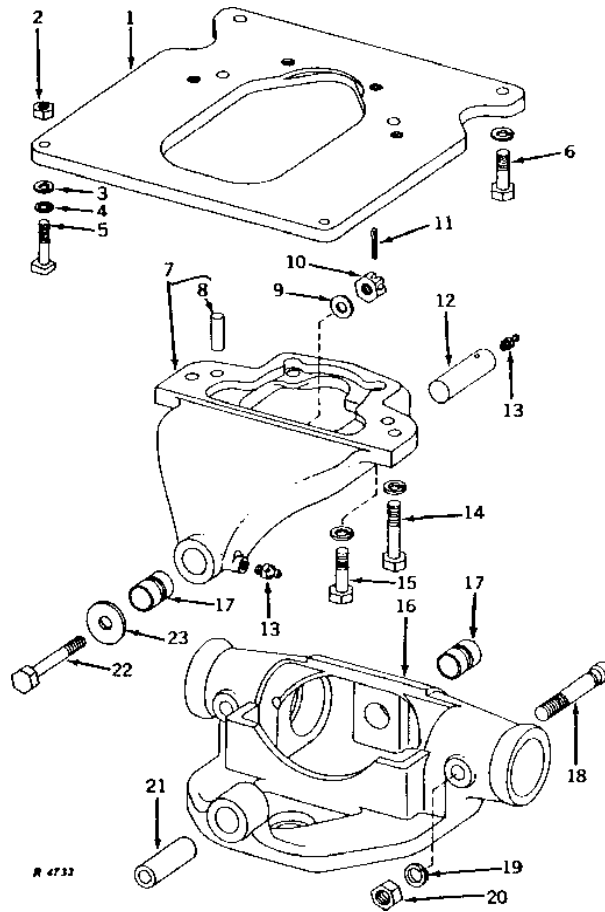
(A) ROW-CROP
(B) HI-CROP

2J10

WHEELS, FRONT AXLES, SHEET METAL

FRONT AXLE HOUSING AND PIVOT BRACKET (965MM (38") FIXED TREAD)

R4733 -UN-01JAN94



2J11

WHEELS, FRONT AXLES, SHEET METAL

FRONT AXLE HOUSING AND PIVOT BRACKET - CONTINUED
(965MM (38") FIXED TREAD)

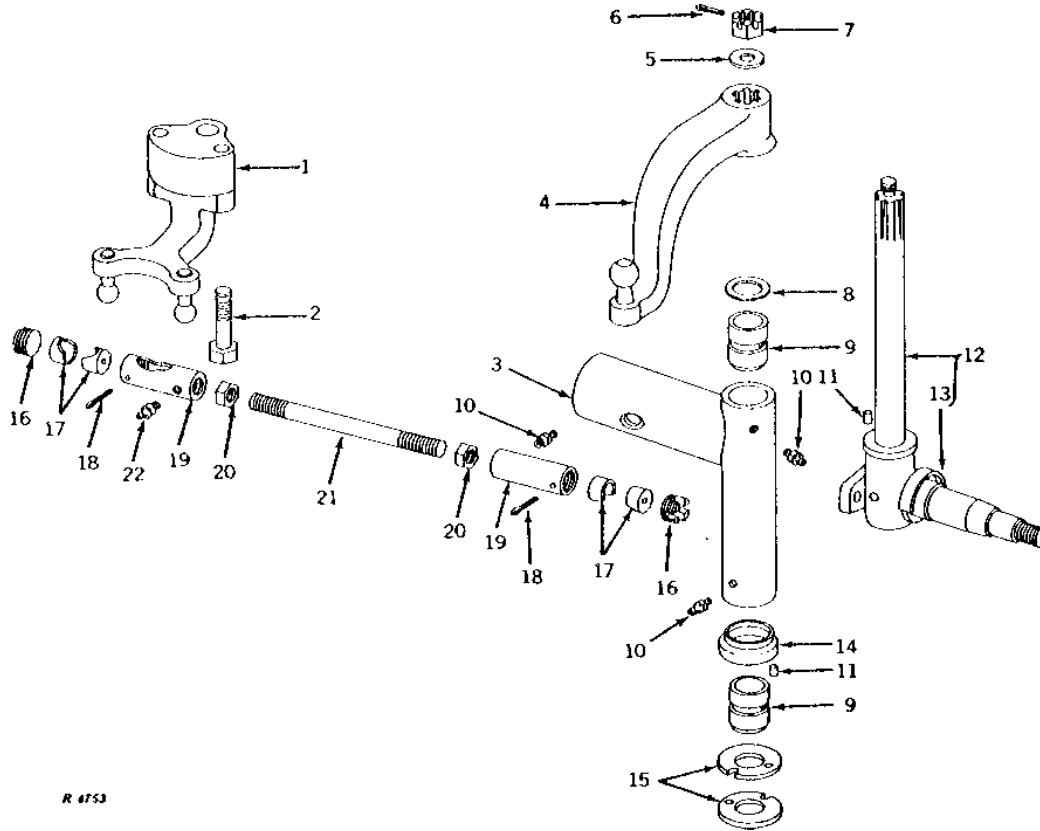
KEY	PART NO.	PART NAME	QTY	TRACTOR SERIAL NO.	REMARKS
1	R31599	ADAPTER	1		(NO LONGER AVAILABLE)
2	14H1039	NUT	2		5/8", (USE WITH R27818)
	R49098	NUT	2		(USE WITH 19H1847)
3	24H1367	WASHER	2		21/32" X 1-1/4" X 1/4"
4	12H294	LOCK WASHER	2		5/8"
5	19H1847	CAP SCREW	2		5/8" X 2-1/2", (ALSO ORDER R49098) (SUB FOR R27818)
6	19H2663	CAP SCREW	2		3/4" X 2-1/8"
	12H236	LOCK WASHER	2		3/4"
7	AF968R	BRACKET	1		(MARKED F862R) (NLA)
8	R31076	DOWEL PIN	2		
9	24H1402	WASHER	1		25/32" X 1-7/8" X 1/4"
10	F2664R	NUT	1		
11	11M7083	COTTER PIN	1		0.126" X 1.969"
12	B2688R	PIN	1		(NLA)
13	JD7759	LUBRICATION FITTING	2		STRAIGHT
14	19H2113	CAP SCREW	2		3/4" X 3-1/4"
	12H236	LOCK WASHER	2		3/4"
15	19H2589	CAP SCREW	2		3/4" X 1-7/8"
	12H236	LOCK WASHER	2		3/4"
16	HOUSING	1		(MARKED B2840R) (NO LONGER AVAILABLE)
17	A877R	BUSHING	2		
18	B2694R	BOLT	2		
19	12H234	LOCK WASHER	2		1"
20	14H854	NUT	2		1"
21	B2700R	BUSHING	1		
22	H27851	BOLT	1		(SUB FOR F2663R) (NLA)
23	R20136	WASHER	1		

2J12

WHEELS, FRONT AXLES, SHEET METAL

FRONT AXLE KNEE (965MM (38") FIXED TREAD)

R4753 -UN-01JAN94



R 4753

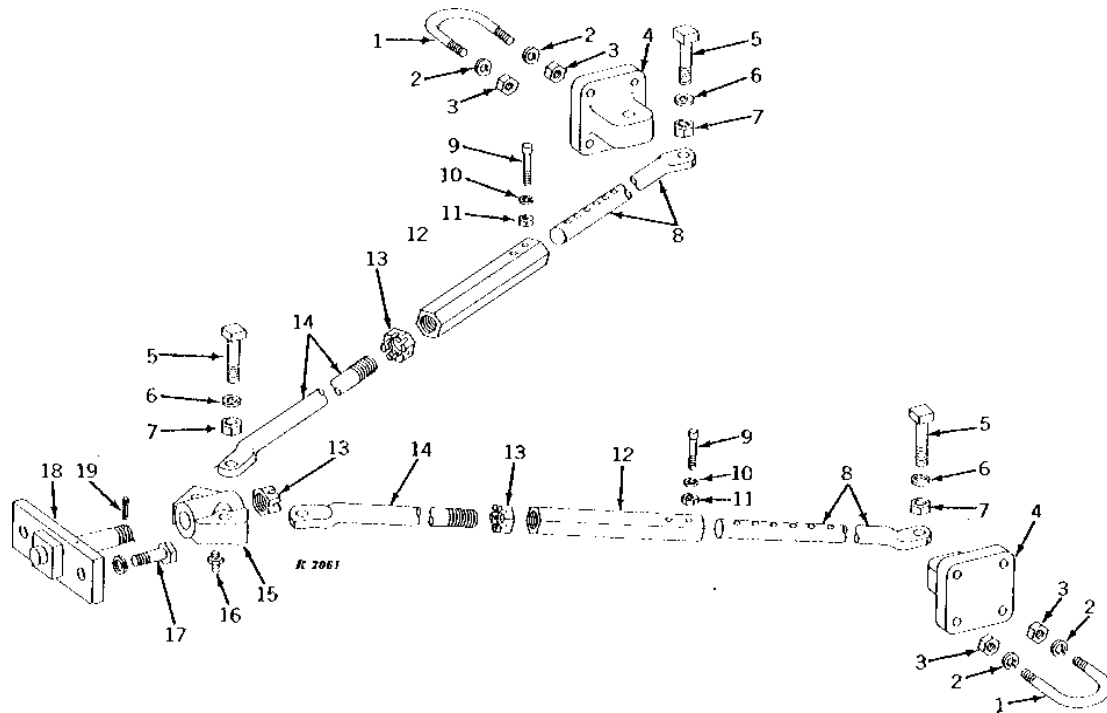
KEY	PART NO.	PART NAME	QTY	TRACTOR SERIAL NO.	REMARKS
1	AR30733	ARM	1		(MARKED B2698R) (NO LONGER AVAILABLE)
2	19H1909	CAP SCREW	2		3/4" X 3-3/4"
3	AB4046R	AXLE KNEE	2		(NO LONGER AVAILABLE)
4	AB4685R	STEERING ARM	1		R.H. (MARKED B3245R) (NLA)
	AB4686R	STEERING ARM	1		L.H. (MARKED B3246R) (NLA)
5	B3310R	WASHER	2		
6	11M7083	COTTER PIN	2		0.126" X 1.969"
7	F2664R	NUT	2		
8	D467R	WASHER	2		
	R34757	SHIM	2		
9	A877R	BUSHING	4		
10	JD7759	LUBRICATION FITTING	6		STRAIGHT
11	34H308	SPRING PIN	4		1/4" X 1/2"
12	AB4013R	KNUCKLE	2		(NLA)
13	A1424R	ASSEMBLY LINE PARTS	2		
14	B2693R	DUST SHIELD	2		
15	A890R	THRUST WASHER	2		
16	C840R	SCREW	4		
17	C838R	BEARING	8		
18	11M7083	COTTER PIN	4		0.126" X 1.969"
19	H982R	ASSEMBLY LINE PARTS	4		
20	C985R	NUT	4		
21	B2842R	ROD	2		DRAG LINK (NLA)
22	JD7820	LUBRICATION FITTING	2		45°, (SUB FOR JD7760)

2J13

WHEELS, FRONT AXLES, SHEET METAL

RADIUS ROD (HI-CROP)

R2061 -UN-01JAN94



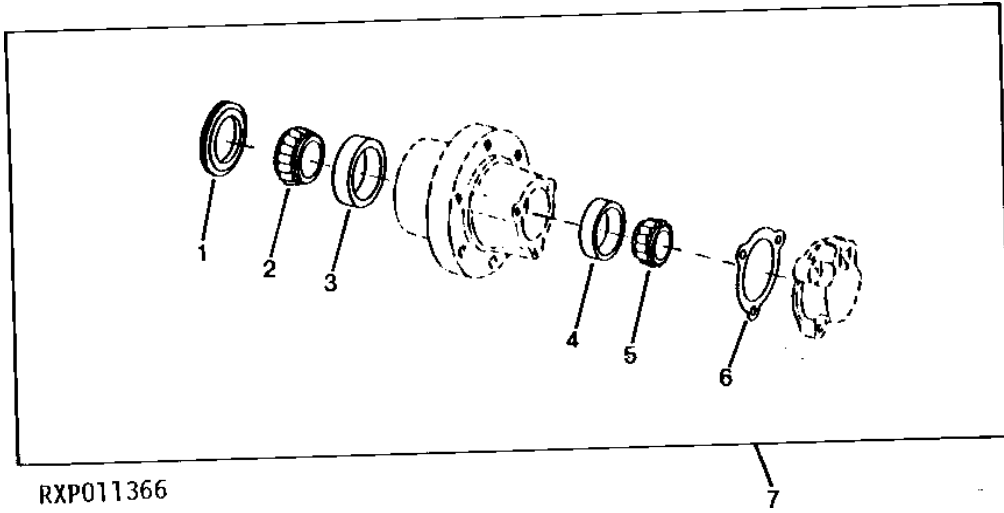
KEY	PART NO.	PART NAME	QTY	TRACTOR SERIAL NO.	REMARKS
1	F1011R	U-BOLT	4		
2	12H294	LOCK WASHER	8	5/8"	
3	14H800	NUT	8	5/8"	
4	R28722	BRACKET	2	(NLA)	
5	19H2113	CAP SCREW	4	3/4" X 3-1/4"	
6	12H236	LOCK WASHER	4	3/4"	
7	14H794	NUT	4	3/4"	
8	R38353	ROD	2	FRONT (NLA)	
9	F1008R	BOLT	4		
10	12H293	LOCK WASHER	4	7/16"	
11	14H813	NUT	4	7/16"	
12	R58040	COUPLING	2	(SUB FOR R38354)	
13	F562R	NUT	3		
14	R38355	ROD	2	REAR	
15	F1012R	PIVOT	1		
16	JD7759	LUBRICATION FITTING	1	STRAIGHT	
17	19H1768	CAP SCREW	2	3/4" X 2"	
	12H236	LOCK WASHER	2	3/4"	
18	AR27904	BRACKET	1		
19	11M7032	COTTER PIN	1	0.197" X 1.969"	

2J14

WHEELS, FRONT AXLES, SHEET METAL

RXP011366 -UN-12OCT94

FRONT WHEEL BEARING KIT



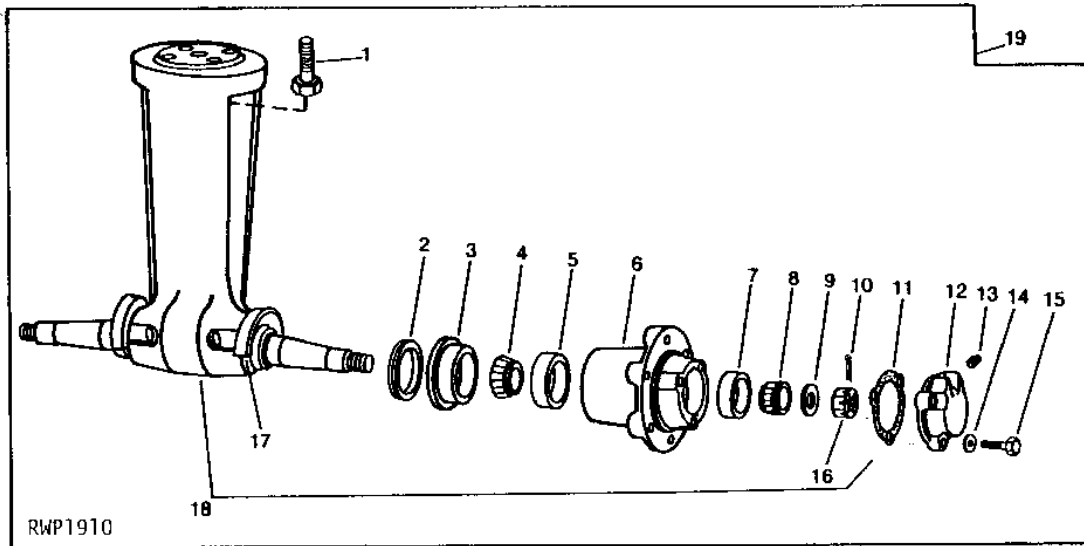
KEY	PART NO.	PART NAME	QTY	TRACTOR SERIAL NO.	REMARKS
1	AR26480	SEAL	1		
2	JD8913	BEARING CONE	1		
3	JD7445	BEARING CUP	1		
4	JD8251	BEARING CUP	1		
5	JD8929	BEARING CONE	1		
6	A1556	PART HAS SUB	1		
7	RE54814	BEARING KIT	1		(USE WITH R48763 OR R52287)

2J15

WHEELS, FRONT AXLES, SHEET METAL

SPINDLE EXTENSION AND HUBS (DOUBLE FRONT WHEEL)

RWP1910 -UN-06OCT94



KEY	PART NO.	PART NAME	QTY	TRACTOR SERIAL NO.	REMARKS
1	19H2663	CAP SCREW	4	3/4" X 2-1/8"	
2	AR26480	SEAL	2		
3	R26632	BUSHING	2		
4	JD8913	BEARING CONE	2		
5	JD7445	BEARING CUP	2		
6	R48763	HUB	2		(ALSO ORDER (6) JD16) (SUB FOR R26631)
7	JD8251	BEARING CUP	2		
8	JD8929	BEARING CONE	2		
9	R28575	WASHER	2		(SUB FOR A5146R)
10	11M7032	COTTER PIN	2	0.197" X 1.969"	
11	A1556R	GASKET	2		
12	A1555R	CAP	2		
13	15H638	PIPE PLUG	2	1/8"	
14	24H1136	WASHER	6	11/32" X 11/16" X 0.065"	
15	19H2915	CAP SCREW	6	5/16" X 1-1/4"	
16	14H920	NUT	2	1"	
17	R20255	DUST SHIELD	2		
18	AR26823	EXTENSION	1		(MARKED R26860)
19	AR27054	KNUCKLE	1		

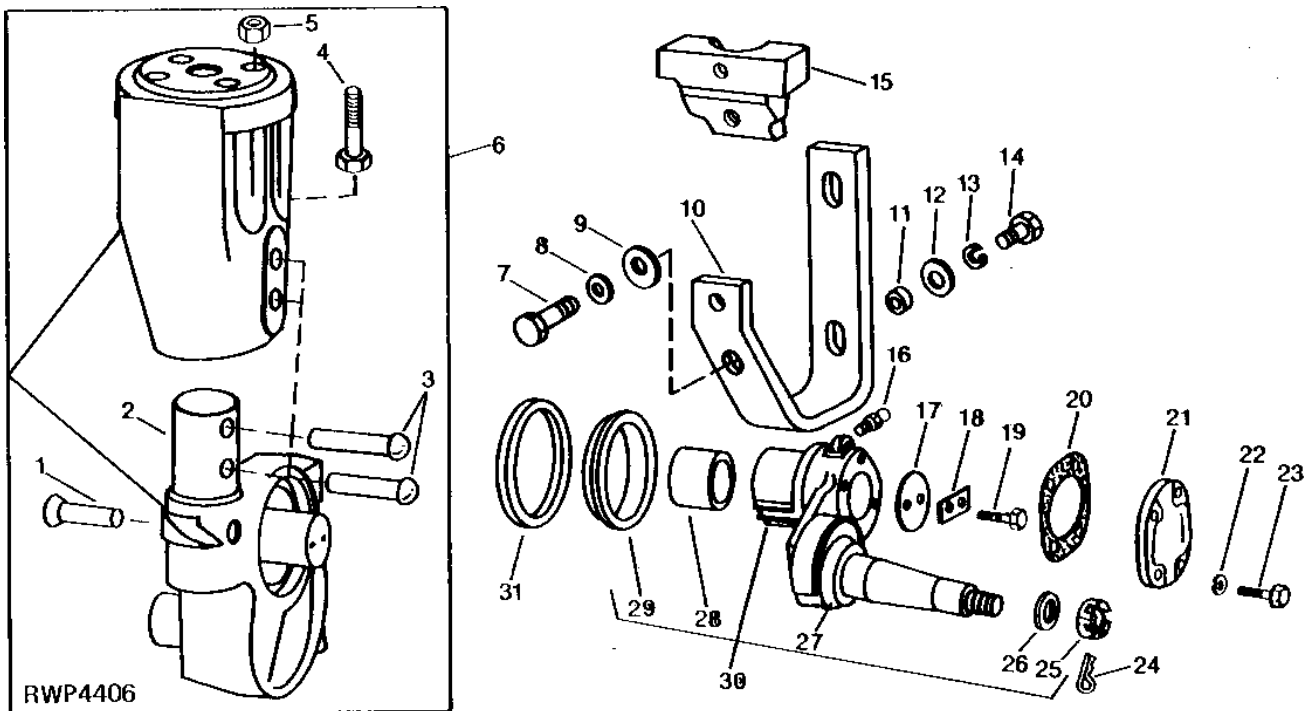
2J16

WHEELS, FRONT AXLES, SHEET METAL

RWP4406

-UN-01JAN94

ROLL-O-MATIC



2J17

WHEELS, FRONT AXLES, SHEET METAL

ROLL-O-MATIC - CONTINUED

KEY	PART NO.	PART NAME	QTY	TRACTOR SERIAL NO.	REMARKS
1	17H716	RIVET	1	(A) 5/8" X 4", (NLA)	
2	R20253	DOWEL PIN	1	(A) (ALSO USE ON AR28247)	
3	17H249	RIVET	2	1/2" X 5", (NLA)	
	17H760	RIVET	2	(A) 5/8" X 5"	
4	19H2663	CAP SCREW	4	3/4" X 2-1/8"	
5	14H794	NUT	4	3/4"	
6	AR28247	EXTENSION	1	(MARKED R28002 AND R32618) (NLA)	
	AR28249	EXTENSION	1	(A) (MARKED R28002 AND R20252)	
7	19H1708	CAP SCREW	2	5/8" X 1-3/4"	
8	12H294	LOCK WASHER	2	5/8"	
9	24H1106	WASHER	2	11/16" X 1-3/4" X 0.134"	
10	A4118R	SUPPORT	1		
11	A4119R	SPACER	2		
12	24H1211	WASHER	2	9/16" X 1-3/8" X 0.105"	
13	12H301	LOCK WASHER	2	1/2"	
14	19H2473	CAP SCREW	2	1/2" X 1-3/4"	
15	A4117R	LOCK	1		
16	JD7778	LUBRICATION FITTING	2	STRAIGHT	
17	A3476R	THRUST WASHER	2	(NLA)	
	R20260	WASHER	2	(A)	
18	F3319R	ADJUSTING STRAP	2		
	R20261	PLATE	2	(A)	
19	19H1936	CAP SCREW	4	3/8" X 3/4"	
	19H1822	CAP SCREW	4	(A) 7/16" X 1"	
20	R26947	GASKET	2		
	R30392	GASKET	2	(A)	
21	AR39858	CAP	2	(MARKED R39925) (NLA)	
	R30391	CAP	2	(A)	
22	24H1136	WASHER	8	11/32" X 11/16" X 0.065"	
	12H304	LOCK WASHER	8	(A) 3/8"	
23	19H2661	CAP SCREW	8	5/16" X 1-3/8"	
	19H1732	CAP SCREW	8	(A) 3/8" X 1-1/4"	
24	11M7032	COTTER PIN	2	0.197" X 1.969"	
25	14H920	NUT	2	1"	
26	R28575	WASHER	2	(SUB FOR A5146R)	
27	R20255	DUST SHIELD	2		
28	AA4074R	BUSHING	1	(PKG 4) (1 PKG USED) (SUB A3481R)	
	R20942	BUSHING	4	(A)	
29	A3475R	ASSEMBLY LINE PARTS	2		
	R20256	RETAINER	2	(A)	
30	AR27316	KNUCKLE	1	R.H. (MARKED R30389)	
	AR27314	KNUCKLE	1	(A) R.H. (MARKED R30387)	
	AR27317	KNUCKLE	1	L.H. (MARKED R30390)	
	AR27315	KNUCKLE	1	(A) L.H. (MARKED R30388)	
31	A3474R	WASHER	2		
	R20259	BUSHING	2	(A)	

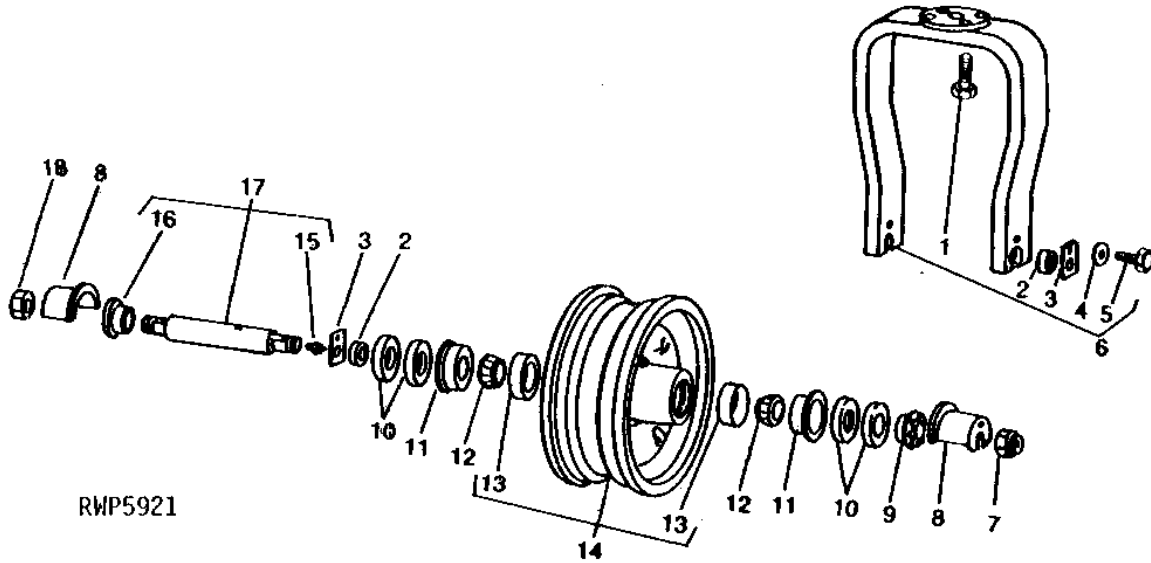
(A) PARTS FOR HEAVY-DUTY ROLL-O-MATIC FRONT END ONLY.

2J18

WHEELS, FRONT AXLES, SHEET METAL

RWP5921 -UN-01JAN94

SINGLE FRONT WHEEL
(USE WITH 7.50-16" TIRE)



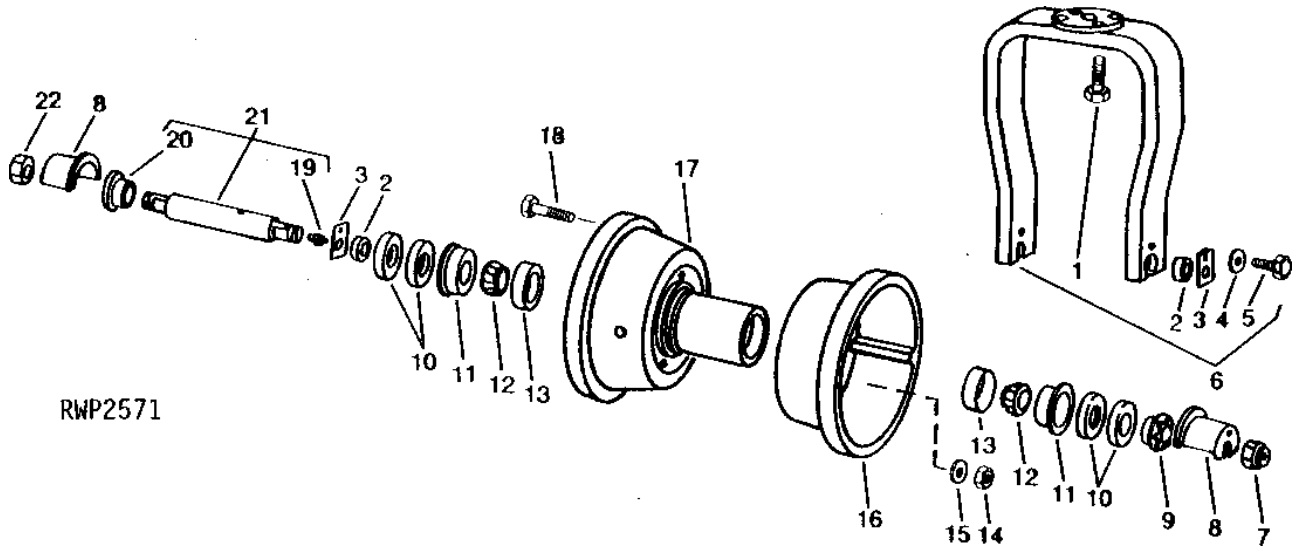
KEY	PART NO.	PART NAME	QTY	TRACTOR SERIAL NO.	REMARKS
1	19H2663	CAP SCREW	4	3/4" X 2-1/8"	
2	F3127R	SPACER	2		
3	F3126R	PLATE	2		
4	12H304	LOCK WASHER	1	3/8"	
5	H772R	SET SCREW	1		
6	AR28242	YOKE	1		(USE WITH 7.50-16" TIRE)
7	B551R	NUT	1		
8	H773R	DUST SHIELD	2		
9	B548R	NUT	1		
10	B90R	WASHER	4	FELT	
11	B89R	RETAINER	2	FELT	
12	JD7222	BEARING CONE	2		
13	JD7266	BEARING CUP	2		
14	AB3686R	WHEEL	1		(7.50-16" TIRE) (MARKED B2681R) (NLA)
15	JD7759	LUBRICATION FITTING	1	3.18MM (1/8")	
16	B2683R	BUSHING	1		
17	AB4259R	AXLE	1		
18	14H876	NUT	1	1"	

2J19

WHEELS, FRONT AXLES, SHEET METAL

RWP2571 -UN-01JAN94

SINGLE FRONT WHEEL



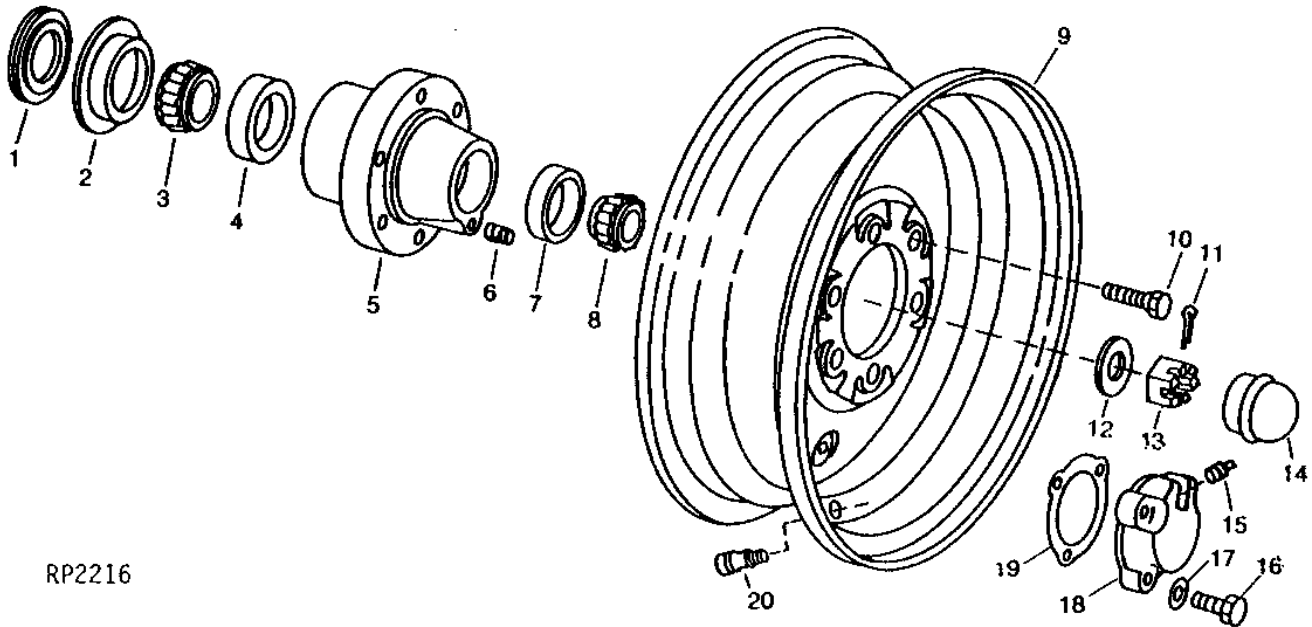
KEY	PART NO.	PART NAME	QTY	TRACTOR SERIAL NO.	REMARKS
1	19H2663	CAP SCREW	4	3/4" X 2-1/8"	
2	R20656	SPACER	2	(NLA)	
3	R20648	STRAP	2		
4	12H304	LOCK WASHER	1	3/8"	
5	H772R	SET SCREW	1		
6	AR27299	YOKE	1	(9.00-10" TIRE) (HEAVY-DUTY) (NLA)	
7	14H1019	NUT	1	1-1/4", (NLA)	
8	R20655	DUST SHIELD	2	(NLA)	
9	R20653	NUT	1	(NLA)	
10	R3R	WASHER	4		
11	R2R	RETAINER	2		
12	JD8913	BEARING CONE	2		
13	JD7445	BEARING CUP	2		
14	14H800	NUT	4	5/8"	
15	12H294	LOCK WASHER	4	5/8"	
16	AA847R	WHEEL	1	(INCLUDES KEY 17) (9.00-10" TIRE) (MARKED A1235R AND A1236R) (NLA)	
17	WHEEL	1	(NLA)	
18	19H2706	CAP SCREW	4	5/8" X 2"	
	19H1824	CAP SCREW	4	5/8" X 2-1/4"	
19	JD7759	LUBRICATION FITTING	1	1/8"	
20	R20654	SPACER	1	(NLA)	
21	AR20750	FRONT AXLE	1	(NLA)	
22	14H975	NUT	1	1-1/4"	

2J20

WHEELS, FRONT AXLES, SHEET METAL

FRONT WHEELS (EXCEPT SINGLE FRONT WHEEL)

RP2216 -UN-01JAN94



RP2216

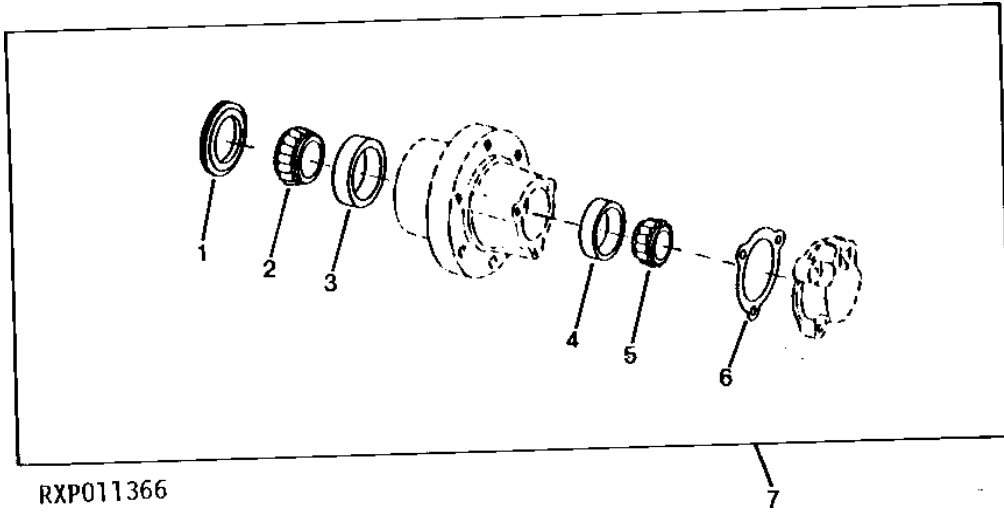
KEY	PART NO.	PART NAME	QTY	TRACTOR SERIAL NO.	REMARKS
1	AR26480	SEAL	1		
2	D636R	WASHER	2	(A)	
	R26632	BUSHING	1		
	D635R	RETAINER	1	(A)	
3	JD8913	BEARING CONE	1	(USE WITH R48763 OR R26631)	
	JD8969	BEARING CONE	1	(USE WITH R49839)	
	JD7224	BEARING CONE	1	(A)	
4	JD7445	BEARING CUP	1	(USE WITH R48763)	
	JD7418	BEARING CUP	1	(USE WITH R49839)	
	JD7270	BEARING CUP	1	(A)	
5	R48763	HUB	1	(ALSO ORDER (16) JD16) (SUB FOR R26631)	
	R49839	HUB	1		
	AF912R	HUB	1	(A) (MARKED F843R) (NLA)	
6	15H638	PIPE PLUG	1	1/8"	
7	JD8251	BEARING CUP	1		
	JD7266	BEARING CUP	1	(A)	
8	JD8929	BEARING CONE	1		
	JD8186	BEARING CONE	1	(A)	
9	JD1299	WHEEL	1	(6.00-16", 6-PLY TIRE)	
	JD1091	WHEEL	1	(7.50-15", 6-PLY TIRE)	
	JD3211	WHEEL	1	(7.50-18", 6-PLY TIRE) (HI-CROP)	
	JD1292	WHEEL	1	(6.00 X 14", 4 PLY TIRE) (NLA)	
	JD3227	RIM	1	(7.50 X 20", 4 PLY TIRE) (HI-CROP) (SUB FOR JD1298)	
	JD1290	WHEEL	1	(A) (SUB FOR JD1291)	
10	JD16	WHEEL BOLT	6	(USE WITH R48763 OR R49839)	
	JD22	WHEEL BOLT	6	(USE WITH R26631 OR F843R)	
11	11M7030	COTTER PIN	1	0.197" X 1.575"	
12	R28575	WASHER	1	(SUB FOR A5146R)	
13	14H920	NUT	1	1"	
14	R50992	CAP	1	(USE WITH R49839)	
15	15H638	PIPE PLUG	1	1/8"	
16	19H2915	CAP SCREW	3	5/16" X 1-1/4"	
17	24H1136	WASHER	3	11/32" X 11/16" X 0.065"	
18	A1555R	CAP	1	(USE WITH R48763)	
19	A1556R	GASKET	1	(USE WITH R48763)	
20	AM30347	TIRE VALVE STEM	1	(USE WITH TUBELESS TIRES) (SUB FOR AR55282)	
	(A) 965MM (38")	FIXED TREAD			

2J21

WHEELS, FRONT AXLES, SHEET METAL

RXP011366 -UN-12OCT94

FRONT WHEEL BEARING KIT



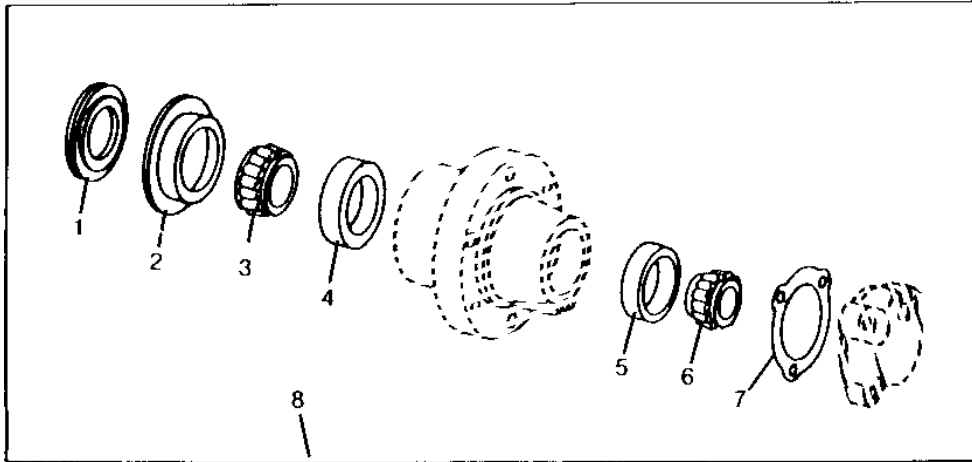
KEY	PART NO.	PART NAME	QTY	TRACTOR SERIAL NO.	REMARKS
1	AR26480	SEAL	1		
2	JD8913	BEARING CONE	1		
3	JD7445	BEARING CUP	1		
4	JD8251	BEARING CUP	1		
5	JD8929	BEARING CONE	1		
6	A1556	PART HAS SUB	1		
7	RE54814	BEARING KIT	1		(USE WITH R48763 OR R52287)

2J22

WHEELS, FRONT AXLES, SHEET METAL

FRONT WHEEL BEARING KIT W/R49839 AND R49841 HUB

RXP9983 -UN-18JUL95



RXP9983

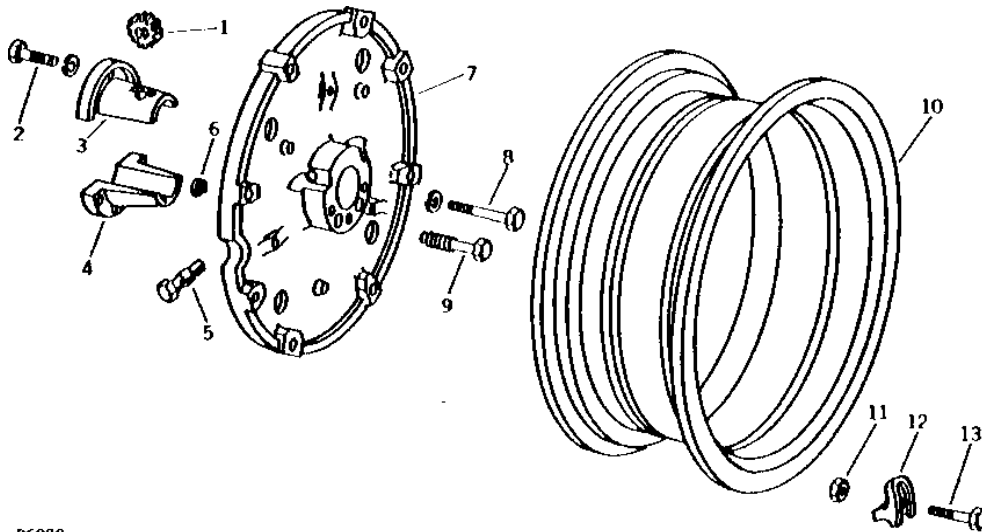
KEY	PART NO.	PART NAME	QTY	TRACTOR SERIAL NO.	REMARKS
1	AR26480	SEAL	1		
2	R26632	BUSHING	1		
3	JD8969	BEARING CONE	1		
4	JD7418	BEARING CUP	1		
5	JD8251	BEARING CUP	1		
6	JD8929	BEARING CONE	1		
7	A1556R	GASKET	1		
8	RE54819	BEARING KIT	1		

2J23

WHEELS, FRONT AXLES, SHEET METAL

REAR WHEELS (ROW-CROP)

R6020 -UN-01JAN94



R6020

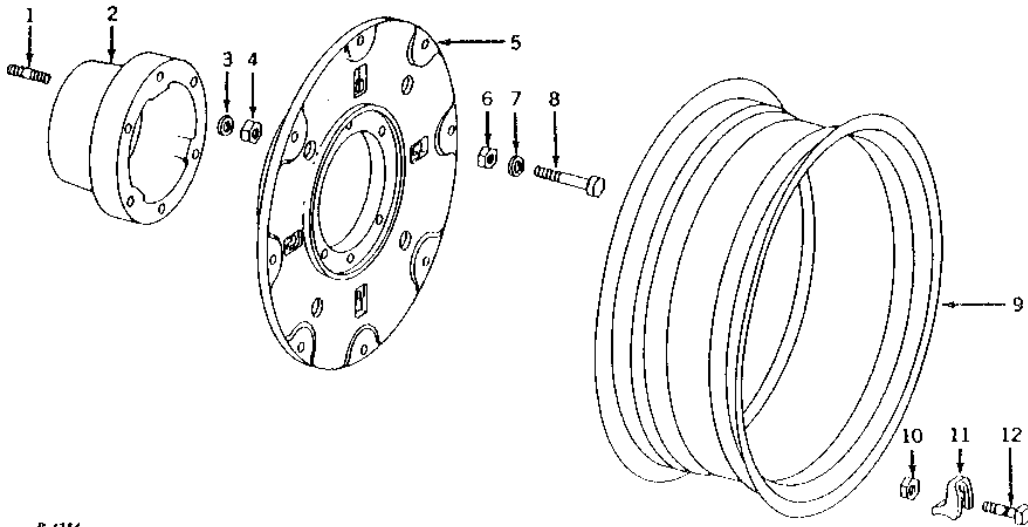
KEY	PART NO.	PART NAME	QTY	TRACTOR SERIAL NO.	REMARKS
1	B3014R	PINION	1		
	A4379R	PINION	1	3.05M (120") TREAD	
2	19H2600	CAP SCREW	3	3/4" X 2-5/8"	
	12H236	LOCK WASHER	3	3/4"	
3	B3016R	HALF SLEEVE	1		
	A4384R	HALF SLEEVE	1	3.05M (120") TREAD	
4	B3018R	SLEEVE	1		
	R32224	HALF SLEEVE	1	3.05M (120") TREAD	
5	A4380R	PINION SHAFT	1		
6	A4883R	RING	2		
7	F1500R	WHEEL	1		(12.4-38",13.6-38" OR 15.5-38" TIRE AND RIM) (NLA)
	F1478R	WHEEL	1		SPECIAL OFFSET, (12.4-38",13.6-38" OR 15.5-38" TIRE AND RIM) (NLA)
8	R34828	CAP SCREW	3		
	12H245	LOCK WASHER	3	7/8"	
9	R39758	SCREW	2		
10	A4819R	RIM	1		(12.4-38" TIRE)
	R31490	RIM	1		(13.6-38" TIRE)
	R31491	RIM	1		(15.5-38" TIRE)
11	14H800	NUT	8	5/8"	
12	A4388R	CLAMP	8		
13	08H4694	BOLT	8	5/8" X 4", (SUB FOR A4389R)	

2J24

WHEELS, FRONT AXLES, SHEET METAL

REAR WHEELS (HI-CROP)

R4284 -UN-01JAN94



KEY	PART NO.	PART NAME	QTY	TRACTOR SERIAL NO.	REMARKS
1	A2833R	STUD	6		
2	R28578	HUB	1	(NLA)	
3	12H245	LOCK WASHER	6	7/8"	
4	14H1077	NUT	6	7/8"	
5	R21110	WHEEL	1	(15.5-38" TIRE AND RIM) (NLA)	
6	14H800	NUT	6	5/8"	
7	12H294	LOCK WASHER	6	5/8"	
8	19H3353	CAP SCREW	6	5/8" X 5"	
9	R31491	RIM	1	(15.5-38" TIRE)	
	R31490	RIM	1	(13.6-38" TIRE)	
10	14H800	NUT	8	5/8"	
11	A4388R	CLAMP	8		
12	A4064R	BOLT	8	(SUB R34801)	

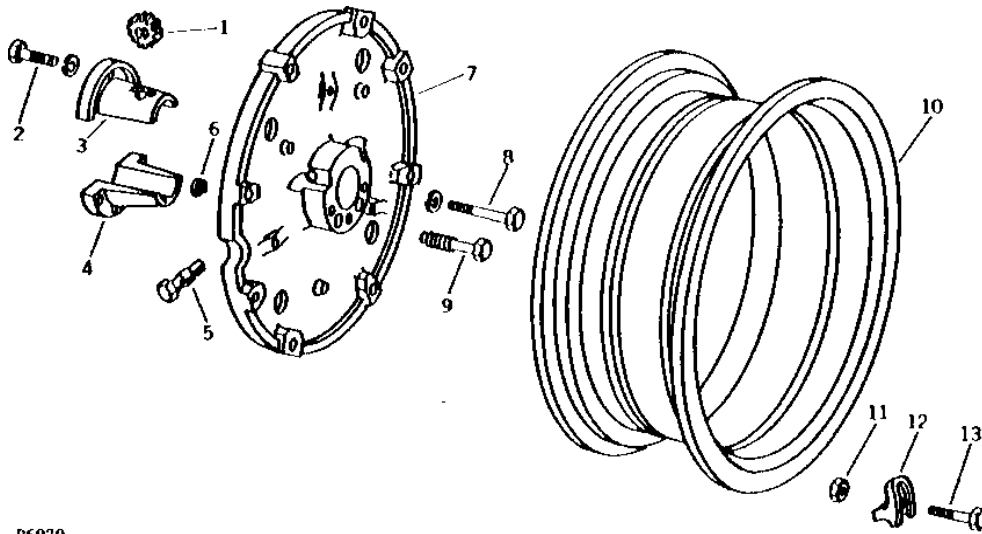
MEMORANDA

2J25

WHEELS, FRONT AXLES, SHEET METAL

REAR WHEELS (HI-CROP)

R6020 -UN-01JAN94



R6020

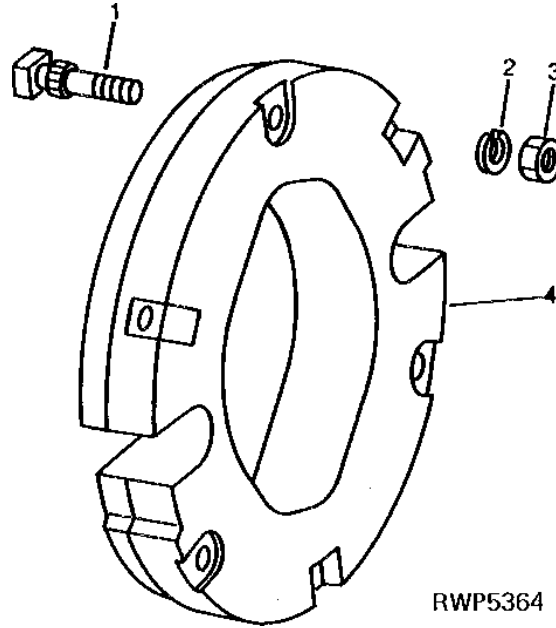
KEY	PART NO.	PART NAME	QTY	TRACTOR SERIAL NO.	REMARKS
1	A4379R	PINION	1		
2	19H2600	CAP SCREW	3	3/4" X 2-5/8"	
	12H236	LOCK WASHER	3	3/4"	
3	A4384R	HALF SLEEVE	1		
4	R32224	HALF SLEEVE	1		
5	A4380R	PINION SHAFT	1		
6	A4883R	RING	2		
7	F1500R	WHEEL	1	(15.5-38" TIRE AND RIM) (NLA)	
8	R34828	CAP SCREW	3		
	12H245	LOCK WASHER	3	7/8"	
9	R39758	SCREW	2		
10	R31491	RIM	1	(15.5-38" TIRE)	
	R31490	RIM	1	(13.6-38" TIRE)	
11	14H800	NUT	8	5/8"	
12	A4388R	CLAMP	8		
13	08H4694	BOLT	8	5/8" X 4" HS, SAE 8, (SUB FOR A4389R)	

2K1

WHEELS, FRONT AXLES, SHEET METAL

WHEEL WEIGHTS (FOR 38" CAST DISK WHEELS) (FIRST AND ADDITIONAL WEIGHTS)

RWP5364 -UN-01JAN94



KEY	PART NO.	PART NAME	QTY	TRACTOR SERIAL NO.	REMARKS
1	R34801	BOLT	3		
2	12H294	LOCK WASHER	3	5/8"	
3	14H1039	NUT	3	5/8"	
4	R61524	WEIGHT	1	54KG (118 LBS)	

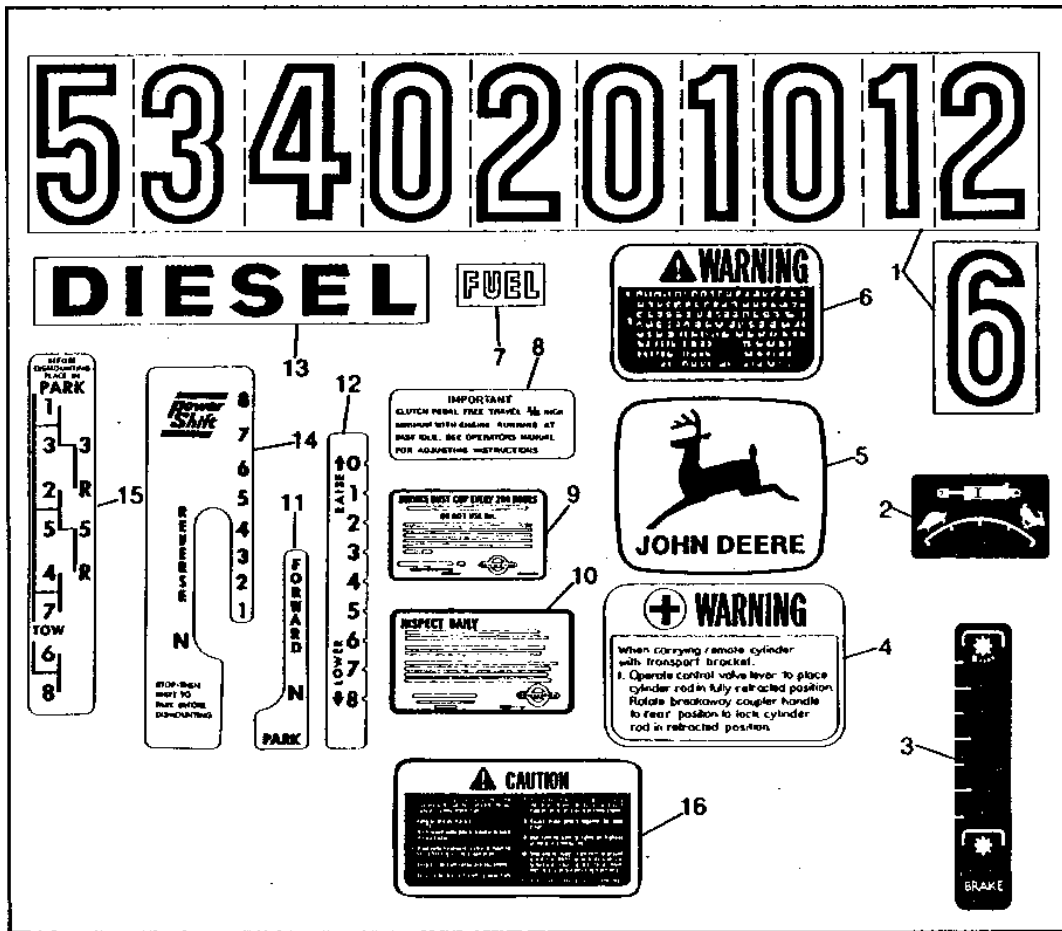
2K2

WHEELS, FRONT AXLES, SHEET METAL

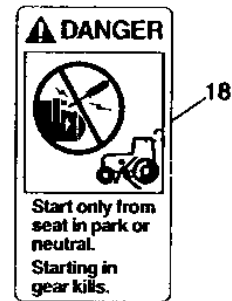
RXP8010

-UN-01JAN94

DECAL SET



RXP8010



2K3

WHEELS, FRONT AXLES, SHEET METAL

DECAL SET - CONTINUED

KEY	PART NO.	PART NAME	QTY	TRACTOR SERIAL NO.	REMARKS
1	R48361	DECAL	2		(SUB FOR R45957)
2	R44315	LABEL	1		R.H. REMOTE CYLINDER
	R41933	LABEL	1		L.H. REMOTE CYLINDER
3	R53293	LABEL	1		(A) PTO, (SUB FOR R44951)
	R53294	LABEL	1		(B) PTO, (SUB FOR R44952)
4	R36689	DECAL	1		REMOTE CYLINDER WARNING
5	JD5234	DECAL	1		SEAT POST
6	R83103	LABEL	1		PTO SAFETY, (SUB FOR R64391) (SUB R120111)
7	R31287	DECAL	1		
8	R34483	LABEL	1		CLUTCH
9	R44710	LABEL	1		AIR CLEANER INDICATOR, (SUB FOR R36756)
	R36756	DECAL	1		AIR CLEANER INDICATOR
10	R34608	DECAL	1		AIR CLEANER, (SUB AR52393)
11	R40505	LABEL	1		(B) PARK
12	R40509	LABEL	1		SELECTIVE CONTROL
13	R30694	DECAL	2		
14	R40504	LABEL	1		(B) QUADRANT
15	R40676	LABEL	1		(A) QUADRANT
16	R87529	LABEL	1		SAFETY, (SUB FOR R47739, R51821, R69270, R76341 OR R82425)
17	AR52393	DECAL	1		(SUB FOR AR47091) (ALSO ORDER T84409)
18	T84409	WARNING LABEL	1		BYPASS START (ENGLISH)
	T84410	LABEL	1		BYPASS START (ESPAÑOL)
	T84411	LABEL	1		BYPASS START (FRANCAIS)
	T84412	LABEL	1		BYPASS START (DEUTSCH)
	T84413	LABEL	1		BYPASS START (ITALIANO)
	T84578	LABEL	1		BYPASS START (ENGLISH/FRANCAIS)

(A) SYNCRO-RANGE TRANSMISSION
(B) POWER SHIFT TRANSMISSION

MEMORANDA

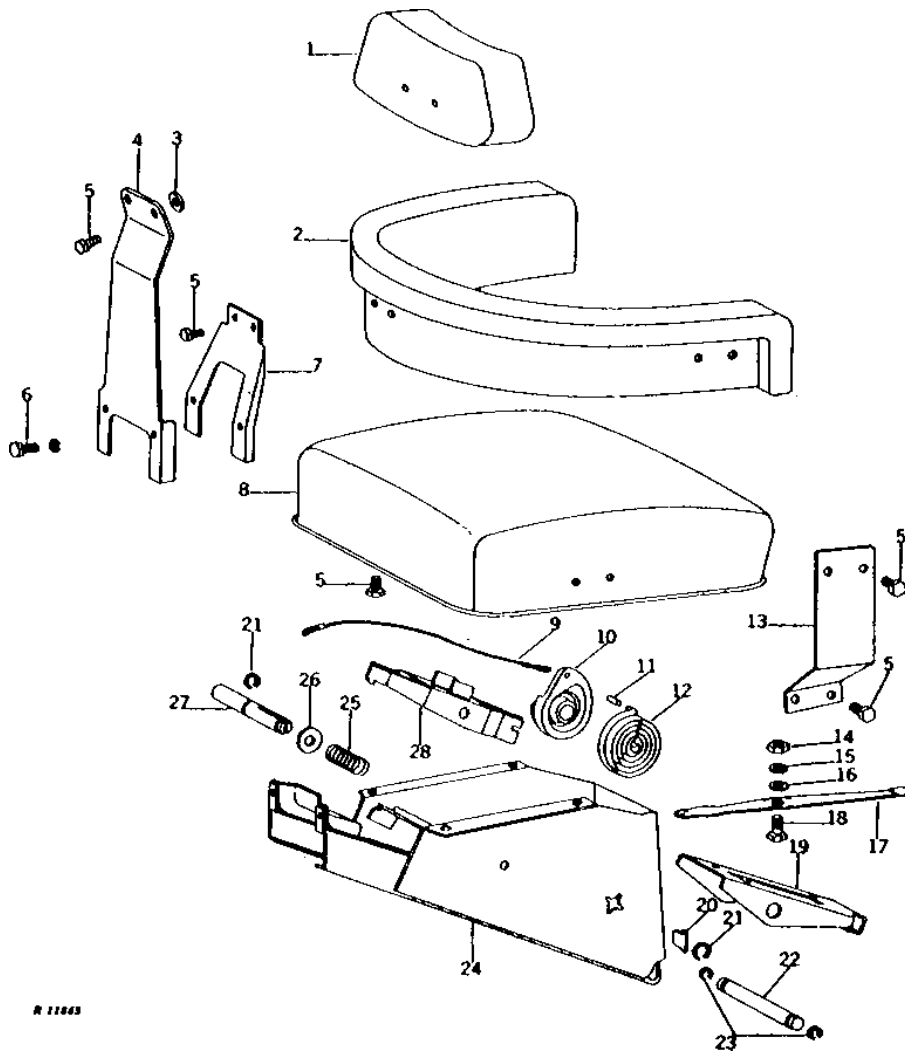
MEMORANDA

3A22

OPERATOR'S STATION

R11843 -UN-01JAN94

DELUXE SEAT



R 11843

3A23

OPERATOR'S STATION

DELUXE SEAT - CONTINUED

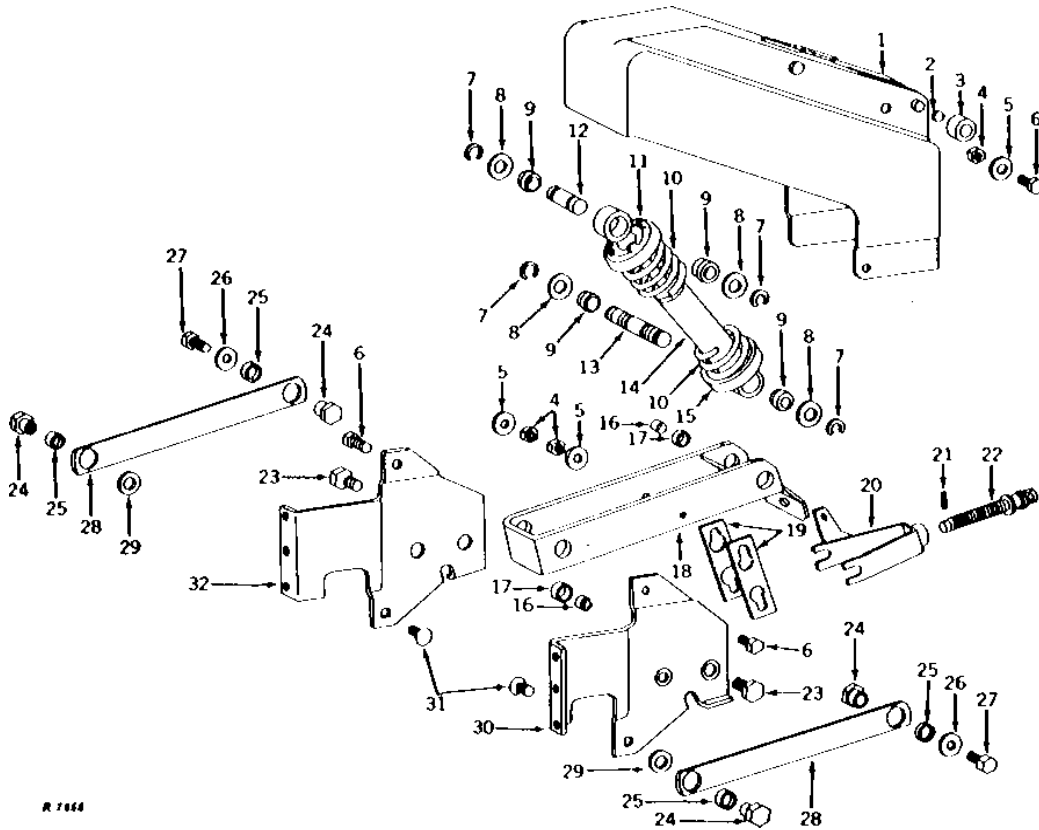
KEY	PART NO.	PART NAME	QTY	TRACTOR SERIAL NO.	REMARKS
1	R34267	SEAT BACK	1		(SUB FOR AR59679)
	R34619	CUSHION COVER	1		
2	R34268	SEAT BACK	1		(SUB AR59680)
	R34620	CUSHION COVER	1		
3	24H448	WASHER	2		25/32" X 1-1/8" X 0.090"
4	R34272	SUPPORT	1		
5	19H1813	CAP SCREW	16		5/16" X 5/8"
6	19H1905	CAP SCREW	2		5/16" X 1", (SUB FOR A4125R)
	12H303	LOCK WASHER	2		5/16"
7	R27785	SUPPORT	1		
8	R34266	CUSHION	1		(SUB AR44765)
	R34618	CUSHION COVER	1		
	R34609	COVER	1		(WHITE CANVAS) (SUB R34618)
9	AR26403	CABLE	1		(SUB R78257)
10	R26432	REEL	1		
11	34H282	SPRING PIN	1		3/16" X 1"
12	R31260	SPRING	1		(SUB FOR R26433)
13	R31512	SUPPORT	1		R.H.
	R31513	SUPPORT	1		L.H.
14	14H786	NUT	1		1/4"
15	12H302	LOCK WASHER	1		1/4"
16	24H1287	WASHER	1		9/32" X 5/8" X 0.065"
17	R27439	LEVER	1		
18	R26431	SCREW	1		
19	R26830	HANDLE	1		
20	R26434	LATCH	1		
21	R73380	SNAP RING	2		(SUB FOR A369R)
22	R26829	PIN	1		
23	R26871	SNAP RING	2		(SUB FOR P44982)
24	AR68728	SUPPORT	1		(ALSO ORDER R57572, R73380 AND (2) 24H1384) (SUB FOR AR36047)
25	A4744R	SPRING	1		
26	24H1395	WASHER	1		25/32" X 1-7/16" X 0.060"
27	R26874	SHAFT	1		(USE WITH AR36047)
	R57572	PIN	1		(USE WITH AR68728)
28	R26828	LATCH	1		

3A24

OPERATOR'S STATION

R7858 -UN-01JAN94

DELUXE SEAT SUSPENSION



3A25

OPERATOR'S STATION

DELUXE SEAT SUSPENSION - CONTINUED

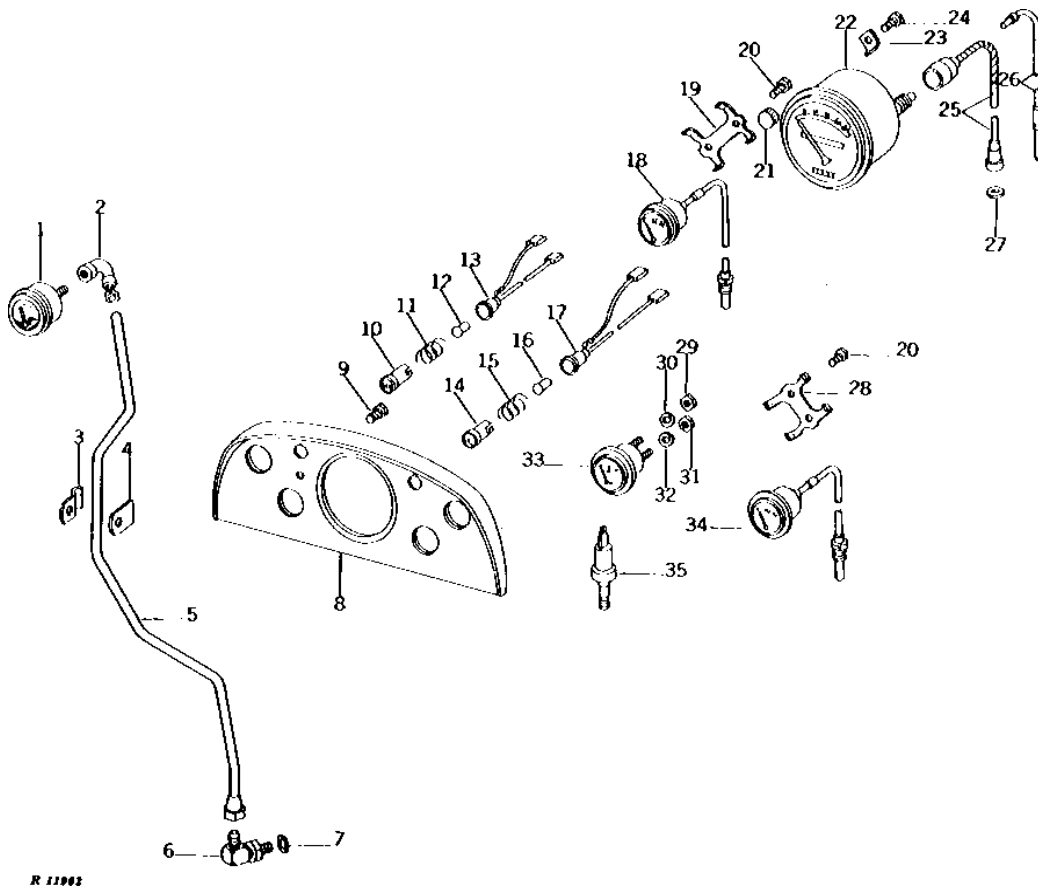
KEY	PART NO.	PART NAME	QTY	TRACTOR SERIAL NO.	REMARKS
1	AR26632	FRAME	1		
2	R26872	SHIM	AR	0.25MM (.010")	
	R26873	SHIM	AR	0.51MM (.020")	
3	R26436	ROLLER	4		
4	E50102	LOCK NUT	4		
5	R27441	WASHER	4		
6	19H1732	CAP SCREW	4	3/8" X 1-1/4"	
7	F2863R	SNAP RING	4		
8	R1836R	WASHER	4		
9	R26832	BUSHING	4	RUBBER	
10	R26877	SPRING	1		
11	R27442	CAP	1		
12	R26875	PIN	1		
13	R26876	SHAFT	1		
14	AR71976	ABSORBER	1	(SUB FOR AR26529 OR AR69854)	
15	R26879	CAP	1		
16	R27440	BUSHING	4		
17	R36704	WASHER	4	(SUB R51648)	
18	AR36048	ARM	1		
19	R26878	LINK	2		
20	AR69271	YOKE	1	(SUB FOR AR26530)	
21	34H247	SPRING PIN	1	1/8" X 3/4"	
22	R57623	SCREW	1	(ALSO ORDER 34H323) (SUB FOR R27121)	
23	R31505	BOLT	4		
24	R26880	NUT	4		
25	R36704	WASHER	4	(SUB R51648)	
26	R27441	WASHER	2		
27	19H1936	CAP SCREW	2	3/8" X 3/4"	
28	AR31977	LINK	2		
29	R48450	WASHER	2	(SUB FOR R26113)	
30	R27118	SUPPORT	1		
31	10H1026	BOLT	2	3/8" X 1"	
32	R27119	SUPPORT	1		

3B1

OPERATOR'S STATION

R11992 -UN-01JAN94

INSTRUMENT PANEL AND INSTRUMENTS



3B2

OPERATOR'S STATION

INSTRUMENT PANEL AND INSTRUMENTS - CONTINUED

KEY	PART NO.	PART NAME	QTY	TRACTOR SERIAL NO.	REMARKS
1	R34259	PRESSURE GAUGE	1	(A)	TRANSMISSION OIL
2	AA4936R	ELBOW FITTING	1	(A)	
3	R27528	CLAMP	1	(A)	
4	R27256	STRAP	1	(A)	
5	AR38090	OIL LINE	1	(A)	(NO LONGER AVAILABLE)
6	AT32335	ELBOW FITTING	1	(A)	90°, (SUB FOR AR26746)
7	R26287	O-RING	1	(A)	
8	AR72290	INSTRUMENT PANEL	1	(A)	(SUB FOR R34210) (NLA)
	AR68198	PANEL	1	(B)	(ALSO ORDER T16738) (SUB FOR R34205 OR R47630)
9	37M7245	SCREW	4		NO. 10 X 3/8"
10	AT48673	LENS	1		(SUB FOR AR29615 OR AR45438)
11	R30378	SPRING	1		
12	AR55694	BULB	1		2 C.P. (SUB FOR R30379)
13	AT14699	LAMP	1		ALTERNATOR
14	AR28552	LENS	1		
15	R30378	SPRING	1		
16	AR55694	BULB	1		2 C.P. (SUB FOR R30379)
17	AR27944	LAMP	1		ENGINE OIL PRESSURE, (SUB AT48674, AR55694, AT44165 AND R30378)
18	AR36383	GAUGE	1		WATER TEMPERATURE
19	R34339	CLAMP	1	(A)	
	R34338	CLAMP	1	(B)	
20	37H41	SCREW	4		NO. 10 X 1"
21	AR40802	KNOB	1		(SUB FOR AR30282)
22	AR50405	TACHOMETER	1	(A)	(SUB FOR AR39904, AR48020 OR AR50401)
	AR50404	TACHOMETER	1	(B)	(SUB FOR AR39909, AR48019 OR AR50400)
23	R34206	CLAMP	4		
24	37M7245	SCREW	4		NO. 10 X 3/8"
25	AR38341	CABLE	1		(INCLUDES R38337)
26	R38337	CABLE	1		(STEWART-WARNER) (SUB FOR R38338)
27	B3285R	WASHER	1		
28	R34211	CLAMP	1	(A)	
	R34209	CLAMP	1	(B)	
29	14H631	NUT	1		0.190"
30	12H246	LOCK WASHER	1		0.190"
31	14H605	NUT	1		0.164"
32	12H315	LOCK WASHER	1		0.164"
33	R34262	GAUGE	1		FUEL
34	R34258	GAUGE	1	(A)	TRANSMISSION OIL TEMPERATURE
35	AR27977	TOUCH SWITCH	1		ENGINE OIL PRESSURE

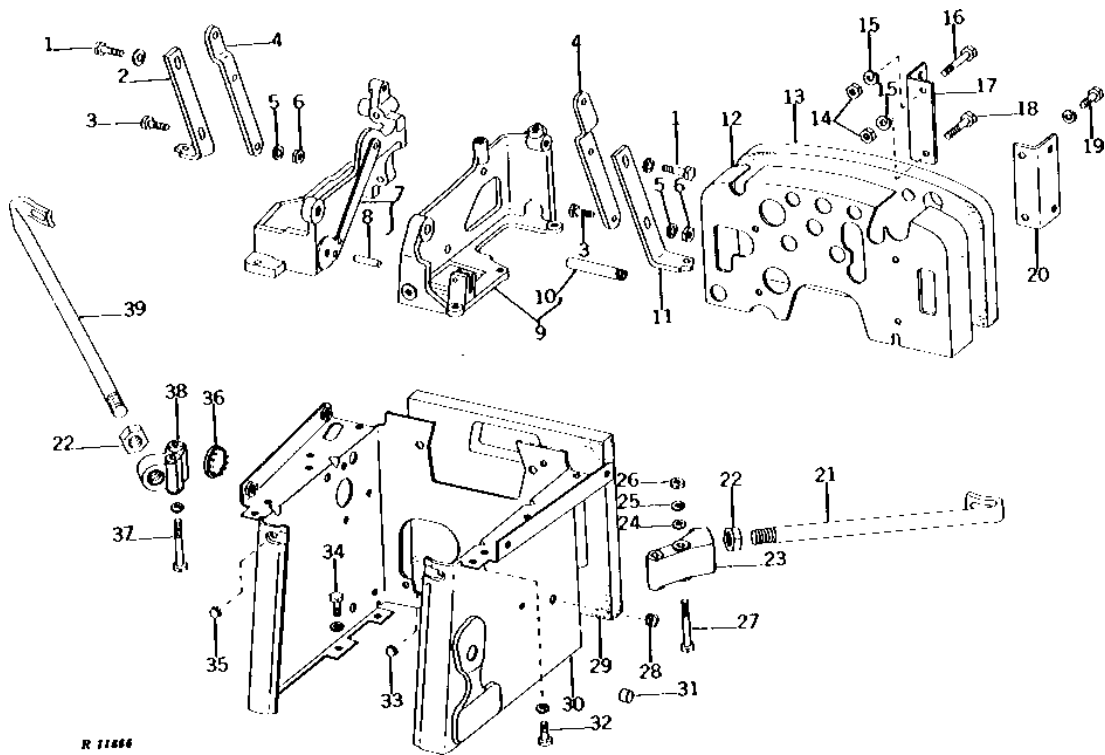
(A) POWER SHIFT
(B) SYNCRO-RANGE

3B3

OPERATOR'S STATION

R11866 -UN-01JAN94

CONTROL SUPPORT AND ASSOCIATED PARTS



3B4

OPERATOR'S STATION

CONTROL SUPPORT AND ASSOCIATED PARTS - CONTINUED

KEY	PART NO.	PART NAME	QTY	TRACTOR SERIAL NO.	REMARKS
1	19H2552	CAP SCREW	2		3/8" X 1-1/8"
	12H310	LOCK WASHER	2		3/8"
2	R31231	SUPPORT	1		HOOD
3	19H1731	CAP SCREW	2		3/8" X 1"
4	R31229	SUPPORT	2		DASH (NLA)
5	12H310	LOCK WASHER	2		3/8"
6	14H1076	NUT	2		3/8"
7	AR38044	BRACKET	1		STEERING VALVE, (MARKED R38125) (NLA)
8	H826R	DOWEL PIN	1		
9	AR38320	BRACKET	1	-010181	(A) STEERING VALVE, (MARKED R38191) (NLA)
	AR38500	BRACKET	1	010182-	(A) STEERING VALVE, (MARKED R38191) (NLA)
	R38189	BRACKET	1		(B) (NLA)
10	R33601	PIN	1	-010181	(A) TRANSMISSION CONTROL LEVER
	R41510	PIN	1	010182-	(A) TRANSMISSION CONTROL LEVER
11	R31230	SUPPORT	1		HOOD (NLA)
12	AR34927	ISOLATOR	1		(NO LONGER AVAILABLE)
13	R56059	FOAM PAD	1		(SUB FOR R34562)
14	14H1076	NUT	2		(D) 3/8"
15	12H304	LOCK WASHER	2		(D) 3/8"
16	19H1726	CAP SCREW	1		(D) 3/8" X 2-1/4"
17	R26895	ANGLE	1		(D) DASH SUPPORT (NLA)
18	19H1765	CAP SCREW	1		(D) 3/8" X 1-3/4"
19	19H2284	CAP SCREW	2		3/8" X 7/8"
	12H304	LOCK WASHER	2		3/8"
20	R26895	ANGLE	1		DASH SUPPORT (NLA)
21	R27941	SUPPORT	1		(C) LAMP
22	C985R	NUT	2		(C)
23	R38341	BRACKET	1		(C) (NLA)
24	24H1305	WASHER	2		(C) 13/32" X 13/16" X 0.065"
25	12H304	LOCK WASHER	2		(C) 3/8"
26	14H1076	NUT	2		(C) 3/8"
27	19H1944	CAP SCREW	2		(C) 3/8" X 2-3/4"
28	R34811	GROMMET	2		
29	R38146	FOAM PAD	1		(NO LONGER AVAILABLE)
30	AR38216	SUPPORT	1		(NO LONGER AVAILABLE)
31	F2030R	BUSHING	AR		PTO CLUTCH LEVER SHAFT
32	19H1731	CAP SCREW	AR		3/8" X 1", (5 USED SYNCRO-RANGE) (6 USED POWER SHIFT)
	12H304	LOCK WASHER	AR		3/8", (5 USED SYNCRO-RANGE) (6 USED POWER SHIFT)
33	R28473	PLUG	1		(DIESEL)
34	19H1936	CAP SCREW	6		3/8" X 3/4"
	12H304	LOCK WASHER	6		3/8"
35	R28473	PLUG	1		(B)
36	R20513	PLUG	1		(B)
37	19H1944	CAP SCREW	2		(C) 3/8" X 2-3/4"
	12H304	LOCK WASHER	2		(C) 3/8"
38	R34743	BRACKET	1		(C) (NLA)
39	R33767	SUPPORT	1		(C) LAMP (NLA)

- (A) POWER SHIFT
- (B) SYNCRO-RANGE
- (C) HI-CROP
- (D) LESS SELECTIVE CONTROL

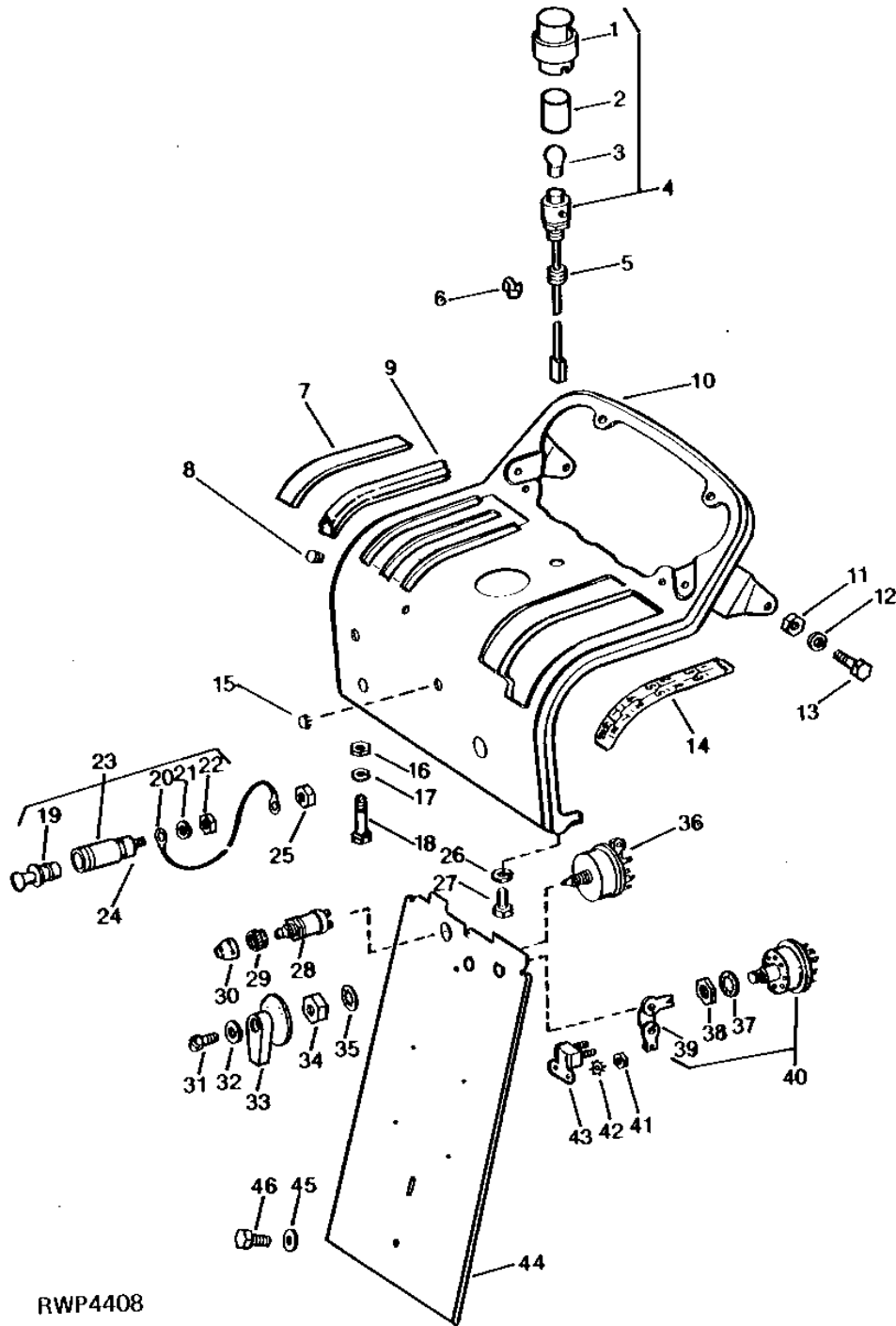
3B5

OPERATOR'S STATION

RWP4408

-UN-01JAN94

CONTROL SUPPORT COVER, SWITCHES, DASH, AND DASH LAMP



3B6

OPERATOR'S STATION

CONTROL SUPPORT COVER, SWITCHES, DASH AND DASH LAMP - CONTINUED

KEY	PART NO.	PART NAME	QTY	TRACTOR SERIAL NO.	REMARKS
1	R40192	COVER	1		
2	R28792	LENS	1		
3	AT12948	BULB	1	6 C.P.	
4	AR33479	LAMP	1	DASH	
5	A3411R	GROMMET	1		
6	F2084R	CLIP	1		
7	R27361	ISOLATOR	AR		(1 USED LESS ROCKSHAFT) (2 USED LESS SELECTIVE CONTROL) (LESS ROCKSHAFT)
8	R27983	PLUG	1		(NLA)
9	AR91941	STOP	1		(A) (ALSO ORDER R27361) (SUB FOR AR34960)
10	AR34962	INSTRUMENT PANEL	1		(NLA)
	AR68197	INSTRUMENT PANEL	1		(B) (SUB FOR AR34959)
11	14H1076	NUT	2		3/8"
12	12H304	LOCK WASHER	2		3/8"
13	19H1936	CAP SCREW	2		3/8" X 3/4"
14	R40504	LABEL	1		SHIFT, (SUB FOR R34533)
	R40505	LABEL	1		SHIFT PARK, (SUB FOR R34534)
	R40676	LABEL	1		SHIFT
15	M42229	PLUG	1		(GASOLINE) (SUB FOR R32234 OR T11708)
16	14H1076	NUT	1		3/8"
17	12H304	LOCK WASHER	1		3/8"
18	19H1765	CAP SCREW	1		3/8" X 1-3/4"
19	AR60937	LIGHTER	1		(SUB FOR AA5787R)
20	AR94130	WIRING LEAD	1		
21	12M7084	LOCK WASHER	1		0.169"
22	14H605	NUT	1		0.164"
23	AR48643	LIGHTER	1		(12-VOLT) (SUB FOR AR34556)
24	AR30394	CIRCUIT BREAKER	1		
25	14H631	NUT	1		0.190"
26	12H304	LOCK WASHER	1		3/8"
27	19H1936	CAP SCREW	1		3/8" X 3/4", (GASOLINE)
	19H1732	CAP SCREW	1		3/8" X 1-1/4", (DIESEL)
28	R39554	SWITCH	1		STARTER, (ALSO ORDER AR47374) (SUB FOR AR47373)
29	R21157	NUT	1		(SUB AR47374)
30	AR47374	CAP	1		(SUB FOR R39549)
31	21H1299	SCREW	1		0.164" X 3/8"
32	12H315	LOCK WASHER	1		0.164"
33	R27963	KNOB	1		LIGHT SWITCH, (SUB AT65316)
34	A4655R	NUT	1		
35	12H292	LOCK WASHER	1		1/2"
36	AR41288	SWITCH	1		LIGHT, (SUB FOR R39551)
37	12M7038	LOCK WASHER	1		0.650"
38	T15969	NUT	1		
39	A4700R	KEY	1		
40	AR39505	SWITCH	1		KEY
41	14H631	NUT	4		0.190"
42	12M7060	WASHER	4		0.209"
43	AR28403	CIRCUIT BREAKER	1		
44	AR38289	COVER	1		(A) (NO LONGER AVAILABLE)
	AR38288	COVER	1		(B) (NO LONGER AVAILABLE)
45	24H1305	WASHER	1		13/32" X 13/16" X 0.065"
46	19H1936	CAP SCREW	1		3/8" X 3/4"

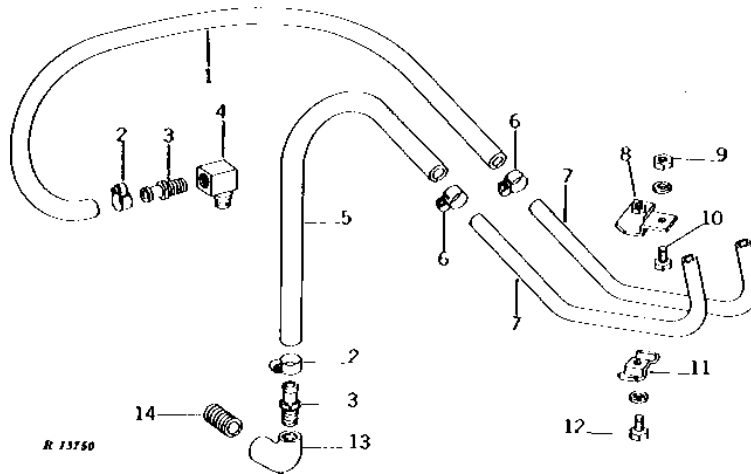
(A) POWER SHIFT
(B) SYNCRO-RANGE

3B7

OPERATOR'S STATION

TRACTOR HEATER HOSE (STOLPER)

R13750 -UN-01JAN94



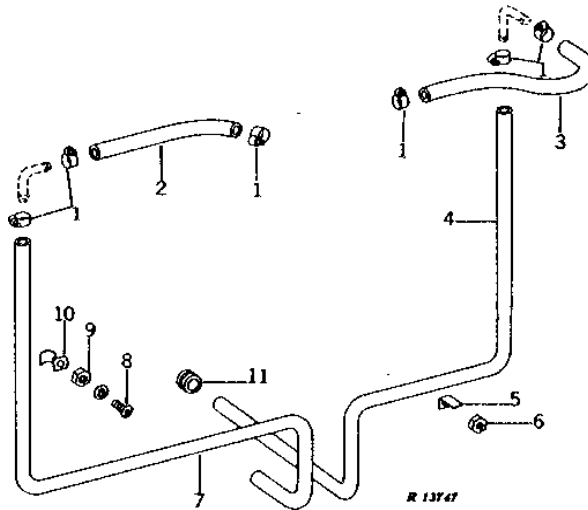
KEY	PART NO.	PART NAME	QTY	CAB SERIAL NO.	REMARKS
1	HOSE	1		914MM (36") OUTLET, (MAKE FROM TY22328) (SUB FOR R45847)
2	AR21839	CLAMP	2		
3	R42312	HOSE FITTING	2		
4	ELBOW FITTING	1		(NEVER USED)
5	HOSE	1		762MM (30") INLET, (MAKE FROM TY22328) (SUB FOR R45847)
6	AR21839	CLAMP	2		
7	R42768	TUBE	2		(NO LONGER AVAILABLE)
8	AR44987	BRACKET	1		(NO LONGER AVAILABLE)
9	14H785	NUT	1		5/16"
	12H303	LOCK WASHER	1		5/16"
10	19H1900	CAP SCREW	1		5/16" X 3/4"
11	R27323	CLAMP	1		
12	19H1914	CAP SCREW	1		1/4" X 1"
	12H302	LOCK WASHER	1		1/4"
13	15H596	ELBOW FITTING	1		90° (NLA)
14	29H599	THREADED NIPPLE	1		3/4" X 1-3/8"

3B8

OPERATOR'S STATION

CAB HEATER HOSE (STOLPER)

R13747 -UN-01JAN94



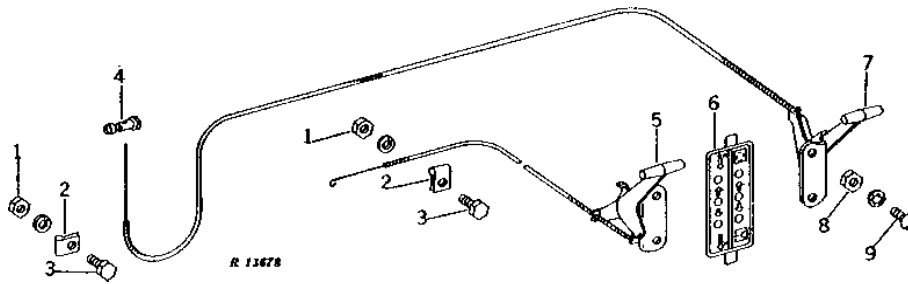
KEY	PART NO.	PART NAME	QTY	CAB SERIAL NO.	REMARKS
1	AR21839	CLAMP	6		
2	HOSE	1		381MM (15") (MAKE FROM TY22328) (SUB FOR R45847)
3	HOSE	1		533MM (21") (MAKE FROM TY22328) (SUB FOR R45847)
4	HOSE	1		INLET, (MAKE FROM TY22328) (SUB FOR R45847)
5	R42771	ANGLE	3		(NO LONGER AVAILABLE)
6	14H785	NUT	1		5/16"
7	HOSE	1		OUTLET, (MAKE FROM TY22328) (SUB FOR R45847)
8	21H1302	SCREW	2		1/4" X 5/8"
9	12H297	LOCK WASHER	2		1/4"
10	14H786	NUT	2		1/4"
11	R44488	CLAMP	2		(NLA)
	H23197	GROMMET	2		

3B9

OPERATOR'S STATION

HEATER CONTROLS (STOLPER)

R13678 -UN-01JAN94



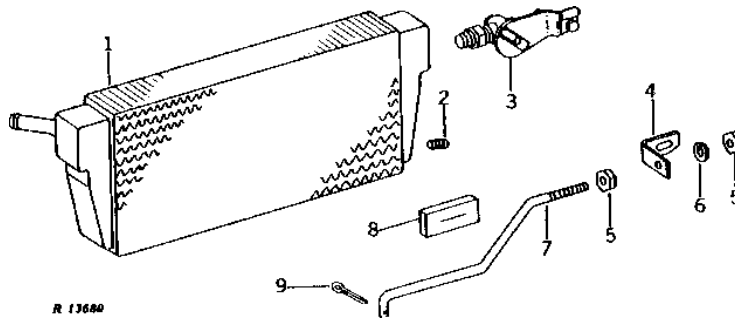
KEY	PART NO.	PART NAME	QTY	TRACTOR SERIAL NO.	REMARKS
1	14H786	NUT	2	1/4"	
	12H302	LOCK WASHER	2	1/4"	
2	R44472	CLIP	2	(NLA)	
	19H1919	CAP SCREW	2	1/4" X 5/8"	
4	AR45846	SWIVEL	1	(NLA)	
5	AR45836	LEVER	1	HEATER OR DAMPER DOOR (NLA)	
6	R44478	LABEL	1	(NLA)	
7	AR45835	LEVER	1	ROOF VENT DOOR (NLA)	
8	14H778	NUT	4	0.190"	
	21H1301	SCREW	4	0.190" X 1/2"	
9	12M7060	WASHER	4	0.209"	

3B10

OPERATOR'S STATION

R13680 -UN-01JAN94

HEATER (STOLPER)



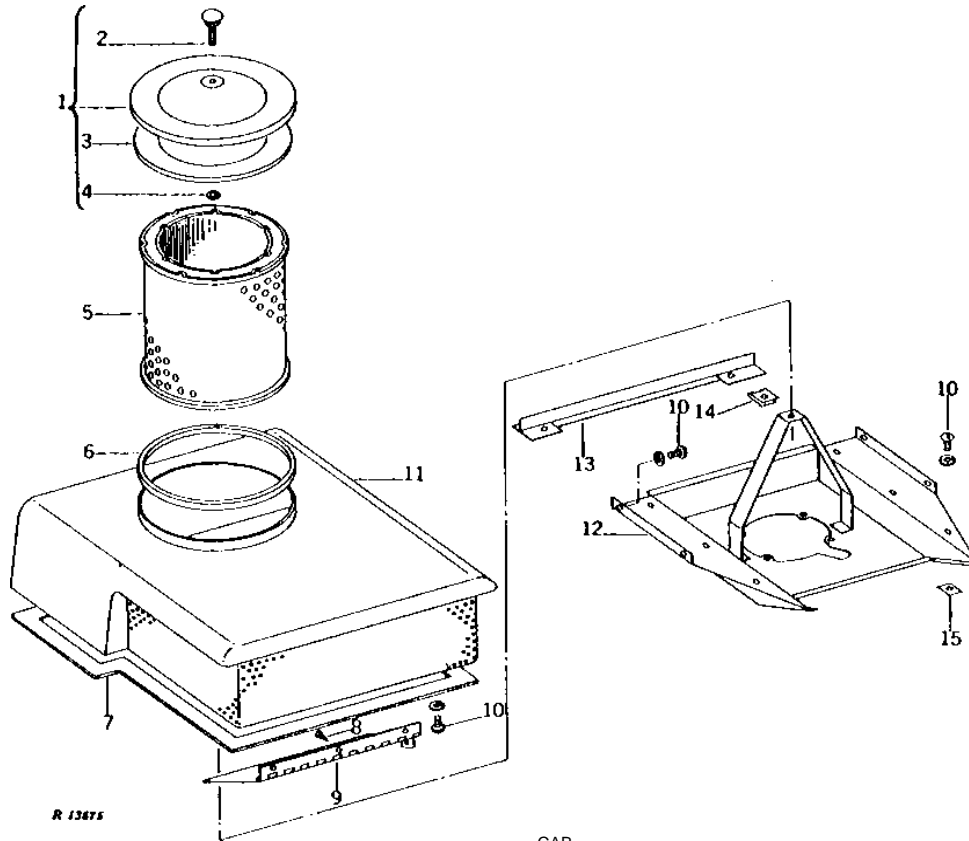
KEY	PART NO.	PART NAME	QTY	TRACTOR SERIAL NO.	REMARKS
1	AR45857	CORE	1	(NLA)	
2	15H253	PIPE PLUG	1	1/8"	
3	AR45858	VALVE	1	(NLA)	
4	R44489	ANGLE	1	(NLA)	
5	14H786	NUT	2	1/4"	
6	12H302	LOCK WASHER	1	1/4"	
7	R44487	LINK	1	HEATER ARM (NLA)	
8	R44473	SEAL	1	(NLA)	
9	11M7077	COTTER PIN	1	0.063" X 0.984"	

3B11

OPERATOR'S STATION

ROOF VENT, FILTER HOUSING AND ELEMENT (STOLPER)

R13675 -UN-01JAN94



R 13675

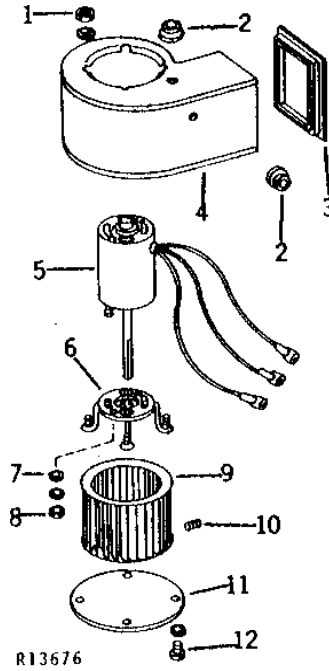
KEY	PART NO.	PART NAME	QTY	CAB SERIAL NO.	REMARKS
1	AR45830	COVER	1		
2	AR45850	SCREW	1		(NO LONGER AVAILABLE)
3	R44455	GASKET	1		(NO LONGER AVAILABLE)
4	R44456	WASHER	1		(NLA)
5	AR49680	FILTER ELEMENT	1		(SUB FOR AR45831)
6	R44452	SLAT	1		(NLA)
7	R44453	WEATHERSTRIP	1		(NLA)
8	37H43	SCREW	3		NO. 8 X 3/8"
9	AR45828	DOOR	1		(NLA)
10	21H1303	SCREW	12		1/4" X 3/4"
	12H302	LOCK WASHER	12		1/4"
11	AR45827	VENT	1		(NLA)
12	AR45829	HOUSING	1		(NLA)
13	R44451	ISOLATOR	1		(NLA)
14	R72380	NUT	1		(SUB FOR R44454) (SUB R87345)
15	R44577	NUT	6		(NLA)

3B12

OPERATOR'S STATION

BLOWER HOUSING, MOTOR AND WHEEL (STOLPER)

R13676 -UN-01JAN94



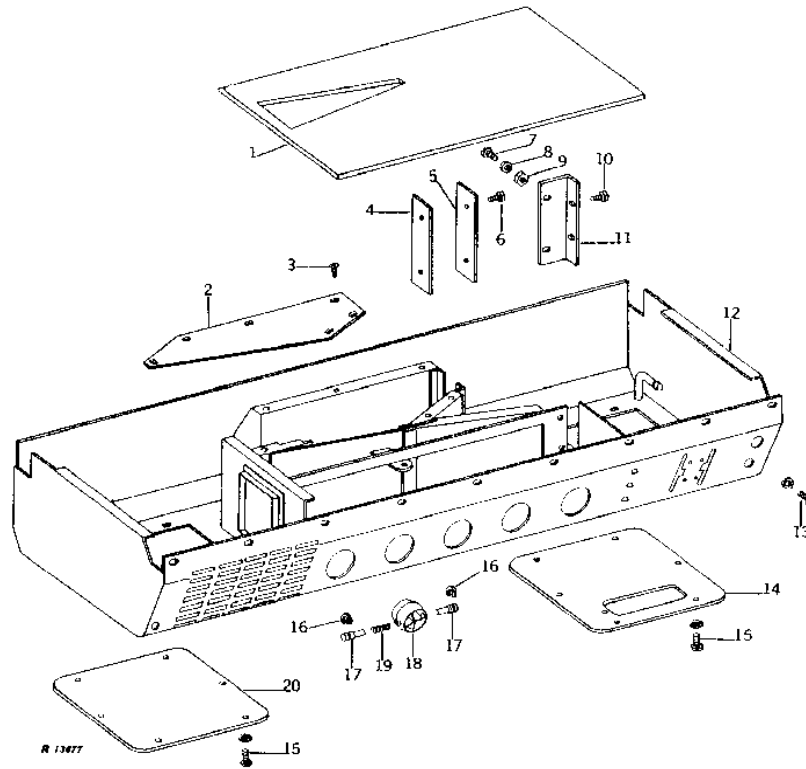
KEY	PART NO.	PART NAME	QTY	CAB SERIAL NO.	REMARKS
1	14H786	NUT	4	1/4"	
	12H302	LOCK WASHER	4	1/4"	
2	R44458	GROMMET	2	(NLA)	
3	R44457	SEAL	1	(NLA)	
4	AR45832	HOUSING	1	(NLA)	
5	AR45856	MOTOR	1	(12-VOLT)	
6	AR45834	BRACKET	1		
7	24H1283	WASHER	2	7/32" X 1/2" X 0.049"	
8	14H778	NUT	2	0.190"	
	12M7060	WASHER	2	0.209"	
9	AR45833	WHEEL	1		
10	22H791	SET SCREW	1	1/4" X 3/4"	
11	R44459	COVER	1	(NLA)	
12	21H1301	SCREW	4	0.190" X 1/2"	
	12M7060	WASHER	4	0.209"	

3B13

OPERATOR'S STATION

CAB CONSOLE (STOLPER)

R13677 -UN-01JAN94



KEY	PART NO.	PART NAME	QTY	TRACTOR SERIAL NO.	REMARKS
1	R44476	SEAL	1	(NLA)	
2	R44486	PLATE	1	(NLA)	
3	T10671	CAP SCREW	6		
4	R44485	PLATE	2	(A) (NLA)	
5	R44484	PLATE	2	(A) (NLA)	
6	37M7245	SCREW	2	(A) NO. 10 X 3/8"	
7	21H1301	SCREW	2	0.190" X 1/2"	
8	24H1283	WASHER	2	7/32" X 1/2" X 0.049"	
9	14H778	NUT	2	0.190"	
10	37M7245	SCREW	2	NO. 10 X 3/8"	
11	R44483	ISOLATOR	1	(NO LONGER AVAILABLE)	
12	AR45845	PANEL	1	(NLA)	
13	21H1303	SCREW	9	1/4" X 3/4"	
	12H302	LOCK WASHER	9	1/4"	
14	R44474	PANEL	1	(NLA)	
15	21H1301	SCREW	12	0.190" X 1/2"	
	12M7060	WASHER	12	0.209"	
16	R44470	SNAP RING	10	(SUB R30828)	
17	R44471	PIN	10		
18	R44468	DEFLECTOR	5	(NO LONGER AVAILABLE)	
19	R44469	SPRING	5	(NLA)	
20	R44475	PANEL	1	(NLA)	

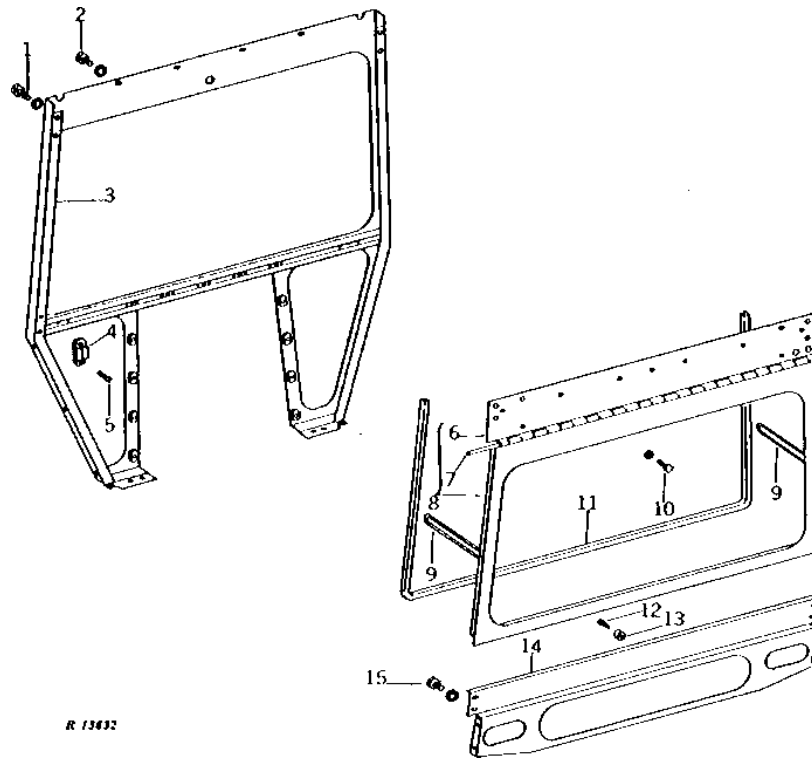
(A) CAB LESS HEATERS

3B14

OPERATOR'S STATION

R13632 -UN-01JAN94

CAB FRONT AND REAR PANELS (STOLPER)



R 13632

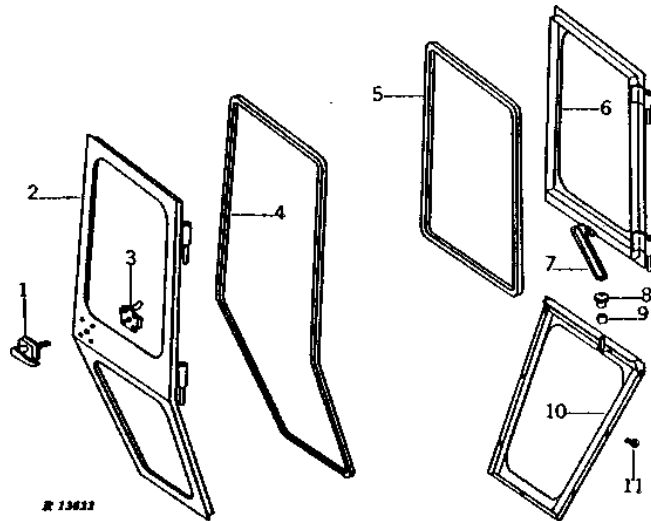
KEY	PART NO.	PART NAME	QTY	CAB SERIAL NO.	REMARKS
1	19H1726	CAP SCREW	4	3/8" X 2-1/4"	
	12H310	LOCK WASHER	4	3/8"	
2	19H1731	CAP SCREW	6	3/8" X 1"	
	12H310	LOCK WASHER	6	3/8"	
3	AR45812	PANEL	1	(NLA)	
4	H63952	PLATE	1		
5	21H1210	SCREW	2	1/4" X 3/4"	
6	R44431	PANEL	1	(NLA)	
7	R44432	PIN	1	(NO LONGER AVAILABLE)	
8	AR45810	PANEL	1	WITH ADJUSTING ARMS (NLA)	
9	R44444	ARM	2		
10	19H1905	CAP SCREW	6	5/16" X 1"	
	12M7032	LOCK WASHER	6	0.331"	
11	WEATHERSTRIP	1	2908MM (114-1/2") (MAKE FROM H61993)	
12	R44436	SCREW	1	(NLA)	
13	R44434	BUMPER	1	(SUB T101090)	
14	AR45811	PANEL	1	(NLA)	
15	19H1936	CAP SCREW	4	3/8" X 3/4"	
	12H310	LOCK WASHER	4	3/8"	

3B15

OPERATOR'S STATION

CAB DOOR, RIGHT-HAND LOWER PANEL AND FRONT WINDOW (STOLPER)

R13633 -UN-01JAN94



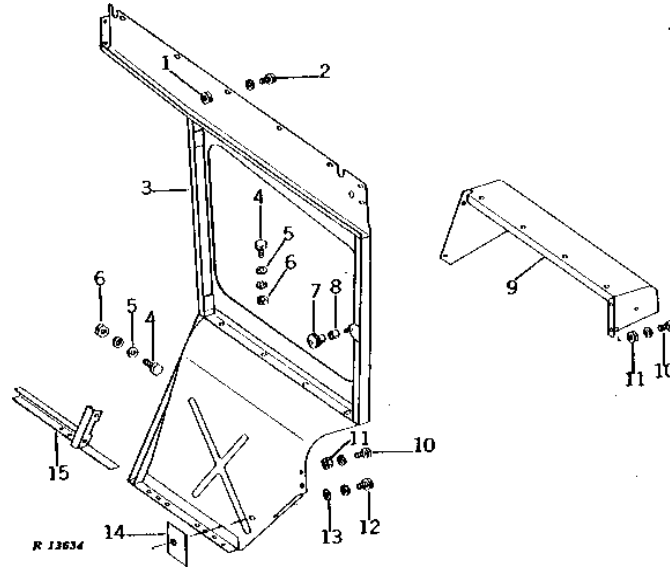
KEY	PART NO.	PART NAME	QTY	CAB SERIAL NO.	REMARKS
1	AH64758	HANDLE	1		
2	AR45813	DOOR	1		
3	AR45814	LATCH	1		
4	H61993	WEATHERSTRIP	1		
5	WEATHERSTRIP	1		2692MM (106") (MAKE FROM H61993)
6	AR45815	WINDOW	1		(NLA)
7	R44444	ARM	1		
8	R44446	KNOB	1		
9	R44445	BUSHING	1		
10	AR45816	PANEL	1		(NLA)
11	21H1304	SCREW	7		5/16" X 3/4"

3B16

OPERATOR'S STATION

CAB RIGHT-HAND SIDE AND FENDER (STOLPER)

R13634 -UN-01JAN94



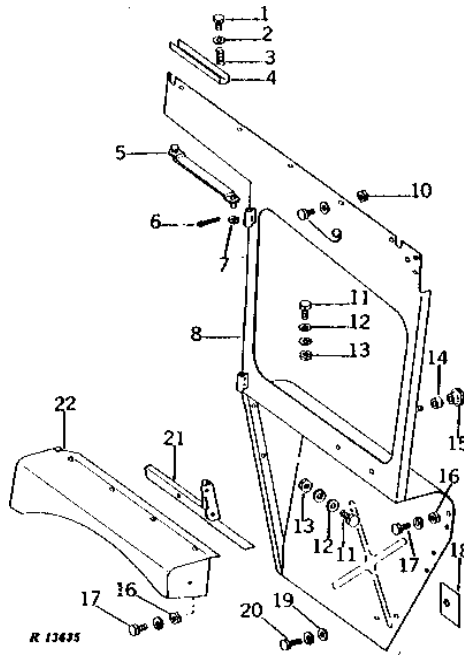
KEY	PART NO.	PART NAME	QTY	CAB SERIAL NO.	REMARKS
1	14H1076	NUT	5	3/8"	
2	19H1731	CAP SCREW	6	3/8" X 1"	
	12H310	LOCK WASHER	6	3/8"	
3	AR45821	CAB	1	(NLA)	
4	19H1936	CAP SCREW	1	3/8" X 3/4"	
5	24H1305	WASHER	7	13/32" X 13/16" X 0.065"	
6	14H1076	NUT	7	3/8"	
	12H304	LOCK WASHER	7	3/8"	
7	R44446	KNOB	1		
8	R44445	BUSHING	1		
9	AR45819	FENDER	1	(NLA)	
10	19H1936	CAP SCREW	4	3/8" X 3/4"	
	12H304	LOCK WASHER	4	3/8"	
11	14H1076	NUT	4	3/8"	
12	19H1815	CAP SCREW	1	1/2" X 1-1/4"	
	12H301	LOCK WASHER	1	1/2"	
13	24H1227	WASHER	1	17/32" X 13/16" X 0.060"	
14	R42567	FOAM PAD	1	(NLA)	
15	AR45817	SILL	1	(NLA)	

3B17

OPERATOR'S STATION

CAB LEFT-HAND SIDE AND FENDER (STOLPER)

R13635 -UN-01JAN94



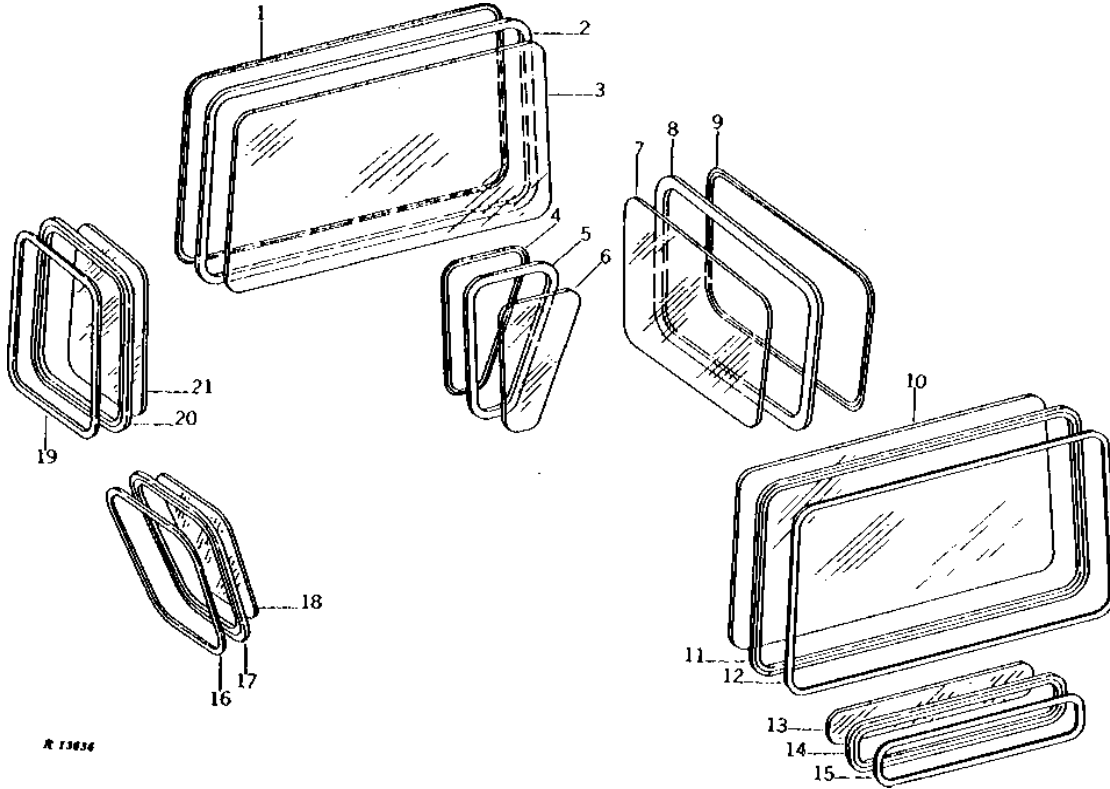
KEY	PART NO.	PART NAME	QTY	CAB SERIAL NO.	REMARKS
1	19H1726	CAP SCREW	2	3/8" X 2-1/4"	
2	24H1305	WASHER	2	13/32" X 13/16" X 0.065"	
3	R44448	SPRING	2	(NLA)	
4	AR45823	STOP	1	CHECK (NLA)	
5	AR45824	ROD	1		
6	11M7059	COTTER PIN	1	3.200 X 20 MM	
7	24H1305	WASHER	1	13/32" X 13/16" X 0.065"	
8	AR45822	CAB	1	(NLA)	
9	19H1731	CAP SCREW	6	3/8" X 1"	
	12H310	LOCK WASHER	6	3/8"	
10	14H1076	NUT	5	3/8"	
11	19H1936	CAP SCREW	7	3/8" X 3/4"	
12	24H1305	WASHER	7	13/32" X 13/16" X 0.065"	
13	14H1076	NUT	7	3/8"	
	12H304	LOCK WASHER	7	3/8"	
14	R44445	BUSHING	1		
15	R44446	KNOB	1		
16	14H1076	NUT	4	3/8"	
17	19H1936	CAP SCREW	4	3/8" X 3/4"	
	12H304	LOCK WASHER	4	3/8"	
18	R42567	FOAM PAD	1	(NLA)	
19	24H1227	WASHER	1	17/32" X 13/16" X 0.060"	
20	19H1815	CAP SCREW	1	1/2" X 1-1/4"	
	12H301	LOCK WASHER	1	1/2"	
21	AR45818	SILL	1	(NLA)	
22	AR45820	FENDER	1	(NO LONGER AVAILABLE)	

3B18

OPERATOR'S STATION

R13636 -UN-01JAN94

CAB GLASS (STOLPER)



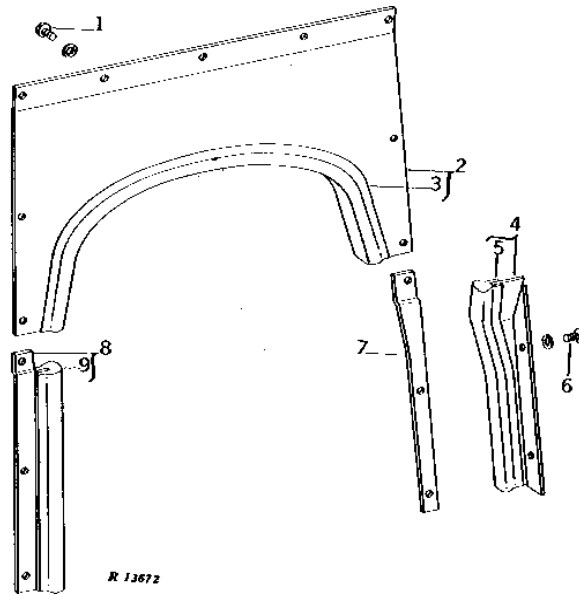
KEY	PART NO.	PART NAME	QTY	CAB SERIAL NO.	REMARKS
1	R44438	ISOLATOR	1		
2	R44437	MOLDING	1	(NLA)	
3	R44439	WINDOWPANE	1	(NLA)	
4	ISOLATOR	2	1632MM (64-1/4")	(MAKE FROM R44438)
5	MOLDING	2	1632MM (64-1/4")	(NLA)
6	R44441	WINDOWPANE	2	(NLA)	
7	R44449	WINDOWPANE	2	(NLA)	
8	MOLDING	2	3251MM (128")	(NLA)
9	ISOLATOR	2	3251MM (128")	(MAKE FROM R44438)
10	R44433	WINDOWPANE	1		
11	MOLDING	1	3810MM (150")	(NLA)
12	ISOLATOR	1	3810MM (150")	(MAKE FROM R44438)
13	R44435	WINDOWPANE	1	(NLA)	
14	MOLDING	1	1930MM (76")	(NLA)
15	ISOLATOR	1	1930MM (76")	(MAKE FROM R44438)
16	ISOLATOR	2	1943MM (76-1/2")	(MAKE FROM R44438)
17	MOLDING	2	1943MM (76-1/2")	(NLA)
18	R44443	WINDOWPANE	1		
19	ISOLATOR	2	2229MM (87-3/4")	(MAKE FROM R44438)
20	MOLDING	2	2229MM (87-3/4")	(NLA)
21	R44442	WINDOWPANE	1		

3B19

OPERATOR'S STATION

R13672 -UN-01JAN94

CAB COWL PANELS (STOLPER)



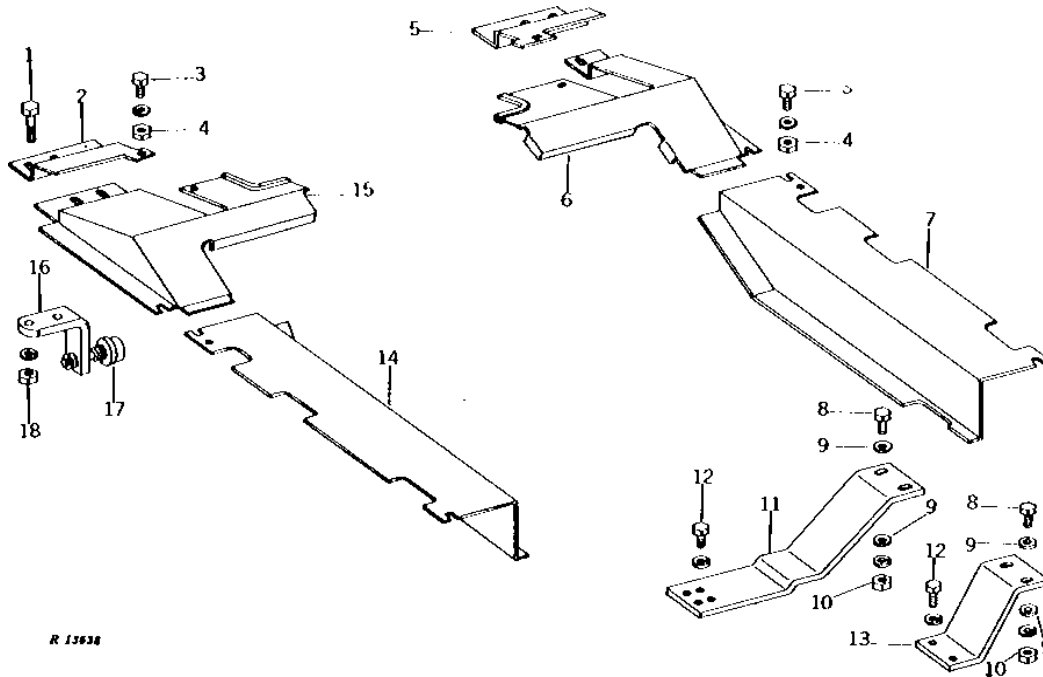
KEY	PART NO.	PART NAME	QTY	CAB SERIAL NO.	REMARKS
1	21H1304	SCREW	13	5/16" X 3/4"	
	12M7032	LOCK WASHER	13	0.331"	
2	PANEL	1	(NO LONGER AVAILABLE)	
3	R44585	SEAL	1	(NO LONGER AVAILABLE)	
4	PANEL	1	(NO LONGER AVAILABLE)	
5	ISOLATOR	1	314MM (12-3/8") (MAKE FROM R44585)	
6	21H1116	SCREW	2	3/8" X 5/8"	
	12H310	LOCK WASHER	2	3/8"	
7	EXTENSION	1	(NO LONGER AVAILABLE)	
8	PANEL	1	(NO LONGER AVAILABLE)	
9	ISOLATOR	1	305MM (12") (MAKE FROM R44585)	

3B20

OPERATOR'S STATION

PLATFORM BRACKETS, EXTENSIONS AND BAFFLES (STOLPER)

R13638 -UN-01JAN94



R 13638

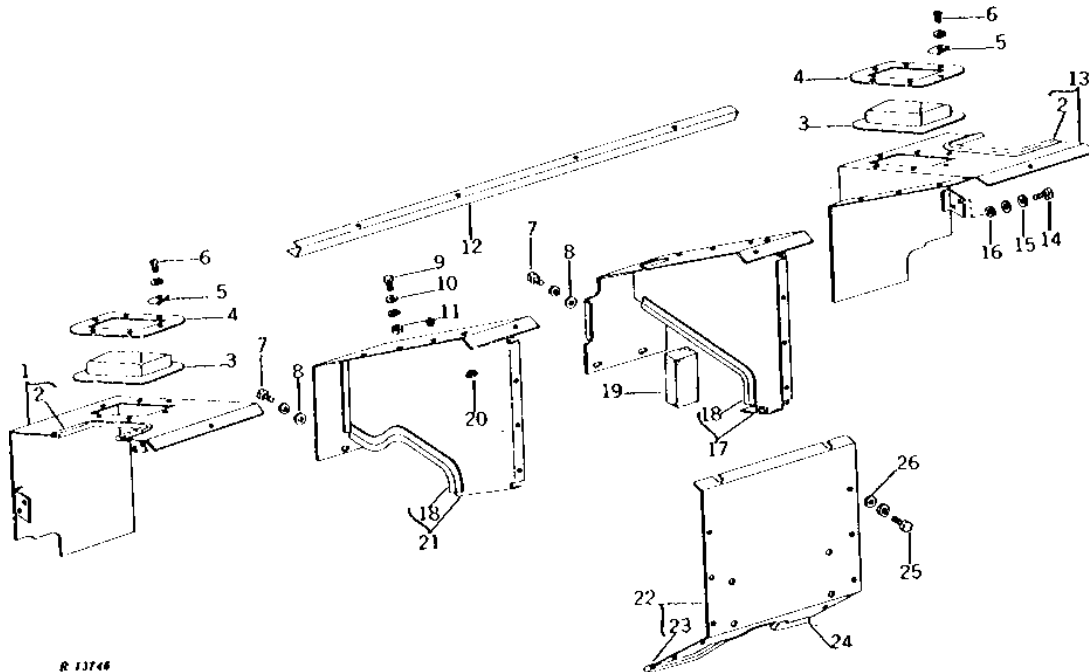
KEY	PART NO.	PART NAME	QTY	CAB SERIAL NO.	REMARKS
1	19H1800	CAP SCREW	4	3/8" X 1-1/2"	
2	R42797	ISOLATOR	1	(NO LONGER AVAILABLE)	
3	19H1914	CAP SCREW	6	1/4" X 1"	
4	12H302	LOCK WASHER	6	1/4"	
4	14H786	NUT	6	1/4"	
5	R42796	ISOLATOR	1	(NO LONGER AVAILABLE)	
6	AR45007	EXTENSION	1	(NO LONGER AVAILABLE)	
7	R42794	EXTENSION	1	(NLA)	
8	19H1731	CAP SCREW	8	3/8" X 1"	
9	24M7096	WASHER	16	10.500 X 18 X 1.600 MM	
10	14H1076	NUT	8	3/8"	
10	12H304	LOCK WASHER	8	3/8"	
11	R42792	BRACKET	2	(NLA)	
12	19H2284	CAP SCREW	6	3/8" X 7/8"	
12	12H304	LOCK WASHER	6	3/8"	
13	R42793	BRACKET	2	(NO LONGER AVAILABLE)	
14	R42795	EXTENSION	1	(NO LONGER AVAILABLE)	
15	AR45008	EXTENSION	1	(NLA)	
16	R44480	BRACKET	2	(NLA)	
17	AR45718	SCREW	2	(NLA)	
17	12H301	LOCK WASHER	2	1/2"	
17	14H1040	NUT	4	1/2"	
18	14H1076	NUT	4	3/8"	
18	12H304	LOCK WASHER	4	3/8"	
..	AR44990	MAT	1	(POWER SHIFT) (NO LONGER AVAILABLE)	
..	AR44991	MAT	1	(SYNCRO-RANGE) (NLA)	
..	R42780	PAD	1	FLOOR MAT (NO LONGER AVAILABLE)	

3B21

OPERATOR'S STATION

R13746 -UN-01JAN94

HYDRAULIC COVERS (STOLPER)



R 13746

KEY	PART NO.	PART NAME	QTY	TRACTOR SERIAL NO.	REMARKS
1	AR45028	COVER	1		(NO LONGER AVAILABLE)
2	MOLDING	2		387MM (15-1/4") (MAKE FROM R44447)
3	R44517	COVER	2		(NLA)
4	R44518	RETAINER	2		(NLA)
5	R87345	LOCK NUT	12		(SUB FOR R44454 OR R72380)
6	21H1303	SCREW	12		1/4" X 3/4"
7	12H302	LOCK WASHER	12		1/4"
	19H1936	CAP SCREW	4		3/8" X 3/4"
	12H304	LOCK WASHER	4		3/8"
8	24H1305	WASHER	4		13/32" X 13/16" X 0.065"
9	19H1948	CAP SCREW	6		1/4" X 3/4"
10	24H1286	WASHER	6		9/32" X 1/2" X 1/16"
11	14H786	NUT	6		1/4"
	12H302	LOCK WASHER	6		1/4"
12	AR45009	EXTENSION	1		CAB REAR PANEL (NO LONGER AVAILABLE)
13	AR45027	COVER	1		(NO LONGER AVAILABLE)
14	19H1948	CAP SCREW	8		1/4" X 3/4"
15	24H1821	WASHER	8		9/32" X 47/64" X 1/16"
16	14H786	NUT	8		1/4"
	12H302	LOCK WASHER	8		1/4"
17	AR45024	COVER	1		(NLA)
	AR45031	COVER	1		(A) (NO LONGER AVAILABLE)
18	MOLDING	2		406MM (16") (MAKE FROM R44447)
	MOLDING	2		(A) 330MM (13") (MAKE FROM R44447)
19	R44588	ISOLATOR	1		
20	T11708	PLUG	2		
21	AR45025	COVER	1		(NLA)
	AR45032	COVER	1		(A) (NO LONGER AVAILABLE)
22	AR45026	COVER	1		(NLA)
	AR45033	COVER	1		(A) (NO LONGER AVAILABLE)
23	MOLDING	1		184MM (7-1/4") (MAKE FROM R44447)
24	MOLDING	1		124MM (4-7/8") (MAKE FROM R44447)
	MOLDING	1		(A) 171MM (6-3/4") (MAKE FROM R44447)
25	19H1948	CAP SCREW	9		1/4" X 3/4"
	12H302	LOCK WASHER	9		1/4"
26	24H1821	WASHER	9		9/32" X 47/64" X 1/16"

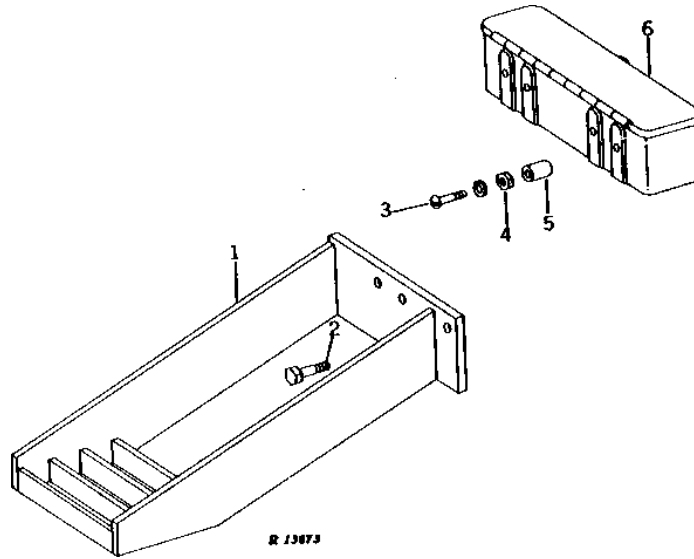
(A) LESS ROCKSHAFT

3B22

OPERATOR'S STATION

STEP AND TOOL BOX (STOLPER)

R13673 -UN-01JAN94



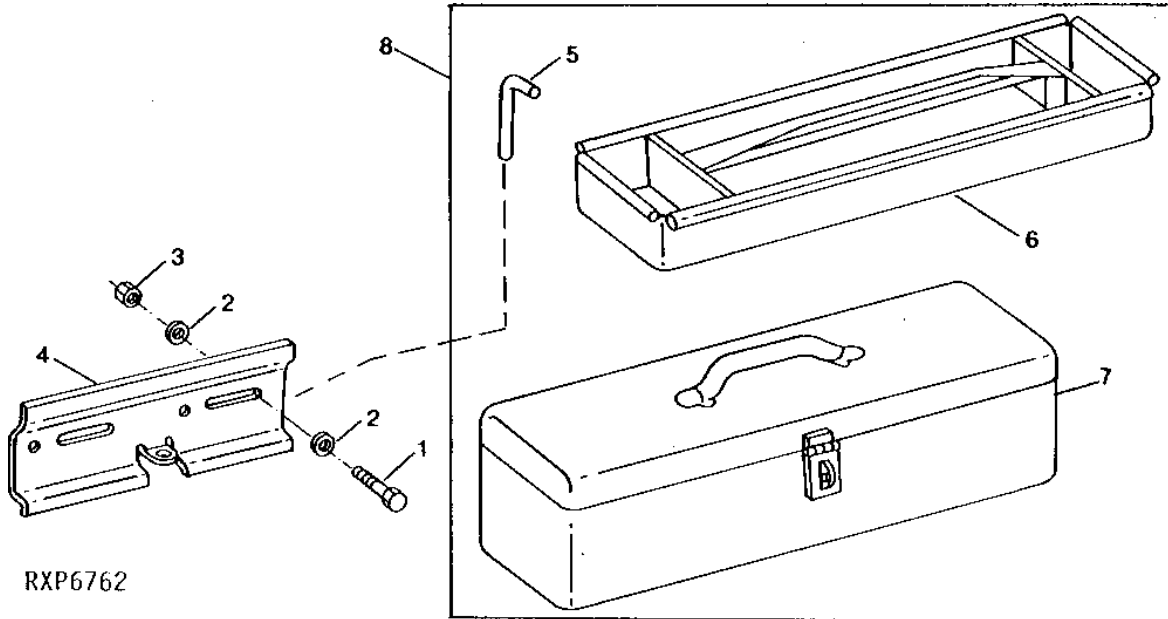
KEY	PART NO.	PART NAME	QTY	CAB SERIAL NO.	REMARKS
1	AR44988	STEP	1		(NO LONGER AVAILABLE)
2	19H2993	CAP SCREW	2		1/2" X 1-1/2"
3	03H1558	BOLT	2		3/8" X 1-1/2"
	12H304	LOCK WASHER	2		3/8"
4	14H1076	NUT	2		3/8"
5	28H1919	BUSHING	2		1/2" X 15/16"
6	AR34684	TOOLBOX	1		

3B23

OPERATOR'S STATION

TOOLBOX AND SUPPORTS

RXP6762 -UN-01JAN94



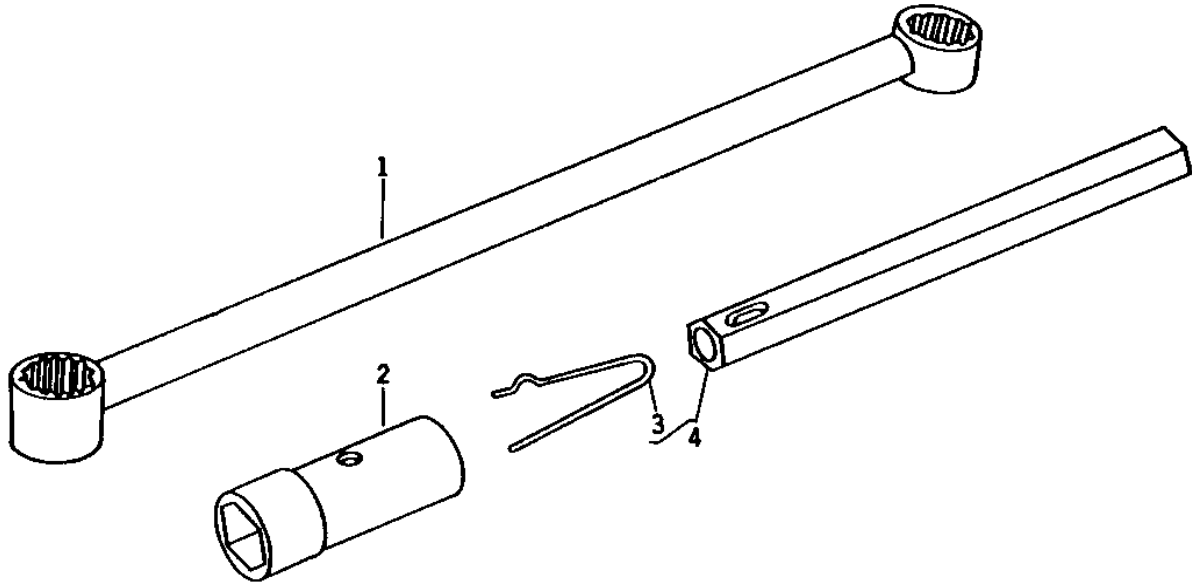
KEY	PART NO.	PART NAME	QTY	TRACTOR SERIAL NO.	REMARKS
1	19H2461	CAP SCREW	2	3/8" X 1-1/4"	
2	T23033	BRACKET	1		
3	12H294	LOCK WASHER	2	5/8"	
4	14H1039	NUT	2	5/8"	
5	JD5602	LABEL	1		
6	TOOLBOX	1	(ORDER AT22070)	
7	AT22073	TRAY	1		
8	T23027	PIN	1		
9	AT22070	TOOLBOX	1		

3B24

OPERATOR'S STATION

R32260 -UN-12OCT94

TOOLS



R32260F

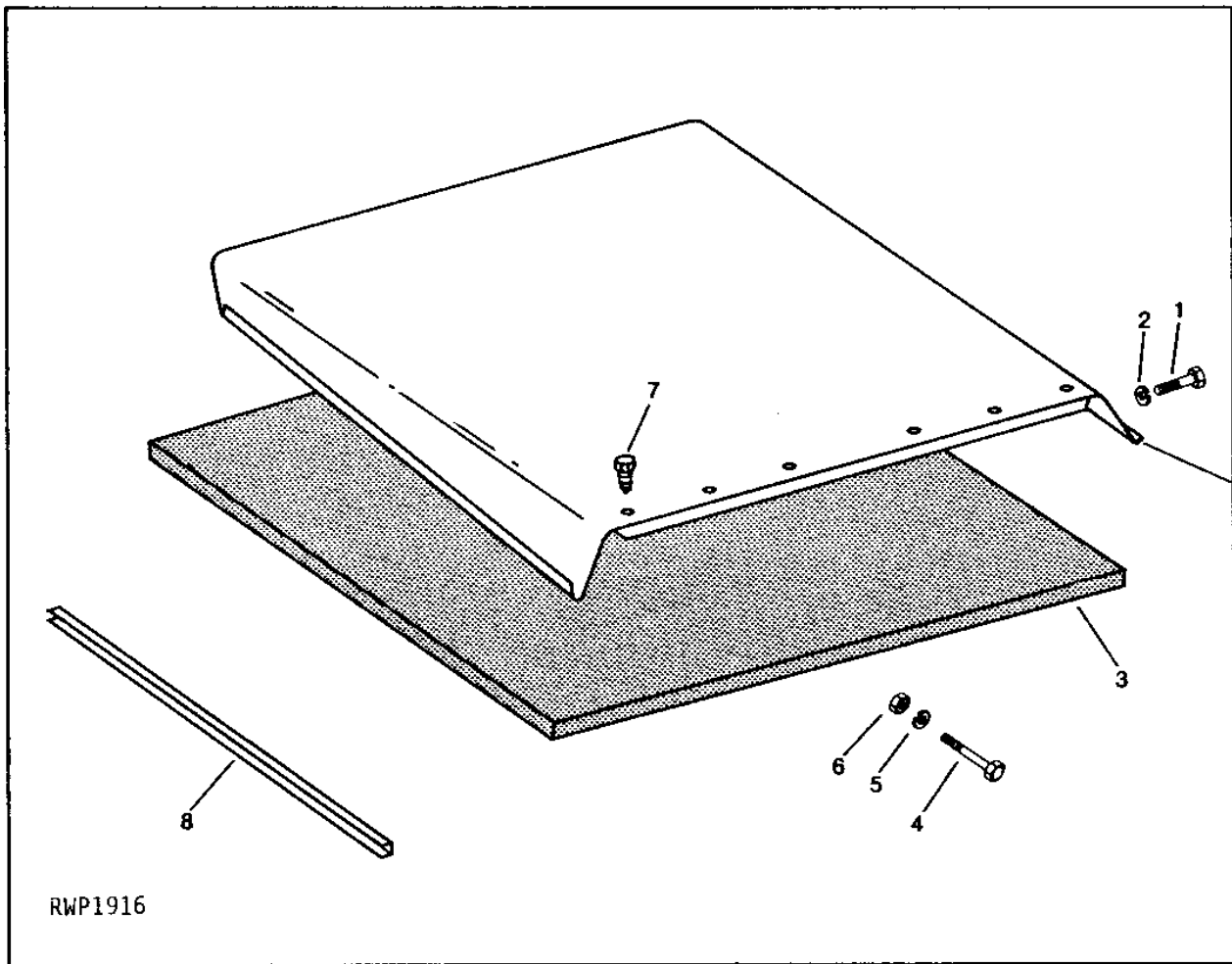
KEY	PART NO.	PART NAME	QTY	TRACTOR SERIAL NO.	REMARKS
1	R34827	WRENCH	1		
2	AR39683	WRENCH	1		
3	R39739	SPRING LOCKING PIN	1		
4	AR39682	EXTENSION	1		

3C1

OPERATOR'S STATION

RWP1916 -UN-01JAN94

CANOPY
(ROW-CROP AND HI-CROP)



3C2

OPERATOR'S STATION

**CANOPY - CONTINUED
(ROW-CROP AND HI-CROP)**

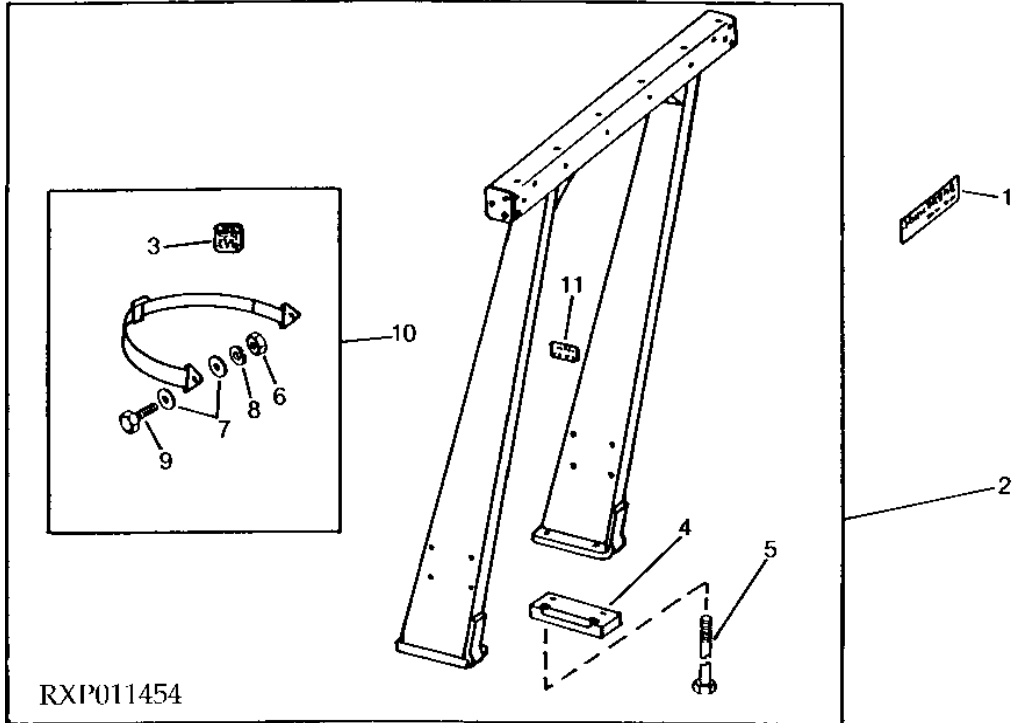
KEY	PART NO.	PART NAME	QTY	CAB SERIAL NO.	REMARKS
1	19H1731	CAP SCREW	6	3/8" X 1"	
2	12H304	LOCK WASHER	6	3/8"	
3	R47197	FOAM PAD	1		
4	19H2054	CAP SCREW	6	3/8" X 4-3/4"	
5	12H304	LOCK WASHER	6	3/8"	
6	14H1076	NUT	6	3/8"	
7	37H27	SCREW	10	5/16" X 7/8"	
8	R41358	ISOLATOR	2		
9	AR51452	CANOPY	1		(SUB FOR AR44781 OR AR47210)

3C3

OPERATOR'S STATION

RXP011454 -UN-12DEC94

ROLL-GARD AND SEAT BELT (ROW-CROP AND STANDARD)



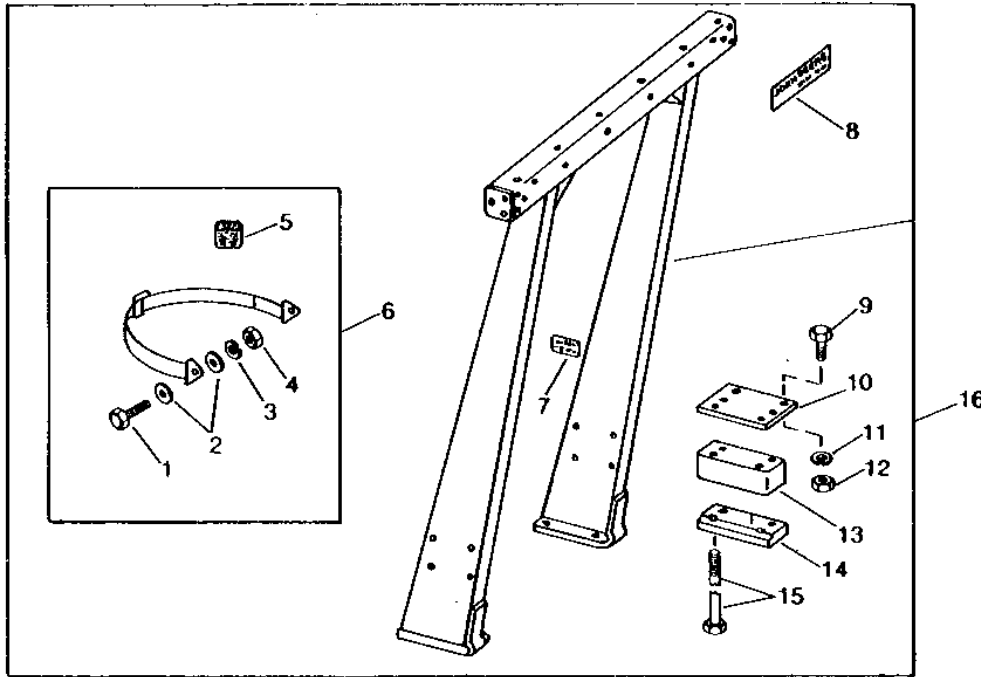
KEY	PART NO.	PART NAME	QTY	TRACTOR SERIAL NO.	REMARKS
1	T27155	LABEL	1		
2	AR51416	ROLL-GARD	1		(CONSISTS OF AR51417, AR41762, R120124, R41355, R42429 AND R44302) (FI)
3	R81424	LABEL	1		SEAT BELT CAUTION
4	R41355	PLATE	2		
5	R42439	BOLT	8		
6	14H807	NUT	2		
7	24H1226	WASHER	4		(SUB R87527)
8	12H293	LOCK WASHER	2		
9	R41778	BOLT	2		
10	AR41761	SEAT BELT	1		(ROLL-GARD) (2" WIDTH ILLUSTRATED) (FI)
11	R120124	LABEL	1		WARNING

3C4

OPERATOR'S STATION

RWP5711 -UN-01JAN94

ROLL-GARD AND SEAT BELT (HI-CROP)



RWP5711

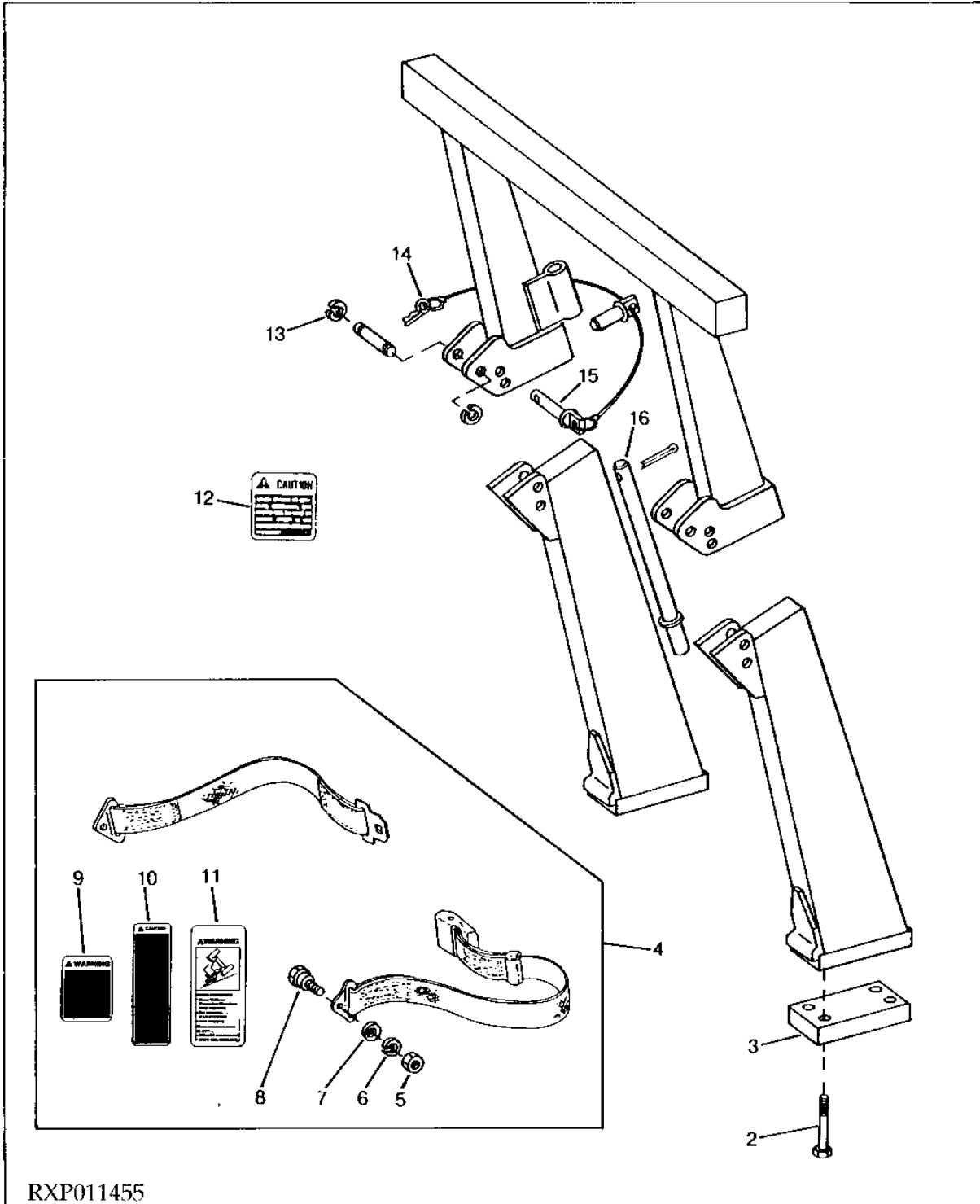
KEY	PART NO.	PART NAME	QTY	CAB SERIAL NO.	REMARKS
1	R41778	BOLT	2		
2	24H1226	WASHER	4	1/2" X 1-1/4" X 0.083"	
3	12H293	LOCK WASHER	2	7/16"	
4	14H807	NUT	2	7/16"	
5	R81424	LABEL	1	SEAT BELT CAUTION (USE WITH ROLL-GARD ONLY)	
6	AR41761	SEAT BELT	1	CAUTION, (SUB FOR R41781)	
7	R41781	DECAL	1	ROLL-GARD	
8	T27155	LABEL	1		
9	19H2369	CAP SCREW	4	3/4" X 1"	
10	PLATE	2		
11	12H236	LOCK WASHER	4	3/4"	
12	14H794	NUT	4	3/4"	
13	R42579	SPACER	2		
14	R41355	PLATE	2		
15	R42581	BOLT	8		
16	AR44707	ROLL-GARD	1		

3C5

OPERATOR'S STATION

ROLL-GARD AND SEAT BELT (W/O HI CROP)

RXP011455 -UN-12DEC94



RXP011455

3C6

OPERATOR'S STATION

ROLL-GARD AND SEAT BELT - CONTINUED (W/O HI CROP)

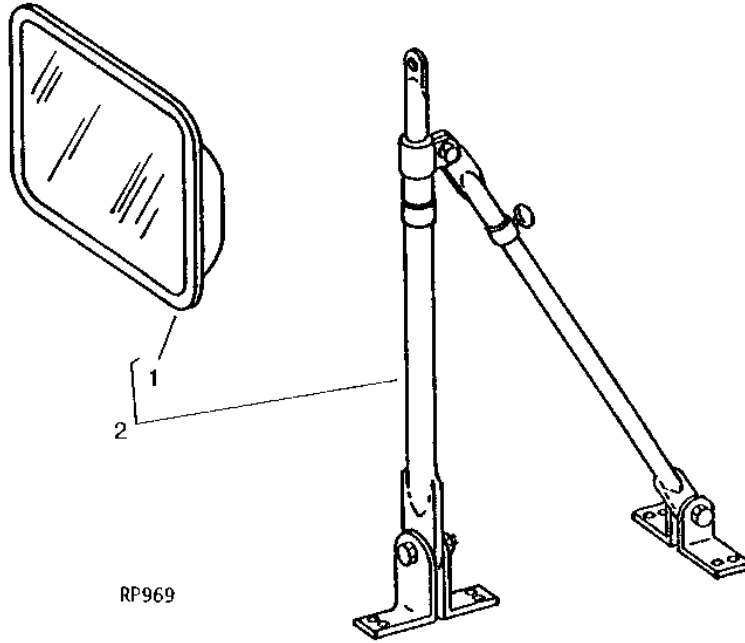
KEY	PART NO.	PART NAME	QTY	CAB SERIAL NO.	REMARKS
1	RE58257	ROLL-GARD	1	(FI)	
2	R42439	BOLT	8		
3	R41355	PLATE	2		
4	AR41761	SEAT BELT	1		
5	14H807	NUT	2	7/16"	
6	12H293	LOCK WASHER	2	7/16"	
7	24H1226	WASHER	2	1/2" X 1-1/4" X 0.083"	
8	R41778	BOLT	2		
9	R117491	DECAL	1		
10	R120124	LABEL	1		
11	R120128	LABEL	1		
12	R81424	LABEL	1		
13	40M7195	SNAP RING	4		
14	99M7080	SPRING LOCKING PIN	1		
15	RE58679	HINGE	2		
16	RE58612	ROD	2		
..	37M7131	SCREW	1		

3C7

OPERATOR'S STATION

RP969 -UN-01JAN94

REAR VIEW MIRROR



KEY	PART NO.	PART NAME	QTY	CAB SERIAL NO.	REMARKS
1	AR89137	REAR VIEW MIRROR	1		(SUB FOR AR21860, R21685, R21686 OR AR44255)
2	AR44254	REAR VIEW MIRROR	1		(SUB FOR AR30003) (SUB (3) AH85483, AR89137 AND (6) H78354)

3C8

OPERATOR'S STATION

R32259 -UN-01JAN94

LOCTITE SEALANT



R32259F

KEY	PART NO.	PART NAME	QTY	TRACTOR SERIAL NO.	REMARKS
1	TY9371	ADHESIVE	1		(TUBE OF 6CC) (SUB FOR AT14927 OR AT24538)

3C9

OPERATOR'S STATION

**PARTS FOR WEATHERSHIELDS
(NOT ILLUSTRATED)**

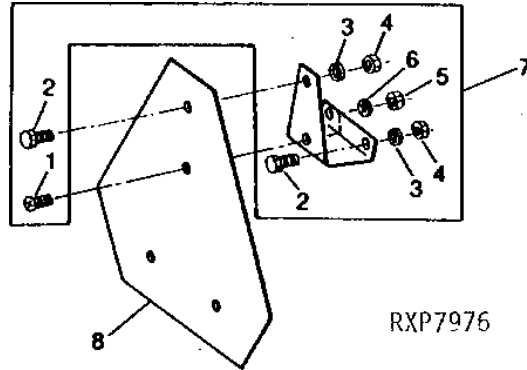
KEY	PART NO.	PART NAME	QTY	TRACTOR SERIAL NO.	REMARKS
..	AR20143	WINDOWPANE	2	(NLA)	
..	AR30516	WINDOW	2	(NLA)	
..	R20123	WINDSHIELD	2		
..	R20124	FRAME	2	(NLA)	

3C10

OPERATOR'S STATION

RXP7976 -UN-01JAN94

SLOW MOVING VEHICLE EMBLEM



RXP7976

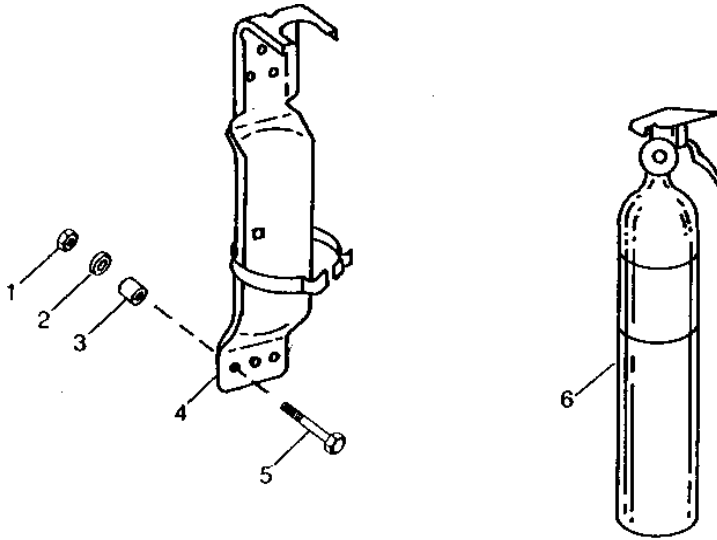
KEY	PART NO.	PART NAME	QTY	TRACTOR SERIAL NO.	REMARKS
1	21H1301	SCREW	1	0.190" X 1/2"	
2	19H1900	CAP SCREW	3	5/16" X 3/4"	
3	12H303	LOCK WASHER	3	5/16"	
4	14H785	NUT	3	5/16"	
5	14H778	NUT	1	0.190"	
6	12H246	LOCK WASHER	1	0.190", (NLA)	
7	AR47859	BRACKET	1		
8	JD5403	SMV EMBLEM	1	(SUB TY2615)	

3C11

OPERATOR'S STATION

RWP2787 -UN-01JAN94

FIRE EXTINGUISHER



RWP2787

KEY	PART NO.	PART NAME	QTY	TRACTOR SERIAL NO.	REMARKS
1	14H786	NUT	2	1/4"	
2	24H1287	WASHER	2	9/32" X 5/8" X 0.065"	
3	28H3423	BUSHING	2	0.364" X 0.540" X 7/8"	
4	AT75387	BRACKET	1	(SUB FOR AT62019)	
5	21H1035	SCREW	2	1/4" X 1-1/2"	
6	AT168165	FIRE EXTINGUISHER	1	(SUB FOR AT62018, AT141924 OR AT81764)	

1K8

TRACTOR - 2510

NUMERICAL INDEX

PART NO.	GRID	KEY	PAGE	PART NO.	GRID	KEY	PAGE	PART NO.	GRID	KEY	PAGE
AA14850	2I14	14	70 - 108	AM30347	2J20	20	80 - 30	AR20750	2J19	21	80 - 29
AA32178	1G25	..	40 - 27	AM3983T	2B6	31	50 - 11	AR21024	1H10	1	40 - 37
AA3495R	1H4	9	40 - 31	AM39968	1G19	13	40 - 21	AR21024	1H10	3	40 - 37
AA3495R	1H4	18	40 - 31	AM39968	1G22	3	40 - 24	AR21059	1H4	22	40 - 31
AA34967	1G25	3	40 - 27	AM39969	1G22	1	40 - 24	AR21601	2D12	17	50 - 75
AA34968	1G25	23	40 - 27	AM39970	1G19	10	40 - 21	AR21737	1H4	2	40 - 31
AA4074R	2J17	28	80 - 27	AN212996	2H1	6	70 - 70	AR21739	1H4	7	40 - 31
AA4936R	3B2	2	90 - 7	AN71222	1D11	6	30 - 9	AR21790	1D14	8	30 - 12
AA5302R	1D19	35	30 - 17	AN71222	1D13	3	30 - 11	AR21823	1F21	9	40 - 2
AA5607R	2G20	7	70 - 61	AR100124	1B2	7	20 - 5	AR21823	1F23	9	40 - 4
AA5607R	2G21	9	70 - 62	AR100124	1B2	9	20 - 5	AR21823	1H11	3	40 - 38
AA5691R	1F22	28	40 - 3	AR100124	1C19	1	20 - 46	AR21823	1H12	2	40 - 39
AA5691R	1F24	29	40 - 5	AR100124	1C19	10	20 - 46	AR21836	2E7	36	60 - 19
AA5692R	1F22	28	40 - 3	AR100124	1C20	1	20 - 47	AR21837	1C8	6	20 - 34
AA5692R	1F24	29	40 - 5	AR100124	1C20	9	20 - 47	AR21839	1C18	1	20 - 45
AA5692R	1I7	12	40 - 56	AR100124	1C22	8	20 - 49	AR21839	1C18	18	20 - 45
AA5731R	2G20	38	70 - 61	AR100124	1C22	23	20 - 49	AR21839	2F15	16	70 - 30
AA5731R	2G20	40	70 - 61	AR100124	1C24	22	20 - 51	AR21839	2F17	16	70 - 32
AA5787R	3B6	19	90 - 11	AR100124	1C24	25	20 - 51	AR21839	3B7	2	90 - 12
AA6218R	1H5	22	40 - 32	AR100416	1C22	23	20 - 49	AR21839	3B7	6	90 - 12
AA6307R	2G18	7	70 - 59	AR100417	1C19	10	20 - 46	AR21839	3B8	1	90 - 13
AA6309R	2G18	6	70 - 59	AR100419	1C24	25	20 - 51	AR21840	1C8	3	20 - 34
AA6606R	2D10	7	50 - 73	AR100423	1C20	9	20 - 47	AR21840	1C17	1	20 - 43
AA847R	2J19	16	80 - 29	AR100596	1B2	9	20 - 5	AR21840	1D11	1	30 - 9
AB3686R	2J18	14	80 - 28	AR100596	1C19	1	20 - 46	AR21840	1D13	7	30 - 11
AB4013R	2J12	12	80 - 22	AR100596	1C20	1	20 - 47	AR21840	1D20	20	30 - 18
AB4046R	2J12	3	80 - 22	AR100596	1C22	8	20 - 49	AR21840	1G1	..	40 - 6
AB4259R	2J18	17	80 - 28	AR100596	1C24	22	20 - 51	AR21840	1G2	..	40 - 7
AB4685R	2J12	4	80 - 22	AR101236	2E16	2	70 - 5	AR21840	2E7	16	60 - 19
AB4686R	2J12	4	80 - 22	AR101236	2E16	3	70 - 5	AR21840	2F15	13	70 - 30
AD2062R	1G25	2	40 - 27	AR101236	2E22	2	70 - 11	AR21840	2F17	13	70 - 32
AD2062R	1H4	2	40 - 31	AR101236	2E22	3	70 - 11	AR21860	3C7	1	90 - 34
AD2062R	1H4	7	40 - 31	AR101236	2F4	23	70 - 17	AR21969	2E7	..	60 - 19
AD2062R	1H4	15	40 - 31	AR101236	2F6	3	70 - 19	AR21969	2F16	..	70 - 31
AD2062R	1H7	15	40 - 34	AR101236	2F12	28	70 - 25	AR21969	2F18	..	70 - 33
AF1155R	2D12	..	50 - 75	AR101245	1H15	4	40 - 43	AR26321	2D9	12	50 - 72
AF1156R	2D10	16	50 - 73	AR101245	1H18	4	40 - 45B	AR26338	2B3	6	50 - 8
AF1160R	2D12	19	50 - 75	AR101549	1C11	4	20 - 37	AR26360	2B23	14	50 - 32
AF1691R	2D12	..	50 - 75	AR101549	1C11	6	20 - 37	AR26361	2B23	10	50 - 32
AF1692R	2D12	..	50 - 75	AR101549	1C12	4	20 - 38	AR26375	2B25	29	50 - 35
AF2643R	2H4	1	70 - 73	AR101549	1C12	5	20 - 38	AR26375	2C22	23	50 - 59
AF2710R	2H20	..	70 - 89	AR101549	1C13	4	20 - 39	AR26402	2E3	56	60 - 15
AF2710R	2H22	..	70 - 91	AR101549	1C13	5	20 - 39	AR26403	3A23	9	90 - 3
AF2711R	2H20	..	70 - 89	AR101549	1C14	4	20 - 40	AR26404	2H6	6	70 - 75
AF2711R	2H22	..	70 - 91	AR101549	1C15	1	20 - 41	AR26407	2G18	3	70 - 59
AF2907R	2B13	19	50 - 21	AR101632	2F10	6	70 - 23	AR26407	2G18	4	70 - 59
AF3147R	2H20	..	70 - 89	AR102454	1H11	..	40 - 38	AR26408	2H6	5	70 - 75
AF3147R	2H22	..	70 - 91	AR102454	1H12	..	40 - 39	AR26448	2E3	54	60 - 15
AF316R	2D12	11	50 - 75	AR102454	1H13	12	40 - 40	AR26450	2H14	17	70 - 83
AF3583R	1D14	12	30 - 12	AR102781	1E2	44	30 - 25	AR26462	2I7	7	70 - 101
AF3892R	1H4	22	40 - 31	AR102783	1E2	..	30 - 25	AR26462	2I9	7	70 - 103
AF3892R	1H7	30	40 - 34	AR102784	1E2	..	30 - 25	AR26462	2I10	7	70 - 104
AF912R	2J20	5	80 - 30	AR102785	1E2	12	30 - 25	AR26480	2J14	1	80 - 24
AF968R	2J11	7	80 - 21	AR103040	2E18	25	70 - 7	AR26480	2J15	2	80 - 25
AH19848	1D11	14	30 - 9	AR103040	2E18	29	70 - 7	AR26480	2J20	1	80 - 30
AH19848	1D13	15	30 - 11	AR103808	2G23	7	70 - 65	AR26480	2J21	1	80 - 30A
AH20854	1D11	13	30 - 9	AR103811	1B2	7	20 - 5	AR26480	2J22	1	80 - 30B
AH20854	1D13	14	30 - 11	AR104119	1H7	2	40 - 34	AR26523	2H14	22	70 - 83
AH20857	1D11	17	30 - 9	AR11105	1G23	12	40 - 25	AR26524	2H14	33	70 - 83
AH20857	1D13	18	30 - 11	AR111058	1I2	16	40 - 53	AR26529	3A25	14	90 - 5
AH64758	3B15	1	90 - 20	AR111058	1I4	20	40 - 53B	AR26530	3A25	20	90 - 5
AH80032	1E4	5	30 - 27	AR11106	1G23	14	40 - 25	AR26532	2A25	31	50 - 5
AH85483	3C7	2	90 - 34	AR20143	3C9	..	90 - 36	AR26532	2C4	4	50 - 39
AH93625	1G25	12	40 - 27	AR20235	1F21	9	40 - 2	AR26533	2B2	33	50 - 7
AL14896	1H12	7	40 - 39	AR20235	1F23	9	40 - 4	AR26546	2H14	3	70 - 83
AL2976T	1I12	20	40 - 61	AR20235	1H11	3	40 - 38	AR26547	2H8	6	70 - 77
AL37364	1D14	12	30 - 12	AR20235	1H13	10	40 - 40	AR26556	2H24	8	70 - 93

1K9

TRACTOR - 2510

NUMERICAL INDEX - CONTINUED

PART NO.	GRID	KEY	PAGE	PART NO.	GRID	KEY	PAGE	PART NO.	GRID	KEY	PAGE
AR26568	2I24	8	80 - 9	AR26767	2E3	15	60 - 15	AR27790	2H22	44	70 - 91
AR26571	1F22	28	40 - 3	AR26767	2E7	39	60 - 19	AR27814	1F16	1	30 - 63
AR26571	1F24	29	40 - 5	AR26767	2G4	30	70 - 45	AR27867	2F20	23	70 - 36
AR26571	1I7	1	40 - 56	AR26771	2D6	27	50 - 69	AR27904	2J13	18	80 - 23
AR26575	1H2	6	40 - 29	AR26771	2D7	9	50 - 70	AR27927	2J8	5	80 - 18
AR26584	1H2	15	40 - 29	AR26771	2D8	12	50 - 71	AR27940	1F16	6	30 - 63
AR26584	1H5	1	40 - 32	AR26771	2D8	14	50 - 71	AR27944	1F21	4	40 - 2
AR26595	2I25	2	80 - 10	AR26771	2E7	10	60 - 19	AR27944	1F23	4	40 - 4
AR26602	2A25	35	50 - 5	AR26771	2F19	4	70 - 35	AR27944	3B2	17	90 - 7
AR26616	2H24	16	70 - 93	AR26773	2E3	16	60 - 15	AR27977	1B24	5	20 - 26
AR26622	1F22	26	40 - 3	AR26773	2E7	39	60 - 19	AR27977	1F22	14	40 - 3
AR26622	1F24	27	40 - 5	AR26782	2C1	1	50 - 36	AR27977	1F24	15	40 - 5
AR26622	2J4	17	80 - 14	AR26782	2C23	1	50 - 60	AR27977	3B2	35	90 - 7
AR26625	2D25	5	60 - 11	AR26792	1H5	8	40 - 32	AR28034	2D10	19	50 - 73
AR26632	3A25	1	90 - 5	AR26793	1H5	4	40 - 32	AR28047	2I23	3	80 - 7
AR26646	2E24	21	70 - 13	AR26794	1H5	7	40 - 32	AR28048	2I23	5	80 - 7
AR26649	1D20	5	30 - 18	AR26810	2H14	38	70 - 83	AR28049	2I23	5	80 - 7
AR26657	2F21	29	70 - 37	AR26811	1D14	13	30 - 12	AR28050	2J8	13	80 - 18
AR26674	1D21	5	30 - 19	AR26812	2E7	14	60 - 19	AR28050	2J9	21	80 - 19
AR26674	1E9	1	30 - 32	AR26813	2E7	15	60 - 19	AR28050	2J9	22	80 - 19
AR26674	1E9	16	30 - 32	AR26823	2J15	18	80 - 25	AR28050	2J9	23	80 - 19
AR26674	1E11	1	30 - 34	AR26836	2H15	7	70 - 84	AR28073	1D14	10	30 - 12
AR26691	2H24	9	70 - 93	AR26845	2B2	38	50 - 7	AR28134	2J7	4	80 - 17
AR26697	2F21	31	70 - 37	AR26846	2D2	8	50 - 64	AR28141	2I9	16	70 - 103
AR26701	2C3	14	50 - 38	AR26848	2D21	10	60 - 7	AR28242	2J18	6	80 - 28
AR26701	2C25	14	50 - 62	AR26929	1D14	3	30 - 12	AR28247	2J17	2	80 - 27
AR26707	2C1	3	50 - 36	AR26942	2B25	15	50 - 35	AR28247	2J17	6	80 - 27
AR26707	2C23	3	50 - 60	AR27033	2I10	13	70 - 104	AR28249	2J17	6	80 - 27
AR26711	2H14	14	70 - 83	AR27047	2H25	1	70 - 95	AR28271	2B25	11	50 - 35
AR26723	2F16	45	70 - 31	AR27054	2J15	19	80 - 25	AR28271	2C22	11	50 - 59
AR26723	2F18	46	70 - 33	AR27093	2H25	13	70 - 95	AR28330	1E10	8	30 - 33
AR26723	2H4	4	70 - 73	AR27093	2I2	22	70 - 97	AR28403	1F22	29	40 - 3
AR26723	2H15	5	70 - 84	AR27139	1H10	3	40 - 37	AR28403	1F24	30	40 - 5
AR26723	2H16	8	70 - 85	AR27158	1D14	9	30 - 12	AR28403	1I7	10	40 - 56
AR26725	2D25	21	60 - 11	AR27253	2E7	36	60 - 19	AR28403	1I10	19	40 - 59
AR26725	2E3	10	60 - 15	AR27288	2H25	16	70 - 95	AR28403	3B6	43	90 - 11
AR26725	2E7	6	60 - 19	AR27299	2J19	6	80 - 29	AR28482	1C17	12	20 - 43
AR26725	2H12	25	70 - 81	AR27301	1D19	37	30 - 17	AR28487	2D18	5	60 - 5
AR26725	2H15	4	70 - 84	AR27314	2J17	30	80 - 27	AR28552	3B2	14	90 - 7
AR26725	2H16	4	70 - 85	AR27315	2J17	30	80 - 27	AR28570	2H20	35	70 - 89
AR26736	1D20	9	30 - 18	AR27316	2J17	30	80 - 27	AR28602	1E21	8	30 - 44
AR26737	1D20	11	30 - 18	AR27317	2J17	30	80 - 27	AR28639	1E20	3	30 - 43
AR26744	2F13	8	70 - 27	AR27350	2J9	19	80 - 19	AR28754	2H2	3	70 - 71
AR26744	2F16	38	70 - 31	AR27351	2J9	7	80 - 19	AR28754	2I14	20	70 - 108
AR26744	2F18	39	70 - 33	AR27359	1H2	3	40 - 29	AR28755	2H2	3	70 - 71
AR26746	2D16	56	60 - 3	AR27371	2H8	18	70 - 77	AR28755	2I14	20	70 - 108
AR26746	2D21	19	60 - 7	AR27371	2H9	3	70 - 78	AR28817	2J8	13	80 - 18
AR26746	2D21	21	60 - 7	AR27434	2J8	5	80 - 18	AR28817	2J9	21	80 - 19
AR26746	2D23	22	60 - 9	AR27440	2G18	4	70 - 59	AR28817	2J9	22	80 - 19
AR26746	2F16	59	70 - 31	AR27446	2D9	2	50 - 72	AR28817	2J9	23	80 - 19
AR26746	2F18	50	70 - 33	AR27446	2D12	16	50 - 75	AR28951	1F11	1	30 - 58
AR26746	3B2	6	90 - 7	AR27472	2B2	13	50 - 7	AR29615	3B2	10	90 - 7
AR26755	1H4	13	40 - 31	AR27581	2I9	36	70 - 103	AR30000	2G12	27	70 - 53
AR26756	1F22	27	40 - 3	AR27645	2H22	30	70 - 91	AR30001	2G12	24	70 - 53
AR26756	1F24	28	40 - 5	AR27646	2H22	30	70 - 91	AR30003	3C7	2	90 - 34
AR26758	2E16	11	70 - 5	AR27649	2H22	26	70 - 91	AR30094	2H12	28	70 - 81
AR26758	2E22	12	70 - 11	AR27650	2H22	26	70 - 91	AR30154	2J7	16	80 - 17
AR26763	2C14	8	50 - 49	AR27699	2E7	43	60 - 19	AR30210	2G6	40	70 - 47
AR26763	2E7	43	60 - 19	AR27699	2F16	48	70 - 31	AR30210	2G8	1	70 - 49
AR26763	2F21	33	70 - 37	AR27702	1B2	7	20 - 5	AR30210	2G10	33	70 - 51
AR26763	2G4	4	70 - 45	AR27720	2B13	26	50 - 21	AR30210	2G12	1	70 - 53
AR26763	2H12	24	70 - 81	AR27720	2B13	29	50 - 21	AR30210	2G13	1	70 - 54
AR26763	2H15	9	70 - 84	AR27722	2B7	10	50 - 12	AR30210	2G22	7	70 - 63
AR26763	2H16	10	70 - 85	AR27722	2B13	29	50 - 21	AR30282	3B2	21	90 - 7
AR26763	2I14	1	70 - 108	AR27738	2H15	17	70 - 84	AR30288	2H22	28	70 - 91
AR26765	2G4	3	70 - 45	AR27738	2H16	17	70 - 85	AR30297	2D25	33	60 - 11
AR26766	2G4	29	70 - 45	AR27746	2D11	12	50 - 74	AR30297	2D25	37	60 - 11

1K10

TRACTOR - 2510

NUMERICAL INDEX - CONTINUED

PART NO.	GRID	KEY	PAGE	PART NO.	GRID	KEY	PAGE	PART NO.	GRID	KEY	PAGE
AR30298	2D25	33	60 - 11	AR32154	2C18	7	50 - 53	AR33890	2C17	6	50 - 52
AR30394	3B6	24	90 - 11	AR32154	2C18	8	50 - 53	AR33930	2D18	2	60 - 5
AR30472	1D19	3	30 - 17	AR32155	2C18	8	50 - 53	AR33935	2B23	16	50 - 32
AR30474	2D11	8	50 - 74	AR32155	2C18	10	50 - 53	AR33948	2H23	23	70 - 92
AR30516	3C9	..	90 - 36	AR32162	2F18	48	70 - 33	AR33949	2H23	1	70 - 92
AR30538	2J8	5	80 - 18	AR32186	2B25	14	50 - 35	AR33950	2H23	27	70 - 92
AR30589	2E3	8	60 - 15	AR32188	2B25	28	50 - 35	AR33951	2H23	9	70 - 92
AR30590	2E3	8	60 - 15	AR32190	2B21	5	50 - 30	AR33952	2H22	33	70 - 91
AR30685	2G16	12	70 - 57	AR32191	2B21	3	50 - 30	AR33954	2H22	39	70 - 91
AR30690	2F24	1	70 - 40	AR32196	2B22	3	50 - 31	AR33955	2H22	39	70 - 91
AR30692	2D2	11	50 - 64	AR32197	2B22	5	50 - 31	AR33967	2D7	3	50 - 70
AR30692	2H4	7	70 - 73	AR32237	2B18	6	50 - 27	AR33967	2D8	3	50 - 71
AR30697	2D2	22	50 - 64	AR32239	2D21	11	60 - 7	AR33970	2D21	23	60 - 7
AR30697	2H12	20	70 - 81	AR32239	2D23	14	60 - 9	AR33971	2D7	17	50 - 70
AR30725	2H5	3	70 - 74	AR32294	2B2	21	50 - 7	AR33974	2D4	12	50 - 67
AR30726	2H5	3	70 - 74	AR32382	2D23	23	60 - 9	AR33975	2D16	62	60 - 3
AR30727	2H5	3	70 - 74	AR32384	2D23	13	60 - 9	AR33976	2D16	63	60 - 3
AR30733	2J12	1	80 - 22	AR32396	2C21	25	50 - 57	AR33988	2D21	22	60 - 7
AR30736	1E21	9	30 - 44	AR32399	2J3	11	80 - 13	AR33988	2F16	56	70 - 31
AR30762	2D21	13	60 - 7	AR32399	2J4	11	80 - 14	AR34006	2E3	18	60 - 15
AR30762	2D23	16	60 - 9	AR32400	2H16	11	70 - 85	AR34059	2G14	38	70 - 55
AR30762	2E1	4	60 - 13	AR32401	2H16	7	70 - 85	AR34098	2E13	4	70 - 2
AR30762	2E7	3	60 - 19	AR32440	2C2	11	50 - 37	AR34172	2D25	9	60 - 11
AR30784	2G18	1	70 - 59	AR32440	2C24	11	50 - 61	AR34208	2H18	2	70 - 87
AR30795	2B8	16	50 - 14	AR32477	2J3	33	80 - 13	AR34295	2F24	1	70 - 40
AR30842	1D9	5	30 - 7	AR32478	2J3	11	80 - 13	AR34312	2C21	28	50 - 57
AR30855	2D15	7	60 - 2	AR32478	2J4	11	80 - 14	AR34313	2C21	30	50 - 57
AR30968	2J7	9	80 - 17	AR32479	2J3	29	80 - 13	AR34350	2H7	10	70 - 76
AR31016	2D16	33	60 - 3	AR32480	2J3	10	80 - 13	AR34368	1E12	..	30 - 35
AR31272	2H14	6	70 - 83	AR32480	2J4	10	80 - 14	AR34368	1E14	..	30 - 37
AR31274	2H14	6	70 - 83	AR32483	2D18	2	60 - 5	AR34368	1E16	..	30 - 39
AR31512	2H15	3	70 - 84	AR32497	2I7	15	70 - 101	AR34396	2J3	31	80 - 13
AR31512	2H16	3	70 - 85	AR32498	2I7	15	70 - 101	AR34473	2F14	1	70 - 29
AR31611	2I14	19	70 - 108	AR32503	2J3	10	80 - 13	AR34556	1F21	8	40 - 2
AR31649	2B23	27	50 - 32	AR32503	2J4	10	80 - 14	AR34556	1F23	8	40 - 4
AR31663	2F23	34	70 - 39	AR32531	2H20	20	70 - 89	AR34556	3B6	23	90 - 11
AR31673	2G6	10	70 - 47	AR32547	2H20	27	70 - 89	AR34568	2D7	6	50 - 70
AR31673	2G8	22	70 - 49	AR32548	2H20	27	70 - 89	AR34568	2D8	6	50 - 71
AR31673	2G9	15	70 - 50	AR32555	2I7	19	70 - 101	AR34569	2D7	5	50 - 70
AR31674	2F22	1	70 - 38	AR32572	2H17	4	70 - 86	AR34569	2D8	5	50 - 71
AR31674	2G1	2	70 - 42	AR32580	2H15	10	70 - 84	AR34612	1E20	..	30 - 43
AR31674	2G2	2	70 - 43	AR32608	2H12	18	70 - 81	AR34612	1E21	..	30 - 44
AR31674	2G4	27	70 - 45	AR32667	2G6	18	70 - 47	AR34612	1E22	..	30 - 45
AR31674	2G6	7	70 - 47	AR32667	2G12	25	70 - 53	AR34612	1E23	..	30 - 46
AR31674	2G8	25	70 - 49	AR32693	2B22	13	50 - 31	AR34612	1E24	..	30 - 47
AR31674	2G9	7	70 - 50	AR32722	2C13	1	50 - 48	AR34612	1F2	1	30 - 49
AR31674	2G13	28	70 - 54	AR32723	2C13	5	50 - 48	AR34663	2C17	19	50 - 52
AR31703	2F20	19	70 - 36	AR32765	2I24	4	80 - 9	AR34684	2D2	1	50 - 64
AR31754	2H12	7	70 - 81	AR32812	2C21	10	50 - 57	AR34684	3B22	6	90 - 27
AR31813	2F20	17	70 - 36	AR32815	2C21	21	50 - 57	AR34723	2C15	1	50 - 50
AR31820	2F22	11	70 - 38	AR32826	2I7	20	70 - 101	AR34723	2D3	13	50 - 65
AR31903	2B21	17	50 - 30	AR32829	2I24	5	80 - 9	AR34723	2D4	29	50 - 67
AR31903	2B22	7	50 - 31	AR32849	2J3	16	80 - 13	AR34732	2D8	16	50 - 71
AR31939	2J1	1	80 - 11	AR32852	2B14	8A	50 - 23	AR34733	2D8	15	50 - 71
AR31940	2D16	29	60 - 3	AR32852	2F13	1	70 - 27	AR34735	2B18	1	50 - 27
AR31946	2D17	14	60 - 4	AR32852	2F16	39	70 - 31	AR34735	2D3	12	50 - 65
AR31977	3A25	28	90 - 5	AR32852	2F18	40	70 - 33	AR34735	2D4	28	50 - 67
AR31984	2H25	18	70 - 95	AR32852	2F18	42A	70 - 33	AR34736	2C15	1	50 - 50
AR31985	2H25	18	70 - 95	AR32903	2D2	19	50 - 64	AR34736	2D3	13	50 - 65
AR31988	2E7	7	60 - 19	AR33249	2E24	6	70 - 13	AR34736	2D4	29	50 - 67
AR32125	2B10	32	50 - 17	AR33331	2B25	39	50 - 35	AR34782	2D23	24	60 - 9
AR32126	2C14	9	50 - 49	AR33458	2B13	20	50 - 21	AR34850	2B14	4	50 - 23
AR32127	2B8	11	50 - 14	AR33479	1F22	11	40 - 3	AR34927	3B4	12	90 - 9
AR32128	2B13	23	50 - 21	AR33479	1F24	11	40 - 5	AR34959	3B6	10	90 - 11
AR32130	2B6	4	50 - 11	AR33479	3B6	4	90 - 11	AR34960	3B6	10	90 - 11
AR32136	2B10	1	50 - 17	AR33821	2E22	4	70 - 11	AR34962	3B6	10	90 - 11
AR32140	2B6	28	50 - 11	AR33877	2G14	37	70 - 55	AR34985	2B6	1	50 - 11

1K11

TRACTOR - 2510

NUMERICAL INDEX - CONTINUED

PART NO.	GRID	KEY	PAGE	PART NO.	GRID	KEY	PAGE	PART NO.	GRID	KEY	PAGE
AR35223	2E3	19	60 - 15	AR38279	1D19	17	30 - 17	AR38409	2B3	12	50 - 8
AR35223	2E7	12	60 - 19	AR38280	1D19	61	30 - 17	AR38411	2B16	7	50 - 25
AR35345	2I7	34	70 - 101	AR38281	2B2	40	50 - 7	AR38413	2C6	7	50 - 41
AR35710	2D6	21	50 - 69	AR38282	2B4	16	50 - 9	AR38418	1F22	23	40 - 3
AR35710	2D8	7	50 - 71	AR38284	2B6	32	50 - 11	AR38418	1F24	24	40 - 5
AR35712	2C17	16	50 - 52	AR38285	2B2	15	50 - 7	AR38418	1G1	..	40 - 6
AR35712	2F18	47	70 - 33	AR38286	2A25	19	50 - 5	AR38418	1G2	..	40 - 7
AR35823	2F21	35	70 - 37	AR38288	3B6	44	90 - 11	AR38426	2G18	8	70 - 59
AR35823	2F22	5	70 - 38	AR38289	3B6	44	90 - 11	AR38443	1D11	11	30 - 9
AR36047	3A23	24	90 - 3	AR38290	1D19	3	30 - 17	AR38443	1D13	12	30 - 11
AR36047	3A23	27	90 - 3	AR38291	2C25	20	50 - 62	AR38444	1D11	8	30 - 9
AR36048	3A25	18	90 - 5	AR38292	2C3	20	50 - 38	AR38445	1D13	6	30 - 11
AR36272	2D6	30	50 - 69	AR38295	2B8	5	50 - 14	AR38446	1D11	8	30 - 9
AR36383	3B2	18	90 - 7	AR38295	2B10	13	50 - 17	AR38451	2I25	2	80 - 10
AR37017	2I14	3	70 - 108	AR38296	2B10	23	50 - 17	AR38452	1H2	21	40 - 29
AR38036	2G4	16	70 - 45	AR38297	2C8	14	50 - 43	AR38453	1H2	8	40 - 29
AR38036	2G4	17	70 - 45	AR38299	2B4	2	50 - 9	AR38453	1H2	17	40 - 29
AR38038	2I17	7	80 - 1	AR38299	2B8	27	50 - 14	AR38453	1H5	13	40 - 32
AR38043	2D25	16	60 - 11	AR38299	2B10	15	50 - 17	AR38453	1H6	4	40 - 33
AR38044	3B4	7	90 - 9	AR38300	2C9	4	50 - 44	AR38455	1H2	10	40 - 29
AR38048	2D18	5	60 - 5	AR38301	2C12	22	50 - 47	AR38455	1H2	19	40 - 29
AR38048	2D18	8	60 - 5	AR38305	2B7	14	50 - 12	AR38455	1H5	15	40 - 32
AR38090	3B2	5	90 - 7	AR38306	2G4	17	70 - 45	AR38456	1H2	16	40 - 29
AR38131	2D4	9	50 - 67	AR38307	2G4	16	70 - 45	AR38456	1H4	15	40 - 31
AR38132	2F17	25	70 - 32	AR38312	2G4	11	70 - 45	AR38456	1H6	15	40 - 33
AR38168	2C2	11	50 - 37	AR38313	2G4	10	70 - 45	AR38456	1H7	15	40 - 34
AR38168	2C24	11	50 - 61	AR38314	2G1	17	70 - 42	AR38458	1F22	19	40 - 3
AR38171	2B2	27	50 - 7	AR38315	2G1	16	70 - 42	AR38458	1F24	21	40 - 5
AR38195	1F24	16	40 - 5	AR38316	2G2	17	70 - 43	AR38458	1G9	19	40 - 13
AR38197	1F22	15	40 - 3	AR38317	2G2	16	70 - 43	AR38458	1G11	..	40 - 15
AR38202	2I23	20	80 - 7	AR38320	2C21	6	50 - 57	AR38459	1F22	18	40 - 3
AR38203	2I23	20	80 - 7	AR38320	3B4	9	90 - 9	AR38459	1F24	20	40 - 5
AR38204	2I23	30	80 - 7	AR38321	2D21	12	60 - 7	AR38459	1G9	21	40 - 13
AR38205	2I23	30	80 - 7	AR38321	2D23	15	60 - 9	AR38461	1G11	11	40 - 15
AR38206	2I23	20	80 - 7	AR38322	2E7	40	60 - 19	AR38462	1H11	..	40 - 38
AR38207	2I23	20	80 - 7	AR38323	2F15	15	70 - 30	AR38470	2G1	13	70 - 42
AR38208	2D9	9	50 - 72	AR38324	2E7	40	60 - 19	AR38471	2G1	12	70 - 42
AR38208	2D9	10	50 - 72	AR38325	2F17	15	70 - 32	AR38472	2G2	13	70 - 43
AR38209	2E8	18	60 - 20	AR38326	2F16	26	70 - 31	AR38473	2G2	12	70 - 43
AR38210	2I23	1	80 - 7	AR38327	2F16	40	70 - 31	AR38474	2G4	17	70 - 45
AR38212	2A25	33	50 - 5	AR38329	2F16	24	70 - 31	AR38475	2G4	16	70 - 45
AR38212	2C4	2	50 - 39	AR38329	2F17	24	70 - 32	AR38477	2H12	34	70 - 81
AR38213	2D18	7	60 - 5	AR38330	2F18	41	70 - 33	AR38478	2B8	5	50 - 14
AR38216	3B4	30	90 - 9	AR38331	2G6	6	70 - 47	AR38478	2B10	13	50 - 17
AR38217	2E14	1	70 - 3	AR38331	2G8	28	70 - 49	AR38479	2B10	23	50 - 17
AR38217	2E16	..	70 - 5	AR38332	2G6	15	70 - 47	AR38490	1D9	10	30 - 7
AR38219	2E16	14	70 - 5	AR38332	2G8	27	70 - 49	AR38491	1D9	15	30 - 7
AR38223	2E18	23	70 - 7	AR38333	2G6	19	70 - 47	AR38495	2F16	33	70 - 31
AR38225	2E18	17	70 - 7	AR38334	2G6	20	70 - 47	AR38495	2F18	34	70 - 33
AR38228	2E7	32	60 - 19	AR38335	2G9	4	70 - 50	AR38496	2B4	16	50 - 9
AR38229	2E7	35	60 - 19	AR38336	2G9	5	70 - 50	AR38498	2A25	27	50 - 5
AR38232	2I23	35	80 - 7	AR38337	2G9	2	70 - 50	AR38500	2C21	6	50 - 57
AR38233	2I23	37	80 - 7	AR38339	2F16	44	70 - 31	AR38500	3B4	9	90 - 9
AR38234	2I23	23	80 - 7	AR38341	3B2	25	90 - 7	AR38508	1B8	1	30 - 6
AR38239	2G18	8	70 - 59	AR38345	2A25	27	50 - 5	AR38509	1D11	8	30 - 9
AR38246	2F15	5	70 - 30	AR38359	1F22	25	40 - 3	AR38510	1D11	8	30 - 9
AR38246	2F17	5	70 - 32	AR38359	1F24	26	40 - 5	AR38511	2E18	5	70 - 7
AR38247	2J3	16	80 - 13	AR38359	2J4	14	80 - 14	AR38511	2E18	7	70 - 7
AR38255	2I5	24	70 - 99	AR38364	1C17	14	20 - 43	AR38511	2E18	9	70 - 7
AR38256	2I5	13	70 - 99	AR38383	1D7	1	30 - 5	AR38511	2E18	10	70 - 7
AR38260	2I5	12	70 - 99	AR38397	1D7	11	30 - 5	AR38511	2E18	30	70 - 7
AR38267	1D20	7	30 - 18	AR38398	1D7	10	30 - 5	AR38511	2E18	32	70 - 7
AR38268	1D20	14	30 - 18	AR38403	2C12	16	50 - 47	AR38511	2E18	33	70 - 7
AR38269	1D20	19	30 - 18	AR38404	2C3	9	50 - 38	AR38551	1C17	14	20 - 43
AR38269	1F22	17	40 - 3	AR38405	2C25	9	50 - 62	AR38568	2D9	9	50 - 72
AR38269	1F24	17	40 - 5	AR38406	2E13	10	70 - 2	AR38568	2D9	10	50 - 72
AR38277	2E8	13	60 - 20	AR38407	2D4	23	50 - 67	AR38576	2B4	16	50 - 9

1K12

TRACTOR - 2510

NUMERICAL INDEX - CONTINUED

PART NO.	GRID	KEY	PAGE	PART NO.	GRID	KEY	PAGE	PART NO.	GRID	KEY	PAGE
AR38580	2H7	8	70 - 76	AR39763	2G12	32	70 - 53	AR40603	2D16	18	60 - 3
AR38590	2E18	23	70 - 7	AR39773	2D1	21	50 - 63	AR40710	1F22	28	40 - 3
AR38597	1F22	15	40 - 3	AR39777	2H12	28	70 - 81	AR40710	1F24	29	40 - 5
AR38598	1D19	17	30 - 17	AR39783	2I11	2	70 - 105	AR40710	1I7	13	40 - 56
AR38603	1D11	8	30 - 9	AR39791	2D21	20	60 - 7	AR40744	2F22	11	70 - 38
AR38713	2G21	10	70 - 62	AR39792	2D7	10	50 - 70	AR40786	2D25	16	60 - 11
AR38714	2E24	31	70 - 13	AR39795	2D7	12	50 - 70	AR40791	2C16	21	50 - 51
AR38752	1H6	5	40 - 33	AR39795	2D21	21	60 - 7	AR40794	2B13	20	50 - 21
AR38778	2D18	7	60 - 5	AR39823	2D7	6	50 - 70	AR40800	2C9	4	50 - 44
AR38779	2I23	1	80 - 7	AR39823	2D8	6	50 - 71	AR40802	3B2	21	90 - 7
AR38784	2E18	23	70 - 7	AR39858	2J17	21	80 - 27	AR40824	2F21	35	70 - 37
AR38790	1C11	16	20 - 37	AR39904	3B2	22	90 - 7	AR40824	2F22	5	70 - 38
AR38790	1C12	13	20 - 38	AR39909	3B2	22	90 - 7	AR40865	2I11	1	70 - 105
AR38790	1C13	13	20 - 39	AR40207	2J3	25	80 - 13	AR40917	2C21	28	50 - 57
AR38807	1G5	..	40 - 9	AR40208	2J3	4	80 - 13	AR40938	1G9	23	40 - 13
AR38837	1C8	8	20 - 34	AR40208	2J4	5	80 - 14	AR40947	1H15	4	40 - 43
AR38848	1C8	13	20 - 34	AR40226	2J3	16	80 - 13	AR40947	1H15	5	40 - 43
AR38849	2G20	1	70 - 61	AR40234	2D6	5	50 - 69	AR40975	2H6	6	70 - 75
AR38850	2E16	14	70 - 5	AR40258	1D21	7	30 - 19	AR40976	2H6	5	70 - 75
AR38872	1F22	15	40 - 3	AR40258	1E10	..	30 - 33	AR40977	2H6	2	70 - 75
AR38872	1G1	..	40 - 6	AR40258	1E11	8	30 - 34	AR40985	2C12	22	50 - 47
AR38873	1F24	16	40 - 5	AR40259	1E9	19	30 - 32	AR41016	2E7	17	60 - 19
AR38873	1G2	..	40 - 7	AR40259	1E10	..	30 - 33	AR41016	2F15	14	70 - 30
AR38874	1G1	..	40 - 6	AR40259	1E11	8	30 - 34	AR41016	2F17	14	70 - 32
AR38874	1G2	..	40 - 7	AR40360	1D11	7	30 - 9	AR41023	2F21	..	70 - 37
AR38875	1G1	..	40 - 6	AR40360	1D13	4	30 - 11	AR41023	2F23	..	70 - 39
AR38876	1G2	..	40 - 7	AR40361	1D11	6	30 - 9	AR41039	2F21	..	70 - 37
AR38884	2F16	26	70 - 31	AR40361	1D13	3	30 - 11	AR41039	2F23	..	70 - 39
AR38885	2E16	14	70 - 5	AR40404	2E7	13	60 - 19	AR41182	2C21	32	50 - 57
AR38898	2E13	10	70 - 2	AR40407	1E10	12	30 - 33	AR41284	1H2	4	40 - 29
AR389R	2B21	19	50 - 30	AR40417	2H4	6	70 - 73	AR41288	1F22	31	40 - 3
AR389R	2B22	9	50 - 31	AR40418	1G14	5	40 - 16B	AR41288	1F24	32	40 - 5
AR38923	2D4	9	50 - 67	AR40452	2E16	4	70 - 5	AR41288	3B6	36	90 - 11
AR38926	2E14	..	70 - 3	AR40453	2E1	9	60 - 13	AR41584	2I24	4	80 - 9
AR38926	2E16	..	70 - 5	AR40465	2I14	10	70 - 108	AR41691	1C11	5	20 - 37
AR38926	2E18	23	70 - 7	AR40470	1D11	18	30 - 9	AR41691	1C12	4	20 - 38
AR38946	2B11	2	50 - 19	AR40470	1D13	19	30 - 11	AR41691	1C13	4	20 - 39
AR38947	2B11	1	50 - 19	AR40472	2D7	19	50 - 70	AR41743	2H23	23	70 - 92
AR39026	2E16	23	70 - 5	AR40472	2D8	16	50 - 71	AR41744	2H23	1	70 - 92
AR39026	2E22	25	70 - 11	AR40472	2D8	20	50 - 71	AR41746	2C14	14	50 - 49
AR39034	2G20	1	70 - 61	AR40472	2D8	27	50 - 71	AR41752	2C2	2	50 - 37
AR39106	2E18	29	70 - 7	AR40472	2D16	18	60 - 3	AR41752	2C24	2	50 - 61
AR39505	1F22	32	40 - 3	AR40475	2D6	27	50 - 69	AR41753	2I7	34	70 - 101
AR39505	1F24	33	40 - 5	AR40475	2D7	9	50 - 70	AR41754	1H19	8	40 - 46
AR39505	3B6	40	90 - 11	AR40475	2D8	12	50 - 71	AR41756	1H15	2	40 - 43
AR39561	2F18	45	70 - 33	AR40475	2D8	16	50 - 71	AR41756	1H16	2	40 - 44
AR39585	2E5	1	60 - 17	AR40475	2D8	20	50 - 71	AR41756	1H18	2	40 - 45B
AR39595	1D20	24	30 - 18	AR40475	2D8	27	50 - 71	AR41756	1H19	1	40 - 46
AR39668	2D21	13	60 - 7	AR40475	2D16	18	60 - 3	AR41756	1H15	1	40 - 43
AR39668	2D23	16	60 - 9	AR40477	2D7	17	50 - 70	AR41758	1H16	1	40 - 44
AR39676	2C21	44	50 - 57	AR40478	2D8	16	50 - 71	AR41758	1H18	1	40 - 45B
AR39678	2D7	25	50 - 70	AR40478	2D8	20	50 - 71	AR41758	1H19	10	40 - 46
AR39678	2D8	26	50 - 71	AR40478	2D8	27	50 - 71	AR41760	1H15	3	40 - 43
AR39678	2D21	11	60 - 7	AR40478	2D16	18	60 - 3	AR41761	3C3	10	90 - 32
AR39678	2D23	14	60 - 9	AR40482	1E10	3	30 - 33	AR41761	3C4	6	90 - 33
AR39679	2D7	19	50 - 70	AR40482	1E10	..	30 - 33	AR41761	3C6	4	90 - 33B
AR39679	2D8	20	50 - 71	AR40493	2D6	30	50 - 69	AR41762	3C3	2	90 - 32
AR39679	2D16	18	60 - 3	AR40507	1H2	12	40 - 29	AR41785	1A24	..	20 - 3
AR39681	2H20	22	70 - 89	AR40507	1H5	12	40 - 32	AR41794	2B2	33	50 - 7
AR39682	3B24	4	90 - 29	AR40518	2C12	17	50 - 47	AR41870	1A24	..	20 - 3
AR39683	3B24	2	90 - 29	AR40602	2D7	17	50 - 70	AR41885	2C22	32	50 - 59
AR39691	2F16	57	70 - 31	AR40602	2D7	19	50 - 70	AR41942	2B6	31	50 - 11
AR39691	2F18	51	70 - 33	AR40602	2D7	26	50 - 70	AR41950	1H15	7	40 - 43
AR39695	2E14	1	70 - 3	AR40602	2D16	18	60 - 3	AR41950	1H16	8	40 - 44
AR39695	2E22	..	70 - 11	AR40603	2D8	16	50 - 71	AR41950	1H18	8	40 - 45B
AR39696	2E22	16	70 - 11	AR40603	2D8	20	50 - 71	AR41950	1H19	3	40 - 46
AR39747	2F22	23	70 - 38	AR40603	2D8	27	50 - 71	AR41951	1H15	6	40 - 43

1K13

TRACTOR - 2510

NUMERICAL INDEX - CONTINUED

PART NO.	GRID	KEY	PAGE	PART NO.	GRID	KEY	PAGE	PART NO.	GRID	KEY	PAGE
AR41951	1H16	7	40 - 44	AR44989	1H7	16	40 - 34	AR45833	3B12	9	90 - 17
AR41951	1H18	7	40 - 45B	AR44990	3B20	..	90 - 25	AR45834	3B12	6	90 - 17
AR41951	1H19	2	40 - 46	AR44991	3B20	..	90 - 25	AR45835	3B9	7	90 - 14
AR42005	2D9	12	50 - 72	AR44994	1H6	11	40 - 33	AR45836	3B9	5	90 - 14
AR42009	2D25	17	60 - 11	AR44995	1H6	12	40 - 33	AR45837	1H8	20	40 - 35
AR42009	2E1	3	60 - 13	AR44996	1H6	16	40 - 33	AR45838	1H8	16	40 - 35
AR42009	2E1	18	60 - 13	AR44997	2B20	6	50 - 29	AR45839	1H9	10	40 - 36
AR42093	2B10	13	50 - 17	AR44997	2B20	15	50 - 29	AR45840	1H8	15	40 - 35
AR42093	2B10	32	50 - 17	AR45007	3B20	6	90 - 25	AR45841	1H8	13	40 - 35
AR42109	2D6	30	50 - 69	AR45008	3B20	15	90 - 25	AR45842	1H8	10	40 - 35
AR42119	1H6	1	40 - 33	AR45009	3B21	12	90 - 26	AR45843	1H8	3	40 - 35
AR42119	1H7	2	40 - 34	AR45013	1H16	4	40 - 44	AR45844	1H8	4	40 - 35
AR42119	1H7	6	40 - 34	AR45024	3B21	17	90 - 26	AR45845	3B13	12	90 - 18
AR42120	1H6	10	40 - 33	AR45025	3B21	21	90 - 26	AR45846	3B9	4	90 - 14
AR42120	1H7	29	40 - 34	AR45026	3B21	22	90 - 26	AR45847	1H6	9	40 - 33
AR42121	1H6	3	40 - 33	AR45027	3B21	13	90 - 26	AR45849	1H9	8	40 - 36
AR42121	1H7	29	40 - 34	AR45028	3B21	1	90 - 26	AR45850	3B11	2	90 - 16
AR42221	2D1	8	50 - 63	AR45031	3B21	17	90 - 26	AR45851	1H9	13	40 - 36
AR42221	2D1	10	50 - 63	AR45032	3B21	21	90 - 26	AR45852	1H9	16	40 - 36
AR42221	2D1	11	50 - 63	AR45033	3B21	22	90 - 26	AR45853	1H9	6	40 - 36
AR42223	2D1	10	50 - 63	AR45035	1D15	..	30 - 13	AR45854	1H9	11	40 - 36
AR42285	2F16	57	70 - 31	AR45037	1H8	20	40 - 35	AR45856	3B12	5	90 - 17
AR42285	2F18	51	70 - 33	AR45099	1H6	17	40 - 33	AR45857	3B10	1	90 - 15
AR42290	2C21	25	50 - 57	AR45099	1H7	16	40 - 34	AR45858	3B10	3	90 - 15
AR42292	2C21	23	50 - 57	AR45099	1H7	28	40 - 34	AR45923	1F22	25	40 - 3
AR42330	2D9	12	50 - 72	AR45112	1H6	6	40 - 33	AR45923	1F24	26	40 - 5
AR42400	2D16	29	60 - 3	AR45168	2J7	9	80 - 17	AR45923	2J4	14	80 - 14
AR42431	1H16	3	40 - 44	AR45170	2B2	21	50 - 7	AR46115	1G4	..	40 - 8
AR42591	1H7	2	40 - 34	AR45240	2B23	10	50 - 32	AR46147	1D11	11	30 - 9
AR42613	2D7	3	50 - 70	AR45255	2C18	22	50 - 53	AR46147	1D13	12	30 - 11
AR42613	2D8	3	50 - 71	AR45342	2B23	16	50 - 32	AR46256	2I11	12	70 - 105
AR43795	2I14	9	70 - 108	AR45369	2I24	5	80 - 9	AR46289	2I19	12	80 - 3
AR43809	2E3	18	60 - 15	AR45371	2I24	4	80 - 9	AR46298	2H18	1	70 - 87
AR44031	2F18	41	70 - 33	AR45381	2B13	20	50 - 21	AR46730	1H12	3	40 - 39
AR44189	2I7	20	70 - 101	AR45408	2J7	9	80 - 17	AR46828	2I11	3	70 - 105
AR44254	3C7	2	90 - 34	AR45438	3B2	10	90 - 7	AR46841	1F14	4	30 - 61
AR44255	3C7	1	90 - 34	AR45453	2I25	2	80 - 10	AR46977	1F4	1	30 - 51
AR44263	2B23	10	50 - 32	AR45530	1B2	7	20 - 5	AR46984	1H18	21	40 - 45B
AR44270	2B23	16	50 - 32	AR45670	1D11	5	30 - 9	AR46986	1H15	3	40 - 43
AR44356	2H5	8	70 - 74	AR45670	1D13	2	30 - 11	AR46986	1H15	4	40 - 43
AR44361	1D11	7	30 - 9	AR45677	2J7	4	80 - 17	AR46986	1H16	3	40 - 44
AR44361	1D13	4	30 - 11	AR45694	1F22	14	40 - 3	AR46986	1H16	4	40 - 44
AR44402	1A23	1	20 - 2	AR45694	1F24	15	40 - 5	AR46986	1H18	4	40 - 45B
AR44430	2D23	23	60 - 9	AR45718	3B20	17	90 - 25	AR46986	1H18	5	40 - 45B
AR44542	1E20	3	30 - 43	AR45810	3B14	8	90 - 19	AR47091	2K3	17	80 - 37
AR44552	2C16	11	50 - 51	AR45811	3B14	14	90 - 19	AR47170	2E22	16	70 - 11
AR44553	2C16	4	50 - 51	AR45812	3B14	3	90 - 19	AR47210	3C2	9	90 - 31
AR44553	2C16	8	50 - 51	AR45813	3B15	2	90 - 20	AR47290	2D25	16	60 - 11
AR44554	2C16	21	50 - 51	AR45814	3B15	3	90 - 20	AR47304	1E10	8	30 - 33
AR44707	3C4	16	90 - 33	AR45815	3B15	6	90 - 20	AR47331	2G12	20	70 - 53
AR44712	2C1	5	50 - 36	AR45816	3B15	10	90 - 20	AR47331	2G22	20	70 - 63
AR44712	2C1	7	50 - 36	AR45817	3B16	15	90 - 21	AR47373	1F22	30	40 - 3
AR44712	2C23	5	50 - 60	AR45818	3B17	21	90 - 22	AR47373	1F24	31	40 - 5
AR44712	2C23	7	50 - 60	AR45819	3B16	9	90 - 21	AR47373	3B6	28	90 - 11
AR44765	2H6	6	70 - 75	AR45820	3B17	22	90 - 22	AR47374	1H11	1	40 - 38
AR44765	3A23	8	90 - 3	AR45821	3B16	3	90 - 21	AR47374	1H12	1	40 - 39
AR44781	3C2	9	90 - 31	AR45822	3B17	8	90 - 22	AR47374	3B6	28	90 - 11
AR44820	2I7	34	70 - 101	AR45823	3B17	4	90 - 22	AR47374	3B6	29	90 - 11
AR44883	2E1	9	60 - 13	AR45824	3B17	5	90 - 22	AR47374	3B6	30	90 - 11
AR44883	2E3	41	60 - 15	AR45825	1H6	13	40 - 33	AR47486	2I14	5	70 - 108
AR44952	1F22	33	40 - 3	AR45826	1H6	18	40 - 33	AR47490	2I12	1	70 - 106
AR44952	1F24	34	40 - 5	AR45827	3B11	11	90 - 16	AR47567	2I11	11	70 - 105
AR44953	1F21	10	40 - 2	AR45828	3B11	9	90 - 16	AR47580	2E22	16	70 - 11
AR44953	1F23	10	40 - 4	AR45829	3B11	12	90 - 16	AR47603	2I14	11	70 - 108
AR44987	3B7	8	90 - 12	AR45830	3B11	1	90 - 16	AR47611	2B14	23	50 - 23
AR44988	3B22	1	90 - 27	AR45831	3B11	5	90 - 16	AR47643	2G6	40	70 - 47
AR44989	1H6	17	40 - 33	AR45832	3B12	4	90 - 17	AR47643	2G8	1	70 - 49

1K14

TRACTOR - 2510

NUMERICAL INDEX - CONTINUED

PART NO.	GRID	KEY	PAGE	PART NO.	GRID	KEY	PAGE	PART NO.	GRID	KEY	PAGE
AR47643	2G10	33	70 - 51	AR49709	2C17	6	50 - 52	AR52224	2F6	7	70 - 19
AR47643	2G12	1	70 - 53	AR49797	1H20	1	40 - 47	AR52224	2F12	23	70 - 25
AR47643	2G13	1	70 - 54	AR49798	1H20	1	40 - 47	AR52251	2C19	8	50 - 55
AR47643	2G22	7	70 - 63	AR50088	2H12	34	70 - 81	AR52252	1B12	3	20 - 14
AR47685	1F22	33	40 - 3	AR50270	1G5	..	40 - 9	AR52254	2E24	37	70 - 13
AR47685	1F24	34	40 - 5	AR50400	3B2	22	90 - 7	AR52254	2F8	32	70 - 21
AR47685	1G1	..	40 - 6	AR50401	3B2	22	90 - 7	AR52271	1F4	1	30 - 51
AR47685	1G2	..	40 - 7	AR50404	3B2	22	90 - 7	AR52271	1F12	..	30 - 59
AR47686	1F21	10	40 - 2	AR50405	3B2	22	90 - 7	AR52271	1F13	..	30 - 60
AR47686	1F23	10	40 - 4	AR50779	1H20	2	40 - 47	AR52271	1F15	..	30 - 62
AR47686	1G1	..	40 - 6	AR50780	1H20	2	40 - 47	AR52335	2C19	12	50 - 55
AR47686	1G2	..	40 - 7	AR50834	1H10	8	40 - 59	AR52392	1H22	4	40 - 49
AR47710	1G1	..	40 - 6	AR50865	2J7	9	80 - 17	AR52393	2K3	10	80 - 37
AR47710	1G2	..	40 - 7	AR50896	1E14	2	30 - 37	AR52393	2K3	17	80 - 37
AR47711	1G1	..	40 - 6	AR50896	1E16	30	30 - 39	AR52436	1F12	22	30 - 59
AR47711	1G2	..	40 - 7	AR50897	1E14	2	30 - 37	AR52436	1F13	21	30 - 60
AR47803	2B14	8A	50 - 23	AR50897	1E16	30	30 - 39	AR52436	1F14	5	30 - 61
AR47803	2F13	1	70 - 27	AR50897	1F10	..	30 - 57	AR52436	1F15	5	30 - 62
AR47803	2F16	39	70 - 31	AR50897	1F12	22	30 - 59	AR52494	2F2	9	70 - 15
AR47803	2F18	40	70 - 33	AR50897	1F12	..	30 - 59	AR52498	2D15	7	60 - 2
AR47803	2F18	42A	70 - 33	AR50897	1F13	21	30 - 60	AR52556	1E11	7	30 - 34
AR47825	2G18	6	70 - 59	AR50897	1F13	..	30 - 60	AR52589	1D23	..	30 - 21
AR47825	2G18	8	70 - 59	AR50897	1F14	5	30 - 61	AR52589	1D25	..	30 - 23
AR47859	3C10	7	90 - 37	AR50897	1F14	..	30 - 61	AR52589	1E5	14	30 - 28
AR48019	3B2	22	90 - 7	AR50897	1F15	5	30 - 62	AR52593	1E6	15	30 - 29
AR48020	3B2	22	90 - 7	AR50897	1F15	..	30 - 62	AR52620	2G14	30	70 - 55
AR48040	1H7	27	40 - 34	AR50926	1H22	14	40 - 49	AR52623	2G14	38	70 - 55
AR48041	1G25	22	40 - 27	AR50927	1H20	20	40 - 47	AR52690	1E20	8	30 - 43
AR48041	1H7	26	40 - 34	AR50927	1H22	20	40 - 49	AR52690	1E23	29	30 - 46
AR48110	2I11	1	70 - 105	AR50928	1H20	18	40 - 47	AR52785	2E16	23	70 - 5
AR48111	2I11	2	70 - 105	AR50929	1H22	19	40 - 49	AR52785	2E22	25	70 - 11
AR48233	2E7	13	60 - 19	AR50930	1H22	15	40 - 49	AR52927	1F22	18	40 - 3
AR48234	2E7	13	60 - 19	AR50931	1H22	23	40 - 49	AR52927	1F24	20	40 - 5
AR48235	2E7	13	60 - 19	AR50962	2J8	5	80 - 18	AR52927	1G9	21	40 - 13
AR48236	2E7	13	60 - 19	AR50963	2J8	5	80 - 18	AR52929	2C12	22	50 - 47
AR48594	1H2	8	40 - 29	AR50981	2J8	13	80 - 18	AR53036	2C11	1	50 - 46
AR48594	1H2	17	40 - 29	AR50981	2J9	21	80 - 19	AR53036	2C12	..	50 - 47
AR48594	1H5	13	40 - 32	AR50981	2J9	23	80 - 19	AR53212	2C7	1	50 - 42
AR48594	1H6	4	40 - 33	AR50984	2J8	13	80 - 18	AR53213	2B8	17	50 - 14
AR48643	1F21	8	40 - 2	AR50984	2J9	21	80 - 19	AR53301	2E16	11	70 - 5
AR48643	1F23	8	40 - 4	AR50984	2J9	23	80 - 19	AR53301	2E22	12	70 - 11
AR48643	3B6	23	90 - 11	AR51416	3C3	2	90 - 32	AR53301	2F6	10	70 - 19
AR48679	2C14	14	50 - 49	AR51417	3C3	2	90 - 32	AR53370	1C24	25	20 - 51
AR48689	2B13	26	50 - 21	AR51452	3C2	9	90 - 31	AR53840	2C18	10	50 - 53
AR48689	2B13	29	50 - 21	AR51483	1H18	22	40 - 45B	AR53841	2C18	7	50 - 53
AR48690	2B13	26	50 - 21	AR51484	1H18	19	40 - 45B	AR54487	2C2	11	50 - 37
AR48690	2B13	29	50 - 21	AR51584	2J9	19	80 - 19	AR54487	2C24	11	50 - 61
AR48717	1H15	4	40 - 43	AR51712	1E23	5	30 - 46	AR54747	1B13	3	20 - 15
AR48717	1H15	5	40 - 43	AR51713	1F2	1	30 - 49	AR54749	1B12	..	20 - 14
AR48872	2I25	2	80 - 10	AR51745	2E24	9	70 - 13	AR54749	1B13	..	20 - 15
AR48873	2I25	2	80 - 10	AR51801	2D18	2	60 - 5	AR54923	1G17	6	40 - 19
AR48898	2B8	16	50 - 14	AR51902	1B12	3	20 - 14	AR54923	1G17	8	40 - 19
AR48976	2J1	1	80 - 11	AR51973	1H18	4	40 - 45B	AR54923	1G19	22	40 - 21
AR49032	1H12	..	40 - 39	AR52099	2E16	23	70 - 5	AR54923	1G19	25	40 - 21
AR49032	1H13	12	40 - 40	AR52099	2E22	25	70 - 11	AR54923	1G24	2	40 - 26
AR49038	1H12	8	40 - 39	AR52158	1D21	7	30 - 19	AR54923	1G24	4	40 - 26
AR49202	2I2	19	70 - 97	AR52158	1E11	8	30 - 34	AR55180	2J8	13	80 - 18
AR49206	2I2	14	70 - 97	AR52159	1D21	7	30 - 19	AR55180	2J9	21	80 - 19
AR49352	1I10	17	40 - 59	AR52159	1E9	19	30 - 32	AR55180	2J9	23	80 - 19
AR49427	2E13	4	70 - 2	AR52159	1E10	1	30 - 33	AR55186	2E22	4	70 - 11
AR49457	2B23	27	50 - 32	AR52159	1E10	6	30 - 33	AR55216	2C2	11	50 - 37
AR49532	2C12	17	50 - 47	AR52159	1E10	8	30 - 33	AR55216	2C24	11	50 - 61
AR49535	2E3	8	60 - 15	AR52159	1E10	9	30 - 33	AR55282	2J20	20	80 - 30
AR49536	2E3	8	60 - 15	AR52159	1E11	8	30 - 34	AR55423	2C12	17	50 - 47
AR49578	2I13	1	70 - 107	AR52224	2E16	7	70 - 5	AR55694	1F21	4	40 - 2
AR49622	2I13	8	70 - 107	AR52224	2E22	7	70 - 11	AR55694	1F23	4	40 - 4
AR49680	3B11	5	90 - 16	AR52224	2F4	19	70 - 17	AR55694	1H20	24	40 - 47

1K15

TRACTOR - 2510

NUMERICAL INDEX - CONTINUED

PART NO.	GRID	KEY	PAGE	PART NO.	GRID	KEY	PAGE	PART NO.	GRID	KEY	PAGE
AR55694	3B2	12	90 - 7	AR62979	1C4	28	20 - 31	AR69349	2D4	12	50 - 67
AR55694	3B2	16	90 - 7	AR62979	1C5	5	20 - 32	AR69444	2E12	1	70 - 1
AR55694	3B2	17	90 - 7	AR63218	1A22	1	20 - 1	AR69445	2E12	1	70 - 1
AR55758	1B15	1	20 - 17	AR63219	1A22	1	20 - 1	AR69810	1E14	2	30 - 37
AR55758	1B19	1	20 - 21	AR63222	1A22	1	20 - 1	AR69810	1E16	30	30 - 39
AR55760	1B9	7	20 - 11B	AR63657	1B2	14	20 - 5	AR69810	1F10	..	30 - 57
AR55761	1B17	1	20 - 19	AR63979	1A22	1	20 - 1	AR69810	1F12	22	30 - 59
AR55888	1H4	8	40 - 31	AR64120	1D21	7	30 - 19	AR69810	1F12	..	30 - 59
AR56014	2I9	36	70 - 103	AR64120	1E10	..	30 - 33	AR69810	1F13	21	30 - 60
AR56022	2H23	23	70 - 92	AR64120	1E11	8	30 - 34	AR69810	1F13	..	30 - 60
AR56023	2H23	1	70 - 92	AR64725	1B5	15	20 - 9	AR69810	1F14	5	30 - 61
AR56086	1D23	5	30 - 21	AR64992	1H8	20	40 - 35	AR69810	1F14	..	30 - 61
AR56086	1D25	6	30 - 23	AR64992	1H9	10	40 - 36	AR69810	1F15	5	30 - 62
AR56290	1E18	14	30 - 41	AR65005	1F21	2	40 - 2	AR69810	1F15	..	30 - 62
AR56782	1D8	1	30 - 6	AR65005	1F21	7	40 - 2	AR69819	1E14	2	30 - 37
AR57156	1H18	4	40 - 45B	AR65005	1F23	2	40 - 4	AR69819	1E16	30	30 - 39
AR57157	1H15	4	40 - 43	AR65005	1F23	7	40 - 4	AR69819	1F6	..	30 - 53
AR57157	1H15	5	40 - 43	AR65005	1I17	1	40 - 66	AR69819	1F8	..	30 - 55
AR58196	1C1	7	20 - 28	AR65006	1H2	11	40 - 29	AR69819	1F9	..	30 - 56
AR58357	2I19	12	80 - 3	AR65006	1H2	20	40 - 29	AR69819	1F10	..	30 - 57
AR58357	2I21	2	80 - 5	AR65006	1H5	14	40 - 32	AR69819	1F11	..	30 - 58
AR58363	2I20	3	80 - 4	AR65006	1H9	5	40 - 36	AR69819	1F12	22	30 - 59
AR59057	1B5	15	20 - 9	AR65006	1I17	2	40 - 66	AR69819	1F12	..	30 - 59
AR59066	1B7	1	20 - 11	AR65070	1B13	3	20 - 15	AR69819	1F13	21	30 - 60
AR59444	1H8	20	40 - 35	AR65492	2B22	13	50 - 31	AR69819	1F13	..	30 - 60
AR59444	1H9	10	40 - 36	AR65881	2F19	9	70 - 35	AR69819	1F14	5	30 - 61
AR59663	1H14	2	40 - 42	AR66031	1E2	32	30 - 25	AR69819	1F14	..	30 - 61
AR59679	3A23	1	90 - 3	AR67074	1C4	29	20 - 31	AR69819	1F15	5	30 - 62
AR59680	3A23	2	90 - 3	AR67670	1C4	23	20 - 31	AR69819	1F15	..	30 - 62
AR60372	2H20	25	70 - 89	AR67706	1D21	3	30 - 19	AR69836	2J7	4	80 - 17
AR60372	2H23	16	70 - 92	AR67706	1D25	48	30 - 23	AR69854	3A25	14	90 - 5
AR60372	2I7	29	70 - 101	AR67706	1D25	..	30 - 23	AR69980	1G3	4	40 - 7A
AR60372	2I11	5	70 - 105	AR67706	1E2	18	30 - 25	AR69988	2I11	16	70 - 105
AR60372	2I11	6	70 - 105	AR67718	2F4	25	70 - 17	AR70082	1G17	16	40 - 19
AR60701	1C4	19	20 - 31	AR67783	2D25	17	60 - 11	AR70144	1E12	4	30 - 35
AR60937	3B6	19	90 - 11	AR67783	2E1	3	60 - 13	AR70144	1E20	..	30 - 43
AR61351	1B9	57	20 - 11B	AR67783	2E1	18	60 - 13	AR70144	1E21	..	30 - 44
AR61352	1B9	54	20 - 11B	AR67855	1I6	14	40 - 55	AR70144	1E22	..	30 - 45
AR61609	2B13	26	50 - 21	AR67855	1I8	9	40 - 57	AR70144	1E23	..	30 - 46
AR61609	2B13	29	50 - 21	AR67855	1I10	2	40 - 59	AR70144	1E24	..	30 - 47
AR61656	2I7	34	70 - 101	AR67880	2H20	22	70 - 89	AR70157	2B22	13	50 - 31
AR61868	1G4	..	40 - 8	AR67942	1B21	13	20 - 23	AR70633	1B15	1	20 - 17
AR62149	2H24	19	70 - 93	AR68147	2B21	5	50 - 30	AR70633	1B16	1	20 - 18
AR62151	2H20	21	70 - 89	AR68149	2B22	13	50 - 31	AR70633	1B17	1	20 - 19
AR62151	2H20	26	70 - 89	AR68197	3B6	10	90 - 11	AR70633	1B19	1	20 - 21
AR62151	2H22	35	70 - 91	AR68198	3B2	8	90 - 7	AR71590	1B17	5	20 - 19
AR62151	2H22	49	70 - 91	AR68265	2D18	2	60 - 5	AR71591	1B16	5	20 - 18
AR62151	2H23	17	70 - 92	AR68299	1G19	30	40 - 21	AR71617	1B5	15	20 - 9
AR62151	2H25	9	70 - 95	AR68302	1G21	10	40 - 23	AR71617	1B13	3	20 - 15
AR62151	2I2	17	70 - 97	AR68304	1G15	17	40 - 17	AR71617	1B16	4	20 - 18
AR62151	2I5	26	70 - 99	AR68304	1G15	26	40 - 17	AR71617	1B17	4	20 - 19
AR62151	2I7	30	70 - 101	AR68304	1G15	..	40 - 17	AR71617	1C22	23	20 - 49
AR62151	2I7	41	70 - 101	AR68304	1G17	26	40 - 19	AR71617	1C24	25	20 - 51
AR62152	2H24	8	70 - 93	AR68304	1G24	21	40 - 26	AR71618	1B9	18	20 - 11B
AR62244	1D21	3	30 - 19	AR68361	1H15	4	40 - 43	AR71902	2G18	7	70 - 59
AR62244	1E2	45	30 - 25	AR68361	1H18	4	40 - 45B	AR71902	2G18	8	70 - 59
AR62244	1E2	..	30 - 25	AR68362	1H15	4	40 - 43	AR71976	3A25	14	90 - 5
AR62244	1E6	15	30 - 29	AR68362	1H15	5	40 - 43	AR72132	2I21	6	80 - 5
AR62322	1D15	..	30 - 13	AR68728	3A23	24	90 - 3	AR72290	3B2	8	90 - 7
AR62359	1H24	1	40 - 51	AR68728	3A23	27	90 - 3	AR72957	1C8	10	20 - 34
AR62360	1H21	1	40 - 48	AR68801	2I21	11	80 - 5	AR73311	1H14	1	40 - 42
AR62377	1D15	..	30 - 13	AR69154	2B20	6	50 - 29	AR73500	2F14	1	70 - 29
AR62452	1B2	14	20 - 5	AR69154	2B20	15	50 - 29	AR73580	1H12	8	40 - 39
AR62978	1C4	25	20 - 31	AR69271	3A25	20	90 - 5	AR73673	1E18	14	30 - 41
AR62978	1C4	28	20 - 31	AR69315	2H22	26	70 - 91	AR73828	1E20	29	30 - 43
AR62978	1C5	1	20 - 32	AR69316	2H22	26	70 - 91	AR73828	1F10	10	30 - 57
AR62978	1C6	6	20 - 32B	AR69317	2H22	28	70 - 91	AR73828	1F13	32	30 - 60

1K16

TRACTOR - 2510

NUMERICAL INDEX - CONTINUED

PART NO.	GRID	KEY	PAGE	PART NO.	GRID	KEY	PAGE	PART NO.	GRID	KEY	PAGE
AR73829	1E20	29	30 - 43	AR85323	1F22	24	40 - 3	AR93819	2G8	3	70 - 49
AR73829	1F10	10	30 - 57	AR85323	1F24	25	40 - 5	AR93819	2G8	6	70 - 49
AR73829	1F13	32	30 - 60	AR85323	2B13	22	50 - 21	AR93819	2G10	28	70 - 51
AR74078	2B22	13	50 - 31	AR85323	2B21	12	50 - 30	AR93819	2G10	31	70 - 51
AR74411	1110	11	40 - 59	AR85323	2C17	20	50 - 52	AR93819	2G10	33	70 - 51
AR74673	2111	1	70 - 105	AR85578	1H13	8	40 - 40	AR93819	2G12	1	70 - 53
AR74673	2111	2	70 - 105	AR85618	1E18	6	30 - 41	AR93819	2G12	3	70 - 53
AR74748	2B21	5	50 - 30	AR86969	1H4	7	40 - 31	AR93819	2G12	6	70 - 53
AR75601	2B25	11	50 - 35	AR87534	2F16	57	70 - 31	AR93819	2G13	1	70 - 54
AR75601	2C22	11	50 - 59	AR87534	2F18	51	70 - 33	AR93819	2G13	3	70 - 54
AR75603	2B25	11	50 - 35	AR87813	2B18	6	50 - 27	AR93819	2G13	6	70 - 54
AR75603	2C22	11	50 - 59	AR88016	1G23	12	40 - 25	AR93819	2G18	8	70 - 59
AR75694	118	10	40 - 57	AR88040	2B13	20	50 - 21	AR93819	2G22	2	70 - 63
AR75694	1110	21	40 - 59	AR88239	1E18	17	30 - 41	AR93819	2G22	5	70 - 63
AR75695	118	2	40 - 57	AR89073	2E18	29	70 - 7	AR93819	2G22	7	70 - 63
AR75696	118	8	40 - 57	AR89132	2B16	22	50 - 25	AR93820	2G6	35	70 - 47
AR75958	2G14	35	70 - 55	AR89132	2C6	28	50 - 41	AR93820	2G6	38	70 - 47
AR76704	1E12	17	30 - 35	AR89132	2H8	17	70 - 77	AR93820	2G6	40	70 - 47
AR76704	1E12	18	30 - 35	AR89132	2H9	6	70 - 78	AR93820	2G8	1	70 - 49
AR76704	1E14	17	30 - 37	AR89137	3C7	1	90 - 34	AR93820	2G8	3	70 - 49
AR76704	1E14	18	30 - 37	AR89137	3C7	2	90 - 34	AR93820	2G8	6	70 - 49
AR76704	1E16	13	30 - 39	AR89564	1E12	12	30 - 35	AR93820	2G10	28	70 - 51
AR76704	1E16	18	30 - 39	AR89564	1E14	13	30 - 37	AR93820	2G10	31	70 - 51
AR76704	1E16	19	30 - 39	AR89564	1E16	14	30 - 39	AR93820	2G10	33	70 - 51
AR76761	2E16	4	70 - 5	AR89564	1E18	6	30 - 41	AR93820	2G12	1	70 - 53
AR76762	2E22	4	70 - 11	AR89564	1E18	14	30 - 41	AR93820	2G12	3	70 - 53
AR76762	2F6	4	70 - 19	AR89691	1F22	24	40 - 3	AR93820	2G12	6	70 - 53
AR77324	1H4	2	40 - 31	AR89691	1F24	25	40 - 5	AR93820	2G13	1	70 - 54
AR77325	1H4	2	40 - 31	AR89691	1G8	6	40 - 12	AR93820	2G13	3	70 - 54
AR77325	1H4	8	40 - 31	AR89691	2B13	22	50 - 21	AR93820	2G13	6	70 - 54
AR77326	1H2	7	40 - 29	AR89691	2B21	12	50 - 30	AR93820	2G18	8	70 - 59
AR77326	1H4	2	40 - 31	AR89691	2C17	20	50 - 52	AR93820	2G22	2	70 - 63
AR77326	1H4	7	40 - 31	AR89854	2C7	1	50 - 42	AR93820	2G22	5	70 - 63
AR77326	1H4	8	40 - 31	AR89864	2C8	14	50 - 43	AR93820	2G22	7	70 - 63
AR77762	1B9	10	20 - 11B	AR90082	2H22	28	70 - 91	AR93820	2H2	8	70 - 71
AR77814	2B20	42	50 - 29	AR90378	2E24	30	70 - 13	AR94130	3B6	20	90 - 11
AR77817	2B20	36	50 - 29	AR90459	2E14	1	70 - 3	AR94522	2H2	10	70 - 71
AR77819	2B20	33	50 - 29	AR90459	2E22	..	70 - 11	AR94760	1F22	..	40 - 3
AR77821	2B20	41	50 - 29	AR90577	2H1	5	70 - 70	AR94760	1F24	..	40 - 5
AR77821	2B21	5	50 - 30	AR90577	2H1	..	70 - 70	AR96321	2F12	29	70 - 25
AR78052	1110	21	40 - 59	AR90578	2H1	5	70 - 70	AR96613	2E16	23	70 - 5
AR78298	1F22	18	40 - 3	AR90578	2H1	..	70 - 70	AR96613	2E22	25	70 - 11
AR78298	1F24	20	40 - 5	AR90579	2H1	6	70 - 70	AR96613	2F6	19	70 - 19
AR78298	1G9	21	40 - 13	AR90581	2H1	6	70 - 70	AR96625	2F8	6	70 - 21
AR78337	2H8	18	70 - 77	AR90583	2H1	6	70 - 70	AR97028	1B5	15	20 - 9
AR78483	2F20	19	70 - 36	AR90826	1G23	12	40 - 25	AR97042	1B7	1	20 - 11
AR78825	1H6	17	40 - 33	AR90826	1G23	14	40 - 25	AR97090	1B5	15	20 - 9
AR78825	1H7	16	40 - 34	AR90850	2B8	11	50 - 14	AR97108	1B7	1	20 - 11
AR78825	1H7	27	40 - 34	AR91548	1E21	29	30 - 44	AR97184	1C24	25	20 - 51
AR78825	1H7	28	40 - 34	AR91607	2B8	17	50 - 14	AR97199	1C22	23	20 - 49
AR79582	2B25	15	50 - 35	AR91660	1B21	5	20 - 23	AR97872	2E14	1	70 - 3
AR79709	2F16	57	70 - 31	AR91793	1116	42	40 - 65	AR97872	2E16	..	70 - 5
AR79709	2F18	51	70 - 33	AR91813	1F24	22	40 - 5	AR97872	2E18	23	70 - 7
AR81178	1H13	12	40 - 40	AR91813	1G12	2	40 - 16	AR97872	2E22	16	70 - 11
AR81571	2C16	21	50 - 51	AR91813	1G23	..	40 - 25	AR97872	2E22	..	70 - 11
AR82294	1B22	6	20 - 24	AR91813	1G24	..	40 - 26	AR97872	2F6	..	70 - 19
AR82295	1B22	2	20 - 24	AR91814	1G23	23	40 - 25	AR98146	2B13	26	50 - 21
AR82570	2G16	12	70 - 57	AR91815	1G23	12	40 - 25	AR98201	2H2	2	70 - 71
AR82909	1110	16	40 - 59	AR91941	3B6	9	90 - 11	AR98202	2H2	1	70 - 71
AR82910	1110	4	40 - 59	AR92425	2120	3	80 - 4	AR99336	2111	3	70 - 105
AR82911	1110	7	40 - 59	AR92893	1B24	14	20 - 26	AT10123	1B19	8	20 - 21
AR82912	1110	6	40 - 59	AR93366	2D18	2	60 - 5	AT10519	1B19	8	20 - 21
AR83396	2H24	8	70 - 93	AR937R	2111	16	70 - 105	AT10635	1E10	10	30 - 33
AR84006	1H9	5	40 - 36	AR93819	2G6	35	70 - 47	AT10638	1E10	13	30 - 33
AR84006	1110	1	40 - 59	AR93819	2G6	38	70 - 47	AT10995	1C18	6	20 - 45
AR84791	2H8	18	70 - 77	AR93819	2G6	40	70 - 47	AT10996	1C18	15	20 - 45
AR85153	1G8	6	40 - 12	AR93819	2G8	1	70 - 49	AT11520	1E21	8	30 - 44

1K17

TRACTOR - 2510

NUMERICAL INDEX - CONTINUED

PART NO.	GRID	KEY	PAGE	PART NO.	GRID	KEY	PAGE	PART NO.	GRID	KEY	PAGE
AT11685	2H22	23	70 - 91	AT18025	1G12	2	40 - 16	AT21139	1B9	62	20 - 11B
AT12431	2D13	26	50 - 76	AT18025	1G23	..	40 - 25	AT21139	1B22	1	20 - 24
AT12948	3B6	3	90 - 11	AT18025	1G24	..	40 - 26	AT21140	1B9	61	20 - 11B
AT13380	1H2	1	40 - 29	AT18026	1E12	4	30 - 35	AT21140	1B22	5	20 - 24
AT13380	1H4	19	40 - 31	AT18026	1E20	..	30 - 43	AT21160	1G11	28	40 - 15
AT13381	1F21	1	40 - 2	AT18026	1E21	..	30 - 44	AT21161	1G11	16	40 - 15
AT13381	1F23	1	40 - 4	AT18026	1E22	..	30 - 45	AT21177	1G5	10	40 - 9
AT13381	1H2	2	40 - 29	AT18026	1E23	..	30 - 46	AT21191	1B9	22	20 - 11B
AT13381	1H4	19	40 - 31	AT18026	1E24	..	30 - 47	AT21191	1B25	2	20 - 27
AT13740	1B5	4	20 - 9	AT18028	1E9	2A	30 - 32	AT21191	1B25	5	20 - 27
AT13740	1C17	22	20 - 43	AT18030	1B9	43	20 - 11B	AT21199	1C4	1	20 - 31
AT13740	1D20	12	30 - 18	AT18030	1B21	18	20 - 23	AT21203	1C9	1	20 - 35
AT141924	3C11	6	90 - 38	AT18039	1B21	24	20 - 23	AT21203	1C12	..	20 - 38
AT14314	1E6	5	30 - 29	AT18064	1E12	12	30 - 35	AT21204	1C9	1	20 - 35
AT14385	1F24	19	40 - 5	AT18064	1E14	13	30 - 37	AT21204	1C13	..	20 - 39
AT14385	1G5	1	40 - 9	AT18064	1E18	14	30 - 41	AT21225	1D17	31	30 - 15
AT14476	1E2	36	30 - 25	AT18073	1D17	6	30 - 15	AT21226	1B22	6	20 - 24
AT14679	1G7	15	40 - 11	AT18074	1C18	5	20 - 45	AT21227	1B22	2	20 - 24
AT14680	1G7	2	40 - 11	AT18083	1B5	15	20 - 9	AT21334	1B2	14	20 - 5
AT14682	1G7	3	40 - 11	AT18084	1B5	15	20 - 9	AT21335	1B2	14	20 - 5
AT14682	1G7	22	40 - 11	AT18126	1C4	25	20 - 31	AT21343	1G5	10	40 - 9
AT14684	1G7	7	40 - 11	AT18129	1B4	6	20 - 7	AT21351	1F24	18	40 - 5
AT14692	1G7	1	40 - 11	AT18133	1B24	3	20 - 26	AT21351	1G5	12	40 - 9
AT14693	1G7	10	40 - 11	AT18147	1B19	7	20 - 21	AT21351	1G7	14	40 - 11
AT14699	1F21	5	40 - 2	AT18150	1F22	20	40 - 3	AT21351	1G7	..	40 - 11
AT14699	1F23	5	40 - 4	AT18150	1G12	2	40 - 16	AT21353	1D23	56	30 - 21
AT14699	3B2	13	90 - 7	AT18155	1B23	2	20 - 25	AT21353	1D25	59	30 - 23
AT14777	1E2	15	30 - 25	AT18156	1B23	9	20 - 25	AT21373	1D17	16	30 - 15
AT14780	1E6	15	30 - 29	AT18173	1E12	21	30 - 35	AT21373	1D17	17	30 - 15
AT14927	3C8	1	90 - 35	AT18174	1E12	22	30 - 35	AT21424	1D21	4	30 - 19
AT15146	1G15	25	40 - 17	AT18175	1E12	16	30 - 35	AT21534	1B11	1	20 - 13
AT15147	1G17	24	40 - 19	AT18176	1E12	15	30 - 35	AT21608	1B21	13	20 - 23
AT15147	1G24	17	40 - 26	AT18674	1D11	16	30 - 9	AT21625	1C20	9	20 - 47
AT15601	1D17	5	30 - 15	AT18674	1D13	17	30 - 11	AT21627	1C19	10	20 - 46
AT15604	1D17	2	30 - 15	AT19314	2B14	23	50 - 23	AT21658	1G5	10	40 - 9
AT16288	1H2	7	40 - 29	AT19508	1C2	21	20 - 29	AT21719	1G7	8	40 - 11
AT16288	1H4	7	40 - 31	AT19509	1C1	7	20 - 28	AT21720	1G7	11	40 - 11
AT16288	1H4	8	40 - 31	AT20266	1E9	17	30 - 32	AT21721	1G7	21	40 - 11
AT16290	1G16	11	40 - 18	AT20285	1E12	6	30 - 35	AT21722	1G7	20	40 - 11
AT16291	1G16	25	40 - 18	AT20662	1G17	16	40 - 19	AT21801	1B2	14	20 - 5
AT16431	2C2	27	50 - 37	AT20662	1G23	23	40 - 25	AT21845	1E14	6	30 - 37
AT16431	2C24	27	50 - 61	AT20664	1G24	12	40 - 26	AT21848	1D21	3	30 - 19
AT16552	1E24	19	30 - 47	AT20830	1B4	22	20 - 7	AT21848	1D23	..	30 - 21
AT16553	1E24	1	30 - 47	AT20911	1D20	24	30 - 18	AT21895	1C24	25	20 - 51
AT16555	1E21	37	30 - 44	AT21009	1E20	8	30 - 43	AT21896	1C22	23	20 - 49
AT168165	3C11	6	90 - 38	AT21009	1E21	13	30 - 44	AT21941	1G5	12	40 - 9
AT16887	2D13	4	50 - 76	AT21009	1E22	11	30 - 45	AT21941	1G7	..	40 - 11
AT17387	1E9	11	30 - 32	AT21009	1E23	29	30 - 46	AT21995	1G7	13	40 - 11
AT17388	1E9	15	30 - 32	AT21047	1B21	18	20 - 23	AT22070	3B23	6	90 - 28
AT17437	1D23	25	30 - 21	AT21062	1G7	5	40 - 11	AT22070	3B23	9	90 - 28
AT17437	1D25	26	30 - 23	AT21108	1B22	5	20 - 24	AT22073	3B23	7	90 - 28
AT17981	1G17	6	40 - 19	AT21110	1B22	5	20 - 24	AT22628	1E14	2	30 - 37
AT17981	1G17	7	40 - 19	AT21112	1B22	5	20 - 24	AT22628	1E16	30	30 - 39
AT17981	1G17	9	40 - 19	AT21114	1B22	5	20 - 24	AT22628	1F6	..	30 - 53
AT17981	1G17	10	40 - 19	AT21116	1B19	8	20 - 21	AT22628	1F8	..	30 - 55
AT17981	1G24	1	40 - 26	AT21117	1B19	8	20 - 21	AT22628	1F9	..	30 - 56
AT17981	1G24	3	40 - 26	AT21119	1B19	8	20 - 21	AT22628	1F10	..	30 - 57
AT17981	1G24	4	40 - 26	AT21122	1B15	8	20 - 17	AT22628	1F11	..	30 - 58
AT17981	1G24	5	40 - 26	AT21124	1B15	8	20 - 17	AT22665	1B4	6	20 - 7
AT18005	1B15	6	20 - 17	AT21126	1B15	8	20 - 17	AT22748	1B5	15	20 - 9
AT18006	1B19	1	20 - 21	AT21128	1B15	8	20 - 17	AT22749	1B5	15	20 - 9
AT18009	1B21	5	20 - 23	AT21130	1B22	1	20 - 24	AT22919	1B9	22	20 - 11B
AT18012	1B15	1	20 - 17	AT21132	1B22	1	20 - 24	AT22919	1B25	2	20 - 27
AT18015	1B2	8	20 - 5	AT21134	1B22	1	20 - 24	AT22919	1B25	5	20 - 27
AT18020	1C4	13	20 - 31	AT21136	1B22	1	20 - 24	AT22961	1C18	6	20 - 45
AT18021	1C4	28	20 - 31	AT21138	1B9	14	20 - 11B	AT22961	1C18	15	20 - 45
AT18025	1F24	22	40 - 5	AT21138	1B15	8	20 - 17	AT22962	1C18	6	20 - 45

1K18

TRACTOR - 2510

NUMERICAL INDEX - CONTINUED

PART NO.	GRID	KEY	PAGE	PART NO.	GRID	KEY	PAGE	PART NO.	GRID	KEY	PAGE
AT22962	1C18	15	20 - 45	AT24252	1B21	24	20 - 23	AT27653	1C17	22	20 - 43
AT22963	1C18	6	20 - 45	AT24254	1C4	13	20 - 31	AT27653	1D20	12	30 - 18
AT22963	1C18	15	20 - 45	AT24462	1F4	1	30 - 51	AT27862	1F8	6	30 - 55
AT22965	1B24	14	20 - 26	AT24462	1F8	..	30 - 55	AT27863	1F8	13	30 - 55
AT22989	1D23	41	30 - 21	AT24462	1F9	..	30 - 56	AT28537	1F6	17	30 - 53
AT22989	1D25	35	30 - 23	AT24462	1F10	..	30 - 57	AT28537	1F8	1	30 - 55
AT22990	1D23	35	30 - 21	AT24462	1F11	..	30 - 58	AT28537	1F9	14	30 - 56
AT22990	1D25	33	30 - 23	AT24538	3C8	1	90 - 35	AT28537	1F10	1	30 - 57
AT22991	1D25	49	30 - 23	AT24735	1F11	2	30 - 58	AT28537	1F11	5	30 - 58
AT22992	1D23	15	30 - 21	AT24996	1B5	15	20 - 9	AT28951	1F11	2	30 - 58
AT22992	1D25	16	30 - 23	AT24997	1B5	15	20 - 9	AT28951	1F15	13	30 - 62
AT22993	1D23	44	30 - 21	AT25171	1B7	1	20 - 11	AT28951	1F11	1	30 - 58
AT22993	1D25	42	30 - 23	AT25172	1B7	1	20 - 11	AT28952	1F15	12	30 - 62
AT22994	1D21	3	30 - 19	AT25266	1F17	6	30 - 64	AT29617	1C9	1	20 - 35
AT22994	1D25	..	30 - 23	AT25325	1F9	16	30 - 56	AT29617	1C12	..	20 - 38
AT22994	1E5	14	30 - 28	AT25325	1F13	19	30 - 60	AT29620	1C9	1	20 - 35
AT22995	1D23	..	30 - 21	AT25491	1D23	25	30 - 21	AT29620	1C11	14	20 - 37
AT22995	1D25	..	30 - 23	AT25491	1D25	26	30 - 23	AT29620	1C13	..	20 - 39
AT22995	1E5	14	30 - 28	AT25491	1E5	6	30 - 28	AT29620	1C14	13	20 - 40
AT22996	1D25	48	30 - 23	AT25491	1E6	12	30 - 29	AT29734	1E14	2	30 - 37
AT22997	1D25	9	30 - 23	AT25502	1E14	13	30 - 37	AT29734	1E16	30	30 - 39
AT23014	1D23	52	30 - 21	AT25502	1E16	14	30 - 39	AT29734	1F10	..	30 - 57
AT23015	1D23	53	30 - 21	AT25502	1E18	14	30 - 41	AT29734	1F12	..	30 - 59
AT23016	1D23	8	30 - 21	AT25575	1G7	18	40 - 11	AT29734	1F13	..	30 - 60
AT23044	1E9	2B	30 - 32	AT25575	1G7	19	40 - 11	AT29734	1F14	..	30 - 61
AT23045	1C4	13	20 - 31	AT25619	1F22	20	40 - 3	AT29734	1F15	..	30 - 62
AT23075	1B7	1	20 - 11	AT25619	1G12	2	40 - 16	AT29831	1F12	3	30 - 59
AT23077	1B7	1	20 - 11	AT25619	1G16	..	40 - 18	AT30117	1F10	12	30 - 57
AT23160	1G17	6	40 - 19	AT25619	1G17	..	40 - 19	AT30117	1F10	13	30 - 57
AT23160	1G17	7	40 - 19	AT25651	1G17	6	40 - 19	AT30117	1F10	17	30 - 57
AT23160	1G17	9	40 - 19	AT25651	1G17	7	40 - 19	AT30118	1F8	18	30 - 55
AT23160	1G17	10	40 - 19	AT25651	1G17	9	40 - 19	AT30118	1F8	38	30 - 55
AT23160	1G24	1	40 - 26	AT25651	1G17	10	40 - 19	AT30144	1F12	13	30 - 59
AT23160	1G24	3	40 - 26	AT25651	1G24	1	40 - 26	AT30145	1E14	2	30 - 37
AT23160	1G24	4	40 - 26	AT25651	1G24	3	40 - 26	AT30145	1E16	30	30 - 39
AT23160	1G24	5	40 - 26	AT25651	1G24	4	40 - 26	AT30145	1F6	..	30 - 53
AT23169	1B24	3	20 - 26	AT25651	1G24	5	40 - 26	AT30145	1F8	..	30 - 55
AT23188	1G11	25	40 - 15	AT25819	1D23	15	30 - 21	AT30145	1F9	..	30 - 56
AT23189	1G11	29	40 - 15	AT25819	1D25	16	30 - 23	AT30145	1F10	..	30 - 57
AT23199	1C24	25	20 - 51	AT25821	1E5	1	30 - 28	AT30145	1F11	..	30 - 58
AT23200	1C22	23	20 - 49	AT25959	1E24	5	30 - 47	AT30145	1F12	1	30 - 59
AT23463	1E14	3	30 - 37	AT27128	1G11	6	40 - 15	AT30146	1F14	8	30 - 61
AT23463	1E16	33	30 - 39	AT27144	1F8	6	30 - 55	AT30203	1F6	25	30 - 53
AT23464	1E14	14	30 - 37	AT27167	1F6	17	30 - 53	AT30299	1E14	13	30 - 37
AT23464	1E16	17	30 - 39	AT27167	1F8	1	30 - 55	AT30299	1E16	14	30 - 39
AT23465	1E14	15	30 - 37	AT27167	1F9	14	30 - 56	AT30299	1E18	14	30 - 41
AT23465	1E16	16	30 - 39	AT27167	1F10	1	30 - 57	AT31165	1F6	27	30 - 53
AT23466	1E14	16	30 - 37	AT27167	1F11	5	30 - 58	AT31250	1B4	6	20 - 7
AT23466	1E16	15	30 - 39	AT27168	1F6	12	30 - 53	AT31442	1E2	17	30 - 25
AT24200	1F11	11	30 - 58	AT27194	1F8	30	30 - 55	AT31565	1B7	1	20 - 11
AT24200	1F15	11	30 - 62	AT27413	1C8	10	20 - 34	AT31576	1B7	1	20 - 11
AT24201	1F11	8	30 - 58	AT27596	1C9	1	20 - 35	AT31585	1B5	15	20 - 9
AT24201	1F15	8	30 - 62	AT27596	1C13	..	20 - 39	AT31590	1B5	15	20 - 9
AT24202	1F6	17	30 - 53	AT27620	1E14	2	30 - 37	AT31609	1B13	3	20 - 15
AT24202	1F8	1	30 - 55	AT27620	1E16	30	30 - 39	AT31877	1D25	48	30 - 23
AT24202	1F9	14	30 - 56	AT27620	1F10	..	30 - 57	AT31878	1D25	49	30 - 23
AT24202	1F10	1	30 - 57	AT27620	1F12	22	30 - 59	AT32064	1E14	21	30 - 37
AT24202	1F11	5	30 - 58	AT27620	1F12	..	30 - 59	AT32064	1E16	2	30 - 39
AT24203	1F6	11	30 - 53	AT27620	1F13	21	30 - 60	AT32064	1E16	4	30 - 39
AT24204	1F6	12	30 - 53	AT27620	1F13	..	30 - 60	AT32331	2F16	45	70 - 31
AT24205	1F6	27	30 - 53	AT27620	1F14	5	30 - 61	AT32331	2F18	46	70 - 33
AT24206	1F8	9	30 - 55	AT27620	1F14	..	30 - 61	AT32331	2H4	4	70 - 73
AT24207	1F8	10	30 - 55	AT27620	1F15	5	30 - 62	AT32331	2H15	5	70 - 84
AT24208	1F8	19	30 - 55	AT27620	1F15	..	30 - 62	AT32331	2H16	8	70 - 85
AT24209	1F8	24	30 - 55	AT27622	1E16	3	30 - 39	AT32332	2C14	8	50 - 49
AT24209	1F14	24	30 - 61	AT27622	1E18	6	30 - 41	AT32332	2E7	43	60 - 19
AT24212	1F6	25	30 - 53	AT27653	1B5	4	20 - 9	AT32332	2F21	33	70 - 37

1K19

TRACTOR - 2510

NUMERICAL INDEX - CONTINUED

PART NO.	GRID	KEY	PAGE	PART NO.	GRID	KEY	PAGE	PART NO.	GRID	KEY	PAGE
AT32332	2G4	4	70 - 45	AT71088	1G3	7	40 - 7A	A3815R	2B8	25	50 - 14
AT32332	2H12	24	70 - 81	AT73678	1D11	5	30 - 9	A3910R	1B2	12	20 - 5
AT32332	2H15	9	70 - 84	AT73678	1D13	2	30 - 11	A3910R	2C17	8	50 - 52
AT32332	2H16	10	70 - 85	AT75387	3C11	4	90 - 38	A3917R	2B25	27	50 - 35
AT32332	2I14	1	70 - 108	AT81764	3C11	6	90 - 38	A3917R	2E18	36	70 - 7
AT32333	2D6	27	50 - 69	AT85153	1F22	24	40 - 3	A3917R	2E20	10	70 - 9
AT32333	2D7	9	50 - 70	AT85153	1F24	25	40 - 5	A3917R	2G16	4	70 - 57
AT32333	2D8	12	50 - 71	AT85153	2B13	22	50 - 21	A3959R	2D12	..	50 - 75
AT32333	2D8	14	50 - 71	AT85153	2B21	12	50 - 30	A39716	1G25	1	40 - 27
AT32333	2E7	10	60 - 19	AT85153	2C17	20	50 - 52	A4064R	2J24	12	80 - 32
AT32333	2F19	4	70 - 35	AT91813	1G24	..	40 - 26	A4117R	2J17	15	80 - 27
AT32334	2E3	16	60 - 15	AT91814	1G23	..	40 - 25	A4118R	2J17	10	80 - 27
AT32334	2E7	39	60 - 19	A120R	1B5	1	20 - 9	A4119R	2J17	11	80 - 27
AT32335	2D16	56	60 - 3	A120R	2B16	6	50 - 25	A4125R	3A23	6	90 - 3
AT32335	2D21	19	60 - 7	A120R	2C6	6	50 - 41	A4159R	1G5	5	40 - 9
AT32335	2D21	21	60 - 7	A1235R	2J19	16	80 - 29	A4234R	2D2	20	50 - 64
AT32335	2D23	22	60 - 9	A1236R	2J19	16	80 - 29	A4322R	2G14	40	70 - 55
AT32335	2F13	10	70 - 27	A1424R	2J12	13	80 - 22	A4365R	1E11	6	30 - 34
AT32335	2F16	59	70 - 31	A147R	2D7	15	50 - 70	A4365R	2E3	43	60 - 15
AT32335	2F18	50	70 - 33	A147R	2D8	17	50 - 71	A4365R	2E24	3	70 - 13
AT32335	3B2	6	90 - 7	A147R	2G20	4	70 - 61	A4365R	2F4	3	70 - 17
AT32337	2I14	3	70 - 108	A147R	2H15	12	70 - 84	A4365R	2F4	12	70 - 17
AT32489	1C15	1	20 - 41	A147R	2I5	15	70 - 99	A4365R	2F8	3	70 - 21
AT32606	1C4	28	20 - 31	A147R	2I7	22	70 - 101	A4365R	2F12	2	70 - 25
AT33033	2E14	1	70 - 3	A147R	2J3	19	80 - 13	A4365R	2F22	15	70 - 38
AT33033	2E16	..	70 - 5	A15146	2G18	8	70 - 59	A4365R	2H10	7	70 - 79
AT33033	2E18	23	70 - 7	A15532	2I14	13	70 - 108	A4379R	2J23	1	80 - 31
AT33033	2E22	16	70 - 11	A1555R	2J15	12	80 - 25	A4379R	2J25	1	80 - 34
AT33033	2E22	..	70 - 11	A1555R	2J20	18	80 - 30	A4380R	2J23	5	80 - 31
AT33033	2F13	8	70 - 27	A1556	2J14	6	80 - 24	A4380R	2J25	5	80 - 34
AT344T	2C2	27	50 - 37	A1556	2J21	6	80 - 30A	A4384R	2J23	3	80 - 31
AT344T	2C24	27	50 - 61	A1556R	2J15	11	80 - 25	A4384R	2J25	3	80 - 34
AT35120	2I14	3	70 - 108	A1556R	2J20	19	80 - 30	A4388R	2J23	12	80 - 31
AT35121	2D25	21	60 - 11	A1556R	2J22	7	80 - 30B	A4388R	2J24	11	80 - 32
AT35121	2E3	10	60 - 15	A1651R	2D1	20	50 - 63	A4388R	2J25	12	80 - 34
AT35121	2E7	6	60 - 19	A2530R	2H23	8	70 - 92	A4389R	2J23	13	80 - 31
AT35121	2H12	25	70 - 81	A2833R	2D12	20	50 - 75	A4389R	2J25	13	80 - 34
AT35121	2H15	4	70 - 84	A2833R	2J24	1	80 - 32	A4540R	2D18	12	60 - 5
AT35121	2H16	4	70 - 85	A2899R	1H4	6	40 - 31	A4540R	2D19	7	60 - 5B
AT39043	1F22	16	40 - 3	A2899R	1H4	20	40 - 31	A4580R	2B6	13	50 - 11
AT39043	1F24	14	40 - 5	A3184R	2G14	41	70 - 55	A4624R	2B16	12	50 - 25
AT39043	1H11	5	40 - 38	A3411R	1F22	12	40 - 3	A4624R	2C6	12	50 - 41
AT39043	1H13	9	40 - 40	A3411R	1F24	12	40 - 5	A4655R	3B6	34	90 - 11
AT44165	1F21	4	40 - 2	A3411R	1H2	3	40 - 29	A4656R	1B2	2	20 - 5
AT44165	1F23	4	40 - 4	A3411R	3B6	5	90 - 11	A4666R	1C17	6	20 - 43
AT44165	1H20	23	40 - 47	A3474R	2J17	31	80 - 27	A4700R	3B6	39	90 - 11
AT44165	3B2	17	90 - 7	A3475R	2J17	29	80 - 27	A471R	1D9	16	30 - 7
AT48673	1H20	26	40 - 47	A3476R	2J17	17	80 - 27	A4723R	2G20	35	70 - 61
AT48673	3B2	10	90 - 7	A3481R	2J17	28	80 - 27	A4723R	2G21	4	70 - 62
AT48674	1F21	4	40 - 2	A350R	2I11	18A	70 - 105	A4728R	2H4	3	70 - 73
AT48674	1F23	4	40 - 4	A3539R	1G5	11	40 - 9	A4728R	2H5	5	70 - 74
AT48674	3B2	17	90 - 7	A3581R	2G18	5	70 - 59	A4730R	1C4	20	20 - 31
AT514T	1G16	8	40 - 18	A3581R	2H22	46	70 - 91	A4730R	2C6	16	50 - 41
AT514T	1G23	6	40 - 25	A3581R	2H23	5	70 - 92	A4730R	2G14	32	70 - 55
AT516T	1G16	10	40 - 18	A3606R	2C22	27	50 - 59	A4730R	2G16	9	70 - 57
AT516T	1G23	11	40 - 25	A3606R	2D16	44	60 - 3	A4730R	2G20	9	70 - 61
AT517T	1G23	2	40 - 25	A3606R	2D17	1	60 - 4	A4730R	2G20	25	70 - 61
AT52271	1F14	..	30 - 61	A3606R	2D25	19	60 - 11	A4730R	2G21	7	70 - 62
AT55441	1G25	25	40 - 27	A3606R	2E1	2	60 - 13	A4730R	2G25	8	70 - 69
AT62018	3C11	6	90 - 38	A364R	2C3	23	50 - 38	A4731R	2G20	8	70 - 61
AT62019	3C11	4	90 - 38	A364R	2C25	23	50 - 62	A4731R	2G21	8	70 - 62
AT63813	1D7	4	30 - 5	A369R	2B2	47	50 - 7	A4732R	2G20	14	70 - 61
AT65316	3B6	33	90 - 11	A369R	2B13	1	50 - 21	A4733R	2G20	15	70 - 61
AT66481	1H8	20	40 - 35	A369R	2H23	22	70 - 92	A4733R	2G21	6	70 - 62
AT66482	1H8	20	40 - 35	A369R	2I7	35	70 - 101	A4736R	2G20	43	70 - 61
AT66865	1F22	..	40 - 3	A369R	3A23	21	90 - 3	A4737R	2G20	17	70 - 61
AT66865	1F24	..	40 - 5	A3750R	2D10	13	50 - 73	A4738R	2G20	16	70 - 61

1K20

TRACTOR - 2510

NUMERICAL INDEX - CONTINUED

PART NO.	GRID	KEY	PAGE	PART NO.	GRID	KEY	PAGE	PART NO.	GRID	KEY	PAGE
A4739R	2G20	42	70 - 61	B11182	2H22	35	70 - 91	B551R	2J18	7	80 - 28
A4740R	2G20	38	70 - 61	B11182	2H22	49	70 - 91	B89R	2J18	11	80 - 28
A4741R	2G20	39	70 - 61	B11182	2H23	17	70 - 92	B90R	2J18	10	80 - 28
A4742R	2B20	9	50 - 29	B11182	2H25	9	70 - 95	C1067R	2B13	12	50 - 21
A4742R	2B20	18	50 - 29	B11182	2I2	17	70 - 97	C1067R	2B23	7	50 - 32
A4742R	2G20	41	70 - 61	B11182	2I5	26	70 - 99	C1067R	2B23	21	50 - 32
A4744R	3A23	25	90 - 3	B11182	2I7	30	70 - 101	C1067R	2C21	14	50 - 57
A4745R	2G20	22	70 - 61	B11182	2I7	41	70 - 101	C1104R	2B2	6	50 - 7
A4745R	2G21	1	70 - 62	B1569R	1D11	12	30 - 9	C1220R	2A24	8	50 - 3
A4746R	2G20	23	70 - 61	B1569R	1D13	13	30 - 11	C1220R	2B3	13	50 - 8
A4747R	2G20	21	70 - 61	B161R	2I23	28	80 - 7	C1220R	2B16	17	50 - 25
A4748R	2G20	20	70 - 61	B1664R	2C21	48	50 - 57	C1220R	2C6	23	50 - 41
A4806R	2B25	33	50 - 35	B1664R	2H12	36	70 - 81	C1919R	2C2	25	50 - 37
A4806R	2C22	21	50 - 59	B169R	2B6	29	50 - 11	C1919R	2C24	25	50 - 61
A4808R	2B25	31	50 - 35	B169R	2C16	12	50 - 51	C2175R	1H5	6	40 - 32
A4808R	2C22	22	50 - 59	B169R	2D25	6	60 - 11	C284R	2B13	11	50 - 21
A4816R	2D16	30	60 - 3	B17682	1D23	6	30 - 21	C284R	2B23	22	50 - 32
A4816R	2D25	36	60 - 11	B17682	1D25	7	30 - 23	C744DN	2J9	13	80 - 19
A4819R	2J23	10	80 - 31	B17682	1E2	3	30 - 25	C838R	2J12	17	80 - 22
A4827R	1C1	19	20 - 28	B177R	2D16	61	60 - 3	C840R	2J12	16	80 - 22
A4827R	1C2	17	20 - 29	B178R	2B6	20	50 - 11	C985R	2J12	20	80 - 22
A4827R	2B16	24	50 - 25	B1789R	2D10	10	50 - 73	C985R	3B4	22	90 - 9
A4827R	2B21	14	50 - 30	B1828R	1C17	7	20 - 43	DA5883A	2H24	19	70 - 93
A4827R	2B22	15	50 - 31	B1828R	1F21	10	40 - 2	D1761R	2D18	3	60 - 5
A4827R	2C6	30	50 - 41	B1828R	1F22	25	40 - 3	D1761R	2D18	9	60 - 5
A4827R	2D11	7	50 - 74	B1828R	1F23	10	40 - 4	D2361R	2C17	7	50 - 52
A4827R	2D13	10	50 - 76	B1828R	1F24	26	40 - 5	D2361R	2G6	26	70 - 47
A48331	1G25	3	40 - 27	B190R	2C3	25	50 - 38	D2361R	2G6	36	70 - 47
A48332	1G25	23	40 - 27	B190R	2C25	25	50 - 62	D2361R	2G8	5	70 - 49
A4881R	1H2	3	40 - 29	B1986R	1D19	40	30 - 17	D2361R	2G8	15	70 - 49
A4883R	2C21	36	50 - 57	B1986R	1H2	4	40 - 29	D2361R	2G9	19	70 - 50
A4883R	2J23	6	80 - 31	B2342R	2D12	9	50 - 75	D2361R	2G10	29	70 - 51
A4883R	2J25	6	80 - 34	B2477R	2H20	29	70 - 89	D2361R	2G12	5	70 - 53
A49853	1I2	7	40 - 53	B2484R	2B16	14	50 - 25	D2361R	2G12	16	70 - 53
A5146R	2J15	9	80 - 25	B2641R	1C4	5	20 - 31	D2361R	2G13	5	70 - 54
A5146R	2J17	26	80 - 27	B2641R	2H22	25	70 - 91	D2361R	2G13	18	70 - 54
A5146R	2J20	12	80 - 30	B2681R	2J18	14	80 - 28	D2361R	2G22	4	70 - 63
A5172R	1F22	23	40 - 3	B2683R	2J18	16	80 - 28	D2361R	2G22	16	70 - 63
A5172R	1F24	24	40 - 5	B2688R	2J11	12	80 - 21	D2865R	1F23	1	40 - 4
A5234R	2I9	32	70 - 103	B2693R	2J8	10	80 - 18	D2865R	2H20	32	70 - 89
A5234R	2J6	12	80 - 16	B2693R	2J12	14	80 - 22	D459R	2H4	18	70 - 73
A5275R	1H5	17	40 - 32	B2694R	2J7	14	80 - 17	D467R	2J8	6	80 - 18
A5275R	1H5	24	40 - 32	B2694R	2J8	1	80 - 18	D467R	2J12	8	80 - 22
A5276R	1H5	17	40 - 32	B2694R	2J11	18	80 - 21	D635R	2J20	2	80 - 30
A5278R	1H5	20	40 - 32	B2698R	2J12	1	80 - 22	D636R	2J20	1	80 - 30
A5279R	1H5	21	40 - 32	B2700R	2J11	21	80 - 21	E16050	1H20	16	40 - 47
A5301R	2G20	5	70 - 61	B2762R	2B2	22	50 - 7	E17421	2B21	4	50 - 30
A5302R	2G20	3	70 - 61	B2762R	2C16	18	50 - 51	E17421	2B22	4	50 - 31
A5401R	2G20	30	70 - 61	B2762R	2E3	35	60 - 15	E34355	1E4	2	30 - 27
A5518R	2B2	35	50 - 7	B2762R	2F18	43	70 - 33	E34355	1E4	12	30 - 27
A562R	2C3	3	50 - 38	B2840R	2J11	16	80 - 21	E50102	2E13	1	70 - 2
A562R	2C25	3	50 - 62	B2842R	2J12	21	80 - 22	E50102	2E13	12	70 - 2
A5748R	2G6	12	70 - 47	B3014R	2J23	1	80 - 31	E50102	3A25	4	90 - 5
A5748R	2G8	20	70 - 49	B3016R	2J23	3	80 - 31	E58599	2I5	25	70 - 99
A5748R	2G9	13	70 - 50	B3018R	2J23	4	80 - 31	F1000R	2D11	13	50 - 74
A776R	2B16	13	50 - 25	B3245R	2J12	4	80 - 22	F1008R	2J13	9	80 - 23
A776R	2C6	17	50 - 41	B3246R	2J12	4	80 - 22	F1011R	2J13	1	80 - 23
A877R	2J7	8	80 - 17	B3285R	3B2	27	90 - 7	F1012R	2J13	15	80 - 23
A877R	2J8	7	80 - 18	B3310R	2J9	21	80 - 19	F1024R	2D11	9	50 - 74
A877R	2J11	17	80 - 21	B3310R	2J12	5	80 - 22	F1024R	2I9	20	70 - 103
A877R	2J12	9	80 - 22	B334R	2C3	4	50 - 38	F1334R	2B2	37	50 - 7
A890R	2J8	11	80 - 18	B334R	2C25	4	50 - 62	F1334R	2C2	24	50 - 37
A890R	2J12	15	80 - 22	B350R	2D10	3	50 - 73	F1334R	2C24	24	50 - 61
BP13615	2C3	17	50 - 38	B3595R	2B13	18	50 - 21	F1373R	2B2	39	50 - 7
BP13615	2C25	17	50 - 62	B3686R	2H10	4	70 - 79	F1373R	2B10	36	50 - 17
B11182	2H20	21	70 - 89	B3690R	2D25	2	60 - 11	F1373R	2D1	1	50 - 63
B11182	2H20	26	70 - 89	B548R	2J18	9	80 - 28	F1443R	2D11	12	50 - 74

1K21

TRACTOR - 2510

NUMERICAL INDEX - CONTINUED

PART NO.	GRID	KEY	PAGE	PART NO.	GRID	KEY	PAGE	PART NO.	GRID	KEY	PAGE
F1463R	2H8	5	70 - 77	F3029R	2H22	..	70 - 91	H246R	2B17	11	50 - 26
F1478R	2J23	7	80 - 31	F304R	2I11	17A	70 - 105	H27851	2J11	22	80 - 21
F1483R	2D12	4	50 - 75	F304R	2I11	18B	70 - 105	H34753	2G20	30	70 - 61
F1484R	2D12	5	50 - 75	F3126R	2J18	3	80 - 28	H61993	3B14	11	90 - 19
F1489R	2D12	..	50 - 75	F3127R	2J18	2	80 - 28	H61993	3B15	4	90 - 20
F1500R	2J23	7	80 - 31	F3128R	2B16	23	50 - 25	H61993	3B15	5	90 - 20
F1500R	2J25	7	80 - 34	F3128R	2C6	29	50 - 41	H63952	3B14	4	90 - 19
F2030R	3B4	31	90 - 9	F3128R	2D11	6	50 - 74	H772R	2J18	5	80 - 28
F2084R	1F22	13	40 - 3	F3128R	2B14	9	50 - 23	H772R	2J19	5	80 - 29
F2084R	1F24	13	40 - 5	F3171R	2E14	1	70 - 3	H773R	2J18	8	80 - 28
F2084R	1H6	11	40 - 33	F3171R	2E16	..	70 - 5	H78354	3C7	2	90 - 34
F2084R	3B6	6	90 - 11	F3171R	2E18	2	70 - 7	H81551	1E4	4	30 - 27
F2208R	2C16	1	50 - 51	F3171R	2E18	23	70 - 7	H826R	3B4	8	90 - 9
F2208R	2H20	28	70 - 89	F3171R	2E20	1	70 - 9	H851R	2B16	2	50 - 25
F2253R	2D9	20	50 - 72	F3171R	2E20	19	70 - 9	H851R	2C6	2	50 - 41
F228R	2D12	10	50 - 75	F3171R	2E22	14	70 - 11	H851R	2I14	12	70 - 108
F2367R	2C3	22	50 - 38	F3171R	2E22	16	70 - 11	H858R	2D6	6	50 - 69
F2367R	2C25	22	50 - 62	F3171R	2E22	..	70 - 11	H871R	2C12	4	50 - 47
F2370R	2B8	23	50 - 14	F3171R	2F2	6	70 - 15	H871R	2D1	12	50 - 63
F2663R	2J11	22	80 - 21	F3171R	2F8	35	70 - 21	H871R	2D25	35	60 - 11
F2664R	2J11	10	80 - 21	F3171R	2F10	8	70 - 23	H871R	2H12	14	70 - 81
F2664R	2J12	7	80 - 22	F3171R	2F13	2	70 - 27	H982R	2J12	19	80 - 22
F2680R	2H20	15	70 - 89	F3171R	2F13	7	70 - 27	H987R	1H9	12	40 - 36
F2680R	2H20	..	70 - 89	F3171R	2F15	1	70 - 30	H987R	1H20	19	40 - 47
F2680R	2H22	18	70 - 91	F3171R	2F17	1	70 - 32	JD1091	2J20	9	80 - 30
F2680R	2H22	..	70 - 91	F3171R	2H4	5	70 - 73	JD126	1G25	10	40 - 27
F2681R	2H20	15	70 - 89	F3171R	2H15	6	70 - 84	JD126	1H20	10	40 - 47
F2681R	2H20	..	70 - 89	F3171R	2H16	6	70 - 85	JD1290	2J20	9	80 - 30
F2681R	2H22	18	70 - 91	F3171R	2I13	4	70 - 107	JD1291	2J20	9	80 - 30
F2681R	2H22	..	70 - 91	F3171R	2I14	22	70 - 108	JD1292	2J20	9	80 - 30
F2681R	2H25	2	70 - 95	F3173R	2D4	25	50 - 67	JD1298	2J20	9	80 - 30
F2681R	2I2	1	70 - 97	F3173R	2H5	13	70 - 74	JD1299	2J20	9	80 - 30
F2682R	2H20	17	70 - 89	F3195R	2I9	31	70 - 103	JD16	2J15	6	80 - 25
F2682R	2H22	20	70 - 91	F3195R	2J6	9	80 - 16	JD16	2J20	5	80 - 30
F2683R	2H20	17	70 - 89	F3220R	2I13	5	70 - 107	JD16	2J20	10	80 - 30
F2683R	2H22	20	70 - 91	F3221R	2C18	17	50 - 53	JD22	2J20	10	80 - 30
F2683R	2H25	4	70 - 95	F3319R	2J17	18	80 - 27	JD3211	2J20	9	80 - 30
F2684R	2H20	36	70 - 89	F3357R	2D11	3	50 - 74	JD3227	2J20	9	80 - 30
F2684R	2H22	31	70 - 91	F3358R	2D11	5	50 - 74	JD5234	2K3	5	80 - 37
F2685R	2H20	36	70 - 89	F3396R	2C21	2	50 - 57	JD5403	3C10	8	90 - 37
F2685R	2H22	31	70 - 91	F3539R	2I7	5	70 - 101	JD5602	3B23	5	90 - 28
F2693R	2H20	33	70 - 89	F3539R	2I9	5	70 - 103	JD7145	2B8	24	50 - 14
F2694R	2H20	30	70 - 89	F3539R	2I10	5	70 - 104	JD7222	2J18	12	80 - 28
F2695R	2H20	31	70 - 89	F3541R	2I7	3	70 - 101	JD7224	2J20	3	80 - 30
F2741R	2H12	8	70 - 81	F3541R	2I9	3	70 - 103	JD7266	2J18	13	80 - 28
F2783R	2I18	12	80 - 2	F3541R	2I10	3	70 - 104	JD7266	2J20	7	80 - 30
F2820R	2H22	15	70 - 91	F3542R	2I7	4	70 - 101	JD7270	2J20	4	80 - 30
F2821R	2H20	14	70 - 89	F3542R	2I9	4	70 - 103	JD7418	2D13	6	50 - 76
F2821R	2H22	17	70 - 91	F3542R	2I10	4	70 - 104	JD7418	2J20	4	80 - 30
F2822R	2H20	13	70 - 89	F562R	2J13	13	80 - 23	JD7418	2J22	4	80 - 30B
F2822R	2H22	16	70 - 91	F785R	2D12	14	50 - 75	JD7421	2B20	25	50 - 29
F2823R	2H20	11	70 - 89	F843R	2J20	5	80 - 30	JD7425	2C15	9	50 - 50
F2823R	2H22	14	70 - 91	F843R	2J20	10	80 - 30	JD7438	2D13	19	50 - 76
F2824R	2H20	7	70 - 89	F862R	2J11	7	80 - 21	JD7444	2D12	7	50 - 75
F2824R	2H22	10	70 - 91	F991R	2D10	15	50 - 73	JD7445	2J14	3	80 - 24
F2827R	2H20	3	70 - 89	F997R	2D12	2	50 - 75	JD7445	2J15	5	80 - 25
F2827R	2H22	3	70 - 91	F998R	2D12	3	50 - 75	JD7445	2J19	13	80 - 29
F2846R	2B14	6	50 - 23	F999R	2D11	14	50 - 74	JD7445	2J20	4	80 - 30
F2847R	2B14	7	50 - 23	H104855	1I14	9	40 - 63	JD7445	2J21	3	80 - 30A
F2861R	2C21	26	50 - 57	H1058R	1B24	8	20 - 26	JD7446	2D10	6	50 - 73
F2861R	2H25	5	70 - 95	H113196	1G13	5	40 - 16A	JD7448	2D12	12	50 - 75
F2863R	3A25	7	90 - 5	H20925	1E4	7	30 - 27	JD7449	2B20	2	50 - 29
F2935R	1H2	1	40 - 29	H20993	1E4	3	30 - 27	JD7537	2C3	21	50 - 38
F2935R	1H2	2	40 - 29	H22551	1E2	11	30 - 25	JD7537	2C25	21	50 - 62
F2949R	2H20	1	70 - 89	H23193	1G16	22	40 - 18	JD7557	2C2	3	50 - 37
F2949R	2H22	1	70 - 91	H23197	3B8	11	90 - 13	JD7557	2C24	3	50 - 61
F3029R	2H20	..	70 - 89	H23836	2E18	8	70 - 7	JD7688	2C3	24	50 - 38

1K22

TRACTOR - 2510

NUMERICAL INDEX - CONTINUED

PART NO.	GRID	KEY	PAGE	PART NO.	GRID	KEY	PAGE	PART NO.	GRID	KEY	PAGE
JD7688	2C25	24	50 - 62	JD8913	2J19	12	80 - 29	M2396T	2G13	24	70 - 54
JD7759	2D12	18	50 - 75	JD8913	2J20	3	80 - 30	M2396T	2H14	7	70 - 83
JD7759	2H20	34	70 - 89	JD8913	2J21	2	80 - 30A	M3636T	1D17	22	30 - 15
JD7759	2I7	36	70 - 101	JD8922	2D13	24	50 - 76	M3636T	1G12	10	40 - 16
JD7759	2J7	6	80 - 17	JD8929	2J14	5	80 - 24	M3649T	2C14	22	50 - 49
JD7759	2J8	8	80 - 18	JD8929	2J15	8	80 - 25	M3742T	2B7	5	50 - 12
JD7759	2J11	13	80 - 21	JD8929	2J20	8	80 - 30	M3742T	2C21	38	50 - 57
JD7759	2J12	10	80 - 22	JD8929	2J21	5	80 - 30A	M3853T	1C4	24	20 - 31
JD7759	2J13	16	80 - 23	JD8929	2J22	6	80 - 30B	M3853T	1C5	2	20 - 32
JD7759	2J18	15	80 - 28	JD8942	2D10	5	50 - 73	M3853T	1C6	5	20 - 32B
JD7759	2J19	19	80 - 29	JD8946	2D3	6	50 - 65	M41029	1B9	8	20 - 11B
JD7760	2J12	22	80 - 22	JD8946	2D4	6	50 - 67	M42229	3B6	15	90 - 11
JD7778	2B2	31	50 - 7	JD8969	2D13	13	50 - 76	M43835	1I14	2	40 - 63
JD7778	2H7	4	70 - 76	JD8969	2J20	3	80 - 30	M63440	2E13	1	70 - 2
JD7778	2J17	16	80 - 27	JD8969	2J22	3	80 - 30B	M67T	1B15	2	20 - 17
JD7797	2B2	32	50 - 7	JD8973	2B18	2	50 - 27	M67T	1B19	3	20 - 21
JD7820	2J12	22	80 - 22	JD8973	2C15	2	50 - 50	M886T	2B2	28	50 - 7
JD7954	2C3	5	50 - 38	JD8974	2C14	19	50 - 49	N115096	1I14	11	40 - 63
JD7954	2C25	5	50 - 62	JD8982	2D13	5	50 - 76	PM797NA	1I18	1	40 - 67
JD8112	2D12	13	50 - 75	JD8999	2B18	18	50 - 27	PT1294	1G25	7	40 - 27
JD8130	2D10	17	50 - 73	JD9002	2C15	10	50 - 50	PT1296	1G25	14	40 - 27
JD8135	2D13	18	50 - 76	JD9257	1C11	7	20 - 37	PT1624	1G25	5	40 - 27
JD8149	2D12	6	50 - 75	JD9257	1C12	6	20 - 38	PT18180	1G25	5	40 - 27
JD8152	2D9	14	50 - 72	JD9257	1C13	6	20 - 39	PT18181	1G25	17	40 - 27
JD8162	2D9	14	50 - 72	JD9257	1C14	5	20 - 40	PT9281	2I4	6	70 - 97B
JD8164	2D9	5	50 - 72	JD9257	1C15	2	20 - 41	PT9282	2I4	11	70 - 97B
JD8167	2D9	5	50 - 72	JD9279	2D1	2	50 - 63	PT9283	2I4	9	70 - 97B
JD8186	2J20	8	80 - 30	JD9281	2A25	28	50 - 5	PT9284	2I4	8	70 - 97B
JD8190	2B20	3	50 - 29	JD9281	2B4	17	50 - 9	PT9286	2I4	7	70 - 97B
JD8192	2E22	27	70 - 11	JD9292	2B10	39	50 - 17	PT9287	2I4	2	70 - 97B
JD8192	2F6	21	70 - 19	JD9292	2D1	4	50 - 63	PT9290	2I4	3	70 - 97B
JD8194	2B17	7	50 - 26	JD9320	2C2	26	50 - 37	PT9292	2I4	..	70 - 97B
JD8206	2D3	5	50 - 65	JD9320	2C24	26	50 - 61	PT9318	1G25	7	40 - 27
JD8206	2D4	5	50 - 67	JD9329	2E8	12	60 - 20	PT9319	1G25	5	40 - 27
JD8206	2D9	13	50 - 72	JD9345	2C3	24	50 - 38	PT9320	1G25	17	40 - 27
JD8207	2D9	13	50 - 72	JD9345	2C25	24	50 - 62	PT9321	1G25	25	40 - 27
JD8210	2D9	6	50 - 72	JD9390	2B10	37	50 - 17	PT9390	1G25	6	40 - 27
JD8214	2D9	6	50 - 72	JD9449	1G11	25	40 - 15	P44982	1D19	46	30 - 17
JD8223	2E22	26	70 - 11	JD9449	2A25	28	50 - 5	P44982	3A23	23	90 - 3
JD8223	2F6	20	70 - 19	JD9449	2B4	17	50 - 9	P47892	1D17	3	30 - 15
JD8230	2B17	8	50 - 26	JD9810	1D17	13	30 - 15	P47893	1D17	4	30 - 15
JD8237	2C14	11	50 - 49	JD9812	2C16	16	50 - 51	P47908	2E14	1	70 - 3
JD8239	2B17	1	50 - 26	L2104N	2G20	29	70 - 61	P47908	2E16	..	70 - 5
JD8246	2B18	3	50 - 27	L2104N	2G21	3	70 - 62	P47908	2E18	23	70 - 7
JD8246	2C15	3	50 - 50	L300T	2B6	21	50 - 11	P47908	2E22	16	70 - 11
JD8247	2D13	25	50 - 76	L31750	2B6	14	50 - 11	P47908	2E22	..	70 - 11
JD8251	2J14	4	80 - 24	L324T	2C21	15	50 - 57	P47908	2F4	22	70 - 17
JD8251	2J15	7	80 - 25	L364T	2B6	20	50 - 11	P47908	2F12	26	70 - 25
JD8251	2J20	7	80 - 30	L65000	1I4	10	40 - 53B	P47908	2F13	6	70 - 27
JD8251	2J21	4	80 - 30A	M1098T	1C14	11	20 - 40	P50631	2C2	4	50 - 37
JD8251	2J22	5	80 - 30B	M1112T	1D4	8	30 - 2	P50631	2C24	4	50 - 61
JD8268	2C14	20	50 - 49	M1112T	1D6	8	30 - 4	P51212	2G25	5	70 - 69
JD8275	2B18	19	50 - 27	M115827	2H20	21	70 - 89	RE10712	2E24	43	70 - 13
JD8535	1G11	25	40 - 15	M115827	2H20	26	70 - 89	RE10712	2E24	44	70 - 13
JD8537	2C3	18	50 - 38	M115827	2H22	35	70 - 91	RE10712	2F8	39	70 - 21
JD8537	2C25	18	50 - 62	M115827	2H22	49	70 - 91	RE11156	1I16	36	40 - 65
JD8623	2D10	2	50 - 73	M115827	2H23	17	70 - 92	RE11157	1I16	37	40 - 65
JD8723	2C4	6	50 - 39	M115827	2H25	9	70 - 95	RE11410	1B4	12	20 - 7
JD8833	1D17	14	30 - 15	M115827	2I2	17	70 - 97	RE11410	1B4	13	20 - 7
JD8856	2C16	17	50 - 51	M115827	2I5	26	70 - 99	RE11447	2H2	9	70 - 71
JD8867	1D23	10	30 - 21	M115827	2I7	30	70 - 101	RE11456	2H2	2	70 - 71
JD8867	1D25	11	30 - 23	M115827	2I7	41	70 - 101	RE11457	2H2	1	70 - 71
JD8902	2C14	12	50 - 49	M1746T	1B10	5	20 - 12	RE11458	2H2	2	70 - 71
JD8905	2B17	2	50 - 26	M2071T	2H23	4	70 - 92	RE11463	2H2	2	70 - 71
JD8910	2B20	24	50 - 29	M2206T	2D13	20	50 - 76	RE11777	2F6	24	70 - 19
JD8913	2J14	2	80 - 24	M2396T	2F22	16	70 - 38	RE11777	2F12	19	70 - 25
JD8913	2J15	4	80 - 25	M2396T	2F25	6	70 - 41	RE11804	2F6	14	70 - 19

1K23

TRACTOR - 2510

NUMERICAL INDEX - CONTINUED

PART NO.	GRID	KEY	PAGE	PART NO.	GRID	KEY	PAGE	PART NO.	GRID	KEY	PAGE
RE12162	2C16	15	50 - 51	RE19402	1D23	8	30 - 21	RE23000	2B10	43	50 - 17
RE12162	2C16	21	50 - 51	RE19402	1D23	56	30 - 21	RE23000	2C8	22	50 - 43
RE12330	2F10	..	70 - 23	RE19402	1D23	..	30 - 21	RE23382	2E16	14	70 - 5
RE12470	2F8	27	70 - 21	RE19402	1D25	9	30 - 23	RE23382	2E16	23	70 - 5
RE13181	2C2	27	50 - 37	RE19402	1D25	59	30 - 23	RE23382	2E22	16	70 - 11
RE13181	2C24	11	50 - 61	RE19402	1D25	..	30 - 23	RE23382	2E22	25	70 - 11
RE13181	2C24	27	50 - 61	RE19402	1E2	6	30 - 25	RE23382	2F6	19	70 - 19
RE13271	2F8	15	70 - 21	RE19402	1E2	45	30 - 25	RE24561	1F16	1	30 - 63
RE13561	2G15	2	70 - 56	RE19402	1E4	..	30 - 27	RE24647	2F10	21	70 - 23
RE13562	2G15	2	70 - 56	RE19402	1E8	1	30 - 31	RE24959	1B24	10	20 - 26
RE13815	2G25	10	70 - 69	RE19403	1E4	6	30 - 27	RE24959	1B24	14	20 - 26
RE13878	2I25	2	80 - 10	RE19404	1E4	13	30 - 27	RE25043	1C9	1	20 - 35
RE13879	2I25	2	80 - 10	RE19404	1E4	..	30 - 27	RE25043	1C11	14	20 - 37
RE14069	1G8	5	40 - 12	RE19404	1E8	1	30 - 31	RE25043	1C13	..	20 - 39
RE14868	2F2	20	70 - 15	RE19405	1E4	1	30 - 27	RE25043	1C14	13	20 - 40
RE15361	2G6	24	70 - 47	RE19406	1E4	8A	30 - 27	RE25621	1H24	1	40 - 51
RE15361	2G8	9	70 - 49	RE19407	1E4	10	30 - 27	RE26739	2H1	6	70 - 70
RE15361	2G8	10	70 - 49	RE19408	1D21	3	30 - 19	RE26740	2H1	6	70 - 70
RE15361	2G8	14	70 - 49	RE19408	1D25	9	30 - 23	RE27995	2B10	3	50 - 17
RE15361	2G8	17	70 - 49	RE19408	1D25	..	30 - 23	RE27995	2B10	16	50 - 17
RE15361	2G9	17	70 - 50	RE19408	1E2	6	30 - 25	RE27995	2B10	43	50 - 17
RE15361	2G9	20	70 - 50	RE19408	1E2	45	30 - 25	RE27995	2C8	22	50 - 43
RE15361	2G9	24	70 - 50	RE19408	1E4	8B	30 - 27	RE27995	2C8	22	50 - 43
RE15361	2G10	25	70 - 51	RE19408	1E4	8B	30 - 27	RE28790	2E16	7	70 - 5
RE15361	2G12	10	70 - 53	RE19505	1C15	1	20 - 41	RE28790	2E20	17	70 - 9
RE15361	2G12	11	70 - 53	RE19717	1C9	1	20 - 35	RE28790	2E22	7	70 - 11
RE15361	2G12	15	70 - 53	RE19717	1C14	13	20 - 40	RE28790	2F4	19	70 - 17
RE15361	2G12	15	70 - 53	RE19719	1C14	12	20 - 40	RE28790	2F6	7	70 - 19
RE15361	2G12	20	70 - 53	RE19733	1B15	6	20 - 17	RE28790	2F12	23	70 - 25
RE15361	2G22	10	70 - 63	RE19733	1B15	7	20 - 17	RE28790	2F12	23	70 - 25
RE15361	2G22	11	70 - 63	RE19855	1B7	1	20 - 11	RE29102	2E20	..	70 - 9
RE15361	2G22	15	70 - 63	RE19855	1B9	64	20 - 11B	RE29103	2F4	25	70 - 17
RE15361	2G22	18	70 - 63	RE19855	1C22	9	20 - 49	RE29107	2F12	29	70 - 25
RE15361	2G22	20	70 - 63	RE19993	2B13	23	50 - 21	RE29611	2A25	19	50 - 5
RE15361	2I14	19	70 - 108	RE20662	2I7	13	70 - 101	RE29773	2A25	27	50 - 5
RE15381	1C5	6	20 - 32	RE20662	2I9	13	70 - 103	RE30174	1F16	1	30 - 63
RE15381	1C6	13	20 - 32B	RE20662	2I9	13	70 - 103	RE31701	2D9	2	50 - 72
RE15427	1C17	10	20 - 43	RE20730	2B2	21	50 - 7	RE31701	2D12	16	50 - 75
RE16149	1B9	21	20 - 11B	RE20731	2D1	21	50 - 63	RE31973	1B4	5	20 - 7
RE16149	1B25	5	20 - 27	RE21073	1I2	14	40 - 53	RE31973	1B4	6	20 - 7
RE16181	1F16	16	30 - 63	RE21076	1B9	13	20 - 11B	RE32529	2F2	19	70 - 15
RE16181	1F16	19	30 - 63	RE21096	1I2	8	40 - 53	RE32529	2F10	20	70 - 23
RE16181	1F17	3	30 - 64	RE21096	1I4	11	40 - 53B	RE32969	2D19	2	60 - 5B
RE16181	1F17	7	30 - 64	RE21112	1I6	3	40 - 55	RE33636	1F16	1	30 - 63
RE16370	2C16	11	50 - 51	RE21113	1I6	10	40 - 55	RE35279	1B2	14	20 - 5
RE16946	1G7	10	40 - 11	RE21230	1F4	1	30 - 51	RE35685	1C6	13	20 - 32B
RE17282	1I8	10	40 - 57	RE21230	1F6	..	30 - 53	RE36170	2B20	33	50 - 29
RE19031	1B4	6	20 - 7	RE21230	1F8	..	30 - 55	RE36657	2D19	4	60 - 5B
RE19075	1H6	1	40 - 33	RE21230	1F9	..	30 - 56	RE37996	1G8	4	40 - 12
RE19075	1H6	3	40 - 33	RE21230	1F10	..	30 - 57	RE38390	1F22	24	40 - 3
RE19075	1H6	10	40 - 33	RE21230	1F11	..	30 - 58	RE38390	1F24	25	40 - 5
RE19075	1H7	2	40 - 34	RE21230	1F12	..	30 - 59	RE38390	1G8	6	40 - 12
RE19075	1H7	6	40 - 34	RE21230	1F13	..	30 - 60	RE38390	2B13	22	50 - 21
RE19075	1H7	29	40 - 34	RE21230	1F14	..	30 - 61	RE38390	2B21	12	50 - 30
RE19187	1G12	2	40 - 16	RE21230	1F15	..	30 - 62	RE38390	2C17	20	50 - 52
RE19187	1G12	3	40 - 16	RE21304	2C18	10	50 - 53	RE38391	1G3	7	40 - 7A
RE19187	1G12	4	40 - 16	RE21304	2C18	13	50 - 53	RE38558	1C22	23	20 - 49
RE19187	1G12	5	40 - 16	RE21304	2C18	19	50 - 53	RE38559	1C24	25	20 - 51
RE19187	1G12	6	40 - 16	RE21510	1I2	16	40 - 53	RE38565	1C20	9	20 - 47
RE19187	1G19	..	40 - 21	RE21725	2F2	19	70 - 15	RE38707	1I2	8	40 - 53
RE19187	1G21	..	40 - 23	RE21725	2F10	20	70 - 23	RE38707	1I4	11	40 - 53B
RE19187	1G22	3	40 - 24	RE21738	1I6	15	40 - 55	RE38847	1C19	10	20 - 46
RE19188	1G21	18	40 - 23	RE21790	1F17	6	30 - 64	RE39061	1G12	2	40 - 16
RE19191	1G19	18	40 - 21	RE22320	2C18	7	50 - 53	RE39061	1G13	9	40 - 16A
RE19192	1G19	19	40 - 21	RE22320	2C18	14	50 - 53	RE39838	1G12	2	40 - 16
RE19193	1G17	16	40 - 19	RE22320	2C18	18	50 - 53	RE39838	1G14	6	40 - 16B
RE19193	1G19	4	40 - 21	RE22589	1I6	2	40 - 55	RE40463	2F2	20	70 - 15
RE19402	1D21	3	30 - 19	RE23000	2B10	3	50 - 17	RE40463	2F10	21	70 - 23
				RE23000	2B10	16	50 - 17	RE41287	1G3	7	40 - 7A

1K24

TRACTOR - 2510

NUMERICAL INDEX - CONTINUED

PART NO.	GRID	KEY	PAGE	PART NO.	GRID	KEY	PAGE	PART NO.	GRID	KEY	PAGE
RE42211	1E10	..	30 - 33	R10150	1D25	58	30 - 23	R11225	1G24	2	40 - 26
RE42211	1E11	8	30 - 34	R10160	1D23	54	30 - 21	R11236	1G16	16	40 - 18
RE42636	1G3	10	40 - 7A	R10160	1D25	56	30 - 23	R11236	1G21	19	40 - 23
RE43025	1I2	14	40 - 53	R10160	1E2	16	30 - 25	R11238	1G16	5	40 - 18
RE43025	1I4	17	40 - 53B	R10170	1D23	24	30 - 21	R11239	1G16	4	40 - 18
RE43274	1D21	7	30 - 19	R10170	1D25	25	30 - 23	R11240	1G15	26	40 - 17
RE43274	1E10	..	30 - 33	R10170	1E2	37	30 - 25	R11240	1G15	..	40 - 17
RE43274	1E11	8	30 - 34	R10170	1E5	5	30 - 28	R11240	1G17	26	40 - 19
RE44536	1G3	10	40 - 7A	R10170	1E6	11	30 - 29	R11240	1G24	21	40 - 26
RE44657	1H22	28	40 - 49	R10182	1D23	12	30 - 21	R11243	1G16	1	40 - 18
RE46317	1I4	11	40 - 53B	R10182	1D25	13	30 - 23	R11276	1F22	16	40 - 3
RE46330	2D18	2	60 - 5	R10182	1E5	3	30 - 28	R11276	1F24	14	40 - 5
RE46330	2D18	6	60 - 5	R10184	1D23	39	30 - 21	R11276	1H11	5	40 - 38
RE46330	2D18	7	60 - 5	R10184	1D25	38	30 - 23	R11278	1H11	4	40 - 38
RE46330	2D18	8	60 - 5	R10185	1D23	37	30 - 21	R11278	1H13	1	40 - 40
RE46330	2D19	4	60 - 5B	R10185	1D25	39	30 - 23	R112874	2B8	2	50 - 14
RE46335	2D18	2	60 - 5	R10185	1E2	33	30 - 25	R113752	1C4	13	20 - 31
RE46335	2D18	6	60 - 5	R10186	1D23	31	30 - 21	R113752	1C4	23	20 - 31
RE46335	2D18	7	60 - 5	R10186	1D25	29	30 - 23	R113752	1C4	28	20 - 31
RE46335	2D18	8	60 - 5	R10186	1E5	11	30 - 28	R113752	1C4	29	20 - 31
RE46335	2D19	2	60 - 5B	R10187	1D23	32	30 - 21	R113752	1C5	5	20 - 32
RE46414	1I4	12	40 - 53B	R10187	1D25	30	30 - 23	R113752	1C5	6	20 - 32
RE47805	2C24	11	50 - 61	R10188	1D23	43	30 - 21	R113752	1C6	..	20 - 32B
RE50113	2C15	1	50 - 50	R10188	1D25	41	30 - 23	R117129	1D19	48	30 - 17
RE50113	2D3	13	50 - 65	R10188	1E2	25	30 - 25	R117491	3C6	9	90 - 33B
RE50113	2D4	29	50 - 67	R10194	1D23	11	30 - 21	R120106	1I2	7	40 - 53
RE54814	2J14	7	80 - 24	R10194	1D25	12	30 - 23	R120106	1I4	10	40 - 53B
RE54814	2J21	7	80 - 30A	R10194	1E5	2	30 - 28	R120107	1I2	7	40 - 53
RE54819	2J22	8	80 - 30B	R10198	1E2	5	30 - 25	R120107	1I4	10	40 - 53B
RE55343	1B7	1	20 - 11	R10211	1D23	30	30 - 21	R120108	1I2	7	40 - 53
RE55343	1C4	28	20 - 31	R10211	1D25	28	30 - 23	R120108	1I4	10	40 - 53B
RE55343	1C4	29	20 - 31	R10211	1E2	29	30 - 25	R120111	2K3	6	80 - 37
RE55343	1C5	5	20 - 32	R10211	1E5	10	30 - 28	R120124	3C3	2	90 - 32
RE55343	1C5	6	20 - 32	R10211	1E6	6	30 - 29	R120124	3C3	11	90 - 32
RE55343	1C6	13	20 - 32B	R10300	1D23	9	30 - 21	R120124	3C6	10	90 - 33B
RE55345	1C4	13	20 - 31	R10300	1D25	10	30 - 23	R120128	3C6	11	90 - 33B
RE55345	1C4	23	20 - 31	R105583	2E16	12	70 - 5	R120838	2B10	9	50 - 17
RE55584	2C14	14	50 - 49	R105583	2E22	13	70 - 11	R120838	2B10	10	50 - 17
RE56308	1B2	14	20 - 5	R105583	2F6	11	70 - 19	R120838	2B10	13	50 - 17
RE58257	3C6	1	90 - 33B	R105814	1D19	26	30 - 17	R120838	2B10	21	50 - 17
RE58612	3C6	16	90 - 33B	R105942	1I4	10	40 - 53B	R120838	2B10	25	50 - 17
RE58679	3C6	15	90 - 33B	R106715	2C24	11	50 - 61	R120838	2B10	26	50 - 17
RE62916	1G19	30	40 - 21	R106866	2C24	11	50 - 61	R120838	2C8	16	50 - 43
RE62916	1G19	..	40 - 21	R107239	2E20	13	70 - 9	R125754	1B9	9	20 - 11B
RE62916	1G21	20	40 - 23	R109478	2B22	11	50 - 31	R126041	1C1	10	20 - 28
RE62916	1G21	..	40 - 23	R11032	1H8	11	40 - 35	R15023	1G11	15	40 - 15
RE65495	1H2	15	40 - 29	R11039	1G15	16	40 - 17	R15024	1G11	17	40 - 15
RE65495	1H5	1	40 - 32	R11066	1G15	24	40 - 17	R15026	1G11	6	40 - 15
RE65495	1H5	18	40 - 32	R11066	1G22	2	40 - 24	R15027	1G11	21	40 - 15
RE65495	1H5	23	40 - 32	R11087	1G16	15	40 - 18	R15028	1G11	29	40 - 15
RE66845	1I2	14	40 - 53	R11087	1G23	17	40 - 25	R15029	1G11	26	40 - 15
RE66845	1I4	17	40 - 53B	R11095	1G16	27	40 - 18	R15030	1G11	14	40 - 15
RV695A	2H22	43	70 - 91	R11096	1G16	24	40 - 18	R15033	1G11	24	40 - 15
RW26466	1I2	16	40 - 53	R11108	1G17	18	40 - 19	R15035	1G11	13	40 - 15
RW26466	1I4	20	40 - 53B	R111122	2D18	5	60 - 5	R15036	1G9	20	40 - 13
R100105	1B9	46	20 - 11B	R11116	1G17	11	40 - 19	R15036	1G11	4	40 - 15
R100232	2B8	1	50 - 14	R11116	1G19	26	40 - 21	R15036	1G11	9	40 - 15
R100234	2B8	7	50 - 14	R11116	1G24	6	40 - 26	R15038	1G11	22	40 - 15
R100380	1G13	4	40 - 16A	R11117	1G17	12	40 - 19	R1548R	2D11	4	50 - 74
R10093	1B11	4	20 - 13	R11117	1G19	27	40 - 21	R1590R	2D2	12	50 - 64
R10093	2B14	25	50 - 23	R11117	1G24	7	40 - 26	R1590R	2H4	8	70 - 73
R10093	2G25	2	70 - 69	R11118	1G17	7	40 - 19	R1612R	2B3	5	50 - 8
R10104	1D23	14	30 - 21	R11118	1G19	21	40 - 21	R1612R	2B16	4	50 - 25
R10104	1D25	15	30 - 23	R11118	1G24	1	40 - 26	R1612R	2C6	4	50 - 41
R10104	1E2	43	30 - 25	R11191	1G23	19	40 - 25	R1742R	2B14	16	50 - 23
R10133	1E6	14	30 - 29	R11195	1G15	7	40 - 17	R1769R	2B25	5	50 - 35
R10150	1D23	57	30 - 21	R11225	1G17	8	40 - 19	R1769R	2C22	5	50 - 59

1K25

TRACTOR - 2510

NUMERICAL INDEX - CONTINUED

PART NO.	GRID	KEY	PAGE	PART NO.	GRID	KEY	PAGE	PART NO.	GRID	KEY	PAGE
R1826R	2H25	7	70 - 95	R26015	2B25	13	50 - 35	R26253	2B18	12	50 - 27
R183R	2H14	40	70 - 83	R26015	2E13	9	70 - 2	R26255	2B18	23	50 - 27
R1836R	3A25	8	90 - 5	R26015	2I7	16	70 - 101	R26264	2B18	7	50 - 27
R1870R	2B23	6	50 - 32	R26021	2D9	19	50 - 72	R26265	2B18	13	50 - 27
R1870R	2J3	12	80 - 13	R26022	2D1	7	50 - 63	R26266	2B18	24	50 - 27
R1870R	2J3	34	80 - 13	R26022	2D9	17	50 - 72	R26277	2E8	10	60 - 20
R1870R	2J4	12	80 - 14	R26025	2D9	24	50 - 72	R26286	2B13	16	50 - 21
R1888R	2A25	7	50 - 5	R26026	2D9	25	50 - 72	R26286	2B14	26	50 - 23
R1888R	2B4	11	50 - 9	R26027	2A25	14	50 - 5	R26286	2C6	20	50 - 41
R1888R	2C12	2	50 - 47	R26037	2D3	17	50 - 65	R26286	2C6	27	50 - 41
R1888R	2C14	2	50 - 49	R26038	2D3	2	50 - 65	R26286	2C17	9	50 - 52
R2R	2J19	11	80 - 29	R26038	2D4	2	50 - 67	R26286	2D6	22	50 - 69
R20123	3C9	..	90 - 36	R26042	2D3	7	50 - 65	R26286	2D6	30	50 - 69
R20124	3C9	..	90 - 36	R26042	2D4	7	50 - 67	R26286	2D7	8	50 - 70
R20135	2H7	2	70 - 76	R26043	2D3	7	50 - 65	R26286	2D8	8	50 - 71
R20135	2J8	13	80 - 18	R26043	2D3	7	50 - 65	R26286	2D8	10	50 - 71
R20135	2J9	21	80 - 19	R26043	2D4	7	50 - 67	R26286	2D8	10	50 - 71
R20136	2H5	2	70 - 74	R26072	2B18	15	50 - 27	R26286	2D8	11	50 - 71
R20136	2J11	23	80 - 21	R26072	2C4	15	50 - 39	R26286	2D8	13	50 - 71
R20228	2E3	28	60 - 15	R26101	2D3	11	50 - 65	R26286	2D8	13	50 - 71
R20252	2J17	6	80 - 27	R26102	2D3	14	50 - 65	R26286	2D15	8	60 - 2
R20253	2J17	2	80 - 27	R26103	2D3	15	50 - 65	R26286	2D17	8	60 - 4
R20255	2J8	12	80 - 18	R26105	2D3	3	50 - 65	R26286	2D21	3	60 - 7
R20255	2J15	17	80 - 25	R26105	2D3	3	50 - 65	R26286	2D23	3	60 - 9
R20255	2J17	27	80 - 27	R26105	2D4	3	50 - 67	R26286	2E1	5	60 - 13
R20256	2J17	29	80 - 27	R26113	3A25	29	90 - 5	R26286	2E3	14	60 - 15
R20259	2J17	31	80 - 27	R26125	1B4	15	20 - 7	R26286	2E3	17	60 - 15
R20260	2J17	17	80 - 27	R26137	2E16	6	70 - 5	R26286	2E7	4	60 - 19
R20261	2J17	18	80 - 27	R26137	2E22	6	70 - 11	R26286	2F19	3	70 - 35
R20498	1D21	8	30 - 19	R26137	2F6	6	70 - 19	R26286	2G4	31	70 - 45
R20498	1E9	20	30 - 32	R26149	1F16	3	30 - 63	R26286	2H12	13	70 - 81
R20498	1E11	3	30 - 34	R26149	2E18	38	70 - 7	R26287	1E9	5	30 - 32
R20513	3B4	36	90 - 9	R26149	2F21	36	70 - 37	R26287	2C18	22	50 - 53
R20648	2J19	3	80 - 29	R26149	2F22	9	70 - 38	R26287	2D7	11	50 - 70
R20653	2J19	9	80 - 29	R26149	2H12	32	70 - 81	R26287	2D7	18	50 - 70
R20654	2J19	20	80 - 29	R26151	2E3	39	60 - 15	R26287	2D8	19	50 - 71
R20655	2J19	8	80 - 29	R26178	2B23	18	50 - 32	R26287	2D16	16	60 - 3
R20656	2J19	2	80 - 29	R26182	2B23	9	50 - 32	R26287	2D17	11	60 - 4
R20759	2I25	3	80 - 10	R26183	2B23	8	50 - 32	R26287	2D17	11	60 - 4
R20878	1H10	2	40 - 37	R26185	2B23	14	50 - 32	R26287	2D21	5	60 - 7
R20878	1H10	3	40 - 37	R26185	2B23	15	50 - 32	R26287	2D23	5	60 - 9
R20942	2J17	28	80 - 27	R26186	2B23	15	50 - 32	R26287	2D25	16	60 - 11
R21110	2J24	5	80 - 32	R26187	2B23	11	50 - 32	R26287	2E3	20	60 - 15
R21157	1H11	2	40 - 38	R26187	2B23	14	50 - 32	R26287	2E3	48	60 - 15
R21157	3B6	29	90 - 11	R26192	2B23	19	50 - 32	R26287	2E7	11	60 - 19
R21342	2H22	45	70 - 91	R26202	2B21	16	50 - 30	R26287	2E20	15	70 - 9
R21483	2D23	10	60 - 9	R26202	2B22	10	50 - 31	R26287	2E24	23	70 - 13
R21483	2G4	14	70 - 45	R26203	2B21	15	50 - 30	R26287	2F4	4	70 - 17
R21551	1H2	6	40 - 29	R26203	2B22	14	50 - 31	R26287	2F4	16	70 - 17
R21551	1H2	9	40 - 29	R26206	2B20	39	50 - 29	R26287	2F12	22	70 - 25
R21551	1H2	18	40 - 29	R26206	2B21	2	50 - 30	R26287	2F13	9	70 - 27
R21644	1D14	6	30 - 12	R26206	2B22	2	50 - 31	R26287	2F16	55	70 - 31
R21645	1D14	7	30 - 12	R26207	2B20	40	50 - 29	R26287	2F18	49	70 - 33
R21685	3C7	1	90 - 34	R26207	2B21	1	50 - 30	R26287	2F19	14	70 - 35
R21686	3C7	1	90 - 34	R26207	2B22	1	50 - 31	R26287	2F23	38	70 - 39
R21722	2H2	1	70 - 71	R26207	2B22	1	50 - 31	R26287	2H12	3	70 - 81
R21722	2H2	2	70 - 71	R26218	2B20	19	50 - 29	R26287	3B2	7	90 - 7
R21736	2I23	33	80 - 7	R26220	2B20	1	50 - 29	R26287	2B25	35	50 - 35
R21736	2I23	34	80 - 7	R26221	2B20	1	50 - 29	R26308	2B25	34	50 - 35
R227R	2D16	21	60 - 3	R26222	2B20	1	50 - 29	R26313	2B25	36	50 - 35
R228R	2D11	16	50 - 74	R26223	2B20	1	50 - 29	R26322	2B25	1	50 - 35
R229R	2D11	15	50 - 74	R26227	2B20	1	50 - 29	R26367	2D15	9	60 - 2
R26006	2C2	18	50 - 37	R26227	2B18	4	50 - 27	R26369	2D15	6	60 - 2
R26006	2C4	10	50 - 39	R26227	2C15	4	50 - 50	R26372	2D16	27	60 - 3
R26006	2C4	13	50 - 39	R26228	2B18	4	50 - 27	R26373	2D15	14	60 - 2
R26006	2C24	18	50 - 61	R26228	2C15	4	50 - 50	R26373	2E3	45	60 - 15
R26006	2D1	18	50 - 63	R26229	2B18	4	50 - 27	R26373	2D15	13	60 - 2
				R26241	1B5	3	20 - 9	R26375	2B13	43	50 - 21
				R26246	2B17	3	50 - 26	R26375	2B13	46	50 - 21
				R26251	2E8	11	60 - 20				
					2B18	8	50 - 27				

1L1

TRACTOR - 2510

NUMERICAL INDEX - CONTINUED

PART NO.	GRID	KEY	PAGE	PART NO.	GRID	KEY	PAGE	PART NO.	GRID	KEY	PAGE
R26375	2B14	19	50 - 23	R26448	2E3	11	60 - 15	R26554	2H14	1	70 - 83
R26375	2C14	7	50 - 49	R26448	2E7	5	60 - 19	R26559	2I17	4	80 - 1
R26375	2D16	22	60 - 3	R26448	2E7	34	60 - 19	R26564	2H14	26	70 - 83
R26375	2D17	13	60 - 4	R26448	2E24	2	70 - 13	R26565	2E3	5	60 - 15
R26375	2E3	30	60 - 15	R26448	2E24	8	70 - 13	R26565	2F22	8	70 - 38
R26375	2E7	44	60 - 19	R26448	2F2	1	70 - 15	R26565	2H12	31	70 - 81
R26375	2E18	14	70 - 7	R26448	2F4	1	70 - 17	R26566	2H12	35	70 - 81
R26375	2E18	19	70 - 7	R26448	2F8	2	70 - 21	R26567	2H14	4	70 - 83
R26375	2E20	6	70 - 9	R26448	2F8	8	70 - 21	R26571	2H14	19	70 - 83
R26375	2E24	27	70 - 13	R26448	2F8	25	70 - 21	R26573	2H12	27	70 - 81
R26375	2F2	16	70 - 15	R26448	2F10	3	70 - 23	R26574	2H14	50	70 - 83
R26375	2F8	23	70 - 21	R26448	2F12	1	70 - 25	R26584	2I7	8	70 - 101
R26375	2F10	7	70 - 23	R26448	2F12	8	70 - 25	R26584	2I9	8	70 - 103
R26375	2F10	17	70 - 23	R26448	2H10	11	70 - 79	R26584	2I10	8	70 - 104
R26375	2F12	3	70 - 25	R26448	2H12	26	70 - 81	R26593	1D20	8	30 - 18
R26375	2F12	10	70 - 25	R26448	2H15	1	70 - 84	R26594	1D20	10	30 - 18
R26375	2F15	3	70 - 30	R26448	2H16	1	70 - 85	R26608	2H22	24	70 - 91
R26375	2F16	49	70 - 31	R26448	2I14	4	70 - 108	R26609	2H22	34	70 - 91
R26375	2F17	3	70 - 32	R26456	2H5	8	70 - 74	R26611	2H24	1	70 - 93
R26375	2F20	3	70 - 36	R26457	2H10	5	70 - 79	R26612	2H24	9	70 - 93
R26375	2F22	2	70 - 38	R26458	2H10	2	70 - 79	R26613	2H24	11	70 - 93
R26375	2F22	4	70 - 38	R26461	2H14	32	70 - 83	R26614	2H24	11	70 - 93
R26375	2G1	1	70 - 42	R26464	2H6	6	70 - 75	R26615	2H24	17	70 - 93
R26375	2G2	1	70 - 43	R26465	2H6	5	70 - 75	R26616	2H24	10	70 - 93
R26375	2G4	5	70 - 45	R26477	2F23	36	70 - 39	R26618	2H24	21	70 - 93
R26375	2G4	26	70 - 45	R26477	2H12	5	70 - 81	R26619	2H24	7	70 - 93
R26375	2G6	8	70 - 47	R26477	2I13	12	70 - 107	R26621	2E18	39	70 - 7
R26375	2G6	17	70 - 47	R26478	2F23	37	70 - 39	R26621	2E20	11	70 - 9
R26375	2G8	26	70 - 49	R26478	2H12	4	70 - 81	R26625	2H10	8	70 - 79
R26375	2G9	1	70 - 50	R26479	2F23	37	70 - 39	R26626	2H5	14	70 - 74
R26375	2G12	21	70 - 53	R26479	2H12	4	70 - 81	R26628	2H8	3	70 - 77
R26375	2G12	26	70 - 53	R26480	2G14	31	70 - 55	R26629	2H14	35	70 - 83
R26375	2G13	27	70 - 54	R26480	2G16	10	70 - 57	R26630	2H8	15	70 - 77
R26375	2G18	2	70 - 59	R26480	2G20	26	70 - 61	R26631	2J15	6	80 - 25
R26375	2G18	4	70 - 59	R26480	2G25	8	70 - 69	R26631	2J20	3	80 - 30
R26375	2H2	4	70 - 71	R26482	2G13	17	70 - 54	R26631	2J20	5	80 - 30
R26375	2H12	10	70 - 81	R26482	2G16	6	70 - 57	R26631	2J20	10	80 - 30
R26375	2H15	8	70 - 84	R26483	2G13	21	70 - 54	R26632	2J15	3	80 - 25
R26375	2H15	16	70 - 84	R26483	2G16	7	70 - 57	R26632	2J20	2	80 - 30
R26375	2H16	9	70 - 85	R26484	2G13	14	70 - 54	R26632	2J22	2	80 - 30B
R26375	2H16	16	70 - 85	R26484	2G16	3	70 - 57	R26632	2A25	22	50 - 5
R26375	2I13	6	70 - 107	R26485	2G6	30	70 - 47	R26637	2B4	13	50 - 9
R26375	2I14	2	70 - 108	R26485	2G8	11	70 - 49	R26641	2A24	4	50 - 3
R26375	2I14	15	70 - 108	R26485	2G9	23	70 - 50	R26642	2A24	5	50 - 3
R26376	2D16	20	60 - 3	R26485	2G12	12	70 - 53	R26643	2B2	11	50 - 7
R26384	2D16	54	60 - 3	R26485	2G13	10	70 - 54	R26643	2B10	35	50 - 17
R26385	2D6	12	50 - 69	R26485	2G16	1	70 - 57	R26650	1B5	13	20 - 9
R26385	2D16	60	60 - 3	R26485	2G22	12	70 - 63	R26650	1B9	30	20 - 11B
R26386	2D6	11	50 - 69	R26487	2H14	9	70 - 83	R26650	2C12	15	50 - 47
R26386	2D16	58	60 - 3	R26493	1B5	12	20 - 9	R26650	2H12	23	70 - 81
R26386	2H14	11	70 - 83	R26493	1B9	31	20 - 11B	R26652	2B2	7	50 - 7
R26398	2B21	20	50 - 30	R26500	1D17	7	30 - 15	R26659	2A25	18	50 - 5
R26418	2E7	31	60 - 19	R26501	1D17	8	30 - 15	R26663	2A24	3	50 - 3
R26418	2G6	16	70 - 47	R26503	2H23	11	70 - 92	R26670	1D19	8	30 - 17
R26418	2G8	29	70 - 49	R26503	2I5	17	70 - 99	R26686	2B14	28	50 - 23
R26418	2G9	6	70 - 50	R26503	2I7	24	70 - 101	R26686	2C22	17	50 - 59
R26425	2E3	23	60 - 15	R26508	2I5	9	70 - 99	R26686	2F16	52	70 - 31
R26431	3A23	18	90 - 3	R26524	1D19	52	30 - 17	R26694	2I23	31	80 - 7
R26432	3A23	10	90 - 3	R26524	2H14	48	70 - 83	R26711	2H7	25	70 - 76
R26433	3A23	12	90 - 3	R26531	1D20	21	30 - 18	R26714	2H24	13	70 - 93
R26434	3A23	20	90 - 3	R26543	2E8	6	60 - 20	R26726	1E12	24	30 - 35
R26436	3A25	3	90 - 5	R26544	2F20	7	70 - 36	R26726	1E20	14	30 - 43
R26441	2D25	18	60 - 11	R26546	2E3	36	60 - 15	R26726	1F16	20	30 - 63
R26441	2E1	1	60 - 13	R26551	2F22	21	70 - 38	R26727	2D13	9	50 - 76
R26448	1G8	2	40 - 12	R26552	2E3	25	60 - 15	R26753	2B8	22	50 - 14
R26448	2C17	12	50 - 52	R26553	2E3	57	60 - 15	R26755	2E1	10	60 - 13
R26448	2D25	22	60 - 11	R26554	2E3	53	60 - 15	R26760	2D25	17	60 - 11

1L2

TRACTOR - 2510

NUMERICAL INDEX - CONTINUED

PART NO.	GRID	KEY	PAGE	PART NO.	GRID	KEY	PAGE	PART NO.	GRID	KEY	PAGE
R26760	2E1	18	60 - 13	R26906	2F19	12	70 - 35	R27149	2D15	12	60 - 2
R26762	2E3	55	60 - 15	R26906	2G4	8	70 - 45	R27149	2D17	10	60 - 4
R26762	2H14	2	70 - 83	R26906	2H10	3	70 - 79	R27149	2E16	10	70 - 5
R26769	2H4	15	70 - 73	R26906	2I13	16	70 - 107	R27149	2E20	18	70 - 9
R26772	2H14	23	70 - 83	R26933	2D25	8	60 - 11	R27149	2E22	11	70 - 11
R26773	2H14	27	70 - 83	R26941	1F21	3	40 - 2	R27149	2F4	20	70 - 17
R26776	2H14	24	70 - 83	R26941	1F23	3	40 - 4	R27149	2F6	9	70 - 19
R26779	2H8	8	70 - 77	R26941	2E7	37	60 - 19	R27149	2F12	24	70 - 25
R26784	2H7	23	70 - 76	R26947	2J17	20	80 - 27	R27150	2E16	5	70 - 5
R26808	2H24	12	70 - 93	R26958	1D19	18	30 - 17	R27150	2E22	5	70 - 11
R26809	2H24	12	70 - 93	R26969	2D18	5	60 - 5	R27150	2F6	5	70 - 19
R26810	2H24	15	70 - 93	R26974	2F22	18	70 - 38	R27154	2E16	16	70 - 5
R26811	2H20	19	70 - 89	R26978	2F20	18	70 - 36	R27154	2E22	18	70 - 11
R26813	2H20	12	70 - 89	R26980	2F20	16	70 - 36	R27155	2E16	15	70 - 5
R26814	2H20	2	70 - 89	R26980	2F20	24	70 - 36	R27155	2E22	17	70 - 11
R26814	2H22	2	70 - 91	R26982	2F20	26	70 - 36	R27156	2E16	17	70 - 5
R26822	2F22	17	70 - 38	R26986	2F21	32	70 - 37	R27157	2E16	18	70 - 5
R26828	3A23	28	90 - 3	R26989	2G4	6	70 - 45	R27157	2E22	20	70 - 11
R26829	3A23	22	90 - 3	R26990	2B18	22	50 - 27	R27159	2E24	18	70 - 13
R26830	3A23	19	90 - 3	R26992	2I25	8	80 - 10	R27166	1C4	22	20 - 31
R26832	3A25	9	90 - 5	R26992	2J1	6	80 - 11	R27166	1C22	6	20 - 49
R26833	2B2	2	50 - 7	R27007	2H20	6	70 - 89	R27166	1C24	8	20 - 51
R26841	2H4	13	70 - 73	R27007	2H22	9	70 - 91	R27166	2E24	14	70 - 13
R26842	2H4	2	70 - 73	R27016	2H23	13	70 - 92	R27166	2E24	43	70 - 13
R26858	2I23	22	80 - 7	R27016	2I5	19	70 - 99	R27166	2E24	44	70 - 13
R26860	2J15	18	80 - 25	R27016	2I7	26	70 - 101	R27166	2F2	5	70 - 15
R26863	2H4	12	70 - 73	R27018	2B16	22	50 - 25	R27166	2F4	6	70 - 17
R26865	2H5	11	70 - 74	R27018	2C6	28	50 - 41	R27166	2F8	41	70 - 21
R26868	2H8	6	70 - 77	R27018	2H8	17	70 - 77	R27166	2F10	10	70 - 23
R26869	2H8	7	70 - 77	R27027	2B2	34	50 - 7	R27166	2F12	14	70 - 25
R26871	1D19	46	30 - 17	R27028	2B2	15	50 - 7	R27167	2E24	16	70 - 13
R26871	3A23	23	90 - 3	R27033	2A25	21	50 - 5	R27168	2H17	3	70 - 86
R26872	3A25	2	90 - 5	R27035	2A24	10	50 - 3	R27170	2E24	19	70 - 13
R26873	3A25	2	90 - 5	R27036	2A24	11	50 - 3	R27171	2E24	5	70 - 13
R26874	3A23	27	90 - 3	R27042	2A25	34	50 - 5	R27172	2E24	11	70 - 13
R26875	3A25	12	90 - 5	R27060	2F21	37	70 - 37	R27173	2E18	4	70 - 7
R26876	3A25	13	90 - 5	R27072	1D19	3	30 - 17	R27173	2E24	17	70 - 13
R26877	3A25	10	90 - 5	R27075	1D19	1	30 - 17	R27174	2E18	3	70 - 7
R26878	3A25	19	90 - 5	R27084	2J3	7	80 - 13	R27174	2E20	2	70 - 9
R26879	3A25	15	90 - 5	R27084	2J3	27	80 - 13	R27174	2E24	15	70 - 13
R26880	3A25	24	90 - 5	R27084	2J4	7	80 - 14	R27174	2F4	7	70 - 17
R26890	2I23	6	80 - 7	R27085	2J3	8	80 - 13	R27175	2E22	15	70 - 11
R26894	2I23	13	80 - 7	R27085	2J3	28	80 - 13	R27175	2F16	47	70 - 31
R26895	3B4	17	90 - 9	R27085	2J4	8	80 - 14	R27180	1F16	17	30 - 63
R26895	3B4	20	90 - 9	R27085	2D25	15	60 - 11	R27180	1H6	13	40 - 33
R26906	2C17	15	50 - 52	R27087	2E1	14	60 - 13	R27180	1H6	18	40 - 33
R26906	2E18	28	70 - 7	R27091	2E1	11	60 - 13	R27181	1D20	18	30 - 18
R26906	2E18	31	70 - 7	R27094	2B13	15	50 - 21	R27182	1D20	17	30 - 18
R26906	2E18	35	70 - 7	R27094	2B14	27	50 - 23	R27196	2H23	18	70 - 92
R26906	2E20	8	70 - 9	R27094	2C6	21	50 - 41	R27196	2I5	23	70 - 99
R26906	2E20	9	70 - 9	R27094	2C6	26	50 - 41	R27196	2I7	31	70 - 101
R26906	2E20	14	70 - 9	R27094	2C17	11	50 - 52	R27203	2F25	3	70 - 41
R26906	2E24	10	70 - 13	R27094	2D6	30	50 - 69	R27209	1C17	11	20 - 43
R26906	2F2	2	70 - 15	R27094	2H12	11	70 - 81	R27210	2H4	16	70 - 73
R26906	2F4	2	70 - 17	R27095	2E7	30	60 - 19	R27212	2E7	33	60 - 19
R26906	2F4	15	70 - 17	R27095	2G4	12	70 - 45	R27212	2H10	10	70 - 79
R26906	2F8	16	70 - 21	R27116	2B6	3	50 - 11	R27212	2H15	2	70 - 84
R26906	2F10	1	70 - 23	R27118	3A25	30	90 - 5	R27212	2H16	2	70 - 85
R26906	2F12	6	70 - 25	R27119	3A25	32	90 - 5	R27214	2H14	28	70 - 83
R26906	2F12	26	70 - 25	R27121	3A25	22	90 - 5	R27215	2H14	13	70 - 83
R26906	2F13	7	70 - 27	R27127	2H8	4	70 - 77	R27216	2C18	22	50 - 53
R26906	2F15	7	70 - 30	R27137	2D15	11	60 - 2	R27216	2D25	16	60 - 11
R26906	2F15	11	70 - 30	R27137	2D17	9	60 - 4	R27216	2E3	47	60 - 15
R26906	2F17	7	70 - 32	R27145	2E16	26	70 - 5	R27216	2E24	24	70 - 13
R26906	2F17	11	70 - 32	R27145	2E22	31	70 - 11	R27216	2F23	40	70 - 39
R26906	2F19	2	70 - 35	R27148	2E16	9	70 - 5	R27216	2H12	1	70 - 81
R26906	2F19	10	70 - 35	R27148	2E22	10	70 - 11	R27216	2H12	17	70 - 81

1L3

TRACTOR - 2510

NUMERICAL INDEX - CONTINUED

PART NO.	GRID	KEY	PAGE	PART NO.	GRID	KEY	PAGE	PART NO.	GRID	KEY	PAGE
R27218	2B16	20	50 - 25	R27441	3A25	5	90 - 5	R27545	2E7	2	60 - 19
R27218	2C6	24	50 - 41	R27441	3A25	26	90 - 5	R27564	2E24	12	70 - 13
R27218	2C17	13	50 - 52	R27442	3A25	11	90 - 5	R27564	2F2	4	70 - 15
R27218	2E24	7	70 - 13	R27453	2D25	11	60 - 11	R27564	2F4	5	70 - 17
R27218	2F8	7	70 - 21	R27456	2F16	57	70 - 31	R27564	2F8	42	70 - 21
R27231	2F22	22	70 - 38	R27457	1F22	15	40 - 3	R27564	2F10	11	70 - 23
R27233	2F20	14	70 - 36	R27457	1F22	27	40 - 3	R27564	2F12	15	70 - 25
R27237	2F15	4	70 - 30	R27457	1F24	16	40 - 5	R27571	2B7	9	50 - 12
R27237	2F17	4	70 - 32	R27457	1F24	28	40 - 5	R27579	1H5	9	40 - 32
R27240	2F25	10	70 - 41	R27457	2F18	51	70 - 33	R27580	1H5	5	40 - 32
R27241	2F25	7	70 - 41	R27460	1H4	10	40 - 31	R27582	1H2	14	40 - 29
R27243	2B22	11	50 - 31	R27460	1H7	8	40 - 34	R27582	1H5	10	40 - 32
R27256	2H14	40	70 - 83	R27470	2E24	31	70 - 13	R27583	1H2	13	40 - 29
R27256	3B2	4	90 - 7	R27471	2E24	44	70 - 13	R27583	1H5	11	40 - 32
R27266	2F16	43	70 - 31	R27474	2E18	30	70 - 7	R27583	1H6	2	40 - 33
R27267	2B14	8B	50 - 23	R27474	2E18	34	70 - 7	R27583	1H18	20	40 - 45B
R27267	2F15	2	70 - 30	R27474	2F19	1	70 - 35	R27587	2F20	11	70 - 36
R27267	2F17	2	70 - 32	R27474	2F19	13	70 - 35	R27588	2F20	13	70 - 36
R27267	2F18	42B	70 - 33	R27474	2I13	15	70 - 107	R27589	2F20	15	70 - 36
R27267	2H4	4	70 - 73	R27475	2E24	1	70 - 13	R27593	2F20	8	70 - 36
R27267	2H16	5	70 - 85	R27475	2F8	1	70 - 21	R27595	2F20	6	70 - 36
R27270	2F15	12	70 - 30	R27478	2E22	33	70 - 11	R27598	2I17	16	80 - 1
R27270	2F17	12	70 - 32	R27478	2F2	12	70 - 15	R27603	2H14	49	70 - 83
R27270	2F19	11	70 - 35	R27478	2F6	28	70 - 19	R27604	2H14	49	70 - 83
R27272	2D6	20	50 - 69	R27478	2F10	15	70 - 23	R27605	2H14	57	70 - 83
R27272	2D6	24	50 - 69	R27479	2E22	33	70 - 11	R27606	2H12	19	70 - 81
R27272	2D7	7	50 - 70	R27479	2F2	13	70 - 15	R27633	2B23	12	50 - 32
R27272	2D8	9	50 - 71	R27479	2F6	28	70 - 19	R27640	2A24	21	50 - 3
R27285	1C22	16	20 - 49	R27479	2F10	16	70 - 23	R27642	2I18	2	80 - 2
R27285	1C24	13	20 - 51	R27483	2B16	1	50 - 25	R27643	2I18	5	80 - 2
R27285	1D21	6	30 - 19	R27483	2C6	1	50 - 41	R27645	2I18	3	80 - 2
R27285	1E9	18	30 - 32	R27489	2F22	19	70 - 38	R27648	2H5	7	70 - 74
R27285	1E11	4	30 - 34	R27490	1D23	51	30 - 21	R27649	2H5	6	70 - 74
R27296	2D21	2	60 - 7	R27490	2F21	38	70 - 37	R27651	2H8	11	70 - 77
R27296	2D23	2	60 - 9	R27491	2G1	5	70 - 42	R27652	2H8	14	70 - 77
R27296	2E3	13	60 - 15	R27491	2G2	5	70 - 43	R27660	2B2	13	50 - 7
R27299	2D25	10	60 - 11	R27491	2G4	13	70 - 45	R27674	2H14	6	70 - 83
R27304	2B2	1	50 - 7	R27492	2F21	39	70 - 37	R27675	2H14	6	70 - 83
R27305	2B2	5	50 - 7	R27506	2I23	18	80 - 7	R27678	2F21	27	70 - 37
R27315	2B16	16	50 - 25	R27507	2G14	30	70 - 55	R27692	2I5	27	70 - 99
R27319	2D25	26	60 - 11	R27507	2H8	10	70 - 77	R27720	2E7	8	60 - 19
R27320	2B6	27	50 - 11	R27507	2H14	30	70 - 83	R27720	2G6	3	70 - 47
R27320	2D25	13	60 - 11	R27507	2I2	6C	70 - 97	R27720	2G8	32	70 - 49
R27323	2E7	25	60 - 19	R27507	2I23	15	80 - 7	R27720	2G12	28	70 - 53
R27323	3B7	11	90 - 12	R27512	2H12	29	70 - 81	R27729	2B20	7	50 - 29
R27329	2C1	2	50 - 36	R27527	2D16	17	60 - 3	R27730	2B20	8	50 - 29
R27329	2C2	9	50 - 37	R27527	2D16	19	60 - 3	R27730	2B20	17	50 - 29
R27329	2C3	12	50 - 38	R27527	2D16	56	60 - 3	R27785	3A23	7	90 - 3
R27329	2C23	2	50 - 60	R27527	2D21	6	60 - 7	R27806	2J9	20	80 - 19
R27329	2C24	9	50 - 61	R27527	2D23	6	60 - 9	R27807	2J9	20	80 - 19
R27329	2C25	12	50 - 62	R27527	2E3	19	60 - 15	R27808	2J9	3	80 - 19
R27361	3B6	7	90 - 11	R27527	2E7	12	60 - 19	R27809	2J7	16	80 - 17
R27361	3B6	10	90 - 11	R27527	2F19	15	70 - 35	R27810	2J7	4	80 - 17
R27369	2H14	40	70 - 83	R27528	1C4	6	20 - 31	R27817	2J7	7	80 - 17
R27370	2H14	39	70 - 83	R27528	3B2	3	90 - 7	R27818	2J7	1	80 - 17
R27372	2H14	12	70 - 83	R27533	1F22	25	40 - 3	R27818	2J7	3	80 - 17
R27426	2G20	10	70 - 61	R27533	1F24	26	40 - 5	R27818	2J11	2	80 - 21
R27430	2G6	35	70 - 47	R27533	2F16	37	70 - 31	R27818	2J11	5	80 - 21
R27430	2G8	6	70 - 49	R27533	2F18	38	70 - 33	R27819	2H7	12	70 - 76
R27430	2G10	28	70 - 51	R27533	2J4	16	80 - 14	R27820	2J7	9	80 - 17
R27430	2G12	6	70 - 53	R27539	2E7	41	60 - 19	R27829	2F25	9	70 - 41
R27430	2G13	6	70 - 54	R27539	2G4	2	70 - 45	R27880	2B8	13	50 - 14
R27430	2G22	5	70 - 63	R27539	2H15	11	70 - 84	R27883	2J5	1	80 - 15
R27439	3A23	17	90 - 3	R27539	2H16	12	70 - 85	R27888	2B6	14	50 - 11
R27440	3A25	16	90 - 5	R27543	2H17	6	70 - 86	R27898	2I17	3	80 - 1
R27441	1C17	5	20 - 43	R27545	2D7	14	50 - 70	R27899	2H23	26	70 - 92
R27441	1D19	31	30 - 17	R27545	2D8	18	50 - 71	R27906	2D21	1	60 - 7

1L4

TRACTOR - 2510

NUMERICAL INDEX - CONTINUED

PART NO.	GRID	KEY	PAGE	PART NO.	GRID	KEY	PAGE	PART NO.	GRID	KEY	PAGE
R27906	2D23	1	60 - 9	R28085	2G13	3	70 - 54	R28722	2J13	4	80 - 23
R27924	2E7	17	60 - 19	R28085	2G22	2	70 - 63	R28733	2G1	10	70 - 42
R27924	2F15	14	70 - 30	R28085	2G22	18	70 - 63	R28733	2G2	10	70 - 43
R27924	2F17	14	70 - 32	R28110	2C22	24	50 - 59	R28733	2G4	24	70 - 45
R27926	2F13	5	70 - 27	R28123	1C17	17	20 - 43	R28734	2G1	9	70 - 42
R27927	2F13	3	70 - 27	R28124	2E3	7	60 - 15	R28734	2G2	9	70 - 43
R27928	2E20	20	70 - 9	R28124	2F22	6	70 - 38	R28734	2G4	25	70 - 45
R27928	2F4	22	70 - 17	R28124	2F22	10	70 - 38	R28743	2J9	12	80 - 19
R27928	2F12	26	70 - 25	R28127	2D9	4	50 - 72	R28744	2F20	12	70 - 36
R27928	2F13	4	70 - 27	R28128	2D9	3	50 - 72	R28744	2F20	20	70 - 36
R27928	2F13	6	70 - 27	R28128	2D12	15	50 - 75	R28774	2D16	24	60 - 3
R27941	3B4	21	90 - 9	R28164	2F25	5	70 - 41	R28775	2D16	25	60 - 3
R27963	3B6	33	90 - 11	R28164	2H14	55	70 - 83	R28776	2D16	26	60 - 3
R27976	1B4	14	20 - 7	R28169	2D10	19	50 - 73	R28776	2D17	12	60 - 4
R27976	1C20	2	20 - 47	R28194	2I9	39	70 - 103	R28781	2E24	39	70 - 13
R27976	1C24	9	20 - 51	R28195	2I9	23	70 - 103	R28781	2F8	34	70 - 21
R27979	2H12	16	70 - 81	R28196	2I9	40	70 - 103	R28782	2E24	38	70 - 13
R27981	2H12	15	70 - 81	R28197	2I9	19	70 - 103	R28782	2F4	9	70 - 17
R27983	3B6	8	90 - 11	R28199	2I9	37	70 - 103	R28782	2F8	33	70 - 21
R27997	2H25	10	70 - 95	R28201	2I9	41	70 - 103	R28782	2F12	11	70 - 25
R27997	2I2	18	70 - 97	R28203	2I9	44	70 - 103	R28783	2I23	17	80 - 7
R27998	2H25	11	70 - 95	R28204	2G6	23	70 - 47	R28785	2H12	12	70 - 81
R27998	2I2	20	70 - 97	R28204	2G6	39	70 - 47	R28786	2H12	12	70 - 81
R27999	2H25	12	70 - 95	R28204	2G8	2	70 - 49	R28792	3B6	2	90 - 11
R27999	2I2	21	70 - 97	R28204	2G8	18	70 - 49	R28794	1D14	11	30 - 12
R28002	2J17	6	80 - 27	R28204	2G9	16	70 - 50	R28798	1D14	1	30 - 12
R28006	2G6	34	70 - 47	R28204	2G10	32	70 - 51	R28914	2B14	18	50 - 23
R28006	2G8	7	70 - 49	R28204	2G12	2	70 - 53	R28961	2H8	19	70 - 77
R28006	2G10	27	70 - 51	R28204	2G12	19	70 - 53	R28961	2H9	4	70 - 78
R28006	2G12	7	70 - 53	R28204	2G13	2	70 - 54	R29194	2E18	8	70 - 7
R28006	2G13	7	70 - 54	R28255	2H22	30	70 - 91	R29340	2C21	12	50 - 57
R28006	2G22	6	70 - 63	R28256	2H22	30	70 - 91	R29936	2F12	21	70 - 25
R28007	1D19	9	30 - 17	R28271	2H22	48	70 - 91	R29936	2F12	25	70 - 25
R28008	1D19	21	30 - 17	R28272	2H22	47	70 - 91	R3R	2J19	10	80 - 29
R28009	1D19	6	30 - 17	R28291	2I23	38	80 - 7	R30181	1H4	9	40 - 31
R28015	1C17	9	20 - 43	R28359	2B3	7	50 - 8	R30181	1H4	18	40 - 31
R28021	2J9	12	80 - 19	R28359	2B13	26	50 - 21	R30181	1H7	7	40 - 34
R28022	2J9	16	80 - 19	R28361	2B3	8	50 - 8	R30182	1H4	1	40 - 31
R28023	2J9	9	80 - 19	R28381	2H23	3	70 - 92	R30182	1H4	23	40 - 31
R28024	2J9	15	80 - 19	R28399	2B13	50	50 - 21	R30319	2C2	16	50 - 37
R28040	2I5	15	70 - 99	R28401	2B13	24	50 - 21	R30319	2C24	16	50 - 61
R28040	2I7	22	70 - 101	R28401	2B13	27	50 - 21	R30323	2E3	33	60 - 15
R28057	2I7	13	70 - 101	R28473	3B4	33	90 - 9	R30378	1F21	4	40 - 2
R28057	2I9	13	70 - 103	R28473	3B4	35	90 - 9	R30378	1F23	4	40 - 4
R28061	2H20	17	70 - 89	R28505	2H12	12	70 - 81	R30378	1H20	25	40 - 47
R28061	2H22	20	70 - 91	R28561	2F22	13	70 - 38	R30378	1116	43	40 - 65
R28061	2I7	40	70 - 101	R28563	2F22	14	70 - 38	R30378	3B2	11	90 - 7
R28084	2G6	25	70 - 47	R28575	2J15	9	80 - 25	R30378	3B2	15	90 - 7
R28084	2G6	37	70 - 47	R28575	2J17	26	80 - 27	R30378	3B2	17	90 - 7
R28084	2G8	4	70 - 49	R28575	2J20	12	80 - 30	R30379	3B2	12	90 - 7
R28084	2G8	16	70 - 49	R28578	2D12	21	50 - 75	R30379	3B2	16	90 - 7
R28084	2G9	18	70 - 50	R28578	2J24	2	80 - 32	R30387	2J17	30	80 - 27
R28084	2G10	30	70 - 51	R28583	1F16	23	30 - 63	R30388	2J17	30	80 - 27
R28084	2G12	4	70 - 53	R28583	1F17	4	30 - 64	R30389	2J17	30	80 - 27
R28084	2G12	17	70 - 53	R28584	1F16	22	30 - 63	R30390	2J17	30	80 - 27
R28084	2G13	4	70 - 54	R28593	2B25	8	50 - 35	R30391	2J17	21	80 - 27
R28084	2G13	19	70 - 54	R28593	2C22	8	50 - 59	R30392	2J17	20	80 - 27
R28084	2G22	3	70 - 63	R28594	2B25	9	50 - 35	R30399	2D13	2	50 - 76
R28084	2G22	17	70 - 63	R28594	2C22	9	50 - 59	R30410	1E10	4	30 - 33
R28085	2G6	24	70 - 47	R28612	2D11	8	50 - 74	R30587	2B10	2	50 - 17
R28085	2G6	38	70 - 47	R28634	2F20	22	70 - 36	R30596	1D11	10	30 - 9
R28085	2G8	3	70 - 49	R28635	2F20	21	70 - 36	R30596	1D13	11	30 - 11
R28085	2G8	17	70 - 49	R28671	2C8	13	50 - 43	R30597	1C17	13	20 - 43
R28085	2G9	17	70 - 50	R28676	2E8	8	60 - 20	R30694	2K3	13	80 - 37
R28085	2G10	31	70 - 51	R28677	2E8	7	60 - 20	R30713	2C14	15	50 - 49
R28085	2G12	3	70 - 53	R28717	2F20	2	70 - 36	R30714	1E20	7	30 - 43
R28085	2G12	18	70 - 53	R28717	2G4	28	70 - 45	R30714	1E21	12	30 - 44

1L5

TRACTOR - 2510

NUMERICAL INDEX - CONTINUED

PART NO.	GRID	KEY	PAGE	PART NO.	GRID	KEY	PAGE	PART NO.	GRID	KEY	PAGE
R30714	1E22	10	30-45	R31075	2H8	20	70-77	R31596	2H5	3	70-74
R30714	1E23	3	30-46	R31076	2J11	8	80-21	R31597	2H5	3	70-74
R30718	1E21	8	30-44	R31129	2I9	24	70-103	R31598	2H5	3	70-74
R30719	1E21	8	30-44	R31129	2J6	1	80-16	R31599	2J11	1	80-21
R30721	1E21	7	30-44	R31136	2G25	1	70-69	R31602	2D16	66	60-3
R30722	1E22	13	30-45	R31136	2H10	6	70-79	R31618	2I24	1	80-9
R30724	1F6	24	30-53	R31197	2E3	26	60-15	R31631	2C18	22	50-53
R30728	1E20	17	30-43	R31201	2D25	34	60-11	R31631	2D25	16	60-11
R30728	1F12	21	30-59	R31202	2D25	31	60-11	R31631	2E3	47	60-15
R30729	1E20	17	30-43	R31222	2H14	58	70-83	R31631	2H12	17	70-81
R30729	1F12	21	30-59	R31229	3B4	4	90-9	R31639	2D15	10	60-2
R30730	1E20	17	30-43	R31230	3B4	11	90-9	R31654	2D7	14	50-70
R30730	1F12	21	30-59	R31231	3B4	2	90-9	R31654	2D7	22	50-70
R30731	1E20	17	30-43	R31250	1H4	1	40-31	R31654	2D8	16	50-71
R30731	1F12	21	30-59	R31250	1H4	23	40-31	R31654	2D8	18	50-71
R30732	1E21	10	30-44	R31260	3A23	12	90-3	R31654	2D8	20	50-71
R30733	1F10	2	30-57	R31271	1D19	32	30-17	R31654	2D8	23	50-71
R30734	1F10	2	30-57	R31271	2D16	48	60-3	R31654	2D8	27	50-71
R30735	1E20	23	30-43	R31273	2D16	59	60-3	R31654	2D16	18	60-3
R30735	1F10	3	30-57	R31278	2E3	31	60-15	R31654	2D21	8	60-7
R30735	1F13	23	30-60	R31287	2K3	7	80-37	R31654	2D21	15	60-7
R30736	1E20	24	30-43	R31393	2B2	12	50-7	R31654	2D23	8	60-9
R30737	1E20	25	30-43	R31394	2B2	9	50-7	R31654	2D23	18	60-9
R30737	1F10	5	30-57	R31400	2H23	20	70-92	R31655	2D7	16	50-70
R30737	1F13	25	30-60	R31404	2B10	3	50-17	R31655	2D7	23	50-70
R30747	2J8	2	80-18	R31404	2B10	16	50-17	R31655	2D8	16	50-71
R30748	2J9	12	80-19	R31404	2B10	43	50-17	R31655	2D8	20	50-71
R30778	2H25	6	70-95	R31404	2C8	22	50-43	R31655	2D8	24	50-71
R30805	2J3	5	80-13	R31413	2D3	16	50-65	R31655	2D8	27	50-71
R30805	2J3	23	80-13	R31420	2I24	7	80-9	R31655	2D16	18	60-3
R30805	2J4	4	80-14	R31422	2H14	31	70-83	R31655	2D21	7	60-7
R30815	2H2	5	70-71	R31438	2H23	10	70-92	R31655	2D21	25	60-7
R30816	2H2	7	70-71	R31438	2I5	16	70-99	R31655	2D23	9	60-9
R30817	2H2	6	70-71	R31438	2I7	23	70-101	R31655	2D23	25	60-9
R30818	2G14	33	70-55	R31454	2D16	29	60-3	R31665	2F15	6	70-30
R30828	1D19	4	30-17	R31455	2D15	1	60-2	R31665	2F17	6	70-32
R30828	3B13	16	90-18	R31455	2D17	2	60-4	R31665	2G4	7	70-45
R30854	2A25	32	50-5	R31457	2D16	45	60-3	R31692	2B8	16	50-14
R30854	2C4	3	50-39	R31458	2D16	47	60-3	R31695	2B8	12	50-14
R30877	2A24	20	50-3	R31459	2D16	50	60-3	R31698	2C1	4	50-36
R30903	2D7	1	50-70	R31464	2D16	38	60-3	R31698	2C23	4	50-60
R30903	2D8	1	50-71	R31465	2D16	36	60-3	R31725	2B13	49	50-21
R30903	2D16	32	60-3	R31467	2D16	37	60-3	R31747	2E24	31	70-13
R30903	2D16	49	60-3	R31468	2D16	34	60-3	R31754	1D9	1	30-7
R30903	2D17	7	60-4	R31468	2D17	6	60-4	R31769	1D9	6	30-7
R30903	2E18	15	70-7	R31469	2D16	35	60-3	R31772	1D9	7	30-7
R30903	2E20	7	70-9	R31469	2D17	5	60-4	R31781	2E24	41	70-13
R30920	2B8	8	50-14	R31486	2D2	21	50-64	R31781	2F8	37	70-21
R30936	1C17	16	20-43	R31486	2H12	21	70-81	R31890	2G13	23	70-54
R30936	2I17	6	80-1	R31490	2J23	10	80-31	R31935	1D23	18	30-21
R30937	1C17	15	20-43	R31490	2J24	9	80-32	R31935	1D25	19	30-23
R30937	2I23	8	80-7	R31490	2J25	10	80-34	R32011	1I12	1	40-61
R30937	2I23	9	80-7	R31491	2J23	10	80-31	R32016	1F21	2	40-2
R30937	2I23	14	80-7	R31491	2J24	9	80-32	R32016	1F23	2	40-4
R30958	2B2	16	50-7	R31491	2J25	10	80-34	R32016	1H4	3	40-31
R30958	2B8	21	50-14	R31505	2E8	19	60-20	R32016	1H4	21	40-31
R30958	2H8	13	70-77	R31505	2I17	17	80-1	R32016	1H7	3	40-34
R30959	2B8	19	50-14	R31505	3A25	23	90-5	R32016	1I12	10	40-61
R30964	1F22	21	40-3	R31512	3A23	13	90-3	R32017	1I12	11	40-61
R30964	1F22	22	40-3	R31513	3A23	13	90-3	R32018	1F21	7	40-2
R30964	1F24	23	40-5	R31565	2F23	35	70-39	R32018	1F23	7	40-4
R31026	2D11	10	50-74	R31565	2H12	6	70-81	R32018	1G3	8	40-7A
R31026	2B20	14	50-29	R31566	2D2	13	50-64	R32018	1I10	9	40-59
R31027	2B20	5	50-29	R31566	2H4	9	70-73	R32018	1I10	15	40-59
R31028	2B20	16	50-29	R31573	2J9	16	80-19	R32018	1I12	12	40-61
R31075	2B16	25	50-25	R31589	2B13	47	50-21	R32019	1G1	..	40-6
R31075	2C6	31	50-41	R31595	2H5	3	70-74	R32019	1G2	..	40-7

1L6

TRACTOR - 2510

NUMERICAL INDEX - CONTINUED

PART NO.	GRID	KEY	PAGE	PART NO.	GRID	KEY	PAGE	PART NO.	GRID	KEY	PAGE
R32019	1112	13	40 - 61	R32320	1F22	15	40 - 3	R33054	2C8	8	50 - 43
R32021	1G1	..	40 - 6	R32320	1F24	16	40 - 5	R33054	2C9	11	50 - 44
R32021	1G2	..	40 - 7	R32344	2E24	42	70 - 13	R33058	2C12	9	50 - 47
R32021	1110	14	40 - 59	R32353	2G6	27	70 - 47	R33058	2C14	3	50 - 49
R32021	1112	14	40 - 61	R32353	2G8	14	70 - 49	R33059	2B10	10	50 - 17
R32022	1G1	..	40 - 6	R32353	2G9	20	70 - 50	R33059	2B10	25	50 - 17
R32022	1G2	..	40 - 7	R32353	2G12	15	70 - 53	R33059	2C8	16	50 - 43
R32022	1112	15	40 - 61	R32353	2G22	15	70 - 63	R33061	2B8	5	50 - 14
R32023	1112	16	40 - 61	R32354	2G6	31	70 - 47	R33073	2B10	22	50 - 17
R32024	1110	9	40 - 59	R32354	2G8	10	70 - 49	R33076	2C17	6	50 - 52
R32024	1117	3	40 - 66	R32354	2G9	24	70 - 50	R33077	2C19	12	50 - 55
R32025	1110	14	40 - 59	R32354	2G12	11	70 - 53	R33081	2C12	23	50 - 47
R32025	1117	4	40 - 66	R32354	2G22	11	70 - 63	R33082	2C12	3	50 - 47
R32026	1H6	7	40 - 33	R32355	2G6	32	70 - 47	R33087	2C12	7	50 - 47
R32026	1112	17	40 - 61	R32355	2G8	9	70 - 49	R33088	2C12	10	50 - 47
R32026	1116	48	40 - 65	R32355	2G10	25	70 - 51	R33089	2C12	14	50 - 47
R32027	1F21	2	40 - 2	R32355	2G12	10	70 - 53	R33091	2C12	18	50 - 47
R32027	1F21	7	40 - 2	R32355	2G22	10	70 - 63	R33097	2C15	6	50 - 50
R32027	1F23	2	40 - 4	R32356	2G6	33	70 - 47	R33099	2C14	18	50 - 49
R32027	1F23	7	40 - 4	R32356	2G8	8	70 - 49	R33101	2C16	11	50 - 51
R32027	1G3	5	40 - 7A	R32356	2G10	26	70 - 51	R33104	2C14	16	50 - 49
R32027	1H2	11	40 - 29	R32356	2G12	9	70 - 53	R33105	2C14	10	50 - 49
R32027	1H2	20	40 - 29	R32356	2G13	9	70 - 54	R33106	2C14	10	50 - 49
R32027	1H5	14	40 - 32	R32356	2G22	9	70 - 63	R33107	2C14	10	50 - 49
R32027	1H6	7	40 - 33	R32376	2D16	65	60 - 3	R33109	2B10	33	50 - 17
R32027	1H9	5	40 - 36	R32387	2H12	7	70 - 81	R33111	2C11	12	50 - 46
R32027	1110	5	40 - 59	R32389	2F20	17	70 - 36	R33112	2C12	11	50 - 47
R32027	1110	9	40 - 59	R32411	2F23	34	70 - 39	R33118	2B10	34	50 - 17
R32027	1110	14	40 - 59	R32412	2F22	11	70 - 38	R33122	2C14	4	50 - 49
R32027	1112	18	40 - 61	R32418	2G6	10	70 - 47	R33124	2B10	31	50 - 17
R32028	1112	19	40 - 61	R32418	2G8	22	70 - 49	R33125	2C15	5	50 - 50
R32029	1H6	8	40 - 33	R32418	2G9	15	70 - 50	R33128	2C16	13	50 - 51
R32029	1112	20	40 - 61	R32419	2G6	11	70 - 47	R33129	2C14	14	50 - 49
R32042	2C6	9	50 - 41	R32419	2G8	19	70 - 49	R33131	2C14	13	50 - 49
R32087	2F15	17	70 - 30	R32419	2G9	14	70 - 50	R33133	2B8	11	50 - 14
R32090	2D15	5	60 - 2	R32419	2G12	8	70 - 53	R33136	2B13	42	50 - 21
R32091	2D15	4	60 - 2	R32419	2G22	8	70 - 63	R33137	2B13	36	50 - 21
R32092	2D15	2	60 - 2	R32419	2I14	17	70 - 108	R33138	2B13	44	50 - 21
R32092	2D17	3	60 - 4	R32442	2E24	31	70 - 13	R33138	2B13	45	50 - 21
R32101	2A24	17	50 - 3	R32507	2B25	10	50 - 35	R33138	2B14	20	50 - 23
R32101	2B3	20	50 - 8	R32507	2C22	10	50 - 59	R33138	2F16	53	70 - 31
R32101	2B16	5	50 - 25	R32585	1D19	20	30 - 17	R33145	2B13	25	50 - 21
R32101	2C2	13	50 - 37	R32588	2E3	3	60 - 15	R33145	2B13	28	50 - 21
R32101	2C3	6	50 - 38	R32618	2J17	6	80 - 27	R33149	2B6	4	50 - 11
R32101	2C6	5	50 - 41	R32629	2B21	4	50 - 30	R33153	2B6	16	50 - 11
R32101	2C24	13	50 - 61	R32629	2B22	4	50 - 31	R33155	2B13	20	50 - 21
R32101	2C25	6	50 - 62	R32632	2A25	26	50 - 5	R33156	2B13	17	50 - 21
R32101	2D2	17	50 - 64	R32632	2B4	15	50 - 9	R33157	2B13	7	50 - 21
R32101	2H4	19	70 - 73	R32639	2E7	38	60 - 19	R33161	2B13	20	50 - 21
R32117	2G18	11	70 - 59	R32702	2D16	23	60 - 3	R33162	2B14	14	50 - 23
R32118	2G18	11	70 - 59	R32715	2H12	20	70 - 81	R33162	2C22	16	50 - 59
R32119	2H20	5	70 - 89	R32717	2H25	19	70 - 95	R33162	2F16	51	70 - 31
R32119	2H22	5	70 - 91	R32718	2H25	21	70 - 95	R33163	2B14	17	50 - 23
R32120	2I25	4	80 - 10	R33000	2D9	9	50 - 72	R33164	2B13	34	50 - 21
R32175	2D2	22	50 - 64	R33008	2C12	21	50 - 47	R33164	2B14	12	50 - 23
R32183	2G18	3	70 - 59	R33011	2C12	5	50 - 47	R33165	2B13	9	50 - 21
R32186	2D25	14	60 - 11	R33024	2D9	15	50 - 72	R33166	2B8	7	50 - 14
R32224	2J23	4	80 - 31	R33024	2D10	9	50 - 73	R33167	2B8	3	50 - 14
R32224	2J25	4	80 - 34	R33024	2D18	1	60 - 5	R33168	2B4	1	50 - 9
R32234	3B6	15	90 - 11	R33028	2D9	17	50 - 72	R33168	2B8	26	50 - 14
R32276	1H20	..	40 - 47	R33035	2C11	10	50 - 46	R33168	2B10	14	50 - 17
R32276	1H22	11	40 - 49	R33045	2C9	3	50 - 44	R33169	2B10	12	50 - 17
R32306	1F16	4	30 - 63	R33051	2C10	9	50 - 45	R33171	2B8	1	50 - 14
R32313	2B10	4	50 - 17	R33053	2C8	9	50 - 43	R33172	2B13	3	50 - 21
R32313	2B10	17	50 - 17	R33053	2C9	12	50 - 44	R33173	2B13	38	50 - 21
R32313	2B10	44	50 - 17	R33053	2C10	7	50 - 45	R33174	2B13	39	50 - 21
R32313	2C8	23	50 - 43	R33053	2C11	3	50 - 46	R33175	2B13	40	50 - 21

1L7

TRACTOR - 2510

NUMERICAL INDEX - CONTINUED

PART NO.	GRID	KEY	PAGE	PART NO.	GRID	KEY	PAGE	PART NO.	GRID	KEY	PAGE
R33177	2B13	35	50 - 21	R33287	2C18	13	50 - 53	R33471	2B20	26	50 - 29
R33177	2B14	13	50 - 23	R33287	2C18	14	50 - 53	R33472	2B20	26	50 - 29
R33178	2B13	33	50 - 21	R33290	2C18	4	50 - 53	R33473	2B20	26	50 - 29
R33178	2B14	11	50 - 23	R33291	2C18	1	50 - 53	R33474	2B18	10	50 - 27
R33179	2B13	4	50 - 21	R33292	2C18	3	50 - 53	R33475	2B20	10	50 - 29
R33188	2B10	42	50 - 17	R33294	2C19	10	50 - 55	R33476	2B20	12	50 - 29
R33194	2B6	30	50 - 11	R33294	2C22	18	50 - 59	R33477	2B20	23	50 - 29
R33195	2B6	28	50 - 11	R33301	2C21	4	50 - 57	R33479	2B20	4	50 - 29
R33216	2A24	15	50 - 3	R33304	2C17	2	50 - 52	R33480	2B20	11	50 - 29
R33216	2B3	15	50 - 8	R33305	2C17	5	50 - 52	R33487	2C2	11	50 - 37
R33219	2C15	11	50 - 50	R33306	2C19	6	50 - 55	R33487	2C24	11	50 - 61
R33226	2C13	14	50 - 48	R33307	2C19	2	50 - 55	R33489	2B16	31	50 - 25
R33227	2C13	7	50 - 48	R33309	2C21	23	50 - 57	R33489	2C6	37	50 - 41
R33228	2C13	6	50 - 48	R33320	2C2	14	50 - 37	R33496	2D4	16	50 - 67
R33236	2A24	16	50 - 3	R33320	2C24	14	50 - 61	R33498	2B16	27	50 - 25
R33236	2B3	19	50 - 8	R33322	2C3	19	50 - 38	R33498	2C6	33	50 - 41
R33236	2C3	8	50 - 38	R33322	2C25	19	50 - 62	R33500	2B17	4	50 - 26
R33236	2C25	8	50 - 62	R33327	2D1	10	50 - 63	R33501	2B18	6	50 - 27
R33238	2C16	15	50 - 51	R33329	2D1	10	50 - 63	R33503	2B18	25	50 - 27
R33239	2C16	24	50 - 51	R33330	2D1	6	50 - 63	R33510	2B18	9	50 - 27
R33240	2C13	12	50 - 48	R33330	2D1	9	50 - 63	R33511	2B18	11	50 - 27
R33244	2C8	4	50 - 43	R33331	2D1	13	50 - 63	R33512	2B20	22	50 - 29
R33244	2C9	7	50 - 44	R33334	2D1	8	50 - 63	R33514	2B20	28	50 - 29
R33244	2C10	3	50 - 45	R33335	2D1	17	50 - 63	R33517	2B10	9	50 - 17
R33244	2C11	8	50 - 46	R33337	2B16	32	50 - 25	R33517	2B10	10	50 - 17
R33245	2C8	5	50 - 43	R33337	2C2	12	50 - 37	R33518	2B10	8	50 - 17
R33245	2C9	8	50 - 44	R33337	2C6	38	50 - 41	R33518	2B10	20	50 - 17
R33245	2C10	4	50 - 45	R33337	2C24	12	50 - 61	R33518	2B10	27	50 - 17
R33245	2C11	7	50 - 46	R33338	2C3	7	50 - 38	R33518	2C8	18	50 - 43
R33246	2B10	11	50 - 17	R33338	2C25	7	50 - 62	R33520	2B10	47	50 - 17
R33246	2B10	24	50 - 17	R33345	2C4	8	50 - 39	R33521	2B13	37	50 - 21
R33246	2C8	15	50 - 43	R33347	2B18	16	50 - 27	R33521	2B14	22	50 - 23
R33247	2B10	7	50 - 17	R33347	2C4	14	50 - 39	R33521	2F19	7	70 - 35
R33247	2B10	28	50 - 17	R33348	2C1	10	50 - 36	R33523	2B14	21	50 - 23
R33247	2C8	19	50 - 43	R33348	2C23	10	50 - 60	R33525	2B3	3	50 - 8
R33248	2C14	6	50 - 49	R33362	2C22	32	50 - 59	R33526	2B3	2	50 - 8
R33251	2C16	9	50 - 51	R33363	2C22	31	50 - 59	R33528	2B3	4	50 - 8
R33259	1E24	17	30 - 47	R33364	2C22	30	50 - 59	R33574	2B2	24	50 - 7
R33259	1F9	5	30 - 56	R33383	2B20	20	50 - 29	R33578	2C4	7	50 - 39
R33259	1F9	12	30 - 56	R33413	2B18	20	50 - 27	R33579	2C4	5	50 - 39
R33259	1F11	4	30 - 58	R33413	2C15	8	50 - 50	R33580	2C4	1	50 - 39
R33259	1F13	2	30 - 60	R33414	2B18	20	50 - 27	R33587	2C18	12	50 - 53
R33259	1F13	8	30 - 60	R33414	2C15	8	50 - 50	R33588	2C12	19	50 - 47
R33259	1F13	17	30 - 60	R33415	2B18	20	50 - 27	R33601	2C21	7	50 - 57
R33259	2B14	14	50 - 23	R33415	2C15	8	50 - 50	R33601	3B4	10	90 - 9
R33259	2C22	16	50 - 59	R33426	2B25	14	50 - 35	R33610	2F18	44	70 - 33
R33259	2F16	51	70 - 31	R33428	2B25	26	50 - 35	R33693	2D9	1	50 - 72
R33261	2C8	6	50 - 43	R33429	2B25	22	50 - 35	R33699	2C6	11	50 - 41
R33261	2C9	9	50 - 44	R33432	2B25	38	50 - 35	R33700	2C6	10	50 - 41
R33261	2C10	5	50 - 45	R33433	2B25	21	50 - 35	R33703	2C6	8	50 - 41
R33261	2C11	6	50 - 46	R33435	2B25	16	50 - 35	R33703	2C9	6	50 - 44
R33268	2C18	22	50 - 53	R33438	2B25	25	50 - 35	R33713	2B16	10	50 - 25
R33269	2C21	10	50 - 57	R33441	2B25	19	50 - 35	R33714	2B16	9	50 - 25
R33270	2C21	21	50 - 57	R33443	2B21	9	50 - 30	R33731	2B21	10	50 - 30
R33271	2C18	19	50 - 53	R33444	2B21	5	50 - 30	R33735	2C14	17	50 - 49
R33272	2C18	18	50 - 53	R33445	2B21	3	50 - 30	R33736	2C13	9	50 - 48
R33273	2C17	1	50 - 52	R33449	2B21	8	50 - 30	R33767	3B4	39	90 - 9
R33274	2C17	3	50 - 52	R33449	2B22	6	50 - 31	R33771	2B22	13	50 - 31
R33275	2C18	11	50 - 53	R33451	2B22	3	50 - 31	R33772	2B22	18	50 - 31
R33276	2C19	3	50 - 55	R33452	2B22	5	50 - 31	R33793	2C4	9	50 - 39
R33277	2C17	4	50 - 52	R33461	2B17	9	50 - 26	R33794	2C4	12	50 - 39
R33278	2C21	24	50 - 57	R33462	2B17	9	50 - 26	R33795	2B18	17	50 - 27
R33279	2C21	31	50 - 57	R33463	2B17	9	50 - 26	R33795	2C4	11	50 - 39
R33280	2C19	9	50 - 55	R33467	2B20	27	50 - 29	R33797	2C1	5	50 - 36
R33282	2C19	11	50 - 55	R33468	2B20	27	50 - 29	R33797	2C23	5	50 - 60
R33282	2C22	19	50 - 59	R33469	2B20	27	50 - 29	R33813	2D18	2	60 - 5
R33284	2C19	5	50 - 55	R33470	2B20	26	50 - 29	R33813	2D18	3	60 - 5

1L8

TRACTOR - 2510

NUMERICAL INDEX - CONTINUED

PART NO.	GRID	KEY	PAGE	PART NO.	GRID	KEY	PAGE	PART NO.	GRID	KEY	PAGE
R33813	2D18	4	60 - 5	R34154	2H10	9	70 - 79	R34446	1E9	4	30 - 32
R33813	2D18	5	60 - 5	R34161	2D2	18	50 - 64	R34453	2B6	15	50 - 11
R33815	2D18	6	60 - 5	R34161	2H4	14	70 - 73	R34454	2B6	10	50 - 11
R33816	2D18	6	60 - 5	R34175	2C19	4	50 - 55	R34455	2B6	9	50 - 11
R33823	1F22	23	40 - 3	R34184	2D9	11	50 - 72	R34466	2D10	4	50 - 73
R33823	1F24	24	40 - 5	R34184	2D10	8	50 - 73	R34467	2D18	2	60 - 5
R33823	1G1	..	40 - 6	R34205	3B2	8	90 - 7	R34467	2D18	3	60 - 5
R33823	1G2	..	40 - 7	R34206	3B2	23	90 - 7	R34467	2D18	4	60 - 5
R33831	2I5	25	70 - 99	R34209	3B2	28	90 - 7	R34467	2D18	5	60 - 5
R33832	2I7	15	70 - 101	R34210	3B2	8	90 - 7	R34470	2D10	11	50 - 73
R33833	2I7	15	70 - 101	R34211	3B2	28	90 - 7	R34472	2H23	23	70 - 92
R33837	2B3	11	50 - 8	R34212	2B2	41	50 - 7	R34473	2H23	1	70 - 92
R33837	2B13	5	50 - 21	R34222	2D1	19	50 - 63	R34474	2H23	27	70 - 92
R33852	2C2	15	50 - 37	R34234	2F25	8	70 - 41	R34475	2H23	9	70 - 92
R33852	2C24	15	50 - 61	R34235	2F25	4	70 - 41	R34476	2H24	1	70 - 93
R33853	2C2	21	50 - 37	R34236	2F16	50	70 - 31	R34477	2H23	7	70 - 92
R33853	2C24	21	50 - 61	R34237	2F16	54	70 - 31	R34483	2K3	8	80 - 37
R33871	2C8	7	50 - 43	R34253	2I5	15	70 - 99	R34487	2H5	4	70 - 74
R33871	2C9	10	50 - 44	R34253	2I7	22	70 - 101	R34488	2D3	9	50 - 65
R33871	2C10	6	50 - 45	R34258	3B2	34	90 - 7	R34488	2D4	22	50 - 67
R33871	2C11	5	50 - 46	R34259	3B2	1	90 - 7	R34492	2D6	16	50 - 69
R33872	2C9	13	50 - 44	R34262	1F21	6	40 - 2	R34495	2D6	23	50 - 69
R33872	2C10	8	50 - 45	R34262	1F23	6	40 - 4	R34496	2D6	25	50 - 69
R33872	2C11	4	50 - 46	R34262	3B2	33	90 - 7	R34505	2I5	3	70 - 99
R33873	2B10	5	50 - 17	R34266	3A23	8	90 - 3	R34510	2D4	26	50 - 67
R33873	2B10	18	50 - 17	R34267	3A23	1	90 - 3	R34513	2D4	27	50 - 67
R33873	2B10	45	50 - 17	R34268	3A23	2	90 - 3	R34515	2D4	19	50 - 67
R33873	2C8	21	50 - 43	R34272	3A23	4	90 - 3	R34516	2D4	20	50 - 67
R33877	2D9	23	50 - 72	R34286	2I7	33	70 - 101	R34517	2D4	14	50 - 67
R33882	2I7	19	70 - 101	R34287	2I7	33	70 - 101	R34520	2D4	13	50 - 67
R33883	2H8	16	70 - 77	R34294	2D2	13	50 - 64	R34522	2D6	10	50 - 69
R33883	2H23	14	70 - 92	R34294	2H4	9	70 - 73	R34526	2D4	18	50 - 67
R33883	2I5	20	70 - 99	R34296	2H10	13	70 - 79	R34531	2D16	62	60 - 3
R33883	2I7	27	70 - 101	R34298	2G1	11	70 - 42	R34532	2D16	63	60 - 3
R33884	2H23	15	70 - 92	R34298	2G2	11	70 - 43	R34533	3B6	14	90 - 11
R33884	2I5	21	70 - 99	R34324	2D25	1	60 - 11	R34534	3B6	14	90 - 11
R33884	2I7	28	70 - 101	R34336	2E3	46	60 - 15	R34537	2H14	59	70 - 83
R33889	2D2	19	50 - 64	R34338	3B2	19	90 - 7	R34557	1F21	10	40 - 2
R33892	2B6	7	50 - 11	R34339	3B2	19	90 - 7	R34557	1F23	10	40 - 4
R33911	2C22	25	50 - 59	R34346	2C21	1	50 - 57	R34557	1H6	13	40 - 33
R33914	2C22	28	50 - 59	R34347	2E22	16	70 - 11	R34557	1H6	18	40 - 33
R33925	2B2	19	50 - 7	R34349	2E22	28	70 - 11	R34557	2I14	8	70 - 108
R33928	2B18	17	50 - 27	R34352	1C17	19	20 - 43	R34562	3B4	13	90 - 9
R33962	2B2	42	50 - 7	R34352	2B2	29	50 - 7	R34572	1E20	2	30 - 43
R33962	2B6	25	50 - 11	R34352	2E18	11	70 - 7	R34579	2H23	6	70 - 92
R33963	2B2	43	50 - 7	R34353	2E16	1	70 - 5	R34581	2D6	2	50 - 69
R33963	2B6	24	50 - 11	R34354	2E22	14	70 - 11	R34582	2D1	14	50 - 63
R33972	1D19	29	30 - 17	R34354	2E22	15	70 - 11	R34582	2D6	18	50 - 69
R33976	1D19	25	30 - 17	R34354	2E22	16	70 - 11	R34583	2C12	1	50 - 47
R34011	2H12	18	70 - 81	R34360	2E13	5	70 - 2	R34583	2J3	20	80 - 13
R34028	2B14	24	50 - 23	R34363	2E13	12	70 - 2	R34589	2G14	39	70 - 55
R34045	1H2	4	40 - 29	R34370	2C16	3	50 - 51	R34594	2D13	28	50 - 76
R34119	2E3	18	60 - 15	R34371	2C16	4	50 - 51	R34604	1D14	2	30 - 12
R34120	2E1	9	60 - 13	R34373	2I7	37	70 - 101	R34608	2K3	10	80 - 37
R34121	2E1	15	60 - 13	R34374	2I7	42	70 - 101	R34609	3A23	8	90 - 3
R34122	2E3	40	60 - 15	R34375	2I7	14	70 - 101	R34613	2C8	11	50 - 43
R34123	2E3	37	60 - 15	R34376	2I7	38	70 - 101	R34614	2C8	12	50 - 43
R34124	2E3	38	60 - 15	R34388	1F16	18	30 - 63	R34618	3A23	8	90 - 3
R34125	2D25	28	60 - 11	R34394	1F16	7	30 - 63	R34619	3A23	1	90 - 3
R34128	2E3	27	60 - 15	R34394	1F17	1	30 - 64	R34620	3A23	2	90 - 3
R34129	2E3	42	60 - 15	R34395	1F16	8	30 - 63	R34623	1E24	2	30 - 47
R34130	2E3	2	60 - 15	R34396	2G14	30	70 - 55	R34624	1E24	9	30 - 47
R34131	2E3	9	60 - 15	R34397	2G13	15	70 - 54	R34625	1E24	8	30 - 47
R34132	2E3	41	60 - 15	R34398	2G13	22	70 - 54	R34626	1E20	29	30 - 43
R34140	2B10	30	50 - 17	R34399	2G13	8	70 - 54	R34626	1F10	10	30 - 57
R34141	2B10	29	50 - 17	R34400	2G13	20	70 - 54	R34629	1E24	13	30 - 47
R34153	2H5	10	70 - 74	R34402	2G14	35	70 - 55	R34629	1F9	10	30 - 56

1L9

TRACTOR - 2510

NUMERICAL INDEX - CONTINUED

PART NO.	GRID	KEY	PAGE	PART NO.	GRID	KEY	PAGE	PART NO.	GRID	KEY	PAGE
R34630	1E20	28	30 - 43	R34863	2D4	11	50 - 67	R36689	2K3	4	80 - 37
R34630	1F10	15	30 - 57	R34873	2B18	1	50 - 27	R36704	3A25	17	90 - 5
R34630	1F13	31	30 - 60	R34873	2D3	12	50 - 65	R36704	3A25	25	90 - 5
R34630	1F13	32	30 - 60	R34873	2D4	28	50 - 67	R36732	1H22	24	40 - 49
R34631	1E20	31	30 - 43	R34874	2C15	1	50 - 50	R36756	2K3	9	80 - 37
R34632	1E24	16	30 - 47	R34874	2D3	13	50 - 65	R36757	1D11	..	30 - 9
R34633	1E24	7	30 - 47	R34874	2D4	29	50 - 67	R36757	1D13	..	30 - 11
R34635	1E22	4	30 - 45	R34875	2B18	1	50 - 27	R36757	1D15	..	30 - 13
R34637	1E23	5	30 - 46	R34875	2C15	1	50 - 50	R36902	2D6	30	50 - 69
R34642	2D16	39	60 - 3	R34875	2D3	12	50 - 65	R36945	2I14	21	70 - 108
R34642	2D16	40	60 - 3	R34875	2D3	13	50 - 65	R36946	2G22	21	70 - 63
R34642	2D16	42	60 - 3	R34875	2D4	28	50 - 67	R36946	2I14	18	70 - 108
R34650	2B8	14	50 - 14	R34875	2D4	29	50 - 67	R36995	2A24	9	50 - 3
R34651	2D21	14	60 - 7	R34892	2D1	15	50 - 63	R36995	2B3	14	50 - 8
R34651	2D23	17	60 - 9	R34896	2E1	3	60 - 13	R37426	2D25	20	60 - 11
R34656	1D20	13	30 - 18	R34958	2J3	7	80 - 13	R375R	2E18	37	70 - 7
R34670	2H4	6	70 - 73	R34958	2J3	27	80 - 13	R375R	2E20	12	70 - 9
R34701	1H11	6	40 - 38	R34958	2J4	7	80 - 14	R375R	2G13	16	70 - 54
R34712	1D9	8	30 - 7	R34973	2B14	4	50 - 23	R375R	2G16	5	70 - 57
R34733	2B25	4	50 - 35	R35046	2H23	2	70 - 92	R375R	2I13	11	70 - 107
R34733	2C22	4	50 - 59	R35075	2B6	33	50 - 11	R38000	2A24	7	50 - 3
R34733	2E3	1	60 - 15	R35155	2C19	7	50 - 55	R38013	2E8	18	60 - 20
R34743	3B4	38	90 - 9	R35155	2C19	8	50 - 55	R38014	2E8	17	60 - 20
R34747	2D16	39	60 - 3	R35340	2I23	7	80 - 7	R38015	2E8	4	60 - 20
R34757	2J8	6	80 - 18	R35352	1E12	5	30 - 35	R38016	2E8	15	60 - 20
R34757	2J12	8	80 - 22	R35377	2C14	21	50 - 49	R38018	2B2	14	50 - 7
R34760	1E12	10	30 - 35	R35479	2I11	10	70 - 105	R38020	2D9	9	50 - 72
R34760	1E14	9	30 - 37	R35726	2F16	28	70 - 31	R38021	2D18	10	60 - 5
R34760	1E16	6	30 - 39	R35726	2F18	29	70 - 33	R38021	2D19	5	60 - 5B
R34760	1E18	19	30 - 41	R35798	2C2	27	50 - 37	R38022	2D18	11	60 - 5
R34761	1E12	11	30 - 35	R35798	2C24	27	50 - 61	R38022	2D19	6	60 - 5B
R34761	1E14	10	30 - 37	R35827	2F4	22	70 - 17	R38024	2D18	5	60 - 5
R34761	1E16	7	30 - 39	R35839	2I7	43	70 - 101	R38024	2D18	8	60 - 5
R34761	1E18	20	30 - 41	R35871	2I13	18	70 - 107	R38025	2B4	12	50 - 9
R34764	1C19	2	20 - 46	R36086	2D21	28	60 - 7	R38026	2A25	15	50 - 5
R34764	1C22	19	20 - 49	R36086	2D23	29	60 - 9	R38028	2D9	22	50 - 72
R34764	1E12	13	30 - 35	R36137	2B6	18	50 - 11	R38029	2I17	10	80 - 1
R34764	1E14	12	30 - 37	R36235	1H20	22	40 - 47	R38035	2E16	14	70 - 5
R34764	1E16	8	30 - 39	R36265	1F22	24	40 - 3	R38036	2E16	13	70 - 5
R34764	1E18	14	30 - 41	R36265	1F24	25	40 - 5	R38036	2E18	22	70 - 7
R34766	1E12	7	30 - 35	R36265	2B13	22	50 - 21	R38037	2E16	25	70 - 5
R34766	1E14	4	30 - 37	R36265	2B21	12	50 - 30	R38038	2E16	24	70 - 5
R34767	1C19	3	20 - 46	R36265	2C17	20	50 - 52	R38039	2E18	23	70 - 7
R34767	1C22	20	20 - 49	R36295	2C3	16	50 - 38	R38041	2E18	21	70 - 7
R34767	1E12	14	30 - 35	R36295	2C25	16	50 - 62	R38042	2E18	9	70 - 7
R34767	1E14	11	30 - 37	R36318	2C21	20	50 - 57	R38043	2E18	7	70 - 7
R34767	1E16	9	30 - 39	R36358	2F8	11	70 - 21	R38044	2E18	5	70 - 7
R34801	2J24	12	80 - 32	R36364	2C18	15	50 - 53	R38045	2E18	1	70 - 7
R34801	2K1	1	80 - 35	R36402	2H1	2	70 - 70	R38046	2E18	33	70 - 7
R34802	2F8	12	70 - 21	R36426	2F22	20	70 - 38	R38047	2E18	30	70 - 7
R34811	1D19	44	30 - 17	R36426	2G1	3	70 - 42	R38050	2B16	7	50 - 25
R34811	3B4	28	90 - 9	R36426	2G2	3	70 - 43	R38053	2E18	13	70 - 7
R34812	1E21	36	30 - 44	R36426	2G4	9	70 - 45	R38054	2I23	29	80 - 7
R34812	1E23	2	30 - 46	R36426	2G13	29	70 - 54	R38055	2I23	29	80 - 7
R34814	2D6	30	50 - 69	R36533	2F21	35	70 - 37	R38056	2B10	38	50 - 17
R34815	2D6	19	50 - 69	R36533	2F22	5	70 - 38	R38056	2D1	3	50 - 63
R34819	2D7	16	50 - 70	R36538	1E21	14	30 - 44	R38060	2C6	7	50 - 41
R34819	2D21	25	60 - 7	R36540	1E21	16	30 - 44	R38061	2E7	24	60 - 19
R34819	2D23	25	60 - 9	R36542	1E22	12	30 - 45	R38061	2F16	27	70 - 31
R34821	2D6	9	50 - 69	R36609	2I11	17A	70 - 105	R38061	2F18	28	70 - 33
R34822	2D4	11	50 - 67	R36646	1E23	6	30 - 46	R38062	2D9	1	50 - 72
R34827	3B24	1	90 - 29	R36651	1E22	3	30 - 45	R38063	2D9	4	50 - 72
R34828	2J23	8	80 - 31	R36658	2H2	3	70 - 71	R38064	2D9	16	50 - 72
R34828	2J25	8	80 - 34	R36659	2H2	3	70 - 71	R38065	2D9	18	50 - 72
R34838	1D20	3	30 - 18	R36666	2B2	23	50 - 7	R38066	2D9	21	50 - 72
R34844	2B21	13	50 - 30	R36666	2C9	2	50 - 44	R38067	2D9	23	50 - 72
R34844	2B22	16	50 - 31	R36666	2C11	11	50 - 46	R38068	2D9	24	50 - 72

1L10

TRACTOR - 2510

NUMERICAL INDEX - CONTINUED

PART NO.	GRID	KEY	PAGE	PART NO.	GRID	KEY	PAGE	PART NO.	GRID	KEY	PAGE
R38069	2D9	25	50 - 72	R38170	2A25	9	50 - 5	R38231	2D3	10	50 - 65
R38070	2B3	12	50 - 8	R38170	2B4	5	50 - 9	R38232	2D9	26	50 - 72
R38071	2D9	1	50 - 72	R38171	2A25	2	50 - 5	R38233	2B10	13	50 - 17
R38072	2D18	2	60 - 5	R38171	2B4	4	50 - 9	R38234	2B10	23	50 - 17
R38072	2D18	3	60 - 5	R38174	2B3	1	50 - 8	R38235	2C8	17	50 - 43
R38072	2D18	4	60 - 5	R38175	2B10	9	50 - 17	R38236	2C8	24	50 - 43
R38072	2D18	5	60 - 5	R38175	2B10	10	50 - 17	R38237	2C8	20	50 - 43
R38073	2D18	6	60 - 5	R38175	2B10	21	50 - 17	R38238	2C8	14	50 - 43
R38084	2E13	10	70 - 2	R38175	2B10	25	50 - 17	R38243	2C10	1	50 - 45
R38087	2H7	17	70 - 76	R38175	2B10	26	50 - 17	R38244	2C9	4	50 - 44
R38088	2H7	9	70 - 76	R38176	2B17	6	50 - 26	R38245	2C8	2	50 - 43
R38089	2H7	3	70 - 76	R38177	2B17	10	50 - 26	R38246	2C12	22	50 - 47
R38091	2H7	7	70 - 76	R38178	2B18	5	50 - 27	R38248	1D13	9	30 - 11
R38092	2H7	21	70 - 76	R38179	2B18	21	50 - 27	R38249	1D13	8	30 - 11
R38093	2H7	24	70 - 76	R38181	2B2	30	50 - 7	R38255	1D11	9	30 - 9
R38094	2H7	18	70 - 76	R38184	2A25	25	50 - 5	R38258	1D11	2	30 - 9
R38101	2I5	12	70 - 99	R38185	2A25	23	50 - 5	R38259	2D4	23	50 - 67
R38109	1D20	1	30 - 18	R38186	2A25	20	50 - 5	R38260	2D4	24	50 - 67
R38109	1E16	1	30 - 39	R38187	2A25	16	50 - 5	R38261	2D4	17	50 - 67
R38110	2D25	16	60 - 11	R38188	2A25	24	50 - 5	R38262	2D4	15	50 - 67
R38111	2C21	19	50 - 57	R38189	2B23	4	50 - 32	R38263	2D4	30	50 - 67
R38112	2C21	17	50 - 57	R38189	3B4	9	90 - 9	R38264	2D4	8	50 - 67
R38113	2B23	28	50 - 32	R38191	2C21	6	50 - 57	R38264	2D4	9	50 - 67
R38114	2B23	26	50 - 32	R38191	3B4	9	90 - 9	R38267	2B7	2	50 - 12
R38115	2E8	22	60 - 20	R38193	2C12	6	50 - 47	R38268	2B7	7	50 - 12
R38117	2E8	21	60 - 20	R38194	2C12	16	50 - 47	R38286	2B10	6	50 - 17
R38118	2E8	2	60 - 20	R38195	2C12	8	50 - 47	R38287	2B10	19	50 - 17
R38120	2E8	5	60 - 20	R38196	2C12	13	50 - 47	R38288	2B10	46	50 - 17
R38121	2E8	3	60 - 20	R38197	2C12	12	50 - 47	R38289	2C15	7	50 - 50
R38122	2E8	14	60 - 20	R38198	2C10	11	50 - 45	R38290	2C14	29	50 - 49
R38123	2E8	9	60 - 20	R38198	2C11	13	50 - 46	R38291	2C14	25	50 - 49
R38125	3B4	7	90 - 9	R38200	2C10	10	50 - 45	R38292	2C14	23	50 - 49
R38126	1D19	46	30 - 17	R38201	1D19	52	30 - 17	R38293	2C14	28	50 - 49
R38127	1D19	3	30 - 17	R38202	1D19	53	30 - 17	R38294	2C14	27	50 - 49
R38130	1D19	11	30 - 17	R38203	2C25	2	50 - 62	R38295	2C14	26	50 - 49
R38131	1D19	13	30 - 17	R38204	2C25	9	50 - 62	R38306	2B2	51	50 - 7
R38132	1D19	16	30 - 17	R38205	2C25	26	50 - 62	R38307	2B2	50	50 - 7
R38134	1D19	30	30 - 17	R38207	2C2	22	50 - 37	R38308	2B2	48	50 - 7
R38135	1D19	41	30 - 17	R38207	2C24	22	50 - 61	R38309	1C17	8	20 - 43
R38136	1D19	54	30 - 17	R38208	2C3	15	50 - 38	R38310	1C17	2	20 - 43
R38139	1D19	58	30 - 17	R38208	2C25	15	50 - 62	R38311	1C17	24	20 - 43
R38140	1D19	55	30 - 17	R38209	2C3	1	50 - 38	R38312	1C17	2	20 - 43
R38141	1D19	59	30 - 17	R38209	2C25	1	50 - 62	R38313	1C17	24	20 - 43
R38142	1D19	49	30 - 17	R38211	2C3	2	50 - 38	R38323	2F16	41	70 - 31
R38143	1D19	48	30 - 17	R38212	2C3	9	50 - 38	R38326	2E7	21	60 - 19
R38144	1D19	50	30 - 17	R38213	2C3	26	50 - 38	R38326	2F15	19	70 - 30
R38145	1D19	47	30 - 17	R38214	2C2	20	50 - 37	R38326	2F17	19	70 - 32
R38146	3B4	29	90 - 9	R38214	2C24	20	50 - 61	R38327	2E7	20	60 - 19
R38147	1D19	56	30 - 17	R38215	2C2	19	50 - 37	R38327	2F16	22	70 - 31
R38148	2C11	2	50 - 46	R38215	2C24	19	50 - 61	R38327	2F17	22	70 - 32
R38149	2C9	14	50 - 44	R38216	2C2	17	50 - 37	R38336	1B2	1	20 - 5
R38150	2B2	40	50 - 7	R38216	2C24	17	50 - 61	R38337	3B2	25	90 - 7
R38151	2B2	27	50 - 7	R38218	2C2	11	50 - 37	R38337	3B2	26	90 - 7
R38152	2B2	36	50 - 7	R38218	2C24	11	50 - 61	R38338	3B2	26	90 - 7
R38153	2A25	17	50 - 5	R38219	2C2	23	50 - 37	R38339	2A24	1	50 - 3
R38154	2A25	12	50 - 5	R38219	2C24	23	50 - 61	R38341	3B4	23	90 - 9
R38155	2A25	11	50 - 5	R38220	2C2	6	50 - 37	R38342	2D10	1	50 - 73
R38156	2B2	18	50 - 7	R38220	2C24	6	50 - 61	R38343	1C17	3	20 - 43
R38162	2B6	32	50 - 11	R38221	2C2	1	50 - 37	R38344	2B16	3	50 - 25
R38163	2B6	26	50 - 11	R38221	2C24	1	50 - 61	R38344	2C6	3	50 - 41
R38164	2I17	11	80 - 1	R38223	2C2	2	50 - 37	R38346	2E13	6	70 - 2
R38165	2I17	2	80 - 1	R38223	2C24	2	50 - 61	R38347	2E13	3	70 - 2
R38167	2B4	14	50 - 9	R38224	2C2	5	50 - 37	R38348	2E13	2	70 - 2
R38168	2A25	5	50 - 5	R38224	2C24	5	50 - 61	R38353	2J13	8	80 - 23
R38168	2B4	8	50 - 9	R38225	2A24	20	50 - 3	R38354	2J13	12	80 - 23
R38169	2A25	3	50 - 5	R38227	2A25	29	50 - 5	R38355	2J13	14	80 - 23
R38169	2B4	6	50 - 9	R38230	2A25	30	50 - 5	R38367	1D13	10	30 - 11

1L11

TRACTOR - 2510

NUMERICAL INDEX - CONTINUED

PART NO.	GRID	KEY	PAGE	PART NO.	GRID	KEY	PAGE	PART NO.	GRID	KEY	PAGE
R38368	1D13	6	30 - 11	R38615	2D18	6	60 - 5	R39729	2F4	17	70 - 17
R38371	1H2	16	40 - 29	R39006	2G20	19	70 - 61	R39730	2D6	15	50 - 69
R38371	1H7	14	40 - 34	R39008	2G20	27	70 - 61	R39731	2D6	14	50 - 69
R38372	1G9	4	40 - 13	R39009	2G20	28	70 - 61	R39732	2D6	13	50 - 69
R38373	1G9	23	40 - 13	R39009	2G21	2	70 - 62	R39739	3B24	3	90 - 29
R38374	1G11	12	40 - 15	R39012	2G20	37	70 - 61	R39741	2E14	1	70 - 3
R38375	1F22	22	40 - 3	R39013	2G20	33	70 - 61	R39741	2E16	..	70 - 5
R38376	1D19	7	30 - 17	R39029	2G20	34	70 - 61	R39741	2E18	23	70 - 7
R38377	1D19	5	30 - 17	R39029	2G21	5	70 - 62	R39741	2E22	15	70 - 11
R38383	2F16	35	70 - 31	R39064	2G20	6	70 - 61	R39741	2E22	16	70 - 11
R38383	2F18	36	70 - 33	R39112	2E3	29	60 - 15	R39741	2E22	..	70 - 11
R38384	2G4	19	70 - 45	R39112	2E18	18	70 - 7	R39741	2F6	13	70 - 19
R38389	2B10	13	50 - 17	R39112	2F22	3	70 - 38	R39754	2H14	61	70 - 83
R38390	2B10	23	50 - 17	R39112	2H12	9	70 - 81	R39758	2J23	9	80 - 31
R38391	2B10	6	50 - 17	R39174	2E16	21	70 - 5	R39758	2J25	9	80 - 34
R38392	2B10	19	50 - 17	R39174	2E22	23	70 - 11	R39759	2H20	23	70 - 89
R38393	2B10	38	50 - 17	R39175	2E16	22	70 - 5	R39769	2F22	24	70 - 38
R38393	2D1	3	50 - 63	R39175	2E22	24	70 - 11	R39770	2F23	27	70 - 39
R38395	1D9	12	30 - 7	R39228	2E16	20	70 - 5	R39771	2F22	25	70 - 38
R38400	2B23	7	50 - 32	R39228	2E22	22	70 - 11	R39783	2G9	3	70 - 50
R38401	2E18	32	70 - 7	R39228	2F6	16	70 - 19	R39785	2G12	23	70 - 53
R38402	1D19	52	30 - 17	R39240	2E18	26	70 - 7	R39794	2B25	3	50 - 35
R38404	1D13	6	30 - 11	R39242	2E18	25	70 - 7	R39794	2C22	3	50 - 59
R38418	2D4	24	50 - 67	R39325	2B10	4	50 - 17	R39795	2B25	1	50 - 35
R38419	2D3	11	50 - 65	R39325	2B10	44	50 - 17	R39795	2C22	1	50 - 59
R38424	2E18	10	70 - 7	R39325	2C8	23	50 - 43	R39796	2C22	13	50 - 59
R38424	2E20	3	70 - 9	R394R	2B25	2	50 - 35	R39797	2C22	12	50 - 59
R38425	2E18	12	70 - 7	R394R	2B25	7	50 - 35	R39803	1G11	10	40 - 15
R38425	2E20	5	70 - 9	R394R	2B25	37	50 - 35	R39804	1G9	20	40 - 13
R38428	2A24	20	50 - 3	R394R	2C22	2	50 - 59	R39804	1G11	9	40 - 15
R38471	2B6	26	50 - 11	R394R	2C22	7	50 - 59	R39808	2B14	15	50 - 23
R38480	1C17	14	20 - 43	R394R	2F21	28	70 - 37	R39825	1D11	15	30 - 9
R38481	1C17	2	20 - 43	R394R	2F22	12	70 - 38	R39825	1D13	16	30 - 11
R38488	1D19	59	30 - 17	R394R	2H14	18	70 - 83	R39843	2E22	30	70 - 11
R38496	2A25	15	50 - 5	R394R	2H14	29	70 - 83	R39857	1G23	13	40 - 25
R38498	2D9	22	50 - 72	R39512	2I5	2	70 - 99	R39876	2B8	15	50 - 14
R38499	2D9	19	50 - 72	R39513	2I5	2	70 - 99	R39877	1G17	1	40 - 19
R38500	2D9	18	50 - 72	R39534	1F16	2	30 - 63	R39895	1D20	22	30 - 18
R38501	2D9	26	50 - 72	R39549	1H11	1	40 - 38	R39925	2J17	21	80 - 27
R38510	1D19	53	30 - 17	R39549	3B6	30	90 - 11	R39934	2I17	12	80 - 1
R38513	1D19	30	30 - 17	R39551	1F22	31	40 - 3	R39980	2D16	46	60 - 3
R38514	1D19	41	30 - 17	R39551	1F24	32	40 - 5	R39981	2D16	51	60 - 3
R38517	2I17	11	80 - 1	R39551	3B6	36	90 - 11	R39981	2I13	2	70 - 107
R38528	2E8	17	60 - 20	R39554	1F22	30	40 - 3	R39982	2D16	52	60 - 3
R38531	2E16	17	70 - 5	R39554	1F24	31	40 - 5	R39985	1D19	26	30 - 17
R38531	2E22	19	70 - 11	R39554	3B6	28	90 - 11	R40072	2F19	6	70 - 35
R38532	2D9	20	50 - 72	R39555	1F22	33	40 - 3	R40121	2I11	20A	70 - 105
R38537	2G20	27	70 - 61	R39555	1F24	34	40 - 5	R40147	2B25	33	50 - 35
R38538	2C14	23	50 - 49	R39586	2C22	15	50 - 59	R40147	2C22	21	50 - 59
R38538	2C14	29	50 - 49	R39587	2B14	5	50 - 23	R40148	2B23	5	50 - 32
R38539	2C14	23	50 - 49	R39597	2D7	2	50 - 70	R40149	2E1	12	60 - 13
R38543	2E18	21	70 - 7	R39597	2D8	2	50 - 71	R40192	3B6	1	90 - 11
R38543	2E18	24	70 - 7	R39613	2I23	2	80 - 7	R40235	2D4	8	50 - 67
R38543	2I13	20	70 - 107	R39615	1D20	23	30 - 18	R40336	2D1	23	50 - 63
R38544	2E18	21	70 - 7	R39617	1H2	4	40 - 29	R40337	1G17	18	40 - 19
R38544	2E18	24	70 - 7	R39618	1H2	5	40 - 29	R40338	2E3	12	60 - 15
R38553	1C8	1	20 - 34	R39641	1F21	10	40 - 2	R40423	2J3	3	80 - 13
R38556	1C8	9	20 - 34	R39641	1F23	10	40 - 4	R40423	2J3	24	80 - 13
R38557	1C8	7	20 - 34	R39725	2C21	44	50 - 57	R40423	2J4	3	80 - 14
R38561	2E16	14	70 - 5	R39725	2H14	38	70 - 83	R40445	1I10	3	40 - 59
R38587	1G1	..	40 - 6	R39726	2C21	44	50 - 57	R40466	2J3	18	80 - 13
R38587	1G2	..	40 - 7	R39726	2H14	38	70 - 83	R40476	2H14	56	70 - 83
R38592	2B4	14	50 - 9	R39727	2C21	44	50 - 57	R40477	2H14	54	70 - 83
R38613	2D4	8	50 - 67	R39727	2H14	38	70 - 83	R40502	2B13	50	50 - 21
R38613	2D4	9	50 - 67	R39729	2E16	8	70 - 5	R40503	2B13	50	50 - 21
R38614	2D4	8	50 - 67	R39729	2E20	16	70 - 9	R40504	2K3	14	80 - 37
R38614	2D4	9	50 - 67	R39729	2E22	9	70 - 11	R40504	3B6	14	90 - 11

1L12

TRACTOR - 2510

NUMERICAL INDEX - CONTINUED

PART NO.	GRID	KEY	PAGE	PART NO.	GRID	KEY	PAGE	PART NO.	GRID	KEY	PAGE
R40505	2K3	11	80 - 37	R41160	2C8	17	50 - 43	R42260	2E24	40	70 - 13
R40505	3B6	14	90 - 11	R41161	2C10	1	50 - 45	R42260	2F8	36	70 - 21
R40509	2H14	61	70 - 83	R41162	2C9	4	50 - 44	R42298	2H5	7	70 - 74
R40509	2K3	12	80 - 37	R41164	2C13	9	50 - 48	R42312	3B7	3	90 - 12
R40516	2H20	25	70 - 89	R41168	2C8	10	50 - 43	R42334	2F22	13	70 - 38
R40516	2H23	16	70 - 92	R41170	2C16	15	50 - 51	R42357	2D7	14	50 - 70
R40516	2I7	29	70 - 101	R41175	2F22	6	70 - 38	R42357	2D8	18	50 - 71
R40516	2I11	5	70 - 105	R41175	2F22	10	70 - 38	R42357	2E7	2	60 - 19
R40531	2E1	13	60 - 13	R41197	2F21	35	70 - 37	R42363	2A24	9	50 - 3
R40559	2F15	8	70 - 30	R41197	2F22	5	70 - 38	R42363	2B3	14	50 - 8
R40559	2F17	8	70 - 32	R41296	2I25	4	80 - 10	R42429	3C3	2	90 - 32
R40559	2F19	5	70 - 35	R41355	3C3	2	90 - 32	R42439	3C3	5	90 - 32
R40561	2F19	9	70 - 35	R41355	3C3	4	90 - 32	R42439	3C6	2	90 - 33B
R40562	2F19	8	70 - 35	R41355	3C4	14	90 - 33	R42440	2I5	10	70 - 99
R40565	1E10	11	30 - 33	R41355	3C6	3	90 - 33B	R42443	2D4	16	50 - 67
R40567	2D25	30	60 - 11	R41358	3C2	8	90 - 31	R42451	2I24	7	80 - 9
R40575	1G9	14	40 - 13	R41360	2H6	6	70 - 75	R42467	2E22	29	70 - 11
R40589	2J9	5	80 - 19	R41361	2H6	5	70 - 75	R42483	1E20	2	30 - 43
R40595	2E3	24	60 - 15	R41362	2H6	3	70 - 75	R42485	2C16	9	50 - 51
R40596	2E3	27	60 - 15	R41373	2C12	22	50 - 47	R42487	2C16	11	50 - 51
R40597	2E3	28	60 - 15	R41378	2C9	9	50 - 44	R42491	2C16	15	50 - 51
R40629	2D6	25	50 - 69	R41379	2C9	7	50 - 44	R42491	2C16	21	50 - 51
R40629	2D6	30	50 - 69	R41404	2B14	4	50 - 23	R42492	2C13	14	50 - 48
R40632	2D6	30	50 - 69	R41439	1G1	..	40 - 6	R42492	2C16	15	50 - 51
R40633	2H22	7	70 - 91	R41439	1G2	..	40 - 7	R42495	2H20	6	70 - 89
R40663	2F16	34	70 - 31	R41439	1G3	2	40 - 7A	R42495	2H22	9	70 - 91
R40663	2F18	35	70 - 33	R41439	1H6	14	40 - 33	R42567	3B16	14	90 - 21
R40676	2K3	15	80 - 37	R41439	1H22	13	40 - 49	R42567	3B17	18	90 - 22
R40676	3B6	14	90 - 11	R41494	2G14	35	70 - 55	R42579	3C4	13	90 - 33
R40757	2E3	26	60 - 15	R41502	2B13	47	50 - 21	R42580	2J1	5	80 - 11
R40758	2E18	24	70 - 7	R41503	2B13	47	50 - 21	R42581	3C4	15	90 - 33
R40789	2D16	39	60 - 3	R41503	2B13	50	50 - 21	R42582	2H24	7	70 - 93
R40789	2D16	40	60 - 3	R41510	2C21	7	50 - 57	R42585	2C1	8	50 - 36
R40789	2D16	42	60 - 3	R41510	3B4	10	90 - 9	R42585	2C23	8	50 - 60
R40791	1B2	2	20 - 5	R41613	2F20	16	70 - 36	R42613	2B13	3	50 - 21
R40799	2H12	37	70 - 81	R41613	2F20	24	70 - 36	R42629	2D25	7	60 - 11
R40801	1G24	11	40 - 26	R41623	2C13	13	50 - 48	R42635	1D11	18	30 - 9
R40835	2B20	29	50 - 29	R41657	2H7	7	70 - 76	R42635	1D13	19	30 - 11
R40911	2C6	11	50 - 41	R41668	2B13	20	50 - 21	R42643	2H6	6	70 - 75
R40912	2C6	10	50 - 41	R41680	1E14	27	30 - 37	R42644	2H6	3	70 - 75
R40928	2H23	18	70 - 92	R41680	1E16	20	30 - 39	R42644	2H6	6	70 - 75
R40928	2I5	23	70 - 99	R41724	2E3	2	60 - 15	R42660	2I7	34	70 - 101
R40928	2I7	31	70 - 101	R41744	2D1	15	50 - 63	R42660	2I7	44	70 - 101
R41015	2I5	9	70 - 99	R41749	2H23	23	70 - 92	R42661	2E3	38	60 - 15
R41018	2D4	19	50 - 67	R41750	2H23	1	70 - 92	R42662	2I23	5	80 - 7
R41019	2D4	20	50 - 67	R41751	2B10	31	50 - 17	R42663	2E24	31	70 - 13
R41036	2B10	13	50 - 17	R41778	3C3	9	90 - 32	R42666	1H4	15	40 - 31
R41050	2D3	17	50 - 65	R41778	3C4	1	90 - 33	R42666	1H7	15	40 - 34
R41050	2D4	26	50 - 67	R41778	3C6	8	90 - 33B	R42667	1H4	15	40 - 31
R41057	2E24	43	70 - 13	R41781	3C4	7	90 - 33	R42667	1H7	15	40 - 34
R41057	2E24	44	70 - 13	R41879	1H15	5	40 - 43	R42684	2D16	25	60 - 3
R41057	2F2	7	70 - 15	R41879	1H16	6	40 - 44	R42689	1H7	1	40 - 34
R41057	2F8	40	70 - 21	R41880	1H15	10	40 - 43	R42692	2H12	18	70 - 81
R41057	2F10	9	70 - 23	R41880	1H16	10	40 - 44	R42697	2C17	5	50 - 52
R41057	2F12	13	70 - 25	R41880	1H18	13	40 - 45B	R42707	2E1	9	60 - 13
R41105	2B10	9	50 - 17	R41880	1H19	4	40 - 46	R42720	2D1	13	50 - 63
R41105	2B10	10	50 - 17	R41901	2H24	8	70 - 93	R42768	3B7	7	90 - 12
R41105	2B10	13	50 - 17	R41929	2D6	30	50 - 69	R42771	3B8	5	90 - 13
R41124	2D25	16	60 - 11	R41931	2F20	13	70 - 36	R42773	2H5	10	70 - 74
R41131	2C16	20	50 - 51	R41932	2F20	15	70 - 36	R42777	1H7	18	40 - 34
R41153	2B13	20	50 - 21	R41933	2K3	2	80 - 37	R42778	1H7	20	40 - 34
R41155	2F21	32	70 - 37	R41954	2D1	8	50 - 63	R42779	1H7	17	40 - 34
R41160	2B10	9	50 - 17	R41956	2D1	9	50 - 63	R42780	3B20	..	90 - 25
R41160	2B10	10	50 - 17	R42007	2D16	29	60 - 3	R42783	2B6	18	50 - 11
R41160	2B10	21	50 - 17	R42127	2B23	8	50 - 32	R42792	3B20	11	90 - 25
R41160	2B10	25	50 - 17	R42128	2B23	5	50 - 32	R42793	3B20	13	90 - 25
R41160	2B10	26	50 - 17	R42155	2B14	4	50 - 23	R42794	3B20	7	90 - 25

1L13

TRACTOR - 2510

NUMERICAL INDEX - CONTINUED

PART NO.	GRID	KEY	PAGE	PART NO.	GRID	KEY	PAGE	PART NO.	GRID	KEY	PAGE
R42795	3B20	14	90 - 25	R44443	3B18	18	90 - 23	R44816	2C9	7	50 - 44
R42796	3B20	5	90 - 25	R44444	3B14	9	90 - 19	R44816	2C10	3	50 - 45
R42797	3B20	2	90 - 25	R44444	3B15	7	90 - 20	R44816	2C11	8	50 - 46
R42799	1H16	2	40 - 44	R44445	3B15	9	90 - 20	R44817	2C8	5	50 - 43
R42799	1H18	3	40 - 45B	R44445	3B16	8	90 - 21	R44817	2C9	8	50 - 44
R42799	1H19	9	40 - 46	R44445	3B17	14	90 - 22	R44817	2C10	4	50 - 45
R42800	1H16	5	40 - 44	R44446	3B15	8	90 - 20	R44817	2C11	7	50 - 46
R42825	1C8	..	20 - 34	R44446	3B16	7	90 - 21	R44823	2E16	9	70 - 5
R42849	2B8	6	50 - 14	R44446	3B17	15	90 - 22	R44823	2E22	10	70 - 11
R42849	2C14	5	50 - 49	R44447	3B21	2	90 - 26	R44840	2I13	10	70 - 107
R42849	2D16	28	60 - 3	R44447	3B21	18	90 - 26	R44846	2D25	16	60 - 11
R42849	2D21	4	60 - 7	R44447	3B21	23	90 - 26	R44848	2I11	4	70 - 105
R42849	2D23	4	60 - 9	R44447	3B21	24	90 - 26	R44890	2I19	9	80 - 3
R42849	2E3	32	60 - 15	R44448	3B17	3	90 - 22	R44917	2H20	17	70 - 89
R42851	2J7	9	80 - 17	R44448	3B17	3	90 - 22	R44917	2H22	20	70 - 91
R43216	2C12	7	50 - 47	R44449	3B18	7	90 - 23	R44917	2I7	40	70 - 101
R43444	2I2	9	70 - 97	R44451	3B11	13	90 - 16	R44918	2H20	17	70 - 89
R43684	2B13	4	50 - 21	R44452	3B11	6	90 - 16	R44918	2H22	20	70 - 91
R43962	2E3	18	60 - 15	R44453	3B11	7	90 - 16	R44918	2H25	4	70 - 95
R44008	1G9	23	40 - 13	R44454	3B11	14	90 - 16	R44918	2I2	3	70 - 97
R44020	2J7	4	80 - 17	R44454	3B21	5	90 - 26	R44918	2I2	3	70 - 97
R44164	2B13	20	50 - 21	R44455	3B11	3	90 - 16	R44951	2K3	3	80 - 37
R44165	1H9	9	40 - 36	R44456	3B11	4	90 - 16	R44952	2K3	3	80 - 37
R44277	2B2	9	50 - 7	R44457	3B12	3	90 - 17	R45036	1F13	9	30 - 60
R44299	2H12	29	70 - 81	R44457	3B12	3	90 - 17	R45040	1F12	9	30 - 59
R44302	1C8	10	20 - 34	R44458	3B12	2	90 - 17	R45041	1F12	12	30 - 59
R44302	1F17	2	30 - 64	R44459	3B12	11	90 - 17	R45044	1F10	18	30 - 57
R44302	1F22	15	40 - 3	R44460	1H8	17	40 - 35	R45044	1F13	28	30 - 60
R44302	1F22	27	40 - 3	R44461	1H8	8	40 - 35	R45044	1F13	28	30 - 60
R44302	1F24	16	40 - 5	R44462	1H8	12	40 - 35	R45045	1E20	29	30 - 43
R44302	1F24	28	40 - 5	R44463	1H8	9	40 - 35	R45045	1F10	10	30 - 57
R44302	1G1	..	40 - 6	R44464	1H8	6	40 - 35	R45045	1F13	32	30 - 60
R44302	1G2	..	40 - 7	R44465	1H8	5	40 - 35	R45046	1F10	20	30 - 57
R44302	1G3	1	40 - 7A	R44466	1H8	1	40 - 35	R45046	1F13	34	30 - 60
R44302	1G8	1	40 - 12	R44467	1H8	7	40 - 35	R45047	1F10	21	30 - 57
R44302	1G13	6	40 - 16A	R44468	3B13	18	90 - 18	R45047	1F13	35	30 - 60
R44302	1G14	4	40 - 16B	R44469	3B13	19	90 - 18	R45049	1F14	17	30 - 61
R44302	1G25	24	40 - 27	R44470	3B13	16	90 - 18	R45051	1F14	3	30 - 61
R44302	1H22	12	40 - 49	R44471	3B13	17	90 - 18	R45052	1F14	6	30 - 61
R44302	1I6	1	40 - 55	R44472	3B9	2	90 - 14	R45054	1F8	36	30 - 55
R44302	1I7	6	40 - 56	R44473	3B10	8	90 - 15	R45054	1F14	15	30 - 61
R44302	1I10	20	40 - 59	R44474	3B13	14	90 - 18	R45055	1F14	21	30 - 61
R44302	2F16	57	70 - 31	R44475	3B13	20	90 - 18	R45056	1F14	23	30 - 61
R44302	2F18	51	70 - 33	R44476	3B13	1	90 - 18	R45057	1F8	34	30 - 55
R44302	3C3	2	90 - 32	R44478	3B9	6	90 - 14	R45057	1F14	22	30 - 61
R44315	2K3	2	80 - 37	R44479	1H9	1	40 - 36	R45058	1F8	37	30 - 55
R44327	2D4	20	50 - 67	R44480	3B20	16	90 - 25	R45058	1F14	16	30 - 61
R44350	2I19	11	80 - 3	R44481	1H9	15	40 - 36	R45060	1F13	16	30 - 60
R44361	2D13	11	50 - 76	R44482	1H9	7	40 - 36	R45106	2I14	16	70 - 108
R44372	2D13	11	50 - 76	R44483	3B13	11	90 - 18	R45126	2C2	6	50 - 37
R44431	3B14	6	90 - 19	R44484	3B13	5	90 - 18	R45126	2C24	6	50 - 61
R44432	3B14	7	90 - 19	R44485	3B13	4	90 - 18	R45136	1H18	17	40 - 45B
R44433	3B18	10	90 - 23	R44486	3B13	2	90 - 18	R45137	1H18	18	40 - 45B
R44434	3B14	13	90 - 19	R44487	3B10	7	90 - 15	R45189	2I13	17	70 - 107
R44435	3B18	13	90 - 23	R44488	3B8	10	90 - 13	R45215	2I13	19	70 - 107
R44436	3B14	12	90 - 19	R44489	3B10	4	90 - 15	R45227	2E22	14	70 - 11
R44437	3B18	2	90 - 23	R44517	3B21	3	90 - 26	R45227	2E22	15	70 - 11
R44438	3B18	1	90 - 23	R44518	3B21	4	90 - 26	R45227	2E22	16	70 - 11
R44438	3B18	4	90 - 23	R44577	3B11	15	90 - 16	R45228	2E22	14	70 - 11
R44438	3B18	9	90 - 23	R44585	3B19	3	90 - 24	R45228	2E22	15	70 - 11
R44438	3B18	12	90 - 23	R44585	3B19	5	90 - 24	R45228	2E22	16	70 - 11
R44438	3B18	15	90 - 23	R44585	3B19	9	90 - 24	R45305	2F25	10	70 - 41
R44438	3B18	16	90 - 23	R44588	3B21	19	90 - 26	R45306	2F25	7	70 - 41
R44438	3B18	19	90 - 23	R44639	2B20	23	50 - 29	R45422	2F6	26	70 - 19
R44439	3B18	3	90 - 23	R44640	2B20	13	50 - 29	R45425	2F6	22A	70 - 19
R44441	3B18	6	90 - 23	R44710	2K3	9	80 - 37	R45438	2E16	1	70 - 5
R44442	3B18	21	90 - 23	R44802	2E24	31	70 - 13	R45438	2E22	1	70 - 11
				R44815	2C9	7	50 - 44	R45438	2F6	1	70 - 19
				R44816	2C8	4	50 - 43	R45447	2I12	3	70 - 106

1L14

TRACTOR - 2510

NUMERICAL INDEX - CONTINUED

PART NO.	GRID	KEY	PAGE	PART NO.	GRID	KEY	PAGE	PART NO.	GRID	KEY	PAGE
R45513	2B16	22	50 - 25	R46799	2C6	28	50 - 41	R48370	2C18	3	50 - 53
R45513	2C6	28	50 - 41	R46799	2H8	17	70 - 77	R48399	1E11	5	30 - 34
R45513	2H8	17	70 - 77	R46815	2B13	35	50 - 21	R48450	3A25	29	90 - 5
R45514	2B16	22	50 - 25	R46815	2B14	13	50 - 23	R48498	1E24	10	30 - 47
R45514	2C6	28	50 - 41	R46816	2B13	33	50 - 21	R48500	1E21	29	30 - 44
R45514	2H8	17	70 - 77	R46816	2B14	11	50 - 23	R48576	2D18	2	60 - 5
R45598	2C14	18	50 - 49	R46817	2C17	1	50 - 52	R48576	2D18	3	60 - 5
R45630	2G6	35	70 - 47	R46818	2C17	3	50 - 52	R48576	2D18	4	60 - 5
R45630	2G8	6	70 - 49	R46889	2I2	13	70 - 97	R48576	2D18	5	60 - 5
R45630	2G10	28	70 - 51	R46890	2I2	10	70 - 97	R48637	1B12	1	20 - 14
R45630	2G12	6	70 - 53	R46893	2I2	15	70 - 97	R48638	1B12	2	20 - 14
R45630	2G13	6	70 - 54	R47016	2I13	3	70 - 107	R48647	2C19	6	50 - 55
R45630	2G22	5	70 - 63	R47018	2I13	7	70 - 107	R48663	1H2	1	40 - 29
R45645	1G1	..	40 - 6	R47038	1E4	9	30 - 27	R48663	1H2	2	40 - 29
R45645	1G2	..	40 - 7	R47044	2I11	21	70 - 105	R48685	1B5	1	20 - 9
R45792	2D25	1	60 - 11	R47072	2H20	5	70 - 89	R48685	1B5	3	20 - 9
R45822	2E13	4	70 - 2	R47072	2H22	5	70 - 91	R48685	1B9	25	20 - 11B
R45847	1G3	6	40 - 7A	R47073	2C17	3	50 - 52	R48685	1B9	40	20 - 11B
R45847	3B7	1	90 - 12	R47095	2I13	14	70 - 107	R48685	2B16	6	50 - 25
R45847	3B7	5	90 - 12	R47159	2C17	6	50 - 52	R48685	2C6	6	50 - 41
R45847	3B8	2	90 - 13	R47160	1F17	5	30 - 64	R48738	2E16	21	70 - 5
R45847	3B8	3	90 - 13	R47197	3C2	3	90 - 31	R48738	2E22	23	70 - 11
R45847	3B8	4	90 - 13	R47203	2B23	14	50 - 32	R48738	2F6	17	70 - 19
R45847	3B8	7	90 - 13	R47393	2C19	9	50 - 55	R48763	2J14	7	80 - 24
R45874	2E16	27	70 - 5	R47474	1H18	18	40 - 45B	R48763	2J15	6	80 - 25
R45874	2E22	32	70 - 11	R47509	2B13	47	50 - 21	R48763	2J20	3	80 - 30
R459R	1E9	9	30 - 32	R47509	2B13	50	50 - 21	R48763	2J20	4	80 - 30
R459R	2C6	19	50 - 41	R47524	2H20	19	70 - 89	R48763	2J20	5	80 - 30
R459R	2C8	3	50 - 43	R47630	3B2	8	90 - 7	R48763	2J20	10	80 - 30
R459R	2C9	5	50 - 44	R47694	2E1	16	60 - 13	R48763	2J20	18	80 - 30
R459R	2C10	2	50 - 45	R47733	1E18	7	30 - 41	R48763	2J20	19	80 - 30
R459R	2D6	17	50 - 69	R47735	2J7	9	80 - 17	R48763	2J21	7	80 - 30A
R459R	2D15	3	60 - 2	R47736	2J7	9	80 - 17	R48767	1B13	2	20 - 15
R459R	2D17	4	60 - 4	R47739	2K3	16	80 - 37	R48767	1C22	24	20 - 49
R459R	2E3	4	60 - 15	R47765	2J9	20	80 - 19	R48768	1B9	16	20 - 11B
R45928	2D16	39	60 - 3	R47766	2J9	20	80 - 19	R48769	2C19	8	50 - 55
R45928	2D16	40	60 - 3	R47843	2J9	12	80 - 19	R48887	1I14	17	40 - 63
R45928	2D16	42	60 - 3	R47859	1H22	1	40 - 49	R48993	1C14	10	20 - 40
R45929	2D16	39	60 - 3	R47860	1H20	9	40 - 47	R49071	2E24	25	70 - 13
R45929	2D16	42	60 - 3	R47861	1H20	9	40 - 47	R49071	2E24	27	70 - 13
R45936	1H7	24	40 - 34	R47998	2D25	1	60 - 11	R49071	2E24	28	70 - 13
R45937	1H7	25	40 - 34	R48000	1C19	3	20 - 46	R49071	2E24	29	70 - 13
R45957	2K3	1	80 - 37	R48000	1C22	20	20 - 49	R49071	2E24	30	70 - 13
R46141	2E7	13	60 - 19	R48000	1E12	14	30 - 35	R49071	2E24	31	70 - 13
R46191	1G23	22	40 - 25	R48000	1E14	11	30 - 37	R49071	2F2	9	70 - 15
R46323	2D3	7	50 - 65	R48000	1E16	9	30 - 39	R49072	2E24	26	70 - 13
R46323	2D4	7	50 - 67	R48000	1E18	15	30 - 41	R49072	2F2	14	70 - 15
R46324	2D3	7	50 - 65	R48013	2C19	10	50 - 55	R49098	2J7	1	80 - 17
R46324	2D4	7	50 - 67	R48013	2C22	18	50 - 59	R49098	2J7	3	80 - 17
R46335	2I14	7	70 - 108	R48026	1H20	..	40 - 47	R49098	2J11	2	80 - 21
R46373	2B3	4	50 - 8	R48027	1H20	..	40 - 47	R49098	2J11	5	80 - 21
R46391	2B10	18	50 - 17	R48028	1H20	28	40 - 47	R49139	1E11	6	30 - 34
R46391	2B10	45	50 - 17	R48048	1H20	17	40 - 47	R49186	2F20	7	70 - 36
R46391	2C8	21	50 - 43	R48049	1H20	27	40 - 47	R49186	2F20	8	70 - 36
R46414	1G13	8	40 - 16A	R48127	1E14	2	30 - 37	R49187	2F20	6	70 - 36
R46443	2H8	4	70 - 77	R48127	1E16	30	30 - 39	R49187	2F20	7	70 - 36
R46505	1H15	5	40 - 43	R48163	2I2	7	70 - 97	R49187	2F20	8	70 - 36
R46567	2C12	24	50 - 47	R48164	2I2	8	70 - 97	R49188	2F20	6	70 - 36
R46618	1F14	1	30 - 61	R48235	2C8	7	50 - 43	R49188	2F20	7	70 - 36
R46618	1F14	3	30 - 61	R48235	2C9	10	50 - 44	R49191	2G14	30	70 - 55
R46619	1F14	18	30 - 61	R48235	2C10	6	50 - 45	R49193	2G14	41	70 - 55
R46625	1B5	11	20 - 9	R48235	2C11	5	50 - 46	R49211	1E22	3	30 - 45
R46625	1B5	15	20 - 9	R48236	2C9	13	50 - 44	R49212	1E22	1	30 - 45
R46625	1B9	33	20 - 11B	R48236	2C10	8	50 - 45	R49294	2B8	1	50 - 14
R46675	1E18	10	30 - 41	R48236	2C11	4	50 - 46	R49295	2B8	7	50 - 14
R46791	1H12	5	40 - 39	R48293	1H7	1	40 - 34	R49297	2E16	19	70 - 5
R46799	2B16	22	50 - 25	R48361	2K3	1	80 - 37	R49297	2E22	21	70 - 11

1L15

TRACTOR - 2510

NUMERICAL INDEX - CONTINUED

PART NO.	GRID	KEY	PAGE	PART NO.	GRID	KEY	PAGE	PART NO.	GRID	KEY	PAGE
R49297	2F6	15	70 - 19	R51200	2C15	1	50 - 50	R53223	1B5	15	20 - 9
R49298	2E16	22	70 - 5	R51200	2C15	11	50 - 50	R53223	1B7	1	20 - 11
R49298	2E22	24	70 - 11	R51200	2D3	13	50 - 65	R53247	2B23	14	50 - 32
R49352	2G20	36	70 - 61	R51200	2D4	29	50 - 67	R53250	1B2	10	20 - 5
R49370	2C12	20	50 - 47	R51201	2C19	5	50 - 55	R53250	1B5	15	20 - 9
R49371	2C12	20	50 - 47	R51285	2G14	35	70 - 55	R53250	1B13	1	20 - 15
R49371	2C12	22	50 - 47	R51303	2C12	17	50 - 47	R53250	1B13	3	20 - 15
R49372	2C12	21	50 - 47	R51409	2F20	16	70 - 36	R53250	1B16	5	20 - 18
R49393	1G15	17	40 - 17	R51409	2F20	24	70 - 36	R53293	2K3	3	80 - 37
R49394	1G15	23	40 - 17	R51414	2F20	13	70 - 36	R53294	2K3	3	80 - 37
R495R	1B2	6	20 - 5	R51415	2F20	15	70 - 36	R53296	2H20	17	70 - 89
R495R	1C19	4	20 - 46	R51494	2B16	19	50 - 25	R53296	2H20	..	70 - 89
R495R	1C20	3	20 - 47	R51494	2C6	25	50 - 41	R53296	2H22	20	70 - 91
R495R	1C22	7	20 - 49	R51516	1C1	18	20 - 28	R53296	2H22	..	70 - 91
R495R	1C24	7	20 - 51	R51516	1C1	21	20 - 28	R53296	2H25	4	70 - 95
R495R	2E1	17	60 - 13	R51516	1C2	16	20 - 29	R53296	2I2	3	70 - 97
R495R	2E16	2	70 - 5	R51516	1C2	20	20 - 29	R53382	1C4	21	20 - 31
R495R	2E20	21	70 - 9	R51516	1C4	3	20 - 31	R53409	1H14	1	40 - 42
R495R	2E22	2	70 - 11	R51573	2B13	33	50 - 21	R53410	1H14	3	40 - 42
R495R	2G6	29	70 - 47	R51573	2B14	11	50 - 23	R53562	2H20	25	70 - 89
R495R	2G8	12	70 - 49	R51608	2D12	2	50 - 75	R53562	2H23	16	70 - 92
R495R	2G9	22	70 - 50	R51609	2D12	3	50 - 75	R53562	2I7	29	70 - 101
R495R	2G12	13	70 - 53	R51648	3A25	17	90 - 5	R53585	2A25	34	50 - 5
R495R	2G13	11	70 - 54	R51648	3A25	25	90 - 5	R53637	2D9	1	50 - 72
R495R	2G22	13	70 - 63	R51679	2I20	3	80 - 4	R53762	2H20	5	70 - 89
R495R	2I13	13	70 - 107	R51680	2I20	4	80 - 4	R53762	2H20	19	70 - 89
R49515	1B10	1	20 - 12	R51680	2I21	15	80 - 5	R53762	2H22	5	70 - 91
R49515	1C22	13	20 - 49	R51681	2I20	8	80 - 4	R54059	2D16	51	60 - 3
R49515	1C24	12	20 - 51	R51681	2I21	8	80 - 5	R54059	2I13	2	70 - 107
R49516	1B24	15	20 - 26	R51718	2C12	23	50 - 47	R54064	2I11	17A	70 - 105
R49579	2A25	26	50 - 5	R51731	1B9	9	20 - 11B	R54064	2I11	17B	70 - 105
R49579	2B4	15	50 - 9	R51734	1B2	13	20 - 5	R54065	2I11	20B	70 - 105
R49816	2C17	10	50 - 52	R51748	2E3	57	60 - 15	R54141	2I7	43	70 - 101
R49816	2C18	10	50 - 53	R51778	2H23	23	70 - 92	R54144	2I18	2	80 - 2
R49816	2C18	13	50 - 53	R51779	2H23	1	70 - 92	R54170	2H24	21	70 - 93
R49816	2C18	19	50 - 53	R51821	2K3	16	80 - 37	R54380	2B25	13	50 - 35
R49817	2C18	7	50 - 53	R51869	2I9	24	70 - 103	R54380	2E13	9	70 - 2
R49817	2C18	14	50 - 53	R51869	2J6	1	80 - 16	R54467	1H20	15	40 - 47
R49817	2C18	18	50 - 53	R51936	1E18	1	30 - 41	R54541	2I25	4	80 - 10
R49819	2C17	10	50 - 52	R51937	1E18	2	30 - 41	R54560	1B2	14	20 - 5
R49819	2C18	7	50 - 53	R52168	2D16	47	60 - 3	R54565	1B4	1	20 - 7
R49819	2C18	10	50 - 53	R52169	2D16	45	60 - 3	R54565	1B4	2	20 - 7
R49819	2C18	13	50 - 53	R52246	2H4	16	70 - 73	R54614	1C4	26	20 - 31
R49819	2C18	14	50 - 53	R52251	1B4	17	20 - 7	R54614	1C4	28	20 - 31
R49819	2C18	18	50 - 53	R52252	1B4	19	20 - 7	R54614	1C5	3	20 - 32
R49819	2C18	19	50 - 53	R52287	2J14	7	80 - 24	R54614	1C6	9	20 - 32B
R49839	2J20	3	80 - 30	R52287	2J21	7	80 - 30A	R54615	1C4	28	20 - 31
R49839	2J20	4	80 - 30	R52408	1H18	6	40 - 45B	R54615	1C5	5	20 - 32
R49839	2J20	5	80 - 30	R52498	2B20	7	50 - 29	R54615	1C6	8	20 - 32B
R49839	2J20	10	80 - 30	R52499	2B20	5	50 - 29	R54750	2B25	1	50 - 35
R49839	2J20	14	80 - 30	R52499	2B20	7	50 - 29	R54750	2C22	1	50 - 59
R50034	2D16	66	60 - 3	R52589	2B14	17	50 - 23	R54751	2C22	12	50 - 59
R50298	2C2	11	50 - 37	R52627	1E4	11	30 - 27	R54802	1B9	27	20 - 11B
R50298	2C24	11	50 - 61	R52790	1B2	15	20 - 5	R54962	2C22	15	50 - 59
R50365	2B18	16	50 - 27	R52790	1C19	9	20 - 46	R54987	1B4	2	20 - 7
R50365	2C4	14	50 - 39	R52790	1C20	8	20 - 47	R55034	1B2	10	20 - 5
R50367	2B20	13	50 - 29	R52790	1C22	9	20 - 49	R55034	1B5	15	20 - 9
R50566	2C17	2	50 - 52	R52790	1C24	23	20 - 51	R55034	1B13	1	20 - 15
R50567	2C17	1	50 - 52	R52880	1C1	7	20 - 28	R55034	1B13	3	20 - 15
R50568	2C17	3	50 - 52	R52882	2B23	5	50 - 32	R55034	1B16	5	20 - 18
R50575	2C16	9	50 - 51	R52914	2I20	1	80 - 4	R55079	2H4	16	70 - 73
R50879	2D16	65	60 - 3	R52924	2I20	2	80 - 4	R55164	1C14	12	20 - 40
R50992	2J20	14	80 - 30	R53169	2B25	29	50 - 35	R55183	2E1	8	60 - 13
R51066	2C16	13	50 - 51	R53169	2C22	23	50 - 59	R55299	1B11	4	20 - 13
R51112	1B15	2	20 - 17	R53196	2H20	14	70 - 89	R55396	1H5	6	40 - 32
R51112	1B19	3	20 - 21	R53196	2H22	17	70 - 91	R55405	1C14	2	20 - 40
R51114	1D19	2	30 - 17	R53223	1B2	10	20 - 5	R55428	2D9	4	50 - 72

1L16

TRACTOR - 2510

NUMERICAL INDEX - CONTINUED

PART NO.	GRID	KEY	PAGE	PART NO.	GRID	KEY	PAGE	PART NO.	GRID	KEY	PAGE
R55490	2D9	1	50 - 72	R57027	1G21	5	40 - 23	R59300	1E14	18	30 - 37
R55618	1I7	5	40 - 56	R57028	1G21	8	40 - 23	R59300	1E16	18	30 - 39
R55647	1B9	11	20 - 11B	R57029	1G19	1	40 - 21	R59300	1E16	19	30 - 39
R55678	2F23	35	70 - 39	R57034	2E3	57	60 - 15	R59343	2G16	2	70 - 57
R55678	2H12	6	70 - 81	R57059	1C4	17	20 - 31	R59536	2B20	13	50 - 29
R55760	1C14	13	20 - 40	R57059	1C6	2	20 - 32B	R59633	2G6	23	70 - 47
R55910	2B22	11	50 - 31	R57160	1B9	55	20 - 11B	R59633	2G6	39	70 - 47
R56039	2I2	5	70 - 97	R57160	1B23	1	20 - 25	R59633	2G8	2	70 - 49
R56059	3B4	13	90 - 9	R57269	2D9	2	50 - 72	R59633	2G8	18	70 - 49
R56462	2B25	20	50 - 35	R57269	2D9	3	50 - 72	R59633	2G9	16	70 - 50
R56463	1C19	4	20 - 46	R57269	2D12	15	50 - 75	R59633	2G10	32	70 - 51
R56463	1C20	3	20 - 47	R57269	2D12	16	50 - 75	R59633	2G12	2	70 - 53
R56463	1C22	7	20 - 49	R57300	2F15	17	70 - 30	R59633	2G12	19	70 - 53
R56463	1C24	7	20 - 51	R57300	2F16	25	70 - 31	R59633	2G13	2	70 - 54
R56463	2E16	2	70 - 5	R57300	2F17	17	70 - 32	R59633	2G22	1	70 - 63
R56463	2E22	2	70 - 11	R57332	1B4	17	20 - 7	R59633	2G22	19	70 - 63
R56463	2F4	24	70 - 17	R57333	1B4	19	20 - 7	R59860	2B20	8	50 - 29
R56463	2F6	2	70 - 19	R57334	1B4	17	20 - 7	R59860	2B20	17	50 - 29
R56463	2F12	27	70 - 25	R57335	1B4	19	20 - 7	R60033	2D9	24	50 - 72
R56474	1D3	4	30 - 1	R57336	1B4	17	20 - 7	R60123	1C8	10	20 - 34
R56483	1E20	16	30 - 43	R57337	1B4	19	20 - 7	R60124	1C8	10	20 - 34
R56483	1F6	14	30 - 53	R57345	2B10	17	50 - 17	R60161	2H23	2	70 - 92
R56483	1F12	20	30 - 59	R57345	2C8	23	50 - 43	R60458	2C21	26	50 - 57
R56505	2H20	9	70 - 89	R57559	2B14	14	50 - 23	R60458	2H25	5	70 - 95
R56505	2H22	12	70 - 91	R57559	2C22	16	50 - 59	R60731	1H7	18	40 - 34
R56506	2H20	8	70 - 89	R57559	2F16	51	70 - 31	R60731	1H7	20	40 - 34
R56506	2H22	11	70 - 91	R57572	3A23	24	90 - 3	R60732	2E22	29	70 - 11
R56729	2I5	15	70 - 99	R57572	3A23	27	90 - 3	R60746	1E18	14	30 - 41
R56729	2I7	22	70 - 101	R57623	3A25	22	90 - 5	R61106	2B22	13	50 - 31
R56736	1B25	5	20 - 27	R57696	2B23	6	50 - 32	R61133	1G15	23	40 - 17
R56737	1B25	5	20 - 27	R57696	2G20	16	70 - 61	R61134	1G15	17	40 - 17
R56747	1D23	4	30 - 21	R57696	2J3	12	80 - 13	R61145	1E16	10	30 - 39
R56747	1D25	5	30 - 23	R57696	2J3	34	80 - 13	R61146	1E12	17	30 - 35
R56749	2E22	3	70 - 11	R57696	2J4	12	80 - 14	R61146	1E12	18	30 - 35
R56751	2E24	20	70 - 13	R57725	2B20	29	50 - 29	R61146	1E14	17	30 - 37
R56751	2F4	8	70 - 17	R57815	2D16	39	60 - 3	R61146	1E14	18	30 - 37
R56751	2F4	21	70 - 17	R57815	2D16	40	60 - 3	R61146	1E16	18	30 - 39
R56751	2F8	19	70 - 21	R57815	2D16	42	60 - 3	R61146	1E16	19	30 - 39
R56751	2F10	2	70 - 23	R57915	2B8	7	50 - 14	R61524	2K1	4	80 - 35
R56751	2F12	7	70 - 25	R58007	1B9	51	20 - 11B	R61563	2B21	5	50 - 30
R56751	2F12	12	70 - 25	R58040	2J13	12	80 - 23	R61564	2B21	5	50 - 30
R56751	2F12	20	70 - 25	R58261	2H20	25	70 - 89	R61564	2B21	6	50 - 30
R56751	2F12	21	70 - 25	R58261	2H23	16	70 - 92	R61565	2B21	5	50 - 30
R56751	2F12	25	70 - 25	R58261	2I7	29	70 - 101	R61565	2B21	7	50 - 30
R56752	2B22	13	50 - 31	R58261	2I11	5	70 - 105	R61642	1D23	28	30 - 21
R56753	2E22	8	70 - 11	R58262	2H20	17	70 - 89	R61642	1D25	61	30 - 23
R56753	2F4	18	70 - 17	R58262	2H20	..	70 - 89	R61642	1E2	9	30 - 25
R56754	2E24	35	70 - 13	R58262	2H22	20	70 - 91	R61775	1I8	7	40 - 57
R56755	2E24	32	70 - 13	R58262	2H22	..	70 - 91	R61776	1I8	3	40 - 57
R56755	2F2	10	70 - 15	R58262	2I7	40	70 - 101	R61871	1C6	11	20 - 32B
R56755	2F4	10	70 - 17	R58268	2H25	10	70 - 95	R61932	1G16	6	40 - 18
R56755	2F8	28	70 - 21	R58268	2I2	18	70 - 97	R61932	1G21	12	40 - 23
R56755	2F10	13	70 - 23	R58422	1E21	11	30 - 44	R61934	1G21	13	40 - 23
R56755	2F12	9	70 - 25	R58445	2B22	13	50 - 31	R62372	1C17	19	20 - 43
R56756	2E24	33	70 - 13	R58499	2E24	44	70 - 13	R62372	2B2	29	50 - 7
R56756	2F2	3	70 - 15	R59083	2H12	29	70 - 81	R62372	2E18	11	70 - 7
R56756	2F4	12	70 - 17	R59297	1E16	11	30 - 39	R62372	2E20	4	70 - 9
R56757	2E20	11	70 - 9	R59298	1E16	12	30 - 39	R62569	1D17	26	30 - 15
R56757	2E24	34	70 - 13	R59299	1E12	17	30 - 35	R62569	1D17	30	30 - 15
R56757	2F2	11	70 - 15	R59299	1E12	18	30 - 35	R62806	2B20	30	50 - 29
R56757	2F4	11	70 - 17	R59299	1E14	17	30 - 37	R62982	1E18	12	30 - 41
R56757	2F8	30	70 - 21	R59299	1E14	18	30 - 37	R62984	1E18	9	30 - 41
R56757	2F10	14	70 - 23	R59299	1E16	18	30 - 39	R63024	2F25	2	70 - 41
R56757	2F12	18	70 - 25	R59299	1E16	19	30 - 39	R63024	2H14	51	70 - 83
R56790	1B2	14	20 - 5	R59300	1E12	17	30 - 35	R63069	2B20	38	50 - 29
R56956	2B21	5	50 - 30	R59300	1E12	18	30 - 35	R63070	2B20	32	50 - 29
R57025	1G19	16	40 - 21	R59300	1E14	17	30 - 37	R63072	2B20	31	50 - 29

1L17

TRACTOR - 2510

NUMERICAL INDEX - CONTINUED

PART NO.	GRID	KEY	PAGE	PART NO.	GRID	KEY	PAGE	PART NO.	GRID	KEY	PAGE
R63073	2B20	37	50 - 29	R65602	1116	49	40 - 65	R68383	2E18	25	70 - 7
R63074	2B20	35	50 - 29	R65603	1112	29	40 - 61	R68390	2E18	6	70 - 7
R63075	2B20	34	50 - 29	R65604	1112	30	40 - 61	R68424	2H9	1	70 - 78
R63077	2B21	5	50 - 30	R65605	1112	31	40 - 61	R68425	2H9	5	70 - 78
R63691	2D13	15	50 - 76	R65606	1112	32	40 - 61	R68426	2H9	5	70 - 78
R63691	2D13	21	50 - 76	R65607	1112	33	40 - 61	R68427	2H9	5	70 - 78
R63692	2D13	15	50 - 76	R65607	1116	46	40 - 65	R68428	2H9	2	70 - 78
R63692	2D13	21	50 - 76	R65608	1112	5	40 - 61	R68817	2C17	1	50 - 52
R64066	2D18	2	60 - 5	R65609	1112	8	40 - 61	R68818	2C17	3	50 - 52
R64066	2D18	3	60 - 5	R65610	1112	9	40 - 61	R68821	2C19	3	50 - 55
R64066	2D18	4	60 - 5	R65892	2B25	8	50 - 35	R69109	1H22	1	40 - 49
R64066	2D18	5	60 - 5	R65892	2C22	8	50 - 59	R69210	2D9	24	50 - 72
R64170	2F16	57	70 - 31	R66064	2B25	5	50 - 35	R69260	1C1	11	20 - 28
R64170	2F16	58	70 - 31	R66064	2C22	5	50 - 59	R69260	1C22	14	20 - 49
R64170	2F18	51	70 - 33	R66069	1H13	3	40 - 40	R69262	2E24	44	70 - 13
R64170	2F18	52	70 - 33	R66090	1E18	3	30 - 41	R69270	2K3	16	80 - 37
R64373	1E9	10	30 - 32	R66197	2C12	7	50 - 47	R69279	2E18	38	70 - 7
R64374	1E9	10	30 - 32	R662R	2B7	12	50 - 12	R69279	2E24	35	70 - 13
R64391	2K3	6	80 - 37	R662R	2C21	37	50 - 57	R69279	2F2	15	70 - 15
R64540	2I25	4	80 - 10	R66319	1F21	2	40 - 2	R69279	2F4	13	70 - 17
R64700	1H13	7	40 - 40	R66319	1F21	7	40 - 2	R69279	2F8	29	70 - 21
R65192	2E24	44	70 - 13	R66319	1F23	2	40 - 4	R69279	2F10	12	70 - 23
R65194	2E24	43	70 - 13	R66319	1F23	7	40 - 4	R69279	2F12	17	70 - 25
R65215	1B9	60	20 - 11B	R66319	1H2	11	40 - 29	R69408	2H1	3	70 - 70
R65215	1B22	6	20 - 24	R66319	1H2	20	40 - 29	R69409	2H1	3	70 - 70
R65285	2G16	11	70 - 57	R66319	1H4	3	40 - 31	R69433	1E18	8	30 - 41
R65286	2G13	13	70 - 54	R66319	1H4	21	40 - 31	R69442	1E18	11	30 - 41
R653R	2C21	11	50 - 57	R66319	1H5	14	40 - 32	R69585	2B8	1	50 - 14
R653R	2C21	27	50 - 57	R66319	1H6	7	40 - 33	R69587	2B8	7	50 - 14
R653R	2C21	33	50 - 57	R66319	1H7	3	40 - 34	R69589	2B8	11	50 - 14
R65478	2C9	7	50 - 44	R66319	1110	1	40 - 59	R69642	2H5	14	70 - 74
R65479	2C8	4	50 - 43	R66319	1110	9	40 - 59	R699R	2C6	18	50 - 41
R65479	2C9	7	50 - 44	R66319	1110	14	40 - 59	R699R	2C21	47	50 - 57
R65479	2C10	3	50 - 45	R66319	1110	15	40 - 59	R70182	1B21	5	20 - 23
R65479	2C11	8	50 - 46	R66319	1112	3	40 - 61	R70210	1116	41	40 - 65
R65480	2C8	5	50 - 43	R66320	1G1	..	40 - 6	R70211	1116	40	40 - 65
R65480	2C9	8	50 - 44	R66320	1G2	..	40 - 7	R70212	1116	41	40 - 65
R65480	2C10	4	50 - 45	R66320	1112	7	40 - 61	R70213	1116	40	40 - 65
R65480	2C11	7	50 - 46	R66320	1114	24	40 - 63	R70214	1116	41	40 - 65
R65527	2I5	3	70 - 99	R66321	1G1	..	40 - 6	R70215	1116	40	40 - 65
R65543	2D9	15	50 - 72	R66321	1G2	..	40 - 7	R70216	1116	41	40 - 65
R65543	2D10	9	50 - 73	R66321	1I7	7	40 - 56	R70217	1116	40	40 - 65
R65543	2D18	1	60 - 5	R66321	1I7	11	40 - 56	R70218	1116	41	40 - 65
R65543	2D19	1	60 - 5B	R66321	1112	6	40 - 61	R70219	1116	40	40 - 65
R65563	2B13	12	50 - 21	R66321	1114	24	40 - 63	R70220	1116	50	40 - 65
R65563	2B23	7	50 - 32	R66432	2H20	36	70 - 89	R70221	1116	39	40 - 65
R65563	2B23	21	50 - 32	R66432	2H20	..	70 - 89	R70222	1116	38	40 - 65
R65563	2C21	14	50 - 57	R66432	2H22	31	70 - 91	R70236	2D3	17	50 - 65
R65591	2C9	9	50 - 44	R66432	2H22	..	70 - 91	R70236	2D4	26	50 - 67
R65592	2C9	9	50 - 44	R66433	2H20	36	70 - 89	R70251	2B8	7	50 - 14
R65592	2C10	5	50 - 45	R66433	2H20	..	70 - 89	R70268	2A24	9	50 - 3
R65592	2C11	6	50 - 46	R66433	2H22	31	70 - 91	R70268	2B3	14	50 - 8
R65593	1G3	5	40 - 7A	R66433	2H22	..	70 - 91	R70351	2E24	13	70 - 13
R65593	1G3	8	40 - 7A	R66670	2C16	3	50 - 51	R70417	2I20	3	80 - 4
R65593	1112	4	40 - 61	R66670	2C16	6	50 - 51	R70483	1B24	15	20 - 26
R65594	1112	2	40 - 61	R66901	2I2	6B	70 - 97	R70483	1C24	10	20 - 51
R65595	1112	21	40 - 61	R67410	2I25	4	80 - 10	R70559	2E24	43	70 - 13
R65595	1114	11	40 - 63	R67423	2B18	6	50 - 27	R70588	2I25	4	80 - 10
R65596	1112	22	40 - 61	R67779	1E18	13	30 - 41	R70617	2F8	9	70 - 21
R65597	1112	23	40 - 61	R67840	2B10	8	50 - 17	R708R	2D18	4	60 - 5
R65598	1112	24	40 - 61	R67840	2B10	20	50 - 17	R70867	2F8	21	70 - 21
R65599	1G3	5	40 - 7A	R67840	2B10	27	50 - 17	R70868	2F8	22	70 - 21
R65599	1G3	8	40 - 7A	R67840	2C8	18	50 - 43	R71321	2E24	42	70 - 13
R65599	1112	25	40 - 61	R68252	2F6	24	70 - 19	R71321	2F8	38	70 - 21
R65600	1112	26	40 - 61	R68281	1E14	21	30 - 37	R71387	2G25	3	70 - 69
R65601	1112	27	40 - 61	R68281	1E16	2	30 - 39	R71387	2H2	2	70 - 71
R65602	1112	28	40 - 61	R68281	1E16	4	30 - 39	R715R	2D6	26	50 - 69

1L18

TRACTOR - 2510

NUMERICAL INDEX - CONTINUED

PART NO.	GRID	KEY	PAGE	PART NO.	GRID	KEY	PAGE	PART NO.	GRID	KEY	PAGE
R72380	3B11	14	90 - 16	R75938	2F8	43	70 - 21	R77502	1116	56	40 - 65
R72380	3B21	5	90 - 26	R75938	2F12	16	70 - 25	R77503	1116	56	40 - 65
R72411	2C18	1	50 - 53	R75967	1E2	31	30 - 25	R776R	2B2	26	50 - 7
R72433	2111	17A	70 - 105	R75968	1E2	22	30 - 25	R77611	2F6	24	70 - 19
R72433	2111	20B	70 - 105	R76126	1B9	48	20 - 11B	R77611	2F12	19	70 - 25
R72506	2F6	27	70 - 19	R76167	2E18	25	70 - 7	R77712	2F10	6	70 - 23
R72507	2F6	23	70 - 19	R76167	2E18	29	70 - 7	R77714	2F8	27	70 - 21
R726R	2J7	15	80 - 17	R76341	2K3	16	80 - 37	R77903	2F6	22A	70 - 19
R72653	2F22	16	70 - 38	R76459	2G23	5	70 - 65	R78156	2D4	14	50 - 67
R72653	2F25	6	70 - 41	R76477	1G14	3	40 - 16B	R78257	3A23	9	90 - 3
R72653	2G13	24	70 - 54	R76477	2G23	6	70 - 65	R78293	2E16	9	70 - 5
R72653	2H14	7	70 - 83	R76494	2F18	44	70 - 33	R78293	2E22	10	70 - 11
R72660	2B7	12	50 - 12	R76504	2C16	9	50 - 51	R78293	2E22	16	70 - 11
R72660	2C21	37	50 - 57	R76578	1E23	10	30 - 46	R78293	2F6	8	70 - 19
R72853	1G3	3	40 - 7A	R77175	2G15	1	70 - 56	R78366	1C22	14	20 - 49
R72886	2E16	22	70 - 5	R77456	1114	27	40 - 63	R78495	2F15	8	70 - 30
R72886	2F6	18	70 - 19	R77457	1114	29	40 - 63	R78495	2F17	8	70 - 32
R72973	1B5	15	20 - 9	R77458	1114	28	40 - 63	R78495	2F19	5	70 - 35
R72981	1B5	15	20 - 9	R77459	1114	28	40 - 63	R78766	2G25	6	70 - 69
R73139	1B5	10	20 - 9	R77460	1114	28	40 - 63	R78821	2E8	5	60 - 20
R73139	1B5	15	20 - 9	R77461	1114	28	40 - 63	R79089	1B9	63	20 - 11B
R73139	1B9	32	20 - 11B	R77462	1114	25	40 - 63	R79089	1B22	2	20 - 24
R73140	1B5	15	20 - 9	R77463	1114	30	40 - 63	R79150	2F6	22B	70 - 19
R73140	1B25	1	20 - 27	R77464	1114	26	40 - 63	R79150	2F6	25A	70 - 19
R73140	1C22	1	20 - 49	R77465	1114	31	40 - 63	R79150	2F6	25B	70 - 19
R73140	1C24	1	20 - 51	R77466	1114	33	40 - 63	R79151	2F6	22B	70 - 19
R73228	2F6	25A	70 - 19	R77467	1114	34	40 - 63	R79151	2F6	25A	70 - 19
R73380	2B2	47	50 - 7	R77468	1114	32	40 - 63	R79266	2F8	10	70 - 21
R73380	2B13	1	50 - 21	R77469	1116	35	40 - 65	R79267	2F8	14	70 - 21
R73380	2H23	22	70 - 92	R77470	1116	45	40 - 65	R79268	2F8	13	70 - 21
R73380	2I7	34	70 - 101	R77471	117	7	40 - 56	R79311	2G16	11	70 - 57
R73380	2I7	35	70 - 101	R77471	1116	45	40 - 65	R79410	2D18	2	60 - 5
R73380	3A23	21	90 - 3	R77472	1116	45	40 - 65	R79410	2D18	3	60 - 5
R73380	3A23	24	90 - 3	R77473	1116	45	40 - 65	R79410	2D18	4	60 - 5
R73521	1C19	1	20 - 46	R77474	1116	44	40 - 65	R79410	2D18	5	60 - 5
R73521	1C20	1	20 - 47	R77475	1114	13	40 - 63	R79604	1E18	5	30 - 41
R73521	1C22	8	20 - 49	R77476	1114	3	40 - 63	R79604	1E18	6	30 - 41
R73521	1C24	22	20 - 51	R77477	1114	4	40 - 63	R79605	1E18	4	30 - 41
R73644	2D18	6	60 - 5	R77478	1114	15	40 - 63	R79605	1E18	6	30 - 41
R73736	2F8	24	70 - 21	R77479	1114	5	40 - 63	R79606	1E18	6	30 - 41
R73737	2D25	20	60 - 11	R77480	1114	6	40 - 63	R79623	1B4	17	20 - 7
R73741	2F6	14	70 - 19	R77481	1114	7	40 - 63	R79624	1B4	19	20 - 7
R74194	1B15	7	20 - 17	R77482	1114	8	40 - 63	R79625	1B4	19	20 - 7
R74210	2G25	4	70 - 69	R77483	1114	16	40 - 63	R79626	1B4	19	20 - 7
R74242	2G23	1	70 - 65	R77484	1114	19	40 - 63	R79628	1B4	17	20 - 7
R74243	2G23	2	70 - 65	R77485	1114	21	40 - 63	R79629	1B4	17	20 - 7
R74244	2G23	3	70 - 65	R77486	1114	22	40 - 63	R79673	2D19	2	60 - 5B
R74246	2G23	4	70 - 65	R77487	1114	23	40 - 63	R79985	2C16	9	50 - 51
R74310	1E22	1	30 - 45	R77488	118	8	40 - 57	R80033	1B9	12	20 - 11B
R74325	1E23	17	30 - 46	R77488	1116	51	40 - 65	R80033	1B15	7	20 - 17
R74354	1C6	10	20 - 32B	R77489	116	13	40 - 55	R80324	2G8	19	70 - 49
R74354	1C22	6	20 - 49	R77489	1116	51	40 - 65	R80324	2G9	14	70 - 50
R74354	1C24	8	20 - 51	R77490	1116	51	40 - 65	R80324	2G12	8	70 - 53
R74472	1E20	6	30 - 43	R77491	1116	54	40 - 65	R80324	2G22	8	70 - 63
R74530	2G16	11	70 - 57	R77492	1116	54	40 - 65	R80558	2F6	27	70 - 19
R74530	2G25	8	70 - 69	R77493	117	7	40 - 56	R80813	2B10	5	50 - 17
R74552	1C6	1	20 - 32B	R77493	117	11	40 - 56	R80813	2B10	45	50 - 17
R74553	1C6	14	20 - 32B	R77493	1116	51	40 - 65	R80813	2C8	21	50 - 43
R74852	2C8	8	50 - 43	R77494	1116	55	40 - 65	R81R	2D12	8	50 - 75
R74852	2C9	11	50 - 44	R77495	1116	52	40 - 65	R81167	1G21	14	40 - 23
R75376	2F8	26	70 - 21	R77496	1116	52	40 - 65	R81168	1G21	11	40 - 23
R75376	2F10	4	70 - 23	R77497	1116	53	40 - 65	R81169	1G21	6	40 - 23
R75564	2F8	18	70 - 21	R77498	1114	24	40 - 63	R81170	1G21	4	40 - 23
R75642	2F8	17	70 - 21	R77499	1114	24	40 - 63	R81171	1G21	15	40 - 23
R75833	1H13	3	40 - 40	R77500	118	8	40 - 57	R81172	1G19	20	40 - 21
R75879	2F8	5	70 - 21	R77500	1114	24	40 - 63	R81173	1G21	21	40 - 23
R75892	1B9	29	20 - 11B	R77501	1114	24	40 - 63	R81174	1G19	3	40 - 21

1L19

TRACTOR - 2510

NUMERICAL INDEX - CONTINUED

PART NO.	GRID	KEY	PAGE	PART NO.	GRID	KEY	PAGE	PART NO.	GRID	KEY	PAGE
R81175	1G19	2	40-21	R92425	1C22	9	20-49	TY22328	3B7	5	90-12
R81176	1G19	11	40-21	R92474	2C19	3	50-55	TY22328	3B8	2	90-13
R81198	1G19	29	40-21	R94331	2B13	35	50-21	TY22328	3B8	3	90-13
R81275	1C19	8	20-46	R94331	2B14	13	50-23	TY22328	3B8	4	90-13
R81275	1C22	10	20-49	R94419	1C14	3	20-40	TY22328	3B8	7	90-13
R81275	1D13	1	30-11	R96420	2I5	15	70-99	TY22409	1C17	2	20-43
R81424	3C3	3	90-32	R96420	2I7	22	70-101	TY2615	3C10	8	90-37
R81424	3C4	5	90-33	R97342	1B7	1	20-11	TY3018	2H2	3	70-71
R81424	3C6	12	90-33B	R97342	1C22	13	20-49	TY3019	2H2	3	70-71
R81493	2C9	9	50-44	R97342	1C24	12	20-51	TY6121	1G4	..	40-8
R81494	2C9	9	50-44	R97350	1C22	16	20-49	TY6280	1A22	1	20-1
R81494	2C10	5	50-45	R97350	1C24	13	20-51	TY6297	1A22	1	20-1
R81494	2C11	6	50-46	R97350	1D21	7	30-19	TY6298	1A22	1	20-1
R81513	1B9	64	20-11B	R97350	1E10	..	30-33	TY6300	1A22	1	20-1
R81514	1B4	22	20-7	R97350	1E11	8	30-34	TY6301	1A22	1	20-1
R81514	1B7	1	20-11	R97351	1B24	15	20-26	TY6311	1A22	1	20-1
R81576	2I9	13	70-103	R97351	1C22	2	20-49	TY6312	1A22	1	20-1
R82024	2C18	1	50-53	R97351	1C24	10	20-51	TY6313	1A22	1	20-1
R82236	1I2	13	40-53	R97352	1C24	15	20-51	TY6359	1A22	1	20-1
R82236	1I4	16	40-53B	R97454	1C22	12	20-49	TY6360	1A22	1	20-1
R82237	1I2	11	40-53	R98461	1C19	9	20-46	TY6361	1A22	1	20-1
R82237	1I4	14	40-53B	R98461	1C20	8	20-47	TY6389	1A22	2	20-1
R82238	1I2	12	40-53	R98461	1C22	9	20-49	TY6390	1A22	2	20-1
R82238	1I4	15	40-53B	R98461	1C24	24	20-51	TY6391	1A22	2	20-1
R82239	1I2	10	40-53	R98821	1C24	14	20-51	TY6392	1A22	2	20-1
R82239	1I4	13	40-53B	R98836	1C20	7	20-47	TY6393	1A22	2	20-1
R82243	1I2	9	40-53	R98836	1C24	23	20-51	TY6394	1A22	2	20-1
R82243	1I4	18	40-53B	R98836	1D4	4	30-2	TY6620	1F22	20	40-3
R82355	1I2	4	40-53	R98836	1D6	2	30-4	TY6620	1G12	2	40-16
R82355	1I4	4	40-53B	R98837	1C24	18	20-51	TY6620	1G16	..	40-18
R82423	1I6	8	40-55	R98837	1D4	5	30-2	TY6620	1G17	..	40-19
R82425	2K3	16	80-37	R98837	1D6	3	30-4	TY6638	1G12	2	40-16
R82820	1B4	22	20-7	R98912	2D11	3	50-74	TY6639	1F24	22	40-5
R82820	1B9	1	20-11B	R98926	2B13	33	50-21	TY6639	1G23	..	40-25
R82896	1B4	16	20-7	R98926	2B14	11	50-23	TY6639	1G24	..	40-26
R82944	2D9	24	50-72	R99556	2B21	10	50-30	TY6663	1I2	14	40-53
R83055	1I6	9	40-55	TY1427	1F22	19	40-3	TY6690	1G15	26	40-17
R83103	2K3	6	80-37	TY1427	1F24	21	40-5	TY6690	1G17	26	40-19
R83109	1I6	11	40-55	TY1427	1G9	19	40-13	TY6690	1G24	21	40-26
R83508	2E16	22	70-5	TY1427	1G11	..	40-15	TY6702	1F22	20	40-3
R83508	2E22	24	70-11	TY1458	1G12	2	40-16	TY6702	1G12	2	40-16
R83508	2F6	18	70-19	TY1458	1G16	..	40-18	TY6702	1G16	13	40-18
R84158	1I6	13	40-55	TY1458	1G17	..	40-19	TY6702	1G16	..	40-18
R85041	2C8	12	50-43	TY1465	1G12	2	40-16	TY6702	1G17	..	40-19
R85363	1B7	1	20-11	TY1465	1G23	..	40-25	TY6702	1G19	30	40-21
R85363	1B9	64	20-11B	TY1465	1G24	..	40-26	TY6702	1G19	..	40-21
R87345	3B11	14	90-16	TY15155	1H16	3	40-44	TY6702	1G21	20	40-23
R87345	3B21	5	90-26	TY15155	1H18	4	40-45B	TY6702	1G21	..	40-23
R87527	3C3	7	90-32	TY15156	1H18	4	40-45B	TY6706	1F24	22	40-5
R87529	2K3	16	80-37	TY15263	1G25	26	40-27	TY6706	1G12	2	40-16
R89824	1B9	38	20-11B	TY15269	2I4	12	70-97B	TY6706	1G23	18	40-25
R89824	1B9	46	20-11B	TY16042	2H25	1	70-95	TY6706	1G23	..	40-25
R90090	2D18	5	60-5	TY16042	2I2	19	70-97	TY6706	1G24	..	40-26
R90090	2D18	8	60-5	TY16042	2I4	1	70-97B	TY9305	1G25	26	40-27
R90648	1B9	23	20-11B	TY16042	2I4	12	70-97B	TY9371	3C8	1	90-35
R90648	1C24	1	20-51	TY16055	1G25	26	40-27	T10079	1C24	14	20-51
R90658	1C19	6	20-46	TY21733	1G4	..	40-8	T10079	1D21	2	30-19
R90658	1C22	15	20-49	TY22007	1A22	2	20-1	T10079	1D23	2	30-21
R90658	1D3	3	30-1	TY22008	1A22	2	20-1	T10079	1D25	3	30-23
R91558	2A24	19	50-3	TY22009	1A22	1	20-1	T101090	3B14	13	90-19
R91558	2I23	19	80-7	TY22010	1A22	2	20-1	T10671	3B13	3	90-18
R91782	2D18	2	60-5	TY22011	1A22	2	20-1	T10804	1E10	5	30-33
R91782	2D18	6	60-5	TY22043	2E12	2	70-1	T11107	1D17	11	30-15
R91782	2D18	7	60-5	TY22044	2E12	2	70-1	T11146	1D11	4	30-9
R91782	2D18	8	60-5	TY22063	2E12	2	70-1	T11220	2D1	22	50-63
R91782	2D19	3	60-5B	TY22328	1G3	6	40-7A	T11234	1D17	24	30-15
R92425	1B9	64	20-11B	TY22328	3B7	1	90-12	T11234	2J9	13	80-19

1L20

TRACTOR - 2510

NUMERICAL INDEX - CONTINUED

PART NO.	GRID	KEY	PAGE	PART NO.	GRID	KEY	PAGE	PART NO.	GRID	KEY	PAGE
T11290	1E21	21	30-44	T11931	1E20	4	30-43	T146515	1G13	10	40-16A
T11672	1G17	20	40-19	T11932	1E23	1	30-46	T146515	1G14	1	40-16B
T11672	1G19	5	40-21	T11934	1E24	17	30-47	T146516	1G12	1	40-16
T11672	1G24	13	40-26	T11934	1F9	12	30-56	T146516	1G13	10	40-16A
T11674	1G17	23	40-19	T11934	1F11	4	30-58	T146516	1G14	1	40-16B
T11674	1G24	15	40-26	T11934	2C13	8	50-48	T146517	1G12	1	40-16
T11675	1G15	28	40-17	T11943	1E20	10	30-43	T146517	1G13	10	40-16A
T11675	1G17	25	40-19	T11944	1E24	10	30-47	T146517	1G14	1	40-16B
T11675	1G24	18	40-26	T11952	1E20	1	30-43	T15539	2B3	21	50-8
T11680	1G16	12	40-18	T12083	2A24	2	50-3	T15564	1G15	3	40-17
T11680	1G21	23	40-23	T12552	2H22	22	70-91	T15564	1G17	32	40-19
T11708	3B6	15	90-11	T12815	1C18	2	20-45	T15564	1G19	17	40-21
T11708	3B21	20	90-26	T12860	2E3	34	60-15	T15564	1G24	25	40-26
T11739	1G16	6	40-18	T13201	1E9	3	30-32	T15699	1E21	8	30-44
T11875	1E23	21	30-46	T13213	1B10	6	20-12	T15700	1E21	23	30-44
T11876	1E23	27	30-46	T13213	1C22	5	20-49	T15705	1E22	6	30-45
T11877	1E21	6	30-44	T13213	1C24	6	20-51	T15705	1E23	18	30-46
T11877	1F9	23	30-56	T13325	2D13	7	50-76	T15707	1E22	1	30-45
T11877	1F10	14	30-57	T13326	2D13	8	50-76	T15710	1E22	2	30-45
T11878	1E23	19	30-46	T13329	2D13	22	50-76	T15710	1E23	14	30-46
T11878	1F6	8	30-53	T13330	2D13	21	50-76	T15711	1E23	8	30-46
T11878	1F12	11	30-59	T13331	2D13	17	50-76	T15712	1E23	7	30-46
T11882	1E23	23	30-46	T13332	2D13	17	50-76	T15712	1F9	8	30-56
T11883	1E23	22	30-46	T13333	2D13	17	50-76	T15712	1F13	5	30-60
T11884	1E23	24	30-46	T13341	2D13	11	50-76	T15715	1E21	2	30-44
T11884	1E24	22	30-47	T134450	1G12	1	40-16	T15715	1E24	12	30-47
T11885	1E20	16	30-43	T134452	1G12	1	40-16	T15720	1E22	8	30-45
T11885	1F6	14	30-53	T134452	1G13	10	40-16A	T15720	1E23	26	30-46
T11886	1E20	15	30-43	T134452	1G14	1	40-16B	T15721	1E21	1	30-44
T11886	1F6	13	30-53	T134453	1G12	1	40-16	T15969	3B6	38	90-11
T11886	1F12	19	30-59	T134453	1G13	10	40-16A	T16106	1E2	13	30-25
T11887	1F12	16	30-59	T134453	1G14	1	40-16B	T16164	1B13	2	20-15
T11888	1F12	17	30-59	T134454	1G12	1	40-16	T16193	2C21	4	50-57
T11889	1E20	26	30-43	T134454	1G13	10	40-16A	T16310	1D23	50	30-21
T11890	1E20	12	30-43	T134454	1G14	1	40-16B	T16468	1C2	8	20-29
T11891	1F6	9	30-53	T134455	1G12	1	40-16	T16580	1G7	12	40-11
T11891	1F12	14	30-59	T134455	1G13	10	40-16A	T16601	1E20	6	30-43
T11892	1E20	27	30-43	T134455	1G14	1	40-16B	T16602	1E21	22	30-44
T11894	1E20	30	30-43	T134456	1G12	1	40-16	T16738	3B2	8	90-7
T11899	1E23	4	30-46	T134456	1G13	10	40-16A	T16911	1G8	3	40-12
T11899	1E24	15	30-47	T134456	1G14	1	40-16B	T16911	2B13	21	50-21
T11899	1F8	4	30-55	T134459	1G13	1	40-16A	T16911	2B21	11	50-30
T11899	1F14	7	30-61	T134459	1G14	2	40-16B	T16911	2C17	21	50-52
T11900	1E24	4	30-47	T13471	2D13	16	50-76	T16911	2D7	4	50-70
T11901	1F9	17	30-56	T13744	1H6	13	40-33	T16911	2D8	4	50-71
T11906	1E21	36	30-44	T13744	1H6	18	40-33	T17058	1G15	27	40-17
T11906	1E23	2	30-46	T13814	1F22	25	40-3	T17058	1G17	21	40-19
T11907	1E21	11	30-44	T13814	1F24	26	40-5	T17058	1G19	12	40-21
T11909	1E20	9	30-43	T13814	2J4	15	80-14	T17058	1G24	14	40-26
T11910	1E20	5	30-43	T13857	2B8	4	50-14	T17115	1E21	29	30-44
T11911	1E21	30	30-44	T13857	2B25	17	50-35	T17117	1E23	12	30-46
T11913	1E21	27	30-44	T13858	2H24	4	70-93	T17117	1F9	22	30-56
T11914	1E21	28	30-44	T13859	2H24	6	70-93	T17117	1F13	12	30-60
T11915	1E22	9	30-45	T14050	1D20	15	30-18	T17120	1E23	17	30-46
T11915	1E23	10	30-46	T14264	1H6	13	40-33	T17122	1E23	11	30-46
T11915	1F9	19	30-56	T14264	1H6	18	40-33	T17122	1F9	20	30-56
T11915	1F13	15	30-60	T14264	1H22	8	40-49	T17122	1F13	14	30-60
T11917	1E22	20	30-45	T146102	1G12	1	40-16	T17123	1E23	9	30-46
T11918	1E21	5	30-44	T146102	1G13	1	40-16A	T17125	1E23	15	30-46
T11921	1E21	33	30-44	T146102	1G14	2	40-16B	T17126	1E23	13	30-46
T11921	1E22	7	30-45	T146104	1G12	1	40-16	T17148	2D25	4	60-11
T11923	1E20	11	30-43	T146104	1G13	10	40-16A	T17609	1D17	32	30-15
T11924	1E21	26	30-44	T146104	1G14	1	40-16B	T17945	1E21	4	30-44
T11925	1E23	28	30-46	T146106	1G12	1	40-16	T17946	1E23	25	30-46
T11927	1E21	32	30-44	T146106	1G13	10	40-16A	T17947	1E21	35	30-44
T11929	1E21	31	30-44	T146106	1G14	1	40-16B	T17948	1F8	25	30-55
T11930	1E23	20	30-46	T146515	1G12	1	40-16	T17948	1F8	33	30-55

1L21

TRACTOR - 2510

NUMERICAL INDEX - CONTINUED

PART NO.	GRID	KEY	PAGE	PART NO.	GRID	KEY	PAGE	PART NO.	GRID	KEY	PAGE
T17948	1F14	26	30 - 61	T19858	1F8	30	30 - 55	T20091	1C4	27	20 - 31
T17949	1E22	18	30 - 45	T19858	1F14	12	30 - 61	T20091	1C5	4	20 - 32
T17949	1F8	31	30 - 55	T19859	1E22	16	30 - 45	T20091	1C6	7	20 - 32B
T17949	1F14	11	30 - 61	T19859	1F8	39	30 - 55	T20093	1C4	28	20 - 31
T17950	1E22	19	30 - 45	T19859	1F14	9	30 - 61	T20094	1B9	41	20 - 11B
T17950	1F8	32	30 - 55	T19860	1E22	14	30 - 45	T20094	1B21	15	20 - 23
T17950	1F14	10	30 - 61	T19861	1E22	15	30 - 45	T20097	1C4	26	20 - 31
T17951	1D23	51	30 - 21	T19863	1E22	5	30 - 45	T20112	1C24	4	20 - 51
T17951	1E21	36	30 - 44	T19864	1E23	16	30 - 46	T20112	1G5	16	40 - 9
T17951	2F21	38	70 - 37	T19865	1E21	20	30 - 44	T20113	1G5	15	40 - 9
T17952	1E21	25	30 - 44	T19876	1E24	20	30 - 47	T20115	1G5	9	40 - 9
T17953	1E21	34	30 - 44	T19973	1B2	14	20 - 5	T20129	1B4	10	20 - 7
T17987	1G17	17	40 - 19	T19996	1D17	10	30 - 15	T20130	1B9	56	20 - 11B
T18099	1G23	20	40 - 25	T20006	1C19	6	20 - 46	T20130	1B23	8	20 - 25
T18105	1G15	19	40 - 17	T20006	1C22	15	20 - 49	T20132	1B23	2	20 - 25
T18107	1G15	8	40 - 17	T20006	1D3	3	30 - 1	T20132	1B23	9	20 - 25
T18109	1G15	23	40 - 17	T20006	1D5	4	30 - 3	T20133	1B9	52	20 - 11B
T18113	1G17	23	40 - 19	T20009	1B15	7	20 - 17	T20133	1B23	4	20 - 25
T18113	1G19	9	40 - 21	T20013	1B4	22	20 - 7	T20135	1B21	24	20 - 23
T18113	1G24	15	40 - 26	T20024	1B25	5	20 - 27	T20136	1B21	25	20 - 23
T18354	1G15	18	40 - 17	T20029	1B21	5	20 - 23	T20136	1C4	8	20 - 31
T18379	1E24	18	30 - 47	T20034	1B21	4	20 - 23	T20137	1D11	3	30 - 9
T18380	1E24	21	30 - 47	T20034	1B21	23	20 - 23	T20141	1D7	6	30 - 5
T18529	1E23	17	30 - 46	T20036	1B21	2A	20 - 23	T20142	1D7	4	30 - 5
T18717	2D13	15	50 - 76	T20037	1B21	1A	20 - 23	T20146	1C2	7	20 - 29
T18718	2D13	3	50 - 76	T20038	1B21	6A	20 - 23	T20152	1C2	21	20 - 29
T18783	1C18	2	20 - 45	T20040	1B2	15	20 - 5	T20153	1C1	7	20 - 28
T18836	1G5	2	40 - 9	T20040	1C19	9	20 - 46	T20154	1C2	1	20 - 29
T18838	1B19	2	20 - 21	T20040	1C20	8	20 - 47	T20154	1C24	2	20 - 51
T18891	1B5	9	20 - 9	T20040	1C22	9	20 - 49	T20155	1C1	1	20 - 28
T18891	1B9	34	20 - 11B	T20040	1C24	24	20 - 51	T20155	1C22	12	20 - 49
T18996	2D13	2	50 - 76	T20046	1B21	14	20 - 23	T20159	1C22	10	20 - 49
T19036	2C21	42	50 - 57	T20050	1B5	15	20 - 9	T20163	1B10	2	20 - 12
T19036	2H14	45	70 - 83	T20050	1C4	30	20 - 31	T20165	1E12	29	30 - 35
T19044	1B11	2	20 - 13	T20052	1E12	28	30 - 35	T20166	1B9	19	20 - 11B
T19114	1E9	10	30 - 32	T20055	1E12	23	30 - 35	T20166	1B25	4	20 - 27
T19117	1E9	14	30 - 32	T20055	1E14	26	30 - 37	T20167	1D17	20	30 - 15
T19118	1E9	9	30 - 32	T20055	1E16	21	30 - 39	T20168	1B2	11	20 - 5
T19119	1E9	13	30 - 32	T20055	1E20	13	30 - 43	T20168	1B9	59	20 - 11B
T19123	1E9	6	30 - 32	T20055	1F11	10	30 - 58	T20168	1B22	3	20 - 24
T19173	1B19	6	20 - 21	T20055	1F15	10	30 - 62	T20169	1B4	12	20 - 7
T19178	1H7	9	40 - 34	T20055	1F16	21	30 - 63	T20174	1B4	17	20 - 7
T19569	1G17	5	40 - 19	T20067	1C1	21	20 - 28	T20175	1B4	19	20 - 7
T19589	1G17	4	40 - 19	T20067	1C2	20	20 - 29	T20176	1B4	12	20 - 7
T19600	1G15	5	40 - 17	T20067	1C4	3	20 - 31	T20176	1B4	13	20 - 7
T19601	1G15	11	40 - 17	T20069	1C1	18	20 - 28	T20182	1B2	10	20 - 5
T19602	1G15	6	40 - 17	T20069	1C2	16	20 - 29	T20183	1B2	10	20 - 5
T19603	1G15	10	40 - 17	T20070	1B4	26	20 - 7	T20184	1B2	10	20 - 5
T19604	1G15	21	40 - 17	T20070	1B9	6	20 - 11B	T20193	1B9	51	20 - 11B
T19605	1G15	20	40 - 17	T20072	1B4	24	20 - 7	T20193	1B23	7	20 - 25
T19606	1G15	22	40 - 17	T20072	1B9	4	20 - 11B	T20202	1G9	3	40 - 13
T19607	1G15	12	40 - 17	T20073	1B4	18	20 - 7	T20204	1C11	26	20 - 37
T19608	1G15	2	40 - 17	T20073	1B9	2	20 - 11B	T20204	1C12	19	20 - 38
T19609	1G15	17	40 - 17	T20075	1B2	9	20 - 5	T20204	1C13	20	20 - 39
T19610	1G15	1	40 - 17	T20075	1C19	1	20 - 46	T20204	1G9	13	40 - 13
T19651	1C12	7	20 - 38	T20075	1C20	1	20 - 47	T20207	1C20	7	20 - 47
T19651	1C18	4	20 - 45	T20075	1C22	8	20 - 49	T20207	1C24	23	20 - 51
T19651	1C18	17	20 - 45	T20075	1C24	22	20 - 51	T20207	1D4	4	30 - 2
T19653	1C11	8	20 - 37	T20077	1B4	11	20 - 7	T20207	1D6	2	30 - 4
T19653	1C13	7	20 - 39	T20078	1C4	25	20 - 31	T20208	1C20	6	20 - 47
T19653	1C14	6	20 - 40	T20078	1C4	26	20 - 31	T20208	1C24	18	20 - 51
T19812	1B15	7	20 - 17	T20078	1C4	28	20 - 31	T20208	1D4	5	30 - 2
T19854	1E21	24	30 - 44	T20080	1B12	3	20 - 14	T20208	1D6	3	30 - 4
T19855	1E21	17	30 - 44	T20085	1B12	3	20 - 14	T20209	1C12	7	20 - 38
T19856	1F10	2	30 - 57	T20088	1B24	2	20 - 26	T20209	1C18	4	20 - 45
T19857	1F10	2	30 - 57	T20089	1B24	11	20 - 26	T20210	1C18	16	20 - 45
T19858	1E22	17	30 - 45	T20090	1B24	13	20 - 26	T20212	1C18	11	20 - 45

1L22

TRACTOR - 2510

NUMERICAL INDEX - CONTINUED

PART NO.	GRID	KEY	PAGE	PART NO.	GRID	KEY	PAGE	PART NO.	GRID	KEY	PAGE
T20212	1C20	5	20 - 47	T20316	1B4	3	20 - 7	T23524	1D25	60	30 - 23
T20212	1C24	17	20 - 51	T20317	1C18	8	20 - 45	T23525	1D23	28	30 - 21
T20215	1C18	7	20 - 45	T20317	1C18	13	20 - 45	T23525	1D25	61	30 - 23
T20215	1C18	14	20 - 45	T20322	1B24	3	20 - 26	T23528	1D23	21	30 - 21
T20215	1C19	7	20 - 46	T20326	1B24	14	20 - 26	T23528	1D25	22	30 - 23
T20215	1C20	4	20 - 47	T20328	1C7	2	20 - 33	T23529	1D23	40	30 - 21
T20215	1C22	17	20 - 49	T20328	1C22	3	20 - 49	T23529	1D25	36	30 - 23
T20215	1C24	16	20 - 51	T20328	1C24	3	20 - 51	T23531	1D23	10	30 - 21
T20216	1C18	19	20 - 45	T20336	1C7	4	20 - 33	T23531	1D25	11	30 - 23
T20217	1B21	11	20 - 23	T20336	1C22	18	20 - 49	T23532	1D23	25	30 - 21
T20218	1C18	5	20 - 45	T20336	1C24	15	20 - 51	T23532	1D25	26	30 - 23
T20219	1C18	3	20 - 45	T20362	1C1	10	20 - 28	T23536	1D23	25	30 - 21
T20219	1C19	5	20 - 46	T20364	1C1	11	20 - 28	T23536	1D25	26	30 - 23
T20219	1C22	11	20 - 49	T20364	1C22	14	20 - 49	T23546	1B4	17	20 - 7
T20220	1C18	2	20 - 45	T22381	1C17	18	20 - 43	T23547	1B4	17	20 - 7
T20223	1D17	15	30 - 15	T22381	2F16	36	70 - 31	T23548	1B4	17	20 - 7
T20229	1D17	12	30 - 15	T22381	2F18	37	70 - 33	T23549	1B4	19	20 - 7
T20231	1D17	9	30 - 15	T22535	1B4	21	20 - 7	T23550	1B4	19	20 - 7
T20232	1C24	11	20 - 51	T22536	1B4	20	20 - 7	T23551	1B4	19	20 - 7
T20232	1D17	1	30 - 15	T22536	1B24	9	20 - 26	T23552	1B22	5	20 - 24
T20236	1C11	4	20 - 37	T22537	1B24	7	20 - 26	T23554	1B22	5	20 - 24
T20236	1C12	4	20 - 38	T22720	1B9	64	20 - 11B	T23556	1B22	5	20 - 24
T20236	1C13	4	20 - 39	T22720	1B10	1	20 - 12	T23558	1B22	5	20 - 24
T20237	1C12	2	20 - 38	T22720	1C22	13	20 - 49	T23594	1B4	8	20 - 7
T20238	1C12	3	20 - 38	T22720	1C24	12	20 - 51	T23596	1B24	15	20 - 26
T20239	1C12	1	20 - 38	T23027	3B23	8	90 - 28	T23596	1C22	2	20 - 49
T20239	1C24	20	20 - 51	T23033	3B23	2	90 - 28	T23596	1C24	10	20 - 51
T20241	1C13	2	20 - 39	T23214	1B22	5	20 - 24	T23598	1G11	1	40 - 15
T20242	1C11	3	20 - 37	T23226	1D17	25	30 - 15	T23604	1B21	19	20 - 23
T20242	1C13	3	20 - 39	T23405	1B5	15	20 - 9	T23610	1G11	23	40 - 15
T20243	1C11	1	20 - 37	T23405	1B12	3	20 - 14	T23614	1C7	3	20 - 33
T20243	1C13	1	20 - 39	T23406	1B5	15	20 - 9	T23619	1C4	4	20 - 31
T20243	1C14	1	20 - 40	T23406	1B12	3	20 - 14	T23628	1C12	12	20 - 38
T20243	1C22	21	20 - 49	T23419	1C12	13	20 - 38	T23628	1C13	12	20 - 39
T20243	1C24	21	20 - 51	T23419	1C13	13	20 - 39	T23628	1C14	8	20 - 40
T20247	1D6	1	30 - 4	T23422	1E12	9	30 - 35	T23629	1C12	8	20 - 38
T20249	1D5	3	30 - 3	T23422	1E14	7	30 - 37	T23630	1C13	8	20 - 39
T20254	1D4	3	30 - 2	T23425	1E12	8	30 - 35	T23665	1D17	30	30 - 15
T20255	1D3	4	30 - 1	T23425	1E14	5	30 - 37	T23925	1H10	3	40 - 37
T20272	1C1	13	20 - 28	T23435	1B9	28	20 - 11B	T24409	1B11	4	20 - 13
T20272	1C2	13	20 - 29	T23435	1B11	3	20 - 13	T24440	1B21	12	20 - 23
T20273	1C1	12	20 - 28	T23462	1E12	18	30 - 35	T24472	1E18	16	30 - 41
T20273	1C2	12	20 - 29	T23462	1E14	18	30 - 37	T24473	1C11	15	20 - 37
T20273	1C22	22	20 - 49	T23462	1E16	19	30 - 39	T24473	1C12	9	20 - 38
T20273	1C24	19	20 - 51	T23463	1E12	17	30 - 35	T24473	1C13	9	20 - 39
T20277	1C18	19	20 - 45	T23463	1E14	17	30 - 37	T24473	1G9	18	40 - 13
T20283	1B23	1	20 - 25	T23463	1E16	18	30 - 39	T24474	1G9	15	40 - 13
T20287	1B4	13	20 - 7	T23469	1B4	1	20 - 7	T24474	1G11	20	40 - 15
T20290	1B21	8	20 - 23	T23470	1B4	2	20 - 7	T24524	1G7	19	40 - 11
T20291	1B21	7	20 - 23	T23471	1B15	5	20 - 17	T24525	1G7	18	40 - 11
T20294	1C7	1	20 - 33	T23474	1B9	58	20 - 11B	T24526	1G7	9	40 - 11
T20295	1B25	5	20 - 27	T23474	1B22	4	20 - 24	T24533	2B14	23	50 - 23
T20297	1B4	16	20 - 7	T23480	1B21	18	20 - 23	T24539	1G17	13	40 - 19
T20298	1C4	15	20 - 31	T23481	1B15	4	20 - 17	T24539	1G19	28	40 - 21
T20300	1B24	10	20 - 26	T23481	1B16	2	20 - 18	T24539	1G24	8	40 - 26
T20302	1B10	2	20 - 12	T23482	1B15	3	20 - 17	T24756	1B2	14	20 - 5
T20303	1C1	17	20 - 28	T23483	1B21	18	20 - 23	T24758	1C4	7	20 - 31
T20303	1C1	18	20 - 28	T23486	1B2	14	20 - 5	T24772	1E14	1	30 - 37
T20303	1C2	16	20 - 29	T23504	1B17	2	20 - 19	T24772	1E16	29	30 - 39
T20303	1C2	19	20 - 29	T23504	1B19	4	20 - 21	T24773	1E14	21	30 - 37
T20304	1C22	4	20 - 49	T23517	1B21	18	20 - 23	T24805	1D17	26	30 - 15
T20304	1C24	5	20 - 51	T23519	2B18	8	50 - 27	T24875	1F22	15	40 - 3
T20306	1B24	1	20 - 26	T23522	1D23	34	30 - 21	T24878	1D17	26	30 - 15
T20309	1B10	4	20 - 12	T23522	1D25	32	30 - 23	T24878	1D17	30	30 - 15
T20310	1B4	16	20 - 7	T23523	1D23	36	30 - 21	T24880	1D17	26	30 - 15
T20314	1B4	4	20 - 7	T23523	1D25	34	30 - 23	T24960	1B5	15	20 - 9
T20315	1B4	9	20 - 7	T23524	1D23	58	30 - 21	T24960	1B12	3	20 - 14

1L23

TRACTOR - 2510

NUMERICAL INDEX - CONTINUED

PART NO.	GRID	KEY	PAGE	PART NO.	GRID	KEY	PAGE	PART NO.	GRID	KEY	PAGE
T24961	1B5	15	20 - 9	T26215	1F15	6	30 - 62	T26267	1F9	21	30 - 56
T24961	1B12	3	20 - 14	T26216	1F11	7	30 - 58	T26267	1F13	13	30 - 60
T24964	1C1	17	20 - 28	T26216	1F15	7	30 - 62	T26268	1F9	15	30 - 56
T24964	1C1	18	20 - 28	T26217	1F11	9	30 - 58	T26268	1F13	20	30 - 60
T24964	1C2	16	20 - 29	T26217	1F15	9	30 - 62	T26273	1F8	12	30 - 55
T24964	1C2	19	20 - 29	T26218	1F9	2	30 - 56	T26321	1B21	23	20 - 23
T24965	1B25	1	20 - 27	T26219	1F9	1	30 - 56	T26322	1B21	24	20 - 23
T24965	1C22	1	20 - 49	T26220	1F9	3	30 - 56	T26323	1B9	38	20 - 11B
T24965	1C24	1	20 - 51	T26221	1F8	3	30 - 55	T26323	1B9	46	20 - 11B
T25030	1D17	20	30 - 15	T26222	1F10	16	30 - 57	T26323	1B21	2A	20 - 23
T25115	1B24	10	20 - 26	T26222	1F13	26	30 - 60	T26323	1B21	2B	20 - 23
T25142	1E24	6	30 - 47	T26223	1E20	24	30 - 43	T26324	1B9	39	20 - 11B
T25142	1E24	7	30 - 47	T26223	1F10	4	30 - 57	T26324	1B9	47	20 - 11B
T25147	1D23	16	30 - 21	T26223	1F13	24	30 - 60	T26324	1B21	1A	20 - 23
T25147	1D25	17	30 - 23	T26226	1F6	6	30 - 53	T26324	1B21	1B	20 - 23
T25148	1D23	18	30 - 21	T26226	1F12	8	30 - 59	T26325	1B9	44	20 - 11B
T25148	1D25	19	30 - 23	T26227	1F6	5	30 - 53	T26325	1B21	20	20 - 23
T25149	1D23	19	30 - 21	T26227	1F12	7	30 - 59	T26326	1B9	36	20 - 11B
T25149	1D25	21	30 - 23	T26229	1F6	33	30 - 53	T26326	1B21	6A	20 - 23
T25151	1D25	52	30 - 23	T26229	1F12	4	30 - 59	T26326	1B21	6B	20 - 23
T25152	1D25	50	30 - 23	T26230	1F6	32	30 - 53	T26327	1B9	35	20 - 11B
T25153	1D25	55	30 - 23	T26230	1F12	5	30 - 59	T26327	1B21	9B	20 - 23
T25154	1D25	51	30 - 23	T26231	1F6	10	30 - 53	T26496	1E14	2	30 - 37
T25155	1D25	54	30 - 23	T26232	1F6	22	30 - 53	T26496	1E14	29	30 - 37
T25156	1D25	53	30 - 23	T26233	1F6	7	30 - 53	T26496	1E16	26	30 - 39
T25157	1D23	45	30 - 21	T26233	1F12	10	30 - 59	T26496	1F6	3	30 - 53
T25157	1D25	43	30 - 23	T26234	1F6	28	30 - 53	T26496	1F6	..	30 - 53
T25158	1D23	17	30 - 21	T26235	1F6	15	30 - 53	T26496	1F8	..	30 - 55
T25158	1D25	18	30 - 23	T26236	1F10	6	30 - 57	T26496	1F9	..	30 - 56
T25317	2B25	13	50 - 35	T26236	1F13	27	30 - 60	T26496	1F10	..	30 - 57
T25317	2E13	9	70 - 2	T26237	1F10	7	30 - 57	T26496	1F11	..	30 - 58
T25317	2I7	16	70 - 101	T26238	1E20	27	30 - 43	T26497	1E14	2	30 - 37
T25322	1B24	3	20 - 26	T26238	1F10	9	30 - 57	T26497	1E14	30	30 - 37
T25343	1G11	22	40 - 15	T26238	1F13	30	30 - 60	T26497	1E16	28	30 - 39
T25374	1B13	2	20 - 15	T26239	1F10	8	30 - 57	T26497	1F6	2	30 - 53
T25374	1C22	24	20 - 49	T26239	1F13	29	30 - 60	T26497	1F6	..	30 - 53
T25431	1B23	2	20 - 25	T26240	1F10	12	30 - 57	T26497	1F8	..	30 - 55
T25431	1B23	9	20 - 25	T26241	1F10	13	30 - 57	T26497	1F9	..	30 - 56
T25466	1B4	17	20 - 7	T26242	1F6	31	30 - 53	T26497	1F10	..	30 - 57
T25467	1B4	19	20 - 7	T26243	1F6	30	30 - 53	T26497	1F11	..	30 - 58
T25701	1B5	6	20 - 9	T26243	1F14	2	30 - 61	T26565	1B21	17	20 - 23
T25701	1B9	24	20 - 11B	T26244	1F6	26	30 - 53	T26565	1B24	16	20 - 26
T25701	1C11	22	20 - 37	T26245	1F6	26	30 - 53	T26565	2A24	8	50 - 3
T25701	1C12	20	20 - 38	T26246	1F6	26	30 - 53	T26565	2B3	13	50 - 8
T25701	1C13	21	20 - 39	T26247	1F6	26	30 - 53	T26565	2B16	17	50 - 25
T25813	1E14	25	30 - 37	T26248	1F8	13	30 - 55	T26565	2C6	23	50 - 41
T25813	1E16	25	30 - 39	T26249	1F8	14	30 - 55	T26601	1G17	9	40 - 19
T25879	2H1	4	70 - 70	T26250	1F8	26	30 - 55	T26601	1G19	23	40 - 21
T26175	1B4	17	20 - 7	T26251	1F6	29	30 - 53	T26601	1G24	3	40 - 26
T26176	1B4	17	20 - 7	T26253	1F8	15	30 - 55	T26602	1G17	7	40 - 19
T26177	1B4	17	20 - 7	T26254	1F8	28	30 - 55	T26602	1G24	1	40 - 26
T26178	1B4	19	20 - 7	T26255	1F8	20	30 - 55	T26932	1B5	15	20 - 9
T26179	1B4	19	20 - 7	T26256	1F8	7	30 - 55	T26932	1B12	3	20 - 14
T26180	1B4	19	20 - 7	T26256	1F13	10	30 - 60	T26933	1B5	15	20 - 9
T26208	1F9	11	30 - 56	T26256	1F14	14	30 - 61	T26933	1B12	3	20 - 14
T26209	1F9	13	30 - 56	T26257	1F8	17	30 - 55	T27155	3C3	1	90 - 32
T26209	1F13	7	30 - 60	T26257	1F14	20	30 - 61	T27155	3C4	8	90 - 33
T26210	1F6	16	30 - 53	T26258	1F8	21	30 - 55	T27261	1C11	6	20 - 37
T26211	1F6	21	30 - 53	T26259	1F8	18	30 - 55	T27261	1C12	5	20 - 38
T26211	1F15	1	30 - 62	T26260	1F8	22	30 - 55	T27261	1C13	5	20 - 39
T26212	1F6	20	30 - 53	T26261	1F8	23	30 - 55	T27300	1F9	7	30 - 56
T26212	1F15	2	30 - 62	T26263	1F9	9	30 - 56	T27300	1F13	4	30 - 60
T26213	1F6	19	30 - 53	T26263	1F13	6	30 - 60	T27302	1F10	12	30 - 57
T26213	1F15	3	30 - 62	T26265	1F9	4	30 - 56	T27303	1F10	13	30 - 57
T26214	1F6	18	30 - 53	T26265	1F11	3	30 - 58	T27304	1F10	11	30 - 57
T26214	1F15	4	30 - 62	T26265	1F13	1	30 - 60	T27304	1F10	19	30 - 57
T26215	1F11	6	30 - 58	T26266	1F9	18	30 - 56	T27304	1F13	33	30 - 60

1L24

TRACTOR - 2510

NUMERICAL INDEX - CONTINUED

PART NO.	GRID	KEY	PAGE	PART NO.	GRID	KEY	PAGE	PART NO.	GRID	KEY	PAGE
T27306	1F9	6	30-56	T31123	1F6	..	30-53	T719T	1D23	48	30-21
T27306	1F13	3	30-60	T31123	1F8	..	30-55	T719T	1D25	46	30-23
T27307	1F9	9	30-56	T31123	1F9	..	30-56	T719T	1E2	20	30-25
T27410	1D23	13	30-21	T31123	1F10	..	30-57	T735T	1G23	4	40-25
T27410	1D25	14	30-23	T31123	1F11	..	30-58	T736T	1G16	9	40-18
T27465	1E16	4	30-39	T31123	1F12	2	30-59	T736T	1G21	9	40-23
T27466	1E16	2	30-39	T31124	1F6	23	30-53	T736T	1G23	7	40-25
T27657	1B5	15	20-9	T31124	1F12	18	30-59	T738T	1G16	7	40-18
T27657	1C1	17	20-28	T31125	1F6	23	30-53	T738T	1G23	3	40-25
T27657	1C1	18	20-28	T31125	1F12	18	30-59	T739T	1G16	21	40-18
T27657	1C2	16	20-29	T31125	1F13	22	30-60	T739T	1G23	20	40-25
T27657	1C2	19	20-29	T31126	1F6	23	30-53	T740T	1G16	20	40-18
T27658	1B5	15	20-9	T31126	1F12	18	30-59	T740T	1G23	21	40-25
T27658	1C1	17	20-28	T31127	1F6	23	30-53	T741T	1G23	1	40-25
T27658	1C1	18	20-28	T31127	1F12	18	30-59	T743T	1G23	15	40-25
T27658	1C2	16	20-29	T31128	1F6	23	30-53	T84409	1G12	1	40-16
T27658	1C2	19	20-29	T31128	1F12	18	30-59	T84409	1G13	1	40-16A
T28041	1B9	3	20-11B	T31129	1F13	22	30-60	T84409	1G14	2	40-16B
T28041	1B9	53	20-11B	T31131	1F12	15	30-59	T84409	2K3	17	80-37
T28582	1F6	4	30-53	T31174	1E18	18	30-41	T84409	2K3	18	80-37
T28582	1F12	6	30-59	T31481	1F14	19	30-61	T84410	1G12	1	40-16
T28583	1I12	34	40-61	T31482	1F13	18	30-60	T84410	1G14	1	40-16B
T28583	1I14	1	40-63	T32148	2I21	11	80-5	T84410	2K3	18	80-37
T28585	1I7	7	40-56	T32231	1I7	5	40-56	T84411	1G12	1	40-16
T28585	1I12	35	40-61	T32242	1F12	15	30-59	T84411	1G13	10	40-16A
T28585	1I14	12	40-63	T32261	1B13	2	20-15	T84411	1G14	1	40-16B
T28586	1I14	14	40-63	T32340	1B5	15	20-9	T84411	2K3	18	80-37
T28747	1C11	2	20-37	T32340	1B13	1	20-15	T84412	1G12	1	40-16
T28747	1C13	2	20-39	T32340	1B16	3	20-18	T84412	1G13	10	40-16A
T29112	1F8	15	30-55	T32340	1B16	5	20-18	T84412	1G14	1	40-16B
T29113	1F8	16	30-55	T32342	1B5	15	20-9	T84412	2K3	18	80-37
T29164	1F8	29	30-55	T32342	1B13	1	20-15	T84413	1G12	1	40-16
T29164	1F14	13	30-61	T32342	1B13	3	20-15	T84413	1G13	10	40-16A
T29165	1F8	5	30-55	T32342	1B16	5	20-18	T84413	1G14	1	40-16B
T29166	1F8	8	30-55	T32343	1B9	15	20-11B	T84413	2K3	18	80-37
T29171	1F8	2	30-55	T32344	1B9	17	20-11B	T84578	1G12	1	40-16
T29172	1F8	2	30-55	T32349	1B5	15	20-9	T84578	1G13	10	40-16A
T29173	1F8	2	30-55	T32349	1B13	1	20-15	T84578	1G14	1	40-16B
T29174	1F8	2	30-55	T32349	1B13	3	20-15	T84578	2K3	18	80-37
T29242	2D13	8	50-76	T32349	1B17	3	20-19	U10063	2E8	20	60-20
T29388	1C8	5	20-34	T32349	1B17	5	20-19	U11647	2H2	1	70-71
T29511	1G17	1	40-19	T32350	1B5	15	20-9	U12198	2C22	20	50-59
T29520	1C12	8	20-38	T32350	1B13	1	20-15	U13639	2E14	1	70-3
T29521	1C11	9	20-37	T32350	1B17	3	20-19	U13639	2E16	..	70-5
T29521	1C13	8	20-39	T32365	1E9	15	30-32	U13639	2E18	23	70-7
T29521	1C14	12	20-40	T32554	1D25	52	30-23	U13639	2E22	14	70-11
T29534	1E16	5	30-39	T33279	1B5	6	20-9	U13639	2E22	16	70-11
T29678	1F6	16	30-53	T33279	1B9	24	20-11B	U13639	2E22	..	70-11
T30001	1F8	14	30-55	T33279	1C1	5	20-28	U13639	2F4	14	70-17
T30078	1F6	16	30-53	T33279	1C2	5	20-29	U13639	2F6	12	70-19
T30244	1F6	26	30-53	T33745	1H7	20	40-34	U13639	2F12	21	70-25
T30245	1F6	26	30-53	T34067	1I14	18	40-63	U46370	1I12	36	40-61
T30246	1F6	26	30-53	T40308	2E24	28	70-13	U46370	1I14	20	40-63
T30247	1F6	26	30-53	T40308	2F2	17	70-15	U46514	1H8	1	40-35
T30502	1E24	3	30-47	T40308	2F10	18	70-23	U46662	1I6	12	40-55
T30502	1F9	17	30-56	T40308	2F12	4	70-25	U46662	1I7	7	40-56
T30607	1F13	11	30-60	T526T	1B19	5	20-21	U46662	1I12	37	40-61
T30720	1C11	12	20-37	T55501	1H11	1	40-38	U46662	1I14	10	40-63
T30721	1C11	13	20-37	T55501	1H11	2	40-38	U46663	1I12	38	40-61
T30890	1H9	8	40-36	T55501	1H12	1	40-39	U46664	1I12	39	40-61
T30897	1C11	4	20-37	T55501	1H13	11	40-40	U46664	1I16	47	40-65
T30897	1C12	4	20-38	T57374	2E24	29	70-13	14-273	1D23	4	30-21
T30897	1C13	4	20-39	T57374	2F2	18	70-15	14-273	1D25	5	30-23
T30897	1C14	3	20-40	T57374	2F10	19	70-23	14-273	1E2	2	30-25
T31122	1F8	35	30-55	T57374	2F12	5	70-25	15-A295	1D23	42	30-21
T31123	1E14	2	30-37	T67029	2B13	35	50-21	15-A295	1D25	40	30-23
T31123	1E16	30	30-39	T67029	2B14	13	50-23	15-A295	1E2	28	30-25

1L25

TRACTOR - 2510

NUMERICAL INDEX - CONTINUED

PART NO.	GRID	KEY	PAGE	PART NO.	GRID	KEY	PAGE	PART NO.	GRID	KEY	PAGE
15-A85	1D23	7	30-21	44-68	1E6	3	30-29				
15-A85	1D25	8	30-23	49-101L	1D23	26	30-21				
15-A85	1E2	4	30-25	49-101L	1D25	63	30-23				
15-483	1D23	3	30-21	49-101L	1E2	7	30-25				
15-483	1D25	4	30-23	55-261	1E2	41	30-25				
15-483	1E2	1	30-25	55-261	1E6	4	30-29				
15-483	1E5	9	30-28	810601	1G23	13	40-25				
16-A41	1D23	27	30-21	818265	1G23	22	40-25				
16-A41	1D25	62	30-23	820149	1G16	26	40-18				
16-A41	1E2	8	30-25	95-78	1E2	14	30-25				
16-A41	1E5	4	30-28	99-4	1D23	55	30-21				
16-A41	1E6	13	30-29	99-4	1D25	57	30-23				
16-456	1D23	47	30-21								
16-456	1D25	45	30-23								
16-456	1E2	21	30-25								
16-456	1E5	12	30-28								
16-456	1E6	8	30-29								
16-47	1D23	49	30-21								
16-47	1D25	47	30-23								
16-47	1E2	19	30-25								
16-47	1E5	13	30-28								
16-654	1D23	5	30-21								
16-654	1D25	6	30-23								
1838436	1G17	8	40-19								
1838436	1G24	2	40-26								
1839345	1G24	11	40-26								
1873796	1G17	10	40-19								
1873796	1G19	24	40-21								
1873796	1G24	5	40-26								
24-340	1D23	22	30-21								
24-340	1D25	23	30-23								
24-340	1E2	38	30-25								
24-340	1E5	7	30-28								
24-340	1E6	10	30-29								
30-739	1D23	29	30-21								
30-739	1D25	27	30-23								
30-739	1E2	10	30-25								
31415	2B10	40	50-17								
31415	2D1	5	50-63								
31603	2H22	41	70-91								
400R	2D16	15	60-3								
400R	2D16	31	60-3								
400R	2D25	12	60-11								
400R	2E3	6	60-15								
400R	2E3	44	60-15								
400R	2F22	7	70-38								
400R	2G6	28	70-47								
400R	2G8	13	70-49								
400R	2G9	21	70-50								
400R	2G12	14	70-53								
400R	2G13	12	70-54								
400R	2G22	14	70-63								
400R	2H12	30	70-81								
405R	2B8	6	50-14								
405R	2C14	5	50-49								
405R	2D16	28	60-3								
405R	2D21	4	60-7								
405R	2D23	4	60-9								
405R	2E3	32	60-15								
43-33	1D23	23	30-21								
43-33	1D25	24	30-23								
43-33	1E2	39	30-25								
43-33	1E5	8	30-28								
43-33	1E6	9	30-29								
44-38	1E2	23	30-25								
44-38	1E6	7	30-29								
44-68	1E2	40	30-25								