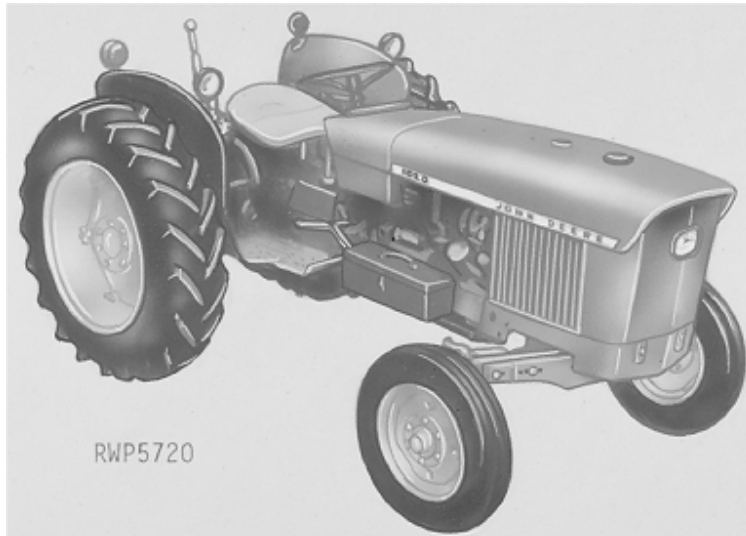


1A2

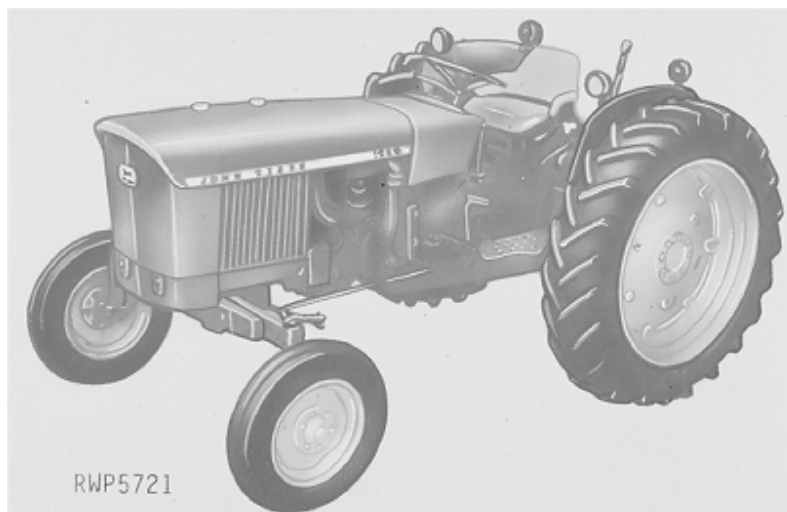
1020 TRACTOR

RWP5720 -UN-01JAN94



JOHN DEERE 1020 RU TRACTOR

RWP5721 -UN-01JAN94



*JOHN DEERE 1020 HU TRACTOR
(MANUFACTURED 1965-1973)*

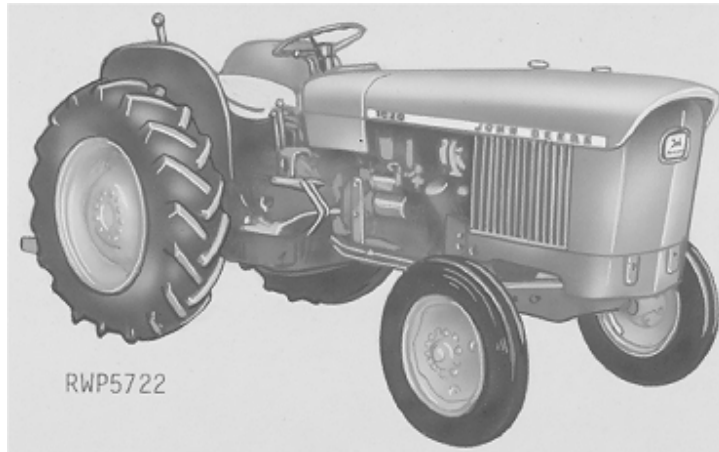
(SPECIFICATIONS AND DESIGN SUBJECT TO CHANGE WITHOUT NOTICE)

COPYRIGHT (C) 1996. DEERE & COMPANY, MOLINE, ILLINOIS. ALL RIGHTS RESERVED.

1A3

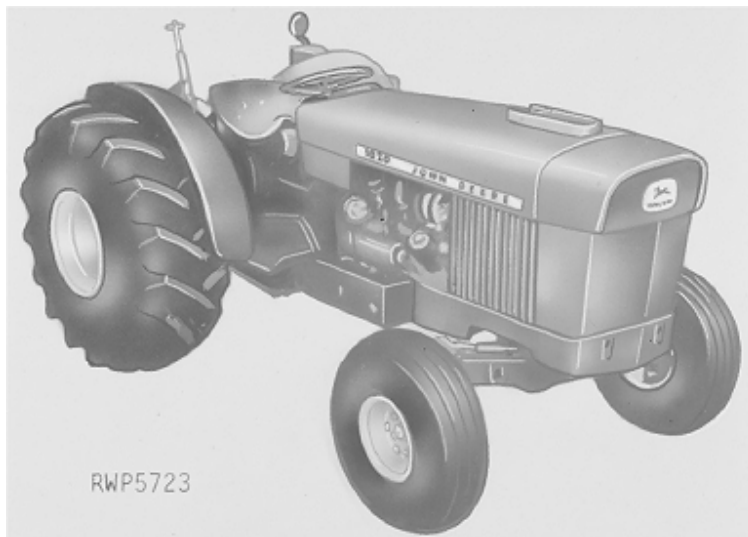
1020 TRACTOR

RWP5722 -UN-01JAN94



JOHN DEERE 1020 LU TRACTOR

RWP5723 -UN-01JAN94



JOHN DEERE 1020 LU LOW PROFILE

1A4

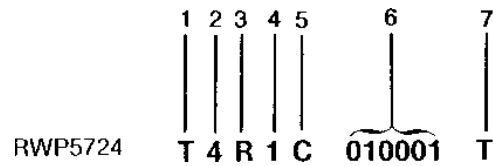
1020 TRACTOR

SERIAL NUMBERS

EACH 1020 TRACTOR HAS THE FOLLOWING SERIAL NUMBER PLATES: BASIC TRACTOR AND ENGINE.

TRACTOR SERIAL NUMBER

RWP5724 -UN-01JAN94



- | | |
|-------------------------------------|--------------------------------|
| 1. DESIGNATES UNIT TYPE | T - TRACTOR |
| 2. DESIGNATES TRACTOR MODEL | 4 - 1020 |
| 3. DESIGNATES CHASSIS DESIGN | R - (RU) ROW-CROP UTILITY |
| | H - (HU) HI-CROP UTILITY |
| | L - (LU) LOW-CROP UTILITY |
| 4. DESIGNATES ENGINE FUEL TYPE | 3 - DIESEL |
| | 1 - GASOLINE |
| 5. DESIGNATES TRANSMISSION TYPE | C - COLLAR SHIFT |
| | D - COLLAR SHIFT WITH REVERSER |
| | H - COLLAR SHIFT WITH HI-LO |
| 6. DESIGNATES TRACTOR SERIAL NUMBER | |
| 7. DESIGNATES TRACTOR MANUFACTURER | T - JOHN DEERE DUBUQUE WORKS |

THE BASIC TRACTOR SERIAL NUMBER PLATE IS LOCATED ON THE RIGHT-HAND SIDE OF TRANSMISSION CASE ABOVE FOOTREST.

1A5

1020 TRACTOR

ENGINE SERIAL NUMBER

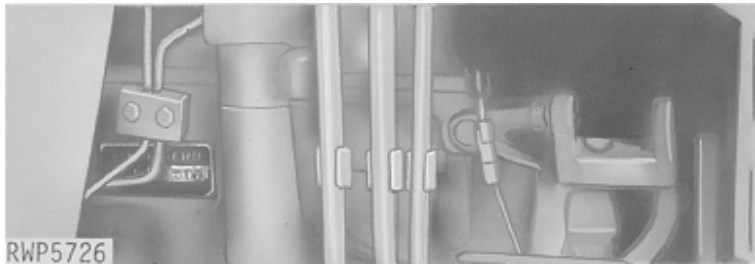
RWP5725 -UN-01JAN94

RWP5725

1	2	3	4	5	6	7
3	152	D	R	01	000000	T

- | | |
|---------------------------------------|------------------------------|
| 1. DESIGNATES NUMBER OF CYLINDERS | 3 |
| 2. DESIGNATES CUBIC INCH DISPLACEMENT | 152 |
| 3. DESIGNATES FUEL TYPE | D - DIESEL |
| 4. DESIGNATES USER FACTORY | R - JOHN DEERE TRACTOR WORKS |
| 5. DESIGNATES THE VERSION | 01- SECOND |
| 6. DESIGNATES ENGINE SERIAL NUMBER | |
| 7. DESIGNATES ENGINE MANUFACTURER | T - JOHN DEERE DUBUQUE WORKS |

RWP5726 -UN-01JAN94



THE ENGINE SERIAL NUMBER PLATE IS LOCATED ON THE RIGHT-HAND SIDE OF THE CYLINDER BLOCK BETWEEN THE ENGINE OIL COOLER AND THE FUEL INJECTION PUMP.

1A6

1020 TRACTOR

SERIAL NUMBER LISTING INFORMATION

SERIAL NUMBER INFORMATION IS LISTED TO SHOW ON WHICH MACHINES EACH PART CAN BE USED; FOR EXAMPLE:

- THE PART CAN BE USED ON ALL MACHINES.
- 000000- THE PART CAN BE USED ON ALL MACHINES BEGINNING WITH THE SERIAL NUMBER LISTED.
- 000000 THE PART CAN BE USED ON ALL MACHINES UP TO AND INCLUDING THE SERIAL NUMBER LISTED.
- 000000-000000 THE PART CAN BE USED ON ALL MACHINES BETWEEN AND INCLUDING THE SERIAL NUMBERS LISTED.

- 15BV1- WHEN A MODEL NUMBER BEGINS WITH 15BV, 14HA, 15PP, 25SC, 2RC, 4RC, 15RS, 3CY, 2SP, OR 31SV, IT REFERS TO THE MODEL NUMBER OF THE BRAKE VALVE, HYDRAULIC ACCUMULATOR, HYDRAULIC PUMP, REMOTE CYLINDER SELECTIVE CONTROL VALVE FOR NO ROCKSHAFT, REMOTE CYLINDER SELECTIVE CONTROL VALVES, REMOTE CYLINDERS, REMOTE CYLINDERS WITH MECHANICAL STOPS, ROCKSHAFT CONTROL VALVE, STEERING CYLINDER, STEERING METERING PUMP, OR STEERING VALVE.

WHEN XXXXXX'S ARE LISTED IN PLACE OF A SERIAL NUMBER, A SERIAL NUMBER CHANGE WAS MADE BUT THE EXACT SERIAL NUMBER WAS NOT AVAILABLE WHEN THE CATALOG WAS PRODUCED.

MODEL NUMBERS

THE FOLLOWING COMPONENTS HAVE MODEL NUMBERS:

BRAKE VALVE	15BV1
HYDRAULIC ACCUMULATOR	14HA2
HYDRAULIC PUMP (39.3CM3 (2.4 IN3))	15PP1
REMOTE CYLINDER SELECTIVE CONTROL VALVE FOR NO ROCKSHAFT - SINGLE, DUAL OR TRIPLE	25SC1
REMOTE CYLINDER SELECTIVE CONTROL VALVE FOR ROCKSHAFT - SINGLE, DUAL OR TRIPLE	23SC2
REMOTE CYLINDER (76 X 203 MM (3" X 8"))	2RC4
REMOTE CYLINDER WITH MECHANICAL STOP (76 X 203 MM (3" X 8"))	4RC3
ROCKSHAFT CONTROL VALVE	15RS1
STEERING CYLINDER	3CY1
STEERING METERING PUMP	2SP1
STEERING VALVE	31SV1

EACH OF THE ABOVE COMPONENTS HAS A MODEL NUMBER. WHEN THE DESIGN OF ONE OF THESE COMPONENTS IS CHANGED, THE MODEL NUMBER FOR THE NEWLY DESIGNED COMPONENT IS CHANGED.

DIRECTION ARROW

ARROWS ARE USED WITH ILLUSTRATIONS TO INDICATE THE FRONT OF THE UNIT. "RIGHT-HAND" AND "LEFT-HAND" SIDES ARE DETERMINED BY FACING IN THE DIRECTION OF MACHINE FORWARD TRAVEL.

BOX-ENCLOSED ILLUSTRATIONS

A KEY NUMBER, SHOWN IN THE PARTS LIST, IS ASSIGNED TO A BOX ENCLOSING ALL PARTS SOLD AS A SERVICE ASSEMBLY.

BOLT AND CAP SCREW STRENGTH IDENTIFICATION

U.S. CUSTOMARY DIMENSIONED PRODUCT: BOLTS AND CAP SCREWS REQUIRED TO HAVE HIGH-STRENGTH QUALITIES EQUIVALENT TO SAE GRADE 8 ARE IDENTIFIED THROUGHOUT THIS CATALOG BY THE DESCRIPTION HS SAE 8. ALL STANDARD BOLTS AND CAP SCREWS ARE SAE GRADE 5 OR LOWER.

METRIC DIMENSIONED PRODUCT: BOLTS AND CAP SCREWS REQUIRED TO HAVE HIGH-STRENGTH QUALITIES EQUIVALENT TO PROPERTY CLASS 10.9 ARE IDENTIFIED THROUGHOUT THIS CATALOG BY THE DESCRIPTION HS 10.9. ALL STANDARD BOLTS AND CAP SCREWS ARE PROPERTY CLASS 8.8 OR LOWER.

JDM REMANUFACTURED COMPONENTS

THE SERVICE PARTS LISTED IN THIS CATALOG ARE INTENDED FOR THE REPAIR OF ORIGINAL EQUIPMENT COMPONENTS. ALTHOUGH MOST SERVICE PARTS MAY BE USED TO REPAIR REMANUFACTURED COMPONENTS, THE REMANUFACTURING PROCESS MAY CHANGE PARTS SUFFICIENTLY SO THAT SERVICE PARTS ARE INADEQUATE OR NOT USABLE.

TRADEMARKS

THROUGHOUT THIS PARTS CATALOG, YOU WILL FIND THE FOLLOWING DEERE AND COMPANY TRADEMARKS:

HYDRACUSHIONED™
INTELLITRAK®
PERSONAL-POSTURE™
QUAD-RANGE™
PERFORMANCE TRAK™ II

ROLL-GARD®
SOUND-GARD®
TORQ-GARD PLUS 50®
HY-GARD®
QUIK-TATCH®

CHANGE INDICATOR LINE (MICROFICHE CATALOGS ONLY)

CHANGES AFFECTING THE ORDERING OF PARTS ARE IDENTIFIED BY VERTICAL LINES MARKED IN THE LEFT-HAND MARGIN OF REVISED PARTS LISTING IMAGES. A LINE IS ALSO AT THE LEFT-HAND EDGE OF THE SAME PART NUMBER IN THE NUMERICAL INDEX TO SHOW THE LOCATION OF REVISED INFORMATION.

1A8

1020 TRACTOR

QUANTITY COLUMN OR REMARKS COLUMN

GENERALLY THE QUANTITY SHOWN IS FOR THE ENTIRE TRACTOR AT ANY GIVEN LOCATION. THERE ARE EXCEPTIONS AS IN WHEEL HARDWARE WHERE ONLY ENOUGH IS SHOWN FOR ONE WHEEL.

THE FOLLOWING ABBREVIATIONS ARE USED IN THE REMARKS COLUMN:

NLR - NO LONGER REQUIRED

NA - NOT APPLICABLE

NLA - NO LONGER AVAILABLE

FI - FIELD INSTALLED

CA - CONVENIENCE ASSEMBLY

CA AND FI ARE OPTIONS THAT MUST BE ORDERED DIRECT FROM THE PRODUCING FACTORY.

1A9

1020 TRACTOR

SECTION INDEX

GENERAL INFORMATION	10
ENGINE	20
FUEL AND AIR	30
ELECTRICAL	40
POWER TRAIN	50
STEERING AND BRAKES	60
HYDRAULICS	70
WHEELS, FRONT AXLES, SHEET METAL	80
OPERATOR'S STATION	90
NUMERICAL INDEX	95

1A10

1020 TRACTOR

ALPHABETICAL INDEX

GRID		PAGE	GRID		PAGE
A					
1F3	ADVANCE PISTON, FUEL INJECTION PUMP.....	30-51	2B21	BRAKE CARRIER, REVERSE (REVERSER)	50-24
1F5	ADVANCE PISTON, FUEL INJECTION PUMP.....	30-53	2E23	BRAKE DISK	60-20
1E1	AID, COLD WEATHER STARTING (DIESEL)	30-23	2B20	BRAKE DISKS, REVERSE (REVERSER).....	50-23
1D4	AIR CLEANER ELEMENT CLEANING GUN.....	30-1	2B19	BRAKE HOUSING, REVERSE (REVERSER).....	50-22
1D11	AIR CLEANER RESTRICTION INDICATOR	30-8	2E19	BRAKE PEDAL.....	60-16
1D5	AIR CLEANER, OIL BATH (DIESEL)	30-2	2B19	BRAKE PISTON, REVERSE (REVERSER)	50-22
1D6	AIR CLEANER, OIL BATH (GASOLINE).....	30-3	2B20	BRAKE PLATES, REVERSE (REVERSER)	50-23
1D12	AIR INTAKE (DIESEL)	30-9	2E21	BRAKE VALVE AND CYLINDER.....	60-18
1H17	ALTERNATOR	40-17	2E22	BRAKE VALVE OVERHAUL KIT	60-19
1H18	ALTERNATOR	40-18	2I7	BREAKAWAY COUPLER.....	70-80
1H20	ALTERNATOR (12-VOLT)	40-20	2I9	BREAKAWAY COUPLER.....	70-82
1H20	ALTERNATOR PULLEY (12-VOLT).....	40-20	2I11	BREAKAWAY COUPLER.....	70-84
1J10	ANALOG TACHOMETER.....	40-58	2I23	BREAKAWAY COUPLER (ISO).....	70-97
2C8	ARM, CLUTCH CONTROL VALVE	50-37	2I11	BREAKAWAY COUPLER LEVER	70-84
2G18	ARM, LOAD CONTROL	70-38	2I12	BREAKAWAY COUPLER OVERHAUL KIT.....	70-85
1B1	ARM, ROCKER.....	20-8	2I11	BREAKAWAY COUPLER RECEPTACLE	70-84
2G14	ARM, ROCKSHAFT LIFT	70-34	1H4	BREAKER, CIRCUIT	40-2
2E8	ARM, STEERING	60-3	1J15	BREAKER, CIRCUIT, REMOTE CONTROL	40-63
1I1	ARMATURE, STARTING MOTOR (DELCO-REMY).....	40-26	1I3	BRUSH, STARTING MOTOR.....	40-28
1F25	AUTOMATIC ADVANCE, FUEL INJECTION PUMP.....	30-73	2J5	BULK FLEXIBLE OIL LINE	70-104
1G8	AUTOMATIC ADVANCE, FUEL INJECTION PUMP.....	30-81	C		
1J18	AUXILIARY ELECTRICAL OUTLET, 7-TERMINAL.....	40-66	1G22	CABLE, CHOKE	30-95
3B18	AXLE EXTENSION, FLANGED	80-23	1H14	CABLE, IGNITION	40-13
3B5	AXLE KNEE, SPINDLE AND KNUCKLE	80-10	1H14	CABLE, SPARK PLUG.....	40-13
3B9	AXLE TIE ROD ASSEMBLY (FIXED TREAD)	80-14	1J7	CABLE, TACHOMETER	40-55
3B12	AXLE TIE ROD ASSEMBLY (HEAVY-DUTY).....	80-18	1B1	CAMSHAFT.....	20-8
3B3	AXLE, FIXED TREAD FRONT.....	80-8	3D6	CANOPY, PROTECTIVE	90-2
2E1	AXLE, REAR.....	50-82	3D8	CANOPY, PROTECTIVE	90-4
2E4	AXLE, REAR (LU)	50-85	3D10	CANOPY, ROLL-GARD	90-6
3A22	AXLE, STRAIGHT ADJUSTABLE FRONT	80-1	1D20	CAP, FUEL TANK	30-17
3A23	AXLE, STRAIGHT ADJUSTABLE FRONT	80-2	1C13	CAP, RADIATOR	20-45
3B10	AXLE, STRAIGHT ADJUSTABLE FRONT (HEAVY-DUTY)	80-16	1C14	CAP, RADIATOR	20-46
3A25	AXLE, SWEEPED BACK ADJUSTABLE FRONT	80-5	1D13	CAP, WEATHER (DIESEL)	30-10
3B1	AXLE, SWEEPED BACK ADJUSTABLE FRONT	80-6	1D14	CAP, WEATHER (GASOLINE)	30-11
B					
2E24	BAND, HAND BRAKE	60-22	1E8	CARBURETOR	30-30
2D17	BAND, POWER SHAFT BRAKE (INDEPENDENT PTO).....	50-72	1E10	CARBURETOR	30-32
2G20	BASE, SEAT SUPPORT (LESS ROCKSHAFT)	70-40	1E2	CARBURETOR (GASOLINE).....	30-24
1H12	BATTERIES	40-10	1E6	CARBURETOR BOWL	30-28
1H12	BATTERY CABLES	40-10	1E12	CARBURETOR REPAIR KIT	30-34
1H12	BATTERY CABLES AND STARTING MOTOR.....	40-10	1E14	CARBURETOR REPAIR KIT	30-37
3C16	BATTERY CLAMPS	80-45	1E7	CARBURETOR THROTTLE BODY	30-29
2D3	BEARING SUPPORT, COUNTERSHAFT	50-58	2E3	CARRIER, PLANET PINION	50-84
2D5	BEARING SUPPORT, COUNTERSHAFT	50-60	2B21	CARRIER, REVERSE BRAKE (REVERSER)	50-24
1B15	BEARING, CONNECTING ROD (DIESEL)	20-20	2C18	CASE, TRANSMISSION.....	50-48
1B17	BEARING, CONNECTING ROD (GASOLINE)	20-22	3B21	CAST REAR WHEEL (FLANGED AXLE) (HU).....	80-26
3A23	BELL CRANK, STEERING.....	80-2	3B20	CAST REAR WHEEL (FLANGED AXLE) (HU, RU)	80-25
3B1	BELL CRANK, STEERING.....	80-6	3C1	CAST REAR WHEEL (PINION ADJUSTED AXLE)	80-30
2D24	BELT PULLEY	50-80	3C3	CAST REAR WHEEL, HEAVY (PINION ADJUSTED AXLE)	80-32
3D12	BELT, SEAT	90-8	2G21	CENTER LINK HOOK	70-41
3D15	BELT, SEAT	90-11	2H13	CHAIN, IMPLEMENT SAFETY	70-59
1I11	BENDIX DRIVE, STARTING MOTOR	40-35C	2H4	CHAIN, 3-POINT HITCH SWAY	70-49
1B3	BLOCK, CYLINDER	20-10	1G22	CHOKE CABLE	30-95
1B5	BLOCK, SHORT	20-12	1H4	CIRCUIT BREAKER	40-2
1B7	BLOCK, SHORT	20-13A	3C16	CLAMPS, BATTERY.....	80-45
2H9	BLOCK, SWAY	70-54	1D7	CLEANER, DRY-TYPE AIR	30-4
1J12	BRACKET, ELECTRICAL REMOTE CONTROL.....	40-60	1D5	CLEANER, OIL BATH AIR (DIESEL)	30-2
3E2	BRACKET, FIRE EXTINGUISHER.....	90-23	1D6	CLEANER, OIL BATH AIR (GASOLINE).....	30-3
1J8	BRACKET, RADAR SENSOR	40-56	2C3	CLUTCH ASSEMBLY, HI (HI-LO SHIFT)	50-31
2D17	BRAKE BAND, POWER SHAFT (INDEPENDENT PTO).....	50-72	2C2	CLUTCH ASSEMBLY, LO (HI-LO SHIFT).....	50-30
			2C4	CLUTCH ASSEMBLY, REPLACEMENT HI-LO.....	50-32
			2C9	CLUTCH CONTROL VALVE	50-38
			2C10	CLUTCH CONTROL VALVE (INDEPENDENT PTO)	50-39
			2C11	CLUTCH CONTROL VALVE (LESS HI-LO SHIFT)	50-40

1A12

1020 TRACTOR

ALPHABETICAL INDEX - CONTINUED

GRID		PAGE	GRID		PAGE
2B18	DRUM, CLUTCH (INDEPENDENT PTO)	50-21	1117	EXTENSION, LAMP	40-40
2B17	DRUM, CLUTCH (REVERSER)	50-20	1D19	EXTENSION, MUFFLER	30-16
1D7	DRY-TYPE AIR CLEANER	30-4	3B18	EXTENSION, REAR FLANGED AXLE	80-23
2I8	DUST PLUG, SELECTIVE CONTROL VALVE	70-81	3E2	EXTINGUISHER, FIRE	90-23
E			F		
1F18	ELECTRIC SHUT-OFF, FUEL INJECTION PUMP	30-66	1C6	FAN	20-36
1G9	ELECTRIC SHUT-OFF, FUEL INJECTION PUMP	30-82	1C6	FAN BELT	20-36
1G1	ELECTRIC SHUT-OFF, INJECTION PUMP	30-74	1C6	FAN PULLEY	20-36
1K3	ELECTRICAL CONNECTOR AND TERMINAL KIT	40-76	1C13	FAN SHROUD	20-45
1J20	ELECTRICAL CONNECTORS	40-68	1C14	FAN SHROUD	20-46
1J22	ELECTRICAL CONNECTORS	40-70	3D21	FENDER EXTENSION (HU, RU)	90-17
1J24	ELECTRICAL CONNECTORS	40-72	3D22	FENDER EXTENSION (LU)	90-18
1J20	ELECTRICAL CRIMPING TOOL	40-68	3C21	FENDERS	80-50
1J14	ELECTRICAL OUTLET PLUG	40-62	3C22	FENDERS (LU)	80-51
1H7	ELECTRICAL OUTLET SOCKET	40-5	3C23	FENDERS, ORCHARD (LU)	80-52
1H8	ELECTRICAL OUTLET SOCKET	40-6	1D25	FILTER, FUEL (DIESEL)	30-22
1H9	ELECTRICAL OUTLET SOCKET	40-7	1D23	FILTER, FUEL, DUAL (DIESEL)	30-20
1H10	ELECTRICAL OUTLET SOCKET	40-8	1D21	FILTER, FUEL, SINGLE (DIESEL)	30-18
1J14	ELECTRICAL OUTLET SOCKET	40-62	2C23	FILTER, TRANSMISSION OIL	50-53
1J18	ELECTRICAL OUTLET SOCKET, 7-TERMINAL	40-66	2E1	FINAL DRIVE	50-82
1J20	ELECTRICAL PARTS CONTAINER	40-68	2E3	FINAL DRIVE	50-84
1J12	ELECTRICAL REMOTE CONTROL	40-60	2E4	FINAL DRIVE (LU)	50-85
1J12	ELECTRICAL REMOTE CONTROL BRACKET	40-60	3E2	FIRE EXTINGUISHER	90-23
1J13	ELECTRICAL REMOTE CONTROL KIT	40-61	2F19	FITTINGS, HYDRAULIC PUMP	70-16
1J12	ELECTRICAL REMOTE CONTROL SWITCH	40-60	3B3	FIXED TREAD FRONT AXLE ASSEMBLY	80-8
1J15	ELECTRICAL REMOTE CONTROL WIRING	40-63	3B18	FLANGED AXLE EXTENSION	80-23
1J16	ELECTRICAL REMOTE CONTROL WIRING KIT	40-64	1H7	FLASHER, WARNING LIGHT	40-5
1J15	ELECTRICAL REMOTE CONTROL WIRING RELAY	40-63	1H8	FLASHER, WARNING LIGHT	40-6
1J20	ELECTRICAL TERMINALS	40-68	1H9	FLASHER, WARNING LIGHT	40-7
1J22	ELECTRICAL TERMINALS	40-70	1H10	FLASHER, WARNING LIGHT	40-8
1J24	ELECTRICAL TERMINALS	40-72	1H11	FLASHER, WARNING LIGHT	40-9
1K3	ELECTRICAL TOOLS	40-76	2J5	FLEXIBLE OIL LINE, BULK	70-104
1J20	ELECTRICAL WIRING	40-68	2G6	FLOW CONTROL VALVE	70-29
1J22	ELECTRICAL WIRING	40-70	1E1	FLUID, DIESEL STARTING	30-23
1J24	ELECTRICAL WIRING	40-72	2B9	FLYWHEEL (CONTINUOUS PTO)	50-12
1H4	ELECTRICAL WIRING SYSTEM	40-2	2B10	FLYWHEEL (INDEPENDENT PTO)	50-13
1D7	ELEMENT, AIR CLEANER (DRY-TYPE)	30-4	2B8	FLYWHEEL (LESS REVERSER)	50-11
1D21	ELEMENT, FUEL FILTER (DIESEL)	30-18	2B7	FLYWHEEL (REVERSER)	50-10
1D23	ELEMENT, FUEL FILTER (DIESEL)	30-20	1B10	FLYWHEEL HOUSING	20-15
2C23	ELEMENT, TRANSMISSION OIL FILTER	50-53	1G19	FOOT THROTTLE	30-92
3E1	EMBLEM, SLOW MOVING VEHICLE	90-22	3D21	FOOTREST (HU, RU)	90-17
1E25	END PLATE, FUEL INJECTION PUMP	30-48	3D23	FOOTREST (LU LOW PROFILE)	90-19
1F8	END PLATE, FUEL INJECTION PUMP	30-56	3D22	FOOTREST (LU)	90-18
2B9	ENGINE CLUTCH (CONTINUOUS PTO)	50-12	3C12	FRAME WEIGHT	80-41
2B10	ENGINE CLUTCH (INDEPENDENT PTO)	50-13	3C15	FRAME, SIDE	80-44
2B8	ENGINE CLUTCH (LESS REVERSER)	50-11	1H7	FRONT AND REAR LIGHT WIRING SYSTEM	40-5
1C9	ENGINE COOLANT HEATER	20-40	1H8	FRONT AND REAR LIGHT WIRING SYSTEM	40-6
1C10	ENGINE COOLANT HEATER	20-41	1H9	FRONT AND REAR LIGHT WIRING SYSTEM	40-7
1C11	ENGINE COOLANT HEATER (DIESEL)	20-42	1H10	FRONT AND REAR LIGHT WIRING SYSTEM	40-8
1C12	ENGINE COOLANT HEATER (GASOLINE)	20-43	1H11	FRONT AND REAR LIGHT WIRING SYSTEM	40-9
1A22	ENGINE OIL	20-1	3A22	FRONT AXLE ASSEMBLY	80-1
1B3	ENGINE OIL FILTER	20-10	3B3	FRONT AXLE ASSEMBLY (FIXED TREAD)	80-8
1C1	ENGINE OIL PUMP	20-30	3A25	FRONT AXLE ASSEMBLY (SWEEP BACK)	80-5
1C3	ENGINE OIL PUMP KIT	20-32	3B13	FRONT AXLE KNEE (HEAVY-DUTY)	80-19
1C20	ENGINE OVERHAUL GASKET KIT (DIESEL)	20-52	3B13	FRONT AXLE SPINDLE AND KNUCKLE (HEAVY-DUTY)	80-19
1C22	ENGINE OVERHAUL GASKET KIT (GASOLINE)	20-54	3B7	FRONT AXLE TIE ROD ASSEMBLY	80-12
1B7	ENGINE SHORT BLOCK	20-13A	3B12	FRONT AXLE TIE ROD ASSEMBLY (HEAVY-DUTY)	80-18
1C18	ENGINE TUNE-UP GASKET KIT (DIESEL)	20-50	3A23	FRONT AXLE, HEAVY DUTY	80-2
1C19	ENGINE TUNE-UP GASKET KIT (GASOLINE)	20-51	3A23	FRONT AXLE, STRAIGHT ADJUSTABLE	80-2
1D17	EXHAUST MANIFOLD, REAR (DIESEL)	30-14	3B10	FRONT AXLE, STRAIGHT ADJUSTABLE (HEAVY-DUTY)	80-16
1D18	EXHAUST MANIFOLD, REAR (GASOLINE)	30-15	3B1	FRONT AXLE, SWEEP BACK	80-6
1B1	EXHAUST VALVE	20-8			
3D21	EXTENSION, FENDER (HU, RU)	90-17			
3D22	EXTENSION, FENDER (LU)	90-18			

1A13

1020 TRACTOR

ALPHABETICAL INDEX - CONTINUED

GRID	PAGE	GRID	PAGE
1I15	FRONT LIGHT	40-38	
3C17	FRONT PLATE	80-46	
3C18	FRONT PLATE (LOW PROFILE)	80-47	
3C14	FRONT SUPPORT	80-43	
3C13	FRONT WEIGHTS, QUIK-TATCH	80-42	
3B14	FRONT WHEEL	80-20	
3B16	FRONT WHEEL	80-21	
3B17	FRONT WHEEL (HEAVY-DUTY FRONT AXLE).....	80-22	
3B15	FRONT WHEEL BEARING KIT	80-20A	
1D25	FUEL FILTER (DIESEL).....	30-22	
1D23	FUEL FILTER, DUAL (DIESEL).....	30-20	
1D21	FUEL FILTER, SINGLE (DIESEL).....	30-18	
1J5	FUEL GAUGE.....	40-53	
1D20	FUEL GAUGE SENDER	30-17	
1G2	FUEL INJECTION NOZZLE (DIESEL).....	30-75	
1G11	FUEL INJECTION NOZZLE ASSEMBLY	30-84	
1F3	FUEL INJECTION PUMP ADVANCE PISTON	30-51	
1F5	FUEL INJECTION PUMP ADVANCE PISTON	30-53	
1F17	FUEL INJECTION PUMP AUTOMATIC ADVANCE	30-65	
1F25	FUEL INJECTION PUMP AUTOMATIC ADVANCE	30-73	
1G8	FUEL INJECTION PUMP AUTOMATIC ADVANCE	30-81	
1F13	FUEL INJECTION PUMP DRIVE	30-61	
1F16	FUEL INJECTION PUMP DRIVE	30-64	
1F1	FUEL INJECTION PUMP DRIVE SHAFT	30-49	
1F9	FUEL INJECTION PUMP DRIVE SHAFT	30-57	
1F20	FUEL INJECTION PUMP DRIVE SHAFT	30-68	
1G3	FUEL INJECTION PUMP DRIVE SHAFT	30-76	
1F18	FUEL INJECTION PUMP ELECTRIC SHUT-OFF	30-66	
1G1	FUEL INJECTION PUMP ELECTRIC SHUT-OFF	30-74	
1G9	FUEL INJECTION PUMP ELECTRIC SHUT-OFF	30-82	
1G18	FUEL INJECTION PUMP ELECTRIC SHUT-OFF KIT	30-91	
1E25	FUEL INJECTION PUMP END PLATE	30-48	
1G13	FUEL INJECTION PUMP GASKET KIT	30-86	
1F1	FUEL INJECTION PUMP GOVERNOR.....	30-49	
1F9	FUEL INJECTION PUMP GOVERNOR.....	30-57	
1F10	FUEL INJECTION PUMP GOVERNOR.....	30-58	
1F15	FUEL INJECTION PUMP GOVERNOR.....	30-63	
1F23	FUEL INJECTION PUMP GOVERNOR.....	30-71	
1G6	FUEL INJECTION PUMP GOVERNOR.....	30-79	
1G17	FUEL INJECTION PUMP GOVERNOR KIT	30-90	
1E23	FUEL INJECTION PUMP HEAD	30-46	
1F6	FUEL INJECTION PUMP HEAD AND ROTOR	30-54	
1F11	FUEL INJECTION PUMP HEAD AND ROTOR	30-59	
1F12	FUEL INJECTION PUMP HEAD AND ROTOR	30-60	
1F13	FUEL INJECTION PUMP HEAD AND ROTOR	30-61	
1F16	FUEL INJECTION PUMP HEAD AND ROTOR	30-64	
1F21	FUEL INJECTION PUMP HEAD AND ROTOR	30-69	
1G4	FUEL INJECTION PUMP HEAD AND ROTOR	30-77	
1F19	FUEL INJECTION PUMP HOUSING	30-67	
1F24	FUEL INJECTION PUMP LINKAGE	30-72	
1G7	FUEL INJECTION PUMP LINKAGE	30-80	
1F2	FUEL INJECTION PUMP PISTON	30-50	
1F4	FUEL INJECTION PUMP PISTON	30-52	
1E23	FUEL INJECTION PUMP ROTOR.....	30-46	
1F2	FUEL INJECTION PUMP THROTTLE.....	30-50	
1F4	FUEL INJECTION PUMP THROTTLE.....	30-52	
1F14	FUEL INJECTION PUMP TRANSFER PUMP	30-62	
1F22	FUEL INJECTION PUMP TRANSFER PUMP	30-70	
1G5	FUEL INJECTION PUMP TRANSFER PUMP	30-78	
1E15	FUEL INJECTION SYSTEM.....	30-38	
1E17	FUEL INJECTION SYSTEM.....	30-40	
1E19	FUEL INJECTION SYSTEM.....	30-42	
1E21	FUEL INJECTION SYSTEM.....	30-44	
1D20	FUEL LINES	30-17	
1D21	FUEL LINES (DIESEL).....	30-18	
1D23	FUEL LINES (DIESEL).....	30-20	
1E1	FUEL LINES (DIESEL).....	30-23	
1E2	FUEL PUMP (GASOLINE).....	30-24	
1D20	FUEL TANK	30-17	
1D20	FUEL TANK CAP	30-17	
1E3	FUEL TRANSFER PUMP.....	30-25	
1E4	FUEL TRANSFER PUMP.....	30-26	
1E5	FUEL TRANSFER PUMP OVERHAUL KIT	30-27	
1F8	FUEL, INJECTION PUMP END PLATE	30-56	
G			
1C20	GASKET KIT, ENGINE OVERHAUL (DIESEL).....	20-52	
1C22	GASKET KIT, ENGINE OVERHAUL (GASOLINE)	20-54	
1C18	GASKET KIT, ENGINE TUNE-UP (DIESEL).....	20-50	
1C19	GASKET KIT, ENGINE TUNE-UP (GASOLINE)	20-51	
1G13	GASKET KIT, FUEL INJECTION PUMP	30-86	
1A24	GASKET, CYLINDER HEAD	20-6	
1E2	GASOLINE FUEL SYSTEM	30-24	
1J5	GAUGE, FUEL	40-53	
1J5	GAUGE, TEMPERATURE	40-53	
2D1	GEAR SHIFTERS, TRANSMISSION	50-56	
1B11	GEARS, CRANKSHAFT	20-16	
1B21	GOVERNOR	20-26	
1G17	GOVERNOR KIT, FUEL INJECTION PUMP.....	30-90	
1F1	GOVERNOR, FUEL INJECTION PUMP	30-49	
1F9	GOVERNOR, FUEL INJECTION PUMP	30-57	
1F10	GOVERNOR, FUEL INJECTION PUMP	30-58	
1F15	GOVERNOR, FUEL INJECTION PUMP	30-63	
1F23	GOVERNOR, FUEL INJECTION PUMP	30-71	
1G6	GOVERNOR, FUEL INJECTION PUMP	30-79	
3C18	GRILLE (LOW PROFILE).....	80-47	
3C17	GRILLE, SIDE.....	80-46	
2D22	GUARD, POWER SHAFT	50-78	
1D4	GUN, AIR CLEANER ELEMENT CLEANING	30-1	
H			
2H11	HAMMER STRAP ASSEMBLY	70-56	
2H12	HAMMER STRAP, DRAWBAR	70-57	
2E24	HAND BRAKE BAND	60-22	
2E24	HAND BRAKE LEVER	60-22	
2E24	HAND BRAKE SWITCH.....	60-22	
1H4	HARNES, ELECTRICAL WIRING	40-2	
1F6	HEAD AND ROTOR, FUEL INJECTION PUMP	30-54	
1F11	HEAD AND ROTOR, FUEL INJECTION PUMP	30-59	
1F12	HEAD AND ROTOR, FUEL INJECTION PUMP	30-60	
1F13	HEAD AND ROTOR, FUEL INJECTION PUMP	30-61	
1F16	HEAD AND ROTOR, FUEL INJECTION PUMP	30-64	
1F21	HEAD AND ROTOR, FUEL INJECTION PUMP	30-69	
1G4	HEAD AND ROTOR, FUEL INJECTION PUMP	30-77	
1A24	HEAD, CYLINDER	20-6	
1E23	HEAD, FUEL INJECTION PUMP.....	30-46	
1D15	HEAT SHIELD, MUFFLER (DIESEL).....	30-12	
1D16	HEAT SHIELD, MUFFLER (GASOLINE).....	30-13	
1C9	HEATER, ENGINE COOLANT	20-40	
1C10	HEATER, ENGINE COOLANT.....	20-41	
1C11	HEATER, ENGINE COOLANT (DIESEL)	20-42	
1C12	HEATER, ENGINE COOLANT (GASOLINE).....	20-43	
2C3	HI CLUTCH ASSEMBLY (HI-LO SHIFT).....	50-31	
2C7	HI-LO SHIFT CONTROL LEVER.....	50-36	
2G24	HITCH CENTER LINK, THREE-POINT	70-44	
3C17	HOOD	80-46	
3C18	HOOD (LOW PROFILE).....	80-47	
2G21	HOOK, CENTER LINK	70-41	
1D15	HORIZONTAL MUFFLER (DIESEL)	30-12	

1A14

1020 TRACTOR

ALPHABETICAL INDEX - CONTINUED

GRID	PAGE	GRID	PAGE			
1I25	HORN	40-48	2J1	ISO COUPLER OVERHAUL KIT	70-100	
2I22	HOSE IDENTIFICATION KIT, REMOTE CYLINDER	70-95	K			
2I16	HOSES, REMOTE CYLINDER	70-89	1J1	KEY IGNITION	40-49	
2E19	HOUSING, BRAKE VALVE	60-16	1J2	KEY, IGNITION.....	40-50	
2E21	HOUSING, BRAKE VALVE	60-18	1J3	KEY, IGNITION.....	40-51	
2A23	HOUSING, CLUTCH (LESS REVERSER).....	50-2	1J18	KIT, AUXILIARY ELECTRICAL OUTLET SOCKET	40-66	
2B1	HOUSING, CLUTCH (LESS REVERSER).....	50-4	2I11	KIT, BREAKAWAY COUPLER.....	70-84	
2B3	HOUSING, CLUTCH (REVERSER).....	50-6	2I12	KIT, BREAKAWAY COUPLER OVERHAUL	70-85	
2D7	HOUSING, DIFFERENTIAL	50-62	1E12	KIT, CARBURETOR REPAIR	30-34	
2D8	HOUSING, DIFFERENTIAL	50-63	1E14	KIT, CARBURETOR REPAIR	30-37	
1B10	HOUSING, FLYWHEEL	20-15	2I24	KIT, CONVERSION TO ISO COUPLER	70-98	
1F19	HOUSING, FUEL INJECTION PUMP	30-67	2I22	KIT, CYLINDER HOSE IDENTIFICATION.....	70-95	
1G3	HOUSING, FUEL INJECTION PUMP	30-76	1J13	KIT, ELECTRICAL REMOTE CONTROL	40-61	
2E13	HOUSING, POWER STEERING VALVE.....	60-9	1J16	KIT, ELECTRICAL REMOTE CONTROL WIRING	40-64	
2E14	HOUSING, POWER STEERING VALVE.....	60-10	1C3	KIT, ENGINE OIL PUMP	20-32	
2G5	HOUSING, ROCKSHAFT	70-28	1C20	KIT, ENGINE OVERHAUL GASKET (DIESEL).....	20-52	
2G9	HOUSING, ROCKSHAFT CYLINDER	70-30B	1C22	KIT, ENGINE OVERHAUL GASKET (GASOLINE).....	20-54	
2H17	HOUSING, SELECTIVE CONTROL VALVE	70-63	1C18	KIT, ENGINE TUNE-UP GASKET (DIESEL).....	20-50	
2E7	HOUSING, STEERING WHEEL SHAFT	60-2	1C19	KIT, ENGINE TUNE-UP GASKET (GASOLINE).....	20-51	
1C17	HOUSING, THERMOSTAT.....	20-49	3B15	KIT, FRONT WHEEL DRIVE	80-20A	
2B18	HUB, CLUTCH (INDEPENDENT PTO)	50-21	1G18	KIT, FUEL INJECTION PUMP ELECTRIC SHUT-OFF	30-91	
3B14	HUB, FRONT WHEEL	80-20	1G17	KIT, FUEL INJECTION PUMP GOVERNOR.....	30-90	
3B16	HUB, FRONT WHEEL	80-21	2F17	KIT, HYDRAULIC PUMP OVERHAUL.....	70-14	
3B17	HUB, FRONT WHEEL (HEAVY-DUTY FRONT AXLE).....	80-22	2F15	KIT, HYDRAULIC PUMP SHAFT OVERHAUL	70-12	
2I19	HYDRAULIC CYLINDER OVERHAUL KIT	70-92	1I23	KIT, IMPLEMENT WARNING LAMP	40-46	
2F4	HYDRAULIC OIL	70-1	2J1	KIT, ISO COUPLER OVERHAUL	70-100	
2F21	HYDRAULIC OIL LINES.....	70-18	3D3	KIT, LABEL REFINISHING.....	80-56	
2F23	HYDRAULIC OIL LINES.....	70-21	1I18	KIT, LAMP EXTENSION	40-41	
2F24	HYDRAULIC OIL LINES.....	70-22	1H6	KIT, NEUTRAL START SWITCH.....	40-4	
2G1	HYDRAULIC OIL LINES.....	70-24	2J4	KIT, O-RING	70-103	
2J3	HYDRAULIC OIL LINES, IMPLEMENT	70-102	2E10	KIT, OPEN CENTER POWER STEERING	60-6	
2G3	HYDRAULIC OIL RESERVOIR	70-26	1G15	KIT, OVERHAUL GASKET (INJECTION PUMP)	30-88	
2G4	HYDRAULIC OIL RESERVOIR	70-27	2E16	KIT, OVERHAUL, POWER STEERING.....	60-12	
2F7	HYDRAULIC PUMP (0.69 IN3)	70-4	2C25	KIT, PARK LOCK ASSURANCE	50-55	
2F11	HYDRAULIC PUMP (1.38 IN3)	70-8	1B19	KIT, PISTON LINER (DIESEL)	20-24	
2F6	HYDRAULIC PUMP ASSEMBLY, REPLACEMENT	70-3	1B20	KIT, PISTON LINER (GASOLINE).....	20-25	
2F19	HYDRAULIC PUMP CONNECTORS.....	70-16	2D23	KIT, PTO MASTER SHIELD	50-79	
2F5	HYDRAULIC PUMP DRIVE	70-2	1C16	KIT, RADIATOR OVERFLOW	20-48	
2F19	HYDRAULIC PUMP FITTINGS	70-16	2I19	KIT, REMOTE CYLINDER OVERHAUL	70-92	
2F17	HYDRAULIC PUMP OVERHAUL KIT	70-14	2G12	KIT, ROCKSHAFT REBUILD SEAL.....	70-32	
2F9	HYDRAULIC PUMP REPLACEMENT (0.69 IN3)	70-6	2I15	KIT, SCV OIL FILTER RETURN	70-88	
2F13	HYDRAULIC PUMP REPLACEMENT (1.38 IN3)	70-10	2H25	KIT, SELECTIVE CONTROL VALVE DETENT.....	70-71	
2F15	HYDRAULIC PUMP SHAFT OVERHAUL KIT	70-12	2H16	KIT, SELECTIVE CONTROL VALVE OVERHAUL	70-62	
I				2I4	KIT, SELECTIVE CONTROL VALVE OVERHAUL	70-76
1B11	IDLER GEAR	20-16	1H22	KIT, STARTER SOLENOID KIT.....	40-22	
1H14	IGNITION COIL.....	40-13	1I11	KIT, STARTING MOTOR BRUSH	40-35C	
1J1	IGNITION SWITCH.....	40-49	1J19	KIT, SUPPLEMENTARY WIRING	40-67	
1J2	IGNITION SWITCH.....	40-50	2D18	KIT, THRUST CAPACITY IMPROVEMENT	50-73	
1J3	IGNITION SWITCH.....	40-51	1C8	KIT, WATER PUMP OVERHAUL	20-39	
2J3	IMPLEMENT HYDRAULIC OIL LINES	70-102	1K3	KIT,ELECTRICAL CONNECTOR AND TERMINAL.....	40-76	
2H5	IMPLEMENT QUICK COUPLER	70-50	3B13	KNEE, FRONT AXLE (HEAVY-DUTY)	80-19	
2H13	IMPLEMENT SAFETY CHAIN	70-59	L			
1I23	IMPLEMENT WARNING LAMP KIT	40-46	3D3	LABEL REFINISHING KIT	80-56	
1D11	INDICATOR, AIR CLEANER RESTRICTION	30-8	1I11	LABEL, BYPASS START	40-35C	
1G2	INJECTION NOZZLE (DIESEL)	30-75	1I10	LABEL, BYPASSSTART.....	40-35A	
1G10	INJECTION NOZZLE (DIESEL)	30-83	3D1	LABELS.....	80-54	
1E15	INJECTION SYSTEM, FUEL	30-38	1I18	LAMP EXTENSION KIT	40-41	
1E17	INJECTION SYSTEM, FUEL	30-40	1I17	LAMP EXTENSION, REAR	40-40	
1E19	INJECTION SYSTEM, FUEL	30-42	1I22	LAMP SUPPORT, WARNING (LU LOW PROFILE)	40-45	
1E21	INJECTION SYSTEM, FUEL	30-44	2I11	LEVER, BREAKAWAY COUPLER.....	70-84	
1C4	INLET, OIL FILLER, ENGINE	20-33				
1B1	INTAKE VALVE	20-8				
1D12	INTAKE, AIR (DIESEL).....	30-9				
2I24	ISO COUPLER CONVERSION KIT.....	70-98				

1A15

1020 TRACTOR

ALPHABETICAL INDEX - CONTINUED

GRID		PAGE	GRID		PAGE
2D9	LEVER, DIFFERENTIAL LOCK	50-64	2D20	MID POWER SHAFT SHIFTER LEVER	50-75
2E24	LEVER, HAND BRAKE.....	60-22	1H23	MOTOR, STARTING.....	40-23
2C7	LEVER, HI-LO SHIFT CONTROL	50-36	1I5	MOTOR, STARTING.....	40-30
2D20	LEVER, MID POWER SHAFT SHIFTER.....	50-75	1I13	MOTOR, STARTING (GASOLINE)	40-36
2D19	LEVER, POWERSHAFT SHIFTER	50-74	1I14	MOTOR, STARTING (GASOLINE)	40-37
2B22	LEVER, REVERSER CONTROL	50-25	1D19	MUFFLER EXTENSION	30-16
2G15	LEVER, ROCKSHAFT CONTROL	70-35	1D15	MUFFLER, HORIZONTAL (DIESEL)	30-12
2G16	LEVER, ROCKSHAFT CONTROL (LU).....	70-36	1D16	MUFFLER, HORIZONTAL (GASOLINE)	30-13
2G17	LEVER, ROCKSHAFT CONTROL (LU).....	70-37	1D13	MUFFLER, VERTICAL (DIESEL).....	30-10
2H17	LEVER, SELECTIVE CONTROL VALVE	70-63	1D14	MUFFLER, VERTICAL (GASOLINE)	30-11
1G20	LEVER, SPEED CONTROL	30-93			
2C24	LEVER, TRANSMISSION SHIFT	50-54		N	
2H18	LEVERS, SELECTIVE CONTROL VALVE	70-64			
2G22	LIFT LINKS	70-42			
1J5	LIGHT INDICATOR.....	40-53	1H6	NEURTAL START SWITCH KIT	40-4
1I16	LIGHT SUPPORT, REAR.....	40-39	1H6	NEUTRAL START SWITCH.....	40-4
1J4	LIGHT SWITCH	40-52	2H3	NON-TELESCOPING DRAFT LINKS.....	70-48
1H7	LIGHT WIRING SYSTEM.....	40-5	1G11	NOZZLE, FUEL INJECTION	30-84
1H8	LIGHT WIRING SYSTEM.....	40-6	1G2	NOZZLE, FUEL INJECTION (DIESEL)	30-75
1H9	LIGHT WIRING SYSTEM.....	40-7	1G10	NOZZLE, FUEL INJECTION (DIESEL)	30-83
1H10	LIGHT WIRING SYSTEM.....	40-8			
1H11	LIGHT WIRING SYSTEM.....	40-9		O	
1I24	LIGHT, DASH	40-47			
1I15	LIGHT, FRONT	40-38	2J4	O-RING PACKING KIT.....	70-103
1I16	LIGHT, REAR	40-39	2C22	OIL CUP, TRANSMISSION	50-52
1I19	LIGHT, REAR (LU LOW PROFILE).....	40-42	1C4	OIL FILLER INLET, ENGINE	20-33
1I21	LIGHT, WARNING	40-44	2I15	OIL FILTER RETURN KIT, SCV	70-88
1J6	LIGHTER, CIGAR	40-54	1B3	OIL FILTER, ENGINE.....	20-10
1B13	LINER, CYLINDER	20-18	2C23	OIL FILTER, TRANSMISSION	50-53
1B14	LINER, CYLINDER	20-19	2I21	OIL LINE COUPLER, FLEXIBLE	70-94
2I3	LINES, BREAKAWAY COUPLER	70-75	2E21	OIL LINE, BRAKE VALVE	60-18
2C13	LINES, OIL, CLUTCH OIL MANIFOLD	50-42	2J5	OIL LINE, BULK FLEXIBLE	70-104
2C14	LINES, OIL, CLUTCH OIL MANIFOLD	50-43	2I2	OIL LINE, SELECTIVE CONTROL VALVE	70-73
2C15	LINES, OIL, CLUTCH OIL MANIFOLD	50-45	2C13	OIL LINES, CLUTCH OIL MANIFOLD.....	50-42
2J3	LINES, OIL, IMPLEMENT HYDRAULIC	70-102	2C14	OIL LINES, CLUTCH OIL MANIFOLD.....	50-43
2G24	LINK, THREE-POINT HITCH CENTER.....	70-44	2C15	OIL LINES, CLUTCH OIL MANIFOLD.....	50-45
2B5	LINKAGE, CLUTCH PEDAL.....	50-8	2F21	OIL LINES, HYDRAULIC	70-18
2B6	LINKAGE, CLUTCH PEDAL (REVERSER).....	50-9	2F23	OIL LINES, HYDRAULIC	70-21
1F24	LINKAGE, FUEL INJECTION PUMP	30-72	2F24	OIL LINES, HYDRAULIC	70-22
1G7	LINKAGE, FUEL INJECTION PUMP	30-80	2G1	OIL LINES, HYDRAULIC	70-24
1F15	LINKAGE, FUEL INJECTION PUMP GOVERNOR.....	30-63	2J3	OIL LINES, HYDRAULIC, IMPLEMENT	70-102
2C7	LINKAGE, HI-LO SHIFT CONTROL LEVER.....	50-36	2I14	OIL LINES, MID COUPLER	70-87
2B22	LINKAGE, REVERSER CONTROL	50-25	2E18	OIL LINES, POWER STEERING	60-15
2G11	LINKAGE, ROCKSHAFT VALVE HOUSING	70-31	2B25	OIL LINES, REVERSER.....	50-28
1G20	LINKAGE, SPEED CONTROL	30-93	2I1	OIL LINES, SELECTIVE CONTROL VALVE.....	70-72
2G25	LINKS, FRAFT	70-45	2C16	OIL LINES, TRANSMISSION	50-46
2G22	LINKS, LIFT	70-42	2C22	OIL LINES, TRANSMISSION	50-52
2H3	LINKS, NON-TELESCOPING DRAFT	70-48	2C17	OIL LINES, TRANSMISSION (HI-LO SHIFT)	50-47
2C2	LO CLUTCH ASSEMBLY (HI-LO SHIFT)	50-30	1C1	OIL LUBRICATING PUMP	20-30
2G18	LOAD CONTROL	70-38	2C1	OIL MANIFOLD, CLUTCH (HI-LO SHIFT).....	50-29
3E3	LOCTITE SEALANT	90-24	1B9	OIL PAN	20-14
1C1	LUBRICATING OIL PUMP	20-30	1C1	OIL PRESSURE RELIEF VALVE	20-30
			1B23	OIL PRESSURE RELIEF VALVE (DIESEL)	20-28
	M		1B24	OIL PRESSURE RELIEF VALVE (GASOLINE)	20-29
2C13	MANIFOLD, CLUTCH OIL	50-42	1C3	OIL PUMP KIT, ENGINE	20-32
2C1	MANIFOLD, CLUTCH OIL (HI-LO SHIFT).....	50-29	1C1	OIL PUMP, ENGINE.....	20-30
2C14	MANIFOLD, CLUTCH OIL (INDEPENDENT PTO)	50-43	2C16	OIL PUMP, TRANSMISSION.....	50-46
2C15	MANIFOLD, CLUTCH OIL (LESS HI-LO SHIFT)	50-45	2C1	OIL PUMP, TRANSMISSION (HI-LO SHIFT)	50-29
1D17	MANIFOLD, REAR EXHAUST (DIESEL)	30-14	2C17	OIL PUMP, TRANSMISSION (HI-LO SHIFT)	50-47
1D18	MANIFOLD, REAR EXHAUST (GASOLINE).....	30-15	1A22	OIL, ENGINE	20-1
1D13	MANIFOLD, VERTICAL MUFFLER (DIESEL).....	30-10	2F4	OIL, HYDRAULIC AND TRANSMISSION	70-1
1D14	MANIFOLD, VERTICAL MUFFLER (GASOLINE)	30-11	3C23	ORCHARD FENDERS (LU)	80-52
2E7	MANUAL STEERING VALVE HOUSING	60-2	1C16	OVERFLOW KIT, RADIATOR	20-48
3C17	MEDALLION	80-46	1G15	OVERHAUL GASKET KIT (INJECTION PUMP).....	30-88
2I14	MID COUPLER	70-87	2I2	OVERHAUL KIT, BREAKAWAY COUPLER	70-85
			1E5	OVERHAUL KIT, FUEL TRANSFER PUMP	30-27

1A16

1020 TRACTOR

ALPHABETICAL INDEX - CONTINUED

<i>GRID</i>		<i>PAGE</i>	<i>GRID</i>		<i>PAGE</i>
2F17	OVERHAUL KIT, HYDRAULIC PUMP.....	70-14	1D9	PRE-CLEANER (DIESEL)	30-6
2F15	OVERHAUL KIT, HYDRAULIC PUMP SHAFT	70-12	1D10	PRE-CLEANER (GASOLINE).....	30-7
2J1	OVERHAUL KIT, ISO COUPLER	70-100	2G2	PRESSURE CONTROL VALVE.....	70-25
1C8	OVERHAUL KIT, WATER PUMP	20-39	2B11	PRESSURE PLATE (DIESEL).....	50-14
			2B12	PRESSURE PLATE (GASOLINE)	50-15
	P		2B10	PRESSURE PLATE, CLUTCH (INDEPENDENT PTO).....	50-13
1B9	PAN, OIL.....	20-14	2B8	PRESSURE PLATE, CLUTCH (LESS REVERSER).....	50-11
2C25	PARK LOCK ASSURANCE KIT.....	50-55	2B7	PRESSURE PLATE, CLUTCH (REVERSER)	50-10
1G19	PEDAL, ACCELERATOR	30-92	2B9	PTO CLUTCH (CONTINUOUS PTO)	50-12
2E19	PEDAL, BRAKE	60-16	2B10	PTO CLUTCH (INDEPENDENT PTO).....	50-13
2B5	PEDAL, CLUTCH	50-8	2D10	PTO GEARS AND SHAFTS.....	50-65
2B6	PEDAL, CLUTCH (REVERSER)	50-9	2D11	PTO GEARS AND SHAFTS.....	50-66
2D9	PEDAL, DIFFERENTIAL LOCK	50-64	2D23	PTO MASTER SHIELD KIT	50-79
1J10	PERFORMANCE TRAK II MINI-MONITOR.....	40-58	1H20	PULLEY, ALTERNATOR (12-VOLT)	40-20
2B14	PILOT BEARING, CLUTCH (CONTINUOUS PTO).....	50-17	2D24	PULLEY, BELT	50-80
2B15	PILOT BEARING, CLUTCH (INDEPENDENT PTO).....	50-18	1B11	PULLEY, CRANKSHAFT	20-16
2B13	PILOT, CLUTCH SHAFT	50-16	1C6	PULLEY, FAN.....	20-36
1D15	PIPE, REAR EXHAUST (DIESEL).....	30-12	2F6	PUMP ASSEMBLY, HYDRAULIC, REPLACEMENT.....	70-3
1D16	PIPE, REAR EXHAUST (GASOLINE).....	30-13	1F17	PUMP AUTOMATIC ADVANCE, FUEL INJECTION.....	30-65
1B19	PISTON LINER KIT (DIESEL)	20-24	1F13	PUMP DRIVE, FUEL INJECTION	30-61
1B20	PISTON LINER KIT (GASOLINE)	20-25	1F16	PUMP DRIVE, FUEL INJECTION	30-64
1B15	PISTON RINGS (DIESEL)	20-20	2F5	PUMP DRIVE, HYDRAULIC.....	70-2
1B17	PISTON RINGS (GASOLINE)	20-22	2F9	PUMP REPLACEMENT, HYDRAULIC (0.69 IN3).....	70-6
1F2	PISTON, FUEL INJECTION PUMP	30-50	2F13	PUMP REPLACEMENT, HYDRAULIC (1.38 IN3).....	70-10
1F4	PISTON, FUEL INJECTION PUMP	30-52	1C1	PUMP, ENGINE OIL.....	20-30
2E14	PISTON, POWER STEERING VALVE	60-10	1E2	PUMP, FUEL (GASOLINE)	30-24
2B19	PISTON, REVERSE BRAKE (REVERSER)	50-22	1F14	PUMP, FUEL INJECTION PUMP TRANSFER	30-62
1B15	PISTONS (DIESEL)	20-20	1E3	PUMP, FUEL TRANSFER	30-25
1B17	PISTONS (GASOLINE).....	20-22	1E4	PUMP, FUEL TRANSFER	30-26
2E1	PLANETARY AND REAR AXLE	50-82	2F7	PUMP, HYDRAULIC (0.69 IN3)	70-4
2E4	PLANETARY AND REAR AXLE (LU)	50-85	2F11	PUMP, HYDRAULIC (1.38 IN3).....	70-8
2E24	PLATE, BRAKE LATCH	60-22	1C1	PUMP, OIL LUBRICATING	20-30
2E23	PLATE, BRAKE PRESSURE	60-20	2F20	PUMP, POWER STEERING	70-17
2B10	PLATE, CLUTCH PRESSURE (INDEPENDENT PTO).....	50-13	2C16	PUMP, TRANSMISSION OIL.....	50-46
2B8	PLATE, CLUTCH PRESSURE (LESS REVERSER).....	50-11	2C1	PUMP, TRANSMISSION OIL (HI-LO SHIFT)	50-29
2B7	PLATE, CLUTCH PRESSURE (REVERSER)	50-10	2C17	PUMP, TRANSMISSION OIL (HI-LO SHIFT)	50-47
3C17	PLATE, FRONT	80-46	1C6	PUMP, WATER.....	20-36
3C18	PLATE, FRONT (LOW PROFILE)	80-47	1C5	PUMP, WATER (COMPLETE).....	20-35
2B11	PLATE, PRESSURE (DIESEL)	50-14	1B1	PUSH ROD.....	20-8
2B12	PLATE, PRESSURE (GASOLINE).....	50-15			
2B20	PLATES, REVERSE BRAKE (REVERSER)	50-23		Q	
2I8	PLUG, SELECTIVE CONTROL VALVE DUST	70-81	2G15	QUADRANT, ROCKSHAFT CONTROL.....	70-35
1H14	PLUG, SPARK	40-13	2G16	QUADRANT, ROCKSHAFT CONTROL (LU)	70-36
3B24	POWER ADJUSTED REAR WHEEL	80-29	2G17	QUADRANT, ROCKSHAFT CONTROL (LU)	70-37
2D17	POWER SHAFT BRAKE BAND (INDEPENDENT PTO)	50-72	2H5	QUICK COUPLER, IMPLEMENT	70-50
2D21	POWER SHAFT COVER (LESS PTO)	50-77	2D14	QUILL, REAR PTO DRIVE	50-69
2D22	POWER SHAFT GUARD	50-78	2D15	QUILL, REAR PTO DRIVE (LESS MID-PTO).....	50-70
2D22	POWER SHAFT SHIELD	50-78	2D16	QUILL, REAR PTO DRIVE (MID-PTO)	50-71
2E12	POWER STEERING GEAR	60-8	2D10	QUILL, REAR PTO SHAFT	50-65
2E10	POWER STEERING KIT, OPEN CENTER	60-6	2D11	QUILL, REAR PTO SHAFT	50-66
2E18	POWER STEERING OIL LINES	60-15	2D12	QUILL, REAR PTO SHAFT	50-67
2E16	POWER STEERING OVERHAUL KIT.....	60-12	2D13	QUILL, REAR PTO SHAFT	50-68
2F20	POWER STEERING PUMP	70-17	2D2	QUILL, TRANSMISSION DRIVE SHAFT.....	50-57
2E9	POWER STEERING SHAFT (EARLY DESIGN).....	60-5			
2E12	POWER STEERING VALVE	60-8		R	
2E14	POWER STEERING VALVE	60-10	1J8	RADAR SENSOR	40-56
2E13	POWER STEERING VALVE HOUSING	60-9	1J8	RADAR SENSOR BRACKET	40-56
2D19	POWERSHAFT SHIFTER LINKAGE, REAR.....	50-74	1J8	RADAR SENSOR WIRING HARNESS	40-56
2D10	POWERSHAFT, REAR.....	50-65	1C13	RADIATOR	20-45
2D11	POWERSHAFT, REAR.....	50-66	1C14	RADIATOR	20-46
2D12	POWERSHAFT, REAR.....	50-67	1C13	RADIATOR CAP	20-45
2D13	POWERSHAFT, REAR.....	50-68	1C14	RADIATOR CAP	20-46
2D14	POWERSHAFT, REAR (LESS INDEPENDENT PTO)	50-69	1C16	RADIATOR OVERFLOW KIT.....	20-48
2D15	POWERSHAFT, REAR (LESS MID-PTO).....	50-70			
2D16	POWERSHAFT, REAR (MID-PTO)	50-71			

1A17

1020 TRACTOR

ALPHABETICAL INDEX - CONTINUED

GRID	PAGE	GRID	PAGE		
2E1	REAR AXLE	50-82	2G15	ROCKSHAFT CONTROL LEVER	70-35
2E4	REAR AXLE (LU)	50-85	2G16	ROCKSHAFT CONTROL LEVER (LU)	70-36
1117	REAR COMBINATION LAMP EXTENSION	40-40	2G17	ROCKSHAFT CONTROL LEVER (LU)	70-37
2B16	REAR COUNTERSHAFT (INDEPENDENT PTO)	50-19	2G17	ROCKSHAFT CONTROL QUADRANT (LU)	70-37
1D17	REAR EXHAUST MANIFOLD (DIESEL)	30-14	2G9	ROCKSHAFT CYLINDER HOUSING	70-30B
1D18	REAR EXHAUST MANIFOLD (GASOLINE)	30-15	2I20	ROCKSHAFT CYLINDER OUTLET COUPLER	70-93
3C3	REAR HEEL, HEAVY CAST (PINION ADJUSTED AXLE)	80-32	2G5	ROCKSHAFT HOUSING	70-28
1116	REAR LIGHT	40-39	2G6	ROCKSHAFT HOUSING	70-29
1119	REAR LIGHT (LU LOW PROFILE)	40-42	2G14	ROCKSHAFT PISTON AND LIFT ARMS	70-34
1120	REAR LIGHT SUPPORT (LU LOW PROFILE)	40-43	2G15	ROCKSHAFT QUADRANT	70-35
2D19	REAR POWERSHAFT SHIFTER LINKAGE	50-74	2G16	ROCKSHAFT QUADRANT (LU)	70-36
3C11	REAR WHEEL WEIGHT (PINION ADJUSTED AXLE)	80-40	2G12	ROCKSHAFT REBUILD SEAL KIT	70-32
3C10	REAR WHEEL WEIGHT (24" DEMOUNTABLE)	80-39	2G11	ROCKSHAFT VALVE HOUSING LINKAGE	70-31
3C6	REAR WHEEL WEIGHT (26", 28" DEMOUNTABLE)	80-35	2E24	ROD, BRAKE LATCH	60-22
3C7	REAR WHEEL WEIGHT (28" CAST OR POWER)	80-36	1B15	ROD, CONNECTING (DIESEL)	20-20
3C9	REAR WHEEL WEIGHT (28" STEEL WHEEL)	80-38	1B17	ROD, CONNECTING (GASOLINE)	20-22
3C8	REAR WHEEL WEIGHT (36" CAST WHEEL)	80-37	1B1	ROD, PUSH	20-8
3C5	REAR WHEEL WEIGHTS	80-34	1G21	ROD, SPEED CONTROL	30-94
3B20	REAR WHEEL, CAST (FLANGED AXLE) (HU, RU)	80-25	3B8	ROD, TIE	80-13
3C1	REAR WHEEL, CAST (PINION ADJUSTED AXLE)	80-30	3D6	ROLL-GARD	90-2
3B22	REAR WHEEL, DEMOUNTABLE STEEL DISK	80-27	3D8	ROLL-GARD	90-4
3B23	REAR WHEEL, DUAL STEEL DISK	80-28	3D12	ROLL-GARD	90-8
3B24	REAR WHEEL, POWER ADJUSTED	80-29	3D10	ROLL-GARD CANOPY	90-6
3B19	REAR WHEEL, STEEL DISK (FLANGED AXLE)	80-24	1E23	ROTOR, FUEL INJECTION PUMP	30-46
2I11	RECEPTACLE, BREAKAWAY COUPLER	70-84			
3D18	REGULAR SEAT	90-14		S	
1H17	REGULATOR	40-17			
1F17	REGULATOR, FUEL INJECTION PUMP	30-65	2H13	SAFETY CHAIN, IMPLEMENT	70-59
1J15	RELAY, WIRING, ELECTRICAL REMOTE CONTROL	40-63	2C18	SCREEN, TRANSMISSION CASE	50-48
2C18	RELIEF VALVE, TRANSMISSION	50-48	3E3	SEALANT, LOCTITE	90-24
2C20	RELIEF VALVE, TRANSMISSION	50-50	3D12	SEAT BELT	90-8
1J15	REMOTE CONTROL CIRCUIT BREAKER	40-63	3D15	SEAT BELT	90-11
1J13	REMOTE CONTROL KIT, ELECTRICAL	40-61	2G20	SEAT SUPPORT BASE (LESS ROCKSHAFT)	70-40
1J16	REMOTE CONTROL WIRING KIT	40-64	3D16	SEAT SUPPORT, DELUXE	90-12
1J15	REMOTE CONTROL WIRING, ELECTRICAL	40-63	3D15	SEAT, DELUXE	90-11
1J12	REMOTE CONTROL, ELECTRICAL	40-60	3D18	SEAT, REGULAR	90-14
2I16	REMOTE CYLINDER	70-89	3D14	SEAT, STEEL	90-10
2I17	REMOTE CYLINDER	70-90	2H15	SELECTIVE CONTROL VALVE (LOWER HALF)	70-61
2I22	REMOTE CYLINDER HOSE IDENTIFICATION KIT	70-95	2H14	SELECTIVE CONTROL VALVE (UPPER HALF)	70-60
2I16	REMOTE CYLINDER HOSES	70-89	2I7	SELECTIVE CONTROL VALVE COUPLER	70-80
2I19	REMOTE CYLINDER OVERHAUL KIT	70-92	2I13	SELECTIVE CONTROL VALVE COUPLER	70-86
1E12	REPAIR KIT, CARBURETOR	30-34	2H19	SELECTIVE CONTROL VALVE COVER	70-65
1E14	REPAIR KIT, CARBURETOR	30-37	2H20	SELECTIVE CONTROL VALVE COVER (EARLY DESIGN)	70-66
2C4	REPLACEMENT HI-LO CLUTCH ASSEMBLY	50-32	2H22	SELECTIVE CONTROL VALVE COVER (LATE DESIGN)	70-68
2F6	REPLACEMENT HYDRAULIC PUMP ASSEMBLY	70-3	2H25	SELECTIVE CONTROL VALVE DETENT KIT	70-71
2G3	RESERVOIR, HYDRAULIC OIL	70-26	2H24	SELECTIVE CONTROL VALVE DETENT PISTON	70-70
2G4	RESERVOIR, HYDRAULIC OIL	70-27	2I8	SELECTIVE CONTROL VALVE DUST PLUG	70-81
2B21	REVERSE BRAKE CARRIER (REVERSER)	50-24	2H18	SELECTIVE CONTROL VALVE HOUSING	70-64
2B20	REVERSE BRAKE DISKS (REVERSER)	50-23	2H17	SELECTIVE CONTROL VALVE LEVERS	70-63
2B19	REVERSE BRAKE HOUSING (REVERSER)	50-22	2H18	SELECTIVE CONTROL VALVE LEVERS	70-64
2B19	REVERSE BRAKE PISTON (REVERSER)	50-22	2I15	SELECTIVE CONTROL VALVE OIL FILTER RETURN KIT	70-88
2B20	REVERSE BRAKE PLATES (REVERSER)	50-23	2I2	SELECTIVE CONTROL VALVE OIL LINE	70-73
2B23	REVERSER CLUTCH CONTROL VALVE	50-26	2I1	SELECTIVE CONTROL VALVE OIL LINES	70-72
2B24	REVERSER CLUTCH CONTROL VALVE	50-27	2H16	SELECTIVE CONTROL VALVE OVERHAUL KIT	70-62
2B25	REVERSER CLUTCH CONTROL VALVE COVER	50-28	2I4	SELECTIVE CONTROL VALVE OVERHAUL KIT	70-76
2B22	REVERSER CONTROL LEVER AND LINKAGE	50-25	2H15	SELECTIVE CONTROL VALVE SUPPORT	70-61
2B25	REVERSER OIL LINES	50-28	1D20	SENDER, FUEL GAUGE	30-17
2B9	RING GEAR (CONTINUOUS PTO)	50-12	1J8	SENSOR, RADAR	40-56
2B10	RING GEAR (INDEPENDENT PTO)	50-13	2B17	SEPARATOR PLATE, CLUTCH (REVERSER)	50-20
2B8	RING GEAR (LESS REVERSER)	50-11	2B13	SHAFT, CLUTCH	50-16
2B7	RING GEAR (REVERSER)	50-10	2B14	SHAFT, CLUTCH (CONTINUOUS PTO)	50-17
1B15	RINGS, PISTON (DIESEL)	20-20	2B15	SHAFT, CLUTCH (INDEPENDENT PTO)	50-18
1B17	RINGS, PISTON (GASOLINE)	20-22	2B21	SHAFT, CLUTCH (REVERSER)	50-24
1B1	ROCKER ARM	20-8			
1A24	ROCKER ARM COVER	20-6			
2G14	ROCKSHAFT	70-34			

1A19

1020 TRACTOR

ALPHABETICAL INDEX - CONTINUED

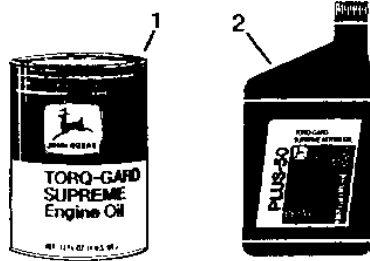
GRID		PAGE	GRID		PAGE
1J22	TERMINALS,ELECTRICAL.....	40-70	2H15	VALVE, SELECTIVE CONTROL (LOWER HALF)	70-61
1J24	TERMINALS,ELECTRICAL.....	40-72	2H14	VALVE, SELECTIVE CONTROL (UPPER HALF).....	70-60
1C17	THERMOSTAT	20-49	2C18	VALVE, TRANSMISSION RELIEF	50-48
2G24	THREE-POINT HITCH CENTER LINK	70-44	2C20	VALVE, TRANSMISSION RELIEF.....	50-50
2H10	THREE-POINT HITCH DRAWBAR	70-55	1A24	VENTILATOR OUTLET TUBE	20-6
1E7	THROTTLE BODY, CARBURETOR	30-29	1D13	VERTICAL MUFFLER (DIESEL)	30-10
1G19	THROTTLE LINKAGE	30-92	1D14	VERTICAL MUFFLER (GASOLINE)	30-11
1G19	THROTTLE, FOOT.....	30-92			
1F2	THROTTLE, FUEL INJECTION PUMP	30-50		W	
1F4	THROTTLE, FUEL INJECTION PUMP	30-52			
2D18	THRUST CAPACITY IMPROVEMENT KIT	50-73	1I23	WARNING LAMP KIT, IMPLEMENT	40-46
3B8	TIE ROD	80-13	1I22	WARNING LAMP SUPPORT (LU LOW PROFILE)	40-45
3B7	TIE ROD ASSEMBLY.....	80-12	1I21	WARNING LIGHT	40-44
3B9	TIE ROD ASSEMBLY (FIXED TREAD).....	80-14	1H7	WARNING LIGHT FLASHER.....	40-5
3B12	TIE ROD ASSEMBLY (HEAVY-DUTY)	80-18	1H8	WARNING LIGHT FLASHER.....	40-6
1B23	TIMING GEAR COVER (DIESEL)	20-28	1H9	WARNING LIGHT FLASHER	40-7
1B24	TIMING GEAR COVER (GASOLINE)	20-29	1H10	WARNING LIGHT FLASHER	40-8
3D24	TOOLBOX.....	90-20	1C6	WATER PUMP	20-36
1E4	TRANSFER PUMP, FUEL	30-26	1C5	WATER PUMP (COMPLETE)	20-35
1F14	TRANSFER PUMP, FUEL INJECTION PUMP	30-62	1C8	WATER PUMP OVERHAUL KIT	20-39
1F22	TRANSFER PUMP, FUEL INJECTION PUMP	30-70	1D13	WEATHER CAP (DIESEL).....	30-10
1G5	TRANSFER PUMP, FUEL INJECTION PUMP	30-78	1D14	WEATHER CAP (GASOLINE)	30-11
2C18	TRANSMISSION CASE	50-48	3C12	WEIGHT, FRAME	80-41
3C19	TRANSMISSION CASE SHIELD (LESS PTO)	80-48	3C10	WEIGHT, REAR WHEEL (24" DEMOUNTABLE)	80-39
3C20	TRANSMISSION CASE SHIELD (PTO)	80-49	3C6	WEIGHT, REAR WHEEL (26",28" DEMOUNTABLE)	80-35
2D1	TRANSMISSION GEAR SHIFTERS	50-56	3C7	WEIGHT, REAR WHEEL (28" CAST OR POWER)	80-36
2F4	TRANSMISSION OIL	70-1	3C9	WEIGHT, REAR WHEEL (28" STEEL WHEEL)	80-38
2C22	TRANSMISSION OIL CUP	50-52	3C8	WEIGHT, REAR WHEEL (36" CAST WHEEL)	80-37
2C23	TRANSMISSION OIL FILTER	50-53	3C5	WEIGHT, REAR WHEEL (36" POWER WHEELS).....	80-34
2C21	TRANSMISSION OIL LEVEL ROD	50-51	3C11	WEIGHT,REAR WHEEL (PINION ADJUSTED AXLE)	80-40
2C16	TRANSMISSION OIL LINES	50-46	3C13	WEIGHTS, QUIK-TATCH FRONT	80-42
2C22	TRANSMISSION OIL LINES	50-52	3C10	WHEEL WEIGHT, REAR (24" DEMOUNTABLE)	80-39
2C17	TRANSMISSION OIL LINES (HI-LO SHIFT).....	50-47	3C6	WHEEL WEIGHT, REAR (26",28" DEMOUNTABLE)	80-35
2C16	TRANSMISSION OIL PUMP	50-46	3C7	WHEEL WEIGHT, REAR (28" CAST OR POWER)	80-36
2C17	TRANSMISSION OIL PUMP (HI-LO SHIFT).....	50-47	3C9	WHEEL WEIGHT, REAR (28" STEEL WHEEL)	80-38
2C18	TRANSMISSION RELIEF VALVE	50-48	3C8	WHEEL WEIGHT, REAR (36" CAST WHEEL)	80-37
2C20	TRANSMISSION RELIEF VALVE	50-50	3C5	WHEEL WEIGHT, REAR (36" POWER WHEELS).....	80-34
2C24	TRANSMISSION SHIFT LEVER	50-54	3C11	WHEEL WEIGHT,REAR (PINION ADJUSTED AXLE)	80-40
2D1	TRANSMISSION SHIFTER SHAFTS.....	50-56	3B21	WHEEL, CAST REAR (FLANGED AXLE) (HU)	80-26
2C21	TRANSMISSION SUMP COVER.....	50-51	3B20	WHEEL, CAST REAR (FLANGED AXLE) (HU, RU)	80-25
2C24	TRANSMISSION TOP COVER	50-54	3C1	WHEEL, CAST REAR (PINION ADJUSTED AXLE).....	80-30
1A24	TUBE, VENTILATOR OUTLET	20-6	3B22	WHEEL, DEMOUNTABLE STEEL DISK REAR	80-27
			3B23	WHEEL, DUAL STEEL DISK REAR	80-28
	V		3B14	WHEEL, FRONT.....	80-20
2E13	VALVE HOUSING, POWER STEERING.....	60-9	3B16	WHEEL, FRONT.....	80-21
2E21	VALVE, BRAKE	60-18	3B17	WHEEL, FRONT (HEAVY-DUTY FRONT AXLE)	80-22
2E22	VALVE, BRAKE, OVERHAUL KIT	60-19	3C3	WHEEL, HEAVY CAST REAR (PINION ADJUSTED AXLE)	80-32
2C9	VALVE, CLUTCH CONTROL.....	50-38	3B24	WHEEL, REAR, POWER ADJUSTED.....	80-29
2C10	VALVE, CLUTCH CONTROL (INDEPENDENT PTO).....	50-39	3B19	WHEEL, STEEL DISK REAR (FLANGED AXLE)	80-24
2C11	VALVE, CLUTCH CONTROL (LESS HI-LO SHIFT)	50-40	2E6	WHEEL, STEERING.....	60-1
2B23	VALVE, CONTROL, CLUTCH	50-26	2E12	WHEEL, STEERING.....	60-8
2B24	VALVE, CONTROL, CLUTCH	50-27	1J8	WIRING HARNESS,RADAR SENSOR	40-56
1B1	VALVE, EXHAUST	20-8	1J19	WIRING KIT, SUPPLEMENTARY	40-67
2G6	VALVE, FLOW CONTROL	70-29	1H7	WIRING SYSTEM, LIGHT	40-5
1B1	VALVE, INTAKE	20-8	1H8	WIRING SYSTEM, LIGHT	40-6
1C1	VALVE, OIL PRESSURE RELIEF	20-30	1H9	WIRING SYSTEM, LIGHT	40-7
1B23	VALVE, OIL PRESSURE RELIEF (DIESEL).....	20-28	1H10	WIRING SYSTEM, LIGHT	40-8
1B24	VALVE, OIL PRESSURE RELIEF (GASOLINE)	20-29	1J18	WIRING, ELECTRICAL OUTLET, 7-TERMINAL	40-66
2E12	VALVE, POWER STEERING	60-8	1J15	WIRING, ELECTRICAL REMOTE CONTROL.....	40-63
2E14	VALVE, POWER STEERING	60-10			
2E9	VALVE, POWER STEERING (EARLY DESIGN)	60-5			
2G2	VALVE, PRESSURE CONTROL	70-25			
2B23	VALVE, REVERSER CLUTCH CONTROL	50-26			
2B24	VALVE, REVERSER CLUTCH CONTROL	50-27			
2H18	VALVE, SELECTIVE CONTROL	70-64			

1A22

ENGINE

RGP3291 -UN-01JAN94

TORQ-GARD PLUS 50 ENGINE OIL



RGP 3291

KEY	PART NO.	PART NAME	QTY	ENGINE SERIAL NO.	REMARKS
1	TY6359	OIL	1	(SAE 5W/30), 0.9L (1 QT)	
	TY6360	OIL	1	(SAE 5W/30), 19L (5 GAL)	
	TY6361	OIL	1	(SAE 5W/30), 208L (55 GAL)	
	TY6297	OIL	1	(SAE 15W/40), 0.9L (1 QT)	
	TY6298	OIL	1	(SAE 15W/40), 19L (5 GAL)	
	TY6300	OIL	1	(SAE 15W/40), 113.6L (30 GAL)	
	TY6301	OIL	1	(SAE 15W/40), 208L (55 GAL)	
	TY6311	OIL	1	(SAE 10W), 0.9L (1 QT)	
	TY22009	OIL	1	(SAE 10), 3.8L (1 GAL)	
	TY6312	OIL	1	(SAE 10W), 19L (5 GAL)	
	TY6313	OIL	1	(SAE 10W), 208L (55 GAL)	
	AR63979	OIL	1	(SAE 30), 0.2L (.25 QT)	
	AR63218	OIL	1	(SAE 30), 0.9L (1 QT)	
	AR63219	OIL	1	(SAE 30), 19L (5 GAL)	
	TY6280	OIL	1	(SAE 30), 113.6L (30 GAL)	
	AR63222	OIL	1	(SAE 30), 208L (55 GAL)	
2	TY6389	OIL	1	(SAE 15W/40), 0.9L (1 QT)	
	TY22008	OIL	1	(SAE 15W/40), 3.8L (1 GAL)	
	TY6390	OIL	1	(SAE 15W/40), 19L (5 GAL)	
	TY22010	OIL	1	(SAE 15W/40), 113.6L (30 GAL)	
	TY6391	OIL	1	(SAE 15W/40), 208L (55 GAL)	
	TY6392	OIL	1	(SAE 30), 0.9L (1 QT)	
	TY22007	OIL	1	(SAE 30), 3.8L (1 GAL)	
	TY6393	OIL	1	(SAE 30), 19L (5 GAL)	
	TY22011	OIL	1	(SAE 30), 113.6L (30 GAL)	
	TY6394	OIL	1	(SAE 30), 208L (55 GAL)	

KIT FOR OFF-SEASON STORAGE

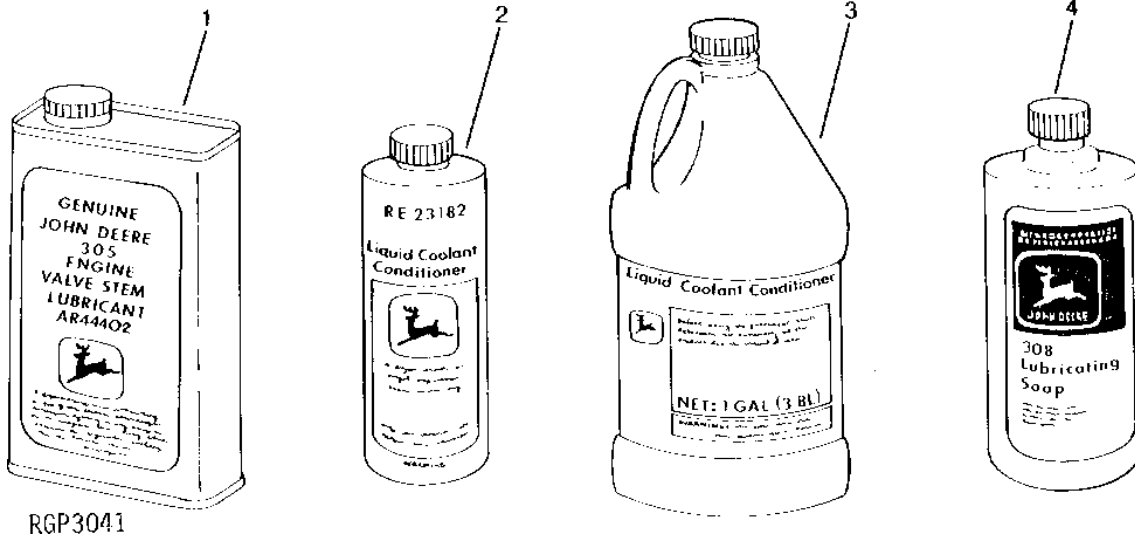
KEY	PART NO.	PART NAME	QTY	ENGINE SERIAL NO.	REMARKS
..	AR41785	KIT	1	0.9L (1 QT.)	

1A23

ENGINE

RGP3041 -UN-01JAN94

ACCESSORY PARTS



RGP3041

KEY	PART NO.	PART NAME	QTY	SERIAL NO.	REMARKS
1	AR44402	OIL	1	0.9L (1 QT.)	
2	RE23182	ENGINE COOLANT CONDITIONER	1	0.473L (16 OZ.) (SUB FOR T19566 OR RE12842) (SUB TY16004)	
3	RE35992	ENGINE COOLANT CONDITIONER	1	3.8L (1 GAL.) (SUB TY16005)	
	TY16005	ENGINE COOLANT CONDITIONER	1	1.9L (1/2 GAL.)	
4	AR54749	LUBRICANT	1	0.9L (1 QT.)	

MEMORANDA

MEMORANDA

MEMORANDA

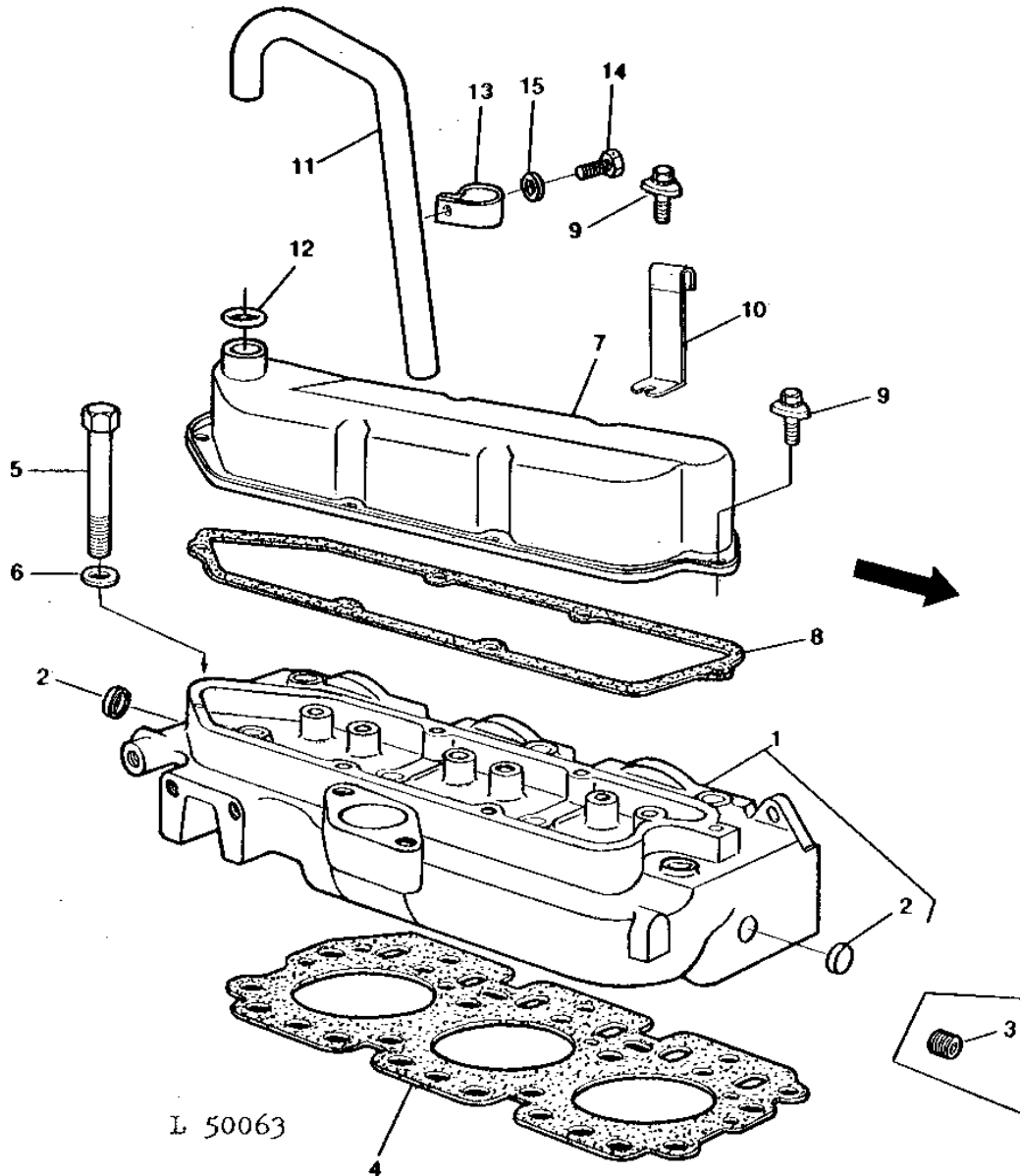
1A24

ENGINE

L50063

-UN-01JAN94

CYLINDER HEAD AND ROCKER ARM COVER



1A25

ENGINE

CYLINDER HEAD AND ROCKER ARM COVER - CONTINUED

KEY	PART NO.	PART NAME	QTY	ENGINE SERIAL NO.	REMARKS
1	AR70583	CYLINDER HEAD	1		(DIESEL) (MARKED T24755 OR R58685) (SUB FOR AT21799 OR AR70582) (SUB RE56309)
	AT21332	CYLINDER HEAD	1		(GASOLINE) (MARKED T19974)
2	A3910R	CAP	2		(SUB N102039)
3	15H559	PIPE PLUG	1	-083276	1/4"
4	R52789	GASKET	1		(SUB FOR T20039)
5	T20183	CAP SCREW	14		(DIESEL)
	T20182	CAP SCREW	11		(GASOLINE) (SUB R85363)
	T20184	BOLT	3		(GASOLINE)
6	T20168	WASHER	14		(SUB FOR M2834T)
7	AT18016	VALVE COVER	1		
8	T20111	GASKET	1		(SUB AR102261)
9	AR45530	SCREW, WITH WASHER	6		(SUB FOR AR27702) (SUB AR103811)
10	T24151	CLAMP	2	-017291	
	T24151	CLAMP	1	017292-	
11	T20074	TUBE	1		
12	R495R	O-RING	1		
13	R40791	CLAMP	1		(SUB FOR A4656R)
14	19H1813	CAP SCREW	1		5/16" X 5/8"
15	24H1685	WASHER	1		11/32" X 47/64" X 0.083"

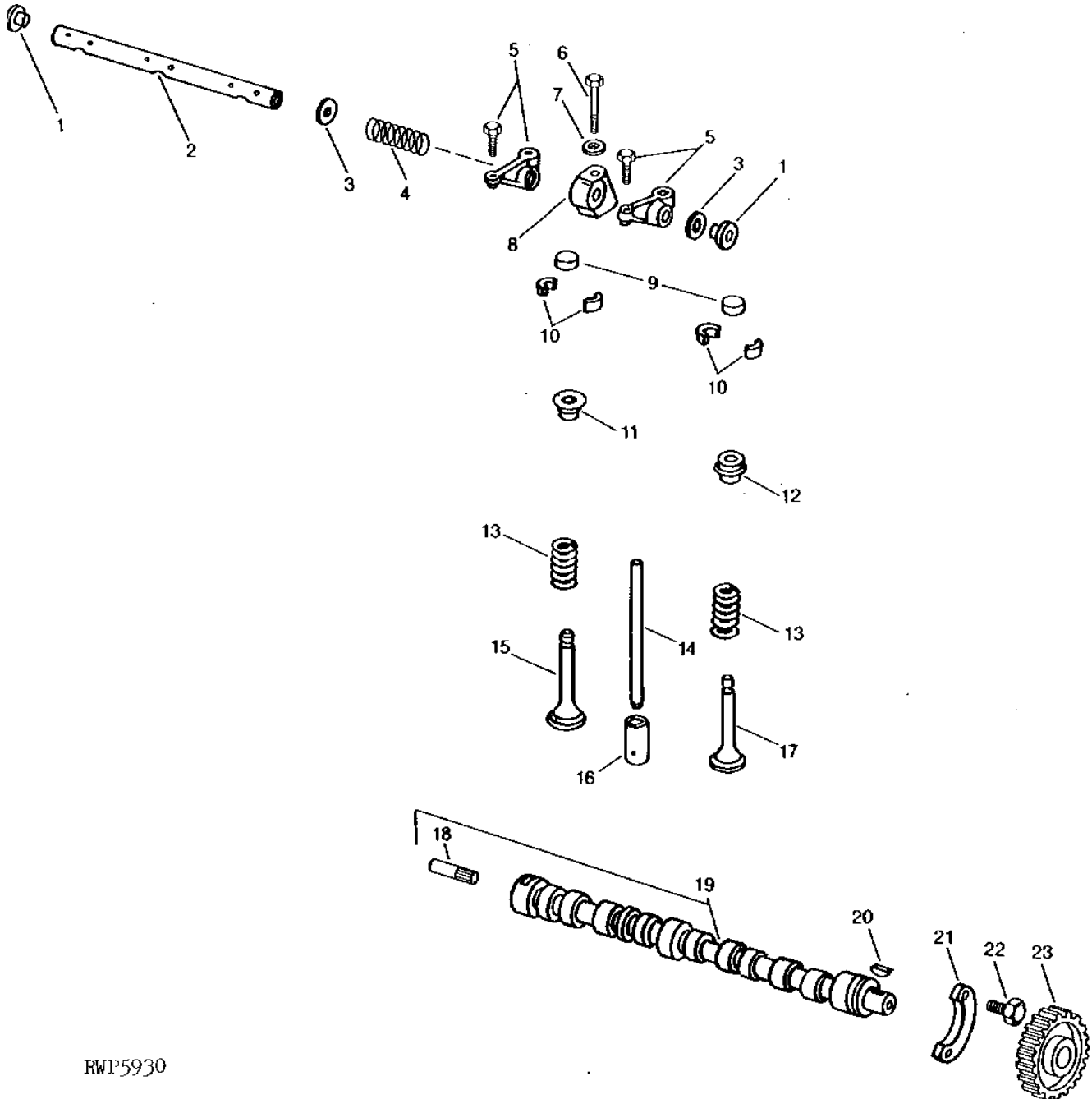
1B1

ENGINE

RWP5930

-UN-01JAN94

CAMSHAFT, ROCKER ARMS AND VALVES



RWP5930

1B2

ENGINE

CAMSHAFT, ROCKER ARMS AND VALVES - CONTINUED

KEY	PART NO.	PART NAME	QTY	ENGINE SERIAL NO.	REMARKS
1	R54565	PLUG	2		
2	R54985	SHAFT	1		(ALSO ORDER (2) R54565) (SUB DD12119)
3	T20316	WASHER	2		
4	T20314	SPRING	2		
5	AT31250	ROCKER ARM	6	-098107	(SUB FOR AT18129 OR AT22665) (SUB RE31973)
	AT31250	ROCKER ARM	6	098108-	(SUB RE31973)
6	19H1733	CAP SCREW	3		3/8" X 2-1/2"
7	R42729	WASHER	3		(SUB FOR T23594)
8	T20315	SUPPORT	3		
9	T20129	CAP	6		(A)
10	T20077	RETAINER	12		
11	R41412	CAP	3		(A) (SUB FOR T20176)
	T20169	CAP	3		(B)
	R27976	O-RING	3		(B)
12	R41412	CAP	3		(A) (SUB FOR T20176)
	T20287	ROTATOR	3		(B)
13	R26125	SPRING	6		
14	T20310	PIN	6		(A) (SUB R82896)
	T20297	PIN	6		(B)
15	R79623	INTAKE VALVE	3		(A) (SUB FOR T20174 OR R52251)
	R79628	INTAKE VALVE	3		(A) 0.08 MM (.003") OVERSIZE, (SUB FOR T23546 OR R57332)
	R79629	INTAKE VALVE	3		(A) 0.38 MM (.015") OVERSIZE, (SUB FOR T23547 OR R57334)
	R79630	INTAKE VALVE	3		(A) 0.76 MM (.030") OVERSIZE, (SUB FOR T23548 OR R57336)
	T25466	INTAKE VALVE	3		(B) (SUB FOR T23477)
	T26175	INTAKE VALVE	3		(B) 0.08 MM (.003") OVERSIZE, (SUB FOR T23540)
	T26176	INTAKE VALVE	3		(B) 0.38 MM (.015") OVERSIZE, (SUB FOR T23541)
	T26177	INTAKE VALVE	3		(B) 0.76 MM (.030") OVERSIZE, (SUB FOR T23542)
16	T20073	TAPPET	6		
17	R79624	EXHAUST VALVE	3		(A) (SUB FOR T20175 OR R52252)
	R79625	EXHAUST VALVE	3		(A) 0.08 MM (.003") OVERSIZE, (SUB FOR T23549 OR R57333)
	R79626	EXHAUST VALVE	3		(A) 0.38 MM (.015") OVERSIZE, (SUB FOR T23550 OR R57335)
	R79627	EXHAUST VALVE	3		(A) 0.76 MM (.030") OVERSIZE, (SUB FOR T23551 OR R57337)
	T25467	EXHAUST VALVE	3		(B) (SUB FOR T20286)
	T26178	EXHAUST VALVE	3		(B) 0.08 MM (.003") OVERSIZE, (SUB FOR T23543)
	T26179	EXHAUST VALVE	3		(B) 0.38 MM (.015") OVERSIZE, (SUB FOR T23544)
	T23545	EXHAUST VALVE	3		(B) 0.76 MM (.030") OVERSIZE
18	T20071	DRIVE SHAFT	1		(USE WITH T20015)
	R81513	DRIVE SHAFT	1		(USE WITH R82819)
19	R82819	CAMSHAFT	1		(MARKED T20015) (SUB FOR R81516) (SUB R82819 AND R81513)
20	T28041	SHAFT KEY	1		
21	T20072	PLATE	1		
22	19H1731	CAP SCREW	2		3/8" X 1"
23	T20070	GEAR	1		(48 TEETH)

(A) DIESEL
(B) GASOLINE

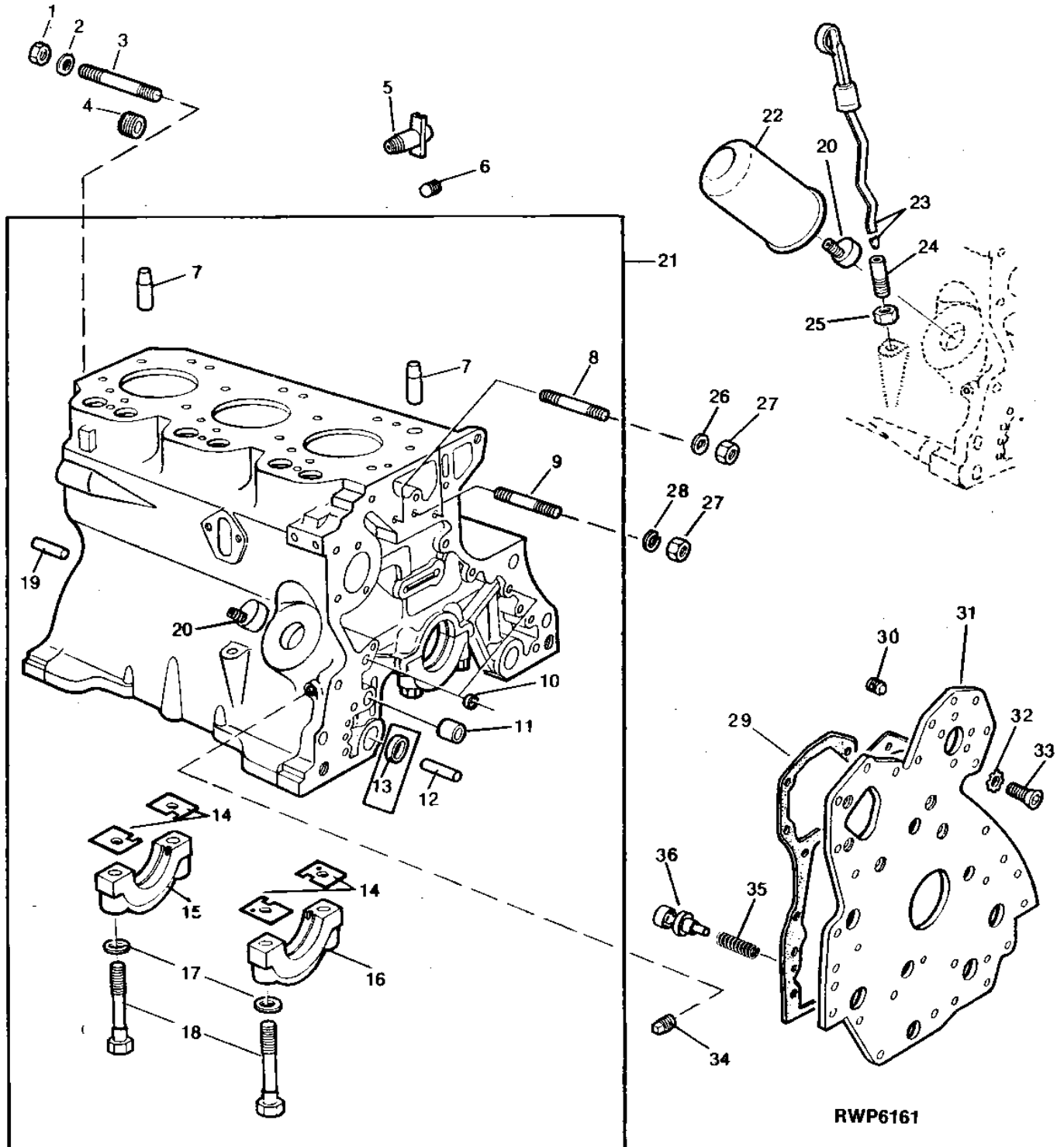
1B3

ENGINE

RWP6161

-UN-01JAN94

CYLINDER BLOCK



RWP6161

1B4

ENGINE

CYLINDER BLOCK - CONTINUED

KEY	PART NO.	PART NAME	QTY	ENGINE SERIAL NO.	REMARKS
1	14H1039	NUT	1		5/8"
2	R70268	WASHER	1		(SUB FOR R42363)
3	R53790	STUD	1		
4	15H690	PIPE PLUG	1		3/4"
5	AT13740	DRAIN VALVE	1		(LESS ENGINE COOLANT HEATER) (SUB FOR AT27653)
	T29388	UNION FITTING	1		(ENGINE COOLANT HEATER) (SUB FOR T29381) (ALSO ORDER 15H613)
6	15H275	PIPE PLUG	1		1/4"
	T29388	UNION FITTING	1		(ENGINE COOLANT HEATER)
7	R48685	DOWEL PIN	2		(SUB FOR R26241, THIS APPLICATION)
8	T33279	STUD	2		(SUB FOR T20173)
9	T25701	STUD	1		
10	T18891	CAP	2	078078-XXXXXX	(A)
	T18891	CAP	1	XXXXXX-	(A)
	T18891	CAP	2	079158-XXXXXX	(B)
	T18891	CAP	1	XXXXXX-	(B)
11	R26493	BUSHING	1		
12	R26650	DOWEL PIN	2		
13	T20330	BUSHING	1	-085080	(A)
	T20330	BUSHING	1	-084610	(B)
14	T23670	SHIM	AR		0.076 MM (.003") (NO LONGER AVAILABLE)
	T23671	SHIM	AR		0.05 MM (.002") (NO LONGER AVAILABLE)
15	R79089	CAP	1		(SUB FOR AT21227 OR AR82295)
16	R65215	BEARING CAP	AR		(3 USED DIESEL) (2 USED GASOLINE) (SUB FOR AT21226 OR AR82294)
17	T20168	WASHER	AR		(8 USED DIESEL) (6 USED GASOLINE)
18	T23474	CAP SCREW	AR		(8 USED DIESEL) (6 USED GASOLINE)
19	R48685	DOWEL PIN	2		(SUB FOR A120R)
20	T23435	THREADED NIPPLE	1		
21	AT22751	CYLINDER BLOCK	1	-052778	(A) (SUB AR97025, R73139, R46625, R90648, (3) T32340, (14) R53223 AND (3) AR71617) (SUB FOR AT18105)
	AR59055	CYLINDER BLOCK	1	-XXXXXX	(A) (MARKED T32339, R53240 OR R55100) (SUB FOR AT31582 OR AT24999) (SUB AR97025, R46625, R73139, R90648 AND (3) T32340)
	AR97025	CYLINDER BLOCK	1	XXXXXX-	(A) (MARKED R72967)
	AT18101	CYLINDER BLOCK	1	-023248	(B) (SUB AT31578, (3) T32350, (3) R48767 AND (3) AR71617)
	AT22750	CYLINDER BLOCK	1	-053586	(B) (SUB AT31578, (3) T32350, (3) R48767 AND (3) AR71617)
	AT31578	CYLINDER BLOCK	1	-XXXXXX	(B) (MARKED R72982) (ALSO ORDER T32350, (3) R48767 AND (3) AR71617) (SUB FOR AT24988)
	AR97089	CYLINDER BLOCK	1	XXXXXX-	(B) (MARKED R72982)
22	T19044	OIL FILTER	1		
23	AT21534	DIPSTICK	1		
24	T24409	THREADED NIPPLE	1		(SUB R55299 AND R10093)
25	14H826	NUT	1		1/2"
26	12H304	LOCK WASHER	2		3/8"
27	14H1076	NUT	3		3/8"
28	12H304	LOCK WASHER	1		3/8"
29	R73140	GASKET	1		(SUB FOR T20292, T24965 OR R90648)
30	AT21191	SET SCREW	2		(A)
	AT22919	SET SCREW	2		(A)
31	R56736	PLATE	1		(A) (ALSO ORDER (5) AT21191 AND (2) AT22919) (SUB FOR T20295) (SUB RE16149, (2) AT22919 AND (8) AT21191)
	R56737	PLATE	1		(B) (SUB FOR T20024)
32	12H324	WASHER	5		3/8"
33	T20166	SCREW	5		
34	15H255	PIPE PLUG	1	023689-	3/8"
	15H255	PIPE PLUG	1	023249-	3/8"
35	R46625	SPRING	1	XXXXXX-	
36	R73139	VALVE	1	XXXXXX-	
..	22H932	SET SCREW	1		5/16" X 3/8", (MARKED R55100)
..	R54802	ORIFICE	1		(USE WITH R55100)

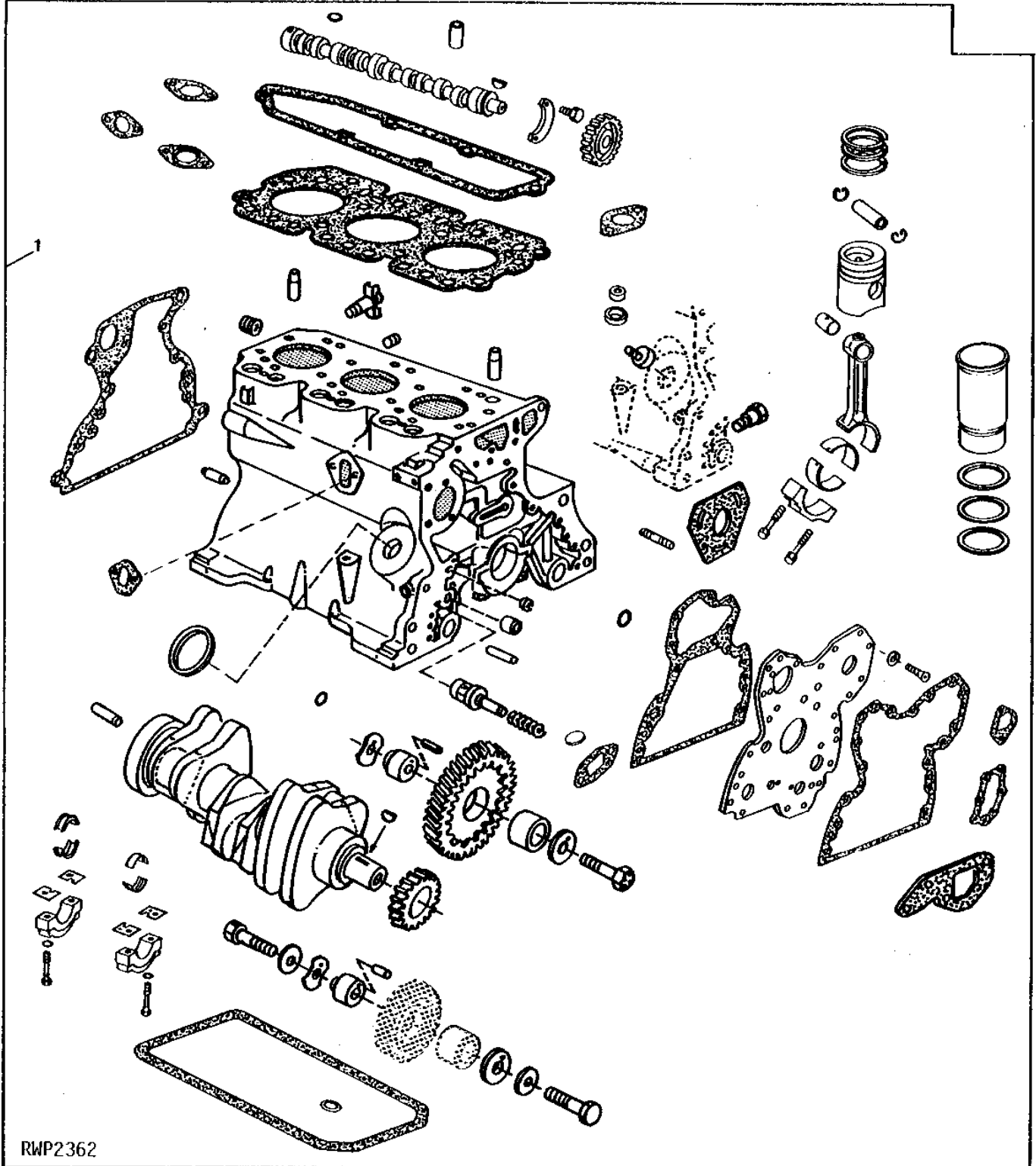
(A) DIESEL
(B) GASOLINE

1B5

ENGINE

RWP2362 -UN-01JAN94

SHORT BLOCK



1B6

ENGINE

SHORT BLOCK - CONTINUED

KEY	PART NO.	PART NAME	QTY	ENGINE SERIAL NO.	REMARKS
1	AT21933	SHORT BLOCK ASSEMBLY	1	-052778	(A) (SUB RE19842, RE15381 AND R81513)
	AT31561	SHORT BLOCK ASSEMBLY	1		(A) (SUB FOR AT25005 OR AR97030) (SUB RE19842, RE15381, R81513 AND (14) R53223)
	AR97032	SHORT BLOCK ASSEMBLY	1	168855-	(A) (SUB FOR AR64728) (SUB RE19842 AND R81513)
	AT21934	SHORT BLOCK ASSEMBLY	1	-053586	(B) (SUB RE19850 AND R81513)
	AT31574	SHORT BLOCK ASSEMBLY	1		(B) (SUB FOR AT25004) (SUB RE19850 AND R81513)
	AR97104	SHORT BLOCK ASSEMBLY	1		(B) (SUB RE19850 AND R81513)
	RE19850	SHORT BLOCK ASSEMBLY	1		(B) (NLA)

(A) DIESEL
(B) GASOLINE

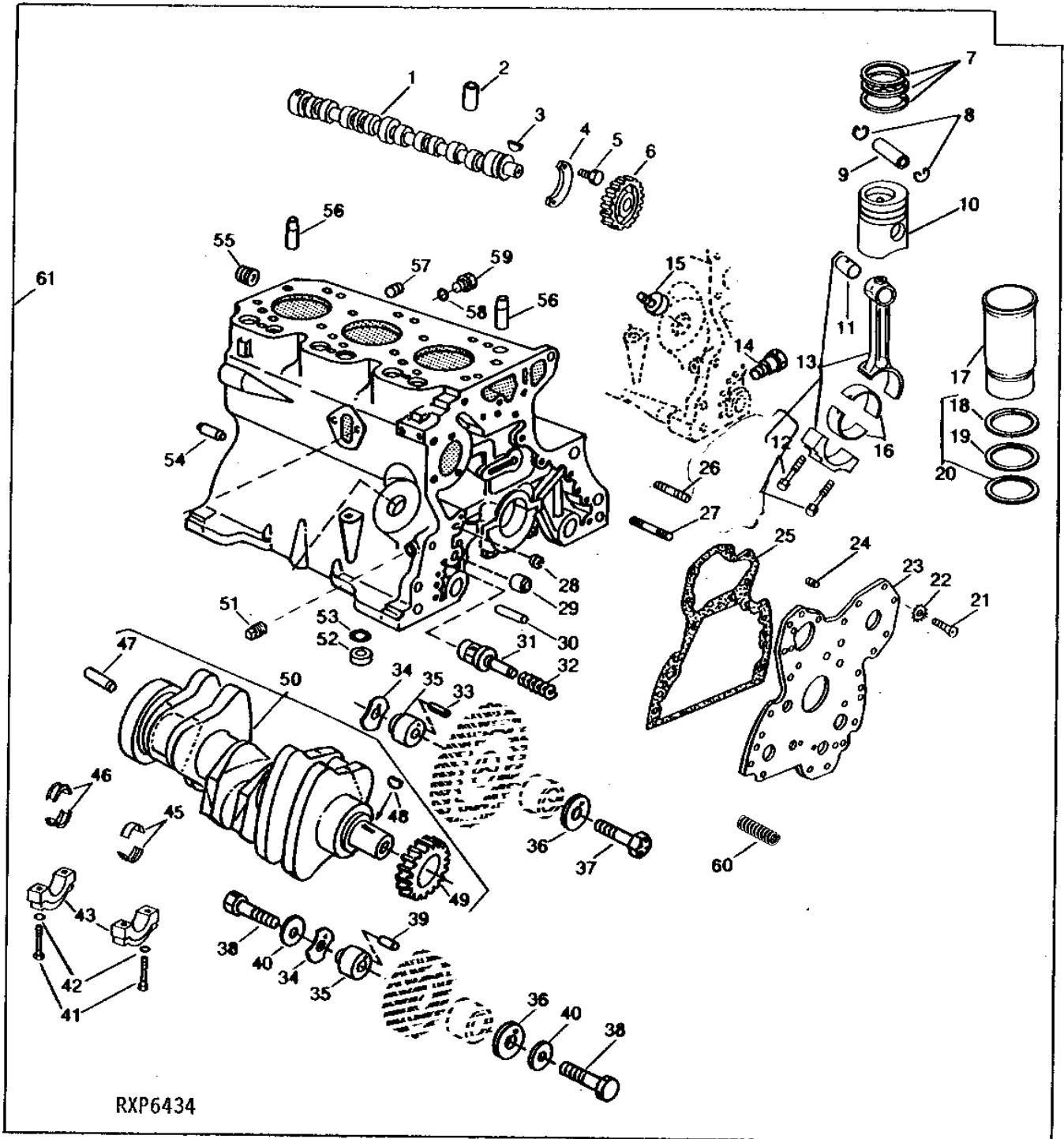
1B7

ENGINE

RXP6434

-UN-01JAN94

SHORT BLOCK



RXP6434

1B8

ENGINE

SHORT BLOCK - CONTINUED

KEY	PART NO.	PART NAME	QTY	ENGINE SERIAL NO.	REMARKS
1	R119707	CAMSHAFT	1		(SUB FOR R82819)
2	T20073	TAPPET	6		
3	T28041	SHAFT KEY	1		
4	T20072	PLATE	1		
5	19H2676	CAP SCREW	2		
6	T20070	GEAR	1		
7	AR55759	PISTON RING KIT	3		
8	M41029	SNAP RING	6		
9	R125754	PISTON PIN	3		
10	AR77762	PISTON	3		
11	R55647	BUSHING	3		
12	R80033	SCREW	6		
13	RE21076	CONNECTING ROD	3		
14	R54802	ORIFICE	3		
15	T23435	THREADED NIPPLE	1		
16	AT21138	BEARING	3		
17	T32343	CYLINDER LINER	3		
18	R48768	WASHER	3		
19	T32344	O-RING	3		
20	AR71618	KIT	3		
21	T20166	SCREW	5		
22	12H324	WASHER	5		3/8"
23	RE16149	PLATE	1		
24	AT21191	SET SCREW	8		
	AT22919	SET SCREW	2		
25	R90648	GASKET	1		
26	T25701	STUD	1		
27	T33279	STUD	2		
28	T18891	CAP	1		
29	R26493	BUSHING	1		
30	R26650	DOWEL PIN	1		
31	R73139	VALVE	1		
32	R46625	SPRING	1		
33	34H283	SPRING PIN	1		3/16" X 1-1/8"
34	T26324	THRUST WASHER	2		
35	R109863	PIN	2		
36	T26326	THRUST WASHER	2		
37	T26327	SCREW	1		1/2" X 2-1/4"
38	T26325	SCREW	2		9/16" X 3/4"
39	34H286	SPRING PIN	1		3/16" X 1-1/2"
40	R76126	WASHER	2		
41	T23474	CAP SCREW	8		
42	T20168	WASHER	8		
43	R79089	CAP	1		
44	R65215	BEARING CAP	3		
45	AT21140	BEARING	3		
46	AT21139	BEARING	1		
47	T26565	DOWEL PIN	1		
48	26H72	SHAFT KEY	1		1/8" X 5/8"
49	T20094	GEAR	1		
50	AT18031	CRANKSHAFT	1		(MARKED T23516 OR R100142) (SUB RE46896)
51	15H666	PIPE PLUG	1		3/8"
52	R75893	FITTING	1		
53	R75892	O-RING	1		
54	R48685	DOWEL PIN	1		
55	15H562	PIPE PLUG	1		1"
56	R48685	DOWEL PIN	2		
57	15H275	PIPE PLUG	1		1/4"
58	U13639	O-RING	1		
59	R39741	DRAIN PLUG	1		
60	T27658	SPRING	1		
61	RE19842	SHORT BLOCK ASSEMBLY	1		(A) (MARKED R80408) (SUB FOR AR97035) (ALSO ORDER R81513)

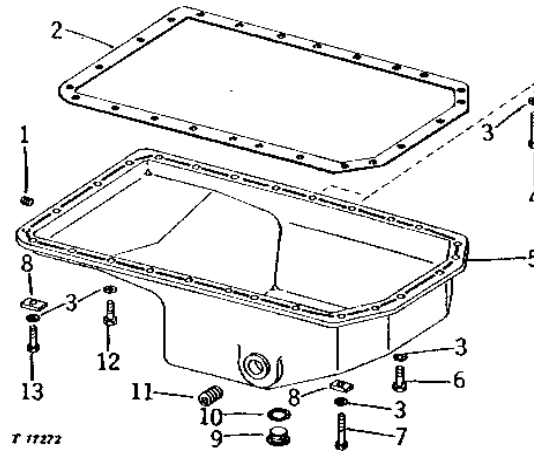
(A) NOTE: INSTALL D2361R BALL

1B9

ENGINE

T17272 -UN-01JAN94

OIL PAN



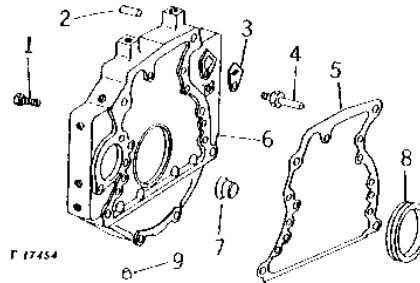
KEY	PART NO.	PART NAME	QTY	ENGINE SERIAL NO.	REMARKS
1	15H624	PIPE PLUG	1		1/2"
2	T24534	GASKET	1		(STEEL PAN)
	R49514	GASKET	1		(CAST IRON PAN)
3	12H304	LOCK WASHER	24		3/8"
4	19H1732	CAP SCREW	2		3/8" X 1-1/4", (ENGINE COOLANT HEATER)
5	AT18180	OIL PAN	1	-080503	
	AT18180	OIL PAN	1	080504-	(ALSO ORDER 15H624 AND 15H649)
6	19H2284	CAP SCREW	5		3/8" X 7/8"
7	19H1801	CAP SCREW	1		3/8" X 2", FRONT, RIGHT SIDE HOLE
8	24M7106	WASHER	4		10 X 18 X 2.500 MM, (SUB FOR T23200)
9	T20098	DRAIN PLUG	1		
10	T13213	WASHER	1		
11	15H649	PIPE PLUG	1	-080503	3/4"
12	19H1936	CAP SCREW	17		3/8" X 3/4", (LESS ENGINE COOLANT HEATER)
	19H1936	CAP SCREW	15		3/8" X 3/4"
13	19H1732	CAP SCREW	1		3/8" X 1-1/4", REAR, RIGHT SIDE HOLE

1B10

ENGINE

T17454 -UN-01JAN94

FLYWHEEL HOUSING



KEY	PART NO.	PART NAME	QTY	ENGINE SERIAL NO.	REMARKS
1	19H3219	CAP SCREW	1		3/8" X 1-3/8"
2	T26565	DOWEL PIN	2		
3	T20089	COVER	1		
4	T20090	SCREW	1		
5	R70483	GASKET	1		(SUB FOR T23596) (SUB R97351)
6	T22991	HOUSING	1	-035894	(SUB R63434 AND RE44574)
	R63434	HOUSING	1	035895-	
7	T20445	PLUG	1		
8	T20326	SEAL	1	-035894	
	RE44574	SEAL	1	035895-	(SUB FOR AR92893, AT22965 OR RE24959)
9	T23590	PLUG	1		

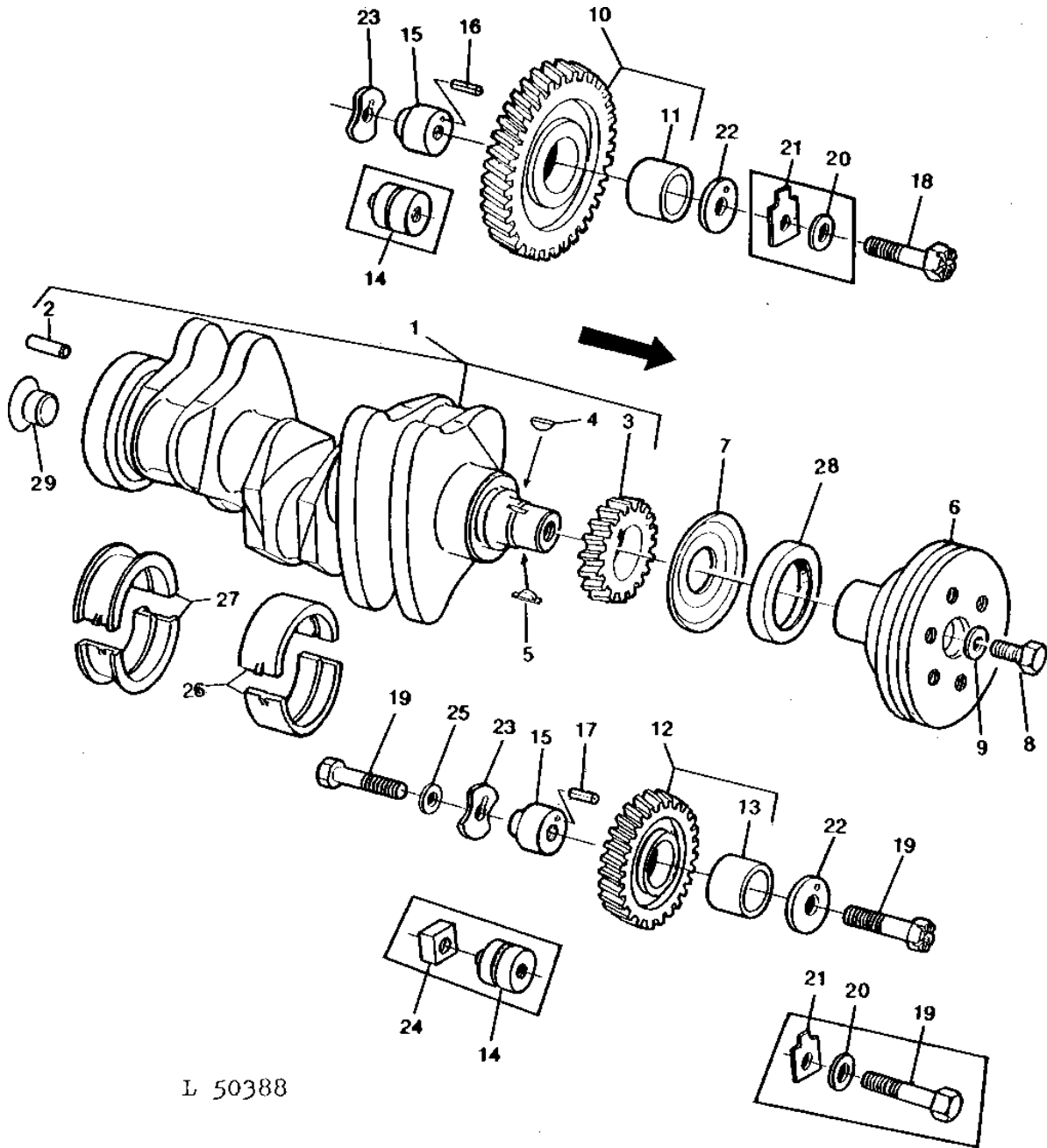
1B11

ENGINE

L50388

-UN-01JAN94

CRANKSHAFT AND IDLER GEARS



L 50388

1B12

ENGINE

CRANKSHAFT AND IDLER GEARS - CONTINUED

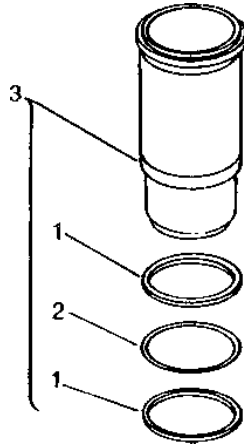
KEY	PART NO.	PART NAME	QTY	ENGINE SERIAL NO.	REMARKS
1	RE47637	KIT	1		(DIESEL) (MARKED T23516 OR R100142) (SUB FOR AT18031) (SUB RE46896)
	AT21072	CRANKSHAFT	1		(GASOLINE) (MARKED T23484)
2	T26565	DOWEL PIN	1		
3	T20094	GEAR	1		(24 TEETH)
4	26H72	SHAFT KEY	1		1/8" X 5/8"
5	T23604	SHAFT KEY	1		
6	T24441	PULLEY	1	-028836	(SUB T25366 AND (2) R34360)
	T25366	PULLEY	1	028837-	
7	T20046	OIL SLINGER	1		
8	19H1721	CAP SCREW	1		1/2" X 1-1/2"
9	T20217	WASHER	1		
10	AT18009	GEAR	1		(55 TEETH) (MARKED T20029) (SUB AR91660)
11	T20034	BUSHING	1		
12	AT18039	GEAR	1	-058459	(45 TEETH) (MARKED T20135) (SUB AT24252)
	AT24252	GEAR	1		(45 TEETH) (MARKED T26322)
13	T20034	BUSHING	1	-058459	
	T26321	BUSHING	1	058460-	
14	T20036	SHAFT	1	-058459	LOWER, (SUB R89824, R100105, 19H3011 AND 14H865)
	T20036	SHAFT	1	-058459	UPPER, (SUB R89824)
15	T26323	SHAFT	2		
16	34H283	SPRING PIN	1	058460-	3/16" X 1-1/8"
17	34H286	SPRING PIN	1	058460-	3/16" X 1-1/2"
18	19H1990	CAP SCREW	1	-058459	1/2" X 2-1/4"
	T26327	SCREW	1	058480-	
19	19H2644	CAP SCREW	1	-058459	1/2" X 2-1/2"
	T26325	SCREW	2	058460-	
20	T20290	SHIM	2	-058459	
21	T20291	WEAR PLATE	2	-058459	
22	T20038	THRUST WASHER	2	-058459	(SUB T26326)
	T26326	THRUST WASHER	2		
23	T20037	THRUST WASHER	2	-058459	(SUB T26324)
	T26324	THRUST WASHER	2		
24	T20136	FITTING	1	-058459	LOWER
25	R42364	WASHER	2	058640-	(SUB R76126)
26	AT21140	BEARING	AR		(2 HALVES) (3 USED DIESEL) (2 USED GASOLINE)
	AT21108	BEARING	AR		0.05 MM (.002") UNDERSIZE, PLAIN (2 HALVES) (3 USED DIESEL) (2 USED GASOLINE)
	AT21110	BEARING	AR		0.25 MM (.010") UNDERSIZE, PLAIN (2 HALVES) (3 USED DIESEL) (2 USED GASOLINE)
	AT21112	BEARING	AR		0.51 MM (.020") UNDERSIZE, PLAIN (2 HALVES) (3 USED DIESEL) (2 USED GASOLINE)
	AT21114	BEARING	AR		0.76 MM (.030") UNDERSIZE, PLAIN (2 HALVES) (3 USED DIESEL) (2 USED GASOLINE)
27	AT21139	BEARING	1		(2 HALVES)
	AT21130	BEARING	1		0.05 MM (.002") UNDERSIZE, (2 HALVES)
	AT21132	BEARING	1		0.25 MM (.010") UNDERSIZE, (2 HALVES)
	AT21134	BEARING	1		0.51 MM (.020") UNDERSIZE, (2 HALVES)
	AT21136	BEARING	1		0.76 MM (.030") UNDERSIZE, (2 HALVES)
28	AR67942	SEAL	1		FRONT, (SUB FOR AT21608)
29	T20445	PLUG	1		

1B13

ENGINE

CYLINDER LINER
 (GASOLINE ENGINE SERIAL NO. -162078)
 (DIESEL ENGINE SERIAL NO. -154765)

RWP5401 -UN-01JAN94



RWP5401

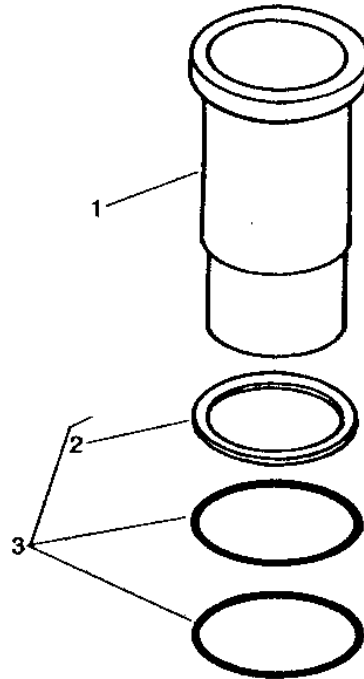
KEY	PART NO.	PART NAME	QTY	ENGINE SERIAL NO.	REMARKS
1	R48637	WASHER	6		(USE WHEN AR51902 OR AR52252 HAS BEEN INSTALLED)
2	R48638	O-RING	3		(USE WHEN AR51902 OR AR52252 HAS BEEN INSTALLED)
3	AR51902	KIT	3		(DIESEL) (SUB FOR T20085) (USE WITH T26935)
	AR52252	KIT	3		(GASOLINE) (SUB FOR T20080)

1B14

ENGINE

CYLINDER LINER
 (GASOLINE ENGINE SERIAL NO. 162079-)
 (DIESEL ENGINE SERIAL NO. 154766-)

RP204 -UN-01JAN94



RP204

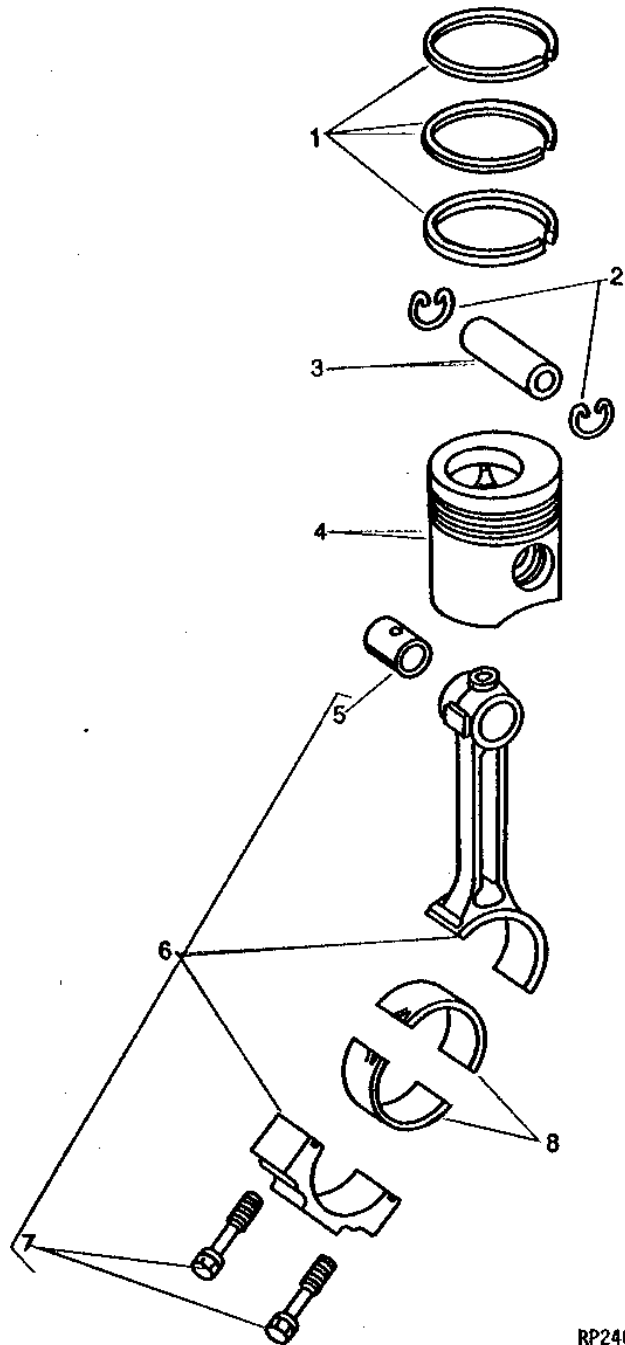
KEY	PART NO.	PART NAME	QTY	ENGINE SERIAL NO.	REMARKS
1	T32350	CYLINDER LINER	3	(GASOLINE)	
	T32340	CYLINDER LINER	3	(DIESEL)	
2	R48767	PACKING	3	(SUB FOR T25374 OR T32261)	
3	AR71617	KIT	3	(SUB FOR AT31609, AR54747 OR AR65070)	
..	AR54749	LUBRICANT	1	(USE FOR CYLINDER LINER PACKING INSTALLATION)	

1B15

ENGINE

PISTONS AND CONNECTING RODS (DIESEL)

RP240 -UN-01JAN94



RP240

1B16

ENGINE

PISTONS AND CONNECTING RODS - CONTINUED (DIESEL)

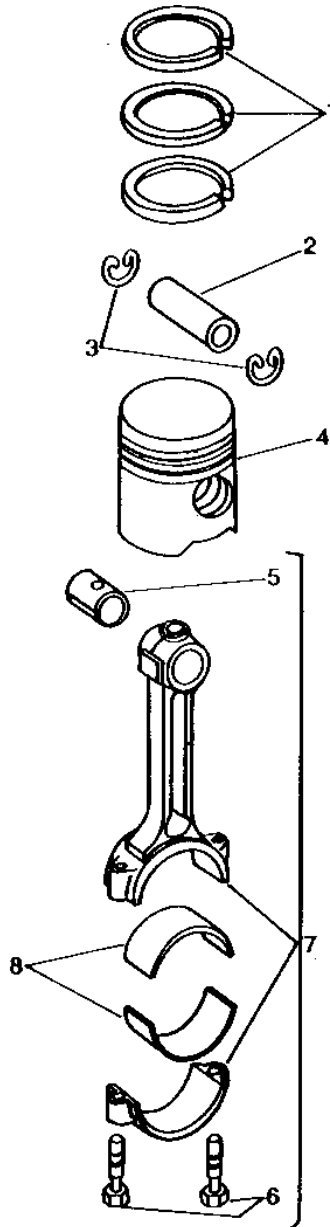
KEY	PART NO.	PART NAME	QTY	ENGINE SERIAL NO.	REMARKS
1	AR70633	PISTON RING KIT	3		(SUB FOR AT18012 OR AR55758)
2	R51112	SNAP RING	6		(SUB FOR M67T)
3	T23482	PISTON PIN	3		
4	T23481	PISTON	3		
5	T23471	BUSHING	3		
6	AT18005	CONNECTING ROD	3		(SUB RE19733)
7	T20009	CAP SCREW	6		(SUB FOR T19812) (SUB R74194)
	R80033	SCREW	6		(USE WITH RE19733)
8	AT21138	BEARING	3		(2 HALVES)
	AT21122	BEARING	3		0.05 MM (.002") UNDERSIZE (2 HALVES)
	AT21124	BEARING	3		0.25 MM (.010") UNDERSIZE (2 HALVES)
	AT21126	BEARING	3		0.51 MM (.020") UNDERSIZE (2 HALVES)
	AT21128	BEARING	3		0.76 MM (.030") UNDERSIZE (2 HALVES)

1B17

ENGINE

PISTONS AND CONNECTING RODS (GASOLINE)

RWP4401 -UN-01JAN94



RWP4401

1B18

ENGINE

PISTONS AND CONNECTING RODS - CONTINUED (GASOLINE)

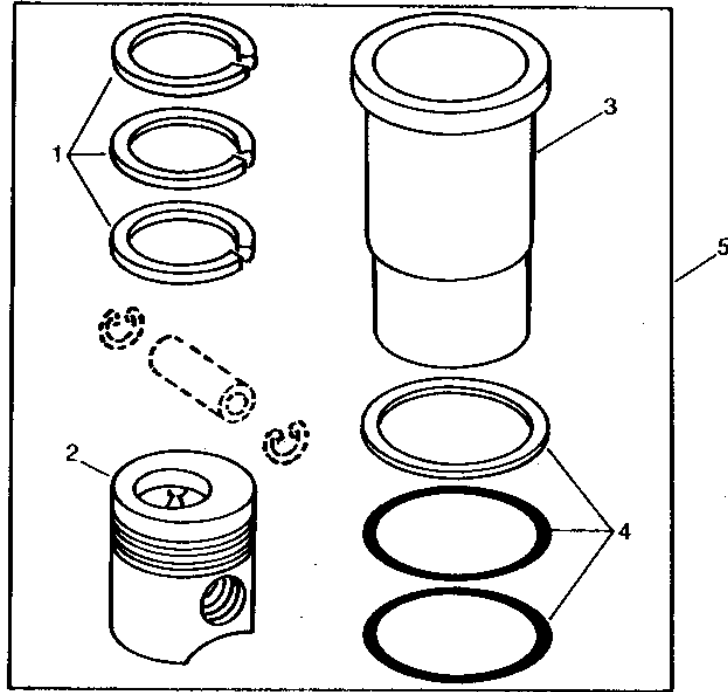
KEY	PART NO.	PART NAME	QTY	ENGINE SERIAL NO.	REMARKS
1	AR70633	PISTON RING KIT	3		(SET OF 3 RINGS) (SUB FOR AT18006, AT18012 OR AR55758)
2	T18838	PISTON PIN	3		
3	R51112	SNAP RING	6		(SUB FOR M67T)
4	T23504	PISTON	3		(DEPRESSED SURFACE)
	T25027	PISTON	3		HIGH ALTITUDE (RAISED SURFACE) (SUB T23504)
5	T526T	BUSHING	3		
6	T19173	BOLT	6		
7	AT18147	CONNECTING ROD	3		
8	AT10123	BEARING	3		(2 HALVES)
	AT21116	BEARING	3		0.05 MM (.002") UNDERSIZE (2 HALVES)
	AT21117	BEARING	3		0.25 MM (.010") UNDERSIZE (2 HALVES)
	AT21119	BEARING	3		0.51 MM (.020") UNDERSIZE (2 HALVES)
	AT10519	BEARING	3		0.76 MM (.030") UNDERSIZE (2 HALVES)

1B19

ENGINE

RWP2613 -UN-01JAN94

PISTON LINER KIT (DIESEL)



RWP2613

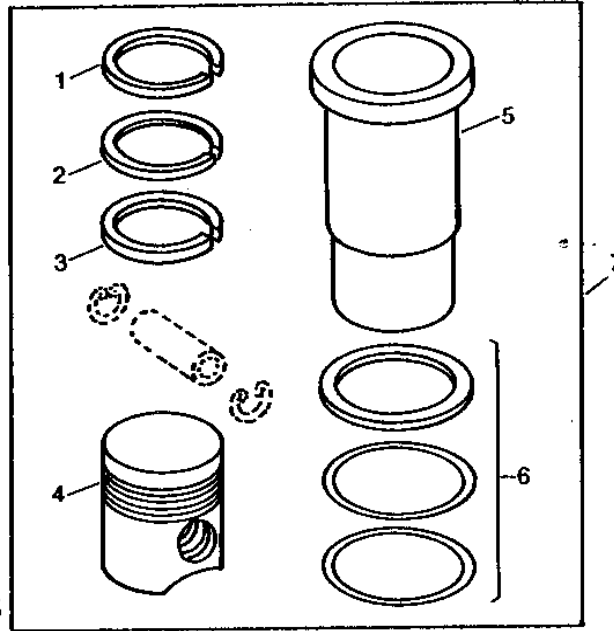
KEY	PART NO.	PART NAME	QTY	ENGINE SERIAL NO.	REMARKS
1	AR70633	PISTON RING KIT	1		
2	T23481	PISTON	1		
3	T32340	CYLINDER LINER	1		
4	AR71617	KIT	1		
5	AR71591	PISTON-LINER KIT	1	154766-	(MARKED T32340) (USE WITH T32342, R53250 OR R55034)

1B20

ENGINE

PISTON LINER KIT (GASOLINE)

RWP1795 -UN-01JAN94



RWP1795

KEY	PART NO.	PART NAME	QTY	ENGINE SERIAL NO.	REMARKS
1	R51489	PISTON RING	1	(SUB AR70633)	
2	T20004	PISTON RING	1	(SUB AR70633)	
3	AR55761	PISTON RING	1	OIL CONTROL, (SUB AR70633)	
4	T23504	PISTON	1		
5	T32350	CYLINDER LINER	1		
6	AR71617	KIT	1		
7	AR71590	PISTON-LINER KIT	1	162079-	(USE WITH T32349 OR T32352)

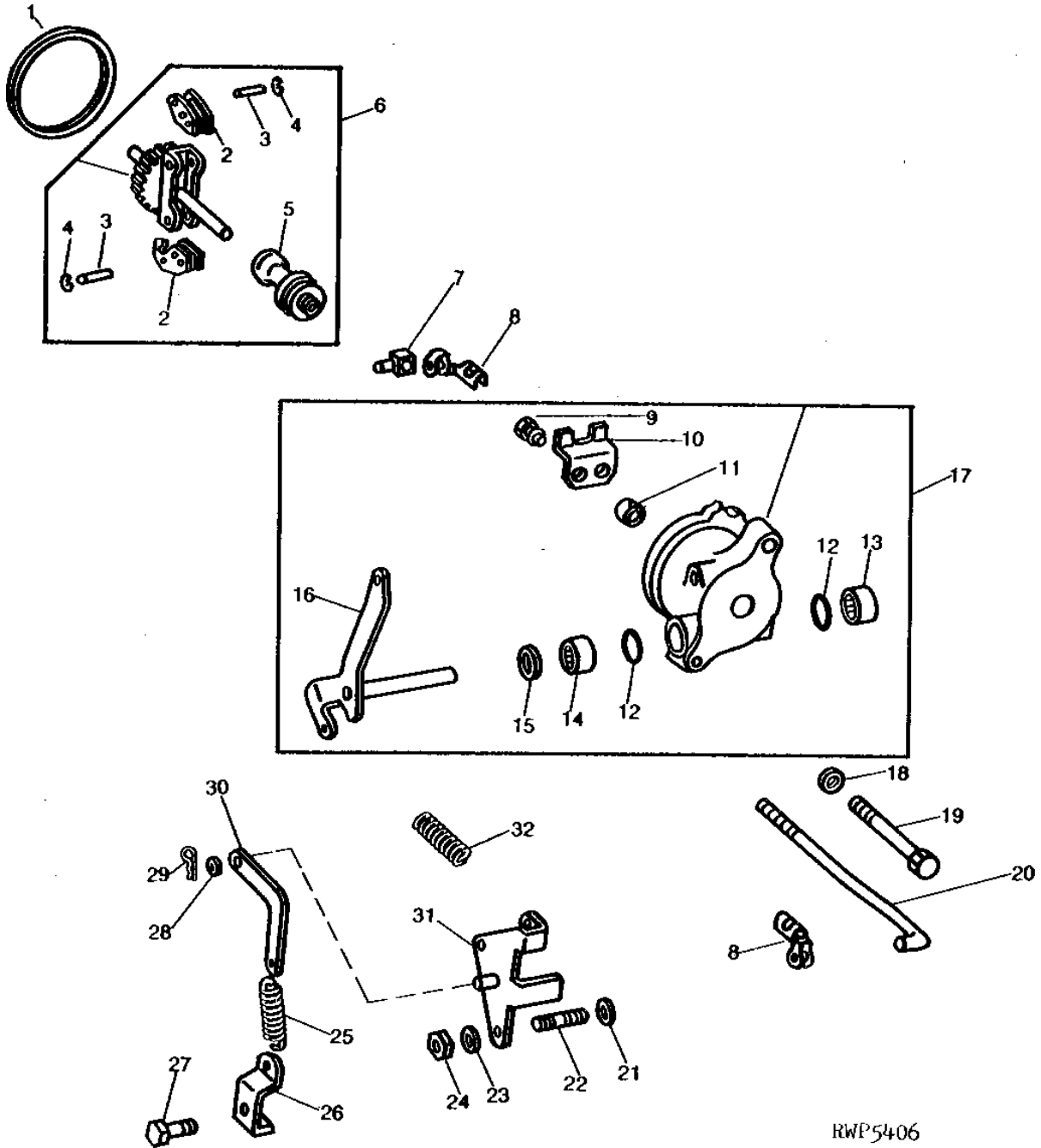
1B21

ENGINE

RWP5406

-UN-01JAN94

GOVERNOR ASSEMBLY



RWP5406

1B22

ENGINE

GOVERNOR ASSEMBLY - CONTINUED

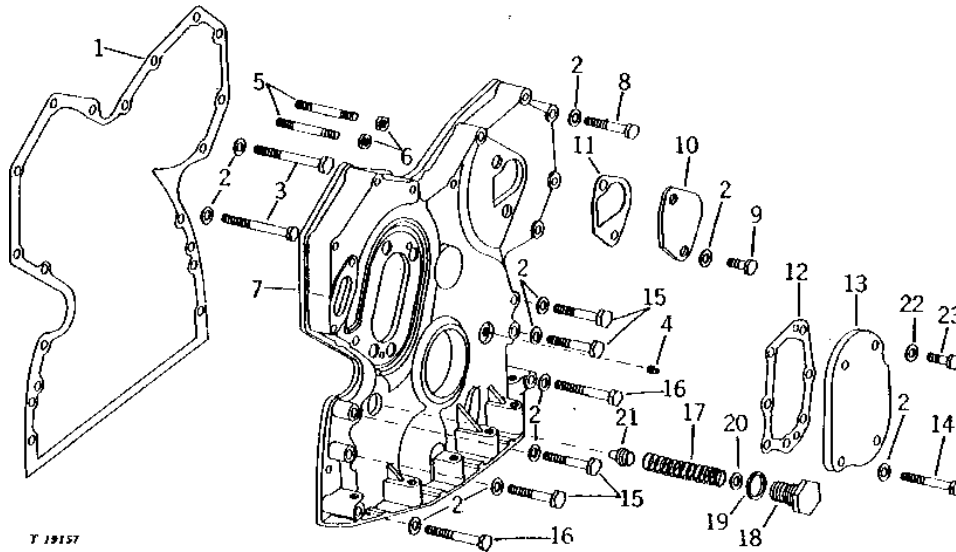
KEY	PART NO.	PART NAME	QTY	TRACTOR SERIAL NO.	REMARKS
1	T20232	WASHER	1		
2	AT15604	WEIGHT	2		
3	P47892	PIN	2		
4	P47893	SNAP RING	2		
5	AT15601	BEARING	1		
6	AT18073	SHAFT	1		
7	R26500	SWIVEL	1		
8	R26501	CLIP	2		
9	T20231	SCREW	2		
10	T19996	YOKE	1		
11	T11107	BUSHING	1		
12	T20229	WASHER	2		
13	JD9810	NEEDLE BEARING	1		
14	JD8833	NEEDLE BEARING	1		
15	T20223	SEAL	1		
16	LEVER	1		(SUB AT21373)
17	AT21373	HOUSING	1		(MARKED T19995)
18	24M7106	WASHER	2		10 X 18 X 2.500 MM
19	19H2228	CAP SCREW	2		3/8" X 4"
20	T25031	ROD	1		(SUB FOR T20234)
21	24H1305	WASHER	1		13/32" X 13/16" X 0.065"
22	M3636T	STUD	1		
23	24M7096	WASHER	1		10.500 X 18 X 1.600 MM
24	T11234	LOCK NUT	1		
25	T23226	SPRING	1		
26	T23666	BRACKET	1	-016668	(SUB R62568 AND T24878)
	R62568	BRACKET	1	016669-	(SUB FOR T24879)
27	19H1792	CAP SCREW	1		1/2" X 1"
28	24H1286	WASHER	1		9/32" X 1/2" X 1/16"
29	11M7077	COTTER PIN	1		1.600 X 25 MM
30	T23665	LEVER	1	-016668	(SUB T24878 AND R62568)
	T24878	ARM	1	016669-	
31	AT21225	LEVER	1		
32	T17609	SPRING	1		

1B23

ENGINE

TIMING GEAR COVER (DIESEL)

T19157 -UN-01JAN94



T 19157

KEY	PART NO.	PART NAME	QTY	ENGINE SERIAL NO.	REMARKS
1	T20155	GASKET	1		(SUB FOR R97454)
2	24M7106	WASHER	16		10 X 18 X 2.500 MM
3	19H2124	CAP SCREW	2		5/8" X 4-1/4"
4	15H275	PIPE PLUG	1	-083276	1/4"
5	T33279	STUD	2		(SUB FOR T20173)
6	14H1076	NUT	2		3/8"
7	AT19509 AR58196	COVER COVER	1 1	-065140 065141-	(MARKED T20153) (SUB AR58196) (MARKED T20153 OR R52880) (ALSO ORDER T20272, T20273, (3) 19H2284, 19H1726, (4) 24M7106 AND 15H275)
8	19H1801	CAP SCREW	4		3/8" X 2"
9	19H2284	CAP SCREW	2		3/8" X 7/8"
10	R126041	COVER	1		(SUB FOR T20362)
11	R78366	GASKET	1		(SUB FOR T20364 OR R69260)
12	T20273	GASKET	1	-065140	(A)
	T20273	GASKET	1	045200-065140	(B)
13	T20272	COVER	1	-065140	(A)
	T20272	COVER	1	045200-065140	(B)
14	19H1726	CAP SCREW	1	-065140	(A) 3/8" X 2-1/4"
	19H1726	CAP SCREW	1	045200-065140	(B) 3/8" X 2-1/4"
	19H1801	CAP SCREW	1	065141-	(B) 3/8" X 2"
	19H1801	CAP SCREW	1	065141-	(A) 3/8" X 2"
15	19H1801	CAP SCREW	4		3/8" X 2"
16	19H1733	CAP SCREW	2		3/8" X 2-1/2"
17	T20303	SPRING	1	-023688	
	T24964	SPRING	1	023689-063455	(SUB T27657 AND T27658)
	T27658	SPRING	1	063456-	
18	T20069	CAP SCREW	1	-063455	(SUB T27657, T27658 AND R51516)
	T27657	FITTING PLUG	1	063456-	
19	A4827R	WASHER	1		ALUMINUM
20	24H1290	WASHER	AR		21/64" X 3/4" X 0.035"
21	R51516	VALVE	1		(SUB FOR T20067)
22	24M7106	WASHER	3	-065140	(A) 10 X 18 X 2.500 MM
	24M7106	WASHER	3	045200-065140	(B) 10 X 18 X 2.500 MM
23	19H2284	CAP SCREW	3	-065140	(A) 3/8" X 7/8"
	19H2284	CAP SCREW	3	045200-065140	(B) 3/8" X 7/8"

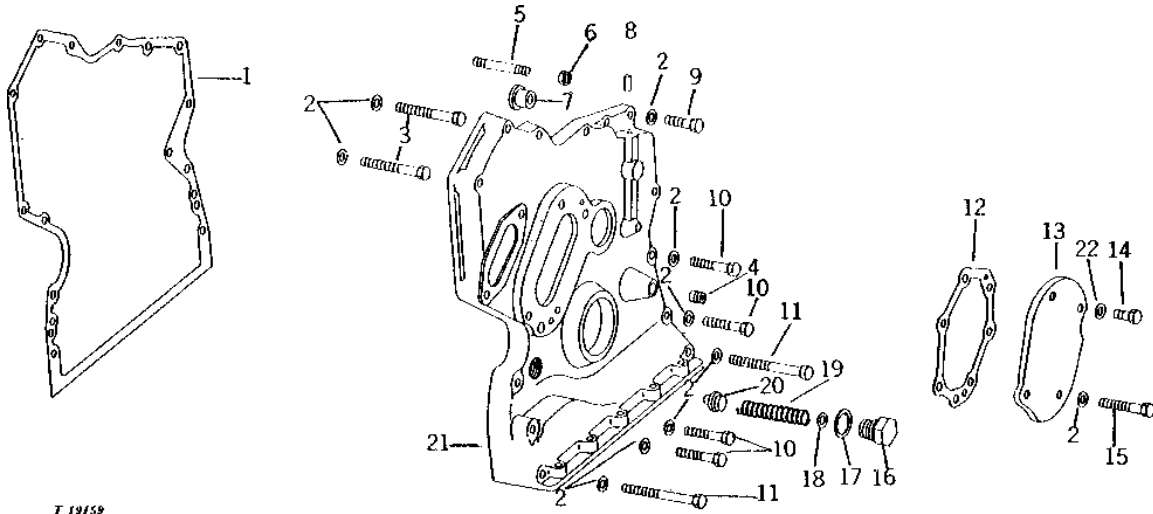
(A) MANUAL STEERING
(B) POWER STEERING

1B24

ENGINE

TIMING GEAR COVER (GASOLINE)

T19159 -UN-01JAN94



T 19159

KEY	PART NO.	PART NAME	QTY	ENGINE SERIAL NO.	REMARKS
1	T20154	GASKET	1		
2	24M7106	WASHER	10	10 X 18 X 2.500 MM	
3	19H2128	CAP SCREW	2	3/8" X 3"	
4	15H275	PIPE PLUG	1	-083276	1/4"
5	T33279	STUD	2		(SUB FOR T20173)
6	14H1076	NUT	2		3/8"
7	T20146	BUSHING	1		
8	T16468	DOWEL PIN	1		
9	19H2665	CAP SCREW	1		3/8" X 1-5/8"
10	19H1801	CAP SCREW	4		3/8" X 2"
11	19H1733	CAP SCREW	2		3/8" X 2-1/2"
12	T20273	GASKET	1	-065140	(A)
	T20273	GASKET	1	045200-065140	(B)
13	T20272	COVER	1	-065140	(A)
	T20272	COVER	1	045200-065140	(B)
14	19H2284	CAP SCREW	3	-065140	(A) 3/8" X 7/8"
	19H2284	CAP SCREW	3	045200-065140	(B) 3/8" X 7/8"
15	19H1726	CAP SCREW	1	-065140	(A) 3/8" X 2-1/4"
	19H1801	CAP SCREW	1	065141-	(A) 3/8" X 2"
	19H1726	CAP SCREW	1	045200-065140	(B) 3/8" X 2-1/4"
	19H1801	CAP SCREW	1	065141-	(B) 3/8" X 2"
16	T20069	CAP SCREW	1	-063455	(SUB T27657, T27658 AND R51516)
	T27657	FITTING PLUG	1	063456-	
17	A4827R	WASHER	1		ALUMINUM
18	24H1290	WASHER	AR		21/64" X 3/4" X 0.035"
19	T20303	SPRING	1	-023248	
	T24964	SPRING	1	023249-063455	(SUB T27657 AND T27658)
	T27658	SPRING	1	063456-	
20	R51516	VALVE	1		(SUB FOR T20067)
21	AT19508	COVER	1	-065140	(MARKED T20152)
	AT19508	COVER	1	065141-	(MARKED T20152) (ALSO ORDER T20272, T20273, (3) 19H2284, 19H1726, (4) 24M7106 AND 15H275)
22	24M7106	WASHER	3	-065140	(A) 10 X 18 X 2.500 MM
	24M7106	WASHER	3	045200-065140	(B) 10 X 18 X 2.500 MM

(A) MANUAL STEERING
(B) POWER STEERING

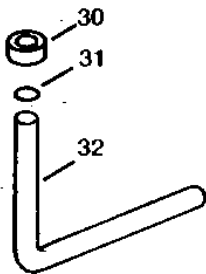
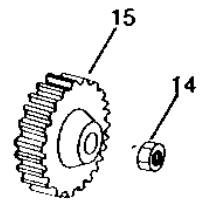
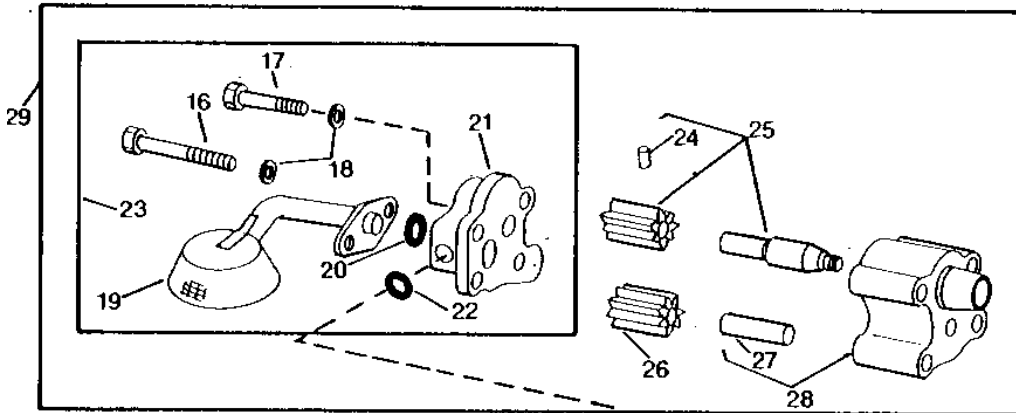
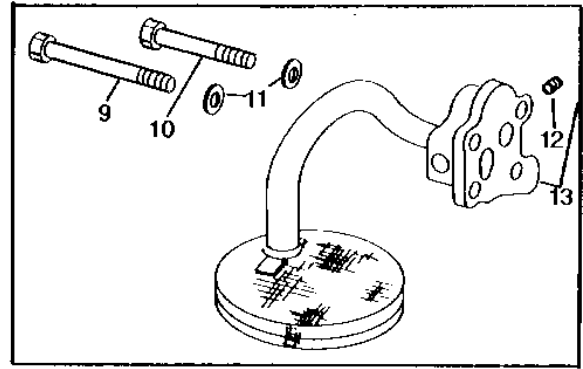
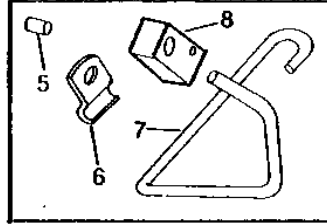
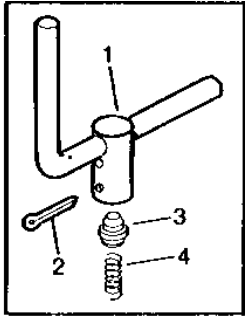
1C1

ENGINE

RXP9099

-UN-01JAN94

LUBRICATING OIL PUMP



RXP9099

1C2

ENGINE

LUBRICATING OIL PUMP - CONTINUED

KEY	PART NO.	PART NAME	QTY	ENGINE SERIAL NO.	REMARKS
1	AT21199	SET SCREW	1	-023688	(A) (NLA)
	AT21199	SET SCREW	1	-023248	(B) (NLA)
2	11M7030	COTTER PIN	1	-023688	(A) 5 X 40 MM
	11M7030	COTTER PIN	1	-023248	(B) 5 X 40 MM
3	T20067	VALVE	1	-023688	(A) (SUB R51516)
	T20067	VALVE	1	-023248	(B) (SUB R51516)
4	T23619	SPRING	1	-023688	(A)
	T23619	SPRING	1	-023248	(B)
5	B2641R	DOWEL PIN	1	-058459	
6	R27528	CLAMP	1	-058459	
7	T24758	OIL LINE	1	-058459	LOWER
8	T20136	FITTING	1	-058459	
9	19H1854	CAP SCREW	1	-XXXXXX	3/8" X 3-3/4"
10	19H1944	CAP SCREW	3	-XXXXXX	3/8" X 2-3/4"
11	12H304	LOCK WASHER	4	-XXXXXX	3/8"
12	15H560	PIPE PLUG	1	058460-	1/16"
13	AT24254	COVER	1	-058459	(SUB FOR AT18020 OR AT23045) (SUB R53382, RE36425, R27166, A4730R, (2) 19H2228 AND (2) 12H304)
14	14H826	NUT	1		1/2"
15	T20298	GEAR	1	-248000	(33 TEETH)
16	19H2228	CAP SCREW	2	XXXXXX-	3/8" X 4"
17	R57059	CAP SCREW	2	XXXXXX-	
18	12H304	LOCK WASHER	2	XXXXXX-	3/8"
19	AR60701	FILLER NECK	1	XXXXXX-	(SUB RE36425)
20	A4730R	O-RING	1	XXXXXX-	
21	R53382	COVER	1	XXXXXX-	(SUB FOR AT24254) (ALSO ORDER RE36425, R27166, A4730R, (2) 19H2228 AND (2) 12H304)
22	R27166	O-RING	1		
23	AR67670	KIT	1		(SUB FOR AT24254)
24	M3853T	GROOVE PIN	1		
25	AT18126	DRIVE SHAFT	1	-248000	
	AR62978	PINION	1	248001-	
26	T20097	GEAR	1	-248000	(7 TEETH)
	R54614	GEAR	1	248001-	
27	T20091	DOWEL PIN	1		
28	AT32606	HOUSING	1	-248000	(MARKED T20078) (SUB FOR AR18021) (SUB RE55343, R113752 AND RE36425)
	AR62979	HOUSING	1	248001-	(MARKED R54615) (SUB RE55343, R113752 AND RE36425)
	T20093	BUSHING	1	-111620	
29	AR67074	OIL PUMP	1		(SUB RE55343, R113752 AND RE36425)
30	R75893	FITTING	1		
31	R75892	O-RING	1		
32	T20050	OIL TUBE	1	023689-	(A)
	T20050	OIL TUBE	1	023249-	(B)

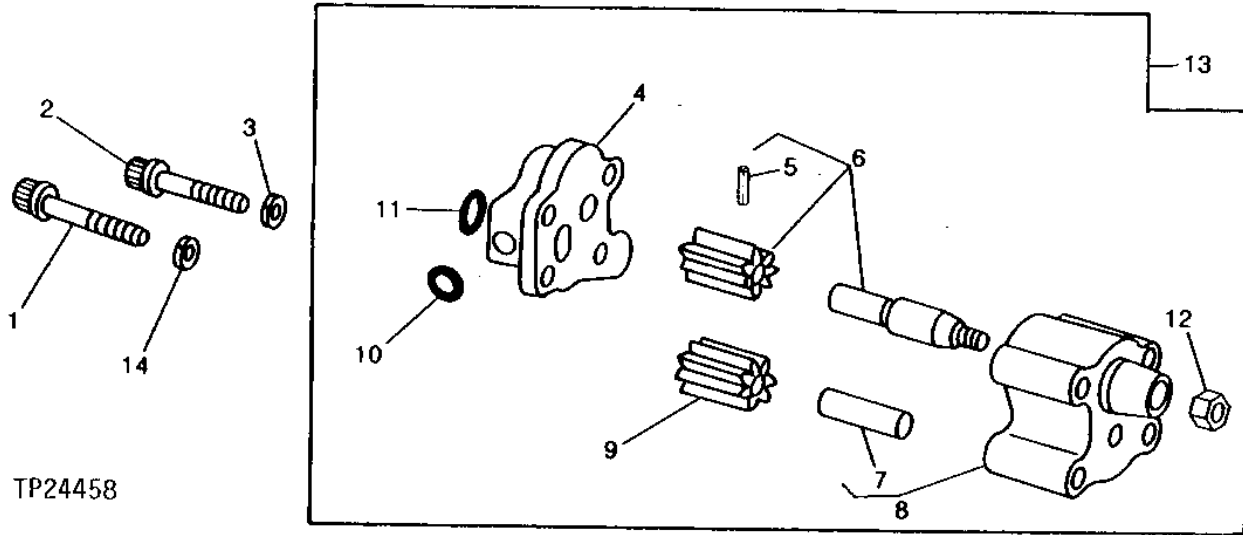
(A) DIESEL
(B) GASOLINE

1C3

ENGINE

ENGINE OIL PUMP KIT

TP24458 -UN-01JAN94



TP24458

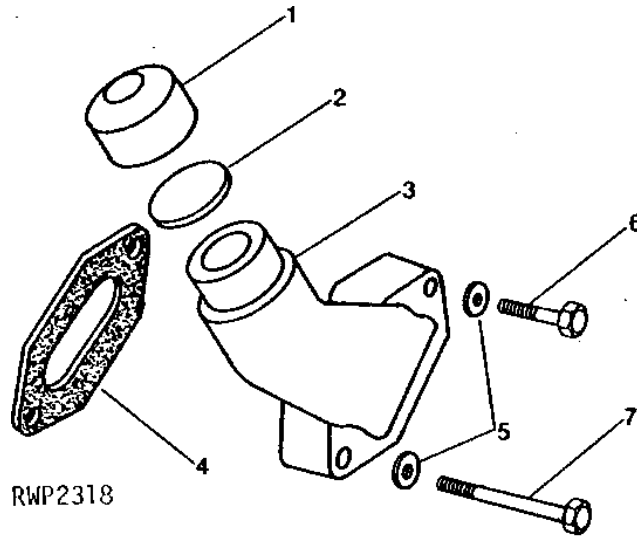
KEY	PART NO.	PART NAME	QTY	ENGINE SERIAL NO.	REMARKS
1	R74552	CAP SCREW	2		
2	R57059	CAP SCREW	2		
3	12H304	LOCK WASHER	2	3/8"	
4	R53382	COVER	1	(SUB RE55343 AND R113752)	
5	M3853T	GROOVE PIN	1		
6	AR62978	PINION	1		
7	T20091	DOWEL PIN	1		
8	AR62979	HOUSING	1	(MARKED R54615) (SUB RE55343 AND R113752)	
9	R54614	GEAR	2		
10	R74354	O-RING	1		
11	R61871	O-RING	1		
12	14H826	NUT	1	1/2"	
13	RE35685	OIL PUMP	1	(SUB FOR RE15381) (SUB RE55343 AND R113752)	
14	12H304	LOCK WASHER	2	3/8"	
	R74553	WASHER	2		

1C4

ENGINE

RWP2318 -UN-01JAN94

OIL FILLER INLET



KEY	PART NO.	PART NAME	QTY	ENGINE SERIAL NO.	REMARKS
1	T20294	CAP	1		
2	T20328	GASKET	1		
3	T23614	FILLER NECK	1		
4	T20336	GASKET	1		
5	24M7106	WASHER	2	10 X 18 X 2.500 MM	
6	19H2665	CAP SCREW	1	3/8" X 1-5/8"	
7	19H2128	CAP SCREW	1	3/8" X 3"	

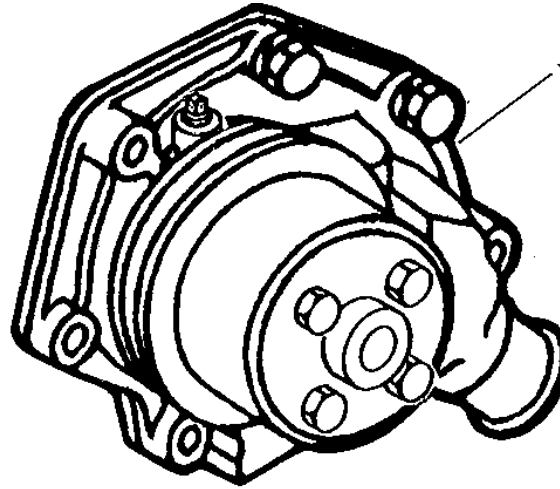
MEMORANDA

1C5

ENGINE

RWP1578 -UN-01JAN94

WATER PUMP
(COMPLETE)



RWP 1578

KEY	PART NO.	PART NAME	QTY	ENGINE SERIAL NO.	REMARKS
1	AR55094	WATER PUMP	1		(DIESEL) (SUB FOR AT27018, AT21206 OR AT29619) (SUB RE19944, T20270, R97455, T30720, T23628, (4) 19H2127 AND (2) 19H2545)
	AT29618	WATER PUMP	1		(GASOLINE) (SUB FOR AT21205)
	TY6739	WATER PUMP	1		(REMANUFACTURED) (MARKED R48997)

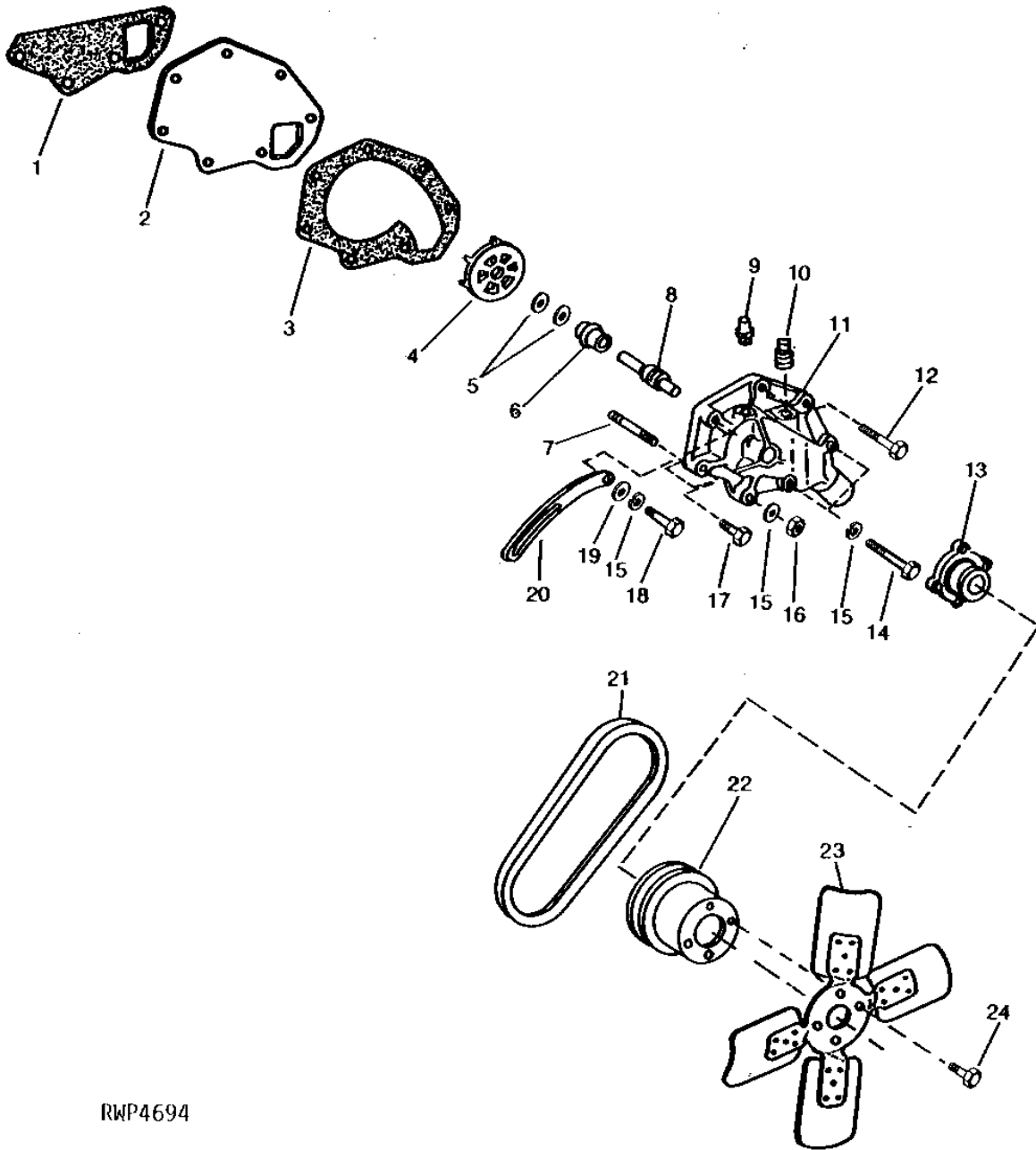
1C6

ENGINE

RWP4694

-UN-01JAN94

WATER PUMP ASSEMBLY



RWP4694

1C7

ENGINE

WATER PUMP ASSEMBLY - CONTINUED

KEY	PART NO.	PART NAME	QTY	ENGINE SERIAL NO.	REMARKS
1	T20243	GASKET	1	(A)	
	T20239	GASKET	1	(B)	
2	T20270	COVER	1	(A)	
	T20267	COVER	1	(B)	
3	T20271	GASKET	1	(A)	
	T20268	GASKET	1	(B)	
4	T20236	IMPELLER	1	-084352	(A) (SUB R94419 AND AR101549)
	T30897	IMPELLER	1	084353-	(A) (SUB R94419)
	T20236	IMPELLER	1	-084444	(B) (SUB R94419 AND AR101549)
	T30897	IMPELLER	1	084445-	(B) (SUB R94419)
5	AR41691	INSERT	1	084353-	(A)
	AR41691	INSERT	1	084445-	(B)
6	T27261	SEAL	1		(SUB FOR R36134) (SUB AR101549)
7	T25701	STUD	1		
8	JD9257	BALL BEARING	1		
9	T19651	HOSE FITTING	1		
10	15H584	PIPE PLUG	1		1/2", (NOT REQUIRED)
11	R48997	HOUSING	1		(A) (SUB FOR T23632 OR T28992) (SUB AT27018)
	T23631	HOUSING	1		(B)
12	19H3219	CAP SCREW	2		3/8" X 1-3/8"
13	T30720	HUB	1	088339-	(A)
	T30720	HUB	1	088583-	(B)
14	19H1912	CAP SCREW	2		3/8" X 3-1/2"
15	12H304	LOCK WASHER	4		3/8"
16	14H1076	NUT	1		3/8"
17	19H1801	CAP SCREW	1		(A) 3/8" X 2"
	19H3219	CAP SCREW	1		(B) 3/8" X 1-3/8"
18	19H1726	CAP SCREW	1		3/8" X 2-1/4"
19	24M7106	WASHER	1		10 X 18 X 2.500 MM
20	T20204	STRAP	1		
21	T20334	BELT	1		(SUB R97758)
22	T23628	PULLEY	1		(SUB T30720 AND T23628)
	T30721	PULLEY	1		(SUB T23628)
23	AT23180	FAN	1		(SUB FOR AT20829)
24	19H1905	CAP SCREW	4	-088338	(A) 5/16" X 1"
	19H2127	CAP SCREW	4	088339-	(A) 5/16" X 7/8"
	19H1905	CAP SCREW	4	-088582	(B) 5/16" X 1"
	19H2127	CAP SCREW	4	088539-	(B) 5/16" X 7/8"

(A) DIESEL
(B) GASOLINE

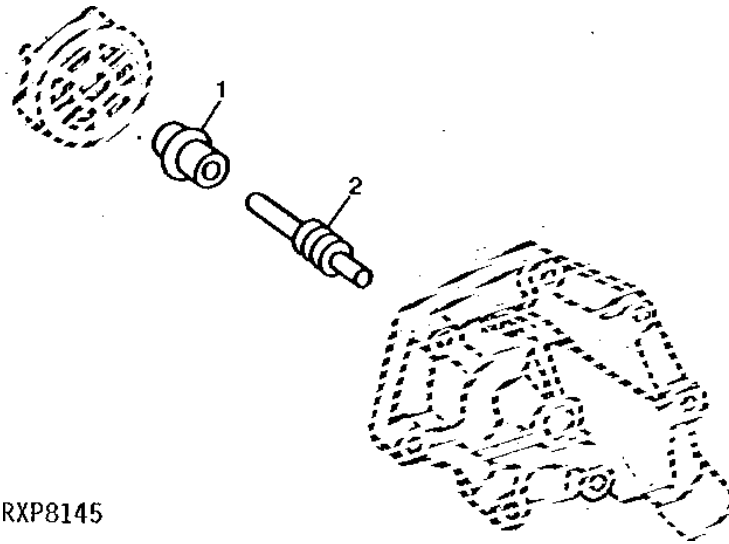
MEMORANDA

1C8

ENGINE

RXP8145 -UN-01JAN94

WATER PUMP OVERHAUL KIT



RXP8145

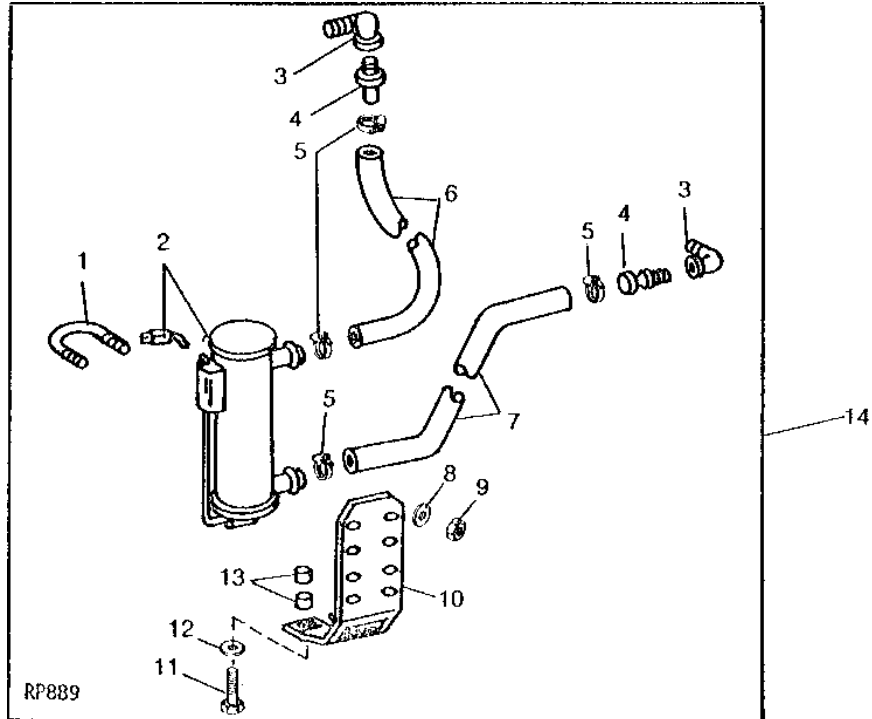
KEY	PART NO.	PART NAME	QTY	ENGINE SERIAL NO.	REMARKS
1	AR101549	SEAL KIT	1		(SUB FOR AT32489 OR RE19505)
2	JD9257	BALL BEARING	1		

1C9

ENGINE

ENGINE COOLANT HEATER (VERTICAL EXHAUST SYSTEM)

RP889 -UN-01JAN94



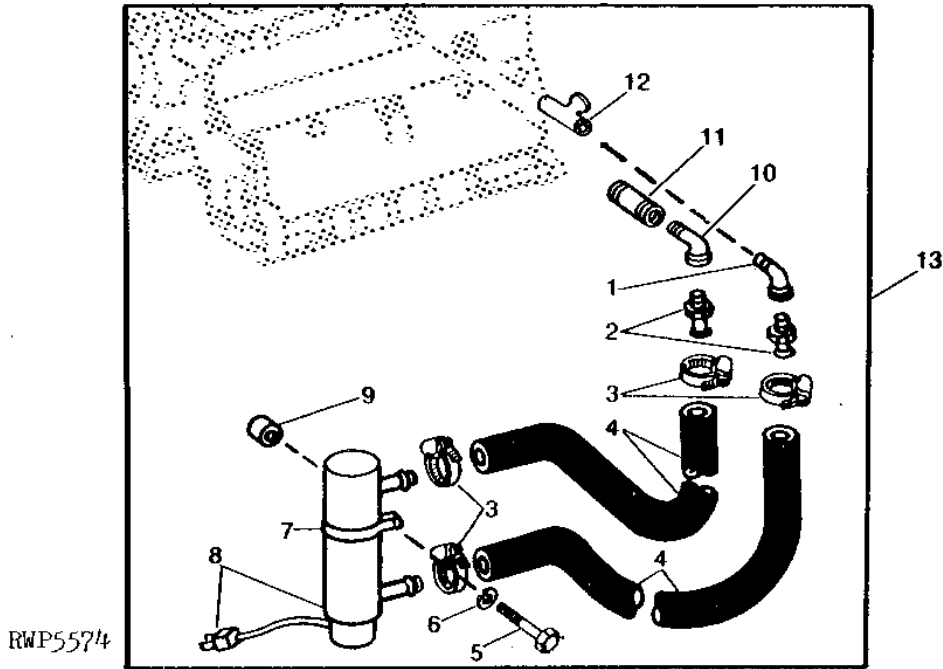
KEY	PART NO.	PART NAME	QTY	ENGINE SERIAL NO.	REMARKS
1	T29380	U-BOLT	2	-XXXXXX	
	R60124	U-BOLT	2	XXXXXX-	
2	AT27413	COOLANT HEATER	1	-XXXXXX	(SUB AR72957, R60123 AND (2) R60124)
	AR72957	COOLANT HEATER	1		
3	T29381	HOSE FITTING	1	-077171	90°, (SUB 15H613 AND T29388)
	15H613	ELBOW FITTING	2	077172-	90°
4	T29388	UNION FITTING	2	077172-	
5	AR21837	CLAMP	4		(SUB TY22465)
6	T29384	HOSE	1		INLET
7	T29385	HOSE	1		OUTLET
8	24H1287	WASHER	4		9/32" X 5/8" X 0.065"
9	14H786	NUT	4		1/4"
10	T29377	BRACKET	1	-XXXXXX	(SUB R60123)
	R60123	BRACKET	1	XXXXXX-	
11	19H1732	CAP SCREW	2		3/8" X 1-1/4"
12	12H304	LOCK WASHER	2		3/8"
13	24M7106	WASHER	4		10 X 18 X 2.500 MM
14	AT27406	COOLANT HEATER	1		(SUB AT72330)

1C10

ENGINE

RWP5574 -UN-01JAN94

ENGINE COOLANT HEATER REPLACEMENT



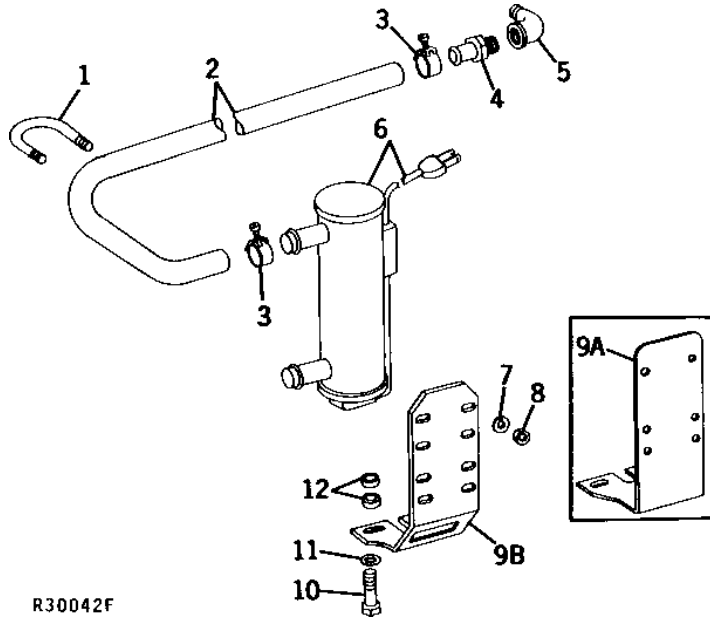
KEY	PART NO.	PART NAME	QTY	ENGINE SERIAL NO.	REMARKS
1	15H613	ELBOW FITTING	2	1/4"	
2	T29388	UNION FITTING	2		
3	AR21837	CLAMP	4	(SUB TY22465)	
4	T29384	HOSE	2	16 X 406MM (5/8" X 16")	(SUB FOR T29379, THIS APPLICATION)
5	19H2356	CAP SCREW	1	9/16" X 1-3/4"	
	19H2473	CAP SCREW	1	1/2" X 1-3/4"	
	19H1831	CAP SCREW	1	1/2" X 2"	
6	12H317	LOCK WASHER	1	9/16"	
7	T74703	CLAMP	1		
8	AR72957	COOLANT HEATER	1		
9	28H1577	BUSHING	1	1/2" X 1"	
10	29H89	THREADED NIPPLE	1	1/4"X2"	
11	15H107	ELBOW FITTING	1	1/4"X1/4"	
	29H89	THREADED NIPPLE	1	1/4"	
12	T17568	TEE FITTING	1		
13	AT72330	COOLANT HEATER	1		

1C11

ENGINE

ENGINE COOLANT HEATER (REAR EXHAUST SYSTEM) (DIESEL)

R30042 -UN-25SEP95



R30042F

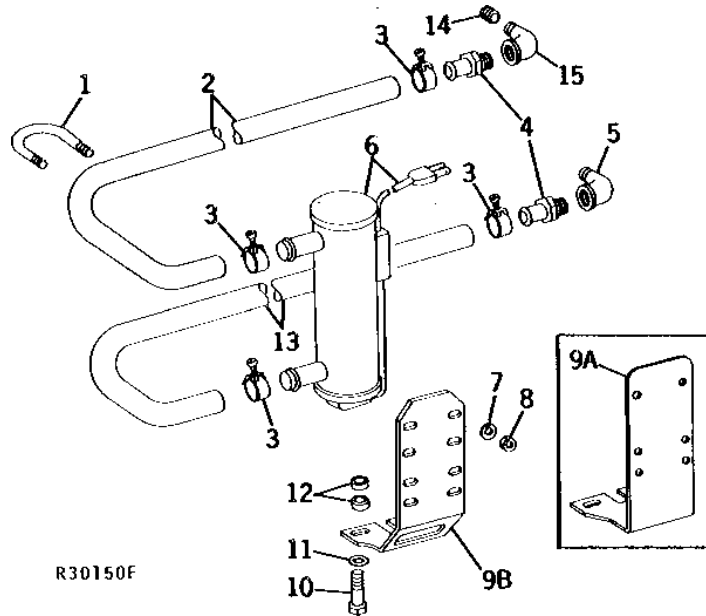
KEY	PART NO.	PART NAME	QTY	ENGINE SERIAL NO.	REMARKS
1	T29380	U-BOLT	2	-XXXXXX	
	R60124	U-BOLT	2	XXXXXX-	
2	T31177	HOSE	2		
3	AR21837	CLAMP	4		(SUB TY22465)
4	T29388	UNION FITTING	2		
5	15H613	ELBOW FITTING	2		90°
6	AT27413	COOLANT HEATER	1	-XXXXXX	(SUB AR72957, R60123 AND (2) R60124)
	AR72957	COOLANT HEATER	1	XXXXXX-	
7	24H1287	WASHER	4		9/32" X 5/8" X 0.065"
8	14H786	NUT	4		1/4"
9A	T29377	BRACKET	1	-XXXXXX	(SUB R60123)
9B	R60123	BRACKET	1	XXXXXX-	
10	19H2665	CAP SCREW	2		3/8" X 1-5/8"
11	12H304	LOCK WASHER	2		3/8"
12	R28040	WASHER	4		

1C12

ENGINE

ENGINE COOLANT HEATER (REAR EXHAUST SYSTEM) (GASOLINE)

R30150 -UN-01JAN94



KEY	PART NO.	PART NAME	QTY	ENGINE SERIAL NO.	REMARKS
1	T29380	U-BOLT	2	-XXXXXX	
	R60124	U-BOLT	2	XXXXXX-	
2	T31178	HOSE	1		UPPER, (NLA)
3	AR21837	CLAMP	4		(SUB TY22465)
4	T29388	UNION FITTING	2		
5	15H613	ELBOW FITTING	1		90°
6	AT27413	COOLANT HEATER	1	-XXXXXX	(SUB AR72957, R60123 AND (2) R60124)
	AR72957	COOLANT HEATER	1	XXXXXX-	
7	24H1287	WASHER	4		9/32" X 5/8" X 0.065"
8	14H786	NUT	4		1/4"
9A	T29377	BRACKET	1	-XXXXXX	(SUB R60123)
9B	R60123	BRACKET	1	XXXXXX-	
10	19H2665	CAP SCREW	2		3/8" X 1-5/8"
11	12H304	LOCK WASHER	2		3/8"
12	R28040	WASHER	4		
13	T31179	HOSE	1		LOWER, (NLA)
14	29H93	THREADED NIPPLE	1		1/4"
15	15H118	ELBOW FITTING	1		90°

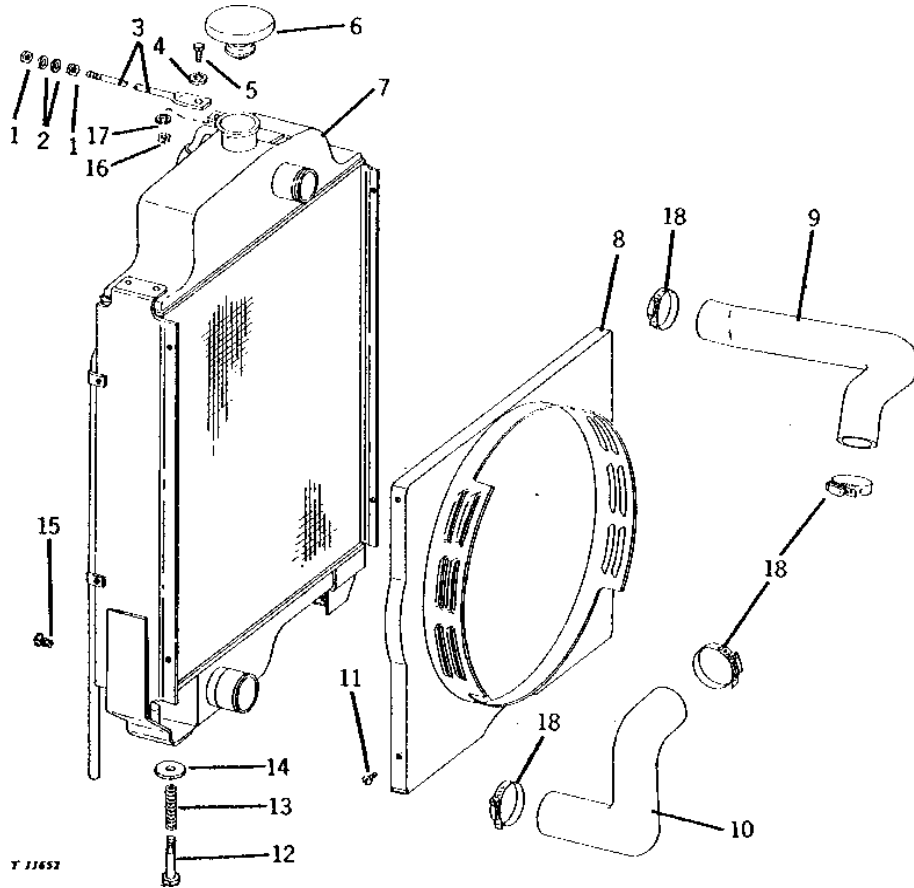
MEMORANDA

1C13

ENGINE

RADIATOR ASSEMBLY (LESS HI-LO SHIFT OR REVERSER)

T11652 -UN-01JAN94



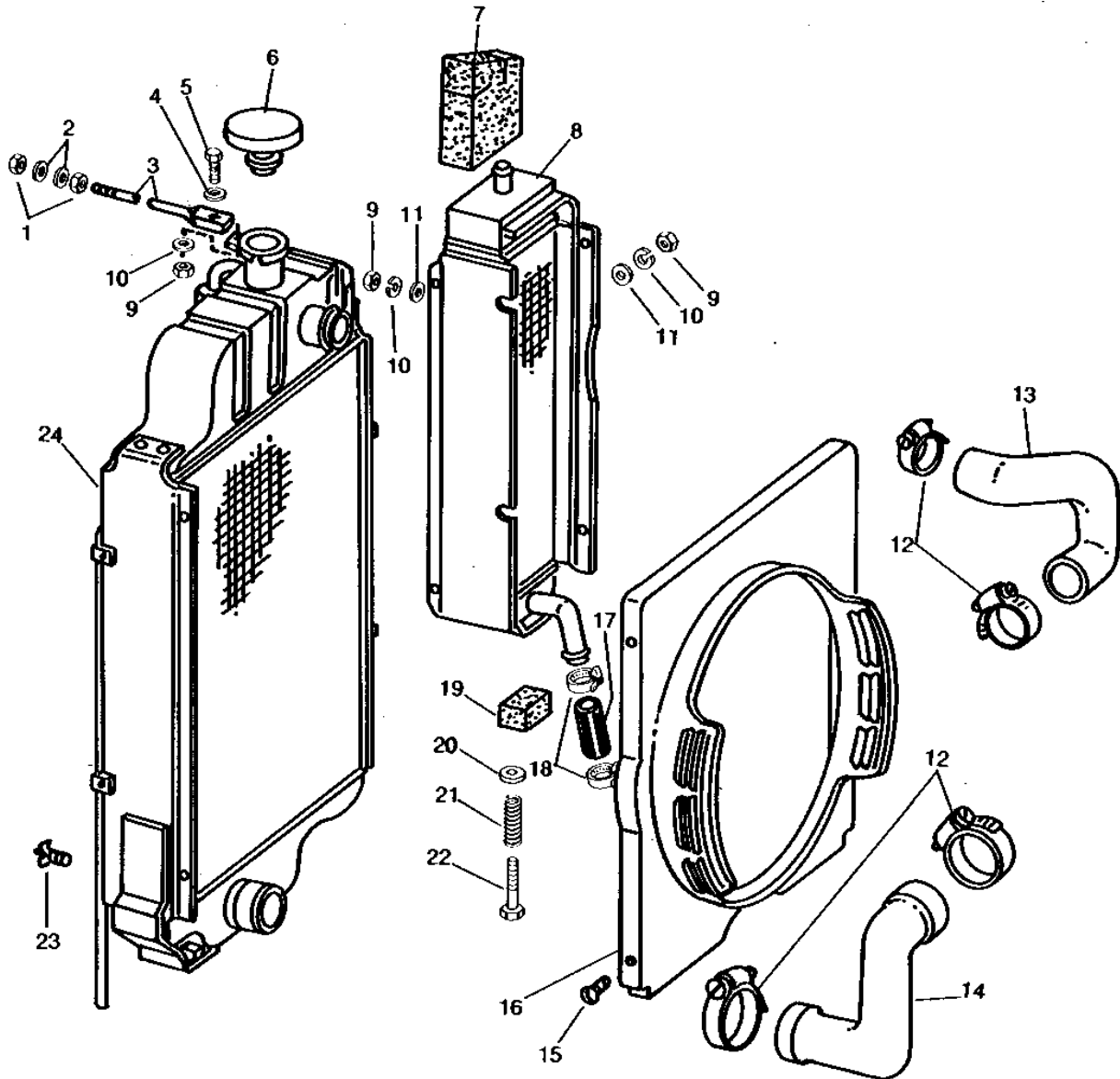
KEY	PART NO.	PART NAME	QTY	ENGINE SERIAL NO.	REMARKS
1	14H1076	NUT	2	3/8"	
2	24H1305	WASHER	2	13/32" X 13/16" X 0.065"	
3	R61460	ROD	1	(SUB FOR T22495)	
4	24H1122	WASHER	1	3/8" X 7/8" X 0.083"	
5	19H1900	CAP SCREW	1	5/16" X 3/4"	
6	AT27585	CAP	1	(SUB FOR AT20719)	
7	AT20797	RADIATOR	1		
8	T21687	SHROUD	1		
9	T23534	HOSE	1	(DIESEL)	
	T22501	HOSE	1	(GASOLINE)	
10	T22500	HOSE	1	(DIESEL)	
	T22497	HOSE	1	(GASOLINE)	
11	37H74	SCREW	4	1/4" X 1/2"	
12	19H2128	CAP SCREW	2	3/8" X 3"	
13	R62372	SPRING	2	(SUB FOR R34352)	
14	T22381	WASHER	2	RUBBER	
15	AT13740	DRAIN VALVE	1	(SUB FOR AT27653)	
16	14H785	NUT	1	5/16"	
17	12H303	LOCK WASHER	1	5/16"	
18	AR21840	CLAMP	4	(SUB TY22470)	

1C14

ENGINE

RADIATOR ASSEMBLY (HI-LO SHIFT OR REVERSER)

RWP4693 -UN-01JAN94



RWP4693

1C15

ENGINE

**RADIATOR ASSEMBLY - CONTINUED
(HI-LO SHIFT OR REVERSER)**

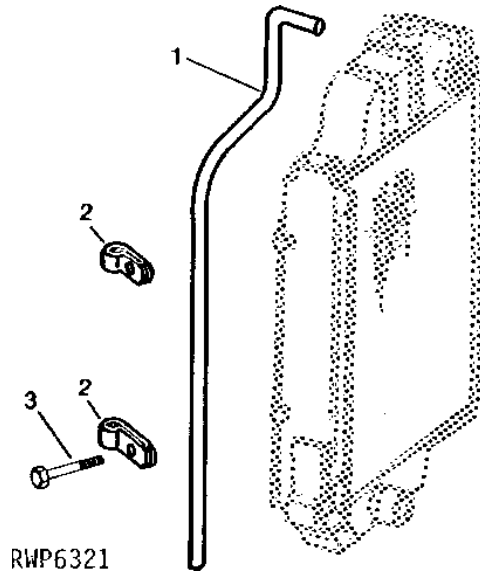
KEY	PART NO.	PART NAME	QTY	TRACTOR SERIAL NO.	REMARKS
1	14H1076	NUT	2		3/8"
2	24H1305	WASHER	2		13/32" X 13/16" X 0.065"
3	R61460	ROD	1		(SUB FOR T22495)
4	24H1122	WASHER	1		3/8" X 7/8" X 0.083"
5	19H1900	CAP SCREW	1		5/16" X 3/4"
6	AT27585	CAP	1		(SUB FOR AT20719)
7	T22376	FOAM PAD	1		
8	AR69398	OIL COOLER	1		(SUB FOR AT20848)
9	14H785	NUT	5		5/16"
10	12H303	LOCK WASHER	5		5/16"
11	24H1685	WASHER	4		11/32" X 47/64" X 0.083"
12	AR21840	CLAMP	4		(SUB TY22470)
13	T23534	HOSE	1		UPPER (DIESEL)
	T22501	HOSE	1		UPPER (GASOLINE)
14	T22500	HOSE	1		LOWER (DIESEL)
	T22497	HOSE	1		LOWER (GASOLINE)
15	37H74	SCREW	4		1/4" X 1/2"
16	T21687	SHROUD	1		
17	L35845	HOSE	1		
18	AR21839	CLAMP	2		(SUB TY22467)
19	FOAM PAD	1		38 X 64 X 89 MM (1-1/2" X 2-1/2" X 3-1/2") (MAKE FROM R35339)
20	T22381	WASHER	2		RUBBER
21	R62372	SPRING	2		(SUB FOR R34352)
22	19H2128	CAP SCREW	2		3/8" X 3"
23	AT13740	DRAIN VALVE	1		(SUB FOR AT27653)
24	AT20849	RADIATOR	1		
..	TY16004	ENGINE COOLANT CONDITIONER	1		0.95L (1 QT) (SUB FOR RE12842 OR RE23182)

1C16

ENGINE

RWP6321 -UN-01JAN94

RADIATOR OVERFLOW KIT



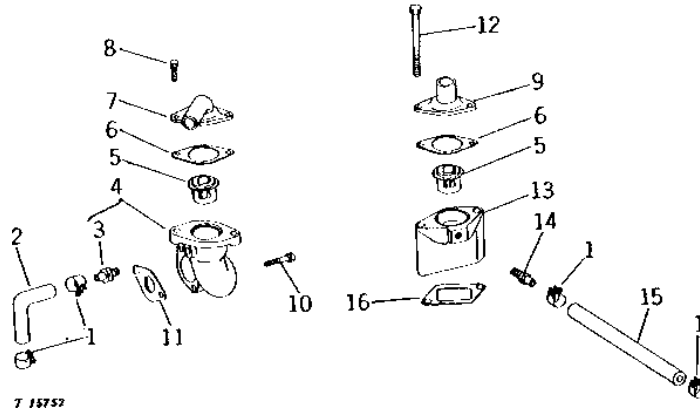
KEY	PART NO.	PART NAME	QTY	ENGINE SERIAL NO.	REMARKS
1	R67035	HOSE	1		
2	T12250	CLIP	2		
3	19H1900	CAP SCREW	2	5/16" X 3/4"	

1C17

ENGINE

T15752 -UN-01JAN94

THERMOSTAT HOUSING ASSEMBLY



KEY	PART NO.	PART NAME	QTY	ENGINE SERIAL NO.	REMARKS
1	AR21837	CLAMP	2	(SUB TY22465)	
2	T20277	HOSE	1	(A)	
3	T19651	HOSE FITTING	1	(A)	
4	AT18074	HOUSING	1	(A) (MARKED T20218)	
5	AT22961	THERMOSTAT	1	180°, (SUB FOR AT10995)	
	AT22962	THERMOSTAT	1	(B) 160°, (SUB FOR AT10996)	
	AT24013	THERMOSTAT	1	(A) 205°	
	AT22963	THERMOSTAT	1	192°	
6	T20215	GASKET	1		
7	T23620	COVER	1	(A)	
8	19H1732	CAP SCREW	2	(A) 3/8" X 1-1/4"	
9	T20317	COVER	1	(B)	
10	19H1726	CAP SCREW	2	(A) 3/8" X 2-1/4"	
11	T20219	GASKET	1	(A)	
12	19H1925	CAP SCREW	2	(B) 3/8" X 4-1/4"	
13	T20210	HOUSING	1	(B)	
14	T19651	HOSE FITTING	1	(B)	
15	T27549	HOSE	1	(B) (SUB FOR T23627 OR T18248)	
16	T20212	GASKET	1	(B)	

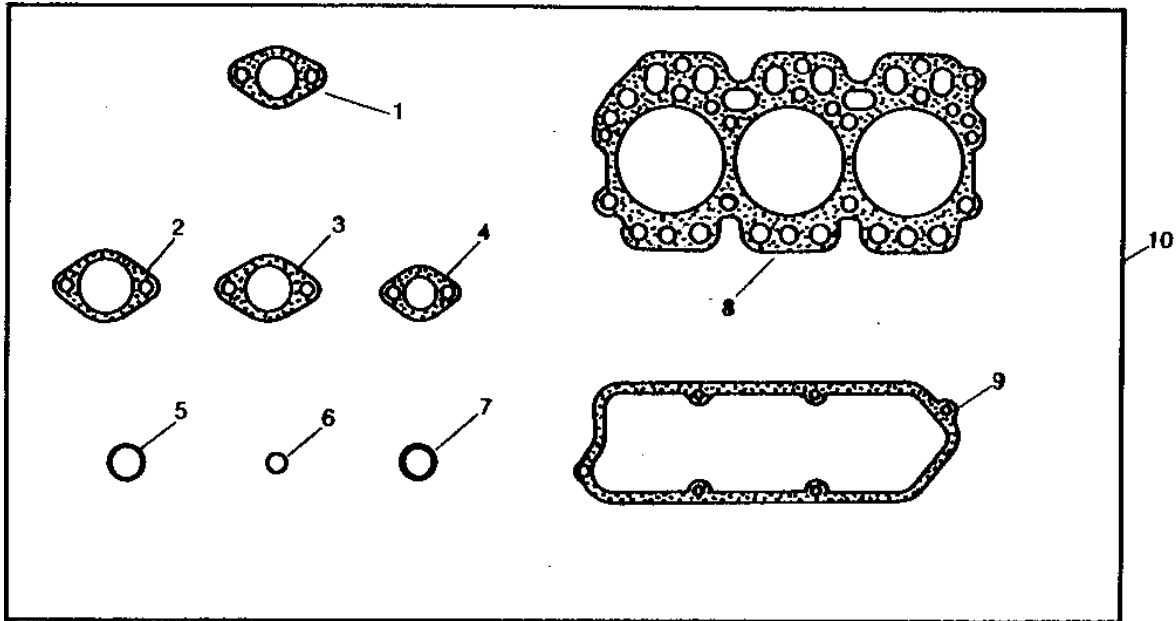
(A) DIESEL
(B) GASOLINE

1C18

ENGINE

ENGINE TUNE-UP GASKET KIT (DIESEL)

RWP4691 -UN-01JAN94



RWP4691

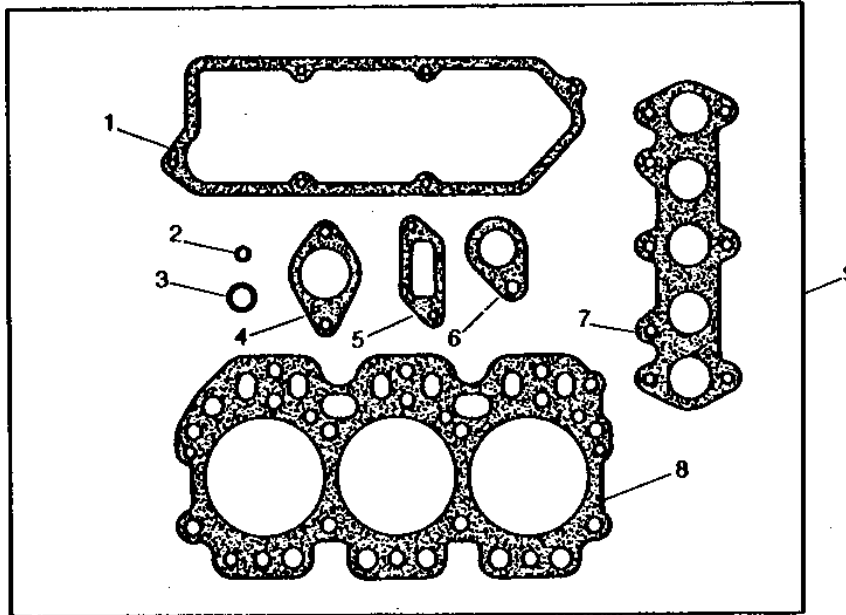
KEY	PART NO.	PART NAME	QTY	ENGINE SERIAL NO.	REMARKS
1	R90658	GASKET	3		(SUB FOR T20006) EXHAUST MANIFOLD
2	R81275	GASKET	1		AIR INLET, (SUB FOR T20159)
3	T20215	GASKET	1		THERMOSTAT COVER
4	T20219	GASKET	1		THERMOSTAT HOUSING
5	R56463	O-RING	1		VENT TUBE
6	R34764	WASHER	3		INJECTION NOZZLE, UPPER, (SUB RE32011)
7	R48000	WASHER	3		INJECTION NOZZLE, LOWER
8	R98460	GASKET	1		CYLINDER HEAD, (SUB FOR R52789)
9	R75729	GASKET	1		ROCKER ARM COVER, (SUB FOR T20111 OR AR102261) (ALSO ORDER (6) AR100124)
10	RE38848	GASKET KIT	1		(ALSO ORDER (6) AR100124) (SUB FOR AT21626, AR79920, AR102295 OR RE37465)

1C19

ENGINE

ENGINE TUNE-UP GASKET KIT (GASOLINE)

RWP4692 -UN-01JAN94



RWP4692

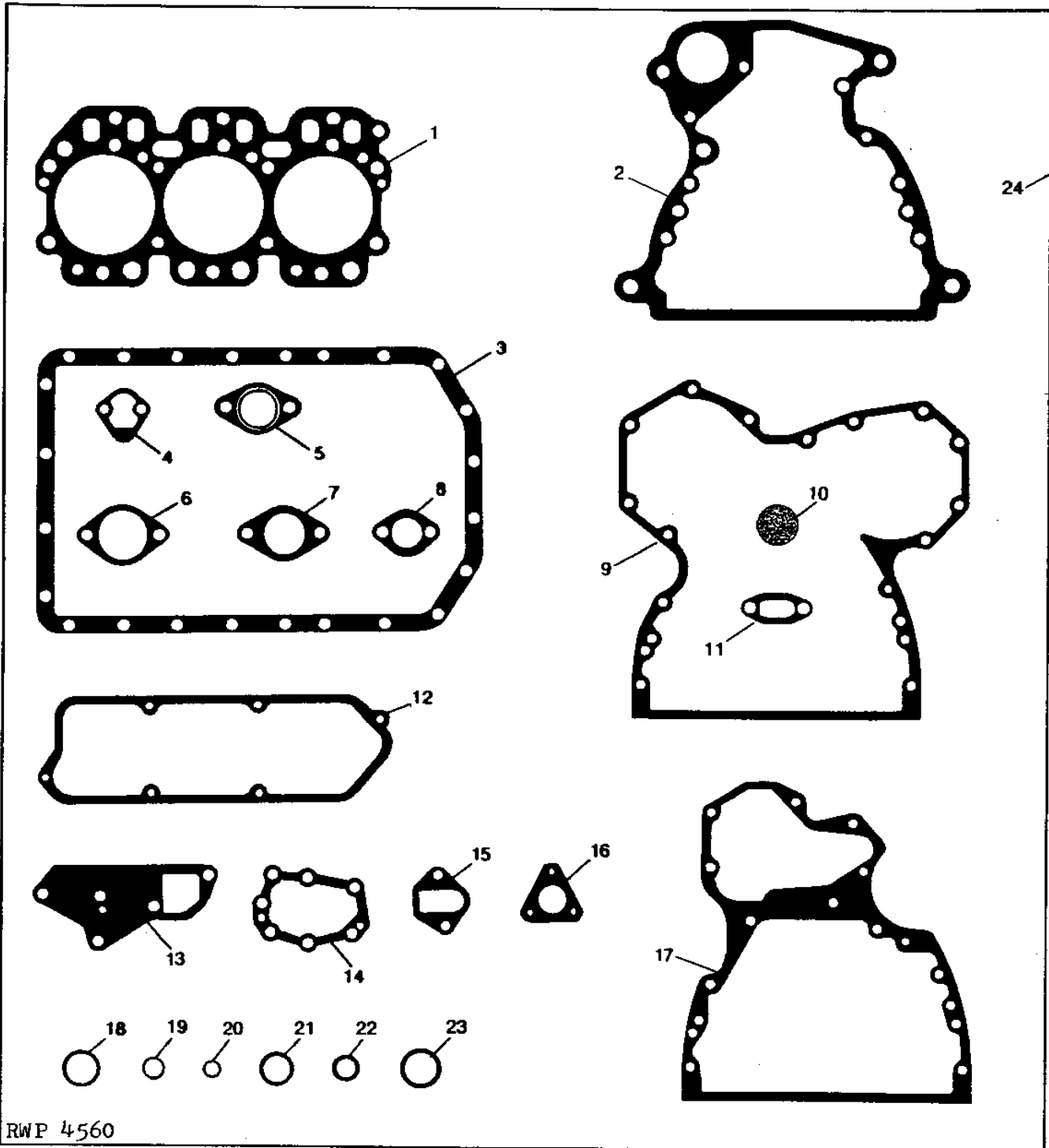
KEY	PART NO.	PART NAME	QTY	ENGINE SERIAL NO.	REMARKS
1	R75729	GASKET	1		(SUB FOR T20111 OR AR102261) (ALSO ORDER (6) AR100124)
2	R87627	O-RING	6		
3	R56463	O-RING	1		
4	T20215	GASKET	1		
5	T20212	GASKET	1		
6	R98837	GASKET	1		(SUB FOR T20208)
7	R98843	GASKET	1		(SUB FOR T20206)
8	R52789	GASKET	1		(SUB FOR T20039)
9	RE40428	GASKET KIT	1		(SUB FOR AT21624, AR102300, AR102296, RE16913 OR RE38564)

1C20

ENGINE

ENGINE OVERHAUL GASKET KIT (DIESEL)

RWP4560 -UN-01JAN94



RWP 4560

1C21

ENGINE

ENGINE OVERHAUL GASKET KIT - CONTINUED (DIESEL)

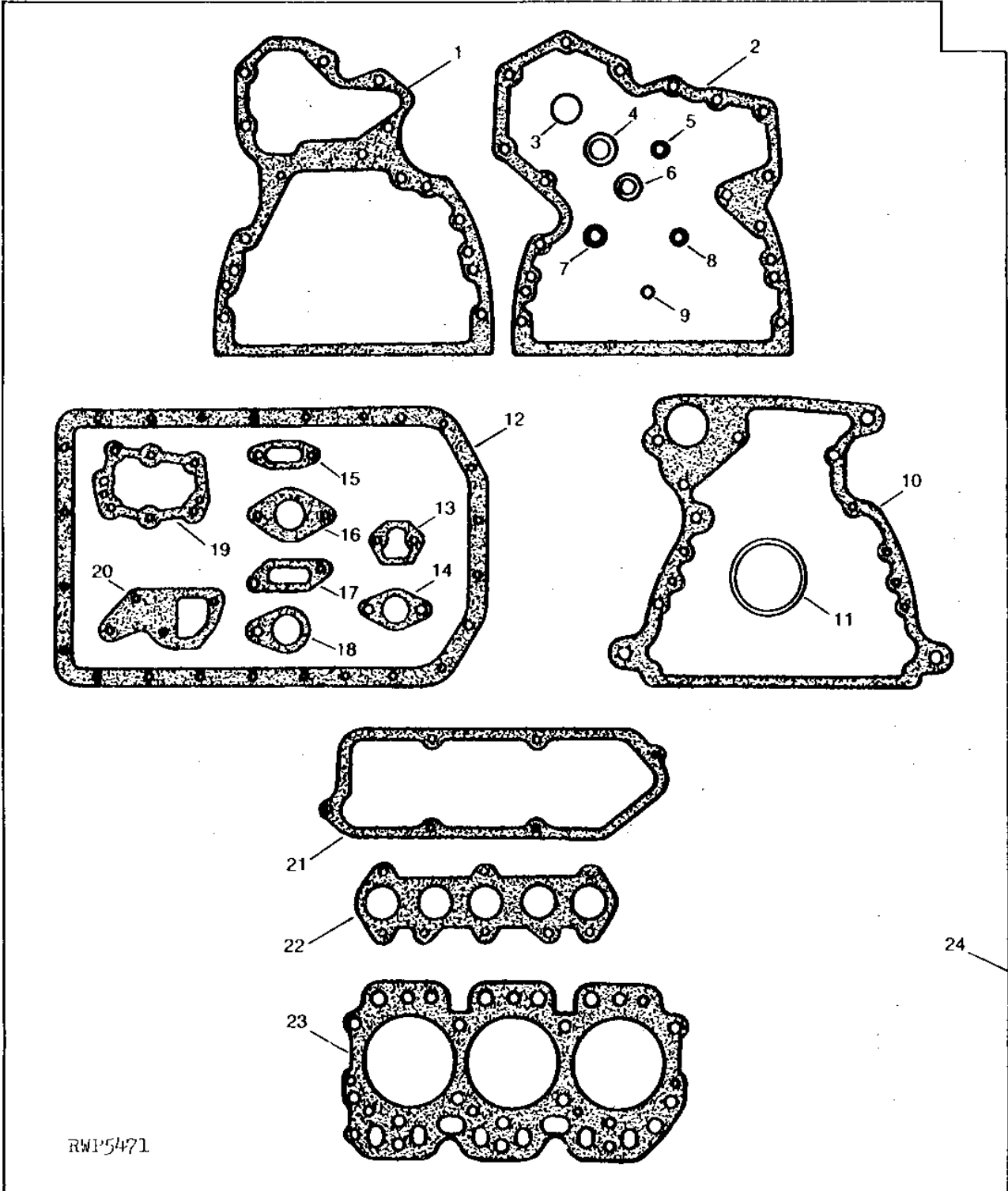
KEY	PART NO.	PART NAME	QTY	ENGINE SERIAL NO.	REMARKS
1	R98460	GASKET	1		(SUB FOR T20039 OR R52789)
2	R97351	GASKET	1		(SUB FOR T23596 OR R70483)
3	T24534	GASKET	1		(STEEL PAN) (SUB FOR T20049)
	R97341	GASKET	1		(CAST IRON PAN) (SUB FOR T22769 OR R49514)
4	R97350	GASKET	1		(SUB FOR R27285)
5	R90658	GASKET	3		(SUB FOR T20006)
6	T20159	GASKET	1		AIR INLET, (SUB R81275)
7	T20215	GASKET	1		
8	T20219	GASKET	1		THERMOSTAT HOUSING
9	R119269	GASKET	1		(SUB FOR T20155 OR R97454)
10	T20328	GASKET	1		
11	R97352	GASKET	1		(SUB FOR T20336)
12	R75729	GASKET	1		(ALSO ORDER (6) AR100124) (SUB FOR T20111 OR AR102261)
13	T20243	GASKET	1		
14	T20273	GASKET	1		
15	R78366	GASKET	1		(SUB FOR T20364 OR R69260)
16	R97354	GASKET	1		(SUB FOR R77126)
17	R90648	GASKET	1		(SUB FOR T20292, T24965 OR R73140)
18	R56463	O-RING	1		
19	R74354	O-RING	1		
20	R87627	O-RING	6		
21	R87627	O-RING	6		
22	T20304	WASHER	1		
23	T13213	WASHER	1		
24	RE38570	GASKET KIT	1		(ALSO ORDER (6) AR100124 AND (3) AR71617) (SUB FOR AT22850, AT21249, AT23201, AR97196 OR AR102291)

1C22

ENGINE

ENGINE OVERHAUL GASKET KIT (GASOLINE)

RWP5471 -UN-01JAN94



1C23

ENGINE

ENGINE OVERHAUL GASKET KIT - CONTINUED (GASOLINE)

KEY	PART NO.	PART NAME	QTY	ENGINE SERIAL NO.	REMARKS
1	R90648	GASKET	1		CYLINDER BLOCK PLATE, (SUB FOR T20292, T24965 OR R73140)
2	T20154	GASKET	1		TIMING GEAR COVER
3	T20328	GASKET	1		OIL FILLER CAP
4	T20112	GASKET	1		DISTRIBUTOR
5	T20304	WASHER	1		TACHOMETER DRIVE SHAFT
6	T13213	WASHER	1		(ALUMINUM) OIL DRAIN PLUG
7	R56463	O-RING	1		VENT TUBE, (SUB FOR R495R, THIS APPLICATION)
8	R74354	O-RING	1		OIL PUMP OUTLET TUBE, (SUB FOR R27166, THIS APPLICATION)
9	R87627	O-RING	6		
10	R97351	GASKET	1		FLYWHEEL HOUSING, (SUB FOR T23596 OR R70483)
11	T20232	WASHER	1		GOVERNOR HOUSING
12	R97341	GASKET	1		OIL PAN (CAST IRON PAN) (SUB FOR T22720 OR R49514, THIS APPLICATION)
	T24534	GASKET	1		OIL PAN (STEEL PAN) (SUB FOR T20049)
13	R97350	GASKET	1		FUEL PUMP, (SUB FOR R27285)
14	R98821	GASKET	1		CARBURETOR, (SUB FOR T10079)
15	R97352	GASKET	1		OIL FILLER INLET, (SUB FOR T20336)
16	T20215	GASKET	1		THERMOSTAT COVER
17	T20212	GASKET	1		THERMOSTAT HOUSING
18	R98837	GASKET	1		EXHAUST MANIFOLD, (SUB FOR T20208)
19	T20273	GASKET	1		TIMING GEAR COVER OPENING COVER
20	T20239	GASKET	1		WATER PUMP COVER
21	R75729	GASKET	1		(SUB FOR T20111 OR AR102261) (ALSO ORDER (6) AR100124)
22	R98843	GASKET	1		MANIFOLD, (SUB FOR T20206)
23	R98460	GASKET	1		CYLINDER HEAD, (SUB FOR T20039)
24	RE38572	GASKET KIT	1		(ALSO ORDER (3) AR71617 AND (6) AR100124) (SUB FOR AT22849, AT21246, AT23198, AR97198 OR AR102299)

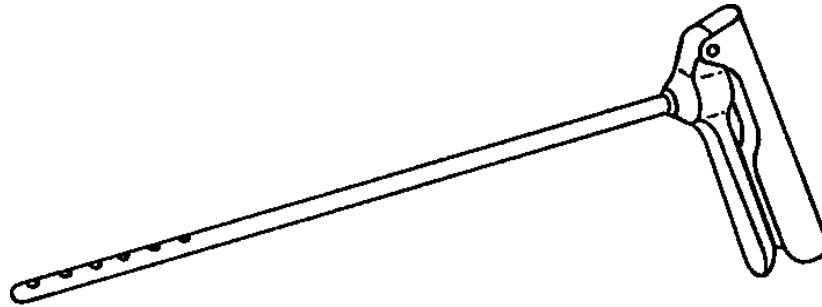
MEMORANDA

1D4

FUEL AND AIR

RP474 -UN-01JAN94

DRY AIR CLEANER ELEMENT CLEANING GUN



RP474

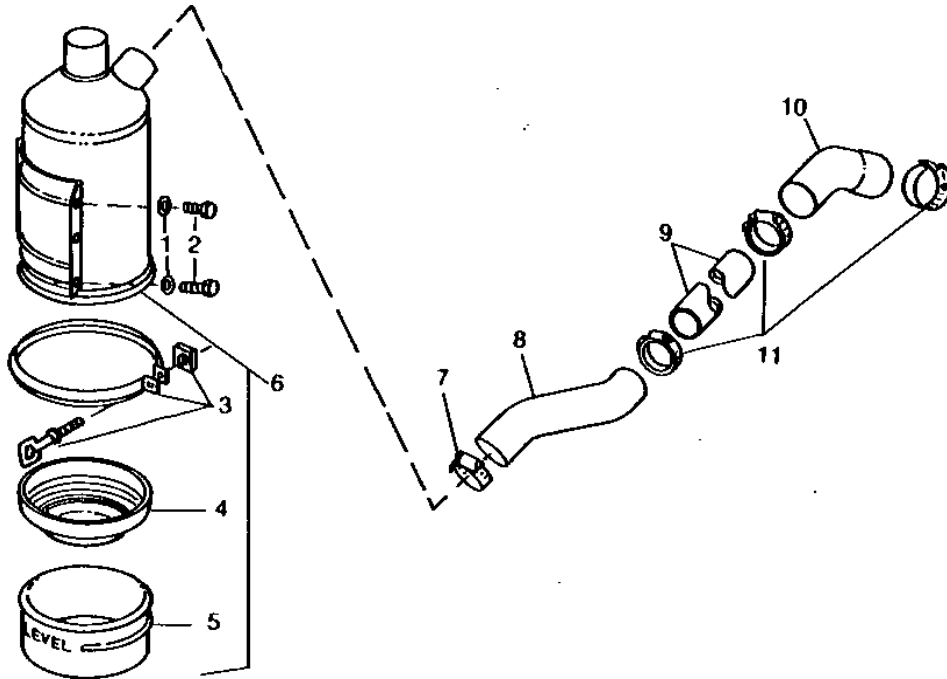
KEY	PART NO.	PART NAME	QTY	TRACTOR SERIAL NO.	REMARKS
..	AR62322	GREASE GUN	1		(MARKED R42726) (SUB FOR AR45035 OR AR62377) (NLA)
..	R36757	AIR CLEANER	1		(NLA)

1D5

FUEL AND AIR

OIL BATH AIR CLEANER
(DIESEL)
(TRACTOR SERIAL NO. -117499)

RWP4837 -UN-01JAN94



RWP4837

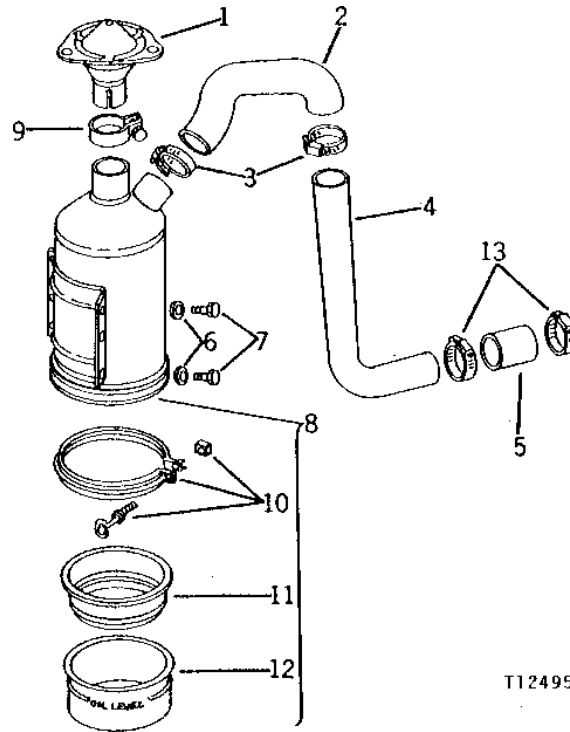
KEY	PART NO.	PART NAME	QTY	TRACTOR SERIAL NO.	REMARKS
1	12H304	LOCK WASHER	4	3/8"	
2	19H2021	CAP SCREW	3	3/8" X 5/8"	
	19H2284	CAP SCREW	1	3/8" X 7/8"	
3	AT10589	CLAMP	1		
4	T18600	OIL CUP	1	(NLA)	
5	T24988	OIL CUP	1	(NLA)	
6	AT20245	AIR CLEANER	1		
7	AR21999	CLAMP	1		
8	T22783	HOSE	1		
9	T21726	TUBE	1	(NLA)	
10	T21699	HOSE	1		
11	AR21999	CLAMP	3		

1D6

FUEL AND AIR

OIL BATH AIR CLEANER
(GASOLINE)
(TRACTOR SERIAL NO. -117499)

T12495 -UN-01JAN94



T12495F

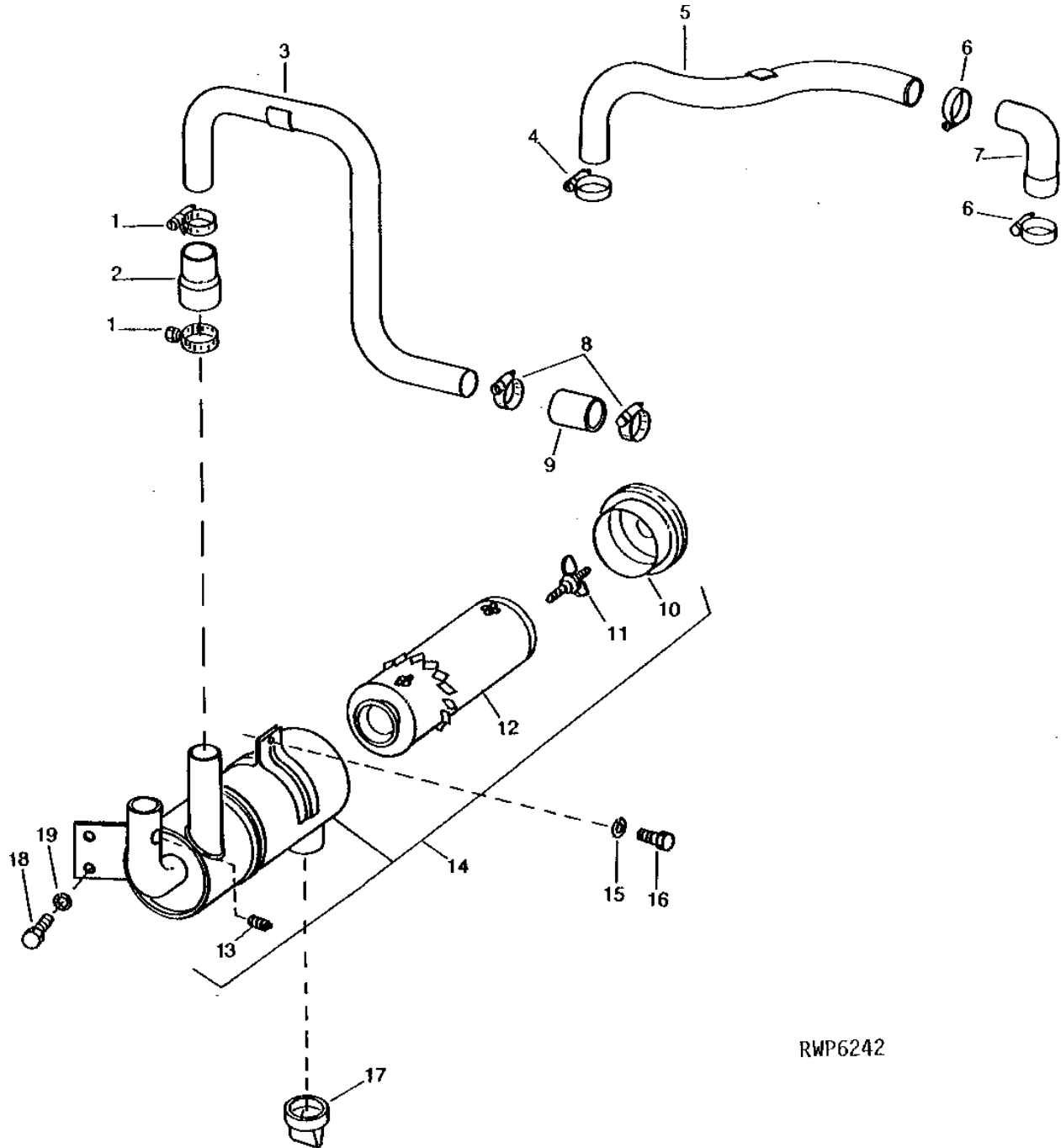
KEY	PART NO.	PART NAME	QTY	TRACTOR SERIAL NO.	REMARKS
1	AR32430	CONTAINER	1		
2	T21702	HOSE	1		FRONT, (SUB FOR T21729)
3	AR21999	CLAMP	2		
4	T21728	PIPE	1		(NLA)
5	R56551	HOSE	1		REAR, (SUB FOR T21703)
6	12H304	LOCK WASHER	4		3/8"
7	19H2021	CAP SCREW	3		3/8" X 5/8"
	19H2284	CAP SCREW	1		3/8" X 7/8"
8	AT20355	AIR CLEANER	1		(NLA)
9	AR26928	CLAMP	1		
10	AT10589	CLAMP	1		
11	T18600	OIL CUP	1		(NLA)
12	T24989	OIL CUP	1		(NLA)
13	AR21840	CLAMP	2		

1D7

FUEL AND AIR

RWP6242 -UN-01JAN94

DRY-TYPE AIR CLEANER



RWP6242

1D8

FUEL AND AIR

DRY-TYPE AIR CLEANER - CONTINUED

KEY	PART NO.	PART NAME	QTY	TRACTOR SERIAL NO.	REMARKS
1	AR21999	CLAMP	2		
2	T23084	HOSE	1		FRONT
3	AT19883	PIPE	1		(B) (SUB T21781 AND T22385)
4	AR21999	CLAMP	1		(A)
5	AT20841	PIPE	1		(A) (SUB T22385 AND T22830)
6	AR21999	CLAMP	2		(A)
7	T21699	HOSE	1	-154001	(A)
	R53443	HOSE	1	154002-	(A) REAR
8	AR21999	CLAMP	2		(B)
9	R56551	HOSE	1		(B) (SUB FOR T21703)
10	AT24438	COVER	1		(SUB AT81398)
11	AT24437	WING SCREW	1		
12	AT20728	FILTER ELEMENT	1		
13	15H638	PIPE PLUG	1		1/8" (LESS RESTRICTION INDICATOR)
14	AT20727	AIR CLEANER	1		
15	12H304	LOCK WASHER	1		3/8"
16	19H2284	CAP SCREW	1		3/8" X 7/8"
17	T23262	VALVE	1		
18	19H2021	CAP SCREW	2		3/8" X 5/8"
19	12H304	LOCK WASHER	2		3/8"
	M1335T	WASHER	1		(LESS HYDRAULIC PUMP)

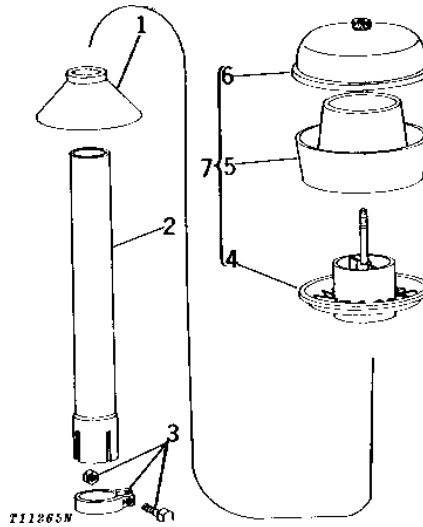
(A) DIESEL
(B) GASOLINE

1D9

FUEL AND AIR

T11265 -UN-01JAN94

PRE-CLEANER (DIESEL)



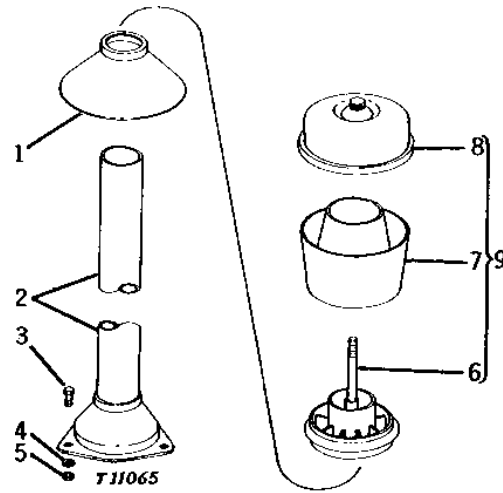
KEY	PART NO.	PART NAME	QTY	TRACTOR SERIAL NO.	REMARKS
1	R28797	SEAL	1		
2	T21724	AIR INTAKE STACK	1		
3	AR26928	CLAMP	1		
4	AT16841	SLEEVE	1	(NLA)	
5	AM3772T	BOWL	1		
6	AT16840	COVER	1		
7	AT16837	PRESCREENER	1		

1D10

FUEL AND AIR

T11065 -UN-01JAN94

PRE-CLEANER (GASOLINE)



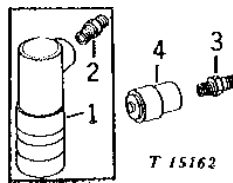
KEY	PART NO.	PART NAME	QTY	TRACTOR SERIAL NO.	REMARKS
1	R28797	SEAL	1		
2	AT19859	PIPE	1	(NLA)	
3	19H1227	CAP SCREW	3	1/4" X 1/2"	
4	12H302	LOCK WASHER	3	1/4"	
5	14H786	NUT	3	1/4"	
6	AT16841	SLEEVE	1	(NLA)	
7	AM3772T	BOWL	1		
8	AT16840	COVER	1		
9	AT16837	PRESCREENER	1		

1D11

FUEL AND AIR

AIR CLEANER RESTRICTION INDICATOR (DRY-TYPE)

T15162 -UN-01JAN94



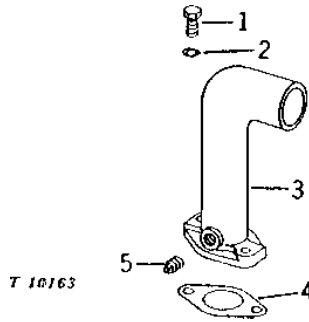
KEY	PART NO.	PART NAME	QTY	TRACTOR SERIAL NO.	REMARKS
1	R39578	INDICATOR LIGHT	1	-072244	(DIESEL) (SUB AT25983 AND AR44361)
	AH21422	GAUGE	1	-072244	(GASOLINE) (SUB AT26536 AND AR44361)
2	AR40360	FITTING	1	-072244	(SUB AR44361)
3	AR44361	FITTING	1	072245-	
4	AT25983	AIR RESTRICTION INDICATOR	1	072245-	(DIESEL)
	AT26536	AIR RESTRICTION INDICATOR	1	072245-	(GASOLINE)
..	AT23508	AIR RESTRICTION INDICATOR	1		(DIESEL) (SUB AT25983 AND AR44361)

1D12

FUEL AND AIR

T10163 -UN-01JAN94

AIR INTAKE
(DIESEL)



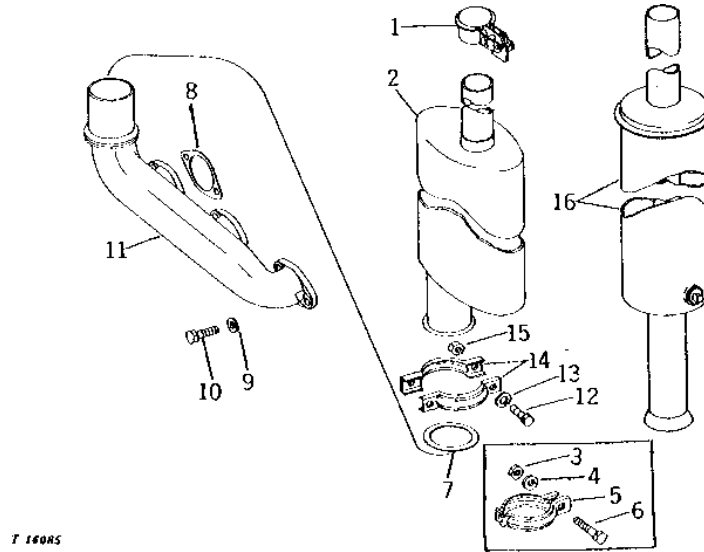
KEY	PART NO.	PART NAME	QTY	TRACTOR SERIAL NO.	REMARKS
1	19H1732	CAP SCREW	2		
2	12H304	LOCK WASHER	2		
3	T23613	INTAKE MANIFOLD	1		
4	R81275	GASKET	1		
5	15H255	PIPE PLUG	1		

1D13

FUEL AND AIR

VERTICAL MUFLER AND MANIFOLD (DIESEL)

T16085 -UN-01JAN94



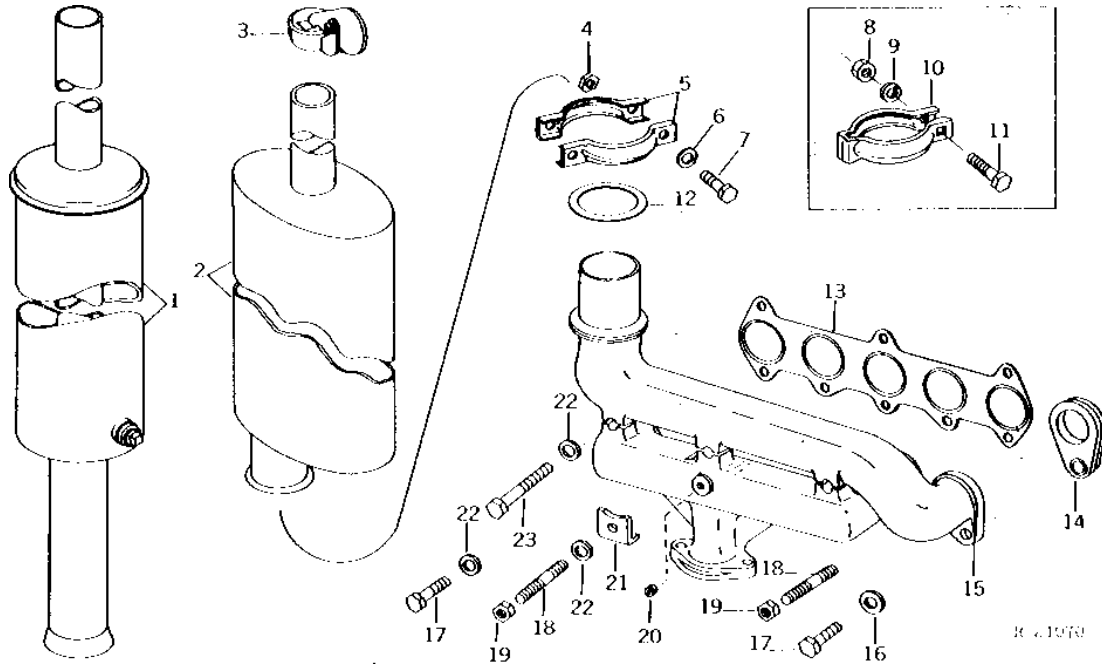
KEY	PART NO.	PART NAME	QTY	ENGINE SERIAL NO.	REMARKS
1	AR56782	EXHAUST CAP	1		(SUB FOR AT10611)
2	AT21689	MUFLER	1		
3	14H785	NUT	1	-029615	5/16"
4	12H303	LOCK WASHER	1	-029615	5/16"
5	T20142	CLAMP	1	-029615	(SUB AT63813, (2) 12H303, (2) 14H785 AND (2) 19H1906)
6	19H1901	CAP SCREW	1	-029615	5/16" X 2"
7	T20141	SEAL	1		(SUB R98844)
8	T20006	GASKET	3		(SUB R90658)
9	24M7106	WASHER	6		10 X 18 X 2.500 MM
10	19H1732	CAP SCREW	6		3/8" X 1-1/4"
11	T20252	EXHAUST MANIFOLD	1		
12	19H3552	CAP SCREW	2	029616-	5/16" X 1-1/2"
13	12H303	LOCK WASHER	2	029616-	5/16"
14	AT63813	HALF CLAMP	2	029616-	(SUB FOR T19978)
15	14H785	NUT	2	029616-	5/16"
16	AT28414	MUFLER	1		

1D14

FUEL AND AIR

VERTICAL MUFFLER AND MANIFOLD (GASOLINE)

R21070 -UN-01JAN94



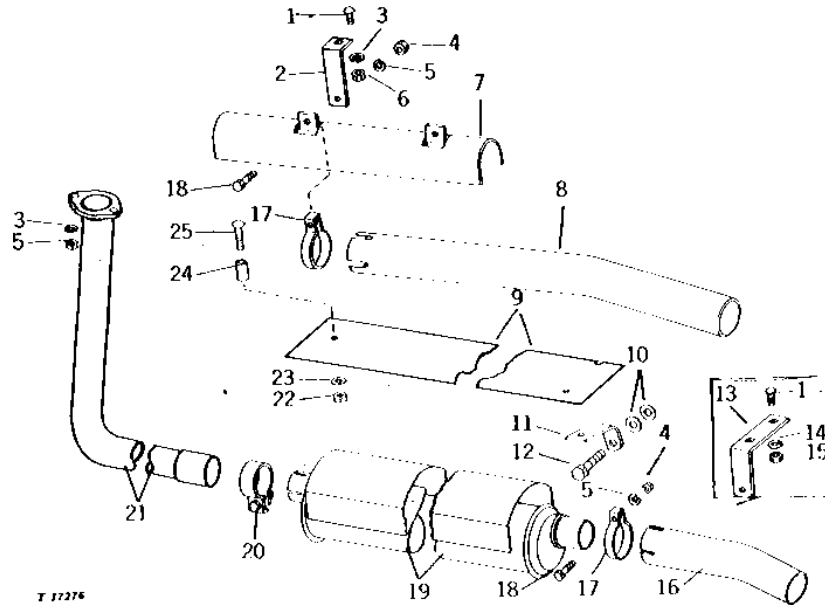
KEY	PART NO.	PART NAME	QTY	ENGINE SERIAL NO.	REMARKS
1	AT28414	MUFFLER	1		
2	AT21689	MUFFLER	1		
3	AR56782	EXHAUST CAP	1		(SUB FOR AT10611)
4	14H785	NUT	2	029616-	5/16"
5	AT63813	HALF CLAMP	2	029616-	(SUB FOR T19978)
6	12H303	LOCK WASHER	2	029616-	5/16"
7	19H3552	CAP SCREW	2	029616-	5/16" X 1-1/2"
8	14H785	NUT	1	-029615	5/16"
9	12H303	LOCK WASHER	1	-029615	5/16"
10	T20142	CLAMP	1	-029615	(SUB AT63813, (2) 12H303, (2) 14H785 AND (2) 19H1906)
11	19H1901	CAP SCREW	1	-029615	5/16" X 2"
12	T20141	SEAL	1		(SUB R98844)
13	T20206	GASKET	1		(SUB R98843)
14	T20208	GASKET	1		(SUB R98837)
15	T20251	MANIFOLD	1		
16	24H1682	WASHER	1		13/32" X 7/8" X 0.120"
17	19H1732	CAP SCREW	3		3/8" X 1-1/4"
18	M1112T	STUD	2		
19	14H1076	NUT	2		3/8"
20	15H558	PIPE PLUG	1		1/8"
21	R51916	CLAMP	1		
22	24M7106	WASHER	7		10 X 18 X 2.500 MM
23	19H2007	CAP SCREW	3		3/8" X 4-1/2"

1D15

FUEL AND AIR

HORIZONTAL MUFFLER (DIESEL)

T17276 -UN-01JAN94



T 17276

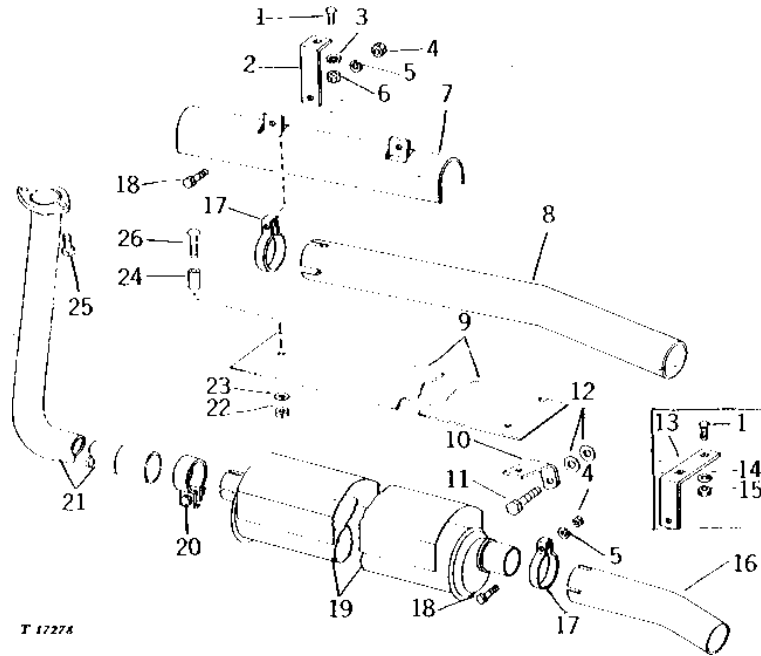
KEY	PART NO.	PART NAME	QTY	TRACTOR SERIAL NO.	REMARKS
1	03H1765	BOLT	2	-076063	3/8" X 3/4"
2	T24844	ANGLE	2		(LU)
3	12H304	LOCK WASHER	3		3/8"
4	14H785	NUT	1		5/16", (HU, RU)
5	12H303	LOCK WASHER	1		5/16", (LU)
6	14H1076	NUT	2		5/16", (HU, RU)
7	T24846	GUARD	1		3/8"
8	T24845	EXHAUST PIPE	1		(LU) (NLA)
9	R55916	SHIELD	1	076064-	(LU)
10	24H1350	WASHER	2	076064-	(HU, RU) (SUB FOR T29750)
11	T29752	BRACKET	1	076064-	9/16" X 1-1/4" X 0.194", (HU, RU)
12	19H1974	CAP SCREW	1	076064-	(HU, RU)
13	T24747	SUPPORT	1	076064-	1/2" X 2-3/4", (HU, RU)
14	12H304	LOCK WASHER	3	-076063	(HU, RU)
15	14H1076	NUT	2	-076063	3/8", (HU, RU)
16	T24748	DEFLECTOR	1	-076063	(HU, RU) (SUB R48634)
17	T29751	DEFLECTOR	1	076064-	(HU, RU)
18	M3119T	CLAMP	1		(HU, RU)
19	M3119T	CLAMP	2		(LU)
20	19H1849	CAP SCREW	1		5/16" X 1-1/4", (HU, RU)
21	19H1849	CAP SCREW	2		5/16" X 1-1/4", (LU)
22	AT21795	MUFFLER	1		(HU, RU)
23	AT21914	MUFFLER	1		(LU)
24	AR26928	CLAMP	1		
25	AT20154	EXHAUST PIPE	1	-076063	(HU, RU)
	AT27960	EXHAUST PIPE	1	076064-	(HU, RU)
	AT21913	EXHAUST PIPE	1		(LU)
22	14H1076	NUT	3	076064-	3/8", (HU, RU)
23	12H304	LOCK WASHER	3	076064-	3/8", (HU, RU)
24	28H2522	SPACER	3	076064-	0.423" X 0.675" X 13/16", (HU, RU)
25	03H1495	BOLT	3	076064-	3/8" X 1-1/2", (HU, RU)

1D16

FUEL AND AIR

HORIZONTAL MUFFLER (GASOLINE)

T17278 -UN-01JAN94



T 17278

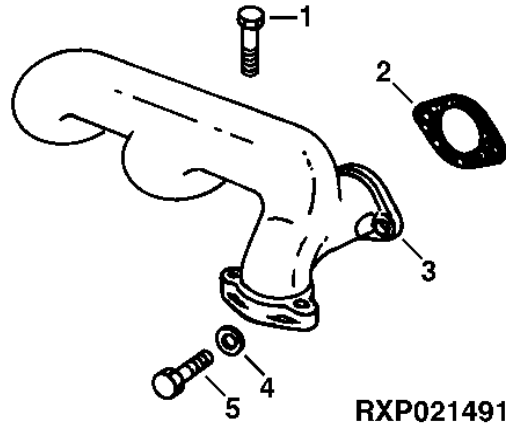
KEY	PART NO.	PART NAME	QTY	TRACTOR SERIAL NO.	REMARKS
1	03H1765	BOLT	2	-076063	3/8" X 3/4"
2	T24844	ANGLE	2		(LU)
3	12H304	LOCK WASHER	1		3/8"
4	14H785	NUT	1		5/16", (HU, RU)
5	14H785	NUT	2		5/16", (LU)
5	12H303	LOCK WASHER	1		5/16", (HU, RU)
6	12H303	LOCK WASHER	2		5/16", (LU)
6	14H1076	NUT	1		3/8"
7	T24846	GUARD	1		(LU) (NLA)
8	T24845	EXHAUST PIPE	1		(LU)
9	R55916	SHIELD	1	076064-	(SUB FOR T29750)
10	T29752	BRACKET	1	076064-	(HU, RU)
11	19H1974	CAP SCREW	1	076064-	1/2" X 2-3/4", (HU, RU)
12	24H1350	WASHER	2	076064-	9/16" X 1-1/4" X 0.194", (HU, RU)
13	T24747	SUPPORT	1	-076063	(HU, RU)
14	12H304	LOCK WASHER	2	-076063	3/8", (HU, RU)
15	14H1076	NUT	2	-076063	3/8", (HU, RU)
16	T24748	DEFLECTOR	1	-076063	(HU, RU) (SUB R48634)
17	T29751	DEFLECTOR	1	076064-	(HU, RU)
17	M3119T	CLAMP	1		(HU, RU)
17	M3119T	CLAMP	2		(LU)
18	19H1849	CAP SCREW	1		5/16" X 1-1/4", (HU, RU)
18	19H1849	CAP SCREW	2		5/16" X 1-1/4", (LU)
19	AT21795	MUFFLER	1		(HU, RU)
19	AT21914	MUFFLER	1		(LU)
20	AR26928	CLAMP	1		
21	AT20154	EXHAUST PIPE	1	-076063	(HU, RU)
21	AT27960	EXHAUST PIPE	1	076064-	(HU, RU)
21	AT21913	EXHAUST PIPE	1		(LU)
22	14H1076	NUT	3	076064-	3/8", (HU, RU)
23	12H304	LOCK WASHER	3	076064-	3/8", (HU, RU)
24	28H2522	SPACER	3	076064-	3/8" X 13/16", (HU, RU)
25	19H1726	CAP SCREW	2		3/8" X 2-1/4"
26	03H1495	BOLT	3	076064-	3/8" X 1-1/2", (HU, RU)

1D17

FUEL AND AIR

REAR EXHAUST MANIFOLD (HORIZONTAL MUFFLER) (DIESEL)

RXP021491 -UN-15APR96



RXP021491

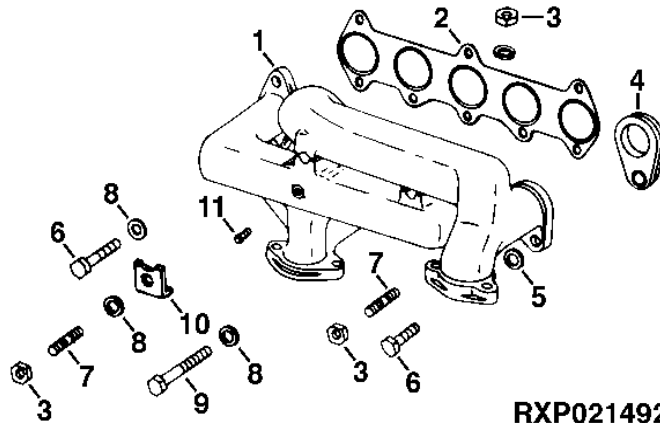
KEY	PART NO.	PART NAME	QTY	ENGINE SERIAL NO.	REMARKS
1	19H1726	CAP SCREW	2		
2	T20006	GASKET	3		3/8" X 2-1/4" (SUB R90658)
3	T20257	EXHAUST MANIFOLD	1		
4	24M7106	WASHER	6		10 X 18 X 2.500 MM
5	19H1732	CAP SCREW	6		3/8" X 1-1/4"

1D18

FUEL AND AIR

REAR EXHAUST MANIFOLD (HORIZONTAL MUFFLER) (GASOLINE)

RXP021492 -UN-15APR96



RXP021492

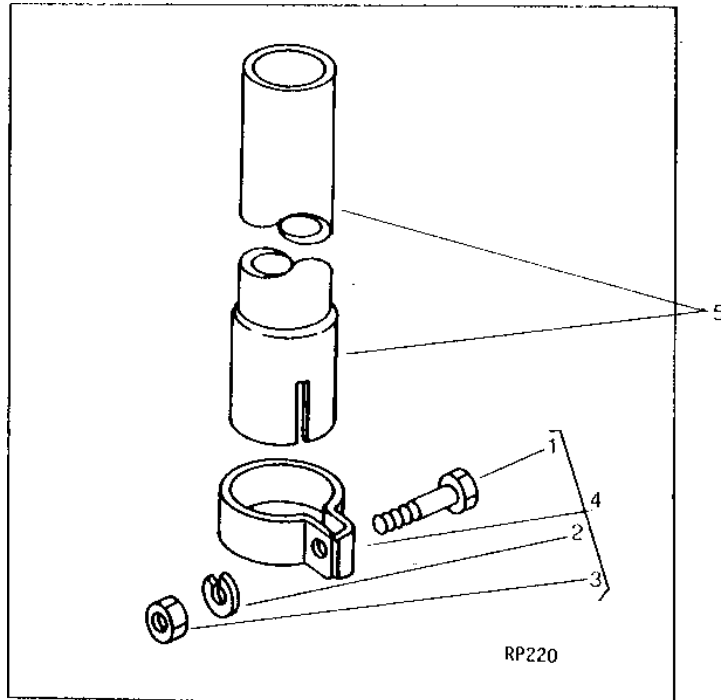
KEY	PART NO.	PART NAME	QTY	ENGINE SERIAL NO.	REMARKS
1	T20256	MANIFOLD	1		
2	T20206	GASKET	1	(SUB R98843)	
3	14H1076	NUT	4	3/8"	
	12H304	LOCK WASHER	2	3/8"	
4	T20208	GASKET	1	(SUB R98837)	
5	24H1682	WASHER	1	13/32" X 7/8" X 0.120"	
6	19H1732	CAP SCREW	4	3/8" X 1-1/4"	
7	M1112T	STUD	2		
8	24M7106	WASHER	7	10 X 18 X 2.500 MM	
9	19H2007	CAP SCREW	3	3/8" X 4-1/2"	
10	R51916	CLAMP	1	143903-	
11	15H558	PIPE PLUG	1	1/8"	

1D19

FUEL AND AIR

RP220 -UN-01JAN94

MUFFLER EXTENSION (CANOPY)



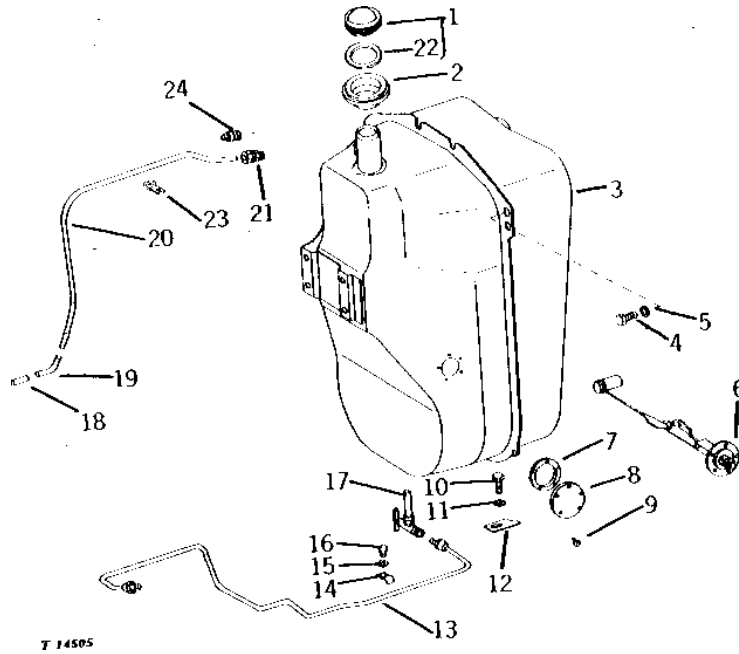
KEY	PART NO.	PART NAME	QTY	TRACTOR SERIAL NO.	REMARKS
1	19H1849	CAP SCREW	1	5/16" X 1-1/4"	
2	12H303	LOCK WASHER	1	5/16"	
3	14H785	NUT	1	5/16"	
4	AR38398	CLAMP	1		
5	AR38397	MUFFLER EXTENSION	1		

1D20

FUEL AND AIR

T14505 -UN-01JAN94

FUEL TANK ASSEMBLY



KEY	PART NO.	PART NAME	QTY	TRACTOR SERIAL NO.	REMARKS
1	AT20911	FILLER CAP	1		
2	R39613	GROMMET	1		(SUB R82873)
3	AT21999	FUEL TANK	1		(SUB FOR AT19917)
4	19H1936	CAP SCREW	4		3/8" X 3/4"
5	24H1305	WASHER	4		13/32" X 13/16" X 0.065"
6	AT20912	SENDER	1		
7	R27181	GASKET	1		
8	F2506R	COVER	1		
9	37H95	SCREW	5		1/4" X 1/2"
10	19H1815	CAP SCREW	2		1/2" X 1-1/4"
11	24H1341	WASHER	2		17/32" X 15/16" X 0.060"
12	T33232	STOP	2		(SUB FOR T21859)
13	AT48214	FUEL LINE	1		(SUB FOR AT19983)
14	A4881R	CLIP	1		
15	12H304	LOCK WASHER	1		3/8"
16	19H2038	CAP SCREW	1		3/8" X 1/2"
17	R34656	SHUT-OFF VALVE	1		
18	T21882	TUBE	1		(A) (SUB T25757)
19	T22533	FUEL LINE	1		(A) (SUB T25757)
20	T25757	FUEL LINE	1	-071212	(A) (SUB FOR T21880)
	T27477	TUBE	1	071213-	(A)
21	AT22089	FITTING	1		(A)
22	R39615	WASHER	1		
23	T32231	CLAMP	1		(A) (SUB FOR T15737 OR R55618)
24	15H638	PIPE PLUG	1		(B) 1/8"

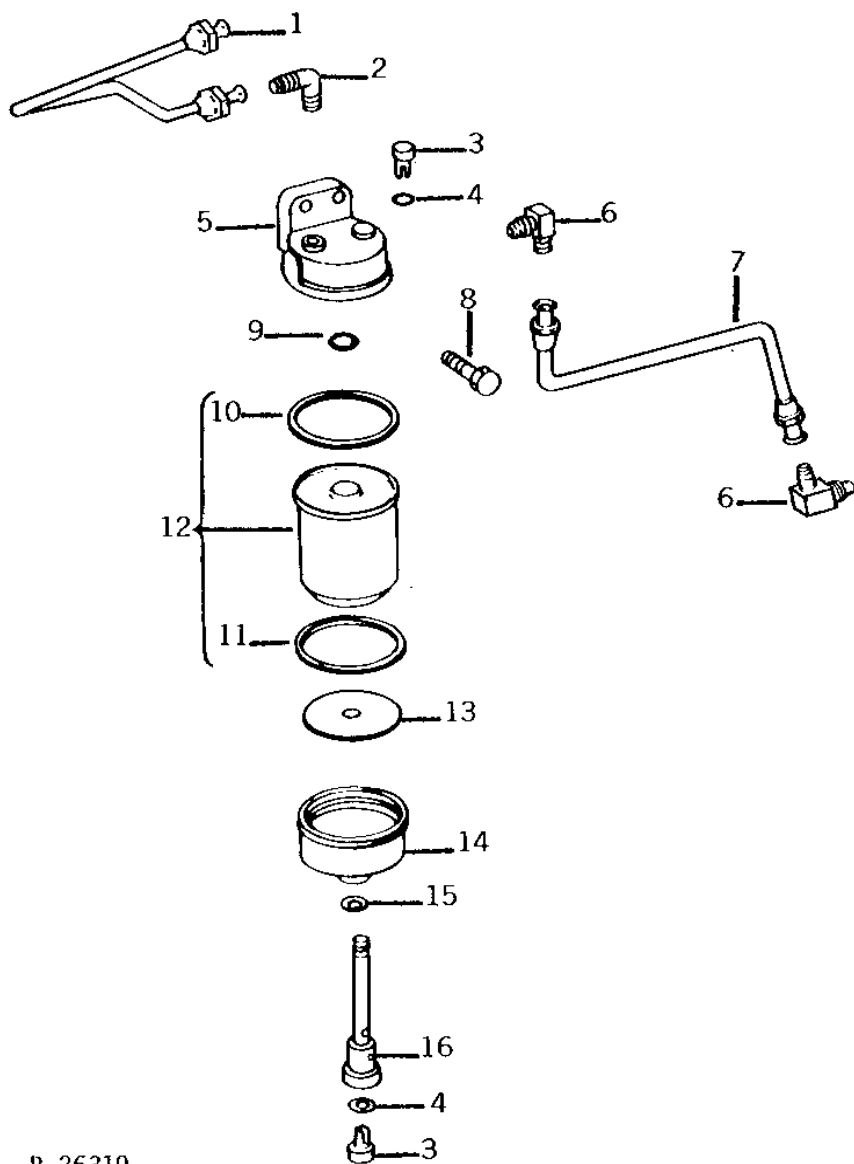
(A) DIESEL
(B) GASOLINE

1D21

FUEL AND AIR

SINGLE STAGE FUEL FILTER ASSEMBLY (DIESEL)

R26310 -UN-01JAN94



R 26310

1D22

FUEL AND AIR

SINGLE STAGE FUEL FILTER ASSEMBLY - CONTINUED (DIESEL)

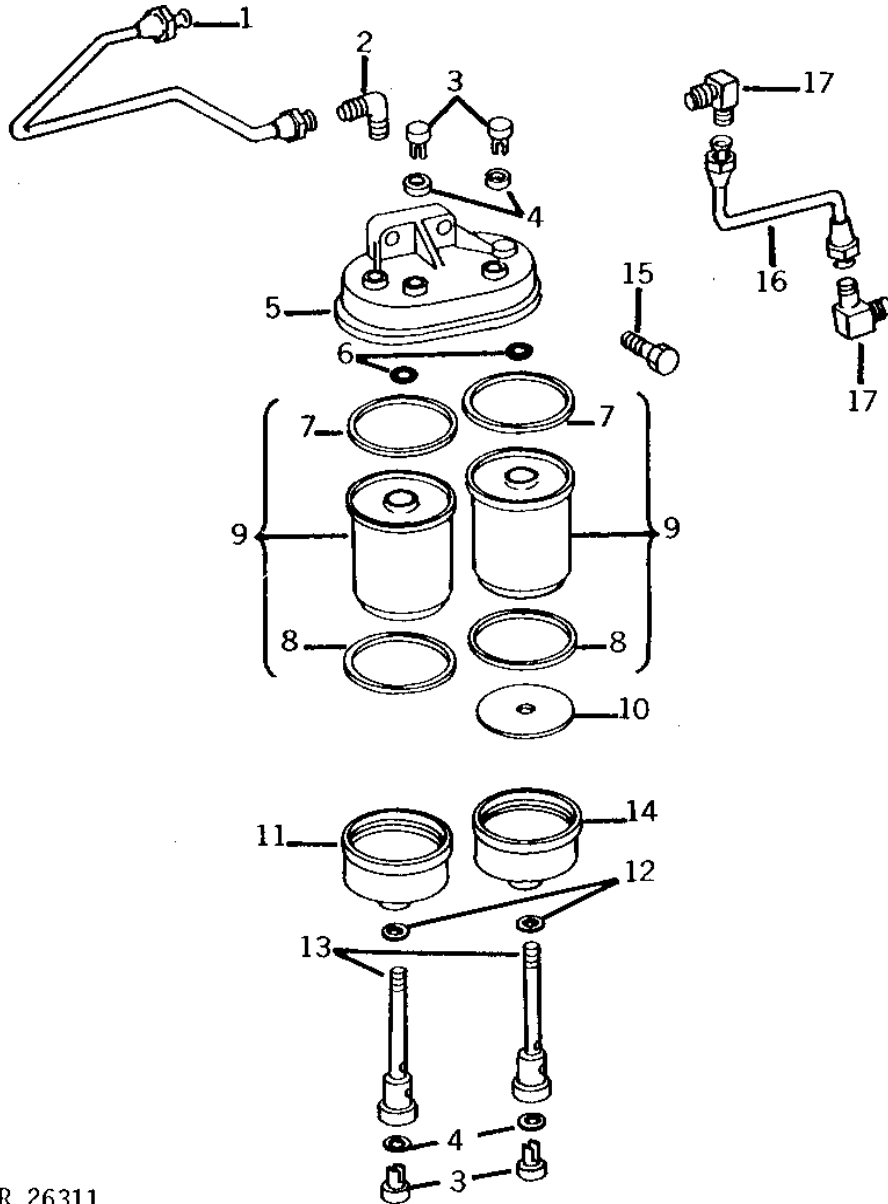
KEY	PART NO.	PART NAME	QTY	ENGINE SERIAL NO.	REMARKS
1	AT18029	FUEL LINE	1	-060326	(NLA)
	AT23054	FUEL LINE	1	060327-117499	
	AR50894	FUEL LINE	1	117500-	
2	T30738	ELBOW FITTING	4	-060326	(SUB FOR AR26674)
	T13201	ELBOW FITTING	1	060327-	
3	R34446	DRAIN PLUG	2		
4	R26287	O-RING	2		
5	T19123	CAP	1		
6	T30738	ELBOW FITTING	2	060327-	(SUB FOR AR26674)
7	AT20265	FUEL LINE	1		
8	19H1732	CAP SCREW	2		3/8" X 1-1/4"
9	R459R	O-RING	1		(SUB FOR T19118)
10	R64374	WASHER	2		(SUB FOR T19114)
11	R64373	SEAL	1		
12	AT17387	FILTER ELEMENT	1		
13	SCREEN	1		(NO LONGER REQUIRED)
14	T19119	SEDIMENT BOWL	1		
15	T19117	WASHER	1		
16	T32365	HOLLOW SCREW	1		(SUB FOR AT17388)

1D23

FUEL AND AIR

DUAL STAGE FUEL FILTER ASSEMBLY (DIESEL)

R26311 -UN-01JAN94



R 26311

1D24

FUEL AND AIR

DUAL STAGE FUEL FILTER ASSEMBLY - CONTINUED (DIESEL)

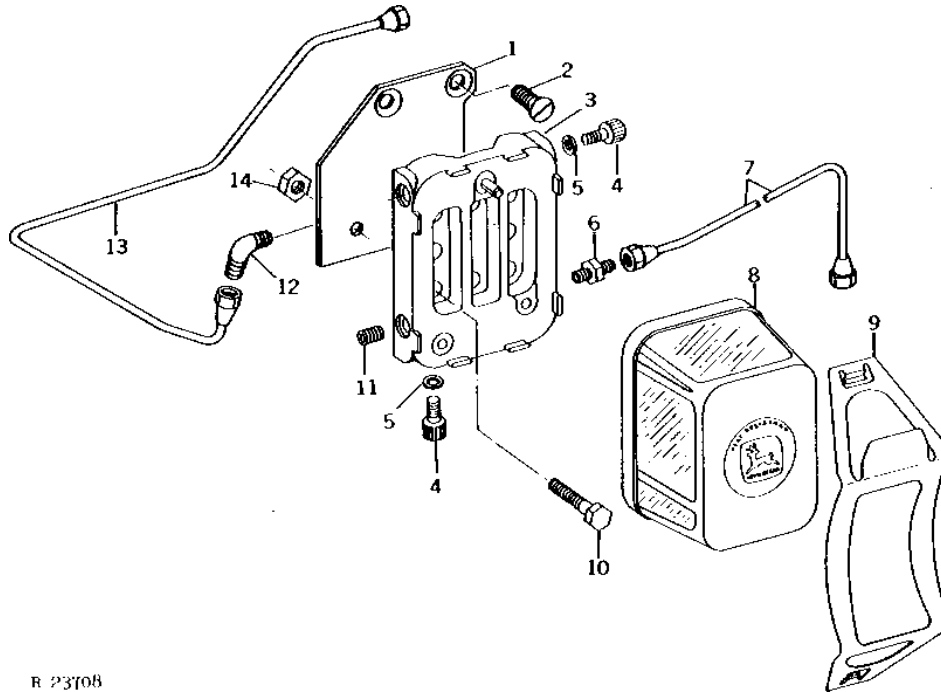
KEY	PART NO.	PART NAME	QTY	ENGINE SERIAL NO.	REMARKS
1	AT18144	FUEL LINE	1	-060326	(NLA)
	AT23052	FUEL LINE	1	060327-	(NLA)
2	T30738	ELBOW FITTING	4	-060326	(SUB FOR AR26674)
	T13201	ELBOW FITTING	1	060327-	
3	R34446	DRAIN PLUG	4		
4	R26287	O-RING	4		
5	AT17389	COVER	1		(NLA)
6	R459R	O-RING	2		(SUB FOR T19118)
7	R64374	WASHER	2		(SUB FOR T19114)
8	R64373	SEAL	2		
9	AT17387	FILTER ELEMENT	2		
10	SCREEN	1		(NLA)
11	T19119	SEDIMENT BOWL	1		ALUMINUM, (SUB FOR T19121)
12	T19117	WASHER	2		
13	T32365	HOLLOW SCREW	2		(SUB FOR AT17388)
14	T19119	SEDIMENT BOWL	1		GLASS
15	19H1732	CAP SCREW	2		3/8" X 1-1/4"
16	AT18168	FUEL LINE	1		
17	T30738	ELBOW FITTING	2	060327-	(SUB FOR AR26674)

1D25

FUEL AND AIR

FUEL FILTER (ROOSA-MASTER) (DIESEL)

R23708 -UN-01JAN94



R 23708

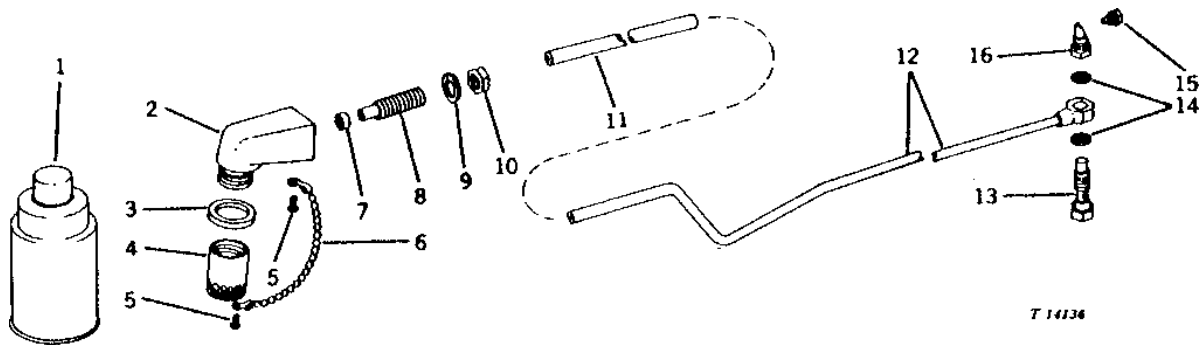
KEY	PART NO.	PART NAME	QTY	ENGINE SERIAL NO.	REMARKS
1	R54998	BRACKET	1		
2	21H1060	SCREW	2	3/8" X 3/4", (NLA)	
3	AR50040	HOUSING	1		
4	R48071	DRAIN PLUG	2		
5	R26287	O-RING	2	(SUB FOR R34447)	
6	R27346	FITTING	1		
7	AR63653	FUEL LINE	1	(FUEL PUMP TO FUEL FILTER)	
8	AR50041	FUEL FILTER	1		
9	R66821	CLAMP	1	(SUB FOR R47358 OR R57258)	
10	19H2284	CAP SCREW	2	3/8" X 7/8"	
11	15H558	PIPE PLUG	1	1/8"	
12	T30738	ELBOW FITTING	1		
13	AR63655	FUEL LINE	1	(FUEL FILTER TO INJECTION PUMP)	
14	14H1076	NUT	2	3/8"	

1E1

FUEL AND AIR

COLD WEATHER STARTING AID (DIESEL)

T14136 -UN-01JAN94



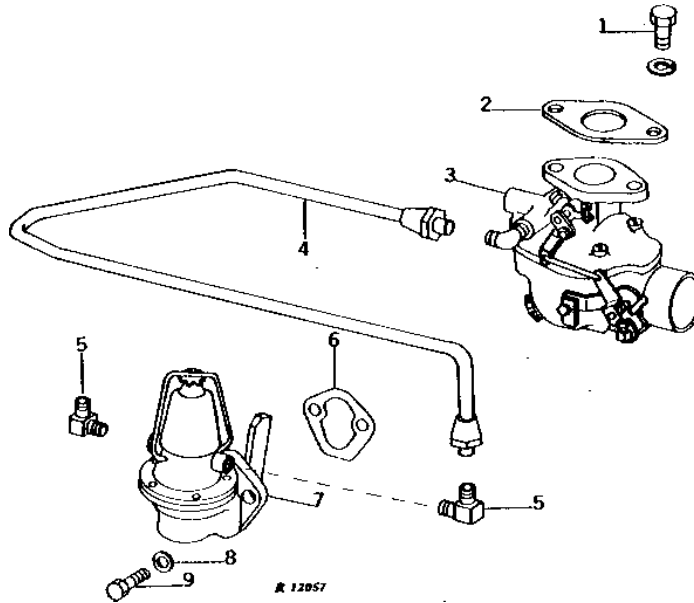
KEY	PART NO.	PART NAME	QTY	ENGINE SERIAL NO.	REMARKS
1	RE33636	STARTING FLUID	1		(SUB FOR AR27814, RE24561 OR RE30174)
2	T22534	ADAPTER	1		
3	R26149	PACKING	1		
4	R32306	CAP	1		
5	37H44	SCREW	2	0.151" X 3/8"	
6	AR27940	LINK CHAIN	1		
	R31227	COUPLING	1		
7	R34394	WASHER	1		
8	R34395	ADAPTER	1		
9	12H301	LOCK WASHER	1	1/2"	
10	14H1040	NUT	1	1/2"	
11	HOSE	1	635 MM (25") (SUB FOR T23245 OR T64421) (MAKE FROM T79479)	
12	AT20748	LINE	1	(SUB AT25265, T27256, T78593 AND (6) R44302)	
13	R26726	FITTING	1		
14	T11292	WASHER	2		
15	R28583	NOZZLE	1		
16	R28584	FITTING	1		

1E2

FUEL AND AIR

R12057 -UN-01JAN94

GASOLINE FUEL SYSTEM



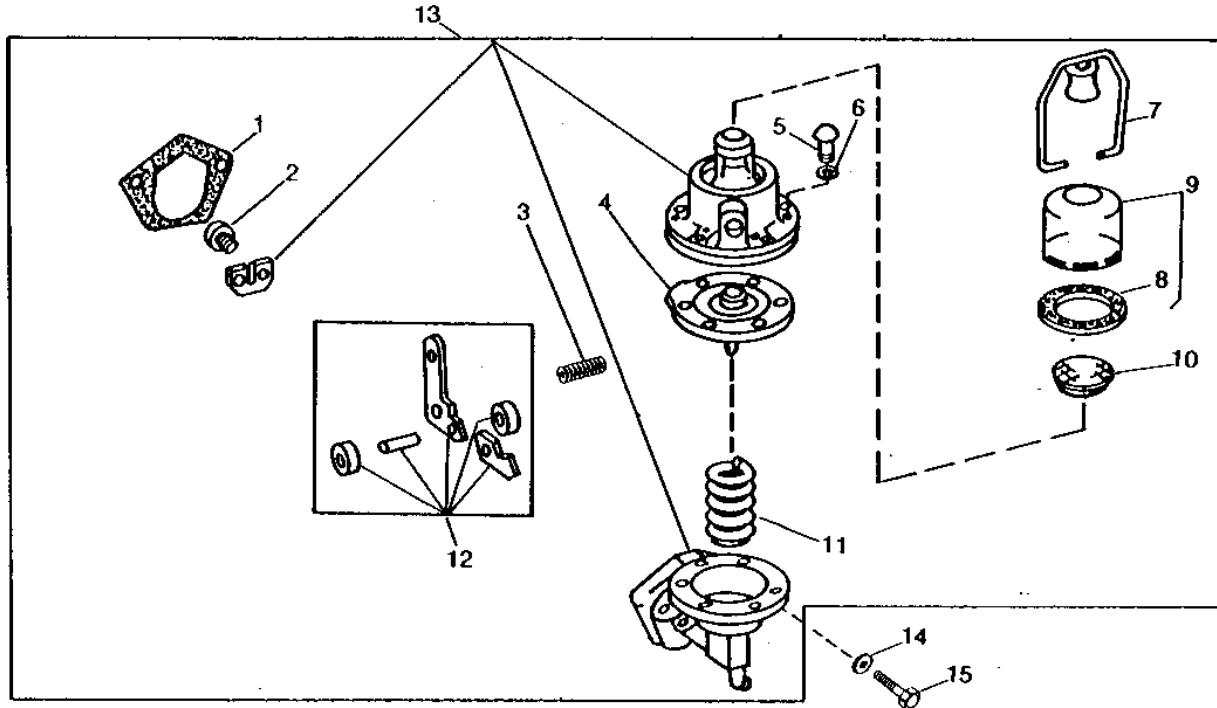
KEY	PART NO.	PART NAME	QTY	ENGINE SERIAL NO.	REMARKS
1	19H1731	CAP SCREW	2		3/8" X 1"
	12H304	LOCK WASHER	2		3/8"
2	T10079	GASKET	1		
3	AT23000	CARBURETOR	1		(MARVEL-SCHEBLER NO. TSX-904) (ALSO ORDER AT31877) (SUB RE19402 AND RE19408)
4	AT29317	FUEL LINE	1		(SUB FOR AT21423)
5	T30738	ELBOW FITTING	2		(SUB FOR AR26674)
6	R27285	GASKET	1		(SUB R97350)
7	RE43274	FUEL PUMP	1		(ALSO ORDER R97350) (SUB FOR AR64120 OR AR40258)
8	T27860	WASHER	2		(SUB FOR R20498, THIS APPLICATION)
9	19H1849	CAP SCREW	2		5/16" X 1-1/4"

1E3

FUEL AND AIR

RWP4841 -UN-01JAN94

FUEL TRANSFER PUMP ASSEMBLY



RWP4841

KEY	PART NO.	PART NAME	QTY	ENGINE SERIAL NO.	REMARKS
1	R97350	GASKET	1		(SUB FOR R27285)
2	21H1308	SCREW	2		0.138" X 3/8"
3	T10804	SPRING	1		
4	DIAPHRAGM	1		(SUB RE38578)
5	21H1295	SCREW	6		0.190" X 5/8"
6	12H246	LOCK WASHER	6		0.190"
7	AT10638	BAIL	1		
8	R40565	WASHER	1		
9	AR40407	SEDIMENT BOWL	1		
10	AT10635	SCREEN	1		
11	R30410	SPRING	1		
12	AR47304	KIT	1		ROCKER ARM, (SUB FOR AR28330) (SUB RE42211 AND R97350)
13	AR40259	FUEL PUMP	1		(DIESEL) (SUB RE42211 AND R97350)
	RE43274	FUEL PUMP	1		(GASOLINE) (ALSO ORDER R97350) (SUB FOR AR64120 OR AR40258)
14	T27860	WASHER	2		(SUB FOR R20498, THIS APPLICATION)
15	19H1849	CAP SCREW	2		5/16" X 1-1/4"

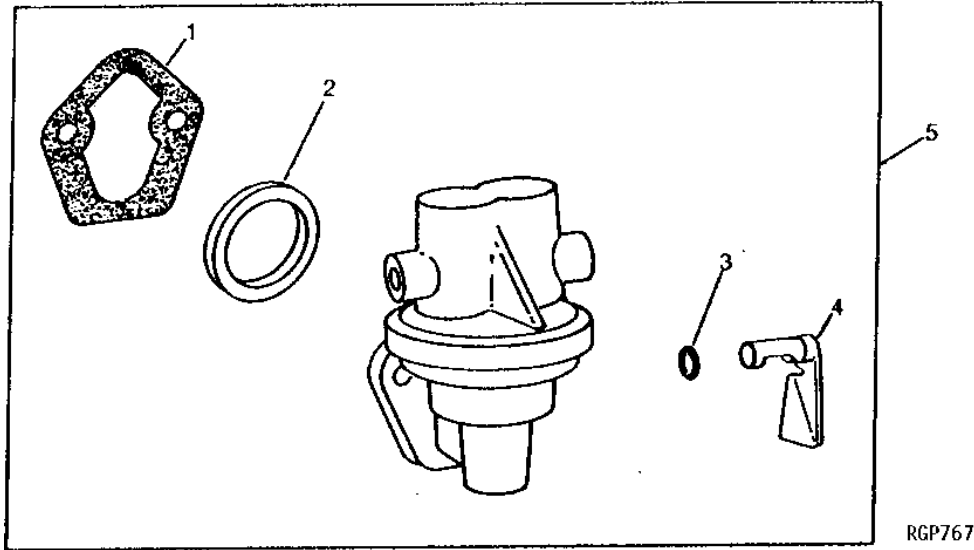
1E4

FUEL AND AIR

RGP767

-UN-01JAN94

FUEL TRANSFER PUMP



RGP767

KEY	PART NO.	PART NAME	QTY	ENGINE SERIAL NO.	REMARKS
1	R97350	GASKET	1	(SUB FOR R27285)	
2	R48399	WASHER	1		
3	A4365R	O-RING	1	(SUB FOR R49139)	
4	AR52556	LEVER	1		
5	AR52159	FUEL PUMP	1	(DIESEL) (SUB RE42211 AND R97350)	
	AR64120	FUEL PUMP	1	(GASOLINE) (SUB RE43274 AND R97350)	

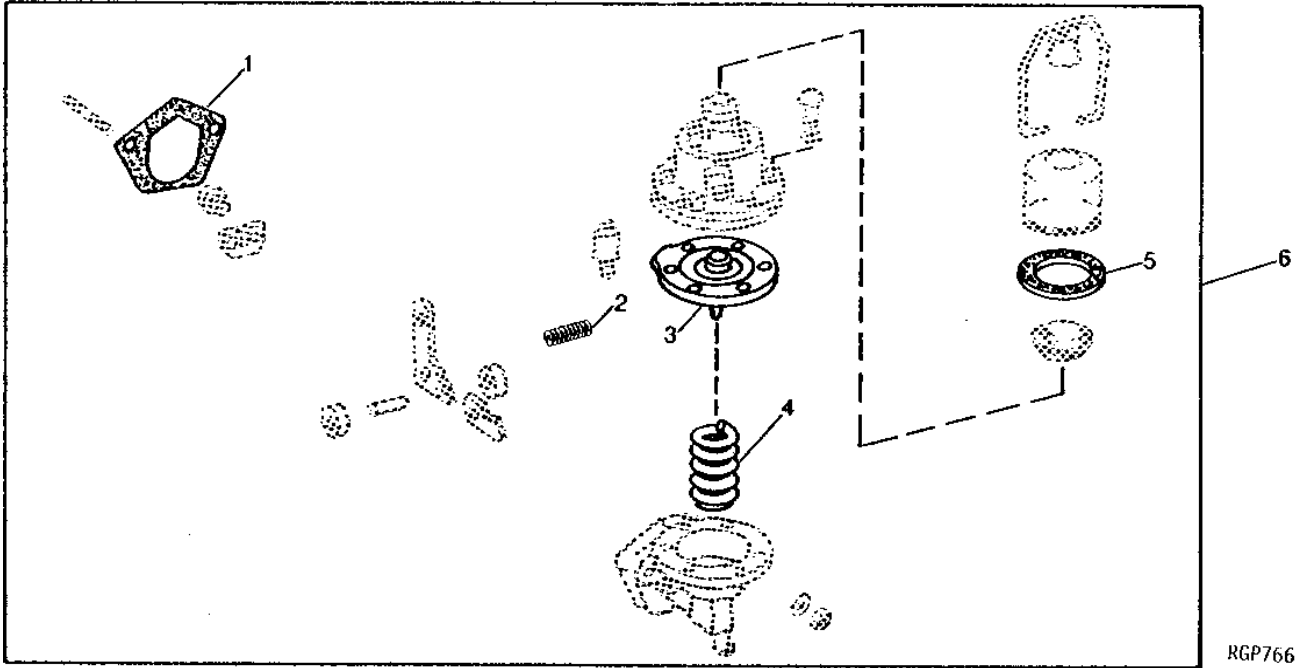
1E5

FUEL AND AIR

RGP766

-UN-01JAN94

FUEL TRANSFER PUMP OVERHAUL KIT



RGP766

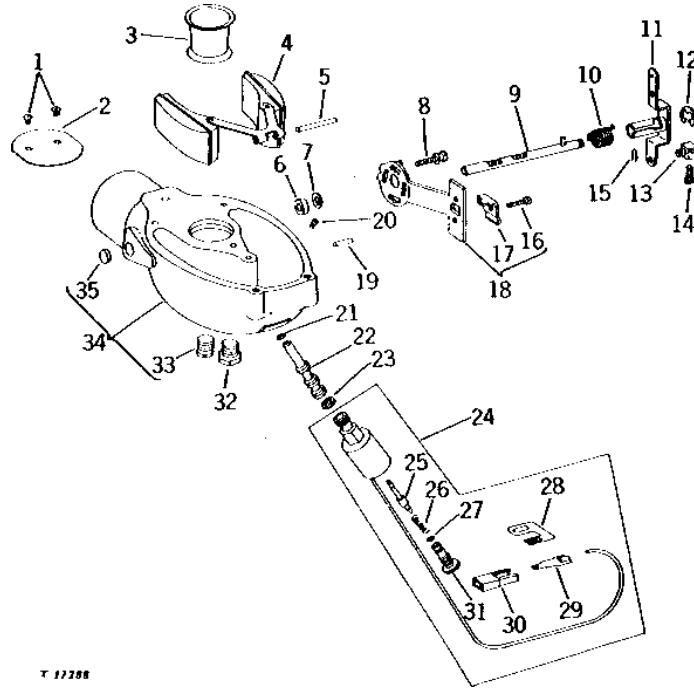
KEY	PART NO.	PART NAME	QTY	ENGINE SERIAL NO.	REMARKS
1	R97350	GASKET	1	(SUB FOR R27285)	
2	T10804	SPRING	1		
3	DIAPHRAGM	1	(SUB RE38578)	
4	R30410	SPRING	1		
5	R40565	WASHER	1		
6	AR40482	KIT	1	(USE WITH AR40258 OR AR40259) (SUB RE38578)	

1E6

FUEL AND AIR

CARBURETOR BOWL ASSEMBLY (MARVEL-SCHEBLER NO. TSX-904)

T17288 -UN-01JAN94



T 17288

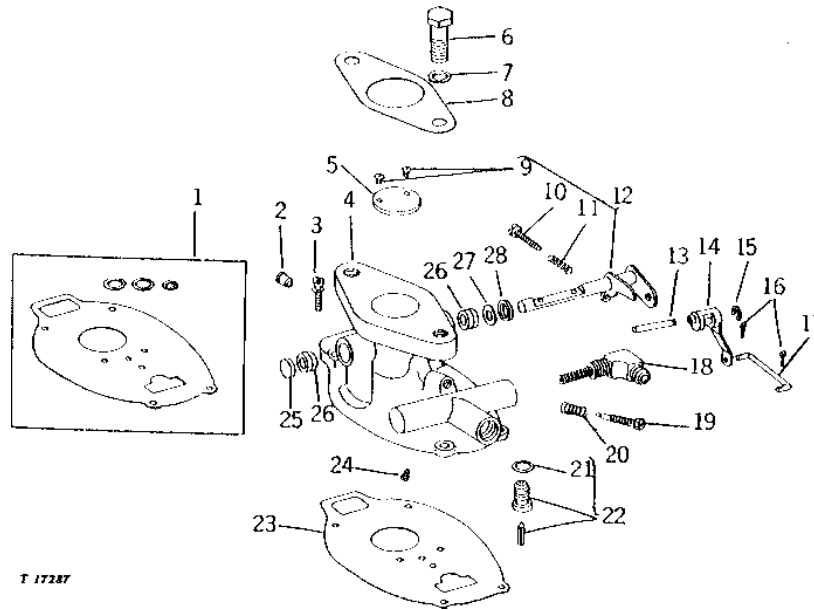
KEY	PART NO.	PART NAME	QTY	ENGINE SERIAL NO.	REMARKS
1	15-483	SCREW	2		
2	T23524	CHOKE	1		
3	46-A50	VENTURI	1		(SUB T30892)
4	30-739	FLOAT	1		
5	R10211	SHAFT	1		
6	R10186	SEAL	1		(SUB E49906)
7	R10187	SHIM	1		
8	T23522	SCREW	2		
9	AT22990	SHAFT	1		
10	T23523	SPRING	1		
11	AT22989	LEVER	1		
12	T23529	SNAP RING	1		
13	R10184	SWIVEL	1		
14	21H971	SCREW	1		0.164" X 5/16"
15	R10185	SPRING PIN	1		
16	15-A295	SCREW	1		
17	R10188	CLIP	1		
18	AT22993	BRACKET	1		
19	34H242	SPRING PIN	1		1/8" X 7/16"
20	T16565	NOZZLE	1		
21	16-456	GASKET	1		
22	47-455	NOZZLE	1		
23	16-47	GASKET	1		
24	AR67706	SOLENOID	1		(SUB FOR AT22996 OR AT31877)
25	AT31878	NEEDLE	1		(SUB FOR AT22991)
26	T25152	SPRING	1		
27	R34812	O-RING	1		
28	T25153	CLIP	1		(NLA)
29	T25155	CONNECTOR	1		
30	T25156	TERMINAL	1		MALE
31	T32554	SCREW	1		(SUB FOR T25151)
32	R10160	PIPE PLUG	1		
33	99-4	PIPE PLUG	1		
34	AT21358	HOUSING	1		(SUB RE19402 AND RE19408)
35	R10150	CAP	1		
..	AT23000	CARBURETOR	1		(SUB RE19402 AND RE19408)

1E7

FUEL AND AIR

CARBURETOR THROTTLE BODY ASSEMBLY (MARVEL-SCHEBLER NO. TSX-904)

T17287 -UN-01JAN94



T 17287

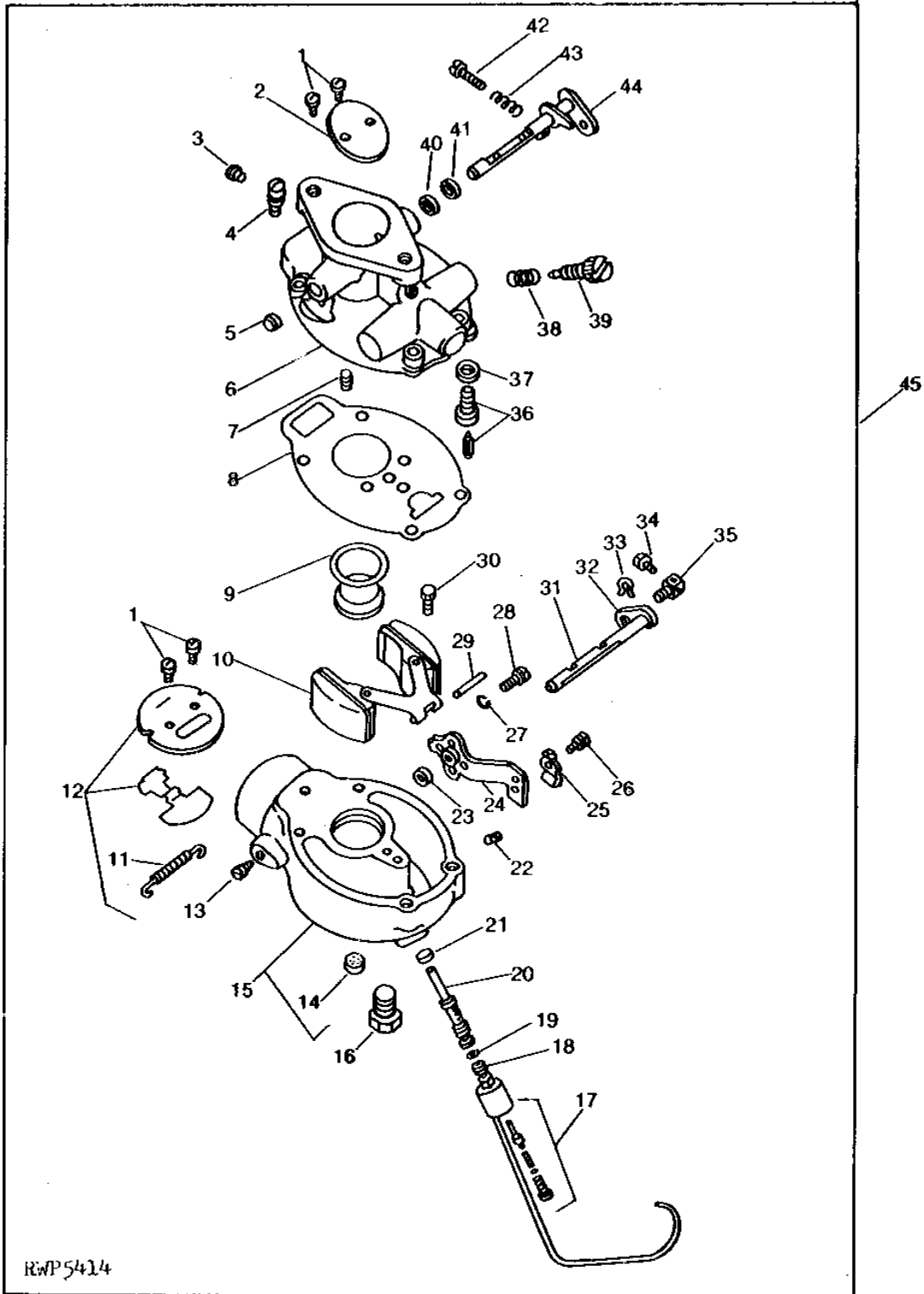
KEY	PART NO.	PART NAME	QTY	ENGINE SERIAL NO.	REMARKS
1	AR56086	GASKET KIT	1		(SUB FOR 16-654)
2	B17682	PLUG	1		
3	15-A85	SCREW	4		
4	AT22998	HOUSING	1		(SUB RE19402)
5	14-273	ACCELERATOR	1		
6	19H1731	CAP SCREW	2		3/8" X 1"
7	12H304	LOCK WASHER	2		3/8"
8	T10079	GASKET	1		
9	15-483	SCREW	2		(USE WITH AT22992)
	AT25821	SCREW	2		(USE WITH AT25819)
10	T27410	SCREW	1		
11	R10104	SPRING	1		
12	AT25819	SHAFT	1		(SUB FOR AT22992)
13	T25147	PIN	1		
14	T25158	LEVER	1		
15	R31935	SNAP RING	1		(SUB FOR T25148)
16	11M7075	COTTER PIN	2		1.200 X 12 MM, (SUB FOR T25150)
17	T25149	PIN	1		
18	T23528	STRAINER	1		
19	43-33	NEEDLE	1		
20	24-340	SPRING	1		
21	R10170	GASKET	1		
22	AT25491	VALVE	1		(ALSO ORDER T23532 AND T23536) (SUB FOR AT17437)
23	16-A41	GASKET	1		
24	49-101L	NOZZLE	1		
25	R10300	CAP	1		
26	T23531	NEEDLE BEARING	2		(SUB JD8867)
27	R10194	PACKING	1		
28	R10182	RETAINER	1		
..	AT23000	CARBURETOR	1		(SUB RE19402 AND RE19408)

1E8

FUEL AND AIR

CARBURETOR (MARVEL SCHEBLER NO. TSXU-963)

RWP5414 -UN-01JAN94



1E9

FUEL AND AIR

CARBURETOR - CONTINUED
(MARVEL-SCHEBLER NO. TSXU-963)

KEY	PART NO.	PART NAME	QTY	ENGINE SERIAL NO.	REMARKS
1	15-483	SCREW	4		
2	14-273	ACCELERATOR	1		
3	B17682	PLUG	1		
4	15-A85	SCREW	4		
5	R10198	CAP	1		
6	HOUSING	1		(SUB RE19402 AND RE19408)
7	49-101L	NOZZLE	1		
8	16-A41	GASKET	1		
9	R61642	VENTURI	1		
10	30-739	FLOAT	1		
11	H22551	SPRING	1		
12	AR102785	CHOKE	1		
13	T16106	SET SCREW	1		(NLA)
14	95-78	STRAINER	1		
15	AT14777	HOUSING	1		(NLA)
16	R10160	PIPE PLUG	3		
17	AR102782	VALVE	1		
18	AR67706	SOLENOID	1		
19	16-47	GASKET	1		
20	T719T	NOZZLE	1		
21	16-456	GASKET	1		
22	R75968	INJECTION NOZZLE	1		(NLA)
23	44-38	PACKING	1		
24	BRACKET	1		(NLA)
25	R10188	CLIP	1		
26	21H1299	SCREW	1		0.164" X 3/8"
27	12M7084	LOCK WASHER	1		0.169"
28	15-A295	SCREW	2		
29	R10211	SHAFT	1		
30	37H99	SCREW	2		0.099" X 1/4"
31	R75967	SHAFT	1		
32	AR66031	LEVER	1		
33	R10185	SPRING PIN	1		
34	21H971	SCREW	1		0.164" X 5/16"
35	SWIVEL	1		(NO LONGER AVAILABLE)
36	AT25491	VALVE	1		
37	R10170	GASKET	1		
38	24-340	SPRING	1		
39	43-33	NEEDLE	1		IDLE ADJUSTING
40	44-68	PACKING	2		
41	55-261	RETAINER	2		
42	21H977	SCREW	1		0.164" X 3/4"
43	R10104	SPRING	1		
44	AR102781	SHAFT	1		(NLA)
45	AR62244	CARBURETOR	1		COMPLETE, (SUB RE19402 AND RE19408)
..	AR102783	KIT	1		ADAPTER, (INCLUDED IN AR62244)
..	AR102784	KIT	1		REPAIR, (INCLUDED IN AR62244)

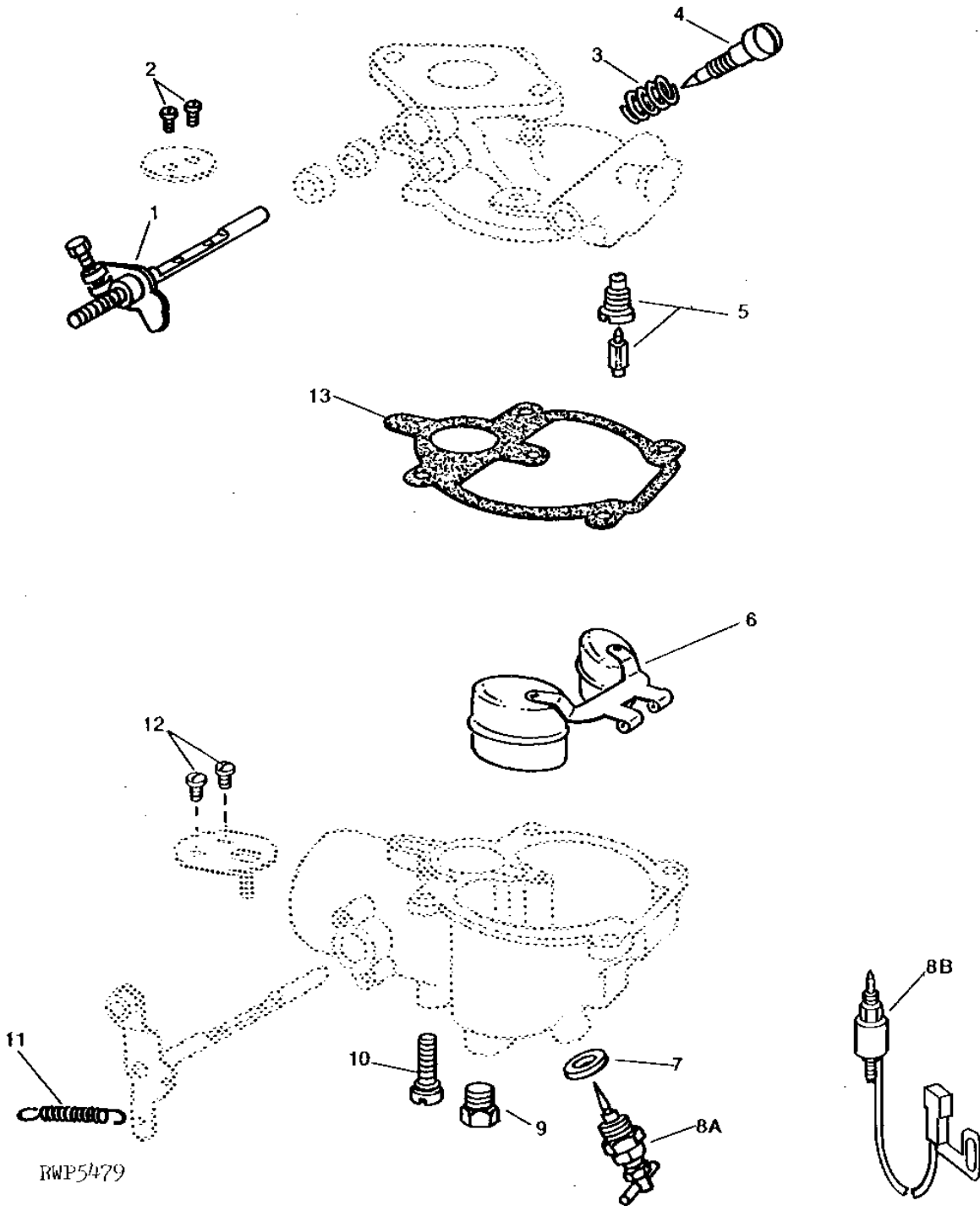
1E10

FUEL AND AIR

RWP5479

-UN-01JAN94

CARBURETOR



1E11

FUEL AND AIR

CARBURETOR - CONTINUED

KEY	PART NO.	PART NAME	QTY	ENGINE SERIAL NO.	REMARKS
1	RE19405	SHAFT	1		
2	E49903	SCREW	2		(SUB FOR E34355)
3	H20993	SPRING	1		
4	H81551	SCREW	1		
5	AH80032	VALVE	1		
6	RE19403	FLOAT	1		
7	H20925	WASHER	1		
8A	RE19406	SCREW	1		
8B	RE19408	SOLENOID	1		
9	R47038	PIPE PLUG	1		
10	RE19407	SCREW, WITH WASHER	1		
11	R52627	SPRING	1		
12	E49903	SCREW	2		(SUB FOR E34355)
13	GASKET	1		(ORDER RE19404)
..	RE19402	CARBURETOR	1		

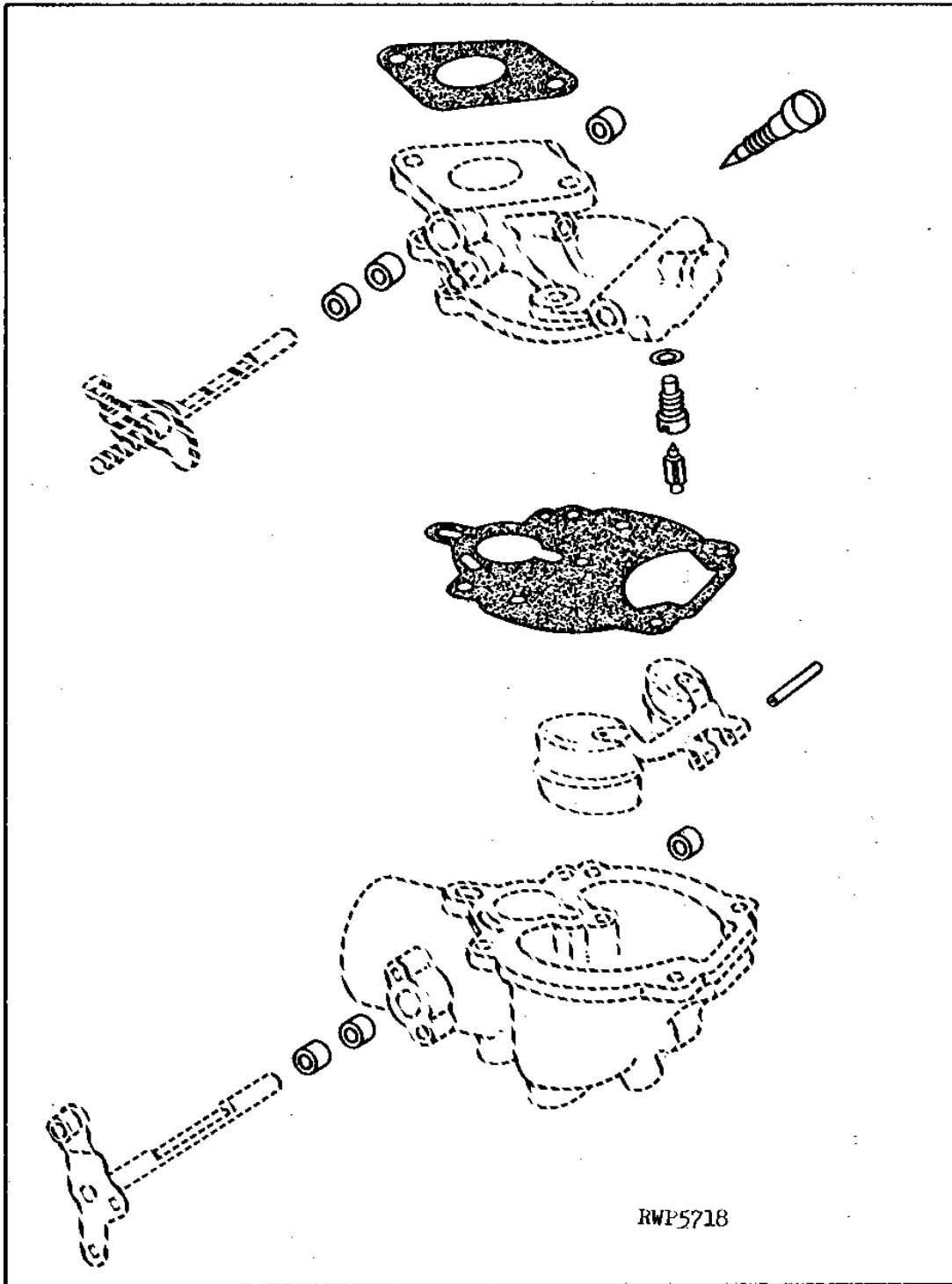
1E12

FUEL AND AIR

RWP5718

-UN-01JAN94

CARBURETOR REPAIR KIT



RWP5718

1E13

FUEL AND AIR

CARBURETOR REPAIR KIT - CONTINUED

KEY	PART NO.	PART NAME	QTY	TRACTOR SERIAL NO.	REMARKS
1	RE19404	KIT	1	(USE WITH RE19402)	

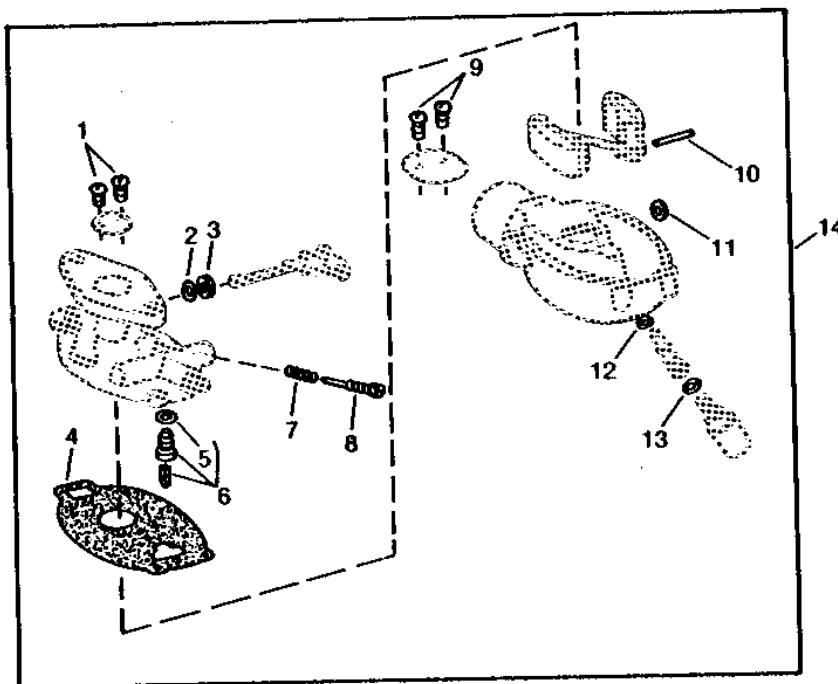
MEMORANDA

1E14

FUEL AND AIR

RWP2192 -UN-01JAN94

CARBURETOR REPAIR KIT



RWP2192

KEY	PART NO.	PART NAME	QTY	ENGINE SERIAL NO.	REMARKS
1	AT25821	SCREW	2		
2	R10194	PACKING	1		
3	R10182	RETAINER	1		
4	16-A41	GASKET	1		
5	R10170	GASKET	1		
6	AT25491	VALVE	1	FLOAT	
7	24-340	SPRING	1		
8	43-33	NEEDLE	1		
9	15-483	SCREW	2		
10	R10211	SHAFT	1	FLOAT	
11	E49906	SEAL	1	(SUB FOR R10186) CHOKE SHAFT	
12	16-456	GASKET	1	NOZZLE	
13	16-47	GASKET	1	SOLENOID	
14	AR52589	KIT	1	(USE WITH AT23000) (SUB FOR AT22995)	

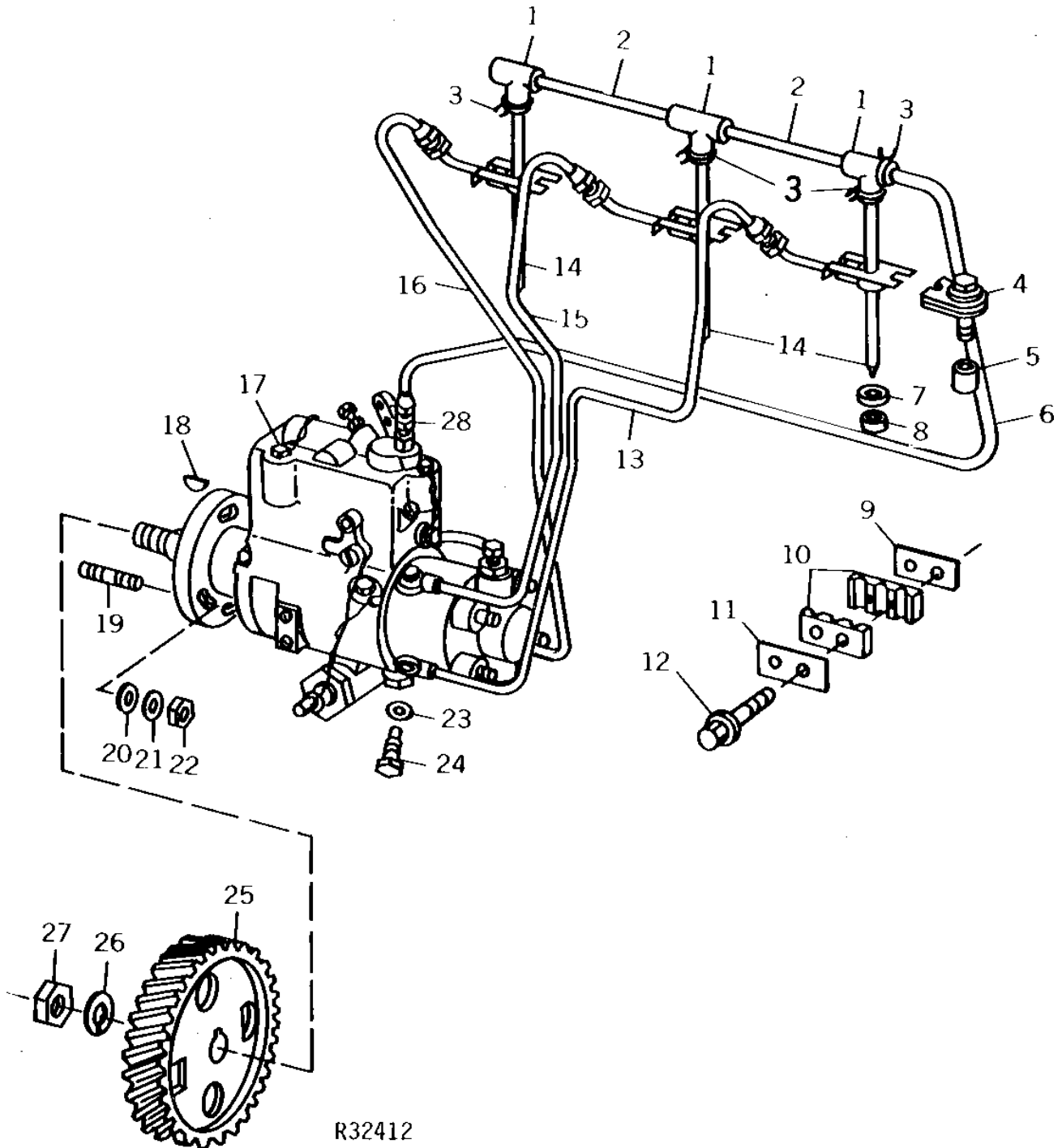
NOTE: ALSO REPAIRS AT21784 (TSX9045L)

1E15

FUEL AND AIR

FUEL INJECTION SYSTEM
(ROOSA-MASTER)
(DIESEL)
(ENGINE SERIAL NO. -060326)

R32412 -UN-01JAN94



R32412

1E16

FUEL AND AIR

FUEL INJECTION SYSTEM - CONTINUED
(ROOSA-MASTER)
(DIESEL)
(ENGINE SERIAL NO. -060326)

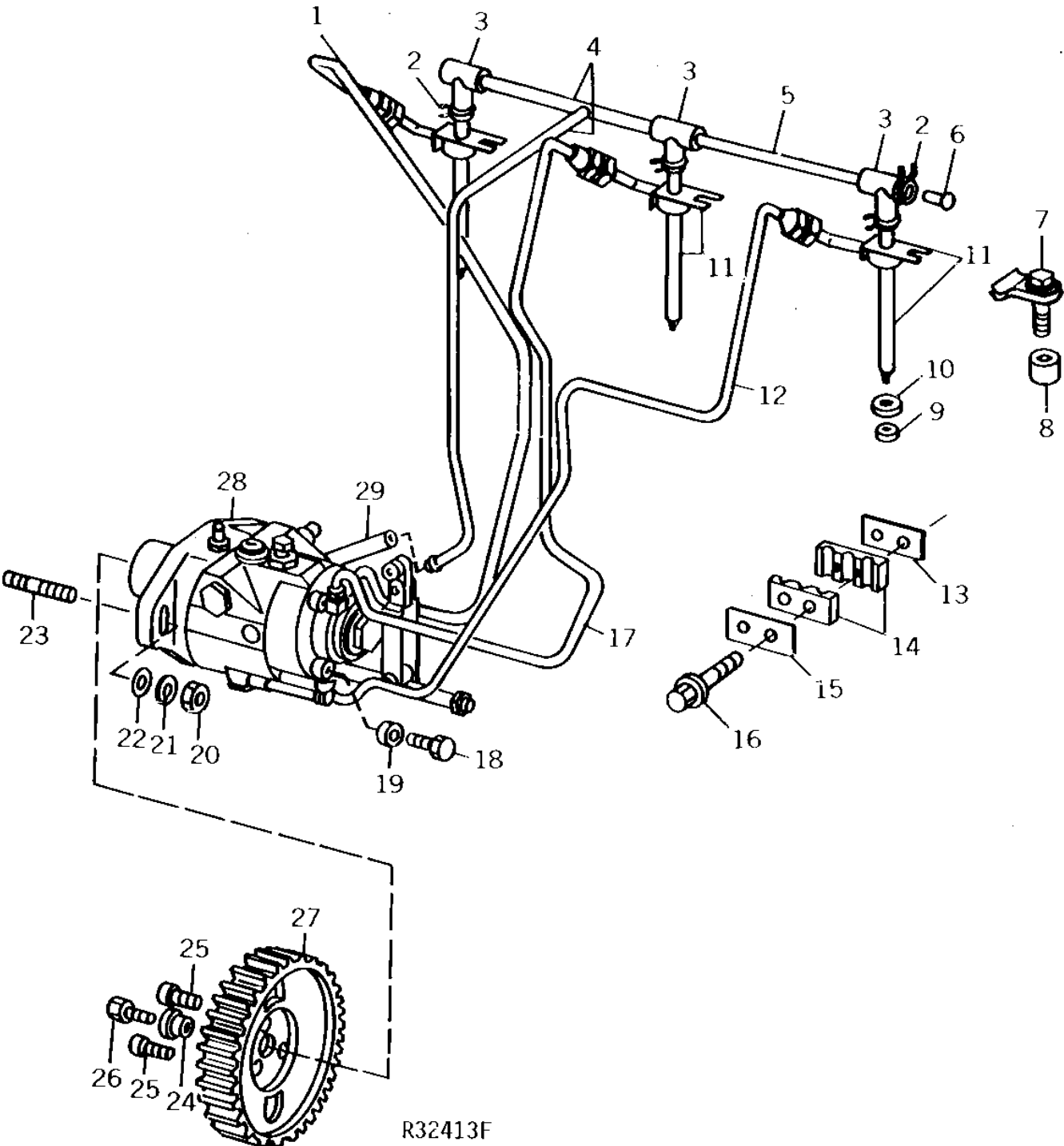
KEY	PART NO.	PART NAME	QTY	ENGINE SERIAL NO.	REMARKS
1	T23425	BOOT	3		
2	T23422	TUBE	2		
3	R34766	CLAMP	9		
4	R34760	CLAMP	3		
5	R34761	SPACER	3		
6	AT20284	FUEL LINE	1		
7	R34764	WASHER	3		UPPER
8	R48000	WASHER	3		LOWER, (SUB FOR R34767)
9	R61145	STRAP	1		
10	R59297	HALF CLAMP	2		
11	R59298	STRAP	1		
12	AR76704	SCREW	2		
13	AT18111	FUEL LINE	1		NO.3
14	AR89564	INJECTION NOZZLE	3		(SUB FOR AT18064, AT25502, AT30299, AR56290, AR73673 OR AR88239)
15	AT18099	FUEL LINE	1		NO.2
16	AT18065	FUEL LINE	1		NO.1
17	AT21576	FUEL PUMP	1		(ROOSA-MASTER NO. DBGFC331-13DH) (SUB AR70139)
	AR70139	FUEL PUMP	1		(ROOSA-MASTER NO. DBGFC331-1AJ)
18	26H10	SHAFT KEY	1		5/32" X 5/8"
19	T20052	STUD	2		
20	24M7096	WASHER	2		10.500 X 18 X 1.600 MM
21	12H304	LOCK WASHER	2		3/8"
22	14H1076	NUT	2		3/8"
23	T20055	WASHER	6		
24	R26726	FITTING	3		
25	T20165	GEAR	1		(48 TEETH)
26	12H317	LOCK WASHER	1		9/16"
27	14H832	NUT	1		9/16"
28	R35352	FITTING	1		

1E17

FUEL AND AIR

FUEL INJECTION SYSTEM
(ROOSA-MASTER)
(DIESEL)
(ENGINE SERIAL NO. 060327-071212)

R32413 -UN-01JAN94



R32413F

1E18

FUEL AND AIR

FUEL INJECTION SYSTEM - CONTINUED
(ROOSA-MASTER)
(DIESEL)
(ENGINE SERIAL NO. 060327-071212)

KEY	PART NO.	PART NAME	QTY	ENGINE SERIAL NO.	REMARKS
1	AT24515	FUEL LINE	1		NO.1
2	R34766	CLAMP	9		
3	T23425	BOOT	3		
4	AT21845	FUEL LINE	1		
5	T23422	TUBE	1		
6	16H644	RIVET	1		1/4" X 1/2"
7	R34760	CLAMP	3		
8	R34761	SPACER	3		
9	R48000	WASHER	3		(SUB FOR R34767)
10	R34764	WASHER	3		
11	AR89564	INJECTION NOZZLE	3		(SUB FOR AT18064, AT25502, AT30299, AR56290, AR73673, AR88239)
12	AT24517	FUEL LINE	1		NO.3
13	R61145	STRAP	1		
14	R59297	HALF CLAMP	2		
15	R59298	STRAP	1		
16	AR76704	SCREW	2		
17	AT24516	FUEL LINE	1		NO.2
18	T25626	BOLT	3	-063089	(SUB R41680)
	R41680	SCREW	3		
19	T20055	WASHER	6		
20	14H785	NUT	2		5/16"
21	12H303	LOCK WASHER	2		5/16"
22	24H1685	WASHER	2		11/32" X 47/64" X 0.083"
23	T25813	STUD	2		
24	T26496	BUSHING	NA		
25	T26497	SCREW	NA		
26	19H2948	SCREW	1		1/4" X 0.380"
27	T24772	GEAR	1		(48 TEETH)
28	AT23048	FUEL PUMP	1		COMPLETE (ROOSA-MASTER NOS. CDC331-3DG, CDC331-4DG AND CD331-6DG) (SUB AR69817, AR69809, AR50894, AR50895, AT27615 AND R48126)
29	HOSE	1		51 MM (2") (MAKE FROM AT32064)

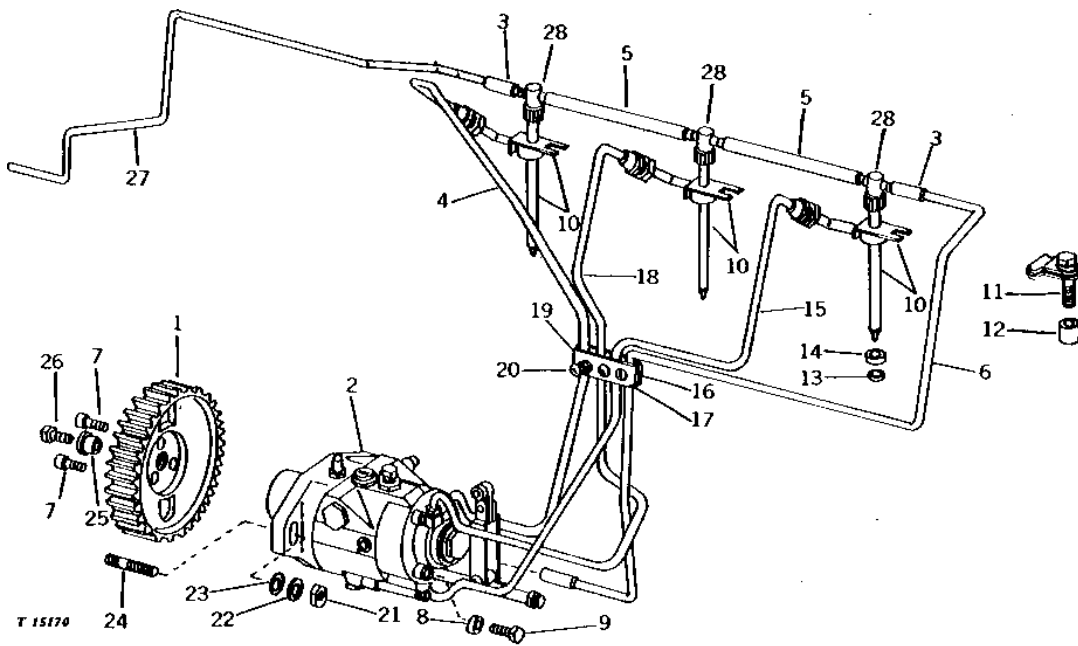
SEE YOUR AUTHORIZED PUMP REPAIR STATION FOR PARTS NOT AVAILABLE. (NA)

1E19

FUEL AND AIR

FUEL INJECTION SYSTEM
(ROOSA-MASTER)
(DIESEL)
(ENGINE SERIAL NO. 071213-117499)

T15170 -UN-01JAN94



1E20

FUEL AND AIR

**FUEL INJECTION SYSTEM - CONTINUED
(ROOSA-MASTER)
(DIESEL)
(ENGINE SERIAL NO. 071213-117499)**

KEY	PART NO.	PART NAME	QTY	ENGINE SERIAL NO.	REMARKS
1	T24772	GEAR	1		(48 TEETH)
2	AT23048	FUEL PUMP	1	-083747	(SUB AT29724) (ROOSA-MASTER NOS. CDC331-3DG, CDC331-4DG, AND CDC331-6DG) (SUB AR69817, AR69809, AR50894, AR50895 AT27615 AND R48126)
	AT29724	FUEL INJECTION PUMP	1	083748-	(ROOSA-MASTER NO. CBC331-1AL) (SUB AR69817, AR69809, R48126, AR50894, AR50895 AND AT27615)
3	HOSE	3		38 MM (1-1/2") (MAKE FROM AT32064)
4	AT24515	FUEL LINE	1		NO.1
5	HOSE	2		114 MM (4-1/2") (MAKE FROM AT32064)
6	T29529	FUEL LINE	NA		
7	T26497	SCREW	NA		
8	T20055	WASHER	6		
9	R41680	SCREW	3		
10	AR89564	INJECTION NOZZLE	3		(SUB FOR AR56290, AR73673, AT25502, AT30299 OR AR88239)
11	R34760	CLAMP	3		
12	R34761	SPACER	3		
13	R48000	WASHER	3		(SUB FOR R34767)
14	R34764	WASHER	3		
15	AT24517	FUEL LINE	1		NO.3
16	T23463	STRAP	1		(SUB (2) R59299, R59300, R61146 AND (3) AR76704)
17	T23462	CLAMP	1		(SUB (2) R59299, R59300, R61146 AND (3) AR76704)
18	AT24516	FUEL LINE	1		NO.2
19	12H246	LOCK WASHER	3		0.190"
20	21H1317	SCREW	3		0.190" X 5/8"
21	14H785	NUT	2		5/16"
22	12H303	LOCK WASHER	2		5/16"
23	24H1685	WASHER	2		11/32" X 47/64" X 0.083"
24	T25813	STUD	2		
25	T26496	BUSHING	NA	-083747	
26	19H2948	SCREW	1	-083747	1/4" X 0.380"
27	T27477	TUBE	1		
28	AT27622	CAP	3		

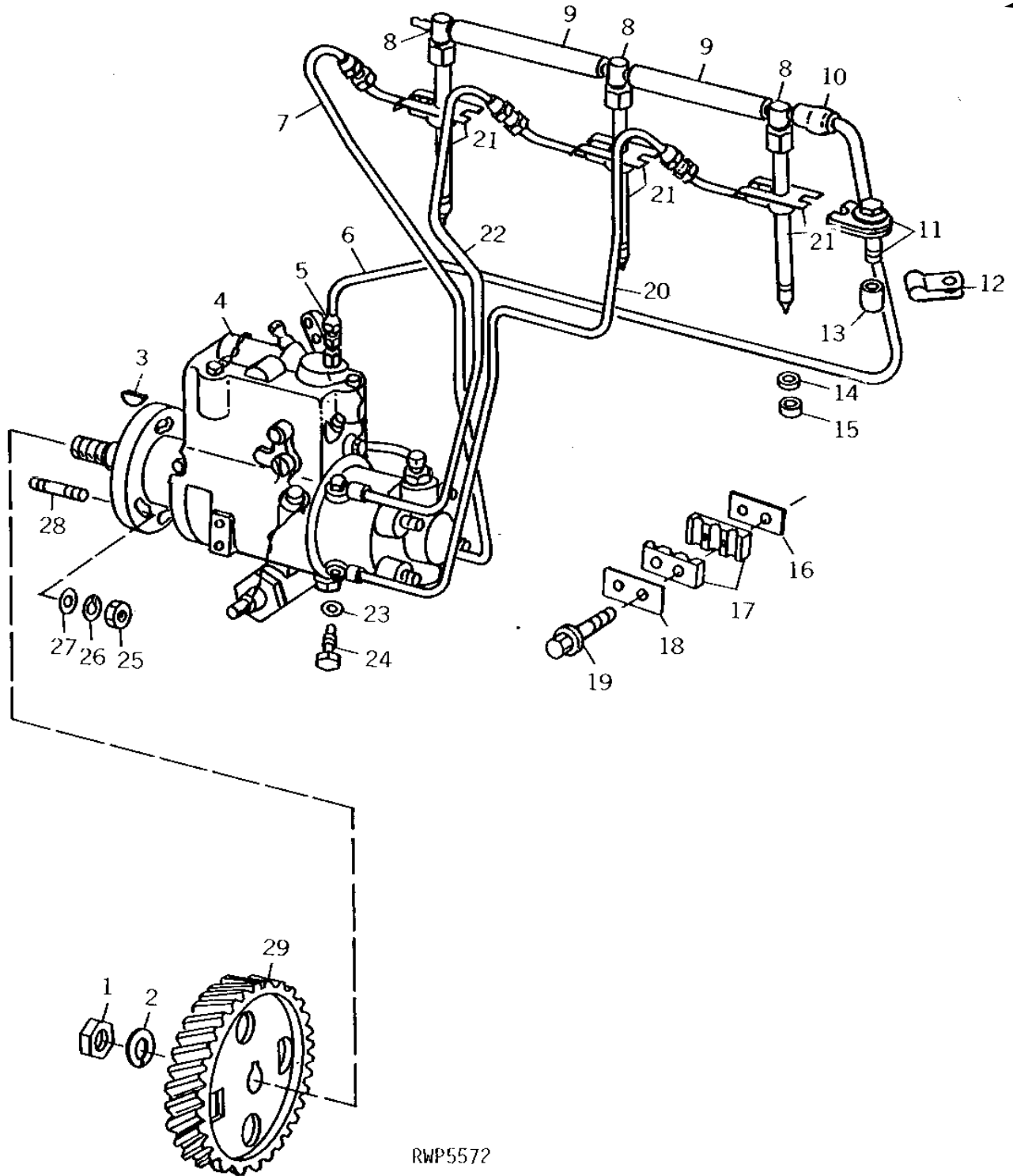
SEE YOUR AUTHORIZED PUMP REPAIR STATION FOR PARTS NOT AVAILABLE. (NA)

1E21

FUEL AND AIR

FUEL INJECTION SYSTEM
(ROOSA-MASTER)
(DIESEL)
(ENGINE SERIAL NO. 117500-)

RWP5572 -UN-01JAN94



RWP5572

1E22

FUEL AND AIR

FUEL INJECTION SYSTEM - CONTINUED
(ROOSA-MASTER)
(DIESEL)
(ENGINE SERIAL NO. 117500-)

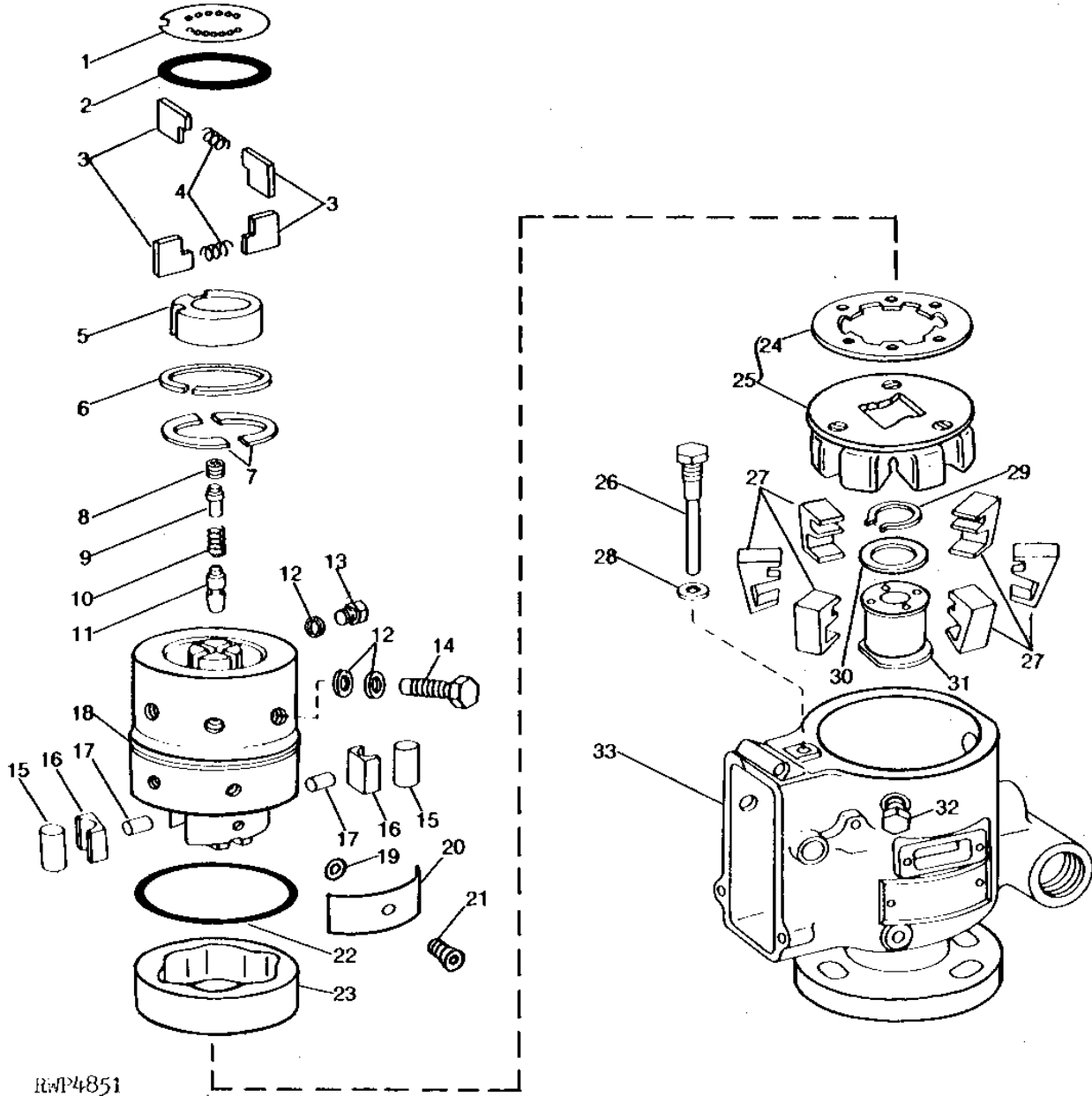
KEY	PART NO.	PART NAME	QTY	ENGINE SERIAL NO.	REMARKS
1	14H832	NUT	1	9/16"	
2	12H317	LOCK WASHER	1	9/16"	
3	26H10	SHAFT KEY	1	5/32" X 5/8"	
4	AR49899	FUEL INJECTION PUMP	1		(ROOSA-MASTER NO. JDB331AL2405)
5	R35352	FITTING	1		
6	AT27615	FUEL LINE	1		
7	AT18065	FUEL LINE	1	NO.1	
8	AT27622	CAP	3		
9	HOSE	2	114 MM (4-1/2")	(MAKE FROM AT32064)
10	HOSE	1	38 MM (1-1/2")	(MAKE FROM AT32064)
11	R34760	CLAMP	3		
12	T29969	CLAMP	1		(SUB FOR R47281)
13	R34761	SPACER	3		
14	R34764	WASHER	3		
15	R48000	WASHER	3		(SUB FOR R34767)
16	R61145	STRAP	1		
17	R59297	HALF CLAMP	2		
18	R59298	STRAP	1		
19	AR76704	SCREW	2		
20	AT18111	FUEL LINE	1	NO.3	
21	AR89564	INJECTION NOZZLE	3		(SUB FOR AR49877, AR56290, AR73673 OR AR56296)
22	AT18099	FUEL LINE	1	NO.2	
23	T20055	WASHER	6		
24	R26726	FITTING	3		
25	14H1076	NUT	2	3/8"	
26	12H304	LOCK WASHER	2	3/8"	
27	24M7096	WASHER	2	10.500 X 18 X 1.600 MM	
28	T20052	STUD	2		
29	T20165	GEAR	1	(48 TEETH)	

1E23

FUEL AND AIR

FUEL INJECTION PUMP HEAD AND ROTOR ASSEMBLY (ROOSA-MASTER NO. DBGFC331-13DH) (ENGINE SERIAL NO. -060326)

RWP4851 -UN-01JAN94



RWP4851

1E24

FUEL AND AIR

FUEL INJECTION PUMP HEAD AND ROTOR ASSEMBLY - CONTINUED
 (ROOSA-MASTER NO. DBGFC331-13DH)
 (ENGINE SERIAL NO. -060326)

KEY	PART NO.	PART NAME	QTY	ENGINE SERIAL NO.	REMARKS
1	R34631	PLATE	NA		
2	T11894	O-RING	NA		
3	AR73828	KIT	NA		(PKG OF 4) (SUB FOR R34626 OR R45045)
	AR73829	KIT	NA		(PKG OF 4) (SUB FOR R45045 OR R34626)
4	R34630	SPRING	NA		
5	T26238	SLEEVE	NA		(SUB FOR T11892)
6	T11889	SNAP RING	NA		
7	T11890	RETAINER	NA		
8	R30737	SCREW	NA		
9	T26223	STOP	NA		(SUB FOR R30736)
10	R30735	SPRING	NA		
11	T19856	VALVE	NA		
	T19857	VALVE	NA		(OVERSIZE)
12	T20055	WASHER	9		
13	T24435	SCREW	NA		
14	R26726	FITTING	3		
15	T11886	NEEDLE ROLLER	NA		
16	R56483	SHOE	NA		(SUB FOR T11885)
17	R30728	PLUNGER	NA		(ROTOR A)
	R30729	PLUNGER	NA		(ROTOR B)
	R30730	PLUNGER	NA		(ROTOR C)
	R30731	PLUNGER	NA		(ROTOR D)
18	AR64078	HYDRAULIC HEAD, AND ROTOR	NA		(SUB FOR AT21578)
	R30725	SCREW	NA		
	T11926	SET SCREW	NA		
	R30726	DOWEL PIN	NA		
	R30727	RETAINER	NA		
19	T31124	SHIM	NA		0.13 MM (.005")
	T31125	SHIM	NA		0.15 MM (.006")
	T31126	SHIM	NA		0.18 MM (.007")
	T31127	SHIM	NA		0.20 MM (.008")
	T31128	SHIM	NA		0.23 MM (.009")
20	T11888	LEAF SPRING	NA		
21	T11887	SCREW	NA		
22	T11891	O-RING	NA		
23	T11949	RING	NA		
24	R42483	RING	NA		(SUB FOR R34572)
25	AT21012	RETAINER	NA		
26	T11923	STUD	NA		
27	T11910	WEIGHT	NA		
28	T11943	WASHER	NA		
29	T11931	RING	NA		
30	T11909	WASHER	NA		
31	R74472	SLEEVE	NA		(SUB FOR T16601)
32	R30714	BOLT	NA		
33	AR52690	HOUSING	NA		(SUB FOR AT21009)
..	AT21576	FUEL PUMP	1		(SUB AR70139)

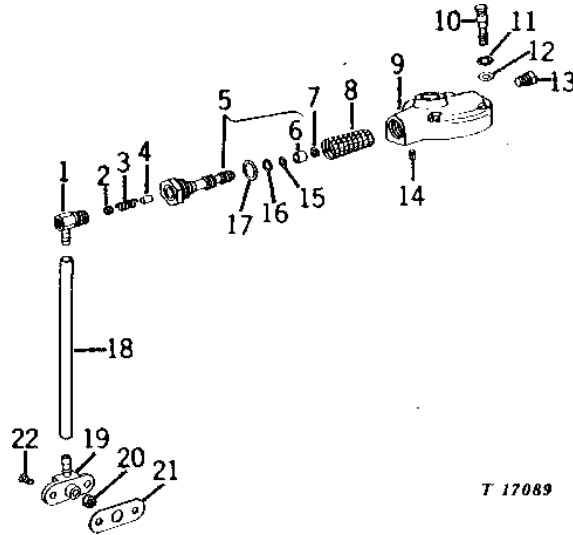
SEE YOUR AUTHORIZED PUMP REPAIR STATION FOR PARTS NOT AVAILABLE. (NA)

1E25

FUEL AND AIR

FUEL INJECTION PUMP END PLATE
(ROOSA-MASTER NO. DBGFC331-13DH)
(ENGINE SERIAL NO. -060326)

T17089 -UN-01JAN94



T 17089

KEY	PART NO.	PART NAME	QTY	ENGINE SERIAL NO.	REMARKS
1	AT16553	FITTING	NA		
2	R34623	PLUG	NA		
3	T30502	SPRING	NA		
4	T11900	DOWEL PIN	NA		
5	AT25959	SLEEVE	NA		
6	T25142	SEAL	NA		
7	R34634	RING	NA		
8	R34625	STRAINER	NA		
9	R34624	PLATE	NA		
10	R48498	BOLT	NA	(SUB FOR T11944)	
11	12M7060	WASHER	4	0.209"	
12	T15715	WASHER	4		
13	R34629	PIPE PLUG	1	(SUB A3917R AND T30607)	
14	34H240	SPRING PIN	1	1/8" X 1/4"	
15	T11899	O-RING	1		
16	R34632	WASHER	NA		
17	R33259	O-RING	1	(SUB FOR T11934)	
18	T18379	HOSE	NA		
19	AT16552	FITTING	NA		
20	T19876	SCREEN	NA		
21	T18380	GASKET	NA		
22	T11884	SCREW	2		
..	AT21576	FUEL PUMP	1	COMPLETE, (SUB AR70139)	

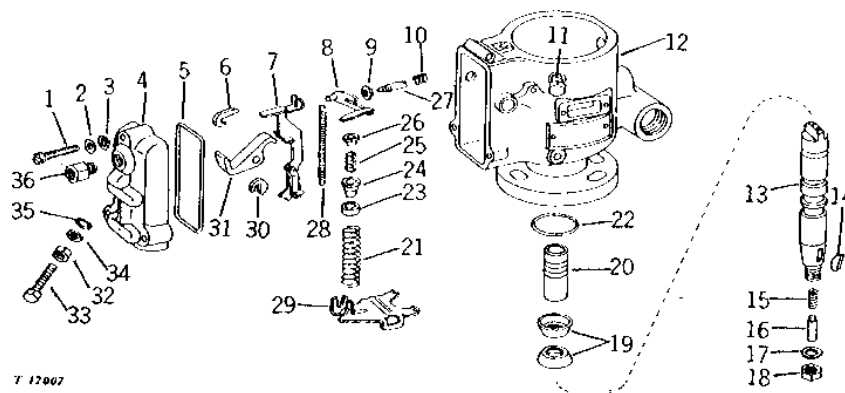
SEE YOUR AUTHORIZED PUMP REPAIR STATION FOR PARTS NOT AVAILABLE. (NA)

1F1

FUEL AND AIR

**FUEL INJECTION PUMP GOVERNOR AND DRIVE SHAFT
(ROOSA-MASTER NO. DBGFC331-13DH)
(ENGINE SERIAL NO. -060326)**

T17007 -UN-01JAN94



T 17007

KEY	PART NO.	PART NAME	QTY	ENGINE SERIAL NO.	REMARKS
1	T15721	SCREW	2		
2	T15715	WASHER	3		
3	12M7060	WASHER	3	0.209"	
4	T17945	COVER	NA		
5	T11918	GASKET	1		
6	R30721	CAM	NA		
7	AT11520	HOOK	NA		
	T15699	HOOK	NA		
	AR28602	LINK	NA		
	R30718	SCREW	NA		
	R30719	LOCK WASHER	NA		
8	AR30736	ARM	1	(SUB R74312)	
9	R30732	SHIM	NA		
10	R58422	SPRING	NA	(SUB FOR T11907)	
11	R30714	BOLT	NA		
12	AR52690	HOUSING	NA	(SUB FOR AT21009)	
13	R36538	DRIVE SHAFT	NA		
14	26H10	SHAFT KEY	1	5/32" X 5/8"	
15	R36540	SPRING	1		
16	T19855	PIN	1		
17	12H317	LOCK WASHER	1	9/16"	
18	14H832	NUT	1	9/16"	
19	T11290	SEAL	2		
20	T19865	BUSHING	NA		
21	T15700	SPRING	NA	(RED AND YELLOW)	
22	T19854	O-RING	1		
23	T17952	WASHER	NA		
24	T11924	RETAINER	NA		
25	T11913	SPRING	NA		
26	T11914	GUIDE	NA		
27	R48500	VALVE	NA	(SUB FOR T17115)	
28	T11911	SPRING	NA		
29	T16602	ARM	NA		
30	T11929	CLIP	NA		
31	T11927	LEVER	NA		
32	T11921	NUT	1		
33	T17953	CAP SCREW	1		
34	T17947	WASHER	1		
35	R34812	O-RING	1	(SUB FOR T17951)	
36	AT16555	FITTING	NA		
..	AT21576	FUEL PUMP	1	COMPLETE, (SUB AR70139)	

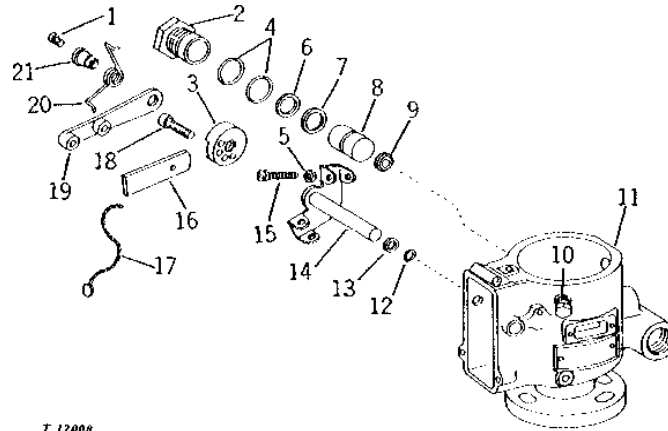
SEE YOUR AUTHORIZED PUMP REPAIR STATION FOR PARTS NOT AVAILABLE. (NA)

1F2

FUEL AND AIR

FUEL INJECTION PUMP POWER PISTON AND THROTTLE ASSEMBLY (ROOSA-MASTER NO. DBGFC331-13DH) (ENGINE SERIAL NO. -060326)

T17008 -UN-01JAN94



T 17008

KEY	PART NO.	PART NAME	QTY	ENGINE SERIAL NO.	REMARKS
1	T11917	SCREW	1		
2	R74310	PLUG	NA		(SUB FOR T15707 OR R49212)
3	T19861	SPACER	1		
4	T15710	O-RING	2		
5	T11921	NUT	1		
6	R49211	WASHER	NA		(SUB FOR R36651)
7	R34635	WASHER	NA		
8	T19863	PISTON	NA		
9	T15705	WASHER	NA		
10	R30714	BOLT	NA		
11	AR52690	HOUSING	NA		(SUB FOR AT21009)
12	T11915	O-RING	1		
13	T15720	WASHER	NA		
14	R36542	SHAFT	NA		
15	R30722	BOLT	NA		
16	T19860	STRAP	1		
17	T11877	WIRE	NA		
18	T19859	SCREW	1		
19	T19858	LEVER	1		
20	T17949	SPRING	1		
21	T17950	RETAINER	1		
..	AT21576	FUEL PUMP	1		COMPLETE, (SUB AR70139)

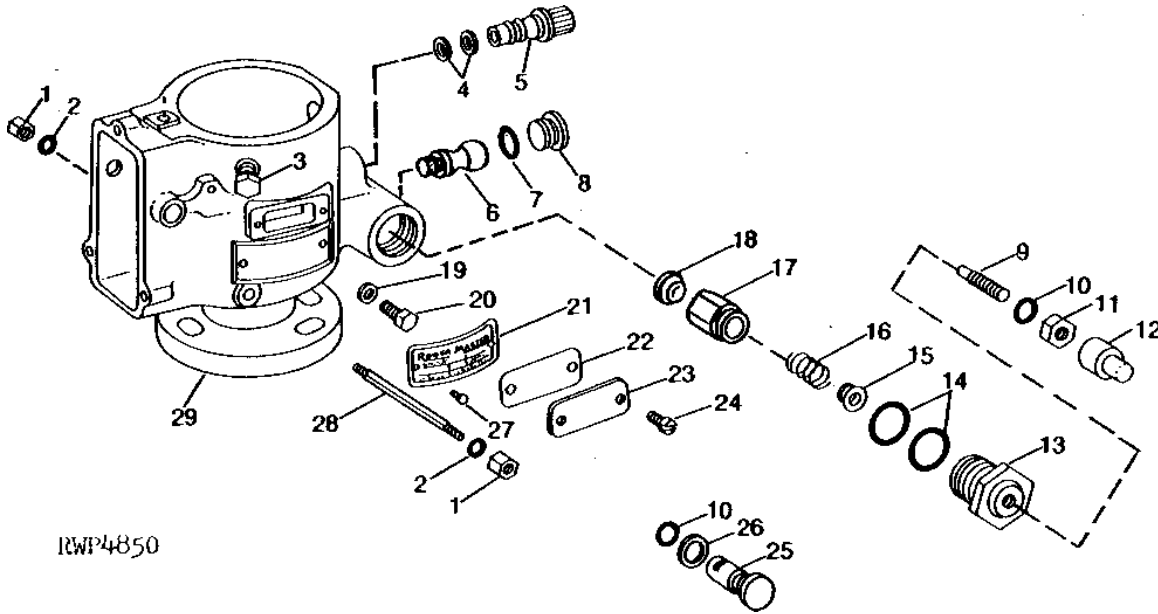
SEE YOUR AUTHORIZED PUMP REPAIR STATION FOR PARTS NOT AVAILABLE. (NA)

1F3

FUEL AND AIR

FUEL INJECTION PUMP ADVANCE PISTON ASSEMBLY
(ROOSA-MASTER NO. DBGFC331-13DH)
(ENGINE SERIAL NO. -060326)

RWP4850 -UN-01JAN94



RWP4850

KEY	PART NO.	PART NAME	QTY	ENGINE SERIAL NO.	REMARKS
1	T11932	NUT	NA		
2	R34812	O-RING	2		
3	R30714	BOLT	NA		
4	T11899	O-RING	2		
5	AR51712	SCREW	NA	(SUB FOR R34637)	
6	R36646	SCREW	NA		
7	T15712	O-RING	1		
8	T15711	PLUG	1	(SUB R40707)	
9	T17123	SET SCREW	NA		
10	T11915	O-RING	2		
11	T17122	NUT	NA		
12	T17117	CAP	NA		
13	T17126	PLUG	NA		
14	T15710	O-RING	2		
15	T17125	GUIDE	NA		
16	R49238	SPRING	NA	(SUB FOR T24413)	
17	R70315	PISTON	NA	(SUB FOR T17120, R74325 OR T18529)	
18	T15705	WASHER	NA		
19	T11878	WASHER	2		
20	T11930	SCREW	NA		
21	T11875	IDENTIFICATION PLATE	NA		
22	T11883	GASKET	1		
23	T11882	COVER	1		
24	T11884	SCREW	2		
25	T17946	SHAFT	NA		
26	T15720	WASHER	NA		
27	T11876	SCREW	NA		
28	T11925	SHAFT	NA		
29	AR52690	HOUSING	NA	(SUB FOR AT21009)	
..	AT21576	FUEL PUMP	1	COMPLETE, (SUB AR70139)	

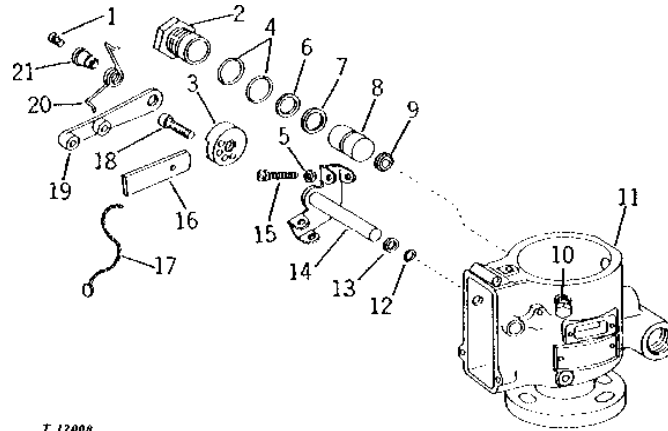
SEE YOUR AUTHORIZED PUMP REPAIR STATION FOR PARTS NOT AVAILABLE. (NA)

1F4

FUEL AND AIR

FUEL INJECTION PUMP POWER PISTON AND THROTTLE ASSEMBLY
 (ROOSA-MASTER NO. DBGFC331-1AJ)
 (ENGINE SERIAL NO. -060326)

T17008 -UN-01JAN94



T 17008

KEY	PART NO.	PART NAME	QTY	ENGINE SERIAL NO.	REMARKS
1	T11917	SCREW	1		
2	R74310	PLUG	NA		(SUB FOR R49212)
3	T19861	SPACER	1		
4	T15710	O-RING	2		
5	T11921	NUT	1		
6	R49211	WASHER	NA		
7	R34635	WASHER	NA		
8	T19863	PISTON	NA		
9	T15705	WASHER	NA		
10	R30714	BOLT	NA		
11	AR52690	HOUSING	NA		
12	T11915	O-RING	1		
13	T15720	WASHER	NA		
14	R36542	SHAFT	NA		
15	R30722	BOLT	NA		
16	T19860	STRAP	1		
17	T11877	WIRE	NA		
18	T19859	SCREW	1		
19	T19858	LEVER	1		
20	T17949	SPRING	1		
21	T17950	RETAINER	1		
..	AR70139	FUEL PUMP	1		COMPLETE

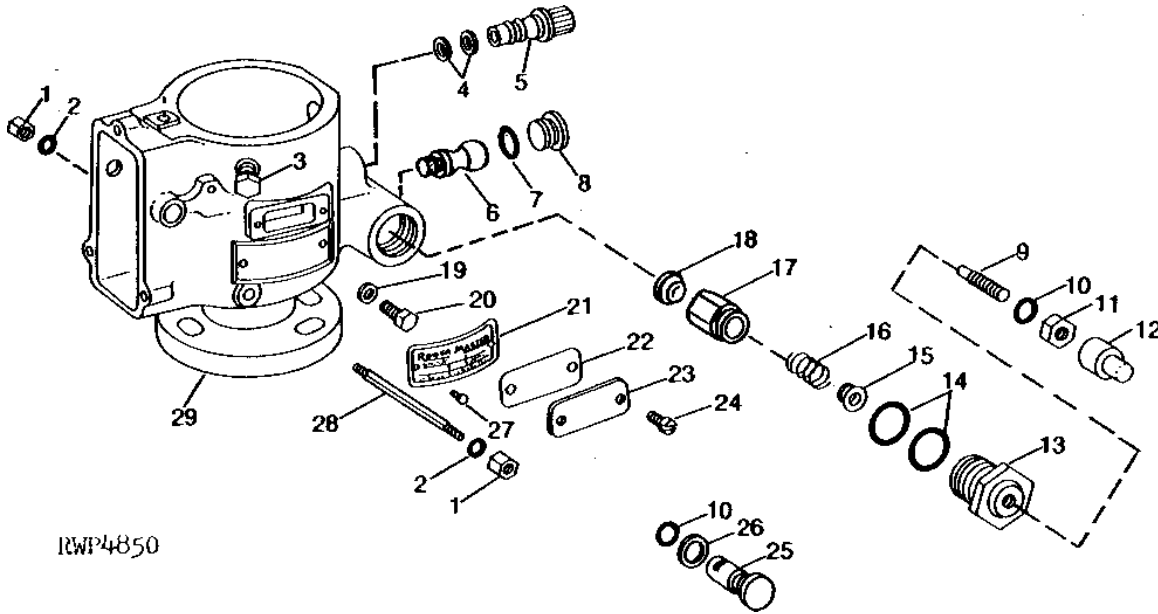
SEE YOUR AUTHORIZED PUMP REPAIR STATION FOR PARTS NOT AVAILABLE. (NA)

1F5

FUEL AND AIR

FUEL INJECTION PUMP ADVANCE PISTON ASSEMBLY (ROOSA-MASTER NO. DBGFC331-1AJ) (ENGINE SERIAL NO. -060326)

RWP4850 -UN-01JAN94



RWP4850

KEY	PART NO.	PART NAME	QTY	ENGINE SERIAL NO.	REMARKS
1	T11932	NUT	NA		
2	R34812	O-RING	2		
3	R30714	BOLT	NA		
4	T11899	O-RING	2		
5	AR51712	SCREW	NA		
6	R36646	SCREW	NA		
7	T15712	O-RING	1		
8	T15711	PLUG	1	(SUB R40707)	
9	T17123	SET SCREW	NA		
10	T11915	O-RING	2		
11	T17122	NUT	NA		
12	T17117	CAP	NA		
13	T17126	PLUG	NA		
14	T15710	O-RING	2		
15	T17125	GUIDE	NA		
16	R49238	SPRING	NA		
17	T18529	PISTON	1	(SUB R70315)	
18	T15705	WASHER	NA		
19	T11878	WASHER	2		
20	T11930	SCREW	NA		
21	T11875	IDENTIFICATION PLATE	1		
22	T11883	GASKET	1		
23	T11882	COVER	1		
24	T11884	SCREW	2		
25	T17946	SHAFT	NA		
26	T15720	WASHER	NA		
27	T11876	SCREW	NA		
28	T11925	SHAFT	NA		
29	AR67675	HOUSING	NA		
..	AR70139	FUEL PUMP	1		

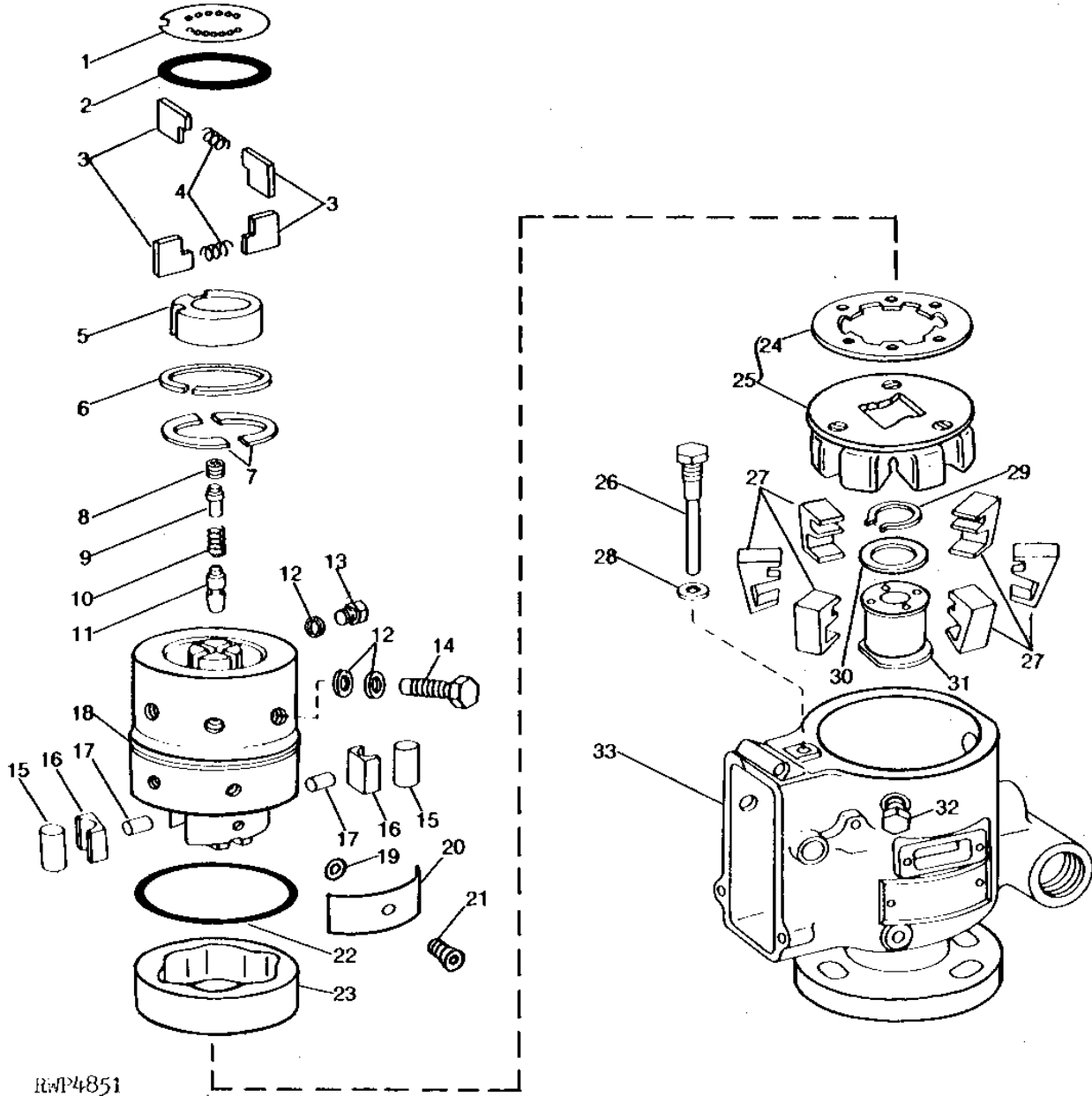
SEE YOUR AUTHORIZED PUMP REPAIR STATION FOR PARTS NOT AVAILABLE. (NA)

1F6

FUEL AND AIR

FUEL INJECTION PUMP HEAD AND ROTOR ASSEMBLY (ROOSA-MASTER NO. DBGFC331-1AJ) (ENGINE SERIAL NO. -060326)

RWP4851 -UN-01JAN94



RWP4851

1F7

FUEL AND AIR

FUEL INJECTION PUMP HEAD AND ROTOR ASSEMBLY - CONTINUED
(ROOSA-MASTER NO. DBGFC331-1AJ)
(ENGINE SERIAL NO. -060326)

KEY	PART NO.	PART NAME	QTY	ENGINE SERIAL NO.	REMARKS
1	R34631	PLATE	NA		
2	T11894	O-RING	NA		
3	AR73828	KIT	NA		(PKG. OF (4)
	AR73829	KIT	NA		(OVERSIZE) (RED) (PKG. OF (4)
4	R34630	SPRING	NA		
5	T26238	SLEEVE	NA		
6	T11889	SNAP RING	NA		
7	T11890	RETAINER	NA		
8	R30737	SCREW	NA		
9	T26233	PIN	NA		
10	R30735	SPRING	NA		
11	T19856	VALVE	NA		
	T19857	VALVE	NA		(OVERSIZE)
12	T20055	WASHER	9		
13	T24435	SCREW	NA		
14	R26726	FITTING	3		
15	T11886	NEEDLE ROLLER	NA		
16	R56483	SHOE	NA		
17	R30728	PLUNGER	NA		(ROTOR A)
	R30729	PLUNGER	NA		(ROTOR B)
	R30730	PLUNGER	NA		(ROTOR C)
	R30731	PLUNGER	NA		(ROTOR D)
18	AR64078	HYDRAULIC HEAD, AND ROTOR	NA		
	R30725	SCREW	NA		
	T11926	SET SCREW	NA		
	R49346	DOWEL PIN	NA		
	R30727	RETAINER	NA		
19	T31124	SHIM	NA		0.13 MM (.005")
	T31125	SHIM	NA		0.15 MM (.006")
	T31126	SHIM	NA		0.18 MM (.007")
	T31127	SHIM	NA		0.20 MM (.008")
	T31128	SHIM	NA		0.22 MM (.009")
20	T11888	LEAF SPRING	NA		
21	T11887	SCREW	NA		
22	T11891	O-RING	NA		
23	T11949	RING	NA		
24	R42483	RING	NA		
25	AR63212	RETAINER	NA		
26	T11923	STUD	NA		
27	T11910	WEIGHT	NA		
28	T11943	WASHER	NA		
29	T11931	RING	NA		
30	T11909	WASHER	NA		
31	T16601	SLEEVE	NA		
32	R30714	BOLT	NA		
33	AR67675	HOUSING	NA		
..	AR70139	FUEL PUMP	1		COMPLETE

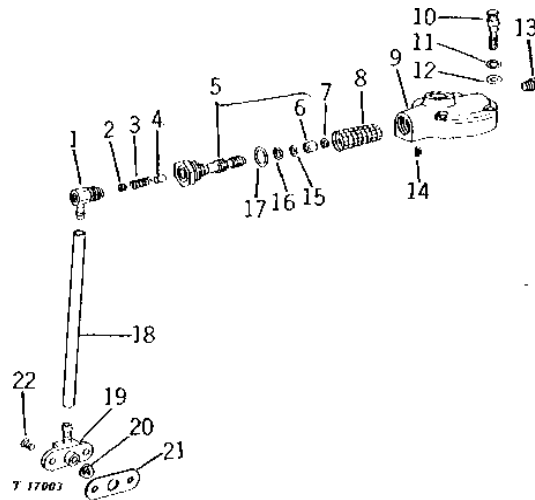
SEE YOUR AUTHORIZED PUMP REPAIR STATION FOR PARTS NOT AVAILABLE. (NA)

1F8

FUEL AND AIR

**FUEL INJECTION PUMP END PLATE
(ROOSA-MASTER NO. DBGFC331-1AJ)
(ENGINE SERIAL NO. -060326)**

T17003 -UN-01JAN94



KEY	PART NO.	PART NAME	QTY	ENGINE SERIAL NO.	REMARKS
1	R58413	FITTING	NA		
2	R34623	PLUG	NA		
3	R49209	SPRING	NA		(SUB FOR R34627)
4	T11900	DOWEL PIN	NA		
5	AT25959	SLEEVE	NA		
6	T25142	SEAL	NA		
7	R34634	RING	NA		
8	R34625	STRAINER	NA		
9	R34624	PLATE	NA		
10	R48498	BOLT	NA		(SUB FOR T11944)
11	12M7060	WASHER	4		0.209"
12	T15715	WASHER	4		
13	R34629	PIPE PLUG	1		(SUB A3917R AND T30607)
14	34H240	SPRING PIN	1		1/8" X 1/4"
15	T11899	O-RING	1		
16	R34632	WASHER	NA		
17	R33259	O-RING	1		
18	T18379	HOSE	NA		
19	AT16552	FITTING	NA		
20	T19876	SCREEN	NA		
21	T18380	GASKET	NA		
22	T11884	SCREW	2		
..	AR70139	FUEL PUMP	1		COMPLETE

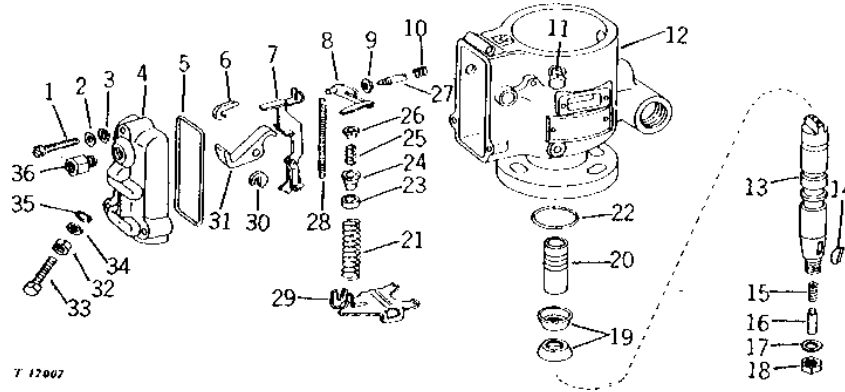
SEE YOUR AUTHORIZED PUMP REPAIR STATION FOR PARTS NOT AVAILABLE. (NA)

1F9

FUEL AND AIR

**FUEL INJECTION PUMP GOVERNOR AND DRIVE SHAFT
(ROOSA-MASTER NO. DBGFC331-1AJ)
(ENGINE SERIAL NO. -060326)**

T17007 -UN-01JAN94



T 17007

KEY	PART NO.	PART NAME	QTY	ENGINE SERIAL NO.	REMARKS
1	T15721	SCREW	2		
2	T15715	WASHER	3		
3	12M7060	WASHER	3	0.209"	
4	T17945	COVER	NA		
5	T11918	GASKET	1		
6	R30721	CAM	NA		
7	AT11520	HOOK	NA		
	T15699	HOOK	NA		
	AR28602	LINK	NA		
	R30718	SCREW	NA		
	R30719	LOCK WASHER	NA		
8	AR30736	ARM	1	(SUB R74312)	
9	R30732	SHIM	NA		
10	R58422	SPRING	NA	(SUB FOR T11907)	
11	R30714	BOLT	NA		
12	AR67675	HOUSING	NA		
13	R36538	DRIVE SHAFT	NA		
14	26H10	SHAFT KEY	1	5/32" X 5/8"	
15	R36540	SPRING	1		
16	T19855	PIN	1		
17	12H317	LOCK WASHER	1	9/16"	
18	14H832	NUT	1	9/16"	
19	T11290	SEAL	2		
20	T19865	BUSHING	NA		
21	T15700	SPRING	NA	(RED AND YELLOW)	
22	T19854	O-RING	1		
23	T17952	WASHER	NA		
24	T11924	RETAINER	NA		
25	T11913	SPRING	NA		
26	T11914	GUIDE	NA		
27	R48500	VALVE	NA		
28	T11911	SPRING	NA		
29	T16602	ARM	NA		
30	T11929	CLIP	NA		
31	T11927	LEVER	NA		
32	T11921	NUT	1		
33	T17953	CAP SCREW	1		
34	T17947	WASHER	1		
35	R34812	O-RING	1	(SUB FOR T17951)	
36	R36535	CHECK VALVE	1		
..	AR70139	FUEL PUMP	1		

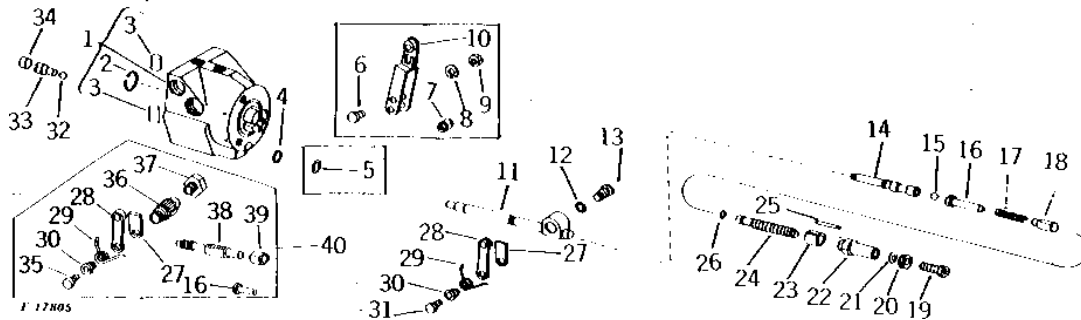
SEE YOUR AUTHORIZED PUMP REPAIR STATION FOR PARTS NOT AVAILABLE. (NA)

1F10

FUEL AND AIR

FUEL INJECTION PUMP GOVERNOR AND LINKAGE ASSEMBLY
 (ROOSA-MASTER NO. CDC331-3DG) (ENGINE SERIAL NO. 060327-063000)
 (ROOSA-MASTER NO. CDC331-4DG) (ENGINE SERIAL NO. 063001-070288)
 (ROOSA-MASTER NO. CDC331-6DG) (ENGINE SERIAL NO. 070289-083747)

T17805 -UN-01JAN94



KEY	PART NO.	PART NAME	QTY	ENGINE SERIAL NO.	REMARKS
1	ROTOR	1		(SUB FOR AT25328 OR AT27166) (ORDER AR69817, AR69809, AR50894, AR50895, AT27615 AND R48126)
2	T26221	SNAP RING	NA		
3	T29171	PLUNGER	NA		
	T29172	PLUNGER	NA		
	T29173	PLUNGER	NA		
	T29174	PLUNGER	NA		
4	T11899	O-RING	1		(SUB FOR T26252)
5	T29165	SNAP RING	NA	-067299	
6	19H2323	CAP SCREW	2	-067299	1/4" X 7/8"
7	T29114	GEAR	NA	-067299	
8	12H302	LOCK WASHER	1	-067299	1/4"
9	14H649	NUT	1	-067299	1/4"
10	AT24207	LEVER	NA	-067299	
11	AT28412	KIT	NA	-067299	(SUB FOR AT27144)
	AT31165	KIT	NA	067300-	(SUB FOR AT27862)
12	T26256	O-RING	2		(SUB A3917R)
13	T29166	GEAR	NA	067300-	
14	AT27143	VALVE	NA	-067299	
	AT31165	KIT	NA	067300-	(SUB FOR AT27863)
15	T26254	BALL	NA		
16	T29112	GUIDE	NA		
17	T27305	SPRING	NA	-070288	(RED AND PLAIN)
	T26249	SPRING	NA	070289-	(BLUE AND PLAIN)
18	T29113	SPACER	NA		
19	T17948	SCREW	1		
20	14H631	NUT	1		0.190"
21	AT24209	SEAL	1		
22	T26261	CAP	NA		
23	AT24208	NUT	NA		
24	T26259	SCREW	NA		
25	T26260	DOWEL PIN	NA		
26	T26257	O-RING	NA		
27	T29164	LEVER	1	067300-	
28	T19858	LEVER	1	067300-	(SUB FOR AT27194)
29	T17949	SPRING	1	067300-	
30	T17950	RETAINER	1	067300-	
31	T17948	SCREW	1	067300-	
32	T26220	BALL	NA		
33	T26218	SCREW	NA		
34	T26219	SET SCREW	NA		
35	T19859	SCREW	1		
36	R45054	GEAR	NA		
37	R45058	NUT	NA		
38	T31122	RACK	NA		
39	R45057	NUT	NA		
40	AT30118	KIT	NA		THROTTLE CONTROL
..	AT23048	FUEL PUMP	1		(SUB AR69817)

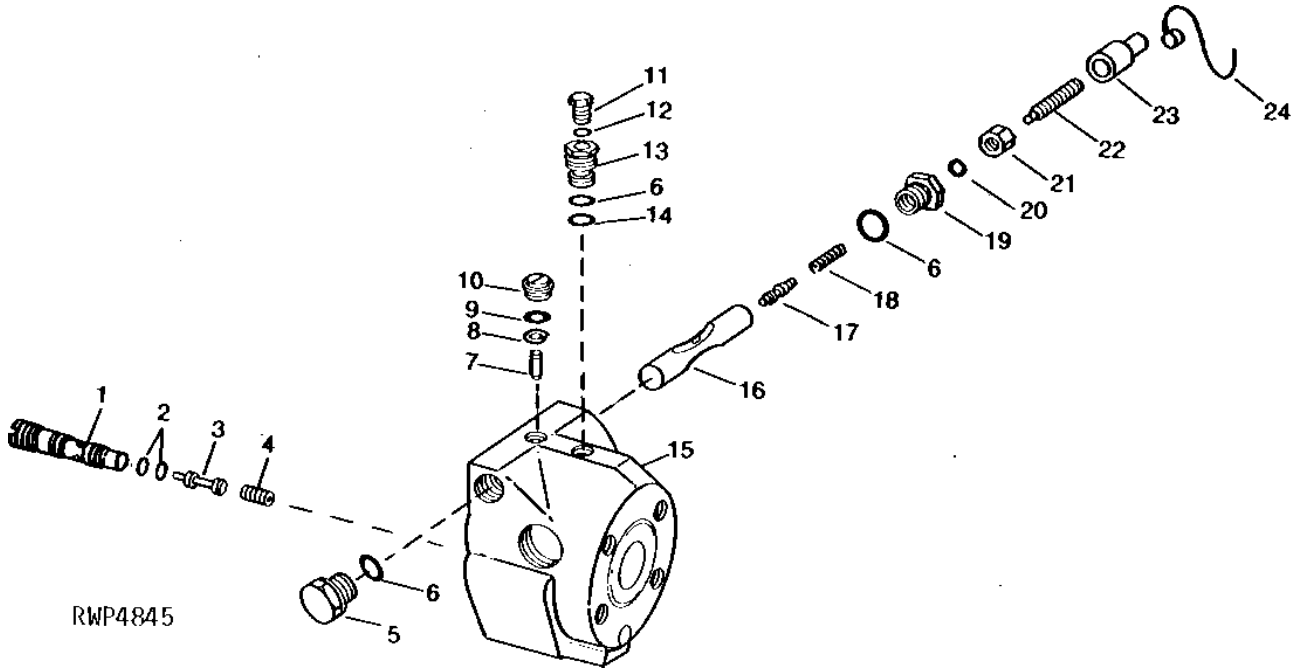
SEE YOUR AUTHORIZED PUMP REPAIR STATION FOR PARTS NOT AVAILABLE. (NA)

1F11

FUEL AND AIR

FUEL INJECTION PUMP AUTOMATIC ADVANCE AND REGULATOR
 (ROOSA-MASTER NO. CDC331-3DG) (ENGINE SERIAL NO. 060327-063000)
 (ROOSA-MASTER NO. CDC331-4DG) (ENGINE SERIAL NO. 063001-070288)
 (ROOSA-MASTER NO. CDC331-6DG) (ENGINE SERIAL NO. 070289-083747)

RWP4845 -UN-01JAN94



KEY	PART NO.	PART NAME	QTY	ENGINE SERIAL NO.	REMARKS
1	T26211	SLEEVE	NA		
2	T26212	O-RING	NA		
3	T26213	PISTON	NA		
4	T29115	SPRING	NA		
5	T26265	DRAIN PLUG	NA		
6	R33259	O-RING	3		(SUB FOR T11934)
7	T27306	PIN	NA		
8	T27300	SNAP RING	NA		
9	T15712	O-RING	1		
10	T26263	PLUG	NA		
11	R34629	PIPE PLUG	1		(SUB A3917R AND T30607)
12	T26256	O-RING	1		(SUB A3917R)
13	T26208	BUSHING	NA		
14	T26209	RING	1		
15	ROTOR	1		(SUB FOR AT25328 OR AT27166) (ORDER AR69817, AR69809, AR50894, R50895, AT27615 AND R48126)
16	T26268	PISTON	NA		
17	AT25325	PISTON	NA		
18	T30502	SPRING	NA	-063000	
	T11901	SPRING	NA	063001-	
19	T26266	ADAPTER	NA	-063000	
	T27307	ADAPTER	NA	063001-	
20	T11915	O-RING	1		
21	T17122	NUT	NA		
22	T26267	SET SCREW	NA		
23	T17117	CAP	NA		
24	T11877	WIRE	NA		
..	AT23048	FUEL PUMP	1		(SUB AR69817)

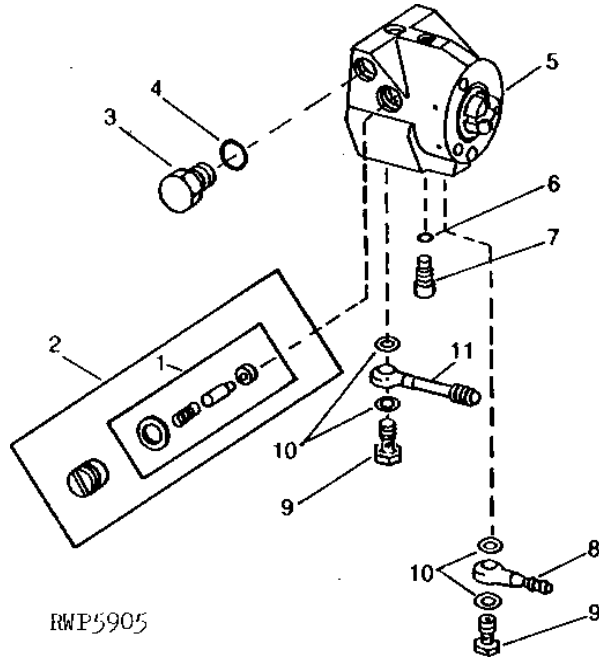
SEE YOUR AUTHORIZED PUMP REPAIR STATION FOR PARTS NOT AVAILABLE. (NA)

1F12

FUEL AND AIR

FUEL INJECTION PUMP, ELECTRIC SHUT-OFF AND FITTINGS
 (ROOSA-MASTER NO. CDC331-3DG) (ENGINE SERIAL NO. 060327-063000)
 (ROOSA-MASTER NO. CDC331-4DG) (ENGINE SERIAL NO. 063001-070288)
 (ROOSA-MASTER NO. CDC331-6DG) (ENGINE SERIAL NO. 070289-083747)

RWP5905 -UN-01JAN94



RWP5905

KEY	PART NO.	PART NAME	QTY	ENGINE SERIAL NO.	REMARKS
1	AT28952	KIT	NA		SOLENOID REPAIR
2	AT28951	KIT	NA		SOLENOID REPLACEMENT, (SUB FOR AT24735)
3	T26265	DRAIN PLUG	NA		
4	R33259	O-RING	NA		(SUB FOR T11934)
5	ROTOR	1		(SUB FOR AT25328 OR AT27166) (ORDER AR69817, AR69809, AR50894, AR50895, AT27615 AND R48126)
6	T26215	O-RING	NA		
7	T26216	SCREW	NA		
8	AT24201	FITTING	1		
9	T26217	FITTING	2		
10	T20055	WASHER	4		
11	AT24200	FITTING	1		
..	AT23048	FUEL PUMP	1		(SUB AR69817)

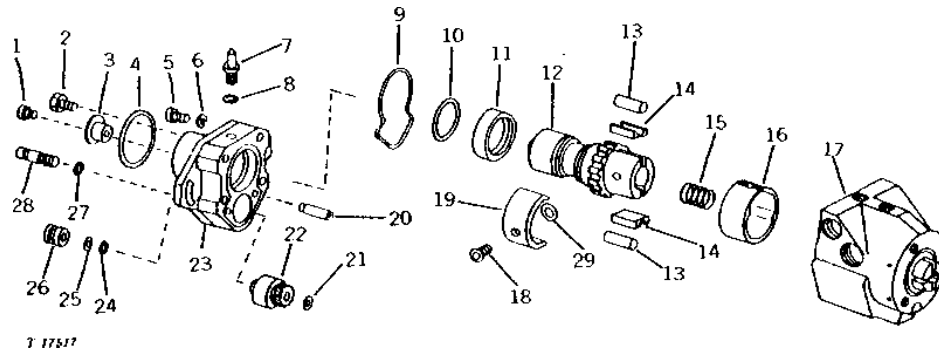
SEE YOUR AUTHORIZED PUMP REPAIR STATION FOR PARTS NOT AVAILABLE. (NA)

1F13

FUEL AND AIR

FUEL INJECTION PUMP DRIVE AND HEAD AND ROTOR ASSEMBLY
 (ROOSA-MASTER NO. CDC331-3DG) (ENGINE SERIAL NO. 060327-063000)
 (ROOSA-MASTER NO. CDC331-4DG) (ENGINE SERIAL NO. 063001-070288)
 (ROOSA-MASTER NO. CDC331-6DG) (ENGINE SERIAL NO. 070289-083747)

T17517 -UN-01JAN94



KEY	PART NO.	PART NAME	QTY	ENGINE SERIAL NO.	REMARKS
1	19H2948	SCREW	1		1/4" X 0.380"
2	T26497	SCREW	NA		
3	T26496	BUSHING	NA		
4	T28582	O-RING	1		
5	T26227	SCREW	NA		
6	T26226	WASHER	NA		
7	T26233	PIN	NA		
8	T11878	WASHER	1		
9	T11891	O-RING	NA		
10	T26231	SNAP RING	NA		
11	AT24203	SEAL	NA		
12	AT24464	SHAFT	NA	-063000	
	AT27165	SHAFT	NA	063001-	
13	T11886	NEEDLE ROLLER	NA		
14	R56483	SHOE	NA		(SUB FOR T11885)
15	T26235	SPRING	NA		
16	T26510	CAM	NA	-070288	(SUB FOR AT30120)
	T31203	RING	NA	070289-	(SUB FOR T30031) (USE WITH AT30120)
17	ROTOR	1		(SUB FOR AT25328 OR AT27166) (ORDER AR69817, AR69809, AR50894, AR50895, AT27615 AND R48126)
18	T26232	SCREW	NA		
19	T11888	LEAF SPRING	NA		
20	AT30203	KIT	NA		HOUSING PRESSURE REGULATOR (INCLUDES VALVE AND SPRING) (SUB FOR AT24212)
21	T30244	SHIM	NA		0.05 MM (.002") (SUB FOR T26244)
	T30245	SHIM	NA		0.10 MM (.004") (SUB FOR T26245)
	T30246	SHIM	NA		0.15 MM (.006") (SUB FOR T26246)
	T30247	SHIM	NA		0.20 MM (.008") (SUB FOR T26247)
22	AT31165	KIT	NA		(SUB FOR AT24205)
23	T26234	HOUSING	NA		
24	T26251	THRUST WASHER	NA		
25	T26243	O-RING	NA		
26	T26242	SCREW	NA		
27	T26230	O-RING	NA		
28	T26229	PLUG	NA		
29	T31124	SHIM	NA		0.13 MM (.005")
	T31125	SHIM	NA		0.15 MM (.006")
	T31126	SHIM	NA		0.18 MM (.007")
	T31127	SHIM	NA		0.20 MM (.008")
	T31128	SHIM	NA		0.23 MM (.009")
..	AT23048	FUEL PUMP	1		(SUB AR69817)

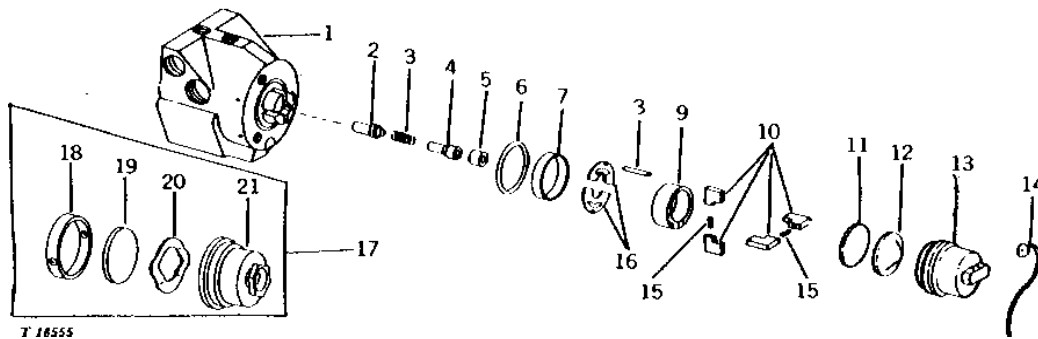
SEE YOUR AUTHORIZED PUMP REPAIR STATION FOR PARTS NOT AVAILABLE. (NA)

1F14

FUEL AND AIR

FUEL INJECTION PUMP TRANSFER PUMP AND CAP
 (ROOSA-MASTER NO. CDC331-3DG) (ENGINE SERIAL NO. 060327-063000)
 (ROOSA-MASTER NO. CDC331-4DG) (ENGINE SERIAL NO. 063001-070288)
 (ROOSA-MASTER NOS. CDC331-6DG AND CBC331-AL) (ENGINE SERIAL NO. 070289-117499)

T18555 -UN-01JAN94



KEY	PART NO.	PART NAME	QTY	ENGINE SERIAL NO.	REMARKS
1	ROTOR	1	-083747	(SUB FOR AT25328 OR AT27166) (ORDER AR69817, AR69809, AR50894, AR50895, AT27615 AND R48126)
	AR52435	KIT	1	083748-	(SUB FOR AT30148) (ORDER AR69817, AR69809, AR50894, AR50895, AT27615 AND R48126)
2	R30733	VALVE	NA	-070288	
	T19856	VALVE	NA	070289-083747	
	T31129	VALVE	NA	083748-	
	R30734	VALVE	NA	-070288	(USE ON ROTOR MARKED "OV")
	T19857	VALVE	NA	070289-083747	(USE ON ROTOR MARKED "OV")
	R31125	VALVE	NA	083748-	(USE ON ROTOR MARKED "OV")
3	R30735	SPRING	NA		
4	T26223	STOP	NA		
5	R30737	SCREW	NA		
6	T26236	O-RING	NA		
7	T26237	BUSHING	NA	-083747	
8	T26239	DOWEL PIN	NA		
9	T26238	SLEEVE	NA		
10	AR73828	KIT	NA		(PKG. OF 4) (SUB FOR R34626 OR R45045)
	AR73829	KIT	NA		(PKG. OF 4) OVERSIZED, (SUB FOR R34626 OR R45045)
11	T27304	PLATE	NA		
12	T27302	PLATE	NA		
13	T27303	CAP	NA		
14	T11877	WIRE	NA		
15	R34630	SPRING	NA		
16	T26222	RETAINER	NA		
17	AT30117	KIT	NA		TRANSFER PUMP
18	R45044	WASHER	NA		
19	T27304	PLATE	NA		
20	R45046	WASHER	NA		
21	R45047	CAP	NA		
..	AT30120	KIT	NA	-083747	DELIVERY VALVE, (CONTAINS T19856, T19857, T11888 AND T31203)
..	AT29724	FUEL INJECTION PUMP	1		(SUB FOR AT23048) (SUB AR69817)

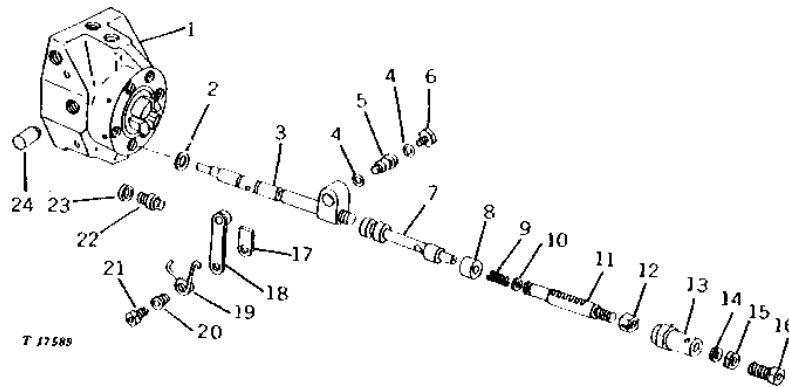
SEE YOUR AUTHORIZED PUMP REPAIR STATION FOR PARTS NOT AVAILABLE. (NA)

1F15

FUEL AND AIR

FUEL INJECTION PUMP GOVERNOR AND LINKAGE
(ROOSA-MASTER NO. CBC331-1AL)
(ENGINE SERIAL NO. 083748-117499)

T17589 -UN-01JAN94



KEY	PART NO.	PART NAME	QTY	ENGINE SERIAL NO.	REMARKS
1	AR52435	KIT	1		(SUB FOR AT30148) (ORDER AR69817, AR69809, AR50894, AR50895, AT27615 AND R48126)
2	T11899	O-RING	1		
3	AT30146	SLEEVE	NA		
4	A3917R	O-RING	2		(SUB FOR T26256)
5	R45054	GEAR	NA		
6	R45058	NUT	NA		
7	R45049	VALVE	NA		
8	R46619	WASHER	NA		(SUB FOR R45053)
9	T31481	SPRING	NA		
10	T26257	O-RING	NA		
11	R45055	ROD	NA		
12	R45057	NUT	NA		
13	R45056	CAP	NA		
14	AT24209	SEAL	1		
15	14H631	NUT	1	0.190"	
16	T17948	SCREW	1		
17	T29164	LEVER	1		
18	T19858	LEVER	1		(SUB FOR AT27194)
19	T17949	SPRING	1		
20	T17950	RETAINER	1		
21	T19859	SCREW	1		
22	T31480	BOLT	NA		
23	T20055	WASHER	3		
24	R30728	PLUNGER	NA		(ROTOR A)
	R30729	PLUNGER	NA		(ROTOR B)
	R30730	PLUNGER	NA		(ROTOR C)
	R30731	PLUNGER	NA		(ROTOR D)
..	AT29724	FUEL INJECTION PUMP	1		(SUB AR69817)

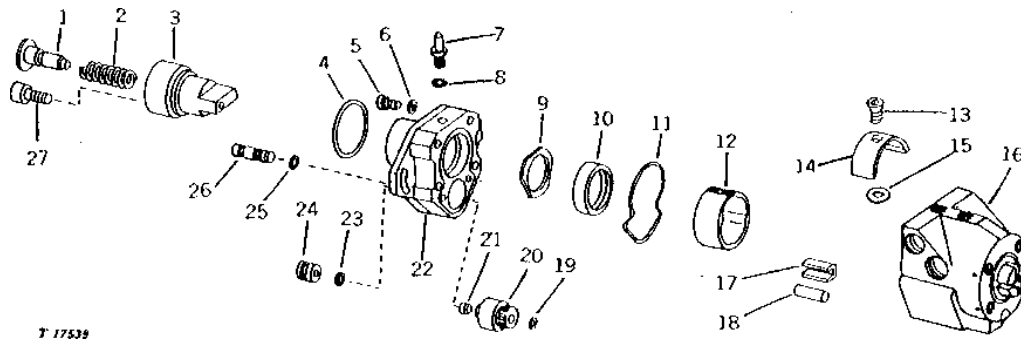
SEE YOUR AUTHORIZED PUMP REPAIR STATION FOR PARTS NOT AVAILABLE. (NA)

1F16

FUEL AND AIR

FUEL INJECTION PUMP DRIVE AND HEAD AND ROTOR ASSEMBLY (ROOSA-MASTER NO. CBC331-1AL) (ENGINE SERIAL NO. 083748-117499)

T17539 -UN-01JAN94



KEY	PART NO.	PART NAME	QTY	ENGINE SERIAL NO.	REMARKS
1	AT30145	PUSH BUTTON	1		
2	T31123	SPRING	1		
3	AT29831	SHAFT	NA		
4	T28582	O-RING	1		
5	T26227	SCREW	NA		
6	T26226	WASHER	NA		
7	T26233	PIN	NA		
8	T11878	WASHER	1		
9	R45041	GUIDE	NA		
10	AT30144	SEAL	NA		
11	T11891	O-RING	NA		
12	R45543	RING	1		(SUB FOR T31130) (SUB AR69817, AR69809, R48126, AR50894, AR50895 AND AT27615)
13	T11887	SCREW	NA		
14	T11888	LEAF SPRING	NA		
15	T31124	SHIM	NA	0.13 MM (.005")	
	T31125	SHIM	NA	0.15 MM (.006")	
	T31126	SHIM	NA	0.18 MM (.007")	
	T31127	SHIM	NA	0.20 MM (.008")	
	T31128	SHIM	NA	0.23 MM (.009")	
16	AR52435	KIT	1		(SUB FOR AT30148) (ORDER AR69817, AR69809, AR50894, AR50895, AT27615 AND R48126)
17	T11886	NEEDLE ROLLER	NA		
18	R56483	SHOE	NA		(SUB FOR T11885)
19	R45052	WASHER	NA		
20	AR46841	GOVERNOR	NA		
21	R45051	INSERT	NA		
22	R45040	HOUSING	NA		
23	T26243	O-RING	NA		
24	R46618	SCREW	NA		(SUB FOR R45048)
25	T26230	O-RING	NA		
26	T26229	PLUG	NA		
27	T26497	SCREW	NA		
..	AT29724	FUEL INJECTION PUMP	1		(SUB AR69817)

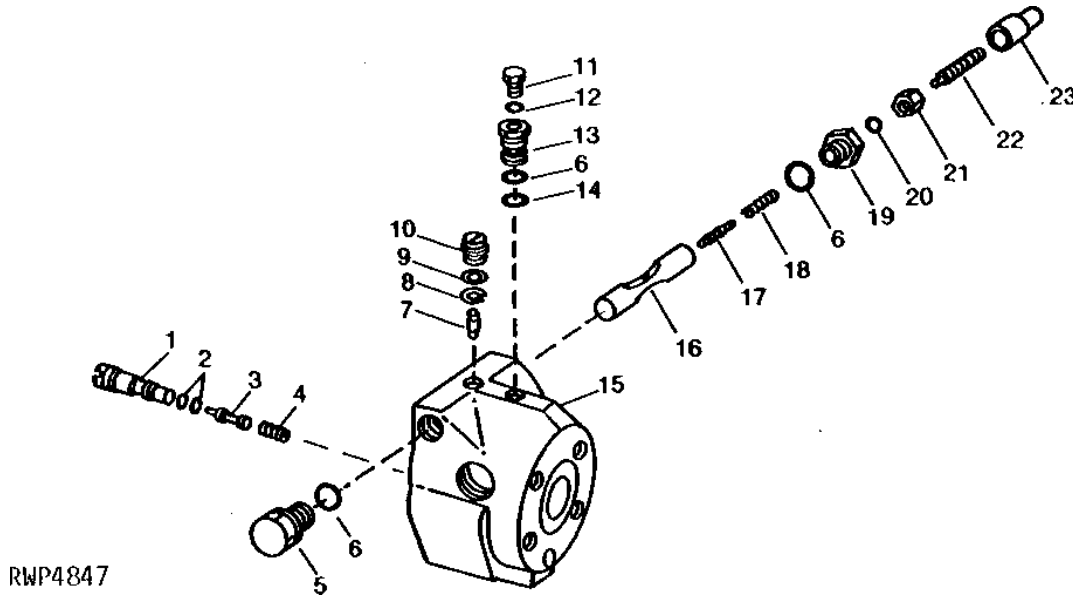
SEE YOUR AUTHORIZED PUMP REPAIR STATION FOR PARTS NOT AVAILABLE. (NA)

1F17

FUEL AND AIR

FUEL INJECTION PUMP AUTOMATIC ADVANCE AND REGULATOR
(ROOSA-MASTER NO. CBC331-1AL)
(ENGINE SERIAL NO. 083748-117499)

RWP4847 -UN-01JAN94



RWP4847

KEY	PART NO.	PART NAME	QTY	ENGINE SERIAL NO.	REMARKS
1	T26211	SLEEVE	NA		
2	T26212	O-RING	NA		
3	T26213	PISTON	NA		
4	T26214	SPRING	NA		
5	T26265	DRAIN PLUG	NA		
6	R33259	O-RING	3		(SUB FOR T11934)
7	T27306	PIN	NA		
8	T27300	SNAP RING	NA		
9	T26209	RING	1		
10	T26263	PLUG	NA		
11	T30607	DRAIN PLUG	NA		
12	A3917R	O-RING	1		(SUB FOR T26256)
13	R45036	PLUG	NA		
14	T26209	RING	1		
15	AR52435	KIT	1		(SUB FOR AT30148) (ORDER AR69817, AR69809, AR50894, AR50895, AT27615 AND R48126)
16	T26268	PISTON	NA		
17	AT25325	PISTON	NA		
18	T31482	SPRING	NA		
19	R45060	DRAIN PLUG	NA		
20	T11915	O-RING	1		
21	T17122	NUT	NA		
22	T26267	SET SCREW	NA		
23	T17117	CAP	NA		
..	AT29724	FUEL INJECTION PUMP	1		(SUB AR69817)

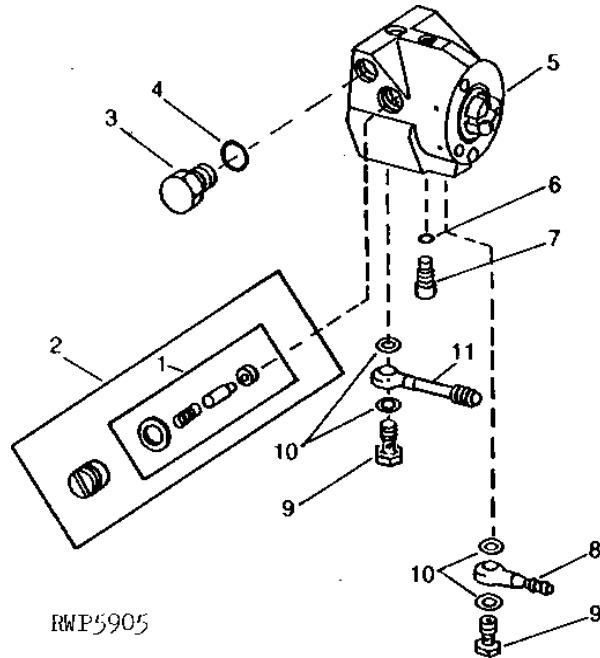
SEE YOUR AUTHORIZED PUMP REPAIR STATION FOR PARTS NOT AVAILABLE. (NA)

1F18

FUEL AND AIR

**FUEL INJECTION PUMP, ELECTRIC SHUT-OFF AND FITTINGS
(ROOSA-MASTER NO. CBC331-1AL)
(ENGINE SERIAL NO. 083748-117499)**

RWP5905 -UN-01JAN94



RWP5905

KEY	PART NO.	PART NAME	QTY	ENGINE SERIAL NO.	REMARKS
1	AT28952	KIT	NA		SOLENOID REPAIR
2	AT28951	KIT	NA		SOLENOID REPLACEMENT
3	T26265	DRAIN PLUG	NA		
4	R33259	O-RING	NA		(SUB FOR T11934)
5	AR52435	KIT	1		(SUB FOR AT30148) (ORDER AR69817, AR69809, AR50894, AR50895, AT27615 AND R48126)
6	T26215	O-RING	NA		
7	T26216	SCREW	NA		
8	AT24201	FITTING	1		
9	T26217	FITTING	2		
10	T20055	WASHER	4		
11	AT24200	FITTING	1		
..	AT29724	FUEL INJECTION PUMP	1		(SUB AR69817)

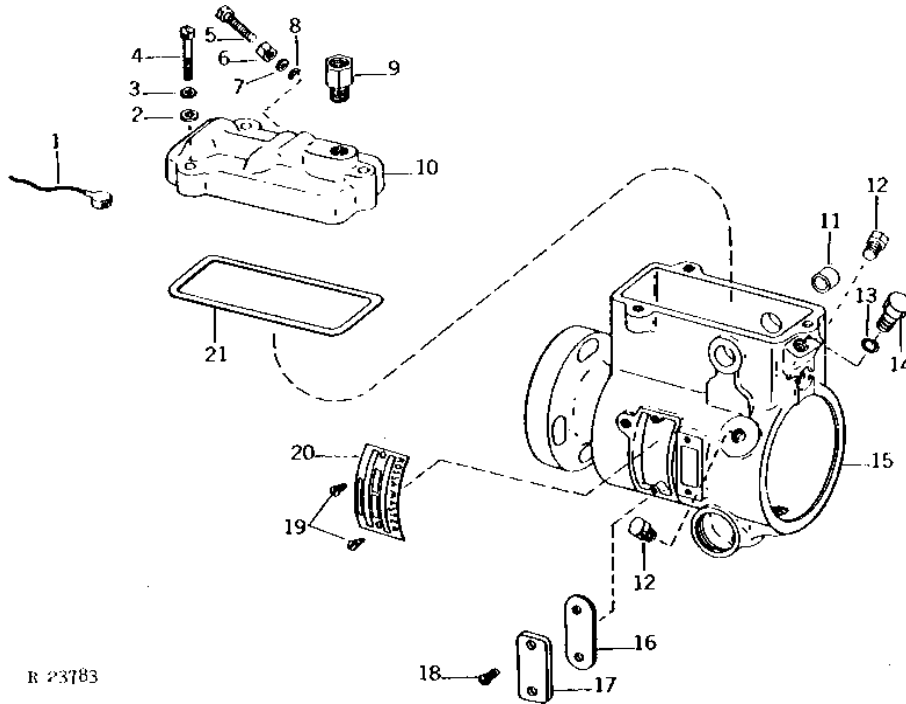
SEE YOUR AUTHORIZED PUMP REPAIR STATION FOR PARTS NOT AVAILABLE. (NA)

1F19

FUEL AND AIR

**FUEL INJECTION PUMP HOUSING
(ROOSA-MASTER NO. JDB331AL2732)
(ENGINE SERIAL NO. -117499)**

R23783 -UN-01JAN94



R 23783

KEY	PART NO.	PART NAME	QTY	ENGINE SERIAL NO.	REMARKS
1	T11877	WIRE	NA		
2	T15715	WASHER	3		
3	12M7060	WASHER	3	0.209"	
4	T15721	SCREW	3		
5	T17953	CAP SCREW	1		
6	T11921	NUT	1		
7	T17947	WASHER	1		
8	R34812	O-RING	1	(SUB FOR T17951)	
9	R36535	CHECK VALVE	1		
10	R37139	COVER	NA		
11	R48493	BUSHING	NA		
12	R30714	BOLT	NA		
13	T11878	WASHER	2		
14	T11930	SCREW	NA		
15	AR67675	HOUSING	NA		
16	T11883	GASKET	1		
17	T11882	COVER	1		
18	T11884	SCREW	2		
19	T11876	SCREW	NA		
20	T11875	IDENTIFICATION PLATE	NA		
21	T11918	GASKET	1		
..	AR69817	FUEL INJECTION PUMP	1		

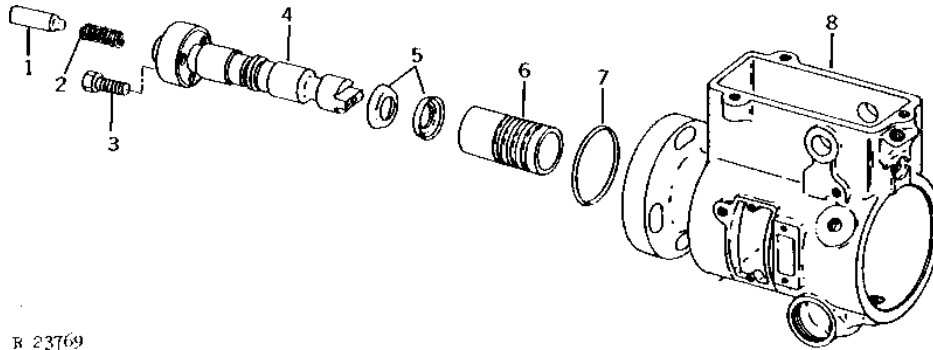
SEE YOUR AUTHORIZED PUMP REPAIR STATION FOR PARTS NOT AVAILABLE. (NA)

1F20

FUEL AND AIR

FUEL INJECTION PUMP DRIVE SHAFT
 (ROOSA-MASTER NO. JDB331AL2732)
 (ENGINE SERIAL NO. -117499)

R23769 -UN-01JAN94



R 23769

KEY	PART NO.	PART NAME	QTY	ENGINE SERIAL NO.	REMARKS
1	R58105	PIN	1		
2	T31123	SPRING	1		
3	R58104	SCREW	3		
4	R58103	DRIVE SHAFT	NA		
5	T11290	SEAL	2		
6	T19865	BUSHING	NA		
7	T19854	O-RING	1		
8	AR67675	HOUSING	NA		
..	AR69817	FUEL INJECTION PUMP	1		

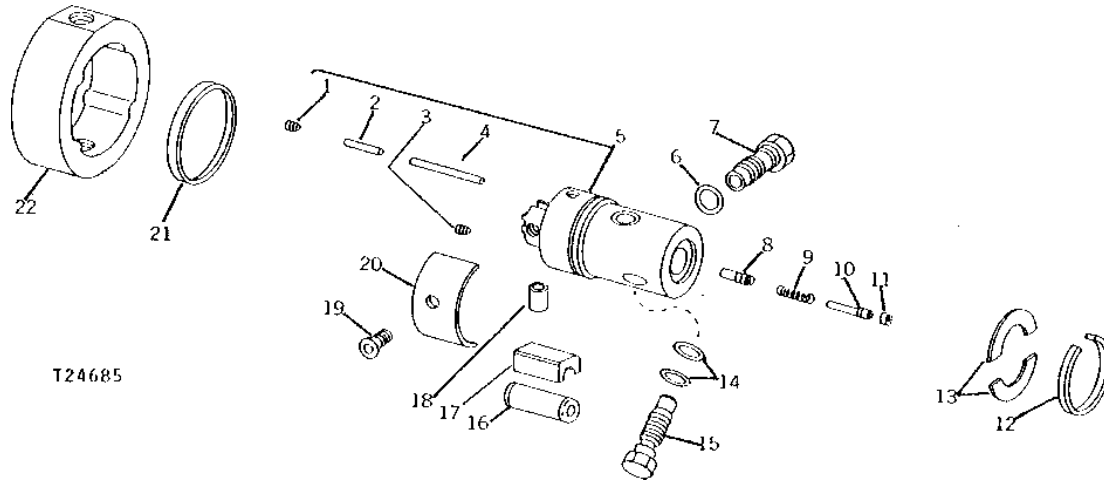
SEE YOUR AUTHORIZED PUMP REPAIR STATION FOR PARTS NOT AVAILABLE. (NA)

1F21

FUEL AND AIR

FUEL INJECTION PUMP HEAD AND ROTOR
(ROOSA-MASTER NO. JDB331AL2732)
(ENGINE SERIAL NO. -117499)

T24685 -UN-01JAN94



KEY	PART NO.	PART NAME	QTY	ENGINE SERIAL NO.	REMARKS
1	R30725	SCREW	NA		
2	R48495	WIRE	NA		
3	T11926	SET SCREW	NA		
4	R30727	RETAINER	NA		
5	AR64078	HYDRAULIC HEAD, AND ROTOR	NA		
6	T20055	WASHER	3		
7	T24435	SCREW	NA		
8	T19856	VALVE	NA		
9	R30735	SPRING	NA		(OVERSIZE)
10	T26223	STOP	NA		
11	R30737	SCREW	NA		
12	T11889	SNAP RING	NA		
13	T11890	RETAINER	NA		
14	T20055	WASHER	6		
15	R26726	FITTING	6		
16	T11886	NEEDLE ROLLER	NA		
17	R56483	SHOE	NA		
18	R30728	PLUNGER	NA		(ROTOR A)
	R30729	PLUNGER	NA		(ROTOR B)
	R30730	PLUNGER	NA		(ROTOR C)
	R30731	PLUNGER	NA		(ROTOR D)
19	T11887	SCREW	NA		
20	T11888	LEAF SPRING	NA		
21	T11891	O-RING	NA		
22	R48494	RING	NA		
..	AR69817	FUEL INJECTION PUMP	1		

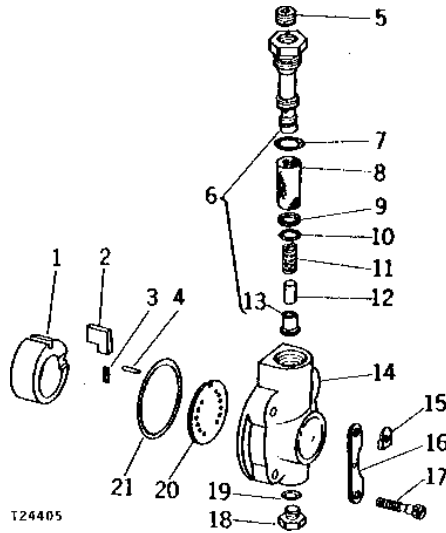
SEE YOUR AUTHORIZED PUMP REPAIR STATION FOR PARTS NOT AVAILABLE. (NA)

1F22

FUEL AND AIR

**FUEL INJECTION PUMP TRANSFER PUMP
(ROOSA-MASTER NO. JDB331AL2732)
(ENGINE SERIAL NO. -117499)**

T24405 -UN-01JAN94



KEY	PART NO.	PART NAME	QTY	ENGINE SERIAL NO.	REMARKS
1	T26238	SLEEVE	NA		
2	AR73828	KIT	NA		(PKG OF 4)
	AR73829	KIT	NA		(RED) (OVERSIZED) (PKG OF 4)
3	R34630	SPRING	NA		
4	34H240	SPRING PIN	1		1/8" X 1/4", (SUB FOR R34638)
5	R34623	PLUG	NA		
6	AT25959	SLEEVE	NA		(SUB RE21439)
7	R33259	O-RING	1		
8	R34625	STRAINER	NA		
9	R34632	WASHER	NA		
10	T11899	O-RING	NA		
11	R49209	SPRING	NA		(BLACK)
12	T11900	DOWEL PIN	NA		
13	T25142	SEAL	NA		
14	R34624	PLATE	NA		
15	R48496	CLIP	NA		
16	R48497	STRAP	NA		
17	R48498	BOLT	NA		
18	T30607	DRAIN PLUG	NA		
19	A3917R	O-RING	1		(SUB FOR T26256)
20	R34631	PLATE	NA		
21	T11894	O-RING	NA		
..	AR69817	FUEL INJECTION PUMP	1		

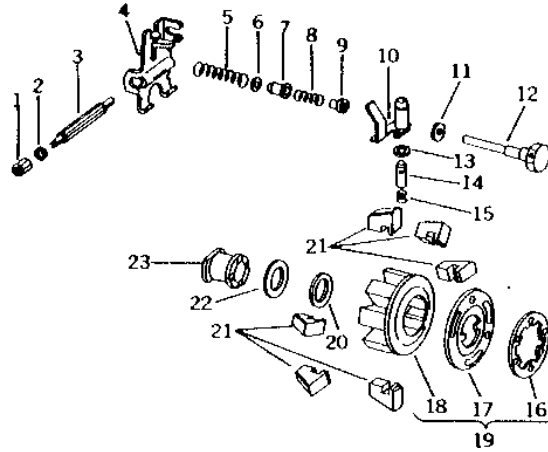
SEE YOUR AUTHORIZED PUMP REPAIR STATION FOR PARTS NOT AVAILABLE. (NA)

1F23

FUEL AND AIR

**FUEL INJECTION PUMP GOVERNOR
(ROOSA-MASTER NO. JDB331AL2732)
(ENGINE SERIAL NO. -117499)**

T20274 -UN-01JAN94



T 20274

KEY	PART NO.	PART NAME	QTY	ENGINE SERIAL NO.	REMARKS
1	T11932	NUT	NA		
2	R34812	O-RING	2		
3	T11925	SHAFT	NA		
4	T16602	ARM	NA		
5	T15700	SPRING	NA	(RED AND YELLOW)	
6	T17952	WASHER	NA		
7	T11924	RETAINER	NA		
8	T11913	SPRING	NA		
9	T11914	GUIDE	NA		
10	AR30736	ARM	1	(SUB R74312)	
11	T11943	WASHER	NA		
12	T11923	STUD	NA		
13	R30732	SHIM	NA		
14	R48500	VALVE	NA		
15	R58422	SPRING	NA	(SUB FOR T11907)	
16	R42483	RING	NA		
17	AR63213	HUB	NA		
18	AR63212	RETAINER	NA		
19	AR51960	RETAINER	NA		
20	T11931	RING	NA		
21	T11910	WEIGHT	NA		
22	T11909	WASHER	NA		
23	T16601	SLEEVE	NA		
..	AR69817	FUEL INJECTION PUMP	1		

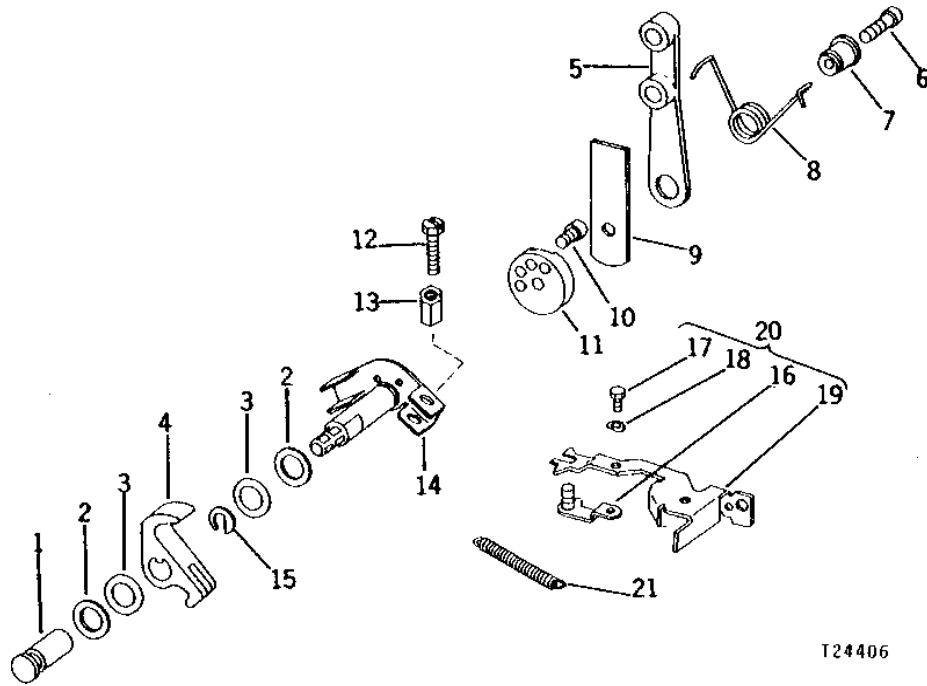
SEE YOUR AUTHORIZED PUMP REPAIR STATION FOR PARTS NOT AVAILABLE. (NA)

1F24

FUEL AND AIR

FUEL INJECTION PUMP LINKAGE
 (ROOSA-MASTER NO. JDB331AL2732)
 (ENGINE SERIAL NO. -117499)

T24406 -UN-01JAN94



T24406

KEY	PART NO.	PART NAME	QTY	ENGINE SERIAL NO.	REMARKS
1	R59079	SHAFT	NA		
2	T15720	WASHER	NA	FELT	
3	T11915	O-RING	2		
4	T11927	LEVER	NA		
5	T19858	LEVER	1		
6	T19859	SCREW	1		
7	T17950	RETAINER	1		
8	T17949	SPRING	1		
9	T19860	STRAP	1		
10	T11917	SCREW	1		
11	T19861	SPACER	1		
12	T11920	SCREW	NA		
13	T19862	NUT	NA		
14	R36542	SHAFT	NA		
15	T11929	CLIP	NA		
16	AR28602	LINK	NA		
17	R30718	SCREW	NA		
18	R30719	LOCK WASHER	NA		
19	T15699	HOOK	NA		
20	AT11520	HOOK	NA		
21	T11911	SPRING	NA		
..	AR69817	FUEL INJECTION PUMP	1		

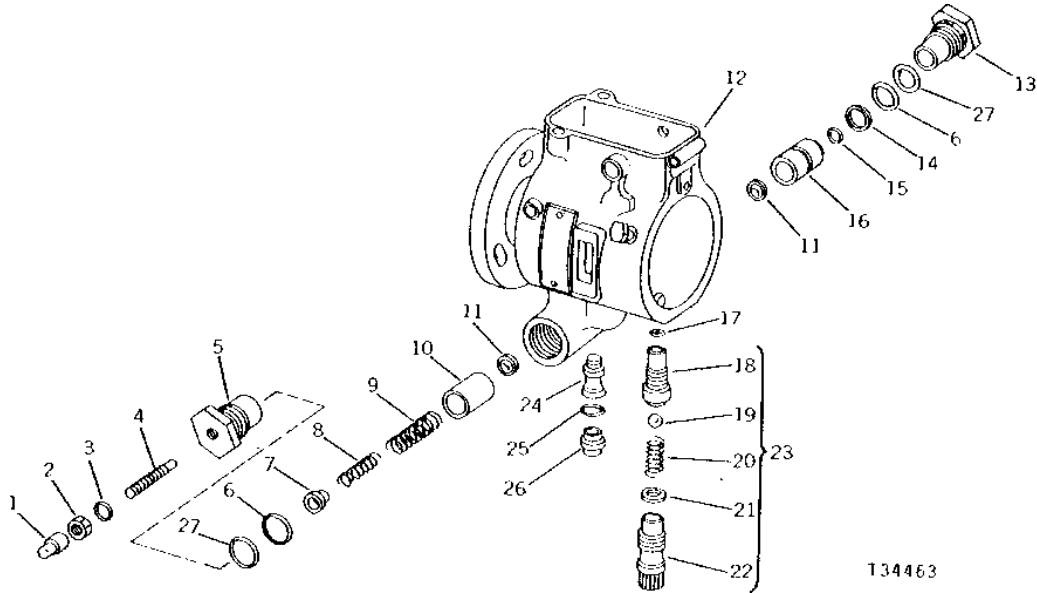
SEE YOUR AUTHORIZED PUMP REPAIR STATION FOR PARTS NOT AVAILABLE. (NA)

1F25

FUEL AND AIR

FUEL INJECTION HOUSING AND AUTOMATIC ADVANCE
 (ROOSA-MASTER NO. JDB331AL2732)
 (ENGINE SERIAL NO. -117499)

T34463 -UN-01JAN94



KEY	PART NO.	PART NAME	QTY	ENGINE SERIAL NO.	REMARKS
1	T17117	CAP	NA		
2	T17122	NUT	NA		
3	T11915	O-RING	1		
4	T17123	SET SCREW	NA		
5	T17126	PLUG	NA		
6	T15710	O-RING	2		
7	T17125	GUIDE	NA		
8	R49238	SPRING	NA		OUTER (BLACK AND BROWN)
9	T24415	SPRING	NA		INNER (RED)
10	R70315	PISTON	NA		
11	T15705	WASHER	NA		
12	AR67675	HOUSING	NA		
13	R74310	PLUG	NA		(SUB FOR R49212)
14	R49211	WASHER	NA		
15	R34635	WASHER	NA		
16	R34824	PISTON	NA		
17	T11899	O-RING	2		
18	R48604	PLUG	1		
19	T17137	BALL	1		
20	R48601	SPRING	1		
21	R48603	WASHER	NA		
22	R48602	SCREW	1		
23	AR51712	SCREW	NA		
24	R36646	SCREW	NA		
25	T15712	O-RING	1		
26	T15711	PLUG	1		(SUB R40707)
27	R56396	O-RING	2		
..	AR69817	FUEL INJECTION PUMP	1		

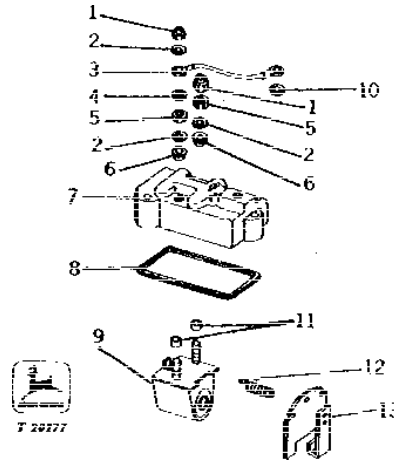
SEE YOUR AUTHORIZED PUMP REPAIR STATION FOR PARTS NOT AVAILABLE. (NA)

1G1

FUEL AND AIR

FUEL INJECTION PUMP ELECTRIC SHUT-OFF
 (ROOSA-MASTER NO. JDB331AL2732)
 (ENGINE SERIAL NO. -117499)

T20277 -UN-01JAN94



KEY	PART NO.	PART NAME	QTY	ENGINE SERIAL NO.	REMARKS
1	T19977	LOCK NUT	2		
2	R47049	WASHER	3	(SUB RE37091)	
3	AR49542	WIRING LEAD	1	(SUB AR50874)	
4	R47077	LOCK WASHER	1		
5	T11938	NUT	2		
6	T11936	WASHER	2	(SUB RE37091)	
7	R37139	COVER	NA		
8	T11918	GASKET	1		
9	AR48219	SOLENOID	1	(SUB RE37089 AND RE37091)	
10	12M7060	WASHER	1	0.209"	
11	T11937	INSULATOR	1		
12	T11935	SPRING	NA		
13	AR87068	KIT	1	(SUB FOR AT11524) (SUB RE37089 AND RE37091)	
..	AR69817	FUEL INJECTION PUMP	1		

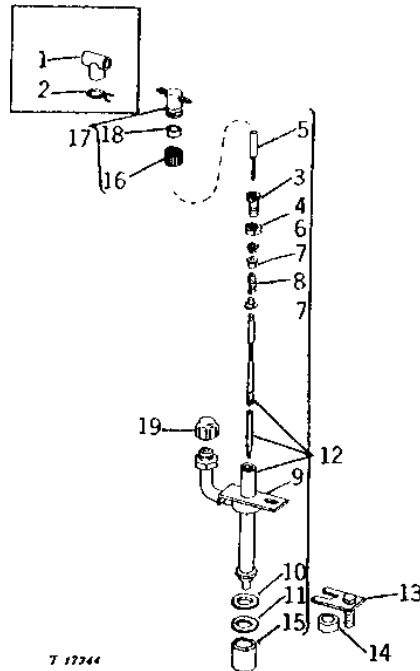
SEE YOUR AUTHORIZED PUMP REPAIR STATION FOR PARTS NOT AVAILABLE. (NA)

1G2

FUEL AND AIR

FUEL INJECTION NOZZLE ASSEMBLY
(DIESEL)
(ENGINE SERIAL NO. -117499)

T17244 -UN-01JAN94



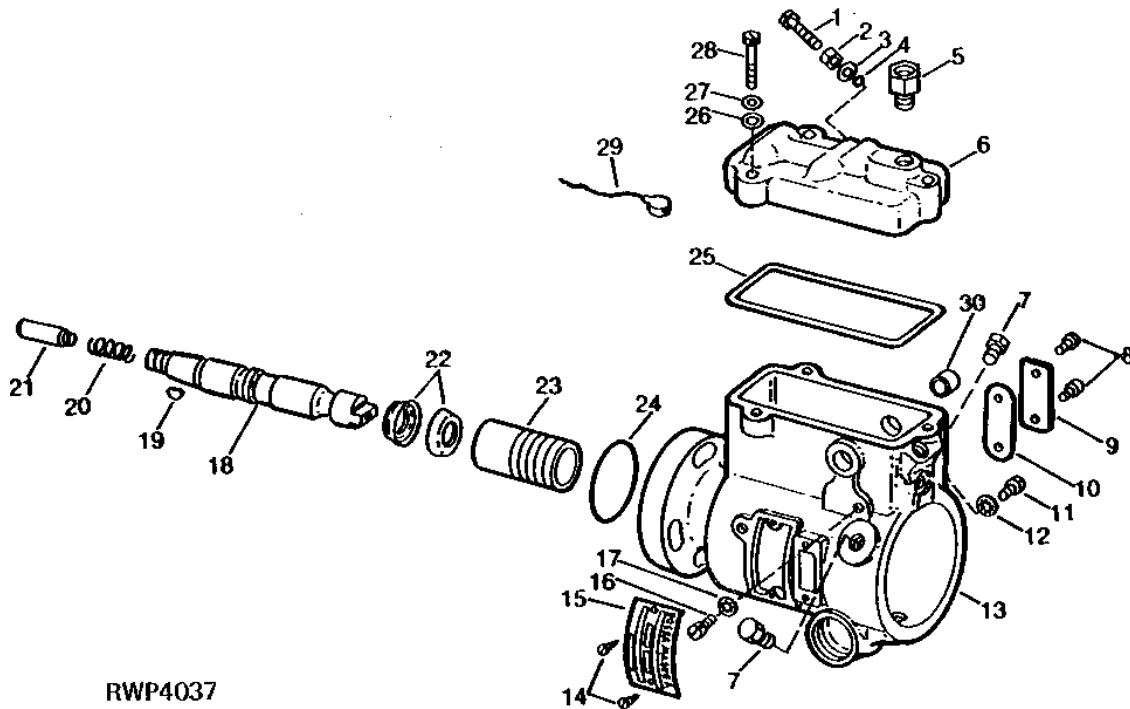
KEY	PART NO.	PART NAME	QTY	ENGINE SERIAL NO.	REMARKS
1	T23425	BOOT	1	-071212	
2	R34766	CLAMP	1	-071212	
3	R39889	SCREW	1		(NLA)
4	R46675	NUT	1		(SUB FOR R39890) (NLA)
5	R39888	SCREW	1		(NLA)
6	R39887	WASHER	1		(NLA)
7	R39886	GUIDE	2		
8	R39885	SPRING	1		
9	R67779	CLAMP	1		(SUB FOR T23502 OR T26870)
10	R34764	WASHER	1		
	R60746	WASHER	1		(USE WITH AR56290 OR AR73673)
11	R48000	WASHER	1		LOWER, (SUB FOR R34767)
12	AR89564	INJECTION NOZZLE	1		(SUB FOR AR56290, AR73673, AR88239, AT18064, AT25502, AT30299 OR AR88239)
13	R34760	CLAMP	1		
14	R34761	SPACER	1		
15	T24472	PLUG	1		
16	T29540	FITTING	1	071213-	(SUB R79604)
17	AT27622	CAP	1	071213-	
18	T29539	WASHER	1	071213-	(SUB R79605) (NLA)
19	T31174	PLUG	1		

1G3

FUEL AND AIR

**FUEL INJECTION PUMP HOUSING AND DRIVE
(ROOSA-MASTER NO. JDB331AL2405)
(ENGINE SERIAL NO. 117500-)**

RWP4037 -UN-01JAN94



RWP4037

KEY	PART NO.	PART NAME	QTY	ENGINE SERIAL NO.	REMARKS
1	T17953	CAP SCREW	1		
2	T11921	NUT	1		
3	T17947	WASHER	1		
4	R34812	O-RING	1		(SUB FOR T17951)
5	R36535	CHECK VALVE	1		
6	R37139	COVER	NA		
7	R30714	BOLT	NA		
8	T11884	SCREW	2		
9	T11882	COVER	1		
10	T11883	GASKET	1		
11	T11930	SCREW	1		
12	T11878	WASHER	1		
13	AR52690	HOUSING	NA		(SUB FOR AT21009)
14	T11876	SCREW	NA		
15	T11875	IDENTIFICATION PLATE	NA		
16	T11930	SCREW	NA		
17	T11878	WASHER	1		
18	R36538	DRIVE SHAFT	NA		
19	26H10	SHAFT KEY	1		5/32" X 5/8"
20	R36540	SPRING	1		
21	T19855	PIN	1		
22	T11290	SEAL	NA		
23	T19865	BUSHING	1		
24	T19854	O-RING	1		
25	T11918	GASKET	1		
26	T15715	WASHER	3		
27	12M7060	WASHER	3		0.209"
28	T15721	SCREW	3		
29	T11877	WIRE	NA		
30	R48493	BUSHING	NA		
..	AR49899	FUEL INJECTION PUMP	1		

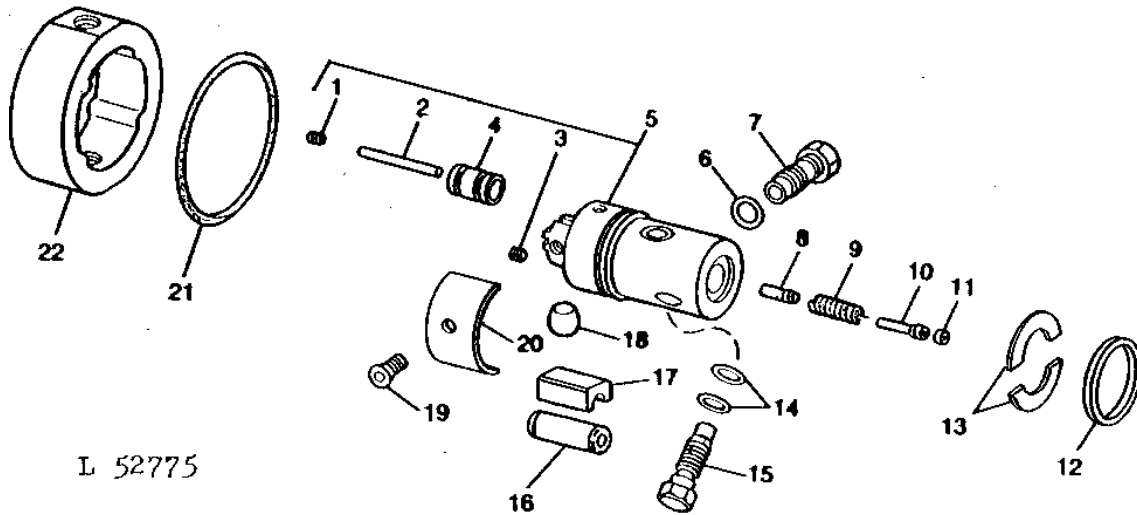
SEE YOUR AUTHORIZED PUMP REPAIR STATION FOR PARTS NOT AVAILABLE. (NA)

1G4

FUEL AND AIR

FUEL INJECTION PUMP HEAD AND ROTOR
(ROOSA-MASTER NO. JDB331AL2405)
(ENGINE SERIAL NO. 117500-)

L52775 -UN-01JAN94



KEY	PART NO.	PART NAME	QTY	ENGINE SERIAL NO.	REMARKS
1	R30725	SCREW	NA		
2	R48495	WIRE	NA		
3	T11926	SET SCREW	NA		
4	R30727	RETAINER	NA		
5	AR64078	HYDRAULIC HEAD, AND ROTOR	NA		(SUB FOR AR51816)
6	T20055	WASHER	3		
7	T24435	SCREW	NA		
8	T19856	VALVE	NA		
	T19857	VALVE	NA		(OVERSIZE)
9	R30735	SPRING	NA		
10	T26223	STOP	NA		
11	R30737	SCREW	NA		
12	T11889	SNAP RING	NA		
13	T11890	RETAINER	NA		
14	T20055	WASHER	12		
15	R26726	FITTING	6		
16	T11886	NEEDLE ROLLER	NA		
17	R56483	SHOE	NA		(SUB FOR T11885)
18	R30728	PLUNGER	NA		ROTOR (A)
	R30729	PLUNGER	NA		ROTOR (B)
	R30730	PLUNGER	NA		ROTOR (C)
	R30731	PLUNGER	NA		ROTOR (D)
19	T11887	SCREW	NA		
20	T11888	LEAF SPRING	NA		
21	T11891	O-RING	NA		
22	R48494	RING	NA		
..	AR49899	FUEL INJECTION PUMP	1		

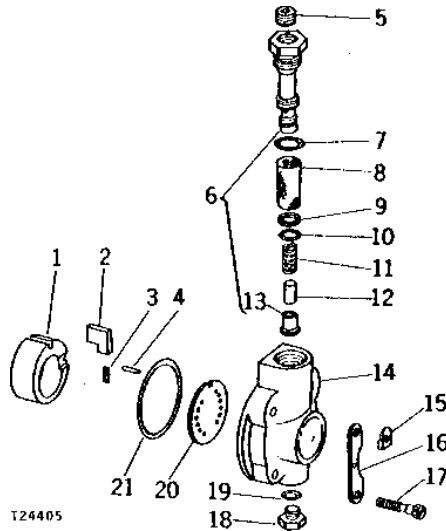
SEE YOUR AUTHORIZED PUMP REPAIR STATION FOR PARTS NOT AVAILABLE. (NA)

1G5

FUEL AND AIR

**FUEL INJECTION TRANSFER PUMP
(ROOSA-MASTER NO. JDB331AL2405)
(ENGINE SERIAL NO. 117500-)**

T24405 -UN-01JAN94



KEY	PART NO.	PART NAME	QTY	ENGINE SERIAL NO.	REMARKS
1	T26238	SLEEVE	NA		
2	AR73828	KIT	NA		(PKG OF (4)
	AR73829	KIT	NA		OVERSIZED, (RED) (PKG OF (4)
3	R34630	SPRING	NA		
4	34H240	SPRING PIN	1		1/8" X 1/4", (SUB FOR R34638)
5	R34623	PLUG	NA		
6	AT25959	SLEEVE	NA		
7	R33259	O-RING	1		(SUB FOR T11934)
8	R34625	STRAINER	NA		
9	R34632	WASHER	NA		
10	T11899	O-RING	1		
11	R49209	SPRING	NA		(BLACK) (SUB FOR R34627)
12	T11900	DOWEL PIN	NA		
13	T25142	SEAL	NA		
14	R34624	PLATE	NA		
15	R48496	CLIP	NA		
16	R48497	STRAP	NA		
17	R48498	BOLT	NA		
18	T30607	DRAIN PLUG	NA		
19	A3917R	O-RING	1		(SUB FOR T26256)
20	R34631	PLATE	NA		
21	T11894	O-RING	NA		
..	AR49899	FUEL INJECTION PUMP	1		

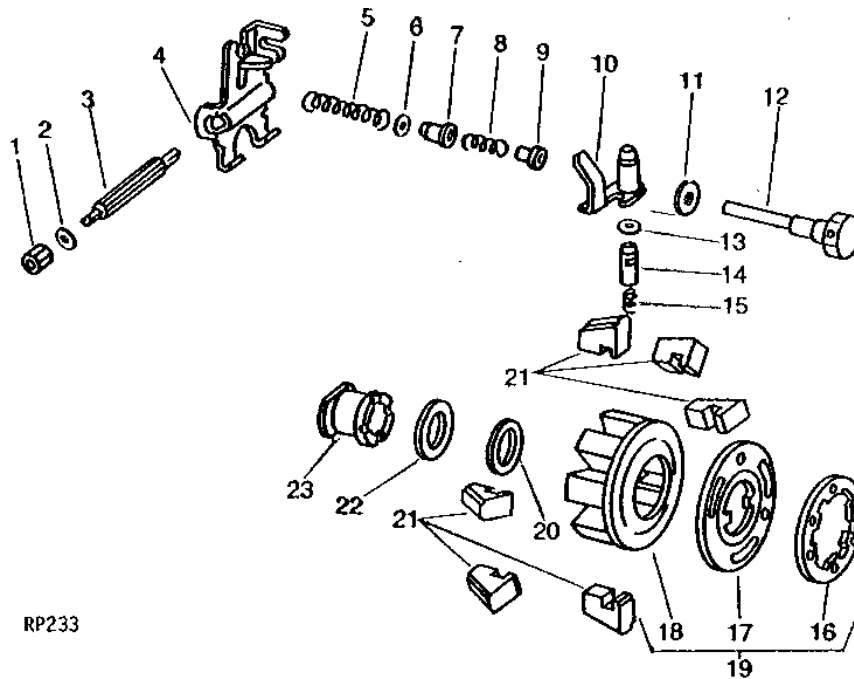
SEE YOUR AUTHORIZED PUMP REPAIR STATION FOR PARTS NOT AVAILABLE. (NA)

1G6

FUEL AND AIR

FUEL INJECTION PUMP GOVERNOR
(ROOSA-MASTER NO. JDB331AL2405)
(ENGINE SERIAL NO. 117500-)

RP233 -UN-01JAN94



RP233

KEY	PART NO.	PART NAME	QTY	ENGINE SERIAL NO.	REMARKS
1	T11932	NUT	NA		
2	R34812	O-RING	2		
3	T11925	SHAFT	NA		
4	T16602	ARM	NA		
5	T15700	SPRING	NA	(RED AND YELLOW)	
6	T17952	WASHER	NA		
7	T11924	RETAINER	NA		
8	T11913	SPRING	NA		
9	T11914	GUIDE	NA		
10	AR30736	ARM	1	(SUB R74312)	
11	T11943	WASHER	NA		
12	T11923	STUD	NA		
13	R30732	SHIM	NA		
14	R48500	VALVE	NA		
15	R58422	SPRING	NA	(SUB FOR T11907)	
16	R42483	RING	NA		
17	AR51818	HUB	NA		
18	AR51961	RETAINER	NA		
19	AR51960	RETAINER	NA		
20	T11931	RING	NA		
21	T11910	WEIGHT	NA		
22	T11909	WASHER	NA		
23	T16601	SLEEVE	NA		
..	AR49899	FUEL INJECTION PUMP	1		

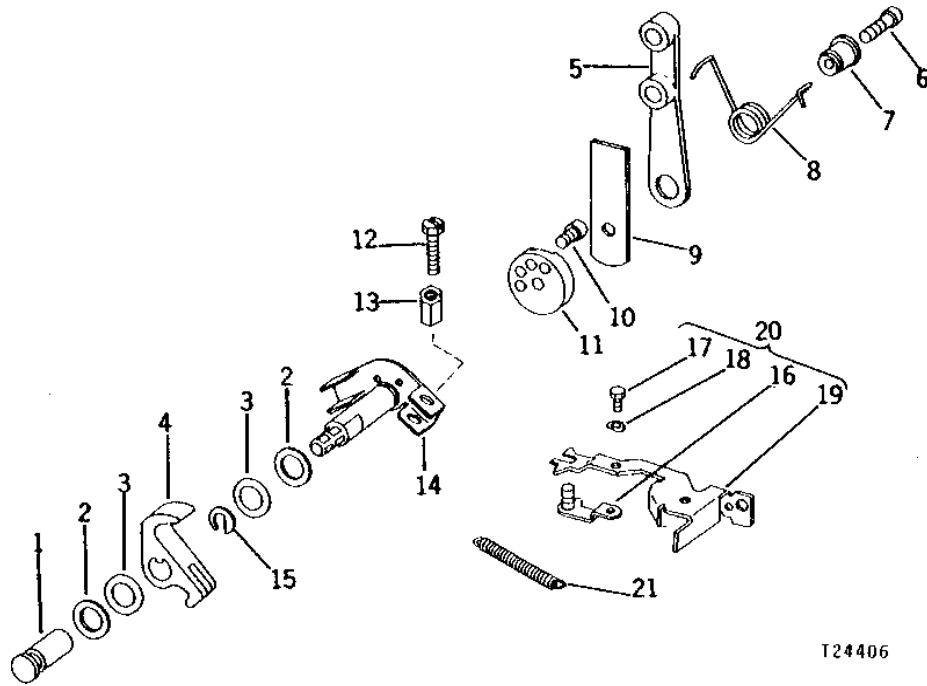
SEE YOUR AUTHORIZED PUMP REPAIR STATION FOR PARTS NOT AVAILABLE. (NA)

1G7

FUEL AND AIR

FUEL INJECTION PUMP LINKAGE
(ROOSA-MASTER NO. JDB331AL2405)
(ENGINE SERIAL NO. 117500-)

T24406 -UN-01JAN94



T24406

KEY	PART NO.	PART NAME	QTY	ENGINE SERIAL NO.	REMARKS
1	T17946	SHAFT	NA		
2	T15720	WASHER	NA		
3	T11915	O-RING	2		
4	T11927	LEVER	NA		
5	T19858	LEVER	1		
6	T19859	SCREW	1		
7	T17950	RETAINER	1		
8	T17949	SPRING	1		
9	T19860	STRAP	1		
10	T11917	SCREW	1		
11	T19861	SPACER	1		
12	R48514	SCREW	NA	(SUB FOR T11920)	
13	T19862	NUT	NA		
14	R36542	SHAFT	NA		
15	T11929	CLIP	NA		
16	AR28602	LINK	NA		
17	R30718	SCREW	NA		
18	R30719	LOCK WASHER	NA		
19	T15699	HOOK	NA		
20	AT11520	HOOK	NA		
21	T11911	SPRING	NA		
..	AR49899	FUEL INJECTION PUMP	1		

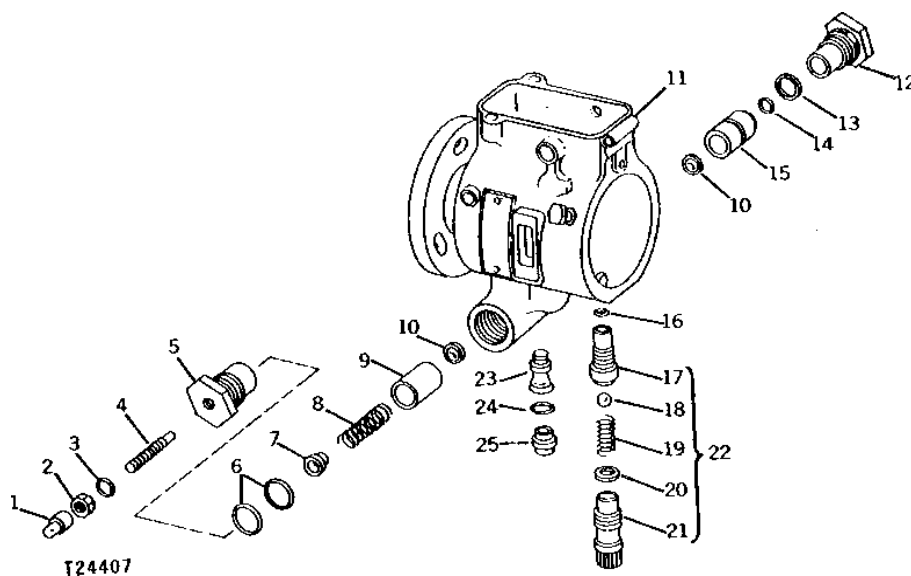
SEE YOUR AUTHORIZED PUMP REPAIR STATION FOR PARTS NOT AVAILABLE. (NA)

1G8

FUEL AND AIR

FUEL INJECTION PUMP AUTOMATIC ADVANCE
(ROOSA-MASTER NO. JDB331AL2405)
(ENGINE SERIAL NO. 117500-)

T24407 -UN-01JAN94



KEY	PART NO.	PART NAME	QTY	ENGINE SERIAL NO.	REMARKS
1	T17117	CAP	NA		
2	T17122	NUT	NA		
3	T11915	O-RING	1		
4	T17123	SET SCREW	NA		
5	T17126	PLUG	NA		
6	T15710	O-RING	4		
7	T17125	GUIDE	NA		
8	R49238	SPRING	NA	(SUB FOR T24413)	
9	R70315	PISTON	NA		
10	T15705	WASHER	NA		
11	AR52690	HOUSING	NA	(SUB FOR AT21009)	
12	R74310	PLUG	NA	(SUB FOR T15707 OR R49212)	
13	R49211	WASHER	NA	(SUB FOR R36651)	
14	R34635	WASHER	NA		
15	R34824	PISTON	NA		
16	T11899	O-RING	2		
17	R48604	PLUG	1		
18	T17137	BALL	1		
19	R48601	SPRING	1		
20	R48603	WASHER	NA		
21	R48602	SCREW	1		
22	AR51712	SCREW	NA		
23	R36646	SCREW	NA		
24	T15712	O-RING	1		
25	T15711	PLUG	1	(SUB R40707)	
..	AR49899	FUEL INJECTION PUMP	1		

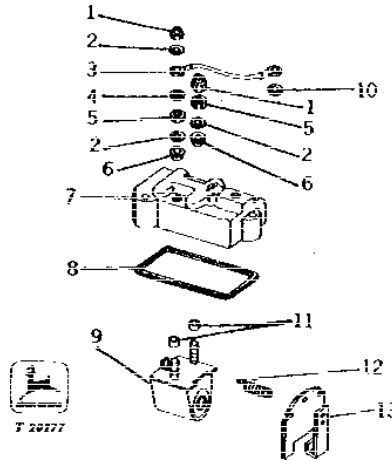
SEE YOUR AUTHORIZED PUMP REPAIR STATION FOR PARTS NOT AVAILABLE. (NA)

1G9

FUEL AND AIR

**FUEL INJECTION PUMP ELECTRIC SHUT-OFF
(ROOSA-MASTER NO. JDB331AL2405)
(ENGINE SERIAL NO. 117500-)**

T20277 -UN-01JAN94



KEY	PART NO.	PART NAME	QTY	ENGINE SERIAL NO.	REMARKS
1	T19977	LOCK NUT	2		
2	R47049	WASHER	3		(SUB RE37091)
3	AR49542	WIRING LEAD	1		(SUB AR50874)
4	R47077	LOCK WASHER	1		
5	T11938	NUT	2		
6	T11936	WASHER	2		(SUB RE37091)
7	R37139	COVER	NA		
8	T11918	GASKET	1		
9	AR48219	SOLENOID	1		(SUB RE37089 AND RE37091)
10	12M7060	WASHER	1		0.209"
11	T11937	INSULATOR	1		
12	T11935	SPRING	NA		
13	AR87068	KIT	1		(SUB FOR AT11524) (SUB RE37089 AND RE37091)
..	AR49899	FUEL INJECTION PUMP	1		

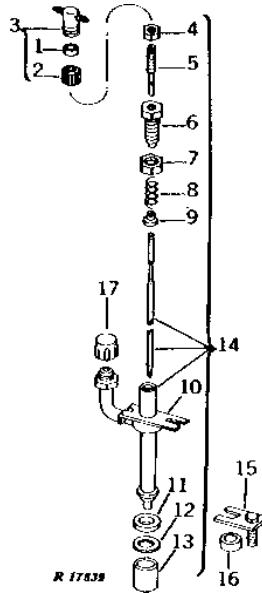
SEE YOUR AUTHORIZED PUMP REPAIR STATION FOR PARTS NOT AVAILABLE. (NA)

1G10

FUEL AND AIR

FUEL INJECTION NOZZLE ASSEMBLY
(DIESEL)
(ENGINE SERIAL NO. 117500-)

R17839 -UN-01JAN94



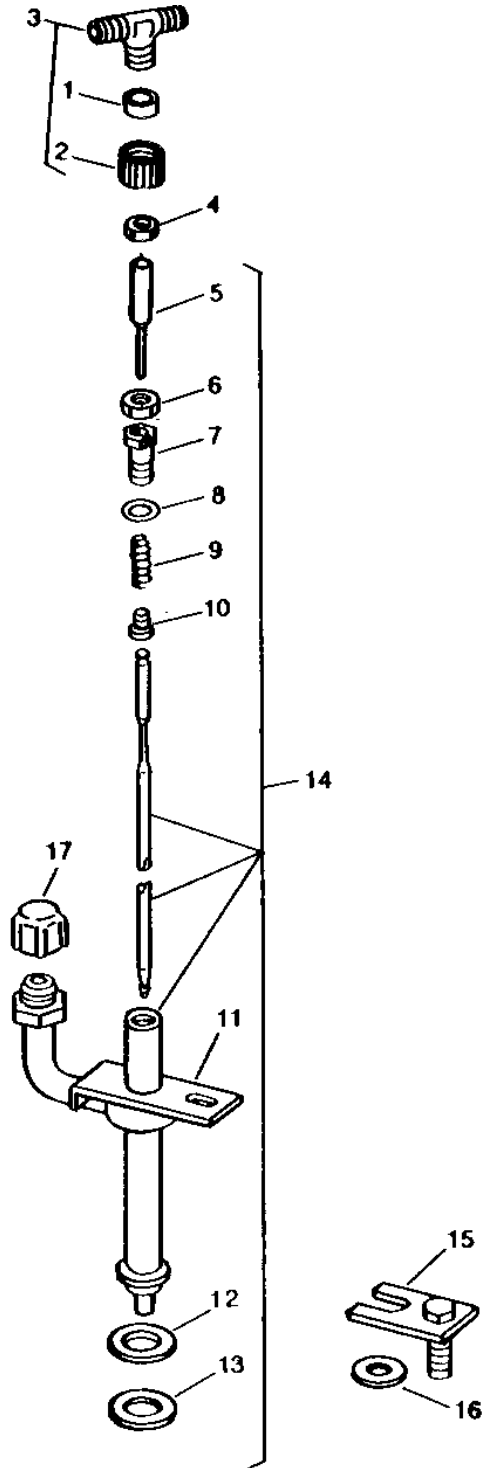
KEY	PART NO.	PART NAME	QTY	ENGINE SERIAL NO.	REMARKS
1	T29539	WASHER	1		(SUB R79605)
2	T29540	FITTING	1		(SUB R79604)
3	AT27622	CAP	1		
4	R47733	LOCK NUT	1		
5	R47732	SCREW	1		
6	R47734	SCREW	1		
7	R46675	NUT	1		(NLA)
8	R47731	SPRING	1		
9	R39886	GUIDE	1		
10	R67779	CLAMP	1		(SUB FOR T26870)
11	R34764	WASHER	1		(USE WITH AR73673 OR AR88239)
	R60746	WASHER	1		
12	R48000	WASHER	1		LOWER, (SUB FOR R34767)
13	T24472	PLUG	1		
14	AR89564	INJECTION NOZZLE	1		(SUB FOR AR49877, AR56290, AR73673 OR AR88239)
15	R34760	CLAMP	1		
16	R34761	SPACER	1		
17	T31174	PLUG	1		(NLA)

1G11

FUEL AND AIR

RWP5287 -UN-01JAN94

FUEL INJECTION NOZZLE ASSEMBLY



RWP5287

1G12

FUEL AND AIR

FUEL INJECTION NOZZLE ASSEMBLY - CONTINUED

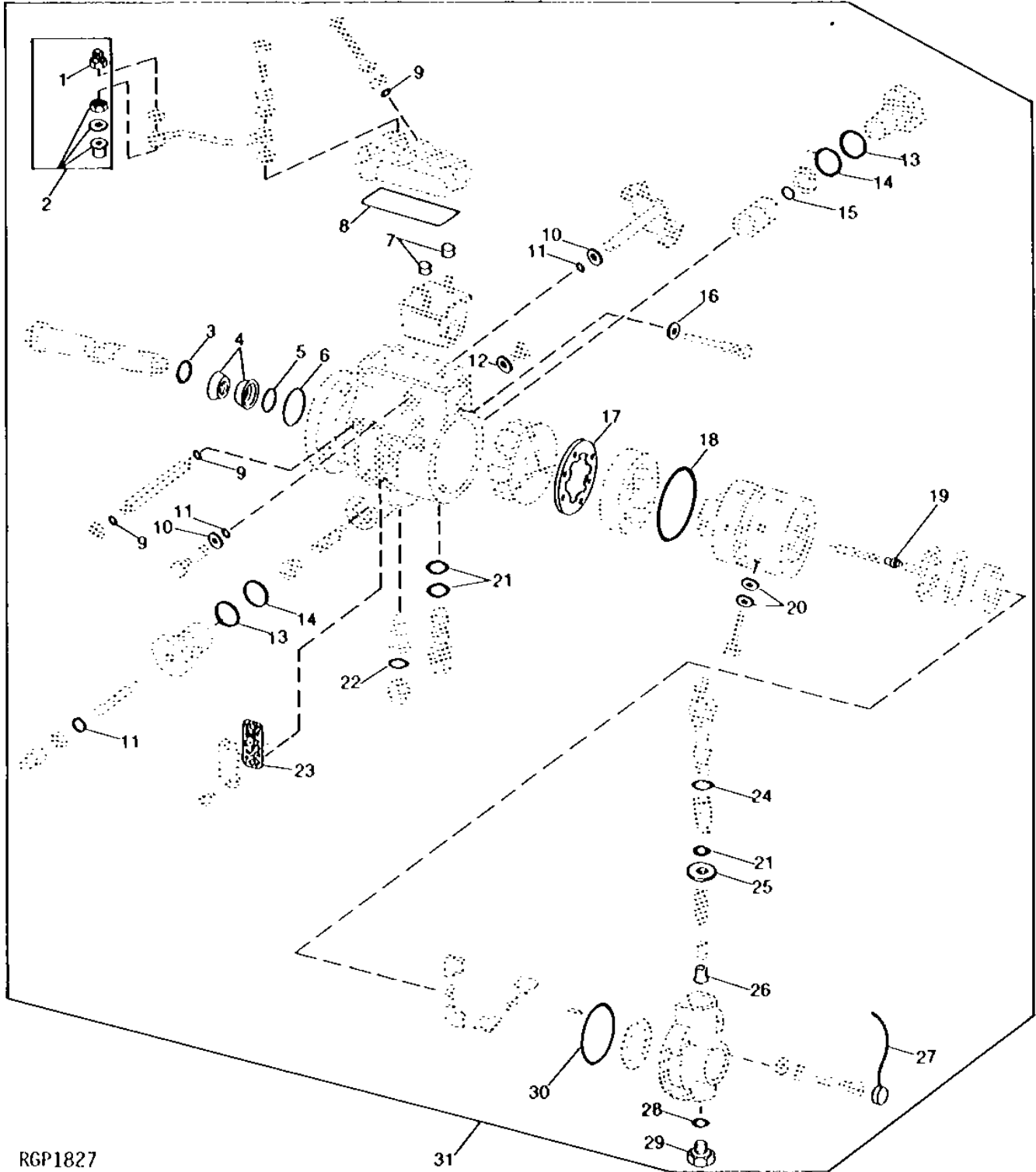
KEY	PART NO.	PART NAME	QTY	ENGINE SERIAL NO.	REMARKS
1	R79605	WASHER	1		
2	R79604	TUBE NUT	1		
3	AR85618	CAP	1		(SUB R79604, R79605 AND R79606)
4	R47733	LOCK NUT	1		
5	R69443	SCREW	1		
6	R46675	NUT	1		(NLA)
7	R62984	SCREW	1		
8	R62981	WASHER	1		
9	R69442	SPRING	1		
10	R62982	GUIDE	1		
11	R67779	CLAMP	1		
12	R60746	WASHER	1		
13	R48000	WASHER	1		
14	AR89564	INJECTION NOZZLE	1		
15	R34760	CLAMP	1		
16	R60745	SPACER	1		
17	T31174	PLUG	1		(NLA)

1G13

FUEL AND AIR

RGP1827 -UN-01JAN94

FUEL INJECTION PUMP GASKET KIT



RGP1827

31

1G14

FUEL AND AIR

FUEL INJECTION PUMP GASKET KIT - CONTINUED

KEY	PART NO.	PART NAME	QTY	ENGINE SERIAL NO.	REMARKS
1	T19977	LOCK NUT	1		
2	AR90601	KIT	1		(SUB RE37091)
3	T11934	O-RING	1		
4	T11290	SEAL	2		
5	R34404	O-RING	1		(SUB P48347)
6	T19854	O-RING	1		
7	T11937	INSULATOR	2		
8	T11918	GASKET	1		
9	R34812	O-RING	3		(SUB FOR T11906)
10	T15720	WASHER	NA		
11	R76578	O-RING	5		(SUB FOR T11915, THIS APPLICATION)
12	T11878	WASHER	2		
13	R56396	O-RING	2		
14	T15710	O-RING	2		
15	R34635	WASHER	NA		
16	T11943	WASHER	NA		
17	R42483	RING	NA		
18	T11891	O-RING	NA		
19	T26223	STOP	NA		
20	T20055	WASHER	12		
21	T11899	O-RING	4		
22	T15712	O-RING	1		
23	T11883	GASKET	2		
24	T11934	O-RING	1		
25	R34632	WASHER	NA		
26	R82439	BUSHING	NA		
27	T11877	WIRE	NA		
28	A3917R	O-RING	1		(SUB FOR T26256)
29	T30607	DRAIN PLUG	NA		
30	T11894	O-RING	NA		
31	AR34612	GASKET KIT	NA		

SEE YOUR AUTHORIZED PUMP REPAIR STATION FOR PARTS NOT AVAILABLE. (NA)

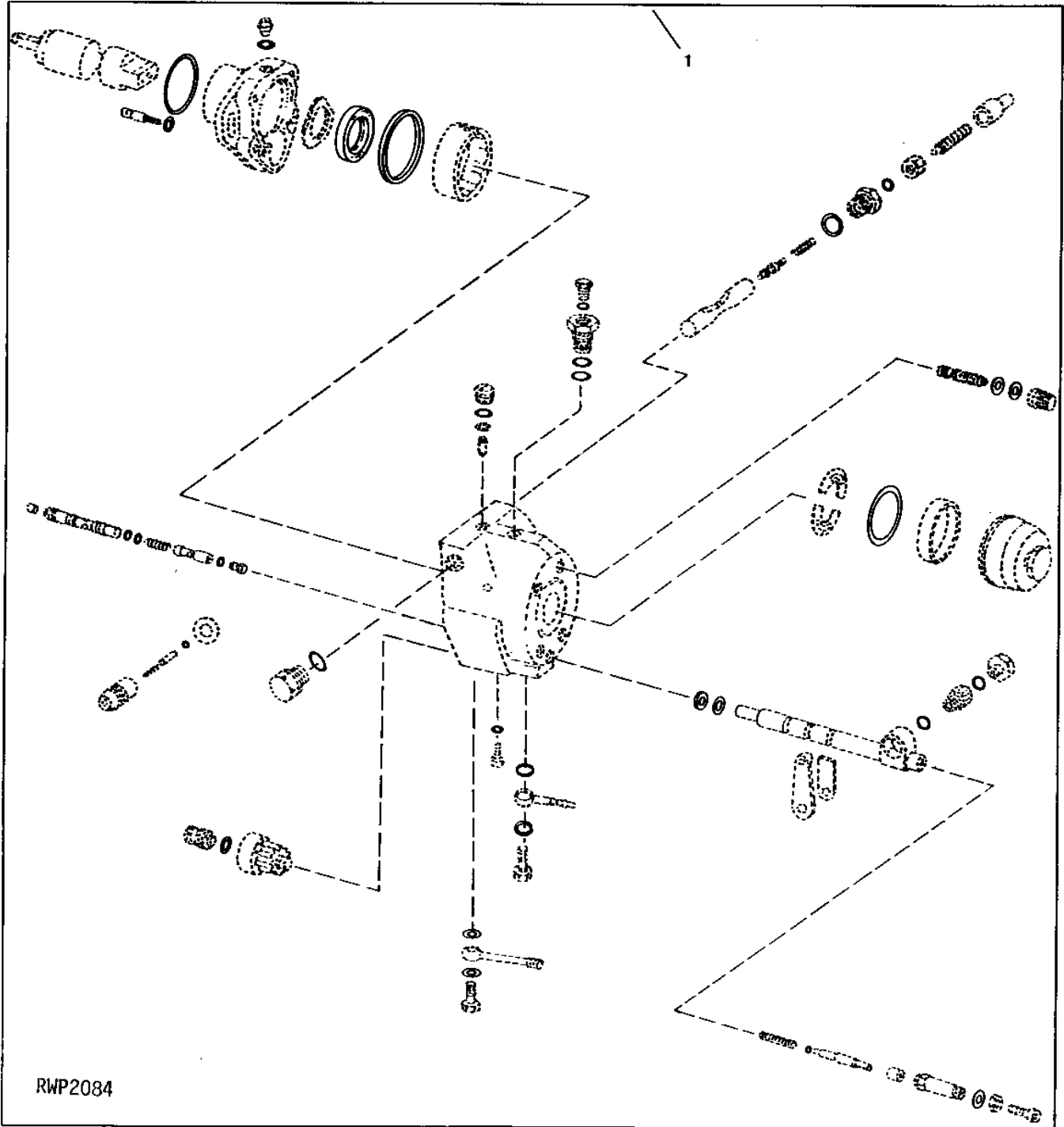
1G15

FUEL AND AIR

RWP2084

-UN-01JAN94

OVERHAUL GASKET KIT



1G16

FUEL AND AIR

OVERHAUL GASKET KIT - CONTINUED

KEY	PART NO.	PART NAME	QTY	ENGINE SERIAL NO.	REMARKS
1	AT24462	GASKET KIT	NA		(USE WITH ROOSA-MASTER NOS. CDC331-3DG, CDC331-4DG, OR CDC331-6DG)
	RE21230	KIT	NA		(USE WITH ROOSA-MASTER NO. CBC331-1AL) (SUB FOR AR46977 AND AR52271)

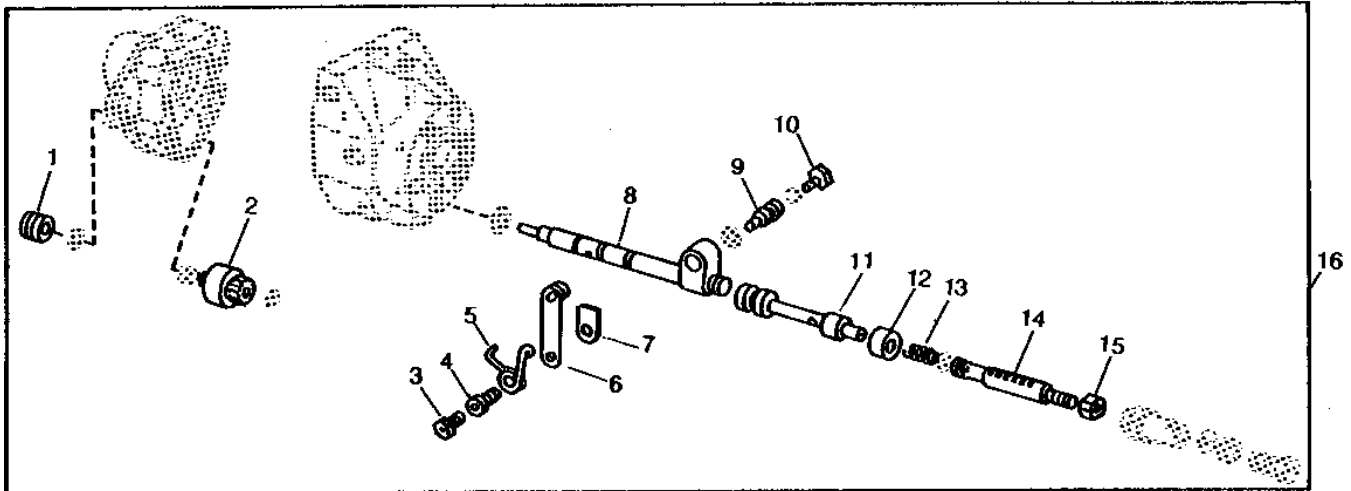
SEE YOUR AUTHORIZED PUMP REPAIR STATION FOR PARTS NOT AVAILABLE. (NA)

1G17

FUEL AND AIR

FUEL INJECTION PUMP GOVERNOR KIT
(ROOSA-MASTER NO. CBC331-3AL)
(ENGINE SERIAL NO. 083760-117499)

RWP4843 -UN-01JAN94



RWP4843

KEY	PART NO.	PART NAME	QTY	ENGINE SERIAL NO.	REMARKS
1	R46618	SCREW	NA		(SUB FOR R45048)
2	AR46841	GOVERNOR	NA		
3	T19859	SCREW	1		THROTTLE SPRING
4	T17950	RETAINER	1		
5	T17949	SPRING	1		
6	T19858	LEVER	1		(SUB FOR AT27194)
7	T29164	LEVER	1		
8	AT30146	SLEEVE	NA		
9	R45054	GEAR	NA		
10	R45058	NUT	NA		
11	R45049	VALVE	NA		
12	R46619	WASHER	NA		
13	T31481	SPRING	NA		
14	R45055	ROD	NA		
15	R45057	NUT	NA		
16	AT31165	KIT	NA		

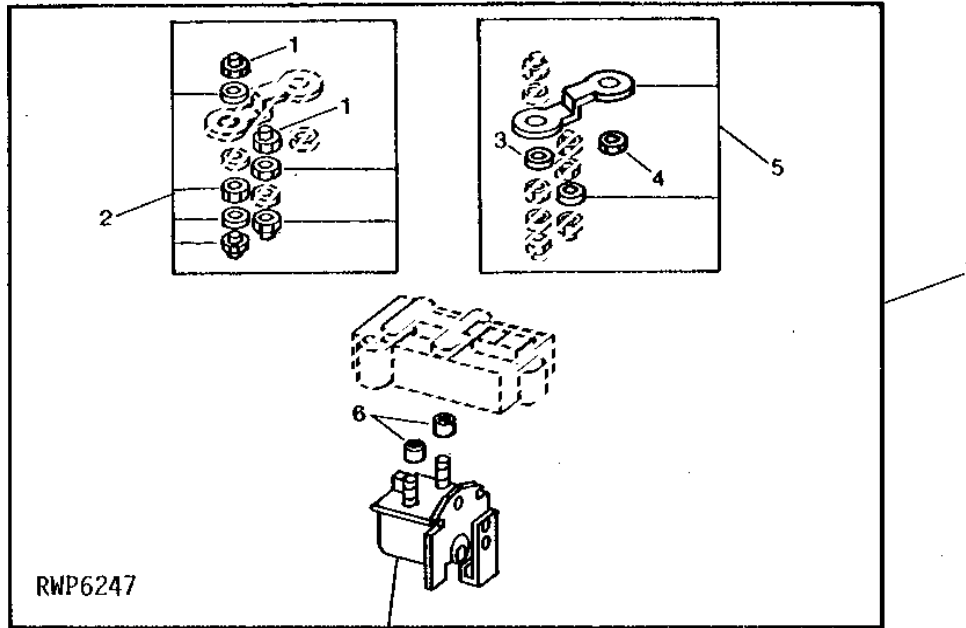
SEE YOUR AUTHORIZED PUMP REPAIR STATION FOR PARTS NOT AVAILABLE. (NA)

1G18

FUEL AND AIR

RWP6247 -UN-01JAN94

FUEL INJECTION PUMP ELECTRIC SHUT-OFF KIT



KEY	PART NO.	PART NAME	QTY	ENGINE SERIAL NO.	REMARKS
1	T19977	LOCK NUT	2		
2	AR90601	KIT	1	(SUB RE37091)	
3	R47077	LOCK WASHER	1		
4	12M7060	WASHER	1	0.209"	
5	AR50874	KIT	1	(SUB FOR AR49542 OR R66593)	
6	T11937	INSULATOR	2		
7	AR90340	KIT	1	(USE WITH ROOSA-MASTER NOS. JDB331AL2732 OR JDB331AL2405) (SUB FOR AR48219 OR AT11524) (SUB RE37089 AND RE37091)	

1G19

FUEL AND AIR

T14131 -UN-01JAN94

FOOT THROTTLE ASSEMBLY

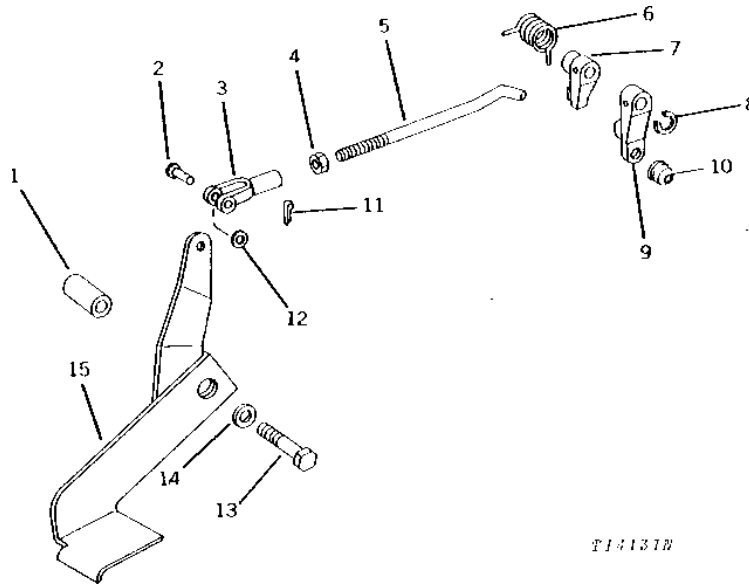


FIG 1319

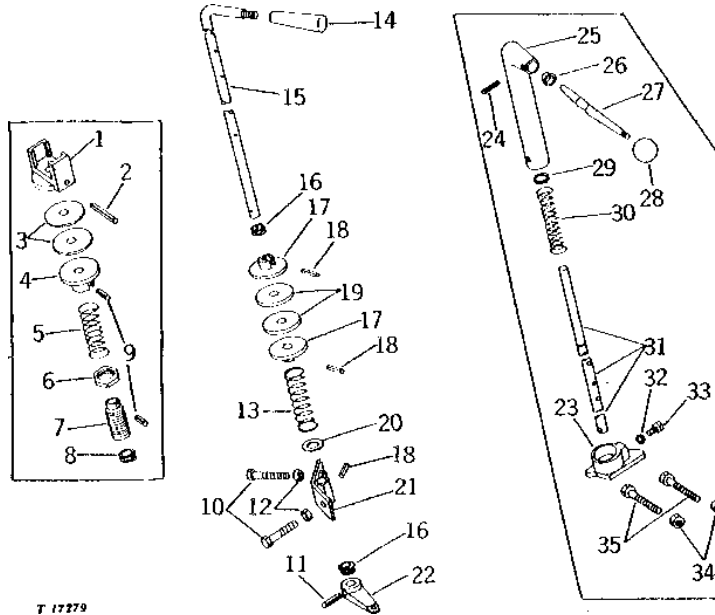
KEY	PART NO.	PART NAME	QTY	TRACTOR SERIAL NO.	REMARKS
1	M1339T	SPACER	1		
2	L4667T	PIN	1		(SUB R72660 AND 11M7081)
3	M3742T	YOKE	1		
4	14H649	NUT	1	1/4"	
5	T22149	ROD	1		
6	T50467	SPRING	1		(SUB FOR T22151) (SUB T77165)
7	T22150	ARM	1		
8	F3396R	SNAP RING	1		
9	T22240	ARM	1		
10	R26501	CLIP	1		
11	11M7077	COTTER PIN	1	1.600 X 25 MM	
12	24H1286	WASHER	2	9/32" X 1/2" X 1/16"	
13	19H1765	CAP SCREW	1	3/8" X 1-3/4"	
14	24H1305	WASHER	1	13/32" X 13/16" X 0.065"	
15	AT20044	PEDAL	1		(SUB AR94952)

1G20

FUEL AND AIR

T17279 -UN-01JAN94

SPEED CONTROL LEVER



T 17279

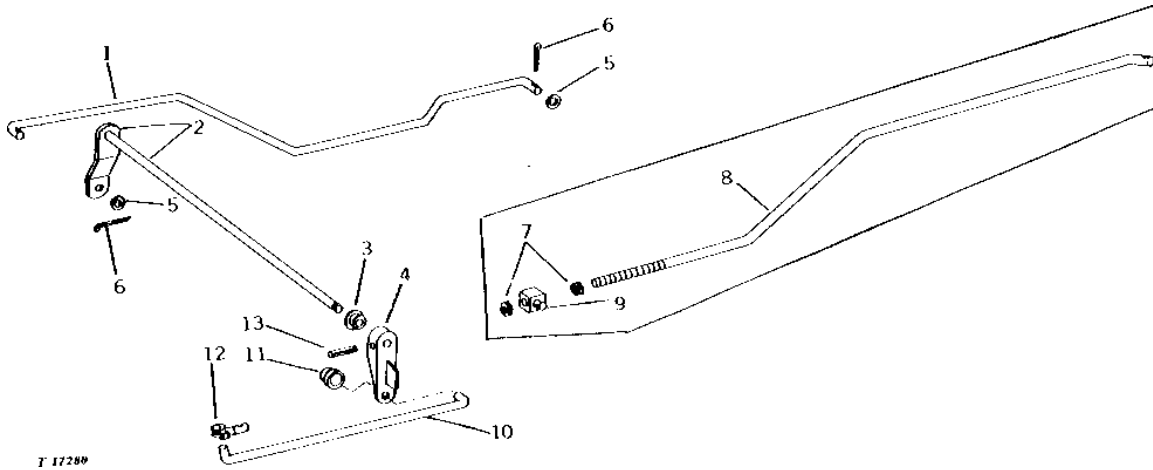
KEY	PART NO.	PART NAME	QTY	TRACTOR SERIAL NO.	REMARKS
1	T22699	DISK	1	-062783	
2	25H753	GROOVE PIN	1	-062783	3/16" X 2", (NLA)
3	R105814	WASHER	2	-062783	(SUB FOR T22696, R40983, R50226 OR R39985)
4	T22698	DISK	1	-062783	
5	R26637	SPRING	1	-062783	
6	14H830	NUT	1	-062783	7/8"
7	T22694	SLEEVE	1	-062783	
8	R34811	GROMMET	1	-062783	
9	25H747	GROOVE PIN	2	-062783	3/16" X 3/4"
10	19H1738	CAP SCREW	2	062784-	1/4" X 2"
11	34H284	SPRING PIN	1		3/16" X 1-1/4"
12	14H850	NUT	2	062784-	1/4"
13	R26637	SPRING	1	062784-	
14	T26832	KNOB	1	062784-123614	
	T33746	KNOB	1	123615-	(SUB T71570)
15	T26831	PIN	1	062784-123614	(SUB T35675 AND T71570)
	T35675	PIN	1	123615-	
	T29598	LEVER	1	-123614	(LOW PROFILE) (SUB T35677 AND T71570)
	T35677	PIN	1	123615-	(LOW PROFILE) (NLA)
16	R34811	GROMMET	2	062784-	
17	T22698	DISK	2	062784-	
18	25H747	GROOVE PIN	3	062784-	3/16" X 3/4"
19	R105814	WASHER	2	062784-	(SUB FOR T22696, R40983, R50226 OR R39985)
20	24H1211	WASHER	1	062784-	9/16" X 1-3/8" X 0.105"
21	AT24885	STOP	1	062784-	(SUB FOR R60462)
22	T22239	LEVER	1		
23	T22700	STOP	1	-062783	(NLA)
24	25H750	GROOVE PIN	1	-062783	3/16" X 1-1/4"
25	T22701	HUB	1	-062783	
26	T23231	BOOT	1	-062783	(NLA)
27	T22702	LEVER	1	-062783	(NLA)
28	M526T	KNOB	1	-062783	
29	F2208R	SNAP RING	1	-062783	
30	B2672R	SPRING	1	-062783	(NLA)
31	T22695	SHAFT	1	-062783	(NLA)
32	12H310	LOCK WASHER	1	-062783	3/8"
33	R28007	BOLT	1	-062783	
34	14H850	NUT	2	-062783	1/4"
35	19H1732	CAP SCREW	2	-062783	3/8" X 1-1/4"

1G21

FUEL AND AIR

T17280 -UN-01JAN94

SPEED CONTROL ROD AND SHAFT



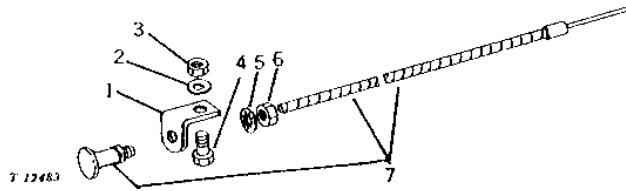
KEY	PART NO.	PART NAME	QTY	TRACTOR SERIAL NO.	REMARKS
1	T35889	ROD	1	062784-117499	(DIESEL) (SUB FOR T26836) (NLA)
	R48126	ROD	1	117500-	(DIESEL)
	T26834	ROD	1	062784-	(GASOLINE)
2	AT20042	SHAFT	1		
3	T22241	GROMMET	2		
4	T22240	ARM	1		
5	24H1286	WASHER	2		9/32" X 1/2" X 1/16"
6	11M7077	COTTER PIN	2		1.600 X 25 MM
7	14H850	NUT	2	-062783	1/4"
8	T22152	ROD	1	-062783	(DIESEL) (NLA)
	T22153	ROD	1	-062783	(GASOLINE) (NLA)
9	T48835	SWIVEL	1	-062783	(ALSO ORDER 24H1287) (SUB FOR T22242)
10	T22134	ROD	1		
11	R26501	CLIP	1		
12	R26524	CLIP	1		
13	34H264	SPRING PIN	1		5/32" X 7/8"

1G22

FUEL AND AIR

T12483 -UN-01JAN94

CHOKE CABLE



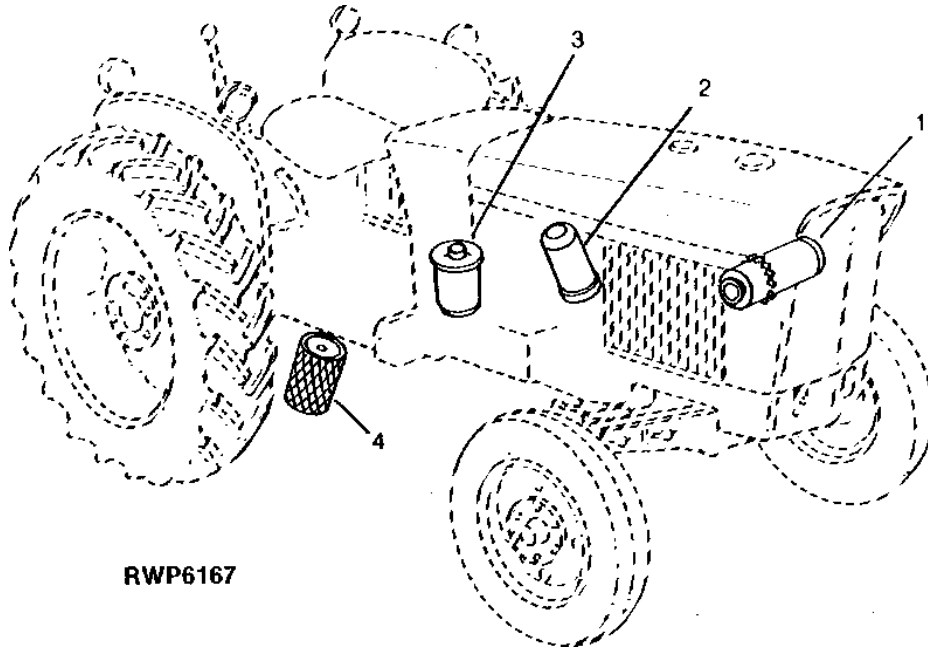
KEY	PART NO.	PART NAME	QTY	ENGINE SERIAL NO.	REMARKS
1	T22144	BRACKET	1	(NLA)	
2	12H304	LOCK WASHER	1	3/8"	
3	14H1076	NUT	1	3/8"	
4	19H1936	CAP SCREW	1	3/8" X 3/4"	
5	12H310	LOCK WASHER	1	3/8"	
6	14H774	NUT	1	3/8"	
7	AT21466	PUSH PULL CABLE	1		

1G23

FUEL AND AIR

RWP6167 -UN-01JAN94

FILTERS



RWP6167

KEY	PART NO.	PART NAME	QTY	TRACTOR SERIAL NO.	REMARKS
1	AT20728	FILTER ELEMENT	1		
2	T19044	OIL FILTER	1		
3	AT17387	FILTER ELEMENT	1		
	AR50041	FUEL FILTER	1	(ROOSA-MASTER)	
4	AR75603	FILTER ELEMENT	1		

MEMORANDA

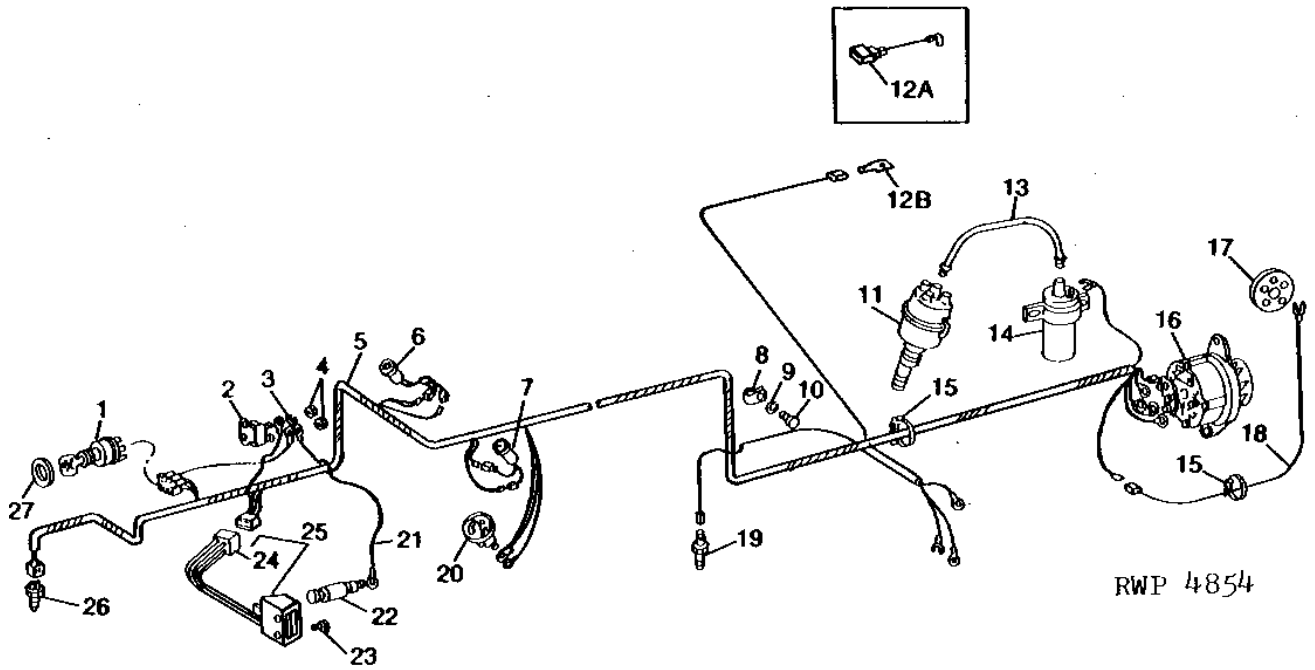
1H4

ELECTRICAL

RWP4854

-UN-01JAN94

ELECTRICAL WIRING SYSTEM



1H5

ELECTRICAL

ELECTRICAL WIRING SYSTEM - CONTINUED

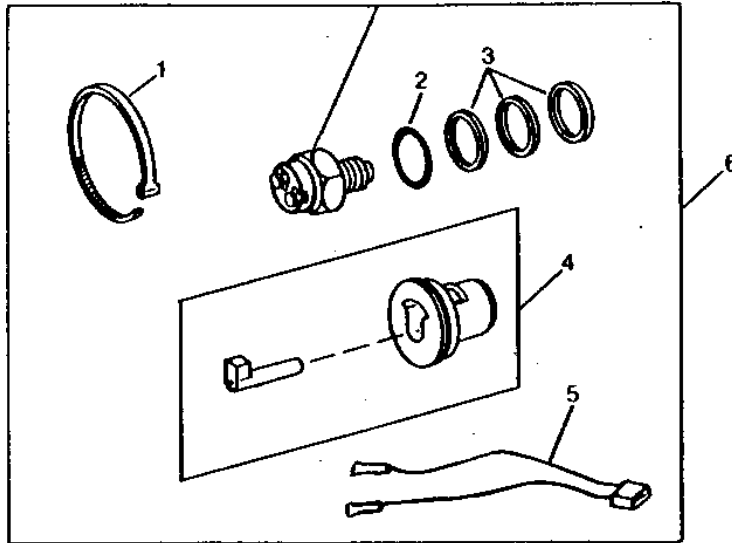
KEY	PART NO.	PART NAME	QTY	TRACTOR SERIAL NO.	REMARKS
1	AT21880	SWITCH	1	-117499	IGNITION, (SUB FOR AT18721)
	AR53452	SWITCH	1	117500-149980	IGNITION, (SUB FOR AR47456) (SUB AR58126)
	AR58126	KEY SWITCH	1	149981-	IGNITION
2	AR28403	CIRCUIT BREAKER	1		
3	12M7060	WASHER	1		0.209"
4	14H631	NUT	4		0.190"
5	AT20795	WIRING HARNESS	1	-117499	
	AR51338	WIRING HARNESS	1	117500-	
	AR65446	LAMP	1		ALTERNATOR, (SUB FOR AT22037)
7	AR65447	INDICATOR LIGHT	1		ENGINE OIL PRESSURE, (SUB FOR AR22038, AT44165, AR55694 AND R30378) (SUB AT48674)
8	T24494	CLAMP	1		(MANUAL STEERING) (SUB FOR T14787)
	T13814	CLAMP	1		(POWER STEERING)
9	12H301	LOCK WASHER	1		1/2" (MANUAL STEERING)
10	19H1895	CAP SCREW	1		1/2" X 3/4" (MANUAL STEERING)
11	AT29553	IGNITION DISTRIBUTOR	1		(GASOLINE) (PRESTOLITE NOS. IBT-4301B, IBT-4301C AND IBT-4301D) (SUB FOR AT21350)
12A	T24875	WIRING LEAD	1	060327-117499	(DIESEL) (FUEL INJ. PUMP SHUT-OFF)
12B	T26041	TERMINAL	1	117500-	(DIESEL) (FUEL INJ. PUMP SHUT-OFF) (SUB FOR R48128) (NLA)
13	WIRING LEAD	1		229 MM (9") (SUB FOR T23428) (ORDER AR50270)
14	AT14385	ELECTRICAL COIL	1		(GASOLINE) (PRESTOLITE NO. 200627)
15	R44302	TIE BAND	5		(SUB FOR R27457)
16	AT21619	ALTERNATOR	1		(MOTOROLA NO. A12NJD454) (SUB TY1427)
	RE38458	ALTERNATOR	1		(MOTOROLA NO. A12NJD4535) (SUB TY1427)
	TY1427	ALTERNATOR	1		(REMANUFACTURED) (SUB FOR AT21619 OR AR38458)
17	AT20912	SENDER	1		FUEL
18	WIRING LEAD	1		
19	AT85174	SWITCH	1		ENGINE OIL PRESSURE, (SUB FOR AR27977)
20	AT149002	KIT	1		FUEL, (SUB FOR AT20175 OR AR65444)
21	WIRING LEAD	1		305 MM (12") (MAKE FROM R66319, R32018, R65597, T28583 AND R32027)
22	AR48643	LIGHTER	1		
23	T11857	SCREW	3	-062783	(NLA)
	37H94	SCREW	3	062784-	0.216" X 1/2"
24	T24166	CONNECTOR	1		
25	AR77485	VOLTAGE REGULATOR	1		(MOTOROLA NO. R273) (SUB FOR AT21815)
26	RE38390	SWITCH	1		NEUTRAL START, (SUB FOR R36265, AR85323 OR AR89691)
27	24H1462	WASHER	1	117500-	1-1/16" X 1-1/2" X 0.060"

1H6

ELECTRICAL

RXP8097 -UN-01JAN94

NEUTRAL START SWITCH KIT



RXP8097

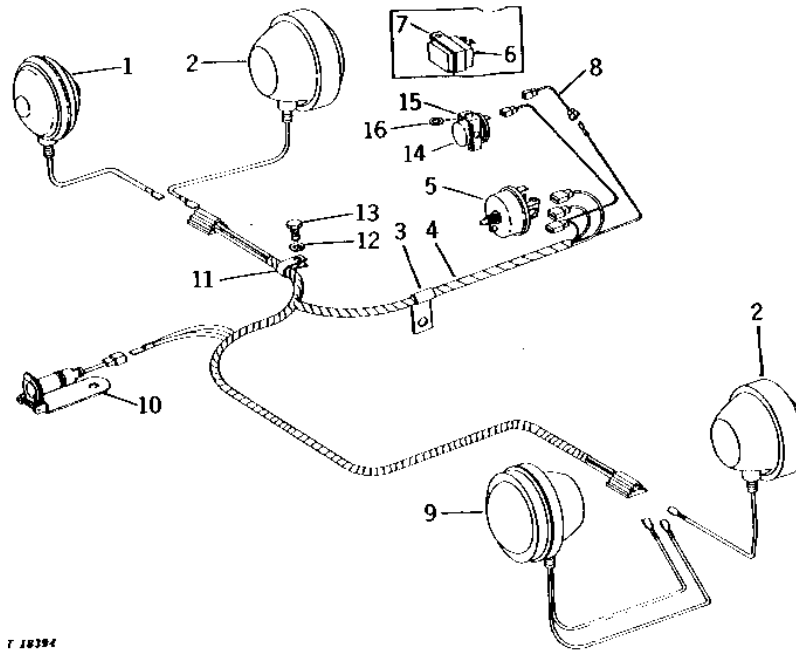
KEY	PART NO.	PART NAME	QTY	TRACTOR SERIAL NO.	REMARKS
1	R44302	TIE BAND	2		
2	R26448	O-RING	1		
3	T16911	SHIM	3		
4	RE37996	GAUGE	1		(NEUTRAL START SWITCH ADJ.)
5	RE14069	WIRING HARNESS	1		
6	RE38390	SWITCH	1		(SUB FOR AR89691 OR AR85153)

1H7

ELECTRICAL

FRONT AND REAR LIGHT WIRING SYSTEM (HU, RU) (TRACTOR SERIAL NO. -117499)

T18394 -UN-01JAN94



T 18394

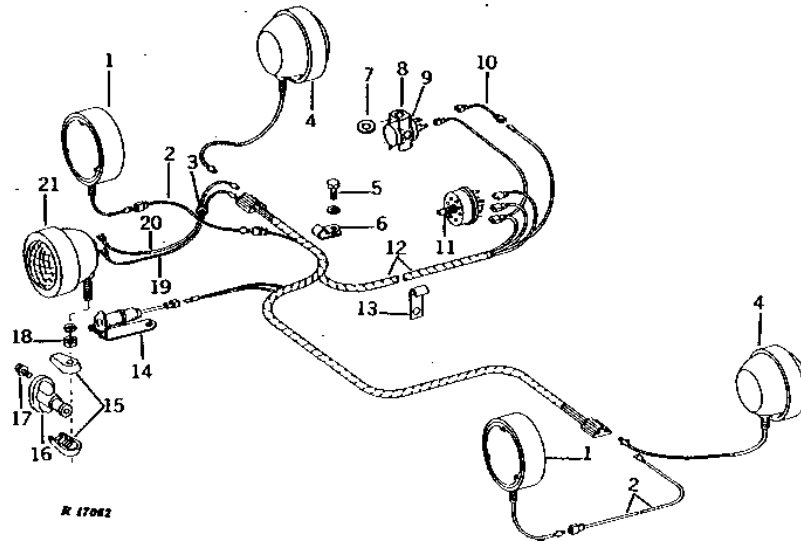
KEY	PART NO.	PART NAME	QTY	TRACTOR SERIAL NO.	REMARKS
1	AT23467	LAMP	1		WARNING, (SUB FOR AT22066)
2	AT20106	LAMP	2		
3	T13744	CLAMP	4		
4	AT20708	WIRING HARNESS	1		
5	AR28401	SWITCH	1		LIGHT
6	AR48594	FLASHER	1	-088085	(12-VOLT) (SUB FOR AR38453)
7	T24847	CLAMP	1	-088085	(SUB AU41464, T29417 AND 24H1283)
8	WIRING LEAD	1		178 MM (7") (MAKE FROM R66319 AND R32027)
9	AR77327	LAMP	1		FLOOD AND TAIL, (SUB FOR AT20107)
10	AT20709	SOCKET OUTLET	1		
11	T19935	CLAMP	2		
12	12H304	LOCK WASHER	2		3/8"
13	19H2021	CAP SCREW	2		3/8" X 5/8"
14	AU41465	FLASHER	1	088086-	(12-VOLT)
15	T29417	BRACKET	1	088086-	
16	24H1283	WASHER	1	088086-	7/32" X 1/2" X 0.049"

1H8

ELECTRICAL

FRONT AND REAR LIGHT WIRING SYSTEM (HU, RU) (TRACTOR SERIAL NO. 117500-)

R17062 -UN-01JAN94



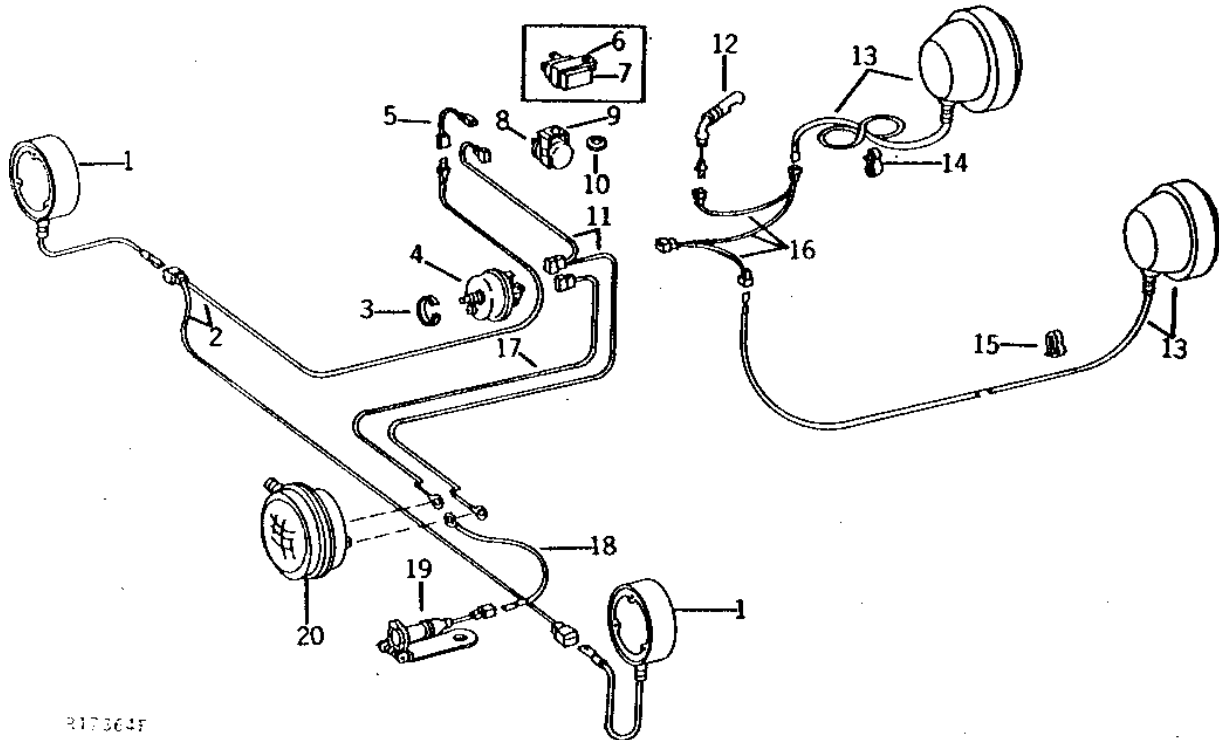
KEY	PART NO.	PART NAME	QTY	TRACTOR SERIAL NO.	REMARKS
1	AR50580	LAMP	1		WARNING
2	AR51403	WIRING LEAD	2		
3	R26409	GROMMET	1		
4	AT20106	LAMP	2		
5	19H2021	CAP SCREW	2		3/8" X 5/8"
	12H304	LOCK WASHER	2		3/8"
6	T19935	CLAMP	2		
7	24H1283	WASHER	1		7/32" X 1/2" X 0.049"
8	T29417	BRACKET	1		
9	AU41465	FLASHER	1		(12-VOLT)
10	WIRING LEAD	1		178 MM (7") (MAKE FROM R66319 AND R32027)
11	AR28401	SWITCH	1		LIGHT
12	AR51406	WIRING HARNESS	1		
13	T13744	CLAMP	4		
14	AT20709	SOCKET OUTLET	1		
15	R27460	CLAMP	2		
16	T19178	BRACKET	2		
17	37H106	SCREW	2		3/8" X 5/8"
18	14H1040	NUT	1		1/2"
	12H301	LOCK WASHER	1		1/2"
19	AR51404	WIRING LEAD	1		TAIL LAMP
20	AR51405	WIRING LEAD	1		FLOOD LAMP
21	AR77326	FLOODLAMP	1		FLOOD AND TAIL, (SUB FOR AT16288 OR AR34990)

1H9

ELECTRICAL

FRONT AND REAR LIGHT WIRING SYSTEM (ORCHARD)

R17364 -UN-01JAN94



R17364F

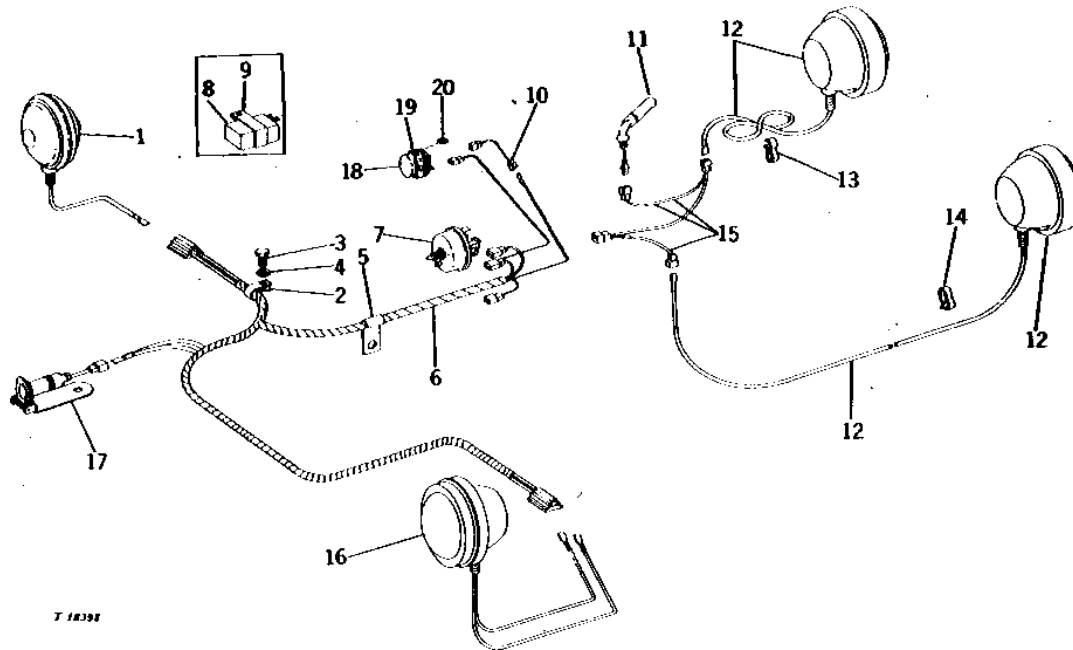
KEY	PART NO.	PART NAME	QTY	TRACTOR SERIAL NO.	REMARKS
1	AT23467	LAMP	1	-117499	WARNING, (SUB FOR AT22066)
	AR50580	LAMP	2	117500-	WARNING
2	AT22958	WIRING LEAD	1	-117499	(NLA)
	AR51398	WIRING LEAD	1	117500-	(ORCHARD FENDERS) (NLA)
	AR51399	WIRING LEAD	1	117500-	(LOW PROFILE ORCHARD FENDERS) (NLA)
3	R44302	TIE BAND	1		(SUB FOR R27457)
4	AR28401	SWITCH	1		LIGHT
5	WIRING LEAD	1		178MM (7") (MAKE FROM R66319, R32027 AND (2) AR65006)
6	T24847	CLAMP	1	-088085	(SUB AU41464, T29417 AND 24H1283)
7	AR48594	FLASHER	1	-088085	(12-VOLT) (SUB FOR AR38453)
8	AU41465	FLASHER	1	088086-	(12-VOLT)
9	T29417	BRACKET	1	088086-	
10	24H1283	WASHER	1	088086-	7/32" X 1/2" X 0.049"
11	AT22959	WIRING LEAD	1		(NLA)
12	AT20739	LAMP	1		DASH
13	AT20106	LAMP	2		
14	T41072	CLIP	2		(SUB FOR F2084R OR M644T)
15	R21551	CLIP	2		
16	AT20740	WIRING HARNESS	1		
17	AT22960	WIRING LEAD	1		(NLA)
18	AT18773	WIRING LEAD	1		(NLA)
19	AT20709	SOCKET OUTLET	1		
20	AR77326	FLOODLAMP	1		FLOOD AND TAIL, (SUB FOR AT16288 OR AR34990)

1H10

ELECTRICAL

FRONT AND REAR MID MOUNTED LIGHT WIRING SYSTEM (LU) (TRACTOR SERIAL NO. -117499)

T18398 -UN-01JAN94



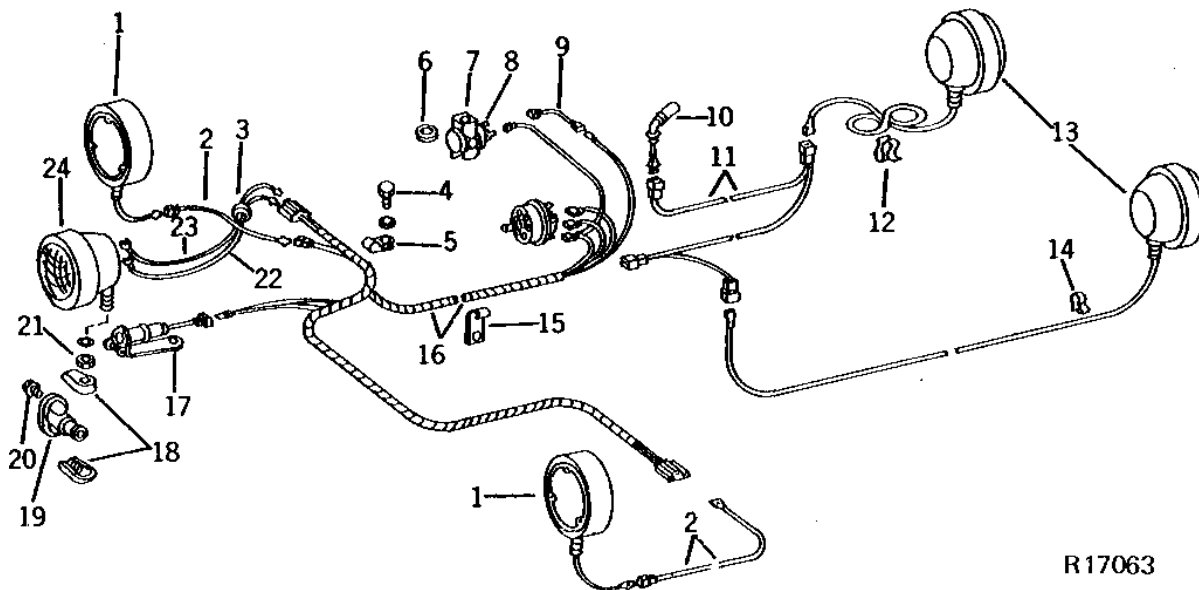
KEY	PART NO.	PART NAME	QTY	TRACTOR SERIAL NO.	REMARKS
1	AT23467	LAMP	1		WARNING, (SUB FOR AT22066)
2	T19935	CLAMP	2		
3	19H2021	CAP SCREW	2		3/8" X 5/8"
4	12H304	LOCK WASHER	2		3/8"
5	T13744	CLAMP	4		
6	AT20708	WIRING HARNESS	1		
7	AR28401	SWITCH	1		
8	AR48594	FLASHER	1	-088085	(12-VOLT) (SUB FOR AR38453)
9	T24847	CLAMP	1	-088085	(SUB AU41464, T29417 AND 24H1283)
10	WIRING LEAD	1		178MM (7") (MAKE FROM R66319, R32027 AND (2) AR65006)
11	AT20739	LAMP	1		DASH
12	AT20106	LAMP	2		
13	T41072	CLIP	2		(SUB FOR F2084R OR M644T)
14	R21551	CLIP	2		
15	AT20740	WIRING HARNESS	1		
16	AR77327	LAMP	1		FLOOD AND TAIL, (SUB FOR AT20107)
17	AT20709	SOCKET OUTLET	1		
18	AU41465	FLASHER	1	088086-	(12-VOLT)
19	T29417	BRACKET	1	088086-	
20	24H1283	WASHER	1	088086-	7/32" X 1/2" X 0.049"

1H11

ELECTRICAL

FRONT AND REAR MID MOUNTED LIGHT WIRING SYSTEM (LU) (TRACTOR SERIAL NO. 117500-)

R17063 -UN-01JAN94



R17063

KEY	PART NO.	PART NAME	QTY	TRACTOR SERIAL NO.	REMARKS
1	AR50580	LAMP	1		WARNING
2	AR51403	WIRING LEAD	2		
3	R26409	GROMMET	1		
4	19H2021	CAP SCREW	2		3/8" X 5/8"
	12H304	LOCK WASHER	2		3/8"
5	T19935	CLAMP	2		
6	24H1283	WASHER	1		7/32" X 1/2" X 0.049"
7	T29417	BRACKET	1		
8	AU41465	FLASHER	1		(12-VOLT)
9	WIRING LEAD	1		178MM (7") (MAKE FROM R66319, R32027 AND (2) AR65006)
10	AT20739	LAMP	1		DASH
11	AT20740	WIRING HARNESS	1		
12	T41072	CLIP	1		(SUB FOR M644T)
13	AT20106	LAMP	2		
14	R21551	CLIP	1		
15	T13744	CLAMP	4		
16	AR51406	WIRING HARNESS	1		
17	AT20709	SOCKET OUTLET	1		
18	R27460	CLAMP	2		
19	T19178	BRACKET	2		
20	37H106	SCREW	2		3/8" X 5/8"
21	14H1040	NUT	1		1/2"
	12H301	LOCK WASHER	1		1/2"
22	AR51404	WIRING LEAD	1		TAIL LAMP
23	AR51405	WIRING LEAD	1		FLOOD LAMP
24	AR77326	FLOODLAMP	1		FLOOD AND TAIL, (SUB FOR AT16288 OR AR34990)
25	AR28401	SWITCH	1		

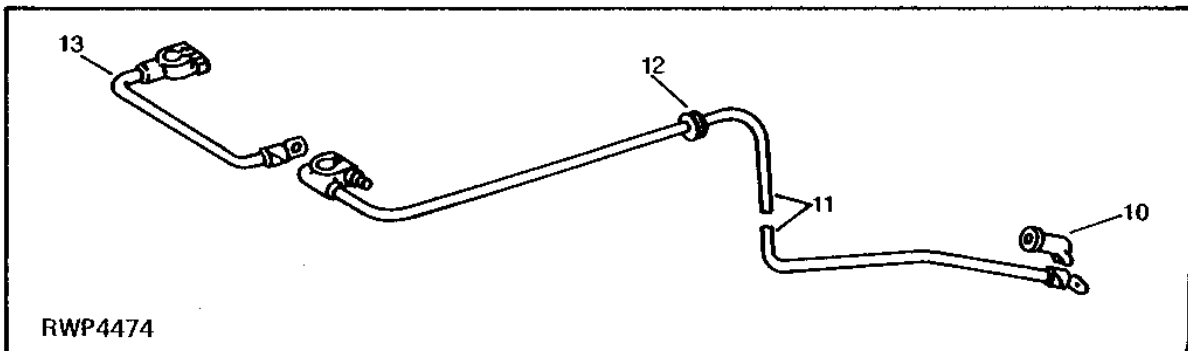
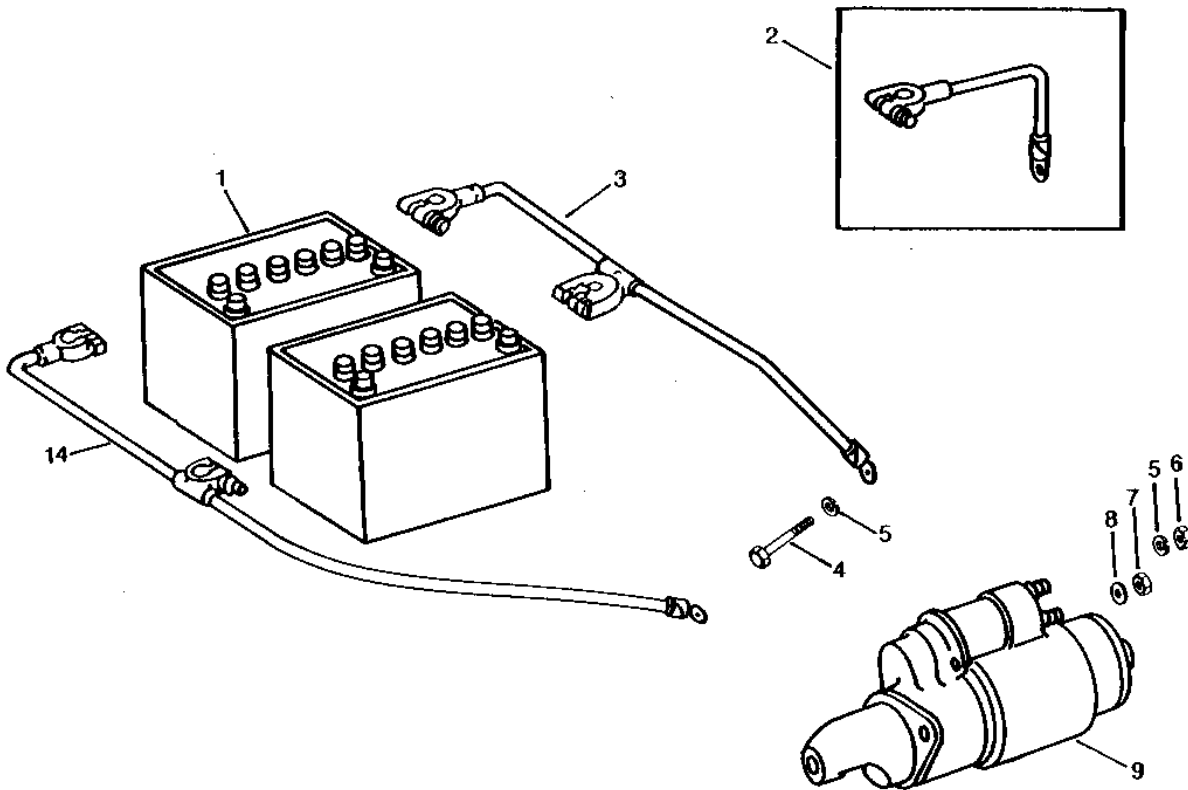
1H12

ELECTRICAL

RWP4474

-UN-01JAN94

BATTERY CABLES AND STARTING MOTOR



1H13

ELECTRICAL

BATTERY CABLES AND STARTING MOTOR - CONTINUED

KEY	PART NO.	PART NAME	QTY	TRACTOR SERIAL NO.	REMARKS
1	TY21730	BATTERY	1		(GASOLINE) (12-VOLT) 420 COLD CRANKING AMPS AT -18°C (0°F) 70 MINUTE RESERVE CAPACITY AT 25 AMPS, (SUB FOR AR67338, AL38480 OR AT29157)
	TY21730	BATTERY	2		(DIESEL) (12-VOLT) 420 COLD CRANKING AMPS AT -18°C (0°F) 70 MINUTE RESERVE CAPACITY AT 25 AMPS, (SUB FOR AT29158 OR TY6114)
2	AR67453	CABLE	1	-XXXXXX	(B) (D) (SUB FOR AT14764 OR AT20751) (SUB RE14513)
	AT18702	GROUND CABLE	1		(A) (B) (D) (SUB AT14764 OR RE14513, THIS APPLICATION)
3	RE14513	CABLE	1	XXXXXX-	(B) (D) (SUB FOR AR67453, THIS APPLICATION)
	AT14764	CABLE	1	XXXXXX-	(A) (D) (SUB FOR AR67453 OR AT14515)
4	19H2021	CAP SCREW	AR		3/8" X 5/8"
5	12H304	LOCK WASHER	3		3/8"
6	14H732	NUT	1		3/8"
7	14H605	NUT	1		0.164"
8	T19603	LOCK WASHER	1		
9	RE62916	STARTER	1		(DIESEL) (DELCO-REMY NO. 10479628) (MARKED RE60654) (SUB FOR AT25619, RE19187, RE42730 OR RE55095)
	TY6702	STARTER	1		(DIESEL) (REMANUFACTURED) (SUB FOR TY6620)
	AR91813	STARTER	1		(GASOLINE) (DELCO-REMY NO. 1109421 OR 1109576) (SUB FOR AT18025) (SUB TY6706)
	TY6706	STARTER	1		(GASOLINE) (REMANUFACTURED) (SUB FOR TY6639)
	AR61868	CAP	1		NON-SPLIT CAP (6 USED PER BATTERY)
10	R30964	COVER	1	-XXXXXX	
11	AR103525	CABLE	1	-XXXXXX	(B) (C) (SUB RE14512, THIS APPLICATION) (SUB FOR AR70711, T21887 OR T21888)
	AR103525	CABLE	1		(A) (C) (SUB FOR T21887)
12	R40445	GROMMET	1	-XXXXXX	
13	T21889	CABLE	1		(B) (C)
14	RE14512	CABLE	1	XXXXXX-	(B) (C) (SUB FOR AR103525, THIS APPLICATION) (SUB FOR AR70711)
..	R60035	ADAPTER	1		(USE WITH ROLL-GARD)

- (A) SINGLE BATTERY
- (B) DUAL BATTERY
- (C) POSITIVE
- (D) NEGATIVE

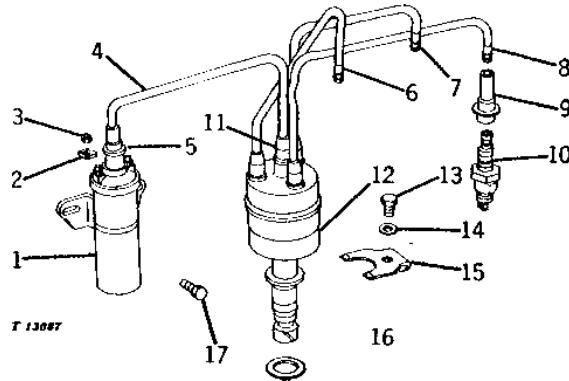
MEMORANDA

1H14

ELECTRICAL

T13087 -UN-01JAN94

DISTRIBUTOR, COIL, SPARK PLUGS, AND CABLES



KEY	PART NO.	PART NAME	QTY	TRACTOR SERIAL NO.	REMARKS
1	AT14385	ELECTRICAL COIL	1		(PRESTOLITE NO. 200627)
2	12H246	LOCK WASHER	2		0.190"
3	14H631	NUT	2		0.190"
4	WIRING LEAD	1		229MM (9") (SUB FOR T23428) (ORDER AR50270)
5	A4159R	BOOT	1		
6	WIRING LEAD	1		203MM (8") NO. 3, (SUB FOR T23430) (ORDER AR50270)
7	WIRING LEAD	1		254MM (10") NO. 2, (SUB FOR T23431) (ORDER AR50270)
8	WIRING LEAD	1		330MM (13") NO.1, (SUB FOR T23429) (ORDER AR50270)
9	T20115	BOOT	3		
10	AT21177	SPARK PLUG	3		(A) (CHAMPION NO. N-6) (HEAVY-DUTY)
	AT21343	SPARK PLUG	3		(CHAMPION NO. N-11Y) (MEDIUM-DUTY)
11	A3539R	TERMINAL NIPPLE	1		
12	AT29553	IGNITION DISTRIBUTOR	1		(PRESTOLITE NOS. IBT-4301B, IBT-4301C AND IBT-4301D) (SUB FOR AT21350)
13	19H1905	CAP SCREW	1		5/16" X 1"
14	12H303	LOCK WASHER	1		5/16"
15	T20113	CLAMP	1		
16	T20112	GASKET	1		
17	19H2020	CAP SCREW	2		5/16" X 1/2"

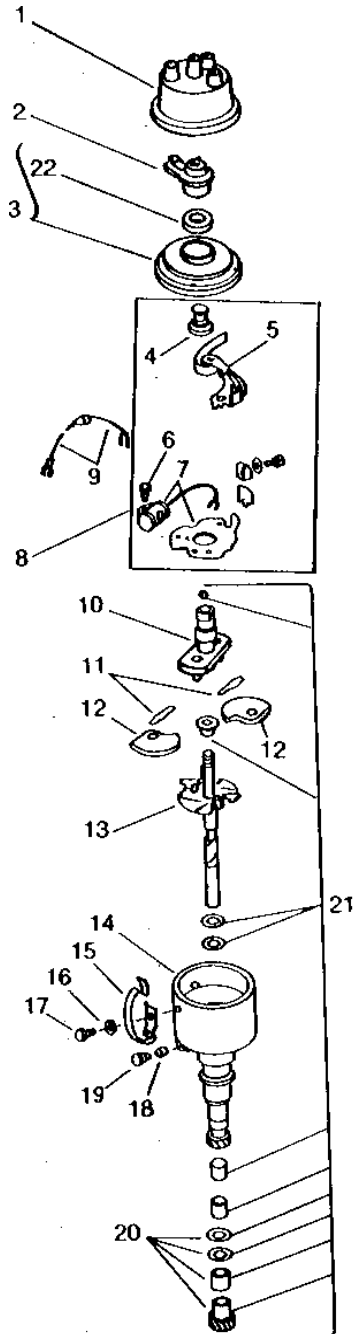
(A)ORDER X13743-6-6 FROM DIRECT-SHIP PROGRAM

1H15

ELECTRICAL

RWP5472 -UN-01JAN94

DISTRIBUTOR
(PRESTOLITE NOS. IBT-4301B, IBT-4301C AND IBT-4301D)



RW1 5472

1H16

ELECTRICAL

DISTRIBUTOR - CONTINUED
(PRESTOLITE NOS. IBT-4301B, IBT-4301C AND IBT-4301D)

KEY	PART NO.	PART NAME	QTY	TRACTOR SERIAL NO.	REMARKS
1	AT21717	CAP	1		
2	AT14680	ROTOR	1		
3	AT14682	COVER	1		
4	21H968	SCREW	1		0.164" X 3/16"
5	AT21062	CONTACT	1		
6	21H1132	SCREW	1		0.138" X 5/32", (NLA)
7	AT14684	VAPOR CONDENSER	1		(ORDER COMPONENT PARTS)
8	AT21719	PLATE	1		
9	T24526	WIRING LEAD	1		
10	AT21718	PLATE	1		(NLA)
11	AT21720	SPRING	1	-085226	(NLA)
	AT29554	SPRING	1	085227-	(NLA)
12	T16580	WEIGHT	2		
13	AT21995	SHAFT	1		(SUB FOR AT21716)
14	HOUSING	1		(ORDER AT29553)
15	AT14679	CLAMP	2		
16	12H315	LOCK WASHER	2		0.164"
17	21H1293	SCREW	2		0.164" X 5/16"
18	T24525	WICK	1	-057462	(ORDER AT25575)
	AT25575	PLUG	1		
19	T24524	PLUG	1	-057462	(ORDER AT25575)
	AT25575	PLUG	1		
20	AT21722	KIT	1		GEAR REPLACEMENT
21	AT21721	KIT	1		SHAFT BEARING
22	AT14682	COVER	1		(SUB FOR T16586)
..	AT29553	IGNITION DISTRIBUTOR	1		(SUB FOR AT21350)

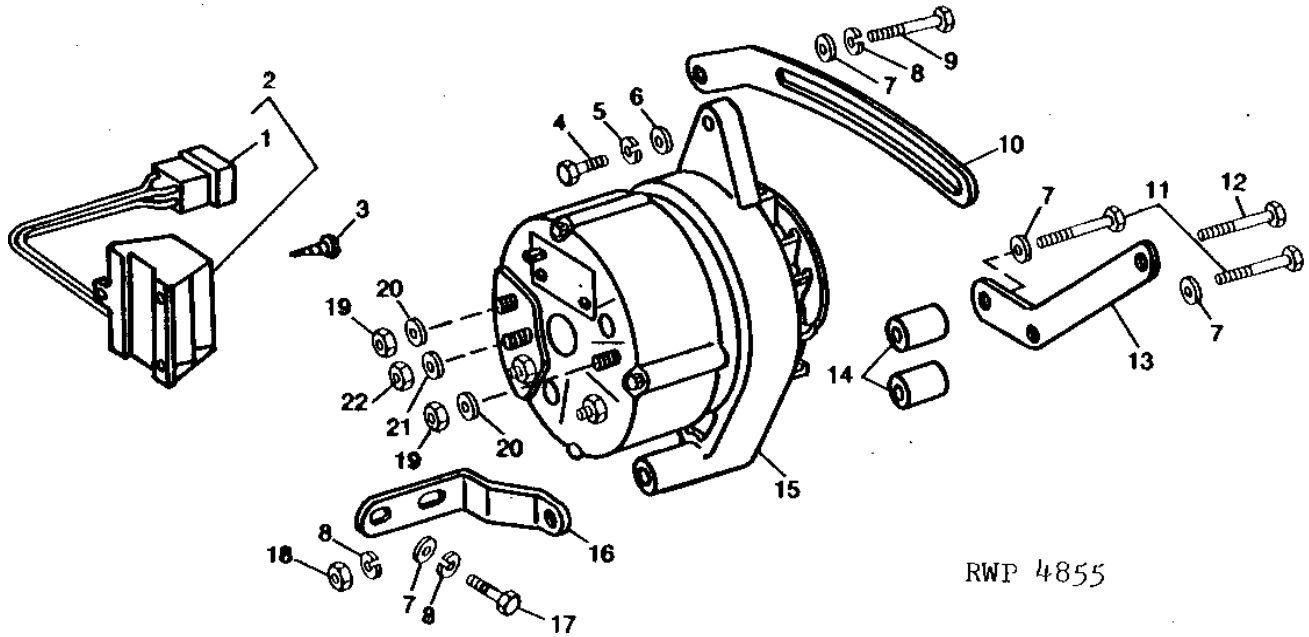
MEMORANDA

1H17

ELECTRICAL

RWP4855 -UN-01JAN94

ALTERNATOR AND REGULATOR



RWP 4855

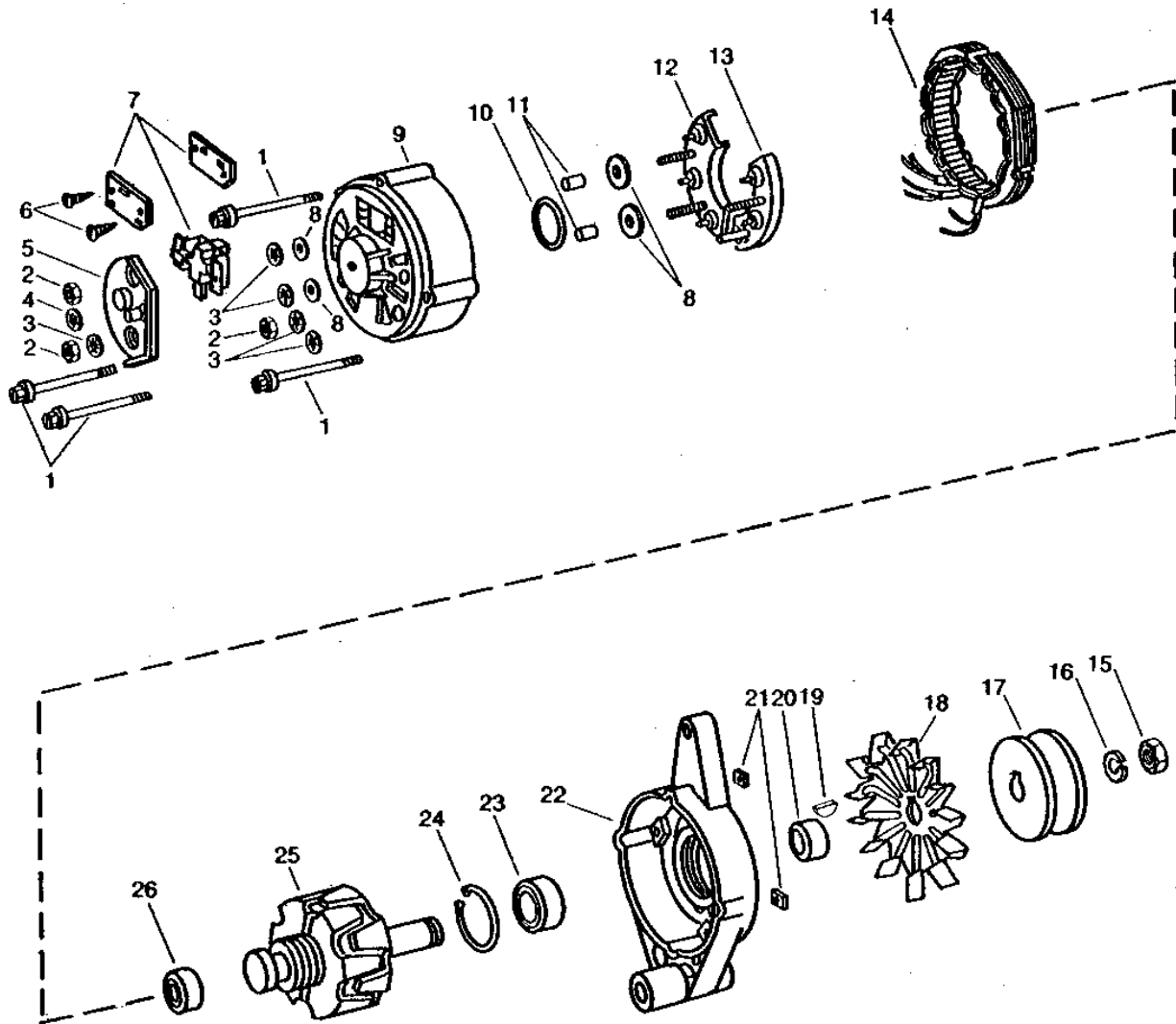
KEY	PART NO.	PART NAME	QTY	ENGINE SERIAL NO.	REMARKS
1	T24166	CONNECTOR	1		
2	24H1309	WASHER	2	-074368	13/32" X 1-1/16" X 0.120"
2	AR77485	VOLTAGE REGULATOR	1		(MOTOROLA NO. R2J3) (SUB FOR AT21815)
3	T11857	SCREW	3	-062783	(NLA)
3	37H94	SCREW	3	062784-	0.216" X 1/2"
4	19H1900	CAP SCREW	1		5/16" X 3/4"
5	12H303	LOCK WASHER	1		5/16"
6	24H1685	WASHER	1		11/32" X 47/64" X 0.083"
7	24M7106	WASHER	5		10 X 18 X 2.500 MM
8	12H304	LOCK WASHER	4		3/8"
9	19H1726	CAP SCREW	1		3/8" X 2-1/4"
10	T20204	STRAP	1		
11	19H2128	CAP SCREW	2		3/8" X 3"
12	19H2228	CAP SCREW	1	-074368	3/8" X 4"
12	19H2128	CAP SCREW	1	074369-	3/8" X 3"
13	T20202	BRACKET	1		FRONT
14	28H2547	SPACER	2		0.423" X 0.675" X 1"
14	28H2547	SPACER	1	-074368	0.423" X 0.675" X 1"
15	AT21619	ALTERNATOR	1		(12-VOLT) (MOTOROLA NO. A12NJD454) (SUB TY1427)
	AR38458	ALTERNATOR	1		(12-VOLT) (MOTOROLA NO. RA12NJD453-S) (SUB TY1427)
	TY1427	ALTERNATOR	1		(REMANUFACTURED) (SUB FOR AT21619 OR AR38458)
16	T20198	BRACKET	1	-074368	REAR, (SUB R38372)
	R38372	BRACKET	1	074369-	REAR
17	19H1731	CAP SCREW	2	-074368	3/8" X 1"
17	19H2284	CAP SCREW	2	074369-	3/8" X 7/8"
18	14H1076	NUT	1		3/8"
19	14H778	NUT	2		0.190"
20	12M7060	WASHER	2		0.209"
21	12H297	LOCK WASHER	1		1/4"
22	14H786	NUT	1		1/4"

1H18

ELECTRICAL

RP185 -UN-01JAN94

ALTERNATOR
(MOTOROLA NO. A12NJD454)



RP185

1H19

ELECTRICAL

**ALTERNATOR - CONTINUED
(MOTOROLA NO. A12NJD454)**

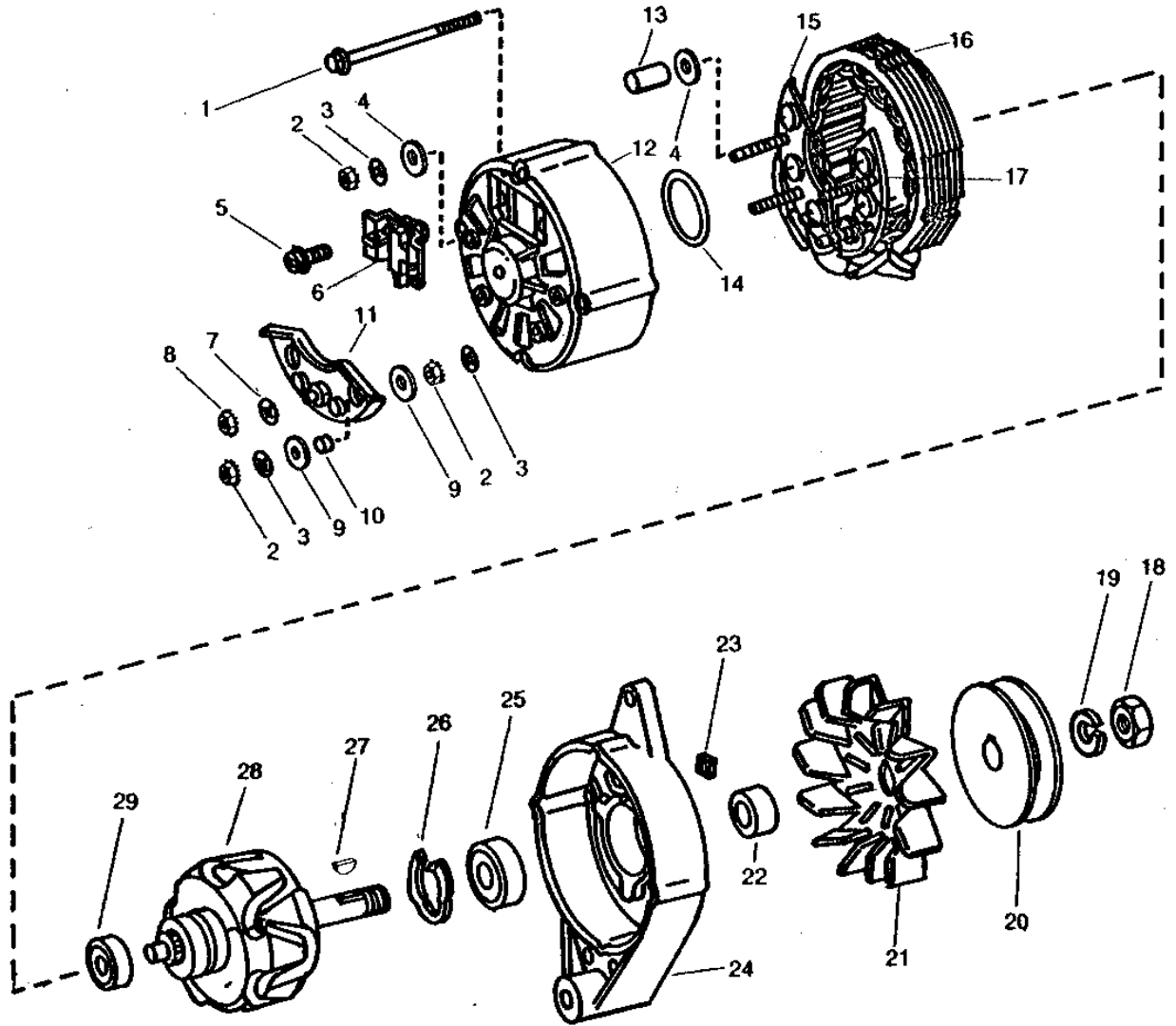
KEY	PART NO.	PART NAME	QTY	ENGINE SERIAL NO.	REMARKS
1	T23598	SCREW	4		
2	14H778	NUT	8	0.190"	
3	12M7060	WASHER	8	0.209"	
4	14H786	NUT	1	1/4"	
5	R15025	DIODE	1		(SUB FOR T23601)
6	37H10	SCREW	2	0.164" X 3/8"	
7	AT27128	HOLDER	1		(SUB FOR R15026)
8	R15036	WASHER	5		
9	R38374	HOUSING	1		REAR, (SUB FOR R15034)
10	R15030	O-RING	1		REAR
11	R15035	SLEEVE	2		
12	R15023	DIODE	1		RECTIFIER, POSITIVE
13	R15024	DIODE	1		RECTIFIER, NEGATIVE
14	AT21161	STATOR	1		
15	14H866	NUT	1	5/8"	
16	12H294	LOCK WASHER	1	5/8"	
17	T24474	PULLEY	1		
18	R15027	FAN	1		
19	26H72	SHAFT KEY	1	1/8" X 5/8"	
20	T25343	BUSHING	1		(SUB FOR R15038)
21	T23610	NUT	4		NO. 10
22	R15033	HOUSING	1		FRONT
23	JD9449	BALL BEARING	1		FRONT, (SUB FOR AT23188)
24	R15029	RETAINER	1		FRONT
25	AT21160	ROTOR	1		
26	AT23189	BALL BEARING	1		REAR
..	AT21619	ALTERNATOR	1		(12-VOLT) (SUB TY1427)
..	TY1427	ALTERNATOR	1		(REMANUFACTURED) (SUB FOR AT21619 OR AR38458)

1H20

ELECTRICAL

ALTERNATOR
(MOTOROLA NO. RA12NJD453-S)

RP186 -UN-01JAN94



RP186

1H21

ELECTRICAL

ALTERNATOR - CONTINUED
(MOTOROLA NO. RA12NJD453-S)

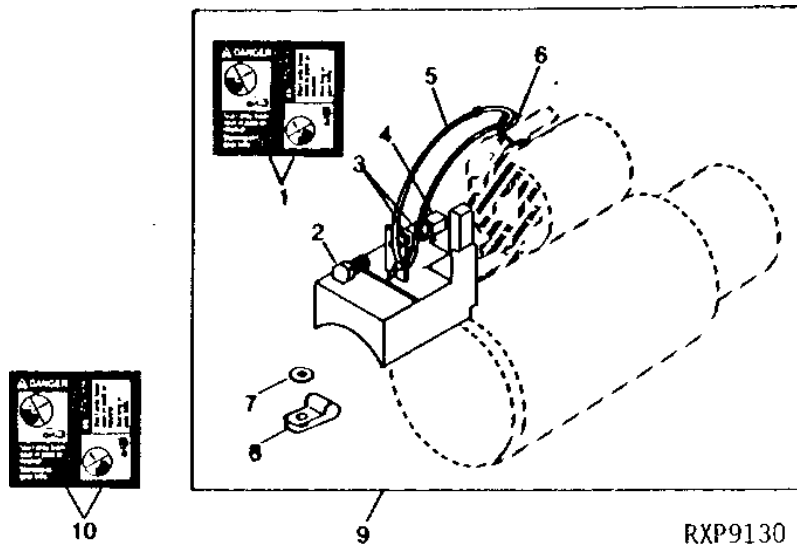
KEY	PART NO.	PART NAME	QTY	ENGINE SERIAL NO.	REMARKS
1	T23598	SCREW	4		
2	14H778	NUT	6	0.190"	
3	12M7060	WASHER	6	0.209"	
4	R15036	WASHER	4		
5	37H95	SCREW	2	NO. 8 X 1/2"	
6	AT27128	HOLDER	1	(SUB FOR R15026)	
7	12H297	LOCK WASHER	1	1/4"	
8	14H786	NUT	1	1/4"	
9	R15036	WASHER	2	(SUB FOR R39804)	
10	R39803	WASHER	1		
11	R39800	DIODE	1	(SUB FOR AR38461)	
12	R38374	HOUSING	1	REAR	
13	R15035	SLEEVE	2		
14	R15030	O-RING	1	REAR	
15	R15023	DIODE	1	POSITIVE	
16	AT21161	STATOR	1		
17	R15024	DIODE	1	NEGATIVE	
18	14H866	NUT	1	5/8"	
19	12H294	LOCK WASHER	1	5/8"	
20	T24474	PULLEY	1		
21	R15027	FAN	1		
22	T25343	BUSHING	1	(SUB FOR R15038)	
23	T23610	NUT	4		
24	R15033	HOUSING	1	FRONT	
25	JD9449	BALL BEARING	1	FRONT, (SUB FOR AT23188)	
26	R15029	RETAINER	1	FRONT	
27	26H72	SHAFT KEY	1	1/8" X 5/8"	
28	AT21160	ROTOR	1		
29	AT23189	BALL BEARING	1	REAR	
..	AR38458	ALTERNATOR	1	(12-VOLT) (LESS PULLEY) (SUB TY1427)	
..	TY1427	ALTERNATOR	1	(REMANUFACTURED) (SUB FOR AT21619 OR AR38458)	

1H22

ELECTRICAL

STARTER SOLENOID COVER KIT (DELCO-REMY)

RXP9130 -UN-01JAN94



RXP9130

KEY	PART NO.	PART NAME	QTY	TRACTOR SERIAL NO.	REMARKS
1	T146102	WARNING LABEL	1		(ENGLISH) (SUB FOR T84409 OR T134459)
2	19H2038	CAP SCREW	1		3/8" X 1/2"
3	24H1305	WASHER	2		13/32" X 13/16" X 0.065"
4	R100380	NUT	1		
5	R76477	TIE BAND	1		
6	R44302	TIE BAND	1		
7	24H1289	WASHER	1		
8	R46414	CLAMP	1		
9	RE39061	SHIELD	1		(A)
10	T146106	WARNING LABEL	1		(ESPANOL) (SUB FOR T84410 OR T134452)
	T146104	WARNING LABEL	1		(FRANCAIS) (SUB FOR T84411 OR T134453)
	T146515	WARNING LABEL	1		(DEUTSCH) (SUB FOR T84412 OR T134454)
	T146516	WARNING LABEL	1		(ITALIANO) (SUB FOR T84413 OR T134455)
	T146517	WARNING LABEL	1		(ENGLISH/FRANCAIS) (SUB FOR T84578 OR T134456)

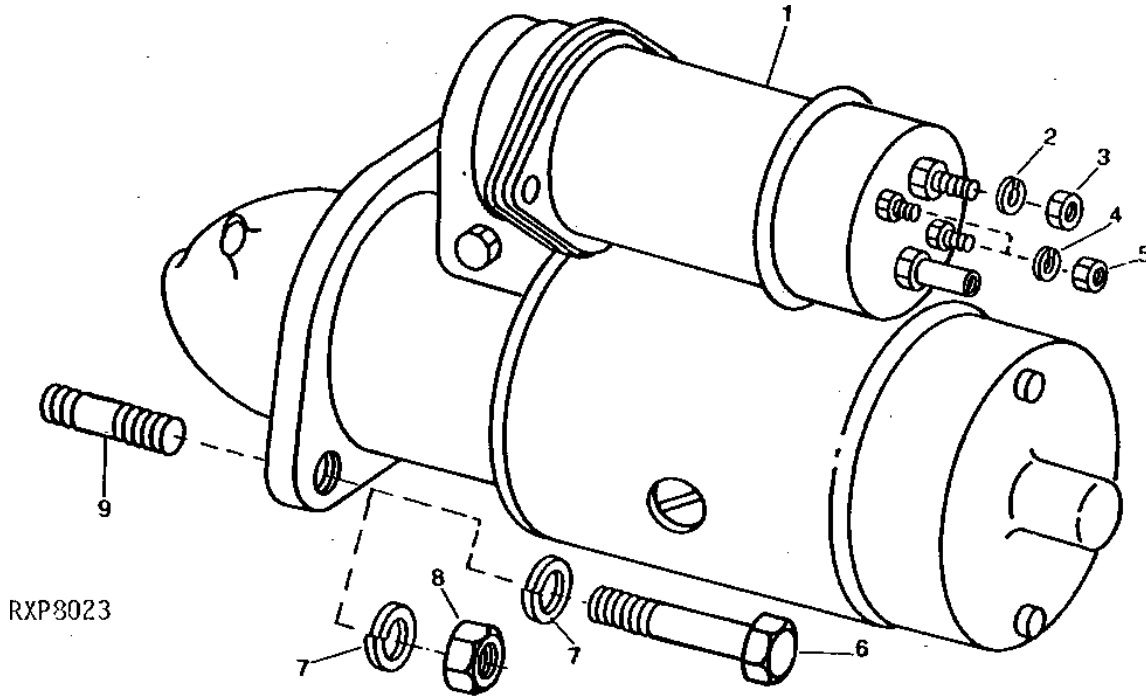
(A) USE ON AT25619, RE19187, RE42730, TY6620, TY6702, AT18025, AR91813, TY6639 AND TY6706

1H23

ELECTRICAL

RXP8023 -UN-01JAN94

STARTING MOTOR



RXP8023

KEY	PART NO.	PART NAME	QTY	TRACTOR SERIAL NO.	REMARKS
1	AT25619	STARTER	1	(DIESEL) (DELCO-REMY NO. 1107871) (SUB RE62916 OR TY6702)	
	RE19187	STARTER	1	(DIESEL) (DELCO-REMY NO. 1998367) (SUB RE62916 OR TY6702)	
	RE42730	STARTER	1	(DIESEL) (DELCO-REMY NO. 1998367) (SUB RE62916 OR TY6702)	
	RE50095	KIT	1	(DIESEL) (DELCO-REMY NO. 1113272) (SUB RE62916)	
	RE62916	STARTER	1	(DIESEL) (DELCO-REMY NO. 10479628) (MARKED RE60654) (SUB FOR AT25619, RE19187, RE42730 OR RE50095)	
	TY6702	STARTER	1	(DIESEL) (REMANUFACTURED) (DELCO-REMY) (SUB FOR TY6620)	
	AT18025	STARTER	1	(GASOLINE) (DELCO-REMY NO. 1109421) (SUB TY6706)	
	AR91813	STARTER	1	(GASOLINE) (DELCO-REMY NO. 1109576) (SUB TY6706)	
	TY6706	STARTER	1	(GASOLINE) (REMANUFACTURED) (DELCO-REMY) (SUB FOR AT18025, AR91813 OR TY6639)	
2	12M7013	LOCK WASHER	1	(A) 10.200 MM	
	12H304	LOCK WASHER	1	(B) 3/8"	
3	14M7274	NUT	1	(A) M10	
	14H812	NUT	1	(B) 3/8"	
4	12M7064	LOCK WASHER	2	(A) 5.100 MM	
5	14M7297	NUT	2	(A) M5	
6	19H1731	CAP SCREW	1	3/8" X 1"	
7	12H304	LOCK WASHER	2	3/8"	
8	14H1076	NUT	1	3/8"	
9	R56481	STUD	1		

(A) USE WITH RE19187 OR RE42730

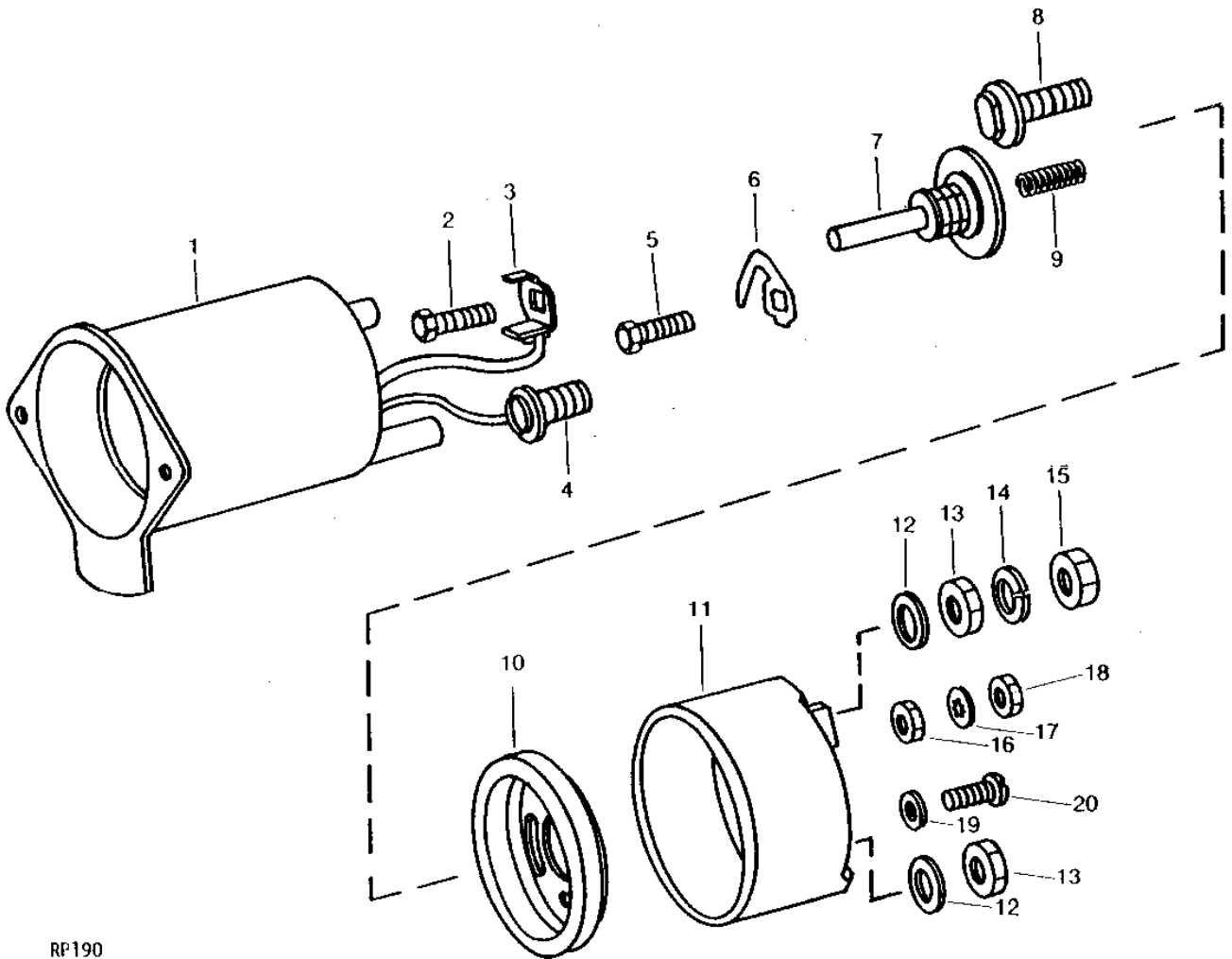
(B) USE WITH AT18025, AR91813 OR RE19187

1H24

ELECTRICAL

RP190 -UN-01JAN94

SOLENOID SWITCH
(DELCO-REMY NO. 1114458)



RP190

1H25

ELECTRICAL

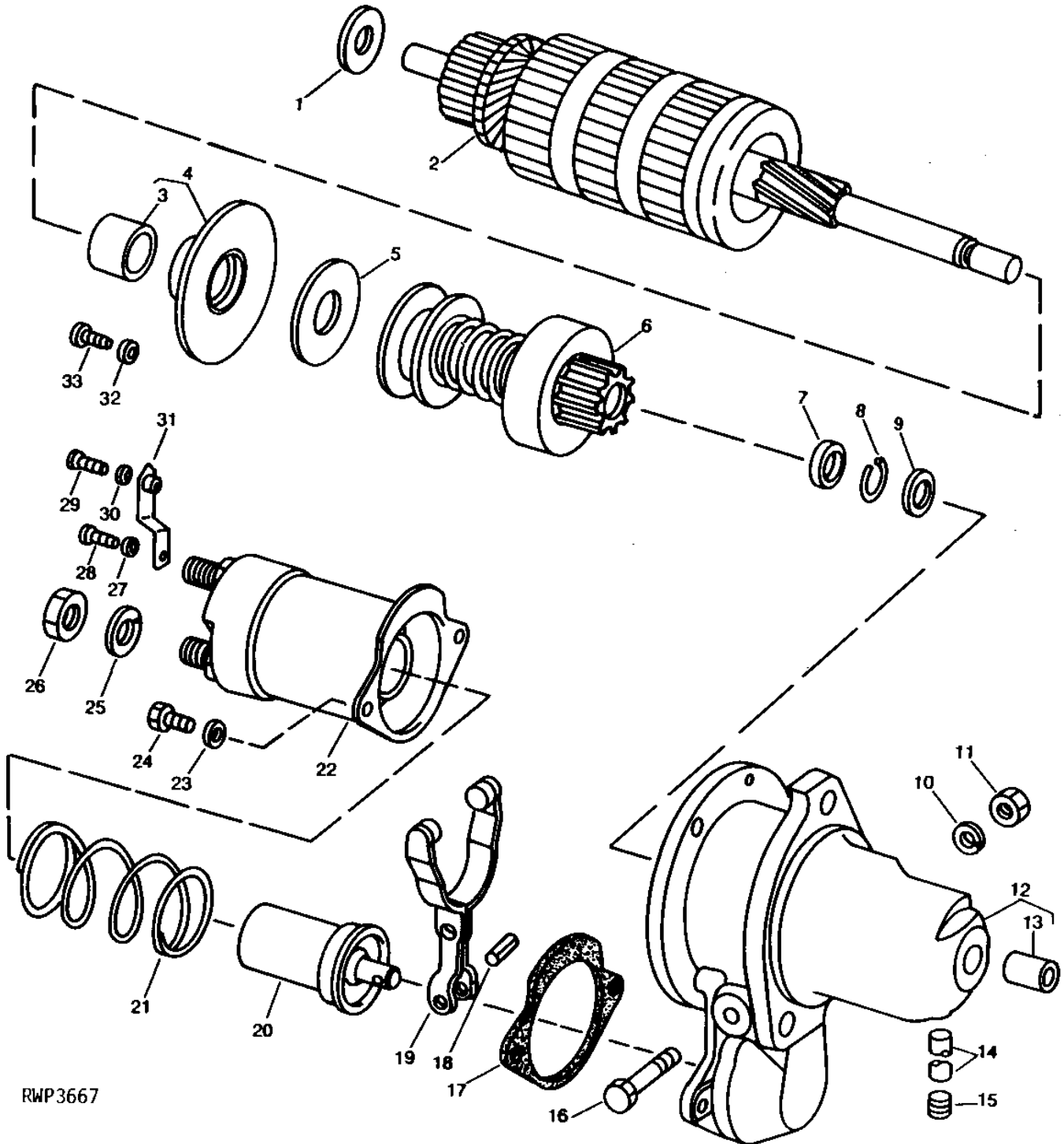
SOLENOID SWITCH - CONTINUED
(DELCO-REMY NO. 1114458)

KEY	PART NO.	PART NAME	QTY	ENGINE SERIAL NO.	REMARKS
1	HOUSING	1		(ORDER AR68304 OR TY6690)
2	T19606	STUD	1		
3	R11198	CLIP	1		(NLA)
4	T18354	SCREW	1		
5	T19606	STUD	1		
6	T19604	CONTACT	1		
7	AT15146	CONTACT	1		
8	T18105	STUD	1		
9	R11066	SPRING	1		
10	R61133	GASKET	1		(SUB FOR T18109 OR R49394)
11	R61134	COVER	1		(SUB FOR T19609, R49393 OR R57452) (ORDER AR68304 OR TY6690)
12	R11194	WASHER	2		
13	14H732	NUT	2		3/8", (SUB FOR R11195)
14	12H304	LOCK WASHER	1		3/8"
15	14H1076	NUT	1		3/8"
16	AR11131	NUT	2		(NLA)
17	12M7084	LOCK WASHER	2		0.169"
18	14H605	NUT	2		0.164"
19	R11039	WASHER	2		
20	21H1298	SCREW	2		0.190" X 3/8"
..	AR68304	SOLENOID	1		(A) (12-VOLT) (DELCO-REMY NO. 1114458) (SUB FOR R11240)
..	TY6690	SOLENOID	1		(A) (REMANUFACTURED)

(A) USE WITH AT25619, AT18025 OR AR91813

STARTING MOTOR DRIVE MOTOR AND ARMATURE ASSEMBLY
(DELCO-REMY NO. 1107871)
(DIESEL)
(AT25619)

RWP3667 -UN-01JAN94



RWP3667

112

ELECTRICAL

STARTING MOTOR DRIVE MOTOR AND ARMATURE ASSEMBLY - CONTINUED
 (DELCO-REMY NO. 1107871)
 (DIESEL)
 (AT25619)

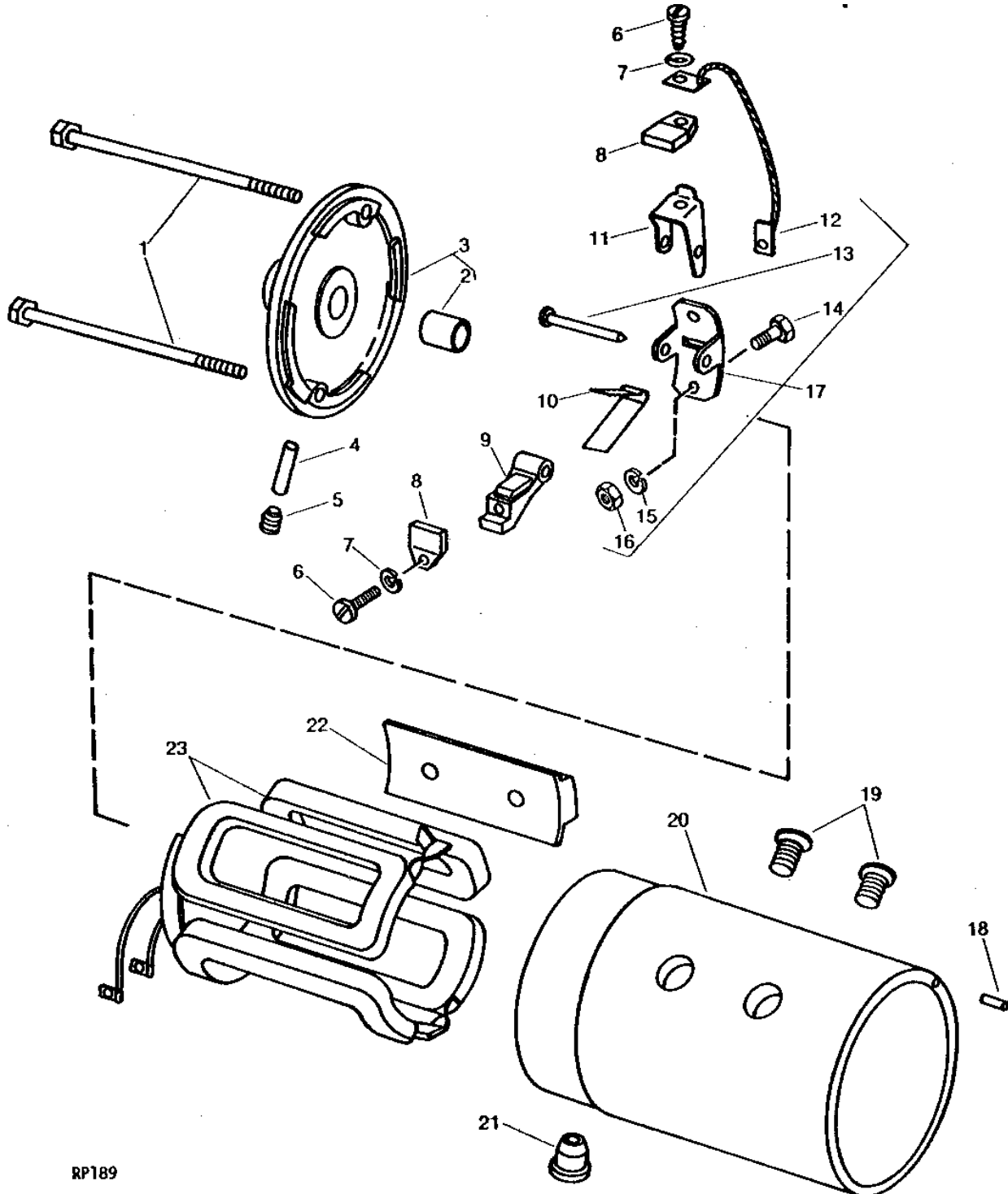
KEY	PART NO.	PART NAME	QTY	TRACTOR SERIAL NO.	REMARKS
1	R11096	WASHER	1		
2	AT16291	ARMATURE	1		
3	T11684	BUSHING	1		(SUB FOR 820149)
4	820149	BEARING	1		
5	R11095	WASHER	1		
6	AR54923	BENDIX DRIVE	1		(SUB FOR AT17981 OR AT23160)
7	R11116	SPACER	1		
8	R11117	SNAP RING	1		
9	T24539	WASHER	1		
10	12H303	LOCK WASHER	1	5/16"	
11	14H611	NUT	1	5/16"	
12	RE19193	HOUSING	1		(SUB FOR AR70082)
13	T17987	BUSHING	1		
14	R40337	WICK	1		
15	15H558	PIPE PLUG	1	1/8"	
16	T11672	CAP SCREW	1		
17	T17058	GASKET	1		
18	34H279	SPRING PIN	1	3/16" X 13/16"	
19	T18113	SHIFTER	1		(SUB FOR T11674)
20	AT15147	PLUNGER	1		
21	R81176	COMPRESSION SPRING	1		(SUB FOR T11675)
22	AR68304	SOLENOID	1		SOLENOID (DELCO-REMY NO. 114458) (SUB FOR R11240)
	TY6690	SOLENOID	1		(REMANUFACTURED)
23	12H302	LOCK WASHER	2	1/4"	
24	21H1142	SCREW	2	1/4" X 1/2"	
25	12H304	LOCK WASHER	1	3/8"	
26	14H732	NUT	1	3/8"	
27	12M7060	WASHER	1	0.209"	
28	T15564	SCREW	1	NO. 10 X 7/16"	
29	21H1127	SCREW	1	0.190" X 7/16"	
30	12H246	LOCK WASHER	1	0.190"	
31	R11235	FITTING	1		
32	T19589	SCREW	2		
33	T19569	LOCK WASHER	2		
..	AT25619	STARTER	1		(SUB RE62916 OR TY6702)
..	TY6702	STARTER	1		(REMANUFACTURED) (SUB FOR AT25619, RE19187, RE42730 OR TY6620)

113

ELECTRICAL

STARTING MOTOR HOUSING AND COIL ASSEMBLY
(DELCO-REMY NO. 1107871)
(DIESEL)
(AT25619)

RP189 -UN-01JAN94



RP189

114

ELECTRICAL

STARTING MOTOR HOUSING AND COIL ASSEMBLY - CONTINUED
 (DELCO-REMY NO. 1107871)
 (DIESEL)
 (AT25619)

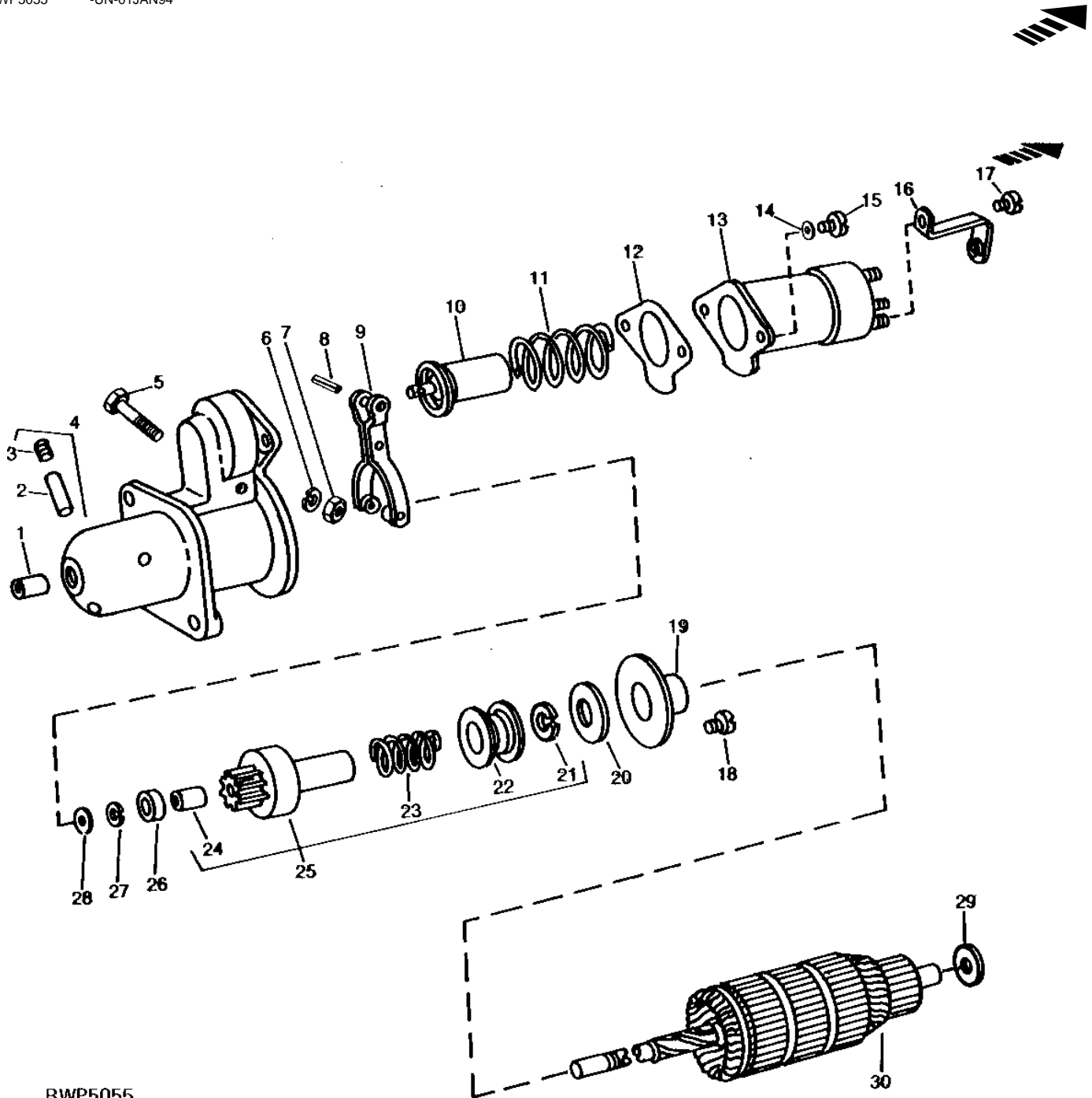
KEY	PART NO.	PART NAME	QTY	TRACTOR SERIAL NO.	REMARKS
1	R11243	CAP SCREW	2		
2	R61932	BUSHING	1		(SUB FOR T11739)
3	R11238	END PLATE	1		
4	H23193	FELT	1		
5	15H558	PIPE PLUG	1	1/8"	
6	37H79	SCREW	4		
7	12M7084	LOCK WASHER	4	0.169"	
8	R11239	BRUSH	4		
9	T739T	HOLDER	2		
10	T740T	SPRING	4		
11	T738T	HOLDER	2		
12	AT514T	WIRING LEAD	2		
13	T736T	PIN	2		
14	21H1301	SCREW	4	0.190" X 1/2"	
15	12H246	LOCK WASHER	4	0.190"	
16	14H778	NUT	4	0.190"	
17	AT516T	KIT	2		
18	R11087	DOWEL PIN	1		
19	21H1280	SCREW	8	3/8" X 3/4"	
20	FRAME	1		(ORDER RE62916 OR TY6702)
21	R11236	GROMMET	1		
22	T11680	SHOE	4		
23	AT16290	FIELD WINDING COIL	1		
..	AT25619	STARTER	1		(SUB RE62916 OR TY6702)
..	TY6702	STARTER	1		(REMANUFACTURED) (SUB FOR AT25619, RE19187, RE42730 OR TY6620)

115

ELECTRICAL

STARTING MOTOR DRIVE MOTOR AND SWITCH ASSEMBLY
(DELCO-REMY NO. 1998367)
(DIESEL)
(RE19187 OR RE42730)

RWP5055 -UN-01JAN94



RWP5055

116

ELECTRICAL

STARTING MOTOR DRIVE MOTOR AND SWITCH ASSEMBLY - CONTINUED
(DELCO-REMY NO. 1998367)
(DIESEL)
(RE19187 OR RE42730)

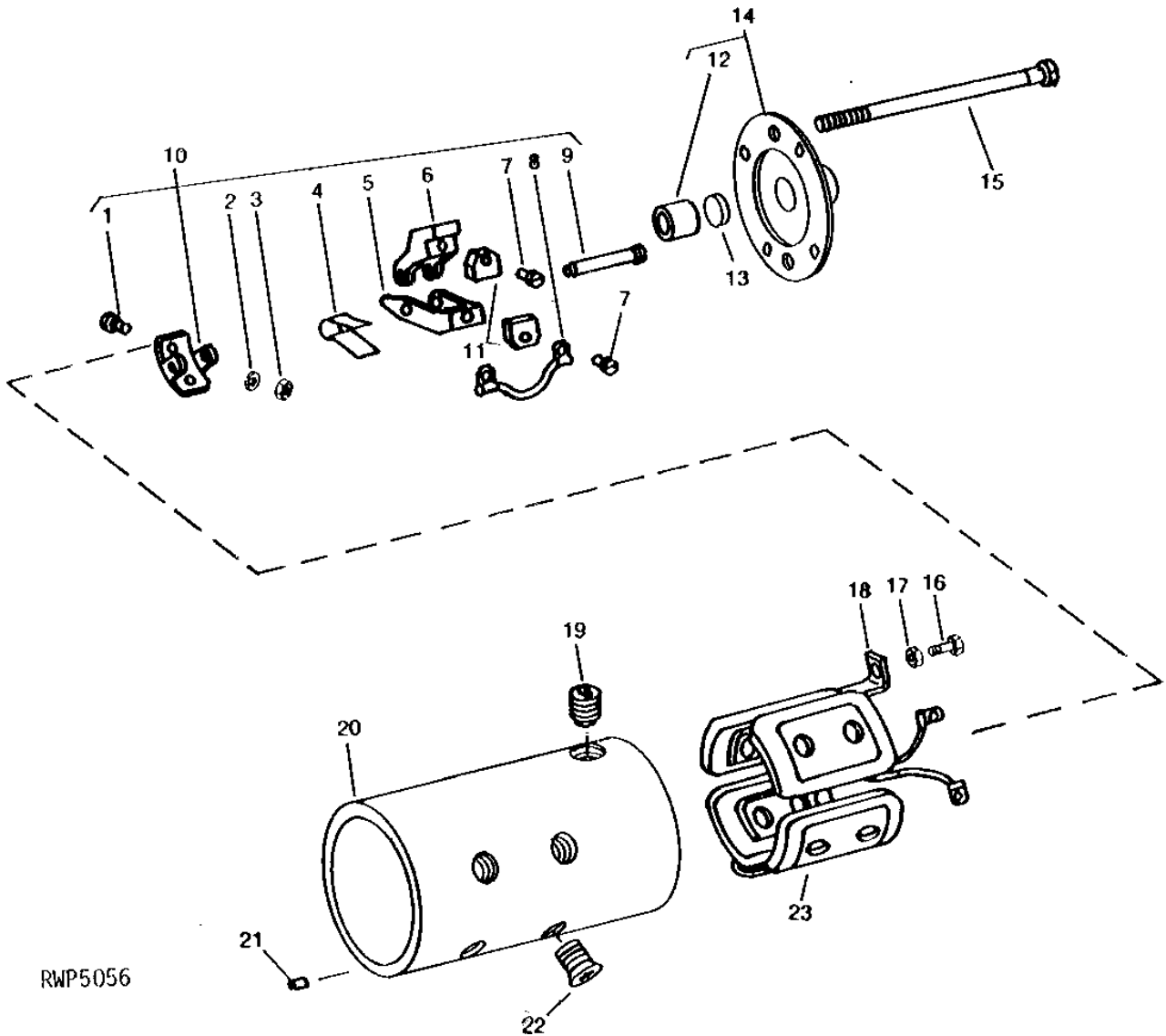
KEY	PART NO.	PART NAME	QTY	ENGINE SERIAL NO.	REMARKS
1	R57029	BUSHING	1		
2	R81175	WICK	1		
3	R81174	PLUG	1		
4	RE19193	HOUSING	1		
5	T11672	CAP SCREW	1		
6	12H303	LOCK WASHER	1	5/16"	
7	14H611	NUT	1	5/16"	
8	34H279	SPRING PIN	1	3/16" X 13/16"	
9	T18113	SHIFTER	1		
10	RE19197	PLUNGER	1		(SUB FOR AM39970)
11	R81176	COMPRESSION SPRING	1		
12	T17058	GASKET	1		
13	AM39968	SOLENOID	1		(DELCO-REMY NO. 1114524)
14	12H302	LOCK WASHER	2	1/4"	
15	21H1142	SCREW	2	1/4" X 1/2"	
16	R57025	FITTING	1		
17	T15564	SCREW	1		
18	RE19191	SCREW, WITH WASHER	2		
19	RE19192	PLATE	1		
20	R81172	WASHER	1		
21	R11118	WIRE	1		
22	SHIFT COLLAR	1		(SUB AR54923)
23	T26601	SPRING	1		
24	1873796	BUSHING	2		
25	AR54923	BENDIX DRIVE	1		
26	R11116	SPACER	1		
27	R11117	SNAP RING	1		
28	T24539	WASHER	1		
29	R81198	THRUST WASHER	1		
30	AR68299	ARMATURE	1		(SUB RE62916)
..	RE19187	STARTER	1		(SUB RE62916 OR TY6702)
..	RE42730	STARTER	1		(SUB RE62916 OR TY6702)
..	TY6702	STARTER	1		(REMANUFACTURED) (SUB FOR AT25619, RE19187, RE42730 OR TY6620)

117

ELECTRICAL

STARTING MOTOR COIL ASSEMBLY, HOUSING AND BRUSHES
(DELCO-REMY NO. 1998367)
(DIESEL)
(RE19187 OR RE42730)

RWP5056 -UN-01JAN94



RWP5056

118

ELECTRICAL

STARTING MOTOR COIL ASSEMBLY, HOUSING AND BRUSHES - CONTINUED
(DELCO-REMY NO. 1998367)
(DIESEL)
(RE19187 OR RE42730)

KEY	PART NO.	PART NAME	QTY	ENGINE SERIAL NO.	REMARKS
1	21H1301	SCREW	4	0.190" X 1/2"	
2	12H246	LOCK WASHER	4	0.190"	
3	14H778	NUT	4	0.190"	
4	R81170	SPRING	2		
5	R57027	HOLDER	2		
6	R81169	CARBON BRUSH HOLDER	2		
7	37H78	SCREW	4	0.164" X 3/4"	
8	R57028	WIRING LEAD	2		
9	T736T	PIN	2		
10	AR68302	KIT	2		
11	R81168	BRUSH	4		
12	R61932	BUSHING	1		
13	R61934	WICK	1		
14	R81167	END PLATE	1		
15	R81171	BOLT	2		
16	37H91	SCREW	1	0.190" X 1/2"	
17	12H246	LOCK WASHER	1	0.190"	
18	RE19188	FIELD WINDING COIL	1		
19	R11236	GROMMET	1		
20	HOUSING	1	(ORDER RE62916 OR TY6702)	
21	R81173	DOWEL PIN	1		
22	21H1280	SCREW	8	3/8" X 3/4"	
23	T11680	SHOE	4		
..	RE19187	STARTER	1	(SUB RE62916 OR TY6702)	
..	RE42730	STARTER	1	(SUB RE62916 AND TY6702)	
..	TY6702	STARTER	1	(REMANUFACTURED) (SUB FOR AT25619, RE19187, RE42730 OR TY6620)	

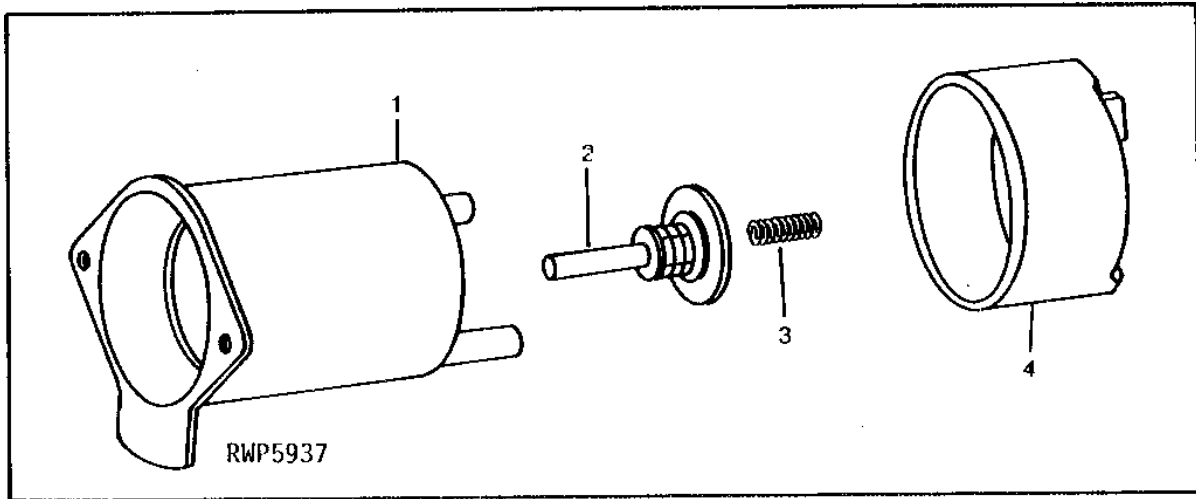
MEMORANDA

119

ELECTRICAL

RWP5937 -UN-01JAN94

SOLENOID SWITCH
(DELCO-REMY NO. 1114524)



KEY	PART NO.	PART NAME	QTY	ENGINE SERIAL NO.	REMARKS
1	SOLENOID	1	(SUB AM39968)	
2	AM39969	CONTACT	1		
3	R11066	SPRING	1		
4	RE24175	COVER	1		
5	AM39968	SOLENOID	1	(A) (12-VOLT)	

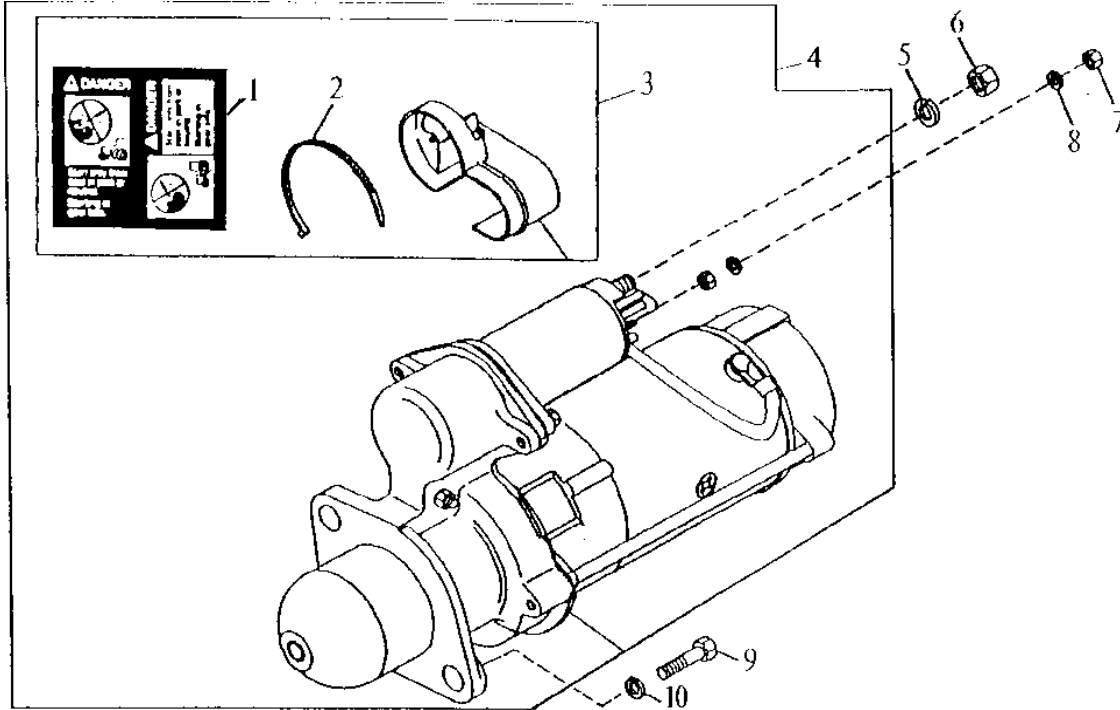
(A) USE WITH RE19187 OR RE42730

1110

ELECTRICAL

STARTING MOTOR WITH ATTACHING HARDWARE
(DELCO-REMY NO. 10479628)
(DIESEL)
(RE62916)

RXP021236 -UN-23AUG95



RXP021236

KEY	PART NO.	PART NAME	QTY	ENGINE SERIAL NO.	REMARKS
1	T146102	WARNING LABEL	1	(ENGLISH)	
	T146106	WARNING LABEL	1	(ESPANOL)	
	T146104	WARNING LABEL	1	(FRANCAIS)	
	T146515	WARNING LABEL	1	(DEUTSCH)	
	T146516	WARNING LABEL	1	(ITALIANO)	
	T146517	WARNING LABEL	1	(ENGLISH/FRANCAIS)	
2	H113196	TIE BAND	1		
	R44302	TIE BAND	2		
3	RE50096	KIT	1		
4	RE62916	STARTER	1		(MARKED RE60654) (SUB FOR AT25619, RE19187, RE42730 OR RE50095)
5	12M7013	LOCK WASHER	1		10.200 MM
6	14M7274	NUT	1		M10
7	14M7297	NUT	1		M5
8	12M7064	LOCK WASHER	1		5.100 MM
9	19H3239	CAP SCREW	2		3/8" X 1-1/4"
10	12H304	LOCK WASHER	2		3/8"

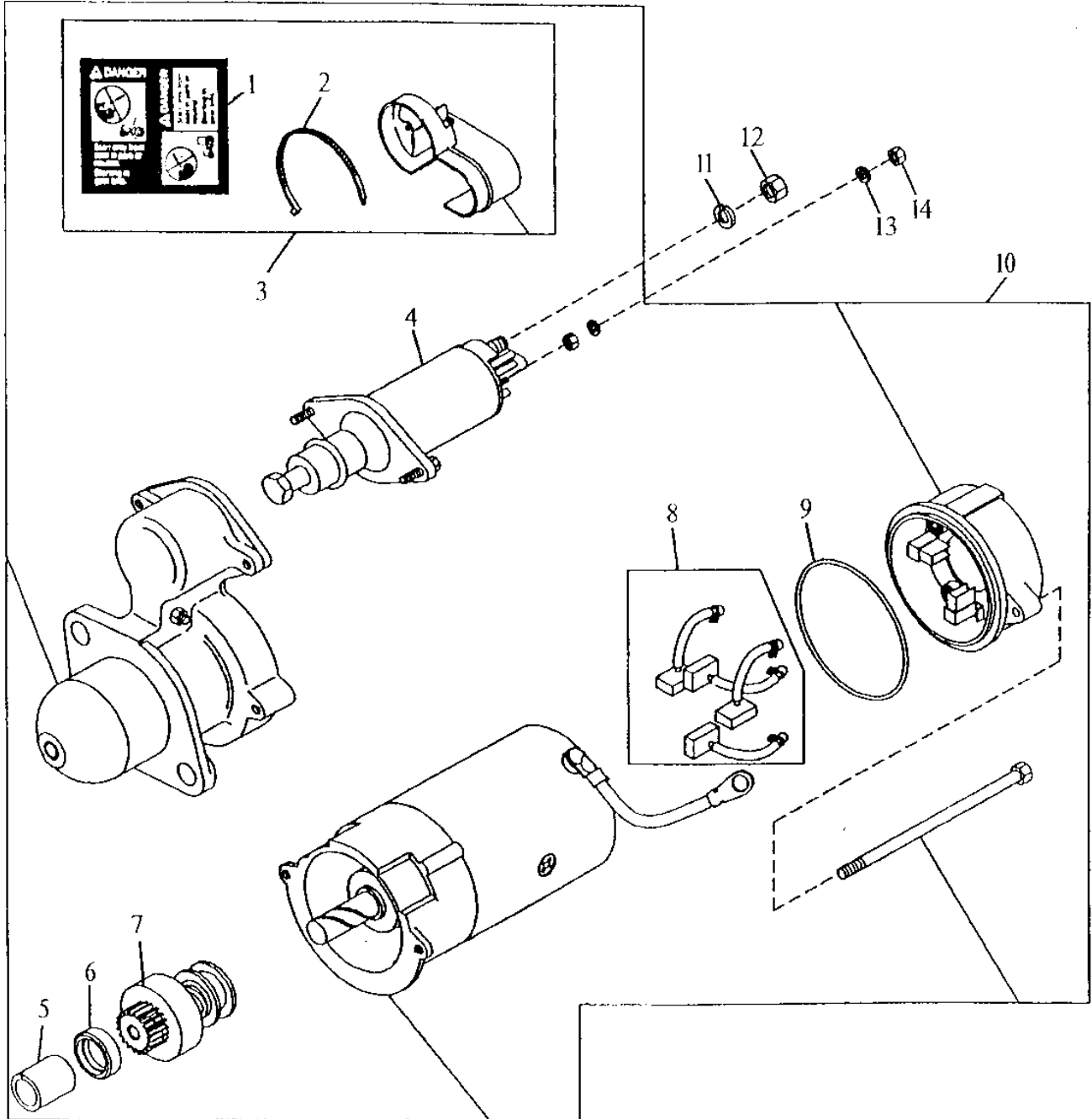
MEMORANDA

1111

ELECTRICAL

STARTING MOTOR (DELCO-REMY NO. 10479628) (DIESEL) (RE62916)

RXP021237 -UN-18AUG95



RXP021237

1112

ELECTRICAL

STARTING MOTOR - CONTINUED
(DELCO-REMY NO. 10479628)
(DIESEL)
(RE62916)

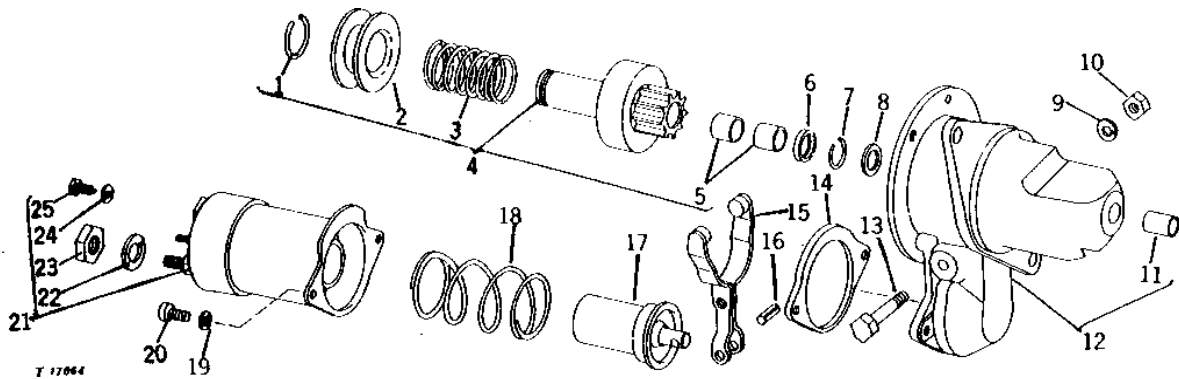
KEY	PART NO.	PART NAME	QTY	ENGINE SERIAL NO.	REMARKS
1	T146102	WARNING LABEL	1	(ENGLISH)	
	T146106	WARNING LABEL	1	(ESPANOL)	
	T146104	WARNING LABEL	1	(FRANCAIS)	
	T146515	WARNING LABEL	1	(DEUTSCH)	
	T146516	WARNING LABEL	1	(ITALIANO)	
	T146517	WARNING LABEL	1	(ENGLISH/FRANCAIS)	
2	H113196	TIE BAND	1		
	R44302	TIE BAND	2		
3	RE50096	KIT	1		
4	RE49984	SWITCH	1		
5	R112923	BUSHING	1		
6	R112922	STOP	1		
7	RE49985	BENDIX DRIVE	1		
8	RE49986	KIT	1		
9	R112926	O-RING	1		
10	RE62916	STARTER	1		(SUB FOR AT25619, RE19187, RE42730 OR RE50095)
11	12M7013	LOCK WASHER	1	10.200 MM	
12	14M7274	NUT	1	M10	
13	12M7064	LOCK WASHER	1	5.100 MM	
14	14M7297	NUT	1	M5	

1113

ELECTRICAL

STARTING MOTOR DRIVE MOTOR AND SWITCH ASSEMBLY (GASOLINE) (AR91813)

T17064 -UN-01JAN94



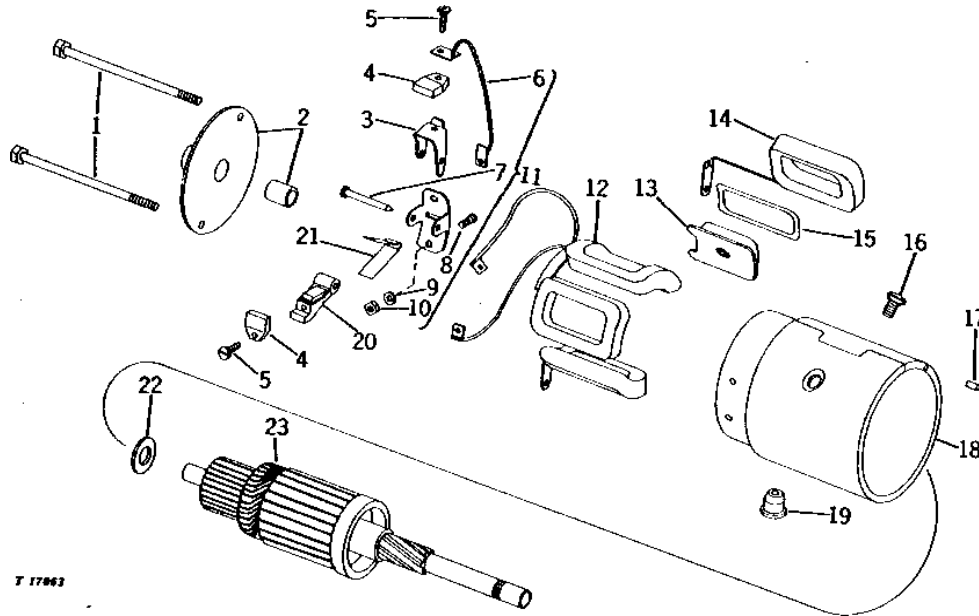
KEY	PART NO.	PART NAME	QTY	ENGINE SERIAL NO.	REMARKS
1	R11118	WIRE	1		(SUB FOR T26602) (USE WITH AT25651)
2	R11225	LOCKING COLLAR	1		(SUB FOR 1838436) (SUB AR54923)
3	T12208	SPRING	1	-036307	(SUB T26601) (USE WITH AT25651)
4	AR54923	BENDIX DRIVE	1	036308-	(USE WITH AT25651)
5	1873796	BUSHING	1		(SUB FOR AT17981, AT23160 AND AT25651)
6	R11116	SPACER	1		
7	R11117	SNAP RING	1		
8	T24539	WASHER	1		
9	12H303	LOCK WASHER	1		5/16"
10	14H611	NUT	1		5/16"
11	R40801	BUSHING	1		(SUB FOR 1839345)
12	AT20664	HOUSING	1		
13	T11672	CAP SCREW	1		
14	T17058	GASKET	1		
15	T18113	SHIFTER	1		(SUB FOR T11674)
16	34H279	SPRING PIN	1		3/16" X 13/16"
17	AT15147	PLUNGER	1		
18	T11675	SPRING	1		
19	12H302	LOCK WASHER	2		1/4"
20	21H1142	SCREW	2		1/4" X 1/2"
21	AR68304	SOLENOID	1		(DELCO-REMY NO. 1114458) (SUB FOR R11240)
22	TY6690	SOLENOID	1		(REMANUFACTURED)
23	12H304	LOCK WASHER	1		3/8"
24	14H732	NUT	1		3/8"
25	12M7060	WASHER	1		0.209"
..	T15564	SCREW	1		
..	AR91813	STARTER	1		(DELCO-REMY NO. 1109421 OR 1109576) (SUB FOR AT18025) (SUB TY6706)
..	TY6706	STARTER	1		(REMANUFACTURED) (SUB FOR AT18025, AR91813 OR TY6639)

1114

ELECTRICAL

STARTING MOTOR COIL ASSEMBLY, HOUSING AND ARMATURE (GASOLINE) (AR91813)

T17063 -UN-01JAN94



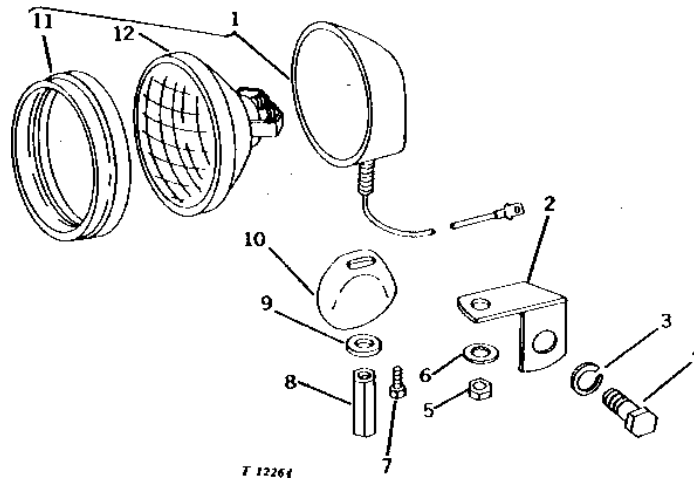
KEY	PART NO.	PART NAME	QTY	ENGINE SERIAL NO.	REMARKS
1	T741T	BOLT	2		
2	AT517T	FRAME	1		
3	T738T	HOLDER	2		
4	T735T	BRUSH	4		
5	37H2	SCREW	4		0.164" X 5/8", (SUB FOR T742T)
6	AT514T	WIRING LEAD	2		
7	T736T	PIN	2		
8	21H1301	SCREW	4		0.190" X 1/2"
9	12H246	LOCK WASHER	4		0.190"
10	14H778	NUT	4		0.190"
11	AT516T	KIT	2		
12	AR90826	FIELD WINDING COIL	1		(SUB FOR AR11105 OR AR88016) (USE WITH AT18025)
	AR91815	FIELD WINDING COIL	1		(USE WITH AR91813)
13	R39857	SHOE	4		(USE WITH AT18025)
	810601	SHOE	4		(USE WITH AR91813) (NLA)
14	AR88016	FIELD WINDING COIL	1		(SUB FOR AR11106) (USE WITH AT18025)
15	T743T	INSULATOR	4		
16	21H1280	SCREW	4		3/8" X 3/4", (SUB FOR T18353)
17	R11087	DOWEL PIN	1		
18	FRAME	1		(ORDER TY6706)
19	R11191	GROMMET	1		
20	T739T	HOLDER	2		(SUB FOR T18099)
21	T740T	SPRING	2		
22	R46191	WASHER	1		(SUB FOR 818265)
23	AT20663	ARMATURE	1		(USE WITH AT18025)
	AR91814	ARMATURE	1		(USE WITH AR91813)
..	AR91813	STARTER	1		(DELCO-REMY NO. 1109421 OR 1109576) (SUB FOR AT18025) (SUB TY6706)
..	TY6706	STARTER	1		(REMANUFACTURED) (SUB FOR AT18025, AR91813 OR TY6639)

1115

ELECTRICAL

T12264 -UN-01JAN94

FRONT LIGHTS AND MOUNTING BRACKETS



KEY	PART NO.	PART NAME	QTY	TRACTOR SERIAL NO.	REMARKS
1	AT20106	LAMP	2		
2	T22707	BRACKET	1	(A) R.H.	
	T22708	BRACKET	1	(A) L.H.	
3	12H236	LOCK WASHER	2	(A) 3/4"	
4	19H1835	CAP SCREW	2	(A) 3/4" X 1-1/2"	
5	14H1040	NUT	2	(A) 1/2"	
6	24H1272	WASHER	2	(A) 9/16" X 1-1/4" X 1/4"	
7	T19179	CAP SCREW	4	(HU,RU)	
8	T22522	NUT	2	(HU,RU)	
9	24H1355	WASHER	2	37/64" X 1-1/8" X 0.120" (HU,RU) (SUB FOR R31892)	
10	T21761	SUPPORT	2	(HU,RU)	
11	R30182	BEZEL	2	(HOBBS)	
	R31250	BEZEL	2	(GUIDE)	
12	AF3892R	HEADLIGHT	2	(12-VOLT)	

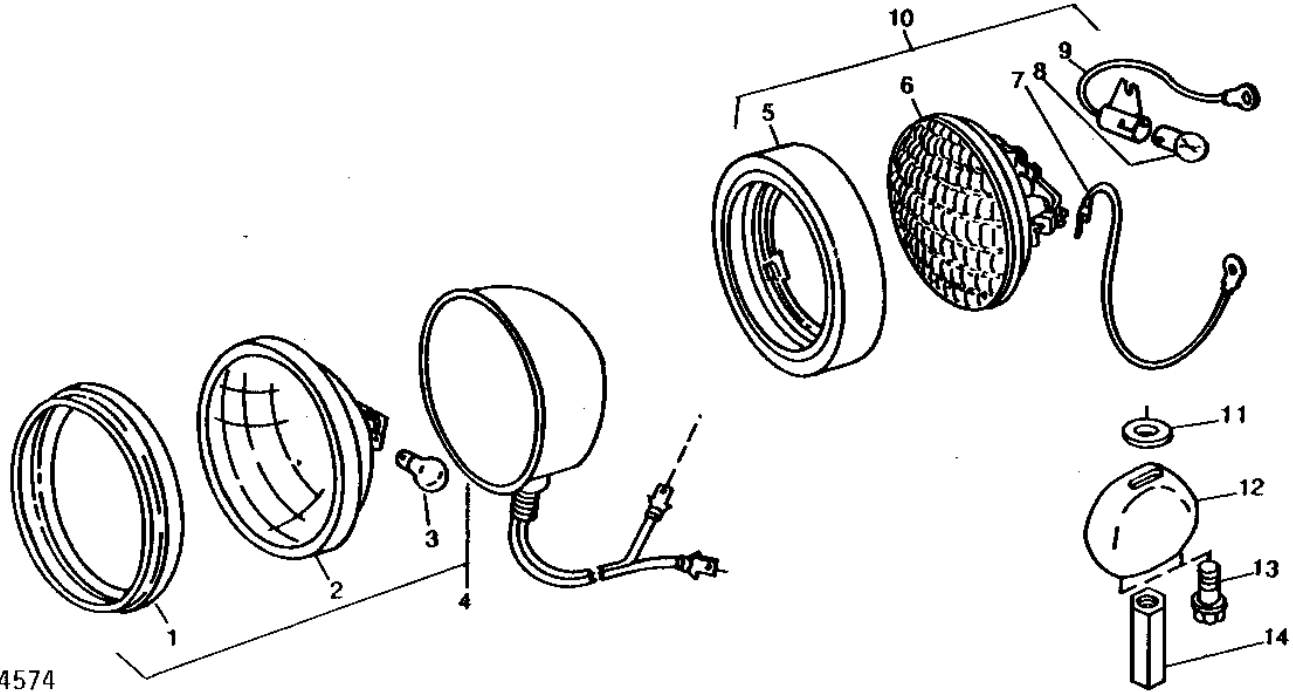
(A) LOW-CROP UTILITY WITH MID-MOUNTED OR ORCHARD LIGHTS

1116

ELECTRICAL

RWP4574 -UN-01JAN94

REAR LIGHT ASSEMBLY



RWP4574

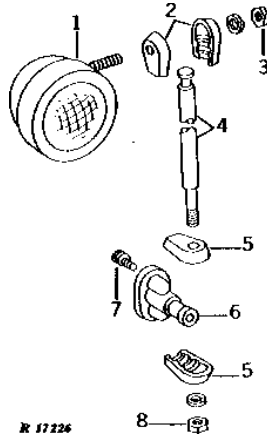
KEY	PART NO.	PART NAME	QTY	TRACTOR SERIAL NO.	REMARKS
1	R31250	BEZEL	1	-XXXXXX	(GUIDE)
	R30182	BEZEL	1	-XXXXXX	(HOBBS)
2	AR21737	LAMP	1	-XXXXXX	(12-VOLT) (SUB AR77324, AD2062R AND AR77325)
3	AR86969	BULB	1	-XXXXXX	(12-16 VOLT) (SUB FOR AR21739)
4	AT20107	LAMP	1	-XXXXXX	FLOOD AND TAIL, (SUB AR77327)
5	R30182	BEZEL	1	XXXXXX-	(HOBBS)
6	AR77324	LAMP	1	XXXXXX-	
7	WIRING LEAD	2	XXXXXX-	(MAKE FROM R66319 AND (2) R32016)
8	AD2062R	BULB	1	XXXXXX-	(12 VOLT)
9	AR77325	SOCKET	1	XXXXXX-	
10	AR77327	LAMP	1	XXXXXX-	FLOOD AND TAIL
11	24H1355	WASHER	1		37/64" X 1-1/8" X 0.120", (SUB FOR R31892)
12	T21761	SUPPORT	1		
13	T19179	CAP SCREW	2		
14	T22522	NUT	1		

1117

ELECTRICAL

REAR COMBINATION LAMP EXTENSION
(TRACTOR SERIAL NO. 117500-)

R17226 -UN-01JAN94



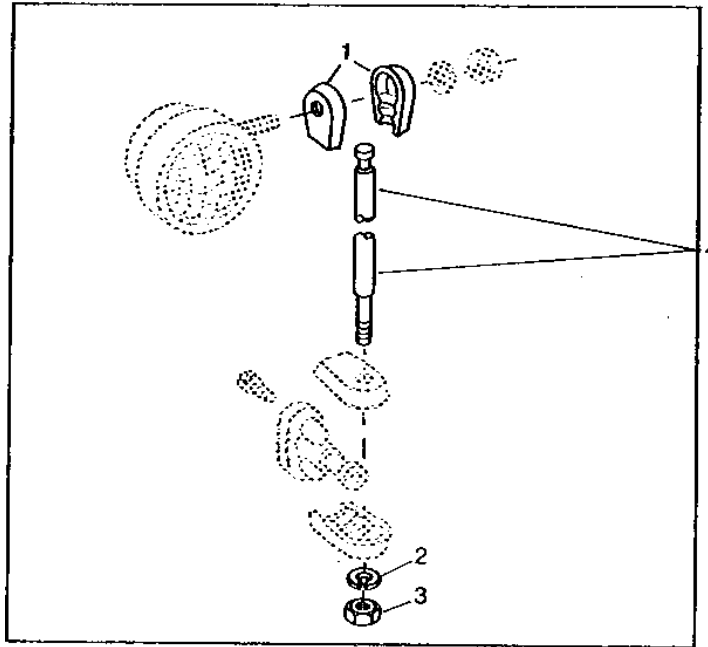
KEY	PART NO.	PART NAME	QTY	TRACTOR SERIAL NO.	REMARKS
1	AR77326	FLOODLAMP	1		FLOOD AND TAIL, (SUB FOR AT16288 OR AR34990)
2	R27460	CLAMP	2		
3	14H1040	NUT	1	1/2"	
	12H301	LOCK WASHER	1	1/2"	
4	R48473	EXTENSION	1		
5	R27460	CLAMP	2		
6	T19178	BRACKET	1		
7	37H106	SCREW	1	3/8" X 5/8"	
8	14H1040	NUT	1	1/2"	
	12H301	LOCK WASHER	1	1/2"	

1118

ELECTRICAL

RWP5428 -UN-01JAN94

LAMP EXTENSION KIT



RWP5428

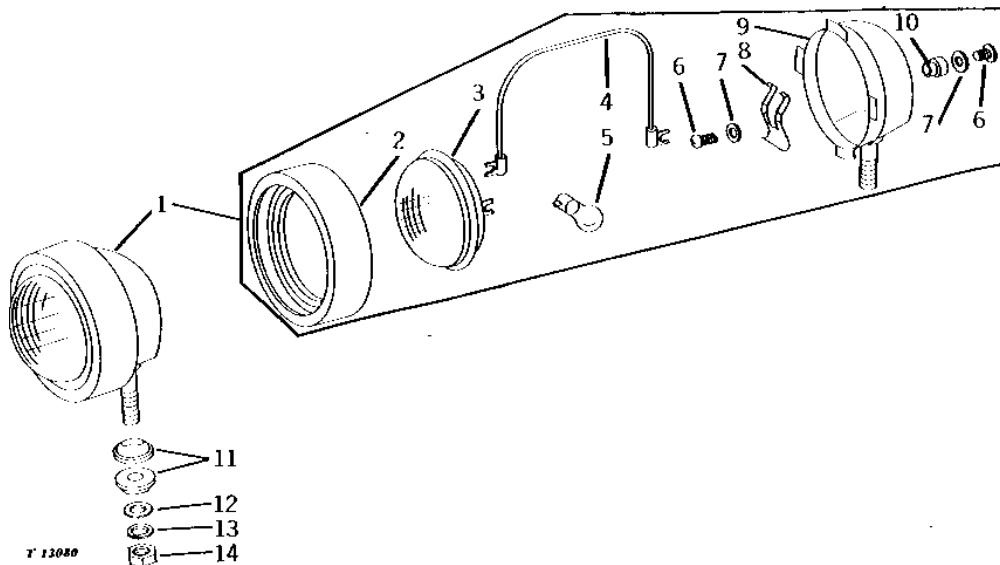
KEY	PART NO.	PART NAME	QTY	TRACTOR SERIAL NO.	REMARKS
1	R27460	CLAMP	2		
2	12H301	LOCK WASHER	1	1/2"	
3	14H1040	NUT	1	1/2"	
4	AR51610 R48473	KIT EXTENSION	1 1	(ORDER COMPONENT PARTS)	

1119

ELECTRICAL

REAR LIGHT
(LU LOW PROFILE)
(LU WITH ORCHARD LIGHTS)

T13080 -UN-01JAN94



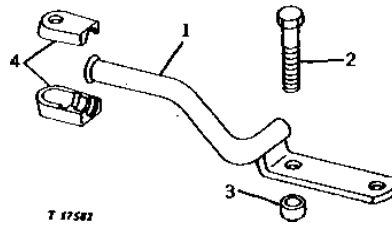
KEY	PART NO.	PART NAME	QTY	TRACTOR SERIAL NO.	REMARKS
1	AR77326	FLOODLAMP	1		FLOOD AND TAIL, (SUB FOR AT16288 OR AR34990)
2	R30182	BEZEL	1		(HOBBS)
	R31250	BEZEL	1		(GUIDE)
3	AR21737	LAMP	1		(12-VOLT) (SUB AR77324, AD2062R AND AR77325)
	AR77324	LAMP	1		(USE WITH AR77326)
	AR55888	SOCKET	1		(USE WITH AT16288)
	AR77325	SOCKET	1		(USE WITH AR77326)
4	WIRING LEAD	1		165MM (6-1/2") (MAKE FROM R66319 AND (2) R32016)
5	AR86969	BULB	1		(12-VOLT) (SUB FOR AR21739)
	AD2062R	BULB	1		(12-VOLT) (USE WITH AR77326)
	21H1293	SCREW	4		0.164" X 5/16"
7	12M7084	LOCK WASHER	4		0.169"
8	A2899R	ASSEMBLY LINE PARTS	2		
9	LAMP	1		(ORDER AR77326)
10	R30181	PLATE	2		(HOBBS)
	AA3495R	SUPPORT	2		(GUIDE)
11	T20693	WASHER	2		
12	24H1111	WASHER	1		17/32" X 1-1/16" X 0.090"
13	12H292	LOCK WASHER	1		1/2"
14	14H1040	NUT	1		1/2"

1120

ELECTRICAL

REAR LIGHT SUPPORT (LU LOW PROFILE)

T17582 -UN-01JAN94



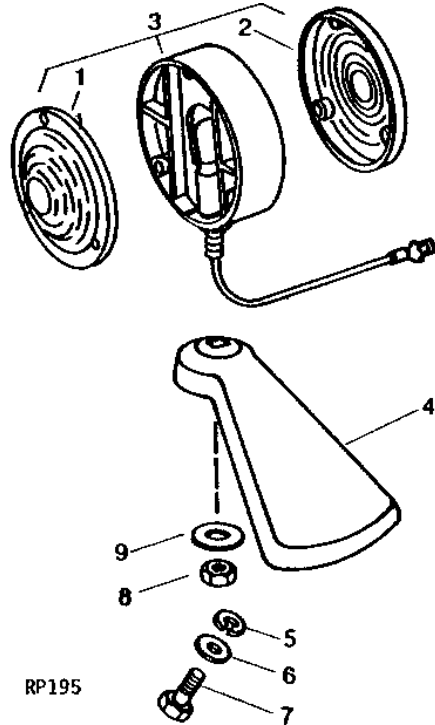
KEY	PART NO.	PART NAME	QTY	TRACTOR SERIAL NO.	REMARKS
1	AT27908	SUPPORT	1	(NLA)	
2	19H2644	CAP SCREW	1	1/2" X 2-1/2"	
3	P50738	BUSHING	1		
4	R27460	CLAMP	2		

1121

ELECTRICAL

RP195 -UN-01JAN94

WARNING LIGHT



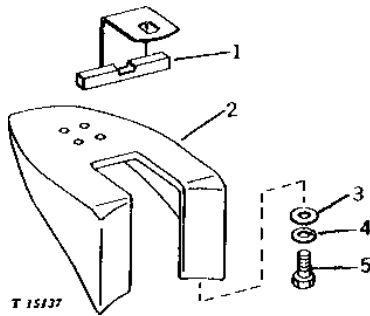
KEY	PART NO.	PART NAME	QTY	TRACTOR SERIAL NO.	REMARKS
1	R48665	LENS	1	117500-	(AMBER)
2	R48664	LENS	1	117500-	(AMBER WITH RED REFLECTOR)
3	AT23467	LAMP	1	-117499	(SUB FOR AT22066)
	AR50580	LAMP	2	117500-	
	R49296	SCREW	6	117500-	
	AD2062R	BULB	1		
4	R48352	SUPPORT	1		(SUB FOR T22524)
5	12H304	LOCK WASHER	2		3/8"
6	24H1307	WASHER	2		13/32" X 1" X 1/16"
7	19H2021	CAP SCREW	2		3/8" X 5/8"
8	14H865	NUT	1		1/2"
9	R47831	WASHER	1		(SUB FOR R38371)

1122

ELECTRICAL

**WARNING LIGHT SUPPORT
(LU LOW PROFILE)
(LU WITH 11.2 X 24, 12.4 X 24 AND 18.4 X 16 TIRES)**

T15137 -UN-01JAN94



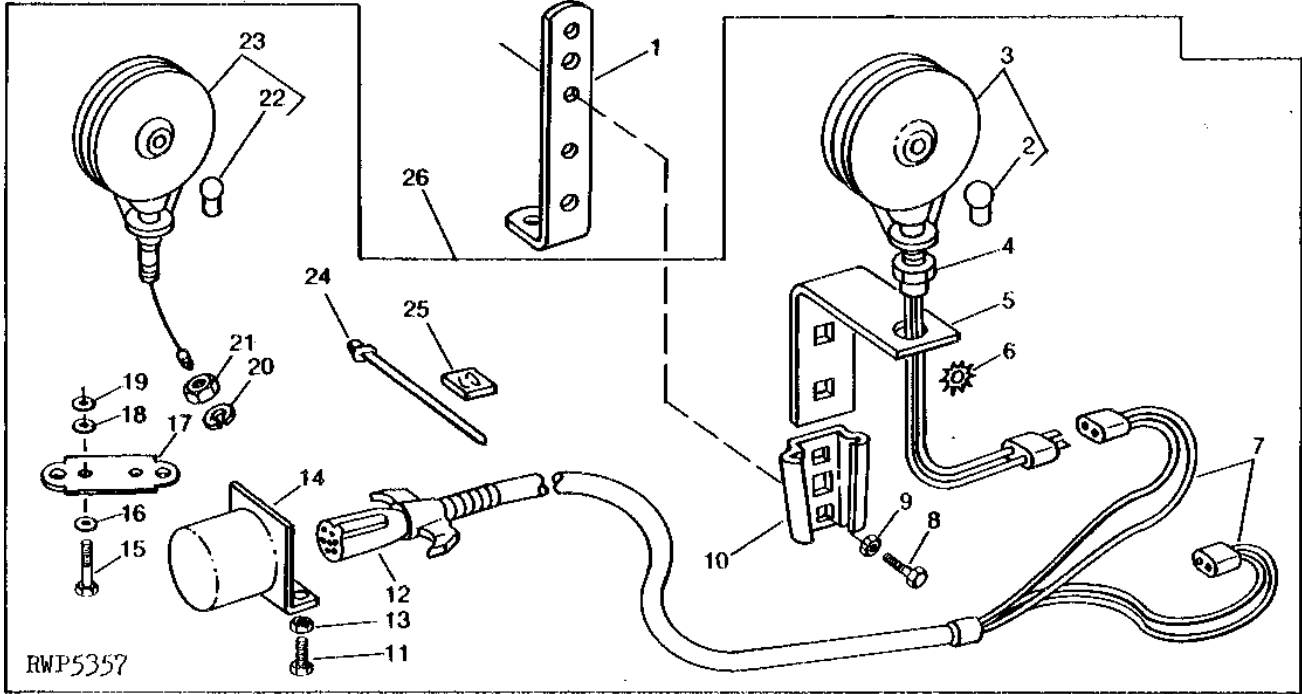
KEY	PART NO.	PART NAME	QTY	TRACTOR SERIAL NO.	REMARKS
1	AT27425	BRACKET	1	(NLA)	
2	AT27907	SUPPORT	1	(NLA)	
3	24H1307	WASHER	3	13/32" X 1" X 1/16"	
4	12H304	LOCK WASHER	3	3/8"	
5	19H2021	CAP SCREW	3	3/8" X 5/8"	

1123

ELECTRICAL

RWP5357 -UN-01JAN94

IMPLEMENT WARNING LAMP KIT



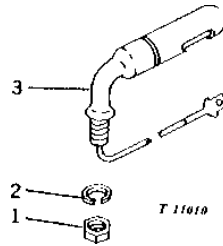
KEY	PART NO.	PART NAME	QTY	TRACTOR SERIAL NO.	REMARKS
1	A39716	BRACKET	2		
2	AD2062R	BULB	2		
3	AA34967	LAMP	2		
	A48331	LENS	2		
4	12H301	LOCK WASHER	2	1/2"	
	14H856	NUT	2	1/2"	
5	PT18180	BRACKET	2		(SUB FOR PT1624 OR PT9319)
6	PT9390	WASHER	1		
7	PT9318	WIRING HARNESS	1		(SUB FOR PT1294)
8	37H57	SCREW	5	5/16" X 3/4"	
9	14H785	NUT	5	5/16"	
10	JD126	SOCKET	2		
11	37H3	SCREW	2	1/4" X 5/8"	
12	AH93625	PLUG	1		
13	14H786	NUT	2	1/4"	
14	PT1296	BRACKET	1		
15	37H57	SCREW	5	5/16" X 3/4"	
16	24H1822	WASHER	1	11/32" X 7/8" X 1/16"	
17	PT18181	BRACKET	1		(SUB FOR PT9320)
18	24H1822	WASHER	1	11/32" X 7/8" X 1/16"	
19	14H788	NUT	5	3/8"	
20	12H301	LOCK WASHER	1	1/2"	
21	14H856	NUT	1	1/2"	
22	AR48041	BULB	1		
23	AA34968	TAIL LAMP	1		
	A48332	LENS	1		
24	R44302	TIE BAND	AR		
25	AT55441	BASE	AR		(SUB FOR PT9321)
26	TY16055	KIT	1		(SUB FOR TY9305 OR TY15157)
..	AA32178	WIRING LEAD	1		ACCESSORY

1124

ELECTRICAL

DASH LAMP (ORCHARD LIGHTS) (LU)

T11010 -UN-01JAN94



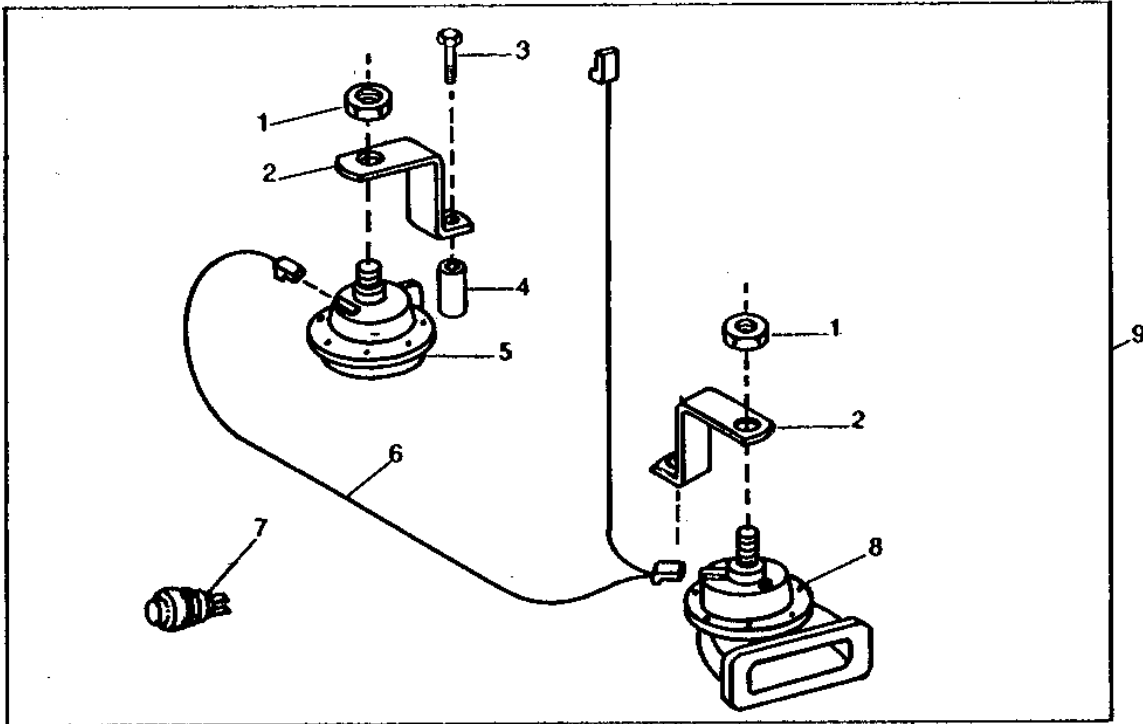
KEY	PART NO.	PART NAME	QTY	TRACTOR SERIAL NO.	REMARKS
1	14H1076	NUT	1	3/8"	
2	12H304	LOCK WASHER	1	3/8"	
3	AT20739	LAMP	1		
	AR56675	BULB	1		(SUB FOR AT22970)

1125

ELECTRICAL

RWP4155 -UN-01JAN94

HORN



RWP4155

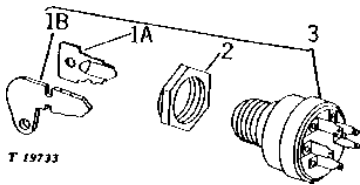
KEY	PART NO.	PART NAME	QTY	TRACTOR SERIAL NO.	REMARKS
1	R11278	NUT	2		
2	R75833	BRACKET	2		(SUB FOR R66069)
3	19H1726	CAP SCREW	2		3/8" X 2-1/4"
4	28H3381	SPACER	1		
5	AT39043	HIGH NOTE HORN	1		
6	AR85578	WIRING HARNESS	1		
7	AL17684	PUSH BUTTON	1		
8	R64700	LOW NOTE HORN	1		
9	RE12715	HORN	1		(FI)

1J1

ELECTRICAL

IGNITION SWITCH
(TRACTOR SERIAL NO. -117499)

T19733 -UN-01JAN94



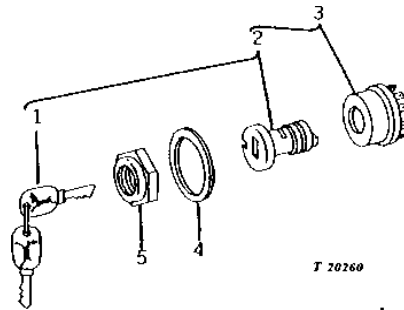
KEY	PART NO.	PART NAME	QTY	TRACTOR SERIAL NO.	REMARKS
1A	T23877	KEY	1	-096530	
1B	B17575	KEY	1	096531-	
2	T23878	NUT	1	-096530	
3	T33183	NUT	1	096531-	
	AT21880	SWITCH	1		(SUB FOR AT18721)

1J2

ELECTRICAL

**IGNITION SWITCH
(TRACTOR SERIAL NO. 117500-149980)**

T20260 -UN-01JAN94



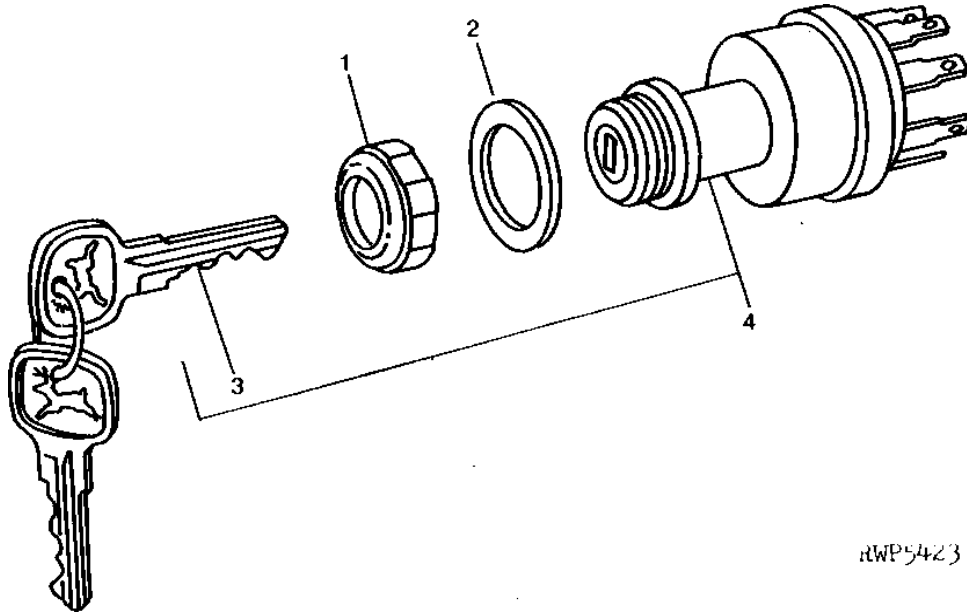
KEY	PART NO.	PART NAME	QTY	TRACTOR SERIAL NO.	REMARKS
1	AR51481	KEY	1		(SET OF 2) (SUB FOR R45361)
2	AR47459	CYLINDER	1		
3	AR58126	KEY SWITCH	1		(SUB FOR AR47458 OR AR53452)
4	24H1462	WASHER	1		1-1/16" X 1-1/2" X 0.060"
5	R44342	NUT	1		

1J3

ELECTRICAL

IGNITION SWITCH
(TRACTOR SERIAL NO. 149981-)

RWP5423 -UN-01JAN94



RWP5423

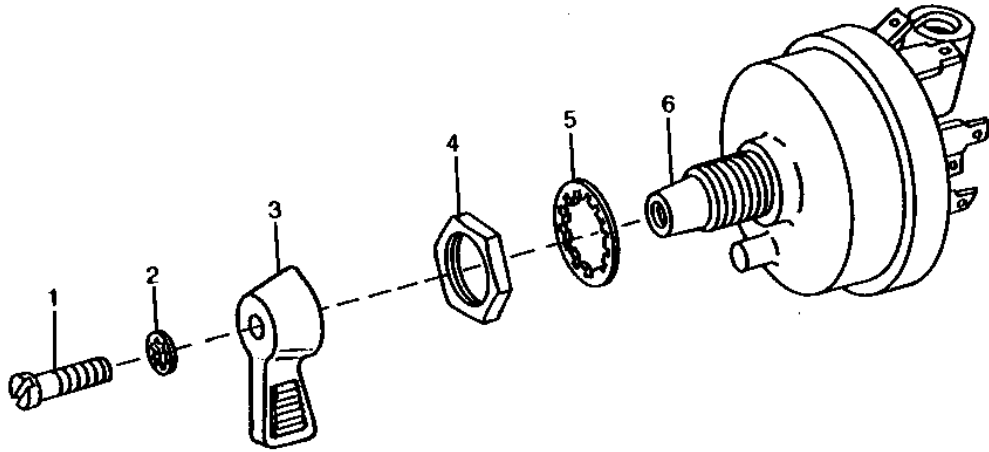
KEY	PART NO.	PART NAME	QTY	TRACTOR SERIAL NO.	REMARKS
1	R44342	NUT	1		
2	24H1462	WASHER	1	1-1/16" X 1-1/2" X 0.060"	
3	AR51481	KEY	1		
4	AR58126	KEY SWITCH	1		

1J4

ELECTRICAL

RWP4858 -UN-01JAN94

LIGHT SWITCH



RWP4858

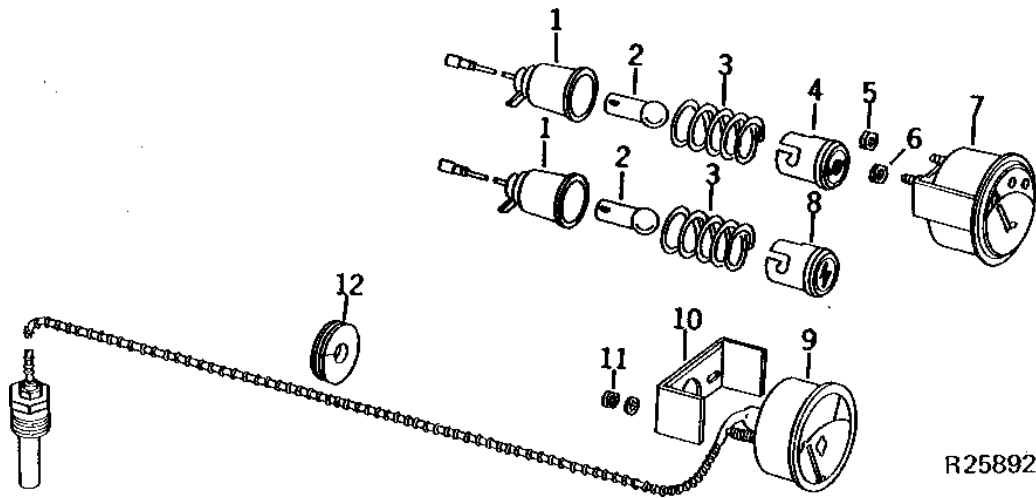
KEY	PART NO.	PART NAME	QTY	TRACTOR SERIAL NO.	REMARKS
1	21H973	SCREW	1		0.164" X 3/8"
2	12H315	LOCK WASHER	1		0.164"
3	A4653R	KNOB	1		
4	A4655R	NUT	1		
5	12H292	LOCK WASHER	1		1/2"
6	AR28401	SWITCH	1		

1J5

ELECTRICAL

R25892 -UN-01JAN94

GAUGES AND INDICATOR LIGHTS



R25892

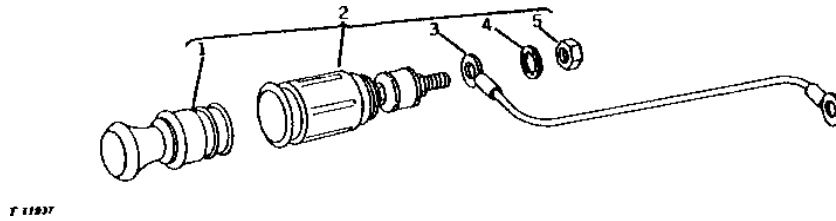
KEY	PART NO.	PART NAME	QTY	TRACTOR SERIAL NO.	REMARKS
1	AT44165	WIRING LEAD	2		
2	AR55694	BULB	2		
3	R30378	SPRING	2		
4	AT48674	LENS	1		ENGINE OIL PRESSURE, (ALSO ORDER AT44165, AR55694 AND R30378) (SUB FOR AT22038 OR AR65447)
5	14H631	NUT	1	0.190"	
6	14H605	NUT	1	0.164"	
7	AT149002	KIT	1		FUEL, (SUB FOR AT20175 OR AR65444)
8	AT48673	LENS	1		ALTERNATOR, (ALSO ORDER AT44165, AR55694 AND R30378) (SUB FOR AT22037 OR AR65446)
9	AT67693	TEMPERATURE GAUGE	1		WATER TEMPERATURE, (SUB FOR AT21239 OR AR65543)
10	T366T	BRACKET	1		
11	14H631	NUT	2	0.190"	
	12M7060	WASHER	2	0.209"	
12	R26936	GROMMET	1		

1J6

ELECTRICAL

CIGAR LIGHTER

T11937 -UN-01JAN94



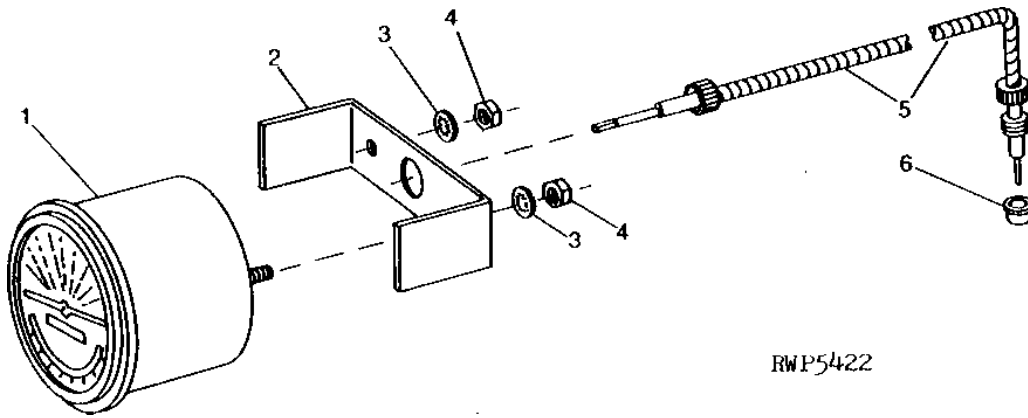
KEY	PART NO.	PART NAME	QTY	TRACTOR SERIAL NO.	REMARKS
1	AA5787R	LIGHTER	1		
2	AR48643	LIGHTER	1		(12-VOLT) (SUB FOR AR34556)
3	WIRING LEAD	1		305MM (12") (MAKE FROM R66319, R32018, R32027 AND AR65005)
4	12M7084	LOCK WASHER	1		0.169"
5	14H605	NUT	1		0.164"

1J7

ELECTRICAL

TACHOMETER

RWP5422 -UN-01JAN94



RWP5422

KEY	PART NO.	PART NAME	QTY	ENGINE SERIAL NO.	REMARKS
1	AR65445	TACHOMETER	1		(SUB FOR AT20641 OR AR50954)
2	T21828	CHANNEL	1		
3	12M7060	WASHER	2	0.209"	
4	14H631	NUT	2	0.190"	
5	AT19905	CABLE	1		
6	T31437	BUSHING	1		

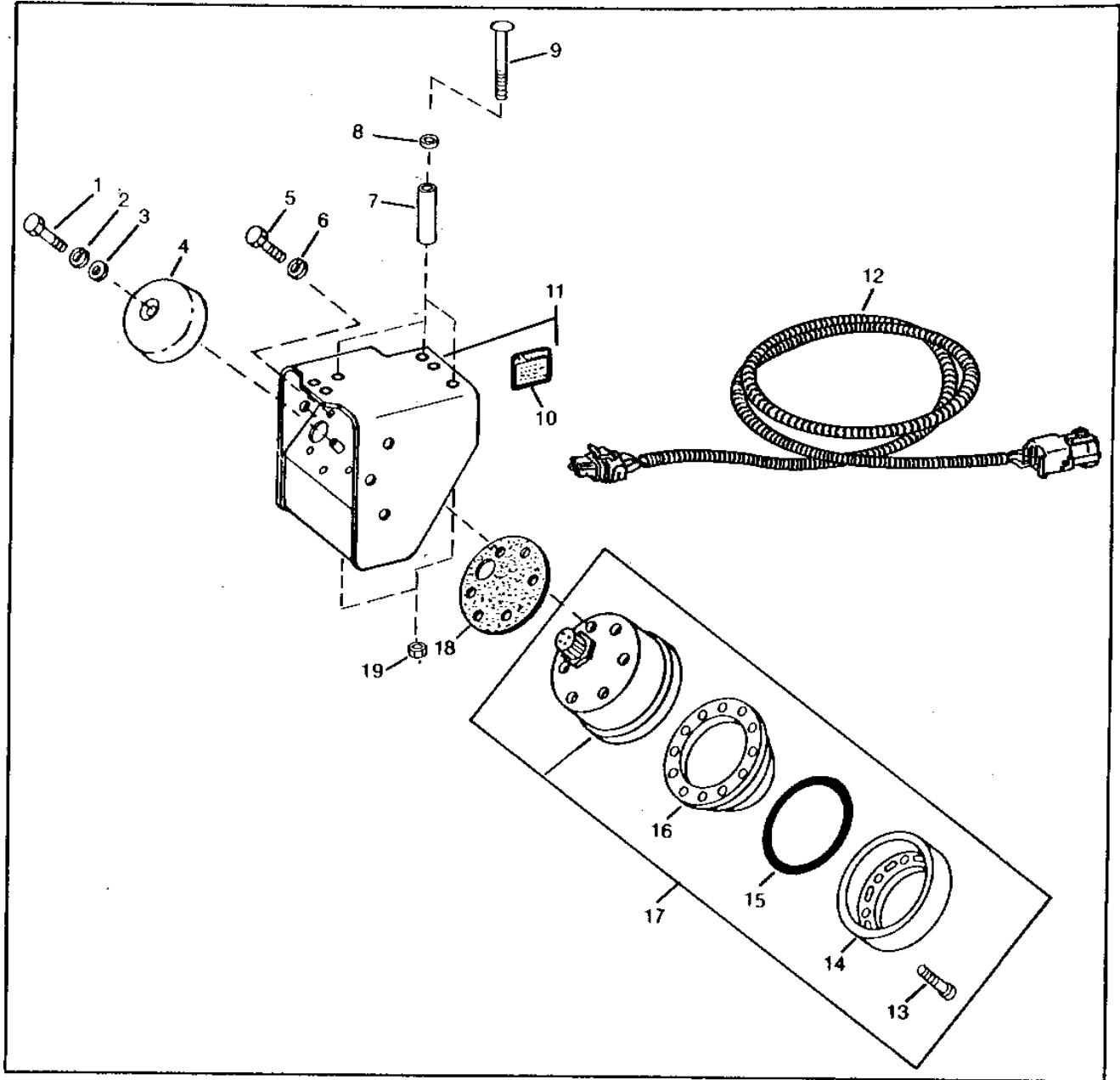
1J8

ELECTRICAL

RXP9306

-UN-01JAN94

RADAR SENSOR



RXP9306

20

1J9

ELECTRICAL

RADAR SENSOR - CONTINUED

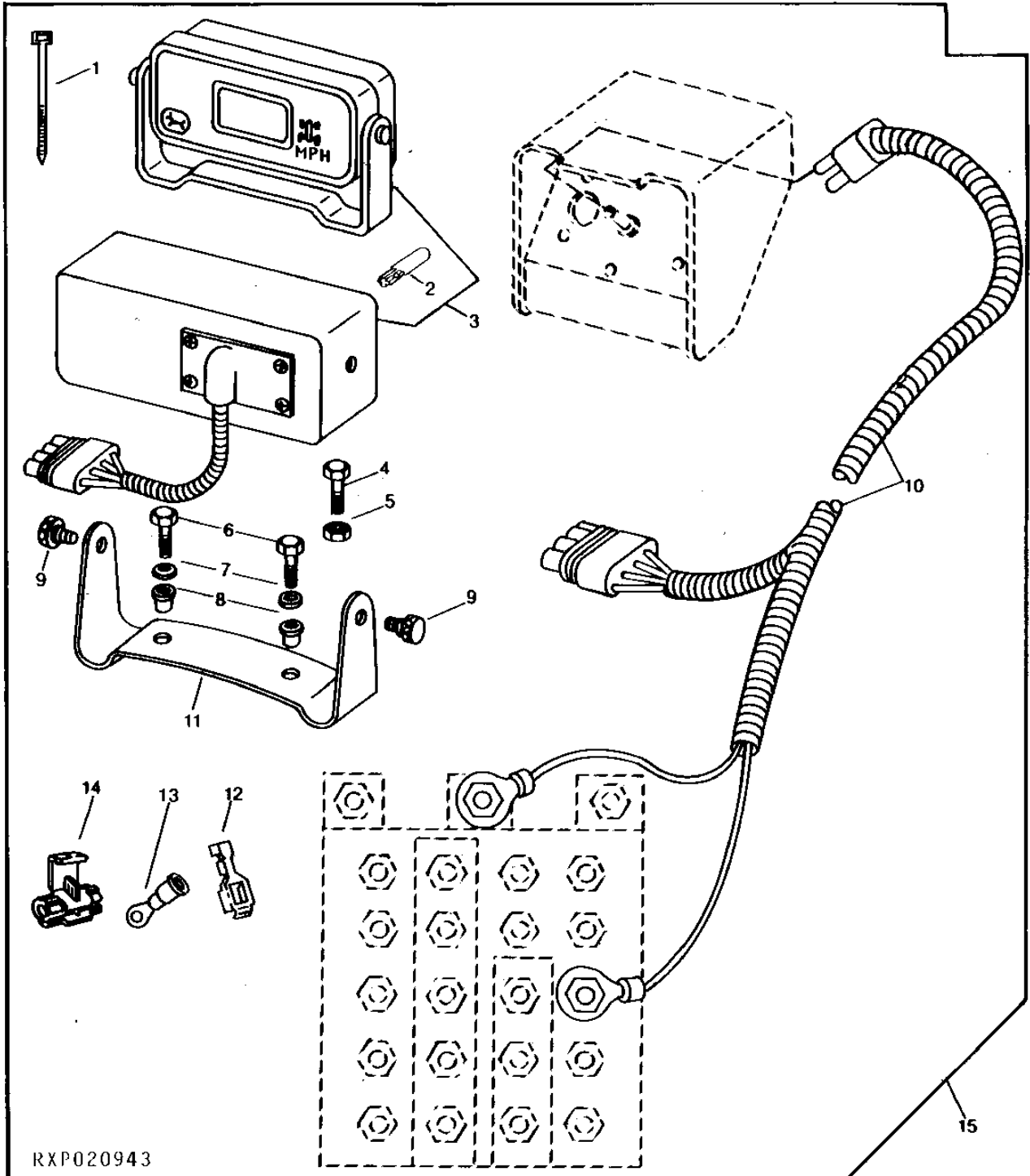
KEY	PART NO.	PART NAME	QTY	TRACTOR SERIAL NO.	REMARKS
1	19H1813	CAP SCREW	1	5/16" X 5/8"	
2	12H303	LOCK WASHER	1	5/16"	
3	24H1136	WASHER	1	11/32" X 11/16" X 0.065"	
4	R82355	SHIELD	1		
5	19H1813	CAP SCREW	6	5/16" X 5/8"	
6	12H303	LOCK WASHER	6	5/16"	
7	28H3343	BUSHING	3	0.546" X 0.840" X 5-3/8"	
8	24H1625	WASHER	2	17/32" X 1" X 0.120"	
9	03H2052	BOLT	3	1/2" X 6-1/2"	
10	R120107	LABEL	1	(ENGLISH)	
	R120106	LABEL	1	(FRENCH)	
	R105942	LABEL	1	(GERMAN)	
	R120108	LABEL	1	(SPANISH)	
	L65000	LABEL	1		
11	RE46317	BRACKET	1	(SUB FOR RE21096 OR RE38707)	
12	RE46414	WIRING HARNESS	1		
13	R82239	SCREW	12		
14	R82237	SNAP RING	1		
15	R82238	O-RING	1		
16	R82236	COVER	1		
17	RE43025	RADAR SENSOR	1	(SUB FOR RE21073)	
18	R82243	GASKET	1		
19	14H1040	NUT	3	1/2"	
20	AR111058	SENSOR	1	(SUB FOR RE21510 OR RW26466) (FI)	
	RE66845	RADAR SENSOR	1	(REMANUFACTURED)	

1J10

ELECTRICAL

PERFORMANCE TRAK II MINI-MONITOR (ANALOG TACHOMETER)

RXP020943 -UN-12OCT94



RXP020943

1J11

ELECTRICAL

PERFORMANCE TRAK II MINI-MONITOR - CONTINUED
(ANALOG TACHOMETER)

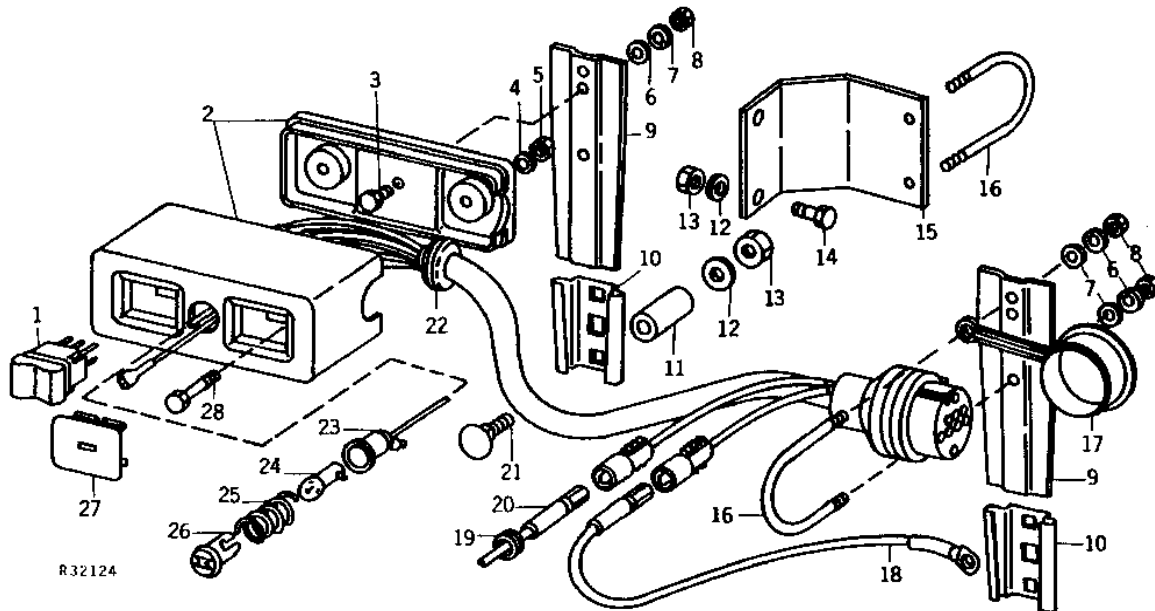
KEY	PART NO.	PART NAME	QTY	TRACTOR SERIAL NO.	REMARKS
1	R44302	TIE BAND	AR		
2	RE22589	LAMP	1		
3	RE21112	MONITOR CONSOLE	1		
4	19H1978	CAP SCREW	3	7/16" X 1-1/2"	
	12H293	LOCK WASHER	3	7/16"	
5	14H1047	NUT	3	7/16"	
	14H786	NUT	2	1/4"	
6	19H1914	CAP SCREW	2	1/4" X 1"	
7	24H1287	WASHER	4	9/32" X 5/8" X 0.065"	
8	R82423	NUT	2	RUBBER	
9	R83055	WING SCREW	2		
10	RE21113	WIRING HARNESS	1	3500MM (138")	
11	R83109	BRACKET	1		
12	U46662	TERMINAL	1		
13	R77489	TERMINAL	1		
	R84158	TERMINAL	1		
14	AR67855	CONNECTOR	3		
15	RE21738	MONITOR CONSOLE	1	(FI)	

1J12

ELECTRICAL

R32124 -UN-01JAN94

ELECTRICAL REMOTE CONTROL



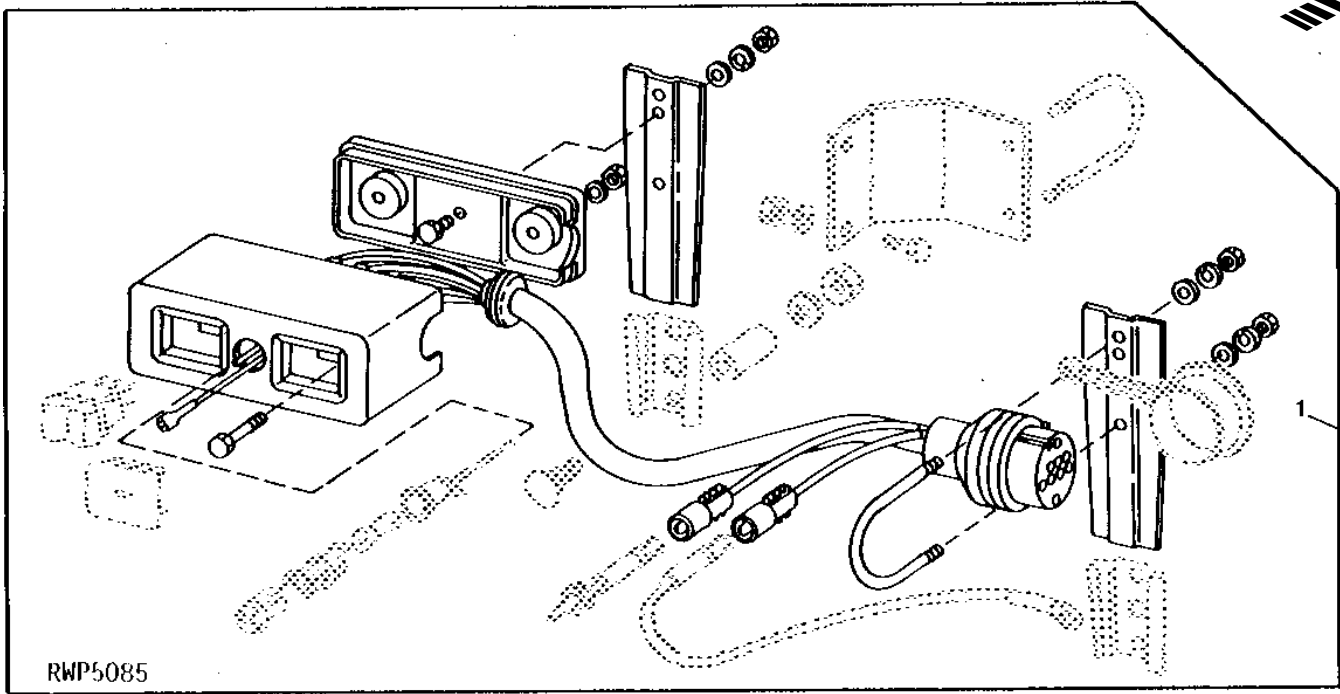
KEY	PART NO.	PART NAME	QTY	TRACTOR SERIAL NO.	REMARKS
1	AR49797	TOGGLE SWITCH	1		MOMENTARY ROCKER (FI)
	AR49798	ROCKER SWITCH	1		DETEND ROCKER (FI)
2	AR50779	WIRING HARNESS	1		(TWO SWITCH)
	AR50780	WIRING HARNESS	1		(FOUR SWITCH)
3	19H1914	CAP SCREW	1		1/4" X 1"
4	12H315	LOCK WASHER	2		0.164"
5	14H605	NUT	2		0.164"
6	24H1821	WASHER	3		9/32" X 47/64" X 1/16"
7	12H302	LOCK WASHER	3		1/4"
8	14H786	NUT	3		1/4"
9	R47861	BRACKET	AR		(2 USED, TWO SWITCH) (1 USED, FOUR SWITCH)
	R47860	BRACKET	1		(FOUR SWITCH)
10	JD126	SOCKET	2		
11	28H1495	SPACER	2		3/8" X 1"
12	24M7207	WASHER	4		8.400 X 24 X 2 MM
13	14H785	NUT	4		5/16"
14	21H1304	SCREW	2		5/16" X 3/4"
15	R54467	BRACKET	1		
16	E16050	U-BOLT	1		
17	R48048	CAP	1		
18	AR50928	WIRING LEAD	1		
19	H987R	GROMMET	4		
20	AR50927	WIRING LEAD	1		
21	03H1515	BOLT	2		5/16" X 2"
22	R36235	GROMMET	1		
23	AT44165	WIRING LEAD	1		
24	AR55694	BULB	1		
25	R30378	SPRING	1		
26	AT48673	LENS	1		
27	R48049	PLUG	1		
28	R48028	SCREW	2		
..	R48026	DECAL	1		

1J13

ELECTRICAL

RWP5085 -UN-01JAN94

ELECTRICAL REMOTE CONTROL KIT



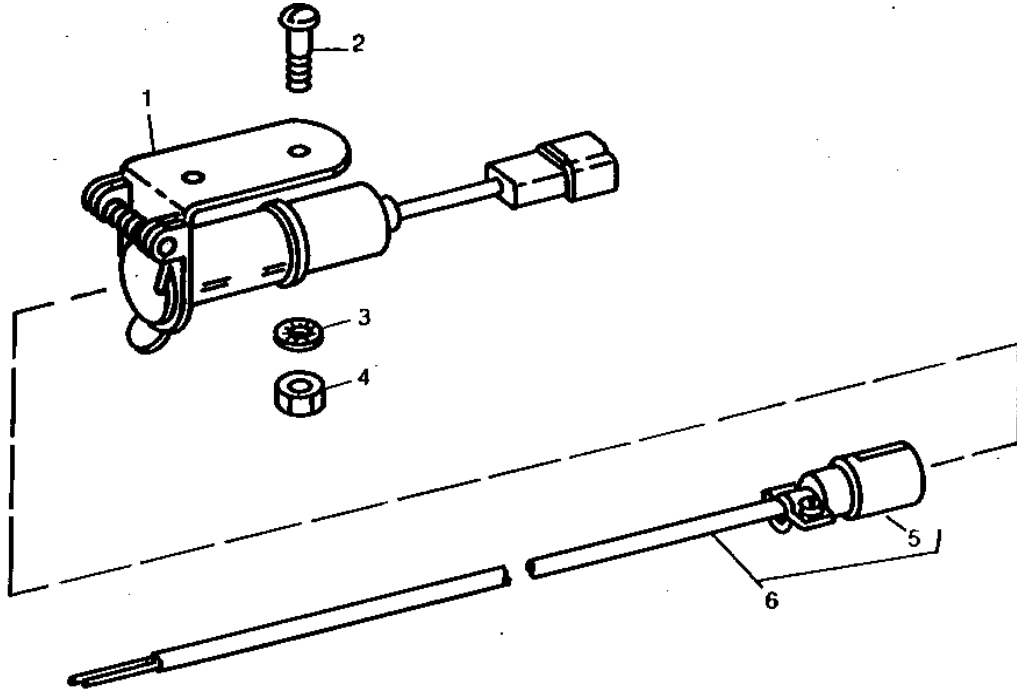
KEY	PART NO.	PART NAME	QTY	TRACTOR SERIAL NO.	REMARKS
1	AR62360	KIT	1	(TWO SWITCHES) (FI)	

1J14

ELECTRICAL

RXP8343 -UN-01JAN94

ELECTRICAL OUTLET SOCKET



RXP8343

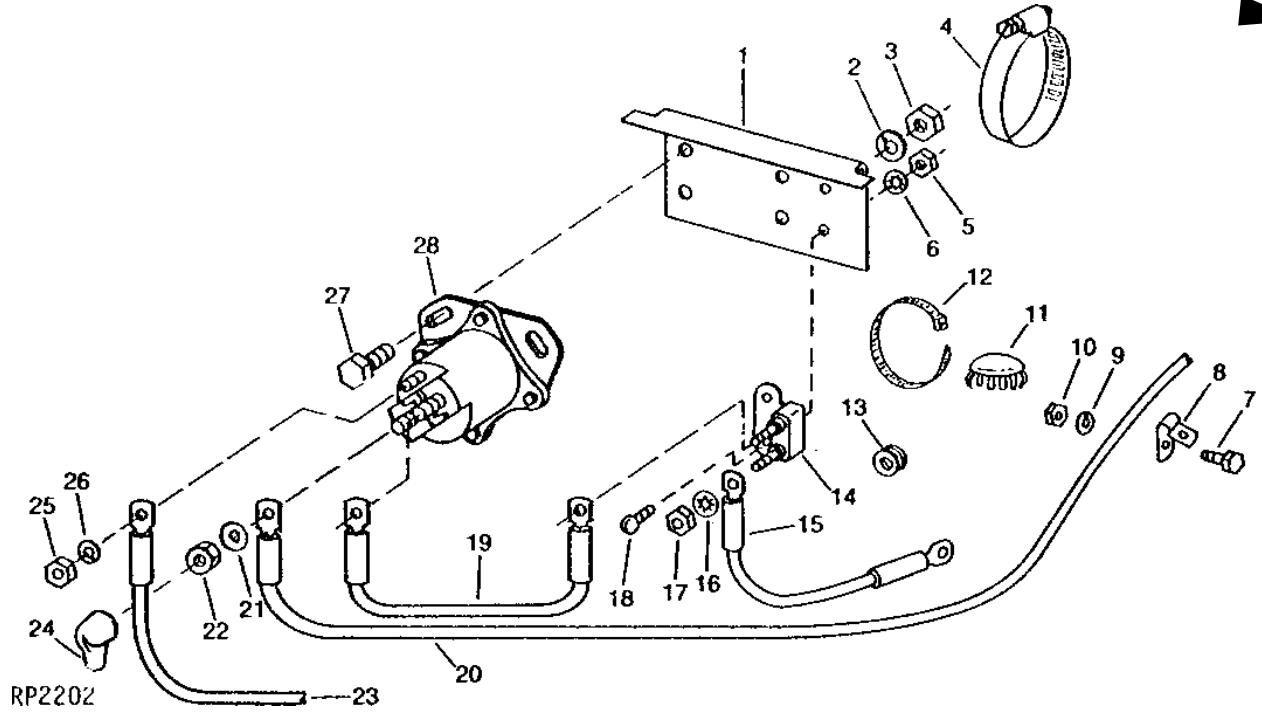
KEY	PART NO.	PART NAME	QTY	TRACTOR SERIAL NO.	REMARKS
1	AT20709	SOCKET OUTLET	1		
2	19H1815	CAP SCREW	2	1/2" X 1-1/4"	
3	12H301	LOCK WASHER	6	1/2"	
4	14H1040	NUT	2	1/2"	
5	AA5692R	ELECTRICAL PLUG	1		
6	AR40710	PLUG	1		

1J15

ELECTRICAL

RP2202 -UN-01JAN94

ELECTRICAL REMOTE CONTROL WIRING



KEY	PART NO.	PART NAME	QTY	TRACTOR SERIAL NO.	REMARKS
1	R69109	BRACKET	1	(SUB FOR R47859)	
2	12H297	LOCK WASHER	2	1/4"	
3	14H786	NUT	2	1/4"	
4	AR52392	CLAMP	2		
5	14H631	NUT	2	0.190"	
6	12M7060	WASHER	2	0.209"	
7	19H1731	CAP SCREW	2	3/8" X 1"	
8	T14264	CLAMP	2		
9	12H304	LOCK WASHER	2	3/8"	
10	14H732	NUT	2	3/8"	
11	R32276	PLUG	1	(CAB OPENING)	
12	R44302	TIE BAND	AR		
13	R41439	GROMMET	1		
14	AR50926	CIRCUIT BREAKER	1		
15	AR50930	WIRING LEAD	1		
16	12M7060	WASHER	2	0.209"	
17	14H631	NUT	2	0.190"	
18	21H1295	SCREW	2	0.190" X 5/8"	
19	AR50929	WIRING LEAD	1		
20	AR50927	WIRING LEAD	1		
21	12H303	LOCK WASHER	2	5/16"	
22	14H785	NUT	2	5/16"	
23	AR50931	WIRING LEAD	1		
24	R36732	BOOT	2		
25	14H631	NUT	1	0.190"	
26	12H246	LOCK WASHER	1	0.190"	
27	19H1919	CAP SCREW	2	1/4" X 5/8"	
28	RE44657	RELAY	1	(FI)	

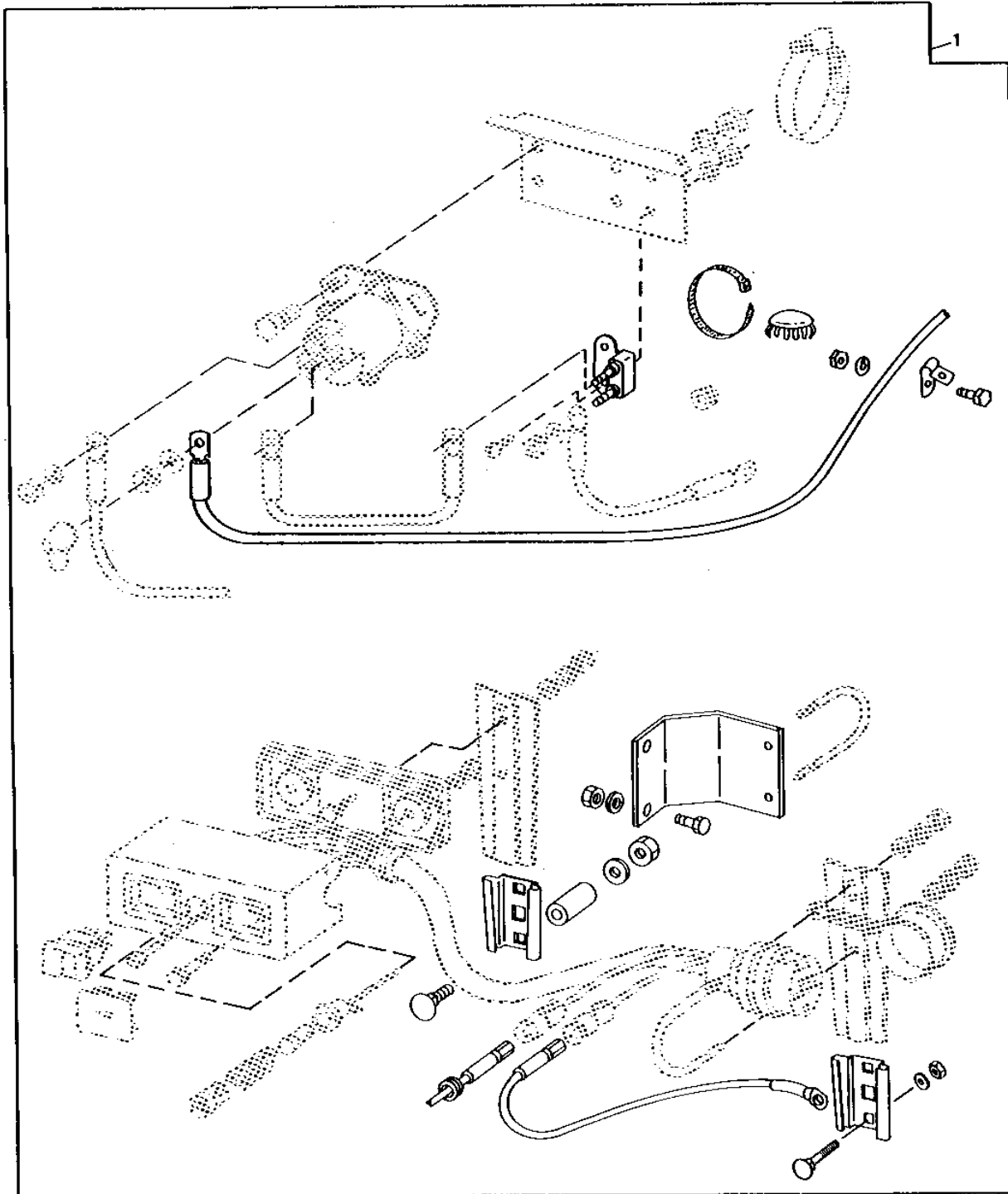
1J16

ELECTRICAL

RWP5666

-UN-01JAN94

ELECTRICAL REMOTE CONTROL WIRING KIT



RWP5666

1J17

ELECTRICAL

ELECTRICAL REMOTE CONTROL WIRING KIT - CONTINUED

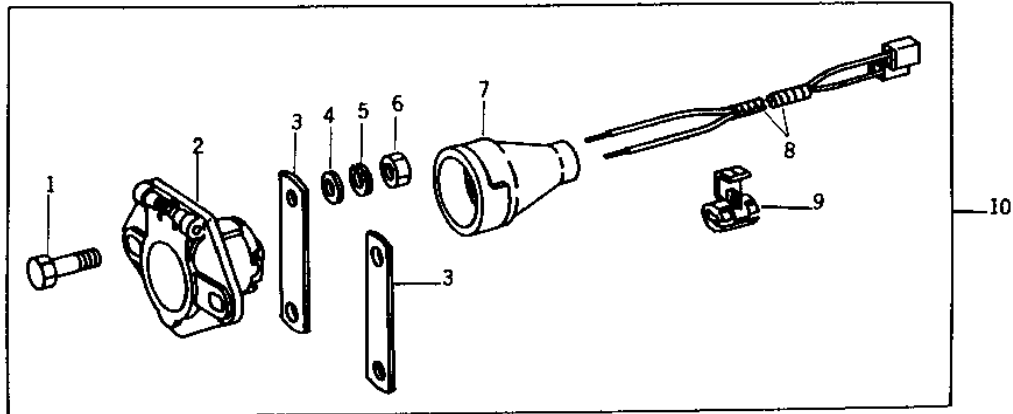
KEY	PART NO.	PART NAME	QTY	TRACTOR SERIAL NO.	REMARKS
1	RE25621	KIT	1	(SUB FOR AR62359)	

1J18

ELECTRICAL

R32128 -UN-01JAN94

7-TERMINAL ELECTRICAL OUTLET SOCKET



R32128

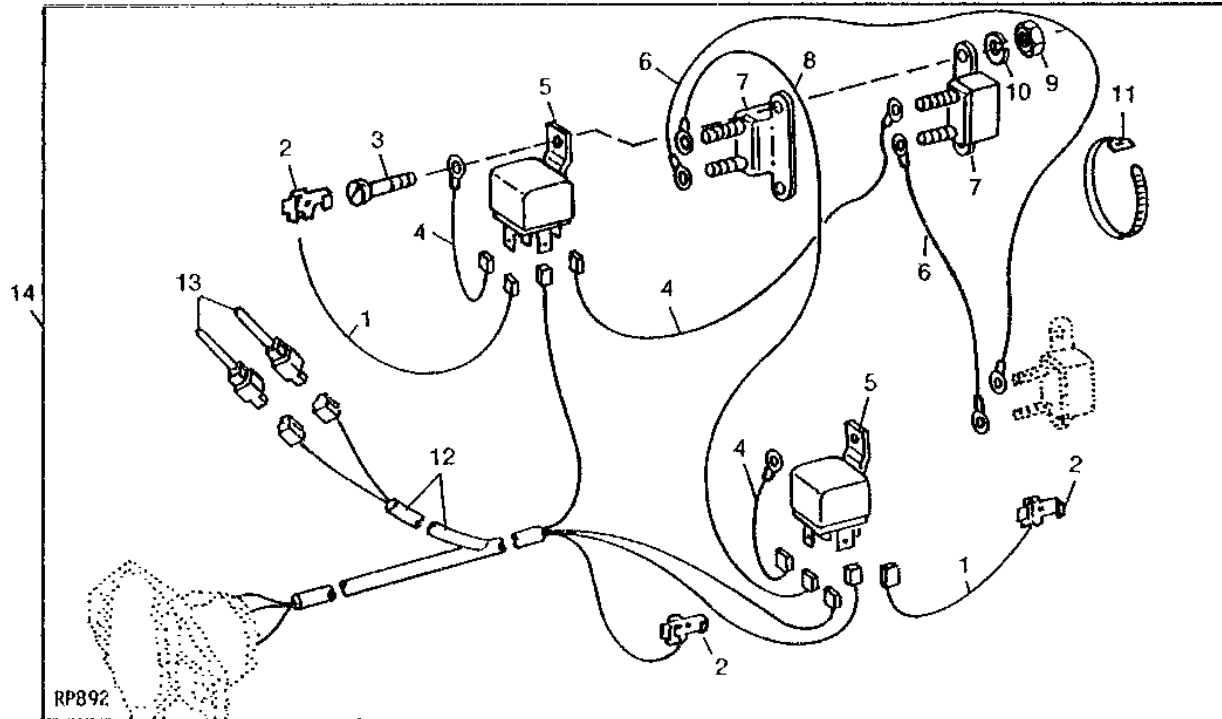
KEY	PART NO.	PART NAME	QTY	TRACTOR SERIAL NO.	REMARKS
1	19H1905	CAP SCREW	4	5/16" X 1"	
2	AR75695	SOCKET OUTLET	1		
3	R61776	STRAP	2		
4	24H1136	WASHER	4	11/32" X 11/16" X 0.065"	
5	12H303	LOCK WASHER	4	5/16"	
6	14H785	NUT	4	5/16"	
7	R61775	BOOT	1		
8	AR75696	WIRING HARNESS	1	GROUND	
.....		WIRING LEAD	1	3963MM (156") TAIL LAMP LEAD, (MAKE FROM R77500)	
9	AR67855	CONNECTOR	3		
10	RE17282	KIT	1	(SUB FOR AR75694) (FI)	

1J19

ELECTRICAL

SUPPLEMENTARY WIRING KIT (7-TERMINAL ELECTRICAL OUTLET SOCKET)

RP892 -UN-01JAN94



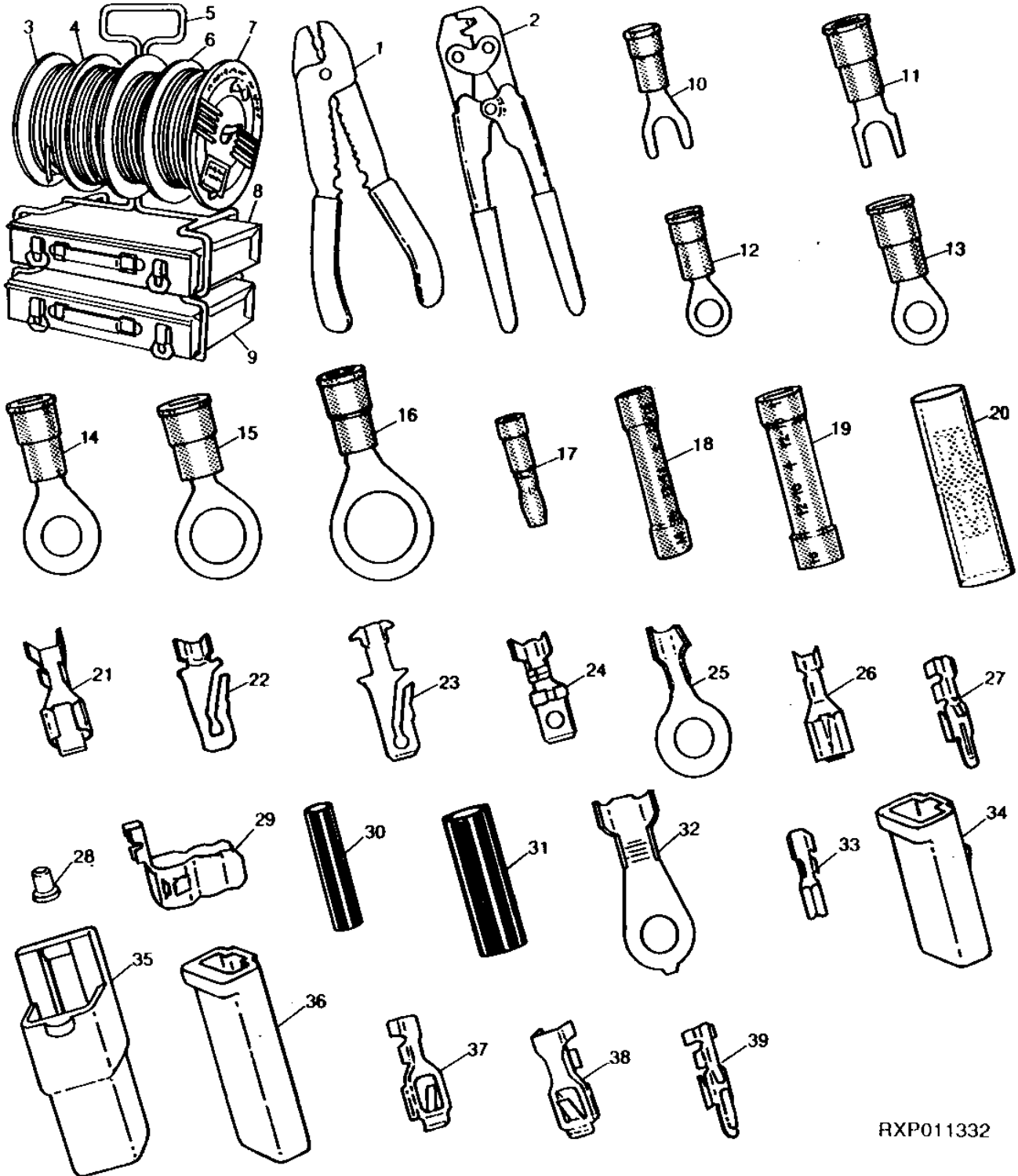
KEY	PART NO.	PART NAME	QTY	TRACTOR SERIAL NO.	REMARKS
1	WIRING LEAD	2	300MM (11-7/8")	(MAKE FROM R32007 AND R65600)
2	AR67855	CONNECTOR	3		
3	21H1282	SCREW	2	0.190" X 7/8"	
4	WIRING LEAD	3	152MM (6")	(MAKE FROM R32007, R32025, R32021 AND R32027)
5	AR74411	RELAY	2		
6	WIRING LEAD	2	152MM (6")	(MAKE FROM R32007 AND (2) R32018)
7	AR28403	CIRCUIT BREAKER	2		
8	WIRING LEAD	1	310MM (12-1/4")	(MAKE FROM R32007, R32024, R32018 AND R32027)
9	14H631	NUT	6	0.190"	
10	12M7060	WASHER	6	0.209"	
11	R44302	TIE BAND	10		
12	AR82908	WIRING HARNESS	1		
13	AR82911	WIRING LEAD	2		
14	AR82906	KIT	1		(SUB FOR AR78052, THIS APPLICATION) (USE WITH RE17282) (FI)

1J20

ELECTRICAL

RXP011332 -UN-27SEP94

ELECTRICAL TERMINALS,CONNECTORS AND WIRING



RXP011332

1J21

ELECTRICAL

ELECTRICAL TERMINALS,CONNECTORS AND WIRING - CONTINUED

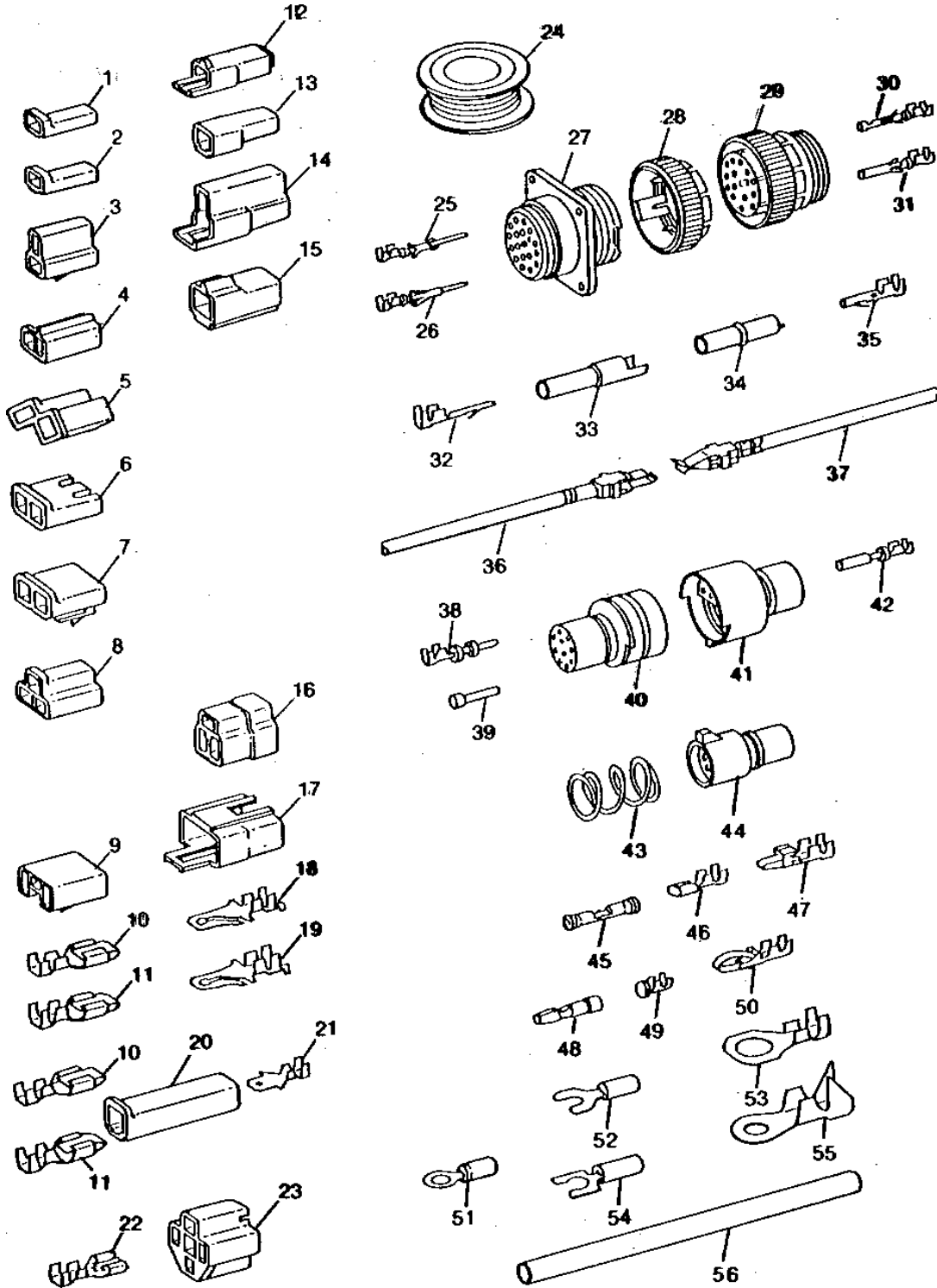
KEY	PART NO.	PART NAME	QTY	TRACTOR SERIAL NO.	REMARKS
1	R32011	TOOL	1	(NLA)	
2	R65594	TOOL	1		
3	R66319	WIRING LEAD	1	14 GA., 30.5 M (100 FT.) (1 SPOOL)	
4	R65593	WIRING LEAD	1	16 GA., 30.5 M (100 FT.) (1 SPOOL)	
5	R65608	RACK	1		
6	R66321	WIRING LEAD	1	10 GA., 15 M (50 FT.) (1 SPOOL)	
7	R66320	WIRING LEAD	1	12 GA., 30.5 M (100 FT.) (1 SPOOL)	
8	R65609	CONTAINER	1	(NLA)	
9	R65610	CONTAINER	1		
10	R32016	TERMINAL	1	14-16 GA., NO. 10 SPADE	
11	R32017	TERMINAL	1	10-12 GA., NO. 10 SPADE	
12	R32018	TERMINAL	1	14-16 GA., NO. 10 EYELET	
13	R32019	TERMINAL	1	10-12 GA., NO. 10 EYELET	
14	R32021	TERMINAL	1	10-12 GA., 1/4" EYELET	
15	R32022	TERMINAL	1	10-12 GA., 3/8" EYELET	
16	R32023	TERMINAL	1	10-12 GA., 1/2" EYELET	
17	R32026	TERMINAL	1	MALE BULLETT	
18	R32027	CONNECTOR	1	SPLICE, 14-16 GA.	
19	R32028	TERMINAL	1	SPLICE, 10-12 GA.	
20	AL2976T	CONNECTOR	1	(SUB FOR R32029) 2-WIRE BULLETT CONNECTOR	
21	R65595	TERMINAL	1	FEMALE, 10 GA.	
22	R65596	TERMINAL	1	MALE, 10 GA. OR TWO 14 GA. CABLES	
23	R65597	TERMINAL	1	MALE, 14-16 GA.	
24	R65598	TERMINAL	1	MALE, SHORT, 14-16 GA.	
25	R65599	TERMINAL	1	14-16 GA., 1/4" EYELET	
26	R65600	TERMINAL	1	FEMALE, 14-16 GA.	
27	R65601	TERMINAL	1	TWIN-LOCK, TWO 16 GA. CABLES	
28	R65602	SOCKET CONTACT	1	BULB SOCKET, 16-18 GA.	
29	R65603	TERMINAL NIPPLE	1	FUSE	
30	R65604	INSULATING SLEEVE	1	14-18 GA.	
31	R65605	INSULATING SLEEVE	1	8-12 GA.	
32	R65606	TERMINAL	1	6-8 GA., 1/4" EYELET	
33	R65607	TERMINAL	1	18-20 GA.	
34	T28583	RECEPTACLE	1	ONE CONTACT LOCK-TYPE, MALE	
35	T28585	TERMINAL	1	ONE CONTACT LOCK-TYPE, FEMALE	
36	U46370	CONNECTOR	1	CONNECTOR, ONE CONTACT SINGLE BODY, MALE	
37	U46662	TERMINAL	1	FEMALE	
38	U46663	TERMINAL	1	FEMALE	
39	U46664	TERMINAL	1	FEMALE	

1J22

ELECTRICAL

RXP010581 -UN-01JAN94

ELECTRICAL CONNECTORS, TERMINALS AND WIRING



RXP010581

1J23

ELECTRICAL

ELECTRICAL CONNECTORS, TERMINALS AND WIRING - CONTINUED

KEY	PART NO.	PART NAME	QTY	TRACTOR SERIAL NO.	REMARKS
1	T28583	RECEPTACLE	1	(B)	
2	M43835	FLAT CONNECTOR	1	(B)	
3	R77476	CONNECTOR	1	(A)	
4	R77477	CONNECTOR	1	(A)	
5	R77479	CONNECTOR	1	(A)	
6	R77480	CONNECTOR	1	(A)	
7	R77481	CONNECTOR	1	(A)	
8	R77482	CONNECTOR	1		
9	H104855	CONNECTOR	1		
10	U46662	TERMINAL	1	(E) (F)	
11	N115096	TERMINAL	1	(G) (SUB R65595) (PKG. OF 15)	
12	T28585	TERMINAL	1	(B)	
13	R77475	CONNECTOR	1	(B)	
14	T28586	CONNECTOR	1	(A)	
15	R77478	CONNECTOR	1	(A)	
16	R77483	CONNECTOR	1		
17	R48887	RECEPTACLE	1		
18	T34067	TERMINAL	1	(E) (F)	
19	R77484	TERMINAL	1	(G) (PKG. OF 15)	
20	U46370	CONNECTOR	1	(B)	
21	R77485	TAB	1	(C) (F)	
22	R77486	TERMINAL	1	(E) (F)	
23	R77487	CONNECTOR	1	(B)	
24	R66321	WIRING LEAD	1	15M (50 FT.) 10 GA.	
	R66320	WIRING LEAD	1	30.5M (100 FT.) 12 GA.	
	R77501	WIRE	1	30.5M (100 FT.) 14 GA.	
	R77500	WIRE	1	30.5M (100 FT.) 16 GA.	
	R77499	WIRE	1	30.5M (100 FT.) 18 GA.	
	R77498	WIRE	1	30.5M (100 FT.) 20 GA.	
25	R77462	PIN CONTACT	1	(PKG. OF 40) (20-22 OR 24 GA. WIRE)	
26	R77464	PIN CONTACT	1	(H) (PKG. OF 50)	
27	R77456	RECEPTACLE	1	(37 WAY)	
28	R77458	CONNECTOR	1	(A) (SIZE 23)	
	R77459	CONNECTOR	1	(A) (SIZE 17)	
	R77460	CONNECTOR	1	(A) (SIZE 13)	
	R77461	CONNECTOR	1	(A) (SIZE 11)	
29	R77457	ELECTRICAL PLUG	1	(37 WAY)	
30	R77463	SOCKET CONTACT	1	(PKG. OF 40) (20-22 OR 24 GA. WIRE)	
31	R77465	SOCKET CONTACT	1	(H) (PKG. OF 50)	
32	R77468	TERMINAL	1	(PKG. OF 5)	
33	R77466	CONNECTOR	1	(A)	
34	R77467	CONNECTOR	1	(A)	

(A) PKG. OF 2

(B) PKG. OF 3

(C) PKG. OF 10

(D) PKG. OF 20

(E) PKG. OF 25

(F) 14 OR 16 GA. WIRE

(G) 10 OR 12 GA. WIRE

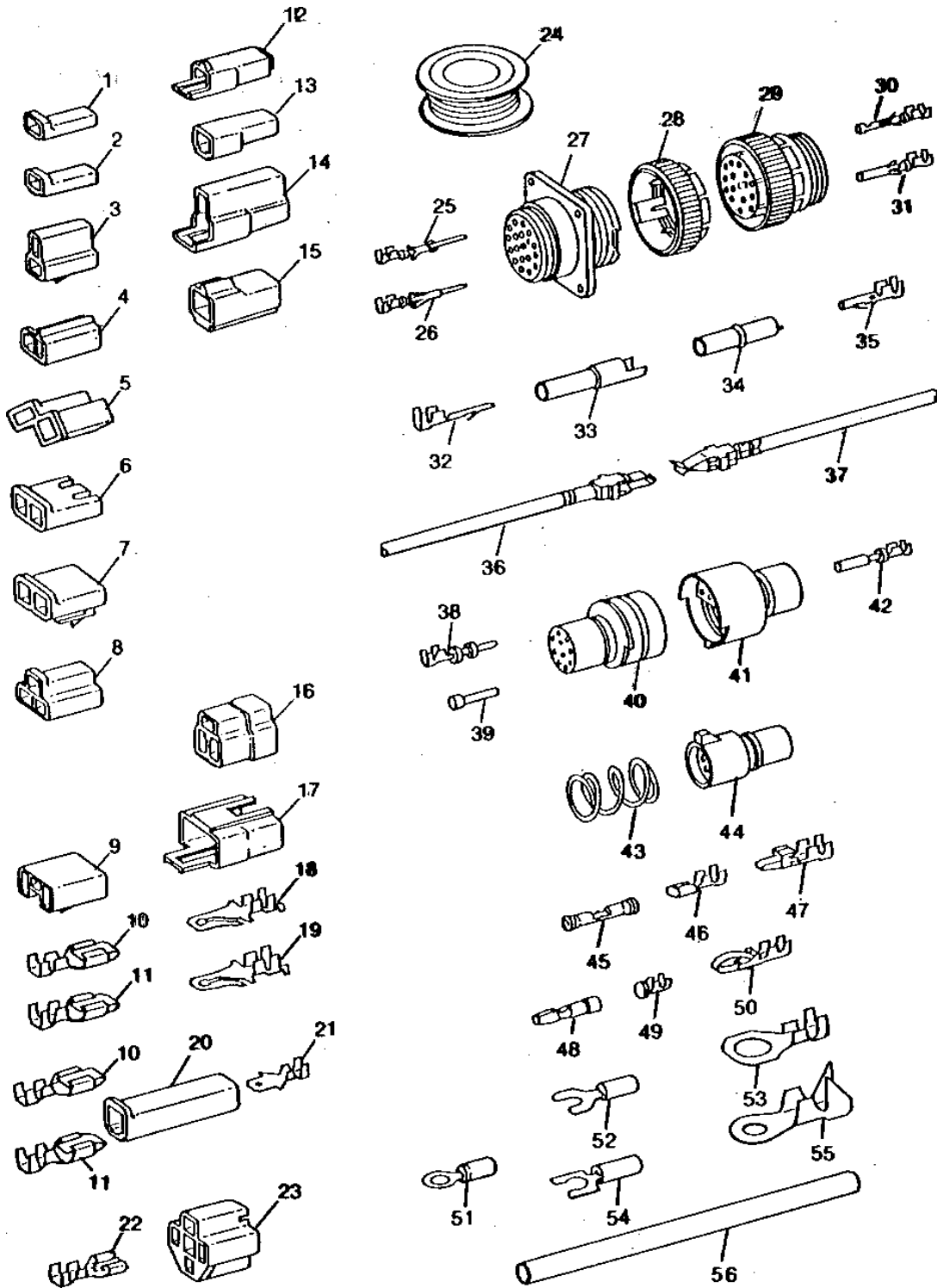
(H) 14-16 OR 18 GA. WIRE

1J24

ELECTRICAL

RXP010581 -UN-01JAN94

ELECTRICAL CONNECTORS, TERMINALS AND WIRING - CONTINUED



RXP010581

1J25

ELECTRICAL

ELECTRICAL CONNECTORS, TERMINALS AND WIRING - CONTINUED

KEY	PART NO.	PART NAME	QTY	TRACTOR SERIAL NO.	REMARKS
35	R77469	TERMINAL	1		(PKG. OF 5)
36	RE11156	TERMINAL	1		(B) (MALE)
37	RE11157	TERMINAL	1		(B) (FEMALE)
38	R70222	PIN CONTACT	1		(D) (H)
39	R70221	ELECTRICAL PLUG	1		(E)
40	R70219	PLUG	1		(A) (10 WAY)
	R70217	PLUG	1		(A) (7 WAY)
	R70215	PLUG	1		(A) (4 WAY)
	R70213	PLUG	1		(A) (3 WAY)
41	R70211	CONNECTOR	1		(A) (2 WAY)
	R70218	RECEPTACLE	1		(A) (10 WAY)
	R70216	RECEPTACLE	1		(A) (7 WAY)
	R70214	RECEPTACLE	1		(A) (4 WAY)
	R70212	RECEPTACLE	1		(A) (3 WAY)
	R70210	RECEPTACLE	1		(A) (2 WAY)
42	AR91793	SOCKET CONTACT	1		(D)
43	R30378	SPRING	1		(C)
44	R77474	CONNECTOR	1		(A) (6 WAY)
45	R77470	TERMINAL	1		SPLICE (PKG. OF 15) (16-18-20 OR 22 GA. WIRE)
	R77471	TERMINAL	1		(C) (G) SPLICE
	R77472	TERMINAL	1		(A) SPLICE (8 GA. WIRE)
	R77473	TERMINAL	1		(A) SPLICE (6 GA. WIRE)
46	R65607	TERMINAL	1		(C) (18 OR 20 GA. WIRE)
47	U46664	TERMINAL	1		(C) (F)
48	R32026	TERMINAL	1		(D) (F)
49	R65602	SOCKET CONTACT	1		(C) (16 OR 18 GA. WIRE)
50	R70220	TERMINAL	1		(C) (18 OR 20 GA. WIRE)
51	R77489	TERMINAL	1		(D) (14-16-18 OR 20 GA. WIRE) (NO. 10 EYELET)
	R77493	TERMINAL	1		(D) (G) (NO. 10 EYELET)
	R77488	TERMINAL	1		(D) (14-16-18 OR 20 GA. WIRE) (3/8" EYELET)
	R32023	TERMINAL	1		(D) (G) (1/2" EYELET) (SUB FOR R77490)
52	R77496	TERMINAL	1		(D) (F) (NO. 8 SPADE)
	R77495	TERMINAL	1		(D) (18 GA. WIRE) (NO. 10 SPADE)
53	R77497	TERMINAL	1		(D) (F) (NO. 6 SPADE)
54	R77491	TERMINAL	1		(D) (G) (3/8" EYELET)
	R77492	TERMINAL	1		(D) (G) (1/4" EYELET)
55	R77494	TERMINAL	1		(D) (6 OR 8 GA. WIRE) (1/4" EYELET)
56	R77502	TUBE	1		(PKG. OF 8) 3/8" (HEAT SHRINK)
	R77503	TUBE	1		(PKG. OF 8) 3/16" (HEAT SHRINK)

(A) PKG. OF 2

(B) PKG. OF 3

(C) PKG. OF 10

(D) PKG. OF 20

(E) PKG. OF 25

(F) 14 OR 16 GA. WIRE

(G) 10 OR 12 GA. WIRE

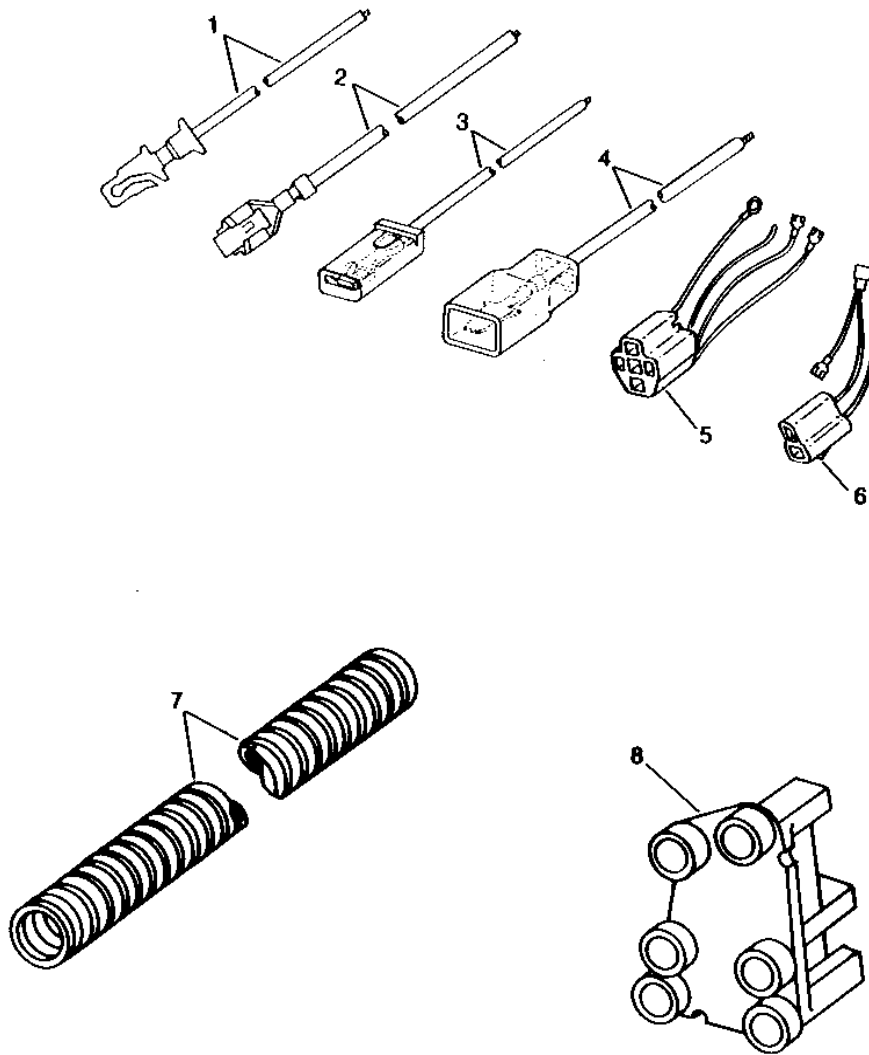
(H) 14-16 OR 18 GA. WIRE

1K1

ELECTRICAL

RXP8619 -UN-28NOV94

SUPPLEMENTARY TERMINALS AND CONNECTORS



1K2

ELECTRICAL

SUPPLEMENTARY TERMINALS AND CONNECTORS - CONTINUED

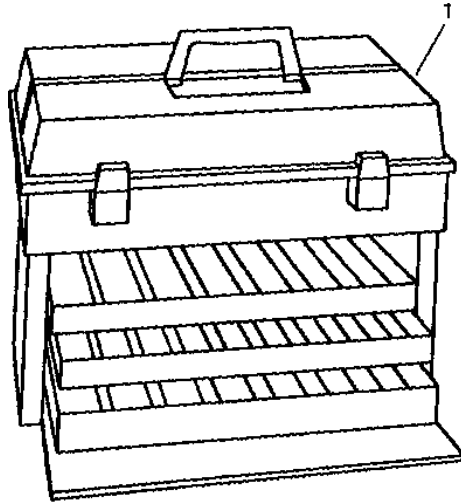
KEY	PART NO.	PART NAME	QTY	TRACTOR SERIAL NO.	REMARKS
1	AR65005	TERMINAL	1		
2	AR65006	TERMINAL	1		
3	R32024	WIRING LEAD	1		
4	R32025	WIRING LEAD	1		
5	RE21730	TERMINAL	1		
	RE21731	TERMINAL	1		
6	RE21732	TERMINAL	1		
7	R93219	CONDUIT	1		6.3 X 3048MM (1/4" X 120")
	R93220	CONDUIT	1		10.4 X 3048MM (13/32" X 120")
	R93221	CONDUIT	1		15.9 X 3048MM (5/8" X 120")
	R93222	CONDUIT	1		25.4 X 3048MM (1" X 120")
8	AR83425	RECEPTACLE CONNECTOR BODY	1		(LIGHT SWITCH)

1K3

ELECTRICAL

RXP010001 -UN-01JAN94

ELECTRICAL CONNECTOR AND TERMINAL KIT



RXP010001

KEY	PART NO.	PART NAME	QTY	TRACTOR SERIAL NO.	REMARKS
1	PM797NA	KIT	1	(A)	
(A) KIT INCLUDES CONNECTORS,TERMINALS AND TOOLS					

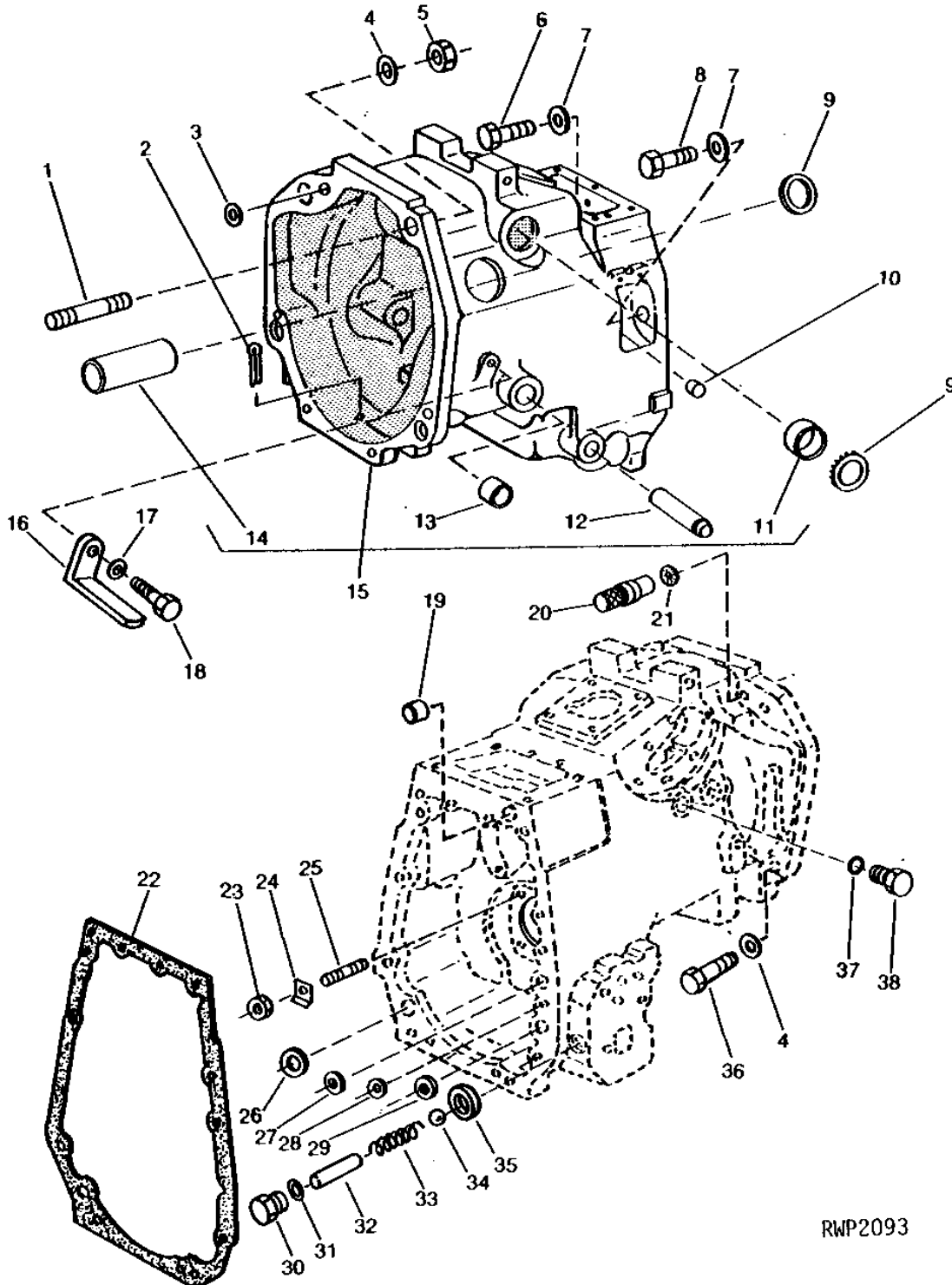
MEMORANDA

2A23

POWER TRAIN

CLUTCH HOUSING
(LESS REVERSER)
(TRACTOR SERIAL NO. -092347)

RWP2093 -UN-01JAN94



RWP2093

2A24

POWER TRAIN

**CLUTCH HOUSING - CONTINUED
(LESS REVERSER)
(TRACTOR SERIAL NO. -092347)**

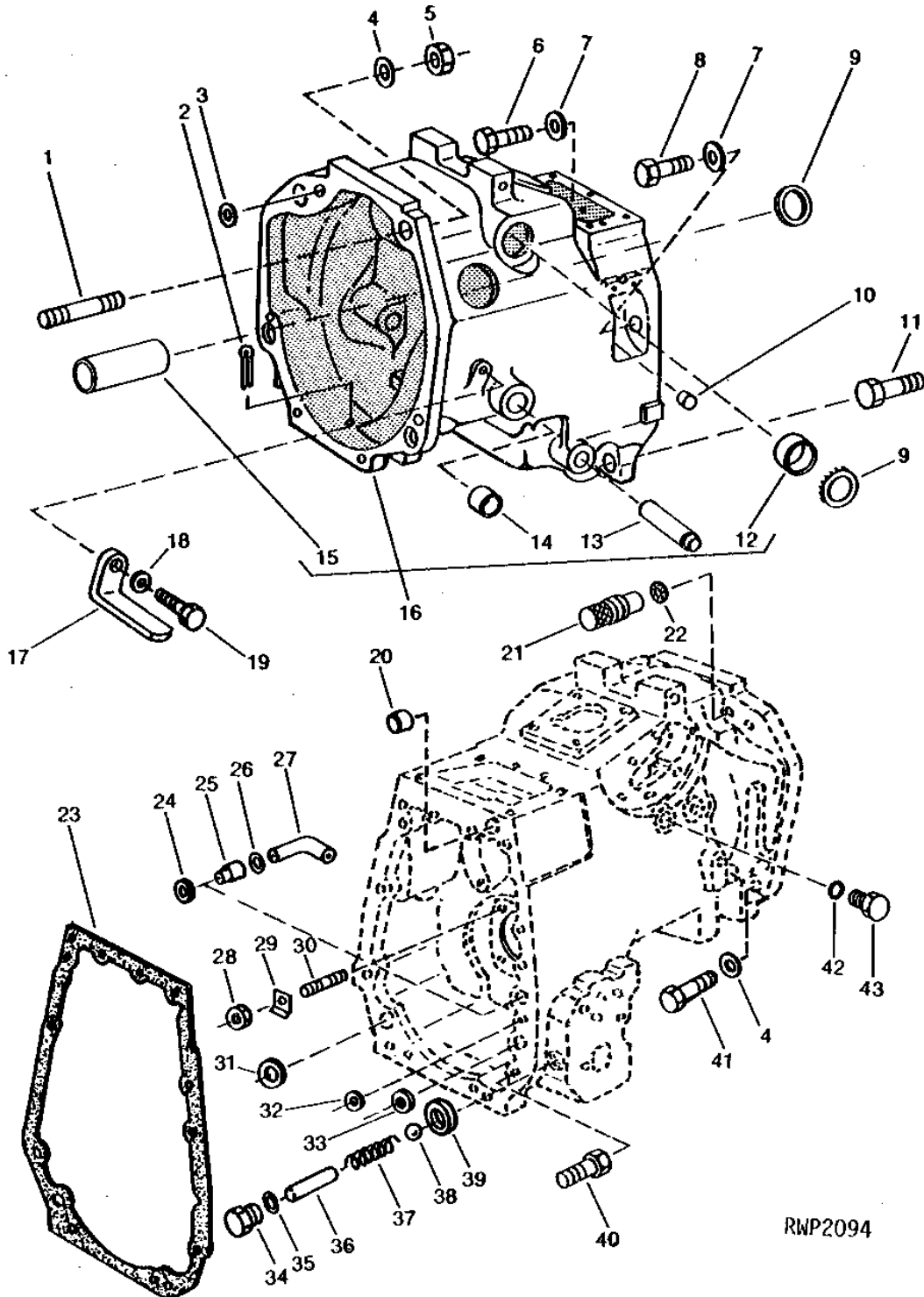
KEY	PART NO.	PART NAME	QTY	TRACTOR SERIAL NO.	REMARKS
1	L29854	STUD	1		(USE WITH R71696)
2	11M7084	COTTER PIN	1		5 X 25 MM
3	R26919	WASHER	1		
4	R70268	WASHER	4		(SUB FOR R42363)
5	14H1039	NUT	1		5/8", (USE WITH R71696)
6	19H2510	CAP SCREW	2		1/2" X 1-5/8"
7	T20168	WASHER	3		(SUB FOR M2834T)
8	19H2735	CAP SCREW	1		1/2" X 2"
9	R1680R	PLUG	2		(SUB FOR T22569)
10	M4224T	PLUG	1		(LESS MID PTO)
11	T21445	BUSHING	1		STEERING GEAR SHAFT
12	T21448	PIN	1		CLUTCH PEDAL PIVOT
13	T21446	BUSHING	1		CLUTCH FORK SHAFT
14	T21447	SLEEVE	1		CLUTCH RELEASE BEARING CARRIER
15	AT41649	HOUSING	1	-XXXXXX	(LESS HI-LO SHIFT) (LESS INDEPENDENT PTO) (MARKED T21600, T30747, R56981 OR R63438) (SUB FOR AT19800 OR AT29679) (SUB AR94535, T23059, L29854, 14H1039, T25408, T23059, R64806, R375R AND 19H2351)
	AR94535	HOUSING	1	XXXXXX-	(LESS HI-LO SHIFT) (LESS INDEPENDENT PTO) (MARKED R71696)
	AT29710	HOUSING	1		(HI-LO SHIFT) (MARKED T25500 OR T30806) (SUB FOR AT23221) (SUB AL24091, R53790, (2) T68412, 19H2351 AND 14H1039)
16	T22531	BRACKET	1		(ORCHARD FENDERS)
17	12H304	LOCK WASHER	1		3/8", (ORCHARD FENDERS)
18	19H2284	CAP SCREW	1		3/8" X 7/8", (ORCHARD FENDERS)
19	T12083	CAP	1		
20	T22898	PLUG	1		(LESS TACHOMETER)
21	T21827	WASHER	1		
22	R99290	GASKET	1		(SUB FOR T21968)
23	14H1076	NUT	4		3/8"
24	R30958	LOCK PLATE	4		
25	R55396	STUD	4		(SUB FOR C2175R)
26	R26149	PACKING	1		
27	T22851	WASHER	1		
	T68412	WASHER	1		(WITH .984" C'BORE)
28	A4847R	WASHER	1		
29	T22851	WASHER	1		
	T68412	WASHER	1		(WITH .984" C'BORE)
30	R27175	DRAIN PLUG	1		
31	F3171R	O-RING	1		
32	T22850	PIN	1		
33	T14059	SPRING	1		
34	F2772R	BALL	1		17MM (11/16")
35	T22858	VALVE SEAT INSERT	1		
36	19H3170	CAP SCREW	4		5/8" X 4-1/2", (3 USED WITH R71696)
37	R26375	O-RING	1		
38	R39112	FITTING	1		STEERING SHAFT OIL DRAIN
..	AR94702	GASKET KIT	1		CLUTCH HOUSING TO TRANSMISSION CASE, (SUB RE50756)

2B1

POWER TRAIN

CLUTCH HOUSING
(LESS REVERSER)
(TRACTOR SERIAL NO. 092348-)

RWP2094 -UN-01JAN94



2B2

POWER TRAIN

**CLUTCH HOUSING - CONTINUED
(LESS REVERSER)
(TRACTOR SERIAL NO. 092348-)**

KEY	PART NO.	PART NAME	QTY	TRACTOR SERIAL NO.	REMARKS
1	L29854	STUD	1		(USE WITH R71696)
2	11M7084	COTTER PIN	1		5 X 25 MM
3	R26919	WASHER	1		
4	R70268	WASHER	4		(SUB FOR R42363)
5	14H1039	NUT	1		5/8", (USE WITH R71696)
6	19H2510	CAP SCREW	2		1/2" X 1-5/8"
7	T20168	WASHER	3		
8	19H2735	CAP SCREW	1		1/2" X 2"
9	R1680R	PLUG	2		(SUB FOR T22589)
10	M4224T	PLUG	1		(LESS MID-PTO)
11	19H1721	CAP SCREW	6		(A) 1/2" X 1-1/2"
12	T21445	BUSHING	1		STEERING GEAR SHAFT
13	T21448	PIN	1		CLUTCH PEDAL PIVOT
14	T21446	BUSHING	1		CLUTCH FORK SHAFT
15	T21447	SLEEVE	1		CLUTCH RELEASE BEARING CARRIER
16	AT41649	HOUSING	1	-XXXXXX	(B) (C) (HU, LU, RU) (MARKED T30747, R56981 OR R63438) (SUB FOR AT29679) (SUB AR94535, T23059, L29854 AND 14H1039)
	AR94535	HOUSING	1	XXXXXX-	(B) (C) (MARKED R71696)
	AT29710	HOUSING	1	-XXXXXX	(HI-LO SHIFT) (HU, LU, RU) (MARKED T25500 OR T30806) (SUB FOR AT23221) (SUB AL24091, R53790, (2) T68412, 19H2351 AND 14H1039)
	AL24091	HOUSING	1	XXXXXX-	(HI-LO SHIFT) (MARKED L29298) (NLA)
17	T22531	BRACKET	1		(LU) (ORCHARD FENDERS)
18	12H304	LOCK WASHER	1		(LU) (ORCHARD FENDERS)
19	19H2284	CAP SCREW	1		(LU) (ORCHARD FENDERS)
20	T12083	CAP	1		
21	T22898	PLUG	1		(LESS TACHOMETER)
22	T21827	WASHER	1		
23	R99290	GASKET	1		(SUB FOR T21968)
24	T22851	WASHER	1		
	T68412	WASHER	1		(WITH .984" C'BORE)
25	T25408	SLEEVE	1		(C)
26	R375R	O-RING	1		(C)
27	R64806	OIL TUBE	1		(C) (SUB FOR R48290 OR T30842)
28	14H1076	NUT	4		3/8"
29	R30958	LOCK PLATE	4		
30	R55396	STUD	4		(SUB FOR C2175R)
31	R26149	PACKING	1		
32	A4847R	WASHER	1		
33	T22851	WASHER	1		
	T68412	WASHER	1		(WITH .984" C'BORE)
34	R27175	DRAIN PLUG	1		
35	F3171R	O-RING	1		
36	T22850	PIN	1		
37	T14059	SPRING	1		
38	F2772R	BALL	1		
39	T22858	VALVE SEAT INSERT	1		
40	19H2351	CAP SCREW	1		(B) 1/2" X 1/2"
	T30774	CAP SCREW	1		(A)
41	19H3170	CAP SCREW	4		5/8" X 4-1/2", (3 USED WITH R71696)
42	R26375	O-RING	1		
43	R39112	FITTING	1		STEERING SHAFT OIL DRAIN
..	AR94702	GASKET KIT	1		CLUTCH HOUSING TO TRANSMISSION CASE, (SUB RE50756)

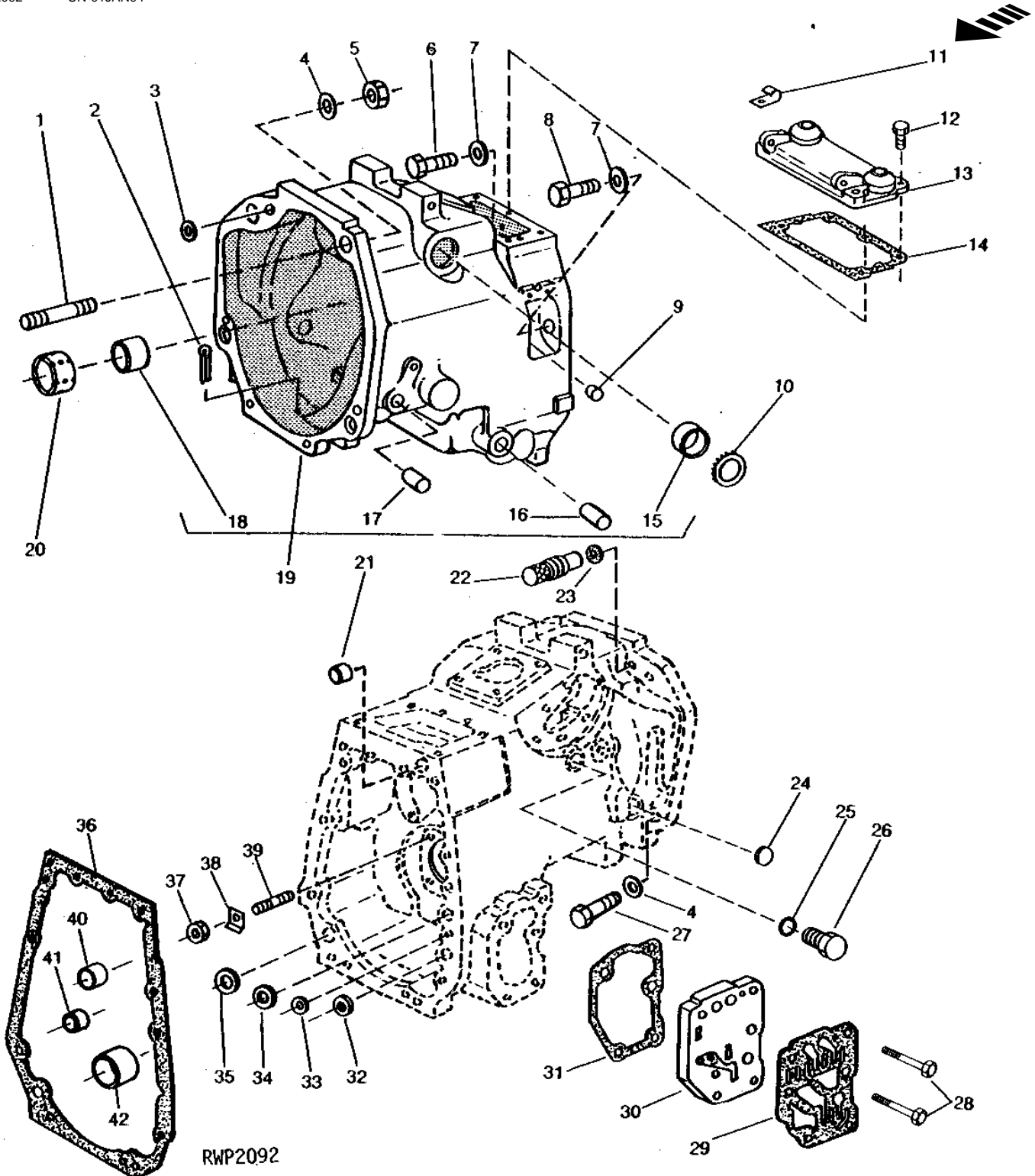
- (A) INDEPENDENT PTO
- (B) LESS INDEPENDENT PTO
- (C) LESS HI-LO SHIFT

2B3

POWER TRAIN

CLUTCH HOUSING (REVERSER)

RWP2092 -UN-01JAN94



RWP2092

2B4

POWER TRAIN

CLUTCH HOUSING - CONTINUED (REVERSER)

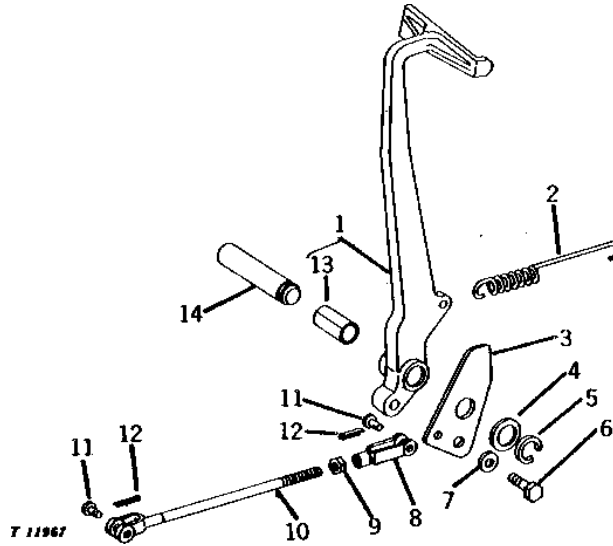
KEY	PART NO.	PART NAME	QTY	TRACTOR SERIAL NO.	REMARKS
1	L29854	STUD	1		(USE WITH AR94537)
2	11M7084	COTTER PIN	1		5 X 25 MM
3	R26919	WASHER	1		
4	R70268	WASHER	4		(SUB FOR R42363)
5	14H1039	NUT	1		5/8", (USE WITH AR94537)
6	19H2510	CAP SCREW	2		1/2" X 1-5/8"
7	T20168	WASHER	3		
8	19H2735	CAP SCREW	1		
9	M4224T	PLUG	1		(LESS MID-PTO)
10	R1680R	PLUG	1		(SUB FOR T22569)
11	T19935	CLAMP	1		
12	T22728	SCREW	7		
13	AT23579	COVER	1		(MARKED T23050)
14	T36042	GASKET	1		(SUB FOR T22731)
15	T21445	BUSHING	1		STEERING SHAFT
16	R27567	BUSHING	1		
17	R27320	BUSHING	1		
18	T23211	BUSHING	1		FORWARD CLUTCH DRUM
19	AR78334	HOUSING	1	-XXXXXX	(MARKED T25289 OR R63439) (SUB FOR AT23128)
	AR94537	HOUSING	1	XXXXXX-	(SUB AR94537) (MARKED R71697)
20	T27693	SLEEVE	1		OIL MANIFOLD
21	T12083	CAP	1		
22	T22898	PLUG	1		
23	T21827	WASHER	1		
24	30H13	PLUG	1		1"
25	R26375	O-RING	1		
26	R39112	FITTING	1		STEERING SHAFT OIL DRAIN
27	19H3170	CAP SCREW	AR		5/8" X 4-1/2", ((3) USED WITH AR94537) ((4) USED WITH AR78334)
28	08H4460	CAP SCREW	1		1/2" X 7-1/2"
	19H1991	CAP SCREW	1		1/2" X 8"
29	R99385	GASKET	1		(SUB FOR T25139 OR T40170)
30	T22658	PLATE	1	-063087	(SUB T27771 AND T27772)
	T27772	CLUTCH PLATE	1	063088-	
31	T25140	GASKET	1	-063087	(USE WITH T22658)
	T27771	GASKET	1	063088-	
32	T22851	WASHER	1		
	T68412	WASHER	1		(FOR .984" C' BORE)
33	A4847R	WASHER	1		
34	T22851	WASHER	1		
	T68412	WASHER	1		(FOR .984" C' BORE)
35	R26149	PACKING	1		
36	R99290	GASKET	1		(SUB FOR T21968 OR T36236)
37	14H1076	NUT	4		3/8"
38	R30958	LOCK PLATE	4		
39	R55396	STUD	4		(SUB FOR C2175R)
40	T22584	BUSHING	1		LUBRICATION TUBES
41	T22585	BUSHING	1		PRESSURE TUBE
42	T23212	BUSHING	1		PLANET PINION CARRIER SHAFT
..	AR94702	GASKET KIT	1		CLUTCH HOUSING TO TRANSMISSION CASE, (SUB RE50756)

2B5

POWER TRAIN

CLUTCH PEDAL AND LINKAGE

T11967 -UN-01JAN94



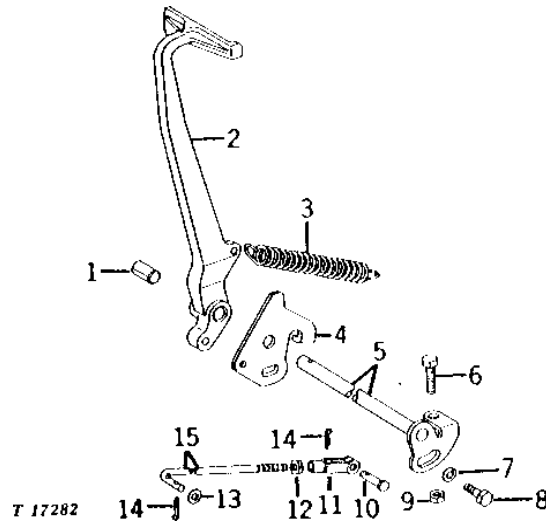
KEY	PART NO.	PART NAME	QTY	TRACTOR SERIAL NO.	REMARKS
1	AL38242	PEDAL	1		(SUB FOR AT22096 OR AL27229)
2	T21452	EXTENSION SPRING	1		
3	T22528	ARM	1		(LESS PTO) (TRANSMISSION DRIVEN PTO) (SUB AL38242)
	T22529	ARM	1		(CONTINUOUS DRIVEN PTO) (SUB AL38242)
4	24H1451	WASHER	1		1-1/32" X 1-3/4" X 0.060"
5	A602R	SNAP RING	1		
6	19H3579	CAP SCREW	1		1/2" X 1-3/8"
7	T26198	WASHER	1		
8	L324T	YOKE	1		
9	14H774	NUT	1		3/8"
10	AT20383	YOKE	1		
11	R65563	PIN	2		(SUB FOR C1067R)
12	11M7059	COTTER PIN	2		3.200 X 20 MM
13	T21998	BUSHING	1		
14	T21448	PIN	1		

2B6

POWER TRAIN

CLUTCH PEDAL AND SHAFT (REVERSER)

T17282 -UN-01JAN94



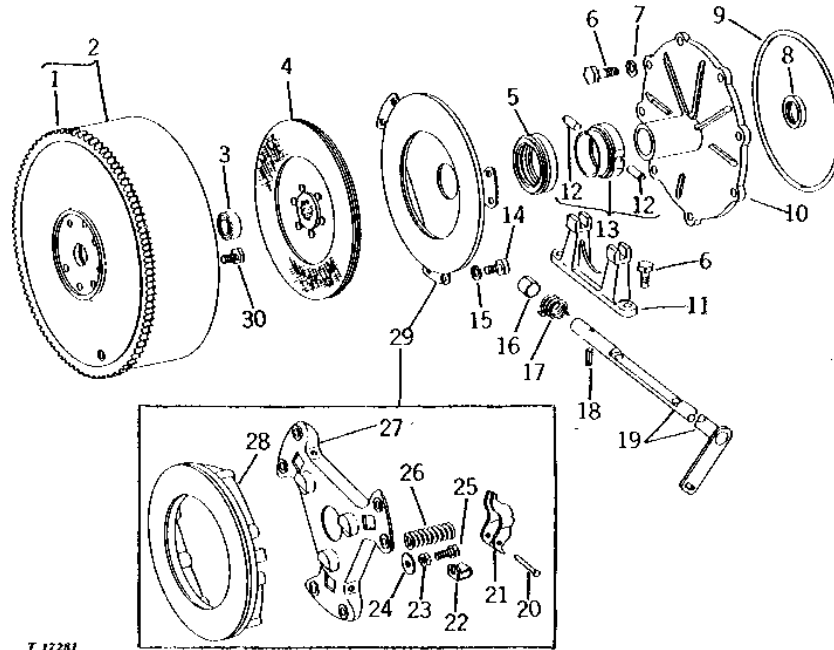
KEY	PART NO.	PART NAME	QTY	TRACTOR SERIAL NO.	REMARKS
1	R27567	BUSHING	1		
2	T22296	PEDAL	1		
3	R68471	SPRING	1		(SUB FOR T22302)
4	T22507	ARM	1	-080796	(NLA)
	T29582	ARM	1	080797-	
5	AT21789	SHAFT	1		
6	19H1732	CAP SCREW	1		3/8" X 1-1/4"
7	24H1526	WASHER	1		1-33/64" X 2-1/4" X 0.075"
8	19H1721	CAP SCREW	1		1/2" X 1-1/2"
9	14H732	NUT	1		3/8"
10	R65563	PIN	1		(SUB FOR C1067R)
11	L324T	YOKE	1		
12	14H774	NUT	1		3/8"
13	24M7096	WASHER	2		10.500 X 18 X 1.600 MM
14	11M7059	COTTER PIN	3		3.200 X 20 MM
15	T22301	BOLT	1	-080796	
	T29581	BOLT	1	080797-	

2B7

POWER TRAIN

CLUTCH DISCONNECT AND FLYWHEEL (REVERSER)

T17281 -UN-01JAN94



T 17281

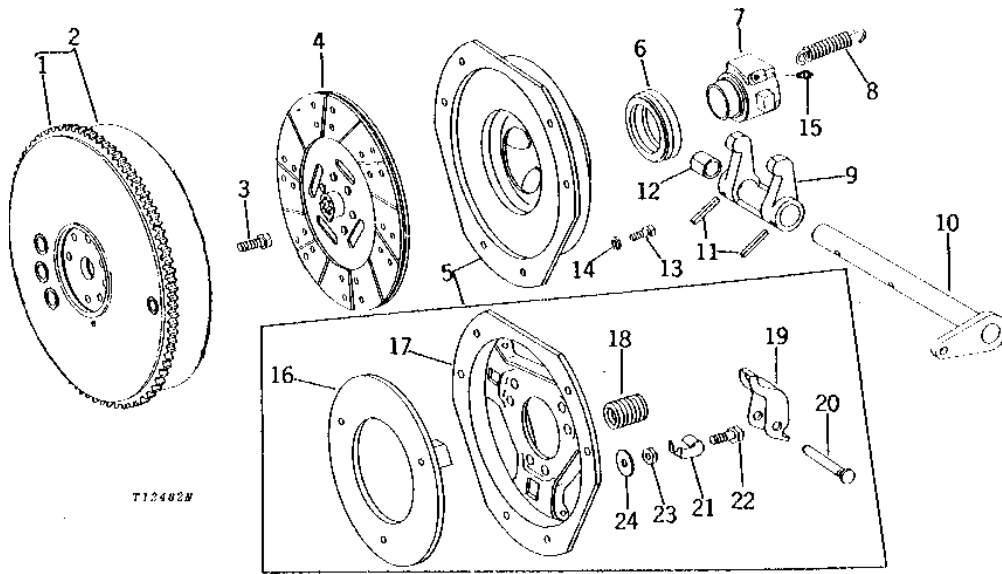
KEY	PART NO.	PART NAME	QTY	TRACTOR SERIAL NO.	REMARKS
1	T20088	GEAR	1		(142 TEETH)
2	AT21044	FLYWHEEL	1		
3	AR56268	BALL BEARING	1		
4	AL24059	CLUTCH DISK	1		(DIESEL) (SUB FOR AT21669)
	AL24059	CLUTCH DISK	1		(GASOLINE) (SUB FOR AT21665)
5	AT17464	THRUST BEARING	1	-145197	
	AR43065	THRUST BEARING	1	145198-	(ALSO ORDER AT20055)
6	19H2552	CAP SCREW	10		3/8" X 1-1/8"
7	12H304	LOCK WASHER	8		3/8"
8	AF1934R	SEAL	1		
9	T22178	WASHER	1		
10	T22177	SUPPORT	1		
11	T22505	FORK	1		
12	T22567	PIN	2		
13	AT20055	HOUSING	1	-145197	
	AR55734	HOUSING	1	145198-	(SUB AT20055)
14	L372T	CAP SCREW	6		
15	12H303	LOCK WASHER	6		5/16"
16	R27320	BUSHING	1		
17	T24948	SPRING	1		
18	34H253	SPRING PIN	1		1/8" X 1-3/8"
19	AT20056	SHAFT	1	-080796	(SUB AT27717, T29581 AND T29582)
	AT27717	SHAFT	1	080797-	
20	T11700	PIN	3		
21	T63652	LEVER	3		(SUB FOR T11701)
22	T13267	CLIP	3		
23	14H882	NUT	3		5/16"
24	T13269	WASHER	3		
25	H61022	CAP SCREW	3		
26	T24956	SPRING	3		
27	H33689	BRACKET	1		
28	T24955	CLUTCH PLATE	1		
29	AT60368	CLUTCH PLATE	1		(SUB FOR AT22064 OR AR63785)
30	19H3385	CAP SCREW	4		1/2" X 1-1/8"

2B8

POWER TRAIN

ENGINE CLUTCH AND FLYWHEEL (LESS PTO) (TRANSMISSION DRIVEN PTO) (LESS REVERSER)

T12482 -UN-01JAN94



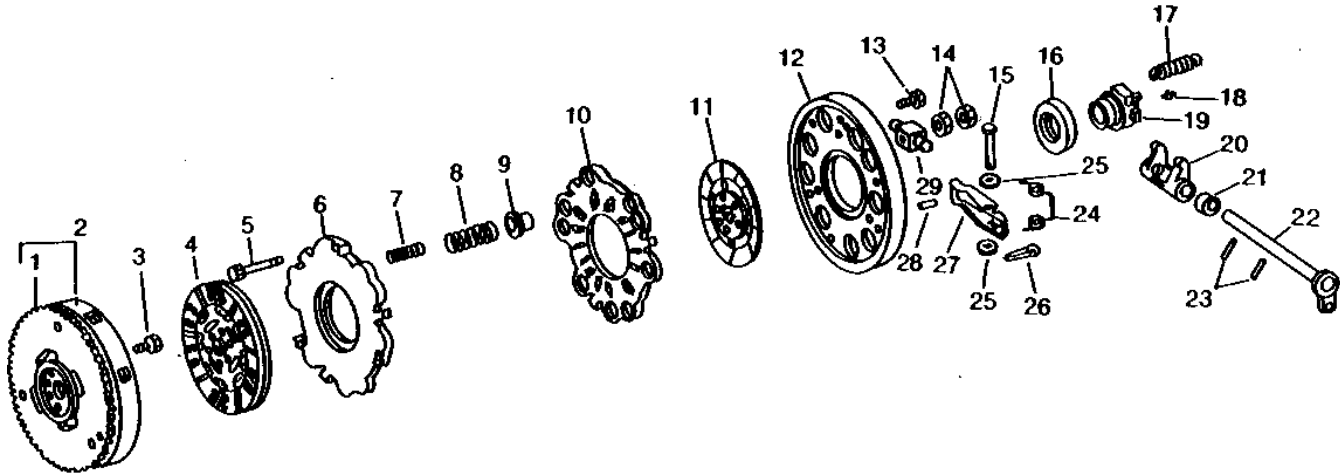
KEY	PART NO.	PART NAME	QTY	TRACTOR SERIAL NO.	REMARKS
1	T20088	GEAR	1		(142 TEETH)
2	AT21045	FLYWHEEL	1		
3	R46162	SCREW	4		(SUB FOR T20139)
4	AR66924	CLUTCH DISK	1		(SUB FOR AT20061 OR AT32208)
5	AT20062	CLUTCH	1	-060686	(PRESSURE) (SUB AT25818)
	AT25818	PLATE	1		(PRESSURE)
6	AT17464	THRUST BEARING	1	-145197	(SUB FOR T23010)
	AR43065	THRUST BEARING	1	145198-	
7	T23011	CRADLE	1	-145197	(SUB R51469 AND AR43065)
	R51469	PLANET PINION CARRIER	1	145198-	
8	T21450	EXTENSION SPRING	1		
9	T21999	FORK	1		
10	AT19837	SHAFT	1		
11	34H353	SPRING PIN	2		3/8" X 1-3/4"
12	T21446	BUSHING	1		
13	L372T	CAP SCREW	6		
14	12H303	LOCK WASHER	6		5/16"
15	JD7797	LUBRICATION FITTING	1		
16	T24951	PLATE	1		(PRESSURE) (NO LONGER AVAILABLE)
17	T24952	BRACKET	1		(NO LONGER AVAILABLE)
18	T24954	SPRING	6	-060686	
	T29804	SPRING	6	060687-	(NO LONGER AVAILABLE)
19	T24953	LEVER	3		
20	T16049	PIN	3	-060686	
	T29803	PIN	3	060697-	(NO LONGER AVAILABLE)
21	T13267	CLIP	3		
22	T18750	CAP SCREW	3		
23	14H882	NUT	3		5/16"
24	T15940	WASHER	3		

2B9

POWER TRAIN

ENGINE AND PTO CLUTCH AND FLYWHEEL (CONTINUOUS DRIVEN PTO) (LESS REVERSER)

RWP4859 -UN-01JAN94



RWP4859

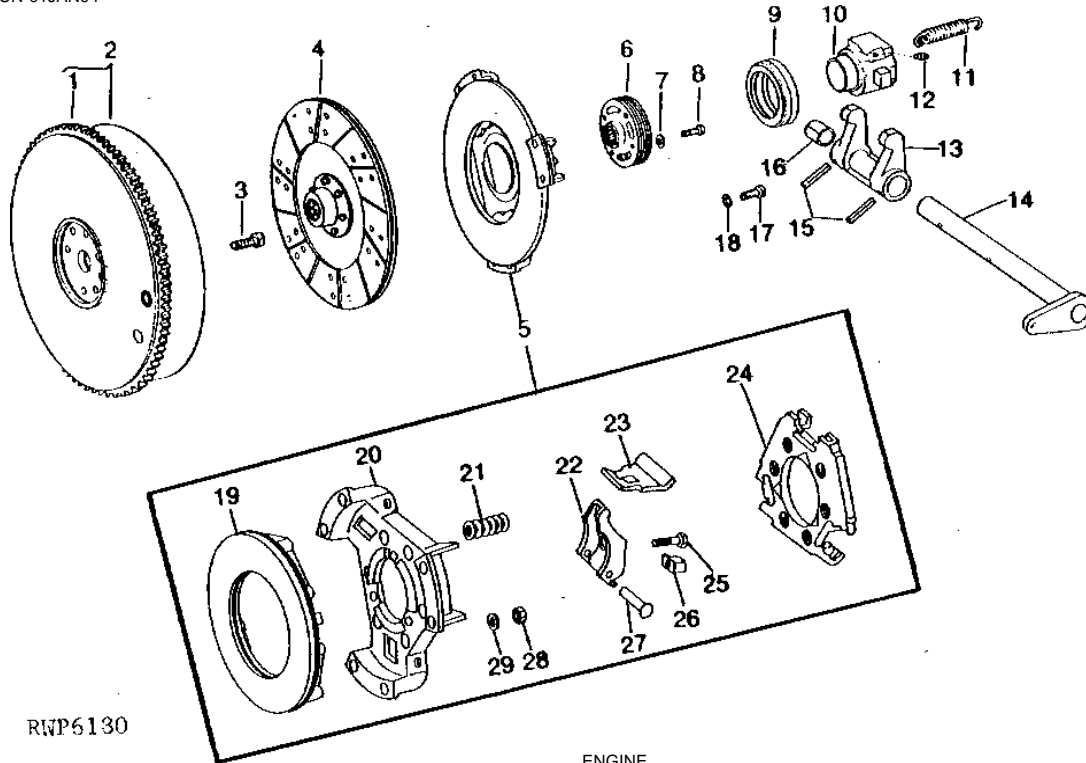
KEY	PART NO.	PART NAME	QTY	TRACTOR SERIAL NO.	REMARKS
1	T20088	GEAR	1		(142 TEETH)
2	AT21382	FLYWHEEL	1		(SUB FOR AT21043)
3	T20306	CAP SCREW	4		
4	AR66924	CLUTCH DISK	1		(SUB FOR AT20061 OR AT32208)
5	T23008	BOLT	3		
6	T22194	CLUTCH PLATE	1		
7	R26638	SPRING	6		
8	T22927	SPRING	9		OUTER
9	R27033	BUSHING	9		
10	T22195	CLUTCH PLATE	1		
11	AT21675	CLUTCH DISK	1		(DIESEL) (SUB AL19092)
	AT20916	CLUTCH DISK	1		(GASOLINE) (LESS HI-LO SHIFT)
	AT21675	CLUTCH DISK	1		(GASOLINE) (HI-LO SHIFT) (SUB AL19092)
12	T25109	COVER	1	-064815	(SUB FOR T22196) (SUB T27706, (3) T27707 AND (3) T27708)
	T27706	COVER	1	064816-	
13	19H3219	CAP SCREW	6		3/8" X 1-3/8"
	R1888R	STRAP	6	-024980	
14	14H774	NUT	6		3/8"
15	T21454	PIN	3	-064815	
	T27708	PIN	3	064816-	
16	AT17464	THRUST BEARING	1	-145197	
	AR43065	THRUST BEARING	1	145198-	
17	T21450	EXTENSION SPRING	1		
18	JD7797	LUBRICATION FITTING	1		1/4"
19	T23011	CRADLE	1	-145197	(SUB R51469 AND AR43065)
	R51469	PLANET PINION CARRIER	1	145198-	
20	T21999	FORK	1		
21	T21446	BUSHING	1		
22	AT19837	SHAFT	1		
23	34H353	SPRING PIN	2		3/8" X 1-3/4"
24	T21453	SPRING	3	-064815	
	T27707	SPRING	3	064816-	
25	24H1219	WASHER	6		7/16" X 1" X 0.083"
26	11M7059	COTTER PIN	3		3.200 X 20 MM
27	T22197	LEVER	3		
28	T24381	DOWEL PIN	3		
29	T21932	BAR	3		

2B10

POWER TRAIN

ENGINE CLUTCH AND FLYWHEEL (INDEPENDENT PTO) (LESS REVERSER)

RWP6180 -UN-01JAN94



KEY	PART NO.	PART NAME	QTY	ENGINE SERIAL NO.	REMARKS
1	T20088	GEAR	1		(142 TEETH)
2	AT29754	FLYWHEEL	1		
3	R46162	SCREW	4		(SUB FOR T20139)
4	AR66925	DISK	1		(SUB FOR AT29696 OR AT32209)
5	AR71587	PLATE	1		(GASOLINE) (ALSO ORDER AR43065 AND R51469) (SUB FOR AT30045)
	AR100649	CLUTCH	1		(A) (SUB FOR AT30046 OR AR76395)
6	AT29700	ABSORBER	1		(A) (SUB AR100649)
	24H1136	WASHER	3		(A) 11/32" X 11/16" X 0.065"
8	19H2020	CAP SCREW	3		(A) 5/16" X 1/2"
9	AT17464	THRUST BEARING	1	-145197	
	AR43065	THRUST BEARING	1	145198-	
10	T23011	CRADLE	1	-145197	(SUB AR43065 AND R51469)
	R51469	PLANET PINION CARRIER	1	145198-	(LESS GREASE FITTING PORT) (ALSO ORDER AR43065)
11	T21450	EXTENSION SPRING	1		
12	JD7797	LUBRICATION FITTING	1		(USE WITH T23011)
13	T21999	FORK	1		
14	AT19837	SHAFT	1		(SUB FOR AR101631)
15	34H353	SPRING PIN	2		3/8" X 1-3/4"
16	T21446	BUSHING	1		
17	L372T	CAP SCREW	6		
18	12H303	LOCK WASHER	6		5/16"
19	R55038	PLATE	1		(NO LONGER AVAILABLE)
20	T35299	BRACKET	1		(NO LONGER AVAILABLE)
21	T35295	SPRING	6		(NO LONGER AVAILABLE)
22	T35301	LEVER	3		(NO LONGER AVAILABLE)
23	T35298	LINK	3		
24	T35300	RING	1		
25	T35294	BOLT	3		
26	T35296	CLAMP	3		
27	T35297	PIN	3		(NO LONGER AVAILABLE)
28	14H884	NUT	3		
29	T15940	WASHER	3		

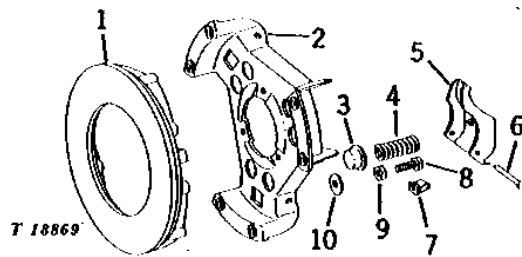
(A) DIESEL

2B11

POWER TRAIN

**PRESSURE PLATE
(INDEPENDENT PTO)
(LESS REVERSER)
(DIESEL)**

T18869 -UN-01JAN94



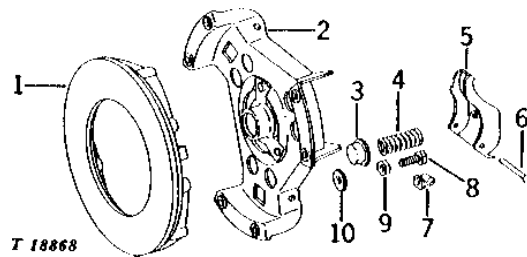
KEY	PART NO.	PART NAME	QTY	TRACTOR SERIAL NO.	REMARKS
1	T33192	PLATE	1		
2	T33193	BRACKET	1		(ORDER AR100649)
3	T30896	BUSHING	6		(ORDER AR100649)
4	T33191	SPRING	6		(ORDER AR100649)
5	T15944	LEVER	3		
6	T19956	RIVET	3		
7	T13267	CLIP	3		
8	T18750	CAP SCREW	3		
9	14H882	NUT	3	5/16"	
10	T15940	WASHER	3		
..	AR76395	CLUTCH	1		(SUB FOR AT30046) (SUB AR100649)

2B12

POWER TRAIN

**PRESSURE PLATE
(INDEPENDENT PTO)
(LESS REVERSER)
(GASOLINE)**

T18868 -UN-01JAN94



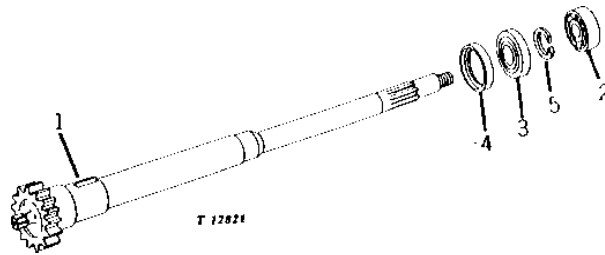
KEY	PART NO.	PART NAME	QTY	TRACTOR SERIAL NO.	REMARKS
1	T33192	PLATE	1		
2	AT32444	BRACKET	1		(ORDER AR71587)
3	T30896	BUSHING	6		(NO LONGER AVAILABLE)
4	T33191	SPRING	6		(ORDER AR71587)
5	T15944	LEVER	3		
6	T19956	RIVET	3		
7	T13267	CLIP	3		
8	T18750	CAP SCREW	3		
9	14H882	NUT	3	5/16"	
10	T15940	WASHER	3		
..	AR71587	PLATE	1		(ALSO ORDER AR43065 AND R51469) (SUB FOR AT30045)

2B13

POWER TRAIN

CLUTCH SHAFT AND PILOT (LESS PTO) (TRANSMISSION DRIVEN PTO) (LESS REVERSER)

T12821 -UN-01JAN94



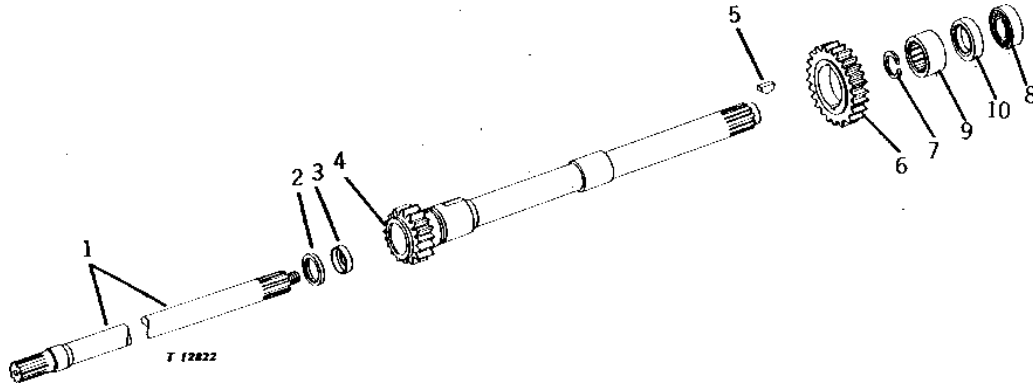
KEY	PART NO.	PART NAME	QTY	TRACTOR SERIAL NO.	REMARKS
1	T23061	SHAFT	1		
2	AL28037	BALL BEARING	1		(SUB FOR JD8511, JD9464 OR AL24903)
3	T22198	SEAL	1		
4	T22904	GUIDE	1		
5	R26933	SNAP RING	1		

2B14

POWER TRAIN

CLUTCH SHAFTS AND PILOT (CONTINUOUS DRIVEN PTO)

T12822 -UN-01JAN94



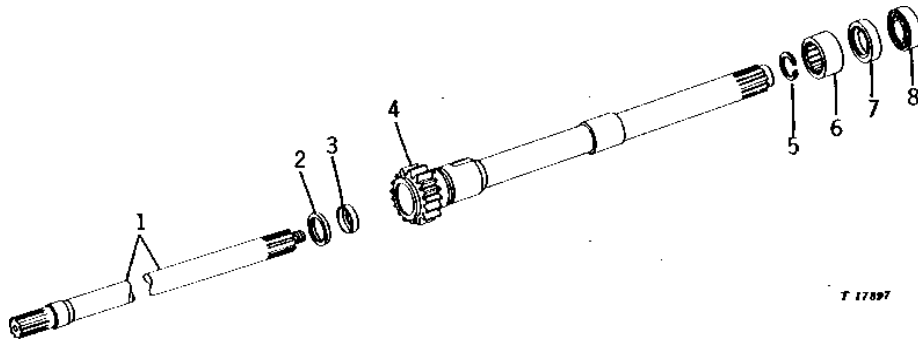
KEY	PART NO.	PART NAME	QTY	TRACTOR SERIAL NO.	REMARKS
1	R56514	SHAFT	1		(SUB FOR T22003 OR T30791)
2	AT21780	SEAL	1		
3	T23062	CAP	1		
4	T42381	SHAFT	1		(SUB FOR T22219)
5	26H77	SHAFT KEY	1		3/16" X 3/4"
6	T22126	GEAR	1		(30 TEETH) (REAR 1000 RPM OR MID-PTO)
7	R39081	SNAP RING	1		(REAR 1000 RPM OR MID-PTO)
8	AL28037	BALL BEARING	1		(SUB FOR JD8511, JD9464 OR AL24903)
9	JD8823	NEEDLE BEARING	1		(SUB FOR JD9813)
10	T22198	SEAL	1		

2B15

POWER TRAIN

T17897 -UN-01JAN94

CLUTCH SHAFTS AND PILOT (540 RPM INDEPENDENT PTO)



T 17897

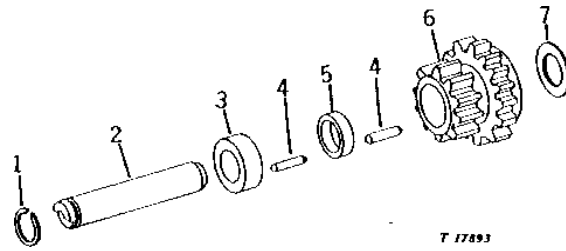
KEY	PART NO.	PART NAME	QTY	TRACTOR SERIAL NO.	REMARKS
1	R56514	SHAFT	1		(SUB FOR T30791)
2	AT21780	SEAL	1		
3	T23062	CAP	1		
4	T42381	SHAFT	1		(SUB FOR T22219)
5	R26933	SNAP RING	1		
6	JD8823	NEEDLE BEARING	1		(SUB FOR JD9813)
7	T22198	SEAL	1		
8	AL28037	BALL BEARING	1		(SUB FOR JD8511, JD9464 OR AL24903)

2B16

POWER TRAIN

REAR COUNTERSHAFT (540-1000 RPM INDEPENDENT PTO)

T17893 -UN-01JAN94



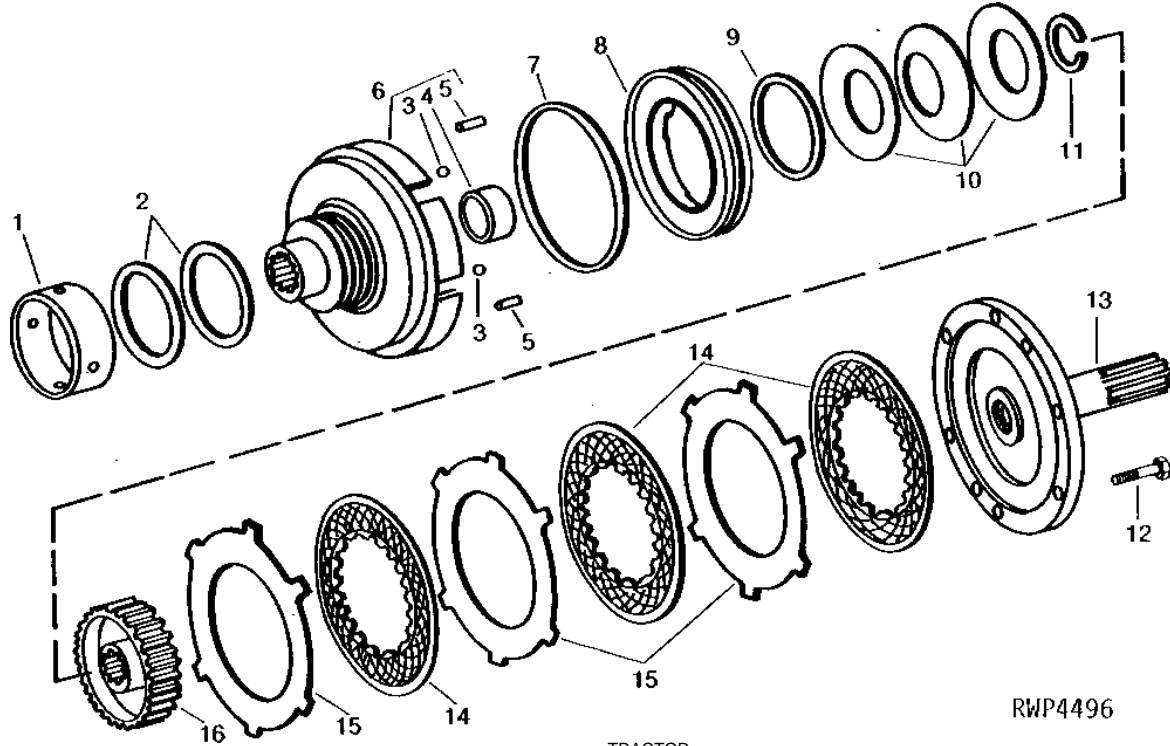
KEY	PART NO.	PART NAME	QTY	TRACTOR SERIAL NO.	REMARKS
1	R33320	SNAP RING	1		
2	R33852	COUNTERSHAFT	1		
3	R38216	SPACER	1		
4	R26006	NEEDLE ROLLER	48		
5	R38215	WASHER	1		
6	R38214	GEAR	1	(16 TEETH)	
7	T30793	THRUST WASHER	1		

2B17

POWER TRAIN

CLUTCH DRUM AND DISKS (REVERSER)

RWP4496 -UN-01JAN94



RWP4496

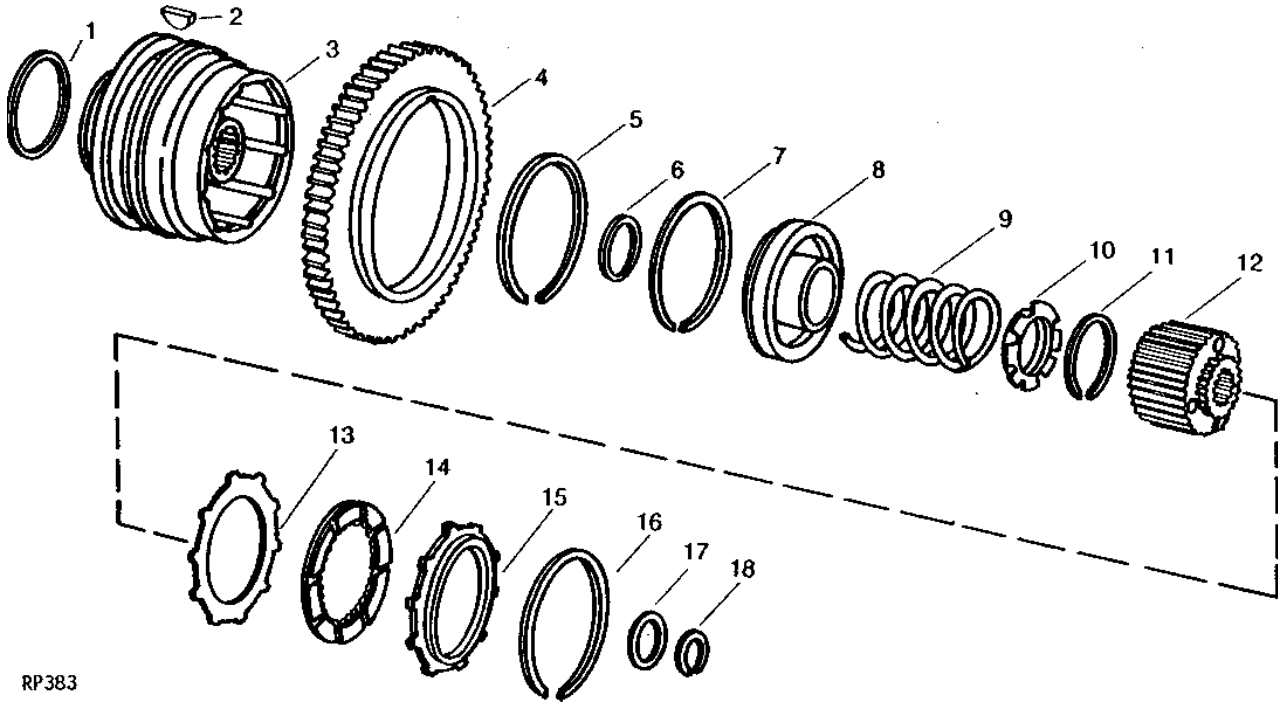
KEY	PART NO.	PART NAME	QTY	TRACTOR SERIAL NO.	REMARKS
1	T27693	SLEEVE	1		
2	R39322	RING	2		(SUB FOR R39083)
3	H836R	BALL	2		
4	R39114	BUSHING	1		
5	R30587	DOWEL PIN	2		
6	AR39077	DRUM	1		
7	R39116	WASHER	1		
8	R39115	PISTON	1		
9	R39117	WASHER	1		(SUB R120834)
10	R39082	DISK SPRING	3		
11	R39081	SNAP RING	1		
12	19H1849	CAP SCREW	6		5/16" X 1-1/4"
13	R39084	SHAFT	1		
14	RE23000	CLUTCH DISK	3		(SUB FOR R31404) (SUB RE27995)
15	R57345	CLUTCH PLATE	3		(SUB FOR R32313 OR R39325)
16	R39118	HUB	1		

2B18

POWER TRAIN

POWER SHAFT CLUTCH DRUM AND DISKS (INDEPENDENT PTO)

RP383 -UN-01JAN94



RP383

KEY	PART NO.	PART NAME	QTY	TRACTOR SERIAL NO.	REMARKS
1	R33167	RING	2		
2	26H77	SHAFT KEY	1	3/16" X 3/4"	
3	AL29818	DRUM	1	(A) (ALSO ORDER T32474, L33563 AND L38023)	
	AT32059	DRUM	1	(SUB FOR AT29685 OR AT31784)	
				(B) (ALSO ORDER T32474) (SUB FOR AT29705 OR AT31783)	
4	T30755	GEAR	1	(A) (73 TEETH)	
	T30794	GEAR	1	(B) (62 TEETH)	
5	T28660	SNAP RING	1		
6	R39304	WASHER	1		
7	R39280	PISTON RING	1		
8	T30835	PISTON	1		
9	T28662	SPRING	1		
10	T32474	GUIDE	1		
11	R39299	SNAP RING	1		
12	T30757	HUB	1	(SUB L29401)	
13	T28664	DISK, OUTER SPLINE	8	(A)	
	T28664	DISK, OUTER SPLINE	4	(B)	
14	AT26632	DISK, INNER SPLINE	8	(A) (SUB RE37011)	
	AT26632	DISK, INNER SPLINE	4	(B) (SUB RE37011)	
15	T28665	PLATE	1		
16	T32844	SNAP RING	1	(SUB FOR T28666)	
17	T30763	THRUST WASHER	1		
18	T30764	SNAP RING	1		

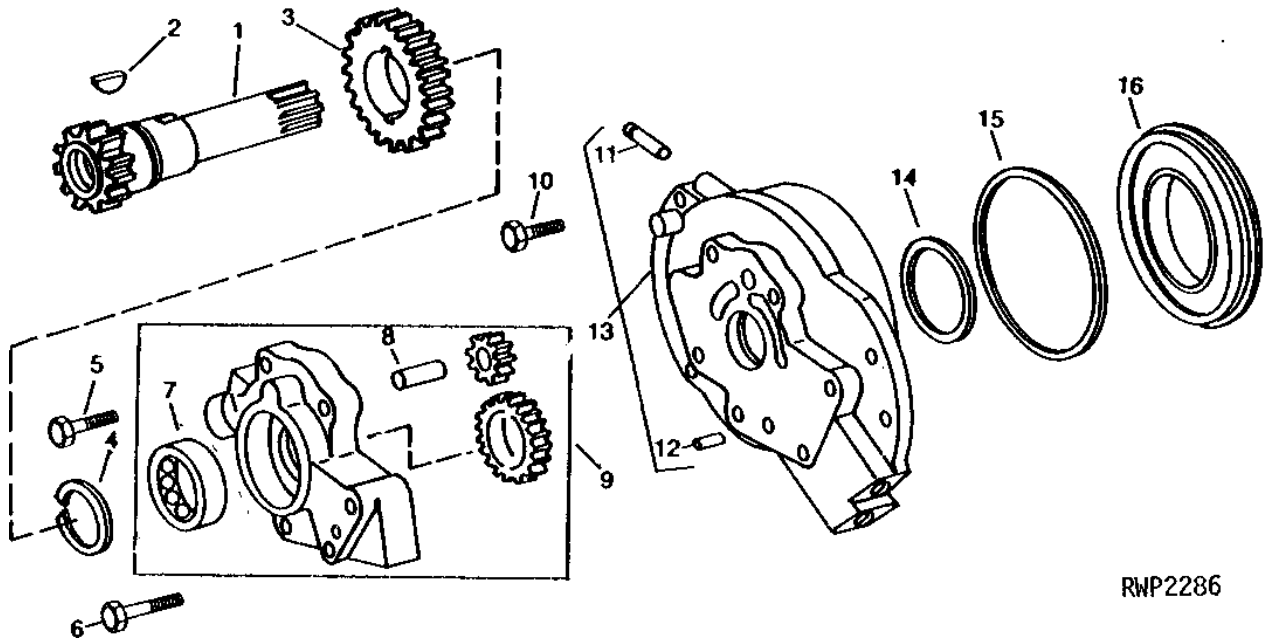
(A) 540 RPM PTO
(B) 540-1000 RPM PTO

2B19

POWER TRAIN

REVERSE BRAKE HOUSING AND PISTON (REVERSER)

RWP2286 -UN-01JAN94



RWP2286

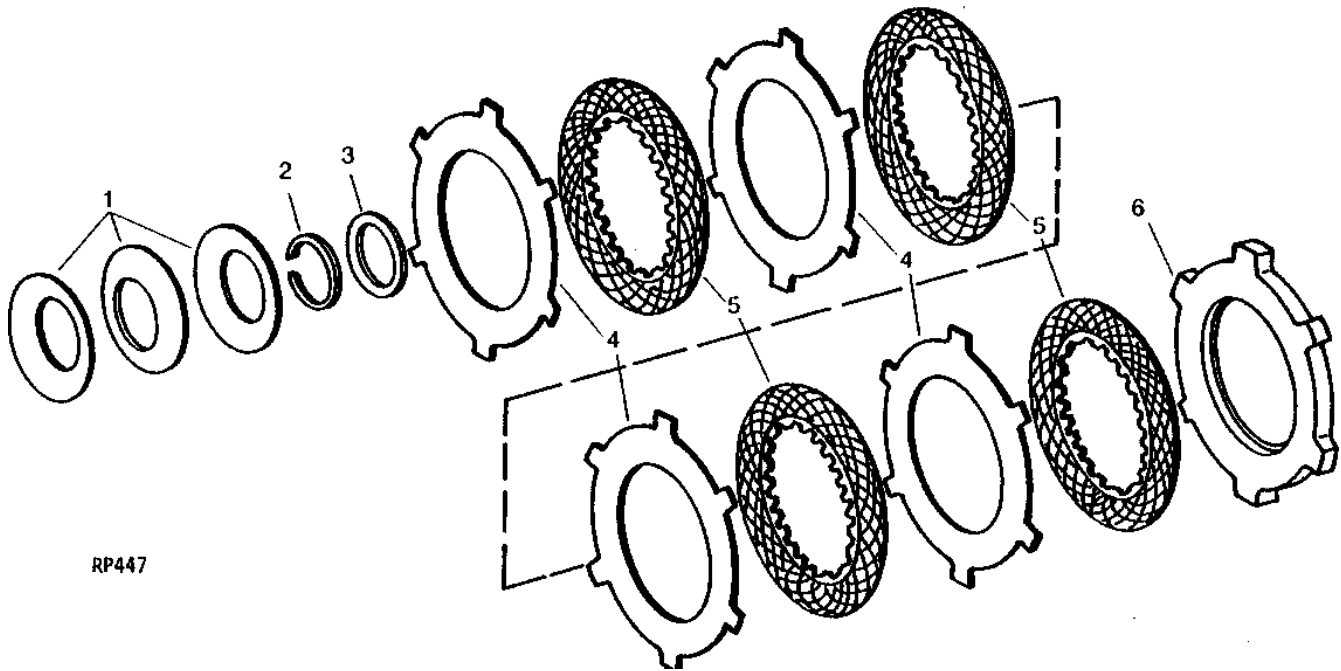
KEY	PART NO.	PART NAME	QTY	TRACTOR SERIAL NO.	REMARKS
1	T22928	SHAFT	1		
2	26H77	SHAFT KEY	1		3/16" X 3/4"
3	T22126	GEAR	1		(30 TEETH) (REAR 1000 RPM PTO OR MID-PTO)
4	R39081	SNAP RING	1		(REAR 1000 RPM PTO OR MID-PTO)
5	R41041	CAP SCREW	1		
6	R40235	CAP SCREW	5		
7	JD8720	ROLLER BEARING	1		
8	R58661	DOWEL PIN	1		(SUB FOR R39224)
9	AR96662	OIL PUMP	1		(MARKED R39244 OR R57959)
10	19H2552	CAP SCREW	7		3/8" X 1-1/8"
11	R39166	PIN	1		(SUB R27245)
12	R30587	DOWEL PIN	3		
13	AR39163	HOUSING	1	-171631	(MARKED R39312)
	AR70310	HOUSING	1	171632-	(MARKED R54698 OR R58522) (SUB FOR AR63139)
14	R39117	WASHER	1		(SUB R120834)
15	R33059	SEALING WASHER	1		
16	R39189	PISTON	1		

2B20

POWER TRAIN

REVERSE BRAKE PLATES AND DISKS (REVERSER)

RP447 -UN-01JAN94



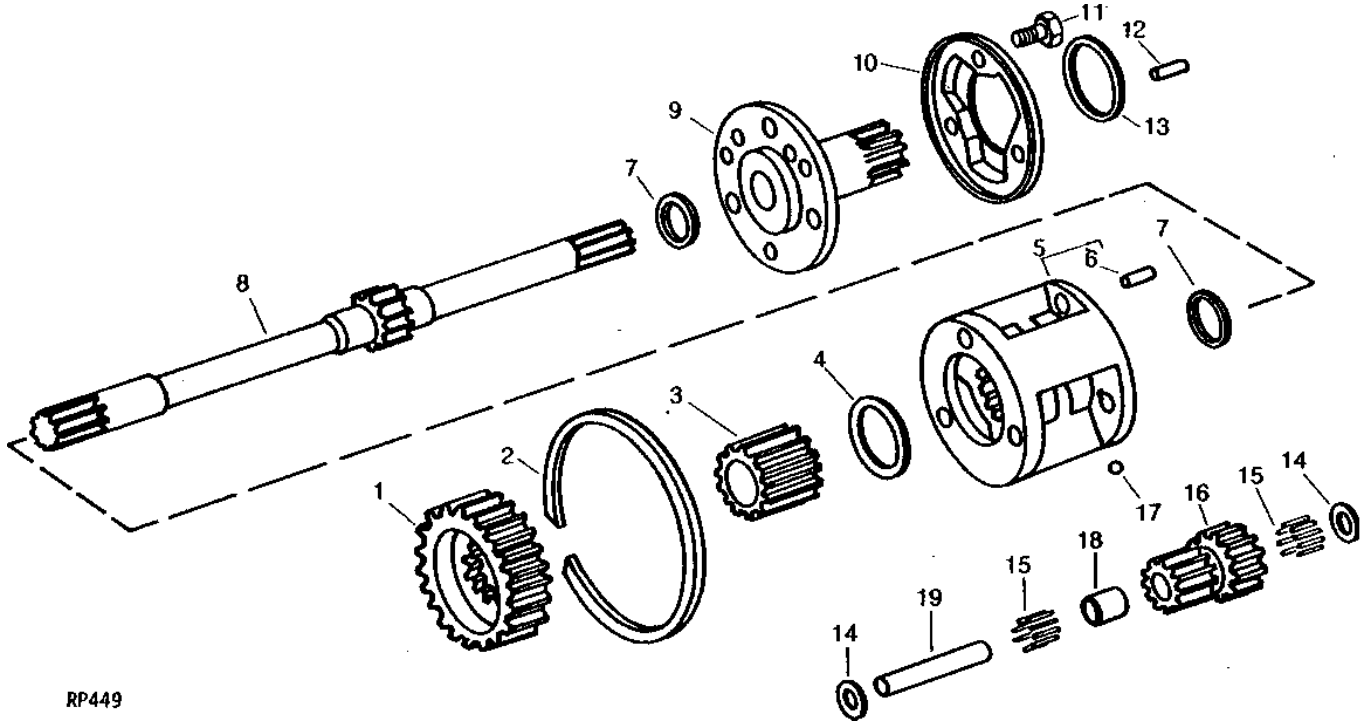
KEY	PART NO.	PART NAME	QTY	TRACTOR SERIAL NO.	REMARKS
1	R39313	WASHER	3	-171631	
	R39082	DISK SPRING	3	171632-	
2	R39081	SNAP RING	1		
3	R39088	WASHER	1		
4	R57345	CLUTCH PLATE	4		(SUB FOR R32313 OR R39325)
5	RE23000	CLUTCH DISK	4		(SUB FOR R31404) (SUB RE27995)
6	R39085	CLUTCH PLATE	1		

2B21

POWER TRAIN

REVERSE BRAKE CARRIER AND SHAFT (REVERSER)

RP449 -UN-01JAN94



RP449

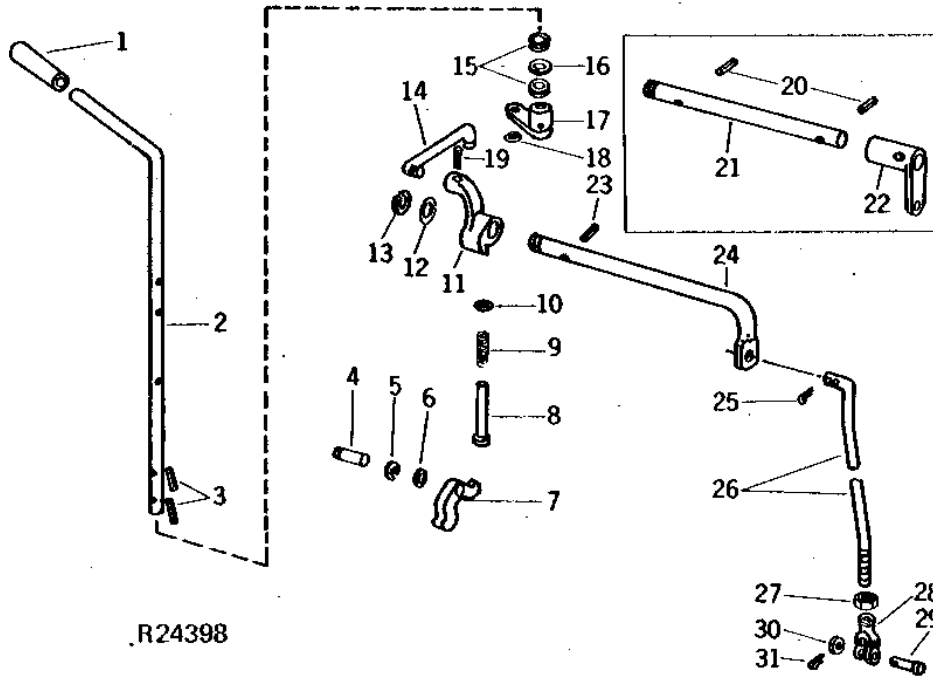
KEY	PART NO.	PART NAME	QTY	TRACTOR SERIAL NO.	REMARKS
1	R39119	HUB	1		
2	R31289	SNAP RING	1		
3	R39145	GEAR	1		
4	R65390	THRUST WASHER	1		(SUB FOR R39193)
5	AR39074	PLANET PINION CARRIER	1		(MARKED R39128)
6	R1612R	DOWEL PIN	1		
7	R39192	WASHER	2		
8	R39123	SHAFT	1		
9	R39124	SHAFT	1		
10	R39125	ISOLATOR	1		
11	19H2284	CAP SCREW	3		3/8" X 7/8"
12	34H251	SPRING PIN	1		1/8" X 1"
13	T22660	WASHER	1		
14	R39129	THRUST WASHER	6		
15	R39090	NEEDLE ROLLER	132		
16	R39122	PINION	3		(SUB FOR AR39099)
17	A4742R	BALL	3		
18	R39091	SPACER	3		
19	R39089	PIN	3		

2B22

POWER TRAIN

R24398 -UN-01JAN94

REVERSER CONTROL LEVER AND LINKAGE



R24398

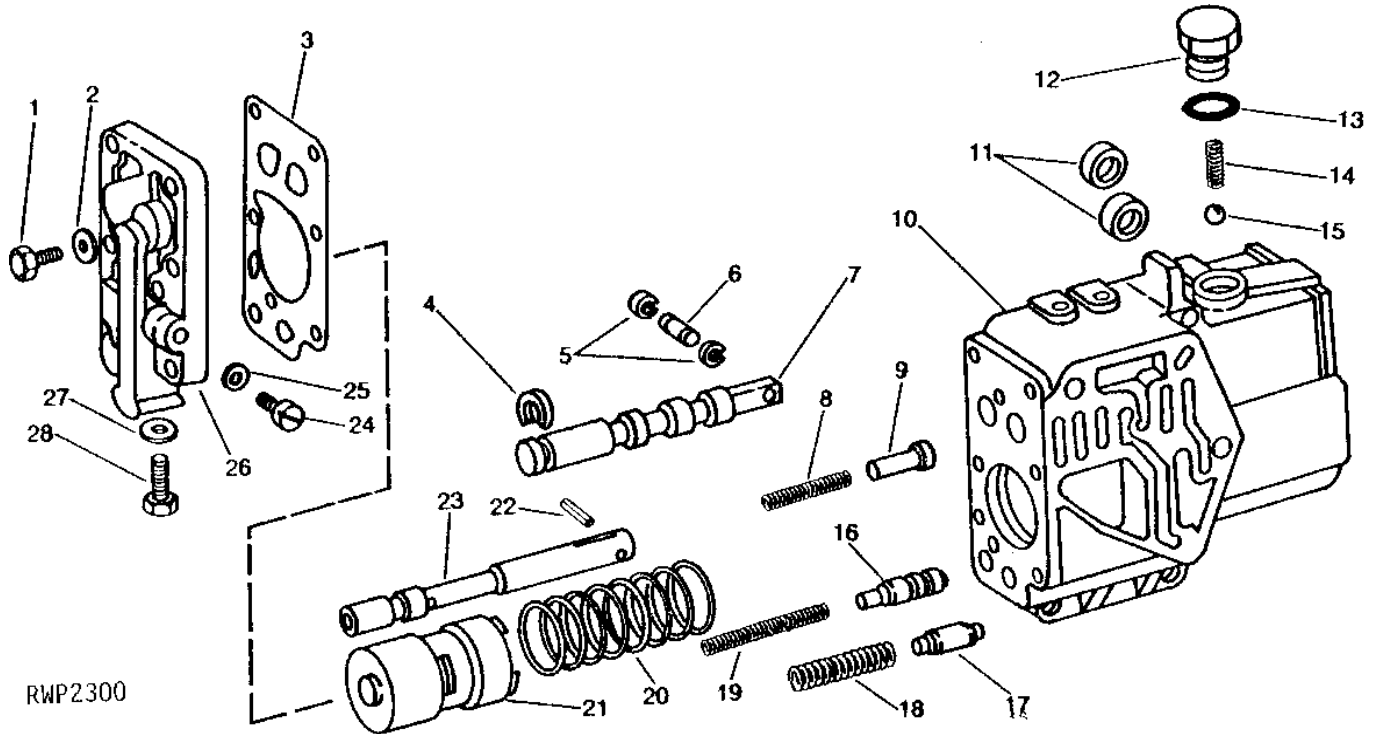
KEY	PART NO.	PART NAME	QTY	TRACTOR SERIAL NO.	REMARKS
1	T26832	KNOB	1	-123614	
	T33746	KNOB	1	123615-	
2	T26841	ACCELERATOR	1	-123614	(SUB T35675 AND T33746)
	T35675	PIN	1	123615-	
3	34H280	SPRING PIN	2		3/16" X 7/8"
4	R27245	PIN	1		(SUB FOR R39166)
5	R72655	SNAP RING	1		(SUB FOR T12808)
6	24H1305	WASHER	1		13/32" X 13/16" X 0.065"
7	T23207	ARM	1		
8	T23206	PIN	1		
9	R26169	SPRING	1		
10	F3353R	O-RING	1		
11	T22754	LEVER	1		
12	24H1658	WASHER	1		21/32" X 1" X 0.060"
13	A4883R	RING	1		
14	T29314	LINK	1		
15	R34811	GROMMET	2		
16	24H1340	WASHER	1		33/64" X 7/8" X 0.075"
17	T26842	LEVER	1		
18	R72654	SNAP RING	1		(SUB FOR R27507)
19	11M7082	COTTER PIN	1		2.500 X 25 MM
20	25H72	GROOVE PIN	2	-XXXXXX	3/16" X 1"
21	T22753	SHAFT	1		(SUB R61136)
22	T22755	ARM	1		UPPER, (SUB R61136)
23	25H72	GROOVE PIN	1	XXXXXX-	3/16" X 1"
24	R61136	SHAFT	1	XXXXXX-	
25	11M7081	COTTER PIN	2		2.500 X 20 MM
26	T22757	ROD	1		
27	14H732	NUT	1		3/8"
28	C284R	YOKE	1		
29	R65563	PIN	1		(SUB FOR C1067R)
30	24M7106	WASHER	1		10 X 18 X 2.500 MM
31	11M7059	COTTER PIN	1		3.200 X 20 MM

2B23

POWER TRAIN

RWP2300 -UN-01JAN94

REVERSER CLUTCH CONTROL VALVE AND PISTON ASSEMBLY



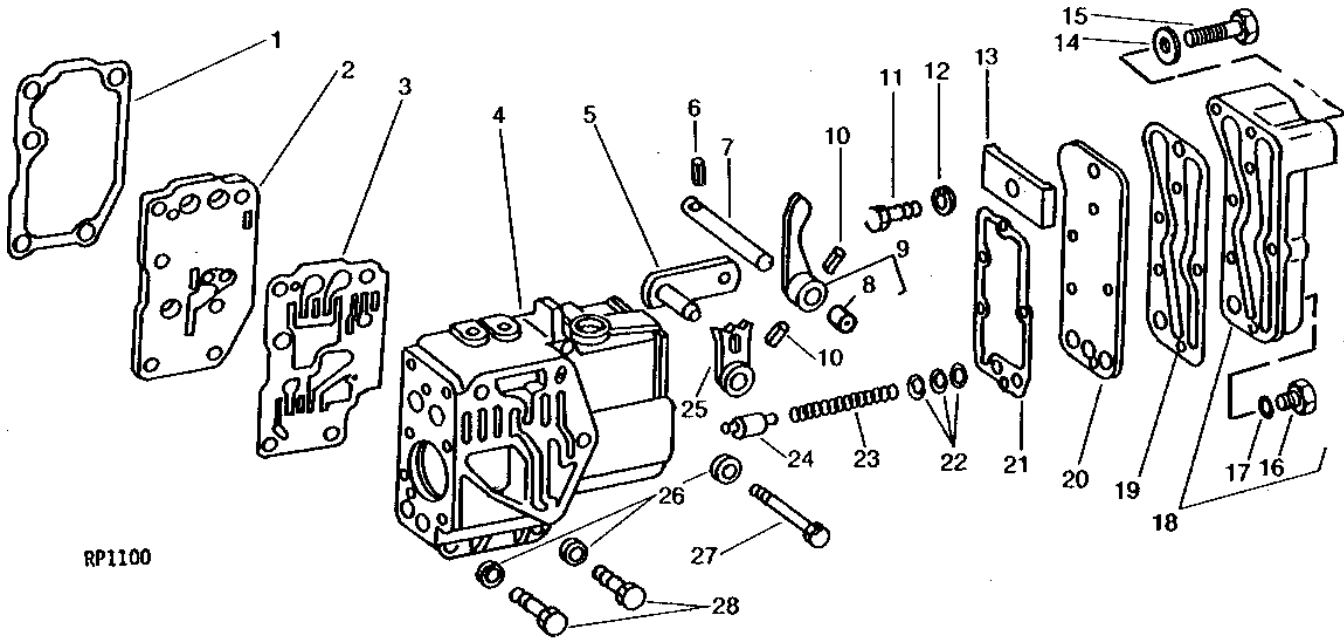
KEY	PART NO.	PART NAME	QTY	TRACTOR SERIAL NO.	REMARKS
1	19H2932	SCREW	6	1/4" X 1"	
2	12H302	LOCK WASHER	6	1/4"	
3	R98924	GASKET	1	(SUB FOR R39159, R78583 OR R72874)	
4	F3366R	SNAP RING	1		
5	R72654	SNAP RING	2	(SUB FOR R27507)	
6	R31319	PIN	1		
7	R39150	VALVE	1		
8	R39137	SPRING	1		
9	R39140	PIN	1		
10	R39144	HOUSING	1	-XXXXXX	(SUB RE50940, R108837, R33259, R78460, R89476, (2) R27216 AND (2) R26287)
	R49255	HOUSING	1		(SUB RE50940, R108837, R33259, R78460, R89476, (2) R27216 AND (2) R26287)
11	AR39043	SEAL	2		
12	R39164	PLUG	1		
13	R26906	O-RING	1		
14	R33277	SPRING	1		
15	D2361R	BALL	1		
16	T113380	VALVE	1	(SUB FOR T59404)	
17	R39294	PIN	1		
18	F3322R	SPRING	1		
19	R39133	SPRING	1		
20	R39229	SPRING	1		
21	R63364	PISTON	1	(SUB FOR R39131)	
22	34H310	SPRING PIN	1	1/4" X 3/4"	
23	R39149	VALVE	1		
24	R34028	BOLT	1		
25	R27976	O-RING	1		
26	R39158	COVER	1	(SUB FOR AR39096)	
27	R26287	O-RING	1		
28	R27216	DRAIN PLUG	1	(SUB FOR R31631)	

2B24

POWER TRAIN

REVERSER CLUTCH CONTROL VALVE SHAFT AND ARM ASSEMBLY

RP1100 -UN-01JAN94



RP1100

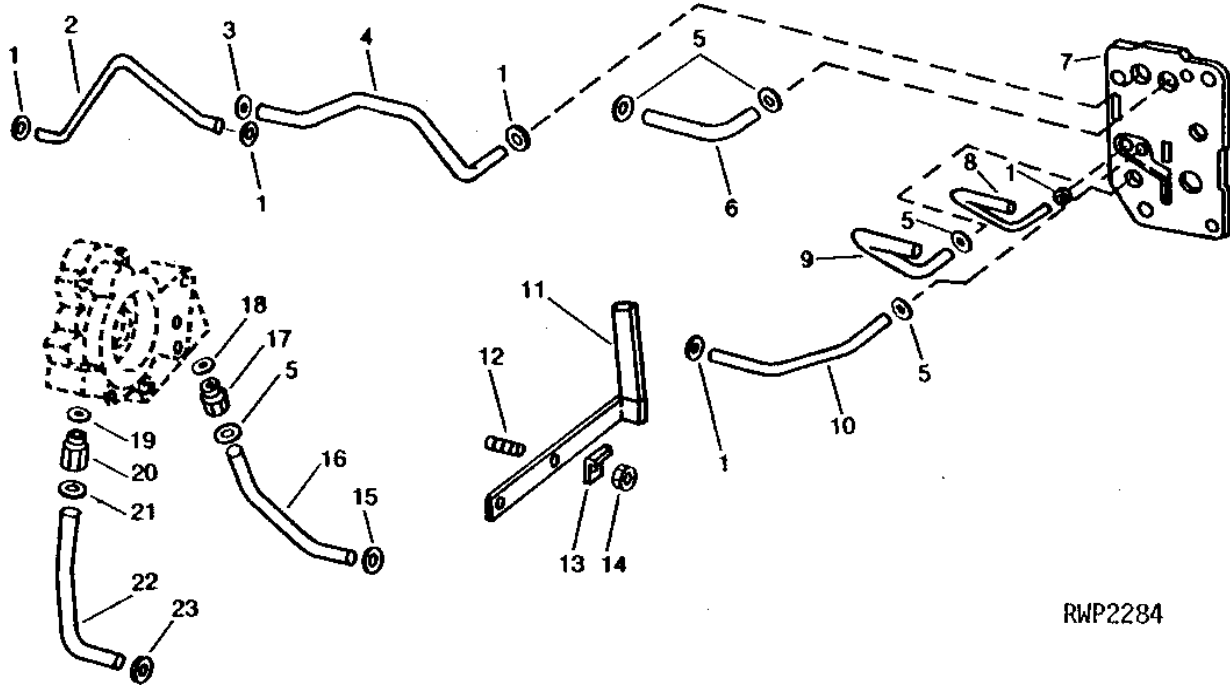
KEY	PART NO.	PART NAME	QTY	TRACTOR SERIAL NO.	REMARKS
1	T27771	GASKET	1		
2	T27772	CLUTCH PLATE	1		
3	T151884	GASKET	1		(SUB FOR T49105)
4	R39144	HOUSING	1	-XXXXXX	(SUB RE50940, R108837, R33259, R78460, R89476, (2) R27216 AND (2) R26287)
	R49255	HOUSING	1		(SUB RE50940, R108837, R33259, R78460, R89476, (2) R27216 AND (2) R26287)
5	AR39064	SHAFT	1		
6	34H387	SPRING PIN	1		3/16" X 3/4"
7	R39152	PIN	1		
8	BUSHING	1		(SUB AR39040)
9	AR39040	ARM	1		
10	34H282	SPRING PIN	2		3/16" X 1"
11	19H2552	CAP SCREW	1		3/8" X 1-1/8"
12	12H304	LOCK WASHER	1		3/8"
13	R39248	STRAP	1		
14	24H1286	WASHER	5		9/32" X 1/2" X 1/16"
15	19H2932	SCREW	5		1/4" X 1"
16	R27218	FITTING PLUG	1		
17	R26448	O-RING	1		
18	AR39138	COVER	1		
19	R98922	GASKET	1		(SUB FOR R39161)
20	R39162	PLATE	1		
21	R98923	GASKET	1		(SUB FOR R39163)
22	R33521	SHIM	6		
23	R39132	SPRING	1		
24	R39294	PIN	1		
25	R39151	LEVER	1		
26	24H1301	WASHER	3		13/32" X 9/16" X 0.065"
27	19H1912	CAP SCREW	1		3/8" X 3-1/2"
28	19H2665	CAP SCREW	2		3/8" X 1-5/8"

2B25

POWER TRAIN

RWP2284 -UN-01JAN94

REVERSER OIL LINES



RWP2284

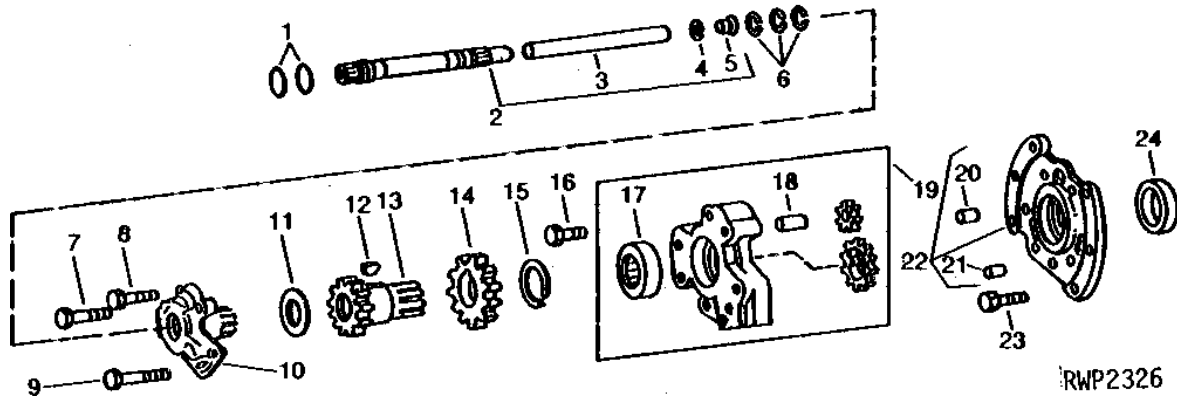
KEY	PART NO.	PART NAME	QTY	TRACTOR SERIAL NO.	REMARKS
1	A3917R	O-RING	5		
2	T22583	OIL TUBE	1		
3	R27166	O-RING	1		
4	T22582	OIL TUBE	1		
5	R375R	O-RING	5		
6	T22579	TUBE	1		
7	T27772	CLUTCH PLATE	1		
8	T22933	OIL TUBE	1		
9	T22932	OIL TUBE	1		
10	T22580	OIL TUBE	1		
11	AT22335	RETAINER	1		
12	R55396	STUD	2		(SUB FOR C2175R)
13	R30958	LOCK PLATE	2		
14	14H1076	NUT	2		3/8"
15	T22851	WASHER	1		
16	T25419	OIL TUBE	1		OUTLET
17	T22862	ADAPTER	1		
18	R26906	O-RING	1		
19	F3171R	O-RING	1		
20	T30754	ADAPTER	1		(SUB FOR T22861)
21	T13119	O-RING	1		
22	T25418	OIL TUBE	1		(SUB FOR T22859)
23	R26149	PACKING	1		

2C1

POWER TRAIN

CLUTCH OIL MANIFOLD AND TRANSMISSION OIL PUMP (HI-LO SHIFT)

RWP2326 -UN-01JAN94



RWP2326

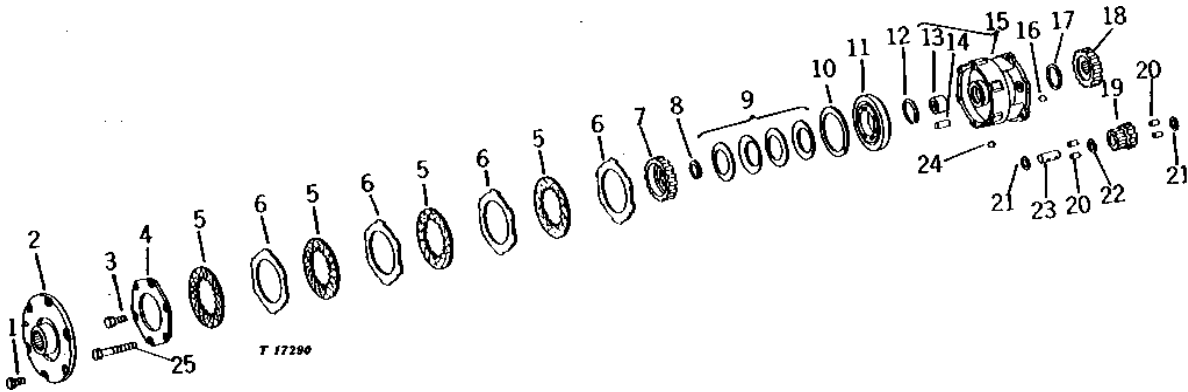
KEY	PART NO.	PART NAME	QTY	TRACTOR SERIAL NO.	REMARKS
1	R26753	RING	2		
2	AR39127	SHAFT	1		
3	R39278	ROTARY VALVE SLEEVE	1		
4	R34140	RING	1		
5	R39279	RETAINER	1		
6	R39283	RING	3		
7	19H2939	CAP SCREW	1	-053382	3/8" X 2.380", (NLA)
8	19H2939	CAP SCREW	2	053383-	3/8" X 2.380", (NLA)
8	19H1733	CAP SCREW	2	-053382	3/8" X 2-1/2"
9	T22156	BOLT	2	053383-	(SUB FOR R39306)
9	19H2128	CAP SCREW	2	-053382	3/8" X 3"
9	R39305	CAP SCREW	1	053383-	
10	AR39118	MANIFOLD	1		
11	R39284	THRUST WASHER	1		
12	26H74	SHAFT KEY	1		3/16" X 5/8"
13	R39254	SHAFT	1		
14	R39261	GEAR	1		(30 TEETH) (1000 RPM)
15	R39081	SNAP RING	1		
16	19H1732	CAP SCREW	1	-053382	3/8" X 1-1/4"
16	R41041	CAP SCREW	1	053383-	
17	JD8720	ROLLER BEARING	1		
18	R58661	DOWEL PIN	1		(SUB FOR R39224)
19	AR96662	OIL PUMP	1		(MARKED R39244 OR R57959)
20	F339R	DOWEL PIN	2		
21	R30587	DOWEL PIN	2		
22	AR71396	ADAPTER	1		(MARKED R39245 OR R57961) (SUB FOR AR39108)
23	19H2552	CAP SCREW	4		3/8" X 1-1/8"
24	JD8729	ROLLER BEARING	1		

2C2

POWER TRAIN

LO CLUTCH ASSEMBLY (HI-LO SHIFT)

T17290 -UN-01JAN94



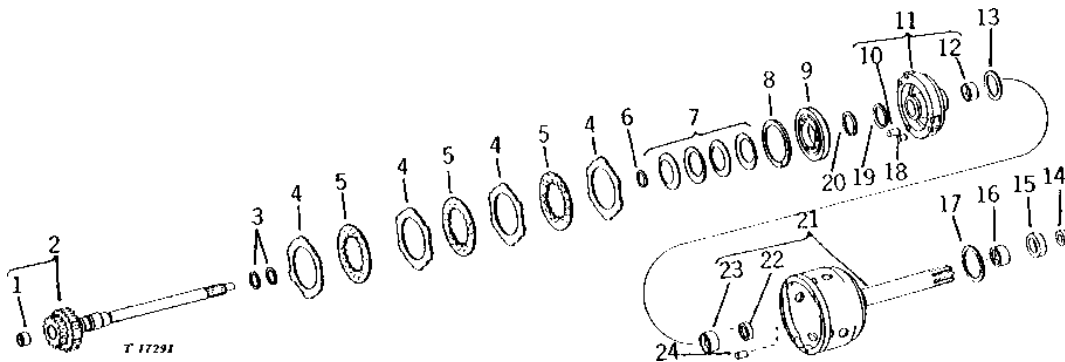
KEY	PART NO.	PART NAME	QTY	TRACTOR SERIAL NO.	REMARKS
1	19H1813	CAP SCREW	6	5/16" X 5/8"	
2	R39238	COVER	1		
3	19H1813	CAP SCREW	3	5/16" X 5/8"	
4	R39260	PLATE	1		
5	AR39128	DISK, INNER SPLINE	4		
6	R39259	CLUTCH PLATE	4		
7	R52378	HUB	1	(SUB FOR R39237)	
8	R39299	SNAP RING	1		
9	R39282	DISK SPRING	4		
10	R39280	PISTON RING	1		
11	R39285	PISTON	1		
12	R39304	WASHER	1	(SUB FOR R39270)	
13	R39247	BUSHING	1		
14	R56457	DOWEL PIN	1		
15	AR89729	PLANET PINION CARRIER	1	(SUB FOR AR39109)	
16	A4742R	BALL	3		
17	R65390	THRUST WASHER	1	(SUB FOR R39193)	
18	R39256	GEAR	1	(36 TEETH)	
19	R39239	PLANET PINION	3		
20	R39286	NEEDLE ROLLER	132		
21	R39129	THRUST WASHER	6		
22	R39258	THRUST WASHER	3		
23	R39257	PIN	3		
24	H871R	BALL	3		
25	19H1897	CAP SCREW	3	5/16" X 3-3/4"	

2C3

POWER TRAIN

HI CLUTCH ASSEMBLY (HI-LO SHIFT)

T17291 -UN-01JAN94



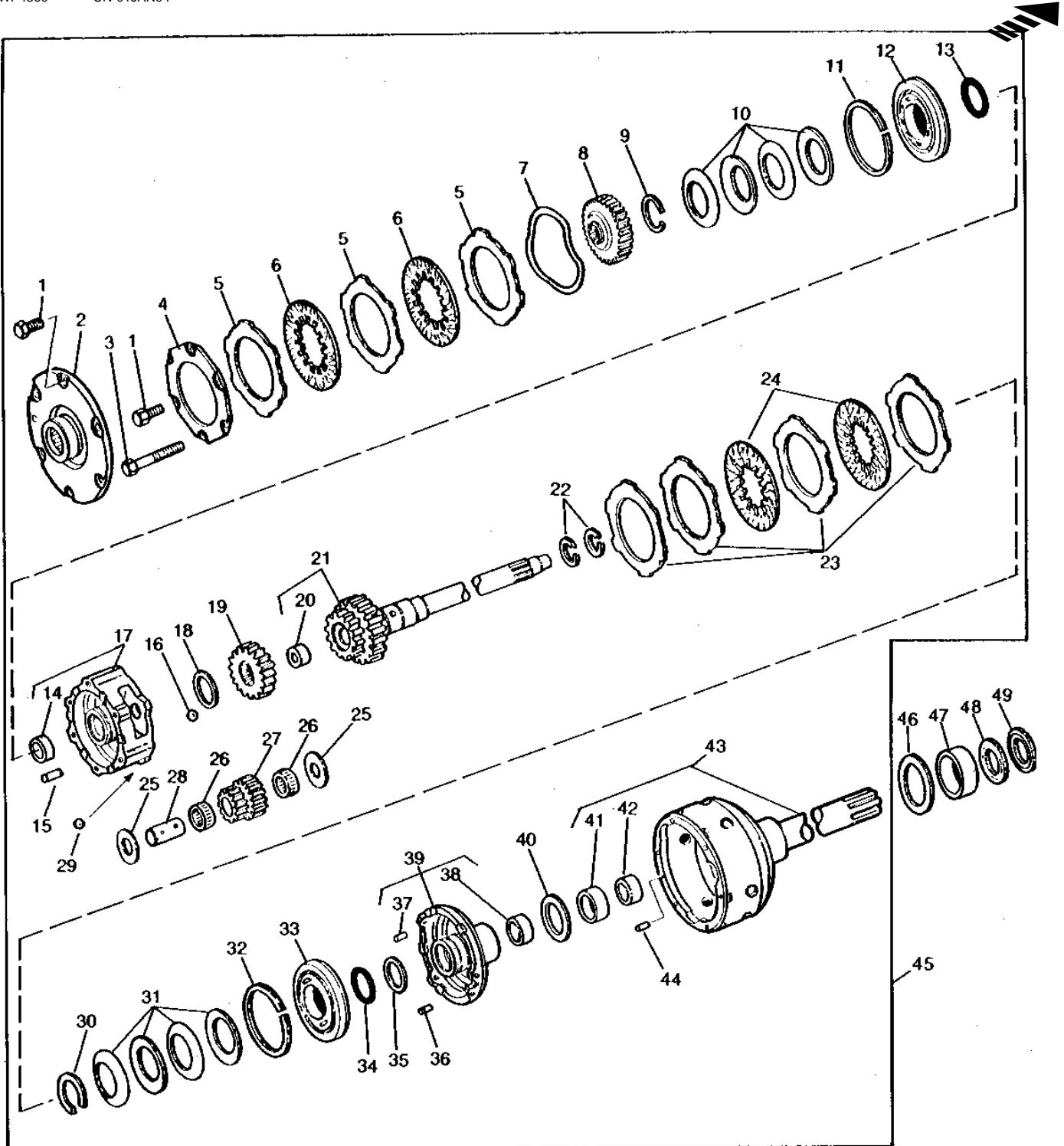
KEY	PART NO.	PART NAME	QTY	TRACTOR SERIAL NO.	REMARKS
1	R39276	BUSHING	1		
2	AR39174	DRIVE SHAFT	1		(MARKED R39320) (SUB FOR AR39125)
3	R26753	RING	2		
4	R39259	CLUTCH PLATE	4		
5	AR39128	DISK, INNER SPLINE	3		
6	R39299	SNAP RING	1		
7	R39282	DISK SPRING	4		
8	R39280	PISTON RING	1		
9	R39285	PISTON	1		
10	R56457	DOWEL PIN	1		
11	AR56772	DRUM	1		(SUB FOR AR39114)
12	R39252	BUSHING	1		
13	R39281	THRUST WASHER	1		
14	AL28037	BALL BEARING	1		(SUB FOR JD8511, JD9464 OR AL24903)
15	T22198	SEAL	1		
16	L29343	BUSHING	1		(SUB FOR T25404 OR T28804)
17	R65391	WASHER	1		(SUB FOR T25409)
18	R56457	DOWEL PIN	2		
19	R65390	THRUST WASHER	1		(SUB FOR R39193)
20	R39304	WASHER	1		(SUB FOR R39270)
21	AR39115	SHAFT	1		
22	AR39117	SEAL	1		
23	R39265	BUSHING	1		
24	B2641R	DOWEL PIN	1		

2C4

POWER TRAIN

REPLACEMENT HI-LO CLUTCH ASSEMBLY (HI-LO SHIFT)

RWP4860 -UN-01JAN94



RWP4860

2C5

POWER TRAIN

REPLACEMENT HI-LO CLUTCH ASSEMBLY - CONTINUED (HI-LO SHIFT)

KEY	PART NO.	PART NAME	QTY	TRACTOR SERIAL NO.	REMARKS
1	19H1813	CAP SCREW	9		5/16" X 5/8"
2	R39238	COVER	1		
3	19H1897	CAP SCREW	3		5/16" X 3-3/4"
4	R39260	PLATE	1		(SUB AR86461, THIS APPLICATION)
5	R64197	CLUTCH PLATE	3		(SUB AR86461, THIS APPLICATION)
6	AR78361	DISK, INNER SPLINE	2		(SUB AR86461, THIS APPLICATION)
7	R63452	SPRING	1		
8	R52378	HUB	1		
9	R39299	SNAP RING	1		
10	R39282	DISK SPRING	4		
11	R39280	PISTON RING	1		
12	R52384	PISTON	1		
13	R39304	WASHER	1		
14	R39247	BUSHING	1		
15	R56457	DOWEL PIN	1		
16	H871R	BALL	3		
17	AR85744	PLANET PINION CARRIER	1		(MARKED R52376)
18	R65390	THRUST WASHER	1		(SUB FOR R39193)
19	R52380	SUN GEAR	1		
20	R39276	BUSHING	1		
21	AR61403	DRIVE SHAFT	1		(MARKED R54062)
22	R26753	RING	2		
23	R64197	CLUTCH PLATE	4		(SUB AR86461, THIS APPLICATION)
24	AR78361	DISK, INNER SPLINE	2		(SUB AR86461, THIS APPLICATION)
25	R52383	THRUST WASHER	6		
26	JD9927	NEEDLE BEARING	6		
27	R52381	PLANET PINION	3		
28	R52382	PIN	3		
29	H871R	BALL	3		
30	R39299	SNAP RING	1		
31	R39282	DISK SPRING	4		
32	R39280	PISTON RING	1		
33	R39285	PISTON	1		
34	R39304	WASHER	1		
35	R65390	THRUST WASHER	1		(SUB FOR R39193)
36	R56457	DOWEL PIN	2		
37	R56457	DOWEL PIN	1		
38	R39252	BUSHING	1		
39	AR56772	DRUM	1		(MARKED R52265)
40	R65392	WASHER	1		(SUB FOR R39281)
41	R39265	BUSHING	1		
42	AR39117	SEAL	1		
43	AR39115	SHAFT	1		
44	B2641R	DOWEL PIN	1		
45	AR82016	HIGH-LOW CLUTCH	1	-187300	(SUB FOR AR39104 OR AR61399)
46	R73701	WASHER	1		(SUB FOR T25409 OR R65391)
47	L29343	BUSHING	1		(SUB FOR T25404 OR T28804)
48	T22198	SEAL	1		
49	AL28037	BALL BEARING	1		(SUB FOR JD8511, JD9464 OR AL24903)

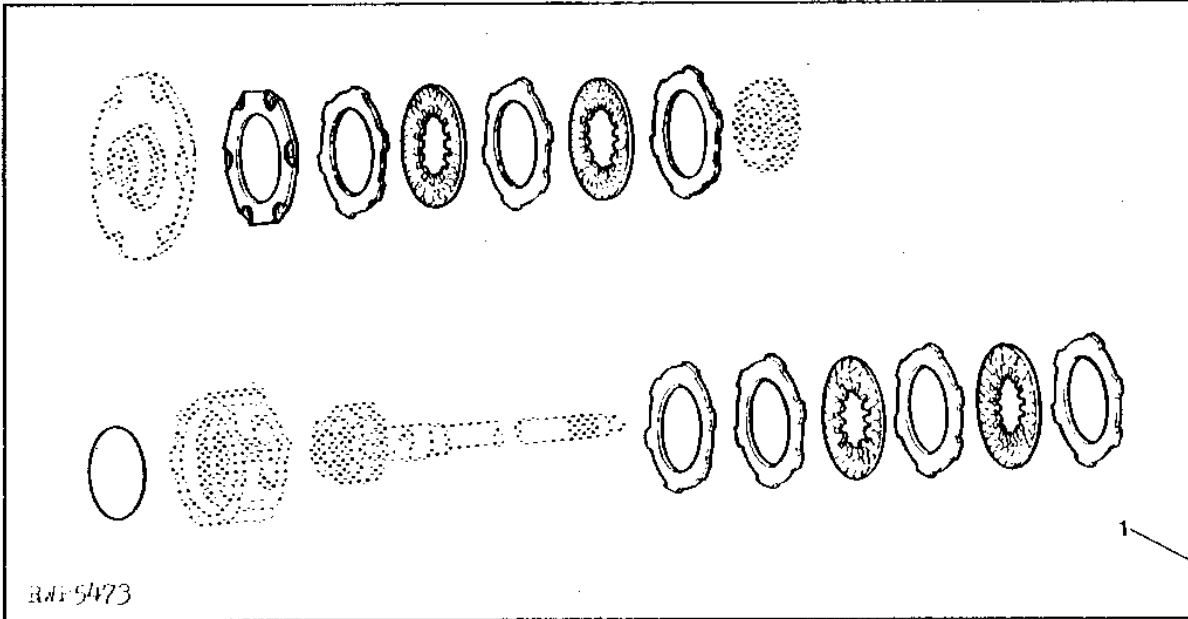
MEMORANDA

2C6

POWER TRAIN

RWP5473 -UN-01JAN94

CLUTCH DISK ASSEMBLY



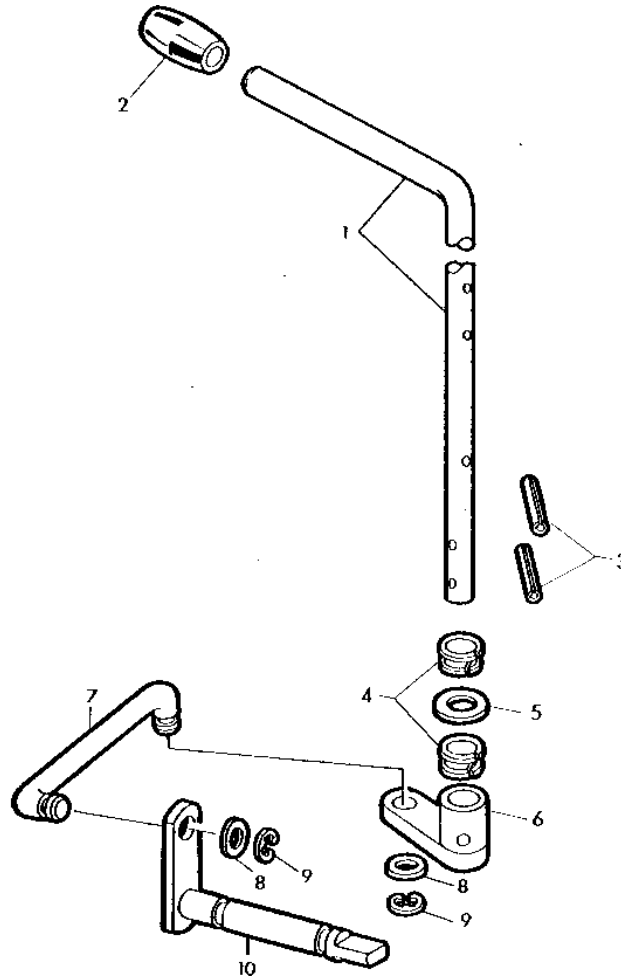
KEY	PART NO.	PART NAME	QTY	TRACTOR SERIAL NO.	REMARKS
1	AR86461	CLUTCH DISK	1		

2C7

POWER TRAIN

CONTROL LEVER AND LINKAGE (HI-LO SHIFT)

L52895 -UN-01JAN94



L 52895

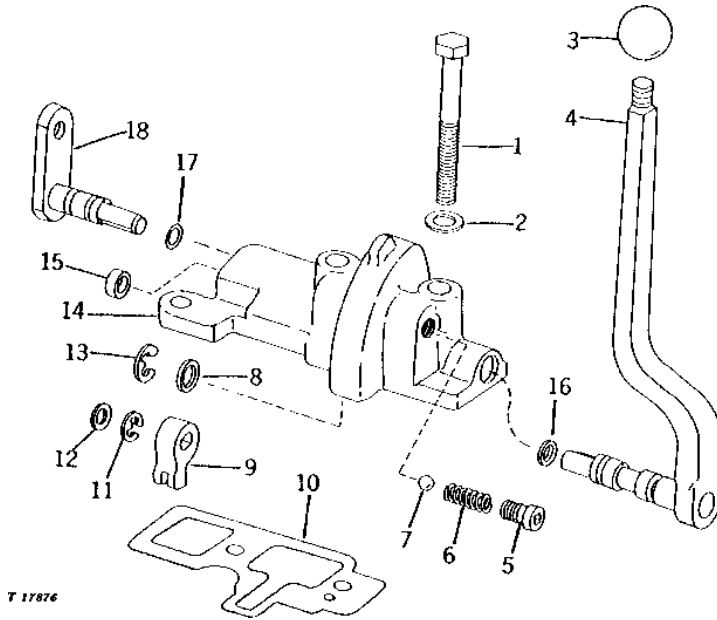
KEY	PART NO.	PART NAME	QTY	TRACTOR SERIAL NO.	REMARKS
1	T26841	ACCELERATOR	1	-123614	(SUB T35675 AND T71570)
	T35675	PIN	1	123615-	
	T29599	LEVER	1	-123614	(LU LOW PROFILE) (NO LONGER AVAILABLE)
	T35680	PIN	1	123615-	(LU LOW PROFILE) (NO LONGER AVAILABLE)
2	T26832	KNOB	1	-123614	
	T33746	KNOB	1	123615-	
3	34H280	SPRING PIN	2		3/16" X 7/8"
4	R34811	GROMMET	2		
5	24H1340	WASHER	1		33/64" X 7/8" X 0.075"
6	T26842	LEVER	1		
7	T25403	ROD	1	-076414	(SUB T29314, (2) R72654 AND (2) 24H1243)
	11M7081	COTTER PIN	4	-076414	2.500 X 20 MM
	T29314	LINK	1	076415-	
8	24H1243	WASHER	2	076415-	11/32" X 5/8" X 1/16"
9	R72654	SNAP RING	2	076415-	(SUB FOR R27507)
10	AT23220	LEVER	1		(LESS INDEPENDENT PTO)
	AT29712	LEVER	1		(INDEPENDENT PTO)

2C8

POWER TRAIN

CLUTCH CONTROL VALVE COVER AND ARM (INDEPENDENT PTO)

T17876 -UN-01JAN94



T 17876

KEY	PART NO.	PART NAME	QTY	TRACTOR SERIAL NO.	REMARKS
1	19H3175	CAP SCREW	2		
2	24M7096	WASHER	2		
3	M526T	KNOB	1		
4	AT29688	LEVER	1		
5	22H1053	SET SCREW	2		7/16" X 7/16"
6	R31680	SPRING	2		
7	R26552	BALL	2		
8	24H1227	WASHER	1		17/32" X 13/16" X 0.060"
9	T25395	LEVER	1		(A)
10	T30751	GASKET	1		
11	R26871	SNAP RING	1		(A) (SUB FOR P44982)
12	24H1227	WASHER	1		(A) 17/32" X 13/16" X 0.060"
13	R26871	SNAP RING	1		(SUB FOR P44982)
14	T30750	COVER	1		
15	M4224T	PLUG	1		(B)
16	R28782	O-RING	1		
17	R28782	O-RING	1		(A)
18	AT29712	LEVER	1		(A)

(A) HI-LO SHIFT

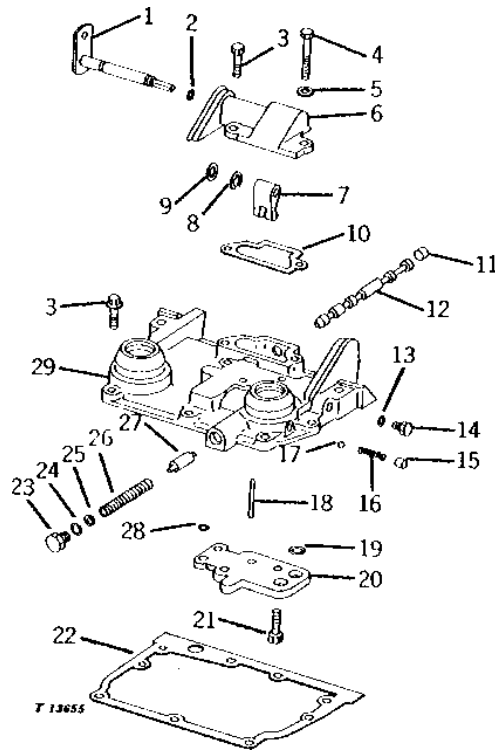
(B) LESS HI-LO SHIFT

2C9

POWER TRAIN

CLUTCH CONTROL VALVE (LESS INDEPENDENT PTO) (HI-LO SHIFT)

T13655 -UN-01JAN94



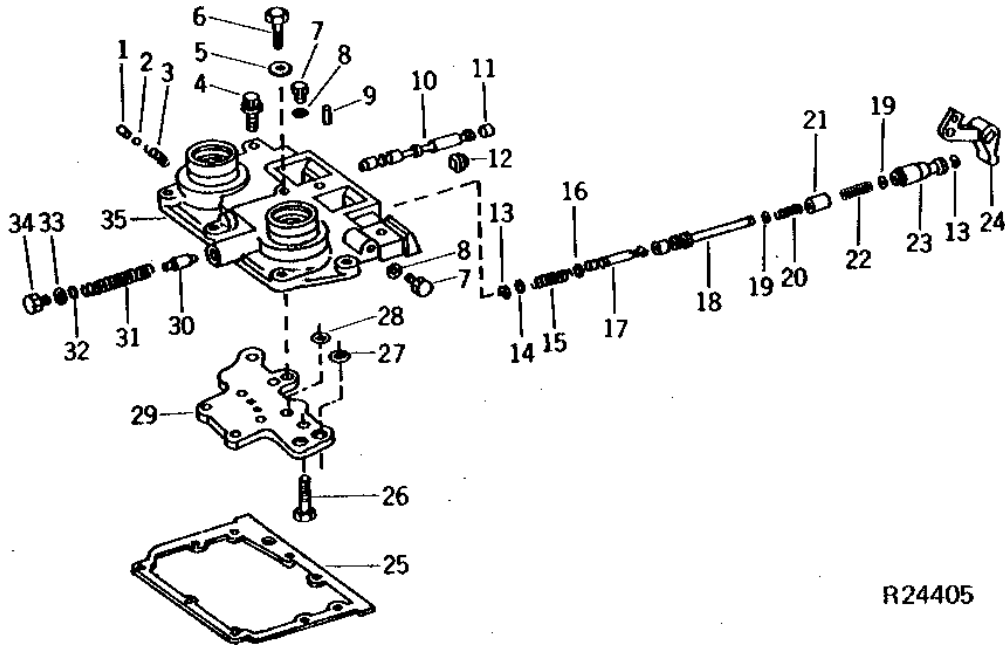
KEY	PART NO.	PART NAME	QTY	TRACTOR SERIAL NO.	REMARKS
1	AT23220	LEVER	1		
2	R28782	O-RING	1		
3	T22728	SCREW	6		
4	19H3181	CAP SCREW	1	3/8" X 2"	
5	24M7096	WASHER	1	10.500 X 18 X 1.600 MM	
6	T25394	COVER	1		
7	T25395	LEVER	1		
8	R26871	SNAP RING	1	(SUB FOR P44982)	
9	24H1227	WASHER	1	17/32" X 13/16" X 0.060"	
10	T25397	GASKET	1		
11	M4224T	PLUG	1		
12	T25398	CONTROL VALVE	1		
13	R26287	O-RING	1		
14	R27216	DRAIN PLUG	1	(SUB FOR R31631)	
15	M1102T	CAP	1		
16	T22739	SPRING	1		
17	R26552	BALL	1		
18	R33058	NEEDLE ROLLER	1		
19	R375R	O-RING	2		
20	T25399	PLATE	1		
21	19H2552	CAP SCREW	3	3/8" X 1-1/8"	
22	T36042	GASKET	1	(SUB FOR T25396 OR T22731)	
23	R27218	FITTING PLUG	1		
24	R26448	O-RING	1		
25	B1085R	WASHER	3		
26	R39132	SPRING	1		
27	R39294	PIN	1		
28	A3917R	O-RING	2		
29	AR70718	COVER	1	(SUB FOR AT23907) (MARKED T25393 OR R58768) (SUB R58768 AND T24395)	

2C10

POWER TRAIN

CLUTCH CONTROL VALVE (INDEPENDENT PTO) (HI-LO SHIFT)

R24405 -UN-01JAN94



R24405

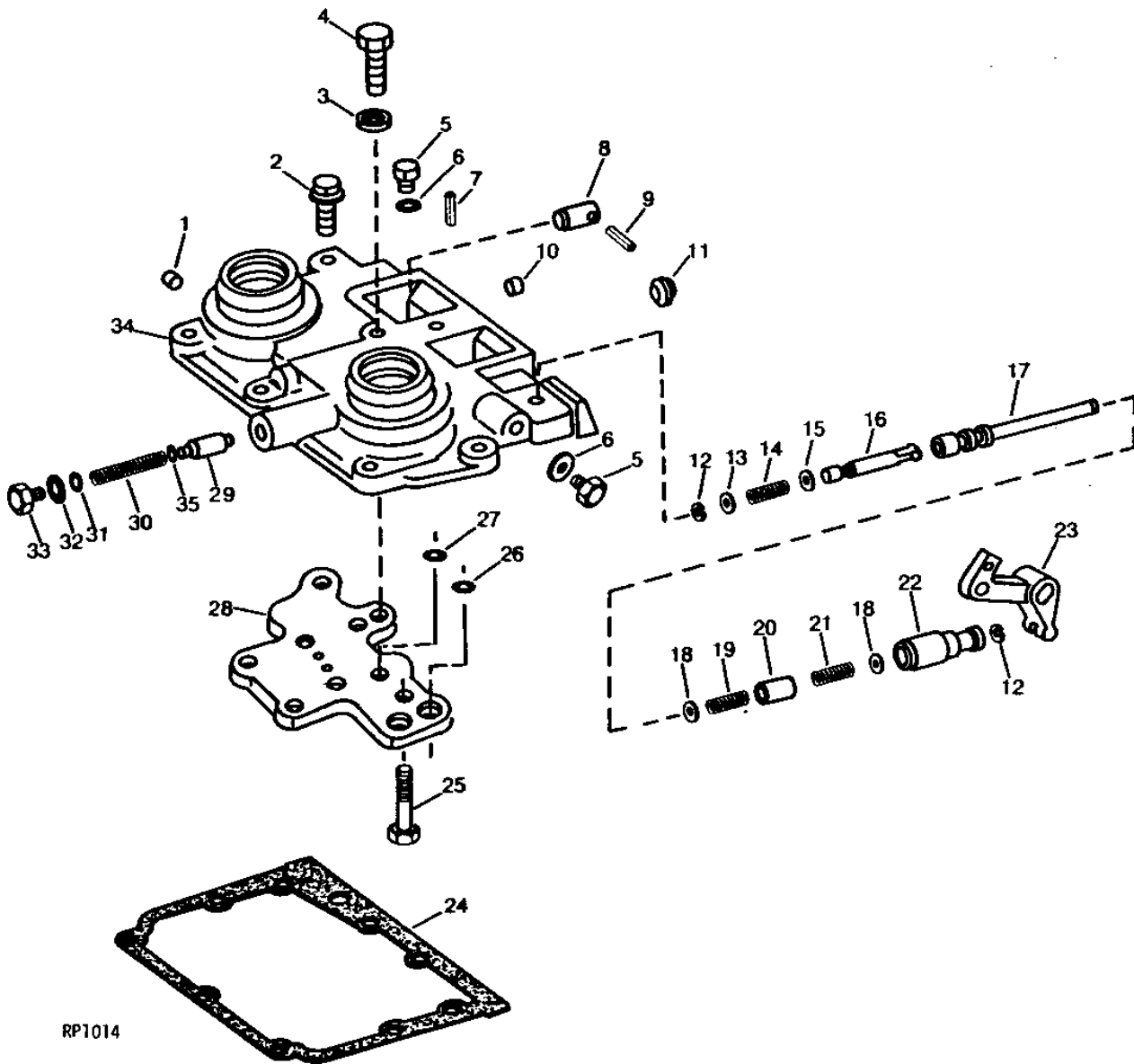
KEY	PART NO.	PART NAME	QTY	TRACTOR SERIAL NO.	REMARKS
1	M4224T	PLUG	1		
2	R26552	BALL	1		
3	T22739	SPRING	1		
4	T22728	SCREW	5		
5	24M7096	WASHER	1	10.500 X 18 X 1.600 MM	
6	19H1800	CAP SCREW	1	3/8" X 1-1/2"	
7	R27216	DRAIN PLUG	3		(SUB FOR R31631)
8	R26287	O-RING	3		
9	R28634	PIN	2		
10	T25398	CONTROL VALVE	1		
11	M4224T	PLUG	1		
12	T30789	PLUG	1		
13	R30828	SNAP RING	2		
14	R31632	SHIM	6		
15	R45582	SPRING	1		
16	B1664R	SHIM	1		
17	T28634	PIN	1		
18	R62531	VALVE	1		(SUB FOR T30786)
19	R31632	SHIM	AR		
20	T17589	SPRING	1		
21	R53168	SLEEVE	1		
22	R34863	SPRING	1		
23	R53167	ACTUATOR	1		
24	T30770	LEVER	1		
25	T36042	GASKET	1		(SUB FOR T22731)
26	19H2552	CAP SCREW	4		3/8" X 1-1/8"
27	R375R	O-RING	2		
28	A3917R	O-RING	2		
29	T30752	PLATE	1		
30	R39294	PIN	1		
31	T31636	SPRING	1		
32	R33521	SHIM	3		
33	R26448	O-RING	1		
34	R27218	FITTING PLUG	1		
35	AR61916	COVER	1		(MARKED T30753 OR R54186) (SUB FOR AT29681)

2C11

POWER TRAIN

CLUTCH CONTROL VALVE (INDEPENDENT PTO) (LESS HI-LO SHIFT)

RP1014 -UN-01JAN94



RP1014

2C12

POWER TRAIN

CLUTCH CONTROL VALVE - CONTINUED
(INDEPENDENT PTO)
(LESS HI-LO SHIFT)

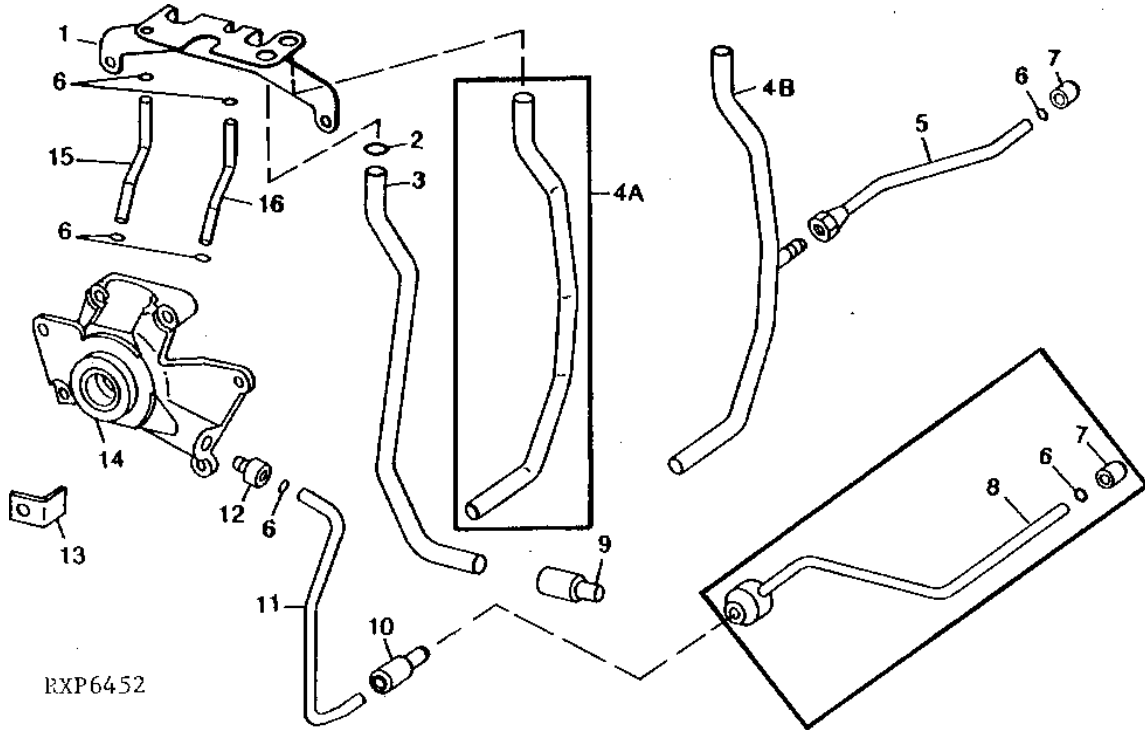
KEY	PART NO.	PART NAME	QTY	TRACTOR SERIAL NO.	REMARKS
1	M1102T	CAP	1		
2	T22728	SCREW	5		
3	24M7096	WASHER	1		10.500 X 18 X 1.600 MM
4	19H1800	CAP SCREW	1		3/8" X 1-1/2"
5	R27216	DRAIN PLUG	3		(SUB FOR R31631)
6	R26287	O-RING	3		
7	R28634	PIN	2		
8	T30788	PIN	1		
9	34H231	SPRING PIN	1		3/32" X 3/4"
10	M4224T	PLUG	1		
11	T30789	PLUG	1		
12	R30828	SNAP RING	2		
13	R31632	SHIM	6		
14	R45582	SPRING	1		
15	B1664R	SHIM	1		
16	T28634	PIN	1		
17	R62531	VALVE	1		(SUB FOR T30786)
18	R31632	SHIM	AR		
19	T17589	SPRING	1		
20	R53168	SLEEVE	1		
21	R34863	SPRING	1		
22	R53167	ACTUATOR	1		
23	T30770	LEVER	1		
24	T36042	GASKET	1		(SUB FOR T22731)
25	19H2552	CAP SCREW	4		3/8" X 1-1/8"
26	R375R	O-RING	2		
27	A3917R	O-RING	2		
28	T30752	PLATE	1		
29	R39294	PIN	1		
30	T31636	SPRING	1		
31	R33521	SHIM	3		
32	R26448	O-RING	1		
33	R27218	FITTING PLUG	1		
34	AR61916	COVER	1		(MARKED T30753 OR R54186) (SUB FOR AT29681)
	R33058	NEEDLE ROLLER	1		
35	A3917R	O-RING	1		

2C13

POWER TRAIN

CLUTCH OIL MANIFOLD AND OIL LINES (LESS INDEPENDENT PTO) (HI-LO SHIFT)

RXP6452 -UN-01JAN94



RXP6452

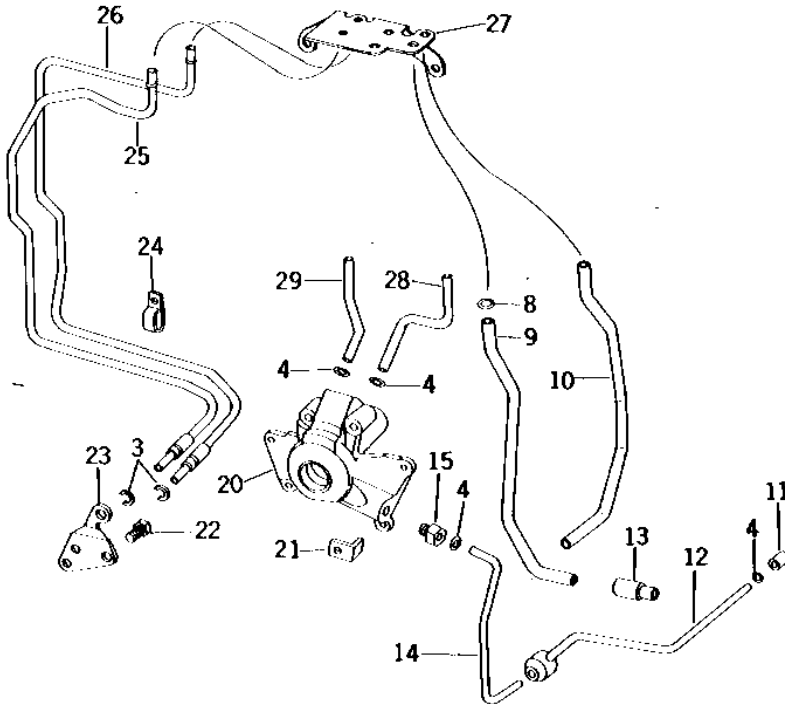
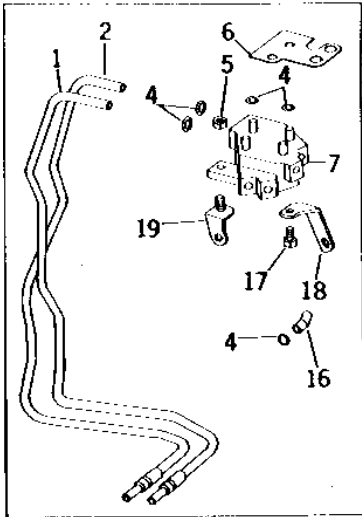
KEY	PART NO.	PART NAME	QTY	TRACTOR SERIAL NO.	REMARKS
1	T25416	RETAINER	1		
2	R375R	O-RING	1		
3	T25413	OIL TUBE	1		OUTLET
4A	T25412	OIL TUBE	1	-XXXXXX	PRESSURE
4B	AL25164	OIL TUBE	1	XXXXXX-	PRESSURE
5	AL25165	OIL TUBE	1	XXXXXX-	
6	A3917R	O-RING	6		
7	T22584	BUSHING	1		
8	AT23232	OIL TUBE	1	-XXXXXX	HIGH CLUTCH LUBE, (SUB AL25165, AL25164 AND L30755)
9	T25408	SLEEVE	1		
10	L30755	ADAPTER	1	XXXXXX-	
11	T25411	OIL TUBE	1		LOW CLUTCH LUBE
12	T22852	ADAPTER	1		
13	T25417	ANGLE	1		
14	AR39118	MANIFOLD	1		(MARKED R39266)
15	T25414	OIL TUBE	1		HIGH CLUTCH PRESSURE
16	T25415	OIL TUBE	1		LOW CLUTCH PRESSURE

2C14

POWER TRAIN

CLUTCH OIL MANIFOLD AND OIL LINES (INDEPENDENT PTO) (HI-LO SHIFT)

T26095 -UN-01JAN94



T26095

KEY	PART NO.	PART NAME	QTY	TRACTOR SERIAL NO.	REMARKS
1	AT29692	LINE	1	-147969	PTO CLUTCH PRESSURE
2	AT29693	LINE	1	-147969	PTO BRAKE PRESSURE
3	F2208R	SNAP RING	2		
4	A3917R	O-RING	8	-147969	
	A3917R	O-RING	4	147970-	
5	14H732	NUT	1	-147969	3/8"
6	T30780	RETAINER	1	-147969	(NLA)
7	AT29715	MANIFOLD	1	-147969	
8	R375R	O-RING	2		
9	T25413	OIL TUBE	1		OUTLET
10	T25412	OIL TUBE	1	-XXXXXX	PRESSURE
	AL25164	OIL TUBE	1	XXXXXX-	
	L30755	ADAPTER	1	XXXXXX-	
11	T22584	BUSHING	1		
12	AT23232	OIL TUBE	1		HIGH CLUTCH LUBE, (SUB AL21565, AL25164 AND L30755)
13	T25408	SLEEVE	1		
14	T25411	OIL TUBE	1		LOW CLUTCH LUBE
15	T22852	ADAPTER	1		
16	T30808	OIL TUBE	2	-147969	PRESSURE
17	19H2038	CAP SCREW	1	-147969	3/8" X 1/2"
18	T30781	BRACKET	1	-147969	(NLA)
19	AT29691	RETAINER	1	-147969	(NLA)
20	AR39118	MANIFOLD	1		
21	T25417	ANGLE	1		
22	T30774	CAP SCREW	1		
23	T30773	BRACKET	1		
24	T30785	CLAMP	1		
	R66287	HALF CLAMP	1		
25	AR85913	LINE	1	147970-	PTO CLUTCH PRESSURE, (SUB FOR AR55382) (SUB RE14758, RE14759, (2) F2208R AND R66287)
26	AR85914	LINE	1	147970-	PTO BRAKE PRESSURE, (SUB FOR AR55396) (SUB RE14759, RE14758, (2) F2208R AND R66287)
27	R51286	RETAINER	1	147970-	
28	R51290	OIL TUBE	1	147970-	LOW CLUTCH PRESSURE
29	R51289	OIL TUBE	1	147970-	HIGH CLUTCH PRESSURE

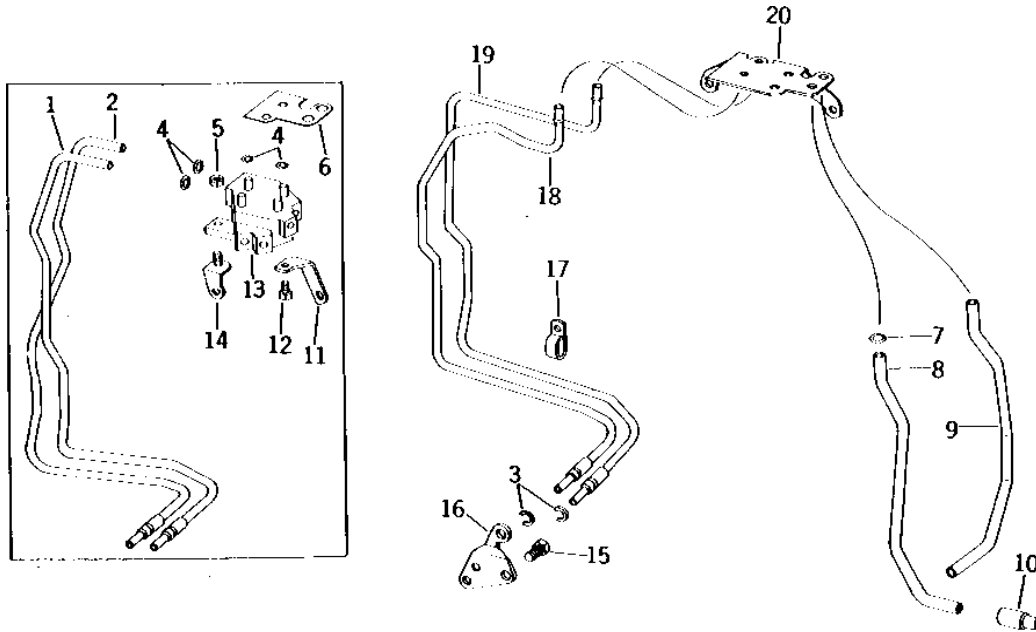
MEMORANDA

2C15

POWER TRAIN

CLUTCH OIL MANIFOLD AND OIL LINES (INDEPENDENT PTO) (LESS HI-LO SHIFT)

T26096 -UN-01JAN94



T26096

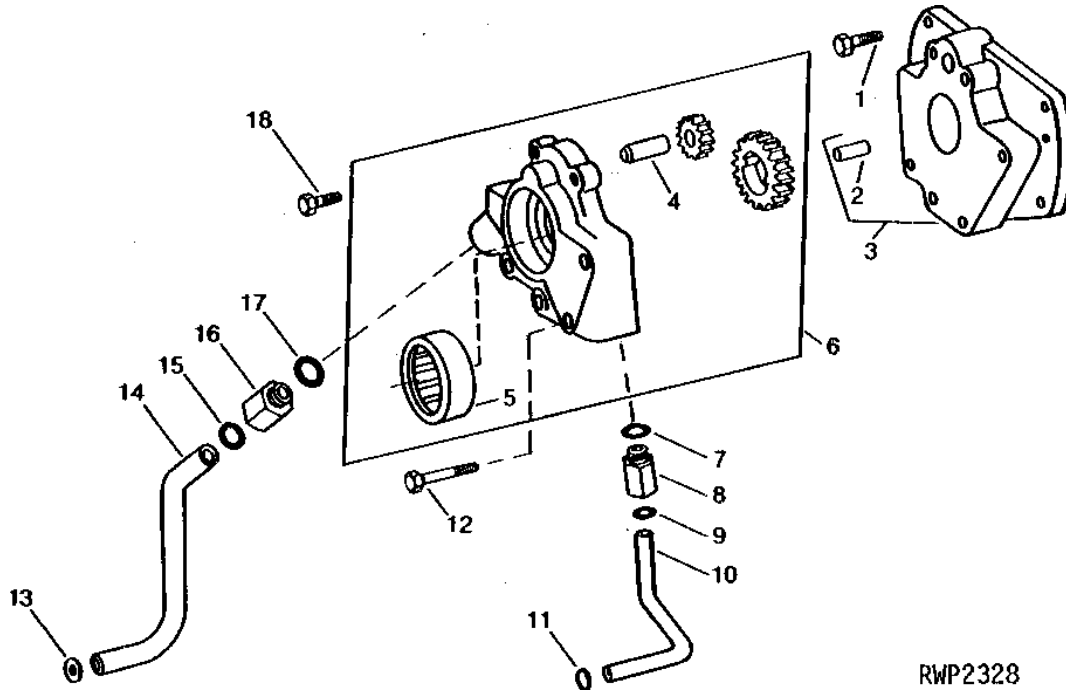
KEY	PART NO.	PART NAME	QTY	TRACTOR SERIAL NO.	REMARKS
1	AT29692	LINE	1	-147969	PTO CLUTCH PRESSURE
2	AT29693	LINE	1	-147969	PTO BRAKE PRESSURE
3	F2208R	SNAP RING	2		
4	A3917R	O-RING	4	-147969	
5	14H732	NUT	1	-147969	3/8"
6	T30780	RETAINER	1	-147969	(NLA)
7	R375R	O-RING	2		
8	T25413	OIL TUBE	1		OUTLET
9	T25412	OIL TUBE	1		PRESSURE
10	T25408	SLEEVE	1		
11	T30781	BRACKET	1	-147969	(NLA)
12	19H2038	CAP SCREW	1	-147969	3/8" X 1/2"
13	AT29690	MANIFOLD	1	-147969	(NLA)
14	AT29691	RETAINER	1	-147969	
15	T30774	CAP SCREW	1		(NLA)
16	T30773	BRACKET	1		
17	T30785	CLAMP	1		
	R66287	HALF CLAMP	1		
18	AR85913	LINE	1	147970-	PTO CLUTCH PRESSURE, (SUB FOR AR55382) (SUB RE14758, RE14759, (2) F2208R AND R66287)
19	AR85914	LINE	1	147970-	PTO BRAKE PRESSURE, (SUB FOR AR55396) (SUB RE14759, RE14758, (2) F2208R AND R66287)
20	R51286	RETAINER	1	147970-	

2C16

POWER TRAIN

RWP2328 -UN-01JAN94

TRANSMISSION OIL PUMP AND OIL LINES (LESS HI-LO SHIFT OR LESS REVERSER)



RWP2328

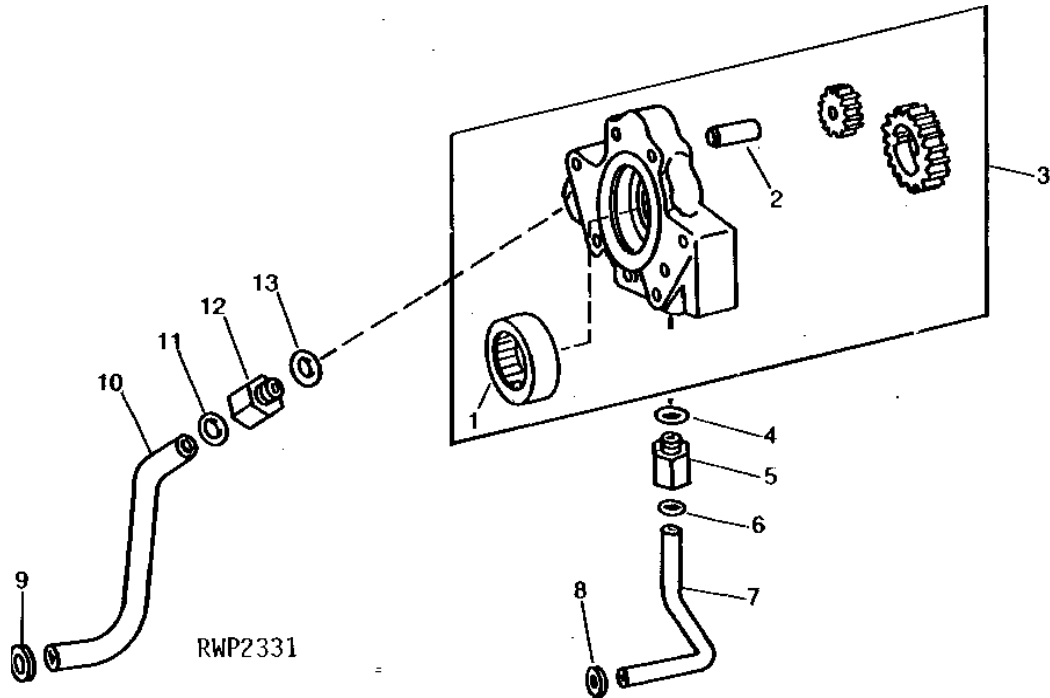
KEY	PART NO.	PART NAME	QTY	TRACTOR SERIAL NO.	REMARKS
1	19H2552	CAP SCREW	4	3/8" X 1-1/8"	
2	R30587	DOWEL PIN	3		
3	AR69659	ADAPTER	1		(MARKED R57964) (SUB FOR AR39093)
4	R58661	DOWEL PIN	1		(SUB FOR R39224)
5	JD8720	ROLLER BEARING	1		
6	AR39028	HOUSING	1	-053382	(MARKED R39184) (SUB AR96662, T25418 AND (3) R40235)
	AR96662	OIL PUMP	1	053383-	(MARKED R39244 OR R57959) (SUB FOR AR39107)
7	R26906	O-RING	1		
8	T22862	ADAPTER	1		
9	R375R	O-RING	1		
10	T25419	OIL TUBE	1		(SUB FOR T22860)
11	T22851	WASHER	1		
12	R40235	CAP SCREW	2	-053382	
	R40235	CAP SCREW	5	053383-	
13	R26149	PACKING	1		
14	T25418	OIL TUBE	1		(SUB T22859)
15	T13119	O-RING	1		
16	T30754	ADAPTER	1		(SUB FOR T22861)
17	F3171R	O-RING	1		
18	R41041	CAP SCREW	4	-053382	
	R41041	CAP SCREW	1	053383-	

2C17

POWER TRAIN

TRANSMISSION OIL PUMP AND OIL LINES (HI-LO SHIFT)

RWP2331 -UN-01JAN94



KEY	PART NO.	PART NAME	QTY	TRACTOR SERIAL NO.	REMARKS
1	JD8720	ROLLER BEARING	1	(540-1000 RPM PTO)	
2	R58661	DOWEL PIN	1	(SUB FOR R39224)	
3	AR96662	OIL PUMP	1	(MARKED R39244 OR R57959) (SUB FOR AR39107)	
4	R26906	O-RING	1	(540-1000 RPM PTO)	
5	T22862	ADAPTER	1		
6	R375R	O-RING	1		
7	T25419	OIL TUBE	1	DISCHARGE	
8	T22851	WASHER	1		
9	R26149	PACKING	1		
10	T25418	OIL TUBE	1	INLET	
11	T13119	O-RING	1		
12	T30754	ADAPTER	1	(SUB FOR T22861)	
13	F3171R	O-RING	1		

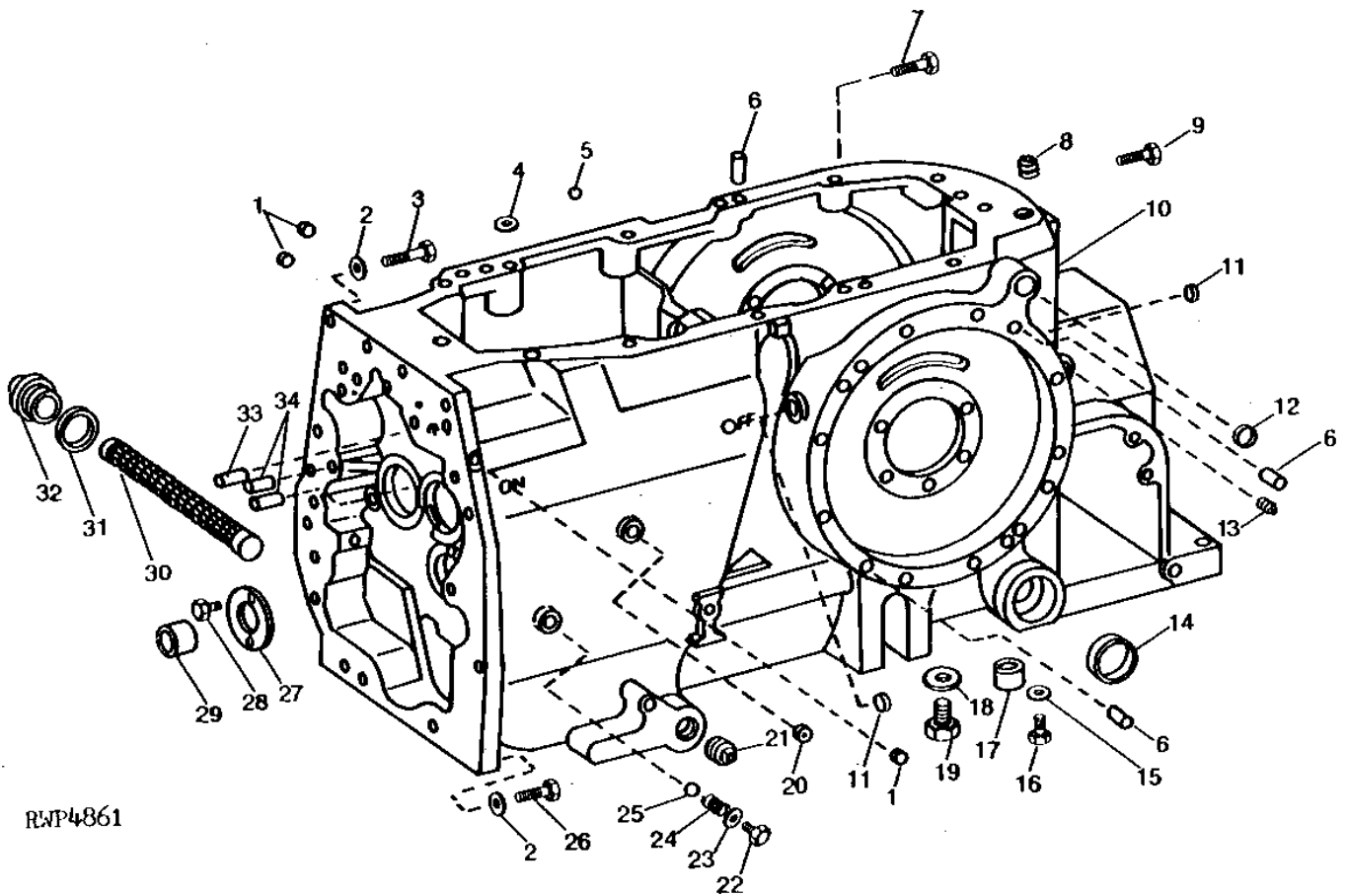
2C18

POWER TRAIN

RWP4861

-UN-01JAN94

TRANSMISSION CASE



RWP4861

2C19

POWER TRAIN

TRANSMISSION CASE - CONTINUED

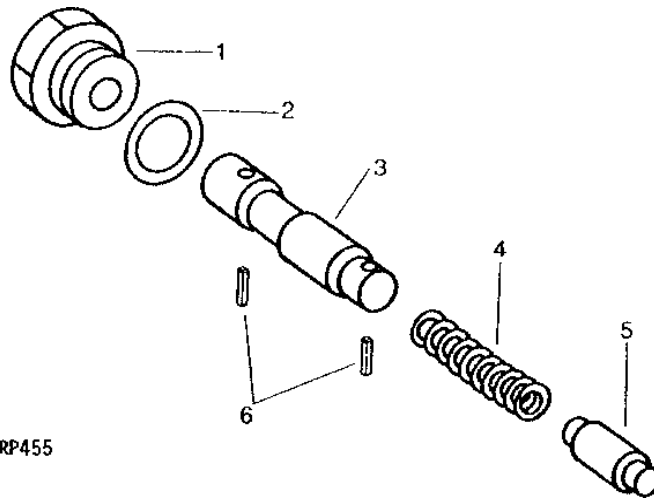
KEY	PART NO.	PART NAME	QTY	TRACTOR SERIAL NO.	REMARKS
1	M1102T	CAP	3		
2	T20168	WASHER	11		(SUB FOR M2834T)
3	19H1831	CAP SCREW	2		1/2" X 2"
4	T17882	WASHER	1		
5	R26552	BALL	1	-045199	(USE WITH AT23308)
	R26552	BALL	1	045200-	(MANUAL STEERING)
6	R48685	DOWEL PIN	6		(SUB FOR A120R)
7	19H2643	CAP SCREW	1		1/2" X 7/8", (LESS ROCKSHAFT) (LESS INDEPENDENT PTO)
8	15H562	PIPE PLUG	1		1"
9	19H2367	CAP SCREW	1		5/8" X 3/4", (LESS ROCKSHAFT)
10	AT22543	TRANSMISSION CASE	1	-045199	(540-1000 RPM CONTINUOUS PTO) (SUB AT69065, JD9878, L29048, R26552, (2) 19H2510, (2) 19H2644 AND (4) 19H2735) (MARKED T68035) (540 RPM PTO) (SUB AR101832, JD9878, L29048, R26552, R56615, (2) 19H2510, (2) 19H2644 AND (4) 19H2735) (MARKED T25400)
	AT43407	TRANSMISSION CASE	1	045200-	(540-1000 RPM CONTINUOUS PTO) (SUB AT69065, JD9878, L29048, R26552, R56615, (2) 19H2510, (2) 19H2644 AND (4) 19H2735) (MARKED T68035) (540 RPM PTO) (SUB AR101832, JD9878, L29048, R26552, R56615, (2) 19H2510, (2) 19H2644 AND (4) 19H2735) (MARKED T25400)
	AT29702	TRANSMISSION CASE	1		(SUB AR91515, AR94723, (2) 19H2510, (2) 19H2644 AND (4) 19H2735) (540-1000 RPM IND PTO)
	R39112	FITTING	1		(LESS POWER STEERING PUMP)
	R26375	O-RING	1		(LESS POWER STEERING PUMP)
11	T18891	CAP	2		
12	T21937	CAP	1		(LESS PARKING BRAKE)
13	15H584	PIPE PLUG	1		1/2"
14	T22653	CAP	2		
	R66197	THRUST WASHER	2		(SUB FOR R43216)
15	R27003	WASHER	1		
16	19H2351	CAP SCREW	1		1/2" X 1/2", (LESS PARKING BRAKE)
17	T21671	BUSHING	1		
18	A4827R	WASHER	2		
19	R26727	DRAIN PLUG	2		(SUB FOR F3128R)
20	T18891	CAP	1		(LESS REAR PTO)
21	15H562	PIPE PLUG	1		1"
22	19H2351	CAP SCREW	1		1/2" X 1/2"
23	R27003	WASHER	1		
24	T27716	SPRING	1		(REAR PTO)
25	R26552	BALL	1		8MM (5/16") (REAR PTO)
26	19H1721	CAP SCREW	6		1/2" X 1-1/2", (REAR PTO)
27	T28668	THRUST WASHER	1		(SUB FOR T22217) (DUAL 540-1000 RPM PTO OR SINGLE 540 RPM PTO WITH MID-PTO)
28	37H44	SCREW	2		0.151" X 3/8" (DUAL 540-1000 RPM PTO OR SINGLE 540 RPM PTO WITH MID PTO)
29	T22128	BUSHING	1		(REAR PTO)
30	R53169	SCREEN	1		(NYLON)
	AR26375	SCREEN	1		(STEEL)
31	A4808R	WASHER	1		
32	R40147	FITTING	1		(SUB FOR A4806R)
33	T26565	DOWEL PIN	2		
34	T24729	BUSHING	2		
..	AR94702	GASKET KIT	1		CLUTCH HOUSING TO TRANSMISSION CASE, (SUB RE50137)

2C20

POWER TRAIN

RP455 -UN-01JAN94

TRANSMISSION RELIEF VALVE



RP455

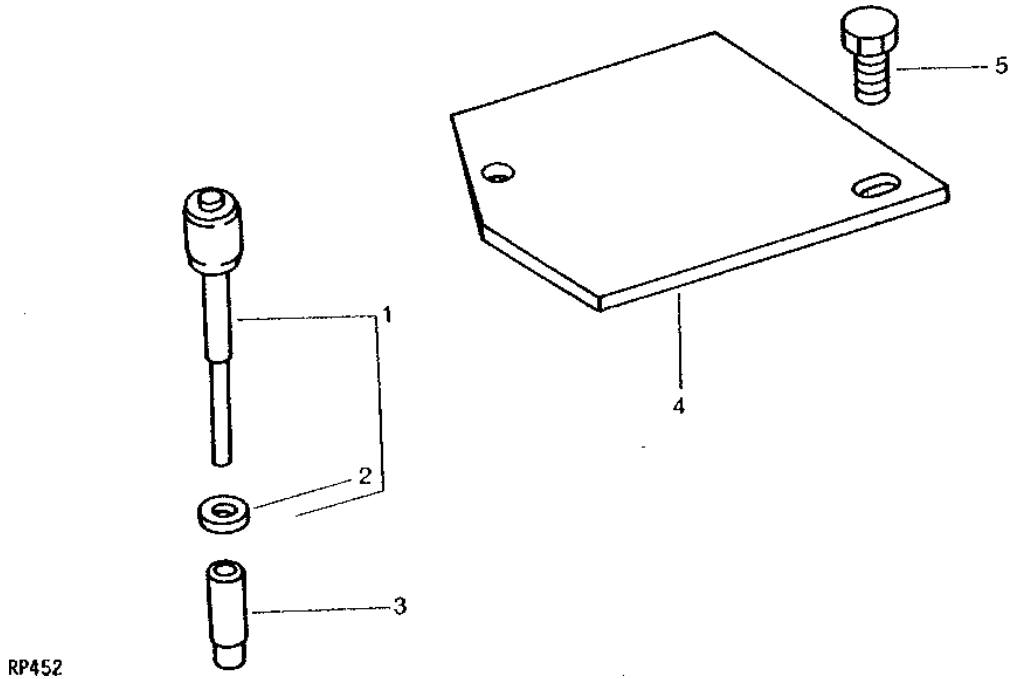
KEY	PART NO.	PART NAME	QTY	TRACTOR SERIAL NO.	REMARKS
1	R27175	DRAIN PLUG	1		
2	F3171R	O-RING	1		
3	T22853	SLEEVE	1		
4	R31698	SPRING	1		
5	R39294	PIN	1		
6	34H247	SPRING PIN	2	1/8" X 3/4"	

2C21

POWER TRAIN

RP452 -UN-01JAN94

TRANSMISSION SUMP COVER AND OIL LEVEL ROD



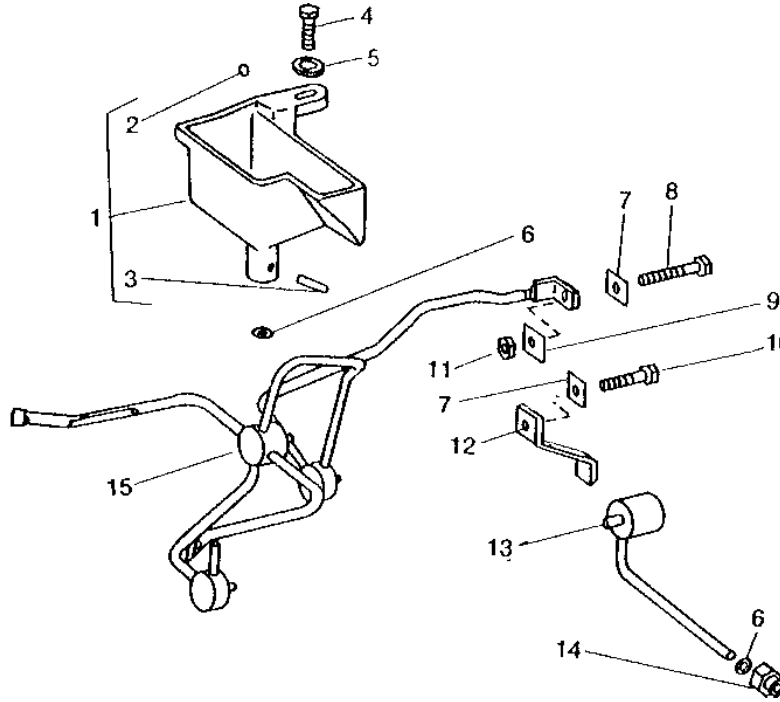
KEY	PART NO.	PART NAME	QTY	TRACTOR SERIAL NO.	REMARKS
1	AT19830	DIPSTICK	1		
2	R1590R	WASHER	1		
3	T21562	TUBE	1		
4	T22854	COVER	1		(SUB FOR AT20850)
5	19H2021	CAP SCREW	2		3/8" X 5/8"

2C22

POWER TRAIN

RP453 -UN-01JAN94

TRANSMISSION LUBRICATING OIL LINES



RP453

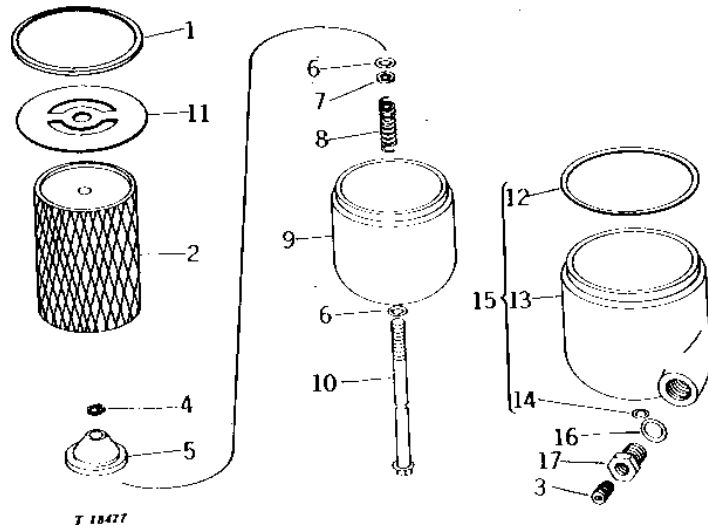
KEY	PART NO.	PART NAME	QTY	TRACTOR SERIAL NO.	REMARKS
1	AR66588	OIL CUP	1		(SUB FOR AT22359) (SUB AR87416 AND 21H1322)
2	R26552	BALL	1		
3	R39090	NEEDLE ROLLER	1		
4	19H1731	CAP SCREW	1	3/8" X 1"	
5	24H1307	WASHER	1	13/32" X 1" X 1/16"	
6	A3917R	O-RING	2		
7	H246R	STRAP	2		
8	T22984	CAP SCREW	1		
9	R1888R	STRAP	1		
10	19H1800	CAP SCREW	1	3/8" X 1-1/2"	
11	14H732	NUT	1	3/8"	
12	T22974	CLAMP	1		
13	AT29752	OIL LINE	1		FRONT
14	T22852	ADAPTER	1		
15	AT22001	OIL LINE	1		REAR

2C23

POWER TRAIN

T18477 -UN-01JAN94

TRANSMISSION OIL FILTER



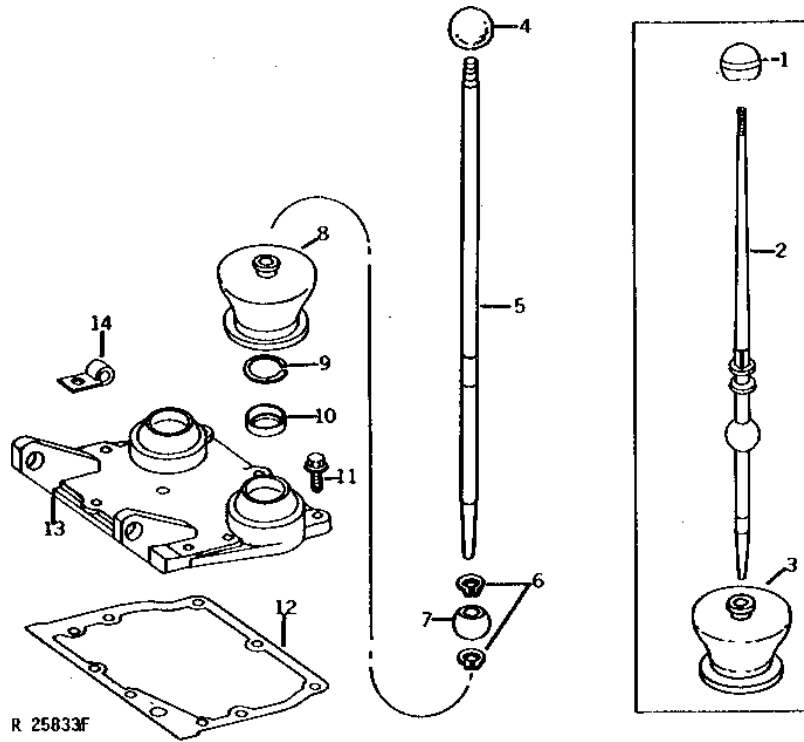
KEY	PART NO.	PART NAME	QTY	TRACTOR SERIAL NO.	REMARKS
1	R34733	WASHER	1		
2	AR75603	FILTER ELEMENT	1		(SUB FOR AR28271 OR AR75601)
3	15H624	PIPE PLUG	1		1/2"
4	R32507	SNAP RING	1		
5	R65892	RETAINER	1		
6	R394R	O-RING	2		
7	24H1227	WASHER	1		17/32" X 13/16" X 0.060"
8	R66064	SPRING	1		(SUB FOR R1769R)
9	R39796	COVER	1		
10	R82731	CAP SCREW	1		(SUB FOR R39799 OR R54753)
11	T26352	WASHER	1	-038130	
12	R34733	WASHER	1		
13	T31170	COVER	1		
14	R394R	O-RING	1		
15	AT30197	COVER	1		
16	F3171R	O-RING	1		
17	Y1912C	ADAPTER	1		

2C24

POWER TRAIN

R25833 -UN-01JAN94

TRANSMISSION TOP COVER AND SHIFT LEVER



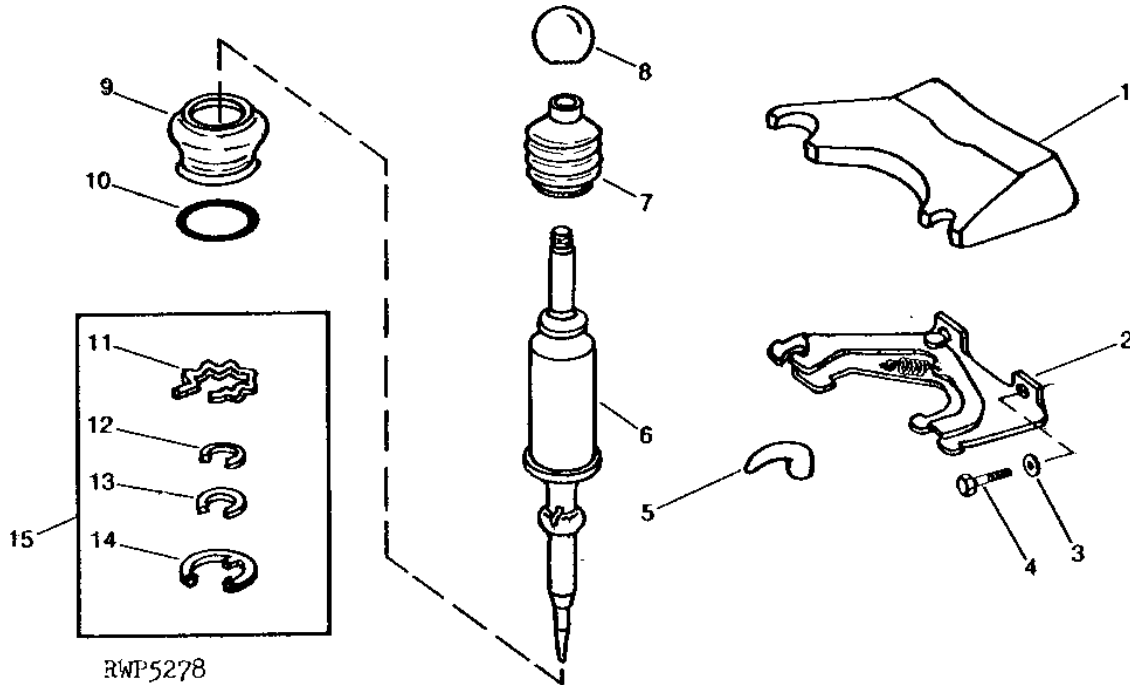
KEY	PART NO.	PART NAME	QTY	TRACTOR SERIAL NO.	REMARKS
1	F2861R	KNOB	2	-XXXXXX	(SUB R60458)
2	T22809	GEARSHIFT LEVER	2	-XXXXXX	(SUB AL32791 AND (2) R29936)
3	T27559	BOOT	2	-XXXXXX	(SUB FOR T22730)
4	R50864	KNOB	2	XXXXXX-	
5	R53817	GEARSHIFT LEVER	2	XXXXXX-	(SUB AL32791 AND (2) R29936)
6	R32507	SNAP RING	4	XXXXXX-	
7	R53815	BALL STUD	2	XXXXXX-	
8	L31055	BOOT	2	XXXXXX-	
9	L4035T	SNAP RING	2		
10	L4027T	BUSHING	2		
11	T22728	SCREW	AR		(7 USED LESS HI-LO SHIFT) (6 USED HI-LO SHIFT)
	19H2979	CAP SCREW	1		(HI-LO SHIFT)
12	T36042	GASKET	1		(SUB FOR T22731)
13	AT23579	COVER	1		(LESS INDEPENDENT PTO) (SUB FOR T23050)
	AR70718	COVER	1		(HI-LO SHIFT) (LESS INDEPENDENT PTO) (SUB FOR AT23907) (MARKED T25393 OR R58768) (SUB R58768 AND T24395)
	AR61916	COVER	1		(INDEPENDENT PTO) (SUB FOR AT29681) (MARKED T30753 OR R54186)
14	T19935	CLAMP	1		(REVERSER)

2C25

POWER TRAIN

RWP5278 -UN-01JAN94

PARK LOCK ASSURANCE KIT (LEFT-HAND LEVER)



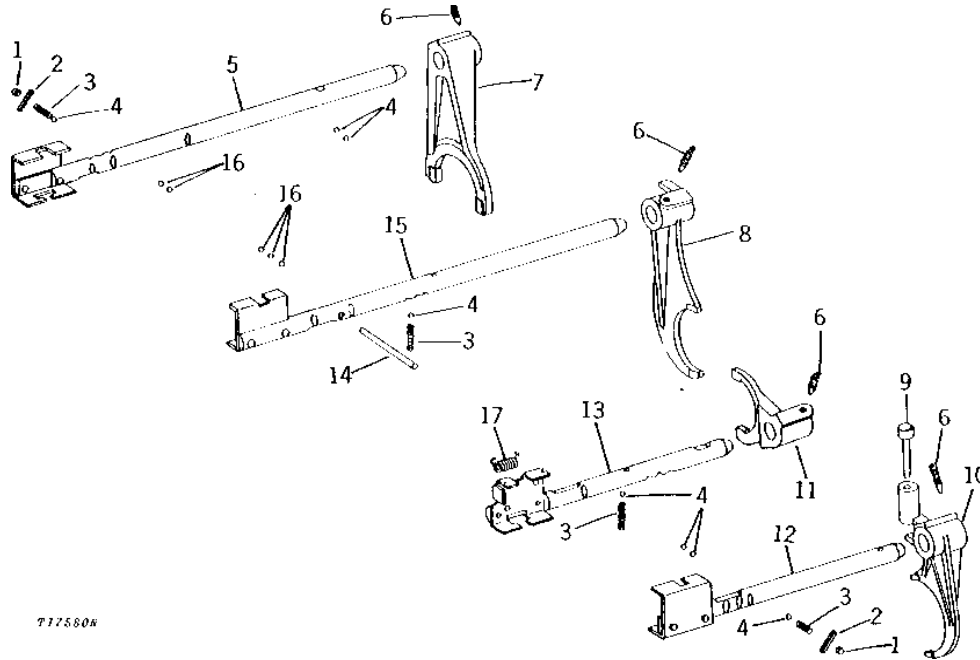
KEY	PART NO.	PART NAME	QTY	TRACTOR SERIAL NO.	REMARKS
1	R75442	COVER	1		
2	AR101754	BRACKET	1		
3	24H1822	WASHER	18		
4	19H1901	CAP SCREW	2		11/32" X 7/8" X 1/16"
5	R75440	HANDLE	1		5/16" X 2"
6	AR101755	LEVER	1		
7	R75451	BOOT	1		
8	R50864	KNOB	1		
9	R78249	BOOT	1		
10	L31311	O-RING	1		
11	R80839	SNAP RING	1		(SUB FOR R75450)
12	R80840	SHIM	3		
13	R80841	SHIM	3		
14	R75449	BEARING	1		
15	RE18116	KIT	1		

2D1

POWER TRAIN

T17580 -UN-01JAN94

GEAR SHIFTERS AND SHIFTER SHAFTS



KEY	PART NO.	PART NAME	QTY	TRACTOR SERIAL NO.	REMARKS
1	M1102T	CAP	3		
2	34H251	SPRING PIN	2		1/8" X 1"
3	T27716	SPRING	4		
4	R26552	BALL	8		8 MM (5/16")
5	AT20786	SHIFTER ROD	1		(1ST AND 5TH, 2ND AND 6TH SPEED)
6	T25614	SET SCREW	4		
7	L28401	SHIFTER	1		(1ST AND 5TH, 2ND AND 6TH SPEED) (SUB FOR T21603)
8	R59032	SHIFTER	1		(3RD AND 7TH, 4TH AND 8TH SPEED) (SUB FOR T21604 OR T32142)
9	T22435	PIN	1		(SUB R98941)
10	R60556	SHIFTER	1		(A) (SUB FOR T21602)
11	R59176	SHIFTER	1		(B) (SUB FOR T21605 OR T26197)
12	AT20787	SHIFTER ROD	1	-088999	(A) (SUB RE18646, AL33250, L36575 AND R68277)
	AL33250	SHIFTER ROD	1	089000-	(A) (SUB FOR AT29387)
13	AT20785	SHIFTER ROD	1	-088999	(B) (SUB RE18646, AL33250, L36575 AND R68277)
	RE18646	SHAFT	1	089000-	(B) (SUB FOR AT29386)
14	T22736	PIN	1		
15	AR95991	SHAFT	1		(3RD AND 7TH, 4TH AND 8TH SPEED) (SUB FOR AT20784)
16	400R	BALL	5		6 MM (1/4")
17	T28680	SPRING	1	089000-	

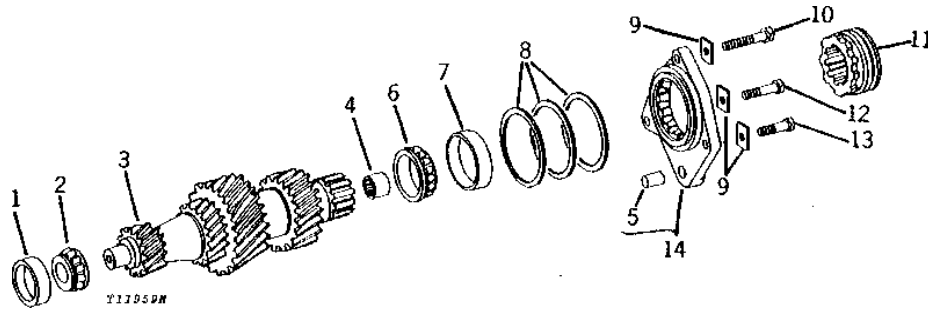
(A) LOW AND REVERSE RANGE
(B) HIGH RANGE

2D2

POWER TRAIN

T11959 -UN-01JAN94

TRANSMISSION DRIVE SHAFT ASSEMBLY



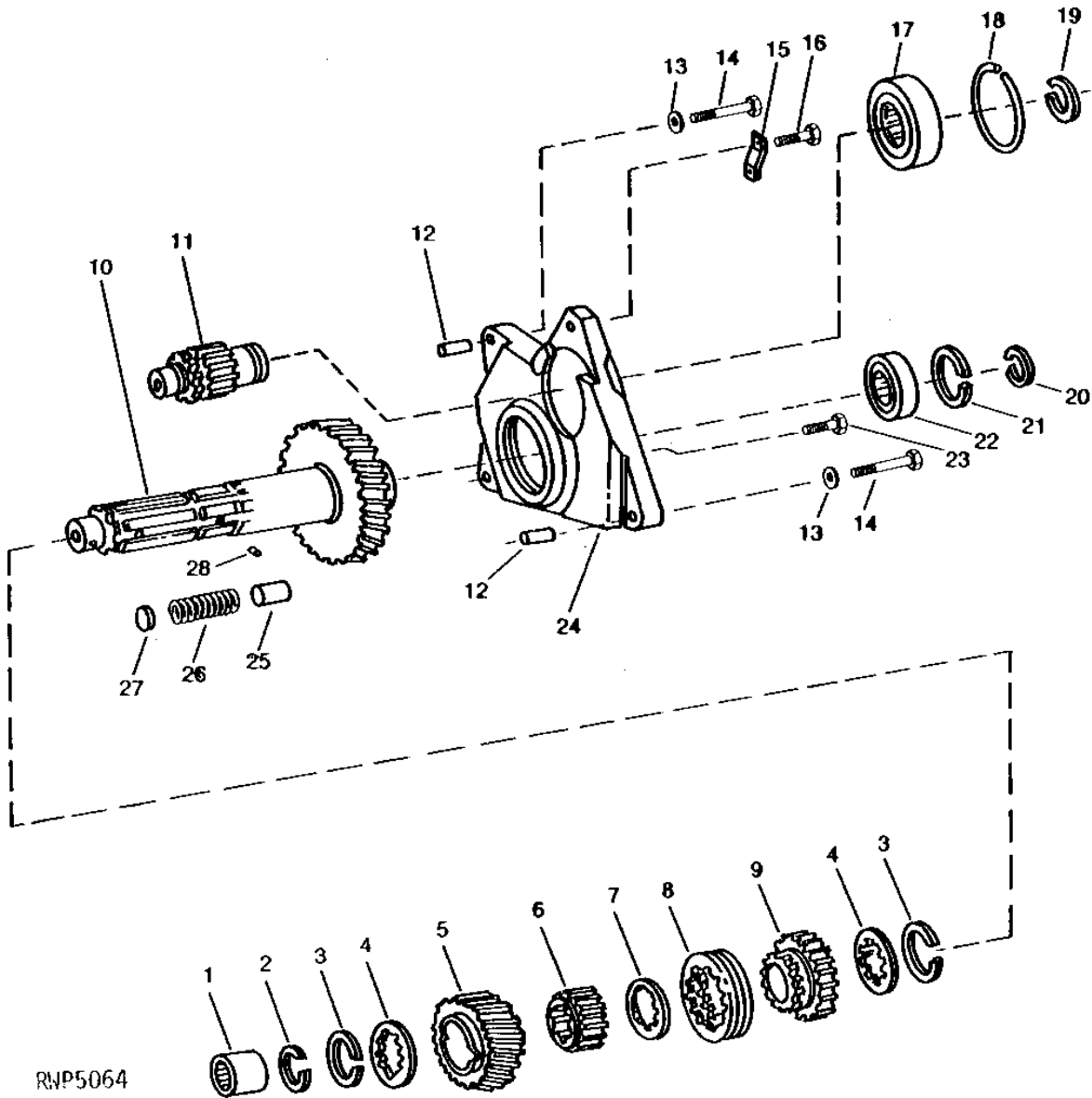
KEY	PART NO.	PART NAME	QTY	TRACTOR SERIAL NO.	REMARKS
1	JD7449	BEARING CUP	1		
2	JD7375	BEARING CONE	1		
3	T21980	DRIVE SHAFT	1		
4	JD9839	NEEDLE BEARING	1		
5	R54380	DOWEL PIN	1		(SUB FOR R26015 OR T25317)
6	JD8171	BEARING CONE	1		
7	JD8276	BEARING CUP	1		
8	T21442	SHIM	AR		0.08 MM (.003")
	T21443	SHIM	AR		0.13 MM (.005")
	T21444	SHIM	AR		0.25 MM (.010")
9	H246R	STRAP	3		
10	T22984	CAP SCREW	1		
11	R65579	LOCKING COLLAR	1		HIGH RANGE, (SUB FOR T22934)
12	19H1800	CAP SCREW	1		3/8" X 1-1/2"
13	19H1732	CAP SCREW	1		3/8" X 1-1/4"
14	AT22315	QUILL	1		(MARKED T22955) (SUB R54380 AND T22955)

2D3

POWER TRAIN

COUNTERSHAFT AND BEARING SUPPORT (LESS INDEPENDENT PTO)

RWP5064 -UN-01JAN94



RWP5064

2D4

POWER TRAIN

COUNTERSHAFT AND BEARING SUPPORT - CONTINUED (LESS INDEPENDENT PTO)

KEY	PART NO.	PART NAME	QTY	TRACTOR SERIAL NO.	REMARKS
1	JD9822	NEEDLE BEARING	1		
2	R34399	SNAP RING	1		
3	T19242	SNAP RING	2	(A)	
4	T19245	THRUST WASHER	2	(A)	
5	T30065	GEAR	1		LOW RANGE, (SUB FOR T21978)
6	T21964	SLEEVE	1		
7	R55721	THRUST WASHER	1		(SUB FOR T24733 OR T24730)
8	T21970	SHIFT COLLAR	1		
9	T21981	GEAR	1	(A)	(21 TEETH)
10	T24726	COUNTERSHAFT	1		
11	R67341	GEAR	1	(C)	(12 TEETH) (SUB FOR T24728 OR R65576)
	R67338	GEAR	1	(D)	(12 TEETH) (SUB FOR T25620 OR R65577)
12	T24729	BUSHING	2		
13	R57696	WASHER	2		(SUB FOR R1870R)
14	19H1801	CAP SCREW	2		3/8" X 2"
15	T24736	CLAMP	1		
16	19H1732	CAP SCREW	1		3/8" X 1-1/4"
17	JD7674	BALL BEARING	1	(C)	
	JD9361	BALL BEARING	1	(D)	
18	T24737	SNAP RING	1		
19	A364R	SNAP RING	1	(C)	
	T25621	SNAP RING	1	(D)	
20	F215R	RING	1		
21	B190R	SNAP RING	1		
22	JD9258	BALL BEARING	1		(SUB FOR JD9465)
23	19H1731	CAP SCREW	1		3/8" X 1"
24	T24691	SUPPORT	1		(SUB L36557)
25	T21969	FRICTION PLUG	2		
26	T24732	SPRING	2		
27	T24521	DISK	2	(B)	
28	T16573	PIN	1	(B)	

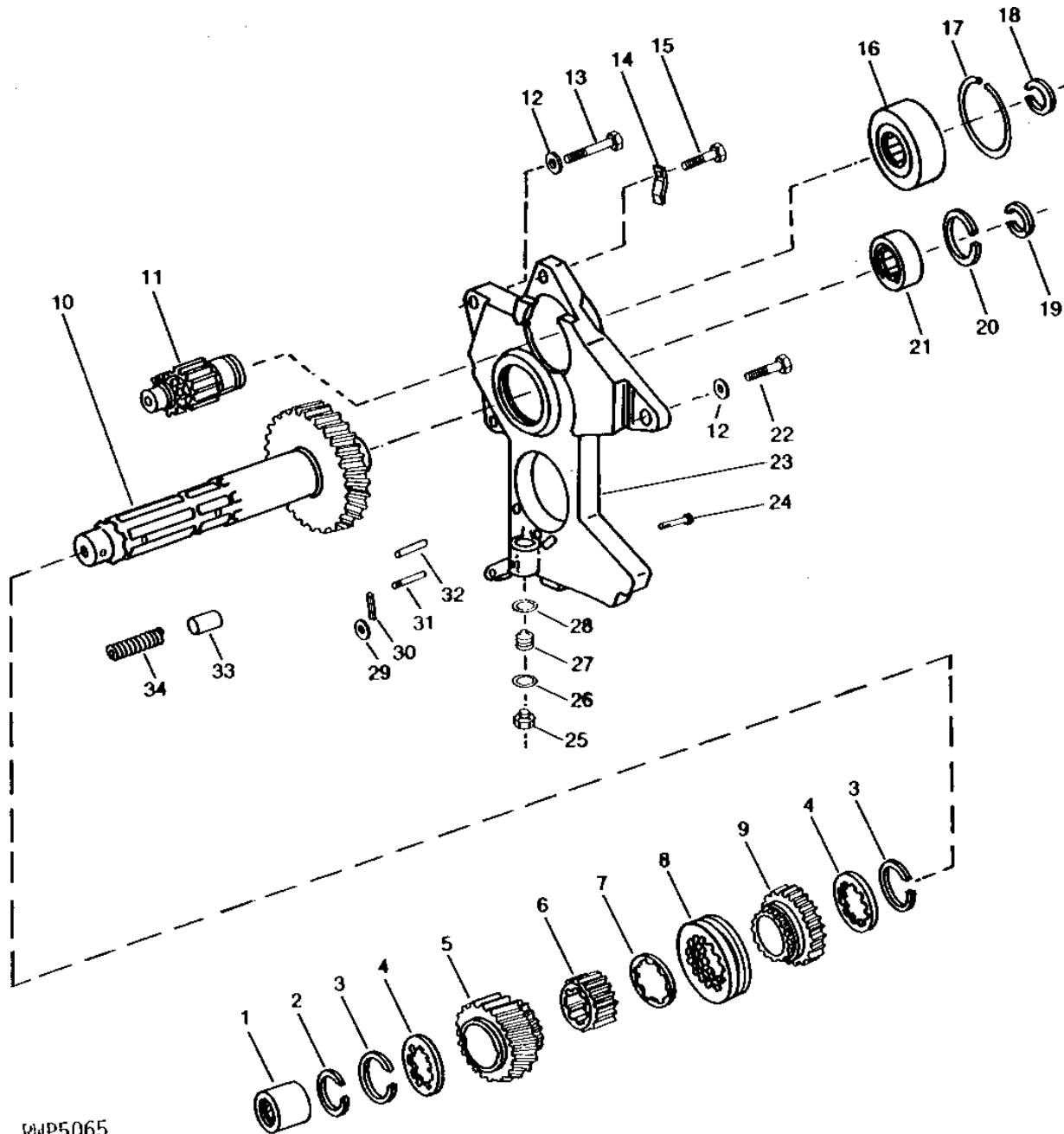
- (A) LESS REVERSER
- (B) REVERSER
- (C) LESS HI-LO SHIFT
- (D) HI-LO SHIFT

2D5

POWER TRAIN

COUNTERSHAFT AND BEARING SUPPORT (INDEPENDENT PTO)

RWP5065 -UN-01JAN94



RWP5065

2D6

POWER TRAIN

COUNTERSHAFT AND BEARING SUPPORT - CONTINUED (INDEPENDENT PTO)

KEY	PART NO.	PART NAME	QTY	TRACTOR SERIAL NO.	REMARKS
1	JD9822	NEEDLE BEARING	1		
2	R34399	SNAP RING	1		
3	T19242	SNAP RING	2		
4	T19245	THRUST WASHER	2		
5	T30065	GEAR	1		LOW RANGE (22 TEETH) (SUB FOR T21978)
6	T21964	SLEEVE	1		
7	R55721	THRUST WASHER	1		(SUB FOR T24730)
8	T21970	SHIFT COLLAR	1		
9	T21981	GEAR	1		REVERSE RANGE (21 TEETH)
10	T24726	COUNTERSHAFT	1		(37 TEETH)
11	R67341	GEAR	1		(A) (12 TEETH) (SUB FOR T24728 OR R65576)
	R67338	GEAR	1		(B) (12 TEETH) (SUB FOR T25620 OR R65577)
12	R57696	WASHER	2		(SUB FOR R1870R)
13	19H1801	CAP SCREW	2		3/8" X 2"
14	T24736	CLAMP	1		
15	19H1732	CAP SCREW	1		3/8" X 1-1/4"
16	JD7674	BALL BEARING	1		(A)
	JD9361	BALL BEARING	1		(B)
17	T24737	SNAP RING	1		
18	A364R	SNAP RING	1		(A)
	T25621	SNAP RING	1		(B)
19	F215R	RING	1		
20	B190R	SNAP RING	1		
21	JD9258	BALL BEARING	1		(SUB FOR JD9465)
22	19H1731	CAP SCREW	1		3/8" X 1"
23	AR78203	SUPPORT	1		(MARKED R63296) (ALSO ORDER L31514 AND L31515) (SUB FOR T30749 OR AR67704)
24	U11004	PIN	1		(SUB FOR N6704DN)
25	R44823	FITTING	1		
26	R27149	O-RING	1		
27	T30758	PISTON	1		
28	P42061	O-RING	1		
29	WASHER	1		(NOT REQUIRED)
30	11M7059	COTTER PIN	1		3.200 X 20 MM
31	R26822	PIN	1		
32	PIN	1		(NOT REQUIRED)
33	T21969	FRICTION PLUG	2		
34	T24732	SPRING	2		

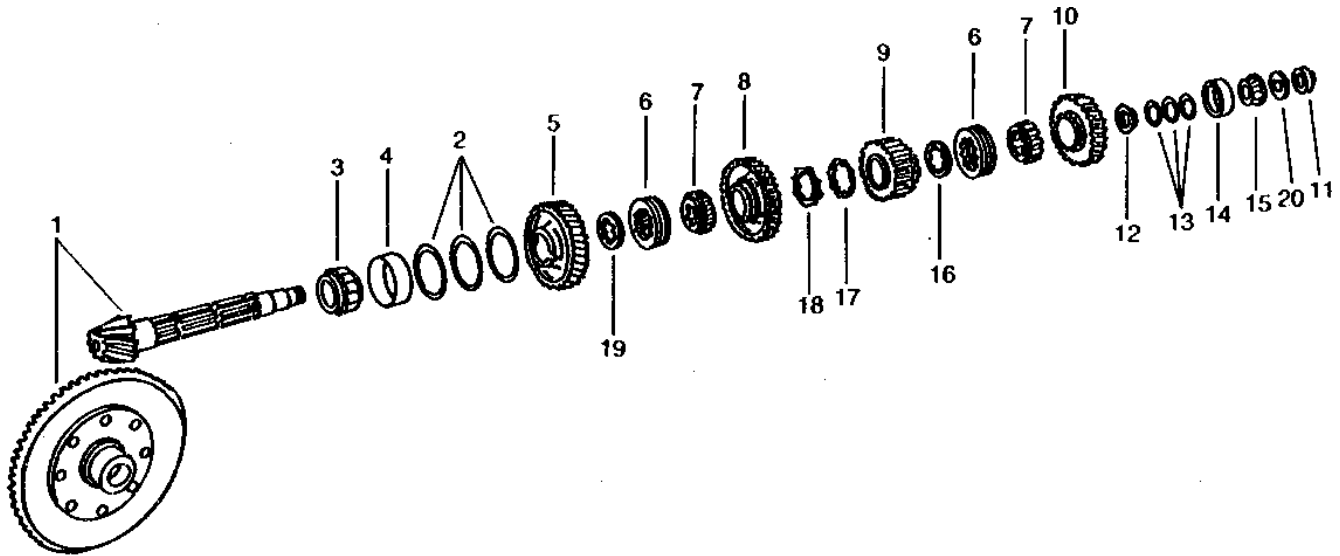
(A) LESS HI-LO SHIFT
(B) HI-LO SHIFT

2D7

POWER TRAIN

DIFFERENTIAL DRIVE SHAFT ASSEMBLY

RP459 -UN-01JAN94



RP459

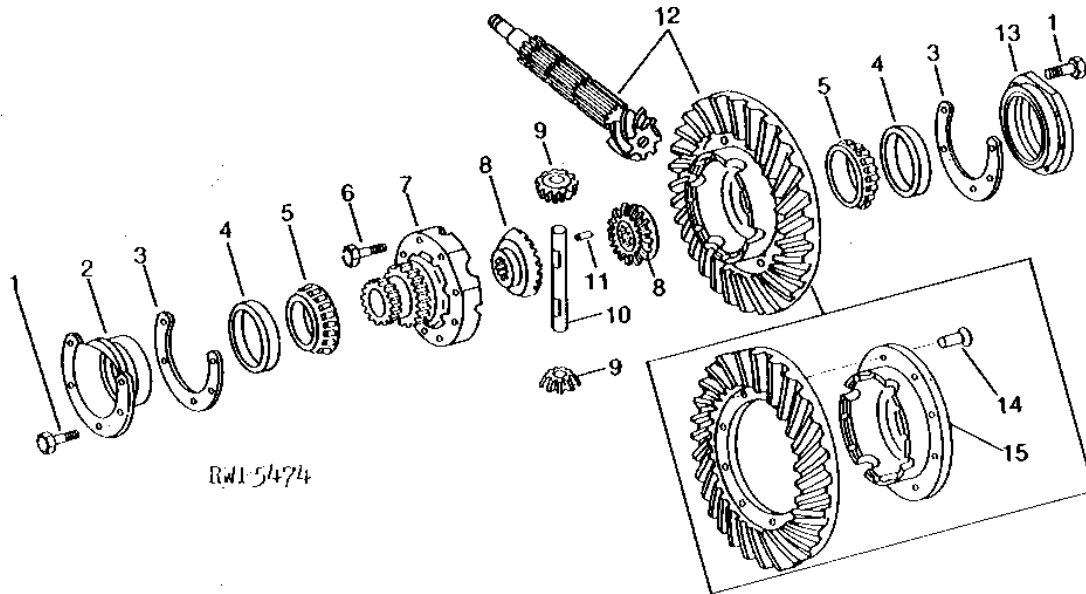
KEY	PART NO.	PART NAME	QTY	TRACTOR SERIAL NO.	REMARKS
1	AT21621	RING GEAR	1		R.H. (HU) (MARKED T24382) (NLA)
	AT21620	DIFFERENTIAL	1		R.H. (LU, RU) (MARKED T24382)
2	T31794	SHIM	AR		0.25MM (.010") (SUB FOR T17201)
3	JD8997	BEARING CONE	1		
4	JD8255	BEARING CUP	1		
5	T21975	GEAR	1		(40 TEETH) (1ST AND 5TH SPEED)
6	T21970	SHIFT COLLAR	2		
7	T21964	SLEEVE	2		
8	T21976	GEAR	1		(36 TEETH) (2ND AND 6TH SPEED)
9	T21977	GEAR	1		(27 TEETH) (4TH AND 8TH SPEED)
10	AT19966	GEAR	1		(31 TEETH) (3RD AND 7TH SPEED) (MARKED T21979)
11	T24917	NUT	1		
12	T21965	WASHER	1		
13	M2056T	SHIM	AR		0.05MM (.002")
	M2057T	SHIM	AR		0.13MM (.005") (SUB AT146268)
	M2058T	SHIM	AR		0.25MM (.010") (SUB AT146268)
14	JD8267	BEARING CUP	1		
15	JD8979	BEARING	1		
16	R55721	THRUST WASHER	1		(SUB FOR T24733 OR T24730)
17	R56473	THRUST WASHER	1		(SUB FOR T24734)
18	R55722	THRUST WASHER	1		(SUB FOR T24731)
19	R55721	THRUST WASHER	1		(SUB FOR T24730)
20	T24918	WASHER	1		

2D8

POWER TRAIN

RWP5474 -UN-01JAN94

DIFFERENTIAL ASSEMBLY



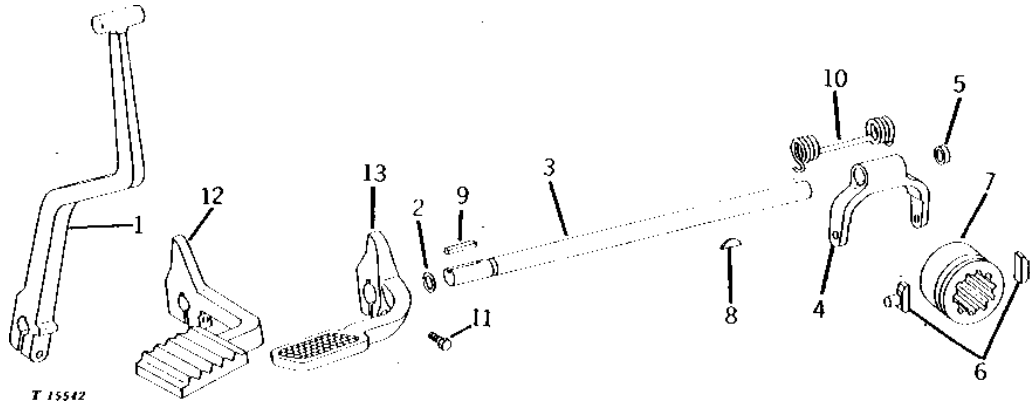
KEY	PART NO.	PART NAME	QTY	TRACTOR SERIAL NO.	REMARKS
1	T22874	BOLT	10		
2	T21433	QUILL	1		
3	T21434	SHIM	AR	0.08MM (.003")	
	T21435	SHIM	AR	0.13MM (.005")	
	T21436	SHIM	AR	0.25MM (.010")	
4	JD7425	BEARING CUP	2		
5	JD8147	BEARING CONE	2		
6	T21430	CAP SCREW	8		
7	T21974	HOUSING	1	(SUB FOR T21972)	
8	T29394	BEVEL GEAR	2	(18 TEETH) (SUB FOR T21971) (SUB (2) T118949 AND (2) T118950)	
9	T21876	BEVEL GEAR	2	(SUB FOR T37822) (SUB (2) T118949 AND (2) T118950)	
10	T21831	PINION SHAFT	1		
11	R30587	DOWEL PIN	1		
12	AT21621	RING GEAR	1	R.H. (HU) (NLA)	
	AT21620	DIFFERENTIAL	1	R.H. (LU, RU)	
13	T21458	QUILL	1		
14	16H1592	RIVET	8	7/16" X 1-3/4"	
15	T24382	HOUSING	1		

2D9

POWER TRAIN

T15542 -UN-01JAN94

DIFFERENTIAL LOCK MECHANISM



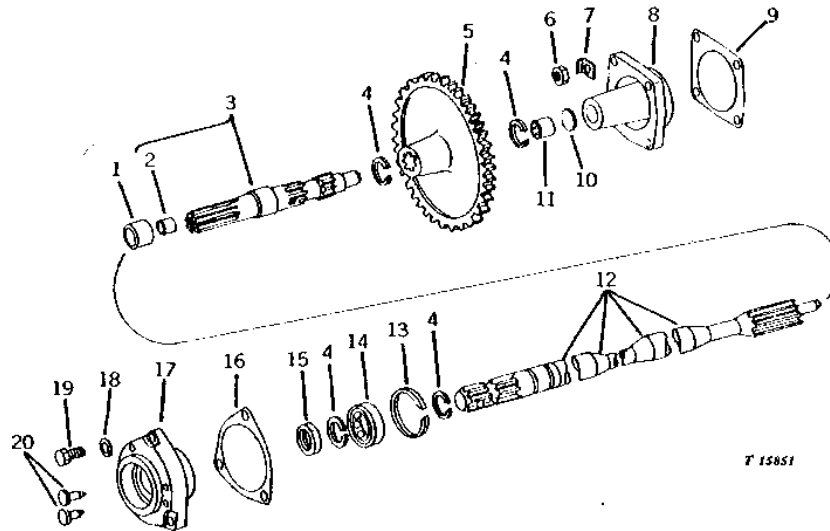
KEY	PART NO.	PART NAME	QTY	TRACTOR SERIAL NO.	REMARKS
1	T21842	LEVER	1	(HU, RU)	
2	R28776	O-RING	1		
3	T21839	SHAFT	1		
4	T21840	YOKE	1		
5	T18891	CAP	1		
6	T21841	SHOE	2		
7	T21819	SHIFT COLLAR	1		
8	26H77	SHAFT KEY	1	3/16" X 3/4"	
9	H410R	SHAFT KEY	1		
10	T24522	SPRING	1		
11	19H1732	CAP SCREW	1	3/8" X 1-1/4"	
12	T22953	PEDAL	1	(LU) (NLA)	
13	T26555	PEDAL	1	(HU, RU)	

2D10

POWER TRAIN

GEARS AND SHAFTS
(540 RPM PTO)
(LESS INDEPENDENT PTO)

T15851 -UN-01JAN94



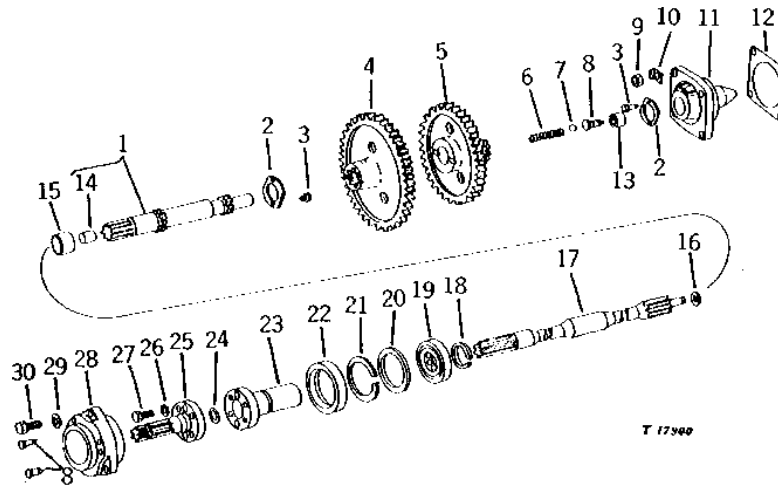
KEY	PART NO.	PART NAME	QTY	TRACTOR SERIAL NO.	REMARKS
1	T22128	BUSHING	1		
2	T22127	BUSHING	1		
3	AT23224	SHAFT	1		(SUB FOR T22542)
4	M2353T	SNAP RING	4		
5	T22214	GEAR	1		(21 AND 73 TEETH)
6	14H1076	NUT	4		3/8"
7	R30958	LOCK PLATE	4		
8	T22234	QUILL	1		
9	T21997	GASKET	1		
10	R26656	WASHER	1		
11	JD8877	NEEDLE BEARING	1		
12	R47249	SHAFT	1		(SUB FOR T22115)
13	F2367R	SNAP RING	1		(SUB R47514 AND 40M7044)
14	JD9344	BALL BEARING	1		(SUB FOR JD7128)
15	AL56820	SEAL	1		(SUB FOR T22069)
16	T22080	GASKET	1		
17	T22237	QUILL	1		(SUB R47514 AND 40M7044)
18	12H301	LOCK WASHER	3		1/2"
19	19H1721	CAP SCREW	3		1/2" X 1-1/2"
20	R27329	SCREW	2		

2D11

POWER TRAIN

**GEARS AND SHAFTS
(540-1000 RPM PTO)
(LESS INDEPENDENT PTO)**

T17900 -UN-01JAN94



T 17900

KEY	PART NO.	PART NAME	QTY	TRACTOR SERIAL NO.	REMARKS
1	AT22055	SHAFT	1		(SUB T22127 AND T22543)
2	T28668	THRUST WASHER	2		(SUB FOR T22217)
3	37H44	SCREW	4		0.151" X 3/8"
4	AT20080	GEAR	1		(A) (73 TEETH) (LESS HI-LO SHIFT) (MARKED T22218)
	AT23223	GEAR	1		(A) (73 TEETH) (HI-LO SHIFT) (MARKED T25406)
5	AT20079	GEAR	1		(NLA) (B) (62 TEETH) (LESS HI-LO SHIFT) (MARKED T22215)
	AT23222	GEAR	1		(B) (62 TEETH) (HI-LO SHIFT) (MARKED T25405)
6	T22545	SPRING	1		
7	M886T	BALL	1		
8	R27329	SCREW	3		
9	14H1076	NUT	4	3/8"	
10	R30958	LOCK PLATE	4		
11	T21996	QUILL	1		
12	T21997	GASKET	1		
13	JD8877	NEEDLE BEARING	1		
14	T22127	BUSHING	1		
15	T22128	BUSHING	1		
16	T22546	WASHER	1		
17	R48821	SHAFT	1		(SUB FOR T22116)
18	R29001	RING	1		
19	JD9292	BALL BEARING	1		
20	R26795	WASHER	1		
21	A1160R	SNAP RING	1		
22	AR26706	SEAL	1		
23	T22129	GUIDE	1		
24	T22935	O-RING	1		
25	AT20094	POWER-TAKEOFF	1		(A)
	AT20095	POWER-TAKEOFF	1		(B)
26	12H304	LOCK WASHER	4		3/8"
27	19H2552	CAP SCREW	4		3/8" X 1-1/8"
28	T22238	QUILL	1		
29	12H301	LOCK WASHER	3		1/2"
30	19H1721	CAP SCREW	3		1/2" X 1-1/2"

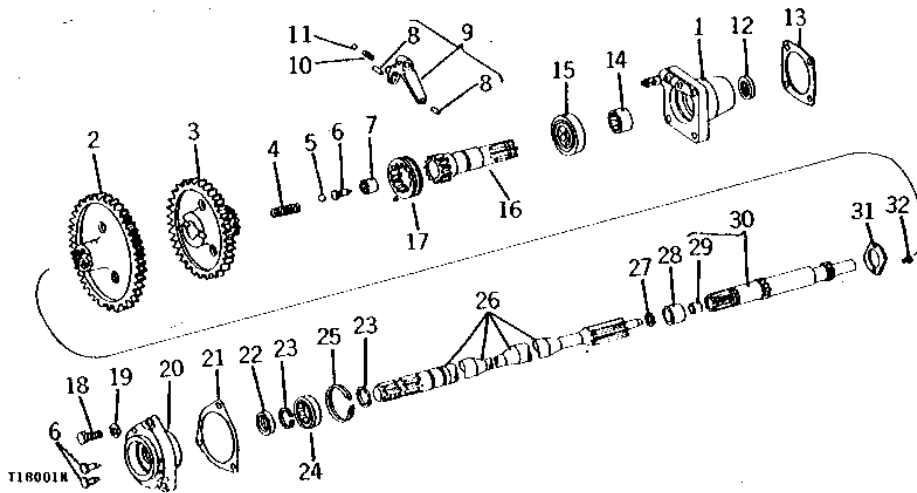
(A) 540 RPM PTO
(B) 1000 RPM PTO

2D12

POWER TRAIN

GEARS AND SHAFTS (540 RPM PTO WITH MID-PTO) (LESS INDEPENDENT PTO)

T18001 -UN-01JAN94



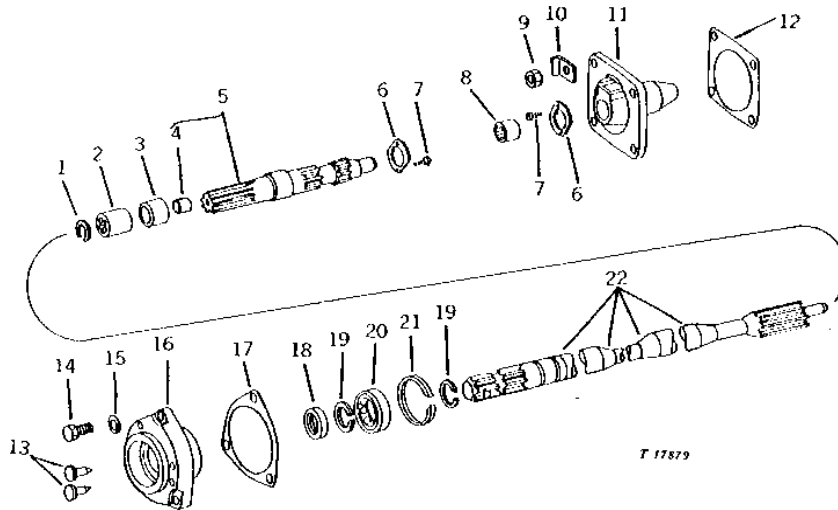
KEY	PART NO.	PART NAME	QTY	TRACTOR SERIAL NO.	REMARKS
1	T22288	QUILL	1		
2	AT20080	GEAR	1		(73 TEETH) (540 RPM PTO) (LESS HI-LO SHIFT) (MARKED T22218)
	AT23223	GEAR	1		(73 TEETH) (540 RPM PTO) (HI-LO SHIFT) (MARKED T25406) (NLA)
3	AT20079	GEAR	1		(62 TEETH) (1000 RPM PTO) (LESS HI-LO SHIFT) (MARKED T22215)
	AT23222	GEAR	1		(62 TEETH) (1000 RPM PTO) (HI-LO SHIFT) (MARKED T25405)
4	T22545	SPRING	1		
5	M886T	BALL	1	5/8"	
6	R27329	SCREW	3		
7	JD8877	NEEDLE BEARING	1		
8	R30587	DOWEL PIN	2		
9	AT32496	YOKE	1		(SUB FOR AT19919)
10	T27716	SPRING	1		
11	R26552	BALL	1	5/16"	
12	AT21420	SEAL	1		
13	T21997	GASKET	1		
14	JD8823	NEEDLE BEARING	1		(SUB FOR JD9813)
15	JD7692	BALL BEARING	1		
16	T22289	SHAFT	1		
17	T21970	SHIFT COLLAR	1		
18	19H1721	CAP SCREW	3	1/2" X 1-1/2"	
19	12H301	LOCK WASHER	3	1/2"	
20	T22237	QUILL	1		(SUB R47514 AND 40M7044)
21	T22080	GASKET	1		
22	AL56820	SEAL	1		(SUB FOR T22069)
23	M2353T	SNAP RING	2		
24	JD9344	BALL BEARING	1		(SUB FOR JD7128)
25	F2367R	SNAP RING	1		(SUB R47514 AND 40M7044)
26	R47249	SHAFT	1		(SUB FOR T22115)
27	T22546	WASHER	1		
28	T22128	BUSHING	1		
29	T22127	BUSHING	1		
30	AT22055	SHAFT	1		(SUB T22127 AND T22543)
31	T28668	THRUST WASHER	1		(SUB FOR T22217)
32	37H44	SCREW	2		0.151" X 3/8"

2D13

POWER TRAIN

**GEARS AND SHAFTS
(540 RPM PTO)
(INDEPENDENT PTO)**

T17879 -UN-01JAN94



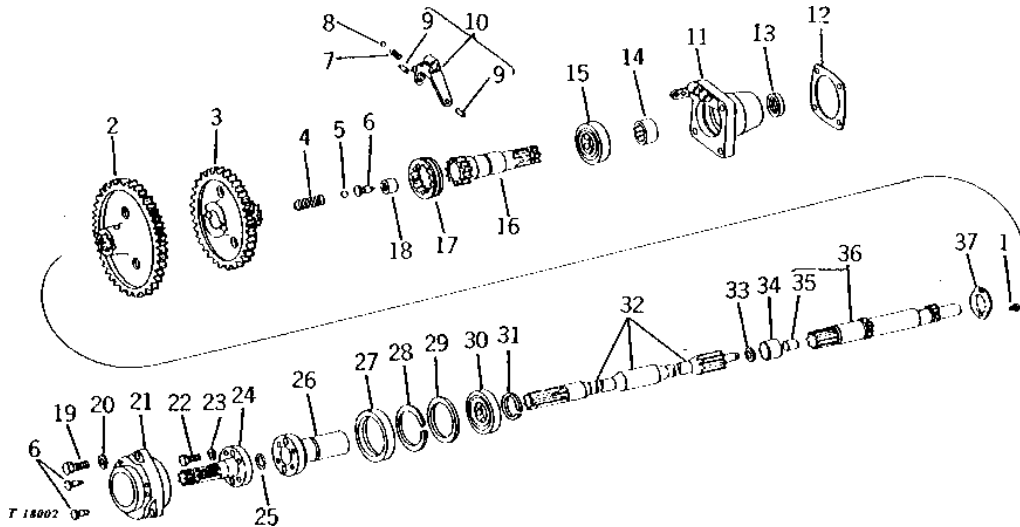
KEY	PART NO.	PART NAME	QTY	TRACTOR SERIAL NO.	REMARKS
1	T30766	SNAP RING	1		
2	T30767	SPLINED COUPLING	1		
3	T22128	BUSHING	1		
4	T22127	BUSHING	1		
5	AT29687	SHAFT	1		
6	T28668	THRUST WASHER	2		(SUB FOR T22217)
7	37H44	SCREW	4		0.151" X 3/8"
8	JD8877	NEEDLE BEARING	1		
9	14H1076	NUT	4		3/8"
10	R30958	LOCK PLATE	4		
11	T21996	QUILL	1		
12	T21997	GASKET	1		
13	R27329	SCREW	2		
14	19H1721	CAP SCREW	3		1/2" X 1-1/2"
15	12H301	LOCK WASHER	3		1/2"
16	T22237	QUILL	1		(SUB R47514 AND 40M7044)
17	T22080	GASKET	1		
18	AL56820	SEAL	1		(SUB FOR T22069)
19	M2353T	SNAP RING	2		
20	JD9344	BALL BEARING	1		(SUB FOR JD7128)
21	F2367R	SNAP RING	1		(SUB R47514 AND 40M7044)
22	R47249	SHAFT	1		(SUB FOR T22115)

2D14

POWER TRAIN

GEARS AND SHAFTS (540-1000 RPM PTO WITH MID-PTO) (LESS INDEPENDENT PTO)

T18002 -UN-01JAN94



KEY	PART NO.	PART NAME	QTY	TRACTOR SERIAL NO.	REMARKS
1	37H44	SCREW	2	0.151" X 3/8"	
2	AT20080	GEAR	1	(A) (C) (73 TEETH) (MARKED T22218)	
	AT23223	GEAR	1	(A) (D) (73 TEETH) (MARKED T25406) (NLA)	
3	AT20079	GEAR	1	(B) (C) (62 TEETH) (MARKED T22215)	
	AT23222	GEAR	1	(B) (D) (62 TEETH) (MARKED T25405)	
4	T22545	SPRING	1		
5	M886T	BALL	1	5/8"	
6	R27329	SCREW	3		
7	T27716	SPRING	1		
8	R26552	BALL	1	5/16"	
9	R30587	DOWEL PIN	2		
10	AT32496	YOKE	1	(SUB FOR AT19919)	
11	T22288	QUILL	1		
12	T21997	GASKET	1		
13	AT21420	SEAL	1		
14	JD8823	NEEDLE BEARING	1	(SUB FOR JD9813)	
15	JD7692	BALL BEARING	1		
16	T22289	SHAFT	1		
17	T21970	SHIFT COLLAR	1		
18	JD8877	NEEDLE BEARING	1		
19	19H1721	CAP SCREW	3	1/2" X 1-1/2"	
20	12H301	LOCK WASHER	3	1/2"	
21	T22238	QUILL	1	REAR	
22	19H2552	CAP SCREW	4	3/8" X 1-1/8"	
23	12H304	LOCK WASHER	4	3/8"	
24	AT20094	POWER-TAKEOFF	1	(A) REAR	
	AT20095	POWER-TAKEOFF	1	(B) REAR	
25	T22935	O-RING	1		
26	T22129	GUIDE	1		
27	AR26706	SEAL	1		
28	A1160R	SNAP RING	1		
29	R26795	WASHER	1		
30	JD9292	BALL BEARING	1		
31	R29001	RING	1		
32	R48821	SHAFT	1	(SUB FOR T22116)	
33	T22546	WASHER	1		
34	T22128	BUSHING	1		
35	T22127	BUSHING	1		
36	AT22055	SHAFT	1	(SUB T22127 AND T22543)	
37	T28668	THRUST WASHER	1	(SUB FOR T22217)	

(A) 540 RPM PTO
(B) 1000 RPM PTO

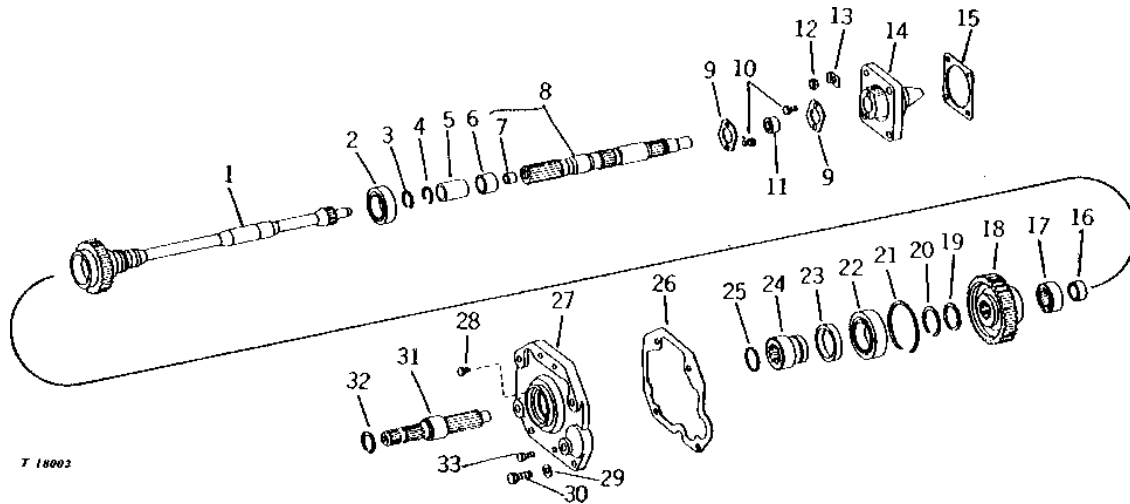
(C) LESS HI-LO SHIFT
(D) HI-LO SHIFT

2D15

POWER TRAIN

GEARS AND SHAFTS (540-1000 RPM INDEPENDENT PTO) (LESS MID-PTO)

T18003 -UN-01JAN94



T 18003

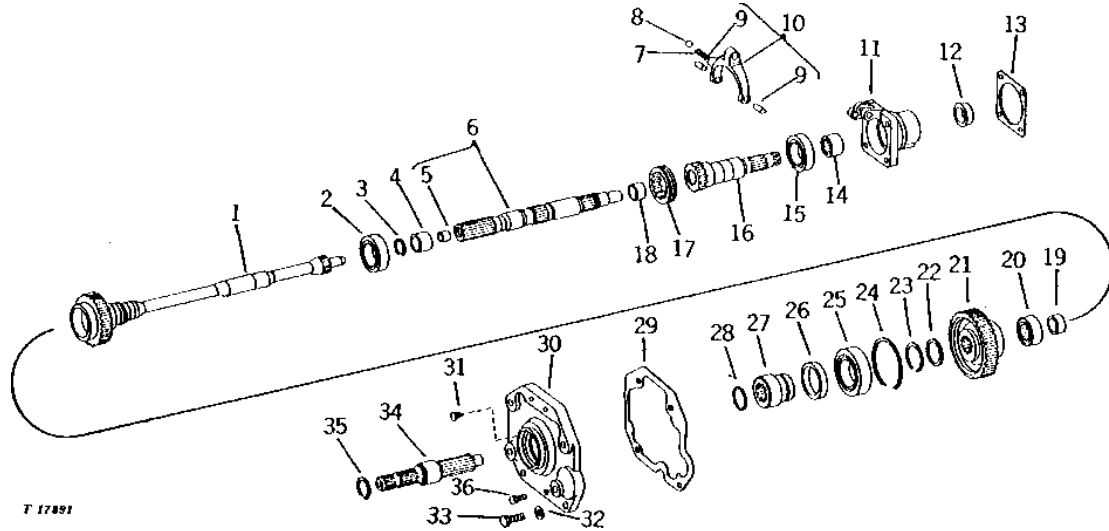
KEY	PART NO.	PART NAME	QTY	TRACTOR SERIAL NO.	REMARKS
1	AT29706	SHAFT	1		WITH GEAR
2	JD9292	BALL BEARING	1		
3	R29001	RING	1		
4	T30766	SNAP RING	1		
5	T30767	SPLINED COUPLING	1		
6	T22128	BUSHING	1		
7	T22127	BUSHING	1		
8	AT29687	SHAFT	1		
9	T28668	THRUST WASHER	2		(SUB FOR T22217)
10	37H44	SCREW	4		0.151" X 3/8"
11	JD8877	NEEDLE BEARING	1		
12	14H1076	NUT	4		3/8"
13	R30958	LOCK PLATE	4		
14	T21996	QUILL	1		
15	T21997	GASKET	1		
16	JD7557	BEARING RACE	1		
17	JD7537	ROLLER BEARING	1		
18	T30798	GEAR	1		(31 TEETH)
19	R38219	THRUST WASHER	1		
20	F1334R	SNAP RING	1		
21	C1919R	SNAP RING	1		
22	JD9320	BALL BEARING	1		
23	AT16431	SEAL	1		(SUB RE13181)
24	R45126	GUIDE	1		
25	P50631	O-RING	1		
26	T30800	GASKET	1		
27	T30799	QUILL	1		(SUB R69658)
28	R27329	SCREW	2		
29	12H301	LOCK WASHER	4		1/2"
30	19H1721	CAP SCREW	4		1/2" X 1-1/2"
31	AT29707	POWER-TAKEOFF SHAFT	1		(540 RPM) (1000 RPM)
32	R38221	SNAP RING	1		
33	19H2488	CAP SCREW	1		5/16" X 5/8", (LESS ROCKSHAFT)

2D16

POWER TRAIN

GEARS AND SHAFTS (540-1000 RPM INDEPENDENT PTO) (MID-PTO)

T17891 -UN-01JAN94



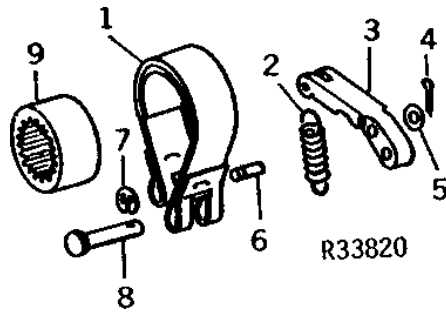
KEY	PART NO.	PART NAME	QTY	TRACTOR SERIAL NO.	REMARKS
1	AT29706	SHAFT	1		
2	JD9292	BALL BEARING	1		
3	R29001	RING	1		
4	T22128	BUSHING	1		
5	T22127	BUSHING	1		
6	AT29687	SHAFT	1		
7	T27716	SPRING	1		
8	R26552	BALL	1		
9	R30587	DOWEL PIN	2		
10	AT32496	YOKE	1		(SUB FOR AT19919)
11	T22288	QUILL	1		
12	AT21420	SEAL	1		
13	T21997	GASKET	1		
14	JD8823	NEEDLE BEARING	1		(SUB FOR JD9813)
15	JD7692	BALL BEARING	1		
16	T22289	SHAFT	1		
17	T21970	SHIFT COLLAR	1		
18	JD8877	NEEDLE BEARING	1		
19	JD7557	BEARING RACE	1		
20	JD7537	ROLLER BEARING	1		
21	T30798	GEAR	1		(31 TEETH)
22	R38219	THRUST WASHER	1		
23	F1334R	SNAP RING	1		
24	C1919R	SNAP RING	1		
25	JD9320	BALL BEARING	1		
26	AT16431	SEAL	1		(SUB RE13181)
27	R45126	GUIDE	1		
28	P50631	O-RING	1		
29	T30800	GASKET	1		
30	T30799	QUILL	1		(SUB R69658)
31	R27329	SCREW	2		
32	12H301	LOCK WASHER	4		1/2"
33	19H1721	CAP SCREW	4		1/2" X 1-1/2"
34	AT29707	POWER-TAKEOFF	1		(540 RPM)
	T30803	SHAFT	1		(1000 RPM)
35	R38221	SNAP RING	1		
36	19H2488	CAP SCREW	1		5/16" X 5/8", (LESS ROCKSHAFT)

2D17

POWER TRAIN

R33820 -UN-01JAN94

POWER SHAFT BRAKE BAND (INDEPENDENT PTO)



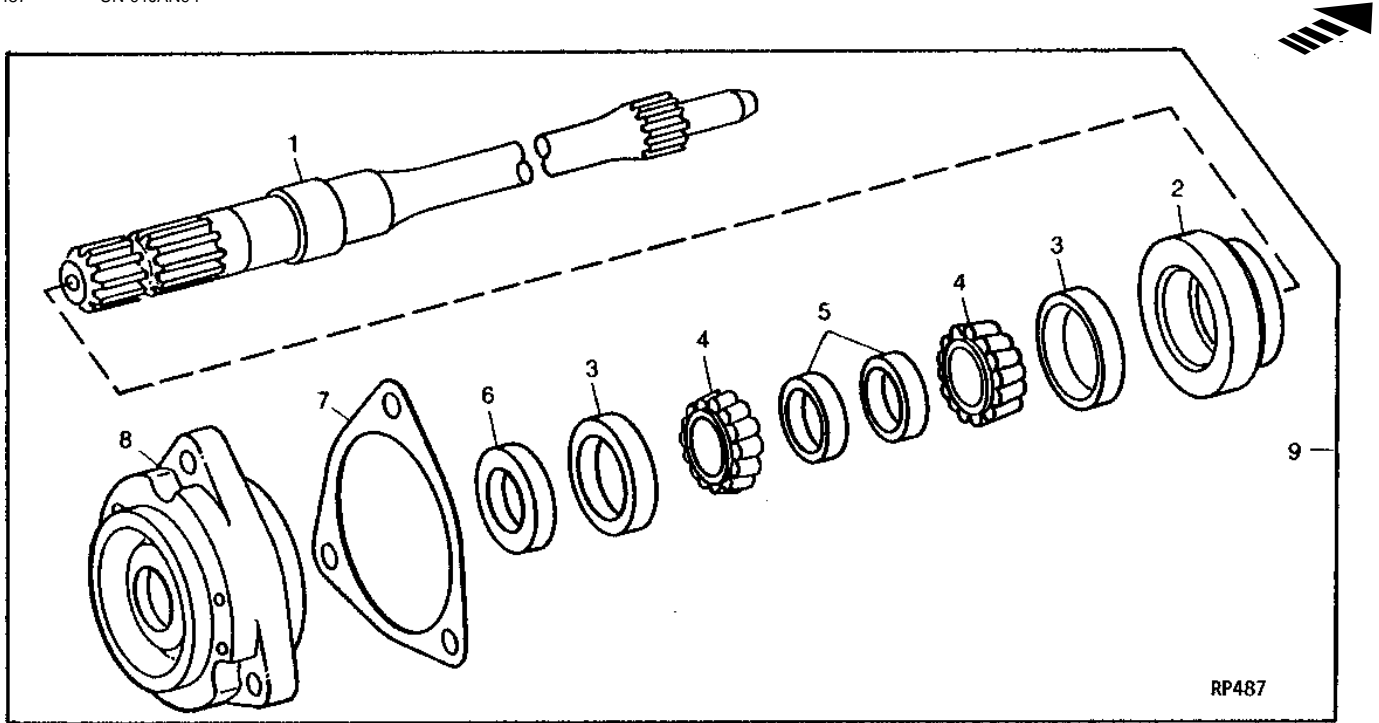
KEY	PART NO.	PART NAME	QTY	TRACTOR SERIAL NO.	REMARKS
1	AT29686	BRAKE BAND	1	(SUB RE43393)	
2	R280R	SPRING	1		
3	T30762	ARM	1	(NLA)	
4	11M7059	COTTER PIN	1	3.200 X 20 MM	
5	WASHER	1	(NOT REQUIRED)	
6	R26822	PIN	1		
7	R72653	SNAP RING	1	(SUB FOR M2396T)	
8	N6704DN	PIN	1		
9	T30761	BRAKE DRUM	1		

2D18

POWER TRAIN

THRUST CAPACITY IMPROVEMENT KIT (540 RPM PTO)

RP487 -UN-01JAN94



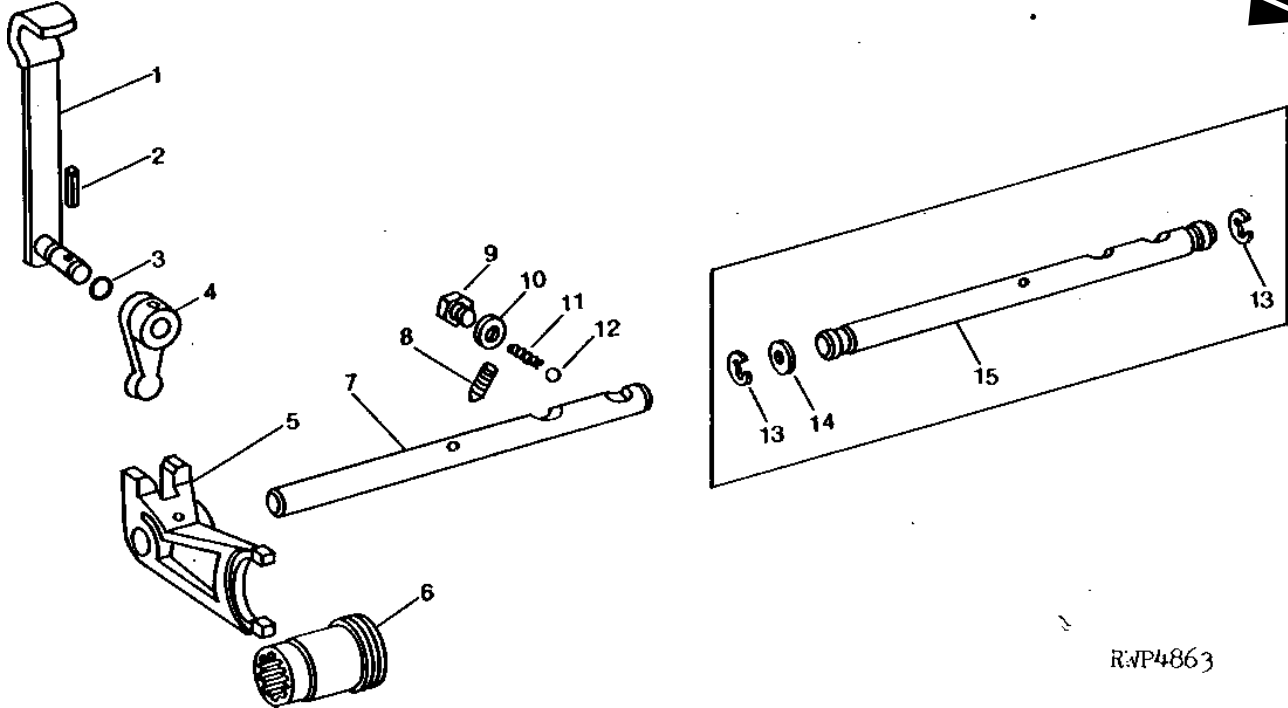
KEY	PART NO.	PART NAME	QTY	TRACTOR SERIAL NO.	REMARKS
1	R69509	SHAFT	1		
2	R69511	BUSHING	1		
3	JD9125	BEARING CUP	1		
4	JD9065	BEARING CONE	1		
5	R69510	SPACER	2		
6	AL56820	SEAL	1		(SUB FOR T22069)
7	R69513	SHIM	AR		0.13 MM (.005") (SUB AT146240)
	R69515	SHIM	AR		0.25 MM (.010") (SUB AT146240)
	R69516	SHIM	AR		0.50 MM (.020") (SUB AT146240)
	R69514	SHIM	AR		0.13 MM (.005") PAPER, (SUB AT146240)
8	R69512	QUILL	1		
9	AR93928	KIT	1		

2D19

POWER TRAIN

RWP4863 -UN-01JAN94

REAR POWER SHAFT SHIFTER LINKAGE



RWP4863

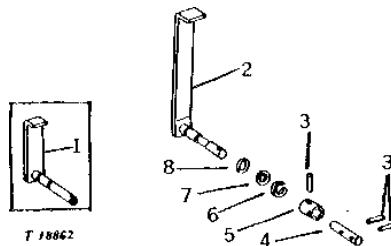
KEY	PART NO.	PART NAME	QTY	TRACTOR SERIAL NO.	REMARKS
1	AT20093	LEVER	1		
2	T27544	GROOVE PIN	1		
3	R28776	O-RING	1		
4	AT20025	ARM	1		
5	T21992	SHIFTER	1		
6	T26337	SHIFT COLLAR	1		
7	R48289	SHAFT	1		
8	T25614	SET SCREW	1		
9	19H2351	CAP SCREW	1		1/2" X 1/2"
10	R27003	WASHER	1		
11	T27716	SPRING	1		
12	R26552	BALL	1		
13	R73380	SNAP RING	2	-128816	(SUB FOR A369R)
14	T10510	WASHER	1	-128816	
15	T21993	SHAFT	1	-128816	(SUB R48289)

2D20

POWER TRAIN

T18862 -UN-01JAN94

MID POWER SHAFT SHIFTER LEVER



KEY	PART NO.	PART NAME	QTY	TRACTOR SERIAL NO.	REMARKS
1	AT19920	GEARSHIFT LEVER	1	-045991	(SUB AT29826 AND T30851)
	AT25489	GEARSHIFT LEVER	1	-098540	(SUB AT29826 AND T30851)
2	AT29826	LEVER	1	098541-	
3	34H282	SPRING PIN	3		3/16" X 1"
4	T21873	PIN	1		
5	T21870	COUPLING	1	-098540	(SUB AT29826 AND T30851)
	T30851	COUPLING	1	098541-	
6	F2208R	SNAP RING	1	-045991	
	P44982	PISTON RING	1	045992-098540	
7	24H1341	WASHER	3	-098540	17/32" X 15/16" X 0.060"
8	R28782	O-RING	1		

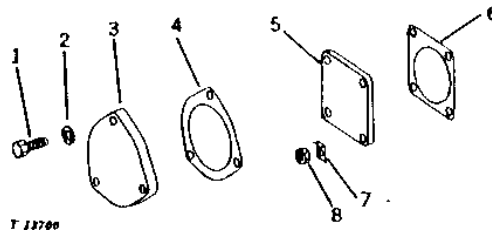
MEMORANDA

2D21

POWER TRAIN

T13700 -UN-01JAN94

POWER SHAFT COVER (LESS PTO)



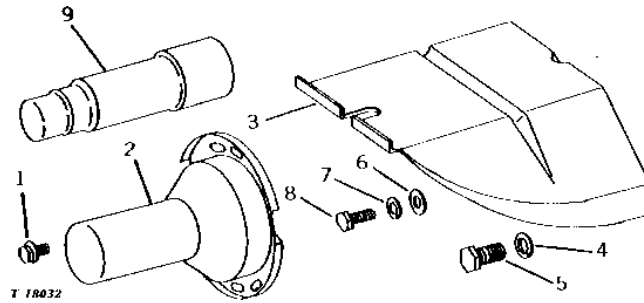
KEY	PART NO.	PART NAME	QTY	TRACTOR SERIAL NO.	REMARKS
1	19H1721	CAP SCREW	3	-085232	1/2" X 1-1/2"
	19H1815	CAP SCREW	3	085233-	1/2" X 1-1/4"
2	12H301	LOCK WASHER	3		1/2"
3	T30719	COVER	1		(SUB FOR T22076)
4	T22080	GASKET	1		
5	T26416	PLATE	1		
6	T21997	GASKET	1		
7	R30958	LOCK PLATE	4		
8	14H1076	NUT	4	3/8"	

2D22

POWER TRAIN

T18032 -UN-01JAN94

POWER SHAFT SHIELD AND GUARD



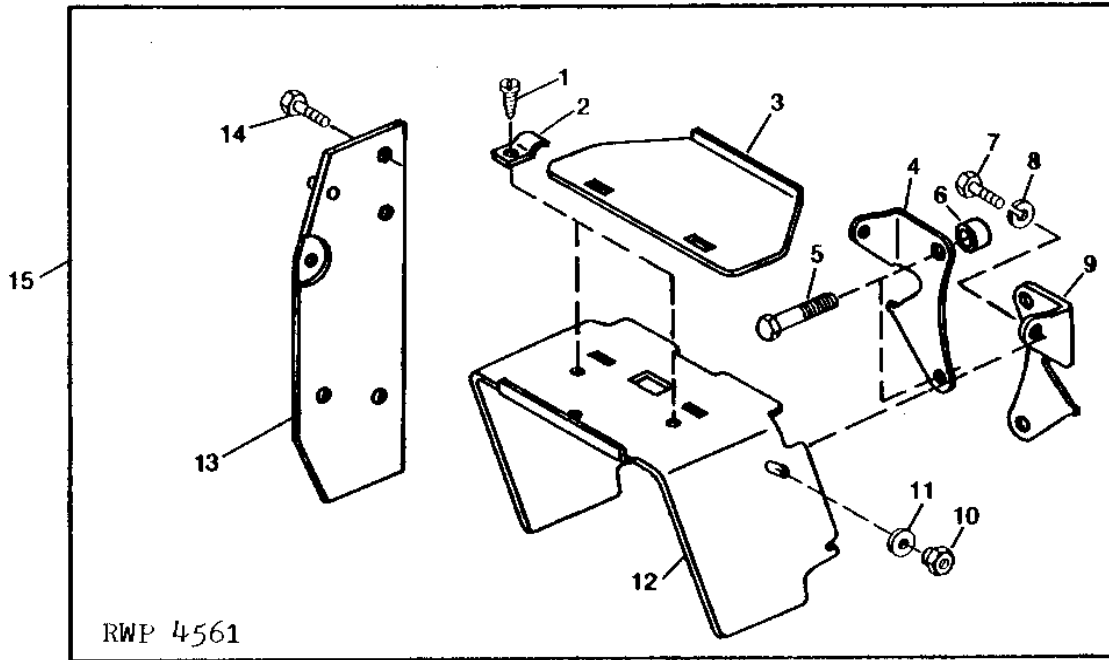
KEY	PART NO.	PART NAME	QTY	TRACTOR SERIAL NO.	REMARKS
1	R27329	SCREW	2		
2	AR26782	GUARD	1		
3	AT20761	SHIELD	1		(LESS INDEPENDENT PTO) (SUB RE13912)
	T30802	SHIELD	1		(540-1000 RPM INDEPENDENT PTO) (SUB RE13912)
4	12H301	LOCK WASHER	2		1/2"
5	19H1792	CAP SCREW	2		1/2" X 1"
6	24H1305	WASHER	2		13/32" X 13/16" X 0.065"
7	12H304	LOCK WASHER	2		3/8"
8	19H2284	CAP SCREW	2		3/8" X 7/8"
9	T30804	GUARD	1		(540-1000 RPM INDEPENDENT PTO)

2D23

POWER TRAIN

RWP4561 -UN-01JAN94

PTO MASTER SHIELD KIT



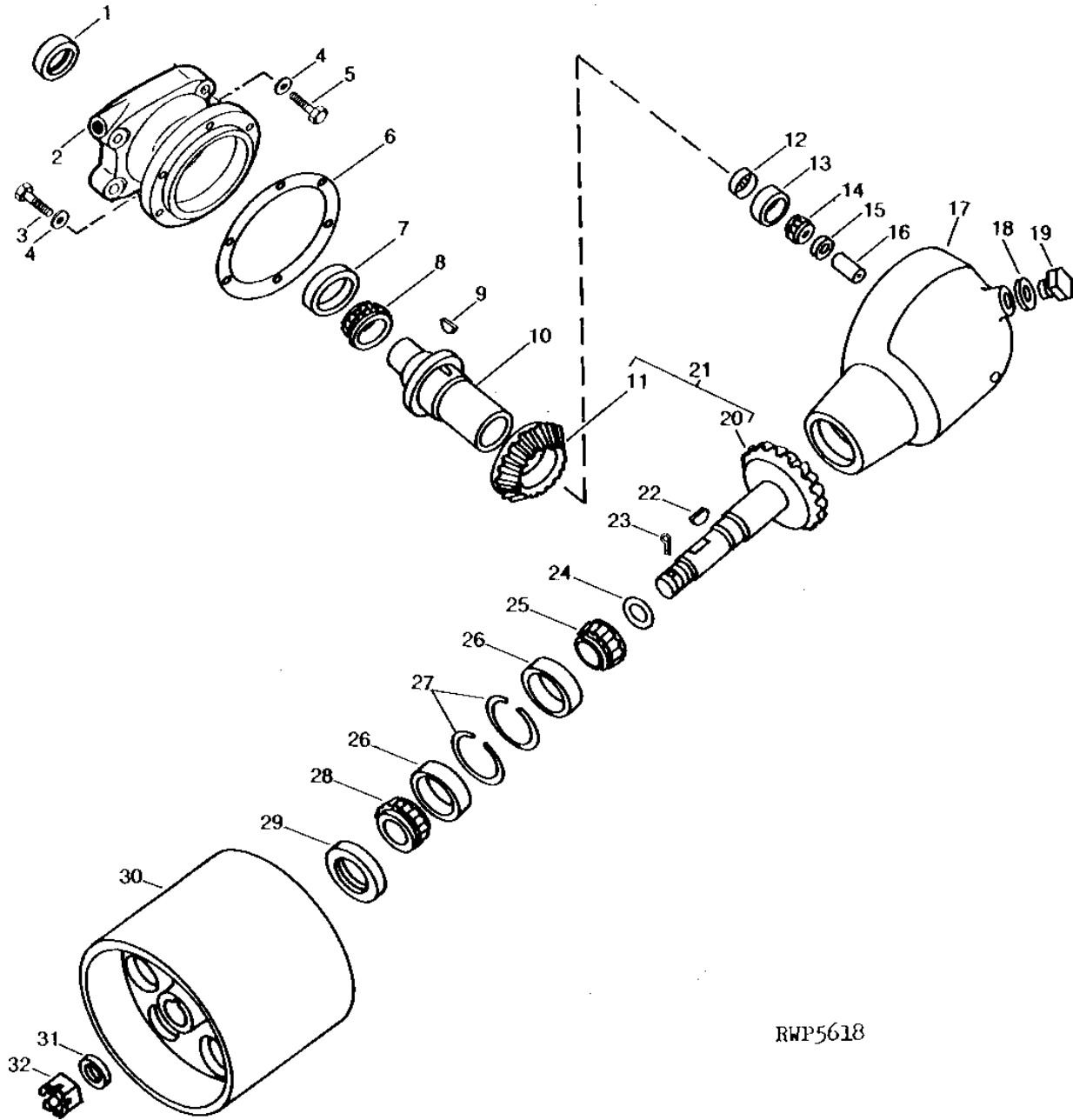
KEY	PART NO.	PART NAME	QTY	TRACTOR SERIAL NO.	REMARKS
1	37H52	SCREW	2		1/4" X 3/8"
2	R69657	CLAMP	2		
3	L38694	COVER	1		
4	R69655	SUPPORT	1		L.H.
5	19H1831	CAP SCREW	4		1/2" X 2"
6	28H1785	BUSHING	4		0.546" X 0.840" X 1-1/16"
7	19H1731	CAP SCREW	2		3/8" X 1"
8	12H304	LOCK WASHER	2		3/8"
9	R69654	SUPPORT	1		R.H.
10	R63607	WELD NUT	2		3/8"
11	R73290	WASHER	2		(SUB FOR T497T)
12	R69628	SHIELD	1		
13	AR90971	SUPPORT	1		
14	19H1792	CAP SCREW	1		1/2" X 1"
15	RE13912	KIT	1		

2D24

POWER TRAIN

RWP5618 -UN-01JAN94

BELT PULLEY



RWP5618

2D25

POWER TRAIN

BELT PULLEY - CONTINUED

KEY	PART NO.	PART NAME	QTY	TRACTOR SERIAL NO.	REMARKS
1	AT12431	SEAL	1		
2	T29243	QUILL	1		(SUB FOR T22704) (LESS INDEPENDENT PTO)
	T29550	QUILL	1		(INDEPENDENT PTO)
3	19H3579	CAP SCREW	6		1/2" X 1-3/8"
4	12H301	LOCK WASHER	10		1/2"
5	19H2644	CAP SCREW	4		1/2" X 2-1/2"
6	R44372	SHIM	AR		0.08 MM (.003") PAPER
	R44361	SHIM	AR		0.13 MM (.005")
	T13341	SHIM	AR		0.25 MM (.010")
7	JD8247	BEARING CUP	1		
8	JD8922	BEARING CONE	1		
9	26H85	SHAFT KEY	1		1/4" X 1"
10	T13329	HUB	1		(B)
	T22999	HUB	1		(A)
11	R63692	GEAR	1		(B) (26 TEETH) (ALSO ORDER R63691) (SUB FOR T13330)
	T23000	GEAR	1		(A) (23 TEETH) (SUB AT28049)
12	M2206T	CAP	1		
13	JD7438	BEARING CUP	1		
14	JD8135	BEARING CONE	1		
15	T13331	SHIM	AR		0.08 MM (.003")
	T13332	SHIM	AR		0.13 MM (.005")
	T13333	SHIM	AR		0.25 MM (.010")
16	T13471	PIN	1		
17	T29242	CASE	1		(SUB FOR T13326)
18	A4827R	WASHER	1		
19	R26727	DRAIN PLUG	1		
20	R63691	SHAFT	1		(B) (ALSO ORDER R63692) (SUB FOR T18717)
	T22998	SHAFT	1		(A) (SUB AT28049)
21	AT28049	SHAFT	1		(A)
22	26H93	SHAFT KEY	1		1/4" X 1-1/4"
23	11M7032	COTTER PIN	1		5 X 50 MM
24	L11027	SHIM	AR		0.10 MM (.004")
	L11028	SHIM	AR		0.20 MM (.008")
25	JD8969	BEARING CONE	1		
26	JD7418	BEARING CUP	2		
27	T13325	SNAP RING	2		
28	JD8982	BEARING CONE	1		
29	AT124396	SEAL	1		(SUB FOR AT16887)
30	T18718	PULLEY	1		305 MM (12") DIA.
31	R30399	WASHER	1		(SUB FOR T18996)
32	14H920	NUT	1		1"

(A) 540 RPM PTO

(B) 1000 RPM PTO

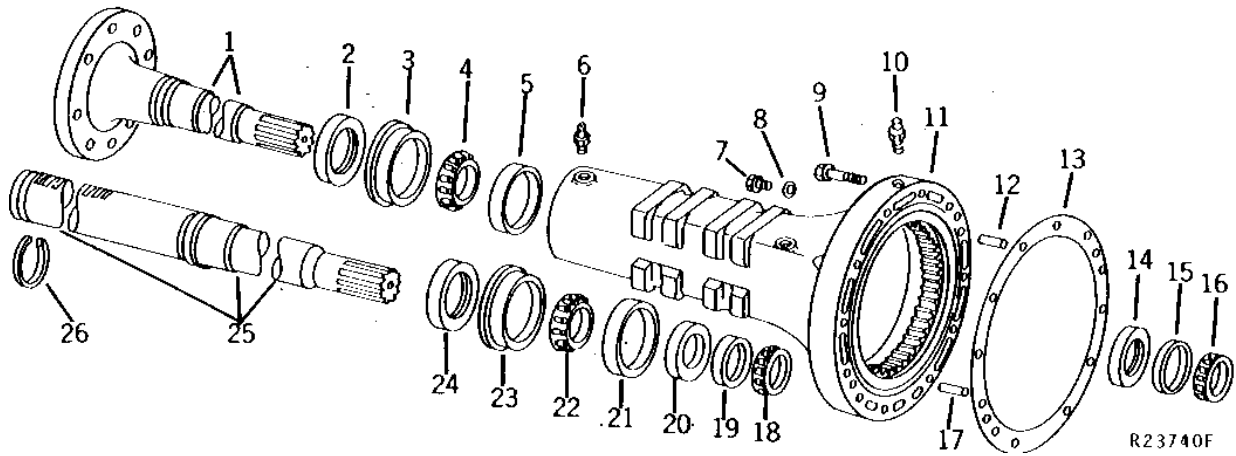
2E1

POWER TRAIN

R23740

-UN-01JAN94

REAR AXLE HOUSING AND SHAFT



2E2

POWER TRAIN

REAR AXLE HOUSING AND SHAFT - CONTINUED

KEY	PART NO.	PART NAME	QTY	TRACTOR SERIAL NO.	REMARKS
1	T21570	SPINDLE	1		(17 TEETH) (HU) (RU WITH 14.9 X 28" TIRES)
	T21620	SPINDLE	1		(23 TEETH) (RU)
2	AT20703	SEAL	1		
3	T21429	BEARING CUP	1		
4	JD8946	BEARING CONE	1		(A) (HU)
	JD8147	BEARING CONE	1		(RU)
5	JD8206	BEARING CUP	1		(A) (HU)
	JD7425	BEARING CUP	1		(RU)
6	JD7759	LUBRICATION FITTING	1		1/8"
7	R27216	DRAIN PLUG	1		REAR, (SUB FOR R31631)
8	R26287	O-RING	1		
9	19H1990	CAP SCREW	12		1/2" X 2-1/4", (LESS REAR EXHAUST SYSTEM)
	19H1990	CAP SCREW	12	-076063	1/2" X 2-1/4", (REAR EXHAUST SYSTEM)
	19H1990	CAP SCREW	11	076064-	1/2" X 2-1/4", (REAR EXHAUST SYSTEM)
	19H1974	CAP SCREW	12	076064-	1/2" X 2-3/4", (REAR EXHAUST SYSTEM)
10	R21612	BLEED SCREW	1		
11	AT19626	HOUSING	1		REAR (HU WITH FLANGED AXLE) (RU WITH FLANGED AXLE AND 14.9X28" TIRES) (HU, RU WITH RACK AND PINION AXLE) (ALSO ORDER (3) R36666 AND (3) T21428) (MARKED T21411) (SUB FOR AT22898) (SUB AT22761)
	AT19628	HOUSING	1		REAR (RU WITH FLANGED AXLE AND WITH ALL TIRES EXCEPT 14.9X28") (ALSO ORDER (3) T21428) (MARKED T21413) (SUB FOR AT22896)
12	R36666	DOWEL PIN	3		(SUB FOR R26198) (USE WITH AT22898)
13	R98915	GASKET	1		(SUB FOR T21419)
14	AT20702	SEAL	1		(A) (HU)
	AT20701	SEAL	1		(RU) (SUB AN102006 AND AL39390)
15	JD7425	BEARING CUP	1		(A) (HU)
	JD8217	BEARING CUP	1		(RU)
16	JD8147	BEARING CONE	1		(A)
	JD8171	BEARING CONE	1		(RU)
17	T21428	DOWEL PIN	3		
18	JD8147	BEARING CONE	1		
19	JD7425	BEARING CUP	1		
20	AT20702	SEAL	1		
21	JD8206	BEARING CUP	1		
22	JD8946	BEARING CONE	1		
23	T21429	BEARING CUP	1		
24	AT20703	SEAL	1		
25	T21550	SHAFT	1	-XXXXXX	REAR, (SUB R54622 AND R53656)
	R54622	HALF AXLE	1	XXXXXX-	(NLA)
26	R53656	SNAP RING	1	XXXXXX-	

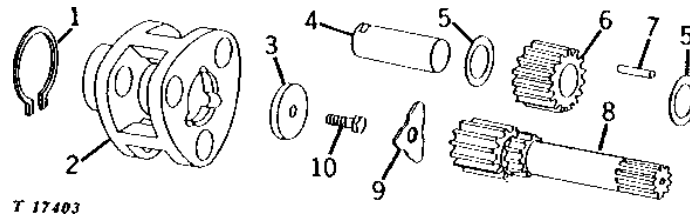
(A) RU WITH FLANGED AXLE AND 14.9 X 28" TIRE

2E3

POWER TRAIN

T17403 -UN-01JAN94

FINAL DRIVE SHAFT AND PINION



KEY	PART NO.	PART NAME	QTY	TRACTOR SERIAL NO.	REMARKS
1	T21409	SNAP RING	1		
2	T21414	PLANET PINION CARRIER	1		(A) (17 TEETH) (HU)
	T21415	PLANET PINION CARRIER	1		(23 TEETH) (FLANGED AXLE) (RU)
3	L38057	WASHER	1		(SUB FOR T21423)
4	T21548	PINION SHAFT	3		(A) (HU)
	T21886	PINION SHAFT	3		(FLANGED AXLE) (RU)
5	T21424	THRUST WASHER	6		
6	T21547	GEAR	3		(A) (18 TEETH) (HU)
	T21885	GEAR	3		(18 TEETH) (FLANGED AXLE) (RU)
7	T21418	PIN	69		(A) (HU)
	R26006	NEEDLE ROLLER	69		(FLANGED AXLE) (RU)
8	T21820	DRIVE SHAFT	1	-064661	L.H. (SUB FOR T21818) (SUB T28908)
	T28908	DRIVE SHAFT	1		L.H. (SUB FOR T31086)
	T21821	DRIVE SHAFT	1	-064661	R.H. (SUB T28907)
	T28907	DRIVE SHAFT	1		R.H. (SUB FOR T31085)
9	T21427	LOCK PLATE	1		
10	19H2993	CAP SCREW	1		1/2" X 1-1/2"

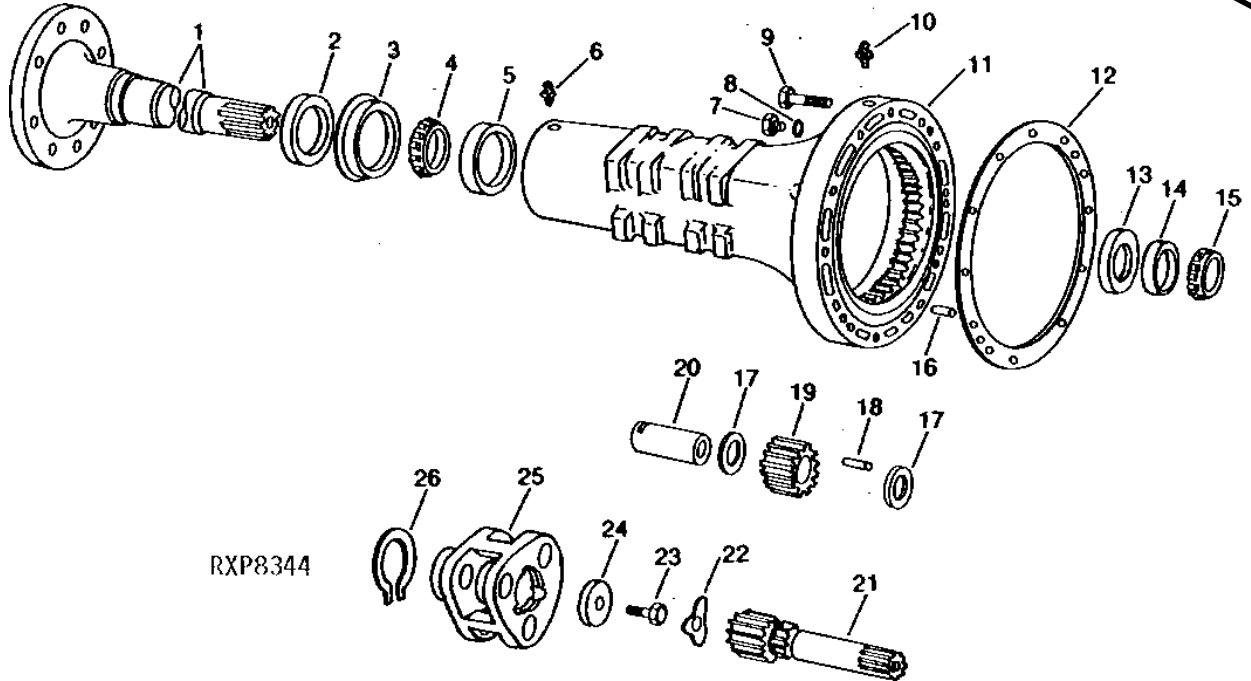
(A) RU WITH FLANGED AXLE AND 14.9 X 28" TIRE

2E4

POWER TRAIN

PLANETARY AND REAR AXLE (LU)

RXP8344 -UN-01JAN94



KEY	PART NO.	PART NAME	QTY	TRACTOR SERIAL NO.	REMARKS
1	T21566	HALF AXLE	1		
2	AT20703	SEAL	1		
3	T21429	BEARING CUP	1		
4	JD8946	BEARING CONE	1		
5	JD8206	BEARING CUP	1		
6	JD7759	LUBRICATION FITTING	1	1/8"	
7	R27216	DRAIN PLUG	1	(SUB FOR R31631)	
8	R26287	O-RING	1		
9	19H1990	CAP SCREW	12	1/2" X 2-1/4"	
10	R21612	BLEED SCREW	1		
11	AT19831	HOUSING	1	(MARKED T21565) (ALSO ORDER (3) T21428) (SUB FOR AT22897)	
12	R98915	GASKET	1	(SUB FOR T21419)	
13	AT20702	SEAL	1		
14	JD7425	BEARING CUP	1		
15	JD8147	BEARING CONE	1		
16	T21428	DOWEL PIN	3		
17	T21424	THRUST WASHER	6		
18	T21418	PIN	69		
19	T21547	GEAR	3	(18 TEETH)	
20	T21548	PINION SHAFT	3		
21	T28908	DRIVE SHAFT	1	L.H. (SUB FOR T21818 OR T21820) (SUB T71926)	
	T28907	DRIVE SHAFT	1	R.H. (SUB FOR T21821) (SUB T71925)	
22	T21427	LOCK PLATE	1		
23	L37325	CAP SCREW	1		
24	L38057	WASHER	1	(SUB FOR T21423)	
25	T21414	PLANET PINION CARRIER	1		
26	T21409	SNAP RING	1		

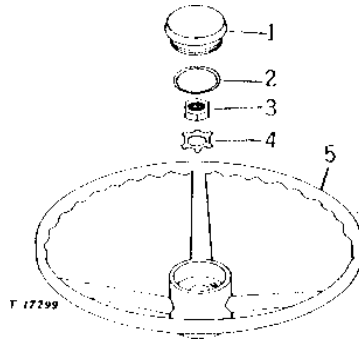
MEMORANDA

2E6

STEERING AND BRAKES

T17299 -UN-01JAN94

STEERING WHEEL



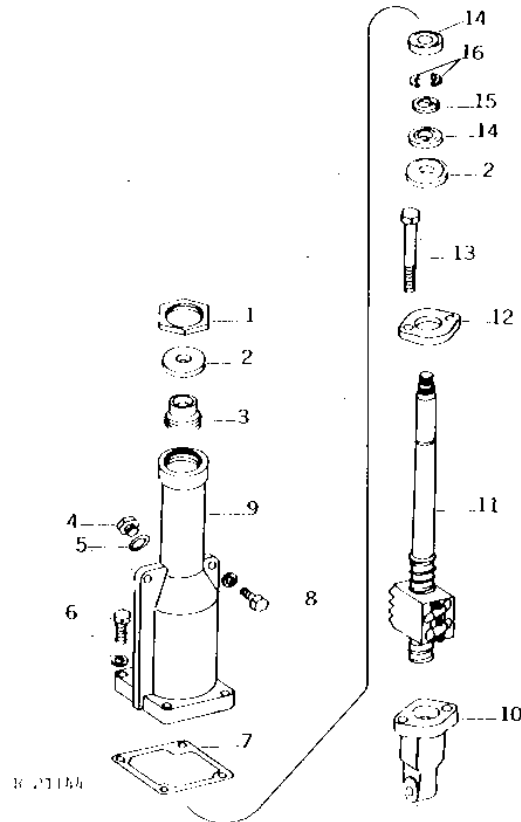
KEY	PART NO.	PART NAME	QTY	TRACTOR SERIAL NO.	REMARKS
1	R47998	CAP	1		(SUB FOR T19345)
2	B3690R	O-RING	1		
3	14H904	NUT	1	3/4"	
4	T17148	LOCK WASHER	1		
5	AL28457	STEERING WHEEL	1		(SUB FOR T22875)

2E7

STEERING AND BRAKES

R21144 -UN-01JAN94

MANUAL STEERING VALVE HOUSING AND SHAFT



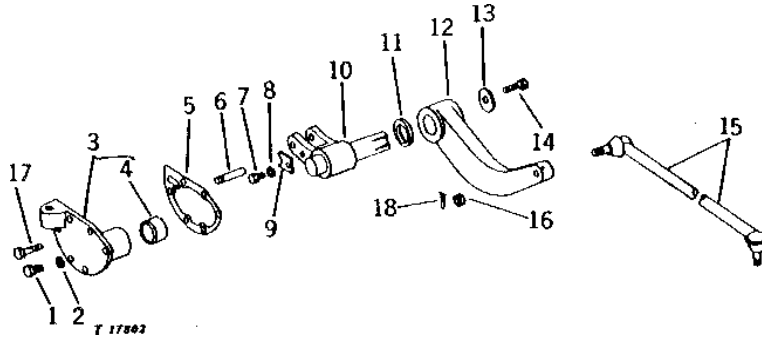
KEY	PART NO.	PART NAME	QTY	TRACTOR SERIAL NO.	REMARKS
1	T22481	NUT	1		
2	T22260	SEAL	2		(ALSO ORDER AT19858)
3	T22480	BUSHING	1		
4	R39112	FITTING	1		
5	R26375	O-RING	1		
6	19H1765	CAP SCREW	4		3/8" X 1-3/4"
7	T21528	GASKET	1		
8	19H2552	CAP SCREW	8		3/8" X 1-1/8"
	12H304	LOCK WASHER	12		3/8"
9	T25294	HOUSING	1		
10	T22526	YOKE	1		
11	AT20372	SHAFT	1		
12	T22527	RETAINER	1		
13	19H3586	CAP SCREW	2		1/2" X 4-1/4" HS, SAE 8
14	JD8728	BEARING	2		
15	F215R	RING	1		
16	T22482	WASHER	2		

2E8

STEERING AND BRAKES

T17802 -UN-01JAN94

STEERING ARM AND DRAG LINK



KEY	PART NO.	PART NAME	QTY	TRACTOR SERIAL NO.	REMARKS
1	19H2552	CAP SCREW	5		3/8" X 1-1/8"
2	12H304	LOCK WASHER	6		3/8"
3	AT20839	COVER	1	-045199	(NLA)
	AT54955	COVER	1	045200-	(SUB FOR AT20854 OR AT46457)
4	T21445	BUSHING	1		
5	T21527	GASKET	1		
6	T21722	PIN	1		
7	19H1227	CAP SCREW	1		1/4" X 1/2", (DIESEL) (RU)
	19H1919	CAP SCREW	1		1/4" X 5/8", (HU)
8	12H297	LOCK WASHER	1		1/4"
9	T21659	PLATE	1		
10	T36482	SHAFT	1		(POWER STEERING) (SUB FOR T21546)
	T21866	SHAFT	1		(MANUAL STEERING)
11	AT11927	SEAL	1		
12	T28272	LEVER	1		(SUB FOR T22525)
13	R20135	WASHER	1		
14	19H1833	CAP SCREW	1		5/8" X 1-1/4"
15	AR68818	DRAG LINK	1		(SUB FOR AT19808)
16	14H918	NUT	2		5/8"
17	19H3219	CAP SCREW	1		3/8" X 1-3/8"
18	11M7083	COTTER PIN	2		3.200 X 50 MM

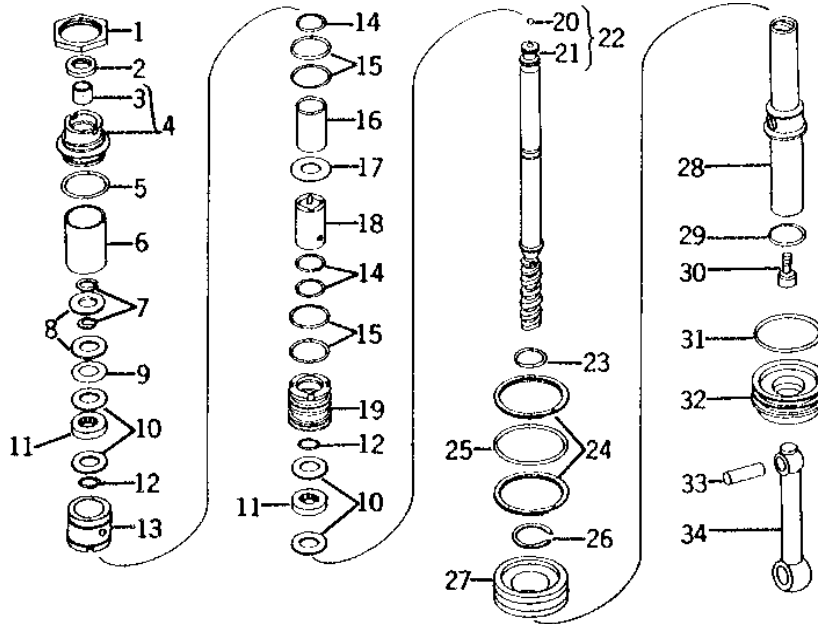
MEMORANDA

2E9

STEERING AND BRAKES

POWER STEERING SHAFT (TRACTOR SERIAL NO. 010001-045199)

T17300 -UN-01JAN94



T 17300

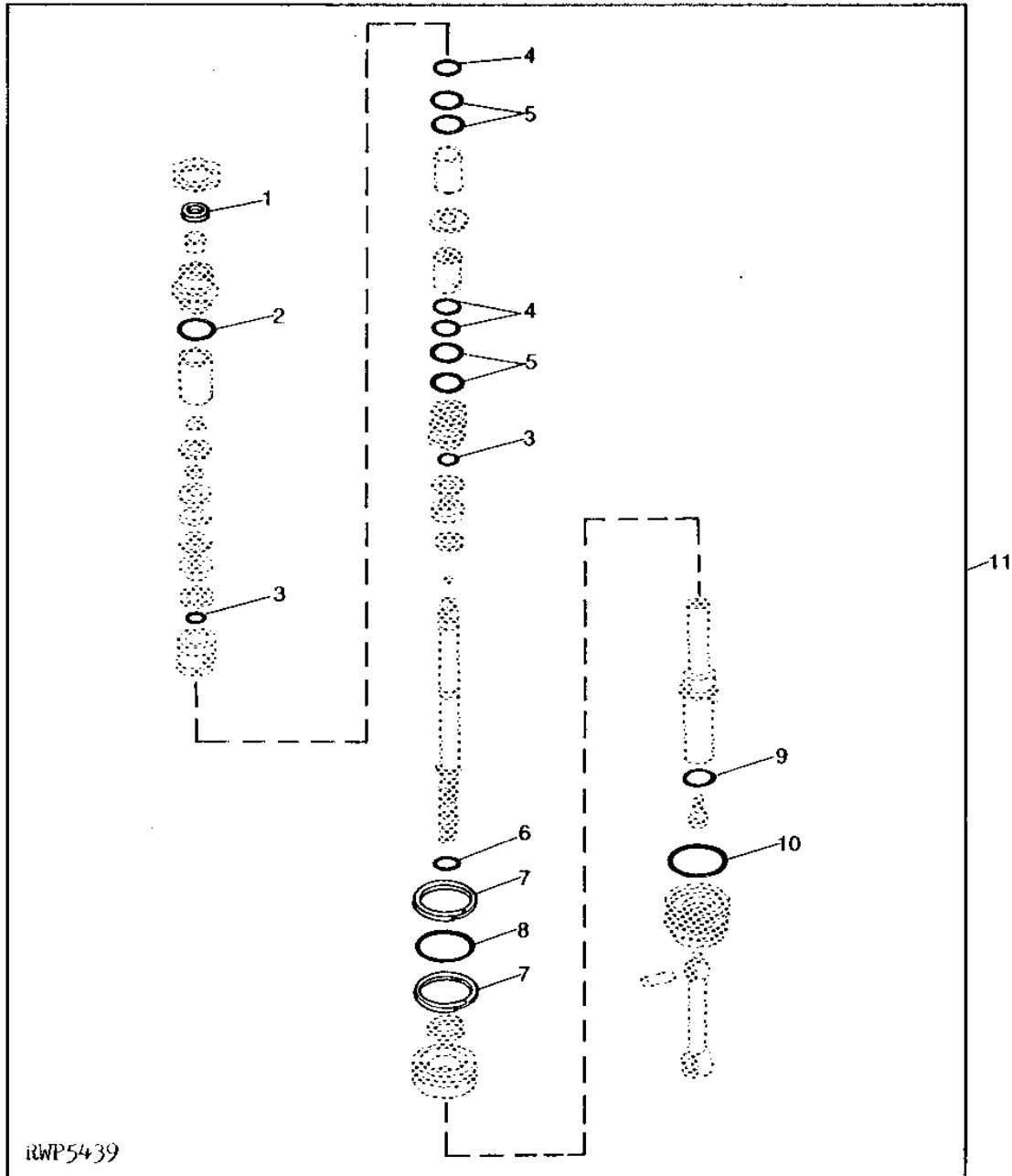
KEY	PART NO.	PART NAME	QTY	TRACTOR SERIAL NO.	REMARKS
1	T21718	NUT	1		
2	T22260	SEAL	1		(ALSO ORDER AT19858)
3	R27320	BUSHING	1		
4	AT19858	ADJUSTER	1		(ALSO ORDER T22260)
5	B3690R	O-RING	1		
6	T22823	SLEEVE	1		
7	R35226	SNAP RING	2		
8	T22824	BUSHING	2		
9	T22825	SHIM	AR		0.13 MM (.005")
	T25741	SHIM	AR		0.05 MM (.002")
10	T21716	WASHER	4		
11	JD9832	THRUST BEARING	2		
12	R495R	O-RING	2		
13	T22821	VALVE SEAT	1		UPPER
14	T22827	O-RING	3		
15	T22828	O-RING	4		
16	T22822	VALVE SEAT	1		UPPER
17	T22826	SHIM	1		
18	T22820	VALVE SEAT	1		LOWER
19	T22819	VALVE SEAT	1		LOWER
20	R26552	BALL	1		(SUB R26552 AND T22897)
21	T22897	STEERING WHEEL SHAFT	1		(SUB R26552 AND T22897)
22	AT21996	SHAFT	1		(SUB R26552 AND T22897)
23	R29463	O-RING	1		
24	R26754	BACK-UP RING	2		
25	R26543	O-RING	1		
26	T27432	SNAP RING	1		
27	T21715	PISTON	1		
28	T22896	ROD	1		
29	U10289	O-RING	1		
30	T23013	SCREW	1		
31	R36424	O-RING	1		
32	T21721	GUIDE	1		(NLA)
33	T21655	PIN	1		
34	T22261	FITTING	1		(NLA)

2E10

STEERING AND BRAKES

OPEN CENTER POWER STEERING KIT
(TRACTOR SERIAL NO. 010001-045199)

RWP5439 -UN-01JAN94



2E11

STEERING AND BRAKES

OPEN CENTER POWER STEERING KIT - CONTINUED
(TRACTOR SERIAL NO. 010001-045199)

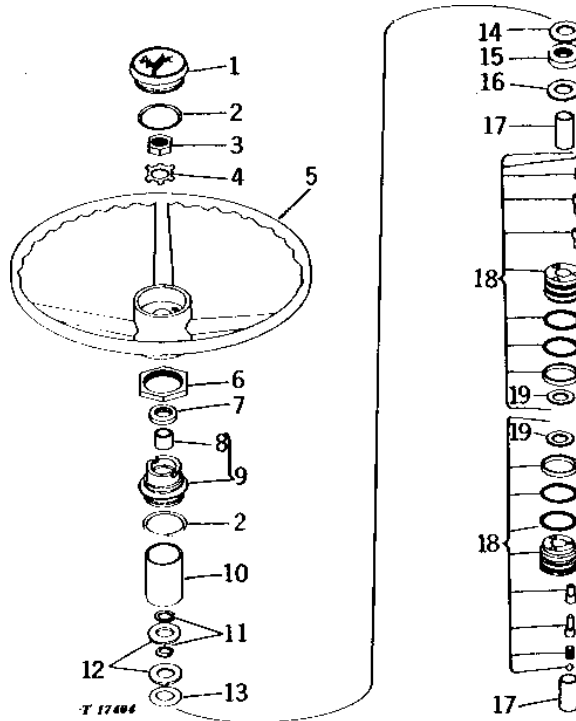
KEY	PART NO.	PART NAME	QTY	TRACTOR SERIAL NO.	REMARKS
1	T22260	SEAL	1		(ALSO ORDER AT19858)
2	B3690R	O-RING	1		
3	R495R	O-RING	2		
4	T22827	O-RING	3		
5	T22828	O-RING	4		
6	R29463	O-RING	1		
7	R26754	BACK-UP RING	2		
8	R26543	O-RING	1		
9	U10289	O-RING	1		
10	R36424	O-RING	1		
11	AT25588	KIT	1		

2E12

STEERING AND BRAKES

POWER STEERING VALVE AND WHEEL (TRACTOR SERIAL NO. 045200-)

T17404 -UN-01JAN94



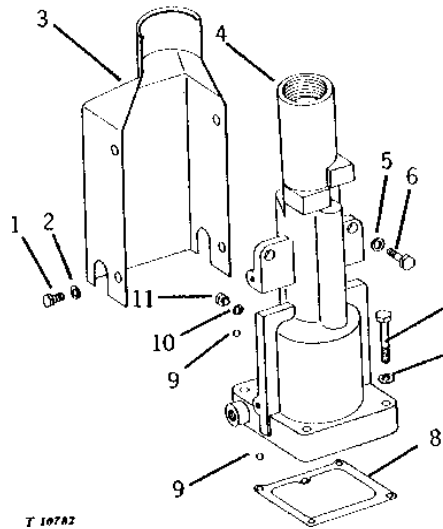
KEY	PART NO.	PART NAME	QTY	TRACTOR SERIAL NO.	REMARKS
1	R47998	CAP	1		(SUB FOR T19345)
2	B3690R	O-RING	1		
3	14H904	NUT	1		3/4"
4	T17148	LOCK WASHER	1		
5	AL28457	STEERING WHEEL	1		(SUB FOR T22875)
	AR26625	STEERING WHEEL	1		(LOW PROFILE)
6	T21718	NUT	1		
7	T22260	SEAL	1		(ALSO ORDER AT19858)
8	R27320	BUSHING	1		
9	AT19858	ADJUSTER	1		(ALSO ORDER T22260)
10	T22823	SLEEVE	1		
	T29391	BUSHING	1		(LOW PROFILE) (NLA)
11	R35226	SNAP RING	2		
12	T22824	BUSHING	2		
13	T22825	SHIM	8		0.12 MM (.005")
	T25741	SHIM	2		0.05 MM (.002")
14	T21716	WASHER	2		
15	JD9832	THRUST BEARING	1		
16	T25329	WASHER	1		
17	T25330	BUSHING	2		(SUB FOR R49980)
18	AT23178	HOUSING	2	-055532	(SUB AR81610)
	AR81610	HOUSING	2	055533-	(SUB FOR AT25490)
	R49982	SLEEVE	2		
	T25333	SHIM	AR		0.05 MM (.002")
	T25334	SHIM	AR		0.25 MM (.010")
19	T27409	WASHER	2	055533-	

2E13

STEERING AND BRAKES

POWER STEERING VALVE HOUSING (TRACTOR SERIAL NO. 010001-045199)

T10782 -UN-01JAN94



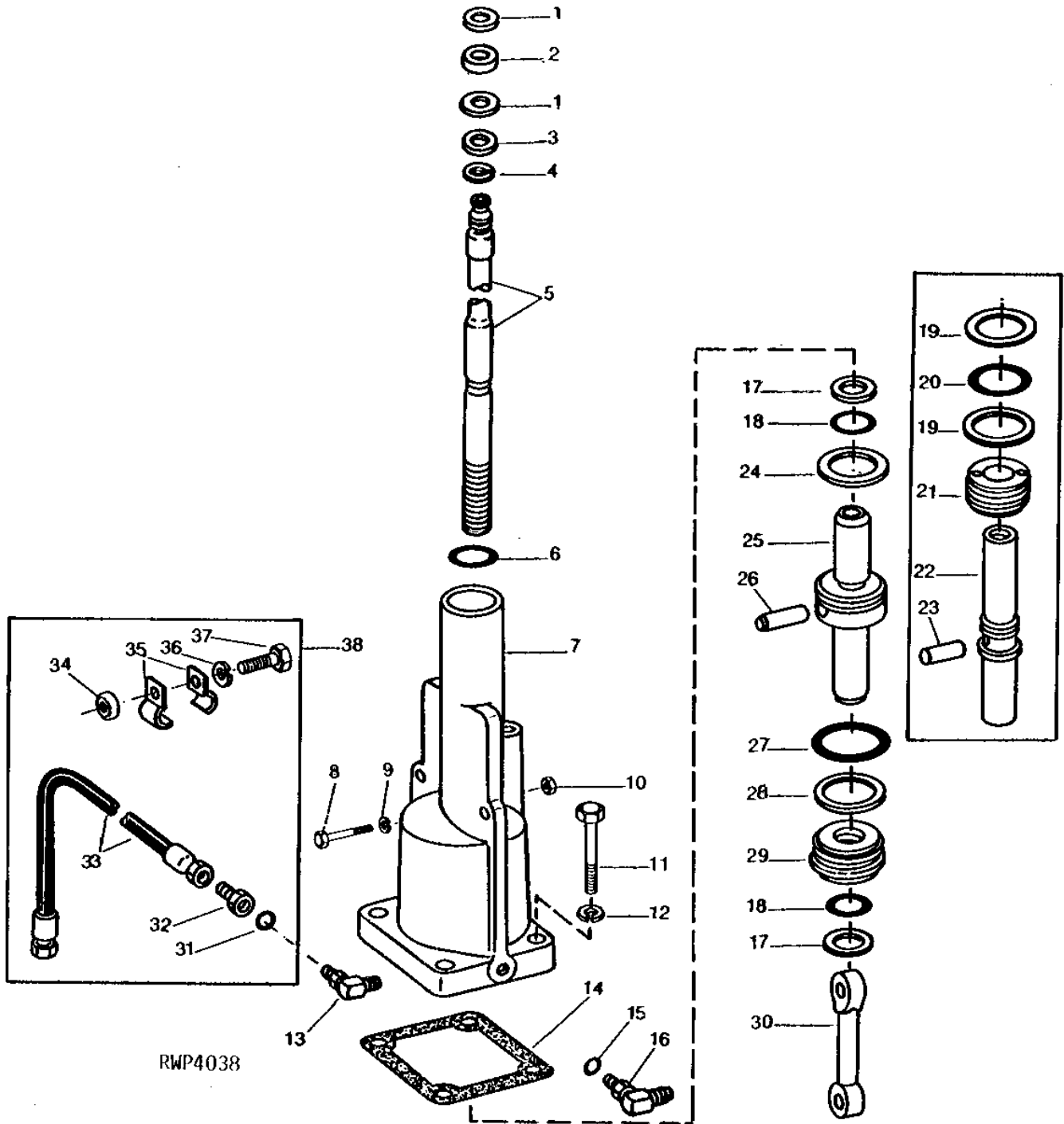
KEY	PART NO.	PART NAME	QTY	TRACTOR SERIAL NO.	REMARKS
1	19H2020	CAP SCREW	4	5/16" X 1/2"	
2	24H1685	WASHER	4	11/32" X 47/64" X 0.083"	
3	T23015	COVER	1	(NLA)	
4	AT21407	HOUSING	1	(MARKED T22829) (NLA)	
5	12H304	LOCK WASHER	6	3/8"	
6	19H2552	CAP SCREW	2	3/8" X 1-1/8"	
7	19H1801	CAP SCREW	4	3/8" X 2"	
8	T151882	GASKET	1	(SUB FOR T22895)	
9	R26552	BALL	7	8MM (5/16")	
10	R26287	O-RING	1		
11	R27216	DRAIN PLUG	1	(SUB FOR R31631)	

2E14

STEERING AND BRAKES

POWER STEERING VALVE HOUSING AND SHAFT (TRACTOR SERIAL NO. 045200-)

RWP4038 -UN-01JAN94



2E15

STEERING AND BRAKES

POWER STEERING VALVE HOUSING AND SHAFT - CONTINUED
(TRACTOR SERIAL NO. 045200-)

KEY	PART NO.	PART NAME	QTY	TRACTOR SERIAL NO.	REMARKS
1	T25329	WASHER	2		
2	JD9832	THRUST BEARING	1		
3	T22824	BUSHING	1		
4	R35226	SNAP RING	1		
5	T25328	STEERING WHEEL SHAFT	1	-122799	(SUB L29199, R35226 AND L29197)
	T34332	STEERING WHEEL SHAFT	1	122800-	(SUB R57446, T13555 AND L29197)
	T29390	SHAFT	1	-122799	(LOW PROFILE) (NLA)
	T34333	STEERING WHEEL SHAFT	1	122800-	(LOW PROFILE) (NLA)
6	L34451	O-RING	6		(SUB FOR T25335)
7	AT23175	HOUSING	1		(MARKED T25295) (SUB RE10800)
	AT27419	HOUSING	1		(LOW PROFILE) (MARKED T29389) (SUB RE10801)
8	19H1849	CAP SCREW	2		5/16" X 1-1/4"
9	12H303	LOCK WASHER	2		5/16"
10	14H785	NUT	2		5/16"
11	19H1801	CAP SCREW	4		3/8" X 2"
12	12H304	LOCK WASHER	4		3/8"
13	AT37209	ELBOW FITTING	1		(SUB AR89099, THIS APPLICATION)
14	T21528	GASKET	1		(SUB FOR T25337)
15	R26448	O-RING	1		
16	AT35121	ELBOW FITTING	1		(SUB FOR AR26725)
17	T25327	BACK-UP RING	2		
18	U10289	O-RING	2		
19	T25326	BACK-UP RING	2		
20	F3450R	O-RING	1		
21	T25325	PISTON	1		(SUB R57292 AND R57293)
22	T25323	ROD	1	-122799	(SUB AL70300)
	T34331	ROD	1	122800-	(SUB R60945 AND R60946)
23	T21655	PIN	1		
24	R57293	SEAL	1		
25	R60945	SHAFT	1		(ALSO ORDER R57293)
26	R60946	DOWEL PIN	1		
27	U12331	O-RING	1		
28	R35684	BACK-UP RING	1		
29	T25336	GUIDE	1		
30	T25324	ROD	1		
31	R26448	O-RING	1	XXXXXX-	
32	AT54132	CHECK VALVE	1	XXXXXX-	
33	AH83485	HYDRAULIC HOSE	1	XXXXXX-	
34	28H1878	SPACER	1	XXXXXX-	0.493" X 0.675" X 7/16"
35	R35726	CLAMP	2	XXXXXX-	
36	12H304	LOCK WASHER	1	XXXXXX-	3/8"
37	19H1801	CAP SCREW	1	XXXXXX-	3/8" X 2"
38	AR89099	VALVE	1		KIT, STEERING INLET CHECK VALVE, (SUB FOR AR63623)

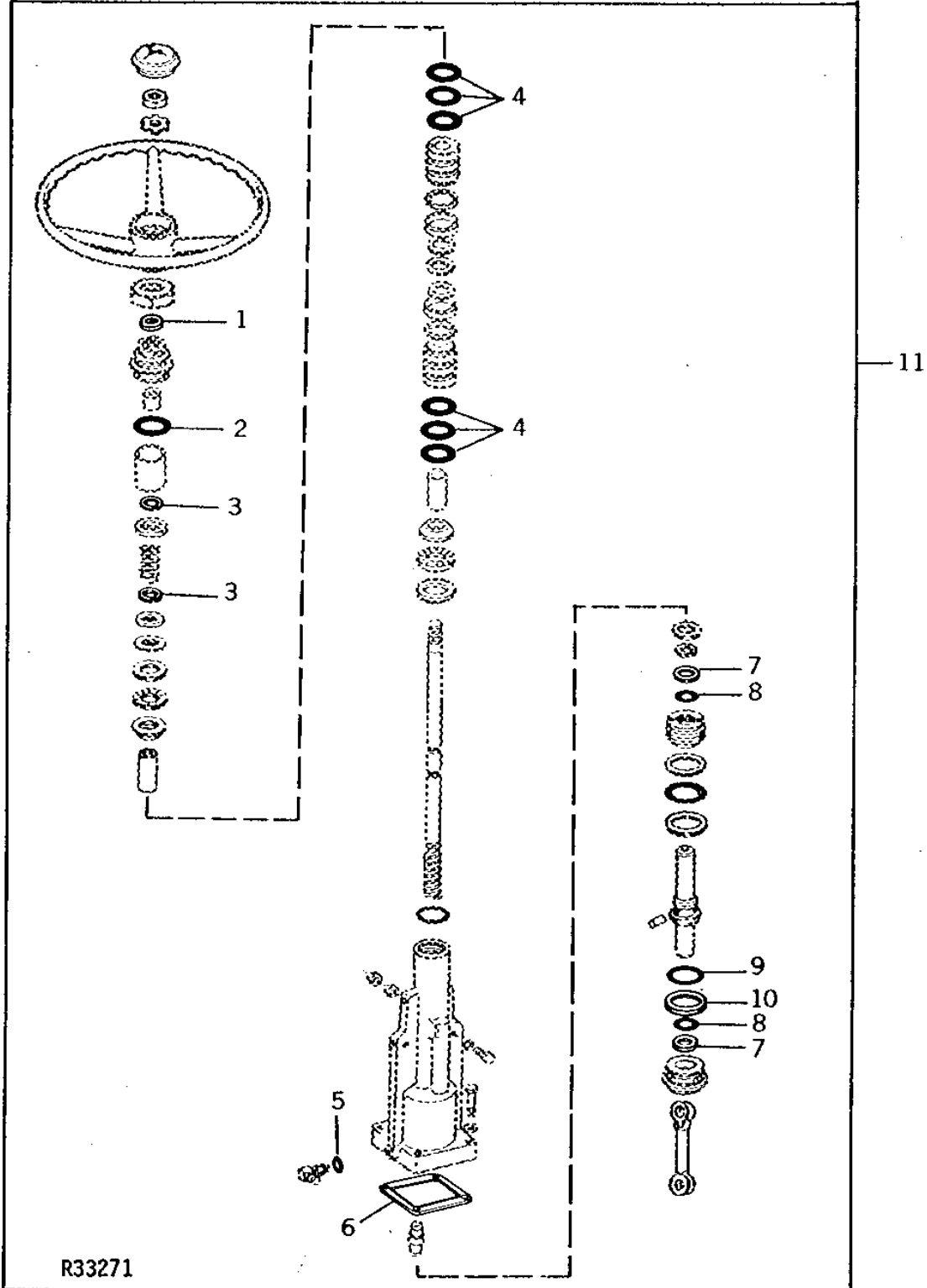
2E16

STEERING AND BRAKES

R33271

-UN-01JAN94

POWER STEERING OVERHAUL KIT



R33271

2E17

STEERING AND BRAKES

POWER STEERING OVERHAUL KIT - CONTINUED

KEY	PART NO.	PART NAME	QTY	TRACTOR SERIAL NO.	REMARKS
1	T22260	SEAL	1		(ALSO ORDER AT19858)
2	B3690R	O-RING	1		
3	R35226	SNAP RING	3		
4	L34451	O-RING	6		(SUB FOR T25335)
5	R26448	O-RING	1		
6	T21528	GASKET	1		(SUB FOR T25337)
7	T25327	BACK-UP RING	2		
8	U10289	O-RING	2		
9	U12331	O-RING	1		
10	R35684	BACK-UP RING	1		
11	AT26188	KIT	1		

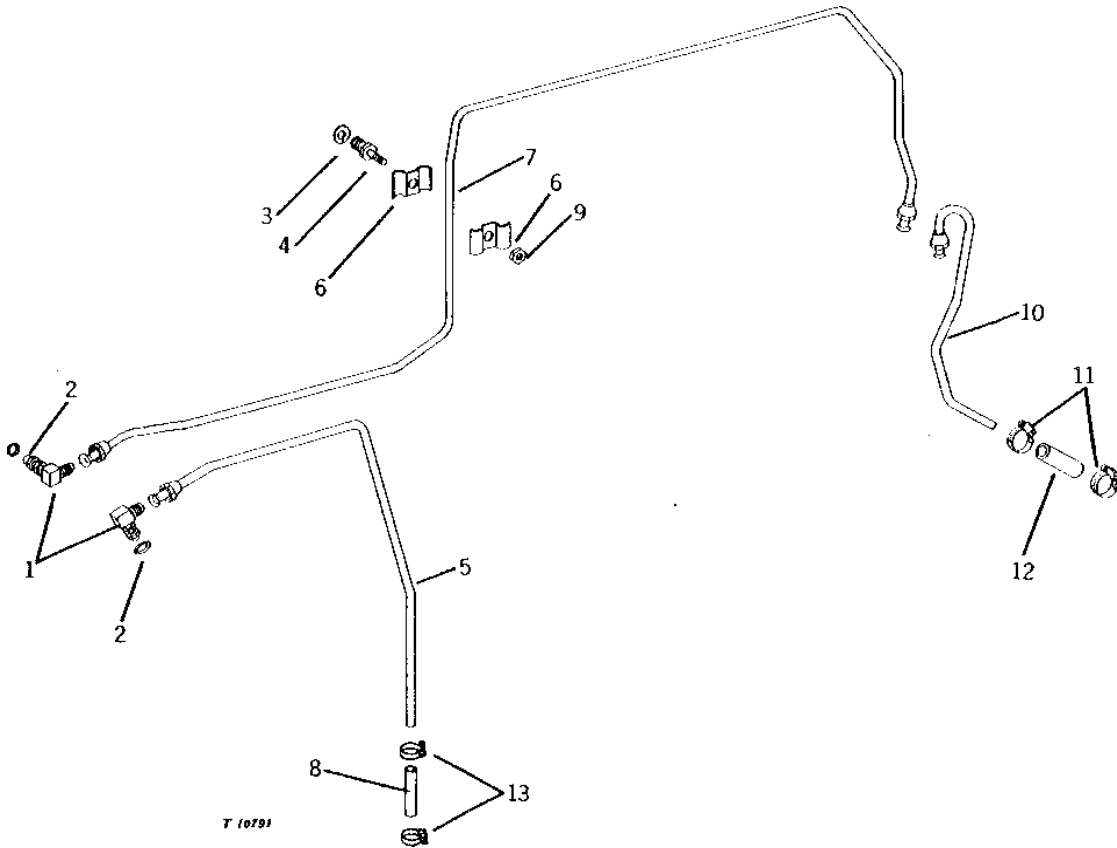
MEMORANDA

2E18

STEERING AND BRAKES

POWER STEERING OIL LINES (TRACTOR SERIAL NO. 010001-045199)

T10791 -UN-01JAN94

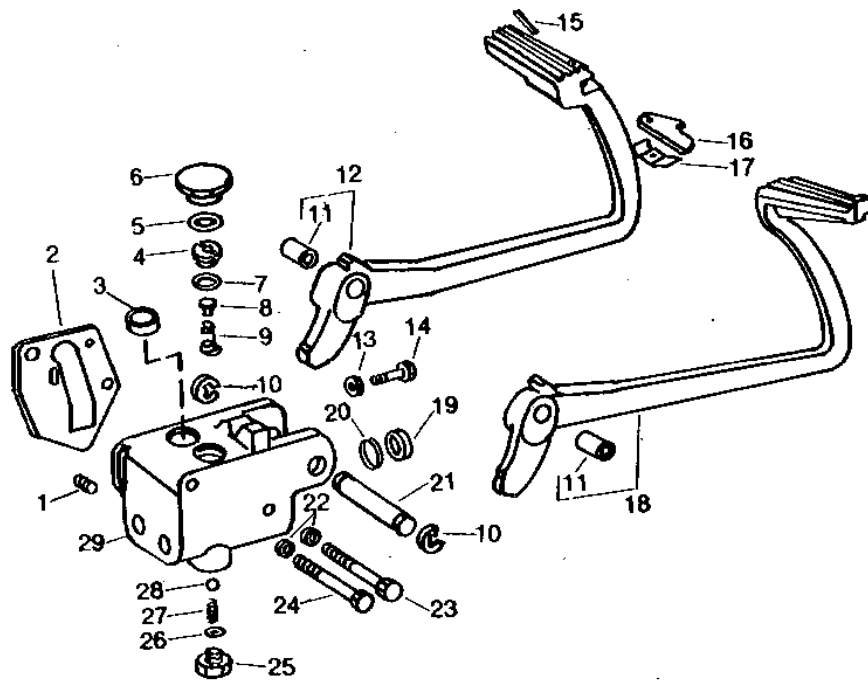


KEY	PART NO.	PART NAME	QTY	TRACTOR SERIAL NO.	REMARKS
1	AT35121	ELBOW FITTING	2		(SUB FOR AR26725)
2	R26448	O-RING	2		
3	12H301	LOCK WASHER	1		1/2"
4	T22037	STUD	1		(NLA)
5	AT20063	LINE	1		RETURN (NLA)
6	R27491	CLAMP	2		
7	AT26195	LINE	1		PRESSURE, (SUB FOR AT22062)
8	T11146	HOSE	1		(RETURN LINE TO HYDRAULIC PUMP INLET LINE)
9	14H732	NUT	2		3/8"
10	AT22193	LINE	1		PUMP INLET
11	AR21837	CLAMP	2		(SUB TY22465)
12	T23092	HOSE	1		(INLET LINE TO HYDRAULIC PUMP INLET LINE)
13	AR21836	CLAMP	2		

2E19

RXP6438 -UN-01JAN94

BRAKE PEDALS



RXP6438

2E20

STEERING AND BRAKES

BRAKE PEDALS - CONTINUED

KEY	PART NO.	PART NAME	QTY	TRACTOR SERIAL NO.	REMARKS
1	15H560	PIPE PLUG	1	129166-	1/16"
2	T30687	GASKET	1		(A) (SUB FOR T22961 OR T25141)
	T151883	GASKET	1		(B) (SUB FOR T25138 OR T49104)
3	R35286	CAP	1		(USE WITH R49664)
4	T21810	VALVE	2		(SUB AT135655)
5	R29936	O-RING	1		
6	T21806	DRAIN PLUG	1		
7	R26906	O-RING	2		
8	T21811	CHECK VALVE	2		(SUB AT135655)
9	T21812	SPRING	2		(SUB AT135655)
10	F2863R	SNAP RING	2		
11	B177R	BUSHING	2		
12	AT20756	PEDAL	1	-045207	L.H. (MARKED T22725) (NLA)
	AT20247	PEDAL	1	045208-	(A) L.H. (MARKED T21809)
	AT20249	PEDAL	1		(B) L.H. (MARKED T22727) (SUB B177R AND T22491)
13	14H732	NUT	2		3/8"
14	19H1732	CAP SCREW	2		3/8" X 1-1/4"
15	34H312	SPRING PIN	1		1/4" X 1"
16	R50879	ARM	1		
17	R50034	LEAF SPRING	1		
18	AT20755	PEDAL	1	-045207	R.H. (MARKED T22724) (NLA)
	AT20246	PEDAL	1	045208-	(A) R.H. (MARKED T22724) (SUB B177R AND T21808)
	AT20248	PEDAL	1		(B) R.H. (MARKED T22726) (SUB B177R)
19	AR54929	KIT	2		(SUB FOR T22101)
20	R495R	O-RING	2		
21	T49189	PIN	1		(SUB FOR T21803)
22	12H301	LOCK WASHER	2		1/2"
23	19H3586	CAP SCREW	1		(A) 1/2" X 4-1/4" HS, SAE 8
	19H1991	CAP SCREW	1		(B) 1/2" X 8"
24	19H3597	CAP SCREW	1		(A) 1/2" X 4-3/4" HS, SAE 8
	08H4460	CAP SCREW	1		(B) 1/2" X 7-1/2"
25	R39112	FITTING	2		
26	R26375	O-RING	2		
27	T21816	SPRING	2		
28	D2361R	BALL	2		13MM (1/2")
29	AT20909	HOUSING	1	-045207	(MARKED T22760) (SUB AR53494)
	AT22968	HOUSING	1	045208-129165	(MARKED U41509) (SUB AR53493)
	AR53493	HOUSING	1	129166-	(MARKED R49664) (INCLUDES T21806, R29936 AND 15H560)

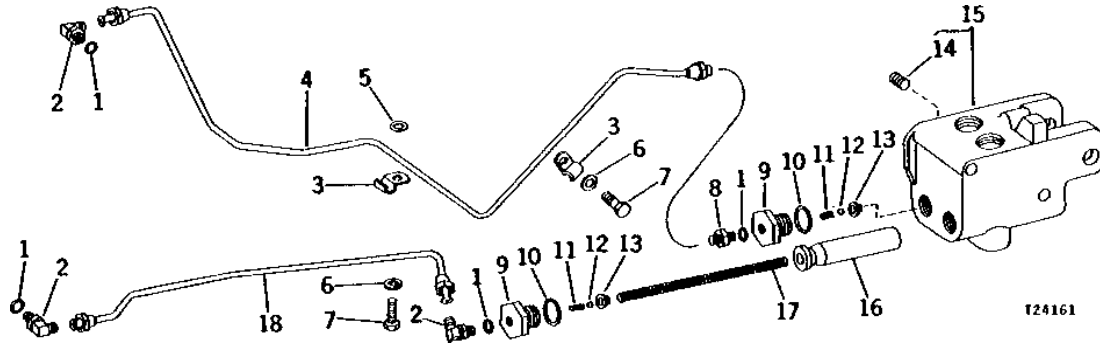
(A) LESS REVERSER
(B) REVERSER

2E21

STEERING AND BRAKES

T24161 -UN-01JAN94

BRAKE VALVE AND OIL LINES



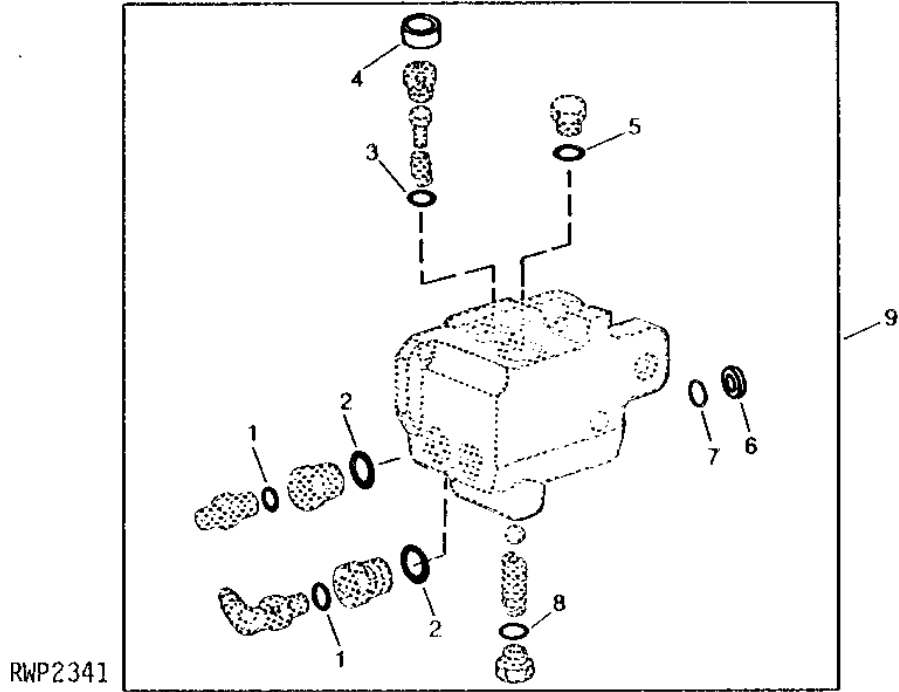
KEY	PART NO.	PART NAME	QTY	TRACTOR SERIAL NO.	REMARKS
1	R26287	O-RING	4		
2	AT32335	ELBOW FITTING	3		90°, (SUB FOR AR26746)
3	R27528	CLAMP	2		
4	AR65686	LINE	1		L.H. (LESS REVERSER) (SUB FOR AT19899)
5	AR65687	LINE	1		L.H. (REVERSER) (SUB FOR AT20244)
6	24H1312	WASHER	1		13/32" X 1-3/8" X 0.105"
7	12H304	LOCK WASHER	2		3/8"
8	19H1936	CAP SCREW	2		3/8" X 3/4"
9	R27527	ADAPTER	1		
10	T21813	SEAT	2		
11	F3171R	O-RING	2		
12	T21814	SPRING	2		
13	400R	BALL	2		6MM (1/4")
14	T21815	RETAINER	2		
15	15H560	PIPE PLUG	1	129166-	1/16"
16	AT20909	HOUSING	1	-045207	(MARKED T22760) (SUB AR53494)
17	AT22968	HOUSING	1	045208-129165	(MARKED U41509) (SUB AR53493)
18	AR53493	HOUSING	1	129166-	(MARKED R49664) (INCLUDES T21806 AND R29936)
16	T22100	PISTON	2		
17	T21817	SPRING	2		
18	AR65688	LINE	1		R.H. (LESS REVERSER) (SUB FOR AT19898 OR AT23544)
	AR65689	LINE	1		R.H. (REVERSER) (SUB FOR AT23545)

2E22

STEERING AND BRAKES

RWP2341 -UN-01JAN94

BRAKE VALVE OVERHAUL KIT



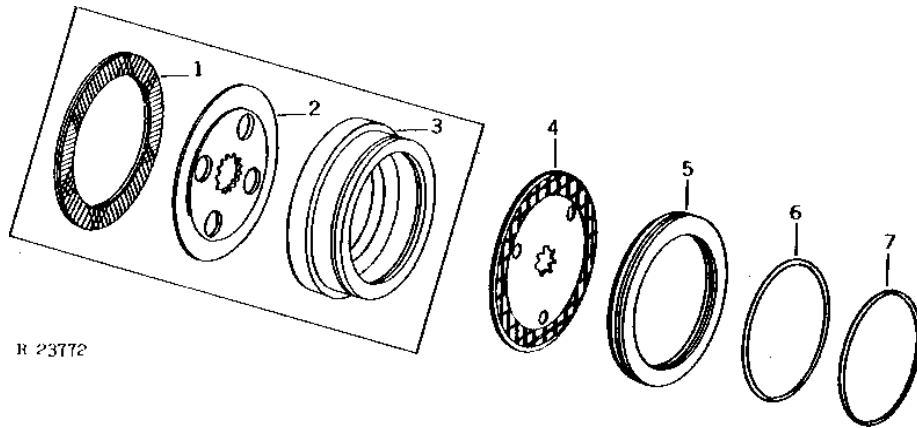
KEY	PART NO.	PART NAME	QTY	TRACTOR SERIAL NO.	REMARKS
1	R26287	O-RING	2		
2	F3171R	O-RING	2		
3	R26906	O-RING	2		
4	R35286	CAP	1		
5	R29936	O-RING	1		
6	T22101	SEAL	2		
7	R495R	O-RING	2		
8	R26375	O-RING	2		
9	AR54929	KIT	1		

2E23

STEERING AND BRAKES

R23772 -UN-01JAN94

BRAKE DISK ASSEMBLY



R 23772

KEY	PART NO.	PART NAME	QTY	TRACTOR SERIAL NO.	REMARKS
1	AT26290	LINING	1	-XXXXXX	(SUB AT63106 AND L31016)
2	T28177	BRAKE DISK	1	-XXXXXX	(SUB AT63106 AND L31016)
3	AT26289	RING	1	-XXXXXX	(SUB AT63106 AND L31016)
4	AT22034	BRAKE DISK	1	XXXXXX-	(SUB AT63106)
5	L31016	PLATE	1	XXXXXX-	(SUB FOR T38063 OR T46728)
6	R50704	SEALING WASHER	1		(SUB FOR T22103)
7	R50703	WASHER	1		(SUB FOR T22102)

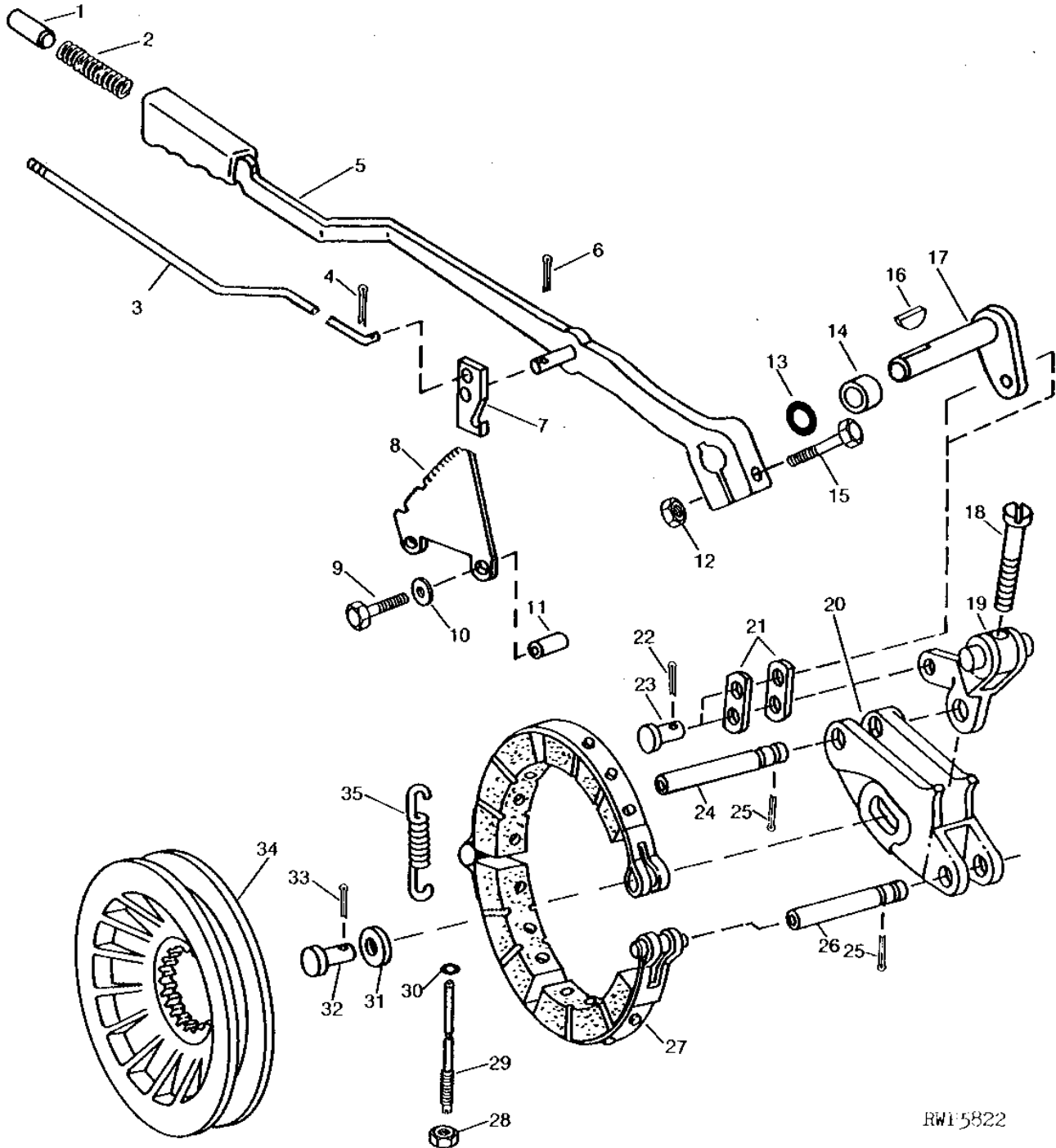
MEMORANDA

2E24

STEERING AND BRAKES

HAND BRAKE

RWP5822 -UN-01JAN94



RWP5822

2E25

STEERING AND BRAKES

HAND BRAKE - CONTINUED

KEY	PART NO.	PART NAME	QTY	TRACTOR SERIAL NO.	REMARKS
1	T21595	PIN	1		(SUB L62606)
2	T21576	SPRING	1		
3	T21594	ROD	1		
4	11M7077	COTTER PIN	1		1.600 X 25 MM
5	AT19834	HANDBRAKE LEVER	1		
6	11M7059	COTTER PIN	1		3.200 X 20 MM
7	T21587	PAWL	1		
8	T21588	PLATE	1		
9	19H1974	CAP SCREW	2		1/2" X 2-3/4"
10	T20168	WASHER	2		
11	28H1597	WASHER	2		0.546" X 0.840" X 3/8"
12	14H1076	NUT	1		3/8"
13	R495R	O-RING	1		
14	L29882	SPACER	1		(SUB L60667)
15	19H2549	CAP SCREW	1		3/8" X 1-7/8"
16	26H77	SHAFT KEY	1		3/16" X 3/4"
17	AL24550	SHAFT	1		
18	T21579	SET SCREW	1		
19	L29884	LEVER	1		
20	T21772	ANCHOR	1		
21	L29883	STRAP	2		
22	11M7059	COTTER PIN	2		3.200 X 20 MM
23	F2653R	PIN	2		
24	T21775	PIN	2		
25	11M7087	COTTER PIN	2		4 X 40 MM
26	T21775	PIN	1		
27	AT19833	BRAKE BAND	1		
28	14H971	NUT	1		1/2"
29	T21776	SCREW	1		
30	T17951	O-RING	1		(SUB FOR R27490)
31	24H1658	WASHER	1		21/32" X 1" X 0.060"
32	T25285	PIN	1		
33	11M7015	COTTER PIN	1		3.200 X 25 MM
34	T21596	BRAKE DRUM	1		
35	T21577	SPRING	1		

MEMORANDA

2F4

HYDRAULICS

RE026740 -UN-20FEB96

TRANSMISSION AND HYDRAULIC OIL



RE026740



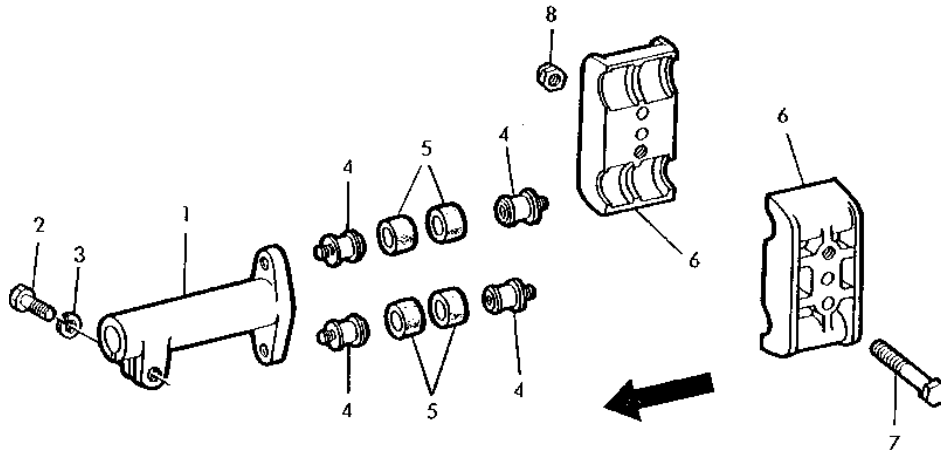
KEY	PART NO.	PART NAME	QTY	TRACTOR SERIAL NO.	REMARKS
1	AR69444	HY-GARD	1		19L (5 GAL)
	AR69445	HY-GARD	1		208L (55 GAL) (EMPTY DRUMS NOT RETURNABLE)
2	TY22043	OIL	1		(1 GAL)
	TY22044	OIL	1		19 L (5 GAL)
	TY22063	OIL	1		208 L (55 GAL)

2F5

HYDRAULICS

L49578 -UN-01JAN94

HYDRAULIC PUMP DRIVE



L 49578

KEY	PART NO.	PART NAME	QTY	TRACTOR SERIAL NO.	REMARKS
1	T22914	DRIVE SHAFT	1		
2	19H1800	CAP SCREW	1		3/8" X 1-1/2"
3	12H304	LOCK WASHER	1		3/8"
4	R34360	SCREW	2		(FRONT)
	R38347	FITTING	2	-028836	(REAR)
	R34360	SCREW	2	028837-	(REAR)
5	R45822	BUSHING	4		(SUB FOR AR34098 OR AR49427)
6	R38348	EXTERNAL HALF COUPLER	2		
7	19H2116	CAP SCREW	2		3/8" X 2-1/2"
8	T11234	LOCK NUT	2		

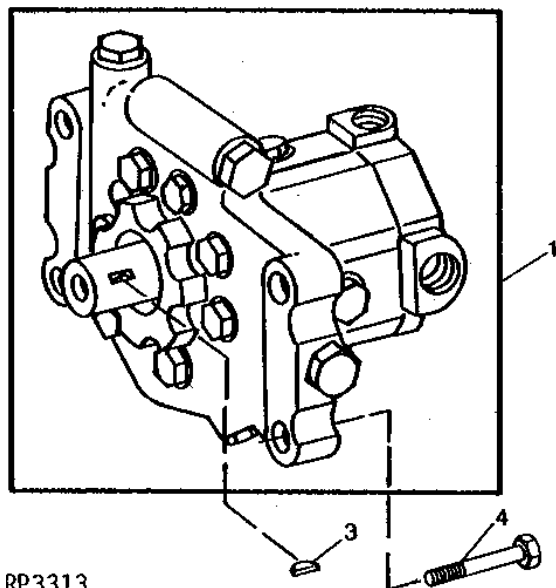
2F6

HYDRAULICS

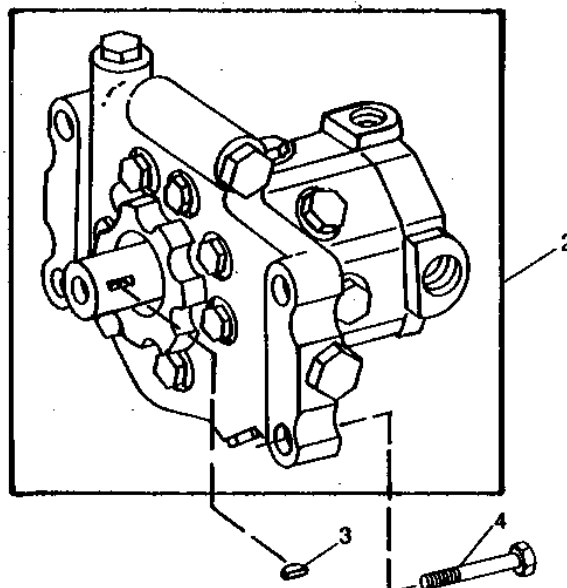
RP3313

-UN-01JAN94

REPLACEMENT HYDRAULIC PUMP ASSEMBLY



RP3313



KEY	PART NO.	PART NAME	QTY	TRACTOR SERIAL NO.	REMARKS
1	AL70641	KIT	1	010001-	(A) 11 CM3 (0.69 IN.3) (SUB FOR AR39018, AR39167, AR89063 OR AR103034)
	AL70641	KIT	1	010001-045199	(B) 11 CM3 (0.69 IN.3) (SUB FOR AR39018, AR39167, AR89063 OR AR103034)
2	AR103033	HYDRAULIC PUMP	1	045200-	(B) 23 CM3 (1.38 IN.3) (SUB FOR AR39019, AR39168 OR AR89064)
3	26H77	SHAFT KEY	1		3/16" X 3/4"
4	19H2644	CAP SCREW	4		1/2" X 2-1/2"

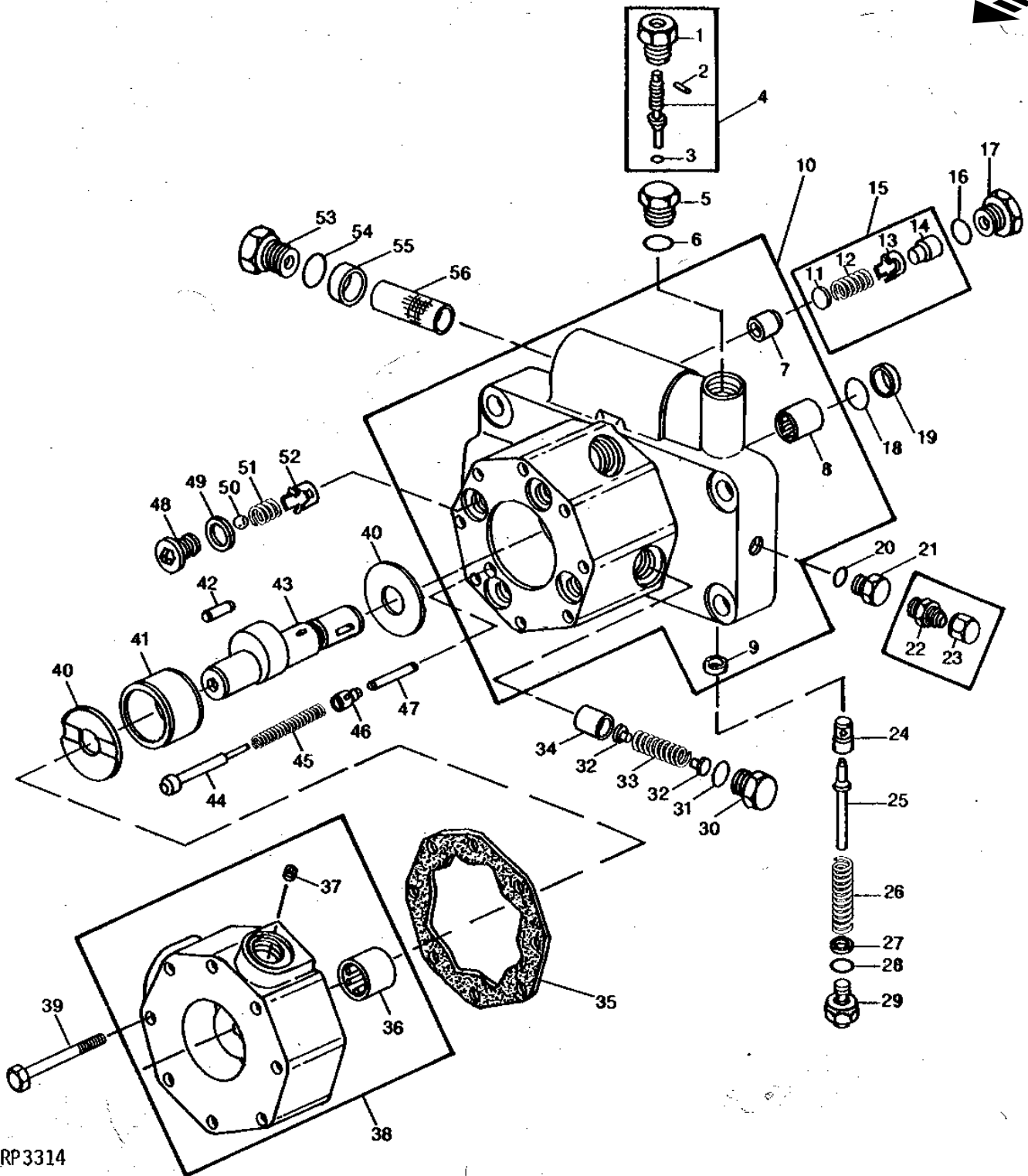
(A) MANUAL STEERING
(B) POWER STEERING

2F7

HYDRAULICS

HYDRAULIC PUMP - 11 CM3 (0.69 IN.3)
(MANUAL STEERING - TRACTOR SERIAL NO. 010001-)
(POWER STEERING - TRACTOR SERIAL NO. 010001-045199)

RP3314 -UN-01JAN94



RP3314

2F8

HYDRAULICS

**HYDRAULIC PUMP - 11 CM3 (0.69 IN.3) - CONTINUED
(MANUAL STEERING - TRACTOR SERIAL NO. 010001-)
(POWER STEERING - TRACTOR SERIAL NO. 010001-045199)**

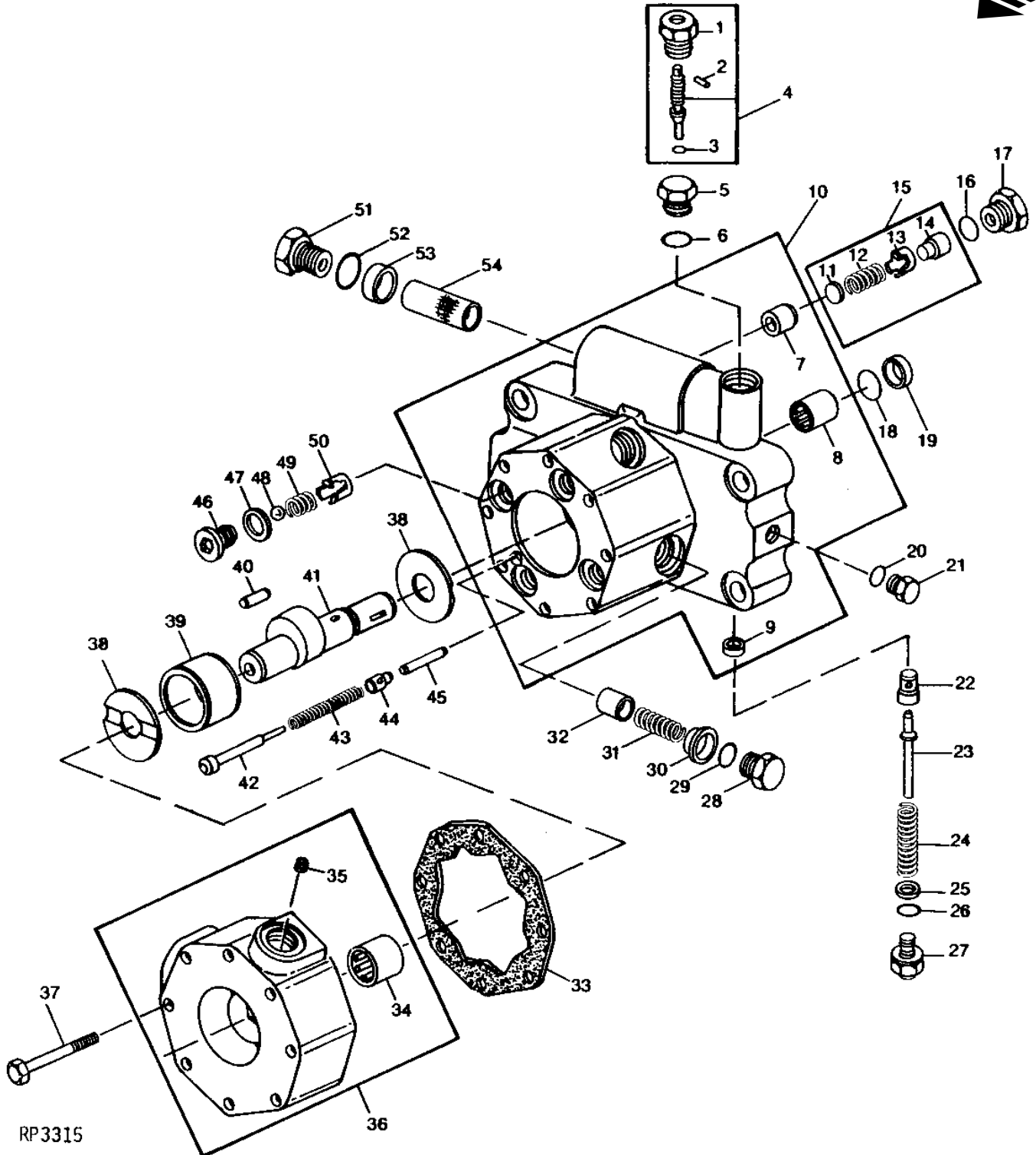
KEY	PART NO.	PART NAME	QTY	TRACTOR SERIAL NO.	REMARKS
1	R38053	PLUG	1		
2	34H254	SPRING PIN	1		1/8" X 1-1/2"
3	R30903	O-RING	1		
4	AR38225	SCREW	1		(MANUAL DESTROKE)(OPTIONAL)
5	R39112	PLUG	1		(LESS MANUAL DESTROKE)
6	R26375	O-RING	1		
7	R105583	SEAT	4		
8	R39310	BUSHING	1		(USE WITH R39172)
	JD9858	NEEDLE BEARING	1		(USE WITH R39316)
9	R72936	VALVE SEAT INSERT	1		(ALSO ORDER AL71019) (SUB FOR R38041, R68502 OR R69302)
10	AR39021	HOUSING	1		(MARKED R39172 OR R68387) (SUB AR89077, (2) R68382, R68381, R39112 AND R26375) (SUB FOR AR39049)
	AR39169	HOUSING	1		(MARKED R39316 OR R68386) (SUB AR89076, (2) R68382, R68381, R39112 AND R26375)
11	R49297	DISK	4		(SUB FOR R39074)
12	R39228	SPRING	4		
13	R48738	GUIDE	4		(SUB FOR R39174)
14	R83508	STOP	4		(SUB FOR R39175, R49298 OR R72886)
15	RE23382	VALVE	4		(OUTLET) (SUB FOR AR52785 OR AR96613)
16	R26375	O-RING	8		
17	R39112	PLUG	8		
18	R39182	RING	1		
19	AR39052	SEAL	1		
20	R26286	O-RING	1		
21	R27094	PLUG	1	-057458	
22	R27272	FITTING	1	057459-	
23	R36926	FITTING	1	057459-	
24	AL71019	KIT	1		(ALSO ORDER R72936) (SUB FOR R38048, R40756 OR R68384)
25	R68383	GUIDE	1		(SUB R76167 AND AR103040) (SUB FOR R39242)
26	R39240	SPRING	1		(SUB FOR R38049)
27	24M7096	WASHER	1		10.500 X 18 X 1.600 MM
28	R26906	O-RING	1		
29	AR39106	SCREW	1		(SUB AR103040 AND R76167) (SUB FOR AR39035)
30	R39112	PLUG	4		
31	R26375	O-RING	4		
32	R39070	GUIDE	8		
33	AR39041	SPRING	1		(SET OF 8) (4 USED)
34	R63022	PISTON	4		(ALSO ORDER R63629) (SUB FOR R39068)
35	R59234	GASKET	1		(SUB FOR R39178)
36	R39310	BUSHING	1		(USE WITH R39172)
	JD9858	NEEDLE BEARING	1		(USE WITH R39316)
37	R39321	ORIFICE	1		
38	AR39051	COVER	1		(MARKED R39176)
	AR90453	COVER	1		(MARKED R39318 OR R81065) (SUB FOR AR39173)
39	19H1944	CAP SCREW	8		3/8" X 2-3/4"
40	R66164	THRUST WASHER	2		(SUB FOR R39016)
41	R63629	BEARING RACE	1		(ALSO ORDER (4) R63022) (SUB FOR R39017)
42	R39073	NEEDLE ROLLER	33		
43	R39177	SHAFT	1		(USE WITH R39172)
	R39319	SHAFT	1		(USE WITH R39316)
44	R39181	GUIDE	1		
45	R68390	SPRING	1		(SUB FOR R31630)
46	R39180	VALVE	1		
47	R39179	NEEDLE ROLLER	1		
48	R68553	VALVE SEAT INSERT	4		(SUB FOR R39075)
49	R26375	O-RING	4		
50	D2361R	BALL	4		
51	R39078	SPRING	4		
52	R39076	GUIDE	4		
53	R27175	PLUG	1		(USE WITH R39172 OR R39316)
54	F3171R	O-RING	1		(USE WITH R39172 OR R39316)
55	R27174	PACKING	2		(USE WITH R39172 OR R39316)
56	R27173	FILTER ELEMENT	1		(USE WITH R39172 OR R39316)
..	AR39018	HYDRAULIC PUMP	1		(SUB AL70641)
..	AL70641	KIT	1		(SUB FOR AR39018, AR103034 OR AR39167)

2F9

HYDRAULICS

HYDRAULIC PUMP - 11 CM3 (0.69 IN.3)
(REPLACEMENT PUMP)

RP3315 -UN-01JAN94



2F10

HYDRAULICS

HYDRAULIC PUMP - 11 CM3 (0.69 IN.3) - CONTINUED
(REPLACEMENT PUMP)

KEY	PART NO.	PART NAME	QTY	MODEL NO.	REMARKS
1	R38053	DRAIN PLUG	1		
2	34H254	SPRING PIN	1		1/8" X 1-1/2"
3	R30903	O-RING	1		
4	AR38225	SCREW	1		(MANUAL DESTROKE)(OPTIONAL)
5	R39112	FITTING	1		(LESS MANUAL DESTROKE)
6	R26375	O-RING	1		
7	R105583	SEAT	4		(SUB FOR R39067)
8	JD9858	NEEDLE BEARING	1		
9	R72936	VALVE SEAT INSERT	1		(SUB FOR R69302)
10	AR89076	HOUSING	1		(MARKED R68386)
11	R49297	DISK	4		
12	R39228	SPRING	4		
13	R48738	GUIDE	4		
14	R83508	STOP	4		(SUB FOR R49298 OR R72886)
15	RE23382	VALVE	4		(OUTLET) (SUB FOR AR52785 OR AR96613)
16	R26375	O-RING	8		
17	R39112	FITTING	8		
18	R63605	O-RING	1		
19	AR39052	SEAL	1		
20	R26286	O-RING	1		
21	R27094	DRAIN PLUG	1		
22	R68384	CONTROL VALVE	1		(SUB AL71019)
23	R68383	GUIDE	1	-6PP3	(SUB R76167 AND AR103040)
	R76167	GUIDE	1	6PP4-	
24	R39240	SPRING	1		
25	24M7096	WASHER	1	-6PP3	10.500 X 18 X 1.600 MM
26	R26906	O-RING	1		
27	AR89073	ADJUSTER	1	-6PP3	
	AR103040	SCREW	1	6PP4-	
28	R39112	FITTING	4		
29	R26375	O-RING	4		
30	AR101238	SHIELD	1		(SET OF 9)
31	AR39041	SPRING	1		(SET OF 8) (4 USED)
32	R63022	PISTON	4		(ALSO ORDER R63629)
33	R59234	GASKET	1		
34	JD9858	NEEDLE BEARING	1		
35	R39321	ORIFICE	1		
36	AR90453	COVER	1		(MARKED R39318, R68380 OR R81065)
37	19H1944	CAP SCREW	8		3/8" X 2-3/4"
38	R66164	THRUST WASHER	2		
39	R63629	BEARING RACE	1		(ALSO ORDER (4) R63022)
40	R39073	NEEDLE ROLLER	33		
41	R39319	SHAFT	1		
42	R39181	GUIDE	1		
43	R68390	SPRING	1		
44	R39180	VALVE	1		
45	R39179	NEEDLE ROLLER	1		
46	R68553	VALVE SEAT INSERT	4		
47	R26375	O-RING	4		
48	D2361R	BALL	4		
49	R39078	SPRING	4		
50	R39076	GUIDE	4		
51	R39112	FITTING	1		
52	R26375	O-RING	1		
53	R68382	PACKING	2		
54	R68381	FILTER	1		
..	AR89063	HYDRAULIC PUMP	1	-6PP3	(SUB AR103034) (SUB FOR AR39018 OR AR39167)
..	AL70641	KIT	1	6PP4-	(A) (SUB FOR AR39018, AR39167, AR89063 OR AR103034)

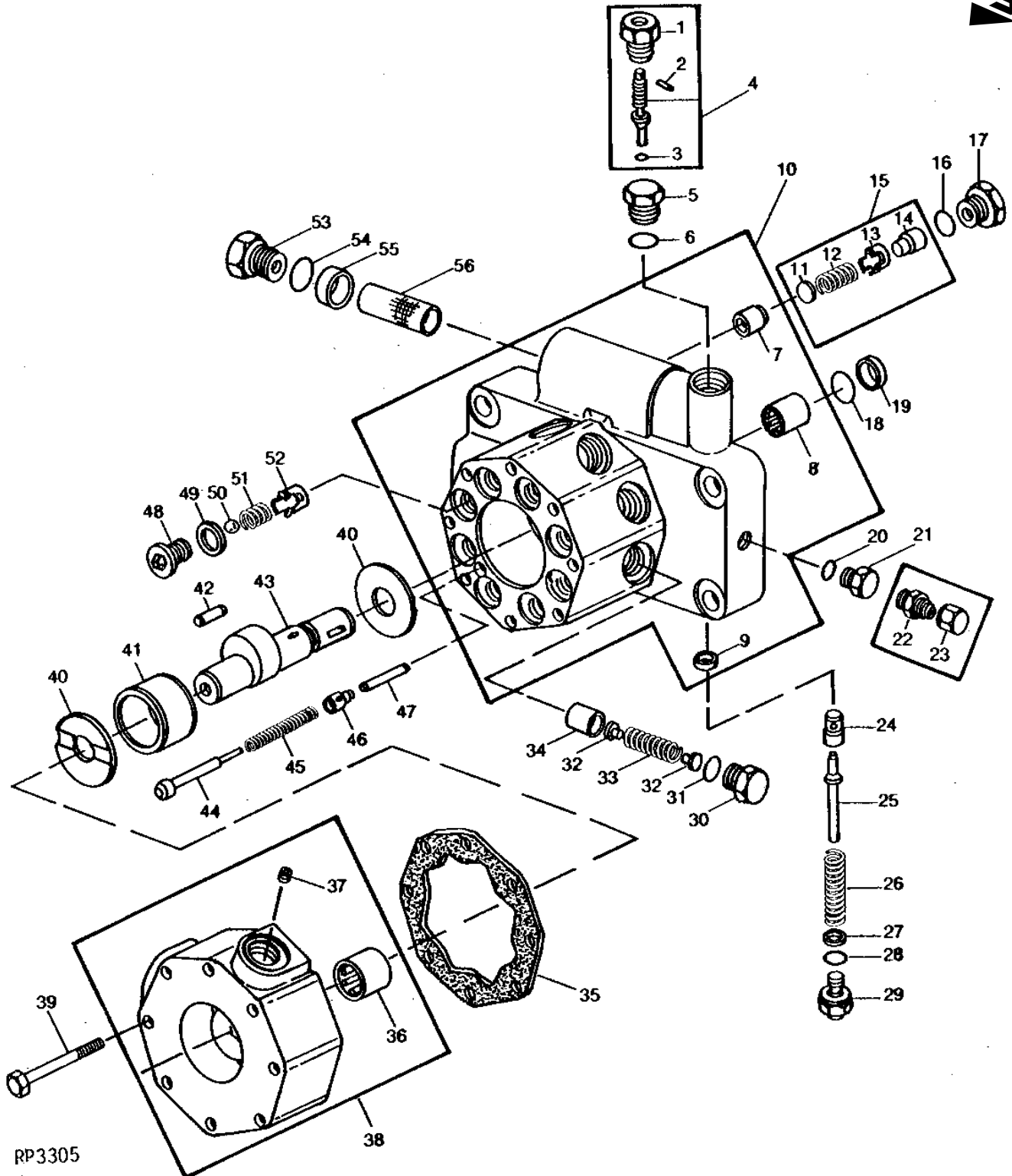
(A) MODEL AA1 - PUMP WITH SERIAL PLATE

2F11

HYDRAULICS

RP3305 -UN-01JAN94

HYDRAULIC PUMP - 23 CM3 (1.38 IN.3)
(POWER STEERING - TRACTOR SERIAL NO. 045200-)



RP3305

2F12

HYDRAULICS

HYDRAULIC PUMP - 23 CM3 (1.38 IN.3) - CONTINUED
(POWER STEERING - TRACTOR SERIAL NO. 045200-)

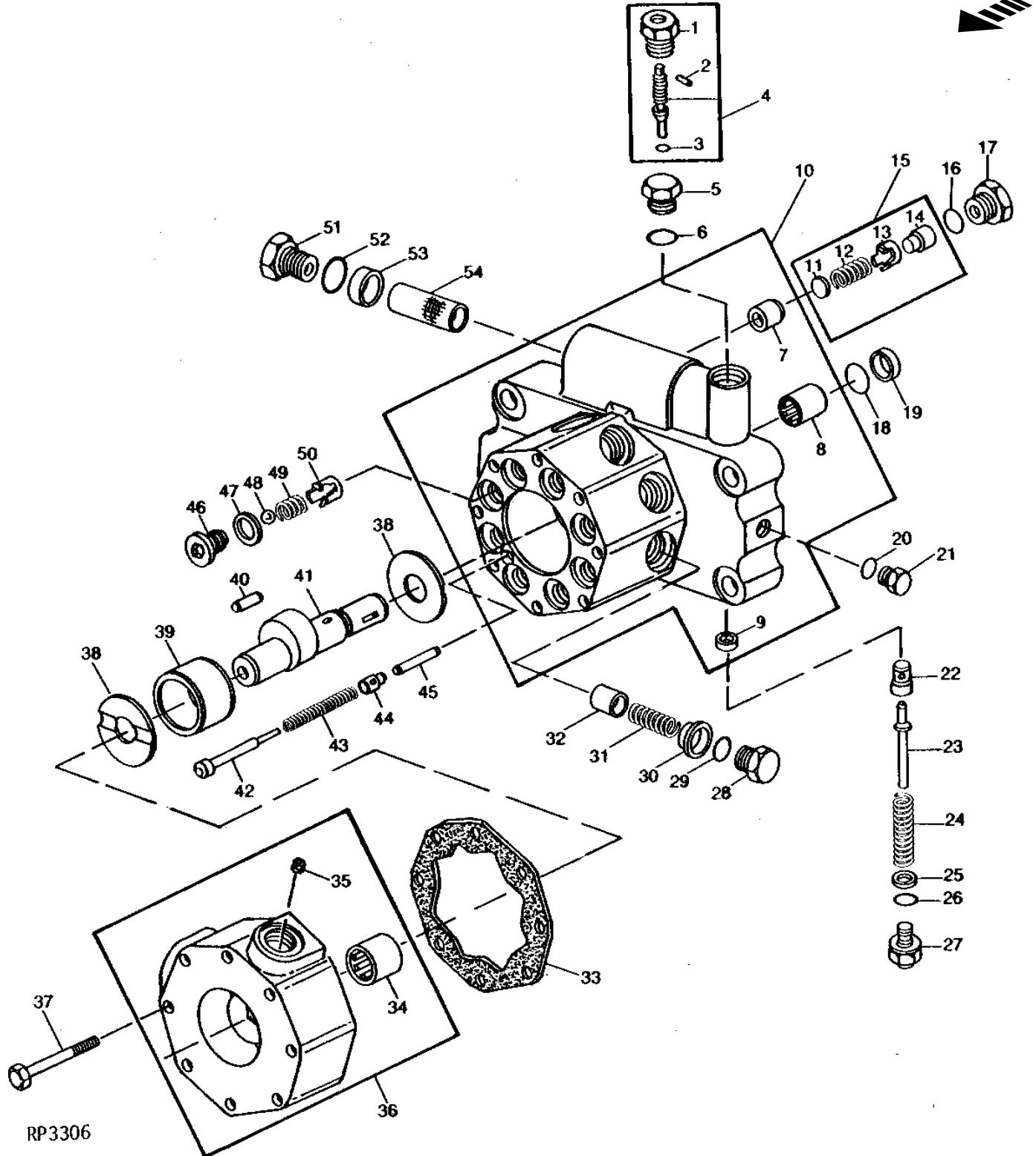
KEY	PART NO.	PART NAME	QTY	TRACTOR SERIAL NO.	REMARKS
1	R38053	DRAIN PLUG	1		
2	34H254	SPRING PIN	1		1/8" X 1-1/2"
3	R30903	O-RING	1		
4	AR38225	SCREW	1		(MANUAL DESTROKE)(OPTIONAL)
5	R39112	FITTING	1		(LESS MANUAL DESTROKE)
6	R26375	O-RING	1		
7	R105583	SEAT	8		(SUB FOR R39067)
8	R39310	BUSHING	1	-077953	
	JD9858	NEEDLE BEARING	1	077954-	
9	R69302	VALVE SEAT	1		(SUB AL71019 AND R72936) (SUB FOR R38041 OR R68502)
	R72936	VALVE SEAT INSERT	1		(SUB FOR R38041, R68502 OR R69302)
10	AR39022	HOUSING	1	-077953	(MARKED R39173 OR R68388) (SUB AR89078, (2) R68382, R68381, R39112 AND R26375)
	AR39170	HOUSING	1	077954-	(MARKED R39317, R60969 OR R68385) (SUB AR89075, (2) R68382, R68381, R39112 AND R26375)
11	R49297	DISK	8		(SUB FOR R39074)
12	R39228	SPRING	8		
13	R48738	GUIDE	8		(SUB FOR R39174)
14	R83508	STOP	8		(SUB FOR R39175, R49298 OR R72886)
15	RE23382	VALVE	8		(OUTLET) (SUB FOR AR39026, AR52099, AR52785 OR AR96613)
16	R26375	O-RING	8		
17	R39112	FITTING	8		
18	R39182	RING	1		
19	AR39052	SEAL	1		
20	R26286	O-RING	1		
21	R27094	DRAIN PLUG	1	-057458	
22	R27272	FITTING	1	057459-	
23	R36926	FITTING	1	057459-	
24	R40756	CONTROL VALVE	1		(SUB AL71019 AND R72936) (SUB FOR R39243)
25	R68383	GUIDE	1		(SUB R76167 AND AR103040) (SUB FOR R39242)
26	R39240	SPRING	1		
27	24M7096	WASHER	1		10.500 X 18 X 1.600 MM
28	R26906	O-RING	1		
29	AR39106	SCREW	1		(SUB AR103040 AND R76167) (SUB FOR AR39035)
30	R39112	FITTING	8		
31	R26375	O-RING	8		
32	R39070	GUIDE	16		
33	AR39041	SPRING	1		(SET OF 8)
34	R63022	PISTON	8		(ALSO ORDER R63629) (SUB FOR R39068)
35	R59234	GASKET	1		(SUB FOR R39178)
36	R39310	BUSHING	1	-077953	
	JD9858	NEEDLE BEARING	1	077954-	
37	R39321	ORIFICE	1	077954-	
38	AR39051	COVER	1	-077953	(MARKED R39176)
	AR90453	COVER	1	077954-	(MARKED R39318) (SUB FOR AR39051 OR AR39173)
39	19H1944	CAP SCREW	8		3/8" X 2-3/4"
40	R66164	THRUST WASHER	2		(SUB FOR R39016)
41	R63629	BEARING RACE	1		(ALSO ORDER (8) R63022) (SUB FOR R39017)
42	R39073	NEEDLE ROLLER	33		
43	R39177	SHAFT	1	-077953	
	R39319	SHAFT	1	077954-	
44	R39181	GUIDE	1		
45	R68390	SPRING	1		(SUB FOR R31630)
46	R39180	VALVE	1		
47	R39179	NEEDLE ROLLER	1		
48	R68553	VALVE SEAT INSERT	8		(SUB FOR R39075)
49	R26375	O-RING	8		
50	D2361R	BALL	8		
51	R39078	SPRING	8		
52	R39076	GUIDE	8		
53	R27175	DRAIN PLUG	1		
54	F3171R	O-RING	1		
55	R27174	PACKING	2		
56	R27173	FILTER ELEMENT	1		
..	AR39019	HYDRAULIC PUMP	1	-077953	(SUB AR103033)
..	AR39168	HYDRAULIC PUMP	1	077954-	(SUB FOR AR39019) (SUB AR103033)

2F13

HYDRAULICS

HYDRAULIC PUMP - 23 CM3 (1.38 IN.3)
(REPLACEMENT PUMP)

RP3306 -UN-01JAN94



RP3306

2F14

HYDRAULICS

HYDRAULIC PUMP - 23 CM3 (1.38 IN.3) - CONTINUED
(REPLACEMENT PUMP)

KEY	PART NO.	PART NAME	QTY	MODEL NO.	REMARKS
1	R38053	DRAIN PLUG	1		
2	34H254	SPRING PIN	1		1/8" X 1-1/2"
3	R30903	O-RING	1		
4	AR38225	SCREW	1		(MANUAL DESTROKE)(OPTIONAL)
5	R39112	FITTING	1		(LESS MANUAL DESTROKE)
6	R26375	O-RING	1		
7	R39067	VALVE SEAT	8		(SUB R105583)
8	JD9858	NEEDLE BEARING	1		
9	R72936	VALVE SEAT INSERT	1		
10	AR89075	HOUSING	1		(MARKED R68385)
11	R49297	DISK	8		
12	R39228	SPRING	8		
13	R48738	GUIDE	8		
14	R83508	STOP	8		(SUB FOR R49298 OR R72886)
15	RE23382	VALVE	8		(OUTLET) (SUB FOR AR39026, AR52099, AR52785 OR AR96613)
16	R26375	O-RING	8		
17	R39112	FITTING	8		
18	R63605	O-RING	1		
19	AR39052	SEAL	1		
20	R26286	O-RING	1		
21	R27094	DRAIN PLUG	1		
22	R68384	CONTROL VALVE	1		(SUB AL71019)
23	R68383	GUIDE	1	-7PP4	(SUB R76167 AND AR103040)
	R76167	GUIDE	1	7PP5-	
24	R39240	SPRING	1		
25	24M7096	WASHER	1	-7PP4	10.500 X 18 X 1.600 MM
26	R26906	O-RING	1		
27	AR89073	ADJUSTER	1	-7PP4	
	AR103040	SCREW	1	7PP5-	
28	R39112	FITTING	8		
29	R26375	O-RING	8		
30	AR101238	SHIELD	1		(SET OF 9)
31	AR39041	SPRING	1		(SET OF 8)
32	R63022	PISTON	8		(ALSO ORDER R63629)
33	R59234	GASKET	1		
34	JD9858	NEEDLE BEARING	1		
35	R39321	ORIFICE	1		
36	AR90453	COVER	1		(MARKED R39318, R68380 OR R81065)
37	19H1944	CAP SCREW	8		3/8" X 2-3/4"
38	R66164	THRUST WASHER	2		
39	R63629	BEARING RACE	1		(ALSO ORDER (8) R63022)
40	R39073	NEEDLE ROLLER	33		
41	R39319	SHAFT	1		
42	R39181	GUIDE	1		
43	R68390	SPRING	1		
44	R39180	VALVE	1		
45	R39179	NEEDLE ROLLER	1		
46	R68553	VALVE SEAT INSERT	8		
47	R26375	O-RING	8		
48	D2361R	BALL	8		
49	R39078	SPRING	8		
50	R39076	GUIDE	8		
51	R39112	FITTING	1		
52	R26375	O-RING	1		
53	R68382	PACKING	2		
54	R68381	FILTER	1		
..	AR89064	HYDRAULIC PUMP	1	-7PP4	(SUB FOR AR39019 OR AR39168) (SUB AR103033)
..	AR103033	HYDRAULIC PUMP	1	7PP5-	(A) (SUB FOR AR39019, AR39168 OR AR89064)

(A) MODEL CA1 - PUMP WITH SERIAL PLATE

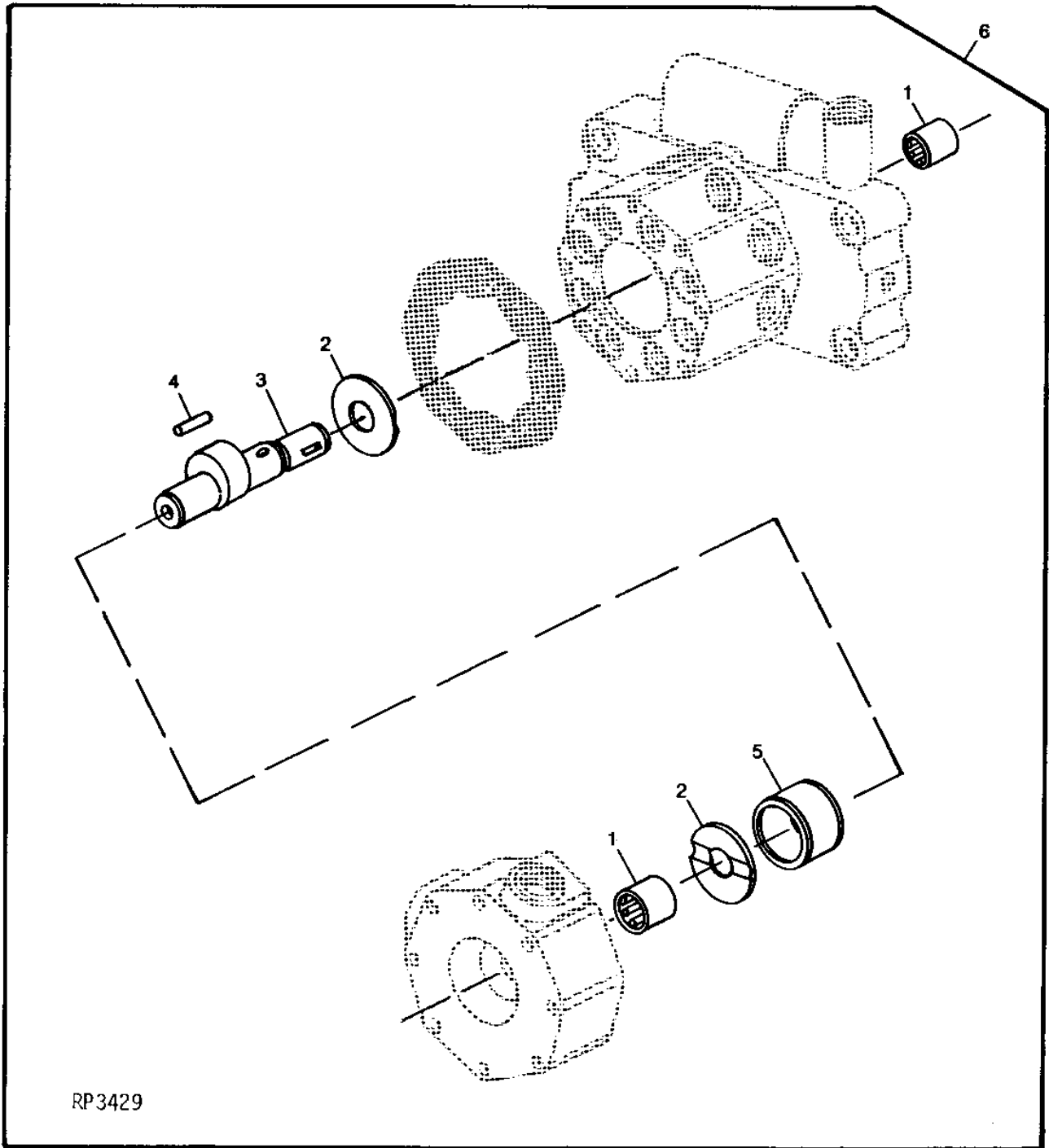
2F15

HYDRAULICS

HYDRAULIC PUMP SHAFT OVERHAUL KIT
11 CM3 (0.69 IN.3) - 23 CM3 (1.38 IN.3)
(ALSO REPLACEMENT PUMP TRACTOR SERIAL NO. 077954-)

RP3429

-UN-01JAN94



2F16

HYDRAULICS

HYDRAULIC PUMP SHAFT OVERHAUL KIT - CONTINUED
11 CM3 (0.69 IN.3) - 23 CM3 (1.38 IN.3)
(ALSO REPLACEMENT PUMP TRACTOR SERIAL NO. 077954-)

KEY	PART NO.	PART NAME	QTY	TRACTOR SERIAL NO.	REMARKS
1	JD9858	NEEDLE BEARING	2		
2	R66164	THRUST WASHER	2		
3	R39319	SHAFT	1		
4	R39073	NEEDLE ROLLER	33		
5	R63629	BEARING RACE	1		
6	AL35755	KIT	1	(A)	

(A) USE WITH HOUSING MARKED R39316, R39317, R60969, R69385 OR R69386

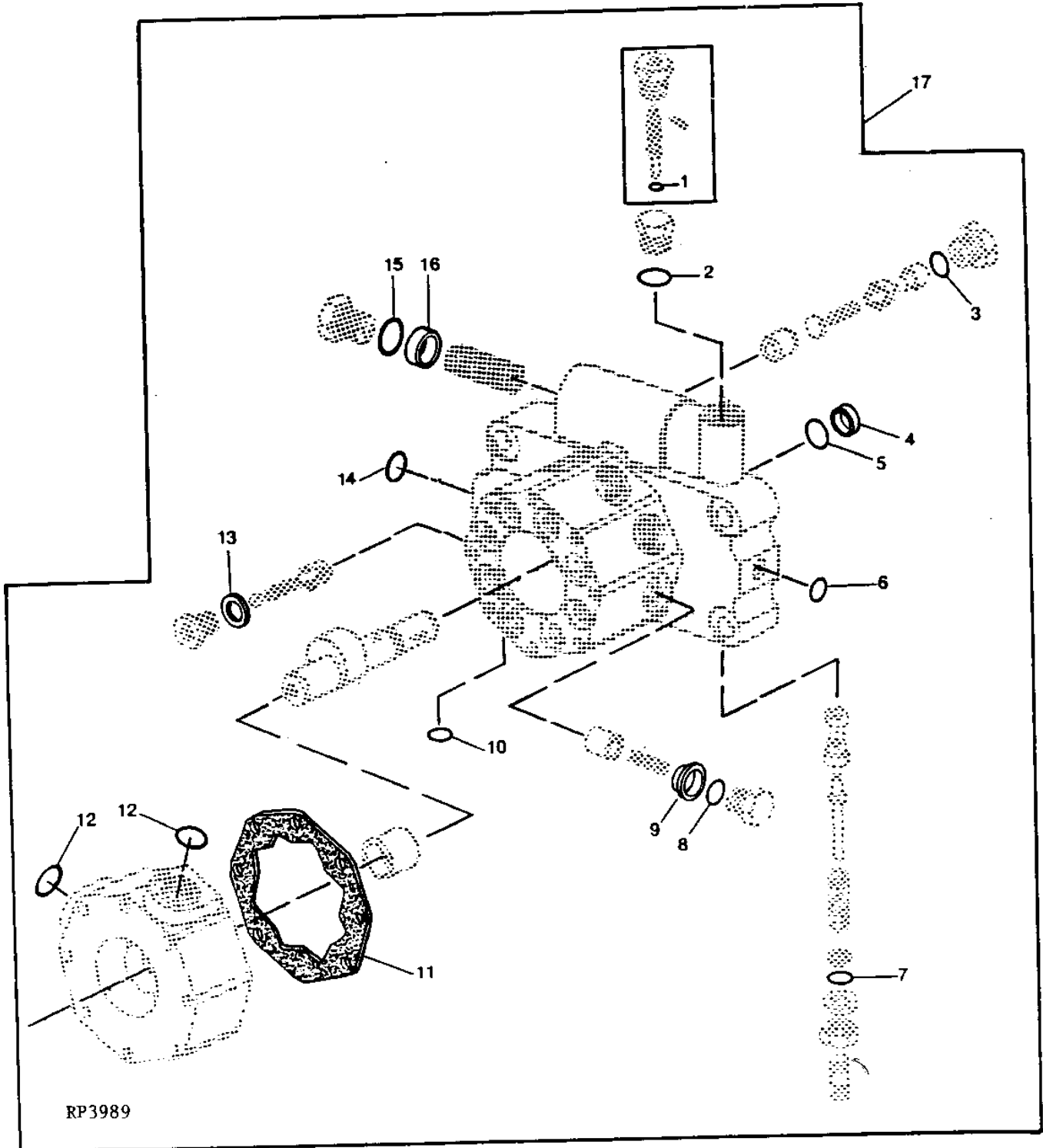
2F17

HYDRAULICS

HYDRAULIC PUMP OVERHAUL KIT
11 CM3 (0.69 IN.3) - 23 CM3 (1.38 IN.3)

RP3989

-UN-01JAN94



2F18

HYDRAULICS

HYDRAULIC PUMP OVERHAUL KIT - CONTINUED
11 CM3 (0.69 IN.3) - 23 CM3 (1.38 IN.3)

KEY	PART NO.	PART NAME	QTY	TRACTOR SERIAL NO.	REMARKS
1	R30903	O-RING	1		
2	R26375	O-RING	1		
3	R26375	O-RING	8		
4	AR39052	SEAL	1		
5	R63605	O-RING	1		
6	R26286	O-RING	1		
7	R26906	O-RING	1		
8	R26375	O-RING	8		
9	AR101238	SHIELD	1		(SET OF 8)
10	R26287	O-RING	1		
11	R59234	GASKET	1		
12	F3171R	O-RING	2		
13	R26375	O-RING	8		
14	R26375	O-RING	1		
15	F3171R	O-RING	1		(A)
	R26375	O-RING	1		(A)
16	R27174	PACKING	2		(A)
	R68382	PACKING	2		(A)
17	AR98993	KIT	1		(SUB FOR AR39156)

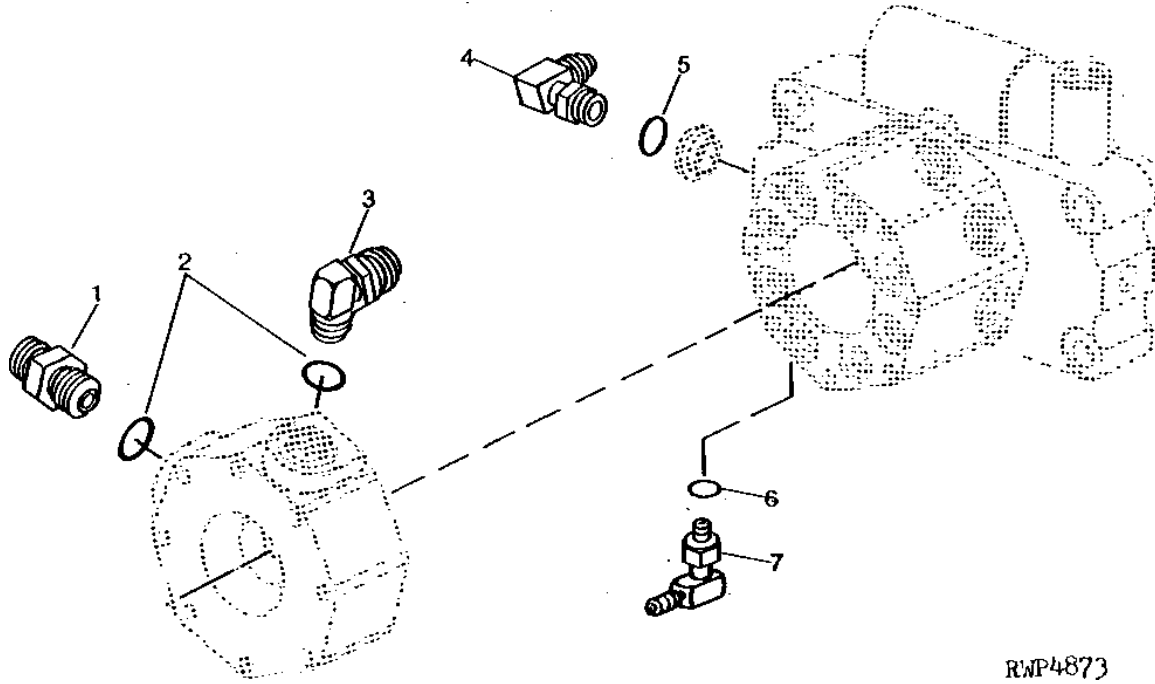
(A) UNIVERSAL KIT - APPLICATIONS WILL VARY

2F19

HYDRAULICS

RWP4873 -UN-01JAN94

HYDRAULIC PUMP FITTINGS AND CONNECTORS



RWP4873

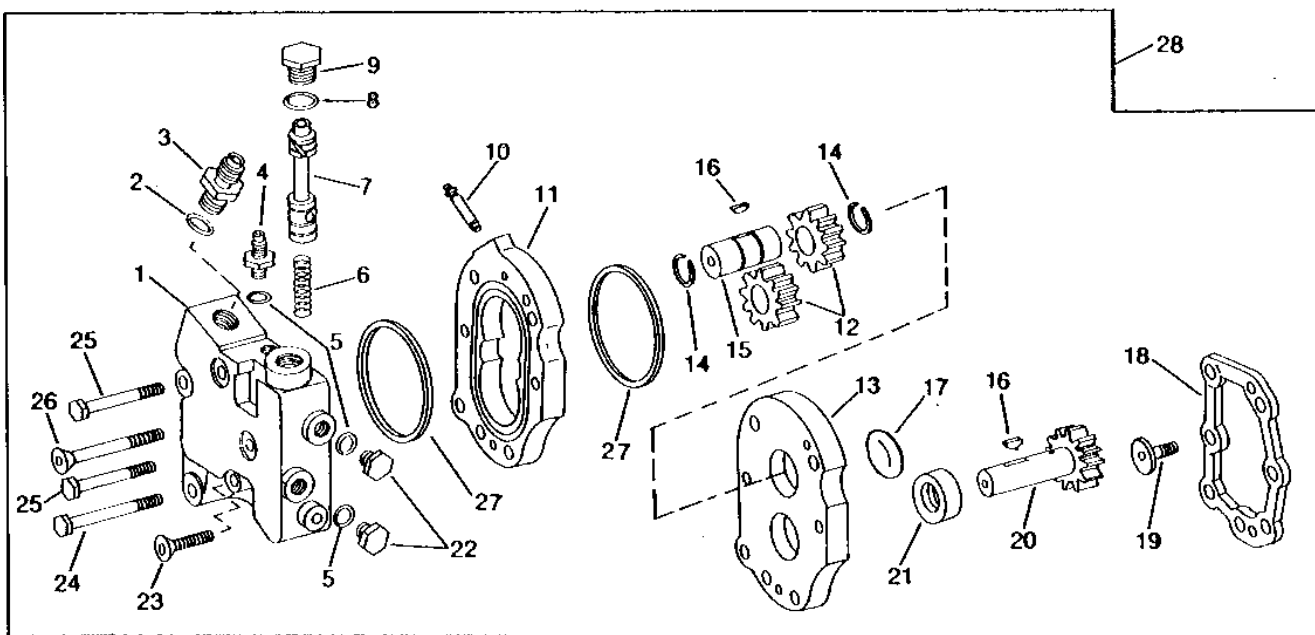
KEY	PART NO.	PART NAME	QTY	TRACTOR SERIAL NO.	REMARKS
1	R27267	FITTING	1		
2	F3171R	O-RING	2		
3	AT32331	ELBOW FITTING	1		
4	AR27738	ELBOW FITTING	1		90°, (SUB FOR AR26723)
5	R26375	O-RING	1		90° PRESSURE LINE TO PUMP
6	R26287	O-RING	1		
7	AT32335	ELBOW FITTING	1		90°, PUMP SEAL DRAIN

2F20

HYDRAULICS

TP7222 -UN-01JAN94

POWER STEERING PUMP (TRACTOR SERIAL NO. 010001-045199)



TP7222

KEY	PART NO.	PART NAME	QTY	TRACTOR SERIAL NO.	REMARKS
1	AR39030	COVER	1	(NLA)	
2	F3171R	O-RING	1		
3	R40122	ADAPTER	1		
4	R27212	FITTING	1		
5	R26448	O-RING	3		
6	R39208	SPRING	1		
7	AR39100	VALVE	1	(SUB FOR AR39063)	
8	R26375	O-RING	1		
9	R39112	FITTING	1		
10	T24388	HOSE FITTING	1	(NLA)	
11	R39197	HOUSING	1	-038473	(SUB R39296 AND (2) R39297)
	R39296	HOUSING	1	038474-	
12	R39201	GEAR	2	(12 TEETH)	
13	AR39058	BASE	1		
14	R39202	SNAP RING	2		
15	R39200	SHAFT	1		
16	26H70	SHAFT KEY	2	1/8" X 1/2"	
17	30H20	PLUG	1	1-7/16"	
18	T20273	GASKET	1		
19	T22347	SCREW	1		
20	AR39061	GEAR	1		
21	AR53048	PACKING	1	(SUB FOR AR39060)	
22	R27218	FITTING PLUG	2		
23	R39209	BOLT	1	3/8" X 1-1/2"	
24	T22156	BOLT	3	3/8" X 3"	
25	19H1733	CAP SCREW	2	3/8" X 2-1/2"	
26	T22040	BOLT	1	3/8" X 3-1/4"	
27	R39297	WASHER	2	038474-	
28	AR39029	HYDRAULIC PUMP	1		COMPLETE

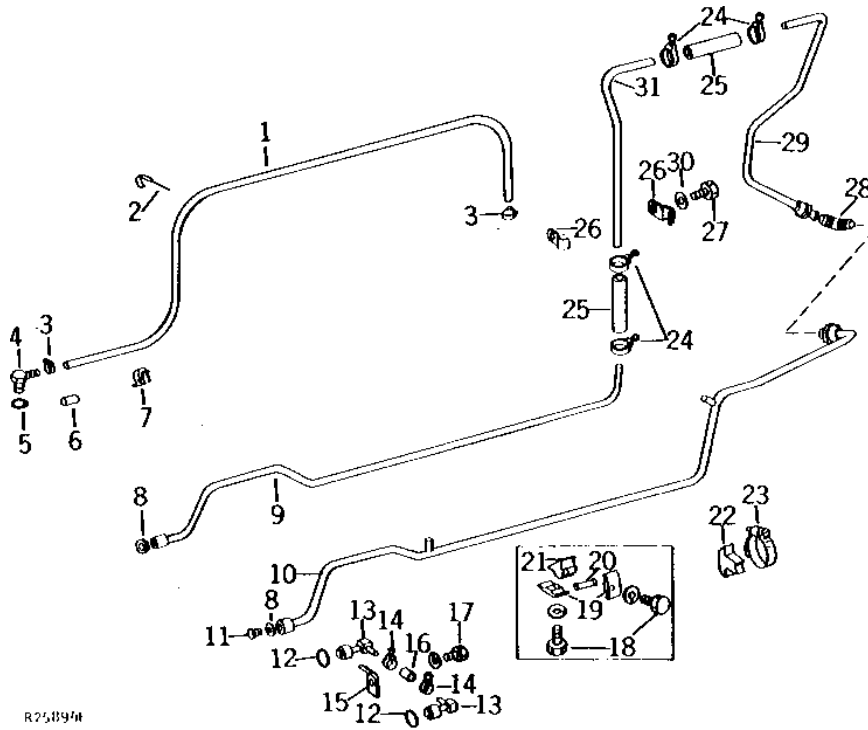
NOTE: LOCATED ON FRONT FACE OF ENGINE BLOCK

2F21

HYDRAULICS

HYDRAULIC OIL LINES
(LESS HI-LO SHIFT)
(MANUAL STEERING - TRACTOR SERIAL NO. 010001-)
(POWER STEERING - TRACTOR SERIAL NO. 010001-045199)

R25894 -UN-01JAN94



R25894/H

2F22

HYDRAULICS

HYDRAULIC OIL LINES - CONTINUED
 (LESS HI-LO SHIFT)
 (MANUAL STEERING - TRACTOR SERIAL NO. 010001-)
 (POWER STEERING - TRACTOR SERIAL NO. 010001-045199)

KEY	PART NO.	PART NAME	QTY	TRACTOR SERIAL NO.	REMARKS
1	T23073	TUBE	1	(A)	
2	R44302	TIE BAND	1	(B) (SUB FOR R27457)	
3	T19324	CLAMP	2	(A)	
4	AT22185	ELBOW FITTING	1	-043926 (NLA)	
5	A3917R	O-RING	1	-043926	
6	R28962	PLUG	1	(B)	
7	R32320	CLIP	1	(SUB R44302)	
8	R1662R	WASHER	2	(A)	
9	AT22145	OIL LINE	1	(A)	
10	AT22200	OIL LINE	1	(A)	
11	T23203	VALVE SEAT	1	(A)	
12	R1662R	WASHER	2	(B)	
13	AT22339	FITTING	2	(B)	
14	AR21837	CLAMP	2	(B) (SUB TY22465)	
15	T23059	RETAINER	1		
16	T23160	HOSE	1	(B) (NLA)	
17	19H2552	CAP SCREW	1	3/8" X 1-1/8"	
	12H304	LOCK WASHER	1	3/8"	
18	19H1732	CAP SCREW	4	(A) 3/8" X 1-1/4"	
	12H304	LOCK WASHER	4	(A) 3/8"	
19	T23054	CLAMP	4	(A) (SUB R49076 AND TY22470)	
20	T23162	SPACER	2	(A)	
21	T23053	SPACER	2	(A) (SUB R49076 AND TY22470)	
22	R49076	SPACER	2		
23	AR21840	CLAMP	2	(SUB TY22470)	
24	AR21839	CLAMP	4	(A) (SUB TY22467)	
25	HOSE	2	(A) 19 X 129MM (3/4" X 5-3/32") (MAKE FROM R57300) (SUB FOR R34603 OR R32087)	
26	R27531	CLAMP	4	(A)	
27	37H84	SCREW	2	1/4" X 3/4	
28	T23157	ELBOW FITTING	1	(A) 90°	
29	AT22340	OIL LINE	1	(A) (NLA)	
30	24H1289	WASHER	2	(A) 21/64" X 5/8" X 0.049"	
31	T23104	OIL LINE	1	(A)	

(A) POWER STEERING
 (B) MANUAL STEERING

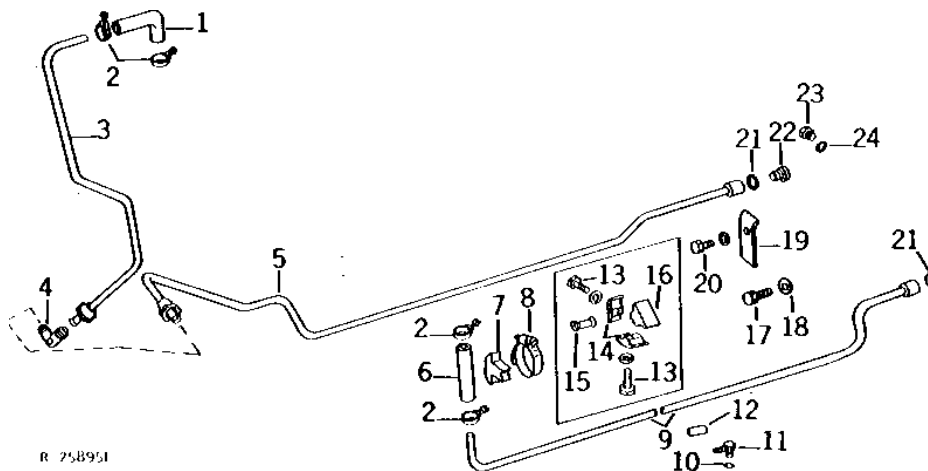
MEMORANDA

2F23

HYDRAULICS

HYDRAULIC OIL LINES (MANUAL STEERING WITH HI-LO SHIFT OR REVERSER) (TRACTOR SERIAL NO. 045200-)

R25895 -UN-01JAN94



KEY	PART NO.	PART NAME	QTY	TRACTOR SERIAL NO.	REMARKS
1	T40168	HOSE	1	(SUB FOR T22960)	
2	AR21839	CLAMP	4	(SUB TY22467)	
3	AT22340	OIL LINE	1	(NLA)	
4	T23157	ELBOW FITTING	1	90°	
5	AT22201	OIL LINE	1	(A)	
	AT22269	OIL LINE	1	(B)	
6	L35845	HOSE	1		
7	R49076	SPACER	2		
8	AR21840	CLAMP	2	(SUB TY22470)	
9	AT22145	OIL LINE	1	(A)	
	AT22268	OIL LINE	1	(B)	
10	A3917R	O-RING	1		
11	AT22185	ELBOW FITTING	1	(NLA)	
12	R28962	PLUG	1		
13	19H1732	CAP SCREW	4	3/8" X 1-1/4"	
	12H304	LOCK WASHER	4	3/8"	
14	T23054	CLAMP	4	(SUB R49076 AND TY22470)	
15	T23162	SPACER	2		
16	T23053	SPACER	2	(SUB R49076 AND TY22470)	
17	19H1731	CAP SCREW	1	(B) 3/8" X 1"	
18	A4231R	WASHER	1	(B)	
19	T23059	RETAINER	1		
20	19H2552	CAP SCREW	1	3/8" X 1-1/8"	
	12H304	LOCK WASHER	1	3/8"	
21	R1662R	WASHER	2		
22	T23203	VALVE SEAT	1		
23	R39112	FITTING	1		
24	R26375	O-RING	1		

(A) LESS REVERSER
(B) REVERSER

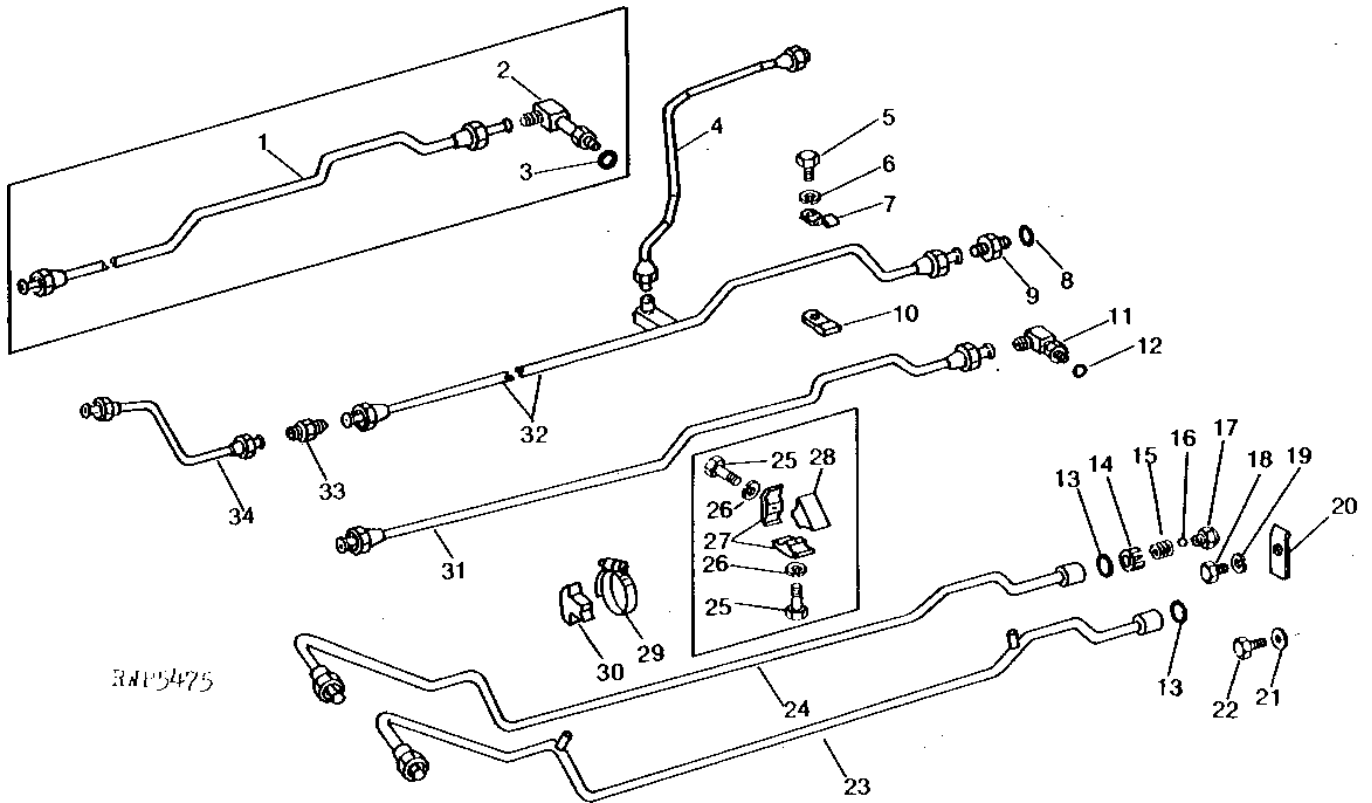
2F24

HYDRAULICS

RWP5475

-UN-01JAN94

HYDRAULIC OIL LINES



2F25

HYDRAULICS

HYDRAULIC OIL LINES - CONTINUED

KEY	PART NO.	PART NAME	QTY	TRACTOR SERIAL NO.	REMARKS
1	AT22083	OIL LINE	1	-045199	(A) REAR
2	AR27699	ELBOW FITTING	1	-045199	(A) 90°, REAR
3	R26375	O-RING	1	-045199	(A)
4	AT23552	OIL LINE	1	045200-	(A) (SUB AR103470, THIS APPLICATION)
5	19H2284	CAP SCREW	1		3/8" X 7/8"
6	12H304	LOCK WASHER	1		3/8"
7	R28538	CLAMP	1		(SUB (2) R27539, 28H1518, 19H1732 AND 12H304)
8	R31665	FITTING	1	045200-	
9	R26906	O-RING	1	045200-	
10	R28539	CLAMP	1		(SUB (2) R27539, 28H1518, 19H1732 AND 12H304)
11	AR27699	ELBOW FITTING	1		(B) REAR
12	R26375	O-RING	1		(B)
13	R1662R	WASHER	2		
14	R39076	GUIDE	1		(C)
15	R39078	SPRING	1		(C)
16	D2361R	BALL	1		(C) 13MM (1/2")
17	T23203	VALVE SEAT	1		(C)
18	19H2552	CAP SCREW	1		3/8" X 1-1/8"
19	12H304	LOCK WASHER	1		3/8"
20	T23059	RETAINER	1		
21	A4231R	WASHER	1		(E)
22	19H1731	CAP SCREW	1		(E) 3/8" X 1"
23	AT22200	OIL LINE	1	-045199	(A)
	AT22201	OIL LINE	1	045200-	(A)
24	AT22201	OIL LINE	1		(B) (D)
	AT22269	OIL LINE	1		(B) (E)
25	19H1732	CAP SCREW	4		3/8" X 1-1/4"
26	12H304	LOCK WASHER	4		3/8"
27	T23054	CLAMP	4		(SUB R49076 AND TY22470)
28	T23053	SPACER	2		(SUB R40976 AND TY22470)
29	AR21840	CLAMP	2		(SUB TY22470)
30	R49076	SPACER	2		
31	AT22083	OIL LINE	1		(B) (D) REAR
	AT22267	OIL LINE	1		(B) (E) REAR
32	AT23550	OIL LINE	1	045200-	(A) (D) REAR
	AT23554	OIL LINE	1		(A) (E) REAR
33	R34063	FITTING	1		
34	AT22079	OIL LINE	1		FRONT

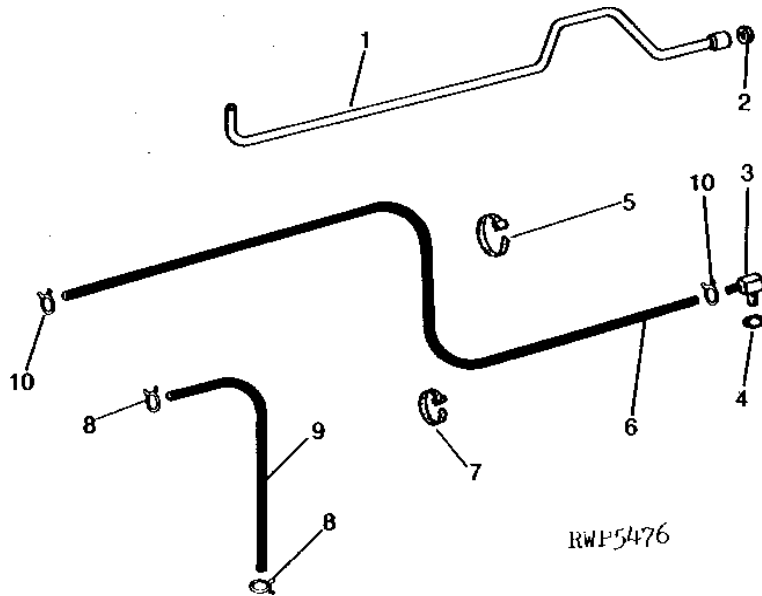
- (A) POWER STEERING
- (B) MANUAL STEERING
- (C) COLLAR SHIFT
- (D) LESS REVERSER
- (E) REVERSER

2G1

HYDRAULICS

RWP5476 -UN-01JAN94

RESERVOIR AND STEERING PUMP TUBES



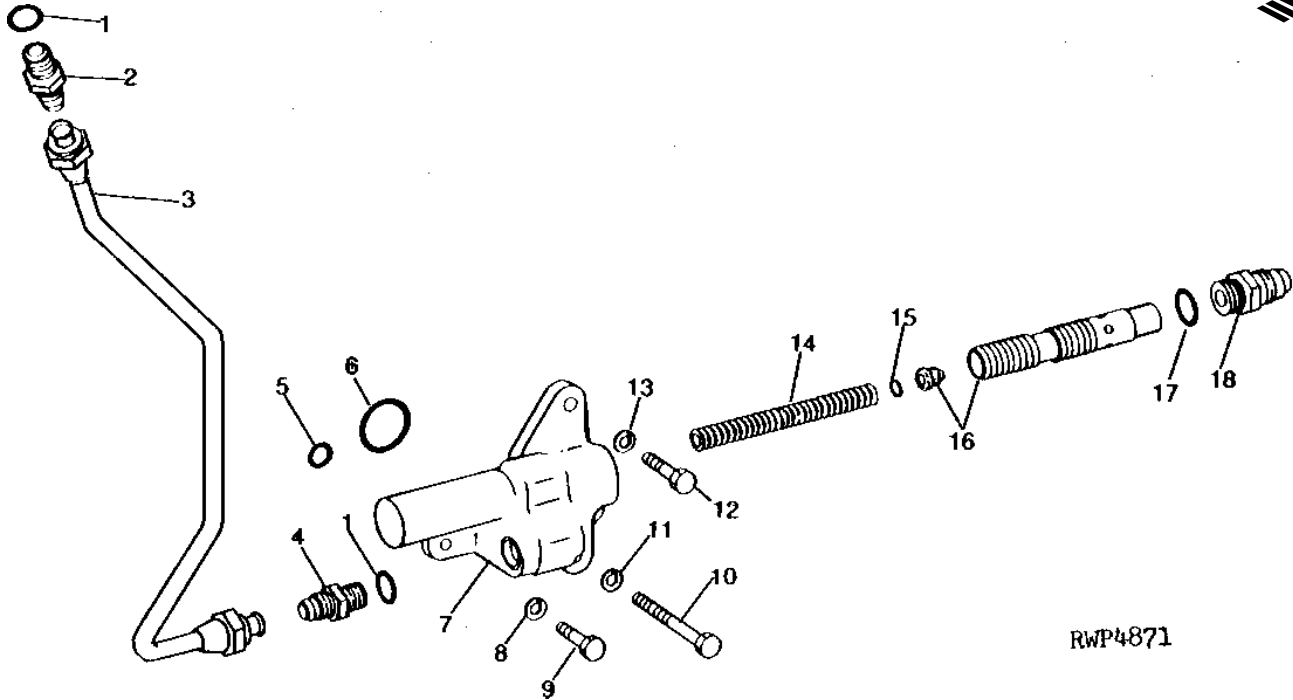
KEY	PART NO.	PART NAME	QTY	TRACTOR SERIAL NO.	REMARKS
1	AT22145	OIL LINE	1		
	AT22268	OIL LINE	1		(REVERSER)
2	R1662R	WASHER	1		
3	AT22185	ELBOW FITTING	1	-043926	(NLA)
4	A3917R	O-RING	1	-043926	
5	R44302	TIE BAND	1		(MANUAL STEERING) (SUB FOR R27457)
6	T23073	TUBE	1		
7	R44302	TIE BAND	1		(SUB FOR R27457)
8	T19324	CLAMP	2	-045199	(POWER STEERING)
9	T24869	HOSE	1	-045199	(POWER STEERING)
10	T19324	CLAMP	4		

2G2

HYDRAULICS

**PRESSURE CONTROL VALVE
23 CM3 (1.38 IN.3) PUMP
(POWER STEERING)
(TRACTOR SERIAL NO. 045200-)**

RWP4871 -UN-01JAN94



RWP4871

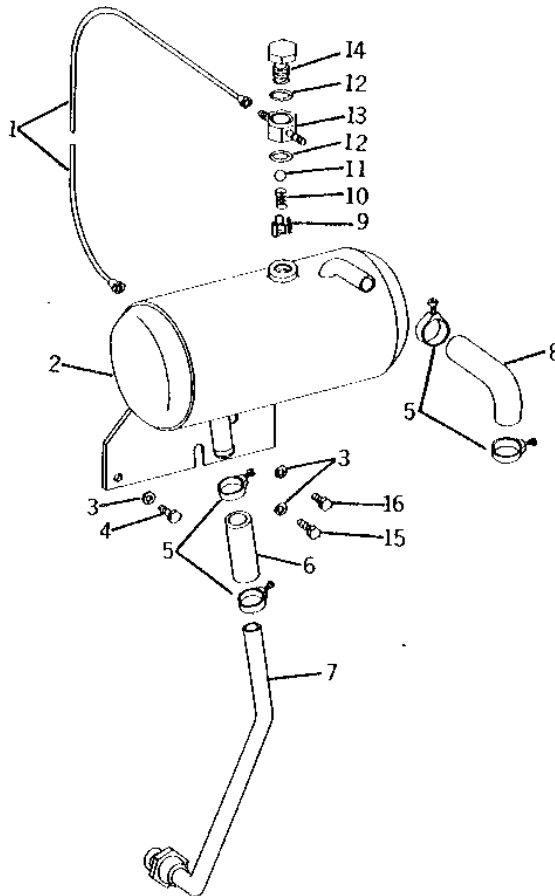
KEY	PART NO.	PART NAME	QTY	TRACTOR SERIAL NO.	REMARKS
1	R26375	O-RING	2		
2	R27237	FITTING	1		
3	AT28578	LINE	1		SCV PRESSURE, (SUB FOR AT23548)
4	R27237	FITTING	1		(SELECTIVE CONTROL VALVE)
	R39112	FITTING	1		(LESS SELECTIVE CONTROL VALVE)
5	R28776	O-RING	1		
6	R60332	O-RING	1		(SUB FOR U15415, THIS APPLICATION)
7	R39273	HOUSING	1		(SUB R66083, R66084, L55202, R26375 AND T13119)
8	12H304	LOCK WASHER	1		3/8"
9	19H2552	CAP SCREW	1		3/8" X 1-1/8"
10	19H2128	CAP SCREW	1		3/8" X 3"
11	12H304	LOCK WASHER	1		3/8"
12	19H1800	CAP SCREW	1		3/8" X 1-1/2"
13	12H304	LOCK WASHER	1		3/8"
14	R40072	SPRING	1		
15	R56351	SHIM	2		0.76MM (.030")
16	AR65881	VALVE	1		PRESSURE, (SUB FOR R40561)
17	R26906	O-RING	1		
18	R31665	FITTING	1		

2G3

HYDRAULICS

T12834 -UN-01JAN94

HYDRAULIC OIL RESERVOIR (HI-LO SHIFT OR REVERSER)



T 12834

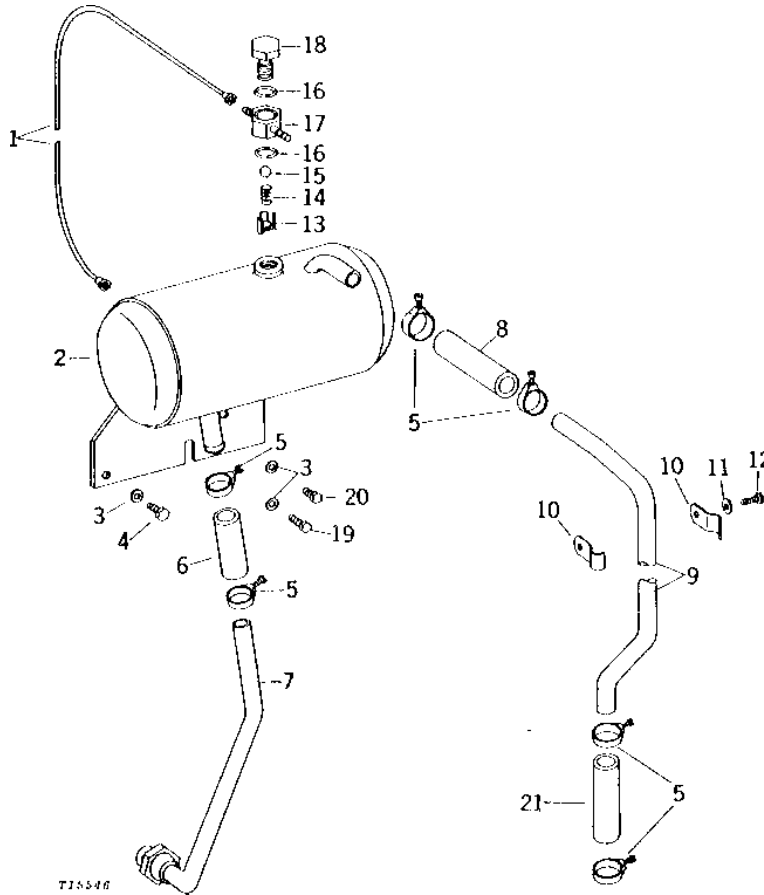
KEY	PART NO.	PART NAME	QTY	TRACTOR SERIAL NO.	REMARKS
1	AT20960	OIL LINE	1		
2	AR62440	RESERVOIR	1		(SUB FOR AT20923)
3	12H304	LOCK WASHER	3		3/8"
4	19H2284	CAP SCREW	1		3/8" X 7/8", (OIL BATH AIR CLEANER)
	19H2021	CAP SCREW	1		3/8" X 5/8", (DRY TYPE AIR CLEANER)
5	AR21839	CLAMP	4		(SUB TY22467)
6	HOSE	1		19 X 64MM (3/4" X 2-1/2") (MAKE FROM R57300) (SUB FOR R26905)
7	AT20961	OIL LINE	1		
8	T40168	HOSE	1		(SUB FOR T22960)
9	R39076	GUIDE	1		
10	R39078	SPRING	1		
11	D2361R	BALL	1		13MM (1/2")
12	U11343	O-RING	2		
13	AT20983	FITTING	1		(MANUAL STEERING)
	AT22086	ADAPTER	1	-045199	(POWER STEERING) (NO LONGER AVAILABLE)
	AT20983	FITTING	1	045200-	(POWER STEERING)
14	T22970	PLUG	1		
15	19H1936	CAP SCREW	1		3/8" X 3/4", (OIL BATH AIR CLEANER)
	19H2284	CAP SCREW	1		3/8" X 7/8", (DRY TYPE AIR CLEANER)
16	19H1936	CAP SCREW	1		3/8" X 3/4"

2G4

HYDRAULICS

HYDRAULIC OIL RESERVOIR (LESS HI-LO SHIFT OR REVERSER)

T15546 -UN-01JAN94



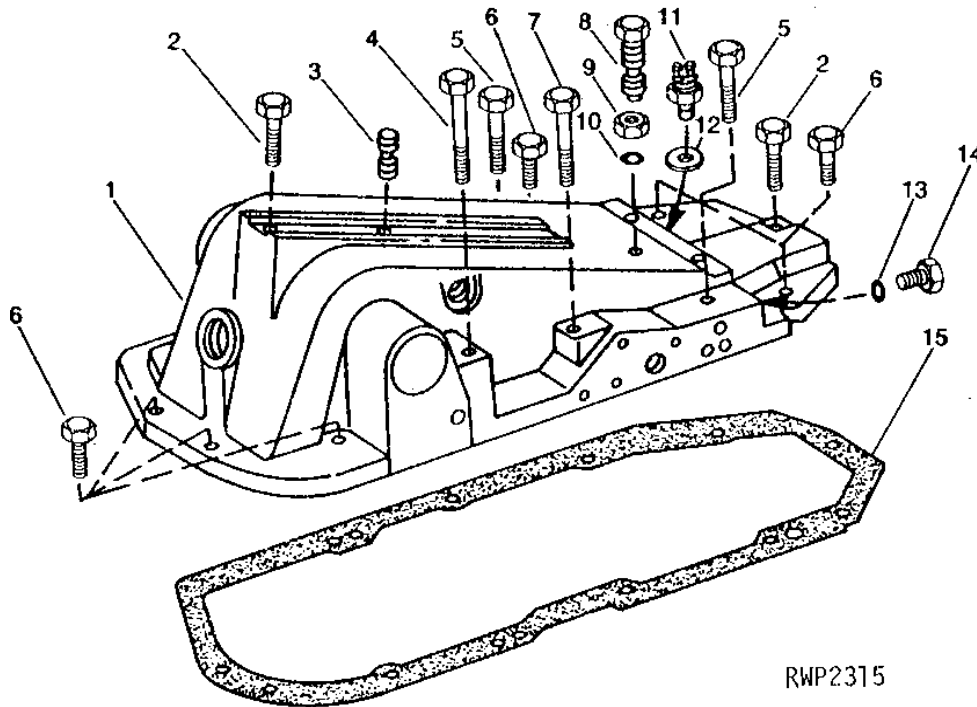
KEY	PART NO.	PART NAME	QTY	TRACTOR SERIAL NO.	REMARKS
1	AT20960	OIL LINE	1		
2	AR62440	RESERVOIR	1		SUB FOR AT20923
3	12H304	LOCK WASHER	3		3/8"
4	19H2284	CAP SCREW	1		3/8" X 7/8", (OIL BATH AIR CLEANER)
	19H2021	CAP SCREW	1		3/8" X 5/8", (DRY TYPE AIR CLEANER)
5	AR21839	CLAMP	6		(SUB TY22467)
6	HOSE	1		19 X 64MM (3/4" X 2-1/2") (MAKE FROM R57300) (SUB FOR R26905)
7	AT20961	OIL LINE	1		
8	HOSE	1		19 X 108MM (3/4" X 4-1/4") (MAKE FROM R57300) (SUB FOR T29321)
9	T23104	OIL LINE	1		
10	R27531	CLAMP	4		
11	24H1289	WASHER	2		21/64" X 5/8" X 0.049"
12	37H84	SCREW	2		1/4" X 3/4"
13	R39076	GUIDE	1		
14	R39078	SPRING	1		
15	D2361R	BALL	1		13MM (1/2")
16	U11343	O-RING	2		
17	AT20983	FITTING	1		(MANUAL STEERING)
	AT22086	ADAPTER	1	-045199	(POWER STEERING) (NO LONGER AVAILABLE)
	AT20983	FITTING	1	045200-	(POWER STEERING)
18	T22970	PLUG	1		
19	19H1936	CAP SCREW	1		3/8" X 3/4"
	19H2284	CAP SCREW	1		3/8" X 7/8", (DRY TYPE AIR CLEANER)
20	19H1936	CAP SCREW	1		3/8" X 3/4"
21	HOSE	1		19 X 129MM (3/4" X 5-3/32") (MAKE FROM R57300) (SUB FOR R34603 OR R32087)

2G5

HYDRAULICS

RWP2315 -UN-01JAN94

ROCKSHAFT HOUSING



RWP2315

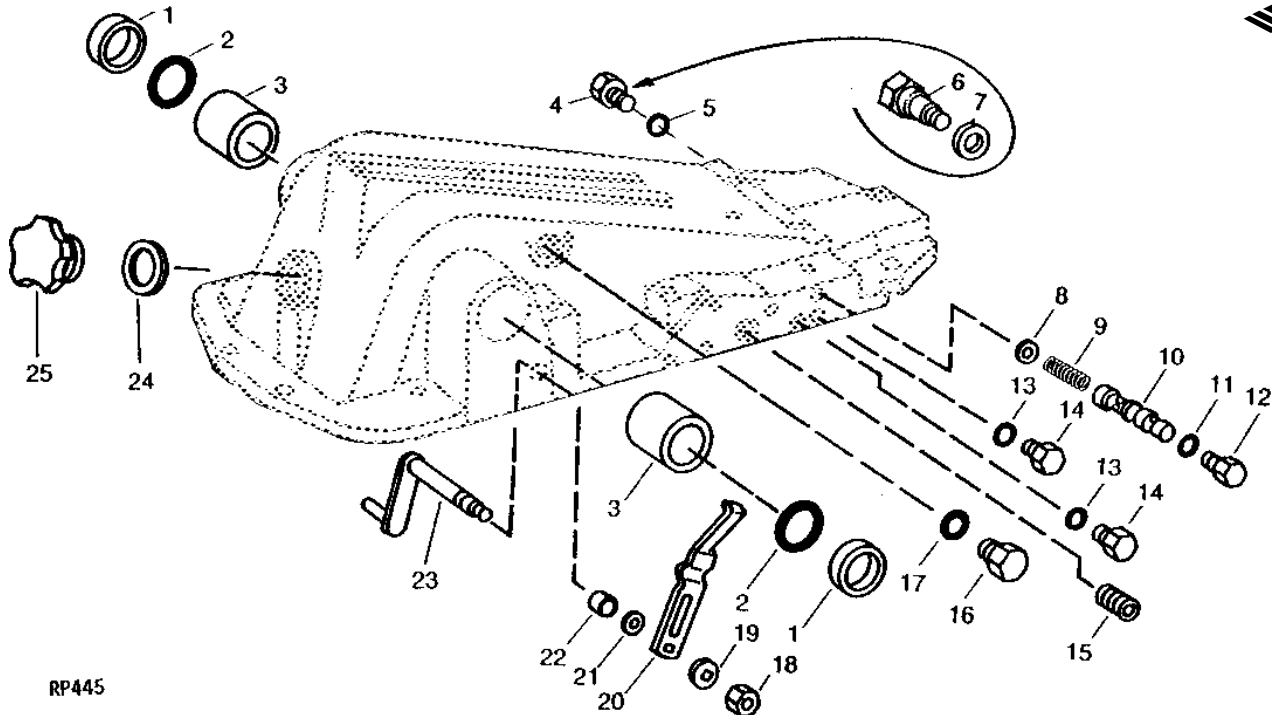
KEY	PART NO.	PART NAME	QTY	TRACTOR SERIAL NO.	REMARKS
1	AR77179	HOUSING	1		(MARKED T21470 OR R62595) (SUB FOR AT20881) (SUB AR104660, R26448 AND R27218) (MARKED R76702)
2	19H1669	CAP SCREW	4		7/16" X 1-3/4"
3	T21630	PIN	1		
4	19H3550	CAP SCREW	1		1/2" X 4"
5	19H1974	CAP SCREW	2		1/2" X 2-3/4"
6	19H1721	CAP SCREW	9		1/2" X 1-1/2"
	19H1721	CAP SCREW	8		1/2" X 1-1/2" (LU)
	19H2644	CAP SCREW	1		1/2" X 2-1/2" (LU)
7	19H3520	CAP SCREW	1		1/2" X 3-1/4"
8	T22471	SCREW	1		
9	14H888	NUT	1		9/16"
10	R26448	O-RING	1		
11	RE38390	SWITCH	1		(SUB FOR R36265, AR85323 OR AR89691)
12	T16911	SHIM	1		ALUMINUM
13	R26287	O-RING	3		
14	R27216	DRAIN PLUG	3		(SUB FOR R31631)
15	T21641	GASKET	1		

2G6

HYDRAULICS

RP445 -UN-01JAN94

ROCKSHAFT HOUSING PARTS



RP445

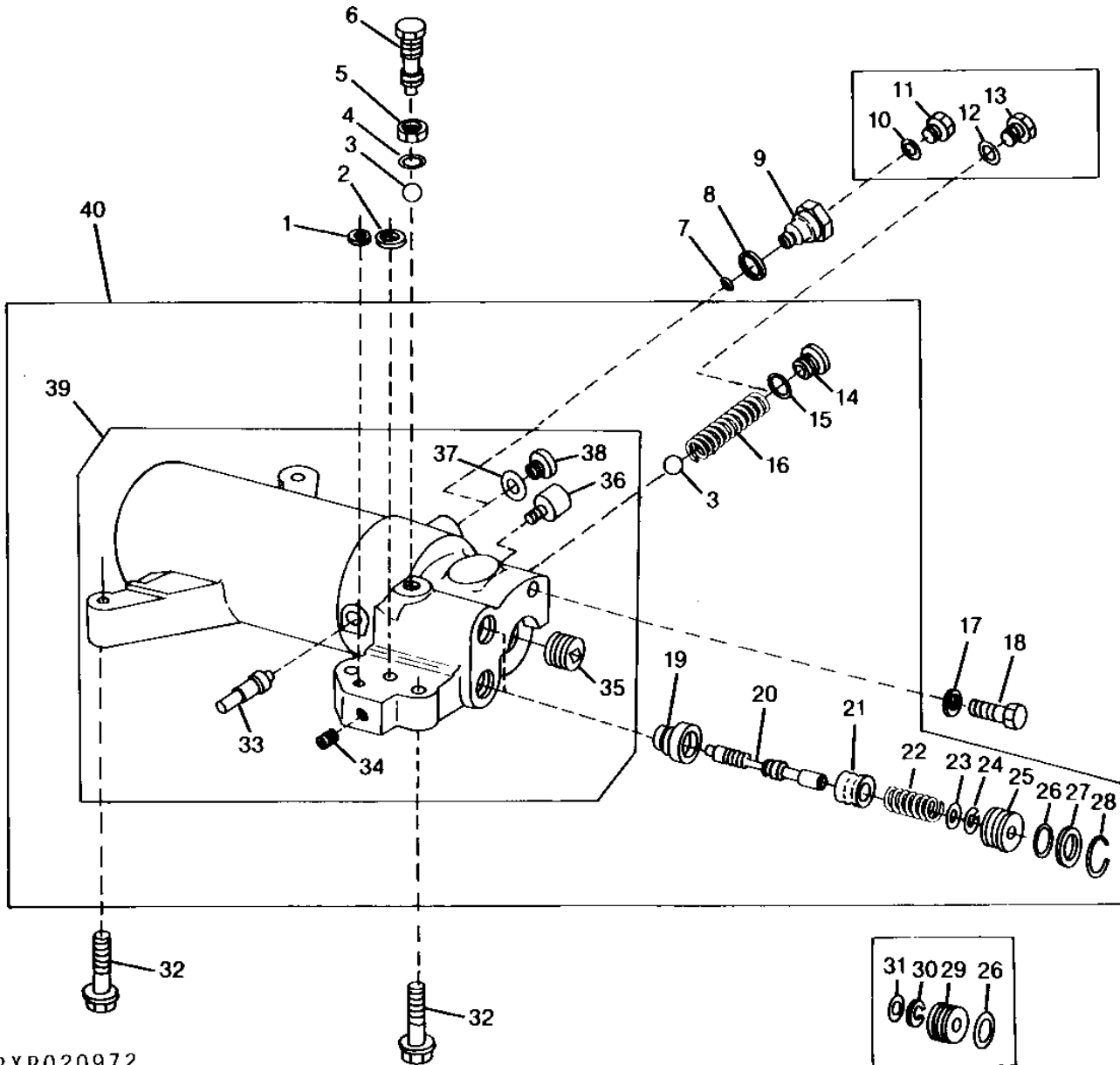
KEY	PART NO.	PART NAME	QTY	TRACTOR SERIAL NO.	REMARKS
1	T21615	CAP	2		
2	R26863	O-RING	2		
3	T22474	BUSHING	2		
4	R27218	FITTING PLUG	1		
5	R26448	O-RING	1		
6	T21638	ADAPTER	1		(ROCKSHAFT CYLINDER OUTLET COUPLER)
7	F1791R	WASHER	1		(ROCKSHAFT CYLINDER OUTLET COUPLER)
8	24H1283	WASHER	1		7/32" X 1/2" X 0.049", (1.38 IN.3 PUMP)
9	T22968	SPRING	1		(1.38 IN.3 PUMP)
10	R26460	CONTROL VALVE	1		(1.38 IN.3 PUMP)
11	R26375	O-RING	1		
12	R39112	FITTING	1		
13	R26287	O-RING	3		
14	R27216	DRAIN PLUG	3		(SUB FOR R31631)
15	15H562	PIPE PLUG	1		1"
16	R27474	DRAIN PLUG	1		(LESS REMOTE CYLINDER CONTROL)
17	R26906	O-RING	1		(LESS REMOTE CYLINDER CONTROL)
18	14H732	NUT	1		3/8"
19	T22876	WASHER	1		
20	T22465	LEVER	1		
21	F3353R	O-RING	1		
22	T21631	BUSHING	1		
23	AT19839	LEVER	1		(SUB AL28227)
24	T21564	WASHER	1		
25	L29872	PLUG	1		(SUB FOR T21563)

2G7

HYDRAULICS

RXP020972 -UN-08DEC94

ROCKSHAFT CYLINDER AND VALVE HOUSING



RXP020972

2G8

HYDRAULICS

ROCKSHAFT CYLINDER AND VALVE HOUSING - CONTINUED

KEY	PART NO.	PART NAME	QTY	TRACTOR SERIAL NO.	REMARKS
1	L34383	WASHER	1		(SUB FOR A4847R)
2	L34382	WASHER	1		
3	D2361R	BALL	2		
4	R26448	O-RING	1		
5	14H888	NUT	1		9/16"
6	T22471	SCREW	1		
7	R26448	O-RING	1		
8	F1791R	WASHER	1		
9	T21638	ADAPTER	1	-562534	(USE WITH R55137)
	L62507	ADAPTER	1	562535-	(USE WITH L41725)
10	R26448	O-RING	1	-562534	(USE WITH AR63911)
11	R27218	FITTING PLUG	1	-562534	(USE WITH AR63911)
12	R26375	O-RING	1	-562534	(USE WITH AR63911)
13	T22867	DRAIN PLUG	1	-562534	(USE WITH AR63911)
14	T22867	DRAIN PLUG	1	-562534	(USE WITH R55137)
	L41384	PIPE PLUG	1	562535-	(USE WITH L41725)
15	R26375	O-RING	1	-562534	(USE WITH R55137)
	L41383	RING	1	562535-	(USE WITH L41725)
16	F3322R	SPRING	1		
17	R26286	O-RING	1		
18	19H3217	CAP SCREW	1		3/8" X 1-3/4"
19	T28538	VALVE SEAT INSERT	2		(ALSO ORDER R54969) (SUB FOR T22483)
20	R54969	VALVE SPOOL	2		(ALSO ORDER T28538) (SUB FOR T24484 OR T28537)
21	T24540	SLEEVE	2		
22	R49648	SPRING	2		(SUB FOR A354R OR T19526)
23	L55203	O-RING	2	573842-	
24	L56957	BACK-UP RING	2	573842-	
25	L42314	PLUG	2	573843-	
26	L55204	O-RING	2		(SUB FOR R65548)
27	L55202	BACK-UP RING	2	573843-	
28	M3265T	SNAP RING	2		
29	L34381	PLUG	2	-573842	(ORDER L42314, L55202, L55204, L56957, L55203) (SUB FOR T24485)
30	R31136	BACK-UP RING	2	-573842	
31	R10093	O-RING	2	-573842	
32	R48593	CAP SCREW	4		
33	L64852	PIN	1		(SUB FOR T22469)
34	15H559	PIPE PLUG	1		1/4"
35	15H562	PIPE PLUG	1		
36	AT21781	VALVE	1		
37	R26448	O-RING	1	-562534	(USE WITH R55137)
	L41536	O-RING	1	562535-	(USE WITH L41725)
38	R27218	FITTING PLUG	1	-562534	(USE WITH R55137)
	L41726	PIPE PLUG	1	562535-	(USE WITH L41725)
39	AR63911	HOUSING	1	-562534	(MARKED R55137) (SUB FOR AT20197) (ALSO ORDER R27218, R26448 AND F3322R) (SUB AL64830, F1791R, L41383, L41384, (2) L41536 AND L41538)
	AL40888	HOUSING	1	562535-	(MARKED L41725) (SUB AL64830)
40	AL64830	SHIPPING BUNDLE	1	562535-	(MARKED L41725)

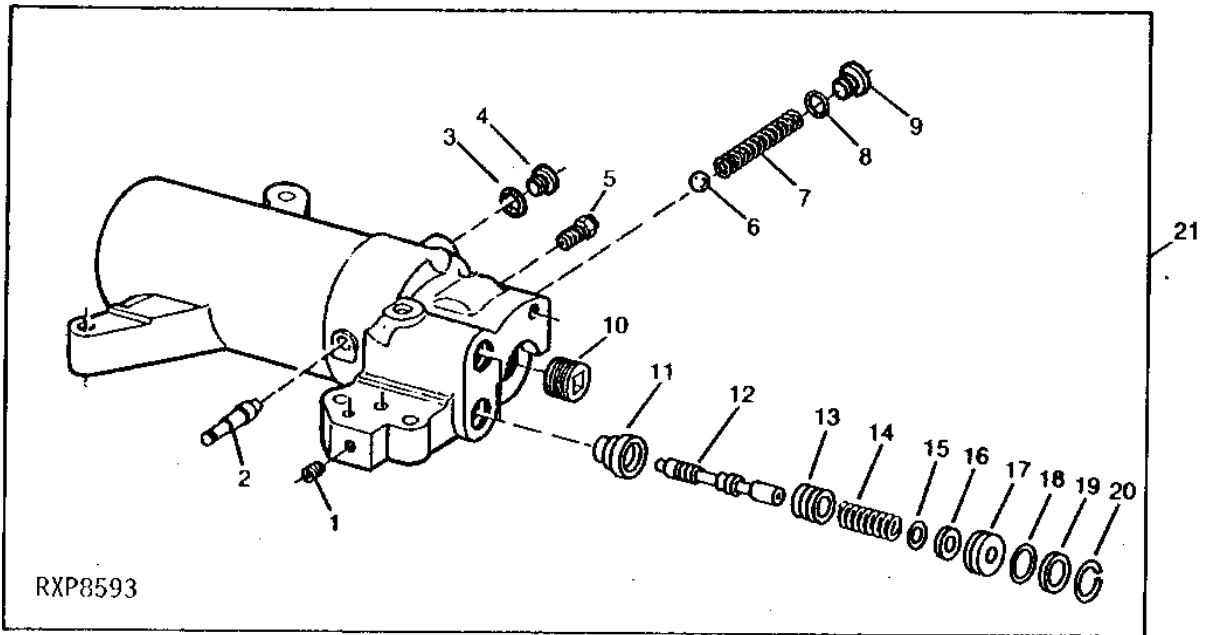
2G9

HYDRAULICS

RXP8593

-UN-01JAN94

ROCKSHAFT CYLINDER AND VALVE HOUSING



2G10

HYDRAULICS

ROCKSHAFT CYLINDER AND VALVE HOUSING - CONTINUED

KEY	PART NO.	PART NAME	QTY	TRACTOR SERIAL NO.	REMARKS
1	15H559	PIPE PLUG	1	1/4"	
2	L64852	PIN	1	(SUB FOR T22469)	
3	L41536	O-RING	1		
4	L41726	PIPE PLUG	1	M16	
5	AT21781	VALVE	1		
6	D2361R	BALL	1	1/2"	
7	F3322R	SPRING	1		
8	L41383	RING	1		
9	L41384	PIPE PLUG	1	M18	
10	15H562	PIPE PLUG	1	1"	
11	T28538	VALVE SEAT INSERT	2		
12	R54969	VALVE SPOOL	2		
13	T24540	SLEEVE	2		
14	R49648	SPRING	2		
15	L55203	O-RING	2		
16	L56957	BACK-UP RING	2		
17	L42314	PLUG	2		
18	L55204	O-RING	2		
19	L55202	BACK-UP RING	2		
20	M3265T	SNAP RING	2		
21	AL64830	SHIPPING BUNDLE	1	(MARKED L41725)	

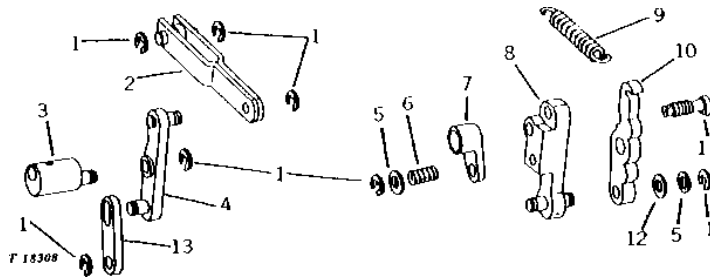
MEMORANDA

2G11

HYDRAULICS

T18308 -UN-01JAN94

ROCKSHAFT CYLINDER AND VALVE HOUSING LINKAGE



KEY	PART NO.	PART NAME	QTY	TRACTOR SERIAL NO.	REMARKS
1	R72653	SNAP RING	7		(SUB FOR M2396T)
2	AT20141	LEVER	1		
3	AT19840	FULCRUM	1		
4	AT20085	LINK	1		
5	24H1290	WASHER	2		21/64" X 3/4" X 0.035"
6	F1942R	SPRING	1		
7	T22229	NUT	1		
8	AT20084	LINK	1		
9	T22473	SPRING	1		
10	T22224	CAM	1		
11	T22228	SCREW	1		
12	T22233	WASHER	1		
13	T22232	STRAP	1		

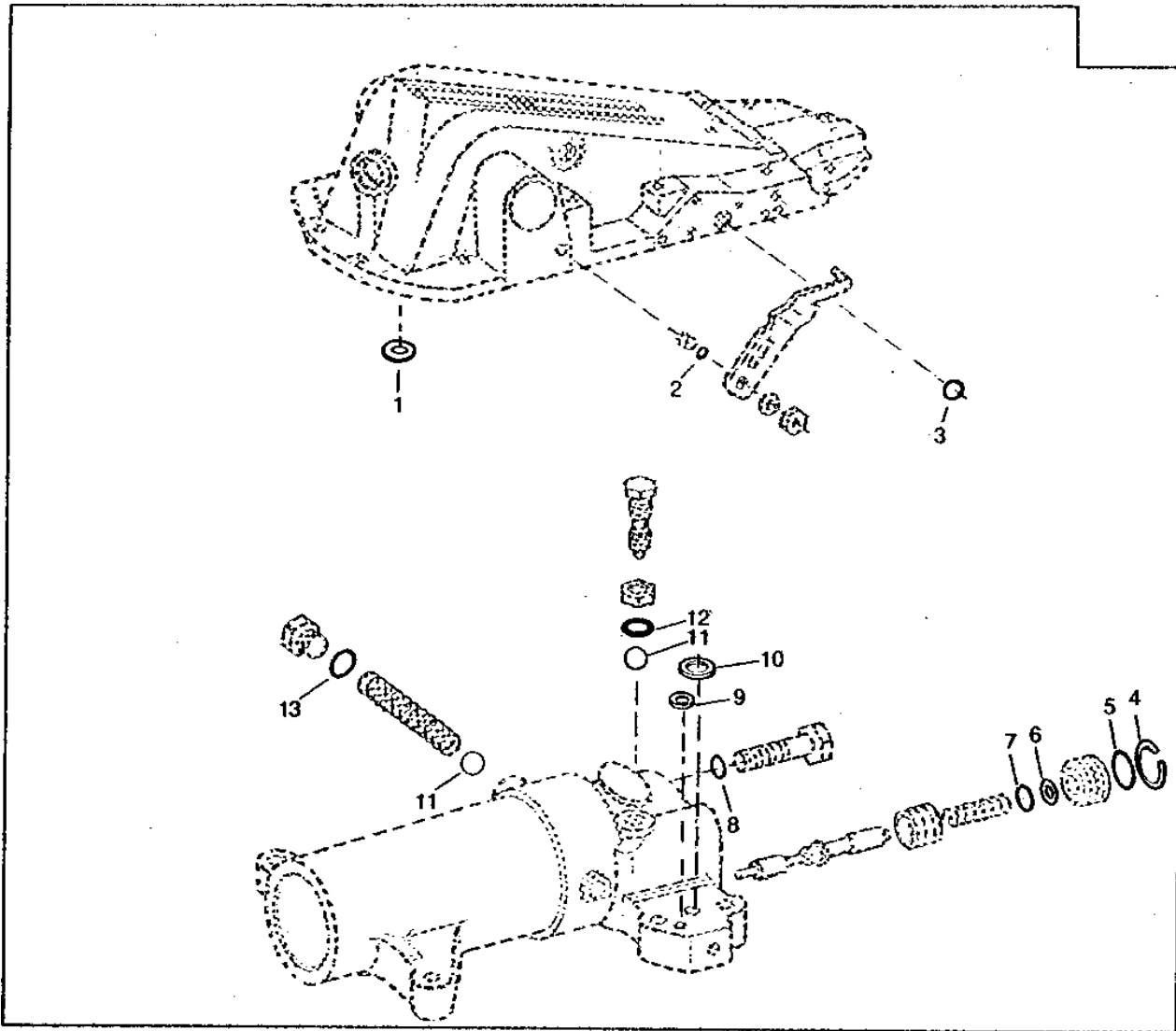
2G12

HYDRAULICS

RWP2292

-UN-01JAN94

ROCKSHAFT REBUILD SEAL KIT



RWP2292

2G13

HYDRAULICS

ROCKSHAFT REBUILD SEAL KIT - CONTINUED

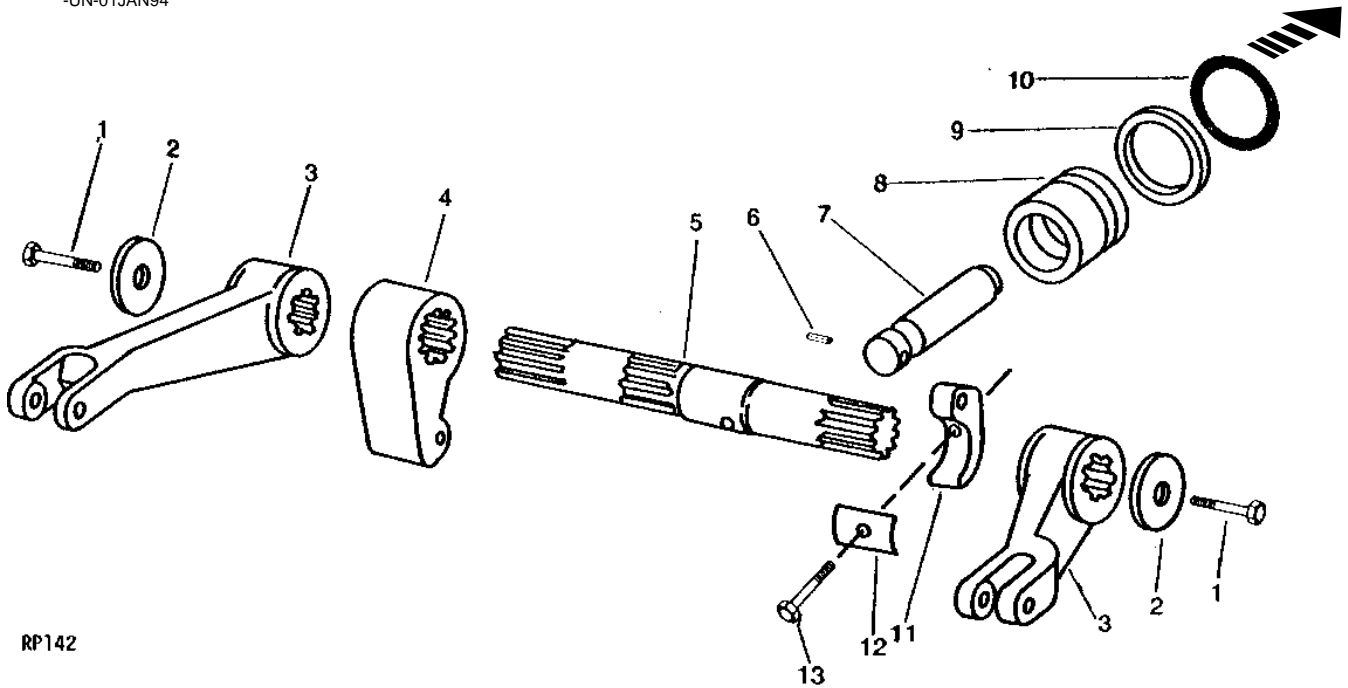
KEY	PART NO.	PART NAME	QTY	TRACTOR SERIAL NO.	REMARKS
1	T17882	WASHER	1		
2	F3353R	O-RING	1		
3	R10093	O-RING	1		
4	M3265T	SNAP RING	2		
5	L55204	O-RING	2		(SUB FOR R65548)
6	R31136	BACK-UP RING	2		
7	R10093	O-RING	2		
8	R26286	O-RING	1		
9	A4847R	WASHER	1		
10	F2741R	PACKING	1		
11	D2361R	BALL	2		
12	R26448	O-RING	1		
	T27260	WASHER	1		
13	R26375	O-RING	1		
14	AR92385	KIT	1		

2G14

HYDRAULICS

RP142 -UN-01JAN94

ROCKSHAFT, PISTON AND LIFT ARMS



RP142

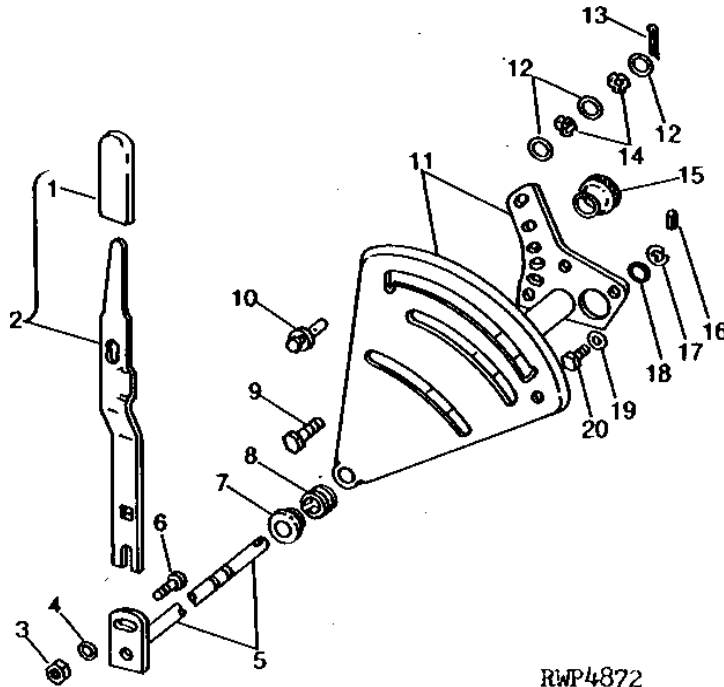
KEY	PART NO.	PART NAME	QTY	TRACTOR SERIAL NO.	REMARKS
1	19H1815	CAP SCREW	2	1/2" X 1-1/4"	
2	T21956	WASHER	2		
3	T29931	LIFT ARM	2	(SUB FOR T21466)	
4	T21474	LEVER	1		
5	T22318	ROCKSHAFT	1		
6	34H320	SPRING PIN	1	1/4" X 2-1/4"	
7	F2570R	ROD	1		
8	R47344	PISTON	1	(SUB FOR T21616)	
9	R65621	WASHER	1	(ALSO ORDER R65620) (SUB FOR T21617)	
10	R65620	WASHER	1	(ALSO ORDER R65621) (SUB FOR A4444R, THIS APPLICATION)	
11	T22319	CAM	1		
12	T28362	SPACER	1		
13	19H2335	CAP SCREW	1	1/4" X 2-3/4"	

2G15

HYDRAULICS

ROCKSHAFT CONTROL LEVER AND QUADRANT (HU, RU)

RWP4872 -UN-01JAN94



RWP4872

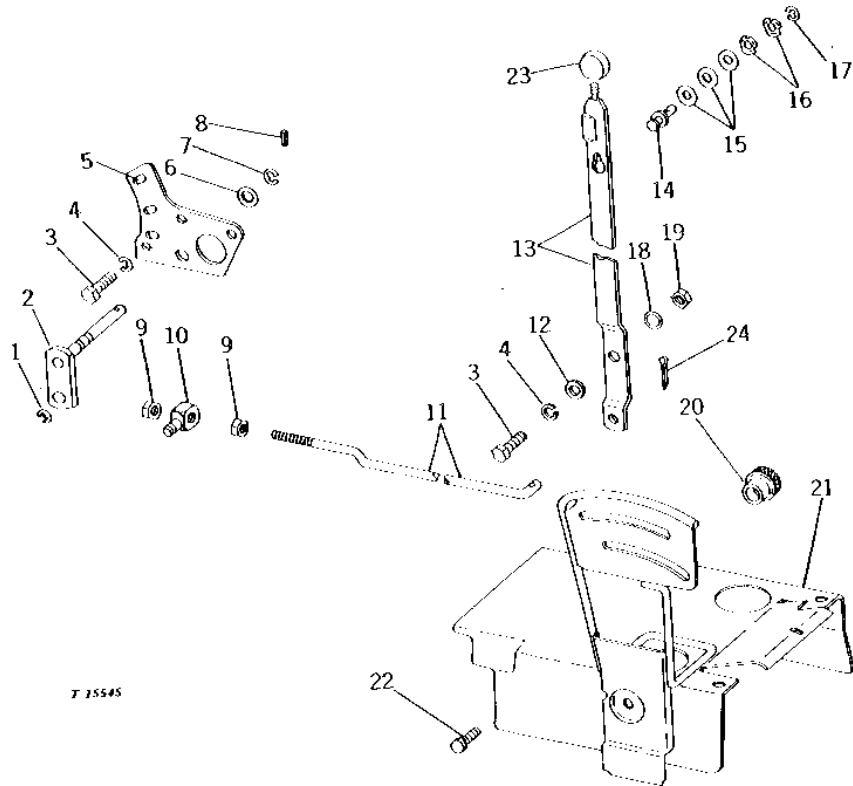
KEY	PART NO.	PART NAME	QTY	TRACTOR SERIAL NO.	REMARKS
1	T24487	GRIP	1		
2	AT21655	LEVER	1	-054795	(SUB AL24015)
	AT24724	LEVER	1	054796-	(SUB AL24015)
3	14H1076	NUT	1		3/8"
4	24H1305	WASHER	1		13/32" X 13/16" X 0.065"
5	AT19838	SHAFT	1		
6	03H1765	BOLT	1		3/8" X 3/4"
7	T22478	BUSHING	1	-054795	(SUB T27195 AND T26626)
	T27195	ADAPTER	1	054796-	
8	T26626	GROMMET	1	054796-	
9	T22865	SCREW	1		
10	T22472	PIN	1	-054795	(SUB T26625 AND 11M7081)
	T26625	PIN	1	054796-	
11	AT20198	QUADRANT	1	-054795	(SUB AL33044)
	AL33044	QUADRANT	1	054796-	(SUB FOR AT24725)
12	24M7207	WASHER	2		8.400 X 24 X 2 MM
13	11M7081	COTTER PIN	1	054796-	2.500 X 20 MM
14	T22877	LOCK WASHER	2		
15	T22470	KNOB	1		
	R72653	SNAP RING	1	-054795	(SUB FOR M2396T)
16	34H268	SPRING PIN	1		5/32" X 1-1/4"
17	R30437	SNAP RING	1		
18	R10093	O-RING	1		
19	12H304	LOCK WASHER	3		3/8"
20	19H2284	CAP SCREW	3		3/8" X 7/8"

2G16

HYDRAULICS

ROCKSHAFT CONTROL LEVER AND QUADRANT (LU) (TRACTOR SERIAL NO. -063955)

T15545 -UN-01JAN94



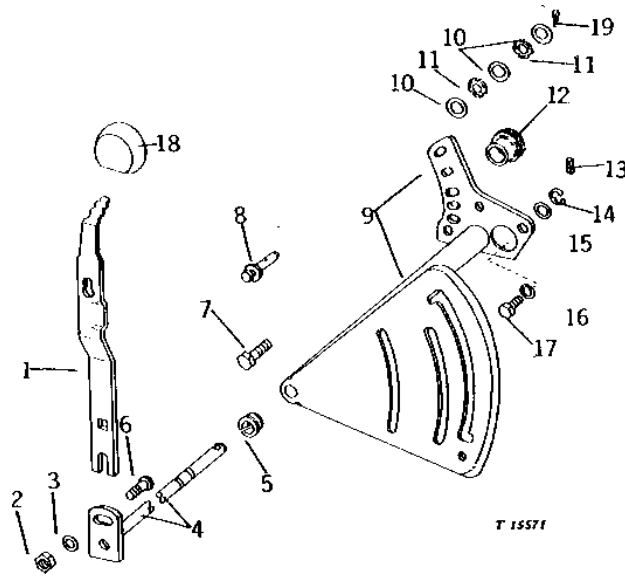
KEY	PART NO.	PART NAME	QTY	TRACTOR SERIAL NO.	REMARKS
1	R72655	SNAP RING	1	(SUB FOR T12808)	
2	AT24729	ARM	1	(SUB FOR AT20900) (NLA)	
3	19H2284	CAP SCREW	4	3/8" X 7/8"	
4	12H304	LOCK WASHER	4	3/8"	
5	PLATE	1	(NO LONGER AVAILABLE)	
6	R10093	O-RING	1		
7	R30437	SNAP RING	1		
8	34H268	SPRING PIN	1	5/32" X 1-1/4"	
9	14H732	NUT	2	3/8"	
10	T22890	SWIVEL	1	(NLA)	
11	T22889	ROD	1	(NLA)	
12	R27441	WASHER	1		
13	T26632	LEVER	1	(SUB FOR T22887)	
14	T22472	PIN	1	(SUB T26625 AND 11M7081)	
15	24M7207	WASHER	3	8.400 X 24 X 2 MM	
16	T22877	LOCK WASHER	2		
17	R72653	SNAP RING	1	(SUB FOR M2396T)	
18	T519T	WASHER	1		
19	T22888	NUT	1	(NLA)	
20	T22470	KNOB	1		
21	AT24726	QUADRANT	1	(SUB FOR AT20904) (NLA)	
22	T22865	SCREW	1		
23	R27829	KNOB	1		
24	11M7081	COTTER PIN	1	2.500 X 20 MM	

2G17

HYDRAULICS

ROCKSHAFT CONTROL LEVER AND QUADRANT (LU) (TRACTOR SERIAL NO. 063956-)

T15571 -UN-01JAN94



KEY	PART NO.	PART NAME	QTY	TRACTOR SERIAL NO.	REMARKS
1	T28233	LEVER	1		
2	14H1076	NUT	1	3/8"	
3	24H1305	WASHER	1	13/32" X 13/16" X 0.065"	
4	AT26350	ARM	1		
5	T26626	GROMMET	1		
6	03H1765	BOLT	1	3/8" X 3/4"	
7	T22865	SCREW	1		
8	T26625	PIN	1		
9	AT26349	QUADRANT	1		
10	24M7207	WASHER	3	8.400 X 24 X 2 MM	
11	T22877	LOCK WASHER	2		
12	T22470	KNOB	1		
13	34H268	SPRING PIN	1	5/32" X 1-1/4"	
14	R30437	SNAP RING	1		
15	R10093	O-RING	1		
16	12H304	LOCK WASHER	3	3/8"	
17	19H2284	CAP SCREW	3	3/8" X 7/8"	
18	R27829	KNOB	1		
19	11M7081	COTTER PIN	1	2.500 X 20 MM	

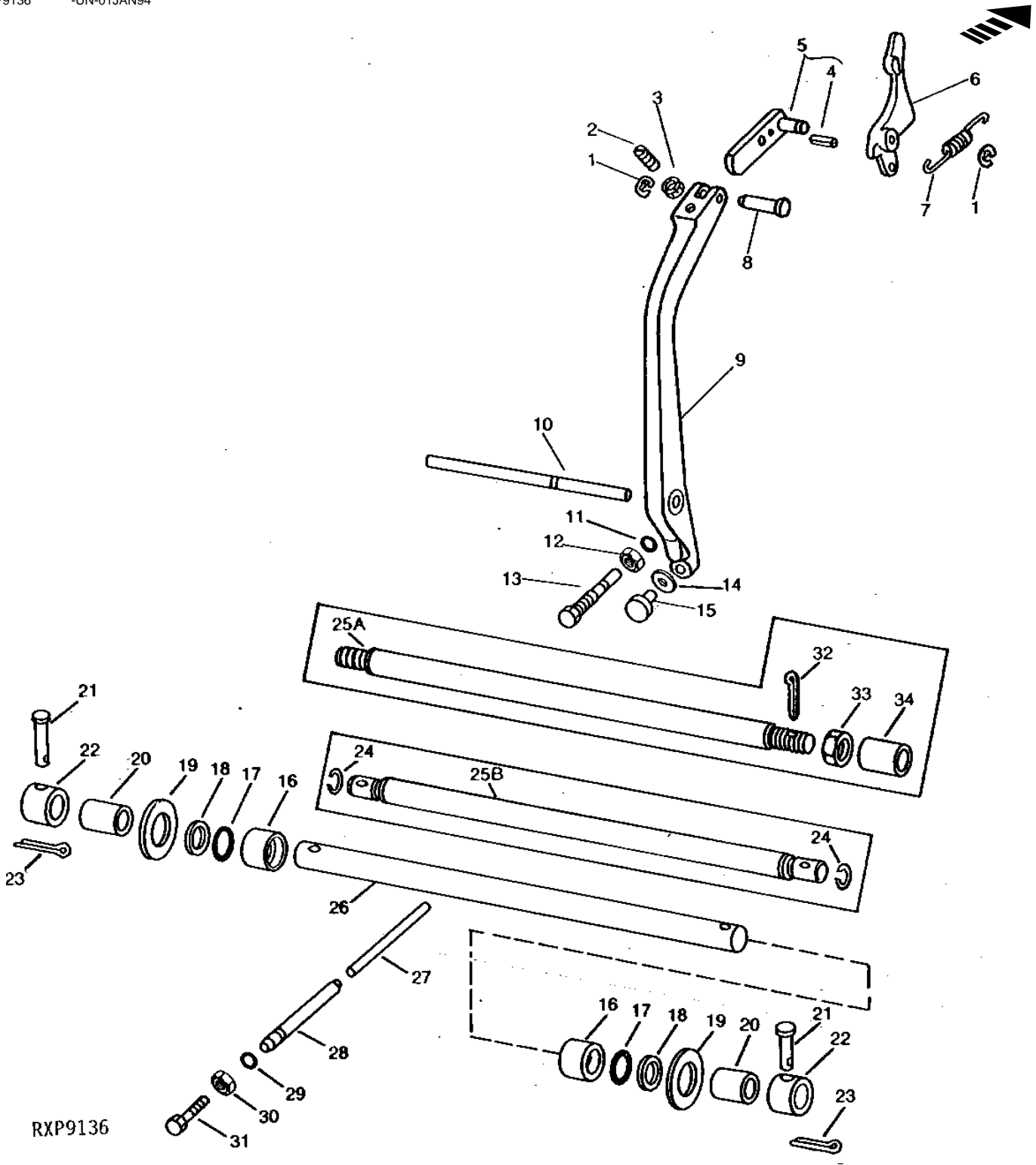
2G18

HYDRAULICS

RXP9136

-UN-01JAN94

LOAD CONTROL



RXP9136

2G19

HYDRAULICS

LOAD CONTROL - CONTINUED

KEY	PART NO.	PART NAME	QTY	TRACTOR SERIAL NO.	REMARKS
1	R72653	SNAP RING	2		(SUB FOR M2396T)
2	T29311	SET SCREW	1		
3	14H856	NUT	1		1/2"
4	34H279	SPRING PIN	1		3/16" X 13/16"
5	AT19848	EXTENSION	1		
6	L55223	CAM FOLLOWER	1		(SUB FOR L56824 AND L58389)
7	T21955	EXTENSION SPRING	1		
8	T24690	PIN	1		
9	L39881	LEVER	1		(SUB T21487)
10	T21681	DOWEL PIN	1		
	M360T	SNAP RING	1	-091995	
11	A4365R	O-RING	1		(A)
12	14H856	NUT	1		(A) 1/2"
13	T23216	CAP SCREW	1		(A)
	19H2643	CAP SCREW	1		(A) 1/2" X 7/8"
14	24H1302	WASHER	1		13/32" X 11/16" X 0.035"
15	T21680	PIN	1		
16	T22097	BUSHING	2		
17	A4730R	O-RING	2		
18	T22098	WASHER	2		
19	THRUST WASHER	2		(NOT REQUIRED)
20	T22099	BUSHING	2		SHAFT RETAINING
21	R57619	PIN	2	XXXXXX-	(SUB FOR R47063)
22	R50985	SLEEVE	2	XXXXXX-	
23	11M7082	COTTER PIN	2	XXXXXX-	2.500 X 25 MM
24	F3336R	SNAP RING	2	-XXXXXX	
25A	T22650	SHAFT	1	-062251	(SUB L26932, (2) R57619, (2) R50985 AND (2) 11M7082)
25B	T26598	SHAFT	1	062252-	(SUB L26932, (2) R57619, (2) R50985 AND (2) 11M7082)
26	L26932	PIN	1	XXXXXX-	
27	T30917	PIN	1		(B)
28	T30918	PIN	1		(B)
29	A4365R	O-RING	1		(B)
30	14H882	NUT	1		(B) 5/16"
31	19H3120	CAP SCREW	1		(B) 5/16" X 1-1/2"
32	11M7087	COTTER PIN	2	-062251	4 X 40 MM
33	14H902	NUT	2	-062251	3/4"
34	T22649	BUSHING	2	-062251	

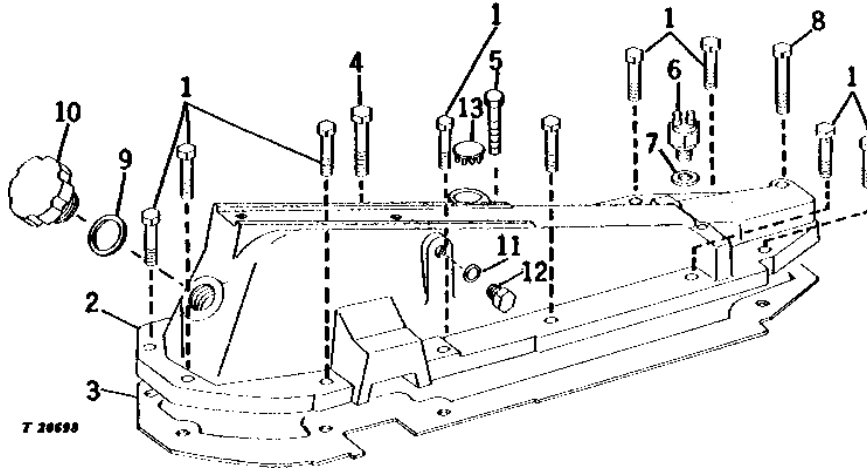
(A) LESS INDEPENDENT PTO
(B) INDEPENDENT PTO

2G20

HYDRAULICS

T20698 -UN-01JAN94

SEAT SUPPORT BASE (LESS ROCKSHAFT)



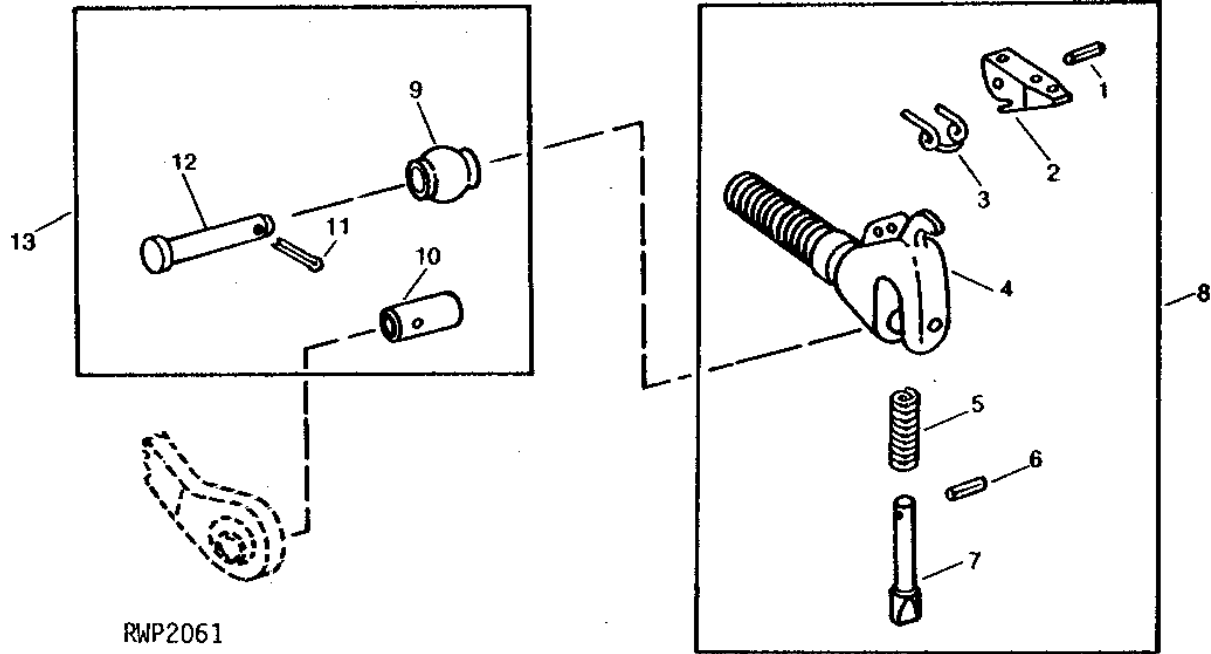
KEY	PART NO.	PART NAME	QTY	TRACTOR SERIAL NO.	REMARKS
1	19H1721	CAP SCREW	10	1/2" X 1-1/2"	
2	T35389	BASE	1	(ALSO ORDER T35390) (SUB FOR T21471)	
3	T21641	GASKET	1		
4	19H1831	CAP SCREW	1	1/2" X 2"	
5	19H2644	CAP SCREW	1	1/2" X 2-1/2"	
6	RE38390	SWITCH	1	NEUTRAL START, (SUB FOR R36265, AR85323 OR AR89691)	
7	T16911	SHIM	1	ALUMINUM	
8	19H1990	CAP SCREW	1	1/2" X 2-1/4"	
9	T21564	WASHER	1		
10	L29872	PLUG	1	(SUB FOR T21563)	
11	R26906	O-RING	1	(LESS SELECTIVE CONTROL VALVE)	
12	R27474	DRAIN PLUG	1	(LESS SELECTIVE CONTROL VALVE)	
13	T35390	CAP	1		

2G21

HYDRAULICS

RWP2061 -UN-01JAN94

CENTER LINK HOOK



RWP2061

KEY	PART NO.	PART NAME	QTY	TRACTOR SERIAL NO.	REMARKS
1	34H284	SPRING PIN	2		
2	F2824R	HANDLE	1		3/16" X 1-1/4"
3	F2823R	SPRING	1		
4	T28036	HOOK	1		
5	F2822R	SPRING	1		
6	34H299	SPRING PIN	1		7/32" X 1-1/4"
7	R53196	LATCH	1		(SUB FOR F2821R)
8	AT26196	HOOK	1		(NO LONGER AVAILABLE)
9	F2680R	BALL STUD	1		(A)
	F2681R	BALL	1		(B)
10	R66432	BUSHING	2		(A) 56 MM (2-3/16") SHORT, (SUB FOR F2684R)
	R66433	BUSHING	2		(B) 65 MM (2-9/16") LONG, (SUB FOR F2685R)
11	11M7038	COTTER PIN	1		(A) 6.300 X 40 MM
	11M7040	COTTER PIN	1		(B) 6.300 X 50 MM
12	R58262	PIN	1		(A) (SUB FOR R28061 OR R44917)
	R53296	PIN	1		(B) (SUB FOR F2683R OR R44918)
13	AF2710R	BALL	1		(A)
	AF2711R	BALL	1		(B)

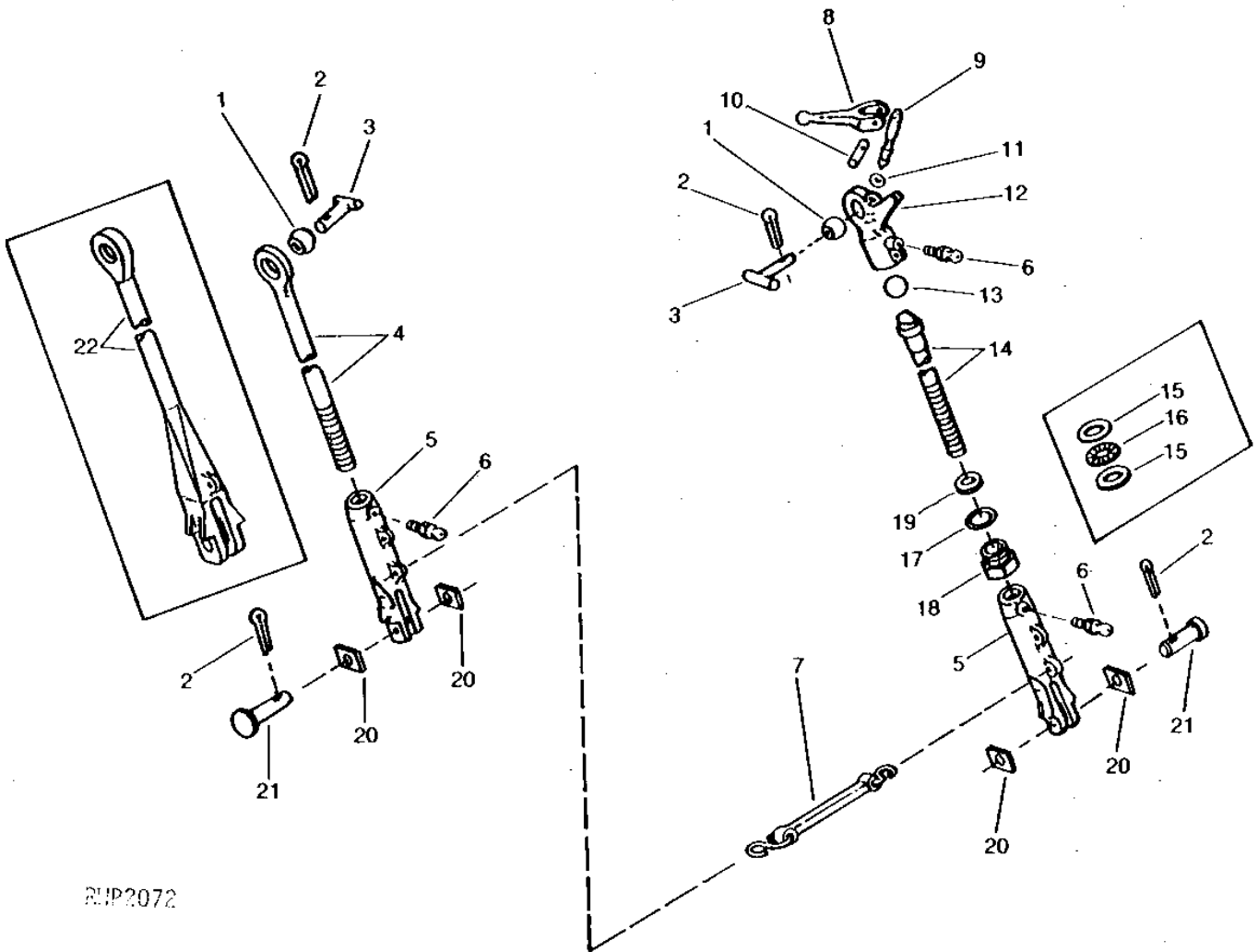
(A) CATEGORY I
(B) CATEGORY II

2G22

HYDRAULICS

RWP2072 -UN-01JAN94

RIGHT AND LEFT LIFT LINKS (CATEGORY I AND II)



RWP2072

2G23

HYDRAULICS

RIGHT AND LEFT LIFT LINKS - CONTINUED
(CATEGORY I AND II)

KEY	PART NO.	PART NAME	QTY	TRACTOR SERIAL NO.	REMARKS
1	T21901	BALL	2		
2	11M7030	COTTER PIN	2		
3	AT21754	PIN	2		5 X 40 MM
4	T21907	END	1	-065824	547 MM (21-1/2") (SUB T25836)
	T25836	END	1		547 MM (21-1/2") (DRAFT LINKS)
	T24909	SPACER	1		(B) 485 MM (19-1/8") (RU) (DRAFT TUBES)
	T24909	SPACER	1	-065824	(B) (C) 485 MM (19-1/8") (HU)
	L28372	END	1	065825-	(B) (C) 505 MM (19-7/8") (HU) (SUB FOR T25822)
5	R48595	LINK BODY	2		(SUB FOR T21497)
6	JD7798	LUBRICATION FITTING	3		1/8"
7	AR68071	STRAP	1		
8	T21559	HANDLE	1		
9	T21558	SHAFT	1		
10	34H314	SPRING PIN	1		1/4" X 1-1/4"
11	P46051	O-RING	1		(SUB FOR T22873)
12	L28374	HOUSING	1		(SUB FOR T21462)
13	T22399	BALL	1		
14	T22004	SHAFT	1	-065824	445 MM (17-1/2") (SUB T25835)
	T25835	SHAFT	1		445 MM (17-1/2") (DRAFT LINKS)
	T24908	SHAFT	1		(B) (C) 384 MM (15-1/8") (RU)
	T24908	SHAFT	1	-065824	(B) (C) 384 MM (15-1/8") (HU)
	T25823	SHAFT	1	065825-	(B) (C) 403 MM (15-7/8") (HU)
15	JD9812	THRUST BEARING	2	-XXXXXX	
16	JD8856	NEEDLE BEARING	1	-XXXXXX	
17	T21903	WASHER	1		
18	T21758	ADAPTER	1		
19	T32488	WASHER	1	XXXXXX-	
20	T21759	STRAP	4		
21	T22714	PIN	2		
22	T21501	SPACER	1		(A) (RU WITH 12.4-28, 11.2-28 AND 14.9-24 TIRES)

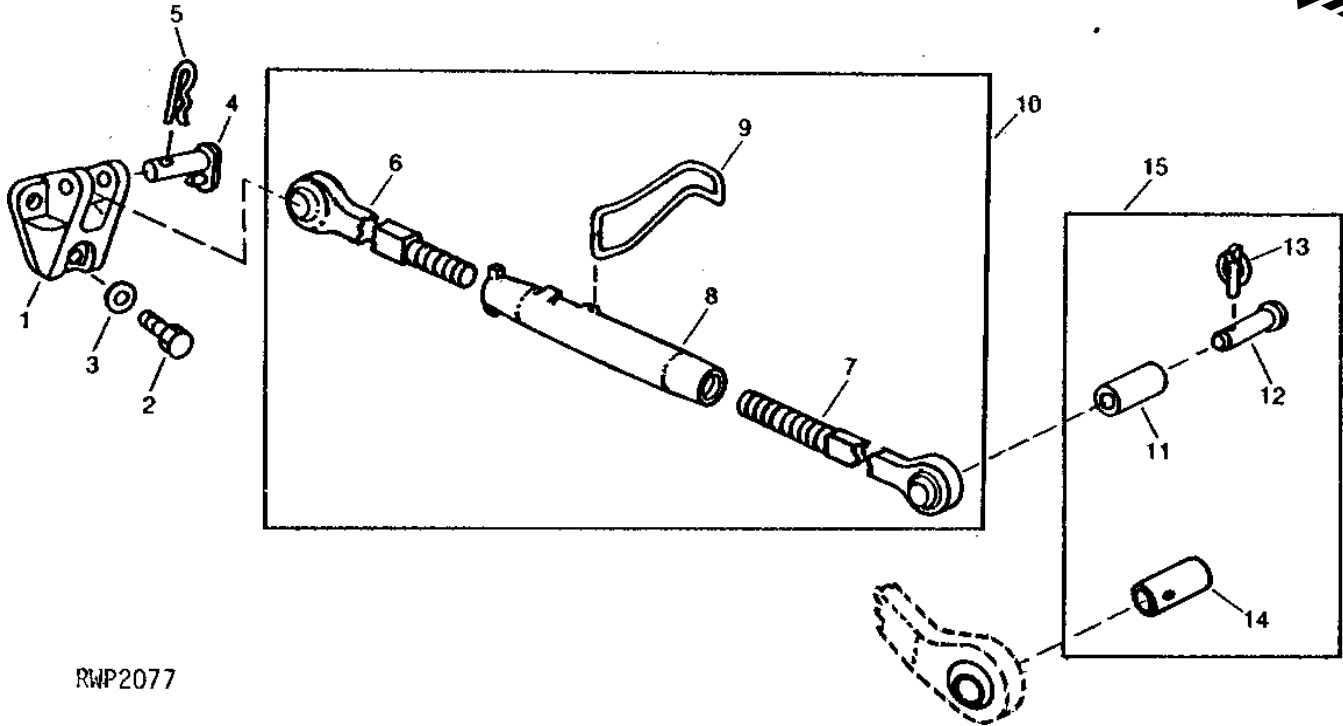
- (A) CATEGORY I
- (B) CATEGORY II
- (C) TELESCOPING DRAFT LINKS

2G24

HYDRAULICS

RWP2077 -UN-01JAN94

3-POINT HITCH CENTER LINK



RWP2077

KEY	PART NO.	PART NAME	QTY	TRACTOR SERIAL NO.	REMARKS
1	T21685	BRACKET	1		
2	19H1356	CAP SCREW	2		5/8" X 1-3/4"
	14H1039	NUT	1	-057464	5/8"
	T22648	STUD	1	-057464	(SUB 19H1356, THIS APPLICATION)
	19H1356	CAP SCREW	1	057465-	5/8" X 1-3/4"
3	12H294	LOCK WASHER	3		5/8"
4	AT21912	PIN	1		
5	A3581R	SPRING LOCKING PIN	1		
6	AT19795	END	1		
	AT30977	END	1		(B) (C)
7	AT19796	END	1		(B)
	AT19873	END	1		(A)
	AT30979	END	1		(B) (C)
8	T22028	LINK BODY	1		
	AT30978	LINK BODY	1		(B) (C)
9	T22008	HANDLE	1		(B) (C)
	T27136	HANDLE	1		(INCLUDES AT19795, AT19796, T22008 AND T22028)
10	AT20863	LINK	1		
11	T12553	BUSHING	1		(TO CONVERT CATEGORY II TO CATEGORY I)
	L11292	BUSHING	1		(C) (TO CONVERT CATEGORY II TO CATEGORY I)
12	R53296	PIN	1		(B) (SUB FOR F2683R OR R44918)
	R58262	PIN	1		(A) (SUB FOR F2682R, R28061 OR R44917)
13	AR62151	QUICK LOCK PIN	1		(SUB FOR B11182) (SUB M115827)
14	R66432	BUSHING	1		(A) 56MM (2-3/16") SHORT, (SUB FOR F2684R)
	R66433	BUSHING	1		(A) 65MM (2-9/16") LONG, (SUB FOR F2685R)
15	AT12350	BUSHING	1		(CATEGORY CONVERSION) (INCLUDES M115827, R58262, (2) R66432 AND T12553)

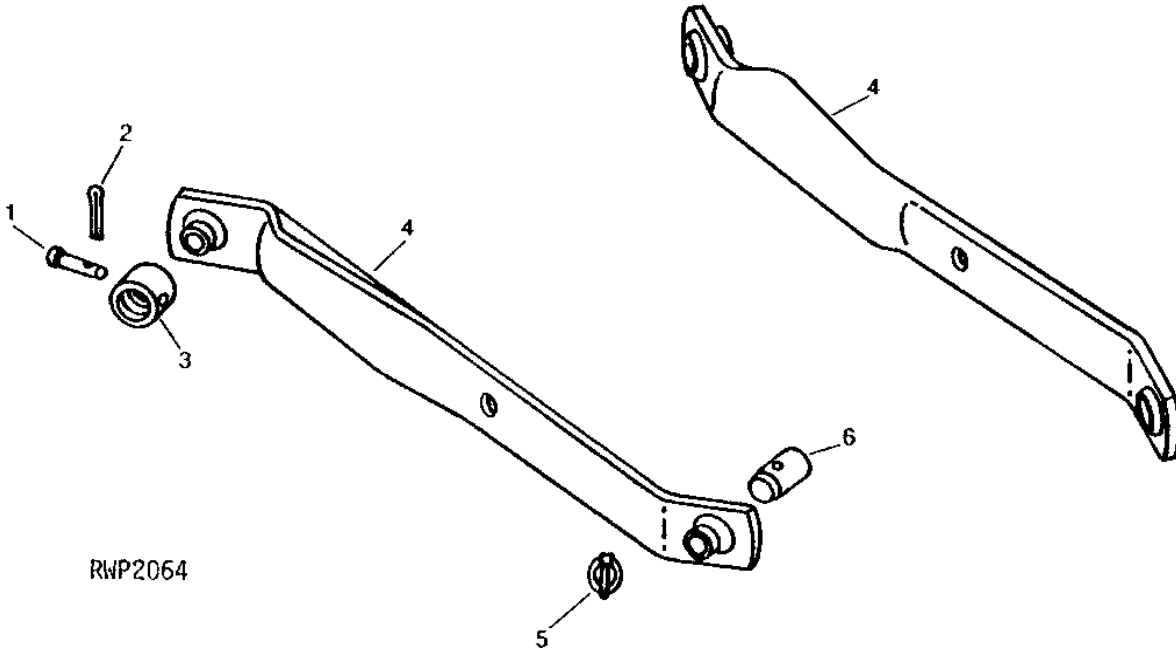
(A) CATEGORY I
 (B) CATEGORY II
 (C) NON-TELESCOPING DRAFT LINKS

2G25

HYDRAULICS

RWP2064 -UN-01JAN94

DRAFT LINKS



RWP2064

KEY	PART NO.	PART NAME	QTY	TRACTOR SERIAL NO.	REMARKS
1	14H902	NUT	2	-062251	3/4"
	19H1901	CAP SCREW	2	062252-XXXXXX	5/16" X 2"
	R57619	PIN	2	XXXXXX-	(SUB FOR R47063)
2	11M7087	COTTER PIN	2	-062251	4 X 40 MM
	T16464	LOCK NUT	1	062252-XXXXXX	
	11M7015	COTTER PIN	2	XXXXXX-	1/8"
3	T22649	BUSHING	2	-062251	
	T26597	RETAINER	2	062252-XXXXXX	
	R47061	BUSHING	2	XXXXXX-	
4	AT56648	DRAFT LINK	2		(CATEGORY I) (SUB FOR AT19857 OR AT28057)
	AR77530	DRAFT LINK	2		(CATEGORY II) (SUB FOR AT19849)
5	AR62149	QUICK LOCK PIN	1		(A) (SUB FOR DA5883A)
6	R66432	BUSHING	2		(A) SHORT, (SUB FOR F2684R)
	R66433	BUSHING	2		(A) LONG, (SUB FOR F2685R)

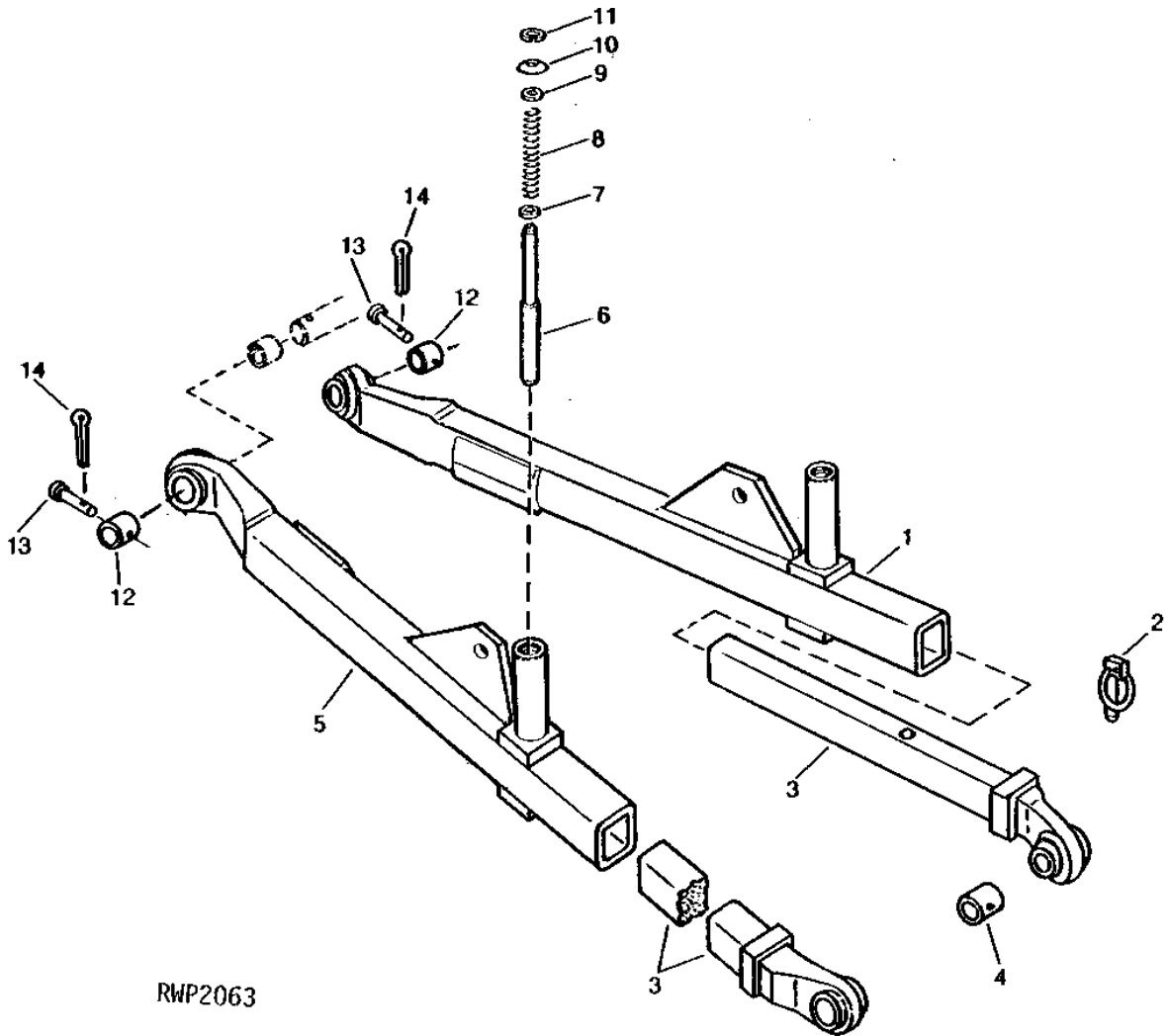
(A) TO CONVERT CATEGORY II TO CATEGORY I

2H1

HYDRAULICS

RWP2063 -UN-01JAN94

TELESCOPING DRAFT LINKS
(CATEGORY I AND II HITCH)



RWP2063

2H2

HYDRAULICS

TELESCOPING DRAFT LINKS - CONTINUED (CATEGORY I AND II HITCH)

KEY	PART NO.	PART NAME	QTY	TRACTOR SERIAL NO.	REMARKS
1	AT30150	DRAFT LINK	1		(SUB FOR AT22632)
2	AR62149	QUICK LOCK PIN	2		(A) (SUB FOR DA5883A)
3	AR28570	BAR	2		
4	R66432	BUSHING	2		(A) 56MM (2-3/16") SHORT, (SUB FOR F2684R)
	R66433	BUSHING	2		(A) 65MM (2-9/16") LONG, (SUB FOR F2685R)
5	AT30151	DRAFT LINK	1		(SUB FOR AT22633)
6	F2693R	PIN	2		
7	D2865R	WASHER	2		(SUB 24H1111)
8	F2695R	SPRING	2		
9	T18716	WASHER	2		
10	B2477R	WASHER	2		
11	F2208R	SNAP RING	2		
12	R47061	BUSHING	2		
13	R57619	PIN	2		(SUB FOR R47063)
14	11M7015	COTTER PIN	2		3.200 X 25 MM

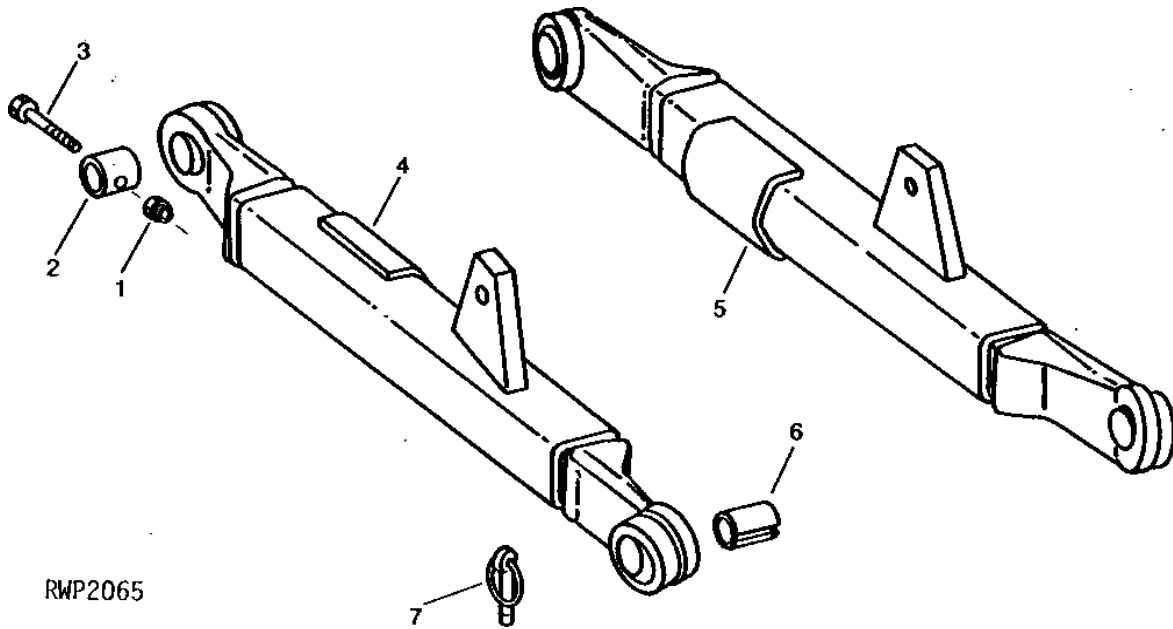
(A) TO CONVERT CATEGORY II TO CATEGORY I

2H3

HYDRAULICS

NON-TELESCOPING DRAFT LINKS (CATEGORY II)

RWP2065 -UN-01JAN94



RWP2065

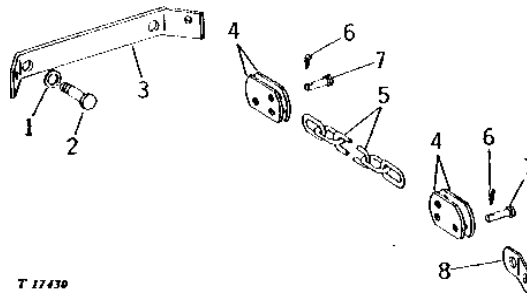
KEY	PART NO.	PART NAME	QTY	TRACTOR SERIAL NO.	REMARKS
1	T16464	LOCK NUT	2		
2	T26597	RETAINER	2		
3	19H1901	CAP SCREW	2	5/16" X 2"	
4	AT30981	DRAFT LINK	1	(SUB AT73351)	
5	AT30980	DRAFT LINK	1	(SUB AT73350)	
6	T25767	BUSHING	1		(TO CONVERT CATEGORY II TO CATEGORY I)
7	AR62149	QUICK LOCK PIN	1		(TO CONVERT CATEGORY II TO CATEGORY I) (SUB FOR DA5883A)

2H4

HYDRAULICS

**3-POINT HITCH SWAY CHAIN
(RU WITH 12.4-28,11.2-28 AND 14.9-24 TIRES)
(CATEGORY I)
(LESS INDEPENDENT PTO)**

T17430 -UN-01JAN94



KEY	PART NO.	PART NAME	QTY	TRACTOR SERIAL NO.	REMARKS
1	12H301	LOCK WASHER	2	1/2"	
2	19H1815	CAP SCREW	2	1/2" X 1-1/4"	
3	T22026	BRACKET	1	(NLA)	
4	T22027	LINK	8		
5	T21952	LINK CHAIN	2		
6	11M7084	COTTER PIN	8	5 X 25 MM	
7	T24669	PIN	8		
8	T22907	ANCHOR	2	(NLA)	

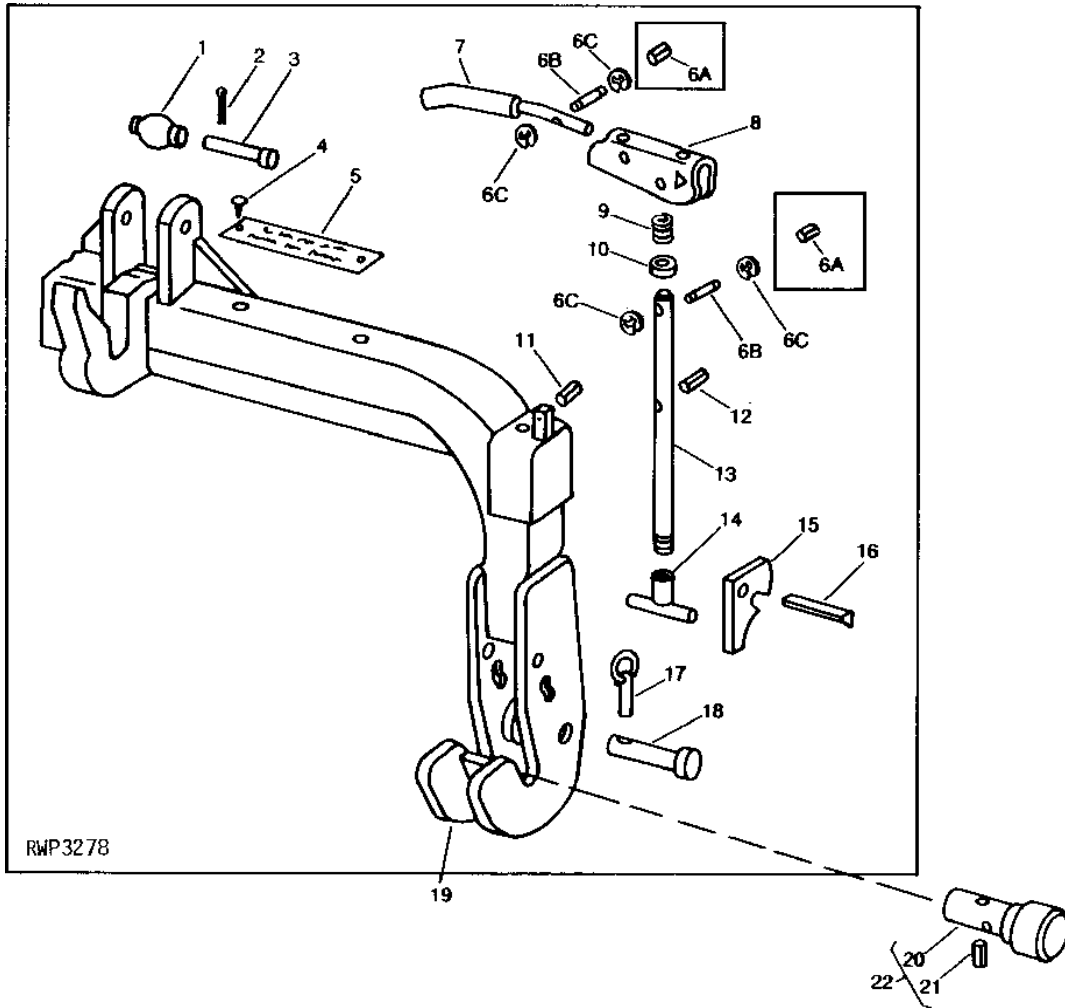
2H5

HYDRAULICS

RWP3278

-UN-06OCT94

IMPLEMENT QUICK COUPLER



2H6

HYDRAULICS

IMPLEMENT QUICK COUPLER - CONTINUED

KEY	PART NO.	PART NAME	QTY	TRACTOR SERIAL NO.	REMARKS
1	F2681R	BALL	1		
2	11M7040	COTTER PIN	1		0.248" X 1.969"
3	R53296	PIN	1		(SUB FOR R44918)
4	37H44	SCREW	2		0.151" X 3/8"
5	R56039	DECAL	1		
6A	34H311	SPRING PIN	2	-XXXXXX	1/4" X 7/8"
6B	R66901	SPRING PIN	2	XXXXXX-	
6C	R72654	SNAP RING	4	XXXXXX-	(SUB FOR R27507)
7	R48163	HANDLE	2		
8	R48164	LEVER	2		
9	R43444	SPRING	2		
10	R46890	SLEEVE	2		
11	34H311	SPRING PIN	2		1/4" X 7/8"
12	34H277	SPRING PIN	2		3/16" X 5/8"
13	R46889	STUD	2		
14	AR49206	PIN	2		
15	R46893	LATCH	2		
16	34H373	SPRING PIN	2		1/2" X 2-1/2"
17	AR62151	QUICK LOCK PIN	2		(SUB M115827)
18	R58268	PIN	2		(SUB FOR R27997)
19	TY15269	HITCH	1		(SUB FOR AR49202)
20	R27998	HALF SLEEVE	2		
21	R27999	SPRING PIN	2		
22	AR27093	ADAPTER	2		

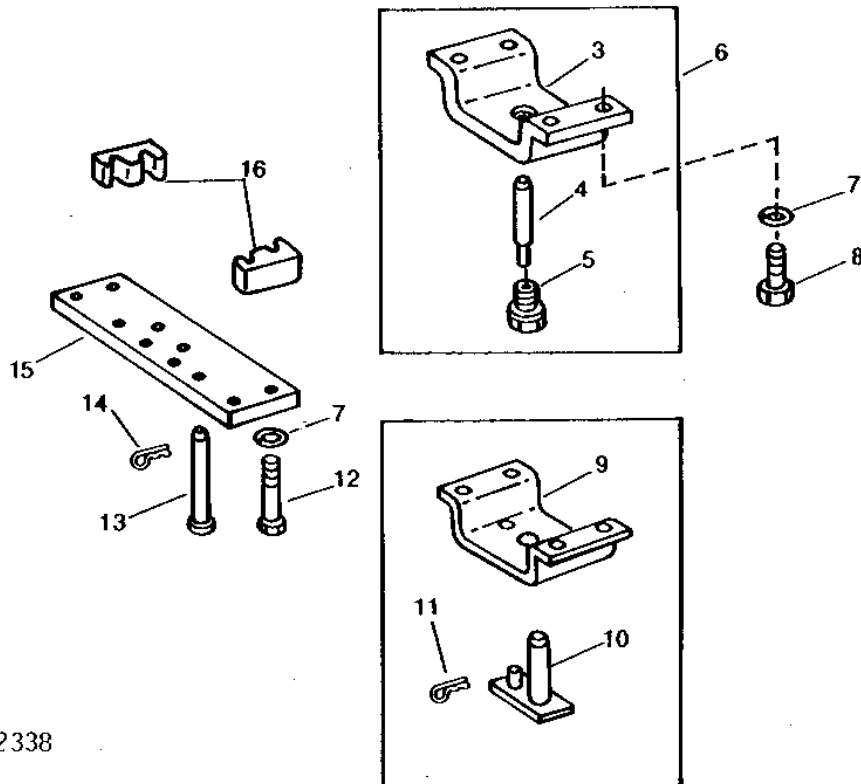
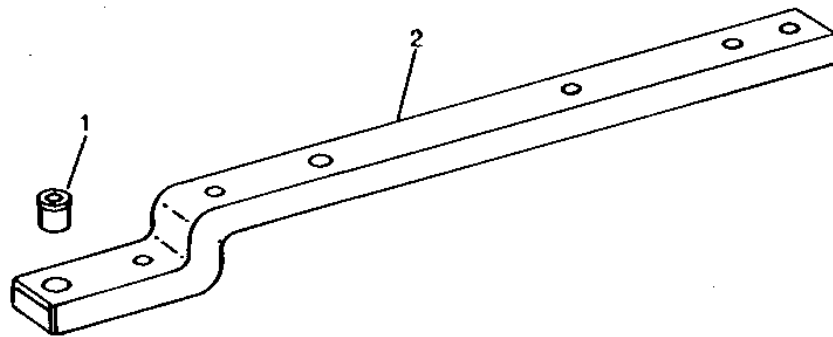
2H7

HYDRAULICS

RWP2338

-UN-01JAN94

SWINGING DRAWBAR ASSEMBLY



RWP2338

2H8

HYDRAULICS

SWINGING DRAWBAR ASSEMBLY - CONTINUED

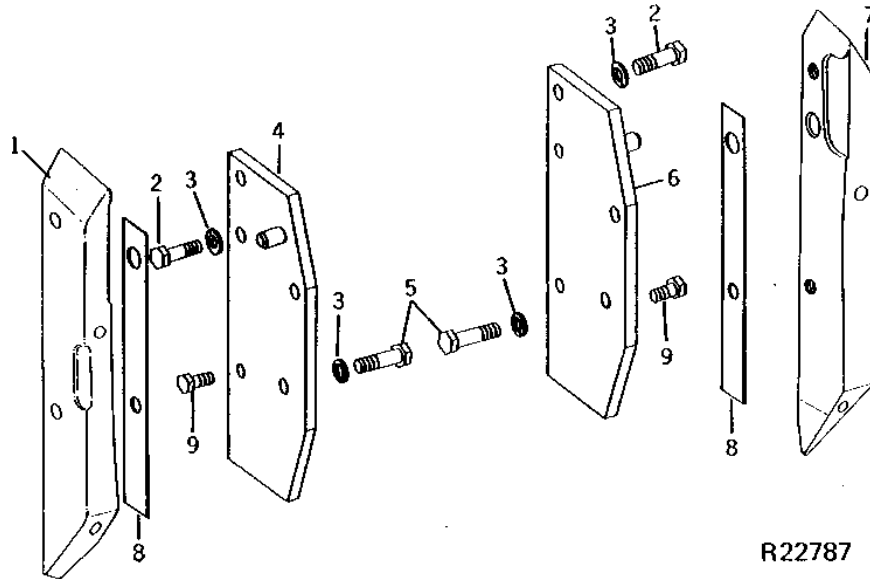
KEY	PART NO.	PART NAME	QTY	TRACTOR SERIAL NO.	REMARKS
1	R70080	SPACER	1		(TO CONVERT 35MM TO 19.8MM)
2	L29020	DRAWBAR	1		(HU) (ALSO ORDER (2) L29023) (SUB FOR T27969)
	R61126	DRAWBAR	1		(LU, RU) (ALSO ORDER (2) L29023) (SUB FOR T21667)
3	AL27203	SUPPORT	1	XXXXXX-	FRONT
4	L32016	PIN	1	XXXXXX-	
5	L31849	ADAPTER	1	XXXXXX-	
6	AR101210	KIT	1	XXXXXX-	DRAWBAR FRONT SUPPORT, (SUB AL27203, L31849 AND L32016)
7	12H301	LOCK WASHER	8		1/2"
8	19H1815	CAP SCREW	4		1/2" X 1-1/4"
9	T21672	SUPPORT	1	-XXXXXX	(SUB AL27203, L31849 AND L32016)
10	AT19850	PIN	1	-XXXXXX	(SUB AL27203, L31849 AND L32016)
11	T22848	SPRING LOCKING PIN	1	-XXXXXX	
12	19H1820	CAP SCREW	4		1/2" X 3"
13	L29022	PIN	2		(SUB FOR T32016)
14	A3581R	SPRING LOCKING PIN	2		
15	T21677	SUPPORT	1		
16	L29023	SPACER	2		(2-1/2" WIDE DRAWBAR)
	T21913	SPACER	2		(2" WIDE DRAWBAR)

2H9

HYDRAULICS

R22787 -UN-01JAN94

SWAY BLOCKS AND SUPPORTS



R22787

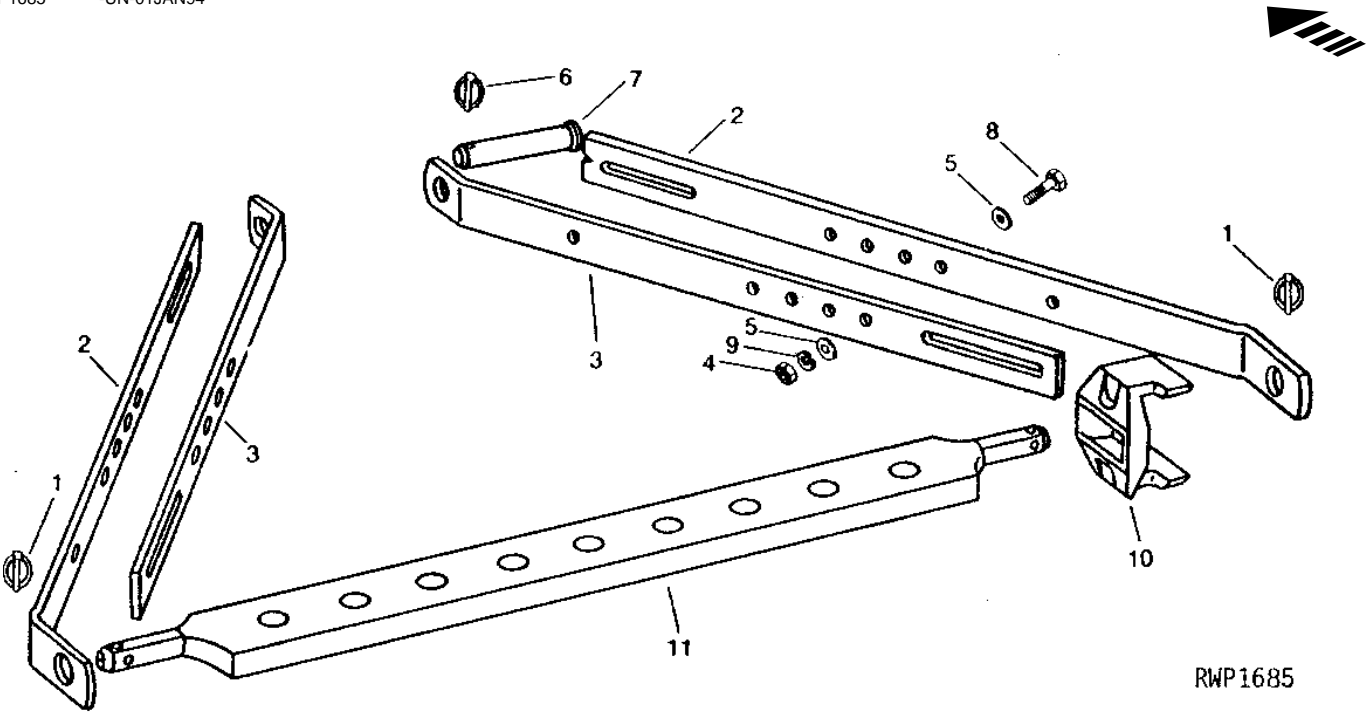
KEY	PART NO.	PART NAME	QTY	TRACTOR SERIAL NO.	REMARKS
1	T30277	SWAY BLOCK	1		(SUB FOR T21464)
2	19H1815	CAP SCREW	4		1/2" X 1-1/4"
3	12H301	LOCK WASHER	6		1/2"
4	AR90971	SUPPORT	1		(SUB FOR AT20168)
5	19H1721	CAP SCREW	2		1/2" X 1-1/2"
6	AT20167	SUPPORT	1		
7	T30276	SWAY BLOCK	1		(SUB FOR T21463)
8	T23230	STRAP	2		(SUB FOR AT29301)
	T23230	STRAP	8		(NON-TELESCOPING DRAFT TUBES) (SUB FOR AT29301)
	14H823	NUT	2	-076416	1/2"
9	19H1936	CAP SCREW	2		3/8" X 3/4"

2H10

HYDRAULICS

RWP1685 -UN-01JAN94

3-POINT HITCH DRAWBAR



RWP1685

KEY	PART NO.	PART NAME	QTY	TRACTOR SERIAL NO.	REMARKS
1	AR62150	QUICK LOCK PIN	2		(SUB FOR R36471)
2	T22118	STRAP	2		(A) (HU, RU)
	T22124	STRAP	2		(B) (LU, RU)
3	T22119	STRAP	2		
4	14H1040	NUT	6	1/2"	
5	24H1341	WASHER	12	17/32" X 15/16" X 0.060"	
6	AR62151	QUICK LOCK PIN	1		(SUB M115827)
7	T22120	PIN	1		
8	19H2473	CAP SCREW	6	1/2" X 1-3/4"	
9	12H301	LOCK WASHER	6	1/2"	
10	T22117	STABILIZER	1	-068219	(A) (HU, RU) (SUB T29307)
	T29307	STABILIZER	1		(A) (HU, RU)
11	T22123	STABILIZER	1	-072548	(B) (LU, RU) (SUB T29748)
	T30930	STABILIZER	1		(B) (LU, RU) (SUB FOR T29748 OR T22123)
	T21678	DRAWBAR	1		(A) (HU, RU)
	T21679	DRAWBAR	1		(B) (LU, RU)

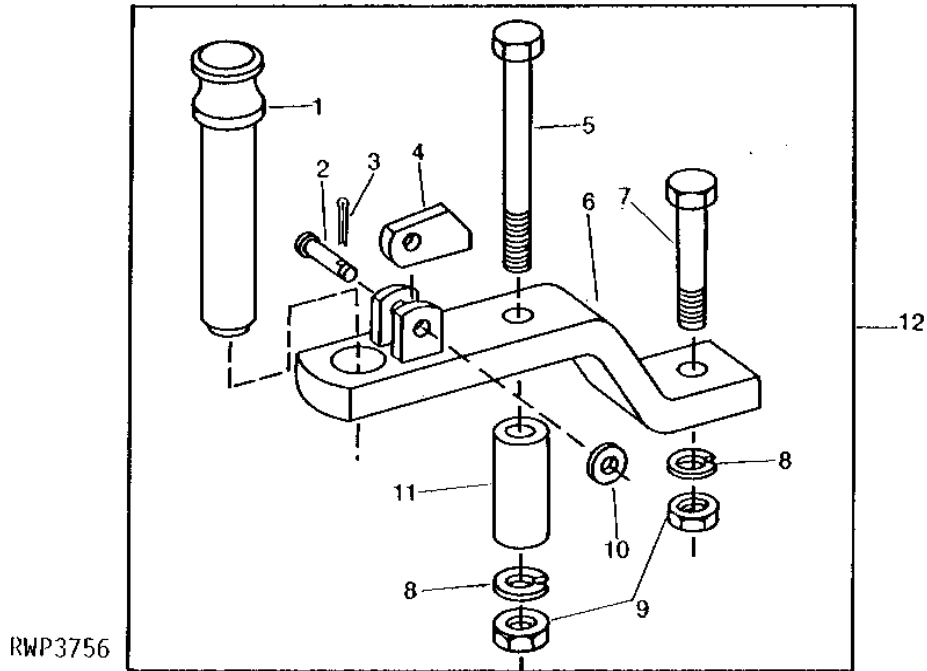
(A) CATEGORY II
(B) CATEGORY I

2H11

HYDRAULICS

RWP3756 -UN-01JAN94

HAMMER STRAP ASSEMBLY



RWP3756

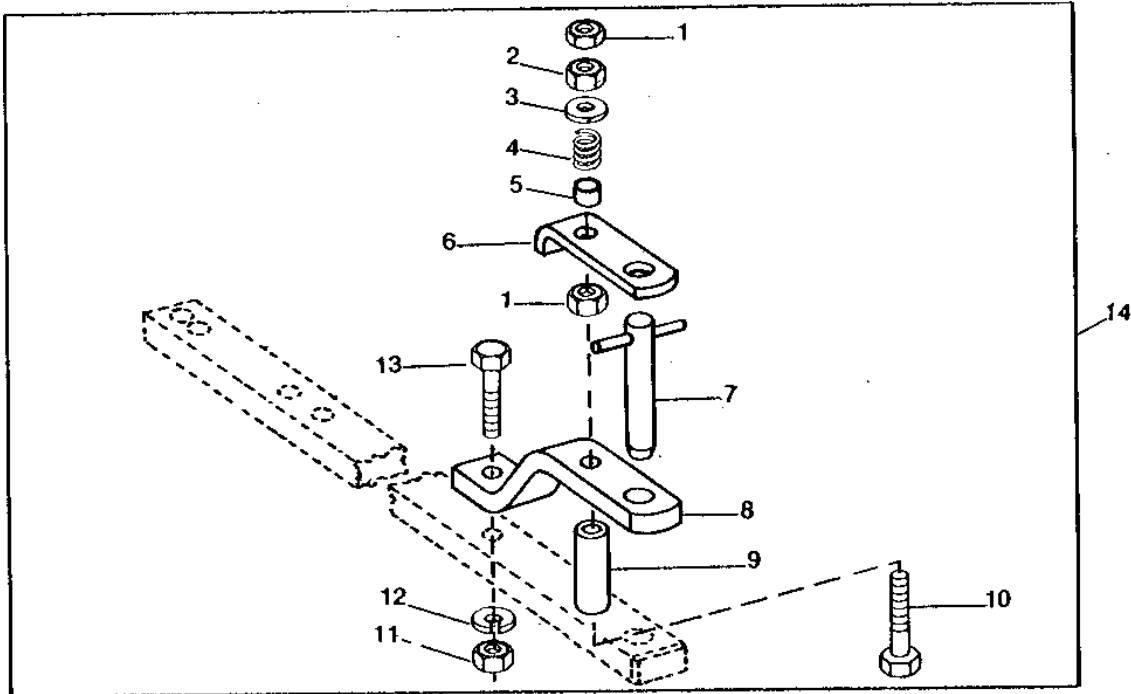
KEY	PART NO.	PART NAME	QTY	TRACTOR SERIAL NO.	REMARKS
1	T29645	PIN	1	(SUB L63825 AND L63826)	
2	R52107	PIN	1	(SUB N167122)	
3	11M7077	COTTER PIN	1	1.600 X 25 MM	
4	L63826	LATCH	1	(SUB FOR T29644)	
5	19H3174	CAP SCREW	1	5/8" X 5-1/4"	
6	AT28198	STRAP	1	(STRAIGHT DRAWBAR) (INCLUDED IN AR74111)	
	AT28197	STRAP	1	(OFFSET DRAWBAR) (INCLUDED IN AR78279)	
7	19H1863	CAP SCREW	1	5/8" X 3"	
8	12H294	LOCK WASHER	2	5/8"	
9	14H1039	NUT	2	5/8"	
10	24H1292	WASHER	1	11/32" X 3/4" X 0.120"	
11	T29892	SPACER	1		
12	AR74111	KIT	1	(USE WITH R61126) (SUB RE39829)	
	AR78279	KIT	1	(USE WITH L29020) (SUB RE39830)	

2H12

HYDRAULICS

RWP3979 -UN-01JAN94

DRAWBAR HAMMER STRAP



RWP3979

KEY	PART NO.	PART NAME	QTY	TRACTOR SERIAL NO.	REMARKS
1	14H821	NUT	2	5/8"	
2	14H1039	NUT	1	5/8"	
3	24H1372	WASHER	1	21/32" X 1-1/2" X 0.060"	
4	F3541R	SPRING	1		
5	F3542R	BUSHING	1		
6	F3539R	RETAINER	1		
7	AR69988	PIN	1		
8	T29899	STRAP	1		STRAIGHT DRAWBAR
	T29897	STRAP	1		OFFSET DRAWBAR
9	L57595	SPACER	1	(A) (C) (SUB FOR T29892)	
	N186901	SPACER	1	(A) (D)	
	24H1372	WASHER	7	(B) (D) 21/32" X 1-1/2" X 0.060"	
10	19H2432	CAP SCREW	1	(A) (C) 5/8" X 7-1/2"	
	08H4770	CAP SCREW	2	(B) (D) 5/8" X 8-1/4"	
11	14H1039	NUT	1	5/8"	
12	12H294	LOCK WASHER	1	5/8"	
13	19H1863	CAP SCREW	1	5/8" X 3"	
14	RE13089	KIT	1		STRAIGHT DRAWBAR, (SUB RE39829)
	RE13090	KIT	1		OFFSET DRAWBAR, (SUB RE39830)

- (A) USE WITH RE13089 OR RE13090
- (B) USE WITH RE39829 OR RE39830
- (C) WITHOUT SAFETY CHAIN CLEVIS
- (D) WITH SAFETY CHAIN CLEVIS

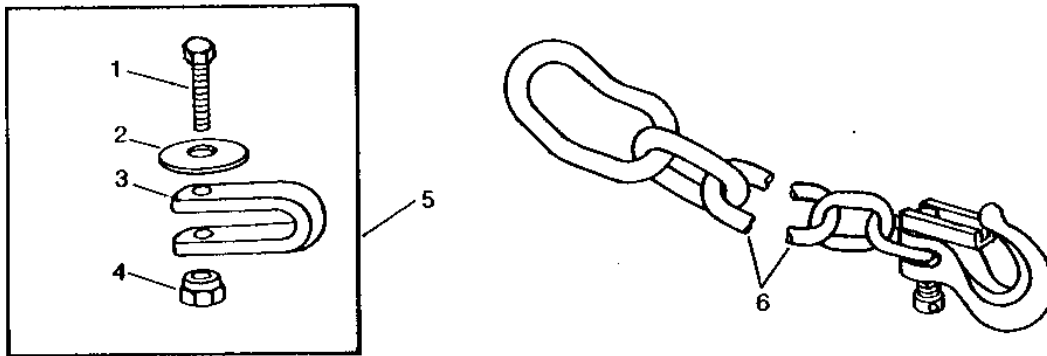
MEMORANDA

2H13

HYDRAULICS

RWP5796 -UN-01JAN94

IMPLEMENT SAFETY CHAIN



RWP5796

KEY	PART NO.	PART NAME	QTY	TRACTOR SERIAL NO.	REMARKS
1	19H1768	CAP SCREW	1	(A) (B) 3/4" X 2"	
	19H2084	CAP SCREW	1	(A) 3/4" X 4-1/2"	
	19H2174	CAP SCREW	1	(B) 3/4" X 4-1/4"	
2	R36402	WASHER	1		
3	R69408	CLEVIS	1	(A)	
	R69409	CLEVIS	1	(B)	
4	T25879	NUT	2		
5	AR90577	SAFETY CHAIN ADAPTER KIT	1	(A)	
	AR90578	CHAIN KIT	1	(B)	
6	RE26739	LINK CHAIN	1	6.4 MM (1/4") 2722 KG (6,000 LB)	
	AR90581	LINK CHAIN	1	6.4 MM (1/4") 4536 KG (10,000 LB)	
	AR90579	LINK CHAIN	1	9.5 MM (3/8")	
	AR90583	LINK CHAIN	1	11.1 MM (7/16")	
	AN212996	LINK CHAIN	1	12.7 MM (1/2") (SUB FOR RE26740)	

(A) CATEGORY IV

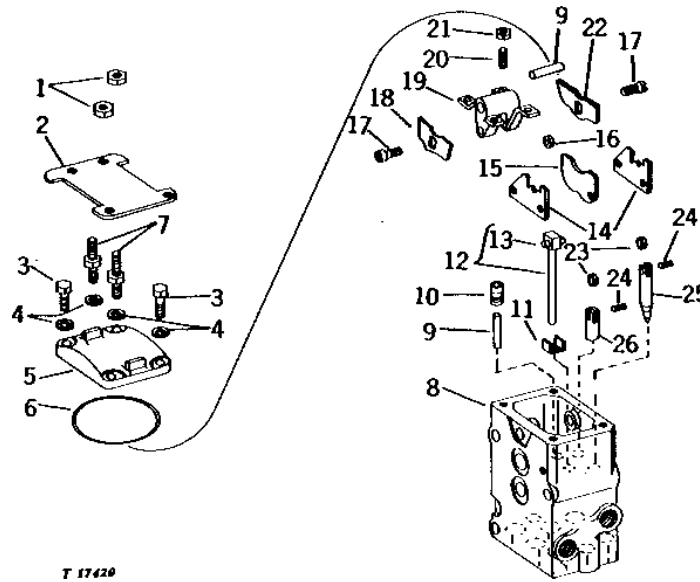
(B) CATEGORY II/III

2H14

HYDRAULICS

SELECTIVE CONTROL VALVE
(UPPER HALF)
(TRACTOR SERIAL NO. -079541)
(TRACTOR SERIAL NO. 080051-080196)

T17420 -UN-01JAN94



T 17420

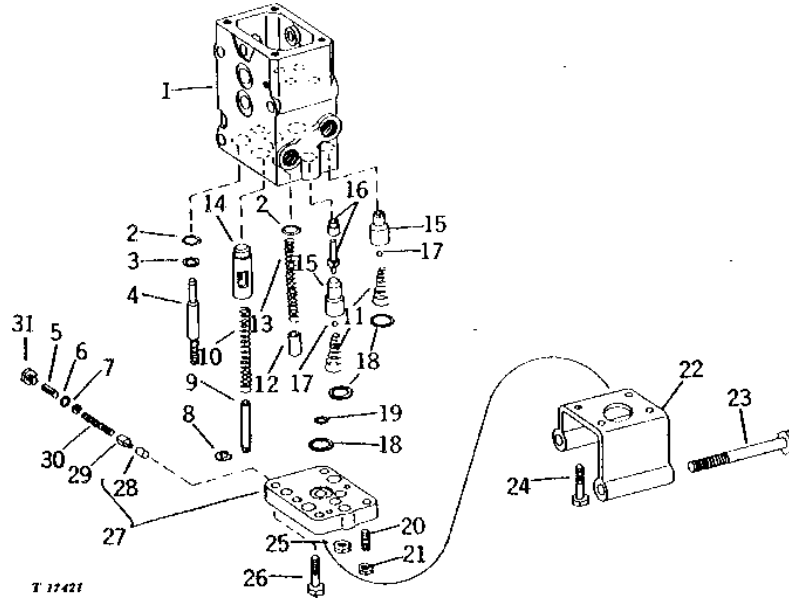
KEY	PART NO.	PART NAME	QTY	TRACTOR SERIAL NO.	REMARKS
1	14H732	NUT	2	3/8"	
2	T22996	ADJUSTING STRAP	1		
3	19H1731	CAP SCREW	2	3/8" X 1"	
4	12H304	LOCK WASHER	4	3/8"	
5	R49187	WASHER	1		(ALSO ORDER R49186) (SUB FOR R27593)
6	R26544	WASHER	1		
7	R39225	STUD	2		
8	AR40824	HOUSING	1		(MARKED R41197) (SUB FOR AR35823)
9	R28744	PIN	2		
10	AR78483	GUIDE	1		(SUB FOR AR31703)
11	R28635	CLIP	1		
12	AR27867	GUIDE	1		
13	R28634	PIN	1		
14	R32389	DETENT	2		(SUB FOR AR31813)
15	R26978	CAM	1		
16	R51409	SPACER	1		(SUB FOR R26980 OR R41613)
17	R27233	SCREW	2		
18	R51415	CAM	1		LOWER, (SUB FOR R27589 OR R41932)
19	R27587	ROCKER	1		
20	22H1012	SET SCREW	4	1/4" X 3/4"	
21	14H850	NUT	4	1/4"	
22	R51414	CAM	1		UPPER, (SUB FOR R27588 OR R41931)
23	R51409	SPACER	4		(SUB FOR R26980 OR R41613)
24	34H241	SPRING PIN	4	1/8" X 3/8"	
25	R27678	CAM FOLLOWER	2		RETURN VALVE
26	R26982	CAM FOLLOWER	2		PRESSURE VALVE
..	AR39142	KIT	1		SINGLE SELECTIVE CONTROL VALVE, (SUB AR39144, AR26697, (2) R26149, (5) R26375 AND R26544)
..	AR39143	KIT	1		DUAL SELECTIVE CONTROL VALVE, (SUB AR26697, AR41102, (2) R26149, (5) R26375 AND R26544)

2H15

HYDRAULICS

**SELECTIVE CONTROL VALVE
(LOWER HALF)
(TRACTOR SERIAL NO. -079541)
(TRACTOR SERIAL NO. 080051-080196)**

T17421 -UN-01JAN94



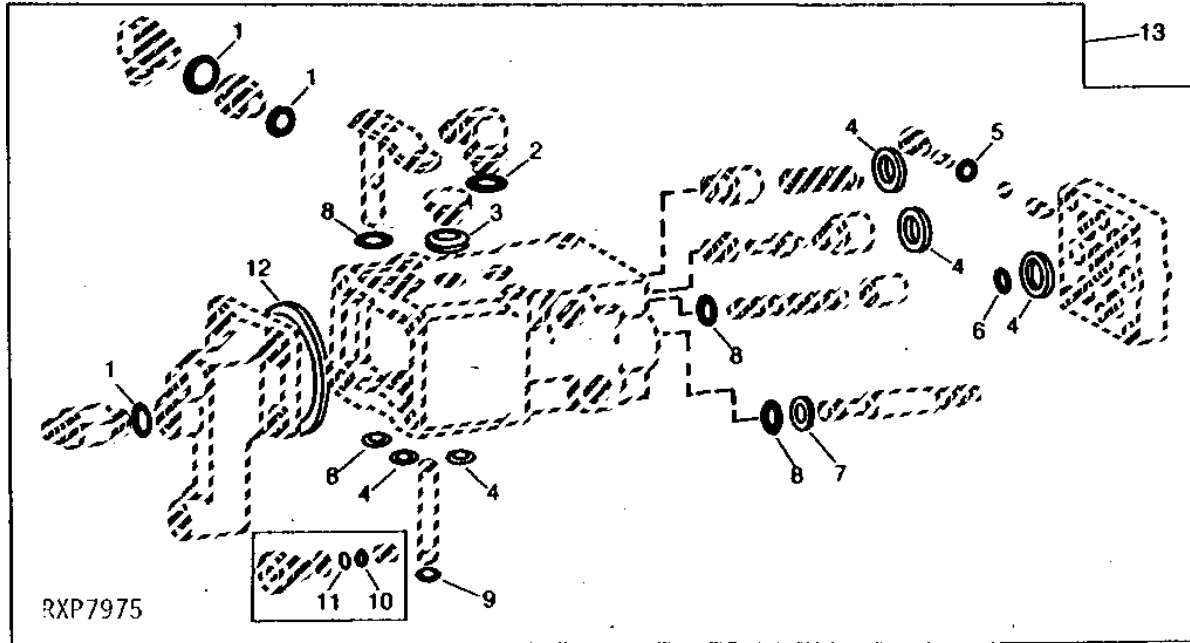
KEY	PART NO.	PART NAME	QTY	TRACTOR SERIAL NO.	REMARKS
1	AR40824	HOUSING	1		(MARKED R41197) (SUB FOR AR35823)
2	R394R	O-RING	2		
3	R26551	BACK-UP RING	1		
4	R27231	VALVE	1		
5	34H247	SPRING PIN	1		1/8" X 3/4"
6	R26287	O-RING	1		
7	R26478	SHIM	AR		0.50 MM (.020")
	R26479	SHIM	AR		0.76 MM (.030")
8	R72653	SNAP RING	1		(SUB FOR M2396T)
9	R26822	PIN	1		
10	R26974	SPRING	1		
11	R26565	SPRING	4		
12	R28563	PIN	1		
13	R42334	SPRING	1		(SUB FOR R28561)
14	R27489	VALVE	1		
15	R28124	VALVE	4		(USE WITH AR35823)
	R41175	VALVE	4		(USE WITH AR40824)
16	R32412	SHAFT	2		(SUB FOR AR31820) (ALSO ORDER AR40744)
17	400R	BALL	4		6MM (1/4")
18	R26149	PACKING	5		
19	A4365R	O-RING	1		
20	22H1012	SET SCREW	1		1/4" X 3/4"
21	14H850	NUT	1		1/4"
22	AR39095	BRACKET	1		(NLA)
23	19H3597	CAP SCREW	2		1/2" X 4-3/4"
24	19H3552	CAP SCREW	4		5/16" X 1-1/2"
25	14H774	NUT	1		3/8"
26	19H1849	CAP SCREW	2		5/16" X 1-1/4"
27	AR31663	COVER	1		(MARKED R32411)
28	R27211	VALVE SEAT	1		
29	R55678	RELIEF VALVE	1		(SUB FOR R31565)
30	R26477	SPRING	1		
31	R27216	DRAIN PLUG	1		
..	AR39142	KIT	1		SINGLE SELECTIVE CONTROL VALVE, (SUB AR39144, AR26697, (2) R26149, (5) R26375 AND R26544)
..	AR39143	KIT	1		DUAL SELECTIVE CONTROL VALVE, (SUB AR26697, AR41102, (2) R26149, (5) R26375 AND R26544)

2H16

HYDRAULICS

SELECTIVE CONTROL VALVE OVERHAUL KIT
 (TRACTOR SERIAL NO. -079541)
 (TRACTOR SERIAL NO. 080051-080196)

RXP7975 -UN-01JAN94



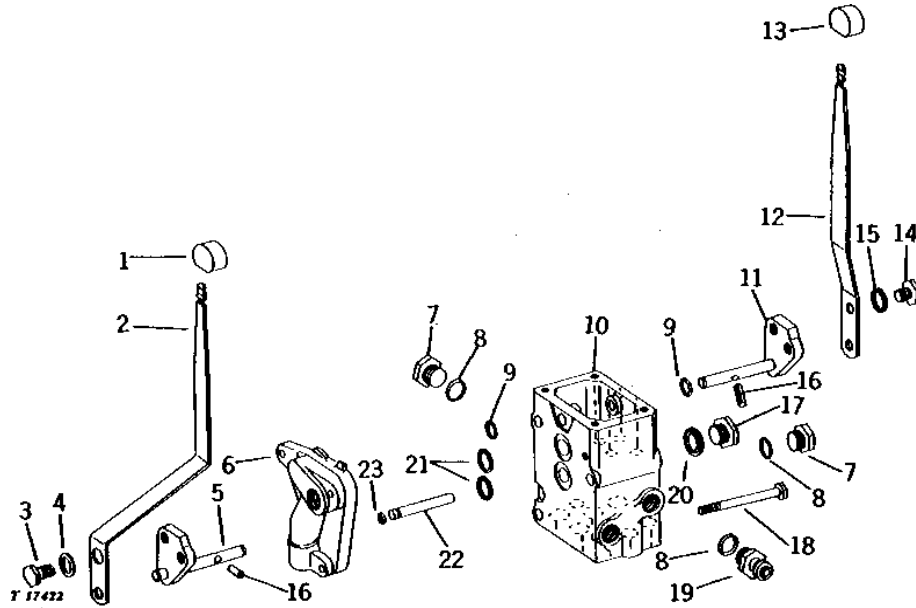
KEY	PART NO.	PART NAME	QTY	TRACTOR SERIAL NO.	REMARKS
1	R26375	O-RING	4		
2	R26375	O-RING	2		
	R26448	O-RING	2		
3	AR26697	SEALING WASHER	1		
4	R26149	PACKING	7		
5	R26287	O-RING	1		
6	A4365R	O-RING	1		
7	R26551	BACK-UP RING	1		
8	R394R	O-RING	4		
9	T17951	O-RING	1	(SUB FOR R27490)	
10	R26977	BACK-UP RING	1		
11	R26976	O-RING	1		
12	R26544	WASHER	1		
13	AR34295	KIT	1	(SUB FOR AR30690)	

2H17

HYDRAULICS

SELECTIVE CONTROL VALVE LEVERS AND ARMS
(TRACTOR SERIAL NO. -079541)
(TRACTOR SERIAL NO. 080051-080196)

T17422 -UN-01JAN94



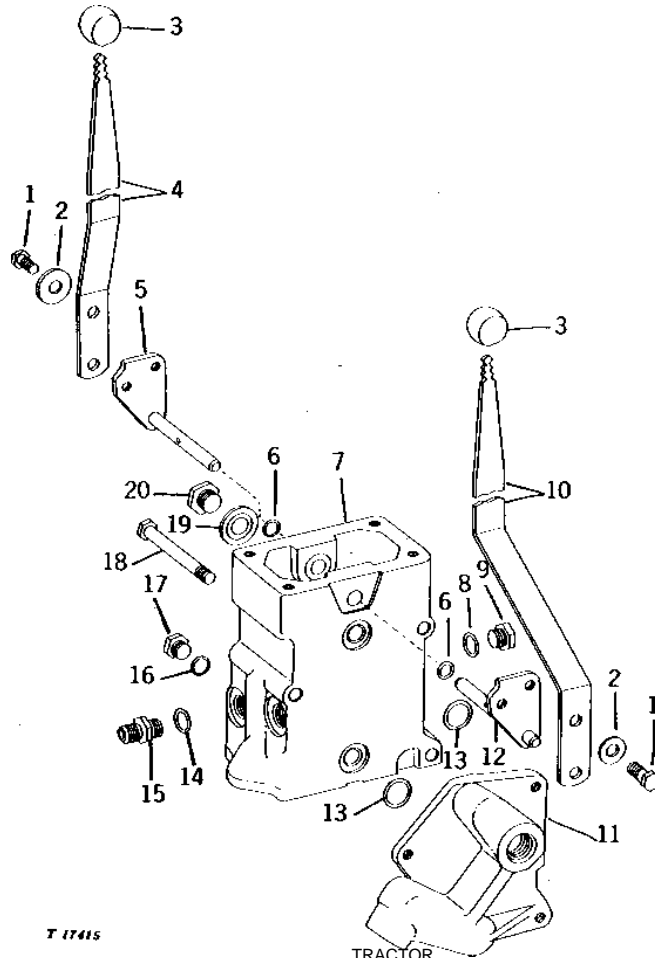
KEY	PART NO.	PART NAME	QTY	TRACTOR SERIAL NO.	REMARKS
1	T22883	GRIP	1		
2	T23069	LEVER	1	(HU,RU)	
	T23070	LEVER	1	(LU) (NLA)	
3	19H1895	CAP SCREW	1	1/2" X 3/4"	
4	24H1625	WASHER	1	17/32" X 1" X 0.120"	
5	AR39157	ARM	1	(SUB FOR AR39092)	
6	R39170	COVER	1	(NO LONGER AVAILABLE)	
7	R39112	FITTING	AR	(3 USED SINGLE) (5 USED DUAL)	
8	R26375	O-RING	AR	(5 USED SINGLE) (7 USED DUAL)	
9	R394R	O-RING	2		
10	AR40824	HOUSING	1	(MARKED R41197) (SUB FOR AR35823)	
11	AR39158	ARM	1	(DUAL) (HU, RU) (SUB FOR AR39091)	
12	T23071	LEVER	1	(DUAL) (HU, RU)	
13	T22883	GRIP	1	(DUAL) (HU, RU)	
14	19H1895	CAP SCREW	1	1/2" X 3/4", (DUAL) (HU, RU)	
15	24H1625	WASHER	1	17/32" X 1" X 0.120", (DUAL) (HU, RU)	
16	34H297	SPRING PIN	AR	7/32" X 1", (1 USED SINGLE) (2 USED DUAL)	
17	R41155	PLUG	1	(SUB FOR R26986)	
18	19H1912	CAP SCREW	3	3/8" X 3-1/2", (SINGLE)	
	19H3328	CAP SCREW	3	3/8" X 6-1/2", (DUAL) (HU, RU)	
19	R27237	FITTING	2		
20	AR26697	SEALING WASHER	1		
21	R26149	PACKING	2		
22	R27060	PIN	1		
23	T17951	O-RING	1	(SUB FOR R27490)	
..	AR39142	KIT	1	SINGLE SELECTIVE CONTROL VALVE, (SUB AR39144, AR26697, (2) R26149, (5) R26375 AND R26544)	
..	AR39143	KIT	1	DUAL SELECTIVE CONTROL VALVE, (SUB AR26697, AR41102, (2) R26149, (5) R26375 AND R26544)	

2H18

HYDRAULICS

SELECTIVE CONTROL VALVE LEVERS AND ARMS
(TRACTOR SERIAL NO. 079542-080050)
(TRACTOR SERIAL NO. 080197-)

T17415 -UN-01JAN94



T 17415

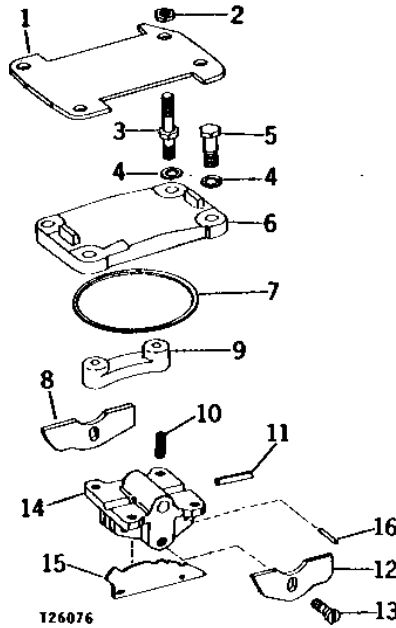
KEY	PART NO.	PART NAME	QTY	TRACTOR SERIAL NO.	REMARKS
1	19H1895	CAP SCREW	1		1/2" X 3/4"
2	24H1625	WASHER	1		17/32" X 1" X 0.120"
3	T22883	GRIP	1		
4	T23071	LEVER	1		(DUAL)
5	AR39158	ARM	1		OUTER (DUAL)
6	R394R	O-RING	2		(SUB R65287, THIS APPLICATION)
7	AR40828	HOUSING	1	-XXXXXX	(MARKED R40599) (SUB AR83549, R27166, R41057, R59629, (2) R65501, (2) R65502, R66916, R74695 AND R65289)
	AR83549	HOUSING	1	XXXXXX-	(MARKED R65504)
8	R26375	O-RING	2		
9	R39112	FITTING	2		
10	T23069	LEVER	1		
11	R39289	COVER	1		
12	AR39157	ARM	1		INNER
13	R26149	PACKING	2		
14	R26375	O-RING	2		
15	R27237	FITTING	2		
16	R26448	O-RING	1		
17	R27218	FITTING PLUG	1		
18	19H1912	CAP SCREW	3		3/8" X 3-1/2", (SINGLE)
	19H3328	CAP SCREW	3		3/8" X 6-1/2", (DUAL)
19	AR26697	SEALING WASHER	1		
20	R41155	PLUG	1		

2H19

HYDRAULICS

SELECTIVE CONTROL VALVE COVER AND ROCKER
 (TRACTOR SERIAL NO. 079542-080050)
 (TRACTOR SERIAL NO. 080197-)

T26076 -UN-01JAN94



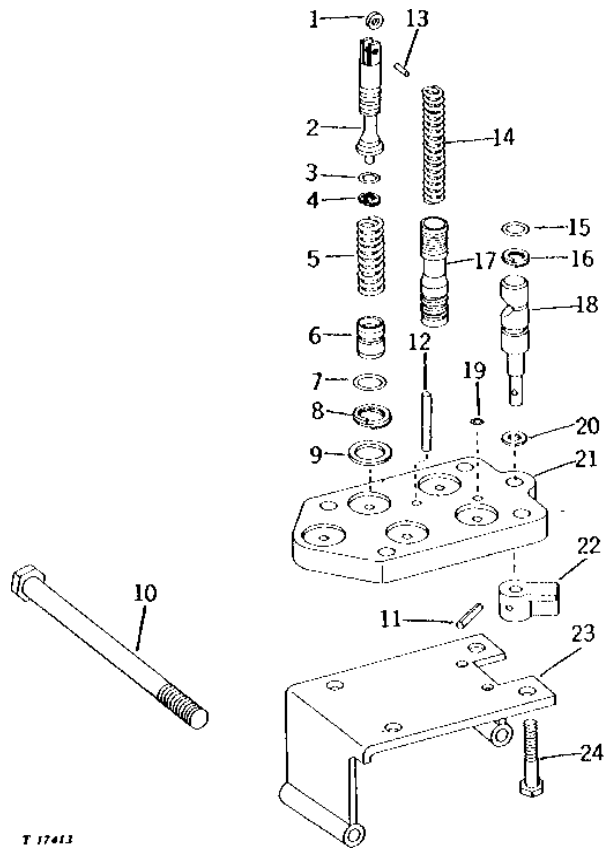
KEY	PART NO.	PART NAME	QTY	SERIAL OR MODEL NO.	REMARKS
1	T22996	ADJUSTING STRAP	1		
2	14H732	NUT	2	3/8"	
3	R39225	STUD	2		
4	12H304	LOCK WASHER	4	3/8"	
5	19H1731	CAP SCREW	2	3/8" X 1"	
6	R27593	COVER	1	-XXXXXX	(SUB R49186 AND R49187)
	R49186	COVER	1	XXXXXX-	
7	R26544	WASHER	1	-XXXXXX	
	R49187	WASHER	1	XXXXXX-	
8	R41931	CAM	1	-10SC3	UPPER, (SUB R51414)
	R51414	CAM	1	10SC4-	UPPER
9	R49221	RETAINER	2		
10	22H1025	SET SCREW	4		1/4" X 7/8"
11	34H297	SPRING PIN	1		7/32" X 1"
12	R41932	CAM	1	-10SC3	LOWER, (SUB R51415)
	R51415	CAM	1	10SC4-	LOWER
13	R27233	SCREW	2		
14	R40898	ROCKER	1	-10SC3	(SUB R51412, R51413, R51414, R51415 AND R28744)
	R51412	ROCKER	1	10SC4-	
15	R51413	CAM	1	10SC4-	
16	R28744	PIN	2	10SC4-	

2H20

HYDRAULICS

SELECTIVE CONTROL VALVE POPPET, METERING AND FLOW CONTROL VALVE
(TRACTOR SERIAL NO. 079542-080050)
(TRACTOR SERIAL NO. 080197-)
(EARLY DESIGN)

T17413 -UN-01JAN94



T 17413

2H21

HYDRAULICS

SELECTIVE CONTROL VALVE POPPET, METERING AND FLOW CONTROL VALVE - CONTINUED
 (TRACTOR SERIAL NO. 079542-080050)
 (TRACTOR SERIAL NO. 080197-)
 (EARLY DESIGN)

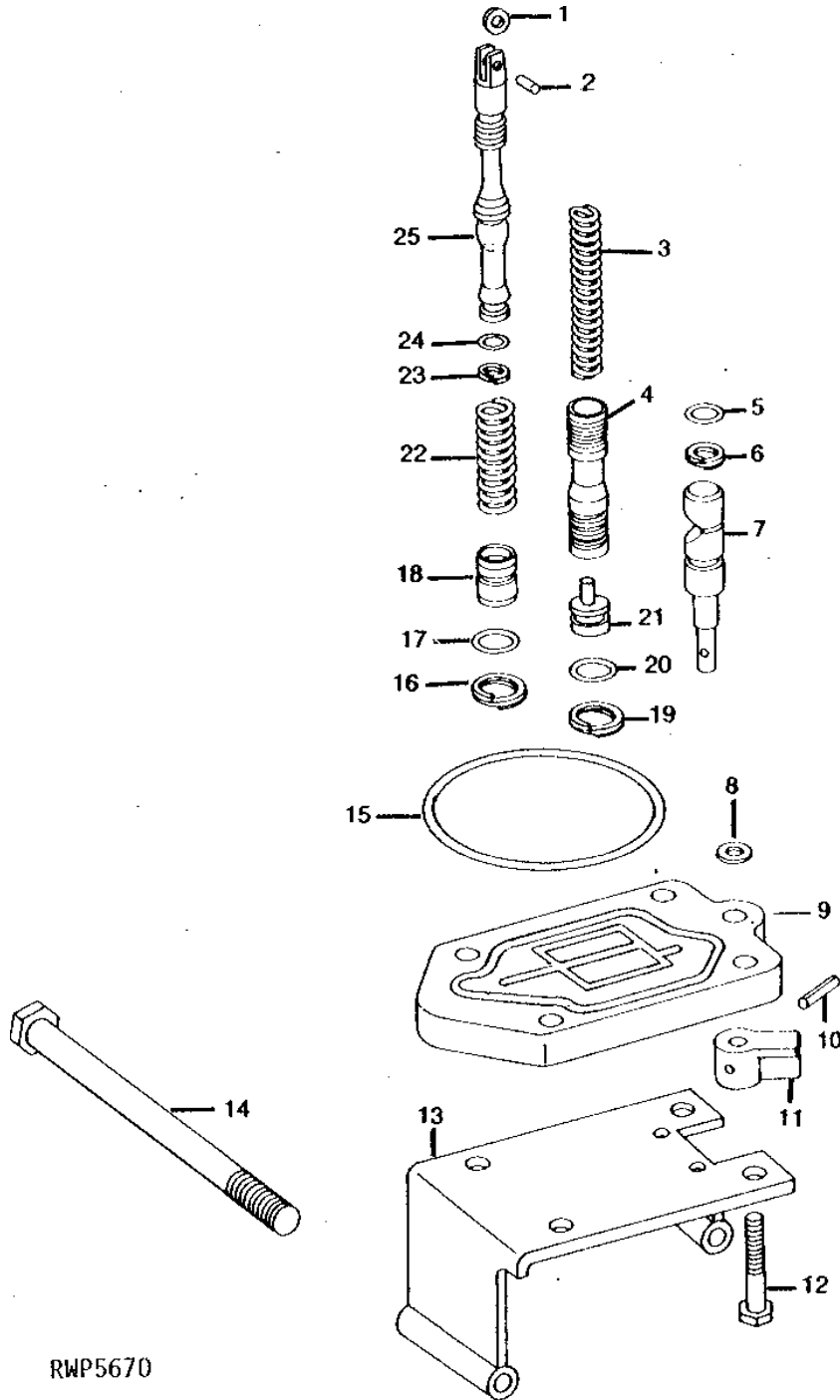
KEY	PART NO.	PART NAME	QTY	TRACTOR SERIAL NO.	REMARKS
1	R51409	SPACER	4		(SUB FOR R41613)
2	AR86535	VALVE	4		(SUB FOR AR45647, AR52629, AR56120 OR AR78396)
3	R65286	O-RING	AR		(4 USED PRESSURE VALVE) (2 USED RETURN VALVE) (SUB A3917R)
4	R26484	BACK-UP RING	AR		(4 USED PRESSURE VALVE) (2 USED RETURN VALVE)
5	R65501	SPRING	2		(RETURN VALVE) (SUB FOR R41055, THIS APPLICATION)
	R65502	SPRING	2		(PRESSURE VALVE) (SUB FOR R44310)
6	R66416	BUSHING	4		(SUB FOR R41156, THIS APPLICATION)
7	R27166	O-RING	4		
8	R41057	BACK-UP RING	4		
9	R26149	PACKING	6		
10	19H3597	CAP SCREW	2		1/2" X 4-3/4" HS, SAE 8
11	34H231	SPRING PIN	1		3/32" X 3/4"
12	34H284	SPRING PIN	1		3/16" X 1-1/4"
13	34H242	SPRING PIN	4		1/8" X 7/16"
14	R41549	SPRING	1		
15	P46051	O-RING	1		
16	R40937	BACK-UP RING	1		
17	R52549	SHUT-OFF VALVE	1		(SUB FOR R41154)
18	R52547	VALVE	1		(ALSO ORDER R52549) (SUB FOR R41333)
19	R34812	O-RING	1		
20	R41339	SHIM	1		
21	AR40688	COVER	1		(MARKED R40899 OR R49708)
22	R62652	ARM	1		(SUB FOR R41338)
23	AR39162	BRACKET	1		
24	19H1800	CAP SCREW	4		3/8" X 1-1/2"

2H22

HYDRAULICS

SELECTIVE CONTROL VALVE POPPET, METERING AND FLOW CONTROL VALVE (LATE DESIGN)

RWP5670 -UN-01JAN94



RWP5670

2H23

HYDRAULICS

SELECTIVE CONTROL VALVE POPPET, METERING AND FLOW CONTROL VALVE - CONTINUED
(LATE DESIGN)

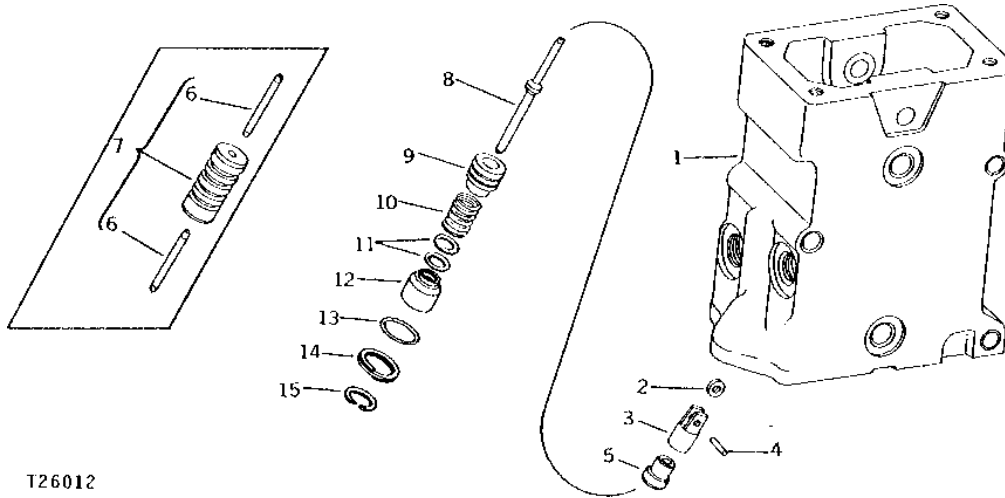
KEY	PART NO.	PART NAME	QTY	TRACTOR SERIAL NO.	REMARKS
1	R51409	SPACER	4		
2	34H242	SPRING PIN	4		
3	R41549	SPRING	1		1/8" X 7/16"
4	R52549	SHUT-OFF VALVE	1		
5	P46051	O-RING	1		
6	R40937	BACK-UP RING	1		
7	R65289	VALVE	1		
8	R41339	SHIM	1		
9	R59629	CAP	1		
10	34H231	SPRING PIN	1		3/32" X 3/4"
11	R62652	ARM	1		(SUB FOR R41338)
12	19H1800	CAP SCREW	4		3/8" X 1-1/2"
13	AR39162	BRACKET	1		
14	19H3597	CAP SCREW	2		1/2" X 4-3/4" HS, SAE 8
15	R74695	WASHER	1		
16	R41057	BACK-UP RING	4		
17	R27166	O-RING	4		
18	R66416	BUSHING	4		
19	R41057	BACK-UP RING	1		
20	R27166	O-RING	1		
21	R66916	STOP	1		(SUB FOR R65354)
22	R65501	SPRING	2		(RETURN VALVE)
	R65502	SPRING	2		(PRESSURE VALVE)
23	R26484	BACK-UP RING	AR		(4 USED PRESSURE VALVE) (2 USED RETURN VALVE)
24	A3917R	O-RING	AR		(4 USED PRESSURE VALVE) (2 USED RETURN VALVE)
25	AR86535	VALVE	4		(RETURN) (SUB FOR AR78396)

2H24

HYDRAULICS

SELECTIVE CONTROL VALVE DETENT PISTON ASSEMBLY
 (TRACTOR SERIAL NO. 079542-080050)
 (TRACTOR SERIAL NO. 080197-)

T26012 -UN-01JAN94



T26012

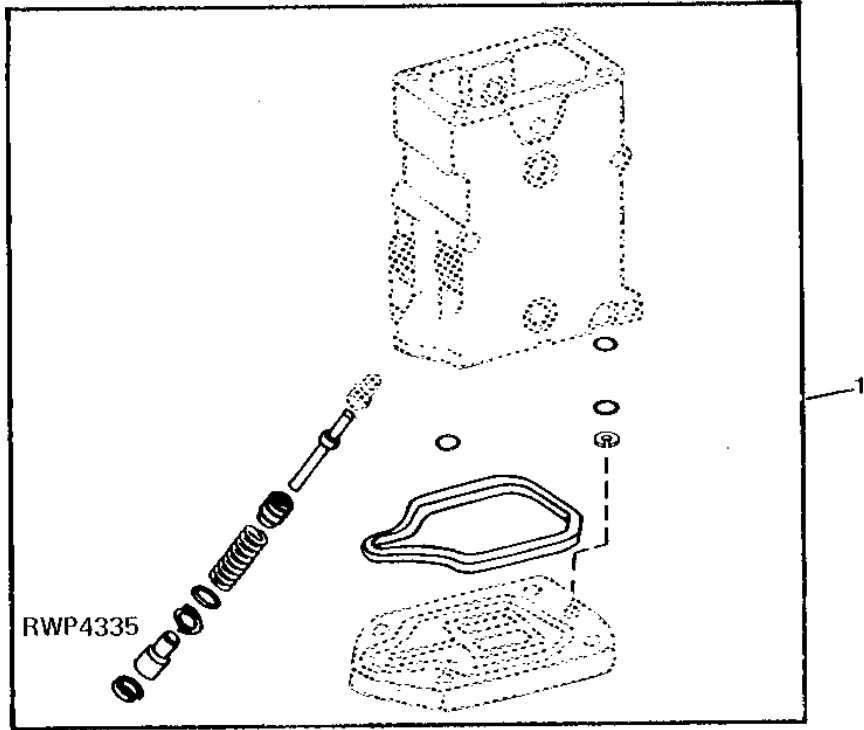
KEY	PART NO.	PART NAME	QTY	SERIAL OR MODEL NO.	REMARKS
1	AR40828	HOUSING	1	-XXXXXX	(MARKED R40599) (SUB AR83549, R27166, R41057, R59629, (2) R65501, (2) R65502, R66916, R74695 AND R65289)
	AR83549	HOUSING	1	XXXXXX-	(MARKED R65504)
2	R51409	SPACER	1		(SUB FOR R41613)
3	R45016	FOLLOWER	1	-10SC3	(SUB R51409, R51410 AND R51411)
	R51410	CAM FOLLOWER	1	10SC4-	
4	34H241	SPRING PIN	1	-10SC3	1/8" X 3/8"
	R51411	PIN	1	10SC4-	
5	AR40744	GUIDE	1	-XXXXXX	
	R48978	GUIDE	1	XXXXXX-	
6	R28744	PIN	2	-XXXXXX	
7	AR40939	PISTON	1	-XXXXXX	(SUB AR52394)
8	R55398	PIN	1	XXXXXX-	(SUB FOR R48981)
9	R48980	PISTON	1	XXXXXX-	
10	R41055	SPRING	1	XXXXXX-	
11	T20229	WASHER	4	XXXXXX-	
12	AR48933	GUIDE	1	-XXXXXX	(SUB AR52394)
	R48979	GUIDE	1	XXXXXX-	(SUB R55397 AND R55398)
13	B2762R	O-RING	1		
14	R26546	BACK-UP RING	1		
15	R46722	SNAP RING	1		

2H25

HYDRAULICS

**SELECTIVE CONTROL VALVE DETENT KIT
(TRACTOR SERIAL NO. 079542-080050)
(TRACTOR SERIAL NO. 080197-)**

RWP4335 -UN-01JAN94



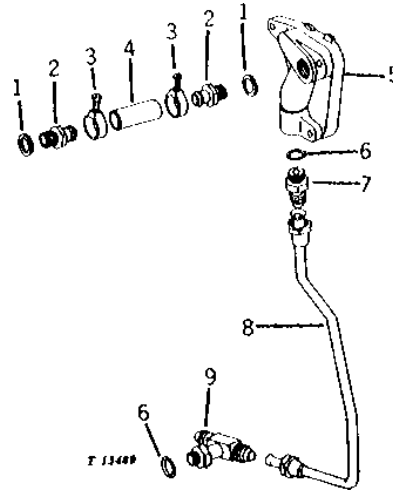
KEY	PART NO.	PART NAME	QTY	TRACTOR SERIAL NO.	REMARKS
1	AR52394	KIT	1	-XXXXXX	

211

HYDRAULICS

SELECTIVE CONTROL VALVE OIL LINES
 (MANUAL STEERING - TRACTOR SERIAL NO. 010001-)
 (POWER STEERING - TRACTOR SERIAL NO. 010001-045199)

T13489 -UN-01JAN94



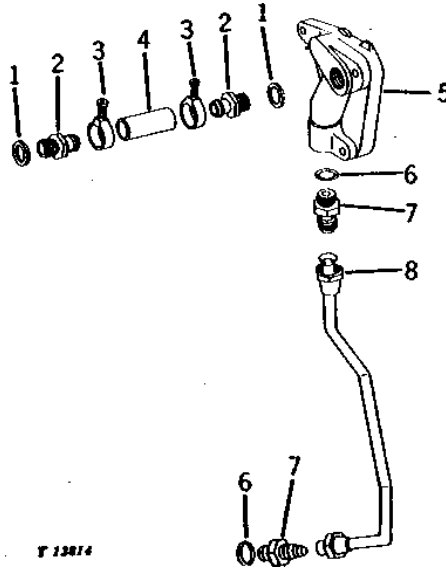
KEY	PART NO.	PART NAME	QTY	TRACTOR SERIAL NO.	REMARKS
1	R26906	O-RING	2		
2	R39171	HOSE FITTING	2		
3	AR21837	CLAMP	2		(SUB TY22465)
4	R20922	HOSE	1		(SUB FOR T22881)
5	R39170	COVER	1		(NO LONGER AVAILABLE)
6	R26375	O-RING	2		
7	R27237	FITTING	1		
8	AT28577	LINE	1		OIL PRESSURE, (SUB FOR AT20896)
9	AT20894	FITTING	1		

212

HYDRAULICS

SELECTIVE CONTROL VALVE OIL LINE
(POWER STEERING - TRACTOR SERIAL NO. 045200-)

T13814 -UN-01JAN94



KEY	PART NO.	PART NAME	QTY	TRACTOR SERIAL NO.	REMARKS
1	R26906	O-RING	2		
2	R39171	HOSE FITTING	2		
3	AR21837	CLAMP	2		(SUB TY22465)
4	R20922	HOSE	1		(SUB FOR T22881)
5	R39170	COVER	1		(NO LONGER AVAILABLE)
6	R26375	O-RING	2		
7	R27237	FITTING	2		
8	AT28578	LINE	1		(SUB FOR AT23548)

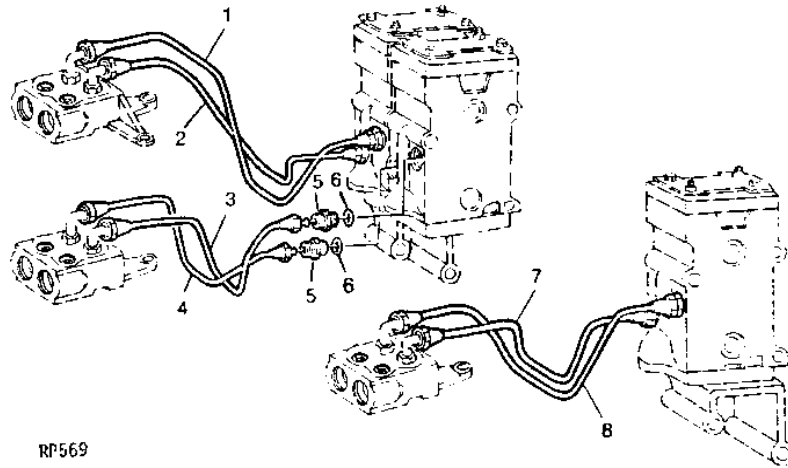
MEMORANDA

213

HYDRAULICS

RP569 -UN-01JAN94

BREAKAWAY COUPLER LINES



KEY	PART NO.	PART NAME	QTY	TRACTOR SERIAL NO.	REMARKS
1	AT20039	OIL LINE	1		(A) UPPER L.H. (HU, RU)
2	AT20040	OIL LINE	1		(A) LOWER L.H. (HU, RU)
3	AT20037	OIL LINE	1		(A) UPPER R.H. (HU, RU)
4	AT20038	OIL LINE	1		(A) LOWER R.H. (HU, RU)
5	R27237	FITTING	AR		(2 USED SINGLE) (4 USED DUAL)
6	R26375	O-RING	AR		(2 USED SINGLE) (4 USED DUAL)
7	AT22170	OIL LINE	1		(B) LOWER R.H.
8	AT22169	OIL LINE	1		(B) UPPER R.H.

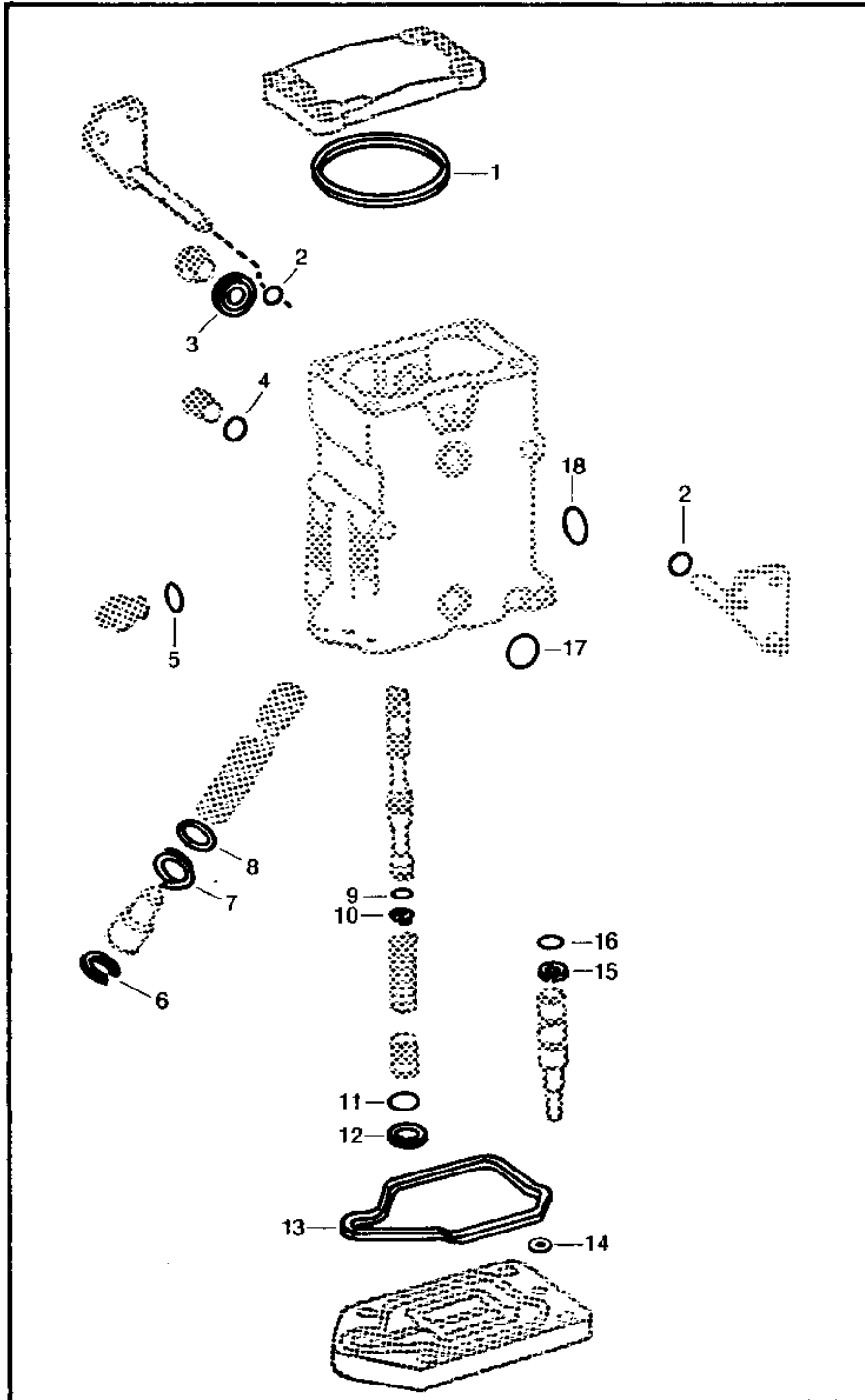
(A) DUAL SELECTIVE CONTROL VALVE
 (B) SINGLE SELECTIVE CONTROL VALVE

214

HYDRAULICS

RP578 -UN-01JAN94

SELECTIVE CONTROL VALVE OVERHAUL KIT



215

HYDRAULICS

SELECTIVE CONTROL VALVE OVERHAUL KIT - CONTINUED

KEY	PART NO.	PART NAME	QTY	TRACTOR SERIAL NO.	REMARKS
1	R49187	WASHER	1		
2	R65287	O-RING	2		
3	AR26697	SEALING WASHER	1		
4	R26448	O-RING	1		
5	R26375	O-RING	2		
6	R46722	SNAP RING	1		
7	R26546	BACK-UP RING	1		
8	B2762R	O-RING	1		
9	A3917R	O-RING	AR		(4 USED PRESSURE VALVE) (2 USED RETURN VALVE)
10	R26484	BACK-UP RING	AR		(4 USED PRESSURE VALVE) (2 USED RETURN VALVE)
11	R27166	O-RING	4		
12	R41057	BACK-UP RING	4		
13	R74695	WASHER	1		
14	R41339	SHIM	1		
15	R40937	BACK-UP RING	1		
16	P46051	O-RING	1		
17	R26448	O-RING	1		
18	R26149	PACKING	1		
19	RE10924	KIT	1		(SUB FOR AR82571)

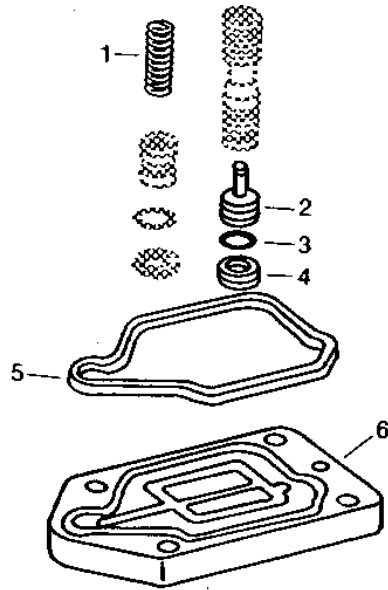
MEMORANDA

216

HYDRAULICS

RXP8037 -UN-01JAN94

SELECTIVE CONTROL VALVE CAP WITH PACKING



RXP8037

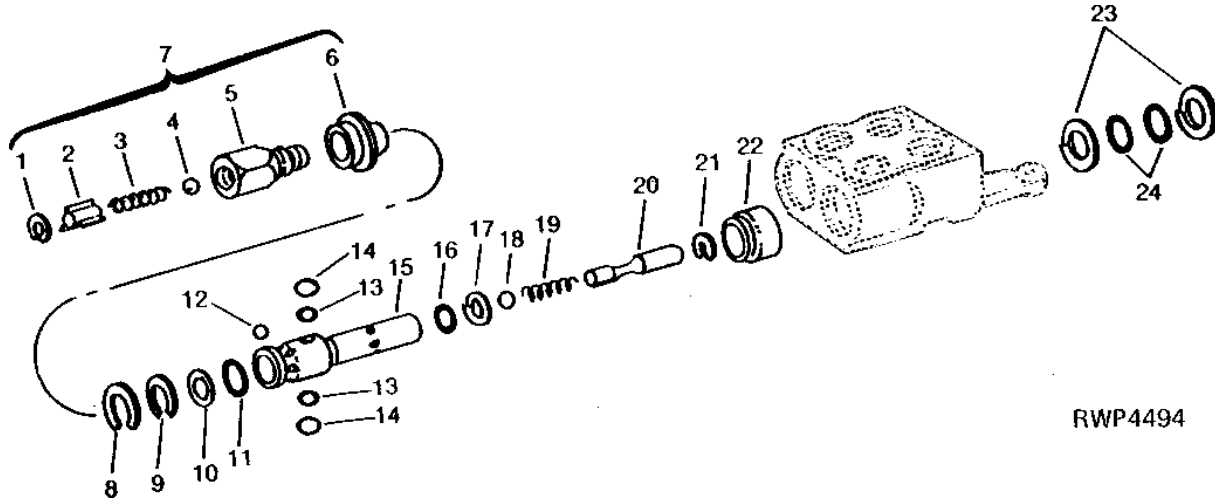
KEY	PART NO.	PART NAME	QTY	TRACTOR SERIAL NO.	REMARKS
1	R65501	SPRING	2		(RETURN)
	R65502	SPRING	2		(PRESSURE)
2	R66916	STOP	1		
3	R27166	O-RING	1		
4	R41057	BACK-UP RING	1		
5	R74695	WASHER	1		
6	R59629	CAP	1		

217

HYDRAULICS

**SINGLE SELECTIVE CONTROL VALVE BREAKAWAY COUPLER
(ALL MODELS)
DUAL SELECTIVE CONTROL VALVE BREAKAWAY COUPLER
(HU, RU)**

RWP4494 -UN-01JAN94



RWP4494

KEY	PART NO.	PART NAME	QTY	TRACTOR SERIAL NO.	REMARKS
1	R59633	WEAR RING	2		(SUB FOR R28204)
2	R28085	GUIDE	2		(SUB AR93819 PRESSURE OR AR93820 RETURN)
3	R28084	SPRING	2		
4	D2361R	BALL	2	13 MM (1/2")	
5	R27430	HYD. QUICK-CONNECT COUPLER	2		(PRESSURE) (SUB AR93819)
	R45630	HYD. QUICK-CONNECT COUPLER	1		(RETURN) (SUB AR93820)
6	R28006	CAP	2		
7	AR30210	INTERNAL HALF COUPLER	1		(PRESSURE) (SUB AR93819)
	AR47643	BREAKAWAY COUPLER	1		(RETURN) (SUB AR93820)
8	R34399	SNAP RING	2		
9	R32356	SNAP RING	2		
10	R26485	BACK-UP RING	2		
11	R495R	O-RING	2		(SUB R59343, THIS APPLICATION)
12	400R	BALL	12	6 MM (1/4")	
13	R65286	O-RING	4		(SUB A3917R)
14	R26484	BACK-UP RING	4		
15	R34397	SOCKET OUTLET	2		
16	R375R	O-RING	2		
17	R26482	RING	2		
18	D2361R	BALL	2	13 MM (1/2")	
19	R28084	SPRING	2		
20	R34400	PLUG	2		
21	R26483	SNAP RING	2		
22	R34398	SLEEVE	2		
23	R26480	BACK-UP RING	4		
24	A4730R	O-RING	4		

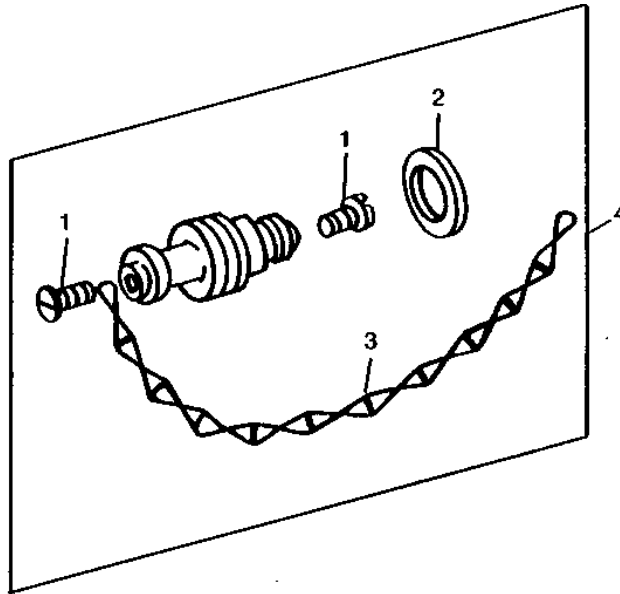
NOTE: QUANTITIES SHOWN ABOVE ARE FOR SINGLE SELECTIVE CONTROL VALVE BREAKAWAY COUPLER.
DOUBLE THE QUANTITY FOR DUAL SELECTIVE CONTROL VALVE BREAKAWAY COUPLER.

218

HYDRAULICS

RWP4875 -UN-01JAN94

SELECTIVE CONTROL VALVE DUST PLUG



RWP4875

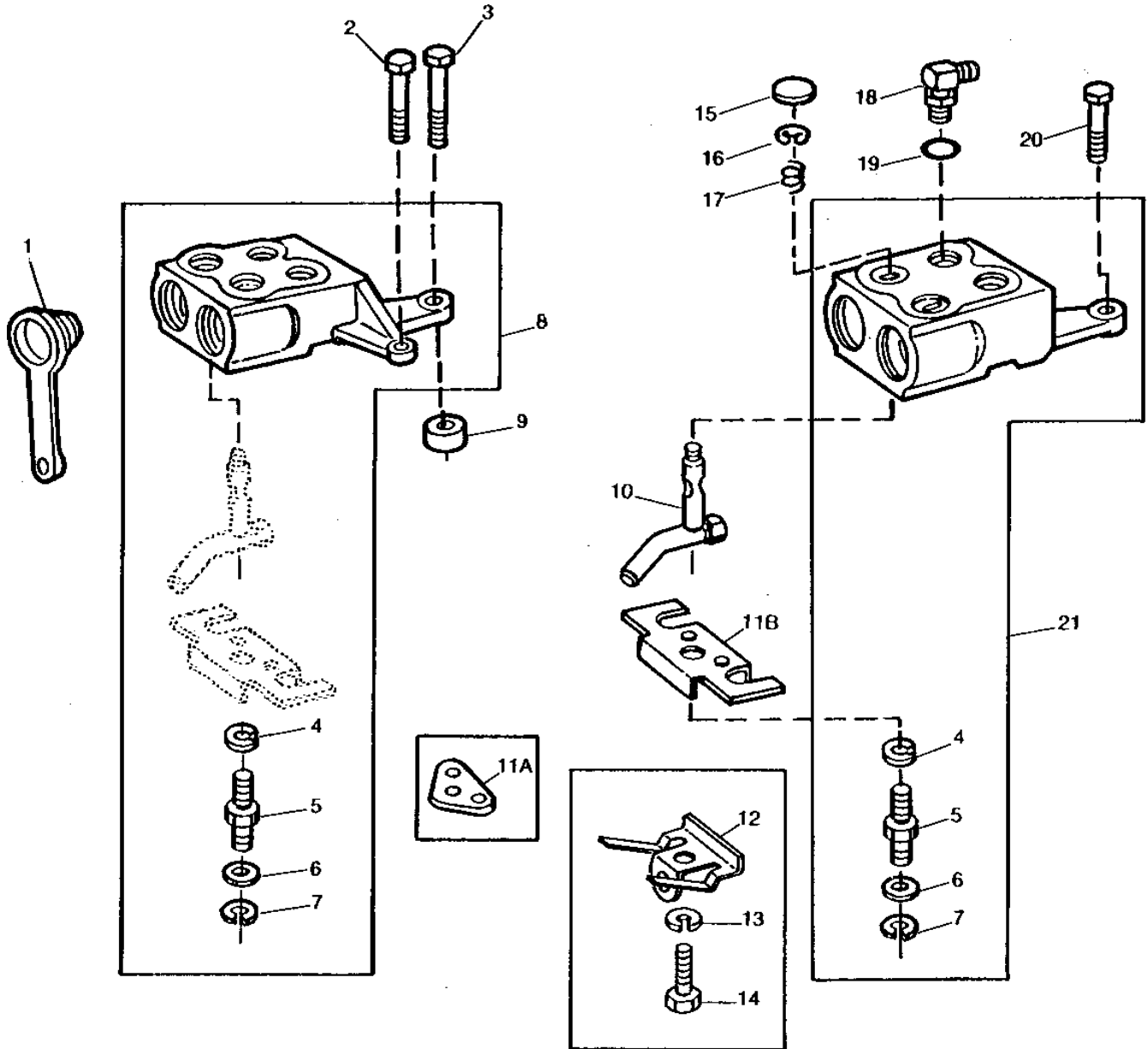
KEY	PART NO.	PART NAME	QTY	TRACTOR SERIAL NO.	REMARKS
1	37H97	SCREW	4	0.242" X 3/4"	
2	R34589	WASHER	2		
3	AN163885	LINK CHAIN	2	(SUB FOR A3184R, R45619 OR R49193)	
4	AR52623	PLUG	2	(SUB FOR AR34059)	

219

HYDRAULICS

SINGLE SELECTIVE CONTROL VALVE BREAKAWAY COUPLER
(ALL MODELS)
DUAL SELECTIVE CONTROL VALVE BREAKAWAY COUPLER
(HU, RU)

RWP4876 -UN-01JAN94



RWP4876

2110

HYDRAULICS

SINGLE SELECTIVE CONTROL VALVE BREAKAWAY COUPLER - CONTINUED
(ALL MODELS)
DUAL SELECTIVE CONTROL VALVE BREAKAWAY COUPLER
(HU, RU)

KEY	PART NO.	PART NAME	QTY	TRACTOR SERIAL NO.	REMARKS
1	R32419	COVER	2		
2	19H1831	CAP SCREW	1		(A) 1/2" X 2"
3	19H1974	CAP SCREW	1		(A) 1/2" X 2-3/4"
4	12H303	LOCK WASHER	1	XXXXXX-	5/16"
5	R49191	SCREW	1	XXXXXX-	
6	24H1286	WASHER	1	XXXXXX-	9/32" X 1/2" X 1/16"
7	R72654	SNAP RING	1	XXXXXX-	(SUB FOR R27507)
8	AR52622	COUPLING	1		(A) (MARKED R39110) (SUB FOR AR48297) (SUB R39110, R49191, R72654, 12H10 AND 24H1286)
9	N10065	BUSHING	1		
10	AR99100	LEVER	2		(SUB FOR AR33877 OR AR82576)
11A	R51285	PLATE	1		(SUB R61957)
11B	AR75958	CAM	1		(SUB R61957)
12	R45618	CLIP	1	-XXXXXX	(SUB R49191, 24H1286, 12H303 AND R72654)
13	12H303	LOCK WASHER	1	-XXXXXX	5/16"
14	19H1900	CAP SCREW	1	-XXXXXX	5/16" X 3/4"
15	30H15	PLUG	2		1-1/8"
16	R72653	SNAP RING	2		(SUB FOR M2396T)
17	R31890	SPRING	2		
18	AT32332	ELBOW FITTING	2		90°, (SUB FOR AR26763)
19	R26375	O-RING	2		
20	19H1831	CAP SCREW	2		(B) 1/2" X 2"
21	AR52621	COUPLING	1		(B) (MARKED R39109) (SUB FOR AR48296)

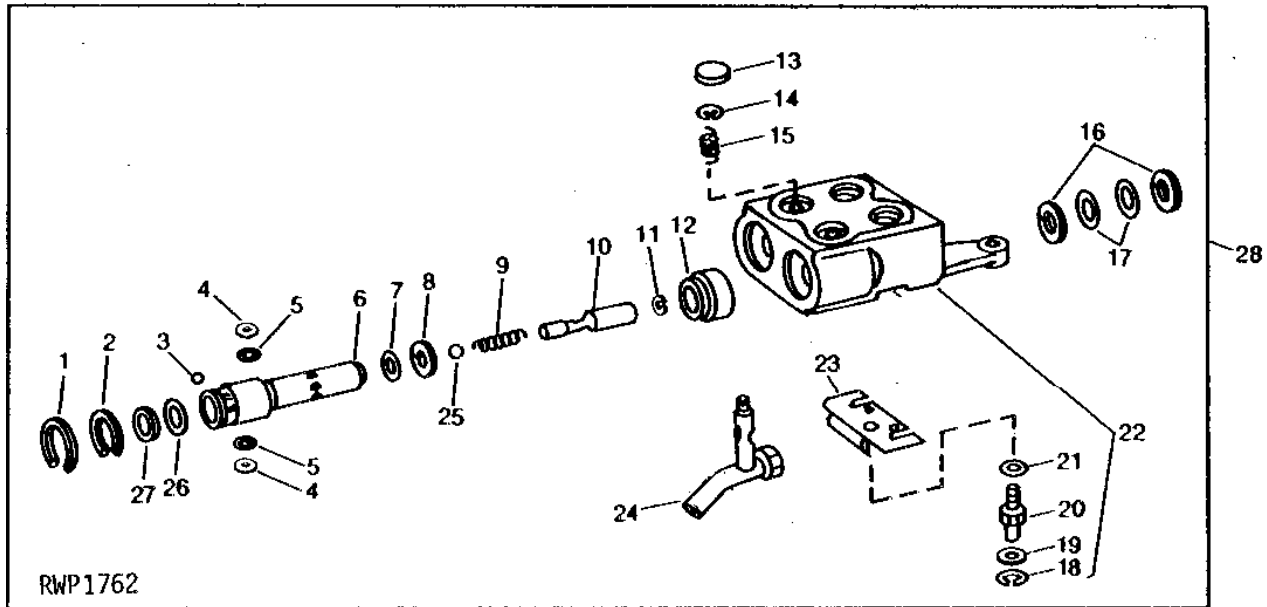
(A) DUAL SELECTIVE CONTROL
(B) SINGLE SELECTIVE CONTROL

2111

HYDRAULICS

RWP1762 -UN-01JAN94

BREAKAWAY COUPLER KIT



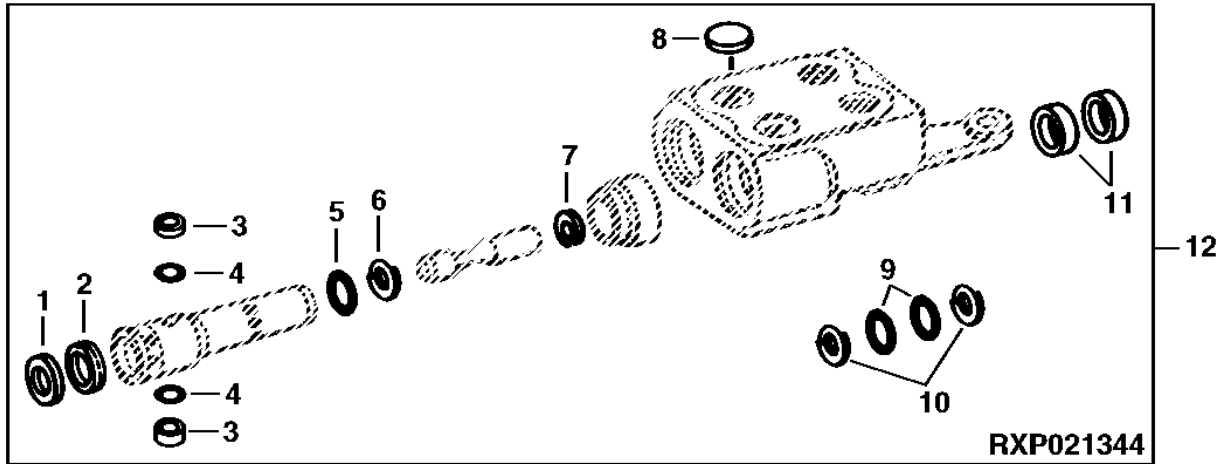
KEY	PART NO.	PART NAME	QTY	TRACTOR SERIAL NO.	REMARKS
1	R34399	SNAP RING	2		
2	R32356	SNAP RING	2		
3	400R	BALL	12	6MM (1/4")	
4	R26484	BACK-UP RING	4		(SUB A3917R)
5	R65286	O-RING	4		
6	R34397	SOCKET OUTLET	2		
7	R375R	O-RING	2		
8	R26482	RING	2		
9	R28084	SPRING	2		
10	R34400	PLUG	2		
11	R26483	SNAP RING	2		
12	R34398	SLEEVE	2		
13	30H15	PLUG	2	1-1/8"	
14	R72653	SNAP RING	2	(SUB FOR M2396T)	
15	R31890	SPRING	2		
16	R26480	BACK-UP RING	4		
17	A4730R	O-RING	1		
18	R72654	SNAP RING	1	(SUB FOR R27507)	
19	24H1286	WASHER	1	9/32" X 1/2" X 1/16"	
20	R49191	SCREW	1		
21	12H303	LOCK WASHER	1	5/16"	
22	AR52621	COUPLING	1	R.H. (SINGLE) (MARKED R39109)	
	AR52622	COUPLING	1	L.H. (DUAL) (MARKED R39110) (SUB R39110, R49191, R72654, 12H10 AND 24H1286)	
23	AR75958	CAM	1	(SUB FOR R51285) (SUB R61957)	
24	AR99100	LEVER	2	(SUB FOR AR33877 OR AR82576)	
25	D2361R	BALL	2	13MM (1/2")	
26	R495R	O-RING	2	(SUB R59343, THIS APPLICATION)	
27	R26485	BACK-UP RING	2		
28	AR39036	BREAKAWAY COUPLER	1	R.H. (SINGLE)	
	AR39037	BREAKAWAY COUPLER	1	L.H. (DUAL)	

2112

HYDRAULICS

RXP021344 -UN-11OCT95

BREAKAWAY COUPLER OVERHAUL KIT



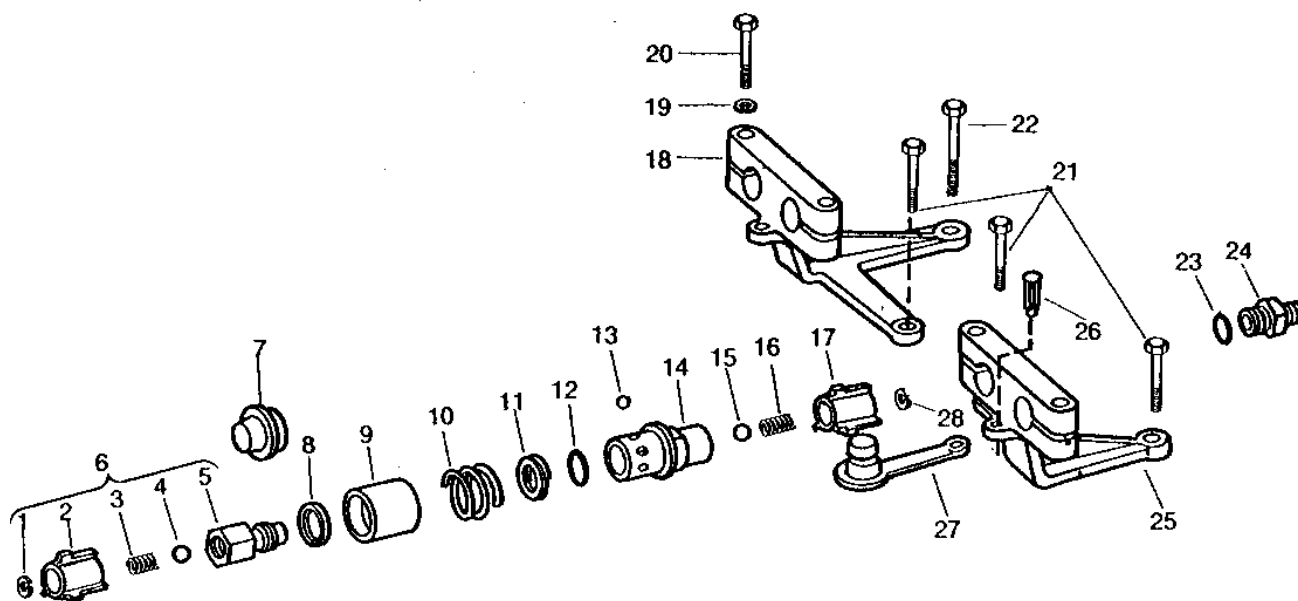
KEY	PART NO.	PART NAME	QTY	TRACTOR SERIAL NO.	REMARKS
1	R26485	BACK-UP RING	2		
2	R59343	RING	2		
3	R26484	BACK-UP RING	4		
4	A3917R	O-RING	4		
5	R375R	O-RING	2		
6	R26482	RING	2		
7	R26483	SNAP RING	2		
8	30H15	PLUG	2	1-1/8"	
9	A4730R	O-RING	4	(EARLY DESIGN)	
10	R26480	BACK-UP RING	4	(EARLY DESIGN)	
11	R79311	SEAL	4	(LATE DESIGN) (SUB FOR R65285 OR R74530)	
12	AR82570	KIT	1	(SUB FOR AR30685)	

2113

HYDRAULICS

**SINGLE SELECTIVE CONTROL VALVE COUPLER
(ALL MODELS)
DUAL SELECTIVE CONTROL VALVE COUPLER
(HU, RU)**

RP436 -UN-01JAN94



RP436

KEY	PART NO.	PART NAME	QTY	TRACTOR SERIAL NO.	REMARKS
1	R59633	WEAR RING	2		(SUB FOR R28204)
2	R28085	GUIDE	2		(SUB AR93819 PRESSURE OR AR93820 RETURN)
3	R28084	SPRING	2		
4	D2361R	BALL	2	13 MM (1/2")	
5	R27430	HYD. QUICK-CONNECT COUPLER	2	(SUB AR93819)	
	R45630	HYD. QUICK-CONNECT COUPLER	1	(RETURN) (SUB AR93820)	
6	AR30210	INTERNAL HALF COUPLER	1	(PRESSURE) (SUB AR93819)	
	AR47643	BREAKAWAY COUPLER	1	(RETURN) (SUB AR93820)	
7	R28006	CAP	2		
8	R32356	SNAP RING	2		
9	R32355	SLEEVE	2	(SUB RE15361)	
10	R32354	SPRING	2		
11	R26485	BACK-UP RING	2		
12	R495R	O-RING	2		
13	400R	BALL	12	6 MM (1/4")	
14	R32353	SOCKET OUTLET	2	(SUB RE15361)	
15	D2361R	BALL	2	13 MM (1/2")	
16	R28084	SPRING	2		
17	R28085	GUIDE	2	(SUB RE15361)	
18	T22245	CLAMP	1	L.H. (DUAL)	
19	12H304	LOCK WASHER	2	3/8"	
20	19H1765	CAP SCREW	2	3/8" X 1-3/4"	
21	19H1831	CAP SCREW	3	1/2" X 2"	
22	19H1974	CAP SCREW	1	1/2" X 2-3/4"	
23	R26375	O-RING	2		
24	R27237	FITTING	2		
25	T22243	CLAMP	1	R.H.	
26	T22244	STUD	1		
27	R32419	COVER	2		
28	R59633	WEAR RING	2	(SUB FOR R28204)	

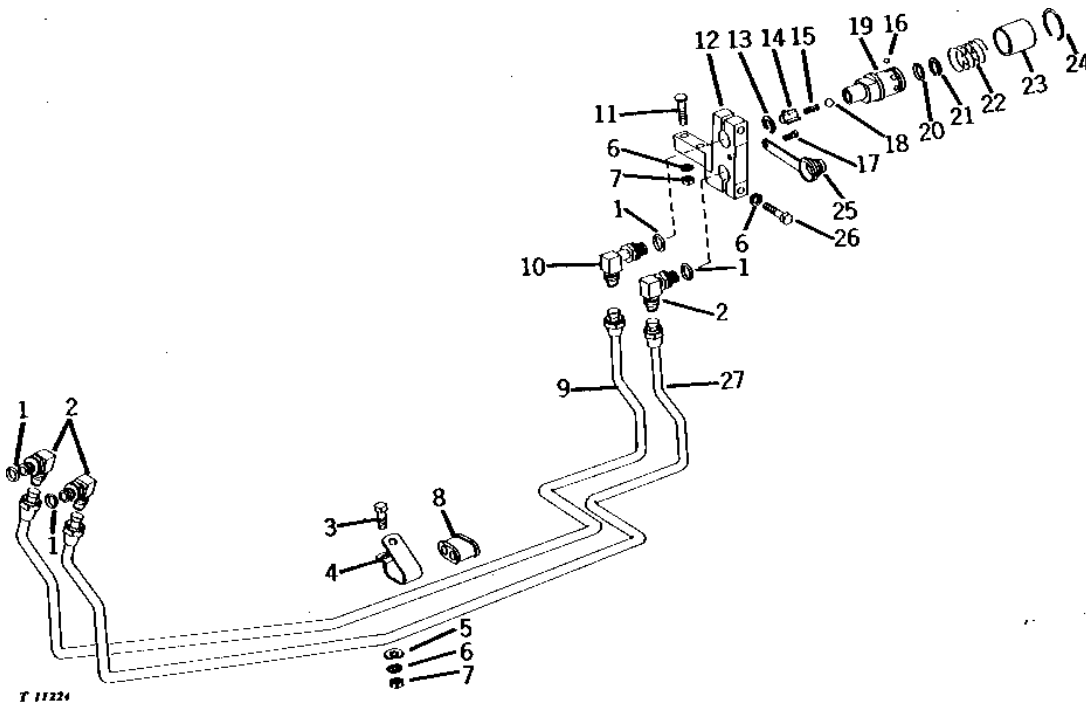
NOTE: QUANTITIES SHOWN ABOVE ARE FOR SINGLE SELECTIVE CONTROL VALVE COUPLER. DOUBLE THE QUANTITY FOR DUAL SELECTIVE CONTROL VALVE COUPLERS.

2114

HYDRAULICS

MID COUPLER (HU, RU)

T11224 -UN-01JAN94



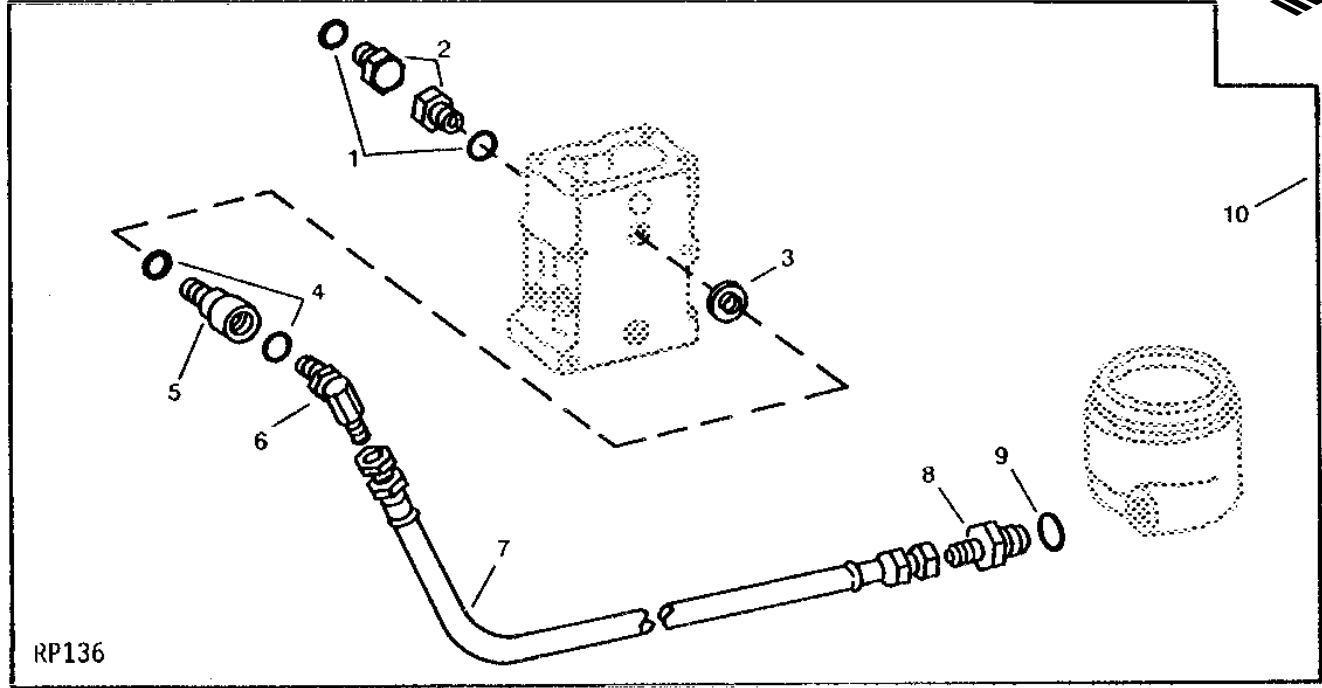
KEY	PART NO.	PART NAME	QTY	TRACTOR SERIAL NO.	REMARKS
1	R26375	O-RING	4		
2	AT32332	ELBOW FITTING	3		90°, (SUB FOR AR26763)
3	03H1519	BOLT	1		3/8" X 1"
4	R28733	CLAMP	1		
5	A4624R	WASHER	1		
6	12H304	LOCK WASHER	5		3/8"
7	14H1076	NUT	3		3/8"
8	R35163	GROMMET	1		
9	AT28579	LINE	1		UPPER, (SUB FOR AT22425) (NLA)
10	AR27699	ELBOW FITTING	1		90°
11	03H1495	BOLT	2		3/8" X 1-1/2"
12	T23078	BRACKET	1		(NLA)
13	R59633	WEAR RING	2		(SUB FOR R28204)
14	R28085	GUIDE	2		(SUB RE15361)
15	R28084	SPRING	2		
16	400R	BALL	12		6 MM (1/4")
17	T22244	STUD	1		
18	D2361R	BALL	2		13 MM (1/2")
19	R32353	SOCKET OUTLET	2		(SUB RE15361)
20	R495R	O-RING	2		
21	R26485	BACK-UP RING	2		
22	R32354	SPRING	2		
23	R32355	SLEEVE	2		(SUB RE15361)
24	R32356	SNAP RING	2		
25	R32419	COVER	2		
26	19H1765	CAP SCREW	2		3/8" X 1-3/4"
27	AT28580	LINE	1		LOWER, (SUB FOR AT22426) (NLA)

2115

HYDRAULICS

RP136 -UN-01JAN94

SELECTIVE CONTROL VALVE OIL FILTER RETURN KIT



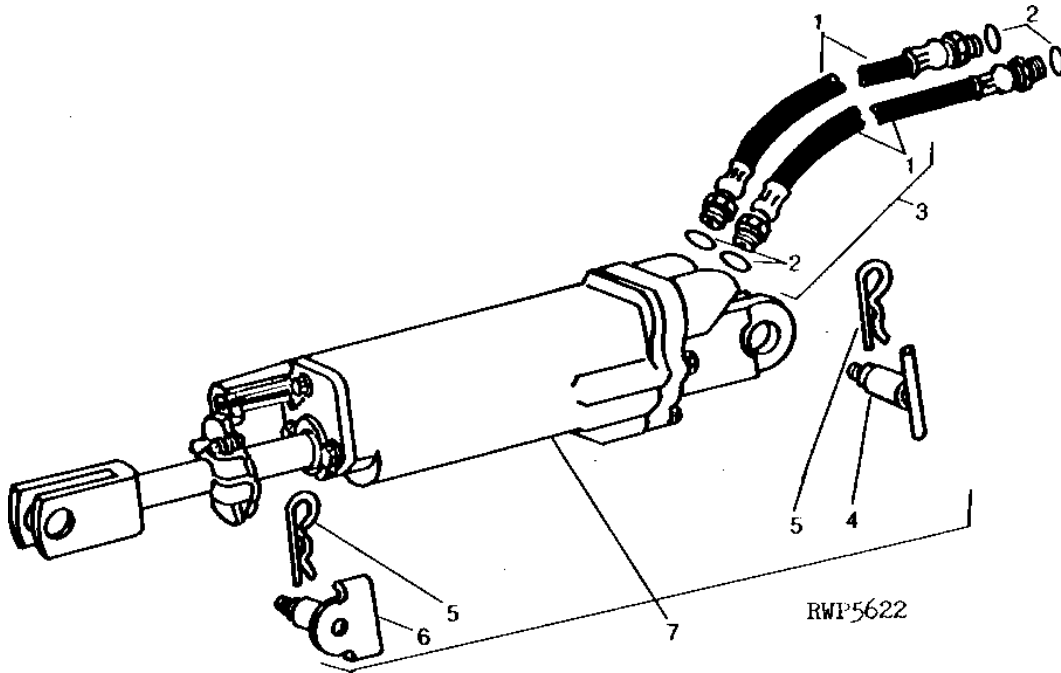
KEY	PART NO.	PART NAME	QTY	TRACTOR SERIAL NO.	REMARKS
1	R26906	O-RING	2		
2	R27474	DRAIN PLUG	2		
3	AR26697	SEALING WASHER	1		
4	R26375	O-RING	2		
5	T34079	COUPLING	1		
6	AR30110	ELBOW FITTING	1	90°	
7	AU30241	HYDRAULIC HOSE	1		
8	R36075	FITTING	1		
9	F3171R	O-RING	1		
10	AR71945	KIT	1		

2116

HYDRAULICS

RWP5622 -UN-01JAN94

REMOTE CYLINDER AND HOSES



KEY	PART NO.	PART NAME	QTY	TRACTOR SERIAL NO.	REMARKS
1	AR26407	HYDRAULIC HOSE	2		
2	R26375	O-RING	4		
3	AR27440	HYDRAULIC HOSE	1		(SUB AR26407 AND R26375)
4	AR47825	PIN	1		(SUB FOR AA6309R)
5	A3581R	SPRING LOCKING PIN	2		(PKG OF 25)
6	AR71902	PIN	1		(SUB FOR AA6307R)
7	AR38426	HYDRAULIC CYLINDER	1		(SUB AR38239, AR47825, AR71902, AR93819, AR93820 AND A3581R)
..	AR30784	TEE FITTING	1		

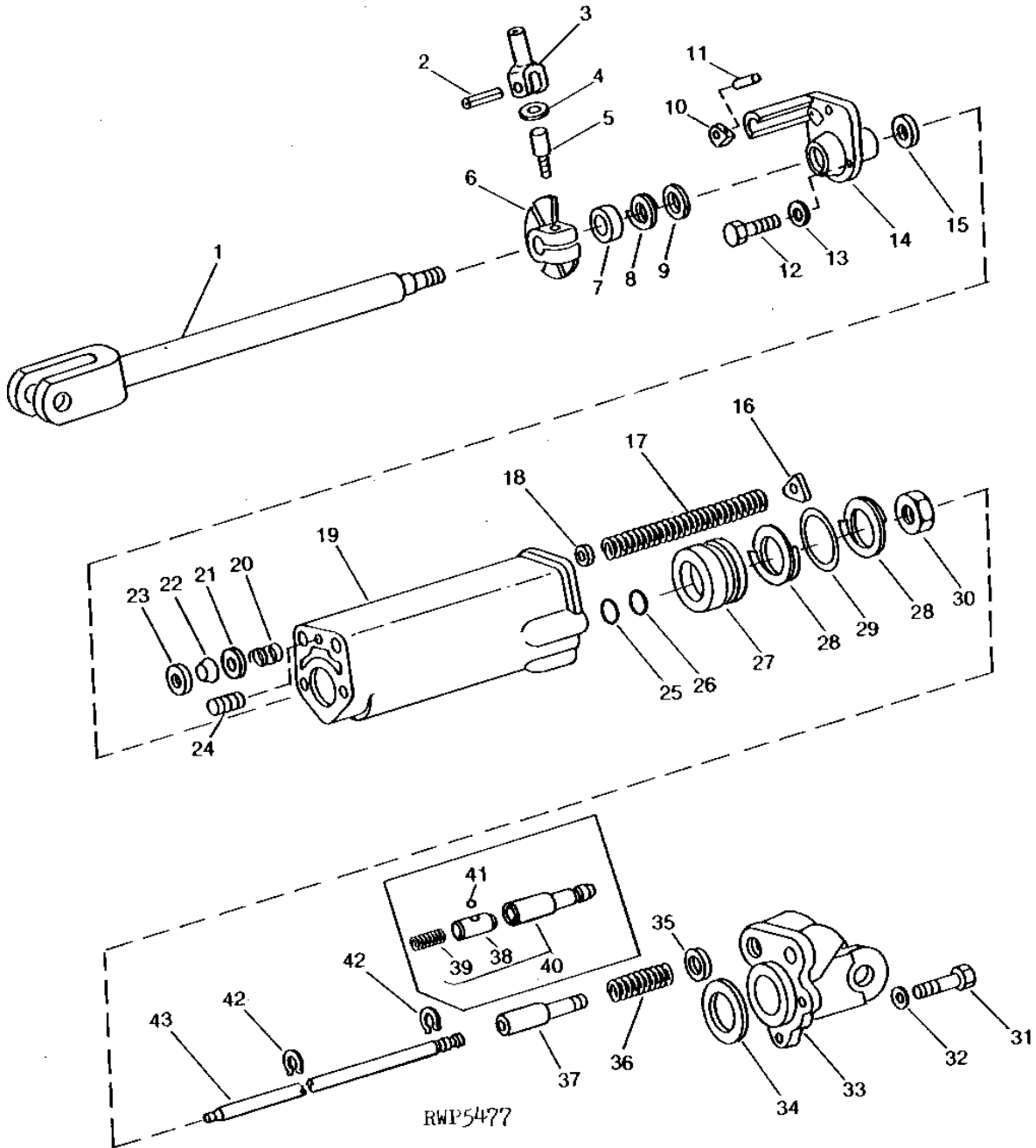
2117

HYDRAULICS

RWP5477

-UN-01JAN94

REMOTE CYLINDER



2118

HYDRAULICS

REMOTE CYLINDER - CONTINUED

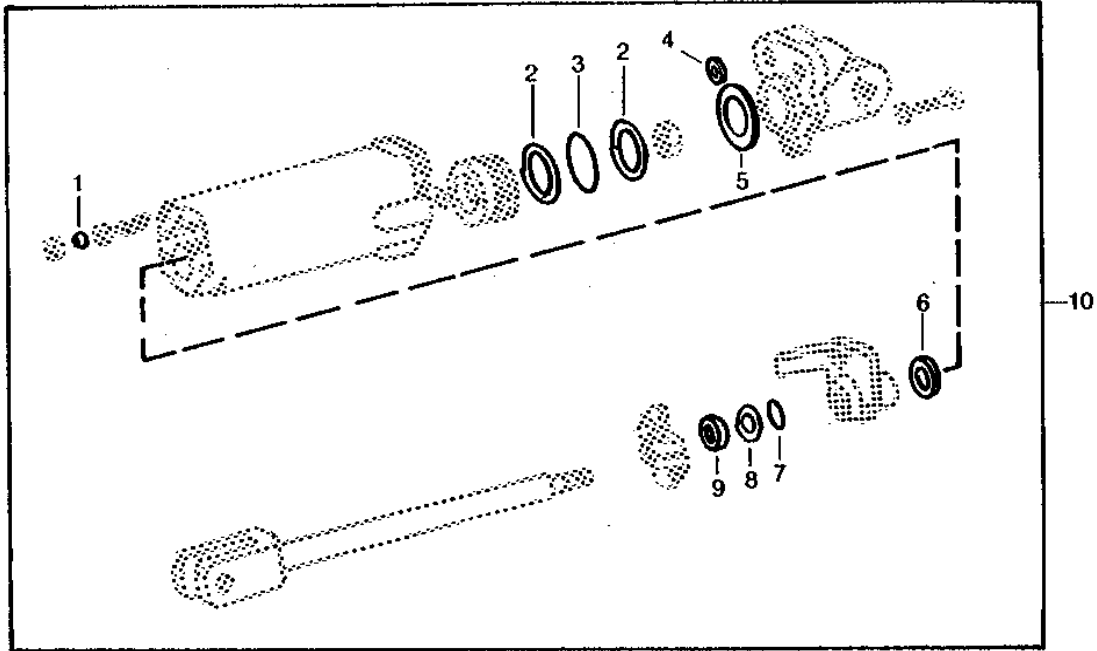
KEY	PART NO.	PART NAME	QTY	MODEL NO.	REMARKS
1	AR38849	ROD	1		(SUB FOR AR39034)
2	34H264	SPRING PIN	1		5/32" X 7/8"
3	A5302R	YOKE	1		
4	A147R	LOCK WASHER	1		
5	A5301R	SCREW	1		
6	R39064	STOP	1		
7	AA5607R	SEAL	1		
8	A4731R	WASHER	1		
9	A4730R	O-RING	1		
10	R27426	ARM	1		
11	25H760	GROOVE PIN	1		7/32" X 1-1/4"
12	19H2552	CAP SCREW	3		3/8" X 1-1/8"
13	12H304	LOCK WASHER	3		3/8"
14	A4732R	GUIDE	1		
15	A4733R	WASHER	1		
16	R57696	WASHER	1		(SUB FOR A4738R)
17	A4737R	SPRING	1		
18	24H1301	WASHER	1		13/32" X 9/16" X 0.065"
19	R39006	CYLINDER	1		
20	A4748R	SPRING ASSEMBLY	1		
21	A4747R	WASHER	1		MALE
22	A4745R	PACKING	3		
23	A4746R	ADAPTER	1		FEMALE
24	15H624	PIPE PLUG	1		1/2"
25	A4730R	O-RING	1	5RC3-	
26	R26480	BACK-UP RING	1	5RC3-	
27	R39008	PISTON	1		
28	R39009	BACK-UP RING	2		
29	L2104N	O-RING	1		
30	H34753	LOCK NUT	1		(SUB FOR A5401R)
31	19H2473	CAP SCREW	4		1/2" X 1-3/4"
32	12H301	LOCK WASHER	4		1/2"
33	R39013	COVER	1		
34	R39029	WASHER	1		
35	A4723R	WASHER	2		
36	A4744R	SPRING	1		
37	R39012	VALVE	1	5RC3-	
38	A4740R	VALVE	1	-5RC2	(SUB AA5731R)
39	A4741R	SPRING	1	-5RC2	
40	AA5731R	VALVE	1	-5RC2	
41	A4742R	BALL	1	-5RC2	
42	A4739R	RING	2		
43	A4736R	ROD	1		

2119

HYDRAULICS

RP576 -UN-01JAN94

REMOTE CYLINDER OVERHAUL KIT



RP576

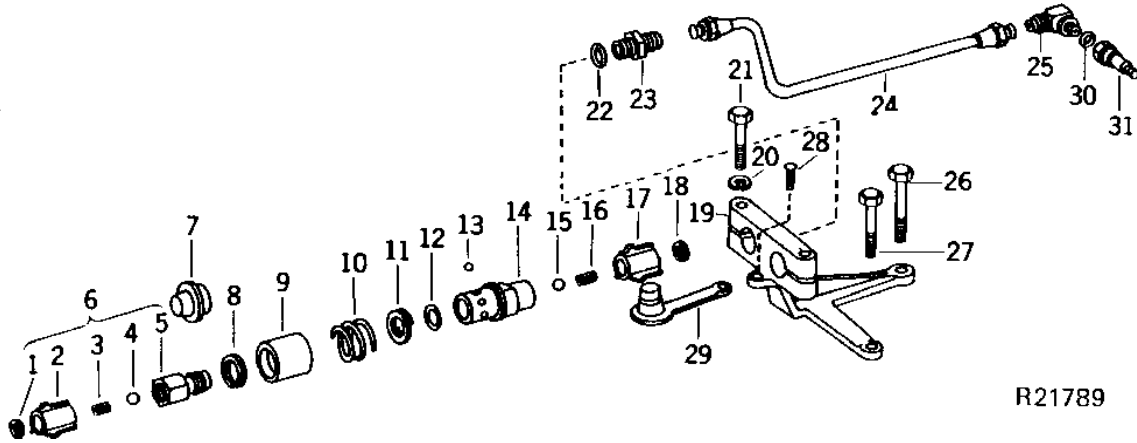
KEY	PART NO.	PART NAME	QTY	TRACTOR SERIAL NO.	REMARKS
1	A4745R	PACKING	3		
2	R39009	BACK-UP RING	2		
3	L2104N	O-RING	1		
4	A4723R	WASHER	2		
5	R39029	WASHER	1		
6	A4733R	WASHER	1		
7	A4730R	O-RING	1		
8	A4731R	WASHER	1		
9	AA5607R	SEAL	1		
10	AR38713	KIT	1		

2120

HYDRAULICS

R21789 -UN-25SEP95

ROCKSHAFT CYLINDER OUTLET COUPLER



R21789

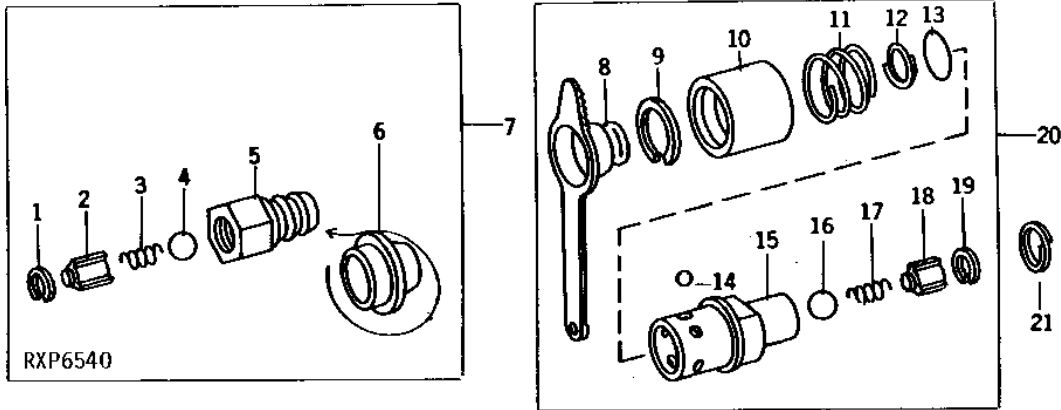
KEY	PART NO.	PART NAME	QTY	TRACTOR SERIAL NO.	REMARKS
1	R59633	WEAR RING	1		(SUB FOR R28204)
2	R28085	GUIDE	1		(SUB AR93819 PRESSURE OR AR93820 RETURN)
3	R28084	SPRING	1		
4	D2361R	BALL	1	13 MM (1/2")	
5	R27430	HYD. QUICK-CONNECT COUPLER	1		(PRESSURE) (SUB AR93819)
	R45630	HYD. QUICK-CONNECT COUPLER	1		(RETURN) (SUB AR93820)
6	AR30210	INTERNAL HALF COUPLER	1		(PRESSURE) (SUB AR93819)
	AR47643	BREAKAWAY COUPLER	1		(RETURN) (SUB AR93820)
7	R28006	CAP	1		
8	R32356	SNAP RING	1		
9	R32355	SLEEVE	1		(SUB RE15361)
10	R32354	SPRING	1		
11	R26485	BACK-UP RING	1		
12	R495R	O-RING	1		
13	400R	BALL	6	6 MM (1/4")	
14	R32353	SOCKET OUTLET	1		(SUB RE15361)
15	D2361R	BALL	1	13 MM (1/2")	
16	R28084	SPRING	1		
17	R28085	GUIDE	1		(SUB RE15361)
18	R59633	WEAR RING	1		(SUB FOR R28204)
19	T22245	CLAMP	1		L.H.
20	12H304	LOCK WASHER	1	3/8"	
21	19H1765	CAP SCREW	2	3/8" X 1-3/4"	
22	R26375	O-RING	1		
23	R27237	FITTING	1		
24	AT22918	LINE	1		
25	AT35120	ELBOW FITTING	1		90°, (SUB FOR AR37017 OR AT32337)
26	19H1974	CAP SCREW	1	1/2" X 2-3/4"	
27	19H1831	CAP SCREW	1	1/2" X 2"	
28	T22244	STUD	1		
29	R32419	COVER	1		(SUB R80324)
30	R26448	O-RING	1		
31	T21638	ADAPTER	1		

2121

HYDRAULICS

RXP6540 -UN-06OCT94

FLEXIBLE OIL LINE COUPLER



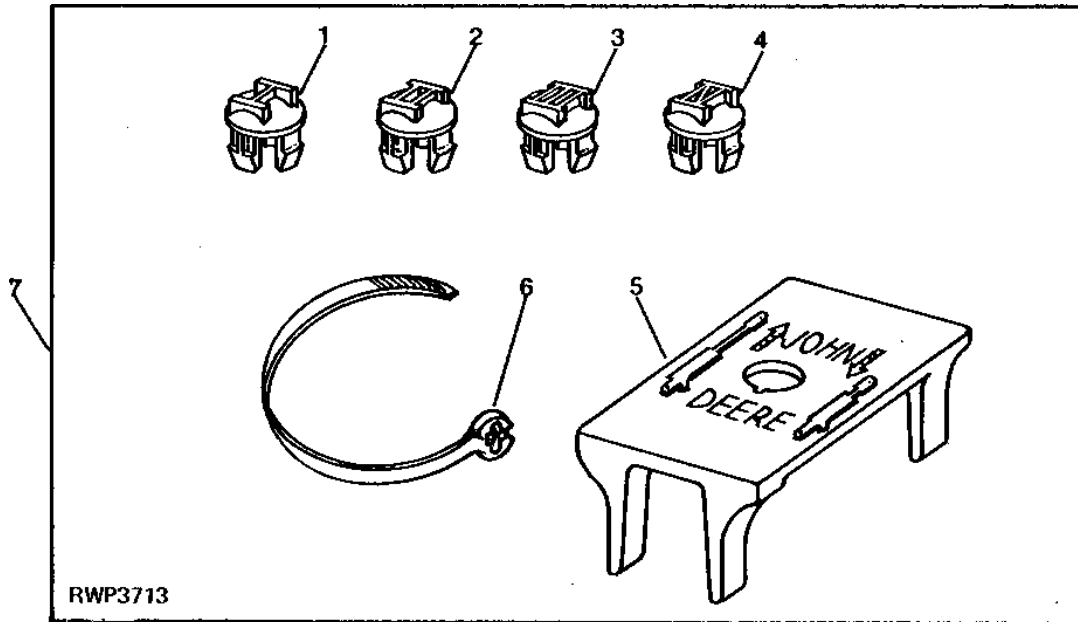
KEY	PART NO.	PART NAME	QTY	TRACTOR SERIAL NO.	REMARKS
1	R59633	WEAR RING	1		
2	R28085	GUIDE	1		(SUB FOR R28085) (SUB AR93819 PRESSURE OR AR93820 RETURN)
3	R28084	SPRING	1		
4	D2361R	BALL	1		13 MM (1/2") STEEL
5	R27430	HYD. QUICK-CONNECT COUPLER	1		(SUB AR93819) (PRESSURE)
	R45630	HYD. QUICK-CONNECT COUPLER	1		(SUB AR93820) (RETURN)
6	R28006	CAP	1		
7	AR30210	INTERNAL HALF COUPLER	1		(SUB AR93819) (PRESSURE)
	AR47643	BREAKAWAY COUPLER	1		(SUB AR93820) (RETURN)
8	R32419	COVER	1		(SUB R80324)
9	R32356	SNAP RING	1		
10	R32355	SLEEVE	1		(SUB RE15361)
11	R32354	SPRING	1		(SUB RE15361)
12	R26485	BACK-UP RING	1		
13	R495R	O-RING	1		
14	400R	BALL	6		6 MM (1/4")
15	R32353	SOCKET OUTLET	1		(SUB RE15361)
16	D2361R	BALL	1		13 MM (1/2")
17	R28084	SPRING	1		
18	R28085	GUIDE	1		(SUB RE15361)
19	R59633	WEAR RING	1		
20	AR47331	SOCKET OUTLET	1		(SUB RE15361)
21	R36946	SPRING	1		

2122

HYDRAULICS

RWP3713 -UN-01JAN94

REMOTE CYLINDER HOSE IDENTIFICATION KIT



KEY	PART NO.	PART NAME	QTY	TRACTOR SERIAL NO.	REMARKS
1	R74242	PLUG	1		
2	R74243	PLUG	1		
3	R74244	PLUG	1		
4	R74246	PLUG	1		
5	R76459	TAG	1		
6	R76477	TIE BAND	2		
7	AR103808	KIT	1		

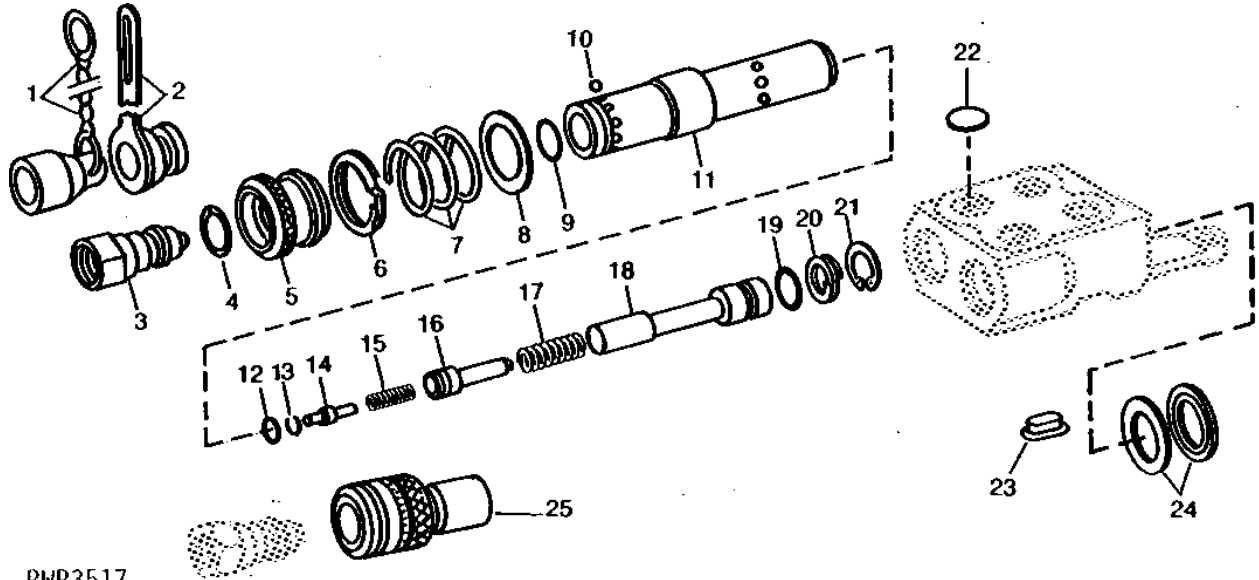
MEMORANDA

2123

HYDRAULICS

RWP3517 -UN-01JAN94

ISO BREAKAWAY COUPLER (SERVICE PARTS FOR AR80911)



RWP3517

KEY	PART NO.	PART NAME	QTY	TRACTOR SERIAL NO.	REMARKS
1	A15898	CAP	1		
2	A15899	CAP	1		
3	AR94522	INTERNAL HALF COUPLER	1		(SUB FOR AL26973)
4	R64617	SNAP RING	1		
5	R64618	SLEEVE	1		
6	R64615	SNAP RING	1		
7	R64609	SPRING	1		
8	R64608	WASHER	1		
9	R21722	O-RING	1		
10	H871R	BALL	8		5MM (3/16")
11	R64605	EXTERNAL HALF COUPLER	1		
12	T77613	O-RING	1		(SUB FOR R64613)
13	R64614	SNAP RING	1		
14	R64612	PIN	1		
15	R64611	SPRING	1		
16	R64610	POPPET	1		
17	R64607	SPRING	1		
18	R64606	GUIDE	1		
19	R375R	O-RING	1		
20	R26482	RING	1		
21	U15969	SNAP RING	1		
22	30H15	PLUG	1		1-1/8"
23	R64561	PLUG	1		
24	R79311	SEAL	2		(SUB FOR R74530)
25	AL26972	EXTERNAL HALF COUPLER	1		

2125

HYDRAULICS

JOHN DEERE TO ISO COUPLER CONVERSION KIT - CONTINUED

KEY	PART NO.	PART NAME	QTY	TRACTOR SERIAL NO.	REMARKS
1	R54242	SNAP RING	2		
2	R78767	SPRING	2		
3	R48698	WASHER	2		
4	R31136	BACK-UP RING	2		
5	R10093	O-RING	2		
6	RE13814	SHAFT	2		
7	40M4378	SNAP RING	2		
8	R78765	SLEEVE	2		
9	R71387	WASHER	2		
10	R74210	O-RING	2		
11	H871	BALL	16		
12	P51212	O-RING	2		
13	R78766	BACK-UP RING	2		
14	RE13813	RECEPTACLE	2		
15	30H15	PLUG	2		1-1/8"
16	R79311	SEAL	2		(SUB A4730R AND R26480, THIS APPLICATION)
17	R78769	HANDLE	2		
18	34H247	SPRING PIN	2		
19	R78768	COVER	2		
20	RE12121	RECEIVER	1		(SUB FOR AR80911)
21	AR94522	INTERNAL HALF COUPLER	AR		(SUB FOR AL26973)
22	AL26972	EXTERNAL HALF COUPLER	AR		

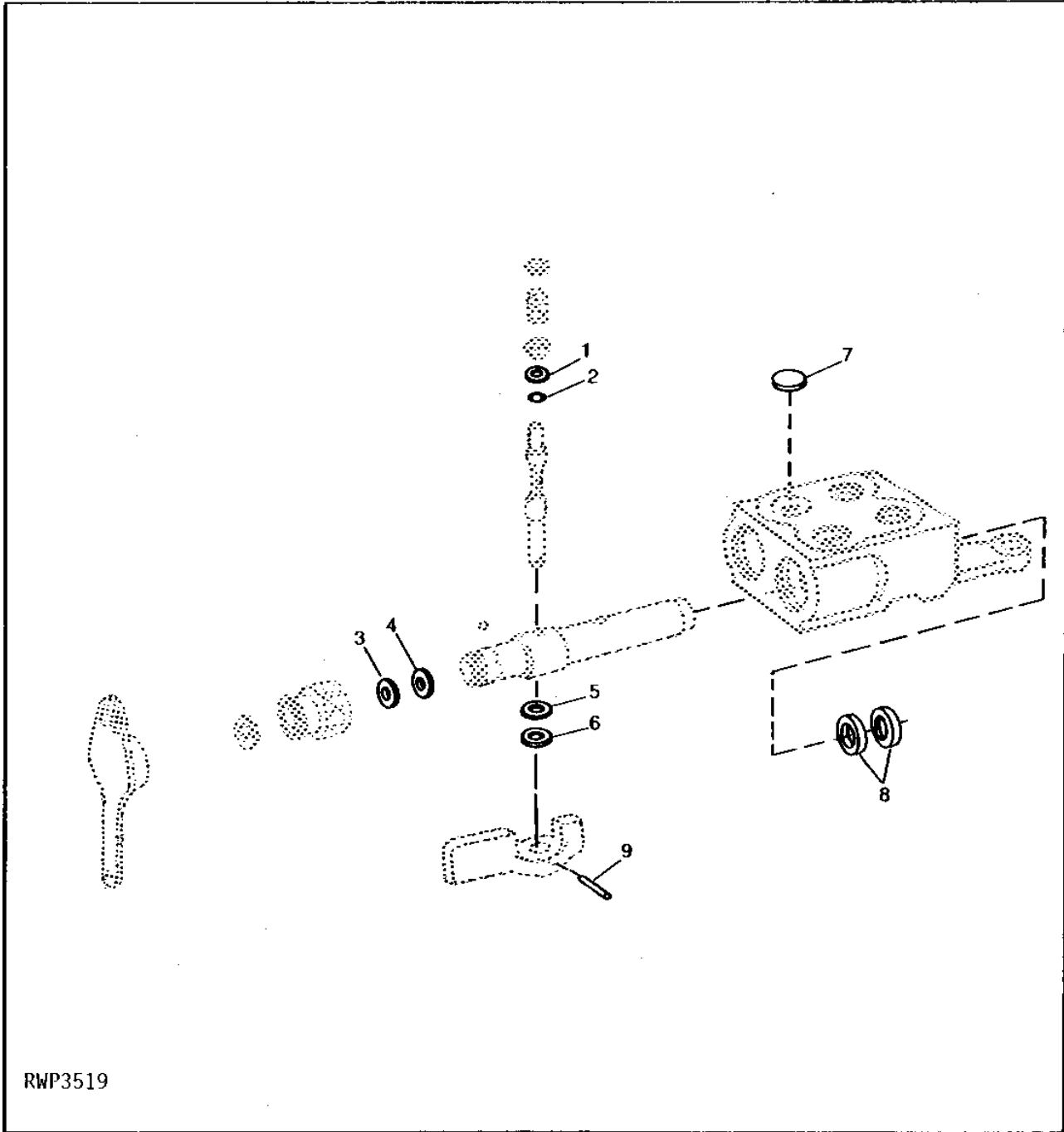
2J1

HYDRAULICS

RWP3519

-UN-01JAN94

ISO COUPLER OVERHAUL KIT



2J2

HYDRAULICS

ISO COUPLER OVERHAUL KIT - CONTINUED

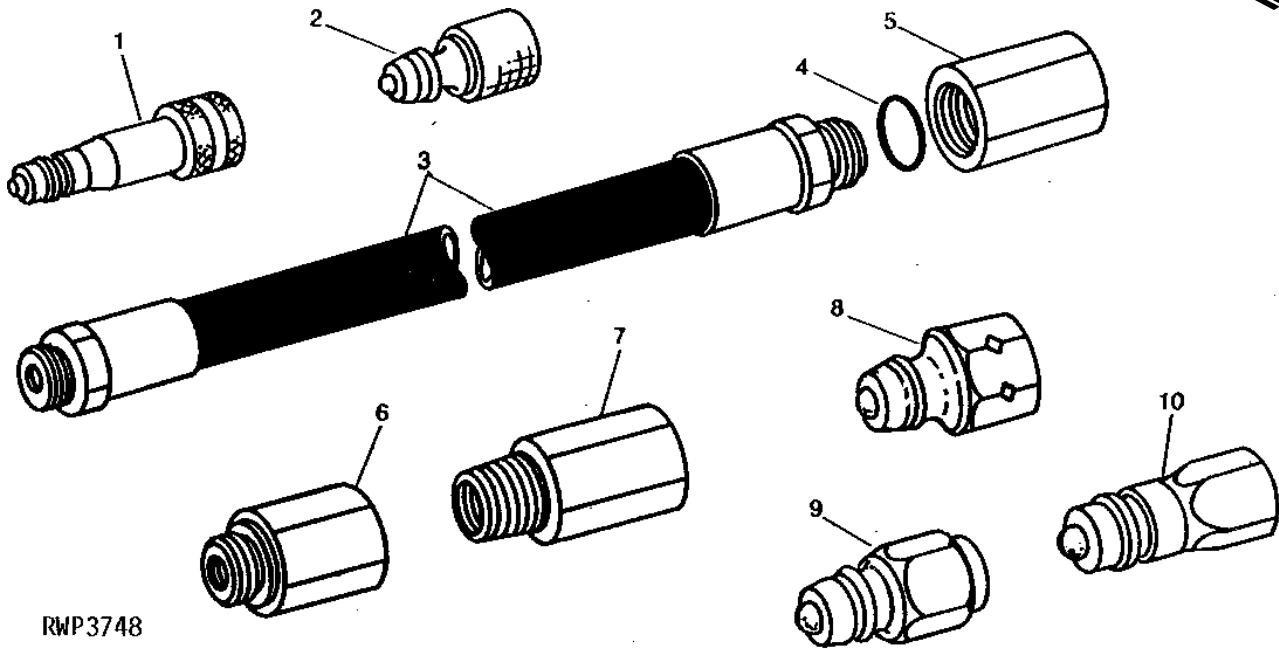
KEY	PART NO.	PART NAME	QTY	TRACTOR SERIAL NO.	REMARKS
1	R31136	BACK-UP RING	2		
2	R10093	O-RING	2		
3	R71387	WASHER	2		
4	R74210	O-RING	2		
5	P51212	O-RING	2		
6	R78766	BACK-UP RING	2		
7	30H15	PLUG	2	1-1/8"	
8	R79311	SEAL	4	(SUB A4730R AND R26480, THIS APPLICATION)	
9	34H247	SPRING PIN	2		
10	RE13815	KIT	1		

2J3

HYDRAULICS

RWP3748 -UN-01JAN94

IMPLEMENT HYDRAULIC OIL LINES AND FITTINGS



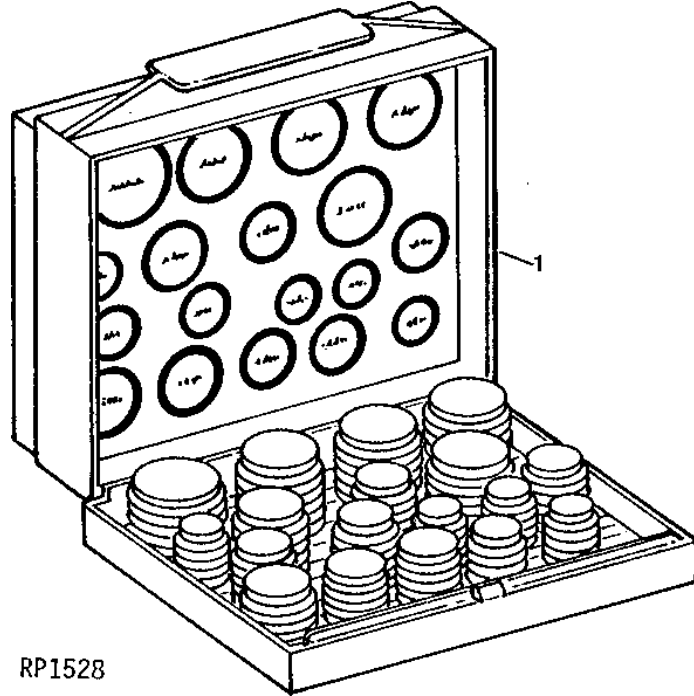
KEY	PART NO.	PART NAME	QTY	TRACTOR SERIAL NO.	REMARKS
1	AR98202	HYD. QUICK-CONNECT COUPLER	1	JOHN DEERE TO ISO	
	R21722	O-RING	1	(INCLUDED IN AR98202)	
	RE11457	ADAPTER	1	IHC TO ISO	
2	U11647	O-RING	1	(INCLUDED IN RE11457)	
	AR98201	HYD. QUICK-CONNECT COUPLER	1	ISO TO JOHN DEERE	
	R21722	O-RING	1	(INCLUDED IN AR98201, RE11458 AND RE11463)	
3	R71387	WASHER	1	(INCLUDED IN AR98201)	
	RE11456	ADAPTER	1	IHC TO JOHN DEERE	
	RE11458	ADAPTER	1	JOHN DEERE TO IHC	
	RE11463	ADAPTER	1	ISO TO IHC	
4	AR28754	HYDRAULIC HOSE	1	10 X 610MM (3/8" X 24") (SUB TY3018)	
	AR28755	HYDRAULIC HOSE	1	10 X 914MM (3/8" X 36")	
	R36658	HYDRAULIC HOSE	1	13 X 610MM (1/2" X 24")	
5	R36659	HYDRAULIC HOSE	1	13 X 914MM (1/2" X 36")	
	R26375	O-RING	1		
6	R30815	FITTING	1	3/4" THREAD	
7	R30817	ADAPTER	1	3/4"-16UNF MALE X 1/2"-14NPT FEMALE	
8	R30816	ADAPTER	1	1/2"-14NPT MALE X 3/4"-16UNF FEMALE	
9	AR93820	FITTING	1	JOHN DEERE, 3/4"-16 UNF	
10	RE11447	FITTING	1	JOHN DEERE, 1/2"-14NPT	
	AR94522	INTERNAL HALF COUPLER	1	ISO, 3/4"-16UNF	

2J4

HYDRAULICS

RP1528 -UN-01JAN94

O-RING KIT



RP1528

KEY	PART NO.	PART NAME	QTY	TRACTOR SERIAL NO.	REMARKS
..	AR73500	KIT	1		

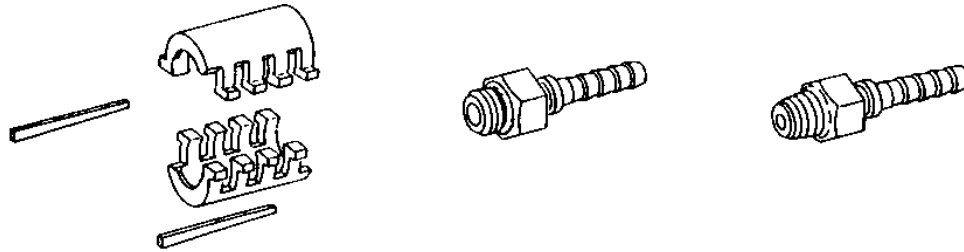
2J5

HYDRAULICS

RXP7733

-UN-23SEP94

BULK FLEXIBLE OIL LINE AND REUSABLE LOK-PIN COUPLINGS



Oil Line (Length) Approx. 50 ft.)		Set of Ferrules with Pins*	Stem-Straight Thread with O-ring	Stem-Pipe Thread
R 34790	3/8" I.D. — 1 Wire	AR 39635* *	R 39687
R 34791	1/2" I.D. — 1 Wire	AR 39636* *	R 39688
R 34792	3/4" I.D. — 1 Wire	AR 39637#	R 39689
R 34793	3/8" I.D. — 2 Wire	AR 39632	AR 39635* *	R 39687
R 34794	1/2" I.D. — 2 Wire	AR 39636* *	R 39688
R 34795	3/4" I.D. — 2 Wire	AR 39637#	R 39689

* Each set of ferrules includes two R39681 pins - extra pins may be ordered, packed 20 in a package.
 **Includes R26375 O-ring.
 # Includes F3171R O-ring.

REUSABLE COUPLINGS (Use With Braid Flexible Oil Line)



1 WR Single Wire		2 WR Double Wire		I.D.	Thread
<i>Coupling No.</i>		<i>Coupling No.</i>			
AF 3585	R	AR 21629		3/8"	3/8" — 18 NPTF
AF 3586	R	AR 21630		1/2"	1/2" — 14 NPTF
AF 3587	R		5/8"	3/4" — 14 NPTF
AF 3588	R	AR 21632		3/4"	3/4" — 14 NPTF
R 34644		AR 21634		1"	1" — 11-1/2" NPTF
R 34646			3/8"	3/4" — 16 O-ring type thread
		R 34647		1/2"	3/4" — 16 O-ring type thread

BULK SINGLE WIRE BRAID FLEXIBLE OIL LINE (Use With Reusable Coupling for Single Wire Braid Flexible Oil Line)

Part No.	I.D.	O.D.	Length
A 5776 R	1/2"	29/32"	Approx. 50 ft.
A 5777 R	5/8"	1-1/32"	Approx. 50 ft.

BULK DOUBLE WIRE BRAID FLEXIBLE OIL LINE (Use with Reusable Coupling for Double Wire Braid Flexible Oil Line)

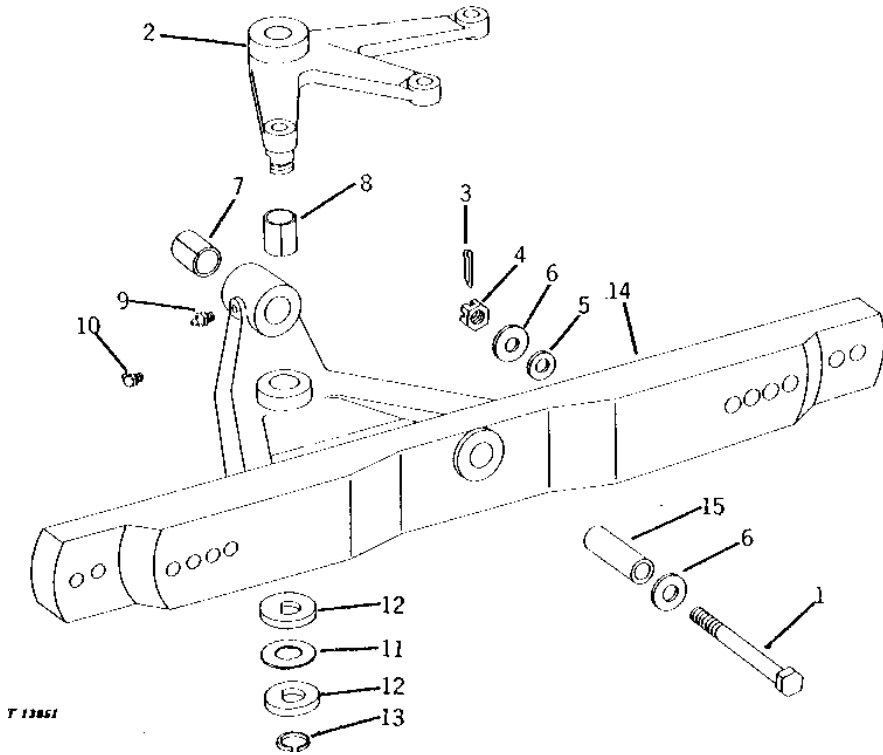
Part No.	I.D.	O.D.	Length
R 21531	3/8"	29/32"	Approx. 50 ft.
R 21532 RXP7733	1/2"	31/32"	Approx. 50 ft.

3A22

WHEELS, FRONT AXLES, SHEET METAL

STRAIGHT ADJUSTABLE FRONT AXLE
 1524 - 2235MM (60" - 88") (HU)
 1219 - 2032MM (48" - 80") (HU, RU)
 1472 - 2350MM (58" - 92-1/2") (RU)

T13851 -UN-01JAN94



T 13851

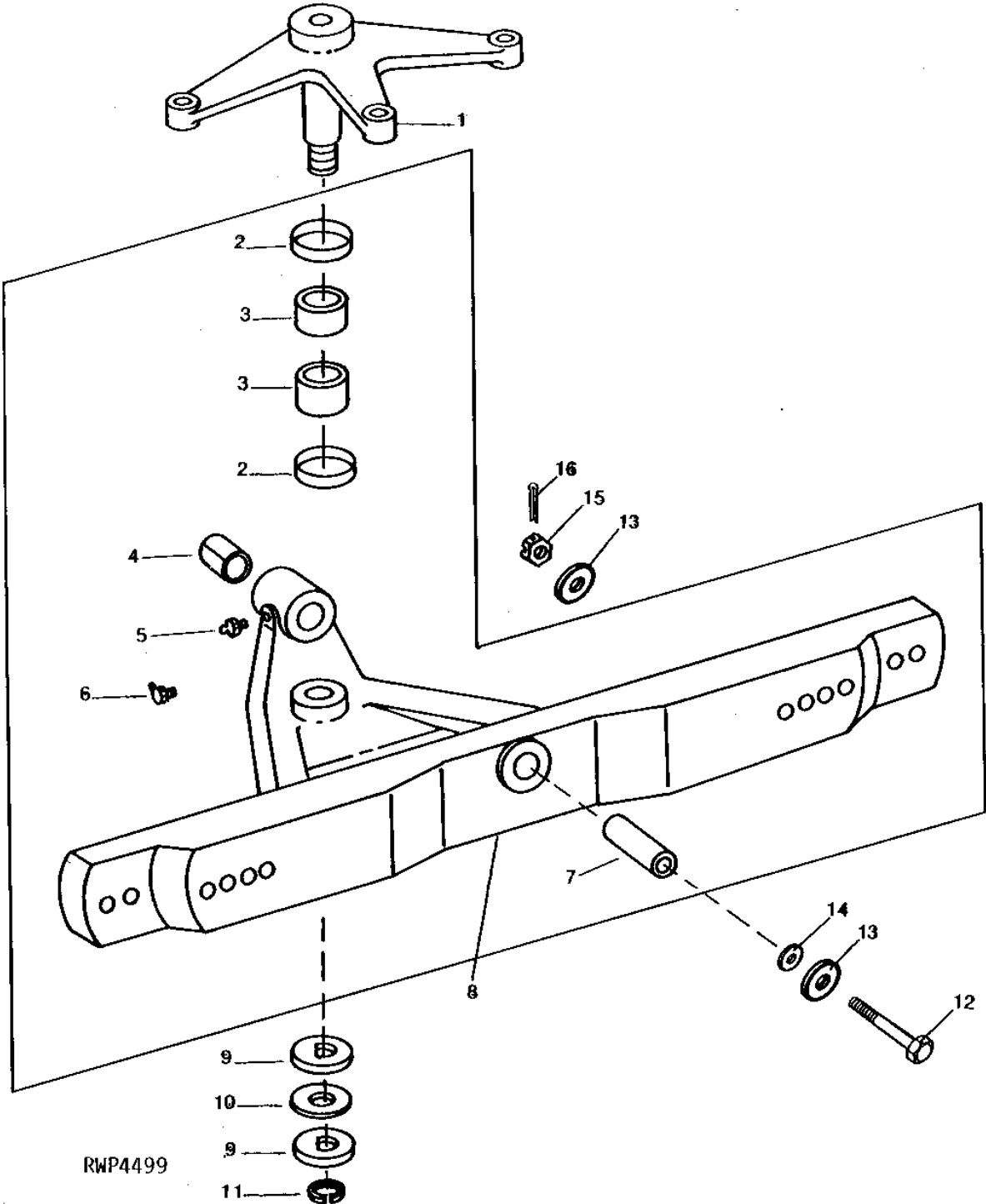
KEY	PART NO.	PART NAME	QTY	TRACTOR SERIAL NO.	REMARKS
1	T25840	CAP SCREW	1		(SUB FOR T22071)
2	AT19793	BELLCRANK	1		(MARKED T21502)
3	11M7030	COTTER PIN	1		5 X 40 MM
4	14H902	NUT	1		3/4"
5	T25921	SHIM	AR		0.38 MM (.015")
6	T25922	WASHER	2		
7	T23170	BUSHING	1		
8	T21538	BUSHING	2	-045990	
	T23118	BUSHING	2	045991-	
9	JD7798	LUBRICATION FITTING	1		STRAIGHT, 1/8"
10	JD7799	LUBRICATION FITTING	1		90°, 1/8"
11	T23228	SHIM	3		0.25 MM (.010")
12	T23229	WASHER	2		
13	F534R	SNAP RING	1		
14	AR64915	FRONT AXLE	1		1219-2032 MM (48"-80") (HU, RU) (INCLUDES BUSHINGS AND FITTINGS) (SUB FOR AT22237) (SUB AR91810 AND AR92945)
	AR64709	FRONT AXLE	1		1524-2235 MM (60"-88") (HU) 1473-2350 MM 58"-92-1/2" (RU) (INCLUDES BUSHINGS AND FITTINGS) (SUB FOR AT23336) (SUB AR91809 AND AR92945)
15	T21669	BUSHING	1		

3A23

WHEELS, FRONT AXLES, SHEET METAL

STRAIGHT ADJUSTABLE FRONT AXLE
1524 - 2235MM (60" - 88") (HU)
1219 - 2032MM (48" - 80") (HU, RU)
1473 - 2350MM (58" - 92-1/2") (RU)

RWP4499 -UN-01JAN94



RWP4499

3A24

WHEELS, FRONT AXLES, SHEET METAL

STRAIGHT ADJUSTABLE FRONT AXLE - CONTINUED

1524 - 2235MM (60" - 88") (HU)
1219 - 2032MM (48" - 80") (HU, RU)
1473 - 2350MM (58" - 92-1/2") (RU)

KEY	PART NO.	PART NAME	QTY	TRACTOR SERIAL NO.	REMARKS
1	AR92945	LEVER	1		
2	U10296	SEAL	2		
3	JD8827	NEEDLE BEARING	2		
4	T23170	BUSHING	1		
5	JD7798	LUBRICATION FITTING	1		
6	JD7799	LUBRICATION FITTING	1		
7	T21669	BUSHING	1		
8	AR91809	FRONT AXLE	1		1524 - 2235 MM (60" - 88") 1473 - 2350 MM (58" - 92-1/2") (MARKED R70228)
	AR91810	FRONT AXLE	1		1219 - 2032MM (48" - 80") (MARKED R70229)
9	R70233	WASHER	2		(NLA)
10	R63247	SHIM	AR		0.13 MM (.005")
	T23228	SHIM	AR		0.25 MM (.010")
11	F534R	SNAP RING	1		
12	T25840	CAP SCREW	1		
13	T25922	WASHER	2		
14	T25921	SHIM	AR		0.38 MM (.015")
	T30991	WASHER	AR		1.07 MM (.042")
15	14H902	NUT	1		3/4"
16	11M7030	COTTER PIN	1		5 X 40 MM

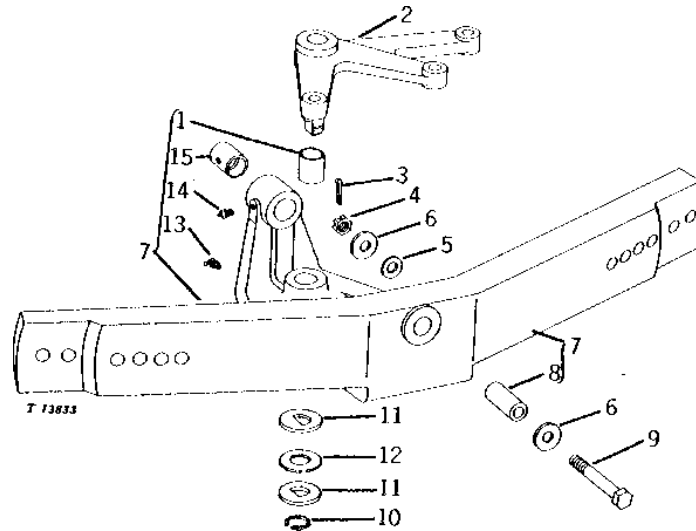
MEMORANDA

3A25

WHEELS, FRONT AXLES, SHEET METAL

SWEPT BACK ADJUSTABLE FRONT AXLE
 1118 - 1676MM (44" - 66") (RU, LU)
 1219 - 1981MM (48" - 78") (RU)

T13833 -UN-01JAN94



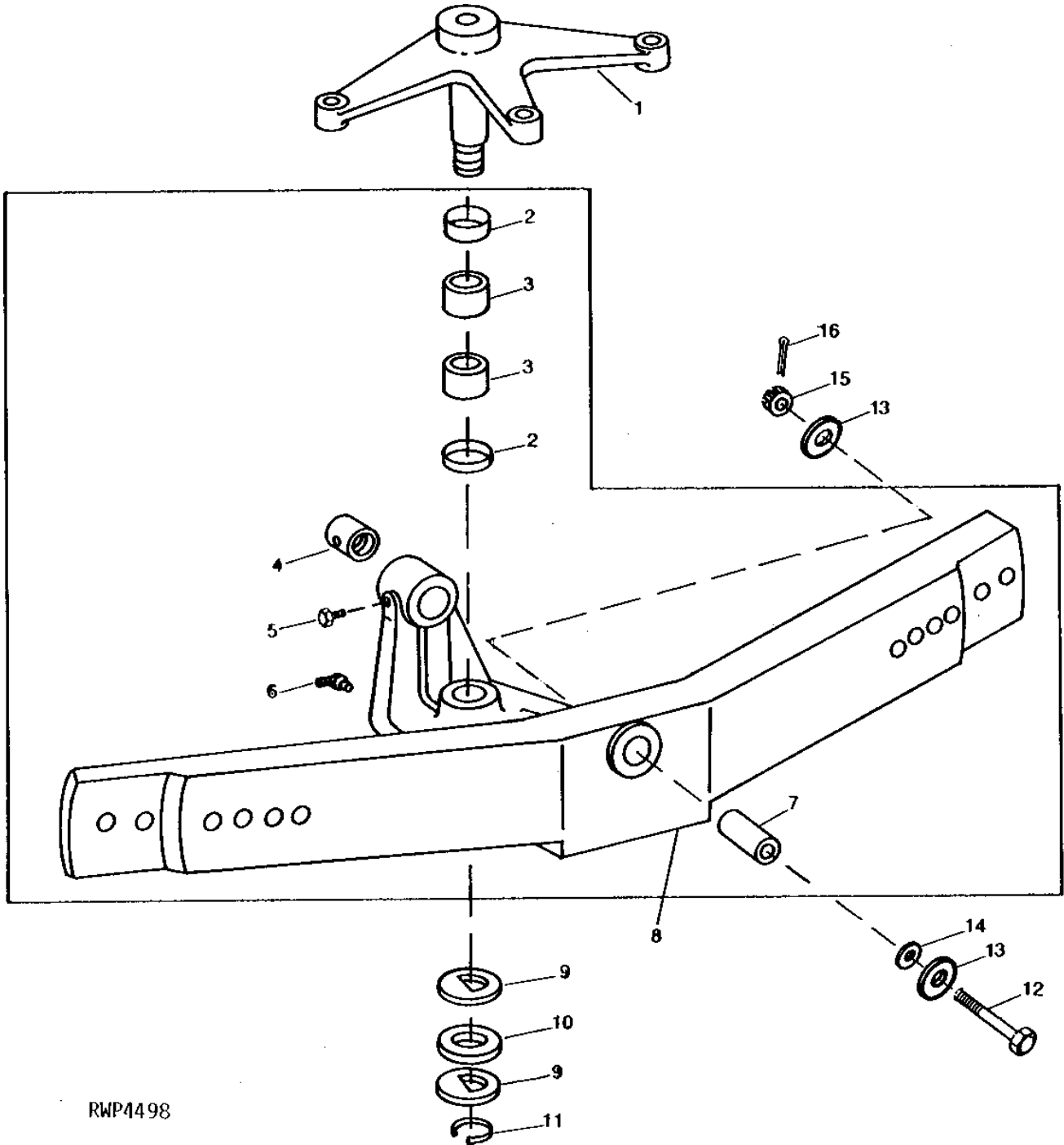
KEY	PART NO.	PART NAME	QTY	TRACTOR SERIAL NO.	REMARKS
1	T21538	BUSHING	2	-045990	
	T23118	BUSHING	2	045991-	
2	AT19794	LEVER	1		
3	11M7030	COTTER PIN	1		5 X 40 MM
4	14H902	NUT	1		3/4"
5	T25921	SHIM	AR		0.38 MM (.015")
6	T25922	WASHER	2		
7	AT22278	AXLE	1		(LU) ((RU) 18.4-16A OR 7.50-16 TIRE)
	AT34970	AXLE	1		(RU) (SUB FOR AT22220) (SUB AR91808 AND AR92944)
8	T21669	BUSHING	1		
9	T25840	CAP SCREW	1		(SUB FOR T22071)
10	F534R	SNAP RING	1		
11	T23229	WASHER	2		
12	T23228	SHIM	3		0.25 MM (.010")
13	JD7799	LUBRICATION FITTING	1		90°, 1/8"
14	JD7798	LUBRICATION FITTING	1		STRAIGHT, 1/8"
15	T23170	BUSHING	1		

3B1

WHEELS, FRONT AXLES, SHEET METAL

SWEPT BACK ADJUSTABLE FRONT AXLE
1118 - 1676MM (44" - 66") (RU, LU)
1219 - 1981MM (48" - 78") (RU)

RWP4498 -UN-01JAN94



RWP4498

3B2

WHEELS, FRONT AXLES, SHEET METAL

SWEPT BACK ADJUSTABLE FRONT AXLE - CONTINUED
1118 - 1676MM (44" - 66") (RU, LU)
1219 - 1981MM (48" - 78") (RU)

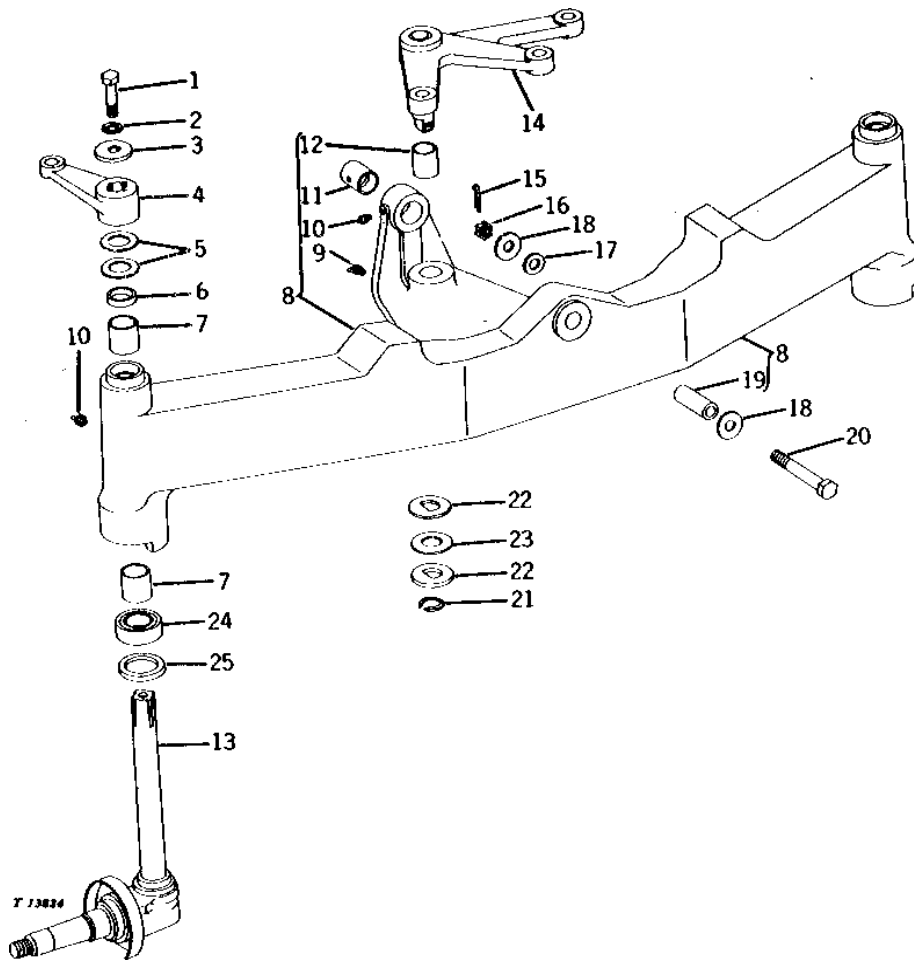
KEY	PART NO.	PART NAME	QTY	TRACTOR SERIAL NO.	REMARKS
1	AR92944	LEVER	1		
2	U10296	SEAL	2		
3	JD8827	NEEDLE BEARING	2		
4	T23170	BUSHING	1		
5	JD7798	LUBRICATION FITTING	1		
6	JD7799	LUBRICATION FITTING	1		
7	T21669	BUSHING	1		
8	AR91808	FRONT AXLE	1		(MARKED R70227)
9	R63247	SHIM	AR		0.13 MM (.005")
	R70233	WASHER	2		(NLA)
10	T23228	SHIM	3		0.25 MM (.010")
11	F534R	SNAP RING	1		
12	T25840	CAP SCREW	1		
13	T25922	WASHER	2		
14	T25921	SHIM	AR		0.38 MM (.015")
15	14H902	NUT	1		3/4"
16	11M7030	COTTER PIN	1		5 X 40 MM

3B3

WHEELS, FRONT AXLES, SHEET METAL

FRONT AXLE, SPINDLE AND KNUCKLE ASSEMBLY
(FIXED TREAD) (HU, RU)
(TRACTOR SERIAL NO. -XXXXXX)

T13834 -UN-01JAN94



3B4

WHEELS, FRONT AXLES, SHEET METAL

FRONT AXLE, SPINDLE AND KNUCKLE ASSEMBLY - CONTINUED
(FIXED TREAD) (HU, RU)
(TRACTOR SERIAL NO. -XXXXXX)

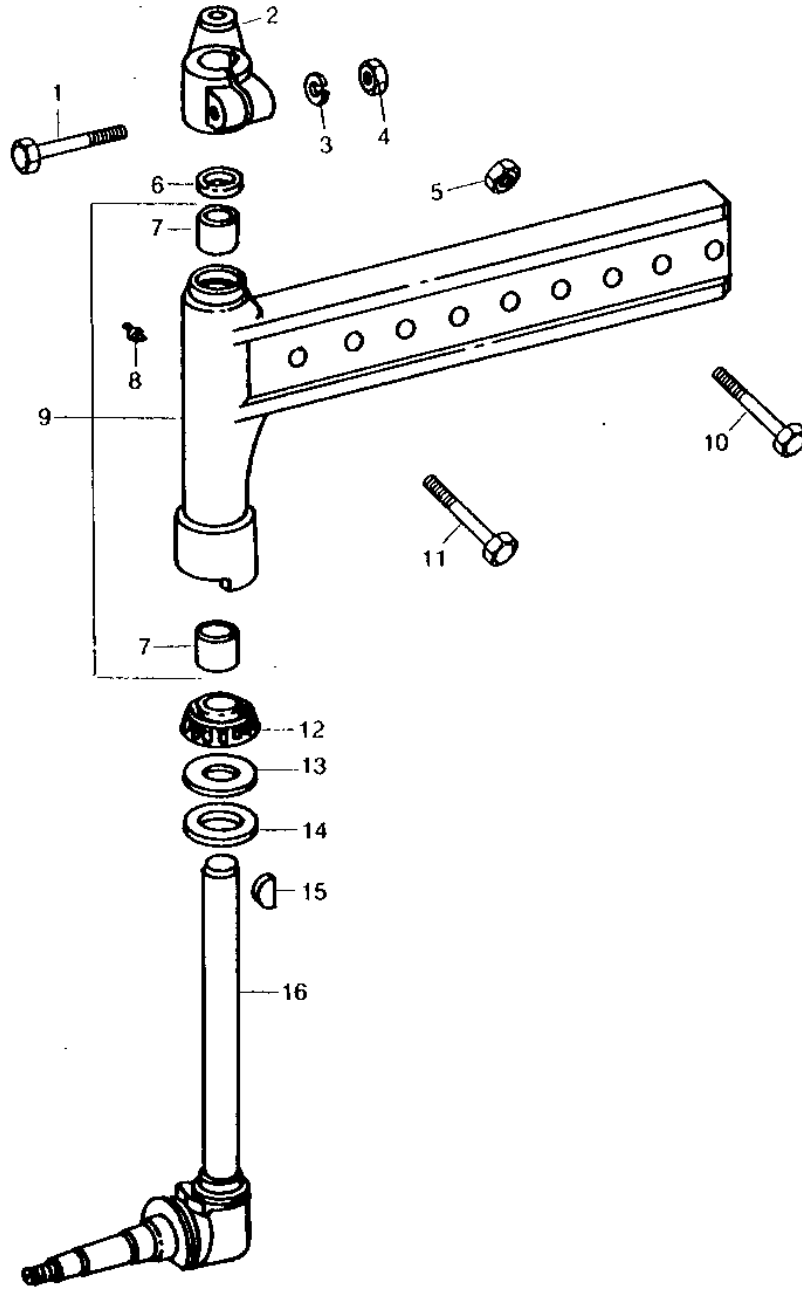
KEY	PART NO.	PART NAME	QTY	TRACTOR SERIAL NO.	REMARKS
1	19H3158	CAP SCREW	2		3/4" X 2" HS, SAE 8
2	12H236	LOCK WASHER	2		3/4"
3	F3607R	WASHER	2		
4	T21519	LEVER	1		R.H.
	T21520	LEVER	1		L.H.
5	T15285	SHIM	4		0.68 MM (.027")
6	T15288	WASHER	2		
7	T21553	BUSHING	4		
8	AT22292	FRONT AXLE	1		(MARKED T21777) (NLA)
9	JD7799	LUBRICATION FITTING	1		90°, 1/8"
10	JD7798	LUBRICATION FITTING	3		STRAIGHT, 1/8"
11	T23170	BUSHING	1		
12	T23118	BUSHING	2		
13	AT35227	KNUCKLE	2		(SUB FOR AT19804) (SUB AT39457 AND JD8969)
14	AT19797	CRANK	1		(SUB AT52868)
15	11M7030	COTTER PIN	1		5 X 40 MM
16	14H902	NUT	1		3/4"
17	T25921	SHIM	AR		0.38 MM (.015")
18	T25922	WASHER	2		
19	T21669	BUSHING	1		
20	T25840	CAP SCREW	1		
21	F534R	SNAP RING	1		
22	T23229	WASHER	2		
23	T23228	SHIM	3		0.25 MM (.010")
24	JD8410	THRUST BEARING	2		
25	T15284	WASHER	2		

3B5

WHEELS, FRONT AXLES, SHEET METAL

FRONT AXLE KNEE, SPINDLE AND KNUCKLE ASSEMBLY
(SWEEP BACK ADJUSTABLE FRONT AXLE)
1118-1676MM (44"-66") (LU, RU) 1219-1981MM (48"-78") (RU)
(STRAIGHT ADJUSTABLE FRONT AXLE) 1219-2032MM (48"-80") (RU, HU)
1473-2350MM (58"-92-1/2") (RU) 1524-2235MM (60"-88") (HU)

RP244 -UN-01JAN94



RP244

3B6

WHEELS, FRONT AXLES, SHEET METAL

FRONT AXLE KNEE, SPINDLE AND KNUCKLE ASSEMBLY - CONTINUED
(SWEEP BACK ADJUSTABLE FRONT AXLE)
1118-1676 MM (44"-66") (LU, RU) 1219-1981 MM (48"-78")(RU)
(STRAIGHT ADJUSTABLE FRONT AXLE) 1219-2032 MM (48"-80") (HU, RU)
1473-2350 MM (58"-92-1/2") (RU) 1524-2235 MM (60"-88")(HU)

KEY	PART NO.	PART NAME	QTY	TRACTOR SERIAL NO.	REMARKS
1	19H2644	CAP SCREW	2		1/2" X 2-1/2"
2	T21618	LEVER	1		(A) R.H. (HU, RU)
	T21517	LEVER	1		(B) R.H. (LU, RU)
	T21619	LEVER	1		(A) L.H. (HU, RU)
	T21518	LEVER	1		(B) L.H. (LU, RU)
3	12H301	LOCK WASHER	2		1/2"
4	14H1040	NUT	2		1/2"
5	14H794	NUT	4		3/4"
6	M1518T	WASHER	2		
7	T21539	BUSHING	4		
8	JD7798	LUBRICATION FITTING	2		(A) 1/8"
9	AT22246	AXLE KNEE	1		(A) R.H. 1219-2032 MM (48"-80") (HU)
	AT22331	AXLE KNEE	1		(A) R.H. 1524-2235 MM (60"-88") (HU)
	AT25637	AXLE	1		(A) R.H. 1473-2350 MM (58"-92-1/2") (RU) (NLA)
	AT22238	AXLE KNEE	1		(A) R.H. (RU)
	AT22279	AXLE KNEE	1		(B) R.H. (LU) ((RU) 18.4-16A OR 7.50X16 TIRE)
	AT22221	AXLE KNEE	1		(B) R.H. (RU)
	AT22247	AXLE KNEE	1		(A) L.H. 1219-2032 MM (48"-80") (HU)
	AT22332	AXLE KNEE	1		(A) L.H. 1524-2235 MM (60"-88") (HU)
	AT25638	FRONT AXLE	1		(A) L.H. 1473-2350 MM (58"-92-1/2") (RU) (NLA)
	AT22239	AXLE KNEE	1		(A) L.H. (RU)
	AT22280	AXLE KNEE	1		(B) L.H. ((RU) 18.4-16A OR 7.50-16 TIRE)
	AT22222	AXLE KNEE	1		(B) L.H. (RU)
10	19H3210	CAP SCREW	2		3/4" X 5-1/4", (HU, RU)
	19H2827	CAP SCREW	2		3/4" X 4-3/4", (LU) ((RU) 18.4-16A OR 7.50-16 TIRE)
11	19H2826	CAP SCREW	2		3/4" X 4-1/2", (HU, RU)
	19H2826	CAP SCREW	2		3/4" X 4-1/2", (LU) ((RU) 18.4-16A OR 7.50-16 TIRE)
12	JD8407	THRUST BEARING	2		
13	M2283T	WASHER	2		
14	M2282T	WASHER	2		
15	26H93	SHAFT KEY	2		1/4" X 1-1/4"
16	AR103471	KNUCKLE	2		(A) (HU) (VERTICAL LENGTH 388 MM (15-9/32")) (SUB FOR AT19802 OR AR52860)
	AR103472	KNUCKLE	2		(A) (B) (RU) (VERTICAL LENGTH 300 MM (11-13/16")) (SUB FOR AT19799 OR AR52861)
	AR103473	KNUCKLE	2		(B) (LU) ((RU) 18.4-16A OR 7.50-16 TIRE) (VERTICAL LENGTH 249 MM (9-13/16")) (SUB FOR AT19933 OR AR52862)

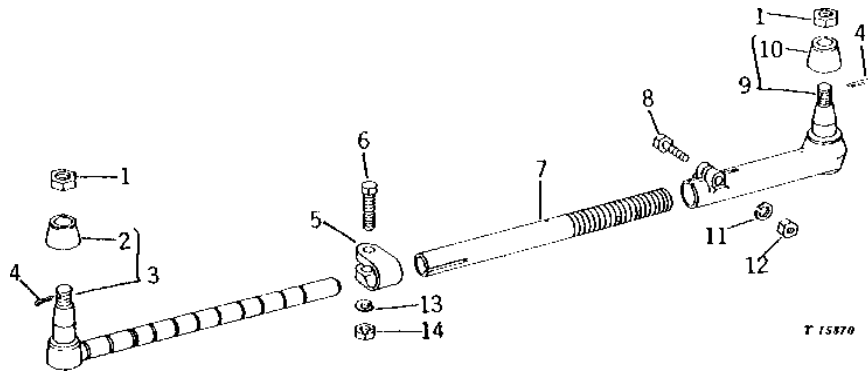
(A) STRAIGHT
(B) SWEEP BACK

3B7

WHEELS, FRONT AXLES, SHEET METAL

TIE ROD ASSEMBLY
(SWEEP BACK ADJUSTABLE FRONT AXLE)
 1118-1676 MM (44"-66") (LU, RU) 1219-1981 MM (48"-78") (RU)
(STRAIGHT ADJUSTABLE FRONT AXLE) 1219-2032 MM (48"-80") (HU, RU)
 1473-2350 MM (58"-92-1/2") (RU) 1524-2235 MM (60"-88") (HU)

T15870 -UN-01JAN94



KEY	PART NO.	PART NAME	QTY	TRACTOR SERIAL NO.	REMARKS
1	14H1083	NUT	2	-071052	5/8"
	14H918	NUT	2	071053-	5/8"
2	R40589	COVER	2		(SUB FOR R28019)
3	AT20944	TIE ROD	1		(A) 1219-2032 MM (48"-80") (HU, RU)
	AT20945	TIE ROD	1		(B) 1118-1676 MM (44"-66") (LU) ((RU) WITH 18.4-16A TIRE)
	AT23583	TIE ROD END	1		(A) OUTER 1524-2235 MM (60"-88") (HU) 1473-2350 MM (58"-92-1/2") (RU)
	AT20943	TIE ROD	1		(B) OUTER 1219-1981 MM (48"-78") (RU)
4	11M7083	COTTER PIN	2	071053-	(B) OUTER, (USE WITH AR54634 OR AT23884) 3.200 X 50 MM
5	T22946	CLAMP	2		(SUB AT148533)
	R50507	CLAMP	1		(A) (USE WITH AR54634 OR AT23884)
6	19H1831	CAP SCREW	1	-XXXXXX	1/2" X 2"
	19H2399	CAP SCREW	1	XXXXXX-	1/2" X 2-1/2"
7	T22947	TUBE	1		(A) 1219-2032 MM (48"-80") (HU, RU)
	T22952	TUBE	1		(A) 1524-2235 MM (60"-88") (HU) 1473-2350 MM (58"-92-1/2") (RU)
	T22949	TUBE	1		(B) 1118-1676 MM (44"-66") (LU) ((RU) WITH 18.4-16A OR 7.50-16 TIRE)
	T22945	TUBE	1		(B) 1219-1981 MM (48"-78") (RU)
	T25901	PIPE	1		(B) (USE WITH AR54634 OR AT23884)
8	19H1765	CAP SCREW	1	071053-	3/8" X 1-3/4"
9	AT23886	TIE ROD END	1		INNER ID = 1", (SUB FOR AT20942)
	AT27130	TIE ROD END	1		INNER ID = 1-1/8", (USE WITH AR54634 OR AT23884)
10	R40589	COVER	1	071053-	
11	12H304	LOCK WASHER	1	071053-	3/8"
12	14H1076	NUT	1	071053-	3/8"
13	12H301	LOCK WASHER	1		1/2"
14	14H1040	NUT	1		1/2"

(A) STRAIGHT
 (B) SWEEP BACK

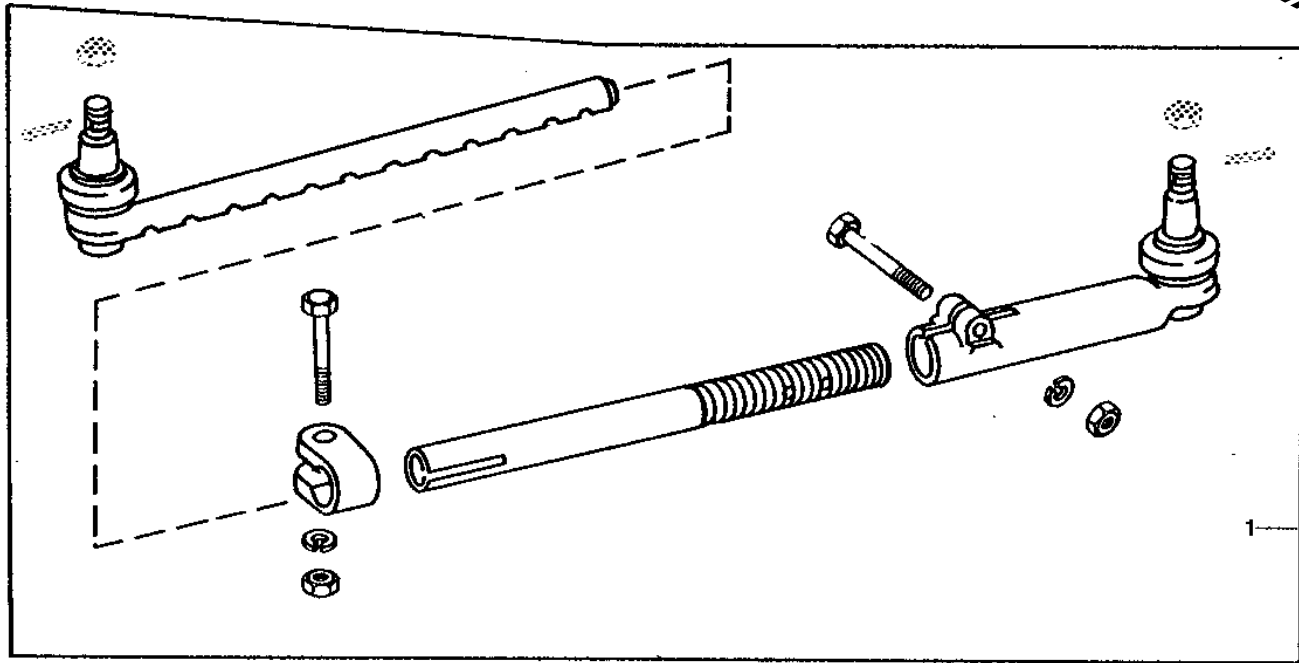
3B8

WHEELS, FRONT AXLES, SHEET METAL

**TIE ROD ASSEMBLY
(SWEEP BACK ADJUSTABLE FRONT AXLE)
1118-1676MM (44"-66") (LU, RU) 1219-1981MM (48"-78) (RU)
(STRAIGHT ADJUSTABLE FRONT AXLE)**

1219-2032MM (48"-80") (HU, RU), 1524-2235MM (60"-88") (HU), 1473-2350MM (58"-92-1/2") (RU)

RP428 -UN-01JAN94



RP428

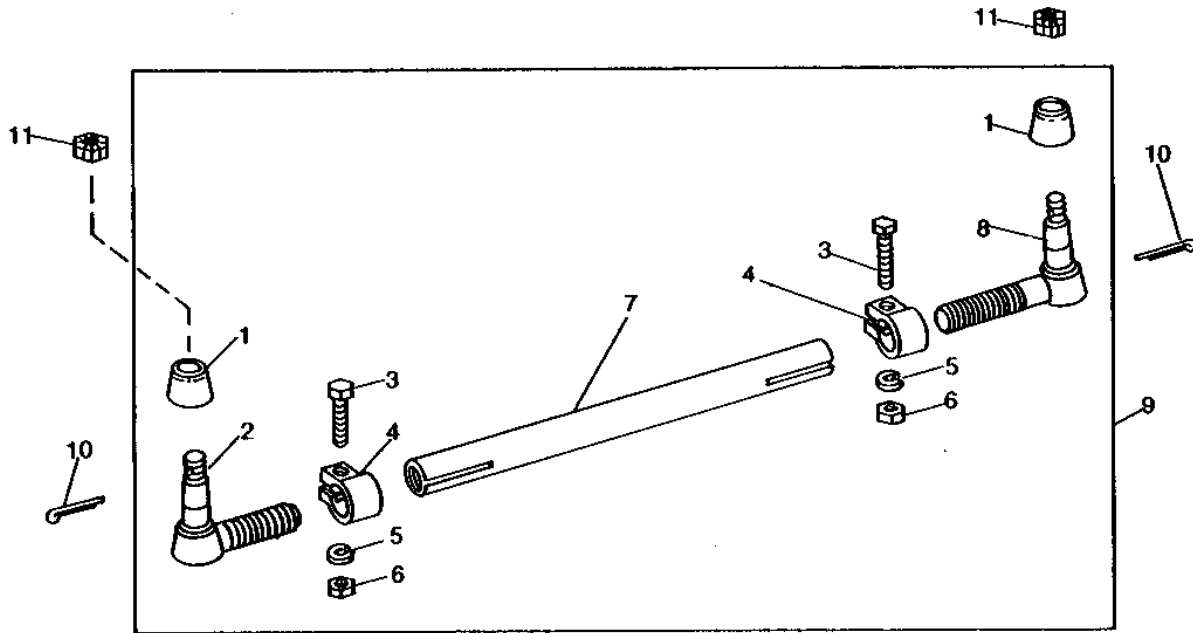
KEY	PART NO.	PART NAME	QTY	TRACTOR SERIAL NO.	REMARKS
1	AR54635	ROD	2	1118-1676MM (44"-66") (SWEEP BACK) (LU) (RU)	18.4-16A TIRES)
	AR54634	ROD	2	1219-1981MM (48"-78") (SWEEP BACK) (RU)	
	AR54637	ROD	2	1219-2032MM (48"-80") (STRAIGHT) (HU, RU)	
	AT20939	ROD	2	1524-2235MM (60"-88") (STRAIGHT) (HU)	1473-2350MM (58"-92-1/2") (RU) (NO LONGER AVAILABLE)

3B9

WHEELS, FRONT AXLES, SHEET METAL

TIE ROD ASSEMBLY (FIXED TREAD) (HU, RU) (TRACTOR SERIAL NO. -XXXXXX)

RWP4864 -UN-01JAN94



RWP4864

KEY	PART NO.	PART NAME	QTY	TRACTOR SERIAL NO.	REMARKS
1	R40589	COVER	4		
2	AR27430	TIE ROD END	2		OUTER
3	19H1802	CAP SCREW	4		7/16" X 1-7/8"
4	R28023	CLAMP	4		
5	12H293	LOCK WASHER	4		7/16"
6	14H1047	NUT	4		7/16"
7	T22948	TUBE	2		
8	AR27351	UNIVERSAL JOINT	2		INNER
9	AT19823	TIE ROD	2		
10	11M7083	COTTER PIN	4		3.200 X 50 MM
11	14H1083	NUT	4		5/8"

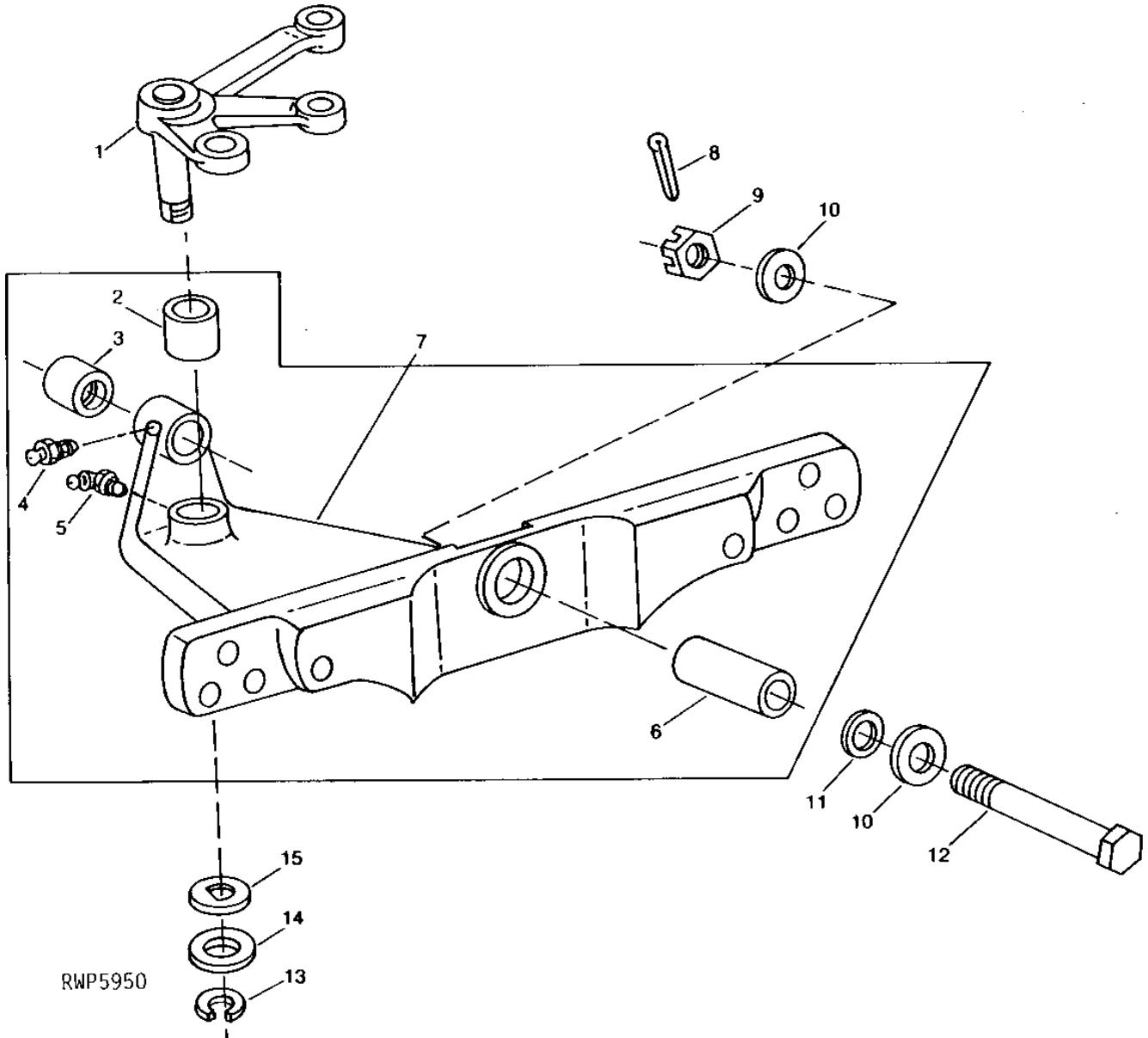
MEMORANDA

3B10

WHEELS, FRONT AXLES, SHEET METAL

STRAIGHT ADJUSTABLE FRONT AXLE (HEAVY-DUTY)

RWP5950 -UN-01JAN94



3B11

WHEELS, FRONT AXLES, SHEET METAL

STRAIGHT ADJUSTABLE FRONT AXLE - CONTINUED (HEAVY-DUTY)

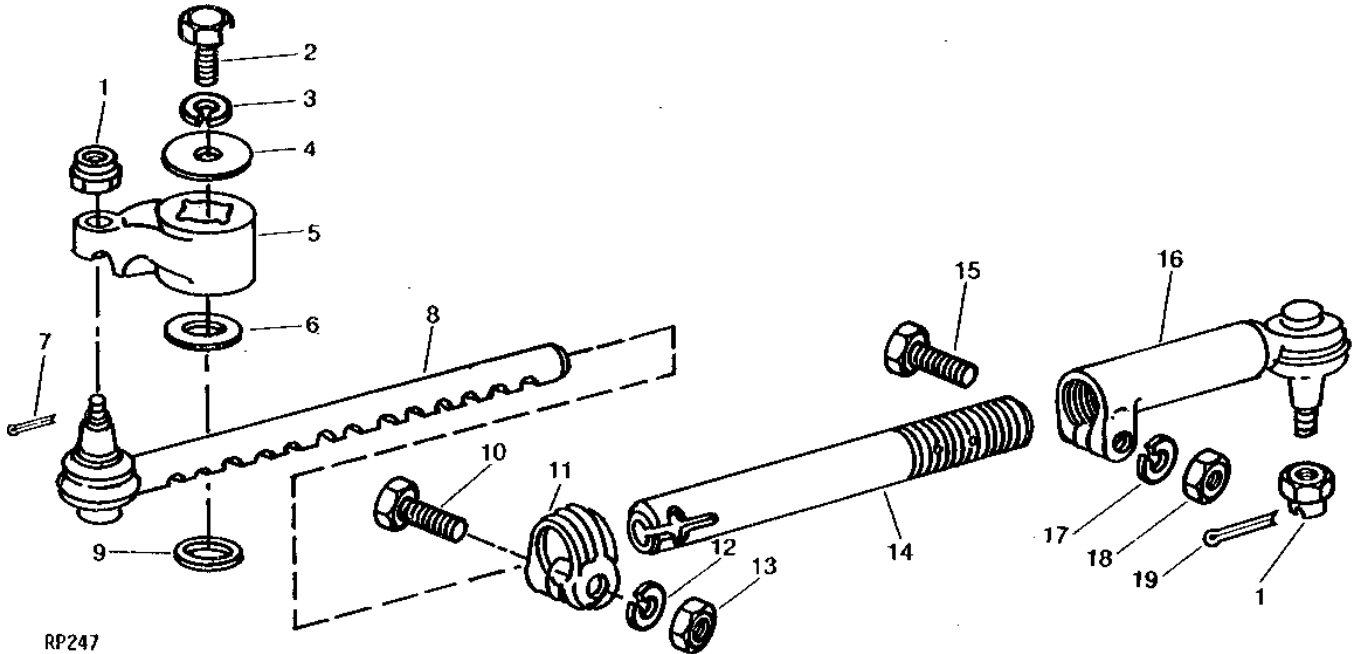
KEY	PART NO.	PART NAME	QTY	TRACTOR SERIAL NO.	REMARKS
1	AT19793	BELLCRANK	1		
2	JD9911	NEEDLE BEARING	1		
3	T23170	BUSHING	1		
4	JD7798	LUBRICATION FITTING	1		STRAIGHT, 1/8"
5	JD7799	LUBRICATION FITTING	1		90°, 1/8"
6	T21669	BUSHING	1		
7	AR53391	AXLE	1		(INCLUDES BUSHINGS AND FITTINGS)
8	11M7030	COTTER PIN	1		5 X 40 MM
9	14H902	NUT	1		3/4"
10	T25922	WASHER	2		
11	T25921	SHIM	AR		0.38 MM (.015")
12	T25840	CAP SCREW	1		
13	F534R	SNAP RING	1		
14	T23228	SHIM	AR		0.25 MM (.010")
15	T23229	WASHER	2		

3B12

WHEELS, FRONT AXLES, SHEET METAL

TIE ROD ASSEMBLY (STRAIGHT ADJUSTABLE FRONT AXLE) (HEAVY-DUTY)

RP247 -UN-01JAN94



RP247

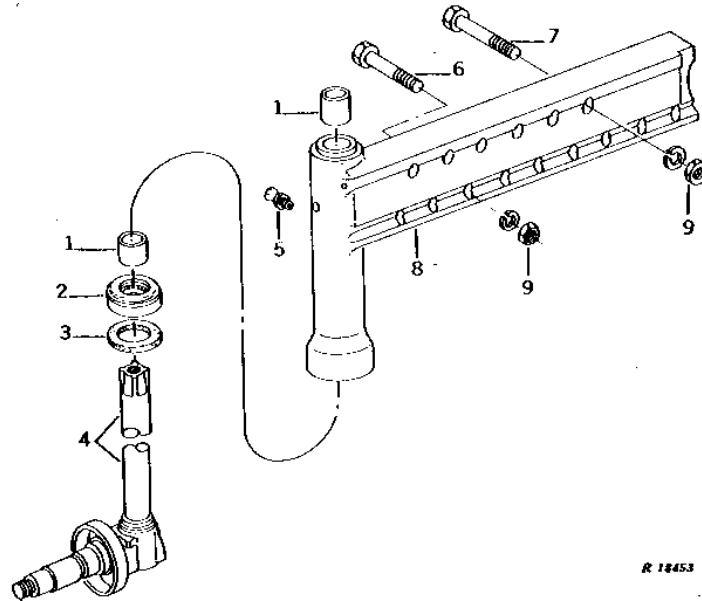
KEY	PART NO.	PART NAME	QTY	TRACTOR SERIAL NO.	REMARKS
1	14H918	NUT	2	5/8"	
2	19H3158	CAP SCREW	2	3/4" X 2" HS, SAE 8	
3	12H236	LOCK WASHER	2	3/4"	
4	F3607R	WASHER	2		
5	L25880	ARM	1	R.H.	
	L25879	ARM	1	L.H.	
6	T15285	SHIM	2		
7	11M7083	COTTER PIN	2	3.200 X 50 MM	
8	AT27134	ROD	2	OUTER	
9	T15288	WASHER	2		
10	19H2528	CAP SCREW	2	1/2" X 2"	
11	R50507	CLAMP	2		
12	12H301	LOCK WASHER	2	1/2"	
13	14H865	NUT	2	1/2"	
14	T29109	PIPE	2		
15	19H2544	CAP SCREW	2	3/8" X 1-1/2"	
16	AT27130	TIE ROD END	2	INNER	
17	12H304	LOCK WASHER	2	3/8"	
18	14H1080	NUT	2	3/8"	
19	11M7083	COTTER PIN	2	3.200 X 50 MM	

3B13

WHEELS, FRONT AXLES, SHEET METAL

FRONT AXLE KNEE, SPINDLE AND KNUCKLE (HEAVY-DUTY)

R18453 -UN-01JAN94



KEY	PART NO.	PART NAME	QTY	TRACTOR SERIAL NO.	REMARKS
1	T21553	BUSHING	4		
2	JD8410	THRUST BEARING	2		
	R49837	WASHER	4	(A)	
3	T15284	WASHER	2		LOWER
4	AR67416	KNUCKLE	2		377MM (14-7/8") LENGTH, (ALSO ORDER JD7418 AND JD8969) (SUB FOR AT27230 OR AL19730)
	AR67417	KNUCKLE	2		(A) 293MM (11-1/2") LENGTH, (ALSO ORDER JD7418 AND JD8969)
5	JD7798	LUBRICATION FITTING	2		STRAIGHT, 1/8"
6	19H3272	CAP SCREW	6		3/4" X 5-3/4"
7	19H2723	CAP SCREW	2		3/4" X 6-1/4"
8	AR60325	AXLE	1		(A) L.H. (MARKED R53545) (NLA)
	AR60324	AXLE	1		(A) R.H. (MARKED R53544) (NLA)
	AL23281	ARM	1		L.H. (MARKED L28783)
	AL23280	ARM	1		R.H. (MARKED T29212 OR L28782) (SUB FOR AT27228)
9	14H794	NUT	8		3/4"
	12H236	LOCK WASHER	10		3/4"

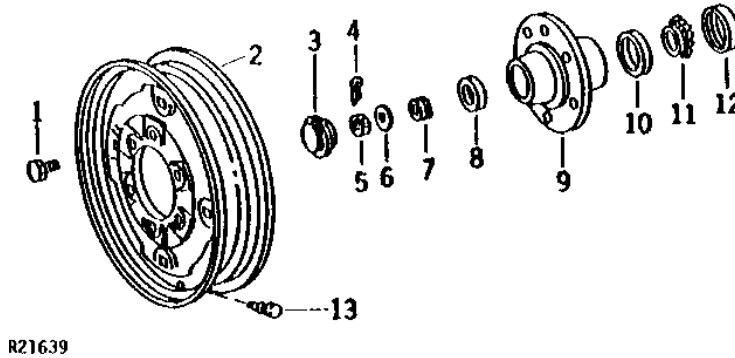
(A) MEDIUM KNEE (28" AND SMALLER TIRES)

3B14

WHEELS, FRONT AXLES, SHEET METAL

R21639 -UN-01JAN94

FRONT WHEEL ASSEMBLY



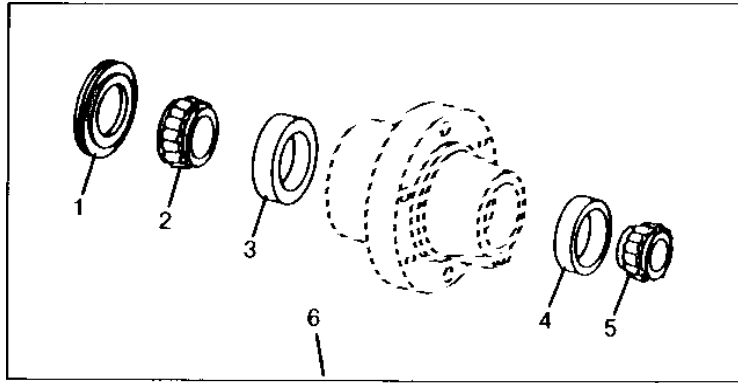
KEY	PART NO.	PART NAME	QTY	TRACTOR SERIAL NO.	REMARKS
1	JD19	WHEEL BOLT	12		(HU, RU 5.50-16 TIRE) (HU, LU, RU 6.00-16 TIRE)
	JD19	WHEEL BOLT	12	-041940	(LU) (HU, RU 6.50-16, 7.50-15, AND 7.50-16 TIRE) (RU 9.00-10 TIRE)
	JD16	WHEEL BOLT	12	041941-	(LU) (HU, RU 6.50-16, 7.50-15, AND 7.50-16 TIRE) (RU 9.00-10 TIRE)
2	JD3002	RIM	2		(HU, RU 5.50-16 TIRE) (HU, LU, RU 6.00-16 TIRE)
	JD1091	WHEEL	2		(HU, RU) (7.50-15 TIRE)
	JD1291	WHEEL	2		(HU, RU) (6.50-16 TIRE)
	JD3011	RIM	2		(LU) (6.00-14 TIRE)
	JD3000	RIM	2		(LU) (5.00-15 TIRE)
	JD3039	WHEEL	2		(HU, LU, RU) (7.50-16 TIRE)
	JD1091	WHEEL	2		(LU) (6.40-15 TIRE)
3	T12688	CAP	2		(SUB N52048)
4	11M7030	COTTER PIN	2		5 X 40 MM
5	14H902	NUT	2		3/4"
6	T10510	WASHER	2		
7	JD8905	BEARING CONE	2		OUTER
8	JD8239	BEARING CUP	2		OUTER
9	T21543	HUB	2		(HU, RU 5.50-16 TIRE) (HU, LU, RU 6.00-16 TIRE)
	T23252	HUB	1	-041940	(SUB T25809 AND (6) JD16)
	T21544	HUB	1	-041940	(SUB T25809 AND (6) JD16)
	T25809	HUB	2	041941-	(LU) (HU, RU 6.50-16, 7.50-15, AND 7.50-16 TIRE) (RU 9.00-10 TIRE)
10	JD8230	BEARING CUP	2		INNER
11	JD8194	BEARING CONE	2		INNER
12	AT10344	SEAL	2		
13	AM30347	TIRE VALVE STEM	1		(SUB FOR AR55282) (USE WITH JD1091)

3B15

WHEELS, FRONT AXLES, SHEET METAL

RXP9982 -UN-05JUL95

FRONT WHEEL BEARING KIT



RXP9982

KEY	PART NO.	PART NAME	QTY	TRACTOR SERIAL NO.	REMARKS
1	AT10344	SEAL	1		
2	JD8194	BEARING CONE	1		
3	JD8230	BEARING CUP	1		
4	JD8239	BEARING CUP	1		
5	JD8905	BEARING CONE	1		
6	RE54817	BEARING KIT	1	(USE WITH T25809)	

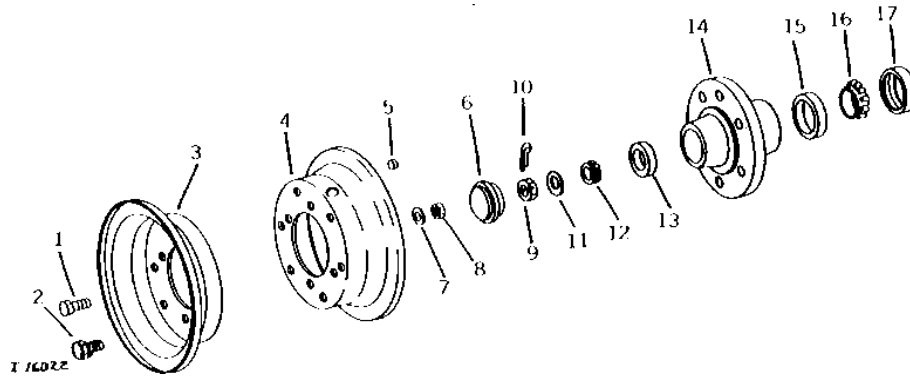
MEMORANDA

3B16

WHEELS, FRONT AXLES, SHEET METAL

**FRONT WHEEL ASSEMBLY
(LU, RU)
(9.00-10 TIRE) 1118-1676 MM (44"-66") SWEEP BACK AXLE
(18.4-16 OR 38-20 REAR TIRES)
(8.3-24 OR 9.5-24 DUAL REAR TIRES)**

T16022 -UN-01JAN94



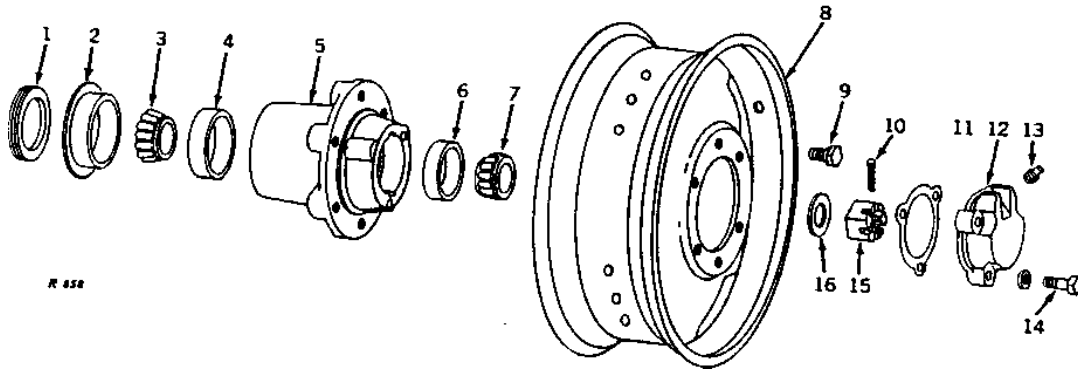
KEY	PART NO.	PART NAME	QTY	TRACTOR SERIAL NO.	REMARKS
1	19H1792	CAP SCREW	12	-085845	1/2" X 1"
	T30351	CAP SCREW	20	085846-	
2	JD16	WHEEL BOLT	12		
3	T19737	RIM	1	-085845	(NLA)
	T30041	WHEEL	1	085846-	
4	T19737	RIM	1	-085845	(NLA)
	T30040	WHEEL	1	085846-	
5	T17912	PLUG	2	-085845	(NLA)
6	T12688	CAP	1		(SUB N52048)
7	12H301	LOCK WASHER	12	-085845	1/2"
	12H301	LOCK WASHER	20	085846-	1/2"
8	14H1040	NUT	12	-085845	1/2"
	14H1040	NUT	20	085846-	1/2"
9	14H902	NUT	2		3/4"
10	11M7030	COTTER PIN	2		5 X 40 MM
11	T10510	WASHER	2		
12	JD8905	BEARING CONE	2		OUTER
13	JD8239	BEARING CUP	2		OUTER
14	T25809	HUB	2		
15	JD8230	BEARING CUP	2		INNER
16	JD8194	BEARING CONE	2		INNER
17	AT10344	SEAL	2		

3B17

WHEELS, FRONT AXLES, SHEET METAL

FRONT WHEELS (HEAVY-DUTY FRONT AXLE) (HU, RU)

R858 -UN-19DEC94



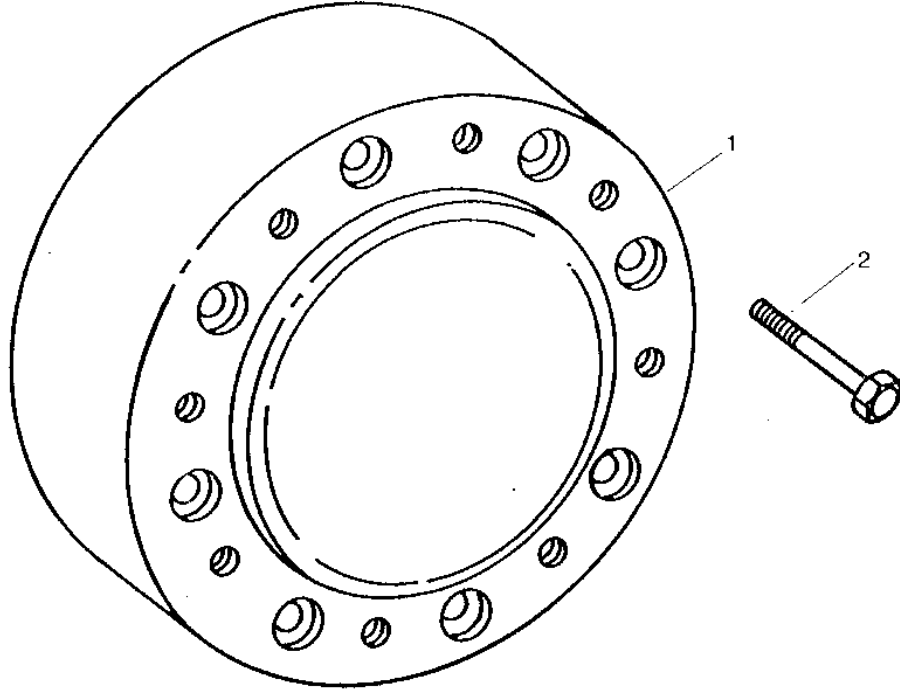
KEY	PART NO.	PART NAME	QTY	TRACTOR SERIAL NO.	REMARKS
1	AR26480	SEAL	2		
2	R26632	BUSHING	2		
3	JD8913	BEARING CONE	2		
4	JD7445	BEARING CUP	2		
5	T21545	HUB	1		(SUB R49839, R50992, 15H638 AND JD7418)
6	JD8251	BEARING CUP	2		
7	JD8929	BEARING CONE	2		
8	JD3039	WHEEL	2		(7.50-16 TIRE)
	JD1091	WHEEL	2		(7.5L-15 TIRE)
	JD1102	WHEEL	2		(9.5L-15 TIRE)
	JD3219	RIM	2		(11L-15 TIRE)
9	JD16	WHEEL BOLT	12		
10	11M7030	COTTER PIN	2		5 X 40 MM
11	A1556R	GASKET	2		
12	A1555R	CAP	2		
13	15H638	PIPE PLUG	2		1/8"
14	19H1758	CAP SCREW	6		5/16" X 1-1/4"
	24H1136	WASHER	6		11/32" X 11/16" X 0.065"
15	14H920	NUT	2		1"
16	R28575	WASHER	2		(SUB FOR A5146R)

3B18

WHEELS, FRONT AXLES, SHEET METAL

RP249 -UN-01JAN94

FLANGED AXLE EXTENSION



RP249

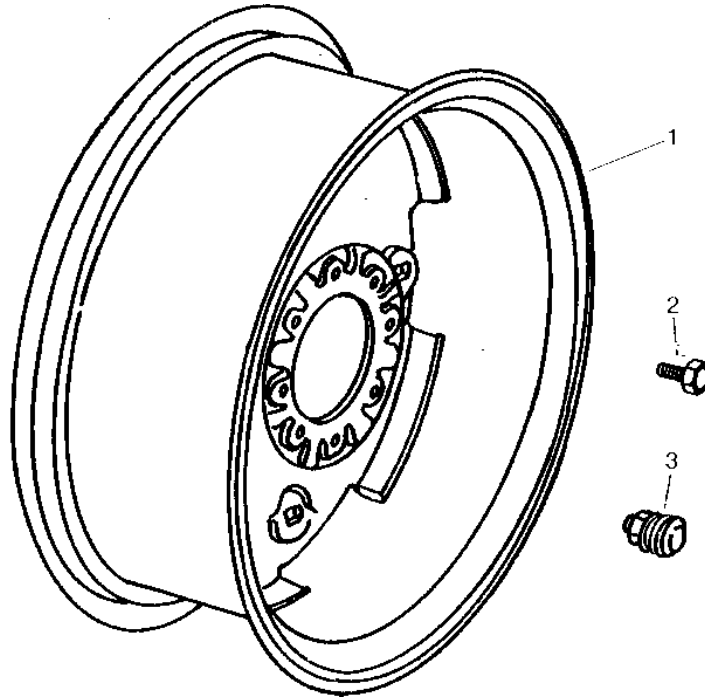
KEY	PART NO.	PART NAME	QTY	TRACTOR SERIAL NO.	REMARKS
1	T22690	EXTENSION	2		
2	19H2647	CAP SCREW	16	9/16" X 4-1/2"	

3B19

WHEELS, FRONT AXLES, SHEET METAL

STEEL DISK REAR WHEEL (FLANGED AXLE) (RU)

RP250 -UN-01JAN94



RP250

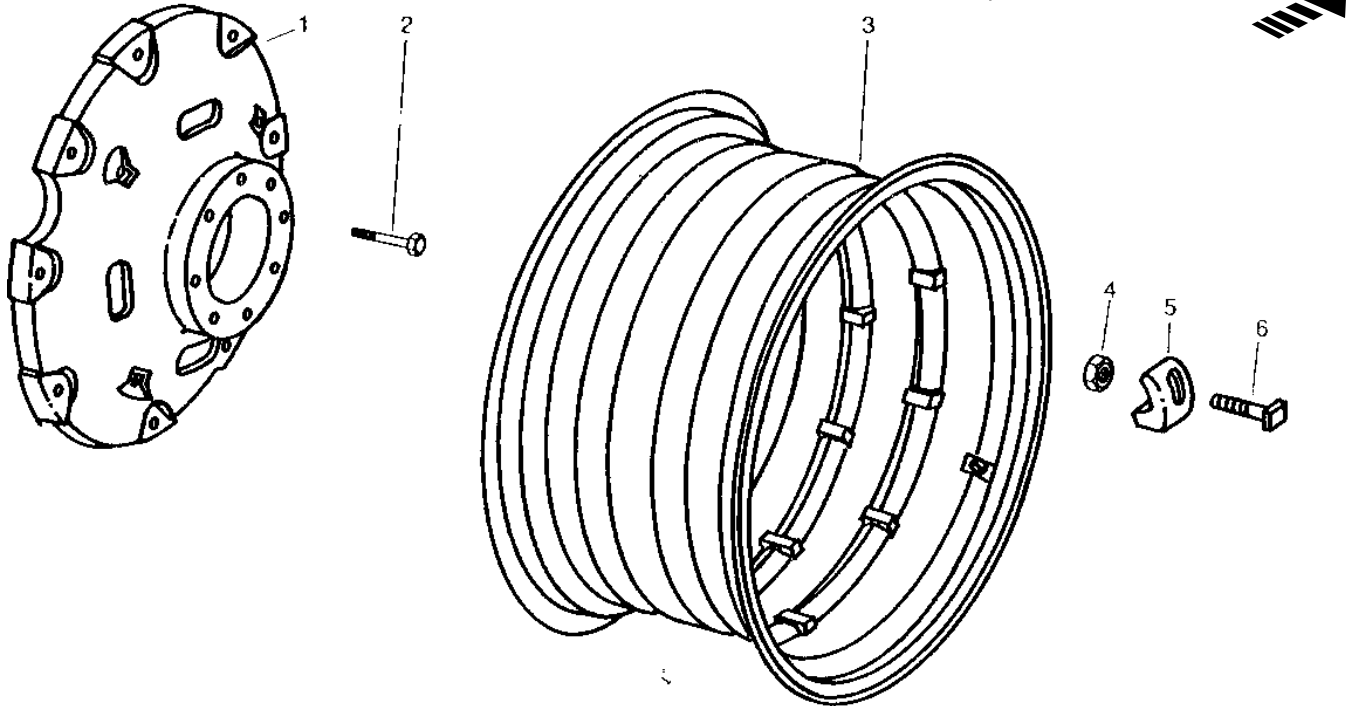
KEY	PART NO.	PART NAME	QTY	TRACTOR SERIAL NO.	REMARKS
1	JD3036	RIM	1		(12.4-28 TIRE) (NLA)
	JD3037	RIM	1		(13.6-28 TIRE) (NLA)
	JD3035	RIM	1		(14.9-24 TIRE)
2	JD16	WHEEL BOLT	8		
3	AH86866	PLUG	1		

3B20

WHEELS, FRONT AXLES, SHEET METAL

CAST REAR WHEEL (FLANGED AXLE) (HU, RU)

RP251 -UN-01JAN94



RP251

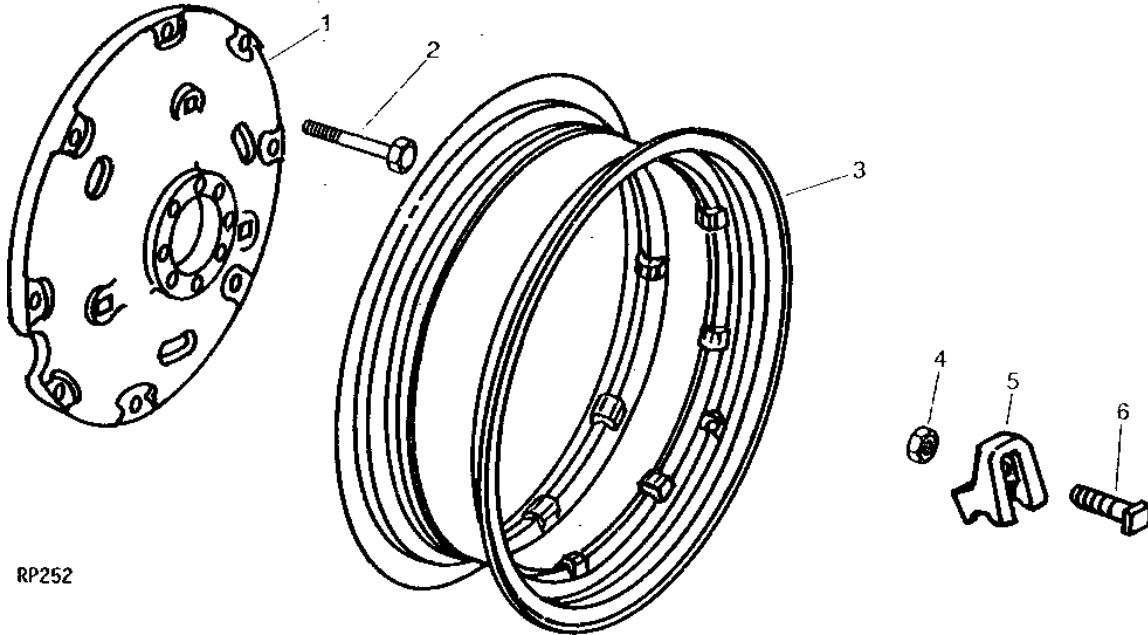
KEY	PART NO.	PART NAME	QTY	TRACTOR SERIAL NO.	REMARKS
1	T21485	WHEEL	1	(28" RIM) (NLA)	
	T22816	WHEEL	1	(RU) (24" RIM)	
2	19H2724	CAP SCREW	8	9/16" X 3-1/2"	
3	T21745	RIM	1	(RU) (12.4-28 TIRE) (NLA)	
	T21753	RIM	1	(RU) (13.9-28 TIRE) (NLA)	
	R31995	RIM	1	(HU) (18.4-28 TIRE)	
	R31994	RIM	1	(RU) (14.9-28 TIRE)	
	T22831	RIM	1	(RU) (16.9-24 TIRE)	
4	14H800	NUT	9	5/8"	
	14H800	NUT	8	5/8" (RU) (16.9-24 TIRE)	
5	A4388R	CLAMP	9		
	A4388R	CLAMP	8	(RU) (16.9-24 TIRE)	
6	08H4659	BOLT	9	5/8" X 2-1/2"	
	08H4659	BOLT	8	5/8" X 2-1/2" (RU) (16.9-24 TIRE)	

3B21

WHEELS, FRONT AXLES, SHEET METAL

CAST REAR WHEEL
(FLANGED AXLE)
(HU)

RP252 -UN-01JAN94



RP252

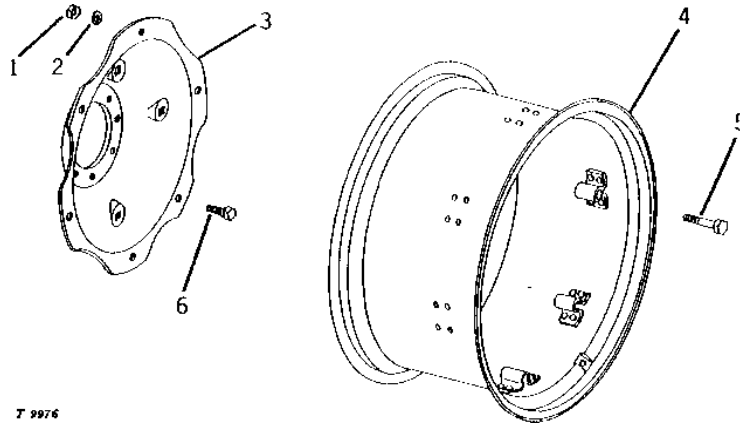
KEY	PART NO.	PART NAME	QTY	TRACTOR SERIAL NO.	REMARKS
1	T21483	WHEEL	1		(36" RIM)
2	19H2724	CAP SCREW	8		9/16" X 3-1/2"
3	B3772R	RIM	1		(12.4-36 TIRE)
	B3773R	RIM	1		(13.9-36 TIRE) (NLA)
4	14H800	NUT	8		5/8"
5	A4388R	CLAMP	8		
6	08H4659	BOLT	8		5/8" X 2-1/2"

3B22

WHEELS, FRONT AXLES, SHEET METAL

DEMOUNTABLE STEEL DISK REAR WHEEL (FLANGED AXLE) (LU, RU)

T9976 -UN-01JAN94



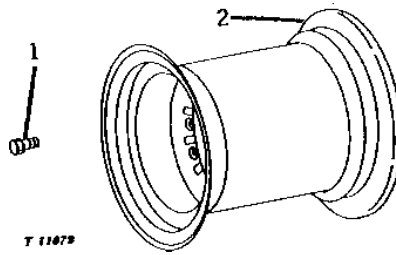
KEY	PART NO.	PART NAME	QTY	TRACTOR SERIAL NO.	REMARKS
1	14H1039	NUT	6	5/8"	
2	12H294	LOCK WASHER	6	5/8"	
3	T19638	WHEEL CENTER	1	(LU,RU) (24" TIRE)	
	T19400	DISK	1	(LU) (26" TIRE) (NLA)	
	T19065	WHEEL CENTER	1	(LU,RU) (28" TIRE)	
4	T21741	RIM	1	(LU, RU) (11.2-28 OR 12.4-28 TIRE)	
	T21742	RIM	1	(LU) (11.2-24 OR 12.4-24 TIRE)	
	AT20519	RIM	1	(LU, RU) (14.9-24 TIRE)	
	AT20521	RIM	1	(LU, RU) (16.9-24 TIRE)	
	T21743	RIM	1	(RU) (13.6-28 TIRE)	
	AT17707	RIM	1	(LU) (14.9-26 TIRE) (NLA)	
5	19H1863	CAP SCREW	6	5/8" X 3"	
6	JD16	WHEEL BOLT	8		

3B23

WHEELS, FRONT AXLES, SHEET METAL

DUAL STEEL DISK REAR WHEEL (FLANGED AXLE) (LU, RU)

T11079 -UN-01JAN94



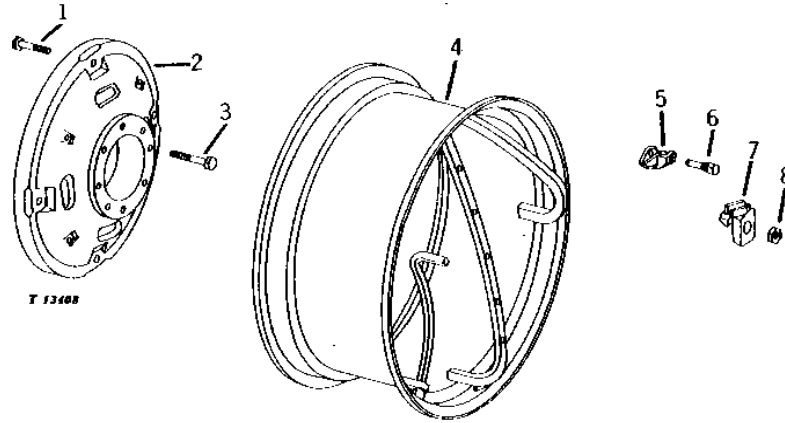
KEY	PART NO.	PART NAME	QTY	TRACTOR SERIAL NO.	REMARKS
1	JD16	WHEEL BOLT	8		
2	JD683	WHEEL	1		(LU) (9.5-24 TIRE) (SUB FOR JD3033) (NLA)
	JD3038	WHEEL	1		(LU, RU) (18.4-16A TIRE)

3B24

WHEELS, FRONT AXLES, SHEET METAL

POWER ADJUSTED REAR WHEEL
 (12.4-36 AND 13.9-36 TIRE (HU))
 (13.6-28 AND 14.9-28 TIRE (RU))

T13408 -UN-01JAN94



KEY	PART NO.	PART NAME	QTY	TRACTOR SERIAL NO.	REMARKS
1	08H4618	BOLT	6	3/4" X 2-5/8", (HU)	
	08H4618	BOLT	4	3/4" X 2-5/8", (RU)	
2	T25340	WHEEL	1	(HU) (NLA)	
	T25338	WHEEL	1	(RU)	
3	19H2724	CAP SCREW	8	9/16" X 3-1/2"	
4	AB5506R	RIM	1	(HU) (13.9-36 AND 12.4-36 TIRE) (NLA)	
	AM3202T	RIM	1	(RU) (13.6-28 AND 14.9-28 TIRE) (SUB AL60764)	
5	M2334T	STOP	2		
	L59211	STOP	2	(USE WITH AL60764)	
6	M2335T	SCREW	2		
	L59212	PIN	2	(USE WITH AL60764)	
7	T25339	CLAMP	6	(HU)	
	T25339	CLAMP	4	(RU)	
8	14H858	NUT	6	3/4", (HU)	
	14H858	NUT	4	3/4", (RU)	

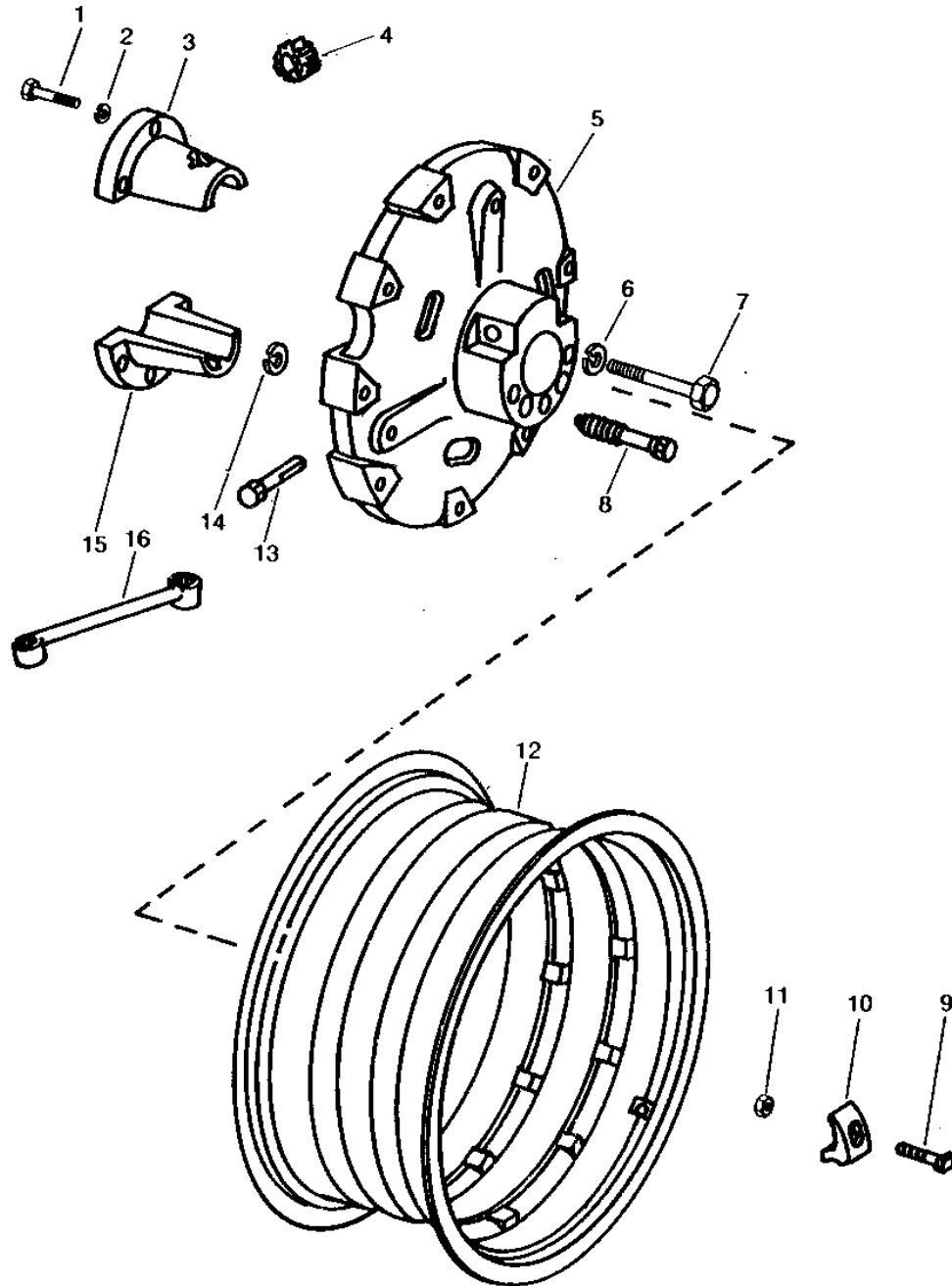
3C1

WHEELS, FRONT AXLES, SHEET METAL

CAST REAR WHEEL
(PINION ADJUSTED AXLE)
(HU, RU)

RP254

-UN-01JAN94



RP254

3C2

WHEELS, FRONT AXLES, SHEET METAL

**CAST REAR WHEEL - CONTINUED
(PINION ADJUSTED AXLE)
(HU, RU)**

KEY	PART NO.	PART NAME	QTY	TRACTOR SERIAL NO.	REMARKS
1	19H2600	CAP SCREW	3		3/4" X 2-5/8"
2	12H236	LOCK WASHER	3		3/4"
3	B3016R	HALF SLEEVE	1		
4	B3014R	PINION	1		
5	B3801R	WHEEL	1		(HU) (36" RIM) (SUB R71392)
	T21468	WHEEL	1		(HU - 28" OR 30" RIM) (RU - 28" RIM) (SUB R71389)
	A4517R	WHEEL	1		(HU) (42" RIM)
6	12H245	LOCK WASHER	3		7/8"
7	R34828	CAP SCREW	3		(SUB 19H2310)
8	R39758	SCREW	2		
9	08H4694	BOLT	8		5/8" X 4" HS, SAE 8, (HU) (36" OR 42" RIM)
	08H4694	BOLT	9		5/8" X 4" HS, SAE 8, (RU)
10	A4388R	CLAMP	8		(HU) (36" OR 42" RIM)
	A4388R	CLAMP	9		(RU)
11	14H800	NUT	8		5/8", (HU)
	14H800	NUT	9		5/8", (RU)
12	B3772R	RIM	1		(HU) (12.4-36 TIRE)
	B3773R	RIM	1		(HU) (13.9-36 OR 14.9-36 TIRE) (NO LONGER AVAILABLE)
	R43743	RIM	1		(HU) (9.5-42 TIRE)
	T21745	RIM	1		(RU) (12.4-28 TIRE) (NLA)
	T21753	RIM	1		(RU) (13.6-28 TIRE) (NLA)
	R31994	RIM	1		(HU, RU) (14.9-28 TIRE)
13	A4380R	PINION SHAFT	1		
14	A4883R	RING	2		
15	B3018R	SLEEVE	1		
16	R34827	WRENCH	1		

3C4

WHEELS, FRONT AXLES, SHEET METAL

HEAVY CAST REAR WHEEL - CONTINUED (PINION ADJUSTED AXLE) (HU, RU)

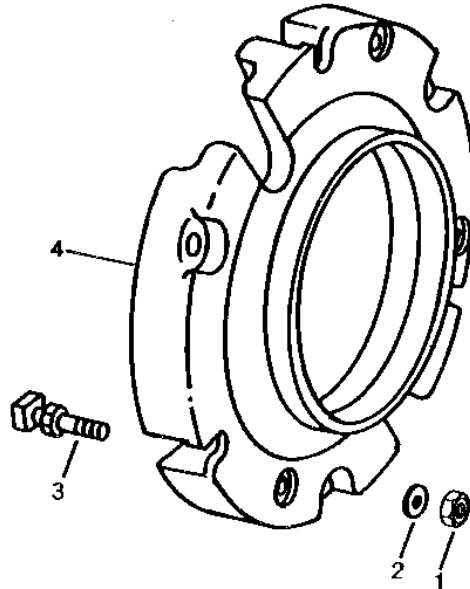
KEY	PART NO.	PART NAME	QTY	TRACTOR SERIAL NO.	REMARKS
1	19H2600	CAP SCREW	3		3/4" X 2-5/8"
2	12H236	LOCK WASHER	3		3/4"
3	B3016R	HALF SLEEVE	1		
4	B3014R	PINION	1		
5	T22818	WHEEL	1		(HU) (36" RIM)
	T22817	WHEEL	1		(RU) (28" RIM) (NLA)
6	12H245	LOCK WASHER	3		7/8"
7	R34828	CAP SCREW	3		(SUB 19H2310)
8	R39758	SCREW	2		
9	08H4694	BOLT	8		5/8" X 4" HS, SAE 8, (HU)
	08H4694	BOLT	9		5/8" X 4" HS, SAE 8, (RU)
10	A4388R	CLAMP	8		(HU)
	A4388R	CLAMP	9		(RU)
11	14H800	NUT	8		5/8", (HU)
	14H800	NUT	9		5/8", (RU)
12	B3772R	RIM	1		(HU) (12.4-36 TIRE)
	B3773R	RIM	1		(HU) (13.9-36 OR 14.9-36 TIRE) (NO LONGER AVAILABLE)
	T21745	RIM	1		(RU) (12.4-28 TIRE) (NLA)
	T21753	RIM	1		(RU) (13.6-28 TIRE) (NLA)
13	A4380R	PINION SHAFT	1		
14	A4883R	RING	2		
15	B3018R	SLEEVE	1		
16	R34827	WRENCH	1		

3C5

WHEELS, FRONT AXLES, SHEET METAL

REAR WHEEL WEIGHT
(36" POWER ADJUSTED REAR WHEEL)
(FLANGED AXLE) (HU)

RWP5365 -UN-01JAN94



RWP5365

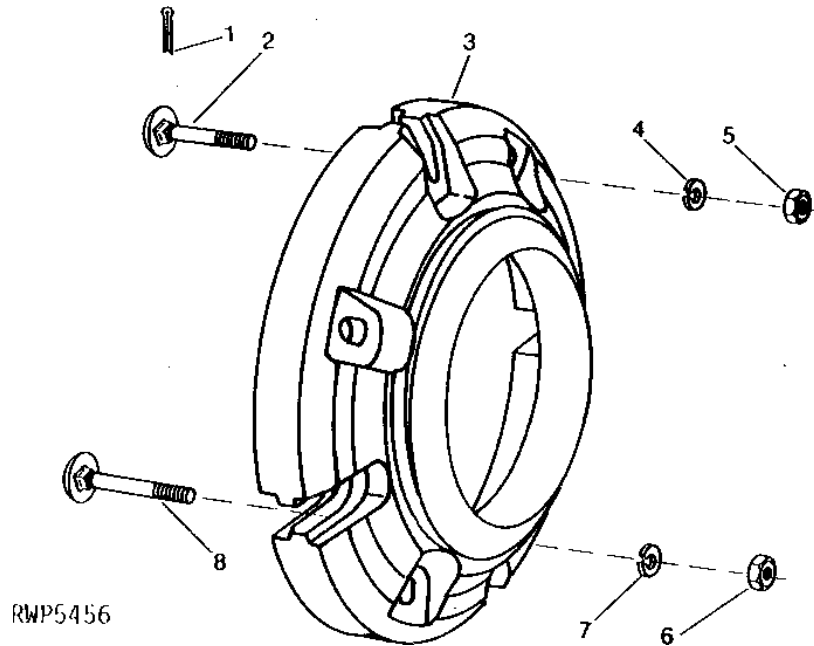
KEY	PART NO.	PART NAME	QTY	TRACTOR SERIAL NO.	REMARKS
1	14H1039	NUT	3	5/8"	
2	12H294	LOCK WASHER	3	5/8"	
3	R34801	BOLT	3	5/8" X 3"	(FIRST AND ADDITIONAL WEIGHTS TO WHEEL)
4	T21689	WEIGHT	1	50 KG (110 LB)	

3C6

WHEELS, FRONT AXLES, SHEET METAL

REAR WHEEL WEIGHT (26" AND 28" DEMOUNTABLE STEEL DISK WHEELS) (FLANGED AXLE) (LU, RU)

RWP5456 -UN-01JAN94



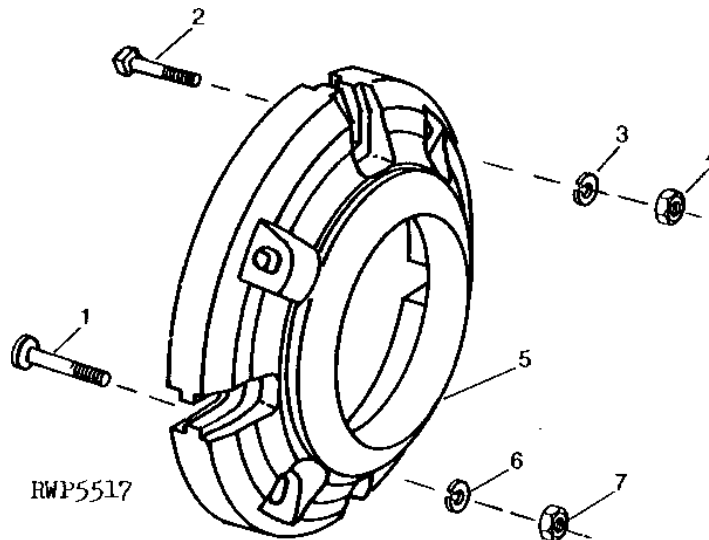
KEY	PART NO.	PART NAME	QTY	TRACTOR SERIAL NO.	REMARKS
1	11M7015	COTTER PIN	4		3.200 X 25 MM
2	R55602	GANG BOLT	4		5/8" X 2-3/4" (1ST WEIGHT TO WHEEL) (SUB FOR T21824)
3	R56920	WEIGHT	1		50 KG (110 LB) (SUB FOR T21688 OR T25341) (ORDER AR112536)
4	12H294	LOCK WASHER	4		5/8"
5	14H1039	NUT	4		5/8"
6	14H1039	NUT	4		5/8"
7	12H294	LOCK WASHER	4		5/8"
8	03H1516	BOLT	4		5/8" X 3-3/4", (ADDITIONAL WEIGHTS TO WHEEL)
..	AR112536	KIT	1		(INCLUDES (4) R56920) (FI)

3C7

WHEELS, FRONT AXLES, SHEET METAL

REAR WHEEL WEIGHTS (28" CAST OR 28" POWER ADJUSTED WHEEL) (FLANGED AXLE) (RU)

RWP5517 -UN-01JAN94



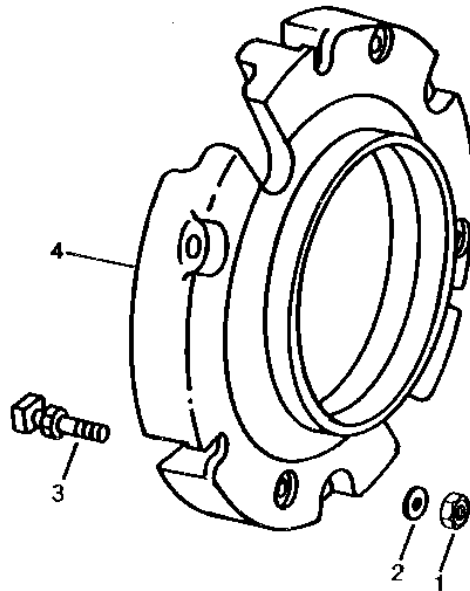
KEY	PART NO.	PART NAME	QTY	TRACTOR SERIAL NO.	REMARKS
1	03H1516	BOLT	4		5/8" X 3-3/4", (ADDITIONAL WEIGHTS TO WHEEL)
2	R21302	WHEEL BOLT	4		5/8" X 3-1/2", (1ST WEIGHT TO WHEEL)
3	12H294	LOCK WASHER	4		5/8"
4	14H1039	NUT	4		5/8"
5	R56920	WEIGHT	1		50KG (110 LB) (SUB FOR T21688 OR T25341) (ORDER AR112536)
6	12H294	LOCK WASHER	4		5/8"
7	14H1039	NUT	4		5/8"
..	AR112536	KIT	1		(INCLUDES (4) R56920) (FI)

3C8

WHEELS, FRONT AXLES, SHEET METAL

REAR WHEEL WEIGHT
(36" CAST WHEEL)
(FLANGED AXLE) (HU)

RWP5365 -UN-01JAN94



RWP5365

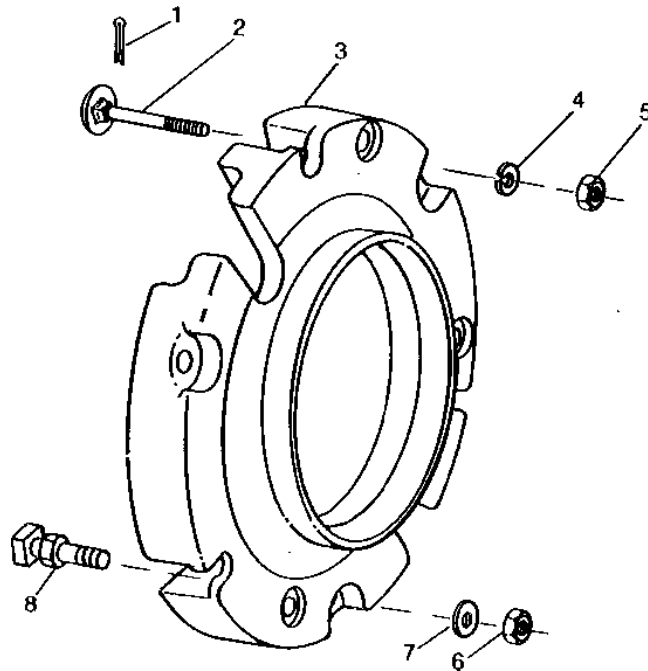
KEY	PART NO.	PART NAME	QTY	TRACTOR SERIAL NO.	REMARKS
1	14H1039	NUT	3	5/8"	
2	12H294	LOCK WASHER	3	5/8"	
3	R21302	WHEEL BOLT	3	5/8" X 3-1/2", (1ST WEIGHT TO WHEEL)	
	R34801	BOLT	3	5/8" X 3", (ADDITIONAL WEIGHT TO WHEEL)	
4	T21689	WEIGHT	1	50 KG (110 LB)	

3C9

WHEELS, FRONT AXLES, SHEET METAL

REAR WHEEL WEIGHT (28" STEEL DISK WHEEL) (FLANGED AXLE) (RU)

RWP5457 -UN-01JAN94



RWP5457

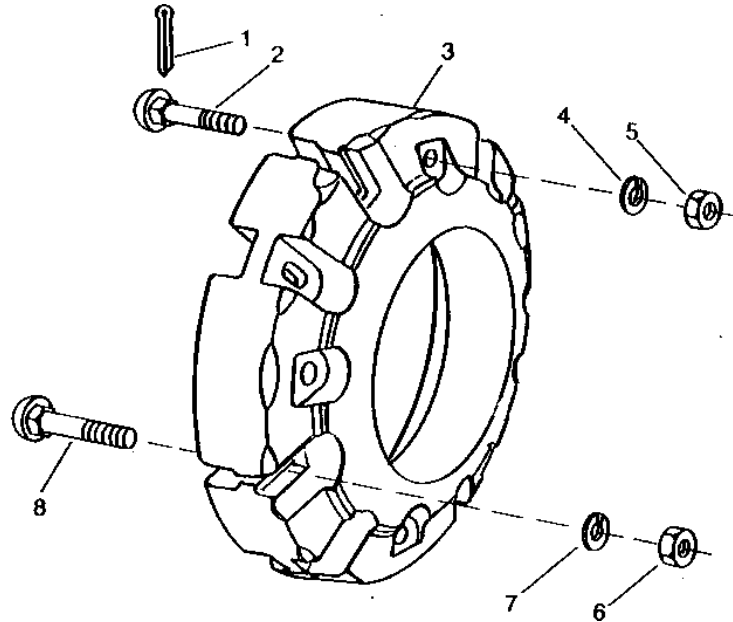
KEY	PART NO.	PART NAME	QTY	TRACTOR SERIAL NO.	REMARKS
1	11M7015	COTTER PIN	4		3.200 X 25 MM
2	R28493	BOLT	4		5/8" X 3-1/4", (1ST WEIGHT TO WHEEL)
3	T21689	WEIGHT	1		50KG (110 LB)
4	12H294	LOCK WASHER	4		5/8"
5	14H1039	NUT	4		5/8"
6	14H1039	NUT	3		5/8"
7	12H294	LOCK WASHER	3		5/8"
8	R34801	BOLT	3		5/8" X 3", (ADDITIONAL WEIGHT TO WHEEL)

3C10

WHEELS, FRONT AXLES, SHEET METAL

REAR WHEEL WEIGHT (24" DEMOUNTABLE STEEL DISK WHEEL) (FLANGED AXLE) (LU)

RWP5455 -UN-01JAN94



RWP5455

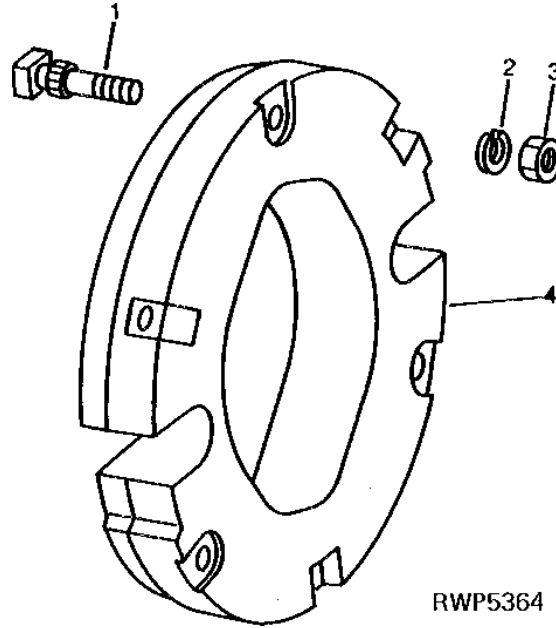
KEY	PART NO.	PART NAME	QTY	TRACTOR SERIAL NO.	REMARKS
1	11M7015	COTTER PIN	4	3.200 X 25 MM	
2	R28493	BOLT	4	5/8" X 3-1/4", (1ST WEIGHT TO WHEEL)	
3	T19293	WEIGHT	1	50 KG (110 LB)	
4	12H294	LOCK WASHER	4	5/8"	
5	14H1039	NUT	4	5/8"	
6	14H1039	NUT	4	5/8"	
7	12H294	LOCK WASHER	4	5/8"	
8	03H1786	BOLT	4	5/8" X 4-1/2", (ADDITIONAL WEIGHTS TO WHEEL)	

3C11

WHEELS, FRONT AXLES, SHEET METAL

**REAR WHEEL WEIGHT
(28", 30" AND 36" CAST WHEELS AND HEAVY CAST WHEELS)
(PINION ADJUSTED AXLE) (HU, RU)**

RWP5364 -UN-01JAN94



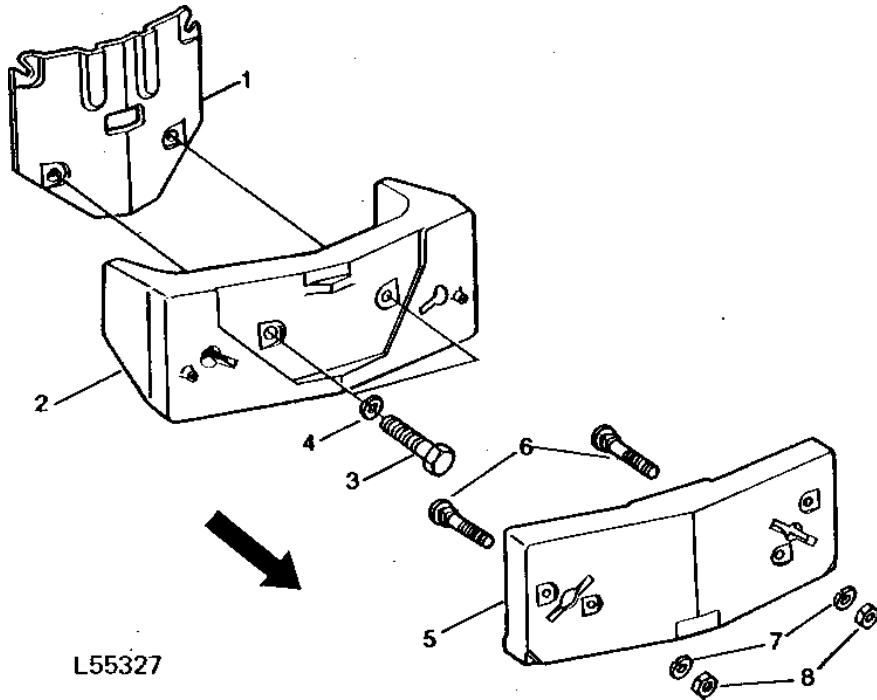
KEY	PART NO.	PART NAME	QTY	TRACTOR SERIAL NO.	REMARKS
1	R34801	BOLT	3	5/8" X 3"	
2	12H294	LOCK WASHER	3	5/8"	
3	14H1039	NUT	3	5/8"	
4	R61524	WEIGHT	1	60KG (130 LBS) (36" WHEEL)	(1ST AND ADDITIONAL WEIGHTS TO WHEEL)
	R61727	WEIGHT	1	50KG (110 LBS) (28" AND 30" WHEEL)	(1ST AND ADDITIONAL WEIGHTS TO WHEEL)

3C12

WHEELS, FRONT AXLES, SHEET METAL

FRAME WEIGHTS

L55327 -UN-01JAN94



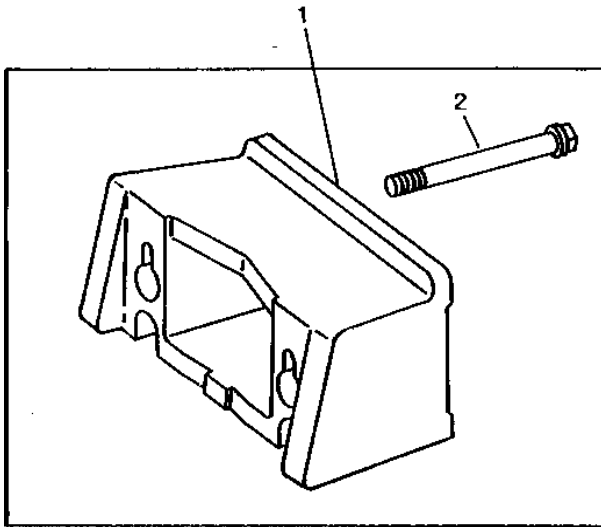
KEY	PART NO.	PART NAME	QTY	TRACTOR SERIAL NO.	REMARKS
1	T22446	SUPPORT	1		
2	AT20186	WEIGHT	1		(SUB R70340, (2) 19H3167 AND (2) 12H236)
3	19H2113	CAP SCREW	2		3/4" X 3-1/4"
4	12H236	LOCK WASHER	2		3/4"
5	R27643	WEIGHT	1		
6	03H1857	BOLT	2		5/8" X 2-3/4"
7	12H294	LOCK WASHER	2		5/8"
8	14H800	NUT	2		5/8"

3C13

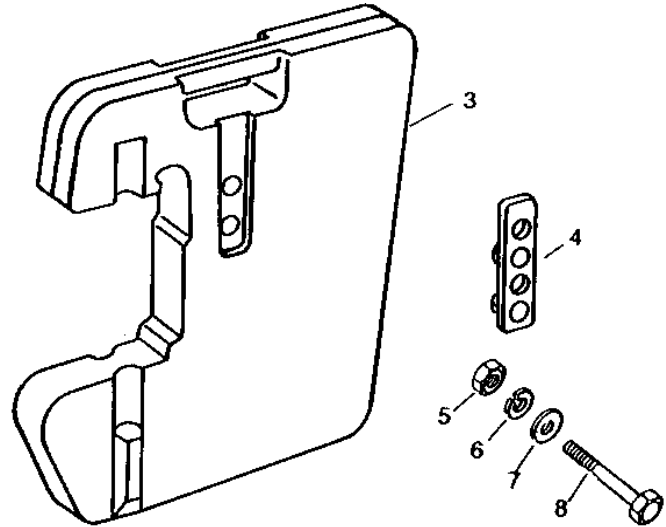
WHEELS, FRONT AXLES, SHEET METAL

RWP5458 -UN-01JAN94

QUIK-TATCH FRONT WEIGHTS



RWP5458



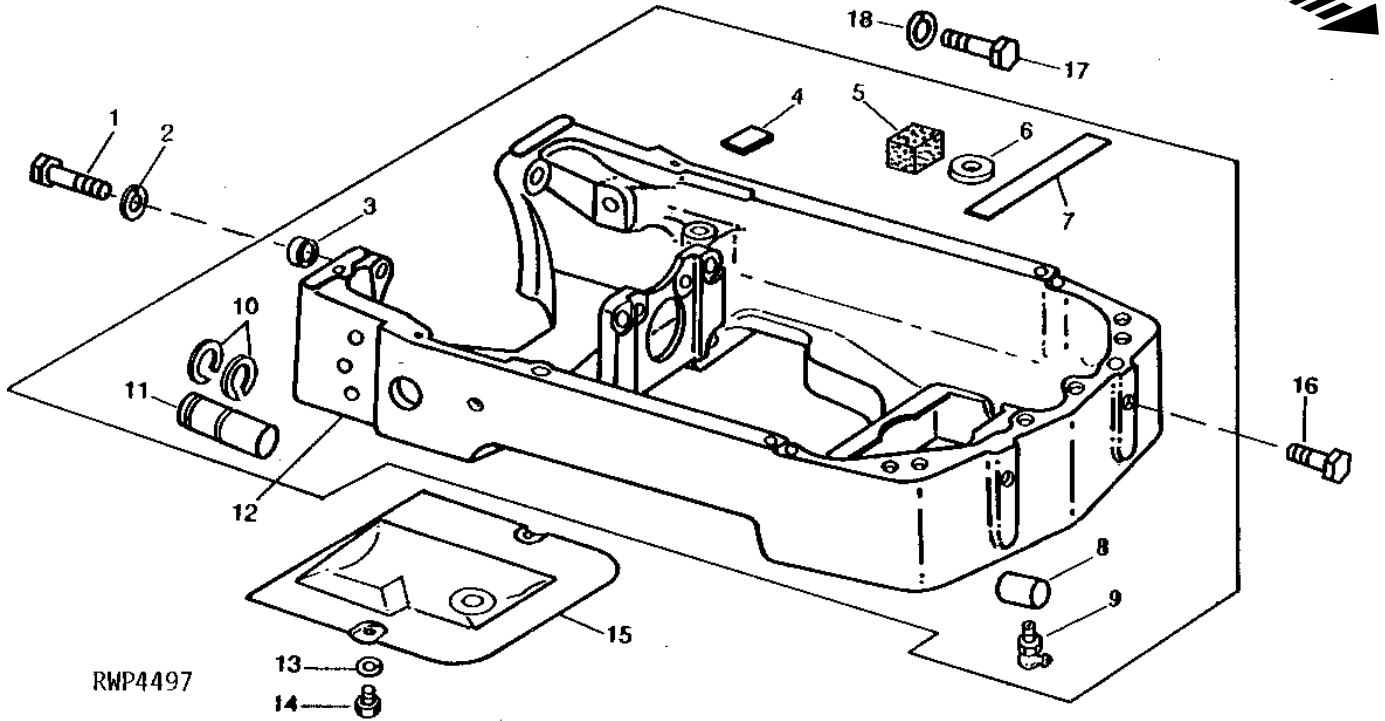
KEY	PART NO.	PART NAME	QTY	TRACTOR SERIAL NO.	REMARKS
1	AR92425	SUPPORT	1		(SUB FOR R51679 OR AR58363)
2	R52924	SELF-LOCKING SCREW	2		
3	R51680	WEIGHT	1		
4	AR68801	RETAINER	1		(NOT REQUIRED)
5	14H1039	NUT	1		5/8"
6	12H294	LOCK WASHER	1		5/8"
7	24H1367	WASHER	1		21/32" X 1-1/4" X 1/4"
8	19H1926	CAP SCREW	1		5/8" X 4-3/4" (2 QUIK-TATCH WEIGHTS)
	08H4260	CAP SCREW	1		5/8" X 9" (4 QUIK-TATCH WEIGHTS)
	R51681	CAP SCREW	1		(6 QUIK-TATCH WEIGHTS)

3C14

WHEELS, FRONT AXLES, SHEET METAL

RWP4497 -UN-01JAN94

FRONT SUPPORT



RWP4497

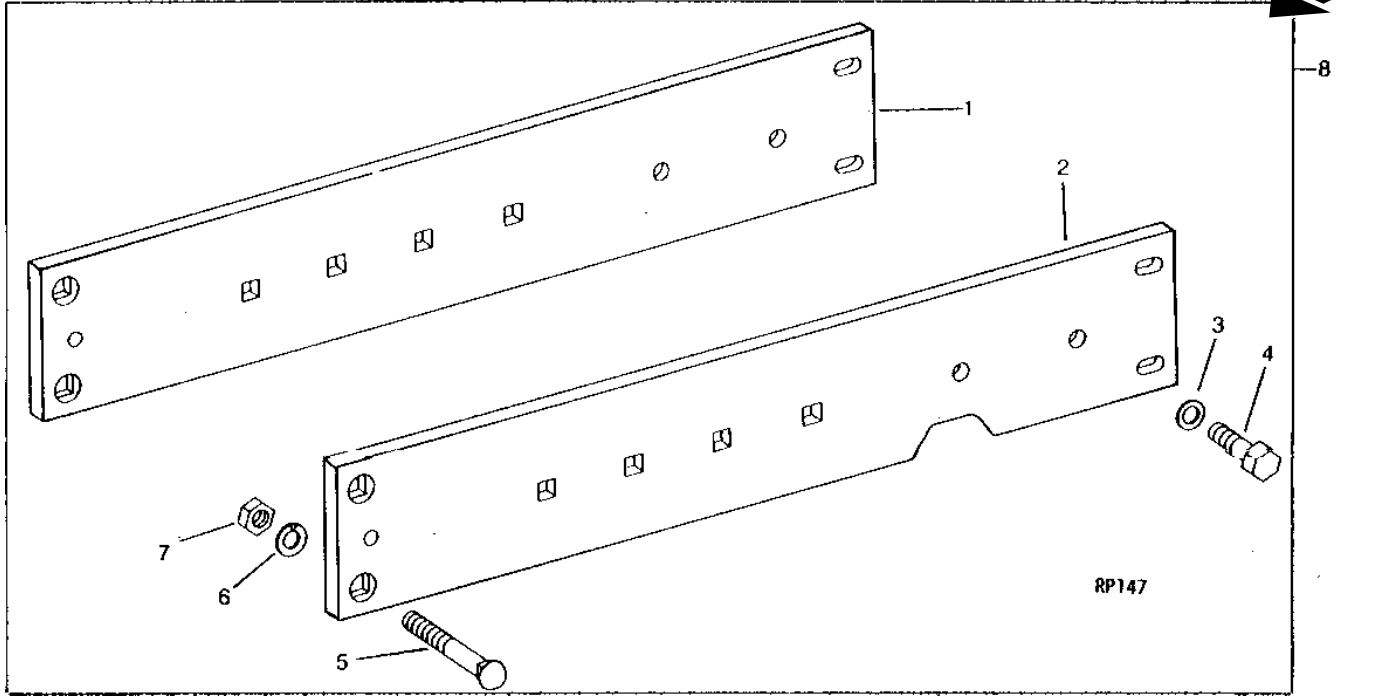
KEY	PART NO.	PART NAME	QTY	TRACTOR SERIAL NO.	REMARKS
1	19H2358	CAP SCREW	2	060376-	9/16" X 2-1/4"
2	12H317	LOCK WASHER	2	060376-	9/16"
3	T26929	BUSHING	2	060376-	(ALSO USE PRIOR TO SERIAL NO. 060376 WHEN T26935 OR T26934 CYLINDER BLOCK HAS BEEN INSTALLED)
	T26928	PIN	2	-060375	
4	T22375	FOAM PAD	1		
5	FOAM PAD	1		25 X 38 X 102MM (1" X 1-1/2" X 4") (MAKE FROM R91749)
6	R1680R	PLUG	1		(LESS HYDRAULIC PUMP) (SUB FOR T22569)
7	T21540	PAD	2		
8	T23118	BUSHING	1		
9	JD7799	LUBRICATION FITTING	1		1/8"
10	T24160	SNAP RING	1		
11	R54195	SPRING PIN	1		(ALSO ORDER (2) T24160) (SUB FOR T21778)
12	AT19813	SUPPORT	1	-060375	(SUB AR72474, (2) T26928 AND (4) 19H2072)
	R54380	DOWEL PIN	2	-060375	(SUB FOR R26015 OR T25317)
	AT24986	SUPPORT	1	060376-XXXXXX	(MARKED T26931) (SUB AR72474 AND (4) 19H2072)
	AR72474	SUPPORT	1	XXXXXX-	(MARKED R51615 OR R59985) (SUB FOR AR55890)
13	12H304	LOCK WASHER	2		3/8"
14	19H2021	CAP SCREW	2		3/8" X 5/8"
15	T22864	COVER	1		
16	19H2009	CAP SCREW	2		3/4" X 1-5/8", (STRAIGHT AXLE) (HU, RU)
17	19H1890	CAP SCREW	4	-XXXXXX	5/8" X 2-3/4"
	19H2072	CAP SCREW	4	XXXXXX-	5/8" X 3-1/4"
18	12H294	LOCK WASHER	4		5/8"

3C15

WHEELS, FRONT AXLES, SHEET METAL

SIDE FRAMES

RP147 -UN-01JAN94



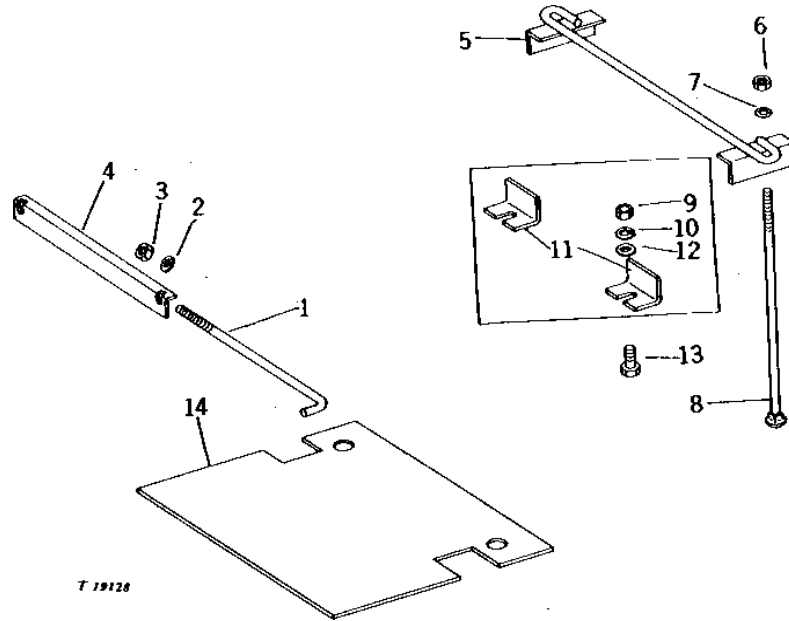
KEY	PART NO.	PART NAME	QTY	TRACTOR SERIAL NO.	REMARKS
1	T21653	FRAME	1		R.H.
2	T21654	FRAME	1		L.H.
3	24H1375	WASHER	4		11/16" X 1-1/8" X 0.060"
4	19H1756	CAP SCREW	4		5/8" X 1-1/2"
5	10H1157	BOLT	4		5/8" X 3-1/4"
6	12H294	LOCK WASHER	4		5/8"
7	14H1039	NUT	4		5/8"
8	AT37356	FRAME	1		

3C16

WHEELS, FRONT AXLES, SHEET METAL

T19128 -UN-01JAN94

BATTERY CLAMPS



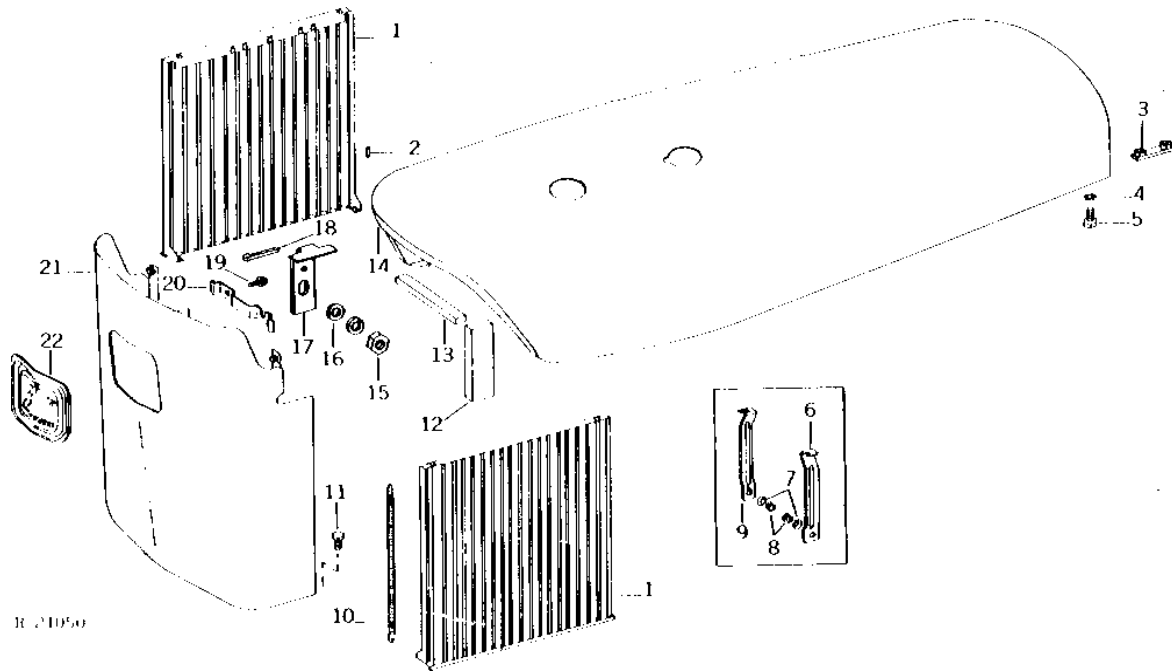
KEY	PART NO.	PART NAME	QTY	TRACTOR SERIAL NO.	REMARKS
1	T22571	BOLT	2		(41 AND 70 AMP BATTERY INSTALLATION)
2	24H1287	WASHER	2		9/32" X 5/8" X 0.065"
3	14H786	NUT	2		1/4"
4	T22570	CLAMP	1		(41 AND 70 AMP BATTERY INSTALLATION)
5	AT20452	CLAMP	1		UPPER (DIESEL) (140 AMP BATTERY INSTALLATION) (SUB AR101727)
6	14H786	NUT	2		1/4"
7	24H1287	WASHER	2		9/32" X 5/8" X 0.065"
8	03H2137	BOLT	2		1/4" X 10-1/4" (140 AMP BATTERY INSTALLATION) (DIESEL)
9	14H1076	NUT	2	-XXXXXX	3/8"
10	12H304	LOCK WASHER	2	-XXXXXX	3/8"
11	CLAMP	2	-XXXXXX	LOWER (DIESEL) (NO LONGER AVAILABLE)
12	24M7096	WASHER	2	-XXXXXX	10.500 X 18 X 1.600 MM
13	19H1936	CAP SCREW	2	-XXXXXX	3/8" X 3/4"
14	T25372	INSULATOR	1	-XXXXXX	(SUB FOR T23153) (NO LONGER AVAILABLE)

3C17

WHEELS, FRONT AXLES, SHEET METAL

R21050 -UN-01JAN94

FRONT PLATE, HOOD AND GRILLE ASSEMBLY



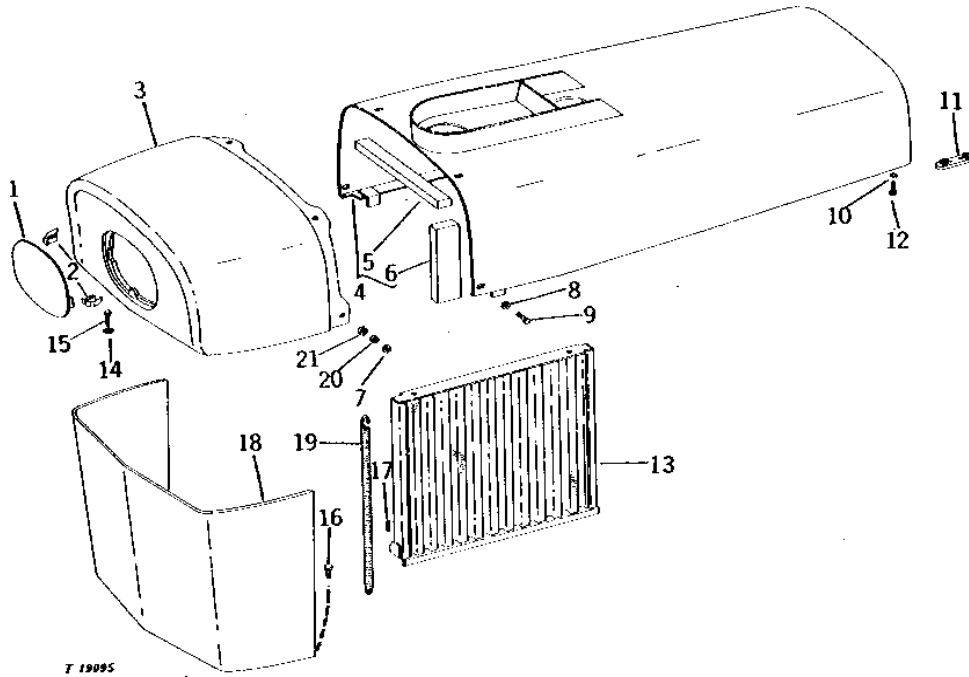
KEY	PART NO.	PART NAME	QTY	TRACTOR SERIAL NO.	REMARKS
1	AT19880	GRILLE	2		(SUB AR72949)
2	34H340	SPRING PIN	4		5/16" X 13/16"
3	T25291	REINFORCEMENT	2		(SUB FOR AT20027)
4	12H310	LOCK WASHER	4		3/8"
5	19H1936	CAP SCREW	4		3/8" X 3/4"
6	T21865	LATCH	1	-117499	L.H.
7	T21863	WASHER	2	-117499	
8	T11234	LOCK NUT	2	-117499	
9	T21864	LATCH	1	-117499	R.H.
10	R26858	SPRING	2		
11	19H3530	CAP SCREW	8		1/2" X 7/8"
12	T21490	FOAM PAD	2		
13	T21491	ISOLATOR	2		
14	AT19786	HOOD	1		(HORIZONTAL MUFFLER)
	AT19788	HOOD	1		(VERTICAL MUFFLER)
15	14H1076	NUT	2	117500-	3/8"
	12H304	LOCK WASHER	2	117500-	3/8"
16	24H1302	WASHER	2	117500-	13/32" X 11/16" X 0.035"
17	R49524	LATCH	2	117500-	(SUB R59519)
18	11M7012	COTTER PIN	2	117500-	0.126" X 0.630"
19	37H29	SCREW	2		5/16" X 5/8", (SUB FOR T24438)
20	T24439	RETAINER	1	-117499	
	R48295	RETAINER	1	117500-	
21	AT19776	PLATE	1	-117499	(SUB AR55710, (2) R49524, (2) 24H1302, (2) 12H304, (2) 14H1076 AND 11M7012)
	AR55710	PLATE	1	117500-	(NLA)
22	T24437	MEDALLION	1	-117499	
	R48294	MEDALLION	1	117500-	

3C18

WHEELS, FRONT AXLES, SHEET METAL

FRONT PLATE, HOOD AND GRILLE ASSEMBLY (LOW PROFILE)

T19095 -UN-01JAN94



T 19095

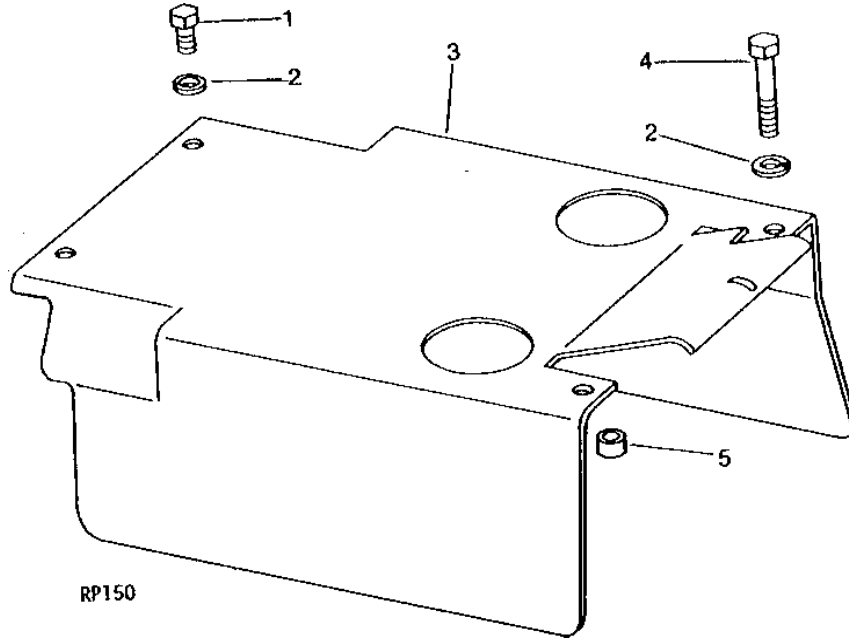
KEY	PART NO.	PART NAME	QTY	TRACTOR SERIAL NO.	REMARKS
1	AT32761	PANEL	1		
2	T21749	CLIP	2		
3	T33646	HOOD	1		(SUB FOR T21750)
4	AT27748	HOOD	1		(NLA)
5	T21491	ISOLATOR	2		
6	T21490	FOAM PAD	2		
7	24H1366	WASHER	4		21/32" X 1-1/8" X 0.036"
8	24H1299	WASHER	4		3/8" X 1-1/4" X 0.065"
9	19H2127	CAP SCREW	4		5/16" X 7/8"
10	12H310	LOCK WASHER	4		3/8"
11	T25291	REINFORCEMENT	2		
12	19H1936	CAP SCREW	4		3/8" X 3/4"
13	AR72949	GRILLE	2		(SUB FOR AT19881)
14	12H294	LOCK WASHER	4		5/8"
15	19H1356	CAP SCREW	4		5/8" X 1-3/4"
16	19H1792	CAP SCREW	8		1/2" X 1"
17	34H340	SPRING PIN	4		5/16" X 13/16"
18	AT19863	PLATE	1		(NLA)
19	R26858	SPRING	2		
20	R20817	WASHER	4		
21	A4666R	WASHER	4		

3C19

WHEELS, FRONT AXLES, SHEET METAL

**TRANSMISSION CASE SHIELD
(HU, RU)
(LESS INDEPENDENT PTO)
(LU - LESS ROCKSHAFT)**

RP150 -UN-01JAN94



RP150

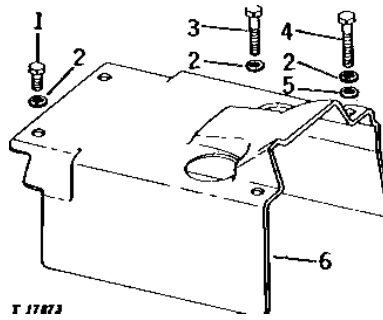
KEY	PART NO.	PART NAME	QTY	TRACTOR SERIAL NO.	REMARKS
1	19H2021	CAP SCREW	2		3/8" X 5/8"
2	12H304	LOCK WASHER	4		3/8"
3	R48684	SHIELD	1		(SUB FOR T22394)
4	19H1765	CAP SCREW	2		3/8" X 1-3/4"
5	SPACER	1		(NOT REQUIRED)

3C20

WHEELS, FRONT AXLES, SHEET METAL

TRANSMISSION CASE SHIELD (INDEPENDENT PTO)

T17873 -UN-01JAN94



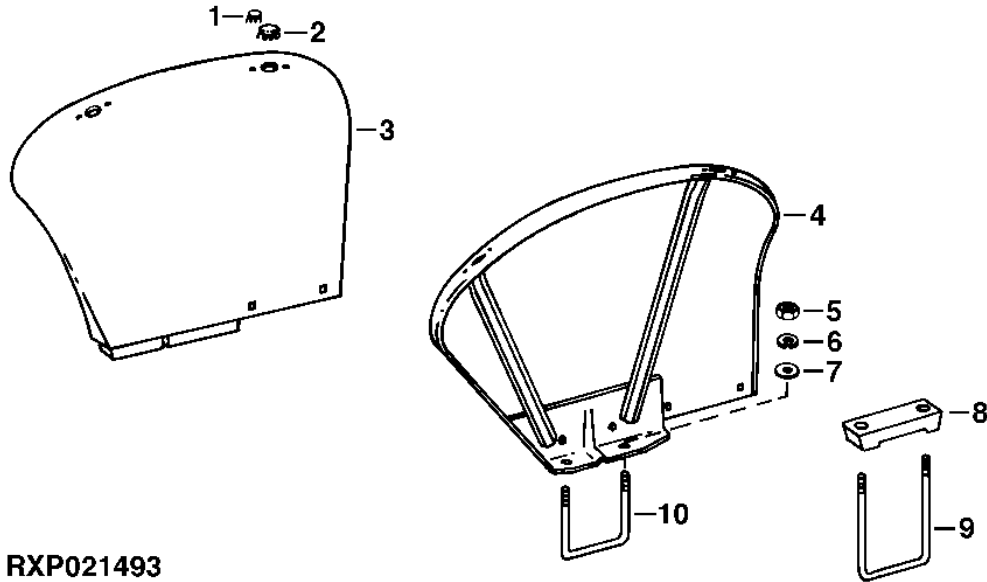
KEY	PART NO.	PART NAME	QTY	TRACTOR SERIAL NO.	REMARKS
1	19H2021	CAP SCREW	2	3/8" X 5/8"	
2	12H304	LOCK WASHER	4	3/8"	
3	19H1765	CAP SCREW	1	3/8" X 1-3/4"	
4	19H1819	CAP SCREW	1	3/8" X 2-1/8"	
5	24M7096	WASHER	1	10.500 X 18 X 1.600 MM	
6	T30748	SHIELD	1		

3C21

WHEELS, FRONT AXLES, SHEET METAL

RXP021493 -UN-15APR96

FENDERS



RXP021493

KEY	PART NO.	PART NAME	QTY	TRACTOR SERIAL NO.	REMARKS
1	R42451	PLUG	8		(SUB T15005)
2	H23746	PLUG	4		(SUB FOR T22520)
3	AT20779	FENDER	1	-117499	(SUB AR51407 AND (3) T13911)
	AR51408	FENDER	1	117500-	(SUB AR51407)
4	AT20777	FENDER	1		(SUB FOR AT27148)
5	14H1039	NUT	4		(A) 5/8"
6	12H294	LOCK WASHER	4		(A) 5/8"
7	24H1698	WASHER	4		(A) 21/32" X 1-5/8" X 1/4"
8	T21571	SPACER	2		(A) (HU)
9	T22706	U-BOLT	2		(A) (SUB L60517)
10	T22705	U-BOLT	2		(A) (LU, RU)

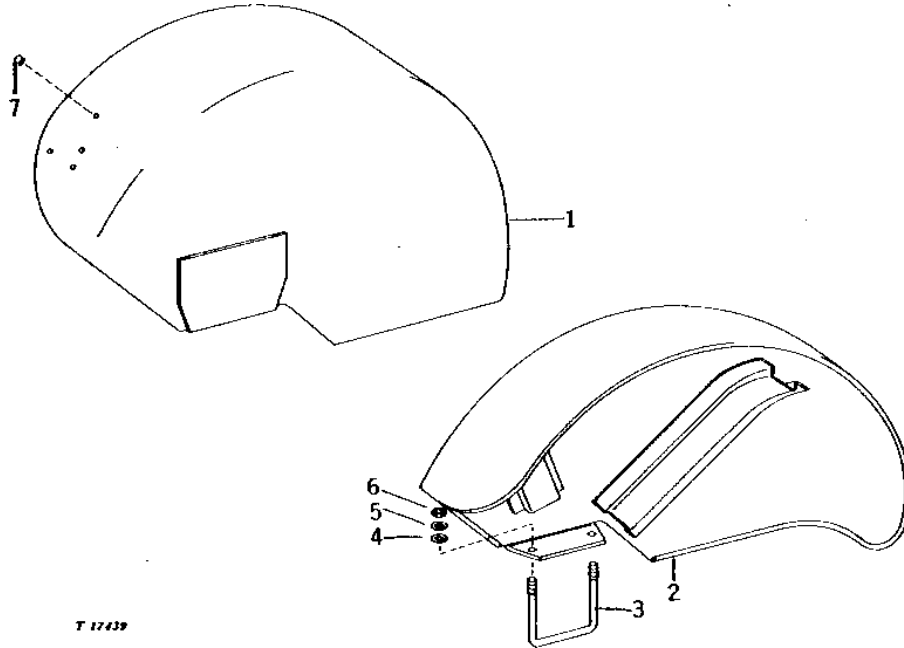
(A) LESS CANOPY OR ROLL-GARD

3C22

WHEELS, FRONT AXLES, SHEET METAL

FENDERS (LU LOW PROFILE) (LU - 11.2-24, 12.4-24 OR 18.4-16 TIRE)

T17439 -UN-01JAN94



T 17439

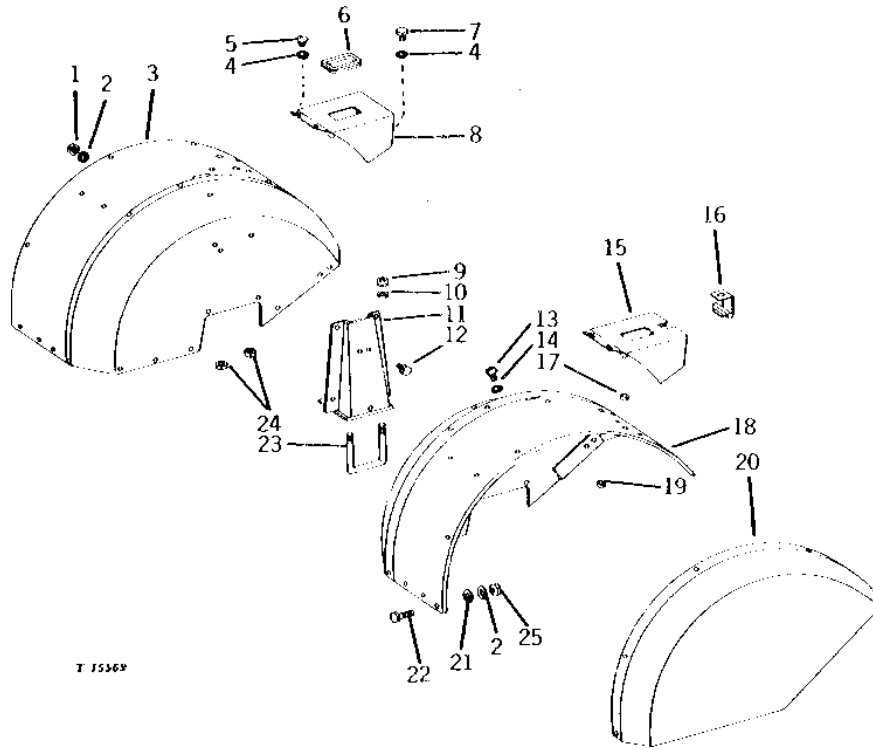
KEY	PART NO.	PART NAME	QTY	TRACTOR SERIAL NO.	REMARKS
1	AR51153	FENDER	1		(SUB FOR AT27383) (NLA)
2	AR51152	FENDER	1		(SUB FOR AT27382) (NLA)
3	T22705	U-BOLT	2		
4	24H1698	WASHER	4		21/32" X 1-5/8" X 1/4"
5	12H294	LOCK WASHER	4		5/8"
6	14H1039	NUT	4		5/8"
7	R42451	PLUG	4		(SUB T15005)

3C23

WHEELS, FRONT AXLES, SHEET METAL

ORCHARD FENDERS (LU)

T15569 -UN-01JAN94



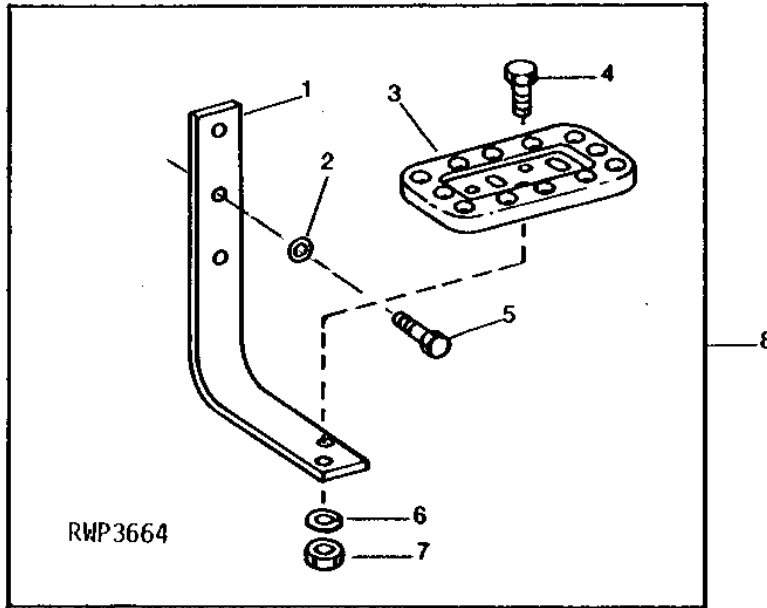
KEY	PART NO.	PART NAME	QTY	TRACTOR SERIAL NO.	REMARKS
1	14H826	NUT	8		
2	12H301	LOCK WASHER	12		1/2"
3	AT22937	FENDER	1		(NLA)
4	L1198T	WASHER	8		
5	21H1311	SCREW	4		5/16" X 1/2"
6	R20759	GROMMET	2		
7	19H1900	CAP SCREW	4		5/16" X 3/4"
8	AR30851	GUARD	1		REAR LIGHT (NO LONGER AVAILABLE)
9	14H1039	NUT	8		5/8"
10	12H294	LOCK WASHER	8		5/8"
11	AT22940	SUPPORT	2		(NLA)
12	19H1792	CAP SCREW	8		1/2" X 1"
13	21H1311	SCREW	6		5/16" X 1/2"
14	24M7207	WASHER	6		8.400 X 24 X 2 MM
15	AT22956	GUARD	1		REAR LIGHT, (NLA)
16	AT22957	BRACKET	1		WARNING LAMP PIVOT (NLA)
17	L1880N	GROMMET	2		
18	AT22938	FENDER	1		(NLA)
19	R1134R	EYELET	2		
20	AT22941	FENDER	2		(NLA)
21	24H1349	WASHER	4		9/16" X 1-1/4" X 0.134"
22	19H1815	CAP SCREW	4		1/2" X 1-1/4"
23	T22705	U-BOLT	4		
24	14H785	NUT	8		5/16"
25	14H1040	NUT	4		1/2"

3C24

WHEELS, FRONT AXLES, SHEET METAL

STEP AND SUPPORT (HU)

RWP3664 -UN-01JAN94



KEY	PART NO.	PART NAME	QTY	TRACTOR SERIAL NO.	REMARKS
1	T25703	SUPPORT	1		
2	24H1375	WASHER	2		11/16" X 1-1/8" X 0.060"
3	F3195R	STEP	1		
4	19H2552	CAP SCREW	2		3/8" X 1-1/8"
5	19H1756	CAP SCREW	2		5/8" X 1-1/2", (LESS SIDE FRAMES)
	19H2706	CAP SCREW	2		5/8" X 2" HS, SAE 8, (SIDE FRAMES)
6	12H304	LOCK WASHER	2		3/8"
7	14H1076	NUT	2		3/8"
8	AT23541	STEP	1		

3D1

WHEELS, FRONT AXLES, SHEET METAL

RWP5719 -UN-01JAN94

DECALS AND LABELS

1

2

3

4

5

6

7

8

9

10

11

12

13

14

15

16

17

18

19

SERVICE FILTER ELEMENT every 200 hours or when engine loses power or smokes excessively. STOP ENGINE BEFORE REMOVING ELEMENT. SERVICE ACCORDING TO INSTRUCTIONS ON ELEMENT. CLEAN INSIDE OF AIR CLEANER HOUSING. INSPECT UNLOADER VALVE FOR CLOSING AND CRACKS.

DO NOT USE OIL

REPLACE ELEMENT AND TIGHTEN WING NUT SCREW WITH HANDLE SECURELY. INSTALL COVER AND TIGHTEN WING NUT. REPLACE ELEMENT IF DAMAGED OR DOES NOT RESPOND TO CLEANING OR YEARLY.

CAUTION

1. Keep all shields in place.
2. Make certain everyone is clear of machine before starting engine or operation.
3. Stop engine, lower implement to ground and shift to "PARK" before dismounting. Wait for all movement to stop before servicing machinery.
4. Keep all others off equipment.
5. Keep hands, feet and clothing away from power-driven parts.
6. Reduce speed when turning or applying individual brakes.
7. Couple brake pedals together for road travel.
8. Use flashing warning lights on highway unless prohibited by law.

1020 JOHN DEERE

JOHN DEERE 1020

JOHN DEERE

12V

WARNING

IMPORTANT

NEGATIVE GROUND ONLY

REVERSED POLARITY IN BATTERY OR ALTERNATOR CONNECTIONS WILL RESULT IN PERMANENT DAMAGE TO ELECTRICAL SYSTEM. SEE OPERATOR'S MANUAL.

IMPORTANT

DISCONNECT POSITIVE BATTERY TERMINAL WHEN CHARGING BATTERY IN TRACTOR.

PRINTED IN U.S.A.

MANUFACTURED UNDER ONE OR MORE OF U.S.A. PAT.

D-84,406	2,796,424	2,940,530
2,408,884	2,798,454	2,946,392
2,410,514	2,808,040	2,954,071
2,477,710	2,821,211	2,975,643
2,522,245	2,839,941	2,975,681
2,534,425	2,840,140	2,975,137
2,542,238	2,850,074	2,986,356
2,549,791	2,858,848	2,987,126
2,578,542	2,864,295	2,998,732
2,592,906	2,875,627	3,002,397
2,601,553	2,875,873	3,003,783
2,604,176	2,888,395	3,003,790
2,654,613	2,892,486	3,022,830
2,680,401	2,908,417	3,022,831
2,710,546	2,920,500	3,048,228
2,721,508	2,921,638	3,053,552
2,772,652	2,932,341	D-191,663
2,775,134	2,936,818	

CANADIAN PAT.

441,207-1947	538,040-1957	623,398-1961
469,933-1950	545,996-1957	630,372-1961
471,893-1951	554,908-1957	630,391-1961
471,894-1951	569,437-1959	631,129-1961
472,032-1951	571,742-1959	632,262-1961
479,248-1951	574,063-1959	634,886-1962
480,464-1952	574,917-1959	634,893-1962
483,202-1952	586,300-1960	640,346-1962
483,383-1952	600,062-1960	641,353-1962
487,067-1952	600,358-1960	646,207-1962
500,320-1964	609,060-1960	655,869-1963
521,038-1956	609,663-1960	655,988-1963
527,338-1956	611,088-1960	OTHERS
530,780-1956	615,154-1961	PENDING

INSPECT DAILY

CLEAN OIL CUP WHEN DIRT DEPTH REACHES $\frac{3}{8}$ " SERVICE ACCORDING TO OPERATOR'S MANUAL.

USE SAME GRADE OIL AS USED IN ENGINE CRANKCASE FOR PREVAILING TEMPERATURES.

BE SURE OIL CUP IS SECURELY LOCKED IN PLACE WITH OIL CUP BEAD CONTACTING BODY BEAD ALL THE WAY AROUND. FAILURE TO DO THIS AND LOSS OF A CUP MAY RUIN AN ENGINE.

NEGATIVE GROUND ONLY

REVERSED POLARITY IN BATTERY OR ALTERNATOR CONNECTIONS WILL RESULT IN PERMANENT DAMAGE TO ELECTRICAL SYSTEM. SEE OPERATOR'S MANUAL.

IMPORTANT

DISCONNECT POSITIVE BATTERY TERMINAL WHEN CHARGING BATTERY IN TRACTOR.

PRINTED IN U.S.A.

JOHN DEERE ROLL-GARD

HIGH ALTITUDE PISTONS

3D2

WHEELS, FRONT AXLES, SHEET METAL

DECALS AND LABELS - CONTINUED

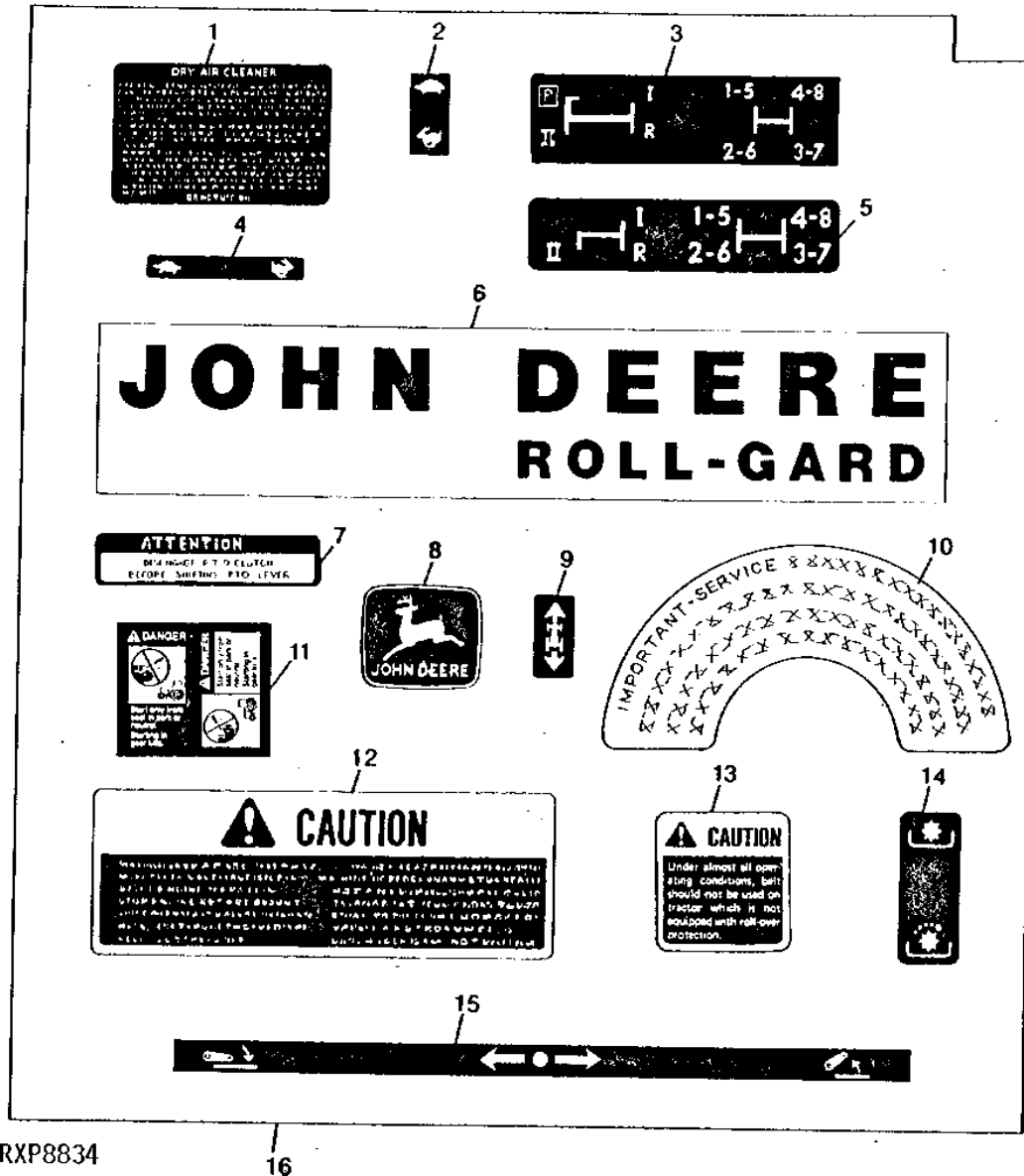
KEY	PART NO.	PART NAME	QTY	TRACTOR SERIAL NO.	REMARKS
1	R56468	LABEL	1		REVERSER TRANSMISSION CONTROL LEVER, (SUB FOR T26840)
2	R56902	LABEL	1		DRY AIR CLEANER (FUEL TANK)
3	R87529	LABEL	1		SAFETY (FENDER) (SUB FOR T19168, R49020, R51821, R69270, R76341 OR R82425)
4	R68277	LABEL	1		SHIFT LEVER, (SUB FOR T22800, T30603 OR T32214)
5	R48183	LABEL	1		HOOD, R.H. (SUB FOR T22813 OR R48214) (SUB L65446 AND L65347)
	R48212	DECAL	1		HOOD, R.H. (LU LOW PROFILE) (SUB FOR T29354) (SUB R89978)
6	R48184	LABEL	1		HOOD, L.H. (SUB FOR T22814 OR R48215) (SUB L65348 AND L65446)
	R48213	DECAL	1		HOOD, L.H. (LU LOW PROFILE) (SUB FOR T29355) (SUB R89977)
7	T23026	LABEL	1	-117499	TOOL BOX (HU, RU) (SUB JD5272)
	JD5272	LABEL	1	117500-	TOOL BOX (HU,RU)
8	A5180R	DECAL	1		(NO LONGER AVAILABLE)
9	T25899	INSTRUCTION PLATE	1		POWER SHAFT
10	T30772	LABEL	1		PTO CLUTCH LEVER (INDEPENDENT PTO)
11	T23616	LABEL	1		(NO LONGER AVAILABLE)
12	R56467	LABEL	1		TRANSMISSION CONTROL LEVER (HI-LO SHIFT) (SUB FOR T26839)
13	R47292	LABEL	1	-XXXXXX	(SUB FOR JD272 OR T27155)
14	A5207R	ASSEMBLY LINE PARTS	1		
15	LABEL	1		(NO LONGER AVAILABLE)
16	T30604	LABEL	1		SHIFT LEVER (REVERSER) (SUB FOR T22801)
17	T19390	DECAL	1		OIL BATH AIR CLEANER
18	JD5236	DECAL	1		HOOD PANEL (LU LOW PROFILE)
19	R83103	LABEL	1		PTO SAFETY, (SUB FOR R64391) (SUB R120111)

3D3

WHEELS, FRONT AXLES, SHEET METAL

RXP8834 -UN-01JAN94

LABEL REFINISHING KIT



RXP8834

16

3D4

WHEELS, FRONT AXLES, SHEET METAL

LABEL REFINISHING KIT - CONTINUED

KEY	PART NO.	PART NAME	QTY	TRACTOR SERIAL NO.	REMARKS
1	R56902	LABEL	1		DRY AIR CLEANER (FUEL TANK)
2	R56467	LABEL	1		TRANSMISSION HI-LO CONTROL LEVER
3	R68277	LABEL	1		SHIFT LEVER
4	R77420	LABEL	2		SCV FLOW
5	L35521	LABEL	1		SHIFT LEVER (COLLAR SHIFT)
6	R47292	LABEL	1		ROLL-GARD (CROSS MEMBER)
7	T65880	WARNING LABEL	1		CONTINUOUS PTO
8	JD5272	LABEL	1		(TOOL BOX)
9	R56468	LABEL	1		REVERSER TRANSMISSION CONTROL LEVER
10	R72816	LABEL	1		DRY AIR CLEANER (COVER)
11	T146102	WARNING LABEL	1		BYPASS START (ENGLISH)
12	R87529	LABEL	1		SAFETY (FENDER) (SUB FOR R76341 OR R82425)
13	R87527	LABEL	1		CAUTION, ROLL-GARD (STRUT) (SUB FOR R41781)
14	T30772	LABEL	1		PTO CLUTCH LEVER
15	L36319	DECAL	1		ROCKSHAFT QUADRANT
16	AR105634	KIT	1		(SUB FOR AR73918 OR AR94358)
17	T146106	WARNING LABEL	1		(A) BYPASS START (ESPANOL)
	T146104	WARNING LABEL	1		(A) BYPASS START (FRANCAIS)
	T146515	WARNING LABEL	1		(A) BYPASS START (DEUTSCH)
	T146516	WARNING LABEL	1		(A) BYPASS START (ITALIANO)
	T146517	WARNING LABEL	1		(A) BYPASS START (FRANCAIS/ENGLISH)

(A) NOT INCLUDED IN KIT

MEMORANDA

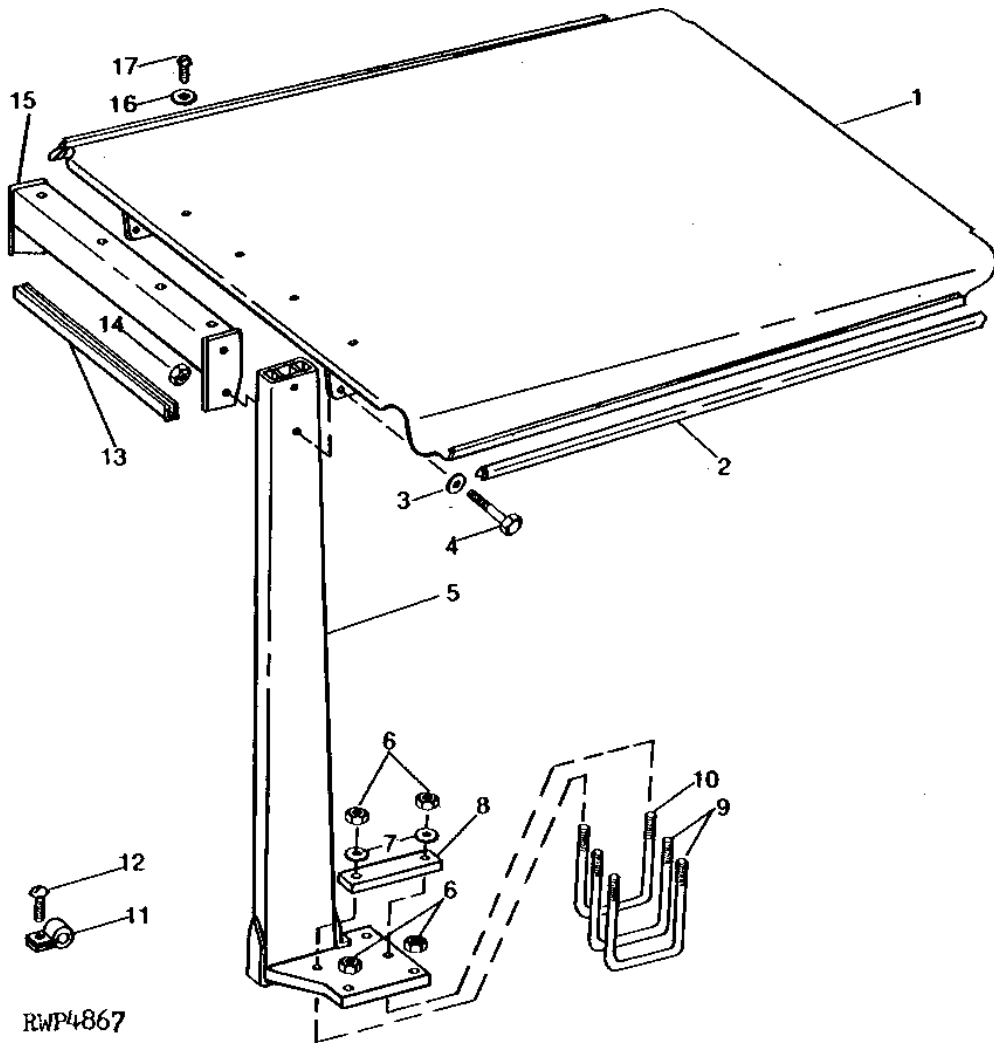
MEMORANDA

3D6

OPERATOR'S STATION

RWP4867 -UN-01JAN94

PROTECTIVE CANOPY
(TRACTOR SERIAL NO. -117499)



3D7

OPERATOR'S STATION

PROTECTIVE CANOPY - CONTINUED
(TRACTOR SERIAL NO. -117499)

KEY	PART NO.	PART NAME	QTY	ENGINE SERIAL NO.	REMARKS
1	AR56695	CANOPY	1		(SUB FOR AT23494) (NO LONGER AVAILABLE)
2	T25667	RUBBER MOUNT	2		
3	24H1625	WASHER	4		17/32" X 1" X 0.120"
4	19H1945	CAP SCREW	4		1/2" X 3-1/4"
5	SUPPORT	1		(SUB AR51143, AR51144 OR AL70191)
6	14H1039	NUT	12		5/8" (8 USED - 28" TIRE OR SMALLER)
7	24H1698	WASHER	4		21/32" X 1-5/8" X 1/4"
8	T25671	STRAP	2	-099139	
9	T25672	U-BOLT	4		OUTER
10	T22706	U-BOLT	2	-099139	INNER, (SUB L60517)
	T32412	U-BOLT	2	099140-	INNER, (NLA)
11	T22645	CLIP	2		
12	37H3	SCREW	2		1/4" X 5/8"
13	T29686	ISOLATOR	1		
14	14H1040	NUT	4		1/2"
15	BRACE	1		(SUB AR51143, AR51144 OR AL70191)
16	24H1288	WASHER	4		9/32" X 1" X 1/16"
17	37H3	SCREW	4		1/4" X 5/8"

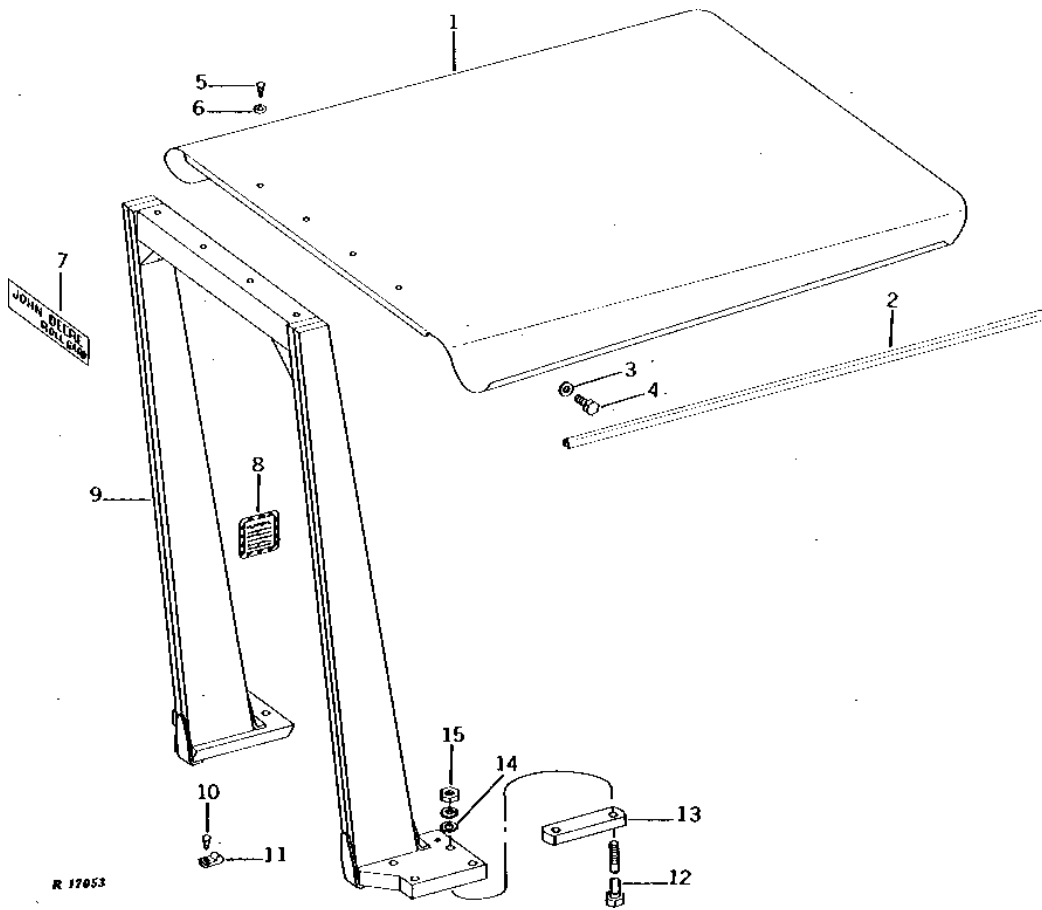
3D8

OPERATOR'S STATION

R17053

-UN-01JAN94

ROLL-GARD AND CANOPY
(TRACTOR SERIAL NO. 117500-)



3D9

OPERATOR'S STATION

ROLL-GARD AND CANOPY - CONTINUED
(TRACTOR SERIAL NO. 117500-)

KEY	PART NO.	PART NAME	QTY	TRACTOR SERIAL NO.	REMARKS
1	AR56695	CANOPY	1		(SUB FOR AT23494) (NO LONGER AVAILABLE)
2	T25667	RUBBER MOUNT	2		
3	24H1625	WASHER	4		17/32" X 1" X 0.120"
4	19H1820	CAP SCREW	4		1/2" X 3"
5	37H3	SCREW	4		1/4" X 5/8"
6	24H1288	WASHER	4		9/32" X 1" X 1/16"
7	R47292	LABEL	1	-XXXXXX	
8	R87529	LABEL	1		CAUTION, (SUB FOR T19168, R49020, R51821, R69270, R76341 OR R82425)
	R87527	LABEL	1		CAUTION, (SUB FOR R41781)
9	ROLL-GARD	1		(SUB AR51143, AR51144 OR AL70191)
10	37H3	SCREW	2		1/4" X 5/8"
11	T22645	CLIP	2		
12	R48139	CAP SCREW	AR		(A) (B) (C) (8 USED NARROW TREAD REAR AXLE WITH 18.4-16A REAR WHEELS OR 9.5-24 TWO POSITION DUAL WHEELS)
	R42439	BOLT	AR		(C) (D)
	R42581	BOLT	4		(B)
13	U40656	STRAP	2		OUTER
	R71477	STRAP	2		INNER, (NLA)
14	24H1400	WASHER	AR		(A) (E) 25/32" X 1-5/8" X 1/4"
	24H1393	WASHER	4		(C) 25/32" X 1-3/8" X 0.180"
15	14H794	NUT	8		3/4"
	12H236	LOCK WASHER	2	-XXXXXX	3/4"

- (A) 8 USED STANDARD TREAD REAR AXLE
- (B) 4 USED STANDARD TREAD REAR AXLE
- (C) 4 USED NARROW TREAD REAR AXLE AND LOW PROFILE FENDERS
- (D) 8 USED NARROW TREAD REAR AXLE AND REGULAR FENDERS
- (E) 4 USED NARROW TREAD REAR AXLE AND REGULAR FENDERS

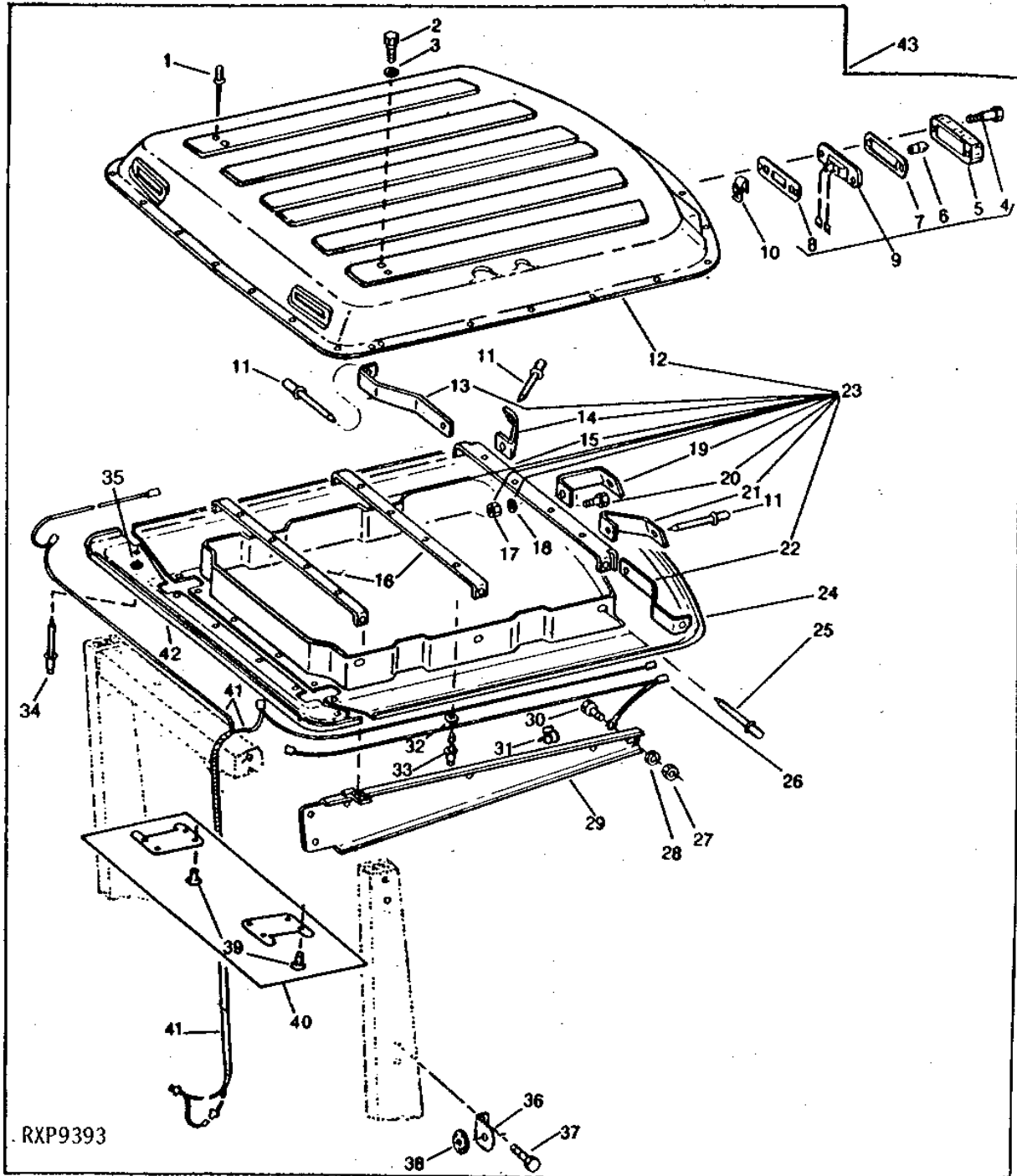
3D10

OPERATOR'S STATION

RXP9393

-UN-01JAN94

ROLL-GARD CANOPY



3D11

OPERATOR'S STATION

ROLL-GARD CANOPY - CONTINUED

KEY	PART NO.	PART NAME	QTY	TRACTOR SERIAL NO.	REMARKS
1	R55326	RIVET	2		
2	19H1792	CAP SCREW	2	1/2" X 1"	
3	24H1227	WASHER	2	17/32" X 13/16" X 0.060"	
4	R54781	SCREW	8		
5	R54779	LENS	4		
6	AD2062R	BULB	4	(12-VOLT)	
7	R54782	GASKET	4		
8	R61179	GASKET	4		
9	AR60250	LAMP	4		
10	R99350	NUT	8	(SUB FOR R53528, THIS APPLICATION)	
11	R55326	RIVET	17		
12	AR78261	ROOF	1	(SUB R60100)	
13	R62926	BRACE	1		
14	R62924	BRACKET	1	(USE WITH AR73336) (SUB R81223)	
	R81223	BRACKET	1	(USE WITH RE19445)	
15	AR77698	SUPPORT	1		
16	R62922	SUPPORT	2		
17	14H1076	NUT	7	3/8"	
18	24H1682	WASHER	7	13/32" X 7/8" X 0.120"	
19	R62929	BRACKET	1	(USE WITH AR73336) (SUB R81221)	
	R81221	BRACKET	1	(USE WITH RE19445)	
20	19H1731	CAP SCREW	7	3/8" X 1"	
21	R62923	BRACKET	1	(USE WITH AR73336) (SUB R81222)	
	R81222	BRACKET	1	(USE WITH RE19445)	
22	R62925	BRACE	1		
23	AR73338	ROOF	1		
	R60101	ISOLATOR	1		
24	R60103	PANEL	1		
25	R55326	RIVET	6		
26	AR56211	WIRING HARNESS	2		
27	14H1076	NUT	6	3/8"	
28	24H1682	WASHER	2	13/32" X 7/8" X 0.120"	
29	AR72902	SUPPORT	1	R.H.	
	AR72903	SUPPORT	1	L.H.	
30	19H1731	CAP SCREW	6	3/8" X 1"	
31	R21551	CLIP	4		
32	R52119	WASHER	32		
33	19H1820	CAP SCREW	32	1/2" X 3"	
34	R63679	RIVET	6		
35	R52119	WASHER	6		
36	R60459	BRACKET	2		
37	37H3	SCREW	4	1/4" X 5/8"	
38	T33745	REFLECTOR	2		
39	R63679	RIVET	8	XXXXXX-	
40	AR76583	COVER	2	XXXXXX-	(SUB (2) R62291 AND (8) R63679)
41	AR72987	WIRING HARNESS	1		
	H97644	CONDUIT	1	(SUB FOR R50452)	
42	R60104	PANEL	1		
43	RE19445	CANOPY	1	(SUB FOR AR73336) (FI)	

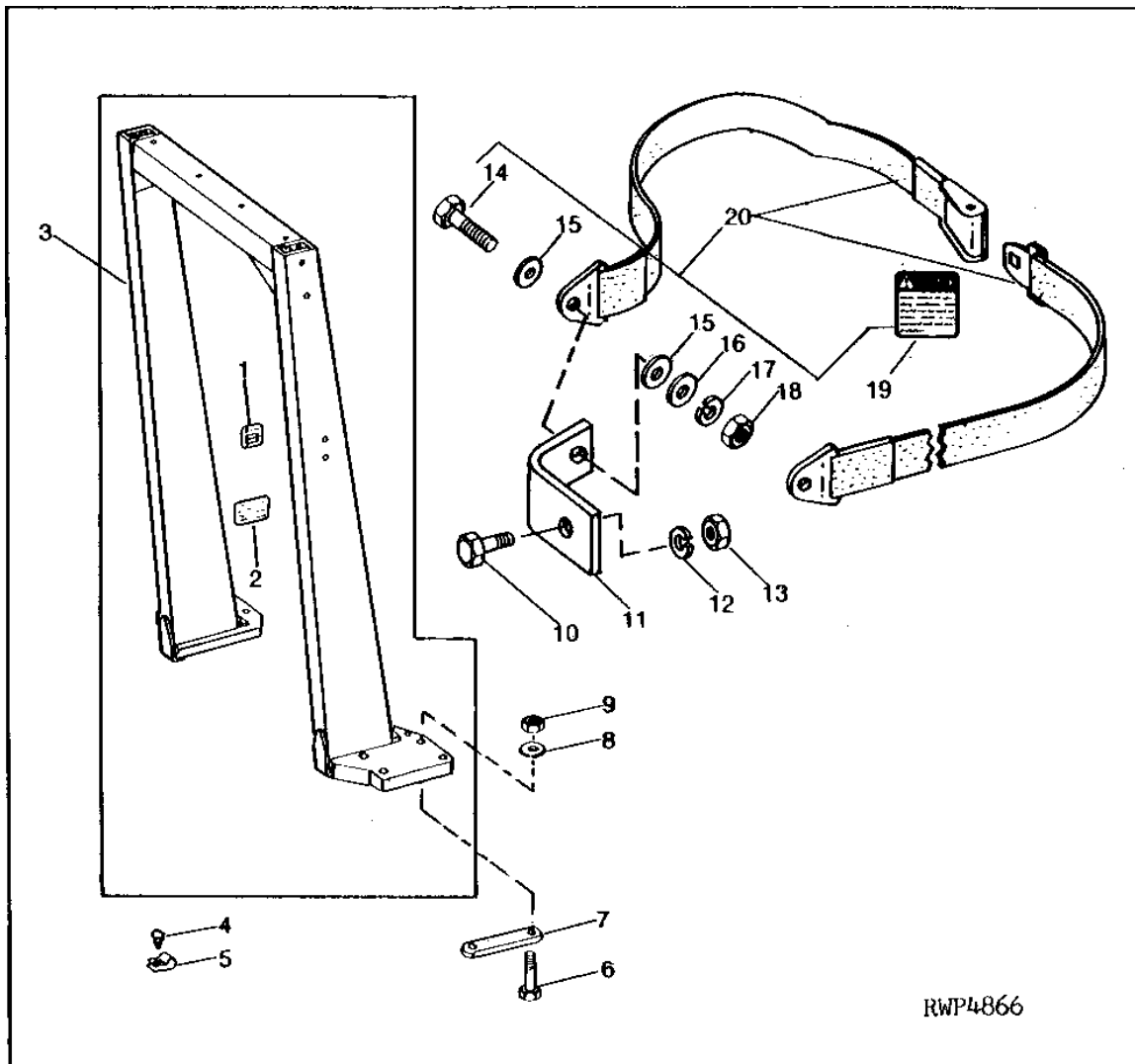
3D12

OPERATOR'S STATION

RWP4866

-UN-01JAN94

ROLL-GARD



RWP4866

3D13

OPERATOR'S STATION

ROLL-GARD - CONTINUED

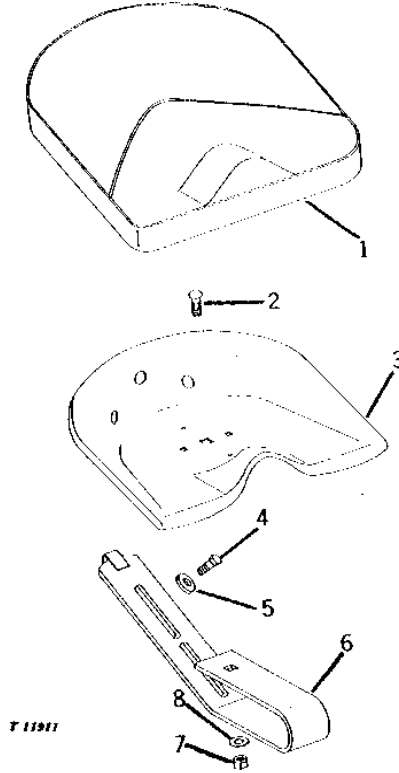
KEY	PART NO.	PART NAME	QTY	TRACTOR SERIAL NO.	REMARKS
1	R87527	LABEL	1		CAUTION, (SUB FOR R41781)
2	LABEL	1		(NOT FURNISHED)
3	ROLL-GARD	1		(ORDER AR51143, AR51144 OR AL70191)
4	37H3	SCREW	2		1/4" X 5/8"
5	T22645	CLIP	2		
6	R48139	CAP SCREW	8		(USE WITH AR51143)
	R48139	CAP SCREW	4		(USE WITH AL70191)
	R42581	BOLT	4		(USE WITH AL70191)
	R42439	BOLT	8		(USE WITH AR51144)
7	U40656	STRAP	4		(USE WITH AR51143 OR AL70191)
	U40656	STRAP	2		(USE WITH AR51144)
	R71477	STRAP	2		(USE WITH AR51144) (NLA)
8	24H1400	WASHER	8		25/32" X 1-5/8" X 1/4"
9	14H794	NUT	8		3/4"
10	19H3579	CAP SCREW	2		1/2" X 1-3/8"
11	T26153	ANGLE	2		
12	12H301	LOCK WASHER	2		1/2"
13	14H1040	NUT	2		1/2"
14	R41778	BOLT	2		
15	24H1226	WASHER	4		1/2" X 1-1/4" X 0.083"
16	24H1363	WASHER	2		41/64" X 1-1/16" X 0.105"
17	12H293	LOCK WASHER	2		7/16"
18	14H1047	NUT	2		7/16"
19	R81424	LABEL	1		CAUTION, (SUB FOR R42732)
20	AT37833	SEAT BELT	1		51 MM (2") WIDTH
	AT38518	SEAT BELT	1		(3" WIDE)
21	AR51143	GUARD	1		(28" AND UNDER DIAMETER REAR WHEELS)
	AR51144	ROLL-GARD	1		(NARROW TREAD REAR AXLE) (NLA)
	AL70191	ROLL-GARD	1		(30" AND OVER DIAMETER REAR WHEELS) (SUB FOR AR51146)

3D14

OPERATOR'S STATION

T11911 -UN-01JAN94

STEEL SEAT ASSEMBLY



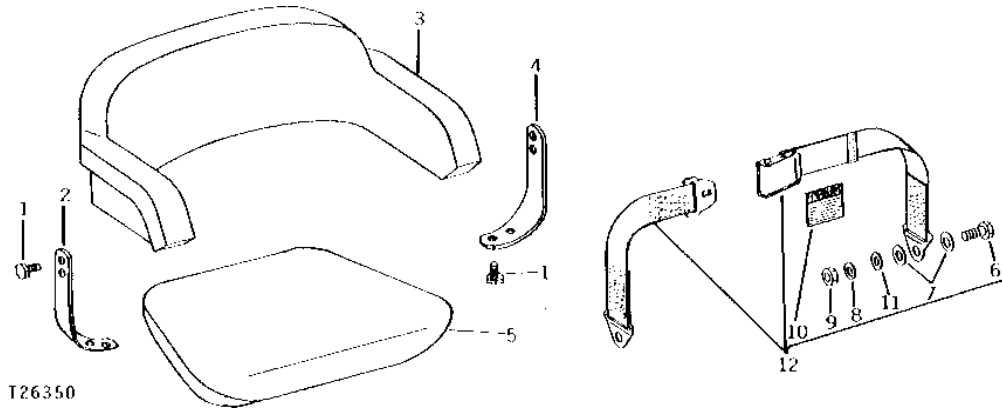
KEY	PART NO.	PART NAME	QTY	TRACTOR SERIAL NO.	REMARKS
1	AT20190	FOAM PAD	1		(NO LONGER AVAILABLE)
2	03H1652	BOLT	1		5/8" X 1-1/2"
3	AD1606R	SEAT	1		
4	19H1815	CAP SCREW	2		1/2" X 1-1/4"
5	M557T	WASHER	2		
6	AT21752	RETAINER	1		(SUB T23277 AND T24677)
7	14H1039	NUT	1		5/8"
8	12H294	LOCK WASHER	1		5/8"

3D15

OPERATOR'S STATION

T26350 -UN-01JAN94

DELUXE SEAT



KEY	PART NO.	PART NAME	QTY	TRACTOR SERIAL NO.	REMARKS
1	19H1936	CAP SCREW	8		3/8" X 3/4"
2	T22930	SUPPORT	1	-062944	R.H.
	T27718	SUPPORT	1	062945-	R.H.
3	AT20434	CUSHION	1	-062944	(SUB AT25963, T27718 AND T27719)
	AR65449	CUSHION	1	062945-	(YELLOW) (SUB FOR AT25963)
4	T22931	SUPPORT	1	-062944	L.H.
	T27719	SUPPORT	1	062945-	L.H.
5	AR65448	CUSHION	1		(YELLOW) (SUB FOR AT20489)
6	R41778	BOLT	2		
7	24H1226	WASHER	4		1/2" X 1-1/4" X 0.083"
8	12H293	LOCK WASHER	2		7/16"
9	14H1047	NUT	2		7/16"
10	R81424	LABEL	1		
11	24H1363	WASHER	2		41/64" X 1-1/16" X 0.105"
12	AT37833	SEAT BELT	1		(SUB FOR AT24917 OR AT24149)

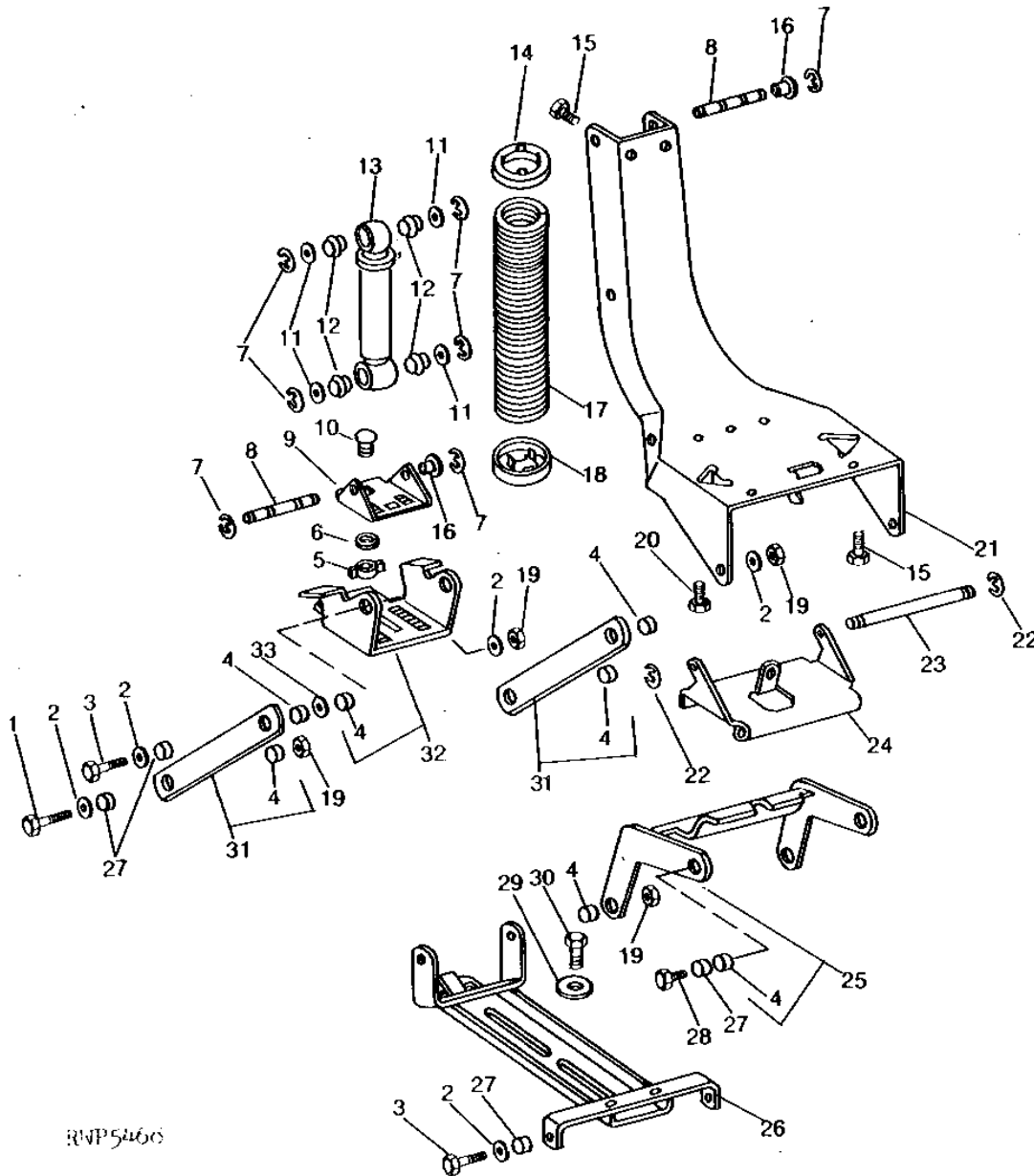
3D16

OPERATOR'S STATION

RWP5468

-UN-01JAN94

DELUXE SEAT SUPPORT ASSEMBLY



RWP5468

3D17

OPERATOR'S STATION

DELUXE SEAT SUPPORT ASSEMBLY - CONTINUED

KEY	PART NO.	PART NAME	QTY	TRACTOR SERIAL NO.	REMARKS
1	19H1765	CAP SCREW	2		3/8" X 1-3/4"
2	R27441	WASHER	10		
3	19H1732	CAP SCREW	4		3/8" X 1-1/4"
4	R27116	BUSHING	10		
5	14H819	WING NUT	2		5/16", (SUB FOR T23238 OR R1069R)
6	24H1290	WASHER	2		21/64" X 3/4" X 0.035"
7	F2863R	SNAP RING	8		
8	T21923	SHAFT	2		
9	T23237	SUPPORT	1		
10	03H1540	BOLT	2		5/16" X 3/4"
11	R1836R	WASHER	4		
12	R26832	BUSHING	4		RUBBER
13	AR71976	ABSORBER	1		(SUB FOR AR26529) (SUB RE62234)
14	R27442	CAP	1		UPPER
15	19H2038	CAP SCREW	5	-031625	3/8" X 1/2"
16	19H1936	CAP SCREW	4	031626-	3/8" X 3/4"
16	T21926	BUSHING	2		
17	R26877	SPRING	1		
18	R26879	CAP	1		LOWER
19	14H1076	NUT	8		3/8"
20	19H1732	CAP SCREW	1	031626-	3/8" X 1-1/4"
21	T21920	FRAME	1	-031625	(ALSO ORDER 19H1732)
21	T21920	FRAME	1	031626-	
22	R72655	SNAP RING	2		(SUB FOR T12808)
23	T21922	PIN	1		
24	T22674	LATCH	1	-062612	(SUB T27971 AND AT26123)
24	T27971	LATCH	1	062613-	
25	AT20437	LINK	1	-062612	(SUB T27971 AND AT26123)
25	AT26123	LINK	1	062613-	
26	AT19923	SUPPORT	1		(SUB AT35094 AND T23227)
27	R27440	BUSHING	10		
28	19H1731	CAP SCREW	2		3/8" X 1"
29	M557T	WASHER	2		
30	19H1815	CAP SCREW	2		1/2" X 1-1/4"
31	AT20438	LINK	1		UPPER
32	AT20441	LINK	1		
33	24H1309	WASHER	2		13/32" X 1-1/16" X 0.120"

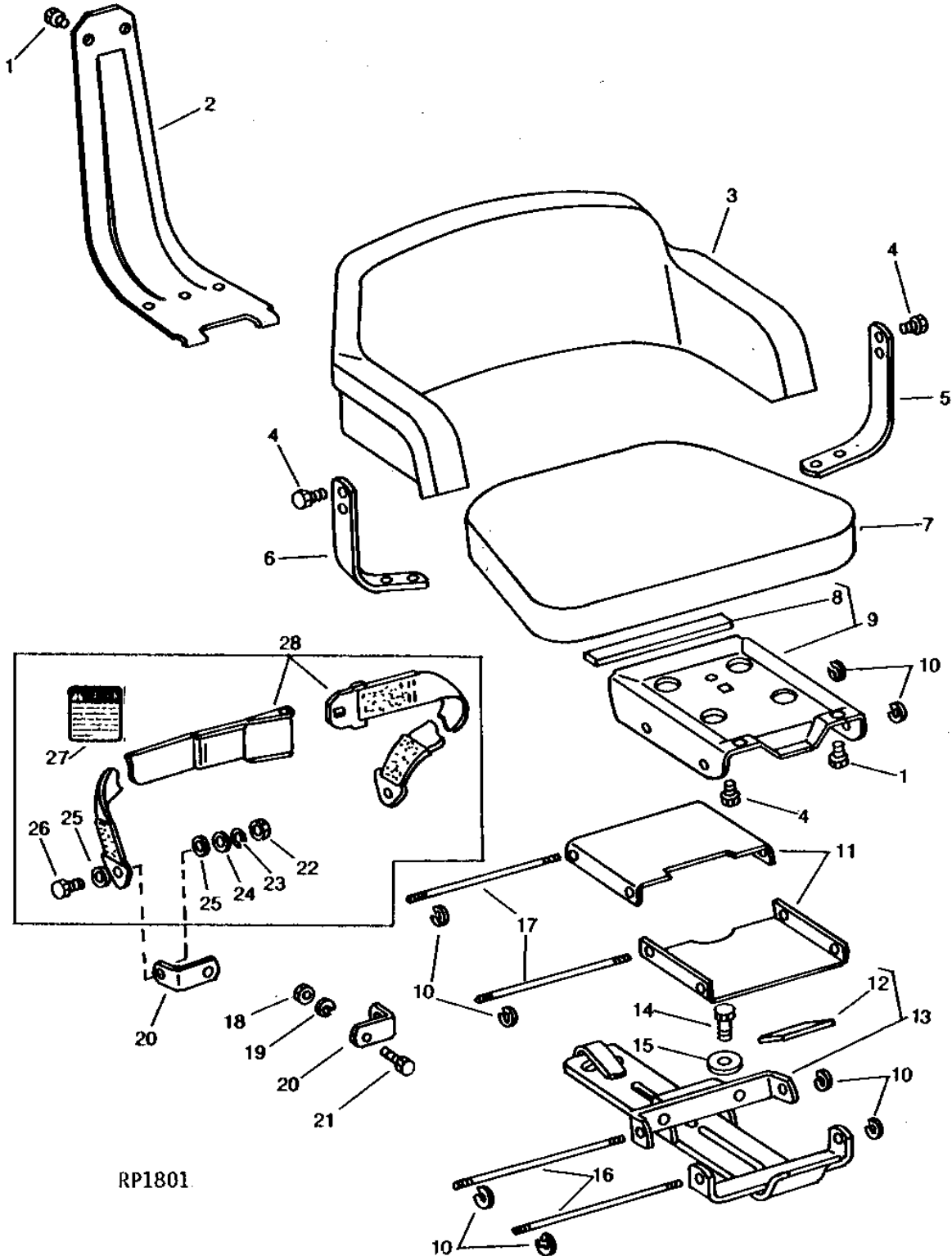
3D18

OPERATOR'S STATION

RP1801

-UN-01JAN94

REGULAR SEAT ASSEMBLY



RP1801

3D19

OPERATOR'S STATION

REGULAR SEAT ASSEMBLY - CONTINUED

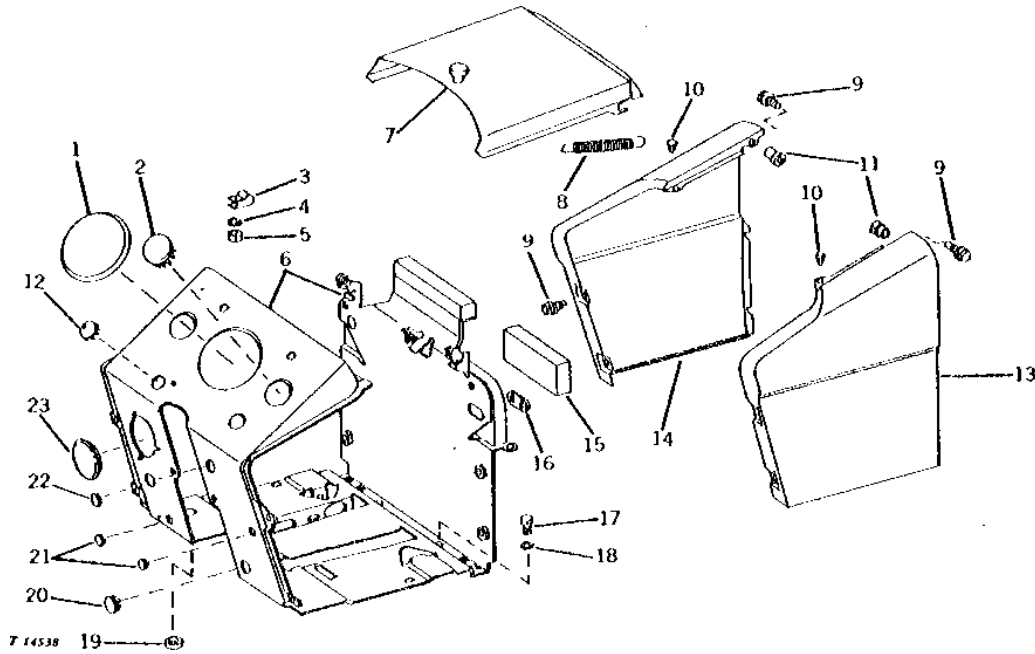
KEY	PART NO.	PART NAME	QTY	TRACTOR SERIAL NO.	REMARKS
1	19H2038	CAP SCREW	4		3/8" X 1/2"
2	T22782	SUPPORT	1		REAR
3	AT20434	CUSHION	1	-062944	(SUB AR65449, T27718 AND T27719)
	AR65449	CUSHION	1	062945-	(YELLOW) (SUB FOR AT25963)
4	19H1936	CAP SCREW	9		3/8" X 3/4"
5	T22931	SUPPORT	1	-062944	
	T27719	SUPPORT	1	062945-	
6	T22930	SUPPORT	1	-062944	
	T27718	SUPPORT	1	062945-	
7	AR65448	CUSHION	1		(YELLOW) (SUB FOR AT20489)
8	T22781	WEATHERSTRIP	1		
9	AT20792	SUPPORT	1		(SUB T22780 AND T22781)
10	T12808	SNAP RING	8		(SUB R72655)
11	T22777	LINK	2		
12	T22776	WEATHERSTRIP	1		
13	AT20791	SUPPORT	1		
14	19H1815	CAP SCREW	2		1/2" X 1-1/4"
15	M557T	WASHER	2		
16	T22779	PIN	2		
17	T22778	PIN	2		
18	14H1040	NUT	2		1/2"
19	12H301	LOCK WASHER	2		1/2"
20	T26153	ANGLE	1		
21	19H3579	CAP SCREW	2		1/2" X 1-3/8"
22	14H1047	NUT	2		7/16"
23	12H293	LOCK WASHER	2		7/16"
24	24H1363	WASHER	2		41/64" X 1-1/16" X 0.105"
25	24H1226	WASHER	4		1/2" X 1-1/4" X 0.083"
26	R41778	BOLT	2		7/16" X 1-1/4"
27	R81424	LABEL	1		(SUB FOR R42732)
28	AT37833	SEAT BELT	1		(SUB FOR AT24917 OR AT24149)

3D20

OPERATOR'S STATION

T14538 -UN-01JAN94

COWL



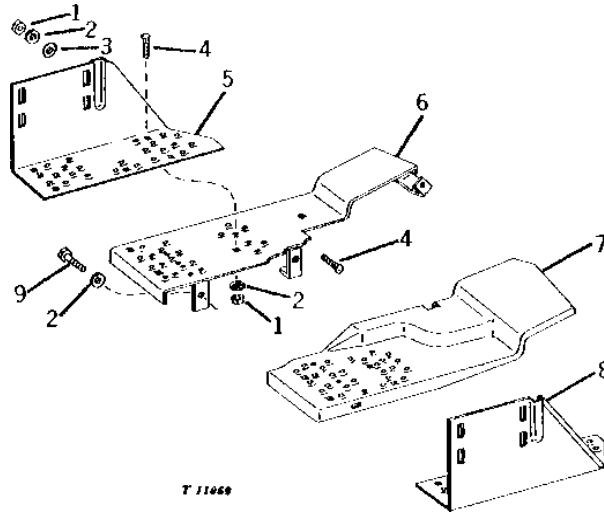
KEY	PART NO.	PART NAME	QTY	TRACTOR SERIAL NO.	REMARKS
1	T22212	PLUG	1		TACHOMETER
2	T14500	PLUG	1		FUEL GAUGE
3	T22645	CLIP	3	-XXXXXX	
	T22645	CLIP	1	XXXXXX-	
4	12H302	LOCK WASHER	3	-XXXXXX	1/4"
	12H302	LOCK WASHER	3	XXXXXX-	1/4"
5	14H786	NUT	3	-XXXXXX	1/4"
	14H786	NUT	3	XXXXXX-	1/4"
6	AT22908	INSTRUMENT PANEL	1	-045199	(SUB FOR AT20092) (NO LONGER AVAILABLE)
	AT23570	INSTRUMENT PANEL	1	045200-062783	(NO LONGER AVAILABLE)
	AR66187	INSTRUMENT PANEL	1	062784-	(SUB FOR AT24883 OR AR51474) (NO LONGER AVAILABLE)
7	AT20026	COVER	1		
8	T25367	EXTENSION SPRING	1		(SUB FOR R35823)
9	19H1227	CAP SCREW	10		1/4" X 1/2"
	24H1287	WASHER	10		9/32" X 5/8" X 0.065"
10	T22085	BUMPER	2		
11	T22086	NUT	2		
12	M42229	PLUG	1		(REPLACEMENT DASH ONLY) (SUB FOR T11708)
13	T22087	COWL	1		
14	T22088	COWL	1		
15	T21490	FOAM PAD	1	-098263	
16	R26418	GROMMET	1		
17	19H2021	CAP SCREW	4		3/8" X 5/8"
18	12H304	LOCK WASHER	4		3/8"
19	T23247	GROMMET	1		
20	M2291T	PLUG	1		CIGAR LIGHTER
21	M42229	PLUG	2		ETHER STARTING AID AND LIGHT SWITCH HOLE, (SUB FOR T11708)
22	T16738	PLUG	1		(REPLACEMENT DASH ONLY)
23	T22213	PLUG	1		(REPLACEMENT DASH ONLY)

3D21

OPERATOR'S STATION

FENDER EXTENSION AND FOOTREST (HU, RU)

T11069 -UN-01JAN94



KEY	PART NO.	PART NAME	QTY	TRACTOR SERIAL NO.	REMARKS
1	14H1076	NUT	11	3/8"	
	14H1076	NUT	12	(A) 3/8"	
2	12H304	LOCK WASHER	16	3/8"	
	12H304	LOCK WASHER	17	(A) 3/8"	
3	24H1307	WASHER	4	13/32" X 1" X 1/16"	
4	03H1765	BOLT	11	3/8" X 3/4"	
	03H1765	BOLT	12	(A) 3/8" X 3/4"	
5	T32414	SPACER	1	(SUB FOR T22747)	
6	AT19847	FOOTREST	1		
7	AR73848	FOOTREST	1	(SUB FOR AT19846, AT28581 OR AR65463)	
8	T32413	SPACER	1	(SUB FOR T22746 OR T30116)	
9	19H1731	CAP SCREW	5	3/8" X 1"	

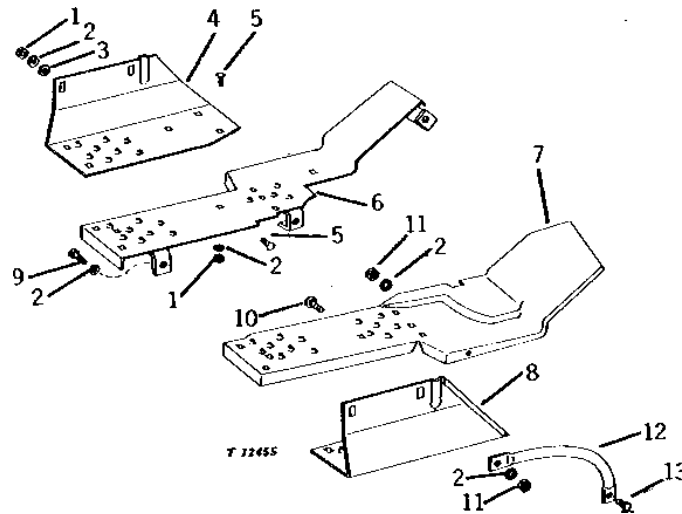
(A) VERTICAL MUFFLER

3D22

OPERATOR'S STATION

FENDER EXTENSION AND FOOTREST (LU)

T12455 -UN-01JAN94



KEY	PART NO.	PART NAME	QTY	TRACTOR SERIAL NO.	REMARKS
1	14H1076	NUT	11	3/8"	
	14H1076	NUT	12	(A) 3/8"	
2	12H304	LOCK WASHER	20	(B) 3/8"	
	12H304	LOCK WASHER	16	(C) 3/8"	
	12H304	LOCK WASHER	21	(A) (B) 3/8"	
	12H304	LOCK WASHER	17	(A) (C) 3/8"	
3	24H1307	WASHER	4	13/32" X 1" X 1/16"	
4	T22464	EXTENSION	1	(B)	
	T32414	SPACER	1	(C) (SUB FOR T22747)	
5	03H1765	BOLT	9	3/8" X 3/4"	
	03H1765	BOLT	10	(A) 3/8" X 3/4"	
6	AT20196	FOOTREST	1		
7	AT28582	FOOTREST	1	(SUB FOR AT20195) (NLA)	
8	T22463	EXTENSION	1	(B)	
	T32413	SPACER	1	(C) (SUB FOR T22746 OR T30116)	
9	19H1731	CAP SCREW	5	3/8" X 1"	
10	03H1557	BOLT	2	3/8" X 1-1/4"	
11	14H1076	NUT	4	(B) 3/8"	
12	T24924	GUARD	1	(B) R.H. (NLA)	
	T24925	GUARD	1	(B) L.H. (NLA)	
13	19H1936	CAP SCREW	2	(B) 3/8" X 3/4"	

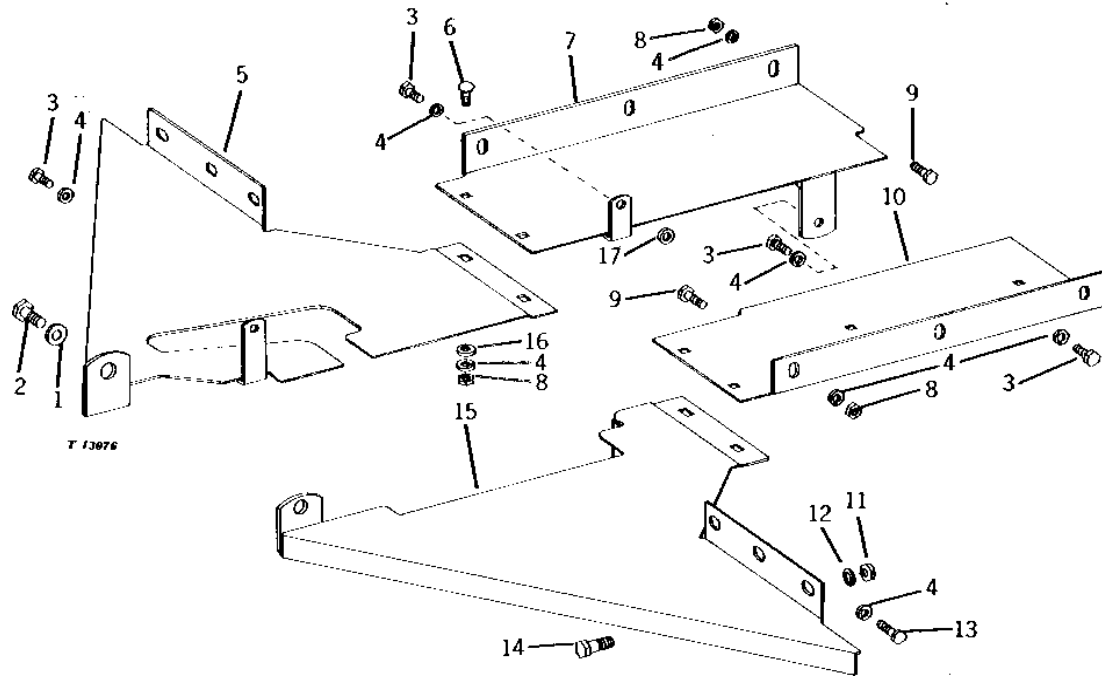
- (A) VERTICAL MUFFLER
- (B) LESS PROTECTIVE CANOPY OR ROLL-GARD
- (C) PROTECTIVE CANOPY OR ROLL-GARD

3D23

OPERATOR'S STATION

T13076 -UN-01JAN94

FOOTREST ASSEMBLY (LU LOW PROFILE)



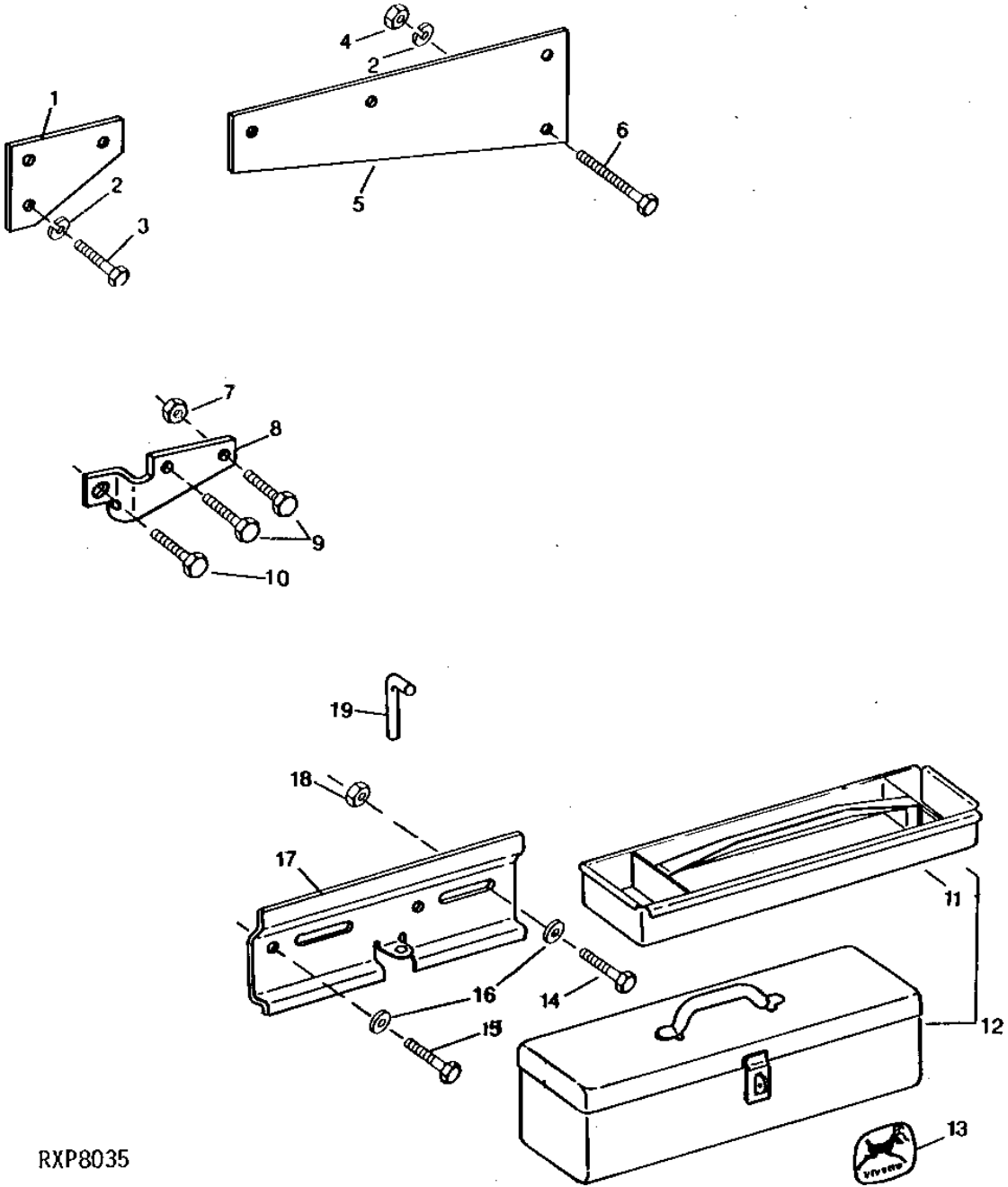
KEY	PART NO.	PART NAME	QTY	TRACTOR SERIAL NO.	REMARKS
1	M1554T	WASHER	2		
2	19H2401	CAP SCREW	2	5/8" X 1-1/8"	
3	19H2284	CAP SCREW	4	3/8" X 7/8"	
4	12H304	LOCK WASHER	15	3/8"	
5	AT22933	FOOTREST	1	(NLA)	
6	03H1765	BOLT	4	3/8" X 3/4"	
7	AT22934	PLATFORM	1	(NLA)	
8	14H1076	NUT	10	3/8"	
9	19H2552	CAP SCREW	6	3/8" X 1-1/8"	
10	AT22936	PLATFORM	1	(NLA)	
11	14H1040	NUT	6	1/2"	
12	12H301	LOCK WASHER	6	1/2"	
13	19H2552	CAP SCREW	1	3/8" X 1-1/8"	
14	19H1815	CAP SCREW	6	1/2" X 1-1/4"	
15	AT22935	FOOTREST	1	(NLA)	
16	24H1305	WASHER	4	13/32" X 13/16" X 0.065"	
17	24M7106	WASHER	1	10 X 18 X 2.500 MM	

3D24

OPERATOR'S STATION

RXP8035 -UN-01JAN94

TOOLBOX AND SUPPORTS



RXP8035

3D25

OPERATOR'S STATION

TOOLBOX AND SUPPORTS - CONTINUED

KEY	PART NO.	PART NAME	QTY	TRACTOR SERIAL NO.	REMARKS
1	T23035	PLATE	1		(A) (LU, RU)
2	12H294	LOCK WASHER	4		(A) 5/8", (LU, RU)
3	19H1833	CAP SCREW	2		(A) 5/8" X 1-1/4", (LU, RU)
4	14H1039	NUT	2		(A) 5/8", (LU, RU)
5	R77511	SUPPORT	1		(A) (SUB FOR T23034 OR R57116) (LU, RU)
6	19H1863	CAP SCREW	2		(A) 5/8" X 3", (LU, RU)
7	14H1039	NUT	2		5/8"
8	L34351	BRACKET	1		
9	19H1833	CAP SCREW	2		5/8" X 1-1/4"
10	19H1871	CAP SCREW	1		3/4" X 1-1/4"
11	AT22073	HOLDER	1		
12	AT22070	TOOLBOX	1		(INCLUDES T23027)
13	JD5602	LABEL	1	-XXXXXX	
14	19H1833	CAP SCREW	1		5/8" X 1-1/4"
15	19H1916	CAP SCREW	1		5/8" X 1"
16	24H1363	WASHER	2		41/64" X 1-1/16" X 0.105"
17	T23033	BRACKET	1		
18	14H1039	NUT	1		5/8"
19	T23027	PIN	1		

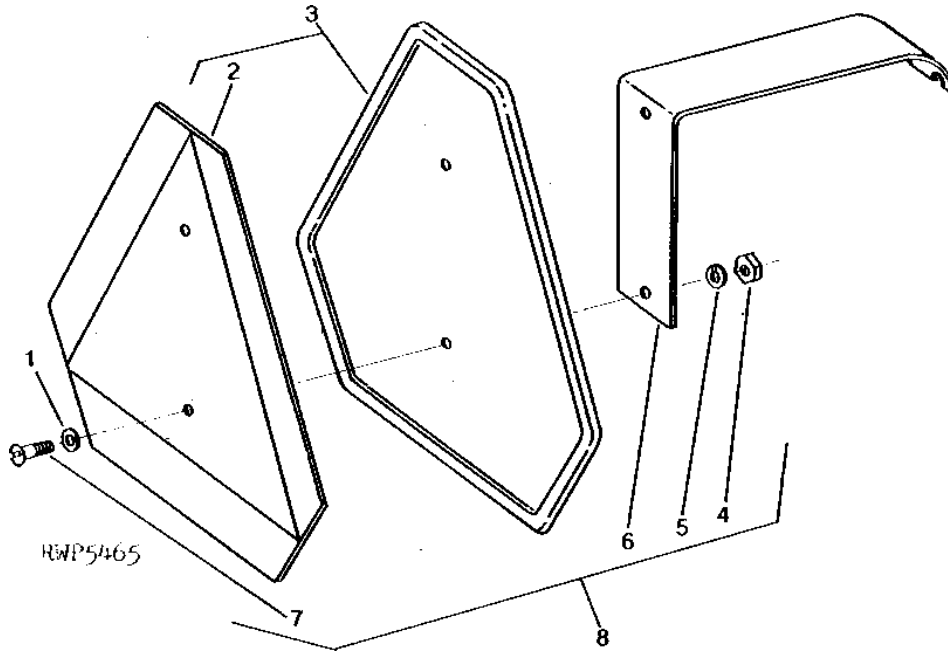
(A) LESS SIDE FRAME

3E1

OPERATOR'S STATION

RWP5465 -UN-01JAN94

SLOW MOVING VEHICLE EMBLEM AND BRACKET



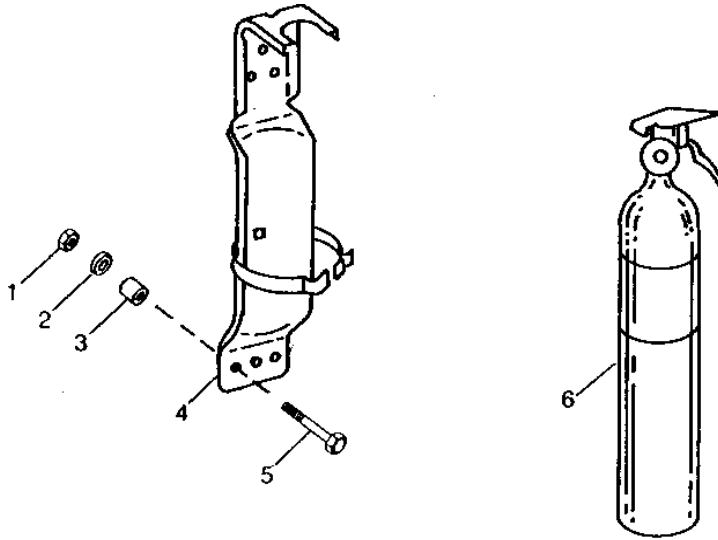
KEY	PART NO.	PART NAME	QTY	TRACTOR SERIAL NO.	REMARKS
1	B1664R	SHIM	2	0.76 MM (.030")	
2	JD5400	SIGN	1		
3	TY2615	SMV EMBLEM	1	(SUB FOR AR61194)	
4	14H786	NUT	2	1/4"	
5	12H302	LOCK WASHER	2	1/4"	
6	R55932	BRACKET	1	(SUB FOR T30399) (NLA)	
7	19H1948	CAP SCREW	2	1/4" X 3/4"	
8	AR62262	BRACKET	1	(NLA)	

3E2

OPERATOR'S STATION

RWP2787 -UN-01JAN94

FIRE EXTINGUISHER



RWP2787

KEY	PART NO.	PART NAME	QTY	SG BODY SERIAL NO.	REMARKS
1	14H786	NUT	2	1/4"	
2	24H1287	WASHER	2	9/32" X 5/8" X 0.065"	
3	28H1914	BUSHING	2		
4	AT75387	BRACKET	1	(SUB FOR AT62019)	
5	21H1035	SCREW	2	1/4" X 1-1/2"	
6	AT168165	FIRE EXTINGUISHER	1	(SUB FOR AT62018, AT141924 OR AT81764)	

3E3

OPERATOR'S STATION

R32259 -UN-01JAN94

LOCTITE SEALANT



R32259F

KEY	PART NO.	PART NAME	QTY	TRACTOR SERIAL NO.	REMARKS
1	TY9371	ADHESIVE	1		(TUBE OF 6CC) (SUB FOR AT24538 OR AT14927)

1K6

1020 TRACTOR

NUMERICAL INDEX

PART NO.	GRID	KEY	PAGE	PART NO.	GRID	KEY	PAGE	PART NO.	GRID	KEY	PAGE
AA32178	1I23	..	40 - 46	AL28457	2E6	5	60 - 1	AR101210	2H8	6	70 - 53
AA3495R	1I19	10	40 - 42	AL28457	2E12	5	60 - 8	AR101238	2F10	30	70 - 7
AA34967	1I23	3	40 - 46	AL2976T	1J21	20	40 - 69	AR101238	2F14	30	70 - 11
AA34968	1I23	23	40 - 46	AL29818	2B18	3	50 - 21	AR101238	2F18	9	70 - 15
AA5607R	2I18	7	70 - 91	AL32791	2C24	2	50 - 54	AR101549	1C7	4	20 - 37
AA5607R	2I19	9	70 - 92	AL32791	2C24	5	50 - 54	AR101549	1C7	6	20 - 37
AA5692R	1J14	5	40 - 62	AL33044	2G15	11	70 - 35	AR101549	1C8	1	20 - 39
AA5731R	2I18	38	70 - 91	AL33250	2D1	12	50 - 56	AR101631	2B10	14	50 - 13
AA5731R	2I18	40	70 - 91	AL33250	2D1	13	50 - 56	AR101727	3C16	5	80 - 45
AA5787R	1J6	1	40 - 54	AL35755	2F16	6	70 - 13	AR101754	2C25	2	50 - 55
AA6307R	2I16	6	70 - 89	AL38242	2B5	1	50 - 8	AR101755	2C25	6	50 - 55
AA6309R	2I16	4	70 - 89	AL38242	2B5	3	50 - 8	AR101832	2C19	10	50 - 49
AB5506R	3B24	4	80 - 29	AL38480	1H13	1	40 - 11	AR102261	1A25	8	20 - 7
AD1606R	3D14	3	90 - 10	AL39390	2E2	14	50 - 83	AR102261	1C18	9	20 - 50
AD2062R	1I16	2	40 - 39	AL40888	2G8	39	70 - 30A	AR102261	1C19	1	20 - 51
AD2062R	1I16	8	40 - 39	AL56820	2D10	15	50 - 65	AR102261	1C21	12	20 - 53
AD2062R	1I19	3	40 - 42	AL56820	2D12	22	50 - 67	AR102261	1C23	21	20 - 55
AD2062R	1I19	5	40 - 42	AL56820	2D13	18	50 - 68	AR102291	1C21	24	20 - 53
AD2062R	1I21	3	40 - 44	AL56820	2D18	6	50 - 73	AR102295	1C18	10	20 - 50
AD2062R	1I23	2	40 - 46	AL60764	3B24	4	80 - 29	AR102296	1C19	9	20 - 51
AD2062R	3D11	6	90 - 7	AL60764	3B24	5	80 - 29	AR102299	1C23	24	20 - 55
AF1934R	2B7	8	50 - 10	AL60764	3B24	6	80 - 29	AR102300	1C19	9	20 - 51
AF2710R	2G21	13	70 - 41	AL64830	2G8	39	70 - 30A	AR102781	1E9	44	30 - 31
AF2711R	2G21	13	70 - 41	AL64830	2G8	40	70 - 30A	AR102782	1E9	17	30 - 31
AF3892R	1I15	12	40 - 38	AL64830	2G10	21	70 - 30C	AR102783	1E9	..	30 - 31
AH21422	1D11	1	30 - 8	AL70191	3D7	5	90 - 3	AR102784	1E9	..	30 - 31
AH80032	1E11	5	30 - 33	AL70191	3D7	15	90 - 3	AR102785	1E9	12	30 - 31
AH83485	2E15	33	60 - 11	AL70191	3D9	9	90 - 5	AR103033	2F6	2	70 - 3
AH86866	3B19	3	80 - 24	AL70191	3D13	3	90 - 9	AR103033	2F12	..	70 - 9
AH93625	1I23	12	40 - 46	AL70191	3D13	6	90 - 9	AR103033	2F14	..	70 - 11
AL17684	1I25	7	40 - 48	AL70191	3D13	7	90 - 9	AR103034	2F6	1	70 - 3
AL19092	2B9	11	50 - 12	AL70191	3D13	21	90 - 9	AR103034	2F8	..	70 - 5
AL19730	3B13	4	80 - 19	AL70300	2E15	22	60 - 11	AR103034	2F10	..	70 - 7
AL21565	2C14	12	50 - 43	AL70641	2F6	1	70 - 3	AR103040	2F8	25	70 - 5
AL23280	3B13	8	80 - 19	AL70641	2F8	..	70 - 5	AR103040	2F8	29	70 - 5
AL23281	3B13	8	80 - 19	AL70641	2F10	..	70 - 7	AR103040	2F10	23	70 - 7
AL24015	2G15	2	70 - 35	AL71019	2F8	9	70 - 5	AR103040	2F10	27	70 - 7
AL24059	2B7	4	50 - 10	AL71019	2F8	24	70 - 5	AR103040	2F12	25	70 - 9
AL24091	2A24	15	50 - 3	AL71019	2F10	22	70 - 7	AR103040	2F12	29	70 - 9
AL24091	2B2	16	50 - 5	AL71019	2F12	9	70 - 9	AR103040	2F14	23	70 - 11
AL24550	2E25	17	60 - 23	AL71019	2F12	24	70 - 9	AR103040	2F14	27	70 - 11
AL24903	2B13	2	50 - 16	AL71019	2F14	22	70 - 11	AR103470	2F25	4	70 - 23
AL24903	2B14	8	50 - 17	AM30347	3B14	13	80 - 20	AR103471	3B6	16	80 - 11
AL24903	2B15	8	50 - 18	AM3202T	3B24	4	80 - 29	AR103472	3B6	16	80 - 11
AL24903	2C3	14	50 - 31	AM3772T	1D9	5	30 - 6	AR103473	3B6	16	80 - 11
AL24903	2C5	49	50 - 33	AM3772T	1D10	7	30 - 7	AR103525	1H13	11	40 - 11
AL25164	2C13	4B	50 - 42	AM39968	1I6	13	40 - 31	AR103525	1H13	14	40 - 11
AL25164	2C13	8	50 - 42	AM39968	1I9	1	40 - 35	AR103808	2I22	7	70 - 95
AL25164	2C14	10	50 - 43	AM39968	1I9	5	40 - 35	AR103811	1A25	9	20 - 7
AL25164	2C14	12	50 - 43	AM39969	1I9	2	40 - 35	AR104660	2G5	1	70 - 28
AL25165	2C13	5	50 - 42	AM39970	1I6	10	40 - 31	AR105634	3D4	16	80 - 57
AL25165	2C13	8	50 - 42	AN102006	2E2	14	50 - 83	AR11105	1I14	12	40 - 37
AL26972	2I23	25	70 - 97	AN163885	2I8	3	70 - 81	AR111058	1J9	20	40 - 57
AL26972	2I25	22	70 - 99	AN212996	2H13	6	70 - 59	AR11106	1I14	14	40 - 37
AL26973	2I23	3	70 - 97	AR100124	1C18	9	20 - 50	AR11131	1H25	16	40 - 25
AL26973	2I25	21	70 - 99	AR100124	1C18	10	20 - 50	AR112536	3C6	3	80 - 35
AL27203	2H8	3	70 - 53	AR100124	1C19	1	20 - 51	AR112536	3C6	..	80 - 35
AL27203	2H8	6	70 - 53	AR100124	1C21	12	20 - 53	AR112536	3C7	5	80 - 36
AL27203	2H8	9	70 - 53	AR100124	1C21	24	20 - 53	AR112536	3C7	..	80 - 36
AL27203	2H8	10	70 - 53	AR100124	1C23	21	20 - 55	AR18021	1C2	28	20 - 31
AL27229	2B5	1	50 - 8	AR100124	1C23	24	20 - 55	AR21737	1I16	2	40 - 39
AL28037	2B13	2	50 - 16	AR100649	2B10	5	50 - 13	AR21737	1I19	3	40 - 42
AL28037	2B14	8	50 - 17	AR100649	2B10	6	50 - 13	AR21739	1I16	3	40 - 39
AL28037	2B15	8	50 - 18	AR100649	2B11	1	50 - 14	AR21739	1I19	5	40 - 42
AL28037	2C3	14	50 - 31	AR100649	2B11	2	50 - 14	AR21836	2E18	13	60 - 15
AL28037	2C5	49	50 - 33	AR100649	2B11	4	50 - 14	AR21837	1C9	5	20 - 40
AL28227	2G6	23	70 - 29	AR100649	2B11	..	50 - 14	AR21837	1C10	3	20 - 41

1K7

1020 TRACTOR

NUMERICAL INDEX - CONTINUED

PART NO.	GRID	KEY	PAGE	PART NO.	GRID	KEY	PAGE	PART NO.	GRID	KEY	PAGE
AR21837	1C11	3	20-42	AR27814	1E1	1	30-23	AR38458	1H5	16	40-3
AR21837	1C12	3	20-43	AR27867	2H14	12	70-60	AR38458	1H17	15	40-17
AR21837	1C17	1	20-49	AR27940	1E1	6	30-23	AR38458	1H19	..	40-19
AR21837	2E18	11	60-15	AR27977	1H5	19	40-3	AR38458	1H21	..	40-21
AR21837	2F22	14	70-19	AR28271	2C23	2	50-53	AR38461	1H21	11	40-21
AR21837	2I1	3	70-72	AR28330	1E3	12	30-25	AR38713	2I19	10	70-92
AR21837	2I2	3	70-73	AR28401	1H7	5	40-5	AR38849	2I18	1	70-91
AR21839	1C15	18	20-47	AR28401	1H8	11	40-6	AR39018	2F6	1	70-5
AR21839	2F22	24	70-19	AR28401	1H9	4	40-7	AR39018	2F8	..	70-3
AR21839	2F23	2	70-21	AR28401	1H10	7	40-8	AR39018	2F10	..	70-7
AR21839	2G3	5	70-26	AR28401	1H11	25	40-9	AR39019	2F6	2	70-3
AR21839	2G4	5	70-27	AR28401	1J4	6	40-52	AR39019	2F12	..	70-9
AR21840	1C13	18	20-45	AR28403	1H5	2	40-3	AR39019	2F14	..	70-11
AR21840	1C15	12	20-47	AR28403	1J19	7	40-67	AR39021	2F8	10	70-5
AR21840	1D6	13	30-3	AR28570	2H2	3	70-47	AR39022	2F12	10	70-9
AR21840	2F22	23	70-19	AR28602	1F1	7	30-49	AR39026	2F12	15	70-9
AR21840	2F23	8	70-21	AR28602	1F9	7	30-57	AR39026	2F14	15	70-11
AR21840	2F25	29	70-23	AR28602	1F24	16	30-72	AR39028	2C16	6	50-46
AR21999	1D5	7	30-2	AR28602	1G7	16	30-80	AR39029	2F20	28	70-17
AR21999	1D5	11	30-2	AR28754	2J3	3	70-102	AR39030	2F20	1	70-17
AR21999	1D6	3	30-3	AR28755	2J3	3	70-102	AR39034	2I18	1	70-91
AR21999	1D8	1	30-5	AR30110	2I15	6	70-88	AR39035	2F8	29	70-5
AR21999	1D8	4	30-5	AR30210	2I7	7	70-80	AR39035	2F12	29	70-9
AR21999	1D8	6	30-5	AR30210	2I13	6	70-86	AR39036	2I11	28	70-84
AR21999	1D8	8	30-5	AR30210	2I20	6	70-93	AR39037	2I11	28	70-84
AR22038	1H5	7	40-3	AR30210	2I21	7	70-94	AR39040	2B24	8	50-27
AR26375	2C19	30	50-49	AR30685	2I12	12	70-85	AR39040	2B24	9	50-27
AR26407	2I16	1	70-89	AR30690	2H16	13	70-62	AR39041	2F8	33	70-5
AR26407	2I16	3	70-89	AR30736	1F1	8	30-49	AR39041	2F10	31	70-7
AR26480	3B17	1	80-22	AR30736	1F9	8	30-57	AR39041	2F12	33	70-9
AR26529	3D17	13	90-13	AR30736	1F23	10	30-71	AR39041	2F14	31	70-11
AR26625	2E12	5	60-8	AR30736	1G6	10	30-79	AR39043	2B23	11	50-26
AR26674	1D22	2	30-19	AR30784	2I16	..	70-89	AR39049	2F8	10	70-5
AR26674	1D22	6	30-19	AR30851	3C23	8	80-52	AR39051	2F8	38	70-5
AR26674	1D24	2	30-21	AR31663	2H15	27	70-61	AR39051	2F12	38	70-9
AR26674	1D24	17	30-21	AR31703	2H14	10	70-60	AR39052	2F8	19	70-5
AR26674	1E2	5	30-24	AR31813	2H14	14	70-60	AR39052	2F10	19	70-7
AR26697	2H14	..	70-60	AR31820	2H15	16	70-61	AR39052	2F12	19	70-9
AR26697	2H15	..	70-61	AR32430	1D6	1	30-3	AR39052	2F14	19	70-11
AR26697	2H16	3	70-62	AR33877	2I10	10	70-83	AR39052	2F18	4	70-15
AR26697	2H17	20	70-63	AR33877	2I11	24	70-84	AR39058	2F20	13	70-17
AR26697	2H17	..	70-63	AR34059	2I8	4	70-81	AR39060	2F20	21	70-17
AR26697	2H18	19	70-64	AR34098	2F5	5	70-2	AR39061	2F20	20	70-17
AR26697	2I5	3	70-77	AR34295	2H16	13	70-62	AR39063	2F20	7	70-17
AR26697	2I15	3	70-88	AR34556	1J6	2	40-54	AR39064	2B24	5	50-27
AR26706	2D11	22	50-66	AR34612	1G14	31	30-87	AR39074	2B21	5	50-24
AR26706	2D14	27	50-69	AR34990	1H8	21	40-6	AR39077	2B17	6	50-20
AR26723	2F19	3	70-16	AR34990	1H9	20	40-7	AR39091	2H17	11	70-63
AR26725	2E15	16	60-11	AR34990	1H11	24	40-9	AR39092	2H17	5	70-63
AR26725	2E18	1	60-15	AR34990	1I17	1	40-40	AR39093	2C16	3	50-46
AR26746	2E21	2	60-18	AR34990	1I19	1	40-42	AR39095	2H15	22	70-61
AR26763	2I10	18	70-83	AR35823	2H14	8	70-60	AR39096	2B23	26	50-26
AR26763	2I14	2	70-87	AR35823	2H15	1	70-61	AR39099	2B21	16	50-24
AR26782	2D22	2	50-78	AR35823	2H15	15	70-61	AR39100	2F20	7	70-17
AR26928	1D6	9	30-3	AR35823	2H17	10	70-63	AR39104	2C5	45	50-33
AR26928	1D9	3	30-6	AR37017	2I20	25	70-93	AR39106	2F8	29	70-5
AR26928	1D15	20	30-12	AR38225	2F8	4	70-5	AR39106	2F12	29	70-9
AR26928	1D16	20	30-13	AR38225	2F10	4	70-7	AR39107	2C16	6	50-46
AR27093	2H6	22	70-51	AR38225	2F12	4	70-9	AR39107	2C17	3	50-47
AR27351	3B9	8	80-14	AR38225	2F14	4	70-11	AR39108	2C1	22	50-29
AR27430	3B9	2	80-14	AR38239	2I16	7	70-89	AR39109	2C2	15	50-30
AR27440	2I16	3	70-89	AR38397	1D19	5	30-16	AR39114	2C3	11	50-31
AR27699	2F25	2	70-23	AR38398	1D19	4	30-16	AR39115	2C3	21	50-31
AR27699	2F25	11	70-23	AR38426	2I16	7	70-89	AR39115	2C5	43	50-33
AR27699	2I14	10	70-87	AR38453	1H7	6	40-5	AR39117	2C3	22	50-31
AR27702	1A25	9	20-7	AR38453	1H9	7	40-7	AR39117	2C5	42	50-33
AR27738	2F19	4	70-16	AR38453	1H10	8	40-8	AR39118	2C1	10	50-29

1K8

1020 TRACTOR

NUMERICAL INDEX - CONTINUED

PART NO.	GRID	KEY	PAGE	PART NO.	GRID	KEY	PAGE	PART NO.	GRID	KEY	PAGE
AR39118	2C13	14	50-42	AR43065	2B12	..	50-15	AR50874	1G1	3	30-74
AR39118	2C14	20	50-43	AR44361	1D11	1	30-8	AR50874	1G9	3	30-82
AR39125	2C3	2	50-31	AR44361	1D11	2	30-8	AR50874	1G18	5	30-91
AR39127	2C1	2	50-29	AR44361	1D11	3	30-8	AR50894	1D22	1	30-19
AR39128	2C2	5	50-30	AR44361	1D11	..	30-8	AR50894	1E18	28	30-41
AR39128	2C3	5	50-31	AR44402	1A23	1	20-2	AR50894	1E20	2	30-43
AR39138	2B24	18	50-27	AR45035	1D4	..	30-1	AR50894	1F10	1	30-58
AR39142	2H14	..	70-60	AR45530	1A25	9	20-7	AR50894	1F11	15	30-59
AR39142	2H15	..	70-61	AR45647	2H21	2	70-67	AR50894	1F12	5	30-60
AR39142	2H17	..	70-63	AR46841	1F16	20	30-64	AR50894	1F13	17	30-61
AR39143	2H14	..	70-60	AR46841	1G17	2	30-90	AR50894	1F14	1	30-62
AR39143	2H15	..	70-61	AR46977	1G16	1	30-89	AR50894	1F15	1	30-63
AR39143	2H17	..	70-63	AR47304	1E3	12	30-25	AR50894	1F16	12	30-64
AR39144	2H14	..	70-60	AR47331	2I21	20	70-94	AR50894	1F16	16	30-64
AR39144	2H15	..	70-61	AR47456	1H5	1	40-3	AR50894	1F17	15	30-65
AR39144	2H17	..	70-63	AR47458	1J2	3	40-50	AR50894	1F18	5	30-66
AR39156	2F18	17	70-15	AR47459	1J2	2	40-50	AR50895	1E18	28	30-41
AR39157	2H17	5	70-63	AR47643	2I7	7	70-80	AR50895	1E20	2	30-43
AR39157	2H18	12	70-64	AR47643	2I13	6	70-86	AR50895	1F10	1	30-58
AR39158	2H17	11	70-63	AR47643	2I20	6	70-93	AR50895	1F12	5	30-60
AR39158	2H18	5	70-64	AR47643	2I21	7	70-94	AR50895	1F13	17	30-61
AR39162	2H21	23	70-67	AR47825	2I16	4	70-89	AR50895	1F14	1	30-62
AR39162	2H23	13	70-69	AR47825	2I16	7	70-89	AR50895	1F15	1	30-63
AR39163	2B19	13	50-22	AR48041	1I23	22	40-46	AR50895	1F16	12	30-64
AR39167	2F6	1	70-3	AR48219	1G1	9	30-74	AR50895	1F16	16	30-64
AR39167	2F8	..	70-5	AR48219	1G9	9	30-82	AR50895	1F17	15	30-65
AR39167	2F10	..	70-7	AR48219	1G18	7	30-91	AR50895	1F18	5	30-66
AR39168	2F6	2	70-3	AR48296	2I10	21	70-83	AR50926	1J15	14	40-63
AR39168	2F12	..	70-9	AR48297	2I10	8	70-83	AR50927	1J12	20	40-60
AR39168	2F14	..	70-11	AR48594	1H7	6	40-5	AR50927	1J15	20	40-63
AR39169	2F8	10	70-5	AR48594	1H9	7	40-7	AR50928	1J12	18	40-60
AR39170	2F12	10	70-9	AR48594	1H10	8	40-8	AR50929	1J15	19	40-63
AR39173	2F8	38	70-5	AR48643	1H5	22	40-3	AR50930	1J15	15	40-63
AR39173	2F12	38	70-9	AR48643	1J6	2	40-54	AR50931	1J15	23	40-63
AR39174	2C3	2	50-31	AR48933	2H24	12	70-70	AR50954	1J7	1	40-55
AR40258	1E2	7	30-24	AR49202	2H6	19	70-51	AR51143	3D7	5	90-3
AR40258	1E3	13	30-25	AR49206	2H6	14	70-51	AR51143	3D7	15	90-3
AR40258	1E5	6	30-27	AR49427	2F5	5	70-2	AR51143	3D9	9	90-5
AR40259	1E3	13	30-25	AR49542	1G1	3	30-74	AR51143	3D13	3	90-9
AR40259	1E5	6	30-27	AR49542	1G9	3	30-82	AR51143	3D13	6	90-9
AR40360	1D11	2	30-8	AR49542	1G18	5	30-91	AR51143	3D13	7	90-9
AR40407	1E3	9	30-25	AR49797	1J12	1	40-60	AR51143	3D13	21	90-9
AR40482	1E5	6	30-27	AR49798	1J12	1	40-60	AR51144	3D7	5	90-3
AR40688	2H21	21	70-67	AR49877	1E22	21	30-45	AR51144	3D7	15	90-3
AR40710	1J14	6	40-62	AR49877	1G10	14	30-83	AR51144	3D9	9	90-5
AR40744	2H15	16	70-61	AR49899	1E22	4	30-45	AR51144	3D13	3	90-9
AR40744	2H24	5	70-70	AR49899	1G3	..	30-76	AR51144	3D13	6	90-9
AR40824	2H14	8	70-60	AR49899	1G4	..	30-77	AR51144	3D13	7	90-9
AR40824	2H15	1	70-61	AR49899	1G5	..	30-78	AR51144	3D13	21	90-9
AR40824	2H15	15	70-61	AR49899	1G6	..	30-79	AR51146	3D13	21	90-9
AR40824	2H17	10	70-63	AR49899	1G7	..	30-80	AR51152	3C22	2	80-51
AR40828	2H18	7	70-64	AR49899	1G8	..	30-81	AR51153	3C22	1	80-51
AR40828	2H24	1	70-70	AR49899	1G9	..	30-82	AR51338	1H5	5	40-3
AR40939	2H24	7	70-70	AR50040	1D25	3	30-22	AR51398	1H9	2	40-7
AR41102	2H14	..	70-60	AR50041	1D25	8	30-22	AR51399	1H9	2	40-7
AR41102	2H15	..	70-61	AR50041	1G23	3	30-96	AR51403	1H8	2	40-6
AR41102	2H17	..	70-63	AR50270	1H5	13	40-3	AR51403	1H11	2	40-9
AR41691	1C7	5	20-37	AR50270	1H14	4	40-13	AR51404	1H8	19	40-6
AR41785	1A22	..	20-1	AR50270	1H14	6	40-13	AR51404	1H11	22	40-9
AR43065	2B7	5	50-10	AR50270	1H14	7	40-13	AR51405	1H8	20	40-6
AR43065	2B8	6	50-11	AR50270	1H14	8	40-13	AR51405	1H11	23	40-9
AR43065	2B8	7	50-11	AR50580	1H8	1	40-6	AR51406	1H8	12	40-6
AR43065	2B9	16	50-12	AR50580	1H9	1	40-7	AR51406	1H11	16	40-9
AR43065	2B9	19	50-12	AR50580	1H11	1	40-9	AR51407	3C21	3	80-50
AR43065	2B10	5	50-13	AR50580	1I21	3	40-44	AR51408	3C21	3	80-50
AR43065	2B10	9	50-13	AR50779	1J12	2	40-60	AR51474	3D20	6	90-16
AR43065	2B10	10	50-13	AR50780	1J12	2	40-60	AR51481	1J2	1	40-50

1K9

1020 TRACTOR

NUMERICAL INDEX - CONTINUED

PART NO.	GRID	KEY	PAGE	PART NO.	GRID	KEY	PAGE	PART NO.	GRID	KEY	PAGE
AR51481	1J3	3	40 - 51	AR54747	1B14	3	20 - 19	AR62149	2H3	7	70 - 48
AR51610	1118	4	40 - 41	AR54749	1A23	4	20 - 2	AR62150	2H10	1	70 - 55
AR51712	1F3	5	30 - 51	AR54749	1B14	..	20 - 19	AR62151	2G24	13	70 - 44
AR51712	1F5	5	30 - 53	AR54923	112	6	40 - 27	AR62151	2H6	17	70 - 51
AR51712	1F25	23	30 - 73	AR54923	116	22	40 - 31	AR62151	2H10	6	70 - 55
AR51712	1G8	22	30 - 81	AR54923	116	25	40 - 31	AR62244	1E9	45	30 - 31
AR51816	1G4	5	30 - 77	AR54923	1113	2	40 - 36	AR62244	1E9	..	30 - 31
AR51818	1G6	17	30 - 79	AR54923	1113	4	40 - 36	AR62262	3E1	8	90 - 22
AR51902	1B13	1	20 - 18	AR54929	2E20	19	60 - 17	AR62322	1D4	..	30 - 1
AR51902	1B13	2	20 - 18	AR54929	2E22	9	60 - 19	AR62359	1J17	1	40 - 65
AR51902	1B13	3	20 - 18	AR55094	1C5	1	20 - 35	AR62360	1J13	1	40 - 61
AR51960	1F23	19	30 - 71	AR55282	3B14	13	80 - 20	AR62377	1D4	..	30 - 1
AR51960	1G6	19	30 - 79	AR55382	2C14	25	50 - 43	AR62440	2G3	2	70 - 26
AR51961	1G6	18	30 - 79	AR55382	2C15	18	50 - 45	AR62440	2G4	2	70 - 27
AR52099	2F12	15	70 - 9	AR55396	2C14	26	50 - 43	AR62978	1C2	25	20 - 31
AR52099	2F14	15	70 - 11	AR55396	2C15	19	50 - 45	AR62978	1C3	6	20 - 32
AR52159	1E4	5	30 - 26	AR55694	1H5	7	40 - 3	AR62979	1C2	28	20 - 31
AR52252	1B13	1	20 - 18	AR55694	1J5	2	40 - 53	AR62979	1C3	8	20 - 32
AR52252	1B13	2	20 - 18	AR55694	1J5	4	40 - 53	AR63139	2B19	13	50 - 22
AR52252	1B13	3	20 - 18	AR55694	1J5	8	40 - 53	AR63212	1F7	25	30 - 55
AR52271	1G16	1	30 - 89	AR55694	1J12	24	40 - 60	AR63212	1F23	18	30 - 71
AR52392	1J15	4	40 - 63	AR55710	3C17	21	80 - 46	AR63213	1F23	17	30 - 71
AR52394	2H24	7	70 - 70	AR55734	2B7	13	50 - 10	AR63218	1A22	1	20 - 1
AR52394	2H24	12	70 - 70	AR55758	1B16	1	20 - 21	AR63219	1A22	1	20 - 1
AR52394	2H25	1	70 - 71	AR55758	1B18	1	20 - 23	AR63222	1A22	1	20 - 1
AR52435	1F14	1	30 - 62	AR55759	1B8	7	20 - 13B	AR63623	2E15	38	60 - 11
AR52435	1F15	1	30 - 63	AR55761	1B20	3	20 - 25	AR63653	1D25	7	30 - 22
AR52435	1F16	16	30 - 64	AR55888	1119	3	40 - 42	AR63655	1D25	13	30 - 22
AR52435	1F17	15	30 - 65	AR55890	3C14	12	80 - 43	AR63785	2B7	29	50 - 10
AR52435	1F18	5	30 - 66	AR56086	1E7	1	30 - 29	AR63911	2G8	10	70 - 30A
AR52556	1E4	4	30 - 26	AR56120	2H21	2	70 - 67	AR63911	2G8	11	70 - 30A
AR52589	1E14	14	30 - 37	AR56211	3D11	26	90 - 7	AR63911	2G8	12	70 - 30A
AR52621	2110	21	70 - 83	AR56268	2B7	3	50 - 10	AR63911	2G8	13	70 - 30A
AR52621	2111	22	70 - 84	AR56290	1E16	14	30 - 39	AR63911	2G8	39	70 - 30A
AR52622	2110	8	70 - 83	AR56290	1E18	11	30 - 41	AR63979	1A22	1	20 - 1
AR52622	2111	22	70 - 84	AR56290	1E20	10	30 - 43	AR64078	1E24	18	30 - 47
AR52623	218	4	70 - 81	AR56290	1E22	21	30 - 45	AR64078	1F7	18	30 - 55
AR52629	2H21	2	70 - 67	AR56290	1G2	10	30 - 75	AR64078	1F21	5	30 - 69
AR52690	1E24	33	30 - 47	AR56290	1G2	12	30 - 75	AR64078	1G4	5	30 - 77
AR52690	1F1	12	30 - 49	AR56290	1G10	14	30 - 83	AR64120	1E2	7	30 - 24
AR52690	1F2	11	30 - 50	AR56296	1E22	21	30 - 45	AR64120	1E3	13	30 - 25
AR52690	1F3	29	30 - 51	AR56675	1124	3	40 - 47	AR64120	1E4	5	30 - 26
AR52690	1F4	11	30 - 52	AR56695	3D7	1	90 - 3	AR64709	3A22	14	80 - 1
AR52690	1G3	13	30 - 76	AR56695	3D9	1	90 - 5	AR64728	1B6	1	20 - 13
AR52690	1G8	11	30 - 81	AR56772	2C3	11	50 - 31	AR64915	3A22	14	80 - 1
AR52785	2F8	15	70 - 5	AR56772	2C5	39	50 - 33	AR65005	1J6	3	40 - 54
AR52785	2F10	15	70 - 7	AR56782	1D13	1	30 - 10	AR65005	1K2	1	40 - 75
AR52785	2F12	15	70 - 9	AR56782	1D14	3	30 - 11	AR65006	1H9	5	40 - 7
AR52785	2F14	15	70 - 11	AR58126	1H5	1	40 - 3	AR65006	1H10	10	40 - 8
AR52860	3B6	16	80 - 11	AR58126	1J2	3	40 - 50	AR65006	1H11	9	40 - 9
AR52861	3B6	16	80 - 11	AR58126	1J3	4	40 - 51	AR65006	1K2	2	40 - 75
AR52862	3B6	16	80 - 11	AR58196	1B23	7	20 - 28	AR65070	1B14	3	20 - 19
AR53048	2F20	21	70 - 17	AR58363	3C13	1	80 - 42	AR65444	1H5	20	40 - 3
AR53391	3B11	7	80 - 17	AR59055	1B4	21	20 - 11	AR65444	1J5	7	40 - 53
AR53452	1H5	1	40 - 3	AR60250	3D11	9	90 - 7	AR65445	1J7	1	40 - 55
AR53452	1J2	3	40 - 50	AR60324	3B13	8	80 - 19	AR65446	1H5	6	40 - 3
AR53493	2E20	29	60 - 17	AR60325	3B13	8	80 - 19	AR65446	1J5	8	40 - 53
AR53493	2E21	15	60 - 18	AR60701	1C2	19	20 - 31	AR65447	1H5	7	40 - 3
AR53494	2E20	29	60 - 17	AR61194	3E1	3	90 - 22	AR65447	1J5	4	40 - 53
AR53494	2E21	15	60 - 18	AR61399	2C5	45	50 - 33	AR65448	3D15	5	90 - 11
AR54634	3B7	3	80 - 12	AR61403	2C5	21	50 - 33	AR65448	3D19	7	90 - 15
AR54634	3B7	5	80 - 12	AR61868	1H13	9	40 - 11	AR65449	3D15	3	90 - 11
AR54634	3B7	7	80 - 12	AR61916	2C10	35	50 - 39	AR65449	3D19	3	90 - 15
AR54634	3B7	9	80 - 12	AR61916	2C12	34	50 - 41	AR65463	3D21	7	90 - 17
AR54634	3B8	1	80 - 13	AR61916	2C24	13	50 - 54	AR65543	1J5	9	40 - 53
AR54635	3B8	1	80 - 13	AR62149	2G25	5	70 - 45	AR65686	2E21	4	60 - 18
AR54637	3B8	1	80 - 13	AR62149	2H2	2	70 - 47	AR65687	2E21	4	60 - 18

1K10

1020 TRACTOR

NUMERICAL INDEX - CONTINUED

PART NO.	GRID	KEY	PAGE	PART NO.	GRID	KEY	PAGE	PART NO.	GRID	KEY	PAGE
AR65688	2E21	18	60 - 18	AR69817	1F15	1	30 - 63	AR72957	1C10	8	20 - 41
AR65689	2E21	18	60 - 18	AR69817	1F15	..	30 - 63	AR72957	1C11	6	20 - 42
AR65881	2G2	16	70 - 25	AR69817	1F16	12	30 - 64	AR72957	1C12	6	20 - 43
AR66031	1E9	32	30 - 31	AR69817	1F16	16	30 - 64	AR72987	3D11	41	90 - 7
AR66187	3D20	6	90 - 16	AR69817	1F16	..	30 - 64	AR73336	3D11	14	90 - 7
AR66588	2C22	1	50 - 52	AR69817	1F17	15	30 - 65	AR73336	3D11	19	90 - 7
AR66924	2B8	4	50 - 11	AR69817	1F17	..	30 - 65	AR73336	3D11	21	90 - 7
AR66924	2B9	4	50 - 12	AR69817	1F18	5	30 - 66	AR73336	3D11	43	90 - 7
AR66925	2B10	4	50 - 13	AR69817	1F18	..	30 - 66	AR73338	3D11	23	90 - 7
AR67074	1C2	29	20 - 31	AR69817	1F19	..	30 - 67	AR73500	2J4	..	70 - 103
AR67338	1H13	1	40 - 11	AR69817	1F20	..	30 - 68	AR73673	1E16	14	30 - 39
AR67416	3B13	4	80 - 19	AR69817	1F21	..	30 - 69	AR73673	1E18	11	30 - 41
AR67417	3B13	4	80 - 19	AR69817	1F22	..	30 - 70	AR73673	1E20	10	30 - 43
AR67453	1H13	2	40 - 11	AR69817	1F23	..	30 - 71	AR73673	1E22	21	30 - 45
AR67453	1H13	3	40 - 11	AR69817	1F24	..	30 - 72	AR73673	1G2	10	30 - 75
AR67670	1C2	23	20 - 31	AR69817	1F25	..	30 - 73	AR73673	1G2	12	30 - 75
AR67675	1F5	29	30 - 53	AR69817	1G1	..	30 - 74	AR73673	1G10	11	30 - 83
AR67675	1F7	33	30 - 55	AR69988	2H12	7	70 - 57	AR73673	1G10	14	30 - 83
AR67675	1F9	12	30 - 57	AR70082	1I2	12	40 - 27	AR73828	1E24	3	30 - 47
AR67675	1F19	15	30 - 67	AR70139	1E16	17	30 - 39	AR73828	1F7	3	30 - 55
AR67675	1F20	8	30 - 68	AR70139	1E24	..	30 - 47	AR73828	1F14	10	30 - 62
AR67675	1F25	12	30 - 73	AR70139	1E25	..	30 - 48	AR73828	1F22	2	30 - 70
AR67704	2D6	23	50 - 61	AR70139	1F1	..	30 - 49	AR73828	1G5	2	30 - 78
AR67706	1E6	24	30 - 28	AR70139	1F2	..	30 - 50	AR73829	1E24	3	30 - 47
AR67706	1E9	18	30 - 31	AR70139	1F3	..	30 - 51	AR73829	1F7	3	30 - 55
AR67855	1J11	14	40 - 59	AR70139	1F4	..	30 - 52	AR73829	1F14	10	30 - 62
AR67855	1J18	9	40 - 66	AR70139	1F5	..	30 - 53	AR73829	1F22	2	30 - 70
AR67855	1J19	2	40 - 67	AR70139	1F7	..	30 - 55	AR73829	1G5	2	30 - 78
AR67942	1B12	28	20 - 17	AR70139	1F8	..	30 - 56	AR73848	3D21	7	90 - 17
AR68071	2G23	7	70 - 43	AR70139	1F9	..	30 - 57	AR73918	3D4	16	80 - 57
AR68299	1I6	30	40 - 31	AR70310	2B19	13	50 - 22	AR74111	2H11	6	70 - 56
AR68302	1I8	10	40 - 33	AR70582	1A25	1	20 - 7	AR74111	2H11	12	70 - 56
AR68304	1H25	1	40 - 25	AR70583	1A25	1	20 - 7	AR74411	1J19	5	40 - 67
AR68304	1H25	11	40 - 25	AR70633	1B16	1	20 - 21	AR75601	2C23	2	50 - 53
AR68304	1H25	..	40 - 25	AR70633	1B18	1	20 - 23	AR75603	1G23	4	30 - 96
AR68304	1I2	22	40 - 27	AR70633	1B19	1	20 - 24	AR75603	2C23	2	50 - 53
AR68304	1I13	21	40 - 36	AR70633	1B20	1	20 - 25	AR75694	1J18	10	40 - 66
AR68801	3C13	4	80 - 42	AR70633	1B20	2	20 - 25	AR75695	1J18	2	40 - 66
AR68818	2E8	15	60 - 3	AR70633	1B20	3	20 - 25	AR75696	1J18	8	40 - 66
AR69398	1C15	8	20 - 47	AR70711	1H13	11	40 - 11	AR75958	2I10	11B	70 - 83
AR69444	2F4	1	70 - 1	AR70711	1H13	14	40 - 11	AR75958	2I11	23	70 - 84
AR69445	2F4	1	70 - 1	AR70718	2C9	29	50 - 38	AR76395	2B10	5	50 - 13
AR69659	2C16	3	50 - 46	AR70718	2C24	13	50 - 54	AR76395	2B11	..	50 - 14
AR69809	1E18	28	30 - 41	AR71396	2C1	22	50 - 29	AR76583	3D11	40	90 - 7
AR69809	1E20	2	30 - 43	AR71587	2B10	5	50 - 13	AR76704	1E16	12	30 - 39
AR69809	1F10	1	30 - 58	AR71587	2B12	1	50 - 15	AR76704	1E18	16	30 - 41
AR69809	1F11	15	30 - 59	AR71587	2B12	4	50 - 15	AR76704	1E20	16	30 - 43
AR69809	1F12	5	30 - 60	AR71587	2B12	..	50 - 15	AR76704	1E20	17	30 - 43
AR69809	1F13	17	30 - 61	AR71590	1B20	7	20 - 25	AR76704	1E22	19	30 - 45
AR69809	1F14	1	30 - 62	AR71591	1B19	5	20 - 24	AR77179	2G5	1	70 - 28
AR69809	1F15	1	30 - 63	AR71617	1B4	21	20 - 11	AR77324	1I16	2	40 - 39
AR69809	1F16	12	30 - 64	AR71617	1B14	3	20 - 19	AR77324	1I16	6	40 - 39
AR69809	1F16	16	30 - 64	AR71617	1B19	4	20 - 24	AR77324	1I19	3	40 - 42
AR69809	1F17	15	30 - 65	AR71617	1B20	6	20 - 25	AR77325	1I16	2	40 - 39
AR69809	1F18	5	30 - 66	AR71617	1C21	24	20 - 53	AR77325	1I16	9	40 - 39
AR69817	1E18	28	30 - 41	AR71617	1C23	24	20 - 55	AR77325	1I19	3	40 - 42
AR69817	1E20	2	30 - 43	AR71618	1B8	20	20 - 13B	AR77326	1H8	21	40 - 6
AR69817	1F10	1	30 - 58	AR71902	2I16	6	70 - 89	AR77326	1H9	20	40 - 7
AR69817	1F10	..	30 - 58	AR71902	2I16	7	70 - 89	AR77326	1H11	24	40 - 9
AR69817	1F11	15	30 - 59	AR71945	2I15	10	70 - 88	AR77326	1I17	1	40 - 40
AR69817	1F11	..	30 - 59	AR71976	3D17	13	90 - 13	AR77326	1I19	1	40 - 42
AR69817	1F12	5	30 - 60	AR72474	3C14	12	80 - 43	AR77326	1I19	3	40 - 42
AR69817	1F12	..	30 - 60	AR72902	3D11	29	90 - 7	AR77326	1I19	5	40 - 42
AR69817	1F13	17	30 - 61	AR72903	3D11	29	90 - 7	AR77326	1I19	9	40 - 42
AR69817	1F13	..	30 - 61	AR72949	3C17	1	80 - 46	AR77327	1H7	9	40 - 5
AR69817	1F14	1	30 - 62	AR72949	3C18	13	80 - 47	AR77327	1H10	16	40 - 8
AR69817	1F14	..	30 - 62	AR72957	1C9	2	20 - 40	AR77327	1I16	4	40 - 39

1K11

1020 TRACTOR

NUMERICAL INDEX - CONTINUED

PART NO.	GRID	KEY	PAGE	PART NO.	GRID	KEY	PAGE	PART NO.	GRID	KEY	PAGE
AR77327	1116	10	40 - 39	AR89064	2F6	2	70 - 3	AR93819	2I7	2	70 - 80
AR77485	1H5	25	40 - 3	AR89064	2F14	..	70 - 11	AR93819	2I7	5	70 - 80
AR77485	1H17	2	40 - 17	AR89073	2F10	27	70 - 7	AR93819	2I7	7	70 - 80
AR77530	2G25	4	70 - 45	AR89073	2F14	27	70 - 11	AR93819	2I13	2	70 - 86
AR77698	3D11	15	90 - 7	AR89075	2F12	10	70 - 9	AR93819	2I13	5	70 - 86
AR77762	1B8	10	20 - 13B	AR89075	2F14	10	70 - 11	AR93819	2I13	6	70 - 86
AR78052	1J19	14	40 - 67	AR89076	2F8	10	70 - 5	AR93819	2I16	7	70 - 89
AR78203	2D6	23	50 - 61	AR89076	2F10	10	70 - 7	AR93819	2I20	2	70 - 93
AR78261	3D11	12	90 - 7	AR89077	2F8	10	70 - 5	AR93819	2I20	5	70 - 93
AR78279	2H11	6	70 - 56	AR89078	2F12	10	70 - 9	AR93819	2I20	6	70 - 93
AR78279	2H11	12	70 - 56	AR89099	2E15	13	60 - 11	AR93819	2I21	2	70 - 94
AR78334	2B4	19	50 - 7	AR89099	2E15	38	60 - 11	AR93819	2I21	5	70 - 94
AR78361	2C5	6	50 - 33	AR89564	1E16	14	30 - 39	AR93819	2I21	7	70 - 94
AR78361	2C5	24	50 - 33	AR89564	1E18	11	30 - 41	AR93820	2I7	2	70 - 80
AR78396	2H21	2	70 - 67	AR89564	1E20	10	30 - 43	AR93820	2I7	5	70 - 80
AR78396	2H23	25	70 - 69	AR89564	1E22	21	30 - 45	AR93820	2I7	7	70 - 80
AR78483	2H14	10	70 - 60	AR89564	1G2	12	30 - 75	AR93820	2I13	2	70 - 86
AR79920	1C18	10	20 - 50	AR89564	1G10	14	30 - 83	AR93820	2I13	5	70 - 86
AR80911	2I25	20	70 - 99	AR89564	1G12	14	30 - 85	AR93820	2I13	6	70 - 86
AR81610	2E12	18	60 - 8	AR89691	1H5	26	40 - 3	AR93820	2I16	7	70 - 89
AR82016	2C5	45	50 - 33	AR89691	1H6	6	40 - 4	AR93820	2I20	2	70 - 93
AR82294	1B4	16	20 - 11	AR89691	2G5	11	70 - 28	AR93820	2I20	5	70 - 93
AR82295	1B4	15	20 - 11	AR89691	2G20	6	70 - 40	AR93820	2I20	6	70 - 93
AR82570	2I12	12	70 - 85	AR89729	2C2	15	50 - 30	AR93820	2I21	2	70 - 94
AR82571	2I5	19	70 - 77	AR90340	1G18	7	30 - 91	AR93820	2I21	5	70 - 94
AR82576	2I10	10	70 - 83	AR90453	2F8	38	70 - 5	AR93820	2I21	7	70 - 94
AR82576	2I11	24	70 - 84	AR90453	2F10	36	70 - 7	AR93820	2J3	8	70 - 102
AR82906	1J19	14	40 - 67	AR90453	2F12	38	70 - 9	AR93928	2D18	9	50 - 73
AR82908	1J19	12	40 - 67	AR90453	2F14	36	70 - 11	AR94358	3D4	16	80 - 57
AR82911	1J19	13	40 - 67	AR90577	2H13	5	70 - 59	AR94522	2I23	3	70 - 97
AR83425	1K2	8	40 - 75	AR90578	2H13	5	70 - 59	AR94522	2I25	21	70 - 99
AR83549	2H18	7	70 - 64	AR90579	2H13	6	70 - 59	AR94522	2J3	10	70 - 102
AR83549	2H24	1	70 - 70	AR90581	2H13	6	70 - 59	AR94535	2A24	15	50 - 3
AR85153	1H6	6	40 - 4	AR90583	2H13	6	70 - 59	AR94535	2B2	16	50 - 5
AR85323	1H5	26	40 - 3	AR90601	1G14	2	30 - 87	AR94537	2B4	1	50 - 7
AR85323	2G5	11	70 - 28	AR90601	1G18	2	30 - 91	AR94537	2B4	5	50 - 7
AR85323	2G20	6	70 - 40	AR90826	1I14	12	40 - 37	AR94537	2B4	19	50 - 7
AR85578	1I25	6	40 - 48	AR90971	2D23	13	50 - 79	AR94702	2A24	..	50 - 3
AR85618	1G12	3	30 - 85	AR90971	2H9	4	70 - 54	AR94702	2B2	..	50 - 5
AR85744	2C5	17	50 - 33	AR91515	2C19	10	50 - 49	AR94702	2B4	..	50 - 7
AR85913	2C14	25	50 - 43	AR91660	1B12	10	20 - 17	AR94702	2C19	..	50 - 49
AR85913	2C15	18	50 - 45	AR91793	1J25	42	40 - 73	AR94723	2C19	10	50 - 49
AR85914	2C14	26	50 - 43	AR91808	3A25	7	80 - 5	AR94952	1G19	15	30 - 92
AR85914	2C15	19	50 - 45	AR91808	3B2	8	80 - 7	AR95991	2D1	15	50 - 56
AR86461	2C5	4	50 - 33	AR91809	3A22	14	80 - 1	AR96613	2F8	15	70 - 5
AR86461	2C5	5	50 - 33	AR91809	3A24	8	80 - 3	AR96613	2F10	15	70 - 7
AR86461	2C5	6	50 - 33	AR91810	3A22	14	80 - 1	AR96613	2F12	15	70 - 9
AR86461	2C5	23	50 - 33	AR91810	3A24	8	80 - 3	AR96613	2F14	15	70 - 11
AR86461	2C5	24	50 - 33	AR91810	1H13	9	40 - 11	AR96662	2B19	9	50 - 22
AR86461	2C6	1	50 - 35	AR91813	1H22	..	40 - 22	AR96662	2C1	19	50 - 29
AR86535	2H21	2	70 - 67	AR91813	1H23	1	40 - 23	AR96662	2C16	6	50 - 46
AR86535	2H23	25	70 - 69	AR91813	1H23	..	40 - 23	AR96662	2C17	3	50 - 47
AR86969	1I16	3	40 - 39	AR91813	1H25	..	40 - 25	AR97025	1B4	21	20 - 11
AR86969	1I19	5	40 - 42	AR91813	1I13	..	40 - 36	AR97030	1B6	1	20 - 13
AR87068	1G1	13	30 - 74	AR91813	1I14	12	40 - 37	AR97032	1B6	1	20 - 13
AR87068	1G9	13	30 - 82	AR91813	1I14	13	40 - 37	AR97035	1B8	61	20 - 13B
AR87416	2C22	1	50 - 52	AR91813	1I14	23	40 - 37	AR97089	1B4	21	20 - 11
AR88016	1I14	12	40 - 37	AR91813	1I14	..	40 - 37	AR97104	1B6	1	20 - 13
AR88016	1I14	14	40 - 37	AR91814	1I14	23	40 - 37	AR97196	1C21	24	20 - 53
AR88239	1E16	14	30 - 39	AR91815	1I14	12	40 - 37	AR97198	1C23	24	20 - 55
AR88239	1E18	11	30 - 41	AR92385	2G13	14	70 - 33	AR98201	2J3	2	70 - 102
AR88239	1E20	10	30 - 43	AR92425	3C13	1	80 - 42	AR98202	2J3	1	70 - 102
AR88239	1G2	12	30 - 75	AR92893	1B10	8	20 - 15	AR98993	2F18	17	70 - 15
AR88239	1G10	11	30 - 83	AR92944	3A25	7	80 - 5	AR99100	2I10	10	70 - 83
AR88239	1G10	14	30 - 83	AR92944	3B2	1	80 - 7	AR99100	2I11	24	70 - 84
AR89063	2F6	1	70 - 3	AR92945	3A22	14	80 - 1	AT10123	1B18	8	20 - 23
AR89063	2F10	..	70 - 7	AR92945	3A24	1	80 - 3	AT10344	3B14	12	80 - 20

1K12

1020 TRACTOR

NUMERICAL INDEX - CONTINUED

PART NO.	GRID	KEY	PAGE	PART NO.	GRID	KEY	PAGE	PART NO.	GRID	KEY	PAGE
AT10344	3B15	1	80 - 20A	AT16837	1D10	9	30 - 7	AT19626	2E2	11	50 - 83
AT10344	3B16	17	80 - 21	AT16840	1D9	6	30 - 6	AT19628	2E2	11	50 - 83
AT10519	1B18	8	20 - 23	AT16840	1D10	8	30 - 7	AT19776	3C17	21	80 - 46
AT10589	1D5	3	30 - 2	AT16841	1D9	4	30 - 6	AT19786	3C17	14	80 - 46
AT10589	1D6	10	30 - 3	AT16841	1D10	6	30 - 7	AT19788	3C17	14	80 - 46
AT10611	1D13	1	30 - 10	AT16887	2D25	29	50 - 81	AT19793	3A22	2	80 - 1
AT10611	1D14	3	30 - 11	AT17387	1D22	12	30 - 19	AT19793	3B11	1	80 - 17
AT10635	1E3	10	30 - 25	AT17387	1D24	9	30 - 21	AT19794	3A25	2	80 - 5
AT10638	1E3	7	30 - 25	AT17387	1G23	3	30 - 96	AT19795	2G24	6	70 - 44
AT10995	1C17	5	20 - 49	AT17388	1D22	16	30 - 19	AT19795	2G24	10	70 - 44
AT10996	1C17	5	20 - 49	AT17388	1D24	13	30 - 21	AT19796	2G24	7	70 - 44
AT11520	1F1	7	30 - 49	AT17389	1D24	5	30 - 21	AT19796	2G24	10	70 - 44
AT11520	1F9	7	30 - 57	AT17437	1E7	22	30 - 29	AT19797	3B4	14	80 - 9
AT11520	1F24	20	30 - 72	AT17464	2B7	5	50 - 10	AT19799	3B6	16	80 - 11
AT11520	1G7	20	30 - 80	AT17464	2B8	6	50 - 11	AT19800	2A24	15	50 - 3
AT11524	1G1	13	30 - 74	AT17464	2B9	16	50 - 12	AT19802	3B6	16	80 - 11
AT11524	1G9	13	30 - 82	AT17464	2B10	9	50 - 13	AT19804	3B4	13	80 - 9
AT11524	1G18	7	30 - 91	AT17707	3B22	4	80 - 27	AT19808	2E8	15	60 - 3
AT11927	2E8	11	60 - 3	AT17981	1I2	6	40 - 27	AT19813	3C14	12	80 - 43
AT12350	2G24	15	70 - 44	AT17981	1I13	4	40 - 36	AT19823	3B9	9	80 - 14
AT12431	2D25	1	50 - 81	AT18005	1B16	6	20 - 21	AT19830	2C21	1	50 - 51
AT124396	2D25	29	50 - 81	AT18006	1B18	1	20 - 23	AT19831	2E4	11	50 - 85
AT135655	2E20	4	60 - 17	AT18009	1B12	10	20 - 17	AT19833	2E25	27	60 - 23
AT135655	2E20	8	60 - 17	AT18012	1B16	1	20 - 21	AT19834	2E25	5	60 - 23
AT135655	2E20	9	60 - 17	AT18012	1B18	1	20 - 23	AT19837	2B8	10	50 - 11
AT13740	1B4	5	20 - 11	AT18016	1A25	7	20 - 7	AT19837	2B9	22	50 - 12
AT13740	1C13	15	20 - 45	AT18020	1C2	13	20 - 31	AT19837	2B10	14	50 - 13
AT13740	1C15	23	20 - 47	AT18025	1H13	9	40 - 11	AT19838	2G15	5	70 - 35
AT141924	3E2	6	90 - 23	AT18025	1H22	..	40 - 22	AT19839	2G6	23	70 - 29
AT14385	1H5	14	40 - 3	AT18025	1H23	1	40 - 23	AT19840	2G11	3	70 - 31
AT14385	1H14	1	40 - 13	AT18025	1H23	..	40 - 23	AT19846	3D21	7	90 - 17
AT14515	1H13	3	40 - 11	AT18025	1H25	..	40 - 25	AT19847	3D21	6	90 - 17
AT146240	2D18	7	50 - 73	AT18025	1I13	..	40 - 36	AT19848	2G19	5	70 - 39
AT146268	2D7	13	50 - 62	AT18025	1I14	12	40 - 37	AT19849	2G25	4	70 - 45
AT14679	1H16	15	40 - 15	AT18025	1I14	13	40 - 37	AT19850	2H8	10	70 - 53
AT14680	1H16	2	40 - 15	AT18025	1I14	14	40 - 37	AT19857	2G25	4	70 - 45
AT14682	1H16	3	40 - 15	AT18025	1I14	23	40 - 37	AT19858	2E7	2	60 - 2
AT14682	1H16	22	40 - 15	AT18025	1I14	..	40 - 37	AT19858	2E9	2	60 - 5
AT14684	1H16	7	40 - 15	AT18029	1D22	1	30 - 19	AT19858	2E9	4	60 - 5
AT14764	1H13	2	40 - 11	AT18031	1B8	50	20 - 13B	AT19858	2E11	1	60 - 7
AT14764	1H13	3	40 - 11	AT18031	1B12	1	20 - 17	AT19858	2E12	7	60 - 8
AT14777	1E9	15	30 - 31	AT18039	1B12	12	20 - 17	AT19858	2E12	9	60 - 8
AT148533	3B7	5	80 - 12	AT18064	1E16	14	30 - 39	AT19858	2E17	1	60 - 13
AT149002	1H5	20	40 - 3	AT18064	1E18	11	30 - 41	AT19859	1D10	2	30 - 7
AT149002	1J5	7	40 - 53	AT18064	1G2	12	30 - 75	AT19863	3C18	18	80 - 47
AT14927	3E3	1	90 - 24	AT18065	1E16	16	30 - 39	AT19873	2G24	7	70 - 44
AT15146	1H25	7	40 - 25	AT18065	1E22	7	30 - 45	AT19880	3C17	1	80 - 46
AT15147	1I2	20	40 - 27	AT18073	1B22	6	20 - 27	AT19881	3C18	13	80 - 47
AT15147	1I13	17	40 - 36	AT18074	1C17	4	20 - 49	AT19883	1D8	3	30 - 5
AT15601	1B22	5	20 - 27	AT18099	1E16	15	30 - 39	AT19898	2E21	18	60 - 18
AT15604	1B22	2	20 - 27	AT18099	1E22	22	30 - 45	AT19899	2E21	4	60 - 18
AT16288	1H8	21	40 - 6	AT18101	1B4	21	20 - 11	AT19905	1J7	5	40 - 55
AT16288	1H9	20	40 - 7	AT18105	1B4	21	20 - 11	AT19917	1D20	3	30 - 17
AT16288	1H11	24	40 - 9	AT18111	1E16	13	30 - 39	AT19919	2D12	9	50 - 67
AT16288	1I17	1	40 - 40	AT18111	1E22	20	30 - 45	AT19919	2D14	10	50 - 69
AT16288	1I19	1	40 - 42	AT18126	1C2	25	20 - 31	AT19919	2D16	10	50 - 71
AT16288	1I19	3	40 - 42	AT18129	1B2	5	20 - 9	AT19920	2D20	1	50 - 75
AT16290	1I4	23	40 - 29	AT18144	1D24	1	30 - 21	AT19923	3D17	26	90 - 13
AT16291	1I2	2	40 - 27	AT18147	1B18	7	20 - 23	AT19933	3B6	16	80 - 11
AT16431	2D15	23	50 - 70	AT18168	1D24	16	30 - 21	AT19966	2D7	10	50 - 62
AT16431	2D16	26	50 - 71	AT18180	1B9	5	20 - 14	AT19983	1D20	13	30 - 17
AT16552	1E25	19	30 - 48	AT18702	1H13	2	40 - 11	AT20025	2D19	4	50 - 74
AT16552	1F8	19	30 - 56	AT18721	1H5	1	40 - 3	AT20026	3D20	7	90 - 16
AT16553	1E25	1	30 - 48	AT18721	1J1	3	40 - 49	AT20027	3C17	3	80 - 46
AT16555	1F1	36	30 - 49	AT18773	1H9	18	40 - 7	AT20037	2I3	3	70 - 75
AT168165	3E2	6	90 - 23	AT19508	1B24	21	20 - 29	AT20038	2I3	4	70 - 75
AT16837	1D9	7	30 - 6	AT19509	1B23	7	20 - 28	AT20039	2I3	1	70 - 75

1K13

1020 TRACTOR

NUMERICAL INDEX - CONTINUED

PART NO.	GRID	KEY	PAGE	PART NO.	GRID	KEY	PAGE	PART NO.	GRID	KEY	PAGE
AT20040	2I3	2	70 - 75	AT20641	1J7	1	40 - 55	AT20943	3B7	3	80 - 12
AT20042	1G21	2	30 - 94	AT20663	1114	23	40 - 37	AT20944	3B7	3	80 - 12
AT20044	1G19	15	30 - 92	AT20664	1113	12	40 - 36	AT20945	3B7	3	80 - 12
AT20055	2B7	5	50 - 10	AT20701	2E2	14	50 - 83	AT20960	2G3	1	70 - 26
AT20055	2B7	13	50 - 10	AT20702	2E2	14	50 - 83	AT20960	2G4	1	70 - 27
AT20056	2B7	19	50 - 10	AT20702	2E2	20	50 - 83	AT20961	2G3	7	70 - 26
AT20061	2B8	4	50 - 11	AT20702	2E4	13	50 - 85	AT20961	2G4	7	70 - 27
AT20061	2B9	4	50 - 12	AT20703	2E2	2	50 - 83	AT20983	2G3	13	70 - 26
AT20062	2B8	5	50 - 11	AT20703	2E2	24	50 - 83	AT20983	2G4	17	70 - 27
AT20063	2E18	5	60 - 15	AT20703	2E4	2	50 - 85	AT21009	1E24	33	30 - 47
AT20079	2D11	5	50 - 66	AT20708	1H7	4	40 - 5	AT21009	1F1	12	30 - 49
AT20079	2D12	3	50 - 67	AT20708	1H10	6	40 - 8	AT21009	1F2	11	30 - 50
AT20079	2D14	3	50 - 69	AT20709	1H7	10	40 - 5	AT21009	1F3	29	30 - 51
AT20080	2D11	4	50 - 66	AT20709	1H8	14	40 - 6	AT21009	1G3	13	30 - 76
AT20080	2D12	2	50 - 67	AT20709	1H9	19	40 - 7	AT21009	1G8	11	30 - 81
AT20080	2D14	2	50 - 69	AT20709	1H10	17	40 - 8	AT21012	1E24	25	30 - 47
AT20084	2G11	8	70 - 31	AT20709	1H11	17	40 - 9	AT21043	2B9	2	50 - 12
AT20085	2G11	4	70 - 31	AT20709	1J14	1	40 - 62	AT21044	2B7	2	50 - 10
AT20092	3D20	6	90 - 16	AT20719	1C13	6	20 - 45	AT21045	2B8	2	50 - 11
AT20093	2D19	1	50 - 74	AT20719	1C15	6	20 - 47	AT21062	1H16	5	40 - 15
AT20094	2D11	25	50 - 66	AT20727	1D8	14	30 - 5	AT21072	1B12	1	20 - 17
AT20094	2D14	24	50 - 69	AT20728	1D8	12	30 - 5	AT21108	1B12	26	20 - 17
AT20095	2D11	25	50 - 66	AT20728	1G23	1	30 - 96	AT21110	1B12	26	20 - 17
AT20095	2D14	24	50 - 69	AT20739	1H9	12	40 - 7	AT21112	1B12	26	20 - 17
AT20106	1H7	2	40 - 5	AT20739	1H10	11	40 - 8	AT21114	1B12	26	20 - 17
AT20106	1H8	4	40 - 6	AT20739	1H11	10	40 - 9	AT21116	1B18	8	20 - 23
AT20106	1H9	13	40 - 7	AT20739	1I24	3	40 - 47	AT21117	1B18	8	20 - 23
AT20106	1H10	12	40 - 8	AT20740	1H9	16	40 - 7	AT21119	1B18	8	20 - 23
AT20106	1H11	13	40 - 9	AT20740	1H10	15	40 - 8	AT21122	1B16	8	20 - 21
AT20106	1I15	1	40 - 38	AT20740	1H11	11	40 - 9	AT21124	1B16	8	20 - 21
AT20107	1H7	9	40 - 5	AT20748	1E1	12	30 - 23	AT21126	1B16	8	20 - 21
AT20107	1H10	16	40 - 8	AT20751	1H13	2	40 - 11	AT21128	1B16	8	20 - 21
AT20107	1I16	4	40 - 39	AT20755	2E20	18	60 - 17	AT21130	1B12	27	20 - 17
AT20141	2G11	2	70 - 31	AT20756	2E20	12	60 - 17	AT21132	1B12	27	20 - 17
AT20154	1D15	21	30 - 12	AT20761	2D22	3	50 - 78	AT21134	1B12	27	20 - 17
AT20154	1D16	21	30 - 13	AT20777	3C21	4	80 - 50	AT21136	1B12	27	20 - 17
AT20167	2H9	6	70 - 54	AT20779	3C21	3	80 - 50	AT21138	1B8	16	20 - 13B
AT20168	2H9	4	70 - 54	AT20784	2D1	15	50 - 56	AT21138	1B16	8	20 - 21
AT20175	1H5	20	40 - 3	AT20785	2D1	13	50 - 56	AT21139	1B8	46	20 - 13B
AT20175	1J5	7	40 - 53	AT20786	2D1	5	50 - 56	AT21139	1B12	27	20 - 17
AT20186	3C12	2	80 - 41	AT20787	2D1	12	50 - 56	AT21140	1B8	45	20 - 13B
AT20190	3D14	1	90 - 10	AT20791	3D19	13	90 - 15	AT21140	1B12	26	20 - 17
AT20195	3D22	7	90 - 18	AT20792	3D19	9	90 - 15	AT21160	1H19	25	40 - 19
AT20196	3D22	6	90 - 18	AT20795	1H5	5	40 - 3	AT21160	1H21	28	40 - 21
AT20197	2G8	39	70 - 30A	AT20797	1C13	7	20 - 45	AT21161	1H19	14	40 - 19
AT20198	2G15	11	70 - 35	AT20829	1C7	23	20 - 37	AT21161	1H21	16	40 - 21
AT20244	2E21	4	60 - 18	AT20839	2E8	3	60 - 3	AT21177	1H14	10	40 - 13
AT20245	1D5	6	30 - 2	AT20841	1D8	5	30 - 5	AT21191	1B4	30	20 - 11
AT20246	2E20	18	60 - 17	AT20848	1C15	8	20 - 47	AT21191	1B4	31	20 - 11
AT20247	2E20	12	60 - 17	AT20849	1C15	24	20 - 47	AT21191	1B8	24	20 - 13B
AT20248	2E20	18	60 - 17	AT20850	2C21	4	50 - 51	AT21199	1C2	1	20 - 31
AT20249	2E20	12	60 - 17	AT20854	2E8	3	60 - 3	AT21205	1C5	1	20 - 35
AT20265	1D22	7	30 - 19	AT20863	2G24	10	70 - 44	AT21206	1C5	1	20 - 35
AT20284	1E16	6	30 - 39	AT20881	2G5	1	70 - 28	AT21225	1B22	31	20 - 27
AT20355	1D6	8	30 - 3	AT20894	2I1	9	70 - 72	AT21226	1B4	16	20 - 11
AT20372	2E7	11	60 - 2	AT20896	2I1	8	70 - 72	AT21227	1B4	15	20 - 11
AT20383	2B5	10	50 - 8	AT20900	2G16	2	70 - 36	AT21239	1J5	9	40 - 53
AT20434	3D15	3	90 - 11	AT20904	2G16	21	70 - 36	AT21246	1C23	24	20 - 55
AT20434	3D19	3	90 - 15	AT20909	2E20	29	60 - 17	AT21249	1C21	24	20 - 53
AT20437	3D17	25	90 - 13	AT20909	2E21	15	60 - 18	AT21332	1A25	1	20 - 7
AT20438	3D17	31	90 - 13	AT20911	1D20	1	30 - 17	AT21343	1H14	10	40 - 13
AT20441	3D17	32	90 - 13	AT20912	1D20	6	30 - 17	AT21350	1H5	11	40 - 3
AT20452	3C16	5	80 - 45	AT20912	1H5	17	40 - 3	AT21350	1H14	12	40 - 13
AT20489	3D15	5	90 - 11	AT20916	2B9	11	50 - 12	AT21350	1H16	..	40 - 15
AT20489	3D19	7	90 - 15	AT20923	2G3	2	70 - 26	AT21358	1E6	34	30 - 28
AT20519	3B22	4	80 - 27	AT20939	3B8	1	80 - 13	AT21373	1B22	16	20 - 27
AT20521	3B22	4	80 - 27	AT20942	3B7	9	80 - 12	AT21373	1B22	17	20 - 27

1K14

1020 TRACTOR

NUMERICAL INDEX - CONTINUED

PART NO.	GRID	KEY	PAGE	PART NO.	GRID	KEY	PAGE	PART NO.	GRID	KEY	PAGE
AT21382	2B9	2	50 - 12	AT22037	1J5	8	40 - 53	AT22761	2E2	11	50 - 83
AT21407	2E13	4	60 - 9	AT22038	1J5	4	40 - 53	AT22849	1C23	24	20 - 55
AT21420	2D12	12	50 - 67	AT22055	2D11	1	50 - 66	AT22850	1C21	24	20 - 53
AT21420	2D14	13	50 - 69	AT22055	2D12	30	50 - 67	AT22896	2E2	11	50 - 83
AT21420	2D16	12	50 - 71	AT22055	2D14	36	50 - 69	AT22897	2E4	11	50 - 85
AT21423	1E2	4	30 - 24	AT22062	2E18	7	60 - 15	AT22898	2E2	11	50 - 83
AT21466	1G22	7	30 - 95	AT22064	2B7	29	50 - 10	AT22898	2E2	12	50 - 83
AT21534	1B4	23	20 - 11	AT22066	1H7	1	40 - 5	AT22908	3D20	6	90 - 16
AT21576	1E16	17	30 - 39	AT22066	1H9	1	40 - 7	AT22918	2I20	24	70 - 93
AT21576	1E24	..	30 - 47	AT22066	1H10	1	40 - 8	AT22919	1B4	30	20 - 11
AT21576	1E25	..	30 - 48	AT22066	1I21	3	40 - 44	AT22919	1B4	31	20 - 11
AT21576	1F1	..	30 - 49	AT22070	3D25	12	90 - 21	AT22919	1B8	24	20 - 13B
AT21576	1F2	..	30 - 50	AT22073	3D25	11	90 - 21	AT22933	3D23	5	90 - 19
AT21576	1F3	..	30 - 51	AT22079	2F25	34	70 - 23	AT22934	3D23	7	90 - 19
AT21578	1E24	18	30 - 47	AT22083	2F25	1	70 - 23	AT22935	3D23	15	90 - 19
AT21608	1B12	28	20 - 17	AT22083	2F25	31	70 - 23	AT22936	3D23	10	90 - 19
AT21619	1H5	16	40 - 3	AT22086	2G3	13	70 - 26	AT22937	3C23	3	80 - 52
AT21619	1H17	15	40 - 17	AT22086	2G4	17	70 - 27	AT22938	3C23	18	80 - 52
AT21619	1H19	..	40 - 19	AT22089	1D20	21	30 - 17	AT22940	3C23	11	80 - 52
AT21619	1H21	..	40 - 21	AT22096	2B5	1	50 - 8	AT22941	3C23	20	80 - 52
AT21620	2D7	1	50 - 62	AT22145	2F22	9	70 - 19	AT22956	3C23	15	80 - 52
AT21620	2D8	12	50 - 63	AT22145	2F23	9	70 - 21	AT22957	3C23	16	80 - 52
AT21621	2D7	1	50 - 62	AT22145	2G1	1	70 - 24	AT22958	1H9	2	40 - 7
AT21621	2D8	12	50 - 63	AT22169	2I3	8	70 - 75	AT22959	1H9	11	40 - 7
AT21624	1C19	9	20 - 51	AT22170	2I3	7	70 - 75	AT22960	1H9	17	40 - 7
AT21626	1C18	10	20 - 50	AT22185	2F22	4	70 - 19	AT22961	1C17	5	20 - 49
AT21655	2G15	2	70 - 35	AT22185	2F23	11	70 - 21	AT22962	1C17	5	20 - 49
AT21665	2B7	4	50 - 10	AT22185	2G1	3	70 - 24	AT22963	1C17	5	20 - 49
AT21669	2B7	4	50 - 10	AT22193	2E18	10	60 - 15	AT22965	1B10	8	20 - 15
AT21675	2B9	11	50 - 12	AT22200	2F22	10	70 - 19	AT22968	2E20	29	60 - 17
AT21689	1D13	2	30 - 10	AT22200	2F25	23	70 - 23	AT22968	2E21	15	60 - 18
AT21689	1D14	2	30 - 11	AT22201	2F23	5	70 - 21	AT22970	1I24	3	40 - 47
AT21716	1H16	13	40 - 15	AT22201	2F25	23	70 - 23	AT22989	1E6	11	30 - 28
AT21717	1H16	1	40 - 15	AT22201	2F25	24	70 - 23	AT22990	1E6	9	30 - 28
AT21718	1H16	10	40 - 15	AT22220	3A25	7	80 - 5	AT22991	1E6	25	30 - 28
AT21719	1H16	8	40 - 15	AT22221	3B6	9	80 - 11	AT22992	1E7	9	30 - 29
AT21720	1H16	11	40 - 15	AT22222	3B6	9	80 - 11	AT22992	1E7	12	30 - 29
AT21721	1H16	21	40 - 15	AT22237	3A22	14	80 - 1	AT22993	1E6	18	30 - 28
AT21722	1H16	20	40 - 15	AT22238	3B6	9	80 - 11	AT22995	1E14	14	30 - 37
AT21752	3D14	6	90 - 10	AT22239	3B6	9	80 - 11	AT22996	1E6	24	30 - 28
AT21754	2G23	3	70 - 43	AT22246	3B6	9	80 - 11	AT22998	1E7	4	30 - 29
AT21780	2B14	2	50 - 17	AT22247	3B6	9	80 - 11	AT23000	1E2	3	30 - 24
AT21780	2B15	2	50 - 18	AT22267	2F25	31	70 - 23	AT23000	1E6	..	30 - 28
AT21781	2G8	36	70 - 30A	AT22268	2F23	9	70 - 21	AT23000	1E7	..	30 - 29
AT21781	2G10	5	70 - 30C	AT22268	2G1	1	70 - 24	AT23000	1E14	14	30 - 37
AT21789	2B6	5	50 - 9	AT22269	2F23	5	70 - 21	AT23005	1C2	13	20 - 31
AT21795	1D15	19	30 - 12	AT22269	2F25	24	70 - 23	AT23048	1E18	28	30 - 41
AT21795	1D16	19	30 - 13	AT22278	3A25	7	80 - 5	AT23048	1E20	2	30 - 43
AT21799	1A25	1	20 - 7	AT22279	3B6	9	80 - 11	AT23048	1F10	..	30 - 58
AT21815	1H5	25	40 - 3	AT22280	3B6	9	80 - 11	AT23048	1F11	..	30 - 59
AT21815	1H17	2	40 - 17	AT22292	3B4	8	80 - 9	AT23048	1F12	..	30 - 60
AT21845	1E18	4	30 - 41	AT22315	2D2	14	50 - 57	AT23048	1F13	..	30 - 61
AT21880	1H5	1	40 - 3	AT22331	3B6	9	80 - 11	AT23048	1F14	..	30 - 62
AT21880	1J1	3	40 - 49	AT22332	3B6	9	80 - 11	AT23052	1D24	1	30 - 21
AT21912	2G24	4	70 - 44	AT22335	2B25	11	50 - 28	AT23054	1D22	1	30 - 19
AT21913	1D15	21	30 - 12	AT22339	2F22	13	70 - 19	AT23128	2B4	19	50 - 7
AT21913	1D16	21	30 - 13	AT22340	2F22	29	70 - 19	AT23160	1I2	6	40 - 27
AT21914	1D15	19	30 - 12	AT22340	2F23	3	70 - 21	AT23160	1I13	4	40 - 36
AT21914	1D16	19	30 - 13	AT22359	2C22	1	50 - 52	AT23175	2E15	7	60 - 11
AT21933	1B6	1	20 - 13	AT22425	2I14	9	70 - 87	AT23178	2E12	18	60 - 8
AT21934	1B6	1	20 - 13	AT22426	2I14	27	70 - 87	AT23180	1C7	23	20 - 37
AT21995	1H16	13	40 - 15	AT22543	2C19	10	50 - 49	AT23188	1H19	23	40 - 19
AT21996	2E9	22	60 - 5	AT22632	2H2	1	70 - 47	AT23188	1H21	25	40 - 21
AT21999	1D20	3	30 - 17	AT22633	2H2	5	70 - 47	AT23189	1H19	26	40 - 19
AT22001	2C22	15	50 - 52	AT22665	1B2	5	20 - 9	AT23189	1H21	29	40 - 21
AT22034	2E23	4	60 - 20	AT22750	1B4	21	20 - 11	AT23198	1C23	24	20 - 55
AT22037	1H5	6	40 - 3	AT22751	1B4	21	20 - 11	AT23201	1C21	24	20 - 53

1K15

1020 TRACTOR

NUMERICAL INDEX - CONTINUED

PART NO.	GRID	KEY	PAGE	PART NO.	GRID	KEY	PAGE	PART NO.	GRID	KEY	PAGE
AT23220	2C7	10	50 - 36	AT24516	1E20	18	30 - 43	AT26123	3D17	24	90 - 13
AT23220	2C9	1	50 - 38	AT24517	1E18	12	30 - 41	AT26123	3D17	25	90 - 13
AT23221	2A24	15	50 - 3	AT24517	1E20	15	30 - 43	AT26188	2E17	11	60 - 13
AT23221	2B2	16	50 - 5	AT24538	3E3	1	90 - 24	AT26195	2E18	7	60 - 15
AT23222	2D11	5	50 - 66	AT24724	2G15	2	70 - 35	AT26196	2G21	8	70 - 41
AT23222	2D12	3	50 - 67	AT24725	2G15	11	70 - 35	AT26289	2E23	3	60 - 20
AT23222	2D14	3	50 - 69	AT24726	2G16	21	70 - 36	AT26290	2E23	1	60 - 20
AT23223	2D11	4	50 - 66	AT24729	2G16	2	70 - 36	AT26349	2G17	9	70 - 37
AT23223	2D12	2	50 - 67	AT24735	1F12	2	30 - 60	AT26350	2G17	4	70 - 37
AT23223	2D14	2	50 - 69	AT24883	3D20	6	90 - 16	AT26536	1D11	1	30 - 8
AT23224	2D10	3	50 - 65	AT24885	1G20	21	30 - 93	AT26536	1D11	4	30 - 8
AT23232	2C13	8	50 - 42	AT24917	3D15	12	90 - 11	AT26632	2B18	14	50 - 21
AT23232	2C14	12	50 - 43	AT24917	3D19	28	90 - 15	AT27018	1C5	1	20 - 35
AT23308	2C19	5	50 - 49	AT24986	3C14	12	80 - 43	AT27018	1C7	11	20 - 37
AT23336	3A22	14	80 - 1	AT24988	1B4	21	20 - 11	AT27128	1H19	7	40 - 19
AT23467	1H7	1	40 - 5	AT24999	1B4	21	20 - 11	AT27128	1H21	6	40 - 21
AT23467	1H9	1	40 - 7	AT25004	1B6	1	20 - 13	AT27130	3B7	9	80 - 12
AT23467	1H10	1	40 - 8	AT25005	1B6	1	20 - 13	AT27130	3B12	16	80 - 18
AT23467	1I21	3	40 - 44	AT25265	1E1	12	30 - 23	AT27134	3B12	8	80 - 18
AT23494	3D7	1	90 - 3	AT25325	1F11	17	30 - 59	AT27143	1F10	14	30 - 58
AT23494	3D9	1	90 - 5	AT25325	1F17	17	30 - 65	AT27144	1F10	11	30 - 58
AT23508	1D11	..	30 - 8	AT25328	1F10	1	30 - 58	AT27148	3C21	4	80 - 50
AT23541	3C24	8	80 - 53	AT25328	1F11	15	30 - 59	AT27165	1F13	12	30 - 61
AT23544	2E21	18	60 - 18	AT25328	1F12	5	30 - 60	AT27166	1F10	1	30 - 58
AT23545	2E21	18	60 - 18	AT25328	1F13	17	30 - 61	AT27166	1F11	15	30 - 59
AT23548	2G2	3	70 - 25	AT25328	1F14	1	30 - 62	AT27166	1F12	5	30 - 60
AT23548	2I2	8	70 - 73	AT25489	2D20	1	50 - 75	AT27166	1F13	17	30 - 61
AT23550	2F25	32	70 - 23	AT25490	2E12	18	60 - 8	AT27166	1F14	1	30 - 62
AT23552	2F25	4	70 - 23	AT25491	1E7	22	30 - 29	AT27194	1F10	28	30 - 58
AT23554	2F25	32	70 - 23	AT25491	1E9	36	30 - 31	AT27194	1F15	18	30 - 63
AT23570	3D20	6	90 - 16	AT25491	1E14	6	30 - 37	AT27194	1G17	6	30 - 90
AT23579	2B4	13	50 - 7	AT25502	1E16	14	30 - 39	AT27228	3B13	8	80 - 19
AT23579	2C24	13	50 - 54	AT25502	1E18	11	30 - 41	AT27230	3B13	4	80 - 19
AT23583	3B7	3	80 - 12	AT25502	1E20	10	30 - 43	AT27382	3C22	2	80 - 51
AT23884	3B7	3	80 - 12	AT25502	1G2	12	30 - 75	AT27383	3C22	1	80 - 51
AT23884	3B7	5	80 - 12	AT25575	1H16	18	40 - 15	AT27406	1C9	14	20 - 40
AT23884	3B7	7	80 - 12	AT25575	1H16	19	40 - 15	AT27413	1C9	2	20 - 40
AT23884	3B7	9	80 - 12	AT25588	2E11	11	60 - 7	AT27413	1C11	6	20 - 42
AT23885	3B7	3	80 - 12	AT25619	1H13	9	40 - 11	AT27413	1C12	6	20 - 43
AT23886	3B7	9	80 - 12	AT25619	1H22	..	40 - 22	AT27419	2E15	7	60 - 11
AT23907	2C9	29	50 - 38	AT25619	1H23	1	40 - 23	AT27425	1I22	1	40 - 45
AT23907	2C24	13	50 - 54	AT25619	1H25	..	40 - 25	AT27585	1C13	6	20 - 45
AT24013	1C17	5	20 - 49	AT25619	1I2	..	40 - 27	AT27585	1C15	6	20 - 47
AT24149	3D15	12	90 - 11	AT25619	1I4	..	40 - 29	AT27615	1E18	28	30 - 41
AT24149	3D19	28	90 - 15	AT25619	1I6	..	40 - 31	AT27615	1E20	2	30 - 43
AT24200	1F12	11	30 - 60	AT25619	1I8	..	40 - 33	AT27615	1E22	6	30 - 45
AT24200	1F18	11	30 - 66	AT25619	1I10	4	40 - 35A	AT27615	1F10	1	30 - 58
AT24201	1F12	8	30 - 60	AT25619	1I12	10	40 - 35D	AT27615	1F11	15	30 - 59
AT24201	1F18	8	30 - 66	AT25637	3B6	9	80 - 11	AT27615	1F12	5	30 - 60
AT24203	1F13	11	30 - 61	AT25638	3B6	9	80 - 11	AT27615	1F13	17	30 - 61
AT24205	1F13	22	30 - 61	AT25651	1I13	1	40 - 36	AT27615	1F14	1	30 - 62
AT24207	1F10	10	30 - 58	AT25651	1I13	3	40 - 36	AT27615	1F15	1	30 - 63
AT24208	1F10	23	30 - 58	AT25651	1I13	4	40 - 36	AT27615	1F16	12	30 - 64
AT24209	1F10	21	30 - 58	AT25818	2B8	5	50 - 11	AT27615	1F16	16	30 - 64
AT24209	1F15	14	30 - 63	AT25819	1E7	9	30 - 29	AT27615	1F17	15	30 - 65
AT24212	1F13	20	30 - 61	AT25819	1E7	12	30 - 29	AT27615	1F18	5	30 - 66
AT24252	1B12	12	20 - 17	AT25821	1E7	9	30 - 29	AT27622	1E20	28	30 - 43
AT24254	1C2	13	20 - 31	AT25821	1E14	1	30 - 37	AT27622	1E22	8	30 - 45
AT24254	1C2	21	20 - 31	AT25959	1E25	5	30 - 48	AT27622	1G2	17	30 - 75
AT24254	1C2	23	20 - 31	AT25959	1F8	5	30 - 56	AT27622	1G10	3	30 - 83
AT24437	1D8	11	30 - 5	AT25959	1F22	6	30 - 70	AT27653	1B4	5	20 - 11
AT24438	1D8	10	30 - 5	AT25959	1G5	6	30 - 78	AT27653	1C13	15	20 - 45
AT24462	1G16	1	30 - 89	AT25963	3D15	3	90 - 11	AT27653	1C15	23	20 - 47
AT24464	1F13	12	30 - 61	AT25963	3D19	3	90 - 15	AT27717	2B7	19	50 - 10
AT24515	1E18	1	30 - 41	AT25963	1D11	1	30 - 8	AT27748	3C18	4	80 - 47
AT24515	1E20	4	30 - 43	AT25983	1D11	4	30 - 8	AT27862	1F10	11	30 - 58
AT24516	1E18	17	30 - 41	AT25983	1D11	..	30 - 8	AT27863	1F10	14	30 - 58

1K16

1020 TRACTOR

NUMERICAL INDEX - CONTINUED

PART NO.	GRID	KEY	PAGE	PART NO.	GRID	KEY	PAGE	PART NO.	GRID	KEY	PAGE
AT27907	1I22	2	40 - 45	AT29715	2C14	7	50 - 43	AT32331	2F19	3	70 - 16
AT27908	1I20	1	40 - 43	AT29724	1E20	2	30 - 43	AT32332	2I10	18	70 - 83
AT27960	1D15	21	30 - 12	AT29724	1F14	..	30 - 62	AT32332	2I14	2	70 - 87
AT27960	1D16	21	30 - 13	AT29724	1F15	..	30 - 63	AT32335	2E21	2	60 - 18
AT28049	2D25	11	50 - 81	AT29724	1F16	..	30 - 64	AT32335	2F19	7	70 - 16
AT28049	2D25	20	50 - 81	AT29724	1F17	..	30 - 65	AT32337	2I20	25	70 - 93
AT28049	2D25	21	50 - 81	AT29724	1F18	..	30 - 66	AT32444	2B12	2	50 - 15
AT28057	2G25	4	70 - 45	AT29752	2C22	13	50 - 52	AT32489	1C8	1	20 - 39
AT28197	2H11	6	70 - 56	AT29754	2B10	2	50 - 13	AT32496	2D12	9	50 - 67
AT28198	2H11	6	70 - 56	AT29826	2D20	1	50 - 75	AT32496	2D14	10	50 - 69
AT28412	1F10	11	30 - 58	AT29826	2D20	2	50 - 75	AT32496	2D16	10	50 - 71
AT28414	1D13	16	30 - 10	AT29826	2D20	5	50 - 75	AT32606	1C2	28	20 - 31
AT28414	1D14	1	30 - 11	AT29831	1F16	3	30 - 64	AT32761	3C18	1	80 - 47
AT28577	2I1	8	70 - 72	AT30045	2B10	5	50 - 13	AT34970	3A25	7	80 - 5
AT28578	2G2	3	70 - 25	AT30045	2B12	..	50 - 15	AT35094	3D17	26	90 - 13
AT28578	2I2	8	70 - 73	AT30046	2B10	5	50 - 13	AT35120	2I20	25	70 - 93
AT28579	2I14	9	70 - 87	AT30046	2B11	..	50 - 14	AT35121	2E15	16	60 - 11
AT28580	2I14	27	70 - 87	AT30117	1F14	17	30 - 62	AT35121	2E18	1	60 - 15
AT28581	3D21	7	90 - 17	AT30118	1F10	40	30 - 58	AT35227	3B4	13	80 - 9
AT28582	3D22	7	90 - 18	AT30120	1F13	16	30 - 61	AT37209	2E15	13	60 - 11
AT28951	1F12	2	30 - 60	AT30120	1F14	..	30 - 62	AT37356	3C15	8	80 - 44
AT28951	1F18	2	30 - 66	AT30144	1F16	10	30 - 64	AT37833	3D13	20	90 - 9
AT28952	1F12	1	30 - 60	AT30145	1F16	1	30 - 64	AT37833	3D15	12	90 - 11
AT28952	1F18	1	30 - 66	AT30146	1F15	3	30 - 63	AT37833	3D19	28	90 - 15
AT29157	1H13	1	40 - 11	AT30146	1G17	8	30 - 90	AT38518	3D13	20	90 - 9
AT29158	1H13	1	40 - 11	AT30148	1F14	1	30 - 62	AT39043	1I25	5	40 - 48
AT29301	2H9	8	70 - 54	AT30148	1F15	1	30 - 63	AT39457	3B4	13	80 - 9
AT29317	1E2	4	30 - 24	AT30148	1F16	16	30 - 64	AT41649	2A24	15	50 - 3
AT29386	2D1	13	50 - 56	AT30148	1F17	15	30 - 65	AT41649	2B2	16	50 - 5
AT29387	2D1	12	50 - 56	AT30148	1F18	5	30 - 66	AT43407	2C19	10	50 - 49
AT29553	1H5	11	40 - 3	AT30150	2H2	1	70 - 47	AT44165	1H5	7	40 - 3
AT29553	1H14	12	40 - 13	AT30151	2H2	5	70 - 47	AT44165	1J5	1	40 - 53
AT29553	1H16	14	40 - 15	AT30197	2C23	15	50 - 53	AT44165	1J5	4	40 - 53
AT29553	1H16	..	40 - 15	AT30203	1F13	20	30 - 61	AT44165	1J5	8	40 - 53
AT29554	1H16	11	40 - 15	AT30299	1E16	14	30 - 39	AT44165	1J12	23	40 - 60
AT29618	1C5	1	20 - 35	AT30299	1E18	11	30 - 41	AT46457	2E8	3	60 - 3
AT29619	1C5	1	20 - 35	AT30299	1E20	10	30 - 43	AT48214	1D20	13	30 - 17
AT29679	2A24	15	50 - 3	AT30299	1G2	12	30 - 75	AT48673	1J5	8	40 - 53
AT29679	2B2	16	50 - 5	AT30977	2G24	6	70 - 44	AT48673	1J12	26	40 - 60
AT29681	2C10	35	50 - 39	AT30978	2G24	8	70 - 44	AT48674	1H5	7	40 - 3
AT29681	2C12	34	50 - 41	AT30978	2G24	7	70 - 44	AT48674	1J5	4	40 - 53
AT29681	2C24	13	50 - 54	AT30980	2H3	5	70 - 48	AT514T	1I4	12	40 - 29
AT29685	2B18	3	50 - 21	AT30981	2H3	4	70 - 48	AT514T	1I14	6	40 - 37
AT29686	2D17	1	50 - 72	AT31165	1F10	11	30 - 58	AT516T	1I4	17	40 - 29
AT29687	2D13	5	50 - 68	AT31165	1F10	14	30 - 58	AT516T	1I14	11	40 - 37
AT29687	2D15	8	50 - 70	AT31165	1F13	22	30 - 61	AT517T	1I14	2	40 - 37
AT29687	2D16	6	50 - 71	AT31165	1G17	16	30 - 90	AT52868	3B4	14	80 - 9
AT29688	2C8	4	50 - 37	AT31250	1B2	5	20 - 9	AT54132	2E15	32	60 - 11
AT29690	2C15	13	50 - 45	AT31561	1B6	1	20 - 13	AT54955	2E8	3	60 - 3
AT29691	2C14	19	50 - 43	AT31574	1B6	1	20 - 13	AT55441	1I23	25	40 - 46
AT29691	2C15	14	50 - 45	AT31578	1B4	21	20 - 11	AT56648	2G25	4	70 - 45
AT29692	2C14	1	50 - 43	AT31582	1B4	21	20 - 11	AT60368	2B7	29	50 - 10
AT29692	2C15	1	50 - 45	AT31609	1B14	3	20 - 19	AT62018	3E2	6	90 - 23
AT29693	2C14	2	50 - 43	AT31783	2B18	3	50 - 21	AT62019	3E2	4	90 - 23
AT29693	2C15	2	50 - 45	AT31784	2B18	3	50 - 21	AT63106	2E23	1	60 - 20
AT29696	2B10	4	50 - 13	AT31877	1E2	3	30 - 24	AT63106	2E23	2	60 - 20
AT29700	2B10	6	50 - 13	AT31877	1E6	24	30 - 28	AT63106	2E23	3	60 - 20
AT29702	2C19	10	50 - 49	AT31878	1E6	25	30 - 28	AT63106	2E23	4	60 - 20
AT29705	2B18	3	50 - 21	AT32059	2B18	3	50 - 21	AT63813	1D13	5	30 - 10
AT29706	2D15	1	50 - 70	AT32064	1E18	29	30 - 41	AT63813	1D13	14	30 - 10
AT29706	2D16	1	50 - 71	AT32064	1E20	3	30 - 43	AT63813	1D14	5	30 - 11
AT29707	2D15	31	50 - 70	AT32064	1E20	5	30 - 43	AT63813	1D14	10	30 - 11
AT29707	2D16	34	50 - 71	AT32064	1E22	9	30 - 45	AT67693	1J5	9	40 - 53
AT29710	2A24	15	50 - 3	AT32064	1E22	10	30 - 45	AT69065	2C19	10	50 - 49
AT29710	2B2	16	50 - 5	AT32208	2B8	4	50 - 11	AT72330	1C9	14	20 - 40
AT29712	2C7	10	50 - 36	AT32208	2B9	4	50 - 12	AT72330	1C10	13	20 - 41
AT29712	2C8	18	50 - 37	AT32209	2B10	4	50 - 13	AT73350	2H3	5	70 - 48

1K17

1020 TRACTOR

NUMERICAL INDEX - CONTINUED

PART NO.	GRID	KEY	PAGE	PART NO.	GRID	KEY	PAGE	PART NO.	GRID	KEY	PAGE
AT73351	2H3	4	70 - 48	A4365R	1E4	3	30 - 26	A4883R	3C2	14	80 - 31
AT75387	3E2	4	90 - 23	A4365R	2G19	11	70 - 39	A4883R	3C4	14	80 - 33
AT81398	1D8	10	30 - 5	A4365R	2G19	29	70 - 39	A5146R	3B17	16	80 - 22
AT81764	3E2	6	90 - 23	A4365R	2H15	19	70 - 61	A5180R	3D2	8	80 - 55
AT85174	1H5	19	40 - 3	A4365R	2H16	6	70 - 62	A5207R	3D2	14	80 - 55
AU30241	2I15	7	70 - 88	A4380R	3C2	13	80 - 31	A5301R	2I18	5	70 - 91
AU41464	1H7	7	40 - 5	A4380R	3C4	13	80 - 33	A5302R	2I18	3	70 - 91
AU41464	1H9	6	40 - 7	A4388R	3B20	5	80 - 25	A5401R	2I18	30	70 - 91
AU41464	1H10	9	40 - 8	A4388R	3B21	5	80 - 26	A602R	2B5	5	50 - 8
AU41465	1H7	14	40 - 5	A4388R	3C2	10	80 - 31	B1085R	2C9	25	50 - 38
AU41465	1H8	9	40 - 6	A4388R	3C4	10	80 - 33	B11182	2G24	13	70 - 44
AU41465	1H9	8	40 - 7	A4444R	2G14	10	70 - 34	B1664R	2C10	16	50 - 39
AU41465	1H10	18	40 - 8	A4517R	3C2	5	80 - 31	B1664R	2C12	15	50 - 41
AU41465	1H11	8	40 - 9	A4624R	2I14	5	70 - 87	B1664R	3E1	1	90 - 22
A1160R	2D11	21	50 - 66	A4653R	1J4	3	40 - 52	B17575	1J1	1B	40 - 49
A1160R	2D14	28	50 - 69	A4655R	1J4	4	40 - 52	B17682	1E7	2	30 - 29
A120R	1B4	19	20 - 11	A4656R	1A25	13	20 - 7	B17682	1E9	3	30 - 31
A120R	2C19	6	50 - 49	A4666R	3C18	21	80 - 47	B177R	2E20	11	60 - 17
A147R	2I18	4	70 - 91	A4723R	2I18	35	70 - 91	B177R	2E20	12	60 - 17
A1555R	3B17	12	80 - 22	A4723R	2I19	4	70 - 92	B177R	2E20	18	60 - 17
A1556R	3B17	11	80 - 22	A4730R	1C2	13	20 - 31	B190R	2D4	21	50 - 59
A15898	2I23	1	70 - 97	A4730R	1C2	20	20 - 31	B190R	2D6	20	50 - 61
A15899	2I23	2	70 - 97	A4730R	1C2	21	20 - 31	B2477R	2H2	10	70 - 47
A2899R	1I19	8	40 - 42	A4730R	2G19	17	70 - 39	B2641R	1C2	5	20 - 31
A3184R	2I8	3	70 - 81	A4730R	2I7	24	70 - 80	B2641R	2C3	24	50 - 31
A3539R	1H14	11	40 - 13	A4730R	2I11	17	70 - 84	B2641R	2C5	44	50 - 33
A354R	2G8	22	70 - 30A	A4730R	2I12	9	70 - 85	B2672R	1G20	30	30 - 93
A3581R	2G24	5	70 - 44	A4730R	2I18	9	70 - 91	B2762R	2H24	13	70 - 70
A3581R	2H8	14	70 - 53	A4730R	2I18	25	70 - 91	B2762R	2I5	8	70 - 77
A3581R	2I16	5	70 - 89	A4730R	2I19	7	70 - 92	B3014R	3C2	4	80 - 31
A3581R	2I16	7	70 - 89	A4730R	2I25	16	70 - 99	B3014R	3C4	4	80 - 33
A364R	2D4	19	50 - 59	A4730R	2J2	8	70 - 101	B3016R	3C2	3	80 - 31
A364R	2D6	18	50 - 61	A4731R	2I18	8	70 - 91	B3016R	3C4	3	80 - 33
A369R	2D19	13	50 - 74	A4731R	2I19	8	70 - 92	B3018R	3C2	15	80 - 31
A3910R	1A25	2	20 - 7	A4732R	2I18	14	70 - 91	B3018R	3C4	15	80 - 33
A3917R	1E25	13	30 - 48	A4733R	2I18	15	70 - 91	B3690R	2E6	2	60 - 1
A3917R	1F8	13	30 - 56	A4733R	2I19	6	70 - 92	B3690R	2E9	5	60 - 5
A3917R	1F10	12	30 - 58	A4736R	2I18	43	70 - 91	B3690R	2E11	2	60 - 7
A3917R	1F11	11	30 - 59	A4737R	2I18	17	70 - 91	B3690R	2E12	2	60 - 8
A3917R	1F11	12	30 - 59	A4738R	2I18	16	70 - 91	B3690R	2E17	2	60 - 13
A3917R	1F15	4	30 - 63	A4739R	2I18	42	70 - 91	B3772R	3B21	3	80 - 26
A3917R	1F17	12	30 - 65	A4740R	2I18	38	70 - 91	B3772R	3C2	12	80 - 31
A3917R	1F22	19	30 - 70	A4741R	2I18	39	70 - 91	B3772R	3C4	12	80 - 33
A3917R	1G5	19	30 - 78	A4742R	2B21	17	50 - 24	B3773R	3B21	3	80 - 26
A3917R	1G14	28	30 - 87	A4742R	2C2	16	50 - 30	B3773R	3C2	12	80 - 31
A3917R	2B25	1	50 - 28	A4742R	2I18	41	70 - 91	B3773R	3C4	12	80 - 33
A3917R	2C9	28	50 - 38	A4744R	2I18	36	70 - 91	B3801R	3C2	5	80 - 31
A3917R	2C10	28	50 - 39	A4745R	2I18	22	70 - 91	C1067R	2B5	11	50 - 8
A3917R	2C12	27	50 - 41	A4745R	2I19	1	70 - 92	C1067R	2B6	10	50 - 9
A3917R	2C12	35	50 - 41	A4746R	2I18	23	70 - 91	C1067R	2B22	29	50 - 25
A3917R	2C13	6	50 - 42	A4747R	2I18	21	70 - 91	C1919R	2D15	21	50 - 70
A3917R	2C14	4	50 - 43	A4748R	2I18	20	70 - 91	C1919R	2D16	24	50 - 71
A3917R	2C15	4	50 - 45	A4806R	2C19	32	50 - 49	C2175R	2A24	25	50 - 3
A3917R	2C22	6	50 - 52	A4808R	2C19	31	50 - 49	C2175R	2B2	30	50 - 5
A3917R	2F22	5	70 - 19	A4827R	1B23	19	20 - 28	C2175R	2B4	39	50 - 7
A3917R	2F23	10	70 - 21	A4827R	1B24	17	20 - 29	C2175R	2B25	12	50 - 28
A3917R	2G1	4	70 - 24	A4827R	2C19	18	50 - 49	C284R	2B22	28	50 - 25
A3917R	2H21	3	70 - 67	A4827R	2D25	18	50 - 81	DA5883A	2G25	5	70 - 45
A3917R	2H23	24	70 - 69	A48331	1I23	3	40 - 46	DA5883A	2H2	2	70 - 47
A3917R	2I5	9	70 - 77	A48332	1I23	23	40 - 46	DA5883A	2H3	7	70 - 48
A3917R	2I7	13	70 - 80	A4847R	2A24	28	50 - 3	DD12119	1B2	2	20 - 9
A3917R	2I11	5	70 - 84	A4847R	2B2	32	50 - 5	D2361R	2B23	15	50 - 26
A3917R	2I12	4	70 - 85	A4847R	2B4	33	50 - 7	D2361R	2E20	28	60 - 17
A39716	1I23	1	40 - 46	A4847R	2G8	1	70 - 30A	D2361R	2F8	50	70 - 5
A4159R	1H14	5	40 - 13	A4847R	2G13	9	70 - 33	D2361R	2F10	48	70 - 7
A4231R	2F23	18	70 - 21	A4881R	1D20	14	30 - 17	D2361R	2F12	50	70 - 9
A4231R	2F25	21	70 - 23	A4883R	2B22	13	50 - 25	D2361R	2F14	48	70 - 11

1K18

1020 TRACTOR

NUMERICAL INDEX - CONTINUED

PART NO.	GRID	KEY	PAGE	PART NO.	GRID	KEY	PAGE	PART NO.	GRID	KEY	PAGE
D2361R	2F25	16	70 - 23	F2772R	2A24	34	50 - 3	H871R	2C2	24	50 - 30
D2361R	2G3	11	70 - 26	F2772R	2B2	38	50 - 5	H871R	2C5	16	50 - 33
D2361R	2G4	15	70 - 27	F2821R	2G21	7	70 - 41	H871R	2C5	29	50 - 33
D2361R	2G8	3	70 - 30A	F2822R	2G21	5	70 - 41	H871R	2I23	10	70 - 97
D2361R	2G10	6	70 - 30C	F2823R	2G21	3	70 - 41	H97644	3D11	41	90 - 7
D2361R	2G13	11	70 - 33	F2824R	2G21	2	70 - 41	H987R	1J12	19	40 - 60
D2361R	2I7	4	70 - 80	F2861R	2C24	1	50 - 54	JD1091	3B14	2	80 - 20
D2361R	2I7	18	70 - 80	F2863R	2E20	10	60 - 17	JD1091	3B14	13	80 - 20
D2361R	2I11	25	70 - 84	F2863R	3D17	7	90 - 13	JD1091	3B17	8	80 - 22
D2361R	2I13	4	70 - 86	F3128R	2C19	19	50 - 49	JD1102	3B17	8	80 - 22
D2361R	2I13	15	70 - 86	F3171R	2A24	31	50 - 3	JD126	1I23	10	40 - 46
D2361R	2I14	18	70 - 87	F3171R	2B2	35	50 - 5	JD126	1J12	10	40 - 60
D2361R	2I20	4	70 - 93	F3171R	2B25	19	50 - 28	JD1291	3B14	2	80 - 20
D2361R	2I20	15	70 - 93	F3171R	2C16	17	50 - 46	JD16	3B14	1	80 - 20
D2361R	2I21	4	70 - 94	F3171R	2C17	13	50 - 47	JD16	3B14	9	80 - 20
D2361R	2I21	16	70 - 94	F3171R	2C20	2	50 - 50	JD16	3B16	2	80 - 21
D2865R	2H2	7	70 - 47	F3171R	2C23	16	50 - 53	JD16	3B17	9	80 - 22
E16050	1J12	16	40 - 60	F3171R	2E21	10	60 - 18	JD16	3B19	2	80 - 24
E34355	1E11	2	30 - 33	F3171R	2E22	2	60 - 19	JD16	3B22	6	80 - 27
E34355	1E11	12	30 - 33	F3171R	2F8	54	70 - 5	JD16	3B23	1	80 - 28
E49903	1E11	2	30 - 33	F3171R	2F12	54	70 - 9	JD19	3B14	1	80 - 20
E49903	1E11	12	30 - 33	F3171R	2F18	12	70 - 15	JD272	3D2	13	80 - 55
E49906	1E6	6	30 - 28	F3171R	2F18	15	70 - 15	JD3000	3B14	2	80 - 20
E49906	1E14	11	30 - 37	F3171R	2F19	2	70 - 16	JD3002	3B14	2	80 - 20
F1334R	2D15	20	50 - 70	F3171R	2F20	2	70 - 17	JD3011	3B14	2	80 - 20
F1334R	2D16	23	50 - 71	F3171R	2I15	9	70 - 88	JD3033	3B23	2	80 - 28
F1791R	2G6	7	70 - 29	F3195R	3C24	3	80 - 53	JD3035	3B19	1	80 - 24
F1791R	2G8	8	70 - 30A	F3322R	2B23	18	50 - 26	JD3036	3B19	1	80 - 24
F1791R	2G8	39	70 - 30A	F3322R	2G8	16	70 - 30A	JD3037	3B19	1	80 - 24
F1942R	2G11	6	70 - 31	F3322R	2G8	39	70 - 30A	JD3038	3B23	2	80 - 28
F2084R	1H9	14	40 - 7	F3322R	2G10	7	70 - 30C	JD3039	3B14	2	80 - 20
F2084R	1H10	13	40 - 8	F3336R	2G19	24	70 - 39	JD3039	3B17	8	80 - 22
F215R	2D4	20	50 - 59	F3353R	2B22	10	50 - 25	JD3219	3B17	8	80 - 22
F215R	2D6	19	50 - 61	F3353R	2G6	21	70 - 29	JD5236	3D2	18	80 - 55
F215R	2E7	15	60 - 2	F3353R	2G13	2	70 - 33	JD5272	3D2	7	80 - 55
F2208R	1G20	29	30 - 93	F3366R	2B23	4	50 - 26	JD5272	3D4	8	80 - 57
F2208R	2C14	3	50 - 43	F339R	2C1	20	50 - 29	JD5400	3E1	2	90 - 22
F2208R	2C14	25	50 - 43	F3396R	1G19	8	30 - 92	JD5602	3D25	13	90 - 21
F2208R	2C14	26	50 - 43	F3450R	2E15	20	60 - 11	JD683	3B23	2	80 - 28
F2208R	2C15	3	50 - 45	F3539R	2H12	6	70 - 57	JD7128	2D10	14	50 - 65
F2208R	2C15	18	50 - 45	F3541R	2H12	4	70 - 57	JD7128	2D12	24	50 - 67
F2208R	2C15	19	50 - 45	F3542R	2H12	5	70 - 57	JD7128	2D13	20	50 - 68
F2208R	2D20	6	50 - 75	F3607R	3B4	3	80 - 9	JD7375	2D2	2	50 - 57
F2208R	2H2	11	70 - 47	F3607R	3B12	4	80 - 18	JD7418	2D25	26	50 - 81
F2367R	2D10	13	50 - 65	F534R	3A22	13	80 - 1	JD7418	3B13	4	80 - 19
F2367R	2D12	25	50 - 67	F534R	3A24	11	80 - 3	JD7418	3B17	5	80 - 22
F2367R	2D13	21	50 - 68	F534R	3A25	10	80 - 5	JD7425	2D8	4	50 - 63
F2506R	1D20	8	30 - 17	F534R	3B2	11	80 - 7	JD7425	2E2	5	50 - 83
F2570R	2G14	7	70 - 34	F534R	3B4	21	80 - 9	JD7425	2E2	15	50 - 83
F2653R	2E25	23	60 - 23	F534R	3B11	13	80 - 17	JD7425	2E2	19	50 - 83
F2680R	2G21	9	70 - 41	H104855	1J23	9	40 - 71	JD7425	2E4	14	50 - 85
F2681R	2G21	9	70 - 41	H113196	1I10	2	40 - 35A	JD7438	2D25	13	50 - 81
F2681R	2H6	1	70 - 51	H113196	1I12	2	40 - 35D	JD7445	3B17	4	80 - 22
F2682R	2G24	12	70 - 44	H20925	1E11	7	30 - 33	JD7449	2D2	1	50 - 57
F2683R	2G21	12	70 - 41	H20993	1E11	3	30 - 33	JD7537	2D15	17	50 - 70
F2683R	2G24	12	70 - 44	H22551	1E9	11	30 - 31	JD7537	2D16	20	50 - 71
F2684R	2G21	10	70 - 41	H23193	1I4	4	40 - 29	JD7557	2D15	16	50 - 70
F2684R	2G24	14	70 - 44	H23746	3C21	2	80 - 50	JD7557	2D16	19	50 - 71
F2684R	2G25	6	70 - 45	H246R	2C22	7	50 - 52	JD7674	2D4	17	50 - 59
F2684R	2H2	4	70 - 47	H246R	2D2	9	50 - 57	JD7674	2D6	16	50 - 61
F2685R	2G21	10	70 - 41	H33689	2B7	27	50 - 10	JD7692	2D12	15	50 - 67
F2685R	2G24	14	70 - 44	H34753	2I18	30	70 - 91	JD7692	2D14	15	50 - 69
F2685R	2G25	6	70 - 45	H410R	2D9	9	50 - 64	JD7692	2D16	15	50 - 71
F2685R	2H2	4	70 - 47	H61022	2B7	25	50 - 10	JD7759	2E2	6	50 - 83
F2693R	2H2	6	70 - 47	H81551	1E11	4	30 - 33	JD7759	2E4	6	50 - 85
F2695R	2H2	8	70 - 47	H836R	2B17	3	50 - 20	JD7797	2B8	15	50 - 11
F2741R	2G13	10	70 - 33	H871	2I25	11	70 - 99	JD7797	2B9	18	50 - 12

1K19

1020 TRACTOR

NUMERICAL INDEX - CONTINUED

PART NO.	GRID	KEY	PAGE	PART NO.	GRID	KEY	PAGE	PART NO.	GRID	KEY	PAGE
JD7797	2B10	12	50 - 13	JD8877	2D10	11	50 - 65	JD9858	2F14	8	70 - 11
JD7798	2G23	6	70 - 43	JD8877	2D11	13	50 - 66	JD9858	2F14	34	70 - 11
JD7798	3A22	9	80 - 1	JD8877	2D12	7	50 - 67	JD9858	2F16	1	70 - 13
JD7798	3A24	5	80 - 3	JD8877	2D13	8	50 - 68	JD9878	2C19	10	50 - 49
JD7798	3A25	14	80 - 5	JD8877	2D14	18	50 - 69	JD9911	3B11	2	80 - 17
JD7798	3B2	5	80 - 7	JD8877	2D15	11	50 - 70	JD9927	2C5	26	50 - 33
JD7798	3B4	10	80 - 9	JD8877	2D16	18	50 - 71	L11027	2D25	24	50 - 81
JD7798	3B6	8	80 - 11	JD8905	3B14	7	80 - 20	L11028	2D25	24	50 - 81
JD7798	3B11	4	80 - 17	JD8905	3B15	5	80 - 20A	L11292	2G24	11	70 - 44
JD7798	3B13	5	80 - 19	JD8905	3B16	12	80 - 21	L1198T	3C23	4	80 - 52
JD7799	3A22	10	80 - 1	JD8913	3B17	3	80 - 22	L1880N	3C23	17	80 - 52
JD7799	3A24	6	80 - 3	JD8922	2D25	8	50 - 81	L2104N	2I18	29	70 - 91
JD7799	3A25	13	80 - 5	JD8929	3B17	7	80 - 22	L2104N	2I19	3	70 - 92
JD7799	3B2	6	80 - 7	JD8946	2E2	4	50 - 83	L25879	3B12	5	80 - 18
JD7799	3B4	9	80 - 9	JD8946	2E2	22	50 - 83	L25880	3B12	5	80 - 18
JD7799	3B11	5	80 - 17	JD8946	2E4	4	50 - 85	L26932	2G19	25A	70 - 39
JD7799	3C14	9	80 - 43	JD8969	2D25	25	50 - 81	L26932	2G19	25B	70 - 39
JD8135	2D25	14	50 - 81	JD8969	3B4	13	80 - 9	L26932	2G19	26	70 - 39
JD8147	2D8	5	50 - 63	JD8969	3B13	4	80 - 19	L28372	2G23	4	70 - 43
JD8147	2E2	4	50 - 83	JD8979	2D7	15	50 - 62	L28374	2G23	12	70 - 43
JD8147	2E2	16	50 - 83	JD8982	2D25	28	50 - 81	L28401	2D1	7	50 - 56
JD8147	2E2	18	50 - 83	JD8997	2D7	3	50 - 62	L28782	3B13	8	80 - 19
JD8147	2E4	15	50 - 85	JD9065	2D18	4	50 - 73	L28783	3B13	8	80 - 19
JD8171	2D2	6	50 - 57	JD9125	2D18	3	50 - 73	L29020	2H8	2	70 - 53
JD8171	2E2	16	50 - 83	JD9257	1C7	8	20 - 37	L29020	2H11	12	70 - 56
JD8194	3B14	11	80 - 20	JD9257	1C8	2	20 - 39	L29022	2H8	13	70 - 53
JD8194	3B15	2	80 - 20A	JD9258	2D4	22	50 - 59	L29023	2H8	2	70 - 53
JD8194	3B16	16	80 - 21	JD9258	2D6	21	50 - 61	L29023	2H8	16	70 - 53
JD8206	2E2	5	50 - 83	JD9292	2D11	19	50 - 66	L29048	2C19	10	50 - 49
JD8206	2E2	21	50 - 83	JD9292	2D14	30	50 - 69	L29197	2E15	5	60 - 11
JD8206	2E4	5	50 - 85	JD9292	2D15	2	50 - 70	L29199	2E15	5	60 - 11
JD8217	2E2	15	50 - 83	JD9292	2D16	2	50 - 71	L29298	2B2	16	50 - 5
JD8230	3B14	10	80 - 20	JD9320	2D15	22	50 - 70	L29343	2C3	16	50 - 31
JD8230	3B15	3	80 - 20A	JD9320	2D16	25	50 - 71	L29343	2C5	47	50 - 33
JD8230	3B16	15	80 - 21	JD9344	2D10	14	50 - 65	L29401	2B18	12	50 - 21
JD8239	3B14	8	80 - 20	JD9344	2D12	24	50 - 67	L29854	2A24	1	50 - 3
JD8239	3B15	4	80 - 20A	JD9344	2D13	20	50 - 68	L29854	2A24	15	50 - 3
JD8239	3B16	13	80 - 21	JD9361	2D4	17	50 - 59	L29854	2B2	1	50 - 5
JD8247	2D25	7	50 - 81	JD9361	2D6	16	50 - 61	L29854	2B2	16	50 - 5
JD8251	3B17	6	80 - 22	JD9449	1H19	23	40 - 19	L29854	2B4	1	50 - 7
JD8255	2D7	4	50 - 62	JD9449	1H21	25	40 - 21	L29872	2G6	25	70 - 29
JD8267	2D7	14	50 - 62	JD9464	2B13	2	50 - 16	L29872	2G20	10	70 - 40
JD8276	2D2	7	50 - 57	JD9464	2B14	8	50 - 17	L29882	2E25	14	60 - 23
JD8407	3B6	12	80 - 11	JD9464	2B15	8	50 - 18	L29883	2E25	21	60 - 23
JD8410	3B4	24	80 - 9	JD9464	2C3	14	50 - 31	L29884	2E25	19	60 - 23
JD8410	3B13	2	80 - 19	JD9464	2C5	49	50 - 33	L30755	2C13	8	50 - 42
JD8511	2B13	2	50 - 16	JD9465	2D4	22	50 - 59	L30755	2C13	10	50 - 42
JD8511	2B14	8	50 - 17	JD9465	2D6	21	50 - 61	L30755	2C14	10	50 - 43
JD8511	2B15	8	50 - 18	JD9810	1B22	13	20 - 27	L30755	2C14	12	50 - 43
JD8511	2C3	14	50 - 31	JD9812	2G23	15	70 - 43	L31016	2E23	1	60 - 20
JD8511	2C5	49	50 - 33	JD9813	2B14	9	50 - 17	L31016	2E23	2	60 - 20
JD8720	2B19	7	50 - 22	JD9813	2B15	6	50 - 18	L31016	2E23	3	60 - 20
JD8720	2C1	17	50 - 29	JD9813	2D12	14	50 - 67	L31016	2E23	5	60 - 20
JD8720	2C16	5	50 - 46	JD9813	2D14	14	50 - 69	L31055	2C24	8	50 - 54
JD8720	2C17	1	50 - 47	JD9813	2D16	14	50 - 71	L31311	2C25	10	50 - 55
JD8728	2E7	14	60 - 2	JD9822	2D4	1	50 - 59	L31514	2D6	23	50 - 61
JD8729	2C1	24	50 - 29	JD9822	2D6	1	50 - 61	L31515	2D6	23	50 - 61
JD8823	2B14	9	50 - 17	JD9832	2E9	11	60 - 5	L31849	2H8	5	70 - 53
JD8823	2B15	6	50 - 18	JD9832	2E12	15	60 - 8	L31849	2H8	6	70 - 53
JD8823	2D12	14	50 - 67	JD9832	2E15	2	60 - 11	L31849	2H8	9	70 - 53
JD8823	2D14	14	50 - 69	JD9839	2D2	4	50 - 57	L31849	2H8	10	70 - 53
JD8823	2D16	14	50 - 71	JD9858	2F8	8	70 - 5	L32016	2H8	4	70 - 53
JD8827	3A24	3	80 - 3	JD9858	2F8	36	70 - 5	L32016	2H8	6	70 - 53
JD8827	3B2	3	80 - 7	JD9858	2F10	8	70 - 7	L32016	2H8	9	70 - 53
JD8833	1B22	14	20 - 27	JD9858	2F10	34	70 - 7	L32016	2H8	10	70 - 53
JD8856	2G23	16	70 - 43	JD9858	2F12	8	70 - 9	L324T	2B5	8	50 - 8
JD8867	1E7	26	30 - 29	JD9858	2F12	36	70 - 9	L324T	2B6	11	50 - 9

1K20

1020 TRACTOR

NUMERICAL INDEX - CONTINUED

PART NO.	GRID	KEY	PAGE	PART NO.	GRID	KEY	PAGE	PART NO.	GRID	KEY	PAGE
L33563	2B18	3	50 - 21	L59211	3B24	5	80 - 29	M4224T	2A24	10	50 - 3
L34351	3D25	8	90 - 21	L59212	3B24	6	80 - 29	M4224T	2B2	10	50 - 5
L34381	2G8	29	70 - 30A	L60517	3C21	9	80 - 50	M4224T	2B4	9	50 - 7
L34382	2G8	2	70 - 30A	L60517	3D7	10	90 - 3	M4224T	2C8	15	50 - 37
L34383	2G8	1	70 - 30A	L60667	2E25	14	60 - 23	M4224T	2C9	11	50 - 38
L34451	2E15	6	60 - 11	L62507	2G8	9	70 - 30A	M4224T	2C10	1	50 - 39
L34451	2E17	4	60 - 13	L62606	2E25	1	60 - 23	M4224T	2C10	11	50 - 39
L35521	3D4	5	80 - 57	L63825	2H11	1	70 - 56	M4224T	2C12	10	50 - 41
L35845	1C15	17	20 - 47	L63826	2H11	1	70 - 56	M43835	1J23	2	40 - 71
L35845	2F23	6	70 - 21	L63826	2H11	4	70 - 56	M526T	1G20	28	30 - 93
L36319	3D4	15	80 - 57	L64852	2G8	33	70 - 30A	M526T	2C8	3	50 - 37
L36557	2D4	24	50 - 59	L64852	2G10	2	70 - 30C	M557T	3D14	5	90 - 10
L36575	2D1	12	50 - 56	L65000	1J9	10	40 - 57	M557T	3D17	29	90 - 13
L36575	2D1	13	50 - 56	L65347	3D2	5	80 - 55	M557T	3D19	15	90 - 15
L372T	2B7	14	50 - 10	L65348	3D2	6	80 - 55	M644T	1H9	14	40 - 7
L372T	2B8	13	50 - 11	L65446	3D2	5	80 - 55	M644T	1H10	13	40 - 8
L372T	2B10	17	50 - 13	L65446	3D2	6	80 - 55	M644T	1H11	12	40 - 9
L37325	2E4	23	50 - 85	M1102T	2C9	15	50 - 38	M67T	1B16	2	20 - 21
L38023	2B18	3	50 - 21	M1102T	2C12	1	50 - 41	M67T	1B18	3	20 - 23
L38057	2E3	3	50 - 84	M1102T	2C19	1	50 - 49	M886T	2D11	7	50 - 66
L38057	2E4	24	50 - 85	M1102T	2D1	1	50 - 56	M886T	2D12	5	50 - 67
L38694	2D23	3	50 - 79	M1112T	1D14	18	30 - 11	M886T	2D14	5	50 - 69
L39881	2G19	9	70 - 39	M1112T	1D18	7	30 - 15	N10065	2I10	9	70 - 83
L4027T	2C24	10	50 - 54	M115827	2G24	13	70 - 44	N102039	1A25	2	20 - 7
L4305T	2C24	9	50 - 54	M115827	2G24	15	70 - 44	N115096	1J23	11	40 - 71
L41383	2G8	15	70 - 30A	M115827	2H6	17	70 - 51	N167122	2H11	2	70 - 56
L41383	2G8	39	70 - 30A	M115827	2H10	6	70 - 55	N186901	2H12	9	70 - 57
L41383	2G10	8	70 - 30C	M1335T	1D8	19	30 - 5	N52048	3B14	3	80 - 20
L41384	2G8	14	70 - 30A	M1339T	1G19	1	30 - 92	N52048	3B16	6	80 - 21
L41384	2G8	39	70 - 30A	M1518T	3B6	6	80 - 11	N6704DN	2D6	24	50 - 61
L41384	2G10	9	70 - 30C	M1554T	3D23	1	90 - 19	N6704DN	2D17	8	50 - 72
L41536	2G8	37	70 - 30A	M2056T	2D7	13	50 - 62	PM797NA	1K3	1	40 - 76
L41536	2G8	39	70 - 30A	M2057T	2D7	13	50 - 62	PT1294	1I23	7	40 - 46
L41536	2G10	3	70 - 30C	M2058T	2D7	13	50 - 62	PT1296	1I23	14	40 - 46
L41538	2G8	39	70 - 30A	M2206T	2D25	12	50 - 81	PT1624	1I23	5	40 - 46
L41725	2G8	9	70 - 30A	M2282T	3B6	14	80 - 11	PT18180	1I23	5	40 - 46
L41725	2G8	14	70 - 30A	M2283T	3B6	13	80 - 11	PT18181	1I23	17	40 - 46
L41725	2G8	15	70 - 30A	M2291T	3D20	20	90 - 16	PT9318	1I23	7	40 - 46
L41725	2G8	37	70 - 30A	M2334T	3B24	5	80 - 29	PT9319	1I23	5	40 - 46
L41725	2G8	38	70 - 30A	M2335T	3B24	6	80 - 29	PT9320	1I23	17	40 - 46
L41725	2G8	39	70 - 30A	M2353T	2D10	4	50 - 65	PT9321	1I23	25	40 - 46
L41725	2G8	40	70 - 30A	M2353T	2D12	23	50 - 67	PT9390	1I23	6	40 - 46
L41725	2G10	21	70 - 30C	M2353T	2D13	19	50 - 68	P42061	2D6	28	50 - 61
L41726	2G8	38	70 - 30A	M2396T	2D17	7	50 - 72	P44982	2C8	11	50 - 37
L41726	2G10	4	70 - 30C	M2396T	2G11	1	70 - 31	P44982	2C8	13	50 - 37
L42314	2G8	25	70 - 30A	M2396T	2G15	15	70 - 35	P44982	2C9	8	50 - 38
L42314	2G8	29	70 - 30A	M2396T	2G16	17	70 - 36	P44982	2D20	6	50 - 75
L42314	2G10	17	70 - 30C	M2396T	2G19	1	70 - 39	P46051	2G23	11	70 - 43
L4667T	1G19	2	30 - 92	M2396T	2H15	8	70 - 61	P46051	2H21	15	70 - 67
L55202	2G2	7	70 - 25	M2396T	2I10	16	70 - 83	P46051	2H23	5	70 - 69
L55202	2G8	27	70 - 30A	M2396T	2I11	14	70 - 84	P46051	2I5	16	70 - 77
L55202	2G8	29	70 - 30A	M2834T	1A25	6	20 - 7	P47892	1B22	3	20 - 27
L55202	2G10	19	70 - 30C	M2834T	2A24	7	50 - 3	P47893	1B22	4	20 - 27
L55203	2G8	23	70 - 30A	M2834T	2C19	2	50 - 49	P48347	1G14	5	30 - 87
L55203	2G8	29	70 - 30A	M3119T	1D15	17	30 - 12	P50631	2D15	25	50 - 70
L55203	2G10	15	70 - 30C	M3119T	1D16	17	30 - 13	P50631	2D16	28	50 - 71
L55204	2G8	26	70 - 30A	M3265T	2G8	28	70 - 30A	P50738	1I20	3	40 - 43
L55204	2G8	29	70 - 30A	M3265T	2G10	20	70 - 30C	P51212	2I25	12	70 - 99
L55204	2G10	18	70 - 30C	M3265T	2G13	4	70 - 33	P51212	2J2	5	70 - 101
L55204	2G13	5	70 - 33	M360T	2G19	10	70 - 39	RE10800	2E15	7	60 - 11
L55223	2G19	6	70 - 39	M3636T	1B22	22	20 - 27	RE10801	2E15	7	60 - 11
L56824	2G19	6	70 - 39	M3742T	1G19	3	30 - 92	RE10924	2I5	19	70 - 77
L56957	2G8	24	70 - 30A	M3853T	1C2	24	20 - 31	RE11156	1J25	36	40 - 73
L56957	2G8	29	70 - 30A	M3853T	1C3	5	20 - 32	RE11157	1J25	37	40 - 73
L56957	2G10	16	70 - 30C	M41029	1B8	8	20 - 13B	RE11447	2J3	9	70 - 102
L57595	2H12	9	70 - 57	M42229	3D20	12	90 - 16	RE11456	2J3	2	70 - 102
L58389	2G19	6	70 - 39	M42229	3D20	21	90 - 16	RE11457	2J3	1	70 - 102

1K21

1020 TRACTOR

NUMERICAL INDEX - CONTINUED

PART NO.	GRID	KEY	PAGE	PART NO.	GRID	KEY	PAGE	PART NO.	GRID	KEY	PAGE
RE11458	2J3	2	70 - 102	RE19192	1I6	19	40 - 31	RE31973	1B2	5	20 - 9
RE11463	2J3	2	70 - 102	RE19193	1I2	12	40 - 27	RE32011	1C18	6	20 - 50
RE12121	2I25	20	70 - 99	RE19193	1I6	4	40 - 31	RE33636	1E1	1	30 - 23
RE12715	1I25	9	40 - 48	RE19197	1I6	10	40 - 31	RE35685	1C3	13	20 - 32
RE12842	1A23	2	20 - 2	RE19402	1E2	3	30 - 24	RE35992	1A23	3	20 - 2
RE12842	1C15	..	20 - 47	RE19402	1E6	34	30 - 28	RE36425	1C2	13	20 - 31
RE13089	2H12	14	70 - 57	RE19402	1E6	..	30 - 28	RE36425	1C2	19	20 - 31
RE13089	2H12	..	70 - 57	RE19402	1E7	4	30 - 29	RE36425	1C2	21	20 - 31
RE13090	2H12	14	70 - 57	RE19402	1E7	..	30 - 29	RE36425	1C2	28	20 - 31
RE13090	2H12	..	70 - 57	RE19402	1E9	6	30 - 31	RE36425	1C2	29	20 - 31
RE13181	2D15	23	50 - 70	RE19402	1E9	45	30 - 31	RE37011	2B18	14	50 - 21
RE13181	2D16	26	50 - 71	RE19402	1E11	..	30 - 33	RE37089	1G1	9	30 - 74
RE13813	2I25	14	70 - 99	RE19402	1E13	1	30 - 35	RE37089	1G1	13	30 - 74
RE13814	2I25	6	70 - 99	RE19403	1E11	6	30 - 33	RE37089	1G9	9	30 - 82
RE13815	2J2	10	70 - 101	RE19404	1E11	13	30 - 33	RE37089	1G9	13	30 - 82
RE13912	2D22	3	50 - 78	RE19404	1E13	1	30 - 35	RE37089	1G18	7	30 - 91
RE13912	2D23	15	50 - 79	RE19405	1E11	1	30 - 33	RE37091	1G1	2	30 - 74
RE14069	1H6	5	40 - 4	RE19406	1E11	8A	30 - 33	RE37091	1G1	6	30 - 74
RE14512	1H13	11	40 - 11	RE19407	1E11	10	30 - 33	RE37091	1G1	9	30 - 74
RE14512	1H13	14	40 - 11	RE19408	1E2	3	30 - 24	RE37091	1G1	13	30 - 74
RE14513	1H13	2	40 - 11	RE19408	1E6	34	30 - 28	RE37091	1G9	2	30 - 82
RE14513	1H13	3	40 - 11	RE19408	1E6	..	30 - 28	RE37091	1G9	6	30 - 82
RE14758	2C14	25	50 - 43	RE19408	1E7	..	30 - 29	RE37091	1G9	9	30 - 82
RE14758	2C14	26	50 - 43	RE19408	1E9	6	30 - 31	RE37091	1G9	13	30 - 82
RE14758	2C15	18	50 - 45	RE19408	1E9	45	30 - 31	RE37091	1G14	2	30 - 87
RE14758	2C15	19	50 - 45	RE19408	1E11	8B	30 - 33	RE37091	1G18	2	30 - 91
RE14759	2C14	25	50 - 43	RE19445	3D11	14	90 - 7	RE37091	1G18	7	30 - 91
RE14759	2C14	26	50 - 43	RE19445	3D11	19	90 - 7	RE37465	1C18	10	20 - 50
RE14759	2C15	18	50 - 45	RE19445	3D11	21	90 - 7	RE37996	1H6	4	40 - 4
RE14759	2C15	19	50 - 45	RE19445	3D11	43	90 - 7	RE38390	1H5	26	40 - 3
RE15361	2I13	9	70 - 86	RE19505	1C8	1	20 - 39	RE38390	1H6	6	40 - 4
RE15361	2I13	14	70 - 86	RE19733	1B16	6	20 - 21	RE38390	2G5	11	70 - 28
RE15361	2I13	17	70 - 86	RE19733	1B16	7	20 - 21	RE38390	2G20	6	70 - 40
RE15361	2I14	14	70 - 87	RE19842	1B6	1	20 - 13	RE38458	1H5	16	40 - 3
RE15361	2I14	19	70 - 87	RE19842	1B8	61	20 - 13B	RE38564	1C19	9	20 - 51
RE15361	2I14	23	70 - 87	RE19850	1B6	1	20 - 13	RE38570	1C21	24	20 - 53
RE15361	2I20	9	70 - 93	RE19944	1C5	1	20 - 35	RE38572	1C23	24	20 - 55
RE15361	2I20	14	70 - 93	RE21073	1J9	17	40 - 57	RE38578	1E3	4	30 - 25
RE15361	2I20	17	70 - 93	RE21076	1B8	13	20 - 13B	RE38578	1E5	3	30 - 27
RE15361	2I21	10	70 - 94	RE21096	1J9	11	40 - 57	RE38578	1E5	6	30 - 27
RE15361	2I21	11	70 - 94	RE21112	1J11	3	40 - 59	RE38707	1J9	11	40 - 57
RE15361	2I21	15	70 - 94	RE21113	1J11	10	40 - 59	RE38848	1C18	10	20 - 50
RE15361	2I21	18	70 - 94	RE21230	1G16	1	30 - 89	RE39061	1H22	9	40 - 22
RE15361	2I21	20	70 - 94	RE21439	1F22	6	30 - 70	RE39829	2H11	12	70 - 56
RE15381	1B6	1	20 - 13	RE21510	1J9	20	40 - 57	RE39829	2H12	14	70 - 57
RE15381	1C3	13	20 - 32	RE21730	1K2	5	40 - 75	RE39829	2H12	..	70 - 57
RE16149	1B4	31	20 - 11	RE21731	1K2	5	40 - 75	RE39830	2H11	12	70 - 56
RE16149	1B8	23	20 - 13B	RE21732	1K2	6	40 - 75	RE39830	2H12	14	70 - 57
RE16913	1C19	9	20 - 51	RE21738	1J11	15	40 - 59	RE39830	2H12	..	70 - 57
RE17282	1J18	10	40 - 66	RE22589	1J11	2	40 - 59	RE40428	1C19	9	20 - 51
RE17282	1J19	14	40 - 67	RE23000	2B17	14	50 - 20	RE42211	1E3	12	30 - 25
RE18116	2C25	15	50 - 55	RE23000	2B20	5	50 - 23	RE42211	1E3	13	30 - 25
RE18646	2D1	12	50 - 56	RE23182	1A23	2	20 - 2	RE42211	1E4	5	30 - 26
RE18646	2D1	13	50 - 56	RE23182	1C15	..	20 - 47	RE42730	1H13	9	40 - 11
RE19187	1H13	9	40 - 11	RE23382	2F8	15	70 - 5	RE42730	1H22	..	40 - 22
RE19187	1H22	..	40 - 22	RE23382	2F10	15	70 - 7	RE42730	1H23	1	40 - 23
RE19187	1H23	1	40 - 23	RE23382	2F12	15	70 - 9	RE42730	1H23	..	40 - 23
RE19187	1H23	..	40 - 23	RE23382	2F14	15	70 - 11	RE42730	1I2	..	40 - 27
RE19187	1I2	..	40 - 27	RE24175	1I9	4	40 - 35	RE42730	1I4	..	40 - 29
RE19187	1I4	..	40 - 29	RE24561	1E1	1	30 - 23	RE42730	1I6	..	40 - 31
RE19187	1I6	..	40 - 31	RE24959	1B10	8	20 - 15	RE42730	1I8	..	40 - 33
RE19187	1I8	..	40 - 33	RE25621	1J17	1	40 - 65	RE42730	1I9	..	40 - 35
RE19187	1I9	..	40 - 35	RE26739	2H13	6	70 - 59	RE42730	1I10	4	40 - 35A
RE19187	1I10	4	40 - 35A	RE26740	2H13	6	70 - 59	RE42730	1I12	10	40 - 35D
RE19187	1I12	10	40 - 35D	RE27995	2B17	14	50 - 20	RE43025	1J9	17	40 - 57
RE19188	1I8	18	40 - 33	RE27995	2B20	5	50 - 23	RE43274	1E2	7	30 - 24
RE19191	1I6	18	40 - 31	RE30174	1E1	1	30 - 23	RE43274	1E3	13	30 - 25

1K22

1020 TRACTOR

NUMERICAL INDEX - CONTINUED

PART NO.	GRID	KEY	PAGE	PART NO.	GRID	KEY	PAGE	PART NO.	GRID	KEY	PAGE
RE43274	1E4	5	30-26	R10170	1E7	21	30-29	R113752	1C3	4	20-32
RE43393	2D17	1	50-72	R10170	1E9	37	30-31	R113752	1C3	8	20-32
RE44574	1B10	6	20-15	R10170	1E14	5	30-37	R113752	1C3	13	20-32
RE44574	1B10	8	20-15	R10182	1E7	28	30-29	R119269	1C21	9	20-53
RE44657	1J15	28	40-63	R10182	1E14	3	30-37	R119707	1B8	1	20-13B
RE46317	1J9	11	40-57	R10184	1E6	13	30-28	R120106	1J9	10	40-57
RE46414	1J9	12	40-57	R10185	1E6	15	30-28	R120107	1J9	10	40-57
RE46896	1B8	50	20-13B	R10185	1E9	33	30-31	R120108	1J9	10	40-57
RE46896	1B12	1	20-17	R10186	1E6	6	30-28	R120111	3D2	19	80-55
RE47637	1B12	1	20-17	R10186	1E14	11	30-37	R120834	2B17	9	50-20
RE49984	1112	4	40-35D	R10187	1E6	7	30-28	R120834	2B19	14	50-22
RE49985	1112	7	40-35D	R10188	1E6	17	30-28	R125754	1B8	9	20-13B
RE49986	1112	8	40-35D	R10188	1E9	25	30-31	R126041	1B23	10	20-28
RE50095	1H23	1	40-23	R10194	1E7	27	30-29	R15023	1H19	12	40-19
RE50095	1110	4	40-35A	R10194	1E14	2	30-37	R15023	1H21	15	40-21
RE50095	1112	10	40-35D	R10198	1E9	5	30-31	R15024	1H19	13	40-19
RE50096	1110	3	40-35A	R10211	1E6	5	30-28	R15024	1H21	17	40-21
RE50096	1112	3	40-35D	R10211	1E9	29	30-31	R15025	1H19	5	40-19
RE50137	2C19	..	50-49	R10211	1E14	10	30-37	R15026	1H19	7	40-19
RE50756	2A24	..	50-3	R10300	1E7	25	30-29	R15026	1H21	6	40-21
RE50756	2B2	..	50-5	R105583	2F8	7	70-5	R15027	1H19	18	40-19
RE50756	2B4	..	50-7	R105583	2F10	7	70-7	R15027	1H21	21	40-21
RE50940	2B23	10	50-26	R105583	2F12	7	70-9	R15029	1H19	24	40-19
RE50940	2B24	4	50-27	R105583	2F14	7	70-11	R15029	1H21	26	40-21
RE54817	3B15	6	80-20A	R105814	1G20	3	30-93	R15030	1H19	10	40-19
RE55095	1H13	9	40-11	R105814	1G20	19	30-93	R15030	1H21	14	40-21
RE55343	1C2	28	20-31	R105942	1J9	10	40-57	R15033	1H19	22	40-19
RE55343	1C2	29	20-31	R1069R	3D17	5	90-13	R15033	1H21	24	40-21
RE55343	1C3	4	20-32	R108837	2B23	10	50-26	R15034	1H19	9	40-19
RE55343	1C3	8	20-32	R108837	2B24	4	50-27	R15035	1H19	11	40-19
RE55343	1C3	13	20-32	R109863	1B8	35	20-13B	R15035	1H21	13	40-21
RE56309	1A25	1	20-7	R11039	1H25	19	40-25	R15036	1H19	8	40-19
RE60654	1H13	9	40-11	R11066	1H25	9	40-25	R15036	1H21	4	40-21
RE60654	1H23	1	40-23	R11066	119	3	40-35	R15036	1H21	9	40-21
RE60654	1110	4	40-35A	R11087	114	18	40-29	R15038	1H19	20	40-19
RE62234	3D17	13	90-13	R11087	1114	17	40-37	R15038	1H21	22	40-21
RE62916	1H13	9	40-11	R11095	112	5	40-27	R1590R	2C21	2	50-51
RE62916	1H23	1	40-23	R11096	112	1	40-27	R1612R	2B21	6	50-24
RE62916	112	..	40-27	R11116	112	7	40-27	R1662R	2F22	8	70-19
RE62916	114	20	40-29	R11116	116	26	40-31	R1662R	2F22	12	70-19
RE62916	114	..	40-29	R11116	1113	6	40-36	R1662R	2F23	21	70-21
RE62916	116	30	40-31	R11117	112	8	40-27	R1662R	2F25	13	70-23
RE62916	116	..	40-31	R11117	116	27	40-31	R1662R	2G1	2	70-24
RE62916	118	20	40-33	R11117	1113	7	40-36	R1680R	2A24	9	50-3
RE62916	118	..	40-33	R11118	116	21	40-31	R1680R	2B2	9	50-5
RE62916	1110	4	40-35A	R11118	1113	1	40-36	R1680R	2B4	10	50-7
RE62916	1112	10	40-35D	R11191	1114	19	40-37	R1680R	3C14	6	80-43
RE66845	1J9	20	40-57	R11194	1H25	12	40-25	R1769R	2C23	8	50-53
RW26466	1J9	20	40-57	R11195	1H25	13	40-25	R1836R	3D17	11	90-13
R100105	1B12	14	20-17	R11198	1H25	3	40-25	R1870R	2D4	13	50-59
R100142	1B8	50	20-13B	R11225	1113	2	40-36	R1870R	2D6	12	50-61
R100142	1B12	1	20-17	R11235	112	31	40-27	R1888R	2B9	13	50-12
R100380	1H22	4	40-22	R11236	114	21	40-29	R1888R	2C22	9	50-52
R10093	1B4	24	20-11	R11236	118	19	40-33	R20135	2E8	13	60-3
R10093	2G8	31	70-30A	R11238	114	3	40-29	R20498	1E2	8	30-24
R10093	2G13	3	70-33	R11239	114	8	40-29	R20498	1E3	14	30-25
R10093	2G13	7	70-33	R11240	1H25	..	40-25	R20759	3C23	6	80-52
R10093	2G15	18	70-35	R11240	112	22	40-27	R20817	3C18	20	80-47
R10093	2G16	6	70-36	R11240	1113	21	40-36	R20922	2I1	4	70-72
R10093	2G17	15	70-37	R11243	114	1	40-29	R20922	2I2	4	70-73
R10093	2I25	5	70-99	R11278	1125	1	40-48	R21302	3C7	2	80-36
R10093	2J2	2	70-101	R112922	1112	6	40-35D	R21302	3C8	3	80-37
R10104	1E7	11	30-29	R112923	1112	5	40-35D	R21551	1H9	15	40-7
R10104	1E9	43	30-31	R112926	1112	9	40-35D	R21551	1H10	14	40-8
R10150	1E6	35	30-28	R1134R	3C23	19	80-52	R21551	1H11	14	40-9
R10160	1E6	32	30-28	R113752	1C2	28	20-31	R21551	3D11	31	90-7
R10160	1E9	16	30-31	R113752	1C2	29	20-31	R21612	2E2	10	50-83

1K23

1020 TRACTOR

NUMERICAL INDEX - CONTINUED

PART NO.	GRID	KEY	PAGE	PART NO.	GRID	KEY	PAGE	PART NO.	GRID	KEY	PAGE
R21612	2E4	10	50-85	R26375	2F10	6	70-7	R26448	2G6	5	70-29
R21722	2I23	9	70-97	R26375	2F10	16	70-7	R26448	2G8	4	70-30A
R21722	2J3	1	70-102	R26375	2F10	29	70-7	R26448	2G8	7	70-30A
R21722	2J3	2	70-102	R26375	2F10	47	70-7	R26448	2G8	10	70-30A
R26006	2B16	4	50-19	R26375	2F10	52	70-7	R26448	2G8	37	70-30A
R26006	2E3	7	50-84	R26375	2F12	6	70-9	R26448	2G8	39	70-30A
R26015	2D2	5	50-57	R26375	2F12	10	70-9	R26448	2G13	12	70-33
R26015	3C14	12	80-43	R26375	2F12	16	70-9	R26448	2H16	2	70-62
R26125	1B2	13	20-9	R26375	2F12	31	70-9	R26448	2H18	16	70-64
R26149	1E1	3	30-23	R26375	2F12	49	70-9	R26448	2I5	4	70-77
R26149	2A24	26	50-3	R26375	2F14	6	70-11	R26448	2I5	17	70-77
R26149	2B2	31	50-5	R26375	2F14	16	70-11	R26448	2I20	30	70-93
R26149	2B4	35	50-7	R26375	2F14	29	70-11	R26460	2G6	10	70-29
R26149	2B25	23	50-28	R26375	2F14	47	70-11	R26477	2H15	30	70-61
R26149	2C16	13	50-46	R26375	2F14	52	70-11	R26478	2H15	7	70-61
R26149	2C17	9	50-47	R26375	2F18	2	70-15	R26479	2H15	7	70-61
R26149	2H14	..	70-60	R26375	2F18	3	70-15	R26480	2I7	23	70-80
R26149	2H15	18	70-61	R26375	2F18	8	70-15	R26480	2I11	16	70-84
R26149	2H15	..	70-61	R26375	2F18	13	70-15	R26480	2I12	10	70-85
R26149	2H16	4	70-62	R26375	2F18	14	70-15	R26480	2I18	26	70-91
R26149	2H17	21	70-63	R26375	2F18	15	70-15	R26480	2I25	16	70-99
R26149	2H17	..	70-63	R26375	2F19	5	70-16	R26480	2J2	8	70-101
R26149	2H18	13	70-64	R26375	2F20	8	70-17	R26482	2I7	17	70-80
R26149	2H21	9	70-67	R26375	2F23	24	70-21	R26482	2I11	8	70-84
R26149	2I5	18	70-77	R26375	2F25	3	70-23	R26482	2I12	6	70-85
R26169	2B22	9	50-25	R26375	2F25	12	70-23	R26482	2I23	20	70-97
R26198	2E2	12	50-83	R26375	2G2	1	70-25	R26483	2I7	21	70-80
R26241	1B4	7	20-11	R26375	2G2	7	70-25	R26483	2I11	11	70-84
R26286	2F8	20	70-5	R26375	2G6	11	70-29	R26483	2I12	7	70-85
R26286	2F10	20	70-7	R26375	2G8	12	70-30A	R26484	2H21	4	70-67
R26286	2F12	20	70-9	R26375	2G8	15	70-30A	R26484	2H23	23	70-69
R26286	2F14	20	70-11	R26375	2G13	13	70-33	R26484	2I5	10	70-77
R26286	2F18	6	70-15	R26375	2H14	..	70-60	R26484	2I7	14	70-80
R26286	2G8	17	70-30A	R26375	2H15	..	70-61	R26484	2I11	4	70-84
R26286	2G13	8	70-33	R26375	2H16	1	70-62	R26484	2I12	3	70-85
R26287	1D22	4	30-19	R26375	2H16	2	70-62	R26485	2I7	10	70-80
R26287	1D24	4	30-21	R26375	2H17	8	70-63	R26485	2I11	27	70-84
R26287	1D25	5	30-22	R26375	2H17	..	70-63	R26485	2I12	1	70-85
R26287	2B23	10	50-26	R26375	2H18	8	70-64	R26485	2I13	11	70-86
R26287	2B23	27	50-26	R26375	2H18	14	70-64	R26485	2I14	21	70-87
R26287	2B24	4	50-27	R26375	2I1	6	70-72	R26485	2I20	11	70-93
R26287	2C9	13	50-38	R26375	2I2	6	70-73	R26485	2I21	12	70-94
R26287	2C10	8	50-39	R26375	2I3	6	70-75	R26493	1B4	11	20-11
R26287	2C12	6	50-41	R26375	2I5	5	70-77	R26493	1B8	29	20-13B
R26287	2E2	8	50-83	R26375	2I10	19	70-83	R26500	1B22	7	20-27
R26287	2E4	8	50-85	R26375	2I13	23	70-86	R26501	1B22	8	20-27
R26287	2E13	10	60-9	R26375	2I14	1	70-87	R26501	1G19	10	30-92
R26287	2E21	1	60-18	R26375	2I15	4	70-88	R26501	1G21	11	30-94
R26287	2E22	1	60-19	R26375	2I16	2	70-89	R26524	1G21	12	30-94
R26287	2F18	10	70-15	R26375	2I16	3	70-89	R26543	2E9	25	60-5
R26287	2F19	6	70-16	R26375	2I20	22	70-93	R26543	2E11	8	60-7
R26287	2G5	13	70-28	R26375	2J3	4	70-102	R26544	2H14	6	70-60
R26287	2G6	13	70-29	R26409	1H8	3	40-6	R26544	2H14	..	70-60
R26287	2H15	6	70-61	R26409	1H11	3	40-9	R26544	2H15	..	70-61
R26287	2H16	5	70-62	R26418	3D20	16	90-16	R26544	2H16	12	70-62
R26375	2A24	37	50-3	R26448	1H6	2	40-4	R26544	2H17	..	70-63
R26375	2B2	42	50-5	R26448	2B24	17	50-27	R26544	2H19	7	70-65
R26375	2B4	25	50-7	R26448	2C9	24	50-38	R26546	2H24	14	70-70
R26375	2C19	10	50-49	R26448	2C10	33	50-39	R26546	2I5	7	70-77
R26375	2E7	5	60-2	R26448	2C12	32	50-41	R26551	2H15	3	70-61
R26375	2E20	26	60-17	R26448	2E15	15	60-11	R26551	2H16	7	70-62
R26375	2E22	8	60-19	R26448	2E15	31	60-11	R26552	2C8	7	50-37
R26375	2F8	6	70-5	R26448	2E17	5	60-13	R26552	2C9	17	50-38
R26375	2F8	10	70-5	R26448	2E18	2	60-15	R26552	2C10	2	50-39
R26375	2F8	16	70-5	R26448	2F20	5	70-17	R26552	2C19	5	50-49
R26375	2F8	31	70-5	R26448	2G5	1	70-28	R26552	2C19	10	50-49
R26375	2F8	49	70-5	R26448	2G5	10	70-28	R26552	2C19	25	50-49

1K24

1020 TRACTOR

NUMERICAL INDEX - CONTINUED

PART NO.	GRID	KEY	PAGE	PART NO.	GRID	KEY	PAGE	PART NO.	GRID	KEY	PAGE
R26552	2C22	2	50-52	R26919	2B2	3	50-5	R27218	2G6	4	70-29
R26552	2D1	4	50-56	R26919	2B4	3	50-7	R27218	2G8	11	70-30A
R26552	2D12	11	50-67	R26933	2B13	5	50-16	R27218	2G8	38	70-30A
R26552	2D14	8	50-69	R26933	2B15	5	50-18	R27218	2G8	39	70-30A
R26552	2D16	8	50-71	R26936	1J5	12	40-53	R27218	2H18	17	70-64
R26552	2D19	12	50-74	R26974	2H15	10	70-61	R27231	2H15	4	70-61
R26552	2E9	20	60-5	R26976	2H16	11	70-62	R27233	2H14	17	70-60
R26552	2E9	21	60-5	R26977	2H16	10	70-62	R27233	2H19	13	70-65
R26552	2E9	22	60-5	R26978	2H14	15	70-60	R27237	2G2	2	70-25
R26552	2E13	9	60-9	R26980	2H14	16	70-60	R27237	2G2	4	70-25
R26565	2H15	11	70-61	R26980	2H14	23	70-60	R27237	2H17	19	70-63
R26632	3B17	2	80-22	R26982	2H14	26	70-60	R27237	2H18	15	70-64
R26637	1G20	5	30-93	R26986	2H17	17	70-63	R27237	2I1	7	70-72
R26637	1G20	13	30-93	R27003	2C19	15	50-49	R27237	2I2	7	70-73
R26638	2B9	7	50-12	R27003	2C19	23	50-49	R27237	2I3	5	70-75
R26650	1B4	12	20-11	R27003	2D19	10	50-74	R27237	2I13	24	70-86
R26650	1B8	30	20-13B	R27033	2B9	9	50-12	R27237	2I20	23	70-93
R26656	2D10	10	50-65	R27060	2H17	22	70-63	R27245	2B19	11	50-22
R26726	1E1	13	30-23	R27094	2F8	21	70-5	R27245	2B22	4	50-25
R26726	1E16	24	30-39	R27094	2F10	21	70-7	R27267	2F19	1	70-16
R26726	1E22	24	30-45	R27094	2F12	21	70-9	R27272	2F8	22	70-5
R26726	1E24	14	30-47	R27094	2F14	21	70-11	R27272	2F12	22	70-9
R26726	1F7	14	30-55	R27116	3D17	4	90-13	R27285	1C21	4	20-53
R26726	1F21	15	30-69	R27149	2D6	26	50-61	R27285	1C23	13	20-55
R26726	1G4	15	30-77	R27166	1C2	13	20-31	R27285	1E2	6	30-24
R26727	2C19	19	50-49	R27166	1C2	21	20-31	R27285	1E3	1	30-25
R26727	2D25	19	50-81	R27166	1C2	22	20-31	R27285	1E4	1	30-26
R26753	2C1	1	50-29	R27166	1C23	8	20-55	R27285	1E5	1	30-27
R26753	2C3	3	50-31	R27166	2B25	3	50-28	R27320	2B4	17	50-7
R26753	2C5	22	50-33	R27166	2H18	7	70-64	R27320	2B7	16	50-10
R26754	2E9	24	60-5	R27166	2H21	7	70-67	R27320	2E9	3	60-5
R26754	2E11	7	60-7	R27166	2H23	17	70-69	R27320	2E12	8	60-8
R26795	2D11	20	50-66	R27166	2H23	20	70-69	R27329	2D10	20	50-65
R26795	2D14	29	50-69	R27166	2H24	1	70-70	R27329	2D11	8	50-66
R26822	2D6	31	50-61	R27166	2I5	11	70-77	R27329	2D12	6	50-67
R26822	2D17	6	50-72	R27166	2I6	3	70-79	R27329	2D13	13	50-68
R26822	2H15	9	70-61	R27173	2F8	56	70-5	R27329	2D14	6	50-69
R26832	3D17	12	90-13	R27173	2F12	56	70-9	R27329	2D15	28	50-70
R26858	3C17	10	80-46	R27174	2F8	55	70-5	R27329	2D16	31	50-71
R26858	3C18	19	80-47	R27174	2F12	55	70-9	R27329	2D22	1	50-78
R26863	2G6	2	70-29	R27174	2F18	16	70-15	R27346	1D25	6	30-22
R26871	2C8	11	50-37	R27175	2A24	30	50-3	R27426	2I18	10	70-91
R26871	2C8	13	50-37	R27175	2B2	34	50-5	R27430	2I7	5	70-80
R26871	2C9	8	50-38	R27175	2C20	1	50-50	R27430	2I13	5	70-86
R26877	3D17	17	90-13	R27175	2F8	53	70-5	R27430	2I20	5	70-93
R26879	3D17	18	90-13	R27175	2F12	53	70-9	R27430	2I21	5	70-94
R26905	2G3	6	70-26	R27181	1D20	7	30-17	R27440	3D17	27	90-13
R26905	2G4	6	70-27	R27211	2H15	28	70-61	R27441	2G16	12	70-36
R26906	2B23	13	50-26	R27212	2F20	4	70-17	R27441	3D17	2	90-13
R26906	2B25	18	50-28	R27216	2B23	10	50-26	R27442	3D17	14	90-13
R26906	2C16	7	50-46	R27216	2B23	28	50-26	R27457	1H5	15	40-3
R26906	2C17	4	50-47	R27216	2B24	4	50-27	R27457	1H9	3	40-7
R26906	2E20	7	60-17	R27216	2C9	14	50-38	R27457	2F22	2	70-19
R26906	2E22	3	60-19	R27216	2C10	7	50-39	R27457	2G1	5	70-24
R26906	2F8	28	70-5	R27216	2C12	5	50-41	R27457	2G1	7	70-24
R26906	2F10	26	70-7	R27216	2E2	7	50-83	R27460	1H8	15	40-6
R26906	2F12	28	70-9	R27216	2E4	7	50-85	R27460	1H11	18	40-9
R26906	2F14	26	70-11	R27216	2E13	11	60-9	R27460	1I17	2	40-40
R26906	2F18	7	70-15	R27216	2G5	14	70-28	R27460	1I17	5	40-40
R26906	2F25	9	70-23	R27216	2G6	14	70-29	R27460	1I18	1	40-41
R26906	2G2	17	70-25	R27216	2H15	31	70-61	R27460	1I20	4	40-43
R26906	2G6	17	70-29	R27218	2B24	16	50-27	R27474	2G6	16	70-29
R26906	2G20	11	70-40	R27218	2C9	23	50-38	R27474	2G20	12	70-40
R26906	2I1	1	70-72	R27218	2C10	34	50-39	R27474	2I15	2	70-88
R26906	2I2	1	70-73	R27218	2C12	33	50-41	R27489	2H15	14	70-61
R26906	2I15	1	70-88	R27218	2F20	22	70-17	R27490	2E25	30	60-23
R26919	2A24	3	50-3	R27218	2G5	1	70-28	R27490	2H16	9	70-62

1K25

1020 TRACTOR

NUMERICAL INDEX - CONTINUED

PART NO.	GRID	KEY	PAGE	PART NO.	GRID	KEY	PAGE	PART NO.	GRID	KEY	PAGE
R27490	2H17	23	70 - 63	R28204	2I20	18	70 - 93	R30714	1E24	32	30 - 47
R27491	2E18	6	60 - 15	R28493	3C9	2	80 - 38	R30714	1F1	11	30 - 49
R27507	2B22	18	50 - 25	R28493	3C10	2	80 - 39	R30714	1F2	10	30 - 50
R27507	2B23	5	50 - 26	R28538	2F25	7	70 - 23	R30714	1F3	3	30 - 51
R27507	2C7	9	50 - 36	R28539	2F25	10	70 - 23	R30714	1F4	10	30 - 52
R27507	2H6	6C	70 - 51	R28561	2H15	13	70 - 61	R30714	1F5	3	30 - 53
R27507	2I10	7	70 - 83	R28563	2H15	12	70 - 61	R30714	1F7	32	30 - 55
R27507	2I11	18	70 - 84	R28575	3B17	16	80 - 22	R30714	1F9	11	30 - 57
R27527	2E21	8	60 - 18	R28583	1E1	15	30 - 23	R30714	1F19	12	30 - 67
R27528	1C2	6	20 - 31	R28584	1E1	16	30 - 23	R30714	1G3	7	30 - 76
R27528	2E21	3	60 - 18	R28634	2C10	9	50 - 39	R30718	1F1	7	30 - 49
R27531	2F22	26	70 - 19	R28634	2C12	7	50 - 41	R30718	1F9	7	30 - 57
R27531	2G4	10	70 - 27	R28634	2H14	13	70 - 60	R30718	1F24	17	30 - 72
R27539	2F25	7	70 - 23	R28635	2H14	11	70 - 60	R30718	1G7	17	30 - 80
R27539	2F25	10	70 - 23	R28733	2I14	4	70 - 87	R30719	1F1	7	30 - 49
R27567	2B4	16	50 - 7	R28744	2H14	9	70 - 60	R30719	1F9	7	30 - 57
R27567	2B6	1	50 - 9	R28744	2H19	14	70 - 65	R30719	1F24	18	30 - 72
R27587	2H14	19	70 - 60	R28744	2H19	16	70 - 65	R30719	1G7	18	30 - 80
R27588	2H14	22	70 - 60	R28744	2H24	6	70 - 70	R30721	1F1	6	30 - 49
R27589	2H14	18	70 - 60	R28776	2D9	2	50 - 64	R30721	1F9	6	30 - 57
R27593	2H14	5	70 - 60	R28776	2D19	3	50 - 74	R30722	1F2	15	30 - 50
R27593	2H19	6	70 - 65	R28776	2G2	5	70 - 25	R30722	1F4	15	30 - 52
R27643	3C12	5	80 - 41	R28782	2C8	16	50 - 37	R30725	1E24	18	30 - 47
R27678	2H14	25	70 - 60	R28782	2C8	17	50 - 37	R30725	1F7	18	30 - 55
R27829	2G16	23	70 - 36	R28782	2C9	2	50 - 38	R30725	1F21	1	30 - 69
R27829	2G17	18	70 - 37	R28782	2D20	8	50 - 75	R30725	1G4	1	30 - 77
R27976	1B2	11	20 - 9	R28797	1D9	1	30 - 6	R30726	1E24	18	30 - 47
R27976	2B23	25	50 - 26	R28797	1D10	1	30 - 7	R30727	1E24	18	30 - 47
R27997	2H6	18	70 - 51	R28962	2F22	6	70 - 19	R30727	1F7	18	30 - 55
R27998	2H6	20	70 - 51	R28962	2F23	12	70 - 21	R30727	1F21	4	30 - 69
R27999	2H6	21	70 - 51	R29001	2D11	18	50 - 66	R30727	1G4	4	30 - 77
R280R	2D17	2	50 - 72	R29001	2D14	31	50 - 69	R30728	1E24	17	30 - 47
R28006	2I7	6	70 - 80	R29001	2D15	3	50 - 70	R30728	1F7	17	30 - 55
R28006	2I13	7	70 - 86	R29001	2D16	3	50 - 71	R30728	1F15	24	30 - 63
R28006	2I20	7	70 - 93	R29463	2E9	23	60 - 5	R30728	1F21	18	30 - 69
R28006	2I21	6	70 - 94	R29463	2E11	6	60 - 7	R30728	1G4	18	30 - 77
R28007	1G20	33	30 - 93	R29936	2C24	2	50 - 54	R30729	1E24	17	30 - 47
R28019	3B7	2	80 - 12	R29936	2C24	5	50 - 54	R30729	1F7	17	30 - 55
R28023	3B9	4	80 - 14	R29936	2E20	5	60 - 17	R30729	1F15	24	30 - 63
R28040	1C11	12	20 - 42	R29936	2E20	29	60 - 17	R30729	1F21	18	30 - 69
R28040	1C12	12	20 - 43	R29936	2E21	15	60 - 18	R30729	1G4	18	30 - 77
R28061	2G21	12	70 - 41	R29936	2E22	5	60 - 19	R30730	1E24	17	30 - 47
R28061	2G24	12	70 - 44	R30181	1I19	10	40 - 42	R30730	1F7	17	30 - 55
R28084	2I7	3	70 - 80	R30182	1I15	11	40 - 38	R30730	1F15	24	30 - 63
R28084	2I7	19	70 - 80	R30182	1I16	1	40 - 39	R30730	1F21	18	30 - 69
R28084	2I11	9	70 - 84	R30182	1I16	5	40 - 39	R30730	1G4	18	30 - 77
R28084	2I13	3	70 - 86	R30182	1I19	2	40 - 42	R30731	1E24	17	30 - 47
R28084	2I13	16	70 - 86	R30378	1H5	7	40 - 3	R30731	1F7	17	30 - 55
R28084	2I14	15	70 - 87	R30378	1J5	3	40 - 53	R30731	1F15	24	30 - 63
R28084	2I20	3	70 - 93	R30378	1J5	4	40 - 53	R30731	1F21	18	30 - 69
R28084	2I20	16	70 - 93	R30378	1J5	8	40 - 53	R30731	1G4	18	30 - 77
R28084	2I21	3	70 - 94	R30378	1J12	25	40 - 60	R30732	1F1	9	30 - 49
R28084	2I21	17	70 - 94	R30378	1J25	43	40 - 73	R30732	1F9	9	30 - 57
R28085	2I7	2	70 - 80	R30399	2D25	31	50 - 81	R30732	1F23	13	30 - 71
R28085	2I13	2	70 - 86	R30410	1E3	11	30 - 25	R30732	1G6	13	30 - 79
R28085	2I13	17	70 - 86	R30410	1E5	4	30 - 27	R30733	1F14	2	30 - 62
R28085	2I14	14	70 - 87	R30437	2G15	17	70 - 35	R30734	1F14	2	30 - 62
R28085	2I20	2	70 - 93	R30437	2G16	7	70 - 36	R30735	1E24	10	30 - 47
R28085	2I20	17	70 - 93	R30437	2G17	14	70 - 37	R30735	1F7	10	30 - 55
R28085	2I21	2	70 - 94	R30587	2B17	5	50 - 20	R30735	1F14	3	30 - 62
R28085	2I21	18	70 - 94	R30587	2B19	12	50 - 22	R30735	1F21	9	30 - 69
R28124	2H15	15	70 - 61	R30587	2C1	21	50 - 29	R30735	1G4	9	30 - 77
R28204	2I7	1	70 - 80	R30587	2C16	2	50 - 46	R30736	1E24	9	30 - 47
R28204	2I13	1	70 - 86	R30587	2D8	11	50 - 63	R30737	1E24	8	30 - 47
R28204	2I13	28	70 - 86	R30587	2D12	8	50 - 67	R30737	1F7	8	30 - 55
R28204	2I14	13	70 - 87	R30587	2D14	9	50 - 69	R30737	1F14	5	30 - 62
R28204	2I20	1	70 - 93	R30587	2D16	9	50 - 71	R30737	1F21	11	30 - 69

1L1

1020 TRACTOR

NUMERICAL INDEX - CONTINUED

PART NO.	GRID	KEY	PAGE	PART NO.	GRID	KEY	PAGE	PART NO.	GRID	KEY	PAGE
R30737	1G4	11	30 - 77	R32016	1116	7	40 - 39	R32507	2C24	6	50 - 54
R30815	2J3	5	70 - 102	R32016	1119	4	40 - 42	R33058	2C9	18	50 - 38
R30816	2J3	7	70 - 102	R32016	1J21	10	40 - 69	R33058	2C12	34	50 - 41
R30817	2J3	6	70 - 102	R32017	1J21	11	40 - 69	R33059	2B19	15	50 - 22
R30828	2C10	13	50 - 39	R32018	1H5	21	40 - 3	R33167	2B18	1	50 - 21
R30828	2C12	12	50 - 41	R32018	1J6	3	40 - 54	R33259	1E25	17	30 - 48
R30903	2F8	3	70 - 5	R32018	1J19	6	40 - 67	R33259	1F8	17	30 - 56
R30903	2F10	3	70 - 7	R32018	1J19	8	40 - 67	R33259	1F11	6	30 - 59
R30903	2F12	3	70 - 9	R32018	1J21	12	40 - 69	R33259	1F12	4	30 - 60
R30903	2F14	3	70 - 11	R32019	1J21	13	40 - 69	R33259	1F17	6	30 - 65
R30903	2F18	1	70 - 15	R32021	1J19	4	40 - 67	R33259	1F18	4	30 - 66
R30958	2A24	24	50 - 3	R32021	1J21	14	40 - 69	R33259	1F22	7	30 - 70
R30958	2B2	29	50 - 5	R32022	1J21	15	40 - 69	R33259	1G5	7	30 - 78
R30958	2B4	38	50 - 7	R32023	1J21	16	40 - 69	R33259	2B23	10	50 - 26
R30958	2B25	13	50 - 28	R32023	1J25	51	40 - 73	R33259	2B24	4	50 - 27
R30958	2D10	7	50 - 65	R32024	1J19	8	40 - 67	R33277	2B23	14	50 - 26
R30958	2D11	10	50 - 66	R32024	1K2	3	40 - 75	R33320	2B16	1	50 - 19
R30958	2D13	10	50 - 68	R32025	1J19	4	40 - 67	R33521	2B24	22	50 - 27
R30958	2D15	13	50 - 70	R32025	1K2	4	40 - 75	R33521	2C10	32	50 - 39
R30958	2D21	7	50 - 77	R32026	1J21	17	40 - 69	R33521	2C12	31	50 - 41
R30964	1H13	10	40 - 11	R32026	1J25	48	40 - 73	R33852	2B16	2	50 - 19
R31125	1F14	2	30 - 62	R32027	1H5	21	40 - 3	R34028	2B23	24	50 - 26
R31136	2G8	30	70 - 30A	R32027	1H7	8	40 - 5	R34063	2F25	33	70 - 23
R31136	2G13	6	70 - 33	R32027	1H8	10	40 - 6	R34140	2C1	4	50 - 29
R31136	2I5	4	70 - 99	R32027	1H9	5	40 - 7	R34352	1C13	13	20 - 45
R31136	2J2	1	70 - 101	R32027	1H10	10	40 - 8	R34352	1C15	21	20 - 47
R31227	1E1	6	30 - 23	R32027	1H11	9	40 - 9	R34360	1B12	6	20 - 17
R31250	1115	11	40 - 38	R32027	1J6	3	40 - 54	R34360	2F5	4	70 - 2
R31250	1116	1	40 - 39	R32027	1J19	4	40 - 67	R34394	1E1	7	30 - 23
R31250	1119	2	40 - 42	R32027	1J19	8	40 - 67	R34395	1E1	8	30 - 23
R31289	2B21	2	50 - 24	R32027	1J21	18	40 - 69	R34397	2I7	15	70 - 80
R31319	2B23	6	50 - 26	R32028	1J21	19	40 - 69	R34397	2I11	6	70 - 84
R31404	2B17	14	50 - 20	R32029	1J21	20	40 - 69	R34398	2I7	22	70 - 80
R31404	2B20	5	50 - 23	R32087	2F22	25	70 - 19	R34398	2I11	12	70 - 84
R31565	2H15	29	70 - 61	R32087	2G4	21	70 - 27	R34399	2D4	2	50 - 59
R31630	2F8	45	70 - 5	R32276	1J15	11	40 - 63	R34399	2D6	2	50 - 61
R31630	2F12	45	70 - 9	R32306	1E1	4	30 - 23	R34399	2I7	8	70 - 80
R31631	2B23	28	50 - 26	R32313	2B17	15	50 - 20	R34399	2I11	1	70 - 84
R31631	2C9	14	50 - 38	R32313	2B20	4	50 - 23	R34400	2I7	20	70 - 80
R31631	2C10	7	50 - 39	R32320	2F22	7	70 - 19	R34400	2I11	10	70 - 84
R31631	2C12	5	50 - 41	R32353	2I13	14	70 - 86	R34404	1G14	5	30 - 87
R31631	2E2	7	50 - 83	R32353	2I14	19	70 - 87	R34446	1D22	3	30 - 19
R31631	2E4	7	50 - 85	R32353	2I20	14	70 - 93	R34446	1D24	3	30 - 21
R31631	2E13	11	60 - 9	R32353	2I21	15	70 - 94	R34447	1D25	5	30 - 22
R31631	2G5	14	70 - 28	R32354	2I13	10	70 - 86	R34572	1E24	24	30 - 47
R31631	2G6	14	70 - 29	R32354	2I14	22	70 - 87	R34589	2I8	2	70 - 81
R31632	2C10	14	50 - 39	R32354	2I20	10	70 - 93	R34603	2F22	25	70 - 19
R31632	2C10	19	50 - 39	R32354	2I21	11	70 - 94	R34603	2G4	21	70 - 27
R31632	2C12	13	50 - 41	R32355	2I13	9	70 - 86	R34623	1E25	2	30 - 48
R31632	2C12	18	50 - 41	R32355	2I14	23	70 - 87	R34623	1F8	2	30 - 56
R31665	2F25	8	70 - 23	R32355	2I20	9	70 - 93	R34623	1F22	5	30 - 70
R31665	2G2	18	70 - 25	R32355	2I21	10	70 - 94	R34623	1G5	5	30 - 78
R31680	2C8	6	50 - 37	R32356	2I7	9	70 - 80	R34624	1E25	9	30 - 48
R31698	2C20	4	50 - 50	R32356	2I11	2	70 - 84	R34624	1F8	9	30 - 56
R31890	2I10	17	70 - 83	R32356	2I13	8	70 - 86	R34624	1F22	14	30 - 70
R31890	2I11	15	70 - 84	R32356	2I14	24	70 - 87	R34624	1G5	14	30 - 78
R31892	1115	9	40 - 38	R32356	2I20	8	70 - 93	R34625	1E25	8	30 - 48
R31892	1116	11	40 - 39	R32356	2I21	9	70 - 94	R34625	1F8	8	30 - 56
R31935	1E7	15	30 - 29	R32389	2H14	14	70 - 60	R34625	1F22	8	30 - 70
R31994	3B20	3	80 - 25	R32411	2H15	27	70 - 61	R34625	1G5	8	30 - 78
R31994	3C2	12	80 - 31	R32412	2H15	16	70 - 61	R34626	1E24	3	30 - 47
R31995	3B20	3	80 - 25	R32419	2I10	1	70 - 83	R34626	1F14	10	30 - 62
R32007	1J19	1	40 - 67	R32419	2I13	27	70 - 86	R34627	1F8	3	30 - 56
R32007	1J19	4	40 - 67	R32419	2I14	25	70 - 87	R34627	1G5	11	30 - 78
R32007	1J19	6	40 - 67	R32419	2I20	29	70 - 93	R34629	1E25	13	30 - 48
R32007	1J19	8	40 - 67	R32419	2I21	8	70 - 94	R34629	1F8	13	30 - 56
R32011	1J21	1	40 - 69	R32507	2C23	4	50 - 53	R34629	1F11	11	30 - 59

1L2

1020 TRACTOR

NUMERICAL INDEX - CONTINUED

PART NO.	GRID	KEY	PAGE	PART NO.	GRID	KEY	PAGE	PART NO.	GRID	KEY	PAGE
R34630	1E24	4	30 - 47	R34812	1F5	2	30 - 53	R36926	2F12	23	70 - 9
R34630	1F7	4	30 - 55	R34812	1F9	35	30 - 57	R36946	2I21	21	70 - 94
R34630	1F14	15	30 - 62	R34812	1F19	8	30 - 67	R37139	1F19	10	30 - 67
R34630	1F22	3	30 - 70	R34812	1F23	2	30 - 71	R37139	1G1	7	30 - 74
R34630	1G5	3	30 - 78	R34812	1G3	4	30 - 76	R37139	1G3	6	30 - 76
R34631	1E24	1	30 - 47	R34812	1G6	2	30 - 79	R37139	1G9	7	30 - 82
R34631	1F7	1	30 - 55	R34812	1G14	9	30 - 87	R375R	2A24	15	50 - 3
R34631	1F22	20	30 - 70	R34812	2H21	19	70 - 67	R375R	2B2	26	50 - 5
R34631	1G5	20	30 - 78	R34824	1F25	16	30 - 73	R375R	2B25	5	50 - 28
R34632	1E25	16	30 - 48	R34824	1G8	15	30 - 81	R375R	2C9	19	50 - 38
R34632	1F8	16	30 - 56	R34827	3C2	16	80 - 31	R375R	2C10	27	50 - 39
R34632	1F22	9	30 - 70	R34827	3C4	16	80 - 33	R375R	2C12	26	50 - 41
R34632	1G5	9	30 - 78	R34828	3C2	7	80 - 31	R375R	2C13	2	50 - 42
R34632	1G14	25	30 - 87	R34828	3C4	7	80 - 33	R375R	2C14	8	50 - 43
R34634	1E25	7	30 - 48	R34863	2C10	22	50 - 39	R375R	2C15	7	50 - 45
R34634	1F8	7	30 - 56	R34863	2C12	21	50 - 41	R375R	2C16	9	50 - 46
R34635	1F2	7	30 - 50	R35163	2I14	8	70 - 87	R375R	2C17	6	50 - 47
R34635	1F4	7	30 - 52	R35226	2E9	7	60 - 5	R375R	2I7	16	70 - 80
R34635	1F25	15	30 - 73	R35226	2E12	11	60 - 8	R375R	2I11	7	70 - 84
R34635	1G8	14	30 - 81	R35226	2E15	4	60 - 11	R375R	2I12	5	70 - 85
R34635	1G14	15	30 - 87	R35226	2E15	5	60 - 11	R375R	2I23	19	70 - 97
R34637	1F3	5	30 - 51	R35226	2E17	3	60 - 13	R38041	2F8	9	70 - 5
R34638	1F22	4	30 - 70	R35286	2E20	3	60 - 17	R38041	2F12	9	70 - 9
R34638	1G5	4	30 - 78	R35286	2E22	4	60 - 19	R38048	2F8	24	70 - 5
R34656	1D20	17	30 - 17	R35339	1C15	19	20 - 47	R38049	2F8	26	70 - 5
R34733	2C23	1	50 - 53	R35352	1E16	28	30 - 39	R38053	2F8	1	70 - 5
R34733	2C23	12	50 - 53	R35352	1E22	5	30 - 45	R38053	2F10	1	70 - 7
R34760	1E16	4	30 - 39	R35684	2E15	28	60 - 11	R38053	2F12	1	70 - 9
R34760	1E18	7	30 - 41	R35684	2E17	10	60 - 13	R38053	2F14	1	70 - 11
R34760	1E20	11	30 - 43	R35726	2E15	35	60 - 11	R38214	2B16	6	50 - 19
R34760	1E22	11	30 - 45	R35823	3D20	8	90 - 16	R38215	2B16	5	50 - 19
R34760	1G2	13	30 - 75	R36075	2I15	8	70 - 88	R38216	2B16	3	50 - 19
R34760	1G10	15	30 - 83	R36134	1C7	6	20 - 37	R38219	2D15	19	50 - 70
R34760	1G12	15	30 - 85	R36235	1J12	22	40 - 60	R38219	2D16	22	50 - 71
R34761	1E16	5	30 - 39	R36265	1H5	26	40 - 3	R38221	2D15	32	50 - 70
R34761	1E18	8	30 - 41	R36265	2G5	11	70 - 28	R38221	2D16	35	50 - 71
R34761	1E20	12	30 - 43	R36265	2G20	6	70 - 40	R38347	2F5	4	70 - 2
R34761	1E22	13	30 - 45	R36402	2H13	2	70 - 59	R38348	2F5	6	70 - 2
R34761	1G2	14	30 - 75	R36424	2E9	31	60 - 5	R38371	1I21	9	40 - 44
R34761	1G10	16	30 - 83	R36424	2E11	10	60 - 7	R38372	1H17	16	40 - 17
R34764	1C18	6	20 - 50	R36471	2H10	1	70 - 55	R38374	1H19	9	40 - 19
R34764	1E16	7	30 - 39	R36535	1F9	36	30 - 57	R38374	1H21	12	40 - 21
R34764	1E18	10	30 - 41	R36535	1F19	9	30 - 67	R39006	2I18	19	70 - 91
R34764	1E20	14	30 - 43	R36535	1G3	5	30 - 76	R39008	2I18	27	70 - 91
R34764	1E22	14	30 - 45	R36538	1F1	13	30 - 49	R39009	2I18	28	70 - 91
R34764	1G2	10	30 - 75	R36538	1F9	13	30 - 57	R39009	2I19	2	70 - 92
R34764	1G10	11	30 - 83	R36538	1G3	18	30 - 76	R39012	2I18	37	70 - 91
R34766	1E16	3	30 - 39	R36540	1F1	15	30 - 49	R39013	2I18	33	70 - 91
R34766	1E18	2	30 - 41	R36540	1F9	15	30 - 57	R39016	2F8	40	70 - 5
R34766	1G2	2	30 - 75	R36540	1G3	20	30 - 76	R39016	2F12	40	70 - 9
R34767	1E16	8	30 - 39	R36542	1F2	14	30 - 50	R39017	2F8	41	70 - 5
R34767	1E18	9	30 - 41	R36542	1F4	14	30 - 52	R39017	2F12	41	70 - 9
R34767	1E20	13	30 - 43	R36542	1F24	14	30 - 72	R39029	2I18	34	70 - 91
R34767	1E22	15	30 - 45	R36542	1G7	14	30 - 80	R39029	2I19	5	70 - 92
R34767	1G2	11	30 - 75	R36646	1F3	6	30 - 51	R39064	2I18	6	70 - 91
R34767	1G10	12	30 - 83	R36646	1F5	6	30 - 53	R39067	2F10	7	70 - 7
R34801	3C5	3	80 - 34	R36646	1F25	24	30 - 73	R39067	2F12	7	70 - 9
R34801	3C8	3	80 - 37	R36646	1G8	23	30 - 81	R39067	2F14	7	70 - 11
R34801	3C9	8	80 - 38	R36651	1F2	6	30 - 50	R39068	2F8	34	70 - 5
R34801	3C11	1	80 - 40	R36651	1G8	13	30 - 81	R39068	2F12	34	70 - 9
R34811	1G20	8	30 - 93	R36658	2J3	3	70 - 102	R39070	2F8	32	70 - 5
R34811	1G20	16	30 - 93	R36659	2J3	3	70 - 102	R39070	2F12	32	70 - 9
R34811	2B22	15	50 - 25	R36666	2E2	11	50 - 83	R39073	2F8	42	70 - 5
R34811	2C7	4	50 - 36	R36666	2E2	12	50 - 83	R39073	2F10	40	70 - 7
R34812	1E6	27	30 - 28	R36732	1J15	24	40 - 63	R39073	2F12	42	70 - 9
R34812	1F1	35	30 - 49	R36757	1D4	..	30 - 1	R39073	2F14	40	70 - 11
R34812	1F3	2	30 - 51	R36926	2F8	23	70 - 5	R39073	2F16	4	70 - 13

1L3

1020 TRACTOR

NUMERICAL INDEX - CONTINUED

PART NO.	GRID	KEY	PAGE	PART NO.	GRID	KEY	PAGE	PART NO.	GRID	KEY	PAGE
R39074	2F8	11	70-5	R39116	2B17	7	50-20	R39181	2F12	44	70-9
R39074	2F12	11	70-9	R39117	2B17	9	50-20	R39181	2F14	42	70-11
R39075	2F8	48	70-5	R39117	2B19	14	50-22	R39182	2F8	18	70-5
R39075	2F12	48	70-9	R39118	2B17	16	50-20	R39182	2F12	18	70-9
R39076	2F8	52	70-5	R39119	2B21	1	50-24	R39184	2C16	6	50-46
R39076	2F10	50	70-7	R39122	2B21	16	50-24	R39189	2B19	16	50-22
R39076	2F12	52	70-9	R39123	2B21	8	50-24	R39192	2B21	7	50-24
R39076	2F14	50	70-11	R39124	2B21	9	50-24	R39193	2B21	4	50-24
R39076	2F25	14	70-23	R39125	2B21	10	50-24	R39193	2C2	17	50-30
R39076	2G3	9	70-26	R39128	2B21	5	50-24	R39193	2C3	19	50-31
R39076	2G4	13	70-27	R39129	2B21	14	50-24	R39193	2C5	18	50-33
R39078	2F8	51	70-5	R39129	2C2	21	50-30	R39193	2C5	35	50-33
R39078	2F10	49	70-7	R39131	2B23	21	50-26	R39197	2F20	11	70-17
R39078	2F12	51	70-9	R39132	2B24	23	50-27	R39200	2F20	15	70-17
R39078	2F14	49	70-11	R39132	2C9	26	50-38	R39201	2F20	12	70-17
R39078	2F25	15	70-23	R39133	2B23	19	50-26	R39202	2F20	14	70-17
R39078	2G3	10	70-26	R39137	2B23	8	50-26	R39208	2F20	6	70-17
R39078	2G4	14	70-27	R39140	2B23	9	50-26	R39209	2F20	23	70-17
R39081	2B14	7	50-17	R39144	2B23	10	50-26	R39224	2B19	8	50-22
R39081	2B17	11	50-20	R39144	2B24	4	50-27	R39224	2C1	18	50-29
R39081	2B19	4	50-22	R39145	2B21	3	50-24	R39224	2C16	4	50-46
R39081	2B20	2	50-23	R39149	2B23	23	50-26	R39224	2C17	2	50-47
R39081	2C1	15	50-29	R39150	2B23	7	50-26	R39225	2H14	7	70-60
R39082	2B17	10	50-20	R39151	2B24	25	50-27	R39225	2H19	3	70-65
R39082	2B20	1	50-23	R39152	2B24	7	50-27	R39228	2F8	12	70-5
R39083	2B17	2	50-20	R39158	2B23	26	50-26	R39228	2F10	12	70-7
R39084	2B17	13	50-20	R39159	2B23	3	50-26	R39228	2F12	12	70-9
R39085	2B20	6	50-23	R39161	2B24	19	50-27	R39228	2F14	12	70-11
R39088	2B20	3	50-23	R39162	2B24	20	50-27	R39229	2B23	20	50-26
R39089	2B21	19	50-24	R39163	2B24	21	50-27	R39237	2C2	7	50-30
R39090	2B21	15	50-24	R39164	2B23	12	50-26	R39238	2C2	2	50-30
R39090	2C22	3	50-52	R39166	2B19	11	50-22	R39238	2C5	2	50-33
R39091	2B21	18	50-24	R39166	2B22	4	50-25	R39239	2C2	19	50-30
R39109	2I10	21	70-83	R39170	2H17	6	70-63	R39240	2F8	26	70-5
R39109	2I11	22	70-84	R39170	2I1	5	70-72	R39240	2F10	24	70-7
R39110	2I10	8	70-83	R39170	2I2	5	70-73	R39240	2F12	26	70-9
R39110	2I11	22	70-84	R39171	2I1	2	70-72	R39240	2F14	24	70-11
R39112	2A24	38	50-3	R39171	2I2	2	70-73	R39242	2F8	25	70-5
R39112	2B2	43	50-5	R39172	2F8	8	70-5	R39242	2F12	25	70-9
R39112	2B4	26	50-7	R39172	2F8	10	70-5	R39243	2F12	24	70-9
R39112	2C19	10	50-49	R39172	2F8	36	70-5	R39244	2B19	9	50-22
R39112	2E7	4	60-2	R39172	2F8	43	70-5	R39244	2C1	19	50-29
R39112	2E20	25	60-17	R39172	2F8	53	70-5	R39244	2C16	6	50-46
R39112	2F8	5	70-5	R39172	2F8	54	70-5	R39244	2C17	3	50-47
R39112	2F8	10	70-5	R39172	2F8	55	70-5	R39245	2C1	22	50-29
R39112	2F8	17	70-5	R39172	2F8	56	70-5	R39247	2C2	13	50-30
R39112	2F8	30	70-5	R39173	2F12	10	70-9	R39247	2C5	14	50-33
R39112	2F10	5	70-7	R39174	2F8	13	70-5	R39248	2B24	13	50-27
R39112	2F10	17	70-7	R39174	2F12	13	70-9	R39252	2C3	12	50-31
R39112	2F10	28	70-7	R39175	2F8	14	70-5	R39252	2C5	38	50-33
R39112	2F10	51	70-7	R39175	2F12	14	70-9	R39254	2C1	13	50-29
R39112	2F12	5	70-9	R39176	2F8	38	70-5	R39256	2C2	18	50-30
R39112	2F12	10	70-9	R39176	2F12	38	70-9	R39257	2C2	23	50-30
R39112	2F12	17	70-9	R39177	2F8	43	70-5	R39258	2C2	22	50-30
R39112	2F12	30	70-9	R39177	2F12	43	70-9	R39259	2C2	6	50-30
R39112	2F14	5	70-11	R39178	2F8	35	70-5	R39259	2C3	4	50-31
R39112	2F14	17	70-11	R39178	2F12	35	70-9	R39260	2C2	4	50-30
R39112	2F14	28	70-11	R39179	2F8	47	70-5	R39260	2C5	4	50-33
R39112	2F14	51	70-11	R39179	2F10	45	70-7	R39261	2C1	14	50-29
R39112	2F20	9	70-17	R39179	2F12	47	70-9	R39265	2C3	23	50-31
R39112	2F23	23	70-21	R39179	2F14	45	70-11	R39265	2C5	41	50-33
R39112	2G2	4	70-25	R39180	2F8	46	70-5	R39266	2C13	14	50-42
R39112	2G6	12	70-29	R39180	2F10	44	70-7	R39270	2C2	12	50-30
R39112	2H17	7	70-63	R39180	2F12	46	70-9	R39270	2C3	20	50-31
R39112	2H18	9	70-64	R39180	2F14	44	70-11	R39273	2G2	7	70-25
R39114	2B17	4	50-20	R39181	2F8	44	70-5	R39276	2C3	1	50-31
R39115	2B17	8	50-20	R39181	2F10	42	70-7	R39276	2C5	20	50-33

1L4

1020 TRACTOR

NUMERICAL INDEX - CONTINUED

PART NO.	GRID	KEY	PAGE	PART NO.	GRID	KEY	PAGE	PART NO.	GRID	KEY	PAGE
R39278	2C1	3	50-29	R39320	2C3	2	50-31	R41041	2B19	5	50-22
R39279	2C1	5	50-29	R39321	2F8	37	70-5	R41041	2C1	16	50-29
R39280	2B18	7	50-21	R39321	2F10	35	70-7	R41041	2C16	18	50-46
R39280	2C2	10	50-30	R39321	2F12	37	70-9	R41055	2H21	5	70-67
R39280	2C3	8	50-31	R39321	2F14	35	70-11	R41055	2H24	10	70-70
R39280	2C5	11	50-33	R39322	2B17	2	50-20	R41057	2H18	7	70-64
R39280	2C5	32	50-33	R39325	2B17	15	50-20	R41057	2H21	8	70-67
R39281	2C3	13	50-31	R39325	2B20	4	50-23	R41057	2H23	16	70-69
R39281	2C5	40	50-33	R394R	2C23	6	50-53	R41057	2H23	19	70-69
R39282	2C2	9	50-30	R394R	2C23	14	50-53	R41057	2H24	1	70-70
R39282	2C3	7	50-31	R394R	2H15	2	70-61	R41057	2I5	12	70-77
R39282	2C5	10	50-33	R394R	2H16	8	70-62	R41057	2I6	4	70-79
R39282	2C5	31	50-33	R394R	2H17	9	70-63	R41154	2H21	17	70-67
R39283	2C1	6	50-29	R394R	2H18	6	70-64	R41155	2H17	17	70-63
R39284	2C1	11	50-29	R39578	1D11	1	30-8	R41155	2H18	20	70-64
R39285	2C2	11	50-30	R39613	1D20	2	30-17	R41156	2H21	6	70-67
R39285	2C3	9	50-31	R39615	1D20	22	30-17	R41175	2H15	15	70-61
R39285	2C5	33	50-33	R39741	1B8	59	20-13B	R41197	2H14	8	70-60
R39286	2C2	20	50-30	R39758	3C2	8	80-31	R41197	2H15	1	70-61
R39289	2H18	11	70-64	R39758	3C4	8	80-33	R41197	2H17	10	70-63
R39294	2B23	17	50-26	R39796	2C23	9	50-53	R41333	2H21	18	70-67
R39294	2B24	24	50-27	R39799	2C23	10	50-53	R41338	2H21	22	70-67
R39294	2C9	27	50-38	R39800	1H21	11	40-21	R41338	2H23	11	70-69
R39294	2C10	30	50-39	R39803	1H21	10	40-21	R41339	2H21	20	70-67
R39294	2C12	29	50-41	R39804	1H21	9	40-21	R41339	2H23	8	70-69
R39294	2C20	5	50-50	R39857	1I14	13	40-37	R41339	2I5	14	70-77
R39296	2F20	11	70-17	R39885	1G2	8	30-75	R41412	1B2	11	20-9
R39297	2F20	11	70-17	R39886	1G2	7	30-75	R41412	1B2	12	20-9
R39297	2F20	27	70-17	R39886	1G10	9	30-83	R41439	1J15	13	40-63
R39299	2B18	11	50-21	R39887	1G2	6	30-75	R41549	2H21	14	70-67
R39299	2C2	8	50-30	R39888	1G2	5	30-75	R41549	2H23	3	70-69
R39299	2C3	6	50-31	R39889	1G2	3	30-75	R41613	2H14	16	70-60
R39299	2C5	9	50-33	R39890	1G2	4	30-75	R41613	2H14	23	70-60
R39299	2C5	30	50-33	R39985	1G20	3	30-93	R41613	2H21	1	70-67
R39304	2B18	6	50-21	R39985	1G20	19	30-93	R41613	2H24	2	70-70
R39304	2C2	12	50-30	R40072	2G2	14	70-25	R41680	1E18	18	30-41
R39304	2C3	20	50-31	R40122	2F20	3	70-17	R41680	1E20	9	30-43
R39304	2C5	13	50-33	R40147	2C19	32	50-49	R41778	3D13	14	90-9
R39304	2C5	34	50-33	R40235	2B19	6	50-22	R41778	3D15	6	90-11
R39305	2C1	9	50-29	R40235	2C16	6	50-46	R41778	3D19	26	90-15
R39306	2C1	8	50-29	R40235	2C16	12	50-46	R41781	3D4	13	80-57
R39310	2F8	8	70-5	R40337	1I2	14	40-27	R41781	3D9	8	90-5
R39310	2F8	36	70-5	R40445	1H13	12	40-11	R41781	3D13	1	90-9
R39310	2F12	8	70-9	R40561	2G2	16	70-25	R41931	2H14	22	70-60
R39310	2F12	36	70-9	R40565	1E3	8	30-25	R41931	2H19	8	70-65
R39312	2B19	13	50-22	R40565	1E5	5	30-27	R41932	2H14	18	70-60
R39313	2B20	1	50-23	R40589	3B7	2	80-12	R41932	2H19	12	70-65
R39316	2F8	8	70-5	R40589	3B7	10	80-12	R42334	2H15	13	70-61
R39316	2F8	10	70-5	R40589	3B9	1	80-14	R42363	1B4	2	20-11
R39316	2F8	36	70-5	R40599	2H18	7	70-64	R42363	2A24	4	50-3
R39316	2F8	43	70-5	R40599	2H24	1	70-70	R42363	2B2	4	50-5
R39316	2F8	53	70-5	R40707	1F3	8	30-51	R42363	2B4	4	50-7
R39316	2F8	54	70-5	R40707	1F5	8	30-53	R42364	1B12	25	20-17
R39316	2F8	55	70-5	R40707	1F25	26	30-73	R42439	3D9	12	90-5
R39316	2F8	56	70-5	R40707	1G8	25	30-81	R42439	3D13	6	90-9
R39316	2F16	..	70-13	R40756	2F8	24	70-5	R42451	3C21	1	80-50
R39317	2F12	10	70-9	R40756	2F12	24	70-9	R42451	3C22	7	80-51
R39317	2F16	..	70-13	R40791	1A25	13	20-7	R42483	1E24	24	30-47
R39318	2F8	38	70-5	R40801	1I13	11	40-36	R42483	1F7	24	30-55
R39318	2F10	36	70-7	R40898	2H19	14	70-65	R42483	1F23	16	30-71
R39318	2F12	38	70-9	R40899	2H21	21	70-67	R42483	1G6	16	30-79
R39318	2F14	36	70-11	R40937	2H21	16	70-67	R42483	1G14	17	30-87
R39319	2F8	43	70-5	R40937	2H23	6	70-69	R42581	3D9	12	90-5
R39319	2F10	41	70-7	R40937	2I5	15	70-77	R42581	3D13	6	90-9
R39319	2F12	43	70-9	R40976	2F25	28	70-23	R42726	1D4	..	30-1
R39319	2F14	41	70-11	R40983	1G20	3	30-93	R42729	1B2	7	20-9
R39319	2F16	3	70-13	R40983	1G20	19	30-93	R42732	3D13	19	90-9

1L5

1020 TRACTOR

NUMERICAL INDEX - CONTINUED

PART NO.	GRID	KEY	PAGE	PART NO.	GRID	KEY	PAGE	PART NO.	GRID	KEY	PAGE
R42732	3D19	27	90 - 15	R45630	2I7	5	70 - 80	R48000	1E22	15	30 - 45
R43216	2C19	14	50 - 49	R45630	2I13	5	70 - 86	R48000	1G2	11	30 - 75
R43444	2H6	9	70 - 51	R45630	2I20	5	70 - 93	R48000	1G10	12	30 - 83
R43743	3C2	12	80 - 31	R45630	2I21	5	70 - 94	R48000	1G12	13	30 - 85
R44302	1E1	12	30 - 23	R45822	2F5	5	70 - 2	R48026	1J12	..	40 - 60
R44302	1H5	15	40 - 3	R459R	1D22	9	30 - 19	R48028	1J12	28	40 - 60
R44302	1H6	1	40 - 4	R459R	1D24	6	30 - 21	R48048	1J12	17	40 - 60
R44302	1H9	3	40 - 7	R46162	2B8	3	50 - 11	R48049	1J12	27	40 - 60
R44302	1H22	6	40 - 22	R46162	2B10	3	50 - 13	R48071	1D25	4	30 - 22
R44302	1I10	2	40 - 35A	R46191	1I14	22	40 - 37	R48126	1E18	28	30 - 41
R44302	1I12	2	40 - 35D	R46414	1H22	8	40 - 22	R48126	1E20	2	30 - 43
R44302	1I23	24	40 - 46	R46618	1F16	24	30 - 64	R48126	1F10	1	30 - 58
R44302	1J11	1	40 - 59	R46618	1G17	1	30 - 90	R48126	1F11	15	30 - 59
R44302	1J15	12	40 - 63	R46619	1F15	8	30 - 63	R48126	1F12	5	30 - 60
R44302	1J19	11	40 - 67	R46619	1G17	12	30 - 90	R48126	1F13	17	30 - 61
R44302	2F22	2	70 - 19	R46625	1B4	21	20 - 11	R48126	1F14	1	30 - 62
R44302	2F22	7	70 - 19	R46625	1B4	35	20 - 11	R48126	1F15	1	30 - 63
R44302	2G1	5	70 - 24	R46625	1B8	32	20 - 13B	R48126	1F16	12	30 - 64
R44302	2G1	7	70 - 24	R46675	1G2	4	30 - 75	R48126	1F16	16	30 - 64
R44310	2H21	5	70 - 67	R46675	1G10	7	30 - 83	R48126	1F17	15	30 - 65
R44342	1J2	5	40 - 50	R46675	1G12	6	30 - 85	R48126	1F18	5	30 - 66
R44342	1J3	1	40 - 51	R46722	2H24	15	70 - 70	R48126	1G21	1	30 - 94
R44361	2D25	6	50 - 81	R46722	2I5	6	70 - 77	R48128	1H5	12B	40 - 3
R44372	2D25	6	50 - 81	R46889	2H6	13	70 - 51	R48139	3D9	12	90 - 5
R44823	2D6	25	50 - 61	R46890	2H6	10	70 - 51	R48139	3D13	6	90 - 9
R44917	2G21	12	70 - 41	R46893	2H6	15	70 - 51	R48163	2H6	7	70 - 51
R44917	2G24	12	70 - 44	R47038	1E11	9	30 - 33	R48164	2H6	8	70 - 51
R44918	2G21	12	70 - 41	R47049	1G1	2	30 - 74	R48183	3D2	5	80 - 55
R44918	2G24	12	70 - 44	R47049	1G9	2	30 - 82	R48184	3D2	6	80 - 55
R44918	2H6	3	70 - 51	R47061	2G25	3	70 - 45	R48212	3D2	5	80 - 55
R45016	2H24	3	70 - 70	R47061	2H2	12	70 - 47	R48213	3D2	6	80 - 55
R45036	1F17	13	30 - 65	R47063	2G19	21	70 - 39	R48214	3D2	5	80 - 55
R45040	1F16	22	30 - 64	R47063	2G25	1	70 - 45	R48215	3D2	6	80 - 55
R45041	1F16	9	30 - 64	R47063	2H2	13	70 - 47	R48289	2D19	7	50 - 74
R45044	1F14	18	30 - 62	R47077	1G1	4	30 - 74	R48289	2D19	15	50 - 74
R45045	1E24	3	30 - 47	R47077	1G9	4	30 - 82	R48290	2B2	27	50 - 5
R45045	1F14	10	30 - 62	R47077	1G18	3	30 - 91	R48294	3C17	22	80 - 46
R45046	1F14	20	30 - 62	R47249	2D10	12	50 - 65	R48295	3C17	20	80 - 46
R45047	1F14	21	30 - 62	R47249	2D12	26	50 - 67	R48352	1I21	4	40 - 44
R45048	1F16	24	30 - 64	R47249	2D13	22	50 - 68	R48399	1E4	2	30 - 26
R45048	1G17	1	30 - 90	R47281	1E22	12	30 - 45	R48473	1I17	4	40 - 40
R45049	1F15	7	30 - 63	R47292	3D2	13	80 - 55	R48473	1I18	4	40 - 41
R45049	1G17	11	30 - 90	R47292	3D4	6	80 - 57	R48493	1F19	11	30 - 67
R45051	1F16	21	30 - 64	R47292	3D9	7	90 - 5	R48493	1G3	30	30 - 76
R45052	1F16	19	30 - 64	R47344	2G14	8	70 - 34	R48494	1F21	22	30 - 69
R45053	1F15	8	30 - 63	R47358	1D25	9	30 - 22	R48494	1G4	22	30 - 77
R45054	1F10	36	30 - 58	R47514	2D10	13	50 - 65	R48495	1F21	2	30 - 69
R45054	1F15	5	30 - 63	R47514	2D10	17	50 - 65	R48495	1G4	2	30 - 77
R45054	1G17	9	30 - 90	R47514	2D12	20	50 - 67	R48496	1F22	15	30 - 70
R45055	1F15	11	30 - 63	R47514	2D12	25	50 - 67	R48496	1G5	15	30 - 78
R45055	1G17	14	30 - 90	R47514	2D13	16	50 - 68	R48497	1F22	16	30 - 70
R45056	1F15	13	30 - 63	R47514	2D13	21	50 - 68	R48497	1G5	16	30 - 78
R45057	1F10	39	30 - 58	R47731	1G10	8	30 - 83	R48498	1E25	10	30 - 48
R45057	1F15	12	30 - 63	R47732	1G10	5	30 - 83	R48498	1F8	10	30 - 56
R45057	1G17	15	30 - 90	R47733	1G10	4	30 - 83	R48498	1F22	17	30 - 70
R45058	1F10	37	30 - 58	R47733	1G12	4	30 - 85	R48498	1G5	17	30 - 78
R45058	1F15	6	30 - 63	R47734	1G10	6	30 - 83	R48500	1F1	27	30 - 49
R45058	1G17	10	30 - 90	R47831	1I21	9	40 - 44	R48500	1F9	27	30 - 57
R45060	1F17	19	30 - 65	R47859	1J15	1	40 - 63	R48500	1F23	14	30 - 71
R45126	2D15	24	50 - 70	R47860	1J12	9	40 - 60	R48500	1G6	14	30 - 79
R45126	2D16	27	50 - 71	R47861	1J12	9	40 - 60	R48514	1G7	12	30 - 80
R45361	1J2	1	40 - 50	R47998	2E6	1	60 - 1	R48593	2G8	32	70 - 30A
R45543	1F16	12	30 - 64	R47998	2E12	1	60 - 8	R48595	2G23	5	70 - 43
R45582	2C10	15	50 - 39	R48000	1C18	7	20 - 50	R48601	1F25	20	30 - 73
R45582	2C12	14	50 - 41	R48000	1E16	8	30 - 39	R48601	1G8	19	30 - 81
R45618	2I10	12	70 - 83	R48000	1E18	9	30 - 41	R48602	1F25	22	30 - 73
R45619	2I8	3	70 - 81	R48000	1E20	13	30 - 43	R48602	1G8	21	30 - 81

1L6

1020 TRACTOR

NUMERICAL INDEX - CONTINUED

PART NO.	GRID	KEY	PAGE	PART NO.	GRID	KEY	PAGE	PART NO.	GRID	KEY	PAGE
R48603	1F25	21	30 - 73	R49221	2H19	9	70 - 65	R51286	2C14	27	50 - 43
R48603	1G8	20	30 - 81	R49238	1F3	16	30 - 51	R51286	2C15	20	50 - 45
R48604	1F25	18	30 - 73	R49238	1F5	16	30 - 53	R51289	2C14	29	50 - 43
R48604	1G8	17	30 - 81	R49238	1F25	8	30 - 73	R51290	2C14	28	50 - 43
R48634	1D15	16	30 - 12	R49238	1G8	8	30 - 81	R51409	2H14	16	70 - 60
R48634	1D16	16	30 - 13	R49255	2B23	10	50 - 26	R51409	2H14	23	70 - 60
R48637	1B13	1	20 - 18	R49255	2B24	4	50 - 27	R51409	2H21	1	70 - 67
R48638	1B13	2	20 - 18	R49296	1I21	3	40 - 44	R51409	2H23	1	70 - 69
R48664	1I21	2	40 - 44	R49297	2F8	11	70 - 5	R51409	2H24	2	70 - 70
R48665	1I21	1	40 - 44	R49297	2F10	11	70 - 7	R51409	2H24	3	70 - 70
R48684	3C19	3	80 - 48	R49297	2F12	11	70 - 9	R51410	2H24	3	70 - 70
R48685	1B4	7	20 - 11	R49297	2F14	11	70 - 11	R51411	2H24	3	70 - 70
R48685	1B4	19	20 - 11	R49298	2F8	14	70 - 5	R51411	2H24	4	70 - 70
R48685	1B8	54	20 - 13B	R49298	2F10	14	70 - 7	R51412	2H19	14	70 - 65
R48685	1B8	56	20 - 13B	R49298	2F12	14	70 - 9	R51413	2H19	14	70 - 65
R48685	2C19	6	50 - 49	R49298	2F14	14	70 - 11	R51413	2H19	15	70 - 65
R48698	2I25	3	70 - 99	R49346	1F7	18	30 - 55	R51414	2H14	22	70 - 60
R48738	2F8	13	70 - 5	R49393	1H25	11	40 - 25	R51414	2H19	8	70 - 65
R48738	2F10	13	70 - 7	R49394	1H25	10	40 - 25	R51414	2H19	14	70 - 65
R48738	2F12	13	70 - 9	R495R	1A25	12	20 - 7	R51415	2H14	18	70 - 60
R48738	2F14	13	70 - 11	R495R	1C23	7	20 - 55	R51415	2H19	12	70 - 65
R48767	1B4	21	20 - 11	R495R	2E9	12	60 - 5	R51415	2H19	14	70 - 65
R48767	1B14	2	20 - 19	R495R	2E11	3	60 - 7	R51469	2B8	7	50 - 11
R48768	1B8	18	20 - 13B	R495R	2E20	20	60 - 17	R51469	2B9	19	50 - 12
R48821	2D11	17	50 - 66	R495R	2E22	7	60 - 19	R51469	2B10	5	50 - 13
R48821	2D14	32	50 - 69	R495R	2E25	13	60 - 23	R51469	2B10	10	50 - 13
R48887	1J23	17	40 - 71	R495R	2I7	11	70 - 80	R51469	2B12	..	50 - 15
R48978	2H24	5	70 - 70	R495R	2I11	26	70 - 84	R51489	1B20	1	20 - 25
R48979	2H24	12	70 - 70	R495R	2I13	12	70 - 86	R51516	1B23	18	20 - 28
R48980	2H24	9	70 - 70	R495R	2I14	20	70 - 87	R51516	1B23	21	20 - 28
R48981	2H24	8	70 - 70	R495R	2I20	12	70 - 93	R51516	1B24	16	20 - 29
R48997	1C5	1	20 - 35	R495R	2I21	13	70 - 94	R51516	1B24	20	20 - 29
R48997	1C7	11	20 - 37	R49514	1B9	2	20 - 14	R51516	1C2	3	20 - 31
R49020	3D2	3	80 - 55	R49514	1C21	3	20 - 53	R51615	3C14	12	80 - 43
R49020	3D9	8	90 - 5	R49514	1C23	12	20 - 55	R51679	3C13	1	80 - 42
R49076	2F22	19	70 - 19	R49524	3C17	17	80 - 46	R51680	3C13	3	80 - 42
R49076	2F22	21	70 - 19	R49524	3C17	21	80 - 46	R51681	3C13	8	80 - 42
R49076	2F22	22	70 - 19	R49648	2G8	22	70 - 30A	R51821	3D2	3	80 - 55
R49076	2F23	7	70 - 21	R49648	2G10	14	70 - 30C	R51821	3D9	8	90 - 5
R49076	2F23	14	70 - 21	R49664	2E20	3	60 - 17	R51916	1D14	21	30 - 11
R49076	2F23	16	70 - 21	R49664	2E20	29	60 - 17	R51916	1D18	10	30 - 15
R49076	2F25	27	70 - 23	R49664	2E21	15	60 - 18	R52107	2H11	2	70 - 56
R49076	2F25	30	70 - 23	R49708	2H21	21	70 - 67	R52119	3D11	32	90 - 7
R49139	1E4	3	30 - 26	R49837	3B13	2	80 - 19	R52119	3D11	35	90 - 7
R49186	2H14	5	70 - 60	R49839	3B17	5	80 - 22	R52251	1B2	15	20 - 9
R49186	2H19	6	70 - 65	R49980	2E12	17	60 - 8	R52252	1B2	17	20 - 9
R49187	2H14	5	70 - 60	R49982	2E12	18	60 - 8	R52265	2C5	39	50 - 33
R49187	2H19	6	70 - 65	R50034	2E20	17	60 - 17	R52376	2C5	17	50 - 33
R49187	2H19	7	70 - 65	R50226	1G20	3	30 - 93	R52378	2C2	7	50 - 30
R49187	2I5	1	70 - 77	R50226	1G20	19	30 - 93	R52378	2C5	8	50 - 33
R49191	2I10	5	70 - 83	R50452	3D11	41	90 - 7	R52380	2C5	19	50 - 33
R49191	2I10	8	70 - 83	R50507	3B7	5	80 - 12	R52381	2C5	27	50 - 33
R49191	2I10	12	70 - 83	R50507	3B12	11	80 - 18	R52382	2C5	28	50 - 33
R49191	2I11	20	70 - 84	R50703	2E23	7	60 - 20	R52383	2C5	25	50 - 33
R49191	2I11	22	70 - 84	R50704	2E23	6	60 - 20	R52384	2C5	12	50 - 33
R49193	2I8	3	70 - 81	R50864	2C24	4	50 - 54	R52547	2H21	18	70 - 67
R49209	1F8	3	30 - 56	R50864	2C25	8	50 - 55	R52549	2H21	17	70 - 67
R49209	1F22	11	30 - 70	R50879	2E20	16	60 - 17	R52549	2H21	18	70 - 67
R49209	1G5	11	30 - 78	R50895	1F11	15	30 - 59	R52549	2H23	4	70 - 69
R49211	1F2	6	30 - 50	R50985	2G19	22	70 - 39	R52627	1E11	11	30 - 33
R49211	1F4	6	30 - 52	R50985	2G19	25A	70 - 39	R52789	1A25	4	20 - 7
R49211	1F25	14	30 - 73	R50985	2G19	25B	70 - 39	R52789	1C18	8	20 - 50
R49211	1G8	13	30 - 81	R50992	3B17	5	80 - 22	R52789	1C19	8	20 - 51
R49212	1F2	2	30 - 50	R51112	1B16	2	20 - 21	R52789	1C21	1	20 - 53
R49212	1F4	2	30 - 52	R51112	1B18	3	20 - 23	R52880	1B23	7	20 - 28
R49212	1F25	13	30 - 73	R51285	2I10	11A	70 - 83	R52924	3C13	2	80 - 42
R49212	1G8	12	30 - 81	R51285	2I11	23	70 - 84	R53167	2C10	23	50 - 39

1L7

1020 TRACTOR

NUMERICAL INDEX - CONTINUED

PART NO.	GRID	KEY	PAGE	PART NO.	GRID	KEY	PAGE	PART NO.	GRID	KEY	PAGE
R53167	2C12	22	50 - 41	R55326	3D11	11	90 - 7	R57059	1C3	2	20 - 32
R53168	2C10	21	50 - 39	R55326	3D11	25	90 - 7	R57116	3D25	5	90 - 21
R53168	2C12	20	50 - 41	R55396	2A24	25	50 - 3	R57258	1D25	9	30 - 22
R53169	2C19	30	50 - 49	R55396	2B2	30	50 - 5	R57292	2E15	21	60 - 11
R53196	2G21	7	70 - 41	R55396	2B4	39	50 - 7	R57293	2E15	21	60 - 11
R53223	1B4	21	20 - 11	R55396	2B25	12	50 - 28	R57293	2E15	24	60 - 11
R53223	1B6	1	20 - 13	R55397	2H24	12	70 - 70	R57293	2E15	25	60 - 11
R53240	1B4	21	20 - 11	R55398	2H24	8	70 - 70	R57300	2F22	25	70 - 19
R53250	1B19	5	20 - 24	R55398	2H24	12	70 - 70	R57300	2G3	6	70 - 26
R53296	2G21	12	70 - 41	R55602	3C6	2	80 - 35	R57300	2G4	6	70 - 27
R53296	2G24	12	70 - 44	R55618	1D20	23	30 - 17	R57300	2G4	8	70 - 27
R53296	2H6	3	70 - 51	R55647	1B8	11	20 - 13B	R57300	2G4	21	70 - 27
R53382	1C2	13	20 - 31	R55678	2H15	29	70 - 61	R57332	1B2	15	20 - 9
R53382	1C2	21	20 - 31	R55721	2D4	7	50 - 59	R57333	1B2	17	20 - 9
R53382	1C3	4	20 - 32	R55721	2D6	7	50 - 61	R57334	1B2	15	20 - 9
R53443	1D8	7	30 - 5	R55721	2D7	16	50 - 62	R57335	1B2	17	20 - 9
R53528	3D11	10	90 - 7	R55721	2D7	19	50 - 62	R57336	1B2	15	20 - 9
R53544	3B13	8	80 - 19	R55722	2D7	18	50 - 62	R57337	1B2	17	20 - 9
R53545	3B13	8	80 - 19	R55916	1D15	9	30 - 12	R57345	2B17	15	50 - 20
R53656	2E2	25	50 - 83	R55916	1D16	9	30 - 13	R57345	2B20	4	50 - 23
R53656	2E2	26	50 - 83	R55932	3E1	6	90 - 22	R57446	2E15	5	60 - 11
R53790	1B4	3	20 - 11	R56039	2H6	5	70 - 51	R57452	1H25	11	40 - 25
R53790	2A24	15	50 - 3	R56351	2G2	15	70 - 25	R57619	2G19	21	70 - 39
R53790	2B2	16	50 - 5	R56396	1F25	27	30 - 73	R57619	2G19	25A	70 - 39
R53815	2C24	7	50 - 54	R56396	1G14	13	30 - 87	R57619	2G19	25B	70 - 39
R53817	2C24	5	50 - 54	R56457	2C2	14	50 - 30	R57619	2G25	1	70 - 45
R54062	2C5	21	50 - 33	R56457	2C3	10	50 - 31	R57619	2H2	13	70 - 47
R54186	2C10	35	50 - 39	R56457	2C3	18	50 - 31	R57696	2D4	13	50 - 59
R54186	2C12	34	50 - 41	R56457	2C5	15	50 - 33	R57696	2D6	12	50 - 61
R54186	2C24	13	50 - 54	R56457	2C5	36	50 - 33	R57696	2I18	16	70 - 91
R54195	3C14	11	80 - 43	R56457	2C5	37	50 - 33	R57959	2B19	9	50 - 22
R54242	2I25	1	70 - 99	R56463	1C18	5	20 - 50	R57959	2C1	19	50 - 29
R54380	2D2	5	50 - 57	R56463	1C19	3	20 - 51	R57959	2C16	6	50 - 46
R54380	2D2	14	50 - 57	R56463	1C21	18	20 - 53	R57959	2C17	3	50 - 47
R54380	3C14	12	80 - 43	R56463	1C23	7	20 - 55	R57961	2C1	22	50 - 29
R54467	1J12	15	40 - 60	R56467	3D2	12	80 - 55	R57964	2C16	3	50 - 46
R54565	1B2	1	20 - 9	R56467	3D4	2	80 - 57	R58103	1F20	4	30 - 68
R54565	1B2	2	20 - 9	R56468	3D2	1	80 - 55	R58104	1F20	3	30 - 68
R54614	1C2	26	20 - 31	R56468	3D4	9	80 - 57	R58105	1F20	1	30 - 68
R54614	1C3	9	20 - 32	R56473	2D7	17	50 - 62	R58262	2G21	12	70 - 41
R54615	1C2	28	20 - 31	R56481	1H23	9	40 - 23	R58262	2G24	12	70 - 44
R54615	1C3	8	20 - 32	R56483	1E24	16	30 - 47	R58262	2G24	15	70 - 44
R54622	2E2	25	50 - 83	R56483	1F7	16	30 - 55	R58268	2H6	18	70 - 51
R54698	2B19	13	50 - 22	R56483	1F13	14	30 - 61	R58413	1F8	1	30 - 56
R54753	2C23	10	50 - 53	R56483	1F16	18	30 - 64	R58422	1F1	10	30 - 49
R54779	3D11	5	90 - 7	R56483	1F21	17	30 - 69	R58422	1F9	10	30 - 57
R54781	3D11	4	90 - 7	R56483	1G4	17	30 - 77	R58422	1F23	15	30 - 71
R54782	3D11	7	90 - 7	R56514	2B14	1	50 - 17	R58422	1G6	15	30 - 79
R54802	1B4	..	20 - 11	R56514	2B15	1	50 - 18	R58522	2B19	13	50 - 22
R54802	1B8	14	20 - 13B	R56551	1D6	5	30 - 3	R58661	2B19	8	50 - 22
R54969	2G8	19	70 - 30A	R56551	1D8	9	30 - 5	R58661	2C1	18	50 - 29
R54969	2G8	20	70 - 30A	R56615	2C19	10	50 - 49	R58661	2C16	4	50 - 46
R54969	2G10	12	70 - 30C	R56736	1B4	31	20 - 11	R58661	2C17	2	50 - 47
R54985	1B2	2	20 - 9	R56737	1B4	31	20 - 11	R58685	1A25	1	20 - 7
R54998	1D25	1	30 - 22	R56902	3D2	2	80 - 55	R58768	2C9	29	50 - 38
R55034	1B19	5	20 - 24	R56902	3D4	1	80 - 57	R58768	2C24	13	50 - 54
R55038	2B10	19	50 - 13	R56920	3C6	3	80 - 35	R59032	2D1	8	50 - 56
R55100	1B4	21	20 - 11	R56920	3C6	..	80 - 35	R59079	1F24	1	30 - 72
R55100	1B4	..	20 - 11	R56920	3C7	5	80 - 36	R59176	2D1	11	50 - 56
R55137	2G8	9	70 - 30A	R56920	3C7	..	80 - 36	R59234	2F8	35	70 - 5
R55137	2G8	14	70 - 30A	R56981	2A24	15	50 - 3	R59234	2F10	33	70 - 7
R55137	2G8	15	70 - 30A	R56981	2B2	16	50 - 5	R59234	2F12	35	70 - 9
R55137	2G8	37	70 - 30A	R57025	1I6	16	40 - 31	R59234	2F14	33	70 - 11
R55137	2G8	38	70 - 30A	R57027	1I8	5	40 - 33	R59234	2F18	11	70 - 15
R55137	2G8	39	70 - 30A	R57028	1I8	8	40 - 33	R59297	1E16	10	30 - 39
R55299	1B4	24	20 - 11	R57029	1I6	1	40 - 31	R59297	1E18	14	30 - 41
R55326	3D11	1	90 - 7	R57059	1C2	17	20 - 31	R59297	1E22	17	30 - 45

1L8

1020 TRACTOR

NUMERICAL INDEX - CONTINUED

PART NO.	GRID	KEY	PAGE	PART NO.	GRID	KEY	PAGE	PART NO.	GRID	KEY	PAGE
R59298	1E16	11	30 - 39	R61145	1E22	16	30 - 45	R63679	3D11	34	90 - 7
R59298	1E18	15	30 - 41	R61146	1E20	16	30 - 43	R63679	3D11	39	90 - 7
R59298	1E22	18	30 - 45	R61146	1E20	17	30 - 43	R63679	3D11	40	90 - 7
R59299	1E20	16	30 - 43	R61179	3D11	8	90 - 7	R63691	2D25	11	50 - 81
R59299	1E20	17	30 - 43	R61460	1C13	3	20 - 45	R63691	2D25	20	50 - 81
R59300	1E20	16	30 - 43	R61460	1C15	3	20 - 47	R63692	2D25	11	50 - 81
R59300	1E20	17	30 - 43	R61524	3C11	4	80 - 40	R63692	2D25	20	50 - 81
R59343	2I7	11	70 - 80	R61642	1E9	9	30 - 31	R64197	2C5	5	50 - 33
R59343	2I11	26	70 - 84	R61727	3C11	4	80 - 40	R64197	2C5	23	50 - 33
R59343	2I12	2	70 - 85	R61775	1J18	7	40 - 66	R64373	1D22	11	30 - 19
R59519	3C17	17	80 - 46	R61776	1J18	3	40 - 66	R64373	1D24	8	30 - 21
R59629	2H18	7	70 - 64	R61871	1C3	11	20 - 32	R64374	1D22	10	30 - 19
R59629	2H23	9	70 - 69	R61932	1I4	2	40 - 29	R64374	1D24	7	30 - 21
R59629	2H24	1	70 - 70	R61932	1I8	12	40 - 33	R64391	3D2	19	80 - 55
R59629	2I6	6	70 - 79	R61934	1I8	13	40 - 33	R64561	2I23	23	70 - 97
R59633	2I7	1	70 - 80	R61957	2I10	11A	70 - 83	R64605	2I23	11	70 - 97
R59633	2I13	1	70 - 86	R61957	2I10	11B	70 - 83	R64606	2I23	18	70 - 97
R59633	2I13	28	70 - 86	R61957	2I11	23	70 - 84	R64607	2I23	17	70 - 97
R59633	2I14	13	70 - 87	R62291	3D11	40	90 - 7	R64608	2I23	8	70 - 97
R59633	2I20	1	70 - 93	R62372	1C13	13	20 - 45	R64609	2I23	7	70 - 97
R59633	2I20	18	70 - 93	R62372	1C15	21	20 - 47	R64610	2I23	16	70 - 97
R59633	2I21	1	70 - 94	R62531	2C10	18	50 - 39	R64611	2I23	15	70 - 97
R59633	2I21	19	70 - 94	R62531	2C12	17	50 - 41	R64612	2I23	14	70 - 97
R59985	3C14	12	80 - 43	R62568	1B22	26	20 - 27	R64613	2I23	12	70 - 97
R60035	1H13	..	40 - 11	R62568	1B22	30	20 - 27	R64614	2I23	13	70 - 97
R60100	3D11	12	90 - 7	R62595	2G5	1	70 - 28	R64615	2I23	6	70 - 97
R60101	3D11	23	90 - 7	R62652	2H21	22	70 - 67	R64617	2I23	4	70 - 97
R60103	3D11	24	90 - 7	R62652	2H23	11	70 - 69	R64618	2I23	5	70 - 97
R60104	3D11	42	90 - 7	R62922	3D11	16	90 - 7	R64700	1I25	8	40 - 48
R60123	1C9	2	20 - 40	R62923	3D11	21	90 - 7	R64806	2A24	15	50 - 3
R60123	1C9	10	20 - 40	R62924	3D11	14	90 - 7	R64806	2B2	27	50 - 5
R60123	1C11	6	20 - 42	R62925	3D11	22	90 - 7	R65215	1B4	16	20 - 11
R60123	1C11	9A	20 - 42	R62926	3D11	13	90 - 7	R65215	1B8	44	20 - 13B
R60123	1C11	9B	20 - 42	R62929	3D11	19	90 - 7	R65285	2I12	11	70 - 85
R60123	1C12	6	20 - 43	R62981	1G12	8	30 - 85	R65286	2H21	3	70 - 67
R60123	1C12	9A	20 - 43	R62982	1G12	10	30 - 85	R65286	2I7	13	70 - 80
R60123	1C12	9B	20 - 43	R62984	1G12	7	30 - 85	R65286	2I11	5	70 - 84
R60124	1C9	1	20 - 40	R63022	2F8	34	70 - 5	R65287	2H18	6	70 - 64
R60124	1C9	2	20 - 40	R63022	2F8	41	70 - 5	R65287	2I5	2	70 - 77
R60124	1C11	1	20 - 42	R63022	2F10	32	70 - 7	R65289	2H18	7	70 - 64
R60124	1C11	6	20 - 42	R63022	2F10	39	70 - 7	R65289	2H23	7	70 - 69
R60124	1C12	1	20 - 43	R63022	2F12	34	70 - 9	R65289	2H24	1	70 - 70
R60124	1C12	6	20 - 43	R63022	2F12	41	70 - 9	R65354	2H23	21	70 - 69
R60332	2G2	6	70 - 25	R63022	2F14	32	70 - 11	R65390	2B21	4	50 - 24
R60458	2C24	1	50 - 54	R63022	2F14	39	70 - 11	R65390	2C2	17	50 - 30
R60459	3D11	36	90 - 7	R63247	3A24	10	80 - 3	R65390	2C3	19	50 - 31
R60462	1G20	21	30 - 93	R63247	3B2	9	80 - 7	R65390	2C5	18	50 - 33
R60556	2D1	10	50 - 56	R63296	2D6	23	50 - 61	R65390	2C5	35	50 - 33
R60745	1G12	16	30 - 85	R63364	2B23	21	50 - 26	R65391	2C3	17	50 - 31
R60746	1G2	10	30 - 75	R63434	1B10	6	20 - 15	R65391	2C5	46	50 - 33
R60746	1G10	11	30 - 83	R63438	2A24	15	50 - 3	R65392	2C5	40	50 - 33
R60746	1G12	12	30 - 85	R63438	2B2	16	50 - 5	R65501	2H18	7	70 - 64
R60945	2E15	22	60 - 11	R63439	2B4	19	50 - 7	R65501	2H21	5	70 - 67
R60945	2E15	25	60 - 11	R63452	2C5	7	50 - 33	R65501	2H23	22	70 - 69
R60946	2E15	22	60 - 11	R63605	2F10	18	70 - 7	R65501	2H24	1	70 - 70
R60946	2E15	26	60 - 11	R63605	2F14	18	70 - 11	R65501	2I6	1	70 - 79
R60969	2F12	10	70 - 9	R63605	2F18	5	70 - 15	R65502	2H18	7	70 - 64
R60969	2F16	..	70 - 13	R63607	2D23	10	50 - 79	R65502	2H21	5	70 - 67
R61126	2H8	2	70 - 53	R63629	2F8	34	70 - 5	R65502	2H23	22	70 - 69
R61126	2H11	12	70 - 56	R63629	2F8	41	70 - 5	R65502	2H24	1	70 - 70
R61133	1H25	10	40 - 25	R63629	2F10	32	70 - 7	R65502	2I6	1	70 - 79
R61134	1H25	11	40 - 25	R63629	2F10	39	70 - 7	R65504	2H18	7	70 - 64
R61136	2B22	21	50 - 25	R63629	2F12	34	70 - 9	R65504	2H24	1	70 - 70
R61136	2B22	22	50 - 25	R63629	2F12	41	70 - 9	R65548	2G8	26	70 - 30A
R61136	2B22	24	50 - 25	R63629	2F14	32	70 - 11	R65548	2G13	5	70 - 33
R61145	1E16	9	30 - 39	R63629	2F14	39	70 - 11	R65563	2B5	11	50 - 8
R61145	1E18	13	30 - 41	R63629	2F16	5	70 - 13	R65563	2B6	10	50 - 9

1L9

1020 TRACTOR

NUMERICAL INDEX - CONTINUED

PART NO.	GRID	KEY	PAGE	PART NO.	GRID	KEY	PAGE	PART NO.	GRID	KEY	PAGE
R65563	2B22	29	50 - 25	R66432	2G24	14	70 - 44	R69302	2F8	9	70 - 5
R65576	2D4	11	50 - 59	R66432	2G24	15	70 - 44	R69302	2F10	9	70 - 7
R65576	2D6	11	50 - 61	R66432	2G25	6	70 - 45	R69302	2F12	9	70 - 9
R65577	2D4	11	50 - 59	R66432	2H2	4	70 - 47	R69385	2F16	..	70 - 13
R65577	2D6	11	50 - 61	R66433	2G21	10	70 - 41	R69386	2F16	..	70 - 13
R65579	2D2	11	50 - 57	R66433	2G24	14	70 - 44	R69408	2H13	3	70 - 59
R65593	1J21	4	40 - 69	R66433	2G25	6	70 - 45	R69409	2H13	3	70 - 59
R65594	1J21	2	40 - 69	R66433	2H2	4	70 - 47	R69442	1G12	9	30 - 85
R65595	1J21	21	40 - 69	R66593	1G18	5	30 - 91	R69443	1G12	5	30 - 85
R65595	1J23	11	40 - 71	R66821	1D25	9	30 - 22	R69509	2D18	1	50 - 73
R65596	1J21	22	40 - 69	R66901	2H6	6B	70 - 51	R69510	2D18	5	50 - 73
R65597	1H5	21	40 - 3	R66916	2H18	7	70 - 64	R69511	2D18	2	50 - 73
R65597	1J21	23	40 - 69	R66916	2H23	21	70 - 69	R69512	2D18	8	50 - 73
R65598	1J21	24	40 - 69	R66916	2H24	1	70 - 70	R69513	2D18	7	50 - 73
R65599	1J21	25	40 - 69	R66916	2I6	2	70 - 79	R69514	2D18	7	50 - 73
R65600	1J19	1	40 - 67	R67035	1C16	1	20 - 48	R69515	2D18	7	50 - 73
R65600	1J21	26	40 - 69	R67338	2D4	11	50 - 59	R69516	2D18	7	50 - 73
R65601	1J21	27	40 - 69	R67338	2D6	11	50 - 61	R69628	2D23	12	50 - 79
R65602	1J21	28	40 - 69	R67341	2D4	11	50 - 59	R69654	2D23	9	50 - 79
R65602	1J25	49	40 - 73	R67341	2D6	11	50 - 61	R69655	2D23	4	50 - 79
R65603	1J21	29	40 - 69	R67779	1G2	9	30 - 75	R69657	2D23	2	50 - 79
R65604	1J21	30	40 - 69	R67779	1G10	10	30 - 83	R69658	2D15	27	50 - 70
R65605	1J21	31	40 - 69	R67779	1G12	11	30 - 85	R69658	2D16	30	50 - 71
R65606	1J21	32	40 - 69	R68277	2D1	12	50 - 56	R70080	2H8	1	70 - 53
R65607	1J21	33	40 - 69	R68277	2D1	13	50 - 56	R70210	1J25	41	40 - 73
R65607	1J25	46	40 - 73	R68277	3D2	4	80 - 55	R70211	1J25	40	40 - 73
R65608	1J21	5	40 - 69	R68277	3D4	3	80 - 57	R70212	1J25	41	40 - 73
R65609	1J21	8	40 - 69	R68380	2F10	36	70 - 7	R70213	1J25	40	40 - 73
R65610	1J21	9	40 - 69	R68380	2F14	36	70 - 11	R70214	1J25	41	40 - 73
R65620	2G14	9	70 - 34	R68381	2F8	10	70 - 5	R70215	1J25	40	40 - 73
R65620	2G14	10	70 - 34	R68381	2F10	54	70 - 7	R70216	1J25	41	40 - 73
R65621	2G14	9	70 - 34	R68381	2F12	10	70 - 9	R70217	1J25	40	40 - 73
R65621	2G14	10	70 - 34	R68381	2F14	54	70 - 11	R70218	1J25	41	40 - 73
R65892	2C23	5	50 - 53	R68382	2F8	10	70 - 5	R70219	1J25	40	40 - 73
R66064	2C23	8	50 - 53	R68382	2F10	53	70 - 7	R70220	1J25	50	40 - 73
R66069	1I25	2	40 - 48	R68382	2F12	10	70 - 9	R70221	1J25	39	40 - 73
R66083	2G2	7	70 - 25	R68382	2F14	53	70 - 11	R70222	1J25	38	40 - 73
R66084	2G2	7	70 - 25	R68382	2F18	16	70 - 15	R70227	3B2	8	80 - 7
R66164	2F8	40	70 - 5	R68383	2F8	25	70 - 5	R70228	3A24	8	80 - 3
R66164	2F10	38	70 - 7	R68383	2F10	23	70 - 7	R70229	3A24	8	80 - 3
R66164	2F12	40	70 - 9	R68383	2F12	25	70 - 9	R70233	3A24	9	80 - 3
R66164	2F14	38	70 - 11	R68383	2F14	23	70 - 11	R70233	3B2	9	80 - 7
R66164	2F16	2	70 - 13	R68384	2F8	24	70 - 5	R70268	1B4	2	20 - 11
R66197	2C19	14	50 - 49	R68384	2F10	22	70 - 7	R70268	2A24	4	50 - 3
R66287	2C14	24	50 - 43	R68384	2F14	22	70 - 11	R70268	2B2	4	50 - 5
R66287	2C14	25	50 - 43	R68385	2F12	10	70 - 9	R70268	2B4	4	50 - 7
R66287	2C14	26	50 - 43	R68385	2F14	10	70 - 11	R70315	1F3	17	30 - 51
R66287	2C15	17	50 - 45	R68385	2F8	10	70 - 5	R70315	1F5	17	30 - 53
R66287	2C15	18	50 - 45	R68386	2F10	10	70 - 7	R70315	1F25	10	30 - 73
R66287	2C15	19	50 - 45	R68387	2F8	10	70 - 5	R70315	1G8	9	30 - 81
R66319	1H5	21	40 - 3	R68388	2F12	10	70 - 9	R70340	3C12	2	80 - 41
R66319	1H7	8	40 - 5	R68390	2F8	45	70 - 5	R70483	1B10	5	20 - 15
R66319	1H8	10	40 - 6	R68390	2F10	43	70 - 7	R70483	1C21	2	20 - 53
R66319	1H9	5	40 - 7	R68390	2F12	45	70 - 9	R70483	1C23	10	20 - 55
R66319	1H10	10	40 - 8	R68390	2F14	43	70 - 11	R71387	2I25	9	70 - 99
R66319	1H11	9	40 - 9	R68471	2B6	3	50 - 9	R71387	2J2	3	70 - 101
R66319	1I16	7	40 - 39	R68502	2F8	9	70 - 5	R71387	2J3	2	70 - 102
R66319	1I19	4	40 - 42	R68502	2F12	9	70 - 9	R71389	3C2	5	80 - 31
R66319	1J6	3	40 - 54	R68553	2F8	48	70 - 5	R71392	3C2	5	80 - 31
R66319	1J21	3	40 - 69	R68553	2F10	46	70 - 7	R71477	3D9	13	90 - 5
R66320	1J21	7	40 - 69	R68553	2F12	48	70 - 9	R71477	3D13	7	90 - 9
R66320	1J23	24	40 - 71	R68553	2F14	46	70 - 11	R71696	2A24	1	50 - 3
R66321	1J21	6	40 - 69	R69109	1J15	1	40 - 63	R71696	2A24	5	50 - 3
R66321	1J23	24	40 - 71	R69260	1B23	11	20 - 28	R71696	2A24	15	50 - 3
R66416	2H21	6	70 - 67	R69260	1C21	15	20 - 53	R71696	2B2	1	50 - 5
R66416	2H23	18	70 - 69	R69270	3D2	3	80 - 55	R71696	2B2	5	50 - 5
R66432	2G21	10	70 - 41	R69270	3D9	8	90 - 5	R71696	2B2	16	50 - 5

1L10

1020 TRACTOR

NUMERICAL INDEX - CONTINUED

PART NO.	GRID	KEY	PAGE	PART NO.	GRID	KEY	PAGE	PART NO.	GRID	KEY	PAGE
R71697	2B4	19	50 - 7	R74530	2I12	11	70 - 85	R77480	1J23	6	40 - 71
R72653	2D17	7	50 - 72	R74530	2I23	24	70 - 97	R77481	1J23	7	40 - 71
R72653	2G11	1	70 - 31	R74552	1C3	1	20 - 32	R77482	1J23	8	40 - 71
R72653	2G15	15	70 - 35	R74553	1C3	14	20 - 32	R77483	1J23	16	40 - 71
R72653	2G16	17	70 - 36	R74695	2H18	7	70 - 64	R77484	1J23	19	40 - 71
R72653	2G19	1	70 - 39	R74695	2H23	15	70 - 69	R77485	1J23	21	40 - 71
R72653	2H15	8	70 - 61	R74695	2H24	1	70 - 70	R77486	1J23	22	40 - 71
R72653	2I10	16	70 - 83	R74695	2I5	13	70 - 77	R77487	1J23	23	40 - 71
R72653	2I11	14	70 - 84	R74695	2I6	5	70 - 79	R77488	1J25	51	40 - 73
R72654	2B22	18	50 - 25	R75440	2C25	5	50 - 55	R77489	1J11	13	40 - 59
R72654	2B23	5	50 - 26	R75442	2C25	1	50 - 55	R77489	1J25	51	40 - 73
R72654	2C7	7	50 - 36	R75449	2C25	14	50 - 55	R77490	1J25	51	40 - 73
R72654	2C7	9	50 - 36	R75450	2C25	11	50 - 55	R77491	1J25	54	40 - 73
R72654	2H6	6C	70 - 51	R75451	2C25	7	50 - 55	R77492	1J25	54	40 - 73
R72654	2I10	7	70 - 83	R75729	1C18	9	20 - 50	R77493	1J25	51	40 - 73
R72654	2I10	8	70 - 83	R75729	1C19	1	20 - 51	R77494	1J25	55	40 - 73
R72654	2I10	12	70 - 83	R75729	1C21	12	20 - 53	R77495	1J25	52	40 - 73
R72654	2I11	18	70 - 84	R75729	1C23	21	20 - 55	R77496	1J25	52	40 - 73
R72654	2I11	22	70 - 84	R75833	1I25	2	40 - 48	R77497	1J25	53	40 - 73
R72655	2B22	5	50 - 25	R75892	1B8	53	20 - 13B	R77498	1J23	24	40 - 71
R72655	2G16	1	70 - 36	R75892	1C2	31	20 - 31	R77499	1J23	24	40 - 71
R72655	3D17	22	90 - 13	R75893	1B8	52	20 - 13B	R77500	1J18	8	40 - 66
R72655	3D19	10	90 - 15	R75893	1C2	30	20 - 31	R77500	1J23	24	40 - 71
R72660	1G19	2	30 - 92	R75967	1E9	31	30 - 31	R77501	1J23	24	40 - 71
R72816	3D4	10	80 - 57	R75968	1E9	22	30 - 31	R77502	1J25	56	40 - 73
R72874	2B23	3	50 - 26	R76126	1B8	40	20 - 13B	R77503	1J25	56	40 - 73
R72886	2F8	14	70 - 5	R76126	1B12	25	20 - 17	R77511	3D25	5	90 - 21
R72886	2F10	14	70 - 7	R76167	2F8	25	70 - 5	R78249	2C25	9	50 - 55
R72886	2F12	14	70 - 9	R76167	2F8	29	70 - 5	R78366	1B23	11	20 - 28
R72886	2F14	14	70 - 11	R76167	2F10	23	70 - 7	R78366	1C21	15	20 - 53
R72936	2F8	9	70 - 5	R76167	2F12	25	70 - 9	R78460	2B23	10	50 - 26
R72936	2F8	24	70 - 5	R76167	2F12	29	70 - 9	R78460	2B24	4	50 - 27
R72936	2F10	9	70 - 7	R76167	2F14	23	70 - 11	R78583	2B23	3	50 - 26
R72936	2F12	9	70 - 9	R76341	3D2	3	80 - 55	R78765	2I25	8	70 - 99
R72936	2F12	24	70 - 9	R76341	3D4	12	80 - 57	R78766	2I25	13	70 - 99
R72936	2F14	9	70 - 11	R76341	3D9	8	90 - 5	R78766	2J2	6	70 - 101
R72967	1B4	21	20 - 11	R76459	2I22	5	70 - 95	R78767	2I25	2	70 - 99
R72982	1B4	21	20 - 11	R76477	1H22	5	40 - 22	R78768	2I25	19	70 - 99
R73139	1B4	21	20 - 11	R76477	2I22	6	70 - 95	R78769	2I25	17	70 - 99
R73139	1B4	36	20 - 11	R76578	1G14	11	30 - 87	R79089	1B4	15	20 - 11
R73139	1B8	31	20 - 13B	R76702	2G5	1	70 - 28	R79089	1B8	43	20 - 13B
R73140	1B4	29	20 - 11	R77126	1C21	16	20 - 53	R79311	2I12	11	70 - 85
R73140	1C21	17	20 - 53	R77420	3D4	4	80 - 57	R79311	2I23	24	70 - 97
R73140	1C23	1	20 - 55	R77456	1J23	27	40 - 71	R79311	2I25	16	70 - 99
R73290	2D23	11	50 - 79	R77457	1J23	29	40 - 71	R79311	2J2	8	70 - 101
R73380	2D19	13	50 - 74	R77458	1J23	28	40 - 71	R79604	1G2	16	30 - 75
R73701	2C5	46	50 - 33	R77459	1J23	28	40 - 71	R79604	1G10	2	30 - 83
R74194	1B16	7	20 - 21	R77460	1J23	28	40 - 71	R79604	1G12	2	30 - 85
R74210	2I25	10	70 - 99	R77461	1J23	28	40 - 71	R79604	1G12	3	30 - 85
R74210	2J2	4	70 - 101	R77462	1J23	25	40 - 71	R79605	1G2	18	30 - 75
R74242	2I22	1	70 - 95	R77463	1J23	30	40 - 71	R79605	1G10	1	30 - 83
R74243	2I22	2	70 - 95	R77464	1J23	26	40 - 71	R79605	1G12	1	30 - 85
R74244	2I22	3	70 - 95	R77465	1J23	31	40 - 71	R79605	1G12	3	30 - 85
R74246	2I22	4	70 - 95	R77466	1J23	33	40 - 71	R79606	1G12	3	30 - 85
R74310	1F2	2	30 - 50	R77467	1J23	34	40 - 71	R79623	1B2	15	20 - 9
R74310	1F4	2	30 - 52	R77468	1J23	32	40 - 71	R79624	1B2	17	20 - 9
R74310	1F25	13	30 - 73	R77469	1J25	35	40 - 73	R79625	1B2	17	20 - 9
R74310	1G8	12	30 - 81	R77470	1J25	45	40 - 73	R79626	1B2	17	20 - 9
R74312	1F1	8	30 - 49	R77471	1J25	45	40 - 73	R79627	1B2	17	20 - 9
R74312	1F9	8	30 - 57	R77472	1J25	45	40 - 73	R79628	1B2	15	20 - 9
R74312	1F23	10	30 - 71	R77473	1J25	45	40 - 73	R79629	1B2	15	20 - 9
R74312	1G6	10	30 - 79	R77474	1J25	44	40 - 73	R79630	1B2	15	20 - 9
R74325	1F3	17	30 - 51	R77475	1J23	13	40 - 71	R80033	1B8	12	20 - 13B
R74354	1C3	10	20 - 32	R77476	1J23	3	40 - 71	R80033	1B16	7	20 - 21
R74354	1C21	19	20 - 53	R77477	1J23	4	40 - 71	R80324	2I20	29	70 - 93
R74354	1C23	8	20 - 55	R77478	1J23	15	40 - 71	R80324	2I21	8	70 - 94
R74472	1E24	31	30 - 47	R77479	1J23	5	40 - 71	R80408	1B8	61	20 - 13B

1L11

1020 TRACTOR

NUMERICAL INDEX - CONTINUED

PART NO.	GRID	KEY	PAGE	PART NO.	GRID	KEY	PAGE	PART NO.	GRID	KEY	PAGE
R80839	2C25	11	50-55	R87627	1C23	9	20-55	R99385	2B4	29	50-7
R80840	2C25	12	50-55	R89476	2B23	10	50-26	TY1427	1H5	16	40-3
R80841	2C25	13	50-55	R89476	2B24	4	50-27	TY1427	1H17	15	40-17
R81065	2F8	38	70-5	R89824	1B12	14	20-17	TY1427	1H19	..	40-19
R81065	2F10	36	70-7	R89977	3D2	6	80-55	TY1427	1H21	..	40-21
R81065	2F14	36	70-11	R89978	3D2	5	80-55	TY15157	1I23	26	40-46
R81167	1I8	14	40-33	R90648	1B4	21	20-11	TY15269	2H6	19	70-51
R81168	1I8	11	40-33	R90648	1B4	29	20-11	TY16004	1A23	2	20-2
R81169	1I8	6	40-33	R90648	1B8	25	20-13B	TY16004	1C15	..	20-47
R81170	1I8	4	40-33	R90648	1C21	17	20-53	TY16005	1A23	3	20-2
R81171	1I8	15	40-33	R90648	1C23	1	20-55	TY16055	1I23	26	40-46
R81172	1I6	20	40-31	R90658	1C18	1	20-50	TY21730	1H13	1	40-11
R81173	1I8	21	40-33	R90658	1C21	5	20-53	TY22007	1A22	2	20-1
R81174	1I6	3	40-31	R90658	1D13	8	30-10	TY22008	1A22	2	20-1
R81175	1I6	2	40-31	R90658	1D17	2	30-14	TY22009	1A22	1	20-1
R81176	1I2	21	40-27	R91749	3C14	5	80-43	TY22010	1A22	2	20-1
R81176	1I6	11	40-31	R93219	1K2	7	40-75	TY22011	1A22	2	20-1
R81198	1I6	29	40-31	R93220	1K2	7	40-75	TY22043	2F4	2	70-1
R81221	3D11	19	90-7	R93221	1K2	7	40-75	TY22044	2F4	2	70-1
R81222	3D11	21	90-7	R93222	1K2	7	40-75	TY22063	2F4	2	70-1
R81223	3D11	14	90-7	R94419	1C7	4	20-37	TY22465	1C9	5	20-40
R81275	1C18	2	20-50	R97341	1C21	3	20-53	TY22465	1C10	3	20-41
R81275	1C21	6	20-53	R97341	1C23	12	20-55	TY22465	1C11	3	20-42
R81275	1D12	4	30-9	R97350	1C21	4	20-53	TY22465	1C12	3	20-43
R81424	3D13	19	90-9	R97350	1C23	13	20-55	TY22465	1C17	1	20-49
R81424	3D15	10	90-11	R97350	1E2	6	30-24	TY22465	2E18	11	60-15
R81424	3D19	27	90-15	R97350	1E2	7	30-24	TY22465	2F22	14	70-19
R81513	1B2	18	20-9	R97350	1E3	1	30-25	TY22465	2I1	3	70-72
R81513	1B2	19	20-9	R97350	1E3	12	30-25	TY22465	2I2	3	70-73
R81513	1B6	1	20-13	R97350	1E3	13	30-25	TY22467	1C15	18	20-47
R81513	1B8	61	20-13B	R97350	1E4	1	30-26	TY22467	2F22	24	70-19
R81516	1B2	19	20-9	R97350	1E4	5	30-26	TY22467	2F23	2	70-21
R82236	1J9	16	40-57	R97350	1E5	1	30-27	TY22467	2G3	5	70-26
R82237	1J9	14	40-57	R97351	1B10	5	20-15	TY22467	2G4	5	70-27
R82238	1J9	15	40-57	R97351	1C21	2	20-53	TY22470	1C13	18	20-45
R82239	1J9	13	40-57	R97351	1C23	10	20-55	TY22470	1C15	12	20-47
R82243	1J9	18	40-57	R97352	1C21	11	20-53	TY22470	2F22	19	70-19
R82355	1J9	4	40-57	R97352	1C23	15	20-55	TY22470	2F22	21	70-19
R82423	1J11	8	40-59	R97354	1C21	16	20-53	TY22470	2F22	23	70-19
R82425	3D2	3	80-55	R97454	1B23	1	20-28	TY22470	2F23	8	70-21
R82425	3D4	12	80-57	R97454	1C21	9	20-53	TY22470	2F23	14	70-21
R82425	3D9	8	90-5	R97455	1C5	1	20-35	TY22470	2F23	16	70-21
R82439	1G14	26	30-87	R97758	1C7	21	20-37	TY22470	2F25	27	70-23
R82731	2C23	10	50-53	R98460	1C18	8	20-50	TY22470	2F25	28	70-23
R82819	1B2	18	20-9	R98460	1C21	1	20-53	TY22470	2F25	29	70-23
R82819	1B2	19	20-9	R98460	1C23	23	20-55	TY2615	3E1	3	90-22
R82819	1B8	1	20-13B	R98821	1C23	14	20-55	TY3018	2J3	3	70-102
R82873	1D20	2	30-17	R98837	1C19	6	20-51	TY6114	1H13	1	40-11
R82896	1B2	14	20-9	R98837	1C23	18	20-55	TY6280	1A22	1	20-1
R83055	1J11	9	40-59	R98837	1D14	14	30-11	TY6297	1A22	1	20-1
R83103	3D2	19	80-55	R98837	1D18	4	30-15	TY6298	1A22	1	20-1
R83109	1J11	11	40-59	R98843	1C19	7	20-51	TY6300	1A22	1	20-1
R83508	2F8	14	70-5	R98843	1C23	22	20-55	TY6301	1A22	1	20-1
R83508	2F10	14	70-7	R98843	1D14	13	30-11	TY6311	1A22	1	20-1
R83508	2F12	14	70-9	R98843	1D18	2	30-15	TY6312	1A22	1	20-1
R83508	2F14	14	70-11	R98844	1D13	7	30-10	TY6313	1A22	1	20-1
R84158	1J11	13	40-59	R98844	1D14	12	30-11	TY6359	1A22	1	20-1
R85363	1A25	5	20-7	R98915	2E2	13	50-83	TY6360	1A22	1	20-1
R87527	3D4	13	80-57	R98915	2E4	12	50-85	TY6361	1A22	1	20-1
R87527	3D9	8	90-5	R98922	2B24	19	50-27	TY6389	1A22	2	20-1
R87527	3D13	1	90-9	R98923	2B24	21	50-27	TY6390	1A22	2	20-1
R87529	3D2	3	80-55	R98924	2B23	3	50-26	TY6391	1A22	2	20-1
R87529	3D4	12	80-57	R98941	2D1	9	50-56	TY6392	1A22	2	20-1
R87529	3D9	8	90-5	R99290	2A24	22	50-3	TY6393	1A22	2	20-1
R87627	1C19	2	20-51	R99290	2B2	23	50-5	TY6394	1A22	2	20-1
R87627	1C21	20	20-53	R99290	2B4	36	50-7	TY6620	1H13	9	40-11
R87627	1C21	21	20-53	R99350	3D11	10	90-7	TY6620	1H22	..	40-22

1L12

1020 TRACTOR

NUMERICAL INDEX - CONTINUED

PART NO.	GRID	KEY	PAGE	PART NO.	GRID	KEY	PAGE	PART NO.	GRID	KEY	PAGE
TY6620	1H23	1	40-23	T11739	1I4	2	40-29	T11890	1E24	7	30-47
TY6620	1I2	..	40-27	T11857	1H5	23	40-3	T11890	1F7	7	30-55
TY6620	1I4	..	40-29	T11857	1H17	3	40-17	T11890	1F21	13	30-69
TY6620	1I6	..	40-31	T11875	1F3	21	30-51	T11890	1G4	13	30-77
TY6620	1I8	..	40-33	T11875	1F5	21	30-53	T11891	1E24	22	30-47
TY6639	1H13	9	40-11	T11875	1F19	20	30-67	T11891	1F7	22	30-55
TY6639	1H22	..	40-22	T11875	1G3	15	30-76	T11891	1F13	9	30-61
TY6639	1H23	1	40-23	T11875	1F3	27	30-51	T11891	1F16	11	30-64
TY6639	1I13	..	40-36	T11876	1F5	27	30-53	T11891	1F21	21	30-69
TY6639	1I14	..	40-37	T11876	1F19	19	30-67	T11891	1G4	21	30-77
TY6690	1H25	1	40-25	T11876	1G3	14	30-76	T11891	1G14	18	30-87
TY6690	1H25	11	40-25	T11877	1F2	17	30-50	T11892	1E24	5	30-47
TY6690	1H25	..	40-25	T11877	1F4	17	30-52	T11894	1E24	2	30-47
TY6690	1I2	22	40-27	T11877	1F11	24	30-59	T11894	1F7	2	30-55
TY6690	1I13	21	40-36	T11877	1F14	14	30-62	T11894	1F22	21	30-70
TY6702	1H13	9	40-11	T11877	1F19	1	30-67	T11894	1G5	21	30-78
TY6702	1H22	..	40-22	T11877	1G3	29	30-76	T11894	1G14	30	30-87
TY6702	1H23	1	40-23	T11877	1G14	27	30-87	T118949	2D8	8	50-63
TY6702	1I2	..	40-27	T11878	1F3	19	30-51	T118949	2D8	9	50-63
TY6702	1I4	20	40-29	T11878	1F5	19	30-53	T118950	2D8	8	50-63
TY6702	1I4	..	40-29	T11878	1F13	8	30-61	T118950	2D8	9	50-63
TY6702	1I6	..	40-31	T11878	1F16	8	30-64	T11899	1E25	15	30-48
TY6702	1I8	20	40-33	T11878	1F19	13	30-67	T11899	1F3	4	30-51
TY6702	1I8	..	40-33	T11878	1G3	12	30-76	T11899	1F5	4	30-53
TY6706	1H13	9	40-11	T11878	1G3	17	30-76	T11899	1F8	15	30-56
TY6706	1H22	..	40-22	T11878	1G14	12	30-87	T11899	1F10	4	30-58
TY6706	1H23	1	40-23	T11882	1F3	23	30-51	T11899	1F15	2	30-63
TY6706	1I13	..	40-36	T11882	1F5	23	30-53	T11899	1F22	10	30-70
TY6706	1I14	18	40-37	T11882	1F19	17	30-67	T11899	1F25	17	30-73
TY6706	1I14	..	40-37	T11882	1G3	9	30-76	T11899	1G5	10	30-78
TY6739	1C5	1	20-35	T11883	1F3	22	30-51	T11899	1G8	16	30-81
TY9305	1I23	26	40-46	T11883	1F5	22	30-53	T11899	1G14	21	30-87
TY9371	3E3	1	90-24	T11883	1F19	16	30-67	T11900	1E25	4	30-48
T10079	1C23	14	20-55	T11883	1G3	10	30-76	T11900	1F8	4	30-56
T10079	1E2	2	30-24	T11883	1G14	23	30-87	T11900	1F22	12	30-70
T10079	1E7	8	30-29	T11884	1E25	22	30-48	T11900	1G5	12	30-78
T10510	2D19	14	50-74	T11884	1F3	24	30-51	T11901	1F11	18	30-59
T10510	3B14	6	80-20	T11884	1F5	24	30-53	T11906	1G14	9	30-87
T10510	3B16	11	80-21	T11884	1F8	22	30-56	T11907	1F1	10	30-49
T10804	1E3	3	30-25	T11884	1F19	18	30-67	T11907	1F9	10	30-57
T10804	1E5	2	30-27	T11884	1G3	8	30-76	T11907	1F23	15	30-71
T11107	1B22	11	20-27	T11885	1E24	16	30-47	T11907	1G6	15	30-79
T11146	2E18	8	60-15	T11885	1F13	14	30-61	T11909	1E24	30	30-47
T11234	1B22	24	20-27	T11885	1F16	18	30-64	T11909	1F7	30	30-55
T11234	2F5	8	70-2	T11885	1G4	17	30-77	T11909	1F23	22	30-71
T11234	3C17	8	80-46	T11886	1E24	15	30-47	T11909	1G6	22	30-79
T11290	1F1	19	30-49	T11886	1F7	15	30-55	T11910	1E24	27	30-47
T11290	1F9	19	30-57	T11886	1F13	13	30-61	T11910	1F7	27	30-55
T11290	1F20	5	30-68	T11886	1F16	17	30-64	T11910	1F23	21	30-71
T11290	1G3	22	30-76	T11886	1F21	16	30-69	T11910	1G6	21	30-79
T11290	1G14	4	30-87	T11886	1G4	16	30-77	T11911	1F1	28	30-49
T11292	1E1	14	30-23	T11887	1E24	21	30-47	T11911	1F9	28	30-57
T113380	2B23	16	50-26	T11887	1F7	21	30-55	T11911	1F24	21	30-72
T11672	1I2	16	40-27	T11887	1F16	13	30-64	T11911	1G7	21	30-80
T11672	1I6	5	40-31	T11887	1F21	19	30-69	T11913	1F1	25	30-49
T11672	1I13	13	40-36	T11887	1G4	19	30-77	T11913	1F9	25	30-57
T11674	1I2	19	40-27	T11888	1E24	20	30-47	T11913	1F23	8	30-71
T11674	1I13	15	40-36	T11888	1F7	20	30-55	T11913	1G6	8	30-79
T11675	1I2	21	40-27	T11888	1F13	19	30-61	T11914	1F1	26	30-49
T11675	1I13	18	40-36	T11888	1F14	..	30-62	T11914	1F9	26	30-57
T11680	1I4	22	40-29	T11888	1F16	14	30-64	T11914	1F23	9	30-71
T11680	1I8	23	40-33	T11888	1F21	20	30-69	T11914	1G6	9	30-79
T11684	1I2	3	40-27	T11888	1G4	20	30-77	T11915	1F2	12	30-50
T11700	2B7	20	50-10	T11889	1E24	6	30-47	T11915	1F3	10	30-51
T11701	2B7	21	50-10	T11889	1F7	6	30-55	T11915	1F4	12	30-52
T11708	3D20	12	90-16	T11889	1F21	12	30-69	T11915	1F5	10	30-53
T11708	3D20	21	90-16	T11889	1G4	12	30-77	T11915	1F11	20	30-59

1L13

1020 TRACTOR

NUMERICAL INDEX - CONTINUED

PART NO.	GRID	KEY	PAGE	PART NO.	GRID	KEY	PAGE	PART NO.	GRID	KEY	PAGE
T11915	1F17	20	30-65	T11934	1G5	7	30-78	T13744	1H10	5	40-8
T11915	1F24	3	30-72	T11934	1G14	3	30-87	T13744	1H11	15	40-9
T11915	1F25	3	30-73	T11934	1G14	24	30-87	T13814	1H5	8	40-3
T11915	1G7	3	30-80	T11935	1G1	12	30-74	T13911	3C21	3	80-50
T11915	1G8	3	30-81	T11935	1G9	12	30-82	T14059	2A24	33	50-3
T11915	1G14	11	30-87	T11936	1G1	6	30-74	T14059	2B2	37	50-5
T11917	1F2	1	30-50	T11936	1G9	6	30-82	T14264	1J15	8	40-63
T11917	1F4	1	30-52	T11937	1G1	11	30-74	T14500	3D20	2	90-16
T11917	1F24	10	30-72	T11937	1G9	11	30-82	T146102	1H22	1	40-22
T11917	1G7	10	30-80	T11937	1G14	7	30-87	T146102	1110	1	40-35A
T11918	1F1	5	30-49	T11937	1G18	6	30-91	T146102	1112	1	40-35D
T11918	1F9	5	30-57	T11938	1G1	5	30-74	T146102	3D4	11	80-57
T11918	1F19	21	30-67	T11938	1G9	5	30-82	T146104	1H22	10	40-22
T11918	1G1	8	30-74	T11943	1E24	28	30-47	T146104	1110	1	40-35A
T11918	1G3	25	30-76	T11943	1F7	28	30-55	T146104	1112	1	40-35D
T11918	1G9	8	30-82	T11943	1F23	11	30-71	T146104	3D4	17	80-57
T11918	1G14	8	30-87	T11943	1G6	11	30-79	T146106	1H22	10	40-22
T11920	1F24	12	30-72	T11943	1G14	16	30-87	T146106	1110	1	40-35A
T11920	1G7	12	30-80	T11944	1E25	10	30-48	T146106	1112	1	40-35D
T11921	1F1	32	30-49	T11944	1F8	10	30-56	T146106	3D4	17	80-57
T11921	1F2	5	30-50	T11949	1E24	23	30-47	T146515	1H22	10	40-22
T11921	1F4	5	30-52	T11949	1F7	23	30-55	T146515	1110	1	40-35A
T11921	1F9	32	30-57	T12083	2A24	19	50-3	T146515	1112	1	40-35D
T11921	1F19	6	30-67	T12083	2B2	20	50-5	T146515	3D4	17	80-57
T11921	1G3	2	30-76	T12083	2B4	21	50-7	T146516	1H22	10	40-22
T11923	1E24	26	30-47	T12208	1113	3	40-36	T146516	1110	1	40-35A
T11923	1F7	26	30-55	T12250	1C16	2	20-48	T146516	1112	1	40-35D
T11923	1F23	12	30-71	T12553	2G24	11	70-44	T146516	3D4	17	80-57
T11923	1G6	12	30-79	T12553	2G24	15	70-44	T146517	1H22	10	40-22
T11924	1F1	24	30-49	T12688	3B14	3	80-20	T146517	1110	1	40-35A
T11924	1F9	24	30-57	T12688	3B16	6	80-21	T146517	1112	1	40-35D
T11924	1F23	7	30-71	T12808	2B22	5	50-25	T146517	3D4	17	80-57
T11924	1G6	7	30-79	T12808	2G16	1	70-36	T14787	1H5	8	40-3
T11925	1F3	28	30-51	T12808	3D17	22	90-13	T15005	3C21	1	80-50
T11925	1F5	28	30-53	T12808	3D19	10	90-15	T15005	3C22	7	80-51
T11925	1F23	3	30-71	T13119	2B25	21	50-28	T151882	2E13	8	60-9
T11925	1G6	3	30-79	T13119	2C16	15	50-46	T151883	2E20	2	60-17
T11926	1E24	18	30-47	T13119	2C17	11	50-47	T151884	2B24	3	50-27
T11926	1F7	18	30-55	T13119	2G2	7	70-25	T15284	3B4	25	80-9
T11926	1F21	3	30-69	T13201	1D22	2	30-19	T15284	3B13	3	80-19
T11926	1G4	3	30-77	T13201	1D24	2	30-21	T15285	3B4	5	80-9
T11927	1F1	31	30-49	T13213	1B9	10	20-14	T15285	3B12	6	80-18
T11927	1F9	31	30-57	T13213	1C21	23	20-53	T15288	3B4	6	80-9
T11927	1F24	4	30-72	T13213	1C23	6	20-55	T15288	3B12	9	80-18
T11927	1G7	4	30-80	T13267	2B7	22	50-10	T15564	112	28	40-27
T11929	1F1	30	30-49	T13267	2B8	21	50-11	T15564	116	17	40-31
T11929	1F9	30	30-57	T13267	2B11	7	50-14	T15564	1113	25	40-36
T11929	1F24	15	30-72	T13267	2B12	7	50-15	T15699	1F1	7	30-49
T11929	1G7	15	30-80	T13269	2B7	24	50-10	T15699	1F9	7	30-57
T11930	1F3	20	30-51	T13325	2D25	27	50-81	T15699	1F24	19	30-72
T11930	1F5	20	30-53	T13326	2D25	17	50-81	T15699	1G7	19	30-80
T11930	1F19	14	30-67	T13329	2D25	10	50-81	T15700	1F1	21	30-49
T11930	1G3	11	30-76	T13330	2D25	11	50-81	T15700	1F9	21	30-57
T11930	1G3	16	30-76	T13331	2D25	15	50-81	T15700	1F23	5	30-71
T11931	1E24	29	30-47	T13332	2D25	15	50-81	T15700	1G6	5	30-79
T11931	1F7	29	30-55	T13333	2D25	15	50-81	T15705	1F2	9	30-50
T11931	1F23	20	30-71	T13341	2D25	6	50-81	T15705	1F3	18	30-51
T11931	1G6	20	30-79	T134452	1H22	10	40-22	T15705	1F4	9	30-52
T11932	1F3	1	30-51	T134453	1H22	10	40-22	T15705	1F5	18	30-53
T11932	1F5	1	30-53	T134454	1H22	10	40-22	T15705	1F25	11	30-73
T11932	1F23	1	30-71	T134455	1H22	10	40-22	T15705	1G8	10	30-81
T11932	1G6	1	30-79	T134456	1H22	10	40-22	T15707	1F2	2	30-50
T11934	1E25	17	30-48	T134459	1H22	1	40-22	T15707	1G8	12	30-81
T11934	1F11	6	30-59	T13471	2D25	16	50-81	T15710	1F2	4	30-50
T11934	1F12	4	30-60	T13555	2E15	5	60-11	T15710	1F3	14	30-51
T11934	1F17	6	30-65	T13744	1H7	3	40-5	T15710	1F4	4	30-52
T11934	1F18	4	30-66	T13744	1H8	13	40-6	T15710	1F5	14	30-53

1L14

1020 TRACTOR

NUMERICAL INDEX - CONTINUED

PART NO.	GRID	KEY	PAGE	PART NO.	GRID	KEY	PAGE	PART NO.	GRID	KEY	PAGE
T15710	1F25	6	30-73	T17117	1G8	1	30-81	T17952	1F23	6	30-71
T15710	1G8	6	30-81	T17120	1F3	17	30-51	T17952	1G6	6	30-79
T15710	1G14	14	30-87	T17122	1F3	11	30-51	T17953	1F1	33	30-49
T15711	1F3	8	30-51	T17122	1F5	11	30-53	T17953	1F9	33	30-57
T15711	1F5	8	30-53	T17122	1F11	21	30-59	T17953	1F19	5	30-67
T15711	1F25	26	30-73	T17122	1F17	21	30-65	T17953	1G3	1	30-76
T15711	1G8	25	30-81	T17122	1F25	2	30-73	T17987	1I2	13	40-27
T15712	1F3	7	30-51	T17122	1G8	2	30-81	T18099	1I14	20	40-37
T15712	1F5	7	30-53	T17123	1F3	9	30-51	T18105	1H25	8	40-25
T15712	1F11	9	30-59	T17123	1F5	9	30-53	T18109	1H25	10	40-25
T15712	1F25	25	30-73	T17123	1F25	4	30-73	T18113	1I2	19	40-27
T15712	1G8	24	30-81	T17123	1G8	4	30-81	T18113	1I6	9	40-31
T15712	1G14	22	30-87	T17125	1F3	15	30-51	T18113	1I13	15	40-36
T15715	1E25	12	30-48	T17125	1F5	15	30-53	T18248	1C17	15	20-49
T15715	1F1	2	30-49	T17125	1F25	7	30-73	T18353	1I14	16	40-37
T15715	1F8	12	30-56	T17125	1G8	7	30-81	T18354	1H25	4	40-25
T15715	1F9	2	30-57	T17126	1F3	13	30-51	T18379	1E25	18	30-48
T15715	1F19	2	30-67	T17126	1F5	13	30-53	T18379	1F8	18	30-56
T15715	1G3	26	30-76	T17126	1F25	5	30-73	T18380	1E25	21	30-48
T15720	1F2	13	30-50	T17126	1G8	5	30-81	T18380	1F8	21	30-56
T15720	1F3	26	30-51	T17137	1F25	19	30-73	T18529	1F3	17	30-51
T15720	1F4	13	30-52	T17137	1G8	18	30-81	T18529	1F5	17	30-53
T15720	1F5	26	30-53	T17148	2E6	4	60-1	T18600	1D5	4	30-2
T15720	1F24	2	30-72	T17148	2E12	4	60-8	T18600	1D6	11	30-3
T15720	1G7	2	30-80	T17201	2D7	2	50-62	T18716	2H2	9	70-47
T15720	1G14	10	30-87	T17568	1C10	12	20-41	T18717	2D25	20	50-81
T15721	1F1	1	30-49	T17589	2C10	20	50-39	T18718	2D25	30	50-81
T15721	1F9	1	30-57	T17589	2C12	19	50-41	T18750	2B8	22	50-11
T15721	1F19	4	30-67	T17609	1B22	32	20-27	T18750	2B11	8	50-14
T15721	1G3	28	30-76	T17882	2C19	4	50-49	T18750	2B12	8	50-15
T15737	1D20	23	30-17	T17882	2G13	1	70-33	T18838	1B18	2	20-23
T15940	2B8	24	50-11	T17912	3B16	5	80-21	T18891	1B4	10	20-11
T15940	2B10	29	50-13	T17945	1F1	4	30-49	T18891	1B8	28	20-13B
T15940	2B11	10	50-14	T17945	1F9	4	30-57	T18891	2C19	11	50-49
T15940	2B12	10	50-15	T17946	1F3	25	30-51	T18891	2C19	20	50-49
T15944	2B11	5	50-14	T17946	1F5	25	30-53	T18891	2D9	5	50-64
T15944	2B12	5	50-15	T17946	1G7	1	30-80	T18996	2D25	31	50-81
T16049	2B8	20	50-11	T17947	1F1	34	30-49	T19044	1B4	22	20-11
T16106	1E9	13	30-31	T17947	1F9	34	30-57	T19044	1G23	2	30-96
T16464	2G25	2	70-45	T17947	1F19	7	30-67	T19065	3B22	3	80-27
T16464	2H3	1	70-48	T17947	1G3	3	30-76	T19114	1D22	10	30-19
T16468	1B24	8	20-29	T17948	1F10	19	30-58	T19114	1D24	7	30-21
T16565	1E6	20	30-28	T17948	1F10	31	30-58	T19117	1D22	15	30-19
T16573	2D4	28	50-59	T17948	1F15	16	30-63	T19117	1D24	12	30-21
T16580	1H16	12	40-15	T17949	1F2	20	30-50	T19118	1D22	9	30-19
T16586	1H16	22	40-15	T17949	1F4	20	30-52	T19118	1D24	6	30-21
T16601	1E24	31	30-47	T17949	1F10	29	30-58	T19119	1D22	14	30-19
T16601	1F7	31	30-55	T17949	1F15	19	30-63	T19119	1D24	11	30-21
T16601	1F23	23	30-71	T17949	1F24	8	30-72	T19119	1D24	14	30-21
T16601	1G6	23	30-79	T17949	1G7	8	30-80	T19121	1D24	11	30-21
T16602	1F1	29	30-49	T17949	1G17	5	30-90	T19123	1D22	5	30-19
T16602	1F9	29	30-57	T17950	1F2	21	30-50	T19168	3D2	3	80-55
T16602	1F23	4	30-71	T17950	1F4	21	30-52	T19168	3D9	8	90-5
T16602	1G6	4	30-79	T17950	1F10	30	30-58	T19173	1B18	6	20-23
T16738	3D20	22	90-16	T17950	1F15	20	30-63	T19178	1H8	16	40-6
T16911	1H6	3	40-4	T17950	1F24	7	30-72	T19178	1H11	19	40-9
T16911	2G5	12	70-28	T17950	1G7	7	30-80	T19178	1I17	6	40-40
T16911	2G20	7	70-40	T17950	1G17	4	30-90	T19179	1I15	7	40-38
T17058	1I2	17	40-27	T17951	1F1	35	30-49	T19179	1I16	13	40-39
T17058	1I6	12	40-31	T17951	1F9	35	30-57	T19242	2D4	3	50-59
T17058	1I13	14	40-36	T17951	1F19	8	30-67	T19242	2D6	3	50-61
T17115	1F1	27	30-49	T17951	1G3	4	30-76	T19245	2D4	4	50-59
T17117	1F3	12	30-51	T17951	2E25	30	60-23	T19245	2D6	4	50-61
T17117	1F5	12	30-53	T17951	2H16	9	70-62	T19293	3C10	3	80-39
T17117	1F11	23	30-59	T17951	2H17	23	70-63	T19324	2F22	3	70-19
T17117	1F17	23	30-65	T17952	1F1	23	30-49	T19324	2G1	8	70-24
T17117	1F25	1	30-73	T17952	1F9	23	30-57	T19324	2G1	10	70-24

1L15

1020 TRACTOR

NUMERICAL INDEX - CONTINUED

PART NO.	GRID	KEY	PAGE	PART NO.	GRID	KEY	PAGE	PART NO.	GRID	KEY	PAGE
T19345	2E6	1	60 - 1	T19865	1F9	20	30 - 57	T20070	1B8	6	20 - 13B
T19345	2E12	1	60 - 8	T19865	1F20	6	30 - 68	T20071	1B2	18	20 - 9
T19390	3D2	17	80 - 55	T19865	1G3	23	30 - 76	T20072	1B2	21	20 - 9
T19400	3B22	3	80 - 27	T19876	1E25	20	30 - 48	T20072	1B8	4	20 - 13B
T19526	2G8	22	70 - 30A	T19876	1F8	20	30 - 56	T20073	1B2	16	20 - 9
T19566	1A23	2	20 - 2	T19935	1H7	11	40 - 5	T20073	1B8	2	20 - 13B
T19569	1I2	33	40 - 27	T19935	1H8	6	40 - 6	T20074	1A25	11	20 - 7
T19589	1I2	32	40 - 27	T19935	1H10	2	40 - 8	T20077	1B2	10	20 - 9
T19603	1H13	8	40 - 11	T19935	1H11	5	40 - 9	T20078	1C2	28	20 - 31
T19604	1H25	6	40 - 25	T19935	2B4	11	50 - 7	T20080	1B13	3	20 - 18
T19606	1H25	2	40 - 25	T19935	2C24	14	50 - 54	T20085	1B13	3	20 - 18
T19606	1H25	5	40 - 25	T19956	2B11	6	50 - 14	T20088	2B7	1	50 - 10
T19609	1H25	11	40 - 25	T19956	2B12	6	50 - 15	T20088	2B8	1	50 - 11
T19638	3B22	3	80 - 27	T19974	1A25	1	20 - 7	T20088	2B9	1	50 - 12
T19651	1C7	9	20 - 37	T19977	1G1	1	30 - 74	T20088	2B10	1	50 - 13
T19651	1C17	3	20 - 49	T19977	1G9	1	30 - 82	T20089	1B10	3	20 - 15
T19651	1C17	14	20 - 49	T19977	1G14	1	30 - 87	T20090	1B10	4	20 - 15
T19737	3B16	3	80 - 21	T19977	1G18	1	30 - 91	T20091	1C2	27	20 - 31
T19737	3B16	4	80 - 21	T19978	1D13	14	30 - 10	T20091	1C3	7	20 - 32
T19812	1B16	7	20 - 21	T19978	1D14	5	30 - 11	T20093	1C2	28	20 - 31
T19854	1F1	22	30 - 49	T19995	1B22	17	20 - 27	T20094	1B8	49	20 - 13B
T19854	1F9	22	30 - 57	T19996	1B22	10	20 - 27	T20094	1B12	3	20 - 17
T19854	1F20	7	30 - 68	T20004	1B20	2	20 - 25	T20097	1C2	26	20 - 31
T19854	1G3	24	30 - 76	T20006	1C18	1	20 - 50	T20098	1B9	9	20 - 14
T19854	1G14	6	30 - 87	T20006	1C21	5	20 - 53	T20111	1A25	8	20 - 7
T19855	1F1	16	30 - 49	T20006	1D13	8	30 - 10	T20111	1C18	9	20 - 50
T19855	1F9	16	30 - 57	T20006	1D17	2	30 - 14	T20111	1C19	1	20 - 51
T19855	1G3	21	30 - 76	T20009	1B16	7	20 - 21	T20111	1C21	12	20 - 53
T19856	1E24	11	30 - 47	T20015	1B2	18	20 - 9	T20111	1C23	21	20 - 55
T19856	1F7	11	30 - 55	T20015	1B2	19	20 - 9	T20112	1C23	4	20 - 55
T19856	1F14	2	30 - 62	T20024	1B4	31	20 - 11	T20112	1H14	16	40 - 13
T19856	1F14	..	30 - 62	T20029	1B12	10	20 - 17	T20113	1H14	15	40 - 13
T19856	1F21	8	30 - 69	T20034	1B12	11	20 - 17	T20115	1H14	9	40 - 13
T19856	1G4	8	30 - 77	T20034	1B12	13	20 - 17	T20129	1B2	9	20 - 9
T19857	1E24	11	30 - 47	T20036	1B12	14	20 - 17	T20135	1B12	12	20 - 17
T19857	1F7	11	30 - 55	T20037	1B12	23	20 - 17	T20136	1B12	24	20 - 17
T19857	1F14	2	30 - 62	T20038	1B12	22	20 - 17	T20136	1C2	8	20 - 31
T19857	1F14	..	30 - 62	T20039	1A25	4	20 - 7	T20139	2B8	3	50 - 11
T19857	1F21	8	30 - 69	T20039	1C19	8	20 - 51	T20139	2B10	3	50 - 13
T19857	1G4	8	30 - 77	T20039	1C21	1	20 - 53	T20141	1D13	7	30 - 10
T19858	1F2	19	30 - 50	T20039	1C23	23	20 - 55	T20141	1D14	12	30 - 11
T19858	1F4	19	30 - 52	T20046	1B12	7	20 - 17	T20142	1D13	5	30 - 10
T19858	1F10	28	30 - 58	T20049	1C21	3	20 - 53	T20142	1D14	10	30 - 11
T19858	1F15	18	30 - 63	T20049	1C23	12	20 - 55	T20146	1B24	7	20 - 29
T19858	1F24	5	30 - 72	T20050	1C2	32	20 - 31	T20152	1B24	21	20 - 29
T19858	1G7	5	30 - 80	T20052	1E16	19	30 - 39	T20153	1B23	7	20 - 28
T19858	1G17	6	30 - 90	T20052	1E22	28	30 - 45	T20154	1B24	1	20 - 29
T19859	1F2	18	30 - 50	T20055	1E16	23	30 - 39	T20154	1C23	2	20 - 55
T19859	1F4	18	30 - 52	T20055	1E18	19	30 - 41	T20155	1B23	1	20 - 28
T19859	1F10	35	30 - 58	T20055	1E20	8	30 - 43	T20155	1C21	9	20 - 53
T19859	1F15	21	30 - 63	T20055	1E22	23	30 - 45	T20159	1C18	2	20 - 50
T19859	1F24	6	30 - 72	T20055	1E24	12	30 - 47	T20159	1C21	6	20 - 53
T19859	1G7	6	30 - 80	T20055	1F7	12	30 - 55	T20159	1D12	4	30 - 9
T19859	1G17	3	30 - 90	T20055	1F12	10	30 - 60	T20165	1E16	25	30 - 39
T19860	1F2	16	30 - 50	T20055	1F15	23	30 - 63	T20165	1E22	29	30 - 45
T19860	1F4	16	30 - 52	T20055	1F18	10	30 - 66	T20166	1B4	33	20 - 11
T19860	1F24	9	30 - 72	T20055	1F21	6	30 - 69	T20166	1B8	21	20 - 13B
T19860	1G7	9	30 - 80	T20055	1F21	14	30 - 69	T20168	1A25	6	20 - 7
T19861	1F2	3	30 - 50	T20055	1G4	6	30 - 77	T20168	1B4	17	20 - 11
T19861	1F4	3	30 - 52	T20055	1G4	14	30 - 77	T20168	1B8	42	20 - 13B
T19861	1F24	11	30 - 72	T20055	1G14	20	30 - 87	T20168	2A24	7	50 - 3
T19861	1G7	11	30 - 80	T20067	1B23	21	20 - 28	T20168	2B2	7	50 - 5
T19862	1F24	13	30 - 72	T20067	1B24	20	20 - 29	T20168	2B4	7	50 - 7
T19862	1G7	13	30 - 80	T20067	1C2	3	20 - 31	T20168	2C19	2	50 - 49
T19863	1F2	8	30 - 50	T20069	1B23	18	20 - 28	T20168	2E25	10	60 - 23
T19863	1F4	8	30 - 52	T20069	1B24	16	20 - 29	T20169	1B2	11	20 - 9
T19865	1F1	20	30 - 49	T20070	1B2	23	20 - 9	T20173	1B4	8	20 - 11

1L16

1020 TRACTOR

NUMERICAL INDEX - CONTINUED

PART NO.	GRID	KEY	PAGE	PART NO.	GRID	KEY	PAGE	PART NO.	GRID	KEY	PAGE
T20173	1B23	5	20 - 28	T20277	1C17	2	20 - 49	T21443	2D2	8	50 - 57
T20173	1B24	5	20 - 29	T20286	1B2	17	20 - 9	T21444	2D2	8	50 - 57
T20174	1B2	15	20 - 9	T20287	1B2	12	20 - 9	T21445	2A24	11	50 - 3
T20175	1B2	17	20 - 9	T20290	1B12	20	20 - 17	T21445	2B2	12	50 - 5
T20176	1B2	11	20 - 9	T20291	1B12	21	20 - 17	T21445	2B4	15	50 - 7
T20176	1B2	12	20 - 9	T20292	1B4	29	20 - 11	T21445	2E8	4	60 - 3
T20182	1A25	5	20 - 7	T20292	1C21	17	20 - 53	T21446	2A24	13	50 - 3
T20183	1A25	5	20 - 7	T20292	1C23	1	20 - 55	T21446	2B2	14	50 - 5
T20184	1A25	5	20 - 7	T20294	1C4	1	20 - 33	T21446	2B8	12	50 - 11
T20198	1H17	16	40 - 17	T20295	1B4	31	20 - 11	T21446	2B9	21	50 - 12
T20202	1H17	13	40 - 17	T20297	1B2	14	20 - 9	T21446	2B10	16	50 - 13
T20204	1C7	20	20 - 37	T20298	1C2	15	20 - 31	T21447	2A24	14	50 - 3
T20204	1H17	10	40 - 17	T20303	1B23	17	20 - 28	T21447	2B2	15	50 - 5
T20206	1C19	7	20 - 51	T20303	1B24	19	20 - 29	T21448	2A24	12	50 - 3
T20206	1C23	22	20 - 55	T20304	1C21	22	20 - 53	T21448	2B2	13	50 - 5
T20206	1D14	13	30 - 11	T20304	1C23	5	20 - 55	T21448	2B5	14	50 - 8
T20206	1D18	2	30 - 15	T20306	2B9	3	50 - 12	T21450	2B8	8	50 - 11
T20208	1C19	6	20 - 51	T20310	1B2	14	20 - 9	T21450	2B9	17	50 - 12
T20208	1C23	18	20 - 55	T20314	1B2	4	20 - 9	T21450	2B10	11	50 - 13
T20208	1D14	14	30 - 11	T20315	1B2	8	20 - 9	T21452	2B5	2	50 - 8
T20208	1D18	4	30 - 15	T20316	1B2	3	20 - 9	T21453	2B9	24	50 - 12
T20210	1C17	13	20 - 49	T20317	1C17	9	20 - 49	T21454	2B9	15	50 - 12
T20212	1C17	16	20 - 49	T20326	1B10	8	20 - 15	T21458	2D8	13	50 - 63
T20212	1C19	5	20 - 51	T20328	1C4	2	20 - 33	T21462	2G23	12	70 - 43
T20212	1C23	17	20 - 55	T20328	1C21	10	20 - 53	T21463	2H9	7	70 - 54
T20215	1C17	6	20 - 49	T20328	1C23	3	20 - 55	T21464	2H9	1	70 - 54
T20215	1C18	3	20 - 50	T20330	1B4	13	20 - 11	T21466	2G14	3	70 - 34
T20215	1C19	4	20 - 51	T20334	1C7	21	20 - 37	T21468	3C2	5	80 - 31
T20215	1C21	7	20 - 53	T20336	1C4	4	20 - 33	T21470	2G5	1	70 - 28
T20215	1C23	16	20 - 55	T20336	1C21	11	20 - 53	T21471	2G20	2	70 - 40
T20217	1B12	9	20 - 17	T20336	1C23	15	20 - 55	T21474	2G14	4	70 - 34
T20218	1C17	4	20 - 49	T20362	1B23	10	20 - 28	T21483	3B21	1	80 - 26
T20219	1C17	11	20 - 49	T20364	1B23	11	20 - 28	T21485	3B20	1	80 - 25
T20219	1C18	4	20 - 50	T20364	1C21	15	20 - 53	T21487	2G19	9	70 - 39
T20219	1C21	8	20 - 53	T20445	1B10	7	20 - 15	T21490	3C17	12	80 - 46
T20223	1B22	15	20 - 27	T20445	1B12	29	20 - 17	T21490	3C18	6	80 - 47
T20229	1B22	12	20 - 27	T20693	1119	11	40 - 42	T21490	3D20	15	90 - 16
T20229	2H24	11	70 - 70	T21409	2E3	1	50 - 84	T21491	3C17	13	80 - 46
T20231	1B22	9	20 - 27	T21409	2E4	26	50 - 85	T21491	3C18	5	80 - 47
T20232	1B22	1	20 - 27	T21411	2E2	11	50 - 83	T21497	2G23	5	70 - 43
T20232	1C23	11	20 - 55	T21413	2E2	11	50 - 83	T21501	2G23	22	70 - 43
T20234	1B22	20	20 - 27	T21414	2E3	2	50 - 84	T21502	3A22	2	80 - 1
T20236	1C7	4	20 - 37	T21414	2E4	25	50 - 85	T21517	3B6	2	80 - 11
T20239	1C7	1	20 - 37	T21415	2E3	2	50 - 84	T21518	3B6	2	80 - 11
T20239	1C23	20	20 - 55	T21418	2E3	7	50 - 84	T21519	3B4	4	80 - 9
T20243	1C7	1	20 - 37	T21418	2E4	18	50 - 85	T21520	3B4	4	80 - 9
T20243	1C21	13	20 - 53	T21419	2E2	13	50 - 83	T21527	2E8	5	60 - 3
T20251	1D14	15	30 - 11	T21419	2E4	12	50 - 85	T21528	2E7	7	60 - 2
T20252	1D13	11	30 - 10	T21423	2E3	3	50 - 84	T21528	2E15	14	60 - 11
T20256	1D18	1	30 - 15	T21423	2E4	24	50 - 85	T21528	2E17	6	60 - 13
T20257	1D17	3	30 - 14	T21424	2E3	5	50 - 84	T21538	3A22	8	80 - 1
T20267	1C7	2	20 - 37	T21424	2E4	17	50 - 85	T21538	3A25	1	80 - 5
T20268	1C7	3	20 - 37	T21427	2E3	9	50 - 84	T21539	3B6	7	80 - 11
T20270	1C5	1	20 - 35	T21427	2E4	22	50 - 85	T21540	3C14	7	80 - 43
T20270	1C7	2	20 - 37	T21428	2E2	11	50 - 83	T21543	3B14	9	80 - 20
T20271	1C7	3	20 - 37	T21428	2E2	17	50 - 83	T21544	3B14	9	80 - 20
T20272	1B23	7	20 - 28	T21428	2E4	11	50 - 85	T21545	3B17	5	80 - 22
T20272	1B23	13	20 - 28	T21428	2E4	16	50 - 85	T21546	2E8	10	60 - 3
T20272	1B24	13	20 - 29	T21429	2E2	3	50 - 83	T21547	2E3	6	50 - 84
T20272	1B24	21	20 - 29	T21429	2E2	23	50 - 83	T21547	2E4	19	50 - 85
T20273	1B23	7	20 - 28	T21429	2E4	3	50 - 85	T21548	2E3	4	50 - 84
T20273	1B23	12	20 - 28	T21430	2D8	6	50 - 63	T21548	2E4	20	50 - 85
T20273	1B24	12	20 - 29	T21433	2D8	2	50 - 63	T21550	2E2	25	50 - 83
T20273	1B24	21	20 - 29	T21434	2D8	3	50 - 63	T21553	3B4	7	80 - 9
T20273	1C21	14	20 - 53	T21435	2D8	3	50 - 63	T21553	3B13	1	80 - 19
T20273	1C23	19	20 - 55	T21436	2D8	3	50 - 63	T21558	2G23	9	70 - 43
T20273	2F20	18	70 - 17	T21442	2D2	8	50 - 57	T21559	2G23	8	70 - 43

1L17

1020 TRACTOR

NUMERICAL INDEX - CONTINUED

PART NO.	GRID	KEY	PAGE	PART NO.	GRID	KEY	PAGE	PART NO.	GRID	KEY	PAGE
T21562	2C21	3	50-51	T21715	2E9	27	60-5	T21865	3C17	6	80-46
T21563	2G6	25	70-29	T21716	2E9	10	60-5	T21866	2E8	10	60-3
T21563	2G20	10	70-40	T21716	2E12	14	60-8	T21870	2D20	5	50-75
T21564	2G6	24	70-29	T21718	2E9	1	60-5	T21873	2D20	4	50-75
T21564	2G20	9	70-40	T21718	2E12	6	60-8	T21876	2D8	9	50-63
T21565	2E4	11	50-85	T21721	2E9	32	60-5	T21880	1D20	20	30-17
T21566	2E4	1	50-85	T21722	2E8	6	60-3	T21882	1D20	18	30-17
T21570	2E2	1	50-83	T21724	1D9	2	30-6	T21885	2E3	6	50-84
T21571	3C21	8	80-50	T21726	1D5	9	30-2	T21886	2E3	4	50-84
T21576	2E25	2	60-23	T21728	1D6	4	30-3	T21887	1H13	11	40-11
T21577	2E25	35	60-23	T21729	1D6	2	30-3	T21888	1H13	11	40-11
T21579	2E25	18	60-23	T21741	3B22	4	80-27	T21889	1H13	13	40-11
T21587	2E25	7	60-23	T21742	3B22	4	80-27	T21901	2G23	1	70-43
T21588	2E25	8	60-23	T21743	3B22	4	80-27	T21903	2G23	17	70-43
T21594	2E25	3	60-23	T21745	3B20	3	80-25	T21907	2G23	4	70-43
T21595	2E25	1	60-23	T21745	3C2	12	80-31	T21913	2H8	16	70-53
T21596	2E25	34	60-23	T21745	3C4	12	80-33	T21920	3D17	21	90-13
T21600	2A24	15	50-3	T21749	3C18	2	80-47	T21922	3D17	23	90-13
T21602	2D1	10	50-56	T21750	3C18	3	80-47	T21923	3D17	8	90-13
T21603	2D1	7	50-56	T21753	3B20	3	80-25	T21926	3D17	16	90-13
T21604	2D1	8	50-56	T21753	3C2	12	80-31	T21932	2B9	29	50-12
T21605	2D1	11	50-56	T21753	3C4	12	80-33	T21937	2C19	12	50-49
T21615	2G6	1	70-29	T21758	2G23	18	70-43	T21952	2H4	5	70-49
T21616	2G14	8	70-34	T21759	2G23	20	70-43	T21955	2G19	7	70-39
T21617	2G14	9	70-34	T21761	1115	10	40-38	T21956	2G14	2	70-34
T21618	3B6	2	80-11	T21761	1116	12	40-39	T21964	2D4	6	50-59
T21619	3B6	2	80-11	T21772	2E25	20	60-23	T21964	2D6	6	50-61
T21620	2E2	1	50-83	T21775	2E25	24	60-23	T21964	2D7	7	50-62
T21630	2G5	3	70-28	T21775	2E25	26	60-23	T21965	2D7	12	50-62
T21631	2G6	22	70-29	T21776	2E25	29	60-23	T21968	2A24	22	50-3
T21638	2G6	6	70-29	T21777	3B4	8	80-9	T21968	2B2	23	50-5
T21638	2G8	9	70-30A	T21778	3C14	11	80-43	T21968	2B4	36	50-7
T21638	2I20	31	70-93	T21781	1D8	3	30-5	T21969	2D4	25	50-59
T21641	2G5	15	70-28	T21803	2E20	21	60-17	T21969	2D6	33	50-61
T21641	2G20	3	70-40	T21806	2E20	6	60-17	T21970	2D4	8	50-59
T21653	3C15	1	80-44	T21806	2E20	29	60-17	T21970	2D6	8	50-61
T21654	3C15	2	80-44	T21806	2E21	15	60-18	T21970	2D7	6	50-62
T21655	2E9	33	60-5	T21808	2E20	18	60-17	T21970	2D12	17	50-67
T21655	2E15	23	60-11	T21809	2E20	12	60-17	T21970	2D14	17	50-69
T21659	2E8	9	60-3	T21810	2E20	4	60-17	T21970	2D16	17	50-71
T21667	2H8	2	70-53	T21811	2E20	8	60-17	T21971	2D8	8	50-63
T21669	3A22	15	80-1	T21812	2E20	9	60-17	T21972	2D8	7	50-63
T21669	3A24	7	80-3	T21813	2E21	9	60-18	T21974	2D8	7	50-63
T21669	3A25	8	80-5	T21814	2E21	11	60-18	T21975	2D7	5	50-62
T21669	3B2	7	80-7	T21815	2E21	13	60-18	T21976	2D7	8	50-62
T21669	3B4	19	80-9	T21816	2E20	27	60-17	T21977	2D7	9	50-62
T21669	3B11	6	80-17	T21817	2E21	17	60-18	T21978	2D4	5	50-59
T21671	2C19	17	50-49	T21818	2E3	8	50-84	T21978	2D6	5	50-61
T21672	2H8	9	70-53	T21818	2E4	21	50-85	T21979	2D7	10	50-62
T21677	2H8	15	70-53	T21819	2D9	7	50-64	T21980	2D2	3	50-57
T21678	2H10	11	70-55	T21820	2E3	8	50-84	T21981	2D4	9	50-59
T21679	2H10	11	70-55	T21820	2E4	21	50-85	T21981	2D6	9	50-61
T21680	2G19	15	70-39	T21821	2E3	8	50-84	T21992	2D19	5	50-74
T21681	2G19	10	70-39	T21821	2E4	21	50-85	T21993	2D19	15	50-74
T21685	2G24	1	70-44	T21824	3C6	2	80-35	T21996	2D11	11	50-66
T21687	1C13	8	20-45	T21827	2A24	21	50-3	T21996	2D13	11	50-68
T21687	1C15	16	20-47	T21827	2B2	22	50-5	T21996	2D15	14	50-70
T21688	3C6	3	80-35	T21827	2B4	23	50-7	T21997	2D10	9	50-65
T21688	3C7	5	80-36	T21828	1J7	2	40-55	T21997	2D11	12	50-66
T21689	3C5	4	80-34	T21831	2D8	10	50-63	T21997	2D12	13	50-67
T21689	3C8	4	80-37	T21839	2D9	3	50-64	T21997	2D13	12	50-68
T21689	3C9	3	80-38	T21840	2D9	4	50-64	T21997	2D14	12	50-69
T21699	1D5	10	30-2	T21841	2D9	6	50-64	T21997	2D15	15	50-70
T21699	1D8	7	30-5	T21842	2D9	1	50-64	T21997	2D16	13	50-71
T21702	1D6	2	30-3	T21859	1D20	12	30-17	T21997	2D21	6	50-77
T21703	1D6	5	30-3	T21863	3C17	7	80-46	T21998	2B5	13	50-8
T21703	1D8	9	30-5	T21864	3C17	9	80-46	T21999	2B8	9	50-11

1L18

1020 TRACTOR

NUMERICAL INDEX - CONTINUED

PART NO.	GRID	KEY	PAGE	PART NO.	GRID	KEY	PAGE	PART NO.	GRID	KEY	PAGE
T21999	2B9	20	50 - 12	T22129	2D14	26	50 - 69	T22261	2E9	34	60 - 5
T21999	2B10	13	50 - 13	T22134	1G21	10	30 - 94	T22288	2D12	1	50 - 67
T22003	2B14	1	50 - 17	T22144	1G22	1	30 - 95	T22288	2D14	11	50 - 69
T22004	2G23	14	70 - 43	T22149	1G19	5	30 - 92	T22288	2D16	11	50 - 71
T22008	2G24	9	70 - 44	T22150	1G19	7	30 - 92	T22289	2D12	16	50 - 67
T22008	2G24	10	70 - 44	T22151	1G19	6	30 - 92	T22289	2D14	16	50 - 69
T22026	2H4	3	70 - 49	T22152	1G21	8	30 - 94	T22289	2D16	16	50 - 71
T22027	2H4	4	70 - 49	T22153	1G21	8	30 - 94	T22296	2B6	2	50 - 9
T22028	2G24	8	70 - 44	T22156	2C1	8	50 - 29	T22301	2B6	15	50 - 9
T22028	2G24	10	70 - 44	T22156	2F20	24	70 - 17	T22302	2B6	3	50 - 9
T22037	2E18	4	60 - 15	T22177	2B7	10	50 - 10	T22318	2G14	5	70 - 34
T22040	2F20	26	70 - 17	T22178	2B7	9	50 - 10	T22319	2G14	11	70 - 34
T22069	2D10	15	50 - 65	T22194	2B9	6	50 - 12	T22347	2F20	19	70 - 17
T22069	2D12	22	50 - 67	T22195	2B9	10	50 - 12	T22375	3C14	4	80 - 43
T22069	2D13	18	50 - 68	T22196	2B9	12	50 - 12	T22376	1C15	7	20 - 47
T22069	2D18	6	50 - 73	T22197	2B9	27	50 - 12	T22381	1C13	14	20 - 45
T22071	3A22	1	80 - 1	T22198	2B13	3	50 - 16	T22381	1C15	20	20 - 47
T22071	3A25	9	80 - 5	T22198	2B14	10	50 - 17	T22385	1D8	3	30 - 5
T22076	2D21	3	50 - 77	T22198	2B15	7	50 - 18	T22385	1D8	5	30 - 5
T22080	2D10	16	50 - 65	T22198	2C3	15	50 - 31	T22394	3C19	3	80 - 48
T22080	2D12	21	50 - 67	T22198	2C5	48	50 - 33	T22399	2G23	13	70 - 43
T22080	2D13	17	50 - 68	T22212	3D20	1	90 - 16	T22435	2D1	9	50 - 56
T22080	2D21	4	50 - 77	T22213	3D20	23	90 - 16	T22446	3C12	1	80 - 41
T22085	3D20	10	90 - 16	T22214	2D10	5	50 - 65	T22463	3D22	8	90 - 18
T22086	3D20	11	90 - 16	T22215	2D11	5	50 - 66	T22464	3D22	4	90 - 18
T22087	3D20	13	90 - 16	T22215	2D12	3	50 - 67	T22465	2G6	20	70 - 29
T22088	3D20	14	90 - 16	T22215	2D14	3	50 - 69	T22469	2G8	33	70 - 30A
T22097	2G19	16	70 - 39	T22217	2C19	27	50 - 49	T22469	2G10	2	70 - 30C
T22098	2G19	18	70 - 39	T22217	2D11	2	50 - 66	T22470	2G15	15	70 - 35
T22099	2G19	20	70 - 39	T22217	2D12	31	50 - 67	T22470	2G16	20	70 - 36
T22100	2E21	16	60 - 18	T22217	2D13	6	50 - 68	T22470	2G17	12	70 - 37
T22101	2E20	19	60 - 17	T22217	2D14	37	50 - 69	T22471	2G5	8	70 - 28
T22101	2E22	6	60 - 19	T22217	2D15	9	50 - 70	T22471	2G8	6	70 - 30A
T22102	2E23	7	60 - 20	T22218	2D11	4	50 - 66	T22472	2G15	10	70 - 35
T22103	2E23	6	60 - 20	T22218	2D12	2	50 - 67	T22472	2G16	14	70 - 36
T22115	2D10	12	50 - 65	T22218	2D14	2	50 - 69	T22473	2G11	9	70 - 31
T22115	2D12	26	50 - 67	T22219	2B14	4	50 - 17	T22474	2G6	3	70 - 29
T22115	2D13	22	50 - 68	T22219	2B15	4	50 - 18	T22478	2G15	7	70 - 35
T22116	2D11	17	50 - 66	T22224	2G11	10	70 - 31	T22480	2E7	3	60 - 2
T22116	2D14	32	50 - 69	T22228	2G11	11	70 - 31	T22481	2E7	1	60 - 2
T22117	2H10	10	70 - 55	T22229	2G11	7	70 - 31	T22482	2E7	16	60 - 2
T22118	2H10	2	70 - 55	T22232	2G11	13	70 - 31	T22483	2G8	19	70 - 30A
T22119	2H10	3	70 - 55	T22233	2G11	12	70 - 31	T22491	2E20	12	60 - 17
T22120	2H10	7	70 - 55	T22234	2D10	8	50 - 65	T22495	1C13	3	20 - 45
T22123	2H10	10	70 - 55	T22237	2D10	17	50 - 65	T22495	1C15	3	20 - 47
T22124	2H10	2	70 - 55	T22237	2D12	20	50 - 67	T22497	1C13	10	20 - 45
T22126	2B14	6	50 - 17	T22237	2D13	16	50 - 68	T22497	1C15	14	20 - 47
T22126	2B19	3	50 - 22	T22238	2D11	28	50 - 66	T22500	1C13	10	20 - 45
T22127	2D10	2	50 - 65	T22238	2D14	21	50 - 69	T22500	1C15	14	20 - 47
T22127	2D11	1	50 - 66	T22239	1G20	22	30 - 93	T22501	1C13	9	20 - 45
T22127	2D11	14	50 - 66	T22240	1G19	9	30 - 92	T22501	1C15	13	20 - 47
T22127	2D12	29	50 - 67	T22240	1G21	4	30 - 94	T22505	2B7	11	50 - 10
T22127	2D12	30	50 - 67	T22241	1G21	3	30 - 94	T22507	2B6	4	50 - 9
T22127	2D13	4	50 - 68	T22242	1G21	9	30 - 94	T22520	3C21	2	80 - 50
T22127	2D14	35	50 - 69	T22243	2I13	25	70 - 86	T22522	1I15	8	40 - 38
T22127	2D14	36	50 - 69	T22244	2I13	26	70 - 86	T22522	1I16	14	40 - 39
T22127	2D15	7	50 - 70	T22244	2I14	17	70 - 87	T22524	1I21	4	40 - 44
T22127	2D16	5	50 - 71	T22244	2I20	28	70 - 93	T22525	2E8	12	60 - 3
T22128	2C19	29	50 - 49	T22245	2I13	18	70 - 86	T22526	2E7	10	60 - 2
T22128	2D10	1	50 - 65	T22245	2I20	19	70 - 93	T22527	2E7	12	60 - 2
T22128	2D11	15	50 - 66	T22260	2E7	2	60 - 2	T22528	2B5	3	50 - 8
T22128	2D12	28	50 - 67	T22260	2E9	2	60 - 5	T22529	2B5	3	50 - 8
T22128	2D13	3	50 - 68	T22260	2E9	4	60 - 5	T22531	2A24	16	50 - 3
T22128	2D14	34	50 - 69	T22260	2E11	1	60 - 7	T22531	2B2	17	50 - 5
T22128	2D15	6	50 - 70	T22260	2E12	7	60 - 8	T22533	1D20	19	30 - 17
T22128	2D16	4	50 - 71	T22260	2E12	9	60 - 8	T22534	1E1	2	30 - 23
T22129	2D11	23	50 - 66	T22260	2E17	1	60 - 13	T22542	2D10	3	50 - 65

1L19

1020 TRACTOR

NUMERICAL INDEX - CONTINUED

PART NO.	GRID	KEY	PAGE	PART NO.	GRID	KEY	PAGE	PART NO.	GRID	KEY	PAGE
T22543	2D11	1	50-66	T22730	2C24	3	50-54	T22851	2C17	8	50-47
T22543	2D12	30	50-67	T22731	2B4	14	50-7	T22852	2C13	12	50-42
T22543	2D14	36	50-69	T22731	2C9	22	50-38	T22852	2C14	15	50-43
T22545	2D11	6	50-66	T22731	2C10	25	50-39	T22852	2C22	14	50-52
T22545	2D12	4	50-67	T22731	2C12	24	50-41	T22853	2C20	3	50-50
T22545	2D14	4	50-69	T22731	2C24	12	50-54	T22854	2C21	4	50-51
T22546	2D11	16	50-66	T22736	2D1	14	50-56	T22858	2A24	35	50-3
T22546	2D12	27	50-67	T22739	2C9	16	50-38	T22858	2B2	39	50-5
T22546	2D14	33	50-69	T22739	2C10	3	50-39	T22859	2B25	22	50-28
T22567	2B7	12	50-10	T22746	3D21	8	90-17	T22859	2C16	14	50-46
T22569	2A24	9	50-3	T22746	3D22	8	90-18	T22860	2C16	10	50-46
T22569	2B4	10	50-7	T22747	3D21	5	90-17	T22861	2B25	20	50-28
T22569	3C14	6	80-43	T22747	3D22	4	90-18	T22861	2C16	16	50-46
T22570	3C16	4	80-45	T22753	2B22	21	50-25	T22861	2C17	12	50-47
T22571	3C16	1	80-45	T22754	2B22	11	50-25	T22862	2B25	17	50-28
T22579	2B25	6	50-28	T22755	2B22	22	50-25	T22862	2C16	8	50-46
T22580	2B25	10	50-28	T22757	2B22	26	50-25	T22862	2C17	5	50-47
T22582	2B25	4	50-28	T22760	2E20	29	60-17	T22864	3C14	15	80-43
T22583	2B25	2	50-28	T22760	2E21	15	60-18	T22865	2G15	9	70-35
T22584	2B4	40	50-7	T22769	1C21	3	20-53	T22865	2G16	22	70-36
T22584	2C13	7	50-42	T22776	3D19	12	90-15	T22865	2G17	7	70-37
T22584	2C14	11	50-43	T22777	3D19	11	90-15	T22867	2G8	13	70-30A
T22585	2B4	41	50-7	T22778	3D19	17	90-15	T22867	2G8	14	70-30A
T22589	2B2	9	50-5	T22779	3D19	16	90-15	T22873	2G23	11	70-43
T22645	3D7	11	90-3	T22780	3D19	9	90-15	T22874	2D8	1	50-63
T22645	3D9	11	90-5	T22781	3D19	8	90-15	T22875	2E6	5	60-1
T22645	3D13	5	90-9	T22781	3D19	9	90-15	T22875	2E12	5	60-8
T22645	3D20	3	90-16	T22782	3D19	2	90-15	T22876	2G6	19	70-29
T22648	2G24	2	70-44	T22783	1D5	8	30-2	T22877	2G15	14	70-35
T22649	2G19	34	70-39	T22800	3D2	4	80-55	T22877	2G16	16	70-36
T22649	2G25	3	70-45	T22801	3D2	16	80-55	T22877	2G17	11	70-37
T22650	2G19	25A	70-39	T22809	2C24	2	50-54	T22881	2I1	4	70-72
T22653	2C19	14	50-49	T22813	3D2	5	80-55	T22881	2I2	4	70-73
T22658	2B4	30	50-7	T22814	3D2	6	80-55	T22883	2H17	1	70-63
T22658	2B4	31	50-7	T22816	3B20	1	80-25	T22883	2H17	13	70-63
T22660	2B21	13	50-24	T22817	3C4	5	80-33	T22883	2H18	3	70-64
T22674	3D17	24	90-13	T22818	3C4	5	80-33	T22887	2G16	13	70-36
T22690	3B18	1	80-23	T22819	2E9	19	60-5	T22888	2G16	19	70-36
T22694	1G20	7	30-93	T22820	2E9	18	60-5	T22889	2G16	11	70-36
T22695	1G20	31	30-93	T22821	2E9	13	60-5	T22890	2G16	10	70-36
T22696	1G20	3	30-93	T22822	2E9	16	60-5	T22895	2E13	8	60-9
T22696	1G20	19	30-93	T22823	2E9	6	60-5	T22896	2E9	28	60-5
T22698	1G20	4	30-93	T22823	2E12	10	60-8	T22897	2E9	20	60-5
T22698	1G20	17	30-93	T22824	2E9	8	60-5	T22897	2E9	21	60-5
T22699	1G20	1	30-93	T22824	2E12	12	60-8	T22897	2E9	22	60-5
T22700	1G20	23	30-93	T22824	2E15	3	60-11	T22898	2A24	20	50-3
T22701	1G20	25	30-93	T22825	2E9	9	60-5	T22898	2B2	21	50-5
T22702	1G20	27	30-93	T22825	2E12	13	60-8	T22898	2B4	22	50-7
T22704	2D25	2	50-81	T22826	2E9	17	60-5	T22904	2B13	4	50-16
T22705	3C21	10	80-50	T22827	2E9	14	60-5	T22907	2H4	8	70-49
T22705	3C22	3	80-51	T22827	2E11	4	60-7	T22914	2F5	1	70-2
T22705	3C23	23	80-52	T22828	2E9	15	60-5	T22927	2B9	8	50-12
T22706	3C21	9	80-50	T22828	2E11	5	60-7	T22928	2B19	1	50-22
T22706	3D7	10	90-3	T22829	2E13	4	60-9	T22930	3D15	2	90-11
T22707	1I15	2	40-38	T22830	1D8	5	30-5	T22930	3D19	6	90-15
T22708	1I15	2	40-38	T22831	3B20	3	80-25	T22931	3D15	4	90-11
T22714	2G23	21	70-43	T22848	2H8	11	70-53	T22931	3D19	5	90-15
T22720	1C23	12	20-55	T22850	2A24	32	50-3	T22932	2B25	9	50-28
T22724	2E20	18	60-17	T22850	2B2	36	50-5	T22933	2B25	8	50-28
T22725	2E20	12	60-17	T22851	2A24	27	50-3	T22934	2D2	11	50-57
T22726	2E20	18	60-17	T22851	2A24	29	50-3	T22935	2D11	24	50-66
T22727	2E20	12	60-17	T22851	2B2	24	50-5	T22935	2D14	25	50-69
T22728	2B4	12	50-7	T22851	2B2	33	50-5	T22945	3B7	7	80-12
T22728	2C9	3	50-38	T22851	2B4	32	50-7	T22946	3B7	5	80-12
T22728	2C10	4	50-39	T22851	2B4	34	50-7	T22947	3B7	7	80-12
T22728	2C12	2	50-41	T22851	2B25	15	50-28	T22948	3B9	7	80-14
T22728	2C24	11	50-54	T22851	2C16	11	50-46	T22949	3B7	7	80-12

1L20

1020 TRACTOR

NUMERICAL INDEX - CONTINUED

PART NO.	GRID	KEY	PAGE	PART NO.	GRID	KEY	PAGE	PART NO.	GRID	KEY	PAGE
T22952	3B7	7	80 - 12	T23160	2F22	16	70 - 19	T23523	1E6	10	30 - 28
T22953	2D9	12	50 - 64	T23162	2F22	20	70 - 19	T23524	1E6	2	30 - 28
T22955	2D2	14	50 - 57	T23162	2F23	15	70 - 21	T23528	1E7	18	30 - 29
T22960	2F23	1	70 - 21	T23170	3A22	7	80 - 1	T23529	1E6	12	30 - 28
T22960	2G3	8	70 - 26	T23170	3A24	4	80 - 3	T23531	1E7	26	30 - 29
T22961	2E20	2	60 - 17	T23170	3A25	15	80 - 5	T23532	1E7	22	30 - 29
T22968	2G6	9	70 - 29	T23170	3B2	4	80 - 7	T23534	1C13	9	20 - 45
T22970	2G3	14	70 - 26	T23170	3B4	11	80 - 9	T23534	1C15	13	20 - 47
T22970	2G4	18	70 - 27	T23170	3B11	3	80 - 17	T23536	1E7	22	30 - 29
T22974	2C22	12	50 - 52	T23200	1B9	8	20 - 14	T23540	1B2	15	20 - 9
T22984	2C22	8	50 - 52	T23203	2F22	11	70 - 19	T23541	1B2	15	20 - 9
T22984	2D2	10	50 - 57	T23203	2F23	22	70 - 21	T23542	1B2	15	20 - 9
T22991	1B10	6	20 - 15	T23203	2F25	17	70 - 23	T23543	1B2	17	20 - 9
T22996	2H14	2	70 - 60	T23206	2B22	8	50 - 25	T23544	1B2	17	20 - 9
T22996	2H19	1	70 - 65	T23207	2B22	7	50 - 25	T23545	1B2	17	20 - 9
T22998	2D25	20	50 - 81	T23211	2B4	18	50 - 7	T23546	1B2	15	20 - 9
T22999	2D25	10	50 - 81	T23212	2B4	42	50 - 7	T23547	1B2	15	20 - 9
T23000	2D25	11	50 - 81	T23216	2G19	13	70 - 39	T23548	1B2	15	20 - 9
T23008	2B9	5	50 - 12	T23226	1B22	25	20 - 27	T23549	1B2	17	20 - 9
T23010	2B8	6	50 - 11	T23227	3D17	26	90 - 13	T23550	1B2	17	20 - 9
T23011	2B8	7	50 - 11	T23228	3A22	11	80 - 1	T23551	1B2	17	20 - 9
T23011	2B9	19	50 - 12	T23228	3A24	10	80 - 3	T23590	1B10	9	20 - 15
T23011	2B10	10	50 - 13	T23228	3A25	12	80 - 5	T23594	1B2	7	20 - 9
T23011	2B10	12	50 - 13	T23228	3B2	10	80 - 7	T23596	1B10	5	20 - 15
T23013	2E9	30	60 - 5	T23228	3B4	23	80 - 9	T23596	1C21	2	20 - 53
T23015	2E13	3	60 - 9	T23228	3B11	14	80 - 17	T23596	1C23	10	20 - 55
T23026	3D2	7	80 - 55	T23229	3A22	12	80 - 1	T23598	1H19	1	40 - 19
T23027	3D25	12	90 - 21	T23229	3A25	11	80 - 5	T23598	1H21	1	40 - 21
T23027	3D25	19	90 - 21	T23229	3B4	22	80 - 9	T23601	1H19	5	40 - 19
T23033	3D25	17	90 - 21	T23229	3B11	15	80 - 17	T23604	1B12	5	20 - 17
T23034	3D25	5	90 - 21	T23230	2H9	8	70 - 54	T23610	1H19	21	40 - 19
T23035	3D25	1	90 - 21	T23231	1G20	26	30 - 93	T23610	1H21	23	40 - 21
T23050	2B4	13	50 - 7	T23237	3D17	9	90 - 13	T23613	1D12	3	30 - 9
T23050	2C24	13	50 - 54	T23238	3D17	5	90 - 13	T23614	1C4	3	20 - 33
T23053	2F22	21	70 - 19	T23245	1E1	11	30 - 23	T23616	3D2	11	80 - 55
T23053	2F23	16	70 - 21	T23247	3D20	19	90 - 16	T23619	1C2	4	20 - 31
T23053	2F25	28	70 - 23	T23252	3B14	9	80 - 20	T23620	1C17	7	20 - 49
T23054	2F22	19	70 - 19	T23262	1D8	17	30 - 5	T23627	1C17	15	20 - 49
T23054	2F23	14	70 - 21	T23277	3D14	6	90 - 10	T23628	1C5	1	20 - 35
T23054	2F25	27	70 - 23	T23422	1E16	2	30 - 39	T23628	1C7	22	20 - 37
T23059	2A24	15	50 - 3	T23422	1E18	5	30 - 41	T23631	1C7	11	20 - 37
T23059	2B2	16	50 - 5	T23425	1E16	1	30 - 39	T23632	1C7	11	20 - 37
T23059	2F22	15	70 - 19	T23425	1E18	3	30 - 41	T23665	1B22	30	20 - 27
T23059	2F23	19	70 - 21	T23425	1G2	1	30 - 75	T23666	1B22	26	20 - 27
T23059	2F25	20	70 - 23	T23428	1H5	13	40 - 3	T23670	1B4	14	20 - 11
T23061	2B13	1	50 - 16	T23428	1H14	4	40 - 13	T23671	1B4	14	20 - 11
T23062	2B14	3	50 - 17	T23429	1H14	8	40 - 13	T23877	1J1	1A	40 - 49
T23062	2B15	3	50 - 18	T23430	1H14	6	40 - 13	T23878	1J1	2	40 - 49
T23069	2H17	2	70 - 63	T23431	1H14	7	40 - 13	T24151	1A25	10	20 - 7
T23069	2H18	10	70 - 64	T23435	1B4	20	20 - 11	T24160	3C14	10	80 - 43
T23070	2H17	2	70 - 63	T23435	1B8	15	20 - 13B	T24160	3C14	11	80 - 43
T23071	2H17	12	70 - 63	T23462	1E20	17	30 - 43	T24166	1H5	24	40 - 3
T23071	2H18	4	70 - 64	T23463	1E20	16	30 - 43	T24166	1H17	1	40 - 17
T23073	2F22	1	70 - 19	T23471	1B16	5	20 - 21	T24381	2B9	28	50 - 12
T23073	2G1	6	70 - 24	T23474	1B4	18	20 - 11	T24382	2D7	1	50 - 62
T23078	2I14	12	70 - 87	T23474	1B8	41	20 - 13B	T24382	2D8	15	50 - 63
T23084	1D8	2	30 - 5	T23477	1B2	15	20 - 9	T24388	2F20	10	70 - 17
T23092	2E18	12	60 - 15	T23481	1B16	4	20 - 21	T24395	2C9	29	50 - 38
T23104	2F22	31	70 - 19	T23481	1B19	2	20 - 24	T24395	2C24	13	50 - 54
T23104	2G4	9	70 - 27	T23482	1B16	3	20 - 21	T24409	1B4	24	20 - 11
T23118	3A22	8	80 - 1	T23484	1B12	1	20 - 17	T24413	1F3	16	30 - 51
T23118	3A25	1	80 - 5	T23502	1G2	9	30 - 75	T24413	1G8	8	30 - 81
T23118	3B4	12	80 - 9	T23504	1B18	4	20 - 23	T24415	1F25	9	30 - 73
T23118	3C14	8	80 - 43	T23504	1B20	4	20 - 25	T24435	1E24	13	30 - 47
T23153	3C16	14	80 - 45	T23516	1B8	50	20 - 13B	T24435	1F7	13	30 - 55
T23157	2F22	28	70 - 19	T23516	1B12	1	20 - 17	T24435	1F21	7	30 - 69
T23157	2F23	4	70 - 21	T23522	1E6	8	30 - 28	T24435	1G4	7	30 - 77

1L21

1020 TRACTOR

NUMERICAL INDEX - CONTINUED

PART NO.	GRID	KEY	PAGE	PART NO.	GRID	KEY	PAGE	PART NO.	GRID	KEY	PAGE
T24437	3C17	22	80 - 46	T24875	1H5	12A	40 - 3	T25336	2E15	29	60 - 11
T24438	3C17	19	80 - 46	T24878	1B22	26	20 - 27	T25337	2E15	14	60 - 11
T24439	3C17	20	80 - 46	T24878	1B22	30	20 - 27	T25337	2E17	6	60 - 13
T24441	1B12	6	20 - 17	T24879	1B22	26	20 - 27	T25338	3B24	2	80 - 29
T24472	1G2	15	30 - 75	T24908	2G23	14	70 - 43	T25339	3B24	7	80 - 29
T24472	1G10	13	30 - 83	T24909	2G23	4	70 - 43	T25340	3B24	2	80 - 29
T24474	1H19	17	40 - 19	T24917	2D7	11	50 - 62	T25341	3C6	3	80 - 35
T24474	1H21	20	40 - 21	T24918	2D7	20	50 - 62	T25341	3C7	5	80 - 36
T24484	2G8	20	70 - 30A	T24924	3D22	12	90 - 18	T25343	1H19	20	40 - 19
T24485	2G8	29	70 - 30A	T24925	3D22	12	90 - 18	T25343	1H21	22	40 - 21
T24487	2G15	1	70 - 35	T24948	2B7	17	50 - 10	T25366	1B12	6	20 - 17
T24494	1H5	8	40 - 3	T24951	2B8	16	50 - 11	T25367	3D20	8	90 - 16
T24521	2D4	27	50 - 59	T24952	2B8	17	50 - 11	T25372	3C16	14	80 - 45
T24522	2D9	10	50 - 64	T24953	2B8	19	50 - 11	T25374	1B14	2	20 - 19
T24524	1H16	19	40 - 15	T24954	2B8	18	50 - 11	T25393	2C9	29	50 - 38
T24525	1H16	18	40 - 15	T24955	2B7	28	50 - 10	T25393	2C24	13	50 - 54
T24526	1H16	9	40 - 15	T24956	2B7	26	50 - 10	T25394	2C9	6	50 - 38
T24534	1B9	2	20 - 14	T24964	1B23	17	20 - 28	T25395	2C8	9	50 - 37
T24534	1C21	3	20 - 53	T24964	1B24	19	20 - 29	T25395	2C9	7	50 - 38
T24534	1C23	12	20 - 55	T24965	1B4	29	20 - 11	T25396	2C9	22	50 - 38
T24539	1I2	9	40 - 27	T24965	1C21	17	20 - 53	T25397	2C9	10	50 - 38
T24539	1I6	28	40 - 31	T24965	1C23	1	20 - 55	T25398	2C9	12	50 - 38
T24539	1I13	8	40 - 36	T24988	1D5	5	30 - 2	T25398	2C10	10	50 - 39
T24540	2G8	21	70 - 30A	T24989	1D6	12	30 - 3	T25399	2C9	20	50 - 38
T24540	2G10	13	70 - 30C	T25027	1B18	4	20 - 23	T25400	2C19	10	50 - 49
T24669	2H4	7	70 - 49	T25031	1B22	20	20 - 27	T25403	2C7	7	50 - 36
T24677	3D14	6	90 - 10	T25109	2B9	12	50 - 12	T25404	2C3	16	50 - 31
T24690	2G19	8	70 - 39	T25138	2E20	2	60 - 17	T25404	2C5	47	50 - 33
T24691	2D4	24	50 - 59	T25139	2B4	29	50 - 7	T25405	2D11	5	50 - 66
T24726	2D4	10	50 - 59	T25140	2B4	31	50 - 7	T25405	2D12	3	50 - 67
T24726	2D6	10	50 - 61	T25141	2E20	2	60 - 17	T25405	2D14	3	50 - 69
T24728	2D4	11	50 - 59	T25142	1E25	6	30 - 48	T25406	2D11	4	50 - 66
T24728	2D6	11	50 - 61	T25142	1F8	6	30 - 56	T25406	2D12	2	50 - 67
T24729	2C19	34	50 - 49	T25142	1F22	13	30 - 70	T25406	2D14	2	50 - 69
T24729	2D4	12	50 - 59	T25142	1G5	13	30 - 78	T25408	2A24	15	50 - 3
T24730	2D4	7	50 - 59	T25147	1E7	13	30 - 29	T25408	2B2	25	50 - 5
T24730	2D6	7	50 - 61	T25148	1E7	15	30 - 29	T25408	2C13	9	50 - 42
T24730	2D7	16	50 - 62	T25149	1E7	17	30 - 29	T25408	2C14	13	50 - 43
T24730	2D7	19	50 - 62	T25150	1E7	16	30 - 29	T25408	2C15	10	50 - 45
T24731	2D7	18	50 - 62	T25151	1E6	31	30 - 28	T25409	2C3	17	50 - 31
T24732	2D4	26	50 - 59	T25152	1E6	26	30 - 28	T25409	2C5	46	50 - 33
T24732	2D6	34	50 - 61	T25153	1E6	28	30 - 28	T25411	2C13	11	50 - 42
T24733	2D4	7	50 - 59	T25155	1E6	29	30 - 28	T25411	2C14	14	50 - 43
T24733	2D7	16	50 - 62	T25156	1E6	30	30 - 28	T25412	2C13	4A	50 - 42
T24734	2D7	17	50 - 62	T25158	1E7	14	30 - 29	T25412	2C14	10	50 - 43
T24736	2D4	15	50 - 59	T25285	2E25	32	60 - 23	T25412	2C15	9	50 - 45
T24736	2D6	14	50 - 61	T25289	2B4	19	50 - 7	T25413	2C13	3	50 - 42
T24737	2D4	18	50 - 59	T25291	3C17	3	80 - 46	T25413	2C14	9	50 - 43
T24737	2D6	17	50 - 61	T25291	3C18	11	80 - 47	T25413	2C15	8	50 - 45
T24747	1D15	13	30 - 12	T25294	2E7	9	60 - 2	T25414	2C13	15	50 - 42
T24747	1D16	13	30 - 13	T25295	2E15	7	60 - 11	T25415	2C13	16	50 - 42
T24748	1D15	16	30 - 12	T25317	2D2	5	50 - 57	T25416	2C13	1	50 - 42
T24748	1D16	16	30 - 13	T25317	3C14	12	80 - 43	T25417	2C13	13	50 - 42
T24755	1A25	1	20 - 7	T25323	2E15	22	60 - 11	T25417	2C14	21	50 - 43
T24758	1C2	7	20 - 31	T25324	2E15	30	60 - 11	T25418	2B25	22	50 - 28
T24772	1E18	27	30 - 41	T25325	2E15	21	60 - 11	T25418	2C16	6	50 - 46
T24772	1E20	1	30 - 43	T25326	2E15	19	60 - 11	T25418	2C16	14	50 - 46
T24844	1D15	2	30 - 12	T25327	2E15	17	60 - 11	T25418	2C17	10	50 - 47
T24844	1D16	2	30 - 13	T25327	2E17	7	60 - 13	T25419	2B25	16	50 - 28
T24845	1D15	8	30 - 12	T25328	2E15	5	60 - 11	T25419	2C16	10	50 - 46
T24845	1D16	8	30 - 13	T25329	2E12	16	60 - 8	T25419	2C17	7	50 - 47
T24846	1D15	7	30 - 12	T25329	2E15	1	60 - 11	T25466	1B2	15	20 - 9
T24846	1D16	7	30 - 13	T25330	2E12	17	60 - 8	T25467	1B2	17	20 - 9
T24847	1H7	7	40 - 5	T25333	2E12	18	60 - 8	T25500	2A24	15	50 - 3
T24847	1H9	6	40 - 7	T25334	2E12	18	60 - 8	T25500	2B2	16	50 - 5
T24847	1H10	9	40 - 8	T25335	2E15	6	60 - 11	T25614	2D1	6	50 - 56
T24869	2G1	9	70 - 24	T25335	2E17	4	60 - 13	T25614	2D19	8	50 - 74

1L22

1020 TRACTOR

NUMERICAL INDEX - CONTINUED

PART NO.	GRID	KEY	PAGE	PART NO.	GRID	KEY	PAGE	PART NO.	GRID	KEY	PAGE
T25620	2D4	11	50-59	T26213	1F11	3	30-59	T26265	1F11	5	30-59
T25620	2D6	11	50-61	T26213	1F17	3	30-65	T26265	1F12	3	30-60
T25621	2D4	19	50-59	T26214	1F17	4	30-65	T26265	1F17	5	30-65
T25621	2D6	18	50-61	T26215	1F12	6	30-60	T26265	1F18	3	30-66
T25626	1E18	18	30-41	T26215	1F18	6	30-66	T26266	1F11	19	30-59
T25667	3D7	2	90-3	T26216	1F12	7	30-60	T26267	1F11	22	30-59
T25667	3D9	2	90-5	T26216	1F18	7	30-66	T26267	1F17	22	30-65
T25671	3D7	8	90-3	T26217	1F12	9	30-60	T26268	1F11	16	30-59
T25672	3D7	9	90-3	T26217	1F18	9	30-66	T26268	1F17	16	30-65
T25701	1B4	9	20-11	T26218	1F10	33	30-58	T26321	1B12	13	20-17
T25701	1B8	26	20-13B	T26219	1F10	34	30-58	T26322	1B12	12	20-17
T25701	1C7	7	20-37	T26220	1F10	32	30-58	T26323	1B12	15	20-17
T25703	3C24	1	80-53	T26221	1F10	2	30-58	T26324	1B8	34	20-13B
T25741	2E9	9	60-5	T26222	1F14	16	30-62	T26324	1B12	23	20-17
T25741	2E12	13	60-8	T26223	1E24	9	30-47	T26325	1B8	38	20-13B
T25757	1D20	18	30-17	T26223	1F14	4	30-62	T26325	1B12	19	20-17
T25757	1D20	19	30-17	T26223	1F21	10	30-69	T26326	1B8	36	20-13B
T25757	1D20	20	30-17	T26223	1G4	10	30-77	T26326	1B12	22	20-17
T25767	2H3	6	70-48	T26223	1G14	19	30-87	T26327	1B8	37	20-13B
T25809	3B14	9	80-20	T26226	1F13	6	30-61	T26327	1B12	18	20-17
T25809	3B15	6	80-20A	T26226	1F16	6	30-64	T26337	2D19	6	50-74
T25809	3B16	14	80-21	T26227	1F13	5	30-61	T26352	2C23	11	50-53
T25813	1E18	23	30-41	T26227	1F16	5	30-64	T26416	2D21	5	50-77
T25813	1E20	24	30-43	T26229	1F13	28	30-61	T26496	1E18	24	30-41
T25822	2G23	4	70-43	T26229	1F16	26	30-64	T26496	1E20	25	30-43
T25823	2G23	14	70-43	T26230	1F13	27	30-61	T26496	1F13	3	30-61
T25835	2G23	14	70-43	T26230	1F16	25	30-64	T26497	1E18	25	30-41
T25836	2G23	4	70-43	T26231	1F13	10	30-61	T26497	1E20	7	30-43
T25840	3A22	1	80-1	T26232	1F13	18	30-61	T26497	1F13	2	30-61
T25840	3A24	12	80-3	T26233	1F7	9	30-55	T26497	1F16	27	30-64
T25840	3A25	9	80-5	T26233	1F13	7	30-61	T26510	1F13	16	30-61
T25840	3B2	12	80-7	T26233	1F16	7	30-64	T26555	2D9	13	50-64
T25840	3B4	20	80-9	T26234	1F13	23	30-61	T26555	1B8	47	20-13B
T25840	3B11	12	80-17	T26235	1F13	15	30-61	T26565	1B10	2	20-15
T25879	2H13	4	70-59	T26236	1F14	6	30-62	T26565	1B12	2	20-17
T25899	3D2	9	80-55	T26237	1F14	7	30-62	T26565	2C19	33	50-49
T25901	3B7	7	80-12	T26238	1E24	5	30-47	T26597	2G25	3	70-45
T25921	3A22	5	80-1	T26238	1F7	5	30-55	T26597	2H3	2	70-48
T25921	3A24	14	80-3	T26238	1F14	9	30-62	T26598	2G19	25B	70-39
T25921	3A25	5	80-5	T26238	1F22	1	30-70	T26601	1I6	23	40-31
T25921	3B2	14	80-7	T26238	1G5	1	30-78	T26601	1I13	3	40-36
T25921	3B4	17	80-9	T26239	1F14	8	30-62	T26602	1I13	1	40-36
T25921	3B11	11	80-17	T26242	1F13	26	30-61	T26625	2G15	10	70-35
T25922	3A22	6	80-1	T26243	1F13	25	30-61	T26625	2G16	14	70-36
T25922	3A24	13	80-3	T26243	1F16	23	30-64	T26625	2G17	8	70-37
T25922	3A25	6	80-5	T26244	1F13	21	30-61	T26626	2G15	7	70-35
T25922	3B2	13	80-7	T26245	1F13	21	30-61	T26626	2G15	8	70-35
T25922	3B4	18	80-9	T26246	1F13	21	30-61	T26626	2G17	5	70-37
T25922	3B11	10	80-17	T26247	1F13	21	30-61	T26632	2G16	13	70-36
T26041	1H5	12B	40-3	T26249	1F10	17	30-58	T26831	1G20	15	30-93
T26153	3D13	11	90-9	T26251	1F13	24	30-61	T26832	1G20	14	30-93
T26153	3D19	20	90-15	T26252	1F10	4	30-58	T26832	2B22	1	50-25
T26175	1B2	15	20-9	T26254	1F10	15	30-58	T26832	2C7	2	50-36
T26176	1B2	15	20-9	T26256	1F10	12	30-58	T26834	1G21	1	30-94
T26177	1B2	15	20-9	T26256	1F11	12	30-59	T26836	1G21	1	30-94
T26178	1B2	17	20-9	T26256	1F15	4	30-63	T26839	3D2	12	80-55
T26179	1B2	17	20-9	T26256	1F17	12	30-65	T26840	3D2	1	80-55
T26197	2D1	11	50-56	T26256	1F22	19	30-70	T26841	2B22	2	50-25
T26198	2B5	7	50-8	T26256	1G5	19	30-78	T26841	2C7	1	50-36
T26208	1F11	13	30-59	T26256	1G14	28	30-87	T26842	2B22	17	50-25
T26209	1F11	14	30-59	T26257	1F10	26	30-58	T26842	2C7	6	50-36
T26209	1F17	9	30-65	T26257	1F15	10	30-63	T26870	1G2	9	30-75
T26209	1F17	14	30-65	T26259	1F10	24	30-58	T26870	1G10	10	30-83
T26211	1F11	1	30-59	T26260	1F10	25	30-58	T26928	3C14	3	80-43
T26211	1F17	1	30-65	T26261	1F10	22	30-58	T26928	3C14	12	80-43
T26212	1F11	2	30-59	T26262	1F11	10	30-59	T26929	3C14	3	80-43
T26212	1F17	2	30-65	T26263	1F17	10	30-65	T26931	3C14	12	80-43

1L23

1020 TRACTOR

NUMERICAL INDEX - CONTINUED

PART NO.	GRID	KEY	PAGE	PART NO.	GRID	KEY	PAGE	PART NO.	GRID	KEY	PAGE
T26934	3C14	3	80 - 43	T27971	3D17	25	90 - 13	T29377	1C12	9A	20 - 43
T26935	1B13	3	20 - 18	T28036	2G21	4	70 - 41	T29379	1C10	4	20 - 41
T26935	3C14	3	80 - 43	T28041	1B2	20	20 - 9	T29380	1C9	1	20 - 40
T27136	2G24	9	70 - 44	T28041	1B8	3	20 - 13B	T29380	1C11	1	20 - 42
T27155	3D2	13	80 - 55	T28177	2E23	2	60 - 20	T29380	1C12	1	20 - 43
T27195	2G15	7	70 - 35	T28233	2G17	1	70 - 37	T29381	1B4	5	20 - 11
T27256	1E1	12	30 - 23	T28272	2E8	12	60 - 3	T29381	1C9	3	20 - 40
T27260	2G13	12	70 - 33	T28362	2G14	12	70 - 34	T29384	1C9	6	20 - 40
T27261	1C7	6	20 - 37	T28537	2G8	20	70 - 30A	T29384	1C10	4	20 - 41
T27300	1F11	8	30 - 59	T28538	2G8	19	70 - 30A	T29385	1C9	7	20 - 40
T27300	1F17	8	30 - 65	T28538	2G8	20	70 - 30A	T29388	1B4	5	20 - 11
T27302	1F14	12	30 - 62	T28538	2G10	11	70 - 30C	T29388	1B4	6	20 - 11
T27303	1F14	13	30 - 62	T28582	1F13	4	30 - 61	T29388	1C9	3	20 - 40
T27304	1F14	11	30 - 62	T28582	1F16	4	30 - 64	T29388	1C9	4	20 - 40
T27304	1F14	19	30 - 62	T28583	1H5	21	40 - 3	T29388	1C10	2	20 - 41
T27305	1F10	17	30 - 58	T28583	1J21	34	40 - 69	T29388	1C11	4	20 - 42
T27306	1F11	7	30 - 59	T28583	1J23	1	40 - 71	T29388	1C12	4	20 - 43
T27306	1F17	7	30 - 65	T28585	1J21	35	40 - 69	T29389	2E15	7	60 - 11
T27307	1F11	19	30 - 59	T28585	1J23	12	40 - 71	T29390	2E15	5	60 - 11
T27409	2E12	19	60 - 8	T28586	1J23	14	40 - 71	T29391	2E12	10	60 - 8
T27410	1E7	10	30 - 29	T28634	2C10	17	50 - 39	T29394	2D8	8	50 - 63
T27432	2E9	26	60 - 5	T28634	2C12	16	50 - 41	T29417	1H7	7	40 - 5
T27477	1D20	20	30 - 17	T28660	2B18	5	50 - 21	T29417	1H7	15	40 - 5
T27477	1E20	27	30 - 43	T28662	2B18	9	50 - 21	T29417	1H8	8	40 - 6
T27544	2D19	2	50 - 74	T28664	2B18	13	50 - 21	T29417	1H9	6	40 - 7
T27549	1C17	15	20 - 49	T28665	2B18	15	50 - 21	T29417	1H9	9	40 - 7
T27559	2C24	3	50 - 54	T28666	2B18	16	50 - 21	T29417	1H10	9	40 - 8
T27657	1B23	17	20 - 28	T28668	2C19	27	50 - 49	T29417	1H10	19	40 - 8
T27657	1B23	18	20 - 28	T28668	2D11	2	50 - 66	T29417	1H11	7	40 - 9
T27657	1B24	16	20 - 29	T28668	2D12	31	50 - 67	T29529	1E20	6	30 - 43
T27657	1B24	19	20 - 29	T28668	2D13	6	50 - 68	T29539	1G2	18	30 - 75
T27658	1B8	60	20 - 13B	T28668	2D14	37	50 - 69	T29539	1G10	1	30 - 83
T27658	1B23	17	20 - 28	T28668	2D15	9	50 - 70	T29540	1G2	16	30 - 75
T27658	1B23	18	20 - 28	T28680	2D1	17	50 - 56	T29540	1G10	2	30 - 83
T27658	1B24	16	20 - 29	T28804	2C3	16	50 - 31	T29550	2D25	2	50 - 81
T27658	1B24	19	20 - 29	T28804	2C5	47	50 - 33	T29581	2B6	15	50 - 9
T27693	2B4	20	50 - 7	T28907	2E3	8	50 - 84	T29581	2B7	19	50 - 10
T27693	2B17	1	50 - 20	T28907	2E4	21	50 - 85	T29582	2B6	4	50 - 9
T27706	2B9	12	50 - 12	T28908	2E3	8	50 - 84	T29582	2B7	19	50 - 10
T27707	2B9	12	50 - 12	T28908	2E4	21	50 - 85	T29598	1G20	15	30 - 93
T27707	2B9	24	50 - 12	T28992	1C7	11	20 - 37	T29599	2C7	1	50 - 36
T27708	2B9	12	50 - 12	T29109	3B12	14	80 - 18	T29644	2H11	4	70 - 56
T27708	2B9	15	50 - 12	T29112	1F10	16	30 - 58	T29645	2H11	1	70 - 56
T27716	2C19	24	50 - 49	T29112	1F10	16	30 - 58	T29686	3D7	13	90 - 3
T27716	2D1	3	50 - 56	T29113	1F10	18	30 - 58	T29748	2H10	10	70 - 55
T27716	2D12	10	50 - 67	T29114	1F10	7	30 - 58	T29750	1D15	9	30 - 12
T27716	2D14	7	50 - 69	T29115	1F11	4	30 - 59	T29750	1D16	9	30 - 13
T27716	2D16	7	50 - 71	T29164	1F10	27	30 - 58	T29751	1D15	16	30 - 12
T27716	2D19	11	50 - 74	T29164	1F15	17	30 - 63	T29751	1D16	16	30 - 13
T27718	3D15	2	90 - 11	T29164	1G17	7	30 - 90	T29751	1D16	16	30 - 13
T27718	3D15	3	90 - 11	T29165	1F10	5	30 - 58	T29752	1D15	11	30 - 12
T27718	3D19	3	90 - 15	T29166	1F10	13	30 - 58	T29752	1D16	10	30 - 13
T27718	3D19	6	90 - 15	T29171	1F10	3	30 - 58	T29803	2B8	20	50 - 11
T27719	3D15	3	90 - 11	T29172	1F10	3	30 - 58	T29804	2B8	18	50 - 11
T27719	3D15	4	90 - 11	T29173	1F10	3	30 - 58	T29892	2H11	11	70 - 56
T27719	3D19	3	90 - 15	T29174	1F10	3	30 - 58	T29892	2H12	9	70 - 57
T27719	3D19	5	90 - 15	T29212	3B13	8	80 - 19	T29897	2H12	8	70 - 57
T27771	2B4	30	50 - 7	T29242	2D25	17	50 - 81	T29899	2H12	8	70 - 57
T27771	2B4	31	50 - 7	T29243	2D25	2	50 - 81	T29931	2G14	3	70 - 34
T27771	2B24	1	50 - 27	T29307	2H10	10	70 - 55	T29969	1E22	12	30 - 45
T27772	2B4	30	50 - 7	T29311	2G19	2	70 - 39	T30031	1F13	16	30 - 61
T27772	2B24	2	50 - 27	T29314	2B22	14	50 - 25	T30040	3B16	4	80 - 21
T27772	2B25	7	50 - 28	T29314	2C7	7	50 - 36	T30041	3B16	3	80 - 21
T27860	1E2	8	30 - 24	T29321	2G4	8	70 - 27	T30065	2D4	5	50 - 59
T27860	1E3	14	30 - 25	T29354	3D2	5	80 - 55	T30065	2D6	5	50 - 61
T27969	2H8	2	70 - 53	T29355	3D2	6	80 - 55	T30116	3D21	8	90 - 17
T27971	3D17	24	90 - 13	T29377	1C9	10	20 - 40	T30116	3D22	8	90 - 18
				T29377	1C11	9A	20 - 42	T30244	1F13	21	30 - 61

1L24

1020 TRACTOR

NUMERICAL INDEX - CONTINUED

PART NO.	GRID	KEY	PAGE	PART NO.	GRID	KEY	PAGE	PART NO.	GRID	KEY	PAGE
T30245	1F13	21	30 - 61	T30781	2C15	11	50 - 45	T31174	1G12	17	30 - 85
T30246	1F13	21	30 - 61	T30785	2C14	24	50 - 43	T31177	1C11	2	20 - 42
T30247	1F13	21	30 - 61	T30785	2C15	17	50 - 45	T31178	1C12	2	20 - 43
T30276	2H9	7	70 - 54	T30786	2C10	18	50 - 39	T31179	1C12	13	20 - 43
T30277	2H9	1	70 - 54	T30786	2C12	17	50 - 41	T31203	1F13	16	30 - 61
T30351	3B16	1	80 - 21	T30788	2C12	8	50 - 41	T31203	1F14	..	30 - 62
T30399	3E1	6	90 - 22	T30789	2C10	12	50 - 39	T31437	1J7	6	40 - 55
T30502	1E25	3	30 - 48	T30789	2C12	11	50 - 41	T31480	1F15	22	30 - 63
T30502	1F11	18	30 - 59	T30791	2B14	1	50 - 17	T31481	1F15	9	30 - 63
T30603	3D2	4	80 - 55	T30791	2B15	1	50 - 18	T31481	1G17	13	30 - 90
T30604	3D2	16	80 - 55	T30793	2B16	7	50 - 19	T31482	1F17	18	30 - 65
T30607	1E25	13	30 - 48	T30794	2B18	4	50 - 21	T31636	2C10	31	50 - 39
T30607	1F8	13	30 - 56	T30798	2D15	18	50 - 70	T31636	2C12	30	50 - 41
T30607	1F11	11	30 - 59	T30798	2D16	21	50 - 71	T31794	2D7	2	50 - 62
T30607	1F17	11	30 - 65	T30799	2D15	27	50 - 70	T32016	2H8	13	70 - 53
T30607	1F22	18	30 - 70	T30799	2D16	30	50 - 71	T32142	2D1	8	50 - 56
T30607	1G5	18	30 - 78	T30800	2D15	26	50 - 70	T32214	3D2	4	80 - 55
T30607	1G14	29	30 - 87	T30800	2D16	29	50 - 71	T32231	1D20	23	30 - 17
T30687	2E20	2	60 - 17	T30802	2D22	3	50 - 78	T32261	1B14	2	20 - 19
T30719	2D21	3	50 - 77	T30803	2D15	31	50 - 70	T32339	1B4	21	20 - 11
T30720	1C5	1	20 - 35	T30803	2D16	34	50 - 71	T32340	1B4	21	20 - 11
T30720	1C7	13	20 - 37	T30804	2D22	9	50 - 78	T32340	1B14	1	20 - 19
T30720	1C7	22	20 - 37	T30806	2A24	15	50 - 3	T32340	1B19	3	20 - 24
T30721	1C7	22	20 - 37	T30806	2B2	16	50 - 5	T32340	1B19	5	20 - 24
T30738	1D22	2	30 - 19	T30808	2C14	16	50 - 43	T32342	1B19	5	20 - 24
T30738	1D22	6	30 - 19	T30835	2B18	8	50 - 21	T32343	1B8	17	20 - 13B
T30738	1D24	2	30 - 21	T30842	2B2	27	50 - 5	T32344	1B8	19	20 - 13B
T30738	1D24	17	30 - 21	T30851	2D20	1	50 - 75	T32349	1B20	7	20 - 25
T30738	1D25	12	30 - 22	T30851	2D20	5	50 - 75	T32350	1B4	21	20 - 11
T30738	1E2	5	30 - 24	T30892	1E6	3	30 - 28	T32350	1B14	1	20 - 19
T30747	2A24	15	50 - 3	T30896	2B11	3	50 - 14	T32350	1B20	5	20 - 25
T30747	2B2	16	50 - 5	T30896	2B12	3	50 - 15	T32352	1B20	7	20 - 25
T30748	3C20	6	80 - 49	T30897	1C7	4	20 - 37	T32365	1D22	16	30 - 19
T30749	2D6	23	50 - 61	T30917	2G19	27	70 - 39	T32365	1D24	13	30 - 21
T30750	2C8	14	50 - 37	T30918	2G19	28	70 - 39	T32412	3D7	10	90 - 3
T30751	2C8	10	50 - 37	T30930	2H10	10	70 - 55	T32413	3D21	8	90 - 17
T30752	2C10	29	50 - 39	T30991	3A24	14	80 - 3	T32413	3D22	8	90 - 18
T30752	2C12	28	50 - 41	T31085	2E3	8	50 - 84	T32414	3D21	5	90 - 17
T30753	2C10	35	50 - 39	T31086	2E3	8	50 - 84	T32414	3D22	4	90 - 18
T30753	2C12	34	50 - 41	T31122	1F10	38	30 - 58	T32474	2B18	3	50 - 21
T30753	2C24	13	50 - 54	T31123	1F16	2	30 - 64	T32474	2B18	10	50 - 21
T30754	2B25	20	50 - 28	T31123	1F20	2	30 - 68	T32488	2G23	19	70 - 43
T30754	2C16	16	50 - 46	T31124	1E24	19	30 - 47	T32554	1E6	31	30 - 28
T30754	2C17	12	50 - 47	T31124	1F7	19	30 - 55	T32844	2B18	16	50 - 21
T30755	2B18	4	50 - 21	T31124	1F13	29	30 - 61	T33183	1J1	2	40 - 49
T30757	2B18	12	50 - 21	T31124	1F16	15	30 - 64	T33191	2B11	4	50 - 14
T30758	2D6	27	50 - 61	T31125	1E24	19	30 - 47	T33191	2B12	4	50 - 15
T30761	2D17	9	50 - 72	T31125	1F7	19	30 - 55	T33192	2B11	1	50 - 14
T30762	2D17	3	50 - 72	T31125	1F13	29	30 - 61	T33192	2B12	1	50 - 15
T30763	2B18	17	50 - 21	T31125	1F16	15	30 - 64	T33193	2B11	2	50 - 14
T30764	2B18	18	50 - 21	T31126	1E24	19	30 - 47	T33232	1D20	12	30 - 17
T30766	2D13	1	50 - 68	T31126	1F7	19	30 - 55	T33279	1B4	8	20 - 11
T30766	2D15	4	50 - 70	T31126	1F13	29	30 - 61	T33279	1B8	27	20 - 13B
T30767	2D13	2	50 - 68	T31126	1F16	15	30 - 64	T33279	1B23	5	20 - 28
T30767	2D15	5	50 - 70	T31127	1E24	19	30 - 47	T33279	1B24	5	20 - 29
T30770	2C10	24	50 - 39	T31127	1F7	19	30 - 55	T33646	3C18	3	80 - 47
T30770	2C12	23	50 - 41	T31127	1F13	29	30 - 61	T33745	3D11	38	90 - 7
T30772	3D2	10	80 - 55	T31127	1F16	15	30 - 64	T33746	1G20	14	30 - 93
T30772	3D4	14	80 - 57	T31128	1E24	19	30 - 47	T33746	2B22	1	50 - 25
T30773	2C14	23	50 - 43	T31128	1F7	19	30 - 55	T33746	2B22	2	50 - 25
T30773	2C15	16	50 - 45	T31128	1F13	29	30 - 61	T33746	2C7	2	50 - 36
T30774	2B2	40	50 - 5	T31128	1F16	15	30 - 64	T34067	1J23	18	40 - 71
T30774	2C14	22	50 - 43	T31129	1F14	2	30 - 62	T34079	2I15	5	70 - 88
T30774	2C15	15	50 - 45	T31130	1F16	12	30 - 64	T34331	2E15	22	60 - 11
T30780	2C14	6	50 - 43	T31170	2C23	13	50 - 53	T34332	2E15	5	60 - 11
T30780	2C15	6	50 - 45	T31174	1G2	19	30 - 75	T34333	2E15	5	60 - 11
T30781	2C14	18	50 - 43	T31174	1G10	17	30 - 83	T35294	2B10	25	50 - 13

1L25

1020 TRACTOR

NUMERICAL INDEX - CONTINUED

PART NO.	GRID	KEY	PAGE	PART NO.	GRID	KEY	PAGE	PART NO.	GRID	KEY	PAGE
T35295	2B10	21	50 - 13	T738T	1114	3	40 - 37	1838436	1113	2	40 - 36
T35296	2B10	26	50 - 13	T739T	114	9	40 - 29	1839345	1113	11	40 - 36
T35297	2B10	27	50 - 13	T739T	1114	20	40 - 37	1873796	116	24	40 - 31
T35298	2B10	23	50 - 13	T740T	114	10	40 - 29	1873796	1113	5	40 - 36
T35299	2B10	20	50 - 13	T740T	1114	21	40 - 37	24-340	1E7	20	30 - 29
T35300	2B10	24	50 - 13	T741T	1114	1	40 - 37	24-340	1E9	38	30 - 31
T35301	2B10	22	50 - 13	T742T	1114	5	40 - 37	24-340	1E14	7	30 - 37
T35389	2G20	2	70 - 40	T743T	1114	15	40 - 37	30-739	1E6	4	30 - 28
T35390	2G20	2	70 - 40	T74703	1C10	7	20 - 41	30-739	1E9	10	30 - 31
T35390	2G20	13	70 - 40	T77165	1G19	6	30 - 92	400R	2D1	16	50 - 56
T35675	1G20	15	30 - 93	T77613	2I23	12	70 - 97	400R	2E21	12	60 - 18
T35675	2B22	2	50 - 25	T78593	1E1	12	30 - 23	400R	2H15	17	70 - 61
T35675	2C7	1	50 - 36	T79479	1E1	11	30 - 23	400R	2I7	12	70 - 80
T35677	1G20	15	30 - 93	T84409	1H22	1	40 - 22	400R	2I11	3	70 - 84
T35680	2C7	1	50 - 36	T84410	1H22	10	40 - 22	400R	2I13	13	70 - 86
T35889	1G21	1	30 - 94	T84411	1H22	10	40 - 22	400R	2I14	16	70 - 87
T36042	2B4	14	50 - 7	T84412	1H22	10	40 - 22	400R	2I20	13	70 - 93
T36042	2C9	22	50 - 38	T84413	1H22	10	40 - 22	400R	2I21	14	70 - 94
T36042	2C10	25	50 - 39	T84578	1H22	10	40 - 22	43-33	1E7	19	30 - 29
T36042	2C12	24	50 - 41	U10289	2E9	29	60 - 5	43-33	1E9	39	30 - 31
T36042	2C24	12	50 - 54	U10289	2E11	9	60 - 7	43-33	1E14	8	30 - 37
T36236	2B4	36	50 - 7	U10289	2E15	18	60 - 11	44-38	1E9	23	30 - 31
T36482	2E8	10	60 - 3	U10289	2E17	8	60 - 13	44-68	1E9	40	30 - 31
T366T	1J5	10	40 - 53	U10296	3A24	2	80 - 3	46-A50	1E6	3	30 - 28
T37822	2D8	9	50 - 63	U10296	3B2	2	80 - 7	47-455	1E6	22	30 - 28
T38063	2E23	5	60 - 20	U11004	2D6	24	50 - 61	49-101L	1E7	24	30 - 29
T40168	2F23	1	70 - 21	U11343	2G3	12	70 - 26	49-101L	1E9	7	30 - 31
T40168	2G3	8	70 - 26	U11343	2G4	16	70 - 27	55-261	1E9	41	30 - 31
T40170	2B4	29	50 - 7	U11647	2J3	1	70 - 102	810601	1114	13	40 - 37
T41072	1H9	14	40 - 7	U12331	2E15	27	60 - 11	818265	1114	22	40 - 37
T41072	1H10	13	40 - 8	U12331	2E17	9	60 - 13	820149	112	3	40 - 27
T41072	1H11	12	40 - 9	U13639	1B8	58	20 - 13B	820149	112	4	40 - 27
T42381	2B14	4	50 - 17	U15415	2G2	6	70 - 25	95-78	1E9	14	30 - 31
T42381	2B15	4	50 - 18	U15969	2I23	21	70 - 97	99-4	1E6	33	30 - 28
T46728	2E23	5	60 - 20	U40656	3D9	13	90 - 5				
T48835	1G21	9	30 - 94	U40656	3D13	7	90 - 9				
T49104	2E20	2	60 - 17	U41509	2E20	29	60 - 17				
T49105	2B24	3	50 - 27	U41509	2E21	15	60 - 18				
T49189	2E20	21	60 - 17	U46370	1J21	36	40 - 69				
T497T	2D23	11	50 - 79	U46370	1J23	20	40 - 71				
T50467	1G19	6	30 - 92	U46662	1J11	12	40 - 59				
T519T	2G16	18	70 - 36	U46662	1J21	37	40 - 69				
T526T	1B18	5	20 - 23	U46662	1J23	10	40 - 71				
T59404	2B23	16	50 - 26	U46663	1J21	38	40 - 69				
T63652	2B7	21	50 - 10	U46664	1J21	39	40 - 69				
T64421	1E1	11	30 - 23	U46664	1J25	47	40 - 73				
T65880	3D4	7	80 - 57	Y1912C	2C23	17	50 - 53				
T68035	2C19	10	50 - 49	14-273	1E7	5	30 - 29				
T68412	2A24	15	50 - 3	14-273	1E9	2	30 - 31				
T68412	2A24	27	50 - 3	15-A295	1E6	16	30 - 28				
T68412	2A24	29	50 - 3	15-A295	1E9	28	30 - 31				
T68412	2B2	16	50 - 5	15-A85	1E7	3	30 - 29				
T68412	2B2	24	50 - 5	15-A85	1E9	4	30 - 31				
T68412	2B2	33	50 - 5	15-483	1E6	1	30 - 28				
T68412	2B4	32	50 - 7	15-483	1E7	9	30 - 29				
T68412	2B4	34	50 - 7	15-483	1E9	1	30 - 31				
T71570	1G20	14	30 - 93	15-483	1E14	9	30 - 37				
T71570	1G20	15	30 - 93	16-A41	1E7	23	30 - 29				
T71570	2C7	1	50 - 36	16-A41	1E9	8	30 - 31				
T719T	1E9	20	30 - 31	16-A41	1E14	4	30 - 37				
T71925	2E4	21	50 - 85	16-456	1E6	21	30 - 28				
T71926	2E4	21	50 - 85	16-456	1E9	21	30 - 31				
T735T	1114	4	40 - 37	16-456	1E14	12	30 - 37				
T736T	114	13	40 - 29	16-47	1E6	23	30 - 28				
T736T	118	9	40 - 33	16-47	1E9	19	30 - 31				
T736T	1114	7	40 - 37	16-47	1E14	13	30 - 37				
T738T	114	11	40 - 29	16-654	1E7	1	30 - 29				