

1A2

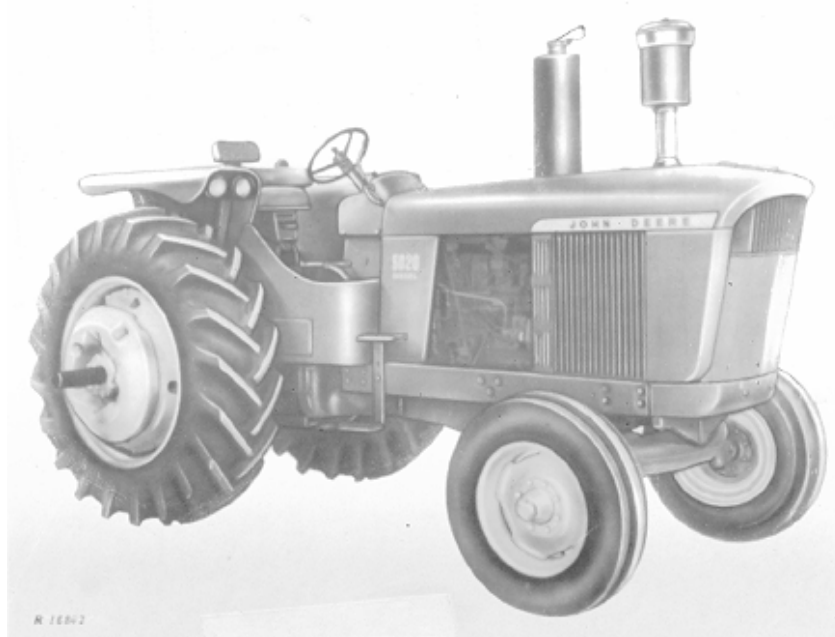
5020 TRACTOR (SERIAL NO. -024,999)

R6224 -UN-01JAN94



JOHN DEERE 5020 STANDARD TRACTOR

R16802 -UN-01JAN94



JOHN DEERE 5020 ROW-CROP TRACTOR

(SPECIFICATIONS AND DESIGN SUBJECT TO CHANGE WITHOUT NOTICE)

COPYRIGHT (C) 1995. DEERE & COMPANY. MOLINE, ILLINOIS. ALL RIGHTS RESERVED.

1A3

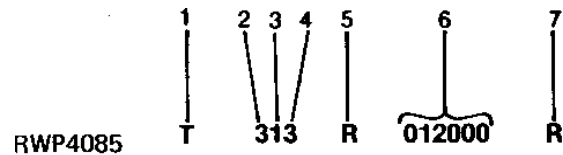
5020 TRACTOR (SERIAL NO. -024,999)

SERIAL NUMBERS

EACH 5020 TRACTOR HAS THE FOLLOWING SERIAL NUMBER PLATES: BASIC TRACTOR, ENGINE AND SHORT BLOCK.

BASIC TRACTOR SERIAL NUMBER

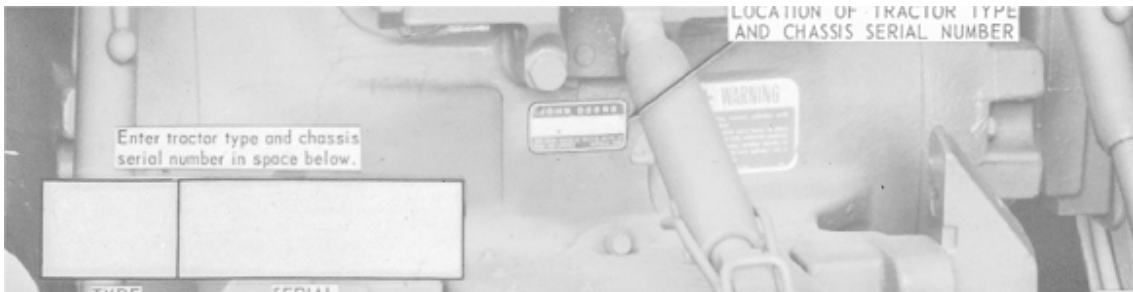
RWP4085 -UN-01JAN94



1. DESIGNATES TRACTOR
2. DESIGNATES TRACTOR SERIES
3. DESIGNATES CHASSIS DESIGN
4. DESIGNATES ENGINE TYPE
5. DESIGNATES TRANSMISSION TYPE
6. DESIGNATES TRACTOR SERIAL NUMBER
7. DESIGNATES TRACTOR MANUFACTURER

- T - TRACTOR
3 - 5020
1 - ROW-CROP
2 - STANDARD
3 - DIESEL
R - SYNCRO-RANGE
R - JOHN DEERE TRACTOR WORKS

R6294 -UN-01JAN94



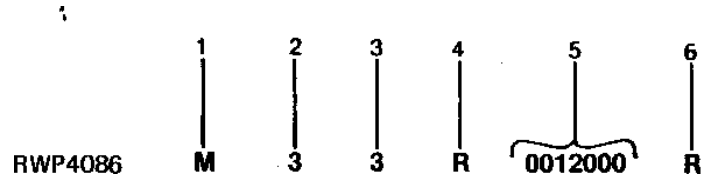
THE BASIC TRACTOR SERIAL NUMBER PLATE IS LOCATED AT THE REAR OF THE TRANSMISSION CASE.

1A4

5020 TRACTOR (SERIAL NO. -024,999)

ENGINE SERIAL NUMBER

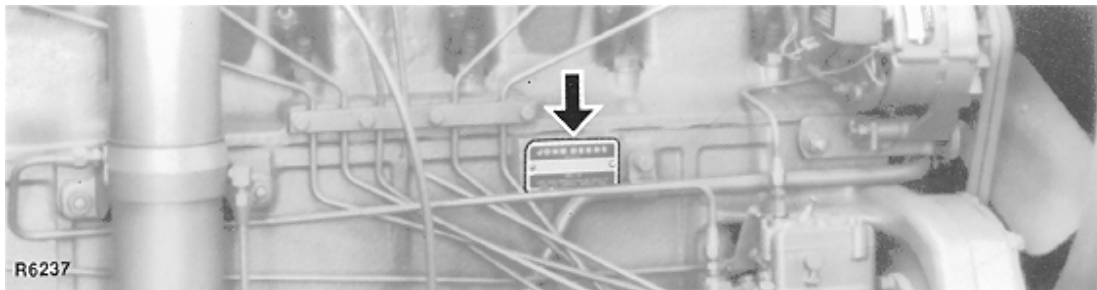
RWP4086 -UN-01JAN94



1. DESIGNATES ENGINE
2. DESIGNATES ENGINE SERIES
3. DESIGNATES TYPE OF FUEL
4. DESIGNATES ENGINE APPLICATION
5. DESIGNATES ENGINE SERIAL NUMBER
6. DESIGNATES MANUFACTURER ENGINE

- M - ENGINE
3 - ENGINE SERIES
3 - DIESEL
R - JOHN DEERE TRACTOR WORKS
R - JOHN DEERE TRACTOR WORKS

R6237 -UN-01JAN94



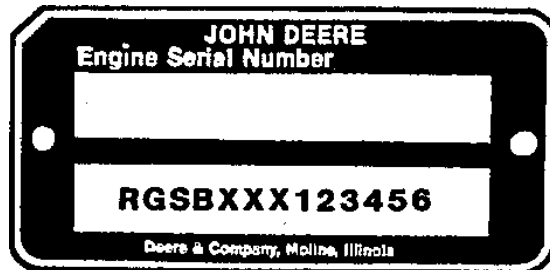
THE ENGINE SERIAL NUMBER PLATE IS LOCATED ON THE RIGHT-HAND SIDE OF THE ENGINE.

1A5

5020 TRACTOR (SERIAL NO. -024,999)

SHORT BLOCK SERIAL NUMBER PLATE

RGP2856 -UN-01JAN94



RGP2856

THE REPLACEMENT SHORT BLOCK ASSEMBLY HAS A SERIAL NUMBER PLATE ATTACHED. THE ORIGINAL ENGINE SERIAL NUMBER MUST BE STAMPED ONTO THE NEW PLATE IN THE BLANK SPACE PROVIDED. THE PLATE CAN BE ATTACHED WITH (2) 37H44 DRIVE SCREWS.

- | | |
|---------------------------------------|----------------------------|
| 1. DESIGNATES ENGINE MANUFACTURER | RG - WATERLOO ENGINE WORKS |
| 2. DESIGNATES REPLACEMENT SHORT BLOCK | SB |
| 3. DESIGNATES CUBIC INCH | XXX |
| 4. DESIGNATES THE PRODUCTION DATE | 1234 |
| 5. DESIGNATES COMPONENT SEQUENCE | 56 |

1A6

5020 TRACTOR (SERIAL NO. -024,999)

DIRECTION ARROW

ARROWS ARE USED WITH ILLUSTRATIONS TO INDICATE THE FRONT OF THE UNIT. "RIGHT-HAND" AND "LEFT-HAND" SIDES ARE DETERMINED BY FACING IN THE DIRECTION OF MACHINE FORWARD TRAVEL.

BOX-ENCLOSED ILLUSTRATIONS

A KEY NUMBER, SHOWN IN THE PARTS LIST, IS ASSIGNED TO A BOX ENCLOSING ALL PARTS SOLD AS A SERVICE ASSEMBLY.

BOLT AND CAP SCREW STRENGTH IDENTIFICATION

U.S. CUSTOMARY DIMENSIONED PRODUCT: BOLTS AND CAP SCREWS REQUIRED TO HAVE HIGH-STRENGTH QUALITIES EQUIVALENT TO SAE GRADE 8 ARE IDENTIFIED THROUGHOUT THIS CATALOG BY THE DESCRIPTION HS SAE 8. ALL STANDARD BOLTS AND CAP SCREWS ARE SAE GRADE 5 OR LOWER.

METRIC DIMENSIONED PRODUCT: BOLTS AND CAP SCREWS REQUIRED TO HAVE HIGH-STRENGTH QUALITIES EQUIVALENT TO PROPERTY CLASS 10.9 ARE IDENTIFIED THROUGHOUT THIS CATALOG BY THE DESCRIPTION HS 10.9. ALL STANDARD BOLTS AND CAP SCREWS ARE PROPERTY CLASS 8.8 OR LOWER.

CHANGE INDICATOR LINE (MICROFICHE CATALOGS ONLY)

CHANGES AFFECTING THE ORDERING OF PARTS ARE IDENTIFIED BY VERTICAL LINES MARKED IN THE LEFT-HAND MARGIN OF REVISED PARTS LISTING IMAGES. A LINE IS ALSO AT THE LEFT-HAND EDGE OF THE SAME PART NUMBER IN THE NUMERICAL INDEX TO SHOW THE LOCATION OF REVISED INFORMATION.

JDM REMANUFACTURED COMPONENTS

THE SERVICE PARTS LISTED IN THIS CATALOG ARE INTENDED FOR THE REPAIR OF ORIGINAL EQUIPMENT COMPONENTS. ALTHOUGH MOST SERVICE PARTS MAY BE USED TO REPAIR REMANUFACTURED COMPONENTS, THE REMANUFACTURING PROCESS MAY CHANGE PARTS SUFFICIENTLY SO THAT SERVICE ARE INADEQUATE OR NOT USABLE.

TRADEMARKS

THROUGHOUT THIS PARTS CATALOG, YOU WILL FIND THE FOLLOWING DEERE AND COMPANY TRADEMARKS:

PERSONAL-POSTURE™
HYDRACUSHIONED SEAT™
QUAD-RANGE™
INVESTIGATOR™ II

QUIK-TATCH®
ROLL-GARD®
SOUND-GARD®
TORQ-GARD SUPREME®
HY-GARD®

1A7

5020 TRACTOR (SERIAL NO. -024,999)

SERIAL NUMBER LISTING INFORMATION

SERIAL NUMBER INFORMATION IS LISTED TO SHOW ON WHICH MACHINES EACH PART CAN BE USED; FOR EXAMPLE:

- THE PART CAN BE USED ON ALL MACHINES.
- 000000- THE PART CAN BE USED ON ALL MACHINES BEGINNING WITH THE SERIAL NUMBER LISTED.
- 000000 THE PART CAN BE USED ON ALL MACHINES UP TO AND INCLUDING THE SERIAL NUMBER LISTED.
- 000000-000000 THE PART CAN BE USED ON ALL MACHINES BETWEEN AND INCLUDING THE SERIAL NUMBERS LISTED.

- 15BV1- WHEN A MODEL NUMBER BEGINS WITH 15BV, 14HA, JA1 , 39SC, 2RC, 4RC, 15RS, 3CY, 2SP, OR 31SV, IT REFERS TO THE MODEL NUMBER OF THE BRAKE VALVE, HYDRAULIC ACCUMULATOR, HYDRAULIC PUMP, REMOTE CYLINDER SELECTIVE CONTROL VALVE FOR NO ROCKSHAFT, REMOTE CYLINDER SELCTIVE CONTROL VALVES, REMOTE CYLINDERS, REMOTE CYLINDERS WITH MECHANICAL STOPS, ROCKSHAFT CONTROL VALVE, STEERING CYLINDER, STEERING METERING PUMP, OR STEERING VALVE.

WHEN XXXXXX'S ARE LISTED IN PLACE OF A SERIAL NUMBER, A SERIAL NUMBER CHANGE WAS MADE BUT THE EXACT SERIAL NUMBER WAS NOT AVAILABLE WHEN THE CATALOG WAS PRODUCED.

MODEL NUMBERS

THE FOLLOWING COMPONENTS HAVE MODEL NUMBERS:

BRAKE VALVE	15BV1
HYDRAULIC ACCUMULATOR	14HA2
REMOTE CYLINDER SELECTIVE CONTROL VALVE -TRIPLE	41SC1
STEERING CYLINDER	3CY1
STEERING METERING PUMP	2SP1
STEERING VALVE	31SV1

EACH OF THE ABOVE COMPONENTS HAS A MODEL NUMBER. WHEN THE DESIGN OF ONE OF THESE COMPONENTS IS CHANGED, THE MODEL NUMBER FOR THE NEWLY DESIGNED COMPONENT IS CHANGED.

QUANTITY COLUMN OR REMARKS COLUMN

GENERALLY THE QUANTITY SHOWN IS FOR THE ENTIRE TRACTOR AT ANY GIVEN LOCATION. THERE ARE EXCEPTIONS AS IN WHEEL HARDWARE WHERE ONLY ENOUGH IS SHOWN FOR ONE WHEEL.

THE FOLLOWING ABBREVIATIONS ARE USED IN THE REMARKS COLUMN:

NLR - NO LONGER REQUIRED

NA - NOT APPLICABLE

NLA - NO LONGER AVAILABLE

FI - FIELD INSTALLED

CA - COMPLETE GOODS ATTACHMENT

CA AND FI ARE OPTIONS THAT MUST BE ORDERED DIRECT FROM THE PRODUCING FACTORY.

1A8

5020 TRACTOR (SERIAL NO. -024,999)

SECTION INDEX

GENERAL INFORMATION	10
ENGINE	20
FUEL AND AIR	30
ELECTRICAL	40
POWER TRAIN	50
STEERING AND BRAKES	60
HYDRAULICS	70
WHEELS, FRONT AXLES, SHEET METAL	80
OPERATOR'S STATION	90
NUMERICAL INDEX	95

1A9

5020 TRACTOR (SERIAL NO. -024,999)

ALPHABETICAL INDEX

GRID		PAGE	GRID		PAGE
A					
1K9	ACCUMULATOR CHECK VALVE, BRAKE	60-28	1E10	BRACKET, ALTERNATOR MOUNTING	40-16
1K7	ACCUMULATOR, BRAKE	60-26	1K5	BRACKET, BRAKE PEDAL	60-24
1D11	ADAPTER, COLD WEATHER STARTING AID.....	30-27	2H16	BRACKET, CAB MOUNTING (CRENLO)	90-28
2D1	ADAPTER, IMPLEMENT QUICK COUPLER.....	70-46	2H18	BRACKET, CAB MOUNTING (CRENLO)	90-30
2F4	ADJUSTABLE FRONT AXLE	80-2	1G20	BRACKET, ELECTRICAL REMOTE CONTROL.....	40-62
2I13	ADJUSTER, WINDOW (CRENLO).....	90-52	2J16	BRACKET, FIRE EXTINGUISHER.....	90-82
2I14	ADJUSTER, WINDOW (CRENLO).....	90-53	2F4	BRACKET, FRONT AXLE PIVOT	80-2
1C15	AIR CLEANER	30-4	2F6	BRACKET, FRONT AXLE PIVOT	80-4
1C17	AIR CLEANER	30-6	1G5	BRACKET,RADAR SENSOR	40-46
1C17	AIR CLEANER PRIMARY ELEMENT	30-6	2H20	BRACKET, CAB MOUNTING (CRENLO)	90-32
1C17	AIR CLEANER SAFETY ELEMENT	30-6	1K7	BRAKE ACCUMULATOR	60-26
1C17	AIR CLEANER SUPPORT	30-6	1K9	BRAKE ACCUMULATOR CHECK VALVE	60-28
1C15	AIR INTAKE PIPE	30-4	1K9	BRAKE ACCUMULATOR OIL LINE	60-28
1C13	AIR PRE-CLEANER	30-2	1J23	BRAKE FACING	60-18
1C13	AIR PRE-SCREENER	30-2	1J24	BRAKE FACING	60-19
1C15	AIR STACK.....	30-4	1K6	BRAKE OIL LINES.....	60-25
1D23	ALTERNATOR	40-4	1K5	BRAKE PEDALS.....	60-24
1E10	ALTERNATOR	40-16	1J23	BRAKE PLATE	60-18
1E13	ALTERNATOR	40-19	1J24	BRAKE PLATE	60-19
1E10	ALTERNATOR BELT	40-16	1K1	BRAKE VALVE	60-20
1E10	ALTERNATOR MOUNTING BRACKET.....	40-16	1K3	BRAKE VALVE OVERHAUL KIT	60-22
1E12	ALTERNATOR WIRING PARTS	40-18	2D14	BREAKAWAY COUPLER	70-60
1G7	ANALOG TACHOMETER.....	40-48	2D19	BREAKAWAY COUPLER	70-66
1G9	ANTENNA	40-50	2D18	BREAKAWAY COUPLER (ISO).....	70-65
1G11	ANTENNA	40-52	2D16	BREAKAWAY COUPLER OVERHAUL KIT.....	70-62
1G13	ANTENNA	40-54	1D21	BREAKER, CIRCUIT	40-2
2C4	ARM, LIFT.....	70-28	2J4	BREAKER, CIRCUIT	90-68
2C14	ARM, LOAD CONTROL	70-38	1G22	BREAKER, CIRCUIT, REMOTE CONTROL	40-64
2F4	ARM, STEERING	80-2	1G25	BREAKER, ELECTRICAL OUTLET CIRCUIT.....	40-68
2F6	ARM, STEERING	80-4	2F1	BULK FLEXIBLE OIL LINE	70-99
1E19	ARMATURE, STARTER (6531).....	40-23	2C18	BUSHING KIT, LOAD CONTROL SHAFT.....	70-41A
1B1	ARMS, ROCKER	20-6	C		
2F4	AXLE, FRONT, ADJUSTABLE.....	80-2	2G18	CAB CONSOLE (STOLPER)	90-10
2F6	AXLE, FRONT, STANDARD	80-4	2G20	CAB CONTROLS (STOLPER).....	90-12
1J4	AXLE, REAR.....	50-44	1E8	CAB CONTROLS AND SWITCHES (STOLPER)	40-13
B					
1C7	BAFFLE, RADIATOR	20-38	2I9	CAB DOOR, LOWER (CRENLO)	90-47
1D23	BATTERY	40-4	2I10	CAB DOOR, LOWER (CRENLO)	90-48
1E9	BATTERY	40-15	2I12	CAB DOOR, LOWER (CRENLO)	90-50
2F21	BATTERY BOX.....	80-20	2I18	CAB DOOR, LOWER (STOLPER).....	90-57
1D23	BATTERY CABLE.....	40-4	2I9	CAB DOOR, UPPER (CRENLO)	90-47
1B18	BEARINGS, MAIN (6531).....	20-24	2I10	CAB DOOR, UPPER (CRENLO)	90-48
2F4	BELLCRANK, STEERING	80-2	2I12	CAB DOOR, UPPER (CRENLO)	90-50
2F6	BELLCRANK, STEERING	80-4	2I18	CAB DOOR, UPPER (STOLPER)	90-57
1E10	BELT, FAN AND ALTERNATOR DRIVE.....	40-16	2I21	CAB FENDER (STOLPER)	90-60
2H10	BELT, SEAT (EARLY DESIGN).....	90-24D	2I23	CAB FENDER (STOLPER)	90-62
2H12	BELT, SEAT (LATE DESIGN)	90-24F	2H21	CAB GLASS (CRENLO).....	90-34
1C3	BELTS, FAN (6531D).....	20-34	2H22	CAB GLASS (CRENLO).....	90-35
1I20	BEVEL GEAR, DIFFERENTIAL	50-34	2I7	CAB GLASS (CRENLO).....	90-44
1I22	BEVEL GEAR, DIFFERENTIAL	50-36	2I8	CAB GLASS (CRENLO).....	90-45
1I5	BEVEL PINION SHAFT	50-16	2I9	CAB GLASS (CRENLO).....	90-47
1I20	BEVEL PINION, DIFFERENTIAL	50-34	2I10	CAB GLASS (CRENLO).....	90-48
1I22	BEVEL PINION, DIFFERENTIAL	50-36	2I12	CAB GLASS (CRENLO).....	90-50
1B4	BLOCK, CYLINDER (6531D).....	20-10	2I19	CAB GLASS (STOLPER).....	90-58
1B6	BLOCK, ENGINE SHORT (6531D)	20-12	2I12	CAB HANDLE, DOOR (CRENLO).....	90-50
2D4	BLOCK, SWAY CONTROL	70-50	2G11	CAB HEATER (CRENLO)	90-2
2G17	BLOWER HOUSING, CAB (STOLPER)	90-8	2G13	CAB HEATER (CRENLO)	90-4
1B11	BOLT, ENGINE LIFT EYE	20-17	2G21	CAB HEATER (STOLPER)	90-13
2F21	BOX, BATTERY	80-20	2G22	CAB HEATER HOSE (STOLPER).....	90-14
2J9	BOX, TOOL.....	90-74	1F14	CAB LAMP PARTS (CRENLO)	40-30
2H15	BOX, TOOL (ROW-CROP)	90-27	1F18	CAB LAMP PARTS (STOLPER)	40-34
2H14	BOX, TOOL (STANDARD).....	90-26	1E5	CAB LAMP WIRING (CRENLO)	40-10
			1E6	CAB LAMP WIRING (CRENLO)	40-11
			1E7	CAB LAMP WIRING (STOLPER)	40-12
			1F14	CAB LAMP, WARNING (CRENLO)	40-30

1A10

5020 TRACTOR (SERIAL NO. -024,999)

ALPHABETICAL INDEX - CONTINUED

<i>GRID</i>		<i>PAGE</i>	<i>GRID</i>		<i>PAGE</i>
2I12	CAB LATCH, DOOR (CRENLO)	90-50	1G25	CIRCUIT BREAKER, ELECTRICAL OUTLET	40-68
2I7	CAB PANELS, FRONT (CRENLO)	90-44	1H2	CIRCUIT BREAKER, SUPPLEMENTARY WIRING	40-70
2I17	CAB PANELS, FRONT (STOLPER)	90-56	1C15	CLEANER, AIR	30-4
2I1	CAB PANELS, INTERIOR (CRENLO)	90-38	1C17	CLEANER, AIR	30-6
2I3	CAB PANELS, INTERIOR (CRENLO)	90-40	1I15	CLUTCH CONTROL, PTO	50-27
2I5	CAB PANELS, INTERIOR (CRENLO)	90-42	1I16	CLUTCH CONTROL, PTO	50-28
2I25	CAB PANELS, INTERIOR (STOLPER)	90-64	1I19	CLUTCH CONTROL, PTO	50-32
2I18	CAB PANELS, LOWER (STOLPER)	90-57	1H19	CLUTCH DISK	50-6
2I17	CAB PANELS, REAR (STOLPER)	90-56	1H15	CLUTCH HOUSING	50-2
2I21	CAB PANELS, SIDE (STOLPER)	90-60	1H17	CLUTCH PEDAL	50-4
2I23	CAB PANELS, SIDE (STOLPER)	90-62	1H19	CLUTCH PLATE	50-6
2G11	CAB PRESSURIZER (CRENLO)	90-2	1I1	CLUTCH RELEASE, TRANSMISSION	50-12
2G14	CAB PRESSURIZER (CRENLO)	90-5	1H19	CLUTCH SHAFT	50-6
2G17	CAB PRESSURIZER MOTOR (STOLPER)	90-8	1I15	CLUTCH, PTO	50-27
2H21	CAB ROOF (CRENLO)	90-34	1I16	CLUTCH, PTO	50-28
2H22	CAB ROOF (CRENLO)	90-35	1H19	CLUTCH, TRANSMISSION	50-6
2H23	CAB ROOF (CRENLO)	90-36	1E19	COIL, STARTER (6531)	40-23
2H16	CAB STEP (CRENLO)	90-28	1D11	COLD WEATHER STARTING AID	30-27
2H18	CAB STEP (CRENLO)	90-30	1E20	COMMUTATOR END FRAME, STARTER (EARLY DESIGN)	40-23A
2H20	CAB STEP (CRENLO)	90-32	1B16	CONNECTING ROD (6531D)	20-22
2G5	CAB STEP (STOLPER)	80-29	1B16	CONNECTING ROD BEARINGS (6531D)	20-22
2J10	CAB TOOL BOX (STOLPER)	90-75	1H4	CONNECTORS, ELECTRICAL	40-72
2G15	CAB VENT, ROOF (STOLPER)	90-6	1H6	CONNECTORS, ELECTRICAL	40-74
1F14	CAB WARNING LAMP (CRENLO)	40-30	1H8	CONNECTORS, ELECTRICAL	40-76
2I8	CAB WINDSHIELD (CRENLO)	90-45	2G18	CONSOLE, CAB (STOLPER)	90-10
2I7	CAB WINDSHIELD (CRENLO)	90-44	1H4	CONTAINER, ELECTRICAL PARTS	40-72
2I12	CAB WINDSHIELD (CRENLO)	90-50	2G20	CONTROL LEVERS, CAB (STOLPER)	90-12
1G19	CAB WIPER, WINDSHIELD (STOLPER)	40-61	2J2	CONTROL SUPPORT	90-66
2I18	CAB, ADJUSTER, WINDOW (STOLPER)	90-57	2C14	CONTROL, LOAD	70-38
2G17	CAB, BLOWER HOUSING (STOLPER)	90-8	1I12	CONTROL, TRANSMISSION SHIFTER	50-24
2I9	CAB, HANDLE, DOOR (CRENLO)	90-47	1I14	CONTROL, TRANSMISSION SHIFTER	50-26
2I10	CAB, HANDLE, DOOR (CRENLO)	90-48	2E22	CONVERSION KIT, REMOTE CYLINDER	70-95
2I18	CAB, HANDLE, DOOR (STOLPER)	90-57	1C1	COOLANT HEATER, ENGINE	20-32
1F16	CAB, LAMP PARTS (CRENLO)	40-32	1A22	COOLANT, ENGINE	20-2
2I9	CAB, LATCH, DOOR (CRENLO)	90-47	1B24	COOLER, ENGINE OIL (6531D)	20-30
2I10	CAB, LATCH, DOOR (CRENLO)	90-48	2B20	COOLER, HYDRAULIC OIL	70-18
2I18	CAB, LATCH, DOOR (STOLPER)	90-57	1I8	COUNTERSHAFT, TRANSMISSION	50-20
2H23	CAB, MAT, FLOOR (CRENLO)	90-36	2D21	COUPLER OVERHAUL KIT (ISO)	70-68
2I24	CAB, PANELS, COWL (STOLPER)	90-63	2D14	COUPLER, BREAKAWAY	70-60
2I8	CAB, PANELS, FRONT (CRENLO)	90-45	2D19	COUPLER, BREAKAWAY	70-66
2I17	CAB, STRIKER, DOOR (STOLPER)	90-56	2D18	COUPLER, BREAKAWAY (ISO)	70-65
1G17	CAB, WIPER, WINDSHIELD (CRENLO)	40-58	2D17	COUPLER, FLEXIBLE OIL LINE	70-63
1G18	CAB, WIPER, WINDSHIELD (CRENLO)	40-59	2D1	COUPLER, IMPLEMENT QUICK	70-46
1E5	CAB, WIRING, LAMP (CRENLO)	40-10	2D19	COUPLER, ISO	70-66
1E6	CAB, WIRING, LAMP (CRENLO)	40-11	2A23	COUPLER, MAIN PUMP DRIVE	70-2
1E7	CAB, WIRING, LAMP (STOLPER)	40-12	2D8	COUPLER, POWER WEIGHT TRANSFER	70-54
2C10	CABLE CONTROL, ROCKSHAFT LINKAGE	70-34	2F1	COUPLINGS, REUSABLE LOK-PIN	70-99
1D23	CABLE, BATTERY	40-4	2D14	COVER, DUST, BREAKAWAY COUPLER	70-60
1I17	CABLE, PTO CLUTCH CONTROL	50-30	2D17	COVER, DUST, BREAKAWAY COUPLER	70-63
1F25	CABLE, SPEED-HOUR METER	40-41	1C21	COVER, MUFFLER	30-11
1F5	CABLE, STARTING MOTOR GROUND (6531)	40-25G	1A24	COVER, ROCKER ARM	20-4
1B2	CAMSHAFT (6531D)	20-7	2C5	COVER, ROCKSHAFT CONTROL VALVE HOUSING	70-29
1B2	CAMSHAFT GEAR (6531D)	20-7	2B24	COVER, ROCKSHAFT HOUSING	70-22
2H7	CANOPY	90-24	2C1	COVER, ROCKSHAFT HOUSING	70-24
2H8	CANOPY (LATE DESIGN)	90-24B	2C2	COVER, SEAT SUPPORT	70-26
1C22	CAP, FUEL FILLER	30-12	1E23	COVER, SOLENOID STARTER SWITCH (DELCO-REMY)	40-25
1C5	CAP, RADIATOR	20-36	1J11	COVER, STEERING VALVE	60-5
1I1	CARRIER, CLUTCH RELEASE BEARING	50-12	1J8	COVER, STEERING VALVE CYLINDER	60-2
1J4	CARRIER, PLANET PINION	50-44	1B20	COVER, TIMING GEAR (6531D)	20-26
2E16	CARRIER, REMOTE CYLINDER	70-89	1I3	COVER, TRANSMISSION CASE	50-14
1I3	CASE, TRANSMISSION	50-14	1H22	COVER, TRANSMISSION OIL PUMP	50-9
2F10	CAST DISK WHEELS	80-7	2C2	COVER, TRANSMISSION REAR	70-26
2C21	CENTER LINK	70-44	2J1	COVERS, HYDRAULIC CAB (STOLPER)	90-65
2C24	CHAIN, IMPLEMENT SAFETY	70-45B	2I25	COVERS, HYDRAULIC, CAB (STOLPER)	90-64
2J4	CIGAR LIGHTER	90-68	2I1	COVERS, INTERIOR CAB (CRENLO)	90-38
1D21	CIRCUIT BREAKER	40-2			
2J4	CIRCUIT BREAKER	90-68			

1A11

5020 TRACTOR (SERIAL NO. -024,999)

ALPHABETICAL INDEX - CONTINUED

<i>GRID</i>		<i>PAGE</i>	<i>GRID</i>		<i>PAGE</i>
2I3	COVERS, INTERIOR CAB (CRENLO)	90-40	1G4	DUAL HORN	40-45
2I5	COVERS, INTERIOR CAB (CRENLO)	90-42	2F11	DUAL WHEELS	80-8
2J6	COWL	90-71	2D17	DUST COVER, BREAKAWAY COUPLER.....	70-63
2I24	COWL, CAB (STOLPER)	90-63			
1B14	CRANKSHAFT	20-20		E	
1B15	CRANKSHAFT (6531)	20-21	2B15	ELECTRIC DESTROKE SOLENOID	70-12
1B15	CRANKSHAFT GEAR (6531).....	20-21	1G4	ELECTRIC HORN.....	40-45
1B13	CRANKSHAFT REAR OIL SEAL.....	20-19	1H12	ELECTRICAL CONNECTOR AND TERMINAL KIT	40-80
1B13	CRANKSHAFT REAR OIL SEAL HOUSING.....	20-19	1H4	ELECTRICAL CONNECTORS	40-72
1B4	CYLINDER BLOCK (6531D)	20-10	1H6	ELECTRICAL CONNECTORS	40-74
1A23	CYLINDER HEAD.....	20-3	1H8	ELECTRICAL CONNECTORS	40-76
1A23	CYLINDER HEAD GASKET.....	20-3	1H4	ELECTRICAL CRIMPING TOOL	40-72
1C9	CYLINDER HEAD GASKET KIT (6531D)	20-40	1G25	ELECTRICAL OUTLET CIRCUIT BREAKER	40-68
2E24	CYLINDER HOSE IDENTIFICATION KIT	70-97	1G25	ELECTRICAL OUTLET PLUG	40-68
2E15	CYLINDER, REMOTE	70-88	1G25	ELECTRICAL OUTLET SOCKET	40-68
2E17	CYLINDER, REMOTE (HYDRAULIC STOP).....	70-90	1H1	ELECTRICAL OUTLET SOCKET KIT	40-69
2E19	CYLINDER, REMOTE (MECHANICAL STOP)	70-92	1H4	ELECTRICAL PARTS CONTAINER	40-72
2C8	CYLINDER, ROCKSHAFT	70-32	1G20	ELECTRICAL REMOTE CONTROL	40-62
1J21	CYLINDER, STEERING	60-16	1G20	ELECTRICAL REMOTE CONTROL BRACKETS	40-62
1J12	CYLINDER, STEERING VALVE	60-6	1G21	ELECTRICAL REMOTE CONTROL KIT	40-63
	D		1G20	ELECTRICAL REMOTE CONTROL SWITCH.....	40-62
1B14	DAMPER, CRANKSHAFT	20-20	1G22	ELECTRICAL REMOTE CONTROL WIRING	40-64
2J4	DASH ASSEMBLY	90-68	1G23	ELECTRICAL REMOTE CONTROL WIRING KIT.....	40-66
1D21	DASH LAMP	40-2	1G22	ELECTRICAL REMOTE CONTROL WIRING RELAY.....	40-64
2J4	DASH LAMP	90-68	1H4	ELECTRICAL TERMINALS	40-72
2J2	DASH SUPPORT	90-66	1H6	ELECTRICAL TERMINALS	40-74
2G6	DECALS	80-30	1H8	ELECTRICAL TERMINALS	40-76
2G23	DELUXE SEAT	90-16	1H12	ELECTRICAL TOOLS.....	40-80
2H3	DELUXE SEAT (CRENLO)	90-20	1H4	ELECTRICAL WIRING	40-72
2H1	DELUXE SEAT SUPPORT	90-18	1H6	ELECTRICAL WIRING	40-74
2H5	DELUXE SEAT SUPPORT (CRENLO)	90-22	1H8	ELECTRICAL WIRING	40-76
2H6	DELUXE SEAT SUSPENSION (CRENLO)	90-23	1C1	ELEMENT, COOLANT HEATING	20-32
2F10	DEMOUNTABLE RIMS.....	80-7	1D1	ELEMENT, FUEL FILTER	30-16
1I22	DIFFERENTIAL (DIFFERENTIAL LOCK)	50-36	1C2	ELEMENT, OIL HEATING	20-33
1I20	DIFFERENTIAL (LESS DIFFERENTIAL LOCK)	50-34	1H21	ELEMENT, TRANSMISSION OIL FILTER.....	50-8
1I24	DIFFERENTIAL BEVEL PINION KIT	50-39	2J12	EMBLEM, SLOW MOVING VEHICLE	90-78
1I5	DIFFERENTIAL DRIVE SHAFT	50-16	2J14	EMBLEM, SLOW MOVING VEHICLE	90-80
1J3	DIFFERENTIAL LOCK OIL LINES.....	50-43	2J15	EMBLEM, SLOW MOVING VEHICLE	90-81
1J1	DIFFERENTIAL LOCK VALVE.....	50-40	2J13	EMBLEM, SLOW MOVING VEHICLE (LESS ROCKSHAFT).....	90-79
1B4	DIPSTICK, ENGINE OIL (6531D)	20-10	1J12	EMBLEM, STEERING WHEEL	60-6
2B24	DIPSTICK, TRANSMISSION OIL.....	70-22	1E20	END FRAME, STARTER COMMUTATOR (EARLY DESIGN).....	40-23A
1J23	DISK, BRAKE	60-18	2F4	END, TIE ROD	80-2
1H19	DISK, ENGINE CLUTCH	50-6	2F6	END, TIE ROD	80-4
2A23	DISK, MAIN PUMP DRIVE	70-2	1A22	ENGINE COOLANT	20-2
1I15	DISK, PTO CLUTCH	50-27	1C1	ENGINE COOLANT HEATER	20-32
1I6	DISK, TRANSMISSION SYNCHRONIZER	50-18	1B11	ENGINE LIFT EYE BOLT.....	20-17
2I17	DOOR STRIKER, CAB (STOLPER)	90-56	1A21	ENGINE OIL	20-1
2I9	DOOR, CAB (CRENLO)	90-47	1B24	ENGINE OIL COOLER (6531D)	20-30
2I10	DOOR, CAB (CRENLO).....	90-48	1B21	ENGINE OIL FILTER	20-27
2I12	DOOR, CAB (CRENLO).....	90-50	1C2	ENGINE OIL HEATER	20-33
2I18	DOOR, CAB (STOLPER)	90-57	1B22	ENGINE OIL PUMP	20-28
2C16	DRAFT LINK SUPPORT	70-40	1C9	ENGINE REBUILD GASKET KIT (6531D)	20-40
2C21	DRAFT LINKS.....	70-44	1B6	ENGINE SHORT BLOCK (6531D).....	20-12
2D3	DRAWBAR SUPPORT, FRONT.....	70-48	1B4	ENGINE, OIL DIPSTICK (6531D)	20-10
2D4	DRAWBAR, REGULAR	70-50	1C20	EXHAUST MANIFOLDS (6531D).....	30-10
2D6	DRAWBAR, WIDE-SWING.....	70-52	1B1	EXHAUST VALVES	20-6
1I6	DRIVE SHAFT, TRANSMISSION	50-18	1C21	EXTENSION, MUFFLER	30-11
1J4	DRIVE, PLANETARY	50-44	2J16	EXTINGUISHER, FIRE.....	90-82
1E24	DRIVE, STARTER	40-25A	1B11	EYE BOLT, ENGINE LIFT	20-17
1F1	DRIVE, STARTER (DELCO-REMY)	40-25C			
1E21	DRIVE, STARTER (EARLY DESIGN).....	40-23C			
1B3	DRIVE, TACHOMETER (6531D)	20-9			
1I6	DRUM, TRANSMISSION SYNCHRONIZER	50-18			
1G3	DUAL HORN.....	40-44			

1A12

5020 TRACTOR (SERIAL NO. -024,999)

ALPHABETICAL INDEX - CONTINUED

GRID		PAGE	GRID		PAGE
	F			G	
1J23	FACING, BRAKE	60-18	1C9	GASKET SET, CYLINDER HEAD REPLACEMENT (6531D)	20-40
1J24	FACING, BRAKE	60-19	1C9	GASKET SET, ENGINE REBUILD (6531D)	20-40
1C3	FAN (6531D)	20-34	1B10	GASKET SET, OIL PAN REPLACEMENT (6531D)	20-16
1E10	FAN BELT	40-16	1A23	GASKET, CYLINDER HEAD	20-3
1C3	FAN BELTS (6531D)	20-34	1B8	GASKET, OIL PAN	20-14
1C3	FAN PULLEY (6531D)	20-34	2I1	GASKETS, INTERIOR CAB (CRENLO)	90-38
1C5	FAN SHROUD	20-36	2I3	GASKETS, INTERIOR CAB (CRENLO)	90-40
1E13	FAN, ALTERNATOR	40-19	2I5	GASKETS, INTERIOR CAB (CRENLO)	90-42
2I21	FENDER, CAB (STOLPER)	90-60	1D21	GAUGE, FUEL	40-2
2I23	FENDER, CAB (STOLPER)	90-62	1F25	GAUGE, FUEL	40-41
2G1	FENDERS (ROW-CROP)	80-24	2C13	GAUGE, PRESSURE, POWER WEIGHT TRANSFER	70-37
2G3	FENDERS (STANDARD)	80-27	1F25	GAUGE, WATER TEMPERATURE	40-41
1B21	FILTER, ENGINE OIL	20-27	1I8	GEAR COUNTERSHAFT, TRANSMISSION	50-20
1C24	FILTER, FUEL	30-15	1I14	GEAR SHIFT LEVER	50-26
1D1	FILTER, FUEL	30-16	1I12	GEAR SHIFTER ROD	50-24
1D3	FILTER, FUEL	30-19	1I10	GEAR SHIFTERS	50-22
1H21	FILTER, TRANSMISSION HYDRAULIC OIL	50-8	1I20	GEAR, BEVEL, DIFFERENTIAL	50-34
1D16	FILTERS	30-32	1I22	GEAR, BEVEL, DIFFERENTIAL	50-36
1J4	FINAL DRIVE SHAFT AND SUN PINION	50-44	1B2	GEAR, CAMSHAFT (6531D)	20-7
2J16	FIRE EXTINGUISHER	90-82	1B14	GEAR, CRANKSHAFT	20-20
1F23	FLASHER, WARNING LAMP	40-39	1B15	GEAR, CRANKSHAFT (6531)	20-21
2D17	FLEXIBLE OIL LINE COUPLER	70-63	1I16	GEAR, PTO DRIVE	50-28
2H23	FLOOR MAT (CRENLO)	90-36	1B14	GEAR, STARTER	20-20
2I15	FLOOR MAT (STOLPER)	90-54	2C10	GEARS, ROCKSHAFT CONTROL VALVE	70-34
2E8	FLOW CONTROL VALVE, SCV	70-80	1I5	GEARS, TRANSMISSION	50-16
2E10	FLOW CONTROL VALVE, SCV	70-82	1E14	GENERATOR (DIESEL)	40-19A
2E1	FLOW VALVE, SCV	70-72	2H21	GLASS, CAB (CRENLO)	90-34
1D11	FLUID, STARTING	30-27	2H22	GLASS, CAB (CRENLO)	90-35
1B14	FLYWHEEL	20-20	2I7	GLASS, CAB (CRENLO)	90-44
1C7	FOAM PAD, RADIATOR	20-38	2I8	GLASS, CAB (CRENLO)	90-45
1D14	FOOT SPEED CONTROL ROD	30-30	2I9	GLASS, CAB (CRENLO)	90-47
2F16	FRAME	80-14	2I10	GLASS, CAB (CRENLO)	90-48
2F16	FRAME PLATE	80-14	2I12	GLASS, CAB (CRENLO)	90-50
2F16	FRAME, SIDE	80-14	2I19	GLASS, CAB (STOLPER)	90-58
1E1	FRONT AND REAR LAMPS	40-6	2F23	GRILLE	80-22
1E3	FRONT AND REAR LAMPS	40-8	1F5	GROUND CABLE, STARTING MOTOR (6531)	40-25G
1F10	FRONT AND REAR LAMPS	40-26	1I16	GUARD, PTO	50-28
1F12	FRONT AND REAR LAMPS	40-28			
2F4	FRONT AXLE, ADJUSTABLE	80-2		H	
2F6	FRONT AXLE, STANDARD	80-4	2C21	HANDLE, CENTER LINK ADJUSTING	70-44
1F18	FRONT LAMP, CAB (STOLPER)	40-34	2I9	HANDLE, DOOR, CAB (CRENLO)	90-47
2F18	FRONT WEIGHTS, DOUBLE	80-17	2I10	HANDLE, DOOR, CAB (CRENLO)	90-48
2F19	FRONT WEIGHTS, QUIK-TATCH	80-18	2I12	HANDLE, DOOR, CAB (CRENLO)	90-50
2F20	FRONT WEIGHTS, QUIK-TATCH	80-19	2I18	HANDLE, DOOR, CAB (STOLPER)	90-57
2F9	FRONT WHEEL BEARING KIT	80-6A	2C19	HANDLE, LIFT LINK ADJUSTING	70-42
2F8	FRONT WHEELS	80-6	1D21	HARNESS, WIRING	40-2
1C24	FUEL FILTER	30-15	1D23	HARNESS, WIRING	40-4
1D1	FUEL FILTER	30-16	1E1	HARNESS, WIRING	40-6
1D3	FUEL FILTER	30-19	1E3	HARNESS, WIRING	40-8
1D1	FUEL FILTER ELEMENT	30-16	1E5	HARNESS, WIRING, CAB (CRENLO)	40-10
1D21	FUEL GAUGE	40-2	1E6	HARNESS, WIRING, CAB (CRENLO)	40-11
1F25	FUEL GAUGE	40-41	1E7	HARNESS, WIRING, CAB (STOLPER)	40-12
1C22	FUEL GAUGE SENDER	30-12	1H2	HARNESS, WIRING, SUPPLEMENTARY WIRING KIT	40-70
1D21	FUEL GAUGE SENDER	40-2	2G13	HEAD, CAB (CRENLO)	90-4
1D4	FUEL INJECTION LINES	30-20	1A23	HEAD, CYLINDER	20-3
1D4	FUEL INJECTION NOZZLES	30-20	2H7	HEADLINER	90-24
1D7	FUEL INJECTION NOZZLES (6531D)	30-23	1G16	HEADPHONES, RADIO	40-57
1D4	FUEL INJECTION PUMP	30-20	2G22	HEATER HOSE, CAB (STOLPER)	90-14
1C22	FUEL LINES	30-12	2G11	HEATER, CAB (CRENLO)	90-2
1C22	FUEL TANK	30-12	2G21	HEATER, CAB (STOLPER)	90-13
1D8	FUEL TRANSFER PUMP	30-24	1C1	HEATER, ENGINE COOLANT	20-32
1D9	FUEL TRANSFER PUMP	30-25	1C2	HEATER, OIL, ENGINE	20-33
1D10	FUEL TRANSFER PUMP OVERHAUL KIT	30-26			
1D6	FUEL, INJECTION NOZZLES	30-22			

1A13

5020 TRACTOR (SERIAL NO. -024,999)

ALPHABETICAL INDEX - CONTINUED

<i>GRID</i>		<i>PAGE</i>	<i>GRID</i>		<i>PAGE</i>
2D8	HITCH, POWER WEIGHT TRANSFER	70-54	1D7	INJECTION NOZZLES (6531D)	30-23
2C19	HITCH, 3-POINT	70-42	2F14	INNER REAR WHEEL WEIGHT	80-11
2C21	HITCH, 3-POINT, CENTER LINK	70-44	2F15	INNER REAR WHEEL WEIGHT (32" CAST WHEEL)	80-12
2C21	HITCH, 3-POINT, DRAFT LINKS	70-44	1F25	INSTRUMENT PANEL AND INSTRUMENTS	40-41
2F23	HOOD	80-22	1C20	INTAKE MANIFOLD (6531D)	30-10
2F23	HOOD ORNAMENT	80-22	1B1	INTAKE VALVES	20-6
2J2	HOOD SUPPORT	90-66	2D19	ISO COUPLER	70-66
1G1	HORN (EARLY DESIGN)	40-42	2D21	ISO COUPLER OVERHAUL KIT	70-68
1G2	HORN (LATE DESIGN)	40-43	2D19	ISO COUPLER RECEPTACLE	70-66
1G3	HORN SWITCH	40-44	2D19	ISO TO JOHN DEERE COUPLER CONVERSION	70-66
1G4	HORN SWITCH	40-45			
1G4	HORN, DUAL	40-44			
1G4	HORN, ELECTRIC	40-45			
2E24	HOSE IDENTIFICATION KIT, REMOTE CYLINDER	70-97		K	
1C15	HOSE, AIR INTAKE	30-4	1K3	KIT, BRAKE VALVE OVERHAUL	60-22
2G22	HOSE, HEATER, CAB (STOLPER)	90-14	2D16	KIT, BREAKAWAY COUPLER OVERHAUL	70-62
1C5	HOSE, RADIATOR	20-36	2E24	KIT, CYLINDER HOSE IDENTIFICATION	70-97
2E15	HOSE, REMOTE CYLINDER	70-88	2G6	KIT, DECAL	80-30
1E13	HOUSING, ALTERNATOR	40-19	1I24	KIT, DIFFERENTIAL BEVEL PINION	50-39
2G17	HOUSING, BLOWER, CAB (STOLPER)	90-8	1H1	KIT, ELECTRICAL OUTLET SOCKET	40-69
1H15	HOUSING, CLUTCH	50-2	1G21	KIT, ELECTRICAL REMOTE CONTROL	40-63
1B13	HOUSING, CRANKSHAFT REAR OIL	20-19	1G23	KIT, ELECTRICAL REMOTE CONTROL WIRING	40-66
1I20	HOUSING, DIFFERENTIAL	50-34	1D13	KIT, ETHER STARTING TUBE	30-29
1I22	HOUSING, DIFFERENTIAL	50-36	2B5	KIT, HYDRAULIC PUMP ELECTRIC DESTROKE	70-7A
1J1	HOUSING, DIFFERENTIAL LOCK VALVE	50-40	2B15	KIT, HYDRAULIC PUMP ELECTRIC DESTROKE	70-12
1I19	HOUSING, PTO CLUTCH VALVE SHAFT	50-32	2B7	KIT, HYDRAULIC PUMP OVERHAUL	70-8
1J4	HOUSING, REAR AXLE	50-44	2B13	KIT, HYDRAULIC PUMP OVERHAUL	70-10
2B24	HOUSING, ROCKSHAFT	70-22	2C23	KIT, IMPLEMENT ADAPTER	70-45A
2C6	HOUSING, ROCKSHAFT CONTROL VALVE	70-30	1F22	KIT, IMPLEMENT WARNING LAMP	40-38
2D23	HOUSING, SELECTIVE CONTROL VALVE	70-70	2C18	KIT, LOAD CONTROL SHAFT BUSHING	70-41A
2E6	HOUSING, SELECTIVE CONTROL VALVE	70-78	1D3	KIT, MASTER FUEL FILTER (DIESEL)	30-19
1E24	HOUSING, STARTER DRIVE END	40-25A	1F24	KIT, NEUTRAL-START SWITCH	40-40
1F1	HOUSING, STARTER DRIVE END (DELCO-REMY)	40-25C	2E25	KIT, O-RING	70-98
1E21	HOUSING, STARTER DRIVE END (EARLY DESIGN)	40-23C	1G15	KIT, RADIO MOUNTING	40-56
1J9	HOUSING, STEERING VALVE	60-3	2E22	KIT, REMOTE CYLINDER CONVERSION	70-95
1C8	HOUSING, THERMOSTAT (6531D)	20-39	2E21	KIT, REMOTE CYLINDER OVERHAUL	70-94
1H22	HOUSING, TRANSMISSION OIL PUMP	50-9	2E3	KIT, SELECTIVE CONTROL VALVE	70-74
1B12	HOUSING, VENTILATOR PUMP	20-18	2E12	KIT, SELECTIVE CONTROL VALVE OVERHAUL (LATE DESIGN)	70-84
2A22	HYDRAULIC AND TRANSMISSION OIL	70-1	1E17	KIT, STARTER SOLENOID COVER	40-21
2I25	HYDRAULIC COVERS, CAB (STOLPER)	90-64	1F6	KIT, STARTER SOLENOID COVER	40-25H
2J1	HYDRAULIC COVERS, CAB (STOLPER)	90-65	1E18	KIT, STARTER SOLENOID COVER (DELCO-REMY)	40-22
2B20	HYDRAULIC OIL COOLER	70-18	1D12	KIT, STARTING FLUID TUBE	30-28
2B22	HYDRAULIC OIL COOLER BYPASS VALVE	70-20	1J22	KIT, STEERING CYLINDER OVERHAUL	60-17
2E23	HYDRAULIC OIL LINES, IMPLEMENT	70-96	1J14	KIT, STEERING VALVE CYLINDER OVERHAUL	60-8
2B19	HYDRAULIC OIL RETURN LINES	70-17	2B3	KIT, STROKE CONTROL VALVE SHUT-OFF	70-6
2B1	HYDRAULIC PUMP	70-4	2B11	KIT, STROKE CONTROL VALVE SHUT-OFF	70-9C
2A24	HYDRAULIC PUMP ASSEMBLY, REPLACEMENT	70-3	1H2	KIT, SUPPLEMENTARY WIRING	40-70
2A23	HYDRAULIC PUMP DRIVE	70-2	1H12	KIT, ELECTRICAL CONNECTOR AND TERMINAL	40-80
2B5	HYDRAULIC PUMP ELECTRIC DESTROKE KIT	70-7A	2F9	KIT, FRONT WHEEL BEARING	80-6A
2B15	HYDRAULIC PUMP ELECTRIC-DESTROKE KIT	70-12	1D14	KNOB, HAND SPEED CONTROL LEVER	30-30
2B7	HYDRAULIC PUMP OVERHAUL KIT	70-8	2F4	KNUCKLE, FRONT WHEEL	80-2
2B13	HYDRAULIC PUMP OVERHAUL KIT	70-10	2F6	KNUCKLE, FRONT WHEEL	80-4
2B9	HYDRAULIC PUMP REPLACEMENT	70-9A			
2B3	HYDRAULIC PUMP STROKE CONTROL VALVE	70-6			
2B11	HYDRAULIC PUMP STROKE CONTROL VALVE	70-9C			
	I				
2C23	IMPLEMENT ADAPTER KIT	70-45A			
2E23	IMPLEMENT HYDRAULIC OIL LINES	70-96			
2D1	IMPLEMENT QUICK COUPLER	70-46			
2C24	IMPLEMENT SAFETY CHAIN	70-45B			
1F22	IMPLEMENT WARNING LAMP KIT	40-38			
1F25	INDICATOR LAMPS	40-41			
1D6	INJECTION NOZZLES	30-22			
				L	
			2G6	LABEL KIT	80-30
			1E5	LAMP WIRING, CAB (CRENLO)	40-10
			1E6	LAMP WIRING, CAB (CRENLO)	40-11
			1D21	LAMP, DASH	40-2
			2J4	LAMP, DASH	90-68
			1F18	LAMP, FRONT AND REAR, CAB (STOLPER)	40-34
			1F14	LAMP, FRONT, CAB (CRENLO)	40-30
			1F16	LAMP, FRONT, CAB (CRENLO)	40-32
			1E1	LAMP, REAR AND WARNING	40-6
			1E3	LAMP, REAR AND WARNING	40-8

1A14

5020 TRACTOR (SERIAL NO. -024,999)

ALPHABETICAL INDEX - CONTINUED

GRID	PAGE	GRID	PAGE
1F10	LAMP, REAR AND WARNING	40-26	
1F12	LAMP, REAR AND WARNING	40-28	
1F21	LAMP, REAR AND WARNING	40-37	
1F14	LAMP, REAR, CAB (CRENLO)	40-30	
1F16	LAMP, REAR, CAB (CRENLO)	40-32	
1E5	LAMP, WARNING	40-10	
1E6	LAMP, WARNING	40-11	
1E7	LAMP, WARNING	40-12	
1F21	LAMP, WARNING	40-37	
2H7	LAMP, WARNING	90-24	
1F20	LAMP, WARNING (STOLPER CAB)	40-36	
1F14	LAMP, WARNING, CAB (CRENLO)	40-30	
1F16	LAMP, WARNING, CAB (CRENLO)	40-32	
1F18	LAMP, WARNING, CAB (STOLPER)	40-34	
1E7	LAMP, WIRING, CAB (STOLPER)	40-12	
1E1	LAMPS, FRONT	40-6	
1E3	LAMPS, FRONT	40-8	
1F10	LAMPS, FRONT	40-26	
1F12	LAMPS, FRONT	40-28	
1F25	LAMPS, INDICATOR	40-41	
2I9	LATCH, DOOR, CAB (CRENLO)	90-47	
2I10	LATCH, DOOR, CAB (CRENLO)	90-48	
2I12	LATCH, DOOR, CAB (CRENLO)	90-50	
2I18	LATCH, DOOR, CAB (STOLPER)	90-57	
2G20	LEVER, CAB CONTROL (STOLPER)	90-12	
1I14	LEVER, GEARSHIFT	50-26	
2C10	LEVER, LOAD SELECTOR CONTROL	70-34	
1I17	LEVER, PTO CLUTCH CONTROL	50-30	
2C10	LEVER, ROCKSHAFT CONTROL	70-34	
1J11	LEVER, STEERING VALVE OPERATING	60-5	
2D11	LEVERS, SELECTIVE CONTROL	70-57	
2C4	LIFT ARMS	70-28	
2C19	LIFT LINKS	70-42	
2J4	LIGHT SWITCH	90-68	
1D21	LIGHTER, CIGAR	40-2	
1F14	LIGHTS, CAB (CRENLO)	40-30	
1F16	LIGHTS, CAB (CRENLO)	40-32	
1F18	LIGHTS, CAB (STOLPER)	40-34	
1F10	LIGHTS, FRONT	40-26	
1F12	LIGHTS, FRONT	40-28	
1F10	LIGHTS, REAR	40-26	
1F12	LIGHTS, REAR	40-28	
1C22	LINES, FUEL	30-12	
1D4	LINES, FUEL INJECTION	30-20	
2B19	LINES, HYDRAULIC OIL RETURN	70-17	
2B19	LINES, HYDRAULIC PUMP OIL	70-17	
1K6	LINES, OIL, BRAKES	60-25	
1J3	LINES, OIL, DIFFERENTIAL LOCK	50-43	
2E23	LINES, OIL, IMPLEMENT HYDRAULIC	70-96	
2B17	LINES, OIL, MAIN HYDRAULIC	70-14	
2B20	LINES, OIL, MAIN HYDRAULIC	70-18	
2C9	LINES, OIL, ROCKSHAFT	70-33	
2D12	LINES, OIL, SELECTIVE CONTROL	70-58	
2D13	LINES, OIL, SELECTIVE CONTROL	70-59	
1J16	LINES, OIL, STEERING	60-10	
1J20	LINES, OIL, STEERING, FRONT	60-14	
1J18	LINES, OIL, STEERING, REAR	60-12	
2C13	LINES, POWER WEIGHT TRANSFER HITCH	70-37	
1H23	LINES, TRANSMISSION OIL	50-10	
2C21	LINK, CENTER	70-44	
2C21	LINK, DRAFT	70-44	
2D10	LINK, POWER WEIGHT TRANSFER HITCH	70-56	
1D14	LINKAGE, SPEED CONTROL	30-30	
2C14	LOAD CONTROL	70-38	
2C18	LOAD CONTROL SHAFT BUSHING KIT	70-41A	
2E14	LOCK, SELECTIVE CONTROL VALVE LEVER	70-87	
2J17	LOCTITE SEALANT	90-83	
			M
1B18	MAIN BEARINGS (6531)	20-24	
1C20	MANIFOLD, EXHAUST (6531D)	30-10	
1C20	MANIFOLD, INTAKE (6531D)	30-10	
1D3	MASTER FUEL FILTER KIT (DIESEL)	30-19	
1I16	MASTER SHIELD	50-28	
2I15	MAT, FLOOR (STOLPER)	90-54	
2E1	METERING VALVE, SCV	70-72	
2E8	METERING VALVE, SCV	70-80	
2E10	METERING VALVE, SCV	70-82	
2J8	MIRROR, OUTSIDE	90-73	
2J7	MIRROR, REAR VIEW	90-72	
1E16	MOTOR, STARTING	40-20	
1G18	MOTOR, WINDSHIELD WIPER, CAB (CRENLO)	40-59	
1G19	MOTOR, WINDSHIELD WIPER, CAB (STOLPER)	40-61	
1E10	MOUNTING BRACKET, ALTERNATOR	40-16	
2H16	MOUNTING BRACKET, CAB (CRENLO)	90-28	
2H18	MOUNTING BRACKET, CAB (CRENLO)	90-30	
2H20	MOUNTING BRACKET, CAB (CRENLO)	90-32	
1G15	MOUNTING KIT, RADIO	40-56	
1C21	MUFFLER	30-11	
			N
2F23	NAME PLATE	80-22	
1F24	NEUTRAL-START SWITCH KIT	40-40	
1G9	NOISE SUPPRESSOR, RADIO	40-50	
1G11	NOISE SUPPRESSOR, RADIO	40-52	
1G13	NOISE SUPPRESSOR, RADIO	40-54	
1D4	NOZZLES, FUEL INJECTION	30-20	
1D6	NOZZLES, INJECTION	30-22	
1D7	NOZZLES, INJECTION (6531D)	30-23	
			O
2E25	O-RING PACKING KIT	70-98	
2B22	OIL COOLER BYPASS VALVE	70-20	
1B24	OIL COOLER, ENGINE (6531D)	20-30	
2B20	OIL COOLER, HYDRAULIC	70-18	
1B4	OIL DIPSTICK, ENGINE (6531D)	20-10	
1H21	OIL FILTER RELIEF VALVE	50-8	
1H21	OIL FILTER, ELEMENT, TRANSMISSION	50-8	
1B21	OIL FILTER, ENGINE	20-27	
1H21	OIL FILTER, TRANSMISSION	50-8	
1C2	OIL HEATER, ENGINE	20-33	
2F1	OIL LINE, BULK FLEXIBLE	70-99	
1K6	OIL LINES, BRAKE	60-25	
2B17	OIL LINES, HYDRAULIC SYSTEM	70-14	
2B20	OIL LINES, HYDRAULIC SYSTEM	70-18	
2E23	OIL LINES, HYDRAULIC, IMPLEMENT	70-96	
2C13	OIL LINES, POWER WEIGHT TRANSFER	70-37	
2C9	OIL LINES, ROCKSHAFT	70-33	
2D12	OIL LINES, SELECTIVE CONTROL	70-58	
2D13	OIL LINES, SELECTIVE CONTROL	70-59	
1J16	OIL LINES, STEERING	60-10	
1J20	OIL LINES, STEERING, FRONT	60-14	
1J18	OIL LINES, STEERING, REAR	60-12	
1H23	OIL LINES, TRANSMISSION	50-10	
1B8	OIL PAN	20-14	
1B8	OIL PAN GASKET	20-14	
1B22	OIL PUMP, ENGINE	20-28	
1H22	OIL PUMP, TRANSMISSION	50-9	
1A21	OIL, ENGINE	20-1	
2A22	OIL, TRANSMISSION AND HYDRAULIC	70-1	

1A15

5020 TRACTOR (SERIAL NO. -024,999)

ALPHABETICAL INDEX - CONTINUED

GRID	PAGE	GRID	PAGE			
2H15	OPERATOR SHIELDS (ROW-CROP)	90-27	2C13	PRESSURE GAUGE, POWER WEIGHT TRANSFER	70-37	
2H14	OPERATOR SHIELDS (STANDARD)	90-26	2G17	PRESSURIZER MOTOR, CAB (STOLPER)	90-8	
2F23	ORNAMENT, HOOD.....	80-22	2G11	PRESSURIZER, CAB (CRENLO)	90-2	
2D16	OVERHAUL KIT, BREAKAWAY COUPLER	70-62	2G14	PRESSURIZER, CAB (CRENLO)	90-5	
1D10	OVERHAUL KIT, FUEL TRANSFER PUMP	30-26	1I17	PTO CLUTCH CONTROL CABLE	50-30	
2B7	OVERHAUL KIT, HYDRAULIC PUMP.....	70-8	1I17	PTO CLUTCH CONTROL LEVER.....	50-30	
2B13	OVERHAUL KIT, HYDRAULIC PUMP.....	70-10	1I19	PTO CLUTCH VALVE	50-32	
2D21	OVERHAUL KIT, ISO COUPLER	70-68	1I15	PTO DRIVE GEAR.....	50-27	
2E21	OVERHAUL KIT, REMOTE CYLINDER	70-94	1I15	PTO DRIVE SHAFT	50-27	
1J22	OVERHAUL KIT, STEERING CYLINDER	60-17	1I16	PTO GUARD.....	50-28	
1C4	OVERHAUL KIT, WATER PUMP (6531D)	20-35	1I16	PTO MASTER SHIELD	50-28	
P						
1B8	PAN, OIL.....	20-14	1E13	PULLEY, ALTERNATOR	40-19	
1F25	PANEL, INSTRUMENT.....	40-41	1B14	PULLEY, CRANKSHAFT	20-20	
2F23	PANEL, SIDE	80-22	1C3	PULLEY, FAN (6531D).....	20-34	
2I7	PANELS, CAB (CRENLO)	90-44	2A24	PUMP ASSEMBLY, HYDRAULIC, REPLACEMENT.....	70-3	
2I8	PANELS, CAB (CRENLO)	90-45	2A23	PUMP DRIVE COUPLER, MAIN	70-2	
2I17	PANELS, INTERIOR CAB (STOLPER)	90-56	2A23	PUMP DRIVE DISK, MAIN	70-2	
2I18	PANELS, INTERIOR CAB (STOLPER)	90-57	1B22	PUMP, ENGINE OIL.....	20-28	
2I25	PANELS, INTERIOR CAB (STOLPER)	90-64	1D4	PUMP, FUEL INJECTION	30-20	
2J1	PANELS, INTERIOR CAB (STOLPER)	90-65	1D8	PUMP, FUEL TRANSFER	30-24	
2I1	PANELS, INTERIOR, CAB (CRENLO)	90-38	1D9	PUMP, FUEL TRANSFER	30-25	
2I3	PANELS, INTERIOR, CAB (CRENLO)	90-40	2B1	PUMP, HYDRAULIC.....	70-4	
2I5	PANELS, INTERIOR, CAB (CRENLO)	90-42	2B9	PUMP, REPLACEMENT HYDRAULIC	70-9A	
2I21	PANELS, SIDE, CAB (STOLPER)	90-60	1H22	PUMP, TRANSMISSION OIL	50-9	
2I23	PANELS, SIDE, CAB (STOLPER)	90-62	1B12	PUMP, VENTILATOR.....	20-18	
1I11	PARK PAWL, TRANSMISSION	50-23	1C3	PUMP, WATER (6531D)	20-34	
1K5	PEDAL, BRAKE	60-24	Q			
1H17	PEDAL, CLUTCH	50-4	1I14	QUADRANT, SPEED CHANGE	50-26	
1J1	PEDAL, DIFFERENTIAL LOCK	50-40	1I14	QUADRANT, SPEED RANGE	50-26	
1D14	PEDAL, FOOT SPEED.....	30-30	2D1	QUICK COUPLER, IMPLEMENT	70-46	
1G7	PERFORMANCE TRAK II MINI-MONITOR	40-48	2F19	QUIK-TATCH FRONT WEIGHTS	80-18	
2D3	PIN, DRAWBAR	70-48	2F20	QUIK-TATCH FRONT WEIGHTS	80-19	
1I6	PINION HIGH-RANGE, TRANSMISSION	50-18	R			
1I6	PINION LOW-RANGE, TRANSMISSION.....	50-18	1G5	RADAR SENSOR	40-46	
1I5	PINION SHAFT.....	50-16	1G5	RADAR SENSOR BRACKET.....	40-46	
1I20	PINION, BEVEL, DIFFERENTIAL	50-34	1G5	RADAR SENSOR WIRING HARNESS	40-46	
1I22	PINION, BEVEL, DIFFERENTIAL	50-36	1C5	RADIATOR	20-36	
1J4	PINION, PLANET	50-44	1C7	RADIATOR BAFFLES	20-38	
1C15	PIPE, AIR INTAKE	30-4	1C5	RADIATOR CAP	20-36	
1C8	PIPE, WATER BYPASS (6531D).....	20-39	1C7	RADIATOR FOAM PAD	20-38	
1B16	PISTON ENGINE (6531D)	20-22	1C5	RADIATOR HOSE	20-36	
1B16	PISTON RINGS (6531D)	20-22	1G13	RADIO (BENDIX)	40-54	
2C4	PISTON, ROCKSHAFT.....	70-28	1G9	RADIO (MOTOROLA).....	40-50	
1J12	PISTON, STEERING VALVE	60-6	1G11	RADIO (MOTOROLA).....	40-52	
2F4	PIVOT BRACKET, FRONT AXLE	80-2	1G16	RADIO HEADPHONES.....	40-57	
2F6	PIVOT BRACKET, FRONT AXLE	80-4	1G15	RADIO MOUNTING KIT	40-56	
1J4	PLANET PINION CARRIER	50-44	1G9	RADIO NOISE SUPPRESSOR	40-50	
1J4	PLANET PINION SHAFT	50-44	1G11	RADIO NOISE SUPPRESSOR	40-52	
1J24	PLATE, BRAKE	60-19	1G13	RADIO NOISE SUPPRESSOR	40-54	
1J23	PLATE, BRAKE BACKING.....	60-18	1I9	RANGE SHIFTERS	50-21	
1J23	PLATE, BRAKE PRESSURE	60-18	1E1	REAR AND WARNING LAMP	40-6	
2F23	PLATE, NAME	80-22	1E3	REAR AND WARNING LAMP	40-8	
1I15	PLATE, PTO CLUTCH DRIVE.....	50-27	1F10	REAR AND WARNING LAMP	40-26	
1I6	PLATE, SYNCHRONIZER	50-18	1F12	REAR AND WARNING LAMP	40-28	
2H15	PLATFORM (ROW-CROP).....	90-27	1F21	REAR AND WARNING LAMP	40-37	
2H14	PLATFORM (STANDARD).....	90-26	1J4	REAR AXLE HOUSING	50-44	
2D8	POWER WEIGHT TRANSFER HITCH	70-54	1J4	REAR AXLE SHAFT.....	50-44	
2C13	POWER WEIGHT TRANSFER HITCH LINES	70-37	1F18	REAR LAMP, CAB (STOLPER).....	40-34	
2D10	POWER WEIGHT TRANSFER HITCH LINK	70-56	2J7	REAR VIEW MIRROR	90-72	
2C12	POWER WEIGHT TRANSFER HITCH VALVE.....	70-36	2F12	REAR WHEEL WEIGHT	80-9	
1C13	PRE-CLEANER.....	30-2	2F13	REAR WHEEL WEIGHT	80-10	
1C13	PRE-SCREENER	30-2				
2B16	PRESSURE CONTROL VALVE.....	70-13				

1A16

5020 TRACTOR (SERIAL NO. -024,999)

ALPHABETICAL INDEX - CONTINUED

GRID	PAGE	GRID	PAGE		
2F14	REAR WHEEL WEIGHT (INNER)	80-11	2E14	SELECTIVE CONTROL VALVE LEVER LOCK	70-87
2F10	REAR WHEELS	80-7	2E12	SELECTIVE CONTROL VALVE OVERHAUL KIT (LATE DESIGN)	70-84
2D4	REGULAR DRAWBAR	70-50	1C22	SENDER, FUEL GAUGE	30-12
1E10	REGULATOR	40-16	1G5	SENSOR, RADAR	40-46
1H2	RELAY, SUPPLEMENTARY WIRING	40-70	1H19	SHAFT, CLUTCH	50-6
1G22	RELAY, WIRING, ELECTRICAL REMOTE CONTROL.....	40-64	1I20	SHAFT, DIFFERENTIAL DRIVE	50-34
1H21	RELIEF VALVE, OIL FILTER	50-8	1I22	SHAFT, DIFFERENTIAL DRIVE	50-36
1G22	REMOTE CONTROL CIRCUIT BREAKER	40-64	1J4	SHAFT, FINAL DRIVE	50-44
1G21	REMOTE CONTROL KIT, ELECTRICAL	40-63	1J4	SHAFT, PLANET PINION.....	50-44
1G23	REMOTE CONTROL WIRING KIT, ELECTRICAL	40-66	1I15	SHAFT, PTO DRIVE.....	50-27
1G22	REMOTE CONTROL WIRING, ELECTRICAL.....	40-64	1I16	SHAFT, PTO DRIVE.....	50-28
1G20	REMOTE CONTROL, ELECTRICAL	40-62	1J4	SHAFT, REAR AXLE	50-44
2E15	REMOTE CYLINDER	70-88	1B1	SHAFT, ROCKER ARM	20-6
2E17	REMOTE CYLINDER (HYDRAULIC STOP)	70-90	1J12	SHAFT, STEERING	60-6
2E16	REMOTE CYLINDER CARRIER	70-89	1I6	SHAFT, TRANSMISSION DRIVE	50-18
2E22	REMOTE CYLINDER CONVERSION KIT.....	70-95	1I9	SHAFTS, SHIFTER	50-21
2E24	REMOTE CYLINDER HOSE IDENTIFICATION KIT.....	70-97	1I10	SHAFTS, SHIFTER	50-22
2E21	REMOTE CYLINDER OVERHAUL KIT	70-94	2H15	SHIELD, OPERATOR (ROW-CROP).....	90-27
2E19	REMOTE CYLINDER PARTS (MECHANICAL STOP)	70-92	2H14	SHIELD, OPERATOR (STANDARD).....	90-26
1C19	REMOTE MOUNTED VACUUM SWITCH.....	30-9	2I16	SHIELD, OPERATOR, CAB (STOLPER)	90-55
2A24	REPLACEMENT HYDRAULIC PUMP ASSEMBLY.....	70-3	1I16	SHIELD, PTO MASTER	50-28
2F10	RIM, DEMOUNTABLE	80-7	2F23	SHIELD, SIDE.....	80-22
1B16	RINGS, PISTON (6531D).....	20-22	1I9	SHIFTER SHAFTS	50-21
1A24	ROCKER ARM COVER	20-4	1I10	SHIFTER SHAFTS	50-22
1B1	ROCKER ARM SHAFT.....	20-6	1I10	SHIFTERS, GEAR	50-22
1B1	ROCKER ARMS	20-6	1I9	SHIFTERS, RANGE	50-21
2C4	ROCKSHAFT	70-28	1B6	SHORT BLOCK, ENGINE (6531D)	20-12
2C10	ROCKSHAFT CONTROL LEVER	70-34	1C5	SHROUD, FAN	20-36
2C6	ROCKSHAFT CONTROL VALVE HOUSING	70-30	2F16	SIDE FRAME	80-14
2C5	ROCKSHAFT CONTROL VALVE HOUSING COVER	70-29	2F23	SIDE PANEL.....	80-22
2C8	ROCKSHAFT CYLINDER.....	70-32	1I1	SLEEVE, CLUTCH RELEASE BEARING	50-12
2B24	ROCKSHAFT HOUSING	70-22	2J12	SLOW MOVING VEHICLE EMBLEM.....	90-78
2C1	ROCKSHAFT HOUSING COVER	70-24	2J14	SLOW MOVING VEHICLE EMBLEM.....	90-80
2C10	ROCKSHAFT LINKAGE	70-34	2J15	SLOW MOVING VEHICLE EMBLEM.....	90-81
2C9	ROCKSHAFT OIL LINES	70-33	2J13	SLOW MOVING VEHICLE EMBLEM (LESS ROCKSHAFT).....	90-79
2C4	ROCKSHAFT PISTON	70-28	1G25	SOCKET, ELECTRICAL OUTLET	40-68
2C8	ROCKSHAFT THROTTLE VALVE.....	70-32	1E17	SOLENOID COVER STARTER KIT	40-21
1B16	ROD, CONNECTING (6531D)	20-22	1F6	SOLENOID COVER STARTER KIT	40-25H
1I12	RODS, GEAR SHIFTER.....	50-24	1E23	SOLENOID SWITCH COVER, STARTER (DELCO-REMY)	40-25
2H10	ROLL-GARD (EARLY DESIGN).....	90-24D	1F3	SOLENOID SWITCH, STARTER	40-25E
2H12	ROLL-GARD (LATE DESIGN).....	90-24F	2B15	SOLENOID, DESTROKE (ELECTRIC)	70-12
2G15	ROOF VENT, CAB (STOLPER).....	90-6	1D14	SPEED CONTROL LINKAGE	30-30
2H21	ROOF, CAB (CRENLO)	90-34	1F25	SPEED-HOUR METER.....	40-41
2H22	ROOF, CAB (CRENLO)	90-35	1D21	START-SAFETY SWITCH	40-2
2H23	ROOF, CAB (CRENLO)	90-36	1D23	STARTER	40-4
	S		1F7	STARTER (24-VOLT)(PRESTOLITE).....	40-25I
2C24	SAFETY CHAIN, IMPLEMENT	70-45B	1E19	STARTER ARMATURE (6531)	40-23
1H23	SCREEN, TRANSMISSION PUMP INTAKE	50-10	1E19	STARTER COIL (6531)	40-23
1B13	SEAL, CRANKSHAFT REAR OIL	20-19	1E20	STARTER COMMUTATOR END FRAME (EARLY DESIGN).....	40-23A
2J17	SEALANT, LOCTITE.....	90-83	1E24	STARTER DRIVE	40-25A
2H10	SEAT BELT (EARLY DESIGN)	90-24D	1F1	STARTER DRIVE (DELCO-REMY)	40-25C
2H12	SEAT BELT (LATE DESIGN).....	90-24F	1E21	STARTER DRIVE (EARLY DESIGN).....	40-23C
2C2	SEAT SUPPORT COVER	70-26	1E24	STARTER DRIVE END HOUSING	40-25A
2H5	SEAT SUPPORT, DELUXE (CRENLO).....	90-22	1F1	STARTER DRIVE END HOUSING (DELCO-REMY)	40-25C
2H6	SEAT SUSPENSION, DELUXE (CRENLO)	90-23	1E21	STARTER DRIVE END HOUSING (EARLY DESIGN)	40-23C
2G23	SEAT, DELUXE	90-16	1E17	STARTER SOLENOID COVER KIT	40-21
2H3	SEAT, DELUXE (CRENLO)	90-20	1F6	STARTER SOLENOID COVER KIT	40-25H
2D11	SELECTIVE CONTROL LEVERS	70-57	1E18	STARTER SOLENOID COVER KIT (DELCO-REMY).....	40-22
2D12	SELECTIVE CONTROL OIL LINES.....	70-58	1F3	STARTER SOLENOID SWITCH	40-25E
2D13	SELECTIVE CONTROL OIL LINES.....	70-59	1E23	STARTER SOLENOID SWITCH COVER (DELCO-REMY)	40-25
2E1	SELECTIVE CONTROL VALVE.....	70-72	2J4	STARTER SWITCH	90-68
2D23	SELECTIVE CONTROL VALVE HOUSING	70-70	1D13	STARTING AID TUBE KIT.....	30-29
2E6	SELECTIVE CONTROL VALVE HOUSING	70-78			
2E3	SELECTIVE CONTROL VALVE KIT	70-74			

1A18

5020 TRACTOR (SERIAL NO. -024,999)

ALPHABETICAL INDEX - CONTINUED

<i>GRID</i>		<i>PAGE</i>	<i>GRID</i>	<i>PAGE</i>
1F10	WARNING LAMP	40-26		
1F12	WARNING LAMP	40-28		
1F21	WARNING LAMP	40-37		
2H7	WARNING LAMP	90-24		
1F20	WARNING LAMP (STOLPER CAB)	40-36		
1F23	WARNING LAMP FLASHER	40-39		
1F22	WARNING LAMP KIT, IMPLEMENT	40-38		
1F16	WARNING LAMP, CAB (CRENLO)	40-32		
1F18	WARNING LAMP, CAB (STOLPER)	40-34		
1C3	WATER PUMP (6531D)	20-34		
1C4	WATER PUMP OVERHAUL KIT (6531D)	20-35		
1F25	WATER TEMPERATURE GAUGE.....	40-41		
2J18	WEATHERSHIELDS	90-84		
2F18	WEIGHT, DOUBLE FRONT	80-17		
2F19	WEIGHT, QUIK-TATCH FRONT	80-18		
2F20	WEIGHT, QUIK-TATCH FRONT	80-19		
2F12	WEIGHT, REAR WHEEL	80-9		
2F13	WEIGHT, REAR WHEEL	80-10		
2F14	WEIGHT, REAR WHEEL (INNER).....	80-11		
2F15	WEIGHT,REAR INNER WHEEL (32" CAST WHEEL)	80-12		
2F14	WHEEL WEIGHT, REAR (INNER).....	80-11		
2F15	WHEEL WEIGHT,REAR INNER (32" CAST WHEEL)	80-12		
2F8	WHEEL, FRONT	80-6		
2F10	WHEEL, REAR	80-7		
1J12	WHEEL, STEERING	60-6		
2F11	WHEELS, DUAL REAR	80-8		
2D6	WIDE-SWING DRAWBAR	70-52		
2I13	WINDOW ADJUSTER, CAB (CRENLO)	90-52		
2I14	WINDOW ADJUSTER, CAB (CRENLO)	90-53		
2I18	WINDOW ADJUSTER, CAB (STOLPER)	90-57		
1G17	WINDSHIELD WIPER, CAB (CRENLO)	40-58		
1G18	WINDSHIELD WIPER, CAB (CRENLO)	40-59		
1G19	WINDSHIELD WIPER, CAB (STOLPER)	40-61		
2I7	WINDSHIELD, CAB (CRENLO)	90-44		
2I8	WINDSHIELD, CAB (CRENLO)	90-45		
1G17	WIPER, WINDSHIELD, CAB (CRENLO)	40-58		
1G18	WIPER, WINDSHIELD, CAB (CRENLO)	40-59		
1G19	WIPER, WINDSHIELD, CAB (STOLPER)	40-61		
1D21	WIRING HARNESS	40-2		
1D23	WIRING HARNESS	40-4		
1E1	WIRING HARNESS	40-6		
1E3	WIRING HARNESS	40-8		
1E5	WIRING HARNESS, CAB (CRENLO)	40-10		
1E6	WIRING HARNESS, CAB (CRENLO)	40-11		
1G5	WIRING HARNESS,RADAR SENSOR	40-46		
1G23	WIRING KIT, ELECTRICAL REMOTE CONTROL	40-66		
1E5	WIRING, CAB LAMP (CRENLO)	40-10		
1E6	WIRING, CAB LAMP (CRENLO)	40-11		
1E7	WIRING, CAB LAMP (STOLPER)	40-12		
1G22	WIRING, ELECTRICAL REMOTE CONTROL.....	40-64		
1H2	WIRING, SUPPLEMENTARY	40-70		
1E8	WIRING, SWITCH, CAB (STOLPER)	40-13		
2J11	WRENCH	90-77		

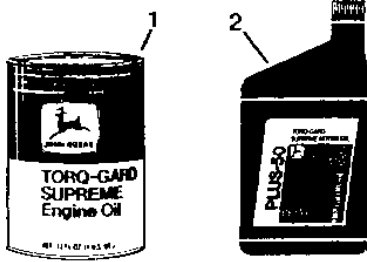
MEMORANDA

1A21

ENGINE

RGP3291 -UN-01JAN94

TORQ-GARD PLUS 50 ENGINE OIL



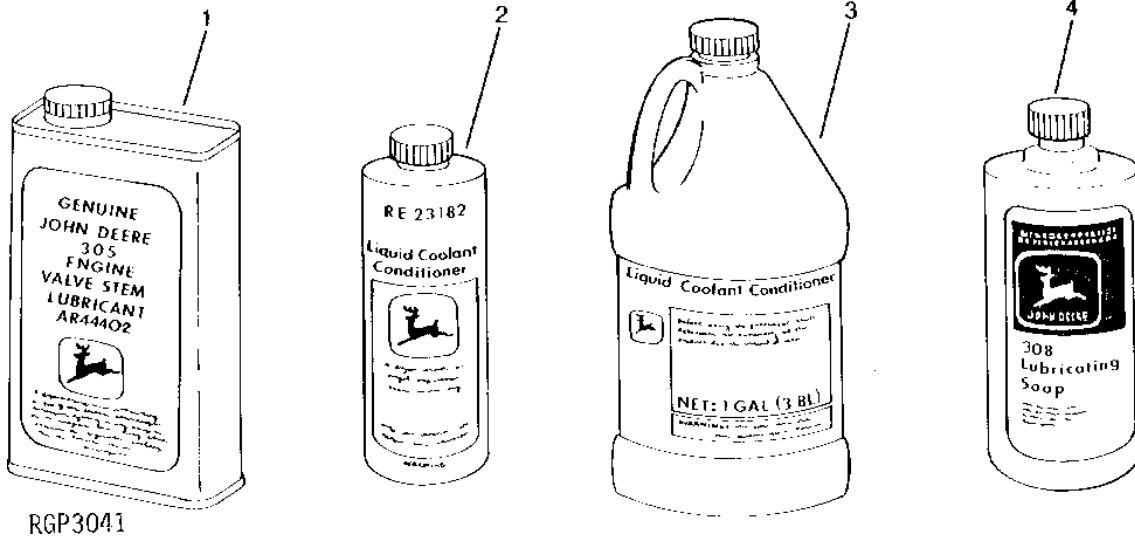
RGF 3291

KEY	PART NO.	PART NAME	QTY	ENGINE SERIAL NO.	REMARKS
1	TY6359	OIL	1	(SAE 5W/30), 0.9L (1 QT)	
	TY6360	OIL	1	(SAE 5W/30), 19L (5 GAL)	
	TY6361	OIL	1	(SAE 5W/30), 208L (55 GAL)	
	TY6364	OIL	1	(SAE 10W/40) 0.9L (1 QT) (BREAKIN)	
	TY6297	OIL	1	(SAE 15W/40), 0.9L (1 QT)	
	TY6298	OIL	1	(SAE 15W/40), 19L (5 GAL)	
	TY6300	OIL	1	(SAE 15W/40), 113.6L (30 GAL)	
	TY6301	OIL	1	(SAE 15W/40), 208L (55 GAL)	
	TY6311	OIL	1	(SAE 10W), 0.9L (1 QT)	
	TY22009	OIL	1	(SAE 10), 3.8L (1 GAL)	
2	TY6312	OIL	1	(SAE 10W), 19L (5 GAL)	
	TY6313	OIL	1	(SAE 10W), 208L (55 GAL)	
	AR63979	OIL	1	(SAE 30), 0.2L (.25 QT)	
	AR63218	OIL	1	(SAE 30), 0.9L (1 QT)	
	AR63219	OIL	1	(SAE 30), 19L (5 GAL)	
	TY6280	OIL	1	(SAE 30), 113.6L (30 GAL)	
	AR63222	OIL	1	(SAE 30), 208L (55 GAL)	
	TY6389	OIL	1	(SAE 15W/40), 0.9L (1 QT)	
	TY22008	OIL	1	(SAE 15W/40), 3.8L (1 GAL)	
	TY6390	OIL	1	(SAE 15W/40), 19L (5 GAL)	
	TY22010	OIL	1	(SAE 15W/40), 113.6L (30 GAL)	
	TY6391	OIL	1	(SAE 15W/40), 208L (55 GAL)	
	TY6392	OIL	1	(SAE 30), 0.9L (1 QT)	
	TY22007	OIL	1	(SAE 30), 3.8L (1 GAL)	
TY6393	OIL	1	(SAE 30), 19L (5 GAL)		
TY22011	OIL	1	(SAE 30), 113.6L (30 GAL)		
TY6394	OIL	1	(SAE 30), 208L (55 GAL)		

1A22

ENGINE

ACCESSORY PARTS
RGP3041 -UN-01JAN94



RGP3041

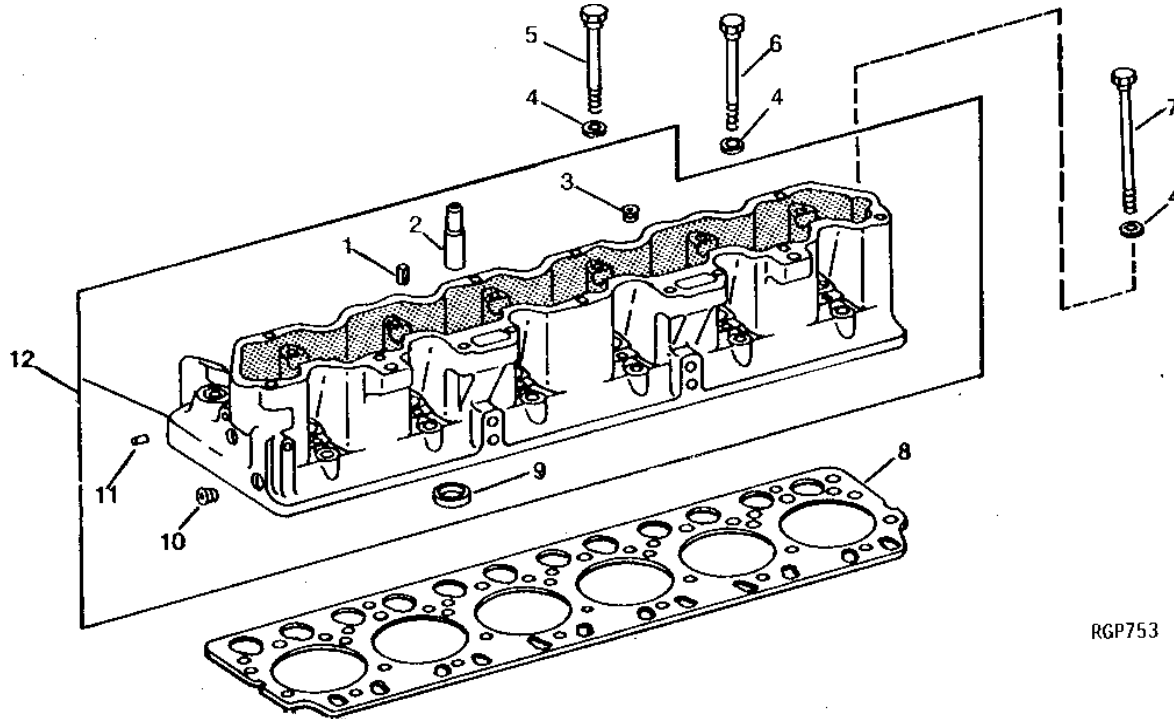
KEY	PART NO.	PART NAME	QTY	TRACTOR SERIAL NO.	REMARKS
1	AR44402	OIL	1		0.9L (1 QT.)
2	TY16004	ENGINE COOLANT CONDITIONER	1		(SUB FOR T19566, RE12842 OR RE23182)
3	TY16005	ENGINE COOLANT CONDITIONER	1		3.8L (1 GAL.) (SUB FOR RE35992)
4	AR54749	LUBRICANT	1		0.9L (1 QT.)
..	AR41785	KIT	1		0.9L (1 QT.)
..	AR21969	KIT	1		CAP PLUG

1A23

ENGINE

CYLINDER HEAD AND GASKET (6531D)

RGP753 -UN-01JAN94



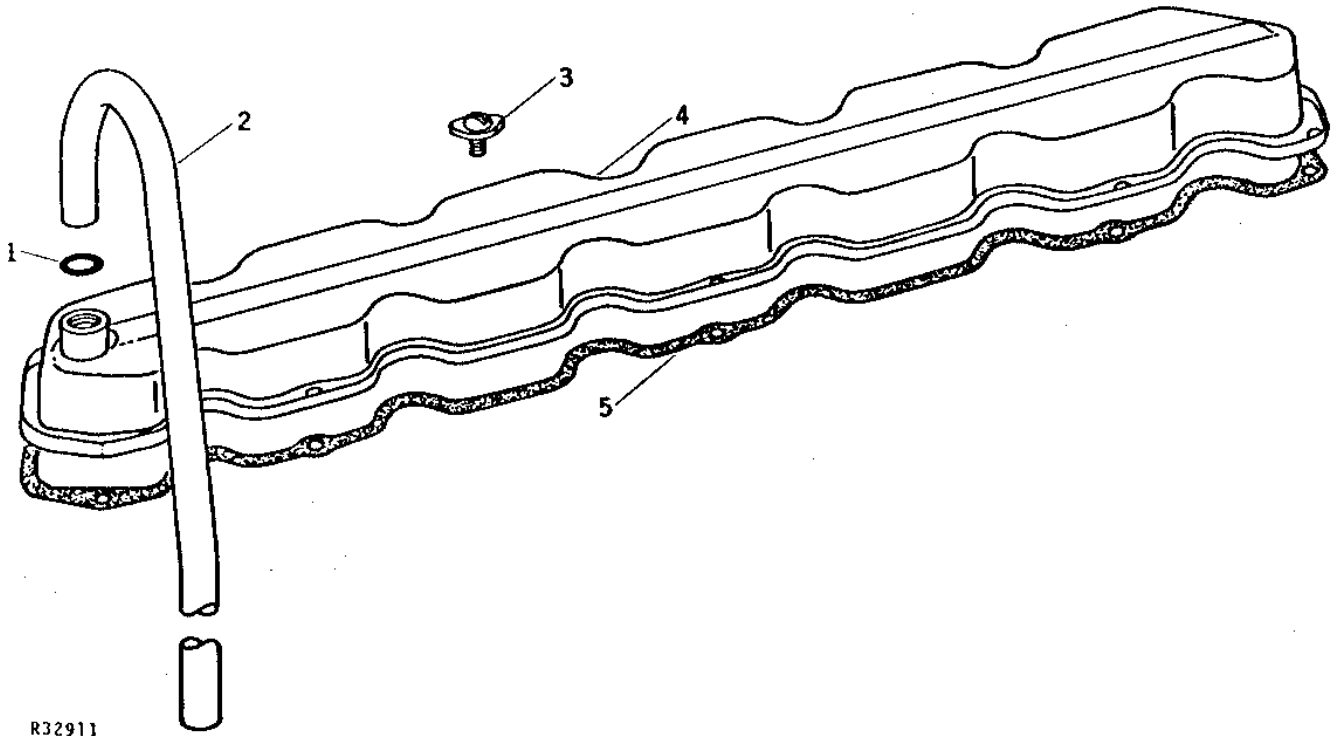
KEY	PART NO.	PART NAME	QTY	ENGINE SERIAL NO.	REMARKS
1	34H387	SPRING PIN	1		3/16" X 3/4"
2	R53192	BUSHING	12		(SUB FOR R36340 AND R40357)
3	15H624	PIPE PLUG	5		1/2", (SUB FOR AR72319 OR A3125R)
4	R70268	WASHER	26		(SUB FOR R35160, R36995 OR R42363)
5	R42368	CAP SCREW	15		15.875 X 130.048 MM (5/8" X 5.120") (USE WITH R35130, R40270 OR R42370)
	R80574	CAP SCREW	21		15.875 X 139.700 MM (5/8" X 5-1/2") (USE WITH R45300 OR R47510) (SUB FOR R45266, R67346, R70264, R60117 OR R92368) (ALSO ORDER R70268)
6	R42369	CAP SCREW	3		15.875 X 155.448 MM (5/8" X 6.120") (USE WITH R40270, OR R42370)
	R42372	BOLT	6	-021789	15.875 X 82.550 MM (5/8" X 3-1/4") (USE WITH R35130, R40270 OR 42370)
	R42368	CAP SCREW	6	021790-	15.875 X 130.048 MM (5/8" X 5.120") (USE WITH R35130, R40270 OR R42370)
	R81006	CAP SCREW	3		(USE WITH R45300 OR R47510) (SUB FOR R45267, R60118, R67345 OR R70265) (ALSO ORDER R70268)
7	R42371	CAP SCREW	2		15.875 X 187.452 MM (5/8" X 7.380") (USE WITH R35130, R40270 OR R42370)
	R80576	CAP SCREW	2		15.875 X 196.850 MM (5/8" X 7-3/4") (USE WITH R45300 OR R47510) (SUB FOR R45268, R70266, R67344, R60119) (ALSO ORDER R70268)
8	R78513	GASKET	1		(SUB FOR R35159, R40365, R44022 OR R49688)
9	R41868	INSERT	6	019145-	INTAKE, STD
	R41870	INSERT	6	019145-	INTAKE 0.25MM (.010") OS
	R41869	VALVE SEAT INSERT	6	019145-	EXHAUST, STD
	R41871	VALVE SEAT INSERT	6	019145-	EXHAUST 0.25MM (.010") OS
10	15H690	PIPE PLUG	4		3/4", (SUB FOR AR72318)
11	F1743R	DOWEL PIN	2		
12	AR35033	CYLINDER HEAD	1		(NO LONGER AVAILABLE) (MARKED R35140)
	AR41940	CYLINDER HEAD	1		(MARKED R40100 OR R41867) (SUB FOR AR36537 OR AR81620)

1A24

ENGINE

ROCKER ARM COVER (6531D)

R32911 -UN-01JAN94



R32911

1A25

ENGINE

ROCKER ARM COVER - CONTINUED
(6531D)

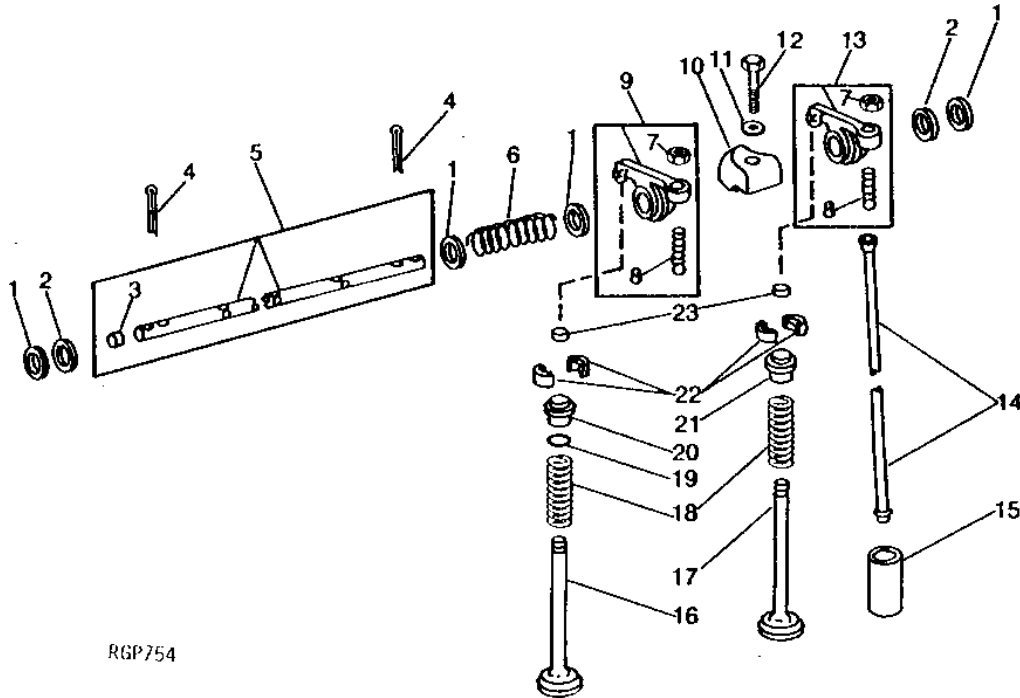
KEY	PART NO.	PART NAME	QTY	ENGINE SERIAL NO.	REMARKS
1	R495R	O-RING	1		
2	R35017	LINE	1	(NLA)	
3	AR103811	SCREW, WITH WASHER	9	(SUB FOR AR27702 OR AR45530)	
4	AR35007	COVER	1		
5	R74365	GASKET	1	(SUB FOR R35024, R36652, R49867)	

1B1

ENGINE

ROCKER ARMS, SHAFT AND VALVES (6531D)

RGP754 -UN-01JAN94



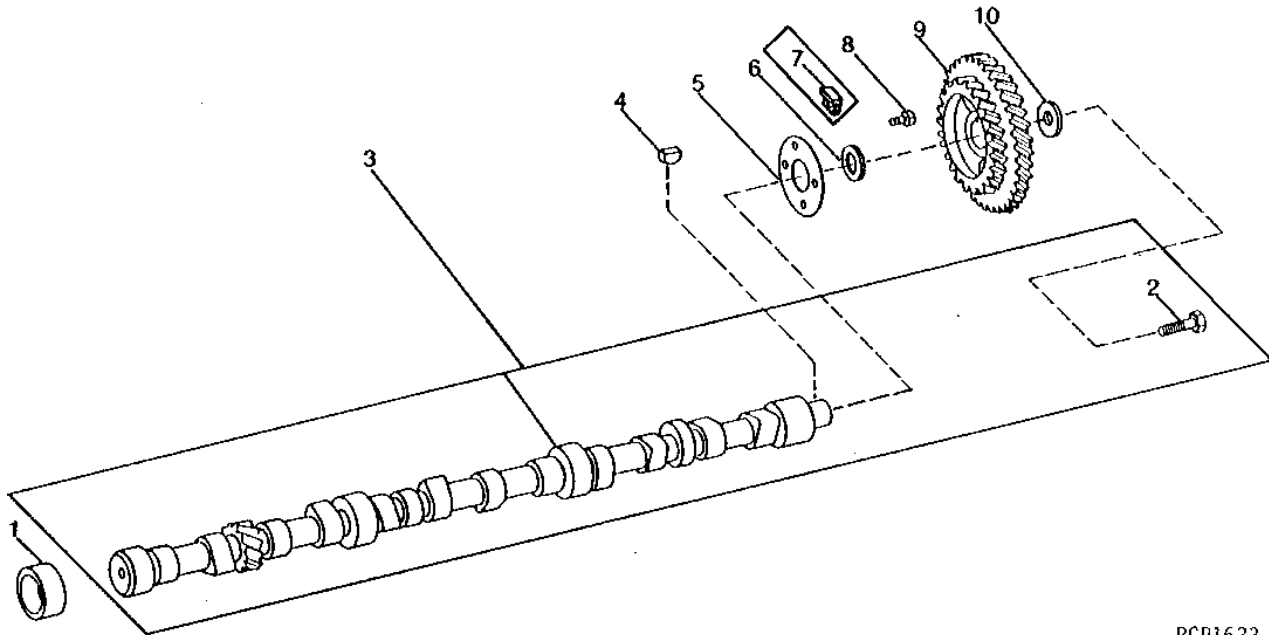
KEY	PART NO.	PART NAME	QTY	ENGINE SERIAL NO.	REMARKS
1	R61266	WASHER	12		
2	R35022	WASHER	2		
3	R35019	PLUG	2		
4	11M7086	COTTER PIN	2		
5	AR92514	ROCKER ARM SHAFT	1		0.098" X 1.969" (SUB FOR AR35006 OR AR74545)
6	R35020	SPRING	5		
7	14H1080	NUT	12		3/8"
8	R27443	SET SCREW	12		
9	AR69901	ARM	6		(SUB FOR AR36181 OR R36528)
10	R35023	CLAMP	6		
11	R26559	WASHER	6		
12	19H1899	CAP SCREW	6		7/16" X 2"
13	AR69902	ARM	6		(SUB FOR AR36182 OR R36529)
14	R35635	PUSH ROD	12	-015499	(USE WITH R35025)
	AR41292	PUSH ROD	12	015500-	(USE WITH AR41291)
15	AR41291	CAM FOLLOWER	12		(SUB FOR R35025) (ALSO ORDER AR41292)
16	R35154	INTAKE VALVE	6		(5010)
	R42182	INTAKE VALVE	6		(SUB FOR R40362 OR R41640)
17	R35156	EXHAUST VALVE	6		(5010)
	R45823	EXHAUST VALVE	6		(SUB FOR R40363 OR R42181)
18	R35157	SPRING	12		
19	R35155	O-RING	6		
20	R35158	CAP	6		(5010)
	R41173	CAP	6		(INTAKE)
21	R42305	ROTATOR	6		(EXHAUST) (SUB FOR R35640)
22	R35431	LOCK	24		
23	R40366	CAP	12		

1B2

ENGINE

CAMSHAFT AND GEAR (6531D)

RGP1623 -UN-01JAN94



RGP1623

KEY	PART NO.	PART NAME	QTY	ENGINE SERIAL NO.	REMARKS
1	R46903	BUSHING	4		(SUB FOR R26114)
2	19H1721	CAP SCREW	1		1/2" X 1-1/2", (USE WITH R44982)
	19H1990	CAP SCREW	1	-282914	1/2" X 2-1/4", (USE WITH R54843 OR R64306)
3	R83569	CAP SCREW	1	282915-	1/2" X 4-1/2", (USE WITH R77447)
	R63406	CAMSHAFT	1	-015499	(SUB RE11137) (ALSO ORDER (12) AR41291, (12) AR41292 AND R83569) (SUB FOR AR36822, R40469 OR R54843)
	R63406	CAMSHAFT	1	015500-282914	(SUB RE11137) (ALSO ORDER R83569) (SUB FOR AR36822, R44982, R40469 OR R54843)
	RE11137	KIT	1	282915-	(MARKED R77447)
4	26H13	SHAFT KEY	1		5/32" X 3/4"
5	R26078	WASHER	1	-XXXXXX	((3) HOLE NOT ILLUSTRATED) (5010)
	R40634	THRUST WASHER	1	XXXXXX-	(5010, 5020*, 5020&, 6030)
6	R35127	WASHER	1		
7	R35128	LOCK PLATE	3		(USE WITH R26078) (5010)
8	19H1813	CAP SCREW	4		5/16" X 5/8", (USE (3) WITH R26078)
9	AR35092	GEAR	1		
10	R35256	WASHER	1		

(*) (5020 (-024999)

(&) (5020 (025000-)

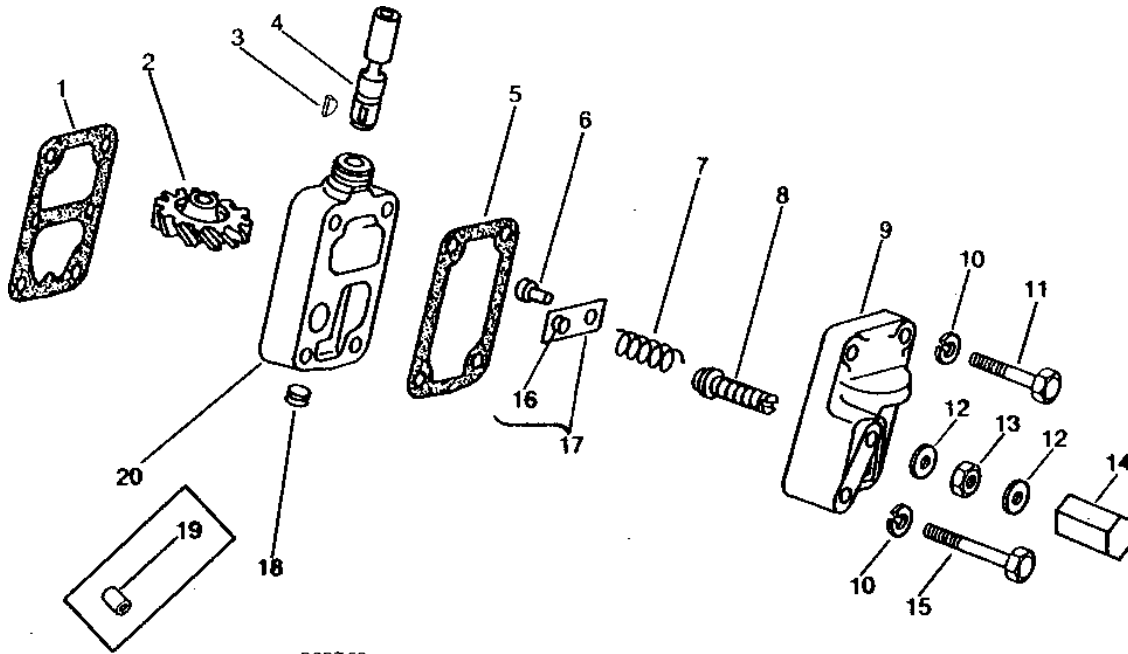
MEMORANDA

1B3

ENGINE

TACHOMETER DRIVE (6531D)

RGP760 -UN-01JAN94



RGP760

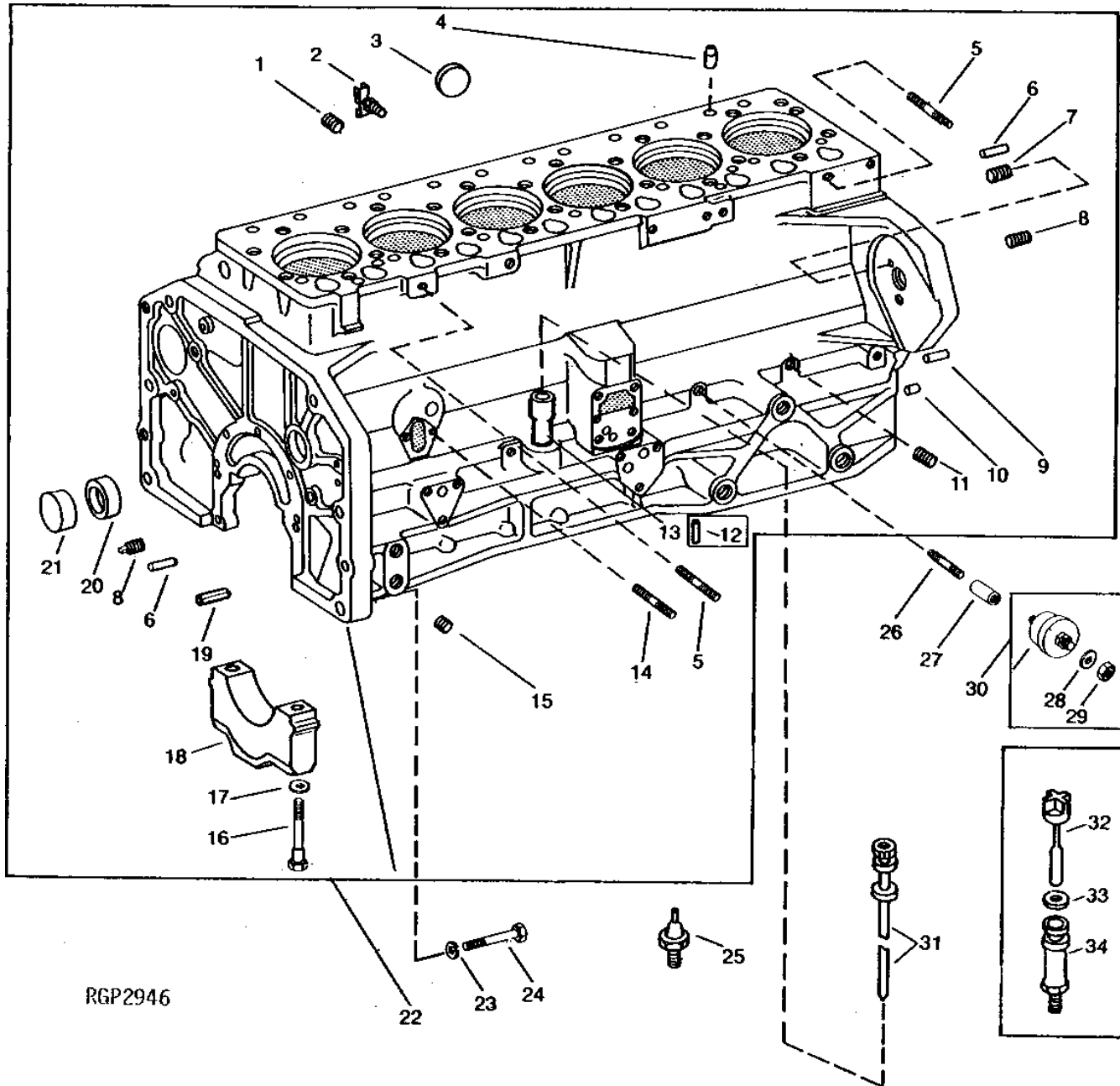
KEY	PART NO.	PART NAME	QTY	ENGINE SERIAL NO.	REMARKS
1	R44853	GASKET	1		(SUB FOR R26174)
2	R32426	GEAR	1		
3	26H3	SHAFT KEY	1		3/32" X 3/8"
4	R26172	SHAFT	1		
5	R26173	GASKET	1		
6	16H644	RIVET	1		1/4" X 1/2"
7	R26169	SPRING	1		
8	R26168	SCREW	1		
9	AR26351	HOUSING	1		(MARKED R26167)
10	24M7096	WASHER	4		10.500 X 18 X 1.600 MM
11	19H2549	CAP SCREW	3		3/8" X 1-7/8"
12	A3098R	WASHER	2		
13	14H732	NUT	1		3/8"
14	B427R	CAP SCREW, AND NUT	1		
15	19H1944	CAP SCREW	1		3/8" X 2-3/4"
16	D2425R	PIN	1		
17	AB3453R	LEAF SPRING	1		
18	15H559	PIPE PLUG	1		1/4"
19	F1743R	DOWEL PIN	2		(USE WITH AR45952)
20	AR45953	HOUSING	1		(MARKED R26170 OR AR45953) (SUB FOR AR26353, AR45952)

1B4

ENGINE

CYLINDER BLOCK (6531D)

RGP2946 -UN-01JAN94



RGP2946

1B5

ENGINE

CYLINDER BLOCK - CONTINUED (6531D)

KEY	PART NO.	PART NAME	QTY	ENGINE SERIAL NO.	REMARKS
1	15H562	PIPE PLUG	2		1", (SUB FOR AR78522) (USE WITH R35130, R40270 OR R42370)
2	AR44382	DRAIN VALVE	1		3/8", (USE WITH R45300, R42370 OR R47510)
	AT13740	DRAIN VALVE	1		1/4", (USE WITH R40270 OR R35130)
3	AR80294	PLUG	2	280001-XXXXXX	(LESS COOLANT HEATER) (SUB FOR R47092)
	AR80294	PLUG	1	XXXXXX-	(USE WITH R47510)
4	R26241	DOWEL PIN	2		
5	K3083R	STUD	3	-280000	7/16" X 1-3/4"
	F2884R	STUD	2	280001-	
6	F1743R	DOWEL PIN	3		
7	R56481	STUD	2		(SUB FOR M3636T OR R26117)
8	15H571	PIPE PLUG	2		3/8"
9	R36666	DOWEL PIN	2		(SUB FOR R26198)
10	R28671	DOWEL PIN	2		
11	15H638	PIPE PLUG	1	008000-	1/8"
12	H826R	DOWEL PIN	1		(NO LONGER USED)
13	R41070	TUBE	1		(USE WITH R45300 AND R47510)
	R41883	TUBE	1		(USE WITH R35130, R40270 OR R42370) (SUB FOR R35152 OR R40603)
14	R48755	STUD	2		5/16" X 1-1/2"
15	15H638	PIPE PLUG	6	-007999	1/8"
	15H638	PIPE PLUG	5	008000-	1/8", (SUB FOR R21630, THIS APPLICATION)
16	R42365	BOLT	14		
17	R70268	WASHER	14		(SUB FOR R42363)
18	R48256	BEARING CAP	6		(MAIN)
	R48257	BEARING CAP	1		(MAIN THRUST)
19	R39253	DOWEL PIN	1	XXXXXX-	
20	R46903	BUSHING	4		
21	R26115	CAP	1		
22	AR35147	CYLINDER BLOCK	1		(MARKED R35130) (SUB AR50525) (ALSO ORDER AR47249, AR47250, (6) AR55950 AND (6) R42368) (5010)
	AR47247	CYLINDER BLOCK	1		(MARKED R42370) (SUB AR50525) (ALSO ORDER (6) AR55950) (5010)
	AR36649	CYLINDER BLOCK	1	-XXXXXX	(MARKED R40270) (SUB AR50525, (6) AR55950, AR47249 AND AR47250) (5020*)
	AR47246	CYLINDER BLOCK	1	-280000	(MARKED R42370 OR R45300) (SUB AR50525 AND (6) AR55950) (5020&)
	AR50525	CYLINDER BLOCK	1	280001-	(MARKED R47510) (SUB FOR AR35147, AR36649, AR44412 AND AR47246) (ALSO ORDER (6) AR55950, AR47249, (21) R80574, (3) R81006, (2) R80576 AND (26) R70268)
23	12H236	LOCK WASHER	6		3/4"
24	19H1862	CAP SCREW	6		3/4" X 2-1/2"
25	AR27977	TOUCH SWITCH	1		OIL PRESSURE, (5010, 5020&, 6030)
26	29H13	THREADED NIPPLE	1		1/8", (NOT APPLICABLE)
27	15H73	COUPLING	1		1/8", (NOT APPLICABLE)
28	12M7060	WASHER	1		0.209", (NOT APPLICABLE)
29	14H631	NUT	1		0.190", (NOT APPLICABLE)
30	AT84200	SENDER	1		(NOT APPLICABLE)
31	AR47249	DIPSTICK	1		(5010, 5020*, 5020&, 6030) (USE WITH R47510)
32	AR36889	DIPSTICK	1		(USE WITH R35130, R40270, R40370 OR R41883) (SUB FOR AR35008 OR AR36314) (5010, 5020*)
33	R31486	WASHER	1	-005912	(USE WITH R35130, R40270 OR R42370)
	R39520	WASHER	1	005913-XXXXXX	(USE WITH R41883, R35130, R40270 OR R42370)
34	R41883	TUBE	1		(USE WITH R40270, R35130 OR R42370) (SUB FOR R35152 OR R40603)

(* 5020 (-024999)
(&) 5020 (025000-)

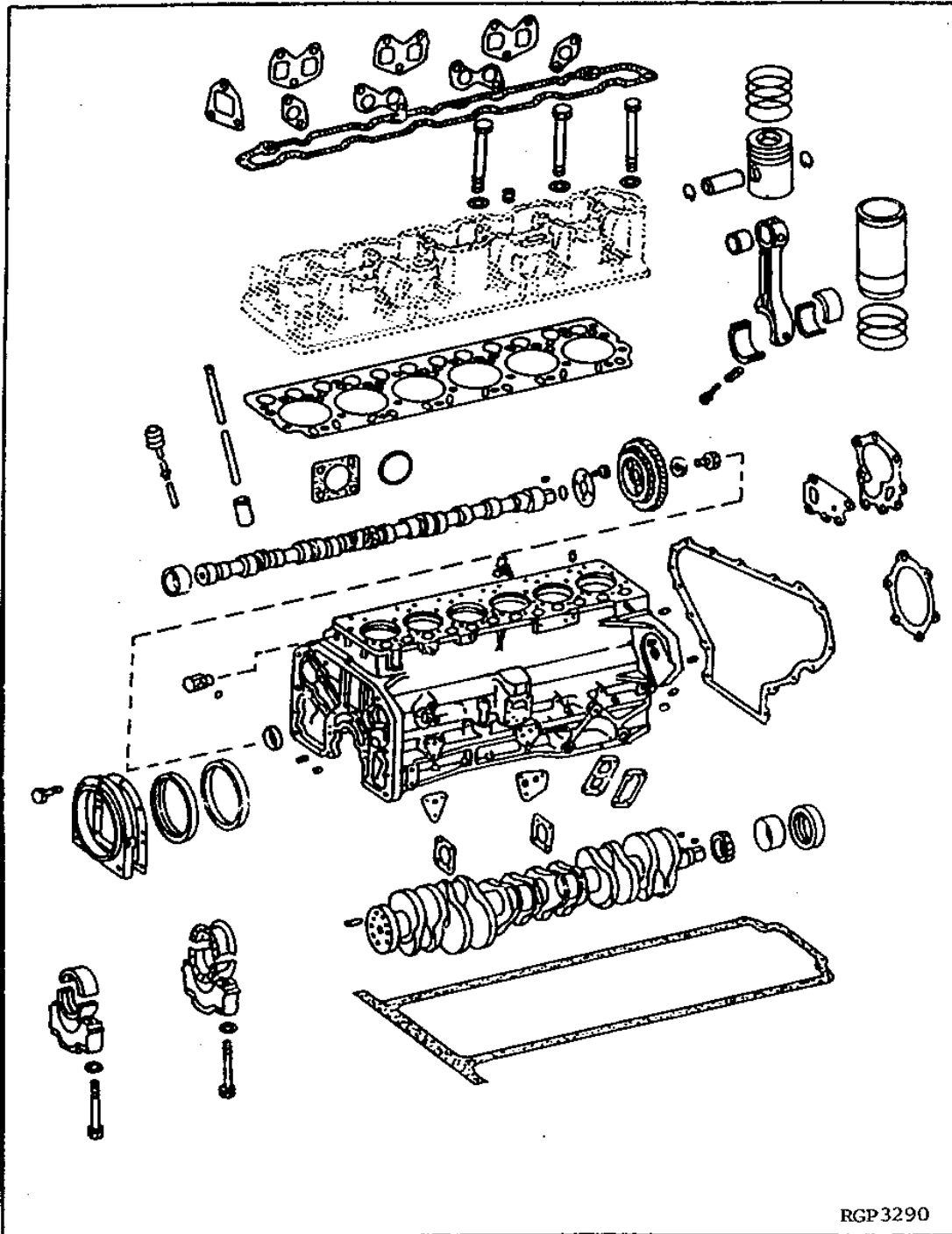
1B6

ENGINE

ENGINE SHORT BLOCK (6531D)

RGP3290

-UN-01JAN94



1B7

ENGINE

**ENGINE SHORT BLOCK - CONTINUED
(6531D)**

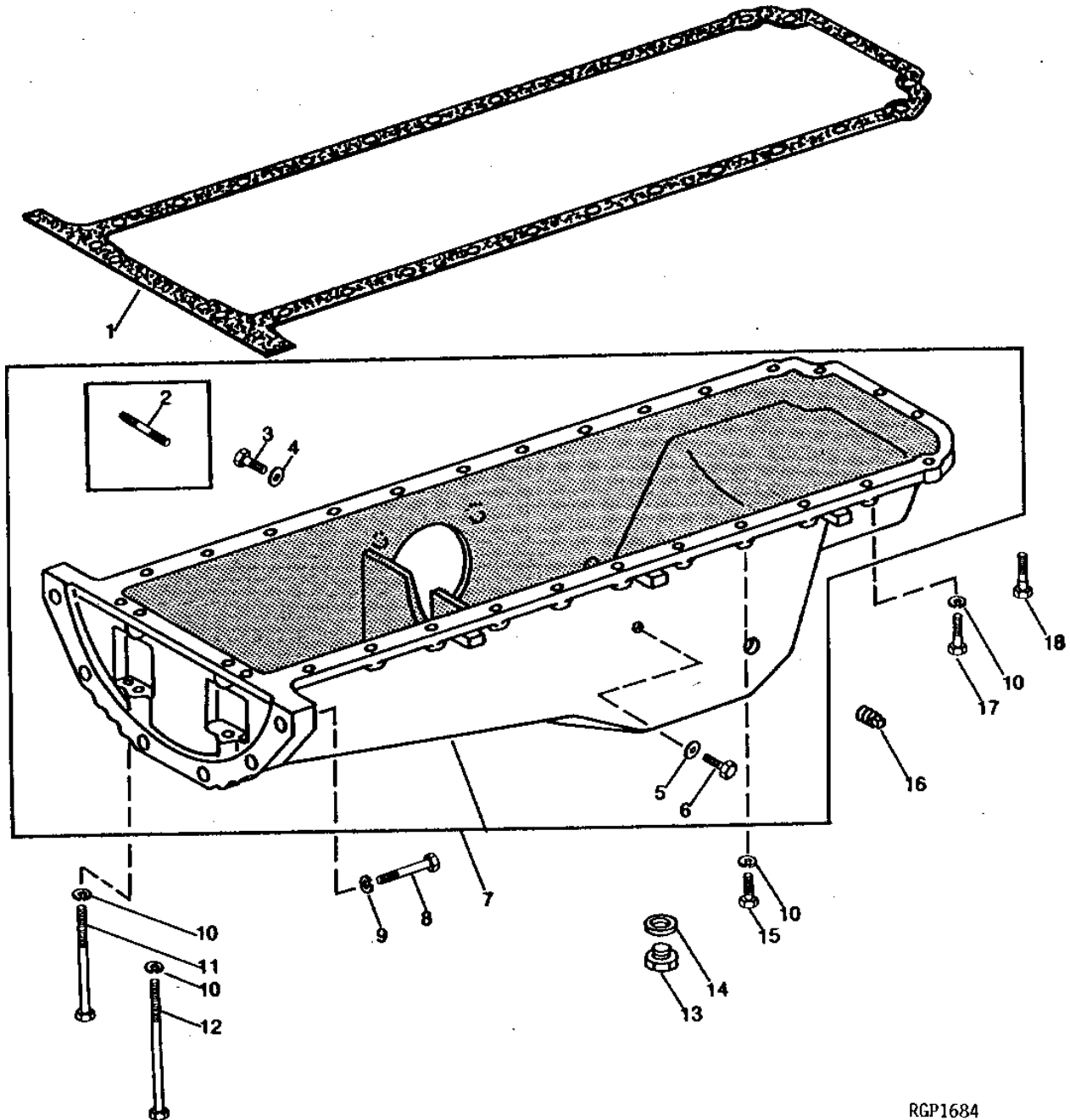
KEY	PART NO.	PART NAME	QTY	ENGINE SERIAL NO.	REMARKS
1	AR48226	SHORT BLOCK ASSEMBLY	1		(MARKED R47510) (ALSO ORDER AR36702, (2) R38614 AND (2) AR63865) (NLA)

1B8

ENGINE

RGP1684 -UN-01JAN94

OIL PAN
(6531D)



RGP1684

1B9

ENGINE

OIL PAN - CONTINUED (6531D)

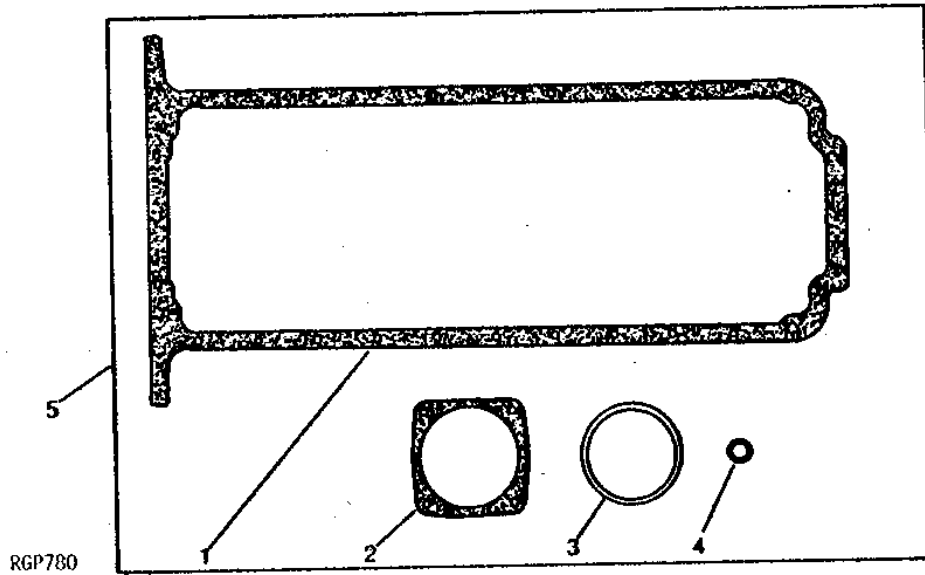
KEY	PART NO.	PART NAME	QTY	ENGINE SERIAL NO.	REMARKS
1	R71919	GASKET	1		(SUB FOR R35139, R47248 OR R61670)
2	D2420R	STUD	4		(NOT APPLICABLE)
3	19H1732	CAP SCREW	4		3/8" X 1-1/4"
4	24M7096	WASHER	4		10.500 X 18 X 1.600 MM
5	A3098R	WASHER	1		
6	19H2021	CAP SCREW	1		3/8" X 5/8"
7	AR36886	OIL PAN	1		(MARKED R35070, R36720, R40810 OR R40800) (SUB FOR AR35663 OR AR36054) (NLA)
8	19H2663	CAP SCREW	6		3/4" X 2-1/8"
9	12H236	LOCK WASHER	6		3/4"
10	12H304	LOCK WASHER	29		3/8"
11	19H3328	CAP SCREW	2		3/8" X 6-1/2"
12	19H3481	CAP SCREW	2	-XXXXXX	3/8" X 7-1/2", (USE WITH R46577)
	19H3564	CAP SCREW	2	XXXXXX-	3/8" X 7-5/8", (USE WITH R73791) (NLA)
13	R26727	DRAIN PLUG	1		(SUB FOR R51944)
14	A4827R	WASHER	1		
15	19H1800	CAP SCREW	23		3/8" X 1-1/2"
16	15H690	PIPE PLUG	1		3/4"
17	19H2552	CAP SCREW	1		3/8" X 1-1/8"
18	R35141	SCREW	2		

1B10

ENGINE

OIL PAN REPLACEMENT GASKET KIT (6531D)

RGP780 -UN-01JAN94



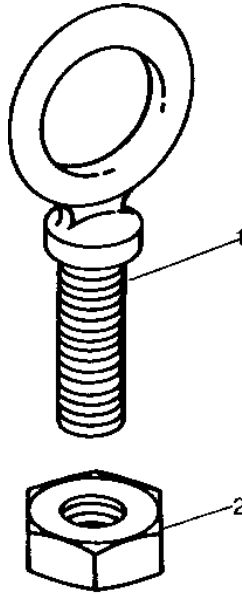
KEY	PART NO.	PART NAME	QTY	ENGINE SERIAL NO.	REMARKS
1	R71919	GASKET	1		(SUB FOR R35139, R47248 AND R61670)
2	R35032	GASKET	1		
3	R35034	PACKING	1		
4	R26121	O-RING	1		
5	AR36073	GASKET KIT	1		

1B11

ENGINE

RGP1277 -UN-01JAN94

ENGINE LIFT EYE BOLT



RGP1277

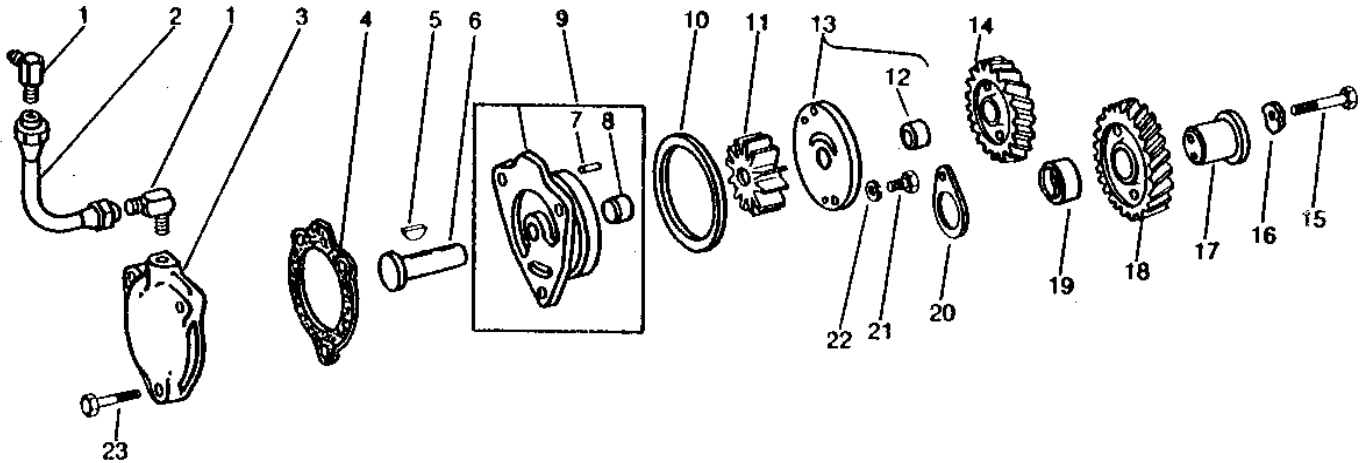
KEY	PART NO.	PART NAME	QTY	ENGINE SERIAL NO.	REMARKS
1	R60980	EYEBOLT	2		(SUB RE61025, 19H2710 AND 24M7241)
2	14H821	NUT	2	5/8"	
	14H821	NUT	1	5/8", (5400, 6030)	

1B12

ENGINE

VENTILATOR PUMP (ENGINE SERIAL NO. -030375)

RGP761 -UN-01JAN94



RGP761

KEY	PART NO.	PART NAME	QTY	ENGINE SERIAL NO.	REMARKS
1	M42830	ELBOW FITTING	2		
2	AR35003	LINE	1		90°, (SUB FOR AR26635)
	AR36671	LINE	1		(NO LONGER AVAILABLE) (5010)
3	R31346	COVER	1		
4	R31340	GASKET	1		
5	26H70	SHAFT KEY	2		1/8" X 1/2"
6	AR40405	SHAFT	1		(MARKED R40564) (SUB FOR AR26390 OR R26407)
	B2641R	DOWEL PIN	1		(USE WITH AR26390)
7	34H245	SPRING PIN	2		1/8" X 5/8"
8	R30713	BUSHING	1		
9	AR30444	HOUSING	1		(MARKED R31337)
10	R40776	WASHER	1		(SUB FOR R26142)
11	R26135	IMPELLER	1		
12	R30713	BUSHING	1		
13	AR26341	COVER	1		(MARKED R26136)
14	R26138	GEAR	1		
15	19H1819	CAP SCREW	1		3/8" X 2-1/8"
16	R26403	LOCK PLATE	1		
17	R26401	SHAFT	1		
18	AR35004	GEAR	1		(MARKED R35016)
19	R30712	BUSHING	1		
20	R26402	WASHER	1		
21	19H2925	SCREW	2		NO. 10 X 1/2", (SUB FOR R27206)
22	12H246	LOCK WASHER	2		0.190"
23	R41920	CAP SCREW	3		(SUB FOR R27207)

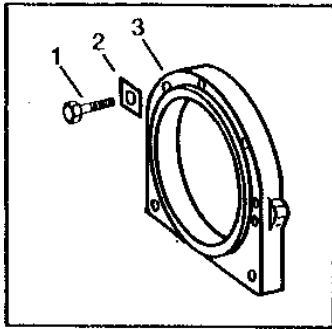
1B13

ENGINE

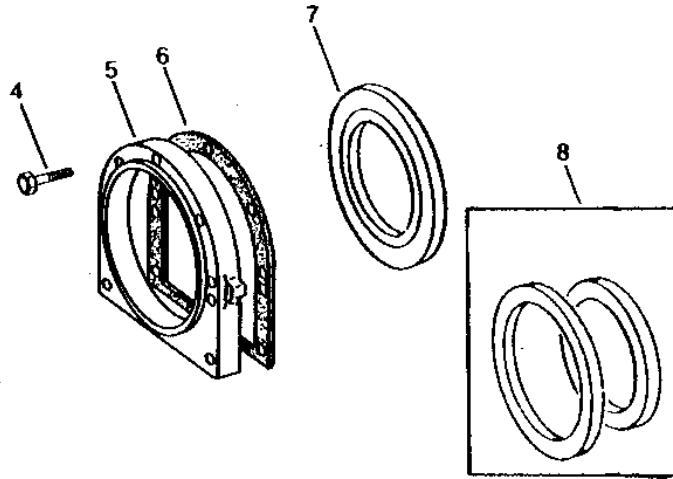
RGP2793

-UN-01JAN94

CRANKSHAFT REAR OIL SEAL AND HOUSING



RGP2793



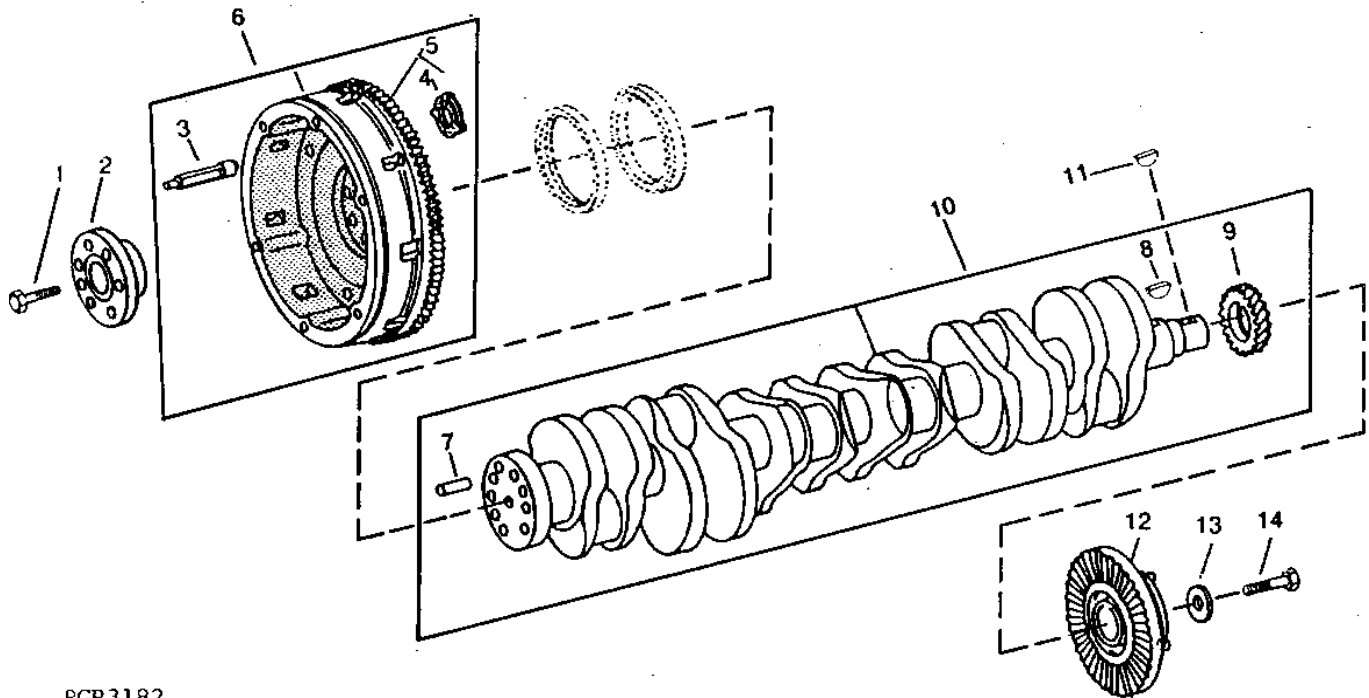
KEY	PART NO.	PART NAME	QTY	ENGINE SERIAL NO.	REMARKS
1	19H2661	CAP SCREW	7	-030841	5/16" X 1-3/8"
2	R35128	LOCK PLATE	7	-030841	
3	AR45347	HOUSING	1	-030841	(SUB RE13310, R73791 AND (2) 19H3564)
4	R41035	CAP SCREW	7	030842-	7.925 X 35.052 MM (5/16" X 1.380") (USE WITH R46577)
5	R46577	HOUSING	1	030842-	(SUB R73791 AND (2) 19H3564)
	R73791	HOUSING	1		(NLA)
6	R35043	GASKET	1		
7	RE13310	SEAL	1		(SUB FOR RE13312)
8	AR101833	SEAL	1		(SUB RE13310) (SUB FOR AR48942)

1B14

ENGINE

CRANKSHAFT AND FLYWHEEL (6531A & D)

RGP3182 -UN-01JAN94



RGP 3182

KEY	PART NO.	PART NAME	QTY	ENGINE SERIAL NO.	REMARKS
1	R35044	SELF-LOCKING SCREW	6	(5010, 5020*, 5020&, 6030)	
	R54099	CAP SCREW	6	(SUB FOR R42364 OR R63789) (5400)	
2	E48686	HUB	1	(5400)	
3	R26646	PIN	3	-004499	
	R36675	PIN	3	004500-	
	R55274	PIN	3	(SUB FOR R49215) (6030)	
4	R57480	GASKET	1	(5020*, 5020&, 6030)	
5	AR103044	KIT	1	(MARKED R76000) (SUB FOR R35047)	
6	AR103108	FLYWHEEL	1	(MARKED R35060, R42200, R42210, R40190 OR R40820) (SUB FOR AR36904, AR35800, AR36092, AR40936, AR36619, AR44104 OR AR44105) (5020*, 5020&)	
	AR103112	FLYWHEEL	1	(MARKED R44070) (SUB FOR AR45278)	
	AR103109	FLYWHEEL	1	(MARKED R49220 OR R54780) (SUB FOR AR52639, AR63261 OR AR64672) (5010)	
	AR52802	FLYWHEEL	1	-293817 (MARKED R49350) (SUB AR103322) (5400)	
	AR103322	KIT	1	293818- (MARKED R63349) (SUB FOR AR78264) (5400)	
7	R60161	DOWEL PIN	2	(SUB FOR R35046 OR T23740)	
8	26H12	SHAFT KEY	1	1/8" X 3/4"	
9	R35045	GEAR	1		
10	AR69263	CRANKSHAFT	1	(MARKED R36350 OR R63476) (SUB FOR AR35010) (SUB AR92533)	
11	26H85	SHAFT KEY	1	1/4" X 1"	
12	AR58180	ABSORBER	1	-004499 (A) (SUB FOR R35646) (NOT SHOWN) (5010)	
	AR58177	ABSORBER	1	004500- (A) (SUB FOR R34365, AR53023 OR AR50397) (5010, 5020*, 5020&, 6030)	
	AR58178	ABSORBER	1	030581- (A) AIR CONDITIONING, (NOT SHOWN) (5020&, 6030) (NLA) (7520)	
	ABSORBER	NA		
13	R26333	WASHER	1		
14	19H2706	CAP SCREW	1	5/8" X 2", HS, SAE 8	

(*) 5020 (-024999)

(&) 5020 (025000-)

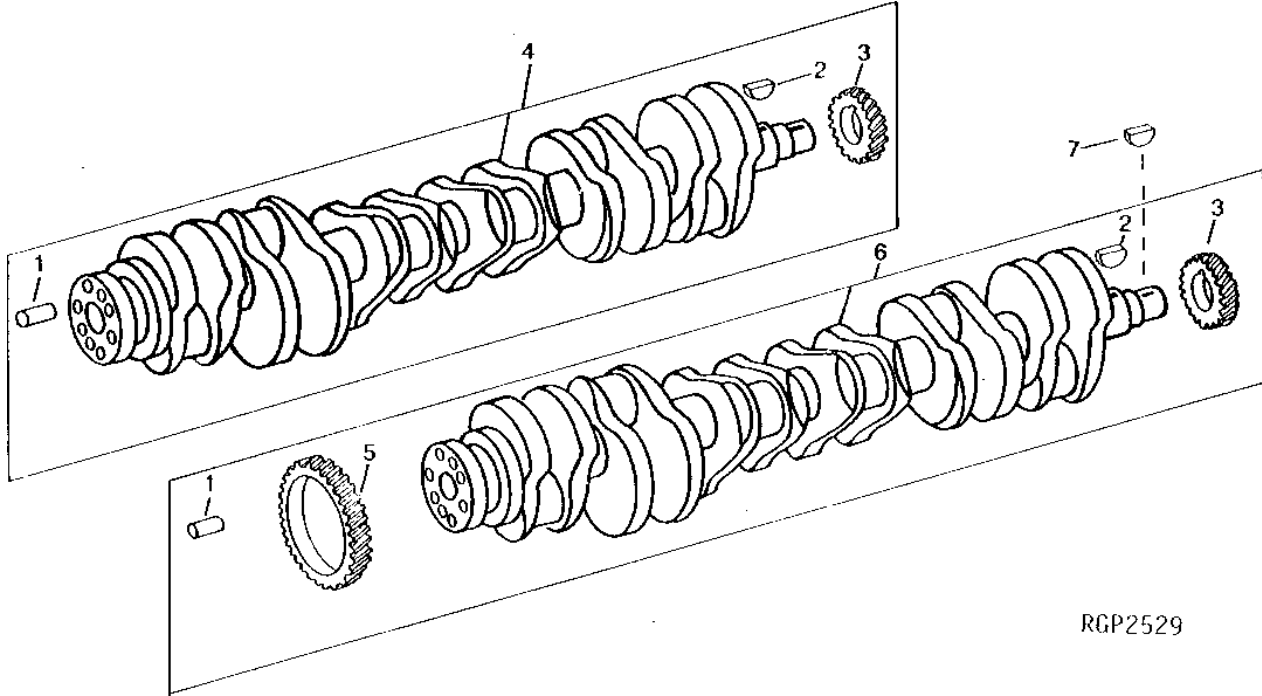
(A) USE ON NATURALLY ASPIRATED ENGINES ONLY

1B15

ENGINE

RGP2529 -UN-01JAN94

CRANKSHAFT



RGP2529

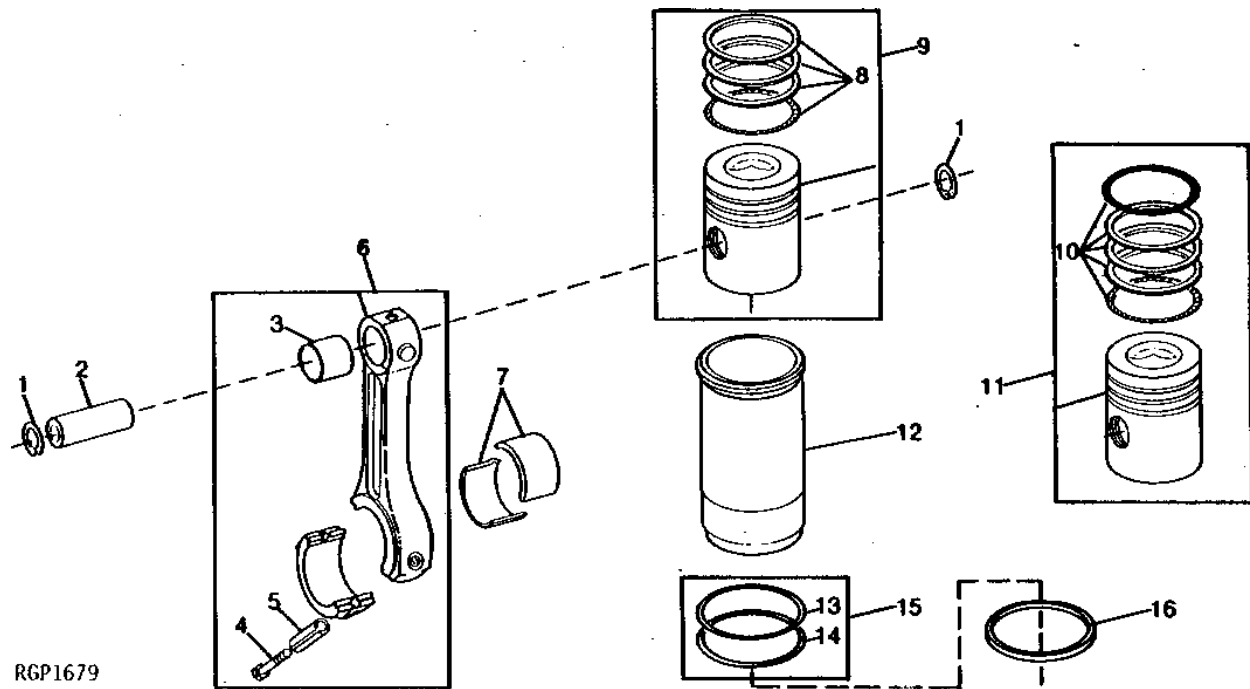
KEY	PART NO.	PART NAME	QTY	SHORT BLOCK SERIAL NO.	REMARKS
1	R60161	DOWEL PIN	2		
2	26H12	SHAFT KEY	1		1/8" X 3/4"
3	R35045	GEAR	1		
4	AR69263	CRANKSHAFT	1	-223644	(MARKED R36350) (SUB AR92533)
5	R63326	GEAR	1	223645-	
6	AR92533	CRANKSHAFT	1	223645-	(MARKED R63476)
7	26H85	SHAFT KEY	1		1/4" X 1"

1B16

ENGINE

PISTONS, RINGS, CONNECTING ROD AND LINERS (6531D)

RGP1679 -UN-01JAN94



RGP1679

1B17

ENGINE

**PISTONS, RINGS, CONNECTING ROD AND LINERS - CONTINUED
(6531D)**

KEY	PART NO.	PART NAME	QTY	ENGINE SERIAL NO.	REMARKS
1	D2824R	SNAP RING	12		
2	R35053	PISTON PIN	6		STD
	R36413	BUSHING	6		0.08MM (.003") OS (MARKED YELLOW)
	R36414	PISTON PIN	6		0.13MM (.005") OS (MARKED RED)
3	R36328	BUSHING	6		
4	R66453	CAP SCREW	12		(SUB FOR R35049 OR R48316)
5	R48317	SLEEVE	12	290635-	(USE WITH AR59420) (MARKED R53286)
6	AR36666	CONNECTING ROD	6	-290634	(MARKED R35048, R40238 OR R58881) (SUB AR86987) (SUB FOR AR35012)
	AR86987	CONNECTING ROD	6	290635-	(MARKED R53286, R58881 OR R66927) (SUB FOR AR59420 OR AR70911)
7	AR53020	BEARING	AR		STD (PKG. OF (2) R49385) (SUB FOR AR35661)
	AR57207	BEARING	AR		0.05MM (.002") US, (PKG. OF (2) R52541) (SUB FOR AR35191)
	AR57208	BEARING	AR		0.25MM (.010") US, (PKG. OF (2) R52542) (SUB FOR AR45221)
	AR57209	BEARING	AR		0.51MM (.020") US, (PKG. OF (2) R52543) (SUB FOR AR35193)
	AR57210	BEARING	AR		0.76MM (.030") US, (PKG. OF (2) R52544) (SUB FOR AR35195)
8	AR41295	PISTON RING	6		(USE WITH AR41294, AR61897 OR R44506)
9	AR44505	PISTON	6		(MARKED R36801, R40627, R40951 OR AR44506) (SUB FOR AR36145 OR AR36872)
	AR41293	PISTON	6	-011999	(MARKED AR41294) (SUB RE16549)
	AR61896	PISTON	6	012000-025386	(MARKED AR61897) (SUB RE16549)
	AR41293	PISTON	6	025387-	(MARKED AR41294) (SUB RE16549)
	RE16549	PISTON	6		(MARKED RE16548)
10	AR36210	PISTON RING	6		(USE WITH R40339, R36801, R40627 OR R40951)
11	AR36836	PISTON	6		(MARKED R40339) (SUB RE16549)
12	R35124	CYLINDER LINER	6		(ALSO ORDER AR35992) (SUB FOR AR35662) (USE WITH R35130) (5010)
	R42366	CYLINDER LINER	6		(ALSO ORDER AR55959) (SUB FOR R40232) (USE WITH R40270, R42370 AND R47510)
13	R40233	WASHER	6		(USE WITH R40232, R40270, R42370, R45300 OR R47510)
14	PACKING	6		(SUB AR55950)
15	AR55950	PACKING	6		(5020*, 5010)
	AR55950	PACKING	6	-280000	(USE WITH (1) O-RING GROOVE IN BLOCK) (5020&)
	AR55951	PACKING	6	280001-	(SET OF 3) (USE W/(2) O-RING GROOVES IN BLOCK) (SUB FOR AR51957) (5020&, 5010, 6030)
	AR35992	O-RING	6		(USE WITH R35124 OR R35130) (5010)
16	AR35842	SHIM	AR		0.10MM (.004") (5020*, 5010)
	AR36353	SHIM	AR		0.38MM (.015") (5020*, 5010)
	AR35843	SHIM	AR		0.72MM (.030") (5020*, 5010)

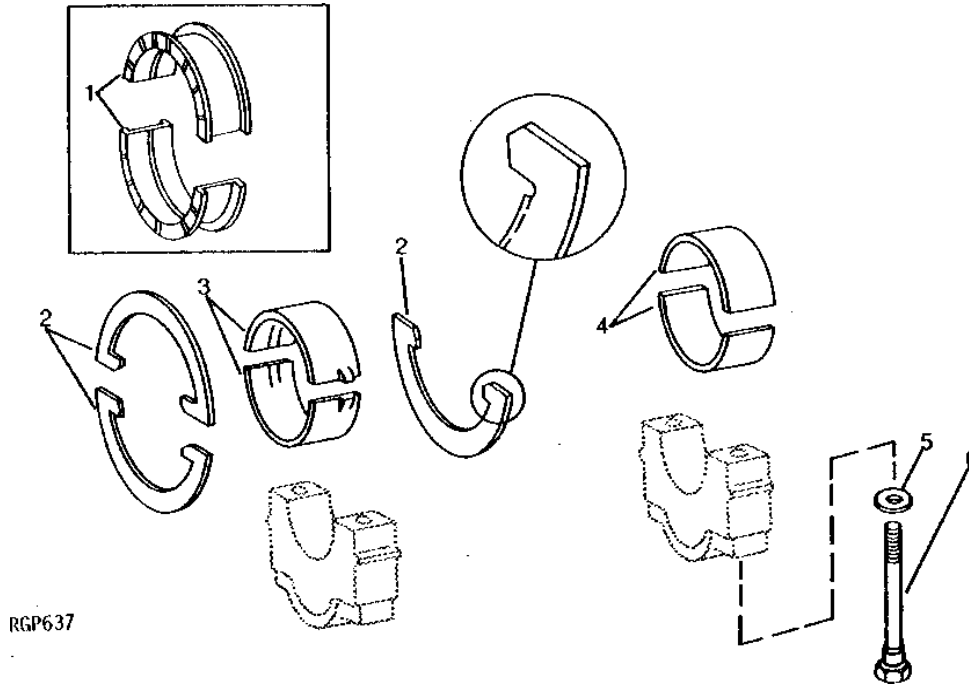
(*) 5020 (-024999)
(&) 5020 (025000-)

1B18

ENGINE

MAIN AND MAIN THRUST BEARINGS (6531)

RGP637 -UN-01JAN94



KEY	PART NO.	PART NAME	QTY	ENGINE SERIAL NO.	REMARKS
1	AR53019	THRUST BEARING	1	-306439	STD (PKG. OF R40228, R80229 OR R49383 AND R49384) (SUB FOR AR35176) (SUB AR101267) (ALSO ORDER AR89622 OR AR89971)
	AR57203	THRUST BEARING	1	-306439	0.05MM (.002") US, STD FLANGE (PKG. OF R35561 AND R35562, R52533 AND R52534) (SUB AR104563) (SUB FOR R35177) (ALSO ORDER AR89622 OR AR89971)
	AR35178	THRUST BEARING	1		0.08MM (.003") US (PKG. OF R35563 & R35564) (NO LONGER AVAILABLE)
	AR57204	THRUST BEARING	1	-306439	0.25MM (.010") US, STD FLANGE (PKG. OF R52535 AND R52536) (SUB AR104564) (ALSO ORDER AR89622 OR AR89971)
	AR57205	THRUST BEARING	1	-306439	0.51MM (.020") US, STD FLANGE (PKG. OF R35565 & R35566, R52537 & R52538) (SUB FOR AR35179) (SUB AR104565) (ALSO ORDER AR89622 OR AR89971)
	AR35180	THRUST BEARING	1		0.56MM (.022") US (PKG. OF R35567 AND R35568) (NO LONGER AVAILABLE)
	AR57206	THRUST BEARING	1	-306539	0.76MM (.030") US, STD FLANGE (PKG. OF R35569 & R35570, R52539 & R52540) (SUB FOR AR35181) (SUB AR104566) (ALSO ORDER AR89622 OR AR89971)
	AR35182	THRUST BEARING	1		0.81MM (.032") US (PKG. OF R35571 AND R35572) (NO LONGER AVAILABLE)
	AR63214	THRUST BEARING	1	-306439	0.25MM (.010") US, 0.18 MM (.007") OS FLANGE, (SUB AR104564) (ALSO ORDER AR89622 OR AR89971) (PKG. OF R54754 AND R54755)
	AR35183	THRUST BEARING	1		STD. WITH 0.38MM (.015") OS FLANGE (PKG. OF R35573 & R35574) (NO LONGER AVAILABLE)
	AR35184	THRUST BEARING	1		0.81MM (.032") US W/ 0.63MM (.025") OS FLANGE (PKG. OF R35575 & R35576) (NO LONGER AVAILABLE)
	AR35314	THRUST BEARING	1		0.81MM (.032") US WITH 0.63MM (.025) OS FLANGE (PKG. OF R35785 & R35786) (NO LONGER AVAILABLE)

1B19

ENGINE

MAIN AND MAIN THRUST BEARINGS - CONTINUED (6531)

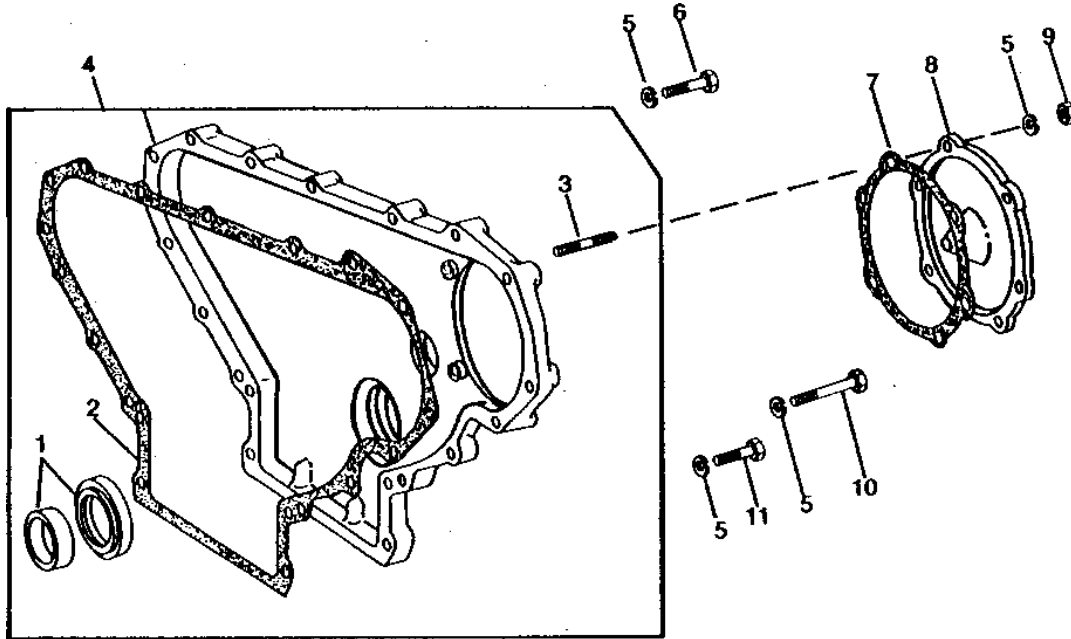
KEY	PART NO.	PART NAME	QTY	ENGINE SERIAL NO.	REMARKS
2	AR89622	THRUST WASHER	1	306440-	STD (PKG. OF (3) R62910)
	AR89971	THRUST WASHER	1	306440-	0.18MM (.007") OS, (PKG. OF R62910 AND (2) R69040)
3	AR101267	THRUST BEARING	1	306440-	STD (PKG. OF R40228 AND R40229 OR R49383 AND R49384 OR (2) R66339, (2) R75146 OR (2) R74669) (SUB FOR AR101408, AR94645, AR53019 OR AR35176) (ALSO ORDER AR89622 OR AR89971)
	AR104563	THRUST BEARING	1	306440-	0.05MM (.002") US (PKG. OF R35561 AND R35562 OR R52533 AND R52534 AND AR94646 OR (2) R69032, (2) R75157 OR (2) R76641, (SUB FOR AR35177, AR101409, AR94646 OR AR57203) (ALSO ORDER AR89622 OR AR89971)
	AR104564	THRUST BEARING	1	306440-	0.25MM (.010") US (PKG. OF (2) R69034, (2) R75159 OR (2) R76643) (SUB FOR AR101410, AR57204, AR63214 OR AR94647)
	AR104565	THRUST BEARING	1	306440-	0.51MM (.020") US, (PKG. OF R35565 AND R35566 OR (2) R69036, (2) R75161 OR (2) R76645 OR R52537 AND R52538) (SUB FOR AR35179, AR101411, AR94648 OR AR57205) (ALSO ORDER AR89622 OR AR89971)
	AR104566	THRUST BEARING	1	306440-	0.76MM (.030") US, (PKG. OF R35569 AND R35570 OR (2) R69038, (2) R75163 OR (2) R76647, R52539 OR R52540) (SUB FOR AR35181, AR101412, AR94649 OR AR57206) (ALSO ORDER AR89622 OR AR89971)
	AR101266	BEARING	1		STD (PKG OF (2) R40227 OR (2) R49382, (2) R66337, (2) R75144 OR (2) R74667) (SUB FOR AR53018, AR101403 OR AR35660)
4	AR104567	BEARING	AR		0.05MM (.002") US (PKG. OF (2) R52529, (2) R69024, (2) R75149, (2) R76633 OR (2) R35577) (SUB FOR AR57199, AR35185 OR AR90642)
	AR35186	BEARING	AR		0.08MM (.003") US (PKG. OF (2) R35578) (NO LONGER AVAILABLE)
	AR104568	BEARING	AR		0.25MM (.010") US, (PKG. OF (2) R52530, (2) R69026, (2) R75151, OR (2) R76635) (SUB FOR AR57200 OR AR90641)
	AR104569	BEARING	AR		0.51MM (.020") US, (PKG. OF (2) R35579, (2) R52531, (2) R69028, (2) R75153 OR (2) R76637) (SUB FOR AR57201, AR35187 OR AR90644)
	AR35188	BEARING	AR		0.56MM (.022") US (PKG. OF (2) R35580) (NO LONGER AVAILABLE)
	AR104570	BEARING	AR		0.76MM (.030") US, (PKG. OF (2) R35581, (2) R52532, (2) R69030, (2) R75155 OR (2) R76639) (SUB FOR AR57202, AR35187 OR AR90645)
	AR35190	BEARING	AR		0.81MM (.032") US (PKG. OF (2) R35582) (NO LONGER AVAILABLE)
	R70268	WASHER	14		16.662 X 27.940 X 4.394 MM (21/32" X 1.100" X 0.173") (SUB FOR R42363 OR R36995)
6	R42365	BOLT	14		15.875 X 120.650MM (5/8" X 4-3/4") (SUB FOR R40231) (USE WITH R35130, R40270, R45300 OR R47510)
	R63952	CAP SCREW	14		15.875 X 133.350 MM (5/8" X 5-1/4") (USE WITH R48260, R72129 OR R80401) (SUB FOR R60117)

1B20

ENGINE

TIMING GEAR COVER (6531D)

RGP1539 -UN-01JAN94



RGP1539

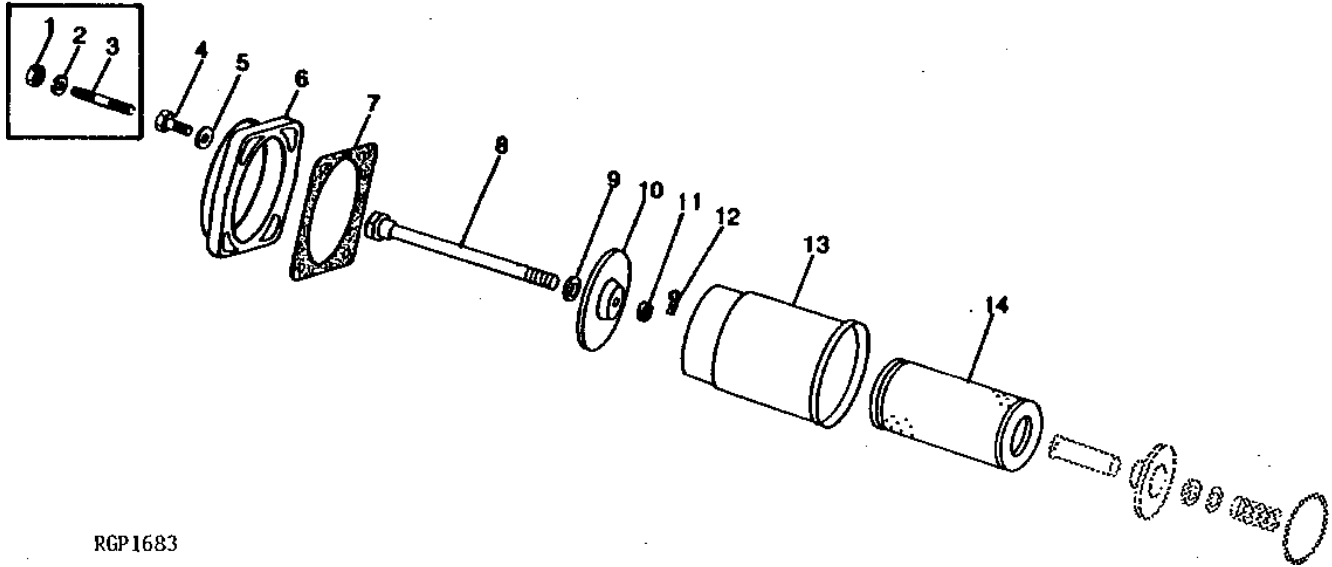
KEY	PART NO.	PART NAME	QTY	ENGINE SERIAL NO.	REMARKS
1	AR49025	SEAL	1		(SUB FOR AR47891, AR44949, AR31882 OR AR48728)
2	R35126	GASKET	1		
3	R32042	STUD	2		
4	AR36057	COVER	1		(MARKED R36655)
5	12H304	LOCK WASHER	17		3/8"
6	19H1801	CAP SCREW	7		3/8" X 2"
7	R35349	GASKET	1		
8	R35348	COVER	1		
9	14H1076	NUT	2		3/8"
10	19H1733	CAP SCREW	4		3/8" X 2-1/2"
11	19H1800	CAP SCREW	4		3/8" X 1-1/2"

1B21

ENGINE

ENGINE OIL FILTER (6531D)

RGP1683 -UN-01JAN94



RGP1683

KEY	PART NO.	PART NAME	QTY	ENGINE SERIAL NO.	REMARKS
1	14H1076	NUT	4	3/8"	
2	24H1301	WASHER	4	13/32" X 9/16" X 0.065"	
3	D2420R	STUD	4		
4	19H1732	CAP SCREW	4	3/8" X 1-1/4"	
5	24M7096	WASHER	4	10.500 X 18 X 1.600 MM	
6	R42055	COVER	1		
7	R35032	GASKET	1		
8	R40327	CAP SCREW	1		
9	24H1302	WASHER	1	13/32" X 11/16" X 0.035"	
10	R40279	REINFORCEMENT	1		
11	A4847R	WASHER	1	(SUB FOR R40278)	
12	11M7081	COTTER PIN	1	0.098" X 0.787"	
13	R40277	HOUSING	1		
14	AR75603	FILTER ELEMENT	1	(SUB FOR AR28271, AT34670 OR AR75601)	

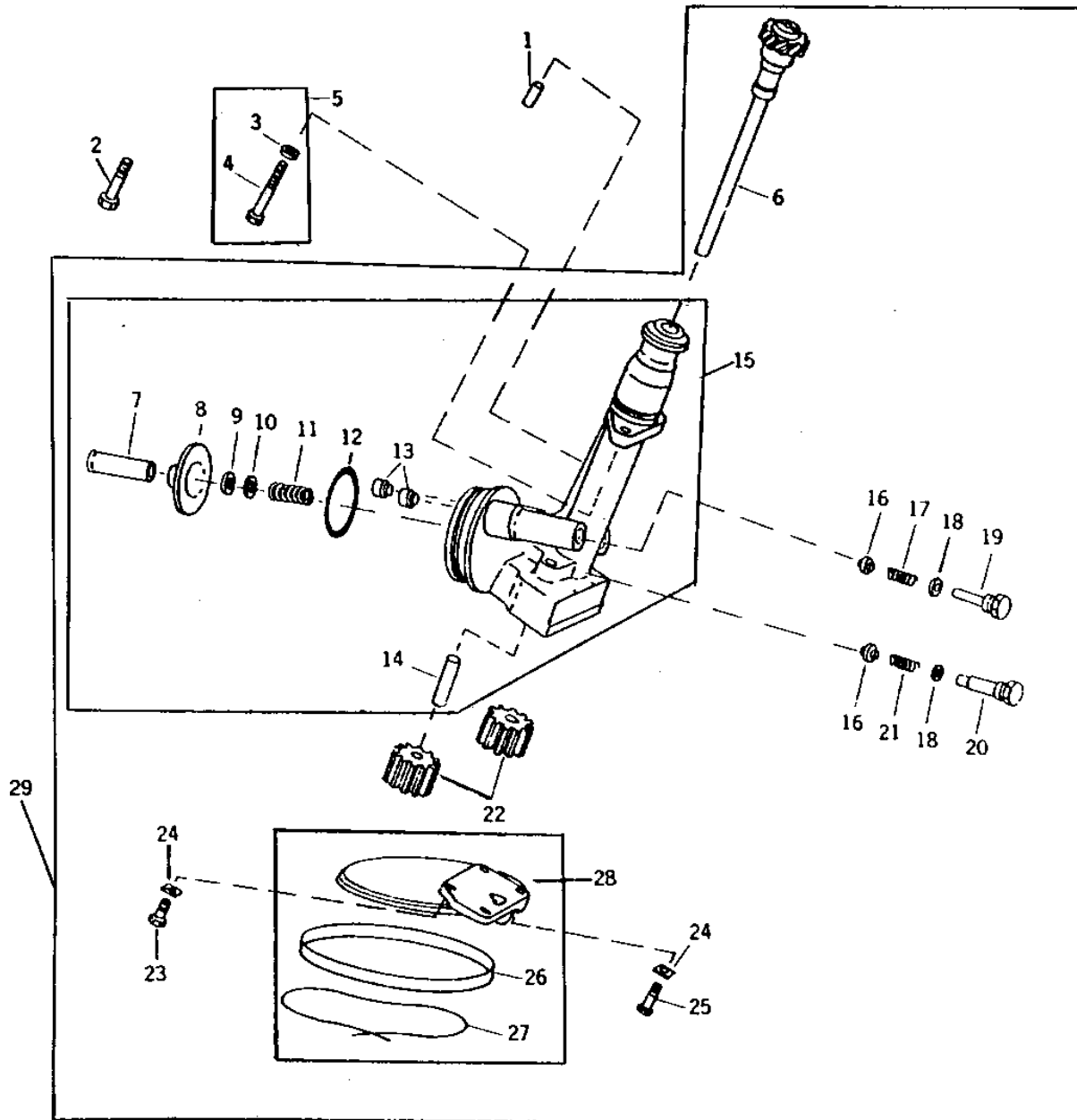
1B22

ENGINE

ENGINE OIL PUMP (6531D)

RGP3288

-UN-01JAN94



RGP3288

1B23

ENGINE

ENGINE OIL PUMP - CONTINUED

KEY	PART NO.	PART NAME	QTY	ENGINE SERIAL NO.	REMARKS
1	H826R	DOWEL PIN	1	(5010)	
2	R38614	CAP SCREW	2	(USE WITH R56604)	
3	M72490	WASHER	2	(USE WITH R40217) (SUB FOR R1888R OR R42729, THIS APPLICATION)	
4	19H1800	CAP SCREW	2	(5010)	
	R38614	CAP SCREW	2	(USE WITH R56604) (5020*)	
	R41920	CAP SCREW	2	(USE WITH R40217)	
5	AR63865	KIT	1	(USE WITH R40217)	
6	26H73	SHAFT KEY	1	-XXXXXX	
	AR35035	GEAR	1	(MARKED R32427)	
7	R26146	TUBE	1	(5010)	
	R40269	OIL TUBE	1		
8	PLATE	NA	(R35136 AVAILABLE ONLY IN ASSEMBLY) (5010)	
	R40271	PLATE	1		
9	R26149	PACKING	1	(5010)	
	R40273	WASHER	1		
10	24H1388	WASHER	1	25/32" X 15/16" X 0.036", (5010)	
	24H1707	WASHER	1	1-1/32" X 1-3/16" X 0.036"	
11	R26151	SPRING	1	(5010)	
	R40272	SPRING	1		
12	R26121	O-RING	1		
13	R26493	BUSHING	2	005273-	
14	R26144	SHAFT	1		
15	AR36240	HOUSING	NA	(MARKED R36716 OR R36863) (ALSO ORDER R26152, R36864, R36865 AND H294R) (SUB FOR AR36056) (SUB AR36239) (5010) (NLA)	
	AR67468	HOUSING	1	(MARKED R40217 OR R56604) (SUB FOR AR36693 OR AR68310) (ALSO ORDER (2) R38614, (2) R41920 AND (2) R42729) (NLA)	
16	R26152	VALVE	2	005273-	
17	R36864	SPRING	1	005273-	
18	H294R	WASHER	2	005273-	
19	R36865	FITTING	1	005273-	
20	R26153	FITTING	1		
21	R36715	SPRING	1		
22	AR36694	GEAR	1	(SUB FOR AR26705)	
23	19H2127	CAP SCREW	2	5/16" X 7/8"	
24	R35128	LOCK PLATE	4		
25	19H3552	CAP SCREW	1	5/16" X 1-1/2", (5010)	
	19H3552	CAP SCREW	1	5/16" X 1-1/2"	
	19H1849	CAP SCREW	1	5/16" X 1-1/4"	
26	R35138	SCREEN	1		
27	WIRE	1	16 GAUGE, 622MM (24-1/2")	
28	AR35164	OIL PUMP INTAKE	1	(MARKED R35028)	
29	AR36239	OIL PUMP	1	(SUB FOR AR36055) (5010) (NLA)	
	AR36702	OIL PUMP	1	(SUB FOR AR76542) (ALSO ORDER (2) R38614, (2) R41920 AND (2) R42729)	

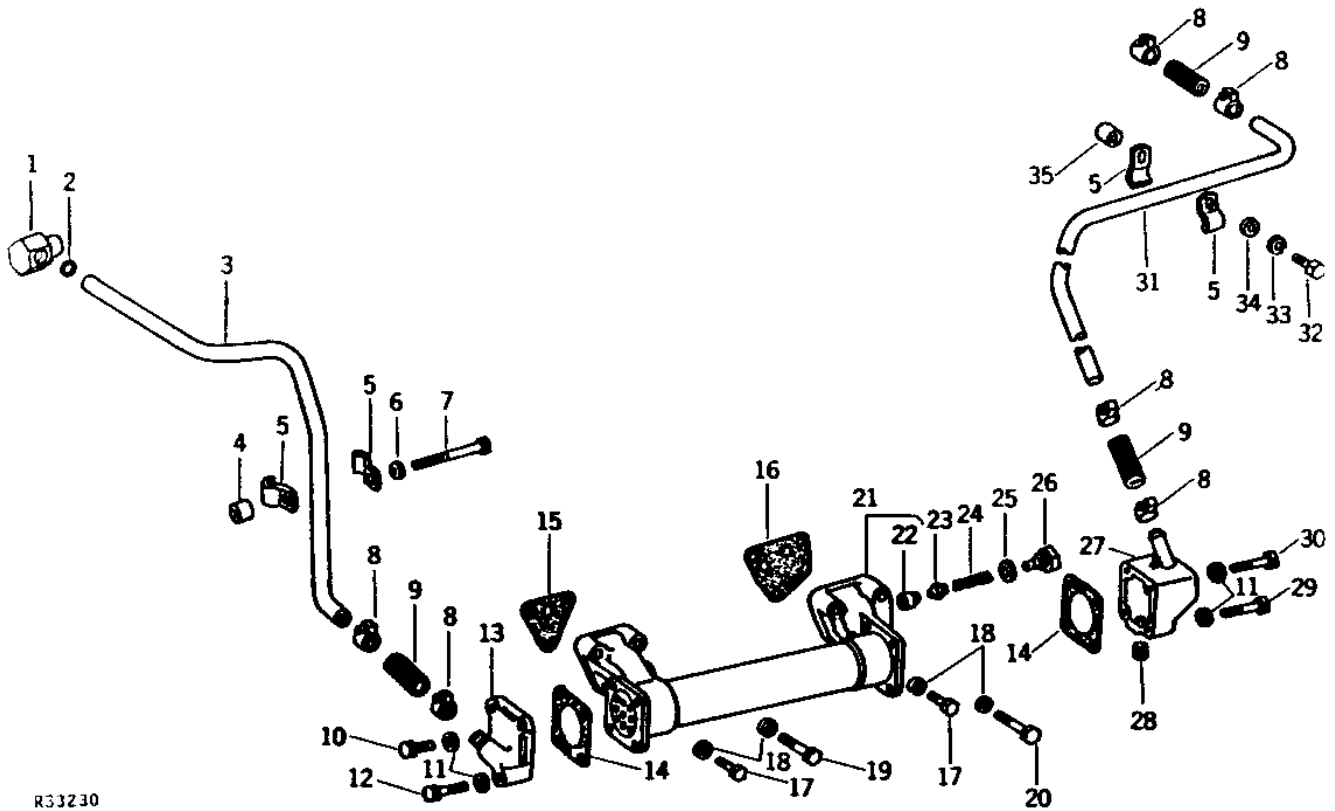
(*) 5020 (-024999)
 (&) 5020 (025000-)

1B24

ENGINE

ENGINE OIL COOLER (6531D)

R33230 -UN-01JAN94



R33230

1B25

ENGINE

ENGINE OIL COOLER - CONTINUED (6531D)

KEY	PART NO.	PART NAME	QTY	ENGINE SERIAL NO.	REMARKS
1	R35800	ADAPTER	1		
2	R375R	O-RING	1		
3	R35799	LINE	1		WATER INLET
4	28H1697	SPACER	1		(5010, 5020*, 6030)
	28H1535	SPACER	1		(5020&)
5	R35726	CLAMP	4		
6	12H304	LOCK WASHER	1		3/8"
7	19H1912	CAP SCREW	1		3/8" X 3-1/2"
8	AR21837	CLAMP	6		(SUB TY22465)
9	R20922	HOSE	3		(SUB FOR A5334R)
10	19H1849	CAP SCREW	3		5/16" X 1-1/4"
11	12H303	LOCK WASHER	8		5/16"
12	19H1901	CAP SCREW	1		5/16" X 2"
13	R35059	CAP	1		REAR
14	R27948	GASKET	2		
15	R35104	GASKET	1		
16	R35105	GASKET	1		
17	19H2552	CAP SCREW	2		3/8" X 1-1/8"
18	12H304	LOCK WASHER	4		3/8"
19	19H3181	CAP SCREW	2		3/8" X 2"
20	19H1726	CAP SCREW	2		3/8" X 2-1/4"
21	AR36929	OIL COOLER	1		(SUB FOR AR35027)
22	R26493	BUSHING	1		
23	R26152	VALVE	1		(BY PASS)
24	A354R	SPRING	1		(SUB FOR R26169)
25	H294R	WASHER	1		
26	R34788	FITTING	1		
27	R35058	CAP	1		FRONT
28	15H559	PIPE PLUG	1		1/4"
29	19H1875	CAP SCREW	2		5/16" X 1-3/4"
30	19H1907	CAP SCREW	2		5/16" X 2-3/4"
31	R35062	LINE	1		WATER OUTLET
32	19H1732	CAP SCREW	1		3/8" X 1-1/4"
33	12H304	LOCK WASHER	1		3/8"
34	24H1652	WASHER	1		13/32" X 11/16" X 7/64"
35	28H1519	WASHER	1		0.493" X 0.675" X 3/8"

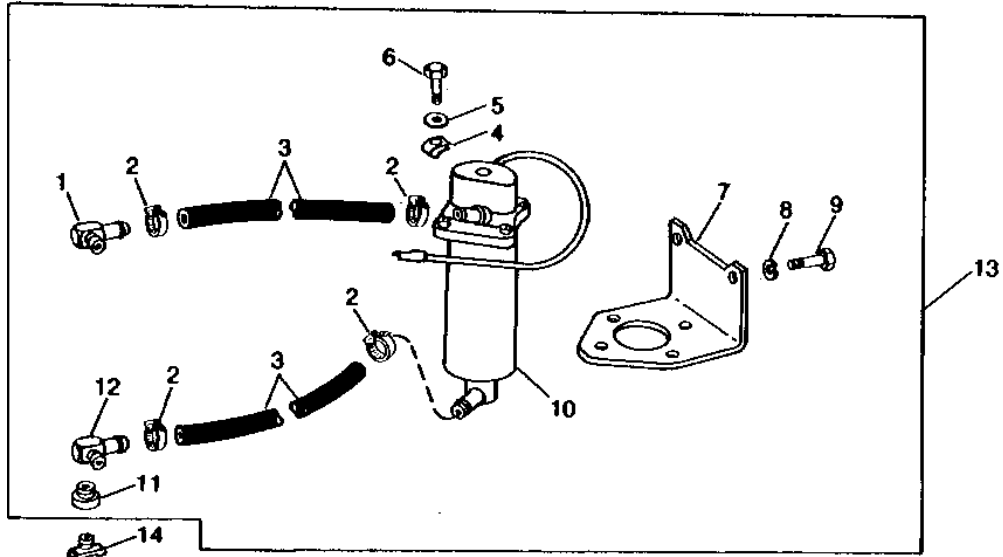
(*) 5020 (-024999)
(&) 5020 (025000-)

1C1

ENGINE

ENGINE COOLANT HEATER
(ENGINE SERIAL NO. -XXXXXX)

RXP7978 -UN-01JAN94



RXP7978

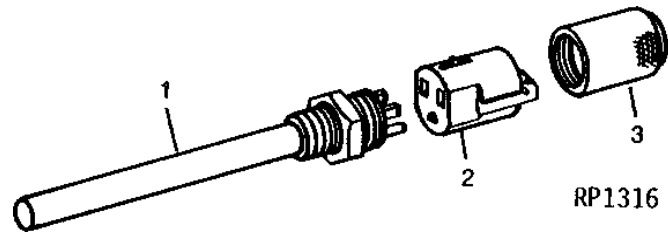
KEY	PART NO.	PART NAME	QTY	TRACTOR SERIAL NO.	REMARKS
1	AR48369	ELBOW FITTING	1	90°	
2	AR21837	CLAMP	4	(SUB TY22465)	
3	HOSE	1	330MM (13")	(MAKE FROM R45847)
4	T22645	CLIP	1		
5	24H1287	WASHER	4	9/32" X 5/8" X 0.065"	
6	19H1914	CAP SCREW	3	1/4" X 1"	
7	R44967	BRACKET	1	1/4" X 1-1/4"	
8	12H304	LOCK WASHER	2	3/8"	
9	19H1800	CAP SCREW	2	3/8" X 1-1/2"	
10	AR42326	HEATER	1		(INCLUDES AR42883, AR42991 AND F1649R)
	AR42883	COOLANT HEATER	1		
	AR42991	HOUSING	1		
	F1649R	O-RING	1		
11	15H642	PIPE BUSHING	1	3/8" X 1/4"	
12	AR42590	ELBOW FITTING	1	1/4"-18	
13	AR47168	HEATER	1		(INCLUDES (3) R40088, R46825 AND R46826)
14	AR44382	DRAIN VALVE	1		
..	R40088	GASKET	3		
..	R46825	DECAL	1		
..	R46826	DECAL	1		

1C2

ENGINE

RP1316 -UN-01JAN94

ENGINE OIL HEATER



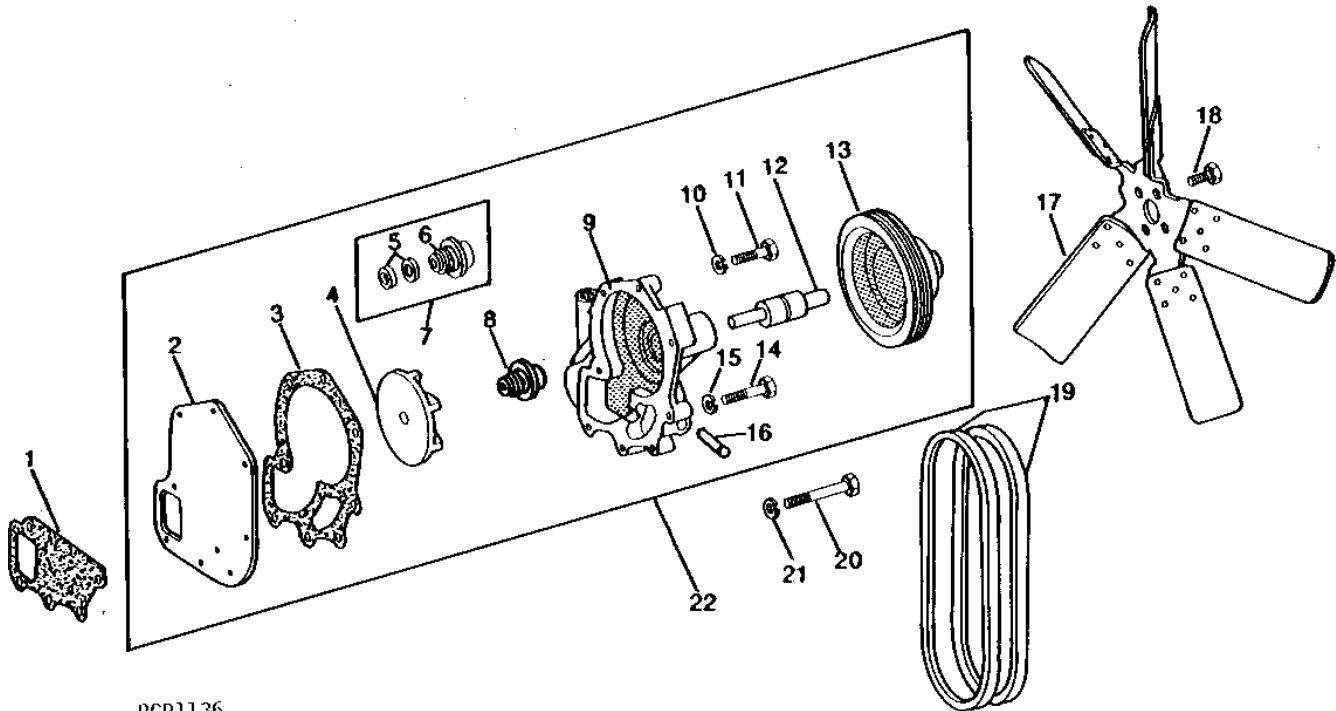
KEY	PART NO.	PART NAME	QTY	ENGINE SERIAL NO.	REMARKS
1	AR27139	HEATING ELEMENT	1		(SUB AR21024, R20878 AND T23925)
2	AR21024	FITTING	1		
3	R20878	PLUG	1		

1C3

ENGINE

FAN AND WATER PUMP (6531D)

RGP1136 -UN-01JAN94



RGP1136

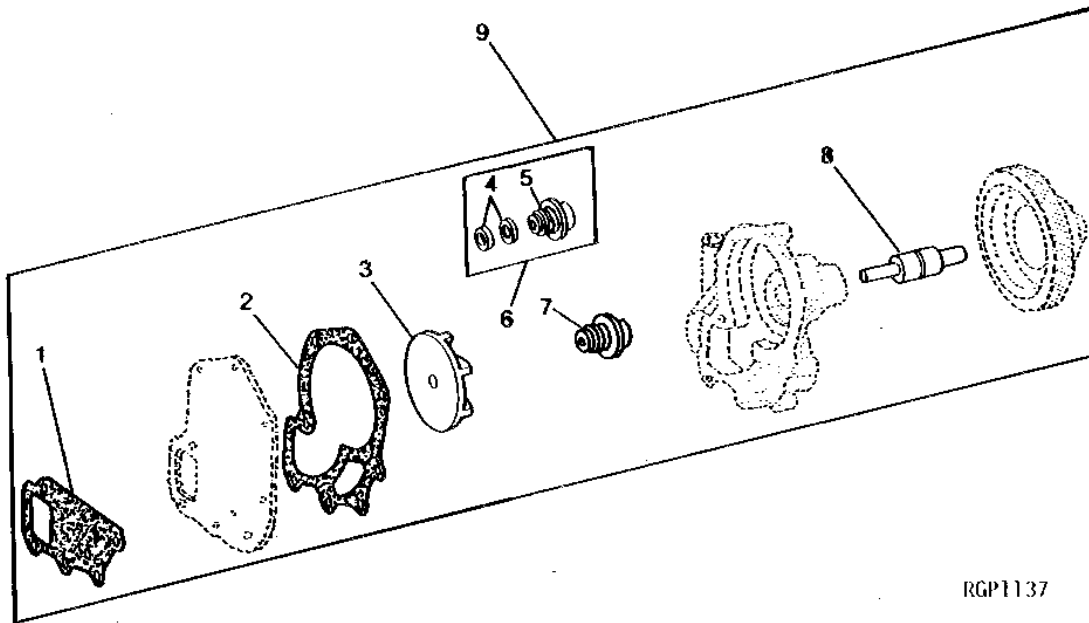
KEY	PART NO.	PART NAME	QTY	ENGINE SERIAL NO.	REMARKS
1	R35263	GASKET	1		
2	R35261	COVER	1		
3	R35262	GASKET	1		
4	R40242	IMPELLER	1		
5	AR41691	INSERT	1	(SUB RE20776)	
6	T27261	SEAL	1	(SUB RE20776)	
7	AR62934	SEAL	1	(SUB RE20776) (SUB FOR AR36668, THIS APPLICATION)	
8	RE20776	KIT	1	(SUB FOR AR101549, THIS APPLICATION)	
9	R36812	HOUSING	1		
10	12H303	LOCK WASHER	3	5/16"	
11	19H3552	CAP SCREW	3	5/16" X 1-1/2"	
12	JD9257	BALL BEARING	1		
13	R40244	PULLEY	1		
	R45118	SHEAVE	1	AIR CONDITIONING	
14	19H1801	CAP SCREW	1	3/8" X 2"	
15	12H304	LOCK WASHER	1	3/8"	
16	R27548	TUBE	1		
17	AR46805	FAN	1	(SUB FOR AR36188)	
18	19H1732	CAP SCREW	4	3/8" X 1-1/4"	
19	AR56638	BELT SET	1	(SUB FOR AR41574)	
	AR46970	BELT SET	1	AIR CONDITIONING	
20	19H1801	CAP SCREW	3	3/8" X 2"	
	19H1733	CAP SCREW	1	3/8" X 2-1/2"	
21	12H304	LOCK WASHER	4	3/8"	
22	AR36667	WATER PUMP	1		
	AR46972	WATER PUMP	1	AIR CONDITIONING	

1C4

ENGINE

WATER PUMP OVERHAUL KIT (6531D)

RGP1137 -UN-01JAN94



RGPI137

KEY	PART NO.	PART NAME	QTY	ENGINE SERIAL NO.	REMARKS
1	R35263	GASKET	1		
2	R35262	GASKET	1		
3	R40242	IMPELLER	1		
4	AR41691	INSERT	1		(SUB RE20776, THIS APPLICATION)
5	T27261	SEAL	1		(SUB RE20776, THIS APPLICATION)
6	AR62934	SEAL	1		(SUB RE20776, THIS APPLICATION) (SUB FOR AR36668)
7	RE20776	KIT	1		(SUB FOR AR101549, THIS APPLICATION)
8	JD9257	BALL BEARING	1		
9	AR98567	KIT	1		(SUB FOR AR55623)

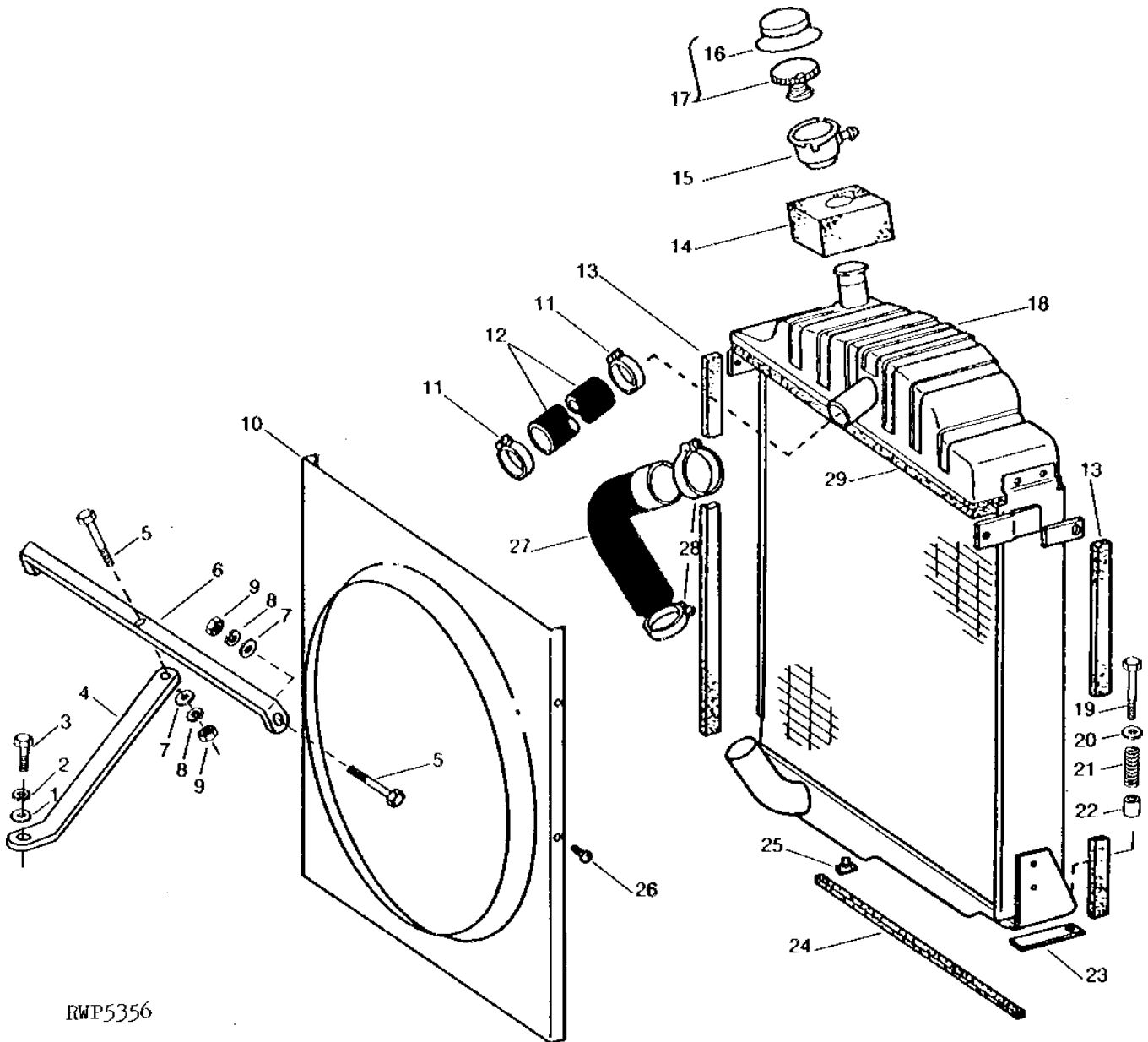
1C5

ENGINE

RWP5356

-UN-01JAN94

RADIATOR



RWP5356

1C6

ENGINE

RADIATOR - CONTINUED

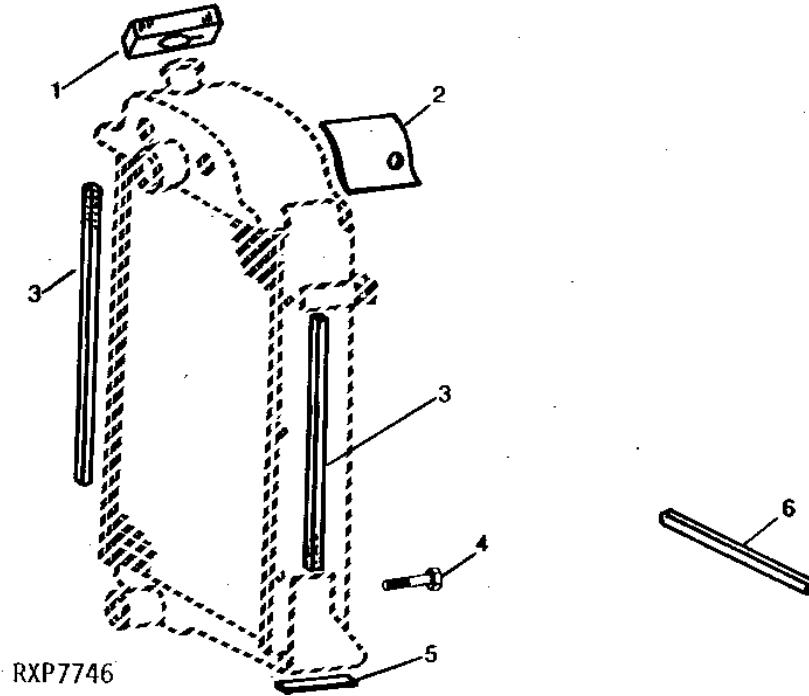
KEY	PART NO.	PART NAME	QTY	TRACTOR SERIAL NO.	REMARKS
1	24H1139	WASHER	1		11/16" X 1-1/4" X 0.105"
2	12H294	LOCK WASHER	1		5/8"
3	19H1833	CAP SCREW	1		5/8" X 1-1/4"
4	R40452	BRACE	1		
5	19H1731	CAP SCREW	2		3/8" X 1"
	19H988	CAP SCREW	2		3/8" X 1-1/4"
6	R40451	STRAP	1		
7	24H1652	WASHER	3		13/32" X 11/16" X 7/64"
8	12H304	LOCK WASHER	3		3/8"
9	14H1076	NUT	3		3/8"
10	R40380	SHROUD	1		
11	AR21840	CLAMP	2		(SUB TY22470)
12	R53231	HOSE	1		51 X 432MM (2" X 17") (SUB FOR R35304) (MAKE FROM TY22336)
13	FOAM PAD	2		13 X 25 X 635MM (1/2" X 1" X 25") (MAKE FROM R30936)
14	R35741	ISOLATOR	1		
15	RE15427	FILLER NECK	1		REPLACEMENT
16	R27209	COVER	1		
17	AR28482	CAP	1		
18	AR36814	RADIATOR	1		
19	19H1123	CAP SCREW	2		3/8" X 1-7/8"
20	24H1309	WASHER	2		13/32" X 1-1/16" X 0.120"
21	F2411R	SPRING	2		
22	R26417	SPACER	2		
23	R26413	STRAP	2		
24	FOAM PAD	1		13 X 13 X 559MM (1/2" X 1/2" X 22") (MAKE FROM R91558) (SUB FOR R30877)
25	AT13740	DRAIN VALVE	1		
26	37H78	SCREW	6		0.164" X 3/4", (SUB FOR R26416)
27	R35305	HOSE	1		
28	AR21999	CLAMP	2		
29	R36209	ISOLATOR	1		

1C7

ENGINE

RXP7746 -UN-01JAN94

RADIATOR BAFFLES AND FOAM PAD



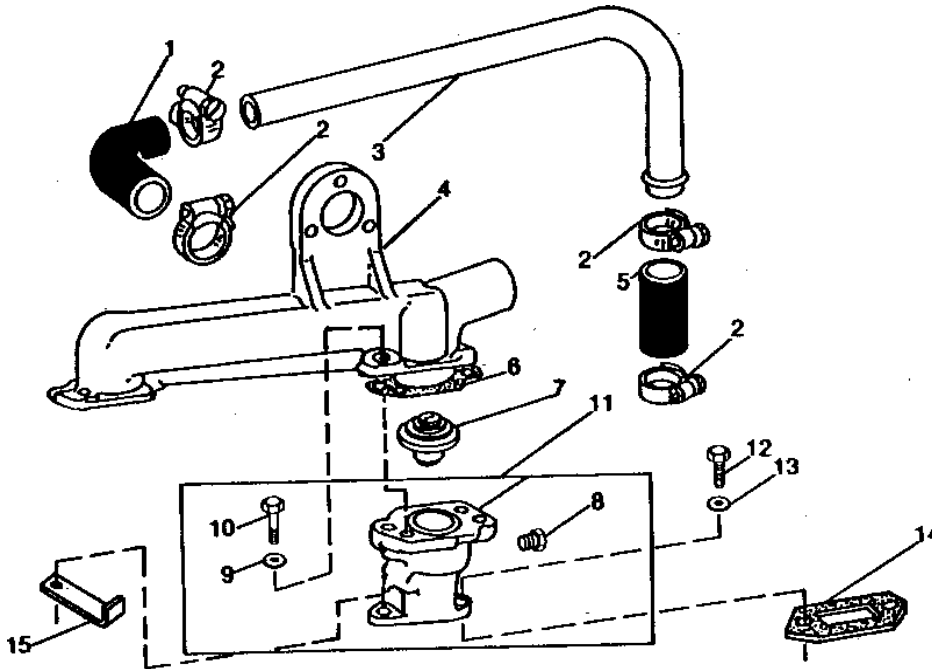
KEY	PART NO.	PART NAME	QTY	TRACTOR SERIAL NO.	REMARKS
1	R28015	FOAM PAD	1		
2	FOAM PAD	1		3MM X 102MM X 140MM (1/8" X 4" X 5-1/2") (MAKE FROM R30597)
3	ISOLATOR	3		13MM X 25MM X 495MM (1/2" X 1" X 19-1/2") (MAKE FROM R30936)
4	37H79	SCREW	6		
5	R26413	STRAP	2		
6	ISOLATOR	2		13MM X 18MM X 495MM (1/2" X 3/4" X 19-1/2") (MAKE FROM R30936) (AFTER AR46438 OR AR34302 HAS BEEN INSTALLED)

1C8

ENGINE

WATER MANIFOLD AND THERMOSTATS (6531D)

RGP1685 -UN-01JAN94



RGP1685

KEY	PART NO.	PART NAME	QTY	ENGINE SERIAL NO.	REMARKS
1	R81585	HOSE	1	(SUB FOR R36819)	
2	TY22470	CLAMP	4	(SUB FOR AR21840)	
3	R36816	LINE	1		
4	R36813	MANIFOLD	1	(NLA)	
5	R36815	HOSE	1	(MAKE FROM TY22333)	
6	R42694	GASKET	2	(SUB FOR R26474)	
7	R36846	THERMOSTAT	2	(180° - 202°F.)	
	R36847	THERMOSTAT	2	(160° - 182°F.)	
	AR72852	THERMOSTAT	2	89°C (192°F)(OPTIONAL)	
8	15H559	PIPE PLUG	1	1/4"	
9	12H304	LOCK WASHER	4	3/8"	
10	19H1731	CAP SCREW	4	3/8" X 1"	
11	AR44840	HOUSING	2	(MARKED R36814, R39690 OR R41853) (SUB FOR AR39598)	
12	19H1732	CAP SCREW	4	3/8" X 1-1/4"	
13	24M7096	WASHER	4	10.500 X 18 X 1.600 MM	
14	R88397	GASKET	2	(SUB FOR R26473 OR R42693)	
15	R21478	CLIP	1	(NO LONGER AVAILABLE)	

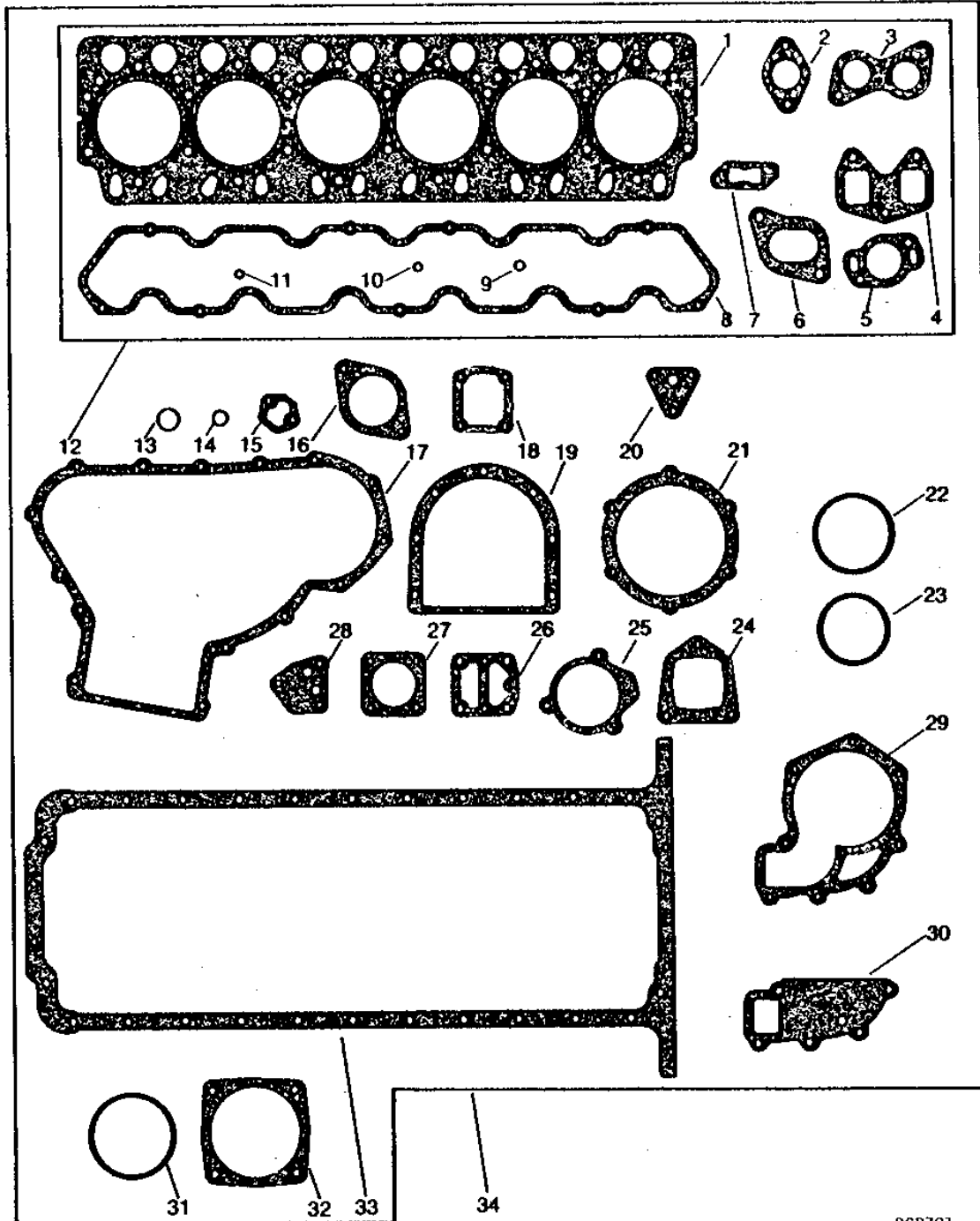
1C9

ENGINE

ENGINE REBUILD AND CYLINDER HEAD GASKET SETS (6531D)

RGP781

-UN-01JAN94



RGP781

1C10

ENGINE

ENGINE REBUILD AND CYLINDER HEAD GASKET SETS - CONTINUED
(6531D)

KEY	PART NO.	PART NAME	QTY	ENGINE SERIAL NO.	REMARKS
1	R78513	GASKET	1		
2	R35068	GASKET	2		
3	R35067	GASKET	2		
4	R40088	GASKET	3		
5	R42694	GASKET	2		
6	R35293	GASKET	3		
7	R88397	GASKET	2		(SUB FOR R42693)
8	R74365	GASKET	1		(SUB FOR R36652 OR R49867)
9	R35155	O-RING	6		
10	T20055	WASHER	36		
11	R463R	WASHER	6		
12	AR53613	GASKET KIT	1		(CYLINDER HEAD)
13	R495R	O-RING	1		
14	R375R	O-RING	1		
15	R97350	GASKET	1		(SUB FOR R27285)
16	R35291	GASKET	2		
17	R35126	GASKET	1		
18	R26173	GASKET	1		
19	R35043	GASKET	1		
20	R35104	GASKET	1		
21	R35349	GASKET	1		
22	R26121	O-RING	1		
23	R40777	WASHER	1		
24	R40090	GASKET	2		
25	R31340	GASKET	1		
26	R44853	GASKET	1		
27	R27948	GASKET	2		
28	R35105	GASKET	1		
29	R35262	GASKET	1		
30	R35263	GASKET	1		
31	R35034	PACKING	1		
32	R35032	GASKET	1		
33	R71919	GASKET	1		(SUB FOR R47248 OR R61670)
34	AR53614	GASKET KIT	1		

MEMORANDA

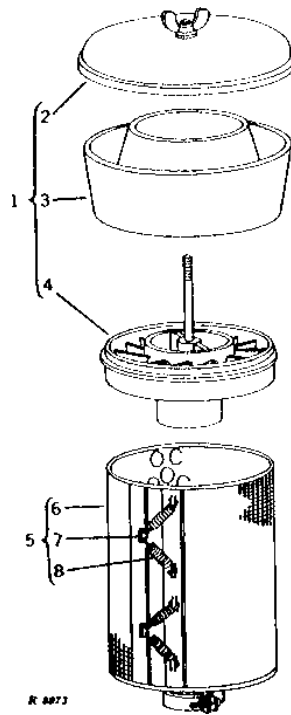
MEMORANDA

1C13

FUEL AND AIR

R8073 -UN-01JAN94

PRE-CLEANER AND PRE-SCREENER



1C14

FUEL AND AIR

PRE-CLEANER AND PRE-SCREENER - CONTINUED

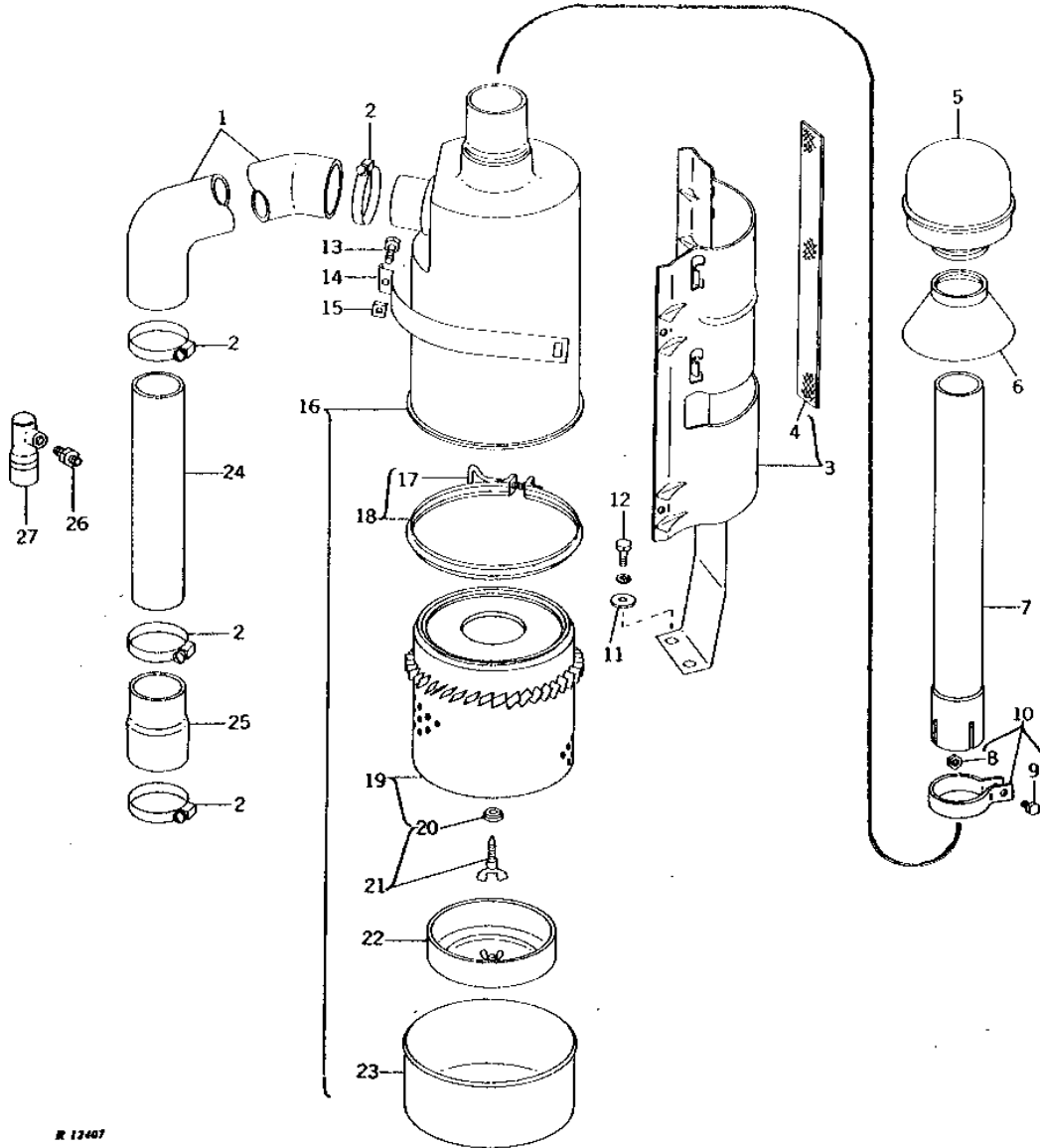
KEY	PART NO.	PART NAME	QTY	TRACTOR SERIAL NO.	REMARKS
1	AR1745R	PRESCREENER	1	(NLA)	
2	AR1729R	COVER	1		
3	R28795	DUST BOWL	1		
4	AR1730R	BASE	1	(NLA)	
5	AR35586	PRESCREENER	1	(NLA)	
6	AR27808	SCREEN	1		
7	R21645	RETAINER	2		
8	R21644	SPRING	4		

1C15

FUEL AND AIR

R12407 -UN-01JAN94

AIR CLEANER, AIR STACK AND SUPPORT BRACKET



1C16

FUEL AND AIR

AIR CLEANER, AIR STACK AND SUPPORT BRACKET - CONTINUED

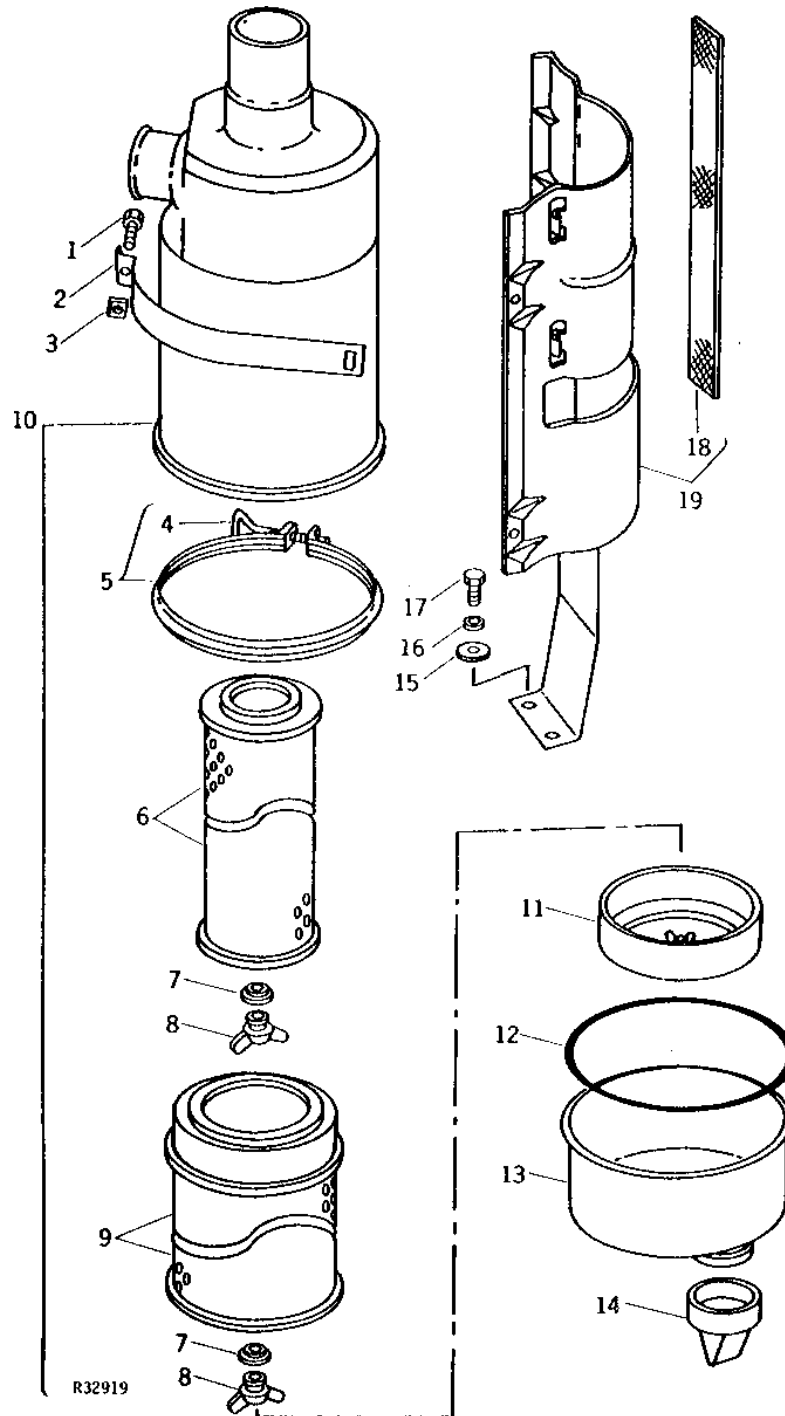
KEY	PART NO.	PART NAME	QTY	TRACTOR SERIAL NO.	REMARKS
1	R39972	HOSE	1		
2	AR21842	CLAMP	4		(SUB TY22474)
3	AR36809	SUPPORT	1		
4	CUSHION	1		3 X 51 X 432MM (1/8" X 2" X 17") (MAKE FROM R21737)
5	R36452	CAP	1		
6	R39984	SEAL	1		
7	R39983	EXHAUST PIPE	1		
8	14H1076	NUT	1		3/8"
9	19H1139	CAP SCREW	1		3/8" X 1-1/8"
10	AR35246	CLAMP	1		(NO LONGER AVAILABLE)
11	24H1312	WASHER	2		13/32" X 1-3/8" X 0.105"
12	19H1936	CAP SCREW	2		3/8" X 3/4"
	12H304	LOCK WASHER	2		3/8"
13	21H1332	SCREW	2		5/16" X 1-1/2"
14	R40450	STRAP	4		(NLA)
15	14H818	NUT	3		5/16"
16	AR36414	AIR CLEANER	1		(NLA)
17	R28633	BOLT	1		
18	AR40146	CLAMP	1		
19	AR36044	AIR CLEANER	1		
	R36700	GASKET	1		
20	R36699	WASHER	1		
21	R36701	WING SCREW	1		
22	R36698	COVER	1		
23	R40208	DUST BOWL	1		(SUB FOR AR40451)
	R44710	LABEL	1		
	H36036	O-RING	1		(SUB FOR R42638)
24	AR47181	PIPE	1		(SUB FOR AR36456)
25	R35294	HOSE	1		
26	AR44361	FITTING	1		(SUB FOR AR40360)
27	AR45672	GAUGE	1		(SUB FOR R39578)
..	R36757	AIR CLEANER	1		(NLA)

1C17

FUEL AND AIR

R32919 -UN-01JAN94

AIR CLEANER AND SUPPORT BRACKET



1C18

FUEL AND AIR

AIR CLEANER AND SUPPORT BRACKET - CONTINUED

KEY	PART NO.	PART NAME	QTY	TRACTOR SERIAL NO.	REMARKS
1	19H1901	CAP SCREW	1	5/16" X 2"	
2	R40450	STRAP	4	(NLA)	
3	14H818	NUT	2	5/16"	
4	R28633	BOLT	1		
5	AR40146	CLAMP	1		
6	AR45785	FILTER ELEMENT	1		
7	R39825	SEAL	2		
8	R44418	WING NUT	2		
9	AR45784	FILTER ELEMENT	1		
10	AR45783	AIR CLEANER	1	(SUB FOR AR36414) (NLA)	
11	R36698	COVER	1		
12	H36036	O-RING	1	(SUB FOR R42638)	
13	AR45786	DUST BOWL	1	(NLA)	
	R44710	LABEL	1		
14	T23263	VALVE	1		
15	24H1312	WASHER	2	13/32" X 1-3/8" X 0.105"	
16	12H304	LOCK WASHER	2	3/8"	
17	19H1936	CAP SCREW	2	3/8" X 3/4"	
18	CUSHION	1	3 X 51 X 432MM (1/8" X 2" X 17") (MAKE FROM R21737)	
19	AR36809	SUPPORT	1		
..	R36757	AIR CLEANER	1	(NLA)	

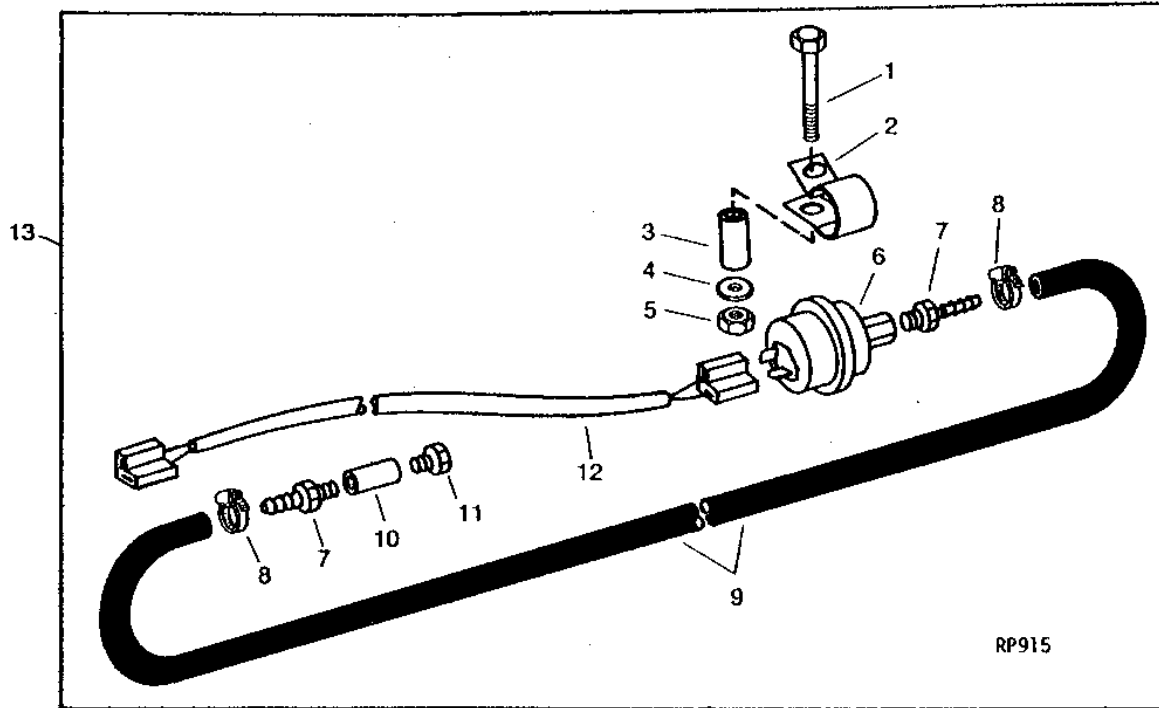
MEMORANDA

1C19

FUEL AND AIR

RP915 -UN-01JAN94

REMOTE MOUNTED VACUUM SWITCH



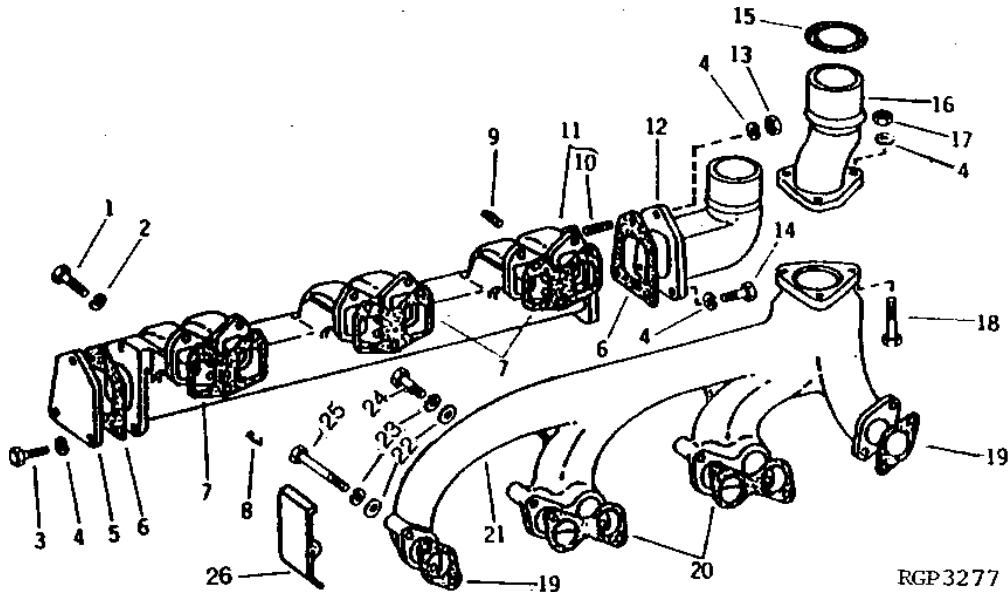
KEY	PART NO.	PART NAME	QTY	TRACTOR SERIAL NO.	REMARKS
1	19H1913	CAP SCREW	1	5/16" X 2-1/4"	
	19H2791	CAP SCREW	1	3/8" X 1-3/4"	
2	R46414	CLAMP	1		
3	28H1495	SPACER	1	3/8" X 1"	
4	12H304	LOCK WASHER	1	3/8"	
5	14H1076	NUT	1	3/8"	
6	AR50489	SWITCH	1		
7	R57286	FITTING	2		
8	AR48236	CLAMP	2	(SUB TY22462)	
9	T31483	HOSE	1		
10	15H73	COUPLING	1	1/8"	
11	15H639	PIPE BUSHING	1	1/4" X 1/8"	
12	AR68734	WIRING HARNESS	1	(NLA)	
13	AR68733	KIT	1	(NLA)	
..	R44302	TIE BAND	AR		

1C20

FUEL AND AIR

INTAKE AND EXHAUST MANIFOLDS (6531D)

RGP3277 -UN-01JAN94



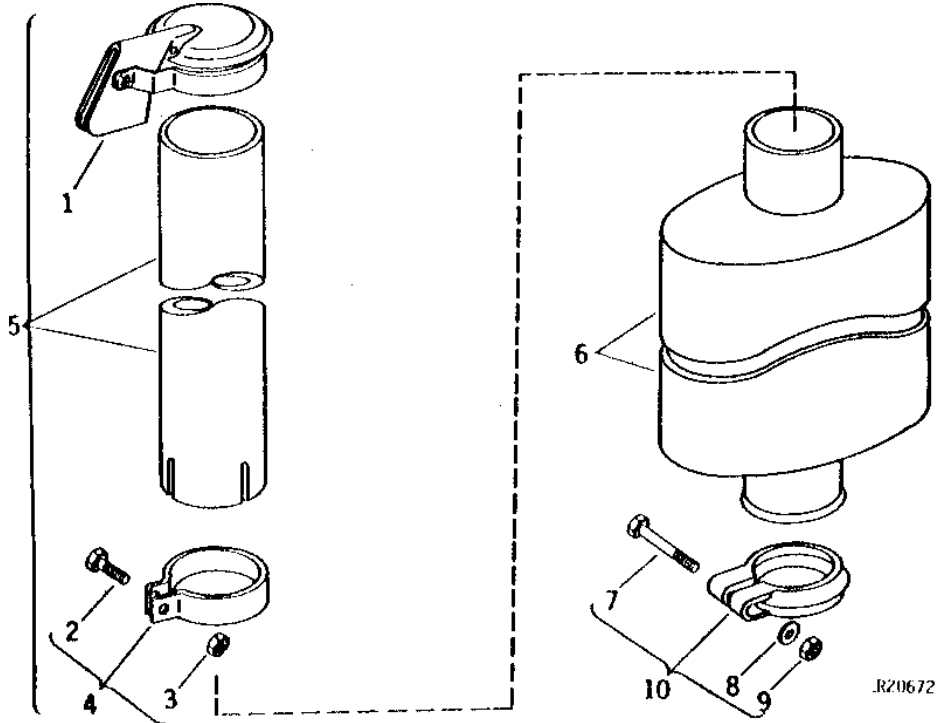
KEY	PART NO.	PART NAME	QTY	ENGINE SERIAL NO.	REMARKS
1	19H2731	CAP SCREW	9		7/16" X 1-3/8"
2	12H293	LOCK WASHER	17		7/16"
3	19H1800	CAP SCREW	3		3/8" X 1-1/2"
4	12H304	LOCK WASHER	9		3/8"
5	R40091	COVER	1		
6	R40090	GASKET	2		
7	R40088	GASKET	3		
8	15H571	PIPE PLUG	1		3/8"
9	R55233	PIPE PLUG	1	-030375	(SUB FOR A4242R)
	15H571	PIPE PLUG	1	030376-	3/8"
10	R55396	STUD	1		(SUB FOR C2175R)
11	AR36992	INTAKE MANIFOLD	1		(MARKED R40087)
12	R40089	ELBOW FITTING	1		
13	19H1732	CAP SCREW	2		3/8" X 1-1/4"
14	14H1076	NUT	1		3/8"
15	R35175	GASKET	1		
16	R35072	EXTENSION	1		
17	14H1076	NUT	3		3/8"
18	19H1726	CAP SCREW	3		3/8" X 2-1/4"
19	R35068	GASKET	2		
20	R35067	GASKET	2		
21	R40086	EXHAUST MANIFOLD	1		
22	R63489	WASHER	8		
23	LOCK WASHER	4		(NOT REQUIRED)
24	19H1978	CAP SCREW	4		7/16" X 1-1/2"
25	19H2347	CAP SCREW	4		7/16" X 3"
	19H2444	CAP SCREW	4		7/16" X 3-1/4"
26	AR51744	HEAT SHIELD	1		(WITH CAB)

1C21

FUEL AND AIR

R20672 -UN-01JAN94

MUFFLER, EXTENSION, AND COVER



R20672

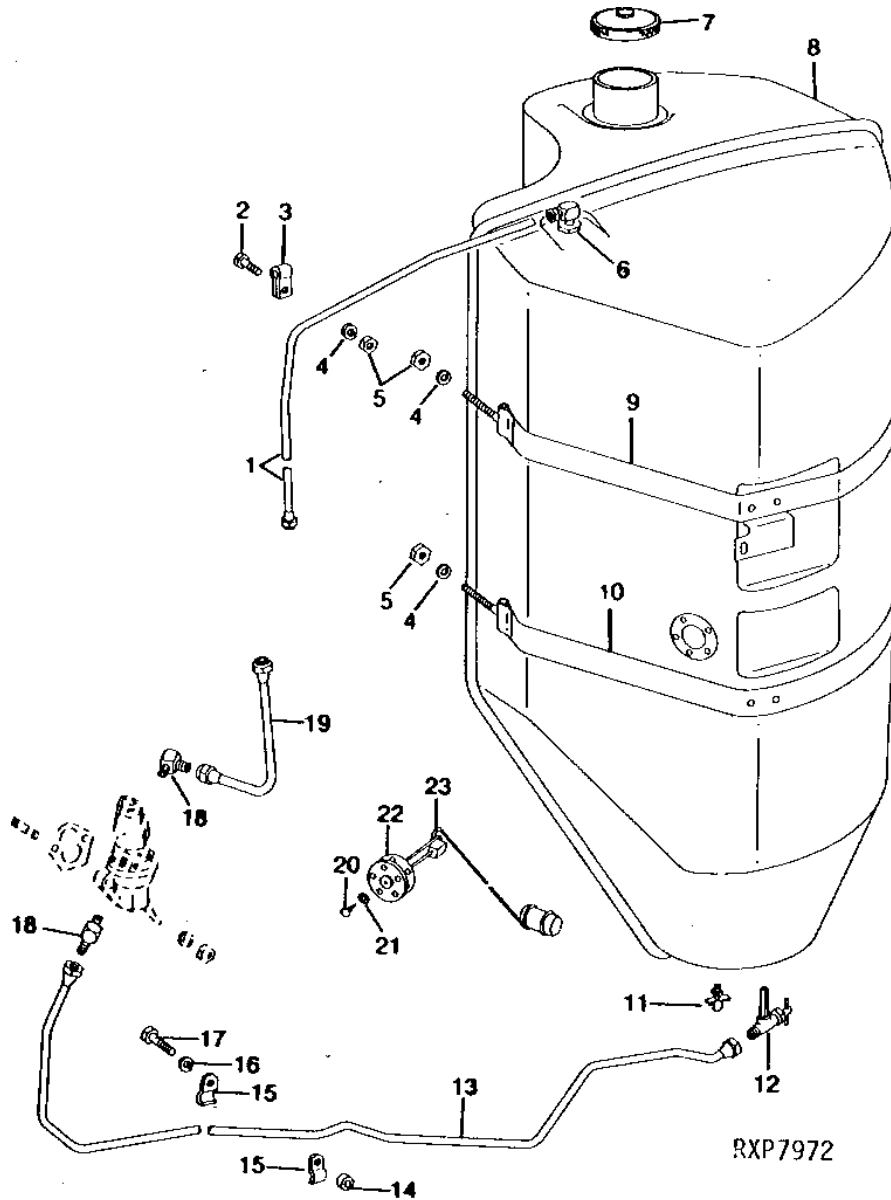
KEY	PART NO.	PART NAME	QTY	TRACTOR SERIAL NO.	REMARKS
1	AR56786	EXHAUST CAP	1		
2	19H1732	CAP SCREW	1	3/8" X 1-1/4"	
3	14H1076	NUT	1	3/8"	
4	AR35017	CLAMP	1	(SUB R66689, 19H1732 AND 14H1076)	
5	AR47303	MUFFLER EXTENSION	1	(SUB AR110611 AND AR56786)	
6	AR61074	MUFFLER	1	(SUB FOR R35637)	
7	19H2023	CAP SCREW	1	3/8" X 3-1/4"	
8	24H1305	WASHER	1	13/32" X 13/16" X 0.065"	
9	14H1076	NUT	1	3/8"	
10	AR35666	CLAMP	1	(SUB R35641 AND 19H2023)	

1C22

FUEL AND AIR

RXP7972 -UN-01JAN94

FUEL TANK



1C23

FUEL AND AIR

FUEL TANK - CONTINUED

KEY	PART NO.	PART NAME	QTY	TRACTOR SERIAL NO.	REMARKS
1	AR36760	FUEL LINE	1		
2	19H1134	CAP SCREW	1	3/8" X 3/4"	
3	R35422	CLAMP	1		
4	12H304	LOCK WASHER	3	3/8"	
5	14H1076	NUT	3	3/8"	
6	AR46281	ELBOW FITTING	1	(SUB FOR AR27728)	
7	AR36752	CAP	1		
8	AR36757	FUEL TANK	1	(NLA)	
9	AR36762	STRAP	1	(NLA)	
10	AR36763	STRAP	1	(NLA)	
11	AT13740	DRAIN VALVE	1		
12	R34656	SHUT-OFF VALVE	1		
13	AR36759	FUEL LINE	1		
14	28H1519	WASHER	2	0.493" X 0.675" X 3/8"	
	28H1495	SPACER	2	3/8" X 1"	
15	R27720	CLAMP	6		
16	12H304	LOCK WASHER	3	3/8"	
17	19H1765	CAP SCREW	3	3/8" X 1-3/4"	
18	AR26674	ELBOW FITTING	2	90°	
19	AR35079	FUEL LINE	1		
20	37H95	SCREW	5	NO. 8 X 1/2"	
21	12M7084	LOCK WASHER	5	0.169"	
22	R27181	GASKET	1		
23	AR36751	SENDER	1		

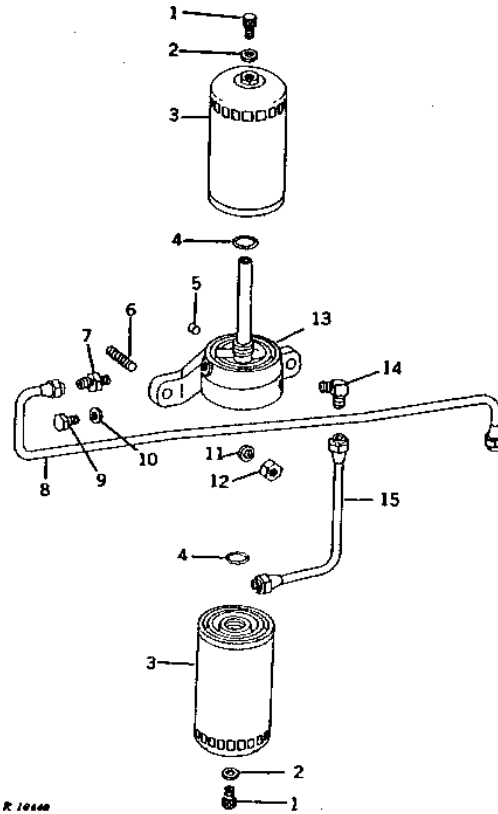
MEMORANDA

1C24

FUEL AND AIR

R10440 -UN-01JAN94

FUEL FILTERS



KEY	PART NO.	PART NAME	QTY	TRACTOR SERIAL NO.	REMARKS
1	R34446	DRAIN PLUG	2	004500-	
2	R26287	O-RING	2	004500-	(SUB FOR R34447)
3	AR45097	FUEL FILTER	2		(SUB FOR AR33926 OR AR31627)
4	R44101	WASHER	2		(SUB FOR R32111)
5	R27074	DOWEL PIN	1	-005079	
6	K3083R	STUD	2		
7	R27346	FITTING	1		
8	AR35087	FUEL LINE	1		FILTER TO INJECTION PUMP
9	19H95	CAP SCREW	1	005080-007999	5/16" X 7/16"
10	R20498	WASHER	1	005080-007999	
11	12H293	LOCK WASHER	2		7/16"
12	14H1047	NUT	2		7/16"
13	AR46144	HOUSING	1		(MARKED R32151, R34754 OR R39531) (SUB FOR AR31550, AR34475 OR AR34930) (SUB AR55222, THIS APPLICATION)
14	AR26674	ELBOW FITTING	1		
15	AR35079	FUEL LINE	1		FILTER TO PUMP

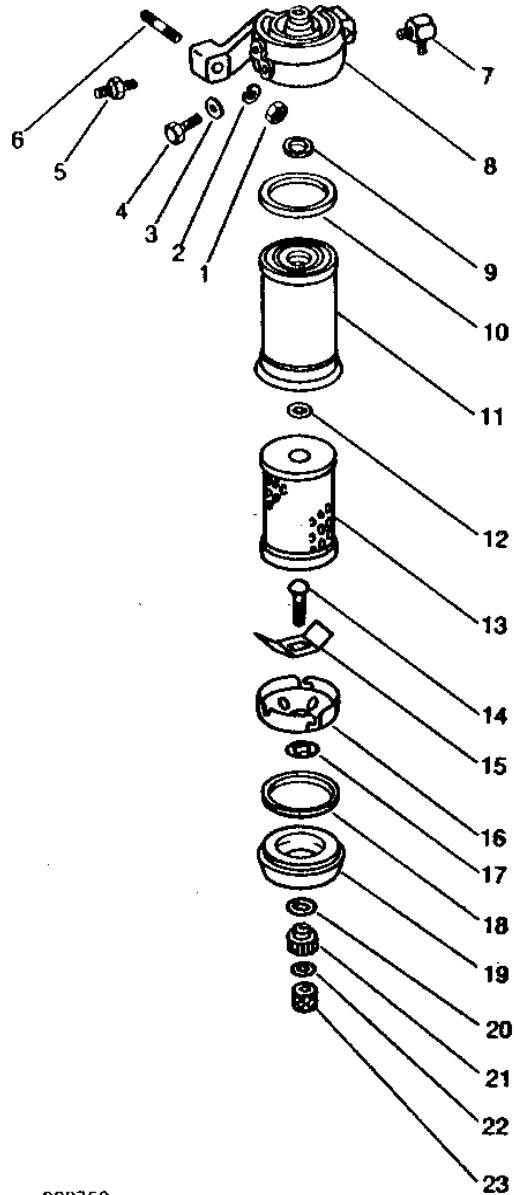
1D1

FUEL AND AIR

FUEL FILTERS
(ENGINE SERIAL NO. -280000)

RGP768

-UN-01JAN94



RGP768

1D2

FUEL AND AIR

FUEL FILTER - CONTINUED
(ENGINE SERIAL NO. -280000)

KEY	PART NO.	PART NAME	QTY	ENGINE SERIAL NO.	REMARKS
1	14H1047	NUT	2	7/16"	
2	12H293	LOCK WASHER	2	7/16"	
3	R20498	WASHER	1		
4	19H2485	CAP SCREW	1	5/16" X 7/16"	
5	R27346	FITTING	1		
6	K3083R	STUD	2		
7	T30738	ELBOW FITTING	1		(SUB AR26674, THIS APPLICATION)
8	AR46144	HOUSING	1		(SUB AR59140, THIS APPLICATION)
9	R44101	WASHER	2		
10	R44331	BUSHING	2		
11	AR45678	CASE	2		
12	R459R	O-RING	2		
13	AR44077	FILTER ELEMENT	2		
14	R41716	SCREW	2		
15	R41719	LEAF SPRING	2		
16	R41717	RETAINER	2		
17	R41718	SNAP RING	2		
18	R41721	O-RING	2		
19	R41720	BOWL	2		
20	R375R	O-RING	2		(USE WITH R41722)
	R26919	WASHER	2		(SUB FOR T12860) (ALSO ORDER (2) R46568)
21	R46568	NUT	2		(SUB FOR R41722) (ALSO ORDER (2) R26919)
22	R26286	O-RING	2		
23	R41723	NUT	2		

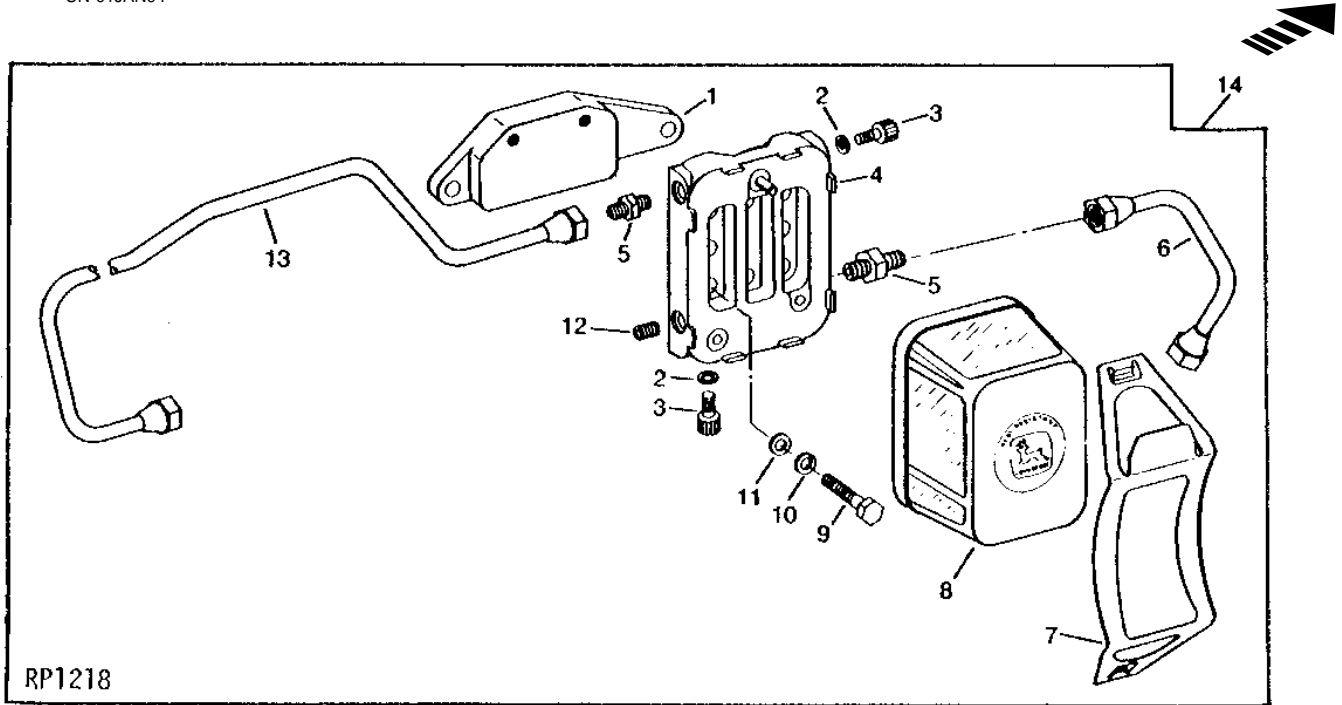
MEMORANDA

1D3

FUEL AND AIR

**MASTER FUEL FILTER KIT
(DIESEL)
(ENGINE SERIAL NO. -215499)**

RP1218 -UN-01JAN94



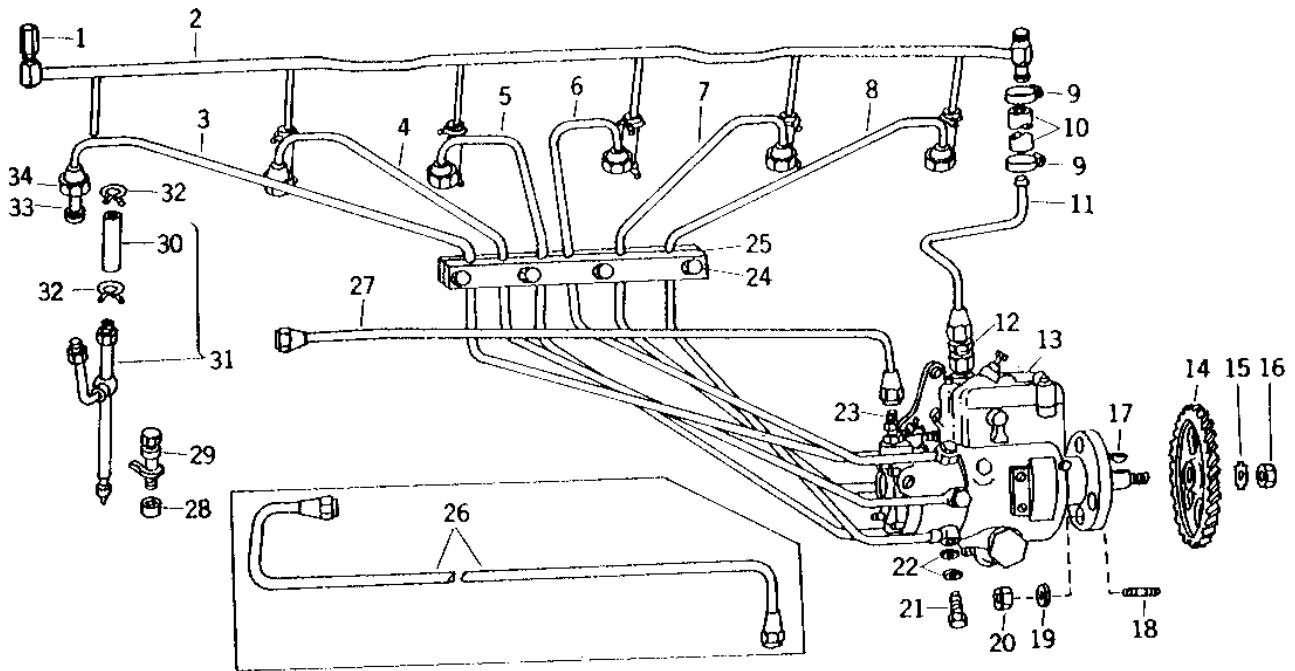
KEY	PART NO.	PART NAME	QTY	ENGINE SERIAL NO.	REMARKS
1	R47433	SUPPORT	1		
2	R34447	WASHER	2		
3	R48071	DRAIN PLUG	2		
4	AR50040	HOUSING	1		
5	R27346	FITTING	2		
6	AR61965	FUEL LINE	1		
7	R66821	CLAMP	1		(SUB FOR R47358 OR R57258)
8	AR50041	FUEL FILTER	1		
9	19H1905	CAP SCREW	2	5/16" X 1"	
10	12H303	LOCK WASHER	2	5/16"	
11	24H1289	WASHER	2	21/64" X 5/8" X 0.049"	
12	15H558	PIPE PLUG	1	1/8"	
13	AR50265	FUEL LINE	1		
14	AR55222	KIT	1		

1D4

FUEL AND AIR

FUEL INJECTION PUMP, NOZZLES AND FUEL LINES (6531D)

RG1980 -UN-01JAN94



RG1980

1D5

FUEL AND AIR

FUEL INJECTION PUMP, NOZZLES AND FUEL LINES - CONTINUED
(6531D)

KEY	PART NO.	PART NAME	QTY	ENGINE SERIAL NO.	REMARKS
1	R31147	FITTING	1		
2	AR36680	FUEL LINE	1		
3	AR36679	FUEL LINE	1		
4	AR36678	FUEL LINE	1		
5	AR36677	FUEL LINE	1		
6	AR36676	FUEL LINE	1		
7	AR36675	FUEL LINE	1		
8	AR36674	FUEL LINE	1		
9	AR21836	CLAMP	2		(SUB FOR AR27253)
10	R32639	HOSE	1		(SUB FOR R36971)
11	AR36358	FUEL LINE	1		
12	R35352	FITTING	1		
13	AR46386	FUEL INJECTION PUMP	1		(A) (ROOSA-MASTER NO. DBGFC637-91AL) (6030, 5020&) (NLA)
	AR36877	FUEL INJECTION PUMP	1		(A) (ROOSA-MASTER NO. BDGFC637-50AJ) (5020*)
14	R35354	GEAR	1		
15	R35355	PLATE	1		
16	14H888	NUT	1		9/16"
17	SHAFT KEY	1		(6030)
18	R56481	STUD	2		(SUB FOR M3636T)
19	24M7096	WASHER	2		10.500 X 18 X 1.600 MM
20	14H1076	NUT	2		3/8"
21	R26726	FITTING	6		
22	T20055	WASHER	12		
23	R32136	FITTING	1		
24	19H1849	CAP SCREW	4		5/16" X 1-1/4"
25	R35353	CLAMP	1		
	R39622	CUSHION	2		
26	AR35087	FUEL LINE	1	-280000	
27	AR50266	FUEL LINE	1	280001-	
28	R34761	SPACER	6		
29	R34760	CLAMP	6		
30	R34765	BOOT	6		
31	INJECTION NOZZLE	6		(SUB AR50782) (SUB FOR AR36672 OR AR44978)
	R34764	WASHER	6		(USE WITH AR50782)
	R48000	WASHER	6		(USE WITH AR50782)
32	R34766	CLAMP	12		
33	R34762	SLEEVE	6		
34	R34763	FITTING	6		
..	AR34368	PLUG	1		
..	12H304	LOCK WASHER	2		3/8", (USE WITH 24M7096 AND R32511)

(*) 5020 (-024999)

(&) 5020 (025000-)

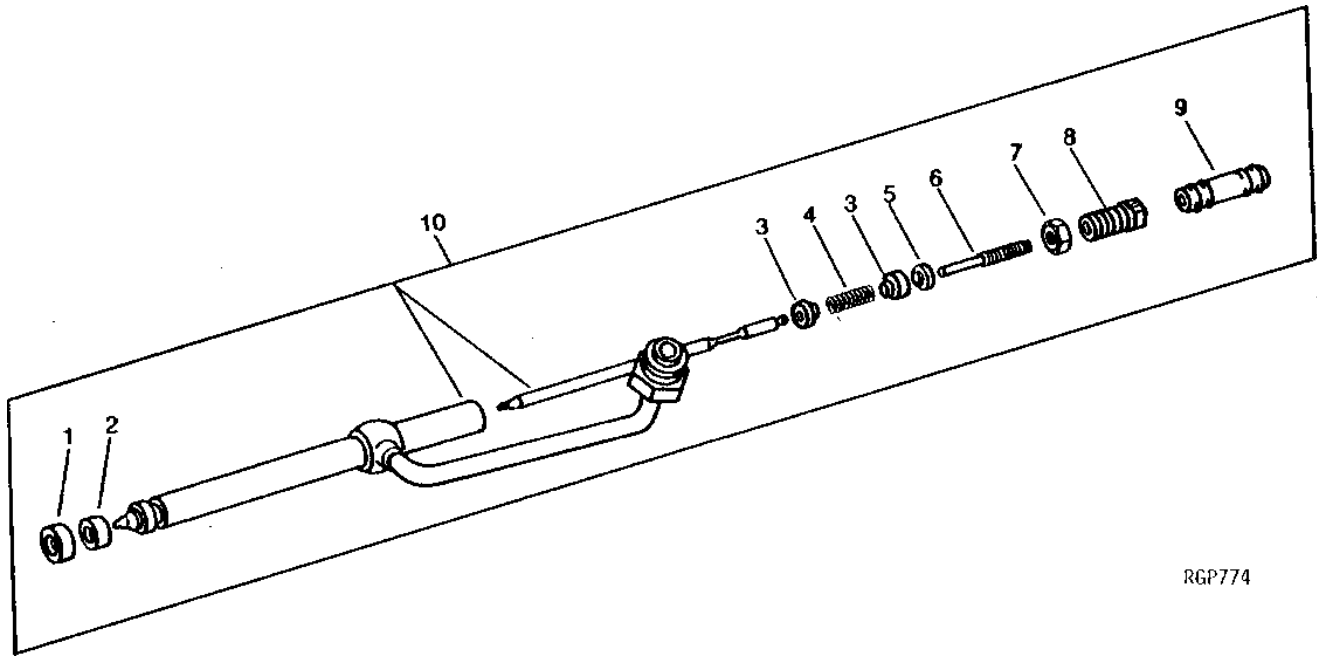
(A) "SEE YOUR AUTHORIZED PUMP REPAIR STATION FOR PARTS NOT LISTED."

1D6

FUEL AND AIR

FUEL INJECTION NOZZLE (9.52 MM)
(ENGINE SERIAL NO. -280000)

RGP774 -UN-01JAN94



RGP774

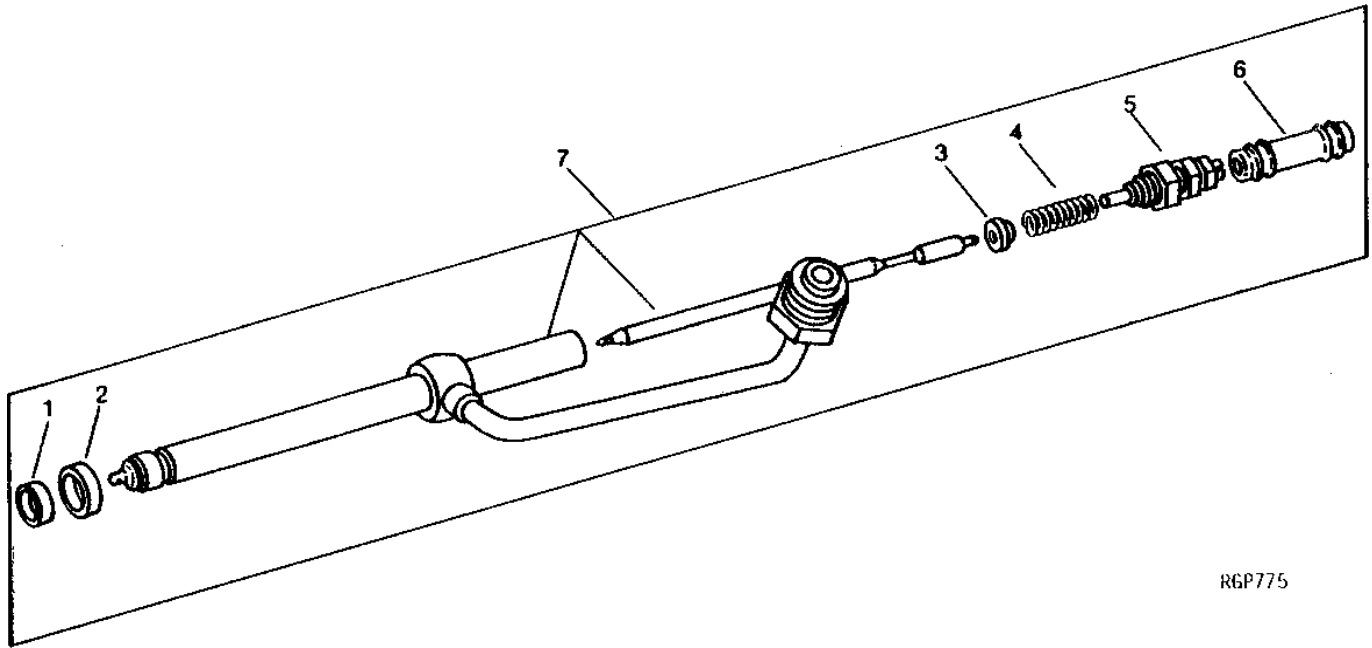
KEY	PART NO.	PART NAME	QTY	ENGINE SERIAL NO.	REMARKS
1	R34764	WASHER	1		
2	R48000	WASHER	1		(SUB FOR R34767)
3	R39886	GUIDE	2		
4	R39885	SPRING	1		
5	R39887	WASHER	1		
6	R39888	SCREW	1		
7	R46675	NUT	1		(SUB FOR R39890)
8	R39889	SCREW	1		
9	R34765	BOOT	1		
10	AR44978	NOZZLE	6		(ROOSA-MASTER NO. I-17708) (SUB FOR AR36672) (SUB AR50782)

1D7

FUEL AND AIR

FUEL INJECTION NOZZLE (9.52 MM)
(ENGINE SERIAL NO. 280001-)
(6531D)

RGP775 -UN-01JAN94



RGP775

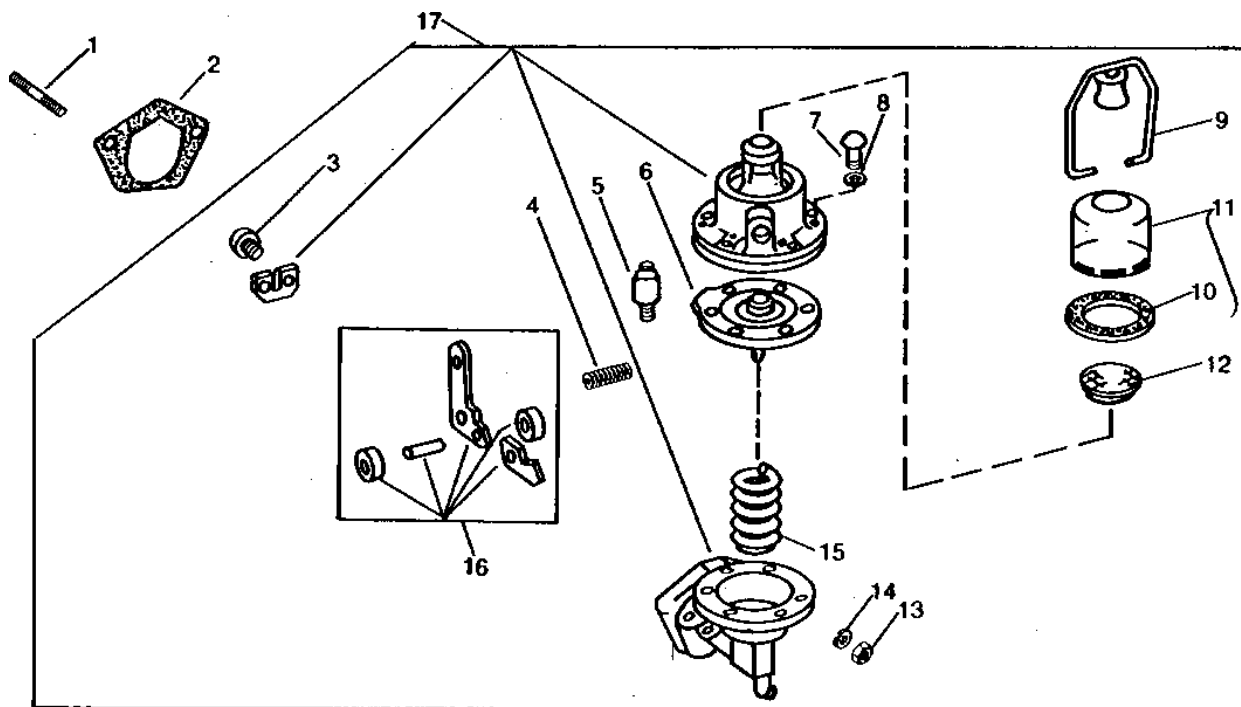
KEY	PART NO.	PART NAME	QTY	ENGINE SERIAL NO.	REMARKS
1	R34764	WASHER	1		
2	R48000	WASHER	1		
3	R39886	GUIDE	1		
4	R47731	SPRING	1		
5	AR52720	SCREW	1		
6	R34765	BOOT	1		
7	AR50782	NOZZLE	6		(ROOSA-MASTER NO. I-18766)

1D8

FUEL AND AIR

FUEL TRANSFER PUMP (ENGINE SERIAL NO. -280000)

RGP3274 -UN-01JAN94



RGP3274

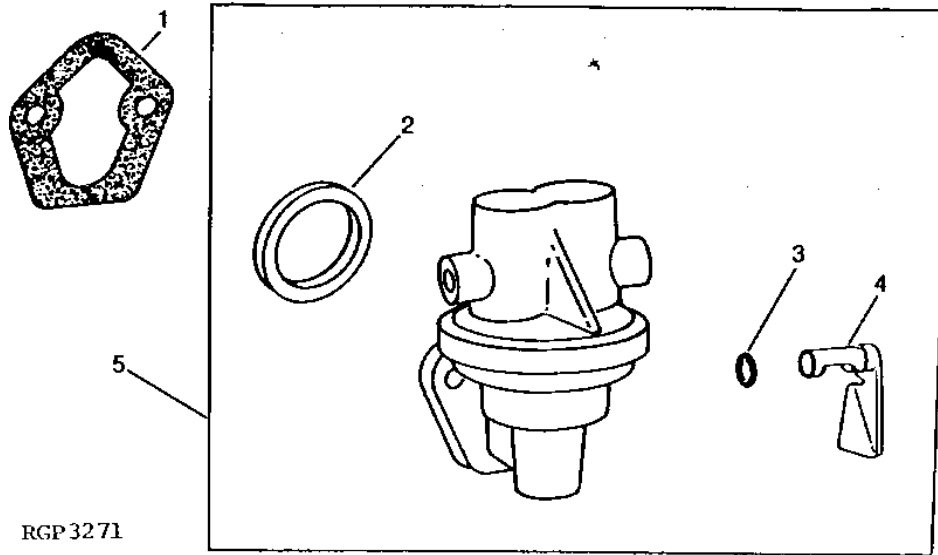
KEY	PART NO.	PART NAME	QTY	ENGINE SERIAL NO.	REMARKS
1	R48755	STUD	2		(SUB FOR R26934)
2	R97350	GASKET	1		(SUB FOR R27285)
3	21H1308	SCREW	2		0.138" X 3/8"
4	T10804	SPRING	1		
5	AR26674	ELBOW FITTING	1		(SUB T30738, THIS APPLICATION)
	T30738	ELBOW FITTING	1		(SUB AR26674, THIS APPLICATION)
6	DIAPHRAGM	1		(SUB FOR AR40482) (SUB RE38578)
7	21H1295	SCREW	6		0.190" X 5/8"
8	12H246	LOCK WASHER	6		0.190"
9	AT10638	BAIL	1		
10	R30409	GASKET	1		(USE WITH AR34415)
	R40565	WASHER	1		(USE WITH AR40259)
11	AT15172	BOWL	1		(USE WITH AR34415)
	AR40407	SEDIMENT BOWL	1		(USE WITH AR40259)
12	AT10635	SCREEN	1		
13	14H785	NUT	2		5/16"
14	12H303	LOCK WASHER	2		5/16"
15	R30410	SPRING	1		
16	AR47304	KIT	1		(SUB FOR AR28330) (SUB RE42211 AND R97350)
17	AR40259	FUEL PUMP	1		(SUB RE42211 AND R97350)

1D9

FUEL AND AIR

FUEL TRANSFER PUMP
(ENGINE SERIAL NO. 280001-)
(6531D)

RGP3271 -UN-01JAN94



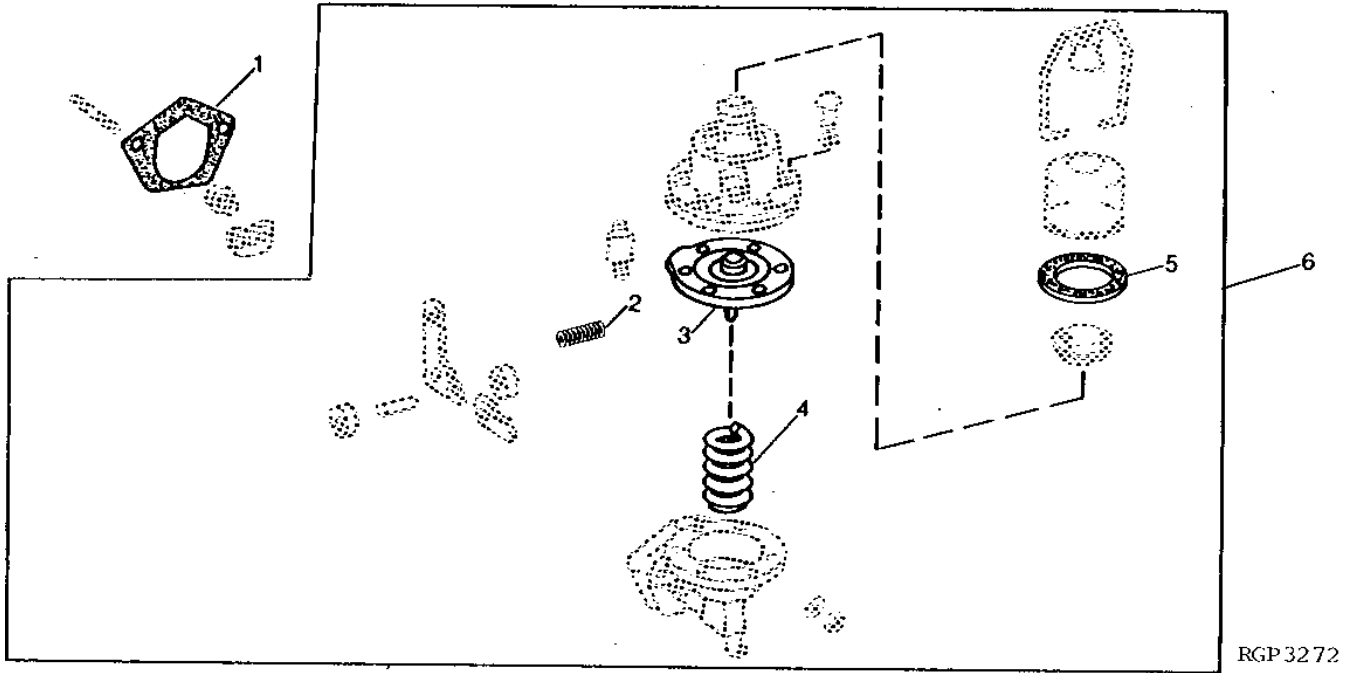
KEY	PART NO.	PART NAME	QTY	ENGINE SERIAL NO.	REMARKS
1	R97350	GASKET	1		(SUB FOR R27285)
2	R48399	WASHER	1		
3	A4365R	O-RING	1		(SUB FOR R49139)
4	AR52556	LEVER	1		
5	RE42211	FUEL PUMP	1		(SUB FOR AR52159 OR RE27667) (ALSO ORDER R97350)

1D10

FUEL AND AIR

RGP3272 -UN-01JAN94

FUEL TRANSFER PUMP OVERHAUL KIT



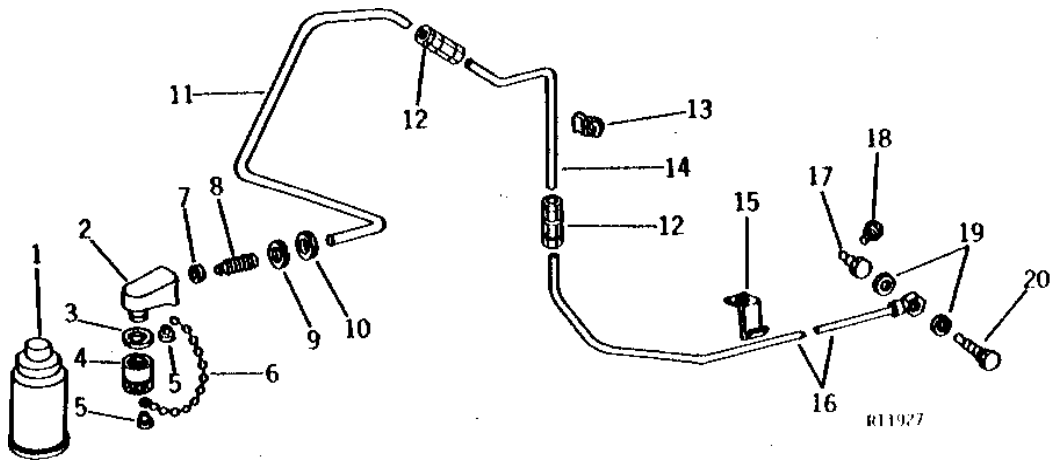
KEY	PART NO.	PART NAME	QTY	ENGINE SERIAL NO.	REMARKS
1	R97350	GASKET	1	(SUB FOR R27285)	
2	T10804	SPRING	1		
3	DIAPHRAGM	1	(SUB RE38578)	
4	R30410	SPRING	1		
5	R40565	WASHER	1		
6	RE38578	KIT	1	(SUB FOR AR40482)	

1D11

FUEL AND AIR

R11927 -UN-01JAN94

COLD WEATHER STARTING AID



R11927

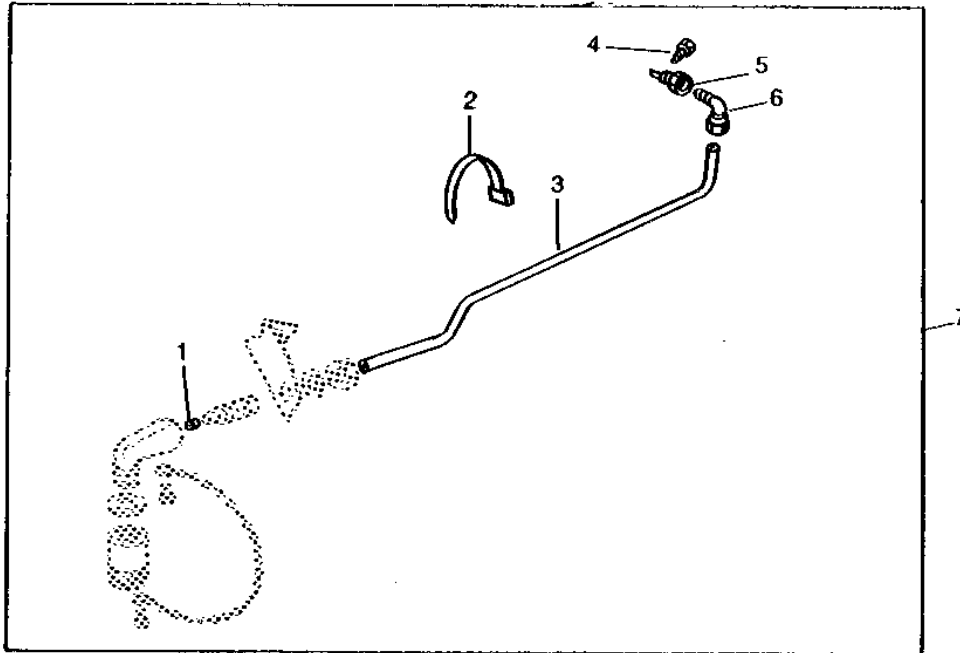
KEY	PART NO.	PART NAME	QTY	TRACTOR SERIAL NO.	REMARKS
1	RE33636	STARTING FLUID	1		(SUB FOR AR27814 OR RE24561)
2	R39534	ADAPTER	1		
3	R26149	PACKING	1		
4	R32306	CAP	1		
5	37H44	SCREW	2	0.151" X 3/8"	
6	AR27940	LINK CHAIN	1		
7	R34394	WASHER	1		
8	R34395	ADAPTER	1		
9	12H301	LOCK WASHER	1	1/2"	
10	14H1040	NUT	1	1/2"	
11	R39569	TUBE	1	(SUB RE16181)	
12	R34388	UNION FITTING	2		
13	R31654	CLAMP	1		
14	R39570	TUBE	1	(SUB RE50139)	
15	R40468	CLAMP	2		
16	AR36355	LINE	1	(SUB RE50139)	
17	R28584	FITTING	1		
18	R28583	NOZZLE	1		
19	T20055	WASHER	2		
20	R26726	FITTING	1		

1D12

FUEL AND AIR

RWP5037 -UN-01JAN94

STARTING FLUID TUBE KIT



RWP5037

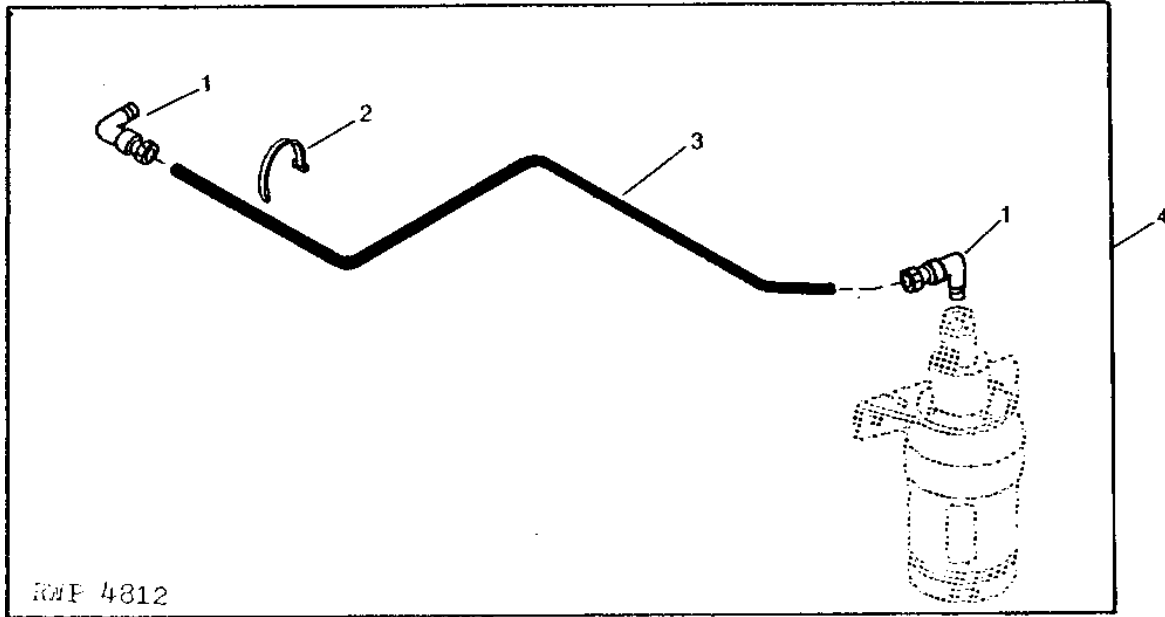
KEY	PART NO.	PART NAME	QTY	TRACTOR SERIAL NO.	REMARKS
1	R34394	WASHER	1		
2	R44302	TIE BAND	5		
3	TUBE	1		(ORDER RE16181)
4	R28583	NOZZLE	1		
5	R47160	NOZZLE HOLDER	1		
6	RE21790	ELBOW FITTING	1		(SUB FOR AT25266)
7	RE16181	KIT	1		

1D13

FUEL AND AIR

RWP4812 -UN-01JAN94

STARTING FLUID TUBE KIT



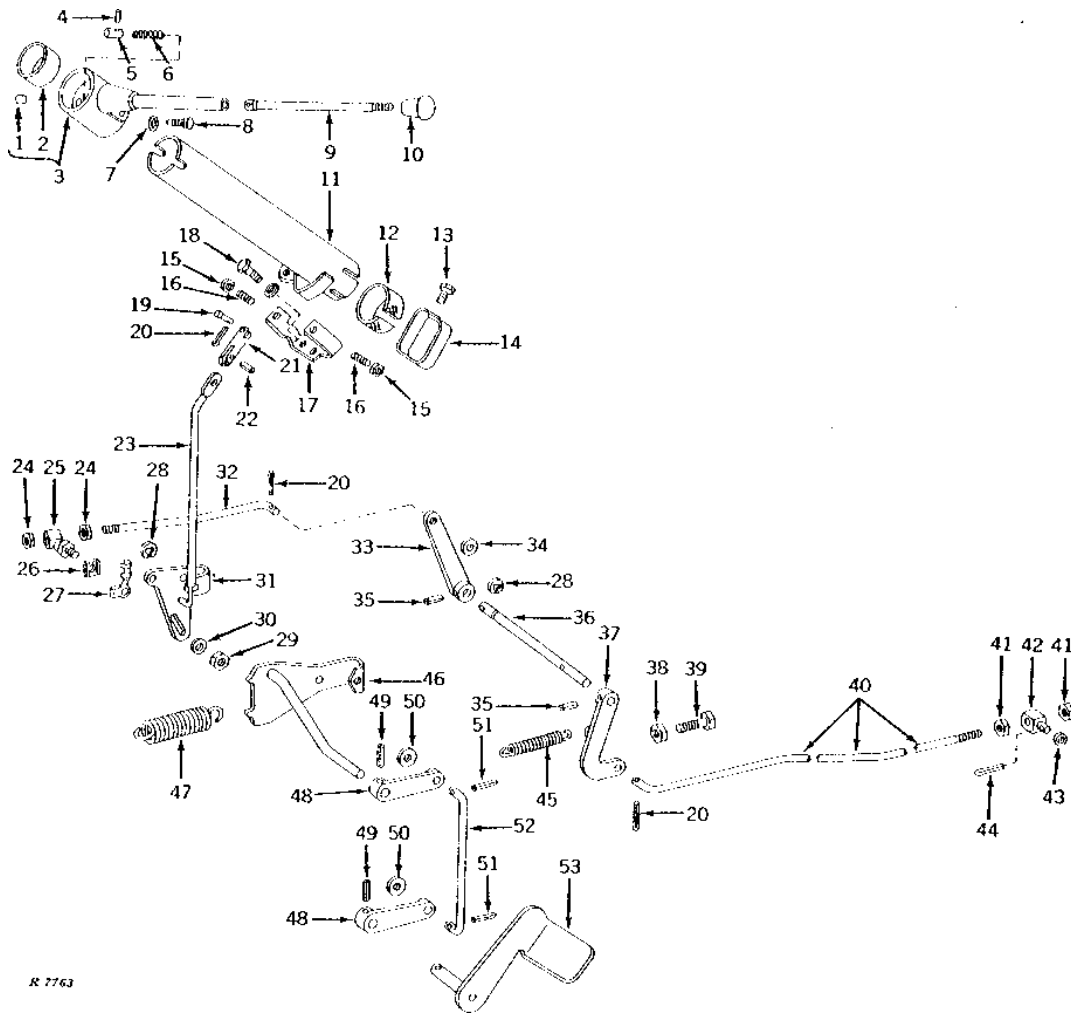
KEY	PART NO.	PART NAME	QTY	TRACTOR SERIAL NO.	REMARKS
1	RE21790	ELBOW FITTING	2		(SUB FOR AT25266)
2	R44302	TIE BAND	5		
3	TUBE	1		(ORDER RE50139)
4	RE50139	KIT	1		(SUB FOR RE16151)

1D14

FUEL AND AIR

R7763 -UN-01JAN94

SPEED CONTROL LINKAGE



R 7763

1D15

FUEL AND AIR

SPEED CONTROL LINKAGE - CONTINUED

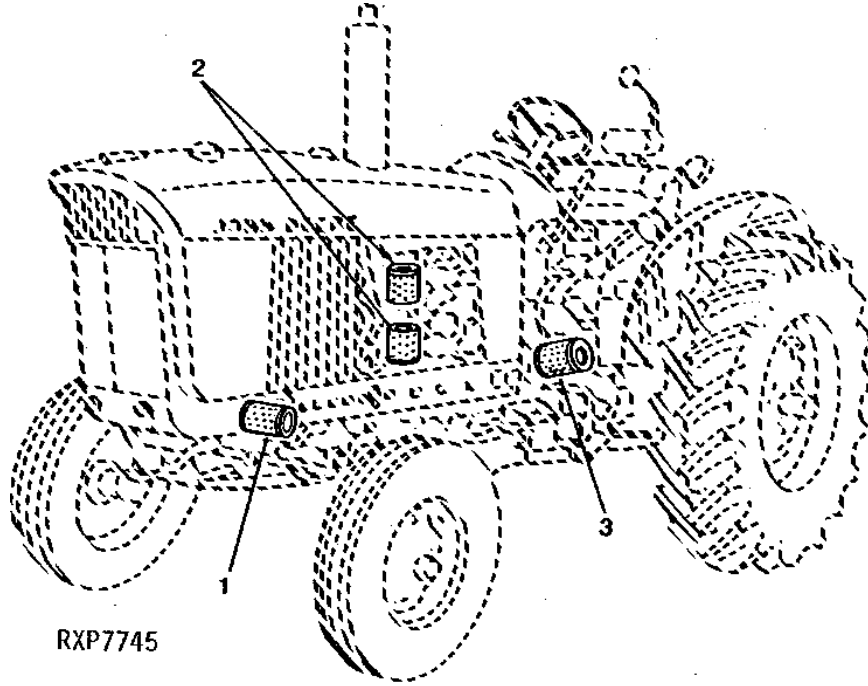
KEY	PART NO.	PART NAME	QTY	TRACTOR SERIAL NO.	REMARKS
1	R27074	DOWEL PIN	1		
2	R27075	BUSHING	1		
3	AR30472	HUB	1		(MARKED R27072)
4	R36310	NEEDLE ROLLER	1		(NO LONGER AVAILABLE)
5	R36309	STOP	1		
6	R28009	SPRING	1		
7	12H310	LOCK WASHER	1	3/8"	
8	R28007	BOLT	1		
9	R36308	ARM	1		(NO LONGER AVAILABLE)
10	R26670	KNOB	1		
11	AR26592	TUBE	1		
12	R26958	ISOLATOR	1		
13	19H1948	CAP SCREW	1	1/4" X 3/4"	
14	AR26613	CLAMP	1		
15	14H611	NUT	2	5/16"	
16	R32585	SET SCREW	2		
17	R28008	BRACKET	1		
18	19H1731	CAP SCREW	2	3/8" X 1"	
	12H304	LOCK WASHER	2	3/8"	
19	R27077	PIN	1		
20	11M7077	COTTER PIN	3	0.063" X 0.984"	
21	R26671	LINK	1		
22	34H275	SPRING PIN	1	3/16" X 1/2"	
23	R36985	ROD	1		
24	14H850	NUT	2	1/4"	
25	AA5302R	BALL JOINT	1		(SUB AH77100)
26	R32305	WASHER	1		
27	R26524	CLIP	1		
28	F3396R	SNAP RING	2		
29	14H649	NUT	1	1/4"	
30	24H1287	WASHER	1	9/32" X 5/8" X 0.065"	
31	R32304	BELLCRANK	1		
32	R35556	BOLT	1		
33	R35558	LEVER	1		
34	24H1287	WASHER	1	9/32" X 5/8" X 0.065"	
35	34H279	SPRING PIN	2	3/16" X 13/16"	
36	R35557	SHAFT	1		
37	R35559	ARM	1		
	24H1287	WASHER	1	9/32" X 5/8" X 0.065"	
38	14H785	NUT	1	5/16"	
39	19H1758	CAP SCREW	1	5/16" X 1-1/4"	
40	R35560	ROD	1		(NO LONGER AVAILABLE)
41	14H850	NUT	2	1/4"	
42	R36084	SWIVEL	1		
43	B1664R	SHIM	1		
44	11M7081	COTTER PIN	1	0.098" X 0.787"	
45	R27571	SPRING	1		
46	AR44417	ARM	1		(SUB FOR AR26615)
47	R26677	SPRING	1		
48	R31396	LEVER	2		
49	34H312	SPRING PIN	2	1/4" X 1"	
50	24H1305	WASHER	2	13/32" X 13/16" X 0.065"	
51	11M7059	COTTER PIN	2	3.200 X 20 MM	
52	R35555	PIN	1		
53	AR44745	PEDAL	1		(SUB FOR AR26775)

1D16

FUEL AND AIR

RXP7745 -UN-01JAN94

FILTERS



RXP7745

KEY	PART NO.	PART NAME	QTY	ENGINE SERIAL NO.	REMARKS
1	AR75603	FILTER ELEMENT	1		ENGINE
2	AR45097	FUEL FILTER	2	-024767	FUEL
	AR44077	FILTER ELEMENT	2	024768-	FUEL
3	AR75603	FILTER ELEMENT	1		TRANSMISSION

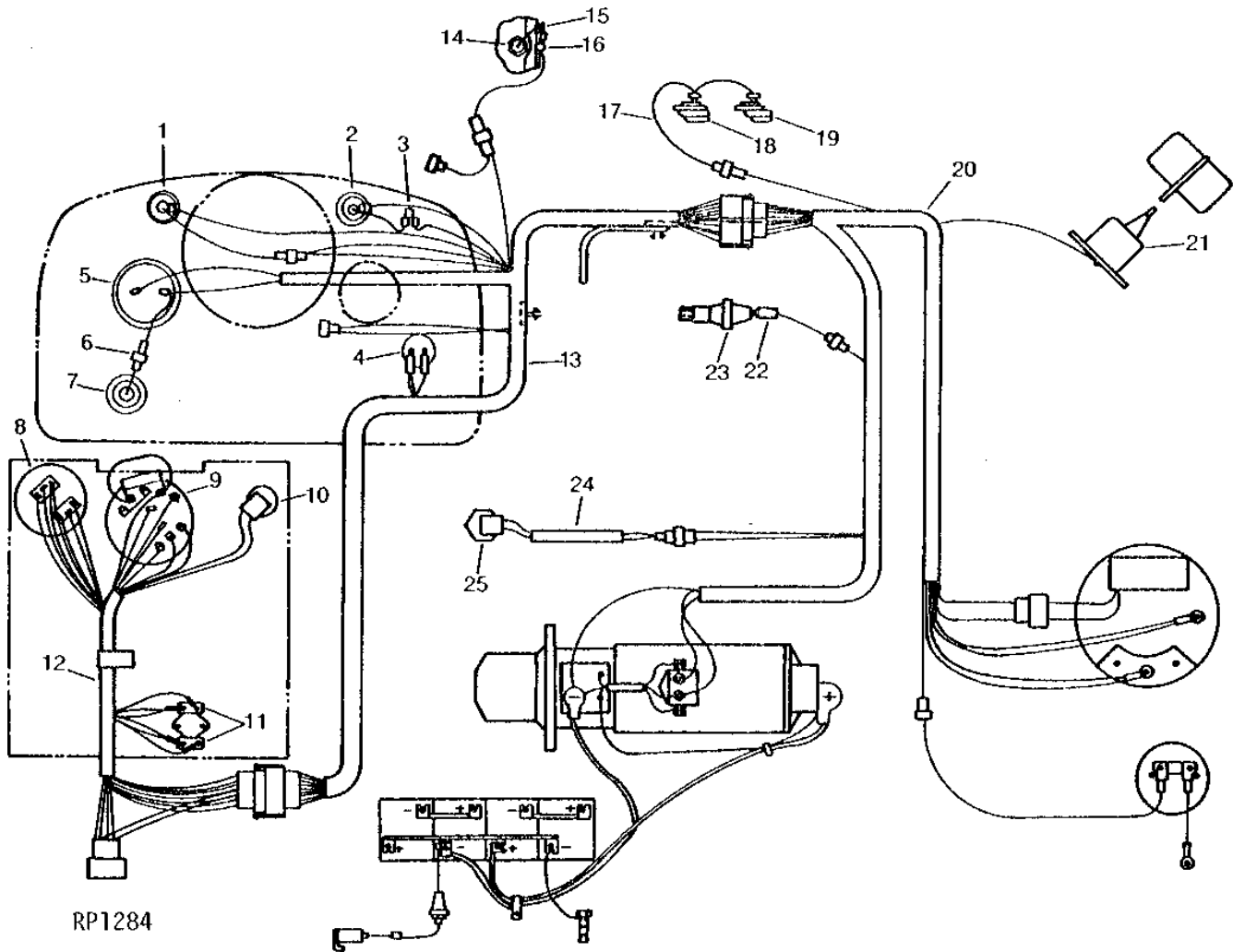
MEMORANDA

1D21

ELECTRICAL

RP1284 -UN-01JAN94

WIRING HARNESS



RP1284

1D22

ELECTRICAL

WIRING HARNESS - CONTINUED

KEY	PART NO.	PART NAME	QTY	TRACTOR SERIAL NO.	REMARKS
1	AR27944	LAMP	1		ENGINE OIL PRESSURE, (SUB AT44165, AR55694, R30378 AND AT48674)
2	AT14699	LAMP	1		ALTERNATOR INDICATOR
3	R39550	RESISTOR	1		
4	AR21823	SWITCH	1		HORN
5	AR46271	GAUGE	1		FUEL, (SUB FOR R34262 OR AT27153)
6	WIRING LEAD	1		305MM (12") (MAKE FROM R66319, R32018, R32027 AND R32025)
7	AR48643	LIGHTER	1		(12-VOLT) (SUB FOR AR34556)
8	AR39505	SWITCH	1		KEY
9	AR41288	SWITCH	1		LIGHT, (SUB FOR R39551)
10	AR46184	SWITCH	1		STARTER, (ALSO ORDER T55501) (SUB R39554 AND AR47373)
11	AR28403	CIRCUIT BREAKER	2		
12	AR47685	WIRING HARNESS	1		(SUB FOR R39555 OR AR44952)
13	AR47686	WIRING HARNESS	1		(SUB FOR R39641 OR AR44953)
	R27539	CLAMP	1		
	21H1304	SCREW	1		5/16" X 3/4"
	12M7032	LOCK WASHER	1		0.331"
	T13814	CLAMP	1		L.H.
	B1828R	BUSHING	1		L.H.
	24H1302	WASHER	1		13/32" X 11/16" X 0.035", L.H.
14	AR33479	LAMP	1		
15	A3411R	GROMMET	1		
16	F2084R	CLIP	1		
17	R39650	WIRING HARNESS	1		
18	AT39043	HIGH NOTE HORN	1		(HIGH NOTE, 12-VOLT) (SUB FOR R11276)
19	HORN	1		(NOT REQUIRED)
20	AR47706	WIRING HARNESS	1		
	R44302	TIE BAND	4		(SUB FOR R27457)
	R32320	CLIP	2		
	B1986R	CLIP	2		
	R36976	CLAMP	1		(NO LONGER AVAILABLE)
21	AR36751	SENDER	1		FUEL
22	AR45694	WIRING LEAD	1	M24415-	
23	AR27977	TOUCH SWITCH	1		ENGINE OIL PRESSURE
24	R36975	WIRING LEAD	1		
	R44302	TIE BAND	2		(SUB FOR R27457 OR R1646R)
25	RE38390	SWITCH	1		NEUTRAL-START, (SUB FOR R36265, AR85323, AR89691 OR AT85153) (ALSO ORDER R98941)
	T16911	SHIM	2		
..	AR47671	KIT	1		ELECTRICAL SYSTEM PROTECTION, (INCLUDES AR47685, AR47686, AR47706, R36975 AND AR47678)

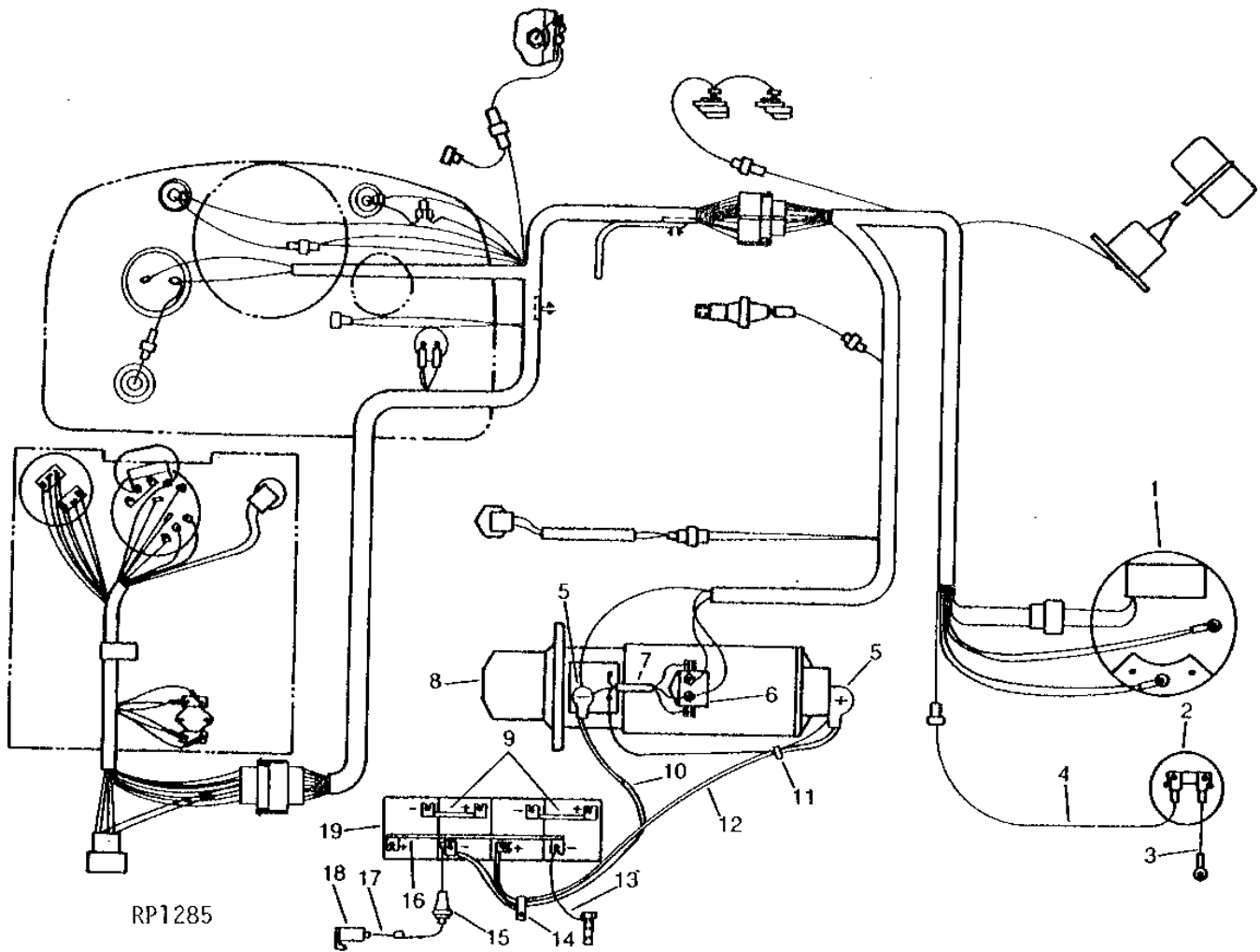
1D23

ELECTRICAL

RP1285

-UN-01JAN94

ALTERNATOR AND STARTER WIRING



1D24

ELECTRICAL

ALTERNATOR AND STARTER WIRING - CONTINUED

KEY	PART NO.	PART NAME	QTY	TRACTOR SERIAL NO.	REMARKS
1	AR40419	ALTERNATOR	1	-005573	(24-VOLT) (35 AMP) (MOTOROLA) (SUB TY1448)
	AR34567	ALTERNATOR	1	005574-007999	(24-VOLT) (10 AMP) (DELCO-REMY) (SUB TY1447)
	AR40419	ALTERNATOR	1	008000-	(24-VOLT) (35 AMP) (MOTOROLA) (SUB TY1448)
	AR40420	ALTERNATOR	1		(A) (12-VOLT) (55 AMP) (MOTOROLA) (SUB TY1430)
	TY1447	GENERATOR	1		(24-VOLT) (10 AMP) (REMANUFACTURED) (SUB FOR AR11302 OR AR34567)
	TY1448	ALTERNATOR	1		(24-VOLT) (35 AMP) (REMANUFACTURED) (SUB FOR AR40419)
	TY1430	ALTERNATOR	1		(A) (12-VOLT) (55 AMP) (REMANUFACTURED) (SUB FOR AR40420)
2	WIRING LEAD	1		(NOT REQUIRED)
3	WIRING LEAD	1		(NOT REQUIRED)
4	WIRING LEAD	1		(NOT REQUIRED)
5	R30964	COVER	2		
6	AR44843	RELAY	1		(ALSO ORDER RE41287)
7	AR44842	WIRING HARNESS	1		
8	AR55313	STARTER	1	-307648	(24-VOLT) (DELCO-REMY NO. 1113827) (SUB RE43047 OR TY6699)
	AR102770	STARTER	1		(24-VOLT) (DELCO-REMY NO. 1114896) (SUB RE43047 OR TY6699)
	AR102771	STARTER	1	307649-	(24-VOLT) (DELCO-REMY NO. 1114843) (SUB RE43047 OR TY6699)
	RE43047	STARTER	1		(24-VOLT) (DELCO-REMY NO. 1993936) (SUB FOR AR55313, AR102770 OR AR102771)
	RE41756	STARTER	1		(A) (12-VOLT) (DELCO-REMY NO. 1993935) (SUB FOR RE38633)
	TY6730	STARTER	1		(A) (12-VOLT) (REMANUFACTURED)
	TY6699	STARTER	1		(24-VOLT) (REMANUFACTURED) (DELCO-REMY) (SUB FOR TY6611)
	AR14006	STARTER	1		(24-VOLT) (PRESTOLITE NO. MFY-8001A) (SUB TY6721)
	AR36849	STARTER	1		(24-VOLT) (PRESTOLITE NO. MFY-8001B) (SUB TY6721)
	AR45036	STARTER	1		(24-VOLT) (PRESTOLITE) (SUB FOR AR36849) (SUB TY6721)
	TY6721	STARTER	1		(REMANUFACTURED) (PRESTOLITE) (SUB FOR TY6610, AR14006, AR26849 OR AR45036)
9	AA4039R	CABLE	2		
10	AR35212	CABLE	1		NEGATIVE
11	R44302	TIE BAND	1		POSITIVE, (SUB FOR R27457)
12	AR35213	CABLE	1		POSITIVE
13	R39713	WIRING LEAD	1		
14	R35668	CLAMP	1		L.H.
	19H1936	CAP SCREW	1		3/8" X 3/4", L.H.
	12H304	LOCK WASHER	1		3/8", L.H.
15	AR26756	WIRING LEAD	1		
16	AA4423R	CABLE	1		
17	WIRING LEAD	1		432MM (17") (MAKE FROM R66319, (2) R32027, R32024 AND R32025)
	R21551	CLIP	1		
18	AR26571	SOCKET	1		
	21H1301	SCREW	2		0.190" X 1/2"
	12M7060	WASHER	2		0.209"
	14H778	NUT	2		0.190"
	AR40710	PLUG	1		(SUB FOR AA5691R)
	AA5692R	ELECTRICAL PLUG	1		(PART OF AR40710)
19	TY21731	BATTERY	4		(6-VOLT) (SUB FOR AR46114 OR TY6117)
..	AR47671	KIT	1		ELECTRICAL SYSTEM PROTECTION, (INCLUDES AR47685, AR47686, AR47706, R36975 AND AR47678)

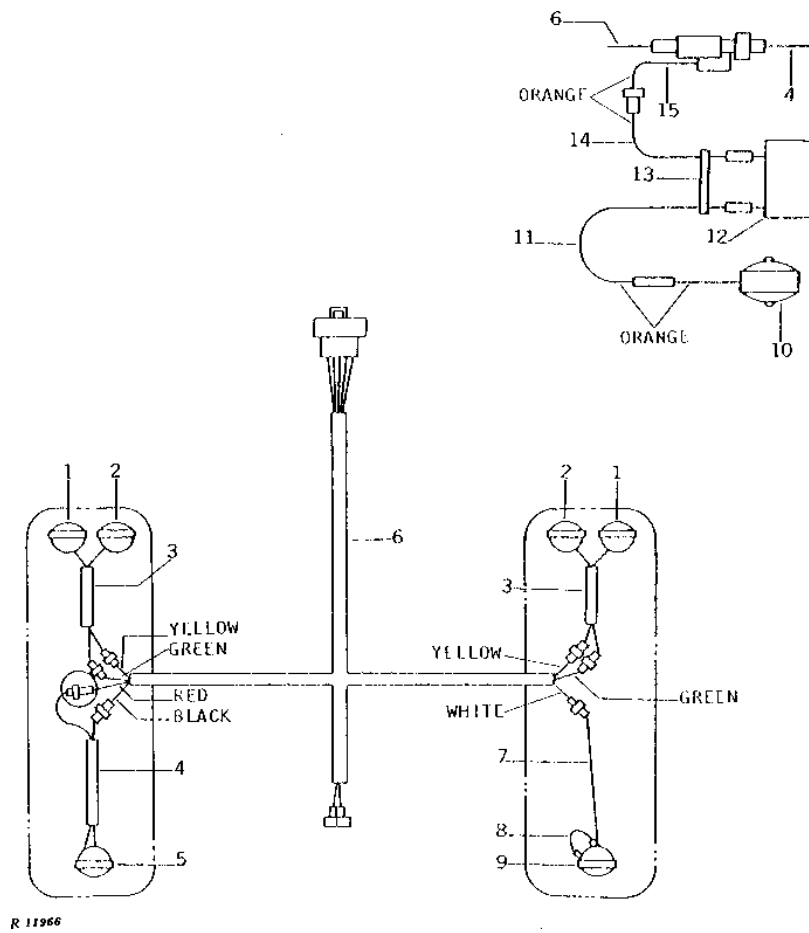
(A) 24-VOLT TO 12-VOLT START/CHARGE CONVERSION KIT

1E1

ELECTRICAL

R11966 -UN-01JAN94

LAMP WIRING (STANDARD)



R 11966

1E2

ELECTRICAL

LAMP WIRING - CONTINUED (STANDARD)

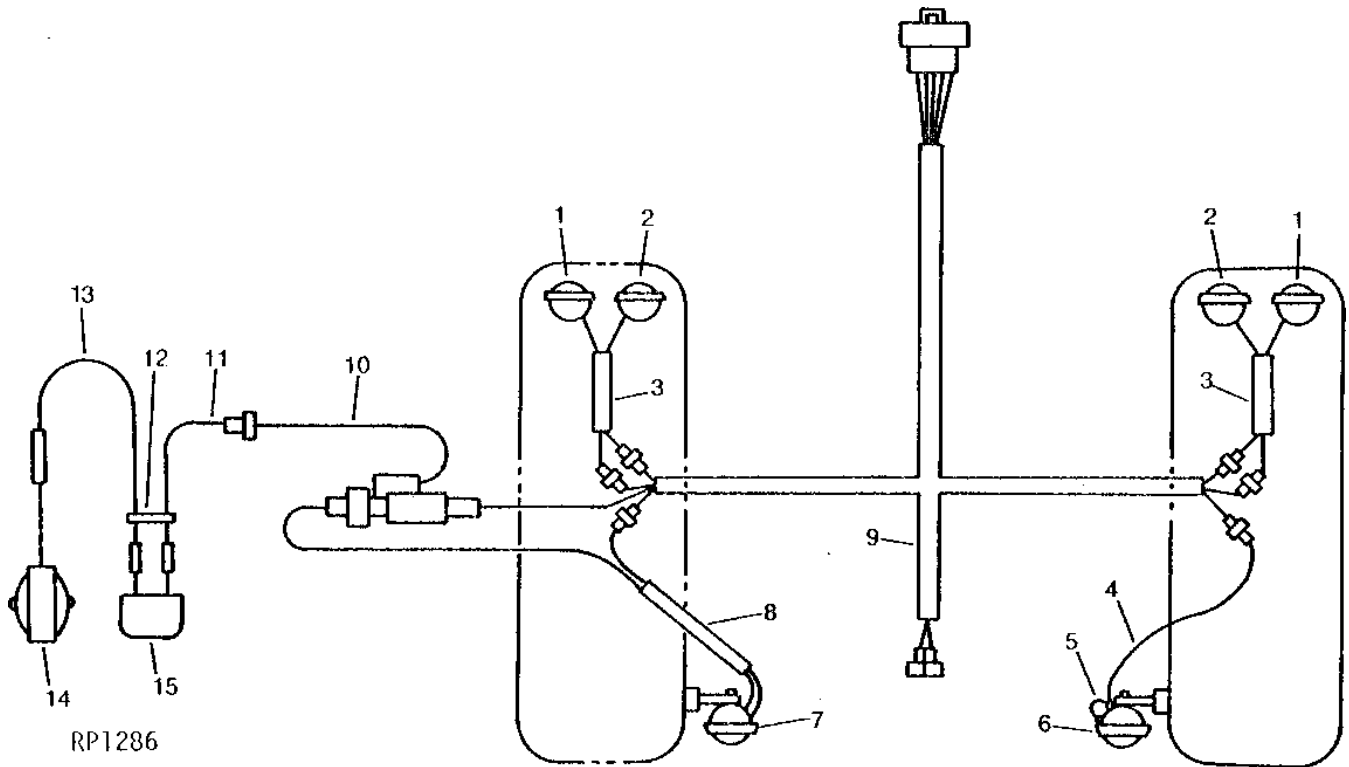
KEY	PART NO.	PART NAME	QTY	TRACTOR SERIAL NO.	REMARKS
1	AT13380	HEADLIGHT	2		(12-VOLT) (OUTER)
	R20758	WASHER	2		
	F2935R	WASHER	2		
	12H301	LOCK WASHER	2		1/2"
	14H1040	NUT	2		1/2"
2	AT13381	LAMP	2		(12-VOLT) (INNER)
	R20758	WASHER	2		
	F2935R	WASHER	2		
	12H301	LOCK WASHER	2		1/2"
	14H1040	NUT	2		1/2"
3	R39661	WIRING HARNESS	2		
	R27180	GROMMET	4		
	R21551	CLIP	2		
4	R39662	WIRING HARNESS	1		REAR, L.H. (NLA)
	R26936	GROMMET	2		L.H.
5	AR77326	FLOODLAMP	1		REAR, L.H. (SUB FOR AT16288)
	12H301	LOCK WASHER	1		1/2"
	14H1040	NUT	1		1/2"
6	AR41284	WIRING HARNESS	1		(SUB FOR R39617)
	B1986R	CLIP	1		
7	WIRING LEAD	1		1448MM (57") (MAKE FROM R66319, R32016, R32027 AND R32025)
8	WIRING LEAD	1		152MM (6") (MAKE FROM R66319, R32016 AND R32028)
9	AR35782	LAMP	1		REAR, R.H. (12-VOLT)
	12H301	LOCK WASHER	1		1/2"
	14H1040	NUT	1		1/2"
10	AR38456	LAMP	1		
	AD2062R	BULB	1		(12-16 VOLT)
	R38371	WASHER	1		
	24H1227	WASHER	1		17/32" X 13/16" X 0.060"
	14H856	NUT	1		1/2"
11	WIRING LEAD	1		1372MM (54") (MAKE FROM R66319, R32027 AND (2) R32024)
12	AR48594	FLASHER	1		(SUB FOR AR38453)
13	R21551	CLIP	1		
14	WIRING LEAD	1		76MM (3") (MAKE FROM R66319, R32027 AND (2) R32024)
15	AR38455	WIRING LEAD	1		

1E3

ELECTRICAL

RP1286 -UN-01JAN94

LAMP WIRING
(ROW-CROP)



RP1286

1E4

ELECTRICAL

LAMP WIRING - CONTINUED (ROW-CROP)

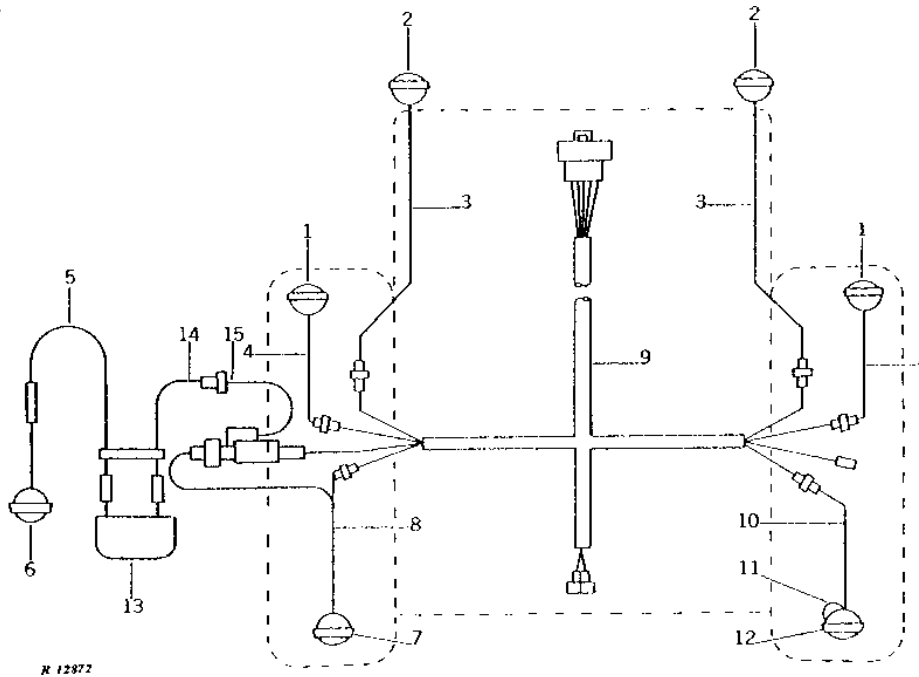
KEY	PART NO.	PART NAME	QTY	TRACTOR SERIAL NO.	REMARKS
1	AT13380	HEADLIGHT	2		(12-VOLT FLOOD) (OUTER)
	R20758	WASHER	2		
	F2935R	WASHER	2		
	12H301	LOCK WASHER	2	1/2"	
	14H1040	NUT	2	1/2"	
2	AT13381	LAMP	2		(12-VOLT) (INNER)
	R20758	WASHER	2		
	F2935R	WASHER	2		
	12H301	LOCK WASHER	2	1/2"	
	14H1040	NUT	2	1/2"	
3	R39661	WIRING HARNESS	2		(SUB FOR AR40943)
	A3411R	GROMMET	4		
	R32320	CLIP	4		
4	WIRING LEAD	1		114MM (4-1/2") (MAKE FROM R66319, R32016, R32027 AND R32024)
5	WIRING LEAD	1		152MM (6") (MAKE FROM R66319, R32016 AND R32028)
6	RE27099	LAMP	1		REAR, R.H. (12-VOLT) (SUB FOR AR28167)
	T12444	WASHER	1		(NO LONGER AVAILABLE)
	12H301	LOCK WASHER	1	1/2"	
	14H809	NUT	1	1/2", (NLA)	
7	AR77326	FLOODLAMP	1		(SUB FOR AR34990 OR AT16288)
	T12444	WASHER	1		(NO LONGER AVAILABLE)
	12H301	LOCK WASHER	1	1/2"	
	14H1040	NUT	1	1/2"	
8	R39662	WIRING HARNESS	1		REAR, L.H. (NLA)
	R26936	GROMMET	2		L.H.
9	AR41284	WIRING HARNESS	1		
	B1986R	CLIP	1		
10	AR38455	WIRING LEAD	1		
11	WIRING LEAD	1		76MM (3") (MAKE FROM R66319, R32027 AND (2) R32024)
12	R32320	CLIP	1		
13	WIRING LEAD	1		1372MM (54") (MAKE FROM R66319, R32027 AND (2) R32024)
14	AR38456	LAMP	1		
	AD2062R	BULB	1		(12-16 VOLT)
	R38371	WASHER	1		
	24H1227	WASHER	1		17/32" X 13/16" X 0.060"
	14H856	NUT	1	1/2"	
15	AR48594	FLASHER	1		(SUB FOR AR38453)

1E5

ELECTRICAL

**LAMP WIRING (CRENLO)
(SIDE AND REAR DOOR)
(CAB SERIAL NO. 016050-021042)**

R12872 -UN-01JAN94



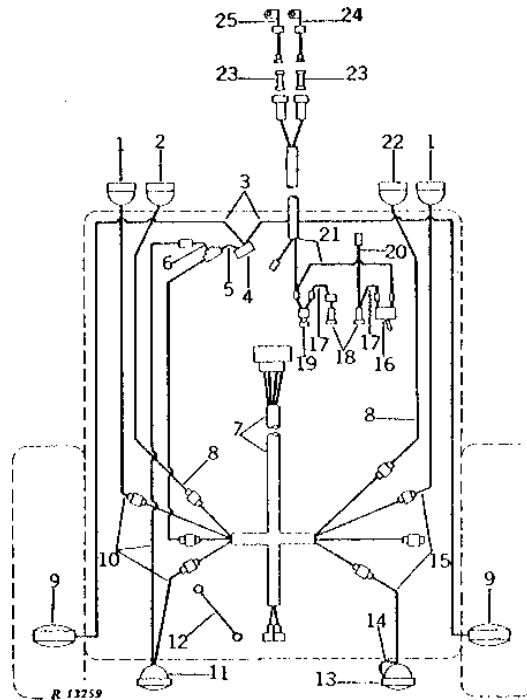
KEY	PART NO.	PART NAME	QTY	TRACTOR SERIAL NO.	REMARKS
1	AT13380	HEADLIGHT	2		(12-VOLT FLOOD) (OUTER)
2	AT13381	LAMP	2		(12-VOLT) (INNER)
3	WIRING LEAD	2		1981MM (78") (MAKE FROM R66319, R32016, R32027 AND R32025)
	R27583	GROMMET	2		
	R21551	CLIP	4		
4	WIRING LEAD	2		1524MM (60") (MAKE FROM R66319, R32016, R32027 AND R32025)
5	WIRING LEAD	1		2438MM (96") (MAKE FROM R66319, R32027 AND R32024)
6	AR38456	LAMP	1		
7	AR77326	FLOODLAMP	1		L.H. (12-VOLT) (SUB FOR AT16288)
	T12444	WASHER	1		(NO LONGER AVAILABLE)
8	R39662	WIRING HARNESS	1		L.H. (NLA)
	R26936	GROMMET	6		
9	AR41284	WIRING HARNESS	1		
	R36976	CLAMP	2		(NO LONGER AVAILABLE)
10	WIRING LEAD	1		1448MM (57") (MAKE FROM R66319, R32016 AND R32025)
11	WIRING LEAD	1		152MM (6") (MAKE FROM R66319, R32016 AND R32028)
12	AR35782	LAMP	1		REAR, R.H. (12-VOLT)
	T12444	WASHER	1		(NO LONGER AVAILABLE)
13	AR48594	FLASHER	1		(SUB FOR AR38453)
14	WIRING LEAD	1		76MM (3") (MAKE FROM R66319 AND (2) R32024)
15	WIRING LEAD	1		1372MM (54") (MAKE FROM R66319, R32027 AND (2) R32024)

1E6

ELECTRICAL

LAMP AND ACCESSORY WIRING (CRENLO) (CAB SERIAL NO. 021043-)

R13259 -UN-01JAN94



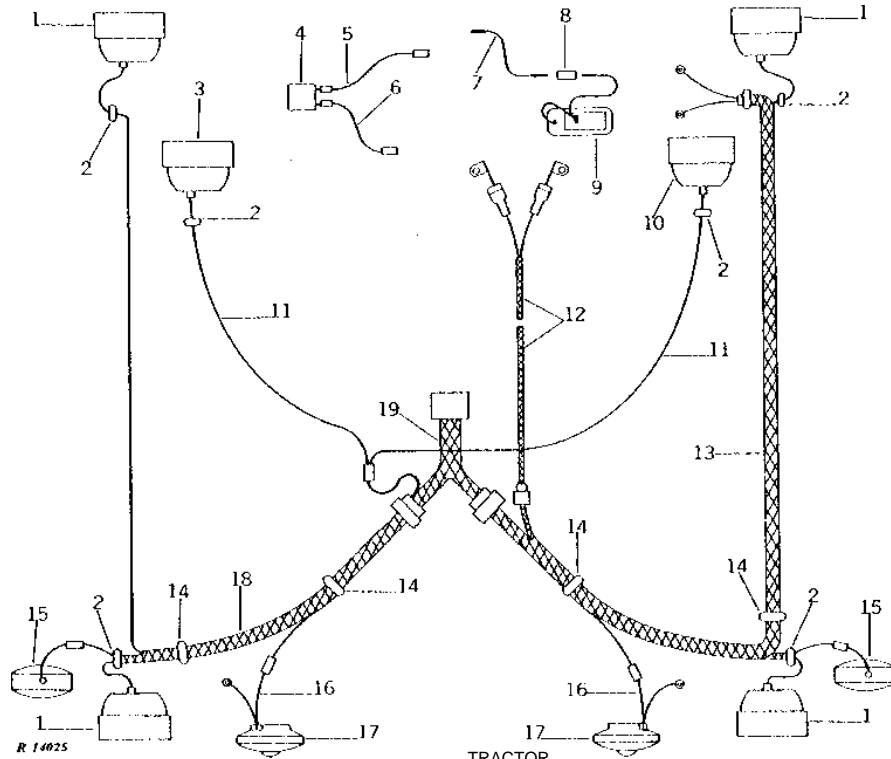
KEY	PART NO.	PART NAME	QTY	TRACTOR SERIAL NO.	REMARKS
1	AR42119	LAMP	2		(12-VOLT) (SUB RE19075, THIS APPLICATION)
2	AR42121	LAMP	1		FRONT, L.H. (SUB RE19075)
3	AR44651	WIRING HARNESS	1		(NO LONGER AVAILABLE)
4	AR48594	FLASHER	1		(SUB FOR AR38453)
	R42556	CLIP	1		(NO LONGER AVAILABLE)
5	WIRING LEAD	1		76MM (3") (MAKE FROM R32027 AND (2) R32024)
6	AR38455	WIRING LEAD	1		
7	AR41284	WIRING HARNESS	1		
8	WIRING LEAD	2		2032MM (80") (MAKE FROM R66319, R32016, R32027 AND R32025)
9	AR38456	LAMP	2		
10	AR44649	WIRING HARNESS	1		(NO LONGER AVAILABLE)
	R42550	BUSHING	1		L.H. (NO LONGER AVAILABLE)
11	AR77326	FLOODLAMP	1		L.H. (12-VOLT) (SUB FOR AT16288)
12	AR44762	WIRING LEAD	1		(NO LONGER AVAILABLE)
	R27180	GROMMET	6		
	R41439	GROMMET	2		(CAB FRAME)
13	AR35782	LAMP	1		REAR, R.H. (12-VOLT)
14	WIRING LEAD	1		152MM (6") (MAKE FROM R66319, R32016 AND R32028)
15	AR44650	WIRING HARNESS	1		(NO LONGER AVAILABLE)
	R42551	BUSHING	1		R.H. (NO LONGER AVAILABLE)
16	AR44659	TOGGLE SWITCH	1		
17	AR44648	WIRING LEAD	2		(NO LONGER AVAILABLE)
18	AR44656	FUSE HOLDER	2		
19	AR44673	SWITCH	1		(24-VOLT)
20	AR44653	WIRING LEAD	1		(NO LONGER AVAILABLE)
21	AR44654	WIRING HARNESS	1		(NO LONGER AVAILABLE)
	R44302	TIE BAND	4		(SUB FOR R1646R)
	B1986R	CLIP	4		
	R21551	CLIP	2		
22	RE19075	LAMP	1		R.H. (SUB FOR AR42120)
23	FUSE	2		(AGC 30)
24	AR44463	WIRING LEAD	1		(NO LONGER AVAILABLE)
25	AR44462	WIRING LEAD	1		(NO LONGER AVAILABLE)

1E7

ELECTRICAL

CAB LAMP WIRING (STOLPER)

R14025 -UN-01JAN94



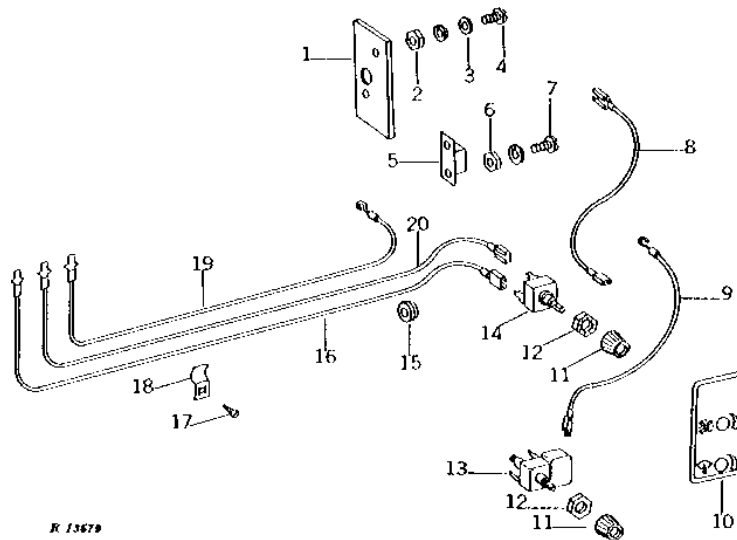
KEY	PART NO.	PART NAME	QTY	TRACTOR SERIAL NO.	REMARKS
1	AR42119	LAMP	4		(12-VOLT) (SUB RE19075, THIS APPLICATION)
2	R27583	GROMMET	6		
3	AR42121	LAMP	1		L.H. (12-VOLT) (SUB RE19075)
4	AR48594	FLASHER	1		(SUB FOR AR38453)
5	AR45111	WIRING LEAD	1		(NO LONGER AVAILABLE)
6	AR45112	WIRING LEAD	1		(NO LONGER AVAILABLE)
7	WIRING LEAD	1		254MM (10") (MAKE FROM R66319, R32026, R32027 AND R32024)
8	R32029	TERMINAL	1		
9	AR45847	LAMP	1		
10	AR42120	LAMP	1		FRONT, R.H. (12-VOLT) (SUB RE19075)
11	AR44994	WIRING HARNESS	1		(NO LONGER AVAILABLE)
	F2084R	CLIP	4		
12	AR44995	WIRING HARNESS	1		R.H.
13	AR45825	WIRING HARNESS	1		R.H. (NO LONGER AVAILABLE)
	T14264	CLAMP	1		R.H.
	T13744	CLAMP	1		R.H.
	R34557	CLAMP	1		
	R27180	GROMMET	1		
14	R41439	GROMMET	4		
15	AR38456	LAMP	2		
16	AR44996	WIRING LEAD	1		(NO LONGER AVAILABLE)
17	AR78825	TAIL LAMP	2		(SUB FOR AR44989 OR AR45099)
18	AR43743	WIRING HARNESS	1		L.H. (NO LONGER AVAILABLE)
	T14264	CLAMP	1		L.H.
	T13744	CLAMP	1		L.H.
	R34557	CLAMP	1		
	R27180	GROMMET	1		
19	AR46092	WIRING HARNESS	1		(NO LONGER AVAILABLE)

1E8

ELECTRICAL

BLOWER SWITCH, WIPER SWITCH, AND WIRING LEADS (STOLPER)

R13679 -UN-01JAN94



KEY	PART NO.	PART NAME	QTY	TRACTOR SERIAL NO.	REMARKS
1	R44479	FUSE HOLDER	1	(NO LONGER AVAILABLE)	
2	14H605	NUT	2	0.164"	
	12H315	LOCK WASHER	2	0.164"	
3	24H1283	WASHER	2	7/32" X 1/2" X 0.049"	
4	21H1158	SCREW	2	0.164" X 1/2"	
5	AR45859	CIRCUIT BREAKER	1	(NO LONGER AVAILABLE)	
6	14H778	NUT	12	0.190"	
7	21H1301	SCREW	2	0.190" X 1/2"	
	12M7060	WASHER	2	0.209"	
8	AR45853	WIRING LEAD	1	(NLA)	
9	AR45853	WIRING LEAD	1	(NLA)	
10	R44482	LABEL	1	(NO LONGER AVAILABLE)	
11	T30890	KNOB	2	(SUB FOR AR45849)	
12	R44165	LOCK NUT	2		
13	AR45839	SWITCH	1		
14	AR45854	SWITCH	1		
15	H987R	GROMMET	3		
16	AR45851	WIRING LEAD	1	(NO LONGER AVAILABLE)	
17	37H15	SCREW	2	NO.6 X 1/4"	
18	R44481	CLIP	2		
19	AR45860	WIRING LEAD	1	(NO LONGER AVAILABLE)	
20	AR45852	WIRING LEAD	1	(NO LONGER AVAILABLE)	

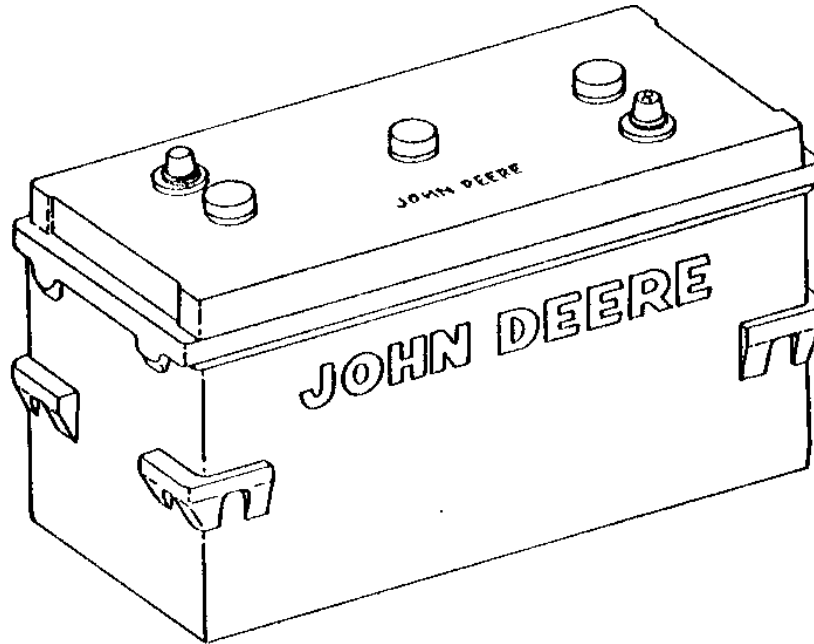
MEMORANDA

1E9

ELECTRICAL

R33050 -UN-01JAN94

STORAGE BATTERY



R33050

KEY	PART NO.	PART NAME	QTY	TRACTOR SERIAL NO.	REMARKS
1	TY21731	BATTERY	4		6-VOLT, 625 COLD CRANKING AMPS AT -18°C (0°F), 160 MINUTE RESERVE CAPACITY AT 25 AMPS, (SUB FOR AR46114 OR TY6117)

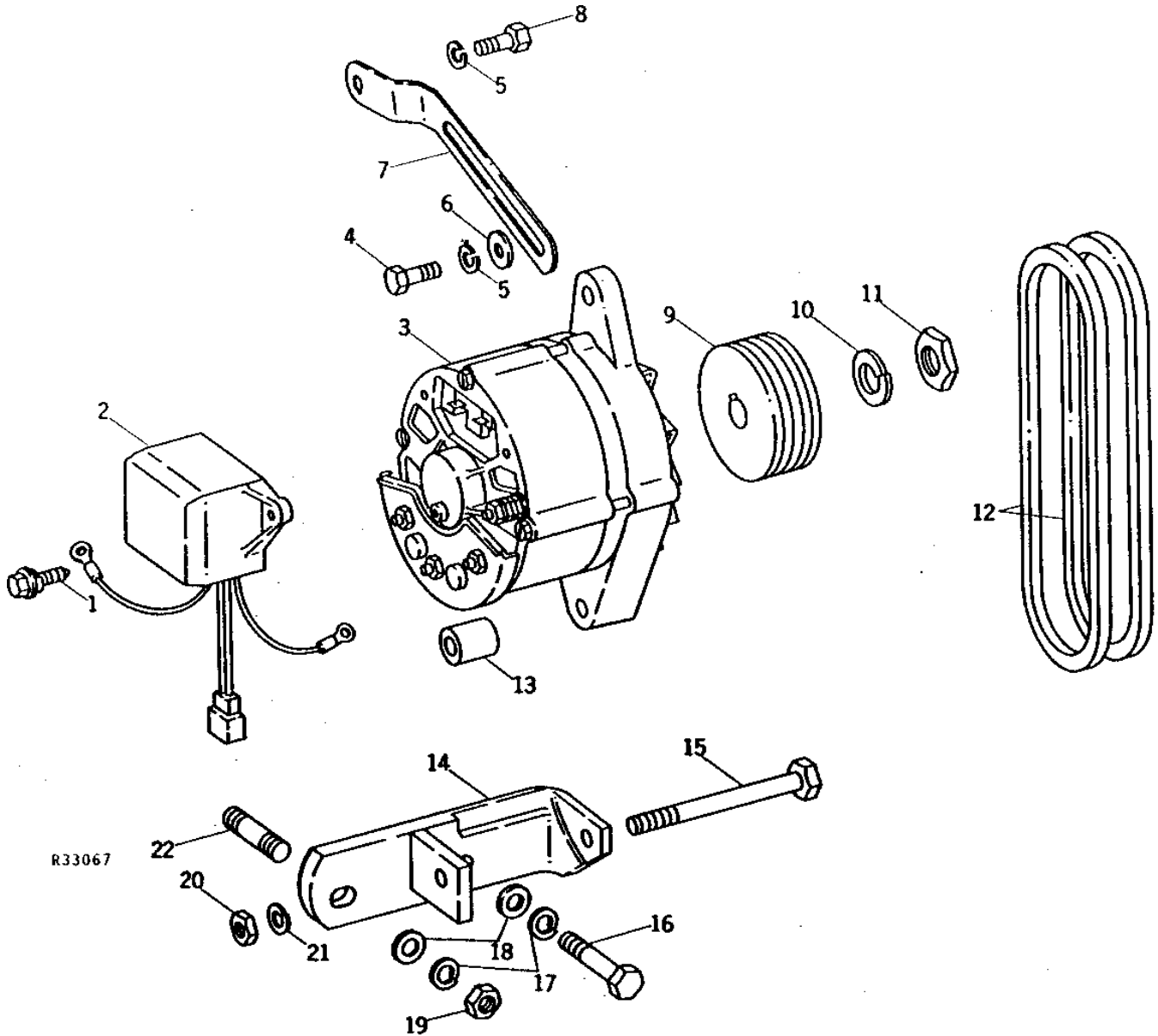
1E10

ELECTRICAL

R33067

-UN-01JAN94

ALTERNATOR, REGULATOR AND MOUNTING BRACKET



1E11

ELECTRICAL

ALTERNATOR, REGULATOR AND MOUNTING BRACKET - CONTINUED

KEY	PART NO.	PART NAME	QTY	ENGINE SERIAL NO.	REMARKS
1	R44008	SCREW	3		
2	AR78298	VOLTAGE REGULATOR	1		(12-VOLT) (SUB FOR AR52927)
	AR52928	VOLTAGE REGULATOR	1		(24-VOLT)
3	AR40419	ALTERNATOR	1	-005573	(24-VOLT) (35 AMP) (MOTOROLA) (SUB TY1448)
	AR34567	ALTERNATOR	1	005574-007999	(24-VOLT) (10 AMP) (DELCO-REMY) (SUB TY1448)
	AR40419	ALTERNATOR	1	008000-	(24-VOLT) (35 AMP) (MOTOROLA) (SUB TY1448)
	AR40420	ALTERNATOR	1		(A) (12-VOLT) (55 AMP) (MOTOROLA) (SUB TY1430)
	TY1447	GENERATOR	1		(24-VOLT) (10 AMP) (REMANUFACTURED) (SUB FOR AR11302 OR AR34567)
	TY1448	ALTERNATOR	1		(24-VOLT) (35 AMP) (REMANUFACTURED) (SUB FOR AR40419)
	TY1430	ALTERNATOR	1		(A) (12-VOLT) (55 AMP) (REMANUFACTURED) (SUB FOR AR40420)
4	19H1905	CAP SCREW	1		5/16" X 1"
5	12H303	LOCK WASHER	2		5/16"
6	24H1292	WASHER	1		11/32" X 3/4" X 0.120"
7	R40775	STRAP	1		
8	19H1900	CAP SCREW	1		5/16" X 3/4"
9	R15022	PULLEY	1		(24-VOLT)
	R43828	PULLEY	1		(12-VOLT)
10	12H294	LOCK WASHER	1		5/8"
11	14H866	NUT	1		5/8"
12	AR56638	BELT SET	1		
13	R34969	SPACER	1		
14	AR40416	BRACKET	1		
15	19H2228	CAP SCREW	1		3/8" X 4"
16	19H2500	CAP SCREW	1		7/16" X 1-3/8"
17	12H293	LOCK WASHER	2		7/16"
18	24M7044	WASHER	2		13 X 20 X 2 MM
19	14H813	NUT	1		7/16"
20	14H1076	NUT	1		3/8"
21	12H304	LOCK WASHER	1		3/8"
22	K3083R	STUD	1		

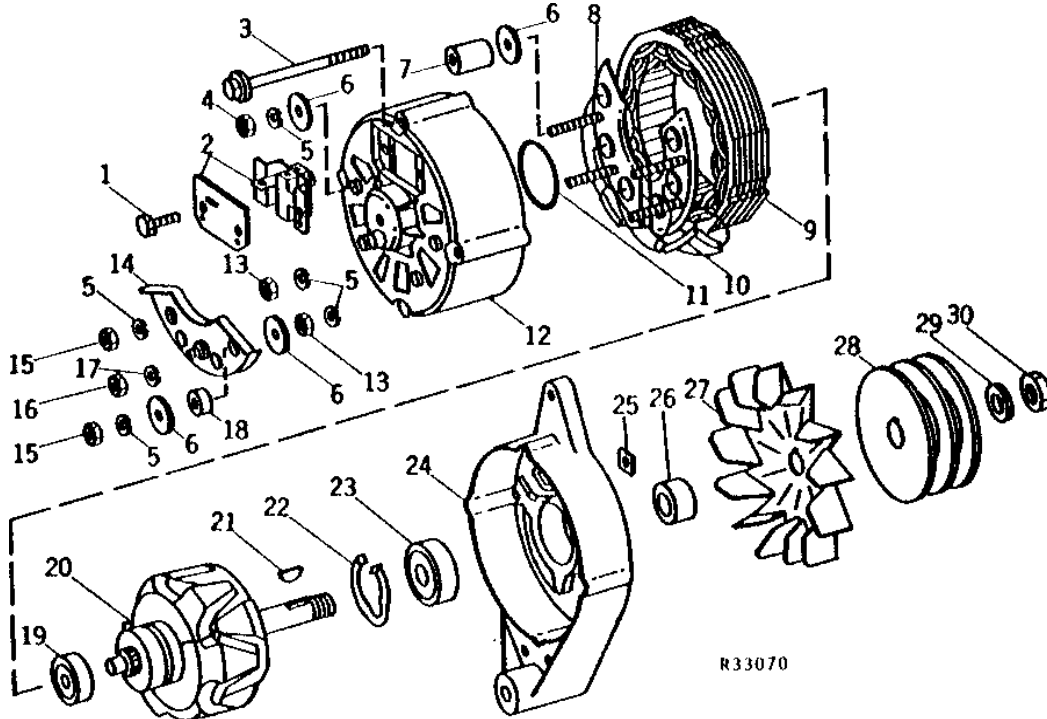
(A) 24-VOLT TO 12-VOLT START/CHARGE CONVERSION KIT

1E12

ELECTRICAL

ALTERNATOR PARTS (24-VOLT)(35 AMP) (MOTOROLA)

R33070 -UN-01JAN94



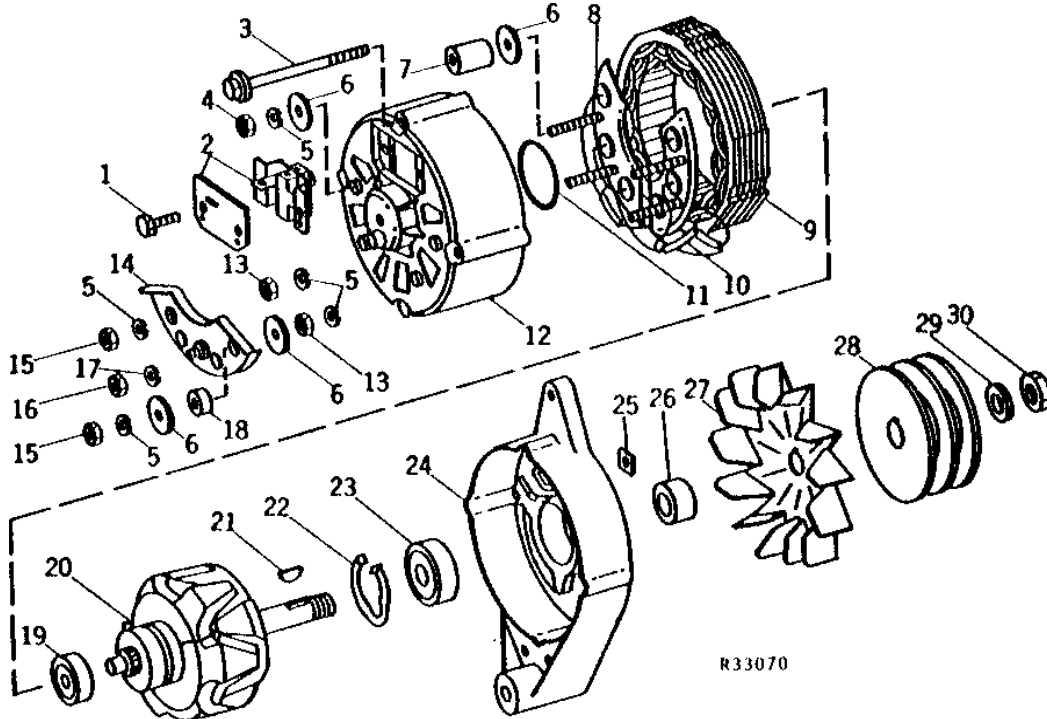
KEY	PART NO.	PART NAME	QTY	ENGINE SERIAL NO.	REMARKS
1	37H10	SCREW	2		
2	R15041	BRUSH	1		0.164" X 3/8"
3	R15045	BOLT	4		
4	14H778	NUT	2		0.190"
5	12M7060	WASHER	6		0.209"
6	R15036	WASHER	6		
7	R15035	SLEEVE	4		
8	R15039	DIODE	1		POSITIVE
9	R15043	STATOR	1		
10	R15040	DIODE	1		NEGATIVE
11	R15030	O-RING	1		
12	R40606	HOUSING	1		REAR
13	AR40489	WIRING LEAD	1		
14	14H778	NUT	3		0.190"
15	AR40471	DIODE	1		
16	14H778	NUT	2		0.190"
17	14H786	NUT	1		1/4"
18	12H297	LOCK WASHER	1		1/4"
19	R39803	WASHER	1		
20	AT23189	BALL BEARING	1		(SUB FOR R15028)
21	R15042	ROTOR	1		(NLA)
22	26H72	SHAFT KEY	1		1/8" X 5/8"
23	R15029	RETAINER	1		
24	JD9449	BALL BEARING	1		(SUB FOR JD8535 OR AT23188)
25	R15033	HOUSING	1		FRONT
26	T23610	NUT	4		
27	T25343	BUSHING	1		(SUB FOR R15038)
28	R15027	FAN	1		
29	R15022	PULLEY	1		
30	12H294	LOCK WASHER	1		5/8"
..	14H866	NUT	1		5/8"
..	AR40419	ALTERNATOR	1		(24-VOLT) (MOTOROLA NO. RA2AJD902S) (SUB TY1448)
..	TY1448	ALTERNATOR	1		(24-VOLT) (REMANUFACTURED)

1E13

ELECTRICAL

R33070 -UN-01JAN94

ALTERNATOR (12-VOLT) (55 AMP) (MOTOROLA)



KEY	PART NO.	PART NAME	QTY	ENGINE SERIAL NO.	REMARKS
1	37H10	SCREW	2	0.164" X 3/8"	
2	AT27128	HOLDER	1	(SUB FOR R15026)	
3	R15045	BOLT	4		
4	14H778	NUT	2	0.190"	
5	12M7060	WASHER	6	0.209"	
6	R15036	WASHER	6		
7	R15035	SLEEVE	2		
8	R15023	DIODE	1	POSITIVE	
9	R39802	STATOR	1		
10	R15024	DIODE	1	NEGATIVE	
11	R15030	O-RING	1		
12	R38374	HOUSING	1		
13	14H778	NUT	2	0.190"	
14	R39800	DIODE	1		
15	14H778	NUT	2	0.190"	
	12M7060	WASHER	2	0.209"	
16	14H786	NUT	1	1/4"	
17	12H297	LOCK WASHER	2	1/4"	
18	R39803	WASHER	1		
19	AT23189	BALL BEARING	1	(SUB FOR R15028)	
20	R39801	ROTOR	1		
21	26H72	SHAFT KEY	1	1/8" X 5/8"	
22	R15029	RETAINER	1		
23	JD8535	BALL BEARING	1		
24	R15033	HOUSING	1		
25	T23610	NUT	4		
26	T25343	BUSHING	1	(SUB FOR R15038)	
27	R15027	FAN	1		
28	R43828	PULLEY	1		
29	12H294	LOCK WASHER	1	5/8"	
30	14H866	NUT	1	5/8"	
..	AR40420	ALTERNATOR	1	(A) (LESS PULLEY) (12-VOLT) (MOTOROLA NO. RA12NJD604)	
..	TY1430	ALTERNATOR	1	(A) (12-VOLT) (REMANUFACTURED)	

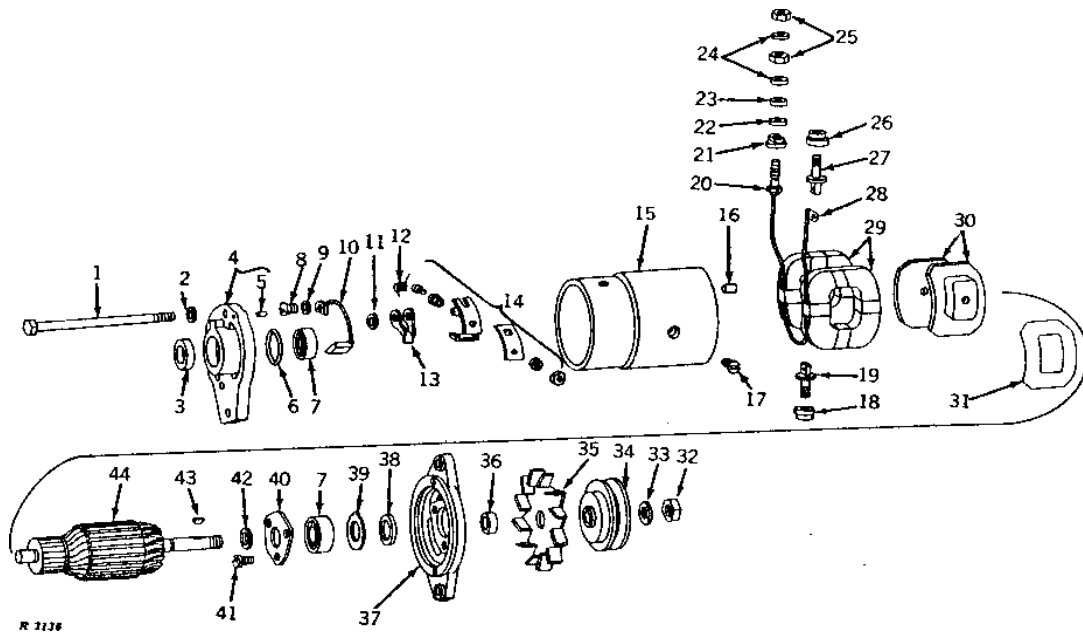
(A) 24-VOLT TO 12-VOLT START/CHARGE CONVERSION KIT

1E14

ELECTRICAL

GENERATOR PARTS (24-VOLT) (10 AMP) (DELCO-REMY)

R2136 -UN-12OCT94



1E15

ELECTRICAL

**GENERATOR PARTS - CONTINUED
(24-VOLT) (10 AMP) (DELCO-REMY)**

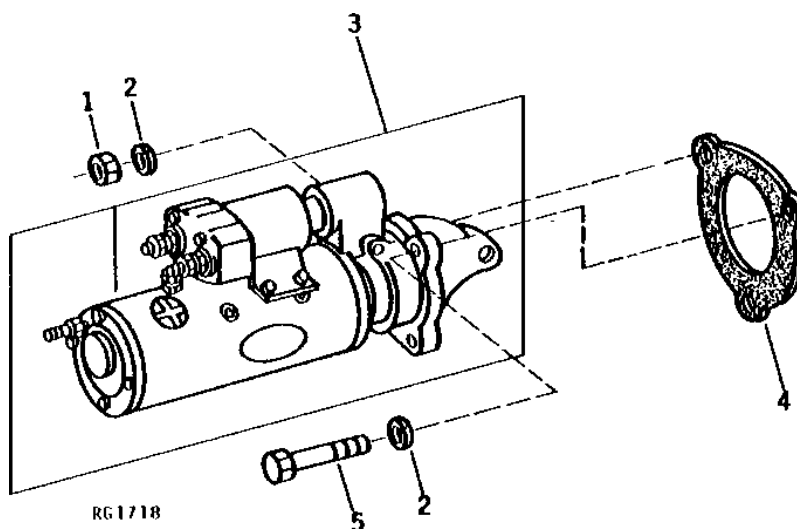
KEY	PART NO.	PART NAME	QTY	ENGINE SERIAL NO.	REMARKS
1	R11158	BOLT	2		
2	12H303	LOCK WASHER	2	5/16"	
3	R11188	PLUG	1		
4	AR11331	FRAME	1		(NO LONGER AVAILABLE)
5	R11086	DOWEL PIN	1		
6	T11660	O-RING	1		
7	JD9449	BALL BEARING	2		(SUB FOR JD8535 OR AT23188)
8	21H1309	SCREW	2	0.138" X 1/4"	
9	12H314	LOCK WASHER	2	0.138", (SUB FOR R11106)	
10	AR11074	BRUSH	2		
11	T11651	SHIM	2		
12	T11652	SPRING	2		
13	T11649	ARM	2		
14	AR40217	HOLDER	2		(SUB FOR AR11068) (SET)
15	FRAME	1		(ORDER TY1447)
16	R11087	DOWEL PIN	1		
17	21H1280	SCREW	2	3/8" X 3/4", (SUB FOR R11097 OR T18353)	
18	R11113	WASHER	1		
19	T11656	STUD	1		(SUB FOR R11162)
20	AR40436	STUD	1		(SUB FOR R11042)
21	T11650	INSULATOR	1		(SUB AR40436)
22	R11098	WASHER	3		(NO LONGER AVAILABLE)
23	24H1287	WASHER	3	9/32" X 5/8" X 0.065", (SUB FOR A3031R)	
24	12H316	LOCK WASHER	6	0.216", (SUB FOR A3011R)	
25	14H608	NUT	6	0.216"	
26	R11113	WASHER	1		
27	T11656	STUD	1		(SUB FOR R11162)
28	R32018	TERMINAL	1		(SUB FOR R11043)
29	AR11031	ELECTRICAL COIL	1		
30	R11161	SHOE	2		
31	R11160	INSULATOR	2		
32	R11049	NUT	1		
33	T10745	WASHER	1		
34	R11189	PULLEY	1		
35	T12870	FAN	1		
36	T11648	LOCKING COLLAR	1		
37	AR11333	FRAME	1		
38	R11089	WASHER	1	FELT	
39	R11094	PLATE	1		
40	R11109	PLATE	1		
41	21H1127	SCREW	3	0.190" X 7/16", (SUB FOR R11105)	
42	R11088	WASHER	1		
43	26H72	SHAFT KEY	1	1/8" X 5/8"	
44	AR11330	ARMATURE	1		
..	AR11302	GENERATOR	1		(SUB TY1447) (DELCO-REMY NO. 1103026)
..	TY1447	GENERATOR	1		(SUB FOR AR11302 OR AR34567) (REMANUFACTURED)

1E16

ELECTRICAL

STARTING MOTOR (12-VOLT) (24-VOLT)

RG1718 -UN-01JAN94



KEY	PART NO.	PART NAME	QTY	ENGINE SERIAL NO.	REMARKS
1	14H1040	NUT	2	1/2"	
2	12H301	LOCK WASHER	3	1/2"	
3	AR55313	STARTER	1		(24-VOLT) (DELCO-REMY NO. 1113827) (MARKED AR55314) (SUB RE43047, TY6699 OR TY6746)
	AR102770	STARTER	1		(24-VOLT) (DELCO-REMY NO. 1114896) (SUB RE43047, TY6699 OR TY6746)
	AR102771	STARTER	1		(24-VOLT) (DELCO REMY NO. 1114843) (SUB RE43047, TY6699 OR TY6746)
	RE43047	STARTER	1		(24-VOLT) (DELCO-REMY NO. 1993936) (MARKED RE38634) (SUB FOR AR55313, AR102770 OR AR102771)
	RE41756	STARTER	1		(A) (12-VOLT) (DELCO-REMY NO. 1993935) (MARKED RE38633)
	TY6730	STARTER	1		(A) (12-VOLT) (REMANUFACTURED) (DELCO-REMY)
	TY6699	STARTER	1		(24-VOLT) (REMANUFACTURED) (DELCO-REMY) (SUB FOR TY6611, AR55313, AR102770 OR AR102771)
	TY6746	STARTER	1		(24-VOLT) (REMANUFACTURED) (DELCO-REMY)
	AR14006	STARTER	1		(24-VOLT) (PRESTOLITE NO. MFY-8001A) (SUB TY6721)
	AR36849	STARTER	1		(24-VOLT) (PRESTOLITE NO. MFY-8001B) (SUB TY6721)
	AR45036	STARTER	1		(24-VOLT) (PRESTOLITE NO. MFY-8001C) (SUB TY6721)
	TY6721	STARTER	1		(24-VOLT) (REMANUFACTURED) (PRESTOLITE) (SUB FOR TY6610, AR14006, AR36849 OR AR45036)
4	R57480	GASKET	1		
5	19H1721	CAP SCREW	1	1/2" X 1-1/2"	

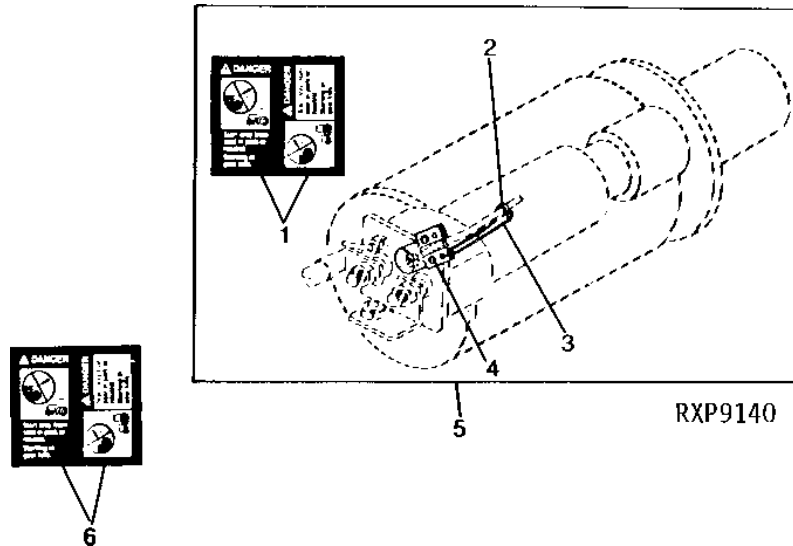
(A) 24-VOLT TO 12-VOLT START/CHARGE CONVERSION KIT

1E17

ELECTRICAL

STARTER SOLENOID COVER KIT (DELCO-REMY)

RXP9140 -UN-11NOV94



KEY	PART NO.	PART NAME	QTY	ENGINE SERIAL NO.	REMARKS
1	T146102	WARNING LABEL	1		(ENGLISH) (SUB FOR T84409 OR T134459)
2	R44302	TIE BAND	1		
3	R76477	TIE BAND	1		
4	R66117	SCREW	2		
5	RE39063	SHIELD	1		(A) (B)
6	T146106	WARNING LABEL	1		(ESPANOL) (SUB FOR T84410 OR T134452)
	T146104	WARNING LABEL	1		(FRANCAIS) (SUB FOR T84411 OR T134453)
	T146515	WARNING LABEL	1		(DEUTSCH) (SUB FOR T84412 OR T134454)
	T146516	WARNING LABEL	1		(ITALIANO) (SUB FOR T84413 OR T134455)
	T146517	WARNING LABEL	1		(ENGLISH/FRANCAIS) (SUB FOR T84578 OR T134456)

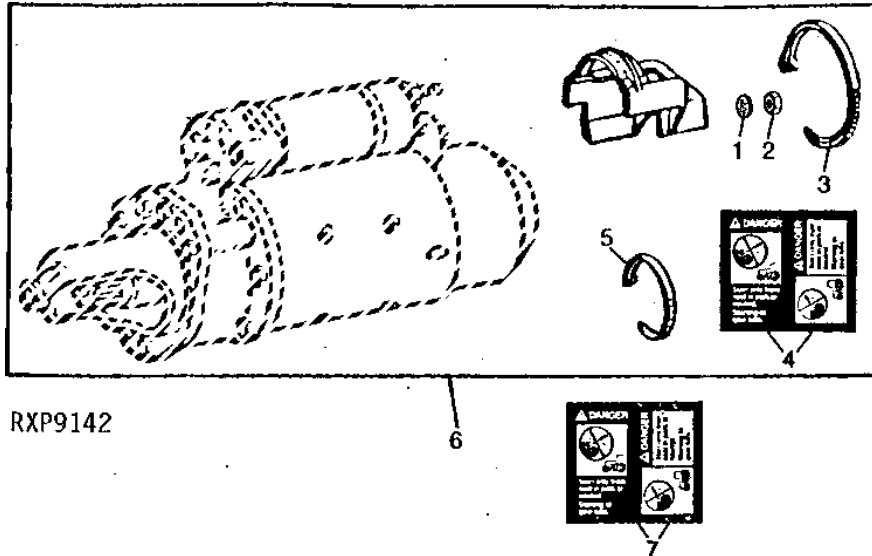
(A) USE WITH AR55313, AR102770, AR102771, TY6611 OR TY6699
(B) ALSO FITS PRESTOLITE STARTERS WITHOUT STARTER RELAY

1E18

ELECTRICAL

STARTER SOLENOID COVER KIT (DELCO-REMY)

RXP9142 -UN-01JAN94



RXP9142

6

KEY	PART NO.	PART NAME	QTY	ENGINE SERIAL NO.	REMARKS
1	12H295	LOCK WASHER	1	0.190"	
2	14H631	NUT	1	0.190"	
3	R76477	TIE BAND	1		
4	T146102	WARNING LABEL	1		(ENGLISH) (SUB FOR T84409 OR T134459)
5	R44302	TIE BAND	1		
6	RE41759	SHIELD	1		(A)
7	T146106	WARNING LABEL	1		(ESPAÑOL) (SUB FOR T84410 OR T134452)
	T146104	WARNING LABEL	1		(FRANCAIS) (SUB FOR T84411 OR T134453)
	T146515	WARNING LABEL	1		(DEUTSCH) (SUB FOR T84412 OR T134454)
	T146516	WARNING LABEL	1		(ITALIANO) (SUB FOR T84413 OR T134455)
	T146517	WARNING LABEL	1		(ENGLISH/FRANCAIS) (SUB FOR T84578 OR T134456)

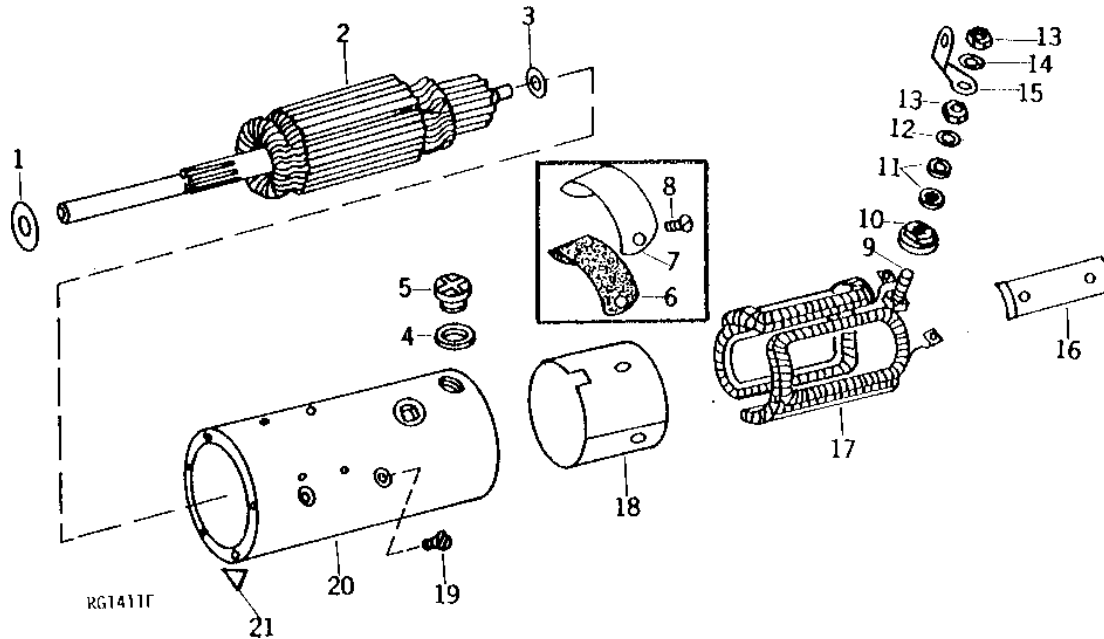
(A) USE WITH RE41756 OR TY6730

1E19

ELECTRICAL

**STARTER ARMATURE AND COIL
(24-VOLT) (DELCO-REMY NO. 1114843)
(AR102771)**

RG1411 -UN-01JAN94



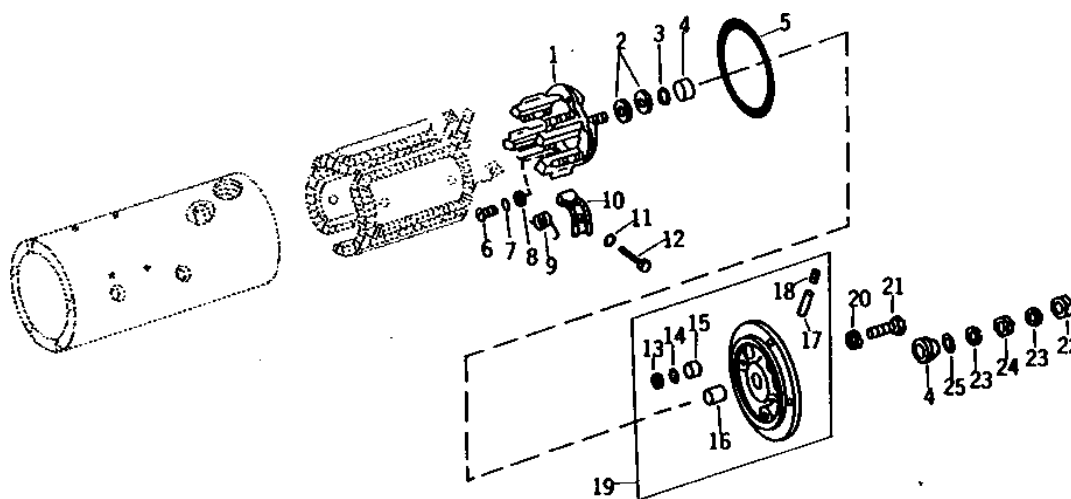
KEY	PART NO.	PART NAME	QTY	ENGINE SERIAL NO.	REMARKS
1	R11018	WASHER	1		
2	AR11083	ARMATURE	1		
3	R11096	WASHER	1		
4	R11121	GASKET	2		
5	R11133	PLUG	2		
6	R11141	GASKET	2		(OPTIONAL DESIGN)
7	R11142	PLATE	2		(OPTIONAL DESIGN)
8	21H1021	SCREW	4		1/4" X 1/2" (OPTIONAL DESIGN)
9	R11146	SCREW	1		
10	AR40171	GROMMET	1		
11	R11011	WASHER	2	-307648	
	R68625	WASHER	2	307649-	
12	R68625	WASHER	1	-307648	(SUB FOR 811912)
	R68624	WASHER	1	307649-	
13	14H971	NUT	2		1/2"
14	12H301	LOCK WASHER	1		1/2"
15	R11135	BRACKET	1		
16	R11003	SHOE	4		
17	AR11082	FIELD WINDING COIL	1		
18	R11143	INSULATOR	1		
19	21H1280	SCREW	8		3/8" X 3/4"
20	FRAME	1		(24-VOLT) (ORDER RE43047 OR TY6699)
21	R11253	INSULATOR	2		
..	AR102771	STARTER	1		(DELCO-REMY NO. 1114843) (SUB FOR AR55313 OR AR102770) (SUB RE43047, TY6699 OR TY6746)

1E20

ELECTRICAL

STARTER COMMUTATOR END FRAME (DELCO-REMY NO. 1114843) (24-VOLT)

RG1412 -UN-01JAN94



RG1412F

KEY	PART NO.	PART NAME	QTY	ENGINE SERIAL NO.	REMARKS
1	AR11084	PLATE	1		
2	R11011	WASHER	2		
3	R394R	O-RING	1		
4	R11012	WASHER	2		(SUB FOR R11123 OR R11124)
5	R11120	O-RING	1		
6	21H1158	SCREW	3		0.164" X 1/2"
7	12H315	LOCK WASHER	3		0.164"
8	24H1281	WASHER	3		5/32" X 3/8" X 0.049"
9	R11148	SPRING	8		
10	AR11076	BRUSH	8	-307648	(24-VOLT)
	AR102767	BRUSH	4	307649-	(24-VOLT)
11	12H315	LOCK WASHER	8		0.164"
12	21H1293	SCREW	8		0.164" X 5/16"
13	R68630	PLUG	1		
14	R68631	GASKET	1		
15	R68629	FELT	1		
16	R11008	BUSHING	1		
17	R40337	WICK	1		
18	15H566	PIPE PLUG	1		1/8"
19	AR11085	FRAME	1		
20	12H302	LOCK WASHER	4		1/4"
21	19H3005	CAP SCREW	4		1/4" X 1"
22	14H1040	NUT	1		1/2"
23	12H301	LOCK WASHER	2		1/2"
24	14H971	NUT	1		1/2"
25	R68625	WASHER	1		(SUB FOR 811912)
..	AR102771	STARTER	1		(DELCO-REMY NO. 1114843) (SUB FOR AR55313 OR AR102770) (SUB RE43047, TY6699 OR TY6746)

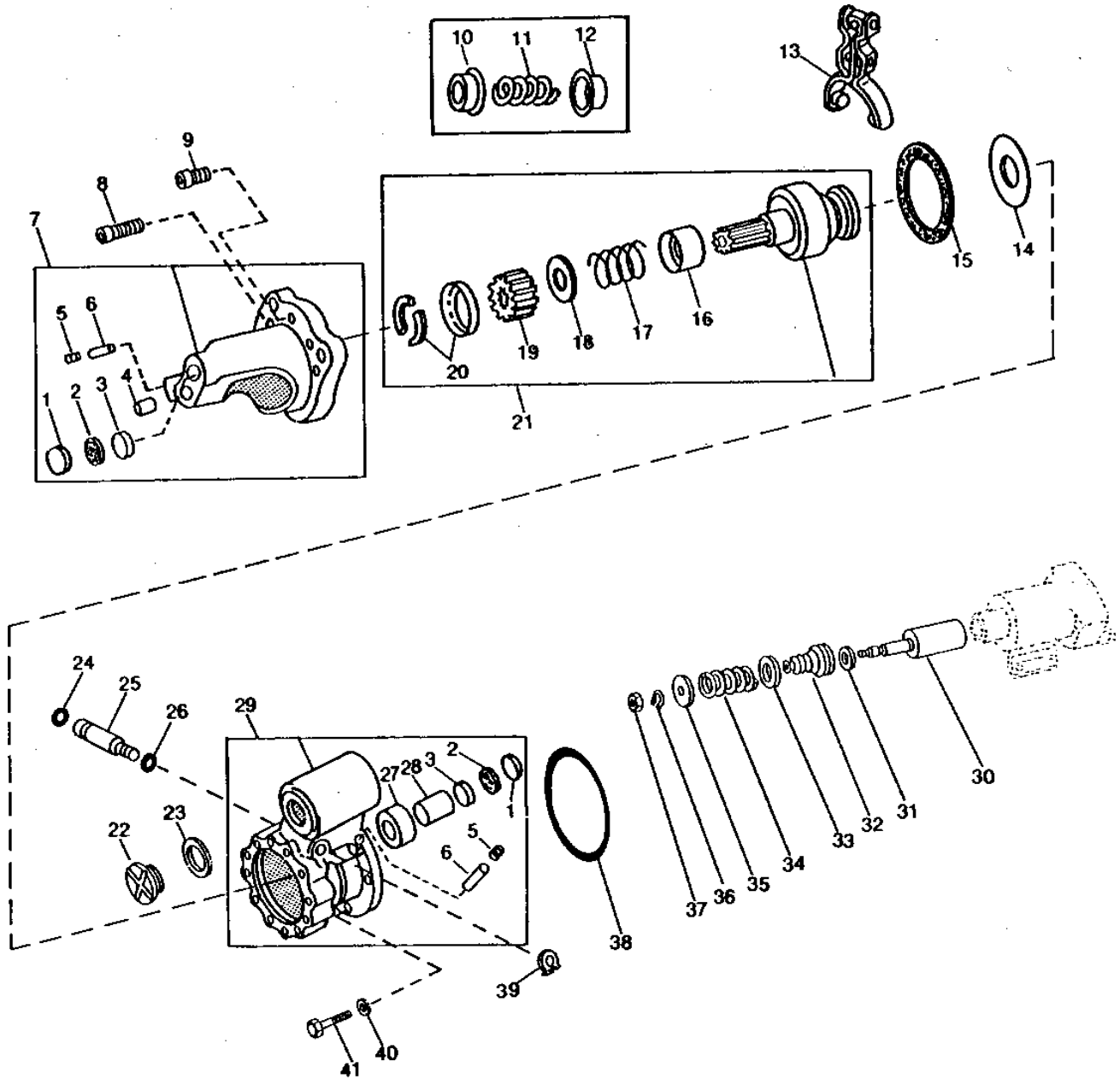
MEMORANDA

1E21

ELECTRICAL

STARTER DRIVE END HOUSING AND DRIVE (DELCO-REMY NO. 1114843) (24-VOLT)

RGP1860 -UN-01JAN94



RGP1860

1E22

ELECTRICAL

STARTER DRIVE END HOUSING AND DRIVE - CONTINUED
(DELCO-REMY NO. 1114843)
(24-VOLT)

KEY	PART NO.	PART NAME	QTY	ENGINE SERIAL NO.	REMARKS
1	R68630	PLUG	4		
2	R68631	GASKET	4		
3	R68629	FELT	4		
4	R11147	BUSHING	1		
5	15H566	PIPE PLUG	2	1/8"	
6	R40337	WICK	2		
7	AR48343	HOUSING	1		
8	19H2928	SCREW	5	5/16" X 1-1/2"	
9	19H2899	SCREW	1	5/16" X 0.880"	
10	R46198	BEARING	1	(OPTIONAL DESIGN)	
11	R11144	SPRING	1	(OPTIONAL DESIGN)	
12	R11282	BEARING CUP	1	(OPTIONAL DESIGN)	
13	AR11081	LEVER	1		
14	1911644	WASHER	1		
15	R11140	GASKET	1		
16	R46194	BEARING	1	(NO LONGER AVAILABLE)	
17	R46196	SPRING	1	(NO LONGER AVAILABLE)	
18	R46195	WASHER	1	(NO LONGER AVAILABLE)	
19	R46197	PINION	1		
20	AR48344	KIT	1	WASHER	
21	AR102761	DRIVE	1	(SUB FOR AR48342)	
22	R11133	PLUG	1		
23	R11121	GASKET	1		
24	A3917R	O-RING	1		
25	R11136	SHAFT	1		
26	A4365R	O-RING	1		
27	R11273	SEAL	1		
28	R11017	BUSHING	1		
29	AR102760	HOUSING	1	(SUB FOR AR11329)	
30	AR11080	PLUNGER	1		
31	R11138	SHIM	1		
32	R11127	BOOT	1		
33	R11126	RETAINER	1		
34	R11128	SPRING	1		
35	R11129	CAP	1		
36	R11026	SNAP RING	1		
37	R11151	LOCK NUT	1		
38	R11120	O-RING	1		
39	R11026	SNAP RING	1		
40	12H302	LOCK WASHER	7	1/4"	
41	19H3005	CAP SCREW	7	1/4" X 1"	

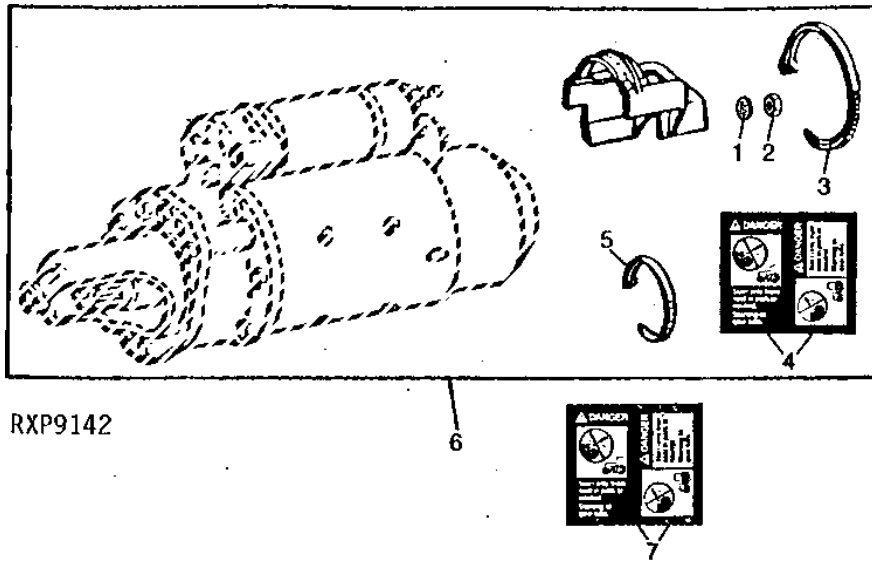
MEMORANDA

1E23

ELECTRICAL

**STARTER SOLENOID SWITCH COVER
(DELCO-REMY)
(6619A)
(ENGINE SERIAL NO. 041261-)**

RXP9142 -UN-01JAN94



RXP9142

KEY	PART NO.	PART NAME	QTY	ENGINE SERIAL NO.	REMARKS
1	12H295	LOCK WASHER	1	0.190"	
2	14H631	NUT	1	0.190"	
3	R76477	TIE BAND	1		
4	T146102	WARNING LABEL	1		(ENGLISH) (SUB FOR T84409 OR T134459)
5	R44302	TIE BAND	1		
6	RE41759	SHIELD	1	(A)	
7	T146106	WARNING LABEL	1		(ESPANOL) (SUB FOR T84410 OR T134452)
	T146104	WARNING LABEL	1		(FRANCAIS) (SUB FOR T84411 OR T134453)
	T146515	WARNING LABEL	1		(DEUTSCH) (SUB FOR T84412 OR T134454)
	T146516	WARNING LABEL	1		(ITALIANO) (SUB FOR T84413 OR T134455)
	T146517	WARNING LABEL	1		(ENGLISH/FRANCAIS) (SUB FOR T84578 OR T134456)

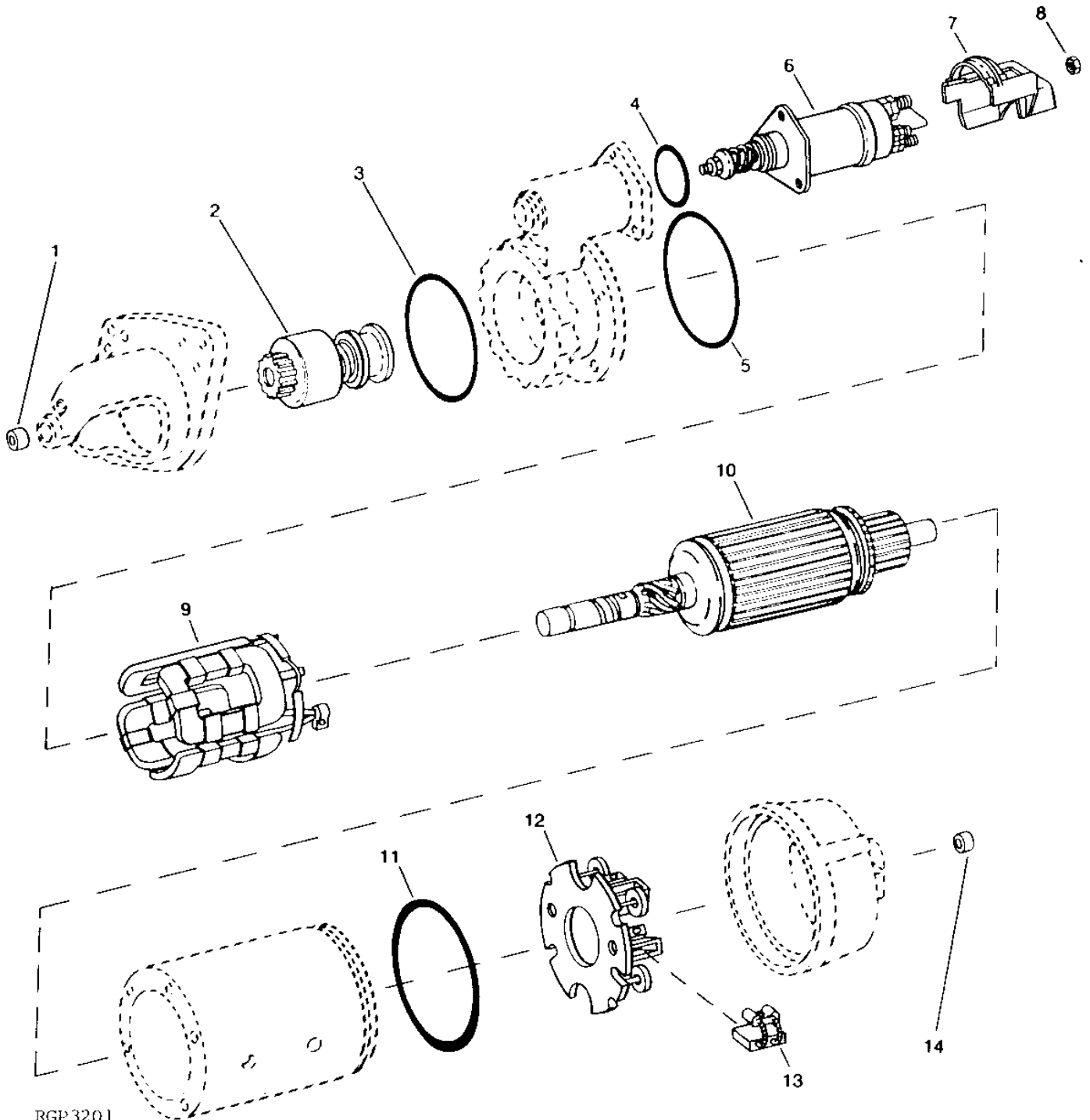
(A) USE WITH RE41756, RE43047, TY6746 OR TY6730

1E24

ELECTRICAL

STARTING MOTOR
(DELCO-REMY NO. 1993936) (24-VOLT)
(RE43047)

RGP3201 -UN-02JAN94



RGP 3201

1E25

ELECTRICAL

STARTER MOTOR - CONTINUED
(DELCO-REMY NO. 1993936) (24-VOLT)
(RE43047)

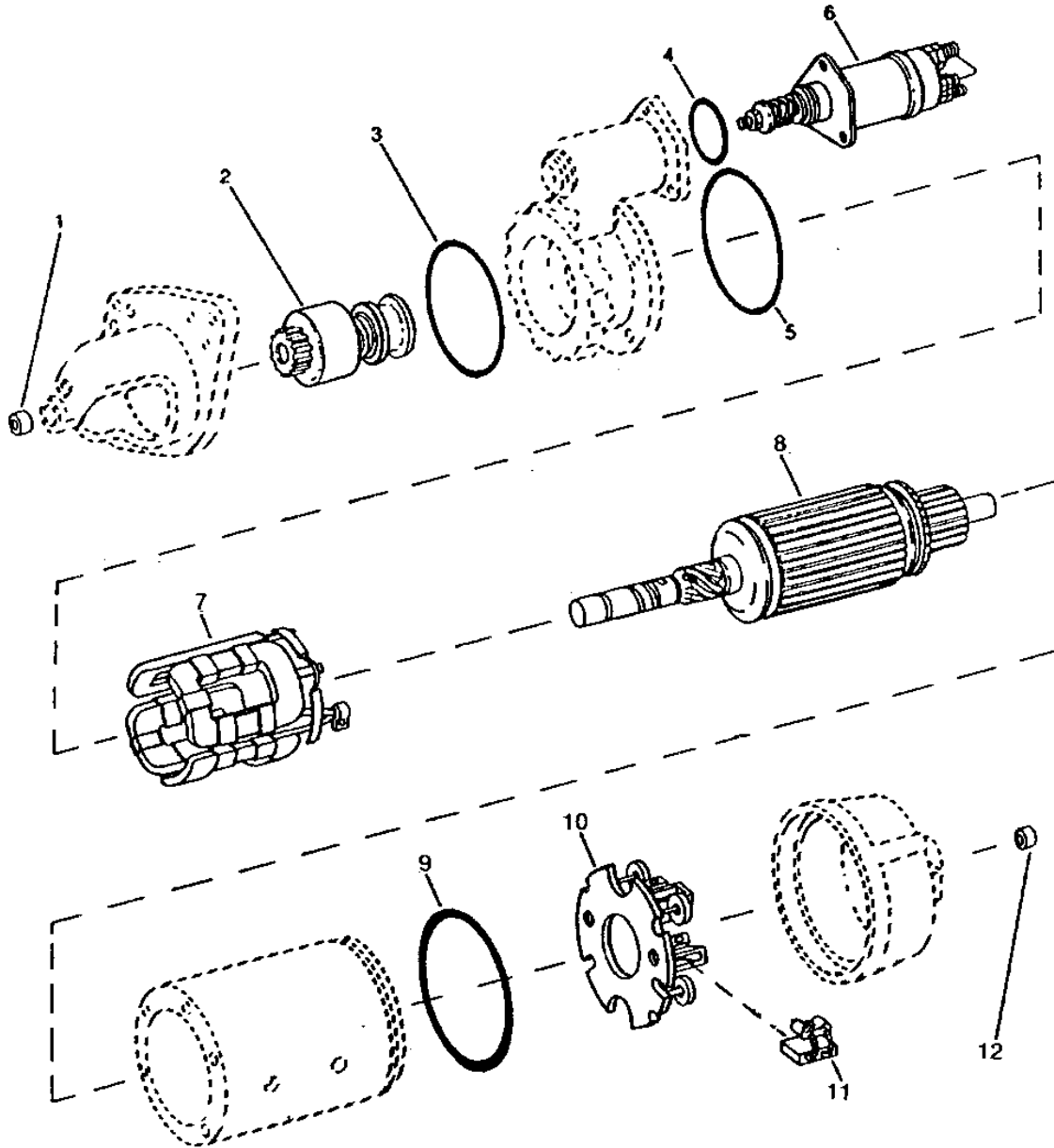
KEY	PART NO.	PART NAME	QTY	ENGINE SERIAL NO.	REMARKS
1	R99695	BUSHING	1		
2	RE38620	DRIVE	1		
3	R62673	O-RING	1		
4	R99693	O-RING	1		
5	R11120	O-RING	1		
6	RE38618	SOLENOID	1		
7	RE41749	STARTER	1		
8	14H631	NUT	1	0.190"	
9	RE38628	FIELD WINDING COIL	1		
10	RE38624	ARMATURE	1		
11	R99702	O-RING	1		
12	RE38631	CARBON BRUSH HOLDER	1		
13	R99700	BRUSH	1		
14	R11147	BUSHING	1		
..	RE43047	STARTER	1		(DELCO-REMY NO. 1993936) (MARKED RE38634) (SUB FOR AR55313, AR102770 OR AR102771)
..	TY6746	STARTER	1		(REMANUFACTURED)

1F1

ELECTRICAL

STARTING MOTOR
(DELCO-REMY NO. 1993935) (12-VOLT)
(RE41756)

RXP7832 -UN-01JAN94



RXP7832

1F2

ELECTRICAL

STARTER MOTOR - CONTINUED
(DELCO-REMY NO. 1993935) (12-VOLT)
(RE41756)

KEY	PART NO.	PART NAME	QTY	ENGINE SERIAL NO.	REMARKS
1	R99695	BUSHING	1		
2	RE38620	DRIVE	1		
3	R62673	O-RING	1		
4	R99693	O-RING	1		
5	R11120	O-RING	1		
6	RE38617	SOLENOID	1		
7	RE38627	FIELD WINDING COIL	1		
8	RE38623	ARMATURE	1		
9	R99702	O-RING	1		
10	RE38630	CARBON BRUSH HOLDER	1		
11	R99699	BRUSH	1		
12	R11147	BUSHING	1		
..	RE41756	STARTER	1		(A) (MARKED RE38633)
..	TY6730	STARTER	1		(A) (REMANUFACTURED)

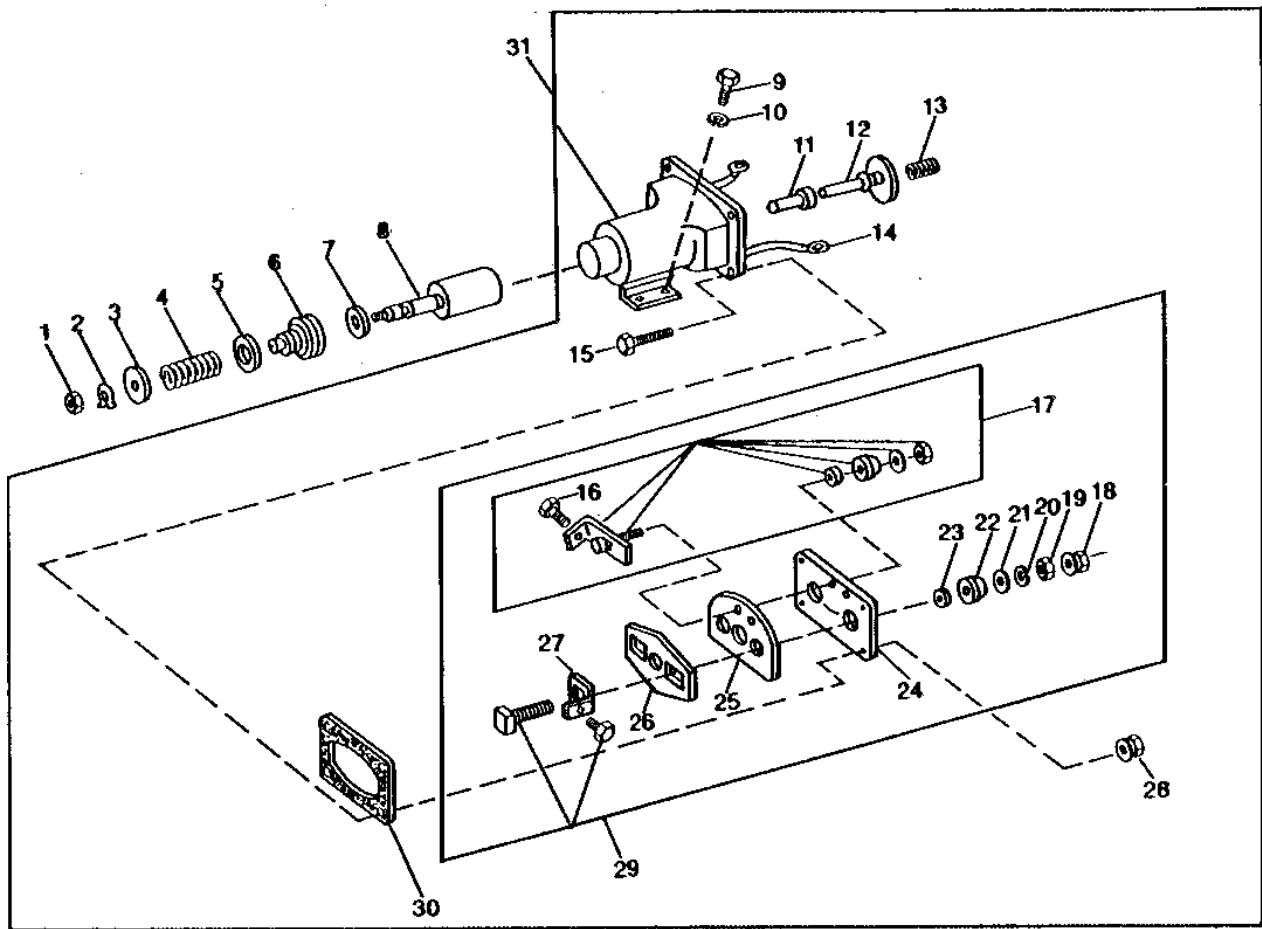
(A) 24-VOLT TO 12-VOLT START/CHARGE CONVERSION KIT

1F3

ELECTRICAL

STARTER SOLENOID SWITCH (24-VOLT)

RGP1864 -UN-01JAN94



RGP1864

1F4

ELECTRICAL

STARTER SOLENOID SWITCH - CONTINUED (24-VOLT)

KEY	PART NO.	PART NAME	QTY	ENGINE SERIAL NO.	REMARKS
1	R11151	LOCK NUT	1		
2	R11026	SNAP RING	1		
3	R11129	CAP	1		
4	R11128	SPRING	1		
5	R11126	RETAINER	1		
6	R11127	BOOT	1		
7	R11138	SHIM	1		
8	AR11080	PLUNGER	1		
9	19H2479	CAP SCREW	4		1/4" X 3/8"
10	12H302	LOCK WASHER	4		1/4"
11	R75960	BUSHING	1		
12	AR11079	DISK	1		
13	R11134	SPRING	1		
14	WIRING LEAD	1		(MAKE FROM PM797NA)
15	R75961	SCREW	4		
16	21H1335	SCREW	4		0.190" X 5/16"
17	AR102765	KIT	1		
18	AR102764	NUT	2		
19	14H971	NUT	2		1/2"
20	12H301	LOCK WASHER	2		1/2"
21	R68625	WASHER	2		
22	R11131	INSULATOR	2		
23	R11130	WASHER	2		
24	R75962	PLATE	1		
25	R75958	INSULATOR	1		
26	R75957	INSULATOR	1		
27	R75959	SUPPORT	1		
28	AR102763	NUT	4		
29	AR102768	PLATE	1		
30	R75952	GASKET	1		
31	AR102766	SWITCH	1		(A) (DELCO-REMY NO. 1115559) (SUB FOR AR11075)

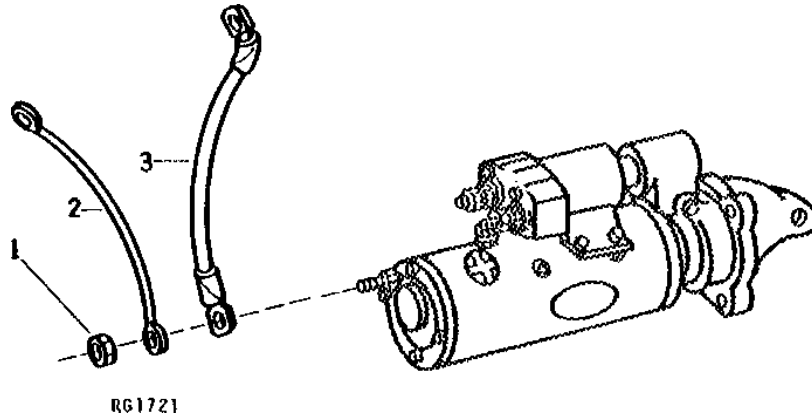
(A) USE ON AR55313, AR102770 OR AR102771

1F5

ELECTRICAL

STARTING MOTOR GROUND CABLE (DELCO-REMY) (24-VOLT) (6531)

RG1721 -UN-01JAN94



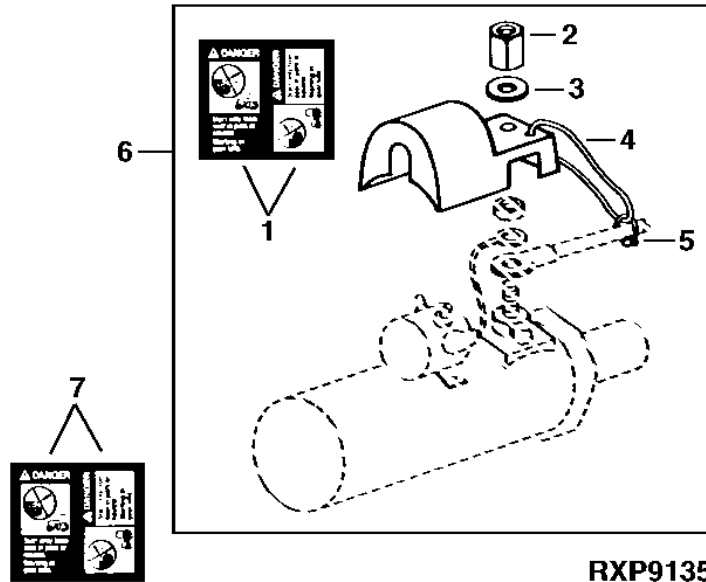
KEY	PART NO.	PART NAME	QTY	ENGINE SERIAL NO.	REMARKS
1	14H732	NUT	1	3/8"	
2	WIRING LEAD	1	(MAKE FROM PM797NA)	
3	AR67069	CABLE	1		

1F6

ELECTRICAL

STARTER SOLENOID COVER KIT (PRESTOLITE)

RXP9135 -UN-06NOV95



RXP9135

KEY	PART NO.	PART NAME	QTY	ENGINE SERIAL NO.	REMARKS
1	T146102	WARNING LABEL	1		(ENGLISH) (SUB FOR T84409 OR T134459)
2	R100380	NUT	1		
3	24H1299	WASHER	1		3/8" X 1-1/4" X 0.065"
4	R76477	TIE BAND	1		
5	R44302	TIE BAND	1		
6	RE39066	SHIELD	1		(A) (B)
7	T146106	WARNING LABEL	1		(ESPAÑOL) (SUB FOR T84410 OR T134452)
	T146104	WARNING LABEL	1		(FRANCAIS) (SUB FOR T84411 OR T134453)
	T146515	WARNING LABEL	1		(DEUTSCH) (SUB FOR T84412 OR T134454)
	T146516	WARNING LABEL	1		(ITALIANO) (SUB FOR T84413 OR T134455)
	T146517	WARNING LABEL	1		(ENGLISH/FRANCAIS) (SUB FOR T84578 OR T134456)

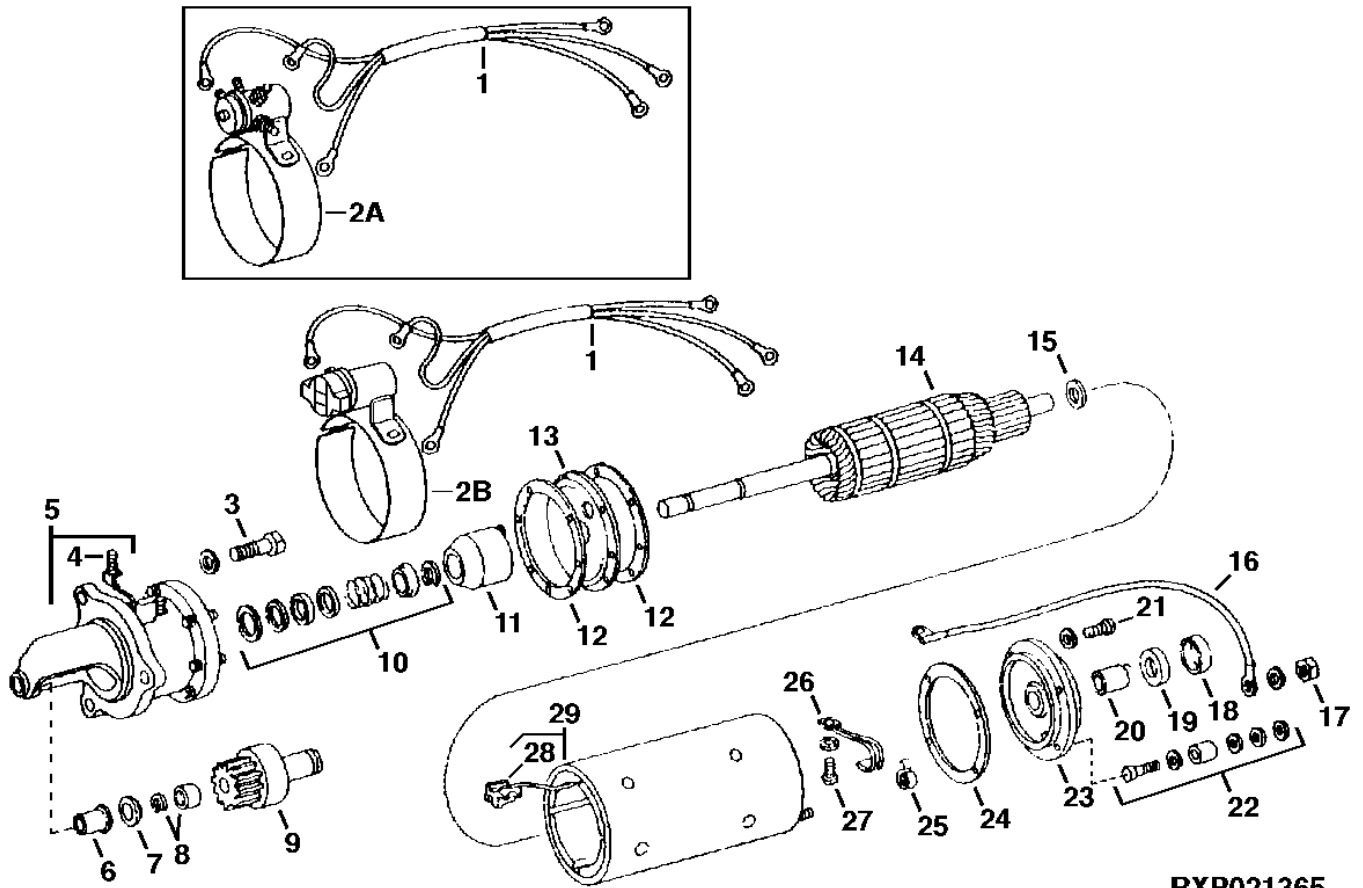
(A) USE WITH AR14006, AR36849, AR45036, TY6610 OR TY6721
(B) FITS PRESTOLITE STARTERS AND OPTIONAL STARTER RELAY

1F7

ELECTRICAL

STARTER (24-VOLT)
(PRESTOLITE NO. MFY-8001C)
(AR45036)

RXP021365 -UN-06NOV95



RXP021365

1F8

ELECTRICAL

STARTER (24-VOLT) - CONTINUED
(PRESTOLITE NO. MFY-8001C)
(AR45036)

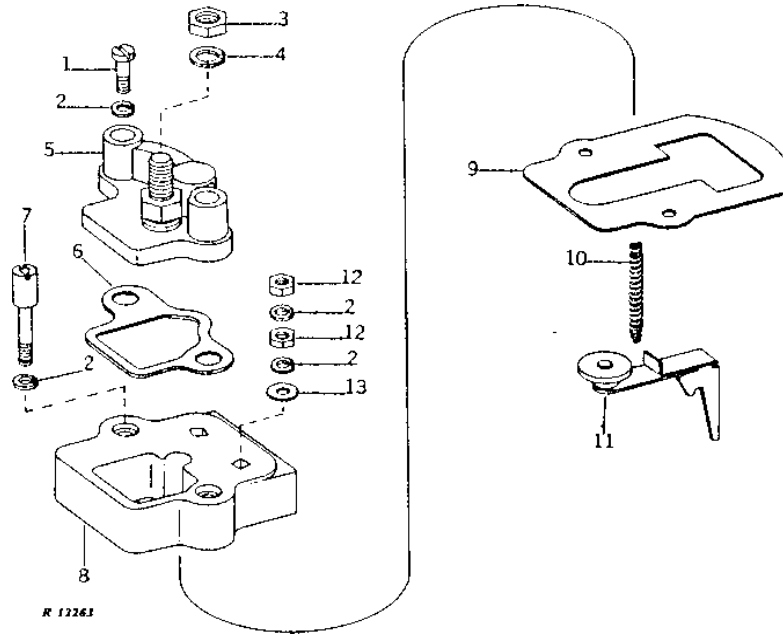
KEY	PART NO.	PART NAME	QTY	ENGINE SERIAL NO.	REMARKS
1	AR44842	WIRING HARNESS	1		(SUB FOR AR44841)
2A	AR44843	RELAY	1		(ALSO ORDER RE41287) (SUB RE45307)
2B	RE45307	RELAY	1		(SUB FOR AR44843)
3	19H1721	CAP SCREW	3		1/2" X 1-1/2"
	12H301	LOCK WASHER	3		1/2"
4	R41157	STUD	2		(NO LONGER AVAILABLE)
5	AR51742	HOUSING	1		(SUB FOR AR14013)
6	R14053	BUSHING	1		
7	AT21702	THRUST WASHER	1		(SUB FOR R14026 OR AR36985)
8	AR36986	SNAP RING	1		(SUB FOR R14022 OR R14027)
9	R14047	DRIVE	1		
10	AT21699	SPRING	1		(SUB FOR R14048, R14049, R14050, R14051, R14052 OR R14054)
11	R14034	PLUNGER	1		
12	R14024	GASKET	2		
13	R14035	BEARING	1		
14	R14043	ARMATURE	1		
15	AT21702	THRUST WASHER	1		(SUB FOR R14044 OR AR36985)
16	WIRING LEAD	1		356MM (14") (SUB FOR AR36987) (NLA)
17	14H732	NUT	1		3/8"
	12H304	LOCK WASHER	1		3/8"
18	M4225T	CAP	1		(SUB FOR R14039)
19	R14038	WASHER	1		
20	R14037	BUSHING	1		
21	21H1295	SCREW	4		0.190" X 5/8"
	12H246	LOCK WASHER	4		0.190"
22	AR36989	STUD	1		(NLA)
23	R14036	FRAME	1		(NO LONGER AVAILABLE)
24	R14025	GASKET	1		
25	R14042	SPRING	8		
26	R14041	BRUSH	8		
27	21H1293	SCREW	8		0.164" X 5/16"
	12H315	LOCK WASHER	8		0.164"
28	R14031	SWITCH	1		(SUB FOR AR36988)
29	AR36990	FRAME	1		(SUB FOR R14040)
	R54267	FOAM PAD	1		(BRUSH INSULATOR) (NO LONGER AVAILABLE)
..	AR45036	STARTER	1		(PRESTOLITE MFY-8001C) (INCLUDES AR36850)
..	TY6721	STARTER	1		(SUB TY6721) (SUB FOR AR14006 AND AR36849)
..	R14082	HOLDER	1		(REMANUFACTURED) (SUB FOR AR14006, AR36849 OR AR45036)
..	AR36991	FIELD WINDING COIL	1		

1F9

ELECTRICAL

STARTER SWITCH ASSEMBLY (PRESTOLITE NO. SP-6029) (24-VOLT)

R12263 -UN-01JAN94



R 12263

KEY	PART NO.	PART NAME	QTY	ENGINE SERIAL NO.	REMARKS
1	R40642	SCREW	2		
	14H732	NUT	3	3/8", (USE WITH AR36849)	
2	12H246	LOCK WASHER	8	0.190"	
	12H304	LOCK WASHER	3	3/8", (USE WITH AR36849)	
3	14H732	NUT	1	3/8"	
4	12H304	LOCK WASHER	1	3/8"	
5	AR36868	COVER	1	(WITH TERMINAL)	
6	R40644	GASKET	1		
7	R40643	SCREW	2		
8	R40645	FRAME	1		
9	R14028	GASKET	1		
10	R40641	SPRING	1		
11	AR36869	CONTACT	1		
12	14H631	NUT	4	0.190"	
13	24H1287	WASHER	2	9/32" X 5/8" X 0.065"	
..	AR36850	SWITCH	1	(A) (PRESTOLITE NO. SP-6029) (SUB FOR R14023, AR14011 OR AR14012)	

(A) USE WITH AR14006, AR36849 OR AR45036

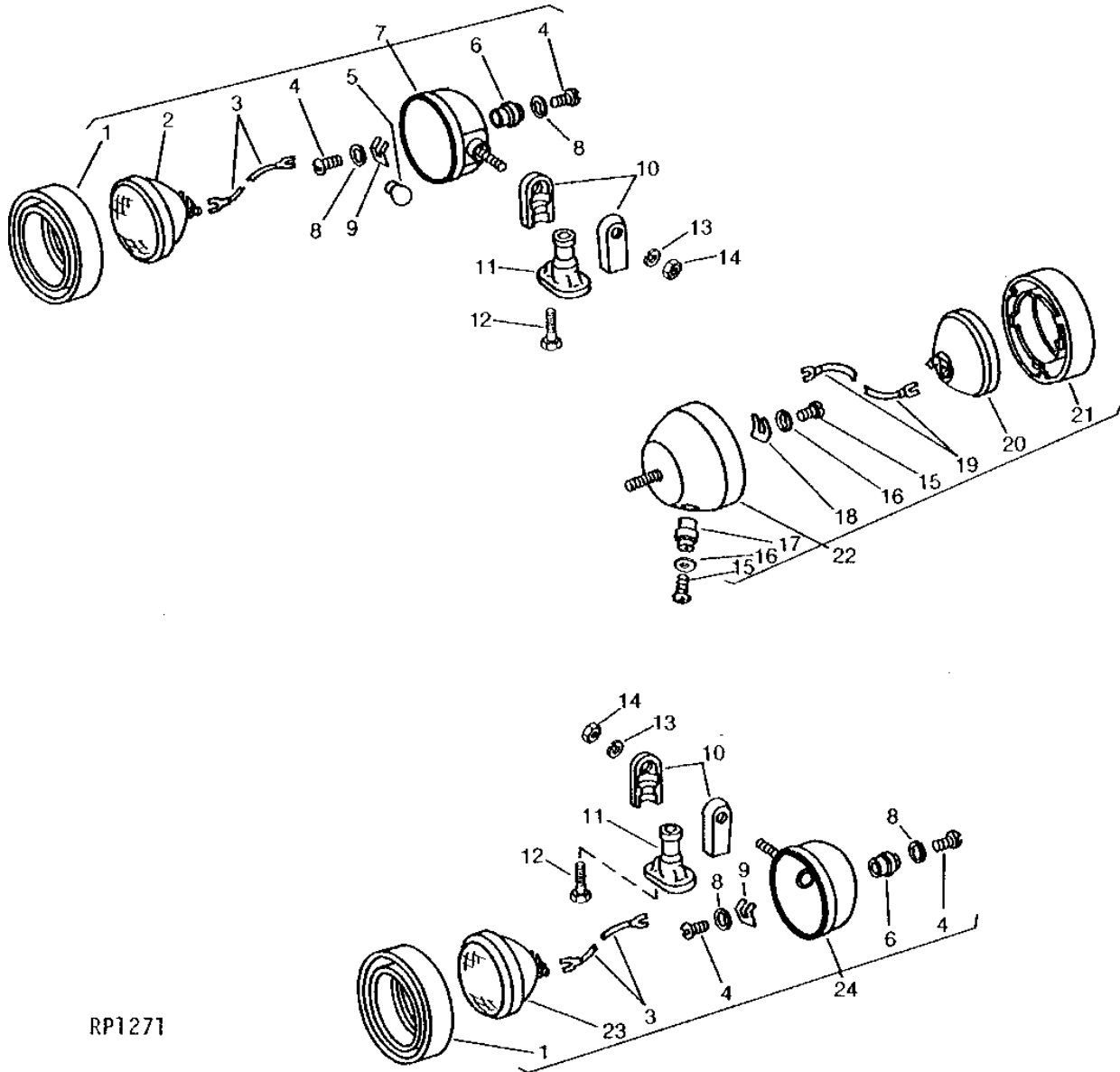
MEMORANDA

1F10

ELECTRICAL

FRONT AND REAR LAMP PARTS AND REAR LAMP BRACKETS (STANDARD)

RP1271 -UN-01JAN94



RP1271

1F11

ELECTRICAL

FRONT AND REAR LAMP PARTS AND REAR LAMP BRACKETS - CONTINUED (STANDARD)

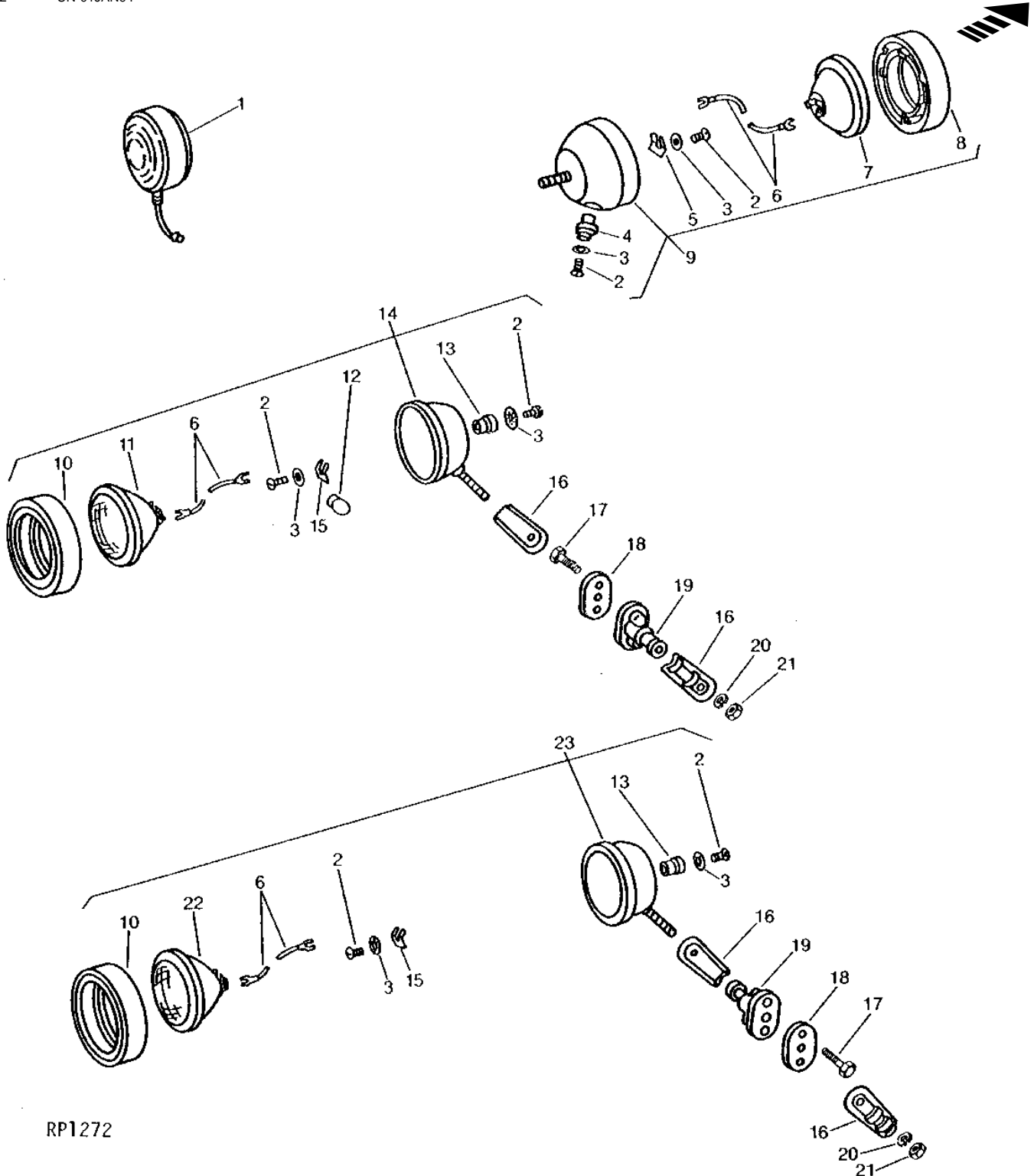
KEY	PART NO.	PART NAME	QTY	TRACTOR SERIAL NO.	REMARKS
1	R30182	BEZEL	2		(REAR LAMPS) (HOBBS)
	R31250	BEZEL	2		(REAR LAMPS) (GUIDE)
2	AR21737	LAMP	1	-XXXXXX	REAR, L.H. (12-VOLT) (SUB AR77324, AD2062R AND AR77325)
	AR77324	LAMP	1		(USE WITH AR77326)
	AR55888	SOCKET	1		(USE WITH AT16288)
	AR77325	SOCKET	1		(USE WITH AR77326)
3	WIRING LEAD	4		165MM (6-1/2") (REAR LAMPS) (MAKE FROM R66319 AND (2) R32016)
4	21H1293	SCREW	8		0.164" X 5/16", (REAR LAMPS)
5	AR86969	BULB	1		REAR, L.H. 15 C.P. (USE WITH AT16288) (SUB FOR AR21739)
	AD2062R	BULB	1		(12-VOLT) (USE WITH AR77326)
6	R30181	PLATE	4		(REAR LAMPS) (HOBBS)
	AA3495R	SUPPORT	4		(REAR LAMPS) (GUIDE)
7	AR77326	FLOODLAMP	1		L.H. (12-VOLT) (SUB FOR AT16288)
8	12M7084	LOCK WASHER	8		0.169", (REAR LAMPS)
9	A2899R	ASSEMBLY LINE PARTS	4		(REAR LAMPS) (GUIDE)
10	R27460	CLAMP	4		
11	T19178	BRACKET	2		
12	37H106	SCREW	4		3/8" X 5/8"
13	12H301	LOCK WASHER	2		1/2"
14	14H1040	NUT	2		1/2"
15	21H972	SCREW	8		0.164" X 5/16", (FRONT LAMPS)
16	12M7084	LOCK WASHER	8		0.169", (FRONT LAMPS)
17	R30181	PLATE	4		(FRONT LAMPS) (HOBBS)
	AA3495R	SUPPORT	4		(FRONT LAMPS) (GUIDE)
18	A2899R	ASSEMBLY LINE PARTS	4		(FRONT LAMPS)
19	WIRING LEAD	4		165MM (6-1/2") (FRONT LAMPS) (MAKE FROM R66319 AND (2) R32016)
20	AF3892R	HEADLIGHT	2		(12-VOLT) (FRONT LAMP, INNER)
	AR21059	HEADLIGHT	2		(12-VOLT FLOOD) (FRONT LAMP, OUTER)
21	R30182	BEZEL	4		(FRONT LAMPS) (HOBBS)
	R31250	BEZEL	4		(FRONT LAMPS) (GUIDE)
22	AT13381	LAMP	2		FRONT, INNER (12-VOLT)
	AT13380	HEADLIGHT	2		(12-VOLT FLOOD) FRONT, OUTER
23	AR21059	HEADLIGHT	1		(12-VOLT) (REAR LAMP, R.H.)
24	AR35782	LAMP	1		REAR, R.H. (12-VOLT)

1F12

ELECTRICAL

FRONT AND REAR LAMP PARTS AND REAR LAMP BRACKETS (ROW-CROP) (TRACTOR SERIAL NO. 015500-)

RP1272 -UN-01JAN94



RP1272

1F13

ELECTRICAL

FRONT AND REAR LAMP PARTS AND REAR LAMP BRACKETS - CONTINUED
(ROW-CROP)
(TRACTOR SERIAL NO. 015500-)

KEY	PART NO.	PART NAME	QTY	TRACTOR SERIAL NO.	REMARKS
1	AR38456	LAMP	1		
	AD2062R	BULB	1		(12-16 VOLT)
2	21H972	SCREW	2		0.164" X 5/16"
3	12M7084	LOCK WASHER	12		0.169"
4	R30181	PLATE	4		(A) (FRONT LAMPS)
	AA3495R	SUPPORT	4		(B) (FRONT LAMPS)
5	A2899R	ASSEMBLY LINE PARTS	4		(FRONT LAMPS)
6	WIRING LEAD	6		165MM (6-1/2") (MAKE FROM R66319 AND (2) R32016)
7	AF3892R	HEADLIGHT	2		(12-VOLT) (FRONT LAMP, INNER)
	AR21059	HEADLIGHT	2		(12-VOLT FLOOD) (FRONT LAMP, OUTER)
8	R30182	BEZEL	4		(A) (FRONT LAMPS)
	R31250	BEZEL	4		(B) (FRONT LAMPS)
9	AT13381	LAMP	2		FRONT, INNER (12-VOLT)
	AT13380	HEADLIGHT	2		(12-VOLT FLOOD) FRONT, OUTER
10	R30182	BEZEL	2		(A) (REAR LAMPS)
	R31250	BEZEL	1		(12-VOLT) (REAR LAMP,L.H.)
11	AR21737	LAMP	1		REAR, L.H. (12-VOLT) (SUB AR77324, AD2062R AND AR77325)
	AR77324	LAMP	1		(USE WITH AR77326)
	AR55888	SOCKET	1		(USE WITH AT16288)
	AR77325	SOCKET	1		(USE WITH AR77326)
12	AR86969	BULB	1		(REAR LAMP, L.H.) 15 C.P. (USE WITH AT16288) (SUB FOR AR21739)
	AD2062R	BULB	1		(12-VOLT) (USE WITH AR77326)
13	R30181	PLATE	4		(A) (REAR LAMPS)
	AA3495R	SUPPORT	4		(B) (REAR LAMPS)
14	AR77326	FLOODLAMP	1		L.H. (12-VOLT) (SUB FOR AR34990 OR AT16288)
15	A2899R	ASSEMBLY LINE PARTS	2		(B) (REAR LAMPS)
16	R27460	CLAMP	4		
17	R41881	SCREW	4		
18	T12444	WASHER	2		(NO LONGER AVAILABLE)
19	T19178	BRACKET	2		
20	12H301	LOCK WASHER	2		1/2"
21	14H1040	NUT	2		1/2"
22	AR21059	HEADLIGHT	1		REAR, R.H. (12-VOLT) (USE WITH AR28167)
	AF3892R	HEADLIGHT	1		REAR R.H. (12-VOLT) (USE WITH RE27099)
23	RE27099	LAMP	1		REAR, R.H. (12-VOLT) (SUB FOR AR28167)

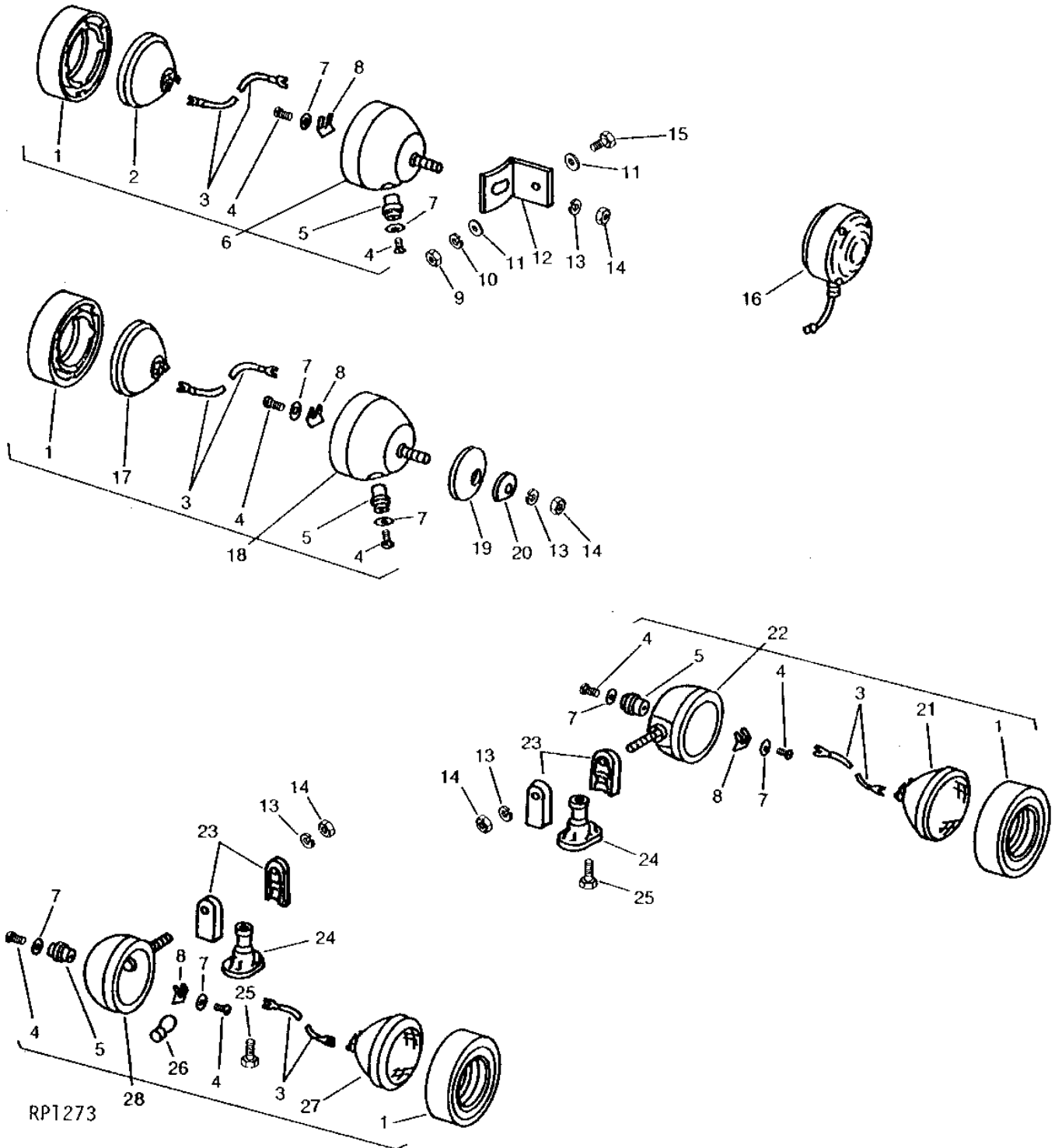
(A) HOBBS
(B) GUIDE

1F14

ELECTRICAL

FRONT AND REAR LAMP PARTS AND WARNING LAMP (CRENLO) (SIDE AND REAR DOOR) (CAB SERIAL NO. 016050-021042)

RP1273 -UN-01JAN94



1F15

ELECTRICAL

FRONT AND REAR LAMP PARTS AND WARNING LAMP (CRENLO) - CONTINUED
(SIDE AND REAR DOOR)
(CAB SERIAL NO. 016050-021042)

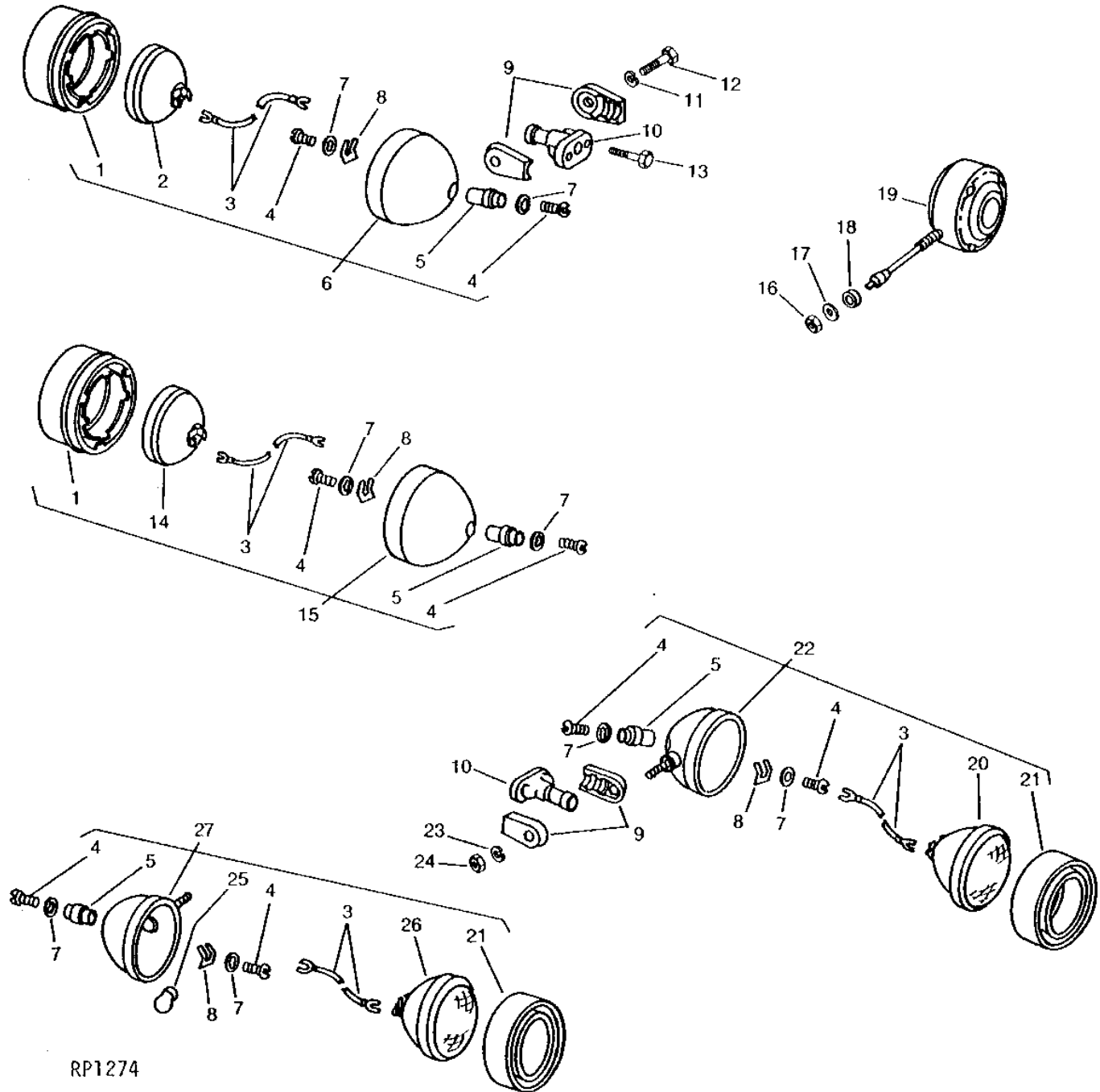
KEY	PART NO.	PART NAME	QTY	TRACTOR SERIAL NO.	REMARKS
1	R30182	BEZEL	6	(HOBBS)	
	R31250	BEZEL	6	(GUIDE)	
2	AF3892R	HEADLIGHT	2	(12-VOLT) (FRONT LAMP,CAB)	
3	WIRING LEAD	6	165MM (6-1/2") (MAKE FROM R66319 AND (2) R32016)	
4	21H972	SCREW	12	0.164" X 5/16"	
5	R30181	PLATE	8	(HOBBS)	
	AA3495R	SUPPORT	6	(GUIDE)	
6	AT13381	LAMP	2	(12-VOLT)	
7	12M7084	LOCK WASHER	12	0.169"	
8	A2899R	ASSEMBLY LINE PARTS	6		
9	14H1076	NUT	2	3/8"	
10	12H304	LOCK WASHER	2	3/8"	
11	24H1305	WASHER	4	13/32" X 13/16" X 0.065"	
12	R41819	BRACKET	2		
13	12H301	LOCK WASHER	6	1/2"	
14	14H1040	NUT	6	1/2"	
15	19H1731	CAP SCREW	2	3/8" X 1"	
16	AR38456	LAMP	1		
	AD2062R	BULB	1	(12-16 VOLT)	
	R38371	WASHER	1		
	24H1227	WASHER	1	17/32" X 13/16" X 0.060"	
17	AR21059	HEADLIGHT	2	(12-VOLT FLOOD) (FRONT LAMP,FENDER)	
18	AT13380	HEADLIGHT	2	(12-VOLT FLOOD) FRONT	
19	R20758	WASHER	1		
20	F2935R	WASHER	1		
21	AR21059	HEADLIGHT	1	(12-VOLT) (REAR LAMP, R.H.)	
22	AR35782	LAMP	1	(12-VOLT) (REAR, R.H.)	
23	R27460	CLAMP	4		
24	T19178	BRACKET	2		
25	37H106	SCREW	1	3/8" X 5/8"	
26	AR86969	BULB	1	REAR, L.H. (12-VOLT) 15 C.P. (USE WITH AT16288) (SUB FOR AR21739)	
	AD2062R	BULB	1	(12-VOLT) (USE WITH AR77326)	
27	AR21737	LAMP	1	REAR, L.H. (12-VOLT) (SUB AR77324, AD2062R AND AR77325)	
	AR77324	LAMP	1	(USE WITH AR77326)	
28	AR77326	FLOODLAMP	1	(SUB FOR AT16288)	
	AR55888	SOCKET	1	(USE WITH AT16288)	
	AR77325	SOCKET	1	(USE WITH AR77326)	

1F16

ELECTRICAL

FRONT AND REAR LAMP PARTS AND WARNING LAMP (CRENLO) (CAB SERIAL NO. 021043-)

RP1274 -UN-01JAN94



RP1274

1F17

ELECTRICAL

FRONT AND REAR LAMP PARTS AND WARNING LAMP - CONTINUED
(CRENLO) (CAB SERIAL NO. 021043-)

KEY	PART NO.	PART NAME	QTY	TRACTOR SERIAL NO.	REMARKS
1	R42689	BEZEL	4	(A)	
2	AR42591	HEADLIGHT	2		UPPER FRONT (12-VOLT) (USE WITH AR42119)
	AR104119	HEADLIGHT	2		UPPER FRONT (12-VOLT) (USE WITH RE19075)
3	WIRING LEAD	6		165MM (6-1/2") (MAKE FROM R66319 AND (2) R32016)
4	21H1293	SCREW	12		0.164" X 5/16"
5	R30181	PLATE	6	(A)	
	AA3495R	SUPPORT	2		(B) (REAR LAMPS)
6	AR42119	LAMP	2		UPPER FRONT (12-VOLT) (SUB RE19075, THIS APPLICATION)
7	12M7084	LOCK WASHER	12		0.169"
8	A2899R	ASSEMBLY LINE PARTS	2		(B) (REAR LAMPS)
9	R27460	CLAMP	12		
10	T19178	BRACKET	6		
11	12H301	LOCK WASHER	4		1/2"
12	19H2644	CAP SCREW	4		1/2" X 2-1/2"
13	37H106	SCREW	1		3/8" X 5/8"
14	AF3892R	HEADLIGHT	2		FRONT LOWER (12-VOLT)
	AR104119	HEADLIGHT	2		(USE WITH RE19075)
15	AR42121	LAMP	1		LOWER FRONT, L.H. (12-VOLT) (SUB RE19075)
	AR42120	LAMP	1		LOWER FRONT, R.H. (12-VOLT) (SUB RE19075)
16	14H856	NUT	2		1/2"
17	24H1227	WASHER	2		17/32" X 13/16" X 0.060"
18	R38371	WASHER	2		
19	AR38456	LAMP	2		
	AD2062R	BULB	1		32 C.P. (12-16 VOLT)
	R42666	LENS	1		AMBER
	R42667	LENS	1		RED
20	AR21059	HEADLIGHT	1		REAR, R.H. (12-VOLT)
21	R30182	BEZEL	2	(A)	
	R31250	BEZEL	2	(B)	
22	AR35782	LAMP	1		REAR, R.H. (12-VOLT)
23	12H301	LOCK WASHER	2		1/2"
24	14H1040	NUT	2		1/2"
25	AR86969	BULB	1		REAR, L.H. (12-VOLT) 15 C.P. (USE WITH AT16288) (SUB FOR AR21739)
	AD2062R	BULB	1		(12-VOLT) (USE WITH AR77326)
26	AR21737	LAMP	1	-XXXXXX	REAR, L.H. (12-VOLT) (SUB AR77324, AD2062R AND AR77325)
	AR77324	LAMP	1		(USE WITH AR77326)
27	AR77326	FLOODLAMP	1		(SUB FOR AT16288)
	AR55888	SOCKET	1		(USE WITH AT16288)
	AR77325	SOCKET	1		(USE WITH AR77326)

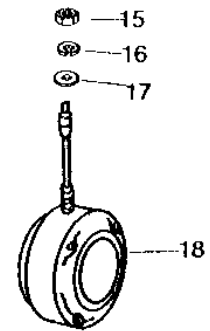
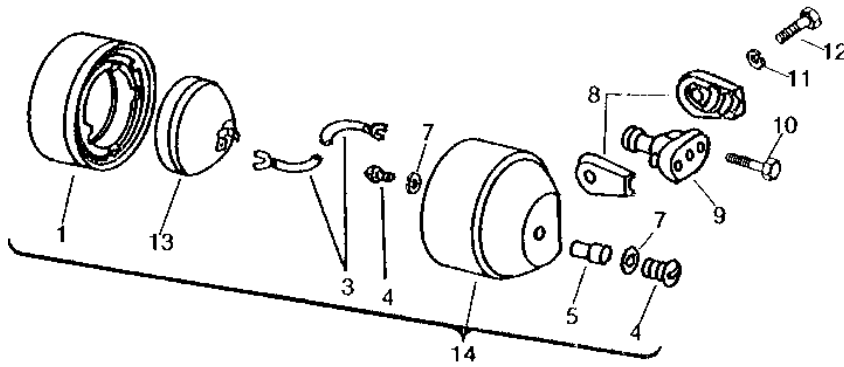
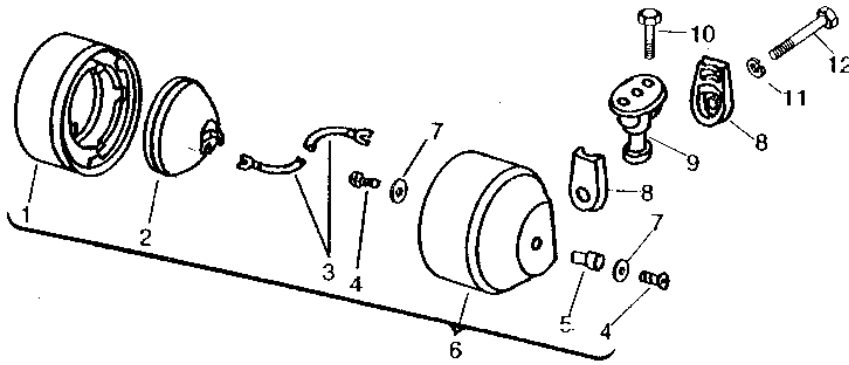
(A) HOBBS
(B) GUIDE

1F18

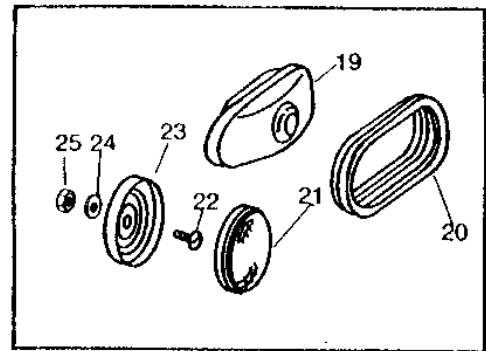
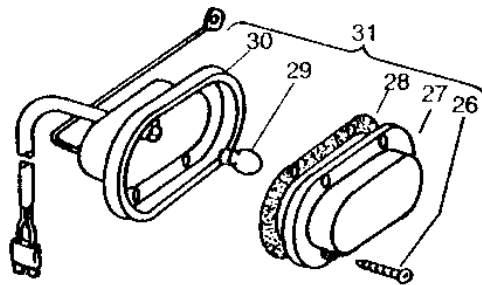
ELECTRICAL

FRONT AND REAR LAMP PARTS, WARNING LAMP AND REFLECTOR (STOLPER)

RP1247 -UN-01JAN94



RP1247



1F19

ELECTRICAL

FRONT AND REAR LAMP PARTS, WARNING LAMP AND REFLECTOR - CONTINUED
(STOLPER)

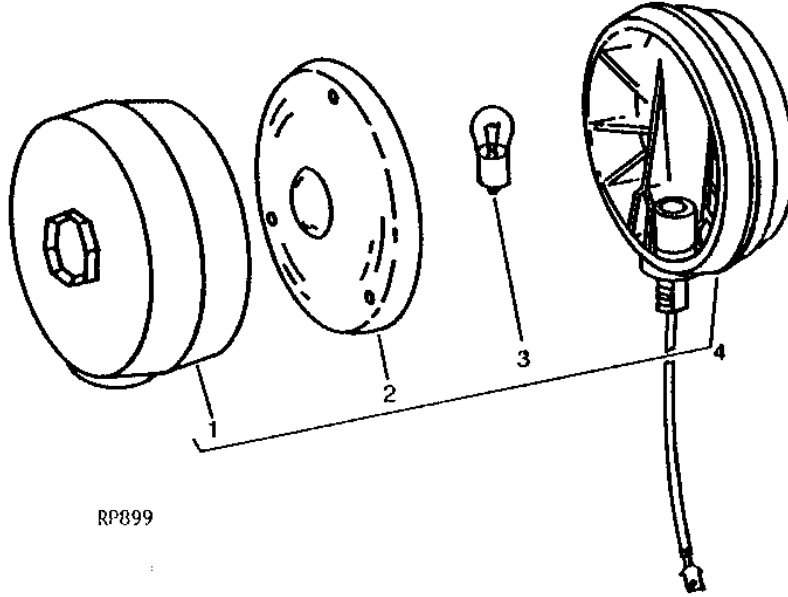
KEY	PART NO.	PART NAME	QTY	TRACTOR SERIAL NO.	REMARKS
1	R42689	BEZEL	6		(HOBBS)
2	AR42591	HEADLIGHT	4		FRONT AND REAR UPPER (12-VOLT) (USE WITH AR42119)
	AR104119	HEADLIGHT	4		FRONT AND REAR UPPER (12-VOLT) (USE WITH RE19075)
3	WIRING LEAD	1		165MM (6-1/2") (MAKE FROM R66319 AND (2) R32016)
4	21H1293	SCREW	12		0.164" X 5/16"
5	R30181	PLATE	6		(HOBBS)
6	AR42119	LAMP	4		(12-VOLT) (SUB RE19075, THIS APPLICATION)
7	12M7084	LOCK WASHER	12		0.169"
8	R27460	CLAMP	12		
9	T19178	BRACKET	6		
10	37H106	SCREW	12		3/8" X 5/8"
11	12H301	LOCK WASHER	6		1/2"
12	19H2644	CAP SCREW	6		1/2" X 2-1/2"
13	AF3892R	HEADLIGHT	2		(FRONT LOWER LAMPS) (12-VOLT)
	AR104119	HEADLIGHT	2		(USE WITH RE19075)
14	AR42121	LAMP	1		(LOWER FRONT, L.H.) (12-VOLT) (SUB RE19075)
	AR42120	LAMP	1		(LOWER FRONT, R.H.) (12-VOLT) (SUB RE19075)
15	14H856	NUT	2		1/2"
16	24H1227	WASHER	2		17/32" X 13/16" X 0.060"
17	R38371	WASHER	2		
18	AR38456	LAMP	2		
19	AR78825	TAIL LAMP	2		(SUB FOR AR44989 OR AR45099)
20	R42779	GROMMET	2		(NO LONGER AVAILABLE)
21	R60731	REFLECTOR	2		(SUB FOR R42777)
22	21H979	SCREW	2		0.190" X 5/16"
23	R42778	BEZEL	2		(SUB T33745)
24	12M7060	WASHER	2		0.209"
25	14H631	NUT	2		0.190"
26	37H2	SCREW	8		0.164" X 5/8"
27	R45936	LENS	2		
28	R45937	GASKET	2		
29	AR48041	BULB	2		
30	AR48040	HOUSING	2		(SUB AR78825)
31	AR78825	TAIL LAMP	2		(SUB FOR AR45099)

1F20

ELECTRICAL

RP899 -UN-01JAN94

WARNING LAMP
(STOLPER CAB)



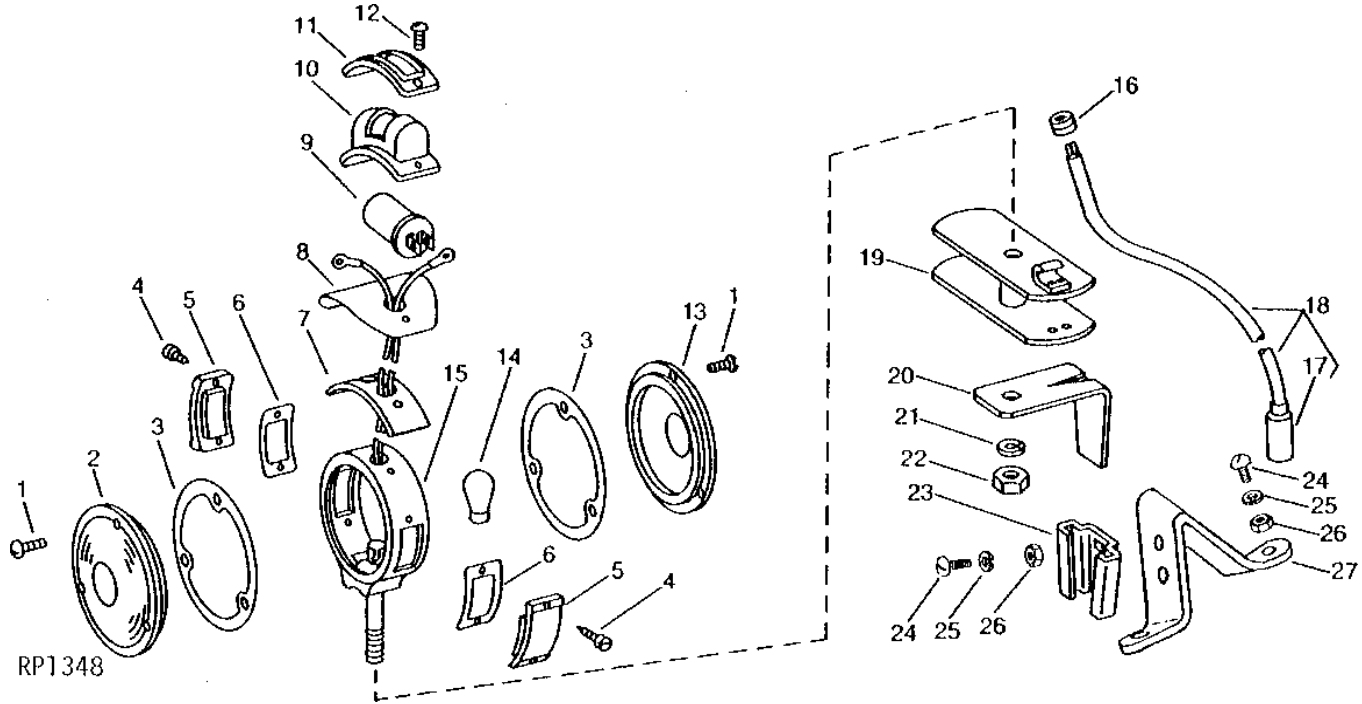
KEY	PART NO.	PART NAME	QTY	TRACTOR SERIAL NO.	REMARKS
1	AR72257	HOUSING	1		(HOBBS) AMBER, (SUB AR38456)
2	R42666	LENS	1		(GUIDE) AMBER
	R42667	LENS	1		(GUIDE) RED
3	AD2062R	BULB	1		32 C.P. (12-16 VOLT)
4	AR38456	LAMP	1		

1F21

ELECTRICAL

RP1348 -UN-01JAN94

WARNING LAMP



RP1348

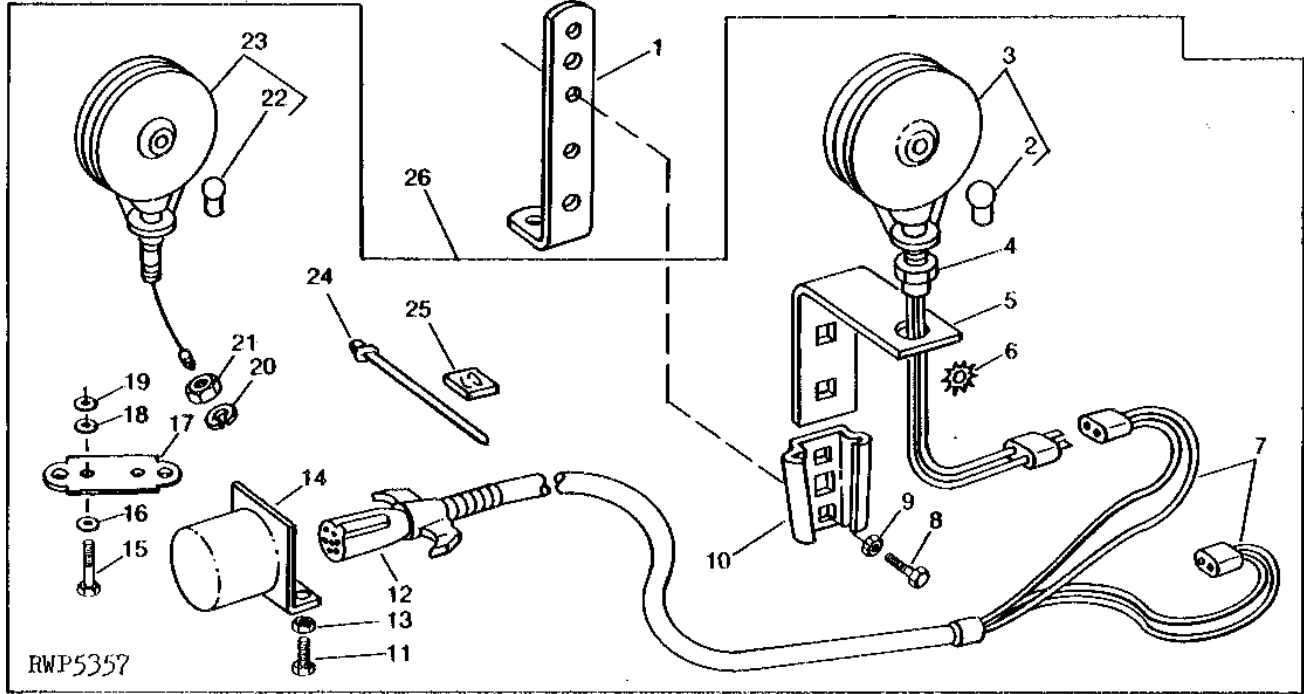
KEY	PART NO.	PART NAME	QTY	TRACTOR SERIAL NO.	REMARKS
1	21H1290	SCREW	6	0.138" X 1/2"	
2	A5276R	LENS	1	RED	
3	A5277R	GASKET	2	(NO LONGER AVAILABLE)	
4	37H46	SCREW	4	NO.6 X 3/8"	
5	A5278R	LENS	2		
6	A5279R	GASKET	2		
7	R41327	GASKET	1	(NO LONGER AVAILABLE)	
8	R41328	HOOD	1	(NO LONGER AVAILABLE)	
9	AR21858	FLASHER	1	(12-VOLT)	
10	R41325	COVER	1	(NO LONGER AVAILABLE)	
11	R41326	BEZEL	1	(NO LONGER AVAILABLE)	
12	37H95	SCREW	2	NO.8 X 1/2"	
13	A5275R	LENS	1	AMBER	
14	AA6218R	BULB	1	21 C.P. (12-VOLT) S.C.	
15	HOUSING	1	(NO LONGER AVAILABLE)	
16	R2579R	GROMMET	1		
17	AA5692R	ELECTRICAL PLUG	1	(LESS CABLE)	
18	AR40710	PLUG	1	(WITH CABLE) (SUB FOR AA5691R)	
19	AA6217R	REEL	1		
20	R63180	BRACKET	1	(SUB FOR A5273R)	
21	12H293	LOCK WASHER	1	7/16"	
22	14H1047	NUT	1	7/16"	
23	JD126	SOCKET	1		
24	21H1304	SCREW	4	5/16" X 3/4"	
25	12H303	LOCK WASHER	4	5/16"	
26	14H785	NUT	4	5/16"	
27	R39663	SUPPORT	1	(NO LONGER AVAILABLE)	
	R35791	SUPPORT	1		

1F22

ELECTRICAL

RWP5357 -UN-01JAN94

IMPLEMENT WARNING LAMP KIT



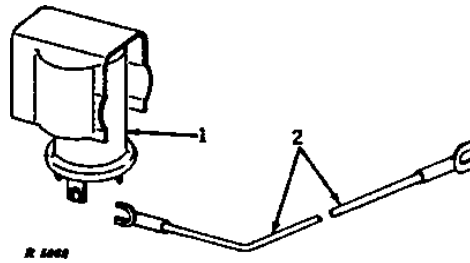
KEY	PART NO.	PART NAME	QTY	TRACTOR SERIAL NO.	REMARKS
1	A39716	BRACKET	2		
2	AD2062R	BULB	2		
3	AA34967	LAMP	2		
	A48331	LENS	2		
4	12H301	LOCK WASHER	2	1/2"	
	14H856	NUT	2	1/2"	
5	PT18180	BRACKET	2		(SUB FOR PT1624 OR PT9319)
6	PT9390	WASHER	1		
7	PT9318	WIRING HARNESS	1		(SUB FOR PT1294)
8	37H57	SCREW	5	5/16" X 3/4"	
9	14H785	NUT	5	5/16"	
10	JD126	SOCKET	2		
11	37H3	SCREW	2	1/4" X 5/8"	
12	AH93625	PLUG	1		
13	14H786	NUT	2	1/4"	
14	PT1296	BRACKET	1		
15	37H57	SCREW	5	5/16" X 3/4"	
16	24H1822	WASHER	1	11/32" X 7/8" X 1/16"	
17	PT9320	BRACKET	1		
18	24H1822	WASHER	1	11/32" X 7/8" X 1/16"	
19	14H788	NUT	5	3/8"	
20	12H301	LOCK WASHER	1	1/2"	
21	14H856	NUT	1	1/2"	
22	AR48041	BULB	1		
23	AA34968	TAIL LAMP	1		
	A48332	LENS	1		
24	R44302	TIE BAND	AR		
25	AT55441	BASE	AR		(SUB FOR PT9321)
26	TY16055	KIT	1		(SUB FOR TY9305 OR TY15263)
..	AA32178	WIRING LEAD	1		ACCESSORY

1F23

ELECTRICAL

R5068 -UN-12OCT94

WARNING LAMP FLASHER



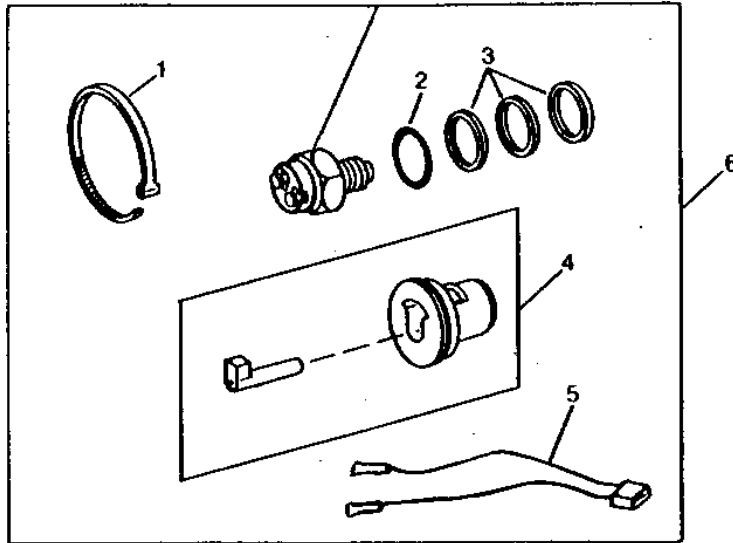
KEY	PART NO.	PART NAME	QTY	TRACTOR SERIAL NO.	REMARKS
1	AR21858	FLASHER	1		(SUB FOR AR21856) (12-VOLT)
2	WIRING LEAD	1		279MM (11") (MAKE FROM R66320 AND (2) R32016)

1F24

ELECTRICAL

RXP8097 -UN-01JAN94

NEUTRAL-START SWITCH KIT



RXP8097

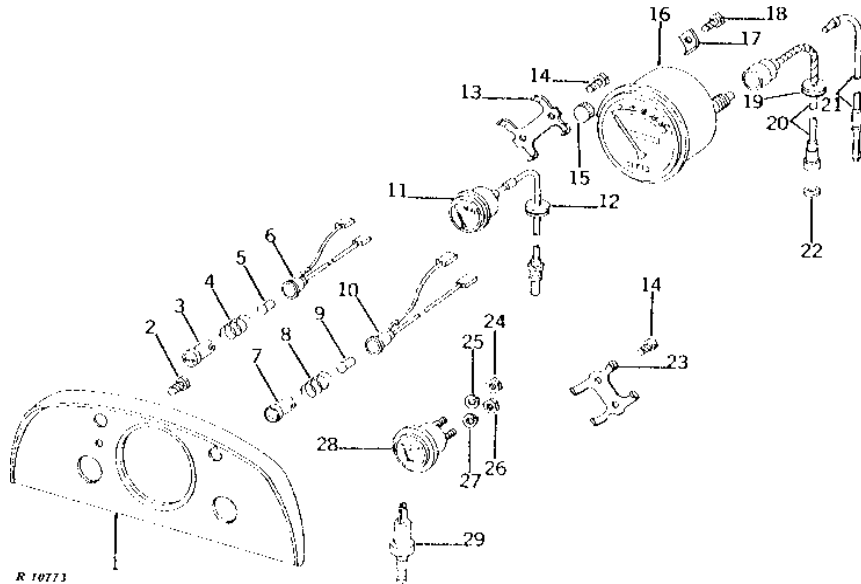
KEY	PART NO.	PART NAME	QTY	TRACTOR SERIAL NO.	REMARKS
1	R44302	TIE BAND	2		
2	R26448	O-RING	1		
3	T16911	SHIM	3		
4	RE37996	GAUGE	1		(NEUTRAL-START SWITCH ADJ.)
5	RE14069	WIRING HARNESS	1		
6	RE38390	SWITCH	1		(SUB FOR AR89691 OR AT85153)

1F25

ELECTRICAL

R10773 -UN-01JAN94

INSTRUMENT PANEL AND INSTRUMENTS



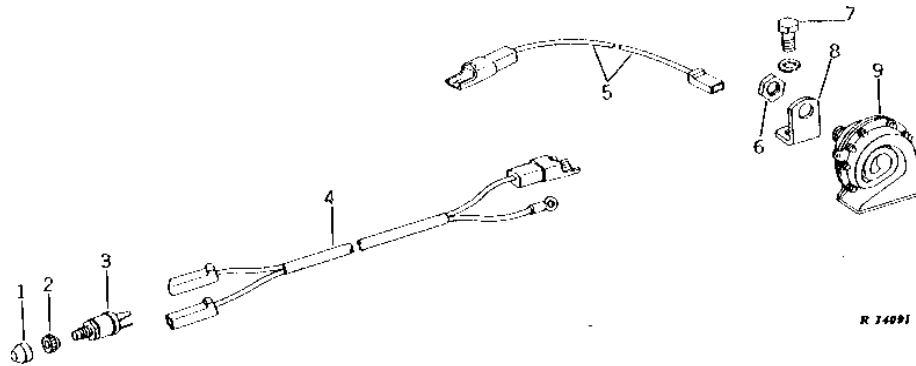
KEY	PART NO.	PART NAME	QTY	TRACTOR SERIAL NO.	REMARKS
1	AR51158	INSTRUMENT PANEL	1		(SUB FOR R34205 OR R47630) (SUB AR68198)
2	37M7245	SCREW	4		NO.10 X 3/8"
3	AT48673	LENS	1		ALTERNATOR INDICATOR, (SUB FOR AR29615 OR AR45438)
4	R30378	SPRING	1		
5	AR55694	BULB	1		2 C.P. (12-16 VOLT) (SUB FOR R30379)
6	AT14699	LAMP	1		ALTERNATOR INDICATOR
7	AT48674	LENS	1		ENGINE OIL PRESSURE, (SUB FOR AR28552)
8	R30378	SPRING	1		
9	AR55694	BULB	1		2 C.P. (12-16 VOLT) (SUB FOR R30379)
10	AR27944	LAMP	1		ENGINE OIL PRESSURE, (SUB AT48674, AR55694, AT44165 AND R30378)
11	AR36383	GAUGE	1		WATER TEMPERATURE
12	R26936	GROMMET	1		
13	R34338	CLAMP	1		
14	37H98	SCREW	4		NO.10 X 7/8"
15	AR40802	KNOB	1		(SUB FOR AR30282)
16	AR50406	TACHOMETER	1		(SUB FOR AR39906 OR AR50402)
17	R34206	CLAMP	4		
18	37H42	SCREW	4		NO.10 X 3/8"
19	R36235	GROMMET	1		
20	AT17503	CABLE	1		(SUB FOR AT12695)
21	AT17503	CABLE	1		(SUB FOR AT15470)
22	B3285R	WASHER	1		
23	R34209	CLAMP	1		
24	14H631	NUT	1		0.190"
25	12H246	LOCK WASHER	1		0.190"
26	14H605	NUT	1		0.164"
27	12H315	LOCK WASHER	1		0.164"
28	AR46271	GAUGE	1		FUEL, (SUB FOR R34262 OR AT27153)
29	AR27977	TOUCH SWITCH	1		ENGINE OIL PRESSURE
..	AR45694	WIRING LEAD	1	M24415-	OIL PRESSURE SWITCH

1G1

ELECTRICAL

HORN
(TRACTOR SERIAL NO. -XXXXXX)

R14091 -UN-01JAN94



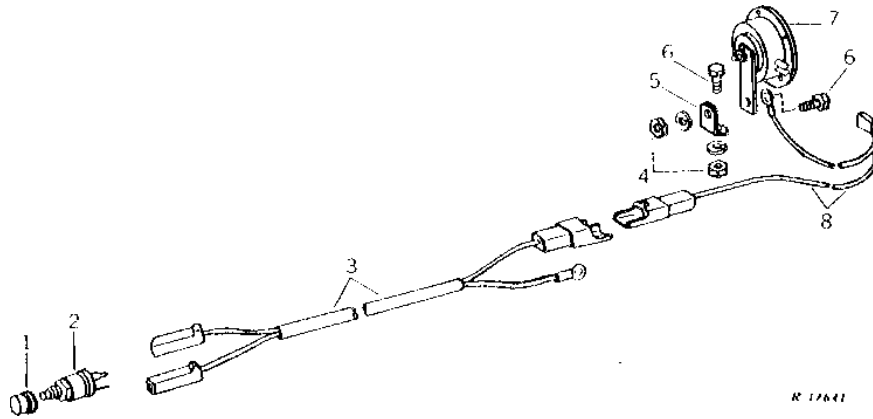
KEY	PART NO.	PART NAME	QTY	TRACTOR SERIAL NO.	REMARKS
1	T55501	CAP	1		(SUB FOR R39549 OR AR47374, THIS APPLICATION)
2	R21157	NUT	1		(SUB T55501)
3	AR21823	SWITCH	1		
4	AR46730	WIRING HARNESS	1		
5	WIRING LEAD	1		686MM (27") (MAKE FROM R32007, R32027, R32024 AND R32025)
6	R11278	NUT	1		
7	19H2367	CAP SCREW	1		5/8" X 3/4"
	12H294	LOCK WASHER	1		5/8"
8	R34701	BRACKET	1		
9	AT39043	HIGH NOTE HORN	1		(12-VOLT) (LOW NOTE) (SUB FOR R11276)

1G2

ELECTRICAL

R17641 -UN-01JAN94

HORN
(TRACTOR SERIAL NO. XXXXXX-)



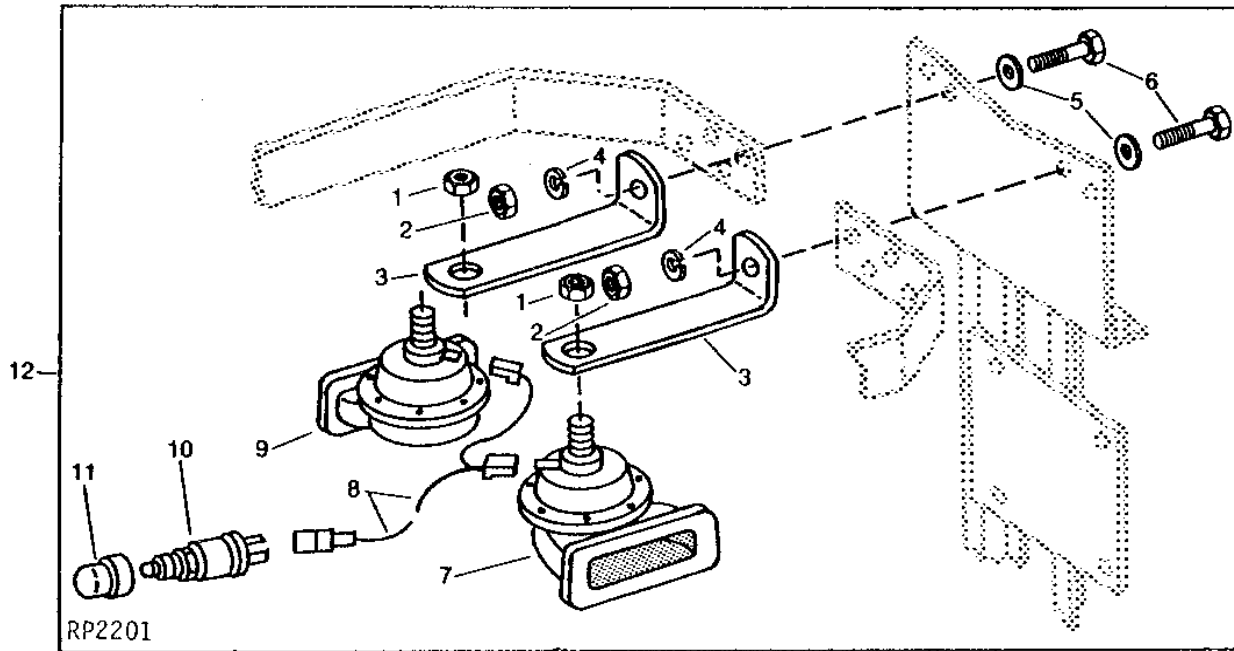
KEY	PART NO.	PART NAME	QTY	TRACTOR SERIAL NO.	REMARKS
1	T55501	CAP	1		(SUB FOR AR47374, THIS APPLICATION)
2	AR21823	SWITCH	1		
3	AR46730	WIRING HARNESS	1		
4	14H785	NUT	2	5/16"	
	12H303	LOCK WASHER	2	5/16"	
5	R46791	BRACKET	1		
6	19H1813	CAP SCREW	2	5/16" X 5/8"	
7	AL14896	HORN	1	(12-VOLT)	
8	AR73580	WIRING HARNESS	1	(SUB FOR AR49038)	

1G3

ELECTRICAL

RP2201 -UN-01JAN94

DUAL HORN ASSEMBLY



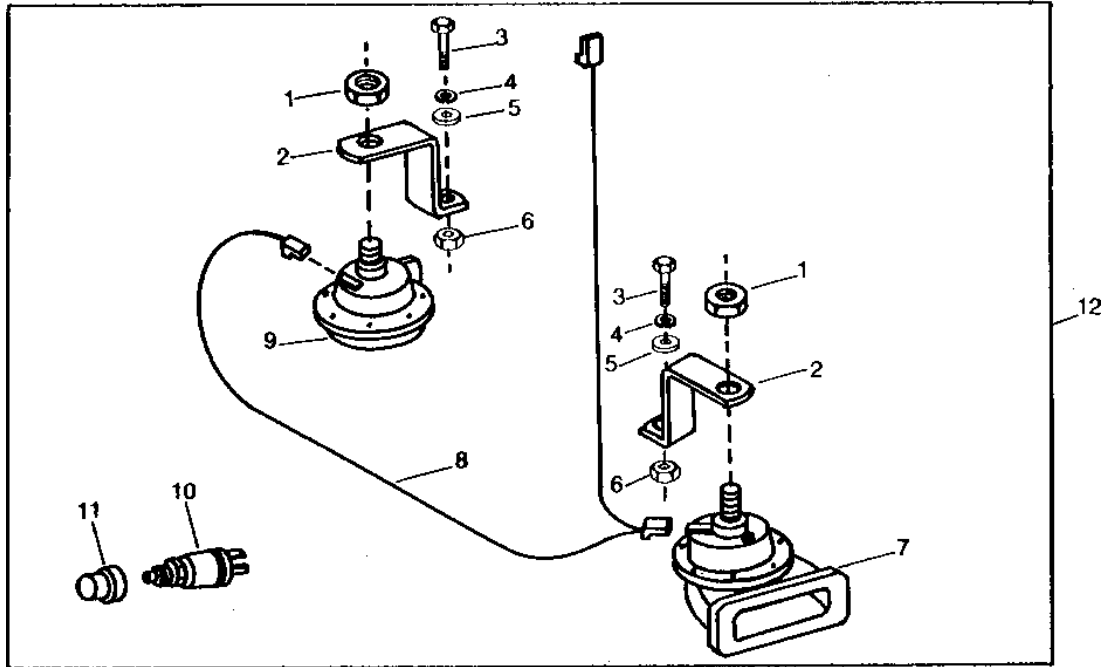
KEY	PART NO.	PART NAME	QTY	TRACTOR SERIAL NO.	REMARKS
1	R11278	NUT	2		
2	14H785	NUT	2	5/16"	
3	R64699	BRACKET	2	(ILLUSTRATED)	
	R75833	BRACKET	2	(SUB FOR R66069)	
4	12H303	LOCK WASHER	2	5/16"	
5	24H1136	WASHER	2	11/32" X 11/16" X 0.065"	
6	19H1849	CAP SCREW	2	5/16" X 1-1/4"	
7	R64700	LOW NOTE HORN	1	(12-VOLT) (LOW NOTE)	
8	AR85578	WIRING HARNESS	1		
9	AT39043	HIGH NOTE HORN	1	(12-VOLT) (HIGH NOTE)	
10	AR21823	SWITCH	1		
11	T55501	CAP	1		
12	AR81178	HORN	1	(SUB AR102454) (FI)	

1G4

ELECTRICAL

RWP4230 -UN-01JAN94

DUAL HORN ASSEMBLY



RWP4230

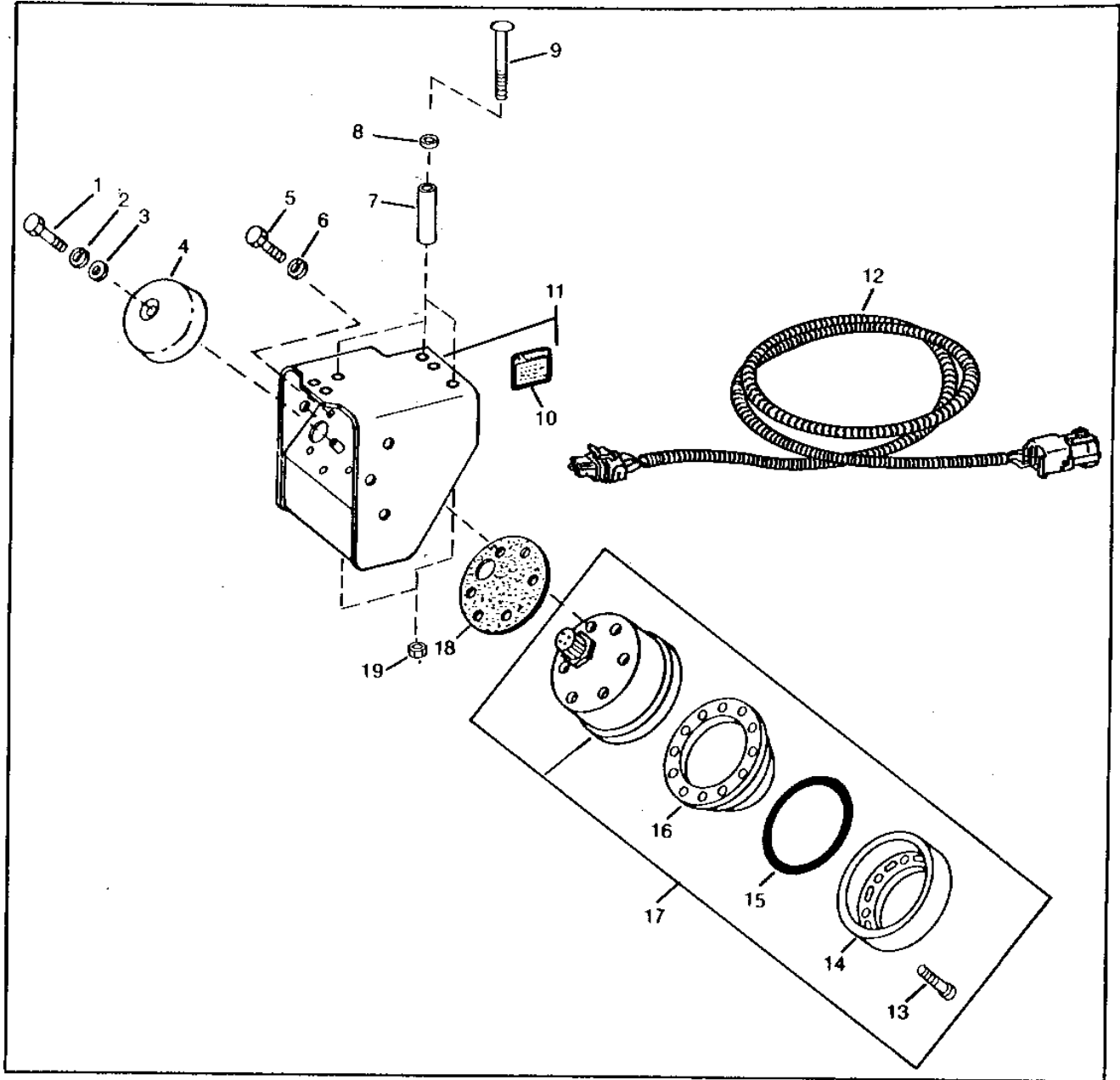
KEY	PART NO.	PART NAME	QTY	TRACTOR SERIAL NO.	REMARKS
1	R11278	NUT	2		
2	R75833	BRACKET	2		(ILLUSTRATED)
	R64699	BRACKET	2		
3	19H1849	CAP SCREW	2	5/16" X 1-1/4"	
4	12H303	LOCK WASHER	2	5/16"	
5	24H1136	WASHER	2	11/32" X 11/16" X 0.065"	
6	14H785	NUT	2	5/16"	
7	R64700	LOW NOTE HORN	1		(12-VOLT) (LOW NOTE)
8	AR85578	WIRING HARNESS	1		
9	AT39043	HIGH NOTE HORN	1		(12-VOLT) (HIGH NOTE)
10	AR21823	SWITCH	1		
11	T55501	CAP	1		
12	AR102454	HORN	1		ORDER COMPONENT PARTS (NLA)

1G5

ELECTRICAL

RXP9306 -UN-01JAN94

RADAR SENSOR



RXP9306

20

1G6

ELECTRICAL

RADAR SENSOR - CONTINUED

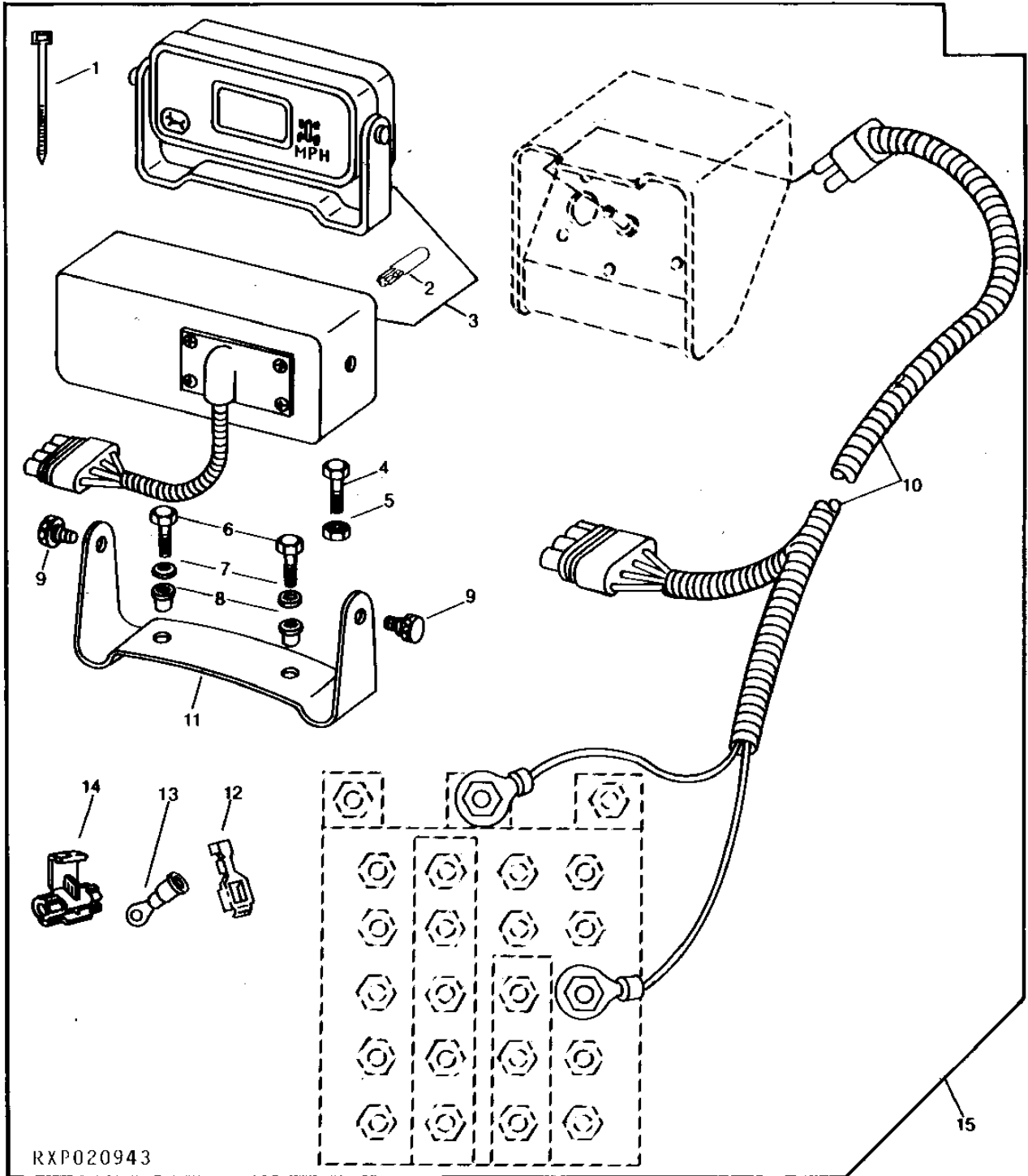
KEY	PART NO.	PART NAME	QTY	TRACTOR SERIAL NO.	REMARKS
1	19H1813	CAP SCREW	1	5/16" X 5/8"	
2	12H303	LOCK WASHER	1	5/16"	
3	24H1136	WASHER	1	11/32" X 11/16" X 0.065"	
4	R82355	SHIELD	1		
5	19H1813	CAP SCREW	6	5/16" X 5/8"	
6	12H303	LOCK WASHER	6	5/16"	
7	28H3343	BUSHING	3	0.546" X 0.840" X 5-3/8"	
8	24H1625	WASHER	2	17/32" X 1" X 0.120"	
9	03H2052	BOLT	3	1/2" X 6-1/2"	
10	R120107	LABEL	1	(ENGLISH)	
	R120106	LABEL	1	(FRENCH)	
	R105942	LABEL	1	(GERMAN)	
	R120108	LABEL	1	(SPANISH)	
	L65000	LABEL	1		
11	RE46317	BRACKET	1	(SUB FOR RE21096 OR RE38707)	
12	RE46414	WIRING HARNESS	1		
13	R82239	SCREW	12		
14	R82237	SNAP RING	1		
15	R82238	O-RING	1		
16	R82236	COVER	1		
17	RE43025	RADAR SENSOR	1	(SUB FOR RE21073)	
18	R82243	GASKET	1		
19	14H1040	NUT	3	1/2"	
20	AR111058	SENSOR	1	(SUB FOR RE21510 OR RW26466) (FI)	

1G7

ELECTRICAL

PERFORMANCE TRAK II MINI-MONITOR (ANALOG TACHOMETER)

RXP020943 -UN-12OCT94



RXP020943

1G8

ELECTRICAL

PERFORMANCE TRAK II MINI-MONITOR - CONTINUED
(ANALOG TACHOMETER)

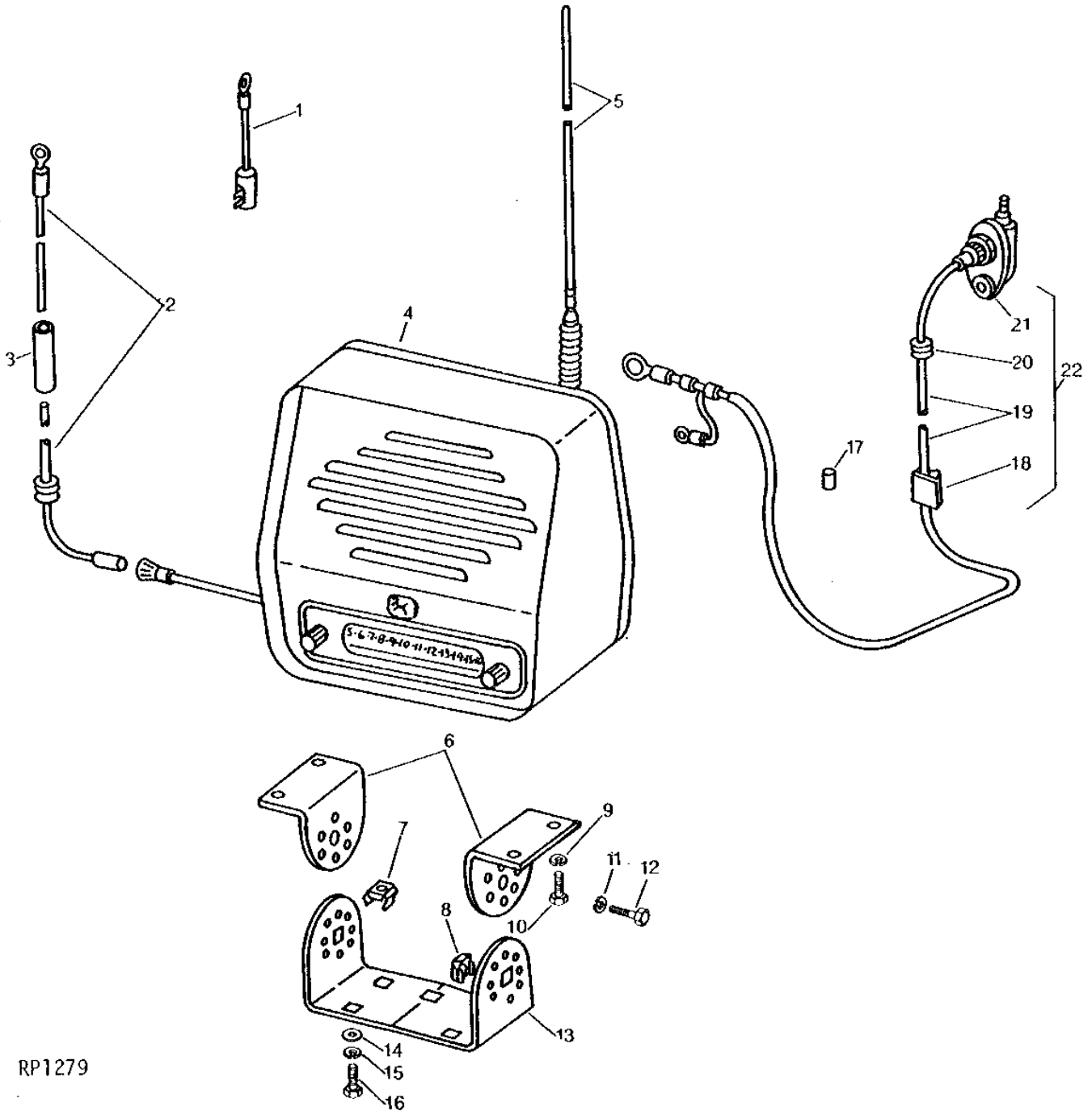
KEY	PART NO.	PART NAME	QTY	TRACTOR SERIAL NO.	REMARKS
1	R44302	TIE BAND	AR		
2	RE22589	LAMP	1		
3	RE21112	MONITOR CONSOLE	1		
4	19H1978	CAP SCREW	3	7/16" X 1-1/2"	
	12H293	LOCK WASHER	3	7/16"	
5	14H1047	NUT	3	7/16"	
	14H786	NUT	2	1/4"	
6	19H1914	CAP SCREW	2	1/4" X 1"	
7	24H1287	WASHER	4	9/32" X 5/8" X 0.065"	
8	R82423	NUT	2	RUBBER	
9	R83055	WING SCREW	2		
10	RE21113	WIRING HARNESS	1	3500MM (138")	
11	R83109	BRACKET	1		
12	U46662	TERMINAL	1		
13	R77489	TERMINAL	1		
	R84158	TERMINAL	1		
14	AR67855	CONNECTOR	3		
15	RE21738	MONITOR CONSOLE	1	(FI)	

1G9

ELECTRICAL

RP1279 -UN-01JAN94

RADIO
(MOTOROLA)



RP1279

1G10

ELECTRICAL

RADIO - CONTINUED
(MOTOROLA)

KEY	PART NO.	PART NAME	QTY	TRACTOR SERIAL NO.	REMARKS
1	AR41758	CAPACITOR	1		
2	AR41756	WIRING LEAD	1		
3	R42799	RESISTOR	1		
4	TY15156	KIT	1		(A) (ALSO ORDER AR46986) (SUB FOR AR42431, AR51973, AR57156, AR68361, AR101245 OR TY15155) (NLA)
5	AR46986	ANTENNA	1		
6	R52408	BRACKET	2		
7	AR41951	NUT	3		
8	AR41950	NUT	2		
9	12H297	LOCK WASHER	4	1/4"	
10	19H1227	CAP SCREW	4	1/4" X 1/2"	
11	12H310	LOCK WASHER	2	3/8"	
12	19H1936	CAP SCREW	2	3/8" X 3/4"	
13	R41880	BRACKET	1		
14	24H1294	WASHER	3	11/32" X 1-1/8" X 1/16"	
15	12M7032	LOCK WASHER	3	0.331"	
16	19H1813	CAP SCREW	3	5/16" X 5/8"	
17	R45136	PLUG	1		
18	R47474	CLIP	4	(SUB FOR R45137)	
19	AR51484	WIRING LEAD	1		
20	R27583	GROMMET	1		
21	AR46984	BASE	1		
22	AR51483	BASE	1	(WITH CAB)	

(A) CHECK AUDIOVOX DIRECT - SHIP PROGRAM GUIDE

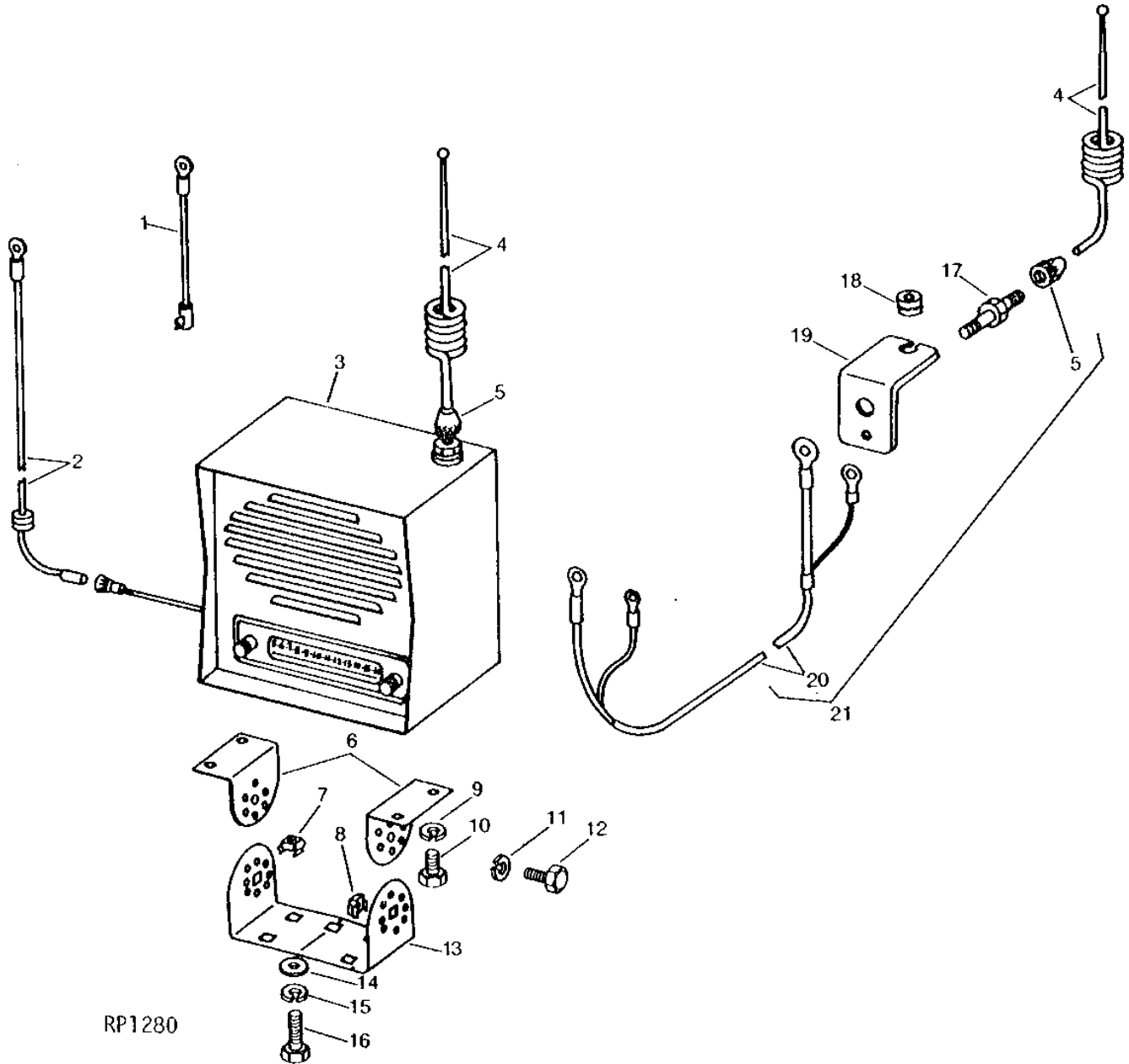
1G11

ELECTRICAL

RP1280

-UN-01JAN94

RADIO
(MOTOROLA)



RP1280

1G12

ELECTRICAL

RADIO - CONTINUED
(MOTOROLA)

KEY	PART NO.	PART NAME	QTY	TRACTOR SERIAL NO.	REMARKS
1	AR41758	CAPACITOR	1		
2	AR41756	WIRING LEAD	1		
3	AR42431	RADIO	1		(A) (NLA)
4	AR45013	MAST	1		(NO LONGER AVAILABLE)
5	R42800	NUT	1		(NO LONGER AVAILABLE)
6	R41879	BRACKET	2		
7	AR41951	NUT	4		
8	AR41950	NUT	2		
9	12H297	LOCK WASHER	4		1/4"
10	19H1227	CAP SCREW	4		1/4" X 1/2"
11	12H310	LOCK WASHER	2		3/8"
12	19H1936	CAP SCREW	2		3/8" X 3/4"
13	R41880	BRACKET	1		
14	24H1294	WASHER	4		11/32" X 1-1/8" X 1/16"
15	12M7032	LOCK WASHER	4		0.331"
16	19H1813	CAP SCREW	4		5/16" X 5/8"
17	AR45014	COUPLING	1		
18	R42801	GROMMET	1		
19	R42802	BRACKET	1		(NO LONGER AVAILABLE)
20	AR45015	ANTENNA	1		
21	AR42432	BASE	1		(WITH CAB) (SUB AR51483)

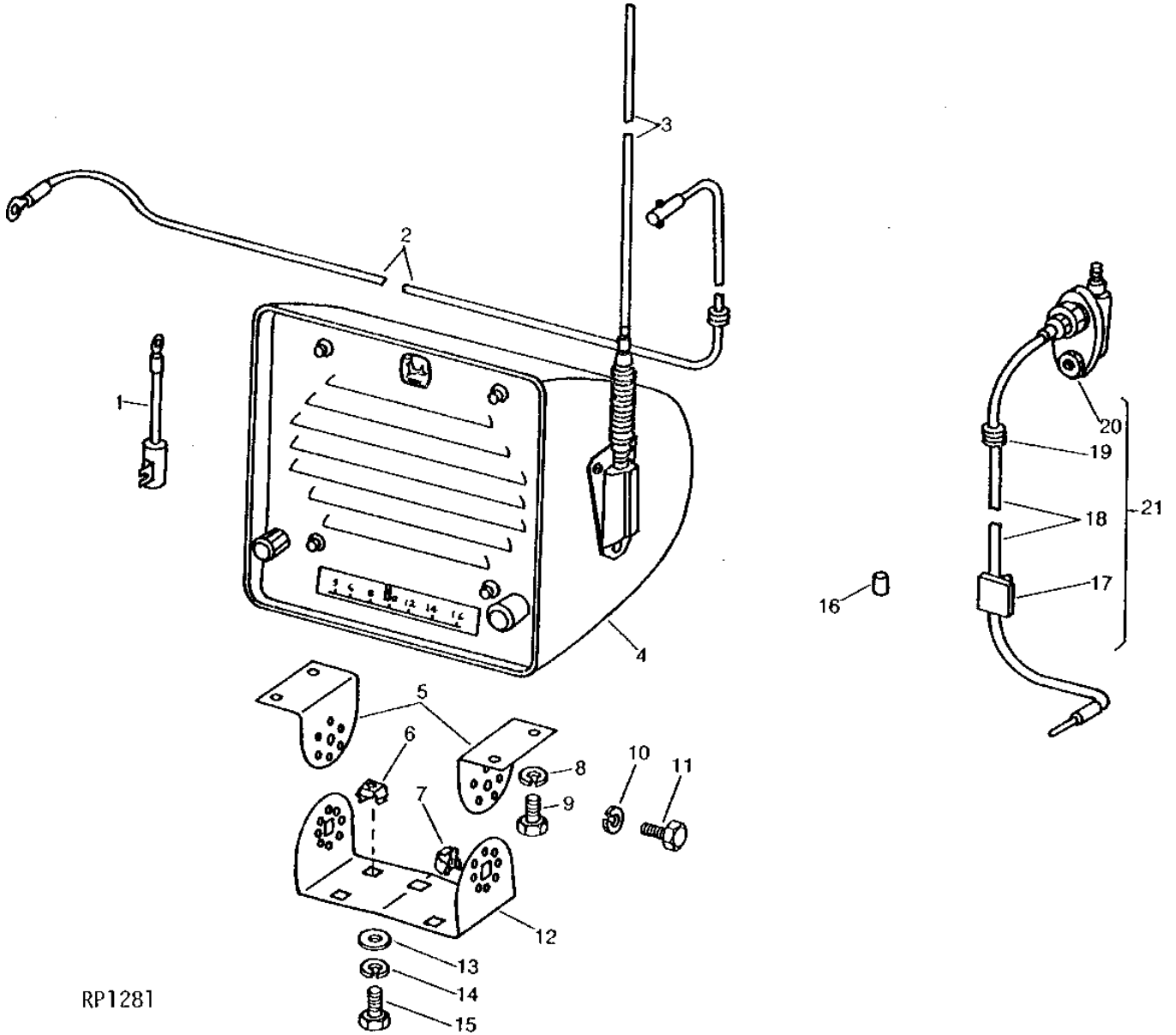
(A) CHECK AUDIOVOX DIRECT - SHIP PROGRAM GUIDE

1G13

ELECTRICAL

RP1281 -UN-01JAN94

RADIO
(BENDIX)



RP1281

1G14

ELECTRICAL

RADIO - CONTINUED (BENDIX)

KEY	PART NO.	PART NAME	QTY	TRACTOR SERIAL NO.	REMARKS
1	AR41758	CAPACITOR	1		
2	AR41756	WIRING LEAD	1		
3	AR41760	ANTENNA	1		
4	AR46986 AR101245	ANTENNA RADIO	1 1		(THREADED TYPE) (A) (ALSO ORDER AR46986) (SUB FOR AR40947, AR48717, AR68362 OR AR68361) (NLA)
5	R41879	BRACKET	2		
6	AR41951	NUT	4		
7	AR41950	NUT	2		
8	12H297	LOCK WASHER	4		1/4"
9	19H1227	CAP SCREW	4		1/4" X 1/2"
10	12H310	LOCK WASHER	2		3/8"
11	19H1936	CAP SCREW	2		3/8" X 3/4"
12	R41880	BRACKET	1		
13	24H1294	WASHER	4		11/32" X 1-1/8" X 1/16"
14	12M7032	LOCK WASHER	4		0.331"
15	19H1813	CAP SCREW	4		5/16" X 5/8"
16	R45136	PLUG	1		
17	R47474	CLIP	1		(SUB FOR R45137)
18	AR46985	WIRING LEAD	1		
19	R27583	GROMMET	1		
20	AR46984	BASE	1		
21	AR46983	BASE	1		(WITH CAB)

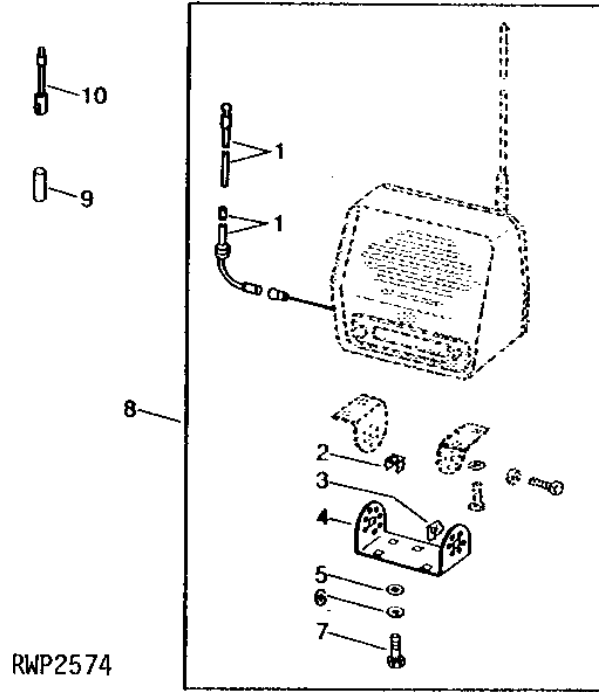
(A) CHECK AUDIOVOX DIRECT - SHIP PROGRAM GUIDE

1G15

ELECTRICAL

RWP2574 -UN-01JAN94

RADIO MOUNTING KIT



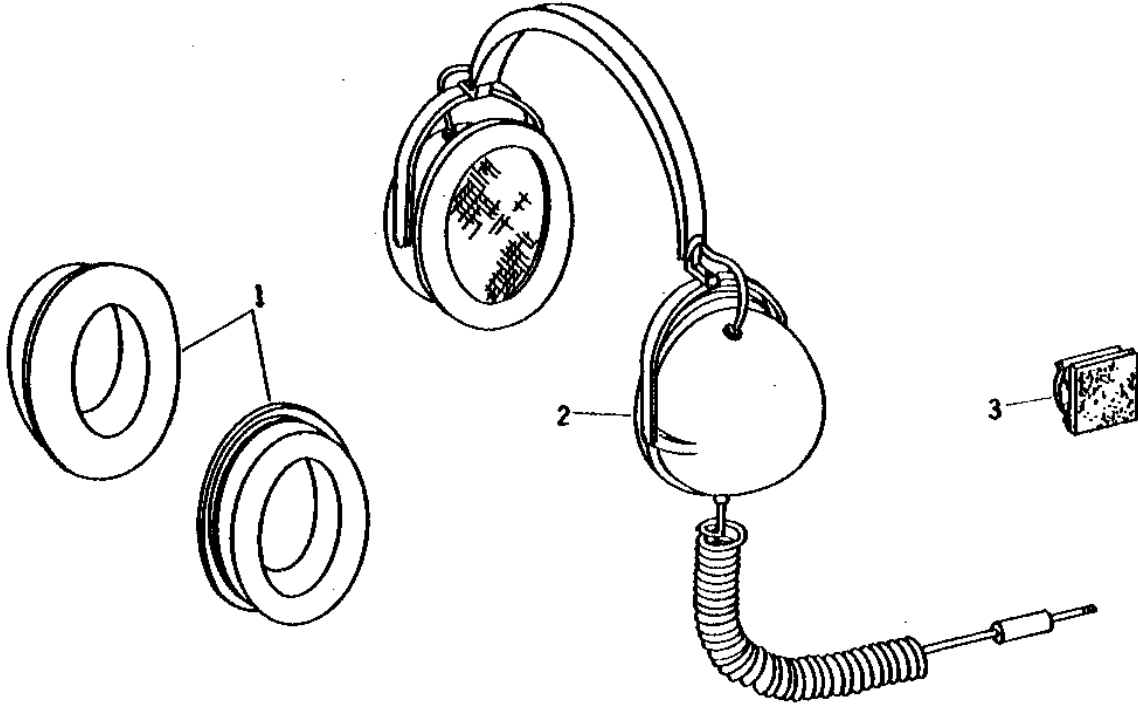
KEY	PART NO.	PART NAME	QTY	TRACTOR SERIAL NO.	REMARKS
1	AR41756	WIRING LEAD	1		
2	AR41951	NUT	3	5/16"	
3	AR41950	NUT	2	3/8"	
4	R41880	BRACKET	1		
5	24H1294	WASHER	3	11/32" X 1-1/8" X 1/16"	
6	12M7032	LOCK WASHER	3	0.331"	
7	19H1813	CAP SCREW	3	5/16" X 5/8"	
8	AR41754	KIT	1		MOUNTING FOR 2ND VEHICLE
9	R42799	RESISTOR	1		
10	AR41758	CAPACITOR	1		NOISE SUPPRESSOR

1G16

ELECTRICAL

R33062 -UN-01JAN94

RADIO HEADPHONES



R33062

KEY	PART NO.	PART NAME	QTY	TRACTOR SERIAL NO.	REMARKS
1	AR73311	FOAM PAD	1		(SUB FOR R53409) (PKG. OF 2)
2	AR59663	HEADPHONES	1		(A) (NLA)
3	R53410	CLIP	1		

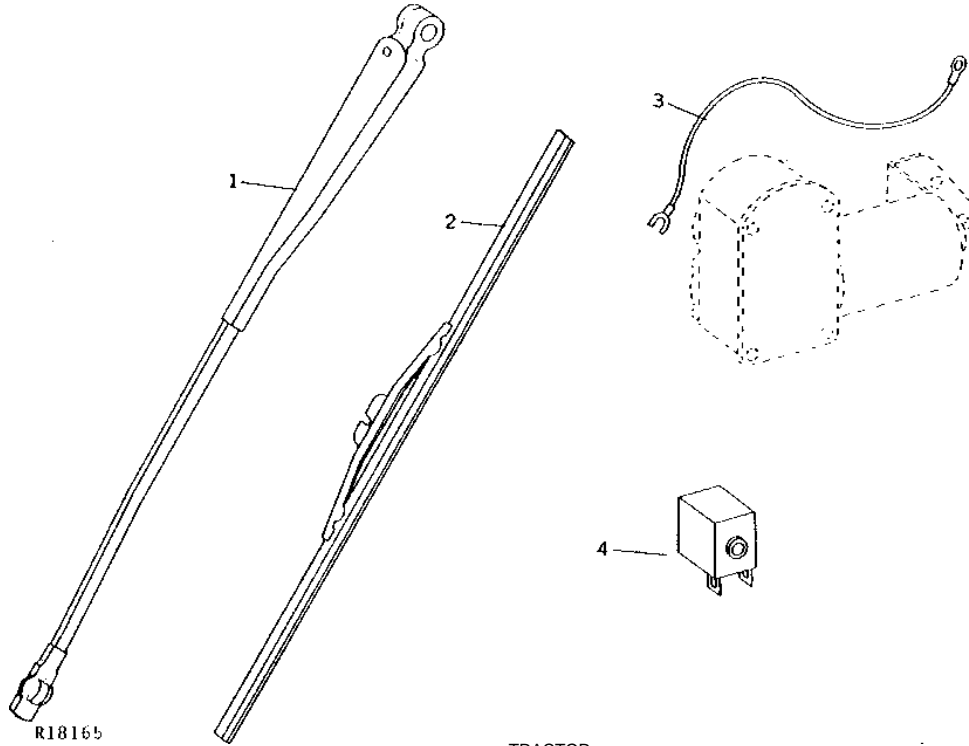
(A) CHECK AUDIOVOX DIRECT - SHIP PROGRAM GUIDE

1G17

ELECTRICAL

WINDSHIELD WIPER (CRENLO)
 (SIDE AND REAR DOOR)
 (CAB SERIAL NO. 016050-021042)

R18165 -UN-01JAN94



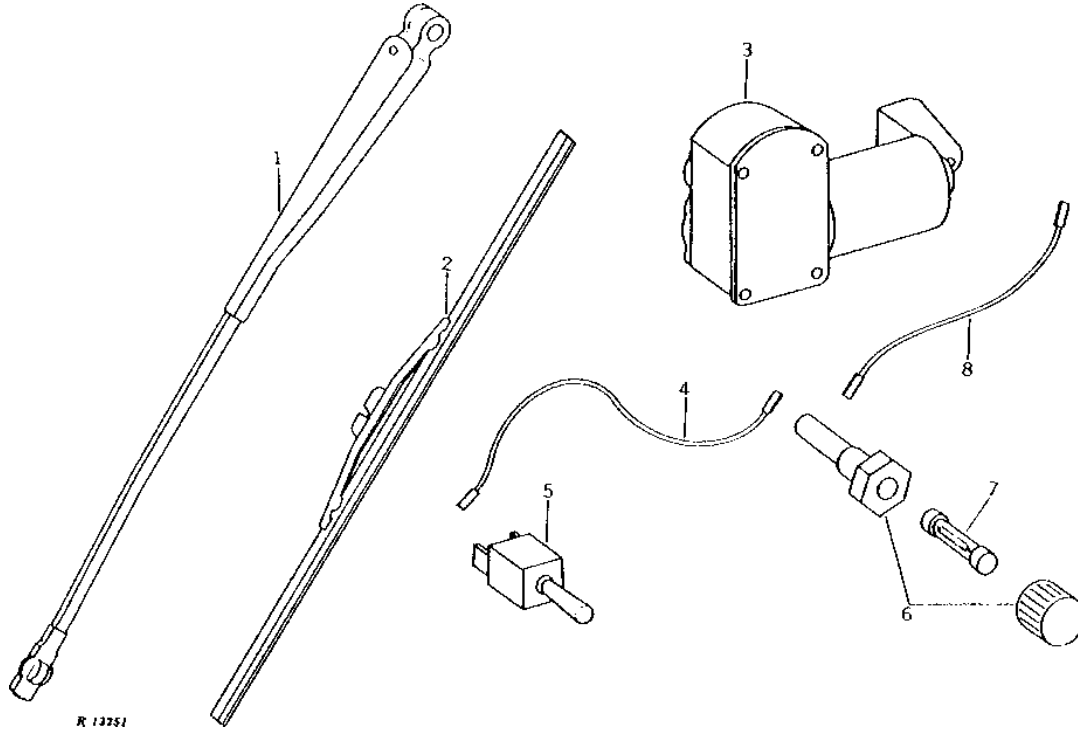
KEY	PART NO.	PART NAME	QTY	TRACTOR SERIAL NO.	REMARKS
1	AR44374	ARM	1		
2	R42321	BLADE	1		(NO LONGER AVAILABLE)
3	WIRING LEAD	1		3658MM (144") (MAKE FROM R66319, R32022 AND R32026)
4	AR44373	SWITCH	1		(NO LONGER AVAILABLE)

1G18

ELECTRICAL

WINDSHIELD WIPER (CRENLO)
(CAB SERIAL NO. 021043-)

R13251 -UN-01JAN94



KEY	PART NO.	PART NAME	QTY	TRACTOR SERIAL NO.	REMARKS
1	AR44371	ARM	1	(NLA)	
2	R42319	BLADE	1		
3	AR44647	MOTOR	1	(12-VOLT)	
4	WIRING LEAD	1	152MM (6")	(MAKE FROM R32027 AND (2) R32024)
5	AR44659	TOGGLE SWITCH	1		
6	AR44656	FUSE HOLDER	1		
7	FUSE	1	AGC 6	
8	WIRING LEAD	1	1067MM (42")	(MAKE FROM R66319, R32016, R32027 AND R32024)

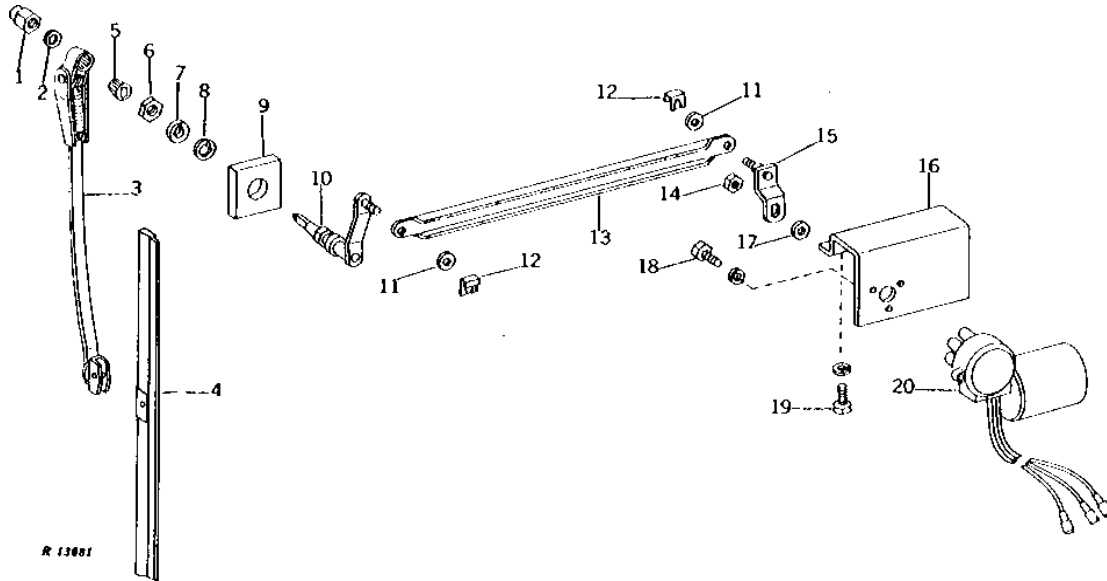
MEMORANDA

1G19

ELECTRICAL

WINDSHIELD WIPER (STOLPER)

R13681 -UN-01JAN94



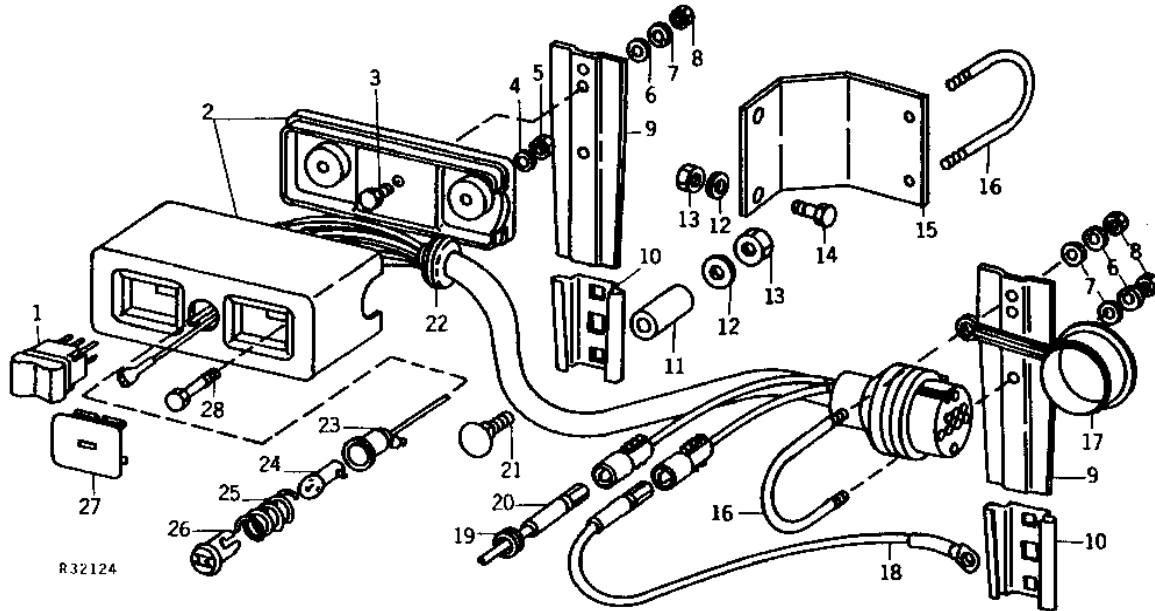
KEY	PART NO.	PART NAME	QTY	TRACTOR SERIAL NO.	REMARKS
1	U46514	NUT	1		(SUB FOR R44466)
2	12M7032	LOCK WASHER	1		0.331"
3	AR45843	ARM	1		
4	AR45844	WINDSHIELD WIPER	1		
5	R44465	DRIVER	1		
6	R44464	NUT	1		
7	R44467	SPACER	1		(NO LONGER AVAILABLE)
8	R44461	WASHER	1		(NO LONGER AVAILABLE)
9	R44463	SEAL	1		
10	AR45842	SHAFT	1		
11	R11032	SHIM	2		
12	R44462	CLIP	2		
13	AR45841	ARM	1		(NO LONGER AVAILABLE)
14	14H860	NUT	1		1/4"
	12H297	LOCK WASHER	1		1/4"
15	AR45840	ARM	1		(NO LONGER AVAILABLE)
16	AR45838	BRACKET	1		(NO LONGER AVAILABLE)
17	R44460	WASHER	1		(NO LONGER AVAILABLE)
18	19H1948	CAP SCREW	3		1/4" X 3/4"
	12H302	LOCK WASHER	3		1/4"
19	19H1914	CAP SCREW	3		1/4" X 1"
	12H302	LOCK WASHER	3		1/4"
20	AR59444	MOTOR	1		(ALSO ORDER AR64992) (SUB FOR AR45837) (SUB AT66481 AND AT66482)

1G20

ELECTRICAL

R32124 -UN-01JAN94

ELECTRICAL REMOTE CONTROL



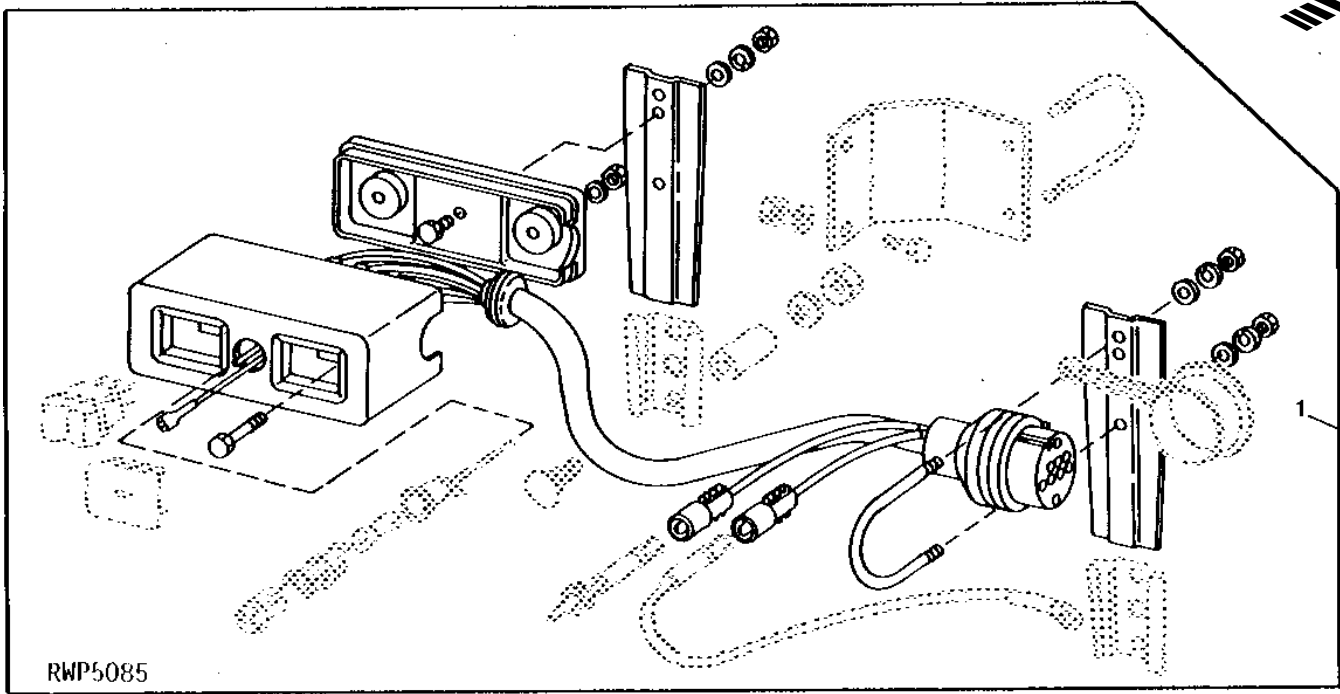
KEY	PART NO.	PART NAME	QTY	TRACTOR SERIAL NO.	REMARKS
1	AR49797	TOGGLE SWITCH	1		MOMENTARY ROCKER (FI)
	AR49798	ROCKER SWITCH	1		DETENT ROCKER (FI)
2	AR50779	WIRING HARNESS	1		TWO SWITCH AND HARNESS
	AR50780	WIRING HARNESS	1		FOUR SWITCH AND HARNESS
3	19H1914	CAP SCREW	1		1/4" X 1"
4	12H315	LOCK WASHER	2		0.164"
5	14H605	NUT	2		0.164"
6	24H1821	WASHER	3		9/32" X 47/64" X 1/16"
7	12H302	LOCK WASHER	3		1/4"
8	14H786	NUT	3		1/4"
9	R47861	BRACKET	AR		(2 USED, TWO SWITCH) (1 USED, FOUR SWITCH)
	R47860	BRACKET	1		FOUR SWITCH
10	JD126	SOCKET	2		
11	28H1495	SPACER	2		3/8" X 1"
12	24M7207	WASHER	4		8.400 X 24 X 2 MM
13	14H785	NUT	4		5/16"
14	21H1304	SCREW	2		5/16" X 3/4"
15	R54467	BRACKET	1		
16	E16050	U-BOLT	1		
17	R48048	CAP	1		
18	AR50928	WIRING LEAD	1		GROUND
19	H987R	GROMMET	4		
20	AR50927	WIRING LEAD	1		TO WIRING RELAY
21	03H1515	BOLT	2		5/16" X 2"
22	R36235	GROMMET	1		
23	AT44165	WIRING LEAD	1		
24	AR55694	BULB	1		
25	R30378	SPRING	1		
26	AT48673	LENS	1		
27	R48049	PLUG	1		
28	R48028	SCREW	2		
..	R48026	DECAL	1		WARNING
..	R48027	GROMMET	1		(CAB OPENING)
..	R32276	PLUG	1		(CAB OPENING)

1G21

ELECTRICAL

RWP5085 -UN-01JAN94

ELECTRICAL REMOTE CONTROL KIT



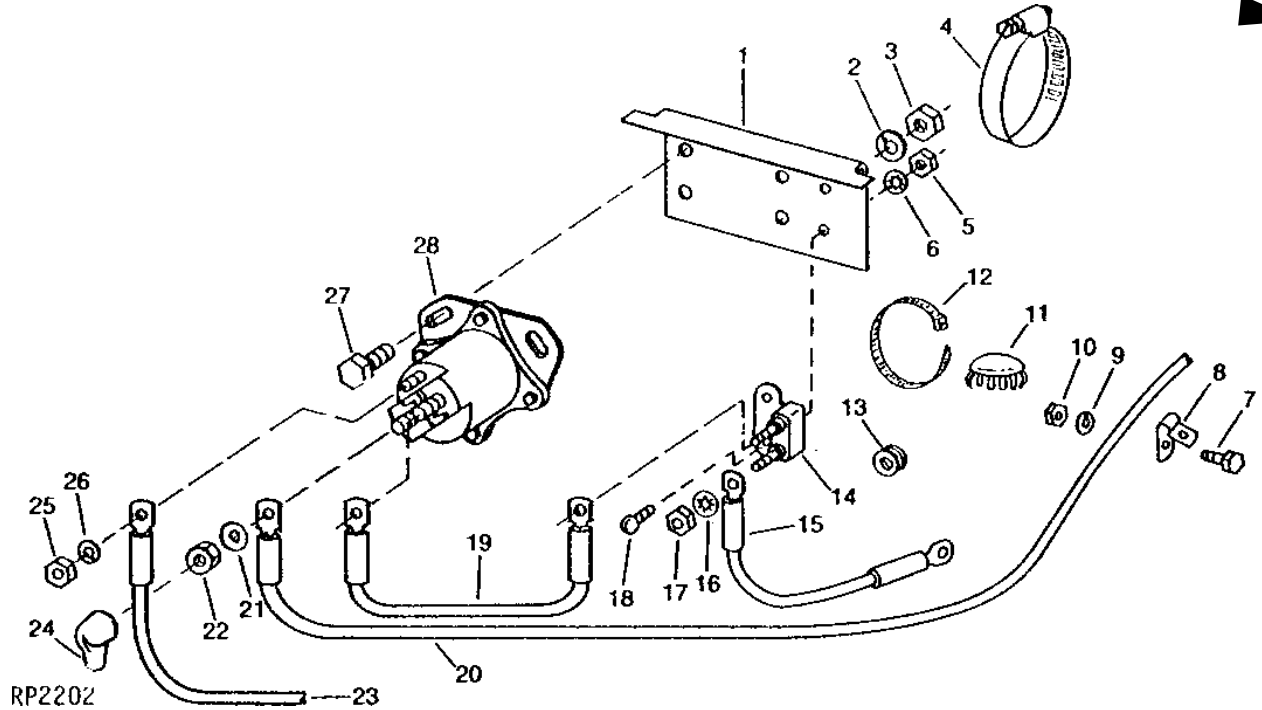
KEY	PART NO.	PART NAME	QTY	TRACTOR SERIAL NO.	REMARKS
1	AR62360	KIT	1		(TWO SWITCHES) (FI)

1G22

ELECTRICAL

RP2202 -UN-01JAN94

ELECTRICAL REMOTE CONTROL WIRING



KEY	PART NO.	PART NAME	QTY	TRACTOR SERIAL NO.	REMARKS
1	R69109	BRACKET	1	(SUB FOR R47859)	
2	12H297	LOCK WASHER	2	1/4"	
3	14H786	NUT	2	1/4"	
4	AR52392	CLAMP	2		
5	14H631	NUT	2	0.190"	
6	12M7060	WASHER	2	0.209"	
7	19H1731	CAP SCREW	2	3/8" X 1"	
8	T14264	CLAMP	2		
9	12H304	LOCK WASHER	2	3/8"	
10	14H732	NUT	2	3/8"	
11	R32276	PLUG	1	(CAB OPENING)	
12	R44302	TIE BAND	AR		
13	R41439	GROMMET	1		
14	AR50926	CIRCUIT BREAKER	1		
15	AR50930	WIRING LEAD	1	TO STARTER	
16	12M7060	WASHER	2	0.209"	
17	14H631	NUT	2	0.190"	
18	21H1295	SCREW	2	0.190" X 5/8"	
19	AR50929	WIRING LEAD	1		
20	AR50927	WIRING LEAD	1	TO SWITCH BOX	
21	12H303	LOCK WASHER	2	5/16"	
22	14H785	NUT	2	5/16"	
23	AR50931	WIRING LEAD	1	TO ACCESSORY CIRCUIT BREAKER	
24	R36732	BOOT	2		
25	14H631	NUT	1	0.190"	
26	12H246	LOCK WASHER	1	0.190"	
27	19H1919	CAP SCREW	2	1/4" X 5/8"	
28	RE44657	RELAY	1	(FI)	

MEMORANDA

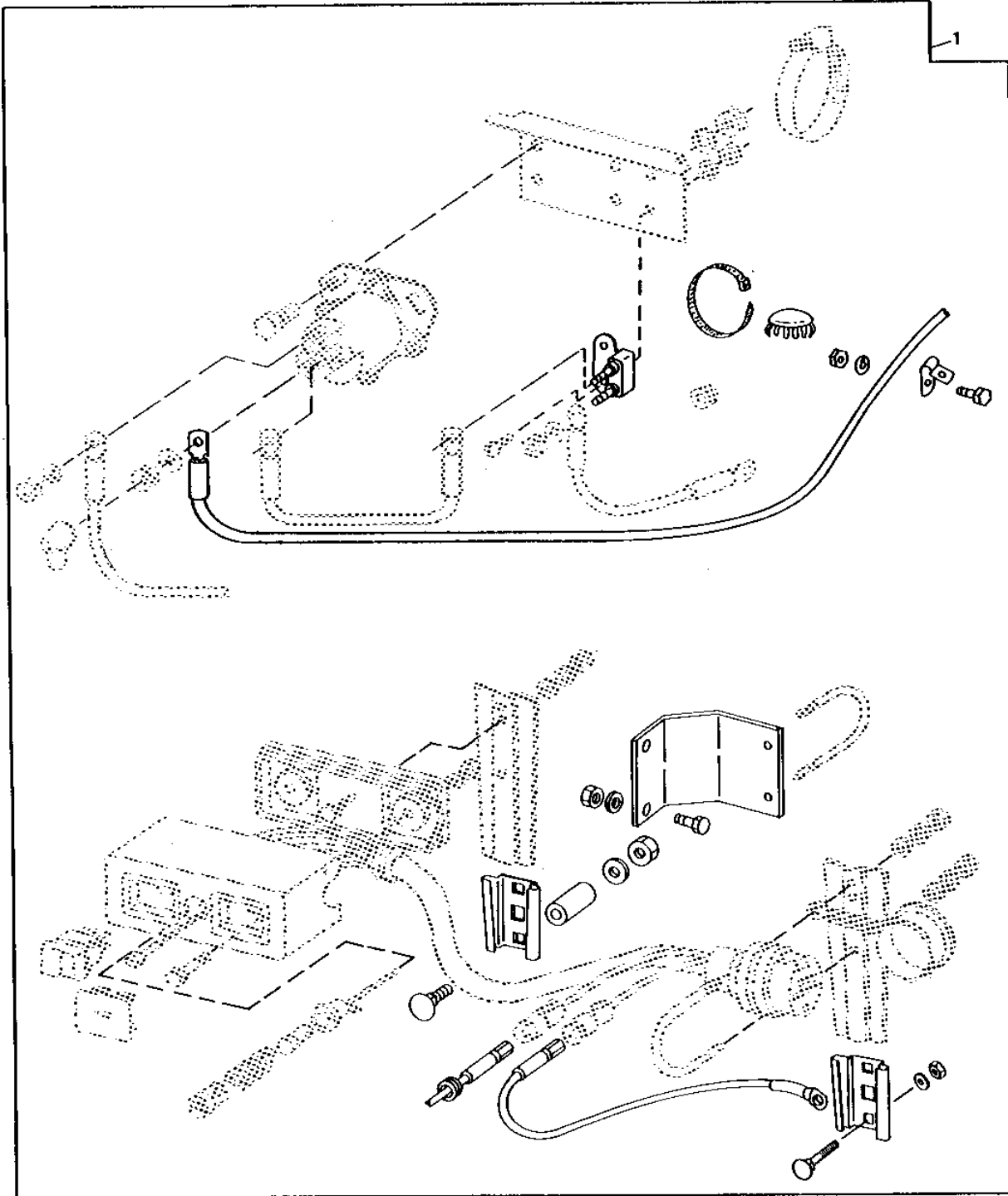
1G23

ELECTRICAL

RWP5666

-UN-01JAN94

ELECTRICAL REMOTE CONTROL WIRING KIT



RWP5666

1G24

ELECTRICAL

ELECTRICAL REMOTE CONTROL WIRING KIT - CONTINUED

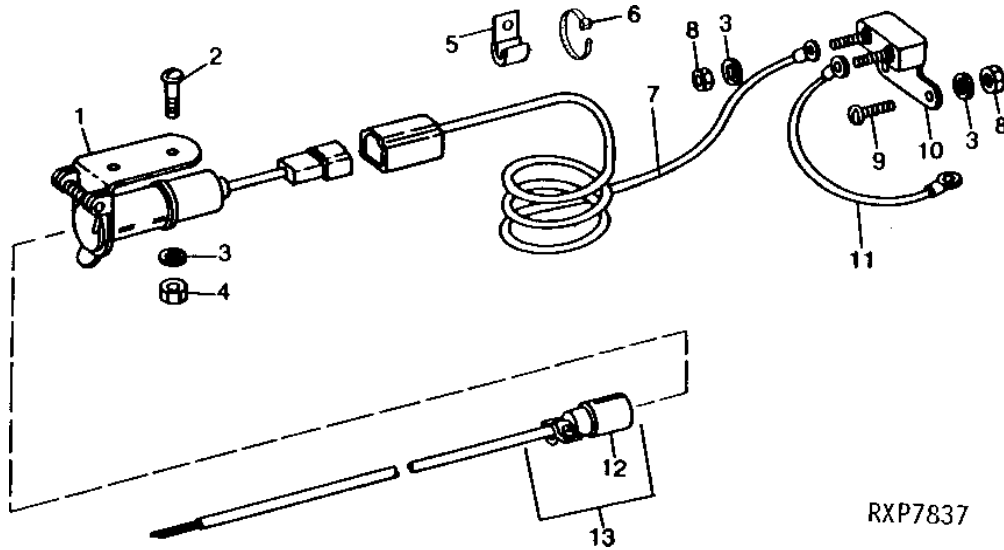
KEY	PART NO.	PART NAME	QTY	TRACTOR SERIAL NO.	REMARKS
1	RE25621	KIT	1	(SUB FOR AR62359)	

1G25

ELECTRICAL

RXP7837 -UN-23SEP94

ELECTRICAL OUTLET SOCKET



RXP7837

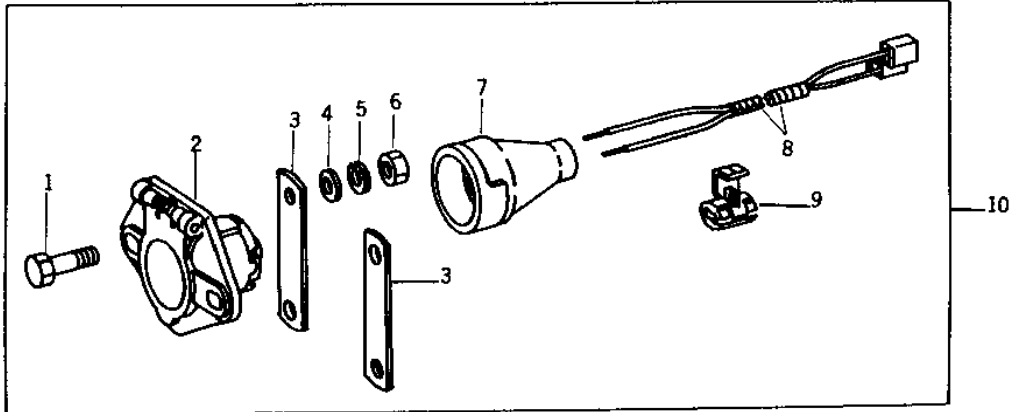
KEY	PART NO.	PART NAME	QTY	TRACTOR SERIAL NO.	REMARKS
1	AR26571	SOCKET	1		
2	21H1301	SCREW	2	0.190" X 1/2"	
3	12M7060	WASHER	6	0.209"	
4	14H778	NUT	2	0.190"	
5	T32231	CLAMP	2		
6	R44302	TIE BAND	5		
7	WIRING LEAD	1	4.157M (163-1/2") (MAKE FROM R66321, T28585, R65600, R32019 AND R32028)	
8	14H631	NUT	4	0.190"	
9	21H1295	SCREW	2	0.190" X 5/8"	
10	AR28403	CIRCUIT BREAKER	1		
11	WIRING LEAD	1	152MM (6") (MAKE FROM R66321 AND (2) R32019)	
12	AA5692R	ELECTRICAL PLUG	1	(LESS CABLE)	
13	AR40710	PLUG	1	(WITH CABLE)	

1H1

ELECTRICAL

R32128 -UN-01JAN94

7-TERMINAL ELECTRICAL OUTLET SOCKET



R32128

KEY	PART NO.	PART NAME	QTY	TRACTOR SERIAL NO.	REMARKS
1	19H1905	CAP SCREW	4	5/16" X 1"	
2	AR75695	SOCKET OUTLET	1		
3	R61776	STRAP	2		
4	24H1136	WASHER	4	11/32" X 11/16" X 0.065"	
5	12H303	LOCK WASHER	4	5/16"	
6	14H785	NUT	4	5/16"	
7	R61775	BOOT	1		
8	AR75696	WIRING HARNESS	1	EXTENSION	
	WIRING LEAD	1	3963MM (156") TAIL LAMP, (MAKE FROM R77500)	
	WIRING LEAD	1	400MM (16") GROUND, (MAKE FROM R77500 AND R77488)	
9	AR67855	CONNECTOR	3		
10	RE17282	KIT	1	(SUB FOR AR75694) (FI)	

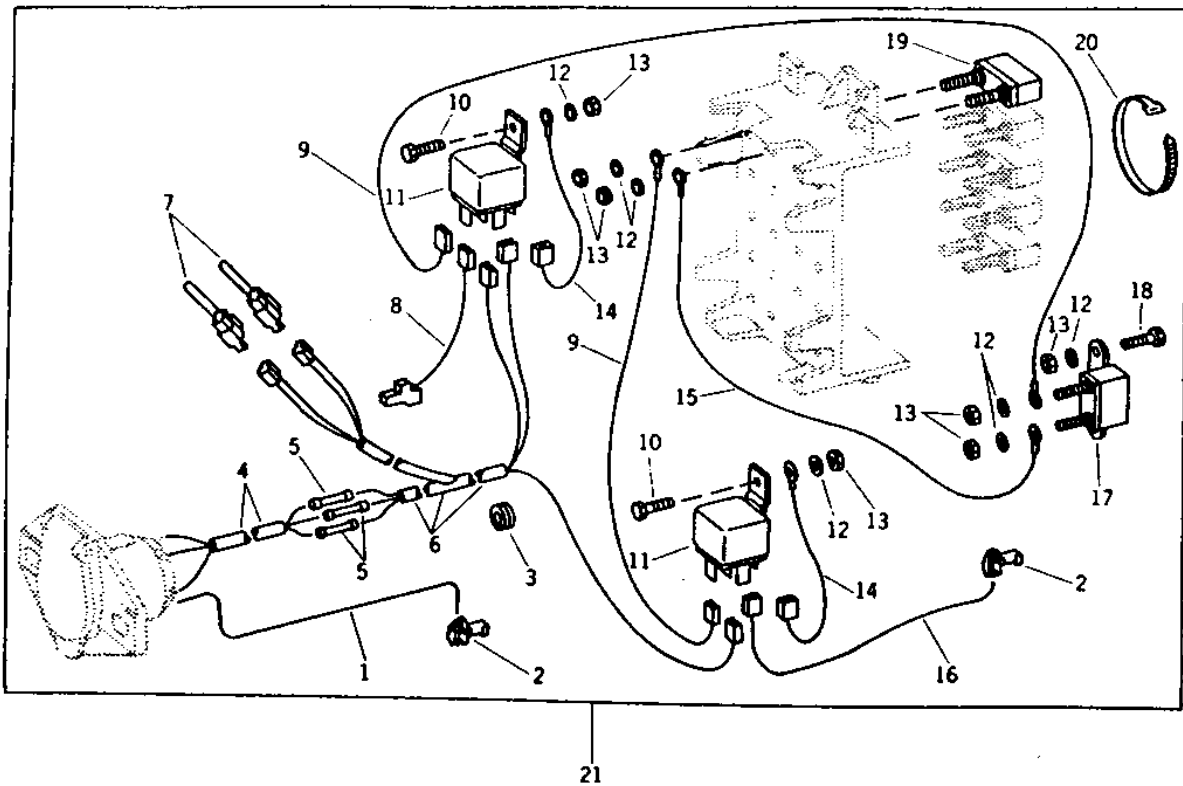
1H2

ELECTRICAL

R32129

-UN-07JAN91

7-TERMINAL SOCKET SUPPLEMENTARY WIRING KIT



1H3

ELECTRICAL

7-TERMINAL SOCKET SUPPLEMENTARY WIRING KIT - CONTINUED

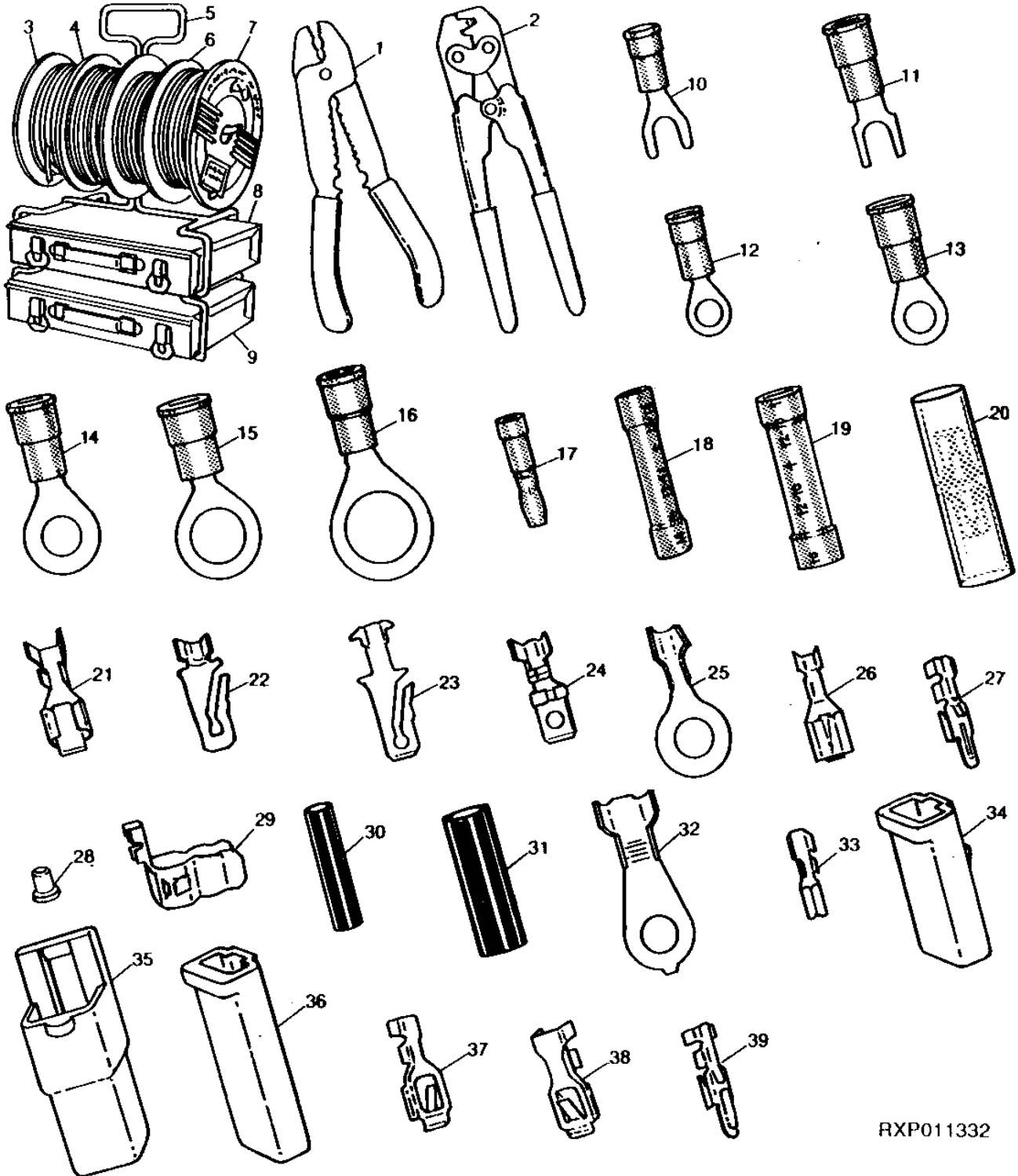
KEY	PART NO.	PART NAME	QTY	TRACTOR SERIAL NO.	REMARKS
1	WIRING LEAD	1		3962MM (156") (MAKE FROM R66319)
2	AR67855	CONNECTOR	2		
3	R40445	GROMMET	1		
4	AR82910	WIRING HARNESS	1		
5	R32027	CONNECTOR	4		
6	AR82912	WIRING HARNESS	1		
7	AR82911	WIRING LEAD	2		
8	AR50834	WIRING LEAD	1		
9	WIRING LEAD	3		311MM (12-1/4") (MAKE FROM R66319, R32018, R32027 AND R32024)
10	21H1282	SCREW	2		0.190" X 7/8"
11	AR74411	RELAY	2		
12	12M7060	WASHER	8		0.209"
13	14H631	NUT	8		0.190"
14	WIRING LEAD	2		152MM (6") (MAKE FROM R66319, R32021, R32027 AND R32025)
15	WIRING LEAD	2		152MM (6") (MAKE FROM R66319 AND (2) R32018)
16	AR82909	WIRING LEAD	1		
17	AR49352	CIRCUIT BREAKER	1		30 AMP
18	21H1295	SCREW	2		0.190" X 5/8"
19	AR28403	CIRCUIT BREAKER	1		20 AMP
20	R44302	TIE BAND	AR		
21	AR78052	KIT	1		(USE WITH AR75694 OR RE17282)

1H4

ELECTRICAL

RXP011332 -UN-27SEP94

ELECTRICAL TERMINALS,CONNECTORS AND WIRING



RXP011332

1H5

ELECTRICAL

ELECTRICAL TERMINALS,CONNECTORS AND WIRING - CONTINUED

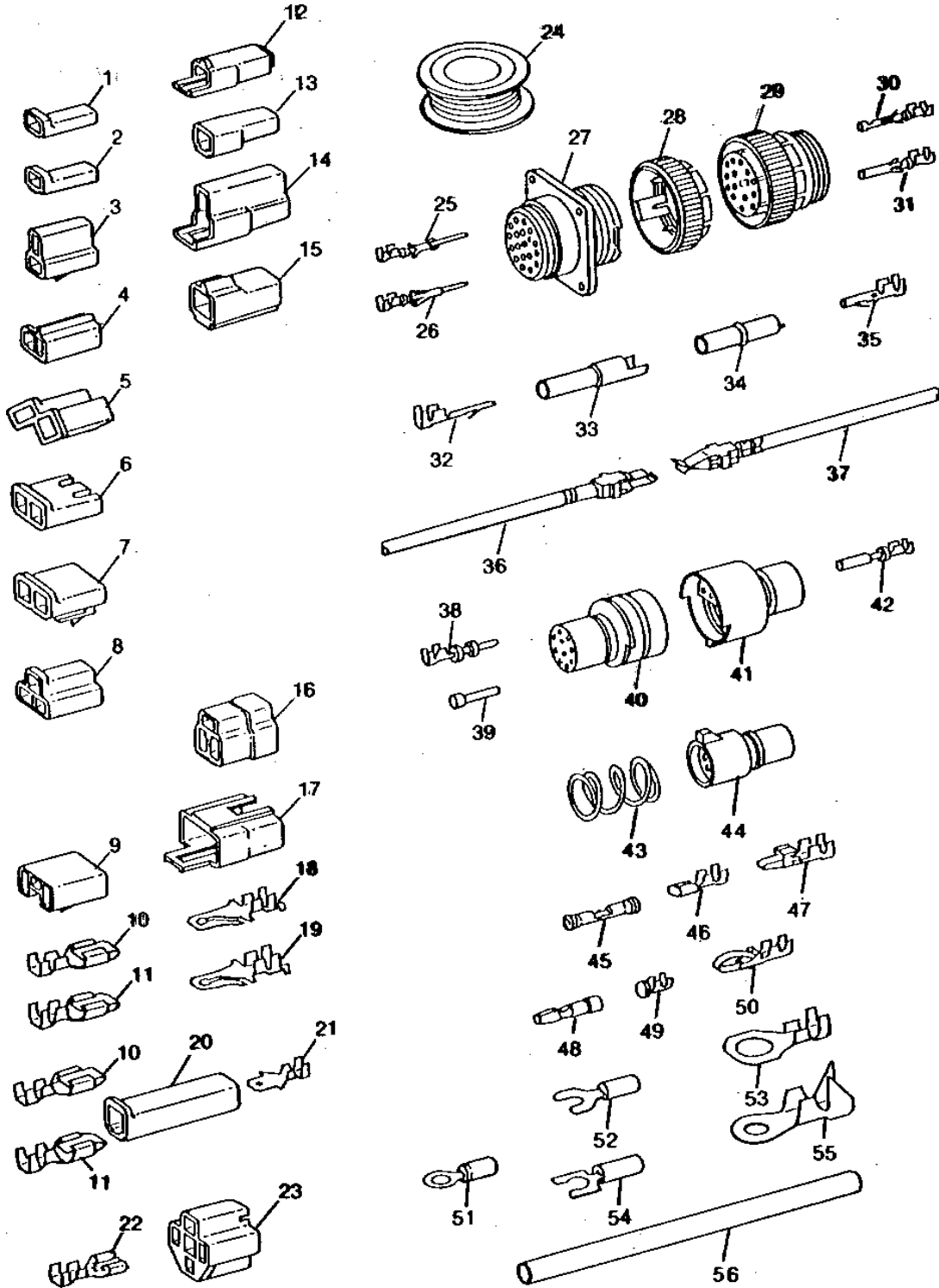
KEY	PART NO.	PART NAME	QTY	TRACTOR SERIAL NO.	REMARKS
1	R32011	TOOL	1	(NLA)	
2	R65594	TOOL	1		
3	R66319	WIRING LEAD	1	14 GA., 30.5 M (100 FT.) (1 SPOOL)	
4	R65593	WIRING LEAD	1	16 GA., 30.5 M (100 FT.) (1 SPOOL)	
5	R65608	RACK	1		
6	R66321	WIRING LEAD	1	10 GA., 15 M (50 FT.) (1 SPOOL)	
7	R66320	WIRING LEAD	1	12 GA., 30.5 M (100 FT.) (1 SPOOL)	
8	R65609	CONTAINER	1	(NLA)	
9	R65610	CONTAINER	1		
10	R32016	TERMINAL	1	14-16 GA., NO. 10 SPADE	
11	R32017	TERMINAL	1	10-12 GA., NO. 10 SPADE	
12	R32018	TERMINAL	1	14-16 GA., NO. 10 EYELET	
13	R32019	TERMINAL	1	10-12 GA., NO. 10 EYELET	
14	R32021	TERMINAL	1	10-12 GA., 1/4" EYELET	
15	R32022	TERMINAL	1	10-12 GA., 3/8" EYELET	
16	R32023	TERMINAL	1	10-12 GA., 1/2" EYELET	
17	R32026	TERMINAL	1	MALE BULLETT	
18	R32027	CONNECTOR	1	SPLICE, 14-16 GA.	
19	R32028	TERMINAL	1	SPLICE, 10-12 GA.	
20	AL2976T	CONNECTOR	1	(SUB FOR R32029) 2-WIRE BULLETT CONNECTOR	
21	R65595	TERMINAL	1	FEMALE, 10 GA.	
22	R65596	TERMINAL	1	MALE, 10 GA. OR TWO 14 GA. CABLES	
23	R65597	TERMINAL	1	MALE, 14-16 GA.	
24	R65598	TERMINAL	1	MALE, SHORT, 14-16 GA.	
25	R65599	TERMINAL	1	14-16 GA., 1/4" EYELET	
26	R65600	TERMINAL	1	FEMALE, 14-16 GA.	
27	R65601	TERMINAL	1	TWIN-LOCK, TWO 16 GA. CABLES	
28	R65602	SOCKET CONTACT	1	BULB SOCKET, 16-18 GA.	
29	R65603	TERMINAL NIPPLE	1	FUSE	
30	R65604	INSULATING SLEEVE	1	14-18 GA.	
31	R65605	INSULATING SLEEVE	1	8-12 GA.	
32	R65606	TERMINAL	1	6-8 GA., 1/4" EYELET	
33	R65607	TERMINAL	1	18-20 GA.	
34	T28583	RECEPTACLE	1	ONE CONTACT LOCK-TYPE, MALE	
35	T28585	TERMINAL	1	ONE CONTACT LOCK-TYPE, FEMALE	
36	U46370	CONNECTOR	1	CONNECTOR, ONE CONTACT SINGLE BODY, MALE	
37	U46662	TERMINAL	1	FEMALE	
38	U46663	TERMINAL	1	FEMALE	
39	U46664	TERMINAL	1	FEMALE	

1H6

ELECTRICAL

RXP010581 -UN-01JAN94

ELECTRICAL CONNECTORS, TERMINALS AND WIRING



RXP010581

1H7

ELECTRICAL

ELECTRICAL CONNECTORS, TERMINALS AND WIRING - CONTINUED

KEY	PART NO.	PART NAME	QTY	TRACTOR SERIAL NO.	REMARKS
1	T28583	RECEPTACLE	1	(B)	
2	M43835	FLAT CONNECTOR	1	(B)	
3	R77476	CONNECTOR	1	(A)	
4	R77477	CONNECTOR	1	(A)	
5	R77479	CONNECTOR	1	(A)	
6	R77480	CONNECTOR	1	(A)	
7	R77481	CONNECTOR	1	(A)	
8	R77482	CONNECTOR	1		
9	H104855	CONNECTOR	1		
10	U46662	TERMINAL	1	(E) (F)	
11	N115096	TERMINAL	1	(G) (SUB R65595) (PKG. OF 15)	
12	T28585	TERMINAL	1	(B)	
13	R77475	CONNECTOR	1	(B)	
14	T28586	CONNECTOR	1	(A)	
15	R77478	CONNECTOR	1	(A)	
16	R77483	CONNECTOR	1		
17	R48887	RECEPTACLE	1		
18	T34067	TERMINAL	1	(E) (F)	
19	R77484	TERMINAL	1	(G) (PKG. OF 15)	
20	U46370	CONNECTOR	1	(B)	
21	R77485	TAB	1	(C) (F)	
22	R77486	TERMINAL	1	(E) (F)	
23	R77487	CONNECTOR	1	(B)	
24	R66321	WIRING LEAD	1	15M (50 FT.) 10 GA.	
	R66320	WIRING LEAD	1	30.5M (100 FT.) 12 GA.	
	R77501	WIRE	1	30.5M (100 FT.) 14 GA.	
	R77500	WIRE	1	30.5M (100 FT.) 16 GA.	
	R77499	WIRE	1	30.5M (100 FT.) 18 GA.	
	R77498	WIRE	1	30.5M (100 FT.) 20 GA.	
25	R77462	PIN CONTACT	1	(PKG. OF 40) (20-22 OR 24 GA. WIRE)	
26	R77464	PIN CONTACT	1	(H) (PKG. OF 50)	
27	R77456	RECEPTACLE	1	(37 WAY)	
28	R77458	CONNECTOR	1	(A) (SIZE 23)	
	R77459	CONNECTOR	1	(A) (SIZE 17)	
	R77460	CONNECTOR	1	(A) (SIZE 13)	
	R77461	CONNECTOR	1	(A) (SIZE 11)	
29	R77457	ELECTRICAL PLUG	1	(37 WAY)	
30	R77463	SOCKET CONTACT	1	(PKG. OF 40) (20-22 OR 24 GA. WIRE)	
31	R77465	SOCKET CONTACT	1	(H) (PKG. OF 50)	
32	R77468	TERMINAL	1	(PKG. OF 5)	
33	R77466	CONNECTOR	1	(A)	
34	R77467	CONNECTOR	1	(A)	

(A) PKG. OF 2

(B) PKG. OF 3

(C) PKG. OF 10

(D) PKG. OF 20

(E) PKG. OF 25

(F) 14 OR 16 GA. WIRE

(G) 10 OR 12 GA. WIRE

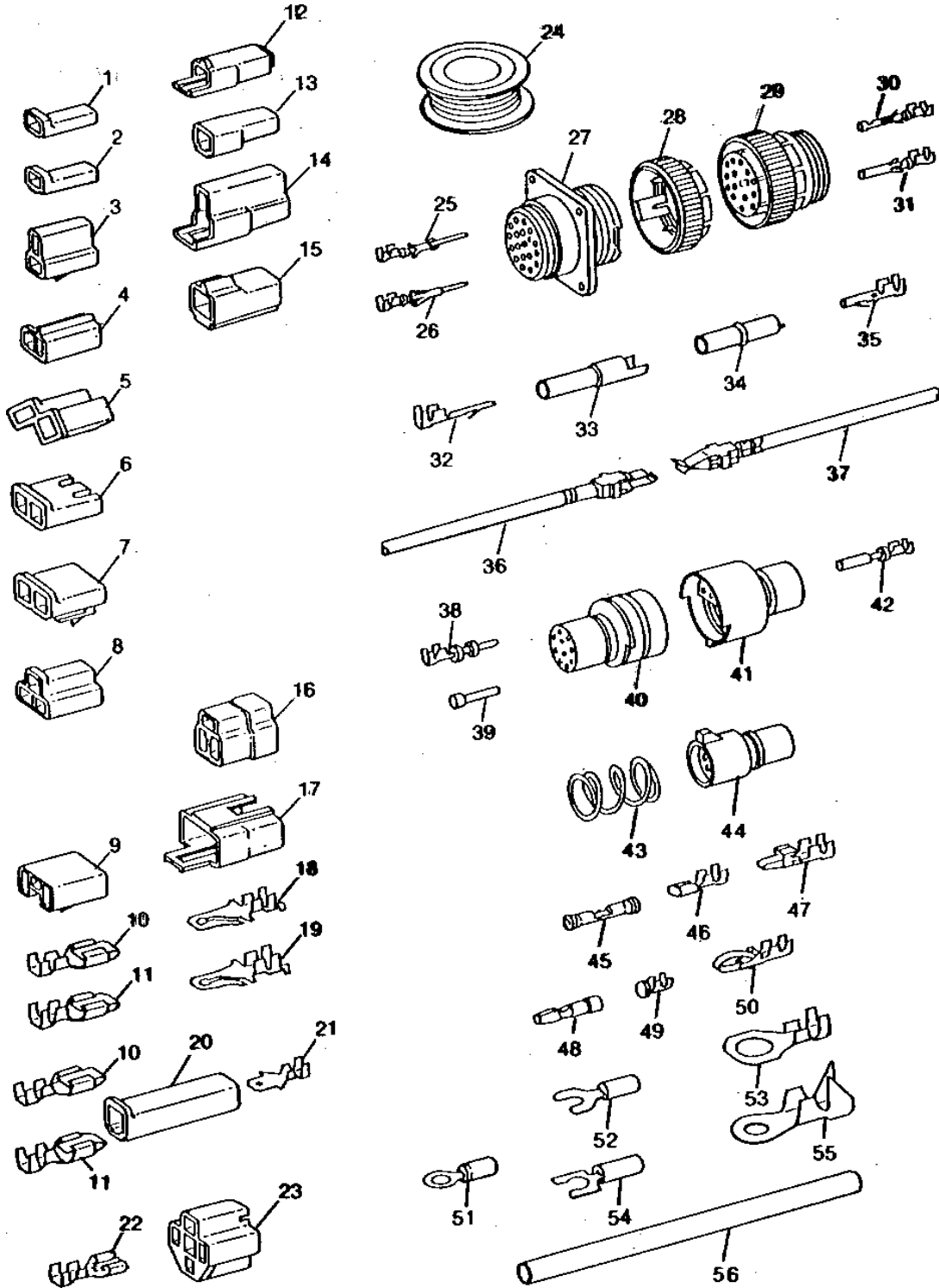
(H) 14-16 OR 18 GA. WIRE

1H8

ELECTRICAL

RXP010581 -UN-01JAN94

ELECTRICAL CONNECTORS, TERMINALS AND WIRING - CONTINUED



RXP010581

1H9

ELECTRICAL

ELECTRICAL CONNECTORS, TERMINALS AND WIRING - CONTINUED

KEY	PART NO.	PART NAME	QTY	TRACTOR SERIAL NO.	REMARKS
35	R77469	TERMINAL	1		(PKG. OF 5)
36	RE11156	TERMINAL	1		(B) (MALE)
37	RE11157	TERMINAL	1		(B) (FEMALE)
38	R70222	PIN CONTACT	1		(D) (H)
39	R70221	ELECTRICAL PLUG	1		(E)
40	R70219	PLUG	1		(A) (10 WAY)
	R70217	PLUG	1		(A) (7 WAY)
	R70215	PLUG	1		(A) (4 WAY)
	R70213	PLUG	1		(A) (3 WAY)
41	R70211	CONNECTOR	1		(A) (2 WAY)
	R70218	RECEPTACLE	1		(A) (10 WAY)
	R70216	RECEPTACLE	1		(A) (7 WAY)
	R70214	RECEPTACLE	1		(A) (4 WAY)
	R70212	RECEPTACLE	1		(A) (3 WAY)
	R70210	RECEPTACLE	1		(A) (2 WAY)
42	AR91793	SOCKET CONTACT	1		(D)
43	R30378	SPRING	1		(C)
44	R77474	CONNECTOR	1		(A) (6 WAY)
45	R77470	TERMINAL	1		SPLICE (PKG. OF 15) (16-18-20 OR 22 GA. WIRE)
	R77471	TERMINAL	1		(C) (G) SPLICE
	R77472	TERMINAL	1		(A) SPLICE (8 GA. WIRE)
	R77473	TERMINAL	1		(A) SPLICE (6 GA. WIRE)
46	R65607	TERMINAL	1		(C) (18 OR 20 GA. WIRE)
47	U46664	TERMINAL	1		(C) (F)
48	R32026	TERMINAL	1		(D) (F)
49	R65602	SOCKET CONTACT	1		(C) (16 OR 18 GA. WIRE)
50	R70220	TERMINAL	1		(C) (18 OR 20 GA. WIRE)
51	R77489	TERMINAL	1		(D) (14-16-18 OR 20 GA. WIRE) (NO. 10 EYELET)
	R77493	TERMINAL	1		(D) (G) (NO. 10 EYELET)
	R77488	TERMINAL	1		(D) (14-16-18 OR 20 GA. WIRE) (3/8" EYELET)
	R77490	TERMINAL	1		(D) (G) (1/2" EYELET)
52	R77496	TERMINAL	1		(D) (F) (NO. 8 SPADE)
	R77495	TERMINAL	1		(D) (18 GA. WIRE) (NO. 10 SPADE)
53	R77497	TERMINAL	1		(D) (F) (NO. 6 SPADE)
54	R77491	TERMINAL	1		(D) (G) (3/8" EYELET)
	R77492	TERMINAL	1		(D) (G) (1/4" EYELET)
55	R77494	TERMINAL	1		(D) (6 OR 8 GA. WIRE) (1/4" EYELET)
56	R77502	TUBE	1		(PKG. OF 8) 3/8" (HEAT SHRINK)
	R77503	TUBE	1		(PKG. OF 8) 3/16" (HEAT SHRINK)

(A) PKG. OF 2

(B) PKG. OF 3

(C) PKG. OF 10

(D) PKG. OF 20

(E) PKG. OF 25

(F) 14 OR 16 GA. WIRE

(G) 10 OR 12 GA. WIRE

(H) 14-16 OR 18 GA. WIRE

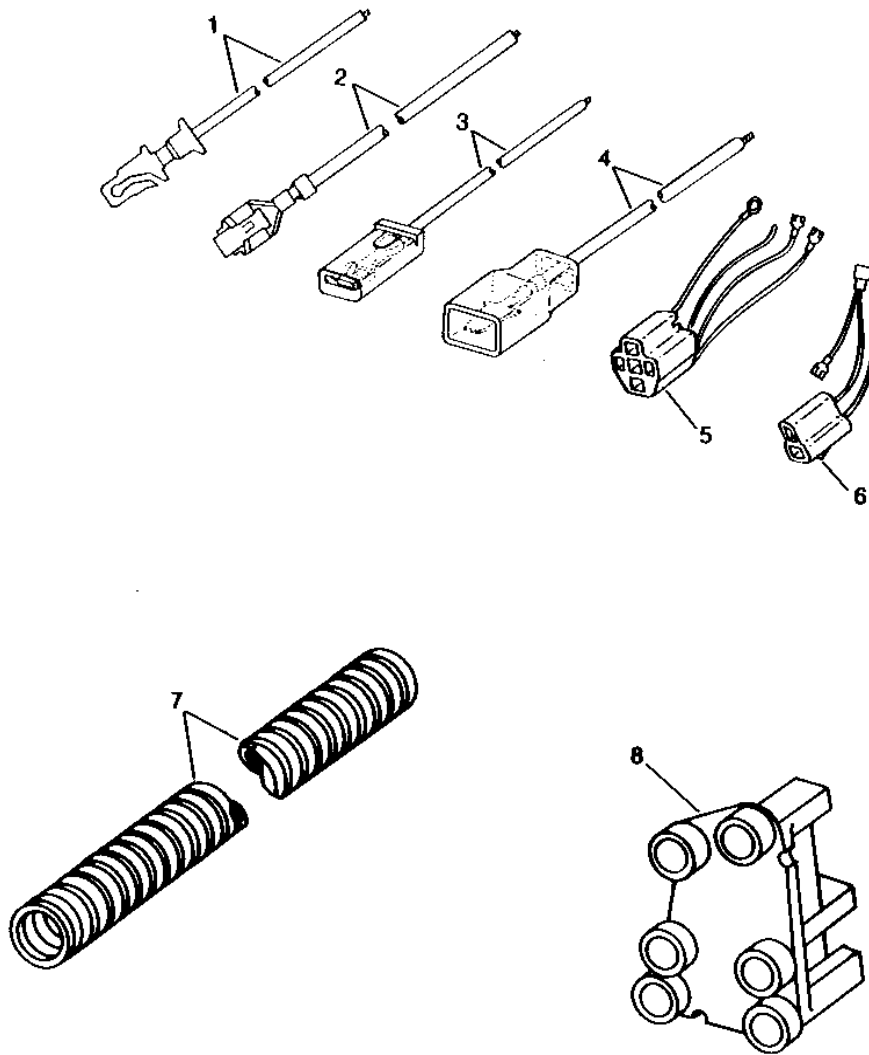
1H10

ELECTRICAL

RXP8619

-UN-28NOV94

SUPPLEMENTARY TERMINALS AND CONNECTORS



1H11

ELECTRICAL

SUPPLEMENTARY TERMINALS, CONNECTORS AND REPAIR CONDUIT - CONTINUED

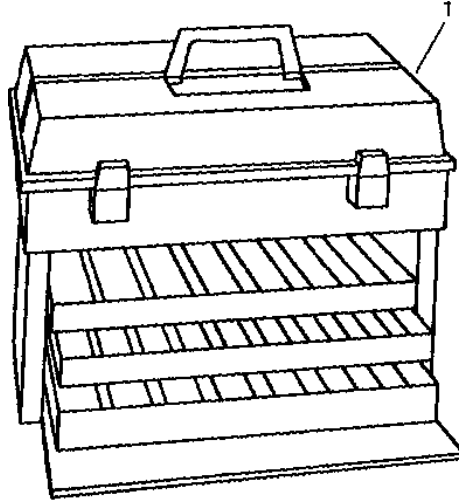
KEY	PART NO.	PART NAME	QTY	TRACTOR SERIAL NO.	REMARKS
1	AR65005	TERMINAL	1		
2	AR65006	TERMINAL	1		
3	R32024	WIRING LEAD	1		
4	R32025	WIRING LEAD	1		
5	RE21730	TERMINAL	1		
	RE21731	TERMINAL	1		
6	RE21732	TERMINAL	1		
7	R93219	CONDUIT	1		6.3 X 3048MM (1/4" X 120")
	R93220	CONDUIT	1		10.4 X 3048MM (13/32" X 120")
	R93221	CONDUIT	1		15.9 X 3048MM (5/8" X 120")
	R93222	CONDUIT	1		25.4 X 3048MM (1" X 120")
8	AR83425	RECEPTACLE CONNECTOR BODY	1		(LIGHT SWITCH)

1H12

ELECTRICAL

RXP010001 -UN-01JAN94

ELECTRICAL CONNECTOR AND TERMINAL KIT



RXP010001

KEY	PART NO.	PART NAME	QTY	TRACTOR SERIAL NO.	REMARKS
1	PM797NA	KIT	1	(A)	
(A) KIT INCLUDES CONNECTORS,TERMINALS AND TOOLS					

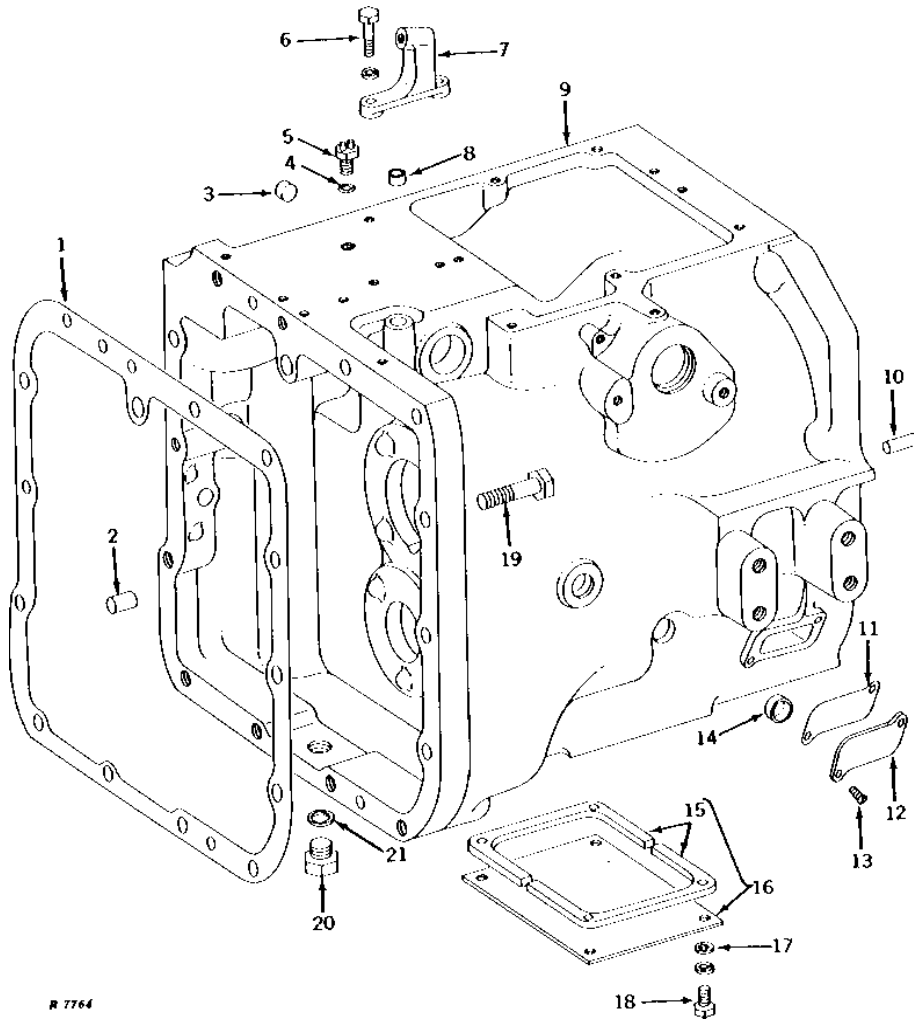
MEMORANDA

1H15

POWER TRAIN

R7764 -UN-01JAN94

CLUTCH HOUSING



R 7764

1H16

POWER TRAIN

CLUTCH HOUSING - CONTINUED

KEY	PART NO.	PART NAME	QTY	TRACTOR SERIAL NO.	REMARKS
1	R35288	GASKET	1		
2	R35251	SHAFT	1	(LESS PTO)	
3	F1608R	CAP	1	(LESS PTO)	
4	T16911	SHIM	2		
5	RE38390	SWITCH	1		NEUTRAL-START, (SUB FOR R36265, AR85323, AR89691 OR AT85153) (ALSO ORDER R98941)
6	19H2552	CAP SCREW	2	3/8" X 1-1/8"	
	12H304	LOCK WASHER	2	3/8"	
7	R49802	BRACKET	1	(SUB FOR R35623)	
8	T12083	CAP	1	(LESS PTO)	
9	AR42335	HOUSING	1	(MARKED R35420 OR R41990) (SUB FOR AR36066) (NO LONGER AVAILABLE)	
10	T26565	DOWEL PIN	2	(SUB FOR C1220R)	
11	R31494	GASKET	1	(SUB R67989)	
12	R31493	COVER	1		
13	21H1318	SCREW	2	0.216" X 1/2"	
14	SPACER	1	(NO LONGER REQUIRED)	
15	R35283	SEAL	2		
16	R35282	COVER	1		
17	24M7096	WASHER	4	10.500 X 18 X 1.600 MM	
18	19H2284	CAP SCREW	4	3/8" X 7/8"	
	12H304	LOCK WASHER	4	3/8"	
19	19H1707	CAP SCREW	6	3/4" X 2-3/4"	
20	F3128R	DRAIN PLUG	1		
21	A4827R	WASHER	1		

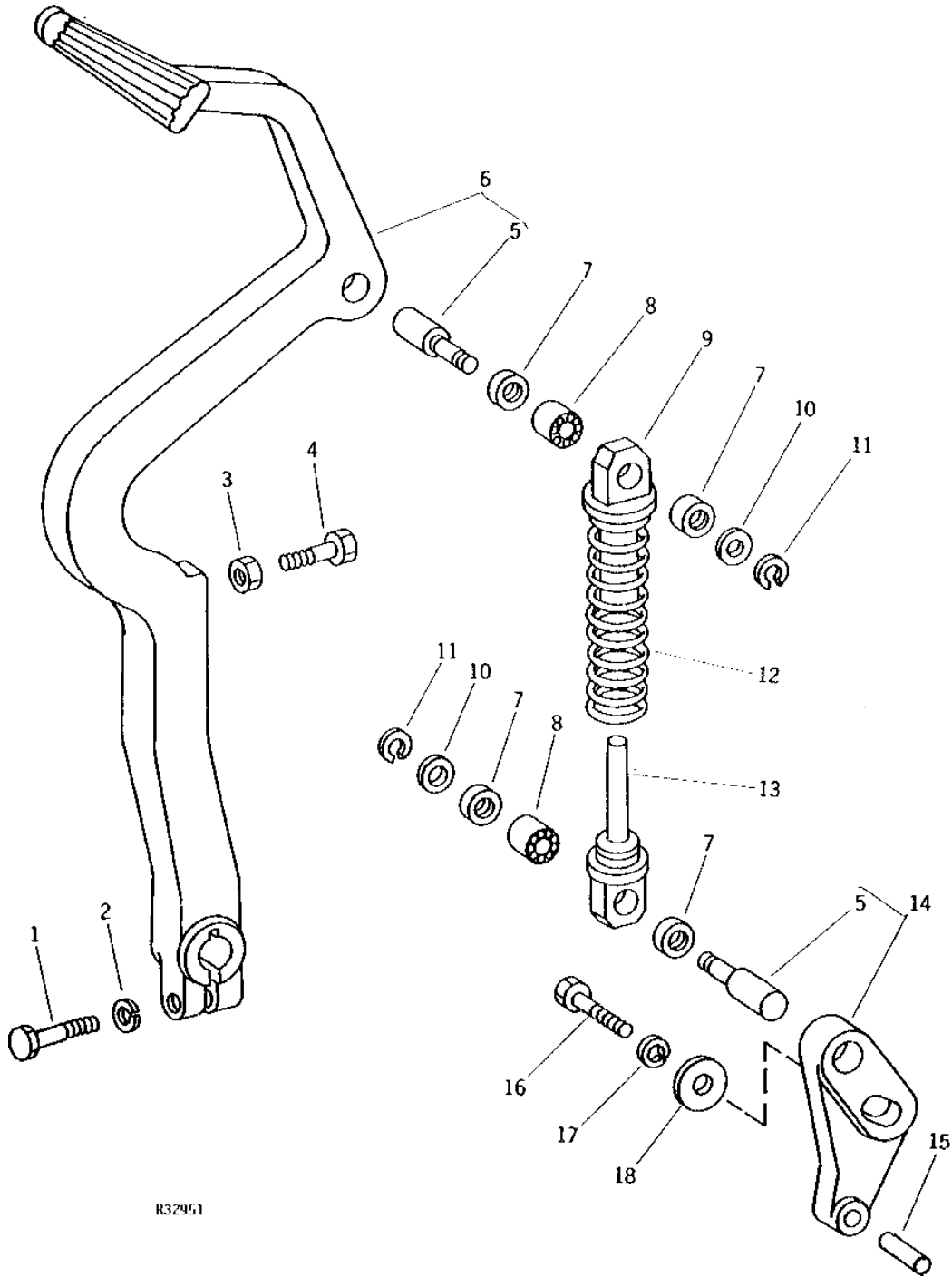
1H17

POWER TRAIN

R32951

-UN-01JAN94

TRANSMISSION CLUTCH PEDAL



R32951

1H18

POWER TRAIN

TRANSMISSION CLUTCH PEDAL - CONTINUED

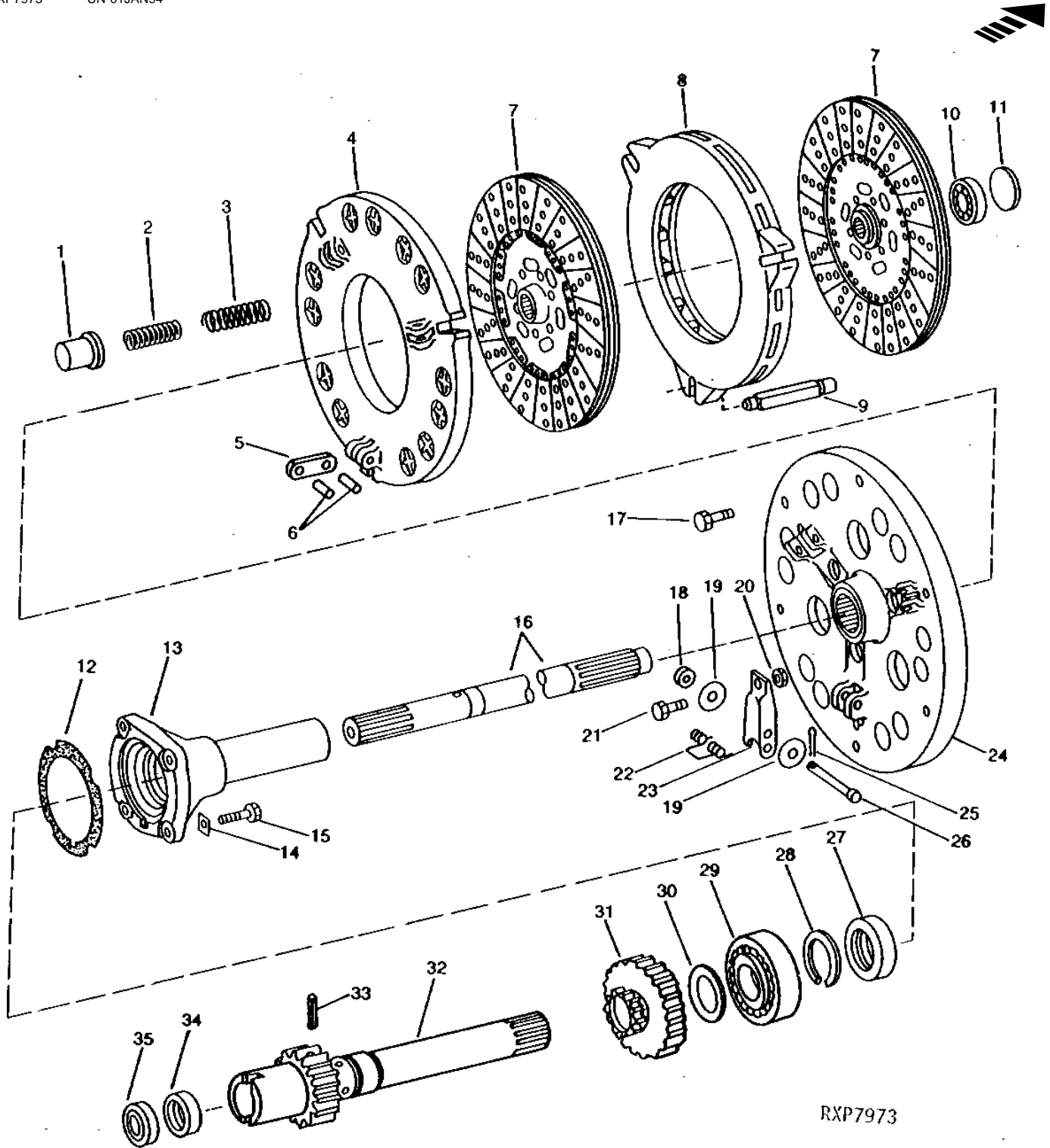
KEY	PART NO.	PART NAME	QTY	TRACTOR SERIAL NO.	REMARKS
1	19H1740	CAP SCREW	1		
2	12H293	LOCK WASHER	1	7/16" X 1-3/4"	
3	14H732	NUT	1	7/16"	
4	F2273R	SCREW	1	3/8"	
5	R35421	PIN	2		
6	AR35528	PEDAL	1		(MARKED R35532)
7	AR26338	SEAL	4		
8	JD8862	NEEDLE BEARING	2		
9	R35534	END	1		
10	24H1227	WASHER	2	17/32" X 13/16" X 0.060"	
11	F2208R	SNAP RING	2		
12	R35542	SPRING	1		
13	AR35339	END	1		
14	AR35471	HUB	1		(MARKED R35531)
15	B3595R	DOWEL PIN	1		
16	19H2357	CAP SCREW	1	9/16" X 2"	
17	12H317	LOCK WASHER	1	9/16"	
18	R63024	WASHER	1	(SUB FOR R26575)	

1H19

POWER TRAIN

RXP7973 -UN-01JAN94

TRANSMISSION CLUTCH



RXP7973

1H20

POWER TRAIN

TRANSMISSION CLUTCH - CONTINUED

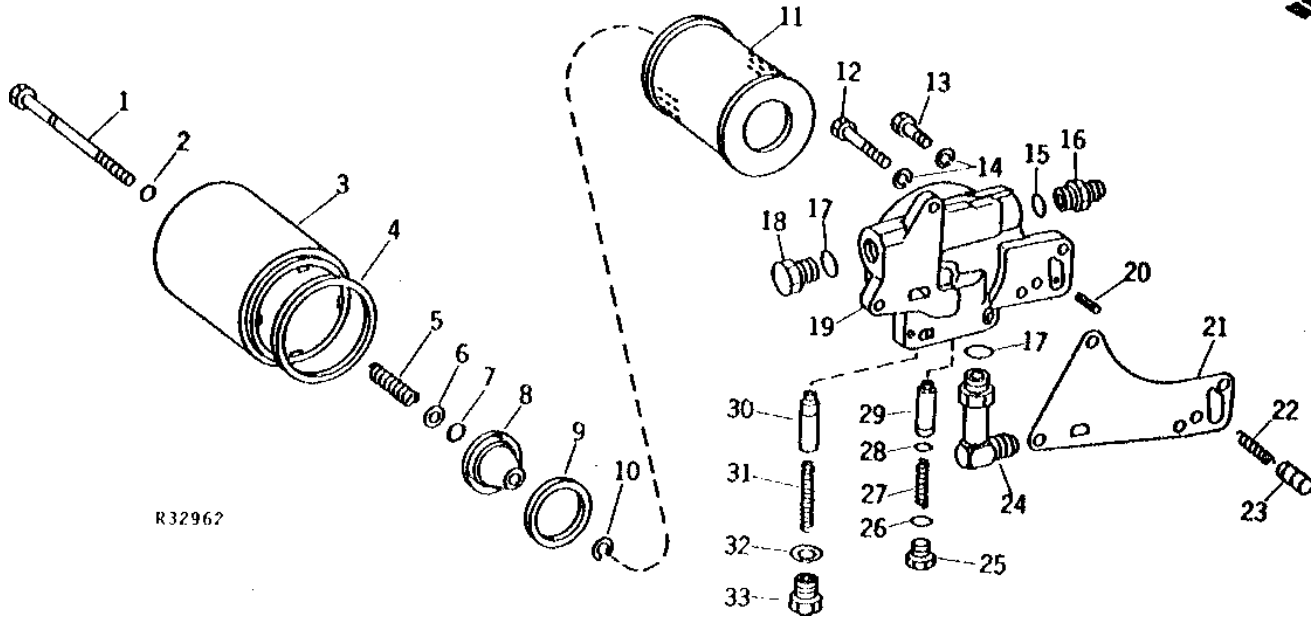
KEY	PART NO.	PART NAME	QTY	TRACTOR SERIAL NO.	REMARKS
1	R27033	BUSHING	12		
2	R38185	SPRING	12	(INNER)	
3	R26637	SPRING	12	(OUTER)	
4	R40333	PLATE	1		
5	R35074	STRAP	3		
	R55273	STRAP	3		(USE WHEN AR64675 AND AR64676 HAVE BEEN INSTALLED)
6	R35075	QUICK LOCK PIN	6		
7	AR36699	CLUTCH DISK	2		(SUB RE29777)
	AR36863	CLUTCH DISK	2		HEAVY-DUTY, (SUB AR64675 AND (3) R55273) (FRONT CLUTCH DISK) (SUB AR64676 AND (3) R55273) (REAR CLUTCH DISK)
8	R40332	CLUTCH PLATE	1		
9	R36675	PIN	3		
10	JD9449	BALL BEARING	1		(SUB FOR JD9281)
11	R36561	PLATE	1		
12	R35277	GASKET	1		
13	AR35589	QUILL	1		(MARKED R35276)
14	H246R	STRAP	4		
15	19H1800	CAP SCREW	4		3/8" X 1-1/2"
16	R35279	SHAFT	1		
17	19H1732	CAP SCREW	6	-XXXXXX	3/8" X 1-1/4"
	R30920	PLATE	6	-XXXXXX	
	R46567	CAP SCREW	6	XXXXXX-	(SUB FOR R31198) (SUB R63300)
18	24H1325	WASHER	3		15/32" X 59/64" X 0.065"
19	R41986	WASHER	6	M16922-	
20	14H842	NUT	3		7/16"
21	R35079	SCREW	3		
22	R35078	SPRING	3		
23	AR56228	LEVER	3		(SUB FOR R35076)
24	AR58198	COVER	1		(MARKED R40334 OR R51954) (SUB FOR AR42327) (SUB (6) R41986 AND R51954)
25	11M7021	COTTER PIN	3		0.157" X 0.984"
26	R35077	PIN	3		
27	R35643	SEAL	1		
28	H441R	SNAP RING	1		
29	JD9278	BALL BEARING	1		
30	R35546	THRUST WASHER	1		
31	R35186	GEAR	1		(PTO) (NO LONGER AVAILABLE)
32	AR35801	SHAFT	1		(MARKED R35275)
33	34H291	SPRING PIN	1		3/16" X 2-1/8"
34	AR70406	SEAL	1		
35	R36521	WASHER	1		

1H21

POWER TRAIN

R32962 -UN-01JAN94

TRANSMISSION OIL FILTER AND RELIEF VALVE



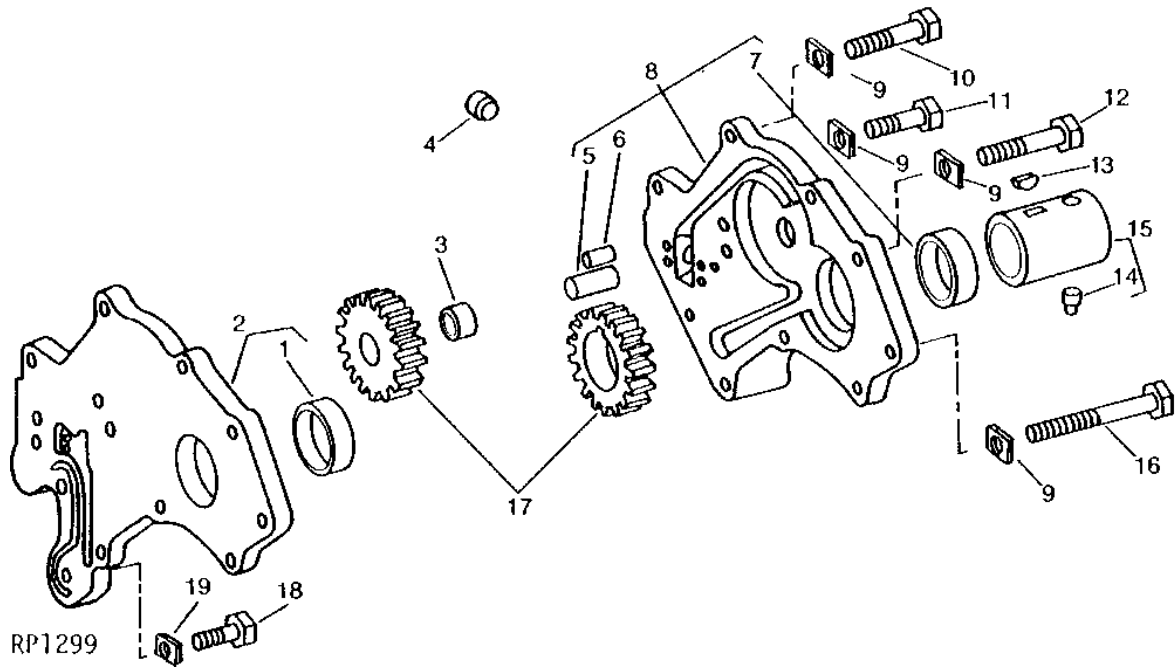
KEY	PART NO.	PART NAME	QTY	TRACTOR SERIAL NO.	REMARKS
1	R82731	CAP SCREW	1		(SUB FOR R52749, R39799 OR R54753)
2	R394R	O-RING	1		
3	R63093	COVER	1		(SUB FOR R39798 OR R51654)
4	R34733	WASHER	1		
5	R66064	SPRING	1		(SUB FOR R1769R)
6	24H1227	WASHER	1		17/32" X 13/16" X 0.060"
7	R394R	O-RING	1		
8	R65892	RETAINER	1		(SUB FOR R28593)
9	R28594	WASHER	1		
10	R32507	SNAP RING	1		
11	AR75603	FILTER ELEMENT	1		(ALSO ORDER R34733) (SUB FOR AR28271 OR AR75601)
12	19H1944	CAP SCREW	1		3/8" X 2-3/4"
13	19H1732	CAP SCREW	3		3/8" X 1-1/4"
14	12H304	LOCK WASHER	4		3/8"
15	R26375	O-RING	1		
16	R27237	FITTING	1		
17	F3171R	O-RING	2		
18	R27175	DRAIN PLUG	1		(LESS ROCKSHAFT)
19	AR36881	HOUSING	1	-012760	(MARKED R36718 OR R40669) (SUB FOR AR36069) (NO LONGER AVAILABLE)
	R39112	FITTING	1	-012760	(SUB FOR R28095)
	AR36883	HOUSING	1	012761-	(MARKED R40669)
20	34H254	SPRING PIN	1		1/8" X 1-1/2"
21	R36719	GASKET	1		
22	R35325	SPRING	1		
23	R35324	VALVE	1		
24	AR26747	ELBOW FITTING	1	90°	
25	R33138	FITTING	1		
26	R26375	O-RING	1		
27	R26686	SPRING	1		
28	R33259	O-RING	1		
29	R57559	VALVE	1		(ALSO ORDER R33259) (SUB FOR R33162)
30	R39847	VALVE	1	012761-	
31	R39808	SPRING	1	012761-	
32	R1742R	WASHER	1	012761-	
33	R52589	FITTING PLUG	1	012761-	(SUB FOR R33163)

1H22

POWER TRAIN

RP1299 -UN-01JAN94

TRANSMISSION OIL PUMP



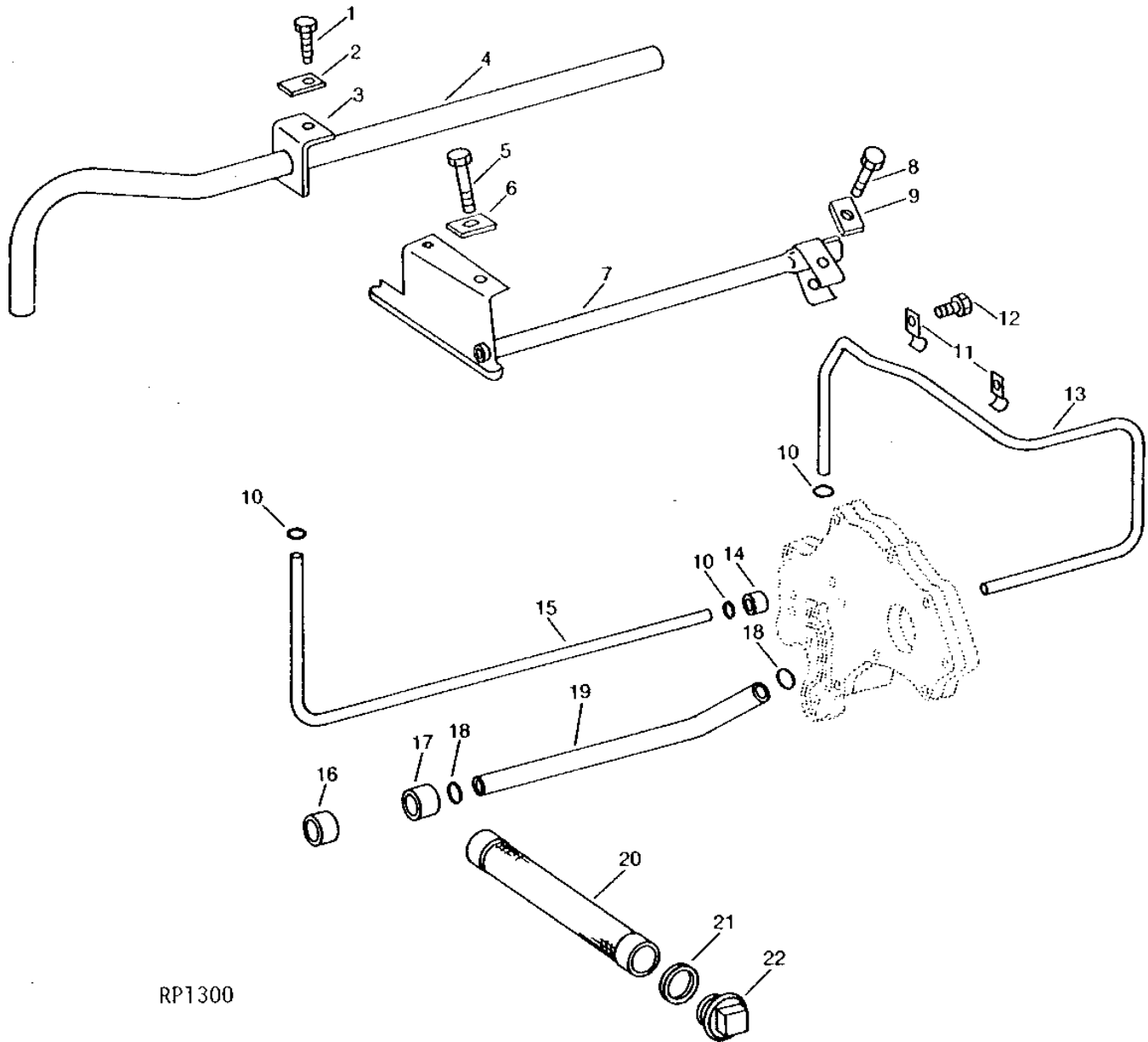
KEY	PART NO.	PART NAME	QTY	TRACTOR SERIAL NO.	REMARKS
1	R35316	BUSHING	1		
2	AR35085	COVER	1		(MARKED R35321)
3	R30713	BUSHING	1		
4	R28361	DOWEL PIN	2		(LESS PTO)
5	R26616	DOWEL PIN	1		
6	R726R	DOWEL PIN	2		
7	R35316	BUSHING	1		
8	AR52488	HOUSING	1		(MARKED R35314 OR R49063) (SUB FOR AR35082)
9	H246R	STRAP	9		
10	19H3181	CAP SCREW	2		3/8" X 2"
11	19H1800	CAP SCREW	3		3/8" X 1-1/2"
12	19H1726	CAP SCREW	2		3/8" X 2-1/4"
13	26H70	SHAFT KEY	1		1/8" X 1/2"
14	R36296	PIN	2		
15	AR35083	SLEEVE	1		
16	19H1912	CAP SCREW	2		3/8" X 3-1/2"
17	AR35659	GEAR	1		(SUB AR35084 AND R35318)
18	19H1139	CAP SCREW	1		3/8" X 1-1/8"
19	R30920	PLATE	1		

1H23

POWER TRAIN

RP1300 -UN-01JAN94

TRANSMISSION OIL LINES



RP1300

1H24

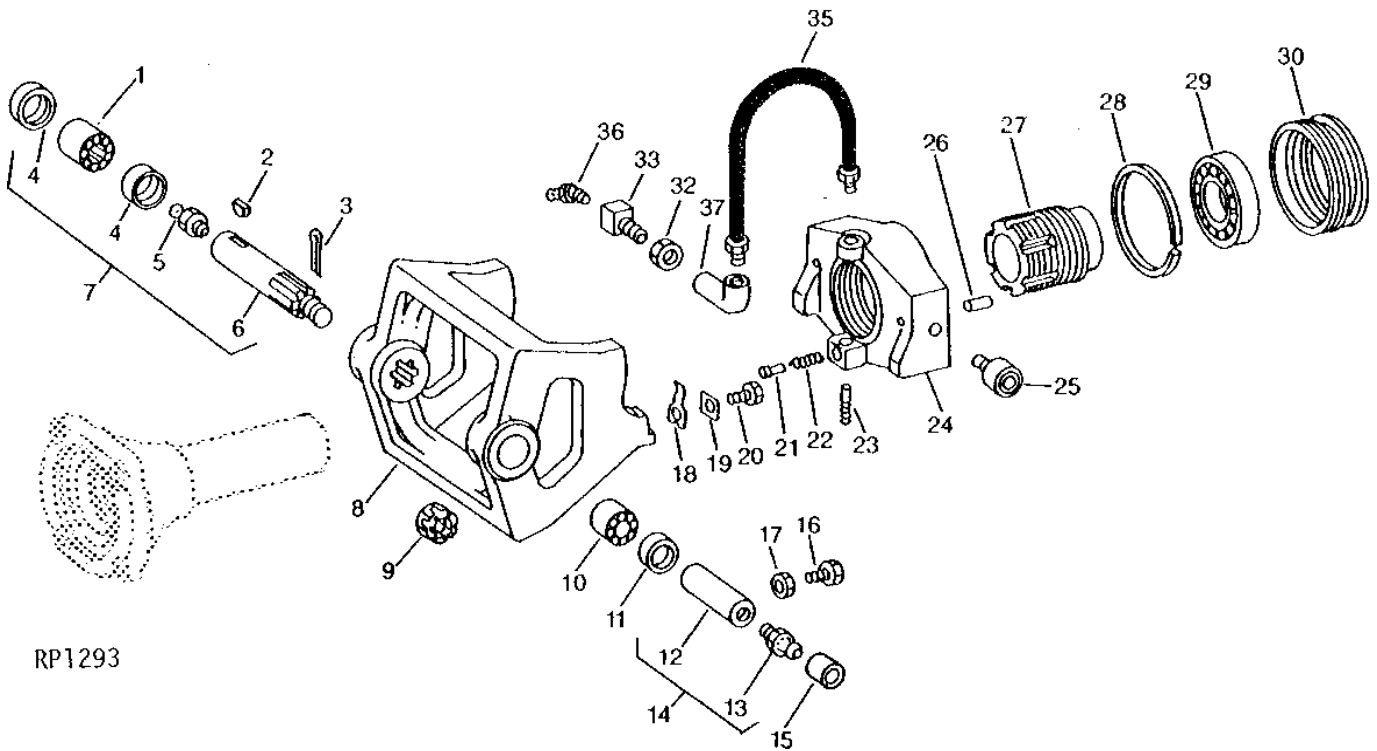
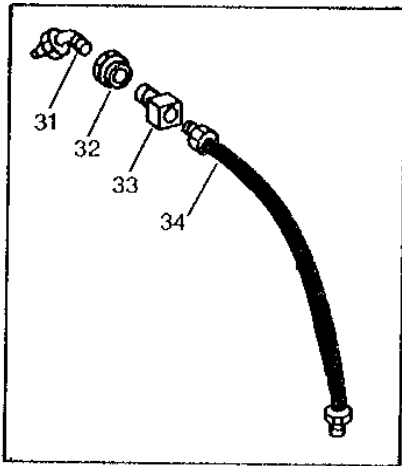
POWER TRAIN

TRANSMISSION OIL LINES - CONTINUED

KEY	PART NO.	PART NAME	QTY	TRACTOR SERIAL NO.	REMARKS
1	F1907R	CAP SCREW	1		
2	R30920	PLATE	1		
3	R35115	ANGLE	1		
4	R35326	OIL TUBE	1		
5	19H2021	CAP SCREW	2	3/8" X 5/8"	
6	H246R	STRAP	2		
7	AR36241	OIL LINE	1		
8	19H1800	CAP SCREW	1	3/8" X 1-1/2"	
9	R30920	PLATE	1		
10	A3917R	O-RING	3		
11	R35323	CLAMP	2		
12	19H2021	CAP SCREW	1	3/8" X 5/8"	
13	R40584	HYDRAULIC LINE	1		
14	R35766	BUSHING	1		
15	R35114	OIL TUBE	1		
16	R35765	BUSHING	1	INNER	
17	R35767	BUSHING	1	OUTER	
18	B2762R	O-RING	2		
19	R35109	LINE	1		
20	R53169	SCREEN	1	(NYLON)	
	AR26375	SCREEN	1	(STEEL)	
21	A4808R	WASHER	1		
22	R40147	FITTING	1	(SUB FOR A4806R)	

RP1293 -UN-01JAN94

TRANSMISSION CLUTCH RELEASE



RP1293

112

POWER TRAIN

TRANSMISSION CLUTCH RELEASE - CONTINUED

KEY	PART NO.	PART NAME	QTY	TRACTOR SERIAL NO.	REMARKS
1	JD8814	NEEDLE BEARING	1		
2	26H85	SHAFT KEY	1		1/4" X 1"
3	11M7083	COTTER PIN	1		0.126" X 1.969"
4	AM3491T	SEAL	2		
5	JD7759	LUBRICATION FITTING	1	020846-	
6	R35287	SHAFT	1	-020845	(SUB AR42992)
	R42111	SHAFT	1	020846-	
7	AR42992	KIT	1	-020845	
8	R35527	CAM	1		
9	C1104R	NUT	1		
10	JD8891	NEEDLE BEARING	1		
11	AM3491T	SEAL	1		
12	R35285	SHAFT	1	-020845	(SUB AR42998)
	R42112	PINION SHAFT	1	020846-	
13	JD7759	LUBRICATION FITTING	1	020846-	
14	AR42998	KIT	1	-020845	
15	R35286	CAP	1	-020845	
16	22H83	SET SCREW	1		3/8" X 1-1/4"
17	14H732	NUT	1		3/8"
18	R35544	SPRING	2		
19	R443R	PLATE	2		
20	19H1227	CAP SCREW	2		1/4" X 1/2"
21	16H86	RIVET	1		1/8" X 1/4"
22	A4816R	SPRING	1		
23	R35812	SET SCREW	1		
24	R35528	CRADLE	1		
25	R35655	BEARING	2		
26	34H249	SPRING PIN	2		1/8" X 7/8"
27	R35533	SLEEVE	1		
28	R35539	RING	1		
29	JD9261	BALL BEARING	1		
30	R35538	BUSHING	1		
31	JD7788	LUBRICATION FITTING	1	-018021	
32	E12379	NUT	1		
33	R36311	FITTING	1		
34	R35644	HYDRAULIC HOSE	1	-018021	
35	R32434	HYDRAULIC HOSE	1	018022-	
36	JD7778	LUBRICATION FITTING	1	018022-	
37	15H95	ELBOW FITTING	1	018022-	90°

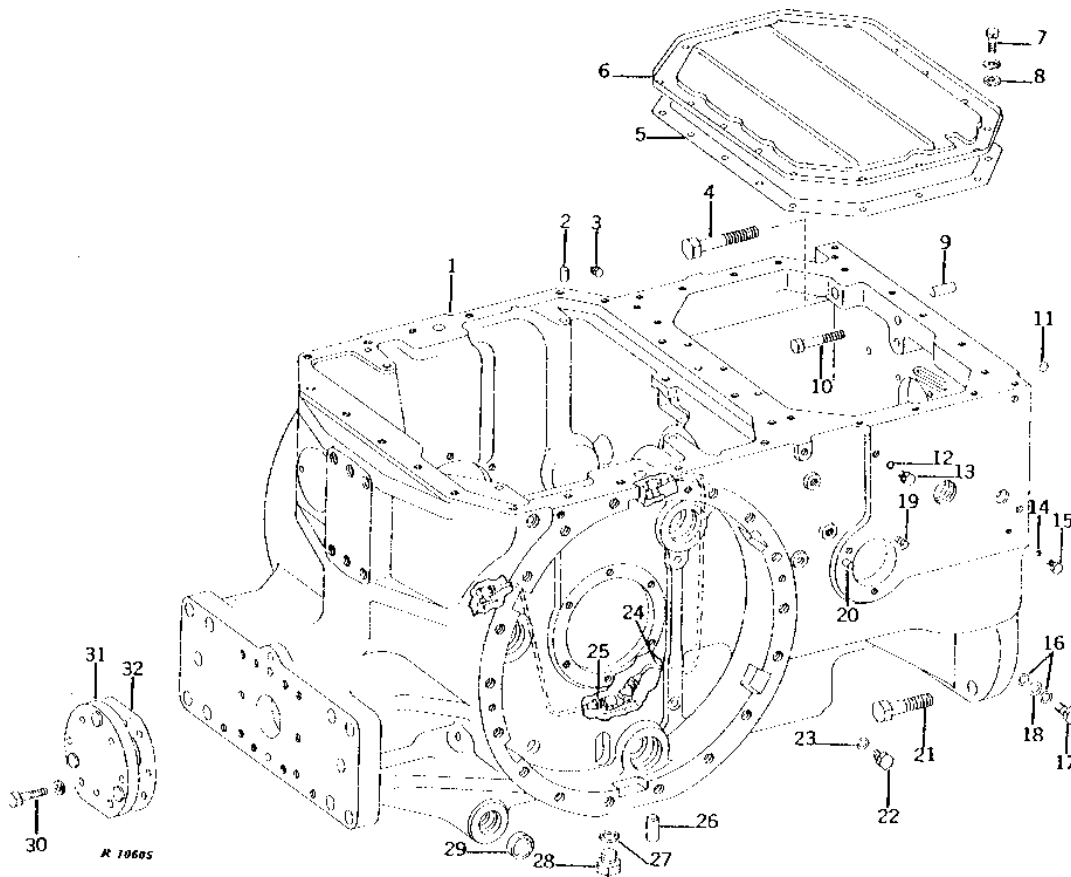
113

POWER TRAIN

R10605

-UN-01JAN94

TRANSMISSION CASE AND COVER



TRANSMISSION CASE AND COVER - CONTINUED

KEY	PART NO.	PART NAME	QTY	TRACTOR SERIAL NO.	REMARKS
1	AR50711	TRANSMISSION CASE	1		(MARKED R40330, R44910 OR R47100) (ALSO ORDER (6) R46674) (SUB FOR AR36691 OR AR47138) (NO LONGER AVAILABLE)
2	R27074	DOWEL PIN	4		
3	15H559	PIPE PLUG	2	1/4"	
4	19H2174	CAP SCREW	1	3/4" X 4-1/4"	
5	R35398	GASKET	1		
6	R35397	COVER	1		
7	19H1731	CAP SCREW	16	3/8" X 1"	
	12H304	LOCK WASHER	16	3/8"	
8	A4624R	WASHER	16		
9	R54380	DOWEL PIN	2		(SUB FOR R26015 OR T25317)
10	19H1707	CAP SCREW	3	3/4" X 2-3/4"	
11	D2361R	BALL	1	13MM (1/2")	
12	R26286	O-RING	1	(A)	
13	R27094	DRAIN PLUG	1		(A) (SUB FOR R26429)
14	R26287	O-RING	1		
15	R27216	DRAIN PLUG	1		(SUB FOR R31631)
16	T16911	SHIM	4	(A)	
17	19H2353	CAP SCREW	2	(A) 9/16" X 1"	
18	24H1355	WASHER	2	(A) 37/64" X 1-1/8" X 0.120"	
19	R32042	STUD	1		
20	R726R	DOWEL PIN	2		
21	19H2089	CAP SCREW	4	7/8" X 2-3/4"	
22	R27218	FITTING PLUG	1	(A)	
23	T16911	SHIM	1	(A)	
24	AR36292	HYDRAULIC LINE	2		(NO LONGER AVAILABLE)
	AT32335	ELBOW FITTING	2		90°, (SUB FOR AR26746)
	AR35223	ELBOW FITTING	2		45°
	R26287	O-RING	4		
25	AR35932	HYDRAULIC LINE	2		
	AT32335	ELBOW FITTING	4		90°, (SUB FOR AR26746)
	R26287	O-RING	4		
26	R26616	DOWEL PIN	1		
27	A4827R	WASHER	1		
28	F3128R	DRAIN PLUG	1		
29	R30819	CAP	6		
30	19H2473	CAP SCREW	6	1/2" X 1-3/4"	
	12H301	LOCK WASHER	6	1/2"	
31	R35274	COVER	1		(LESS PTO)
32	R58900	GASKET	1		(SUB FOR R35621)

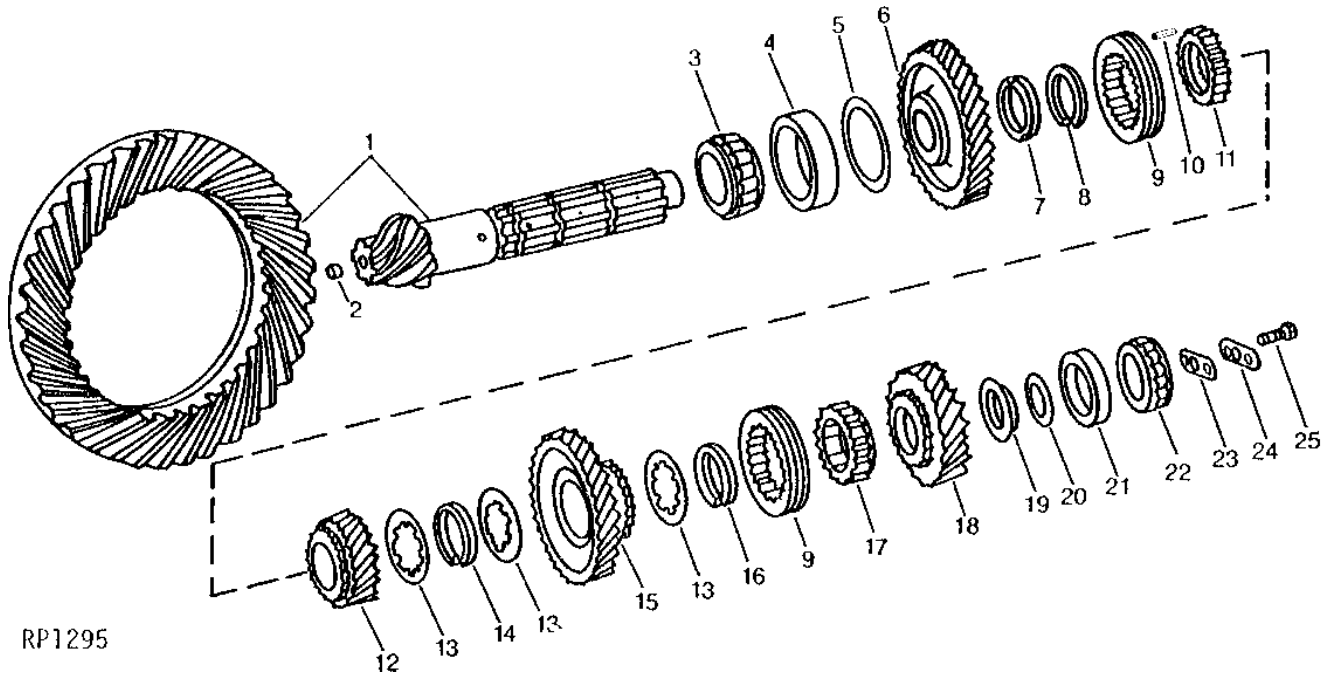
(A) LESS DIFFERENTIAL LOCK

115

POWER TRAIN

RP1295 -UN-01JAN94

DIFFERENTIAL DRIVE AND BEVEL PINION SHAFT ASSEMBLY



KEY	PART NO.	PART NAME	QTY	TRACTOR SERIAL NO.	REMARKS
1	AR36689	GEAR	1		(MARKED R35220, R40259 OR R43023) (NLA)
2	R31374	DOWEL PIN	1		
3	JD9004	BEARING CONE	1		
4	JD8280	BEARING CUP	1		
5	R35365	SHIM	AR		0.076MM (.003")
	R35366	SHIM	AR		0.13MM (.005")
	R35367	SHIM	AR		0.25MM (.010")
6	AR36690	GEAR	1		(MARKED R40263) (48 TEETH)
7	R35425	THRUST WASHER	1		
8	R35372	SNAP RING	1		
9	R35491	SHIFT COLLAR	2		
10	34H241	SPRING PIN	2		1/8" X 3/8"
11	AR35158	GEAR	1		REAR (NLA)
12	R35443	GEAR	1		(26 TEETH) (6TH AND 8TH)
13	R35426	THRUST WASHER	3		
14	R35373	SNAP RING	1		
15	R40264	GEAR	1		(42 TEETH) (2ND AND 5TH)
16	R35371	SNAP RING	1		
17	R35489	GEAR	1		FRONT
18	R35442	GEAR	1		(33 TEETH) (4TH AND 7TH)
19	R36764	BUSHING	1		
20	R36765	SHIM	AR		0.076MM (.003")
	R36766	SHIM	AR		0.13MM (.005")
	R36767	SHIM	AR		0.25MM (.010")
21	JD8235	BEARING CUP	1		
22	JD7359	BEARING CONE	1		
23	R35428	PLATE	1		
24	R35429	PLATE	1		
25	19H1139	CAP SCREW	2		3/8" X 1-1/8"

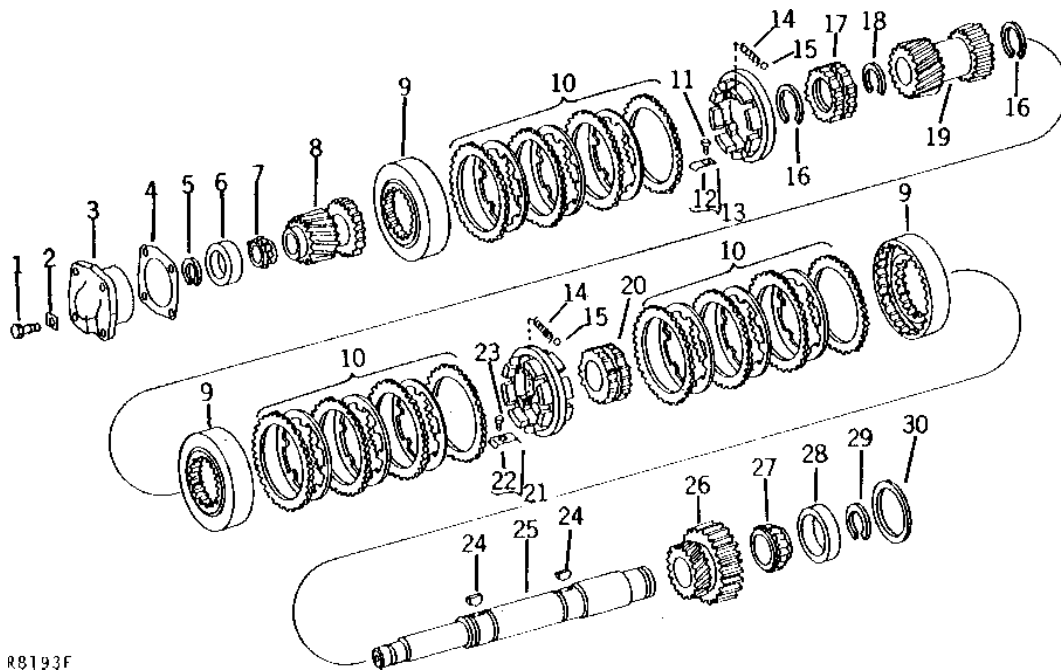
MEMORANDA

116

POWER TRAIN

R8193 -UN-01JAN94

TRANSMISSION DRIVE SHAFT ASSEMBLY



R8193F

117

POWER TRAIN

TRANSMISSION DRIVE SHAFT ASSEMBLY - CONTINUED

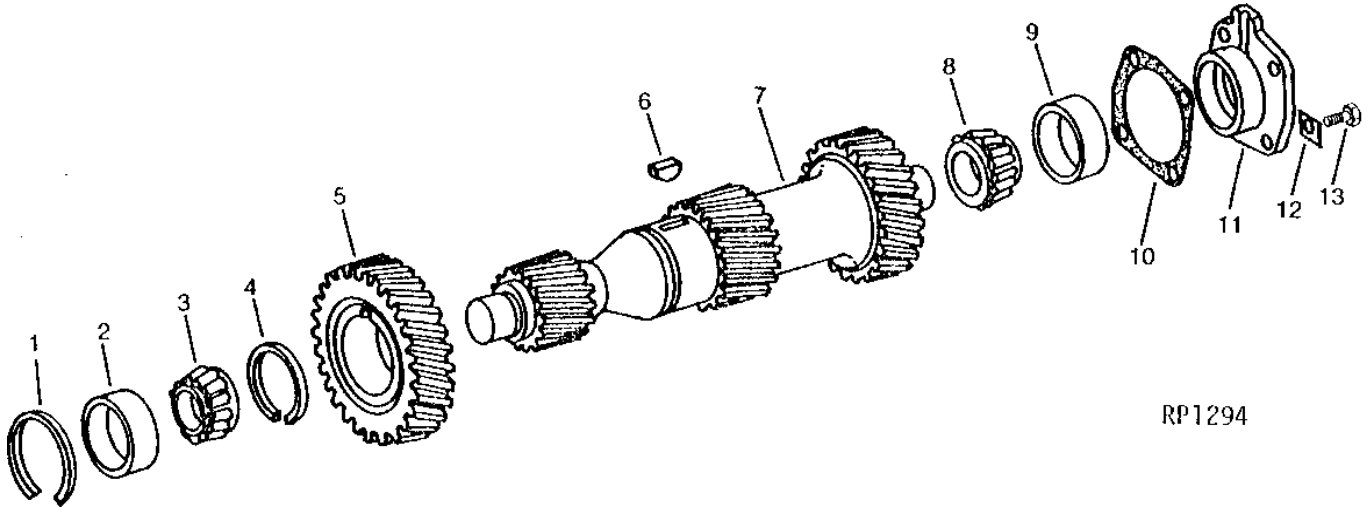
KEY	PART NO.	PART NAME	QTY	TRACTOR SERIAL NO.	REMARKS
1	19H1732	CAP SCREW	4		3/8" X 1-1/4"
2	H246R	STRAP	4		
3	R40551	QUILL	1		(NO LONGER AVAILABLE)
4	R35168	SHIM	AR		0.05MM (.002")
	R35169	SHIM	AR		0.13MM (.005")
	R35170	SHIM	AR		0.25MM (.010")
5	R35164	SNAP RING	1		1.93MM (.076")
	R35165	SNAP RING	1		2.01MM (.079")
	R35166	SNAP RING	1		2.08MM (.082")
	R35167	SNAP RING	1		2.16MM (.085")
	R40713	SNAP RING	1		2.24MM (.088")
	R40714	SNAP RING	1		2.31MM (.091")
	R40715	SNAP RING	1		2.39MM (.094")
6	JD7260	BEARING CUP	1		
7	JD7232	BEARING CONE	1		
8	R40266	PINION	1		REVERSE
9	R36678	DRUM	3		
10	AR69155	SYNCHRONIZER	3		(SET OF 4 DISKS AND 3 PLATES) (SUB FOR AR36076 OR AR42990) (SUB RE37120) (SUB FOR R35459)
11	R45225	STUD	2		
12	R35460	CLAMP	2		
13	AR35404	CLAMP	1		
14	R59860	SPRING	8		(SUB FOR R27730)
15	A4742R	BALL	8		4MM (5/32")
16	R35385	SNAP RING	2		
17	R35458	SHIFT COLLAR	1		
18	R35386	SNAP RING	1		
19	R35453	PINION	1		LOW
20	R64129	SHIFT COLLAR	1		(SUB FOR R64129 OR R35457)
21	AR35403	SYNCHRONIZER	1		
22	R35461	CLAMP	2		
23	R45225	STUD	2		(SUB FOR R35459)
24	26H82	SHAFT KEY	2		1/4" X 7/8"
25	R40552	DRIVE SHAFT	1		
26	R35445	PINION	1		HIGH
27	JD8907	BEARING CONE	1		
28	JD8240	BEARING CUP	1		
29	R35381	SNAP RING	1		1.93MM (.076")
	R35382	SNAP RING	1		2.01MM (.079")
	R35383	SNAP RING	1		2.08MM (.082")
	R35384	SNAP RING	1		2.16MM (.085")
	R40711	SNAP RING	1		2.24MM (.088")
	R40712	SNAP RING	1		2.31MM (.091")
30	R35171	WASHER	1		

118

POWER TRAIN

RP1294 -UN-01JAN94

COUNTERSHAFT



RP1294

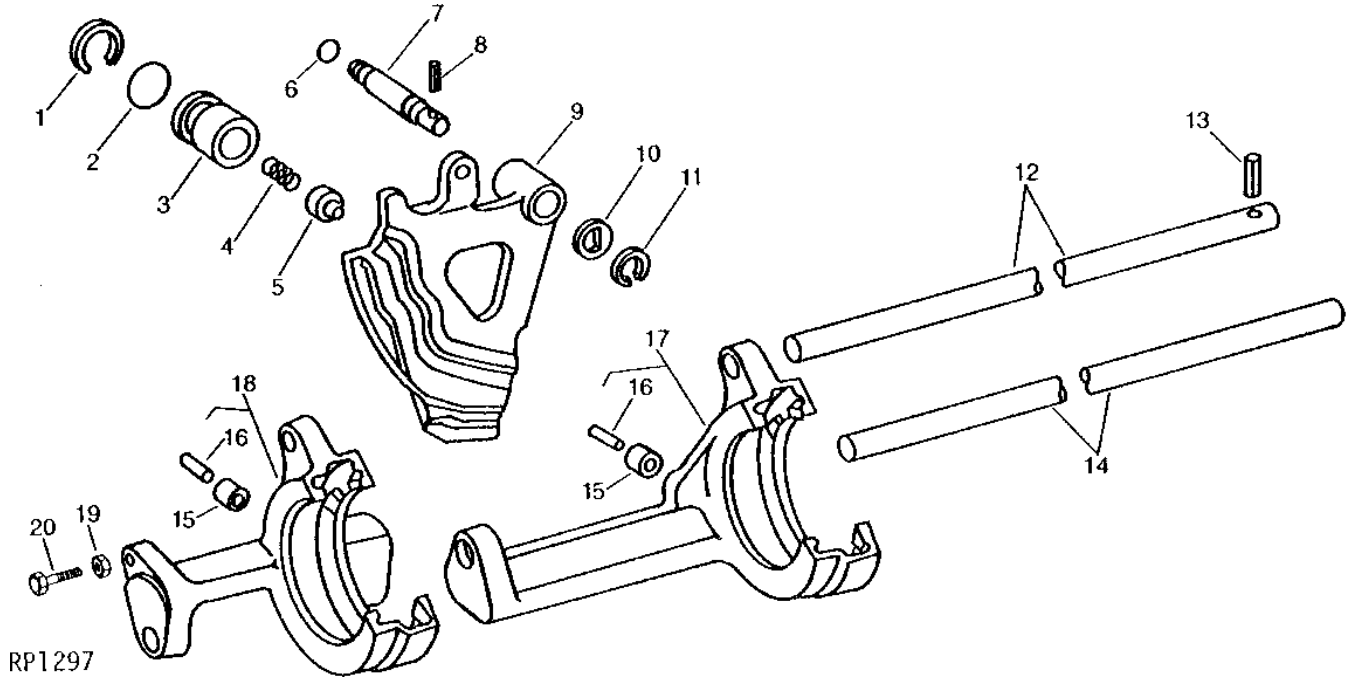
KEY	PART NO.	PART NAME	QTY	TRACTOR SERIAL NO.	REMARKS
1	R35377	SNAP RING	1		
2	JD8262	BEARING CUP	1		(SUB JD10005 AND JD8113)
3	JD7383	BEARING CONE	1		
4	R35369	SNAP RING	1		
5	R35444	GEAR	1		(36 TEETH) (6TH AND 8TH)
6	26H93	SHAFT KEY	1		1/4" X 1-1/4"
7	R40265	COUNTERSHAFT	1		
8	JD9006	BEARING CONE	1		
9	JD8283	BEARING CUP	1		
10	R40585	SHIM	AR		0.076MM (.003")
	R40586	SHIM	AR		0.13MM (.005")
	R40587	SHIM	AR		0.25MM (.010")
11	R40267	HOUSING	1		
12	H246R	STRAP	3		
13	19H1800	CAP SCREW	4		3/8" X 1-1/2"

119

POWER TRAIN

RP1297 -UN-01JAN94

RANGE SHIFTERS AND SHIFTER SHAFTS



RP1297

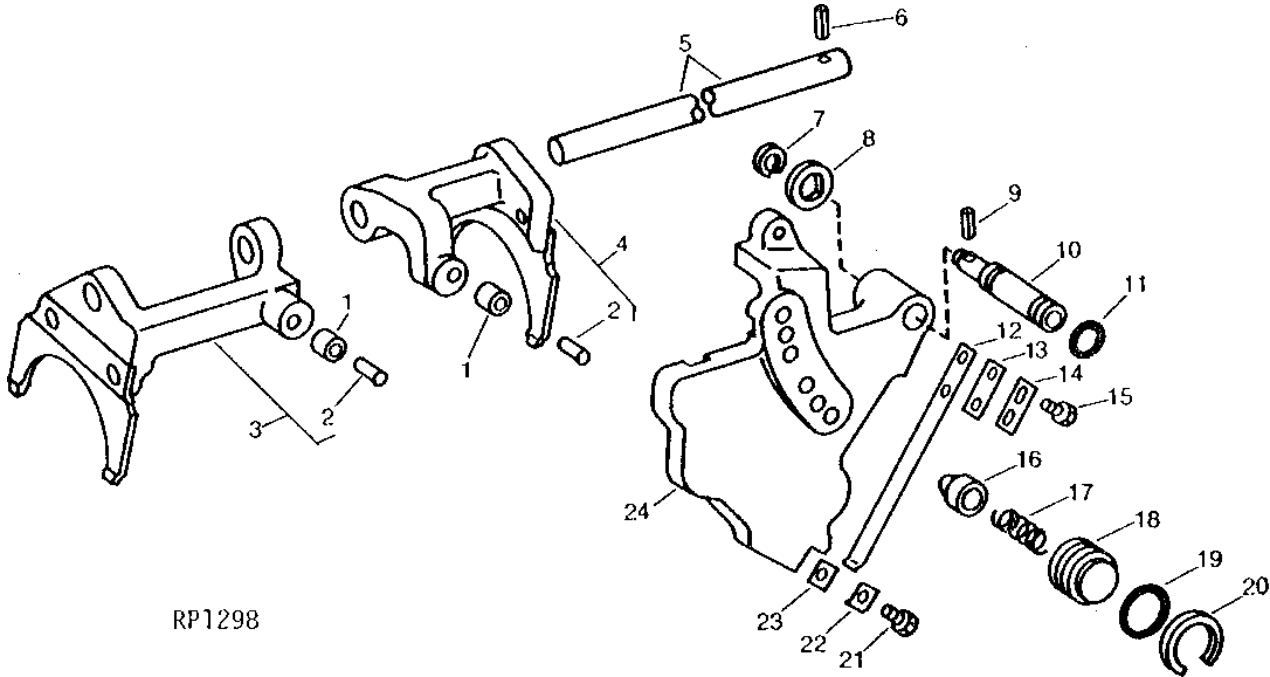
KEY	PART NO.	PART NAME	QTY	TRACTOR SERIAL NO.	REMARKS
1	R34399	SNAP RING	1		
2	U10289	O-RING	1		
3	R35239	RETAINER	1		
4	R35238	SPRING	1		
5	R35227	PAWL	1		
6	A3190R	O-RING	2		
7	R35224	SHAFT	1		
8	34H252	SPRING PIN	1	1/8" X 1-1/4"	
9	R35237	CAM	1		
10	R36338	SPACER	1		
11	R35226	SNAP RING	1		
12	R35223	PIN	1		
13	34H284	SPRING PIN	1	3/16" X 1-1/4"	
14	R35236	DOWEL PIN	1		
15	R36225	BUSHING	2		
16	R36224	DOWEL PIN	2		
17	AR35054	SHIFTER	1	(MARKED R35234)	
18	AR35055	SHIFTER	1	(MARKED R35235)	
19	14H732	NUT	1	3/8"	
20	22H1019	SET SCREW	1	3/8" X 1-3/4"	

1110

POWER TRAIN

RP1298 -UN-01JAN94

GEAR SHIFTERS AND SHIFTER SHAFT



RP1298

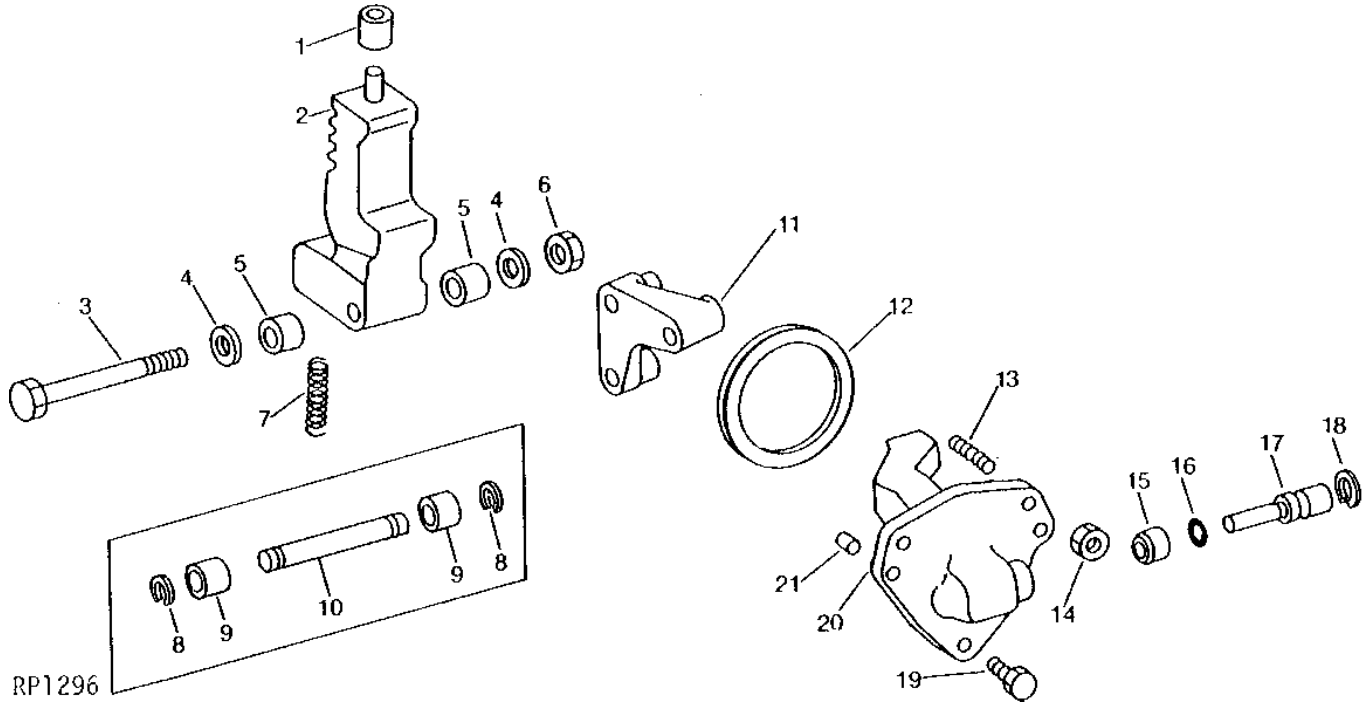
KEY	PART NO.	PART NAME	QTY	TRACTOR SERIAL NO.	REMARKS
1	R36667	BUSHING	2		
2	R36666	DOWEL PIN	2		
3	AR36011	LEVER	1		(1ST, 3RD, 6TH AND 8TH) (MARKED R35222) (NO LONGER AVAILABLE)
4	AR36010	LEVER	1		(2ND AND 5TH, 4TH AND 7TH) (MARKED R35219) (SUB R62751 AND (2) 16H1342)
5	R35223	PIN	1		
6	34H284	SPRING PIN	1		3/16" X 1-1/4"
7	R35226	SNAP RING	1		
8	R36338	SPACER	1		
9	34H252	SPRING PIN	1		1/8" X 1-1/4"
10	R35224	SHAFT	1		
11	A3190R	O-RING	1		
12	R35402	SPRING	1		
13	R35403	PLATE	1		
14	F3319R	ADJUSTING STRAP	1		
15	19H1936	CAP SCREW	2		3/8" X 3/4"
16	R35227	PAWL	1		
17	R35228	SPRING	1		
18	R35229	RETAINER	1		
19	U10289	O-RING	1		
20	R34399	SNAP RING	1		
21	19H1936	CAP SCREW	1		3/8" X 3/4"
22	R1888R	STRAP	1		
23	R35401	STRAP	1		
24	R35399	CAM	1		

1111

POWER TRAIN

RP1296 -UN-01JAN94

TRANSMISSION PARK PAWL



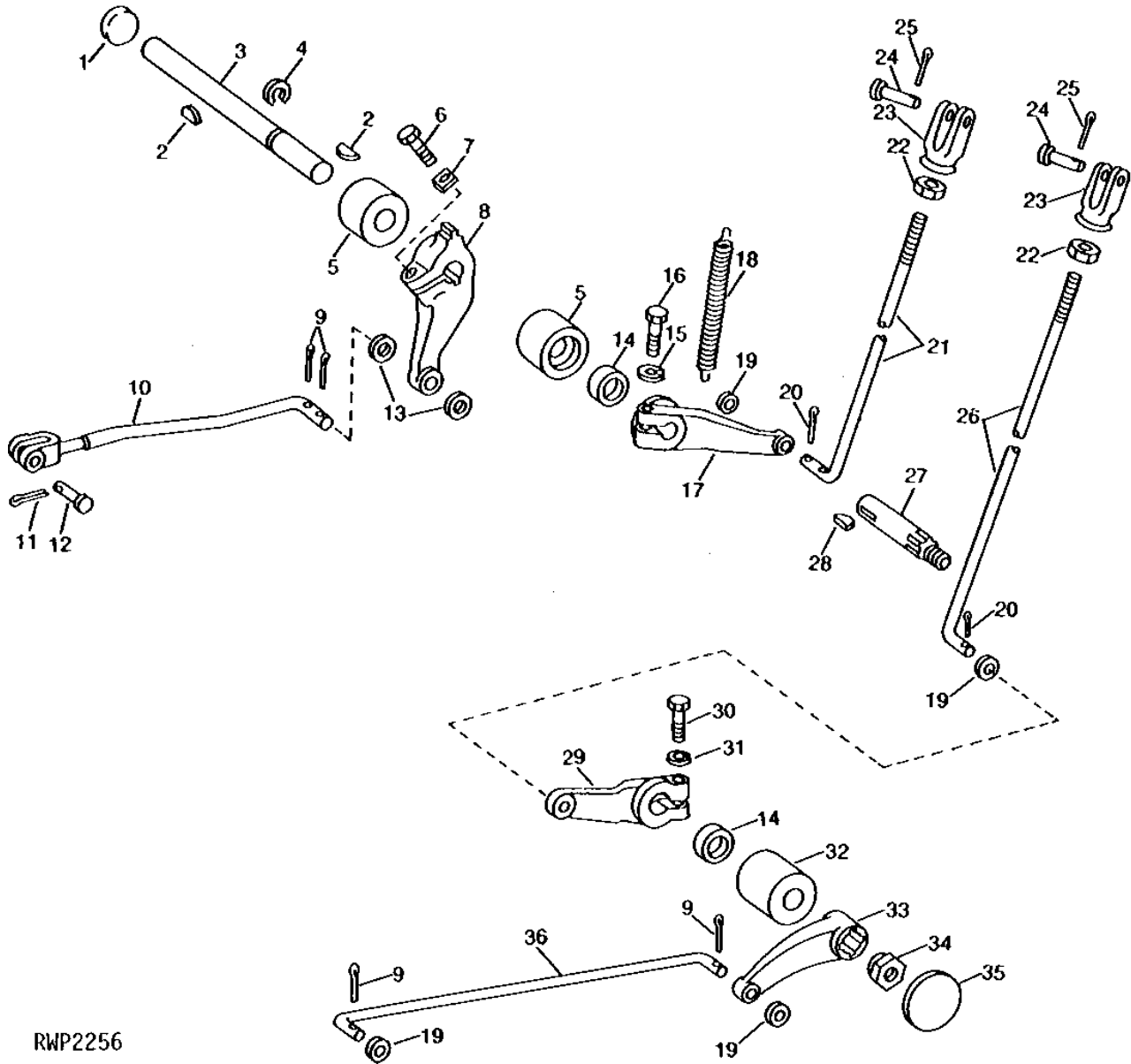
KEY	PART NO.	PART NAME	QTY	TRACTOR SERIAL NO.	REMARKS
1	R35515	BUSHING	1		
2	AR35506	PAWL	1		(NO LONGER AVAILABLE)
3	19H2324	CAP SCREW	1	XXXXXX-	7/16" X 4-1/2"
4	R26559	WASHER	2	XXXXXX-	
5	R35133	SPACER	2	XXXXXX-	
6	N101346	LOCK NUT	1	XXXXXX-	(SUB FOR BP12234)
7	R2657R	SPRING	1		
8	R26517	SNAP RING	2	-XXXXXX	
9	R35133	SPACER	2	-XXXXXX	
10	R35516	SHAFT	1	-XXXXXX	(SUB 19H2324, (2) R26559 AND N101346)
11	AR88245	ARM	1		(MARKED R35518) (SUB FOR AR35166)
12	R35525	WASHER	1		
13	R32042	STUD	1		
14	14H1076	NUT	1		3/8"
15	R35522	BUSHING	1		
16	R394R	O-RING	1		
17	R35523	SHAFT	1		(NLA)
18	R33282	SNAP RING	1		
19	19H1731	CAP SCREW	2		3/8" X 1"
20	R35517	COVER	1		
21	R726R	DOWEL PIN	2		

1112

POWER TRAIN

RWP2256 -UN-01JAN94

GEAR SHIFTER RODS



RWP2256

1113

POWER TRAIN

GEAR SHIFTER RODS - CONTINUED

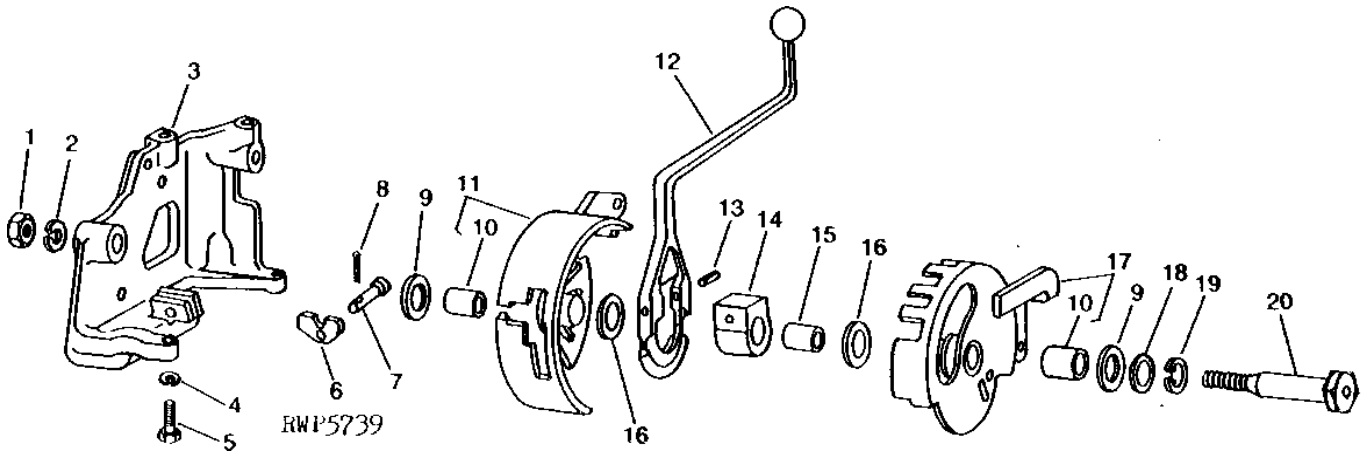
KEY	PART NO.	PART NAME	QTY	TRACTOR SERIAL NO.	REMARKS
1	M1206T	CAP	1		(SUB FOR F2567R)
2	26H17	SHAFT KEY	2		3/16" X 7/8"
3	R35240	SHAFT	1		
4	R35242	RING	1		
5	R35241	BUSHING	2		
6	19H1800	CAP SCREW	1		3/8" X 1-1/2"
7	H246R	STRAP	1		
8	R35243	LEVER	1		
9	11M7059	COTTER PIN	2		3.200 X 20 MM
10	AR35733	ROD	1		
11	11M7081	COTTER PIN	1		0.098" X 0.787"
12	P48769	PIN	1		(SUB FOR L4668T)
13	24H1325	WASHER	2		15/32" X 59/64" X 0.065"
14	AR389R	SEAL	2		
15	12H304	LOCK WASHER	1		3/8"
16	19H1800	CAP SCREW	1		3/8" X 1-1/2"
17	R35245	LEVER	1		
18	R35823	SPRING	1		
19	24H1302	WASHER	4		13/32" X 11/16" X 0.035"
20	11M7081	COTTER PIN	2		0.098" X 0.787"
21	R35248	HOOK BOLT	1		
22	14H732	NUT	2		3/8"
23	C284R	YOKE	2		
24	R65563	PIN	2		(SUB FOR C1067R)
25	11M7059	COTTER PIN	2		3.200 X 20 MM
26	R35247	HOOK BOLT	1		
27	AR31904	SHAFT	1		(SUB E17401 AND R32630)
	11M7083	COTTER PIN	1		0.126" X 1.969"
28	26H17	SHAFT KEY	1		3/16" X 7/8"
29	R35233	LEVER	1		
30	19H1800	CAP SCREW	1		3/8" X 1-1/2"
31	12H304	LOCK WASHER	1		3/8"
32	R35232	BUSHING	1		
33	R35404	LEVER	1		
34	E17421	LOCK NUT	1		(SUB FOR R32629)
35	30H28	PLUG	1		2-1/2"
36	R35405	PIN	1		

1114

POWER TRAIN

TRANSMISSION SHIFTER CONTROL

RWP5739 -UN-01JAN94



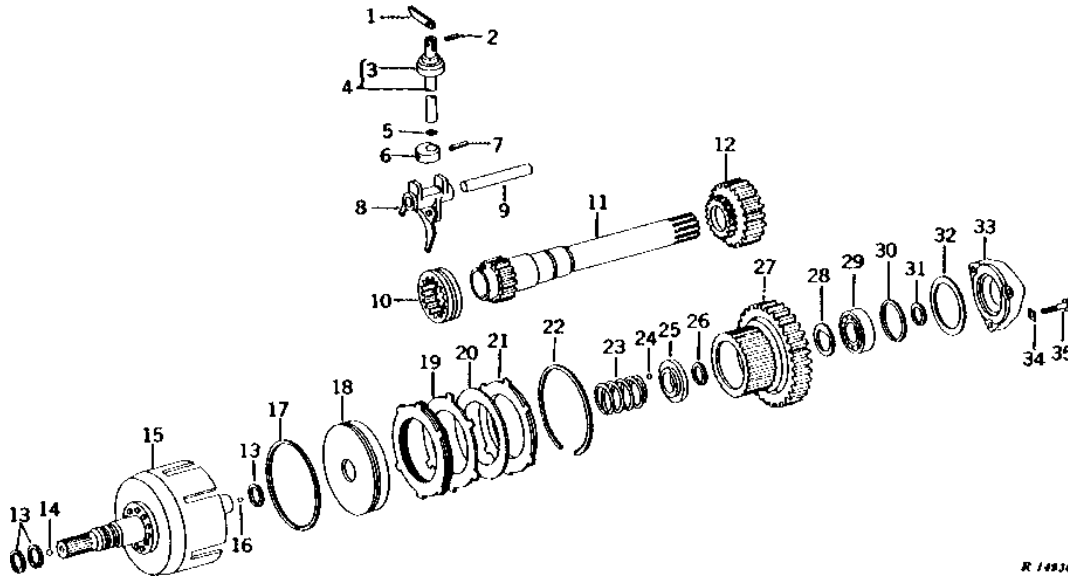
KEY	PART NO.	PART NAME	QTY	TRACTOR SERIAL NO.	REMARKS
1	14H1039	NUT	1	5/8"	
2	12H294	LOCK WASHER	1	5/8"	
3	R47079	BRACKET	1	(SUB FOR R32390)	
4	12H304	LOCK WASHER	1	3/8"	
5	19H1731	CAP SCREW	1	3/8" X 1"	
6	R52882	LATCH	1	(SUB FOR R40148)	
7	A3376R	PIN	1		
8	11M7081	COTTER PIN	1	0.098" X 0.787"	
9	R42127	WASHER	2	(SUB FOR R26183)	
10	R26182	BUSHING	2		
11	AR44264	QUADRANT	1	(SUB FOR AR35057)	
12	AR59446	LEVER	1	(SUB FOR R31188)	
13	34H314	SPRING PIN	2	1/4" X 1-1/4"	
14	R53247	PIVOT	1	(MARKED R26185) (ALSO ORDER (2) R26187) (SUB FOR AR26360 OR R47203)	
15	R26186	BUSHING	1		
16	R26187	WASHER	2		
17	AR44271	QUADRANT	1	(SUB FOR AR36093)	
18	24H1423	WASHER	AR	29/32" X 1-1/2" X 0.036"	
	24H1422	SHIM	AR	0.018"	
	24H1660	WASHER	AR	57/64" X 1-3/8" X 0.060"	
19	R26192	SNAP RING	1		
20	R26178	SHAFT	1		

1115

POWER TRAIN

SHIFTER AND DRUM (1000 RPM PTO)

R14936 -UN-01JAN94



R 14936

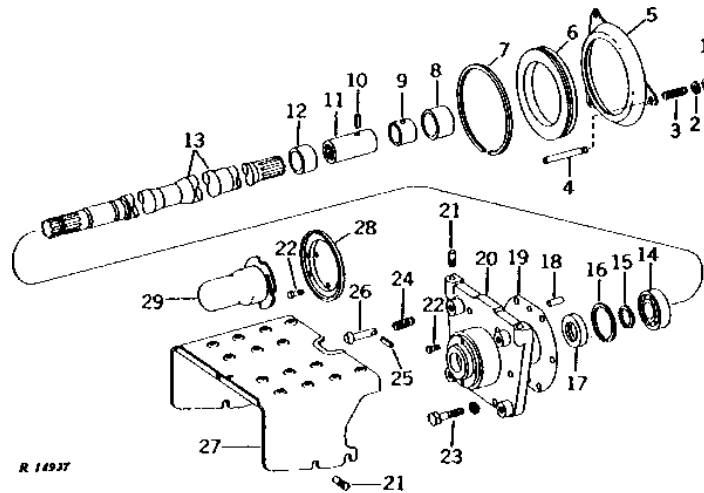
KEY	PART NO.	PART NAME	QTY	TRACTOR SERIAL NO.	REMARKS
1	R35254	LEVER	1		(NO LONGER AVAILABLE)
2	34H387	SPRING PIN	1		3/16" X 3/4"
3	R35253	RETAINER	1		(NO LONGER AVAILABLE)
4	AR35061	SHAFT	1		(NO LONGER AVAILABLE)
5	R459R	O-RING	1		
6	R35255	CAM	1		
7	34H284	SPRING PIN	1		3/16" X 1-1/4"
8	AR35060	SHIFTER	1		(MARKED R35249)
9	R35251	SHAFT	1		
10	R35618	SHIFT COLLAR	1		(NO LONGER AVAILABLE)
11	AR35801	SHAFT	1		
12	R35186	GEAR	1		(NO LONGER AVAILABLE)
13	R35627	RING	3		
14	R42849	BALL	1		10MM (3/8") (SUB FOR 405R)
15	AR35485	DRUM	1		
16	400R	BALL	1		7MM (1/4")
17	R27789	PISTON RING	1		
18	R35190	PISTON	1		
19	R31373	CLUTCH PLATE	9		
20	AR69611	DISK	9		(SUB FOR R36111) (SUB AR94516)
21	R31363	PLATE	1		
22	R31289	SNAP RING	1		
23	R35265	SPRING	1		
24	H871R	BALL	1		5MM (3/16")
25	R35266	BUSHING	1		
26	R49433	SNAP RING	1		(SUB FOR R26217)
27	AR35064	GEAR	1		(MARKED R35185)
28	R42722	THRUST WASHER	1		(SUB FOR R35271)
29	JD9270	BALL BEARING	1		
30	B2437R	SNAP RING	1		
31	F215R	RING	1		
32	R35149	GASKET	1		
33	R51223	COVER	1		(SUB FOR R35151) (NLA)
34	H246R	STRAP	3		
35	19H1765	CAP SCREW	3		3/8" X 1-3/4"

1116

POWER TRAIN

PTO SHAFT, GUARD AND SHIELD (1000 RPM PTO)

R14937 -UN-01JAN94



KEY	PART NO.	PART NAME	QTY	TRACTOR SERIAL NO.	REMARKS
1	F3396R	SNAP RING	3		
2	24H1305	WASHER	3	13/32" X 13/16" X 0.065"	
3	R26823	SPRING	3		
4	R35408	PIN	3		
5	RE20737	BRAKE SHOE	1		(SUB FOR R35809 OR RE16993)
6	R35200	PISTON	1		
7	R27789	PISTON RING	1		
8	R35273	BUSHING	1		
9	R36286	SLEEVE	1		(NO LONGER AVAILABLE)
10	34H244	SPRING PIN	1	1/8" X 9/16"	
11	R35272	SPLINED COUPLING	1		
12	R35619	BUSHING	1		
13	R35264	SHAFT	1		(NO LONGER AVAILABLE)
14	JD9345	BALL BEARING	1		(SUB FOR JD7688)
15	A364R	SNAP RING	1		
16	B190R	SNAP RING	1		
17	AT344T	SEAL	1		(SUB FOR R35798)
18	R26650	DOWEL PIN	2		(SUB FOR A4879R)
19	R58900	GASKET	1		(SUB FOR R35621)
20	AR53471	HOUSING	1		(MARKED R35620 OR R49639) (SUB FOR AR35952)
21	34H348	SPRING PIN	4	3/8" X 1"	
22	R27329	SCREW	4		
23	19H2473	CAP SCREW	6	1/2" X 1-3/4"	
	12H301	LOCK WASHER	6	1/2"	
24	F1463R	SPRING	1		
25	34H286	SPRING PIN	1	3/16" X 1-1/2"	
26	F1462R	PIN	1		
27	R27562	SHIELD	1		
28	AR26707	RETAINER	1		
29	AR26701	GUARD	1		

MEMORANDA

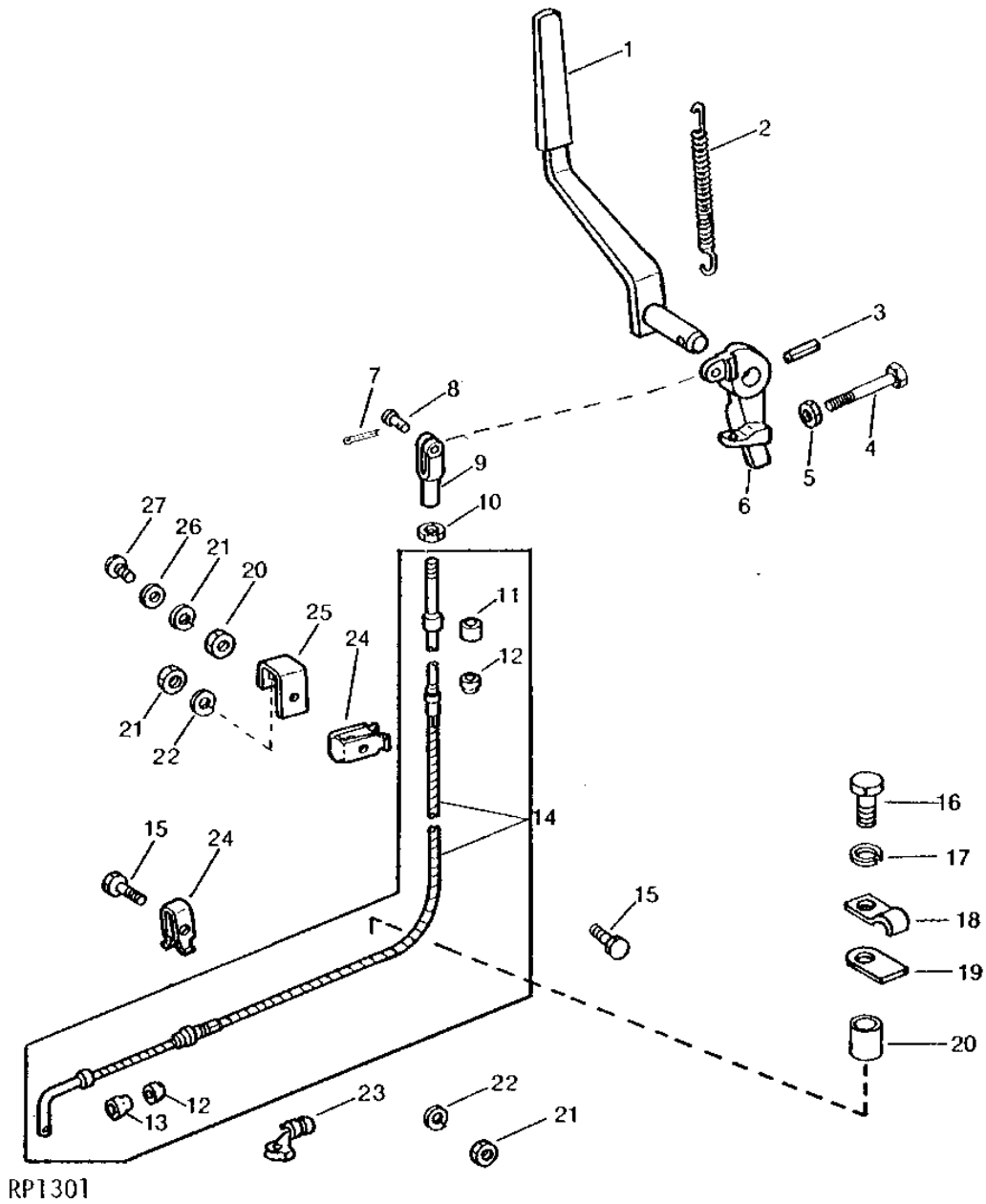
1117

POWER TRAIN

RP1301

-UN-01JAN94

PTO CLUTCH CONTROL LEVER



RP1301

1118

POWER TRAIN

PTO CLUTCH CONTROL LEVER - CONTINUED

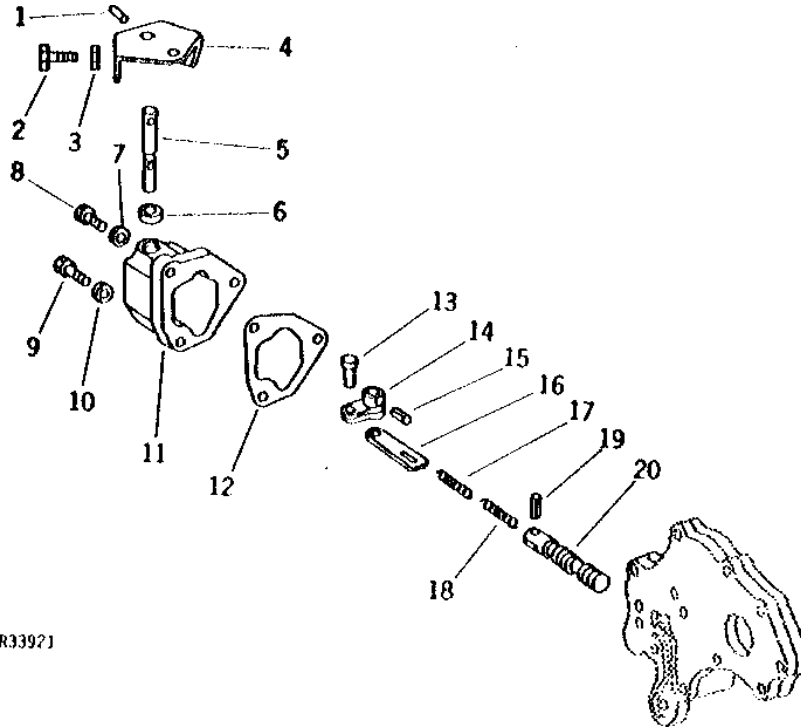
KEY	PART NO.	PART NAME	QTY	TRACTOR SERIAL NO.	REMARKS
1	AR39516	LEVER	1		
2	R42783	SPRING	1		(SUB FOR R36137)
3	34H331	SPRING PIN	1		5/16" X 1-1/2"
4	19H1738	CAP SCREW	1		1/4" X 2"
5	14H850	NUT	1		1/4"
6	R36965	ARM	1		
7	11M7079	COTTER PIN	1		0.098" X 0.472"
8	R72660	PIN	1		(SUB FOR R662R)
9	M3742T	YOKE	1		
10	14H649	NUT	1		1/4"
11	R39727	SEAL	1		UPPER
12	R39725	SEAL	2		
13	R39726	SEAL	1		LOWER
14	AR39677	PUSH PULL CABLE	1		
15	19H1849	CAP SCREW	2		5/16" X 1-1/4"
16	19H1800	CAP SCREW	1		3/8" X 1-1/2"
17	12H304	LOCK WASHER	1		3/8", OUTER
18	R183R	CLIP	1		INNER
19	R27256	STRAP	1		
20	28H1697	SPACER	1		3/8" X 3/4"
21	14H785	NUT	3		5/16"
22	12H303	LOCK WASHER	3		5/16"
23	R26501	CLIP	1		L.H.
24	R26870	CLAMP	2		
25	R36866	BRACKET	1		
26	24H1290	WASHER	1		21/64" X 3/4" X 0.035"
27	03H1268	BOLT	1		5/16" X 3/4"

1119

POWER TRAIN

R33921 -UN-01JAN94

PTO CLUTCH CONTROL



R33921

KEY	PART NO.	PART NAME	QTY	TRACTOR SERIAL NO.	REMARKS
1	34H249	SPRING PIN	1		1/8" X 7/8"
2	19H2915	CAP SCREW	2		5/16" X 1-1/4"
3	14H611	NUT	2		5/16"
4	AR36150	ARM	1		
5	R35147	SHAFT	1		
6	AR26338	SEAL	1		
7	F2775R	WASHER	1		
8	19H2479	CAP SCREW	1		1/4" X 3/8"
9	19H1732	CAP SCREW	3		3/8" X 1-1/4"
10	12H304	LOCK WASHER	3		3/8"
11	R36785	HOUSING	1		
12	R35148	GASKET	1		
13	R33145	PIN	1		
14	AR35036	ARM	1		
15	34H247	SPRING PIN	1		1/8" X 3/4"
16	R52221	LINK	1		
17	R45582	SPRING	1		OUTER
18	R45581	SPRING	1		INNER
19	34H245	SPRING PIN	1		1/8" X 5/8"
20	R52220	CONTROL VALVE	1		

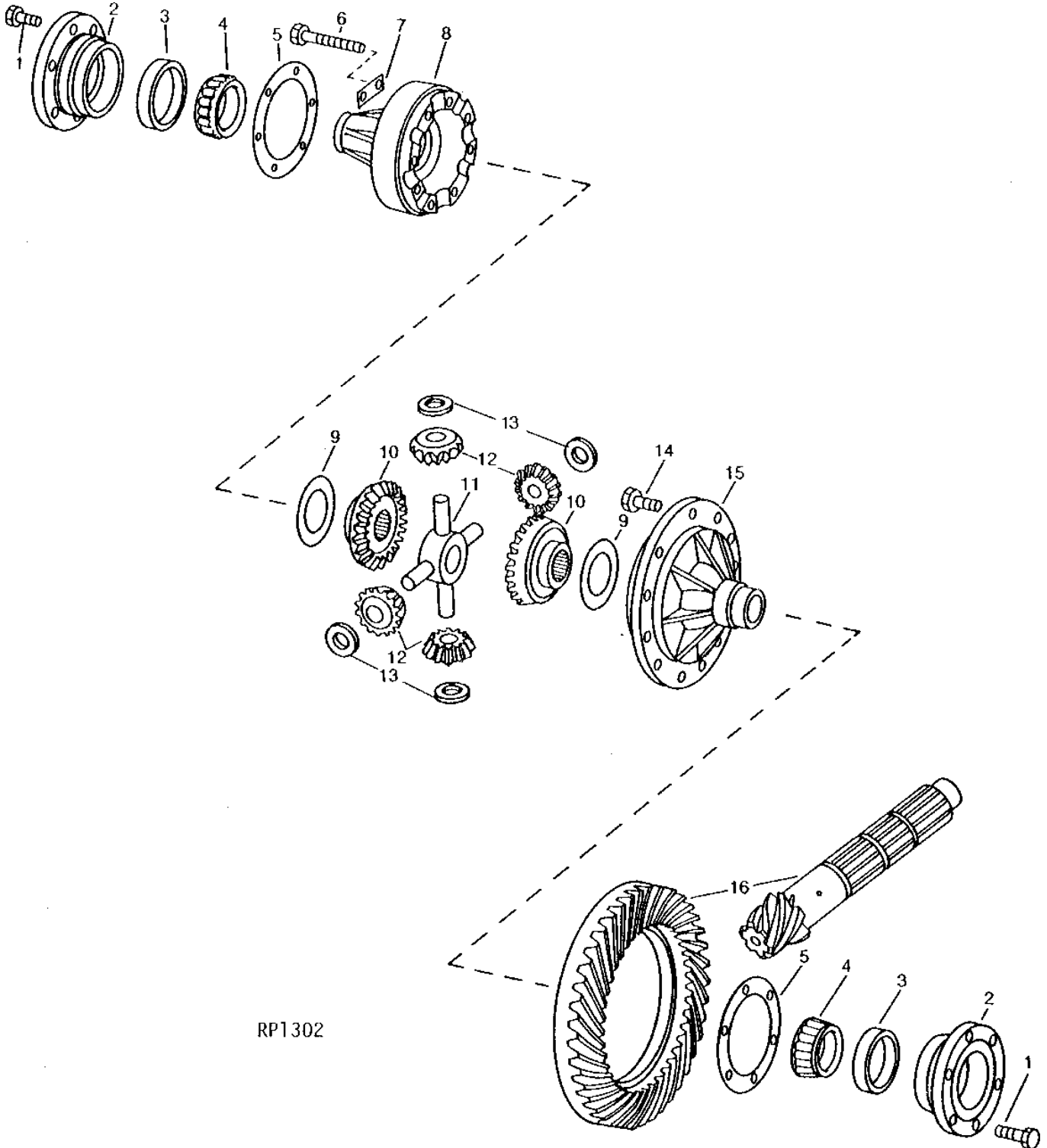
MEMORANDA

1120

POWER TRAIN

DIFFERENTIAL (LESS DIFFERENTIAL LOCK)

RP1302 -UN-01JAN94



RP1302

1121

POWER TRAIN

**DIFFERENTIAL - CONTINUED
(LESS DIFFERENTIAL LOCK)**

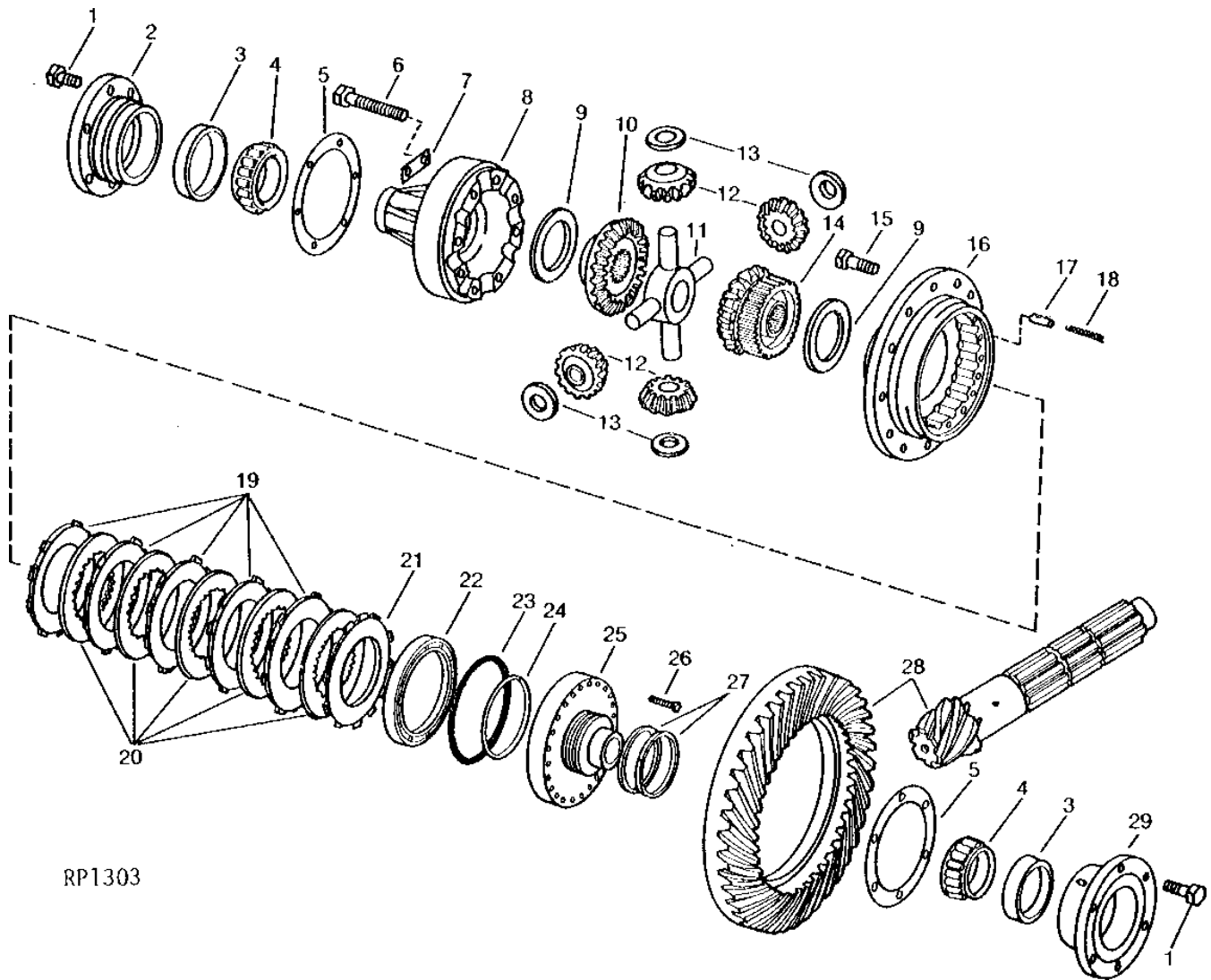
KEY	PART NO.	PART NAME	QTY	TRACTOR SERIAL NO.	REMARKS
1	R41049	CAP SCREW	12		(SUB FOR R43459) (SUB R52634)
2	R35500	QUILL	2		
3	JD8214	BEARING CUP	2		
4	JD8191	BEARING CONE	2	-020682	
	JD9019	BEARING CONE	2	020683-	
5	R35501	SHIM	AR		0.76MM (.003")
	R35502	SHIM	AR		0.13MM (.005")
	R35503	SHIM	AR		0.25MM (.010")
6	19H1868	CAP SCREW	8		1/2" X 3-3/4"
7	R35497	PLATE	4		
8	R57747	HOUSING	1		L.H. (ALSO ORDER JD9019) (SUB FOR R35433 OR R42307) (SUB AR101287, (4) R112769 AND R75058)
9	R66788	WASHER	2		
10	R64257	BEVEL GEAR	2		(ALSO ORDER (2) R66788) (SUB FOR R35496, R43185 OR R48251) (SUB R109489 AND R114132)
11	R35493	UNIVERSAL JOINT CROSS	1		(SUB (4) F215R, (2) R70038, (4) R70039, (4) R120349, (104) R70041 AND (4) R70042)
12	R48253	PINION	4		(SUB FOR R35498) (SUB (4) F215R, (2) R70038, (4) R70039, (4) R120349, (104) R70041 AND (4) R70042, THIS APPLICATION)
13	R35499	LOCK WASHER	4		
14	R43368	CAP SCREW	12		
15	R49649	HOUSING	1		R.H. (ALSO ORDER JD9019) (SUB FOR R35432 OR R42306)
16	AR36689	GEAR	1		(MARKED R35220 OR R43023 AND R40259) (NLA)

1122

POWER TRAIN

DIFFERENTIAL (DIFFERENTIAL LOCK)

RP1303 -UN-01JAN94



RP1303

1123

POWER TRAIN

**DIFFERENTIAL - CONTINUED
(DIFFERENTIAL LOCK)**

KEY	PART NO.	PART NAME	QTY	TRACTOR SERIAL NO.	REMARKS
1	R41049	CAP SCREW	12		(SUB FOR R43459) (SUB R52634)
2	R35500	QUILL	1		L.H.
3	JD8214	BEARING CUP	2		
4	JD8191	BEARING CONE	2	-020682	
	JD9019	BEARING CONE	2	020683-	
5	R35501	SHIM	AR		0.076MM (.003")
	R35502	SHIM	AR		0.13MM (.005")
	R35503	SHIM	AR		0.25MM (.010")
6	19H1868	CAP SCREW	8		1/2" X 3-3/4"
7	R35497	PLATE	4		
8	R57747	HOUSING	1		L.H. (ALSO ORDER JD9019) (SUB FOR R35433 OR R42307) (SUB AR101287, (4) R112769 AND R75058)
9	R66788	WASHER	2		
10	R64257	BEVEL GEAR	1		(ALSO ORDER (2) R66788) (SUB FOR R35496, R43185 OR R48251) (SUB R109489 AND R114132)
11	R35493	UNIVERSAL JOINT CROSS	1		(SUB (4) F215R, (2) R70038, (4) R70039, (4) R70040, (104) R70041 AND (4) R70042)
12	R48253	PINION	4		(SUB FOR R35498) (SUB (4) F215R, (2) R70038, (4) R70039, (4) R70040, (104) R70041 AND (4) R70042, THIS APPLICATION)
13	R35499	LOCK WASHER	4		
14	R57373	GEAR	1		(ALSO ORDER R64257 AND (2) R66788) (SUB FOR R36879 OR R52158)
15	R43368	CAP SCREW	12		
16	AR36345	HOUSING	1		R.H. (MARKED R36861)
17	34H316	SPRING PIN	3		1/4" X 1-1/2"
18	R36880	SPRING	3		
19	R34858	CLUTCH PLATE	5		
20	RE29428	DISK	5		(SUB FOR AR34705 OR AR70154) (SUB RE53823, R34857 AND (5) R34858)
21	R34857	CLUTCH PLATE	1		
22	R34855	PISTON	1		
23	R41017	WASHER	1		(SUB FOR R34866)
24	R44328	WASHER	1		(SUB FOR R34865 AND R41016)
25	AR44327	COVER	1		(MARKED R42273 OR R42308) (ALSO ORDER JD9019) (SUB FOR AR36346 OR AR44466)
26	R40237	BOLT	12		(SUB N191827)
27	R36881	RING	2		
28	AR36689	GEAR	1		(MARKED R35220 AND R40259) (NLA)
29	R36878	QUILL	1		R.H.

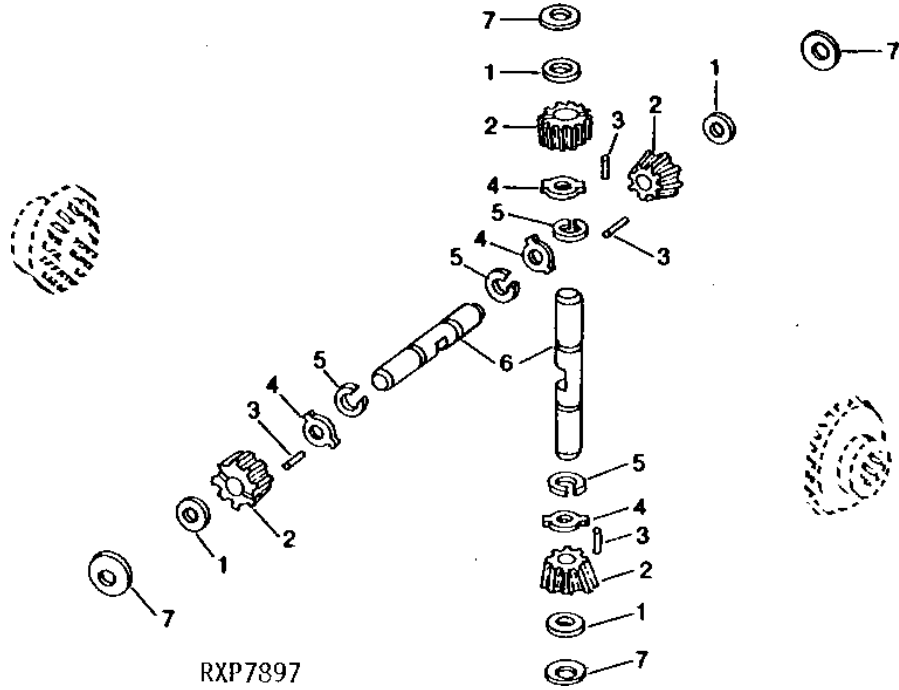
MEMORANDA

1124

POWER TRAIN

RXP7897 -UN-01JAN94

DIFFERENTIAL BEVEL PINION



RXP7897

KEY	PART NO.	PART NAME	QTY	TRACTOR SERIAL NO.	REMARKS
1	R70039	THRUST WASHER	4		
2	R70040	PINION	4	(SUB R120349)	
3	R70041	NEEDLE ROLLER	104		
4	R70042	THRUST WASHER	4		
5	F215R	RING	4		
6	R70038	PINION SHAFT	2		
7	R35499	LOCK WASHER	4		

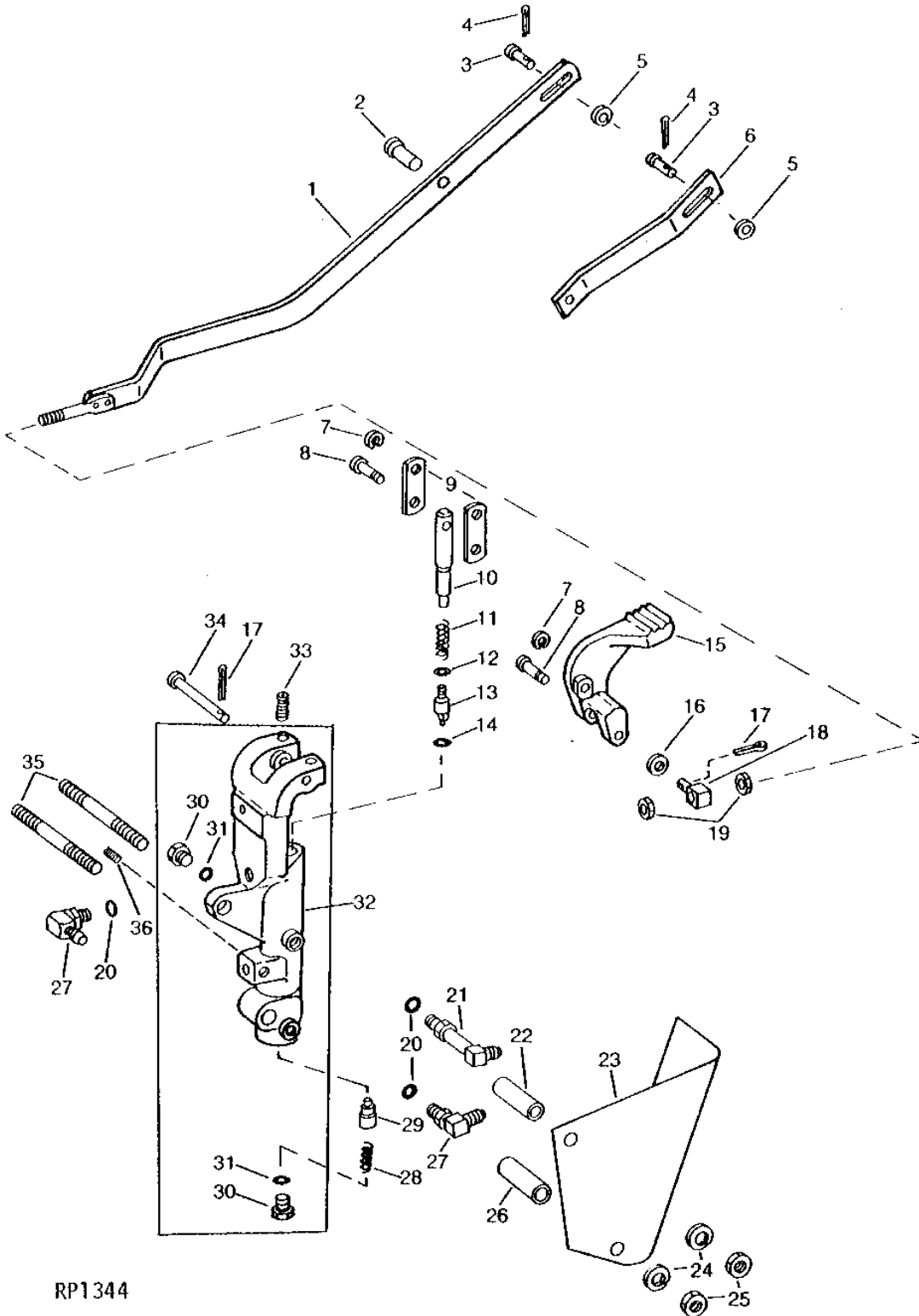
1J1

POWER TRAIN

RP1344

-UN-01JAN94

DIFFERENTIAL LOCK VALVE



RP1344

1J2

POWER TRAIN

DIFFERENTIAL LOCK VALVE - CONTINUED

KEY	PART NO.	PART NAME	QTY	TRACTOR SERIAL NO.	REMARKS
1	AR36823	LINK	1		INNER
2	16H1071	RIVET	1		5/16" X 1/2"
3	H858R	PIN	2		
4	11M7079	COTTER PIN	2		0.098" X 0.472"
5	24H1136	WASHER	2		11/32" X 11/16" X 0.065"
6	R34523	LINK	1		OUTER
7	R26386	SNAP RING	2		
8	R26385	PIN	2		
9	R34522	STRAP	2		
10	R39732	VALVE	1		
11	R39731	SPRING	1		
12	R39730	SHIM	AR		0.13MM (.005")
13	R34492	VALVE	1		
14	R459R	O-RING	1		
15	R36948	PEDAL	1		
16	24M7096	WASHER	1		10.500 X 18 X 1.600 MM
17	11M7059	COTTER PIN	2		3.200 X 20 MM
18	R34581	SWIVEL	1		
19	14H1076	NUT	2		3/8"
20	R26286	O-RING	3		
21	AR35710	ELBOW FITTING	1		90°
22	28H1557	SPACER	1		1/2" X 2-3/4"
23	R36925	SHIELD	1		
24	12H317	LOCK WASHER	2		9/16"
25	14H886	NUT	2		9/16"
26	28H1555	BUSHING	1		1/2" X 2-1/4"
27	AT32333	ELBOW FITTING	2		90°, (SUB FOR AR26771)
28	R715R	SPRING	1		
29	R34496	VALVE	1	-012760	(NO LONGER AVAILABLE)
	R40629	VALVE	1	012761-	
30	R27094	DRAIN PLUG	2		
31	R26286	O-RING	2		
32	AR42109	HOUSING	1		(MARKED R36902, R40632 OR R41929) (ALSO ORDER R40629) (SUB FOR AR36272 OR AR40493)
33	R34582	SET SCREW	1		
34	R34815	PIN	1		
35	B355R	STUD	2		
36	15H559	PIPE PLUG	2		1/4"

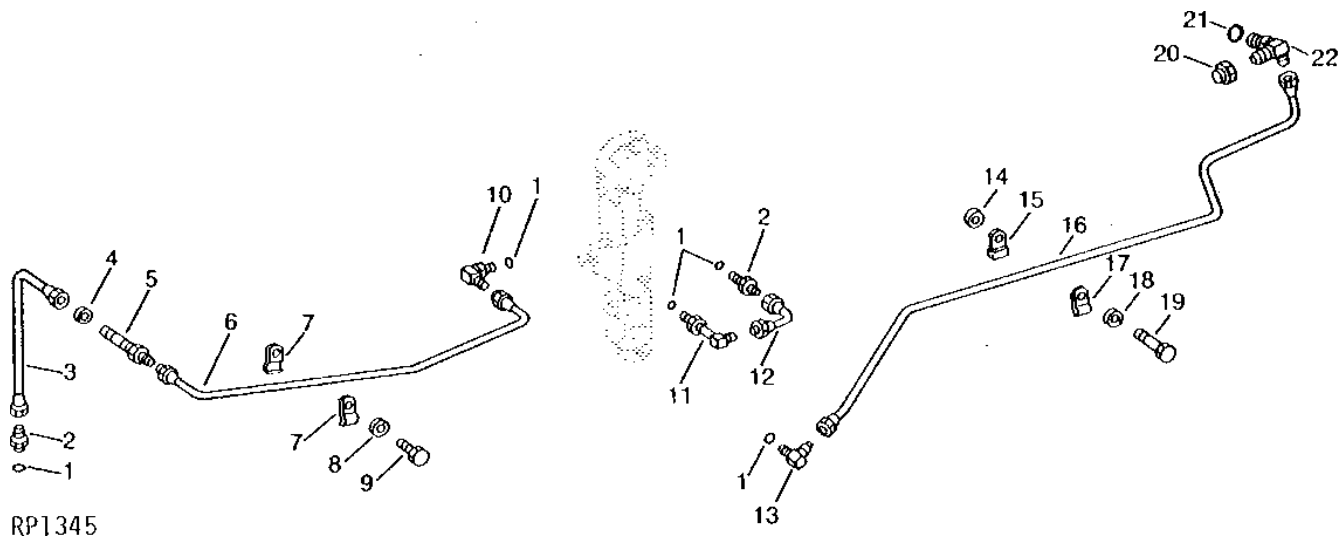
MEMORANDA

1J3

POWER TRAIN

DIFFERENTIAL LOCK VALVE OIL LINES

RP1345 -UN-01JAN94



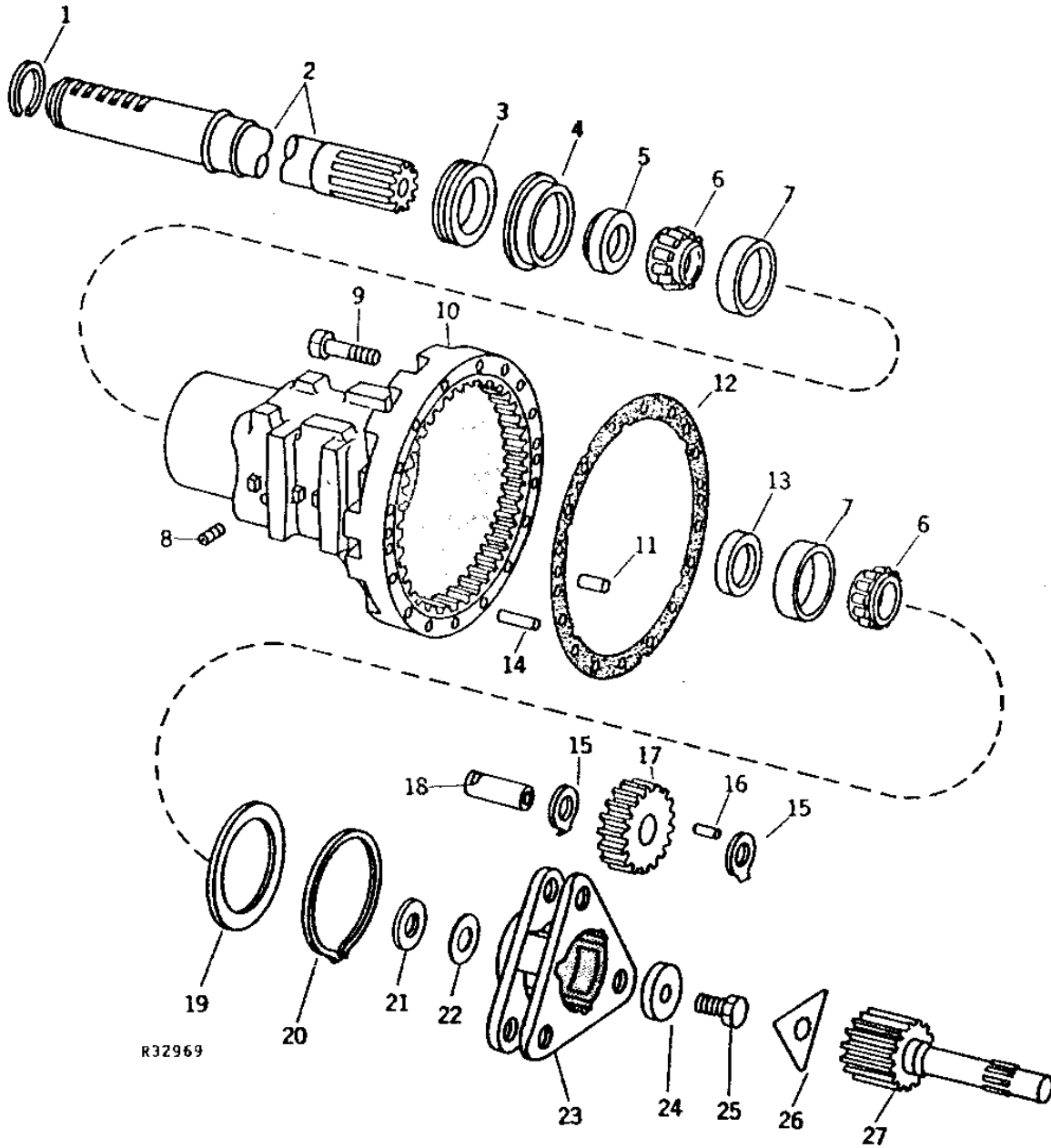
KEY	PART NO.	PART NAME	QTY	TRACTOR SERIAL NO.	REMARKS
1	R26286	O-RING	5		
2	R27272	FITTING	2		
3	AR36256	HYDRAULIC LINE	1		INNER
4	T16911	SHIM	1		
5	AR36250	FITTING	1		
6	AR46389	HYDRAULIC LINE	1		OUTER, (SUB FOR AR36257)
7	R42357	CLAMP	2		(SUB FOR R27545)
8	12H304	LOCK WASHER	1		3/8"
9	19H2284	CAP SCREW	1		3/8" X 7/8"
10	AT32333	ELBOW FITTING	1		90°, (SUB FOR AR26771)
11	AR35710	ELBOW FITTING	1		90°
12	AR36260	HYDRAULIC LINE	1		
13	AR30762	TEE FITTING	1	-012798	
	R36926	FITTING	1	-012798	
	AR40475	ELBOW FITTING	1	012799-	90°, (ILLUSTRATED)
14	28H1519	WASHER	2		3/8" X .375
	28H1526	BUSHING	2		3/8" X 1.312
15	R31655	STRAP	2		
16	AR36927	HYDRAULIC LINE	1		R.H. (SUB FOR AR36855)
17	R31654	CLAMP	2		
18	12H304	LOCK WASHER	2		3/8"
19	19H2979	CAP SCREW	1		3/8" X 2", (LESS ROCKSHAFT)
	19H1726	CAP SCREW	1		3/8" X 2-1/4", (ROCKSHAFT)
	19H1733	CAP SCREW	1		3/8" X 2-1/2"
20	R36927	FITTING	1		(LESS ROCKSHAFT)
21	R26906	O-RING	1		
22	AR36856	TEE FITTING	1	-015134	90°
	AR36856	TEE FITTING	1	015135-	90°, (DIFFERENTIAL LOCK)
	AR26724	ELBOW FITTING	1		90°, (LESS DIFFERENTIAL LOCK)
	R27474	DRAIN PLUG	1		(LESS DIFFERENTIAL LOCK AND ROCKSHAFT)

1J4

POWER TRAIN

R32969 -UN-01JAN94

PLANETARY AND REAR AXLE



1J5

POWER TRAIN

PLANETARY AND REAR AXLE - CONTINUED

KEY	PART NO.	PART NAME	QTY	TRACTOR SERIAL NO.	REMARKS
1	R53659	SNAP RING	1		
2	R53647	SHAFT	1		(SUB FOR R35001) (SHAFT LENGTH 32-13/16") (EQUIPPED WITH 18.4-34 OR 24.5-32 REAR TIRES) (NLA)
	R53648	SHAFT	1		(SUB FOR R36616) (SHAFT LENGTH 44-15/16") (EQUIPPED WITH 18.4-34 DUAL DRIVE WHEELS) (NLA)
	R53649	SHAFT	1		(SUB FOR R41011) (SHAFT LENGTH 39-3/32") (EQUIPPED WITH 18.4-38 DUAL DRIVE WHEELS) (NLA)
	R53650	SHAFT	1		(SUB FOR R42708) (SHAFT LENGTH 47-13/16") (EQUIPPED WITH 24.5-32 DUAL DRIVE WHEELS)
3	RE31702	SEAL	1		(ALSO ORDER R59074) (SUB FOR R35634, AR68721 OR AH93852)
4	R59074	OIL CUP	1		(SUB FOR R35002 OR R57268)
5	R63106	SPACER	1		(SUB FOR R35119 OR R53635)
6	JD8962	BEARING CONE	2		
7	JD8248	BEARING CUP	2		
8	15H559	PIPE PLUG	1		1/4"
9	19H2233	CAP SCREW	18		5/8" X 3-1/2", (LESS DIFFERENTIAL LOCK)
	19H2233	CAP SCREW	17		5/8" X 3-1/2", (DIFFERENTIAL LOCK)
	R43370	SCREW	1		(SUB FOR R34065 OR R42377) (DIFFERENTIAL LOCK)
10	AR83526	HOUSING	1		(MARKED R35120) (SUB FOR AR35032) (NLA)
11	R54380	DOWEL PIN	2		(SUB FOR R26015 OR T25317)
12	R35008	GASKET	1		
13	AR85311	SEAL	1		(SUB FOR R35735)
14	R44961	DOWEL PIN	3		(SUB FOR R35007)
15	R46973	THRUST WASHER	6		(SUB FOR R35122)
16	R35003	NEEDLE ROLLER	75		
17	R35121	PINION	3		
18	R35004	SHAFT	3		
19	R42529	SHIM	1		
20	R35005	SNAP RING	1		
21	R61461	SHIM	AR		0.08MM (.003")
	R59439	SHIM	AR		0.13MM (.005")
	R59440	SHIM	AR		0.51MM (.020")
22	F2380R	WASHER	1		
23	R35337	PLANET PINION CARRIER	1		
24	R61771	RETAINER	1		(SUB FOR R35006 OR R46806)
25	R82175	CAP SCREW	1		HS, SAE 8, (SUB FOR R26011 OR R60032)
26	R35123	LOCK PLATE	1		
27	R35591	SHAFT	1		(SUB R114132)
..	R72232	BALL	AR		(SUB FOR AR94976)

MEMORANDA

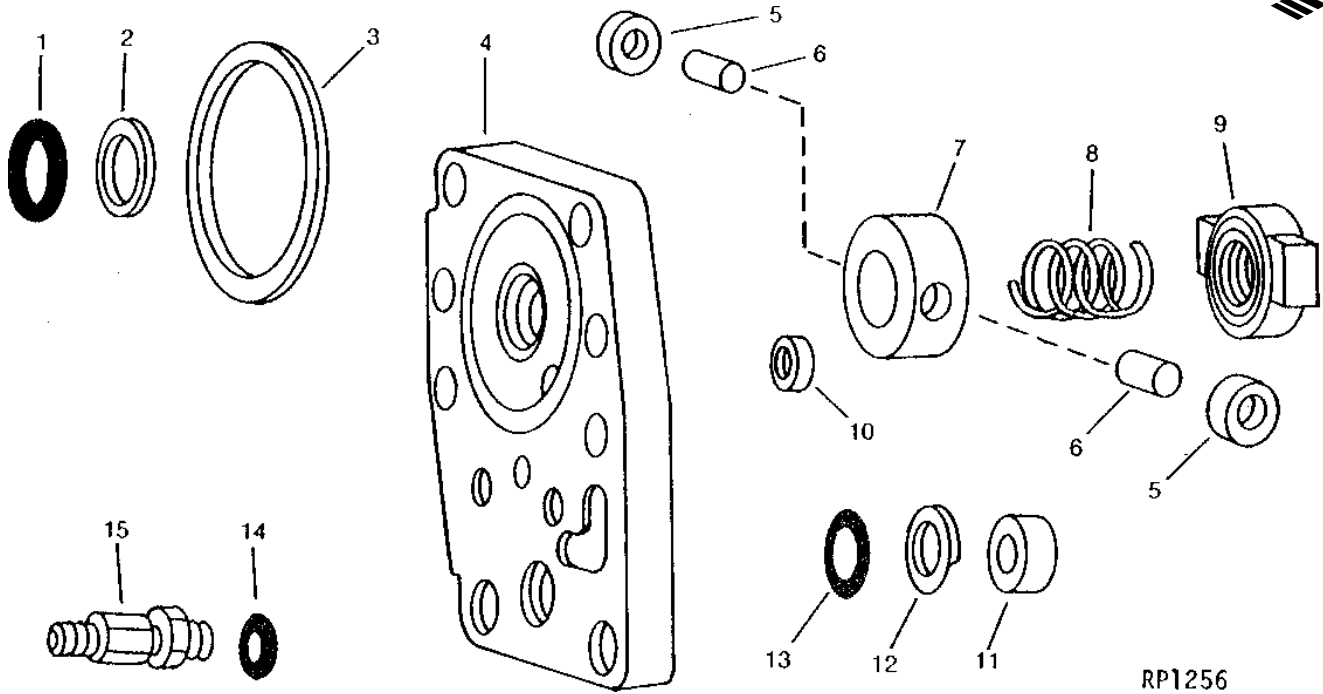
MEMORANDA

1J8

STEERING AND BRAKES

RP1256 -UN-01JAN94

STEERING VALVE CYLINDER COVER



RP1256

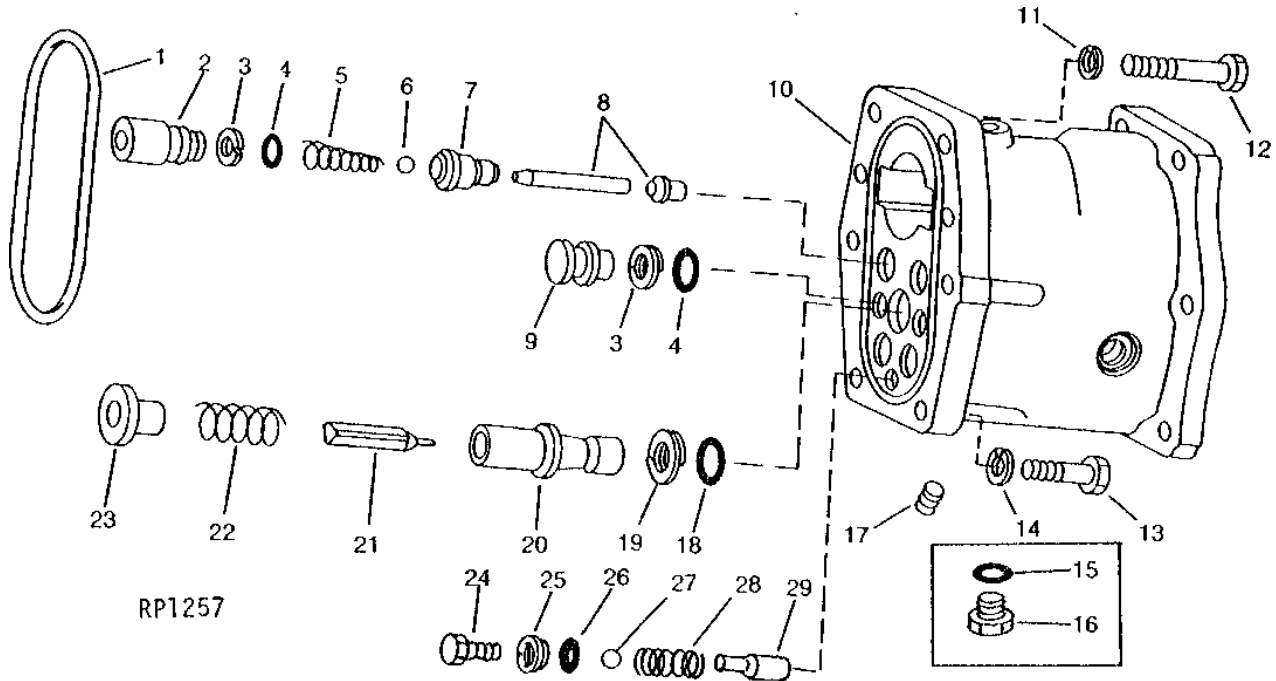
KEY	PART NO.	PART NAME	QTY	TRACTOR SERIAL NO.	REMARKS
1	A3606R	O-RING	1		
2	R26441	BACK-UP RING	1		
3	R34896	PACKING	1		(SUB AR67783)
4	AR44883	COVER	1		(MARKED R34128 OR R42707) (SUB FOR AR40453)
5	R26755	WASHER	2		
6	R27091	PIN	2		
7	R40149	LOCKING COLLAR	1		
8	R40531	SPRING	1		
9	R27089	NUT	1		
10	R41708	PACKING	1		(SUB FOR R26760) (SUB AR67783)
11	R34121	PISTON	1		
12	R26485	BACK-UP RING	1		
13	R495R	O-RING	1		
14	R26286	O-RING	1		
15	R49018	FITTING	1		(SUB FOR AR35725)
..	AR67783	O-RING KIT	1		KIT, (SUB FOR AR42009)

1J9

STEERING AND BRAKES

RP1257 -UN-01JAN94

STEERING VALVE



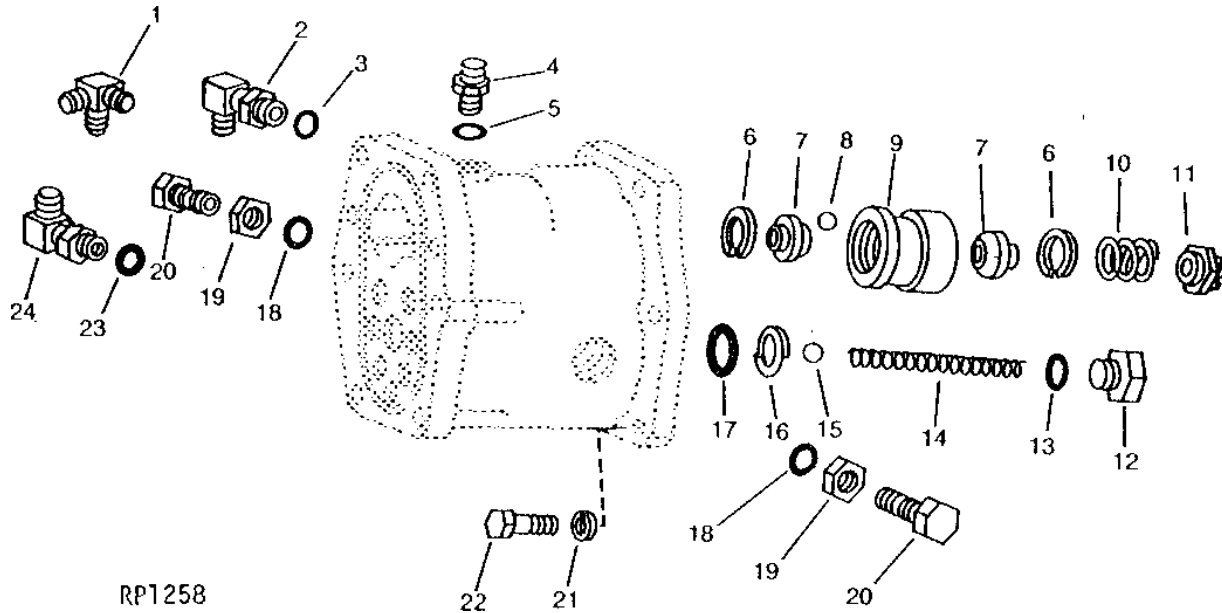
KEY	PART NO.	PART NAME	QTY	TRACTOR SERIAL NO.	REMARKS
1	R34733	WASHER	1		
2	R41724	PLUG	4		(SUB FOR R34130)
3	R32588	BACK-UP RING	6		
4	R459R	O-RING	6		
5	R26565	SPRING	4		
6	400R	BALL	4		6MM (1/4")
7	R28124	VALVE	4		
8	AR49535	SHAFT	2		UPPER, (SUB FOR AR30589)
	AR49536	SHAFT	2		LOWER, (SUB FOR AR30590)
9	R34131	PLUG	2		
10	AR43809	HOUSING	1		(MARKED R34119, R43721 OR R43962) (SUB FOR AR34006 OR AR43559)
11	12H301	LOCK WASHER	4		1/2"
12	19H1990	CAP SCREW	4		1/2" X 2-1/4"
13	19H1721	CAP SCREW	2		1/2" X 1-1/2"
14	12H301	LOCK WASHER	2		1/2"
15	R26287	O-RING	1	XXXXXX-XXXXXX	
16	R27216	DRAIN PLUG	1	XXXXXX-XXXXXX	(SUB FOR R31631)
17	15H558	PIPE PLUG	1	XXXXXX-	1/8"
18	B2762R	O-RING	1		
19	R26546	BACK-UP RING	1		
20	R34123	VALVE SEAT	1		
21	R42661	SEAT	1		(SUB FOR R34124)
22	R26151	SPRING	1		
23	R34122	STOP	1		
24	R34132	VALVE SEAT	1		(SUB AR44883)
25	R34129	BACK-UP RING	1		
26	A4365R	O-RING	1		
27	400R	BALL	1		6MM (1/4")
28	R26373	SPRING	1		
29	R34336	GUIDE	1		

1J10

STEERING AND BRAKES

RP1258 -UN-01JAN94

STEERING VALVE PARTS



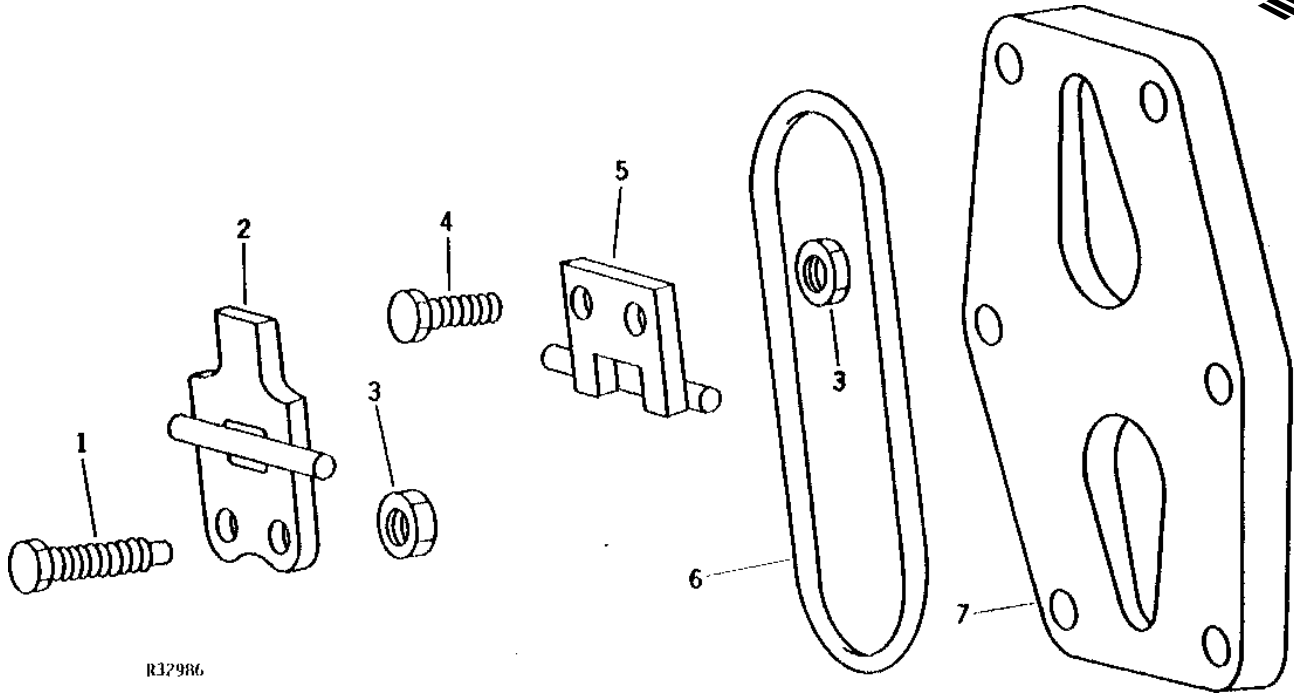
KEY	PART NO.	PART NAME	QTY	TRACTOR SERIAL NO.	REMARKS
1	AR26767	TEE FITTING	1		(SELECTIVE CONTROL)
2	AT32334	FITTING	1		90° (LESS SELECTIVE CONTROL) (SUB FOR AR26773)
3	R26286	O-RING	1		
4	R27527	ADAPTER	1		
5	R26287	O-RING	1		
6	R26425	SNAP RING	2	-013121	
	R26425	SNAP RING	1	013122-	
7	R40595	BEARING RACE	2		
8	R26552	BALL	13		(5/16")
9	R40757	BUSHING	1		(SUB FOR R31197)
10	R40596	SPRING	1		
11	R40597	LOCK NUT	1		
12	R39112	FITTING	1		
13	R26375	O-RING	1		
14	R31278	SPRING	1		
15	R42849	BALL	1		10MM (3/8") (SUB FOR 405R)
16	R30323	BACK-UP RING	1		
17	P48347	O-RING	1		(SUB FOR T12860 OR R34404)
18	R26286	O-RING	2		
19	R27296	NUT	2		
20	R40338	DRAIN PLUG	2		
21	12H304	LOCK WASHER	6		3/8"
22	19H1139	CAP SCREW	6		3/8" X 1-1/8"
23	R26448	O-RING	1		
24	AT35121	ELBOW FITTING	1		90°, (SUB FOR AR26725)

1J11

STEERING AND BRAKES

R32986 -UN-01JAN94

STEERING VALVE COVER AND VALVE OPERATING LEVERS



R32986

KEY	PART NO.	PART NAME	QTY	TRACTOR SERIAL NO.	REMARKS
1	R26554	SET SCREW	2		
2	AR26448	LEVER	1		
3	14H649	NUT	4	1/4"	
4	R31217	SCREW	2		(SUB FOR R26762, THIS APPLICATION)
5	AR26402	LEVER	1		
6	R34733	WASHER	1		
7	R57034	COVER	1		(SUB FOR R26553 OR R51748)

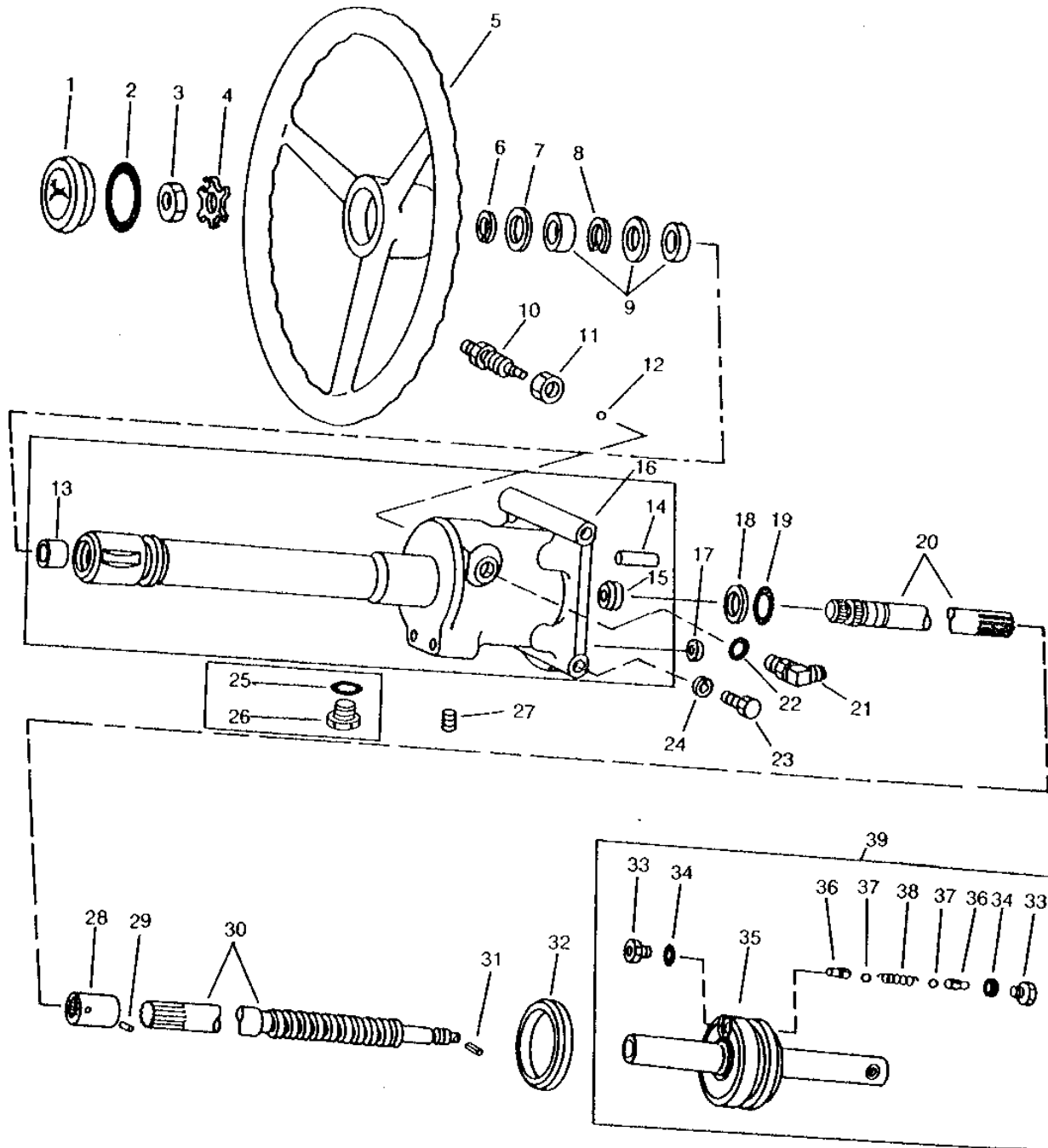
1J12

STEERING AND BRAKES

RP1255

-UN-01JAN94

STEERING VALVE CYLINDER, SHAFT AND PISTON



RP1255

1J13

STEERING AND BRAKES

STEERING VALVE CYLINDER, SHAFT AND PISTON - CONTINUED

KEY	PART NO.	PART NAME	QTY	TRACTOR SERIAL NO.	REMARKS
1	R47998	CAP	1		(SUB FOR R34324)
2	B3690R	O-RING	1		
3	14H904	NUT	1		3/4"
4	T17148	LOCK WASHER	1		
5	AR26625	STEERING WHEEL	1		
6	B169R	SNAP RING	1		
7	R42629	WASHER	1		
8	R26933	SNAP RING	1		
9	AR34172	SEAL KIT	1		
10	R27299	SCREW	1		
11	R27453	NUT	1		
12	400R	BALL	1		6MM (1/4")
13	R27320	BUSHING	1		
14	R32186	DOWEL PIN	2		
15	R27087	WASHER	1		
16	AR47289	CYLINDER	1		(MARKED R34118 OR R45297) (SUB FOR AR32700)
17	R41708	PACKING	1		(SUB FOR R26760) (SUB AR67783)
18	R26441	BACK-UP RING	1		
19	A3606R	O-RING	1		
20	R73737	SHAFT	1		(SUB FOR R37426)
21	AT35121	ELBOW FITTING	1		90°, (SUB FOR AR26725)
22	R26448	O-RING	1		
23	19H1732	CAP SCREW	4		3/8" X 1-1/4"
24	12H304	LOCK WASHER	4		3/8"
25	R26287	O-RING	1	XXXXXX-XXXXXX	
26	R27216	DRAIN PLUG	1	XXXXXX-XXXXXX	(SUB FOR R31631)
27	15H558	PIPE PLUG	1	XXXXXX-	1/8"
28	R27319	SPLINED COUPLING	1		
29	34H282	SPRING PIN	1		3/16" X 1"
30	R34125	SHAFT	1		
31	11M7081	COTTER PIN	1		0.098" X 0.787"
32	R40567	WASHER	1		
33	R31202	VALVE	2		
34	R26287	O-RING	2		
35	AR30297	PISTON	1		(SUB FOR AR30298)
36	R31201	SHAFT	2		
37	H871R	BALL	2		5MM (3/16")
38	A4816R	SPRING	1		
39	AR30297	PISTON	1		
..	AR21969	KIT	1		CAP PLUG

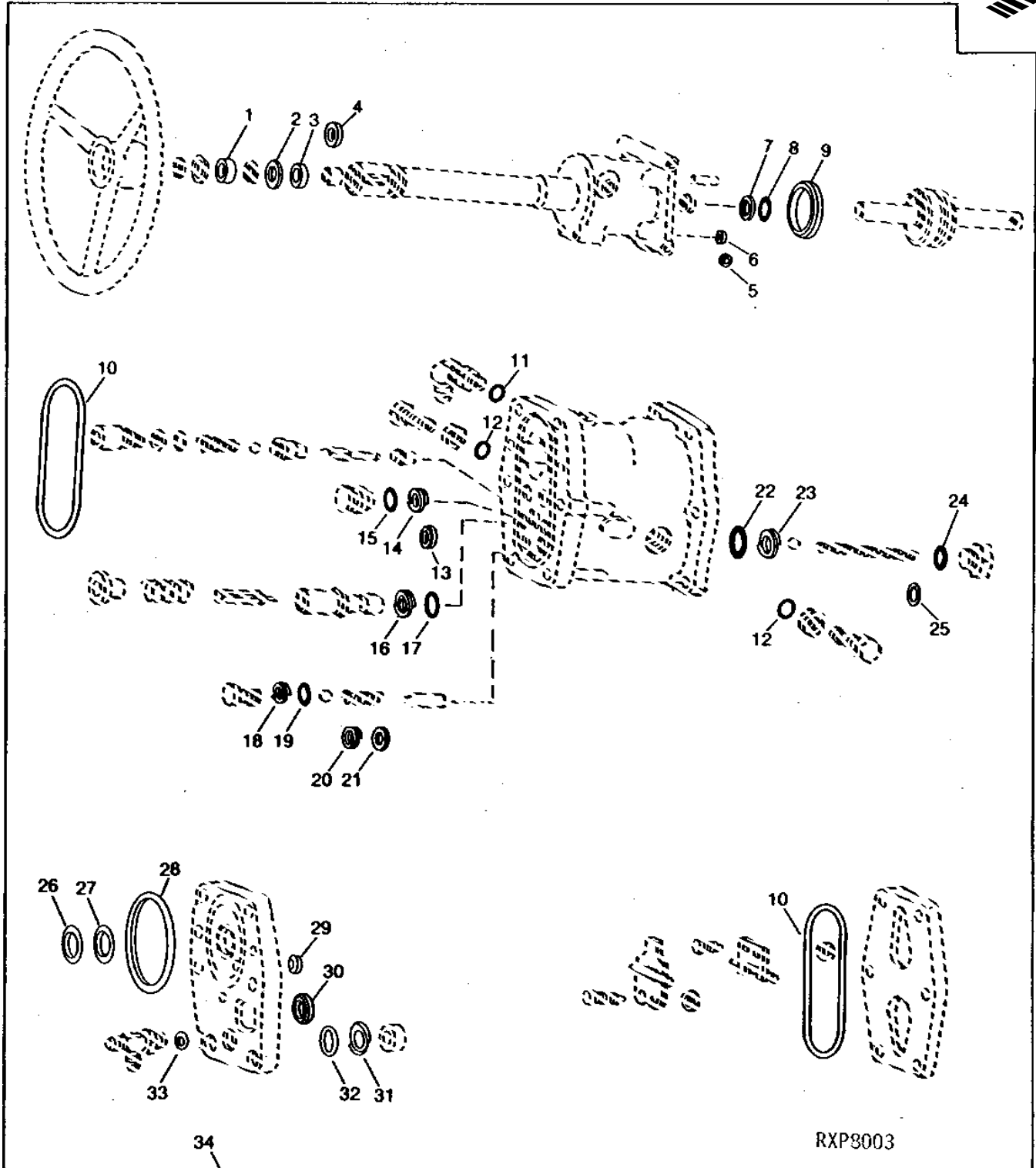
1J14

STEERING AND BRAKES

RXP8003

-UN-01JAN94

STEERING VALVE CYLINDER OVERHAUL KIT



RXP8003

1J15

STEERING AND BRAKES

STEERING VALVE CYLINDER OVERHAUL KIT - CONTINUED

KEY	PART NO.	PART NAME	QTY	TRACTOR SERIAL NO.	REMARKS
1	R72858	SEAL	1		
2	R32731	WASHER	1		
3	R72858	SEAL	1		
4	R54063	SEAL	1	(A)	
5	R26448	O-RING	2		
6	AR67783	O-RING KIT	1		
7	R26441	BACK-UP RING	1		
8	A3606R	O-RING	2		
9	R40567	WASHER	1		
10	R34733	WASHER	2		
11	R26286	O-RING	1		
12	R26286	O-RING	2		
13	R31488	WASHER	2	(A)	
14	R459R	O-RING	6		
15	R32588	BACK-UP RING	6		
16	R26546	BACK-UP RING	2		
17	B2762R	O-RING	2		
18	R34129	BACK-UP RING	1		
19	A4365R	O-RING	1		
20	R26551	BACK-UP RING	1	(A)	
21	R394R	O-RING	1		
22	R34404	O-RING	1		
23	R30323	BACK-UP RING	1		
24	R26375	O-RING	1		
25	R26547	WASHER	2	(A)	
26	A3606R	O-RING	2		
27	R26441	BACK-UP RING	1		
28	AR67783	O-RING KIT	1		
29	AR67783	O-RING KIT	1		
30	R31489	WASHER	1	(A)	
31	R47694	BACK-UP RING	1		
	R26485	BACK-UP RING	1	(A)	
32	R495R	O-RING	1		
33	R26286	O-RING	1		
34	AR39585	KIT	1	(A)	

(A) EARLY DESIGN

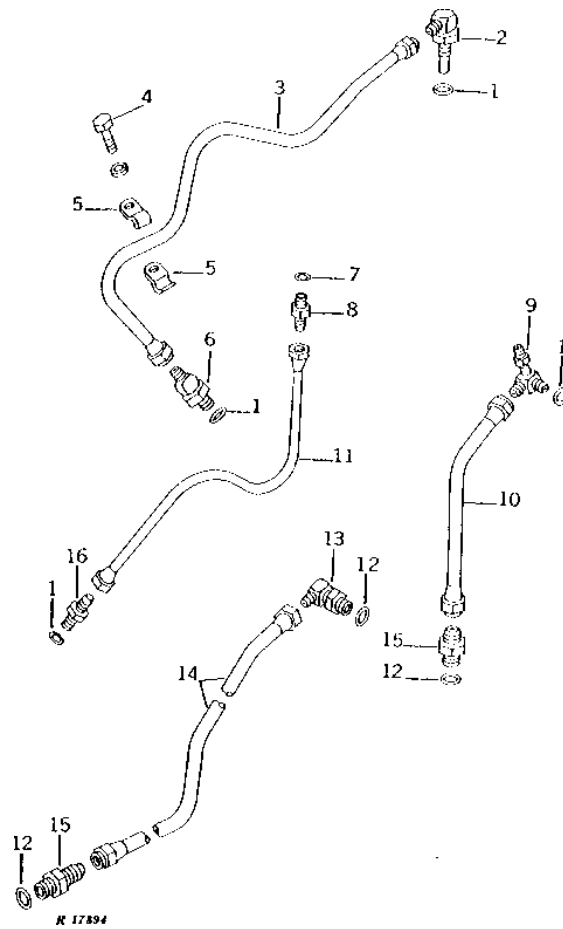
1J16

STEERING AND BRAKES

R17894

-UN-01JAN94

STEERING PRESSURE, BLEED AND RETURN LINES



1J17

STEERING AND BRAKES

STEERING PRESSURE, BLEED AND RETURN LINES - CONTINUED

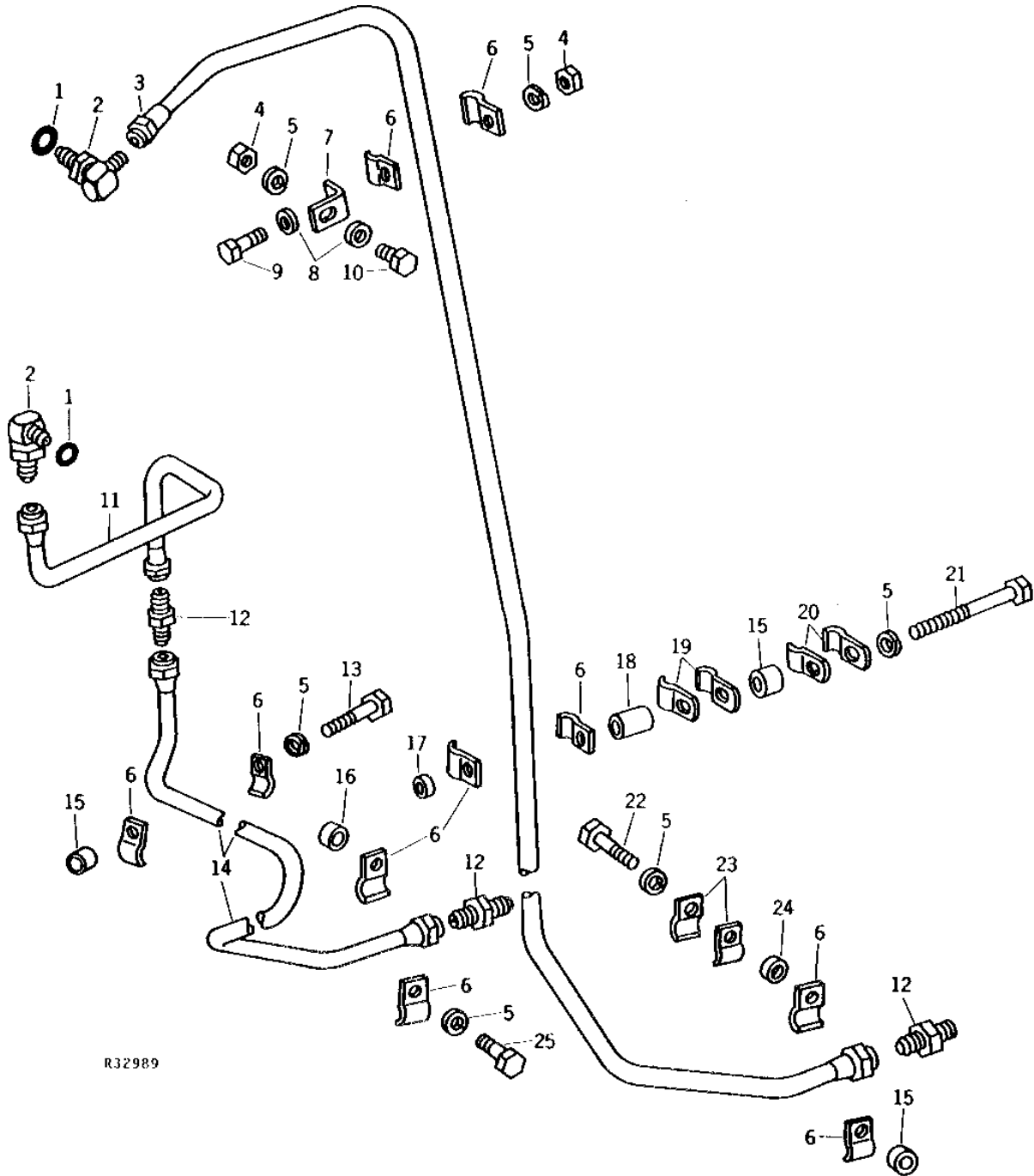
KEY	PART NO.	PART NAME	QTY	TRACTOR SERIAL NO.	REMARKS
1	R26286	O-RING	3		
2	AT32333	ELBOW FITTING	1		90°, (SUB FOR AR26771)
3	AR31988	HYDRAULIC LINE	1		(PRESSURE)
4	19H1731	CAP SCREW	1		3/8" X 1"
	12H304	LOCK WASHER	1		3/8"
5	R42357	CLAMP	4		(SUB FOR R27545)
6	R49018	FITTING	1		(SUB FOR AR35725)
7	R26287	O-RING	2		
8	R27527	ADAPTER	1		
9	AR26767	TEE FITTING	1		(SINGLE OR DUAL SELECTIVE CONTROL)
	AT32334	FITTING	1		90° (LESS SINGLE OR DUAL SELECTIVE CONTROL) (SUB FOR AR26773)
10	AR35243	HYDRAULIC LINE	1		(RETURN) (NLA)
11	AR44043	HYDRAULIC LINE	1		(BLEED) (SUB FOR AR40404)
12	R26375	O-RING	3		
13	AT32332	ELBOW FITTING	1		90°, (SUB FOR AR26763)
14	AR51429	HYDRAULIC LINE	1		(RETURN) (SUB FOR AR35242)
15	R27237	FITTING	2		
16	R27527	ADAPTER	1		

1J18

STEERING AND BRAKES

R32989 -UN-01JAN94

STEERING OIL LINES (REAR)



R32989

1J19

STEERING AND BRAKES

STEERING OIL LINES - CONTINUED (REAR)

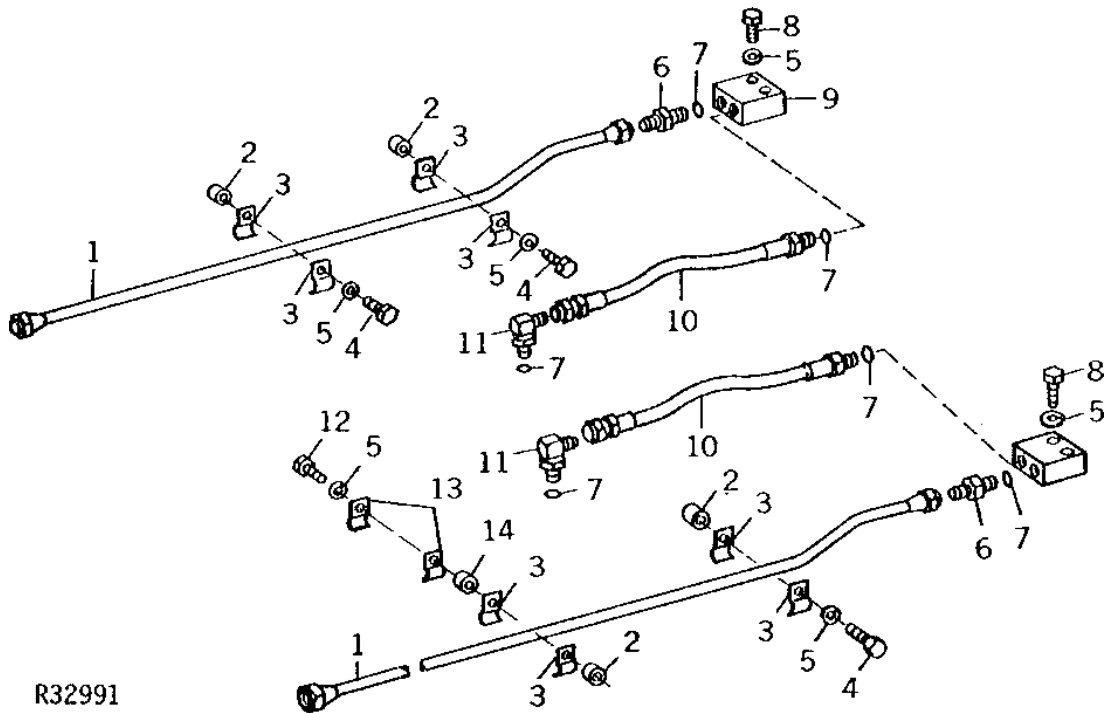
KEY	PART NO.	PART NAME	QTY	TRACTOR SERIAL NO.	REMARKS
1	R26448	O-RING	2		
2	AT35121	ELBOW FITTING	2		90°, (SUB FOR AR26725)
3	AR35207	HYDRAULIC LINE	1		R.H. REAR
4	14H1076	NUT	2		3/8"
5	12H304	LOCK WASHER	6		3/8"
6	R27720	CLAMP	10		
7	R36300	ANGLE	1		
8	24H1305	WASHER	2		13/32" X 13/16" X 0.065"
9	19H2552	CAP SCREW	1		3/8" X 1-1/8"
10	19H2284	CAP SCREW	1		3/8" X 7/8"
11	AR35208	HYDRAULIC LINE	1		L.H. REAR (NLA)
12	R27095	FITTING	3		
13	19H1765	CAP SCREW	1		3/8" X 1-3/4"
14	AR35209	HYDRAULIC LINE	1		L.H. CENTER
15	28H1697	SPACER	2		3/8" X .750"
16	A4669R	BUSHING	2		
17	R28040	WASHER	1		
18	28H1527	SPACER	1		3/8" X 1.375"
19	R40663	CLAMP	2		
20	R35726	CLAMP	2		
21	19H1912	CAP SCREW	1		3/8" X 3-1/2"
22	19H2791	CAP SCREW	1		3/8" X 1-3/4"
23	R42357	CLAMP	2		
24	28H1519	WASHER	1		0.493" X 0.675" X 3/8"
25	19H2552	CAP SCREW	1		3/8" X 1-1/8"

1J20

STEERING AND BRAKES

R32991 -UN-01JAN94

STEERING OIL LINES (FRONT)



R32991

KEY	PART NO.	PART NAME	QTY	TRACTOR SERIAL NO.	REMARKS
1	AR35210	LINE	2		
2	A4669R	BUSHING	4		(SUB FOR B1828R)
3	R27720	CLAMP	8		
4	19H2552	CAP SCREW	8		3/8" X 1-1/8"
5	12H304	LOCK WASHER	8		3/8"
6	R27212	FITTING	2		
7	R26448	O-RING	6		
8	19H1936	CAP SCREW	4		3/8" X 3/4"
9	AR36243	ADAPTER	2		
	15H588	TEE FITTING	2	XXXXXX-	1/8"
10	R32319	HYDRAULIC HOSE	2		
11	AT35121	ELBOW FITTING	2		90°, (SUB FOR AR26725)
12	19H1765	CAP SCREW	1		3/8" X 1-3/4"
13	R42357	CLAMP	2		(SUB FOR R27545)
14	28H1519	WASHER	1		0.493" X 0.675" X 3/8"

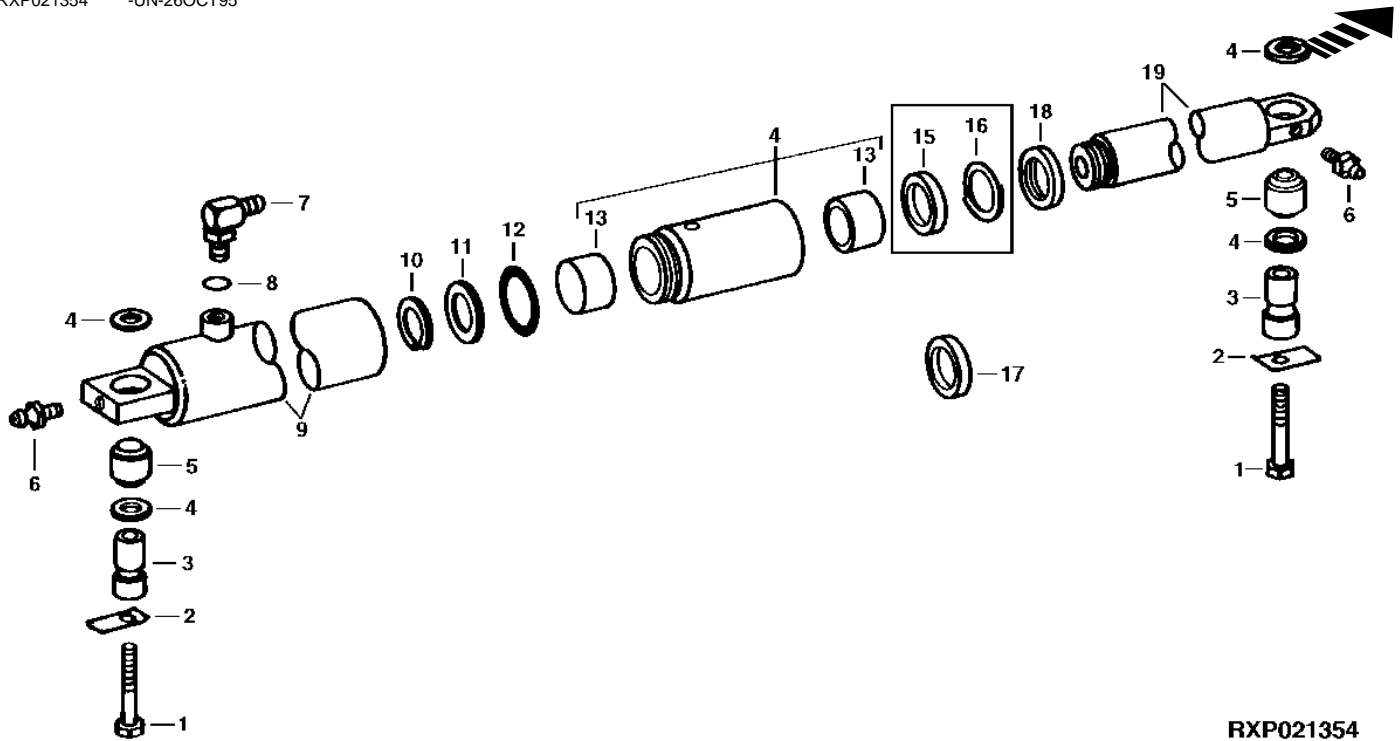
MEMORANDA

1J21

STEERING AND BRAKES

RXP021354 -UN-26OCT95

STEERING CYLINDER



RXP021354

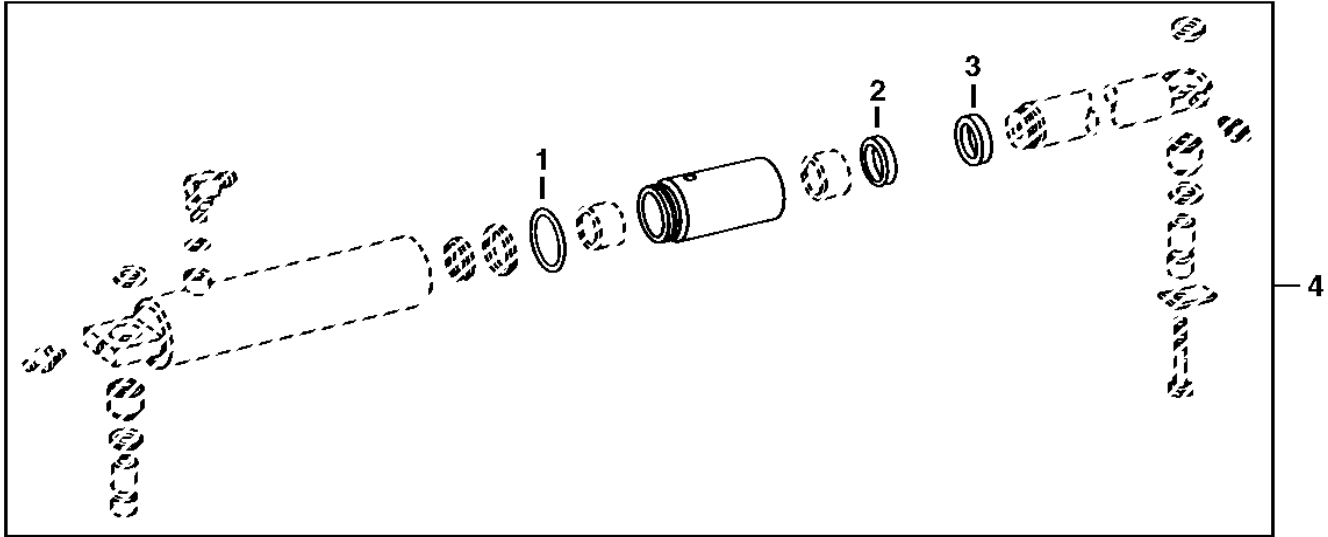
KEY	PART NO.	PART NAME	QTY	TRACTOR SERIAL NO.	REMARKS
1	19H1733	CAP SCREW	2	3/8" X 2-1/2"	
2	R30920	PLATE	2		
3	R30917	PIN	2	(SUB R76513)	
4	24H448	WASHER	4	25/32" X 1-1/8" X 0.090"	
5	AR30016	BUSHING	2		
6	JD7759	LUBRICATION FITTING	2		
7	AT35121	ELBOW FITTING	1	(SUB FOR AR26725)	
8	R26448	O-RING	1		
9	AR30166	CYLINDER	1		
10	A562R	SNAP RING	1		
11	24H1522	WASHER	1	1-33/64" X 1-7/8" X 0.120", (NLA)	
12	R30916	O-RING	1		
13	R30912	BUSHING	2		
14	AR30017	EXTENSION	1		
15	R30913	SEAL	1	(SUB R77413)	
16	R46410	WASHER	1	(SUB R77413)	
17	R77413	SEAL	1		
18	AR30018	SEAL	1		
19	AR30019	PISTON	1		

1J22

STEERING AND BRAKES

RXP021355 -UN-26OCT95

STEERING CYLINDER OVERHAUL KIT



RXP021355

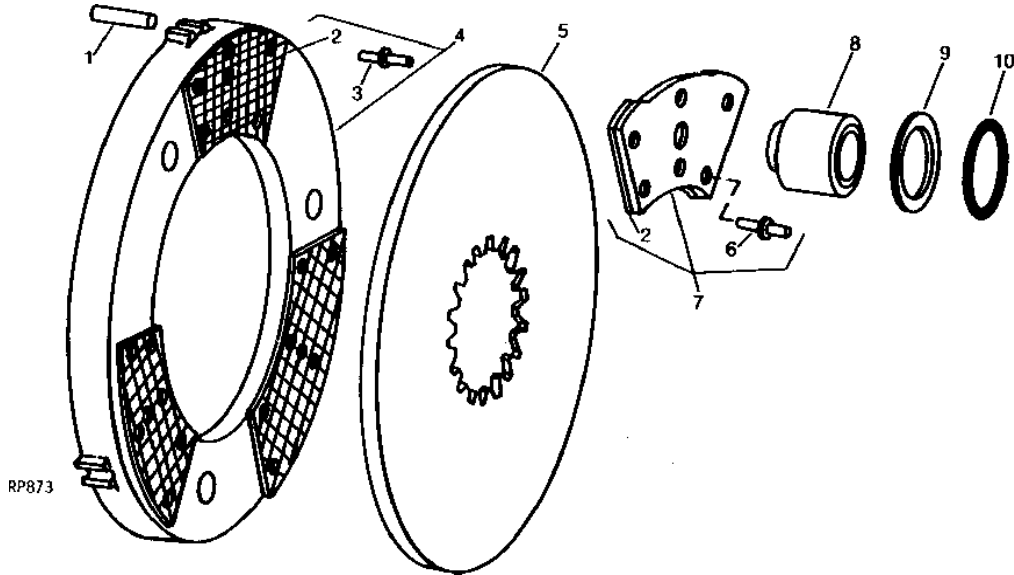
KEY	PART NO.	PART NAME	QTY	TRACTOR SERIAL NO.	REMARKS
1	R30916	O-RING	1		
2	R77413	SEAL	1		
3	AR30018	SEAL	1		
4	AR31944	KIT	1		

1J23

STEERING AND BRAKES

RP873 -UN-06OCT94

BRAKE PLATES AND FACINGS



KEY	PART NO.	PART NAME	QTY	TRACTOR SERIAL NO.	REMARKS
1	R44961	DOWEL PIN	6		(SUB FOR R35007)
2	R90086	BRAKE SHOE	12		(SUB FOR AR28488) (SUB R110464)
3	D2593R	RIVET	18		
	R35183	RIVET	18		
4	AR35045	PLATE	2		(MARKED R35182) (SUB RE46341 AND (3) RE46331)
5	R35184	BRAKE DISK	2		
6	D1761R	RIVET	36		
7	AR35580	PLATE	6		(SET OF 3) (SUB FOR AR35646) (SUB RE46341 AND (3) RE46331)
8	R48240	PISTON	6		(SUB FOR R26363 OR R42411)
	R46674	PISTON	6		(USE WITH R47100)
9	R26364	WASHER	6		PAPER
	R46673	WASHER	6		PAPER, (USE WITH R47100)
10	R26863	O-RING	6		
	A4728R	O-RING	6		(USE WITH R47100)

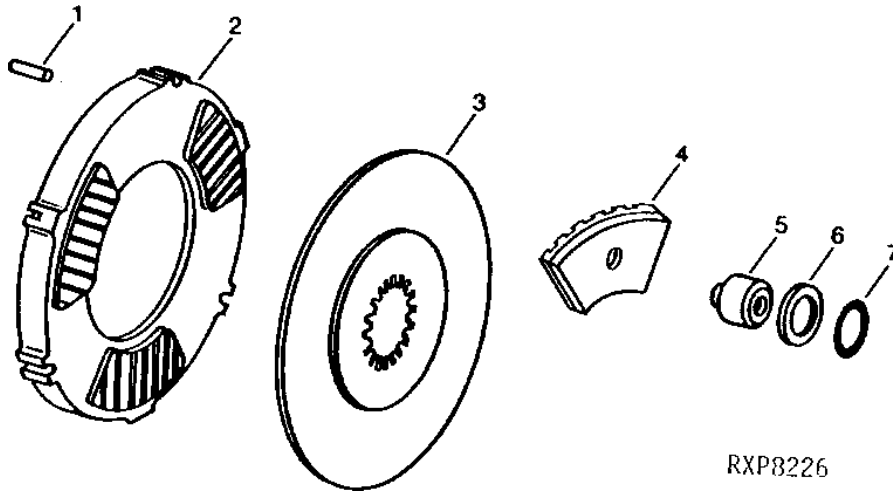
NOTE: TWO-PART SUBS ARE DUE TO INTRODUCTION OF NON-ASBESTOS LININGS.

1J24

STEERING AND BRAKES

RXP8226 -UN-01JAN94

BRAKE PLATES AND FACINGS

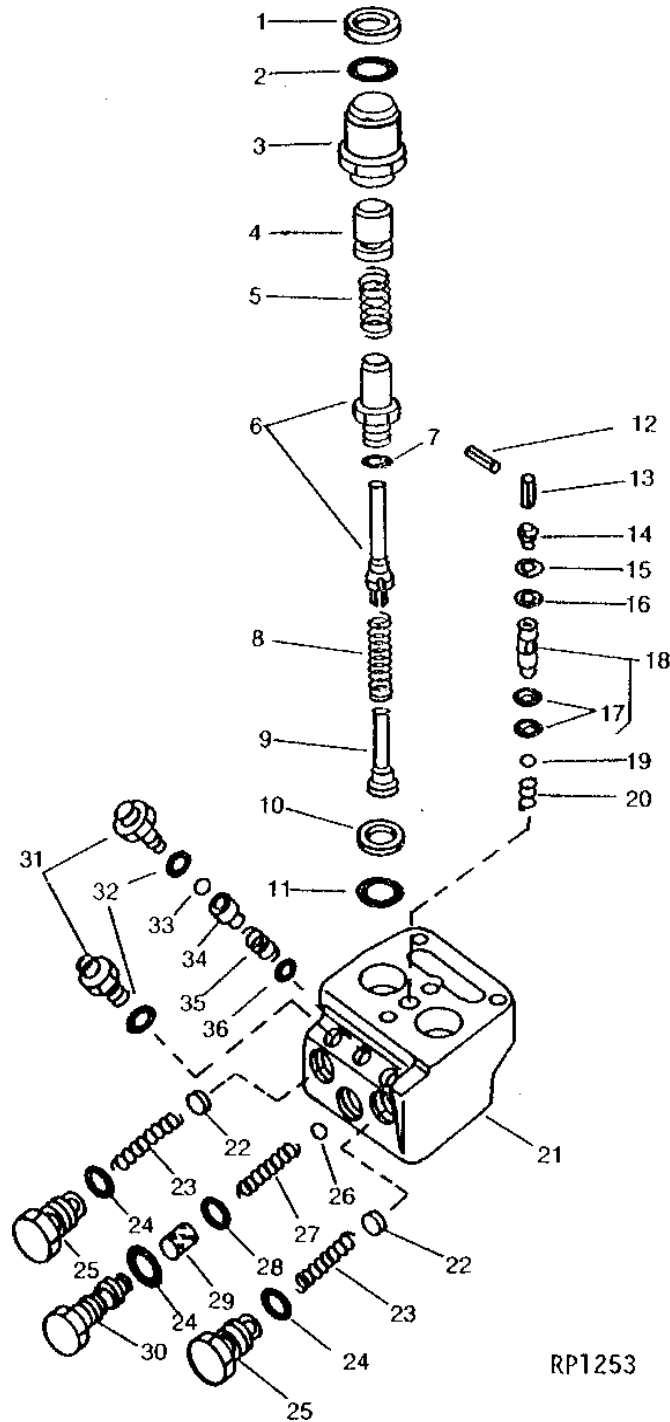


KEY	PART NO.	PART NAME	QTY	TRACTOR SERIAL NO.	REMARKS
1	R44961	DOWEL PIN	6		
2	RE38797	PLATE	2	(MARKED R44837) (SUB RE46341)	
3	R35184	BRAKE DISK	2		
4	RE32942	PLATE	6	(SUB RE46341)	
5	R48240	PISTON	6		
	R46674	PISTON	6	(USE WITH R47100)	
6	R26364	WASHER	6		
	R46673	WASHER	6	(USE WITH R47100)	
7	R26863	O-RING	6		
	A4728R	O-RING	6	(USE WITH R47100)	

1K1

RP1253 -UN-01JAN94

BRAKE VALVE



RP1253

1K2

STEERING AND BRAKES

BRAKE VALVE - CONTINUED

KEY	PART NO.	PART NAME	QTY	TRACTOR SERIAL NO.	REMARKS
1	R32092	WASHER	2		
2	R459R	O-RING	2		
3	R32091	PISTON	2		
4	R32090	PLUNGER	2		
5	R26369	SPRING	2		
6	AR52498	VALVE	2		(SUB FOR AR30855 OR AR45634)
7	R26286	O-RING	2		
8	R26367	SPRING	2		
9	R31639	PIN	2		
10	R27137	BACK-UP RING	2		
11	R27149	O-RING	2		
12	R31464	PIN	2		
13	R31467	PIN	2		
14	R31465	SLEEVE	2		
15	R31469	SHIM	2		
16	R31468	O-RING	2		
17	R30903	O-RING	4		
18	AR31016	GUIDE	2		
19	400R	BALL	2		6MM (1/4")
20	A4816R	SPRING	2		
21	AR42400	HOUSING	1		(MARKED R31454) (SUB FOR AR31940)
22	R26376	DISK	2		
23	R227R	SPRING	2		
24	R26375	O-RING	3		
25	R32702	FITTING	2		
26	R42849	BALL	1		10MM (3/8") (SUB FOR 405R)
27	R26372	SPRING	1		
28	R28776	O-RING	1		
29	R42684	STRAINER	1		(SUB FOR R28775)
30	R28774	FITTING	1		
31	R27527	ADAPTER	4		
32	R26287	O-RING	4		
33	400R	BALL	1		6MM (1/4")
34	R26374	STOP	1	-024038	
	R44254	GUIDE	1	024039-	
35	R26373	SPRING	1	-024038	
	R44256	SPRING	1	024039-	
36	R44255	WASHER	1	024039-	

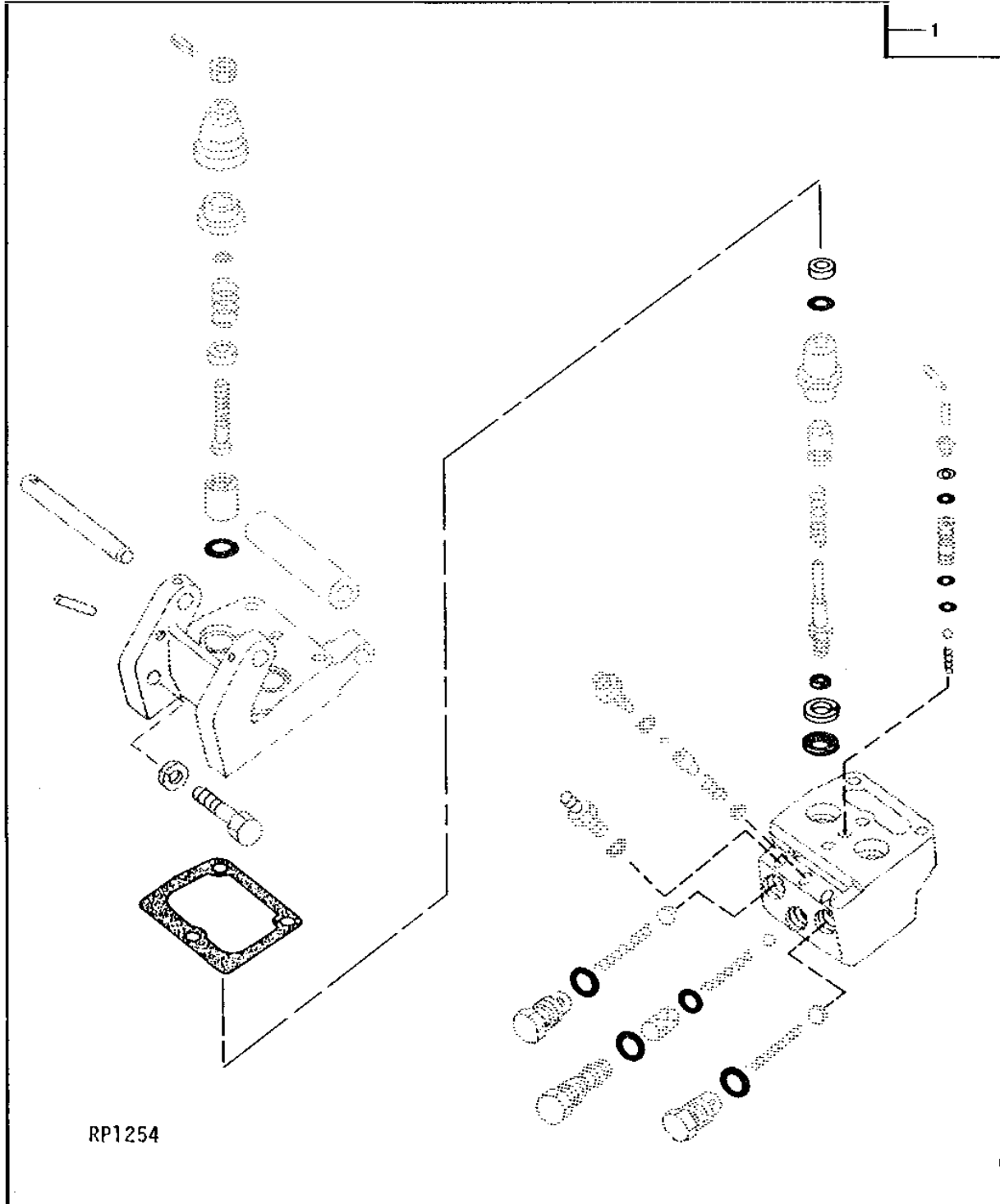
1K3

STEERING AND BRAKES

RP1254

-UN-01JAN94

BRAKE VALVE OVERHAUL KIT



RP1254

1K4

STEERING AND BRAKES

BRAKE VALVE OVERHAUL KIT - CONTINUED

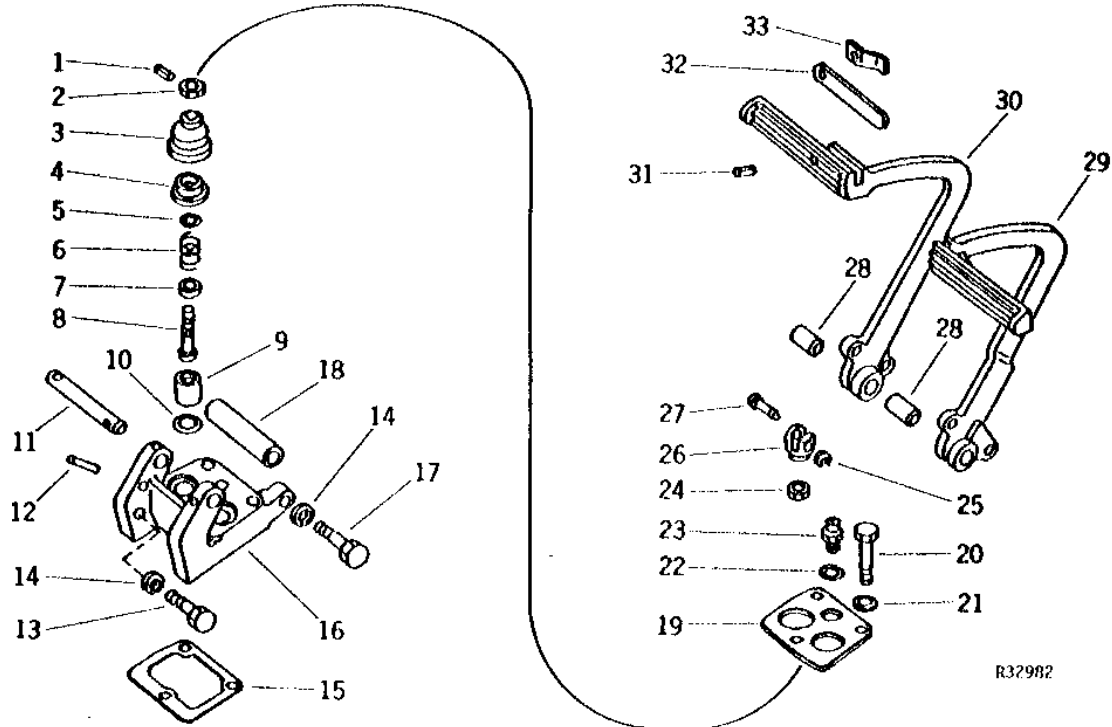
KEY	PART NO.	PART NAME	QTY	TRACTOR SERIAL NO.	REMARKS
1	AR31946	KIT	1		

1K5

STEERING AND BRAKES

R32982 -UN-01JAN94

BRAKE PEDALS AND BRACKET



R32982

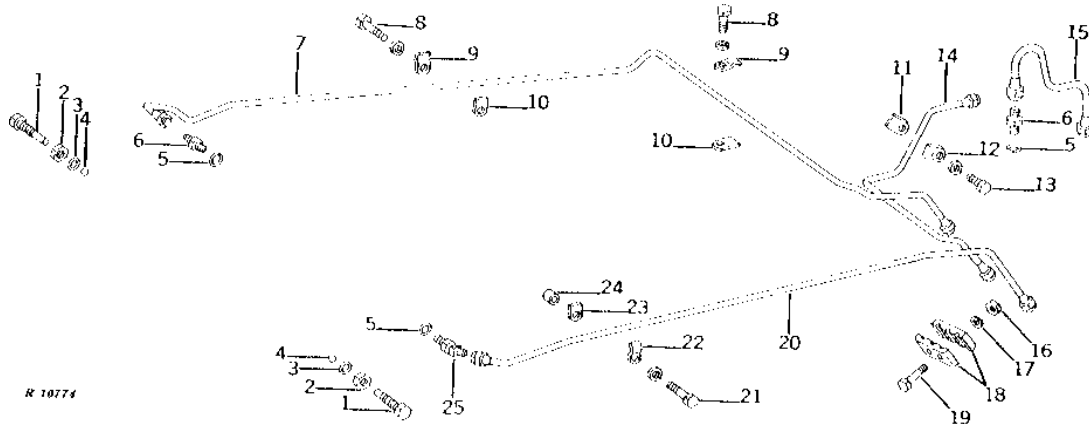
KEY	PART NO.	PART NAME	QTY	TRACTOR SERIAL NO.	REMARKS
1	34H245	SPRING PIN	2		1/8" X 5/8"
2	R39982	NUT	2		
3	R54059	BOOT	2		(SUB FOR R39981)
4	R31459	RETAINER	2		
5	R30903	O-RING	2		
6	R31271	SPRING	2		
7	R52168	STOP	2		(SUB FOR R31458)
8	R39980	BOLT	2		
9	R52169	GUIDE	2		(SUB FOR R31457)
10	A3606R	O-RING	2		
11	R34747	GROOVE PIN	1		
	R45929	GROOVE PIN	1		(USE WITH R45928)
12	34H286	SPRING PIN	1		3/16" X 1-1/2"
13	19H2550	CAP SCREW	1		1/2" X 1-5/8"
14	12H301	LOCK WASHER	2		1/2"
15	R31455	GASKET	1		
16	R57815	BRACKET	1		(SUB FOR R45928)
	12H301	LOCK WASHER	1		1/2"
17	19H2211	CAP SCREW	1		1/2" X 5"
18	R35614	SPACER	1		
19	R26384	RETAINER	1		
20	19H1733	CAP SCREW	3		3/8" X 2-1/2"
21	12H304	LOCK WASHER	3		3/8"
22	R26287	O-RING	1		
23	R27527	ADAPTER	1		
24	14H732	NUT	2		3/8"
25	R26386	SNAP RING	2		
26	R31273	YOKE	2		
27	R26385	PIN	2		
28	B177R	BUSHING	2		
29	AR36279	PEDAL	1		R.H. (MARKED R36915)
30	AR36280	PEDAL	1		L.H. (MARKED R36916)
31	34H312	SPRING PIN	1		1/4" X 1"
32	R63754	ANGLE	1		(SUB FOR R32376 OR R50879)
33	R50034	LEAF SPRING	1		(SUB FOR R31602)

1K6

STEERING AND BRAKES

R10774 -UN-01JAN94

BRAKE OIL LINES



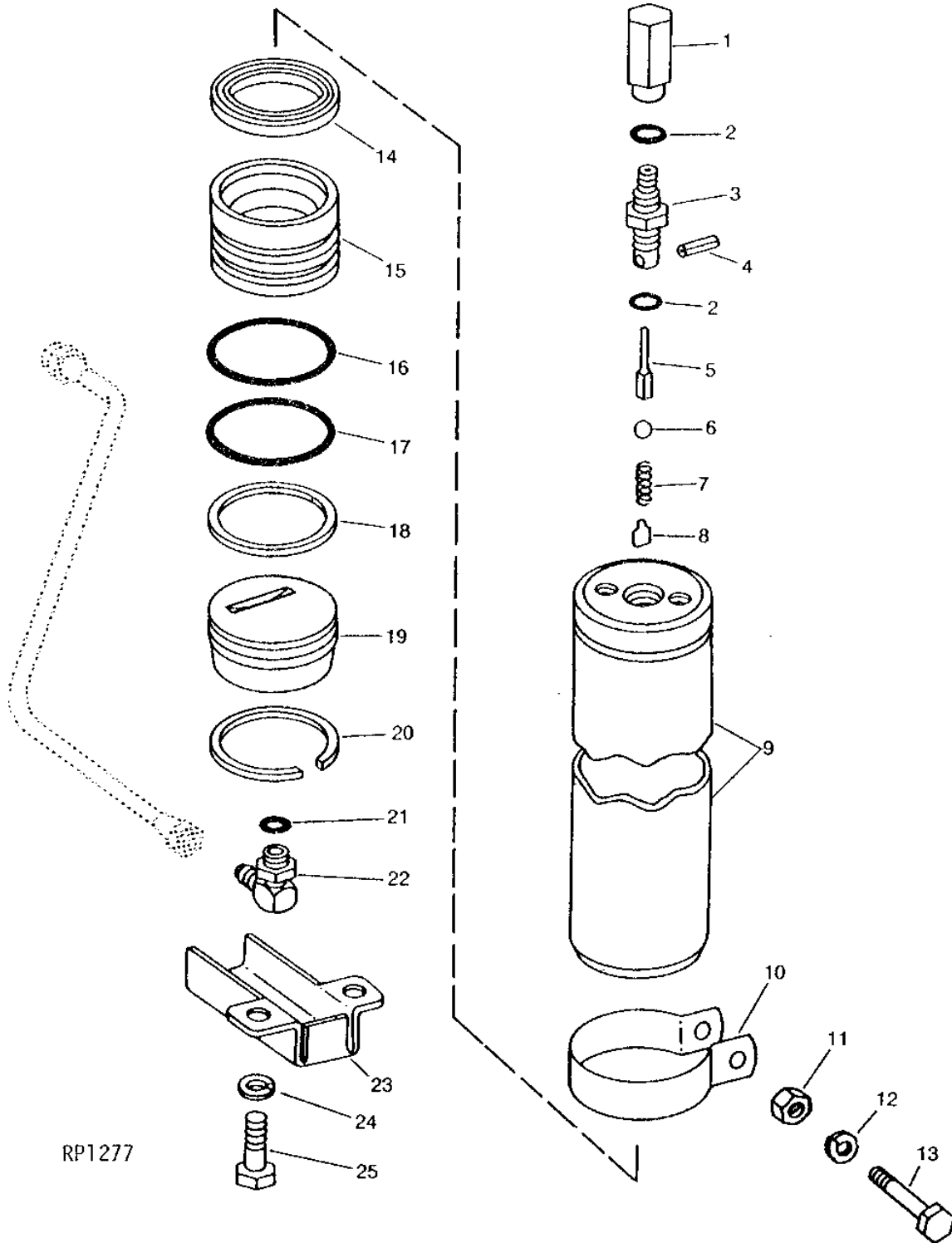
KEY	PART NO.	PART NAME	QTY	TRACTOR SERIAL NO.	REMARKS
1	R27906	SCREW	2		
2	R27296	NUT	2		
3	R26286	O-RING	2		
4	R42849	BALL	2	10MM (3/8") (SUB FOR 405R)	
5	R26287	O-RING	3		
6	R27527	ADAPTER	2		
7	AR49291	HYDRAULIC LINE	1	L.H. (SUB FOR AR35267)	
8	19H1936	CAP SCREW	3	3/8" X 3/4"	
	12H304	LOCK WASHER	3	3/8"	
9	R31654	CLAMP	3		
10	R31655	STRAP	3		
11	R31655	STRAP	1		
12	R31654	CLAMP	1		
13	19H1900	CAP SCREW	1	5/16" X 3/4"	
	12H303	LOCK WASHER	1	5/16"	
14	AR35202	HYDRAULIC LINE	1		
15	AR35235	HYDRAULIC LINE	1		
16	14H785	NUT	2	5/16"	
17	12H303	LOCK WASHER	2	5/16"	
18	R36086	CLAMP	2		
19	19H1849	CAP SCREW	2	5/16" X 1-1/4"	
20	AR46408	HYDRAULIC LINE	1	R.H. (ALSO ORDER R44949, R44950 AND 28H1496) (SUB FOR AR36259)	
21	19H256	CAP SCREW	1	3/8" X 2", FRONT	
	19H1944	CAP SCREW	1	3/8" X 2-3/4", REAR	
	12H304	LOCK WASHER	2	3/8"	
22	R31654	CLAMP	2		
23	R31655	STRAP	2		
24	28H1495	SPACER	1	FRONT (9/32" X 2" X .036")	
	28H1530	BUSHING	1	REAR (33/64" X 3" X .048")	
25	AR35223	ELBOW FITTING	1	45°	

1K7

RP1277

-UN-01JAN94

BRAKE ACCUMULATOR



RP1277

1K8

STEERING AND BRAKES

BRAKE ACCUMULATOR - CONTINUED

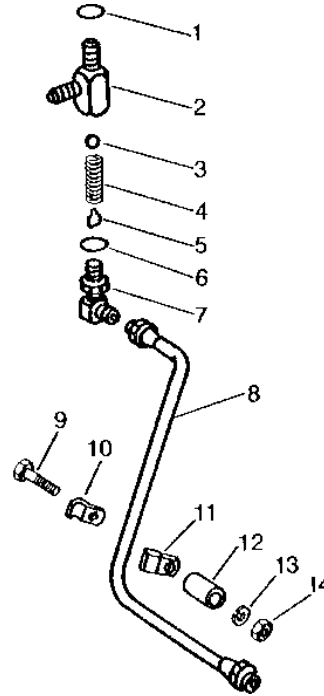
KEY	PART NO.	PART NAME	QTY	TRACTOR SERIAL NO.	REMARKS
1	R30886	FITTING	1		
2	R26448	O-RING	2		
3	R32497	HOUSING	1		
4	34H242	SPRING PIN	1	1/8" X 7/16"	
5	R32498	PIN	1		
6	400R	BALL	1	6MM (1/4")	
7	R26373	SPRING	1		
8	R26374	STOP	1		
9	AR39672	CYLINDER	1		
10	R35794	CLAMP	1		
11	14H1076	NUT	1	3/8"	
12	12H304	LOCK WASHER	1	3/8"	
13	03H1480	BOLT	1	3/8" X 1-1/4"	
14	R35680	SEAL	1		
15	R57103	PISTON	1		(ALSO ORDER (2) A4728R, (2) L29015 AND R27649) (SUB FOR R35679, R44253 OR R48952)
16	A4728R	O-RING	1		
17	U12331	O-RING	1		
18	R35684	BACK-UP RING	1		
19	R47200	CAP	1		(ALSO ORDER (2) A4728R, (2) L29015, R27649 AND R57103) (SUB FOR R35681) (NLA)
20	U10136	SNAP RING	1		
21	R26287	O-RING	1		
22	AT32335	ELBOW FITTING	1	90°, (SUB FOR AR26746)	
23	R45236	SHIELD	1	(SUB FOR R35613)	
24	12H304	LOCK WASHER	2	3/8"	
25	19H2284	CAP SCREW	2	3/8" X 7/8"	

1K9

STEERING AND BRAKES

RP1278 -UN-01JAN94

BRAKE ACCUMULATOR CHECK VALVE AND OIL LINE



RP1278

KEY	PART NO.	PART NAME	QTY	TRACTOR SERIAL NO.	REMARKS
1	R26286	O-RING	1		
2	AR35218	FITTING	1		
3	400R	BALL	1	6MM (1/4")	
4	R26373	SPRING	1		
5	R26374	STOP	1		
6	R26287	O-RING	1		
7	AT32335	ELBOW FITTING	1	90°	
8	AR35203	HYDRAULIC LINE	1		
9	19H150	CAP SCREW	1	5/16" X 2-1/4"	
10	R31654	CLAMP	1		
11	R31655	STRAP	1		
12	28H1527	SPACER	1	3/8" X 1-3/8"	
13	12H303	LOCK WASHER	1	5/16"	
14	14H785	NUT	1	5/16"	

2A22

HYDRAULICS

R32261 -UN-01JAN94

TRANSMISSION AND HYDRAULIC OIL



R32261F

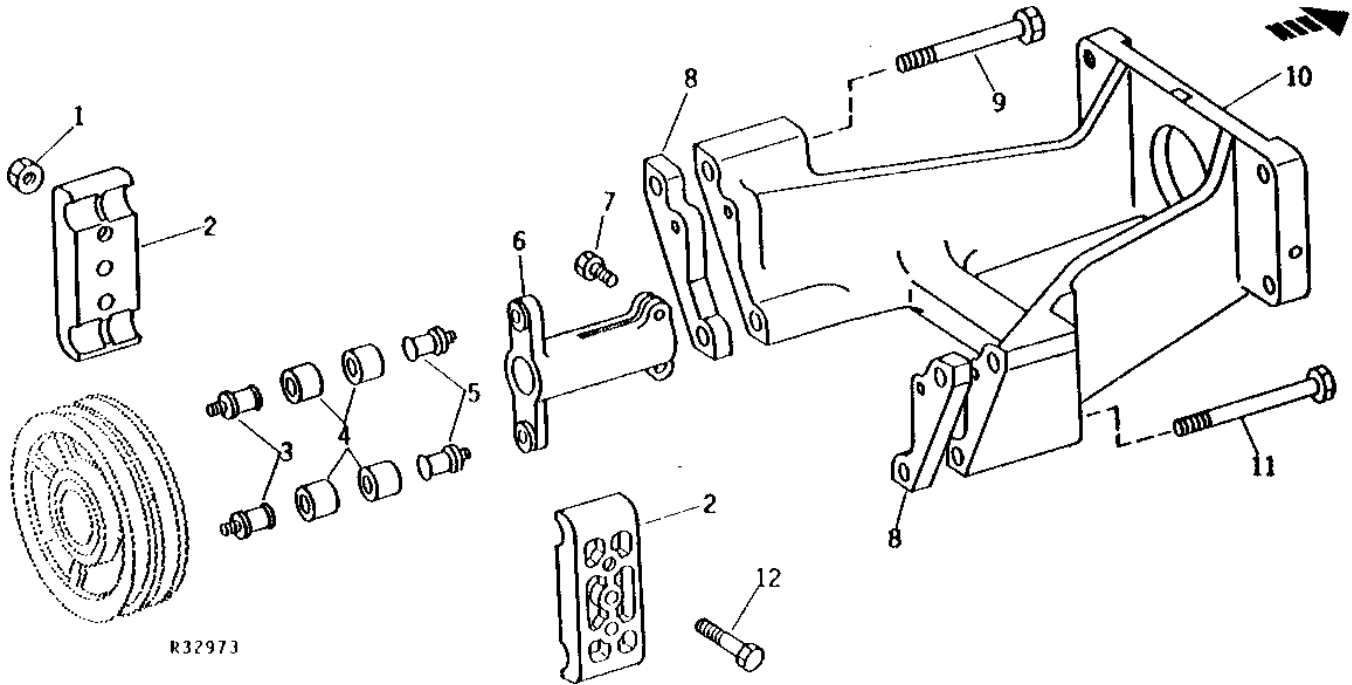
KEY	PART NO.	PART NAME	QTY	TRACTOR SERIAL NO.	REMARKS
1	AR69444	HY-GARD	1		19 L (5 GAL)
	AR69445	HY-GARD	1		208 L (55 GAL) (EMPTY DRUMS NOT RETURNABLE)

2A23

HYDRAULICS

R32973 -UN-01JAN94

HYDRAULIC PUMP DRIVE AND SUPPORT



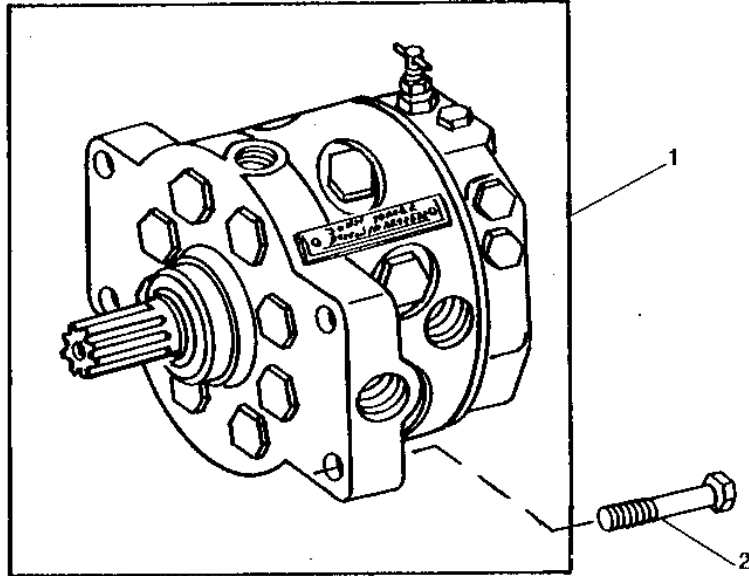
KEY	PART NO.	PART NAME	QTY	TRACTOR SERIAL NO.	REMARKS
1	M63440	LOCK NUT	2		(SUB E50102)
2	R34362	EXTERNAL HALF COUPLER	2		
3	R34360	SCREW	2		
4	AR49427	BUSHING	1		(PKG. OF 4) (SUB FOR AR34098) (SUB R45822)
5	R34360	SCREW	2		
6	AT42311	SHAFT	1		(SUB R34359, (2) R34360 AND (2) R45822)
7	19H1732	CAP SCREW	2		3/8" X 1-1/4"
8	R35298	SPACER	2		
9	19H3544	CAP SCREW	2		1/2" X 4-1/2", HS, SAE 8
10	R46774	SUPPORT	1		(SUB FOR R34358)
11	19H3599	CAP SCREW	2		1/2" X 5-1/4"
12	19H2116	CAP SCREW	2		3/8" X 2-1/2"

2A24

HYDRAULICS

RP3196 -UN-01JAN94

REPLACEMENT HYDRAULIC PUMP ASSEMBLY



RP3196

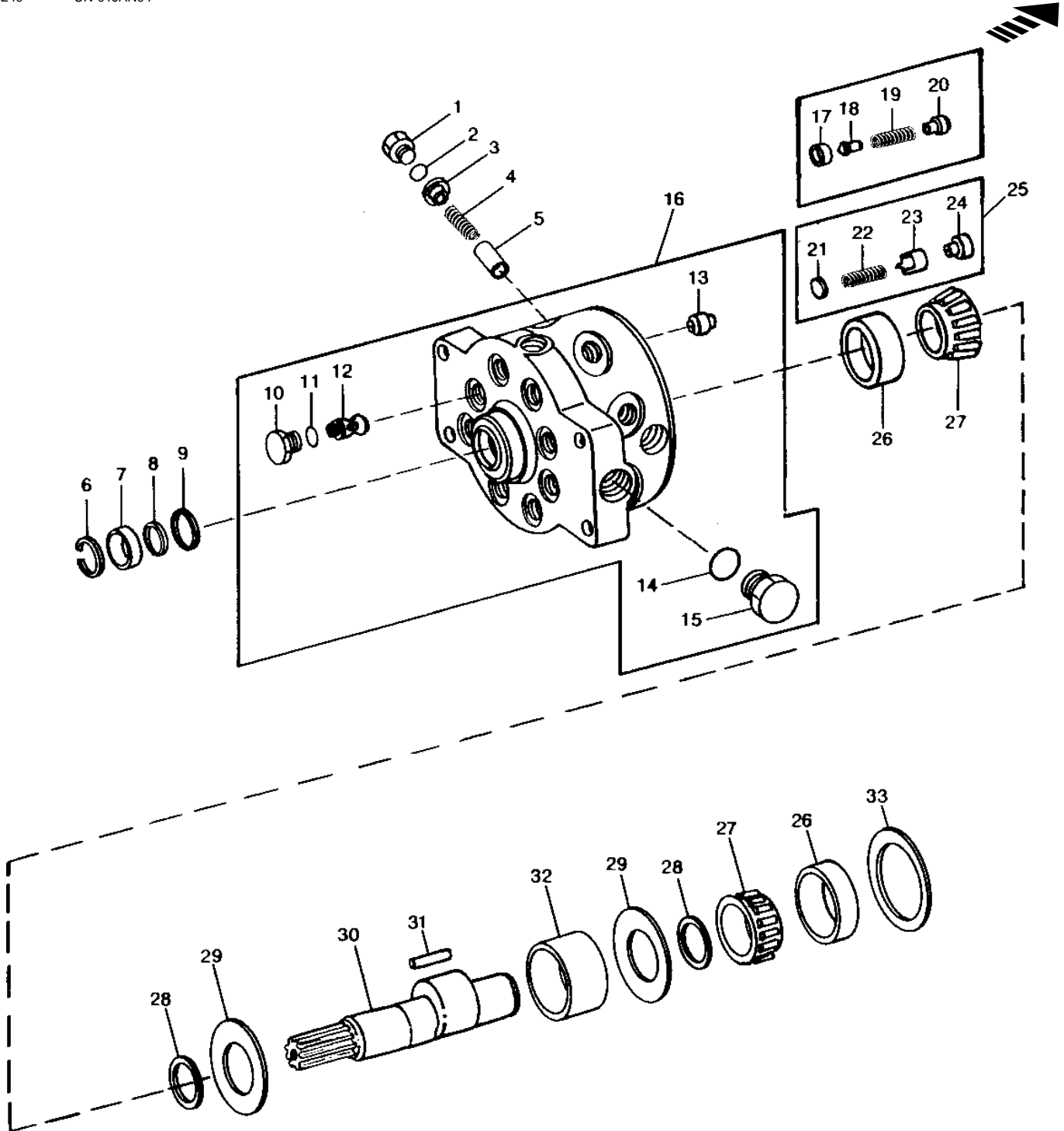
KEY	PART NO.	PART NAME	QTY	TRACTOR SERIAL NO.	REMARKS
1	AR94660	HYDRAULIC PUMP	1		50 CM3 (3 IN.3) (MODEL GA1) (ALSO ORDER R36075, P47908 AND F3171R) (SUB FOR AR39694, AR47802 OR AR56161)
2	19H1990	CAP SCREW	4		1/2" X 2-1/4"

2B1

HYDRAULICS

HYDRAULIC PUMP
49 CM3 (3 IN.3)
(PUMP LESS SERIAL PLATE)

RP3249 -UN-01JAN94



RP3249

2B2

HYDRAULICS

HYDRAULIC PUMP - CONTINUED
49 CM3 (3 IN.3)
(PUMP LESS SERIAL PLATE)

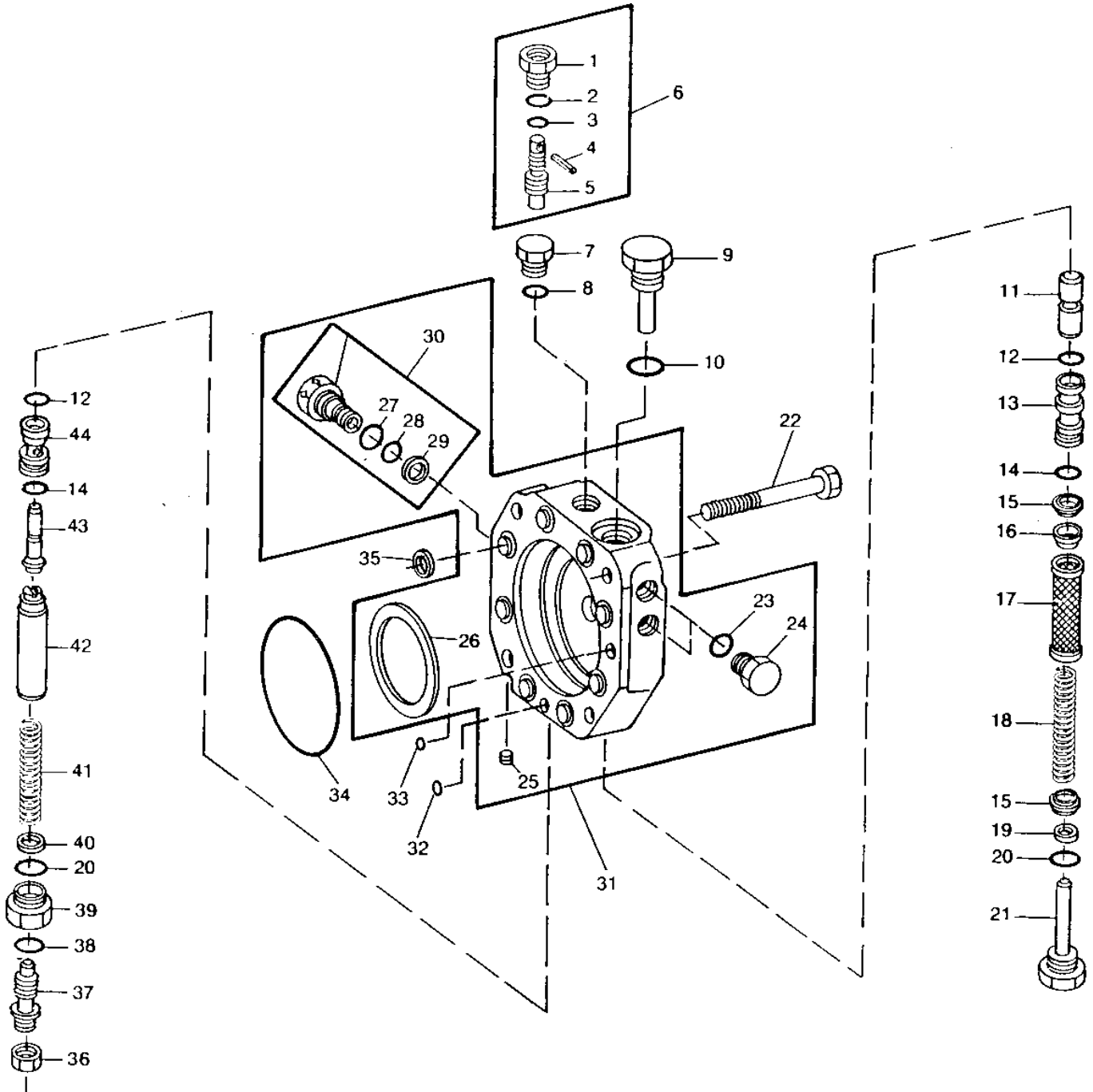
KEY	PART NO.	PART NAME	QTY	MODEL NO.	REMARKS
1	R45438	FITTING	8		(SUB FOR R34353)
2	R495R	O-RING	8	-XXXXXX	(SUB R56463 AND AR101236)
	R56463	O-RING	8	XXXXXX-	
3	AR101236	SHIELD	1	XXXXXX-	(SET OF 8) (SUB FOR R56749)
4	AR76762	SPRING	1		(SET OF 8) (SUB FOR AR33821 OR AR55186)
5	R27150	PISTON	8		
6	R26137	SNAP RING	1		
7	RE28790	SEAL	1		(SUB FOR AR40398 OR AR52224)
8	R56753	SHIM	1	XXXXXX-	
9	R39729	O-RING	1		
10	R78293	FITTING	8		(SUB FOR R27148 OR R44823)
11	R27149	O-RING	8		
12	AR53301	VALVE	8		(INLET) (SUB FOR AR26758)
13	R105583	SEAT	8	1PP2-	(SUB FOR R39067)
14	U13639	O-RING	1		(USE WITH R34354 OR R45228)
	F3171R	O-RING	1		(USE WITH R45227)
15	R39741	DRAIN PLUG	1		1-5/8", (USE WITH R34354 OR R45228)
	R27175	DRAIN PLUG	1		1-1/16", (USE WITH R45227)
16	AR47580	HOUSING	1		(MARKED R34354, R45227 OR R45228) (SUB AR94660) (ALSO ORDER R36075, P47908 AND F3171R) (SUB FOR AR39696 OR AR47170)
17	R27155	WASHER	8	-1PP1	
18	R27154	POPPET	8	-1PP1	
19	R38531	SPRING	8	-1PP1	(SUB FOR R27156)
20	R27157	GUIDE	8	-1PP1	
21	R49297	DISK	8	1PP2-1PP5	(SUB FOR R39074)
22	R39228	SPRING	8	1PP2-1PP5	
23	R48738	GUIDE	8	1PP2-1PP5	(SUB FOR R39174)
24	R83508	STOP	8	1PP2-1PP5	(SUB FOR R39175, R48298 OR R72886)
25	RE23382	VALVE	8	1PP2-1PP5	(OUTLET) (SUB FOR AR39026, AR52099, AR52785 OR AR96613)
26	JD8223	BEARING CUP	2		
27	JD8192	BEARING CONE	2		
28	R34349	WASHER	2		
29	R60732	WASHER	2		(SUB FOR R42467)
30	R34348	SHAFT	1		
31	R27145	NEEDLE ROLLER	36		
32	R45874	BEARING RACE	1		(SUB FOR R27146)
33	R27478	SHIM	AR		0.15MM (.006")
	R27479	SHIM	AR		0.25MM (.010")
..	AR39694	HYDRAULIC PUMP	1		(ALSO ORDER R36075, P47908 AND F3171R) (SUB AR94660)
..	AR47802	HYDRAULIC PUMP	1		(ALSO ORDER R36075, P47908 AND F3171R) (SUB FOR AR39694) (SUB AR94660)
..	AR56161	HYDRAULIC PUMP	1		(ALSO ORDER R36075, P47908 AND F3171R) (SUB FOR AR39694 OR AR47802) (SUB AR94660)

2B3

HYDRAULICS

HYDRAULIC PUMP STROKE CONTROL VALVE 49 CM3 (3 IN.3) (PUMP LESS SERIAL PLATE)

RP3510 -UN-01JAN94



RP 3510

2B4

HYDRAULICS

HYDRAULIC PUMP STROKE CONTROL VALVE - CONTINUED
 49 CM3 (3 IN.3)
 (PUMP LESS SERIAL PLATE)

KEY	PART NO.	PART NAME	QTY	TRACTOR SERIAL NO.	REMARKS
1	R27475	FITTING	1		
2	R26448	O-RING	1		
3	A4365R	O-RING	1		
4	34H254	SPRING PIN	1	1/8" X 1-1/2"	
5	R27171	SCREW	1		
6	AR33249	SCREW	1	(MANUAL DESTROKE)	
7	R27218	FITTING PLUG	1	(LESS MANUAL DESTROKE)	
8	R26448	O-RING	1	(LESS MANUAL DESTROKE)	
9	AR51745	DRAIN PLUG	1		
10	R26906	O-RING	1		
11	R27172	VALVE	1		
12	R27564	O-RING	2		
13	R70351	SLEEVE	1	(SUB FOR R27476)	
14	R27166	O-RING	2		
15	R27174	PACKING	2		
16	R27167	GUIDE	1		
17	R27173	FILTER ELEMENT	1		
18	R27159	SPRING	1		
19	R27170	SHIM	AR	0.010"	
	24H1298	WASHER	AR	0.030"	
20	F3171R	O-RING	2		
21	AR26646	DRAIN PLUG	1		
22	19H3520	CAP SCREW	4	1/2" X 3-1/4"	
23	R26287	O-RING	2		
24	R27216	DRAIN PLUG	2		
25	15H560	PIPE PLUG	1	1/16", (USE WITH R49071)	
26	R49072	WASHER	1	(NOT USED IN ALL APPLICATIONS)	
27	R26375	O-RING	1	(USE WITH R49071)	
28	T40308	O-RING	1	(USE WITH R49071)	
29	T57374	BACK-UP RING	1	(USE WITH R49071)	
30	AR90378	PLUG	1	(USE WITH R49071)	
31	AR38714	HOUSING	1	(MARKED R42663, R44802 OR R49071)	
32	R56755	WASHER	1	(SUB FOR A4847R)	
33	R56756	O-RING	1	(SUB FOR A3917R)	
34	R56757	O-RING	1	(SUB FOR R26621)	
35	R69279	WASHER	8	(SUB FOR R26149 OR R56754)	
36	14H1021	NUT	1	7/16"	
37	AR52254	SET SCREW	1		
38	R28782	O-RING	1		
39	R28781	FITTING	1		
40	R42260	WASHER	1		
41	R31781	SPRING	1		
42	R71321	GUIDE	1	(SUB FOR R32344)	
43	R70559	CONTROL VALVE	1	(SUB RE10712, R27166 AND R41057) (SUB FOR R27472 OR R65194)	
44	R69262	SLEEVE	1	(SUB RE10712, R27166 AND R41057) (SUB FOR R27471, R58499 OR R65192)	

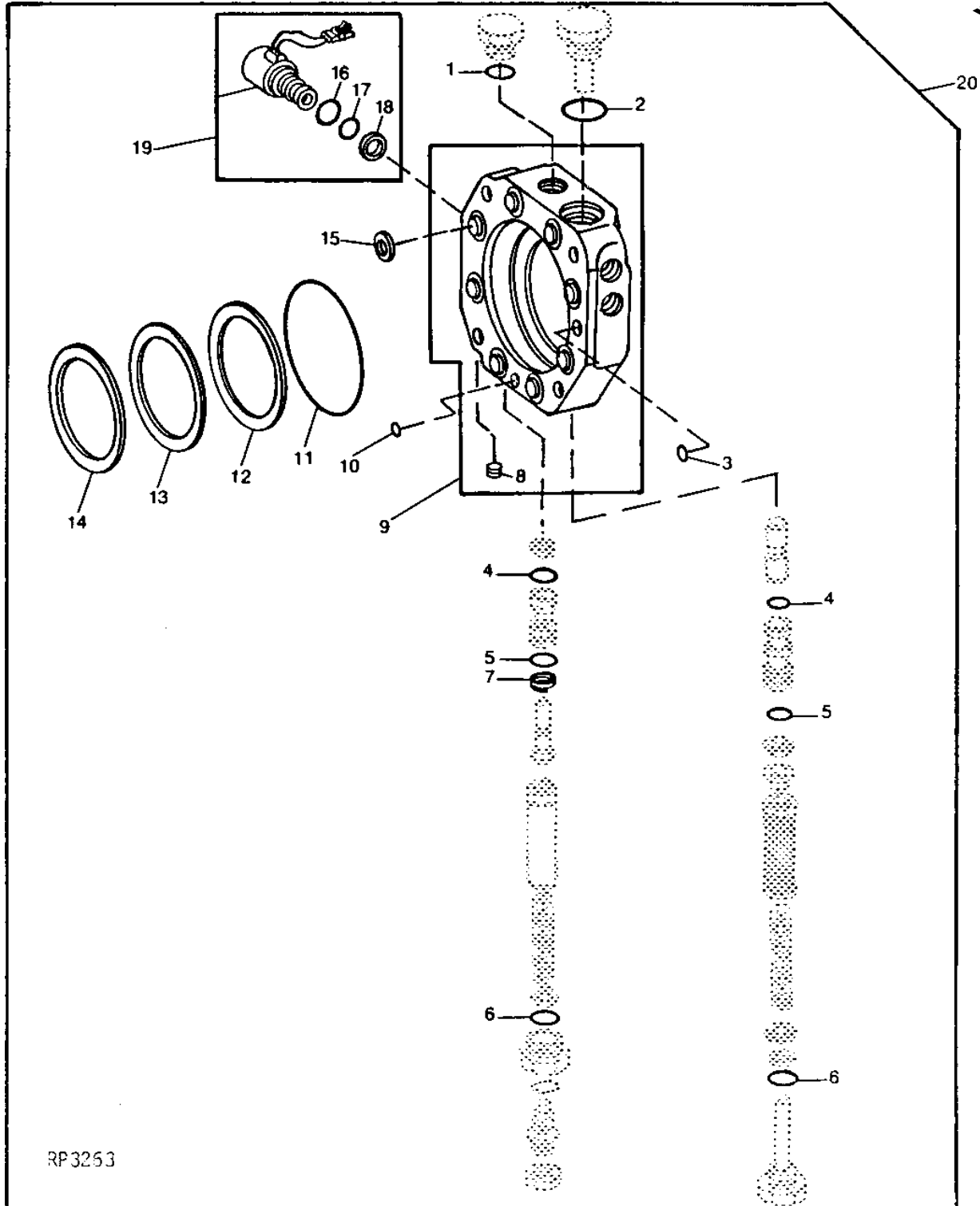
2B5

HYDRAULICS

HYDRAULIC PUMP ELECTRIC DESTROKE KIT 49 CM3 (3 IN.3) (PUMP LESS SERIAL PLATE)

RP3263

-UN-01JAN94



2B6

HYDRAULICS

HYDRAULIC PUMP ELECTRIC DESTROKE KIT - CONTINUED
49 CM3 (3 IN.3)
(PUMP LESS SERIAL PLATE)

KEY	PART NO.	PART NAME	QTY	TRACTOR SERIAL NO.	REMARKS
1	R26448	O-RING	1		
2	R26906	O-RING	1		
3	R56756	O-RING	1		
4	R27564	O-RING	2		
5	R27166	O-RING	2		
6	F3171R	O-RING	2		
7	R41057	BACK-UP RING	1		
8	15H560	PIPE PLUG	1		1/16"
9	AR52494	HOUSING	1		(MARKED R49071)
10	R56755	WASHER	1		
11	R56757	O-RING	1		
12	R27478	SHIM	2		0.15MM (.006")
13	R27479	SHIM	2		0.25MM (.010")
14	R49072	WASHER	1		(NOT USED IN ALL APPLICATIONS)
15	R69279	WASHER	8		
16	R26375	O-RING	1		
17	T40308	O-RING	1		
18	T57374	BACK-UP RING	1		
19	RE32529	SOLENOID VALVE	1		(SUB FOR RE12169)
20	RE14868	KIT	1		(A) (SUB RE40463)

(A) INCLUDES RE12330 WIRE CONNECTORS

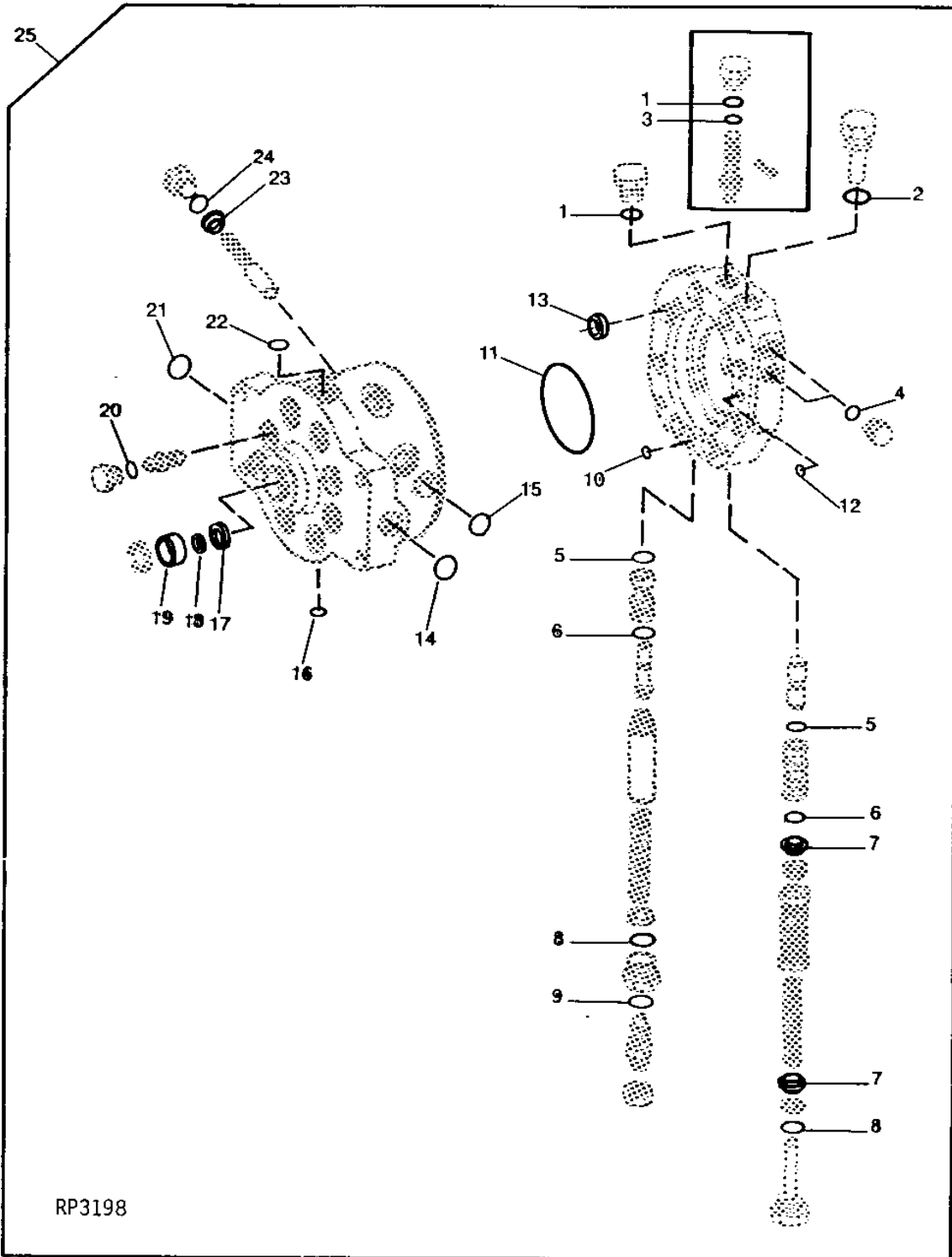
2B7

HYDRAULICS

HYDRAULIC PUMP AND STROKE CONTROL VALVE OVERHAUL KIT 49 CM3 (3 IN.3) (PUMP LESS SERIAL PLATE)

RP3198

-UN-01JAN94



2B8

HYDRAULICS

HYDRAULIC PUMP AND STROKE CONTROL VALVE OVERHAUL KIT - CONTINUED
49 CM3 (3 IN.3)
(PUMP LESS SERIAL PLATE)

KEY	PART NO.	PART NAME	QTY	TRACTOR SERIAL NO.	REMARKS
1	R26448	O-RING	2		
2	R26906	O-RING	1		
3	A4365R	O-RING	1		
4	R26287	O-RING	2		
5	R27564	O-RING	2		
6	R27166	O-RING	2		
7	R27174	PACKING	2		
8	R56751	O-RING	2		
9	R28782	O-RING	1		
10	R56755	WASHER	1		
11	R56757	O-RING	1		
12	R56756	O-RING	1	(A)	
	A4365R	O-RING	1	(A)	
13	R69279	WASHER	8		
14	U13639	O-RING	1		
15	R26906	O-RING	1		
16	R26287	O-RING	1		
17	R39729	O-RING	1		
18	R56753	SHIM	1		
19	RE28790	SEAL	1	(SUB FOR AR52224)	
20	R27149	O-RING	8		
21	R56751	O-RING	1		
22	R27928	O-RING	2	(A) TOP	
	P47908	O-RING	1	(A) BOTTOM	
	R35827	WASHER	1	(A)	
23	AR101236	SHIELD	1	(SET OF 8)	
24	R56463	O-RING	8		
25	RE29103	KIT	1	(B) (SUB FOR AR67718)	

(A) UNIVERSAL KIT - APPLICATIONS WILL VARY

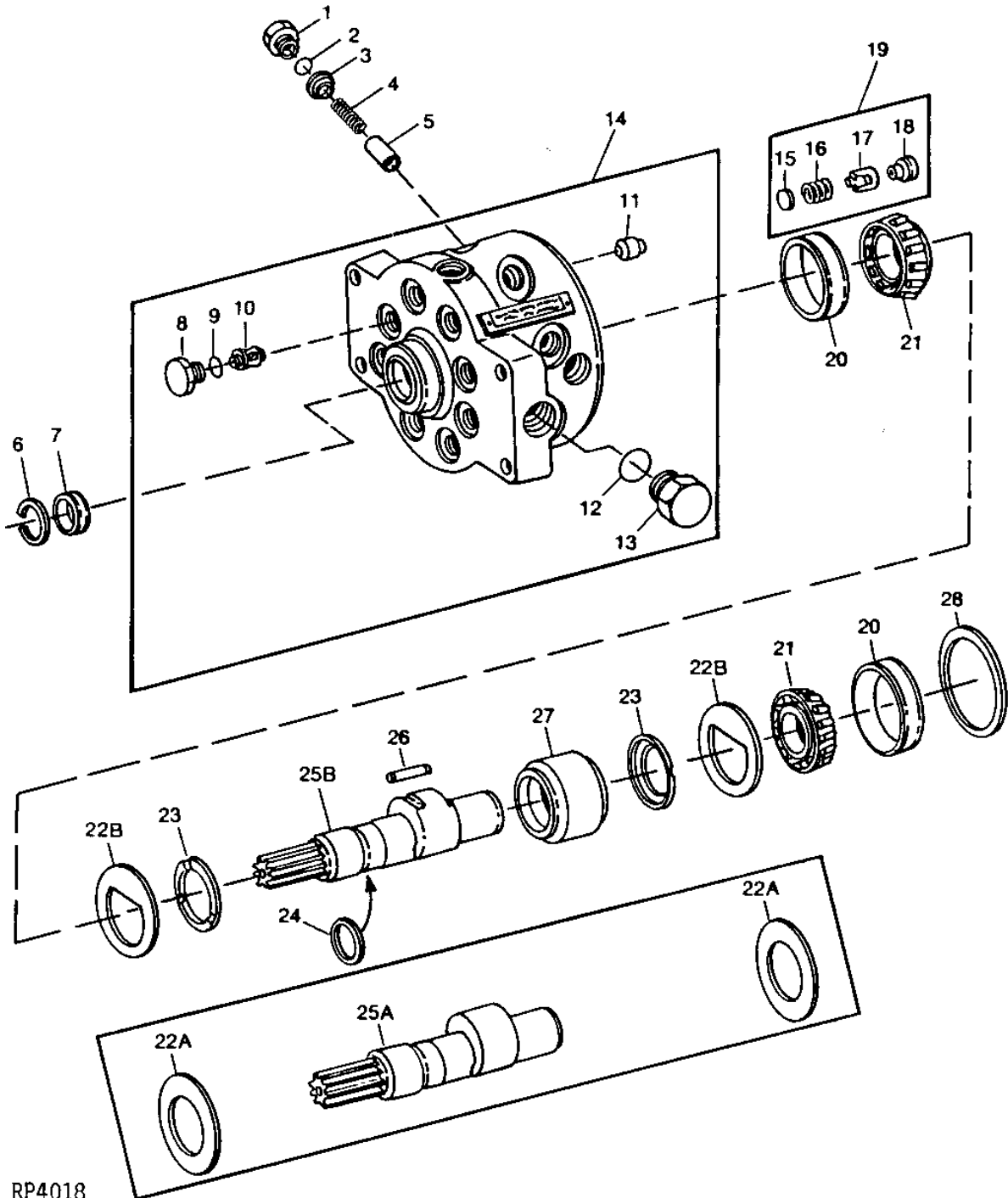
(B) ALSO ORDER (2) R27166 AND (2) R41057, IF STROKE CONTROL VALVE HAS BEEN REPLACED.

2B9

HYDRAULICS

HYDRAULIC PUMP - MODEL GA1
50 CM3 (3 IN.3)
(REPLACEMENT PUMP WITH SERIAL PLATE)

RP4018 -UN-18OCT94



RP4018

2B10

HYDRAULICS

HYDRAULIC PUMP - MODEL GA1 - CONTINUED
50 CM3 (3 IN.3)
(REPLACEMENT PUMP WITH SERIAL PLATE)

KEY	PART NO.	PART NAME	QTY	PUMP SERIAL NO.	REMARKS
1	R45438	FITTING	8		
2	R56463	O-RING	8		
3	AR101236	SHIELD	1		(SET OF 8)
4	AR76762	SPRING	1		(SET OF 8)
5	R27150	PISTON	8		
6	R26137	SNAP RING	1		
7	RE28790	SEAL	1		(SUB FOR AR52224)
8	R78293	FITTING	8		
9	R27149	O-RING	8		
10	AR53301	VALVE	8		(INLET)
11	R105583	SEAT	8		(SUB FOR R39067)
12	F3171R	O-RING	1		(USE WITH R71586)
	U13639	O-RING	1		(USE WITH R73741)
13	R27175	DRAIN PLUG	1		(USE WITH R71586)
	R39741	DRAIN PLUG	1		(USE WITH R73741)
14	RE11804	HOUSING	1		(MODEL PJ1) (MARKED R71586 OR R73741)
15	R49297	DISK	8		
16	R39228	SPRING	8		
17	R48738	GUIDE	8		
18	R83508	STOP	8		(SUB FOR R49298 OR R72886)
19	RE23382	VALVE	8		(OUTLET) (SUB FOR AR96613)
20	JD8223	BEARING CUP	2		
21	JD8192	BEARING CONE	2		
22A	R77903	WASHER	2	-023628	(SUB FOR R45425)
22B	R79151	LOCK WASHER	2	023629-	(USE WITH R79152)
23	R72507	THRUST WASHER	2		
24	R77611	RING	1		(SEALING) (SUB FOR R68252 OR RE11777)
25A	R71598	SHAFT	1	-023628	(SUB R79152) (ALSO ORDER (2) R79151)
25B	R79152	SHAFT	1	023629-	
26	R77904	NEEDLE ROLLER	25		(SUB FOR R45422)
27	R80558	BEARING RACE	1		(SUB FOR R72506)
28	R27478	SHIM	AR		0.15MM (.006")
	R27479	SHIM	AR		0.25MM (.010")
..	AR94660	HYDRAULIC PUMP	1		(SUB FOR AR39694, AR47802 OR AR56161)

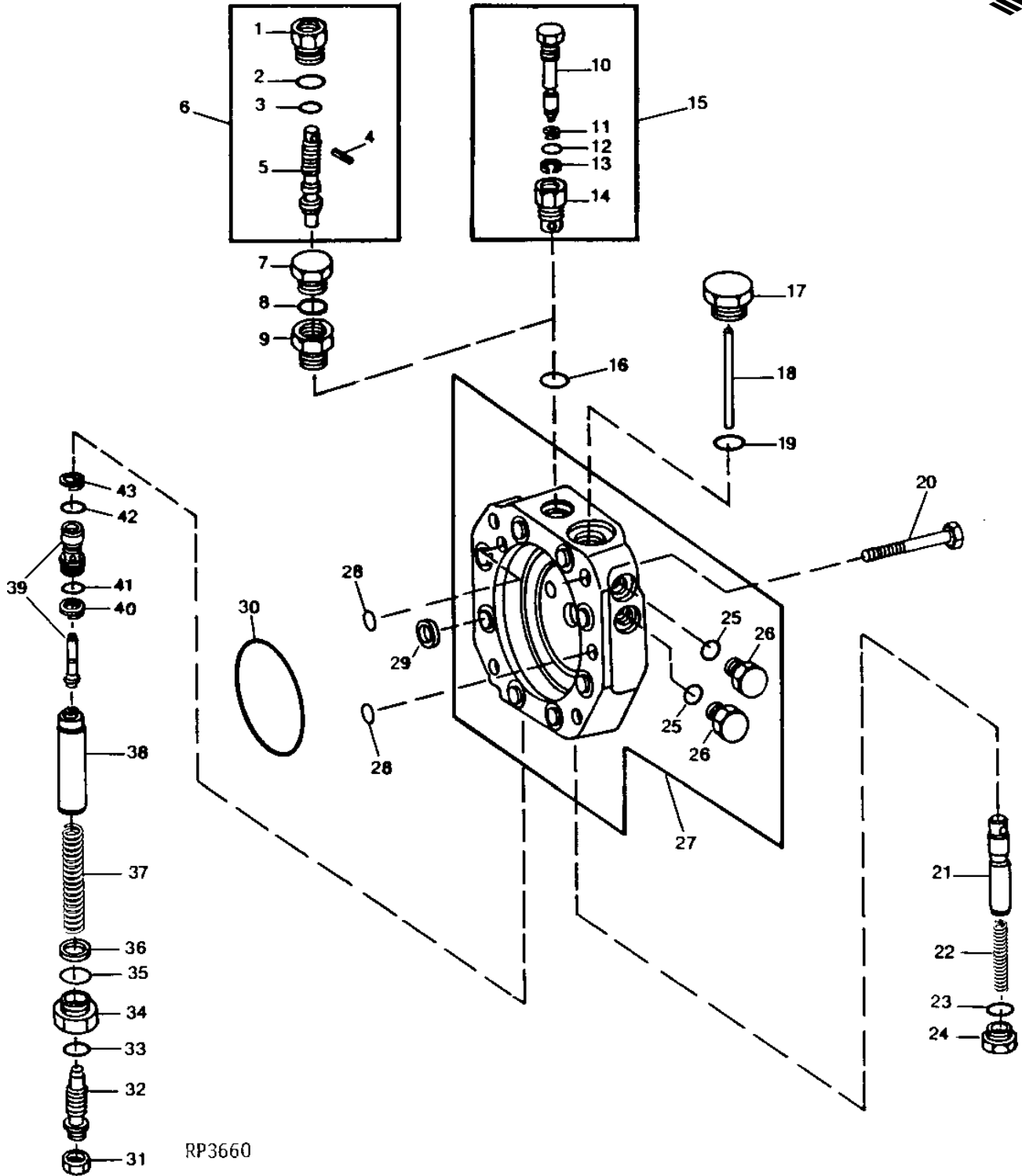
2B11

HYDRAULICS

HYDRAULIC PUMP STROKE CONTROL VALVE
50 CM³ (3 IN.³)
(REPLACEMENT PUMP WITH SERIAL PLATE)

RP3660

-UN-14SEP94



RP3660

2B12

HYDRAULICS

HYDRAULIC PUMP STROKE CONTROL VALVE - CONTINUED
 50 CM3 (3 IN.3)
 (REPLACEMENT PUMP WITH SERIAL PLATE)

KEY	PART NO.	PART NAME	QTY	PUMP SERIAL NO.	REMARKS
1	R27475	FITTING	1		
2	R26448	O-RING	1		
3	A4365R	O-RING	1		
4	34H254	SPRING PIN	1	1/8" X 1-1/2"	
5	R75879	SCREW	1		
6	AR96625	SCREW	1		(A) (MANUAL DESTROKE)
7	R27218	FITTING PLUG	1		(LESS MANUAL DESTROKE)
8	R26448	O-RING	1		(LESS MANUAL DESTROKE)
9	R70617	PIPE PLUG	1		
10	R79266	SCREW	1		
11	R36358	BACK-UP RING	1		
12	R34802	O-RING	1		
13	R79268	SNAP RING	1		
14	R79267	PLUG	1		
15	RE13271	SCREW	1		(A) (MANUAL DESTROKE)
16	R26906	O-RING	1		
17	R75642	DRAIN PLUG	1		
18	R75564	PIN	1		
19	R56751	O-RING	1		
20	19H3520	CAP SCREW	4	1/2" X 3-1/4"	
21	R70867	VALVE	1		
22	R70868	SPRING	1		
23	R26375	O-RING	1		
24	R73736	PLUG	1		
25	R26448	O-RING	2		
26	R75376	DRAIN PLUG	2		
27	RE12470	HOUSING	1		(MARKED R77714)
28	R56755	WASHER	2		
29	R69279	WASHER	8		
30	R56757	O-RING	1		
31	14H1021	NUT	1	7/16"	
32	AR52254	SET SCREW	1		
33	R28782	O-RING	1		
34	R28781	FITTING	1		
35	F3171R	O-RING	1		
36	R42260	WASHER	1		
37	R31781	SPRING	1		
38	R71321	GUIDE	1		
39	RE10712	CONTROL VALVE	1		
40	R41057	BACK-UP RING	1		
41	R27166	O-RING	1		
42	R27564	O-RING	1		
43	R75938	WASHER	1		

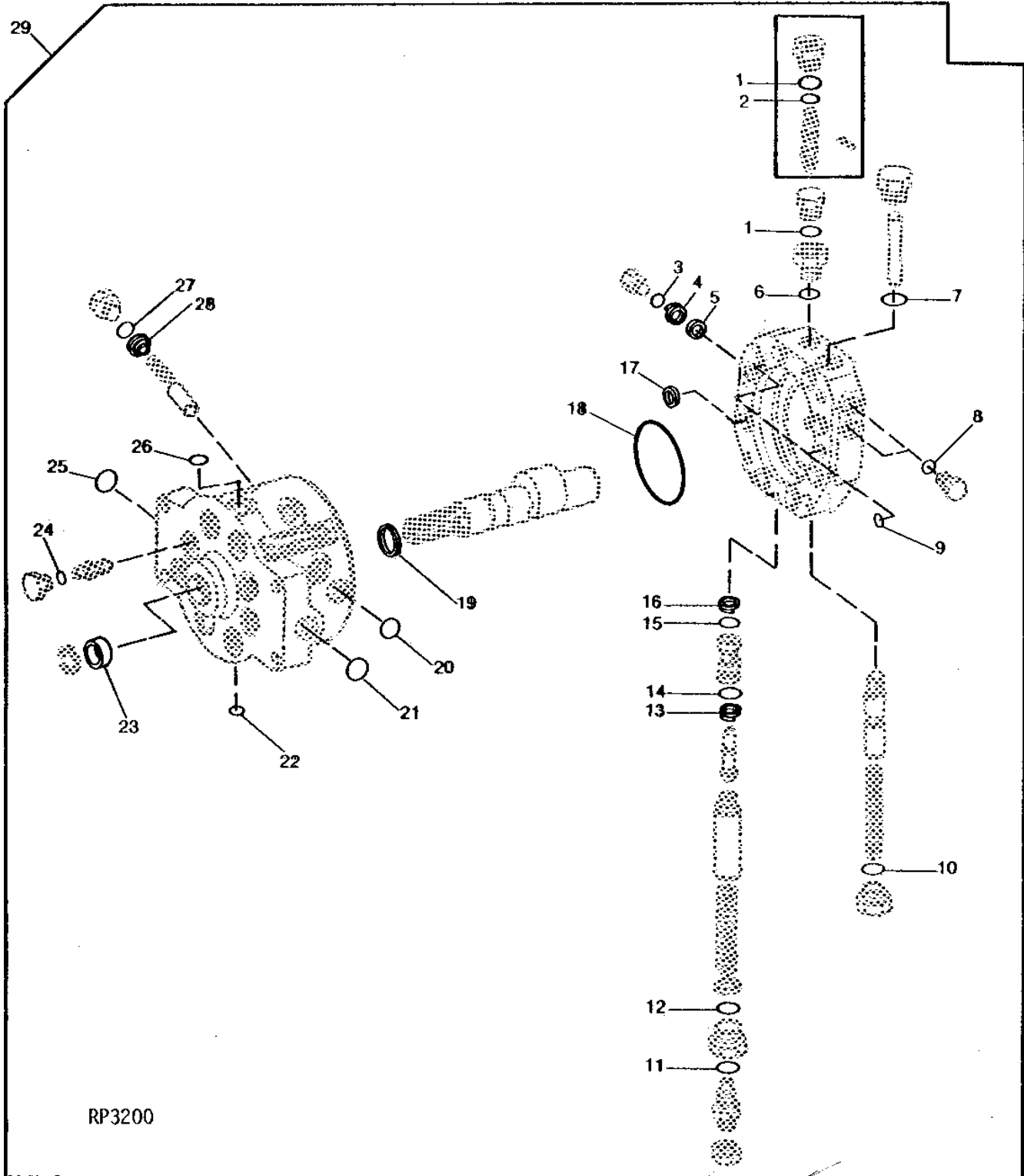
(A) DESIGNS INTERCHANGEABLE

2B13

HYDRAULICS

HYDRAULIC PUMP AND STROKE CONTROL VALVE OVERHAUL KIT 50 CM³ (3 IN.³) (REPLACEMENT PUMP WITH SERIAL PLATE)

RP3200 -UN-01JAN94



2B14

HYDRAULICS

HYDRAULIC PUMP AND STROKE CONTROL VALVE OVERHAUL KIT - CONTINUED
 50 CM3 (3 IN.3)
 (REPLACEMENT PUMP WITH SERIAL PLATE)

KEY	PART NO.	PART NAME	QTY	PUMP SERIAL NO.	REMARKS
1	R26448	O-RING	1		
2	A4365R	O-RING	1		
3	R26375	O-RING	1	(A)	
4	T40308	O-RING	1	(A)	
5	T57374	BACK-UP RING	1	(A)	
6	R26906	O-RING	1		
7	R56751	O-RING	1		
8	R26448	O-RING	2		
9	R56755	WASHER	2		
10	R26375	O-RING	1		
11	R28782	O-RING	1		
12	R56751	O-RING	1		
13	R41057	BACK-UP RING	1		
14	R27166	O-RING	1		
15	R27564	O-RING	1		
16	R75938	WASHER	1		
17	R69279	WASHER	8		
18	R56757	O-RING	1		
19	R77611	RING	1	(SEALING)	
20	R56751	O-RING	1		
21	U13639	O-RING	1	(A)	
	R29936	O-RING	1	(A)	
	R56751	O-RING	1	(A)	
22	R26287	O-RING	1		
23	RE28790	SEAL	1		
24	R27149	O-RING	8		
25	R56751	O-RING	1	(A)	
	R29936	O-RING	1	(A)	
26	R27928	O-RING	1	(A) TOP	
	P47908	O-RING	1	(A) BOTTOM	
	R26906	O-RING	1	(A)	
27	R56463	O-RING	8		
28	AR101236	SHIELD	1	(SET OF 8)	
29	RE29107	KIT	1	(SUB FOR AR96321)	

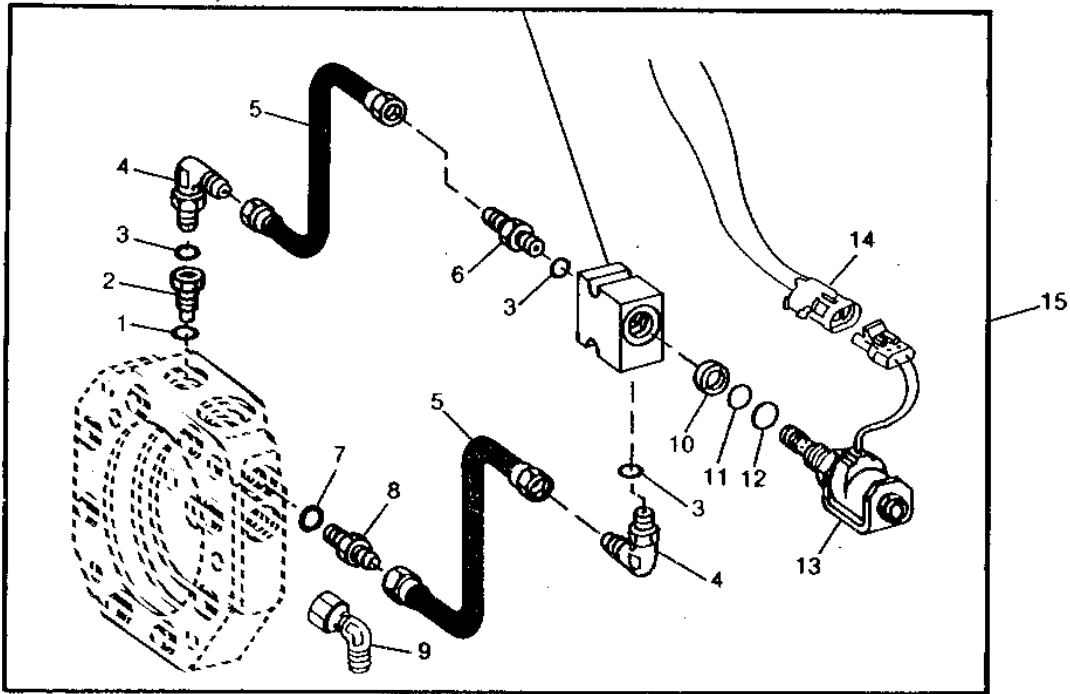
(A) UNIVERSAL KIT - APPLICATIONS WILL VARY

2B15

HYDRAULICS

RXP9501 -UN-01JAN94

HYDRAULIC PUMP ELECTRIC DESTROKE KIT



RXP9501

KEY	PART NO.	PART NAME	QTY	PUMP SERIAL NO.	REMARKS
1	R26906	O-RING	1		
2	R70617	PIPE PLUG	1		
3	R26448	O-RING	4		
4	AT35121	ELBOW FITTING	2		
5	AN250096	HYDRAULIC HOSE	2		
6	R27212	FITTING	1		
7	R26287	O-RING	1	(A)	
	R26448	O-RING	1	(B)	
8	T43535	FITTING	1	(A)	
	Z36276	ADAPTER	1	(B)	
9	AE24616	ELBOW FITTING	1	(USE WITH T43535 OR Z36276)	
10	T57374	BACK-UP RING	1		
11	T40308	O-RING	1		
12	R26375	O-RING	1		
13	RE32529	SOLENOID VALVE	1		
14	RE50017	WIRING HARNESS	1		
15	RE40463	KIT	1		

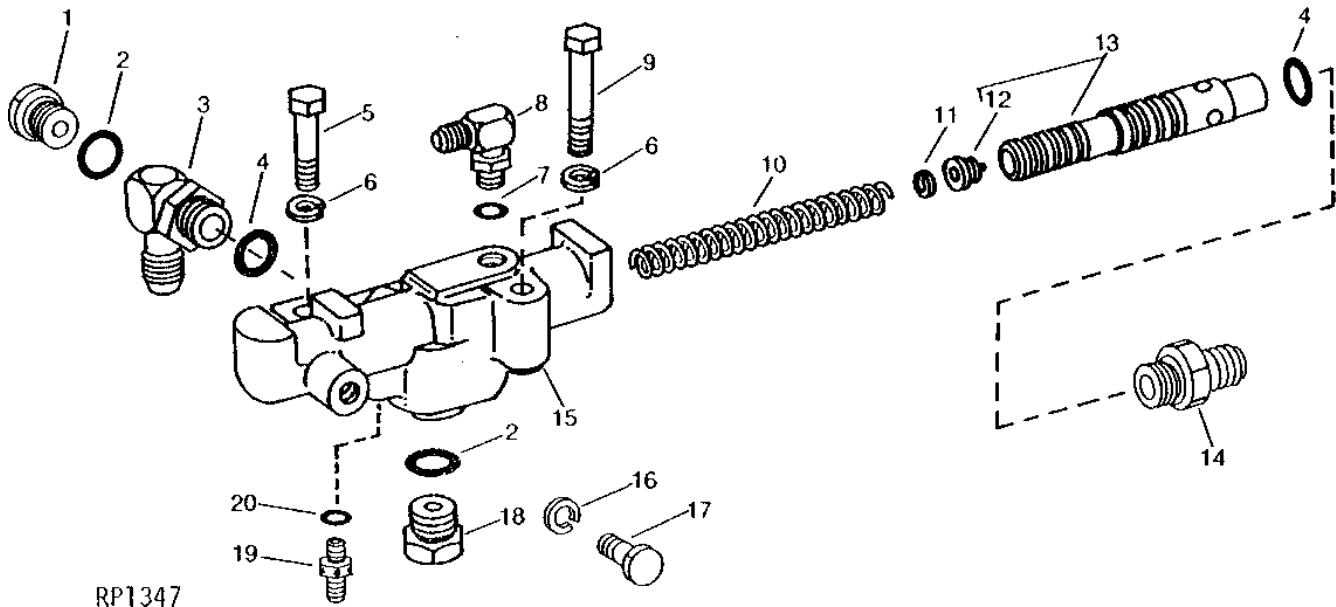
(A) NON-SERIALIZED PUMP
(B) SERIALIZED PUMP

2B16

HYDRAULICS

RP1347 -UN-01JAN94

PRESSURE CONTROL VALVE



RP1347

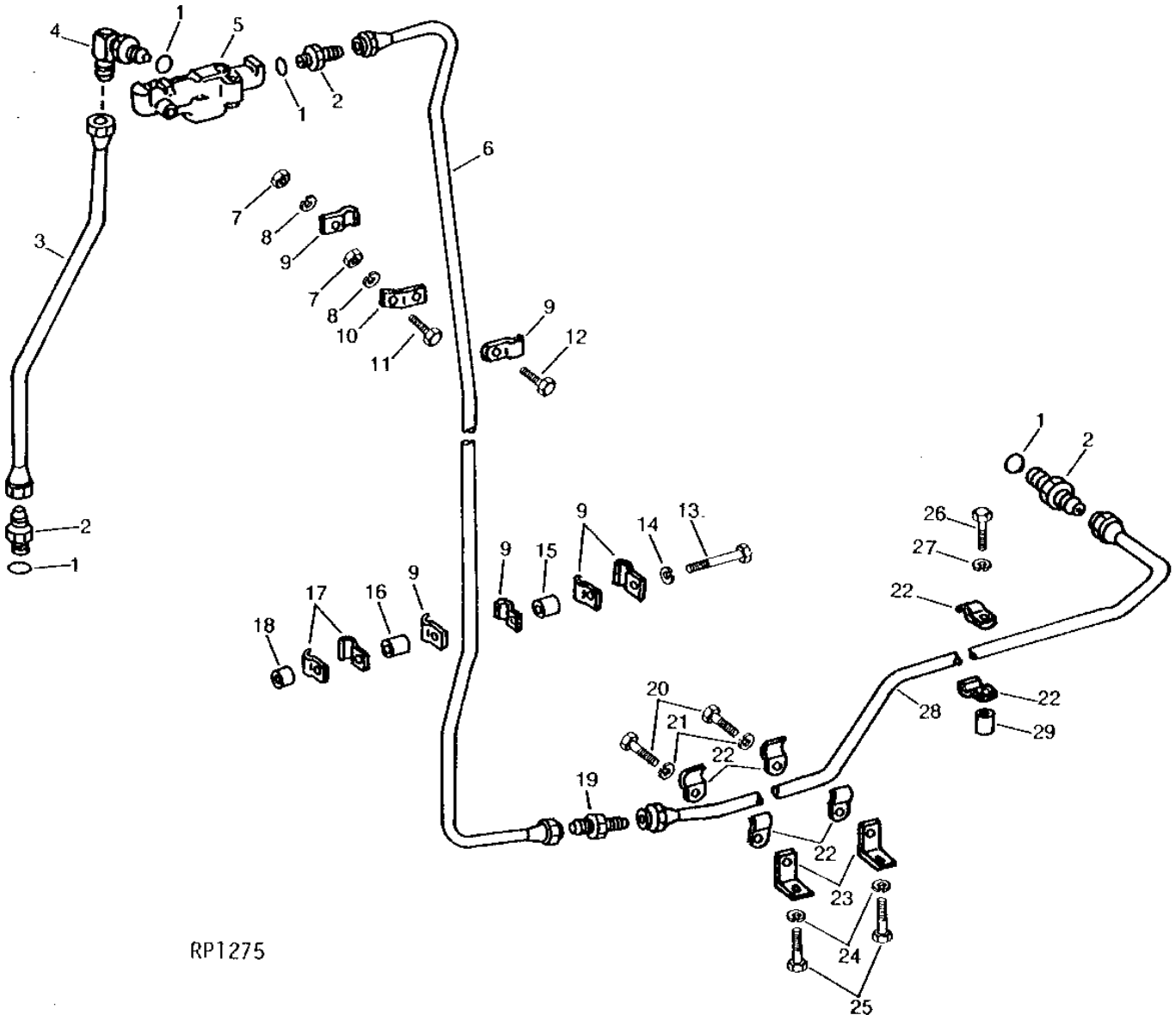
KEY	PART NO.	PART NAME	QTY	TRACTOR SERIAL NO.	REMARKS
1	R39112	FITTING	1		(LESS SELECTIVE CONTROL) (SUB FOR R28095)
2	R26375	O-RING	1		(LESS SELECTIVE CONTROL)
3	AR35718	TEE FITTING	1		
4	R26906	O-RING	3		
5	19H1800	CAP SCREW	1	3/8" X 1-1/2"	
6	12H304	LOCK WASHER	2	3/8"	
7	R26286	O-RING	1		
8	AT32333	ELBOW FITTING	1	90°, (SUB FOR AR26771)	
9	19H1801	CAP SCREW	1	3/8" X 2"	
10	R40072	SPRING	1		
11	R33521	SHIM	AR	0.76MM (.030")	
12	R40562	APERTURE	1		
13	AR65881	VALVE	1		(SUB FOR R40561)
14	R27270	FITTING	1		
15	RE13273	CONTROL VALVE	1	-012008	(MARKED R40154 OR R78495) (SUB FOR AR40029, AR40403 OR AR51732)
	R40559	HOUSING	1	012009-	(SUB R78495)
16	12H304	LOCK WASHER	1	3/8"	
17	19H1936	CAP SCREW	1	3/8" X 3/4"	
18	R27474	DRAIN PLUG	1		
19	R27527	ADAPTER	1		
20	R26287	O-RING	1		

2B17

HYDRAULICS

RP1275 -UN-01JAN94

HYDRAULIC OIL PRESSURE LINES



2B18

HYDRAULICS

HYDRAULIC OIL PRESSURE LINES - CONTINUED

KEY	PART NO.	PART NAME	QTY	TRACTOR SERIAL NO.	REMARKS
1	R26906	O-RING	4		
2	R27270	FITTING	3		
3	AR35717	HYDRAULIC LINE	1		
4	AR35718	TEE FITTING	1		
5	R40559	HOUSING	1		
6	AR35720	HYDRAULIC LINE	1		REAR
7	14H1076	NUT	2		3/8"
8	12H304	LOCK WASHER	2		3/8"
9	R35726	CLAMP	12		
10	R40165	CLAMP	1		
11	19H1139	CAP SCREW	1		3/8" X 1-1/8"
12	19H1936	CAP SCREW	1		3/8" X 3/4"
13	19H1912	CAP SCREW	1		3/8" X 3-1/2"
14	12H304	LOCK WASHER	1		3/8"
15	28H1697	SPACER	1		3/8" X 3/4"
16	28H1527	SPACER	1		3/8" X 1-7/16"
17	R27720	CLAMP	2		REAR, R.H.
18	R28040	WASHER	1		REAR, R.H.
19	R35717	FITTING	1		
20	19H1936	CAP SCREW	2		3/8" X 3/4"
21	12H304	LOCK WASHER	2		3/8"
22	R40663	CLAMP	6		
23	R40166	ANGLE	2		
24	12H304	LOCK WASHER	2		3/8"
25	19H2284	CAP SCREW	2		3/8" X 7/8"
26	19H256	CAP SCREW	1		3/8" X 2"
27	12H304	LOCK WASHER	1		3/8"
28	AR35239	HYDRAULIC LINE	1		FRONT
29	28H1495	SPACER	2		1/2" X 43/64"
..	AR21969	KIT	1		CAPPLUGS

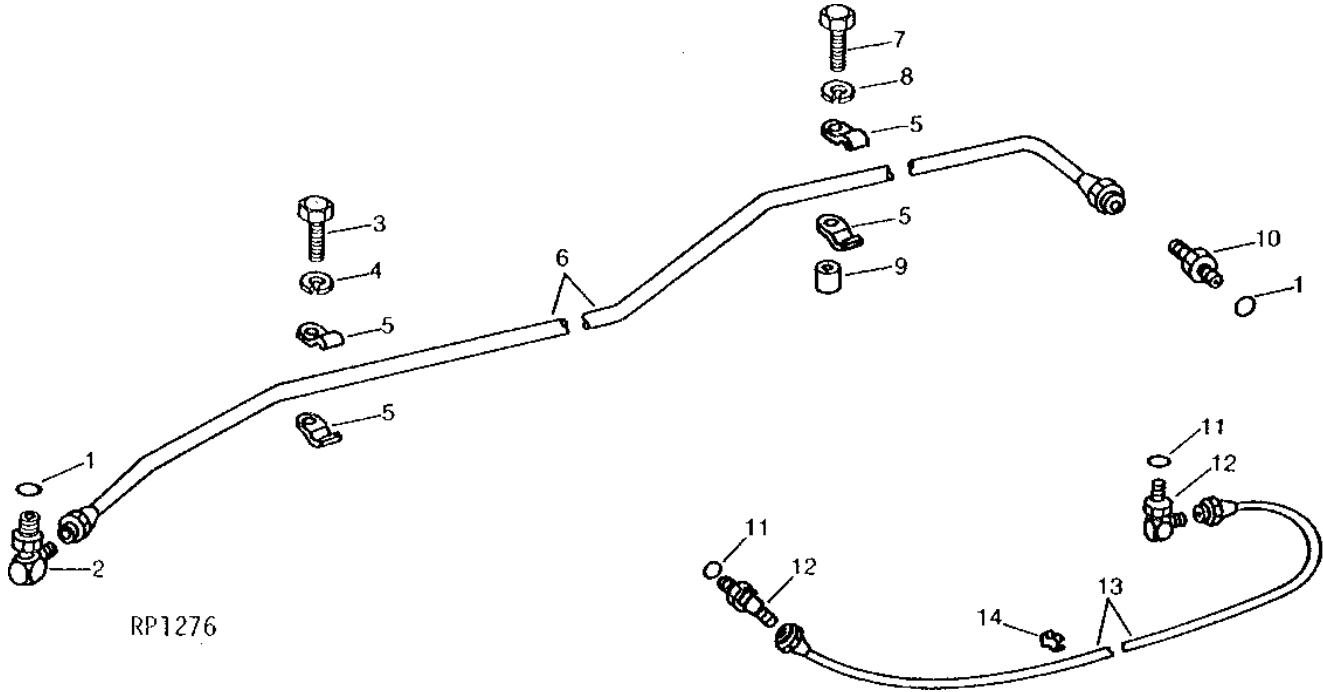
MEMORANDA

2B19

HYDRAULICS

RP1276 -UN-01JAN94

HYDRAULIC OIL RETURN LINES



KEY	PART NO.	PART NAME	QTY	TRACTOR SERIAL NO.	REMARKS
1	F3171R	O-RING	2		
2	AR26747	ELBOW FITTING	1	90°	
3	19H1936	CAP SCREW	2	3/8" X 3/4"	
4	12H304	LOCK WASHER	2	3/8"	
5	R27531	CLAMP	6		
6	AR35236	HYDRAULIC LINE	1		
7	19H256	CAP SCREW	1	3/8" X 2"	
8	12H304	LOCK WASHER	1	3/8"	
9	28H1495	SPACER	1	1/2" X 43/64	
10	R27267	FITTING	1		
11	R26287	O-RING	2		
12	AT32335	ELBOW FITTING	2	90°, (SUB FOR AR26746)	
13	AR79710	HYDRAULIC LINE	1	(ALSO ORDER (2) R64170) (SUB FOR AR36381 OR AR42284)	
14	R21551	CLIP	2		
..	AR21969	KIT	1	CAP PLUGS	

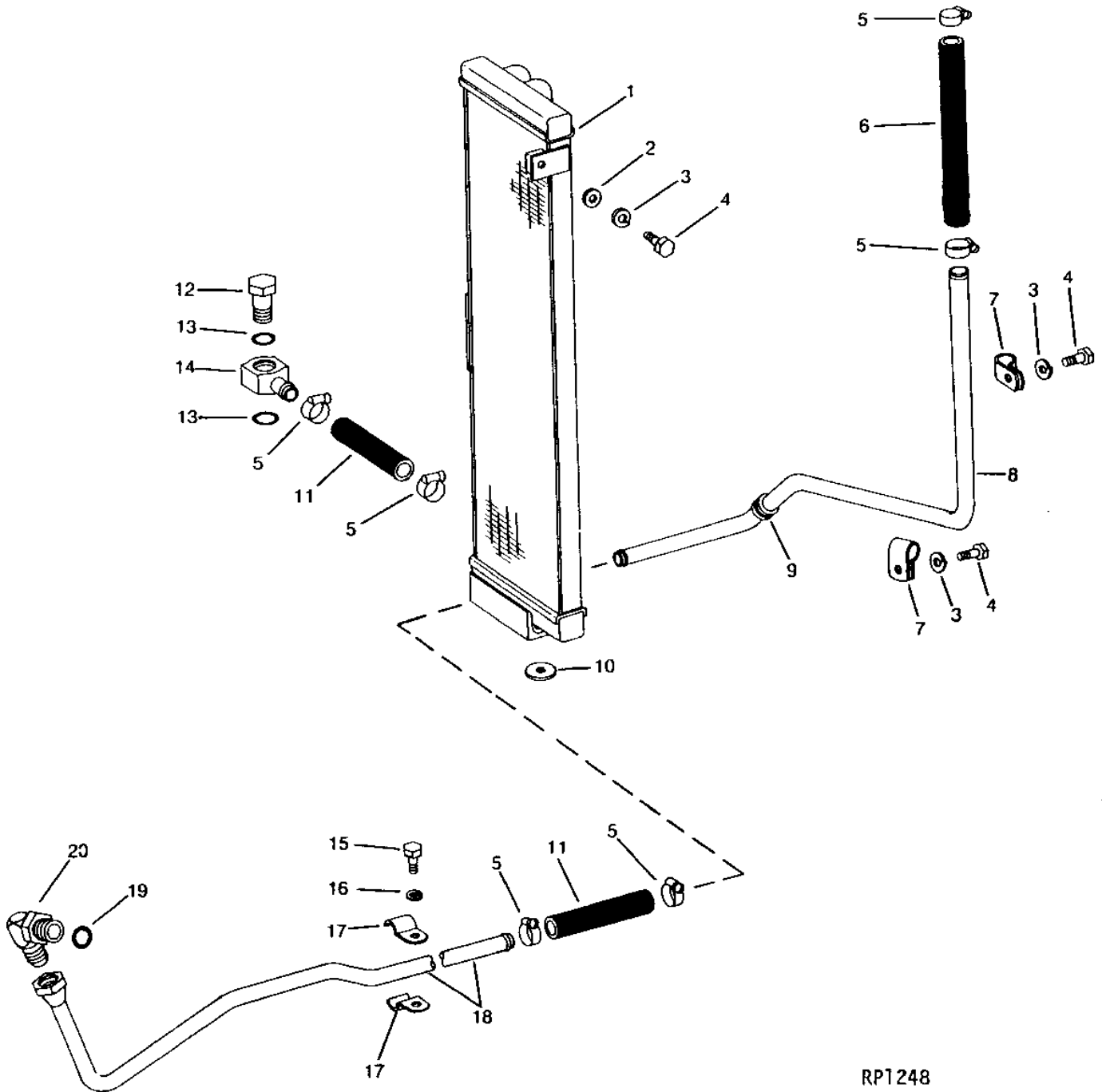
2B20

HYDRAULICS

RP1248

-UN-01JAN94

OIL COOLER AND OIL LINES



RP1248

2B21

HYDRAULICS

OIL COOLER AND OIL LINES - CONTINUED

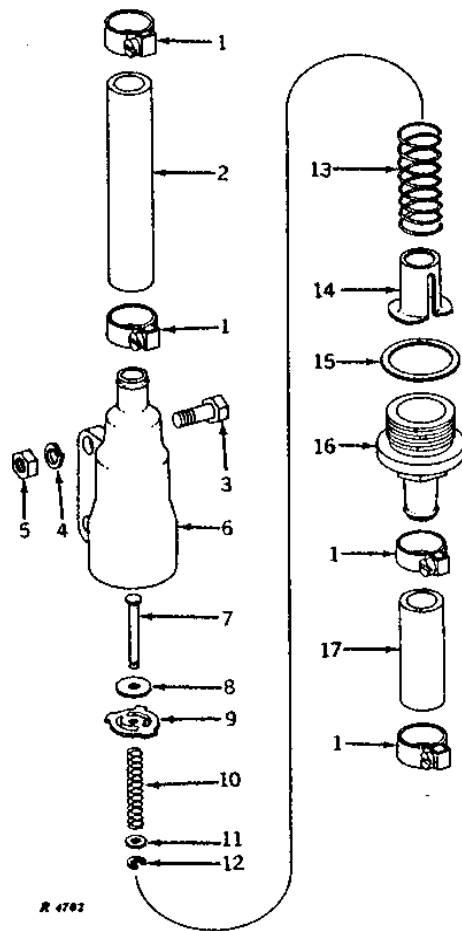
KEY	PART NO.	PART NAME	QTY	TRACTOR SERIAL NO.	REMARKS
1	AR46965	OIL COOLER	1		(ALSO ORDER R45113) (SUB FOR AR36827 OR AR36887)
2	24H1652	WASHER	1		13/32" X 11/16" X 7/64"
3	12H304	LOCK WASHER	3		3/8"
4	19H1936	CAP SCREW	3		3/8" X 3/4"
5	AT18904	CLAMP	6		
6	HOSE	1		19 X 235MM (3/4" X 9-1/4") (MAKE FROM TY22329) (SUB FOR R40074)
7	R40446	CLAMP	2		(SUB R120735)
8	R40444	TUBE	1		FRONT
9	R40445	GROMMET	1		
10	T22381	WASHER	1		
11	HOSE	2		19 X 129MM (3/4" X 5") (MAKE FROM TY22329) (SUB FOR R32087)
	R45113	HOSE	1		(USE WITH AR46965)
12	R27927	HOLLOW SCREW	1		
13	R27928	O-RING	2		
14	R27926	FITTING	1		
15	19H1731	CAP SCREW	1		3/8" X 1"
16	12H304	LOCK WASHER	1		3/8"
17	R27531	CLAMP	2		
18	AR36804	HYDRAULIC LINE	1		REAR
19	R29936	O-RING	1		
20	AR35964	ELBOW FITTING	1		90°

2B22

HYDRAULICS

R4702 -UN-01JAN94

HYDRAULIC OIL COOLER BYPASS VALVE



2B23

HYDRAULICS

HYDRAULIC OIL COOLER BYPASS VALVE - CONTINUED
(TRACTOR SERIAL NO. -012699)

KEY	PART NO.	PART NAME	QTY	TRACTOR SERIAL NO.	REMARKS
1	AT18904	CLAMP	4		
2	HOSE	1		19 X 235MM (3/4" X 9-1/4") (MAKE FROM TY22329) (SUB FOR R40074)
3	19H2284	CAP SCREW	2		3/8" X 7/8"
4	12H304	LOCK WASHER	2		3/8"
5	14H1076	NUT	2		3/8"
6	AR31152	HOUSING	1		(MARKED R31931) (SUB AR31547, TY22467, (2) 12H304, (2) 14H255, (2) 19H2284 AND R57300)
7	R31939	PIN	1		
8	R31933	WASHER	1		
9	R31932	VALVE	1		
10	H837R	SPRING	1		
11	24H1283	WASHER	1		7/32" X 1/2" X 0.049"
12	R31935	SNAP RING	1		
13	R31934	SPRING	1		
14	R31936	GUIDE	1		
15	R31378	O-RING	1		
16	R31937	FITTING	1		
17	HOSE	1		19 X 235MM (3/4" X 9-1/4") (MAKE FROM TY22329) (SUB FOR R40074)

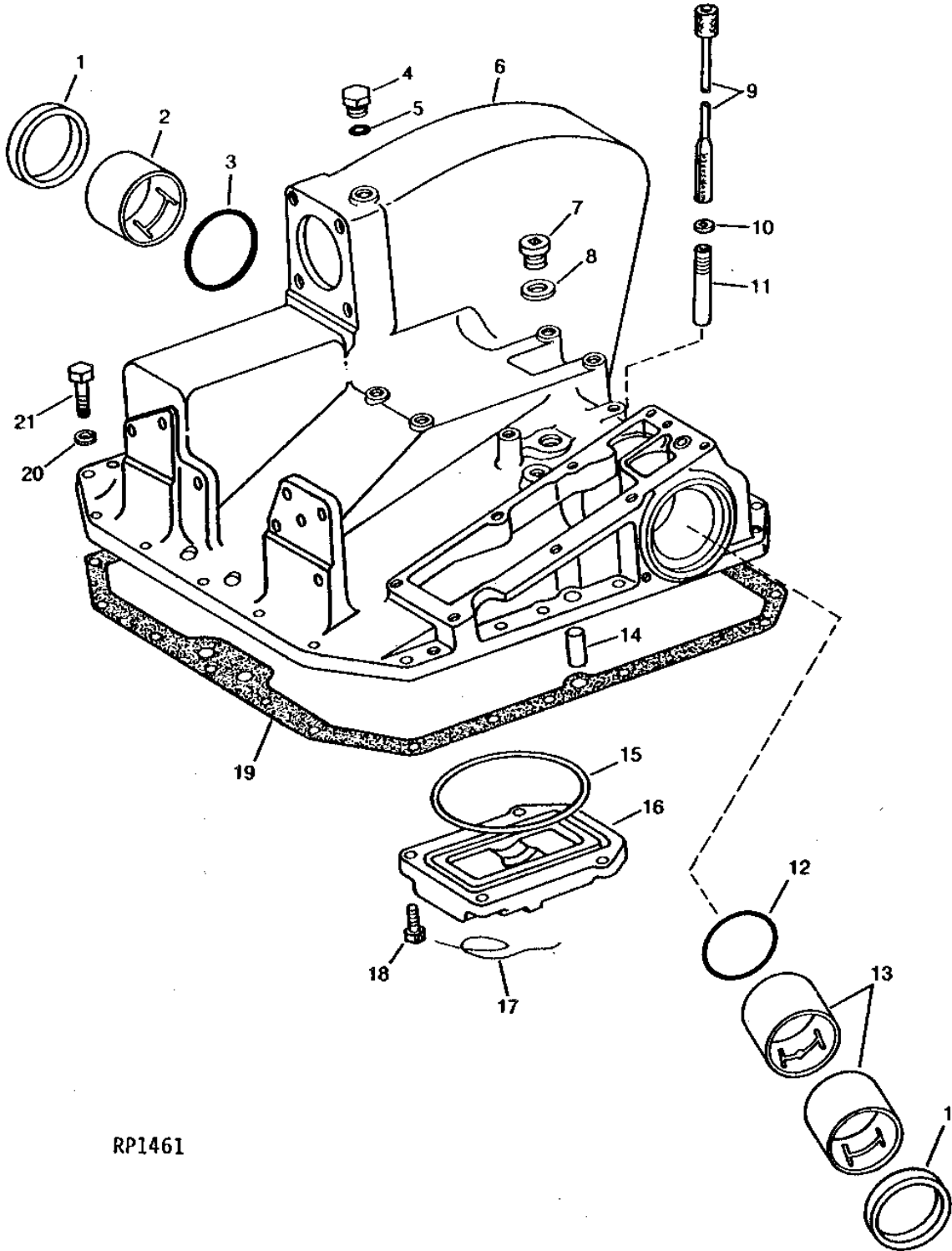
2B24

HYDRAULICS

RP1461

-UN-01JAN94

ROCKSHAFT HOUSING WITH BUSHINGS AND OIL SEALS



RP1461

2B25

HYDRAULICS

ROCKSHAFT HOUSING WITH BUSHINGS AND OIL SEALS - CONTINUED

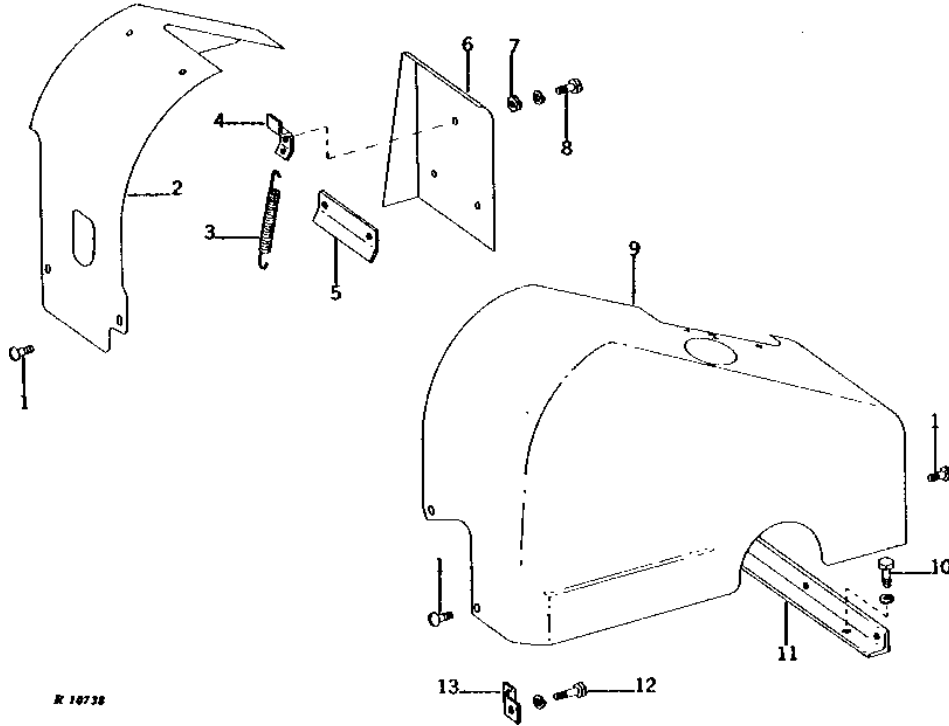
KEY	PART NO.	PART NAME	QTY	TRACTOR SERIAL NO.	REMARKS
1	R36423	SEAL	2		
2	R36379	BUSHING	1	L.H.	
3	R36424	O-RING	1		
4	R39112	FITTING	1	(SUB FOR R28095)	
5	R26375	O-RING	1		
6	AR36851	HOUSING	1	(MARKED R40650 OR R53580) (NO LONGER AVAILABLE)	
7	R27483	PLUG	1		
8	H851R	WASHER	1		
9	AR35159	ROD	1	(NLA)	
10	R1590R	WASHER	1		
11	R31566	TUBE	1		
12	A5598R	O-RING	1		
13	R36378	BUSHING	2	R.H.	
14	R26616	DOWEL PIN	4		
15	R36425	WASHER	1		
16	R58544	COVER	1	(SUB FOR R36398, R43448 OR R55080)	
17	WIRE	1	356MM (14")	
18	D459R	BOLT	4		
19	R35776	GASKET	1	(SUB R100304)	
20	12H301	LOCK WASHER	20	1/2"	
21	19H1721	CAP SCREW	16	1/2" X 1-1/2"	
	19H1127	CAP SCREW	4	1/2" X 1-5/8"	

2C1

HYDRAULICS

R10738 -UN-01JAN94

ROCKSHAFT HOUSING COVERS



KEY	PART NO.	PART NAME	QTY	TRACTOR SERIAL NO.	REMARKS
1	21H1304	SCREW	9	5/16" X 3/4"	
2	R36422	COVER	1	REAR	
3	R35823	SPRING	1		
4	R36407	CLIP	1		
5	R36408	CLIP	1		
6	R36421	COVER	1	FRONT	
7	14H785	NUT	3	5/16"	
8	21H1304	SCREW	3	5/16" X 3/4"	
	12H303	LOCK WASHER	3	5/16"	
9	R36420	COVER	1	R.H. (NO LONGER AVAILABLE)	
10	19H1731	CAP SCREW	2	3/8" X 1"	
	12H304	LOCK WASHER	2	3/8"	
11	R36406	ANGLE	1	(NO LONGER AVAILABLE)	
12	19H1139	CAP SCREW	1	3/8" X 1-1/8"	
	12H304	LOCK WASHER	1	3/8"	
13	R36583	CLIP	1	(NO LONGER AVAILABLE)	

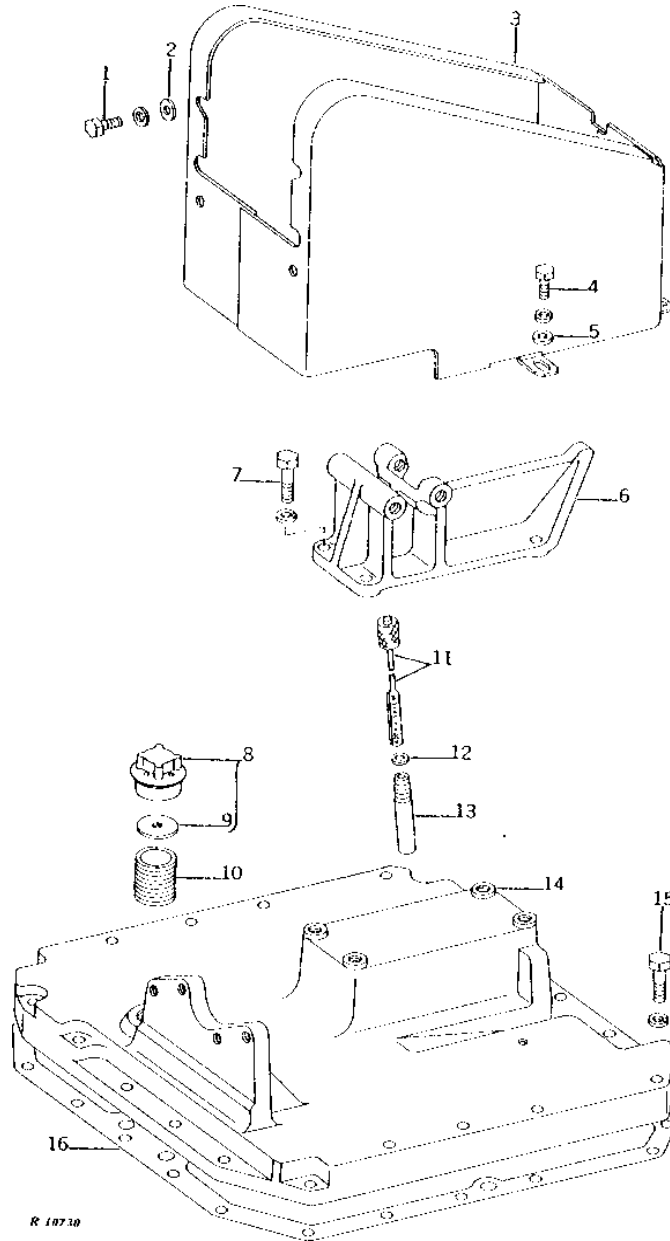
MEMORANDA

2C2

HYDRAULICS

TRANSMISSION REAR COVER AND SEAT SUPPORT COVER (LESS ROCKSHAFT)

R10730 -UN-01JAN94



R 10730

2C3

HYDRAULICS

**TRANSMISSION REAR COVER AND SEAT SUPPORT COVER - CONTINUED
(LESS ROCKSHAFT)**

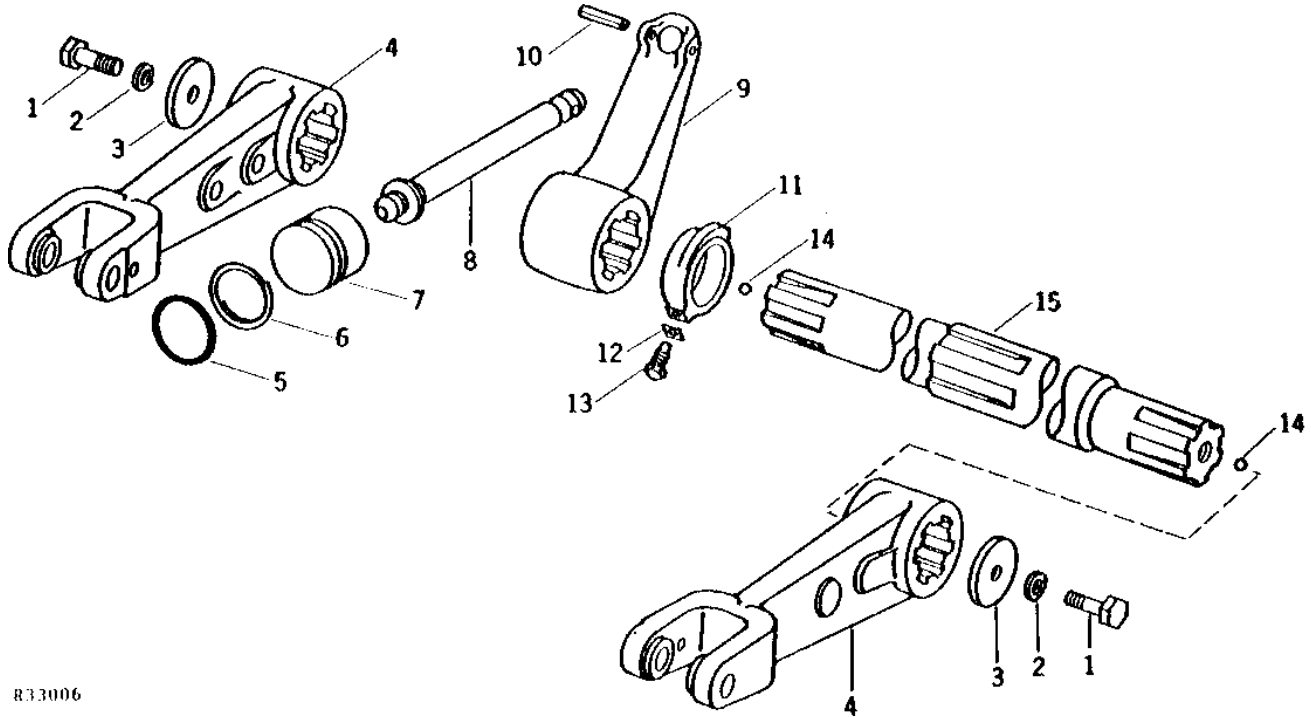
KEY	PART NO.	PART NAME	QTY	TRACTOR SERIAL NO.	REMARKS
1	19H1936	CAP SCREW	4		3/8" X 3/4"
	12H304	LOCK WASHER	4		3/8"
2	24H1305	WASHER	4		13/32" X 13/16" X 0.065"
3	AR26846	COVER	1		(NLA)
4	19H1900	CAP SCREW	4		5/16" X 3/4"
	12H303	LOCK WASHER	4		5/16"
5	24H1136	WASHER	4		11/32" X 11/16" X 0.065"
6	R35657	BASE	1		(NLA)
7	19H1721	CAP SCREW	4		1/2" X 1-1/2"
	12H301	LOCK WASHER	4		1/2"
8	AR30697	CAP	1		(MARKED R31487 OR R32715)
9	R31486	WASHER	1		
10	A4234R	ASSEMBLY LINE PARTS	1		
11	AR35159	ROD	1		(NLA)
12	R1590R	WASHER	1		
13	R31566	TUBE	1		
14	AR35382	COVER	1		(MARKED R35775) (NO LONGER AVAILABLE)
15	19H1721	CAP SCREW	7		1/2" X 1-1/2"
	19H1831	CAP SCREW	3		1/2" X 2"
	19H2644	CAP SCREW	10		1/2" X 2-1/2"
	12H301	LOCK WASHER	20		1/2"
16	R35776	GASKET	1		(SUB R100304)

2C4

HYDRAULICS

R33006 -UN-01JAN94

ROCKSHAFT, PISTON AND LIFT ARMS



R33006

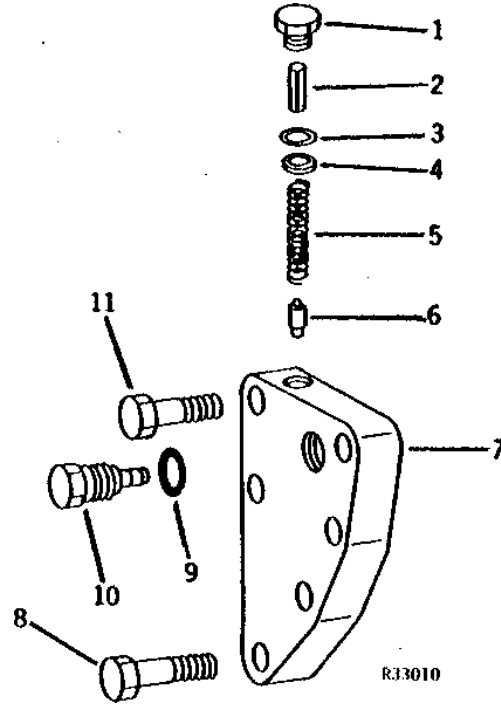
KEY	PART NO.	PART NAME	QTY	TRACTOR SERIAL NO.	REMARKS
1	19H2589	CAP SCREW	2	3/4" X 1-7/8"	
2	12H236	LOCK WASHER	2	3/4"	
3	R36402	WASHER	2		
4	R41243	LIFT ARM	2		(ALSO ORDER AR40864 AND AR74673) (SUB FOR R36419) (NLA)
5	R26543	O-RING	1		
6	R26754	BACK-UP RING	1		
7	R42299	PISTON	1		(SUB FOR R36396) (NLA)
8	AR44357	ROD	1		(SUB FOR R36397)
9	R54191	ARM	1		(SUB FOR R36418) (NLA)
10	34H322	SPRING PIN	1	1/4" X 2-3/4"	
11	AR40488	CAM	1		(SUB R40579) (NLA)
12	F3173R	LOCK PLATE	1		
13	R69642	CAP SCREW	1		(SUB FOR R26626)
14	H23836	BALL	2	11MM (7/16")	(SUB FOR R29194)
15	R36395	ROCKSHAFT	1		

2C5

HYDRAULICS

R33010 -UN-01JAN94

ROCKSHAFT CONTROL VALVE HOUSING COVER



KEY	PART NO.	PART NAME	QTY	TRACTOR SERIAL NO.	REMARKS
1	R27216	DRAIN PLUG	1		
2	34H247	SPRING PIN	1	1/8" X 3/4"	
3	R26287	O-RING	1		
4	R26478	SHIM	AR	0.51MM (.020")	
	R26479	SHIM	AR	0.76MM (.030")	
5	R26477	SPRING	1		
6	R55678	RELIEF VALVE	1	(SUB FOR R31565)	
7	AR31754	COVER	1	(MARKED R32387)	
8	19H1721	CAP SCREW	3	1/2" X 1-1/2"	
9	R26448	O-RING	1		
10	R40799	DRAIN PLUG	1		
11	19H1978	CAP SCREW	3	7/16" X 1-1/2"	

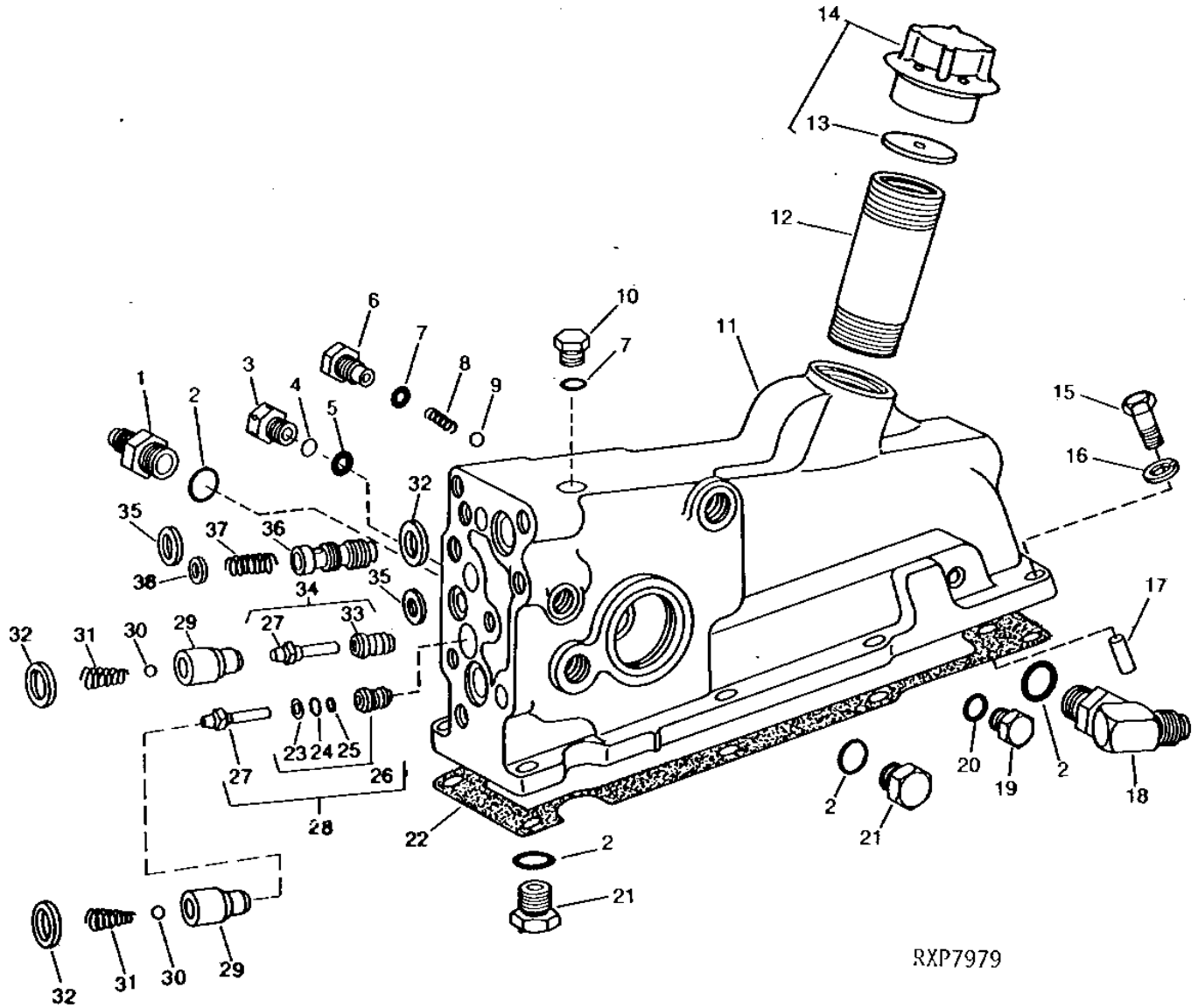
2C6

HYDRAULICS

RXP7979

-UN-01JAN94

ROCKSHAFT CONTROL VALVE HOUSING



RXP7979

2C7

HYDRAULICS

ROCKSHAFT CONTROL VALVE HOUSING - CONTINUED

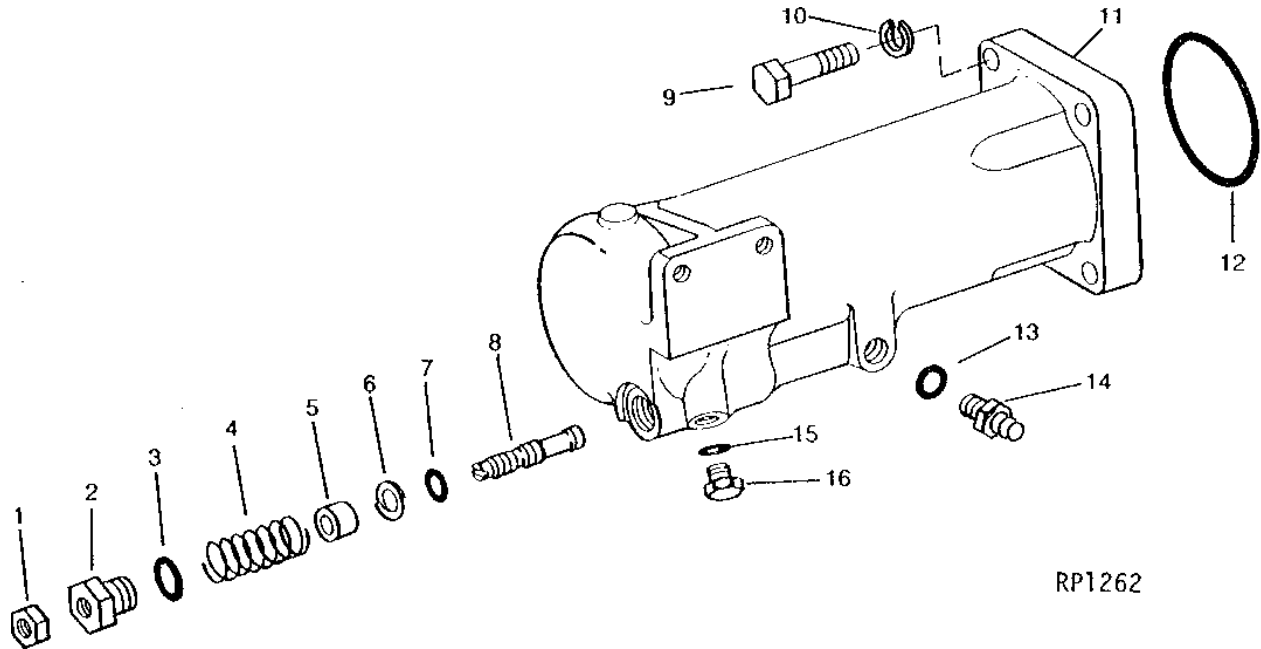
KEY	PART NO.	PART NAME	QTY	TRACTOR SERIAL NO.	REMARKS
1	R36426	FITTING	1		
2	R26375	O-RING	4		
3	R27094	DRAIN PLUG	2		(SUB FOR R26429)
4	R28785	SHIM	AR		0.13MM (.005")
	R28786	SHIM	AR		0.25MM (.010")
	R28505	SHIM	AR		0.76MM (.030")
5	R26286	O-RING	2		
6	R27979	FITTING	1		
7	R26287	O-RING	2		
8	R27981	SPRING	1		
9	H871R	BALL	1		5MM (3/16")
10	R27216	DRAIN PLUG	1		(SUB FOR R31631)
11	AR32608	HOUSING	1		(MARKED R34011 OR R42692) (SUB AR32610, AR30110, (2) R26758 AND (8) 19H988)
	AR32610	HOUSING	1		
12	R36428	FITTING	1		
	15H215	ELBOW FITTING	1		1-1/2" 90°, (WITH CAB)
13	R31486	WASHER	1		
14	AR30697	CAP	1		(MARKED R32715)
15	19H1732	CAP SCREW	8		3/8" X 1-1/4"
16	12H304	LOCK WASHER	8		3/8"
17	R26650	DOWEL PIN	1		(SUB FOR A4879R)
18	AR30110	ELBOW FITTING	1		90°
19	R27218	FITTING PLUG	1		
20	R26448	O-RING	1		
21	R39112	FITTING	2		(SUB FOR R28095)
22	R26573	GASKET	1		
23	R26976	O-RING	1		
24	R26977	BACK-UP RING	1		
25	R41337	WASHER	1		
26	AR78483	GUIDE	1		(PRESSURE) (SUB FOR AR31703)
27	R26758	SHAFT	2		
28	AR39777	SHAFT	1		(PRESSURE)
29	R36556	VALVE	2		
30	400R	BALL	2		6MM (1/4")
31	R26565	SPRING	2		
32	R26149	PACKING	3		
33	R31024	GUIDE	1		
34	AR30094	SHAFT	1		(RETURN)
35	F2741R	PACKING	2		
36	R43791	CONTROL VALVE	1		(SUB FOR R36555)
37	R26566	SPRING	1		
38	B1664R	SHIM	5		

2C8

HYDRAULICS

RP1262 -UN-01JAN94

ROCKSHAFT CYLINDER AND THROTTLE VALVE



RP1262

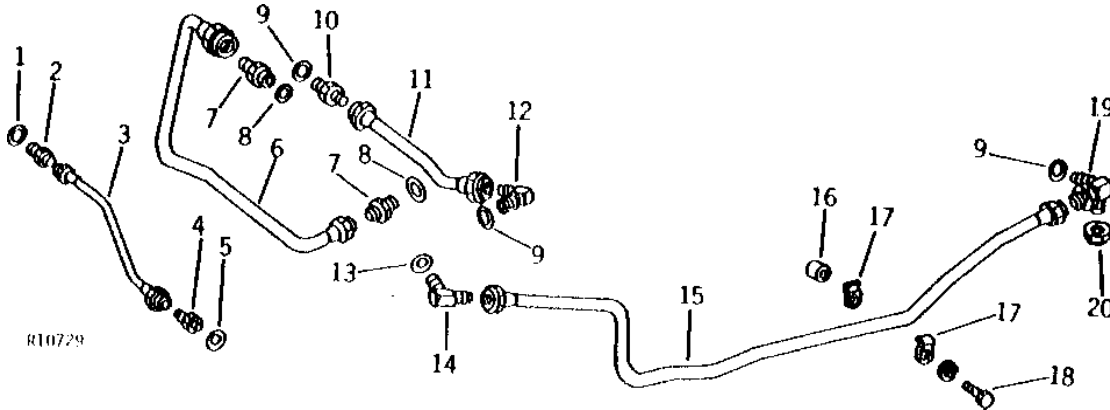
KEY	PART NO.	PART NAME	QTY	TRACTOR SERIAL NO.	REMARKS
1	14H774	NUT	1	3/8"	
2	R26458	FITTING	1		
3	R26906	O-RING	1		
4	B3686R	SPRING	1		
5	R26457	VALVE	1	(SUB R59684)	
6	R31136	BACK-UP RING	1		
7	A4365R	O-RING	1		
8	R26625	SHAFT	1		
9	19H2357	CAP SCREW	4	9/16" X 2"	
10	12H317	LOCK WASHER	4	9/16"	
11	R52961	CYLINDER	1	(ALSO ORDER U10746) (SUB FOR R36381) (NLA)	
12	R26621	O-RING	1		
13	R26448	O-RING	1		
14	R27212	FITTING	1		
15	R26287	O-RING	1		
16	R27216	DRAIN PLUG	1	(SUB FOR R31631)	

2C9

HYDRAULICS

R10729 -UN-01JAN94

ROCKSHAFT OIL LINES



KEY	PART NO.	PART NAME	QTY	TRACTOR SERIAL NO.	REMARKS
1	R26448	O-RING	1		
2	R27212	FITTING	1		
3	AR35735	LINE	1		(NO LONGER AVAILABLE)
4	R36426	FITTING	1		
5	R26375	O-RING	1		
6	AR35739	HYDRAULIC LINE	1		
7	R27267	FITTING	2		
8	F3171R	O-RING	2		
9	R26906	O-RING	3		
10	R27270	FITTING	1		
11	AR35737	HYDRAULIC LINE	1		
12	AR26724	ELBOW FITTING	1	90°	
13	R26375	O-RING	1		
14	AR30110	ELBOW FITTING	1	90°	
15	AR36285	LINE	1		(NO LONGER AVAILABLE)
16	28H1519	WASHER	1		0.493" X 0.675" X 3/8"
17	R35726	CLAMP	4		
18	19H1726	CAP SCREW	1		3/8" X 2-1/4"
	19H2023	CAP SCREW	1		3/8" X 3-1/4"
	12H304	LOCK WASHER	2		3/8"
19	AR36856	TEE FITTING	1	-015134	90°
	AR36856	TEE FITTING	1	015135-	90°, (DIFFERENTIAL LOCK)
	AR26724	ELBOW FITTING	1		90°, (LESS DIFFERENTIAL LOCK)
	R27474	DRAIN PLUG	1		(LESS DIFFERENTIAL LOCK AND ROCKSHAFT)
20	R40583	FITTING	1	-015134	(LESS DIFFERENTIAL LOCK)
	R36927	FITTING	1	015135-	(LESS ROCKSHAFT)

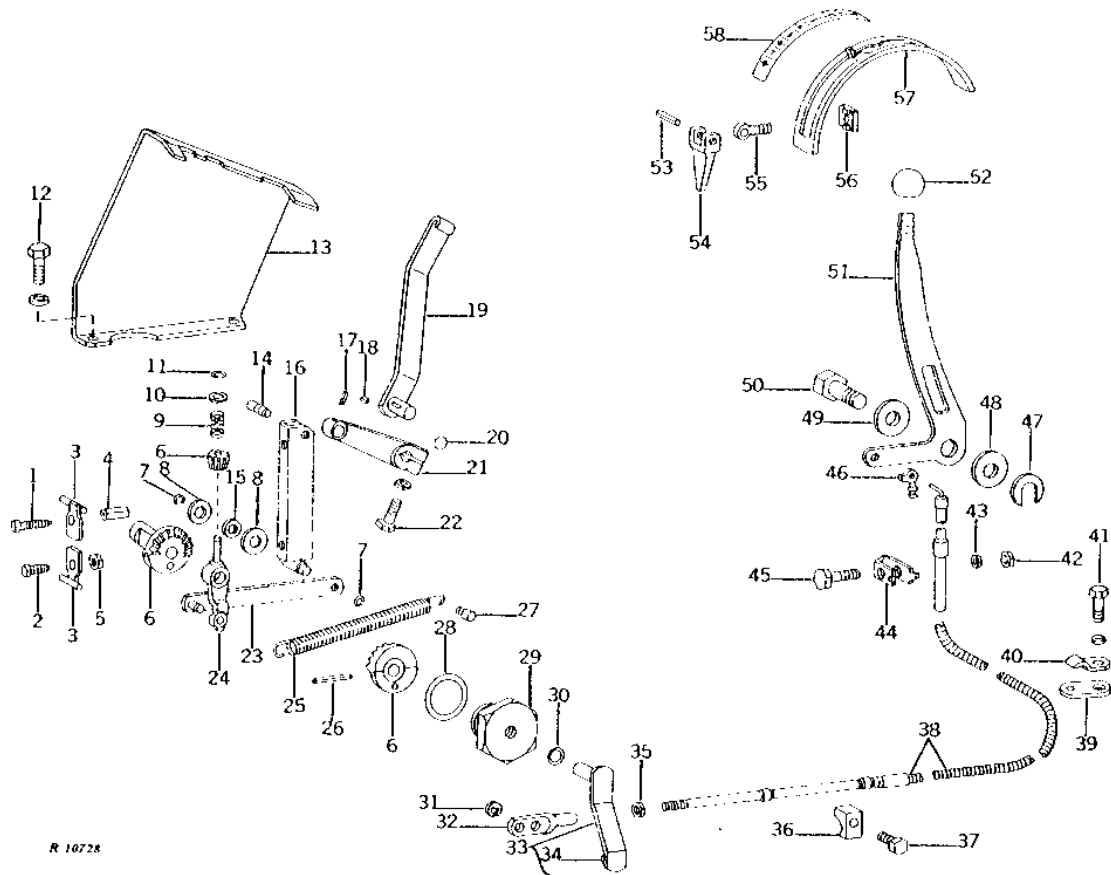
2C10

HYDRAULICS

R10728

-UN-01JAN94

ROCKSHAFT LINKAGE AND CONTROL



R 10728

2C11

HYDRAULICS

ROCKSHAFT LINKAGE AND CONTROL - CONTINUED

KEY	PART NO.	PART NAME	QTY	TRACTOR SERIAL NO.	REMARKS
1	R26554	SET SCREW	1		
2	R26762	BOLT	1		
3	AR26546	LEVER	2		
4	R26567	NUT	1		
5	14H649	NUT	1		1/4"
6	AR31272	GEAR	1		(SUB AR31274, R27674 AND R27675)
7	R72653	SNAP RING	2		(SUB FOR M2396T)
8	24M7207	WASHER	2		8.400 X 24 X 2 MM
9	R26487	SPRING	1		
10	24H1289	WASHER	1		21/64" X 5/8" X 0.049"
11	R26386	SNAP RING	1		
12	19H1936	CAP SCREW	2		3/8" X 3/4"
	12H304	LOCK WASHER	2		3/8"
13	R36405	QUADRANT	1		(NLA)
	R42131	QUADRANT	1	021043-	(A) (NO LONGER AVAILABLE)
14	R27372	PIN	1		
15	R27215	WASHER	1		
16	AR26711	LINK	1		
17	34H231	SPRING PIN	1		3/32" X 3/4"
18	26H67	SHAFT KEY	1		1/8" X 3/8"
19	AR35736	LEVER	1		(NO LONGER AVAILABLE)
	AR44042	LEVER	1	021043-	(A) (NO LONGER AVAILABLE)
20	R394R	O-RING	1		
21	R26571	LEVER	1		
22	19H1905	CAP SCREW	1		5/16" X 1"
	12H303	LOCK WASHER	1		5/16"
23	AR26523	LINK	1		
24	R26772	ARM	1		
25	R26776	SPRING	1		
26	34H239	SPRING PIN	1		3/32" X 1-1/2"
27	R26564	PIN	1		
28	R26773	O-RING	1		
29	R27214	QUILL	1		
30	R394R	O-RING	1		
31	R27507	SNAP RING	1		(SUB R72654)
32	R31422	END	1		
33	AR26524	LEVER	1		
34	R26461	PIN	1		
35	14H850	NUT	1		1/4"
36	R26629	CLAMP	1		
37	19H1849	CAP SCREW	1		5/16" X 1-1/4"
38	AR36374	PUSH PULL CABLE	1		
	R39725	SEAL	2		
	R39726	SEAL	1		BOTTOM
	R39727	SEAL	1		TOP
39	R31945	STRAP	2		(NO LONGER AVAILABLE)
40	R183R	CLIP	2		(SUB FOR R27590)
41	19H1732	CAP SCREW	1		3/8" X 1-1/4"
	19H1731	CAP SCREW	1		3/8" X 1"
	12H304	LOCK WASHER	2		3/8"
42	14H785	NUT	1		5/16"
43	12H303	LOCK WASHER	1		5/16"
44	R26870	CLAMP	1		
45	19H1849	CAP SCREW	1		5/16" X 1-1/4"
46	R26491	CLIP	1		L.H.
47	R27603	WASHER	AR		1.52MM (.060")
48	R26574	WASHER	1		
49	R63024	WASHER	1		(SUB FOR R26575)
50	19H2356	CAP SCREW	1		9/16" X 1-3/4"
	12H317	LOCK WASHER	1		9/16"
51	R27364	LEVER	1		
52	R28164	KNOB	1		
53	34H387	SPRING PIN	1		3/16" X 3/4"
54	R34537	CAM	1		
55	R31222	BOLT	1		
56	R27605	NUT	1		
57	R40476	STRAP	1		
58	R40509	LABEL	1		

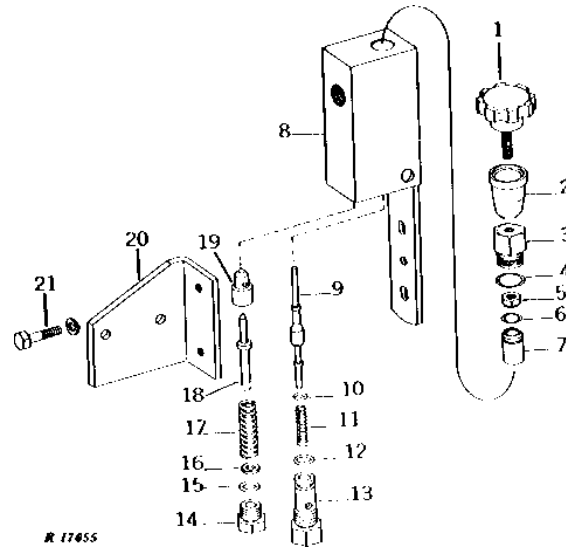
(A) CAB SERIAL NO.

2C12

HYDRAULICS

R17655 -UN-01JAN94

POWER WEIGHT-TRANSFER HITCH CONTROL VALVE



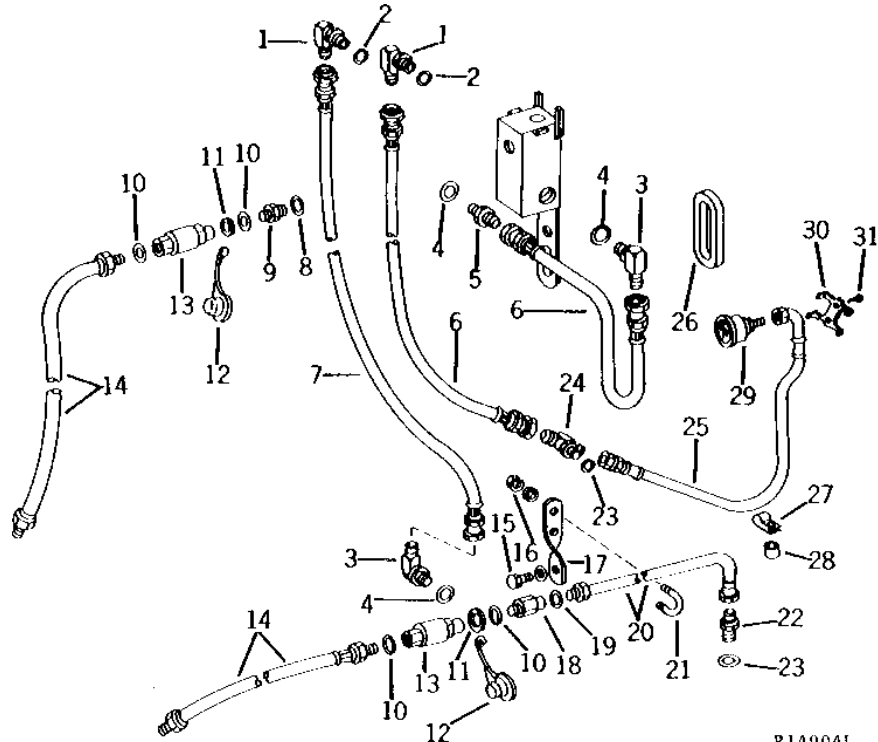
KEY	PART NO.	PART NAME	QTY	TRACTOR SERIAL NO.	REMARKS
1	AR49578	KNOB	1		
2	R54059	BOOT	1		(SUB FOR R39981)
3	R47016	ADAPTER	1		
4	F3171R	O-RING	1		
5	F3220R	LOCK NUT	1		
6	R26375	O-RING	1		
7	R47018	SHAFT	1		
8	AR49622	HOUSING	1		
9	R44840	VALVE	1		
10	R375R	O-RING	1		
11	R26477	SPRING	1		
12	R495R	O-RING	1		
13	R47095	PLUG	1		
14	R27474	DRAIN PLUG	1		
15	R26906	O-RING	1		
16	R45189	SHIM	AR	0.51MM (.020")	
17	R35871	SPRING	1		
18	R45215	GUIDE	1		
19	R38543	VALVE	1		
20	R45386	BRACKET	1		(NO LONGER AVAILABLE)
21	19H1936	CAP SCREW	2	3/8" X 3/4"	
	12H304	LOCK WASHER	2	3/8"	

2C13

HYDRAULICS

R14904 -UN-01JAN94

POWER WEIGHT-TRANSFER HITCH HYDRAULIC OIL PRESSURE GAUGE AND LINES



R149041

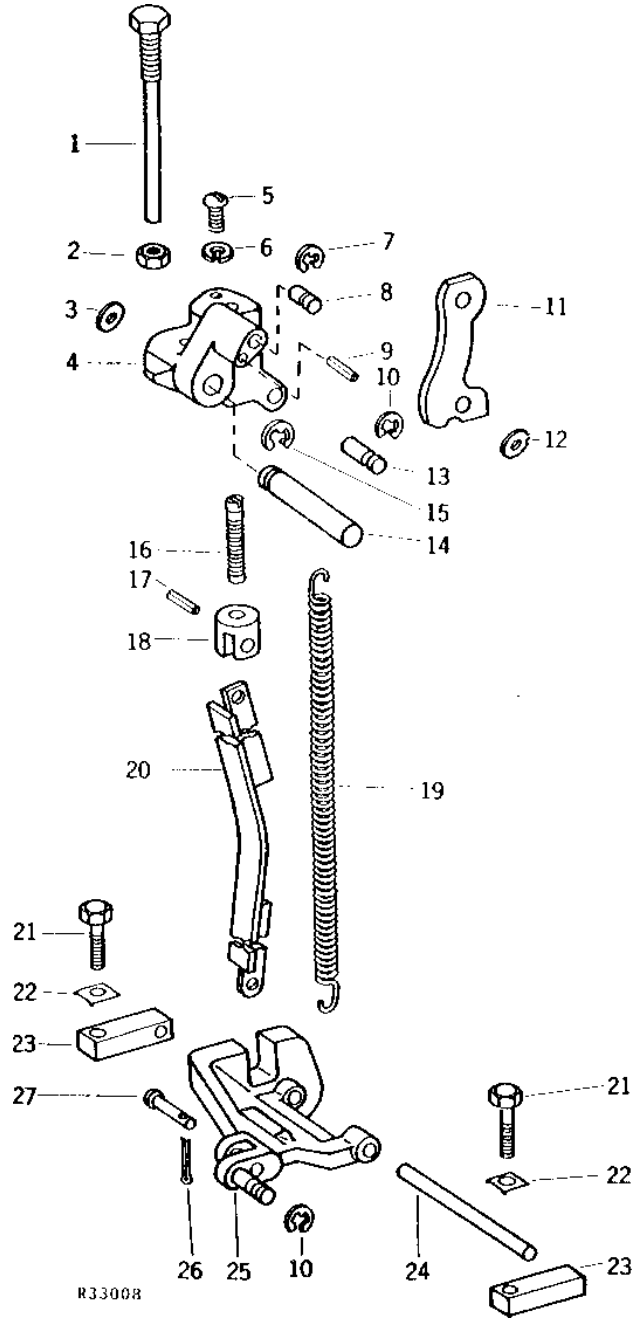
KEY	PART NO.	PART NAME	QTY	TRACTOR SERIAL NO.	REMARKS
1	AT32332	ELBOW FITTING	1		90°, (SUB FOR AR26763)
2	R26375	O-RING	2		
3	AT35120	ELBOW FITTING	2		90°, (SUB FOR AR37017 OR AT32337)
4	R26448	O-RING	5		
5	R39249	ADAPTER	1		
6	AU41729	HYDRAULIC HOSE	2		737MM (29") (SUB AT64802)
7	AR40465	HYDRAULIC HOSE	1		527MM (20-3/4")
8	F3171R	O-RING	1		
9	R36945	FITTING	1		
10	R26375	O-RING	4		
11	R36946	SPRING	2		
12	R32419	COVER	2		
13	AR31611	COUPLING	2		(SUB RE15361)
14	HOSE	2		
15	19H2127	CAP SCREW	1		5/16" X 7/8"
	12H303	LOCK WASHER	1		5/16"
16	14H786	NUT	2		1/4"
	12H302	LOCK WASHER	2		1/4"
17	A15540	SUPPORT	1		
18	R45106	FITTING	1		
19	R26375	O-RING	2		
20	AA15044	ELBOW FITTING	1		
21	R21230	U-BOLT	1		
22	A15532	ADAPTER	1		
23	H851R	WASHER	1		
24	AR47933	TEE FITTING	1		90°
25	AR43795	HYDRAULIC HOSE	1		
26	R20759	GROMMET	1		
27	R34557	CLAMP	4		
28	28H1888	BUSHING	1		3/8" X 1/2"
29	AR47486	PRESSURE GAUGE	1		(NO LONGER AVAILABLE)
30	R34211	CLAMP	1		
31	37H117	SCREW	2		10" X 1-1/4"

2C14

HYDRAULICS

R33008 -UN-01JAN94

LOAD CONTROL



2C15

HYDRAULICS

LOAD CONTROL - CONTINUED

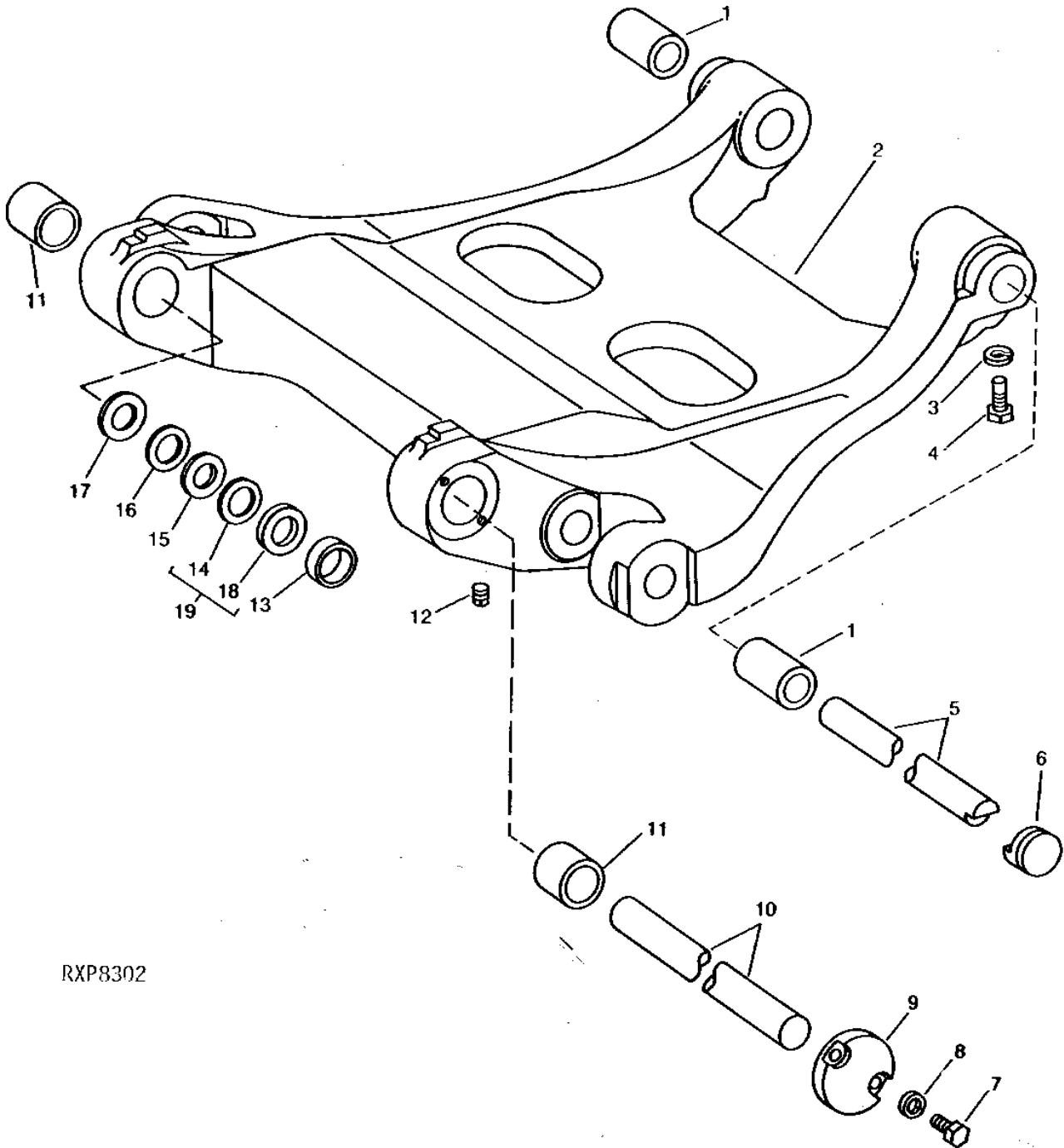
KEY	PART NO.	PART NAME	QTY	TRACTOR SERIAL NO.	REMARKS
1	AR35777	SCREW	1		
2	14H971	NUT	1	1/2"	
3	24H1375	WASHER	1	11/16" X 1-1/8" X 0.060"	
4	AR35826	ARM	1	(MARKED R36553)	
5	21H1329	SCREW	1	1/4" X 7/8"	
6	12H302	LOCK WASHER	1	1/4"	
7	R27507	SNAP RING	1	(SUB R72654)	
8	R26869	PIN	1		
9	34H245	SPRING PIN	1	1/8" X 5/8"	
10	T12808	SNAP RING	2	(SUB R72655)	
11	R36554	FOLLOWER	1		
12	24H1287	WASHER	1	9/32" X 5/8" X 0.065"	
13	R36582	PIN	1		
14	R36491	PIN	1		
15	A4883R	RING	1		
16	R36488	SCREW	1		
17	34H309	SPRING PIN	1	1/4" X 5/8"	
18	R36614	END	1		
19	R26858	SPRING	1		
20	AR36379	PUSH ROD	1		
21	19H1732	CAP SCREW	2	3/8" X 1-1/4"	
22	R1888R	STRAP	2		
23	R36485	SUPPORT	1		
24	R36486	DOWEL PIN	1		
25	AR36380	ARM	1	(MARKED R36993)	
26	11M7081	COTTER PIN	1	0.098" X 0.787"	
27	B2290R	PIN	1		

2C16

HYDRAULICS

RXP8302 -UN-01JAN94

DRAFT LINK SUPPORT



RXP8302

2C17

HYDRAULICS

DRAFT LINK SUPPORT - CONTINUED

KEY	PART NO.	PART NAME	QTY	TRACTOR SERIAL NO.	REMARKS
1	R36481	BUSHING	2		FRONT
2	AR55185	SUPPORT	1		(MARKED R36434 OR R50656) (SUB FOR AR35922 OR AR50339) (NLA)
3	12H303	LOCK WASHER	2		5/16"
4	R40928	BOLT	2		(SUB FOR R27196)
5	R36771	PIN	1		FRONT
6	R33827	RETAINER	2		FRONT
7	19H1900	CAP SCREW	4		5/16" X 3/4"
8	12H303	LOCK WASHER	4		5/16"
9	R36483	RETAINER	2		REAR
10	R36480	DOWEL PIN	1		REAR
11	R36482	BUSHING	2		REAR
12	15H638	PIPE PLUG	2		1/8"
13	R26505	BUSHING	4		
	R45515	BUSHING	1		0.076MM (.003")
	R45516	BUSHING	1		0.15MM (.006")
	R46801	BUSHING	1		0.23MM (.009")
14	F2674R	WASHER	2		
15	R47566	WASHER	AR		1.2MM (.048") (USE WITH AR78340)
16	R47567	WASHER	AR		0.9MM (.036") (USE WITH AR78340)
17	R47568	WASHER	AR		1.6MM (.062") (USE WITH AR78340)
18	AR26414	SEAL	1		(SUB AR78340, THIS APPLICATION)
19	AR78340	SEAL KIT	1		LOAD CONTROL SHAFT OIL SEAL

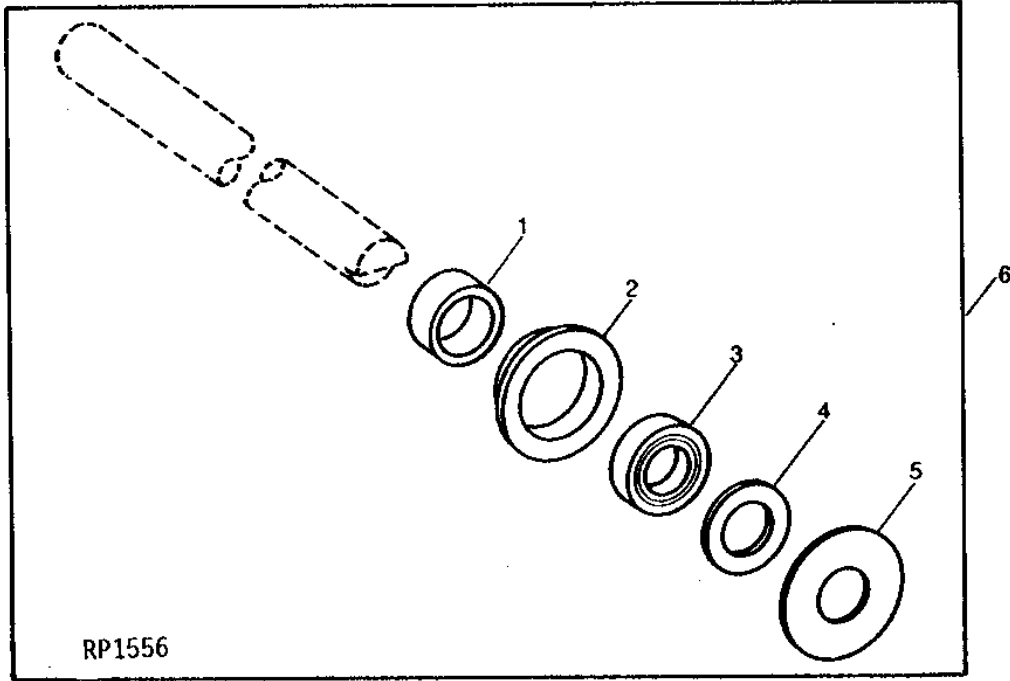
2C18

HYDRAULICS

RP1556

-UN-01JAN94

LOAD CONTROL SHAFT BUSHING KIT



KEY	PART NO.	PART NAME	QTY	TRACTOR SERIAL NO.	REMARKS
1	R46801	BUSHING	2		.030 OVERSIZE
2	R48682	BUSHING	2		
3	AR26414	SEAL	2		(SUB AR78340, THIS APPLICATION)
4	F2674R	WASHER	2		
5	R47566	WASHER	AR		1.22MM (.048")
	R47567	WASHER	AR		0.91MM (.036")
	R47568	WASHER	AR		1.57MM (.062")
6	AR51955	KIT	1		

MEMORANDA

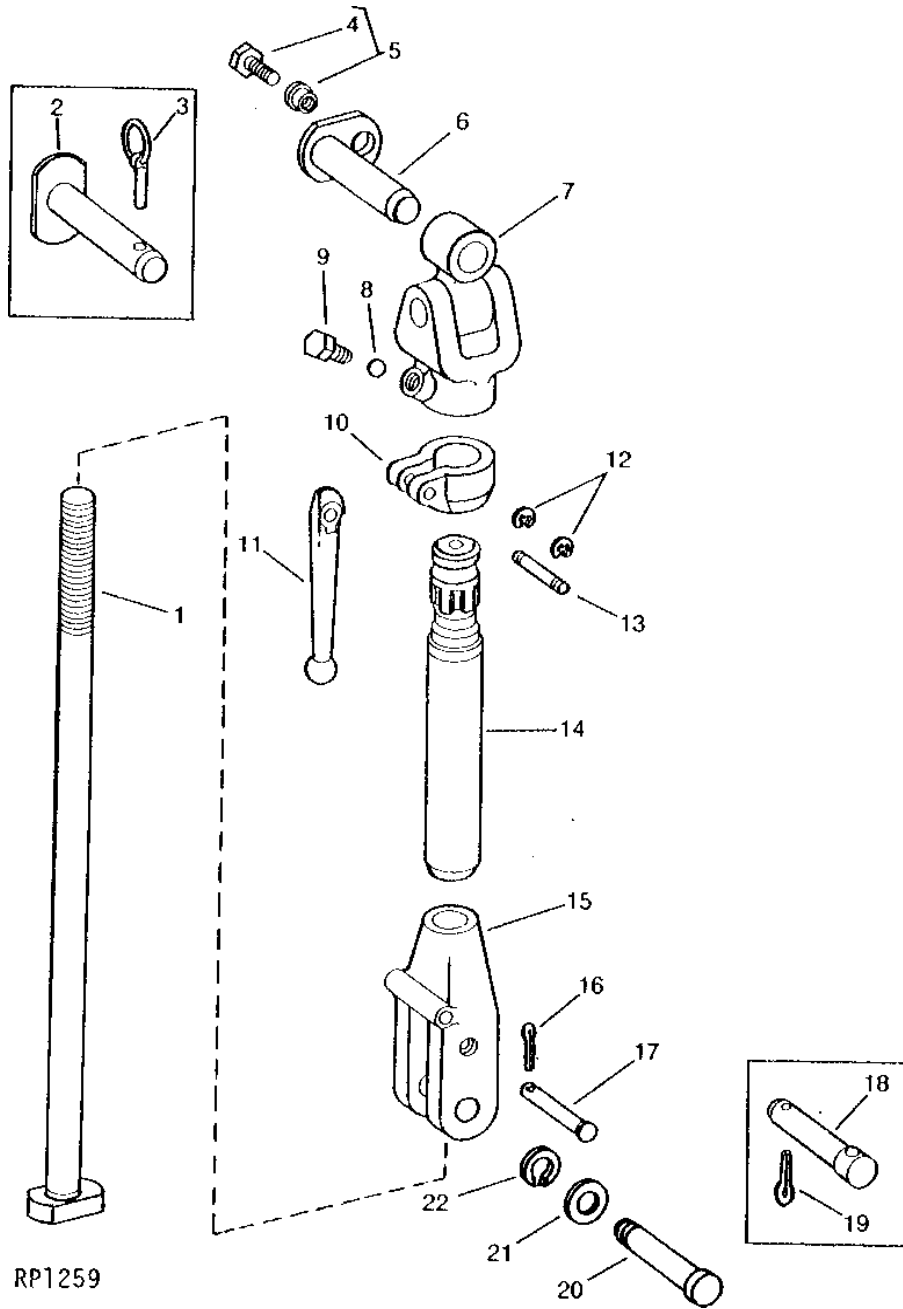
2C19

HYDRAULICS

RP1259

-UN-01JAN94

LIFT LINK



RP1259

2C20

HYDRAULICS

LIFT LINK - CONTINUED

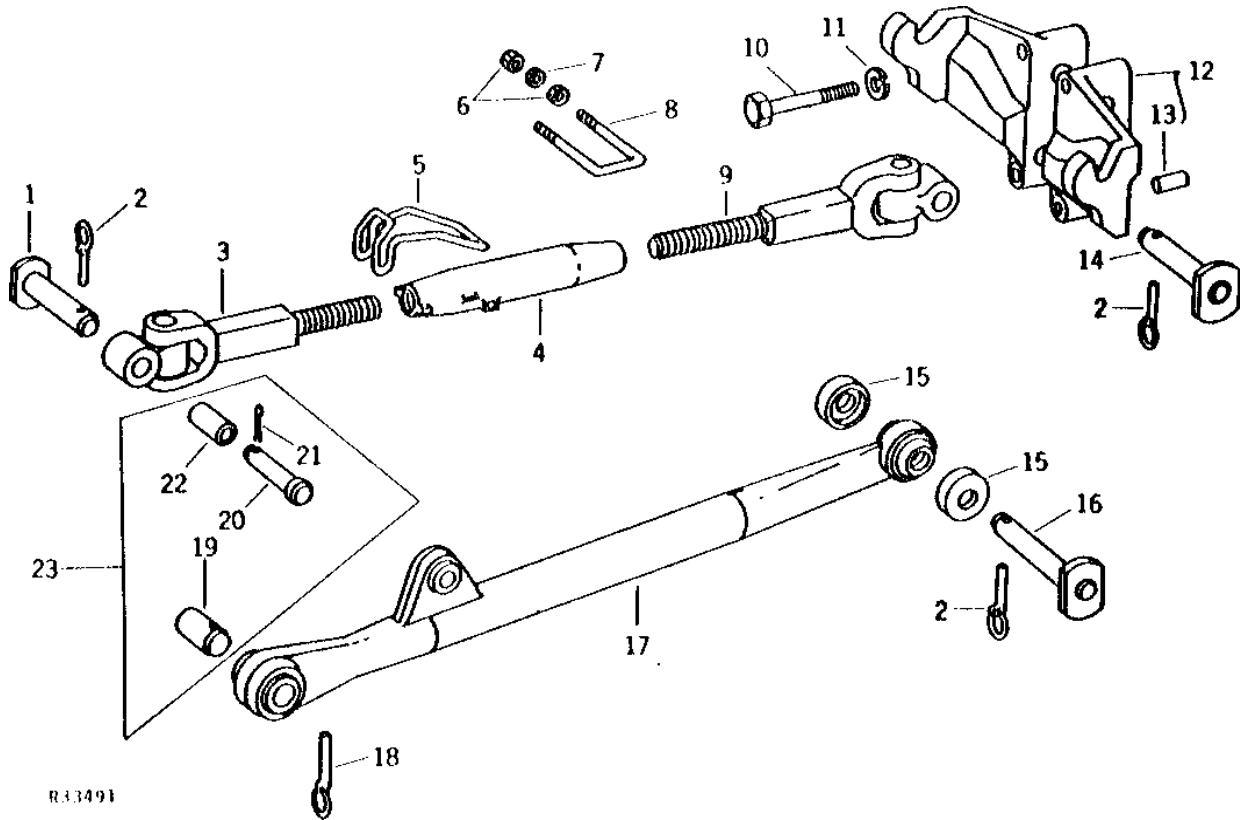
KEY	PART NO.	PART NAME	QTY	TRACTOR SERIAL NO.	REMARKS
1	R36464	LIFT LINK	2		
2	AR35772	PIN	2	-015499	(NO LONGER AVAILABLE)
3	B11182	QUICK LOCK PIN	2	-015499	(SUB M15827)
4	19H1815	CAP SCREW	2	015500-	1/2" X 1-1/4"
5	AR74673	CAP SCREW	2	015500-	(SUB FOR AR40865 OR AR48110)
6	AR40864	PIN	2	015500-	(SUB AR70028)
7	AR35791	YOKE	2		UPPER
8	D2361R	BALL	20		13MM (1/2")
9	R36526	FITTING	2		
10	R50194	LOCKING COLLAR	2		(SUB FOR R36465)
11	R36527	HANDLE	2		
12	F3396R	SNAP RING	4		(SUB A3376R AND 11M7081)
13	T14034	PIN	2		
14	AR35790	SLEEVE	2		
15	R58934	YOKE	2		(ALSO ORDER R63737 AND 11M7021) (SUB FOR R36525 OR R42171) LOWER
16	11M7021	COTTER PIN	2		0.157" X 0.984"
17	R35077	PIN	2	-020055	
18	R63737	PIN	2	020056-	(SUB FOR R42172)
	R58264	PIN	2	-XXXXXX	(SUB FOR R36466 OR R43323) (SUB R65239, R65240 AND A602R)
19	11M7030	COTTER PIN	2	-XXXXXX	0.197" X 1.575"
20	R65239	PIN	1	XXXXXX-	
21	R65240	WASHER	1	XXXXXX-	
22	A602R	SNAP RING	1	XXXXXX-	

2C21

HYDRAULICS

R33491 -UN-01JAN94

DRAFT LINKS AND CENTER LINK



2C22

HYDRAULICS

DRAFT LINKS AND CENTER LINK - CONTINUED

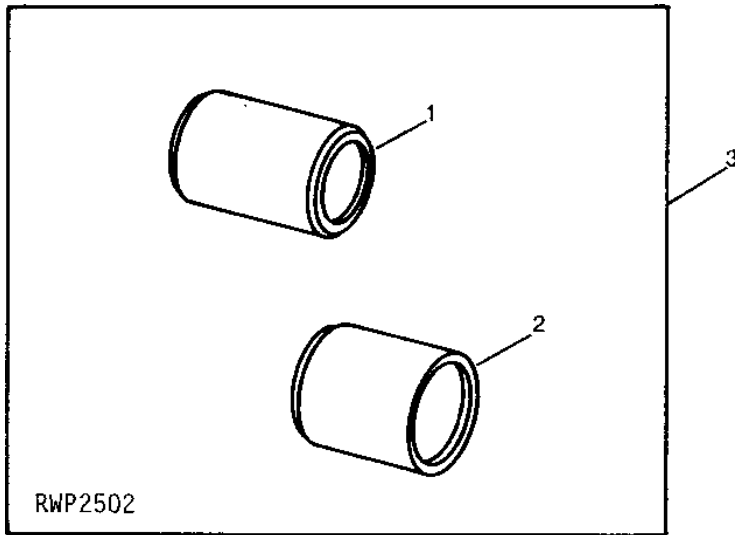
KEY	PART NO.	PART NAME	QTY	TRACTOR SERIAL NO.	REMARKS
1	AR70026	PIN	2		(SUB FOR AR35763)
2	AR62151	QUICK LOCK PIN	4		(SUB FOR B11182) (SUB M15827)
3	AR35760	CENTER LINK END	1		REAR
4	R47524	LINK BODY	1		
5	R42495	HANDLE	1		
6	14H732	NUT	4		3/8"
7	12H304	LOCK WASHER	2		3/8"
8	R45385	U-BOLT	1		
9	AR35759	CENTER LINK END	1		FRONT
10	19H2084	CAP SCREW	4		3/4" X 4-1/2"
11	12H236	LOCK WASHER	4		3/4"
12	AR35855	BRACKET	1		(MARKED R36433)
13	R26277	DOWEL PIN	1		
14	AR89302	PIN	1		(SUB FOR AR35773 OR AR70025)
15	R26608	WASHER	4		
16	AR35774	PIN	1		
17	AR55150	DRAFT LINK	1		R.H.
	AR55151	DRAFT LINK	1		L.H.
18	AR62150	QUICK LOCK PIN	2		(SUB FOR R36471)
19	R66435	BUSHING	2		(SUB FOR R36470)
20	R53296	PIN	1		(SUB FOR R44918)
21	11M7040	COTTER PIN	1		0.248" X 1.969"
22	R66434	BUSHING	1		(SUB FOR R36469)
23	AR35857	BUSHING	1		KIT (CANTILEVER)
	AR88263	KIT	1		(STEPPED STRADDLE)

2C23

HYDRAULICS

IMPLEMENT ADAPTER KIT (CATEGORY II MOUNTED IMPLEMENTS)

RWP2502 -UN-17OCT94



KEY	PART NO.	PART NAME	QTY	TRACTOR SERIAL NO.	REMARKS
1	R66434	BUSHING	1		
2	R67798	BUSHING	2		
3	AR88263	KIT	1		(ORDER COMPONENT PARTS)

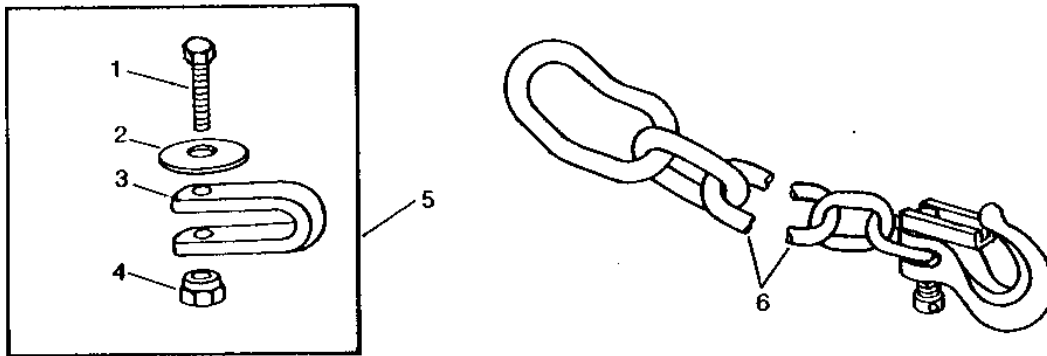
2C24

HYDRAULICS

RWP5796

-UN-01JAN94

IMPLEMENT SAFETY CHAIN



RWP5796

KEY	PART NO.	PART NAME	QTY	TRACTOR SERIAL NO.	REMARKS
1	19H1768	CAP SCREW	1	(A) (B)	
	19H2084	CAP SCREW	1	(A)	
	19H2174	CAP SCREW	1	(B)	
2	R36402	WASHER	1	(A) (B)	
3	R69408	CLEVIS	1	(A)	
	R69409	CLEVIS	1	(B)	
4	T25879	NUT	2	(A) (B)	
5	AR90577	SAFETY CHAIN ADAPTER KIT	1	CATEGORY IV DRAWBARS	
	AR90578	CHAIN KIT	1	CATEGORY II AND III DRAWBARS	
6	RE26739	LINK CHAIN	1	61 LINKS 6.4MM (1/4") DIA CHAIN (6,000 LB)	
	AR90581	LINK CHAIN	1	61 LINKS 6.4MM (1/4") DIA CHAIN (10,000 LB)	
	AR90579	LINK CHAIN	1	42 LINKS 9.5MM (3/8") DIA CHAIN	
	AR90583	LINK CHAIN	1	43 LINKS 11.1MM (7/16") DIA CHAIN	
	RE26740	LINK CHAIN	1	42 LINKS 12.7MM (1/2") DIA CHAIN, (SUB AN212996)	

(A) INCLUDED IN AR90577
 (B) INCLUDED IN AR90578

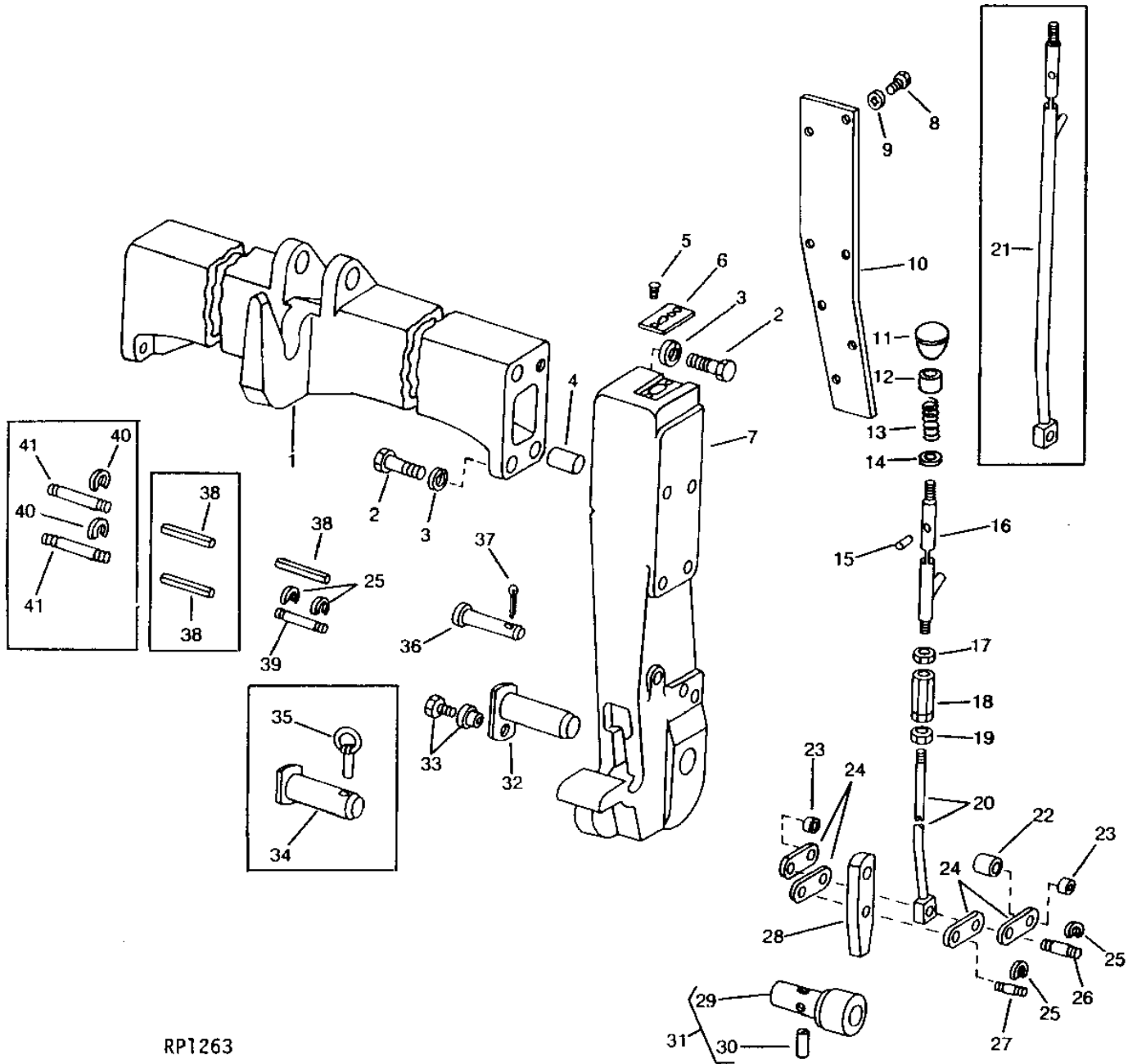
2D1

HYDRAULICS

RP1263

-UN-01JAN94

IMPLEMENT QUICK COUPLER



RP1263

2D2

HYDRAULICS

IMPLEMENT QUICK COUPLER - CONTINUED

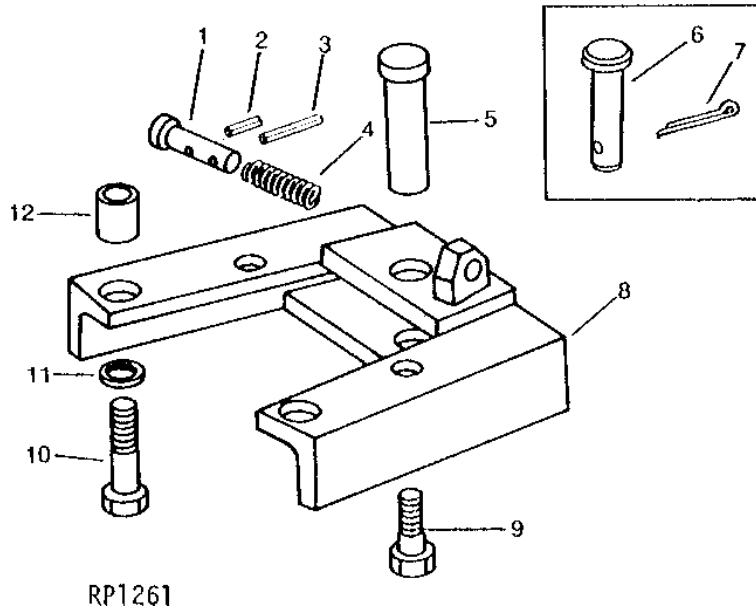
KEY	PART NO.	PART NAME	QTY	TRACTOR SERIAL NO.	REMARKS
1	AR84904	QUICK COUPLER	1		(MARKED R36448, R65203 OR R65817) (SUB FOR AR35851 OR AR82263)
2	19H1356	CAP SCREW	4		5/8" X 1-3/4"
3	12H294	LOCK WASHER	4		5/8"
4	A776R	PIN	4		
5	37H71	SCREW	4		12" X 5/8", (USE WITH R65087 OR R65088)
	19H2284	CAP SCREW	2		3/8" X 7/8", (USE WITH AR87023 OR AR87024)
	12H304	LOCK WASHER	2		3/8", (USE WITH AR87023 OR AR87024)
6	R36443	BRACKET	2		(USE WITH R65087 OR R65088)
	AR50374	BRACKET	1		(USE WITH AR87023 OR AR87024)
7	R65087	QUICK COUPLER	1		R.H. (ALSO ORDER R65082, (2) F2208R, 34H375, AR89303 AND AR78289) (SUB FOR R47050, R36449 OR R46001) (SUB AR87023) (NLA)
	AR87024	QUICK COUPLER	1		L.H. (SUB FOR R36450, R46002 OR R47051 OR R65088) (NLA)
8	19H1919	CAP SCREW	14		1/4" X 5/8"
9	12H297	LOCK WASHER	14		1/4"
10	R58617	SHIELD	2		(SUB FOR R36444)
11	F2861R	KNOB	2		(SUB R60458)
12	R30778	BUSHING	2		
13	R1826R	SPRING	2		
14	24H1227	WASHER	2		17/32" X 13/16" X 0.060"
15	34H277	SPRING PIN	2		3/16" X 5/8"
16	AR41266	ROD	2	015500-	UPPER
17	14H597	NUT	2	015500-	1/2"
18	R33961	COUPLING	2	015500-	
19	14H473	NUT	2	015500-	1/2"
20	AR41267	ROD	2	015500-	LOWER
21	AR35761	ROD	1	-015499	R.H. (SUB AR41266, AR41267, R33961, 14H473 AND 14H597)
	AR35850	ROD	1	-015499	L.H. (SUB AR41266, AR41267, R33961, 14H473 AND 14H597)
22	28H1919	BUSHING	2		1/2" X 15/16"
23	F2206R	WASHER	4		
24	R65242	STRAP	8		(SUB FOR R47590)
25	F2208R	SNAP RING	10		
26	R119275	PIN	2		(SUB FOR R36613 OR R47679)
27	R119276	PIN	2		(SUB FOR R36440 OR R47678)
28	R36441	LATCH	2		
29	R27998	HALF SLEEVE	2		
30	R27999	SPRING PIN	2		
31	AR27093	ADAPTER	1		
32	AR48112	PIN	2		(USE WITH R47050 AND R47051)
	AR89303	PIN	1		(USE WITH R65087) (SUB FOR AR76161)
33	AR74673	CAP SCREW	2		(USE WITH R47050 AND R47051) (SUB FOR AR48110)
	AR78289	CAP SCREW	1		(USE WITH R65087)
34	AR35762	PIN	2		(USE WITH R33449 AND R36450)
35	AR83396	QUICK LOCK PIN	2		(USE WITH R36449 AND R36450) (SUB FOR AR26556 OR AR62152) (SUB R69166)
36	R28556	PIN	2		
37	11M7087	COTTER PIN	2		0.157" X 1.575"
38	34H375	SPRING PIN	4		1/2" X 3", (USE WITH R47050 AND R47051)
	34H375	SPRING PIN	4		1/2" X 3", (USE WITH R65087)
39	R65082	PIN	1		(USE WITH R65087)
40	F2208R	SNAP RING	8		(USE WITH R36449, R36450, R46001 AND R46002)
41	R36442	PIN	4		(USE WITH R36449, R36450, R46001 AND R46002) (NLA)

2D3

HYDRAULICS

RP1261 -UN-01JAN94

DRAWBAR FRONT SUPPORT



KEY	PART NO.	PART NAME	QTY	TRACTOR SERIAL NO.	REMARKS
1	R43319	PIN	1		
2	34H279	SPRING PIN	1		3/16" X 13/16"
3	34H391	SPRING PIN	1		5/16" X 15/16"
4	B423R	SPRING	1		
5	R43320	PIN	1	024039-	(SUB R62760)
6	R35480	PIN	1	-024038	
7	11M7032	COTTER PIN	1	-024038	0.197" X 1.969"
8	AR43075	SUPPORT	1		(SUB FOR AR35525) (NLA)
9	19H2009	CAP SCREW	2		3/4" X 1-5/8"
10	19H1425	CAP SCREW	2		3/4" X 2-3/4"
11	B3627R	WASHER	2		
12	R35479	BUSHING	2		

MEMORANDA

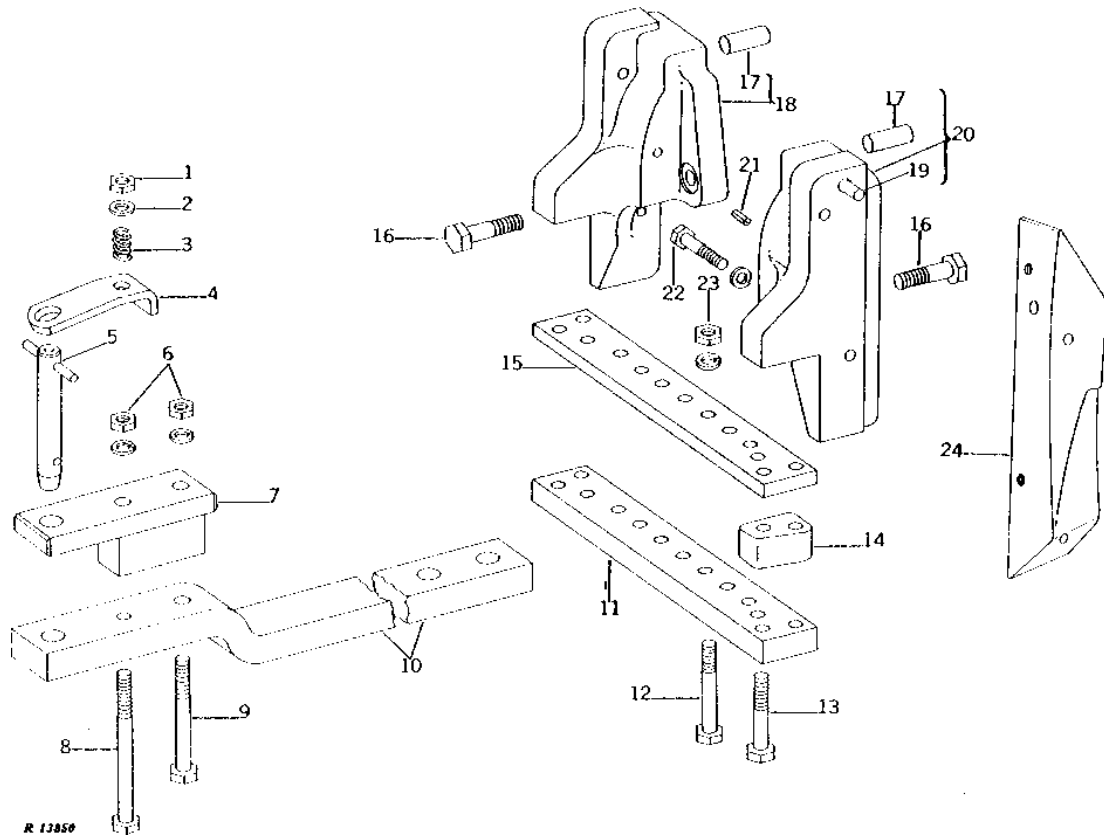
2D4

HYDRAULICS

R13850

-UN-01JAN94

REGULAR DRAWBAR



2D5

HYDRAULICS

REGULAR DRAWBAR - CONTINUED

KEY	PART NO.	PART NAME	QTY	TRACTOR SERIAL NO.	REMARKS
1	R40121	LOCK NUT	1		
2	24H1395	WASHER	1	25/32" X 1-7/16" X 0.060"	
3	A350R	SPRING	1		
4	R54064	RETAINER	1	(ALSO ORDER F304R, R72433, 19H1988 AND 24H1513) (SUB FOR R33609)	
5	AR69988	PIN	1	(SUB FOR AR937R)	
6	14H794	NUT	2	3/4"	
	12H236	LOCK WASHER	2	3/4"	
7	AR35912	STRAP	1	(SUB R78214, R83170, 19H3196 AND 19H3612)	
8	19H2951	CAP SCREW	1	3/4" X 8-1/4"	
9	19H1988	CAP SCREW	1	3/4" X 6"	
10	R36608	DRAWBAR	1		
11	R36273	SUPPORT	1	REAR	
12	19H1910	CAP SCREW	2	3/4" X 4-3/4"	
13	19H2000	CAP SCREW	4	3/4" X 5"	
14	R36509	SPACER	2		
15	R36272	STRAP	1		
16	19H2089	CAP SCREW	6	7/8" X 2-3/4"	
17	R35482	DOWEL PIN	4		
18	AR35862	BRACKET	1	REAR, L.H. (MARKED R36508) (NLA)	
19	R26277	DOWEL PIN	2		
20	AR35861	BRACKET	1	REAR, R.H. (MARKED R36507) (NLA)	
21	34H171	SPRING PIN	2	3/8" X 1", (SUB FOR R32223)	
22	19H1863	CAP SCREW	4	5/8" X 3"	
	12H294	LOCK WASHER	4	5/8"	
23	14H794	NUT	2	3/4"	
	12H236	LOCK WASHER	2	3/4"	
24	R48815	SWAY BLOCK	1	R.H. (SUB FOR R36435)	
	R48816	SWAY BLOCK	1	L.H. (SUB FOR R36436)	

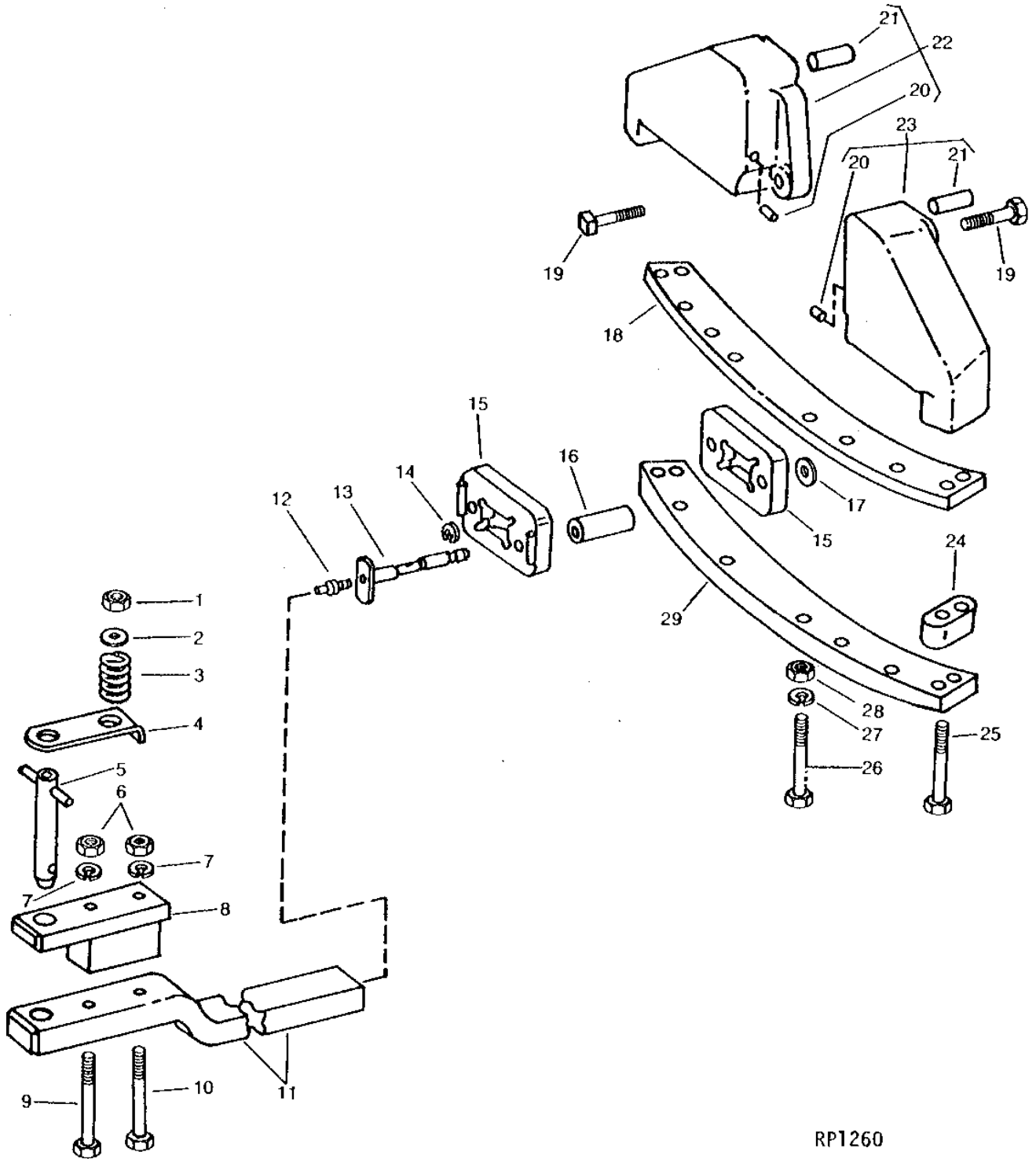
2D6

HYDRAULICS

RP1260

-UN-01JAN94

WIDE-SWING DRAWBAR



RP1260

2D7

HYDRAULICS

WIDE-SWING DRAWBAR - CONTINUED

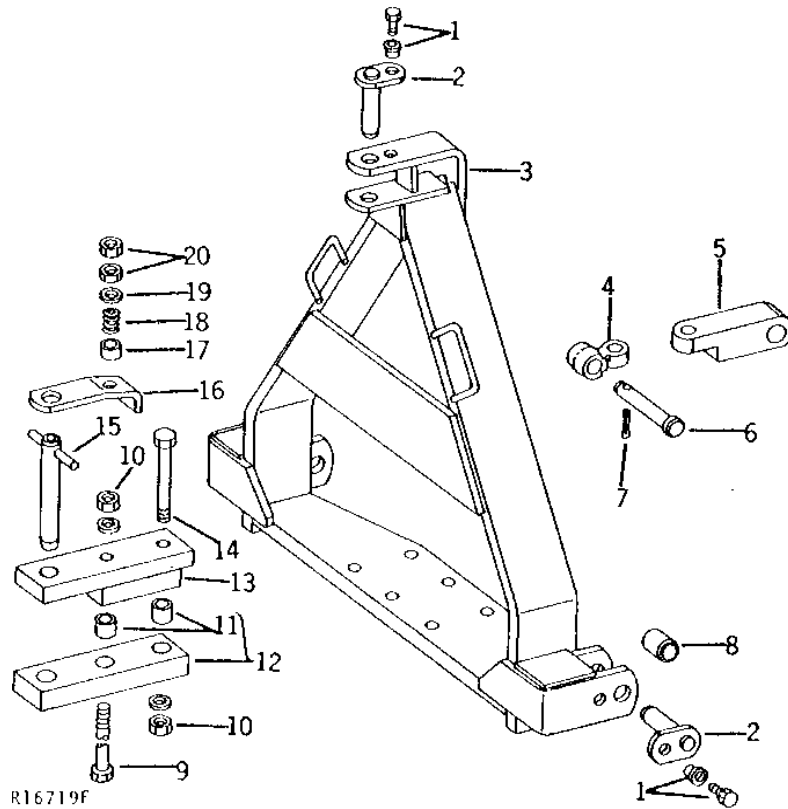
KEY	PART NO.	PART NAME	QTY	TRACTOR SERIAL NO.	REMARKS
1	R40121	LOCK NUT	1		
2	24H1395	WASHER	1		25/32" X 1-7/16" X 0.060"
3	A350R	SPRING	1		
4	R54064	RETAINER	1		(ALSO ORDER F304R, R72433, 19H1988 AND 24H1513) (SUB FOR R36609)
5	AR69988	PIN	1		(SUB FOR AR937R)
6	14H794	NUT	2		3/4"
7	12H236	LOCK WASHER	2		3/4"
8	AR35912	STRAP	1		(SUB R78214, R83170, 19H3196 AND 19H3612)
9	19H2951	CAP SCREW	1		3/4" X 8-1/4"
10	19H1988	CAP SCREW	1		3/4" X 6"
11	R36608	DRAWBAR	1		
12	JD7759	LUBRICATION FITTING	2		
13	AR61656	PIN	2		(ALSO ORDER 24M7353) (SUB FOR AR35345, AR41735, AR44820 OR R42660)
14	11M7084	COTTER PIN	2	-017023	5 X 25 MM
	R73380	SNAP RING	1	010724-	(SUB FOR A369R)
15	R52390	HANGER	2		(SUB FOR R35838)
16	R54141	BUSHING	2		(SUB FOR R35839)
17	24M7353	WASHER	2		(SUB FOR R42660)
18	R35483	SUPPORT	1		(SUB R83112)
19	19H2089	CAP SCREW	6		7/8" X 2-3/4"
20	34H171	SPRING PIN	2		3/8" X 1", (SUB FOR R32223)
21	R35482	DOWEL PIN	4		
22	AR71405	BRACKET	1		L.H. (MARKED R35468 OR R59198) (SUB FOR AR35527)
23	AR71404	BRACKET	1		R.H. (MARKED R35467 OR R59197) (SUB FOR AR35526)
24	R35835	SPACER	2		
25	19H2000	CAP SCREW	4		3/4" X 5"
26	19H1910	CAP SCREW	2		3/4" X 4-3/4"
27	12H236	LOCK WASHER	2		3/4"
28	14H794	NUT	2		3/4"
29	R35476	SUPPORT	1		REAR, (SUB R83111)

2D8

HYDRAULICS

R16719 -UN-01JAN94

POWER WEIGHT TRANSFER COUPLER



2D9

HYDRAULICS

POWER WEIGHT TRANSFER COUPLER - CONTINUED

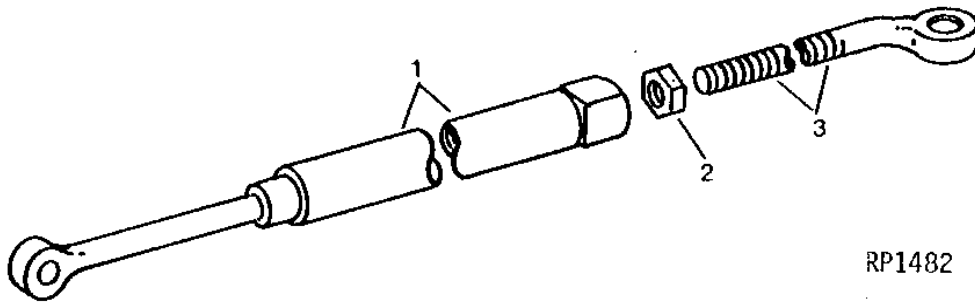
KEY	PART NO.	PART NAME	QTY	TRACTOR SERIAL NO.	REMARKS
1	AR74673	CAP SCREW	3		(SUB FOR AR40865 OR AR48110)
2	AR48111	PIN	3		(ALSO ORDER AR74673) (SUB FOR AR39783)
3	AR46828	COUPLING	1		(SUB AR99336)
4	R44848	PIVOT	2		(NO LONGER AVAILABLE)
5	R44847	PIVOT	1		FRONT
6	R40516	PIN	1		(SUB AR60372 AND R58261)
7	11M7038	COTTER PIN	1		0.248" X 1.575"
8	R67798	BUSHING	2		(SUB FOR R45065)
9	19H2951	CAP SCREW	1		3/4" X 8-1/4"
10	14H794	NUT	2		3/4"
	12H236	LOCK WASHER	2		3/4"
11	R35479	BUSHING	2		
12	AR47567	DRAWBAR	1		
13	AR46256	STRAP	1		
14	19H1988	CAP SCREW	1		3/4" X 6"
15	AR69988	PIN	1		(SUB FOR AR937R)
16	R54064	RETAINER	1		(ALSO ORDER F304R, R72433, 19H1988 AND 24H1613) (SUB FOR R36609)
17	R47044	BUSHING	1		
18	A350R	SPRING	1		
19	24H1395	WASHER	1		25/32" X 1-7/16" X 0.060"
20	R40121	LOCK NUT	2		

2D10

HYDRAULICS

RP1482 -UN-01JAN94

POWER WEIGHT-TRANSFER HITCH IMPLEMENT LINK



RP1482

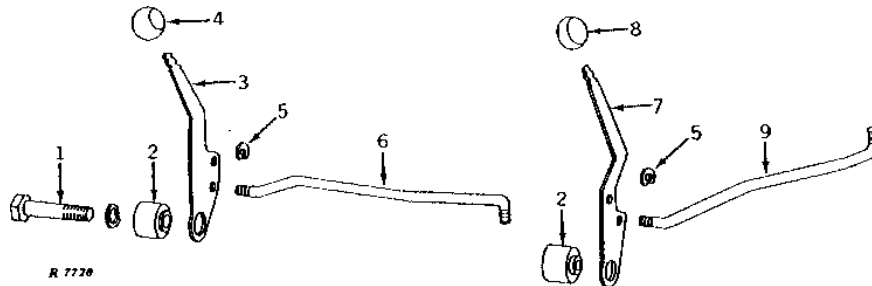
KEY	PART NO.	PART NAME	QTY	TRACTOR SERIAL NO.	REMARKS
1	AR47490	LINK	1		
2	14H887	NUT	1	1-1/8"	
3	R45447	EYEBOLT	1		

2D11

HYDRAULICS

R7720 -UN-01JAN94

SELECTIVE CONTROL LEVERS



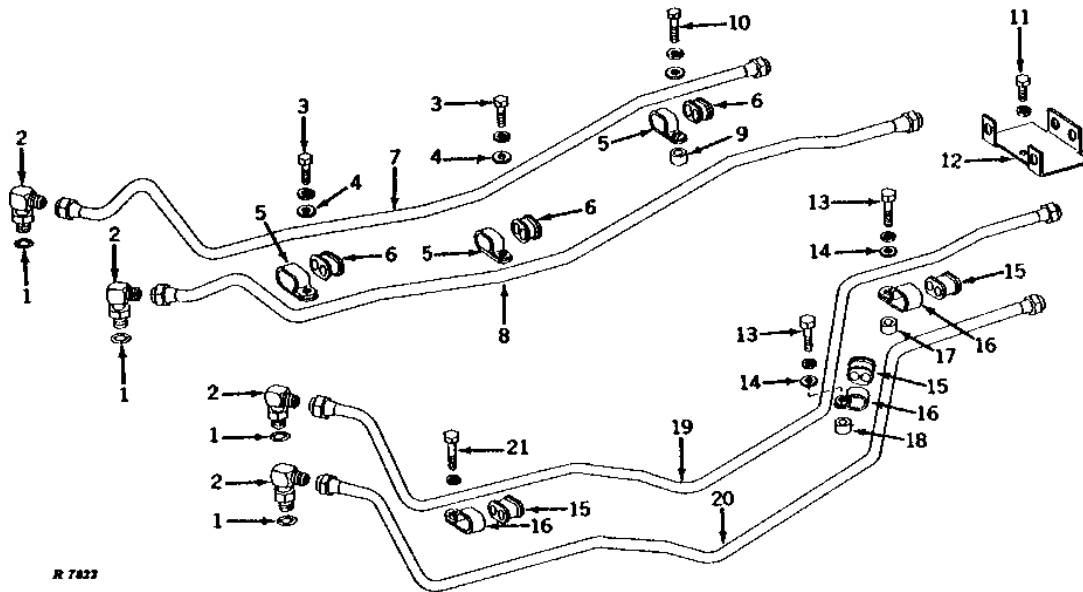
KEY	PART NO.	PART NAME	QTY	TRACTOR SERIAL NO.	REMARKS
1	19H2360	CAP SCREW	1		9/16" X 2-3/4", (SINGLE SELECTIVE CONTROL)
	19H2659	CAP SCREW	1		9/16" X 3-3/4", (DUAL SELECTIVE CONTROL)
	12H317	LOCK WASHER	1		9/16"
2	R27203	BUSHING	AR		(1 USED SINGLE SELECTIVE CONTROL, 2 USED DUAL SELECTIVE CONTROL)
3	R34482	LEVER	1		OUTER (DUAL SELECTIVE CONTROL) (SUB FOR R27500)
4	R28164	KNOB	1		(DUAL SELECTIVE CONTROL)
5	R72653	SNAP RING	AR		(4 USED SINGLE SELECTIVE CONTROL, 8 USED DUAL SELECTIVE CONTROL) (SUB FOR M2396T)
6	R45306	ROD	1		(DUAL SELECTIVE CONTROL) (SUB FOR R27241)
7	R27494	LEVER	1		INNER
8	R27829	KNOB	1		
9	R45305	ROD	1		(SUB FOR R27240)

2D12

HYDRAULICS

SELECTIVE CONTROL OIL LINES (BRACKET TO BREAKAWAY COUPLERS)

R7822 -UN-01JAN94



KEY	PART NO.	PART NAME	QTY	TRACTOR SERIAL NO.	REMARKS
1	R26375	O-RING	AR		(2 USED SINGLE SELECTIVE CONTROL, 4 USED DUAL SELECTIVE CONTROL)
2	AT32332	ELBOW FITTING	AR		90° (2 USED SINGLE SELECTIVE CONTROL, 4 USED DUAL SELECTIVE CONTROL) (SUB FOR AR26763)
3	19H2284	CAP SCREW	2		(A) 3/8" X 7/8"
	12H304	LOCK WASHER	2		(A) 3/8"
4	A4624R	WASHER	3		(A)
5	R28733	CLAMP	3		(A)
6	R35163	GROMMET	3		(A)
7	AR35226	LINE	1		REAR, L.H., OUTER (DUAL SELECTIVE CONTROL AND NO ROCKSHAFT)
	AR47433	HYDRAULIC LINE	1		REAR, L.H., OUTER (DUAL SELECTIVE CONTROL AND ROCKSHAFT) (SUB FOR AR35742)
8	AR35228	HYDRAULIC LINE	1		REAR, L.H., INNER (DUAL SELECTIVE CONTROL AND NO ROCKSHAFT)
	AR35743	HYDRAULIC LINE	1		REAR, L.H., INNER (DUAL SELECTIVE CONTROL AND ROCKSHAFT)
9	A4669R	BUSHING	1		(A)
10	19H1800	CAP SCREW	1		(A) 3/8" X 1-1/2"
	12H304	LOCK WASHER	1		3/8"
11	19H1936	CAP SCREW	1		3/8" X 3/4"
	12H304	LOCK WASHER	1		3/8"
12	R35705	BRACKET	1		
13	19H1800	CAP SCREW	2		3/8" X 1-1/2"
	12H304	LOCK WASHER	2		3/8"
14	A4624R	WASHER	2		
15	R35163	GROMMET	3		
16	R28733	CLAMP	3		
17	A4669R	BUSHING	1		
18	B3682R	WASHER	1		
19	AR36287	HYDRAULIC LINE	1		REAR, R.H., INNER
20	AR36286	OIL LINE	1		REAR, R.H., OUTER
21	19H1721	CAP SCREW	1		1/2" X 1-1/2"
	12H301	LOCK WASHER	1		1/2"

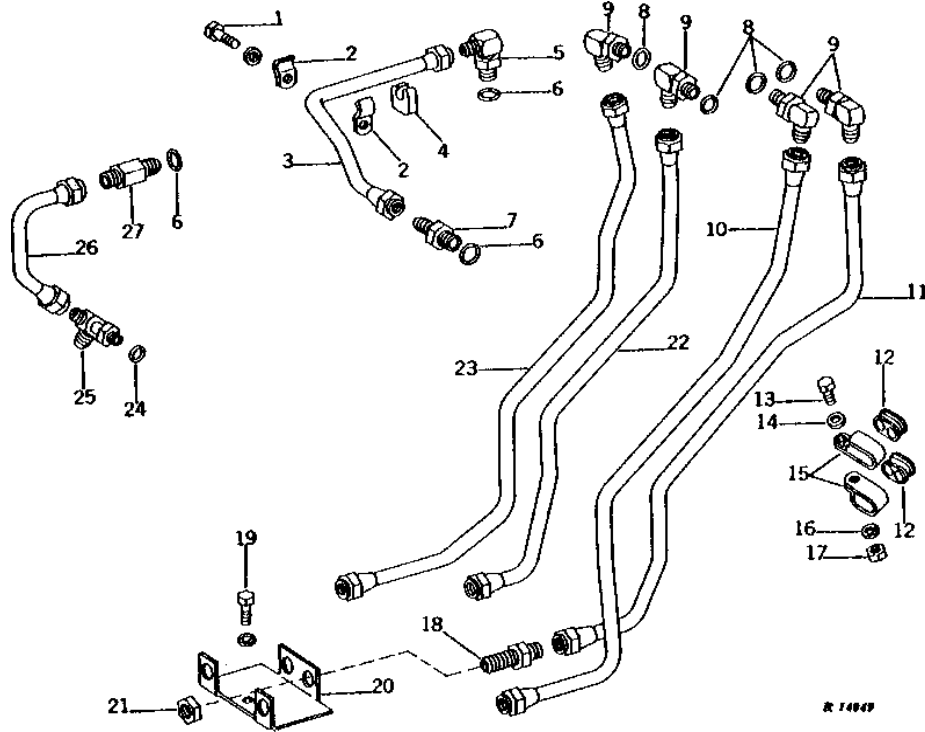
(A) DUAL SELECTIVE CONTROL

2D13

HYDRAULICS

R14949 -UN-01JAN94

SELECTIVE CONTROL OIL LINES (VALVE HOUSING TO BRACKET)



R 14949

KEY	PART NO.	PART NAME	QTY	TRACTOR SERIAL NO.	REMARKS
1	19H1936	CAP SCREW	1	3/8" X 3/4"	
	12H304	LOCK WASHER	1	3/8"	
2	R31183	CLAMP	2		
3	AR35721	LINE	1	-024038	
	AR45683	LINE	1	024039-	
4	R26989	GROMMET	1		
5	AT32332	ELBOW FITTING	1	90°, (SUB FOR AR26763)	
6	R26375	O-RING	3		
7	R27237	FITTING	1		
8	R26375	O-RING	AR	(B)	
9	AT32332	ELBOW FITTING	AR	(B) 90°, (SUB FOR AR26763)	
10	AR35230	LINE	1	FRONT, R.H., OUTER	
11	AR35231	LINE	1	FRONT, R.H., INNER	
12	R35163	GROMMET	AR	(1 USED SINGLE SELECTIVE CONTROL, 2 USED DUAL SELECTIVE CONTROL)	
13	19H1731	CAP SCREW	1	(A) 3/8" X 1"	
14	24H1305	WASHER	1	(A) 13/32" X 13/16" X 0.065"	
15	R28733	CLAMP	2	(A)	
16	12H304	LOCK WASHER	1	(A) 3/8"	
17	14H1076	NUT	1	(A) 3/8"	
18	R52831	FITTING	AR	(B) (ALSO ORDER R30432) (SUB FOR R35701)	
19	19H1936	CAP SCREW	1	3/8" X 3/4"	
	12H304	LOCK WASHER	1	3/8"	
20	R35705	BRACKET	1		
21	R27448	NUT	AR	(B)	
22	AR35234	LINE	1	(A) FRONT, L.H., INNER (NO LONGER AVAILABLE)	
23	AR36803	HYDRAULIC LINE	1	(A) FRONT, L.H., OUTER	
24	R26286	O-RING	1		
25	AR26767	TEE FITTING	1		
26	AR26766	HYDRAULIC LINE	1		
27	R28717	FITTING	1	37° FLARE	

(A) DUAL SELECTIVE CONTROL

(B) 2 USED SINGLE SELECTIVE CONTROL, 4 USED DUAL SELECTIVE CONTROL

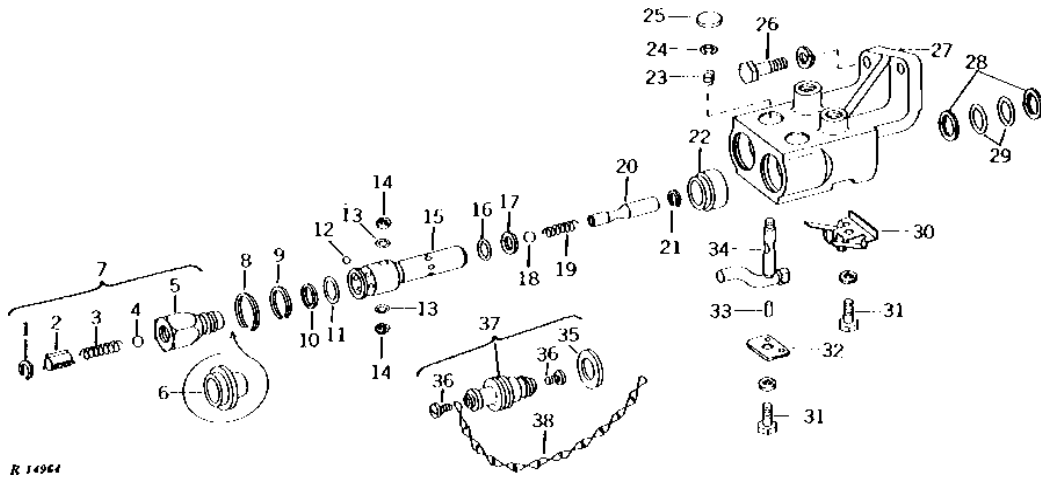
2D14

HYDRAULICS

R14964

-UN-01JAN94

BREAKAWAY COUPLER



R 14964

2D15

HYDRAULICS

BREAKAWAY COUPLER - CONTINUED

KEY	PART NO.	PART NAME	QTY	TRACTOR SERIAL NO.	REMARKS
1	R59633	WEAR RING	2		(SUB FOR R28204)
2	R28085	GUIDE	2		(SUB AR93819 OR AR93820, THIS APPLICATION)
3	R28084	SPRING	2		
4	D2361R	BALL	2		13MM (1/2")
5	R27430	HYD. QUICK-CONNECT COUPLER	2		(PRESSURE) (SUB AR93819)
	R45630	HYD. QUICK-CONNECT COUPLER	1		(RETURN) (SUB AR93820)
6	R28006	CAP	2		
7	AR30210	INTERNAL HALF COUPLER	1		(PRESSURE) (SUB AR93819)
	AR47643	BREAKAWAY COUPLER	1		(RETURN) (SUB AR93820)
8	R34399	SNAP RING	2		
9	R32356	SNAP RING	2		
10	R26485	BACK-UP RING	2		
11	R495R	O-RING	2		(SUB R59343, THIS APPLICATION)
12	400R	BALL	12		6MM (1/4")
13	R65286	O-RING	4		(SUB FOR A3917R, THIS APPLICATION)
14	R26484	BACK-UP RING	4		
15	R34397	SOCKET OUTLET	2		
16	R375R	O-RING	2		
17	R26482	RING	2		
18	D2361R	BALL	2		13MM (1/2")
19	R28084	SPRING	2		
20	R34400	PLUG	2		
21	R26483	SNAP RING	2		
22	R34398	SLEEVE	2		
23	R31890	SPRING	2		
24	R72653	SNAP RING	2		(SUB FOR M2396T)
25	30H15	PLUG	2		1-1/8"
26	19H3579	CAP SCREW	2		1/2" X 1-3/8"
	12H301	LOCK WASHER	2		1/2"
27	AR52620	HOUSING	1		(SUB FOR AR48295) (SUB R34396, R49191, R72654, 12H10 AND 24H1286)
28	R26480	BACK-UP RING	4		(SUB R65285, THIS APPLICATION)
29	A4730R	O-RING	4		(SUB R74530, THIS APPLICATION)
30	R45618	CLIP	1		(SUB FOR R30818) (SUB R72654, R49191, 12H10 AND 24H1283)
31	19H1900	CAP SCREW	2		5/16" X 3/4"
	12H303	LOCK WASHER	2		5/16"
32	R51285	PLATE	1		(SUB FOR R34402 OR R41494) (SUB AR75958)
33	34H244	SPRING PIN	2		1/8" X 9/16"
34	AR82576	LEVER	1		(SUB FOR AR41139, AR41140, AR48756, AR33877 OR AR82576) (SUB AR99100)
35	R34589	WASHER	2		
36	37H97	SCREW	4		0.242" X 3/4"
37	AR52623	PLUG	2		(SUB FOR AR34059)
38	R49193	LINK CHAIN	2		(SUB FOR A3184R) (SUB AN163885)
..	AR40587	BREAKAWAY COUPLER	1		R.H. OR L.H.

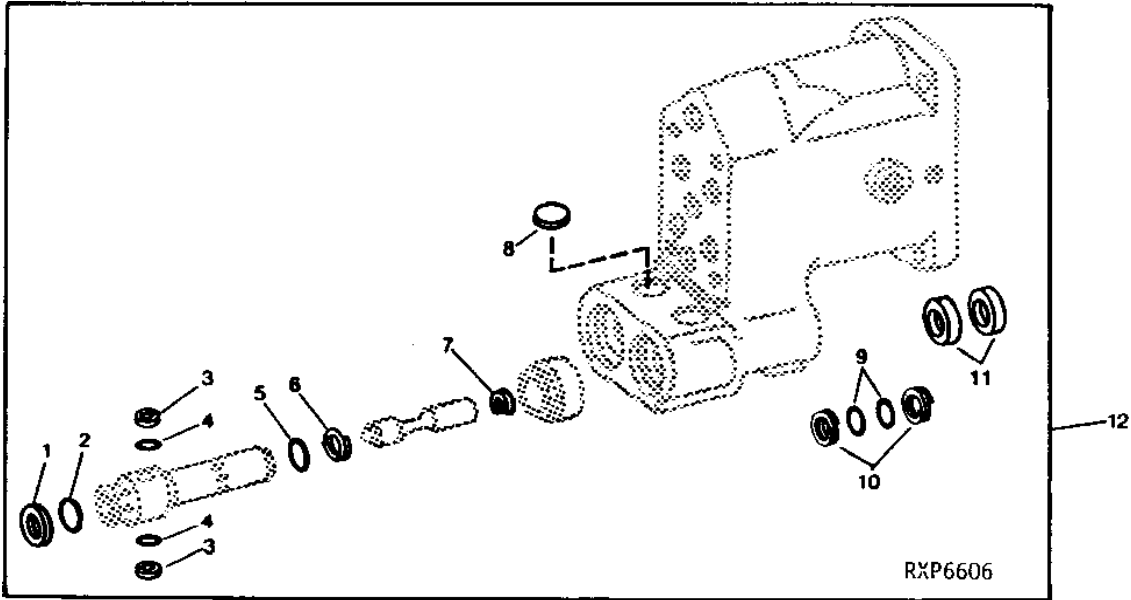
2D16

HYDRAULICS

RXP6606

-UN-06OCT94

BREAKAWAY COUPLER OVERHAUL KIT



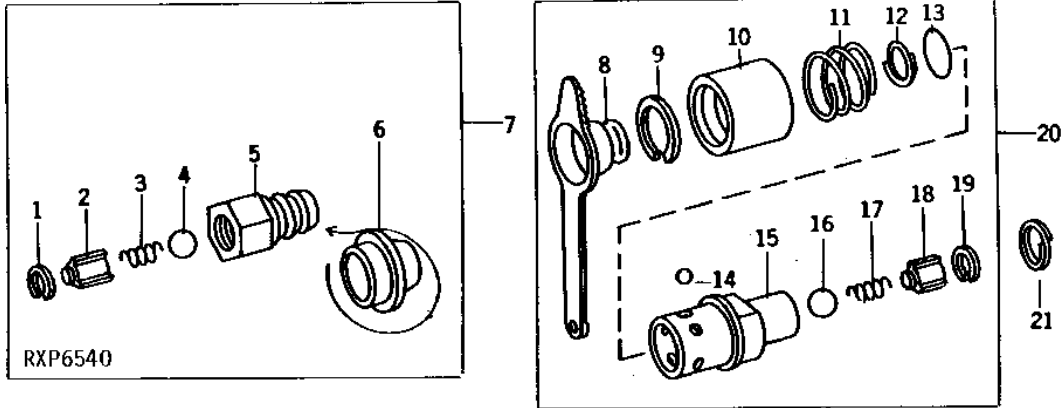
KEY	PART NO.	PART NAME	QTY	TRACTOR SERIAL NO.	REMARKS
1	R26485	BACK-UP RING	2		
2	R59343	RING	2		
3	R26484	BACK-UP RING	4		
4	R65286	O-RING	4		
5	R375R	O-RING	2		
6	R26482	RING	2		
7	R26483	SNAP RING	2		
8	30H15	PLUG	2	1-1/8"	
9	A4730R	O-RING	4	(EARLY DESIGN)	
10	R26480	BACK-UP RING	4	(EARLY DESIGN)	
11	R79311	SEAL	4	(CURRENT DESIGN)	
12	AR82570	KIT	1	(SUB FOR AR30685)	

2D17

HYDRAULICS

RXP6540 -UN-06OCT94

FLEXIBLE OIL LINE COUPLER



KEY	PART NO.	PART NAME	QTY	TRACTOR SERIAL NO.	REMARKS
1	R59633	WEAR RING	1		(SUB FOR R28204)
2	R28085	GUIDE	1		(SUB AR93819 OR AR93820, THIS APPLICATION)
3	R28084	SPRING	1		
4	D2361R	BALL	1	13MM (1/2")	
5	R27430	HYD. QUICK-CONNECT COUPLER	1		(PRESSURE) (SUB AR93819)
	R45630	HYD. QUICK-CONNECT COUPLER	1		(RETURN) (SUB AR93820)
6	R28006	CAP	1		
7	AR30210	INTERNAL HALF COUPLER	1		(PRESSURE) (SUB AR93819)
	AR47643	BREAKAWAY COUPLER	1		(RETURN) (SUB AR93820)
8	R32419	COVER	1		(SUB R80324)
9	R32356	SNAP RING	1		
10	R32355	SLEEVE	1		
11	R32354	SPRING	1		(SUB RE15361)
12	R26485	BACK-UP RING	1		
13	R495R	O-RING	1		
14	400R	BALL	6	6MM (1/4")	
15	R32353	SOCKET OUTLET	1		(SUB RE15361)
16	D2361R	BALL	1	13MM (1/2")	
17	R28084	SPRING	1		
18	R28085	GUIDE	1		(SUB RE15361)
19	R59633	WEAR RING	1		(SUB FOR R28204)
20	AR47331	SOCKET OUTLET	1		(SUB RE15361)
21	R36946	SPRING	1		

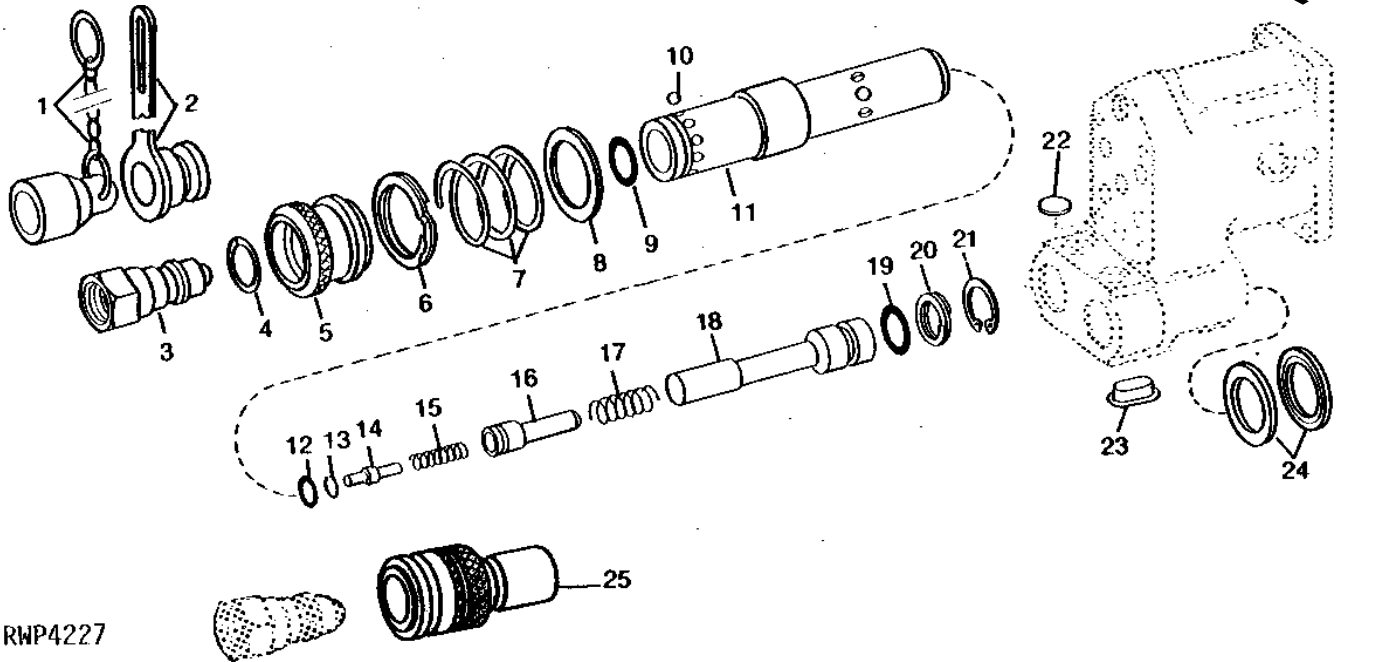
MEMORANDA

2D18

HYDRAULICS

ISO BREAKAWAY COUPLER
(SERVICE PARTS FOR AR80911)
(TRACTOR SERIAL NO. -XXXXXX)

RWP4227 -UN-01JAN94



RWP4227

KEY	PART NO.	PART NAME	QTY	TRACTOR SERIAL NO.	REMARKS
1	A15898	CAP	1		
2	A15899	CAP	1		
3	AL26973	INTERNAL HALF COUPLER	1		
4	R64617	SNAP RING	1	(A)	
5	R64618	SLEEVE	1	(A)	
6	R64615	SNAP RING	1	(A)	
7	R64609	SPRING	1	(A)	
8	R64608	WASHER	1	(A)	
9	R21722	O-RING	1	(A)	
10	H871R	BALL	8	(A)	5MM (3/16")
11	R64605	EXTERNAL HALF COUPLER	1	(A)	
12	R64613	O-RING	1	(A)	
13	R64614	SNAP RING	1	(A)	
14	R64612	PIN	1	(A)	
15	R64611	SPRING	1	(A)	
16	R64610	POPPET	1	(A)	
17	R64607	SPRING	1	(A)	
18	R64606	GUIDE	1	(A)	
19	R375R	O-RING	1	(A)	
20	R26482	RING	1	(A)	
21	U15969	SNAP RING	1	(A)	
22	30H15	PLUG	1		1-1/8"
23	R64561	PLUG	1		
24	R74530	SEAL	2	(SUB R79311)	
25	AL26972	EXTERNAL HALF COUPLER	1		

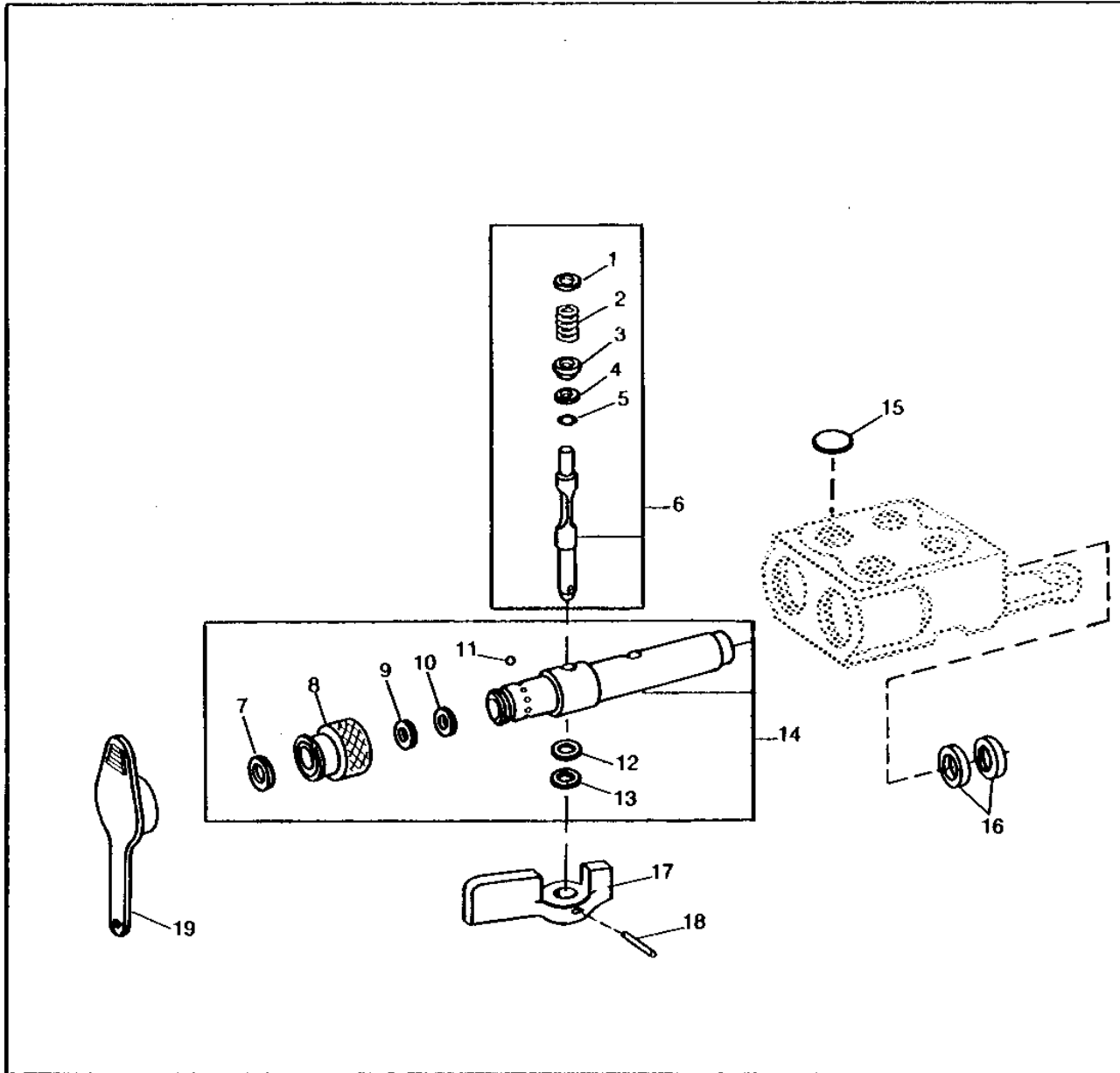
(A) SUB RE12121, R49191, R61957, R34399, AND 12H303

2D19

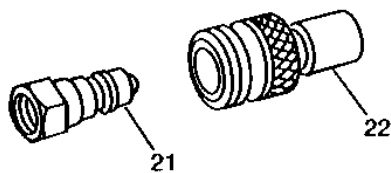
HYDRAULICS

JOHN DEERE TO ISO COUPLER CONVERSION KIT
(TRACTOR SERIAL NO. XXXXXX-)

RWP3518 -UN-01JAN94



RWP3518



2D20

HYDRAULICS

JOHN DEERE TO ISO COUPLER CONVERSION KIT - CONTINUED
(TRACTOR SERIAL NO. XXXXXX-)

KEY	PART NO.	PART NAME	QTY	TRACTOR SERIAL NO.	REMARKS
1	R54242	SNAP RING	2		
2	R78767	SPRING	2		
3	R48698	WASHER	2		
4	R31136	BACK-UP RING	2		
5	R10093	O-RING	2		
6	RE13814	SHAFT	2		
7	40M4378	SNAP RING	2		
8	R78765	SLEEVE	2		
9	R71387	WASHER	2		
10	R74210	O-RING	2		
11	H871R	BALL	16		
12	P51212	O-RING	2		
13	R78766	BACK-UP RING	2		
14	RE13813	RECEPTACLE	2		
15	30H15	PLUG	2	1-1/8"	
16	R74530	SEAL	2	(SUB A4730R AND R26480, THIS APPLICATION)	
17	R78769	HANDLE	2		
18	34H247	SPRING PIN	2	1/8" X 3/4"	
19	R78768	COVER	2		
20	RE12121	RECEIVER	1		
21	AR94522	INTERNAL HALF COUPLER	AR	(SUB FOR AL26973)	
22	AL26972	EXTERNAL HALF COUPLER	AR		

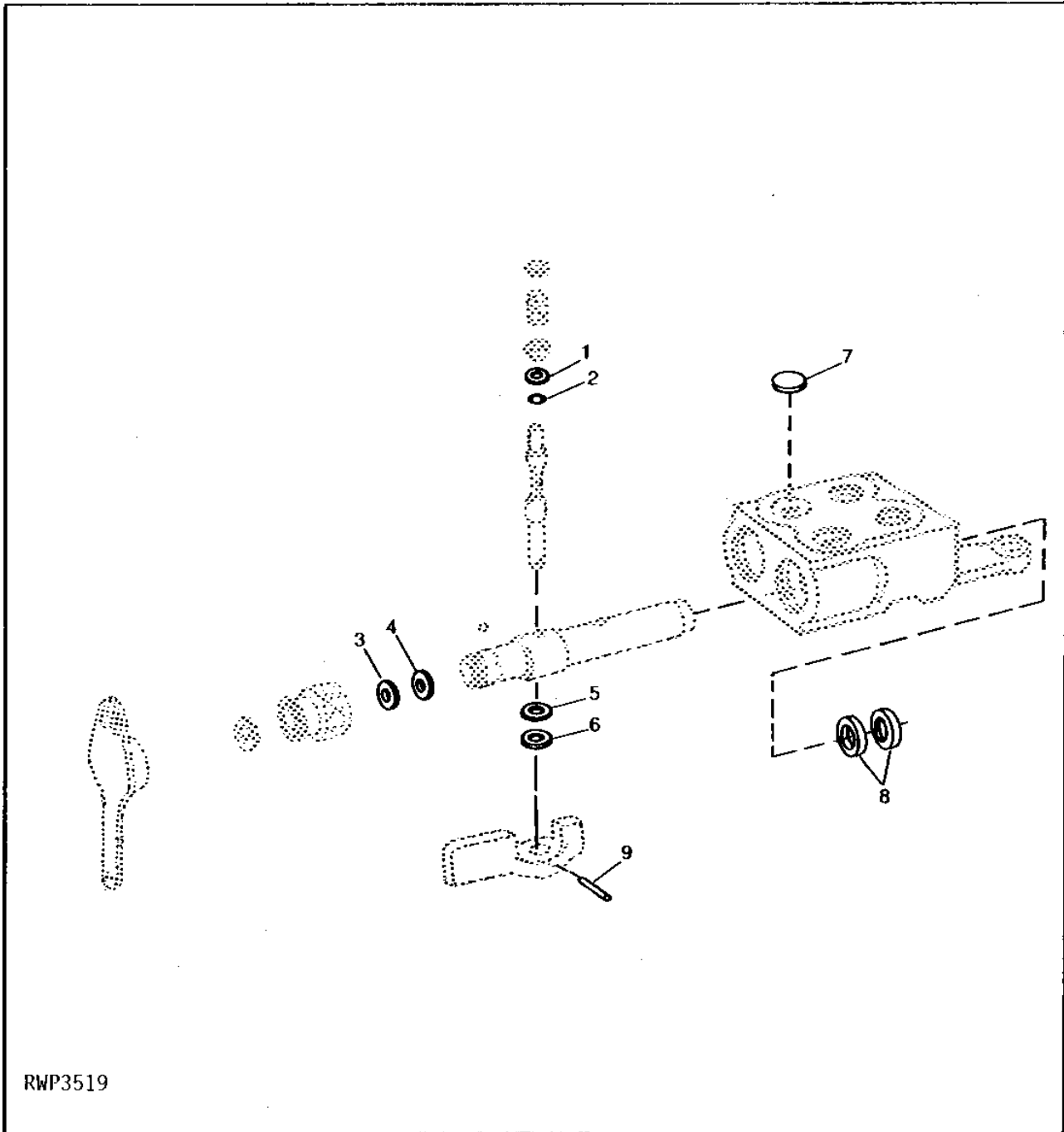
2D21

HYDRAULICS

RWP3519

-UN-01JAN94

ISO COUPLER OVERHAUL KIT



RWP3519

2D22

HYDRAULICS

ISO COUPLER OVERHAUL KIT - CONTINUED

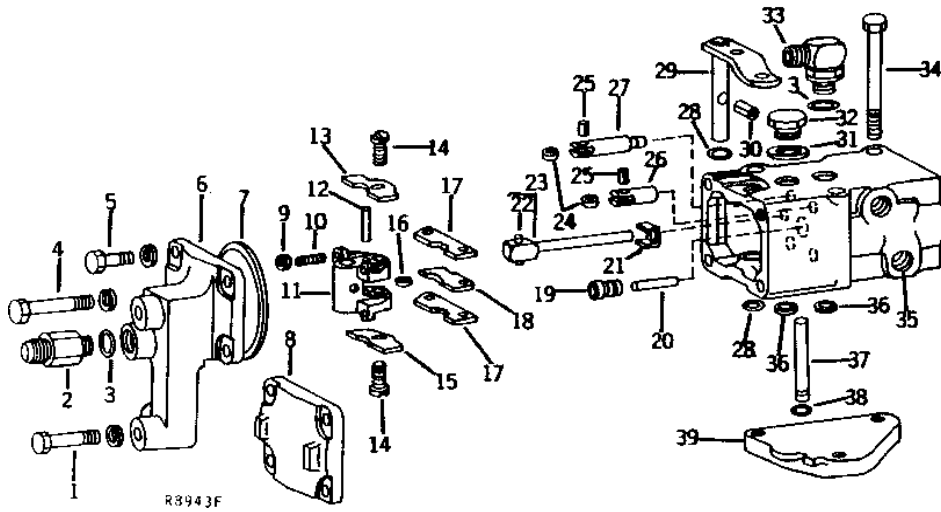
KEY	PART NO.	PART NAME	QTY	TRACTOR SERIAL NO.	REMARKS
1	R31136	BACK-UP RING	2		
2	R10093	O-RING	2		
3	R71387	WASHER	2		
4	R74210	O-RING	2		
5	P51212	O-RING	2		
6	R78766	BACK-UP RING	2		
7	30H15	PLUG	2	1-1/8"	
8	R74530	SEAL	4	(SUB A4730R AND R26480, THIS APPLICATION)	
9	34H247	SPRING PIN	2	1/8" X 3/4"	
10	RE13815	KIT	1		

2D23

HYDRAULICS

R8943 -UN-06OCT94

SELECTIVE CONTROL VALVE HOUSING
(TRACTOR SERIAL NO. -024038)



2D24

HYDRAULICS

SELECTIVE CONTROL VALVE HOUSING - CONTINUED
(TRACTOR SERIAL NO. -024038)

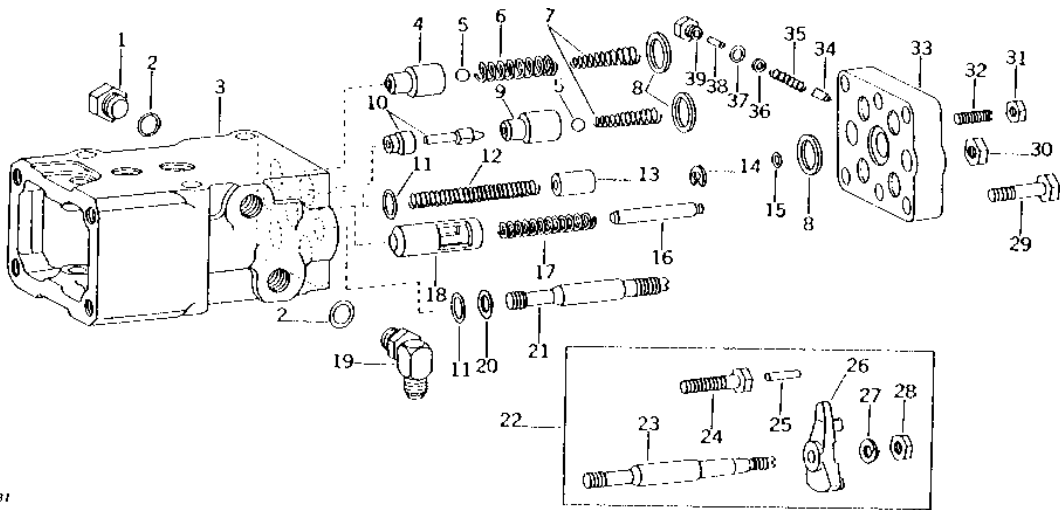
KEY	PART NO.	PART NAME	QTY	TRACTOR SERIAL NO.	REMARKS
1	19H1765	CAP SCREW	1		3/8" X 1-3/4"
	12H304	LOCK WASHER	1		3/8"
2	R28717	FITTING	1		37° FLARE
3	R26375	O-RING	2		
4	19H1726	CAP SCREW	1		3/8" X 2-1/4"
	12H304	LOCK WASHER	1		3/8"
5	19H1731	CAP SCREW	4		3/8" X 1"
	12H304	LOCK WASHER	4		3/8"
6	R49188	BRACKET	1		(ALSO ORDER R49187) (SUB FOR R27595)
7	R26544	WASHER	1		
8	R49186	COVER	1		(DUAL SELECTIVE CONTROL) (ALSO ORDER R49187) (SUB FOR R27593)
9	14H850	NUT	4		1/4"
10	22H791	SET SCREW	4		1/4" X 3/4"
11	R27587	ROCKER	1		
12	R28744	PIN	1		
13	R51414	CAM	1		UPPER, (SUB FOR R27588 OR R41931)
14	R27233	SCREW	2		
15	R51415	CAM	1		LOWER, (SUB FOR R27589 OR R41932)
16	R51409	SPACER	1		(SUB FOR R26980 OR R41613)
17	AR31813	CAM	2		(SUB R32389)
18	R26978	CAM	1		
19	AR78483	GUIDE	1		(SUB FOR AR31703)
20	R28744	PIN	1		
21	R28635	CLIP	1		
22	R28634	PIN	1		
23	AR27867	GUIDE	1		
24	R51409	SPACER	4		(SUB FOR R26980 OR R41613)
25	34H241	SPRING PIN	4		1/8" X 3/8"
26	R26982	CAM FOLLOWER	2		(PRESSURE)
27	R27678	CAM FOLLOWER	2		(RETURN)
28	R394R	O-RING	2		
29	AR26657	ARM	1		
30	34H297	SPRING PIN	1		7/32" X 1"
31	AR26697	SEALING WASHER	1		
32	R41155	PLUG	1		(SUB FOR R26986)
33	AT32332	ELBOW FITTING	1		90°, (SUB FOR AR26763)
34	19H1912	CAP SCREW	3		3/8" X 3-1/2", (SINGLE SELECTIVE CONTROL)
	19H3328	CAP SCREW	3		3/8" X 6-1/2", (DUAL SELECTIVE CONTROL)
35	AR40824	HOUSING	1		(MARKED R36533 OR R41197) (SUB FOR AR35823)
36	R26149	PACKING	5		
37	R27060	PIN	1		
38	R27490	O-RING	1		(SUB T17951)
39	R27492	COVER	1		
..	AR41023	KIT	1		(SINGLE SELECTIVE CONTROL) (SUB AR26697, AR41043, (2) R26149, (5) R26375 AND R26544)
..	AR41039	KIT	1		(DUAL SELECTIVE CONTROL) (SUB AR26697, AR41103, (2) R26149, (5) R26375 AND R26544)

2E1

HYDRAULICS

SELECTIVE CONTROL VALVE (TRACTOR SERIAL NO. -024038)

R10731 -UN-01JAN94



R 10731

2E2

HYDRAULICS

SELECTIVE CONTROL VALVE - CONTINUED
(TRACTOR SERIAL NO. -024038)

KEY	PART NO.	PART NAME	QTY	TRACTOR SERIAL NO.	REMARKS
1	R39112	FITTING	AR		(2 USED SINGLE, 4 USED DUAL) (SUB FOR R28095)
2	R26375	O-RING	AR		(4 USED SINGLE, 8 USED DUAL)
3	AR40824	HOUSING	1		(MARKED R36533 OR R41197) (SUB FOR AR35823)
4	R28124	VALVE	2	-2SC2	
	R41175	VALVE	2	2SC3-	
5	400R	BALL	4		6MM (1/4")
6	SPRING	1		
7	R26565	SPRING	4		
8	R26149	PACKING	5		
9	R28124	VALVE	2	-2SC2	
	R41175	VALVE	2	2SC3-	
10	R32412	SHAFT	2		(ALSO ORDER AR40744) (SUB FOR AR31820)
11	R394R	O-RING	2		
12	R42334	SPRING	1		(SUB FOR R28561)
13	R28563	PIN	1		
14	R72653	SNAP RING	1		(SUB FOR M2396T)
15	A4365R	O-RING	1		
16	R26822	PIN	1		
17	R26974	SPRING	1		
18	R27489	VALVE	1		
19	AT32332	ELBOW FITTING	AR		90°, (2 USED SINGLE, 4 USED DUAL) (SUB FOR AR26763)
20	R26551	BACK-UP RING	1		
21	R27231	VALVE	1		
22	AR39747	VALVE	1		(NO LONGER AVAILABLE)
23	R39769	VALVE	1		
24	R39771	CAP SCREW	1		(NLA)
25	34H247	SPRING PIN	1		1/8" X 3/4"
26	R39770	LEVER	1		
27	12H303	LOCK WASHER	1		5/16"
28	14H650	NUT	1		5/16"
29	19H1849	CAP SCREW	6		5/16" X 1-1/4"
30	14H774	NUT	1		3/8"
31	14H850	NUT	1		1/4"
32	22H791	SET SCREW	1		1/4" X 3/4"
33	AR31663	COVER	1		(MARKED R32411)
34	R55678	RELIEF VALVE	1		(SUB FOR R31565)
35	R26477	SPRING	1		
36	R26478	SHIM	AR		0.51MM (.020")
	R26479	SHIM	AR		0.76MM (.030")
37	R26287	O-RING	1		
38	34H247	SPRING PIN	1		1/8" X 3/4"
39	R27216	DRAIN PLUG	1		
..	AR41023	KIT	1		(SINGLE SELECTIVE CONTROL) (SUB AR26697, AR41043, (2) R26149, (5) R26375 AND R26544)
..	AR41039	KIT	1		(DUAL SELECTIVE CONTROL) (SUB AR26697, AR41103, (2) R26149, (5) R26375 AND R26544)

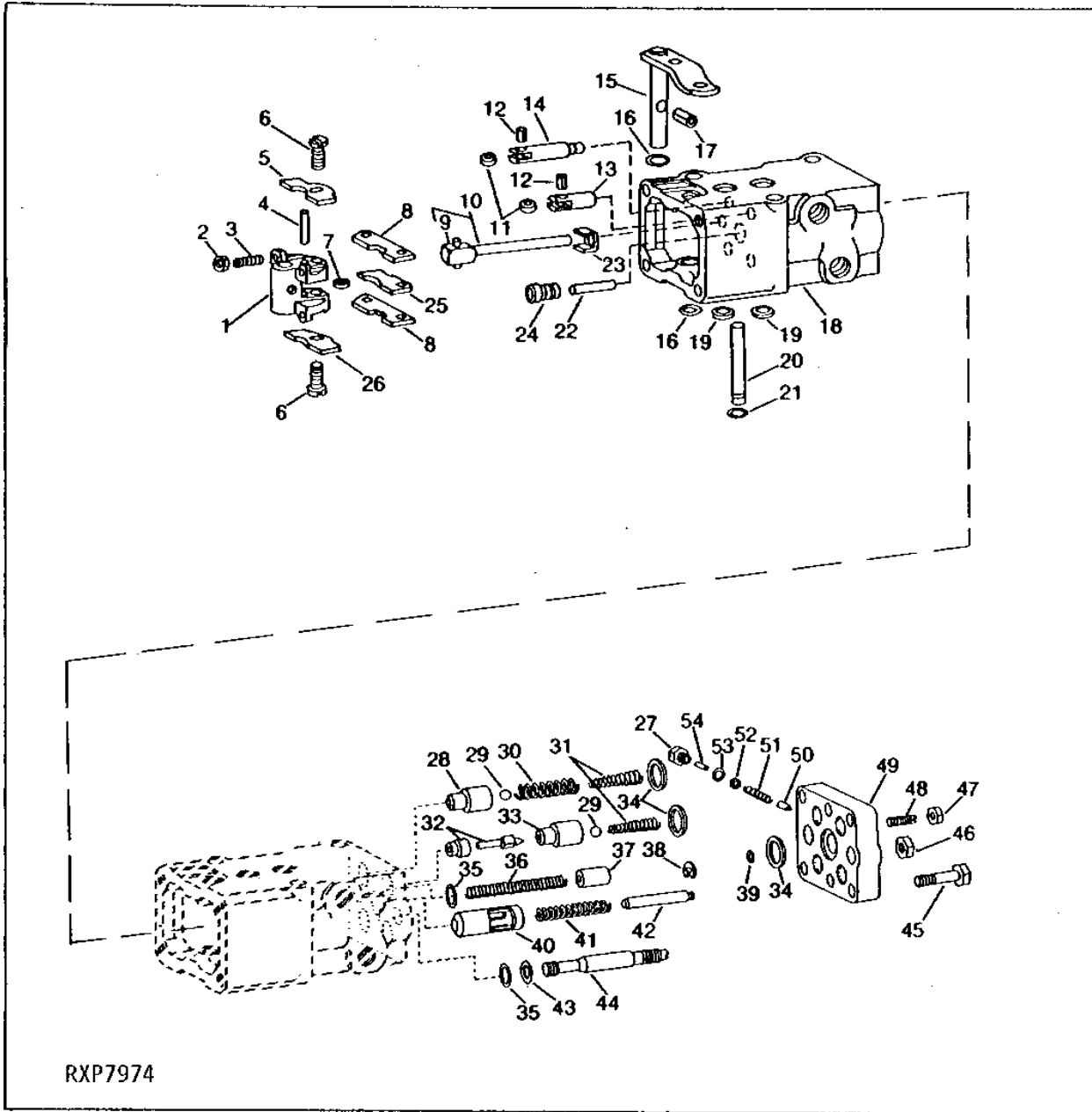
2E3

HYDRAULICS

RXP7974

-UN-01JAN94

SELECTIVE CONTROL VALVE KIT
(TRACTOR SERIAL NO. -024038)



RXP7974

2E4

HYDRAULICS

SELECTIVE CONTROL VALVE KIT - CONTINUED
(TRACTOR SERIAL NO. -024038)

KEY	PART NO.	PART NAME	QTY	TRACTOR SERIAL NO.	REMARKS
1	R27587	ROCKER	1		
2	R49221	RETAINER	2		
3	22H1025	SET SCREW	4		1/4" X 7/8"
4	R28744	PIN	1		
5	R51414	CAM	1		UPPER, (SUB FOR R27588 OR R41931)
6	R27233	SCREW	2		
7	R51409	SPACER	1		
8	R32389	DETENT	2		
9	R28634	PIN	1		
10	AR27867	GUIDE	1		
11	R51409	SPACER	4		(SUB FOR R26980 OR R41613)
12	34H241	SPRING PIN	4		1/8" X 3/8"
13	R26982	CAM FOLLOWER	2		(PRESSURE)
14	R27678	CAM FOLLOWER	2		(RETURN)
15	AR26657	ARM	1		
16	R394R	O-RING	2		
17	R56504	SPRING PIN	1		
18	AR40824	HOUSING	1		(MARKED R41197)
19	R26149	PACKING	5		
20	R27060	PIN	1		
21	R27490	O-RING	1		(SUB T17951)
22	R28744	PIN	1		
23	R28635	CLIP	1		
24	AR78483	GUIDE	1		
25	R26978	CAM	1		
26	R51415	CAM	1		LOWER, (SUB FOR R27589 OR R41932)
27	R27216	DRAIN PLUG	1		
28	R41175	VALVE	2		
29	R69281	BALL	4		6MM (1/4")
30	SPRING	1		
31	R26565	SPRING	4		
32	R32412	SHAFT	2		(ALSO ORDER AR40744)
33	R41175	VALVE	2		
34	R26149	PACKING	5		
35	R394R	O-RING	2		
36	R42334	SPRING	1		
37	R28563	PIN	1		
38	R72653	SNAP RING	1		(SUB FOR M2396T)
39	A4365R	O-RING	1		
40	R27489	VALVE	1		
41	R26974	SPRING	1		
42	R26822	PIN	1		
43	R26551	BACK-UP RING	1		
44	R27231	VALVE	1		
45	19H1849	CAP SCREW	6		5/16" X 1-1/4"
46	14H774	NUT	1		3/8"
47	14H850	NUT	1		1/4"
48	22H1012	SET SCREW	1		1/4" X 3/4"
49	AR31663	COVER	1		(MARKED R32411)
50	R55678	RELIEF VALVE	1		
51	R26477	SPRING	1		
52	R26478	SHIM	AR		0.51MM (.020")
	R26479	SHIM	AR		0.76MM (.030")
53	R26287	O-RING	1		
54	34H247	SPRING PIN	1		1/8" X 3/4"
55	AR41043	HOUSING	1		(SINGLE SELECTIVE CONTROL)
	AR41103	HOUSING	1		(DUAL SELECTIVE CONTROL)

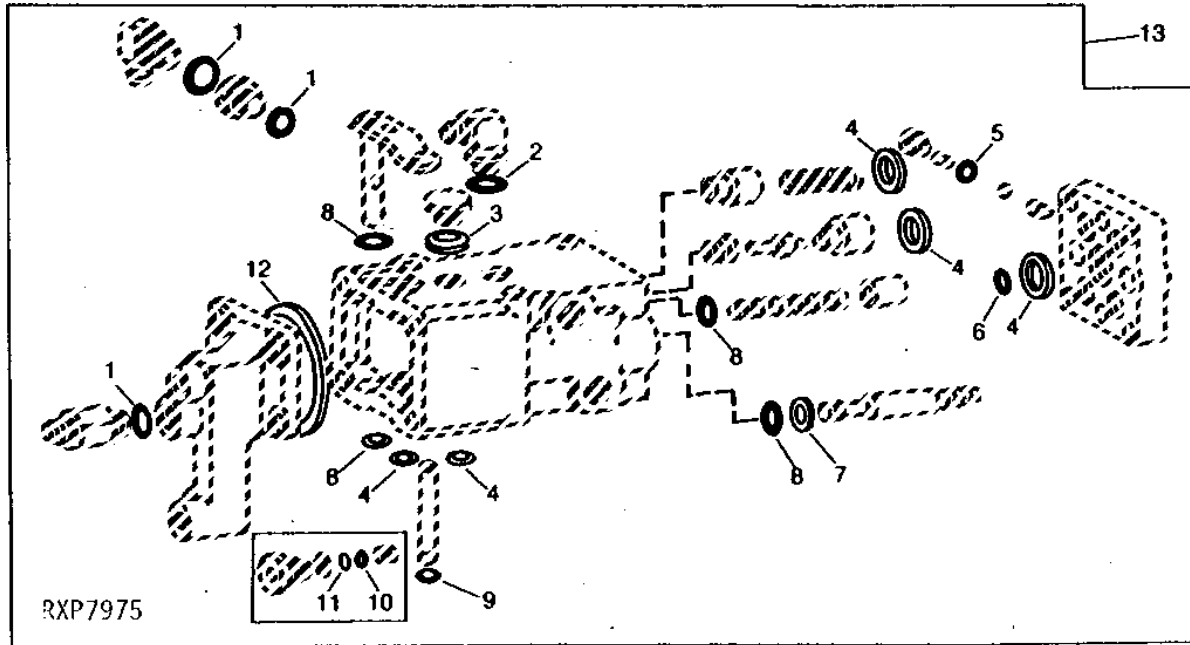
MEMORANDA

2E5

HYDRAULICS

SELECTIVE CONTROL VALVE OVERHAUL KIT (TRACTOR SERIAL NO. -024038)

RXP7975 -UN-01JAN94



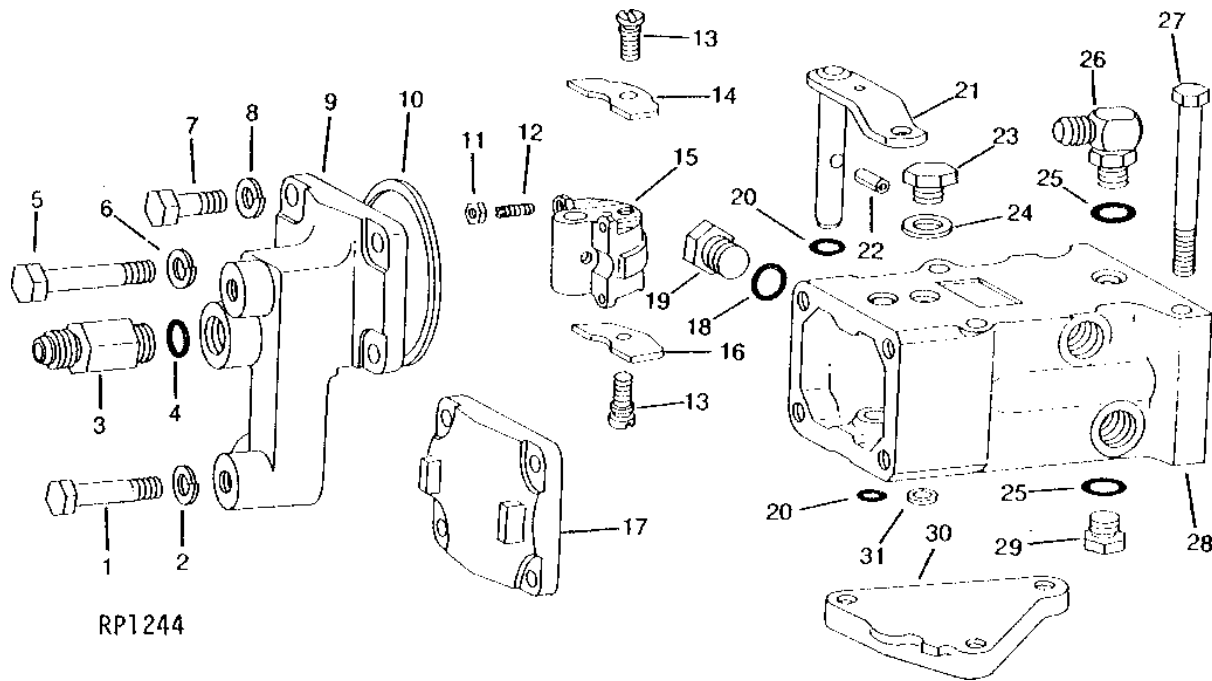
KEY	PART NO.	PART NAME	QTY	TRACTOR SERIAL NO.	REMARKS
1	R26375	O-RING	4		
2	R26375	O-RING	2		
	R26448	O-RING	2		
3	AR26697	SEALING WASHER	1		
4	R26149	PACKING	7		
5	R26287	O-RING	1		
6	A4365R	O-RING	1		
7	R26551	BACK-UP RING	1		
8	R394R	O-RING	4		
9	R27490	O-RING	1	(SUB T17951)	
10	R26977	BACK-UP RING	1		
11	R26976	O-RING	1		
12	R26544	WASHER	1		
13	AR34295	KIT	1	(SUB FOR AR30690)	

2E6

HYDRAULICS

SELECTIVE CONTROL VALVE HOUSING (TRACTOR SERIAL NO. 024039-)

RP1244 -UN-01JAN94



2E7

HYDRAULICS

SELECTIVE CONTROL VALVE HOUSING - CONTINUED
(TRACTOR SERIAL NO. 024039-)

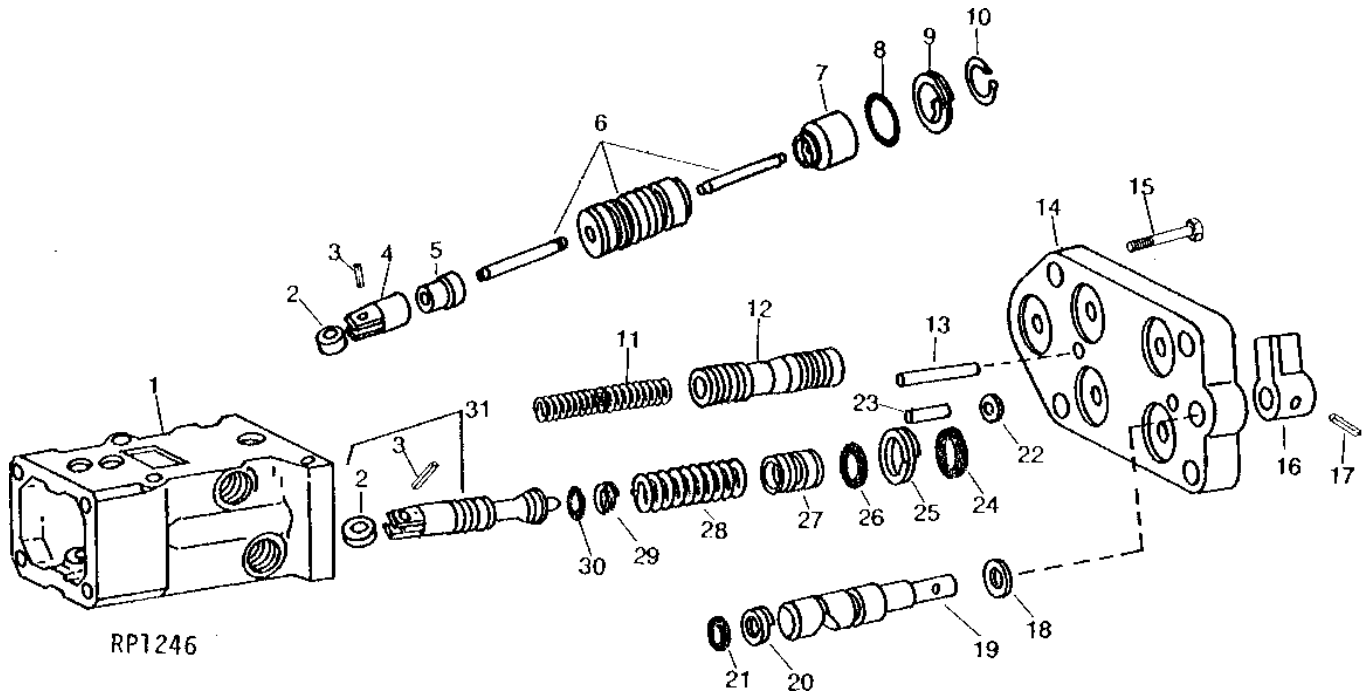
KEY	PART NO.	PART NAME	QTY	TRACTOR SERIAL NO.	REMARKS
1	19H1765	CAP SCREW	1		3/8" X 1-3/4"
2	12H304	LOCK WASHER	1		3/8"
3	R28717	FITTING	1		
4	R26375	O-RING	1		
5	19H1726	CAP SCREW	1		3/8" X 2-1/4"
6	12H304	LOCK WASHER	1		3/8"
7	19H1731	CAP SCREW	AR		3/8" X 1", (4 USED SINGLE, 8 USED DUAL)
8	12H304	LOCK WASHER	4		3/8"
9	R49188	BRACKET	1		(ALSO ORDER R49187) (SUB FOR R27595)
10	R26544	WASHER	1		
11	14H850	NUT	4		1/4"
12	22H1012	SET SCREW	4		1/4" X 3/4"
13	R27233	SCREW	2		
14	R51414	CAM	1		(SUB FOR R41931)
15	R51412	ROCKER	1		(ALSO ORDER R28744, R51413, R51414 AND R51415) (SUB FOR R40898)
16	R51415	CAM	1		(SUB FOR R41932)
17	R49186	COVER	1		(DUAL SELECTIVE CONTROL) (ALSO ORDER R49187) (SUB FOR R27593)
18	R26375	O-RING	2		
19	R39112	FITTING	2		
20	R394R	O-RING	2		(SUB R65287, THIS APPLICATION)
21	AR26657	ARM	1		
22	34H297	SPRING PIN	1		7/32" X 1"
23	R41155	PLUG	1		
24	AR26697	SEALING WASHER	2		
25	R26448	O-RING	2		
26	AT35120	ELBOW FITTING	1		90°, (SUB FOR AR37017 OR AT32337)
27	19H1912	CAP SCREW	3		3/8" X 3-1/2", (SINGLE)
	19H3328	CAP SCREW	3		3/8" X 6-1/2", (DUAL)
28	AR40828	HOUSING	1	-XXXXXX	(MARKED R40599) (SUB AR83549, R27166, R41057, R59629, (2) R65501, (2) R65502, R66916, R74695 AND R65289)
	AR83549	HOUSING	1	XXXXXX-	(MARKED R65504)
29	R27218	FITTING PLUG	1		
30	R37479	COVER	1		
31	R26149	PACKING	AR		(1 USED SINGLE, 2 USED DUAL)

2E8

HYDRAULICS

SELECTIVE CONTROL VALVE (TRACTOR SERIAL NO. 024039-) (EARLY DESIGN)

RP1246 -UN-01JAN94



2E9

HYDRAULICS

SELECTIVE CONTROL VALVE - CONTINUED
(TRACTOR SERIAL NO. 024039-)
(EARLY DESIGN)

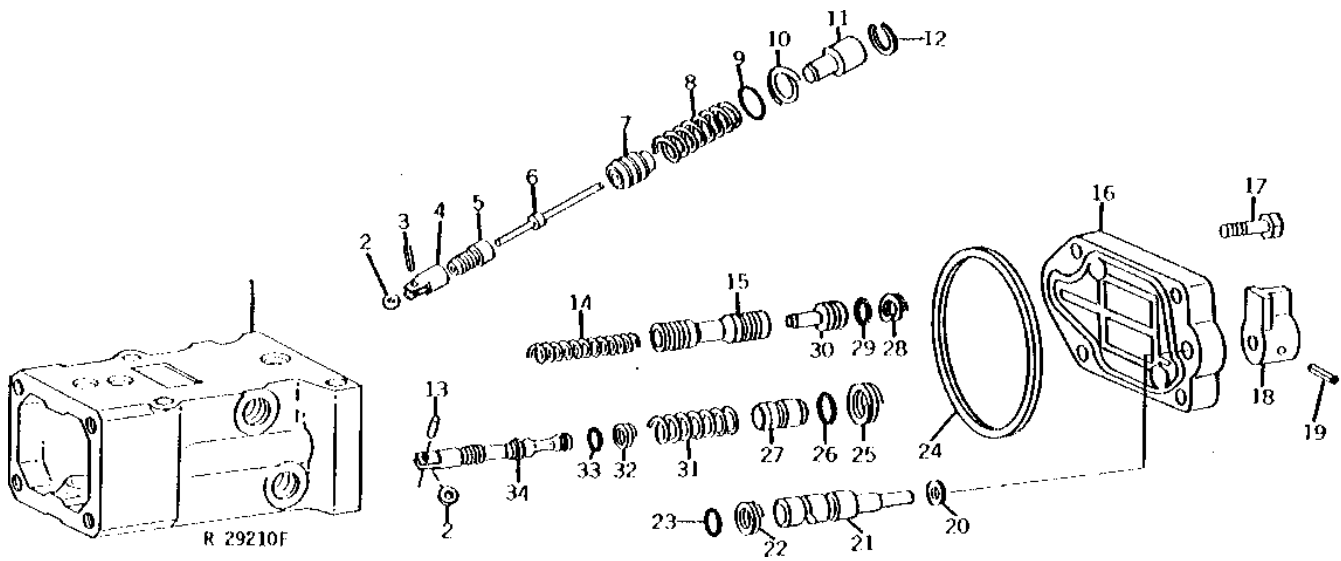
KEY	PART NO.	PART NAME	QTY	TRACTOR SERIAL NO.	REMARKS
1	AR40828	HOUSING	1	-XXXXXX	(MARKED R40599) (SUB AR83549, R27166, R41057, R59629, (2) R65501, (2) R65502, R66916, R74695 AND R65289)
2	AR83549	HOUSING	1	XXXXXX-	(MARKED R65504)
	R51409	SPACER	5		(SUB FOR R41613)
3	34H242	SPRING PIN	5		1/8" X 7/16"
4	R51410	CAM FOLLOWER	1		(ALSO ORDER R51409 AND 34H242) (SUB FOR R40903 OR R45016)
5	AR40744	GUIDE	1		
6	AR52394	KIT	1		(SUB FOR AR40939) (NO LONGER AVAILABLE)
7	AR40678	GUIDE	1		(SUB AR52394 AND R46722)
8	B2762R	O-RING	1		
9	R26546	BACK-UP RING	1		
10	B474R	SNAP RING	1		
11	R41549	SPRING	1		
12	R52549	SHUT-OFF VALVE	1		(SUB FOR R41154)
13	34H284	SPRING PIN	1		3/16" X 1-1/4"
14	AR40688	COVER	1		
15	19H1732	CAP SCREW	4		3/8" X 1-1/4"
16	R41338	ARM	1		(SUB R62652)
17	34H231	SPRING PIN	1		3/32" X 3/4"
18	R41339	SHIM	1		
19	R52547	VALVE	1		(ALSO ORDER R52549) (SUB FOR R41333)
20	R40937	BACK-UP RING	1		
21	P46051	O-RING	1		
22	R34812	O-RING	1		
23	34H275	SPRING PIN	1		3/16" X 1/2"
24	R26149	PACKING	6		
25	R41057	BACK-UP RING	1		
26	R27166	O-RING	4		
27	R66416	BUSHING	4		(SUB FOR R41156, THIS APPLICATION)
28	R65501	SPRING	2		(SUB FOR R41055, THIS APPLICATION)
	R65502	SPRING	2		(SUB FOR R44310)
29	R26484	BACK-UP RING	AR		(4 USED PRESSURE, 2 USED RETURN)
30	R65286	O-RING	AR		(4 USED PRESSURE, 2 USED RETURN) (SUB FOR A3917R, THIS APPLICATION)
31	AR86535	VALVE	4		(SUB FOR AR45647, AR52629, AR70150 OR AR78396)

2E10

HYDRAULICS

SELECTIVE CONTROL VALVE PARTS
(TRACTOR SERIAL NO. 024039-)
(LATE DESIGN)

R29210 -UN-01JAN94



2E11

HYDRAULICS

SELECTIVE CONTROL VALVE PARTS - CONTINUED
(TRACTOR SERIAL NO. 024039-)
(LATE DESIGN)

KEY	PART NO.	PART NAME	QTY	TRACTOR SERIAL NO.	REMARKS
1	AR83549	HOUSING	1		(MARKED R65504)
2	R51409	SPACER	5		
3	34H242	SPRING PIN	1		1/8" X 7/16"
4	R51410	CAM FOLLOWER	1		
5	R48978	GUIDE	1		INNER
6	R55398	PIN	1		
7	R48980	PISTON	1		
8	R41055	SPRING	1		
9	B2762R	O-RING	1		
10	R26546	BACK-UP RING	1		
11	R55397	GUIDE	1		OUTER
12	R46722	SNAP RING	1		
13	34H242	SPRING PIN	4		1/8" X 7/16"
14	R41549	SPRING	1		
15	R52549	SHUT-OFF VALVE	1		
16	R59629	CAP	1		
17	19H1732	CAP SCREW	4		3/8" X 1-1/4"
18	R41338	ARM	1		(SUB R62652)
19	34H231	SPRING PIN	1		3/32" X 3/4"
20	R41339	SHIM	1		
21	R65289	VALVE	1		
22	R40937	BACK-UP RING	1		
23	P46051	O-RING	1		
24	R74695	WASHER	1		
25	R41057	BACK-UP RING	1		
26	R27166	O-RING	4		
27	R66416	BUSHING	4		
28	R41057	BACK-UP RING	1		
29	R27166	O-RING	1		
30	R66916	STOP	1		(SUB FOR R65354)
31	R65501	SPRING	2		RETURN
	R65502	SPRING	2		PRESSURE
32	R26484	BACK-UP RING	AR		(4 USED PRESSURE VALVE, 2 USED RETURN VALVE)
33	R65286	O-RING	AR		(4 USED PRESSURE VALVE, 2 USED RETURN VALVE)
34	AR78396	VALVE	4		
..	R77420	LABEL	2		SCV FLOW

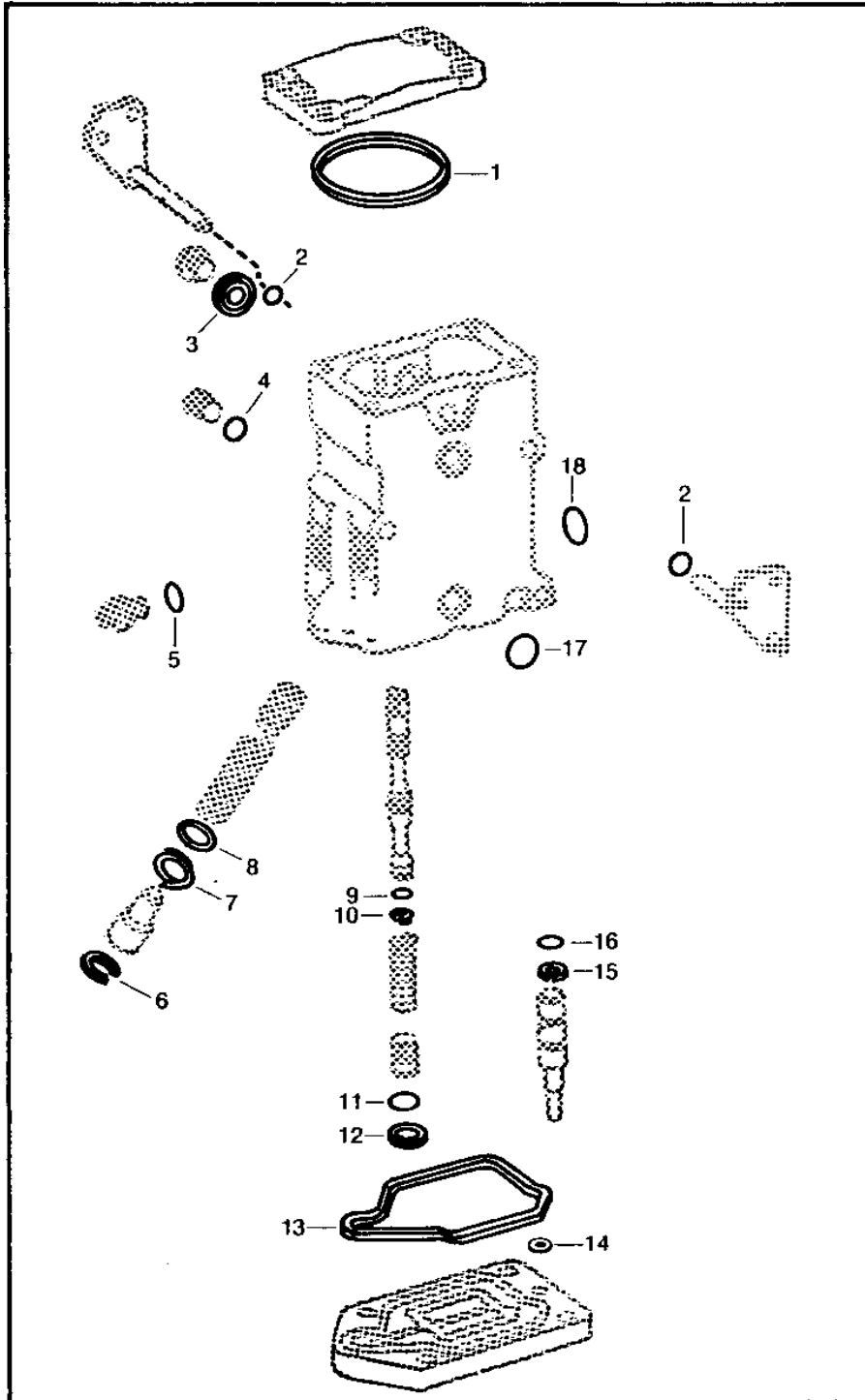
2E12

HYDRAULICS

RP578

-UN-01JAN94

SELECTIVE CONTROL VALVE OVERHAUL KIT



2E13

HYDRAULICS

SELECTIVE CONTROL VALVE OVERHAUL KIT - CONTINUED

KEY	PART NO.	PART NAME	QTY	TRACTOR SERIAL NO.	REMARKS
1	R49187	WASHER	1		
2	R65287	O-RING	2		
3	AR26697	SEALING WASHER	1		
4	R26448	O-RING	1		
5	R26375	O-RING	2		
6	R46722	SNAP RING	1		
7	R26546	BACK-UP RING	1		
8	B2762R	O-RING	1		
9	R65286	O-RING	AR		(2 USED PRESSURE VALVE) (2 USED RETURN VALVE)
10	R26484	BACK-UP RING	AR		(2 USED PRESSURE VALVE) (2 USED RETURN VALVE)
11	R27166	O-RING	4		
12	R41057	BACK-UP RING	4		
13	R74695	WASHER	1		
14	R41339	SHIM	1		
15	R40937	BACK-UP RING	1		
16	P46051	O-RING	1		
17	R26448	O-RING	1		
18	R26149	PACKING	1		
19	AR82571	KIT	1		(SUB FOR AR46978) (SUB RE10924)

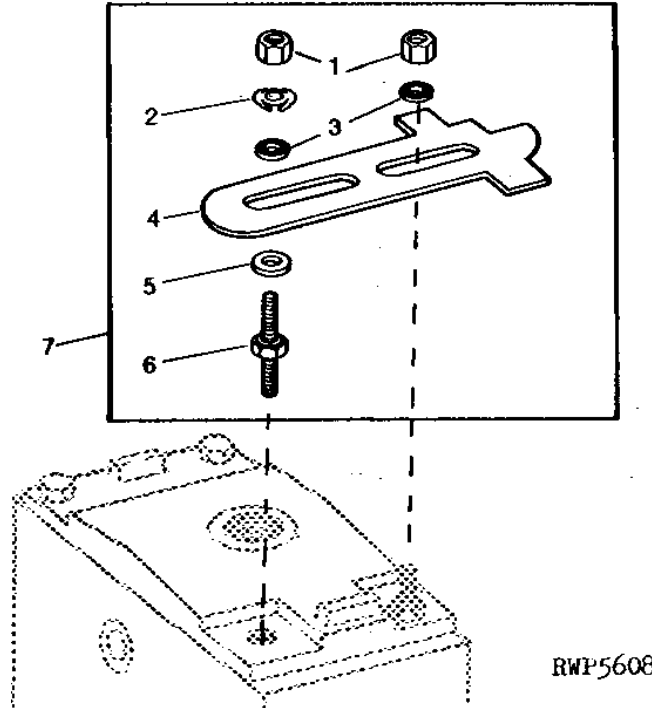
MEMORANDA

2E14

HYDRAULICS

RWP5608 -UN-01JAN94

SELECTIVE CONTROL VALVE LEVER LOCK



RWP5608

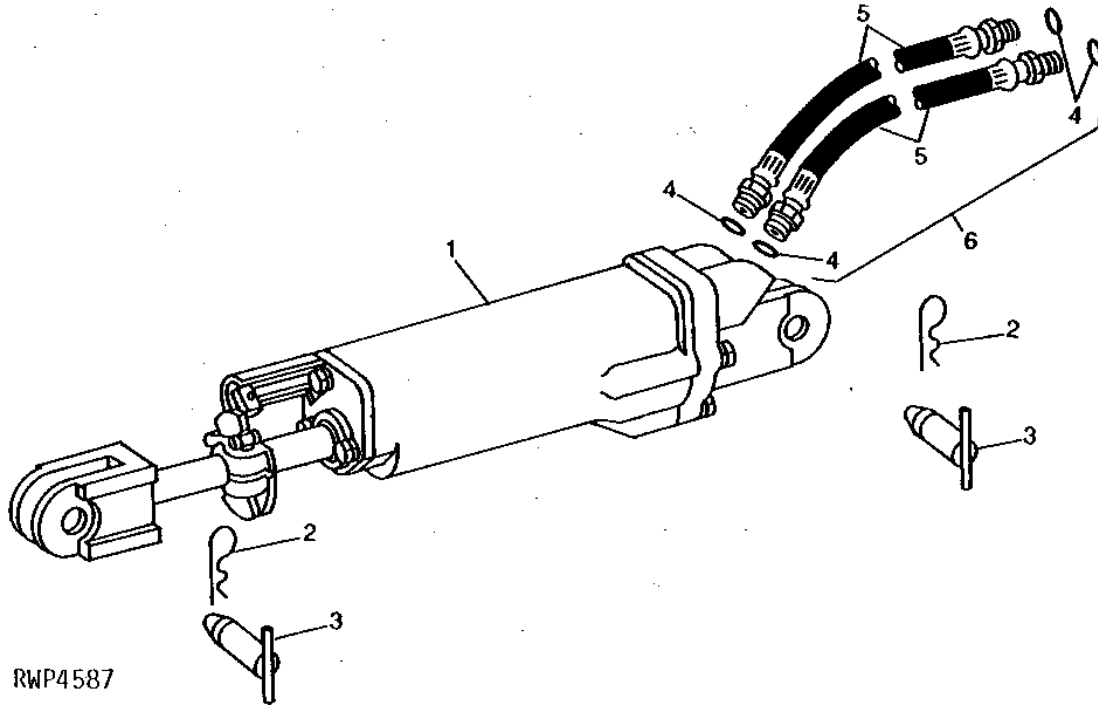
KEY	PART NO.	PART NAME	QTY	TRACTOR SERIAL NO.	REMARKS
1	K40003	LOCK NUT	2		(SUB FOR R41564, THIS APPLICATION)
2	T25804	LOCK WASHER	1		
3	R52921	WASHER	2		
4	R81293	LOCK PLATE	1		
5	24H1305	WASHER	1		13/32" X 13/16" X 0.065"
6	R39225	STUD	1		
7	RE19419	LOCK	1		

2E15

HYDRAULICS

RWP4587 -UN-01JAN94

REMOTE CYLINDER AND HOSES



RWP4587

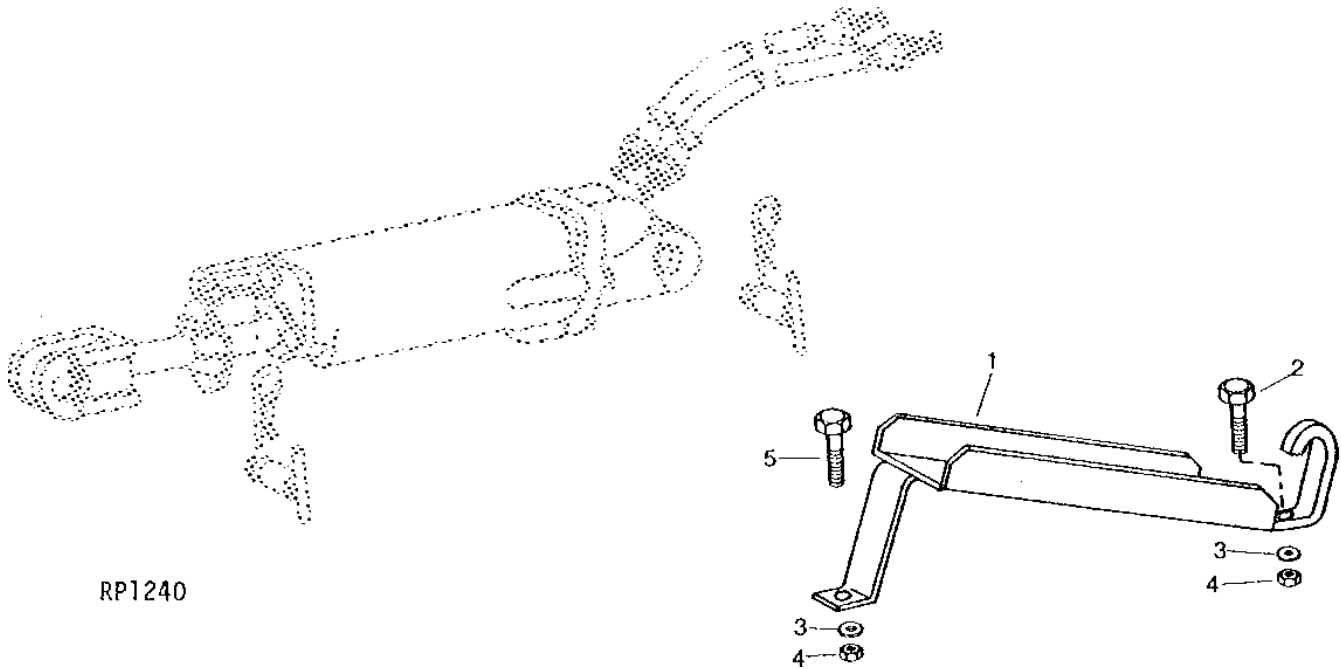
KEY	PART NO.	PART NAME	QTY	TRACTOR SERIAL NO.	REMARKS
1	AR35261	CYLINDER	1		
	AR36303	CYLINDER	1		
2	A3581R	SPRING LOCKING PIN	2		
3	AR47825	PIN	2		(SUB FOR AA6309R)
4	R26375	O-RING	4		
5	R36795	HYDRAULIC HOSE	2		3048MM (120")
6	AR36158	OIL LINE	1		

2E16

HYDRAULICS

RP1240 -UN-01JAN94

REMOTE CYLINDER CARRIER



RP1240

KEY	PART NO.	PART NAME	QTY	TRACTOR SERIAL NO.	REMARKS
1	AR35326	CRADLE	1		(LESS ROCKSHAFT) (NO LONGER AVAILABLE)
2	19H1815	CAP SCREW	1		(A) 1/2" X 1-1/4"
	19H1974	CAP SCREW	1		(B) 1/2" X 2-3/4"
	R1801R	SPACER	2	015650-	(FOR ROW-CROP LESS ROCKSHAFT)
3	12H301	LOCK WASHER	2		(A) 1/2"
4	14H1040	NUT	2		(A) 1/2"
5	19H1815	CAP SCREW	1		(A) 1/2" X 1-1/4"
	19H1820	CAP SCREW	1		(B) 1/2" X 3"

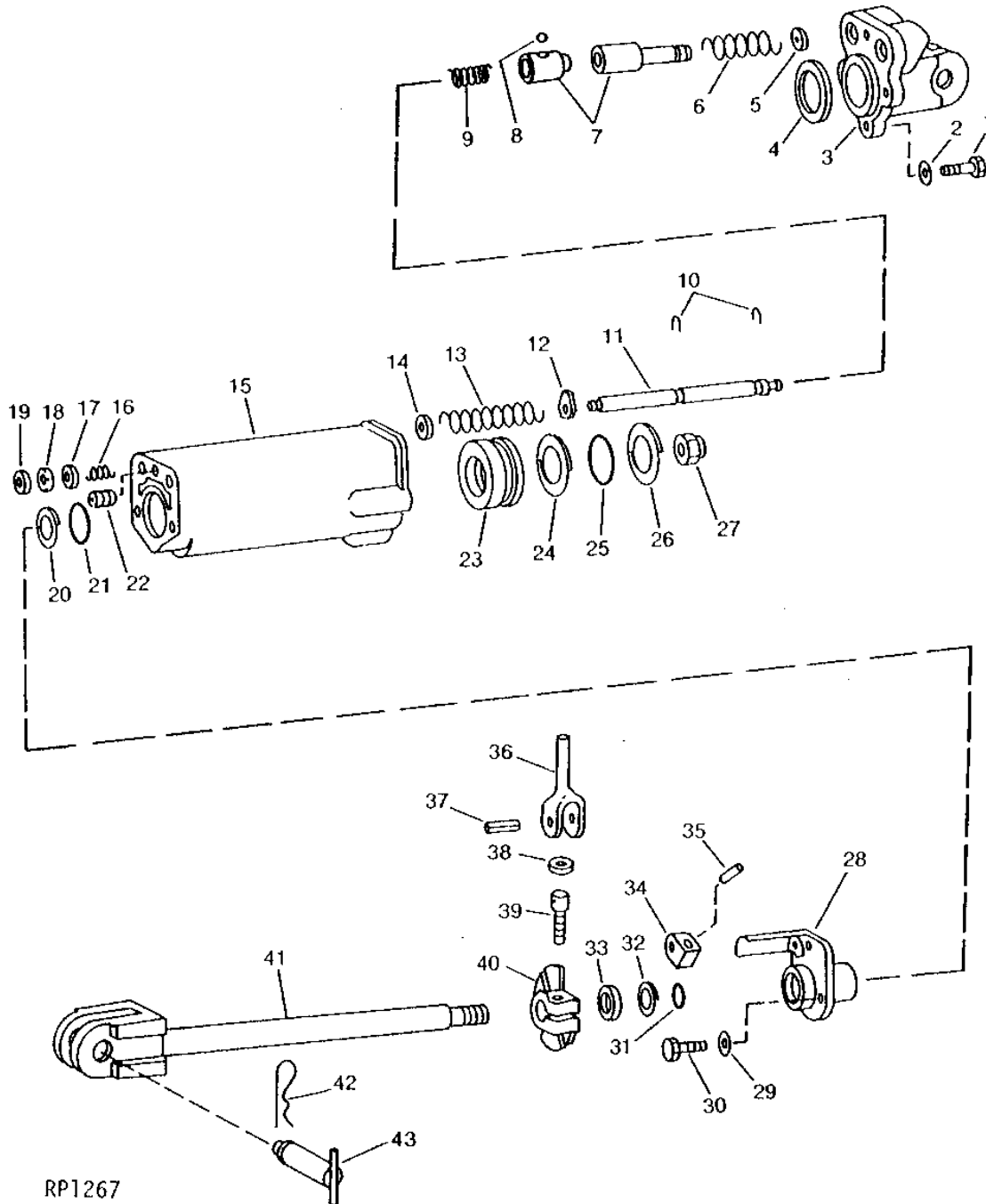
(A) ONE CARRIER
(B) TWO CARRIERS

2E17

HYDRAULICS

3-1/2" X 8" REMOTE CYLINDER PARTS (HYDRAULIC STOP)

RP1267 -UN-01JAN94



RP1267

2E18

HYDRAULICS

3-1/2" X 8" REMOTE CYLINDER PARTS - CONTINUED (HYDRAULIC STOP)

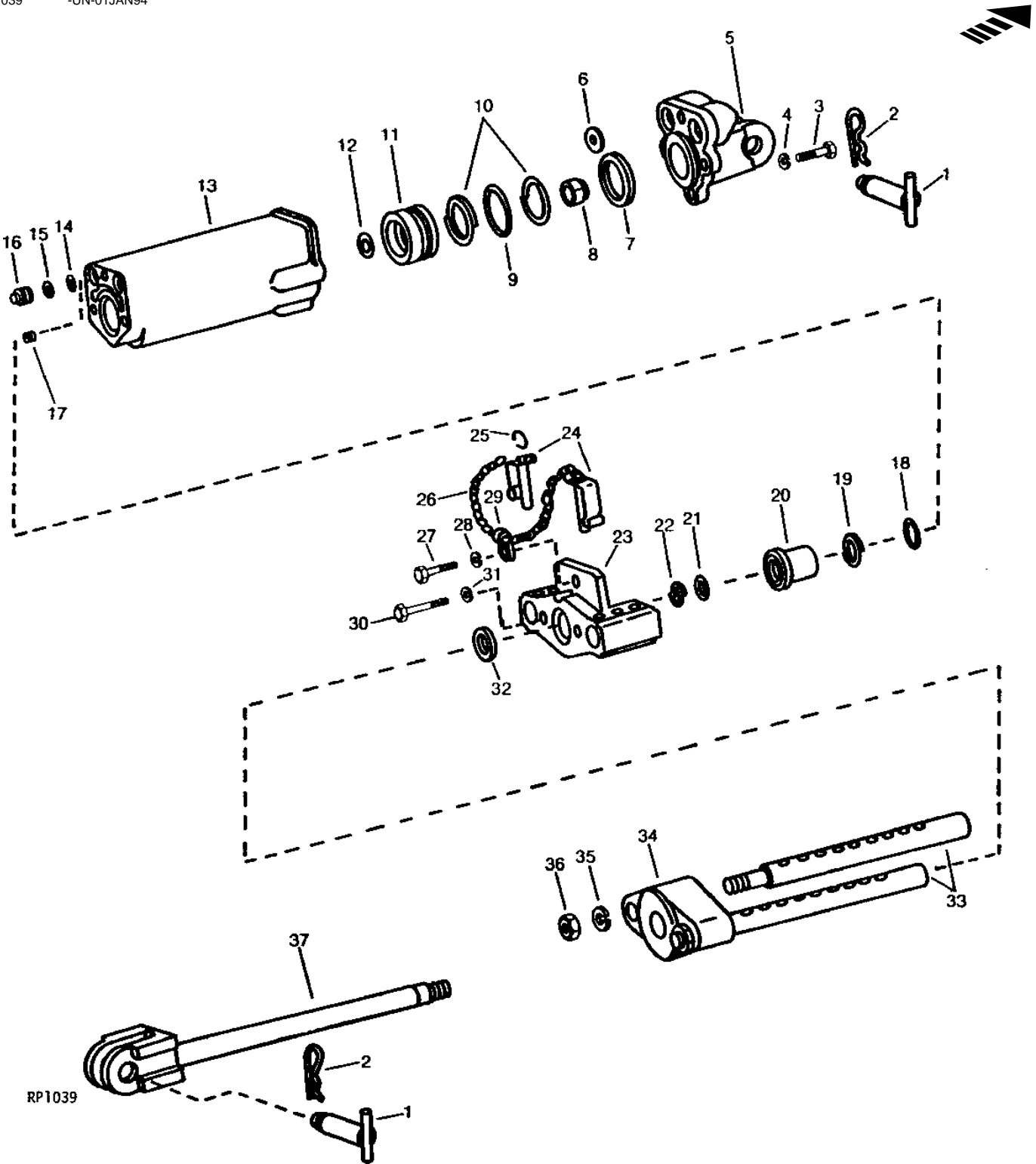
KEY	PART NO.	PART NAME	QTY	TRACTOR SERIAL NO.	REMARKS
1	19H2357	CAP SCREW	4	9/16" X 2"	
2	12H317	LOCK WASHER	4	9/16"	
3	R35452	CYLINDER HEAD	1		
4	F1427R	WASHER	1		
5	A4723R	WASHER	2		
6	A4744R	SPRING	1		
7	AA5731R	VALVE	1		
8	A4742R	BALL	1		
9	A4741R	SPRING	1		
10	A4739R	RING	2		
11	A4736R	ROD	1		
12	R57696	WASHER	1		(SUB FOR A4738R)
13	A4737R	SPRING	1		
14	24H1301	WASHER	1	13/32" X 9/16" X 0.065"	
15	R35447	CYLINDER	1		
16	A4748R	SPRING ASSEMBLY	1		
17	A4747R	WASHER	1		
18	A4745R	PACKING	3		
19	A4746R	ADAPTER	1	FEMALE	
20	R35474	BACK-UP RING	1		
21	T19687	O-RING	1		(SUB FOR T11220)
22	15H624	PIPE PLUG	1	1/2"	
23	R44297	PISTON	1		(SUB FOR R35471)
24	R35472	BACK-UP RING	1		
25	F1430R	O-RING	1		
26	R35472	BACK-UP RING	1		
27	R45620	LOCK NUT	1		(SUB FOR F2493R OR R41962)
28	R40219	GUIDE	1		
29	12H304	LOCK WASHER	3	3/8"	
30	19H1731	CAP SCREW	3	3/8" X 1"	
31	R29463	O-RING	1		
32	R35473	BACK-UP RING	1		
33	R35738	SEAL	1		
34	A5304R	ARM	1		
35	25H760	GROOVE PIN	1	7/32" X 1-1/4"	
36	A5302R	YOKE	1		
37	34H264	SPRING PIN	1	5/32" X 7/8"	
38	R1870R	WASHER	1		(SUB R57696)
39	A5301R	SCREW	1		
40	R35448	STOP	1		
41	AR45544	ROD	1		(SUB FOR AR36313)
42	A3581R	SPRING LOCKING PIN	1		
43	AR47825	PIN	1		

2E19

HYDRAULICS

RP1039 -UN-01JAN94

3-1/2" X 8" REMOTE CYLINDER PARTS (MECHANICAL STOP)



2E20

HYDRAULICS

3-1/2" X 8" REMOTE CYLINDER PARTS - CONTINUED (MECHANICAL STOP)

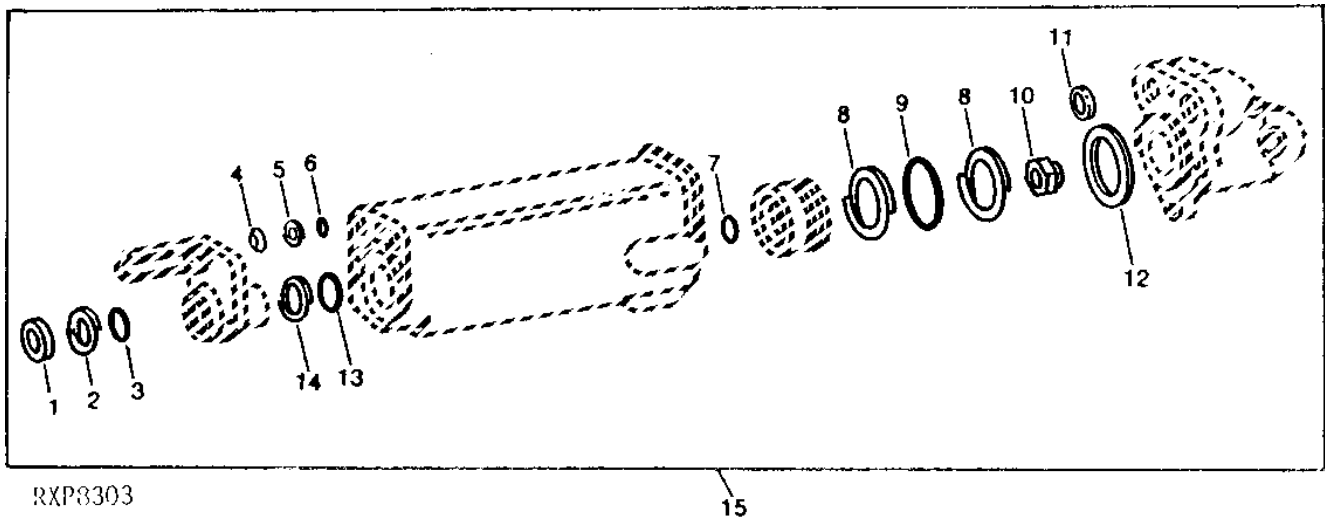
KEY	PART NO.	PART NAME	QTY	TRACTOR SERIAL NO.	REMARKS
1	AR47825	PIN	2		
2	A3581R	SPRING LOCKING PIN	2		
3	19H2357	CAP SCREW	4		9/16" X 2"
4	12H317	LOCK WASHER	4		9/16"
5	R35452	CYLINDER HEAD	1		
6	A4723R	WASHER	2		
7	F1427R	WASHER	1		
8	R45620	LOCK NUT	1		
9	F1430R	O-RING	1		
10	R35472	BACK-UP RING	2		
11	R44297	PISTON	1		
12	R27564	O-RING	1		
13	R35447	CYLINDER	1		
14	R459R	O-RING	1		
15	R32588	BACK-UP RING	1		
16	R34131	PLUG	1		
17	15H624	PIPE PLUG	1		1/2"
18	T19687	O-RING	1		(SUB FOR T11220)
19	R35474	BACK-UP RING	1		
20	R36951	GUIDE	1		
21	R29463	O-RING	1		
22	R35473	BACK-UP RING	1		
23	R36950	GUIDE	1		(SUB R44286, (2) R44287 AND (2) AR68145)
24	AR68146	PIN	2		(SUB FOR AR36308) (NO LONGER AVAILABLE)
25	D2913R	LINK	2		
26	R49193	LINK CHAIN	1		(SUB FOR A3184R) (SUB AN163885)
27	19H2552	CAP SCREW	1		3/8" X 1-1/8"
28	12H304	LOCK WASHER	1		3/8"
29	T13073	CLIP	1		
30	19H1726	CAP SCREW	2		3/8" X 2-1/4"
31	12H304	LOCK WASHER	2		3/8"
32	R35738	SEAL	1		
33	R36954	ROD	2		(NO LONGER AVAILABLE)
34	R36952	STOP	1		
35	12H236	LOCK WASHER	2		3/4"
36	14H905	NUT	2		3/4"
37	AR45544	ROD	1		

2E21

HYDRAULICS

RXP8303 -UN-01JAN94

REMOTE CYLINDER OVERHAUL KIT (3-1/2" X 8" HYDRAULIC OR MECHANICAL STOP)



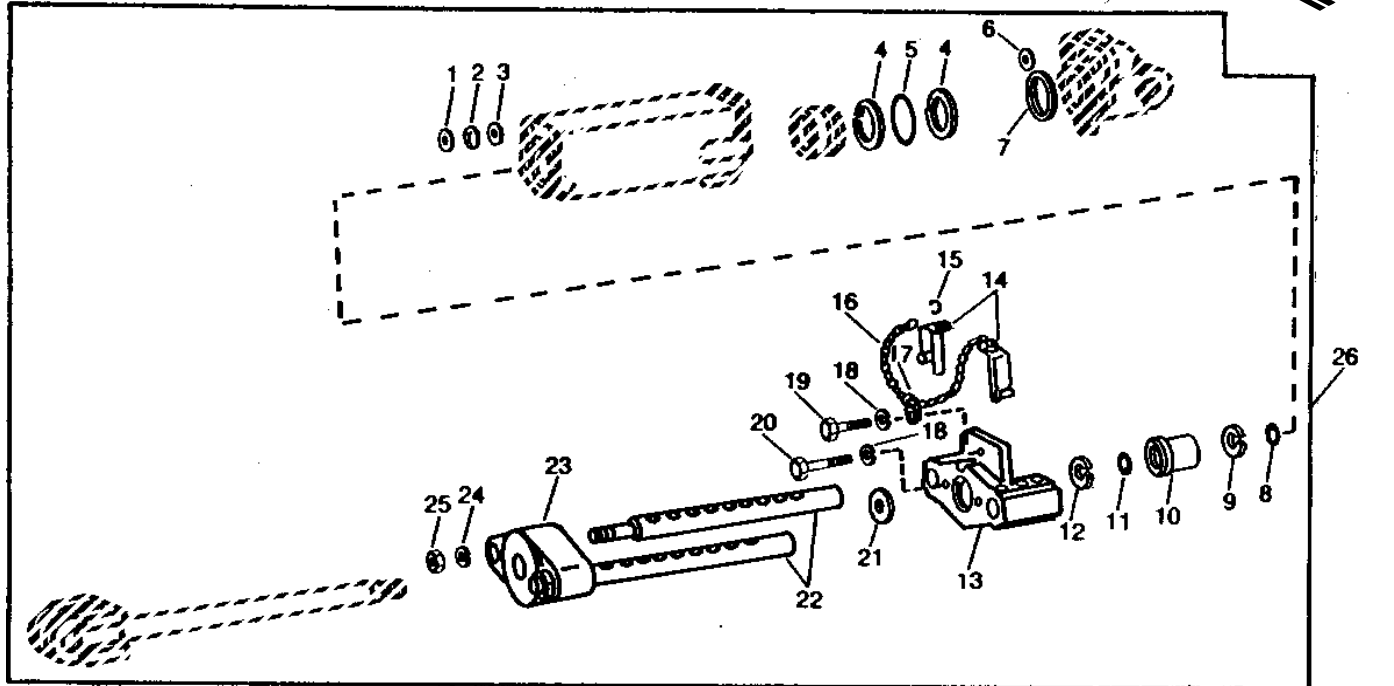
KEY	PART NO.	PART NAME	QTY	TRACTOR SERIAL NO.	REMARKS
1	R35738	SEAL	1		
2	R35473	BACK-UP RING	1		
3	R29463	O-RING	1		
4	A4745R	PACKING	3		HYDRAULIC STOP
5	R32588	BACK-UP RING	1		MECHANICAL STOP
6	R459R	O-RING	1		MECHANICAL STOP
7	R27564	O-RING	1		
8	R35472	BACK-UP RING	2		
9	F1430R	O-RING	1		
10	R45620	LOCK NUT	1		
11	A4723R	WASHER	2		
12	F1427R	WASHER	1		
13	T11220	O-RING	1		
14	R35474	BACK-UP RING	1		
15	AR31945	KIT	1		

2E22

HYDRAULICS

REMOTE CYLINDER CONVERSION KIT (3-1/2" X 8" HYDRAULIC STOP TO MECHANICAL STOP)

RXP8304 -UN-01JAN94



RXP8304

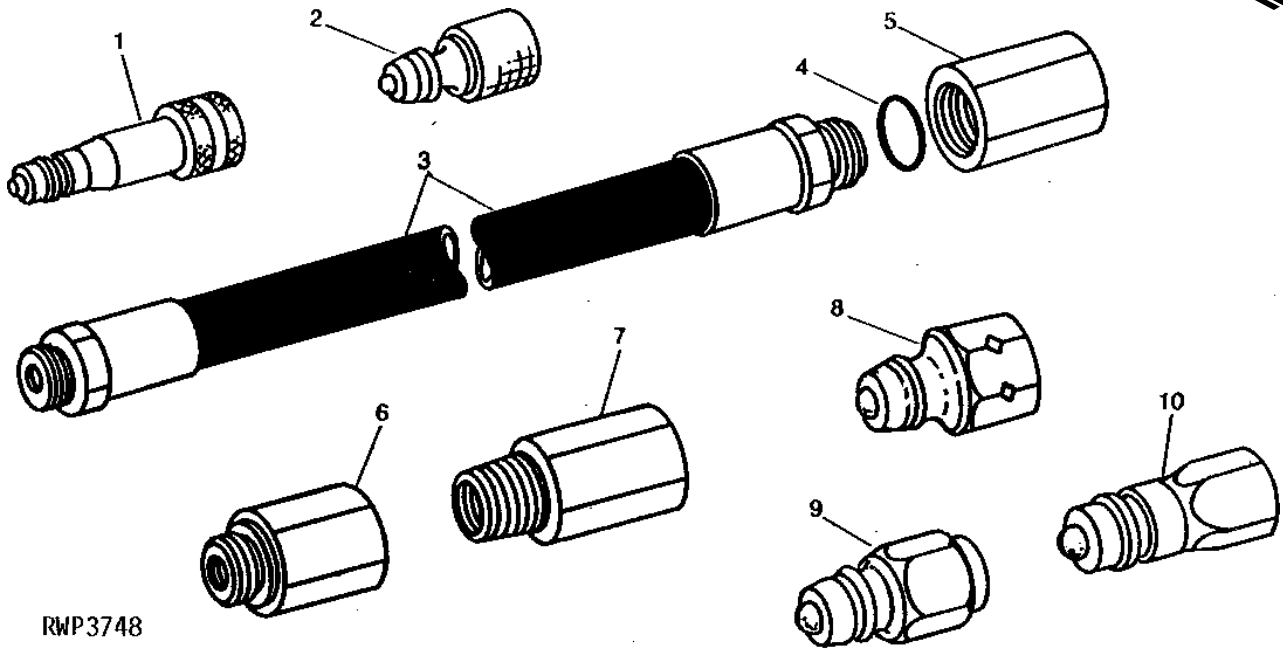
KEY	PART NO.	PART NAME	QTY	TRACTOR SERIAL NO.	REMARKS
1	R34131	PLUG	1		
2	R32588	BACK-UP RING	1		
3	R459R	O-RING	1		
4	R35472	BACK-UP RING	2		
5	F1430R	O-RING	1		
6	A4723R	WASHER	2		
7	F1427R	WASHER	1		
8	T11220	O-RING	1		
9	R35474	BACK-UP RING	1		
10	R36951	GUIDE	1		
11	R29463	O-RING	1		
12	R35473	BACK-UP RING	1		
13	R44286	GUIDE	1		
14	AR68145	QUICK LOCK PIN	2		(SUB FOR AR45536)
15	D2913R	LINK	2		
16	R49193	LINK CHAIN	1		(SUB FOR A3184R)
17	T13073	CLIP	1		
18	12H304	LOCK WASHER	1		3/8"
19	19H2552	CAP SCREW	1		3/8" X 1-1/8"
20	19H1726	CAP SCREW	2		3/8" X 2-1/4"
21	R35738	SEAL	1		
22	R44287	ROD	2		
23	R36952	STOP	1		
24	12H236	LOCK WASHER	2		3/4"
25	14H905	NUT	2		3/4"
26	AR45534	KIT	1		

2E23

HYDRAULICS

RWP3748 -UN-01JAN94

IMPLEMENT HYDRAULIC OIL LINES AND FITTINGS



RWP3748

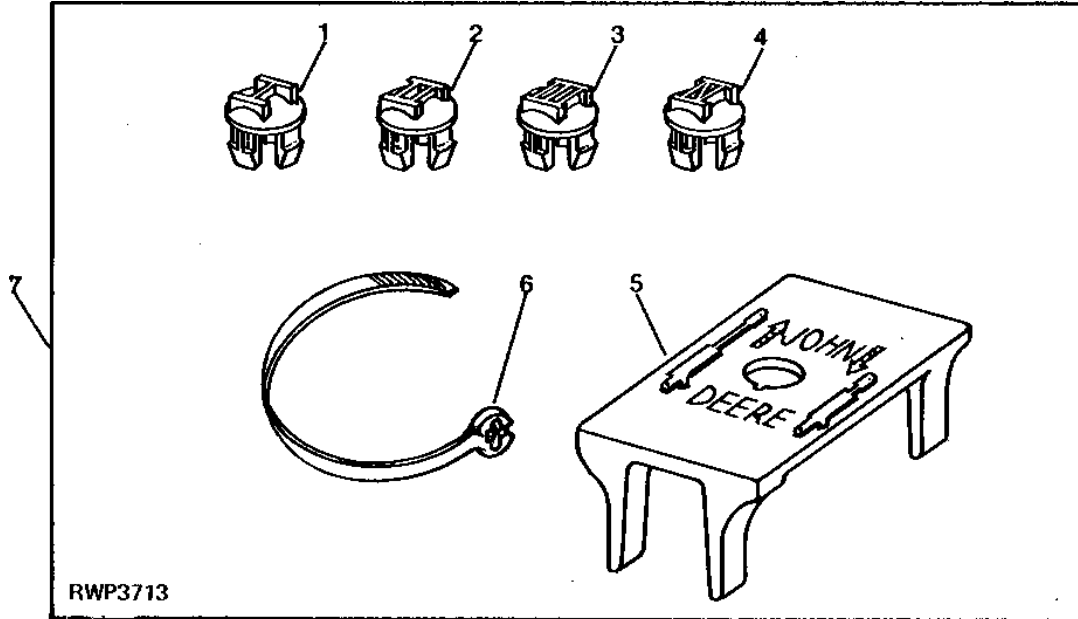
KEY	PART NO.	PART NAME	QTY	TRACTOR SERIAL NO.	REMARKS
1	AR98202	HYD. QUICK-CONNECT COUPLER	1	JOHN DEERE TO ISO	
	R21722	O-RING	1	(INCLUDED IN AR98202)	
	RE11457	ADAPTER	1	IHC TO ISO	
2	U11647	O-RING	1	(INCLUDED IN RE11457)	
	AR98201	HYD. QUICK-CONNECT COUPLER	1	ISO TO JOHN DEERE	
	R21722	O-RING	1	(INCLUDED IN AR98201, RE11458 AND RE11463)	
3	R71387	WASHER	1	(INCLUDED IN AR98201)	
	RE11456	ADAPTER	1	IHC TO JOHN DEERE	
	RE11458	ADAPTER	1	JOHN DEERE TO IHC	
	RE11463	ADAPTER	1	ISO TO IHC	
4	AR28754	HYDRAULIC HOSE	1	10 X 610MM (3/8" X 24") (SUB TY3018)	
	AR28755	HYDRAULIC HOSE	1	10 X 914MM (3/8" X 36") (SUB TY3019)	
	R36658	HYDRAULIC HOSE	1	13 X 610MM (1/2" X 24")	
5	R36659	HYDRAULIC HOSE	1	13 X 914MM (1/2" X 36")	
	R26375	O-RING	1		
6	R30815	FITTING	1	3/4" THREAD	
7	R30817	ADAPTER	1	3/4"-16UNF MALE X 1/2"-14NPT FEMALE	
8	R30816	ADAPTER	1	1/2"-14NPT MALE X 3/4"-16UNF FEMALE	
9	AR93820	FITTING	1	JOHN DEERE, 3/4"-16 UNF	
10	RE11447	FITTING	1	JOHN DEERE, 1/2"-14NPT	
	AR94522	INTERNAL HALF COUPLER	1	ISO, 3/4"-16UNF, (SUB AN212996)	

2E24

HYDRAULICS

RWP3713 -UN-01JAN94

REMOTE CYLINDER HOSE IDENTIFICATION KIT



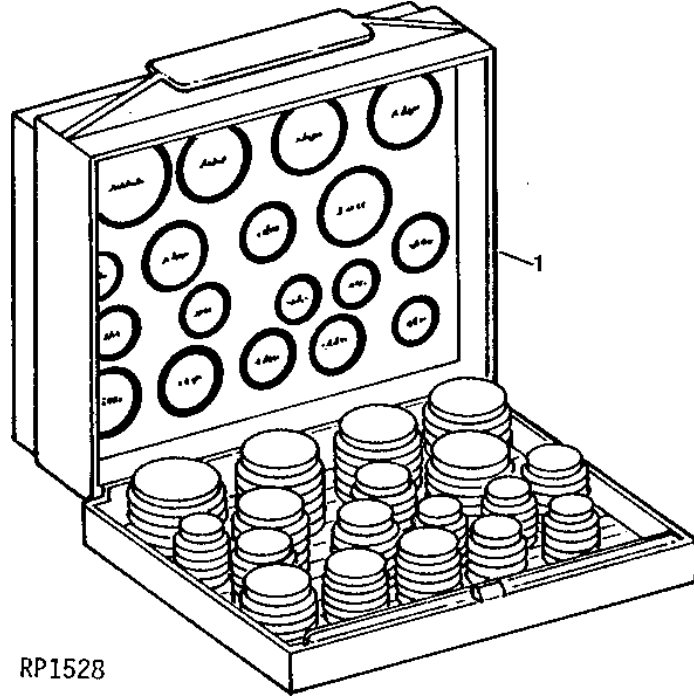
KEY	PART NO.	PART NAME	QTY	TRACTOR SERIAL NO.	REMARKS
1	R74242	PLUG	1		
2	R74243	PLUG	1		
3	R74244	PLUG	1		
4	R74246	PLUG	1		
5	R76459	TAG	1		
6	R76477	TIE BAND	2		
7	AR103808	KIT	1		

2E25

HYDRAULICS

RP1528 -UN-01JAN94

O-RING KIT



RP1528

KEY	PART NO.	PART NAME	QTY	TRACTOR SERIAL NO.	REMARKS
1	AR73500	KIT	1		

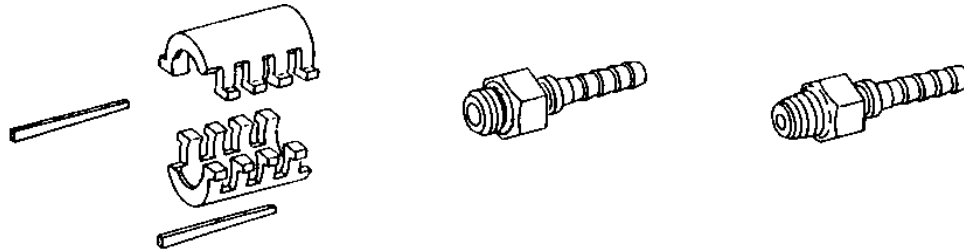
2F1

HYDRAULICS

RXP7733

-UN-23SEP94

BULK FLEXIBLE OIL LINE AND REUSABLE LOK-PIN COUPLINGS



Oil Line (Length) Approx. 50 ft.)		Set of Ferrules with Pins*	Stem-Straight Thread with O-ring	Stem-Pipe Thread
R 34790	3/8" I.D. — 1 Wire	AR 39635* *	R 39687
R 34791	1/2" I.D. — 1 Wire	AR 39636* *	R 39688
R 34792	3/4" I.D. — 1 Wire	AR 39637#	R 39689
R 34793	3/8" I.D. — 2 Wire	AR 39632	AR 39635* *	R 39687
R 34794	1/2" I.D. — 2 Wire	AR 39636* *	R 39688
R 34795	3/4" I.D. — 2 Wire	AR 39637#	R 39689

* Each set of ferrules includes two R39681 pins - extra pins may be ordered, packed 20 in a package.
 **Includes R26375 O-ring.
 # Includes F3171R O-ring.

REUSABLE COUPLINGS (Use With Braid Flexible Oil Line)



1 WR Single Wire		2 WR Double Wire		I.D.	Thread
Coupling No.		Coupling No.			
AF 3585	R	AR 21629		3/8"	3/8" — 18 NPTF
AF 3586	R	AR 21630		1/2"	1/2" — 14 NPTF
AF 3587	R		5/8"	3/4" — 14 NPTF
AF 3588	R	AR 21632		3/4"	3/4" — 14 NPTF
R 34644		AR 21634		1"	1" — 11-1/2" NPTF
R 34646		R 34647		3/8"	3/4" — 16 O-ring type thread
				1/2"	3/4" — 16 O-ring type thread

BULK SINGLE WIRE BRAID FLEXIBLE OIL LINE (Use With Reusable Coupling for Single Wire Braid Flexible Oil Line)

Part No.	I.D.	O.D.	Length
A 5776 R	1/2"	29/32"	Approx. 50 ft.
A 5777 R	5/8"	1-1/32"	Approx. 50 ft.

BULK DOUBLE WIRE BRAID FLEXIBLE OIL LINE (Use with Reusable Coupling for Double Wire Braid Flexible Oil Line)

Part No.	I.D.	O.D.	Length
R 21531	3/8"	29/32"	Approx. 50 ft.
R 21532 RXP7733	1/2"	31/32"	Approx. 50 ft.

MEMORANDA

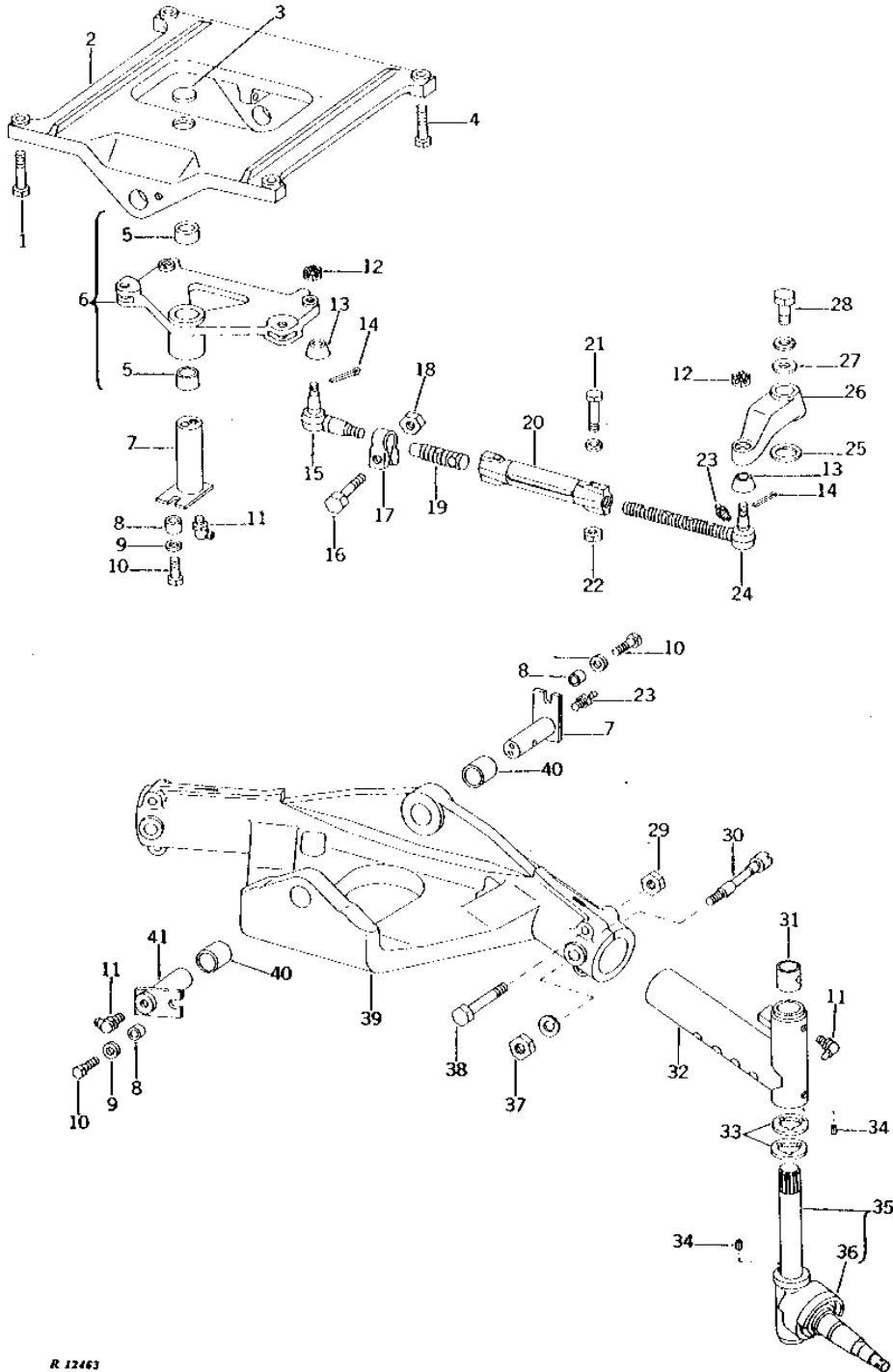
MEMORANDA

2F4

WHEELS, FRONT AXLES, SHEET METAL

R12463 -UN-01JAN94

ADJUSTABLE FRONT AXLE (ROW-CROP AND STANDARD)



R 12463

2F5

WHEELS, FRONT AXLES, SHEET METAL

ADJUSTABLE FRONT AXLE - CONTINUED (ROW-CROP AND STANDARD)

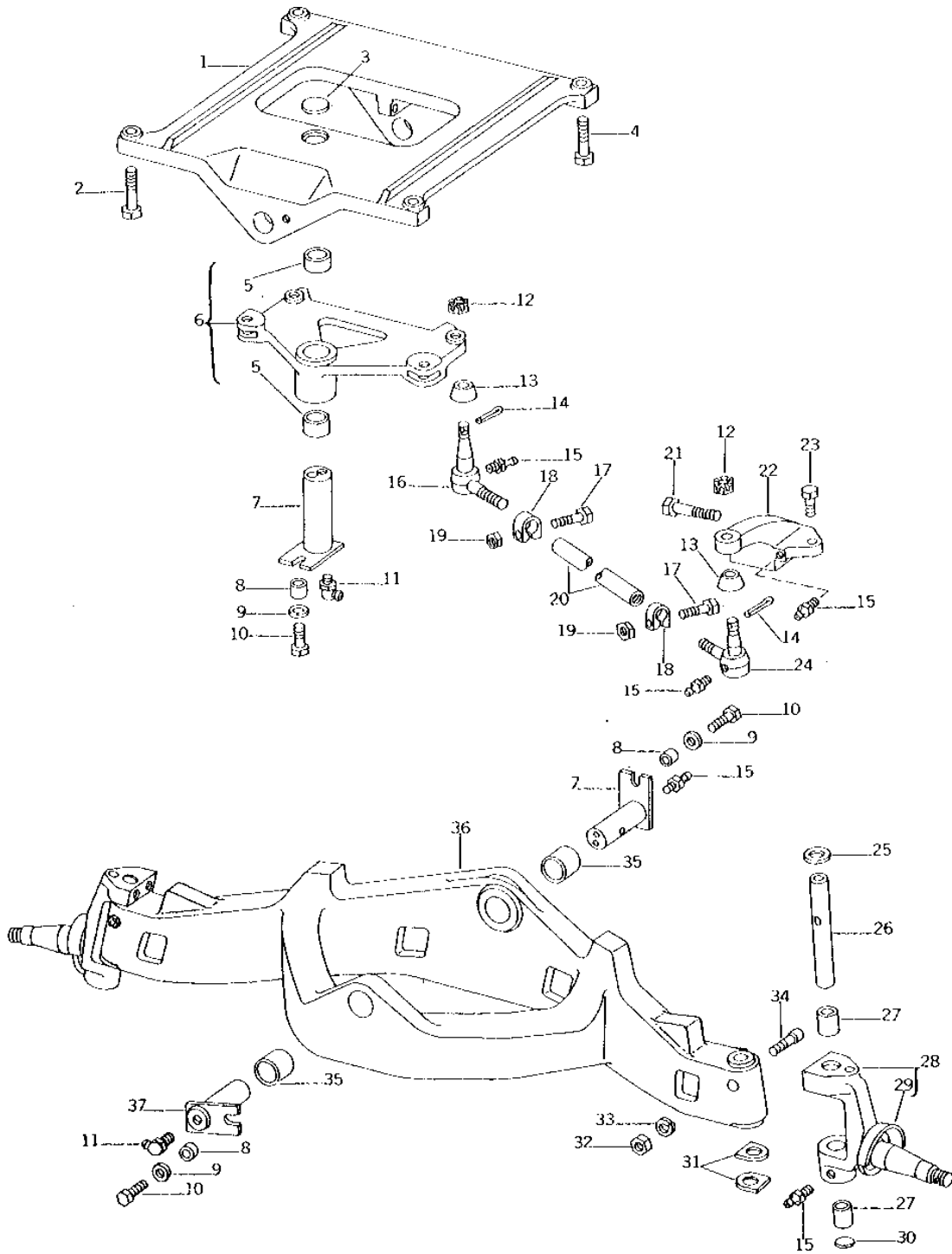
KEY	PART NO.	PART NAME	QTY	TRACTOR SERIAL NO.	REMARKS
1	19H1862	CAP SCREW	2		3/4" X 2-1/2"
2	R49410	BRACKET	1		(SUB FOR R36740 OR R46740)
3	30H26	PLUG	1		2-1/8"
4	19H1715	CAP SCREW	2		3/4" X 3"
5	R28465	BUSHING	2		
6	AR36897	LEVER	1		(MARKED R35361 OR R40719) (SUB FOR AR35101)
7	AR36078	PIN	2		
8	R36728	BUSHING	3		
9	24H1272	WASHER	3		9/16" X 1-1/4" X 1/4"
10	19H2511	CAP SCREW	3		1/2" X 1-7/8"
11	JD7781	LUBRICATION FITTING	6		90°
12	14H918	NUT	4		5/8"
13	R21101	COVER	4		
14	11M7015	COTTER PIN	4		3.200 X 25 MM
15	AR74131	TIE ROD END	2		(SUB FOR AR20032)
16	19H1990	CAP SCREW	2		1/2" X 2-1/4"
17	M2301T	CLAMP	2		
18	14H1040	NUT	2		1/2"
19	R40206	STUD	2		INNER
20	AR36642	TUBE	2		
21	19H2128	CAP SCREW	4		3/8" X 3"
	24M7096	WASHER	4		10.500 X 18 X 1.600 MM
22	M63440	LOCK NUT	1		(4 USED) (SUB E50102)
23	JD7759	LUBRICATION FITTING	5		
24	AR36643	TIE ROD	2		290MM (11-27/64") OUTER
	AR41230	TIE ROD	2		387MM (15-1/2") OUTER
	R31251	WASHER	2		
26	R52838	STEERING ARM	1		R.H. (SUB FOR R40203)
	R52839	STEERING ARM	1		L.H. (SUB FOR R40204)
27	R30399	WASHER	2		
28	19H2372	CAP SCREW	2		1" X 1-3/4"
	12H234	LOCK WASHER	2		1"
29	14H794	NUT	2		3/4"
30	R40198	BOLT	2		
31	R52188	BUSHING	4		(SUB FOR R28471)
32	AR36703	AXLE	1		R.H. (STANDARD)
	AR36704	AXLE	1		L.H. (STANDARD)
	AR41261	AXLE	1	015500-	R.H. (ROW-CROP WITH 2235MM (88") ADJUSTABLE TREAD FRONT AXLE)
	AR41262	AXLE	1	015500-	L.H. (ROW-CROP WITH (2235MM) (88") ADJUSTABLE TREAD FRONT AXLE)
33	R30398	WASHER	4		
34	34H308	SPRING PIN	4		1/4" X 1/2"
35	AR45807	KNUCKLE	2		(ALSO ORDER R26333 AND 19H1863) (SUB FOR AR36636)
36	DUST SHIELD	1		(SUB AR45807, R26333 AND 19H1863)
37	14H854	NUT	2		1"
	12H234	LOCK WASHER	2		1"
38	19H2000	CAP SCREW	2		3/4" X 5"
39	AR36638	HOUSING	1		(MARKED R40260)
40	R35389	BUSHING	2		
41	AR36079	PIN	1		

2F6

WHEELS, FRONT AXLES, SHEET METAL

FIXED TREAD FRONT AXLE (STANDARD)

R11886 -UN-01JAN94



R 11886

2F7

WHEELS, FRONT AXLES, SHEET METAL

FIXED TREAD FRONT AXLE - CONTINUED (STANDARD)

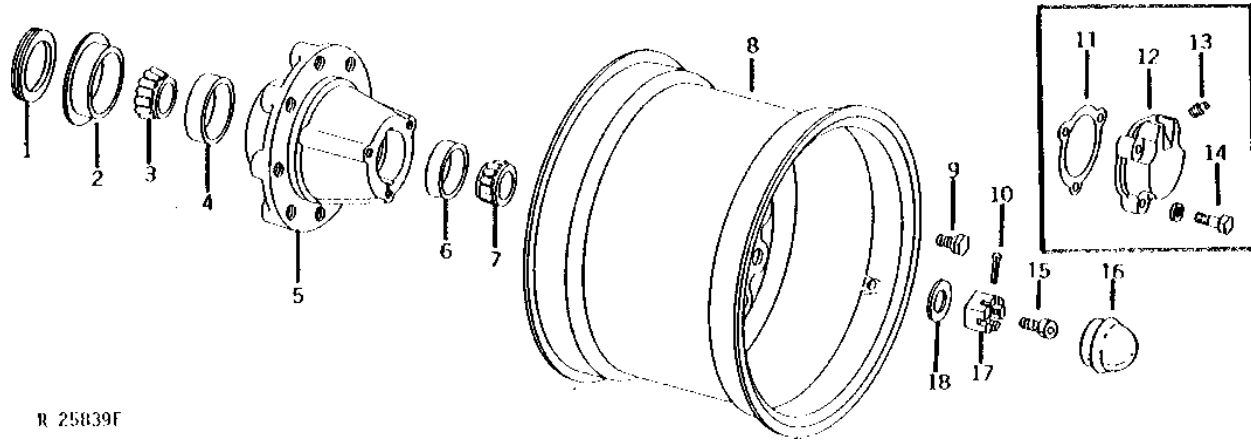
KEY	PART NO.	PART NAME	QTY	TRACTOR SERIAL NO.	REMARKS
1	R49410	BRACKET	1		(SUB FOR R36740 OR R46740)
2	19H1862	CAP SCREW	2		3/4" X 2-1/2"
3	30H26	PLUG	1		2-1/8"
4	19H1715	CAP SCREW	2		3/4" X 3"
5	R28465	BUSHING	2		
6	AR36897	LEVER	1		(MARKED R35361 OR R40719) (SUB FOR AR35101)
7	AR36078	PIN	2		
8	R36728	BUSHING	3		
9	24H1272	WASHER	3		9/16" X 1-1/4" X 1/4"
10	19H3265	CAP SCREW	3		1/2" X 1-7/8", (SUB FOR 19H3182)
11	JD7781	LUBRICATION FITTING	3		90°
12	14H918	NUT	4		5/8"
13	R21101	COVER	4		
14	11M7015	COTTER PIN	4		3.200 X 25 MM
15	JD7759	LUBRICATION FITTING	8		
16	AR74131	TIE ROD END	2		R.H. (SUB FOR AR20032)
17	19H1990	CAP SCREW	4		1/2" X 2-1/4"
18	M2301T	CLAMP	4		
19	14H1040	NUT	4		1/2"
20	R31764	PIN	2		
21	19H2072	CAP SCREW	4		5/8" X 3-1/4"
22	R52840	STEERING ARM	1		R.H. (SUB FOR R36836 OR R40672)
	R52841	STEERING ARM	1		L.H. (SUB FOR R36837 OR R40673)
23	19H1356	CAP SCREW	2		5/8" X 1-3/4"
24	AR74132	TIE ROD END	2		L.H. (SUB FOR AR20033)
25	A4733R	WASHER	2		
26	R35388	PIN	2		
27	D1888R	BUSHING	4		
28	AR36629	KNUCKLE	2		
29	DUST SHIELD	1		(NO LONGER AVAILABLE)
30	D1881R	FITTING	2		
31	A5325R	WASHER	4		
32	14H785	NUT	2		5/16"
33	12H303	LOCK WASHER	2		5/16"
34	D156R	BOLT	2		
35	R35389	BUSHING	2		
36	AR36628	FRONT AXLE	1		(MARKED R40250)
37	AR36079	PIN	1		

2F8

WHEELS, FRONT AXLES, SHEET METAL

R25839 -UN-01JAN94

FRONT WHEELS



R 25839F

KEY	PART NO.	PART NAME	QTY	TRACTOR SERIAL NO.	REMARKS
1	AR27806	SEAL	1		
2	R28574	SEAL	1		
3	JD8131	BEARING CONE	1		
4	JD7439	BEARING CUP	1		
5	R40194	HUB	1	-XXXXXX	(SUB R63556, DT2127W AND 22H841)
	R63555	HUB	1	XXXXXX-	(SUB R63556)
6	JD7266	BEARING CUP	1		
7	JD8981	BEARING CONE	1		(SUB JD10190)
8	JD3207	WHEEL	1		(11.00X16", 8-PLY RUBBER TIRE)
	JD3213	WHEEL	1		(9.50X20", 8-PLY RUBBER TIRE)
	JD3220	WHEEL	1		(18.4X16", 6-PLY RUBBER TIRE)
9	JD16	WHEEL BOLT	8		
10	11M7030	COTTER PIN	1		0.197" X 1.575"
11	A1556R	GASKET	1	-XXXXXX	
12	A1555R	CAP	1	-XXXXXX	
13	15H638	PIPE PLUG	1	-XXXXXX	1/8"
14	19H2915	CAP SCREW	3	-XXXXXX	5/16" X 1-1/4"
	24H1136	WASHER	3	-XXXXXX	11/32" X 11/16" X 0.065"
15	22H841	SET SCREW	1	XXXXXX-	1/4" X 1/4"
16	DT2127W	CAP	1	XXXXXX-	
17	14H920	NUT	1		1"
18	R28575	WASHER	1		

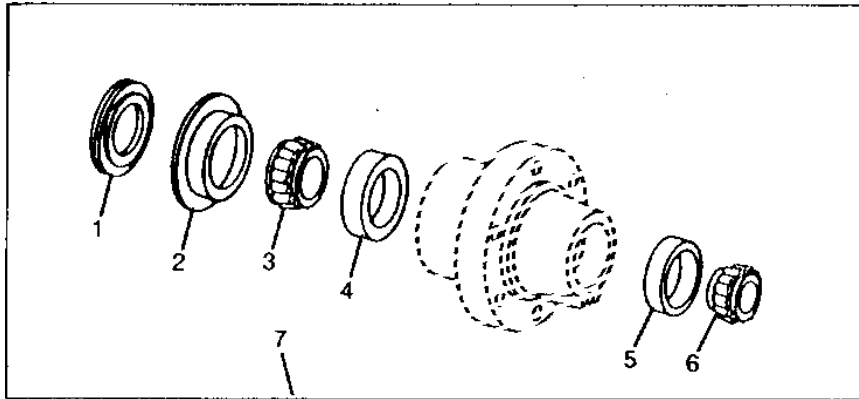
2F9

WHEELS, FRONT AXLES, SHEET METAL

RXP9981

-UN-01JAN94

FRONT WHEEL BEARING KIT



RXP9981

KEY	PART NO.	PART NAME	QTY	TRACTOR SERIAL NO.	REMARKS
1	AR27806	SEAL	1		
2	R28574	SEAL	1		
3	JD8131	BEARING CONE	1		
4	JD7439	BEARING CUP	1		
5	JD7266	BEARING CUP	1		
6	JD10190	BEARING CONE	1		
7	RE54816	BEARING KIT	1		

MEMORANDA

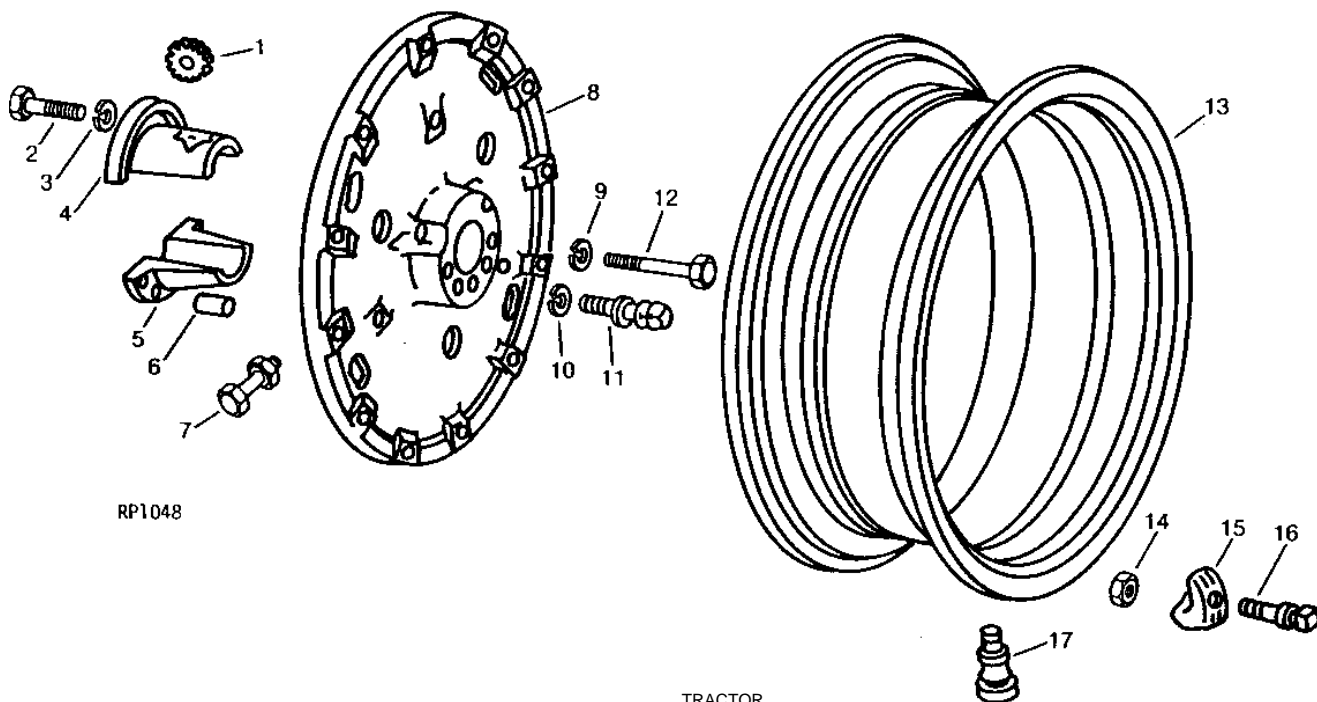
2F10

WHEELS, FRONT AXLES, SHEET METAL

RP1048 -UN-16NOV94

REAR WHEELS

21



RP1048

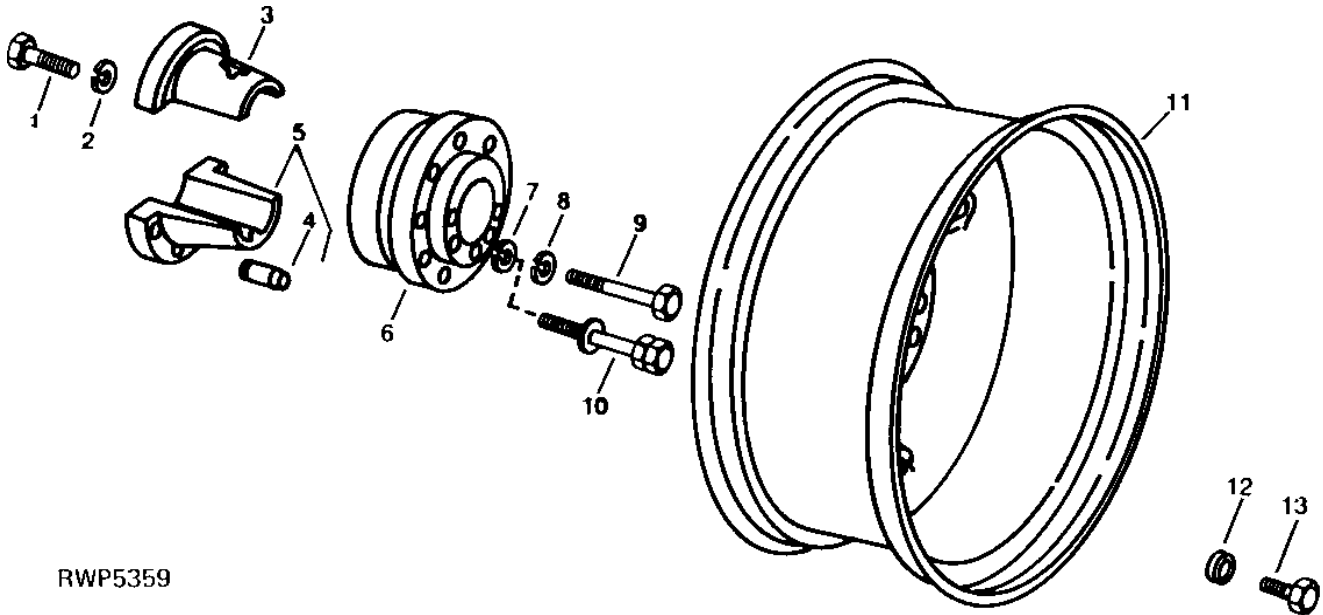
KEY	PART NO.	PART NAME	QTY	TRACTOR SERIAL NO.	REMARKS
1	A4379R	PINION	1		
2	19H2600	CAP SCREW	3	3/4" X 2-5/8"	
3	12H236	LOCK WASHER	3	3/4"	
4	R35302	HALF SLEEVE	1		
5	R35303	HALF SLEEVE	1	(SUB AR83354)	
6	R35335	DOWEL PIN	2		
7	A4380R	PINION SHAFT	1		
8	R35300	WHEEL	1	(18.4-34 TIRE AND RIM) (STANDARD)	
	R36190	WHEEL	1	(24.5-32 TIRE AND RIM)	
	R49860	WHEEL	1	(18.4-38 TIRE AND RIM) (SUB FOR R41020)	
9	12H245	LOCK WASHER	3	7/8"	
10	R35333	SNAP RING	2		
11	R35332	SCREW	2		
12	08H4486	CAP SCREW	3	(SUB FOR R35334 OR R45351)	
13	R32072	RIM	1	(18.4-34 TIRE) (STANDARD)	
	R36097	RIM	1	(24.5-32 TIRE)	
	R41012	WHEEL	1	(18.4-38 TIRE) (SUB R80306)	
14	14H800	NUT	AR	5/8", (12 USED WITH R35300 AND R36190, 16 USED WITH R41020 AND R49860)	
15	B634R	CLAMP	12	(USE WITH R35300 OR R36190)	
	A4388R	CLAMP	16	(USE WITH R41020 AND R49860)	
16	A4064R	BOLT	12	(USE WITH R35300 AND R36190) (SUB R34801)	
	08H4694	BOLT	16	5/8" X 4", HS, SAE 8, (USE WITH R41020 OR R49860) (SUB FOR A4389R)	
17	R55151	PLUG	1		

2F11

WHEELS, FRONT AXLES, SHEET METAL

RWP5359 -UN-17NOV94

DUAL WHEELS



RWP5359

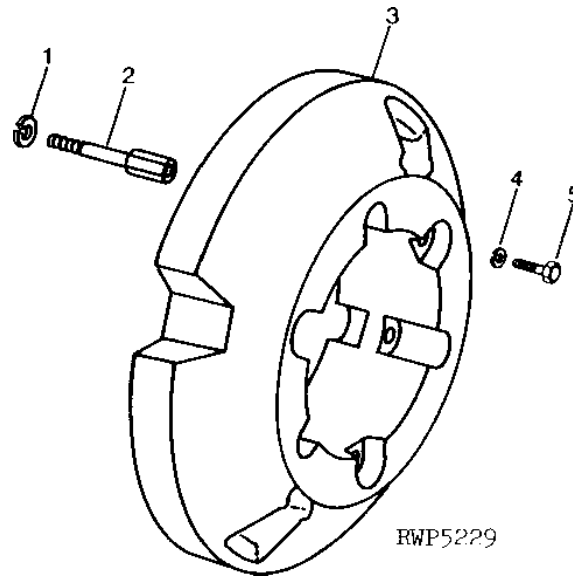
KEY	PART NO.	PART NAME	QTY	TRACTOR SERIAL NO.	REMARKS
1	19H1707	CAP SCREW	3	3/4" X 2-3/4"	
2	12H236	LOCK WASHER	3	3/4"	
3	R35302	HALF SLEEVE	1		
4	R35335	DOWEL PIN	1		
5	AR83354	SLEEVE	1	(SUB FOR R35303)	
6	R54160	HUB	1		
7	R35333	SNAP RING	2		
8	12H245	LOCK WASHER	3	7/8"	
9	08H4486	CAP SCREW	3	7/8" X 7-1/2"	
10	R35332	SCREW	2		
11	AR89141	WHEEL	1	(20.8-38) (SUB FOR JD3231) (SUB RE51962)	
	AR89140	WHEEL	1	(18.4-38) (SUB FOR JD3230) (NLA)	
12	R52006	WASHER	10		
13	19H2587	CAP SCREW	10	7/8" X 1-3/4"	

2F12

WHEELS, FRONT AXLES, SHEET METAL

REAR WHEEL WEIGHT
(38" CAST WHEEL)
(USE WITH R43530 OR R49860)

RWP5229 -UN-17NOV94



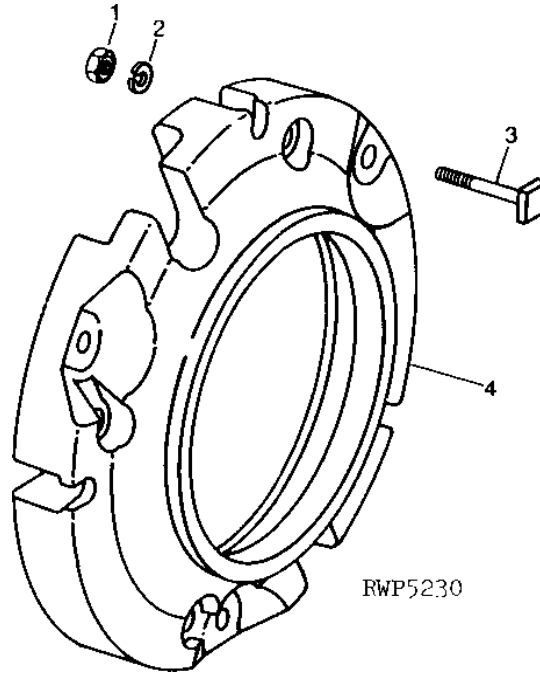
KEY	PART NO.	PART NAME	QTY	TRACTOR SERIAL NO.	REMARKS
1	12H236	LOCK WASHER	3	3/4"	
2	R41256	SCREW	3	(INSIDE OR 2ND OUTSIDE WEIGHT)	
3	R41030	WEIGHT	2	200KG (440 LBS.)	
4	12H236	LOCK WASHER	3	3/4"	
5	19H2174	CAP SCREW	3	3/4" X 4-1/4", (INSIDE OR OUTSIDE WEIGHTS)	
	19H1782	CAP SCREW	3	3/4" X 2-1/4", (1ST OUTSIDE WEIGHT FOR USE WITH INSIDE WEIGHT)	

2F13

WHEELS, FRONT AXLES, SHEET METAL

RWP5230 -UN-17NOV94

REAR WHEEL WEIGHT
(32" AND 34" CAST WHEEL)



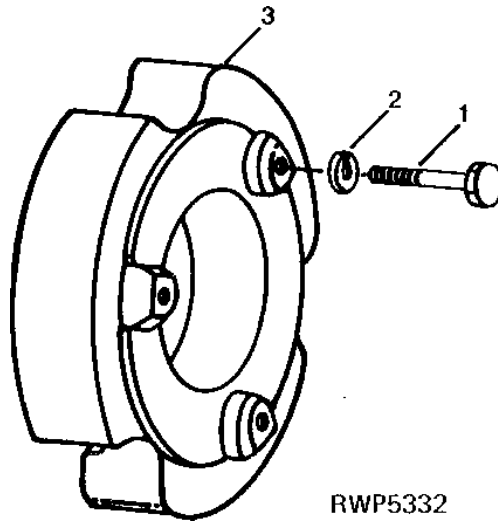
KEY	PART NO.	PART NAME	QTY	TRACTOR SERIAL NO.	REMARKS
1	14H1039	NUT	3	5/8"	
2	12H294	LOCK WASHER	3	5/8"	
3	R34801	BOLT	3		
4	T21689	WEIGHT	2		52.16KG (110 LBS.) (FIRST AND ADDITIONAL WEIGHTS) (OUTSIDE)

2F14

WHEELS, FRONT AXLES, SHEET METAL

RWP5332 -UN-01JAN94

REAR WHEEL INNER WEIGHT
(32" AND 34" CAST WHEELS)



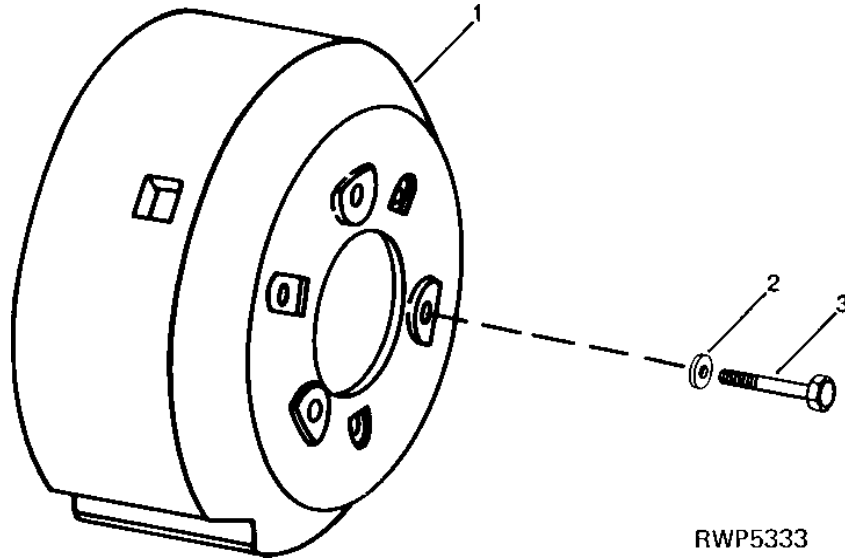
KEY	PART NO.	PART NAME	QTY	TRACTOR SERIAL NO.	REMARKS
1	19H1862	CAP SCREW	3	3/4" X 2-1/2"	
2	12H236	LOCK WASHER	3	3/4"	
3	R35780	WEIGHT	1	129KG (285 LBS)	

2F15

WHEELS, FRONT AXLES, SHEET METAL

REAR INNER WHEEL WEIGHT
(32" CAST WHEEL)

RWP5333 -UN-17NOV94



RWP5333

KEY	PART NO.	PART NAME	QTY	TRACTOR SERIAL NO.	REMARKS
1	R72266	WEIGHT	1	680KG (1500 LBS)	
2	R78019	WASHER	3		
3	19H3167	CAP SCREW	3		

MEMORANDA

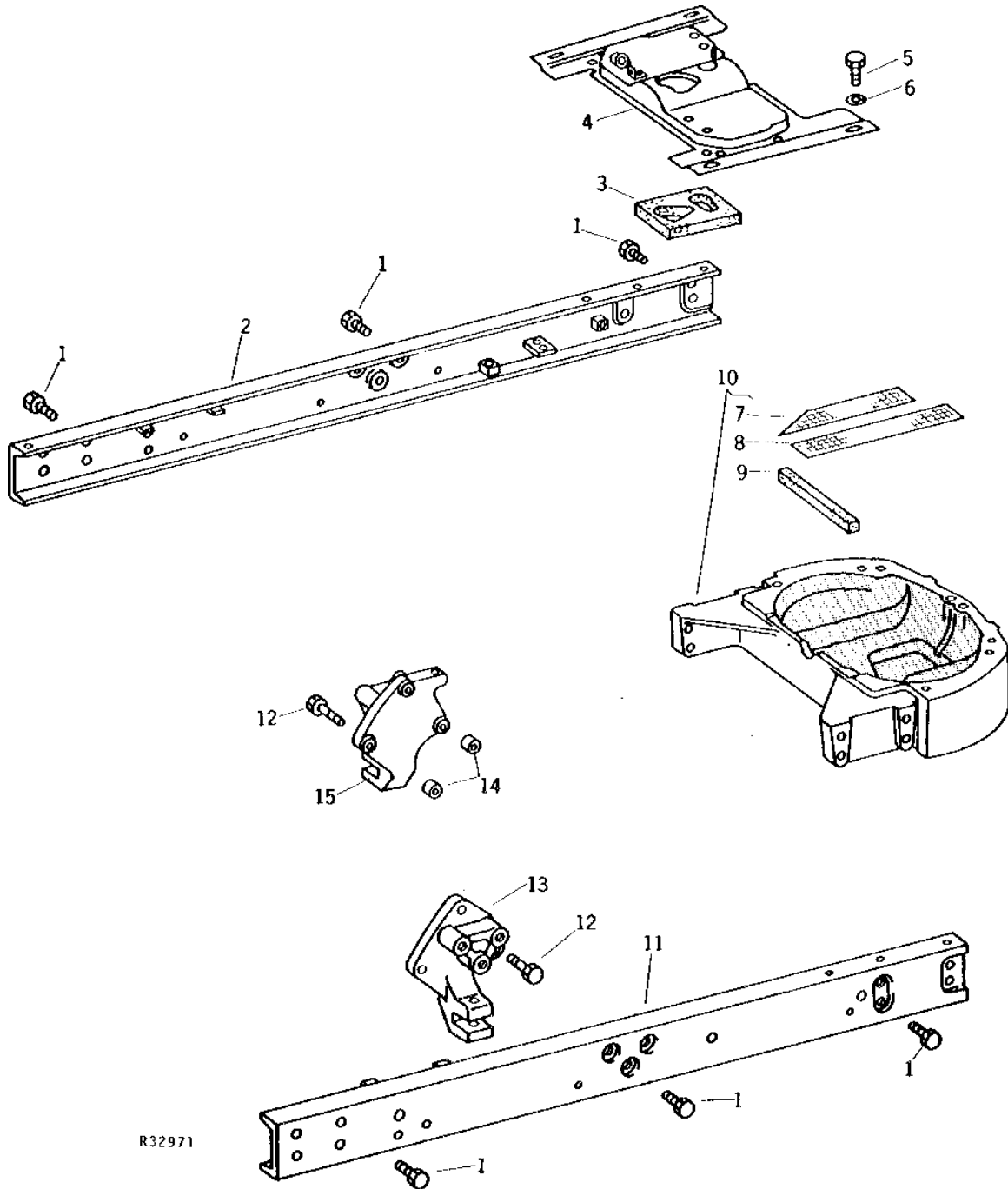
2F16

WHEELS, FRONT AXLES, SHEET METAL

R32971

-UN-01JAN94

FRAME AND FRAME PLATE



R32971

2F17

WHEELS, FRONT AXLES, SHEET METAL

FRAME AND FRAME PLATE - CONTINUED

KEY	PART NO.	PART NAME	QTY	TRACTOR SERIAL NO.	REMARKS
1	R35192	WHEEL BOLT	22		
2	AR65614	FRAME	1		L.H. (SUB FOR AR46244) (NLA)
3	R27898	ISOLATOR	1		
4	AR36816	PLATE	1		(NLA)
5	19H1936	CAP SCREW	8		3/8" X 3/4"
6	12H304	LOCK WASHER	1		3/8"
7	CUSHION	2		3 X 38 X 356MM (1/8" X 1-1/2" X 14") (MAKE FROM R21736)
8	CUSHION	2		3 X 38 X 419MM (1/8" X 1-1/2" X 16-1/2") (MAKE FROM R21736)
9	FOAM PAD	1		25 X 25 X 305MM (1" X 1" X 12") (MAKE FROM R30937)
10	AR54390	FRAME	1		FRONT, (MARKED R49950) (NLA)
11	AR65613	FRAME	1		SIDE, R.H. (SUB FOR AR35046) (NLA)
12	19H1707	CAP SCREW	6		3/4" X 2-3/4"
13	R35193	BRACKET	1		R.H.
14	F3515R	BUSHING	4		
15	R49989	BRACKET	1		L.H.

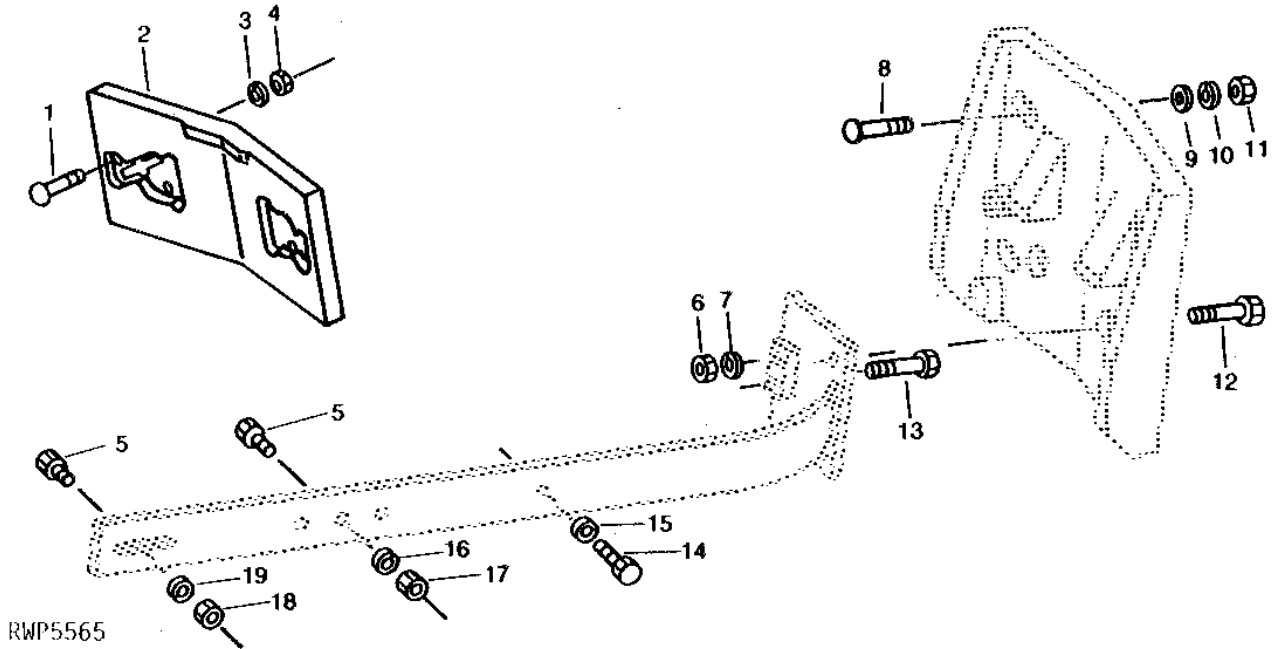
MEMORANDA

2F18

WHEELS, FRONT AXLES, SHEET METAL

DOUBLE FRONT WEIGHT

RWP5565 -UN-01JAN94



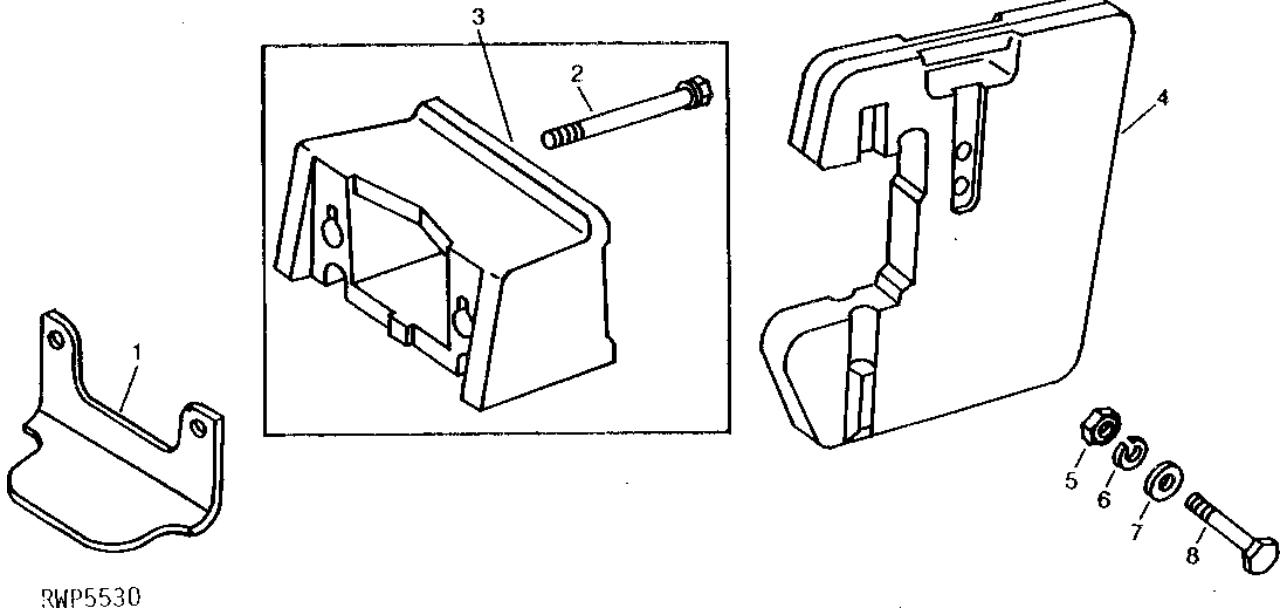
KEY	PART NO.	PART NAME	QTY	TRACTOR SERIAL NO.	REMARKS
1	03H1857	BOLT	2	5/8" X 2-3/4"	
2	R27643	WEIGHT	1	38KG (84 LBS)	
3	12H294	LOCK WASHER	2	5/8"	
4	14H800	NUT	2	5/8"	
5	19H1708	CAP SCREW	4	5/8" X 1-3/4"	
6	14H794	NUT	4	3/4"	
7	12H236	LOCK WASHER	4	3/4"	
8	03H1858	BOLT	4	5/8" X 3-1/2"	
9	R44890	NUT	4		
10	12H294	LOCK WASHER	4	5/8"	
11	14H1039	NUT	4	5/8"	
12	08H4222	BOLT	4	3/4" X 3-3/4"	
13	19H2725	CAP SCREW	2	3/4" X 3-3/4"	
14	19H1708	CAP SCREW	2	5/8" X 1-3/4"	
15	12H294	LOCK WASHER	2	5/8"	
16	12H294	LOCK WASHER	2	5/8"	
17	14H1039	NUT	2	5/8"	
18	14H1039	NUT	2	5/8"	
19	24H1367	WASHER	2	21/32" X 1-1/4" X 1/4"	

2F19

WHEELS, FRONT AXLES, SHEET METAL

RWP5530 -UN-01JAN94

TWO, FOUR, OR SIX QUIK-TATCH FRONT WEIGHTS



RWP5530

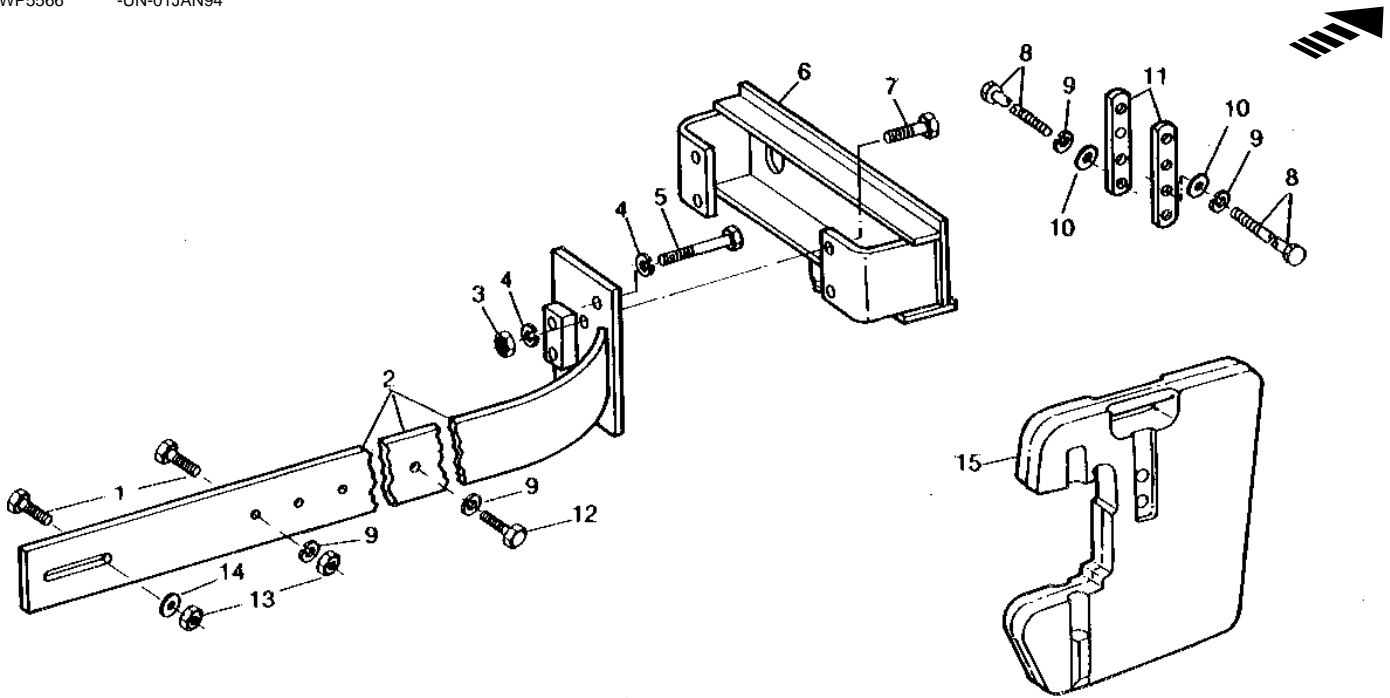
KEY	PART NO.	PART NAME	QTY	TRACTOR SERIAL NO.	REMARKS
1	R52914	ADAPTER	1		
2	R52924	SELF-LOCKING SCREW	2		
3	AR92425	SUPPORT	1		(SUB FOR R51679) (SUB R70417 AND R52924)
4	R51680	WEIGHT	1		
5	14H1039	NUT	1	5/8"	
6	12H294	LOCK WASHER	1	5/8"	
7	24H1367	WASHER	1	21/32" X 1-1/4" X 1/4"	
8	19H1926	CAP SCREW	1	5/8" X 4-3/4", (USE WITH (2) QUIK-TATCH WEIGHTS)	
	08H4260	CAP SCREW	1	5/8" X 9", (USE WITH (4) QUIK-TATCH WEIGHTS)	
	R51681	CAP SCREW	1	5/8" X 13-3/8", (USE WITH (6) QUIK-TATCH WEIGHTS)	

2F20

WHEELS, FRONT AXLES, SHEET METAL

RWP5566 -UN-01JAN94

EIGHT OR TEN QUIK-TATCH FRONT WEIGHTS



RWP5566

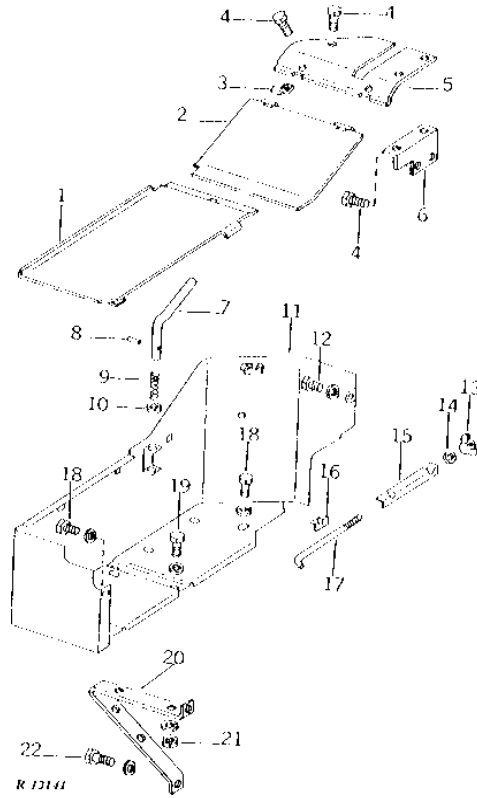
KEY	PART NO.	PART NAME	QTY	TRACTOR SERIAL NO.	REMARKS
1	03H1399	BOLT	4		5/8" X 1-3/4"
2	SUPPORT	2		(NO LONGER AVAILABLE)
3	14H794	NUT	4		3/4"
4	12H236	LOCK WASHER	4		3/4"
5	19H2725	CAP SCREW	2	-XXXXXX	3/4" X 3-3/4"
	19H2174	CAP SCREW	2	XXXXXX-	3/4" X 4-1/4"
6	AR58362	SUPPORT	1	-XXXXXX	
	AR72132	SUPPORT	1	XXXXXX-	(NLA)
7	19H1782	CAP SCREW	4		3/4" X 2-1/4"
8	R51681	CAP SCREW	2		
9	12H294	LOCK WASHER	4		5/8"
10	24H1367	WASHER	2		21/32" X 1-1/4" X 1/4"
11	AR68801	RETAINER	2		(NLA)
12	19H1708	CAP SCREW	2		5/8" X 1-3/4"
13	14H1039	NUT	4		5/8"
14	24H1367	WASHER	2		21/32" X 1-1/4" X 1/4"
15	R51680	WEIGHT	1		

2F21

WHEELS, FRONT AXLES, SHEET METAL

R13141 -UN-01JAN94

BATTERY BOX



2F22

WHEELS, FRONT AXLES, SHEET METAL

BATTERY BOX - CONTINUED

KEY	PART NO.	PART NAME	QTY	TRACTOR SERIAL NO.	REMARKS
1	AR40906	COVER	1		REAR, (SUB FOR R35675)
	R39986	LABEL	1		
2	AR58820	COVER	1		FRONT, (SUB FOR AR35214 OR AR45102)
3	AR35319	CLIP	2	-021988	(NO LONGER AVAILABLE)
4	19H2284	CAP SCREW	5	-021988	3/8" X 7/8"
5	R35790	EXTENSION	1		FRONT, L.H.
6	AR35315	BRACKET	1		
7	AR35970	LATCH	1		
8	34H244	SPRING PIN	1		1/8" X 9/16"
9	H26232	SPRING	1		
10	24H1301	WASHER	1		13/32" X 9/16" X 0.065"
11	AR67386	BOX	1		(SUB FOR AR36776 OR AR58567)
12	19H2284	CAP SCREW	1		3/8" X 7/8"
13	14H844	WING NUT	4		1/4"
14	24H1287	WASHER	4		9/32" X 5/8" X 0.065"
15	R35665	CLAMP	1		FRONT
16	R35664	CLAMP	2		
17	R35666	BOLT	4		
18	19H1936	CAP SCREW	2		3/8" X 3/4"
	12H304	LOCK WASHER	2		3/8"
19	19H1731	CAP SCREW	4		3/8" X 1"
20	R35663	SUPPORT	2		
21	14H1076	NUT	4		3/8"
	12H304	LOCK WASHER	4		3/8"
22	19H1815	CAP SCREW	4		1/2" X 1-1/4"
	12H301	LOCK WASHER	4		1/2"

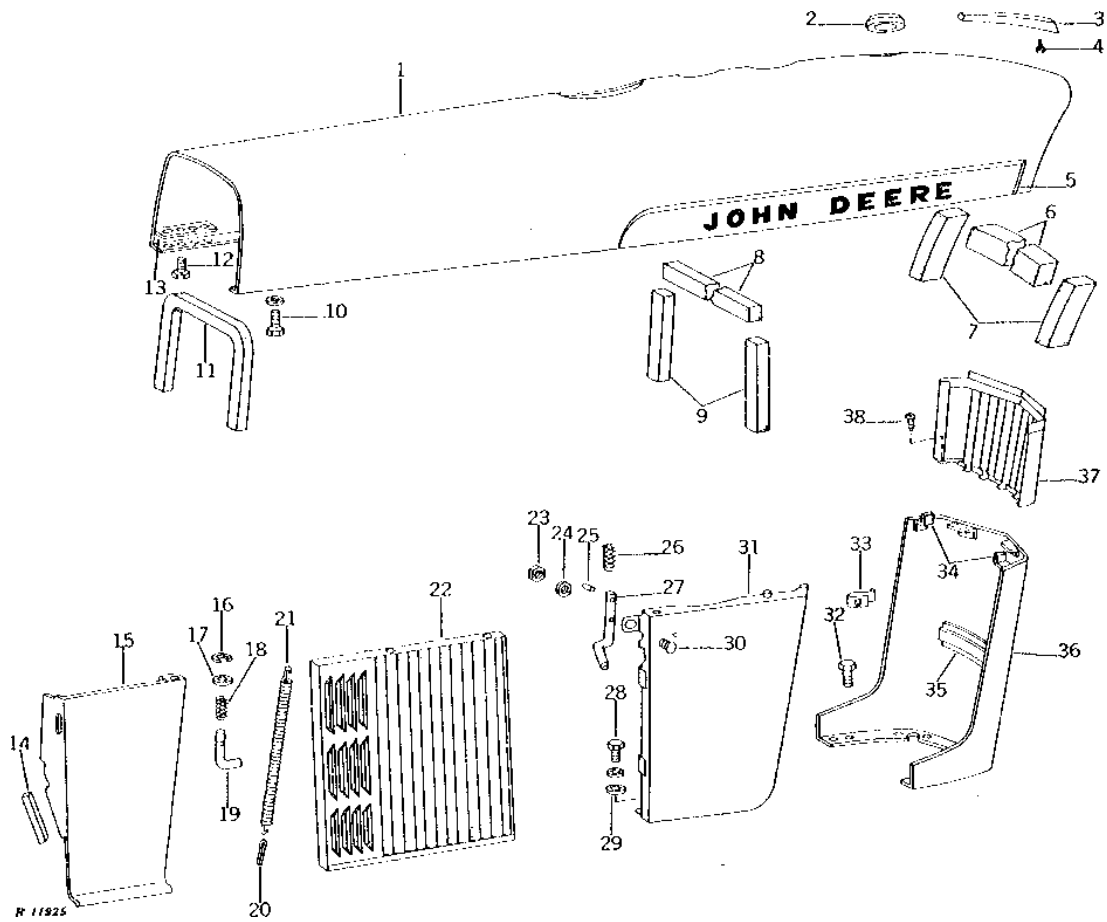
2F23

WHEELS, FRONT AXLES, SHEET METAL

R11925

-UN-01JAN94

HOOD, GRILLES AND PANELS



2F24

WHEELS, FRONT AXLES, SHEET METAL

HOOD, GRILLES AND PANELS - CONTINUED

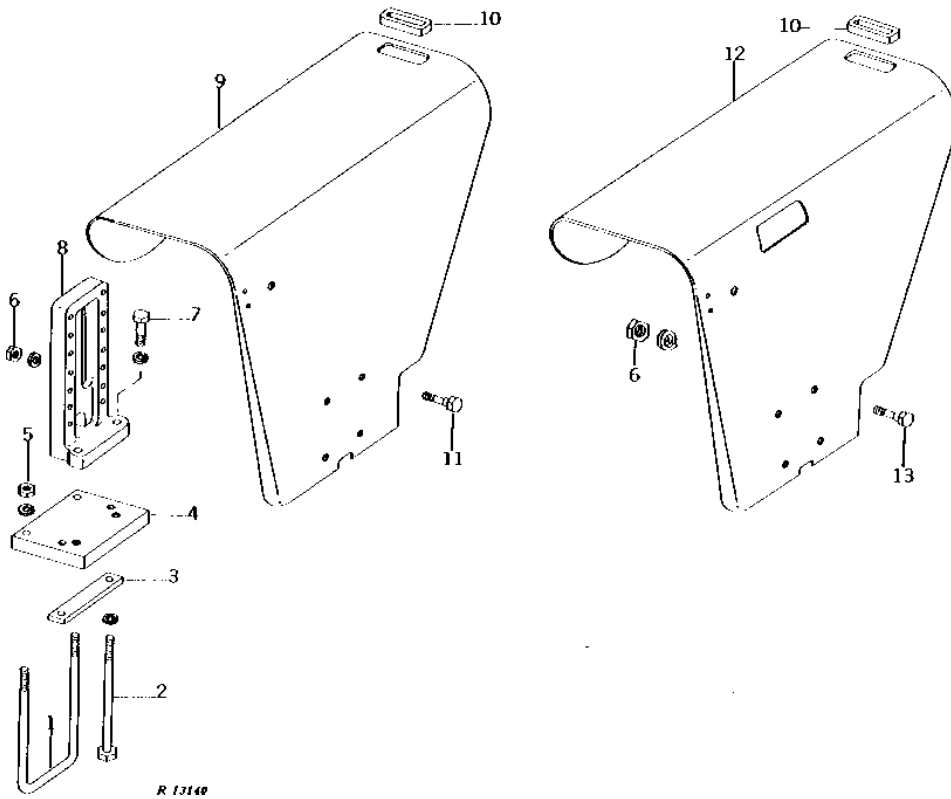
KEY	PART NO.	PART NAME	QTY	TRACTOR SERIAL NO.	REMARKS
1	AR35090	HOOD	1	(NLA)	
2	R82872	GROMMET	1	(SUB FOR R40400)	
3	AR28047	MEDALLION	1		
4	37M7245	SCREW	2	NO. 10 X 3/8"	
5	AR28048	MOLDING	1	R.H.	
	AR28049	MOLDING	1	L.H.	
	R42662	NUT	10		
6	R35339	ISOLATOR	1	38 X 51 X 559MM (1-1/2" X 2" X 22")	
7	R35340	FOAM PAD	2	51 X 51 X 254MM (2" X 2" X 10")	
8	FOAM PAD	1	25 X 51 X 565MM (1" X 2" X 22-1/4") (MAKE FROM R28123)	
9	FOAM PAD	2	51 X 51 X 203MM (2" X 2" X 8") (MAKE FROM R35340)	
10	19H1936	CAP SCREW	2	3/8" X 3/4"	
	12H304	LOCK WASHER	2	3/8"	
11	FOAM PAD	1	25 X 25 X 737MM (1" X 1" X 29") (MAKE FROM R30937)	
12	AR26566	SCREW	4	(SUB 19H1919, 12H302 AND 24H1821)	
13	R26894	PLATE	2		
14	FOAM PAD	2	13 X 13 X 124MM (1/2" X 1/2" X 4-7/8") (MAKE FROM R91558) (SUB FOR R30877)	
15	AR53645	SHIELD	1	R.H. (SUB FOR AR35023)	
	AR53646	SHIELD	1	L.H. (SUB FOR AR36796 OR AR51809)	
16	R27507	SNAP RING	2	(4 USED WITH CAB) (SUB R72654)	
17	24H1286	WASHER	2	9/32" X 1/2" X 1/16", (4 USED WITH CAB)	
18	R28783	SPRING	2	(4 USED WITH CAB)	
19	R27506	PIN	2	(4 USED WITH CAB)	
20	11M7084	COTTER PIN	2	5 X 25 MM	
21	R35769	SPRING	2		
22	AR36712	GRILLE	1	R.H. (SUB AR36716)	
	AR36713	GRILLE	1	L.H. (SUB AR36717)	
23	14H1076	NUT	2	3/8"	
24	12H304	LOCK WASHER	2	3/8"	
25	34H73	SPRING PIN	1	3/16" X 3/4"	
26	B161R	SPRING	2		
27	R26702	ROD	1	R.H.	
	R26703	ROD	1	L.H.	
28	19H2021	CAP SCREW	2	3/8" X 5/8"	
	12H304	LOCK WASHER	2	3/8"	
29	24M7096	WASHER	2	10.500 X 18 X 1.600 MM	
30	03H1765	BOLT	2	3/8" X 3/4"	
31	AR36790	PANEL	1	R.H. (NLA)	
	AR36791	PANEL	1	L.H. (NLA)	
32	19H1815	CAP SCREW	8	1/2" X 1-1/4"	
33	R26694	CLIP	6		
34	ISOLATOR	2	3 X 38 X 83MM (1/8" X 1-1/2" X 3-1/4") UPPER, (MAKE FROM R21736)	
35	ISOLATOR	1	3 X 38 X 203MM (1/8" X 1-1/2" X 8") LOWER, (MAKE FROM R21736)	
36	AR36788	PLATE	1	FRONT (NLA)	
37	AR35025	GRILLE	1	FRONT	
38	37H78	SCREW	6	0.164" X 3/4", (SUB FOR R26416)	

2G1

WHEELS, FRONT AXLES, SHEET METAL

FENDERS (ROW-CROP)
(TRACTOR SERIAL NO. 015500-)

R13140 -UN-01JAN94



2G2

WHEELS, FRONT AXLES, SHEET METAL

FENDERS (ROW-CROP) - CONTINUED
(TRACTOR SERIAL NO. 015500-)

KEY	PART NO.	PART NAME	QTY	TRACTOR SERIAL NO.	REMARKS
1	R41299	U-BOLT	2		
2	08H4225	CAP SCREW	4		5/8" X 11-1/2"
	12H294	LOCK WASHER	4		5/8"
	R28695	WASHER	4		
3	R41298	STRAP	2	-020969	(NO LONGER AVAILABLE)
	R42265	STRAP	2	020970-	
4	R41297	SPACER	2	-020969	(NO LONGER AVAILABLE)
	R42264	SPACER	2	020970-	
5	14H1039	NUT	4		5/8"
	12H294	LOCK WASHER	4		5/8"
6	14H1040	NUT	8		1/2"
	12H301	LOCK WASHER	8		1/2"
7	19H1782	CAP SCREW	4		3/4" X 2-1/4"
	12H236	LOCK WASHER	4		3/4"
8	R67410	SUPPORT	2	-020969	(SUB FOR R41296, R54541 OR R64540) (SUB R70588)
	R67410	SUPPORT	2	020970-	(SUB FOR R42896 OR R48397) (SUB R70588)
9	AR46022	FENDER	1		L.H. (ALSO ORDER (4) F2742R) (SUB FOR AR40747)
	AR81652	FENDER	1		R.H. (ALSO ORDER (4) F2742R) (SUB FOR AR40746 OR AR46021) (NO LONGER AVAILABLE)
10	R20759	GROMMET	2		
11	19H1974	CAP SCREW	8		1/2" X 2-3/4"
12	AR55240	FENDER	1	023356-	(A) L.H. (SUB FOR AR46026 OR AR51449) (NLA)
	AR81649	FENDER	1	023356-	(A) R.H. (SUB FOR AR46025, AR51448 OR AR55239) (NLA)
13	19H1974	CAP SCREW	8		(A) 1/2" X 2-3/4"

(A) ROLL-GARD

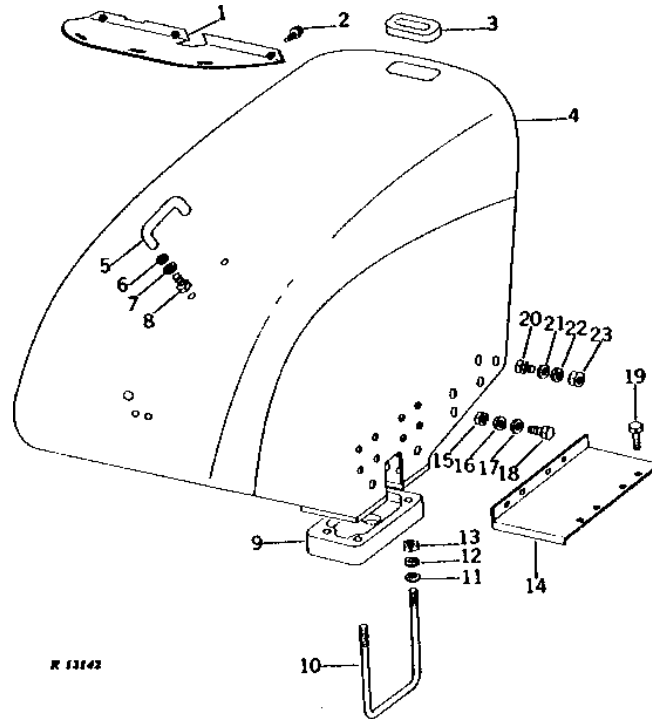
MEMORANDA

2G3

WHEELS, FRONT AXLES, SHEET METAL

FENDERS (STANDARD)

R13142 -UN-01JAN94



R 13142

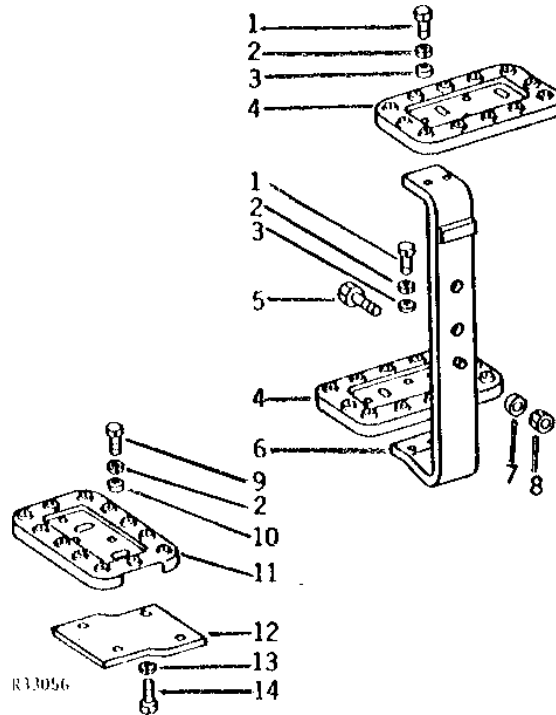
KEY	PART NO.	PART NAME	QTY	TRACTOR SERIAL NO.	REMARKS
1	AR35271	SHIELD	1		L.H.
	AR35270	SHIELD	1		R.H.
2	AR26568	SCREW	6		
3	R20759	GROMMET	2		
4	AR49063	FENDER	1		L.H. (SUB FOR AR42501 OR AR36789)
	AR49793	FENDER	1	023356-	L.H. (SUB FOR AR45940) (ROLL-GARD)
	AR81651	FENDER	1		R.H. (SUB FOR AR42500, AR36779, AR49062 OR AR50137)
	AR81650	FENDER	1	023356-	R.H. (ROLL-GARD) (SUB FOR AR45939 OR AR49792)
5	R31618	HANDLE	1		
6	24H1309	WASHER	2		13/32" X 1-1/16" X 0.120"
7	R27441	WASHER	2		
8	19H1936	CAP SCREW	2		3/8" X 3/4"
9	R36238	SPACER	2		(WITH CANE AND RICE TIRES)
10	R35761	U-BOLT	4		(NLA)
	R36239	U-BOLT	4		(WITH CANE AND RICE TIRES)
11	24H1139	WASHER	8		11/16" X 1-1/4" X 0.105"
12	12H294	LOCK WASHER	8		5/8"
13	14H1039	NUT	8		5/8"
14	R56232	EXTENSION	1		L.H. (LESS ROCKSHAFT) (SUB FOR R35778)
	R56231	EXTENSION	1		R.H. (LESS ROCKSHAFT) (SUB FOR R35777)
	A4119R	SPACER	1		R.H. (LESS ROCKSHAFT)
	R36513	BRACE	1		L.H. (ROCKSHAFT)
	R36512	BRACE	1		R.H. (ROCKSHAFT)
15	14H1040	NUT	8		1/2", (LESS ROCKSHAFT)
16	12H301	LOCK WASHER	8		1/2", (LESS ROCKSHAFT)
17	24H1227	WASHER	8		17/32" X 13/16" X 0.060", (LESS ROCKSHAFT)
18	03H1746	BOLT	8		1/2" X 1-1/4", (LESS ROCKSHAFT)
	19H1815	CAP SCREW	8		1/2" X 1-1/4", (ROLL-GARD)
	12H301	LOCK WASHER	8		1/2", (ROLL-GARD)
19	19H2644	CAP SCREW	8		1/2" X 2-1/2", (LESS ROCKSHAFT)
	19H1895	CAP SCREW	2		1/2" X 3/4", (ROCKSHAFT)
	12H301	LOCK WASHER	2		1/2", (ROCKSHAFT)
20	03H1765	BOLT	2		3/8" X 3/4"
21	24M7096	WASHER	2		10.500 X 18 X 1.600 MM
22	12H304	LOCK WASHER	2		3/8"
23	14H1076	NUT	2		3/8"

2G4

WHEELS, FRONT AXLES, SHEET METAL

R33056 -UN-01JAN94

TRACTOR STEPS



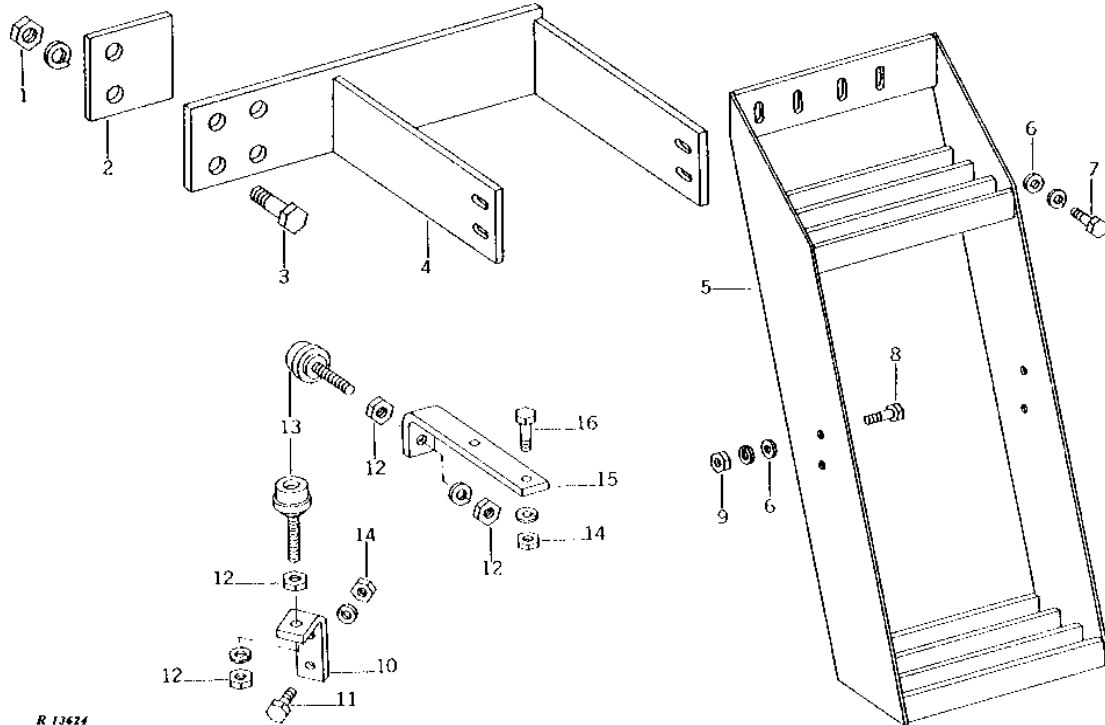
KEY	PART NO.	PART NAME	QTY	TRACTOR SERIAL NO.	REMARKS
1	19H2284	CAP SCREW	8	3/8" X 7/8"	
2	12H304	LOCK WASHER	10	3/8"	
3	24H1305	WASHER	8	13/32" X 13/16" X 0.065"	
4	F3195R	STEP	4		
5	19H2589	CAP SCREW	2	3/4" X 1-7/8"	
6	AR40914	SUPPORT	2		
7	12H236	LOCK WASHER	2	3/4"	
8	14H794	NUT	2	3/4"	
9	19H1936	CAP SCREW	2	3/8" X 3/4"	
10	24H1305	WASHER	2	13/32" X 13/16" X 0.065"	
11	F3195R	STEP	1	(USE WITH WIDE SWING DRAWBAR)	
12	R35396	SUPPORT	1	(USE WITH WIDE SWING DRAWBAR) (NLA)	
13	12H301	LOCK WASHER	2	1/2"	
14	19H1815	CAP SCREW	2	1/2" X 1-1/4"	

2G5

WHEELS, FRONT AXLES, SHEET METAL

CAB STEP AND ADJUSTING BRACKETS (STOLPER)

R13624 -UN-01JAN94



R 13624

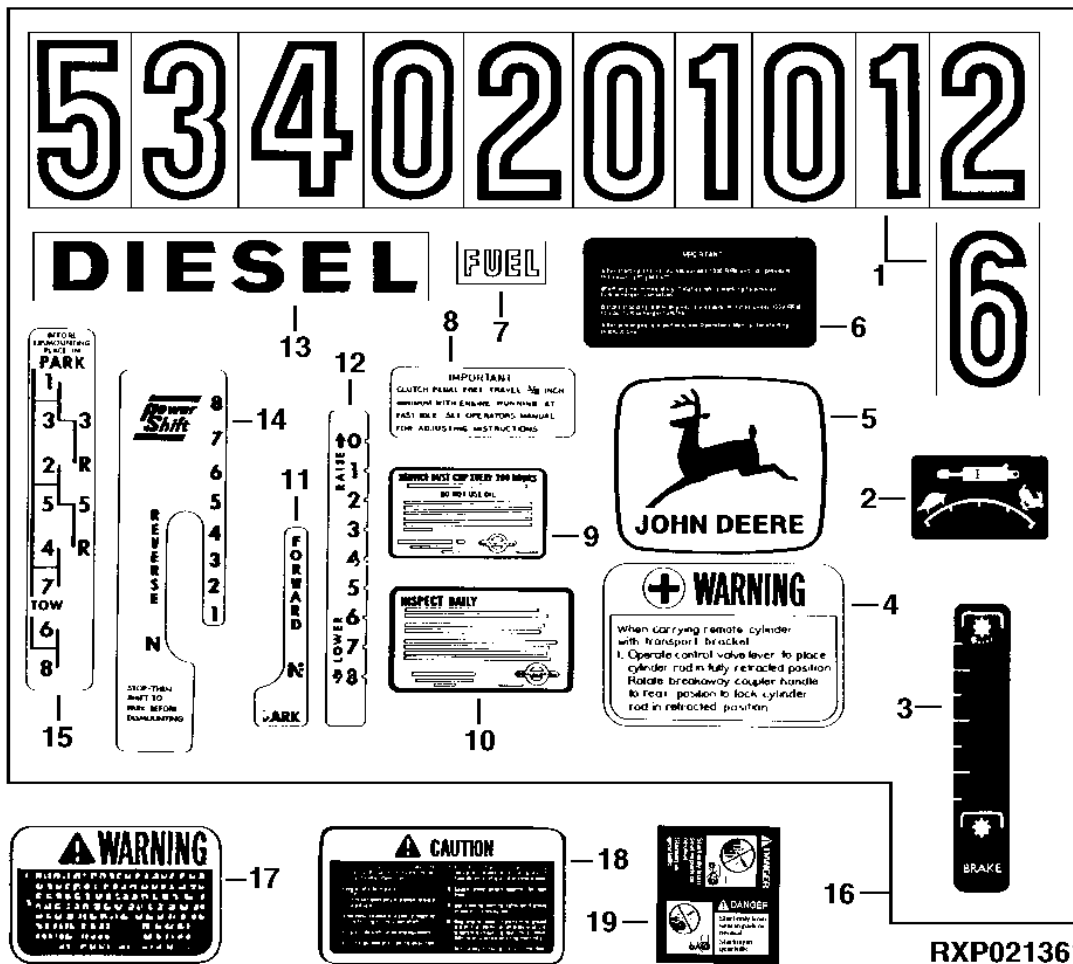
KEY	PART NO.	PART NAME	QTY	TRACTOR SERIAL NO.	REMARKS
1	14H794	NUT	2	3/4"	
	12H236	LOCK WASHER	2	3/4"	
2	R42889	STRAP	1	(NO LONGER AVAILABLE)	
3	19H2663	CAP SCREW	2	3/4" X 2-1/8"	
4	AR45113	SUPPORT	1		
5	AR45114	STEP	1		
6	24M7096	WASHER	6	10.500 X 18 X 1.600 MM	
7	19H1731	CAP SCREW	2	3/8" X 1"	
	12H304	LOCK WASHER	2	3/8"	
8	19H2552	CAP SCREW	4	3/8" X 1-1/8"	
9	14H1076	NUT	4	3/8"	
	12H304	LOCK WASHER	4	3/8"	
10	R44352	ANGLE	2	(NO LONGER AVAILABALE)	
11	19H1731	CAP SCREW	4	3/8" X 1"	
12	14H1040	NUT	8	1/2"	
	12H301	LOCK WASHER	4	1/2"	
13	AR45718	SCREW	4	(NO LONGER AVAILABLE)	
14	14H1076	NUT	8	3/8"	
	12H304	LOCK WASHER	8	3/8"	
15	R44353	ANGLE	2	(NO LONGER AVAILABLE)	
16	19H1726	CAP SCREW	2	3/8" X 2-1/4"	
	19H2552	CAP SCREW	2	3/8" X 1-1/8"	
	28H1525	BUSHING	2	3/8" X 1-1/16", R.H.	

2G6

WHEELS, FRONT AXLES, SHEET METAL

RXP021361 -UN-06NOV95

DECAL SET



RXP021361

2G7

WHEELS, FRONT AXLES, SHEET METAL

DECAL SET - CONTINUED

KEY	PART NO.	PART NAME	QTY	TRACTOR SERIAL NO.	REMARKS
1	R48361	DECAL	2		(SUB FOR R45957)
2	R44315	LABEL	1		R.H. REMOTE CYLINDER
	R41933	LABEL	1		L.H. REMOTE CYLINDER
3	R53293	LABEL	1		(A) PTO, (SUB FOR R44951)
	R53294	LABEL	1		(B) PTO, (SUB FOR R44952)
4	R36689	DECAL	1		REMOTE CYLINDER WARNING
5	JD5234	DECAL	1		SEAT POST
6	R51908	LABEL	1		LABEL, INSTRUCTION
7	R31287	DECAL	1		
8	R34483	LABEL	1		CLUTCH
9	R36756	DECAL	1		AIR CLEANER INDICATOR
	R44710	LABEL	1		AIR CLEANER INDICATOR
10	R34608	DECAL	1		AIR CLEANER, (SUB AR52393)
11	R40505	LABEL	1		(B) PARK
12	R40509	LABEL	1		SELECTIVE CONTROL
13	R30694	DECAL	2		
14	R40504	LABEL	1		(B) QUADRANT
15	R40676	LABEL	1		(A) QUADRANT
16	AR52393	DECAL	1		(SUB FOR AR47091)
17	R83103	LABEL	1		PTO SAFETY, (SUB FOR R64391) (SUB R120111)
18	R87529	LABEL	1		SAFETY, (SUB FOR R47739, R51821, R69270, R76341 OR R82425)
19	T146102	WARNING LABEL	1		BYPASS START (ENGLISH) (SUB FOR T84409 OR T134459)
	T146106	WARNING LABEL	1		(ESPANOL) (SUB FOR T84410 OR T134452)
	T146104	WARNING LABEL	1		(FRANCAIS) (SUB FOR T84411 OR T134453)
	T146515	WARNING LABEL	1		(DEUTSCH) (SUB FOR T84412 OR T134454)
	T146516	WARNING LABEL	1		(ITALIANO) (SUB FOR T84413 OR T134455)
	T146517	WARNING LABEL	1		(ENGLISH/FRANCAIS) (SUB FOR T84578 OR T134456)

(A) SYNCRO-RANGE TRANSMISSION
(B) POWER SHIFT TRANSMISSION

MEMORANDA

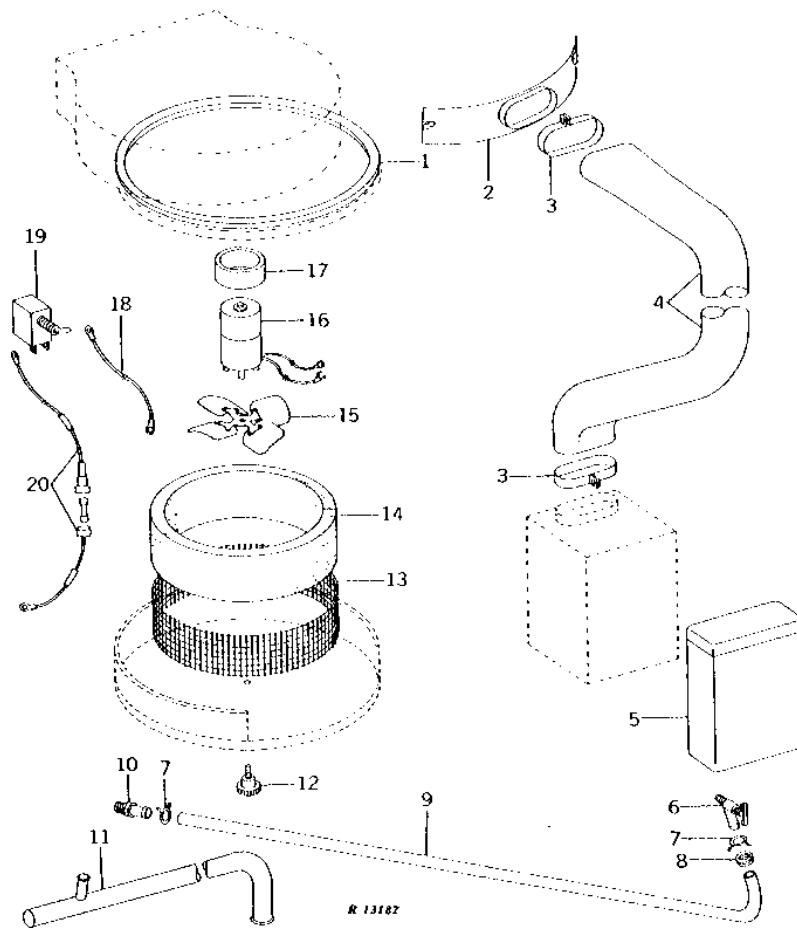
MEMORANDA

2G11

OPERATOR'S STATION

HEATER AND PRESSURIZER (CRENLO) (SIDE AND REAR DOOR) (CAB SERIAL NO. 016050-021042)

R13182 -UN-01JAN94



2G12

OPERATOR'S STATION

HEATER AND PRESSURIZER (CRENLO) - CONTINUED
(SIDE AND REAR DOOR)
(CAB SERIAL NO. 016050-021042)

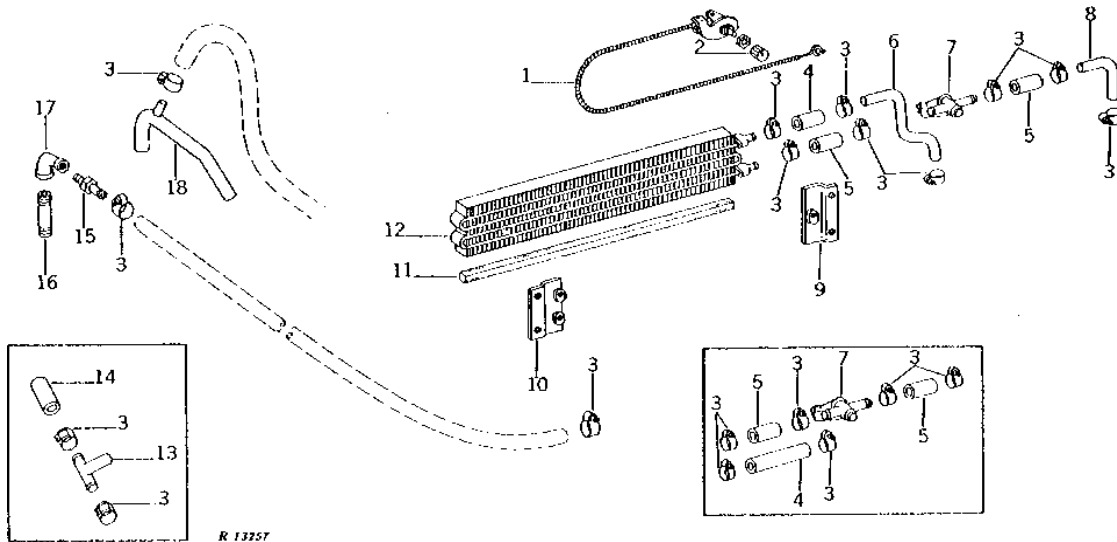
KEY	PART NO.	PART NAME	QTY	TRACTOR SERIAL NO.	REMARKS
1	R42316	GASKET	1		(NO LONGER AVAILABLE)
2	AR44363	ADAPTER	1		(NO LONGER AVAILABLE)
3	R42311	CLAMP	2		(NO LONGER AVAILABLE)
4	R42309	HOSE	1		(NO LONGER AVAILABLE)
5	AR44362	CORE	1		(NO LONGER AVAILABLE)
6	AH12614	VALVE	2		
7	AR21837	CLAMP	4		(SUB FOR T439T) (SUB TY22465)
8	H23197	GROMMET	2		
9	HOSE	1		(CUT TO LENGTH FROM R45847)
10	R42312	HOSE FITTING	1		
11	AR44364	TUBE	1		(NO LONGER AVAILABLE)
12	AR41850	KNOB	1		
13	R42317	SCREEN	1		(NO LONGER AVAILABLE)
14	R42315	FILTER ELEMENT	1		(PKG.OF 2)
15	R42314	FAN BLADE	1		(NO LONGER AVAILABLE)
16	AR44367	MOTOR	1		(24-VOLT) (NO LONGER AVAILABLE)
17	R42318	RUBBER MOUNT	1		(NO LONGER AVAILABLE)
18	WIRING LEAD	1		4267MM (168") (MAKE FROM R66319, R32022 AND R32018) (FROM AR84006)
19	AR44366	TOGGLE SWITCH	1		(NO LONGER AVAILABLE)
20	AR44368	WIRING LEAD	1		(NO LONGER AVAILABLE)

2G13

OPERATOR'S STATION

CAB HEATER (CRENLO)
(CAB SERIAL NO. 021043-)

R13257 -UN-01JAN94



R 13257

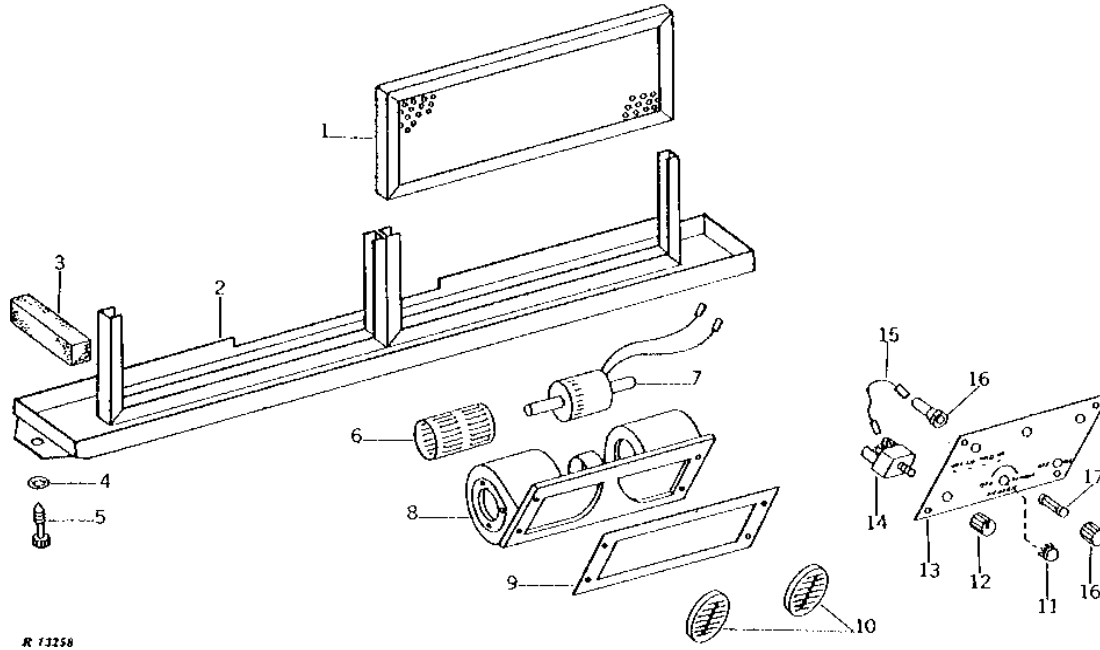
KEY	PART NO.	PART NAME	QTY	TRACTOR SERIAL NO.	REMARKS
1	AR44609	CABLE	1		(NO LONGER AVAILABLE)
2	R42504	KNOB	1		(SUB FOR AR44657)
3	AR21839	CLAMP	1		(SUB TY22467)
4	HOSE	1		159MM (6-1/4") (MAKE FROM R45847)
5	HOSE	2		57MM (2-1/4") (MAKE FROM R45847)
6	R42687	TUBE	1	023847-	INLET (NO LONGER AVAILABLE)
7	AR44608	VALVE	1		(NO LONGER AVAILABLE)
8	R42688	TUBE	1	023847-	EXHAUST (NO LONGER AVAILABLE)
9	AR44611	BRACKET	1		R.H.
10	AR44612	BRACKET	1		L.H.
11	FOAM PAD	1		13 X 13 X 838MM (1/2" X 1/2" X 33") (MAKE FROM R91558) (SUB FOR R30877)
12	AR44610	CORE	1		
13	AR78438	TEE FITTING	1	-023846	(SUB FOR R42313)
14	HOSE	1	-023846	19 X 64MM (3/4" X 2-1/2") (MAKE FROM TY22329)
15	R42312	HOSE FITTING	1		
16	29H217	THREADED NIPPLE	1		1/2" X 5"
17	15H595	ELBOW FITTING	1		90° (1/2" X 3/8")
18	AR44607	TUBE	1	023847-	

2G14

OPERATOR'S STATION

R13258 -UN-01JAN94

PRESSURIZER (CRENLO)
(CAB SERIAL NO. 021043-)



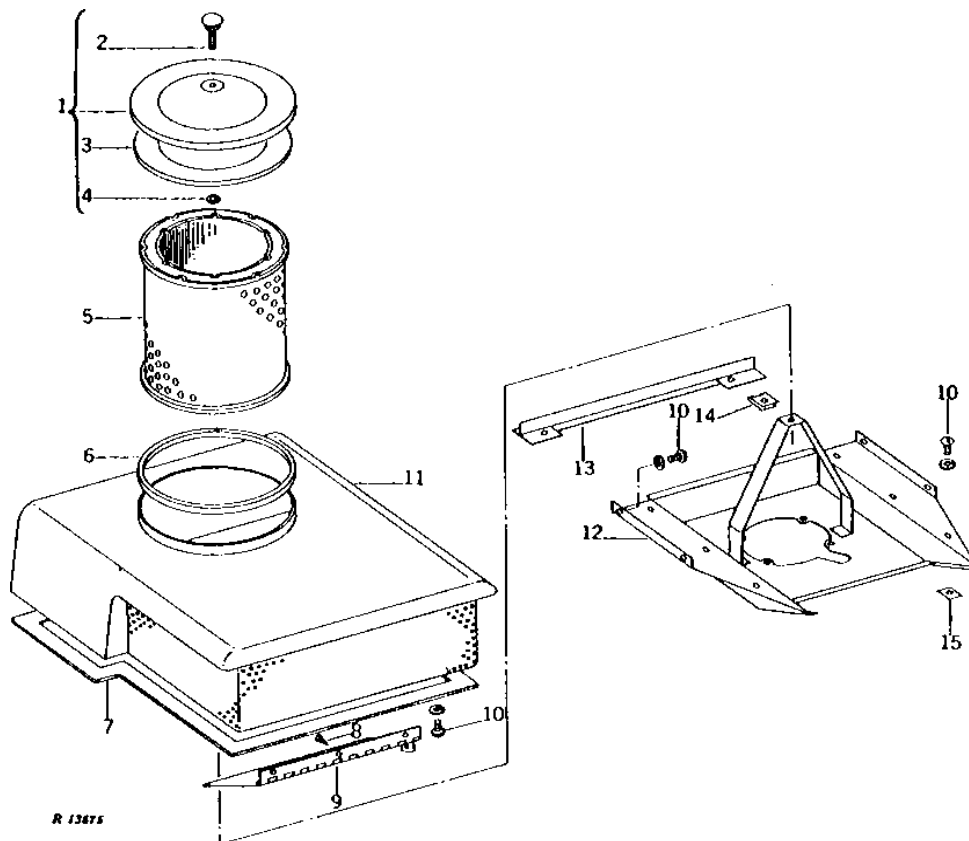
KEY	PART NO.	PART NAME	QTY	TRACTOR SERIAL NO.	REMARKS
1	R42547	FILTER	2		
2	AR44646	CONTAINER	1		(NO LONGER AVAILABLE)
	R42557	GASKET	1		(NO LONGER AVAILABLE)
3	R42546	GASKET	1		(NO LONGER AVAILABLE)
4	R42545	RING	1		(NO LONGER AVAILABLE)
5	R42544	SCREW	1		(NO LONGER AVAILABLE)
6	AR44663	WHEEL	1		L.H. (NO LONGER AVAILABLE)
	AR44662	WHEEL	1		R.H. (NO LONGER AVAILABLE)
7	AR44671	MOTOR	1		(24-VOLT)
8	AR44661	HOUSING	1		(NO LONGER AVAILABLE)
9	R42559	GASKET	1		(NO LONGER AVAILABLE)
10	AR44664	SLAT	2		(NLA)
11	R27983	PLUG	1		(CAB LESS HEATER)
12	R42504	KNOB	1		(SUB FOR AR44657)
13	R42555	PLATE	1		(NO LONGER AVAILABLE)
14	AR44673	SWITCH	1		(24-VOLT)
	R44165	LOCK NUT	1		
15	WIRING LEAD	1		152MM (6") (MAKE FROM R32027) (FROM AR84006 AND (2) R32024)
16	AR44656	FUSE HOLDER	1		
17	FUSE	1		(AGC 10)

2G15

OPERATOR'S STATION

ROOF VENT, FILTER HOUSING AND ELEMENT (STOLPER)

R13675 -UN-01JAN94



2G16

OPERATOR'S STATION

ROOF VENT, FILTER HOUSING AND ELEMENT - CONTINUED (STOLPER)

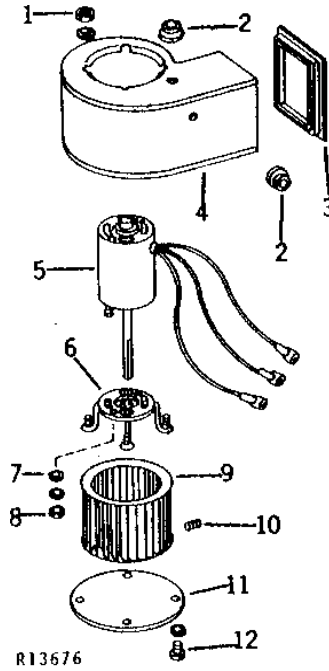
KEY	PART NO.	PART NAME	QTY	TRACTOR SERIAL NO.	REMARKS
1	AR45830	COVER	1		
2	AR45850	SCREW	1		(NO LONGER AVAILABLE)
3	R44455	GASKET	1		(NO LONGER AVAILABLE)
4	R44456	WASHER	1		
5	AR49680	FILTER ELEMENT	1		(SUB FOR AR45831)
6	R44452	SLAT	1		
7	R44453	WEATHERSTRIP	1		(NO LONGER AVAILABLE)
8	37H43	SCREW	3		NO. 8 X 3/8"
9	AR45828	DOOR	1		(NO LONGER AVAILABLE)
10	21H1303	SCREW	12		1/4" X 3/4"
	12H302	LOCK WASHER	12		1/4"
11	AR45827	VENT	1		(NO LONGER AVAILABLE)
12	AR45829	HOUSING	1		(NO LONGER AVAILABLE)
13	R44451	ISOLATOR	1		FRONT (NO LONGER AVAILABLE)
14	R72380	NUT	1		(SUB FOR R44454) (SUB R87345)
15	R44577	NUT	6		(NO LONGER AVAILABLE)

2G17

OPERATOR'S STATION

BLOWER HOUSING, MOTOR, AND WHEEL (STOLPER)

R13676 -UN-01JAN94



KEY	PART NO.	PART NAME	QTY	TRACTOR SERIAL NO.	REMARKS
1	14H786	NUT	4	1/4"	
	12H302	LOCK WASHER	4	1/4"	
2	R44458	GROMMET	2		
3	R44457	SEAL	1		
4	AR45832	HOUSING	1		
5	AR45861	MOTOR	1	(24-VOLT)	
6	AR45834	BRACKET	1		
7	24H1283	WASHER	2	7/32" X 1/2" X 0.049"	
8	14H778	NUT	2	0.190"	
	12M7060	WASHER	2	0.209"	
9	AR45833	WHEEL	1		
10	22H791	SET SCREW	1	1/4" X 3/4"	
11	R44459	COVER	1	(NO LONGER AVAILABLE)	
12	21H1301	SCREW	4	0.190" X 1/2"	
	12M7060	WASHER	4	0.209"	

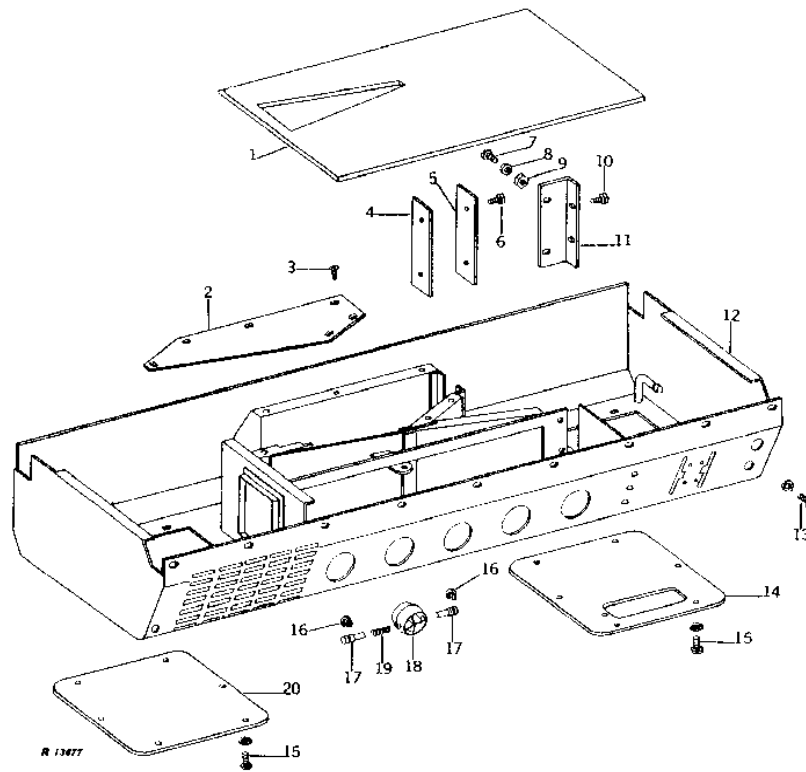
MEMORANDA

2G18

OPERATOR'S STATION

CAB CONSOLE (STOLPER)

R13677 -UN-01JAN94



2G19

OPERATOR'S STATION

CAB CONSOLE - CONTINUED (STOLPER)

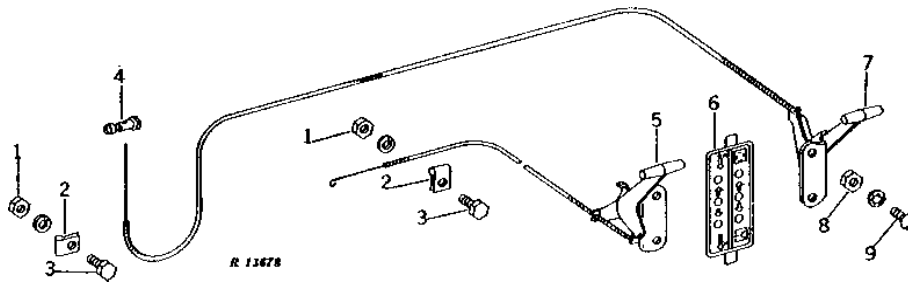
KEY	PART NO.	PART NAME	QTY	TRACTOR SERIAL NO.	REMARKS
1	R44476	SEAL	1		
2	R44486	PLATE	1		(NO LONGER AVAILABLE)
3	T10671	CAP SCREW	6		
4	R44485	PLATE	2		INNER (LESS HEATER) (NO LONGER AVAILABLE)
5	R44484	PLATE	2		OUTER (LESS HEATER) (NO LONGER AVAILABLE)
6	37M7245	SCREW	2		NO. 10 X 3/8", (LESS HEATER)
7	21H1301	SCREW	2		0.190" X 1/2"
8	24H1283	WASHER	2		7/32" X 1/2" X 0.049"
9	14H778	NUT	2		0.190"
10	37M7245	SCREW	2		NO. 10 X 3/8"
11	R44483	ISOLATOR	1		(NO LONGER AVAILABLE)
12	AR45845	PANEL	1		(NO LONGER AVAILABLE)
13	21H1303	SCREW	9		1/4" X 3/4"
	12H302	LOCK WASHER	9		1/4"
14	R44474	PANEL	1		R.H.
15	21H1301	SCREW	12		0.190" X 1/2"
	12M7060	WASHER	12		0.209"
16	R30828	SNAP RING	10		(SUB FOR R44470)
17	R44471	PIN	10		
18	R44468	DEFLECTOR	5		(NO LONGER AVAILABLE)
19	R44469	SPRING	5		
20	R44475	PANEL	1		L.H. (NO LONGER AVAILABLE)

2G20

OPERATOR'S STATION

CONTROL LEVERS (STOLPER)

R13678 -UN-01JAN94



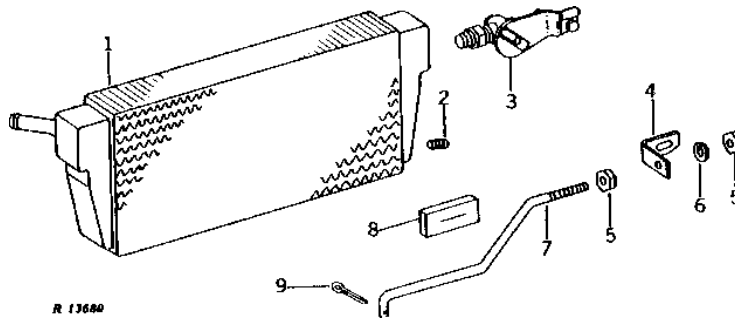
KEY	PART NO.	PART NAME	QTY	TRACTOR SERIAL NO.	REMARKS
1	14H786	NUT	2	1/4"	
	12H302	LOCK WASHER	2	1/4"	
2	R44472	CLIP	2	(NO LONGER AVAILABLE)	
3	19H1919	CAP SCREW	2	1/4" X 5/8"	
4	AR45846	SWIVEL	1		
5	AR45836	LEVER	1		
6	R44478	LABEL	1		
7	AR45835	LEVER	1	(NO LONGER AVAILABLE)	
8	14H778	NUT	4	0.190"	
9	21H1301	SCREW	4	0.190" X 1/2"	
	12M7060	WASHER	4	0.209"	

2G21

OPERATOR'S STATION

R13680 -UN-01JAN94

HEATER (STOLPER)



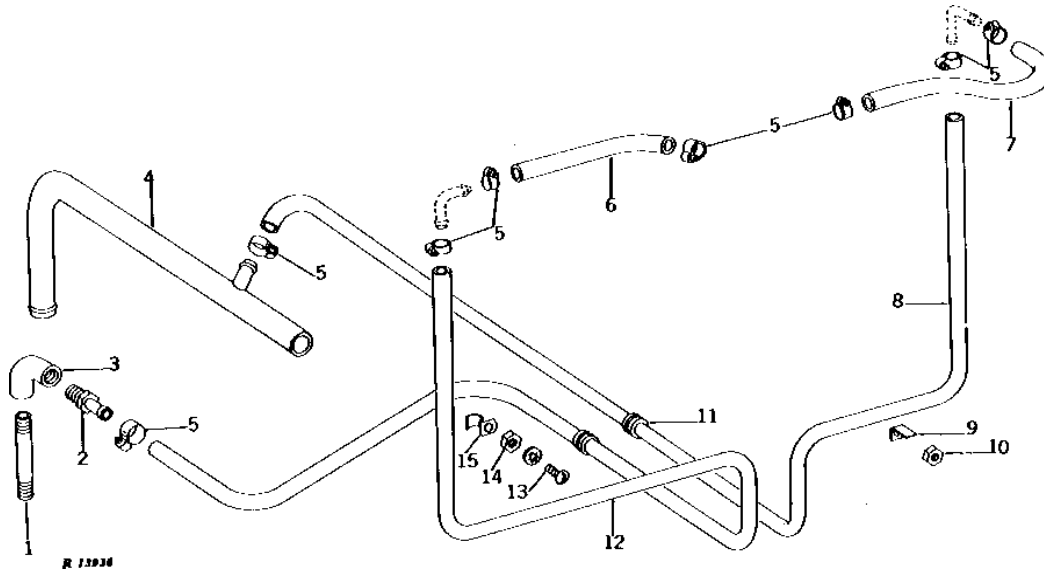
KEY	PART NO.	PART NAME	QTY	TRACTOR SERIAL NO.	REMARKS
1	AR45857	CORE	1		
2	15H253	PIPE PLUG	1	1/8"	
3	AR45858	VALVE	1		
4	R44489	ANGLE	1	(NO LONGER AVAILABLE)	
5	14H786	NUT	2	1/4"	
6	12H302	LOCK WASHER	1	1/4"	
7	R44487	LINK	1	(NO LONGER AVAILABLE)	
8	R44473	SEAL	1		
9	11M7077	COTTER PIN	1	0.063" X 0.984"	

2G22

OPERATOR'S STATION

CAB HEATER HOSE (STOLPER)

R13936 -UN-01JAN94



KEY	PART NO.	PART NAME	QTY	TRACTOR SERIAL NO.	REMARKS
1	29H217	THREADED NIPPLE	1	1/2" X 5"	
2	R42312	HOSE FITTING	1		
3	15H595	ELBOW FITTING	1	90°	
4	AR44607	TUBE	1		
5	AR21839	CLAMP	8	(SUB TY22467)	
6	HOSE	1	381MM (15") (MAKE FROM R45847)	
7	HOSE	1	533MM (21") (MAKE FROM R45847)	
8	HOSE	1	3048MM (120") (MAKE FROM R45847)	
9	R42771	ANGLE	3	(NO LONGER AVAILABLE)	
10	14H785	NUT	1	5/16"	
11	H23197	GROMMET	2		
12	HOSE	1	2540MM (100") (MAKE FROM R45847)	
13	21H1302	SCREW	2	1/4" X 5/8"	
14	12H297	LOCK WASHER	2	1/4"	
15	R44488	CLAMP	2	(NO LONGER AVAILABLE)	

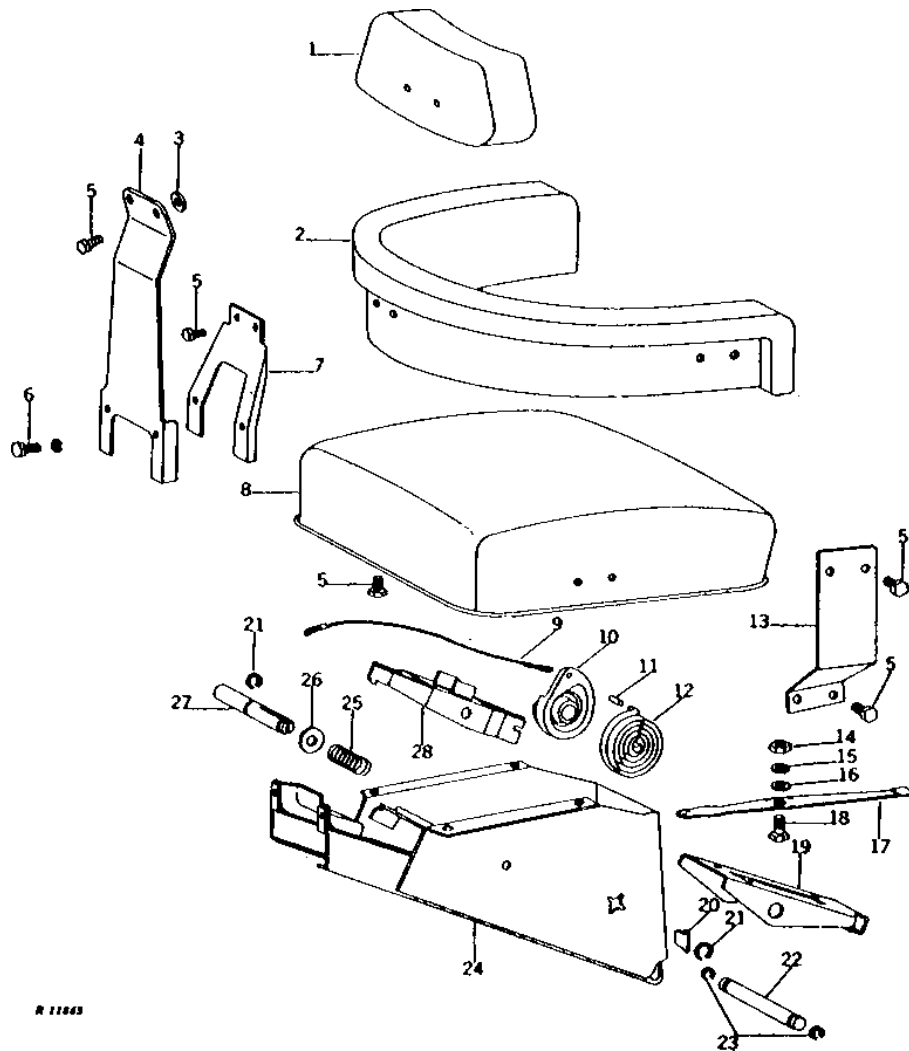
MEMORANDA

2G23

OPERATOR'S STATION

R11843 -UN-01JAN94

DELUXE SEAT



R 11843

2G24

OPERATOR'S STATION

DELUXE SEAT - CONTINUED

KEY	PART NO.	PART NAME	QTY	TRACTOR SERIAL NO.	REMARKS
1	R34267	SEAT BACK	1		UPPER
	R34619	CUSHION COVER	1		UPPER, (USE ON R34267)
2	R34268	SEAT BACK	1		(SUB AR59680)
	R34620	CUSHION COVER	1		(USE ON R34268)
3	24H448	WASHER	2		25/32" X 1-1/8" X 0.090"
4	R34272	SUPPORT	1		UPPER
5	19H1813	CAP SCREW	16		5/16" X 5/8"
6	19H1905	CAP SCREW	2		5/16" X 1"
	12H303	LOCK WASHER	2		5/16"
7	R27785	SUPPORT	1		REAR
8	R34266	CUSHION	1		(SUB AR44763)
	R34618	CUSHION COVER	1		(USE ON R34266 OR AR44763) (SUB FOR R34609)
9	AR26403	CABLE	1		(SUB R78257)
10	R26432	REEL	1		
11	34H282	SPRING PIN	1		3/16" X 1"
12	R31260	SPRING	1		(SUB FOR R26433)
13	R31512	SUPPORT	1		FRONT, R.H.
	R31513	SUPPORT	1		FRONT, L.H.
14	14H786	NUT	1		1/4"
15	12H302	LOCK WASHER	1		1/4"
16	24H1287	WASHER	1		9/32" X 5/8" X 0.065"
17	R27439	LEVER	1		
18	R26431	SCREW	1		
19	R26830	HANDLE	1		
20	R26434	LATCH	1		
21	R73380	SNAP RING	2		(SUB FOR A369R)
22	R26829	PIN	1		
23	P44982	PISTON RING	2		
24	AR68728	SUPPORT	1		(ALSO ORDER R57572, R73380 AND (2) 24H1384) (SUB FOR AR36047)
25	A4744R	SPRING	1		
26	24H1395	WASHER	1		25/32" X 1-7/16" X 0.060"
27	R26874	SHAFT	1		
28	R26828	LATCH	1		

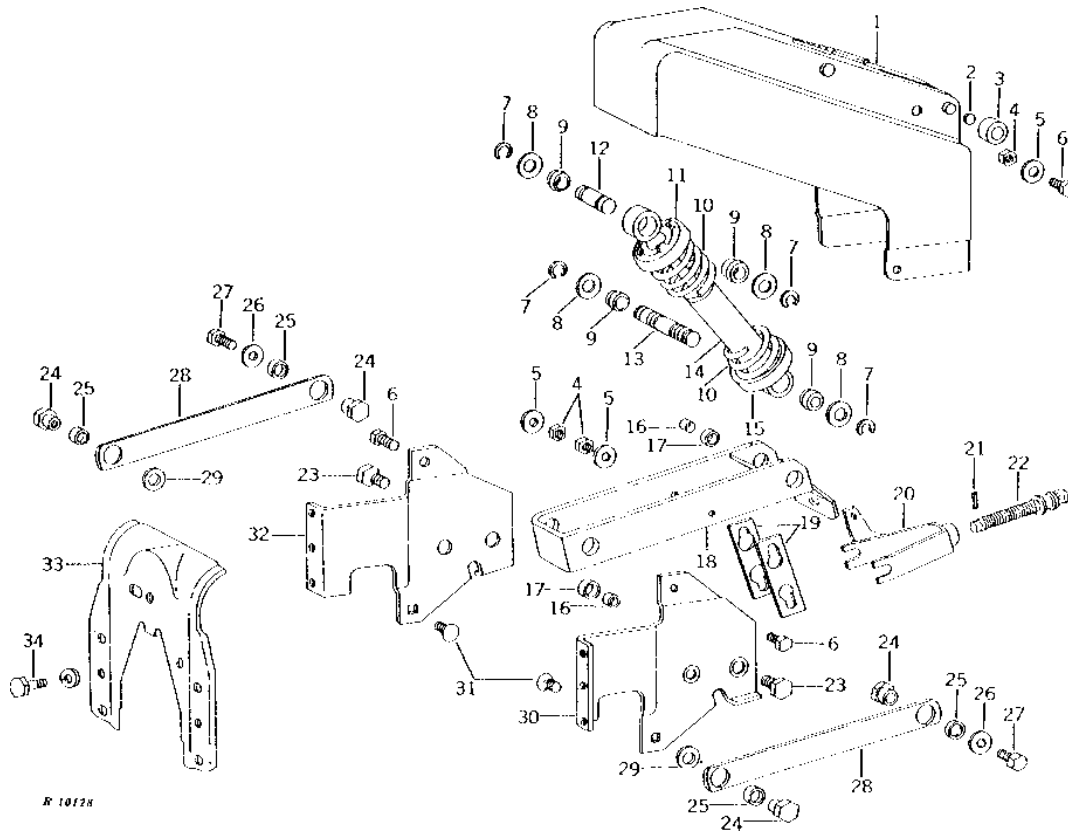
2H1

OPERATOR'S STATION

R10128

-UN-01JAN94

DELUXE SEAT SUPPORT



R 10128

2H2

OPERATOR'S STATION

DELUXE SEAT SUPPORT - CONTINUED

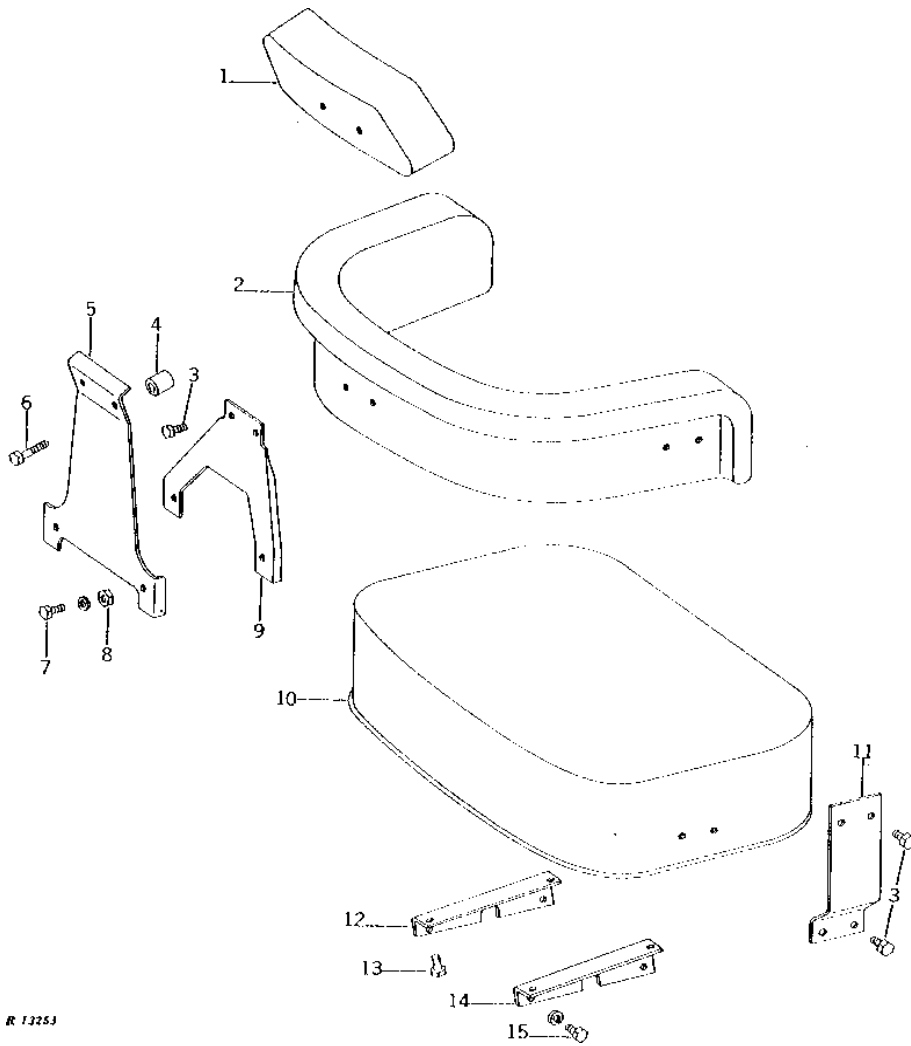
KEY	PART NO.	PART NAME	QTY	TRACTOR SERIAL NO.	REMARKS
1	AR26632	FRAME	1		
2	R26872	SHIM	AR	0.25MM (.010")	
	R26873	SHIM	AR	0.51MM (.020")	
3	R26436	ROLLER	4		
4	M63440	LOCK NUT	4	(SUB E50102)	
5	R27441	WASHER	4		
6	19H1732	CAP SCREW	4	3/8" X 1-1/4"	
7	F2863R	SNAP RING	4		
8	R1836R	WASHER	4		
9	R26832	BUSHING	4		
10	R26877	SPRING	1		
11	R27442	CAP	1	UPPER	
12	R26875	PIN	1	UPPER	
13	R26876	SHAFT	1	LOWER	
14	AR71976	ABSORBER	1	(SUB FOR AR26529) (SUB RE62234)	
15	R26879	CAP	1	LOWER	
16	R27440	BUSHING	4		
17	R36704	WASHER	4	(SUB R51648)	
18	AR60029	ARM	1	(SUB FOR AR36048)	
19	R26878	LINK	2		
20	AR69271	YOKE	1	(SUB FOR AR26530)	
21	34H247	SPRING PIN	1	1/8" X 3/4"	
22	R57623	SCREW	1	(SUB FOR R27121) (ALSO ORDER 34H113)	
23	R31505	BOLT	4		
24	R26880	NUT	4		
25	R36704	WASHER	4	(SUB R51648)	
26	R27441	WASHER	2		
27	19H1936	CAP SCREW	2	3/8" X 3/4"	
28	AR31977	LINK	2		
29	R48450	WASHER	2	(SUB FOR R26113)	
30	R27118	SUPPORT	1	R.H.	
31	10H1026	BOLT	2	3/8" X 1"	
32	R27119	SUPPORT	1	L.H. (LESS ROCKSHAFT)	
	R36519	SUPPORT	1	L.H. (ROCKSHAFT) (NO LONGER AVAILABLE)	
33	R27458	SUPPORT	1	(LESS ROCKSHAFT)	
	R36518	SUPPORT	1	(ROCKSHAFT)	
34	19H1936	CAP SCREW	2	3/8" X 3/4"	
	12H304	LOCK WASHER	2	3/8"	

2H3

OPERATOR'S STATION

R13253 -UN-01JAN94

DELUXE SEAT (CRENLO)
(CAB SERIAL NO. 021043-)



R 13253

2H4

OPERATOR'S STATION

DELUXE SEAT (CRENLO) - CONTINUED
(CAB SERIAL NO. 021043-)

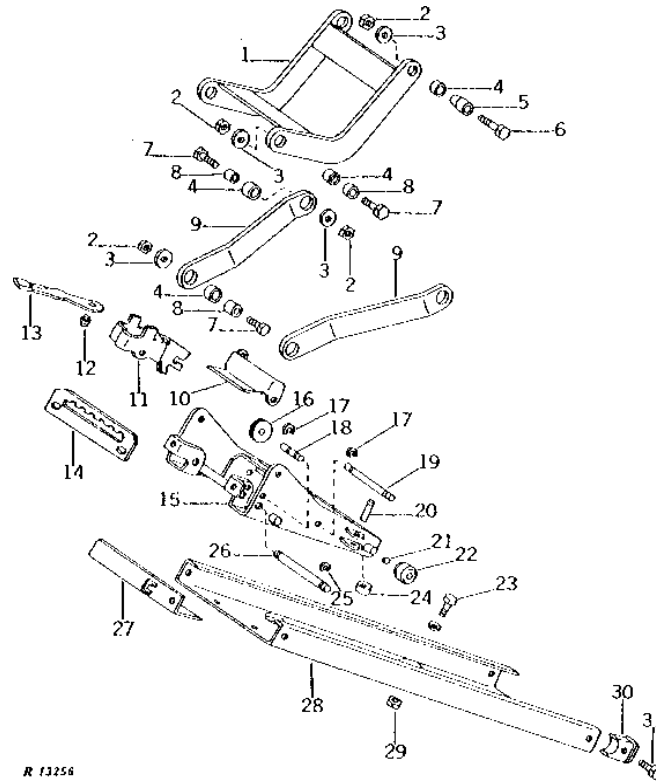
KEY	PART NO.	PART NAME	QTY	TRACTOR SERIAL NO.	REMARKS
1	R34267	SEAT BACK	1		UPPER, (YELLOW)
	R34619	CUSHION COVER	1		UPPER, (YELLOW)
2	R34268	SEAT BACK	1		(YELLOW) (SUB AR59680)
	R34620	CUSHION COVER	1		(YELLOW)
3	19H1813	CAP SCREW	10		5/16" X 5/8"
4	24H448	WASHER	2		25/32" X 1-1/8" X 0.090"
5	R34282	SUPPORT	1		UPPER
6	19H3552	CAP SCREW	2		5/16" X 1-1/2"
7	19H1900	CAP SCREW	2		5/16" X 3/4"
	12H303	LOCK WASHER	2		5/16"
8	14H785	NUT	2		5/16"
9	R30443	SUPPORT	1		LOWER, REAR
10	R34266	CUSHION	1		(YELLOW) (SUB AR44763)
	R34618	CUSHION COVER	1		(YELLOW) (SUB FOR R34609)
11	R31512	SUPPORT	1		FRONT, R.H.
	R31513	SUPPORT	1		FRONT, L.H.
12	R42418	BRACKET	1		L.H. (NO LONGER AVAILABLE)
13	19H1813	CAP SCREW	4		5/16" X 5/8"
14	R42417	BRACKET	1		R.H. (NO LONGER AVAILABLE)
15	19H1813	CAP SCREW	4		5/16" X 5/8"
	12H303	LOCK WASHER	4		5/16"

2H5

OPERATOR'S STATION

DELUXE SEAT SUPPORT (CRENLO) (CAB SERIAL NO. 021043-)

R13256 -UN-01JAN94



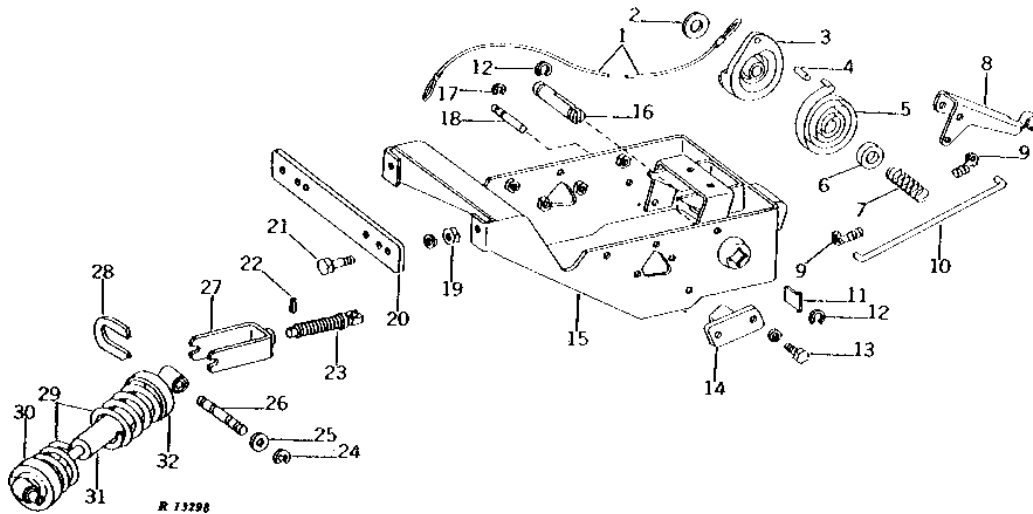
KEY	PART NO.	PART NAME	QTY	TRACTOR SERIAL NO.	REMARKS
1	AR31979	ARM	1		
2	M63440	LOCK NUT	8	(SUB E50102)	
3	R27441	WASHER	8		
4	R36704	WASHER	8	(SUB R51648)	
5	R30429	BUSHING	2		
6	19H1765	CAP SCREW	2	3/8" X 1-3/4"	
7	19H2552	CAP SCREW	8	3/8" X 1-1/8"	
8	R27440	BUSHING	6		
9	AR31978	LINK	1		
10	T14035	FITTING	1		
11	T14032	LATCH	1		
12	T14031	PIN	1		
13	R28791	LEVER	1		
14	T14038	GAUGE	1		
15	AR30317	FRAME	1		
16	R30433	PULLEY	1		
17	F3396R	SNAP RING	4		
18	R30434	PIN	1		
19	R30426	PIN	1		
20	R72660	PIN	2	(SUB FOR R662R)	
21	R31411	SHIM	AR	0.25MM (.010") R.H. REAR AND L.H. FRONT	
	R31442	SHIM	AR	0.51MM (.020") R.H. REAR AND L.H. FRONT	
22	R31261	BUSHING	4		
23	19H1936	CAP SCREW	4	3/8" X 3/4"	
	12H304	LOCK WASHER	4	3/8"	
24	R31262	WASHER	2		
25	P44982	PISTON RING	2		
26	R30425	PIN	1		
27	AR34660	BRACKET	1		
28	AT13140	RAIL	1		
29	14H255	NUT	4	3/8"	
30	R28157	STOP	4		
31	19H1936	CAP SCREW	4	3/8" X 3/4"	

2H6

OPERATOR'S STATION

DELUXE SEAT SUSPENSION (CRENLO)
(CAB SERIAL NO. 021043-)

R13298 -UN-01JAN94



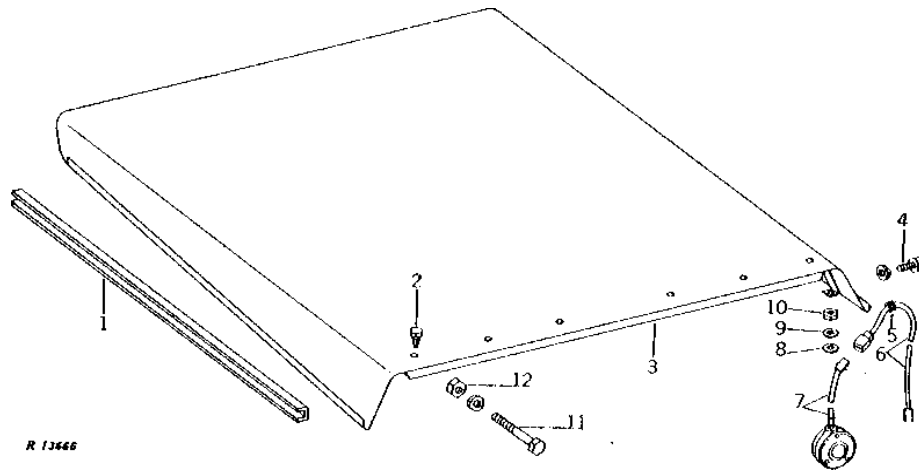
KEY	PART NO.	PART NAME	QTY	TRACTOR SERIAL NO.	REMARKS
1	AR28339	CABLE	1		
2	24H1395	WASHER	1		25/32" X 1-7/16" X 0.060"
3	R26432	REEL	1		
4	34H282	SPRING PIN	1		3/16" X 1"
5	R31260	SPRING	1		
6	R30432	WASHER	1		
7	A4744R	SPRING	1		
8	T14033	HANDLE	1		
9	R26524	CLIP	2		R.H.
10	T14037	PIN	1		
11	R26434	LATCH	1		
12	R73380	SNAP RING	2		(SUB FOR A369R)
13	19H2127	CAP SCREW	4		5/16" X 7/8"
	12H303	LOCK WASHER	4		5/16"
14	R30440	STOP	2		
15	AR28341	FRAME	1		
16	R30431	SHAFT	1		
17	F3396R	SNAP RING	2		
18	R30435	PIN	1		
19	14H785	NUT	1		5/16"
	12H303	LOCK WASHER	1		5/16"
20	R42414	STRAP	1		
21	19H1096	CAP SCREW	1		5/16" X 1-1/2"
22	34H247	SPRING PIN	1		1/8" X 3/4"
23	R30439	SCREW	1		
24	R30437	SNAP RING	2		
25	R30610	WASHER	2		
26	R30436	SHAFT	1		
27	AR28340	YOKE	1		
28	R28938	RETAINER	1		
29	R26877	SPRING	1		
30	R27442	CAP	1		LOWER
31	AR27572	ABSORBER	1		
32	R28937	CAP	1		UPPER

2H7

OPERATOR'S STATION

CANOPY (TRACTOR SERIAL NO. 023356-)

R13666 -UN-01JAN94



KEY	PART NO.	PART NAME	QTY	TRACTOR SERIAL NO.	REMARKS
1	R41358	ISOLATOR	2		
2	37H59	SCREW	10	5/18" X 5/8"	
3	AR47210	CANOPY	1	(SUB FOR AR44781) (SUB AR51452)	
	R44477	HEADLINER	1	(STOLPER CAB)	
	R47197	FOAM PAD	1		
4	19H1731	CAP SCREW	6	3/8" X 1"	
	12H304	LOCK WASHER	6	3/8"	
5	R27583	GROMMET	2		
	R26936	GROMMET	2		
6	AR46411	WIRING LEAD	2	(NO LONGER AVAILABLE)	
	T32231	CLAMP	2	(SUB FOR T15737)	
	T13744	CLAMP	2		
7	AR38456	LAMP	2		
8	R38371	WASHER	2		
9	24H1227	WASHER	2	17/32" X 13/16" X 0.060"	
10	14H856	NUT	2	1/2"	
11	19H2054	CAP SCREW	6	3/8" X 4-3/4"	
12	14H1076	NUT	6	3/8"	
	12H304	LOCK WASHER	6	3/8"	

MEMORANDA

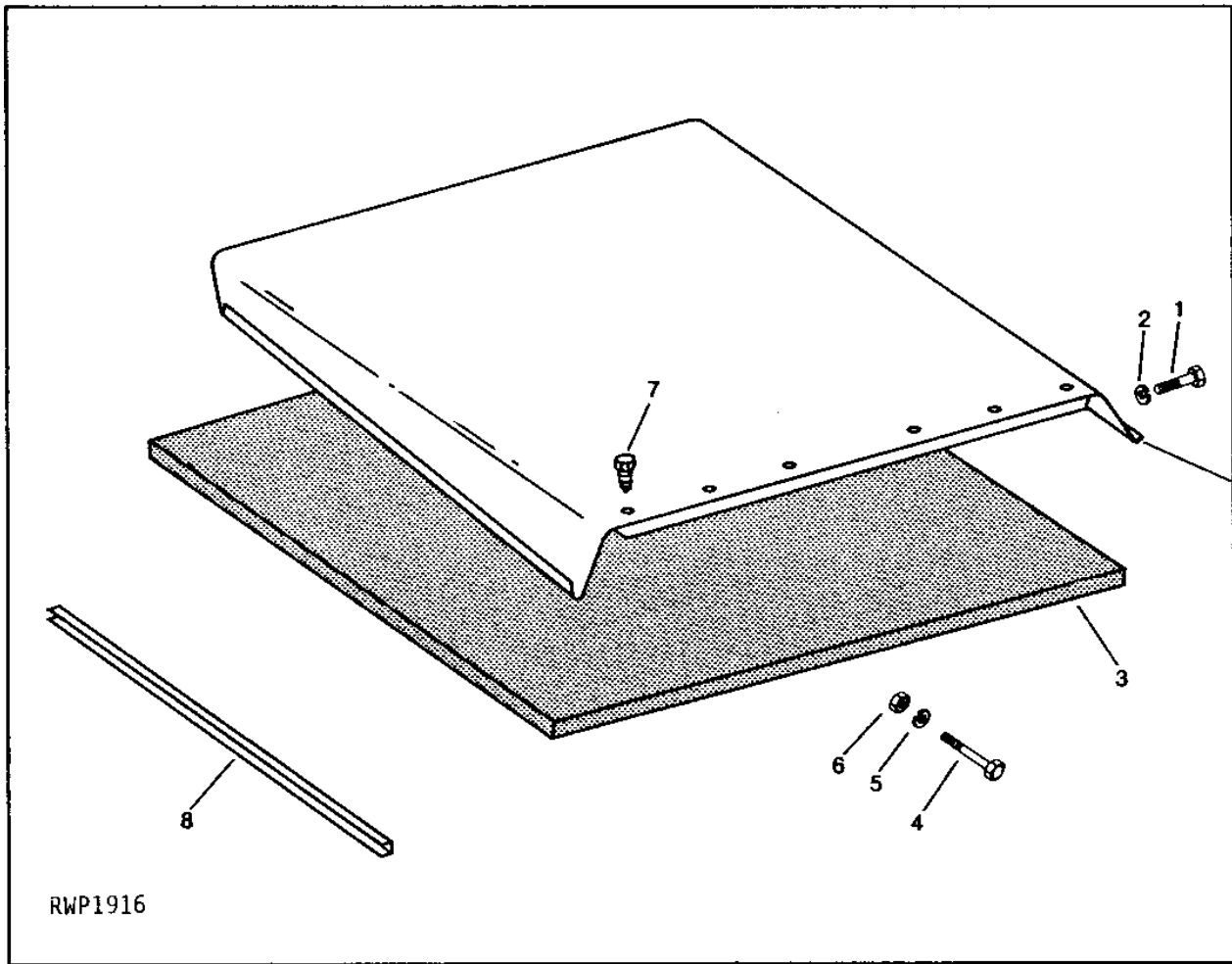
2H8

OPERATOR'S STATION

RWP1916

-UN-01JAN94

CANOPY



2H9

OPERATOR'S STATION

CANOPY - CONTINUED

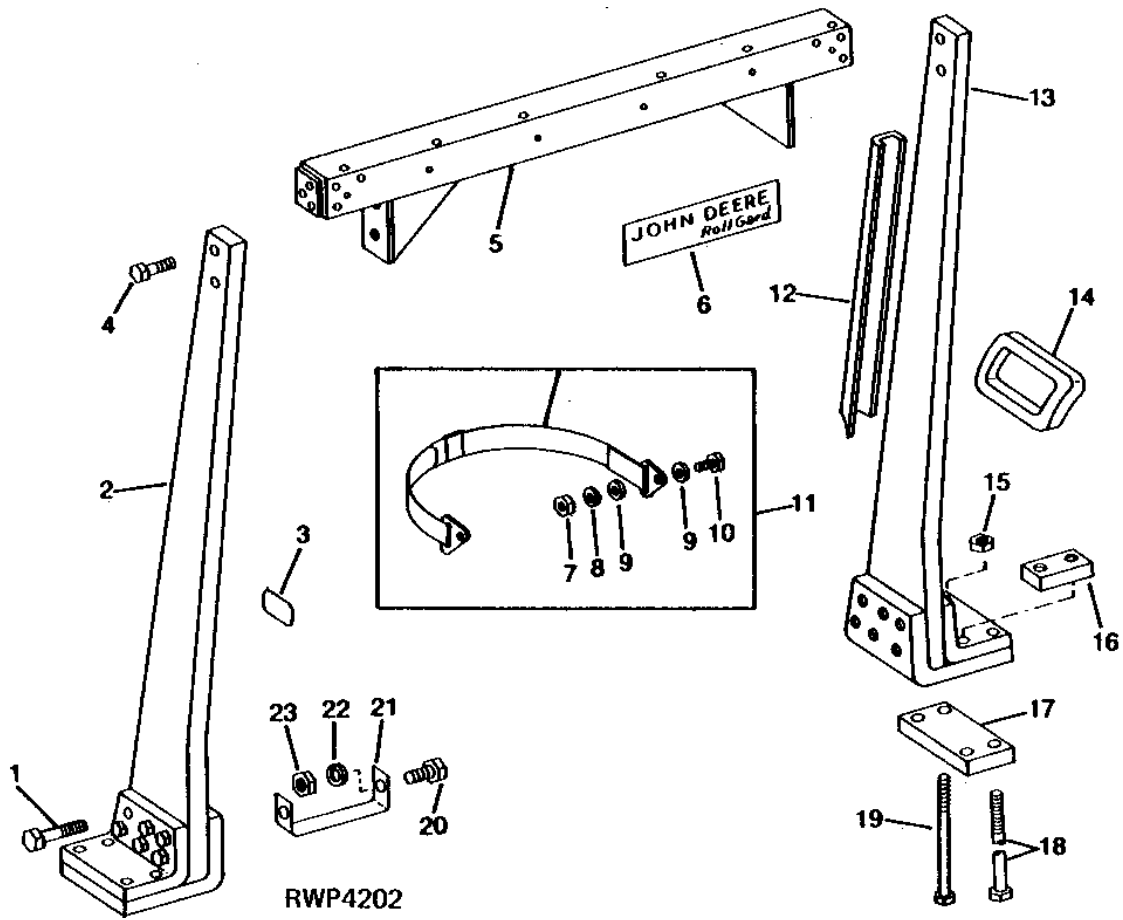
KEY	PART NO.	PART NAME	QTY	TRACTOR SERIAL NO.	REMARKS
1	19H1731	CAP SCREW	6	3/8" X 1"	
2	12H304	LOCK WASHER	6	3/8"	
3	R47197	FOAM PAD	1		
4	19H2054	CAP SCREW	6	3/8" X 4-3/4"	
5	12H304	LOCK WASHER	6	3/8"	
6	14H1076	NUT	6	3/8"	
7	37H27	SCREW	10	5/16" X 7/8"	
8	R41358	ISOLATOR	2		
9	AR51452	CANOPY	1		
..	R52195	BRACKET	2		WARNING LAMP

2H10

OPERATOR'S STATION

RWP4202 -UN-01JAN94

ROLL-GARD AND SEAT BELT
(TRACTOR SERIAL NO. -023356)



2H11

OPERATOR'S STATION

ROLL-GARD AND SEAT BELT - CONTINUED
(TRACTOR SERIAL NO. 023356-)

KEY	PART NO.	PART NAME	QTY	TRACTOR SERIAL NO.	REMARKS
1	19H2421	CAP SCREW	8		1" X 3-3/4"
2	FRAME	1		(ORDER AR50536)
3	R87527	LABEL	1		CAUTION, (SUB FOR R41781)
4	19H2728	CAP SCREW	4		3/4" X 3", (SUB FOR R41781)
5	AR44613	CROSSBAR	1		(SUB FOR AR42508 OR AR68306) (SUB AR50536)
6	T27155	LABEL	1		
7	14H863	NUT	2		3/4"
8	12H293	LOCK WASHER	2		7/16"
9	24H1226	WASHER	4		1/2" X 1-1/4" X 0.083"
10	R41778	BOLT	2		
11	AR41761	SEAT BELT	1		(USE WITH ROLL-GARD ONLY)
	R81424	LABEL	1		CAUTION, (SUB FOR R42732)
12	R42646	FOAM PAD	2		
13	FRAME	1		(ORDER AR50536)
14	R44619	GROMMET	1		(A) R.H.
	R44621	GROMMET	1		(A) L.H.
15	14H1044	NUT	4		(A) 7/8"
16	R44584	PLATE	2		(A) (NO LONGER AVAILABLE)
17	R44582	PLATE	2		(B)
	R44583	PLATE	2		(B)
18	R44574	CAP SCREW	4		1" X 15"
19	R42691	CAP SCREW	4		7/8" X 15", (NO LONGER AVAILABLE)
20	19H2284	CAP SCREW	2		3/8" X 7/8"
21	R43887	BRACKET	2		(NO LONGER REQUIRED)
22	12H304	LOCK WASHER	2		3/8"
23	14H1076	NUT	2		3/8"

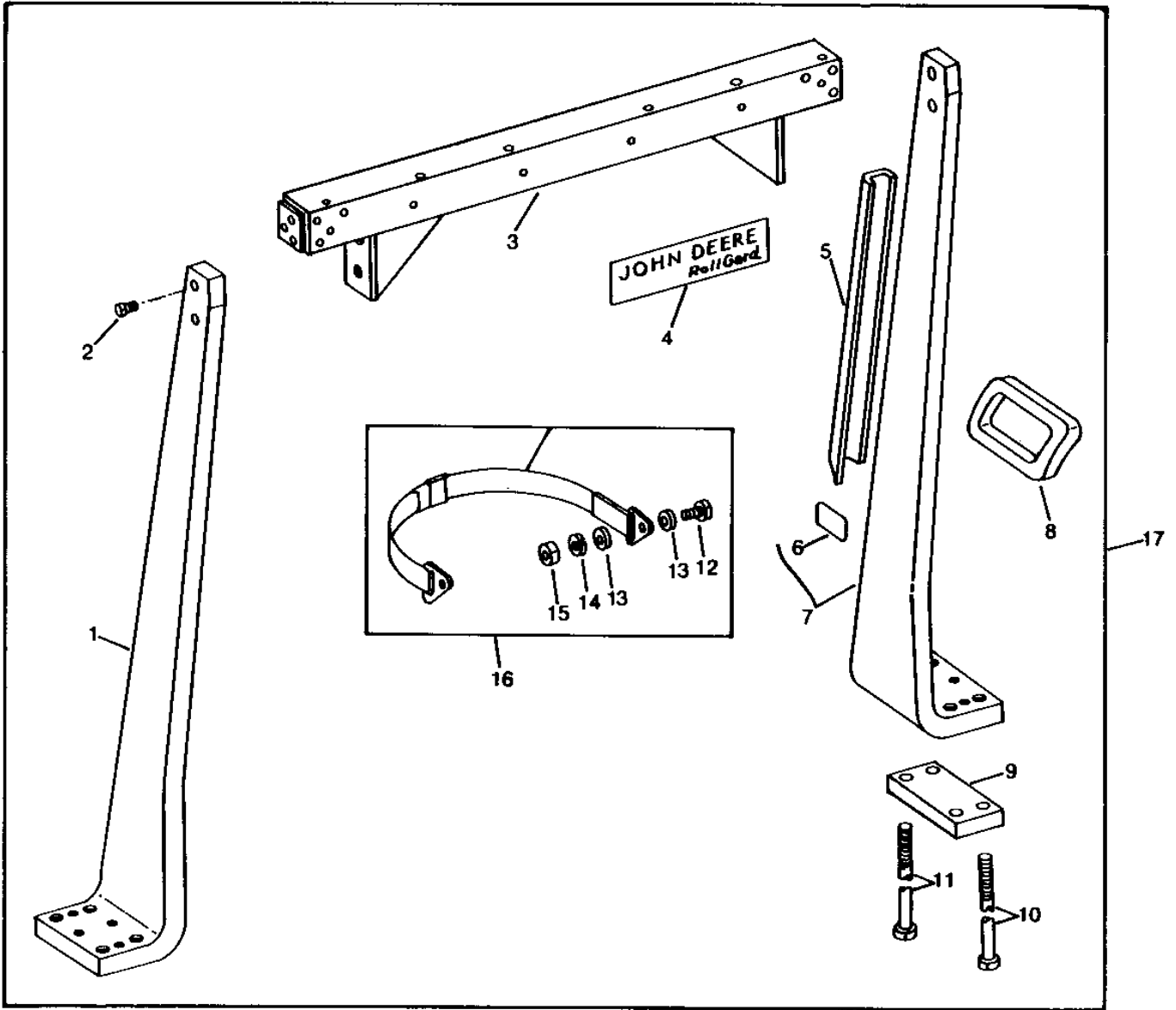
(A) ROW-CROP
(B) STANDARD

2H12

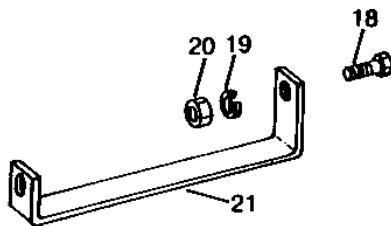
OPERATOR'S STATION

RWP4203 -UN-01JAN94

ROLL-GARD AND SEAT BELT



RWP4203



2H13

OPERATOR'S STATION

ROLL-GARD AND SEAT BELT - CONTINUED

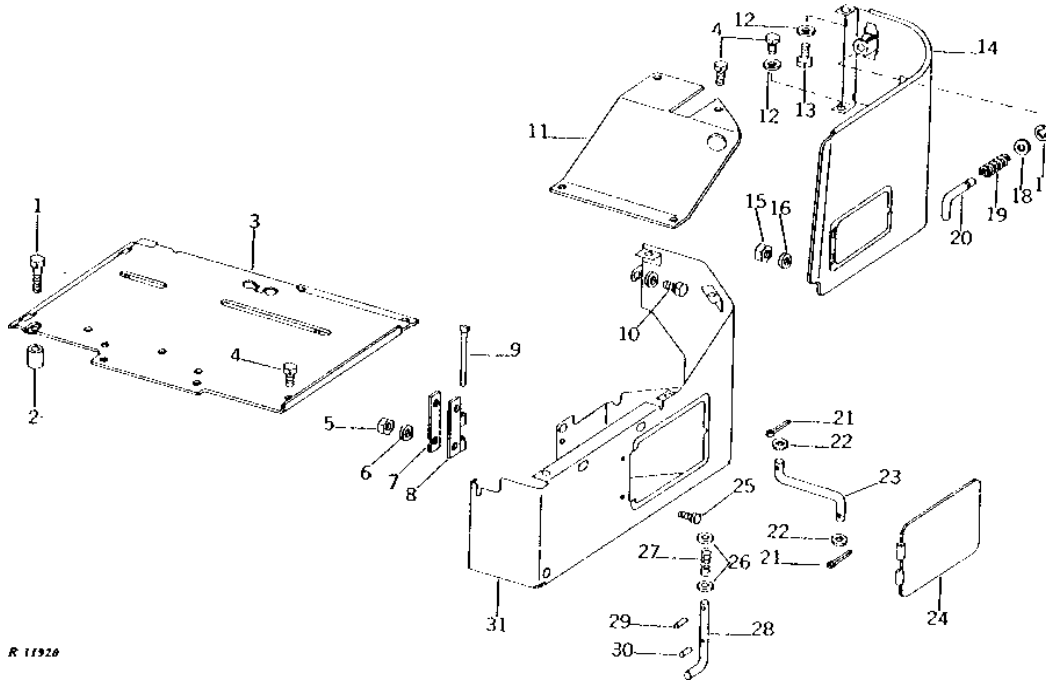
KEY	PART NO.	PART NAME	QTY	TRACTOR SERIAL NO.	REMARKS
1	FRAME	1		(ORDER AR50536)
2	19H2728	CAP SCREW	4		3/4" X 3"
3	FRAME	1		(SUB FOR AR42508 OR AR68306) (ORDER AR50536)
4	R47292	LABEL	1		(SUB FOR T27155)
5	R42646	FOAM PAD	2		
6	R87527	LABEL	1		CAUTION
7	FRAME	1		(ORDER AR50536)
8	R44619	GROMMET	1		R.H.
	R44621	GROMMET	1		L.H.
9	R44582	PLATE	2		
10	R47724	CAP SCREW	4		
11	R47723	SCREW	4		
12	R41778	BOLT	2		
13	24H1226	WASHER	4		1/2" X 1-1/4" X 0.083"
14	12H293	LOCK WASHER	2		7/16"
15	14H807	NUT	2		7/16"
16	AR41761	SEAT BELT	1		51MM (2")
	AT38518	SEAT BELT	1		76MM (3")
	R81424	LABEL	1		CAUTION
17	AR50536	ROLL-GARD	1		
	R41514	CAP SCREW	8		(FENDER TO ROLL-GARD) (SUB 19H3238)
18	19H2284	CAP SCREW	2		3/8" X 7/8"
19	12H304	LOCK WASHER	2		3/8"
20	14H1076	NUT	2		3/8"
21	R43887	BRACKET	2		(NO LONGER REQUIRED)

2H14

OPERATOR'S STATION

PLATFORM, TOOL BOX, AND OPERATOR SHIELDS (STANDARD)

R11920 -UN-01JAN94



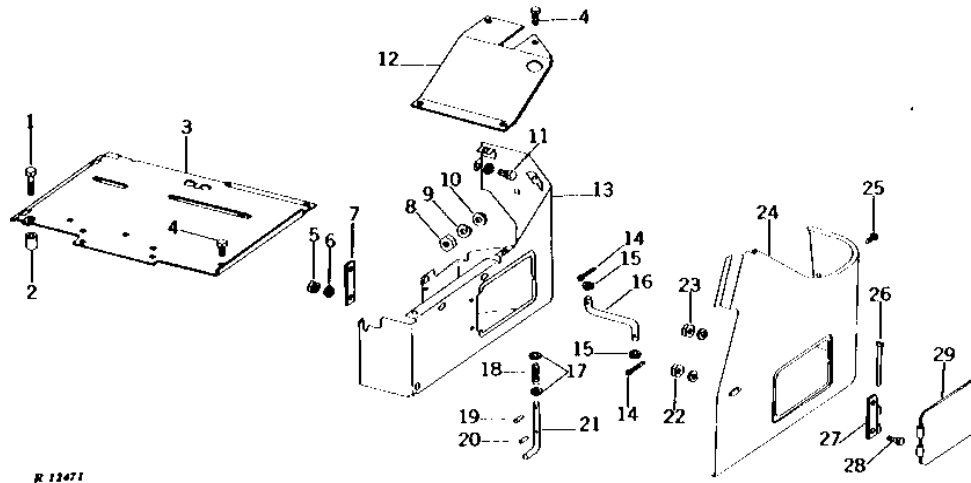
KEY	PART NO.	PART NAME	QTY	TRACTOR SERIAL NO.	REMARKS
1	19H1726	CAP SCREW	3	3/8" X 2-1/4"	
2	28H1526	BUSHING	3	3/8" X 1-5/16"	
3	AR35206	PLATFORM	1	(NO LONGER AVAILABLE)	
4	19H2284	CAP SCREW	6	3/8" X 7/8"	
5	14H786	NUT	2	1/4"	
6	12H302	LOCK WASHER	2	1/4"	
7	R35214	RETAINER	1	(NLA)	
8	R35213	PLATE	1		
9	R20538	PIN	1		
10	19H1936	CAP SCREW	1	3/8" X 3/4"	
	12H304	LOCK WASHER	1	3/8"	
11	R35626	EXTENSION	1	FRONT, R.H.	
12	24M7096	WASHER	4	10.500 X 18 X 1.600 MM	
13	19H1732	CAP SCREW	2	3/8" X 1-1/4"	
14	AR36772	SHIELD	1	R.H.	
	AR36773	SHIELD	1	L.H.	
15	14H1076	NUT	6	3/8"	
16	12H304	LOCK WASHER	6	3/8"	
17	R72654	SNAP RING	2	(SUB FOR R27507)	
18	24H1286	WASHER	2	9/32" X 1/2" X 1/16"	
19	R28783	SPRING	2		
20	R27506	PIN	2		
21	11M7079	COTTER PIN	2	0.098" X 0.472"	
22	24H1286	WASHER	2	9/32" X 1/2" X 1/16"	
23	R40419	PIN	1	(NLA)	
24	AR36778	DOOR	1		
25	19H1948	CAP SCREW	2	1/4" X 3/4"	
26	24M7096	WASHER	2	10.500 X 18 X 1.600 MM	
27	R1826R	SPRING	1		
28	R35210	PIN	1	(NLA)	
29	34H282	SPRING PIN	1	3/16" X 1"	
30	34H247	SPRING PIN	1	1/8" X 3/4"	
31	AR67385	TOOLBOX	1	(SUB FOR AR36777 OR AR47187)	
	R32239	PLUG	1		

2H15

OPERATOR'S STATION

PLATFORM, TOOL BOX, AND OPERATOR SHIELDS (ROW-CROP)
(TRACTOR SERIAL NO. 015500-)

R12471 -UN-01JAN94



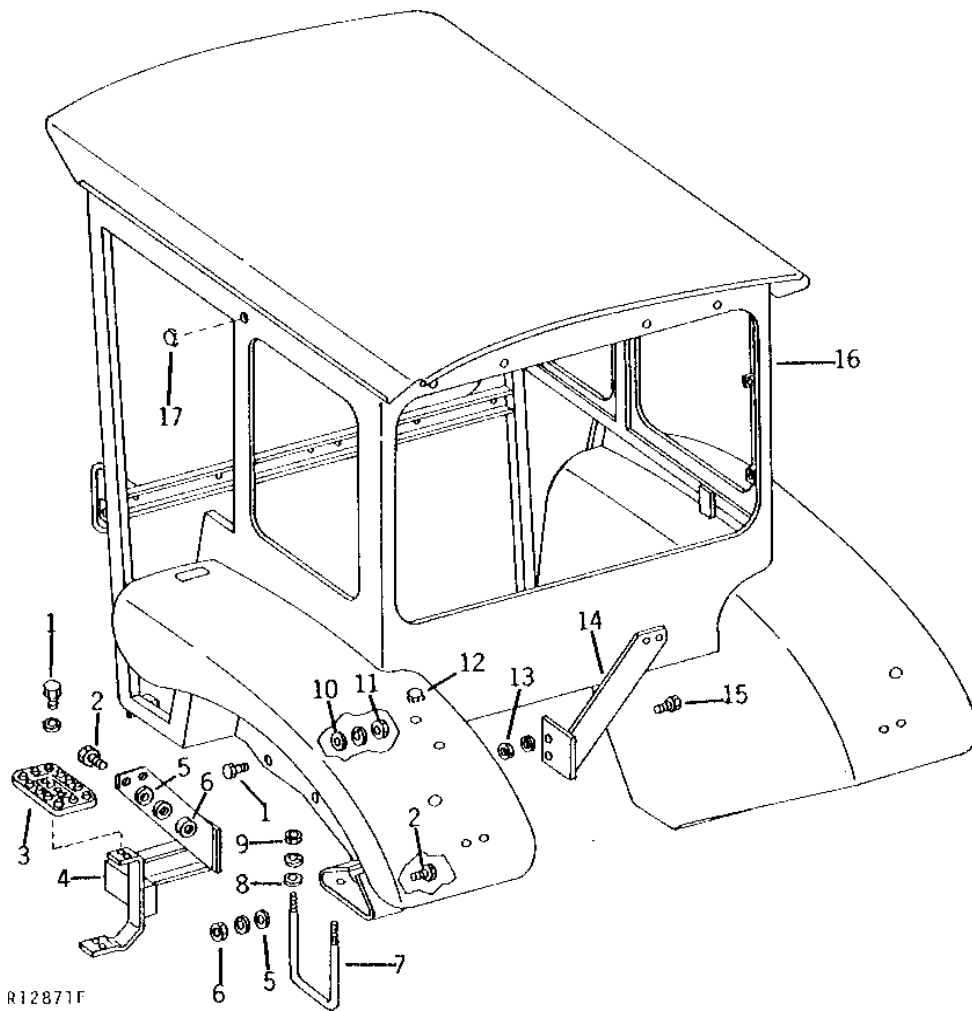
KEY	PART NO.	PART NAME	QTY	TRACTOR SERIAL NO.	REMARKS
1	19H1726	CAP SCREW	3	3/8" X 2-1/4"	
2	28H1526	BUSHING	3	3/8" X 1-5/16"	
3	AR35206	PLATFORM	1	(NO LONGER AVAILABLE)	
4	19H2284	CAP SCREW	6	3/8" X 7/8"	
5	14H786	NUT	2	1/4"	
6	12H302	LOCK WASHER	2	1/4"	
7	R35214	RETAINER	1	(NLA)	
8	14H1076	NUT	2	3/8"	
9	12H304	LOCK WASHER	2	3/8"	
10	24M7096	WASHER	4	10.500 X 18 X 1.600 MM	
11	19H1936	CAP SCREW	1	3/8" X 3/4"	
	12H304	LOCK WASHER	1	3/8"	
12	R35626	EXTENSION	1	FRONT, R.H.	
13	AR67385	TOOLBOX	1	(SUB FOR AR36777 OR AR47187)	
	R32239	PLUG	1		
14	11M7079	COTTER PIN	2	0.098" X 0.472"	
15	24H1286	WASHER	2	9/32" X 1/2" X 1/16"	
16	R40419	PIN	1	(NLA)	
17	24M7096	WASHER	2	10.500 X 18 X 1.600 MM	
18	R1826R	SPRING	1		
19	34H282	SPRING PIN	1	3/16" X 1"	
20	34H247	SPRING PIN	1	1/8" X 3/4"	
21	R35210	PIN	1	(NLA)	
22	14H785	NUT	2	5/16"	
	12H303	LOCK WASHER	2	5/16"	
23	14H1076	NUT	4	3/8"	
24	AR40930	SHIELD	1	R.H.	
	AR45716	SHIELD	1	R.H. (STOLPER CAB) (NO LONGER AVAILABLE)	
	AR40931	SHIELD	1	L.H.	
	AR45717	SHIELD	1	L.H. (STOLPER CAB) (NO LONGER AVAILABLE)	
25	03H1765	BOLT	2	3/8" X 3/4"	
26	R20538	PIN	1		
27	R35213	PLATE	1		
28	19H1948	CAP SCREW	2	1/4" X 3/4"	
29	AR36778	DOOR	1		

2H16

OPERATOR'S STATION

MOUNTING BRACKETS, HARDWARE AND STEP (CRENLO)
(SIDE DOOR)
(CAB SERIAL NO. 016050-021042)

R12871 -UN-01JAN94



R12871F

2H17

OPERATOR'S STATION

MOUNTING BRACKETS, HARDWARE AND STEP (CRENLO) - CONTINUED
(SIDE DOOR)
(CAB SERIAL NO. 016050-021042)

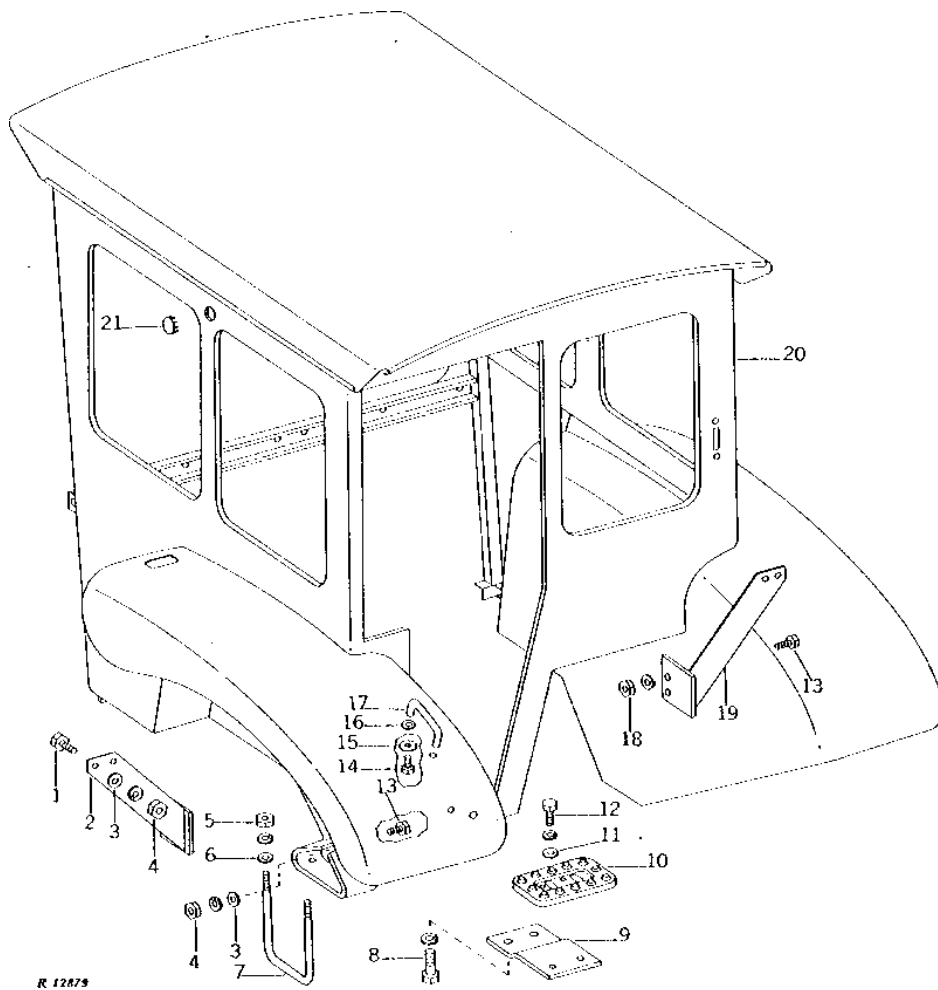
KEY	PART NO.	PART NAME	QTY	TRACTOR SERIAL NO.	REMARKS
1	19H1936	CAP SCREW	8		3/8" X 3/4"
	12H304	LOCK WASHER	4		3/8"
2	19H1815	CAP SCREW	12		1/2" X 1-1/4"
3	F3195R	STEP	2		
4	BRACKET	1		L.H. (NO LONGER AVAILABLE)
5	24H1211	WASHER	12		9/16" X 1-3/8" X 0.105"
6	14H1040	NUT	12		1/2"
	12H301	LOCK WASHER	12		1/2"
7	R35761	U-BOLT	2		(NLA)
8	24H1139	WASHER	4		11/16" X 1-1/4" X 0.105"
9	14H1039	NUT	4		5/8"
	12H294	LOCK WASHER	4		5/8"
10	24H1219	WASHER	4		7/16" X 1" X 0.083"
11	14H1076	NUT	4		3/8"
	12H304	LOCK WASHER	4		3/8"
12	R41816	PLUG	2		(NO LONGER AVAILABLE)
	R41835	PLUG	1		(NO LONGER AVAILABLE)
13	14H794	NUT	4		3/4"
	12H236	LOCK WASHER	4		3/4"
14	AR41803	BRACKET	1		R.H., FRONT (NO LONGER AVAILABLE)
15	19H1835	CAP SCREW	4		3/4" X 1-1/2"
16	FRAME	1		(NO LONGER AVAILABLE)
17	R41818	PLUG	2		(NO LONGER AVAILABLE)

2H18

OPERATOR'S STATION

MOUNTING BRACKETS, HARDWARE AND STEP (CRENLO)
(REAR DOOR)
(CAB SERIAL NO. 016050-021042)

R12879 -UN-01JAN94



2H19

OPERATOR'S STATION

MOUNTING BRACKETS, HARDWARE AND STEP (CRENLO) - CONTINUED
(REAR DOOR)
(CAB SERIAL NO. 016050-021042)

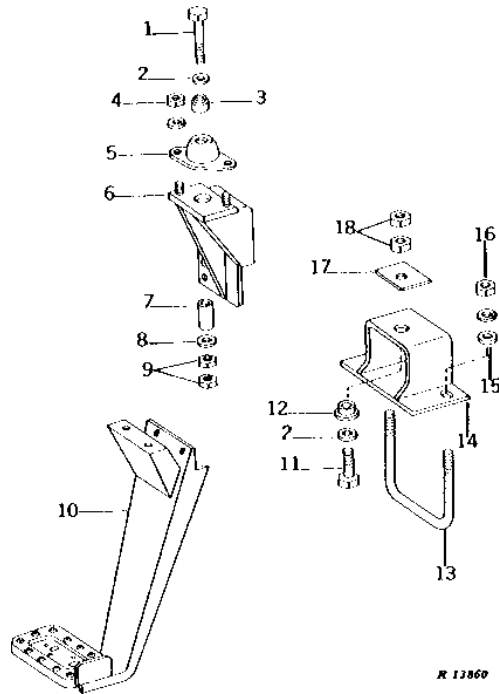
KEY	PART NO.	PART NAME	QTY	TRACTOR SERIAL NO.	REMARKS
1	19H1835	CAP SCREW	4		3/4" X 1-1/2"
2	BRACKET	1		L.H., FRONT (NO LONGER AVAILABLE)
3	24H1211	WASHER	12		9/16" X 1-3/8" X 0.105"
4	14H1040	NUT	12		1/2"
	12H301	LOCK WASHER	12		1/2"
5	14H1039	NUT	4		5/8"
	12H294	LOCK WASHER	4		5/8"
6	24H1139	WASHER	4		11/16" X 1-1/4" X 0.105"
7	R35761	U-BOLT	2		(NLA)
8	19H1815	CAP SCREW	2		1/2" X 1-1/4"
	12H301	LOCK WASHER	2		1/2"
9	R35396	SUPPORT	1		(NLA)
10	F3195R	STEP	1		
11	24H1305	WASHER	2		13/32" X 13/16" X 0.065"
12	19H1936	CAP SCREW	2		3/8" X 3/4"
	12H304	LOCK WASHER	2		3/8"
13	19H1815	CAP SCREW	12		1/2" X 1-1/4"
14	19H1936	CAP SCREW	2		3/8" X 3/4"
15	R27441	WASHER	2		
16	24H1309	WASHER	2		13/32" X 1-1/16" X 0.120"
17	R31618	HANDLE	1		
18	14H794	NUT	4		3/4"
	12H236	LOCK WASHER	4		3/4"
19	AR41803	BRACKET	1		R.H., FRONT (NO LONGER AVAILABLE)
20	FRAME	1		(NO LONGER AVAILABLE)
21	R41818	PLUG	2		(NO LONGER AVAILABLE)

2H20

OPERATOR'S STATION

R13860 -UN-01JAN94

MOUNTING BRACKET AND STEP (CRENLO) (CAB SERIAL NO. 021043-)



KEY	PART NO.	PART NAME	QTY	TRACTOR SERIAL NO.	REMARKS
1	19H2099	CAP SCREW	2	-XXXXXX	1" X 5"
	19H2000	CAP SCREW	2	XXXXXX-	3/4" X 5"
2	R29581	THRUST WASHER	4	-XXXXXX	(NO LONGER AVAILABLE)
	24H1369	WASHER	2	XXXXXX-	21/32" X 1-3/8" X 0.060"
3	R44218	BUSHING	2		(NO LONGER AVAILABLE)
4	14H1040	NUT	4		1/2"
5	12H301	LOCK WASHER	4		1/2"
	AR51810	SUPPORT	1		FRONT, (SUB FOR AR44677 OR AR45469)
6	AR48134	BRACKET	1		L.H. FRONT, (SUB FOR AR44689) (NO LONGER AVAILABLE)
	AR44688	BRACKET	1		R.H. FRONT, (NO LONGER AVAILABLE)
7	R44219	BUSHING	1		(NO LONGER AVAILABLE)
8	24H1402	WASHER	2		25/32" X 1-7/8" X 1/4"
9	14H806	NUT	4	-XXXXXX	1"
	R40121	LOCK NUT	4	XXXXXX-	
10	AR44684	STEP	1		(NO LONGER AVAILABLE)
11	19H2122	CAP SCREW	2		1" X 2-1/2"
12	R42568	GROMMET	2		
13	R35761	U-BOLT	2		(NLA)
14	AR44690	BRACKET	2		REAR (NO LONGER AVAILABLE)
15	R28695	WASHER	4		
16	14H1039	NUT	4		5/8"
	12H294	LOCK WASHER	4		5/8"
17	R42567	FOAM PAD	2		(NO LONGER AVAILABLE)
18	14H806	NUT	4		1"

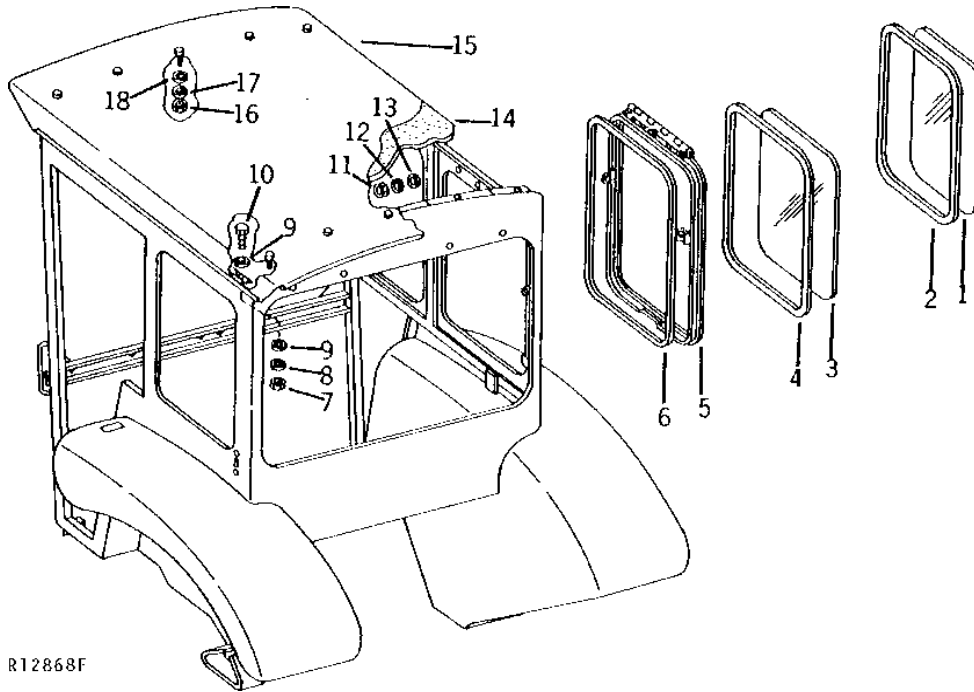
MEMORANDA

2H21

OPERATOR'S STATION

ROOF, INSULATION, RIGHT-HAND WINDOW FRAME AND GLASS (CRENLO)
(SIDE DOOR)
(CAB SERIAL NO. 016050-021042)

R12868 -UN-01JAN94



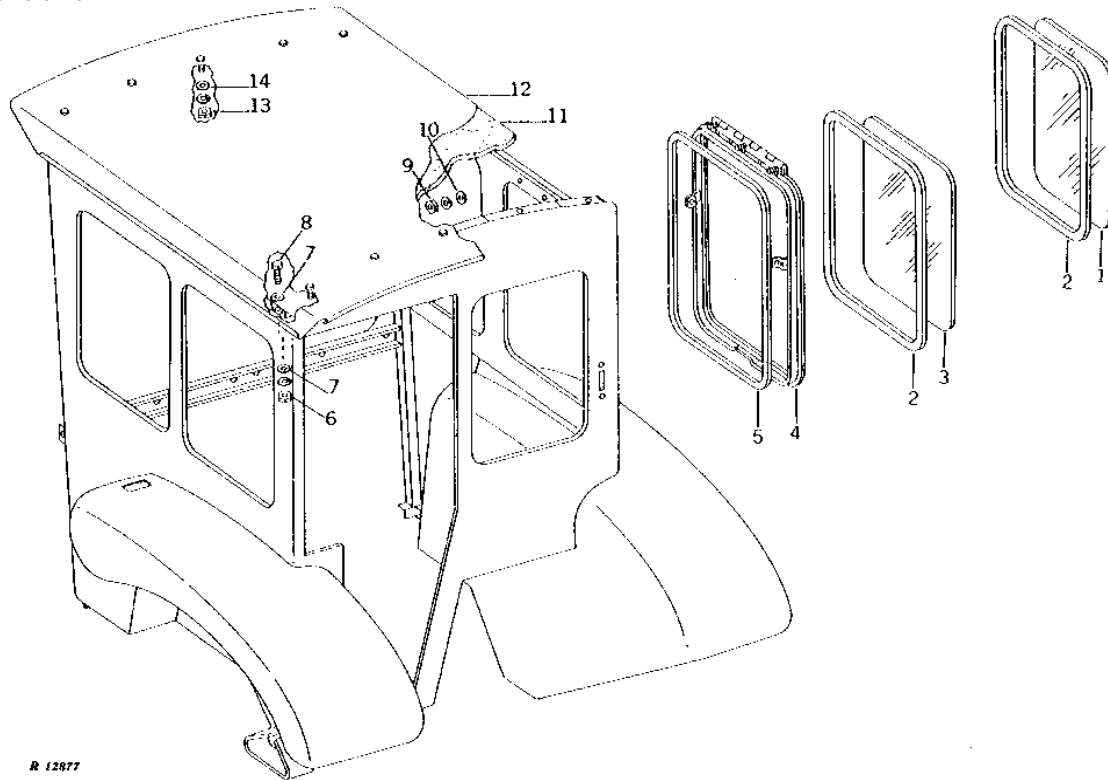
KEY	PART NO.	PART NAME	QTY	TRACTOR SERIAL NO.	REMARKS
1	R41794	WINDOWPANE	1		492 X 676MM (19-3/8" X 26-5/8") 2.69 CORNER RADIUS, R.H., FRONT (NO LONGER AVAILABLE)
2	R41795	WEATHERSTRIP	1		
3	R41809	WINDOWPANE	1		600 X 676MM (23-3/8" X 26-5/8") 2.69 CORNER RADIUS, (NO LONGER AVAILABLE)
4	R41795	WEATHERSTRIP	1		
5	AR41806	FRAME	1		(NO LONGER AVAILABLE)
6	GASKET	1		(NO LONGER AVAILABLE)
7	14H785	NUT	10		5/16"
8	12H303	LOCK WASHER	10		5/16"
9	24H1136	WASHER	20		11/32" X 11/16" X 0.065"
10	19H1900	CAP SCREW	10		5/16" X 3/4"
11	14H785	NUT	3		5/16"
12	12H303	LOCK WASHER	3		5/16"
13	24H1136	WASHER	3		11/32" X 11/16" X 0.065"
14	R41811	FOAM PAD	1		(NO LONGER AVAILABLE)
15	AR41808	ROOF	1		(NO LONGER AVAILABLE)
16	14H785	NUT	10		5/16"
17	12H303	LOCK WASHER	10		5/16"
18	24H1136	WASHER	10		11/32" X 11/16" X 0.065"

2H22

OPERATOR'S STATION

ROOF, INSULATION, RIGHT-HAND WINDOWS AND GLASS (CRENLO)
(REAR DOOR)
(CAB SERIAL NO. 016050-021042)

R12877 -UN-01JAN94



R 12877

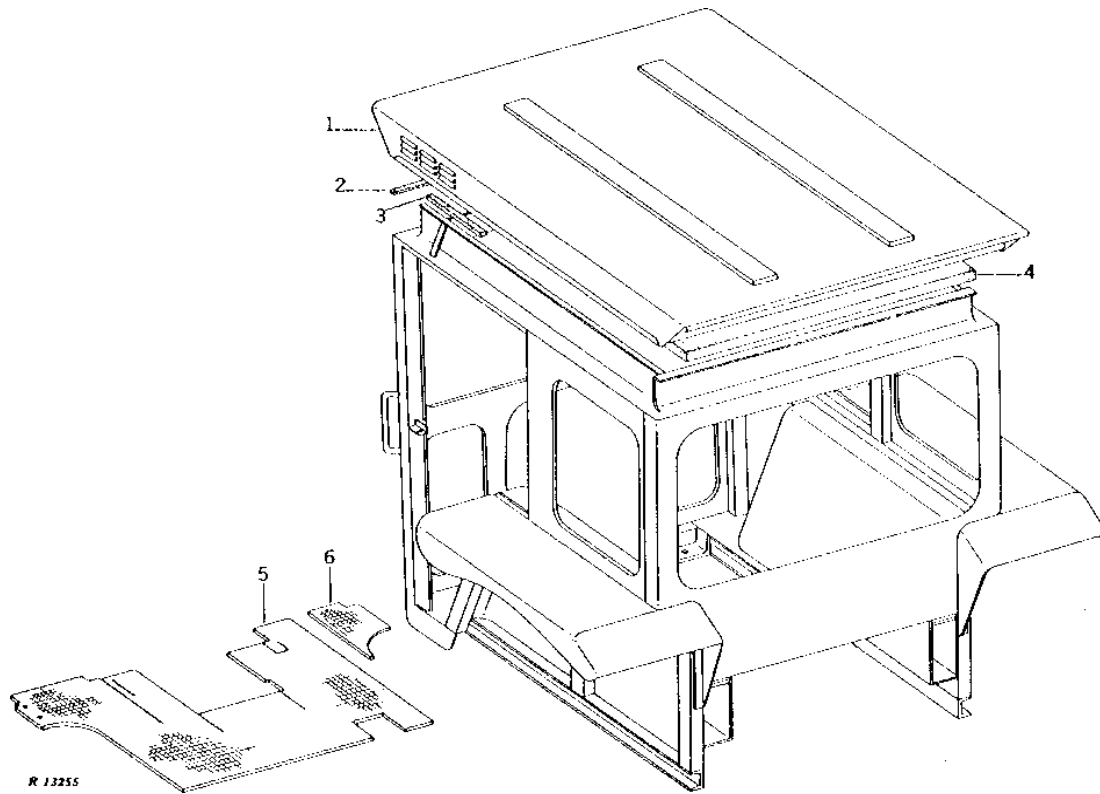
KEY	PART NO.	PART NAME	QTY	TRACTOR SERIAL NO.	REMARKS
1	R41794	WINDOWPANE	2		492 X 676MM (19-3/8" X 26-5/8") 2.69 CORNER RADIUS, R.H. AND L.H. FRONT (NO LONGER AVAILABLE)
2	R41795	WEATHERSTRIP	4		
3	R41809	WINDOWPANE	2		594 X 676MM (23-3/8" X 26-5/8") 2.69 CORNER RADIUS, R.H. AND L.H. REAR (NO LONGER AVAILABLE)
4	AR41806	FRAME	2		(NO LONGER AVAILABLE)
5	R41820	GASKET	2		
6	14H785	NUT	10	5/16"	
	12H303	LOCK WASHER	10	5/16"	
7	24H1136	WASHER	20	11/32" X 11/16" X 0.065"	
8	19H1900	CAP SCREW	10	5/16" X 3/4"	
9	14H785	NUT	6	5/16"	
	12H303	LOCK WASHER	6	5/16"	
10	24H1136	WASHER	6	11/32" X 11/16" X 0.065"	
11	R41811	FOAM PAD	1		(NO LONGER AVAILABLE)
12	AR41808	ROOF	1		(NO LONGER AVAILABLE)
13	14H785	NUT	10	5/16"	
	12H303	LOCK WASHER	10	5/16"	
14	24H1136	WASHER	10	11/32" X 11/16" X 0.065"	

2H23

OPERATOR'S STATION

R13255 -UN-01JAN94

ROOF AND FLOOR MAT (CRENLO)
(CAB SERIAL NO. 021043-)



2H24

OPERATOR'S STATION

ROOF AND FLOOR MAT (CRENLO) - CONTINUED
(CAB SERIAL NO. 021043-)

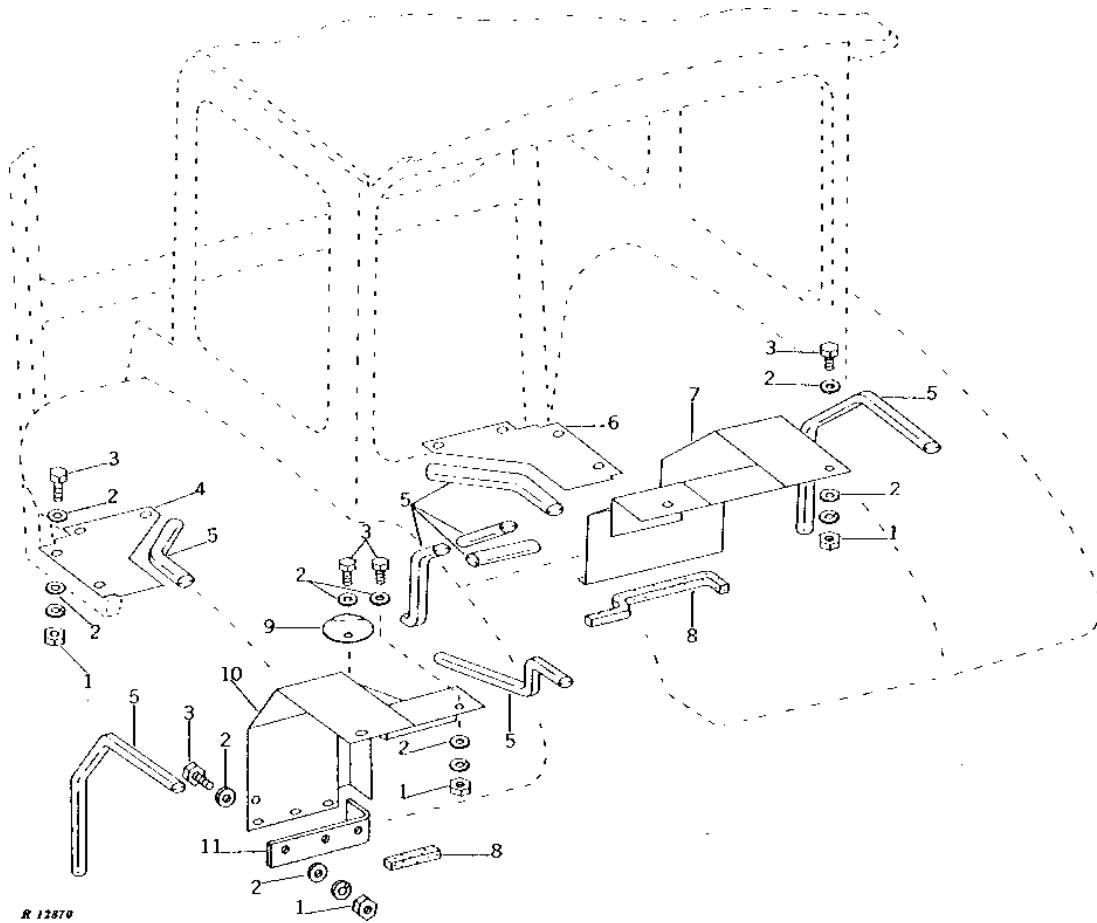
KEY	PART NO.	PART NAME	QTY	TRACTOR SERIAL NO.	REMARKS
1	ROOF	1		(NO LONGER AVAILABLE)
2	R42560	GASKET	1		
3	R42558	GASKET	2		
4	R42533	FOAM PAD	1		REAR
	R42534	FOAM PAD	1		FRONT
5	R42572	MAT	1		(NLA)
6	R42573	MAT	1		(NLA)

211

OPERATOR'S STATION

INTERIOR PANELS AND GASKETS (CRENLO)
(SIDE DOOR)
(CAB SERIAL NO. 016050-021042)

R12870 -UN-01JAN94



212

OPERATOR'S STATION

INTERIOR PANELS AND GASKETS (CRENLO) - CONTINUED
(SIDE DOOR)
(CAB SERIAL NO. 016050-021042)

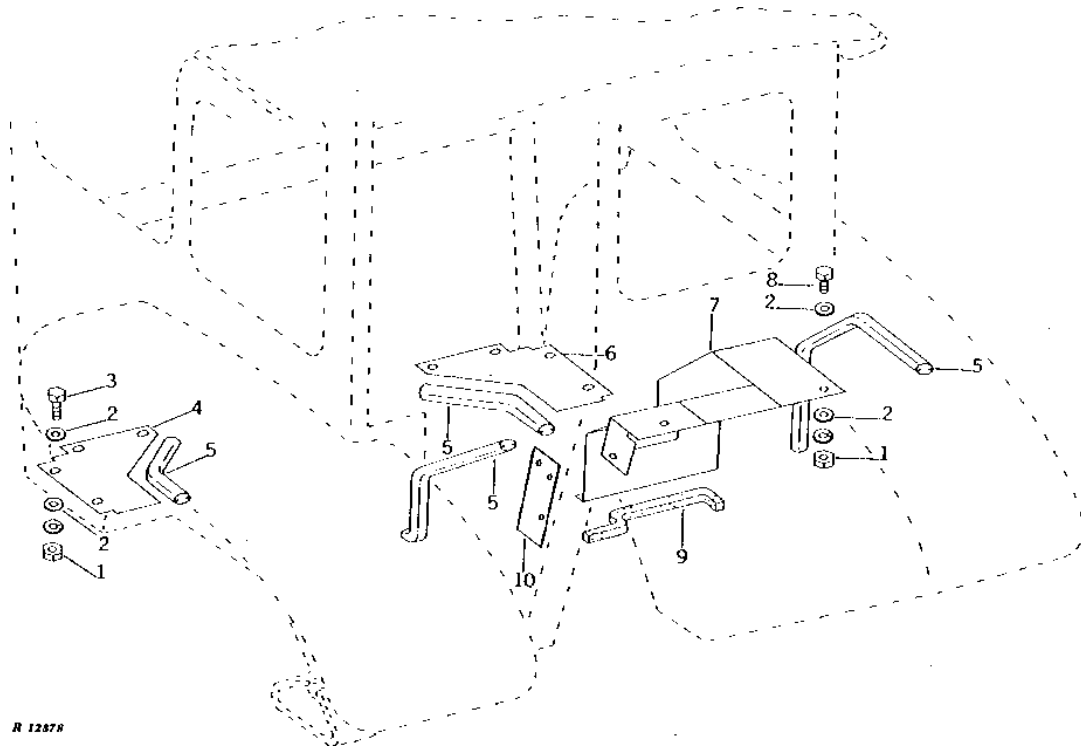
KEY	PART NO.	PART NAME	QTY	TRACTOR SERIAL NO.	REMARKS
1	14H785	NUT	18	5/16"	
	12H303	LOCK WASHER	18	5/16"	
2	24H1136	WASHER	37	11/32" X 11/16" X 0.065"	
3	19H1900	CAP SCREW	19	5/16" X 3/4"	
4	R41802	PANEL	1		L.H., FRONT (NO LONGER AVAILABLE)
5	GASKET	1		406MM (16") L.H., FRONT, (MAKE FROM R41800)
	GASKET	1		406MM (16") R.H., FRONT, (MAKE FROM R41800)
	GASKET	1		194MM (36"), R.H. (MAKE FROM R41800)
	GASKET	1		838MM (33") AND 610MM (24") L.H. (MAKE FROM R41800)
6	R41801	PANEL	1		R.H., FRONT (NO LONGER AVAILABLE)
7	AR41813	PANEL	1		R.H. (NO LONGER AVAILABLE)
8	GASKET	1		559MM (22") R.H. (MAKE FROM R41815)
	GASKET	1		127MM (5") L.H. (MAKE FROM R41815)
9	R41814	COVER	1		(NO LONGER AVAILABLE)
10	AR41814	PANEL	1		L.H. (NO LONGER AVAILABLE)
11	R42323	FLAP	1		(NO LONGER AVAILABLE)

213

OPERATOR'S STATION

INTERIOR PANELS AND GASKETS (CRENLO)
(REAR DOOR)
(CAB SERIAL NO. 016050-021042)

R12878 -UN-01JAN94



R 12878

214

OPERATOR'S STATION

INTERIOR PANELS AND GASKETS (CRENLO) - CONTINUED
 (REAR DOOR)
 (CAB SERIAL NO. 016050-021042)

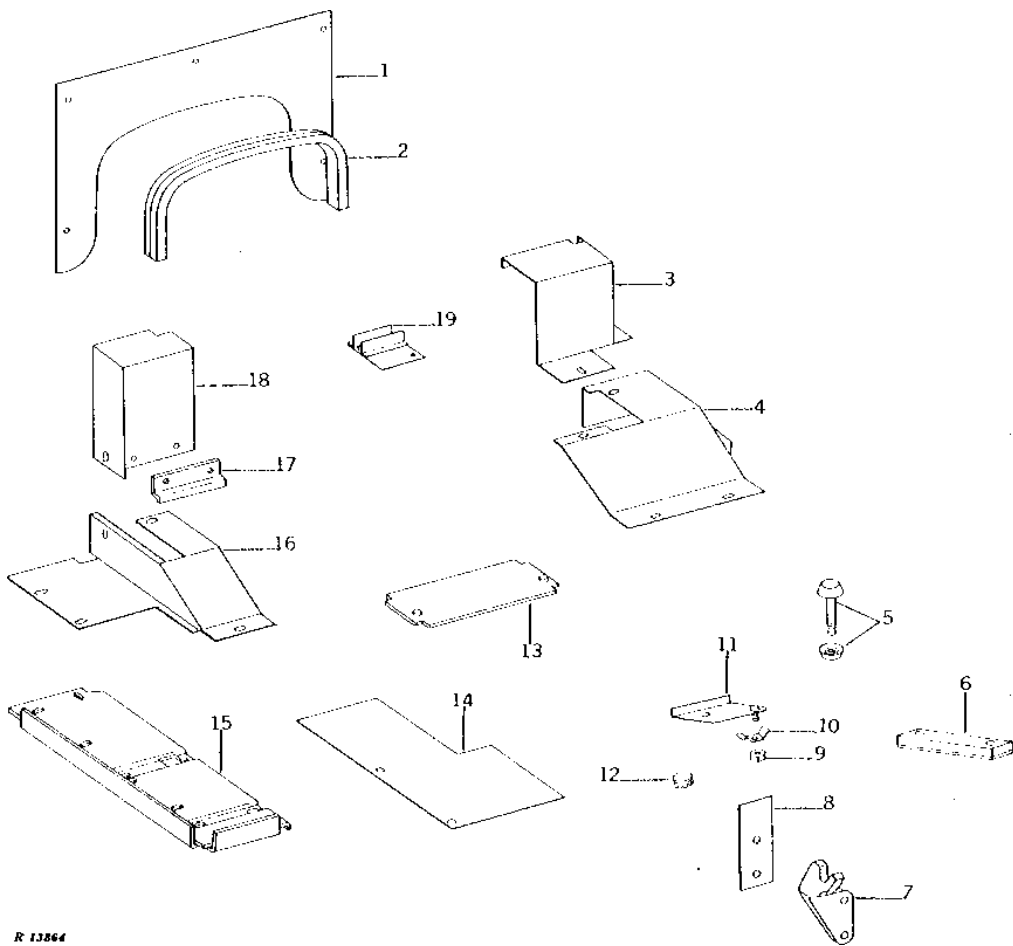
KEY	PART NO.	PART NAME	QTY	TRACTOR SERIAL NO.	REMARKS
1	14H785	NUT	11	5/16"	
	12H303	LOCK WASHER	11	5/16"	
2	24H1136	WASHER	22	11/32" X 11/16" X 0.065"	
3	19H1900	CAP SCREW	8	5/16" X 3/4"	
4	R41802	GASKET	1		L.H. (NO LONGER AVAILABLE)
5	GASKET	1		406MM (16") L.H. (MAKE FROM R41800)
	GASKET	1		406MM (16") R.H. (MAKE FROM R41800)
	GASKET	1		686MM (27") (MAKE FROM R41800)
	GASKET	1		914MM (36") (MAKE FROM R41800)
6	R41801	PANEL	1		R.H. (NO LONGER AVAILABLE)
7	AR41818	PANEL	1		(NO LONGER AVAILABLE)
8	19H1905	CAP SCREW	3	5/16" X 1"	
9	GASKET	1		559MM (22") (MAKE FROM R41815)
10	R42324	FLAP	1		(NO LONGER AVAILABLE)

215

OPERATOR'S STATION

INTERIOR PANELS AND GASKETS (CRENLO) (CAB SERIAL NO. 021043-)

R13864 -UN-01JAN94



R 13864

216

OPERATOR'S STATION

INTERIOR PANELS AND GASKETS (CRENLO) - CONTINUED
(CAB SERIAL NO. 021043-)

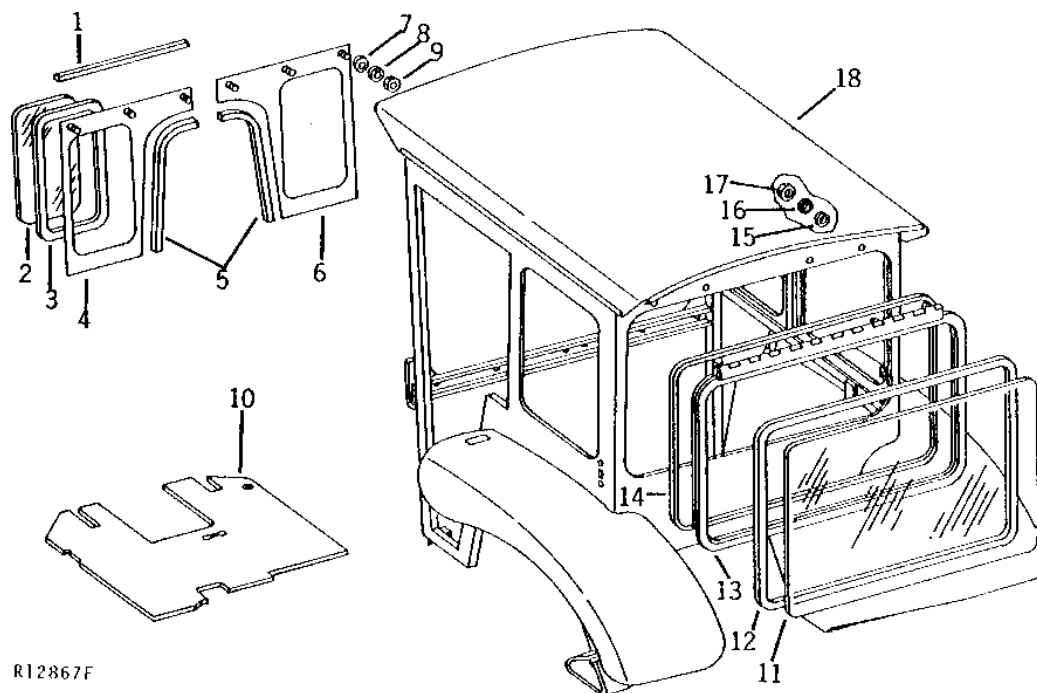
KEY	PART NO.	PART NAME	QTY	TRACTOR SERIAL NO.	REMARKS
1	AR44695	PANEL	1		
2	R41800	GASKET	1		
3	AR44691	PANEL	1		R.H. (NO LONGER AVAILABLE)
	R41800	GASKET	1		
4	R41815	ISOLATOR	1		
	AR44693	PANEL	1		R.H. (NO LONGER AVAILABLE)
	R41800	GASKET	1		
5	AR42274	PLUNGER	1		(NO LONGER AVAILABLE)
6	R42180	COVER	1		(NO LONGER AVAILABLE)
7	R32118	ARM	1		L.H.
	R32117	ARM	1		R.H.
8	R41959	PLATE	2		(NO LONGER AVAILABLE)
	R28473	PLUG	4		(LESS REMOTE CYLINDER)
9	R42564	CLIP	1	-XXXXXX	(NO LONGER AVAILABLE)
	M40333	LOCK NUT	1	XXXXXX-	(SUB FOR H24659)
10	R44223	SPRING	1	XXXXXX-	(NO LONGER AVAILABLE)
11	AR45474	COVER	1		(SUB FOR AR44667) (NO LONGER AVAILABLE)
12	R42566	PLUG	1		
13	AR44683	PANEL	1		(NO LONGER AVAILABLE)
14	AR48136	COVER	1		(SUB FOR AR44697) (NO LONGER AVAILABLE)
15	AR47814	BOX	1		(SUB FOR AR44020) (NLA)
16	AR44694	PANEL	1		L.H. (NO LONGER AVAILABLE)
	R41800	GASKET	1		
17	R42570	ANGLE	1		(NO LONGER AVAILABLE)
	R42575	ANGLE	1		(NO LONGER AVAILABLE)
18	AR44692	PANEL	1		L.H. (NO LONGER AVAILABLE)
	R41800	GASKET	1		
	R41815	ISOLATOR	1		
19	AR44696	PLATE	1		(NO LONGER AVAILABLE)

217

OPERATOR'S STATION

WINDSHIELD, REAR WINDOW FRAME AND GLASS, AND FRONT PANELS (CRENLO)
(SIDE DOOR)
(CAB SERIAL NO. 016050-021042)

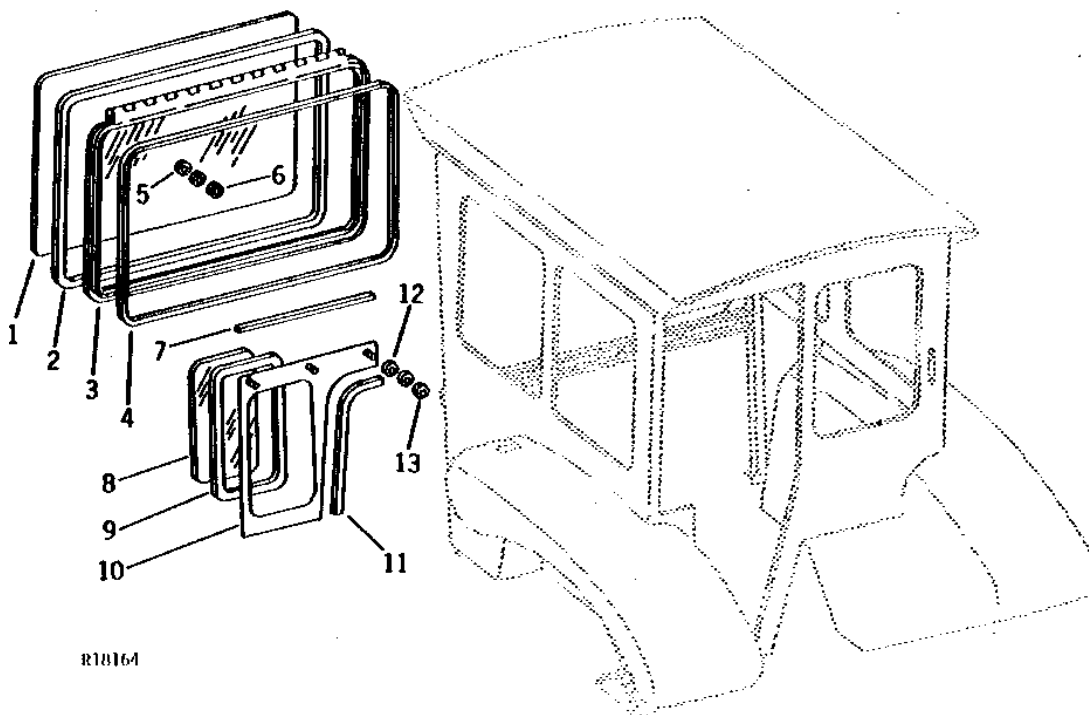
R12867 -UN-01JAN94



KEY	PART NO.	PART NAME	QTY	TRACTOR SERIAL NO.	REMARKS
1	R42322	GASKET	2		(NO LONGER AVAILABLE)
2	R41799	WINDOWPANE	2		289 X 543MM (11-3/8" X 21-3/8") 2.69 CORNER RADIUS, LOWER, FRONT (NO LONGER AVAILABLE)
3	R41795	WEATHERSTRIP	2		
4	AR41802	PANEL	1		L.H., FRONT (NO LONGER AVAILABLE)
5	R41800	GASKET	1		
6	AR41801	PANEL	1		R.H., FRONT (NO LONGER AVAILABLE)
7	24H1136	WASHER	6		11/32" X 11/16" X 0.065"
8	12H303	LOCK WASHER	6		5/16"
9	14H785	NUT	6		5/16"
10	MAT	1		(NO LONGER AVAILABLE)
11	R41810	WINDOWPANE	1		714 X 1226MM (28-1/8" X 48-1/4") 2.50 CORNER RADIUS, REAR (NO LONGER AVAILABLE)
	R41806	WINDOWPANE	1		845 X 1226MM (33-1/4" X 48-1/4") 2.50 CORNER RADIUS, FRONT (NO LONGER AVAILABLE)
12	R41807	WEATHERSTRIP	2		FRONT AND REAR
13	AR41807	FRAME	1		REAR (NO LONGER AVAILABLE)
	AR41805	FRAME	1		FRONT (NO LONGER AVAILABLE)
14	GASKET	2		FRONT AND REAR (NO LONGER AVAILABLE)
15	24H1305	WASHER	8		13/32" X 13/16" X 0.065"
16	12H304	LOCK WASHER	8		3/8"
17	14H1076	NUT	8		3/8"
18	FRAME	1		(NO LONGER AVAILABLE)

WINDSHIELD FRAME AND GLASS, AND FRONT PANELS (CRENLO)
(REAR DOOR)
(CAB SERIAL NO. 016050-021042)

R18164 -UN-01JAN94



KEY	PART NO.	PART NAME	QTY	TRACTOR SERIAL NO.	REMARKS
1	R41806	WINDOWPANE	1		845 X 1226MM (33-1/4" X 48-1/4") 2.50 CORNER RADIUS, FRONT (NO LONGER AVAILABLE)
2	R41807	WEATHERSTRIP	1		FRONT
3	AR41805	FRAME	1		FRONT (NO LONGER AVAILABLE)
4	GASKET	1		(NO LONGER AVAILABLE)
5	24H1305	WASHER	4		13/32" X 13/16" X 0.065"
6	14H1076	NUT	4		3/8"
	12H304	LOCK WASHER	4		3/8"
7	R42322	GASKET	2		(NO LONGER AVAILABLE)
8	R41799	WINDOWPANE	2		289 X 543MM (11-3/8" X 21-3/8") 2.69 CORNER RADIUS, LOWER, FRONT (NO LONGER AVAILABLE)
9	R41795	WEATHERSTRIP	2		
10	AR41802	PANEL	1		L.H., FRONT (NO LONGER AVAILABLE)
	AR41801	PANEL	1		R.H., FRONT (NO LONGER AVAILABLE)
11	R41800	GASKET	1		
12	24H1136	WASHER	6		11/32" X 11/16" X 0.065"
13	14H785	NUT	6		5/16"
	12H303	LOCK WASHER	6		5/16"

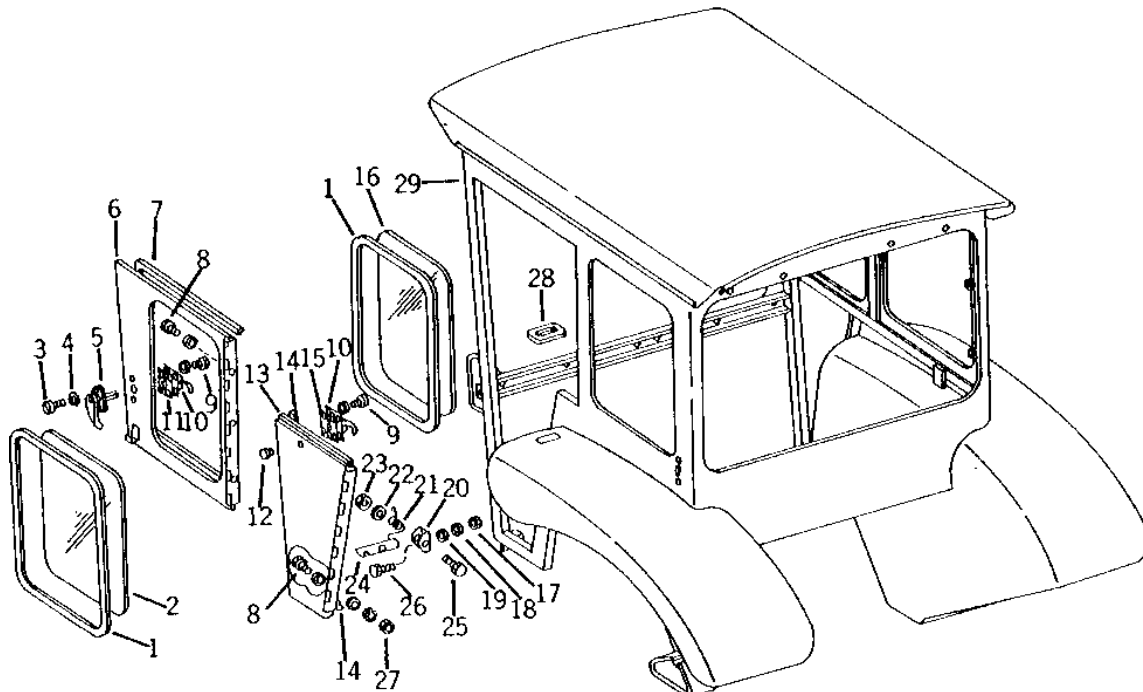
MEMORANDA

219

OPERATOR'S STATION

DOORS, SIDE, LATCH, HOLDER, AND GLASS (CRENLO)
(SIDE DOOR)
(CAB SERIAL NO. 016050-021042)

R12866 -UN-01JAN94



R12866I

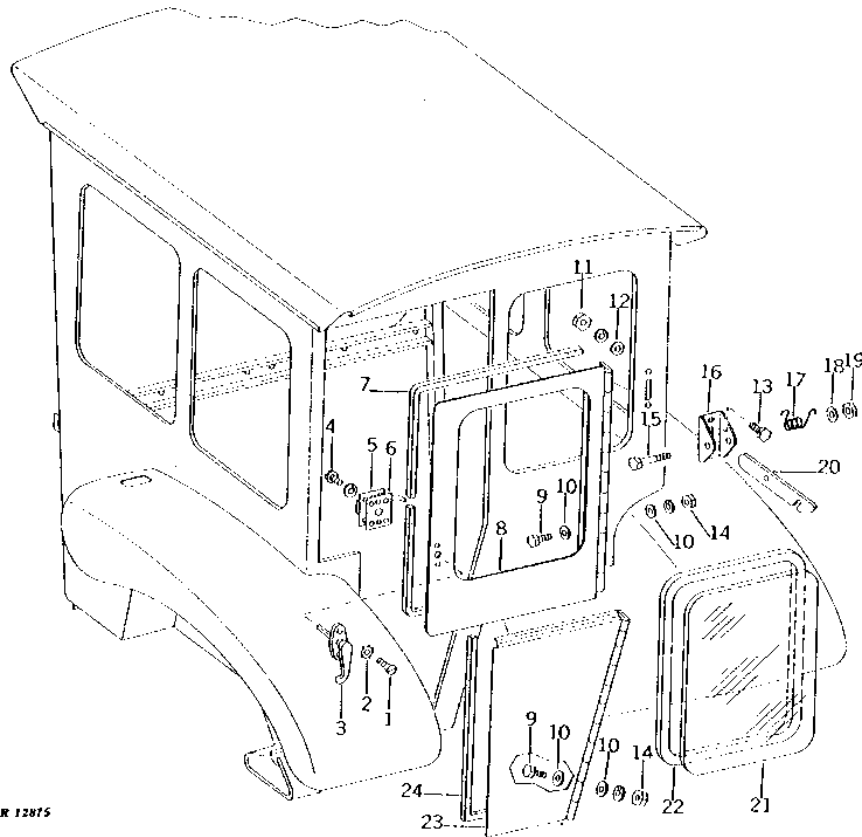
KEY	PART NO.	PART NAME	QTY	TRACTOR SERIAL NO.	REMARKS
1	R41795	WEATHERSTRIP	2		
2	R41809	WINDOWPANE	1		600 X 676MM (23-3/8" X 26-5/8") 2.69 CORNER RADIUS, R.H., REAR (NO LONGER AVAILABLE)
3	21H1073	SCREW	2		0.190" X 1/2"
4	12M7060	WASHER	2		0.209"
5	AR41798	HANDLE	1		
6	AR41796	DOOR	1		UPPER (NO LONGER AVAILABLE)
7	R41796	GASKET	2		(NO LONGER AVAILABLE)
8	19H1900	CAP SCREW	6		5/16" X 3/4"
	24H1136	WASHER	9		11/32" X 11/16" X 0.065"
9	21H1019	SCREW	8		0.190" X 1/2"
	12H246	LOCK WASHER	8		0.190"
10	AR41797	LATCH	2		
11	R41797	SHIM	AR		
12	BUMPER	1		(NO LONGER AVAILABLE)
13	AR41800	DOOR	1		LOWER (NO LONGER AVAILABLE)
14	R41796	GASKET	1		(NO LONGER AVAILABLE)
15	R41797	SHIM	AR		
16	R41794	WINDOWPANE	1		492 X 676MM (19-3/8" X 26-5/8") 2.69 CORNER RADIUS, (NO LONGER AVAILABLE)
17	14H786	NUT	2		1/4"
18	12H302	LOCK WASHER	2		1/4"
19	24H1287	WASHER	2		9/32" X 5/8" X 0.065"
20	R41803	BRACKET	1		(NO LONGER AVAILABLE)
21	R41805	SPRING	1		(NO LONGER AVAILABLE)
22	24H1287	WASHER	1		9/32" X 5/8" X 0.065"
23	14H786	NUT	2		1/4"
24	R41804	STRAP	1		(NO LONGER AVAILABLE)
25	19H2102	CAP SCREW	1		1/4" X 1-3/4"
26	19H1919	CAP SCREW	2		1/4" X 5/8"
27	14H785	NUT	3		5/16"
	12H303	LOCK WASHER	3		5/16"
28	R20759	GROMMET	1		
29	FRAME	1		(NO LONGER AVAILABLE)

2110

OPERATOR'S STATION

DOORS, REAR, LATCH, HOLDER AND GLASS (CRENLO)
(REAR DOOR)
(CAB SERIAL NO. 016050-021042)

R12875 -UN-01JAN94



R 12875

2111

OPERATOR'S STATION

DOORS, REAR, LATCH, HOLDER AND GLASS (CRENLO) - CONTINUED
(REAR DOOR)
(CAB SERIAL NO. 016050-021042)

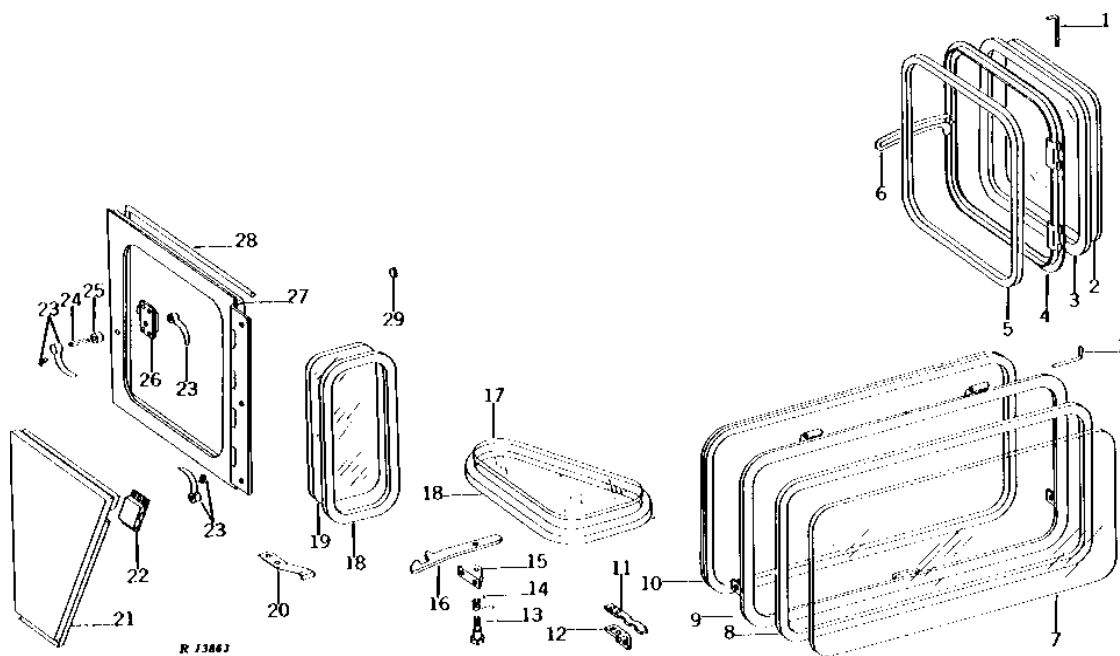
KEY	PART NO.	PART NAME	QTY	TRACTOR SERIAL NO.	REMARKS
1	21H1073	SCREW	2		0.190" X 1/2"
2	12M7060	WASHER	2		0.209"
3	AR41798	HANDLE	1		
4	21H1019	SCREW	8		0.190" X 1/2"
	12H246	LOCK WASHER	8		0.190"
5	AR41797	LATCH	2		
6	R41797	SHIM	AR		
7	R41796	GASKET	2		UPPER (NO LONGER AVAILABLE)
8	AR41815	DOOR	1		UPPER (NO LONGER AVAILABLE)
9	19H1905	CAP SCREW	7		5/16" X 1"
10	24H1136	WASHER	13		11/32" X 11/16" X 0.065"
11	14H786	NUT	2		1/4"
	12H302	LOCK WASHER	2		1/4"
12	24H1287	WASHER	2		9/32" X 5/8" X 0.065"
13	19H1919	CAP SCREW	2		1/4" X 5/8"
14	14H785	NUT	6		5/16"
	12H303	LOCK WASHER	6		5/16"
15	19H2102	CAP SCREW	1		1/4" X 1-3/4"
16	R41803	BRACKET	1		(NO LONGER AVAILABLE)
17	R41805	SPRING	1		(NO LONGER AVAILABLE)
18	24H1287	WASHER	1		9/32" X 5/8" X 0.065"
19	14H786	NUT	1		1/4"
20	R41804	STRAP	1		(NO LONGER AVAILABLE)
21	R41794	WINDOWPANE	2		492 X 676MM (19-3/8" X 26-5/8") 2.69 CORNER RADIUS (NO LONGER AVAILABLE)
22	R41795	WEATHERSTRIP	2		
23	AR41816	DOOR	1		LOWER (NO LONGER AVAILABLE)
24	R41796	GASKET	1		LOWER (NO LONGER AVAILABLE)

2112

OPERATOR'S STATION

DOORS, WINDOW FRAMES, AND GLASS (CRENLO)
(CAB SERIAL NO. 021043-)

R13863 -UN-01JAN94



KEY	PART NO.	PART NAME	QTY	TRACTOR SERIAL NO.	REMARKS
1	R42541	PIN	4		
2	R42553	WINDOWPANE	4		559 X 559MM (22" X 22") 2.69 CORNER RADIUS (NO LONGER AVAILABLE)
3	R41807	WEATHERSTRIP	1		R.H., FRONT
	R41795	WEATHERSTRIP	3		
4	AR44645	FRAME	1		(NO LONGER AVAILABLE)
5	R42542	GASKET	1		
6	R42543	STRAP	1		R.H. (NO LONGER AVAILABLE)
7	R42552	WINDOWPANE	2		559 X 1159MM (22" X 45-5/8") 2.69 CORNER RADIUS
8	R41807	WEATHERSTRIP	1		REAR
	R41795	WEATHERSTRIP	2		
9	AR44644	FRAME	1		REAR (NO LONGER AVAILABLE)
10	R42542	GASKET	2		
11	R41961	BRACKET	1		(POWER SHIFT) (NO LONGER AVAILABLE)
12	R42015	SUPPORT	1		(POWER SHIFT) (NO LONGER AVAILABLE)
13	R42549	PIN	1		
14	R41805	SPRING	1		(NO LONGER AVAILABLE)
15	R41803	BRACKET	1		(NO LONGER AVAILABLE)
16	R42548	STRAP	1		(NO LONGER AVAILABLE)
17	R44224	WINDOWPANE	1		INSIDE L.H.REAR (NO LONGER AVAILABLE)
18	R41795	WEATHERSTRIP	2		
19	R42554	WINDOWPANE	2		238 X 533MM (9-3/8" X 21") 2.69 CORNER RADIUS (NO LONGER AVAILABLE)
20	R44222	STOP	1		UPPER (NO LONGER AVAILABLE)
21	AR44642	DOOR	1		LOWER (NO LONGER AVAILABLE)
22	AR44643	LATCH	1		LOWER
23	AR44641	HANDLE	3		
24	R42535	SHAFT	1		
25	R42536	SPACER	1		
26	AR44640	LATCH	1		UPPER
27	AR44639	DOOR	1		UPPER (NO LONGER AVAILABLE)
	R42538	GASKET	1		UPPER (NO LONGER AVAILABLE)
28	R42537	GASKET	8		UPPER AND LOWER
	R56493	FOAM PAD	2		UPPER AND LOWER, (SUB FOR R42539)
29	R41818	PLUG	4		(NO LONGER AVAILABLE)

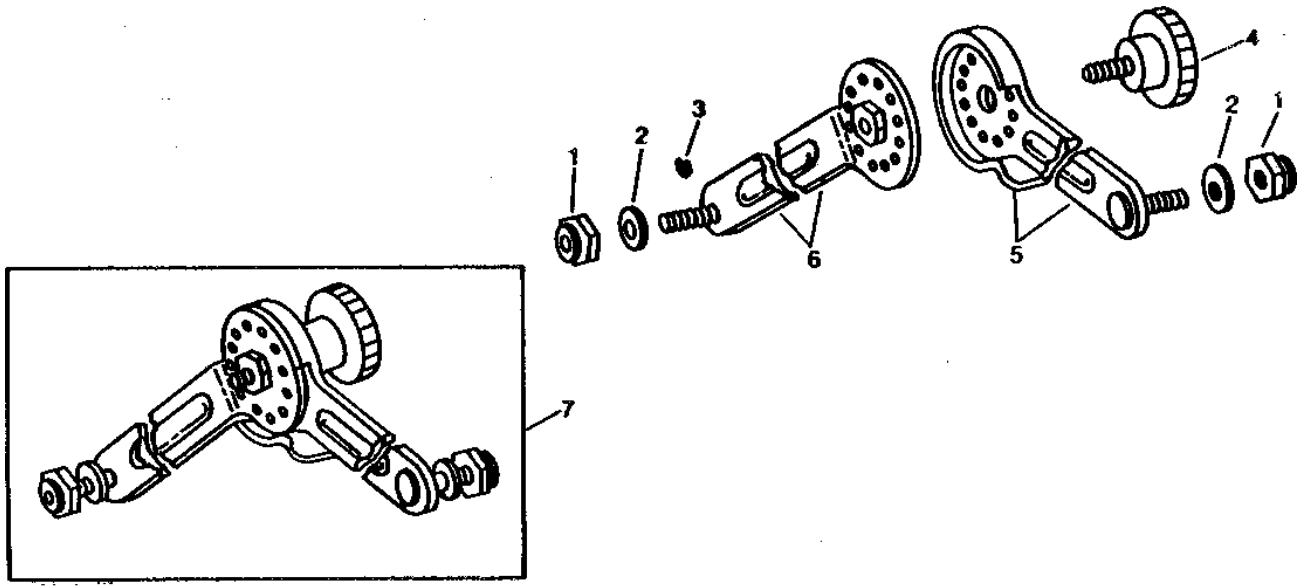
MEMORANDA

2113

OPERATOR'S STATION

WINDOW ADJUSTERS (CRENLO)
(SIDE AND REAR DOOR)
(CAB SERIAL NO. 016050-021042)

RWP2584 -UN-01JAN94



RWP2584

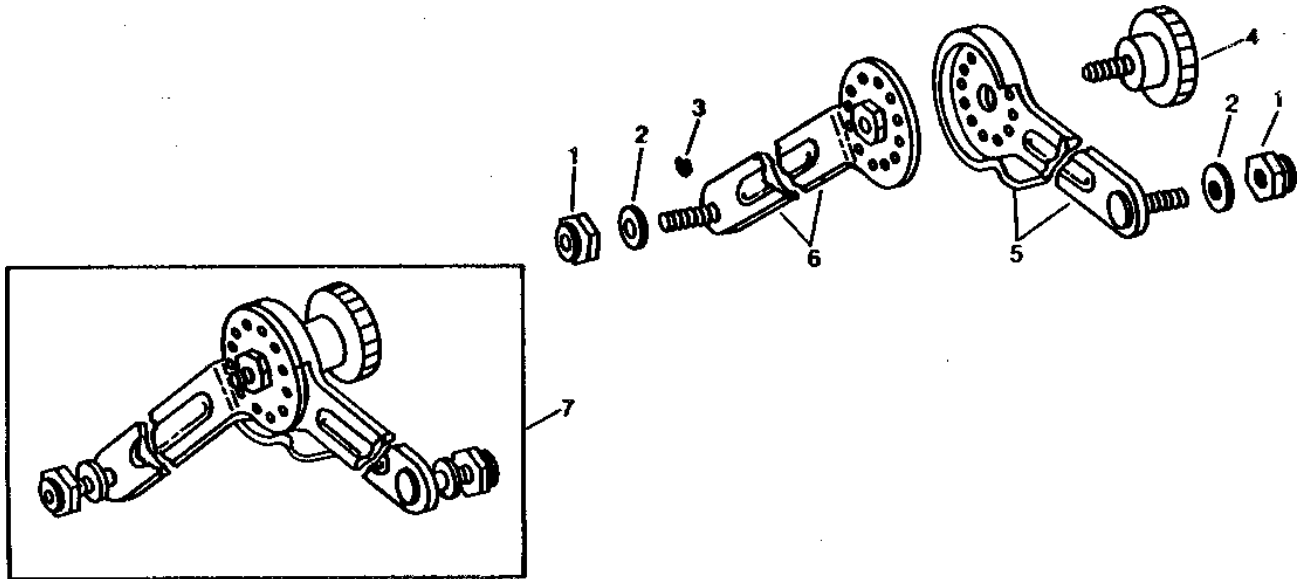
KEY	PART NO.	PART NAME	QTY	TRACTOR SERIAL NO.	REMARKS
1	K40003	LOCK NUT	2		(SUB FOR R41564)
2	24H1305	WASHER	2		13/32" X 13/16" X 0.065"
3	R54242	SNAP RING	1		(SUB FOR R41812)
4	AR41850	KNOB	1		
5	AR41848	ARM	1		R.H., REAR
	AR41851	ARM	1		R.H., FRONT
	AR41852	ARM	2		R.H. AND L.H. REAR, (SUB AR102219)
	AR41854	ARM	2		L.H. AND R.H. REAR, (SUB AR102220)
6	AR41849	ARM	2		R.H., FRONT AND REAR
	AR41853	ARM	4		R.H. AND L.H., FRONT AND REAR, (SUB AR102219 AND AR102220)
7	AR30580	ARM	1		R.H., REAR (NO LONGER AVAILABLE)
	AR30581	ARM	1		R.H., FRONT (NO LONGER AVAILABLE)
	AR102219	LATCH	1		R.H. AND L.H. REAR
	AR102220	LATCH	1		L.H. AND R.H. REAR

2114

OPERATOR'S STATION

RWP2584 -UN-01JAN94

WINDOW ADJUSTERS (CRENLO)
(CAB SERIAL NO. 021043-)



RWP2584

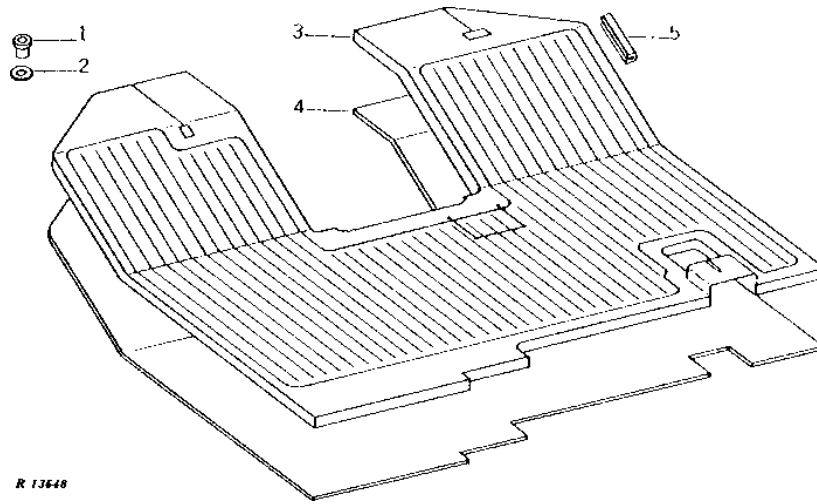
KEY	PART NO.	PART NAME	QTY	TRACTOR SERIAL NO.	REMARKS
1	K40003	LOCK NUT	2	(SUB FOR R41564)	
2	24H1305	WASHER	2	13/32" X 13/16" X 0.065"	
3	R54242	SNAP RING	1	(SUB FOR R41812)	
4	AR41850	KNOB	1		
5	AR41852	ARM	1	R.H. REAR, (SUB AR102219)	
	AR41854	ARM	1	L.H. REAR, (SUB AR102220)	
6	AR41853	ARM	2	(SUB AR102219 AND AR102220)	
7	AR102219	LATCH	1	R.H. REAR	
	AR102220	LATCH	1	L.H. REAR	

2115

OPERATOR'S STATION

FLOOR MAT AND PAD (STOLPER)

R13648 -UN-01JAN94



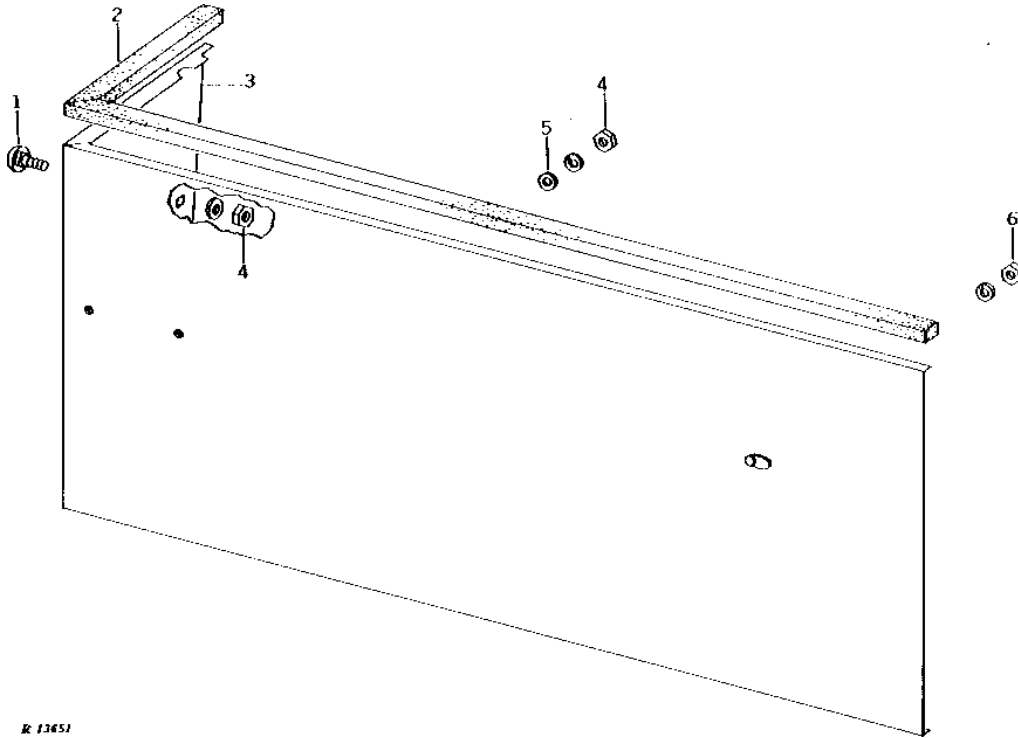
KEY	PART NO.	PART NAME	QTY	TRACTOR SERIAL NO.	REMARKS
1	U42208	RUBBER MOUNT	4		
2	F2694R	WASHER	4		
3	AR45132	MAT	1	(SUB AR45691) (ROCKSHAFT)	
4	AR45691	MAT	1	(LESS ROCKSHAFT)	
4	R42895	PAD	1	(NO LONGER AVAILABLE)	
5	R44859	ISOLATOR	4	(NO LONGER AVAILABLE)	

2116

OPERATOR'S STATION

OPERATOR SHIELD (STOLPER)

R13651 -UN-01JAN94



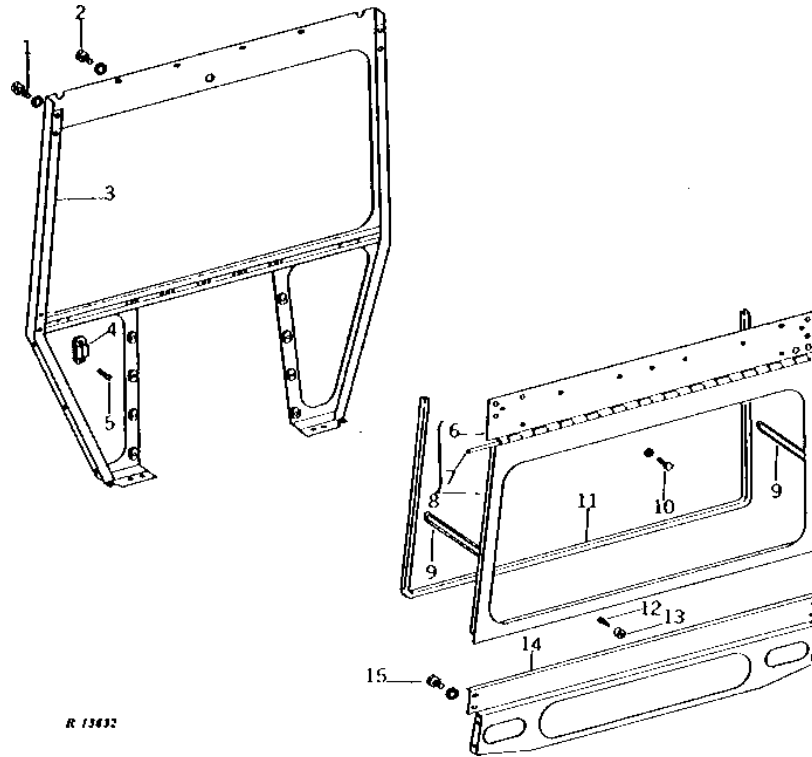
KEY	PART NO.	PART NAME	QTY	TRACTOR SERIAL NO.	REMARKS
1	03H1765	BOLT	2	3/8" X 3/4"	
2	FOAM PAD	1	13 X 25 X 1188MM (1/2" X 1" X 46-3/4") (MAKE FROM R30936)	
3	AR45717	SHIELD	1	L.H. (NO LONGER AVAILABLE)	
	AR45716	SHIELD	1	R.H. (NO LONGER AVAILABLE)	
4	14H1076	NUT	6	3/8"	
	12H304	LOCK WASHER	6	3/8"	
5	24M7096	WASHER	4	10.500 X 18 X 1.600 MM	
6	14H785	NUT	2	5/16"	
	12H303	LOCK WASHER	2	5/16"	

2117

OPERATOR'S STATION

CAB FRONT AND REAR PANELS (STOLPER)

R13632 -UN-01JAN94



R 13632

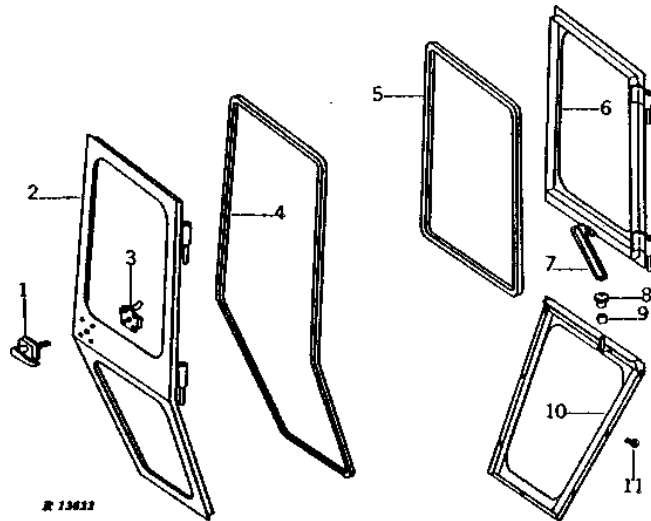
KEY	PART NO.	PART NAME	QTY	TRACTOR SERIAL NO.	REMARKS
1	19H1726	CAP SCREW	4	3/8" X 2-1/4"	
	12H310	LOCK WASHER	4	3/8"	
2	19H1731	CAP SCREW	6	3/8" X 1"	
	12H310	LOCK WASHER	6	3/8"	
3	AR46760	PANEL	1		FRONT (NO LONGER AVAILABLE)
4	H63952	PLATE	1		
5	21H1210	SCREW	2	1/4" X 3/4"	
6	R44431	PANEL	1		REAR (NO LONGER AVAILABLE)
7	R44432	PIN	1		(NO LONGER AVAILABLE)
8	AR45810	PANEL	1		REAR (NO LONGER AVAILABLE)
9	R44444	ARM	2		
10	19H1905	CAP SCREW	6	5/16" X 1"	
	12M7032	LOCK WASHER	6	0.331"	
11	SEAL	1	2908MM (114-1/2")	(MAKE FROM H61993)
12	R44436	SCREW	1		(NO LONGER AVAILABLE)
13	T101090	BUMPER	1		(SUB FOR R44434)
14	AR45811	PANEL	1		REAR LOWER (NO LONGER AVAILABLE)
15	19H1936	CAP SCREW	4	3/8" X 3/4"	
	12H310	LOCK WASHER	4	3/8"	

2118

OPERATOR'S STATION

CAB DOOR, RIGHT-HAND LOWER PANEL AND FRONT WINDOW (STOLPER)

R13633 -UN-01JAN94



KEY	PART NO.	PART NAME	QTY	TRACTOR SERIAL NO.	REMARKS
1	AH64758	HANDLE	1		
2	AR45813	DOOR	1	L.H.	
3	AR45814	LATCH	1		
4	H61993	WEATHERSTRIP	1		
5	SEAL	1	2692MM (106") (MAKE FROM H61993)	
6	AR45815	WINDOW	1	FRONT, R.H.	
7	R44444	ARM	1		
8	R44446	KNOB	1		
9	R44445	BUSHING	1		
10	AR45816	PANEL	1	LOWER, R.H.	
11	21H1304	SCREW	7	5/16" X 3/4"	

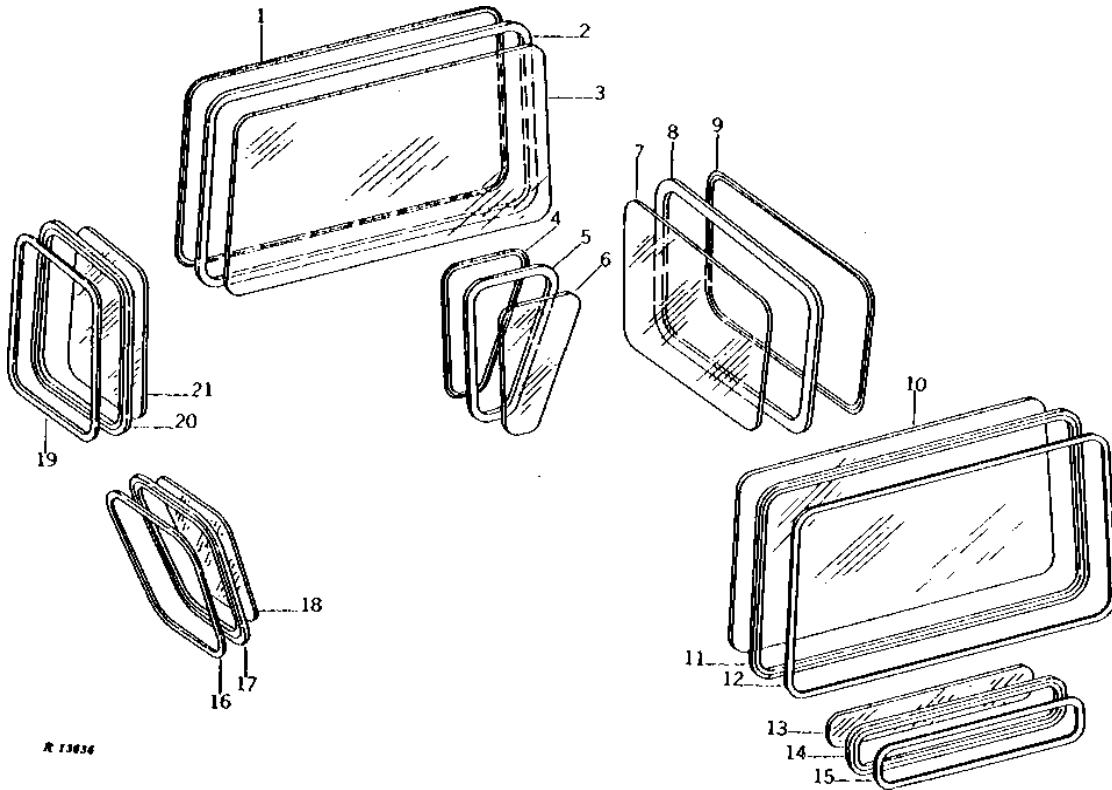
2119

OPERATOR'S STATION

R13636

-UN-01JAN94

CAB GLASS
(STOLPER)



2120

OPERATOR'S STATION

CAB GLASS - CONTINUED (STOLPER)

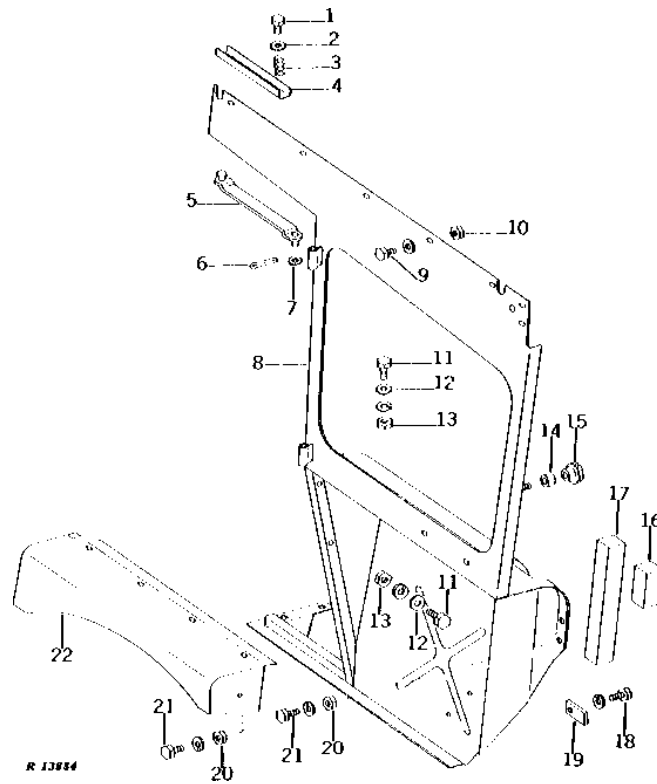
KEY	PART NO.	PART NAME	QTY	TRACTOR SERIAL NO.	REMARKS
1	R44438	ISOLATOR	1	4267MM (168")	
2	R44437	MOLDING	1	4267MM (168")	(NO LONGER AVAILABLE)
3	R44439	WINDOWPANE	1		
4	STRIP	2	1632MM (64-1/4")	(MAKE FROM R44438)
5	MOLDING	2	1632MM (64-1/4")	(MAKE FROM R44437)
6	R44441	WINDOWPANE	2		FRONT LOWER
7	R44449	WINDOWPANE	2		
8	MOLDING	2	3251MM (128")	(MAKE FROM R44437)
9	STRIP	2	3251MM (128")	(MAKE FROM R44438)
10	R44433	WINDOWPANE	1		REAR
11	MOLDING	1	3810MM (150")	(MAKE FROM R44437)
12	STRIP	1	3810MM (150")	(MAKE FROM R44438)
13	R44435	WINDOWPANE	1		REAR LOWER
14	MOLDING	1	1930MM (76")	(MAKE FROM R44437)
15	STRIP	1	1930MM (76")	(MAKE FROM R44438)
16	STRIP	2	1943MM (76-1/2")	(MAKE FROM R44438)
17	MOLDING	2	1943MM (76-1/2")	(MAKE FROM R44437)
18	R44443	WINDOWPANE	1		LOWER AND LOWER R.H.
19	STRIP	2	2229MM (87-3/4")	(MAKE FROM R44438)
20	MOLDING	2	2229MM (87-3/4")	(MAKE FROM R44437)
21	R44442	WINDOWPANE	1		UPPER AND UPPER R.H.

2121

OPERATOR'S STATION

CAB LEFT HAND SIDE AND FENDER (STOLPER)

R13884 -UN-01JAN94



2122

OPERATOR'S STATION

**CAB LEFT HAND SIDE AND FENDER - CONTINUED
(STOLPER)**

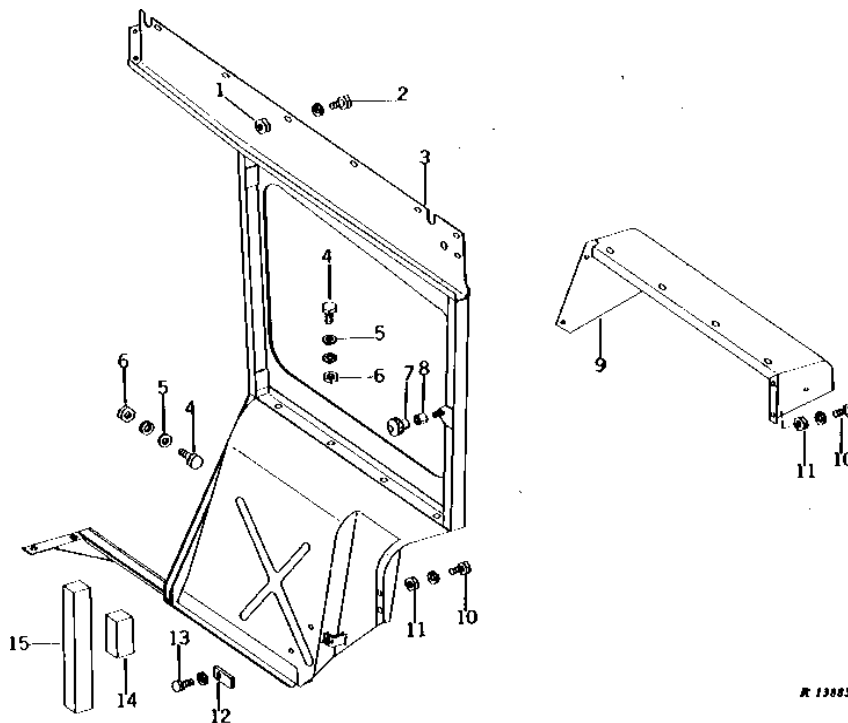
KEY	PART NO.	PART NAME	QTY	TRACTOR SERIAL NO.	REMARKS
1	19H1726	CAP SCREW	2		3/8" X 2-1/4"
2	24H1305	WASHER	2		13/32" X 13/16" X 0.065"
3	R44448	SPRING	2		
4	AR45823	STOP	1		(NLA)
5	AR45824	ROD	1		
6	11M7059	COTTER PIN	1		3.200 X 20 MM
7	24H1305	WASHER	1		13/32" X 13/16" X 0.065"
8	AR46764	CAB	1		L.H. (NO LONGER AVAILABLE)
9	19H1731	CAP SCREW	6		3/8" X 1"
	12H310	LOCK WASHER	6		3/8"
10	14H1076	NUT	4		3/8"
11	19H1936	CAP SCREW	7		3/8" X 3/4"
12	24H1305	WASHER	7		13/32" X 13/16" X 0.065"
13	14H1076	NUT	7		3/8"
	12H304	LOCK WASHER	7		3/8"
14	R44445	BUSHING	1		
15	R44446	KNOB	1		
16	FOAM PAD	1		51 X 51 X 102MM (2" X 2" X 4") (MAKE FROM R45015)
17	FOAM PAD	1		51 X 51 X 356MM (2" X 2" X 14") (MAKE FROM R45015)
18	19H1731	CAP SCREW	1		3/8" X 1"
	12H304	LOCK WASHER	1		3/8"
19	R44984	STRAP	1		(NO LONGER AVAILABLE)
20	14H1076	NUT	4		3/8"
21	19H1936	CAP SCREW	4		3/8" X 3/4"
	12H304	LOCK WASHER	4		3/8"
22	AR46762	FENDER	1		L.H. (NO LONGER AVAILABLE)

2123

OPERATOR'S STATION

CAB RIGHT-HAND AND FENDER (STOLPER)

R13883 -UN-01JAN94



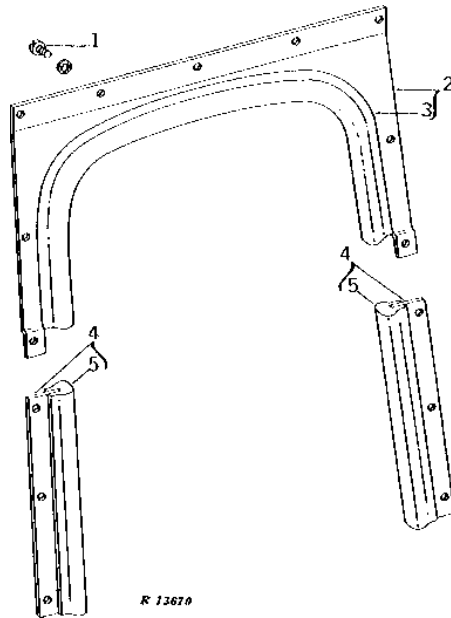
KEY	PART NO.	PART NAME	QTY	TRACTOR SERIAL NO.	REMARKS
1	14H1076	NUT	4	3/8"	
2	19H1731	CAP SCREW	6	3/8" X 1"	
	12H310	LOCK WASHER	6	3/8"	
3	AR46763	CAB	1	R.H. (NO LONGER AVAILABLE)	
4	19H1936	CAP SCREW	7	3/8" X 3/4"	
5	24H1305	WASHER	7	13/32" X 13/16" X 0.065"	
6	14H1076	NUT	7	3/8"	
	12H304	LOCK WASHER	7	3/8"	
7	R44446	KNOB	1		
8	R44445	BUSHING	1		
9	AR46761	FENDER	1	R.H. (NO LONGER AVAILABLE)	
10	19H1936	CAP SCREW	4	3/8" X 3/4"	
	12H304	LOCK WASHER	4	3/8"	
11	14H1076	NUT	4	3/8"	
12	R44984	STRAP	1	(NO LONGER AVAILABLE)	
13	19H1731	CAP SCREW	1	3/8" X 1"	
	12H304	LOCK WASHER	1	3/8"	
14	FOAM PAD	1	51 X 51 X 102MM (2" X 2" X 4") (MAKE FROM R45015)	
15	FOAM PAD	1	51 X 51 X 356MM (2" X 2" X 14") (MAKE FROM R45015)	

2124

OPERATOR'S STATION

CAB COWL PANELS (STOLPER)

R13670 -UN-01JAN94



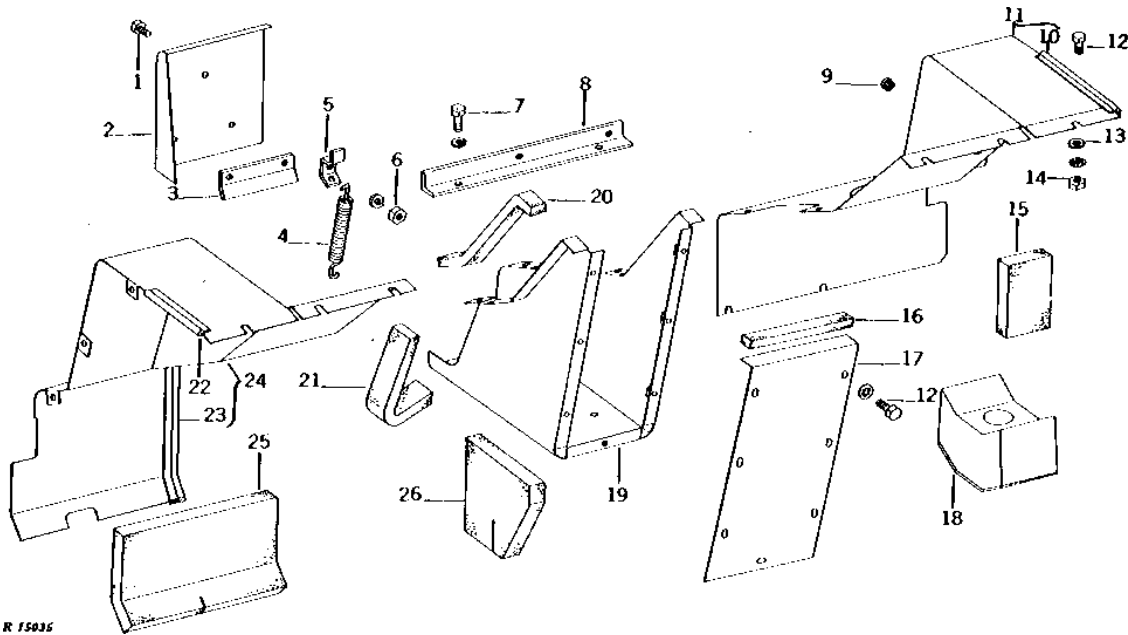
KEY	PART NO.	PART NAME	QTY	TRACTOR SERIAL NO.	REMARKS
1	21H1304	SCREW	13	5/16" X 3/4"	
	12M7032	LOCK WASHER	13	0.331"	
2	AR45719	PANEL	1		(NO LONGER AVAILABLE)
3	R44585	SEAL	1		
4	AR45720	PANEL	2		(NO LONGER AVAILABLE)
5	SEAL	2		337MM (13-1/4") (MAKE FROM R44585)

2125

OPERATOR'S STATION

R15035 -UN-01JAN94

HYDRAULIC COVERS (STOLPER) (ROCKSHAFT)



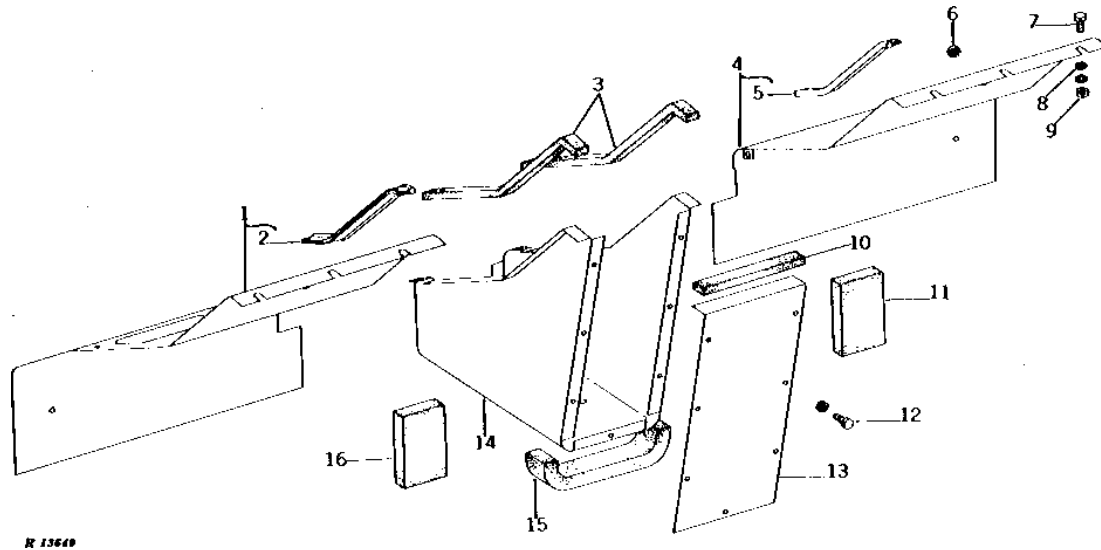
KEY	PART NO.	PART NAME	QTY	TRACTOR SERIAL NO.	REMARKS
1	21H1304	SCREW	3	5/16" X 3/4"	
2	R36421	COVER	1	FRONT	
3	R36408	CLIP	1		
4	R35823	SPRING	1		
5	R36407	CLIP	1		
6	14H785	NUT	3	5/16"	
	12H303	LOCK WASHER	3	5/16"	
7	19H1731	CAP SCREW	2	3/8" X 1"	
	12H304	LOCK WASHER	2	3/8"	
8	R36406	ANGLE	1	(NO LONGER AVAILABLE)	
9	M42229	PLUG	2	(SUB FOR R32234 OR T11708)	
10	WEATHERSTRIP	1	216MM (8-1/2") (MAKE FROM R44447)	
11	AR45177	PANEL	1	R.H. (NO LONGER AVAILABLE)	
12	19H1900	CAP SCREW	22	5/16" X 3/4"	
13	24H1136	WASHER	22	11/32" X 11/16" X 0.065"	
14	14H785	NUT	15	5/16"	
	12M7032	LOCK WASHER	22	0.331"	
15	FOAM PAD	1	25 X 76 X 127MM (1" X 3" X 5") (MAKE FROM R45015)	
16	FOAM PAD	1	13 X 25 X 178MM (1/2" X 1" X 7") (MAKE FROM R30936)	
17	R44351	COVER	1	REAR (NO LONGER AVAILABLE)	
18	AR42273	SEAL	1	(NO LONGER AVAILABLE)	
19	AR45179	PANEL	1	(NO LONGER AVAILABLE)	
20	FOAM PAD	2	13 X 25 X 191MM (1/2" X 1" X 7-1/2") (MAKE FROM R30936)	
21	FOAM PAD	1	13 X 152 X 416MM (1/2" X 6" X 16-3/8") (MAKE FROM R45015)	
22	WEATHERSTRIP	1	216MM (8-1/2") (MAKE FROM R44447)	
23	WEATHERSTRIP	1	565MM (22-1/4") (MAKE FROM R44447)	
24	AR45178	PANEL	1	L.H. (NO LONGER AVAILABLE)	
25	FOAM PAD	1	25 X 152 X 305MM (1" X 6" X 12") (MAKE FROM R45015)	
26	FOAM PAD	1	25 X 152 X 184MM (1" X 6" X 7-1/4") (MAKE FROM R45015)	

2J1

OPERATOR'S STATION

HYDRAULIC COVERS (STOLPER) (LESS ROCKSHAFT)

R13649 -UN-01JAN94



R 13649

KEY	PART NO.	PART NAME	QTY	TRACTOR SERIAL NO.	REMARKS
1	AR66191	PANEL	1	R.H. (SUB FOR AR45175)	
2	WEATHERSTRIP	1	305MM (12") (MAKE FROM R44447)	
3	FOAM PAD	2	13 X 25 X 305MM (1/2" X 1" X 12") (MAKE FROM R30936)	
4	AR45174	PANEL	1	R.H. (NO LONGER AVAILABLE)	
5	WEATHERSTRIP	1	305MM (12") (MAKE FROM R44447)	
6	M42229	PLUG	2	(SUB FOR T11708)	
7	19H1900	CAP SCREW	19	5/16" X 3/4"	
8	24H1136	WASHER	19	11/32" X 11/16" X 0.065"	
9	14H785	NUT	19	5/16"	
	12M7032	LOCK WASHER	19	0.331"	
10	FOAM PAD	1	13 X 25 X 178MM (1/2" X 1" X 7") (MAKE FROM R30936)	
11	FOAM PAD	1	25 X 95 X 127MM (1" X 3-3/4" X 5") (MAKE FROM R45015)	
12	19H1900	CAP SCREW	7	5/16" X 3/4"	
	12M7032	LOCK WASHER	7	0.331"	
13	R44351	COVER	1	CENTER REAR (NO LONGER AVAILABLE)	
14	AR45176	PANEL	1	CENTER (NO LONGER AVAILABLE)	
15	FOAM PAD	1	13 X 25 X 178MM (1/2" X 1" X 7") (MAKE FROM R30936)	
16	FOAM PAD	1	25 X 95 X 127MM (1" X 3-3/4" X 5") (MAKE FROM R45015)	

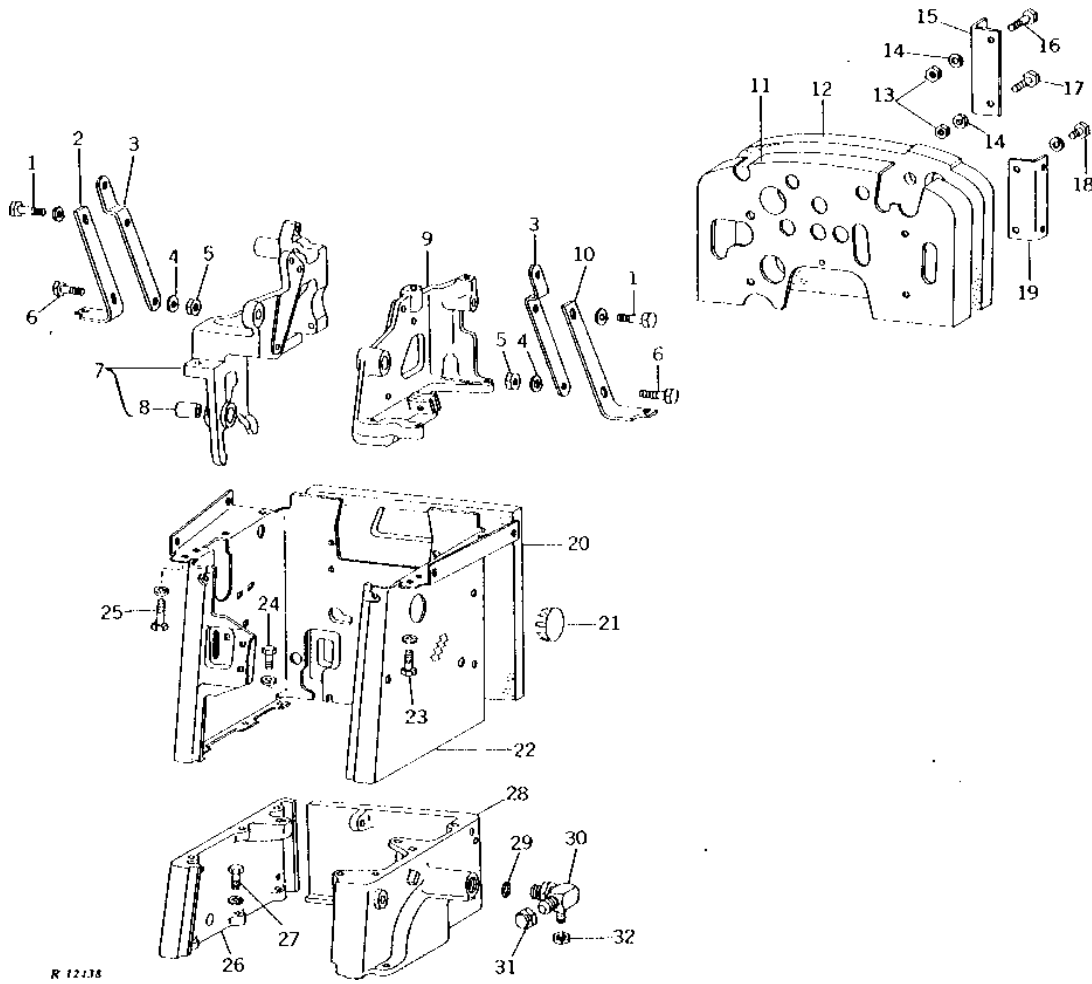
2J2

OPERATOR'S STATION

R12438

-UN-01JAN94

CONTROL, HOOD AND STEERING SUPPORTS



2J3

OPERATOR'S STATION

CONTROL, HOOD AND STEERING SUPPORTS - CONTINUED

KEY	PART NO.	PART NAME	QTY	TRACTOR SERIAL NO.	REMARKS
1	19H1139	CAP SCREW	2		3/8" X 1-1/8"
	12H310	LOCK WASHER	2		3/8"
2	R31231	SUPPORT	1		L.H.
3	R31229	SUPPORT	2		
4	12H310	LOCK WASHER	2		3/8"
5	14H1076	NUT	2		3/8"
6	19H1731	CAP SCREW	2		3/8" X 1"
7	AR53470	BRACKET	1		L.H. (MARKED R36083 OR R49637) (ALSO ORDER R49799) (SUB FOR AR35577)
8	R27567	BUSHING	1		
9	R47079	BRACKET	1		R.H. (SUB FOR R32390)
10	R31230	SUPPORT	1		R.H.
11	AR34927	ISOLATOR	1		(NO LONGER AVAILABLE)
12	R56059	FOAM PAD	1		
13	14H1076	NUT	2		3/8", (LESS SELECTIVE CONTROLS)
14	12H304	LOCK WASHER	2		3/8", (LESS SELECTIVE CONTROLS)
15	R26895	ANGLE	1		(LESS SELECTIVE CONTROLS)
16	19H1726	CAP SCREW	1		3/8" X 2-1/4", (LESS SELECTIVE CONTROLS)
17	19H1765	CAP SCREW	1		3/8" X 1-3/4", (LESS SELECTIVE CONTROLS)
18	19H2284	CAP SCREW	2		3/8" X 7/8"
	12H304	LOCK WASHER	2		3/8"
19	R26895	ANGLE	1		
20	R56059	FOAM PAD	1		
21	R20513	PLUG	1		
22	AR32818	SUPPORT	1		(NO LONGER AVAILABLE)
23	19H2284	CAP SCREW	3		3/8" X 7/8"
	12H304	LOCK WASHER	3		3/8"
24	19H1936	CAP SCREW	6		3/8" X 3/4"
	12H304	LOCK WASHER	6		3/8"
25	19H2284	CAP SCREW	2		3/8" X 7/8"
	12H304	LOCK WASHER	2		3/8"
26	R50964	BASE	1		L.H. (SUB FOR R35551 OR R47916)
27	19H1732	CAP SCREW	8		3/8" X 1-1/4"
	12H304	LOCK WASHER	8		3/8"
28	R47915	BASE	1		R.H. (SUB FOR R35550)
29	R26906	O-RING	1		
30	AR36856	TEE FITTING	1	-015134	90°
	AR36856	TEE FITTING	1	015135-	90°, (DIFFERENTIAL LOCK)
	AR26724	ELBOW FITTING	1		90°, (LESS DIFFERENTIAL LOCK)
	R27474	DRAIN PLUG	1		(LESS DIFFERENTIAL LOCK AND ROCKSHAFT)
31	R36927	FITTING	1		(LESS ROCKSHAFT)
32	R40583	FITTING	1	-015134	(LESS DIFFERENTIAL LOCK)

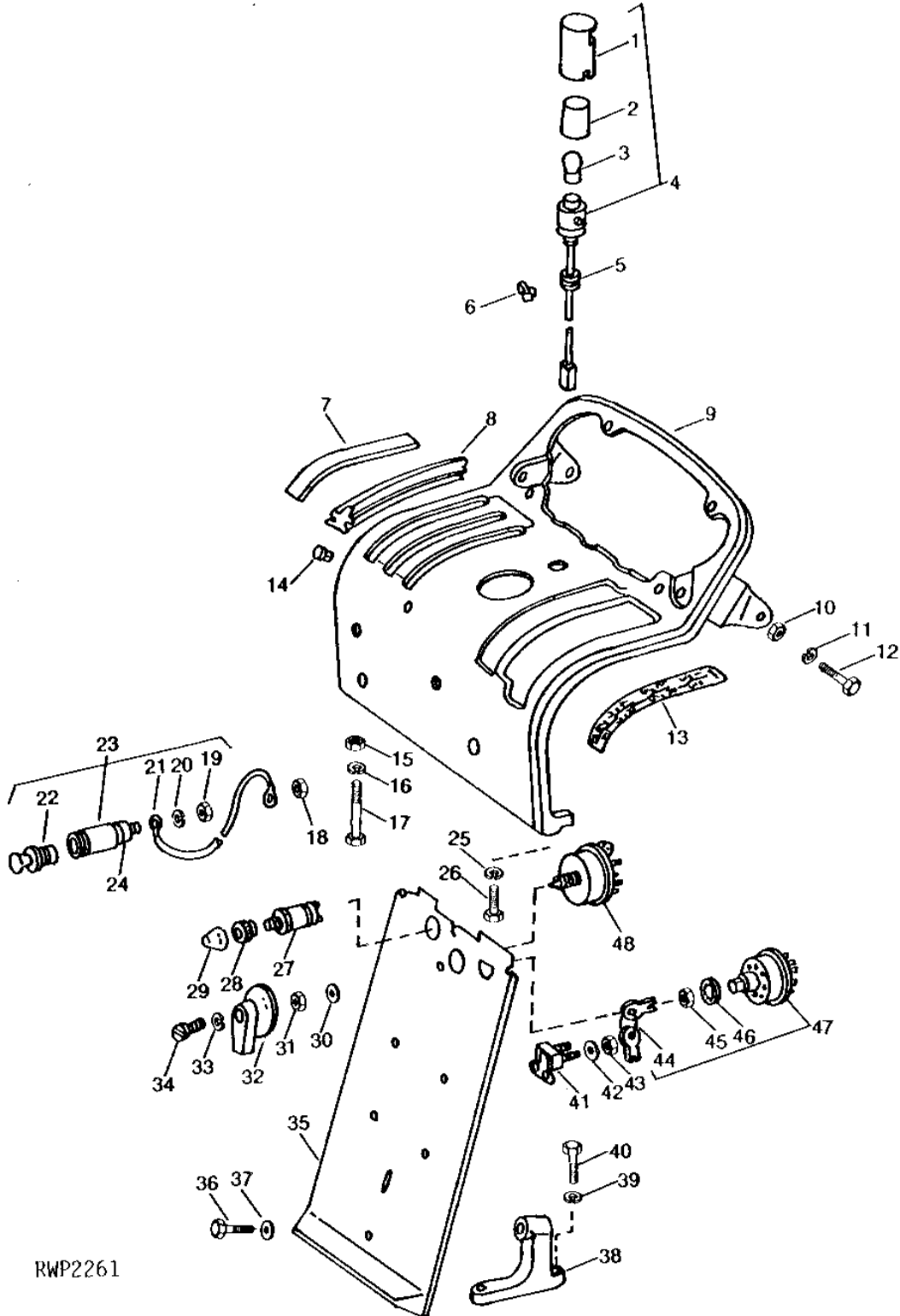
2J4

OPERATOR'S STATION

RWP2261

-UN-01JAN94

CONTROL SUPPORT COVER, SWITCHES, DASH AND DASH LAMP



2J5

OPERATOR'S STATION

CONTROL SUPPORT COVER, SWITCHES, DASH AND DASH LAMP - CONTINUED

KEY	PART NO.	PART NAME	QTY	TRACTOR SERIAL NO.	REMARKS
1	R40192	COVER	1		
2	R28792	LENS	1		
3	AT12948	BULB	1		6 C.P., (12-14 VOLT)
4	AR33479	LAMP	1		
5	A3411R	GROMMET	1		
6	F2084R	CLIP	1		(SUB R21551)
7	R27361	ISOLATOR	1		
8	AR91941	STOP	1		(SUB R70281)
9	AR68197	INSTRUMENT PANEL	1		(SUB FOR AR34959)
10	14H1076	NUT	2		3/8"
11	12H304	LOCK WASHER	2		3/8"
12	19H1936	CAP SCREW	2		3/8" X 3/4"
13	R40676	LABEL	1		
14	R27983	PLUG	1		
15	14H1076	NUT	1		3/8"
16	12H304	LOCK WASHER	1		3/8"
17	19H1765	CAP SCREW	1		3/8" X 1-3/4"
18	14H631	NUT	1		0.190"
19	14H605	NUT	2		0.164"
20	12M7084	LOCK WASHER	1		0.169"
21	AR94130	WIRING LEAD	1		
22	AR60937	LIGHTER	1		(SUB FOR AA5787R)
23	AR48643	LIGHTER	1		(12-VOLT) (SUB FOR AR34556 OR AR46079)
24	AR30394	CIRCUIT BREAKER	1		
25	12H304	LOCK WASHER	1		3/8"
26	19H1936	CAP SCREW	1		3/8" X 3/4"
27	R39554	SWITCH	1		(ALSO ORDER T55501) (SUB FOR AR46184 OR AR47373)
28	R21157	NUT	1		(SUB T55501 AND R39554)
29	T55501	CAP	1		(SUB FOR R39549)
30	12H292	LOCK WASHER	1		1/2"
31	A4655R	NUT	1		
32	R27963	KNOB	1		(SUB AT65316)
33	12H315	LOCK WASHER	1		0.164"
34	21H1299	SCREW	1		0.164" X 3/8"
35	AR36315	COVER	1		
36	19H1731	CAP SCREW	1		3/8" X 1"
37	24H1305	WASHER	1		13/32" X 13/16" X 0.065"
38	R49802	BRACKET	1		(SUB FOR R35623)
39	12H304	LOCK WASHER	2		3/8"
40	19H1139	CAP SCREW	2		3/8" X 1-1/8"
41	AR28403	CIRCUIT BREAKER	2		
42	12M7060	WASHER	2		0.209"
43	14H631	NUT	2		0.190"
44	A4700R	KEY	1		
45	T15969	NUT	1		(SUB FOR R39553)
46	12M7038	LOCK WASHER	1		0.650"
47	AR39505	SWITCH	1		
48	AR41288	SWITCH	1		(SUB FOR R39551)

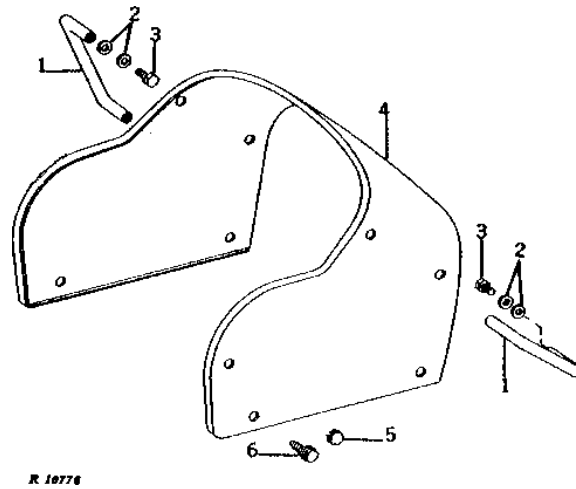
MEMORANDA

2J6

OPERATOR'S STATION

R10776 -UN-01JAN94

COWL



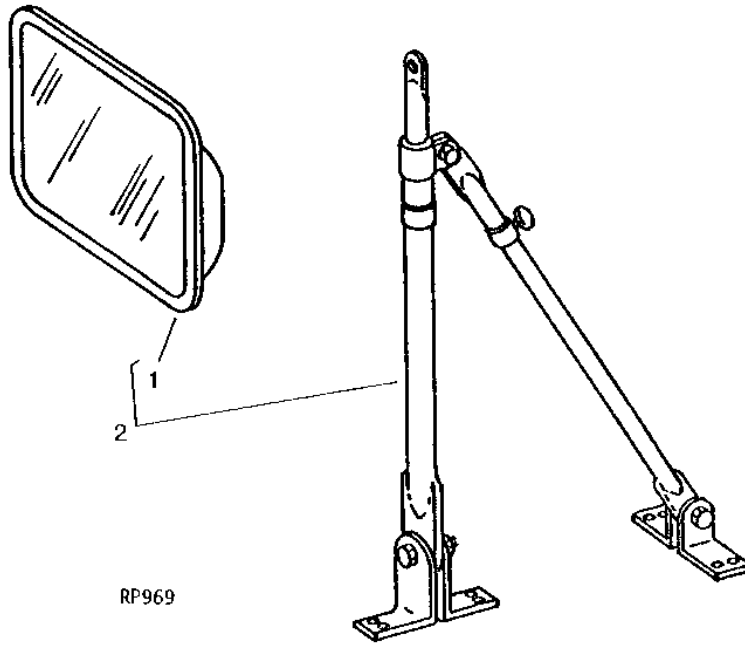
KEY	PART NO.	PART NAME	QTY	TRACTOR SERIAL NO.	REMARKS
1	R31618	HANDLE	2		
2	24H1305	WASHER	8	13/32" X 13/16" X 0.065"	
3	19H1936	CAP SCREW	4	3/8" X 3/4"	
4	AR41584	COWL	1	(SUB FOR AR32765)	
5	R42451	PLUG	1	(SUB FOR R31420) (SUB T15005)	
6	AR26568	SCREW	4		

2J7

OPERATOR'S STATION

RP969 -UN-01JAN94

REAR VIEW MIRROR



RP969

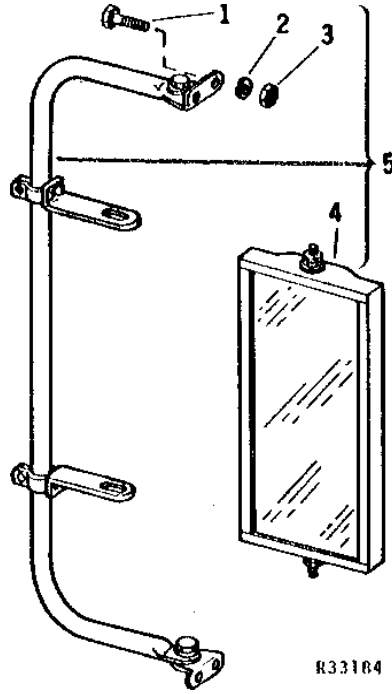
KEY	PART NO.	PART NAME	QTY	TRACTOR SERIAL NO.	REMARKS
1	AH16186	REAR VIEW MIRROR	1	(SUB FOR AR44255) (SUB AR89137)	
2	AR44254	REAR VIEW MIRROR	1	(SUB (3) AH85483, (6) H78354 AND AR89137)	

2J8

OPERATOR'S STATION

R33184 -UN-01JAN94

OUTSIDE MIRROR



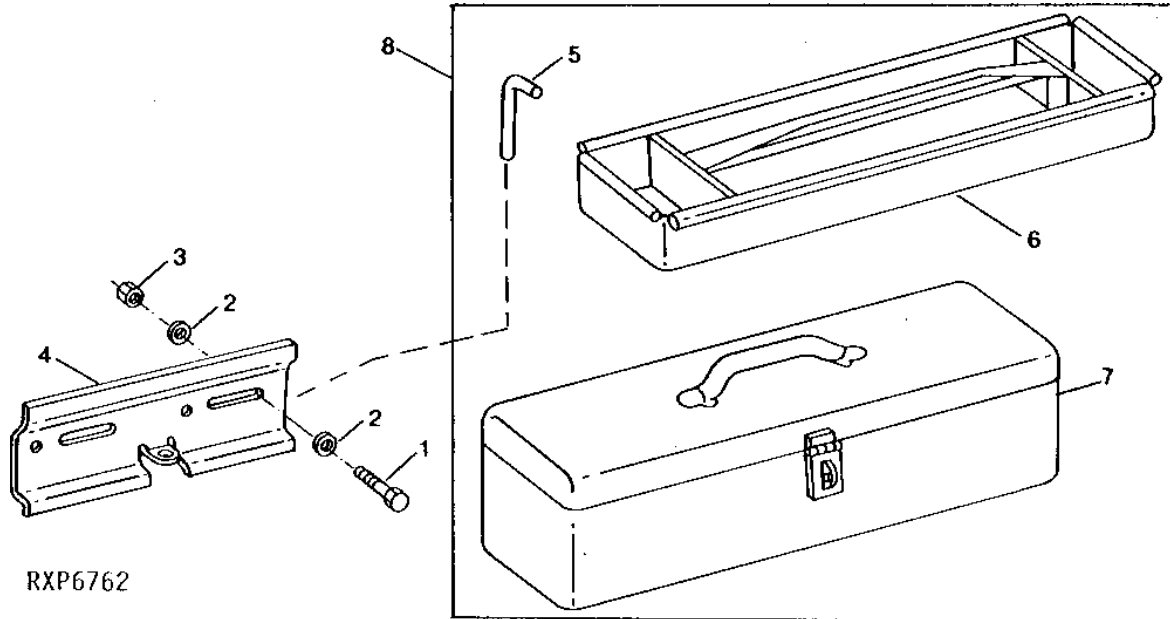
KEY	PART NO.	PART NAME	QTY	CAB SERIAL NO.	REMARKS
1	19H1948	CAP SCREW	1	1/4" X 3/4"	
2	12H302	LOCK WASHER	1	1/4"	
3	14H786	NUT	1	1/4"	
4	AR52555	REAR VIEW MIRROR	1		
5	AR52554	REAR VIEW MIRROR	1		

2J9

OPERATOR'S STATION

TOOLBOX AND SUPPORTS

RXP6762 -UN-01JAN94



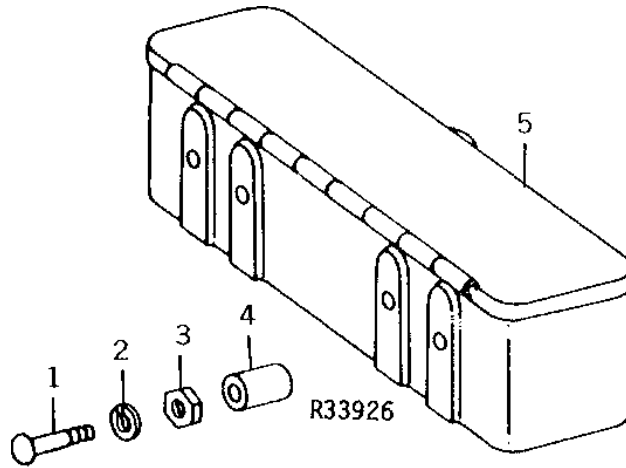
KEY	PART NO.	PART NAME	QTY	TRACTOR SERIAL NO.	REMARKS
1	03H1855	BOLT	2	5/8" X 1"	
2	12H294	LOCK WASHER	2	5/8"	
3	14H1039	NUT	2	5/8"	
4	T23033	BRACKET	1		
5	T23027	PIN	1		
6	AT22073	HOLDER	1		
7	TOOLBOX	1		(ORDER AT22070)
8	AT22070	TOOLBOX	1		
..	JD5272	LABEL	1	-XXXXXX	
..	JD5602	LABEL	1	XXXXXX-	

2J10

OPERATOR'S STATION

R33926 -UN-01JAN94

TOOLBOX (STOLPER)



KEY	PART NO.	PART NAME	QTY	TRACTOR SERIAL NO.	REMARKS
1	03H1558	BOLT	2	3/8" X 1-1/2"	
2	12H304	LOCK WASHER	2	3/8"	
3	14H1076	NUT	2	3/8"	
4	28H1919	BUSHING	2	1/2" X 15/16"	
5	AR34684	TOOLBOX	1		

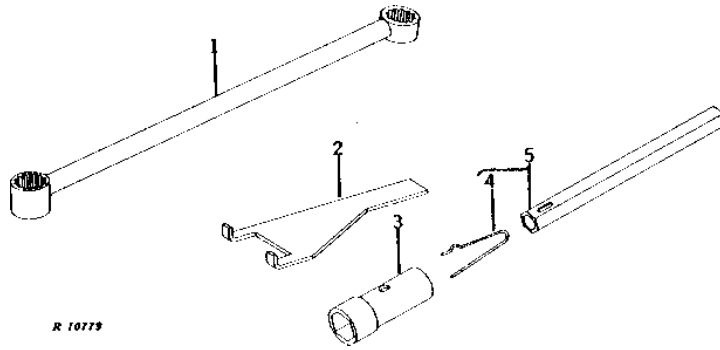
MEMORANDA

2J11

OPERATOR'S STATION

R10779 -UN-01JAN94

TOOLS



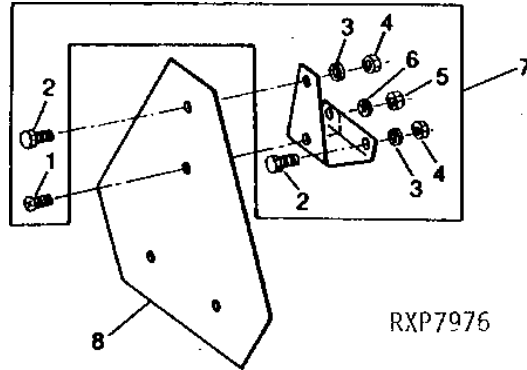
KEY	PART NO.	PART NAME	QTY	TRACTOR SERIAL NO.	REMARKS
1	R34827	WRENCH	1		
2	R36621	WRENCH	1		
3	AR39683	WRENCH	1		
4	R39739	SPRING LOCKING PIN	1		
5	AR39682	EXTENSION	1		

2J12

OPERATOR'S STATION

RXP7976 -UN-01JAN94

SLOW MOVING VEHICLE EMBLEM



RXP7976

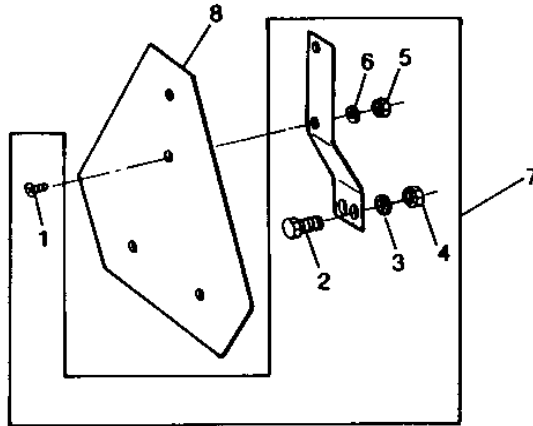
KEY	PART NO.	PART NAME	QTY	TRACTOR SERIAL NO.	REMARKS
1	21H1301	SCREW	1	0.190" X 1/2"	
2	19H1900	CAP SCREW	3	5/16" X 3/4"	
3	12H303	LOCK WASHER	3	5/16"	
4	14H785	NUT	3	5/16"	
5	14H778	NUT	1	0.190"	
6	12H246	LOCK WASHER	1	0.190"	
7	AR47859	BRACKET	1	(STOLPER CAB) (NLA)	
8	JD5403	SMV EMBLEM	1		

2J13

OPERATOR'S STATION

RXP7977 -UN-01JAN94

SLOW MOVING VEHICLE EMBLEM (LESS ROCKSHAFT)



RXP7977

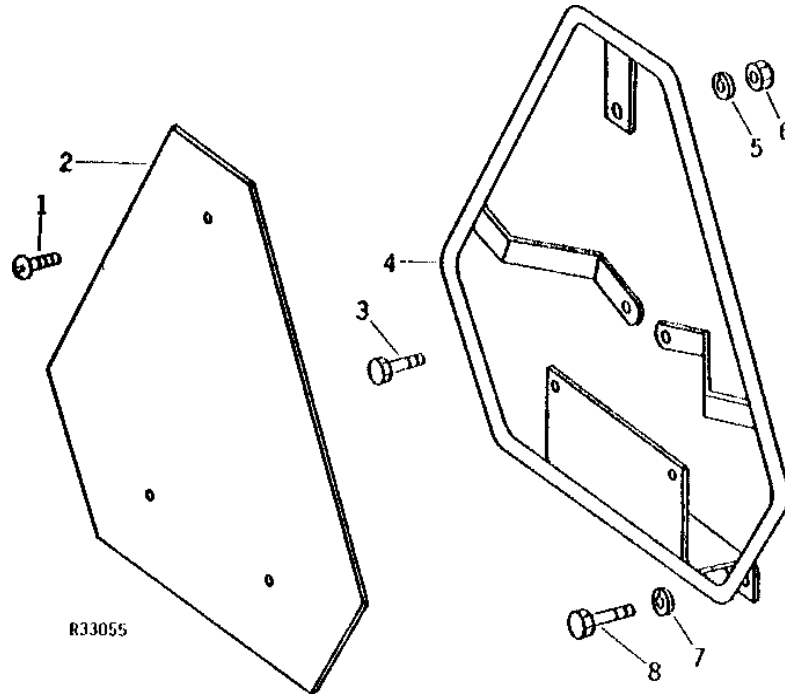
KEY	PART NO.	PART NAME	QTY	TRACTOR SERIAL NO.	REMARKS
1	21H1301	SCREW	1	0.190" X 1/2"	
2	19H1792	CAP SCREW	3	1/2" X 1"	
3	12H301	LOCK WASHER	2	1/2"	
4	14H1040	NUT	2	1/2"	
5	14H778	NUT	2	0.190"	
6	12H246	LOCK WASHER	2	0.190"	
7	AR45738	BRACKET	1		
8	JD5403	SMV EMBLEM	1		

2J14

OPERATOR'S STATION

R33055 -UN-01JAN94

SLOW MOVING VEHICLE EMBLEM
(TRACTOR SERIAL NO. -XXXXXX)



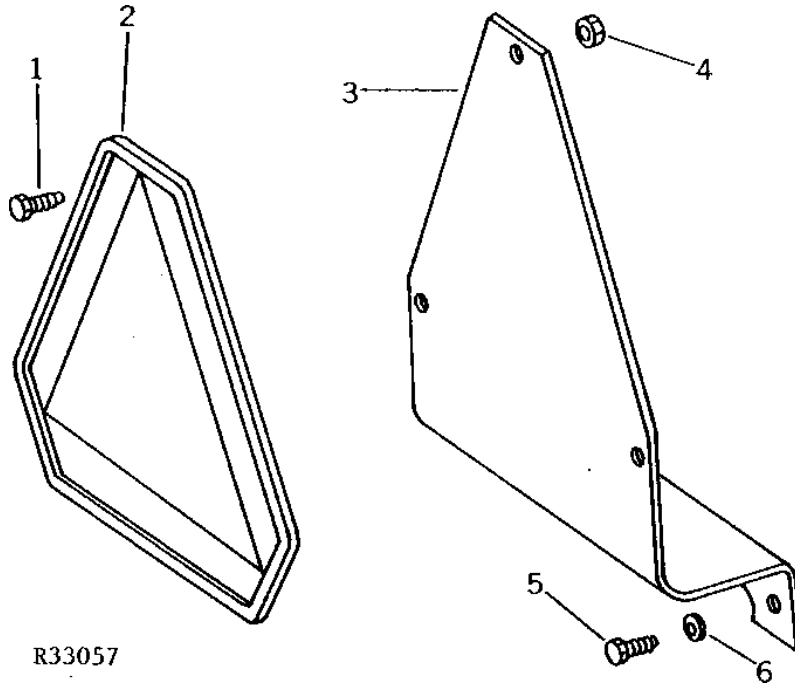
KEY	PART NO.	PART NAME	QTY	TRACTOR SERIAL NO.	REMARKS
1	21H1301	SCREW	3	0.190" X 1/2"	
2	JD5403	SMV EMBLEM	1		
3	19H1900	CAP SCREW	1	5/16" X 3/4"	
4	AR46282	SUPPORT	1		
5	12H246	LOCK WASHER	3	0.190"	
6	14H778	NUT	3	0.190"	
7	12H303	LOCK WASHER	2	5/16"	
8	19H1849	CAP SCREW	2	5/16" X 1-1/4"	

2J15

OPERATOR'S STATION

R33057 -UN-01JAN94

SLOW MOVING VEHICLE EMBLEM (TRACTOR SERIAL NO. XXXXXX-)



R33057

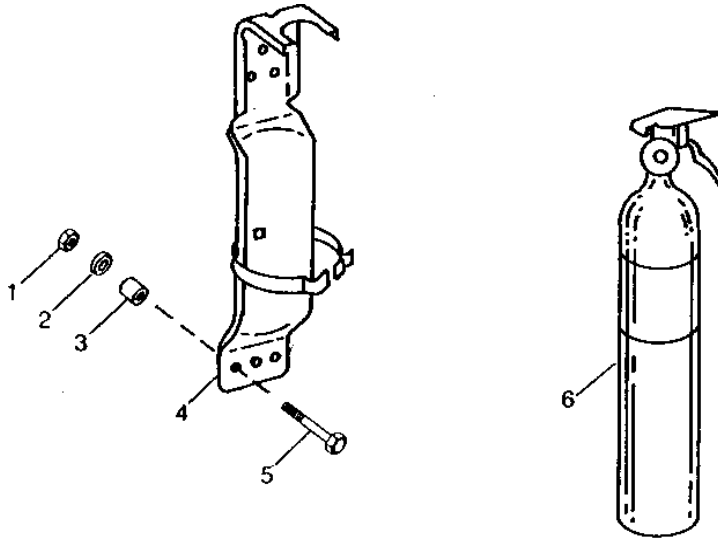
KEY	PART NO.	PART NAME	QTY	TRACTOR SERIAL NO.	REMARKS
1	19H1948	CAP SCREW	AR		1/4" X 3/4", (3 USED LESS CAB, (2) USED WITH CAB)
2	TY2615	SMV EMBLEM	1		(SUB FOR AR61194)
3	R53828	BRACKET	1		(LESS CAB)
4	14H786	NUT	AR		1/4", (3 USED LESS CAB, (2) USED WITH CAB)
5	19H1849	CAP SCREW	2		5/16" X 1-1/4", (LESS CAB)
6	12H303	LOCK WASHER	2		5/16", (LESS CAB)

2J16

OPERATOR'S STATION

RWP2787 -UN-01JAN94

FIRE EXTINGUISHER



RWP2787

KEY	PART NO.	PART NAME	QTY	TRACTOR SERIAL NO.	REMARKS
1	14H786	NUT	2		1/4", (SUB FOR 28H1914)
2	24H1287	WASHER	2		9/32" X 5/8" X 0.065"
3	28H3423	BUSHING	2		
4	AT75387	BRACKET	1		(SUB FOR AT62019)
5	21H1035	SCREW	2		1/4" X 1-1/2"
6	AT141924	FIRE EXTINGUISHER	1		(SUB FOR AT62018 OR AT81764)

2J17

OPERATOR'S STATION

R32259 -UN-01JAN94

LOCTITE SEALANT



R32259F

KEY	PART NO.	PART NAME	QTY	TRACTOR SERIAL NO.	REMARKS
1	TY9371	ADHESIVE	1		(SUB FOR AT14927 OR AT24538)

2J18

OPERATOR'S STATION

**PARTS FOR WEATHERSHIELDS
(NOT ILLUSTRATED)**

KEY	PART NO.	PART NAME	QTY	TRACTOR SERIAL NO.	REMARKS
..	R20123	WINDSHIELD	1		FRONT
..	R20124	FRAME	1		FRONT
..	AR20143	WINDOWPANE	1		R.H.
..	AR30516	WINDOW	1		L.H.

1K15

5020 TRACTOR (SERIAL NO. -024,999)

NUMERICAL INDEX

PART NO.	GRID	KEY	PAGE	PART NO.	GRID	KEY	PAGE	PART NO.	GRID	KEY	PAGE
AA15044	2C13	20	70 - 37	AR101236	2B2	3	70 - 5	AR104563	1B18	1	20 - 24
AA32178	1F22	..	40 - 38	AR101236	2B8	23	70 - 9	AR104563	1B19	3	20 - 25
AA3495R	1F11	6	40 - 27	AR101236	2B10	3	70 - 9B	AR104564	1B18	1	20 - 24
AA3495R	1F11	17	40 - 27	AR101236	2B14	28	70 - 11	AR104564	1B19	3	20 - 25
AA3495R	1F13	4	40 - 29	AR101245	1G10	4	40 - 51	AR104565	1B18	1	20 - 24
AA3495R	1F13	13	40 - 29	AR101245	1G14	4	40 - 55	AR104565	1B19	3	20 - 25
AA3495R	1F15	5	40 - 31	AR101266	1B19	4	20 - 25	AR104566	1B18	1	20 - 24
AA3495R	1F17	5	40 - 33	AR101267	1B18	1	20 - 24	AR104566	1B19	3	20 - 25
AA34967	1F22	3	40 - 38	AR101267	1B19	3	20 - 25	AR104567	1B19	4	20 - 25
AA34968	1F22	23	40 - 38	AR101287	1I21	8	50 - 35	AR104568	1B19	4	20 - 25
AA4039R	1D24	9	40 - 5	AR101287	1I23	8	50 - 37	AR104569	1B19	4	20 - 25
AA4423R	1D24	16	40 - 5	AR101403	1B19	4	20 - 25	AR104570	1B19	4	20 - 25
AA5302R	1D15	25	30 - 31	AR101408	1B19	3	20 - 25	AR11031	1E15	29	40 - 19B
AA5691R	1D24	18	40 - 5	AR101409	1B19	3	20 - 25	AR110611	1C21	5	30 - 11
AA5691R	1F21	18	40 - 37	AR101410	1B19	3	20 - 25	AR11068	1E15	14	40 - 19B
AA5692R	1D24	18	40 - 5	AR101411	1B19	3	20 - 25	AR11074	1E15	10	40 - 19B
AA5692R	1F21	17	40 - 37	AR101412	1B19	3	20 - 25	AR11075	1F4	31	40 - 25F
AA5692R	1G25	12	40 - 68	AR101549	1C3	8	20 - 34	AR11076	1E20	10	40 - 23A
AA5731R	2E18	7	70 - 91	AR101549	1C4	7	20 - 35	AR11079	1F4	12	40 - 25F
AA5787R	2J5	22	90 - 69	AR101833	1B13	8	20 - 19	AR11080	1E22	30	40 - 23D
AA6217R	1F21	19	40 - 37	AR102219	2I13	5	90 - 52	AR11080	1F4	8	40 - 25F
AA6218R	1F21	14	40 - 37	AR102219	2I13	6	90 - 52	AR11081	1E22	13	40 - 23D
AA6309R	2E15	3	70 - 88	AR102219	2I13	7	90 - 52	AR11082	1E19	17	40 - 23
AB3453R	1B3	17	20 - 9	AR102219	2I14	5	90 - 53	AR11083	1E19	2	40 - 23
AD2062R	1E2	10	40 - 7	AR102219	2I14	6	90 - 53	AR11084	1E20	1	40 - 23A
AD2062R	1E4	14	40 - 9	AR102219	2I14	7	90 - 53	AR11085	1E20	19	40 - 23A
AD2062R	1F11	2	40 - 27	AR102220	2I13	5	90 - 52	AR111058	1G6	20	40 - 47
AD2062R	1F11	5	40 - 27	AR102220	2I13	6	90 - 52	AR11302	1D24	1	40 - 5
AD2062R	1F13	1	40 - 29	AR102220	2I13	7	90 - 52	AR11302	1E11	3	40 - 17
AD2062R	1F13	11	40 - 29	AR102220	2I14	5	90 - 53	AR11302	1E15	..	40 - 19B
AD2062R	1F13	12	40 - 29	AR102220	2I14	6	90 - 53	AR11329	1E22	29	40 - 23D
AD2062R	1F15	16	40 - 31	AR102220	2I14	7	90 - 53	AR11330	1E15	44	40 - 19B
AD2062R	1F15	26	40 - 31	AR102454	1G3	12	40 - 44	AR11331	1E15	4	40 - 19B
AD2062R	1F15	27	40 - 31	AR102454	1G4	12	40 - 45	AR11333	1E15	37	40 - 19B
AD2062R	1F17	19	40 - 33	AR102760	1E22	29	40 - 23D	AR14006	1D24	8	40 - 5
AD2062R	1F17	25	40 - 33	AR102761	1E22	21	40 - 23D	AR14006	1E16	3	40 - 20
AD2062R	1F17	26	40 - 33	AR102763	1F4	28	40 - 25F	AR14006	1F6	..	40 - 25H
AD2062R	1F20	3	40 - 36	AR102764	1F4	18	40 - 25F	AR14006	1F8	..	40 - 25J
AD2062R	1F22	2	40 - 38	AR102765	1F4	17	40 - 25F	AR14006	1F9	..	40 - 25K
AE24616	2B15	9	70 - 12	AR102766	1F4	31	40 - 25F	AR14011	1F9	..	40 - 25K
AF3892R	1F11	20	40 - 27	AR102767	1E20	10	40 - 23A	AR14012	1F9	..	40 - 25K
AF3892R	1F13	7	40 - 29	AR102768	1F4	29	40 - 25F	AR14013	1F8	5	40 - 25J
AF3892R	1F13	22	40 - 29	AR102770	1D24	8	40 - 5	AR1729R	1C14	2	30 - 3
AF3892R	1F15	2	40 - 31	AR102770	1E16	3	40 - 20	AR1730R	1C14	4	30 - 3
AF3892R	1F17	14	40 - 33	AR102770	1E17	..	40 - 21	AR1745R	1C14	1	30 - 3
AF3892R	1F19	13	40 - 35	AR102770	1E19	..	40 - 23	AR20032	2F5	15	80 - 3
AH12614	2G12	6	90 - 3	AR102770	1E20	..	40 - 23A	AR20032	2F7	16	80 - 5
AH16186	2J7	1	90 - 72	AR102770	1E25	..	40 - 25B	AR20033	2F7	24	80 - 5
AH64758	2I18	1	90 - 57	AR102770	1F4	..	40 - 25F	AR20143	2J18	..	90 - 84
AH77100	1D15	25	30 - 31	AR102771	1D24	8	40 - 5	AR21024	1C2	1	20 - 33
AH85483	2J7	2	90 - 72	AR102771	1E16	3	40 - 20	AR21024	1C2	2	20 - 33
AH93625	1F22	12	40 - 38	AR102771	1E17	..	40 - 21	AR21059	1F11	20	40 - 27
AH93852	1J5	3	50 - 45	AR102771	1E19	..	40 - 23	AR21059	1F11	23	40 - 27
AL14896	1G2	7	40 - 43	AR102771	1E20	..	40 - 23A	AR21059	1F13	7	40 - 29
AL26972	2D18	25	70 - 65	AR102771	1E25	..	40 - 25B	AR21059	1F13	22	40 - 29
AL26972	2D20	22	70 - 67	AR102771	1F4	..	40 - 25F	AR21059	1F15	17	40 - 31
AL26973	2D18	3	70 - 65	AR103044	1B14	5	20 - 20	AR21059	1F15	21	40 - 31
AL26973	2D20	21	70 - 67	AR103108	1B14	6	20 - 20	AR21059	1F17	20	40 - 33
AL2976T	1H5	20	40 - 73	AR103109	1B14	6	20 - 20	AR21737	1F11	2	40 - 27
AM3491T	1I2	4	50 - 13	AR103112	1B14	6	20 - 20	AR21737	1F13	11	40 - 29
AM3491T	1I2	11	50 - 13	AR103322	1B14	6	20 - 20	AR21737	1F15	27	40 - 31
AN163885	2D15	38	70 - 61	AR103808	2E24	7	70 - 97	AR21737	1F17	26	40 - 33
AN163885	2E20	26	70 - 93	AR103811	1A25	3	20 - 5	AR21739	1F11	5	40 - 27
AN212996	2C24	6	70 - 45B	AR104119	1F17	2	40 - 33	AR21739	1F13	12	40 - 29
AN212996	2E23	10	70 - 96	AR104119	1F17	14	40 - 33	AR21739	1F15	26	40 - 31
AN250096	2B15	5	70 - 12	AR104119	1F19	2	40 - 35	AR21739	1F17	25	40 - 33
AR101236	2B2	2	70 - 5	AR104119	1F19	13	40 - 35	AR21823	1D22	4	40 - 3

1K16

5020 TRACTOR (SERIAL NO. -024,999)

NUMERICAL INDEX - CONTINUED

PART NO.	GRID	KEY	PAGE	PART NO.	GRID	KEY	PAGE	PART NO.	GRID	KEY	PAGE
AR21823	1G1	3	40 - 42	AR26707	1116	28	50 - 28	AR28340	2H6	27	90 - 23
AR21823	1G2	2	40 - 43	AR26711	2C11	16	70 - 35	AR28341	2H6	15	90 - 23
AR21823	1G3	10	40 - 44	AR26724	1J3	22	50 - 43	AR28403	1D22	11	40 - 3
AR21823	1G4	10	40 - 45	AR26724	2C9	12	70 - 33	AR28403	1G25	10	40 - 68
AR21836	1D5	9	30 - 21	AR26724	2C9	19	70 - 33	AR28403	1H3	19	40 - 71
AR21837	1B25	8	20 - 31	AR26724	2J3	30	90 - 67	AR28403	2J5	41	90 - 69
AR21837	1C1	2	20 - 32	AR26725	1J10	24	60 - 4	AR28482	1C6	17	20 - 37
AR21837	2G12	7	90 - 3	AR26725	1J13	21	60 - 7	AR28488	1J23	2	60 - 18
AR21839	2G13	3	90 - 4	AR26725	1J19	2	60 - 13	AR28552	1F25	7	40 - 41
AR21839	2G22	5	90 - 14	AR26725	1J20	11	60 - 14	AR28754	2E23	3	70 - 96
AR21840	1C6	11	20 - 37	AR26725	1J21	7	60 - 16	AR28755	2E23	3	70 - 96
AR21840	1C8	2	20 - 39	AR26746	114	24	50 - 15	AR29615	1F25	3	40 - 41
AR21842	1C16	2	30 - 5	AR26746	114	25	50 - 15	AR30016	1J21	5	60 - 16
AR21856	1F23	1	40 - 39	AR26746	1K8	22	60 - 27	AR30017	1J21	14	60 - 16
AR21858	1F21	9	40 - 37	AR26746	2B19	12	70 - 17	AR30018	1J21	18	60 - 16
AR21858	1F23	1	40 - 39	AR26747	1H21	24	50 - 8	AR30018	1J22	3	60 - 17
AR21969	1A22	..	20 - 2	AR26747	2B19	2	70 - 17	AR30019	1J21	19	60 - 16
AR21969	1J13	..	60 - 7	AR26756	1D24	15	40 - 5	AR30094	2C7	34	70 - 31
AR21969	2B18	..	70 - 15	AR26758	2B2	12	70 - 5	AR30110	2C7	11	70 - 31
AR21969	2B19	..	70 - 17	AR26763	1J17	13	60 - 11	AR30110	2C7	18	70 - 31
AR21999	1C6	28	20 - 37	AR26763	2C13	1	70 - 37	AR30110	2C9	14	70 - 33
AR26338	1H18	7	50 - 5	AR26763	2D12	2	70 - 58	AR30166	1J21	9	60 - 16
AR26338	1119	6	50 - 32	AR26763	2D13	5	70 - 59	AR30210	2D15	7	70 - 61
AR26341	1B12	13	20 - 18	AR26763	2D13	9	70 - 59	AR30210	2D17	7	70 - 63
AR26351	1B3	9	20 - 9	AR26763	2D24	33	70 - 71	AR30282	1F25	15	40 - 41
AR26353	1B3	20	20 - 9	AR26763	2E2	19	70 - 73	AR30297	1J13	35	60 - 7
AR26360	1114	14	50 - 26	AR26766	2D13	26	70 - 59	AR30297	1J13	39	60 - 7
AR26375	1H24	20	50 - 11	AR26767	1J10	1	60 - 4	AR30298	1J13	35	60 - 7
AR26390	1B12	6	20 - 18	AR26767	1J17	9	60 - 11	AR30317	2H5	15	90 - 22
AR26402	1J11	5	60 - 5	AR26767	2D13	25	70 - 59	AR30394	2J5	24	90 - 69
AR26403	2G24	9	90 - 17	AR26771	1J2	27	50 - 41	AR30444	1B12	9	20 - 18
AR26414	2C17	18	70 - 41	AR26771	1J3	10	50 - 43	AR30472	1D15	3	30 - 31
AR26414	2C18	3	70 - 41A	AR26771	1J17	2	60 - 11	AR30516	2J18	..	90 - 84
AR26448	1J11	2	60 - 5	AR26771	2B16	8	70 - 13	AR30580	2113	7	90 - 52
AR26523	2C11	23	70 - 35	AR26773	1J10	2	60 - 4	AR30581	2113	7	90 - 52
AR26524	2C11	33	70 - 35	AR26773	1J17	9	60 - 11	AR30589	1J9	8	60 - 3
AR26529	2H2	14	90 - 19	AR26775	1D15	53	30 - 31	AR30590	1J9	8	60 - 3
AR26530	2H2	20	90 - 19	AR26846	2C3	3	70 - 27	AR30685	2D16	12	70 - 62
AR26546	2C11	3	70 - 35	AR26849	1D24	8	40 - 5	AR30690	2E5	13	70 - 77
AR26556	2D2	35	70 - 47	AR27093	2D2	31	70 - 47	AR30697	2C3	8	70 - 27
AR26566	2F24	12	80 - 23	AR27139	1C2	1	20 - 33	AR30697	2C7	14	70 - 31
AR26568	2G3	2	80 - 27	AR27253	1D5	9	30 - 21	AR30762	1J3	13	50 - 43
AR26568	2J6	6	90 - 71	AR27572	2H6	31	90 - 23	AR30855	1K2	6	60 - 21
AR26571	1D24	18	40 - 5	AR27702	1A25	3	20 - 5	AR31016	1K2	18	60 - 21
AR26571	1G25	1	40 - 68	AR27728	1C23	6	30 - 13	AR31152	2B23	6	70 - 21
AR26592	1D15	11	30 - 31	AR27806	2F8	1	80 - 6	AR31272	2C11	6	70 - 35
AR26613	1D15	14	30 - 31	AR27806	2F9	1	80 - 6A	AR31274	2C11	6	70 - 35
AR26615	1D15	46	30 - 31	AR27808	1C14	6	30 - 3	AR31547	2B23	6	70 - 21
AR26625	1J13	5	60 - 7	AR27814	1D11	1	30 - 27	AR31550	1C24	13	30 - 15
AR26632	2H2	1	90 - 19	AR27867	2D24	23	70 - 71	AR31611	2C13	13	70 - 37
AR26635	1B12	1	20 - 18	AR27867	2E4	10	70 - 75	AR31627	1C24	3	30 - 15
AR26646	2B4	21	70 - 7	AR27940	1D11	6	30 - 27	AR31663	2E2	33	70 - 73
AR26657	2D24	29	70 - 71	AR27944	1D22	1	40 - 3	AR31663	2E4	49	70 - 75
AR26657	2E4	15	70 - 75	AR27944	1F25	10	40 - 41	AR31703	2C7	26	70 - 31
AR26657	2E7	21	70 - 79	AR27977	1B5	25	20 - 11	AR31703	2D24	19	70 - 71
AR26674	1C23	18	30 - 13	AR27977	1D22	23	40 - 3	AR31754	2C5	7	70 - 29
AR26674	1C24	14	30 - 15	AR27977	1F25	29	40 - 41	AR31813	2D24	17	70 - 71
AR26674	1D2	7	30 - 17	AR28047	2F24	3	80 - 23	AR31820	2E2	10	70 - 73
AR26674	1D8	5	30 - 24	AR28048	2F24	5	80 - 23	AR31882	1B20	1	20 - 26
AR26697	2D24	31	70 - 71	AR28049	2F24	5	80 - 23	AR31904	1113	27	50 - 25
AR26697	2D24	..	70 - 71	AR28167	1E4	6	40 - 9	AR31940	1K2	21	60 - 21
AR26697	2E2	..	70 - 73	AR28167	1F13	22	40 - 29	AR31944	1J22	4	60 - 17
AR26697	2E5	3	70 - 77	AR28167	1F13	23	40 - 29	AR31945	2E21	15	70 - 94
AR26697	2E7	24	70 - 79	AR28271	1B21	14	20 - 27	AR31946	1K4	1	60 - 23
AR26697	2E13	3	70 - 85	AR28271	1H21	11	50 - 8	AR31977	2H2	28	90 - 19
AR26701	1116	29	50 - 28	AR28330	1D8	16	30 - 24	AR31978	2H5	9	90 - 22
AR26705	1B23	22	20 - 29	AR28339	2H6	1	90 - 23	AR31979	2H5	1	90 - 22

1K17

5020 TRACTOR (SERIAL NO. -024,999)

NUMERICAL INDEX - CONTINUED

PART NO.	GRID	KEY	PAGE	PART NO.	GRID	KEY	PAGE	PART NO.	GRID	KEY	PAGE
AR31988	1J17	3	60 - 11	AR35092	1B2	9	20 - 7	AR35471	1H18	14	50 - 5
AR32608	2C7	11	70 - 31	AR35101	2F5	6	80 - 3	AR35485	1115	15	50 - 27
AR32610	2C7	11	70 - 31	AR35101	2F7	6	80 - 5	AR35506	1111	2	50 - 23
AR32700	1J13	16	60 - 7	AR35147	1B5	22	20 - 11	AR35525	2D3	8	70 - 48
AR32765	2J6	4	90 - 71	AR35158	115	11	50 - 16	AR35526	2D7	23	70 - 53
AR32818	2J3	22	90 - 67	AR35159	2B25	9	70 - 23	AR35527	2D7	22	70 - 53
AR33249	2B4	6	70 - 7	AR35159	2C3	11	70 - 27	AR35528	1H18	6	50 - 5
AR33479	1D22	14	40 - 3	AR35164	1B23	28	20 - 29	AR35577	2J3	7	90 - 67
AR33479	2J5	4	90 - 69	AR35166	1111	11	50 - 23	AR35580	1J23	7	60 - 18
AR33821	2B2	4	70 - 5	AR35176	1B18	1	20 - 24	AR35586	1C14	5	30 - 3
AR33877	2D15	34	70 - 61	AR35176	1B19	3	20 - 25	AR35589	1H20	13	50 - 7
AR33926	1C24	3	30 - 15	AR35177	1B19	3	20 - 25	AR35646	1J23	7	60 - 18
AR34006	1J9	10	60 - 3	AR35178	1B18	1	20 - 24	AR35659	1H22	17	50 - 9
AR34059	2D15	37	70 - 61	AR35179	1B18	1	20 - 24	AR35660	1B19	4	20 - 25
AR34098	2A23	4	70 - 2	AR35179	1B19	3	20 - 25	AR35661	1B17	7	20 - 23
AR34172	1J13	9	60 - 7	AR35180	1B18	1	20 - 24	AR35662	1B17	12	20 - 23
AR34295	2E5	13	70 - 77	AR35181	1B18	1	20 - 24	AR35663	1B9	7	20 - 15
AR34302	1C7	6	20 - 38	AR35181	1B19	3	20 - 25	AR35666	1C21	10	30 - 11
AR34368	1D5	..	30 - 21	AR35182	1B18	1	20 - 24	AR35710	1J2	21	50 - 41
AR34415	1D8	10	30 - 24	AR35183	1B18	1	20 - 24	AR35710	1J3	11	50 - 43
AR34415	1D8	11	30 - 24	AR35184	1B18	1	20 - 24	AR35717	2B18	3	70 - 15
AR34475	1C24	13	30 - 15	AR35185	1B19	4	20 - 25	AR35718	2B16	3	70 - 13
AR34556	1D22	7	40 - 3	AR35186	1B19	4	20 - 25	AR35718	2B18	4	70 - 15
AR34556	2J5	23	90 - 69	AR35187	1B19	4	20 - 25	AR35720	2B18	6	70 - 15
AR34567	1D24	1	40 - 5	AR35188	1B19	4	20 - 25	AR35721	2D13	3	70 - 59
AR34567	1E11	3	40 - 17	AR35190	1B19	4	20 - 25	AR35725	1J8	15	60 - 2
AR34567	1E15	..	40 - 19B	AR35191	1B17	7	20 - 23	AR35725	1J17	6	60 - 11
AR34660	2H5	27	90 - 22	AR35193	1B17	7	20 - 23	AR35733	1113	10	50 - 25
AR34684	2J10	5	90 - 75	AR35195	1B17	7	20 - 23	AR35735	2C9	3	70 - 33
AR34705	1I23	20	50 - 37	AR35202	1K6	14	60 - 25	AR35736	2C11	19	70 - 35
AR34927	2J3	11	90 - 67	AR35203	1K9	8	60 - 28	AR35737	2C9	11	70 - 33
AR34930	1C24	13	30 - 15	AR35206	2H14	3	90 - 26	AR35739	2C9	6	70 - 33
AR34959	2J5	9	90 - 69	AR35206	2H15	3	90 - 27	AR35742	2D12	7	70 - 58
AR34990	1E4	7	40 - 9	AR35207	1J19	3	60 - 13	AR35743	2D12	8	70 - 58
AR34990	1F13	14	40 - 29	AR35208	1J19	11	60 - 13	AR35759	2C22	9	70 - 45
AR35003	1B12	2	20 - 18	AR35209	1J19	14	60 - 13	AR35760	2C22	3	70 - 45
AR35004	1B12	18	20 - 18	AR35210	1J20	1	60 - 14	AR35761	2D2	21	70 - 47
AR35006	1B1	5	20 - 6	AR35212	1D24	10	40 - 5	AR35762	2D2	34	70 - 47
AR35007	1A25	4	20 - 5	AR35213	1D24	12	40 - 5	AR35763	2C22	1	70 - 45
AR35008	1B5	32	20 - 11	AR35214	2F22	2	80 - 21	AR35772	2C20	2	70 - 43
AR35010	1B14	10	20 - 20	AR35218	1K9	2	60 - 28	AR35773	2C22	14	70 - 45
AR35012	1B17	6	20 - 23	AR35223	114	24	50 - 15	AR35774	2C22	16	70 - 45
AR35017	1C21	4	30 - 11	AR35223	1K6	25	60 - 25	AR35777	2C15	1	70 - 39
AR35023	2F24	15	80 - 23	AR35226	2D12	7	70 - 58	AR35782	1E2	9	40 - 7
AR35025	2F24	37	80 - 23	AR35228	2D12	8	70 - 58	AR35782	1E5	12	40 - 10
AR35027	1B25	21	20 - 31	AR35230	2D13	10	70 - 59	AR35782	1E6	13	40 - 11
AR35032	1J5	10	50 - 45	AR35231	2D13	11	70 - 59	AR35782	1F11	24	40 - 27
AR35033	1A23	12	20 - 3	AR35234	2D13	22	70 - 59	AR35782	1F15	22	40 - 31
AR35035	1B23	6	20 - 29	AR35235	1K6	15	60 - 25	AR35782	1F17	22	40 - 33
AR35036	1119	14	50 - 32	AR35236	2B19	6	70 - 17	AR35790	2C20	14	70 - 43
AR35045	1J23	4	60 - 18	AR35239	2B18	28	70 - 15	AR35791	2C20	7	70 - 43
AR35046	2F17	11	80 - 15	AR35242	1J17	14	60 - 11	AR35800	1B14	6	20 - 20
AR35054	119	17	50 - 21	AR35243	1J17	10	60 - 11	AR35801	1H20	32	50 - 7
AR35055	119	18	50 - 21	AR35246	1C16	10	30 - 5	AR35801	1115	11	50 - 27
AR35057	1114	11	50 - 26	AR35261	2E15	1	70 - 88	AR35823	2D24	35	70 - 71
AR35060	1115	8	50 - 27	AR35267	1K6	7	60 - 25	AR35823	2E2	3	70 - 73
AR35061	1115	4	50 - 27	AR35270	2G3	1	80 - 27	AR35826	2C15	4	70 - 39
AR35064	1115	27	50 - 27	AR35271	2G3	1	80 - 27	AR35842	1B17	16	20 - 23
AR35079	1C23	19	30 - 13	AR35314	1B18	1	20 - 24	AR35843	1B17	16	20 - 23
AR35079	1C24	15	30 - 15	AR35315	2F22	6	80 - 21	AR35850	2D2	21	70 - 47
AR35082	1H22	8	50 - 9	AR35319	2F22	3	80 - 21	AR35851	2D2	1	70 - 47
AR35083	1H22	15	50 - 9	AR35326	2E16	1	70 - 89	AR35855	2C22	12	70 - 45
AR35084	1H22	17	50 - 9	AR35339	1H18	13	50 - 5	AR35857	2C22	23	70 - 45
AR35085	1H22	2	50 - 9	AR35345	2D7	13	70 - 53	AR35861	2D5	20	70 - 51
AR35087	1C24	8	30 - 15	AR35382	2C3	14	70 - 27	AR35862	2D5	18	70 - 51
AR35087	1D5	26	30 - 21	AR35403	117	21	50 - 19	AR35912	2D5	7	70 - 51
AR35090	2F24	1	80 - 23	AR35404	117	13	50 - 19	AR35912	2D7	8	70 - 53

1K18

5020 TRACTOR (SERIAL NO. -024,999)

NUMERICAL INDEX - CONTINUED

PART NO.	GRID	KEY	PAGE	PART NO.	GRID	KEY	PAGE	PART NO.	GRID	KEY	PAGE
AR35922	2C17	2	70 - 41	AR36456	1C16	24	30 - 5	AR36822	1B2	3	20 - 7
AR35932	114	25	50 - 15	AR36537	1A23	12	20 - 3	AR36823	1J2	1	50 - 41
AR35952	1116	20	50 - 28	AR36619	1B14	6	20 - 20	AR36827	2B21	1	70 - 19
AR35964	2B21	20	70 - 19	AR36628	2F7	36	80 - 5	AR36836	1B17	11	20 - 23
AR35970	2F22	7	80 - 21	AR36629	2F7	28	80 - 5	AR36849	1D24	8	40 - 5
AR35992	1B17	12	20 - 23	AR36636	2F5	35	80 - 3	AR36849	1E16	3	40 - 20
AR35992	1B17	15	20 - 23	AR36638	2F5	39	80 - 3	AR36849	1F6	..	40 - 25H
AR36010	1110	4	50 - 22	AR36642	2F5	20	80 - 3	AR36849	1F8	..	40 - 25J
AR36011	1110	3	50 - 22	AR36643	2F5	24	80 - 3	AR36849	1F9	1	40 - 25K
AR36044	1C16	19	30 - 5	AR36649	1B5	22	20 - 11	AR36849	1F9	2	40 - 25K
AR36047	2G24	24	90 - 17	AR36666	1B17	6	20 - 23	AR36849	1F9	..	40 - 25K
AR36048	2H2	18	90 - 19	AR36667	1C3	22	20 - 34	AR36850	1F8	..	40 - 25J
AR36054	1B9	7	20 - 15	AR36668	1C3	7	20 - 34	AR36850	1F9	..	40 - 25K
AR36055	1B23	29	20 - 29	AR36668	1C4	6	20 - 35	AR36851	2B25	6	70 - 23
AR36056	1B23	15	20 - 29	AR36671	1B12	2	20 - 18	AR36855	1J3	16	50 - 43
AR36057	1B20	4	20 - 26	AR36672	1D5	31	30 - 21	AR36856	1J3	22	50 - 43
AR36066	1H16	9	50 - 3	AR36672	1D6	10	30 - 22	AR36856	2C9	19	70 - 33
AR36069	1H21	19	50 - 8	AR36674	1D5	8	30 - 21	AR36856	2J3	30	90 - 67
AR36073	1B10	5	20 - 16	AR36675	1D5	7	30 - 21	AR36863	1H20	7	50 - 7
AR36076	117	10	50 - 19	AR36676	1D5	6	30 - 21	AR36868	1F9	5	40 - 25K
AR36078	2F5	7	80 - 3	AR36677	1D5	5	30 - 21	AR36869	1F9	11	40 - 25K
AR36078	2F7	7	80 - 5	AR36678	1D5	4	30 - 21	AR36872	1B17	9	20 - 23
AR36079	2F5	41	80 - 3	AR36679	1D5	3	30 - 21	AR36877	1D5	13	30 - 21
AR36079	2F7	37	80 - 5	AR36680	1D5	2	30 - 21	AR36881	1H21	19	50 - 8
AR36092	1B14	6	20 - 20	AR36689	115	1	50 - 16	AR36883	1H21	19	50 - 8
AR36093	1114	17	50 - 26	AR36689	1121	16	50 - 35	AR36886	1B9	7	20 - 15
AR36145	1B17	9	20 - 23	AR36689	1123	28	50 - 37	AR36887	2B21	1	70 - 19
AR36150	1119	4	50 - 32	AR36690	115	6	50 - 16	AR36889	1B5	32	20 - 11
AR36158	2E15	6	70 - 88	AR36691	114	1	50 - 15	AR36897	2F5	6	80 - 3
AR36181	1B1	9	20 - 6	AR36693	1B23	15	20 - 29	AR36897	2F7	6	80 - 5
AR36182	1B1	13	20 - 6	AR36694	1B23	22	20 - 29	AR36904	1B14	6	20 - 20
AR36188	1C3	17	20 - 34	AR36699	1H20	7	50 - 7	AR36927	1J3	16	50 - 43
AR36210	1B17	10	20 - 23	AR36702	1B7	1	20 - 13	AR36929	1B25	21	20 - 31
AR36239	1B23	15	20 - 29	AR36702	1B23	29	20 - 29	AR36985	1F8	7	40 - 25J
AR36239	1B23	29	20 - 29	AR36703	2F5	32	80 - 3	AR36985	1F8	15	40 - 25J
AR36240	1B23	15	20 - 29	AR36704	2F5	32	80 - 3	AR36986	1F8	8	40 - 25J
AR36241	1H24	7	50 - 11	AR36712	2F24	22	80 - 23	AR36987	1F8	16	40 - 25J
AR36243	1J20	9	60 - 14	AR36713	2F24	22	80 - 23	AR36988	1F8	28	40 - 25J
AR36250	1J3	5	50 - 43	AR36716	2F24	22	80 - 23	AR36989	1F8	22	40 - 25J
AR36256	1J3	3	50 - 43	AR36717	2F24	22	80 - 23	AR36990	1F8	29	40 - 25J
AR36257	1J3	6	50 - 43	AR36751	1C23	23	30 - 13	AR36991	1F8	..	40 - 25J
AR36259	1K6	20	60 - 25	AR36751	1D22	21	40 - 3	AR36992	1C20	11	30 - 10
AR36260	1J3	12	50 - 43	AR36752	1C23	7	30 - 13	AR37017	2C13	3	70 - 37
AR36272	1J2	32	50 - 41	AR36757	1C23	8	30 - 13	AR37017	2E7	26	70 - 79
AR36279	1K5	29	60 - 24	AR36759	1C23	13	30 - 13	AR38453	1E2	12	40 - 7
AR36280	1K5	30	60 - 24	AR36760	1C23	1	30 - 13	AR38453	1E4	15	40 - 9
AR36285	2C9	15	70 - 33	AR36762	1C23	9	30 - 13	AR38453	1E5	13	40 - 10
AR36286	2D12	20	70 - 58	AR36763	1C23	10	30 - 13	AR38453	1E6	4	40 - 11
AR36287	2D12	19	70 - 58	AR36772	2H14	14	90 - 26	AR38453	1E7	4	40 - 12
AR36292	114	24	50 - 15	AR36773	2H14	14	90 - 26	AR38455	1E2	15	40 - 7
AR36303	2E15	1	70 - 88	AR36776	2F22	11	80 - 21	AR38455	1E4	10	40 - 9
AR36308	2E20	24	70 - 93	AR36777	2H14	31	90 - 26	AR38455	1E6	6	40 - 11
AR36313	2E18	41	70 - 91	AR36777	2H15	13	90 - 27	AR38456	1E2	10	40 - 7
AR36314	1B5	32	20 - 11	AR36778	2H14	24	90 - 26	AR38456	1E4	14	40 - 9
AR36315	2J5	35	90 - 69	AR36778	2H15	29	90 - 27	AR38456	1E5	6	40 - 10
AR36345	1123	16	50 - 37	AR36779	2G3	4	80 - 27	AR38456	1E6	9	40 - 11
AR36346	1123	25	50 - 37	AR36788	2F24	36	80 - 23	AR38456	1E7	15	40 - 12
AR36353	1B17	16	20 - 23	AR36789	2G3	4	80 - 27	AR38456	1F13	1	40 - 29
AR36355	1D11	16	30 - 27	AR36790	2F24	31	80 - 23	AR38456	1F15	16	40 - 31
AR36358	1D5	11	30 - 21	AR36791	2F24	31	80 - 23	AR38456	1F17	19	40 - 33
AR36374	2C11	38	70 - 35	AR36796	2F24	15	80 - 23	AR38456	1F19	18	40 - 35
AR36379	2C15	20	70 - 39	AR36803	2D13	23	70 - 59	AR38456	1F20	1	40 - 36
AR36380	2C15	25	70 - 39	AR36804	2B21	18	70 - 19	AR38456	1F20	4	40 - 36
AR36381	2B19	13	70 - 17	AR36809	1C16	3	30 - 5	AR38456	2H7	7	90 - 24
AR36383	1F25	11	40 - 41	AR36809	1C18	19	30 - 7	AR38714	2B4	31	70 - 7
AR36414	1C16	16	30 - 5	AR36814	1C6	18	20 - 37	AR389R	1113	14	50 - 25
AR36414	1C18	10	30 - 7	AR36816	2F17	4	80 - 15	AR39026	2B2	25	70 - 5

1K19

5020 TRACTOR (SERIAL NO. -024,999)

NUMERICAL INDEX - CONTINUED

PART NO.	GRID	KEY	PAGE	PART NO.	GRID	KEY	PAGE	PART NO.	GRID	KEY	PAGE
AR39505	1D22	8	40 - 3	AR40864	2C4	4	70 - 28	AR41797	2I11	5	90 - 49
AR39505	2J5	47	90 - 69	AR40864	2C20	6	70 - 43	AR41798	2I9	5	90 - 47
AR39516	1I18	1	50 - 31	AR40865	2C20	5	70 - 43	AR41798	2I11	3	90 - 49
AR39585	1J15	34	60 - 9	AR40865	2D9	1	70 - 55	AR41800	2I9	13	90 - 47
AR39598	1C8	11	20 - 39	AR40906	2F22	1	80 - 21	AR41801	2I7	6	90 - 44
AR39672	1K8	9	60 - 27	AR40914	2G4	6	80 - 28	AR41801	2I8	10	90 - 45
AR39677	1I18	14	50 - 31	AR40930	2H15	24	90 - 27	AR41802	2I7	4	90 - 44
AR39682	2J11	5	90 - 77	AR40931	2H15	24	90 - 27	AR41802	2I8	10	90 - 45
AR39683	2J11	3	90 - 77	AR40936	1B14	6	20 - 20	AR41803	2H17	14	90 - 29
AR39694	2A24	1	70 - 3	AR40939	2E9	6	70 - 81	AR41803	2H19	19	90 - 31
AR39694	2B2	..	70 - 5	AR40943	1E4	3	40 - 9	AR41805	2I7	13	90 - 44
AR39694	2B10	..	70 - 9B	AR40947	1G14	4	40 - 55	AR41805	2I8	3	90 - 45
AR39696	2B2	16	70 - 5	AR41023	2D24	..	70 - 71	AR41806	2H21	5	90 - 34
AR39747	2E2	22	70 - 73	AR41023	2E2	..	70 - 73	AR41806	2H22	4	90 - 35
AR39777	2C7	28	70 - 31	AR41039	2D24	..	70 - 71	AR41807	2I7	13	90 - 44
AR39783	2D9	2	70 - 55	AR41039	2E2	..	70 - 73	AR41808	2H21	15	90 - 34
AR39906	1F25	16	40 - 41	AR41043	2D24	..	70 - 71	AR41808	2H22	12	90 - 35
AR40029	2B16	15	70 - 13	AR41043	2E2	..	70 - 73	AR41813	2I2	7	90 - 39
AR40146	1C16	18	30 - 5	AR41043	2E4	55	70 - 75	AR41814	2I2	10	90 - 39
AR40146	1C18	5	30 - 7	AR41103	2D24	..	70 - 71	AR41815	2I11	8	90 - 49
AR40171	1E19	10	40 - 23	AR41103	2E2	..	70 - 73	AR41816	2I11	23	90 - 49
AR40217	1E15	14	40 - 19B	AR41103	2E4	55	70 - 75	AR41818	2I4	7	90 - 41
AR40259	1D8	10	30 - 24	AR41139	2D15	34	70 - 61	AR41848	2I13	5	90 - 52
AR40259	1D8	11	30 - 24	AR41140	2D15	34	70 - 61	AR41849	2I13	6	90 - 52
AR40259	1D8	17	30 - 24	AR41230	2F5	24	80 - 3	AR41850	2G12	12	90 - 3
AR40360	1C16	26	30 - 5	AR41261	2F5	32	80 - 3	AR41850	2I13	4	90 - 52
AR40398	2B2	7	70 - 5	AR41262	2F5	32	80 - 3	AR41850	2I14	4	90 - 53
AR40403	2B16	15	70 - 13	AR41266	2D2	16	70 - 47	AR41851	2I13	5	90 - 52
AR40404	1J17	11	60 - 11	AR41266	2D2	21	70 - 47	AR41852	2I13	5	90 - 52
AR40405	1B12	6	20 - 18	AR41267	2D2	20	70 - 47	AR41852	2I14	5	90 - 53
AR40407	1D8	11	30 - 24	AR41267	2D2	21	70 - 47	AR41853	2I13	6	90 - 52
AR40416	1E11	14	40 - 17	AR41284	1E2	6	40 - 7	AR41853	2I14	6	90 - 53
AR40419	1D24	1	40 - 5	AR41284	1E4	9	40 - 9	AR41854	2I13	5	90 - 52
AR40419	1E11	3	40 - 17	AR41284	1E5	9	40 - 10	AR41854	2I14	5	90 - 53
AR40419	1E12	..	40 - 18	AR41284	1E6	7	40 - 11	AR41940	1A23	12	20 - 3
AR40420	1D24	1	40 - 5	AR41288	1D22	9	40 - 3	AR41950	1G10	8	40 - 51
AR40420	1E11	3	40 - 17	AR41288	2J5	48	90 - 69	AR41950	1G12	8	40 - 53
AR40420	1E13	..	40 - 19	AR41291	1B1	14	20 - 6	AR41950	1G14	7	40 - 55
AR40436	1E15	20	40 - 19B	AR41291	1B1	15	20 - 6	AR41950	1G15	3	40 - 56
AR40436	1E15	21	40 - 19B	AR41291	1B2	3	20 - 7	AR41951	1G10	7	40 - 51
AR40451	1C16	23	30 - 5	AR41292	1B1	14	20 - 6	AR41951	1G12	7	40 - 53
AR40453	1J8	4	60 - 2	AR41292	1B1	15	20 - 6	AR41951	1G14	6	40 - 55
AR40465	2C13	7	70 - 37	AR41292	1B2	3	20 - 7	AR41951	1G15	2	40 - 56
AR40471	1E12	14	40 - 18	AR41293	1B17	9	20 - 23	AR42009	1J8	..	60 - 2
AR40475	1J3	13	50 - 43	AR41293	1B17	8	20 - 23	AR42109	1J2	32	50 - 41
AR40482	1D8	6	30 - 24	AR41294	1B17	9	20 - 23	AR42119	1E6	1	40 - 11
AR40482	1D10	6	30 - 26	AR41295	1B17	8	20 - 23	AR42119	1E7	1	40 - 12
AR40488	2C4	11	70 - 28	AR41574	1C3	19	20 - 34	AR42119	1F17	2	40 - 33
AR40489	1E12	12	40 - 18	AR41584	2J6	4	90 - 71	AR42119	1F17	6	40 - 33
AR40493	1J2	32	50 - 41	AR41691	1C3	5	20 - 34	AR42119	1F19	2	40 - 35
AR40587	2D15	..	70 - 61	AR41691	1C4	4	20 - 35	AR42119	1F19	6	40 - 35
AR40678	2E9	7	70 - 81	AR41735	2D7	13	70 - 53	AR42120	1E6	22	40 - 11
AR40688	2E9	14	70 - 81	AR41754	1G15	8	40 - 56	AR42120	1E7	10	40 - 12
AR40710	1D24	18	40 - 5	AR41756	1G10	2	40 - 51	AR42120	1F17	15	40 - 33
AR40710	1F21	18	40 - 37	AR41756	1G12	2	40 - 53	AR42120	1F19	14	40 - 35
AR40710	1G25	13	40 - 68	AR41756	1G14	2	40 - 55	AR42121	1E6	2	40 - 11
AR40744	2E2	10	70 - 73	AR41756	1G15	1	40 - 56	AR42121	1E7	3	40 - 12
AR40744	2E4	32	70 - 75	AR41758	1G10	1	40 - 51	AR42121	1F17	15	40 - 33
AR40744	2E9	5	70 - 81	AR41758	1G12	1	40 - 53	AR42121	1F19	14	40 - 35
AR40746	2G2	9	80 - 25	AR41758	1G14	1	40 - 55	AR42273	2I25	18	90 - 64
AR40747	2G2	9	80 - 25	AR41758	1G15	10	40 - 56	AR42274	2I6	5	90 - 43
AR40802	1F25	15	40 - 41	AR41760	1G14	3	40 - 55	AR42284	2B19	13	70 - 17
AR40824	2D24	35	70 - 71	AR41761	2H11	11	90 - 24E	AR42326	1C1	10	20 - 32
AR40824	2E2	3	70 - 73	AR41761	2H13	16	90 - 25	AR42327	1H20	24	50 - 7
AR40824	2E4	18	70 - 75	AR41785	1A22	..	20 - 2	AR42335	1H16	9	50 - 3
AR40828	2E7	28	70 - 79	AR41796	2I9	6	90 - 47	AR42400	1K2	21	60 - 21
AR40828	2E9	1	70 - 81	AR41797	2I9	10	90 - 47	AR42431	1G10	4	40 - 51

1K20

5020 TRACTOR (SERIAL NO. -024,999)

NUMERICAL INDEX - CONTINUED

PART NO.	GRID	KEY	PAGE	PART NO.	GRID	KEY	PAGE	PART NO.	GRID	KEY	PAGE
AR42431	1G12	3	40 - 53	AR44644	2I12	9	90 - 50	AR45036	1E16	3	40 - 20
AR42432	1G12	21	40 - 53	AR44645	2I12	4	90 - 50	AR45036	1F6	..	40 - 25H
AR42500	2G3	4	80 - 27	AR44646	2G14	2	90 - 5	AR45036	1F8	..	40 - 25J
AR42501	2G3	4	80 - 27	AR44647	1G18	3	40 - 59	AR45036	1F9	..	40 - 25K
AR42508	2H11	5	90 - 24E	AR44648	1E6	17	40 - 11	AR45097	1C24	3	30 - 15
AR42508	2H13	3	90 - 25	AR44649	1E6	10	40 - 11	AR45097	1D16	2	30 - 32
AR42590	1C1	12	20 - 32	AR44650	1E6	15	40 - 11	AR45099	1E7	17	40 - 12
AR42591	1F17	2	40 - 33	AR44651	1E6	3	40 - 11	AR45099	1F19	19	40 - 35
AR42591	1F19	2	40 - 35	AR44653	1E6	20	40 - 11	AR45099	1F19	31	40 - 35
AR42883	1C1	10	20 - 32	AR44654	1E6	21	40 - 11	AR45102	2F22	2	80 - 21
AR42990	1I7	10	50 - 19	AR44656	1E6	18	40 - 11	AR45111	1E7	5	40 - 12
AR42991	1C1	10	20 - 32	AR44656	1G18	6	40 - 59	AR45112	1E7	6	40 - 12
AR42992	1I2	6	50 - 13	AR44656	2G14	16	90 - 5	AR45113	2G5	4	80 - 29
AR42992	1I2	7	50 - 13	AR44657	2G13	2	90 - 4	AR45114	2G5	5	80 - 29
AR42998	1I2	12	50 - 13	AR44657	2G14	12	90 - 5	AR45132	2I15	3	90 - 54
AR42998	1I2	14	50 - 13	AR44659	1E6	16	40 - 11	AR45174	2J1	4	90 - 65
AR43075	2D3	8	70 - 48	AR44659	1G18	5	40 - 59	AR45175	2J1	1	90 - 65
AR43559	1J9	10	60 - 3	AR44661	2G14	8	90 - 5	AR45176	2J1	14	90 - 65
AR43743	1E7	18	40 - 12	AR44662	2G14	6	90 - 5	AR45177	2I25	11	90 - 64
AR43795	2C13	25	70 - 37	AR44663	2G14	6	90 - 5	AR45178	2I25	24	90 - 64
AR43809	1J9	10	60 - 3	AR44664	2G14	10	90 - 5	AR45179	2I25	19	90 - 64
AR44020	2I6	15	90 - 43	AR44667	2I6	11	90 - 43	AR45221	1B17	7	20 - 23
AR44042	2C11	19	70 - 35	AR44671	2G14	7	90 - 5	AR45278	1B14	6	20 - 20
AR44043	1J17	11	60 - 11	AR44673	1E6	19	40 - 11	AR45347	1B13	3	20 - 19
AR44077	1D2	13	30 - 17	AR44673	2G14	14	90 - 5	AR45438	1F25	3	40 - 41
AR44077	1D16	2	30 - 32	AR44677	2H20	5	90 - 32	AR45469	2H20	5	90 - 32
AR44104	1B14	6	20 - 20	AR44683	2I6	13	90 - 43	AR45474	2I6	11	90 - 43
AR44105	1B14	6	20 - 20	AR44684	2H20	10	90 - 32	AR45530	1A25	3	20 - 5
AR44254	2J7	2	90 - 72	AR44688	2H20	6	90 - 32	AR45534	2E22	26	70 - 95
AR44255	2J7	1	90 - 72	AR44689	2H20	6	90 - 32	AR45536	2E22	14	70 - 95
AR44264	1I14	11	50 - 26	AR44690	2H20	14	90 - 32	AR45544	2E18	41	70 - 91
AR44271	1I14	17	50 - 26	AR44691	2I6	3	90 - 43	AR45544	2E20	37	70 - 93
AR44327	1I23	25	50 - 37	AR44692	2I6	18	90 - 43	AR45634	1K2	6	60 - 21
AR44357	2C4	8	70 - 28	AR44693	2I6	4	90 - 43	AR45647	2E9	31	70 - 81
AR44361	1C16	26	30 - 5	AR44694	2I6	16	90 - 43	AR45672	1C16	27	30 - 5
AR44362	2G12	5	90 - 3	AR44695	2I6	1	90 - 43	AR45678	1D2	11	30 - 17
AR44363	2G12	2	90 - 3	AR44696	2I6	19	90 - 43	AR45683	2D13	3	70 - 59
AR44364	2G12	11	90 - 3	AR44697	2I6	14	90 - 43	AR45691	2I15	3	90 - 54
AR44366	2G12	19	90 - 3	AR44745	1D15	53	30 - 31	AR45694	1D22	22	40 - 3
AR44367	2G12	16	90 - 3	AR44762	1E6	12	40 - 11	AR45694	1F25	..	40 - 41
AR44368	2G12	20	90 - 3	AR44763	2G24	8	90 - 17	AR45716	2H15	24	90 - 27
AR44371	1G18	1	40 - 59	AR44763	2H4	10	90 - 21	AR45716	2I16	3	90 - 55
AR44373	1G17	4	40 - 58	AR44781	2H7	3	90 - 24	AR45717	2H15	24	90 - 27
AR44374	1G17	1	40 - 58	AR44820	2D7	13	70 - 53	AR45717	2I16	3	90 - 55
AR44382	1B5	2	20 - 11	AR44840	1C8	11	20 - 39	AR45718	2G5	13	80 - 29
AR44382	1C1	14	20 - 32	AR44841	1F8	1	40 - 25J	AR45719	2I24	2	90 - 63
AR44402	1A22	1	20 - 2	AR44842	1D24	7	40 - 5	AR45720	2I24	4	90 - 63
AR44412	1B5	22	20 - 11	AR44842	1F8	1	40 - 25J	AR45738	2J13	7	90 - 79
AR44417	1D15	46	30 - 31	AR44843	1D24	6	40 - 5	AR45783	1C18	10	30 - 7
AR44462	1E6	25	40 - 11	AR44843	1F8	2A	40 - 25J	AR45784	1C18	9	30 - 7
AR44463	1E6	24	40 - 11	AR44843	1F8	2B	40 - 25J	AR45785	1C18	6	30 - 7
AR44466	1I23	25	50 - 37	AR44883	1J8	4	60 - 2	AR45786	1C18	13	30 - 7
AR44505	1B17	9	20 - 23	AR44883	1J9	24	60 - 3	AR45807	2F5	35	80 - 3
AR44506	1B17	9	20 - 23	AR44949	1B20	1	20 - 26	AR45807	2F5	36	80 - 3
AR44607	2G13	18	90 - 4	AR44952	1D22	12	40 - 3	AR45810	2I17	8	90 - 56
AR44607	2G22	4	90 - 14	AR44953	1D22	13	40 - 3	AR45811	2I17	14	90 - 56
AR44608	2G13	7	90 - 4	AR44978	1D5	31	30 - 21	AR45813	2I18	2	90 - 57
AR44609	2G13	1	90 - 4	AR44978	1D6	10	30 - 22	AR45814	2I18	3	90 - 57
AR44610	2G13	12	90 - 4	AR44989	1E7	17	40 - 12	AR45815	2I18	6	90 - 57
AR44611	2G13	9	90 - 4	AR44989	1F19	19	40 - 35	AR45816	2I18	10	90 - 57
AR44612	2G13	10	90 - 4	AR44994	1E7	11	40 - 12	AR45823	2I22	4	90 - 61
AR44613	2H11	5	90 - 24E	AR44995	1E7	12	40 - 12	AR45824	2I22	5	90 - 61
AR44639	2I12	27	90 - 50	AR44996	1E7	16	40 - 12	AR45825	1E7	13	40 - 12
AR44640	2I12	26	90 - 50	AR45013	1G12	4	40 - 53	AR45827	2G16	11	90 - 7
AR44641	2I12	23	90 - 50	AR45014	1G12	17	40 - 53	AR45828	2G16	9	90 - 7
AR44642	2I12	21	90 - 50	AR45015	1G12	20	40 - 53	AR45829	2G16	12	90 - 7
AR44643	2I12	22	90 - 50	AR45036	1D24	8	40 - 5	AR45830	2G16	1	90 - 7

1K21

5020 TRACTOR (SERIAL NO. -024,999)

NUMERICAL INDEX - CONTINUED

PART NO.	GRID	KEY	PAGE	PART NO.	GRID	KEY	PAGE	PART NO.	GRID	KEY	PAGE
AR45831	2G16	5	90 - 7	AR46965	2B21	11	70 - 19	AR48110	2D2	33	70 - 47
AR45832	2G17	4	90 - 8	AR46970	1C3	19	20 - 34	AR48110	2D9	1	70 - 55
AR45833	2G17	9	90 - 8	AR46972	1C3	22	20 - 34	AR48111	2D9	2	70 - 55
AR45834	2G17	6	90 - 8	AR46978	2E13	19	70 - 85	AR48112	2D2	32	70 - 47
AR45835	2G20	7	90 - 12	AR46983	1G14	21	40 - 55	AR48134	2H20	6	90 - 32
AR45836	2G20	5	90 - 12	AR46984	1G10	21	40 - 51	AR48136	2I6	14	90 - 43
AR45837	1G19	20	40 - 61	AR46984	1G14	20	40 - 55	AR48226	1B7	1	20 - 13
AR45838	1G19	16	40 - 61	AR46985	1G14	18	40 - 55	AR48236	1C19	8	30 - 9
AR45839	1E8	13	40 - 13	AR46986	1G10	4	40 - 51	AR48295	2D15	27	70 - 61
AR45840	1G19	15	40 - 61	AR46986	1G10	5	40 - 51	AR48342	1E22	21	40 - 23D
AR45841	1G19	13	40 - 61	AR46986	1G14	3	40 - 55	AR48343	1E22	7	40 - 23D
AR45842	1G19	10	40 - 61	AR46986	1G14	4	40 - 55	AR48344	1E22	20	40 - 23D
AR45843	1G19	3	40 - 61	AR47091	2G7	16	80 - 31	AR48369	1C1	1	20 - 32
AR45844	1G19	4	40 - 61	AR47138	1I4	1	50 - 15	AR48594	1E2	12	40 - 7
AR45845	2G19	12	90 - 11	AR47168	1C1	13	20 - 32	AR48594	1E4	15	40 - 9
AR45846	2G20	4	90 - 12	AR47170	2B2	16	70 - 5	AR48594	1E5	13	40 - 10
AR45847	1E7	9	40 - 12	AR47181	1C16	24	30 - 5	AR48594	1E6	4	40 - 11
AR45849	1E8	11	40 - 13	AR47187	2H14	31	90 - 26	AR48594	1E7	4	40 - 12
AR45850	2G16	2	90 - 7	AR47187	2H15	13	90 - 27	AR48643	1D22	7	40 - 3
AR45851	1E8	16	40 - 13	AR47210	2H7	3	90 - 24	AR48643	2J5	23	90 - 69
AR45852	1E8	20	40 - 13	AR47246	1B5	22	20 - 11	AR48717	1G14	4	40 - 55
AR45853	1E8	8	40 - 13	AR47247	1B5	22	20 - 11	AR48728	1B20	1	20 - 26
AR45853	1E8	9	40 - 13	AR47249	1B5	22	20 - 11	AR48756	2D15	34	70 - 61
AR45854	1E8	14	40 - 13	AR47249	1B5	31	20 - 11	AR48942	1B13	8	20 - 19
AR45857	2G21	1	90 - 13	AR47250	1B5	22	20 - 11	AR49025	1B20	1	20 - 26
AR45858	2G21	3	90 - 13	AR47289	1J13	16	60 - 7	AR49038	1G2	8	40 - 43
AR45859	1E8	5	40 - 13	AR47303	1C21	5	30 - 11	AR49062	2G3	4	80 - 27
AR45860	1E8	19	40 - 13	AR47304	1D8	16	30 - 24	AR49063	2G3	4	80 - 27
AR45861	2G17	5	90 - 8	AR47331	2D17	20	70 - 63	AR49291	1K6	7	60 - 25
AR45939	2G3	4	80 - 27	AR47373	1D22	10	40 - 3	AR49352	1H3	17	40 - 71
AR45940	2G3	4	80 - 27	AR47373	2J5	27	90 - 69	AR49427	2A23	4	70 - 2
AR45952	1B3	19	20 - 9	AR47374	1G1	1	40 - 42	AR49535	1J9	8	60 - 3
AR45952	1B3	20	20 - 9	AR47374	1G2	1	40 - 43	AR49536	1J9	8	60 - 3
AR45953	1B3	20	20 - 9	AR47433	2D12	7	70 - 58	AR49578	2C12	1	70 - 36
AR46021	2G2	9	80 - 25	AR47486	2C13	29	70 - 37	AR49622	2C12	8	70 - 36
AR46022	2G2	9	80 - 25	AR47490	2D10	1	70 - 56	AR49680	2G16	5	90 - 7
AR46025	2G2	12	80 - 25	AR47567	2D9	12	70 - 55	AR49792	2G3	4	80 - 27
AR46026	2G2	12	80 - 25	AR47580	2B2	16	70 - 5	AR49793	2G3	4	80 - 27
AR46079	2J5	23	90 - 69	AR47643	2D15	7	70 - 61	AR49797	1G20	1	40 - 62
AR46092	1E7	19	40 - 12	AR47643	2D17	7	70 - 63	AR49798	1G20	1	40 - 62
AR46114	1D24	19	40 - 5	AR47671	1D22	..	40 - 3	AR50040	1D3	4	30 - 19
AR46114	1E9	1	40 - 15	AR47671	1D24	..	40 - 5	AR50041	1D3	8	30 - 19
AR46144	1C24	13	30 - 15	AR47678	1D22	..	40 - 3	AR50137	2G3	4	80 - 27
AR46144	1D2	8	30 - 17	AR47678	1D24	..	40 - 5	AR50265	1D3	13	30 - 19
AR46184	1D22	10	40 - 3	AR47685	1D22	12	40 - 3	AR50266	1D5	27	30 - 21
AR46184	2J5	27	90 - 69	AR47685	1D22	..	40 - 3	AR50339	2C17	2	70 - 41
AR46244	2F17	2	80 - 15	AR47685	1D24	..	40 - 5	AR50374	2D2	6	70 - 47
AR46256	2D9	13	70 - 55	AR47686	1D22	13	40 - 3	AR50397	1B14	12	20 - 20
AR46271	1D22	5	40 - 3	AR47686	1D22	..	40 - 3	AR50402	1F25	16	40 - 41
AR46271	1F25	28	40 - 41	AR47686	1D24	..	40 - 5	AR50406	1F25	16	40 - 41
AR46281	1C23	6	30 - 13	AR47706	1D22	20	40 - 3	AR50489	1C19	6	30 - 9
AR46282	2J14	4	90 - 80	AR47706	1D22	..	40 - 3	AR50525	1B5	22	20 - 11
AR46386	1D5	13	30 - 21	AR47706	1D24	..	40 - 5	AR50536	2H11	2	90 - 24E
AR46389	1J3	6	50 - 43	AR47802	2A24	1	70 - 3	AR50536	2H11	5	90 - 24E
AR46408	1K6	20	60 - 25	AR47802	2B2	..	70 - 5	AR50536	2H11	13	90 - 24E
AR46411	2H7	6	90 - 24	AR47802	2B10	..	70 - 9B	AR50536	2H13	1	90 - 25
AR46438	1C7	6	20 - 38	AR47814	2I6	15	90 - 43	AR50536	2H13	3	90 - 25
AR46730	1G1	4	40 - 42	AR47825	2E15	3	70 - 88	AR50536	2H13	7	90 - 25
AR46730	1G2	3	40 - 43	AR47825	2E18	43	70 - 91	AR50536	2H13	17	90 - 25
AR46760	2I17	3	90 - 56	AR47825	2E20	1	70 - 93	AR50711	1I4	1	50 - 15
AR46761	2I23	9	90 - 62	AR47859	2J12	7	90 - 78	AR50779	1G20	2	40 - 62
AR46762	2I22	22	90 - 61	AR47891	1B20	1	20 - 26	AR50780	1G20	2	40 - 62
AR46763	2I23	3	90 - 62	AR47933	2C13	24	70 - 37	AR50782	1D5	31	30 - 21
AR46764	2I22	8	90 - 61	AR48040	1F19	30	40 - 35	AR50782	1D6	10	30 - 22
AR46805	1C3	17	20 - 34	AR48041	1F19	29	40 - 35	AR50782	1D7	7	30 - 23
AR46828	2D9	3	70 - 55	AR48041	1F22	22	40 - 38	AR50834	1H3	8	40 - 71
AR46965	2B21	1	70 - 19	AR48110	2C20	5	70 - 43	AR50926	1G22	14	40 - 64

1K22

5020 TRACTOR (SERIAL NO. -024,999)

NUMERICAL INDEX - CONTINUED

PART NO.	GRID	KEY	PAGE	PART NO.	GRID	KEY	PAGE	PART NO.	GRID	KEY	PAGE
AR50927	1G20	20	40-62	AR55151	2C22	17	70-45	AR59663	1G16	2	40-57
AR50927	1G22	20	40-64	AR55185	2C17	2	70-41	AR59680	2G24	2	90-17
AR50928	1G20	18	40-62	AR55186	2B2	4	70-5	AR59680	2H4	2	90-21
AR50929	1G22	19	40-64	AR55222	1C24	13	30-15	AR60029	2H2	18	90-19
AR50930	1G22	15	40-64	AR55222	1D3	14	30-19	AR60372	2D9	6	70-55
AR50931	1G22	23	40-64	AR55239	2G2	12	80-25	AR60937	2J5	22	90-69
AR51158	1F25	1	40-41	AR55240	2G2	12	80-25	AR61074	1C21	6	30-11
AR51429	1J17	14	60-11	AR55313	1D24	8	40-5	AR61194	2J15	2	90-81
AR51448	2G2	12	80-25	AR55313	1E16	3	40-20	AR61656	2D7	13	70-53
AR51449	2G2	12	80-25	AR55313	1E17	..	40-21	AR61896	1B17	9	20-23
AR51452	2H7	3	90-24	AR55313	1E19	..	40-23	AR61897	1B17	8	20-23
AR51452	2H9	9	90-24C	AR55313	1E20	..	40-23A	AR61897	1B17	9	20-23
AR51483	1G10	22	40-51	AR55313	1E25	..	40-25B	AR61965	1D3	6	30-19
AR51483	1G12	21	40-53	AR55313	1F4	..	40-25F	AR62150	2C22	18	70-45
AR51484	1G10	19	40-51	AR55314	1E16	3	40-20	AR62151	2C22	2	70-45
AR51732	2B16	15	70-13	AR55623	1C4	9	20-35	AR62152	2D2	35	70-47
AR51742	1F8	5	40-25J	AR55694	1D22	1	40-3	AR62359	1G24	1	40-67
AR51744	1C20	26	30-10	AR55694	1F25	5	40-41	AR62360	1G21	1	40-63
AR51745	2B4	9	70-7	AR55694	1F25	9	40-41	AR62934	1C3	7	20-34
AR51809	2F24	15	80-23	AR55694	1F25	10	40-41	AR62934	1C4	6	20-35
AR51810	2H20	5	90-32	AR55694	1G20	24	40-62	AR63214	1B18	1	20-24
AR51955	2C18	6	70-41A	AR55888	1F11	2	40-27	AR63214	1B19	3	20-25
AR51957	1B17	15	20-23	AR55888	1F13	11	40-29	AR63218	1A21	1	20-1
AR51973	1G10	4	40-51	AR55888	1F15	28	40-31	AR63219	1A21	1	20-1
AR52099	2B2	25	70-5	AR55888	1F17	27	40-33	AR63222	1A21	1	20-1
AR52159	1D9	5	30-25	AR55950	1B5	22	20-11	AR63261	1B14	6	20-20
AR52224	2B2	7	70-5	AR55950	1B17	14	20-23	AR63865	1B7	1	20-13
AR52224	2B8	19	70-9	AR55950	1B17	15	20-23	AR63865	1B23	5	20-29
AR52224	2B10	7	70-9B	AR55951	1B17	15	20-23	AR63979	1A21	1	20-1
AR52254	2B4	37	70-7	AR55959	1B17	12	20-23	AR64672	1B14	6	20-20
AR52254	2B12	32	70-9D	AR56161	2A24	1	70-3	AR64675	1H20	5	50-7
AR52392	1G22	4	40-64	AR56161	2B2	..	70-5	AR64675	1H20	7	50-7
AR52393	2G7	10	80-31	AR56161	2B10	..	70-9B	AR64676	1H20	5	50-7
AR52393	2G7	16	80-31	AR56228	1H20	23	50-7	AR64676	1H20	7	50-7
AR52394	2E9	6	70-81	AR56638	1C3	19	20-34	AR64992	1G19	20	40-61
AR52394	2E9	7	70-81	AR56638	1E11	12	40-17	AR65005	1H11	1	40-79
AR52488	1H22	8	50-9	AR56786	1C21	1	30-11	AR65006	1H11	2	40-79
AR52494	2B6	9	70-7B	AR56786	1C21	5	30-11	AR65613	2F17	11	80-15
AR52498	1K2	6	60-21	AR57156	1G10	4	40-51	AR65614	2F17	2	80-15
AR52554	2J8	5	90-73	AR57199	1B19	4	20-25	AR65881	2B16	13	70-13
AR52555	2J8	4	90-73	AR57200	1B19	4	20-25	AR66191	2J1	1	90-65
AR52556	1D9	4	30-25	AR57201	1B19	4	20-25	AR67069	1F5	3	40-25G
AR52620	2D15	27	70-61	AR57202	1B19	4	20-25	AR67385	2H14	31	90-26
AR52623	2D15	37	70-61	AR57203	1B18	1	20-24	AR67385	2H15	13	90-27
AR52629	2E9	31	70-81	AR57203	1B19	3	20-25	AR67386	2F22	11	80-21
AR52639	1B14	6	20-20	AR57204	1B18	1	20-24	AR67468	1B23	15	20-29
AR52720	1D7	5	30-23	AR57204	1B19	3	20-25	AR67718	2B8	25	70-9
AR52785	2B2	25	70-5	AR57205	1B18	1	20-24	AR67783	1J8	3	60-2
AR52802	1B14	6	20-20	AR57205	1B19	3	20-25	AR67783	1J8	10	60-2
AR52927	1E11	2	40-17	AR57206	1B18	1	20-24	AR67783	1J8	..	60-2
AR52928	1E11	2	40-17	AR57206	1B19	3	20-25	AR67783	1J13	17	60-7
AR53018	1B19	4	20-25	AR57207	1B17	7	20-23	AR67783	1J15	6	60-9
AR53019	1B18	1	20-24	AR57208	1B17	7	20-23	AR67783	1J15	28	60-9
AR53019	1B19	3	20-25	AR57209	1B17	7	20-23	AR67783	1J15	29	60-9
AR53020	1B17	7	20-23	AR57210	1B17	7	20-23	AR67855	1G8	14	40-49
AR53023	1B14	12	20-20	AR58177	1B14	12	20-20	AR67855	1H1	9	40-69
AR53301	2B2	12	70-5	AR58178	1B14	12	20-20	AR67855	1H3	2	40-71
AR53301	2B10	10	70-9B	AR58180	1B14	12	20-20	AR68145	2E20	23	70-93
AR53470	2J3	7	90-67	AR58198	1H20	24	50-7	AR68145	2E22	14	70-95
AR53471	1I16	20	50-28	AR58362	2F20	6	80-19	AR68146	2E20	24	70-93
AR53613	1C10	12	20-41	AR58567	2F22	11	80-21	AR68197	2J5	9	90-69
AR53614	1C10	34	20-41	AR58820	2F22	2	80-21	AR68198	1F25	1	40-41
AR53645	2F24	15	80-23	AR59140	1D2	8	30-17	AR68306	2H11	5	90-24E
AR53646	2F24	15	80-23	AR59420	1B17	5	20-23	AR68306	2H13	3	90-25
AR54390	2F17	10	80-15	AR59420	1B17	6	20-23	AR68310	1B23	15	20-29
AR54749	1A22	4	20-2	AR59444	1G19	20	40-61	AR68361	1G10	4	40-51
AR55150	2C22	17	70-45	AR59446	1I14	12	50-26	AR68361	1G14	4	40-55

1K23

5020 TRACTOR (SERIAL NO. -024,999)

NUMERICAL INDEX - CONTINUED

PART NO.	GRID	KEY	PAGE	PART NO.	GRID	KEY	PAGE	PART NO.	GRID	KEY	PAGE
AR68362	1G14	4	40 - 55	AR77325	1F15	27	40 - 31	AR84904	2D2	1	70 - 47
AR68721	1J5	3	50 - 45	AR77325	1F15	28	40 - 31	AR85311	1J5	13	50 - 45
AR68728	2G24	24	90 - 17	AR77325	1F17	26	40 - 33	AR85323	1D22	25	40 - 3
AR68733	1C19	13	30 - 9	AR77325	1F17	27	40 - 33	AR85323	1H16	5	50 - 3
AR68734	1C19	12	30 - 9	AR77326	1E2	5	40 - 7	AR85578	1G3	8	40 - 44
AR68801	2F20	11	80 - 19	AR77326	1E4	7	40 - 9	AR85578	1G4	8	40 - 45
AR69155	1I7	10	50 - 19	AR77326	1E5	7	40 - 10	AR86535	2E9	31	70 - 81
AR69263	1B14	10	20 - 20	AR77326	1E6	11	40 - 11	AR86969	1F11	5	40 - 27
AR69263	1B15	4	20 - 21	AR77326	1F11	2	40 - 27	AR86969	1F13	12	40 - 29
AR69271	2H2	20	90 - 19	AR77326	1F11	5	40 - 27	AR86969	1F15	26	40 - 31
AR69444	2A22	1	70 - 1	AR77326	1F11	7	40 - 27	AR86969	1F17	25	40 - 33
AR69445	2A22	1	70 - 1	AR77326	1F13	11	40 - 29	AR86987	1B17	6	20 - 23
AR69611	1I15	20	50 - 27	AR77326	1F13	12	40 - 29	AR87023	2D2	5	70 - 47
AR69901	1B1	9	20 - 6	AR77326	1F13	14	40 - 29	AR87023	2D2	6	70 - 47
AR69902	1B1	13	20 - 6	AR77326	1F15	26	40 - 31	AR87023	2D2	7	70 - 47
AR69988	2D5	5	70 - 51	AR77326	1F15	27	40 - 31	AR87024	2D2	5	70 - 47
AR69988	2D7	5	70 - 53	AR77326	1F15	28	40 - 31	AR87024	2D2	6	70 - 47
AR69988	2D9	15	70 - 55	AR77326	1F17	25	40 - 33	AR87024	2D2	7	70 - 47
AR70025	2C22	14	70 - 45	AR77326	1F17	26	40 - 33	AR88245	1I11	11	50 - 23
AR70026	2C22	1	70 - 45	AR77326	1F17	27	40 - 33	AR88263	2C22	23	70 - 45
AR70028	2C20	6	70 - 43	AR78052	1H3	21	40 - 71	AR88263	2C23	3	70 - 45A
AR70150	2E9	31	70 - 81	AR78264	1B14	6	20 - 20	AR89137	2J7	1	90 - 72
AR70154	1I23	20	50 - 37	AR78289	2D2	7	70 - 47	AR89137	2J7	2	90 - 72
AR70406	1H20	34	50 - 7	AR78289	2D2	33	70 - 47	AR89140	2F11	11	80 - 8
AR70911	1B17	6	20 - 23	AR78298	1E11	2	40 - 17	AR89141	2F11	11	80 - 8
AR71404	2D7	23	70 - 53	AR78340	2C17	15	70 - 41	AR89302	2C22	14	70 - 45
AR71405	2D7	22	70 - 53	AR78340	2C17	16	70 - 41	AR89303	2D2	7	70 - 47
AR71976	2H2	14	90 - 19	AR78340	2C17	17	70 - 41	AR89303	2D2	32	70 - 47
AR72132	2F20	6	80 - 19	AR78340	2C17	18	70 - 41	AR89622	1B18	1	20 - 24
AR72257	1F20	1	40 - 36	AR78340	2C17	19	70 - 41	AR89622	1B19	2	20 - 25
AR72318	1A23	10	20 - 3	AR78340	2C18	3	70 - 41A	AR89622	1B19	3	20 - 25
AR72319	1A23	3	20 - 3	AR78396	2E9	31	70 - 81	AR89691	1D22	25	40 - 3
AR72852	1C8	7	20 - 39	AR78396	2E11	34	70 - 83	AR89691	1F24	6	40 - 40
AR73311	1G16	1	40 - 57	AR78438	2G13	13	90 - 4	AR89691	1H16	5	50 - 3
AR73500	2E25	1	70 - 98	AR78483	2C7	26	70 - 31	AR89971	1B18	1	20 - 24
AR73580	1G2	8	40 - 43	AR78483	2D24	19	70 - 71	AR89971	1B19	2	20 - 25
AR74131	2F5	15	80 - 3	AR78483	2E4	24	70 - 75	AR89971	1B19	3	20 - 25
AR74131	2F7	16	80 - 5	AR78522	1B5	1	20 - 11	AR90378	2B4	30	70 - 7
AR74132	2F7	24	80 - 5	AR78825	1E7	17	40 - 12	AR90577	2C24	5	70 - 45B
AR74411	1H3	11	40 - 71	AR78825	1F19	19	40 - 35	AR90577	2C24	..	70 - 45B
AR74545	1B1	5	20 - 6	AR78825	1F19	30	40 - 35	AR90578	2C24	5	70 - 45B
AR74673	2C4	4	70 - 28	AR78825	1F19	31	40 - 35	AR90578	2C24	..	70 - 45B
AR74673	2C20	5	70 - 43	AR79710	2B19	13	70 - 17	AR90579	2C24	6	70 - 45B
AR74673	2D2	33	70 - 47	AR80294	1B5	3	20 - 11	AR90581	2C24	6	70 - 45B
AR74673	2D9	1	70 - 55	AR81178	1G3	12	40 - 44	AR90581	2C24	6	70 - 45B
AR74673	2D9	2	70 - 55	AR81620	1A23	12	20 - 3	AR90641	1B19	4	20 - 25
AR75601	1B21	14	20 - 27	AR81649	2G2	12	80 - 25	AR90642	1B19	4	20 - 25
AR75601	1H21	11	50 - 8	AR81650	2G3	4	80 - 27	AR90644	1B19	4	20 - 25
AR75603	1B21	14	20 - 27	AR81651	2G3	4	80 - 27	AR90645	1B19	4	20 - 25
AR75603	1D16	1	30 - 32	AR81652	2G2	9	80 - 25	AR91793	1H9	42	40 - 77
AR75603	1D16	3	30 - 32	AR82263	2D2	1	70 - 47	AR91941	2J5	8	90 - 69
AR75603	1H21	11	50 - 8	AR82570	2D16	12	70 - 62	AR92425	2F19	3	80 - 18
AR75694	1H1	10	40 - 69	AR82571	2E13	19	70 - 85	AR92514	1B1	5	20 - 6
AR75694	1H3	21	40 - 71	AR82576	2D15	34	70 - 61	AR92533	1B14	10	20 - 20
AR75695	1H1	2	40 - 69	AR82909	1H3	16	40 - 71	AR92533	1B15	4	20 - 21
AR75696	1H1	8	40 - 69	AR82910	1H3	4	40 - 71	AR92533	1B15	6	20 - 21
AR75958	2D15	32	70 - 61	AR82911	1H3	7	40 - 71	AR937R	2D5	5	70 - 51
AR76161	2D2	32	70 - 47	AR82912	1H3	6	40 - 71	AR937R	2D7	5	70 - 53
AR76542	1B23	29	20 - 29	AR83354	2F10	5	80 - 7	AR937R	2D9	15	70 - 55
AR76762	2B2	4	70 - 5	AR83354	2F11	5	80 - 8	AR93819	2D15	2	70 - 61
AR76762	2B10	4	70 - 9B	AR83396	2D2	35	70 - 47	AR93819	2D15	5	70 - 61
AR77324	1F11	2	40 - 27	AR83425	1H11	8	40 - 79	AR93819	2D15	7	70 - 61
AR77324	1F13	11	40 - 29	AR83526	1J5	10	50 - 45	AR93819	2D17	2	70 - 63
AR77324	1F15	27	40 - 31	AR83549	2E7	28	70 - 79	AR93819	2D17	5	70 - 63
AR77324	1F17	26	40 - 33	AR83549	2E9	1	70 - 81	AR93819	2D17	7	70 - 63
AR77325	1F11	2	40 - 27	AR83549	2E11	1	70 - 83	AR93820	2D15	2	70 - 61
AR77325	1F13	11	40 - 29	AR84006	2G14	15	90 - 5	AR93820	2D15	5	70 - 61

1K24

5020 TRACTOR (SERIAL NO. -024,999)

NUMERICAL INDEX - CONTINUED

PART NO.	GRID	KEY	PAGE	PART NO.	GRID	KEY	PAGE	PART NO.	GRID	KEY	PAGE
AR93820	2D15	7	70 - 61	AT16288	1F17	27	40 - 33	AT62019	2J16	4	90 - 82
AR93820	2D17	2	70 - 63	AT17503	1F25	20	40 - 41	AT64802	2C13	6	70 - 37
AR93820	2D17	5	70 - 63	AT17503	1F25	21	40 - 41	AT65316	2J5	32	90 - 69
AR93820	2D17	7	70 - 63	AT18904	2B21	5	70 - 19	AT66481	1G19	20	40 - 61
AR93820	2E23	8	70 - 96	AT18904	2B23	1	70 - 21	AT66482	1G19	20	40 - 61
AR94130	2J5	21	90 - 69	AT21699	1F8	10	40 - 25J	AT75387	2J16	4	90 - 82
AR94516	1115	20	50 - 27	AT21702	1F8	7	40 - 25J	AT81764	2J16	6	90 - 82
AR94522	2D20	21	70 - 67	AT21702	1F8	15	40 - 25J	AT84200	1B5	30	20 - 11
AR94522	2E23	10	70 - 96	AT22070	2J9	7	90 - 74	AT85153	1D22	25	40 - 3
AR94645	1B19	3	20 - 25	AT22070	2J9	8	90 - 74	AT85153	1F24	6	40 - 40
AR94646	1B19	3	20 - 25	AT22073	2J9	6	90 - 74	AT85153	1H16	5	50 - 3
AR94647	1B19	3	20 - 25	AT23188	1E12	23	40 - 18	AU41729	2C13	6	70 - 37
AR94648	1B19	3	20 - 25	AT23188	1E15	7	40 - 19B	A15532	2C13	22	70 - 37
AR94649	1B19	3	20 - 25	AT23189	1E12	19	40 - 18	A15540	2C13	17	70 - 37
AR94660	2A24	1	70 - 3	AT23189	1E13	19	40 - 19	A1555R	2F8	12	80 - 6
AR94660	2B2	16	70 - 5	AT24538	2J17	1	90 - 83	A1556R	2F8	11	80 - 6
AR94660	2B2	..	70 - 5	AT25266	1D12	6	30 - 28	A15898	2D18	1	70 - 65
AR94660	2B10	..	70 - 9B	AT25266	1D13	1	30 - 29	A15899	2D18	2	70 - 65
AR94976	1J5	..	50 - 45	AT27128	1E13	2	40 - 19	A2899R	1F11	9	40 - 27
AR96321	2B14	29	70 - 11	AT27153	1D22	5	40 - 3	A2899R	1F11	18	40 - 27
AR96613	2B2	25	70 - 5	AT27153	1F25	28	40 - 41	A2899R	1F13	5	40 - 29
AR96613	2B10	19	70 - 9B	AT32332	1J17	13	60 - 11	A2899R	1F13	15	40 - 29
AR96625	2B12	6	70 - 9D	AT32332	2C13	1	70 - 37	A2899R	1F15	8	40 - 31
AR98201	2E23	2	70 - 96	AT32332	2D12	2	70 - 58	A2899R	1F17	8	40 - 33
AR98202	2E23	1	70 - 96	AT32332	2D13	5	70 - 59	A3011R	1E15	24	40 - 19B
AR98567	1C4	9	20 - 35	AT32332	2D13	9	70 - 59	A3031R	1E15	23	40 - 19B
AR99100	2D15	34	70 - 61	AT32332	2D24	33	70 - 71	A3098R	1B3	12	20 - 9
AR99336	2D9	3	70 - 55	AT32332	2E2	19	70 - 73	A3098R	1B9	5	20 - 15
AT10635	1D8	12	30 - 24	AT32333	1J2	27	50 - 41	A3125R	1A23	3	20 - 3
AT10638	1D8	9	30 - 24	AT32333	1J3	10	50 - 43	A3184R	2D15	38	70 - 61
AT12695	1F25	20	40 - 41	AT32333	1J17	2	60 - 11	A3184R	2E20	26	70 - 93
AT12948	2J5	3	90 - 69	AT32333	2B16	8	70 - 13	A3184R	2E22	16	70 - 95
AT13140	2H5	28	90 - 22	AT32334	1J10	2	60 - 4	A3190R	119	6	50 - 21
AT13380	1E2	1	40 - 7	AT32334	1J17	9	60 - 11	A3190R	1110	11	50 - 22
AT13380	1E4	1	40 - 9	AT32335	114	24	50 - 15	A3376R	1114	7	50 - 26
AT13380	1E5	1	40 - 10	AT32335	114	25	50 - 15	A3376R	2C20	12	70 - 43
AT13380	1F11	22	40 - 27	AT32335	1K8	22	60 - 27	A3411R	1D22	15	40 - 3
AT13380	1F13	9	40 - 29	AT32335	1K9	7	60 - 28	A3411R	1E4	3	40 - 9
AT13380	1F15	18	40 - 31	AT32335	2B19	12	70 - 17	A3411R	2J5	5	90 - 69
AT13381	1E2	2	40 - 7	AT32337	2C13	3	70 - 37	A350R	2D5	3	70 - 51
AT13381	1E4	2	40 - 9	AT32337	2E7	26	70 - 79	A350R	2D7	3	70 - 53
AT13381	1E5	2	40 - 10	AT344T	1116	17	50 - 28	A350R	2D9	18	70 - 55
AT13381	1F11	22	40 - 27	AT34670	1B21	14	20 - 27	A354R	1B25	24	20 - 31
AT13381	1F13	9	40 - 29	AT35120	2C13	3	70 - 37	A3581R	2E15	2	70 - 88
AT13381	1F15	6	40 - 31	AT35120	2E7	26	70 - 79	A3581R	2E18	42	70 - 91
AT13740	1B5	2	20 - 11	AT35121	1J10	24	60 - 4	A3581R	2E20	2	70 - 93
AT13740	1C6	25	20 - 37	AT35121	1J13	21	60 - 7	A3606R	1J8	1	60 - 2
AT13740	1C23	11	30 - 13	AT35121	1J19	2	60 - 13	A3606R	1J13	19	60 - 7
AT141924	2J16	6	90 - 82	AT35121	1J20	11	60 - 14	A3606R	1J15	8	60 - 9
AT14699	1D22	2	40 - 3	AT35121	1J21	7	60 - 16	A3606R	1J15	26	60 - 9
AT14699	1F25	6	40 - 41	AT35121	2B15	4	70 - 12	A3606R	1K5	10	60 - 24
AT14927	2J17	1	90 - 83	AT38518	2H13	16	90 - 25	A364R	1116	15	50 - 28
AT15172	1D8	11	30 - 24	AT39043	1D22	18	40 - 3	A369R	2D7	14	70 - 53
AT15470	1F25	21	40 - 41	AT39043	1G1	9	40 - 42	A369R	2G24	21	90 - 17
AT16288	1E2	5	40 - 7	AT39043	1G3	9	40 - 44	A369R	2H6	12	90 - 23
AT16288	1E4	7	40 - 9	AT39043	1G4	9	40 - 45	A3917R	1E22	24	40 - 23D
AT16288	1E5	7	40 - 10	AT42311	2A23	6	70 - 2	A3917R	1H24	10	50 - 11
AT16288	1E6	11	40 - 11	AT44165	1D22	1	40 - 3	A3917R	2B4	33	70 - 7
AT16288	1F11	2	40 - 27	AT44165	1F25	10	40 - 41	A3917R	2D15	13	70 - 61
AT16288	1F11	5	40 - 27	AT44165	1G20	23	40 - 62	A3917R	2E9	30	70 - 81
AT16288	1F11	7	40 - 27	AT48673	1F25	3	40 - 41	A39716	1F22	1	40 - 38
AT16288	1F13	11	40 - 29	AT48673	1G20	26	40 - 62	A4064R	2F10	16	80 - 7
AT16288	1F13	12	40 - 29	AT48674	1D22	1	40 - 3	A4119R	2G3	14	80 - 27
AT16288	1F13	14	40 - 29	AT48674	1F25	7	40 - 41	A4234R	2C3	10	70 - 27
AT16288	1F15	26	40 - 31	AT48674	1F25	10	40 - 41	A4242R	1C20	9	30 - 10
AT16288	1F15	28	40 - 31	AT55441	1F22	25	40 - 38	A4365R	1D9	3	30 - 25
AT16288	1F17	25	40 - 33	AT62018	2J16	6	90 - 82	A4365R	1E22	26	40 - 23D

1K25

5020 TRACTOR (SERIAL NO. -024,999)

NUMERICAL INDEX - CONTINUED

PART NO.	GRID	KEY	PAGE	PART NO.	GRID	KEY	PAGE	PART NO.	GRID	KEY	PAGE
A4365R	1J9	26	60 - 3	A4883R	2C15	15	70 - 39	D2361R	2D17	4	70 - 63
A4365R	1J15	19	60 - 9	A5273R	1F21	20	40 - 37	D2361R	2D17	16	70 - 63
A4365R	2B4	3	70 - 7	A5275R	1F21	13	40 - 37	D2420R	1B9	2	20 - 15
A4365R	2B8	3	70 - 9	A5276R	1F21	2	40 - 37	D2420R	1B21	3	20 - 27
A4365R	2B8	12	70 - 9	A5277R	1F21	3	40 - 37	D2425R	1B3	16	20 - 9
A4365R	2B12	3	70 - 9D	A5278R	1F21	5	40 - 37	D2593R	1J23	3	60 - 18
A4365R	2B14	2	70 - 11	A5279R	1F21	6	40 - 37	D2824R	1B17	1	20 - 23
A4365R	2C8	7	70 - 32	A5301R	2E18	39	70 - 91	D2913R	2E20	25	70 - 93
A4365R	2E2	15	70 - 73	A5302R	2E18	36	70 - 91	D2913R	2E22	15	70 - 95
A4365R	2E4	39	70 - 75	A5304R	2E18	34	70 - 91	D459R	2B25	18	70 - 23
A4365R	2E5	6	70 - 77	A5325R	2F7	31	80 - 5	E12379	1I2	32	50 - 13
A4379R	2F10	1	80 - 7	A5334R	1B25	9	20 - 31	E16050	1G20	16	40 - 62
A4380R	2F10	7	80 - 7	A5598R	2B25	12	70 - 23	E17401	1I13	27	50 - 25
A4388R	2F10	15	80 - 7	A562R	1J21	10	60 - 16	E17421	1I13	34	50 - 25
A4389R	2F10	16	80 - 7	A602R	2C20	18	70 - 43	E48686	1B14	2	20 - 20
A4624R	1I4	8	50 - 15	A602R	2C20	22	70 - 43	E50102	2A23	1	70 - 2
A4624R	2D12	4	70 - 58	A776R	2D2	4	70 - 47	E50102	2F5	22	80 - 3
A4624R	2D12	14	70 - 58	BP12234	1I11	6	50 - 23	E50102	2H2	4	90 - 19
A4655R	2J5	31	90 - 69	B11182	2C20	3	70 - 43	E50102	2H5	2	90 - 22
A4669R	1J19	16	60 - 13	B11182	2C22	2	70 - 45	F1427R	2E18	4	70 - 91
A4669R	1J20	2	60 - 14	B161R	2F24	26	80 - 23	F1427R	2E20	7	70 - 93
A4669R	2D12	9	70 - 58	B1664R	1D15	43	30 - 31	F1427R	2E21	12	70 - 94
A4669R	2D12	17	70 - 58	B1664R	2C7	38	70 - 31	F1427R	2E22	7	70 - 95
A4700R	2J5	44	90 - 69	B169R	1J13	6	60 - 7	F1430R	2E18	25	70 - 91
A4723R	2E18	5	70 - 91	B177R	1K5	28	60 - 24	F1430R	2E20	9	70 - 93
A4723R	2E20	6	70 - 93	B1828R	1D22	13	40 - 3	F1430R	2E21	9	70 - 94
A4723R	2E21	11	70 - 94	B1828R	1J20	2	60 - 14	F1430R	2E22	5	70 - 95
A4723R	2E22	6	70 - 95	B190R	1I16	16	50 - 28	F1462R	1I16	26	50 - 28
A4728R	1J23	10	60 - 18	B1986R	1D22	20	40 - 3	F1463R	1I16	24	50 - 28
A4728R	1J24	7	60 - 19	B1986R	1E2	6	40 - 7	F1608R	1H16	3	50 - 3
A4728R	1K8	15	60 - 27	B1986R	1E4	9	40 - 9	F1649R	1C1	10	20 - 32
A4728R	1K8	16	60 - 27	B1986R	1E6	21	40 - 11	F1743R	1A23	11	20 - 3
A4728R	1K8	19	60 - 27	B2290R	2C15	27	70 - 39	F1743R	1B3	19	20 - 9
A4730R	2D15	29	70 - 61	B2437R	1I15	30	50 - 27	F1743R	1B5	6	20 - 11
A4730R	2D16	9	70 - 62	B2641R	1B12	6	20 - 18	F1907R	1H24	1	50 - 11
A4730R	2D20	16	70 - 67	B2762R	1H24	18	50 - 11	F2084R	1D22	16	40 - 3
A4730R	2D22	8	70 - 69	B2762R	1J9	18	60 - 3	F2084R	1E7	11	40 - 12
A4733R	2F7	25	80 - 5	B2762R	1J15	17	60 - 9	F2084R	2J5	6	90 - 69
A4736R	2E18	11	70 - 91	B2762R	2E9	8	70 - 81	F215R	1I15	31	50 - 27
A4737R	2E18	13	70 - 91	B2762R	2E11	9	70 - 83	F215R	1I21	11	50 - 35
A4738R	2E18	12	70 - 91	B2762R	2E13	8	70 - 85	F215R	1I21	12	50 - 35
A4739R	2E18	10	70 - 91	B3285R	1F25	22	40 - 41	F215R	1I23	11	50 - 37
A4741R	2E18	9	70 - 91	B355R	1J2	35	50 - 41	F215R	1I23	12	50 - 37
A4742R	1I7	15	50 - 19	B3595R	1H18	15	50 - 5	F215R	1I24	5	50 - 39
A4742R	2E18	8	70 - 91	B3627R	2D3	11	70 - 48	F2206R	2D2	23	70 - 47
A4744R	2E18	6	70 - 91	B3682R	2D12	18	70 - 58	F2208R	1H18	11	50 - 5
A4744R	2G24	25	90 - 17	B3686R	2C8	4	70 - 32	F2208R	2D2	7	70 - 47
A4744R	2H6	7	90 - 23	B3690R	1J13	2	60 - 7	F2208R	2D2	25	70 - 47
A4745R	2E18	18	70 - 91	B423R	2D3	4	70 - 48	F2208R	2D2	40	70 - 47
A4745R	2E21	4	70 - 94	B427R	1B3	14	20 - 9	F2273R	1H18	4	50 - 5
A4746R	2E18	19	70 - 91	B474R	2E9	10	70 - 81	F2380R	1J5	22	50 - 45
A4747R	2E18	17	70 - 91	B634R	2F10	15	80 - 7	F2411R	1C6	21	20 - 37
A4748R	2E18	16	70 - 91	C1067R	1I13	24	50 - 25	F2493R	2E18	27	70 - 91
A4806R	1H24	22	50 - 11	C1104R	1I2	9	50 - 13	F2567R	1I13	1	50 - 25
A4808R	1H24	21	50 - 11	C1220R	1H16	10	50 - 3	F2674R	2C17	14	70 - 41
A4816R	1I2	22	50 - 13	C2175R	1C20	10	30 - 10	F2674R	2C18	4	70 - 41A
A4816R	1J13	38	60 - 7	C284R	1I13	23	50 - 25	F2694R	2I15	2	90 - 54
A4816R	1K2	20	60 - 21	DT2127W	2F8	5	80 - 6	F2741R	2C7	35	70 - 31
A4827R	1B9	14	20 - 15	DT2127W	2F8	16	80 - 6	F2742R	2G2	9	80 - 25
A4827R	1H16	21	50 - 3	D156R	2F7	34	80 - 5	F2775R	1I19	7	50 - 32
A4827R	1I4	27	50 - 15	D1761R	1J23	6	60 - 18	F2861R	2D2	11	70 - 47
A48331	1F22	3	40 - 38	D1881R	2F7	30	80 - 5	F2863R	2H2	7	90 - 19
A48332	1F22	23	40 - 38	D1888R	2F7	27	80 - 5	F2884R	1B5	5	20 - 11
A4847R	1B21	11	20 - 27	D2361R	1I4	11	50 - 15	F2935R	1E2	1	40 - 7
A4847R	2B4	32	70 - 7	D2361R	2C20	8	70 - 43	F2935R	1E2	2	40 - 7
A4879R	1I16	18	50 - 28	D2361R	2D15	4	70 - 61	F2935R	1E4	1	40 - 9
A4879R	2C7	17	70 - 31	D2361R	2D15	18	70 - 61	F2935R	1E4	2	40 - 9

1L1

5020 TRACTOR (SERIAL NO. -024,999)

NUMERICAL INDEX - CONTINUED

PART NO.	GRID	KEY	PAGE	PART NO.	GRID	KEY	PAGE	PART NO.	GRID	KEY	PAGE
F2935R	1F15	20	40 - 31	H987R	1E8	15	40 - 13	JD9019	1I21	4	50 - 35
F304R	2D5	4	70 - 51	H987R	1G20	19	40 - 62	JD9019	1I21	8	50 - 35
F304R	2D7	4	70 - 53	JD10005	1I8	2	50 - 20	JD9019	1I21	15	50 - 35
F304R	2D9	16	70 - 55	JD10190	2F8	7	80 - 6	JD9019	1I23	4	50 - 37
F3128R	1H16	20	50 - 3	JD10190	2F9	6	80 - 6A	JD9019	1I23	8	50 - 37
F3128R	1I4	28	50 - 15	JD126	1F21	23	40 - 37	JD9019	1I23	25	50 - 37
F3171R	1H21	17	50 - 8	JD126	1F22	10	40 - 38	JD9257	1C3	12	20 - 34
F3171R	2A24	1	70 - 3	JD126	1G20	10	40 - 62	JD9257	1C4	8	20 - 35
F3171R	2B2	14	70 - 5	JD16	2F8	9	80 - 6	JD9261	1I2	29	50 - 13
F3171R	2B2	16	70 - 5	JD3207	2F8	8	80 - 6	JD9270	1I15	29	50 - 27
F3171R	2B2	...	70 - 5	JD3213	2F8	8	80 - 6	JD9278	1H20	29	50 - 7
F3171R	2B4	20	70 - 7	JD3220	2F8	8	80 - 6	JD9281	1H20	10	50 - 7
F3171R	2B6	6	70 - 7B	JD3230	2F11	11	80 - 8	JD9345	1I16	14	50 - 28
F3171R	2B10	12	70 - 9B	JD3231	2F11	11	80 - 8	JD9449	1E12	23	40 - 18
F3171R	2B12	35	70 - 9D	JD5234	2G7	5	80 - 31	JD9449	1E15	7	40 - 19B
F3171R	2B19	1	70 - 17	JD5272	2J9	..	90 - 74	JD9449	1H20	10	50 - 7
F3171R	2C9	8	70 - 33	JD5403	2J12	8	90 - 78	K3083R	1B5	5	20 - 11
F3171R	2C12	4	70 - 36	JD5403	2J13	8	90 - 79	K3083R	1C24	6	30 - 15
F3171R	2C13	8	70 - 37	JD5403	2J14	2	90 - 80	K3083R	1D2	6	30 - 17
F3173R	2C4	12	70 - 28	JD5602	2J9	..	90 - 74	K3083R	1E11	22	40 - 17
F3195R	2G4	4	80 - 28	JD7232	1I7	7	50 - 19	K40003	2E14	1	70 - 87
F3195R	2G4	11	80 - 28	JD7260	1I7	6	50 - 19	K40003	2I13	1	90 - 52
F3195R	2H17	3	90 - 29	JD7266	2F8	6	80 - 6	K40003	2I14	1	90 - 53
F3195R	2H19	10	90 - 31	JD7266	2F9	5	80 - 6A	L29015	1K8	15	60 - 27
F3220R	2C12	5	70 - 36	JD7359	1I5	22	50 - 16	L29015	1K8	19	60 - 27
F3319R	1I10	14	50 - 22	JD7383	1I8	3	50 - 20	L4668T	1I13	12	50 - 25
F3396R	1D15	28	30 - 31	JD7439	2F8	4	80 - 6	L65000	1G6	10	40 - 47
F3396R	1I16	1	50 - 28	JD7439	2F9	4	80 - 6A	M1206T	1I13	1	50 - 25
F3396R	2C20	12	70 - 43	JD7688	1I16	14	50 - 28	M15827	2C20	3	70 - 43
F3396R	2H5	17	90 - 22	JD7759	1I2	5	50 - 13	M15827	2C22	2	70 - 45
F3396R	2H6	17	90 - 23	JD7759	1I2	13	50 - 13	M2301T	2F5	17	80 - 3
F3515R	2F17	14	80 - 15	JD7759	1J21	6	60 - 16	M2301T	2F7	18	80 - 5
H104855	1H7	9	40 - 75	JD7759	2D7	12	70 - 53	M2396T	2C11	7	70 - 35
H23197	2G12	8	90 - 3	JD7759	2F5	23	80 - 3	M2396T	2D11	5	70 - 57
H23197	2G22	11	90 - 14	JD7759	2F7	15	80 - 5	M2396T	2D15	24	70 - 61
H23836	2C4	14	70 - 28	JD7778	1I2	36	50 - 13	M2396T	2E2	14	70 - 73
H246R	1H20	14	50 - 7	JD7781	2F5	11	80 - 3	M2396T	2E4	38	70 - 75
H246R	1H22	9	50 - 9	JD7781	2F7	11	80 - 5	M3636T	1B5	7	20 - 11
H246R	1H24	6	50 - 11	JD7788	1I2	31	50 - 13	M3636T	1D5	18	30 - 21
H246R	1I7	2	50 - 19	JD8113	1I8	2	50 - 20	M3742T	1I18	9	50 - 31
H246R	1I8	12	50 - 20	JD8131	2F8	3	80 - 6	M40333	2I6	9	90 - 43
H246R	1I13	7	50 - 25	JD8131	2F9	3	80 - 6A	M42229	2I25	9	90 - 64
H246R	1I15	34	50 - 27	JD8191	1I21	4	50 - 35	M42229	2J1	6	90 - 65
H24659	2I6	9	90 - 43	JD8191	1I23	4	50 - 37	M4225T	1F8	18	40 - 25J
H26232	2F22	9	80 - 21	JD8192	2B2	27	70 - 5	M42830	1B12	1	20 - 18
H294R	1B23	15	20 - 29	JD8192	2B10	21	70 - 9B	M43835	1H7	2	40 - 75
H294R	1B23	18	20 - 29	JD8214	1I21	3	50 - 35	M63440	2A23	1	70 - 2
H294R	1B25	25	20 - 31	JD8214	1I23	3	50 - 37	M63440	2F5	22	80 - 3
H36036	1C16	23	30 - 5	JD8223	2B2	26	70 - 5	M63440	2H2	4	90 - 19
H36036	1C18	12	30 - 7	JD8223	2B10	20	70 - 9B	M63440	2H5	2	90 - 22
H441R	1H20	28	50 - 7	JD8235	1I5	21	50 - 16	M72490	1B23	3	20 - 29
H61993	2I17	11	90 - 56	JD8240	1I7	28	50 - 19	N101346	1I11	6	50 - 23
H61993	2I18	4	90 - 57	JD8248	1J5	7	50 - 45	N101346	1I11	10	50 - 23
H61993	2I18	5	90 - 57	JD8262	1I8	2	50 - 20	N115096	1H7	11	40 - 75
H63952	2I17	4	90 - 56	JD8280	1I5	4	50 - 16	N191827	1I23	26	50 - 37
H78354	2J7	2	90 - 72	JD8283	1I8	9	50 - 20	PM797NA	1F4	14	40 - 25F
H826R	1B5	12	20 - 11	JD8535	1E12	23	40 - 18	PM797NA	1F5	2	40 - 25G
H826R	1B23	1	20 - 29	JD8535	1E13	23	40 - 19	PM797NA	1H12	1	40 - 80
H837R	2B23	10	70 - 21	JD8535	1E15	7	40 - 19B	PT1294	1F22	7	40 - 38
H851R	2B25	8	70 - 23	JD8814	1I2	1	50 - 13	PT1296	1F22	14	40 - 38
H851R	2C13	23	70 - 37	JD8862	1H18	8	50 - 5	PT1624	1F22	5	40 - 38
H858R	1J2	3	50 - 41	JD8891	1I2	10	50 - 13	PT18180	1F22	5	40 - 38
H871R	1I15	24	50 - 27	JD8907	1I7	27	50 - 19	PT9318	1F22	7	40 - 38
H871R	1J13	37	60 - 7	JD8962	1J5	6	50 - 45	PT9319	1F22	5	40 - 38
H871R	2C7	9	70 - 31	JD8981	2F8	7	80 - 6	PT9320	1F22	17	40 - 38
H871R	2D18	10	70 - 65	JD9004	1I5	3	50 - 16	PT9321	1F22	25	40 - 38
H871R	2D20	11	70 - 67	JD9006	1I8	8	50 - 20	PT9390	1F22	6	40 - 38

1L2

5020 TRACTOR (SERIAL NO. -024,999)

NUMERICAL INDEX - CONTINUED

PART NO.	GRID	KEY	PAGE	PART NO.	GRID	KEY	PAGE	PART NO.	GRID	KEY	PAGE
P44982	2G24	23	90 - 17	RE19075	1F17	6	40 - 33	RE38624	1E25	10	40 - 25B
P44982	2H5	25	90 - 22	RE19075	1F17	14	40 - 33	RE38627	1F2	7	40 - 25D
P46051	2E9	21	70 - 81	RE19075	1F17	15	40 - 33	RE38628	1E25	9	40 - 25B
P46051	2E11	23	70 - 83	RE19075	1F19	2	40 - 35	RE38630	1F2	10	40 - 25D
P46051	2E13	16	70 - 85	RE19075	1F19	6	40 - 35	RE38631	1E25	12	40 - 25B
P47908	2A24	1	70 - 3	RE19075	1F19	13	40 - 35	RE38633	1D24	8	40 - 5
P47908	2B2	16	70 - 5	RE19075	1F19	14	40 - 35	RE38633	1E16	3	40 - 20
P47908	2B2	..	70 - 5	RE19419	2E14	7	70 - 87	RE38633	1F2	..	40 - 25D
P47908	2B8	22	70 - 9	RE20737	1116	5	50 - 28	RE38634	1E16	3	40 - 20
P47908	2B14	26	70 - 11	RE20776	1C3	5	20 - 34	RE38634	1E25	..	40 - 25B
P48347	1J10	17	60 - 4	RE20776	1C3	6	20 - 34	RE38707	1G6	11	40 - 47
P48769	1113	12	50 - 25	RE20776	1C3	7	20 - 34	RE38797	1J24	2	60 - 19
P51212	2D20	12	70 - 67	RE20776	1C3	8	20 - 34	RE39063	1E17	5	40 - 21
P51212	2D22	5	70 - 69	RE20776	1C4	4	20 - 35	RE39066	1F6	6	40 - 25H
RE10712	2B4	43	70 - 7	RE20776	1C4	5	20 - 35	RE40463	2B6	20	70 - 7B
RE10712	2B4	44	70 - 7	RE20776	1C4	6	20 - 35	RE40463	2B15	15	70 - 12
RE10712	2B12	39	70 - 9D	RE20776	1C4	7	20 - 35	RE41287	1D24	6	40 - 5
RE10924	2E13	19	70 - 85	RE21073	1G6	17	40 - 47	RE41287	1F8	2A	40 - 25J
RE11137	1B2	3	20 - 7	RE21096	1G6	11	40 - 47	RE41749	1E25	7	40 - 25B
RE11156	1H9	36	40 - 77	RE21112	1G8	3	40 - 49	RE41756	1D24	8	40 - 5
RE11157	1H9	37	40 - 77	RE21113	1G8	10	40 - 49	RE41756	1E16	3	40 - 20
RE11447	2E23	9	70 - 96	RE21510	1G6	20	40 - 47	RE41756	1E18	..	40 - 22
RE11456	2E23	2	70 - 96	RE21730	1H11	5	40 - 79	RE41756	1E23	..	40 - 25
RE11457	2E23	1	70 - 96	RE21731	1H11	5	40 - 79	RE41756	1F2	..	40 - 25D
RE11458	2E23	2	70 - 96	RE21732	1H11	6	40 - 79	RE41759	1E18	6	40 - 22
RE11463	2E23	2	70 - 96	RE21738	1G8	15	40 - 49	RE41759	1E23	6	40 - 25
RE11777	2B10	24	70 - 9B	RE21790	1D12	6	30 - 28	RE42211	1D8	16	30 - 24
RE11804	2B10	14	70 - 9B	RE21790	1D13	1	30 - 29	RE42211	1D8	17	30 - 24
RE12121	2D18	..	70 - 65	RE22589	1G8	2	40 - 49	RE42211	1D9	5	30 - 25
RE12121	2D20	20	70 - 67	RE23182	1A22	2	20 - 2	RE43025	1G6	17	40 - 47
RE12169	2B6	19	70 - 7B	RE23382	2B2	25	70 - 5	RE43047	1D24	8	40 - 5
RE12470	2B12	27	70 - 9D	RE23382	2B10	19	70 - 9B	RE43047	1E16	3	40 - 20
RE12842	1A22	2	20 - 2	RE24561	1D11	1	30 - 27	RE43047	1E19	20	40 - 23
RE13271	2B12	15	70 - 9D	RE25621	1G24	1	40 - 67	RE43047	1E19	..	40 - 23
RE13273	2B16	15	70 - 13	RE26739	2C24	6	70 - 45B	RE43047	1E20	..	40 - 23A
RE13310	1B13	3	20 - 19	RE26740	2C24	6	70 - 45B	RE43047	1E23	..	40 - 25
RE13310	1B13	7	20 - 19	RE27099	1E4	6	40 - 9	RE43047	1E25	..	40 - 25B
RE13310	1B13	8	20 - 19	RE27099	1F13	22	40 - 29	RE44657	1G22	28	40 - 64
RE13312	1B13	7	20 - 19	RE27099	1F13	23	40 - 29	RE45307	1F8	2A	40 - 25J
RE13813	2D20	14	70 - 67	RE27667	1D9	5	30 - 25	RE45307	1F8	2B	40 - 25J
RE13814	2D20	6	70 - 67	RE28790	2B2	7	70 - 5	RE46317	1G6	11	40 - 47
RE13815	2D22	10	70 - 69	RE28790	2B8	19	70 - 9	RE46331	1J23	4	60 - 18
RE14069	1F24	5	40 - 40	RE28790	2B10	7	70 - 9B	RE46331	1J23	7	60 - 18
RE14868	2B6	20	70 - 7B	RE28790	2B14	23	70 - 11	RE46341	1J23	4	60 - 18
RE15361	2C13	13	70 - 37	RE29103	2B8	25	70 - 9	RE46341	1J23	7	60 - 18
RE15361	2D17	11	70 - 63	RE29107	2B14	29	70 - 11	RE46341	1J24	2	60 - 19
RE15361	2D17	15	70 - 63	RE29428	1I23	20	50 - 37	RE46341	1J24	4	60 - 19
RE15361	2D17	18	70 - 63	RE29777	1H20	7	50 - 7	RE46414	1G6	12	40 - 47
RE15361	2D17	20	70 - 63	RE31702	1J5	3	50 - 45	RE50017	2B15	14	70 - 12
RE15427	1C6	15	20 - 37	RE32529	2B6	19	70 - 7B	RE50139	1D11	14	30 - 27
RE16151	1D13	4	30 - 29	RE32529	2B15	13	70 - 12	RE50139	1D11	16	30 - 27
RE16181	1D11	11	30 - 27	RE32942	1J24	4	60 - 19	RE50139	1D13	3	30 - 29
RE16181	1D12	3	30 - 28	RE33636	1D11	1	30 - 27	RE50139	1D13	4	30 - 29
RE16181	1D12	7	30 - 28	RE35992	1A22	3	20 - 2	RE51962	2F11	11	80 - 8
RE16548	1B17	9	20 - 23	RE37120	1I7	10	50 - 19	RE53823	1I23	20	50 - 37
RE16549	1B17	9	20 - 23	RE37996	1F24	4	40 - 40	RE54816	2F9	7	80 - 6A
RE16549	1B17	11	20 - 23	RE38390	1D22	25	40 - 3	RE61025	1B11	1	20 - 17
RE16993	1116	5	50 - 28	RE38390	1F24	6	40 - 40	RE62234	2H2	14	90 - 19
RE17282	1H1	10	40 - 69	RE38390	1H16	5	50 - 3	RW26466	1G6	20	40 - 47
RE17282	1H3	21	40 - 71	RE38578	1D8	6	30 - 24	R100304	2B25	19	70 - 23
RE19075	1E6	1	40 - 11	RE38578	1D10	3	30 - 26	R100304	2C3	16	70 - 27
RE19075	1E6	2	40 - 11	RE38578	1D10	6	30 - 26	R100380	1F6	2	40 - 25H
RE19075	1E6	22	40 - 11	RE38617	1F2	6	40 - 25D	R10093	2D20	5	70 - 67
RE19075	1E7	1	40 - 12	RE38618	1E25	6	40 - 25B	R10093	2D22	2	70 - 69
RE19075	1E7	3	40 - 12	RE38620	1E25	2	40 - 25B	R105583	2B2	13	70 - 5
RE19075	1E7	10	40 - 12	RE38620	1F2	2	40 - 25D	R105583	2B10	11	70 - 9B
RE19075	1F17	2	40 - 33	RE38623	1F2	8	40 - 25D	R105942	1G6	10	40 - 47

1L3

5020 TRACTOR (SERIAL NO. -024,999)

NUMERICAL INDEX - CONTINUED

PART NO.	GRID	KEY	PAGE	PART NO.	GRID	KEY	PAGE	PART NO.	GRID	KEY	PAGE
R109489	1I21	10	50 - 35	R11158	1E15	1	40 - 19B	R15029	1E12	22	40 - 18
R109489	1I23	10	50 - 37	R11160	1E15	31	40 - 19B	R15029	1E13	22	40 - 19
R11003	1E19	16	40 - 23	R11161	1E15	30	40 - 19B	R15030	1E12	11	40 - 18
R11008	1E20	16	40 - 23A	R11162	1E15	19	40 - 19B	R15030	1E13	11	40 - 19
R11011	1E19	11	40 - 23	R11162	1E15	27	40 - 19B	R15033	1E12	24	40 - 18
R11011	1E20	2	40 - 23A	R11188	1E15	3	40 - 19B	R15033	1E13	24	40 - 19
R11012	1E20	4	40 - 23A	R11189	1E15	34	40 - 19B	R15035	1E12	7	40 - 18
R11017	1E22	28	40 - 23D	R11253	1E19	21	40 - 23	R15035	1E13	7	40 - 19
R11018	1E19	1	40 - 23	R11273	1E22	27	40 - 23D	R15036	1E12	6	40 - 18
R11026	1E22	36	40 - 23D	R11276	1D22	18	40 - 3	R15036	1E13	6	40 - 19
R11026	1E22	39	40 - 23D	R11276	1G1	9	40 - 42	R15038	1E12	26	40 - 18
R11026	1F4	2	40 - 25F	R112769	1I21	8	50 - 35	R15038	1E13	26	40 - 19
R11032	1G19	11	40 - 61	R112769	1I23	8	50 - 37	R15039	1E12	8	40 - 18
R11042	1E15	20	40 - 19B	R11278	1G1	6	40 - 42	R15040	1E12	10	40 - 18
R11043	1E15	28	40 - 19B	R11278	1G3	1	40 - 44	R15041	1E12	2	40 - 18
R110464	1J23	2	60 - 18	R11278	1G4	1	40 - 45	R15042	1E12	20	40 - 18
R11049	1E15	32	40 - 19B	R11282	1E22	12	40 - 23D	R15043	1E12	9	40 - 18
R11086	1E15	5	40 - 19B	R114132	1I21	10	50 - 35	R15045	1E12	3	40 - 18
R11087	1E15	16	40 - 19B	R114132	1I23	10	50 - 37	R15045	1E13	3	40 - 19
R11088	1E15	42	40 - 19B	R114132	1J5	27	50 - 45	R1590R	2B25	10	70 - 23
R11089	1E15	38	40 - 19B	R119275	2D2	26	70 - 47	R1590R	2C3	12	70 - 27
R11094	1E15	39	40 - 19B	R119276	2D2	27	70 - 47	R1646R	1D22	24	40 - 3
R11096	1E19	3	40 - 23	R120106	1G6	10	40 - 47	R1646R	1E6	21	40 - 11
R11097	1E15	17	40 - 19B	R120107	1G6	10	40 - 47	R1742R	1H21	32	50 - 8
R11098	1E15	22	40 - 19B	R120108	1G6	10	40 - 47	R1769R	1H21	5	50 - 8
R11105	1E15	41	40 - 19B	R120111	2G7	17	80 - 31	R1801R	2E16	2	70 - 89
R11106	1E15	9	40 - 19B	R120349	1I21	11	50 - 35	R1826R	2D2	13	70 - 47
R11109	1E15	40	40 - 19B	R120349	1I21	12	50 - 35	R1826R	2H14	27	90 - 26
R11113	1E15	18	40 - 19B	R120349	1I24	2	50 - 39	R1826R	2H15	18	90 - 27
R11113	1E15	26	40 - 19B	R120735	2B21	7	70 - 19	R183R	1I18	18	50 - 31
R11120	1E20	5	40 - 23A	R14022	1F8	8	40 - 25J	R183R	2C11	40	70 - 35
R11120	1E22	38	40 - 23D	R14023	1F9	..	40 - 25K	R1836R	2H2	8	90 - 19
R11120	1E25	5	40 - 25B	R14024	1F8	12	40 - 25J	R1870R	2E18	38	70 - 91
R11120	1F2	5	40 - 25D	R14025	1F8	24	40 - 25J	R1888R	1B23	3	20 - 29
R11121	1E19	4	40 - 23	R14026	1F8	7	40 - 25J	R1888R	1I10	22	50 - 22
R11121	1E22	23	40 - 23D	R14027	1F8	8	40 - 25J	R1888R	2C15	22	70 - 39
R11123	1E20	4	40 - 23A	R14028	1F9	9	40 - 25K	R20123	2J18	..	90 - 84
R11124	1E20	4	40 - 23A	R14031	1F8	28	40 - 25J	R20124	2J18	..	90 - 84
R11126	1E22	33	40 - 23D	R14034	1F8	11	40 - 25J	R20498	1C24	10	30 - 15
R11126	1F4	5	40 - 25F	R14035	1F8	13	40 - 25J	R20498	1D2	3	30 - 17
R11127	1E22	32	40 - 23D	R14036	1F8	23	40 - 25J	R20513	2J3	21	90 - 67
R11127	1F4	6	40 - 25F	R14037	1F8	20	40 - 25J	R20538	2H14	9	90 - 26
R11128	1E22	34	40 - 23D	R14038	1F8	19	40 - 25J	R20538	2H15	26	90 - 27
R11128	1F4	4	40 - 25F	R14039	1F8	18	40 - 25J	R20758	1E2	1	40 - 7
R11129	1E22	35	40 - 23D	R14040	1F8	29	40 - 25J	R20758	1E2	2	40 - 7
R11129	1F4	3	40 - 25F	R14041	1F8	26	40 - 25J	R20758	1E4	1	40 - 9
R11130	1F4	23	40 - 25F	R14042	1F8	25	40 - 25J	R20758	1E4	2	40 - 9
R11131	1F4	22	40 - 25F	R14043	1F8	14	40 - 25J	R20758	1F15	19	40 - 31
R11133	1E19	5	40 - 23	R14044	1F8	15	40 - 25J	R20759	2C13	26	70 - 37
R11133	1E22	22	40 - 23D	R14047	1F8	9	40 - 25J	R20759	2G2	10	80 - 25
R11134	1F4	13	40 - 25F	R14048	1F8	10	40 - 25J	R20759	2G3	3	80 - 27
R11135	1E19	15	40 - 23	R14049	1F8	10	40 - 25J	R20759	2I9	28	90 - 47
R11136	1E22	25	40 - 23D	R14050	1F8	10	40 - 25J	R20878	1C2	1	20 - 33
R11138	1E22	31	40 - 23D	R14051	1F8	10	40 - 25J	R20878	1C2	3	20 - 33
R11138	1F4	7	40 - 25F	R14052	1F8	10	40 - 25J	R20922	1B25	9	20 - 31
R11140	1E22	15	40 - 23D	R14053	1F8	6	40 - 25J	R21101	2F5	13	80 - 3
R11141	1E19	6	40 - 23	R14054	1F8	10	40 - 25J	R21101	2F7	13	80 - 5
R11142	1E19	7	40 - 23	R14082	1F8	..	40 - 25J	R21157	1G1	2	40 - 42
R11143	1E19	18	40 - 23	R15022	1E11	9	40 - 17	R21157	2J5	28	90 - 69
R11144	1E22	11	40 - 23D	R15022	1E12	28	40 - 18	R21230	2C13	21	70 - 37
R11146	1E19	9	40 - 23	R15023	1E13	8	40 - 19	R21478	1C8	15	20 - 39
R11147	1E22	4	40 - 23D	R15024	1E13	10	40 - 19	R21551	1D24	17	40 - 5
R11147	1E25	14	40 - 25B	R15026	1E13	2	40 - 19	R21551	1E2	3	40 - 7
R11147	1F2	12	40 - 25D	R15027	1E12	27	40 - 18	R21551	1E2	13	40 - 7
R11148	1E20	9	40 - 23A	R15027	1E13	27	40 - 19	R21551	1E5	3	40 - 10
R11151	1E22	37	40 - 23D	R15028	1E12	19	40 - 18	R21551	1E6	21	40 - 11
R11151	1F4	1	40 - 25F	R15028	1E13	19	40 - 19	R21551	2B19	14	70 - 17

1L4

5020 TRACTOR (SERIAL NO. -024,999)

NUMERICAL INDEX - CONTINUED

PART NO.	GRID	KEY	PAGE	PART NO.	GRID	KEY	PAGE	PART NO.	GRID	KEY	PAGE
R21551	2J5	6	90 - 69	R26185	1114	14	50 - 26	R26373	1K9	4	60 - 28
R21630	1B5	15	20 - 11	R26186	1114	15	50 - 26	R26374	1K2	34	60 - 21
R21644	1C14	8	30 - 3	R26187	1114	14	50 - 26	R26374	1K8	8	60 - 27
R21645	1C14	7	30 - 3	R26187	1114	16	50 - 26	R26374	1K9	5	60 - 28
R21722	2D18	9	70 - 65	R26192	1114	19	50 - 26	R26375	1H21	15	50 - 8
R21722	2E23	1	70 - 96	R26198	1B5	9	20 - 11	R26375	1H21	26	50 - 8
R21722	2E23	2	70 - 96	R26217	1115	26	50 - 27	R26375	1J10	13	60 - 4
R21736	2F17	7	80 - 15	R26241	1B5	4	20 - 11	R26375	1J15	24	60 - 9
R21736	2F17	8	80 - 15	R26277	2C22	13	70 - 45	R26375	1J17	12	60 - 11
R21736	2F24	34	80 - 23	R26277	2D5	19	70 - 51	R26375	1K2	24	60 - 21
R21736	2F24	35	80 - 23	R26286	1D2	22	30 - 17	R26375	2B4	27	70 - 7
R21737	1C16	4	30 - 5	R26286	1I4	12	50 - 15	R26375	2B6	16	70 - 7B
R21737	1C18	18	30 - 7	R26286	1J2	20	50 - 41	R26375	2B12	23	70 - 9D
R227R	1K2	23	60 - 21	R26286	1J2	31	50 - 41	R26375	2B14	3	70 - 11
R2579R	1F21	16	40 - 37	R26286	1J3	1	50 - 43	R26375	2B14	10	70 - 11
R26011	1J5	25	50 - 45	R26286	1J8	14	60 - 2	R26375	2B15	12	70 - 12
R26015	1I4	9	50 - 15	R26286	1J10	3	60 - 4	R26375	2B16	2	70 - 13
R26015	1J5	11	50 - 45	R26286	1J10	18	60 - 4	R26375	2B25	5	70 - 23
R26078	1B2	5	20 - 7	R26286	1J15	11	60 - 9	R26375	2C7	2	70 - 31
R26078	1B2	7	20 - 7	R26286	1J15	12	60 - 9	R26375	2C9	5	70 - 33
R26113	2H2	29	90 - 19	R26286	1J15	33	60 - 9	R26375	2C9	13	70 - 33
R26114	1B2	1	20 - 7	R26286	1J17	1	60 - 11	R26375	2C12	6	70 - 36
R26115	1B5	21	20 - 11	R26286	1K2	7	60 - 21	R26375	2C13	2	70 - 37
R26117	1B5	7	20 - 11	R26286	1K6	3	60 - 25	R26375	2C13	10	70 - 37
R26121	1B10	4	20 - 16	R26286	1K9	1	60 - 28	R26375	2C13	19	70 - 37
R26121	1B23	12	20 - 29	R26286	2B16	7	70 - 13	R26375	2D12	1	70 - 58
R26121	1C10	22	20 - 41	R26286	2C7	5	70 - 31	R26375	2D13	6	70 - 59
R26135	1B12	11	20 - 18	R26286	2D13	24	70 - 59	R26375	2D13	8	70 - 59
R26136	1B12	13	20 - 18	R26287	1C24	2	30 - 15	R26375	2D24	3	70 - 71
R26137	2B2	6	70 - 5	R26287	1I4	14	50 - 15	R26375	2D24	..	70 - 71
R26137	2B10	6	70 - 9B	R26287	1I4	24	50 - 15	R26375	2E2	2	70 - 73
R26138	1B12	14	20 - 18	R26287	1I4	25	50 - 15	R26375	2E2	..	70 - 73
R26142	1B12	10	20 - 18	R26287	1J9	15	60 - 3	R26375	2E5	1	70 - 77
R26144	1B23	14	20 - 29	R26287	1J10	5	60 - 4	R26375	2E5	2	70 - 77
R26146	1B23	7	20 - 29	R26287	1J13	25	60 - 7	R26375	2E7	4	70 - 79
R26149	1B23	9	20 - 29	R26287	1J13	34	60 - 7	R26375	2E7	18	70 - 79
R26149	1D11	3	30 - 27	R26287	1J17	7	60 - 11	R26375	2E13	5	70 - 85
R26149	2B4	35	70 - 7	R26287	1K2	32	60 - 21	R26375	2E15	4	70 - 88
R26149	2C7	32	70 - 31	R26287	1K5	22	60 - 24	R26375	2E23	4	70 - 96
R26149	2D24	36	70 - 71	R26287	1K6	5	60 - 25	R26376	1K2	22	60 - 21
R26149	2D24	..	70 - 71	R26287	1K8	21	60 - 27	R26384	1K5	19	60 - 24
R26149	2E2	8	70 - 73	R26287	1K9	6	60 - 28	R26385	1J2	8	50 - 41
R26149	2E2	..	70 - 73	R26287	2B4	23	70 - 7	R26385	1K5	27	60 - 24
R26149	2E4	19	70 - 75	R26287	2B8	4	70 - 9	R26386	1J2	7	50 - 41
R26149	2E4	34	70 - 75	R26287	2B8	16	70 - 9	R26386	1K5	25	60 - 24
R26149	2E5	4	70 - 77	R26287	2B14	22	70 - 11	R26386	2C11	11	70 - 35
R26149	2E7	31	70 - 79	R26287	2B15	7	70 - 12	R26401	1B12	17	20 - 18
R26149	2E9	24	70 - 81	R26287	2B16	20	70 - 13	R26402	1B12	20	20 - 18
R26149	2E13	18	70 - 85	R26287	2B19	11	70 - 17	R26403	1B12	16	20 - 18
R26151	1B23	11	20 - 29	R26287	2C5	3	70 - 29	R26407	1B12	6	20 - 18
R26151	1J9	22	60 - 3	R26287	2C7	7	70 - 31	R26413	1C6	23	20 - 37
R26152	1B23	15	20 - 29	R26287	2C8	15	70 - 32	R26413	1C7	5	20 - 38
R26152	1B23	16	20 - 29	R26287	2E2	37	70 - 73	R26416	1C6	26	20 - 37
R26152	1B25	23	20 - 31	R26287	2E4	53	70 - 75	R26416	2F24	38	80 - 23
R26153	1B23	20	20 - 29	R26287	2E5	5	70 - 77	R26417	1C6	22	20 - 37
R26167	1B3	9	20 - 9	R26333	1B14	13	20 - 20	R26425	1J10	6	60 - 4
R26168	1B3	8	20 - 9	R26333	2F5	35	80 - 3	R26429	1I4	13	50 - 15
R26169	1B3	7	20 - 9	R26333	2F5	36	80 - 3	R26429	2C7	3	70 - 31
R26169	1B25	24	20 - 31	R26363	1J23	8	60 - 18	R26431	2G24	18	90 - 17
R26170	1B3	20	20 - 9	R26364	1J23	9	60 - 18	R26432	2G24	10	90 - 17
R26172	1B3	4	20 - 9	R26364	1J24	6	60 - 19	R26432	2H6	3	90 - 23
R26173	1B3	5	20 - 9	R26367	1K2	8	60 - 21	R26433	2G24	12	90 - 17
R26173	1C10	18	20 - 41	R26369	1K2	5	60 - 21	R26434	2G24	20	90 - 17
R26174	1B3	1	20 - 9	R26372	1K2	27	60 - 21	R26434	2H6	11	90 - 23
R26178	1114	20	50 - 26	R26373	1J9	28	60 - 3	R26436	2H2	3	90 - 19
R26182	1114	10	50 - 26	R26373	1K2	35	60 - 21	R26441	1J8	2	60 - 2
R26183	1114	9	50 - 26	R26373	1K8	7	60 - 27	R26441	1J13	18	60 - 7

1L5

5020 TRACTOR (SERIAL NO. -024,999)

NUMERICAL INDEX - CONTINUED

PART NO.	GRID	KEY	PAGE	PART NO.	GRID	KEY	PAGE	PART NO.	GRID	KEY	PAGE
R26441	1J15	7	60 - 9	R26493	1B25	22	20 - 31	R26758	2C7	11	70 - 31
R26441	1J15	27	60 - 9	R26501	1118	23	50 - 31	R26758	2C7	27	70 - 31
R26448	1F24	2	40 - 40	R26505	2C17	13	70 - 41	R26760	1J8	10	60 - 2
R26448	1J10	23	60 - 4	R26517	1111	8	50 - 23	R26760	1J13	17	60 - 7
R26448	1J13	22	60 - 7	R26524	1D15	27	30 - 31	R26762	1J11	4	60 - 5
R26448	1J15	5	60 - 9	R26524	2H6	9	90 - 23	R26762	2C11	2	70 - 35
R26448	1J19	1	60 - 13	R26543	2C4	5	70 - 28	R26772	2C11	24	70 - 35
R26448	1J20	7	60 - 14	R26544	2D24	7	70 - 71	R26773	2C11	28	70 - 35
R26448	1J21	8	60 - 16	R26544	2D24	..	70 - 71	R26776	2C11	25	70 - 35
R26448	1K8	2	60 - 27	R26544	2E2	..	70 - 73	R26822	2E2	16	70 - 73
R26448	2B4	2	70 - 7	R26544	2E5	12	70 - 77	R26822	2E4	42	70 - 75
R26448	2B4	8	70 - 7	R26544	2E7	10	70 - 79	R26823	1116	3	50 - 28
R26448	2B6	1	70 - 7B	R26546	1J9	19	60 - 3	R26828	2G24	28	90 - 17
R26448	2B8	1	70 - 9	R26546	1J15	16	60 - 9	R26829	2G24	22	90 - 17
R26448	2B12	2	70 - 9D	R26546	2E9	9	70 - 81	R26830	2G24	19	90 - 17
R26448	2B12	8	70 - 9D	R26546	2E11	10	70 - 83	R26832	2H2	9	90 - 19
R26448	2B12	25	70 - 9D	R26546	2E13	7	70 - 85	R26858	2C15	19	70 - 39
R26448	2B14	1	70 - 11	R26547	1J15	25	60 - 9	R26863	1J23	10	60 - 18
R26448	2B14	8	70 - 11	R26551	1J15	20	60 - 9	R26863	1J24	7	60 - 19
R26448	2B15	3	70 - 12	R26551	2E2	20	70 - 73	R26869	2C15	8	70 - 39
R26448	2B15	7	70 - 12	R26551	2E4	43	70 - 75	R26870	1118	24	50 - 31
R26448	2C5	9	70 - 29	R26551	2E5	7	70 - 77	R26870	2C11	44	70 - 35
R26448	2C7	20	70 - 31	R26552	1J10	8	60 - 4	R26872	2H2	2	90 - 19
R26448	2C8	13	70 - 32	R26553	1J11	7	60 - 5	R26873	2H2	2	90 - 19
R26448	2C9	1	70 - 33	R26554	1J11	1	60 - 5	R26874	2G24	27	90 - 17
R26448	2C13	4	70 - 37	R26554	2C11	1	70 - 35	R26875	2H2	12	90 - 19
R26448	2E5	2	70 - 77	R26559	1B1	11	20 - 6	R26876	2H2	13	90 - 19
R26448	2E7	25	70 - 79	R26559	1111	4	50 - 23	R26877	2H2	10	90 - 19
R26448	2E13	4	70 - 85	R26559	1111	10	50 - 23	R26877	2H6	29	90 - 23
R26448	2E13	17	70 - 85	R26564	2C11	27	70 - 35	R26878	2H2	19	90 - 19
R26457	2C8	5	70 - 32	R26565	1J9	5	60 - 3	R26879	2H2	15	90 - 19
R26458	2C8	2	70 - 32	R26565	2C7	31	70 - 31	R26880	2H2	24	90 - 19
R26461	2C11	34	70 - 35	R26565	2E2	7	70 - 73	R26880	2H2	24	90 - 19
R26473	1C8	14	20 - 39	R26565	2E4	31	70 - 75	R26880	2F24	13	80 - 23
R26474	1C8	6	20 - 39	R26566	2C7	37	70 - 31	R26895	2J3	15	90 - 67
R26477	2C5	5	70 - 29	R26567	2C7	37	70 - 31	R26895	2J3	19	90 - 67
R26477	2C12	11	70 - 36	R26567	2C11	4	70 - 35	R26906	1J3	21	50 - 43
R26477	2E2	35	70 - 73	R2657R	1111	7	50 - 23	R26906	2B4	10	70 - 7
R26477	2E4	51	70 - 75	R26571	2C11	21	70 - 35	R26906	2B6	2	70 - 7B
R26478	2C5	4	70 - 29	R26573	2C7	22	70 - 31	R26906	2B8	2	70 - 9
R26478	2E2	36	70 - 73	R26574	2C11	48	70 - 35	R26906	2B8	15	70 - 9
R26478	2E4	52	70 - 75	R26575	1H18	18	50 - 5	R26906	2B12	16	70 - 9D
R26479	2C5	4	70 - 29	R26575	2C11	49	70 - 35	R26906	2B14	6	70 - 11
R26479	2E2	36	70 - 73	R26608	2C22	15	70 - 45	R26906	2B14	26	70 - 11
R26479	2E4	52	70 - 75	R26616	1H22	5	50 - 9	R26906	2B15	1	70 - 12
R26480	2D15	28	70 - 61	R26616	114	26	50 - 15	R26906	2B16	4	70 - 13
R26480	2D16	10	70 - 62	R26616	2B25	14	70 - 23	R26906	2B18	1	70 - 15
R26480	2D20	16	70 - 67	R26621	2B4	34	70 - 7	R26906	2C8	3	70 - 32
R26480	2D22	8	70 - 69	R26621	2C8	12	70 - 32	R26906	2C9	9	70 - 33
R26482	2D15	17	70 - 61	R26625	2C8	8	70 - 32	R26906	2C12	15	70 - 36
R26482	2D16	6	70 - 62	R26626	2C4	13	70 - 28	R26906	2J3	29	90 - 67
R26482	2D18	20	70 - 65	R26629	2C11	36	70 - 35	R26919	1D2	20	30 - 17
R26483	2D15	21	70 - 61	R26637	1H20	3	50 - 7	R26919	1D2	21	30 - 17
R26483	2D16	7	70 - 62	R26646	1B14	3	20 - 20	R26933	1J13	8	60 - 7
R26484	2D15	14	70 - 61	R26650	1116	18	50 - 28	R26934	1D8	1	30 - 24
R26484	2D16	3	70 - 62	R26650	2C7	17	70 - 31	R26936	1E2	4	40 - 7
R26484	2E9	29	70 - 81	R26670	1D15	10	30 - 31	R26936	1E4	8	40 - 9
R26484	2E11	32	70 - 83	R26671	1D15	21	30 - 31	R26936	1E5	8	40 - 10
R26484	2E13	10	70 - 85	R26677	1D15	47	30 - 31	R26936	1F25	12	40 - 41
R26485	1J8	12	60 - 2	R26686	1H21	27	50 - 8	R26936	2H7	5	90 - 24
R26485	1J15	31	60 - 9	R26694	2F24	33	80 - 23	R26958	1D15	12	30 - 31
R26485	2D15	10	70 - 61	R26702	2F24	27	80 - 23	R26974	2E2	17	70 - 73
R26485	2D16	1	70 - 62	R26703	2F24	27	80 - 23	R26974	2E4	41	70 - 75
R26485	2D17	12	70 - 63	R26726	1D5	21	30 - 21	R26976	2C7	23	70 - 31
R26487	2C11	9	70 - 35	R26726	1D11	20	30 - 27	R26976	2E5	11	70 - 77
R26491	2C11	46	70 - 35	R26727	1B9	13	20 - 15	R26977	2C7	24	70 - 31
R26493	1B23	13	20 - 29	R26754	2C4	6	70 - 28	R26977	2E5	10	70 - 77
				R26755	1J8	5	60 - 2	R26978	2D24	18	70 - 71

1L6

5020 TRACTOR (SERIAL NO. -024,999)

NUMERICAL INDEX - CONTINUED

PART NO.	GRID	KEY	PAGE	PART NO.	GRID	KEY	PAGE	PART NO.	GRID	KEY	PAGE
R26978	2E4	25	70 - 75	R27180	1E2	3	40 - 7	R27440	2H5	8	90 - 22
R26980	2D24	16	70 - 71	R27180	1E6	12	40 - 11	R27441	2G3	7	80 - 27
R26980	2D24	24	70 - 71	R27180	1E7	13	40 - 12	R27441	2H2	5	90 - 19
R26980	2E4	11	70 - 75	R27180	1E7	18	40 - 12	R27441	2H2	26	90 - 19
R26982	2D24	26	70 - 71	R27181	1C23	22	30 - 13	R27441	2H5	3	90 - 22
R26982	2E4	13	70 - 75	R27196	2C17	4	70 - 41	R27441	2H19	15	90 - 31
R26986	2D24	32	70 - 71	R27203	2D11	2	70 - 57	R27442	2H2	11	90 - 19
R26989	2D13	4	70 - 59	R27206	1B12	21	20 - 18	R27442	2H6	30	90 - 23
R27033	1H20	1	50 - 7	R27207	1B12	23	20 - 18	R27443	1B1	8	20 - 6
R27060	2D24	37	70 - 71	R27209	1C6	16	20 - 37	R27448	2D13	21	70 - 59
R27060	2E4	20	70 - 75	R27212	1J20	6	60 - 14	R27453	1J13	11	60 - 7
R27072	1D15	3	30 - 31	R27212	2B15	6	70 - 12	R27457	1D22	20	40 - 3
R27074	1C24	5	30 - 15	R27212	2C8	14	70 - 32	R27457	1D22	24	40 - 3
R27074	1D15	1	30 - 31	R27212	2C9	2	70 - 33	R27457	1D24	11	40 - 5
R27074	1I4	2	50 - 15	R27214	2C11	29	70 - 35	R27458	2H2	33	90 - 19
R27075	1D15	2	30 - 31	R27215	2C11	15	70 - 35	R27460	1F11	10	40 - 27
R27077	1D15	19	30 - 31	R27216	1I4	15	50 - 15	R27460	1F13	16	40 - 29
R27087	1J13	15	60 - 7	R27216	1J9	16	60 - 3	R27460	1F15	23	40 - 31
R27089	1J8	9	60 - 2	R27216	1J13	26	60 - 7	R27460	1F17	9	40 - 33
R27091	1J8	6	60 - 2	R27216	2B4	24	70 - 7	R27460	1F19	8	40 - 35
R27094	1I4	13	50 - 15	R27216	2C5	1	70 - 29	R27471	2B4	44	70 - 7
R27094	1J2	30	50 - 41	R27216	2C7	10	70 - 31	R27472	2B4	43	70 - 7
R27094	2C7	3	70 - 31	R27216	2C8	16	70 - 32	R27474	1J3	22	50 - 43
R27095	1J19	12	60 - 13	R27216	2E2	39	70 - 73	R27474	2B16	18	70 - 13
R27118	2H2	30	90 - 19	R27216	2E4	27	70 - 75	R27474	2C9	19	70 - 33
R27119	2H2	32	90 - 19	R27218	1I4	22	50 - 15	R27474	2C12	14	70 - 36
R27121	2H2	22	90 - 19	R27218	2B4	7	70 - 7	R27474	2J3	30	90 - 67
R27137	1K2	10	60 - 21	R27218	2B12	7	70 - 9D	R27475	2B4	1	70 - 7
R27145	2B2	31	70 - 5	R27218	2C7	19	70 - 31	R27475	2B12	1	70 - 9D
R27146	2B2	32	70 - 5	R27218	2E7	29	70 - 79	R27476	2B4	13	70 - 7
R27148	2B2	10	70 - 5	R27231	2E2	21	70 - 73	R27478	2B2	33	70 - 5
R27149	1K2	11	60 - 21	R27231	2E4	44	70 - 75	R27478	2B6	12	70 - 7B
R27149	2B2	11	70 - 5	R27233	2D24	14	70 - 71	R27478	2B10	28	70 - 9B
R27149	2B8	20	70 - 9	R27233	2E4	6	70 - 75	R27479	2B2	33	70 - 5
R27149	2B10	9	70 - 9B	R27233	2E7	13	70 - 79	R27479	2B6	13	70 - 7B
R27149	2B14	24	70 - 11	R27237	1H21	16	50 - 8	R27479	2B10	28	70 - 9B
R27150	2B2	5	70 - 5	R27237	1J17	15	60 - 11	R27483	2B25	7	70 - 23
R27150	2B10	5	70 - 9B	R27237	2D13	7	70 - 59	R27489	2E2	18	70 - 73
R27154	2B2	18	70 - 5	R27240	2D11	9	70 - 57	R27489	2E4	40	70 - 75
R27155	2B2	17	70 - 5	R27241	2D11	6	70 - 57	R27490	2D24	38	70 - 71
R27156	2B2	19	70 - 5	R27256	1I18	19	50 - 31	R27490	2E4	21	70 - 75
R27157	2B2	20	70 - 5	R27267	2B19	10	70 - 17	R27490	2E5	9	70 - 77
R27159	2B4	18	70 - 7	R27267	2C9	7	70 - 33	R27492	2D24	39	70 - 71
R27166	2B4	14	70 - 7	R27270	2B16	14	70 - 13	R27494	2D11	7	70 - 57
R27166	2B4	43	70 - 7	R27270	2B18	2	70 - 15	R27500	2D11	3	70 - 57
R27166	2B4	44	70 - 7	R27270	2C9	10	70 - 33	R27506	2F24	19	80 - 23
R27166	2B6	5	70 - 7B	R27272	1J3	2	50 - 43	R27506	2H14	20	90 - 26
R27166	2B8	6	70 - 9	R27285	1C10	15	20 - 41	R27507	2C11	31	70 - 35
R27166	2B8	..	70 - 9	R27285	1D8	2	30 - 24	R27507	2C15	7	70 - 39
R27166	2B12	41	70 - 9D	R27285	1D9	1	30 - 25	R27507	2F24	16	80 - 23
R27166	2B14	14	70 - 11	R27285	1D10	1	30 - 26	R27507	2H14	17	90 - 26
R27166	2E7	28	70 - 79	R27296	1J10	19	60 - 4	R27527	1J10	4	60 - 4
R27166	2E9	1	70 - 81	R27296	1K6	2	60 - 25	R27527	1J17	8	60 - 11
R27166	2E9	26	70 - 81	R27299	1J13	10	60 - 7	R27527	1J17	16	60 - 11
R27166	2E11	26	70 - 83	R27319	1J13	28	60 - 7	R27527	1K2	31	60 - 21
R27166	2E11	29	70 - 83	R27320	1J13	13	60 - 7	R27527	1K5	23	60 - 24
R27166	2E13	11	70 - 85	R27329	1I16	22	50 - 28	R27527	1K6	6	60 - 25
R27167	2B4	16	70 - 7	R27346	1C24	7	30 - 15	R27527	2B16	19	70 - 13
R27170	2B4	19	70 - 7	R27346	1D2	5	30 - 17	R27531	2B19	5	70 - 17
R27171	2B4	5	70 - 7	R27346	1D3	5	30 - 19	R27531	2B21	17	70 - 19
R27172	2B4	11	70 - 7	R27361	2J5	7	90 - 69	R27539	1D22	13	40 - 3
R27173	2B4	17	70 - 7	R27364	2C11	51	70 - 35	R27545	1J3	7	50 - 43
R27174	2B4	15	70 - 7	R27372	2C11	14	70 - 35	R27545	1J17	5	60 - 11
R27174	2B8	7	70 - 9	R27430	2D15	5	70 - 61	R27545	1J20	13	60 - 14
R27175	1H21	18	50 - 8	R27430	2D17	5	70 - 63	R27548	1C3	16	20 - 34
R27175	2B2	15	70 - 5	R27439	2G24	17	90 - 17	R27562	1I16	27	50 - 28
R27175	2B10	13	70 - 9B	R27440	2H2	16	90 - 19	R27564	2B4	12	70 - 7

1L7

5020 TRACTOR (SERIAL NO. -024,999)

NUMERICAL INDEX - CONTINUED

PART NO.	GRID	KEY	PAGE	PART NO.	GRID	KEY	PAGE	PART NO.	GRID	KEY	PAGE
R27564	2B6	4	70 - 7B	R28084	2D15	19	70 - 61	R28782	2B14	11	70 - 11
R27564	2B8	5	70 - 9	R28084	2D17	3	70 - 63	R28783	2F24	18	80 - 23
R27564	2B12	42	70 - 9D	R28084	2D17	17	70 - 63	R28783	2H14	19	90 - 26
R27564	2B14	15	70 - 11	R28085	2D15	2	70 - 61	R28785	2C7	4	70 - 31
R27564	2E20	12	70 - 93	R28085	2D17	2	70 - 63	R28786	2C7	4	70 - 31
R27564	2E21	7	70 - 94	R28085	2D17	18	70 - 63	R28791	2H5	13	90 - 22
R27567	2J3	8	90 - 67	R28095	1H21	19	50 - 8	R28792	2J5	2	90 - 69
R27571	1D15	45	30 - 31	R28095	2B16	1	70 - 13	R28795	1C14	3	30 - 3
R27583	1E5	3	40 - 10	R28095	2B25	4	70 - 23	R28937	2H6	32	90 - 23
R27583	1E7	2	40 - 12	R28095	2C7	21	70 - 31	R28938	2H6	28	90 - 23
R27583	1G10	20	40 - 51	R28095	2E2	1	70 - 73	R29194	2C4	14	70 - 28
R27583	1G14	19	40 - 55	R28123	2F24	8	80 - 23	R29463	2E18	31	70 - 91
R27583	2H7	5	90 - 24	R28124	1J9	7	60 - 3	R29463	2E20	21	70 - 93
R27587	2D24	11	70 - 71	R28124	2E2	4	70 - 73	R29463	2E21	3	70 - 94
R27587	2E4	1	70 - 75	R28124	2E2	9	70 - 73	R29463	2E22	11	70 - 95
R27588	2D24	13	70 - 71	R28157	2H5	30	90 - 22	R29581	2H20	2	90 - 32
R27588	2E4	5	70 - 75	R28164	2C11	52	70 - 35	R29936	2B14	21	70 - 11
R27589	2D24	15	70 - 71	R28164	2D11	4	70 - 57	R29936	2B14	25	70 - 11
R27589	2E4	26	70 - 75	R28204	2D15	1	70 - 61	R29936	2B21	19	70 - 19
R27590	2C11	40	70 - 35	R28204	2D17	1	70 - 63	R30181	1F11	6	40 - 27
R27593	2D24	8	70 - 71	R28204	2D17	19	70 - 63	R30181	1F11	17	40 - 27
R27593	2E7	17	70 - 79	R28361	1H22	4	50 - 9	R30181	1F13	4	40 - 29
R27595	2D24	6	70 - 71	R28465	2F5	5	80 - 3	R30181	1F13	13	40 - 29
R27595	2E7	9	70 - 79	R28465	2F7	5	80 - 5	R30181	1F15	5	40 - 31
R27603	2C11	47	70 - 35	R28471	2F5	31	80 - 3	R30181	1F17	5	40 - 33
R27605	2C11	56	70 - 35	R28473	2I6	8	90 - 43	R30181	1F19	5	40 - 35
R27643	2F18	2	80 - 17	R28505	2C7	4	70 - 31	R30182	1F11	1	40 - 27
R27649	1K8	15	60 - 27	R28556	2D2	36	70 - 47	R30182	1F11	21	40 - 27
R27649	1K8	19	60 - 27	R28561	2E2	12	70 - 73	R30182	1F13	8	40 - 29
R27674	2C11	6	70 - 35	R28563	2E2	13	70 - 73	R30182	1F13	10	40 - 29
R27675	2C11	6	70 - 35	R28563	2E4	37	70 - 75	R30182	1F15	1	40 - 31
R27678	2D24	27	70 - 71	R28574	2F8	2	80 - 6	R30182	1F17	21	40 - 33
R27678	2E4	14	70 - 75	R28574	2F9	2	80 - 6A	R30323	1J10	16	60 - 4
R27720	1C23	15	30 - 13	R28575	2F8	18	80 - 6	R30323	1J15	23	60 - 9
R27720	1J19	6	60 - 13	R28583	1D11	18	30 - 27	R30378	1D22	1	40 - 3
R27720	1J20	3	60 - 14	R28583	1D12	4	30 - 28	R30378	1F25	4	40 - 41
R27720	2B18	17	70 - 15	R28584	1D11	17	30 - 27	R30378	1F25	8	40 - 41
R27730	1I7	14	50 - 19	R28593	1H21	8	50 - 8	R30378	1F25	10	40 - 41
R27785	2G24	7	90 - 17	R28594	1H21	9	50 - 8	R30378	1G20	25	40 - 62
R27789	1I15	17	50 - 27	R28633	1C16	17	30 - 5	R30378	1H9	43	40 - 77
R27789	1I16	7	50 - 28	R28633	1C18	4	30 - 7	R30379	1F25	5	40 - 41
R27829	2D11	8	70 - 57	R28634	2D24	22	70 - 71	R30379	1F25	9	40 - 41
R27898	2F17	3	80 - 15	R28634	2E4	9	70 - 75	R30398	2F5	33	80 - 3
R27906	1K6	1	60 - 25	R28635	2D24	21	70 - 71	R30399	2F5	27	80 - 3
R27926	2B21	14	70 - 19	R28635	2E4	23	70 - 75	R30409	1D8	10	30 - 24
R27927	2B21	12	70 - 19	R28671	1B5	10	20 - 11	R30410	1D8	15	30 - 24
R27928	2B8	22	70 - 9	R28695	2G2	2	80 - 25	R30410	1D10	4	30 - 26
R27928	2B14	26	70 - 11	R28695	2H20	15	90 - 32	R30425	2H5	26	90 - 22
R27928	2B21	13	70 - 19	R28717	2D13	27	70 - 59	R30426	2H5	19	90 - 22
R27948	1B25	14	20 - 31	R28717	2D24	2	70 - 71	R30429	2H5	5	90 - 22
R27948	1C10	27	20 - 41	R28717	2E7	3	70 - 79	R30431	2H6	16	90 - 23
R27963	2J5	32	90 - 69	R28733	2D12	5	70 - 58	R30432	2D13	18	70 - 59
R27979	2C7	6	70 - 31	R28733	2D12	16	70 - 58	R30432	2H6	6	90 - 23
R27981	2C7	8	70 - 31	R28733	2D13	15	70 - 59	R30433	2H5	16	90 - 22
R27983	2G14	11	90 - 5	R28744	2D24	12	70 - 71	R30434	2H5	18	90 - 22
R27983	2J5	14	90 - 69	R28744	2D24	20	70 - 71	R30435	2H6	18	90 - 23
R27998	2D2	29	70 - 47	R28744	2E4	4	70 - 75	R30436	2H6	26	90 - 23
R27999	2D2	30	70 - 47	R28744	2E4	22	70 - 75	R30437	2H6	24	90 - 23
R28006	2D15	6	70 - 61	R28744	2E7	15	70 - 79	R30439	2H6	23	90 - 23
R28006	2D17	6	70 - 63	R28774	1K2	30	60 - 21	R30440	2H6	14	90 - 23
R28007	1D15	8	30 - 31	R28775	1K2	29	60 - 21	R30443	2H4	9	90 - 21
R28008	1D15	17	30 - 31	R28776	1K2	28	60 - 21	R30597	1C7	2	20 - 38
R28009	1D15	6	30 - 31	R28781	2B4	39	70 - 7	R30610	2H6	25	90 - 23
R28015	1C7	1	20 - 38	R28781	2B12	34	70 - 9D	R30694	2G7	13	80 - 31
R28040	1J19	17	60 - 13	R28782	2B4	38	70 - 7	R30712	1B12	19	20 - 18
R28040	2B18	18	70 - 15	R28782	2B8	9	70 - 9	R30713	1B12	8	20 - 18
R28084	2D15	3	70 - 61	R28782	2B12	33	70 - 9D	R30713	1B12	12	20 - 18

1L8

5020 TRACTOR (SERIAL NO. -024,999)

NUMERICAL INDEX - CONTINUED

PART NO.	GRID	KEY	PAGE	PART NO.	GRID	KEY	PAGE	PART NO.	GRID	KEY	PAGE
R30713	1H22	3	50-9	R31289	1115	22	50-27	R31932	2B23	9	70-21
R30778	2D2	12	70-47	R31337	1B12	9	20-18	R31933	2B23	8	70-21
R30815	2E23	5	70-96	R31340	1B12	4	20-18	R31934	2B23	13	70-21
R30816	2E23	7	70-96	R31340	1C10	25	20-41	R31935	2B23	12	70-21
R30817	2E23	6	70-96	R31346	1B12	3	20-18	R31936	2B23	14	70-21
R30818	2D15	30	70-61	R31363	1115	21	50-27	R31937	2B23	16	70-21
R30819	114	29	50-15	R31373	1115	19	50-27	R31939	2B23	7	70-21
R30828	2G19	16	90-11	R31374	115	2	50-16	R31945	2C11	39	70-35
R30877	1C6	24	20-37	R31378	2B23	15	70-21	R32007	1G1	5	40-42
R30877	2F24	14	80-23	R31396	1D15	48	30-31	R32011	1H5	1	40-73
R30877	2G13	11	90-4	R31411	2H5	21	90-22	R32016	1E2	7	40-7
R30886	1K8	1	60-27	R31420	2J6	5	90-71	R32016	1E2	8	40-7
R30903	1K2	17	60-21	R31422	2C11	32	70-35	R32016	1E4	4	40-9
R30903	1K5	5	60-24	R31442	2H5	21	90-22	R32016	1E4	5	40-9
R30912	1J21	13	60-16	R31454	1K2	21	60-21	R32016	1E5	3	40-10
R30913	1J21	15	60-16	R31455	1K5	15	60-24	R32016	1E5	4	40-10
R30916	1J21	12	60-16	R31457	1K5	9	60-24	R32016	1E5	10	40-10
R30916	1J22	1	60-17	R31458	1K5	7	60-24	R32016	1E5	11	40-10
R30917	1J21	3	60-16	R31459	1K5	4	60-24	R32016	1E6	8	40-11
R30920	1H20	17	50-7	R31464	1K2	12	60-21	R32016	1E6	14	40-11
R30920	1H22	19	50-9	R31465	1K2	14	60-21	R32016	1F11	3	40-27
R30920	1H24	2	50-11	R31467	1K2	13	60-21	R32016	1F11	19	40-27
R30920	1H24	9	50-11	R31468	1K2	16	60-21	R32016	1F13	6	40-29
R30920	1J21	2	60-16	R31469	1K2	15	60-21	R32016	1F15	3	40-31
R30936	1C6	13	20-37	R31486	1B5	33	20-11	R32016	1F17	3	40-33
R30936	1C7	3	20-38	R31486	2C3	9	70-27	R32016	1F19	3	40-35
R30936	1C7	6	20-38	R31486	2C7	13	70-31	R32016	1F23	2	40-39
R30936	2I16	2	90-55	R31487	2C3	8	70-27	R32016	1G18	8	40-59
R30936	2I25	16	90-64	R31488	1J15	13	60-9	R32016	1H5	10	40-73
R30936	2I25	20	90-64	R31489	1J15	30	60-9	R32017	1H5	11	40-73
R30936	2J1	3	90-65	R31493	1H16	12	50-3	R32018	1D22	6	40-3
R30936	2J1	10	90-65	R31494	1H16	11	50-3	R32018	1E15	28	40-19B
R30936	2J1	15	90-65	R31505	2H2	23	90-19	R32018	1H3	9	40-71
R30937	2F17	9	80-15	R31512	2G24	13	90-17	R32018	1H3	15	40-71
R30937	2F24	11	80-23	R31512	2H4	11	90-21	R32018	1H5	12	40-73
R30964	1D24	5	40-5	R31513	2G24	13	90-17	R32018	2G12	18	90-3
R31024	2C7	33	70-31	R31513	2H4	11	90-21	R32019	1G25	7	40-68
R31136	2C8	6	70-32	R31565	2C5	6	70-29	R32019	1G25	11	40-68
R31136	2D20	4	70-67	R31565	2E2	34	70-73	R32019	1H5	13	40-73
R31136	2D22	1	70-69	R31566	2B25	11	70-23	R32021	1H3	14	40-71
R31147	1D5	1	30-21	R31566	2C3	13	70-27	R32021	1H5	14	40-73
R31183	2D13	2	70-59	R31602	1K5	33	60-24	R32022	1G17	3	40-58
R31188	1114	12	50-26	R31618	2G3	5	80-27	R32022	1H5	15	40-73
R31197	1J10	9	60-4	R31618	2H19	17	90-31	R32022	2G12	18	90-3
R31198	1H20	17	50-7	R31618	2J6	1	90-71	R32023	1H5	16	40-73
R31201	1J13	36	60-7	R31631	114	15	50-15	R32024	1D24	17	40-5
R31202	1J13	33	60-7	R31631	1J9	16	60-3	R32024	1E2	11	40-7
R31217	1J11	4	60-5	R31631	1J13	26	60-7	R32024	1E2	14	40-7
R31222	2C11	55	70-35	R31631	2C7	10	70-31	R32024	1E4	4	40-9
R31229	2J3	3	90-67	R31631	2C8	16	70-32	R32024	1E4	11	40-9
R31230	2J3	10	90-67	R31639	1K2	9	60-21	R32024	1E4	13	40-9
R31231	2J3	2	90-67	R31654	1D11	13	30-27	R32024	1E5	5	40-10
R31250	1F11	1	40-27	R31654	1J3	17	50-43	R32024	1E5	14	40-10
R31250	1F11	21	40-27	R31654	1K6	9	60-25	R32024	1E5	15	40-10
R31250	1F13	8	40-29	R31654	1K6	12	60-25	R32024	1E6	5	40-11
R31250	1F13	10	40-29	R31654	1K6	22	60-25	R32024	1E7	7	40-12
R31250	1F15	1	40-31	R31654	1K9	10	60-28	R32024	1G1	5	40-42
R31250	1F17	21	40-33	R31655	1J3	15	50-43	R32024	1G18	4	40-59
R31251	2F5	25	80-3	R31655	1K6	10	60-25	R32024	1G18	8	40-59
R31260	2G24	12	90-17	R31655	1K6	11	60-25	R32024	1H3	9	40-71
R31260	2H6	5	90-23	R31655	1K6	23	60-25	R32024	1H11	3	40-79
R31261	2H5	22	90-22	R31655	1K9	11	60-28	R32024	2G14	15	90-5
R31262	2H5	24	90-22	R31764	2F7	20	80-5	R32025	1D22	6	40-3
R31271	1K5	6	60-24	R31781	2B4	41	70-7	R32025	1D24	17	40-5
R31273	1K5	26	60-24	R31781	2B12	37	70-9D	R32025	1E2	7	40-7
R31278	1J10	14	60-4	R31890	2D15	23	70-61	R32025	1E5	3	40-10
R31287	2G7	7	80-31	R31931	2B23	6	70-21	R32025	1E5	4	40-10

1L9

5020 TRACTOR (SERIAL NO. -024,999)

NUMERICAL INDEX - CONTINUED

PART NO.	GRID	KEY	PAGE	PART NO.	GRID	KEY	PAGE	PART NO.	GRID	KEY	PAGE
R32025	1E5	10	40 - 10	R32320	1E4	12	40 - 9	R34131	2E22	1	70 - 95
R32025	1E6	8	40 - 11	R32344	2B4	42	70 - 7	R34132	1J9	24	60 - 3
R32025	1G1	5	40 - 42	R32353	2D17	15	70 - 63	R34205	1F25	1	40 - 41
R32025	1H3	14	40 - 71	R32354	2D17	11	70 - 63	R34206	1F25	17	40 - 41
R32025	1H11	4	40 - 79	R32355	2D17	10	70 - 63	R34209	1F25	23	40 - 41
R32026	1E7	7	40 - 12	R32356	2D15	9	70 - 61	R34211	2C13	30	70 - 37
R32026	1G17	3	40 - 58	R32356	2D17	9	70 - 63	R34262	1D22	5	40 - 3
R32026	1H5	17	40 - 73	R32376	1K5	32	60 - 24	R34262	1F25	28	40 - 41
R32026	1H9	48	40 - 77	R32387	2C5	7	70 - 29	R34266	2G24	8	90 - 17
R32027	1D22	6	40 - 3	R32389	2D24	17	70 - 71	R34266	2H4	10	90 - 21
R32027	1D24	17	40 - 5	R32389	2E4	8	70 - 75	R34267	2G24	1	90 - 17
R32027	1E2	7	40 - 7	R32390	1114	3	50 - 26	R34267	2H4	1	90 - 21
R32027	1E2	11	40 - 7	R32390	2J3	9	90 - 67	R34268	2G24	2	90 - 17
R32027	1E2	14	40 - 7	R32411	2E2	33	70 - 73	R34268	2H4	2	90 - 21
R32027	1E4	4	40 - 9	R32411	2E4	49	70 - 75	R34272	2G24	4	90 - 17
R32027	1E4	11	40 - 9	R32412	2E2	10	70 - 73	R34282	2H4	5	90 - 21
R32027	1E4	13	40 - 9	R32412	2E4	32	70 - 75	R34324	1J13	1	60 - 7
R32027	1E5	3	40 - 10	R32419	2C13	12	70 - 37	R34336	1J9	29	60 - 3
R32027	1E5	4	40 - 10	R32419	2D17	8	70 - 63	R34338	1F25	13	40 - 41
R32027	1E5	5	40 - 10	R32426	1B3	2	20 - 9	R34348	2B2	30	70 - 5
R32027	1E5	15	40 - 10	R32427	1B23	6	20 - 29	R34349	2B2	28	70 - 5
R32027	1E6	5	40 - 11	R32434	1I2	35	50 - 13	R34353	2B2	1	70 - 5
R32027	1E6	8	40 - 11	R32497	1K8	3	60 - 27	R34354	2B2	14	70 - 5
R32027	1E7	7	40 - 12	R32498	1K8	5	60 - 27	R34354	2B2	15	70 - 5
R32027	1G1	5	40 - 42	R32507	1H21	10	50 - 8	R34354	2B2	16	70 - 5
R32027	1G18	4	40 - 59	R32511	1D5	..	30 - 21	R34358	2A23	10	70 - 2
R32027	1G18	8	40 - 59	R32585	1D15	16	30 - 31	R34359	2A23	6	70 - 2
R32027	1H3	5	40 - 71	R32588	1J9	3	60 - 3	R34360	2A23	3	70 - 2
R32027	1H3	9	40 - 71	R32588	1J15	15	60 - 9	R34360	2A23	5	70 - 2
R32027	1H3	14	40 - 71	R32588	2E20	15	70 - 93	R34360	2A23	6	70 - 2
R32027	1H5	18	40 - 73	R32588	2E21	5	70 - 94	R34362	2A23	2	70 - 2
R32027	2G14	15	90 - 5	R32588	2E22	2	70 - 95	R34365	1B14	12	20 - 20
R32028	1E2	8	40 - 7	R32629	1113	34	50 - 25	R34388	1D11	12	30 - 27
R32028	1E4	5	40 - 9	R32630	1113	27	50 - 25	R34394	1D11	7	30 - 27
R32028	1E5	11	40 - 10	R32639	1D5	10	30 - 21	R34394	1D12	1	30 - 28
R32028	1E6	14	40 - 11	R32702	1K2	25	60 - 21	R34395	1D11	8	30 - 27
R32028	1G25	7	40 - 68	R32715	2C3	8	70 - 27	R34396	2D15	27	70 - 61
R32028	1H5	19	40 - 73	R32715	2C7	14	70 - 31	R34397	2D15	15	70 - 61
R32029	1E7	8	40 - 12	R32731	1J15	2	60 - 9	R34398	2D15	22	70 - 61
R32029	1H5	20	40 - 73	R33138	1H21	25	50 - 8	R34399	1I9	1	50 - 21
R32042	1B20	3	20 - 26	R33145	1I19	13	50 - 32	R34399	1I10	20	50 - 22
R32042	1I4	19	50 - 15	R33162	1H21	29	50 - 8	R34399	2D15	8	70 - 61
R32042	1I11	13	50 - 23	R33163	1H21	33	50 - 8	R34399	2D18	..	70 - 65
R32072	2F10	13	80 - 7	R33259	1H21	28	50 - 8	R34400	2D15	20	70 - 61
R32087	2B21	11	70 - 19	R33259	1H21	29	50 - 8	R34402	2D15	32	70 - 61
R32090	1K2	4	60 - 21	R33282	1I11	18	50 - 23	R34404	1J10	17	60 - 4
R32091	1K2	3	60 - 21	R33449	2D2	34	70 - 47	R34404	1J15	22	60 - 9
R32092	1K2	1	60 - 21	R33521	2B16	11	70 - 13	R34446	1C24	1	30 - 15
R32111	1C24	4	30 - 15	R33609	2D5	4	70 - 51	R34447	1C24	2	30 - 15
R32117	2I6	7	90 - 43	R33827	2C17	6	70 - 41	R34447	1D3	2	30 - 19
R32118	2I6	7	90 - 43	R33961	2D2	18	70 - 47	R34482	2D11	3	70 - 57
R32136	1D5	23	30 - 21	R33961	2D2	21	70 - 47	R34483	2G7	8	80 - 31
R32151	1C24	13	30 - 15	R34011	2C7	11	70 - 31	R34492	1J2	13	50 - 41
R32186	1J13	14	60 - 7	R34065	1J5	9	50 - 45	R34496	1J2	29	50 - 41
R32223	2D5	21	70 - 51	R34118	1J13	16	60 - 7	R34522	1J2	9	50 - 41
R32223	2D7	20	70 - 53	R34119	1J9	10	60 - 3	R34523	1J2	6	50 - 41
R32234	2I25	9	90 - 64	R34121	1J8	11	60 - 2	R34537	2C11	54	70 - 35
R32239	2H14	31	90 - 26	R34122	1J9	23	60 - 3	R34557	1E7	13	40 - 12
R32239	2H15	13	90 - 27	R34123	1J9	20	60 - 3	R34557	1E7	18	40 - 12
R32276	1G20	..	40 - 62	R34124	1J9	21	60 - 3	R34557	2C13	27	70 - 37
R32276	1G22	11	40 - 64	R34125	1J13	30	60 - 7	R34581	1J2	18	50 - 41
R32304	1D15	31	30 - 31	R34128	1J8	4	60 - 2	R34582	1J2	33	50 - 41
R32305	1D15	26	30 - 31	R34129	1J9	25	60 - 3	R34589	2D15	35	70 - 61
R32306	1D11	4	30 - 27	R34129	1J15	18	60 - 9	R34608	2G7	10	80 - 31
R32319	1J20	10	60 - 14	R34130	1J9	2	60 - 3	R34609	2G24	8	90 - 17
R32320	1D22	20	40 - 3	R34131	1J9	9	60 - 3	R34609	2H4	10	90 - 21
R32320	1E4	3	40 - 9	R34131	2E20	16	70 - 93	R34618	2G24	8	90 - 17

1L10

5020 TRACTOR (SERIAL NO. -024,999)

NUMERICAL INDEX - CONTINUED

PART NO.	GRID	KEY	PAGE	PART NO.	GRID	KEY	PAGE	PART NO.	GRID	KEY	PAGE
R34618	2H4	10	90 - 21	R35043	1C10	19	20 - 41	R35147	1119	5	50 - 32
R34619	2G24	1	90 - 17	R35044	1B14	1	20 - 20	R35148	1119	12	50 - 32
R34619	2H4	1	90 - 21	R35045	1B14	9	20 - 20	R35149	1115	32	50 - 27
R34620	2G24	2	90 - 17	R35045	1B15	3	20 - 21	R35151	1115	33	50 - 27
R34620	2H4	2	90 - 21	R35046	1B14	7	20 - 20	R35152	1B5	13	20 - 11
R34656	1C23	12	30 - 13	R35047	1B14	5	20 - 20	R35152	1B5	34	20 - 11
R34701	1G1	8	40 - 42	R35048	1B17	6	20 - 23	R35154	1B1	16	20 - 6
R34733	1H21	4	50 - 8	R35049	1B17	4	20 - 23	R35155	1B1	19	20 - 6
R34733	1H21	11	50 - 8	R35053	1B17	2	20 - 23	R35155	1C10	9	20 - 41
R34733	1J9	1	60 - 3	R35058	1B25	27	20 - 31	R35156	1B1	17	20 - 6
R34733	1J11	6	60 - 5	R35059	1B25	13	20 - 31	R35157	1B1	18	20 - 6
R34733	1J15	10	60 - 9	R35060	1B14	6	20 - 20	R35158	1B1	20	20 - 6
R34747	1K5	11	60 - 24	R35062	1B25	31	20 - 31	R35159	1A23	8	20 - 3
R34754	1C24	13	30 - 15	R35067	1C10	3	20 - 41	R35160	1A23	4	20 - 3
R34760	1D5	29	30 - 21	R35067	1C20	20	30 - 10	R35163	2D12	6	70 - 58
R34761	1D5	28	30 - 21	R35068	1C10	2	20 - 41	R35163	2D12	15	70 - 58
R34762	1D5	33	30 - 21	R35068	1C20	19	30 - 10	R35163	2D13	12	70 - 59
R34763	1D5	34	30 - 21	R35070	1B9	7	20 - 15	R35164	117	5	50 - 19
R34764	1D5	31	30 - 21	R35072	1C20	16	30 - 10	R35165	117	5	50 - 19
R34764	1D6	1	30 - 22	R35074	1H20	5	50 - 7	R35166	117	5	50 - 19
R34764	1D7	1	30 - 23	R35075	1H20	6	50 - 7	R35167	117	5	50 - 19
R34765	1D5	30	30 - 21	R35076	1H20	23	50 - 7	R35168	117	4	50 - 19
R34765	1D6	9	30 - 22	R35077	1H20	26	50 - 7	R35169	117	4	50 - 19
R34765	1D7	6	30 - 23	R35077	2C20	17	70 - 43	R35170	117	4	50 - 19
R34766	1D5	32	30 - 21	R35078	1H20	22	50 - 7	R35171	117	30	50 - 19
R34767	1D6	2	30 - 22	R35079	1H20	21	50 - 7	R35175	1C20	15	30 - 10
R34788	1B25	26	20 - 31	R35104	1B25	15	20 - 31	R35177	1B18	1	20 - 24
R34801	2F10	16	80 - 7	R35104	1C10	20	20 - 41	R35182	1J23	4	60 - 18
R34801	2F13	3	80 - 10	R35105	1B25	16	20 - 31	R35183	1J23	3	60 - 18
R34802	2B12	12	70 - 9D	R35105	1C10	28	20 - 41	R35184	1J23	5	60 - 18
R34812	2E9	22	70 - 81	R35109	1H24	19	50 - 11	R35184	1J24	3	60 - 19
R34815	1J2	34	50 - 41	R35114	1H24	15	50 - 11	R35185	1115	27	50 - 27
R34827	2J11	1	90 - 77	R35115	1H24	3	50 - 11	R35186	1H20	31	50 - 7
R34855	1123	22	50 - 37	R35119	1J5	5	50 - 45	R35186	1115	12	50 - 27
R34857	1123	20	50 - 37	R35120	1J5	10	50 - 45	R35190	1115	18	50 - 27
R34857	1123	21	50 - 37	R35121	1J5	17	50 - 45	R35192	2F17	1	80 - 15
R34858	1123	19	50 - 37	R35122	1J5	15	50 - 45	R35193	2F17	13	80 - 15
R34858	1123	20	50 - 37	R35123	1J5	26	50 - 45	R35200	1116	6	50 - 28
R34865	1123	24	50 - 37	R35124	1B17	12	20 - 23	R35210	2H14	28	90 - 26
R34866	1123	23	50 - 37	R35124	1B17	15	20 - 23	R35210	2H15	21	90 - 27
R34896	1J8	3	60 - 2	R35126	1B20	2	20 - 26	R35213	2H14	8	90 - 26
R34969	1E11	13	40 - 17	R35126	1C10	17	20 - 41	R35213	2H15	27	90 - 27
R35001	1J5	2	50 - 45	R35127	1B2	6	20 - 7	R35214	2H14	7	90 - 26
R35002	1J5	4	50 - 45	R35128	1B2	7	20 - 7	R35214	2H15	7	90 - 27
R35003	1J5	16	50 - 45	R35128	1B13	2	20 - 19	R35219	1110	4	50 - 22
R35004	1J5	18	50 - 45	R35128	1B23	24	20 - 29	R35220	115	1	50 - 16
R35005	1J5	20	50 - 45	R35130	1A23	5	20 - 3	R35220	1121	16	50 - 35
R35006	1J5	24	50 - 45	R35130	1A23	6	20 - 3	R35220	1123	28	50 - 37
R35007	1J5	14	50 - 45	R35130	1A23	7	20 - 3	R35222	1110	3	50 - 22
R35007	1J23	1	60 - 18	R35130	1B5	1	20 - 11	R35223	119	12	50 - 21
R35008	1J5	12	50 - 45	R35130	1B5	2	20 - 11	R35223	1110	5	50 - 22
R35016	1B12	18	20 - 18	R35130	1B5	13	20 - 11	R35224	119	7	50 - 21
R35017	1A25	2	20 - 5	R35130	1B5	22	20 - 11	R35224	1110	10	50 - 22
R35019	1B1	3	20 - 6	R35130	1B5	32	20 - 11	R35226	119	11	50 - 21
R35020	1B1	6	20 - 6	R35130	1B5	33	20 - 11	R35226	1110	7	50 - 22
R35022	1B1	2	20 - 6	R35130	1B5	34	20 - 11	R35227	119	5	50 - 21
R35023	1B1	10	20 - 6	R35130	1B17	12	20 - 23	R35227	1110	16	50 - 22
R35024	1A25	5	20 - 5	R35130	1B17	15	20 - 23	R35228	1110	17	50 - 22
R35025	1B1	14	20 - 6	R35130	1B19	6	20 - 25	R35229	1110	18	50 - 22
R35025	1B1	15	20 - 6	R35133	1111	5	50 - 23	R35232	1113	32	50 - 25
R35028	1B23	28	20 - 29	R35133	1111	9	50 - 23	R35233	1113	29	50 - 25
R35032	1B10	2	20 - 16	R35136	1B23	8	20 - 29	R35234	119	17	50 - 21
R35032	1B21	7	20 - 27	R35138	1B23	26	20 - 29	R35235	119	18	50 - 21
R35032	1C10	32	20 - 41	R35139	1B9	1	20 - 15	R35236	119	14	50 - 21
R35034	1B10	3	20 - 16	R35139	1B10	1	20 - 16	R35237	119	9	50 - 21
R35034	1C10	31	20 - 41	R35140	1A23	12	20 - 3	R35238	119	4	50 - 21
R35043	1B13	6	20 - 19	R35141	1B9	18	20 - 15	R35239	119	3	50 - 21

1L11

5020 TRACTOR (SERIAL NO. -024,999)

NUMERICAL INDEX - CONTINUED

PART NO.	GRID	KEY	PAGE	PART NO.	GRID	KEY	PAGE	PART NO.	GRID	KEY	PAGE
R35240	1113	3	50 - 25	R35335	2F11	4	80 - 8	R35460	117	12	50 - 19
R35241	1113	5	50 - 25	R35337	1J5	23	50 - 45	R35461	117	22	50 - 19
R35242	1113	4	50 - 25	R35339	2F24	6	80 - 23	R35467	2D7	23	70 - 53
R35243	1113	8	50 - 25	R35340	2F24	7	80 - 23	R35468	2D7	22	70 - 53
R35245	1113	17	50 - 25	R35340	2F24	9	80 - 23	R35471	2E18	23	70 - 91
R35247	1113	26	50 - 25	R35348	1B20	8	20 - 26	R35472	2E18	24	70 - 91
R35248	1113	21	50 - 25	R35349	1B20	7	20 - 26	R35472	2E18	26	70 - 91
R35249	1115	8	50 - 27	R35349	1C10	21	20 - 41	R35472	2E20	10	70 - 93
R35251	1H16	2	50 - 3	R35352	1D5	12	30 - 21	R35472	2E21	8	70 - 94
R35251	1115	9	50 - 27	R35353	1D5	25	30 - 21	R35472	2E22	4	70 - 95
R35253	1115	3	50 - 27	R35354	1D5	14	30 - 21	R35473	2E18	32	70 - 91
R35254	1115	1	50 - 27	R35355	1D5	15	30 - 21	R35473	2E20	22	70 - 93
R35255	1115	6	50 - 27	R35361	2F5	6	80 - 3	R35473	2E21	2	70 - 94
R35256	1B2	10	20 - 7	R35361	2F7	6	80 - 5	R35473	2E22	12	70 - 95
R35261	1C3	2	20 - 34	R35365	115	5	50 - 16	R35474	2E18	20	70 - 91
R35262	1C3	3	20 - 34	R35366	115	5	50 - 16	R35474	2E20	19	70 - 93
R35262	1C4	2	20 - 35	R35367	115	5	50 - 16	R35474	2E21	14	70 - 94
R35262	1C10	29	20 - 41	R35369	118	4	50 - 20	R35474	2E22	9	70 - 95
R35263	1C3	1	20 - 34	R35371	115	16	50 - 16	R35476	2D7	29	70 - 53
R35263	1C4	1	20 - 35	R35372	115	8	50 - 16	R35479	2D3	12	70 - 48
R35263	1C10	30	20 - 41	R35373	115	14	50 - 16	R35479	2D9	11	70 - 55
R35264	1116	13	50 - 28	R35377	118	1	50 - 20	R35480	2D3	6	70 - 48
R35265	1115	23	50 - 27	R35381	117	29	50 - 19	R35482	2D5	17	70 - 51
R35266	1115	25	50 - 27	R35382	117	29	50 - 19	R35482	2D7	21	70 - 53
R35271	1115	28	50 - 27	R35383	117	29	50 - 19	R35483	2D7	18	70 - 53
R35272	1116	11	50 - 28	R35384	117	29	50 - 19	R35489	115	17	50 - 16
R35273	1116	8	50 - 28	R35385	117	16	50 - 19	R35491	115	9	50 - 16
R35274	114	31	50 - 15	R35386	117	18	50 - 19	R35493	1121	11	50 - 35
R35275	1H20	32	50 - 7	R35388	2F7	26	80 - 5	R35493	1123	11	50 - 37
R35276	1H20	13	50 - 7	R35389	2F5	40	80 - 3	R35496	1121	10	50 - 35
R35277	1H20	12	50 - 7	R35389	2F7	35	80 - 5	R35496	1123	10	50 - 37
R35279	1H20	16	50 - 7	R35396	2G4	12	80 - 28	R35497	1121	7	50 - 35
R35282	1H16	16	50 - 3	R35396	2H19	9	90 - 31	R35497	1123	7	50 - 37
R35283	1H16	15	50 - 3	R35397	114	6	50 - 15	R35498	1121	12	50 - 35
R35285	112	12	50 - 13	R35398	114	5	50 - 15	R35498	1123	12	50 - 37
R35286	112	15	50 - 13	R35399	1110	24	50 - 22	R35499	1121	13	50 - 35
R35287	112	6	50 - 13	R35401	1110	23	50 - 22	R35499	1123	13	50 - 37
R35288	1H16	1	50 - 3	R35402	1110	12	50 - 22	R35499	1124	7	50 - 39
R35291	1C10	16	20 - 41	R35403	1110	13	50 - 22	R35500	1121	2	50 - 35
R35293	1C10	6	20 - 41	R35404	1113	33	50 - 25	R35500	1123	2	50 - 37
R35294	1C16	25	30 - 5	R35405	1113	36	50 - 25	R35501	1121	5	50 - 35
R35298	2A23	8	70 - 2	R35408	1116	4	50 - 28	R35501	1123	5	50 - 37
R35300	2F10	8	80 - 7	R35420	1H16	9	50 - 3	R35502	1121	5	50 - 35
R35300	2F10	14	80 - 7	R35421	1H18	5	50 - 5	R35502	1123	5	50 - 37
R35300	2F10	15	80 - 7	R35422	1C23	3	30 - 13	R35503	1121	5	50 - 35
R35300	2F10	16	80 - 7	R35425	115	7	50 - 16	R35503	1123	5	50 - 37
R35302	2F10	4	80 - 7	R35426	115	13	50 - 16	R35515	1111	1	50 - 23
R35302	2F11	3	80 - 8	R35428	115	23	50 - 16	R35516	1111	10	50 - 23
R35303	2F10	5	80 - 7	R35429	115	24	50 - 16	R35517	1111	20	50 - 23
R35303	2F11	5	80 - 8	R35431	1B1	22	20 - 6	R35518	1111	11	50 - 23
R35304	1C6	12	20 - 37	R35432	1121	15	50 - 35	R35522	1111	15	50 - 23
R35305	1C6	27	20 - 37	R35433	1121	8	50 - 35	R35523	1111	17	50 - 23
R35314	1H22	8	50 - 9	R35433	1123	8	50 - 37	R35525	1111	12	50 - 23
R35316	1H22	1	50 - 9	R35442	115	18	50 - 16	R35527	112	8	50 - 13
R35316	1H22	7	50 - 9	R35443	115	12	50 - 16	R35528	112	24	50 - 13
R35318	1H22	17	50 - 9	R35444	118	5	50 - 20	R35531	1H18	14	50 - 5
R35321	1H22	2	50 - 9	R35445	117	26	50 - 19	R35532	1H18	6	50 - 5
R35323	1H24	11	50 - 11	R35447	2E18	15	70 - 91	R35533	112	27	50 - 13
R35324	1H21	23	50 - 8	R35447	2E20	13	70 - 93	R35534	1H18	9	50 - 5
R35325	1H21	22	50 - 8	R35448	2E18	40	70 - 91	R35538	112	30	50 - 13
R35326	1H24	4	50 - 11	R35452	2E18	3	70 - 91	R35539	112	28	50 - 13
R35332	2F10	11	80 - 7	R35452	2E20	5	70 - 93	R35542	1H18	12	50 - 5
R35332	2F11	10	80 - 8	R35453	117	19	50 - 19	R35544	112	18	50 - 13
R35333	2F10	10	80 - 7	R35457	117	20	50 - 19	R35546	1H20	30	50 - 7
R35333	2F11	7	80 - 8	R35458	117	17	50 - 19	R35550	2J3	28	90 - 67
R35334	2F10	12	80 - 7	R35459	117	11	50 - 19	R35551	2J3	26	90 - 67
R35335	2F10	6	80 - 7	R35459	117	23	50 - 19	R35555	1D15	52	30 - 31

1L16

5020 TRACTOR (SERIAL NO. -024,999)

NUMERICAL INDEX - CONTINUED

PART NO.	GRID	KEY	PAGE	PART NO.	GRID	KEY	PAGE	PART NO.	GRID	KEY	PAGE
R41879	1G12	6	40-53	R42322	2I8	7	90-45	R42557	2G14	2	90-5
R41879	1G14	5	40-55	R42323	2I2	11	90-39	R42558	2H24	3	90-37
R41880	1G10	13	40-51	R42324	2I4	10	90-41	R42559	2G14	9	90-5
R41880	1G12	13	40-53	R42334	2E2	12	70-73	R42560	2H24	2	90-37
R41880	1G14	12	40-55	R42334	2E4	36	70-75	R42564	2I6	9	90-43
R41880	1G15	4	40-56	R42357	1J3	7	50-43	R42566	2I6	12	90-43
R41881	1F13	17	40-29	R42357	1J17	5	60-11	R42567	2H20	17	90-32
R41883	1B5	13	20-11	R42357	1J19	23	60-13	R42568	2H20	12	90-32
R41883	1B5	32	20-11	R42357	1J20	13	60-14	R42570	2I6	17	90-43
R41883	1B5	33	20-11	R42363	1A23	4	20-3	R42572	2H24	5	90-37
R41883	1B5	34	20-11	R42363	1B5	17	20-11	R42573	2H24	6	90-37
R41920	1B12	23	20-18	R42363	1B19	5	20-25	R42575	2I6	17	90-43
R41920	1B23	4	20-29	R42364	1B14	1	20-20	R42629	1J13	7	60-7
R41920	1B23	15	20-29	R42365	1B5	16	20-11	R42638	1C16	23	30-5
R41920	1B23	29	20-29	R42365	1B19	6	20-25	R42638	1C18	12	30-7
R41929	1J2	32	50-41	R42366	1B17	12	20-23	R42646	2H11	12	90-24E
R41931	2D24	13	70-71	R42368	1A23	5	20-3	R42646	2H13	5	90-25
R41931	2E4	5	70-75	R42368	1A23	6	20-3	R42660	2D7	13	70-53
R41931	2E7	14	70-79	R42368	1B5	22	20-11	R42660	2D7	17	70-53
R41932	2D24	15	70-71	R42369	1A23	6	20-3	R42661	1J9	21	60-3
R41932	2E4	26	70-75	R42370	1A23	5	20-3	R42662	2F24	5	80-23
R41932	2E7	16	70-79	R42370	1A23	6	20-3	R42663	2B4	31	70-7
R41933	2G7	2	80-31	R42370	1B5	1	20-11	R42666	1F17	19	40-33
R41959	2I6	8	90-43	R42370	1B5	2	20-11	R42666	1F20	2	40-36
R41961	2I12	11	90-50	R42370	1B5	13	20-11	R42667	1F17	19	40-33
R41962	2E18	27	70-91	R42370	1B5	22	20-11	R42667	1F20	2	40-36
R41986	1H20	19	50-7	R42370	1B5	33	20-11	R42684	1K2	29	60-21
R41986	1H20	24	50-7	R42370	1B5	34	20-11	R42687	2G13	6	90-4
R41990	1H16	9	50-3	R42370	1B17	12	20-23	R42688	2G13	8	90-4
R42015	2I12	12	90-50	R42370	1B17	13	20-23	R42689	1F17	1	40-33
R42055	1B21	6	20-27	R42371	1A23	7	20-3	R42689	1F19	1	40-35
R42111	1I2	6	50-13	R42372	1A23	6	20-3	R42691	2H11	19	90-24E
R42112	1I2	12	50-13	R42377	1J5	9	50-45	R42692	2C7	11	70-31
R42127	1I14	9	50-26	R42411	1J23	8	60-18	R42693	1C8	14	20-39
R42131	2C11	13	70-35	R42414	2H6	20	90-23	R42693	1C10	7	20-41
R42171	2C20	15	70-43	R42417	2H4	14	90-21	R42694	1C8	6	20-39
R42172	2C20	17	70-43	R42418	2H4	12	90-21	R42694	1C10	5	20-41
R42180	2I6	6	90-43	R42451	2J6	5	90-71	R42707	1J8	4	60-2
R42181	1B1	17	20-6	R42467	2B2	29	70-5	R42708	1J5	2	50-45
R42182	1B1	16	20-6	R42495	2C22	5	70-45	R42722	1I15	28	50-27
R42200	1B14	6	20-20	R42504	2G13	2	90-4	R42729	1B23	3	20-29
R42210	1B14	6	20-20	R42504	2G14	12	90-5	R42729	1B23	15	20-29
R42260	2B4	40	70-7	R42529	1J5	19	50-45	R42729	1B23	29	20-29
R42260	2B12	36	70-9D	R42533	2H24	4	90-37	R42732	2H11	11	90-24E
R42264	2G2	4	80-25	R42534	2H24	4	90-37	R42771	2G22	9	90-14
R42265	2G2	3	80-25	R42535	2I12	24	90-50	R42777	1F19	21	40-35
R42273	1I23	25	50-37	R42536	2I12	25	90-50	R42778	1F19	23	40-35
R42299	2C4	7	70-28	R42537	2I12	28	90-50	R42779	1F19	20	40-35
R42305	1B1	21	20-6	R42538	2I12	27	90-50	R42783	1I18	2	50-31
R42306	1I21	15	50-35	R42539	2I12	28	90-50	R42799	1G10	3	40-51
R42307	1I21	8	50-35	R42541	2I12	1	90-50	R42799	1G15	9	40-56
R42307	1I23	8	50-37	R42542	2I12	5	90-50	R42800	1G12	5	40-53
R42308	1I23	25	50-37	R42542	2I12	10	90-50	R42801	1G12	18	40-53
R42309	2G12	4	90-3	R42543	2I12	6	90-50	R42802	1G12	19	40-53
R42311	2G12	3	90-3	R42544	2G14	5	90-5	R42849	1I15	14	50-27
R42312	2G12	10	90-3	R42545	2G14	4	90-5	R42849	1J10	15	60-4
R42312	2G13	15	90-4	R42546	2G14	3	90-5	R42849	1K2	26	60-21
R42312	2G22	2	90-14	R42547	2G14	1	90-5	R42849	1K6	4	60-25
R42313	2G13	13	90-4	R42548	2I12	16	90-50	R42889	2G5	2	80-29
R42314	2G12	15	90-3	R42549	2I12	13	90-50	R42895	2I15	4	90-54
R42315	2G12	14	90-3	R42550	1E6	10	40-11	R42896	2G2	8	80-25
R42316	2G12	1	90-3	R42551	1E6	15	40-11	R43023	1I5	1	50-16
R42317	2G12	13	90-3	R42552	2I12	7	90-50	R43023	1I21	16	50-35
R42318	2G12	17	90-3	R42553	2I12	2	90-50	R43185	1I21	10	50-35
R42319	1G18	2	40-59	R42554	2I12	19	90-50	R43185	1I23	10	50-37
R42321	1G17	2	40-58	R42555	2G14	13	90-5	R43319	2D3	1	70-48
R42322	2I7	1	90-44	R42556	1E6	4	40-11	R43320	2D3	5	70-48

1L25

5020 TRACTOR (SERIAL NO. -024,999)

NUMERICAL INDEX - CONTINUED

<i>PART NO.</i>	<i>GRID</i>	<i>KEY</i>	<i>PAGE</i>	<i>PART NO.</i>	<i>GRID</i>	<i>KEY</i>	<i>PAGE</i>	<i>PART NO.</i>	<i>GRID</i>	<i>KEY</i>	<i>PAGE</i>
400R	2D17	14	70 - 63								
400R	2E2	5	70 - 73								
405R	1I15	14	50 - 27								
405R	1J10	15	60 - 4								
405R	1K2	26	60 - 21								
405R	1K6	4	60 - 25								
811912	1E19	12	40 - 23								
811912	1E20	25	40 - 23A								