

1A2

TRACTOR - 4520

RWP4220 -UN-01JAN94



JOHN DEERE 4520 TRACTOR

(SPECIFICATIONS AND DESIGN SUBJECT TO CHANGE WITHOUT NOTICE)

COPYRIGHT (C) 1996. DEERE & COMPANY, MOLINE, ILLINOIS. ALL RIGHTS RESERVED.

1A3

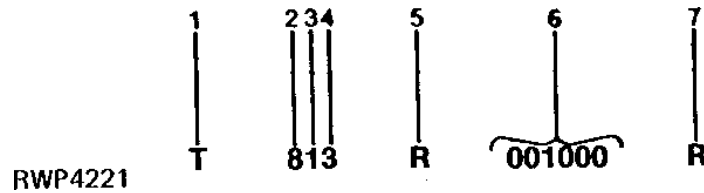
TRACTOR - 4520

SERIAL NUMBERS

EACH 4520 TRACTOR HAS THE FOLLOWING SERIAL NUMBER PLATES: BASIC TRACTOR AND ENGINE.

BASIC TRACTOR SERIAL NUMBER

RWP4221 -UN-01JAN94



1. DESIGNATES TYPE OF UNIT
2. DESIGNATES MODEL SERIES
3. DESIGNATES CHASSIS DESIGN
4. DESIGNATES ENGINE FUEL TYPE
5. DESIGNATES TRANSMISSION TYPE
6. DESIGNATES TRACTOR SERIAL NUMBER
7. DESIGNATES TRACTOR MANUFACTURER

- T - TRACTOR
8 - 4520
1 - ROW-CROP
2 - STANDARD
3 - DIESEL
P - POWER SHIFT
R - SYNCRO-RANGE
R - JOHN DEERE TRACTOR WORKS

RWP4223 -UN-01JAN94



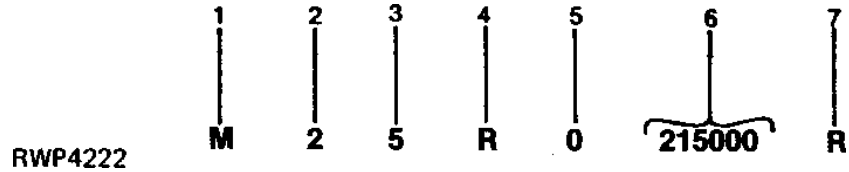
THE BASIC TRACTOR SERIAL NUMBER PLATE IS LOCATED IN THE UPPER RIGHT-HAND CORNER AT THE REAR OF THE TRANSMISSION CASE.

1A4

TRACTOR - 4520

ENGINE SERIAL NUMBER

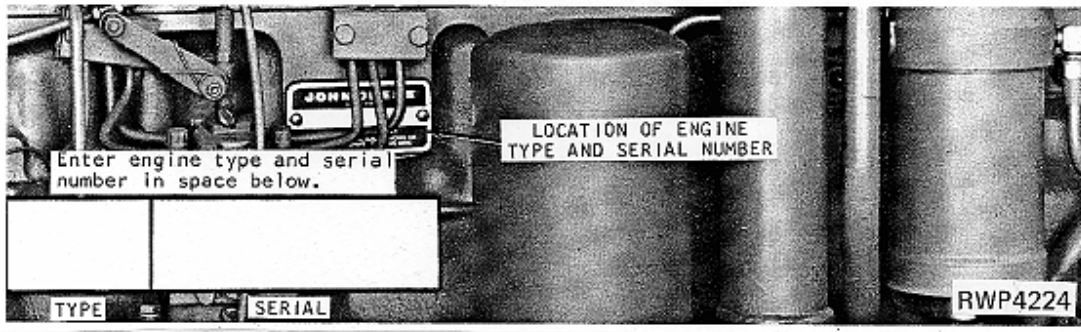
RWP4222 -UN-01JAN94



1. DESIGNATES UNIT
2. DESIGNATES SERIES
3. DESIGNATES TYPE OF AIR INTAKE SYSTEM
4. DESIGNATES UNIT APPLICATION
5. DESIGNATES VARIATION
6. DESIGNATES ENGINE SERIAL NUMBER
7. DESIGNATES ENGINE MANUFACTURER

- M - ENGINE
2 - SERIES 2
5- TURBOCHARGED
R - JOHN DEERE TRACTOR WORKS
O - BEGINNING
R - JOHN DEERE TRACTOR WORKS

RWP4224 -UN-01JAN94



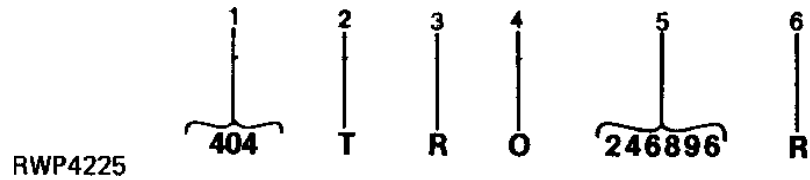
THE ENGINE SERIAL NUMBER PLATE IS LOCATED ON THE RIGHT-HAND SIDE OF THE ENGINE.

1A5

TRACTOR - 4520

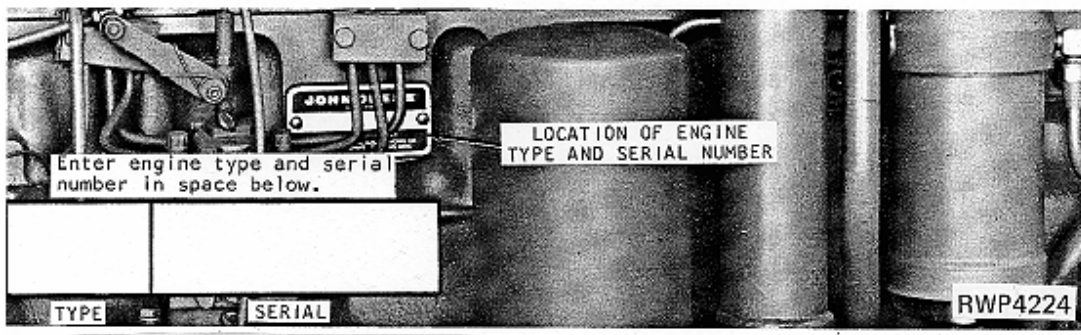
ENGINE SERIAL NUMBER

RWP4225 -UN-01JAN94



- | | |
|---|------------------------------|
| 1. DESIGNATES CUBIC INCH DISPLACEMENT | 404 CUBIC INCH |
| 2. DESIGNATES TYPE OF AIR INTAKE SYSTEM | T - TURBOCHARGED |
| 3. DESIGNATES USER FACTORY | R - JOHN DEERE TRACTOR WORKS |
| 4. DESIGNATES VARIATION | O - BEGINNING |
| 5. DESIGNATES ENGINE SERIAL NUMBER | |
| 6. DESIGNATES MANUFACTURER | R - JOHN DEERE TRACTOR WORKS |

RWP4224 -UN-01JAN94



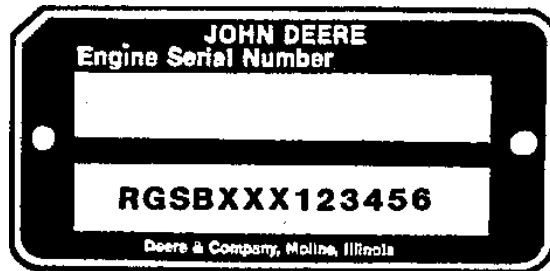
THE ENGINE SERIAL NUMBER PLATE IS LOCATED ON THE RIGHT-HAND SIDE OF THE ENGINE.

1A6

TRACTOR - 4520

SHORT BLOCK SERIAL NUMBER PLATE (S.B.S.N. -RGSB404882600)

RGP2856 -UN-01JAN94



RGP2856

A SHORT BLOCK SERIAL NUMBER PLATE PLUS 2-37H44 DRIVE SCREWS ARE USED TO ATTACH TO REPLACEMENT SHORT BLOCK ASSEMBLIES. THIS NUMBER WILL BE REFERRED TO WHEN NEW PARTS AFFECT THE SHORT BLOCK ASSEMBLY. THE PREVIOUS ENGINE SERIAL NUMBER SHOULD BE STAMPED INTO THE BLANK SPACE PROVIDED, AS A REFERENCE FOR YOUR DEALER.

- | | |
|---------------------------------------|----------------------------|
| 1. DESIGNATES ENGINE MANUFACTURER | RG - WATERLOO ENGINE WORKS |
| 2. DESIGNATES REPLACEMENT SHORT BLOCK | SB |
| 3. DESIGNATES CUBIC INCH | XXX- 404 |
| 4. DESIGNATES THE PRODUCTION DATE | 1234 |
| 5. DESIGNATES COMPONENT SEQUENCE | 56 |

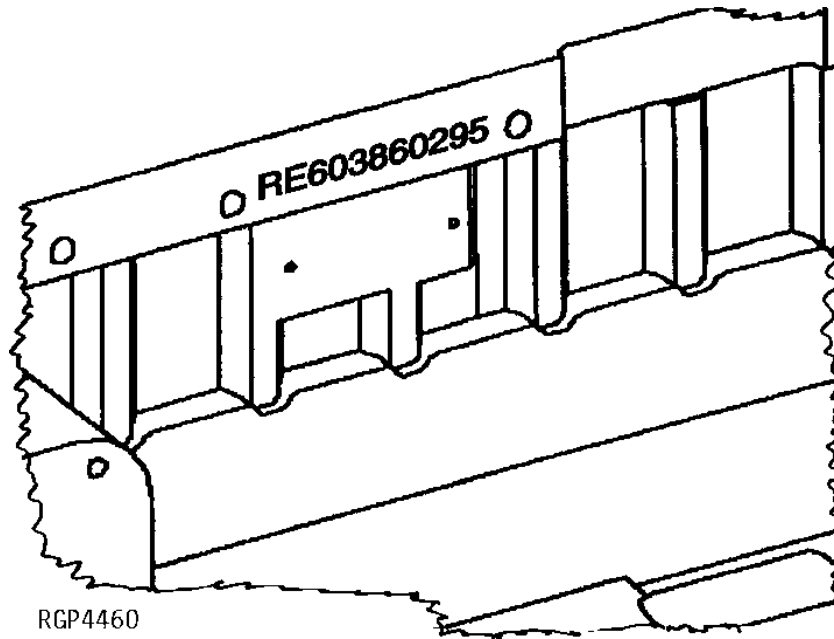
1A7

TRACTOR - 4520

SHORT BLOCK SERIAL NUMBER IDENTIFICATION

(RE603860295-)

RGP4460 -UN-04MAR95



SERIAL NUMBER STAMPED INTO CASTING OF BLOCK NEAR PREVIOUS SERIAL NUMBER PLATE.

EXAMPLE: RE603860295

- | | |
|-----------------------------------|---------|
| 1. DESIGNATES SERVICE PART NUMBER | RE60386 |
| 2. DESIGNATES MONTH ASSEMBLED | 02 |
| 3. DESIGNATES YEAR ASSEMBLED | 95 |

1A8

TRACTOR - 4520

SERIAL NUMBER LISTING INFORMATION

SERIAL NUMBER INFORMATION IS LISTED TO SHOW ON WHICH MACHINES EACH PART CAN BE USED; FOR EXAMPLE:

- THE PART CAN BE USED ON ALL MACHINES.
- 000000- THE PART CAN BE USED ON ALL MACHINES BEGINNING WITH THE SERIAL NUMBER LISTED.
- 000000 THE PART CAN BE USED ON ALL MACHINES UP TO AND INCLUDING THE SERIAL NUMBER LISTED.
- 000000-000000 THE PART CAN BE USED ON ALL MACHINES BETWEEN AND INCLUDING THE SERIAL NUMBERS LISTED.

- 15BV1- WHEN A MODEL NUMBER BEGINS WITH 15BV, 14HA, 15PP, 25SC, 2RC, 4RC, 15RS, 3CY, 2SP, OR 31SV, IT REFERS TO THE MODEL NUMBER OF THE BRAKE VALVE, HYDRAULIC ACCUMULATOR, HYDRAULIC PUMP, REMOTE CYLINDER SELECTIVE CONTROL VALVE FOR NO ROCKSHAFT, REMOTE CYLINDER SELECTIVE CONTROL VALVES, REMOTE CYLINDERS, REMOTE CYLINDERS WITH MECHANICAL STOPS, ROCKSHAFT CONTROL VALVE, STEERING CYLINDER, STEERING METERING PUMP, OR STEERING VALVE.

WHEN XXXXXX'S ARE LISTED IN PLACE OF A SERIAL NUMBER, A SERIAL NUMBER CHANGE WAS MADE BUT THE EXACT SERIAL NUMBER WAS NOT AVAILABLE WHEN THE CATALOG WAS PRODUCED.

MODEL NUMBERS

THE FOLLOWING COMPONENTS HAVE MODEL NUMBERS:

BRAKE VALVE	15BV1
HYDRAULIC ACCUMULATOR	14HA2
HYDRAULIC PUMP (66CM3 (4 IN3))	15PP1
REMOTE CYLINDER SELECTIVE CONTROL VALVE FOR NO ROCKSHAFT - DUAL OR TRIPLE	25SC1
REMOTE CYLINDER SELECTIVE CONTROL VALVE FOR ROCKSHAFT - DUAL OR TRIPLE	23SC2
REMOTE CYLINDER (89 X 203MM (3-1/2" X 8"))	2RC4
REMOTE CYLINDER WITH MECHANICAL STOP (89 X 203MM (3-1/2" X 8"))	4RC3
ROCKSHAFT CONTROL VALVE	15RS1
STEERING CYLINDER	3CY1
STEERING METERING PUMP	2SP1
STEERING VALVE	31SV1

EACH OF THE ABOVE COMPONENTS HAS A MODEL NUMBER. WHEN THE DESIGN OF ONE OF THESE COMPONENTS IS CHANGED, THE MODEL NUMBER FOR THE NEWLY DESIGNED COMPONENT IS CHANGED.

DIRECTION ARROW

ARROWS ARE USED WITH ILLUSTRATIONS TO INDICATE THE FRONT OF THE UNIT. "RIGHT-HAND" AND "LEFT-HAND" SIDES ARE DETERMINED BY FACING IN THE DIRECTION OF MACHINE FORWARD TRAVEL.

BOX-ENCLOSED ILLUSTRATIONS

A KEY NUMBER, SHOWN IN THE PARTS LIST, IS ASSIGNED TO A BOX ENCLOSING ALL PARTS SOLD AS A SERVICE ASSEMBLY.

BOLT AND CAP SCREW STRENGTH IDENTIFICATION

U.S. CUSTOMARY DIMENSIONED PRODUCT: BOLTS AND CAP SCREWS REQUIRED TO HAVE HIGH-STRENGTH QUALITIES EQUIVALENT TO SAE GRADE 8 ARE IDENTIFIED THROUGHOUT THIS CATALOG BY THE DESCRIPTION HS SAE 8. ALL STANDARD BOLTS AND CAP SCREWS ARE SAE GRADE 5 OR LOWER.

METRIC DIMENSIONED PRODUCT: BOLTS AND CAP SCREWS REQUIRED TO HAVE HIGH-STRENGTH QUALITIES EQUIVALENT TO PROPERTY CLASS 10.9 ARE IDENTIFIED THROUGHOUT THIS CATALOG BY THE DESCRIPTION HS 10.9. ALL STANDARD BOLTS AND CAP SCREWS ARE PROPERTY CLASS 8.8 OR LOWER.

JDM REMANUFACTURED COMPONENTS

THE SERVICE PARTS LISTED IN THIS CATALOG ARE INTENDED FOR THE REPAIR OF ORIGINAL EQUIPMENT COMPONENTS. ALTHOUGH MOST SERVICE PARTS MAY BE USED TO REPAIR REMANUFACTURED COMPONENTS, THE REMANUFACTURING PROCESS MAY CHANGE PARTS SUFFICIENTLY SO THAT SERVICE PARTS ARE INADEQUATE OR NOT USABLE.

TRADEMARKS

THROUGHOUT THIS PARTS CATALOG, YOU WILL FIND THE FOLLOWING TRADEMARKS:

HYDRACUSHIONED™
PERSONAL-POSTURE™
QUAD-RANGE™
PERFORMANCE TRAK™ II

ROLL-GARD®
SOUND-GARD®
TORQ-GARD PLUS 50®
HY-GARD®
QUIK-TATCH®
LOCTITE®

CHANGE INDICATOR LINE (MICROFICHE CATALOGS ONLY)

CHANGES AFFECTING THE ORDERING OF PARTS ARE IDENTIFIED BY VERTICAL LINES MARKED IN THE LEFT-HAND MARGIN OF REVISED PARTS LISTING IMAGES. A LINE IS ALSO AT THE LEFT-HAND EDGE OF THE SAME PART NUMBER IN THE NUMERICAL INDEX TO SHOW THE LOCATION OF REVISED INFORMATION.

1A10

TRACTOR - 4520

QUANTITY COLUMN OR REMARKS COLUMN

GENERALLY THE QUANTITY SHOWN IS FOR THE ENTIRE TRACTOR AT ANY GIVEN LOCATION. THERE ARE EXCEPTIONS AS IN WHEEL HARDWARE WHERE ONLY ENOUGH IS SHOWN FOR ONE WHEEL.

THE FOLLOWING ABBREVIATIONS ARE USED IN THE REMARKS COLUMN:

NLR - NO LONGER REQUIRED

NA - NOT APPLICABLE

NLA - NO LONGER AVAILABLE

FI - FIELD INSTALLED

CA - CONVENIENCE ASSEMBLY

CA AND FI ARE OPTIONS THAT MUST BE ORDERED DIRECT FROM THE PRODUCING FACTORY.

1A11

TRACTOR - 4520

SECTION INDEX

GENERAL INFORMATION	10
ENGINE	20
FUEL AND AIR	30
ELECTRICAL	40
POWER TRAIN	50
STEERING AND BRAKES	60
HYDRAULICS	70
WHEELS, FRONT AXLES, SHEET METAL	80
OPERATOR'S STATION	90
NUMERICAL INDEX	95

1A13

TRACTOR - 4520

ALPHABETICAL INDEX - CONTINUED

<i>GRID</i>		<i>PAGE</i>	<i>GRID</i>		<i>PAGE</i>
2C20	BRAKE PISTON (POWER SHIFT)	50-40	1115	CABLE, SPEED-HOUR METER	40-55
2E11	BRAKE PISTON HOUSING (PFWD).....	50-76	1G15	CABLES, BATTERY (STANDARD)	40-12
2E15	BRAKE PISTON SEAL KIT, PFWD.....	50-79A	3C19	CAM, CONTROL VALVE ADJUSTING	70-36
2D15	BRAKE PISTON, PTO (POWER SHIFT)	50-61	3C13	CAM, ROCKSHAFT SERVO	70-30
2G2	BRAKE PLATE	60-19B	1B12	CAMSHAFT.....	20-9
2G1	BRAKE PLATES.....	60-19A	1B12	CAMSHAFT BUSHING.....	20-9
2E13	BRAKE PLATES, PFWD	50-78	1B12	CAMSHAFT GEAR.....	20-9
2G3	BRAKE VALVE.....	60-20	3H18	CANOPY	90-35
2G4	BRAKE VALVE OVERHAUL KIT	60-21	3H19	CANOPY	90-36
2C23	BRAKE, FIRST PLANETARY (POWER SHIFT)	50-43	3H10	CANOPY (STOLPER).....	90-27
2C20	BRAKE, FOURTH PLANETARY (POWER SHIFT).....	50-40	1E5	CAP, EXHAUST	30-17
2C24	BRAKE, PLANETARY (POWER SHIFT)	50-44	1E11	CAP, FUEL FILLER	30-20
2C22	BRAKE, SECOND PLANETARY (POWER SHIFT).....	50-42	1E13	CAP, FUEL FILLER	30-22
2C21	BRAKE, THIRD PLANETARY (POWER SHIFT).....	50-41	1D1	CAP, RADIATOR	20-36
3E4	BREAKAWAY COUPLER.....	70-70	2E14	CARRIER, FIRST PLANET PINION (PFWD)	50-79
3E7	BREAKAWAY COUPLER.....	70-72	2E3	CARRIER, PLANET PINION	50-72
3E6	BREAKAWAY COUPLER OVERHAUL KIT.....	70-71A	2C18	CASE, TRANSMISSION (POWER SHIFT)	50-38
1G20	BREAKER, CIRCUIT	40-18	2B15	CASE, TRANSMISSION (SYNCRO-RANGE)	50-8
1G22	BREAKER, CIRCUIT	40-20	3F10	CAST DISK WHEELS	80-6
1J7	BREAKER, CIRCUIT, REMOTE CONTROL	40-73	1E3	CENTER HOUSING, TURBOCHARGER.....	30-15
1J10	BREAKER, ELECTRICAL OUTLET CIRCUIT	40-76	3D4	CENTER LINK	70-47
3D6	BUSHING KIT, LOAD CONTROL SHAFT.....	70-49	3D7	CHAIN, IMPLEMENT SAFETY	70-51
1B12	BUSHING, CAMSHAFT	20-9	1I9	CIGAR LIGHTER	40-49
1H8	BYPASS STARTER LABEL	40-28A	3I20	CIGAR LIGHTER	90-64
1H20	BYPASS, STARTER LABEL	40-35	1G20	CIRCUIT BREAKER	40-18
			1G23	CIRCUIT BREAKER LEADS, AIR CONDITIONING	40-21
			1G23	CIRCUIT BREAKER LEADS, CAB	40-21
			1J10	CIRCUIT BREAKER, ELECTRICAL OUTLET	40-76
			1J12	CIRCUIT BREAKER, SUPPLEMENTARY WIRING	40-78
			1G22	CIRCUIT BREAKERS.....	40-20
			3H4	CIRCUIT BREAKERS, CONDENSER (STOLPER).....	90-20
			3F22	CLAMP, BATTERY.....	80-21
			3F23	CLAMP, BATTERY (LESS CAB).....	80-22
			1G16	CLAMP, BATTERY (ROW-CROP).....	40-13
			3F24	CLAMP, BATTERY (WITH CAB).....	80-23
			1D14	CLEANER, AIR.....	30-4
			1D15	CLEANER, AIR.....	30-5
			1D11	CLEANING GUN, DRAY AIR CLEANER ELEMENT	30-1
			2C3	CLUTCH ACCUMULATOR PISTON (POWER SHIFT).....	50-22
			2C14	CLUTCH ASSEMBLY (POWER SHIFT)	50-34
			2C15	CLUTCH ASSEMBLY (POWER SHIFT)	50-35
			2B8	CLUTCH COLLAR (SYNCRO-RANGE).....	50-2
			2C8	CLUTCH CONTROL ROD (POWER SHIFT)	50-28
			2C7	CLUTCH CONTROL, DISCONNECT (POWER SHIFT)	50-27
			2C9	CLUTCH CONTROL, PTO (POWER SHIFT)	50-29
			2B8	CLUTCH CONTROL, PTO (SYNCRO-RANGE)	50-2
			2B12	CLUTCH CONTROL, PTO (SYNCRO-RANGE)	50-6
			2C6	CLUTCH DISK (POWER SHIFT).....	50-26
			2B9	CLUTCH DISK (SYNCRO-RANGE).....	50-3
			2C10	CLUTCH DRIVE SHAFT (POWER SHIFT).....	50-30
			2C13	CLUTCH DRIVE SHAFT (POWER SHIFT)	50-33
			2C14	CLUTCH DRIVE SHAFT (POWER SHIFT)	50-34
			2C15	CLUTCH DRIVE SHAFT (POWER SHIFT)	50-35
			2C8	CLUTCH FORK (POWER SHIFT).....	50-28
			2B8	CLUTCH FORK (SYNCRO-RANGE)	50-2
			2C3	CLUTCH HOUSING (POWER SHIFT)	50-22
			2B7	CLUTCH HOUSING (SYNCRO-RANGE).....	50-1
			2C12	CLUTCH HUB (POWER SHIFT)	50-32
			2C13	CLUTCH HUB (POWER SHIFT)	50-33
			2C10	CLUTCH OIL MANIFOLD (POWER SHIFT)	50-30
			2C11	CLUTCH OIL PUMP ASSEMBLY	50-31
			2C14	CLUTCH PACK (POWER SHIFT)	50-34
			2C15	CLUTCH PACK (POWER SHIFT)	50-35
			2C5	CLUTCH PEDAL (POWER SHIFT)	50-25
			3I10	CLUTCH PEDAL BOOT (STOLPER).....	90-54
			2D12	CLUTCH PIPES (POWER SHIFT).....	50-58
			2C13	CLUTCH PISTON (POWER SHIFT)	50-33

C

3G18	CAB BLOWER MOTOR (STOLPER).....	90-7
1G14	CAB BLOWER SWITCH (STOLPER)	40-11
3G19	CAB CONSOLE (STOLPER)	90-8
3G21	CAB CONTROLS (STOLPER).....	90-10
3I13	CAB COWL PANELS (STOLPER).....	90-57
3H25	CAB DOOR HANDLE.....	90-44
3H25	CAB DOOR LATCH	90-44
3H25	CAB DOOR, LOWER.....	90-44
3H25	CAB DOOR, UPPER	90-44
3I2	CAB FENDERS (STOLPER)	90-46
3I3	CAB FENDERS (STOLPER)	90-47
1F19	CAB FILTER ELEMENT.....	30-55
3H9	CAB FILTERS.....	90-26
3I1	CAB FRONT PANELS	90-45
3I4	CAB GLASS (STOLPER)	90-48
3H7	CAB HEATER (STOLPER)	90-24
3G23	CAB HEATER HOSE (STOLPER).....	90-12
3I12	CAB INTERIOR PANELS (STOLPER)	90-56
1I6	CAB LAMP PARTS (STOLPER)	40-46
1G11	CAB LAMP WIRING (STOLPER)	40-8
1G12	CAB LAMP WIRING (STOLPER)	40-9
3H8	CAB PRESSURIZER (STOLPER)	90-25
1I24	CAB RADIO	40-64
3I1	CAB REAR PANEL	90-45
3H18	CAB ROOF	90-35
3H19	CAB ROOF	90-36
3I2	CAB SIDE PANELS (STOLPER).....	90-46
3I3	CAB SIDE PANELS (STOLPER).....	90-47
3G4	CAB STEP (STOLPER)	80-29
3I4	CAB WINDSHIELD (STOLPER).....	90-48
1J3	CAB WINDSHIELD WIPER (STOLPER)	40-68
1J4	CAB WINDSHIELD WIPER (STOLPER)	40-69
1G14	CAB WIPER SWITCH (STOLPER)	40-11
1G14	CAB WIRING LEADS (STOLPER)	40-11
1G5	CABLE, BATTERY	40-2
1G7	CABLE, BATTERY	40-4
1G16	CABLE, BATTERY (ROW-CROP)	40-13
1G15	CABLE, GROUND, BAATTERY (STANDARD)	40-12

1A14

TRACTOR - 4520

ALPHABETICAL INDEX - CONTINUED

<i>GRID</i>		<i>PAGE</i>	<i>GRID</i>		<i>PAGE</i>
2C6	CLUTCH SHAFT (POWER SHIFT)	50-26	1C17	COOLER, ENGINE OIL (ENGINE SERIAL NO. -303518).....	20-28
2B9	CLUTCH SHAFT (SYNCRO-RANGE)	50-3	1C18	COOLER, ENGINE OIL (ENGINE SERIAL NO. 303519-).....	20-29
2C5	CLUTCH VALVE HOUSING (POWER SHIFT)	50-25	3C9	COOLER, HYDRAULIC OIL (POWER SHIFT)	70-26
2C16	CLUTCH VALVE HOUSING (POWER SHIFT)	50-36	3C7	COOLER, HYDRAULIC OIL (SYNC-RANGE)	70-24
2C16	CLUTCH VALVE, TRANSMISSION (POWER SHIFT)	50-36	2B17	COUNTERSHAFT, TRANSMISSION(SYNCRO-RANGE)	50-10
2C12	CLUTCH, PTO (POWER SHIFT).....	50-32	2B14	COUNTERWEIGHTED PTO CLUTCH OPERATING KIT ...	50-7A
2C13	CLUTCH, PTO (POWER SHIFT).....	50-33	3E9	COUPLER OVERHAUL KIT (ISO).....	70-74
2B9	CLUTCH, PTO (SYNCRO-RANGE).....	50-3	3E4	COUPLER, BREAKAWAY	70-70
2C6	CLUTCH, TRANSMISSION (POWER SHIFT).....	50-26	3E7	COUPLER, BREAKAWAY	70-72
1H22	COIL STARTER (JOHN DEERE)	40-37	3E12	COUPLER, FLEXIBLE OIL LINE	70-77
1E6	COLD WEATHER STARTING AID	30-18	3D8	COUPLER, IMPLEMENT, QUICK	70-52
1E7	COLD WEATHER STARTING AID	30-19	3E7	COUPLER, ISO	70-72
2B8	COLLAR, CLUTCH BEARING (SYNCRO-RANGE)	50-2	3B5	COUPLER, MAIN PUMP DRIVE	70-1
2B19	COLLAR, SYNCHRONIZE DRIVE (SYNCRO-RANGE)	50-13	3D19	COUPLER, POWER WEIGHT TRANSFER HITCH	70-60
1H23	COMMUTATOR END FRAME, STARTER (JOHN DEERE)	40-38	3E25	COUPLINGS, REUSABLE	70-90
3G11	COMPRESSOR.....	90-2	3I18	COVER, CONTROL SUPPORT.....	90-62
3G13	COMPRESSOR.....	90-3A	3E11	COVER, DUST (DIAGNOSTIC RECEPTACLE)	70-76
3G14	COMPRESSOR.....	90-3B	3E4	COVER, DUST, BREAKAWAY COUPLER	70-70
3G14	COMPRESSOR CLUTCH.....	90-3B	3E12	COVER, DUST, BREAKAWAY COUPLER	70-77
3G14	COMPRESSOR COIL.....	90-3B	3G1	COVER, HOOD ACCESS	80-25
3G14	COMPRESSOR PULLEY	90-3B	3I12	COVER, HYDRAULIC (STOLPER)	90-56
3G15	COMPRESSOR, AIR, HOSES (STOLPER)	90-4	1B7	COVER, ROCKER ARM (ENGINE SERIAL NO. -303518).....	20-4
3G15	COMPRESSOR, AIR, MANIFOLD (STOLPER).....	90-4	1B10	COVER, ROCKER ARM (ENGINE SERIAL NO. 303519-).....	20-7
3G16	COMPRESSOR, VALVE KIT	90-5	3C14	COVER, ROCKSHAFT PISTON	70-31
3H8	CONDENSATION TRAY (STOLPER)	90-25	3C15	COVER, ROCKSHAFT PISTON	70-32
3H3	CONDENSER (STOLPER).....	90-19	1H20	COVER, STARTER SOLENOID (JOHN DEERE)	40-35
3H4	CONDENSER CIRCUIT BREAKERS (STOLPER)	90-20	2F12	COVER, STEERING VALVE	60-4
3H4	CONDENSER FANS (STOLPER)	90-20	2F15	COVER, STEERING VALVE	60-7
3H4	CONDENSER MOTORS (STOLPER)	90-20	1C12	COVER, TIMING GEAR (ENGINE SERIAL NO. -303518).....	20-23
1B6	CONDITIONER, COOLANT	20-2	1C13	COVER, TIMING GEAR (ENGINE SERIAL NO. 303519-).....	20-24
1C11	CONNECTING RODS	20-22	3C23	COVER, TRANSMISSION (LESS ROCKSHAFT)	70-40
1J14	CONNECTORS,ELECTRICAL	40-80	2D6	COVER, TRANSMISSION CONTROL VALVE	50-52
1J18	CONNECTORS,ELECTRICAL	40-84	2B16	COVER, TRANSMISSION FRONT	50-9
1J20	CONNECTORS,ELECTRICAL	40-86	2C19	COVER, TRANSMISSION FRONT (POWER SHIFT).....	50-39
3H6	CONSOLE HOUSING (STOLPER)	90-22	3I14	COVERS, ROCKSHAFT HOUSING	90-58
3G19	CONSOLE, CAB (STOLPER)	90-8	3I21	COWL	90-65
3I16	CONSOLE, ROCKSHAFT	90-60	3C13	CRANK, ROCKSHAFT, ARM.....	70-30
3I16	CONSOLE, SELECTIVE CONTROL	90-60	1C1	CRANKSHAFT	20-16
1J14	CONTAINER,ELECTRICAL PARTS.....	40-80	1C3	CRANKSHAFT	20-17B
2C8	CONTROL ROD, CLUTCH (POWER SHIFT)	50-28	1C1	CRANKSHAFT DAMPER	20-16
3I18	CONTROL SUPPORT	90-62	1C5	CRANKSHAFT KIT, UNDERSIZE (CONNECTING ROD JOURNAL) (LATE DESIGN).....	20-19
3C19	CONTROL VALVE ADJUSTING CAM.....	70-36	1C4	CRANKSHAFT KIT, UNDERSIZE (EARLY DESIGN).....	20-18
2D12	CONTROL VALVE OIL LINE (POWER SHIFT)	50-58	1C14	CRANKSHAFT OIL SEAL	20-25
2E22	CONTROL VALVE OVERHAUL KIT (PFWD).....	50-84	1C14	CRANKSHAFT OIL SEAL HOUSING	20-25
2E20	CONTROL VALVE PARTS (PFWD)	50-82	1C1	CRANKSHAFT PULLEY.....	20-16
2E18	CONTROL VALVE, DIRECTIONAL (PFWD).....	50-80	1C6	CRANKSHAFT, UNDERSIZE MAIN BEARING KIT (EARLIEST DESIGN).....	20-19A
2F1	CONTROL VALVE, DIRECTIONAL, OIL LINES	50-88	3H21	CUSHION, SEAT	90-39
3C15	CONTROL VALVE, FLOW, ROCKSHAFT.....	70-32	3H21	CUSHION, SEAT BACK.....	90-39
3C6	CONTROL VALVE, PRESSURE	70-23B	1B14	CYLINDER BLOCK.....	20-12
2D6	CONTROL VALVE, TRANSMISSION	50-52	2E12	CYLINDER BLOCK, WHEEL (PFWD).....	50-77
2D5	CONTROL VALVE, TRANSMISSION(POWER SHIFT)	50-51	2F12	CYLINDER COVER, STEERING VALVE	60-4
2C7	CONTROL, DISCONNECT CLUTCH (POWER SHIFT)	50-27	1B7	CYLINDER HEAD (ENGINE SERIAL NO. -303518).....	20-4
3C17	CONTROL, LOAD.....	70-34	1B8	CYLINDER HEAD (ENGINE SERIAL NO. 303519-).....	20-5
3C19	CONTROL, LOAD SELECTOR	70-36	1B7	CYLINDER HEAD GASKET.....	20-4
2C9	CONTROL, PTO CLUTCH (POWER SHIFT)	50-29	1D5	CYLINDER HEAD GASKET SET (ENGINE SERIAL NO. -303518).....	20-40
3C21	CONTROL, ROCKSHAFT LINKAGE	70-38			
2D9	CONTROL, SHIFTER (POWER SHIFT)	50-55			
2B23	CONTROL, SHIFTER (SYNCRO-RANGE)	50-17			
2B22	CONTROL, TRANSMISSION (SYNCRO-RANGE)	50-16			
3G21	CONTROLS, CAB (STOLPER)	90-10			
3E24	CONVERSION KIT, REMOTE CYLINDER	70-89			
1B6	COOLANT CONDITIONER.....	20-2			
1C22	COOLANT HEATER, ENGINE.....	20-32A			
1C21	COOLANT HEATER, ENGINE (EARLY DESIGN) (8640)	20-32			

1A15

TRACTOR - 4520

ALPHABETICAL INDEX - CONTINUED

GRID		PAGE	GRID		PAGE
1D6	CYLINDER HEAD GASKET SET (ENGINE SERIAL NO. 303519-).....	20-42	3D13	DRAWBAR SUPPORT KIT (REGULAR DRAWBAR)	70-57A
3E17	CYLINDER HOSE IDENTIFICATION KIT	70-82	3D17	DRAWBAR SUPPORT KIT (WIDE SWING DRAWBAR)	70-59A
1C11	CYLINDER LINER	20-22	3D11	DRAWBAR, REGULAR	70-56
1B6	CYLINDER LINER PACKING LUBRICANT.....	20-2	3D15	DRAWBAR, WIDE SWING.....	70-58
3E15	CYLINDER, REMOTE	70-80	1E21	DRIVE HOUSING, INJECTION PUMP	30-30
3E19	CYLINDER, REMOTE	70-84	1F2	DRIVE HOUSING, INJECTION PUMP	30-36
3E21	CYLINDER, REMOTE	70-86	2C10	DRIVE SHAFT, CLUTCH (POWER SHIFT)	50-30
2F25	CYLINDER, STEERING	60-18	2C14	DRIVE SHAFT, CLUTCH (POWER SHIFT)	50-34
2F10	CYLINDER, STEERING VALVE	60-2	2C15	DRIVE SHAFT, CLUTCH (POWER SHIFT)	50-35
	D		1F2	DRIVE SHAFT, INJECTION PUMP	30-36
			2D15	DRIVE SHAFT, PTO (POWER SHIFT)	50-61
1C1	DAMPER, CRANKSHAFT	20-16	3B5	DRIVE, HYDRAULIC PUMP.....	70-11
3I20	DASH ASSEMBLY	90-64	1B13	DRIVE, TACHOMETER	20-11
3I18	DASH SUPPORT	90-62	2C12	DRUM, CLUTCH (POWER SHIFT)	50-32
3G5	DECALS	80-30	2C13	DRUM, CLUTCH (POWER SHIFT)	50-33
1E20	DELIVERY VALVE, INJECTION PUMP.....	30-29	2C20	DRUM, PLANETARY CLUTCH (POWER SHIFT).....	50-40
1F1	DELIVERY VALVE, INJECTION PUMP.....	30-35	2C15	DRUM, REAR (POWER SHIFT)	50-35
3H21	DELUXE SEAT	90-39	2C14	DRUM, REAR, CLUTCH (POWER SHIFT).....	50-34
3H22	DELUXE SEAT SUPPORT	90-40	2B19	DRUM, SYNCHRONIZER (SYNCRO-RANGE)	50-13
3H24	DELUXE SEAT SUSPENSION	90-43	1I11	DUAL HORN ASSEMBLY	40-51
3F10	DEMOUNTABLE RIMS.....	80-6	3F11	DUAL WHEELS	80-7
3E11	DIAGNOSTIC RECEPTACLE.....	70-76	3E4	DUST COVER, BREAKAWAY COUPLER.....	70-70
2D16	DIFFERENTIAL.....	50-62	3E12	DUST COVER, BREAKAWAY COUPLER.....	70-77
2D18	DIFFERENTIAL.....	50-62B		E	
2D16	DIFFERENTIAL DRIVE SHAFT	50-62	1E4	ELBOW, EXHAUST	30-16
2D18	DIFFERENTIAL DRIVE SHAFT	50-62B	3B23	ELECTRIC DESTROKE KIT, HYDRAULIC PUMP	70-19A
2D3	DIFFERENTIAL DRIVE SHAFT (POWER SHIFT)	50-48	3B25	ELECTRIC DESTROKE SOLENOID	70-19C
2B18	DIFFERENTIAL DRIVE SHAFT (SYNCRO-RANGE)	50-11	1F10	ELECTRIC SHUT OFF, FUEL INJECTION PUMP	30-45
2D20	DIFFERENTIAL KIT, ANTI-FRICTION.....	50-64	1F11	ELECTRIC SHUT OFF, FUEL INJECTION PUMP	30-46
2D22	DIFFERENTIAL LOCK LINKAGE.....	50-66	1J22	ELECTRICAL CONNECTOR AND TERMINAL KIT	40-88
2D23	DIFFERENTIAL LOCK LINKAGE.....	50-67	1J14	ELECTRICAL CONNECTORS	40-80
2E1	DIFFERENTIAL LOCK OIL LINES.....	50-70	1J18	ELECTRICAL CONNECTORS	40-84
2E2	DIFFERENTIAL LOCK OIL LINES.....	50-71	1J20	ELECTRICAL CONNECTORS	40-86
2D24	DIFFERENTIAL LOCK VALVE.....	50-68	1J14	ELECTRICAL CRIMPING TOOL	40-80
2D25	DIFFERENTIAL LOCK VALVE.....	50-69	1J10	ELECTRICAL OUTLET CIRCUIT BREAKER	40-76
2B18	DIFFERENTIAL PINION SHAFT (SYNCRO-RANGE).....	50-11	1J10	ELECTRICAL OUTLET PLUG	40-76
1I12	DIMMER SWITCH	40-52	1J10	ELECTRICAL OUTLET SOCKET	40-76
1B14	DIPSTICK, ENGINE OIL	20-12	1J11	ELECTRICAL OUTLET SOCKET, 7-TERMINAL.....	40-77
3C11	DIPSTICK, TRANSMISSION	70-28	1J14	ELECTRICAL PARTS CONTAINER	40-80
3C23	DIPSTICK, TRANSMISSION	70-40	1J5	ELECTRICAL REMOTE CONTROL	40-70
2E18	DIRECTIONAL CONTROL VALVE (PFWD)	50-80	1J5	ELECTRICAL REMOTE CONTROL BRACKETS	40-70
2E20	DIRECTIONAL CONTROL VALVE (PFWD)	50-82	1J6	ELECTRICAL REMOTE CONTROL KIT	40-71
2F1	DIRECTIONAL CONTROL VALVE OIL LINES	50-88	1J5	ELECTRICAL REMOTE CONTROL SWITCH.....	40-70
2G1	DISK, BRAKE	60-19A	1J7	ELECTRICAL REMOTE CONTROL WIRING	40-73
2C6	DISK, CLUTCH (POWER SHIFT)	50-26	1J8	ELECTRICAL REMOTE CONTROL WIRING KIT.....	40-74
2B9	DISK, CLUTCH (SYNCRO-RANGE)	50-3	1J7	ELECTRICAL REMOTE CONTROL WIRING RELAY.....	40-73
2C12	DISK, PTO CLUTCH (POWER SHIFT).....	50-32	1J14	ELECTRICAL TERMINALS	40-80
2C13	DISK, PTO CLUTCH (POWER SHIFT).....	50-33	1J18	ELECTRICAL TERMINALS	40-84
2B9	DISK, PTO CLUTCH (SYNCRO-RANGE).....	50-3	1J20	ELECTRICAL TERMINALS	40-86
2B19	DISK, TRANSMISSION (SYNCRO-RANGE).....	50-13	1J22	ELECTRICAL TOOLS.....	40-88
3F11	DISK, WHEEL, DUAL.....	80-7	1J14	ELECTRICAL WIRING	40-80
1I16	DOME LIGHT (STOLPER).....	40-56	1J18	ELECTRICAL WIRING	40-84
3I4	DOOR GLASS (STOLPER)	90-48	1J20	ELECTRICAL WIRING	40-86
3H25	DOOR HANDLE, CAB	90-44	1D14	ELEMENT, AIR CLEANER.....	30-4
3H25	DOOR, CAB	90-44	1D15	ELEMENT, AIR CLEANER.....	30-5
3F18	DOUBLE FRONT WEIGHT	80-15	1C22	ELEMENT, COOLANT HEATER	20-32A
3D5	DRAFT CENTER LINK SUPPORT	70-48	3G17	ELEMENT, FILTER (STOLPER)	90-6
3D4	DRAFT LINKS.....	70-47	2B25	ELEMENT, OIL FILTER, TRANSMISSION	50-19
2F5	DRAIN LINE (PFWD)	50-93	2D11	ELEMENT, OIL FILTER, TRANSMISSION	50-57
3C5	DRAIN LINES, HYDRAULIC PUMP SEAL	70-23A	1I13	ELEMENT, OIL HEATING	40-53
1E11	DRAIN VALVE, FUEL.....	30-20	2B25	ELEMENT, TRANSMISSION OIL PUMP.....	50-19
1E13	DRAIN VALVE, FUEL.....	30-22	3J3	EMBLEM, SLOW MOVING VEHICLE	90-72
1D1	DRAIN VALVE, RADIATOR	20-36	3J4	EMBLEM, SLOW MOVING VEHICLE(STOLPER CAB)	90-73
3D10	DRAWBAR FRONT SUPPORT	70-55	2F10	EMBLEM, STEERING WHEEL	60-2

1A16

TRACTOR - 4520

ALPHABETICAL INDEX - CONTINUED

GRID		PAGE	GRID		PAGE
1H23	END FRAME, STARTER COMMUTATOR (JOHN DEERE)	40-38	1E17	FILTER, FUEL (EARLY DESIGN)	30-26
1F14	END PLATE, INJECTION PUMP	30-50	1E18	FILTER, FUEL (LATE DESIGN)	30-27
3F6	END, TIE ROD	80-2	2B24	FILTER, OIL PUMP INTAKE (SYNCRO-RANGE).....	50-18
2E8	END, TIE ROD (PFWD).....	50-74A	1F19	FILTER, TRANSMISSION OIL	30-55
1C22	ENGINE COOLANT HEATER	20-32A	2D11	FILTER, TRANSMISSION OIL (POWER SHIFT)	50-57
1C21	ENGINE COOLANT HEATER (EARLY DESIGN) (8640)	20-32	2B25	FILTER, TRANSMISSION OIL (SYNCRO-RANGE)	50-19
1D5	ENGINE GASKET SET (ENGINE SERIAL NO. -303518).....	20-40	3H9	FILTERS (STOLPER)	90-26
1B5	ENGINE OIL	20-1	2E5	FINAL DRIVE KIT, HIGH PRESSURE ANGLE.....	50-73A
1C17	ENGINE OIL COOLER (ENGINE SERIAL NO. -303518).....	20-28	2E3	FINAL DRIVE SHAFT AND SUN PINION.....	50-72
1C18	ENGINE OIL COOLER (ENGINE SERIAL NO. 303519-).....	20-29	3H17	FIRE EXTINGUISHER	90-33
1B14	ENGINE OIL DIPSTICK	20-12	2C23	FIRST PLANETARY BRAKE (POWER SHIFT).....	50-43
1C16	ENGINE OIL FILTER	20-27	3E12	FLEXIBLE OIL LINE COUPLER	70-77
1F19	ENGINE OIL FILTER ELEMENT	30-55	3E25	FLEXIBLE OIL LINE, BULK	70-90
1I13	ENGINE OIL HEATER	40-53	2F24	FLEXIBLE STEERING LINES	60-17
1C15	ENGINE OIL PUMP	20-26	1G9	FLOOD LAMP (ROW-CROP).....	40-6
1B20	ENGINE OVERHAUL KIT.....	20-13E	2D24	FLOW CONTROL VALVE, DIFFERENTIAL	50-68
1D6	ENGINE REBUILD GASKET SET (ENGINE SERIAL NO. 303519-).....	20-42	3C15	FLOW CONTROL VALVE, ROCKSHAFT	70-32
1B18	ENGINE SHORT BLOCK (WITHOUT OIL PUMP)	20-13C	3D23	FLOW CONTROL VALVE, SCV	70-64
1B16	ENGINE SHORT BLOCK (WITH OIL PUMP)	20-13A	1E6	FLUID, STARTING	30-18
1B22	ENGINE UNDERHAUL KIT (STD BRGS)	20-13H	1E7	FLUID, STARTING	30-19
1B6	ENGINE VALVE STEM LUBRICANT	20-2	1C1	FLYWHEEL.....	20-16
1B9	ENGINE VENTILATOR OUTLET HOSE (ENGINE SERIAL NO. -303518).....	20-6	1F17	FOOT SPEED CONTROL ARM	30-53
1E10	ETHER STARTING AID KIT	30-19C	1F18	FOOT SPEED CONTROL ARM	30-54
3H5	EVAPORATOR (STOLPER).....	90-21	1F17	FOOT SPEED CONTROL PEDAL.....	30-53
3H6	EVAPORATOR SUPPORT (STOLPER)	90-22	1F18	FOOT SPEED CONTROL PEDAL.....	30-54
1E5	EXHAUST CAP.....	30-17	1F17	FOOT SPEED CONTROL ROD	30-53
1E4	EXHAUST ELBOW.....	30-16	1F18	FOOT SPEED CONTROL ROD	30-54
1E4	EXHAUST MANIFOLD GASKETS.....	30-16	2C8	FORK, CLUTCH (POWER SHIFT)	50-28
1E4	EXHAUST MANIFOLDS	30-16	2B8	FORK, CLUTCH (SYNCRO-RANGE)	50-2
1B11	EXHAUST VALVE	20-8	2B8	FORK, PTO CLUTCH (SYNCRO-RANGE)	50-2
1D16	EXTENSION, MUFFLER	30-6	2C20	FOURTH PLANETARY BRAKE (POWER SHIFT)	50-40
1E5	EXTENSION, MUFFLER	30-17	3F17	FRAME SIDE WEIGHT	80-14
3I8	EXTENSION, PLATFORM	90-52	3F17	FRAME, FRONT.....	80-14
3H17	EXTINGUISHER, FIRE.....	90-33	3H11	FRAME, ROLL-GARD	90-28
	F		3H13	FRAME, ROLL-GARD	90-30
2G1	FACING, BRAKE	60-19A	3H15	FRAME, ROLL-GARD	90-31A
2G2	FACING, BRAKE	60-19B	3F17	FRAME, SIDE	80-14
1C19	FAN	20-30	1I2	FRONT AND REAR LAMPS	40-42
1C20	FAN	20-31	1I4	FRONT AND REAR LAMPS	40-44
1C20	FAN BELTS	20-31	3F5	FRONT AXLE HOUSING	80-1
1C19	FAN PULLEY	20-30	3F6	FRONT AXLE KNEE	80-2
1C20	FAN PULLEY	20-31	1I6	FRONT LAMP, CAB (STOLPER)	40-46
1D1	FAN SHROUD	20-36	1G10	FRONT LAMPS (STANDARD).....	40-7
1H4	FAN, ALTERNATOR.....	40-25B	1G11	FRONT LAMPS (STOLPER)	40-8
3H4	FANS, CONDENSER (STOLPER).....	90-20	1C12	FRONT OIL SEAL	20-23
3I24	FENDERS (ROW-CROP)	90-68	3F25	FRONT PLATE	80-24
3I22	FENDERS (STANDARD)	90-66	3F17	FRONT SUPPORT	80-14
3I2	FENDERS (STOLPER).....	90-46	3F18	FRONT WEIGHTS	80-15
3I3	FENDERS (STOLPER).....	90-47	3F19	FRONT WEIGHTS	80-17
3G17	FILTER ELEMENT (STOLPER).....	90-6	3F20	FRONT WEIGHTS	80-18
3G17	FILTER HOUSING (STOLPER).....	90-6	3F9	FRONT WHEEL BEARING KIT	80-5
1F19	FILTER, AIR CLEANER	30-55	2F3	FRONT WHEEL DRIVE REPLACEMENT KIT	50-90
1F19	FILTER, CAB	30-55	3F8	FRONT WHEELS	80-4
1C16	FILTER, ENGINE OIL.....	20-27	3F16	FRONT WHEELS (PFWD).....	80-12
1F19	FILTER, ENGINE OIL.....	30-55	1E17	FUEL FILTER (EARLY DESIGN).....	30-26
1F19	FILTER, FUEL	30-55	1E18	FUEL FILTER (LATE DESIGN)	30-27
			1F19	FUEL FILTER ELEMENT	30-55
			1I14	FUEL GAUGE.....	40-54
			1E11	FUEL GAUGE SENDER	30-20
			1E13	FUEL GAUGE SENDER	30-22
			1E25	FUEL INJECTION NOZZLE (E.S.N. 242932-245534).....	30-34
			1F6	FUEL INJECTION NOZZLE (E.S.N. 245535-303518).....	30-41
			1F9	FUEL INJECTION NOZZLE (E.S.N. 303519-)	30-44

1A18

TRACTOR - 4520

ALPHABETICAL INDEX - CONTINUED

GRID		PAGE	GRID		PAGE
3H19	HEADLINE	90-36	1C12	HOUSING, REAR OIL SEAL	20-23
3H18	HEADLINER	90-35	3C11	HOUSING, ROCKSHAFT	70-28
3H10	HEADLINER (STOLPER)	90-27	3C15	HOUSING, ROCKSHAFT CONTROL VALVE	70-32
1J2	HEADPHONES, RADIO	40-67	3D23	HOUSING, SELECTIVE CONTROL VALVE	70-64
3G22	HEATER (STOLPER)	90-11	3E3	HOUSING, SELECTIVE CONTROL VALVE	70-69
3G24	HEATER HOSE (STOLPER)	90-13	3E4	HOUSING, SELECTIVE CONTROL VALVE	70-70
3G23	HEATER HOSE, CAB (STOLPER)	90-12	2D8	HOUSING, SHIFT VALVE	50-54
3G21	HEATER LEVER, CAB (STOLPER)	90-10	1H21	HOUSING, STARTER DRIVE (JOHN DEERE).....	40-36
3H7	HEATER, CAB (STOLPER)	90-24	2F13	HOUSING, STEERING VALVE	60-5
1C22	HEATER, ENGINE COOLANT.....	20-32A	2F14	HOUSING, STEERING VALVE	60-6
1C21	HEATER, ENGINE COOLANT (EARLY DESIGN) (8640)	20-32	1C24	HOUSING, THERMOSTAT (ENGINE SERIAL NO. -303518).....	20-34
1113	HEATER, OIL	40-53	1C25	HOUSING, THERMOSTAT (ENGINE SERIAL NO. 303519-).....	20-35
2E5	HIGH PRESSURE ANGLE FINAL DRIVE KIT	50-73A	2D5	HOUSING, TRANSMISSION CONTROL VALVE	50-51
3D4	HITCH, 3-POINT CENTER LINK	70-47	2C16	HOUSING, TRANSMISSION VALVE(POWER SHIFT).....	50-36
3D4	HITCH, 3-POINT DRAFT LINKS	70-47	1E1	HOUSING, TURBOCHARGER	30-12
3D1	HITCH, 3-POINT LIFT LINKS	70-44	1E3	HOUSING, TURBOCHARGER CENTER.....	30-15
3D3	HITCH, 3-POINT LIFT LINKS	70-46	2E9	HOUSING, WHEEL MOTOR (PFWD).....	50-74B
3D8	HITCH, 3-POINT QUICK-COUPLER, IMPLEMENT	70-52	2E11	HOUSING, WHEEL MOTOR (PFWD).....	50-76
3G1	HOOD	80-25	2C12	HUB, CLUTCH (POWER SHIFT).....	50-32
1110	HORN	40-50	2C13	HUB, CLUTCH (POWER SHIFT).....	50-33
1111	HORN ASSEMBLY, DUAL	40-51	3F8	HUB, FRONT WHEEL	80-4
3E17	HOSE IDENTIFICATION KIT, REMOTE CYLINDER	70-82	2E11	HUB, FRONT WHEEL (PFWD)	50-76
1D20	HOSE, AIR INTAKE (ENGINE SERIAL NO. -303518).....	30-8	3F16	HUB, FRONT WHEEL (PFWD)	80-12
3G23	HOSE, CAB HEATER (STOLPER)	90-12	2C20	HUB, PLANETARY CLUTCH (POWER SHIFT)	50-40
1B9	HOSE, ENGINE VENTILATOR OUTLET (ENGINE SERIAL NO. -303518).....	20-6	3F11	HUB, WHEEL, DUAL	80-7
3G24	HOSE, HEATER (STOLPER).....	90-13	2G11	HYDRAULIC ACCUMULATOR (PFWD)	60-26
1D12	HOSE, PRE-CLEANER	30-2	3F2	HYDRAULIC AND TRANSMISSION OIL	70-92
1D1	HOSE, RADIATOR	20-36	3E11	HYDRAULIC DIAGNOSTIC RECEPTACLE	70-76
3E15	HOSE, REMOTE CYLINDER.....	70-80	2E7	HYDRAULIC LINE SHIELD (PFWD)	50-74
3E25	HOSE, REMOTE CYLINDER.....	70-90	3C9	HYDRAULIC OIL COOLER (POWER SHIFT).....	70-26
3G15	HOSES, AIR COMPRESSOR (STOLPER)	90-4	3C7	HYDRAULIC OIL COOLER (SYNC-RANGE)	70-24
1D14	HOUSING, AIR CLEANER.....	30-4	2F6	HYDRAULIC OIL LINES (PFWD)	50-94
1H4	HOUSING, ALTERNATOR	40-25B	3E18	HYDRAULIC OIL LINES, IMPLEMENT	70-83
1H6	HOUSING, ALTERNATOR	40-27	3B7	HYDRAULIC PUMP (3 IN3)	70-4
2C20	HOUSING, BRAKE PISTON (POWER SHIFT)	50-40	3B9	HYDRAULIC PUMP (4 IN3).....	70-6
2C21	HOUSING, BRAKE PISTON (POWER SHIFT)	50-41	3C5	HYDRAULIC PUMP DRAIN LINES	70-23A
2C22	HOUSING, BRAKE PISTON (POWER SHIFT)	50-42	3B5	HYDRAULIC PUMP DRIVE	70-1
2C23	HOUSING, BRAKE PISTON (POWER SHIFT)	50-43	3B13	HYDRAULIC PUMP ELECTRIC DESTROKE KIT.....	70-10
2G3	HOUSING, BRAKE VALVE	60-20	3B23	HYDRAULIC PUMP ELECTRIC DESTROKE KIT.....	70-19A
3G18	HOUSING, CAB BLOWER (STOLPER)	90-7	3B25	HYDRAULIC PUMP ELECTRIC-DESTROKE KIT.....	70-19C
2C3	HOUSING, CLUTCH (POWER SHIFT)	50-22	3B15	HYDRAULIC PUMP OVERHAUL KIT	70-12
2B7	HOUSING, CLUTCH (SYNCRO-RANGE)	50-1	3C1	HYDRAULIC PUMP OVERHAUL KIT	70-20
2C17	HOUSING, CLUTCH REGULATING VALVE	50-37	3B6	HYDRAULIC PUMP REPLACEMENT ASSEMBLY.....	70-3
2C5	HOUSING, CLUTCH VALVE (POWER SHIFT).....	50-25	3B11	HYDRAULIC PUMP STROKE CONTROL VALVE	70-8
3H6	HOUSING, CONSOLE (STOLPER).....	90-22	3B21	HYDRAULIC PUMP STROKE CONTROL VALVE	70-18
2C17	HOUSING, CONTROL VALVE (POWER SHIFT)	50-37			
1C13	HOUSING, CRANKSHAFT OIL SEAL	20-24			
1C14	HOUSING, CRANKSHAFT OIL SEAL	20-25			
2D16	HOUSING, DIFFERENTIAL	50-62			
2D18	HOUSING, DIFFERENTIAL	50-62B			
2D24	HOUSING, DIFFERENTIAL LOCK VALVE	50-68			
2D25	HOUSING, DIFFERENTIAL LOCK VALVE	50-69			
3G17	HOUSING, FILTER (STOLPER)	90-6			
3F5	HOUSING, FRONT AXLE	80-1			
2C1	HOUSING, OIL FILTER RELIEF VALVE.....	50-20			
2E11	HOUSING, PLANET BRAKE PISTON (PFWD).....	50-76			
2C20	HOUSING, PLANETARY CLUTCH PISTON	50-40			
2E13	HOUSING, PLANETARY, PFWD	50-78			
3C3	HOUSING, PRESSURE CONTROL VALVE	70-22			
3C6	HOUSING, PRESSURE CONTROL VALVE	70-23B			
2C14	HOUSING, PUMP, CLUTCH (POWER SHIFT).....	50-34			
2C15	HOUSING, PUMP, CLUTCH (POWER SHIFT).....	50-35			
2C10	HOUSING, PUMP, TRANSMISSION CLUTCH	50-30			
2E3	HOUSING, REAR AXLE.....	50-72			
			2D2	IDLER GEAR, TRANSMISSION (POWER SHIFT)	50-47
			2D15	IDLER GEARS, PTO (POWER SHIFT).....	50-61
			1117	IGNITION AND STARTER SWITCH	40-57
			3E18	IMPLEMENT HYDRAULIC OIL LINES	70-83
			3D8	IMPLEMENT QUICK-COUPLER	70-52
			3D7	IMPLEMENT SAFETY CHAIN	70-51
			1114	INDICATOR LAMPS.....	40-54
			1E20	INJECTION PUMP AUTOMATIC ADVANCE	30-29
			1F1	INJECTION PUMP AUTOMATIC ADVANCE	30-35
			1E20	INJECTION PUMP DELIVERY VALVE	30-29
			1F1	INJECTION PUMP DELIVERY VALVE	30-35
			1F2	INJECTION PUMP DRIVE HOUSING	30-36
			1E21	INJECTION PUMP DRIVE SHAFT	30-30
			1F2	INJECTION PUMP DRIVE SHAFT	30-36
			1F14	INJECTION PUMP END PLATE	30-50
			1E22	INJECTION PUMP GOVERNOR	30-31

1A19

TRACTOR - 4520

ALPHABETICAL INDEX - CONTINUED

<i>GRID</i>		<i>PAGE</i>	<i>GRID</i>		<i>PAGE</i>
1F3	INJECTION PUMP GOVERNOR	30-37	3E19	KIT, REMOTE CYLINDER OVERHAUL	70-84
1E21	INJECTION PUMP HEAD AND ROTOR	30-30	3E21	KIT, REMOTE CYLINDER OVERHAUL	70-86
1F2	INJECTION PUMP HEAD AND ROTOR	30-36	1H8	KIT, STARTER SOLENOID COVER (DELCO-REMY)	40-28A
1F4	INJECTION PUMP SHUT-OFF	30-38	1H9	KIT, STARTER SOLENOID KIT (DELCO-REMY)	40-28B
1E23	INJECTION PUMP SHUT-OFF SOLENOID	30-32	1E8	KIT, STARTING FLUID TUBE	30-19A
1E22	INJECTION PUMP THROTTLE CONTROL	30-31	1I1	KIT, STARTING MOTOR SEALING	40-41
1F3	INJECTION PUMP THROTTLE CONTROL	30-37	2F16	KIT, STEERING VALVE CYLINDER OVERHAUL	60-8
3F15	INNER WHEEL WEIGHT (32",34",38" AND 42")	80-11	3B11	KIT, STROKE CONTROL VALVE SHUT-OFF	70-8
1B8	INSERTS, VALVE SEAT	20-5	3B21	KIT, STROKE CONTROL VALVE SHUT-OFF	70-18
1I14	INSTRUMENT PANEL AND INSTRUMENTS	40-54	3G13	KIT, SUPER HEAT SHUT-OFF	90-3A
1D20	INTAKE MANIFOLD (ENGINE SERIAL NO. -303518)	30-8	1J12	KIT, SUPPLEMENTARY WIRING	40-78
1D21	INTAKE MANIFOLD (ENGINE SERIAL NO. 303519-)	30-9	1B22	KIT, UNDERHAUL ENGINE (STD. BRGS)	20-13H
1D21	INTAKE MANIFOLD GASKET	30-9	1C4	KIT, UNDERSIZE CRANKSHAFT (EARLY DESIGN)	20-18
1D20	INTAKE MANIFOLD GASKETS	30-8	1C6	KIT, UNDERSIZE MAIN BRG CRANKSHAFT (EARLIEST DESIGN)	20-19A
1B11	INTAKE VALVE	20-8	1C8	KIT, UNDERSIZE MN BEARING CRANKSHAFT AND BEARING (LATE DESIGN)	20-19C
2D11	INTAKE, TRANS. OIL PUMP (POWER SHIFT)	50-57	1C7	KIT, UNDERSIZE MN BRG CRANKSHAFT AND BRG (EARLY DESIGN)	20-19B
1D16	INTAKE, VERTICAL AIR	30-6	1D18	KIT, VERTICAL AIR INTAKE	30-7A
1D21	INTERCOOLER (ENGINE SERIAL NO. 303519-)	30-9	1C19	KIT, WATER PUMP OVERHAUL	20-30
3E7	ISO COUPLER	70-72	1C23	KIT, WATER PUMP REPAIR	20-33
3E9	ISO COUPLER OVERHAUL KIT	70-74	1J22	KIT, ELECTRICAL CONNECTOR AND TERMINAL	40-88
3E7	ISO COUPLER RECEPTACLE	70-72	3F6	KNEE, FRONT AXLE	80-2
3E7	ISO TO JOHN DEERE COUPLER CONVERSION	70-72	2E9	KNEE, FRONT AXLE (PFWD)	50-74B
			1F16	KNOB, HAND SPEED CONTROL LEVER	30-52
	K		3F6	KNUCKLE, FRONT AXLE	80-2
1I17	KEY SWITCH	40-57		L	
3F1	KIT, AIR CONDITIONING O-RING	70-91	1H8	LABEL, BYPASS STARTER	40-28A
1J11	KIT, AUXILIARY ELECTRICAL OUTLET SOCKET	40-77	1H20	LABEL, BYPASS STARTER	40-35
2G4	KIT, BRAKE VALVE OVERHAUL	60-21	3G5	LABELS	80-30
3E6	KIT, BREAKAWAY COUPLER OVERHAUL	70-71A	1I14	LAMP, DASH	40-54
3G14	KIT, COMPRESSOR SHAFT SEAL	90-3B	1G10	LAMP, FRONT (STANDARD)	40-7
2E22	KIT, CONTROL VALVE OVERHAUL (PFWD)	50-84	1G11	LAMP, FRONT (STOLPER)	40-8
3E24	KIT, CONVERSION, REMOTE CYLINDER	70-89	1I6	LAMP, FRONT AND REAR, CAB (STOLPER)	40-46
3E17	KIT, CYLINDER HOSE IDENTIFICATION	70-82	1I14	LAMP, INDICATOR	40-54
3D13	KIT, DRAWBAR SUPPORT (REGULAR DRAWBAR)	70-57A	1G10	LAMP, REAR (STANDARD)	40-7
3D17	KIT, DRAWBAR SUPPORT (WIDE SWING DRAWBAR)	70-59A	1G11	LAMP, REAR (STOLPER)	40-8
1J6	KIT, ELECTRICAL REMOTE CONTROL	40-71	1I2	LAMP, REAR AND WARNING	40-42
1J8	KIT, ELECTRICAL REMOTE CONTROL WIRING	40-74	1I4	LAMP, REAR AND WARNING	40-44
1E10	KIT, ETHER STARTING AID	30-19C	1I8	LAMP, WARNING	40-48
1E9	KIT, ETHER STARTING TUBE	30-19B	3H18	LAMP, WARNING	90-35
3F9	KIT, FRONT WHEEL BEARING	80-5	1G9	LAMP, WARNING (ROW-CROP)	40-6
2E5	KIT, HIGH PRESSURE ANGLE FINAL DRIVE	50-73A	1G10	LAMP, WARNING (STANDARD)	40-7
3B13	KIT, HYDRAULIC PUMP ELECTRIC DESTROKE	70-10	1I6	LAMP, WARNING, CAB (STOLPER)	40-46
3B23	KIT, HYDRAULIC PUMP ELECTRIC DESTROKE	70-19A	1I2	LAMPS, FRONT	40-42
3B25	KIT, HYDRAULIC PUMP ELECTRIC DESTROKE	70-19C	1I4	LAMPS, FRONT	40-44
3B15	KIT, HYDRAULIC PUMP OVERHAUL	70-12	1G23	LEADS, CIRCUIT BREAKER, AIR CONDITIONING	40-21
3C1	KIT, HYDRAULIC PUMP OVERHAUL	70-20	1G23	LEADS, CIRCUIT BREAKER, CAB	40-21
3D6	KIT, LOAD CONTROL SHAFT BUSHING	70-49	2C7	LEVER, DISCONNECT (POWER SHIFT)	50-27
1G13	KIT, NEUTRAL START SWITCH	40-10	2D1	LEVER, DISCONNECT SHIFTER (POWER SHIFT)	50-46
3F1	KIT, O-RING, HYDRAULIC	70-91	2B22	LEVER, GEARSHIFT (SYNCRO-RANGE)	50-16
3E23	KIT, OVERHAUL, REMOTE CYLINDER	70-88	2B23	LEVER, GEARSHIFT (SYNCRO-RANGE)	50-17
3D25	KIT, OVERHAUL, SELECTIVE CONTROL VALVE	70-66	1F16	LEVER, HAND SPEED CONTROL	30-52
2E13	KIT, PFWD BRAKE PISTON SEAL	50-78	3G21	LEVER, HEATER, CAB (STOLPER)	90-10
2E14	KIT, PFWD BRAKE PISTON SEAL	50-79	3C21	LEVER, LOAD SELECTOR CONTROL	70-38
2E15	KIT, PFWD BRAKE PISTON SEAL	50-79A	2D10	LEVER, PARK LOCK (POWER SHIFT)	50-56
2E14	KIT, PFWD MANIFOLD AND PIVOT PIN SEAL	50-79	2C9	LEVER, PTO CLUTCH (POWER SHIFT)	50-29
2E16	KIT, PFWD MANIFOLD AND PIVOT PIN SEAL	50-79C	2B10	LEVER, PTO CLUTCH (SYNCRO-RANGE)	50-4
1C11	KIT, PISTON LINER	20-22	2B12	LEVER, PTO CLUTCH (SYNCRO-RANGE)	50-6
1D4	KIT, RADIATOR BAFFLES AND FOAM PAD	20-39	3C21	LEVER, ROCKSHAFT CONTROL	70-38
1D3	KIT, RADIATOR OVERFLOW	20-38	3G21	LEVER, ROOF VENT DOOR, CAB	90-10
1J1	KIT, RADIO MOUNTING	40-66	2D9	LEVER, SHIFTER CONTROL (POWER SHIFT)	50-55
1G25	KIT, RELAY	40-23			

1A20

TRACTOR - 4520

ALPHABETICAL INDEX - CONTINUED

GRID		PAGE	GRID		PAGE
2F15	LEVER, STEERING VALVE OPERATING	60-7	3D6	LOAD CONTROL SHAFT BUSHING KIT	70-49
3E13	LEVERS, SELECTIVE CONTROL	70-78	3C19	LOAD SELECTIVE CONTROL	70-36
3D1	LIFT LINKS	70-44	2D4	LOCK, TRANSMISSION PARK (POWER SHIFT).....	50-49
3D3	LIFT LINKS	70-46	3I25	LOCTITE SEALANT	90-69
1I17	LIGHT SWITCH	40-57	3H9	LOUVERS (STOLPER).....	90-26
1I16	LIGHT, DOME (STOLPER)	40-56	1B6	LUBRICANT, CYLINDER LINER PACKING	20-2
1I9	LIGHTER, CIGAR	40-49	1B6	LUBRICANT, ENGINE VALVE STEM	20-2
1I6	LIGHTS, CAB (STOLPER).....	40-46			
1I2	LIGHTS, FRONT.....	40-42		M	
1I4	LIGHTS, FRONT.....	40-44			
1I2	LIGHTS, REAR	40-42	1C9	MAIN BEARINGS	20-20
1I4	LIGHTS, REAR	40-44	1H22	MAIN FRAME, STARTER (JOHN DEERE).....	40-37
2G11	LINE, BRAKE ACCUMULATOR (PFWD)	60-26	1C9	MAIN THRUST BEARINGS	20-20
1E11	LINE, FUEL	30-20	2E16	MANIFOLD AND PIVOT PIN SEAL KIT, PFWD.....	50-79C
1E13	LINE, FUEL	30-22	3G15	MANIFOLD, AIR COMPRESSOR (STOLPER)	90-4
2B11	LINE, OIL, PTO CLUTCH (SYNCRO-RANGE)	50-5	2C10	MANIFOLD, CLUTCH OIL PUMP	50-30
2F21	LINE, OIL, ROCKSHAFT HOUSING RETURN	60-14	1D21	MANIFOLD, INTAKE	
3H3	LINE, RECEIVER-DRYER (STOLPER)	90-19		(ENGINE SERIAL NO. 303519-).....	30-9
1C11	LINER, CYLINDER	20-22	2F1	MANIFOLD, OIL LINE (PFWD)	50-88
3G25	LINES, AIR CONDITIONER (STOLPER)	90-15	2F19	MANIFOLD, STEERING LINE	60-11
3C5	LINES, DRAIN PUMP SEAL	70-23A	2F20	MANIFOLD, STEERING LINE	60-12
2F24	LINES, FLEXIBLE STEERING	60-17	1C24	MANIFOLD, WATER OUTLET	
1E15	LINES, FUEL	30-24		(ENGINE SERIAL NO. -303518).....	20-34
1E25	LINES, FUEL		2E10	MANIFOLD, WHEEL (PFWD)	50-75
	(E.S.N. 242932-245534).....	30-34	1E4	MANIFOLDS, EXHAUST	30-16
1F6	LINES, FUEL		1D20	MANIFOLDS, INTAKE	
	(E.S.N. 245535-303518).....	30-41		(ENGINE SERIAL NO. -303518).....	30-8
1E19	LINES, FUEL (E.S.N. -242931)	30-28	1C25	MANIFOLDS, WATER OUTLET	
1F9	LINES, FUEL (E.S.N. 303519-)	30-44		(ENGINE SERIAL NO. 303519-).....	20-35
2E25	LINES, OIL (PFWD)	50-87	3I6	MAT, PLATFORM.....	90-50
2F1	LINES, OIL (PFWD)	50-88	3C15	METERING VALVE, ROCKSHAFT	70-32
2F5	LINES, OIL (PFWD)	50-93	3D23	METERING VALVE, SCV.....	70-64
2F18	LINES, OIL BRAKE	60-10	3J5	MIRROR, REAR VIEW.....	90-74
2G5	LINES, OIL, BRAKE	60-22	3J6	MIRROR, REAR VIEW.....	90-75
2E1	LINES, OIL, DIFFERENTIAL LOCK.....	50-70	2E9	MOTOR HOUSING, WHEEL (PFWD)	50-74B
2E2	LINES, OIL, DIFFERENTIAL LOCK.....	50-71	2E11	MOTOR HOUSING, WHEEL (PFWD)	50-76
3E18	LINES, OIL, IMPLEMENT HYDRAULIC	70-83	3G18	MOTOR, CAB BLOWER (STOLPER)	90-7
3C3	LINES, OIL, MAIN HYDRAULIC	70-22	1H7	MOTOR, STARTING.....	40-28
3C10	LINES, OIL, OIL COOLER RETURN.....	70-27	1H10	MOTOR, STARTING (DELCO-REMY).....	40-30
2F18	LINES, OIL, STEERING	60-10	3H4	MOTORS, CONDENSER (STOLPER)	90-20
2F19	LINES, OIL, STEERING	60-11	1H1	MOUNTING BRACKET, ALTERNATOR	40-24
2F20	LINES, OIL, STEERING	60-12	1H3	MOUNTING BRACKET, ALTERNATOR	40-25A
2F21	LINES, OIL, STEERING	60-14	3I21	MOUNTING HANDLE.....	90-65
3D22	LINES, POWER WEIGHT TRANSFER LINES	70-63	1J1	MOUNTING KIT, RADIO	40-66
2F6	LINES, STEERING OIL (PFWD)	50-94	1E5	MUFFLER	30-17
2D12	LINES, TRANSMISSION OIL (POWER SHIFT)	50-58	1D16	MUFFLER EXTENSIOIN	30-6
1D24	LINES, TURBOCHARGER OIL		1E5	MUFFLER EXTENSION	30-17
	(ENGINE SERIAL NO. 303519-).....	30-11A			
1D22	LINES, TURBOCHARGER OIL			N	
	(ENGINE SREIAL NO. -303518).....	30-10			
3D4	LINK, CENTER	70-47	3G1	NAME PLATE	80-25
2D23	LINK, DIFFERENTIAL LOCK	50-67	3D5	NEGATIVE STOP KIT	70-48
2D22	LINK, DIFFERENTIAL LOCK RELEASE	50-66	1G13	NEURTAL START SWITCH KIT	40-10
3D4	LINK, DRAFT	70-47	1G13	NEUTRAL START SWITCH.....	40-10
3D1	LINK, LIFT	70-44	1I18	NOISE SUPPRESSOR, RADIO	40-58
3D3	LINK, LIFT.....	70-46	1I20	NOISE SUPPRESSOR, RADIO	40-60
3D20	LINK, POWER WEIGHT TRANSFER IMPLEMENT	70-61	1I22	NOISE SUPPRESSOR, RADIO	40-62
2D10	LINKAGE, PARK LOCK (POWER SHIFT)	50-56	1E25	NOZZLE, FUEL INJECTION	
2B10	LINKAGE, PTO CLUTCH (SYNCRO-RANGE)	50-4		(E.S.N. 242932-245534).....	30-34
3C19	LINKAGE, ROCKSHAFT CONTROL	70-36	1F6	NOZZLE, FUEL INJECTION	
3E13	LINKAGE, SELECTIVE CONTROL	70-78		(E.S.N. 245535-303518).....	30-41
1F16	LINKAGE, SPEED CONTROL	30-52	1F9	NOZZLE, FUEL INJECTION	
1F17	LINKAGE, SPEED CONTROL	30-53		(E.S.N. 303519-)	30-44
2B23	LINKAGE, TRANS. SHIFTER (SYNCRO-RANGE)	50-17	1E24	NOZZLE, FUEL INJECTION	
2D6	LINKAGE, TRANSMISSION CONTROL VALVE	50-52		(ENGINE SERIAL NO. -292932).....	30-33
3C17	LOAD CONTROL	70-34			
3D5	LOAD CONTROL SHAFT.....	70-48			

1A21

TRACTOR - 4520

ALPHABETICAL INDEX - CONTINUED

GRID	PAGE	GRID	PAGE
1F5	NOZZLE, FUEL INJECTION (ENGINE SERIAL NO. 242933-303518)	30-39	
1F15	NOZZLE, FUEL INJECTION (ENGINE SERIAL NO. 303519-)	30-51	
1E19	NOZZLE, FUEL INJECTION (E.S.N. -242931)	30-28	
O			
3F1	O-RING AIR CONDITIONING KIT	70-91	
3F1	O-RING PACKING KIT	70-91	
3C10	OIL COOLER RETURN LINES	70-27	
1C17	OIL COOLER, ENGINE (ENGINE SERIAL NO. -303518)	20-28	
1C18	OIL COOLER, ENGINE (ENGINE SERIAL NO. 303519-)	20-29	
3C9	OIL COOLER, HYDRAULIC (POWER SHIFT)	70-26	
3C7	OIL COOLER, HYDRAULIC (SYNC-RANGE)	70-24	
1C16	OIL FILTER BYPASS VALVE	20-27	
2C1	OIL FILTER RELIEF VALVE	50-20	
1C16	OIL FILTER, ENGINE	20-27	
2D11	OIL FILTER, TRANSMISSION (POWER SHIFT)	50-57	
2B25	OIL FILTER, TRANSMISSION (SYNCRO-RANGE)	50-19	
1I13	OIL HEATER	40-53	
2D11	OIL INTAKE TUBE, TRANS. (POWER SHIFT)	50-57	
2E7	OIL LINE SHIELD, HYDRAULIC (PFWD)	50-74	
2G11	OIL LINE, ACCUMULATOR (PFWD)	60-26	
2B11	OIL LINE, PTO CLUTCH (SYNCRO-RANGE)	50-5	
2F5	OIL LINES (PFWD)	50-93	
2F18	OIL LINES, BRAKE	60-10	
2G5	OIL LINES, BRAKE	60-22	
2E1	OIL LINES, DIFFERENTIAL LOCK	50-70	
2E2	OIL LINES, DIFFERENTIAL LOCK	50-71	
2F6	OIL LINES, HYDRAULIC (PFWD)	50-94	
3E18	OIL LINES, HYDRAULIC, IMPLEMENT	70-83	
3C3	OIL LINES, HYRAULIC SYSTEM	70-22	
3C10	OIL LINES, OIL COOLER RETURN	70-27	
2F18	OIL LINES, STEERING	60-10	
2F19	OIL LINES, STEERING	60-11	
2F20	OIL LINES, STEERING	60-12	
2F21	OIL LINES, STEERING	60-14	
1D22	OIL LINES, TURBOCHARGER (ENGINE SERIAL NO. -303518)	30-10	
1D24	OIL LINES, TURBOCHARGER (ENGINE SERIAL NO. 303519-)	30-11A	
2E10	OIL MANIFOLD, WHEEL (PFWD)	50-75	
1B23	OIL PAN	20-14	
1B23	OIL PAN GASKET	20-14	
1B24	OIL PAN GASKET	20-15	
1B24	OIL PAN KIT	20-15	
2E25	OIL PIPES (PFWD)	50-87	
2F1	OIL PIPES (PFWD)	50-88	
3D22	OIL PRESSURE GAUGE AND LINES	70-63	
1C16	OIL PRESSURE REGULATING VALVE	20-27	
1C15	OIL PUMP GEARS	20-26	
1C15	OIL PUMP, ENGINE	20-26	
2B24	OIL PUMP, TRANSMISSION (SYNCRO-RANGE)	50-18	
1C14	OIL SEAL, REAR	20-25	
1B5	OIL, ENGINE	20-1	
3I8	OPERATOR SHIELD	90-52	
3G1	ORNAMENT, HOOD	80-25	
1D3	OVERFLOW KIT, RADIATOR	20-38	
3B15	OVERHAUL HYDRAULIC PUMP KIT	70-12	
2E22	OVERHAUL KIT, CONTROL VALVE (PFWD)	50-84	
1B20	OVERHAUL KIT, ENGINE	20-13E	
3E9	OVERHAUL KIT, ISO COUPLER	70-74	
3E23	OVERHAUL KIT, REMOTE CYLINDER	70-88	
3D25	OVERHAUL KIT, SELECTIVE CONTROL VALVE	70-66	
P			
1B6	PACKING, LUBRICANT, CYLINDER LINER	20-2	
1B23	PAN, OIL	20-14	
1B24	PAN, OIL	20-15	
3G19	PANEL, CONSOLE (STOLPER)	90-8	
3H8	PANEL, CONSOLE BLOWER (STOLPER)	90-25	
1I14	PANEL, INSTRUMENT	40-54	
3F25	PANEL, SIDE	80-24	
3I13	PANELS, CAB COWL (STOLPER)	90-57	
3I12	PANELS, INTERIOR (STOLPER)	90-56	
2D10	PARK LOCK LEVER (POWER SHIFT)	50-56	
2D10	PARK LOCK LINKAGE (POWER SHIFT)	50-56	
2D4	PARK LOCK, TRANSMISSION (POWER SHIFT)	50-49	
2G6	PEDAL, BRAKE	60-23	
2C5	PEDAL, CLUTCH (POWER SHIFT)	50-25	
2B8	PEDAL, CLUTCH (SYNCRO-RANGE)	50-2	
2D22	PEDAL, DIFFERENTIAL LOCK	50-66	
2D23	PEDAL, DIFFERENTIAL LOCK	50-67	
1F17	PEDAL, FOOT SPEED	30-53	
1F18	PEDAL, FOOT SPEED	30-54	
2E15	PFWD BRAKE PISTON SEAL KIT	50-79A	
2E16	PFWD MANIFOLD AND PIVOT PIN SEAL KIT	50-79C	
3D11	PIN, DRAWBAR	70-56	
3D15	PIN, DRAWBAR	70-58	
2B18	PINION, BEVEL, DIFFERENTIAL	50-11	
2D3	PINION, BEVEL, DIFFERENTIAL	50-48	
2D16	PINION, BEVEL, DIFFERENTIAL	50-62	
2D18	PINION, BEVEL, DIFFERENTIAL	50-62B	
2B19	PINION, HIGH RANGE (SYNCRO-RANGE)	50-13	
2B19	PINION, LOW RANGE (SYNCRO-RANGE)	50-13	
2C24	PINION, PLANETARY (POWER SHIFT)	50-44	
1D20	PIPE, AIR INTAKE (ENGINE SERIAL NO. -303518)	30-8	
2G11	PIPE, BRAKE ACCUMULATOR (PFWD)	60-26	
3H3	PIPE, RECEIVER-DRYER (STOLPER)	90-19	
3G25	PIPES, AIR CONDITIONER (STOLPER)	90-15	
2D12	PIPES, CLUTCH OIL (POWER SHIFT)	50-58	
1E11	PIPES, FUEL	30-20	
1E13	PIPES, FUEL	30-22	
2E25	PIPES, OIL (PFWD)	50-87	
2F1	PIPES, OIL (PFWD)	50-88	
2D12	PIPES, TRANSMISSION OIL (POWER SHIFT)	50-58	
1C11	PISTION/LINER KIT	20-22	
2G7	PISTON ACCUMULATOR	60-24	
1C11	PISTON RINGS	20-22	
2G1	PISTON, BRAKE	60-19A	
2C20	PISTON, BRAKE (POWER SHIFT)	50-40	
2C21	PISTON, BRAKE (POWER SHIFT)	50-41	
2C23	PISTON, BRAKE (POWER SHIFT)	50-43	
2G11	PISTON, BRAKE ACCUMULATOR (PFWD)	60-26	
2G3	PISTON, BRAKE VALVE	60-20	
2C13	PISTON, CLUTCH (POWER SHIFT)	50-33	
2C3	PISTON, CLUTCH ACCUMULATOR (POWER SHIFT)	50-22	
2C12	PISTON, HIGH RANGE CLUTCH (POWER SHIFT)	50-32	
2C12	PISTON, LOW RANGE CLUTCH (POWER SHIFT)	50-32	
2C20	PISTON, PLANETARY CLUTCH (POWER SHIFT)	50-40	
2D15	PISTON, PTO BRAKE (POWER SHIFT)	50-61	
2C2	PISTON, PTO BRAKE (SYNCRO-RANGE)	50-21	
2C12	PISTON, PTO CLUTCH (POWER SHIFT)	50-32	
3C13	PISTON, ROCKSHAFT	70-30	
2F10	PISTON, STEERING VALVE	60-2	
2F12	PISTON, STEERING VALVE	60-4	
2E12	PISTON, WHEEL CYLINDER BLOCK (PFWD)	50-77	

1A22

TRACTOR - 4520

ALPHABETICAL INDEX - CONTINUED

GRID		PAGE	GRID		PAGE
1C11	PISTONS.....	20-22	1F9	PUMP, FUEL INJECTION (E.S.N. 303519-)	30-44
2E14	PLANET PINION CARRIER (PFWD).....	50-79	1E19	PUMP, FUEL INJECTION (E.S.N. -242931).....	30-28
2E14	PLANET PINION, FIRST (PFWD)	50-79	3B7	PUMP, HYDRAULIC (3 IN3)	70-4
2E3	PLANET, PINION CARRIER	50-72	3B9	PUMP, HYDRAULIC (4 IN3)	70-6
2C23	PLANETARY ASSEMBLY (POWER SHIFT).....	50-43	3B17	PUMP, HYDRAULIC REPLACEMENT (3 IN3)	70-14
2C24	PLANETARY ASSEMBLY (POWER SHIFT).....	50-44	3B19	PUMP, HYDRAULIC REPLACEMENT (4 IN3)	70-16
2C25	PLANETARY ASSEMBLY, TRANSMISSION.....	50-45	3C5	PUMP, HYDRAULIC, DRAIN LINES	70-23A
2C20	PLANETARY BRAKES (POWER SHIFT)	50-40	2C10	PUMP, OIL, TRANSMISSION (POWER SHIFT).....	50-30
2C21	PLANETARY BRAKES (POWER SHIFT)	50-41	2B24	PUMP, OIL, TRANSMISSION (SYNCRO-RANGE).....	50-18
2C22	PLANETARY BRAKES (POWER SHIFT)	50-42	1C19	PUMP, WATER (ENGINE SERIAL NO. -303518).....	20-30
2C23	PLANETARY BRAKES (POWER SHIFT)	50-43	1C20	PUMP, WATER (ENGINE SERIAL NO. 303519-).....	20-31
2C20	PLANETARY CLUTCH (POWER SHIFT)	50-40	1B11	PUSH RODS.....	20-8
2C21	PLANETARY CLUTCH (POWER SHIFT)	50-41			
2C22	PLANETARY CLUTCH (POWER SHIFT)	50-42		Q	
2C23	PLANETARY CLUTCH (POWER SHIFT)	50-43	2B22	QUADRANT, SPEED CHANGE (SYNCRO-RANGE)	50-16
2E13	PLANETARY HOUSING, PFWD	50-78	2B23	QUADRANT, SPEED CHANGE (SYNCRO-RANGE)	50-17
2G2	PLATE, BRAKE	60-19B	2B22	QUADRANT, SPEED RANGE (SYNCRO-RANGE)	50-16
2G1	PLATE, BRAKE FACING	60-19A	2B23	QUADRANT, SPEED RANGE (SYNCRO-RANGE)	50-17
2G1	PLATE, BRAKE PRESSURE	60-19A	2B23	QUADRANT, TRANS. SHIFTER (SYNCRO-RANGE).....	50-17
2E13	PLATE, BRAKE, PFWD	50-78	3D8	QUICK-COUPLER.....	70-52
3F25	PLATE, FRONT	80-24	3F19	QUIK-TATCH FRONT WEIGHTS	80-17
2B19	PLATE, SYNCHRONIZER (SYNCRO-RANGE).....	50-13	3F20	QUIK-TATCH FRONT WEIGHTS	80-18
3I7	PLATFORM.....	90-51	2D14	QUILL, REAR PTO BEARING	50-60
3I8	PLATFORM.....	90-52			
3I10	PLATFORM (STOLPER)	90-54		R	
3I6	PLATFORM MAT	90-50	1D1	RADIATOR	20-36
2F3	POWER FRONT WHEEL DRIVE REPLACEMENT KIT	50-90	1D4	RADIATOR BAFFLES AND FOAM PAD KIT	20-39
3D19	POWER WEIGHT TRANSFER HITCH COUPLER	70-60	1D1	RADIATOR CAP	20-36
3D21	POWER WEIGHT TRANSFER HITCH VALVE.....	70-62	1D3	RADIATOR OVERFLOW KIT.....	20-38
3D22	POWER WEIGHT TRANSFER HITCH, HYDRAULIC.....	70-63	1I18	RADIO (BENDIX)	40-58
3D20	POWER WEIGHT TRANSFER IMPLEMENT LINK.....	70-61	1I20	RADIO (MOTOROLA).....	40-60
1D12	PRE-CLEANER.....	30-2	1I22	RADIO (MOTOROLA).....	40-62
3C6	PRESSURE CONTROL VALVE.....	70-23B	1J2	RADIO HEADPHONES.....	40-67
3C3	PRESSURE CONTROL VALVE OIL LINES	70-22	1J1	RADIO MOUNTING KIT	40-66
2D25	PRESSURE CONTROL VALVE, DIFFERENTIAL.....	50-69	1I18	RADIO NOISE SUPPRESSOR	40-58
2E25	PRESSURE RELIEF VALVE (PFWD)	50-87	1I20	RADIO NOISE SUPPRESSOR	40-60
3H8	PRESSURIZER, CAB (STOLPER).....	90-25	1I22	RADIO NOISE SUPPRESSOR	40-62
2C12	PTO CLUTCH (POWER SHIFT)	50-32	1I24	RADIO, CAB	40-64
2C13	PTO CLUTCH (POWER SHIFT)	50-33	1I2	REAR AND WARNING LAMP	40-42
2B9	PTO CLUTCH (SYNCRO-RANGE)	50-3	1I4	REAR AND WARNING LAMP	40-44
2C9	PTO CLUTCH CONTROL (POWER SHIFT).....	50-29	1G9	REAR AND WARNING LAMP (ROW-CROP)	40-6
2B8	PTO CLUTCH CONTROL (SYNCRO-RANGE).....	50-2	1G10	REAR AND WARNING LAMP (STANDARD)	40-7
2B10	PTO CLUTCH LEVER (SYNCRO-RANGE).....	50-4	2E3	REAR AXLE HOUSING	50-72
2B10	PTO CLUTCH LINKAGE (SYNCRO-RANGE).....	50-4	2E3	REAR AXLE SHAFT.....	50-72
2B11	PTO CLUTCH OIL LINE (SYNCRO-RANGE)	50-5	1I6	REAR LAMP, CAB (STOLPER).....	40-46
2B12	PTO CLUTCH VALVE (SYNCRO-RANGE).....	50-6	1C12	REAR OIL SEAL.....	20-23
2D14	PTO DRIVE GEAR	50-60	3J5	REAR VIEW MIRROR	90-74
2C2	PTO DRIVE SHAFT AND GEAR (SYNCRO-RANGE)	50-21	3J6	REAR VIEW MIRROR	90-75
1H4	PULLEY, ALTERNATOR	40-25B	3F12	REAR WHEEL WEIGHT	80-8
1H6	PULLEY, ALTERNATOR	40-27	3F13	REAR WHEEL WEIGHT	80-9
3G11	PULLEY, COMPRESSOR	90-2	3F14	REAR WHEEL WEIGHTS, INNER.....	80-10
3G14	PULLEY, COMPRESSOR	90-3B	3F10	REAR WHEELS	80-6
1C1	PULLEY, CRANKSHAFT	20-16	3H3	RECEIVER-DRYER (STOLPER)	90-19
1C19	PULLEY, FAN	20-30	3E11	RECEPTACLE, DIAGNOSTIC	70-76
1C20	PULLEY, FAN	20-31	2D2	REDUCTION GEAR SHAFT (POWER SHIFT).....	50-47
2C11	PUMP ASSEMBLY, CLUTCH OIL	50-31	2D2	REDUCTION GEAR, TRANSMISSION	50-47
3B5	PUMP DRIVE COUPLER.....	70-1	1H6	REGULATOR, ALTERNATOR	40-27
1C15	PUMP, ENGINE OIL.....	20-26	1H2	REGULATOR, ALTERNATOR (72 AMP)	40-25
1E11	PUMP, FUEL	30-20	1H1	REGULATOR, VOLTAGE.....	40-24
1E13	PUMP, FUEL	30-22	1H3	REGULATOR, VOLTAGE.....	40-25A
1E16	PUMP, FUEL (ENGINE SERIAL NO. -XXXXXX)	30-25			
1E15	PUMP, FUEL (LATE DESIGN)	30-24			
1E25	PUMP, FUEL INJECTION (E.S.N. 242932-245534).....	30-34			
1F6	PUMP, FUEL INJECTION (E.S.N. 245535-303518).....	30-41			

1A23

TRACTOR - 4520

ALPHABETICAL INDEX - CONTINUED

GRID	PAGE	GRID	PAGE
1G25	RELAY KIT		40-23
1G24	RELAY WIRING KIT, ACCESSORY		40-22
1G22	RELAY, CAB WIRING		40-20
1G22	RELAY, INDICATOR LAMP		40-20
1G20	RELAY, STARTING CIRCUIT		40-18
1G21	RELAY, STARTING CIRCUIT		40-19
1J12	RELAY, SUPPLEMENTARY WIRING		40-78
3H4	RELAY, WIRING, CONDENSER (STOLPER).....		90-20
1J7	RELAY, WIRING, ELECTRICAL REMOTE CONTROL.....		40-73
2E24	RELIEF VALVE.....		50-86
2C1	RELIEF VALVE, OIL FILTER.....		50-20
2E25	RELIEF VALVE, PRESSURE (PFWD)		50-87
1J7	REMOTE CONTROL CIRCUIT BREAKER		40-73
1J6	REMOTE CONTROL KIT, ELECTRICAL		40-71
1J8	REMOTE CONTROL WIRING KIT, ELECTRICAL		40-74
1J7	REMOTE CONTROL WIRING, ELECTRICAL.....		40-73
1J5	REMOTE CONTROL, ELECTRICAL		40-70
3E15	REMOTE CYLINDER		70-80
3E19	REMOTE CYLINDER		70-84
3E21	REMOTE CYLINDER		70-86
3E24	REMOTE CYLINDER CONVERSION KIT.....		70-89
3E17	REMOTE CYLINDER HOSE IDENTIFICATION KIT.....		70-82
3E23	REMOTE CYLINDER OVERHAUL KIT.....		70-88
1D13	REMOTE MOUNTED VACUUM SWITCH.....		30-3
1C23	REPAIR KIT, WATER PUMP.....		20-33
3B17	REPLACEMENT HYDRAULIC PUMP (3 IN3).....		70-14
3B6	REPLACEMENT HYDRAULIC PUMP ASSEMBLY.....		70-3
3B19	REPLACEMENT HYDRAULIC PUMP, (4 IN3)		70-16
2F3	REPLACEMENT KIT (PFWD)		50-90
2E24	REPLACEMENT RELIEF VALVE		50-86
3C7	RESERVOIR, HYDRAULIC OIL (SYNC-RANGE).....		70-24
3F10	RIM, DEMOUNTABLE		80-6
3F16	RIM, FRONT WHEEL (PFWD)		80-12
1C11	RINGS, PISTON		20-22
1B11	ROCKER ARM		20-8
1B7	ROCKER ARM COVER (ENGINE SERIAL NO. -303518).....		20-4
1B10	ROCKER ARM COVER (ENGINE SERIAL NO. 303519-).....		20-7
1B7	ROCKER ARM COVER GASKET		20-4
1B11	ROCKER ARM SHAFT.....		20-8
3C13	ROCKSHAFT		70-30
3I16	ROCKSHAFT CONSOLE		90-60
3C21	ROCKSHAFT CONTROL LEVER		70-38
3C15	ROCKSHAFT CONTROL VALVE HOUSING		70-32
3C13	ROCKSHAFT CRANK ARM.....		70-30
3C21	ROCKSHAFT HEIGHT STOP		70-38
3C11	ROCKSHAFT HOUSING		70-28
3I14	ROCKSHAFT HOUSING COVERS		90-58
3C11	ROCKSHAFT HOUSING, COVER, BOTTOM.....		70-28
3C13	ROCKSHAFT LIFT ARMS		70-30
3C19	ROCKSHAFT LINKAGE AND CONTROL		70-36
3C13	ROCKSHAFT PISTON		70-30
3C14	ROCKSHAFT PISTON COVER.....		70-31
2C8	ROD, CLUTCH CONTROL (POWER SHIFT).....		50-28
3E13	ROD, SELECTIVE CONTROL LEVER		70-78
1F17	ROD, SPEED CONTROL.....		30-53
1F18	ROD, SPEED CONTROL.....		30-54
2E8	ROD, TIE, END (PFWD)		50-74A
1C11	RODS, CONNECTING		20-22
1B11	RODS, PUSH		20-8
3H11	ROLL-GARD		90-28
3H13	ROLL-GARD		90-30
3H15	ROLL-GARD		90-31A
3G17	ROOF VENT (STOLPER).....		90-6
3G21	ROOF VENT DOOR LEVER, CAB		90-10
1E3	ROTATING PARTS, TURBOCHARGER		30-15
		S	
3D7	SAFETY CHAIN, IMPLEMENT		70-51
2B24	SCREEN, OIL PUMP INTAKE (SYNCRO-RANGE)		50-18
1C12	SEAL, FRONT OIL		20-23
1C12	SEAL, REAR OIL		20-23
1C14	SEAL, REAR OIL		20-25
1C20	SEAL, WATER PUMP		20-31
3I25	SEALANT, LOCTITE.....		90-69
1I1	SEALING KIT, STARTING MOTOR		40-41
3H21	SEAT BACK		90-39
3H21	SEAT BACK CUSHION		90-39
3H11	SEAT BELT.....		90-28
3H13	SEAT BELT.....		90-30
3H15	SEAT BELT.....		90-31A
3H21	SEAT BELT.....		90-39
3H21	SEAT CUSHION.....		90-39
3H22	SEAT SUPPORT		90-40
3H24	SEAT SUSPENSION, DELUXE		90-43
2C22	SECOND PLANETARY BRAKE (POWER SHIFT)		50-42
3I16	SELECTIVE CONTROL CONSOLE.....		90-60
3E13	SELECTIVE CONTROL LEVERS		70-78
3E13	SELECTIVE CONTROL LINKAGE.....		70-78
3D23	SELECTIVE CONTROL VALVE.....		70-64
3E3	SELECTIVE CONTROL VALVE.....		70-69
3E1	SELECTIVE CONTROL VALVE DETENT KIT		70-67
3D25	SELECTIVE CONTROL VALVE OVERHAUL KIT.....		70-66
3C25	SELECTIVE CONTROL VALVE SUPPORT		70-43
1E11	SENDER, FUEL GAUGE		30-20
1E13	SENDER, FUEL GAUGE		30-22
2C6	SHAFT, CLUTCH (POWER SHIFT)		50-26
2B9	SHAFT, CLUTCH (SYNCRO-RANGE)		50-3
2C10	SHAFT, CLUTCH DRIVE (POWER SHIFT)		50-30
2C13	SHAFT, CLUTCH DRIVE (POWER SHIFT)		50-33
2C14	SHAFT, CLUTCH DRIVE (POWER SHIFT)		50-34
2C15	SHAFT, CLUTCH DRIVE (POWER SHIFT)		50-35
2C8	SHAFT, CLUTCH FORK (POWER SHIFT).....		50-28
2D3	SHAFT, DIFFERENTIAL DRIVE (POWER SHIFT).....		50-48
2C12	SHAFT, DRIVE (POWER SHIFT)		50-32
2E3	SHAFT, FINAL DRIVE		50-72
1E21	SHAFT, INJECTION PUMP DRIVE		30-30
3D5	SHAFT, LOAD CONTROL		70-48
2F13	SHAFT, METERING, STEERING VALVE		60-5
2E3	SHAFT, PLANET PINION.....		50-72
2D14	SHAFT, PTO.....		50-60
2D15	SHAFT, PTO DRIVE (POWER SHIFT)		50-61
2B9	SHAFT, PTO DRIVE (SYNCRO-RANGE)		50-3
2C2	SHAFT, PTO DRIVE (SYNCRO-RANGE)		50-21
2E3	SHAFT, REAR AXLE		50-72
2D2	SHAFT, REDUCTION GEAR (POWER SHIFT)		50-47
1B11	SHAFT, ROCKER ARM		20-8
2B20	SHAFT, SHIFTER (SYNCRO-RANGE)		50-14
2F10	SHAFT, STEERING		60-2
2B19	SHAFT, TRANSMISSION DRIVE (SYNCRO-RANGE)		50-13
2B21	SHAFTS, SHIFTER (SYNCRO-RANGE)		50-15
1H2	SHIELD, ALTERNATOR (72 AMP)		40-25
2E7	SHIELD, HYDRAULIC LINE (PFWD).....		50-74
3I8	SHIELD, IPERATOR.....		90-52
2D14	SHIELD, PTO MASTER		50-60
3F25	SHIELD, SIDE.....		80-24
3H1	SHIELDS, TUBE (STOLPER)		90-16
2D8	SHIFT VALVE, TRANSMISSION (PST).....		50-54
2B20	SHIFTER SHAFTS (SYNCRO-RANGE)		50-14
2B21	SHIFTER SHAFTS (SYNCRO-RANGE)		50-15
3H24	SHOCK ABSORBER, SEAT.....		90-43
1B14	SHORT BLOCK		20-12

1A24

TRACTOR - 4520

ALPHABETICAL INDEX - CONTINUED

GRID		PAGE	GRID		PAGE
1B18	SHORT BLOCK, ENGINE (WITHOUT OIL PUMP)	20-13C	2E8	STEERING ARMS (PFWD)	50-74A
1B16	SHORT BLOCK, ENGINE (WITH OIL PUMP)	20-13A	2F25	STEERING CYLINDER.....	60-18
1D1	SHROUD, FAN	20-36	2F19	STEERING LINE MANIFOLD.....	60-11
1E23	SHUT-OFF SOLENOID, INJECTION PUMP	30-32	2F20	STEERING LINE MANIFOLD.....	60-12
1E11	SHUT-OFF VALVE, FUEL	30-20	2F23	STEERING LINE SUPPORT BRACKET	60-16
1E13	SHUT-OFF VALVE, FUEL	30-22	2F6	STEERING LINES (PFWD)	50-94
3G22	SHUT-OFF VALVE, HEATER (STOLPER)	90-11	2F24	STEERING LINES, FLEXIBLE	60-17
1F10	SHUT-OFF, FUEL INJECTION PUMP ELECTRIC	30-45	2F18	STEERING OIL LINES.....	60-10
1F11	SHUT-OFF, FUEL INJECTION PUMP ELECTRIC	30-46	2F19	STEERING OIL LINES.....	60-11
1F4	SHUT-OFF, INJECTION PUMP.....	30-38	2F20	STEERING OIL LINES.....	60-12
3F17	SIDE FRAME	80-14	2F21	STEERING OIL LINES.....	60-14
3F25	SIDE PANEL.....	80-24	2F13	STEERING VALVE ASSEMBLY	60-5
3F11	SLEEVE, WHEEL, DUAL	80-7	2F15	STEERING VALVE COVER.....	60-7
3J3	SLOW MOVING VEHICLE EMBLEM.....	90-72	2F10	STEERING VALVE CYLINDER	60-2
3J4	SLOW MOVING VEHICLE EMBLEM (STOLPER CAB)	90-73	2F12	STEERING VALVE CYLINDER COVER	60-4
1J10	SOCKET, ELECTRICAL OUTLET	40-76	2F16	STEERING VALVE CYLINDER OVERHAUL KIT	60-8
1J11	SOCKET, ELECTRICAL OUTLET, 7-TERMINAL	40-77	2F14	STEERING VALVE HOUSING.....	60-6
1H10	SOLENOID SWITCH (DELCO-REMY)	40-30	2F13	STEERING VALVE METERING SHAFT	60-5
1H14	SOLENOID SWITCH (DELCO-REMY)	40-31	2F10	STEERING WHEEL	60-2
1H19	SOLENOID SWITCH (DELCO-REMY)	40-34	3G4	STEP, CAB (STOLPER).....	80-29
1H24	SOLENOID SWITCH, STARTER (JOHN DEERE)	40-39	3G2	STEP, TRACTOR	80-27
1H25	SOLENOID SWITCH, STARTER (JOHN DEERE)	40-40	3G3	STEP, TRACTOR	80-28
2E18	SOLENOID VALVE,DIRECTIONAL CONTROLVALVE	50-80	3D5	STOP KIT, NEGATIVE	70-48
3B25	SOLENOID, DESTROKE (ELECTRIC)	70-19C	3C21	STOP, ROCKSHAFT HEIGHT	70-38
2E19	SOLENOID, POWER FRONT WHEEL DRIVE	50-81	1G5	STRAP, BATTERY GROUND	40-2
1J2	SOUND-GARD BODY HEADPHONES	40-67	1G16	STRAP, BATTERY GROUND (ROW-CROP)	40-13
2B20	SPEED CHANGE ARM (SYNCRO-RANGE).....	50-14	3B11	STROKE CONTROL VALVE SHUT-OFF KIT	70-8
1F17	SPEED CONTROL LINKAGE	30-53	3B21	STROKE CONTROL VALVE SHUT-OFF KIT	70-18
1F18	SPEED CONTROL LINKAGE	30-54	3B11	STROKE CONTROL VALVE, HYDRAULIC PUMP.....	70-8
2B20	SPEED RANGE ARM (SYNCRO-RANGE)	50-14	3B21	STROKE CONTROL VALVE, HYDRAULIC PUMP.....	70-18
1I15	SPEED-HOUR METER.....	40-55	1J11	SUPPLEMENTARY OUTLET, 7-TERMINAL	40-77
3F6	SPINDLE, EXTENSION, FRONT WHEEL.....	80-2	1J16	SUPPLEMENTARY TERMINALS AND CONNECTORS.....	40-82
2D3	SPIRAL BEVEL GEAR, DIFFERENTIAL	50-48	1J12	SUPPLEMENTARY WIRING KIT.....	40-78
1D16	STACK, VERTICAL AIR.....	30-6	1D14	SUPPORT, AIR CLEANER	30-4
1G19	START-SAFETY SWITCH (PFWD)	40-17	1D15	SUPPORT, AIR CLEANER	30-5
1H7	STARTER	40-28	2D9	SUPPORT, CONTROL LEVER (POWER SHIFT).....	50-55
1H10	STARTER (DELCO-REMY)	40-30	3I18	SUPPORT, DASH.....	90-62
1H12	STARTER (DELCO-REMY)	40-30B	3I20	SUPPORT, DASH.....	90-64
1H21	STARTER ARMATURE (JOHN DEERE).....	40-36	3H24	SUPPORT, DELUXE SEAT	90-43
1H23	STARTER COMMUTATOR END FRAME (JOHN DEERE)	40-38	2E18	SUPPORT, DIRECTIONAL CONTROL VALVE.....	50-80
1H15	STARTER DRIVE HOUSING (DELCO-REMY)	40-32	3D5	SUPPORT, DRAFT CENTER LINK	70-48
1H21	STARTER DRIVE HOUSING (JOHN DEERE)	40-36	3D10	SUPPORT, DRAWBAR FRONT.....	70-55
1C1	STARTER GEAR	20-16	3D11	SUPPORT, DRAWBAR FRONT.....	70-56
1H15	STARTER GEAR (DELCO-REMY)	40-32	3D15	SUPPORT, DRAWBAR, FRONT	70-58
1H17	STARTER MAIN FRAME (DELCO-REMY)	40-33A	3H6	SUPPORT, EVAPORATOR (STOLPER).....	90-22
1H22	STARTER MAIN FRAME (JOHN DEERE)	40-37	3F17	SUPPORT, FRONT	80-14
1H20	STARTER SOLENOID COVER (JOHN DEERE)	40-35	3F19	SUPPORT, FRONT WEIGHT.....	80-17
1H8	STARTER SOLENOID COVER KIT (DELCO-REMY).....	40-28A	3F20	SUPPORT, FRONT WEIGHT.....	80-18
1H9	STARTER SOLENOID COVER KIT (DELCO-REMY).....	40-28B	3B5	SUPPORT, HYDRAULIC PUMP DRIVE	70-1
1H19	STARTER SOLENOID SWITCH (DELCO-REMY)	40-34	3I8	SUPPORT, PLATFORM	90-52
1H24	STARTER SOLENOID SWITCH (JOHN DEERE).....	40-39	3I10	SUPPORT, PLATFORM (STOLPER).....	90-54
1H25	STARTER SOLENOID SWITCH (JOHN DEERE).....	40-40	1D12	SUPPORT, PRE-CLEANER	30-2
1H22	STARTER, COIL (JOHN DEERE)	40-37	3H22	SUPPORT, SEAT	90-40
1E10	STARTING AID KIT, ETHER	30-19C	3C25	SUPPORT, SELECTIVE CONTROL VALVE	70-43
1E9	STARTING AID TUBE KIT.....	30-19B	1G20	SUPPORT, STARTING CIRCUIT RELAY	40-18
1G20	STARTING CIRCUIT RELAY.....	40-18	2F23	SUPPORT, STEERING OIL PIPES	60-16
1G21	STARTING CIRCUIT RELAY	40-19	3J2	SUPPORT, TOOL BOX	90-71
1E6	STARTING FLUID.....	30-18	3G2	SUPPORT, TRACTOR STEP	80-27
1E7	STARTING FLUID.....	30-19	3H24	SUSPENSION, DELUXE SEAT	90-43
1E8	STARTING FLUID TUBE KIT	30-19A	3D11	SWAY CONTROL BLOCKS.....	70-56
1E9	STARTING FLUID TUBE KIT	30-19B	3D15	SWAY CONTROL BLOCKS.....	70-58
1H7	STARTING MOTOR	40-28	1G14	SWITCH, CAB BLOWER (STOLPER).....	40-11
1H10	STARTING MOTOR (DELCO-REMY)	40-30	1G14	SWITCH, CAB WIPER (STOLPER).....	40-11
1I1	STARTING MOTOR SEALING KIT	40-41	1I12	SWITCH, DIMMER	40-52
3F6	STEERING ARMS	80-2	1J5	SWITCH, ELECTRICAL REMOTE CONTROL	40-70
			1I17	SWITCH, IGNITION AND STARTER.....	40-57
			1I17	SWITCH, KEY.....	40-57

1A25

TRACTOR - 4520

ALPHABETICAL INDEX - CONTINUED

GRID	PAGE	GRID	PAGE
1117	SWITCH, LIGHT	40-57	
1G13	SWITCH, NEUTRAL START	40-10	
3H8	SWITCH, PRESSURIZER (STOLPER)	90-25	
1D13	SWITCH, REMOTE MOUNTED VACUUM	30-3	
1H10	SWITCH, SOLENOID (DELCO-REMY)	40-30	
1H14	SWITCH, SOLENOID (DELCO-REMY)	40-31	
1H19	SWITCH, SOLENOID (DELCO-REMY)	40-34	
1G19	SWITCH, START-SAFETY (PFWD)	40-17	
2D5	SWITCH, START-SAFETY (POWER SHIFT)	50-51	
2B21	SWITCH, START-SAFETY (SYNCRO-RANGE)	50-15	
1H24	SWITCH, STARTER SOLENOID (JOHN DEERE)	40-39	
1H25	SWITCH, STARTER SOLENOID (JOHN DEERE)	40-40	
1D14	SWITCH, VACUUM INDICATOR	30-4	
1D15	SWITCH, VACUUM, AIR CLEANER	30-5	
1G18	SWITCHES, ELECTRICAL (PFWD)	40-16	
1G19	SWITCHES, ELECTRICAL (PFWD)	40-17	
2B19	SYNCHRONIZER DRUM (SYNCRO-RANGE)	50-13	
T			
1115	TACHOMETER	40-55	
1B13	TACHOMETER DRIVE	20-11	
1B13	TACHOMETER DRIVE, GASKET	20-11	
1E11	TANK, FUEL	30-20	
1E13	TANK, FUEL	30-22	
1J16	TERMINALS AND CONNECTORS,SUPPLEMENTARY	40-82	
1J14	TERMINALS,ELECTRICAL.....	40-80	
1J18	TERMINALS,ELECTRICAL.....	40-84	
1J20	TERMINALS,ELECTRICAL.....	40-86	
3C15	THERMAL RELIEF VALVE, ROCKSHAFT	70-32	
1C24	THERMOSTAT (ENGINE SERIAL NO. -303518).....	20-34	
1C25	THERMOSTAT (ENGINE SERIAL NO. 303519-).....	20-35	
3H5	THERMOSTAT, EVAPORATOR (STOLPER)	90-21	
2C21	THIRD PLANETARY BRAKE (POWER SHIFT)	50-41	
1E22	THROTTLE CONTROL, INJECTION PUMP	30-31	
1F3	THROTTLE CONTROL, INJECTION PUMP	30-37	
3C14	THROTTLE VALVE, ROCKSHAFT	70-31	
3F6	TIE RODS	80-2	
2E8	TIE RODS (PFWD).....	50-74A	
1C12	TIMING GEAR COVER (ENGINE SERIAL NO. -303518).....	20-23	
1C13	TIMING GEAR COVER (ENGINE SERIAL NO. 303519-).....	20-24	
3J2	TOOL BOX	90-71	
3G4	TOOL BOX (STOLPER).....	80-29	
3J2	TOOL BOX SUPPORT.....	90-71	
3J1	TOOLS	90-70	
3G2	TRACTOR STEP	80-27	
3G3	TRACTOR STEP	80-28	
1E20	TRANSFER PUMP, FUEL	30-29	
1F1	TRANSFER PUMP, FUEL	30-35	
1F14	TRANSFER PUMP, FUEL	30-50	
2C18	TRANSMISSION CASE (POWER SHIFT).....	50-38	
2B15	TRANSMISSION CASE (SYNCRO-RANGE).....	50-8	
2B16	TRANSMISSION CASE COVER (SYNCRO-RANGE).....	50-9	
2D5	TRANSMISSION CLUTCH CONTROL VALVE	50-51	
2C12	TRANSMISSION CLUTCH PACK (POWER SHIFT).....	50-32	
2C13	TRANSMISSION CLUTCH PACK (POWER SHIFT).....	50-33	
2C5	TRANSMISSION CLUTCH VALVE (POWER SHIFT).....	50-25	
2C16	TRANSMISSION CLUTCH VALVE (POWER SHIFT).....	50-36	
2C17	TRANSMISSION CLUTCH VALVE (POWER SHIFT).....	50-37	
2D9	TRANSMISSION CONTROL (POWER SHIFT).....	50-55	
2B22	TRANSMISSION CONTROL (SYNCRO-RANGE).....	50-16	
2D5	TRANSMISSION CONTROL VALVE (POWER SHIFT)	50-51	
2D6	TRANSMISSION CONTROL VALVE COVER.....	50-52	
2B17	TRANSMISSION COUNTERSHAFT (SYNCRO-RANGE).....	50-10	
3C23	TRANSMISSION COVER (LESS ROCKSHAFT)	70-40	
2C7	TRANSMISSION DISCONNECT (POWER SHIFT).....	50-27	
2C8	TRANSMISSION DISCONNECT (POWER SHIFT).....	50-28	
2D1	TRANSMISSION DISCONNECT (POWER SHIFT).....	50-46	
2C19	TRANSMISSION FRONT COVER (POWER SHIFT)	50-39	
2D2	TRANSMISSION IDLER GEAR (POWER SHIFT)	50-47	
1F19	TRANSMISSION OIL FILTER ELEMENT	30-55	
2D12	TRANSMISSION OIL PIPES (POWER SHIFT).....	50-58	
2C10	TRANSMISSION OIL PUMP (POWER SHIFT).....	50-30	
2D4	TRANSMISSION PARK LOCK (POWER SHIFT)	50-49	
2C25	TRANSMISSION PLANETARY ASSEMBLY	50-45	
2D2	TRANSMISSION REDUCTION GEAR.....	50-47	
2D2	TRANSMISSION REDUCTION GEAR SHAFT	50-47	
2D8	TRANSMISSION SHIFT VALVE (PST)	50-54	
2B23	TRANSMISSION SHIFTER (SYNCRO-RANGE)	50-17	
3E15	TRANSPORT ARM, REMOTE CYLINDER	70-80	
3H8	TRAY, CONDENSATION (STOLPER).....	90-25	
2D11	TUBE, TRANS. OIL INTAKE (POWER SHIFT).....	50-57	
1B10	TUBE, VENTILATOR OUTLET (ENGINE SERIAL NO. 303519-).....	20-7	
1E1	TURBOCHARGER	30-12	
1E2	TURBOCHARGER	30-13	
1E3	TURBOCHARGER CENTER HOUSING	30-15	
1E1	TURBOCHARGER HOUSING	30-12	
1D22	TURBOCHARGER OIL LINES (ENGINE SERIAL NO. -303518).....	30-10	
1D24	TURBOCHARGER OIL LINES (ENGINE SERIAL NO. 303519-).....	30-11A	
1E3	TURBOCHARGER ROTATING PARTS.....	30-15	
U			
1B22	UNDERHAUL KIT, ENGINE (STD. BRGS)	20-13H	
1C5	UNDERSIZE CRANKSHAFT KIT (CONNECTING ROD JOURNAL) (LATE DESIGN)	20-19	
1C4	UNDERSIZE CRANKSHAFT KIT (EARLY DESIGN)	20-18	
1C7	UNDERSIZE MAIN BEARING CRANKSHAFT AND BEARING KIT (EARLY DESIGN)	20-19B	
1C8	UNDERSIZE MAIN BEARING CRANKSHAFT AND BEARING KIT (LATE DESIGN).....	20-19C	
1C6	UNDERSIZE MAIN BEARING CRANKSHAFT KIT (EARLIEST DESIGN).....	20-19A	
V			
1D14	VACUUM INDICATOR SWITCH	30-4	
1D15	VACUUM SWITCH, AIR CLEANER	30-5	
1D13	VACUUM SWITCH, REMOTE MOUNTED	30-3	
3G16	VALVE KIT COMPRESSOR.....	90-5	
2F15	VALVE OPERATING LEVERS, STEERING	60-7	
1B8	VALVE SEAT INSERTS.....	20-5	
1B6	VALVE STEM LUBRICANT, ENGINE	20-2	
3C25	VALVE SUPPORT, SELECTIVE CONTROL.....	70-43	
2E20	VALVE, BLEED CHECK (PFWD)	50-82	
2G3	VALVE, BRAKE	60-20	
2G3	VALVE, BRAKE EQUALIZING.....	60-20	
2E10	VALVE, CHECK, WHEEL MANIFOLD.....	50-75	
2C17	VALVE, CLUTCH REGULATING (POWER SHIFT)	50-37	
2D6	VALVE, CONTROL, TRANSMISSION	50-52	
2D24	VALVE, DIFFERENTIAL LOCK	50-68	
2D25	VALVE, DIFFERENTIAL LOCK	50-69	
2E18	VALVE, DIRECTIONAL CONTROL (PFWD).....	50-80	
2E20	VALVE, DIRECTIONAL CONTROL (PFWD).....	50-82	

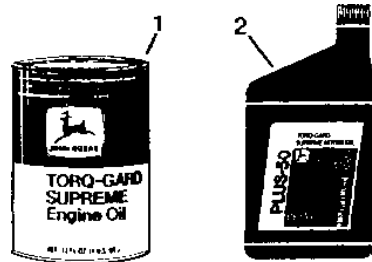
MEMORANDA

1B5

ENGINE

RGP3291 -UN-01JAN94

TORQ-GARD SUPREME AND PLUS-50 ENGINE OIL



RGP 3291

TORQ-GARD SUPREME ENGINE					
KEY	PART NO.	PART NAME	QTY	SERIAL NO.	REMARKS
1	TY6359	OIL	1	(SAE 5W/30), 0.9 L (1 QUART) CAN	
	TY6360	OIL	1	(SAE 5W/30), 19 L (5 GALLON) CAN	
	TY6361	OIL	1	(SAE 5W/30), 208 L (55 GALLON) DRUM	
	TY6364	OIL	1	(SAE 10W/30), 0.9 L (1 QUART) (BREAKIN)	
	TY6297	OIL	1	(SAE 15W/40), 0.9 L (1 QUART) CAN	
	TY6298	OIL	1	(SAE 15W/40), 19 L (5 GALLON) CAN	
	TY6300	OIL	1	(SAE 15W/40), 114 L (30 GALLON) DRUM	
	TY6301	OIL	1	(SAE 15W/40), 208 L (55 GALLON) DRUM	
	TY6311	OIL	1	(SAE 10W), 0.9 L (1 QUART) CAN	
	TY22009	OIL	1	(SAE 10W), 3.8 L (1 GALLON)	
	TY6312	OIL	1	(SAE 10W), 19 L (5 GALLON) CAN	
	TY6313	OIL	1	(SAE 10W), 208 L (55 GALLON) DRUM	
	AR63979	OIL	1	(SAE 30W), 0.2 L (1 HALF PINT) CAN	
	AR63218	OIL	1	(SAE 30W), 0.9 L (1 QUART) CAN	
	AR63219	OIL	1	(SAE 30W), 19 L (5 GALLON) CAN	
TY6280	OIL	1	(SAE 30W), 114 L (30 GALLON) DRUM		
AR63222	OIL	1	(SAE 30W), 208 L (55 GALLON) DRUM		

TORQ-GARD PLUS-50 ENGINE					
KEY	PART NO.	PART NAME	QTY	SERIAL NO.	REMARKS
2	TY6389	OIL	1	(SAE 15W/40), 0.9 L (1 QUART)	
	TY22008	OIL	1	(SAE 15W/40), 3.8 L (1 GALLON)	
	TY6390	OIL	1	(SAE 15W/40), 19 L (5 GALLON)	
	TY22010	OIL	1	(SAE 15W/40), 113.6 L (30 GALLON)	
	TY6391	OIL	1	(SAE 15W/40), 208 L (55 GALLON)	
	TY6392	OIL	1	(SAE 30W), 0.9 L (1 QUART)	
	TY22007	OIL	1	(SAE 30W), 3.8 L (1 GALLON)	
	TY6393	OIL	1	(SAE 30W), 19 L (5 GALLON)	
	TY22011	OIL	1	(SAE 30W), 113.6 L (30 GALLON)	
	TY6394	OIL	1	(SAE 30W), 208 L (55 GALLON)	

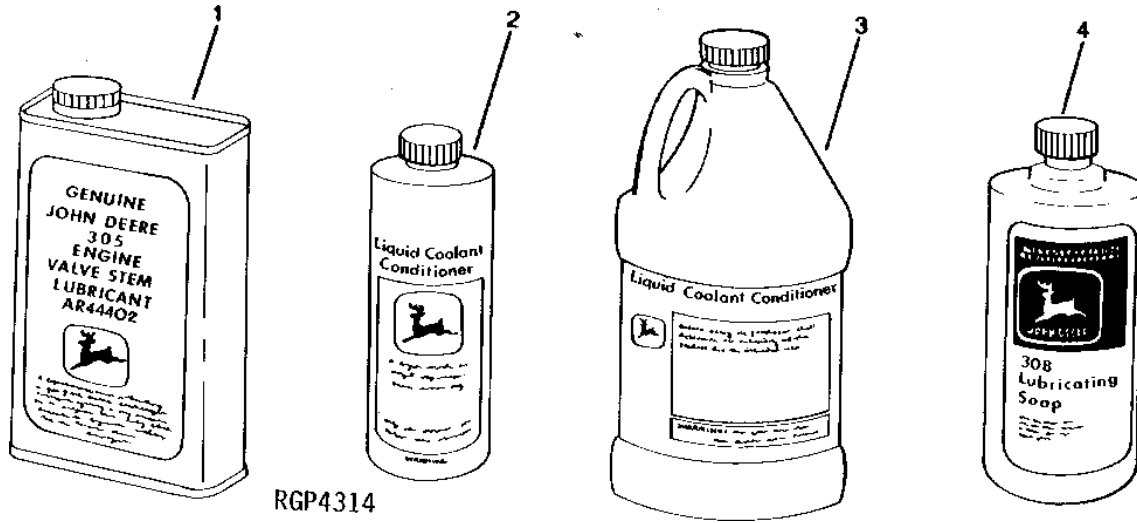
KITS (NOT ILLUSTRATED) ENGINE					
KEY	PART NO.	PART NAME	QTY	SERIAL NO.	REMARKS
..	AR41785	KIT	1		CONTAINS 0.9 L (1 QT.) (OFF-SEASON STORAGE)
..	AR41870	RUST INHIBITOR	1		0.9 L (1 QT.) CAN, (SUB AR41785)
..	AR21969	KIT	1		(DUST CAP/COVER KIT)
..	DS0251	KIT	1		(COOLANT SCAN TEST)
..	IPSKIT1	KIT	1		(OIL SCAN TEST)
..	DS0557	MERCHANDISING AID	1		(SAMPLING SYSTEM)

1B6

ENGINE

RGP4314 -UN-01JAN94

COOLANT CONDITIONER AND ENGINE PART LUBRICANTS



VALVE STEM LUBRICANT

KEY	PART NO.	PART NAME	QTY	SERIAL NO.	REMARKS
1	AR44402	OIL	1		0.9 L (1 QT.)

COOLANT CONDITIONER

KEY	PART NO.	PART NAME	QTY	SERIAL NO.	REMARKS
2	RE23182	ENGINE COOLANT CONDITIONER	1		0.473 L (16 OZ.) (PHOSPHATE - FREE) (SUB TY16004)
	TY16004	ENGINE COOLANT CONDITIONER	1		0.472 L (16 OZ.)
3	RE35992	ENGINE COOLANT CONDITIONER	1		3.8 L (1 GAL.) (PHOSPHATE - FREE) (SUB TY16005)
..	TY16005	ENGINE COOLANT CONDITIONER	1		1.9 L (1/2 GAL.)

CYLINDER LINER PACKING LUBRICANT

KEY	PART NO.	PART NAME	QTY	ENGINE SERIAL NO.	REMARKS
4	AR54749	LUBRICANT	1		0.9L (1 QT.)

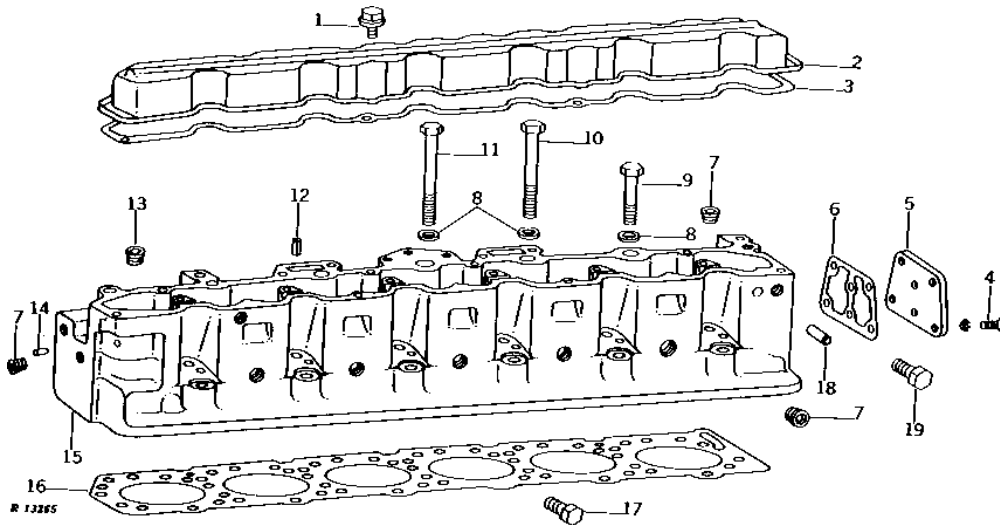
MEMORANDA

1B7

ENGINE

CYLINDER HEAD AND ROCKER ARM COVER (ENGINE SERIAL NO. -303518)

R13265 -UN-01JAN94



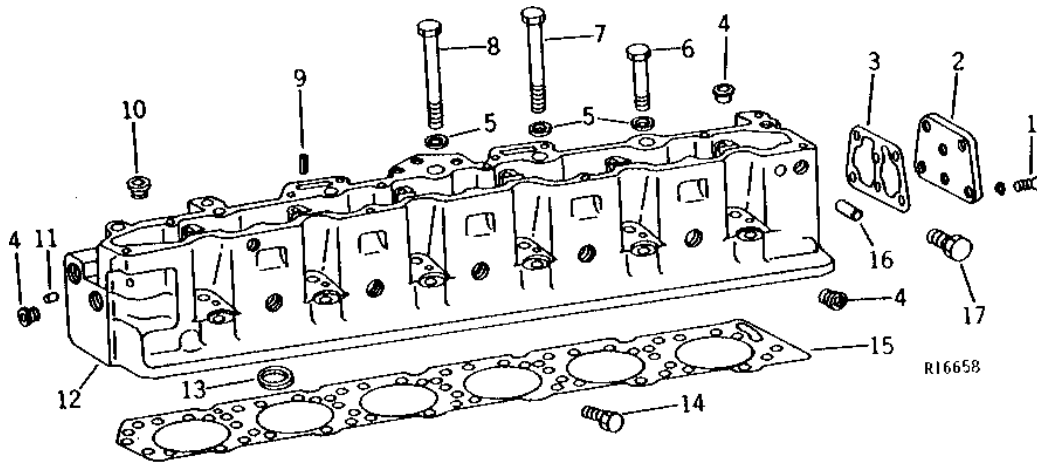
KEY	PART NO.	PART NAME	QTY	ENGINE SERIAL NO.	REMARKS
1	AR103811	SCREW, WITH WASHER	8		(SUB FOR AR45530)
2	R43635	COVER	1		
3	R49866	GASKET	1		(SUB FOR R26356 OR R32593)
4	T20166	SCREW	6		
	12H324	WASHER	6	3/8"	
5	R43594	COVER	1		
6	R43595	GASKET	1		
7	15H690	PIPE PLUG	17	3/4"	
8	R76126	WASHER	26		(USE WITH R62418, R62419, R62420 OR R62421 ONLY, THIS APPL)
9	R62421	SCREW	6		(SUB FOR R42728 OR R42364) (SUB R88042)
10	R62418	SCREW	5		(SUB FOR R44214 OR R45192) (SUB R88043)
11	R62419	SCREW	8	24575-	(SUB FOR R44215 OR R45193) (SUB R88044)
	R62420	SCREW	7		(SUB FOR R44216 OR R45194) (SUB R88045)
12	34H387	SPRING PIN	1		3/16" X 3/4"
13	15H624	PIPE PLUG	1		1/2", (SUB FOR AR72319) (13 MM)
14	F1743R	DOWEL PIN	1		
15	AR43014	CYLINDER HEAD	1	-245756	(MARKED R43120) (SUB AR43757 AND (6) R43914)
	AR43757	CYLINDER HEAD	1	245757-	(NLA) (MARKED R43920)
	R43680	VALVE SEAT INSERT	6	-245756	INTAKE (STD) (USE WITH R43120)
	R43682	VALVE SEAT INSERT	6	-245756	INTAKE 0.25MM (.010") OS, (USE WITH R43120)
	R43913	VALVE SEAT INSERT	6	245757-	INTAKE (STD) (USE WITH R43920)
	R46209	VALVE SEAT INSERT	6	245757-	INTAKE 0.25MM (.010") OS, (USE WITH R43920)
	R43681	VALVE SEAT INSERT	6		EXHAUST (STD)
	R43683	VALVE SEAT INSERT	6		EXHAUST 0.25MM (.010") OS
16	R48291	GASKET	1		(SUB FOR R41709) (MARKED R48291) (THIN)
17	R45692	CAP SCREW	1		
18	DOWEL PIN	1		(NO LONGER USED)
19	R45693	CAP SCREW	1		

1B8

ENGINE

CYLINDER HEAD AND GASKET (ENGINE SERIAL NO. 303519-)

R16658 -UN-01JAN94



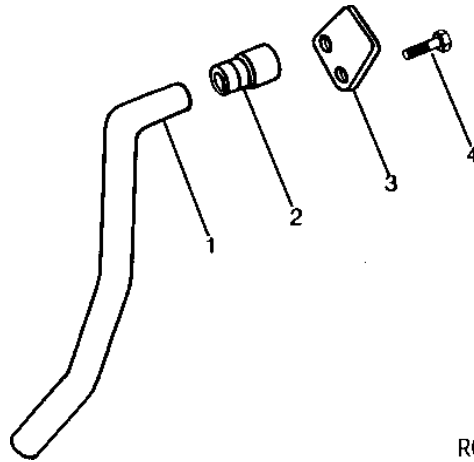
KEY	PART NO.	PART NAME	QTY	ENGINE SERIAL NO.	REMARKS
1	T20166	SCREW	6		
	12H324	WASHER	6	3/8"	
2	R43594	COVER	1		
3	R43595	GASKET	1		
4	15H564	PIPE PLUG	13	3/4"	
5	R76126	WASHER	26	(USE WITH R62418, R62419, R62420 OR R62421 ONLY, APPL)	
6	R62421	SCREW	6	(SUB FOR R45195) (SUB R88042)	
7	R62418	SCREW	5	(SUB FOR R45192) (SUB R88043)	
8	R62419	SCREW	8	(SUB FOR R45193) (SUB R88044)	
	R62420	SCREW	7	(SUB FOR R45194) (SUB R88045)	
9	34H387	SPRING PIN	1	3/16" X 3/4"	
10	15H624	PIPE PLUG	1	1/2", (SUB FOR AR72319) (13 MM)	
11	F1743R	DOWEL PIN	1		
12	AR50000	CYLINDER HEAD	1	(MARKED R47320)	
13	R43913	VALVE SEAT INSERT	6	INTAKE (STD)	
	R46209	VALVE SEAT INSERT	6	INTAKE 0.25MM (.010") OS	
	R43681	VALVE SEAT INSERT	6	EXHAUST (STD)	
	R43683	VALVE SEAT INSERT	6	EXHAUST 0.25MM (.010") OS	
14	R45692	CAP SCREW	1		
15	R48291	GASKET	1	(MARKED R48291) (THIN)	
16	DOWEL PIN	1	(NO LONGER USED)	
17	R45693	CAP SCREW	1		
..	R88042	SCREW	6		
..	R88043	SCREW	5		
..	R88044	SCREW	8		
..	R88045	SCREW	7		

1B9

ENGINE

ENGINE VENTILATOR OUTLET HOSE
(ENGINE SERIAL NO. -303518)

RGP1746 -UN-01JAN94



RGP1746

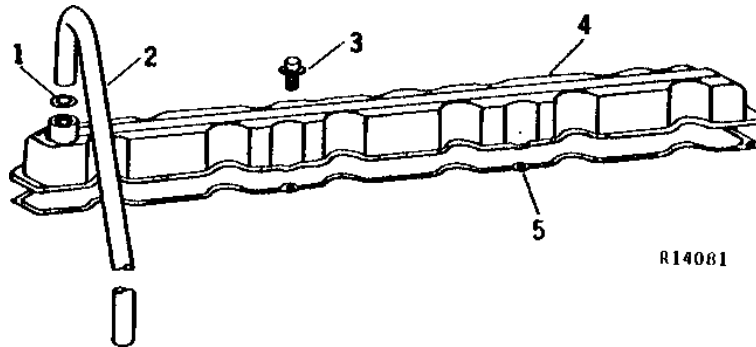
KEY	PART NO.	PART NAME	QTY	ENGINE SERIAL NO.	REMARKS
1	R43776	HOSE	1	-XXXXXX	
2	R43779	CONNECTOR	1	-XXXXXX (NLA)	
3	R43778	ISOLATOR	1	-XXXXXX (NLA)	
4	37H44	SCREW	2	-XXXXXX 0.151" X 3/8"	

1B10

ENGINE

ROCKER ARM COVER AND VENTILATOR OUTLET TUBE (ENGINE SERIAL NO. 303519-)

R14081 -UN-01JAN94



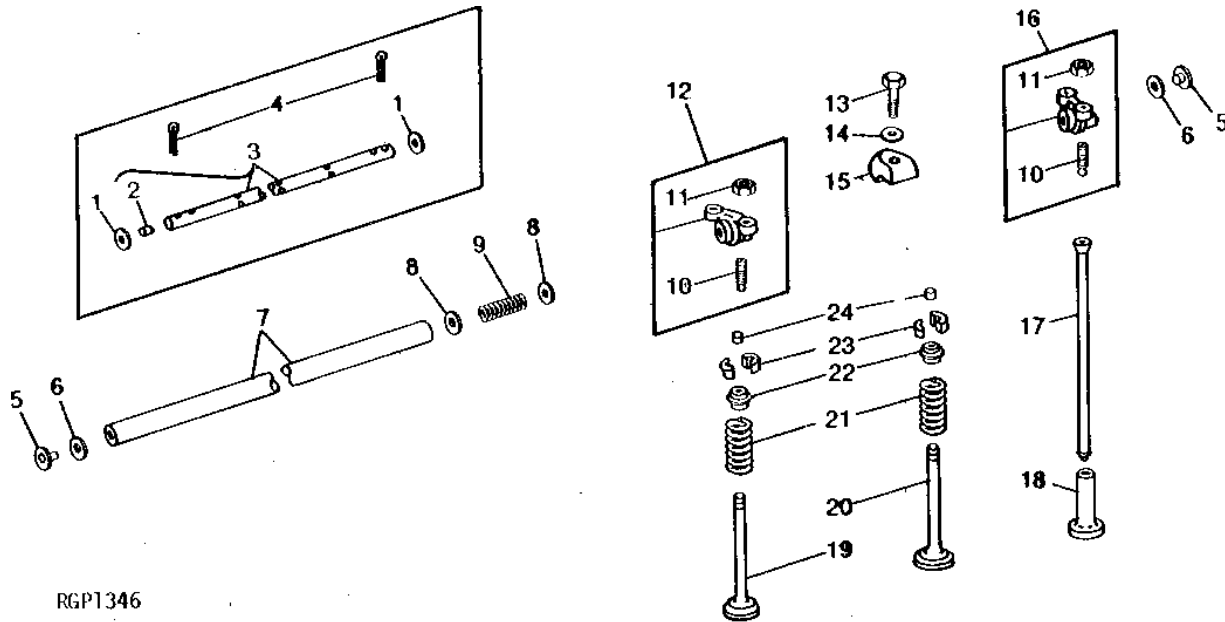
KEY	PART NO.	PART NAME	QTY	ENGINE SERIAL NO.	REMARKS
1	R495R	O-RING	1		
2	R26405	LINE	1		
3	AR103811	SCREW, WITH WASHER	8		(SUB FOR AR45530)
4	AR26516	COVER	1		
5	R49866	GASKET	1		(SUB FOR R32593)

1B11

ENGINE

RGP1346 -UN-01JAN94

ROCKER ARMS AND VALVES



RGP1346

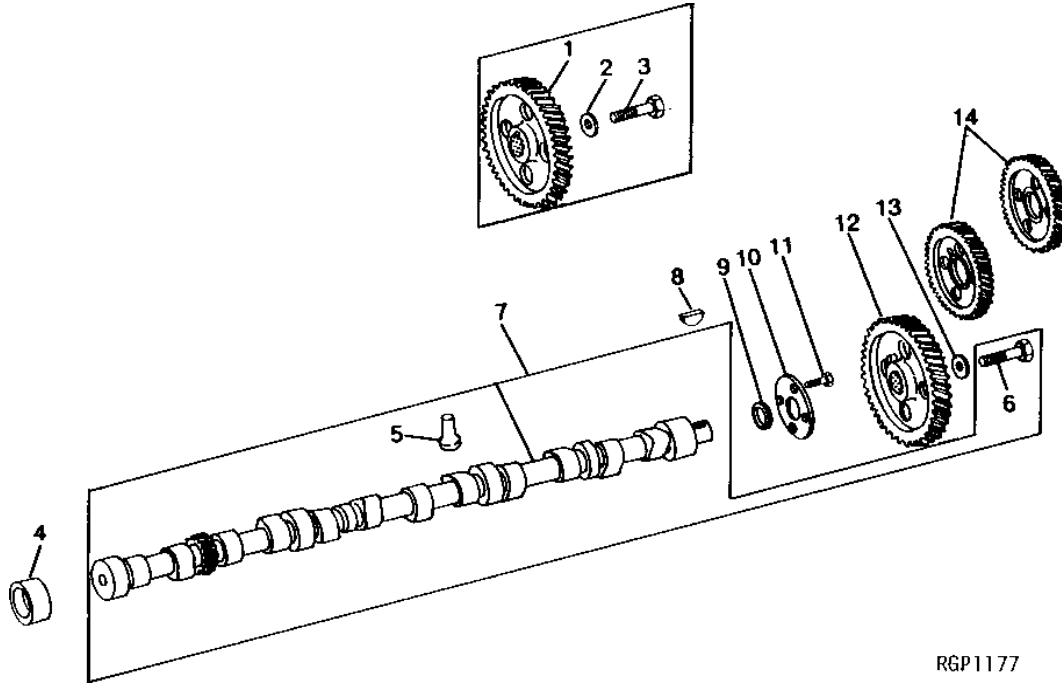
KEY	PART NO.	PART NAME	QTY	ENGINE SERIAL NO.	REMARKS
1	R71208	WASHER	12	-XXXXXX	19.500 X 26 X 0.910 MM (0.768" X 1.024" X 0.036")
2	R27529	PLUG	2	-XXXXXX	
3	AR26444	ROCKER ARM SHAFT	1	-XXXXXX	(SUB R70826 AND (2) R54565)
4	11M7082	COTTER PIN	2	-XXXXXX	2.500 X 25 MM
5	R54565	PLUG	2	XXXXXX-	
6	R26081	WASHER	2		
7	R70826	ROCKER ARM SHAFT	1	XXXXXX-	(SUB FOR R54564 OR R60650)
8	R71208	WASHER	10		19.500 X 26 X 0.910 MM (0.768" X 1.024" X 0.036")
9	R26079	SPRING	5		
10	R27443	SET SCREW	12		
11	14H846	NUT	12		3/8"
12	AR54905	ROCKER ARM	6		R.H. PITCH, (SUB FOR AR34294)
13	19H1740	CAP SCREW	6		7/16" X 1-3/4"
14	R26559	WASHER	6		
15	R26748	CLAMP	6		
16	AR54904	ROCKER ARM	6		L.H. PITCH, (SUB FOR AR54293)
17	R85027	PUSH ROD	12		(SUB FOR AR40680)
18	R52773	CAM FOLLOWER	12		
19	R43883	INTAKE VALVE	6	-245546	
	R43914	INTAKE VALVE	6	245547-	
	R45003	INTAKE VALVE	6	-245546	0.08 MM (.003") OS
	R46206	INTAKE VALVE	6	245547-	0.08 MM (.003") OS
	R45004	INTAKE VALVE	6	-245546	0.38 MM (.015") OS
	R46207	INTAKE VALVE	6	245547-	0.38 MM (.015") OS
	R45005	INTAKE VALVE	6	-245546	0.76 MM (.030") OS
	R46208	INTAKE VALVE	6	245547-	0.76 MM (.030") OS
20	R43679	EXHAUST VALVE	6		
	R43787	EXHAUST VALVE	6		0.08 MM (.003") OS
	R43788	EXHAUST VALVE	6		0.38 MM (.015") OS
	R43789	EXHAUST VALVE	6		0.76 MM (.030") OS
21	R26125	SPRING	12		
22	RE11410	ROTATOR	12		(EXHAUST AND INTAKE) (SUB FOR AR41006)
23	T20077	RETAINER	24		
24	T20129	CAP	12		

1B12

ENGINE

RGP1177 -UN-01JAN94

CAMSHAFT AND GEARS



RGP1177

KEY	PART NO.	PART NAME	QTY	ENGINE SERIAL NO.	REMARKS
1	AR43594	GEAR	1	-303518	(MARKED R43742)
2	R35256	WASHER	1	-303518	
3	19H1721	CAP SCREW	1	-303518	1/2" X 1-1/2", (USE WITH R42352 OR R43677)
4	R46903	BUSHING	4		(SUB FOR R42339)
5	R52773	CAM FOLLOWER	12		
6	19H1777	CAP SCREW	1	303519-	1/2" X 1-3/4", (USE WITH R61150)
	R43369	SELF-LOCKING SCREW	1		(USE WITH R71531)
7	RE15727	CAMSHAFT	1	-303518	(MARKED R42352, R43677, R61150 OR R71531) (SUB FOR AR63280, AR74144, AR100384) (USED WITH VERTICAL INJECTION PUMP)
	AR100385	CAMSHAFT	1	303519-	(MARKED R71529) (USED WITH HORIZONTAL INJECTION PUMP)
8	26H72	SHAFT KEY	1		1/8" X 5/8"
9	R42356	WASHER	1		
10	R49275	WASHER	1		
11	19H1813	CAP SCREW	4		5/16" X 5/8"
12	AR49503	GEAR	1	303519-	(MARKED R46999)
	34H170	SPRING PIN	1	303519-	3/8" X 7/8"
13	R47012	WASHER	1	303519-	
14	AR52671	GEAR	1	303519-	(MARKED R47011 AND R47013) (MATCHED SET)

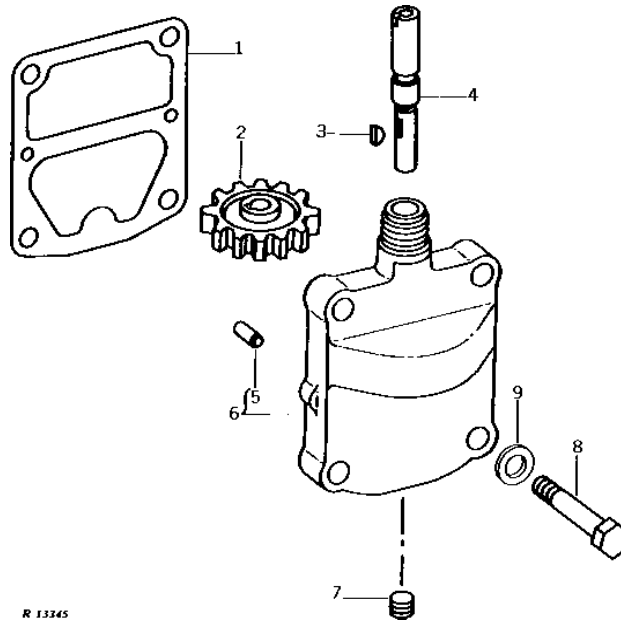
MEMORANDA

1B13

ENGINE

R13345 -UN-01JAN94

TACHOMETER DRIVE



KEY	PART NO.	PART NAME	QTY	ENGINE SERIAL NO.	REMARKS
1	R44853	GASKET	1		
2	R32426	GEAR	1		
3	26H3	SHAFT KEY	1		
4	R26172	SHAFT	1		3/32" X 3/8"
5	F1743R	DOWEL PIN	2		-XXXXXX
6	R43851	HOUSING	1		
7	15H559	PIPE PLUG	1		1/4"
8	19H1732	CAP SCREW	4		3/8" X 1-1/4"
9	24H1303	WASHER	4		13/32" X 11/16" X 0.065"

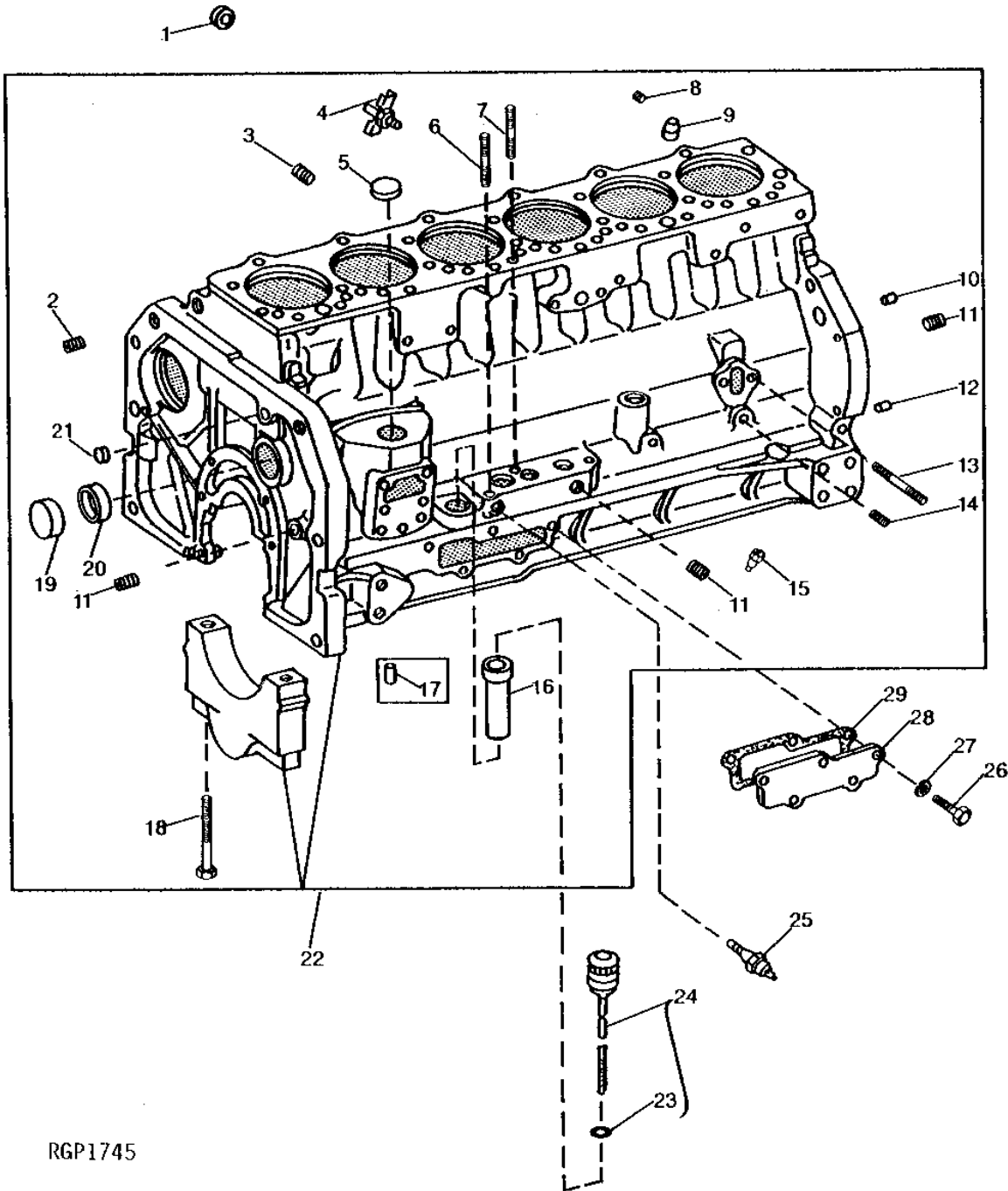
1B14

ENGINE

RGP1745

-UN-01JAN94

CYLINDER BLOCK



RGP1745

1B15

ENGINE

CYLINDER BLOCK - CONTINUED

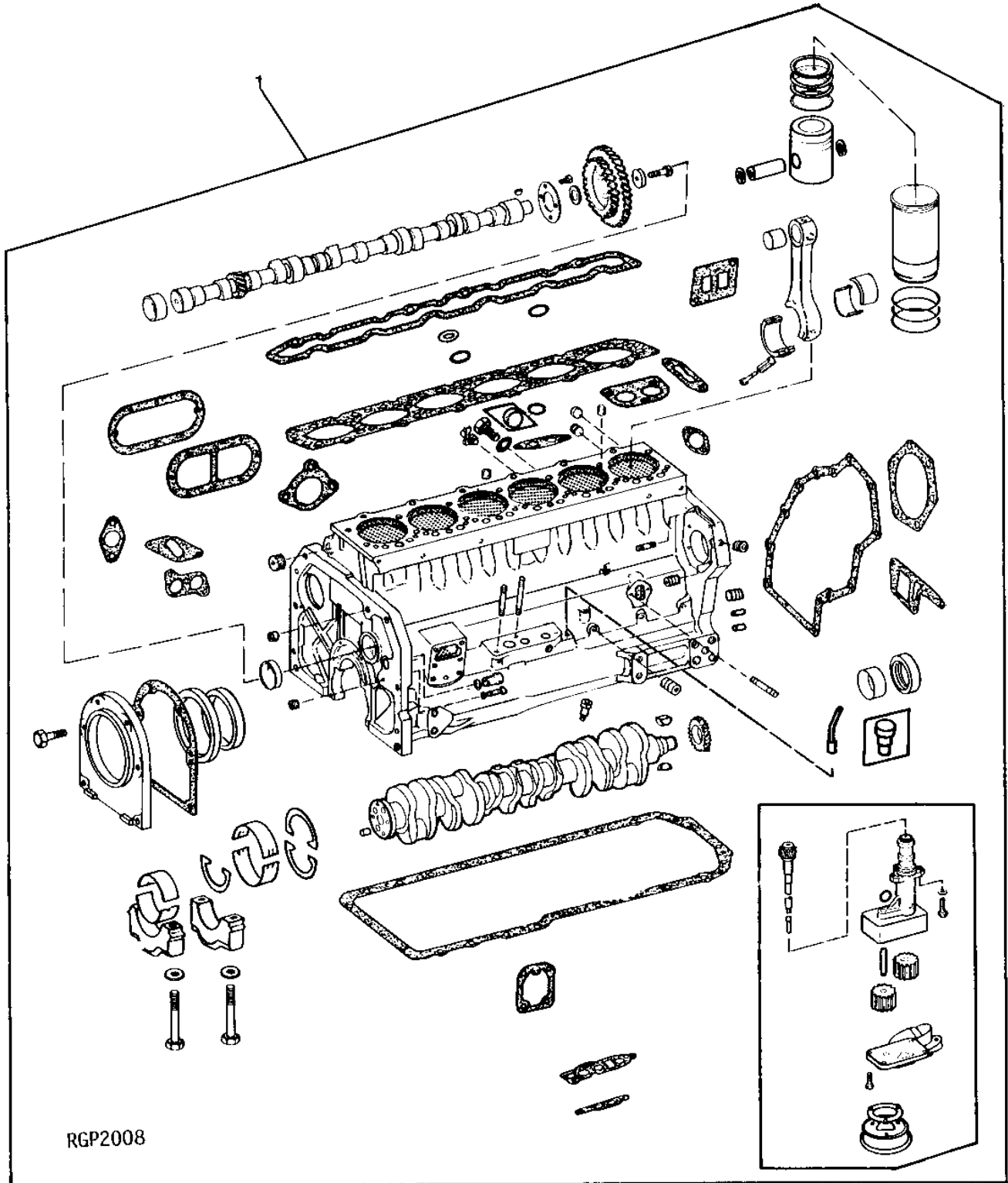
KEY	PART NO.	PART NAME	QTY	ENGINE SERIAL NO.	REMARKS
1	AR80294	PLUG	1	303519-	(SUB FOR R47092)
2	15H562	PIPE PLUG	1		1", (SUB FOR AR78522)
3	15H690	PIPE PLUG	3		3/4", (SUB FOR AR72318)
4	AR44382	DRAIN VALVE	1	-XXXXXX	3/8"
	AT13740	DRAIN VALVE	1	XXXXXX-	1/4"
5	30H25	PLUG	1	303519-	2"
6	R106859	STUD	1		(SUB FOR T20173, F3646R OR R26622, APPL)
7	R32042	STUD	1		
8	PIPE PLUG	1		(15H666 NO LONGER USED)
9	R42340	BUSHING	2		
10	F1743R	DOWEL PIN	2		
11	15H624	PIPE PLUG	3		1/2", (SUB FOR AR72319)
12	R1612R	DOWEL PIN	2		
13	R48755	STUD	2		(SUB FOR R26934)
14	R104592	PIPE PLUG	5		(SUB FOR R21630, APPL)
15	R43621	ORIFICE	6		
16	R41070	TUBE	1		
17	DOWEL PIN	1		(NO LONGER REQUIRED)
18	T15539	BOLT	14		
19	R26115	CAP	1		
20	R46903	BUSHING	4		
21	R43634	DOWEL PIN	1		
22	AR50297	CYLINDER BLOCK	1	-303518	(NLA) (MARKED R43310 OR R45980) (SUB FOR AR43496) (ALSO ORDER AR43852, AR48289, R32617, R46158, AR52160) (MARKED R47020, R47110) (SUB RE53476)
	AR52061	CYLINDER BLOCK	1	303519-	
23	A4730R	O-RING	2		
24	AR52563	DIPSTICK	1	-XXXXXX	(SUB FOR AR40750 OR AR52624)
	AR53997	DIPSTICK	1		(SUB AR53998)
25	AT85174	SWITCH	1		(SUB FOR AR27977)
26	19H2284	CAP SCREW	5		3/8" X 7/8"
27	12H304	LOCK WASHER	5		3/8"
28	R43441	COVER	1		
29	R45968	GASKET	1		

1B16

ENGINE

ENGINE SHORT BLOCK (AR43517/AR50292 - NOT AS SHOWN) (AR51965 - AS SHOWN)
(WITH OIL PUMP)

RGP2008 -UN-01JAN94



RGP2008

1B17

ENGINE

ENGINE SHORT BLOCK (AR43517/AR50292 - NOT AS SHOWN) (AR51965 - AS SHOWN) - CONTINUED
(WITH OIL PUMP)

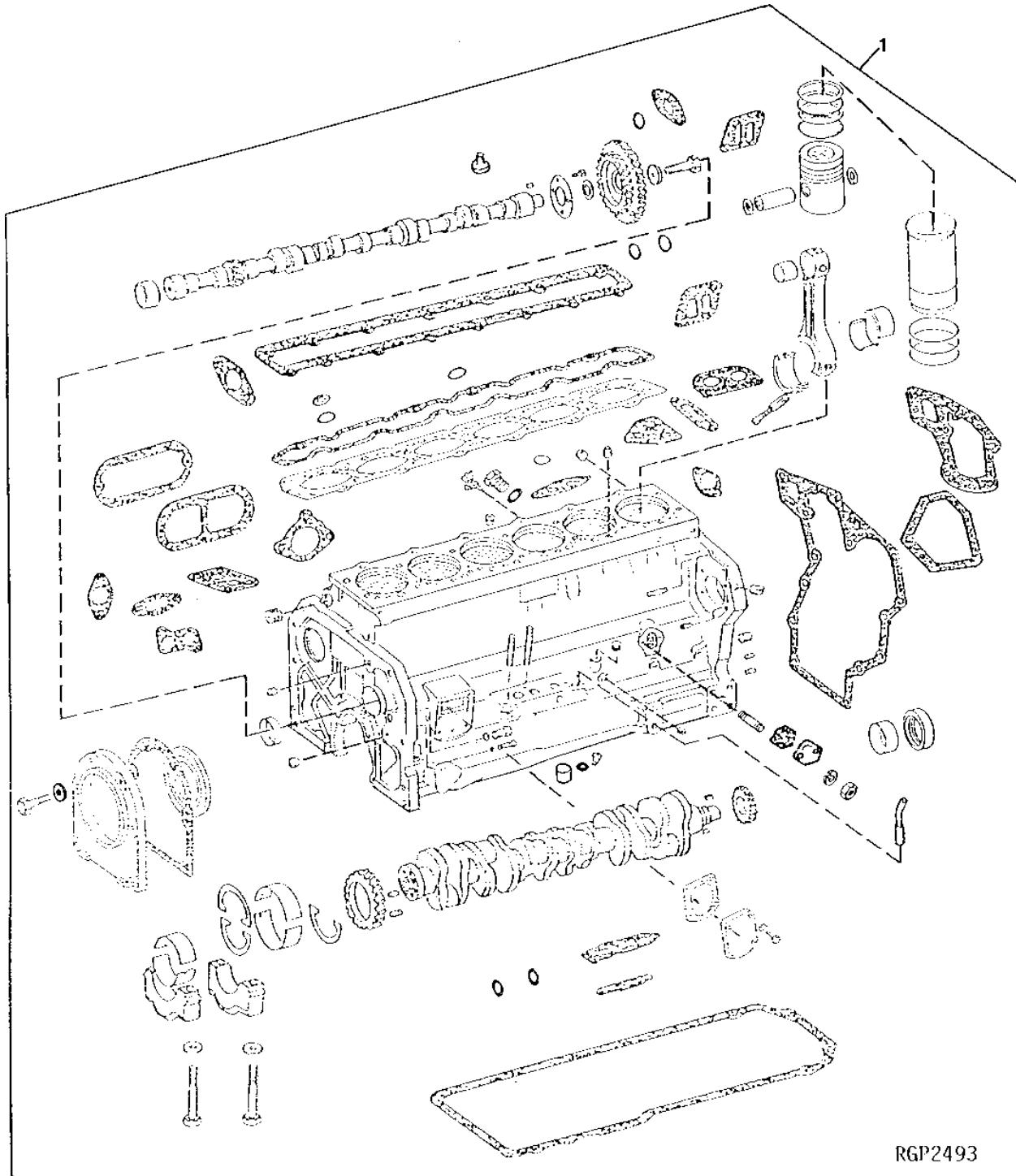
KEY	PART NO.	PART NAME	QTY	ENGINE SERIAL NO.	REMARKS
1	AR50292	SHORT BLOCK ASSEMBLY	1	-303518	(SUB FOR AR43517) (SUB RE13551 - NLA)
	AR51965	SHORT BLOCK ASSEMBLY	1	303519-	(SUB RE53476, AR71118, (2) R38614, (2) R41920 AND (2) M72490)

1B18

ENGINE

ENGINE SHORT BLOCK (REPLACEMENT) (RE13551 - NOT AS SHOWN) (RE53476 - AS SHOWN)
(WITHOUT OIL PUMP)

RGP2493 -UN-01JAN94



RGP2493

1B19

ENGINE

ENGINE SHORT BLOCK (REPLACEMENT) (RE13551 - NOT AS SHOWN) (RE53476 - AS SHOWN) - CONTINUED
(WITHOUT OIL PUMP)

KEY	PART NO.	PART NAME	QTY	ENGINE SERIAL NO.	REMARKS
1	RE13551	SHORT BLOCK ASSEMBLY	1	-303518	(MARKED R45980) (SUB FOR AR43517 OR AR50292)
	RE53476	SHORT BLOCK ASSEMBLY	1	303519-	(NLA) (MARKED R47020) (SUB FOR AR43517 OR AR50292)

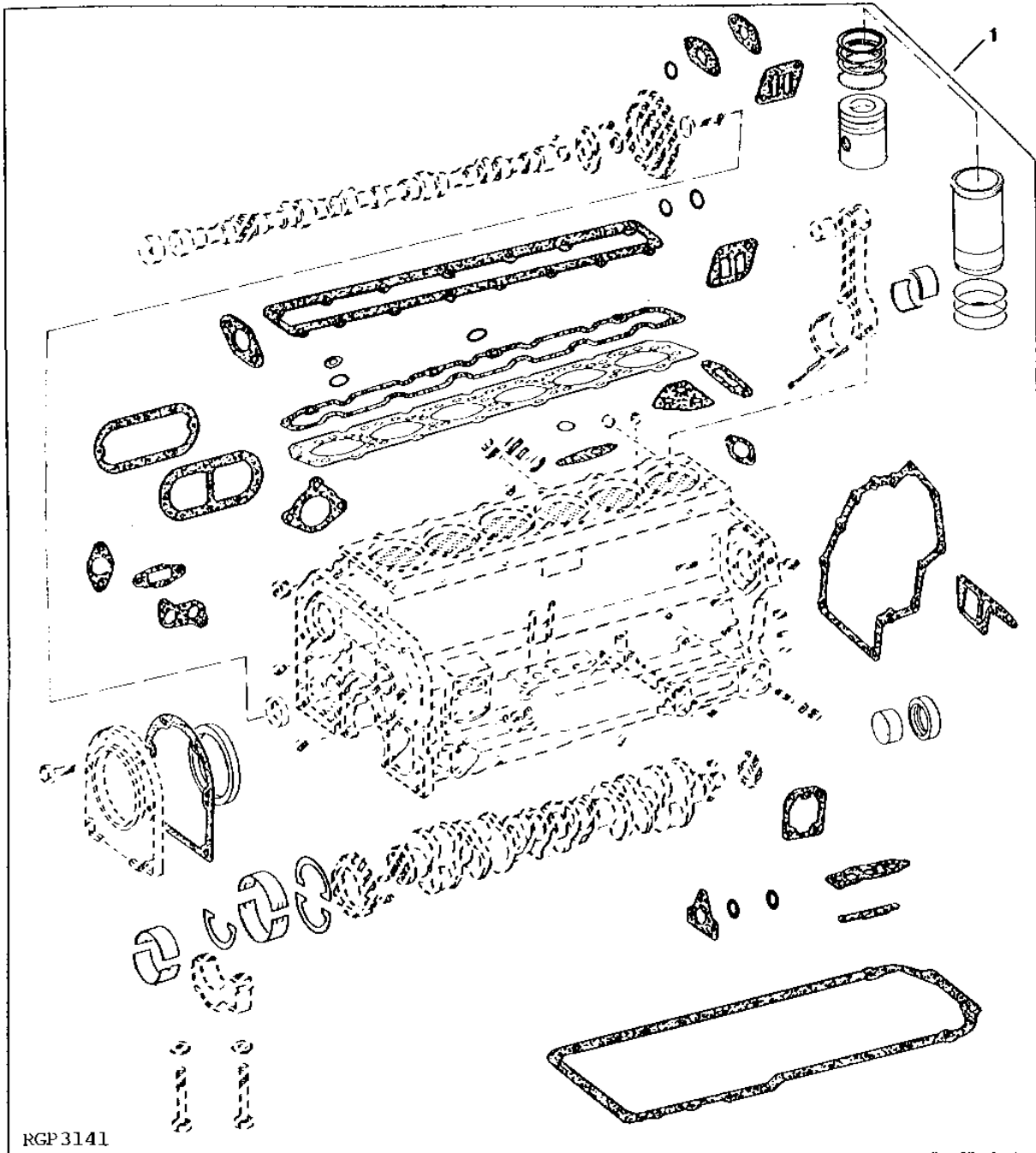
1B20

ENGINE

RGP3141

-UN-01JAN94

ENGINE OVERHAUL KIT



1B21

ENGINE

ENGINE OVERHAUL KIT - CONTINUED

KEY	PART NO.	PART NAME	QTY	ENGINE SERIAL NO.	REMARKS
1	RG23435	ENGINE OVERHAUL KIT	1		(CONTAINS (6) AR51798 PISTON LINERS, GASKET KIT, STD BEARINGS, FRONT/REAR SEALS AND SNAP RINGS) (ALSO ORDER R66452 ROD BOLTS) (USE WITH R43310, R45980, R47020, OR R47110) (SUB FOR RG21340)

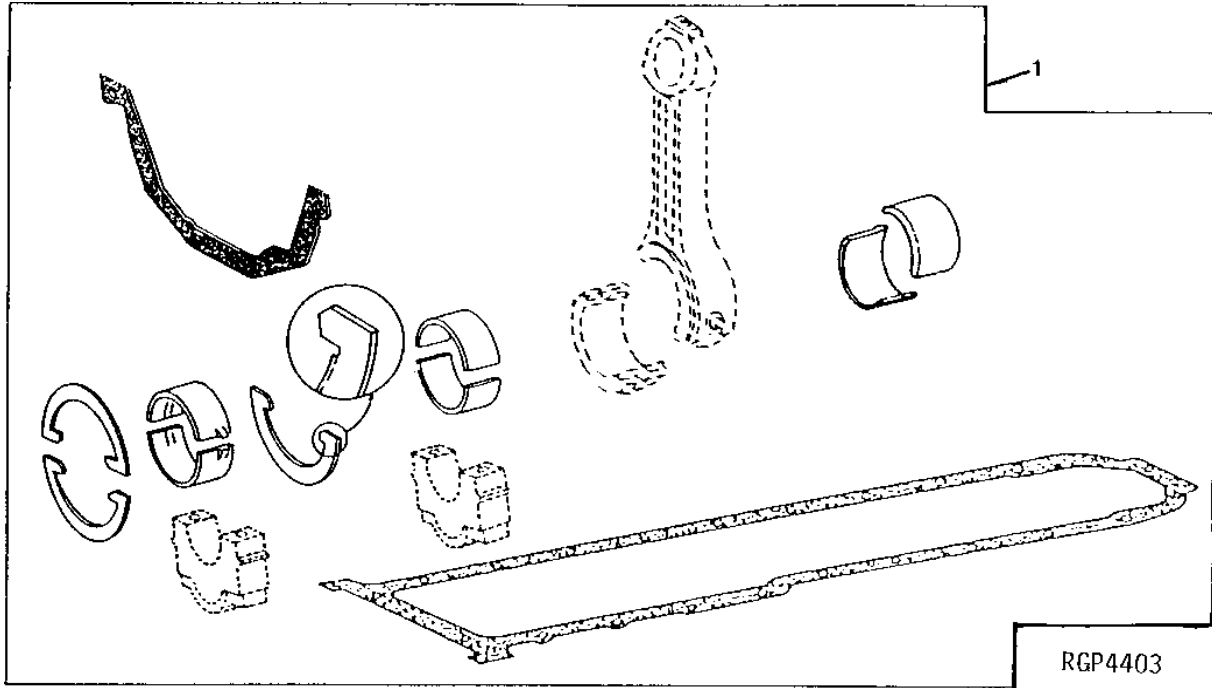
MEMORANDA

1B22

ENGINE

ENGINE UNDERHAUL KIT (STD. BEARINGS) (6404)

RGP4403 -UN-14DEC94



KEY	PART NO.	PART NAME	QTY	ENGINE SERIAL NO.	REMARKS
1	RG23427	KIT	1	303519-	(A) (SUB FOR RG22790)

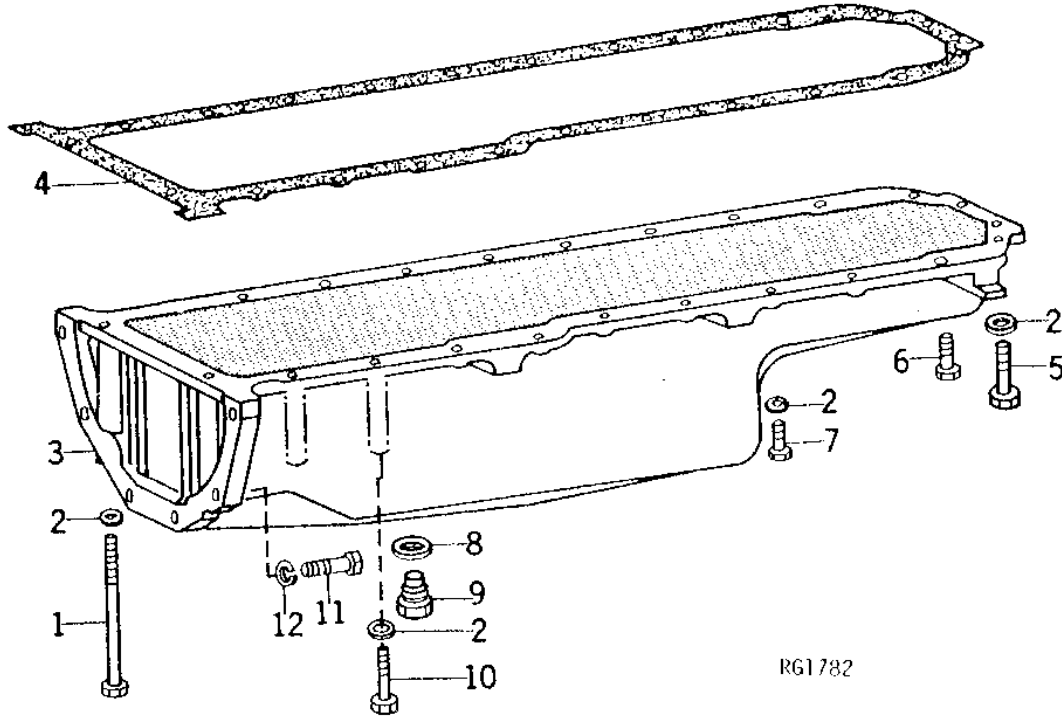
(A) USE WITH BLOCK MARKED R40620, R40930, R40940, R45950, R47020, R47110, R47170, R48440, R49550, R49650, R59850, R72128 OR R87558.

1B23

ENGINE

RG1782 -UN-01JAN94

OIL PAN



RG1782

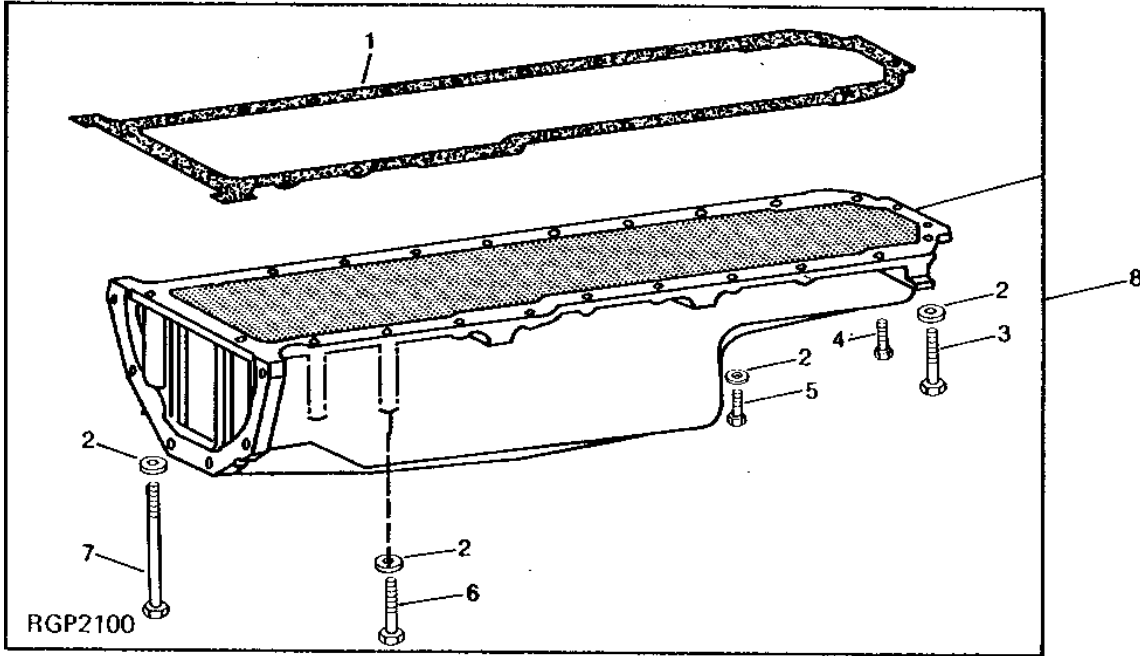
KEY	PART NO.	PART NAME	QTY	ENGINE SERIAL NO.	REMARKS
1	19H2205	CAP SCREW	2		3/8" X 6"
2	12H304	LOCK WASHER	22		3/8"
3	R53013	OIL PAN	1		(SUB AR94560)
	15H564	PIPE PLUG	1	-XXXXXX	3/4"
4	R71918	GASKET	1		(SUB FOR R53282 OR R42424)
5	19H1765	CAP SCREW	2		3/8" X 1-3/4"
6	R27693	SCREW	2		
7	19H2552	CAP SCREW	16		3/8" X 1-1/8"
8	A4827R	WASHER	2		
9	R26727	DRAIN PLUG	1		(SUB FOR R51944)
10	19H2104	CAP SCREW	2		3/8" X 5"
11	19H1777	CAP SCREW	6		1/2" X 1-3/4"
12	12H301	LOCK WASHER	6		1/2"

1B24

ENGINE

RGP2100 -UN-01JAN94

OIL PAN KIT



KEY	PART NO.	PART NAME	QTY	ENGINE SERIAL NO.	REMARKS
1	R71918	GASKET	1		(SUB FOR R53282)
2	12H304	LOCK WASHER	22		3/8"
3	19H3485	CAP SCREW	2		3/8" X 2"
4	R73445	SCREW	2		
5	19H3267	CAP SCREW	16		3/8" X 1-5/8"
6	19H3504	CAP SCREW	2		3/8" X 5-3/8"
7	19H3562	CAP SCREW	2		3/8" X 6-1/8"
8	AR94560	KIT	1		(MARKED R71909) (SUB FOR R53013)

1C2

ENGINE

CRANKSHAFT AND FLYWHEEL - CONTINUED

KEY	PART NO.	PART NAME	QTY	ENGINE SERIAL NO.	REMARKS
1	R41049	CAP SCREW	6		(SUB R52634)
2	T23891	WASHER	6		
3	R32192	DOWEL PIN	3		(D)
4	R28811	GEAR	1		
5	AR56075	FLYWHEEL	1		(A) (MARKED R43110 OR R51870) (SUB FOR AR43013)
	AR78914	FLYWHEEL	1		(D) (MARKED R43100, R49531, R51860 OR R61420) (SUB FOR AR43162, AR53381 OR AR60009)
6	R43093	PIN	1		(A)
7	22H821	SET SCREW	2		1/2" X 1/2", (SUB FOR R61292)
8	R41934	DOWEL PIN	1		
9	R120752	KEY	1		1/8" X 0.625"
10	R26049	GEAR	1		
11	AR74624	CRANKSHAFT	1		(MARKED R40740, R56979 OR R63451) (SUB FOR AR50136) (SUB RE53422)
	CRANKSHAFT	AR		(.010" US) (SUB RE53424 OR RE53425, IF AVAILABLE)
12	26H85	SHAFT KEY	1		1/4" X 1"
13	AR58175	ABSORBER	1		(SUB FOR AR43650 OR AR43108)
14	R48395	PULLEY	1		(ALSO ORDER R48396) (SUB FOR R46572) (TWO GROOVE)
15	R26333	WASHER	1		
16	19H1734	CAP SCREW	1		5/8" X 2"
17	19H1732	CAP SCREW	6		3/8" X 1-1/4"
	19H3181	CAP SCREW	6		3/8" X 2"
18	R48396	PULLEY	1		(E) (ALSO ORDER R48395) (SUB FOR R46573)
19	AR43954	ABSORBER	1		(E)
20	R47127	PULLEY	1		(E) (AIR CONDITIONING) (TWO GROOVE)

(A) SYNCRO-RANGE TRANSMISSION

(D) POWER SHIFT TRANSMISSION

(E) AIR CONDITIONING

MEMORANDA

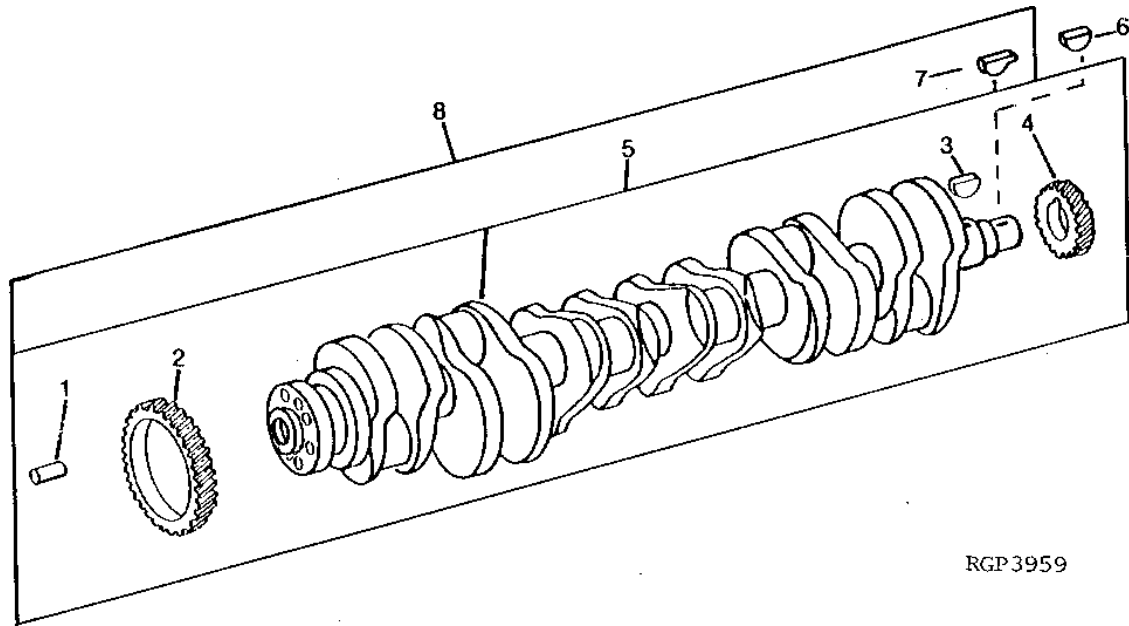
1C3

ENGINE

RGP3959

-UN-01JAN94

REPLACEMENT CRANKSHAFT



RGP3959

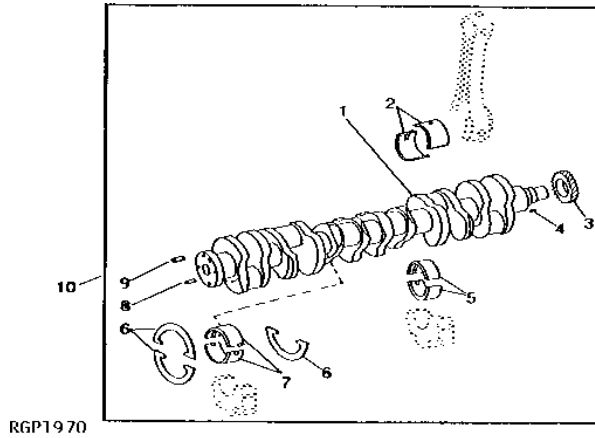
KEY	PART NO.	PART NAME	QTY	ENGINE SERIAL NO.	REMARKS
1	R41934	DOWEL PIN	1		
2	R63326	GEAR	NA		(NOT USED THIS APPLICATION)
3	R120752	KEY	1		1/8" X 0.625"
4	R26049	GEAR	1		(USE WITH R40740, R47419, R56979 OR R63451)
	R105488	GEAR	1		(USE WITH RE42675 OR RE53203)
5	AR96189	CRANKSHAFT	1		(MARKED R63451) (SUB RE53422)
	RE42671	CRANKSHAFT	1		(MARKED RE52576) (SUB RE53422)
6	26H85	SHAFT KEY	1		1/4" X 1", (USE WITH R63451, RE42675, R40740, R56979 OR R56934)
7	R116311	KEY	1		(USE WITH RE53203 OR RE53423)
8	RE53422	CRANKSHAFT	1		(MARKED RE53203)

1C4

ENGINE

UNDERSIZE CONNECTING ROD JOURNAL CRANKSHAFT AND BEARING KIT (EARLY DESIGN)

RGP1970 -UN-01JAN94



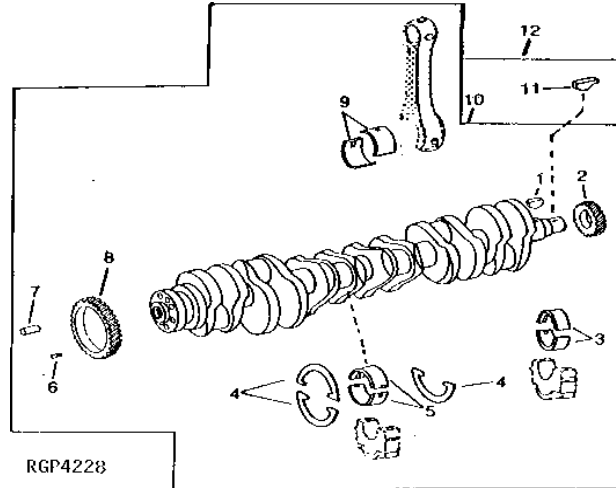
KEY	PART NO.	PART NAME	QTY	ENGINE SERIAL NO.	REMARKS
1	CRANKSHAFT	1		0.25MM (.010") US, (MARKED R78102 OR RE42679) (SUB RE53424)
2	AR46396	BEARING	6		0.25MM (.010") US, (PKG. (2) R44926)
3	R26049	GEAR	1		
4	R120752	KEY	1		
5	AR74814	BEARING	6		STD, (PKG R57584 AND R61289)
6	AR77747	THRUST WASHER	1		STD, (PKG (3) R62986)
7	AR77748	THRUST BEARING	1		STD, (PKG R62987 AND R62988)
8	22H821	SET SCREW	2		1/2" X 1/2", (SUB FOR R61292)
9	R41934	DOWEL PIN	1		
10	RE12434	CRANKSHAFT	1		(MARKED R78102) (SUB RE53424)

1C5

ENGINE

UNDERSIZE CONNECTING ROD JOURNAL CRANKSHAFT AND BEARING KIT (LATE DESIGN)

RGP4228 -UN-01JAN94



KEY	PART NO.	PART NAME	QTY	ENGINE SERIAL NO.	REMARKS
1	R120752	KEY	1		
2	R105488	GEAR	1		(USE WITH RE42679 OR RE53205, APPL)
3	AR74814	BEARING	6		STD (PKG R57584 AND R61289)
4	AR77747	THRUST WASHER	1		STD (PKG (3) R62986)
5	AR77748	THRUST BEARING	1		STD (PKG R62987 AND R62988)
6	22H821	SET SCREW	2		1/2" X 1/2"
7	R41934	DOWEL PIN	1		
8	R63326	GEAR	1		
9	AR46396	BEARING	6		0.25MM (.010") US (PKG (2) R44926)
10	RE42673	CRANKSHAFT	1		0.25MM (.010") US, (MARKED RE42679) (SUB FOR RE12434) (SUB RE53424)
11	R116311	KEY	1		(USE WITH RE53205, APPL)
12	RE53424	CRANKSHAFT	1		(A) 0.25MM (.010") US, (MARKED RE53205) (SUB FOR RE12434 OR RE42673)

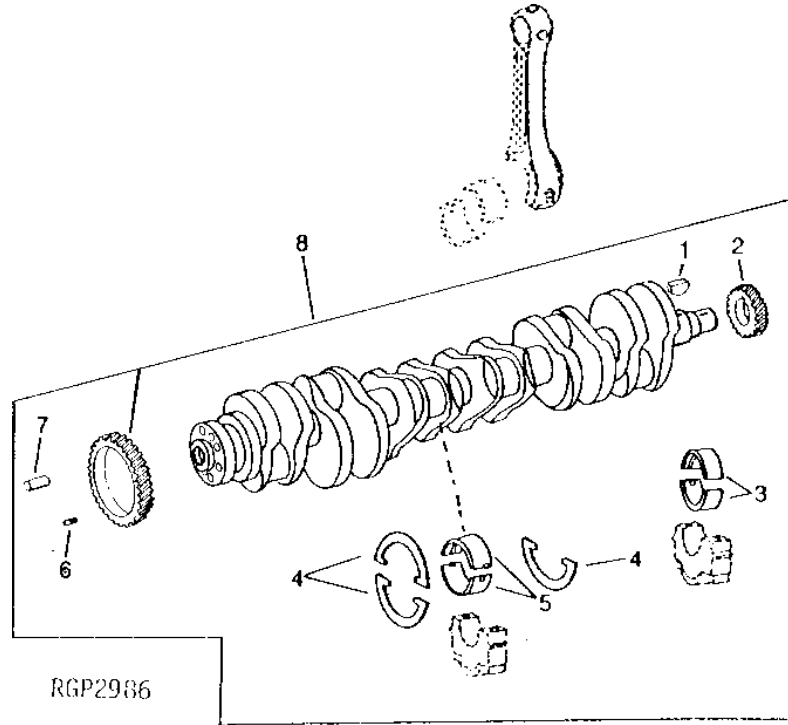
(A) RE53425 MAY BE USED IF RE53424 IS NOT AVAILABLE

1C6

ENGINE

UNDERSIZE MAIN BEARING CRANKSHAFT KIT (EARLIEST DESIGN)

RGP2986 -UN-01JAN94



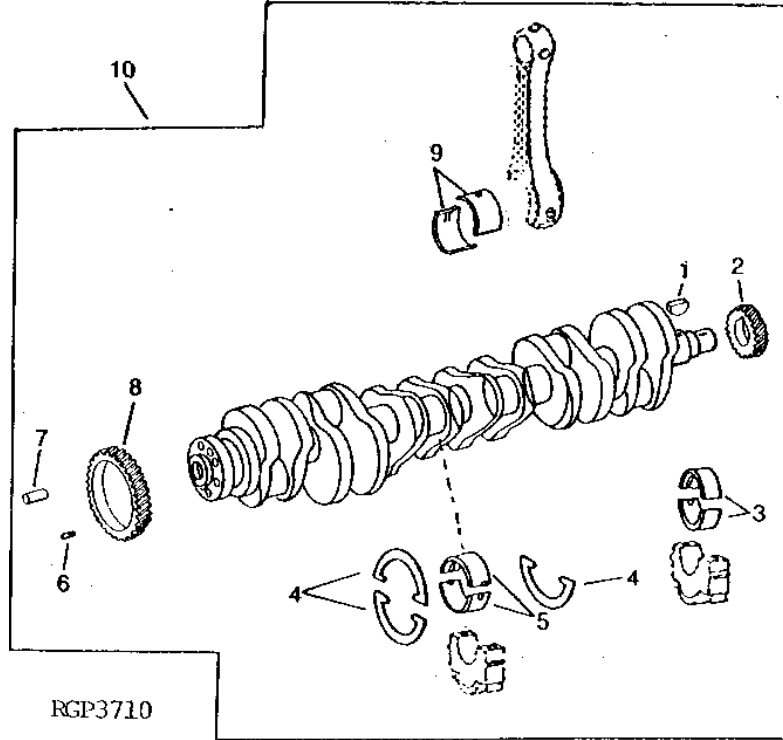
KEY	PART NO.	PART NAME	QTY	ENGINE SERIAL NO.	REMARKS
1	R120752	KEY	1		1/8" X 0.625"
2	R26049	GEAR	1		
3	AR74816	BEARING	6		0.25MM (.010") US, (PKG R61909 AND R60473)
4	AR77753	THRUST WASHER	1		0.18MM (.007") OS FLANGE (PKG (2) R63010 AND R62986)
5	AR77750	THRUST BEARING	1		0.25MM (.010") US, (PKG R63003 AND R63007)
6	22H821	SET SCREW	2		1/2" X 1/2"
7	R41934	DOWEL PIN	1		
8	RE36416	CRANKSHAFT	1		0.25MM (.010") US, (MARKED R96460) (SUB FOR RE33622) (SUB RE53425)

1C7

ENGINE

UNDERSIZE MAIN BEARING CRANKSHAFT AND BEARING KIT (EARLY DESIGN)

RGP3710 -UN-01JAN94



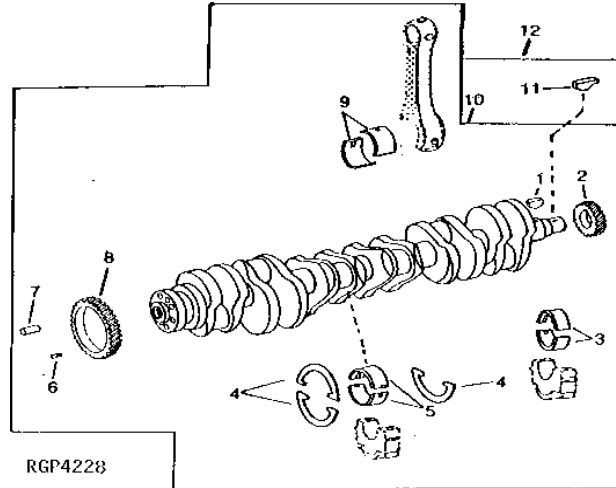
KEY	PART NO.	PART NAME	QTY	ENGINE SERIAL NO.	REMARKS
1	R120752	KEY	1		1/8" X 0.625", (USE WITH R105488)
2	R105488	GEAR	1		(USE WITH RE42678, APPL)
3	AR74816	BEARING	6		0.25MM (.010") US. (PKG R61909 AND R60473)
4	AR77753	THRUST WASHER	1		0.18MM (.007") OS FLANGE (PKG (2) R63010 AND R62986)
5	AR77750	THRUST BEARING	1		0.25MM (.010") US. (PKG R63003 AND R63007)
6	22H821	SET SCREW	2		1/2" X 1/2"
7	R41934	DOWEL PIN	1		
8	R63326	GEAR	1		
9	AR45723	BEARING	6		STD (PKG (2) R44378)
10	RE42672	CRANKSHAFT	1		0.25MM (.010") US. (MARKED RE42678) (SUB RE53425)

1C8

ENGINE

UNDERSIZE MAIN BEARING CRANKSHAFT AND BEARING KIT (LATE DESIGN)

RGP4228 -UN-01JAN94



KEY	PART NO.	PART NAME	QTY	ENGINE SERIAL NO.	REMARKS
1	R120752	KEY	1		
2	R105488	GEAR	1		(USE WITH RE42678 OR RE53204, APPL)
3	AR74816	BEARING	6		0.25MM (.010") US. (PKG R61909 AND R60473)
4	AR77753	THRUST WASHER	1		0.18MM (.007") OS FLANGE (PKG (2) R63010 AND R62986)
5	AR77750	THRUST BEARING	1		0.25MM (.010") US. (PKG R63003 AND R63007)
6	22H821	SET SCREW	2		1/2" X 1/2"
7	R41934	DOWEL PIN	1		
8	R63326	GEAR	1		
9	AR45723	BEARING	6		STD (PKG (2) R44378)
10	RE42672	CRANKSHAFT	1		0.25MM (.010") US. (MARKED RE42678) (SUB FOR RE36416) (SUB RE53425)
11	R116311	KEY	1		(USE WITH RE53204, APPL)
12	RE53425	CRANKSHAFT	1		(A) (MARKED RE53204) (SUB FOR RE36416 OR RE42672)

(A) RE53424 MAY BE USED IF RE53425 IS NOT AVAILABLE

MEMORANDA

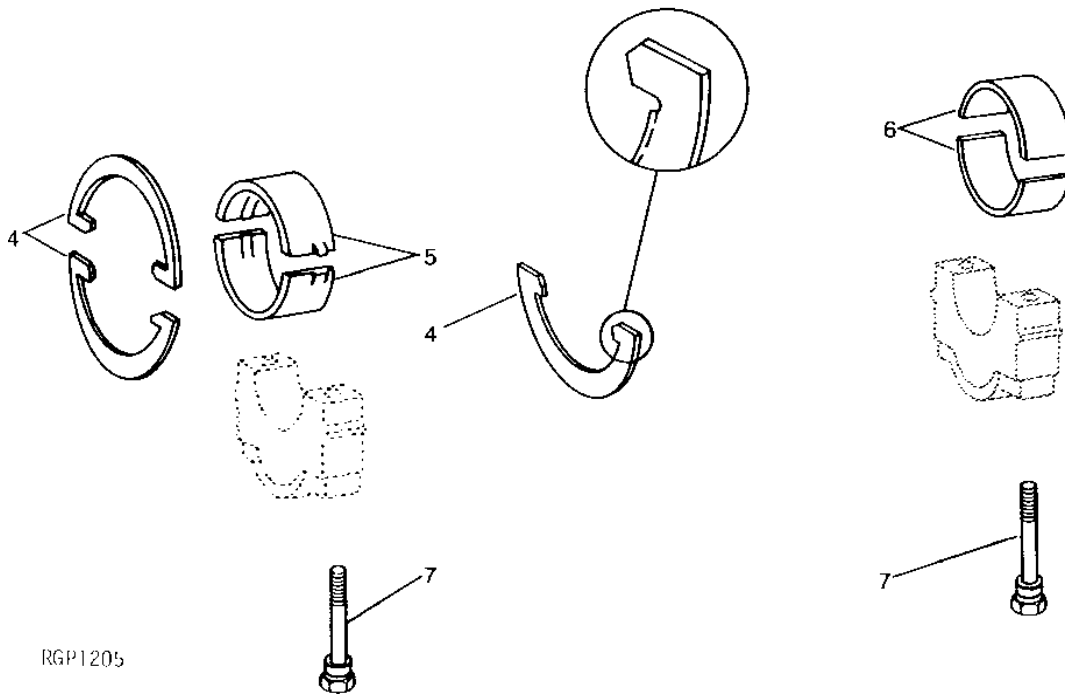
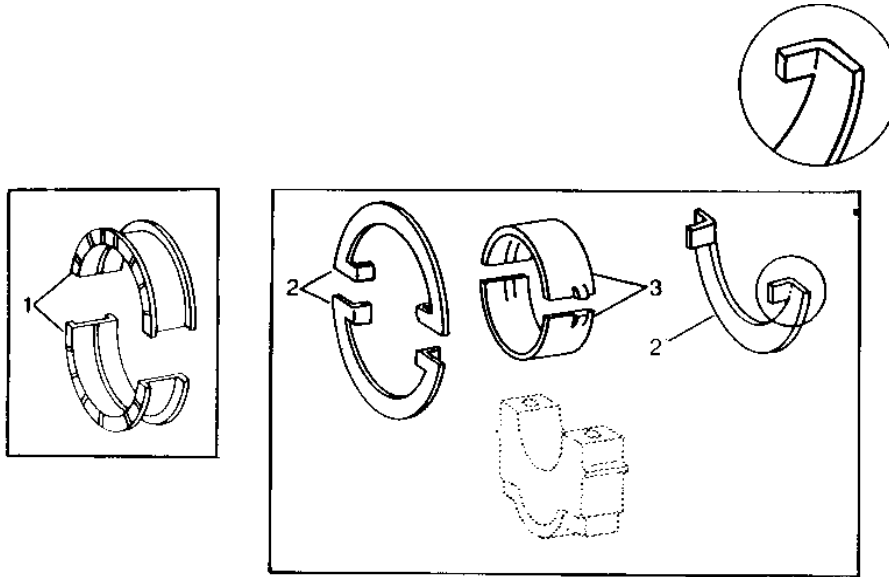
1C9

ENGINE

RGP1205

-UN-02JAN94

MAIN AND MAIN THRUST BEARINGS



RGP1205

1C10

ENGINE

MAIN AND MAIN THRUST BEARINGS - CONTINUED

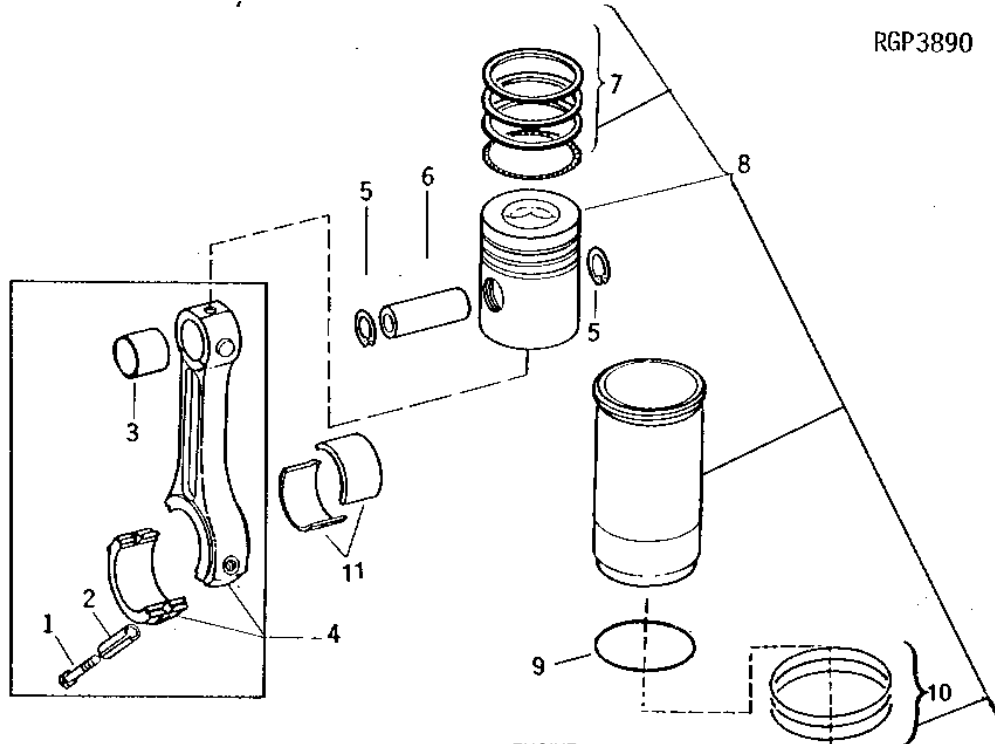
KEY	PART NO.	PART NAME	QTY	ENGINE SERIAL NO.	REMARKS
1	AR65235	THRUST BEARING	1	-XXXXXX	STANDARD (PKG. OF R55596 AND R55597) (SUB AR77748 AND AR77747 OR AR77753) (SUB FOR AR44624 OR AR48940)
	AR65236	THRUST BEARING	1	-XXXXXX	0.05 MM (.002") UNDERSIZE (PKG. OF R55737 AND R55738) (SUB AR77749 AND AR77747 OR AR77753) (SUB FOR AR46403 OR AR49232)
	AR65237	THRUST BEARING	1	-XXXXXX	0.25 MM (.010") UNDERSIZE (PKG. OF R55739 AND R55740) (SUB AR77750 AND AR77747 OR AR77753) (SUB FOR AR46404 OR AR49233)
	AR65238	THRUST BEARING	1	-XXXXXX	0.51 MM (.020") UNDERSIZE (PKG. OF R55741 AND R55742) (SUB AR77751 AND AR77747 OR AR77753) (SUB FOR AR46405 OR AR49234)
	AR65239	THRUST BEARING	1	-XXXXXX	0.76 MM (.030") UNDERSIZE (PKG. OF R55743 AND R55744) (SUB AR77752 AND AR77747 OR AR77753) (SUB FOR AR46406 OR AR49235)
	AR65240	THRUST BEARING	1	-XXXXXX	0.25 MM (.010") UNDERSIZE WITH 0.18 MM (.007") OVERSIZE FLANGE (PKG. OF R55745 AND R55746) (SUB AR77750 AND AR77753) (SUB FOR AR46407 OR AR49236)
2	AR73275	THRUST WASHER	1	XXXXXX-XXXXXX	STANDARD (PKG. OF (3) R57778) (SUB AR77747)
	AR73276	THRUST WASHER	1	XXXXXX-XXXXXX	0.18 MM (.007") OVERSIZE FLANGE (PKG. OF (3) R60484) (SUB AR77753)
3	AR72998	THRUST BEARING	1	XXXXXX-XXXXXX	STANDARD (PKG. OF R57779 AND R57780) (SUB AR77748 AND AR77747 OR AR77753)
	AR73271	THRUST BEARING	1	XXXXXX-XXXXXX	0.05 MM (.002") UNDERSIZE (PKG. OF R60476 AND R60477) (SUB AR77749 AND AR77747 OR AR77753)
	AR73272	THRUST BEARING	1	XXXXXX-XXXXXX	0.25 MM (.010") UNDERSIZE (PKG. OF R60478 AND R60479) (SUB AR77750 AND AR77747 OR AR77753)
	AR73273	THRUST BEARING	1	XXXXXX-XXXXXX	0.51 MM (.020") UNDERSIZE (PKG. OF R60480 AND R60481) (SUB AR77751 AND AR77747 OR AR77753)
	AR73274	THRUST BEARING	1	XXXXXX-XXXXXX	0.76 MM (.030") UNDERSIZE (PKG. OF R60482 AND R60483) (SUB AR77752 AND AR77747 OR AR77753)
4	AR77747	THRUST WASHER	1	444688-	STANDARD (PKG. OF (3) R62986)
	AR77753	THRUST WASHER	1	444688-	0.18 MM (.007") OVERSIZE FLANGE (PKG. OF (2) R63010 AND R62986)
5	AR77748	THRUST BEARING	1	444688-	STANDARD (PKG. OF R62987 AND R62988)
	AR77749	THRUST BEARING	1	444688-	0.05 MM (.002") UNDERSIZE (PKG. OF R63002 AND R63006)
	AR77750	THRUST BEARING	1	444688-	0.25 MM (.010") UNDERSIZE (PKG. OF R63003 AND R63007)
	AR77751	THRUST BEARING	1	444688-	0.51 MM (.020") UNDERSIZE (PKG. OF R63004 AND R63008)
	AR77752	THRUST BEARING	1	444688-	0.76 MM (.030") UNDERSIZE (PKG. OF R63005 AND R63009)
6	AR74814	BEARING	AR		STANDARD (PKG. OF R61289 AND R57584) (SUB FOR AR44625)
	AR74815	BEARING	AR		0.05 MM (.002") UNDERSIZE (PKG. OF R61608 AND R60472) (SUB FOR AR46399)
	AR74816	BEARING	AR		0.25 MM (.010") UNDERSIZE (PKG. OF R61609 AND R60473) (SUB FOR AR46400)
	AR74817	BEARING	AR		0.51 MM (.020") UNDERSIZE (PKG. OF R61610 AND R60474) (SUB FOR AR46401)
	AR74818	BEARING	AR		0.76 MM (.030") UNDERSIZE (PKG. OF R61611 AND R60475) (SUB FOR AR46402)
7	T15539	BOLT	14		

1C11

ENGINE

RGP3890 -UN-01JAN94

PISTONS, RINGS, CONNECTING RODS, AND LINERS



RGP3890

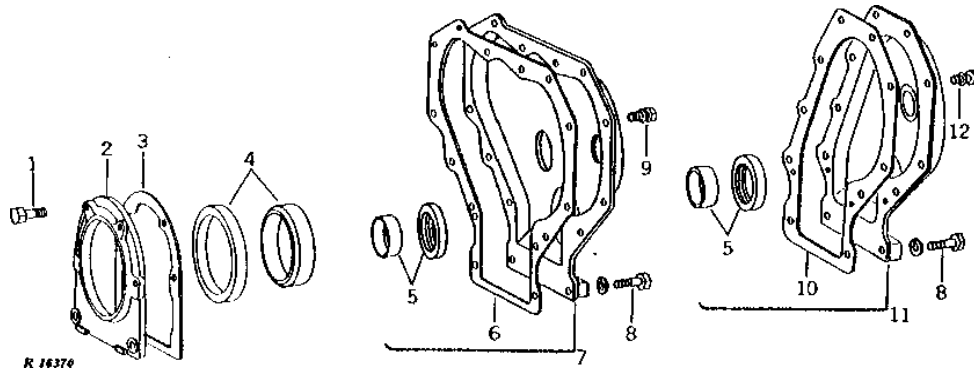
KEY	PART NO.	PART NAME	QTY	ENGINE SERIAL NO.	REMARKS
1	R66452	CAP SCREW	12		(SUB FOR R26325 OR R53290)
2	R53292	SLEEVE	12		(USE WITH R53288, R58882 OR R66922)
3	R42173	BUSHING	6		
4	AR86980	CONNECTING ROD	6		(MARKED R41423, R53288, R58882 OR R66922) (SUB FOR AR41056, AR59422 OR AR70912))
5	R41426	SNAP RING	12		
6	R41425	PISTON PIN	6		STD
	R54263	PISTON PIN	6		0.08 MM (.003") OS, (SUB FOR R42174) (MARKED YELLOW)
	R54264	PISTON PIN	6		0.13 MM (.005") OS, (SUB FOR R42175) (MARKED RED)
7	AR48768	PISTON RING	6	-303518	(SUB FOR AR43172) (USE WITH AR43171 OR AR50625)
	AR51741	PISTON RING	6	303519-	(USE WITH AR50624 OR AR50940)
8	AR43170	PISTON-LINER KIT	6	-XXXXXX	(MARKED AR43171) (SUB AR51798)
	AR55250	PISTON-LINER KIT	6	-XXXXXX	(SUB (6) AR51798 AND (6) AR70645)
	AR51798	PISTON-LINER KIT	6	XXXXXX-	(MARKED AR50624 OR AR50940) (SUB FOR AR50336)
9	R116253	SHIM	AR		0.050 MM (.002")
10	AR65507	O-RING KIT	6	303519-	(SUB FOR AR51956 OR AR53443) (THREE RING BLOCK) (USE WITH R47020 OR R47110)
	AR70645	O-RING KIT	6	-303518	(SUB FOR AR48687) (TWO RING BLOCK) (USE WITH R43310 OR R45980)
11	AR45723	BEARING	AR		STD (PKG (2) R44378)
	AR46395	BEARING	AR		0.05 MM (.002") US (PKG (2) R44925)
	AR46396	BEARING	AR		0.25 MM (.010") US (PKG (2) R44926)
	AR46397	BEARING	AR		0.51 MM (.010") US (PKG (2) R44927)
	AR46398	BEARING	AR		0.76 MM (.030") US (PKG (2) R44928)

1C12

ENGINE

CRANKSHAFT REAR OIL SEAL HOUSING, TIMING GEAR COVER, AND OIL SEAL
(SERIAL NO. -303518)

R16370 -UN-01JAN94



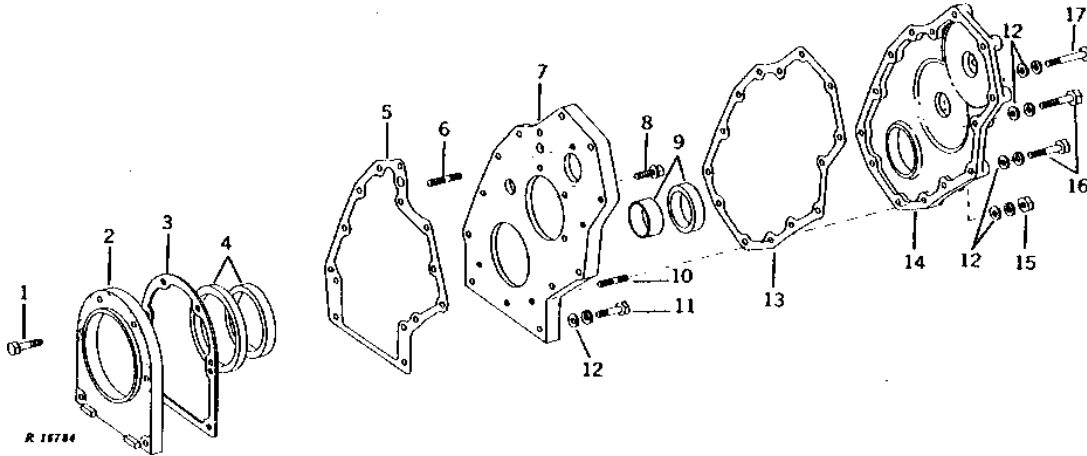
KEY	PART NO.	PART NAME	QTY	ENGINE SERIAL NO.	REMARKS
1	R47074	CAP SCREW	6		
2	R41406	HOUSING	1		(SUB R78124) (ALSO ORDER (6) T27860)
3	R26058	GASKET	1		
4	AR63095	SEAL	1		(REAR) (SUB FOR AR49650) (SUB RE22764)
5	AR49025	SEAL	1		(FRONT)
6	R26084	GASKET	1		
7	AR69984	COVER	1		(SUB FOR AR44390)
8	19H2661	CAP SCREW	2		5/16" X 1-3/8"
	12H303	LOCK WASHER	2		5/16"
9	AR27703	SCREW	11		
10	R46158	GASKET	1		(AIR CONDITIONING)
11	AR48262	COVER	1		(AIR CONDITIONING) (SUB AR48289, R32617 AND R46158)
12	AR27703	SCREW	8		(AIR CONDITIONING)
..	AR48289	COVER	1		
..	R32617	SLEEVE	1		

1C13

ENGINE

CRANKSHAFT OIL SEAL HOUSING, GEAR HOUSING, AND TIMING GEAR COVER
(SERIAL NO. 303519-)

R16784 -UN-01JAN94



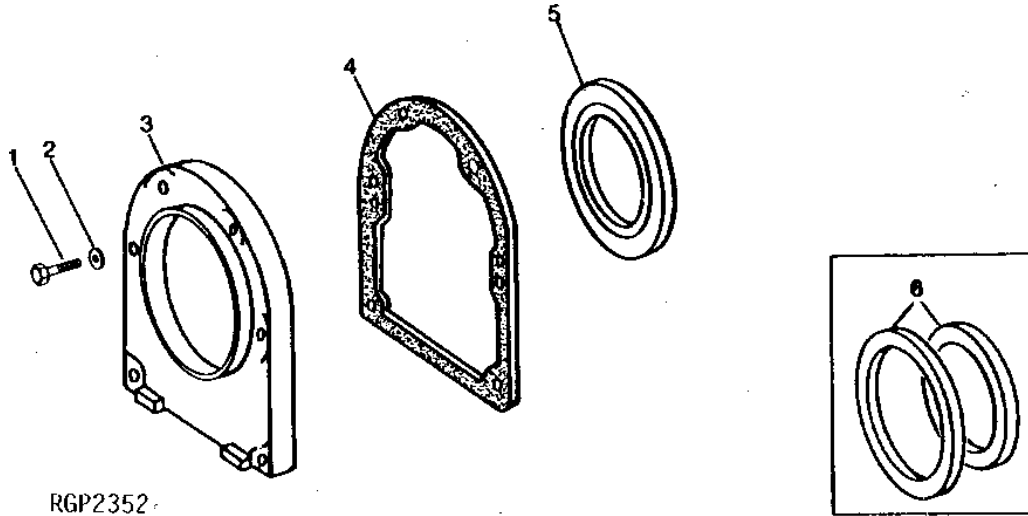
KEY	PART NO.	PART NAME	QTY	ENGINE SERIAL NO.	REMARKS
1	R47074	CAP SCREW	6		
2	R41406	HOUSING	1		(SUB R78124) (ALSO ORDER (6) T27860)
3	R26058	GASKET	1		
4	AR63095	SEAL	1		(REAR) (SUB FOR AR49650) (SUB RE22764)
5	R46984	GASKET	1		
6	R47105	STUD	2		
7	R48893	HOUSING	1		(SUB FOR R46983)
8	19H2915	CAP SCREW	3		5/16" X 1-1/4"
	24H1136	WASHER	3		11/32" X 11/16" X 0.065"
9	AR49025	SEAL	1		(FRONT)
10	R47104	STUD	3		(NLA)
11	19H2661	CAP SCREW	2		5/16" X 1-3/8"
	12H303	LOCK WASHER	2		5/16"
12	24H1136	WASHER	14		11/32" X 11/16" X 0.065"
13	R47047	GASKET	1		
14	AR49539	COVER	1		
15	14H785	NUT	3		5/16"
	12H303	LOCK WASHER	3		5/16"
16	19H1901	CAP SCREW	8		5/16" X 2"
	12H303	LOCK WASHER	8		5/16"
17	19H1949	CAP SCREW	1		5/16" X 2-1/2"
	12H303	LOCK WASHER	1		5/16"
	19H1733	CAP SCREW	2		3/8" X 2-1/2"
	12H304	LOCK WASHER	2		3/8", (NOT REQ. W/ E55662)
	E55662	FLANGE NUT	2		3/8"
	24H1305	WASHER	2		13/32" X 13/16" X 0.065"

1C14

ENGINE

RGP2352 -UN-01JAN94

CRANKSHAFT OIL SEAL AND HOUSING



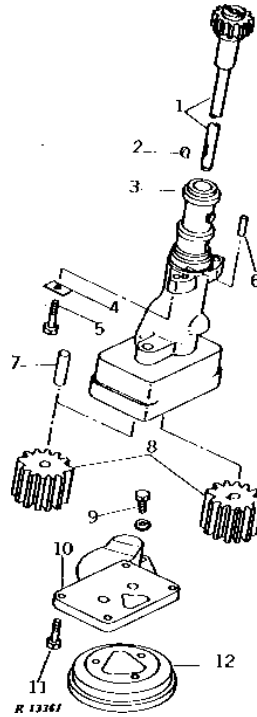
KEY	PART NO.	PART NAME	QTY	ENGINE SERIAL NO.	REMARKS
1	R47074	CAP SCREW	6		
2	T27860	WASHER	6		8.738 X 17.475 X 1.651 MM (11/32" X 11/16" X 0.065") (USE WITH R78124)
3	R78124	HOUSING	1		(SUB FOR R41406) (SUB R125027 AND (6) T27860)
4	R125027 R26058	HOUSING GASKET	1		(SUB FOR R115050)
5	RE22764	SEAL	1		(SUB FOR RE14953 OR RE17352)
6	AR63095	SEAL	1		(SUB RE22764)

1C15

ENGINE

R13361 -UN-01JAN94

ENGINE OIL PUMP



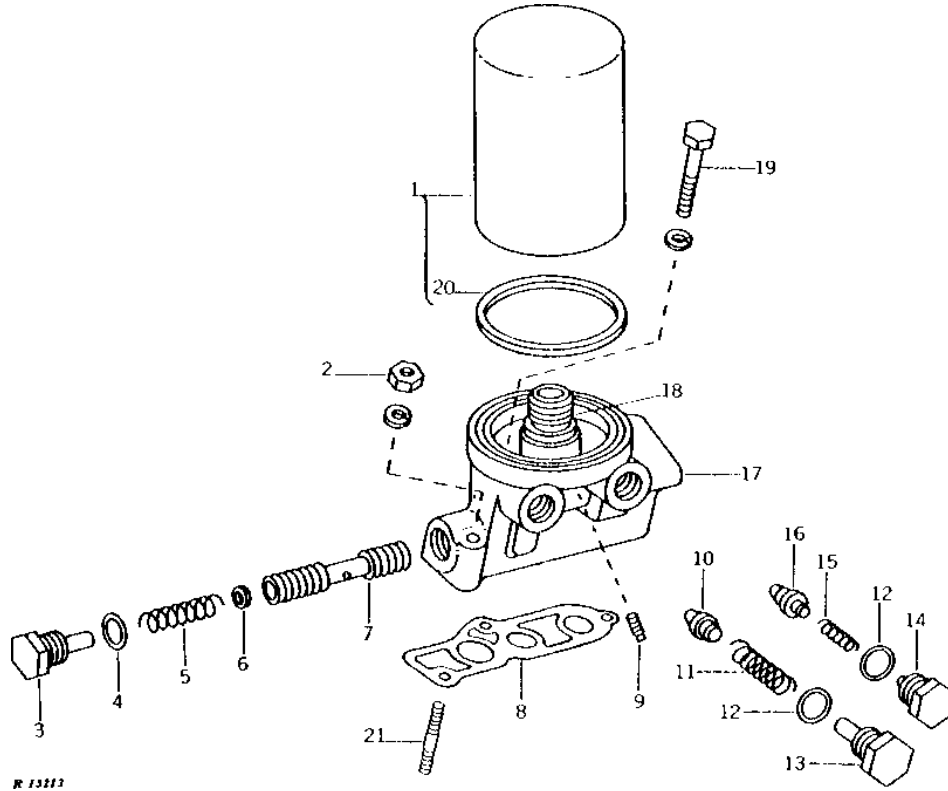
KEY	PART NO.	PART NAME	QTY	ENGINE SERIAL NO.	REMARKS
1	R45133	GEAR	1		
2	26H73	SHAFT KEY	NA		5/32" X 5/8"
3	AR48487	HOUSING	1	-303518	(MARKED R46337) (SUB FOR AR44442) (SUB AR68180, (2) R38614, AR73714, R42392 AND R45133)
	AR68180	HOUSING	1	303519-	(MARKED R56972) (CONTAINS R42390)
4	M72490	WASHER	2		(SUB FOR R42729)
5	R41920	CAP SCREW	2		
6	H826R	DOWEL PIN	1		
7	R42390	SHAFT	1		
8	AR44444	GEAR	1		(SUB AR73714 AND R42392)
	AR73714	GEAR	1		
	R42392	GEAR	1		
9	19H1900	CAP SCREW	3		5/16" X 3/4"
	12H303	LOCK WASHER	3		5/16"
10	R60754	COVER	1		(SUB FOR R43436 OR R52048)
	R52049	GASKET	1		
11	R46567	CAP SCREW	4		
12	AR56639	OIL PUMP INTAKE	1		(SUB FOR AR47524)
..	AR75896	OIL PUMP	1		(MARKED R59034) (SUB FOR AR43510, AR52571) (SUB AR71118, (2) R38614, (2) R41920 AND (2) M72490)
..	AR75896	OIL PUMP	1		(MARKED R46337 OR R56972) (SUB AR68180, AR73714, R42392 AND R45133)
..	AR63865	KIT	1		(CONTAINS (2) R41920 AND (2) M72490)

1C16

ENGINE

R13213 -UN-01JAN94

ENGINE OIL FILTER



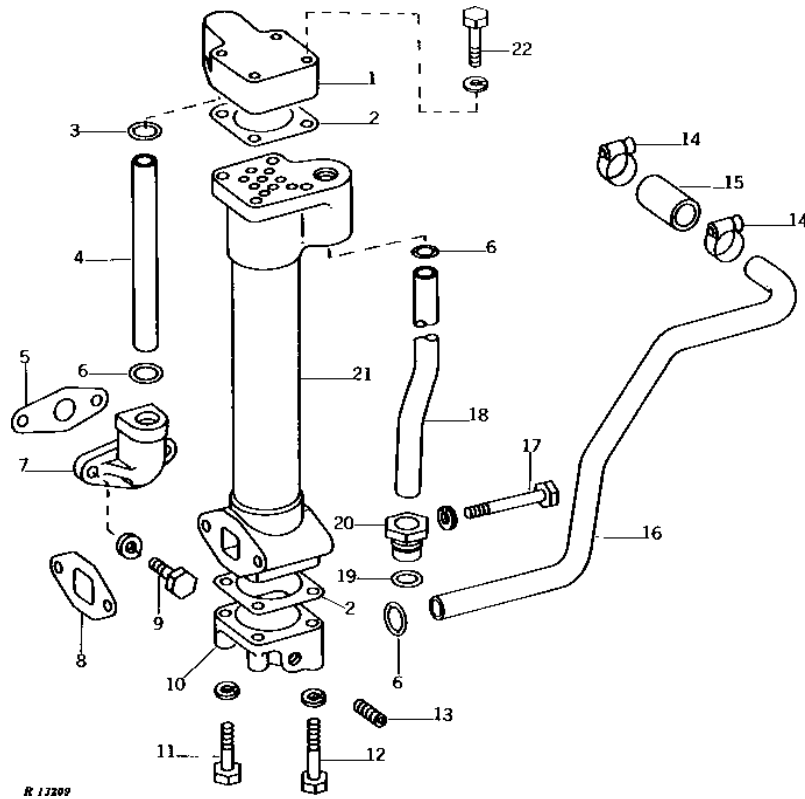
KEY	PART NO.	PART NAME	QTY	ENGINE SERIAL NO.	REMARKS
1	AR43634	OIL FILTER	1		(MARKED AR43261 OR AR43634)
2	E55662	FLANGE NUT	2		3/8"
	12H304	LOCK WASHER	2		3/8", (NOT REQUIRED WITH E55662)
3	RE10834	DRAIN PLUG	1		(SUB FOR R43425)
4	R43424	WASHER	1		
5	R43548	SPRING	1		
6	U40750	WASHER	AR		
7	R77003	VALVE	1		(SUB FOR R43428, APPL)
8	R43774	GASKET	1		
9	R42852	PIPE PLUG	1		
10	R43423	VALVE	1		
11	T20303	SPRING	1		
12	R43424	WASHER	2		
13	R43425	DRAIN PLUG	1		(SUB R43427, APPL)
14	R43427	DRAIN PLUG	1		
15	R36715	SPRING	1		
16	R43426	VALVE	1		
17	AR43112	HOUSING	1		(MARKED R43421 OR R46424)
18	R43429	FITTING	1		(USE WITH AR43261 OR AR43634)
19	19H1726	CAP SCREW	1		3/8" X 2-1/4"
	12H304	LOCK WASHER	2		3/8"
20	R43660	PACKING	1		(USE WITH AR43261 OR AR43634)
21	R699R	STUD	1	-XXXXX	
	R106859	STUD	1	XXXXX-	(USE WITH R46424) (SUB FOR T20173 F3646R OR R26662, APPL)
	R32042	STUD	1		

1C17

ENGINE

ENGINE OIL COOLER (ENGINE SERIAL NO. -303518)

R13209 -UN-01JAN94



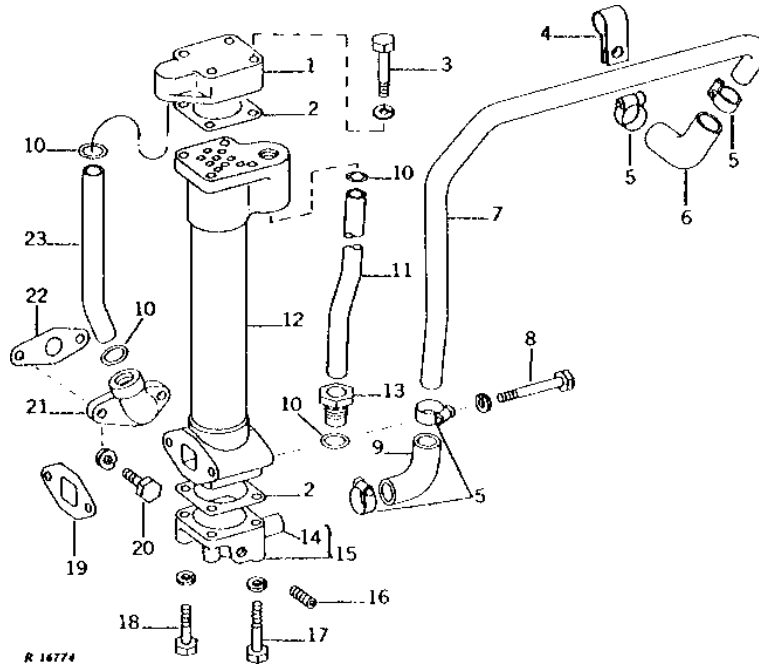
KEY	PART NO.	PART NAME	QTY	ENGINE SERIAL NO.	REMARKS
1	R43553	CAP	1		
2	R27948	GASKET	2		
3	R52811	O-RING	1		(SUB FOR R47102)
4	R43564	LINE	1		
5	R43563	GASKET	1		
6	R52811	O-RING	3		(SUB FOR R47102)
7	R43562	ELBOW FITTING	1		
8	R43558	GASKET	1		
9	19H1731	CAP SCREW	2		3/8" X 1"
10	R43554	CAP	1		(NLA)
11	19H1849	CAP SCREW	2		5/16" X 1-1/4"
12	12H303	LOCK WASHER	4		5/16"
12	19H1875	CAP SCREW	2		5/16" X 1-3/4"
13	15H559	PIPE PLUG	1		1/4"
14	TY22467	CLAMP	2		(SUB FOR AR21839)
15	A5203R	HOSE	1		22MM X 76MM (7/8" X 3") (SUB FOR R43556)
16	R43555	LINE	1		
17	19H1912	CAP SCREW	2		3/8" X 3-1/2"
18	12H304	LOCK WASHER	2		3/8"
18	R43559	OIL TUBE	1		
19	R52811	O-RING	1		(SUB FOR R43798)
20	R43560	NUT	1		
21	AR51518	OIL COOLER	1		(SUB FOR AR43156)
22	19H1913	CAP SCREW	4		5/16" X 2-1/4"
	12H303	LOCK WASHER	4		5/16"

1C18

ENGINE

ENGINE OIL COOLER (ENGINE SERIAL NO. 303519-)

R16774 -UN-01JAN94



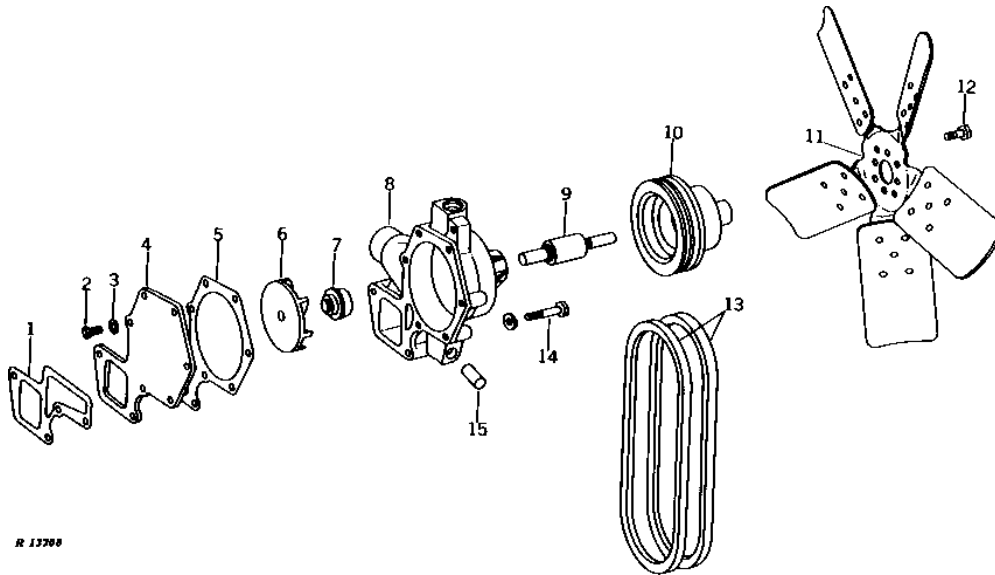
KEY	PART NO.	PART NAME	QTY	ENGINE SERIAL NO.	REMARKS
1	R43553	CAP	1		
2	R27948	GASKET	2		
3	19H1913	CAP SCREW	4	5/16" X 2-1/4"	
	12H303	LOCK WASHER	4	5/16"	
4	R48794	CLAMP	1		
5	TY22467	CLAMP	4		(SUB FOR AR21839)
6	R47091	HOSE	1		
7	R48774	LINE	1		
8	19H3175	CAP SCREW	2	3/8" X 3-5/8", HS, SAE 8	
	12H304	LOCK WASHER	2	3/8"	
9	R50402	HOSE	1		(SUB FOR R47430)
10	R52811	O-RING	4		(SUB FOR R47102)
11	R46532	OIL TUBE	1		
12	AR51519	OIL COOLER	1		
13	R43560	NUT	1		
14	R43410	TUBE	1		
15	AR52222	CAP	1		(MARKED R48791)
16	15H559	PIPE PLUG	1		1/4"
17	19H1875	CAP SCREW	2	5/16" X 1-3/4"	
	12H303	LOCK WASHER	2	5/16"	
18	19H1849	CAP SCREW	2	5/16" X 1-1/4"	
	12H303	LOCK WASHER	2	5/16"	
19	R43558	GASKET	1		
20	19H1731	CAP SCREW	2	3/8" X 1"	
	12H304	LOCK WASHER	2	3/8"	
21	R47914	ELBOW FITTING	1		
22	R43563	GASKET	1		
23	R48032	LINE	1		

1C19

ENGINE

FAN AND WATER PUMP
(ENGINE SERIAL NO. -303518)

R13208 -UN-01JAN94



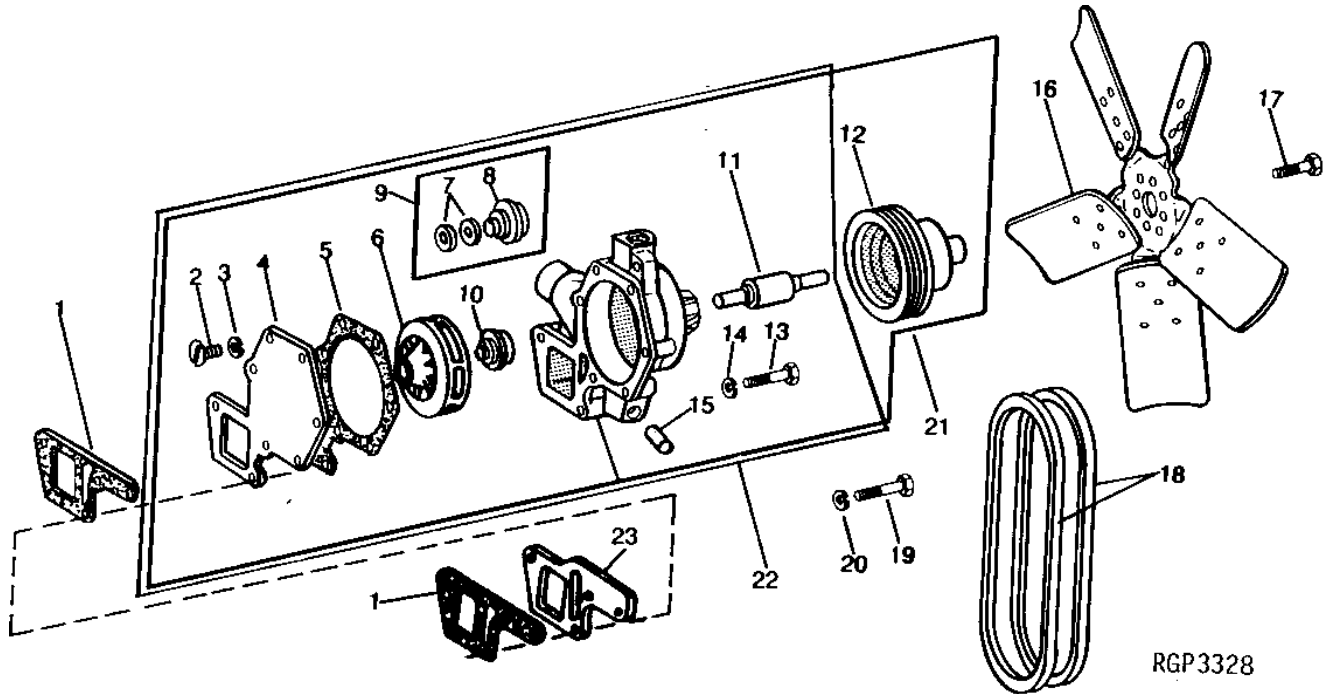
KEY	PART NO.	PART NAME	QTY	ENGINE SERIAL NO.	REMARKS
1	R42406	GASKET	1	(SUB FOR R43417)	
2	R43663	SCREW	4		
3	12H323	LOCK WASHER	4	5/16"	
4	AR43747	COVER	1	(SUB FOR AR43607) INCLUDES R43904 AND AR41691	
5	R43117	GASKET	1		
6	R43904	IMPELLER	1	(ALSO ORDER AR41691) (SUB FOR AR43021 OR R43115)	
7	AR62934	SEAL	1	(SUB FOR AR36668) (SUB AR101549)	
	AR41691	INSERT	1	(SUB AR101549)	
8	AR43746	WATER PUMP	1	(MARKED R43114) (SUB FOR AR43020) (CONTAINS R46562) (SUB RE20025 AND R43117)	
9	JD9257	BALL BEARING	1	(MARKED R43114)	
10	R46562	PULLEY	1	(SUB FOR R43118)	
11	AR43177	FAN	1		
12	19H2284	CAP SCREW	4	3/8" X 7/8"	
13	AR43219	BELT SET	1		
14	19H1733	CAP SCREW	4	3/8" X 2-1/2"	
	12H304	LOCK WASHER	4	3/8"	
15	R43410	TUBE	1		
..	RE20025	WATER PUMP	1	(WITHOUT PULLEY) (MARKED R43114)	

1C20

ENGINE

FAN AND WATER PUMP (ENGINE SERIAL NO. 303519-)

RGP3328 -UN-01JAN94



KEY	PART NO.	PART NAME	QTY	ENGINE SERIAL NO.	REMARKS
1	R42406	GASKET	1		
	R42406	GASKET	2	(A)	
2	R43663	SCREW	4		
3	12H323	LOCK WASHER	4	5/16"	
4	AR43747	COVER	1		
5	R43117	GASKET	1		
6	R43904	IMPELLER	1		
7	AR41691	INSERT	1	(SUB AR101549)	
8	T27261	SEAL	1	(SUB AR101549)	
9	AR62934	SEAL	1	(SUB AR101549) (SUB FOR AR36668)	
10	AR101549	SEAL KIT	1		
11	JD9257	BALL BEARING	1		
12	R46562	PULLEY	1		
	R47126	SHEAVE	1	(A)	
13	19H1733	CAP SCREW	2	3/8" X 2-1/2"	
	19H2128	CAP SCREW	2	(A) 3/8" X 3"	
14	12H304	LOCK WASHER	2	3/8"	
15	R43410	TUBE	1		
16	AR48871	FAN	1		
17	19H2284	CAP SCREW	4	3/8" X 7/8"	
18	AR51059	BELT SET	1		
	AR56638	BELT SET	1	(A)	
19	19H1733	CAP SCREW	2	3/8" X 2-1/2"	
	19H2128	CAP SCREW	2	(A) 3/8" X 3"	
20	12H304	LOCK WASHER	2	3/8"	
21	AR49649	WATER PUMP	1	(MARKED R46561) (SUB RE20024) (ALSO ORDER AS REQUIRED (2) 19H1733, (2) 12H304, R47847 AND R43117)	
	AR49655	WATER PUMP	1	(A) (MARKED R46561) (SUB RE20024) (ALSO ORDER AS REQUIRED (2) 19H2128, (2) 12H304, R47126 AND R43117)	
22	RE20024	WATER PUMP	1	(MARKED R46561)	
23	R47114	SPACER	1	(A)	

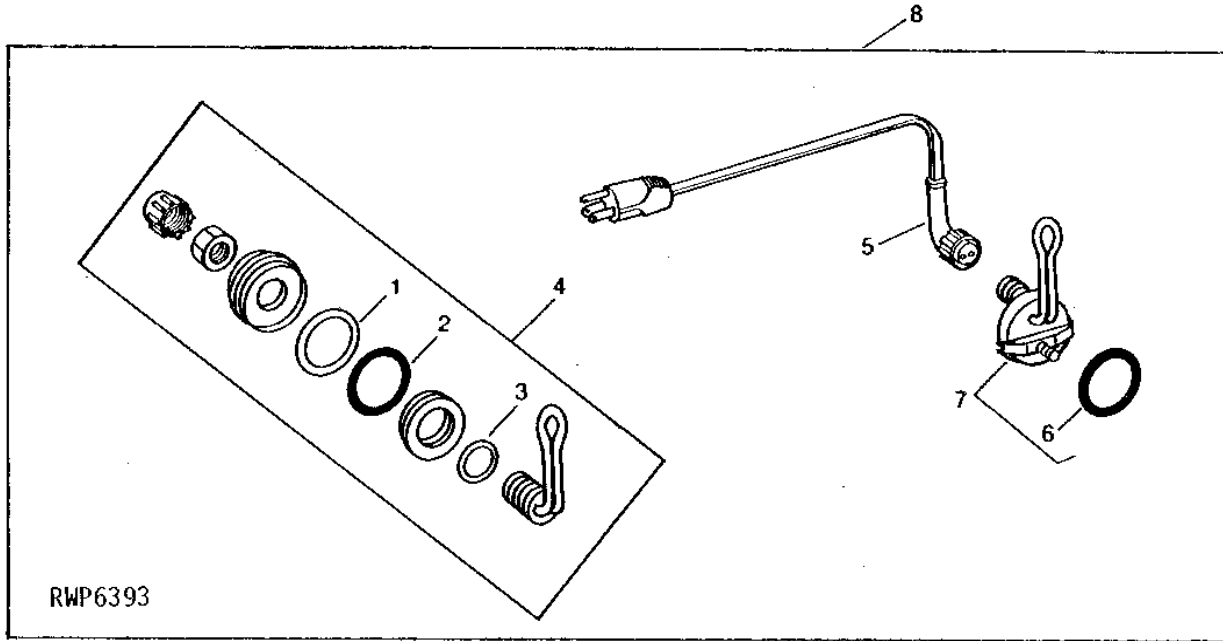
(A) AIR CONDITIONING

1C21

ENGINE

ENGINE COOLANT HEATER
(TRACTOR SERIAL NO. XXXXXX-)

RWP6393 -UN-01JAN94



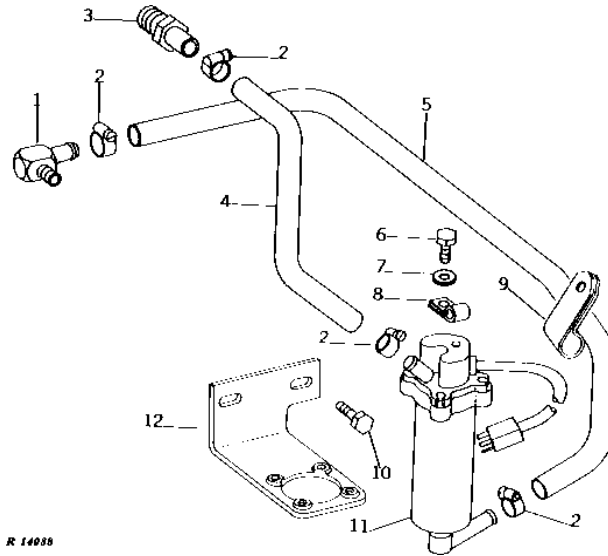
KEY	PART NO.	PART NAME	QTY	ENGINE SERIAL NO.	REMARKS
1	R47692	RING	1		
2	R31378	O-RING	1		
3	R47693	GASKET	1		
4	AR50399	HEATER	1	(SUB RE29408)	
5	AR50411	WIRING LEAD	1		
6	R30200	O-RING	1		
7	RE29408	COOLANT HEATER	1		
8	AR50518	COOLANT HEATER	1		

1C22

ENGINE

R14088 -UN-01JAN94

ENGINE COOLANT HEATER



KEY	PART NO.	PART NAME	QTY	TRACTOR SERIAL NO.	REMARKS
1	AR45974	FITTING	1		
2	AR21837	CLAMP	4	(SUB TY22465)	
3	R41071	FITTING	1		
4	HOSE	1	16 X 24 X 1676MM (5/8" X 15/16" X 66")	(MAKE FROM R45847)
	R44302	TIE BAND	1		
5	HOSE	1	16 X 24 X 965MM (5/8" X 15/16" X 38")	(MAKE FROM R45847)
6	19H1914	CAP SCREW	3	1/4" X 1"	
	19H1791	CAP SCREW	3	1/4" X 1-1/4"	
7	24H1287	WASHER	4	9/32" X 5/8" X 0.065"	
8	T22645	CLIP	1		
9	R40791	CLAMP	1	(SUB FOR A4656R)	
10	19H1978	CAP SCREW	2	7/16" X 1-1/2"	
11	AR42326	HEATER	1	(COMPLETE)	
	AR42883	COOLANT HEATER	1	ELEMENT	
	AR42991	HOUSING	1		
	F1649R	O-RING	1		
12	R44644	BRACKET	1		
..	AR43737	COOLANT HEATER	1	EXTERNAL (COMPLETE)	
..	R46825	DECAL	1	GROUNDING CORD WARNING	

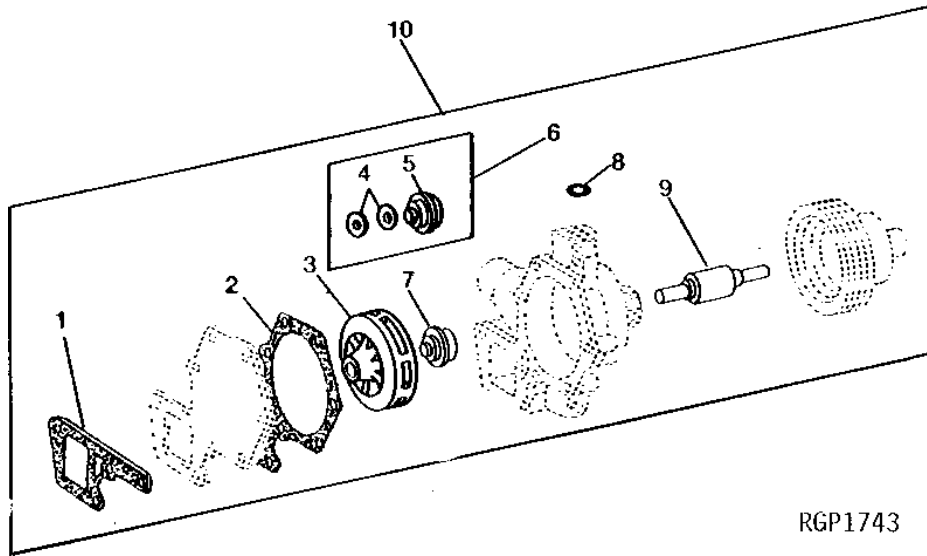
MEMORANDA

1C23

ENGINE

RGP1743 -UN-01JAN94

WATER PUMP REPAIR KIT



RGP1743

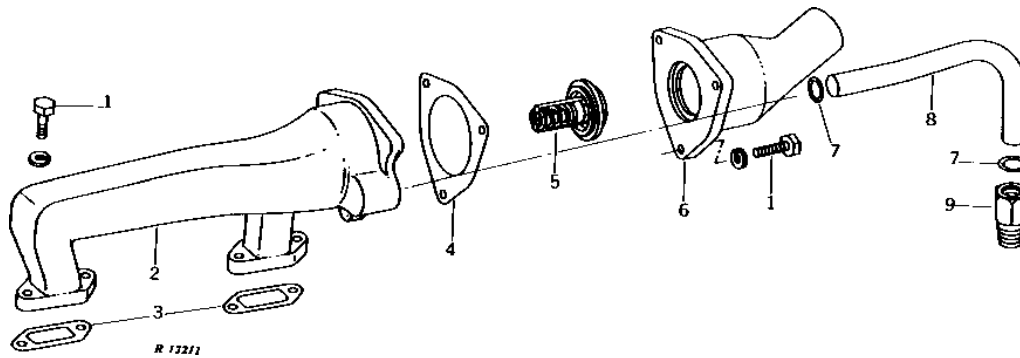
KEY	PART NO.	PART NAME	QTY	ENGINE SERIAL NO.	REMARKS
1	R42406	GASKET	2		
2	R43117	GASKET	1		
3	R43904	IMPELLER	1		
4	AR41691	INSERT	1	(SUB AR101549)	
5	T27261	SEAL	1	(SUB AR101549)	
6	AR62934	SEAL	1	(SUB AR101549)	(SUB FOR AR36668)
7	AR101549	SEAL KIT	1		
8	R47153	O-RING	2	(SUB FOR R50420 OR A4730R, APPL)	
9	JD9257	BALL BEARING	1		
10	AR98568	KIT	1	(SUB FOR AR55624)	

1C24

ENGINE

**WATER MANIFOLD AND THERMOSTAT
(ENGINE SERIAL NO. -303518)**

R13211 -UN-01JAN94



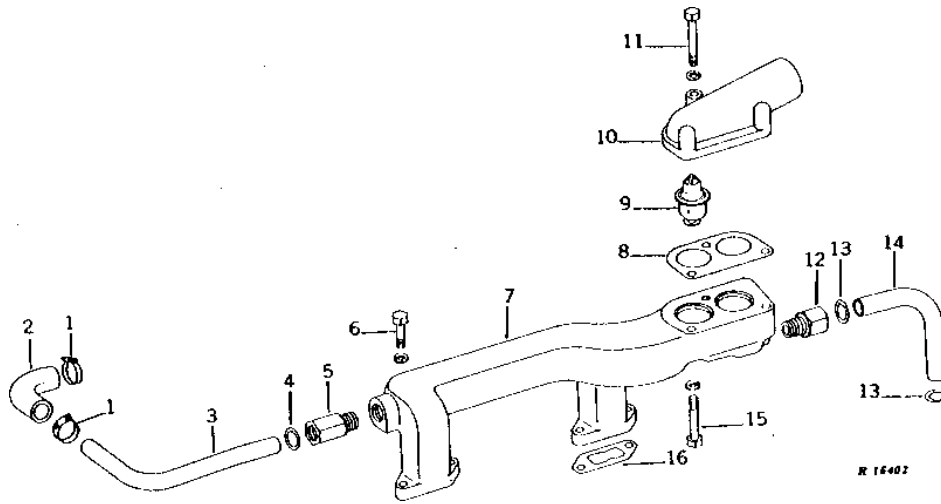
KEY	PART NO.	PART NAME	QTY	ENGINE SERIAL NO.	REMARKS
1	19H1732	CAP SCREW	7	3/8" X 1-1/4"	
	12H304	LOCK WASHER	7	3/8"	
2	R43487	MANIFOLD	1	(NLA)	
3	R88397	GASKET	2	(SUB FOR R42693)	
4	R43488	GASKET	1		
5	AR77411	THERMOSTAT	1	(SUB FOR AF1522R OR AR70601)	
6	R43486	HOUSING	1		
7	R47153	O-RING	2	(SUB FOR R50420, APPL)	
8	R43489	TUBE	1	(NLA)	
9	R43491	FITTING	1		

1C25

ENGINE

WATER MANIFOLD AND THERMOSTATS (ENGINE SERIAL NO. 303519-)

R16402 -UN-01JAN94



R 16402

KEY	PART NO.	PART NAME	QTY	ENGINE SERIAL NO.	REMARKS
1	TY22467	CLAMP	2	(SUB FOR AR21839)	
2	R50402	HOSE	1	(SUB FOR R47430)	
3	R47429	LINE	1		
4	R52811	O-RING	1	(SUB FOR R47102)	
5	R47426	FITTING	1	(NLA)	
6	19H3221	CAP SCREW	4	3/8" X 1-1/4"	
	12H304	LOCK WASHER	4	3/8"	
7	R46477	MANIFOLD	1	(NLA)	
8	R46479	GASKET	1		
9	AR48675	THERMOSTAT	2		
10	R53423	COVER	1	(SUB FOR R46478)	
11	19H2553	CAP SCREW	1	3/8" X 2-5/8"	
	12H304	LOCK WASHER	1	3/8"	
12	R43491	FITTING	1		
13	R47153	O-RING	1	(SUB FOR R50420, APPL)	
14	R46480	TUBE	1		
15	19H1726	CAP SCREW	2	3/8" X 2-1/4"	
	12H304	LOCK WASHER	2	3/8"	
16	R88397	GASKET	2	(SUB FOR R42693)	

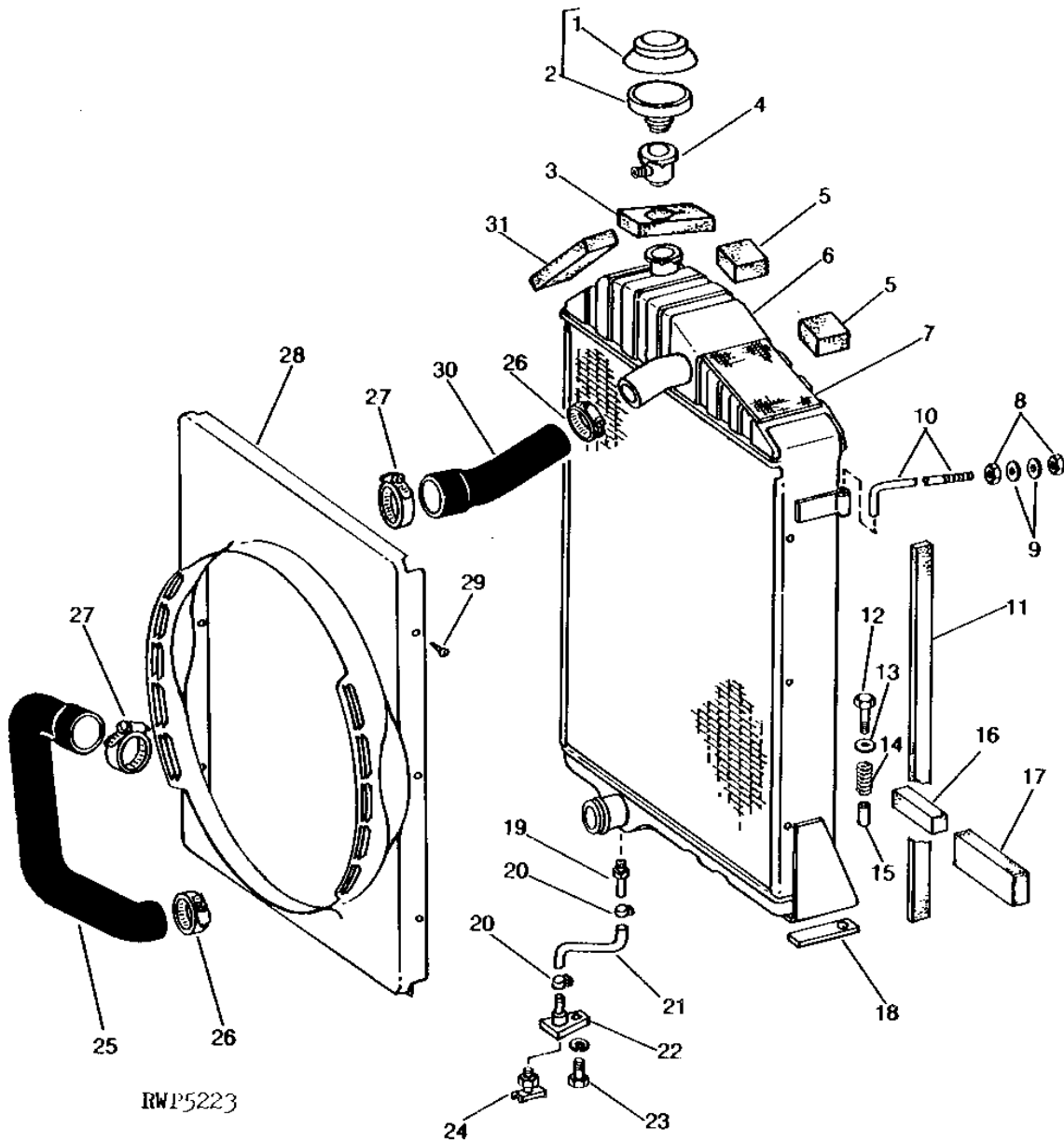
1D1

ENGINE

RWP5223

-UN-01JAN94

RADIATOR



RWP5223

1D2

ENGINE

RADIATOR - CONTINUED

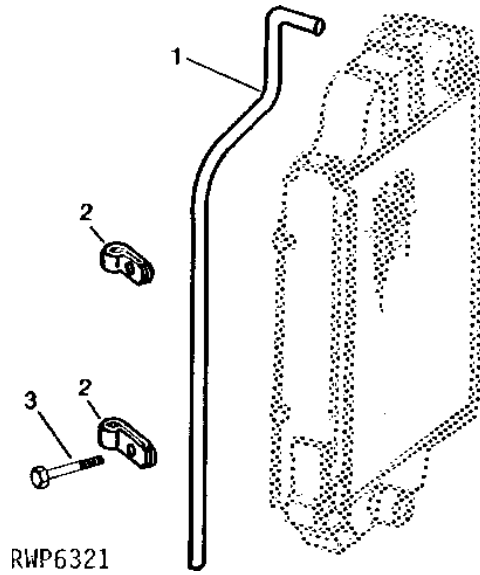
KEY	PART NO.	PART NAME	QTY	TRACTOR SERIAL NO.	REMARKS
1	R27209	COVER	1		
2	AR28482	CAP	1		
3	R28015	FOAM PAD	1		
4	RE15427	FILLER NECK	1		
5	FOAM PAD	2		38 X 64 X 89MM (1-1/2" X 2-1/2" X 3-1/2") (MAKE FROM R35339)
6	AR43945	RADIATOR	1		(MARKED AR43947) (ALSO ORDER R46453, AR21999 AND R46521) (SUB FOR AR43190)
7	FOAM PAD	1		3 X 102 X 140MM (1/8" X 4" X 5-1/2") (MAKE FROM R30597)
8	14H1076	NUT	4		3/8"
9	24H1305	WASHER	4		13/32" X 13/16" X 0.065"
10	R43580	ROD	1		L.H. (SUB R48824)
	R48824	HOOK BOLT	1		R.H.
11	FOAM PAD	2		13 X 25 X 610MM (1/2" X 1" X 24") (MAKE FROM R30936)
12	19H2549	CAP SCREW	2		3/8" X 1-7/8"
13	24H1309	WASHER	2		13/32" X 1-1/16" X 0.120"
14	F2411R	SPRING	2		
15	R26417	SPACER	2		
16	FOAM PAD	1		25 X 25 X 102MM (1" X 1" X 4") (MAKE FROM R30937)
17	FOAM PAD	2		25 X 51 X 152MM (1" X 2" X 6") (MAKE FROM R28123)
18	R26413	STRAP	2		
19	R43583	FITTING	1		
20	AR21836	CLAMP	2		
21	HOSE	1		229MM (9") (MAKE FROM R32639)
22	AR43843	SUPPORT	1		(SUB FOR AR43557)
23	19H1801	CAP SCREW	1		3/8" X 2"
	12H304	LOCK WASHER	1		3/8"
24	AT13740	DRAIN VALVE	1		
25	R43581	HOSE	1	-303518	
	R48427	HOSE	1	303519-	
	R46453	HOSE	1		(AIR CONDITIONING)
26	AR21840	CLAMP	2		(SUB TY22470)
27	AR21999	CLAMP	2		
28	R46522	SHROUD	1		(USE WITH AR48871) (SUB FOR R43043)
29	37H79	SCREW	6		1/4" X 5/8"
30	R43582	HOSE	1	-303518	
	R46521	HOSE	1	303519-	
31	FOAM PAD	1		38 X 51 X 140MM (1-1/2" X 2" X 5-1/2") (MAKE FROM R35339)

1D3

ENGINE

RWP6321 -UN-01JAN94

RADIATOR OVERFLOW KIT



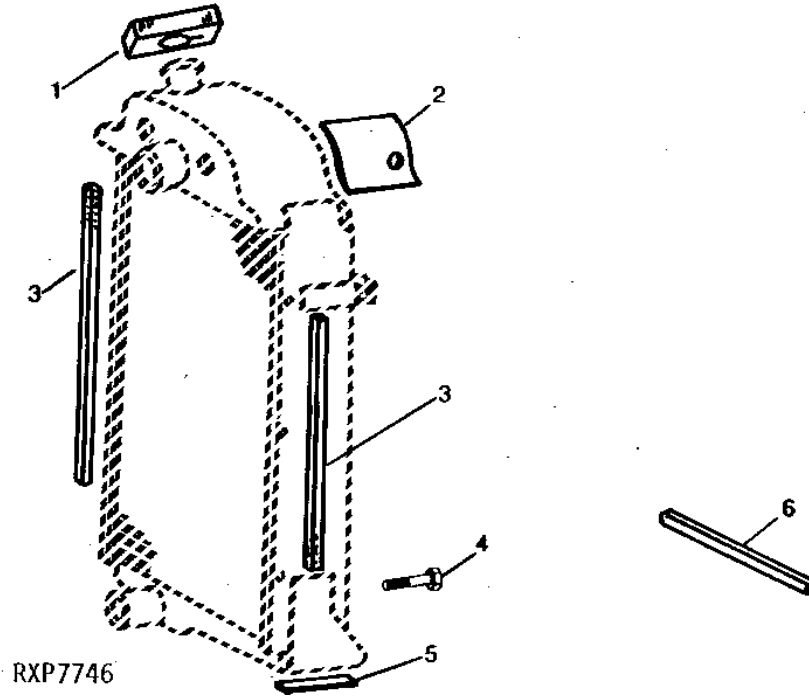
KEY	PART NO.	PART NAME	QTY	TRACTOR SERIAL NO.	REMARKS
1	R67035	HOSE	1		
2	T12250	CLIP	2		
3	19H1900	CAP SCREW	2	5/16" X 3/4"	

1D4

ENGINE

RXP7746 -UN-01JAN94

RADIATOR BAFFLES AND FOAM PAD KIT



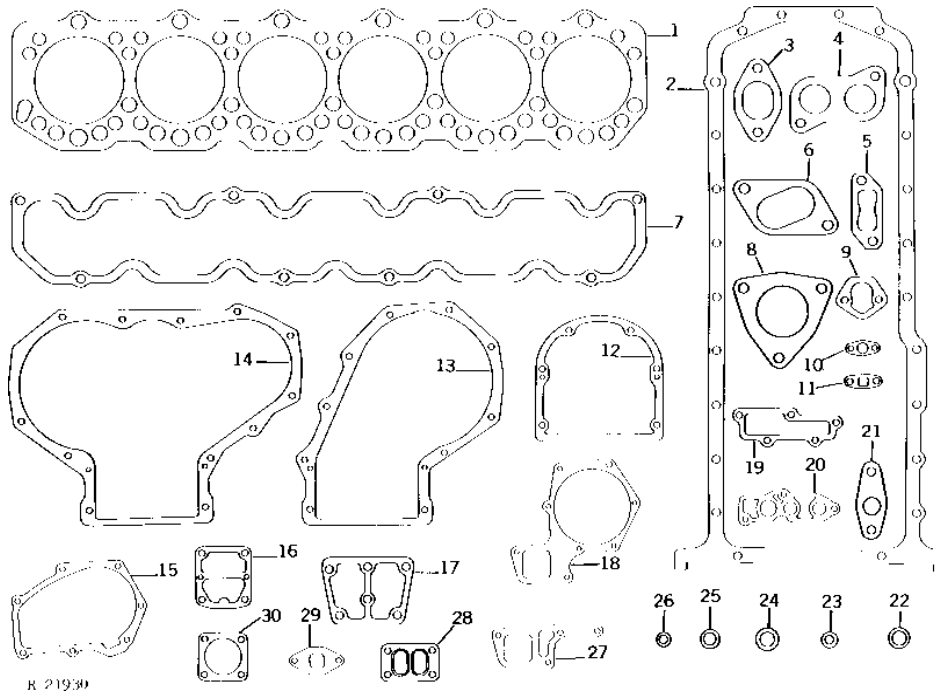
KEY	PART NO.	PART NAME	QTY	TRACTOR SERIAL NO.	REMARKS
1	R28015	FOAM PAD	1		
2	FOAM PAD	1		3 X 102 X 127MM (1/8" X 4" X 5") (MAKE FROM R30597)
3	ISOLATOR	2	-067999	13 X 19 X 495MM (1/2" X 3/4" X 19-1/2") (MAKE FROM R30936)
4	37H99	SCREW	6		0.099" X 1/4", FAN SHROUD TO RADIATOR
5	R26413	STRAP	2		
6	R91558	FOAM PAD	1		13 X 13 X 400MM (1/2" X 1/2" X 5-3/4") (SUB FOR R30877)

1D5

ENGINE

**GASKET SET
(ENGINE SERIAL NO. -303518)**

R21930 -UN-01JAN94



KEY	PART NO.	PART NAME	QTY	ENGINE SERIAL NO.	REMARKS
1	R48291	GASKET	1		(A) (SUB FOR R41709) (MARKED R48291) (THIN)
2	R71918	GASKET	1		(SUB FOR R42424 OR R53282)
3	R83021	GASKET	2		(A) (SUB FOR R44374)
4	R83020	GASKET	2		(A) (SUB FOR R44373)
5	R88397	GASKET	2		(A) (SUB FOR R42693)
6	R26297	GASKET	3		(A)
7	R49866	GASKET	1		(A) (SUB FOR R26356 OR R32593)
8	R43488	GASKET	1		(A)
9	R97350	GASKET	1		(SUB FOR R27285)
10	R97348	GASKET	1		(A) (SUB FOR R43413)
11	R105346	GASKET	1		(A) (SUB FOR R43416 OR R97349)
12	R26058	GASKET	1		
13	R46158	GASKET	1		
14	R26084	GASKET	1		
15	R42404	GASKET	1		
16	R44853	GASKET	1		(SUB FOR R44853, THIS APPLICATION) (SUB FOR R62410, APPL)
17	R43595	GASKET	1		
18	R43117	GASKET	1		
19	R45968	GASKET	1		
20	R43774	GASKET	1		
21	R43563	GASKET	1		
22	A4730R	O-RING	1		
23	R72328	O-RING	1		(SUB FOR R43780)
24	R51203	O-RING	1		
25	T20055	WASHER	12		(A)
26	R495R	O-RING	1		(A)
27	R42406	GASKET	1		
28	R43751	GASKET	1		
29	R43558	GASKET	1		
30	R27948	GASKET	2		
..	AR53633	GASKET	1		(CYLINDER HEAD)
..	AR53094	GASKET KIT	1		(ENGINE REBUILD) (SUB FOR AR53634)

(A) CONTAINED IN AR53633

MEMORANDA

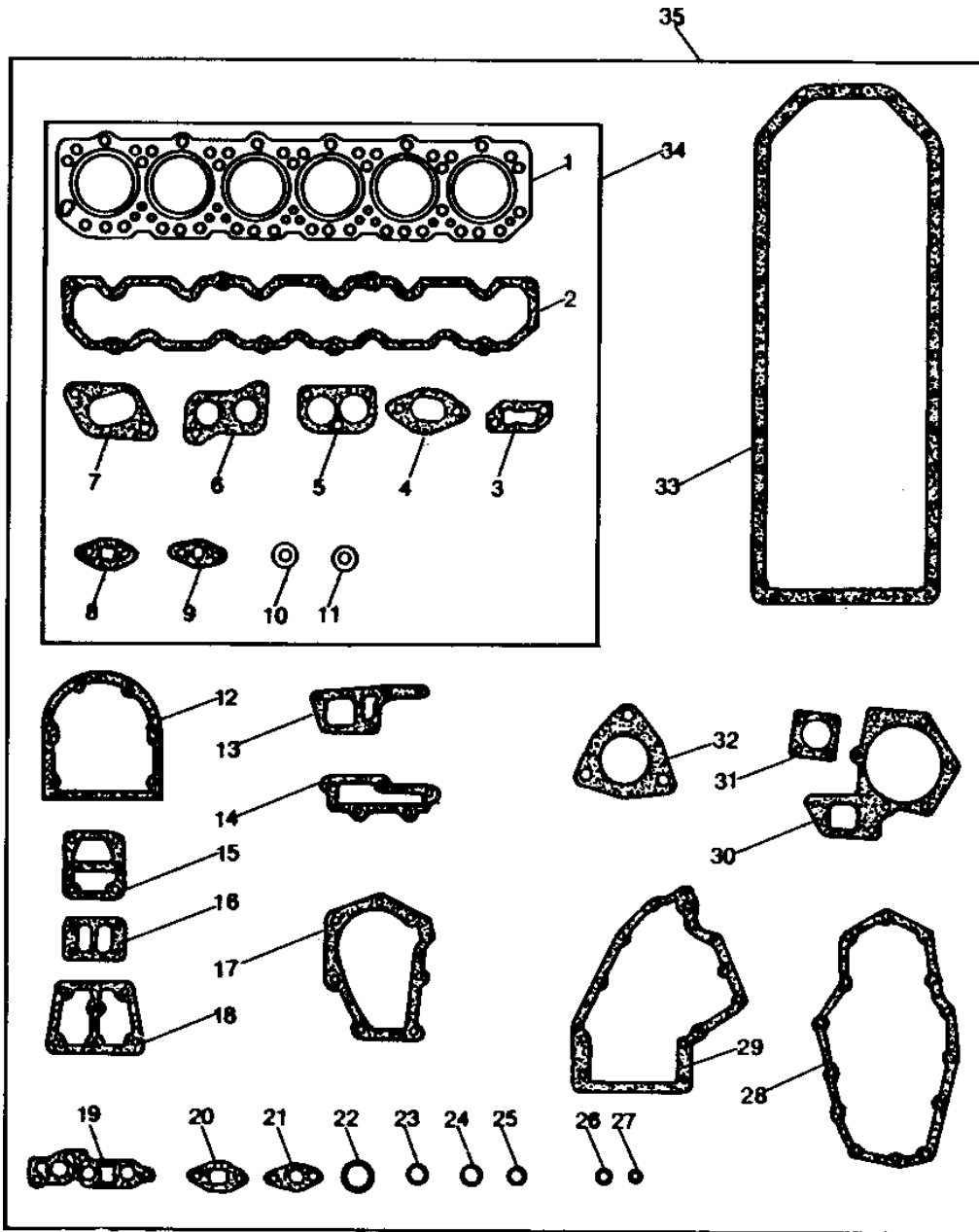
1D6

ENGINE

RGP1861

-UN-01JAN94

ENGINE GASKET SETS
(ENGINE SERIAL NO. 303519-)



RGP1861

1D7

ENGINE

ENGINE GASKET SETS - CONTINUED
(ENGINE SERIAL NO. 303519-)

KEY	PART NO.	PART NAME	QTY	ENGINE SERIAL NO.	REMARKS
1	R48291	GASKET	1		CYLINDER HEAD (THIN)
2	R49866	GASKET	1		ROCKER ARM COVER, (SUB FOR R32593)
3	R88397	GASKET	2		WATER OUTLET MANIFOLD, (SUB FOR R42693)
4	R83021	GASKET	2		EXHAUST MANIFOLD, OUTER, (SUB FOR R44374)
5	R46479	GASKET	1		THERMOSTAT COVER
6	R83020	GASKET	2		EXHAUST MANIFOLD, INNER, (SUB FOR R44373)
7	R26297	GASKET	3		INTAKE MANIFOLD
8	R105346	GASKET	1		TURBOCHARGER OIL OUTLET ADAPTER, (SUB FOR R43416)
9	R97348	GASKET	1		TURBOCHARGER OIL INLET ADAPTER
10	R64840	WASHER	6		INJECTION NOZZLE, (SUB FOR R48633)
11	R48693	WASHER	12		INJECTION LEAK-OFF LINE
12	R26058	GASKET	1		CRANKSHAFT OIL SEAL HOUSING
13	R42406	GASKET	2		WATER PUMP
14	R45968	GASKET	1		CYLINDER COVER
15	R44853	GASKET	1		TACHOMETER DRIVE HOUSING (SUB FOR R62410, APPL)
16	R43751	GASKET	1		TURBOCHARGER
17	R42404	GASKET	1		WATER PUMP HOUSING
18	R43595	GASKET	1		CYLINDER HEAD WATER OPENING COVER
19	R43774	GASKET	1		OIL FILTER
20	R43558	GASKET	1		OIL COOLER
21	R43563	GASKET	1		WATER INLET ELBOW
22	O-RING	1		FUEL PUMP, (SUB R48399)
23	R47153	O-RING	1		WATER BYPASS TUBE, (SUB FOR A4730R OR R50420, THIS APPLICATION)
24	R495R	O-RING	4		VENT TUBE
25	R52811	O-RING	4		OIL COOLER LINES, (SUB FOR R47102)
26	R72328	O-RING	1		TURBOCHARGER INLET OIL, (SUB FOR R43780)
27	R51203	O-RING	1		TURBOCHARGER OUTLET LINE, (SUB FOR R43781)
28	R47047	GASKET	1		TIMING GEAR COVER
29	R46984	GASKET	1		GEAR HOUSING
30	R43117	GASKET	1		WATER PUMP COVER
31	R27948	GASKET	2		OIL COOLER CAP
32	R43488	GASKET	1		THERMOSTAT HOUSING
33	R71918	GASKET	1		OIL PAN, (SUB FOR R53282)
34	AR53095	GASKET KIT	1		CYLINDER HEAD
35	AR53094	GASKET KIT	1		ENGINE REBUILD, (ALSO ORDER R48399)

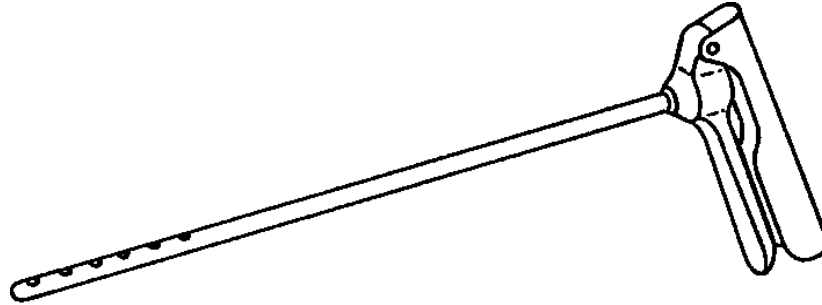
MEMORANDA

1D11

FUEL AND AIR

RP474 -UN-01JAN94

DRY AIR CLEANER ELEMENT CLEANING GUN



RP474

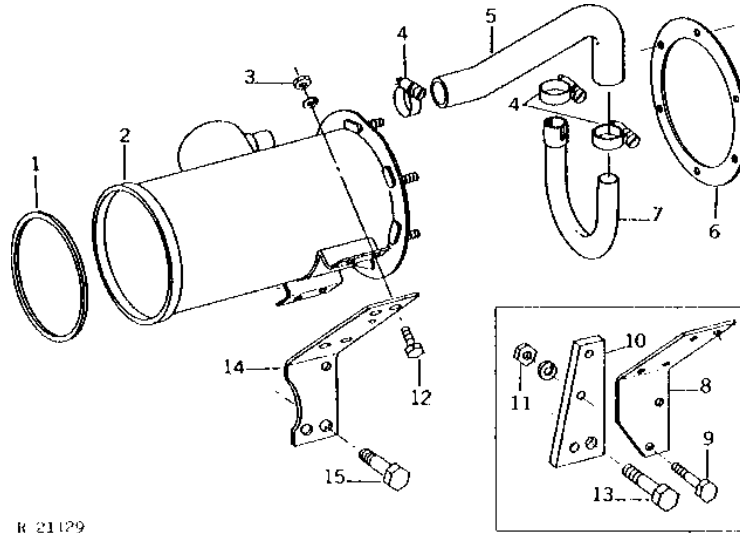
KEY	PART NO.	PART NAME	QTY	TRACTOR SERIAL NO.	REMARKS
..	AR62322	GREASE GUN	1		(MARKED R42726) (SUB FOR AR45035 OR AR62377) (NLA)
..	R36757	AIR CLEANER	1		(NLA)

1D12

FUEL AND AIR

R21129 -UN-01JAN94

PRE-CLEANER



R 21129

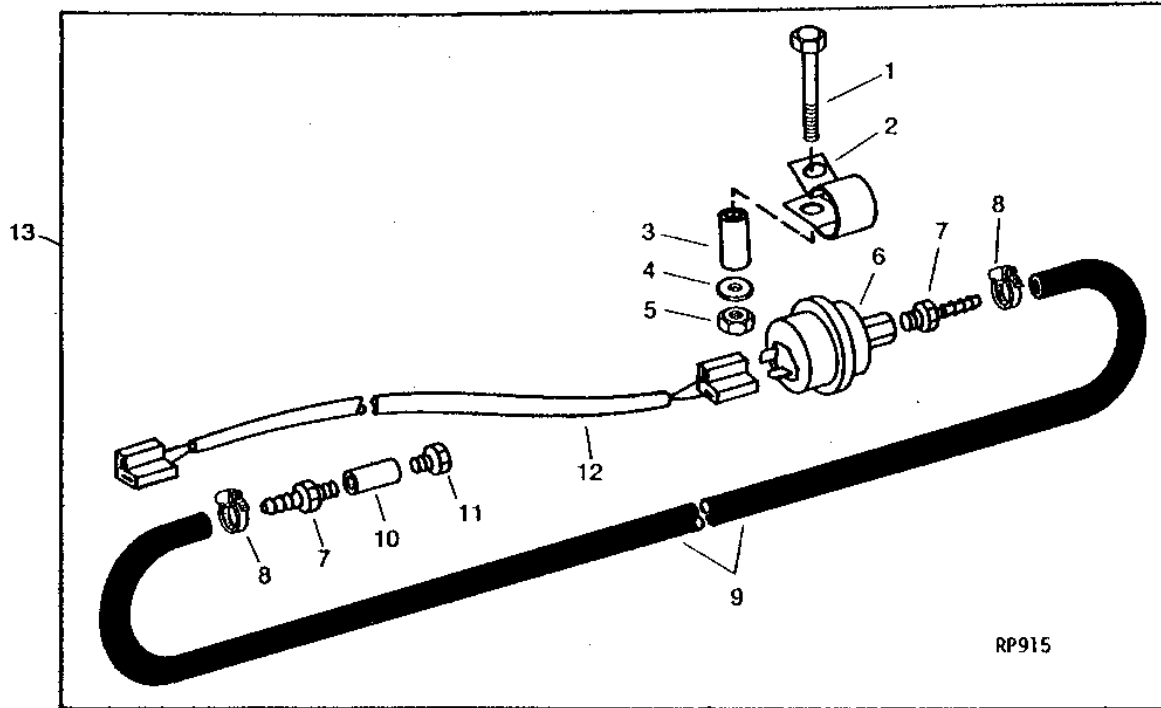
KEY	PART NO.	PART NAME	QTY	TRACTOR SERIAL NO.	REMARKS
1	R47065	SEAL	1		
2	AR43544	PRESCREENER	1		
3	14H785	NUT	3	5/16"	
	12H303	LOCK WASHER	3	5/16"	
4	AR21839	CLAMP	3	(SUB TY22467)	
5	R43702	HOSE	1		
6	R43749	SPACER	1		
7	R43703	LINE	1		
8	R43698	SUPPORT	1	(SUB R52250 AND R45692)	
9	19H1732	CAP SCREW	2	3/8" X 1-1/4"	
10	R43610	SUPPORT	1	(SUB R52250 AND R45692)	
11	14H1076	NUT	2	3/8"	
	12H304	LOCK WASHER	2	3/8"	
12	19H1900	CAP SCREW	3	5/16" X 3/4"	
13	19H1756	CAP SCREW	1	5/8" X 1-1/2"	
14	R52250	SUPPORT	1		
15	R45692	CAP SCREW	1		

1D13

FUEL AND AIR

RP915 -UN-01JAN94

REMOTE MOUNTED VACUUM SWITCH



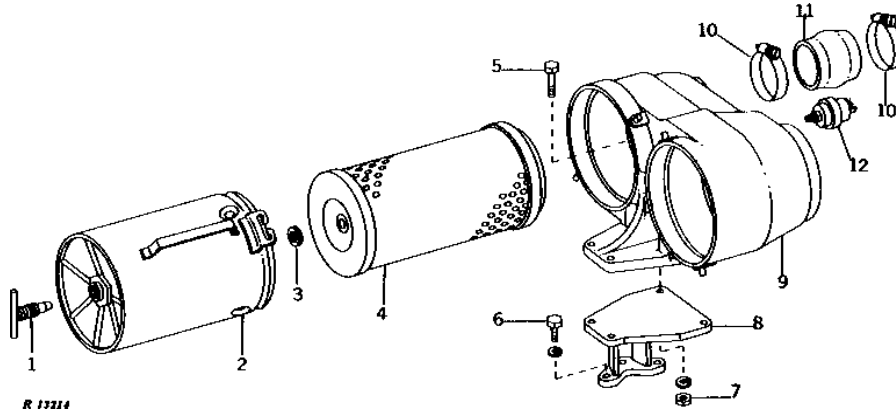
KEY	PART NO.	PART NAME	QTY	TRACTOR SERIAL NO.	REMARKS
1	19H1913	CAP SCREW	1	5/16" X 2-1/4"	
	19H2791	CAP SCREW	1	3/8" X 1-3/4"	
2	R46414	CLAMP	1	(SUB FOR AH78125)	
3	28H1495	SPACER	1	3/8" X 1"	
4	12H304	LOCK WASHER	1	3/8"	
5	14H1076	NUT	1	3/8"	
6	AR50489	SWITCH	1		
7	R57286	FITTING	2		
8	AR48236	CLAMP	2	(SUB TY22462)	
9	T31483	HOSE	1		
10	15H639	PIPE BUSHING	1	1/4" X 1/8"	
11	15H73	COUPLING	1	1/8"	
12	AR68734	WIRING HARNESS	1		
13	AR68733	KIT	1		
..	R44302	TIE BAND	AR		

1D14

FUEL AND AIR

AIR CLEANER AND SUPPORT (ENGINE SERIAL NO. -303518)

R13214 -UN-01JAN94



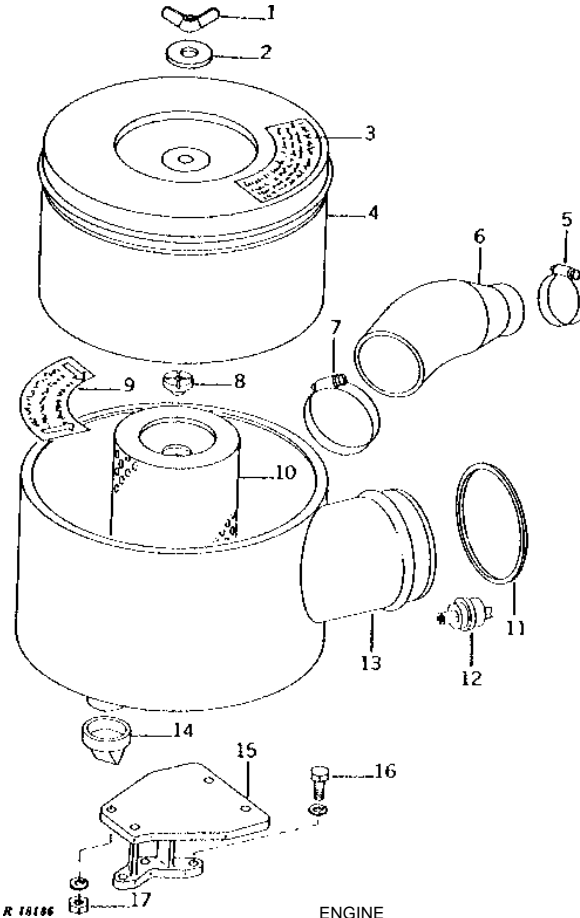
KEY	PART NO.	PART NAME	QTY	ENGINE SERIAL NO.	REMARKS
1	R48017	SCREW	2		(SUB FOR AR43054)
2	AR51517	CONTAINER	2		
	R43758	SEAL	2		
	R56902	LABEL	1		(SUB FOR R42953 OR R48632) (NO LONGER REQUIRED)
3	AR43940	WASHER	2	-006680	
4	AR43941	FILTER ELEMENT	2		(SUB FOR AR43605)
5	19H1765	CAP SCREW	2		3/8" X 1-3/4"
	19H1800	CAP SCREW	2		3/8" X 1-1/2"
6	19H1731	CAP SCREW	3		3/8" X 1"
	12H304	LOCK WASHER	3		3/8"
7	14H1076	NUT	4		3/8"
	12H304	LOCK WASHER	4		3/8"
8	R47116	SUPPORT	1		(SUB FOR R43239)
9	AR43053	HOUSING	1		
	R46937	SUPPORT	1		
10	AR21841	CLAMP	2		
11	R43243	HOSE	1		
12	AR43595	SWITCH	1		

1D15

FUEL AND AIR

R18186 -UN-01JAN94

AIR CLEANER AND SUPPORT (ENGINE SERIAL NO. 303519-)



KEY	PART NO.	PART NAME	QTY	ENGINE SERIAL NO.	REMARKS
1	R44418	WING NUT	1	(A)	
2	AR43940	WASHER	1	(A)	
3	R49240	LABEL	1	(PRIMARY ELEMENT)	
4	AR51431	FILTER ELEMENT	1	(A)	
5	AR21841	CLAMP	1	(A)	
6	R46952	HOSE	1		
7	AR21842	CLAMP	1	(SUB TY22474)	
8	R48567	NUT	1	(A)	
9	R49403	LABEL	1	(HOUSING)	
10	AR61988	FILTER ELEMENT	1	(A) (SUB FOR AR51432)	
11	R47065	SEAL	1	(A)	
12	AR50489	SWITCH	1		
13	AR51728	AIR CLEANER	1	(A)	
14	R48568	VALVE	1		
15	R47116	SUPPORT	1	(SUB FOR R46971)	
16	19H1731	CAP SCREW	3	3/8" X 1"	
	12H304	LOCK WASHER	3	3/8"	
17	14H1076	NUT	4	3/8"	
	12H304	LOCK WASHER	4	3/8"	

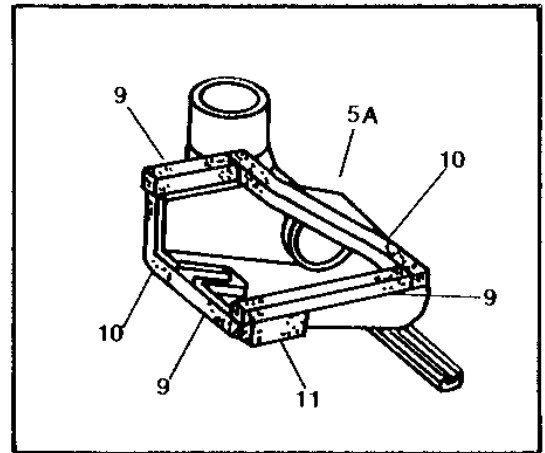
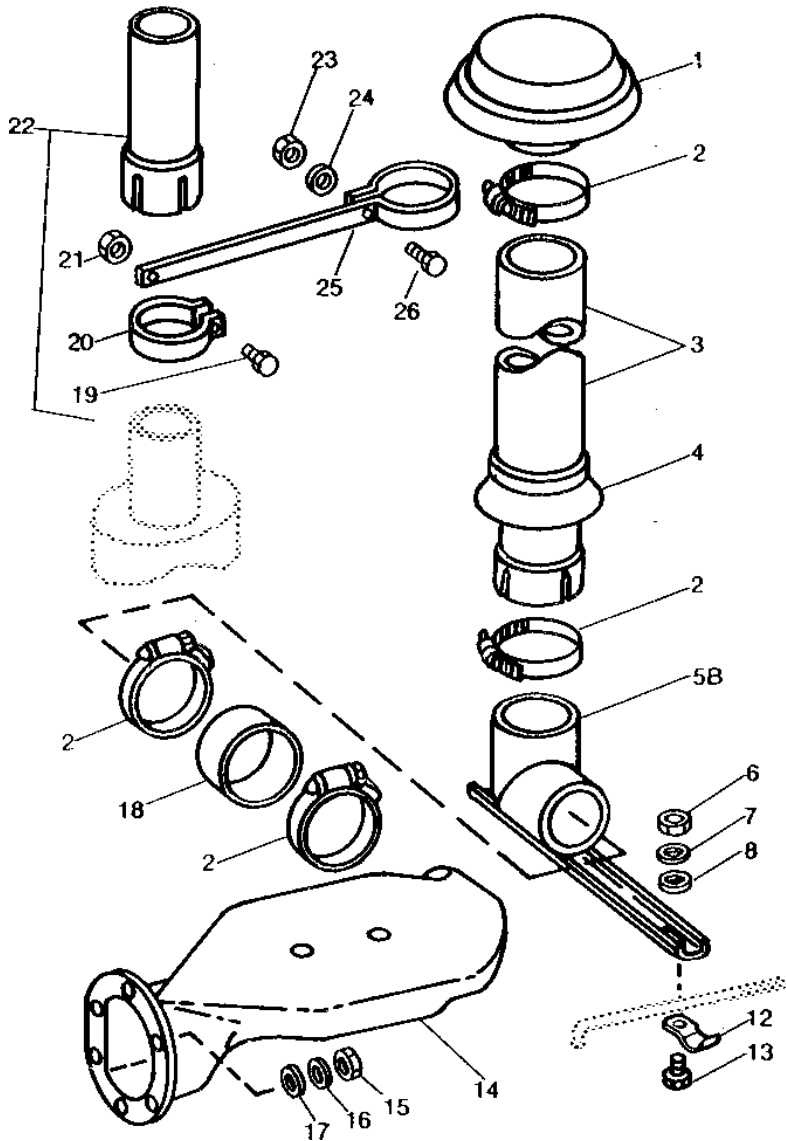
(A) INCLUDED IN AR51728

1D16

FUEL AND AIR

RWP5397 -UN-01JAN94

VERTICAL AIR INTAKE



RWP5397

1D17

FUEL AND AIR

VERTICAL AIR INTAKE - CONTINUED

KEY	PART NO.	PART NAME	QTY	TRACTOR SERIAL NO.	REMARKS
1	AR72337	CAP	1		(ALSO ORDER TY22475) (SUB FOR AR43998)
2	TY22475	CLAMP	4		(SUB FOR C16054)
3	R49526	AIR INTAKE STACK	1		(SUB FOR R47195)
4	R39984	SEAL	1	-XXXXXX	
	R51526	SEAL	1	XXXXXX-	
5A	AR49760	AIR DUCT	1	-XXXXXX	
5B	AR55753	AIR DUCT	1	XXXXXX-	
6	14H786	NUT	2		1/4"
7	12H302	LOCK WASHER	2		1/4"
8	24H1821	WASHER	2		9/32" X 47/64" X 1/16"
9	FOAM PAD	2		38 X 51 X 203MM (1-1/2" X 2" X 8") (MAKE FROM R35339)
	FOAM PAD	1		38 X 51 X 254MM (1-1/2" X 2" X 10") (MAKE FROM R35339)
10	FOAM PAD	2		38 X 51 X 267MM (1-1/2" X 2" X 10-1/2") (MAKE FROM R35339)
11	R47193	ISOLATOR	2		25 X 76 X 89MM (1" X 3" X 3-1/2")
12	R27747	CLAMP	2		
13	19H2036	CAP SCREW	2		1/4" X 7/8"
14	AR55752	AIR DUCT	1	XXXXXX-	(SUB FOR AR43545 OR AR55751)
	R51479	ISOLATOR	1	XXXXXX-	
15	14H785	NUT	6		5/16"
16	12H303	LOCK WASHER	6		5/16"
17	24H1292	WASHER	6		11/32" X 3/4" X 0.120"
18	R51380	HOSE	1	XXXXXX-	114 X 64MM (4-1/2" X 2-1/2")
19	19H1732	CAP SCREW	1		3/8" X 1-1/4"
20	R66692	CLAMP	1		(ALSO ORDER 19H1732 AND 14H1076) (SUB RE54187)
21	14H1076	NUT	1		3/8"
22	AR59435	EXHAUST PIPE	1		(SUB FOR AR43716)
23	14H1076	NUT	1		3/8"
24	12H304	LOCK WASHER	1		3/8"
25	R47194	CLAMP	1		
26	19H988	CAP SCREW	1		3/8" X 1-1/4"

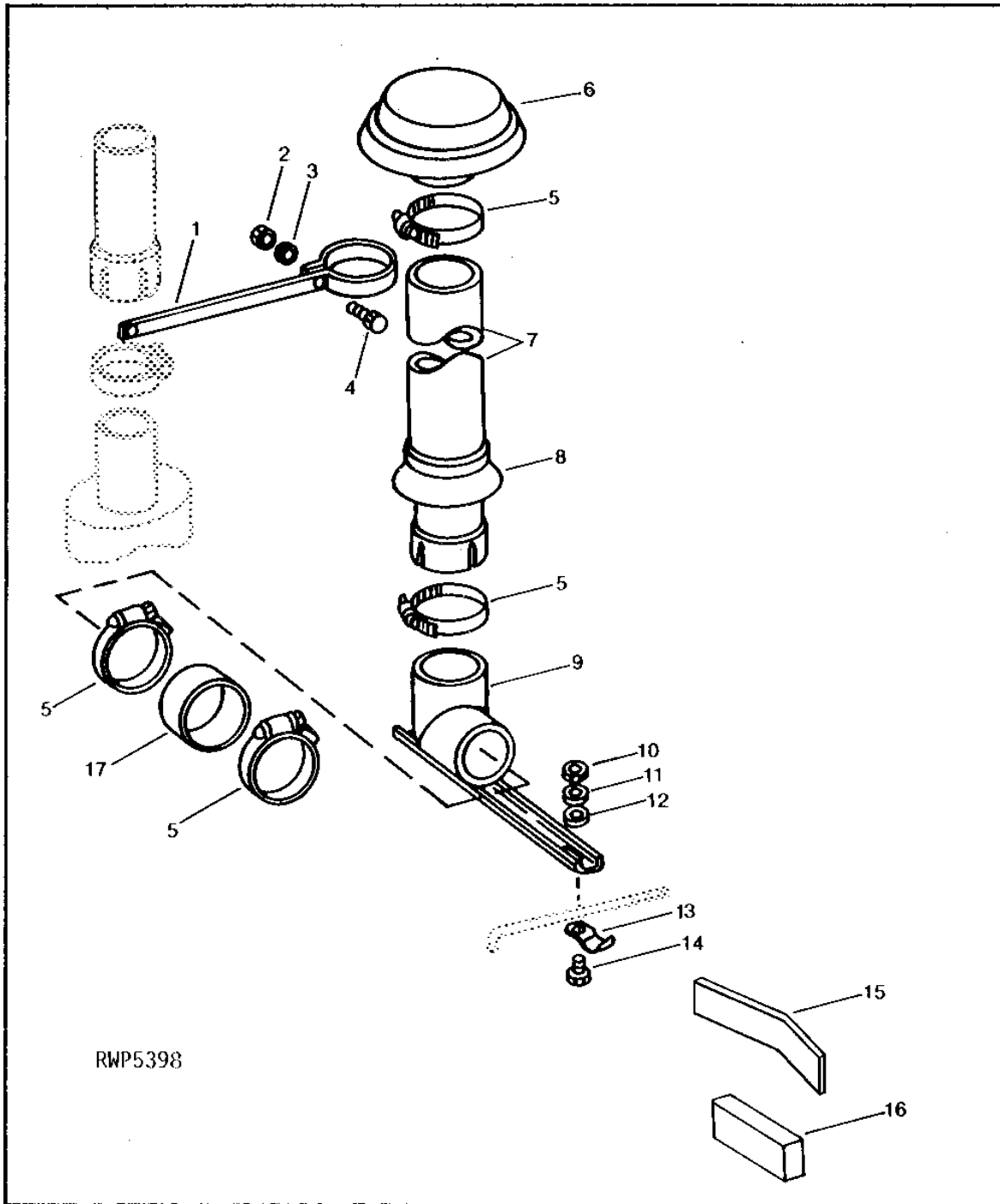
1D18

FUEL AND AIR

RWP5398

-UN-01JAN94

VERTICAL AIR STACK KIT



1D19

FUEL AND AIR

VERTICAL AIR STACK KIT - CONTINUED

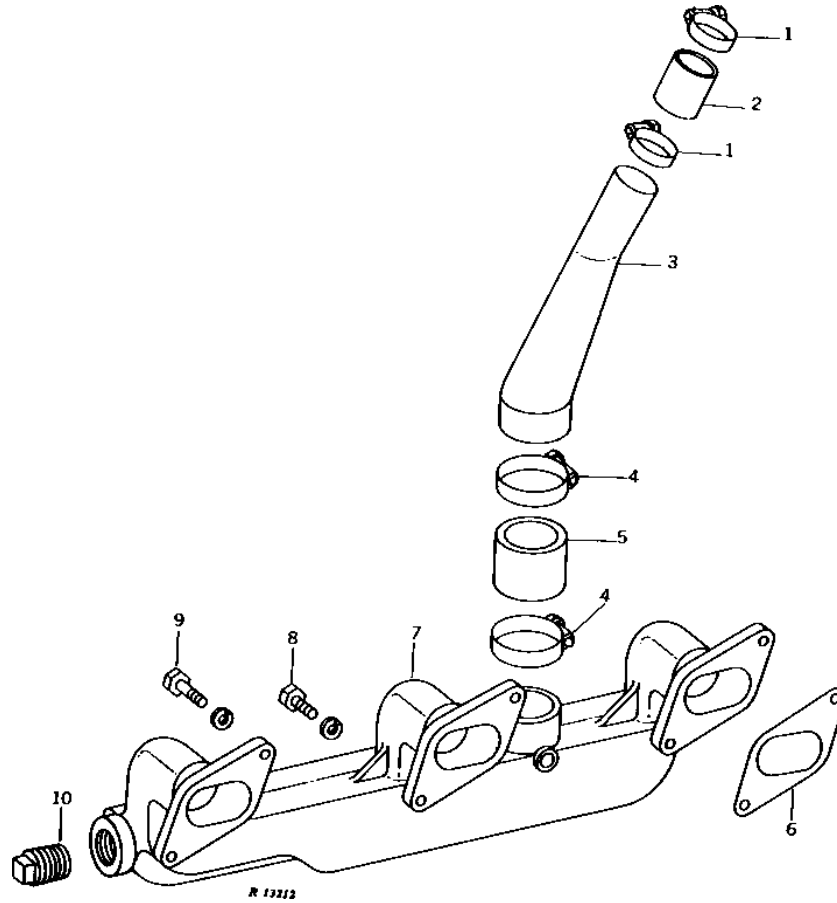
KEY	PART NO.	PART NAME	QTY	TRACTOR SERIAL NO.	REMARKS
1	R47194	CLAMP	1		
2	14H1076	NUT	1	3/8"	
3	12H304	LOCK WASHER	1	3/8"	
4	19H988	CAP SCREW	1	3/8" X 1-1/4"	
5	TY22475	CLAMP	4	(SUB FOR C16054)	
6	AR72337	CAP	1	(ALSO ORDER TY22475) (SUB FOR AR43998)	
7	R49526	AIR INTAKE STACK	1	(SUB FOR R47195)	
8	R51526	SEAL	1		
9	AR55753	AIR DUCT	1	(INCLUDES BAFFLES)	
10	14H786	NUT	2	1/4"	
11	12H302	LOCK WASHER	2	1/4"	
12	24H1821	WASHER	2	9/32" X 47/64" X 1/16"	
	11M7059	COTTER PIN	1	3.200 X 20 MM, L.H.	
13	R27747	CLAMP	2		
14	19H2036	CAP SCREW	2	1/4" X 7/8"	
15	CUSHION	1	3 X 38 X 267MM (1/8" X 1-1/2" X 10-1/2") (MAKE FROM R21736)	
16	FOAM PAD	1	25 X 51 X 152MM (1" X 2" X 6") LOWER RADIATOR, (MAKE FROM R28123)	
17	R51380	HOSE	1	114 X 64MM (4-1/2" X 2-1/2")	
18	AR55750	AIR DUCT	1	VERTICAL AIR STACK	

1D20

FUEL AND AIR

INTAKE MANIFOLD
(ENGINE SERIAL NO. -303518)

R13212 -UN-01JAN94



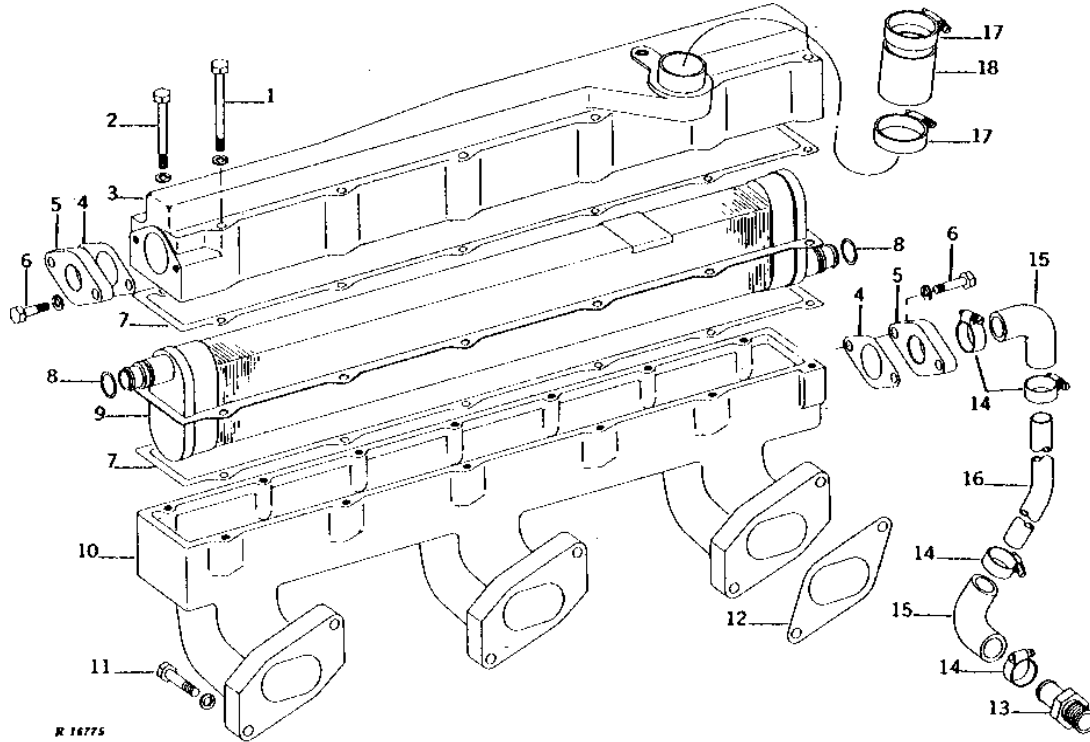
KEY	PART NO.	PART NAME	QTY	ENGINE SERIAL NO.	REMARKS
1	AR21840	CLAMP	2		(SUB TY22470)
2	R43604	HOSE	1		
3	R43222	PIPE	1		(NLA)
4	AR21841	CLAMP	2		
5	R43605	HOSE	1		
6	R26297	GASKET	3		
7	AR43608	INTAKE MANIFOLD	1		(NLA)
8	19H1800	CAP SCREW	1		3/8" X 1-1/2"
	12H304	LOCK WASHER	1		3/8"
9	19H1732	CAP SCREW	5		3/8" X 1-1/4"
	12H304	LOCK WASHER	5		3/8"
10	15H280	PIPE PLUG	1		1-1/4"

1D21

FUEL AND AIR

INTERCOOLER AND INTAKE MANIFOLD (ENGINE SERIAL NO. 303519-)

R16775 -UN-01JAN94



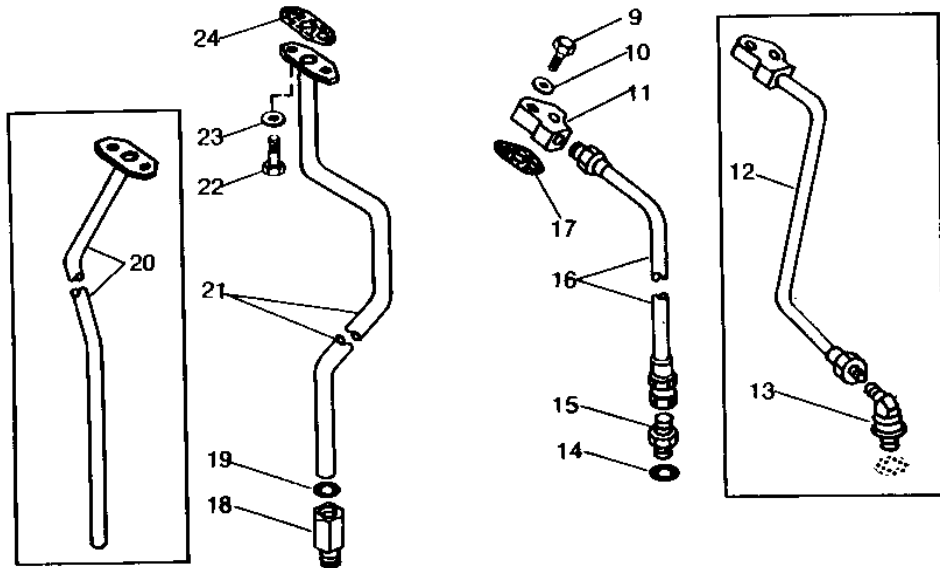
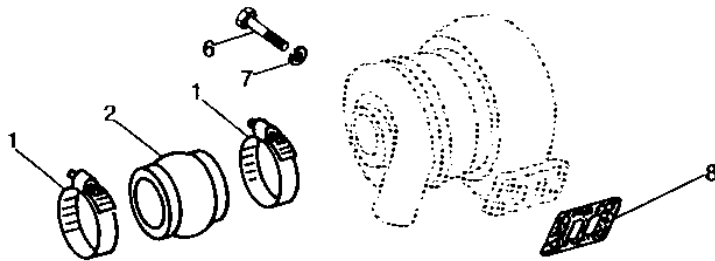
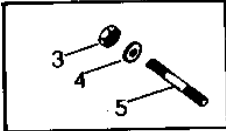
KEY	PART NO.	PART NAME	QTY	ENGINE SERIAL NO.	REMARKS
1	19H1921	CAP SCREW	10	5/16" X 3-1/4"	
	12H303	LOCK WASHER	10	5/16"	
2	19H1907	CAP SCREW	3	5/16" X 2-3/4"	
	12H303	LOCK WASHER	3	5/16"	
3	AR49998	COVER	1	(MARKED R47312) (NLA)	
4	R97346	GASKET	2	(SUB FOR R47395)	
5	R47314	ADAPTER	2		
6	19H1849	CAP SCREW	4	5/16" X 1-1/4"	
	12H303	LOCK WASHER	4	5/16"	
7	R47394	GASKET	2		
8	R52811	O-RING	2	(SUB FOR R47102)	
9	AR50152	AFTERCOOLER	1	(NLA)	
10	R47311	INTAKE MANIFOLD	1	(NLA)	
11	19H1765	CAP SCREW	6	3/8" X 1-3/4"	
	12H304	LOCK WASHER	6	3/8"	
12	R26297	GASKET	3		
13	R48362	ADAPTER	1		
14	TY22467	CLAMP	4	(SUB FOR AR21839)	
15	R50402	HOSE	2	(SUB FOR R47430)	
16	R49270	TUBE	1	(SUB FOR R47428)	
17	AR21840	CLAMP	2	(SUB FOR AR51374) (SUB TY22470)	
18	R43604	HOSE	1		

1D22

FUEL AND AIR

TURBOCHARGER OIL LINES (ENGINE SERIAL NO. -303518)

RGP2062 -UN-01JAN94



RGP2062

1D23

FUEL AND AIR

TURBOCHARGER OIL LINES - CONTINUED
(ENGINE SERIAL NO. -303518)

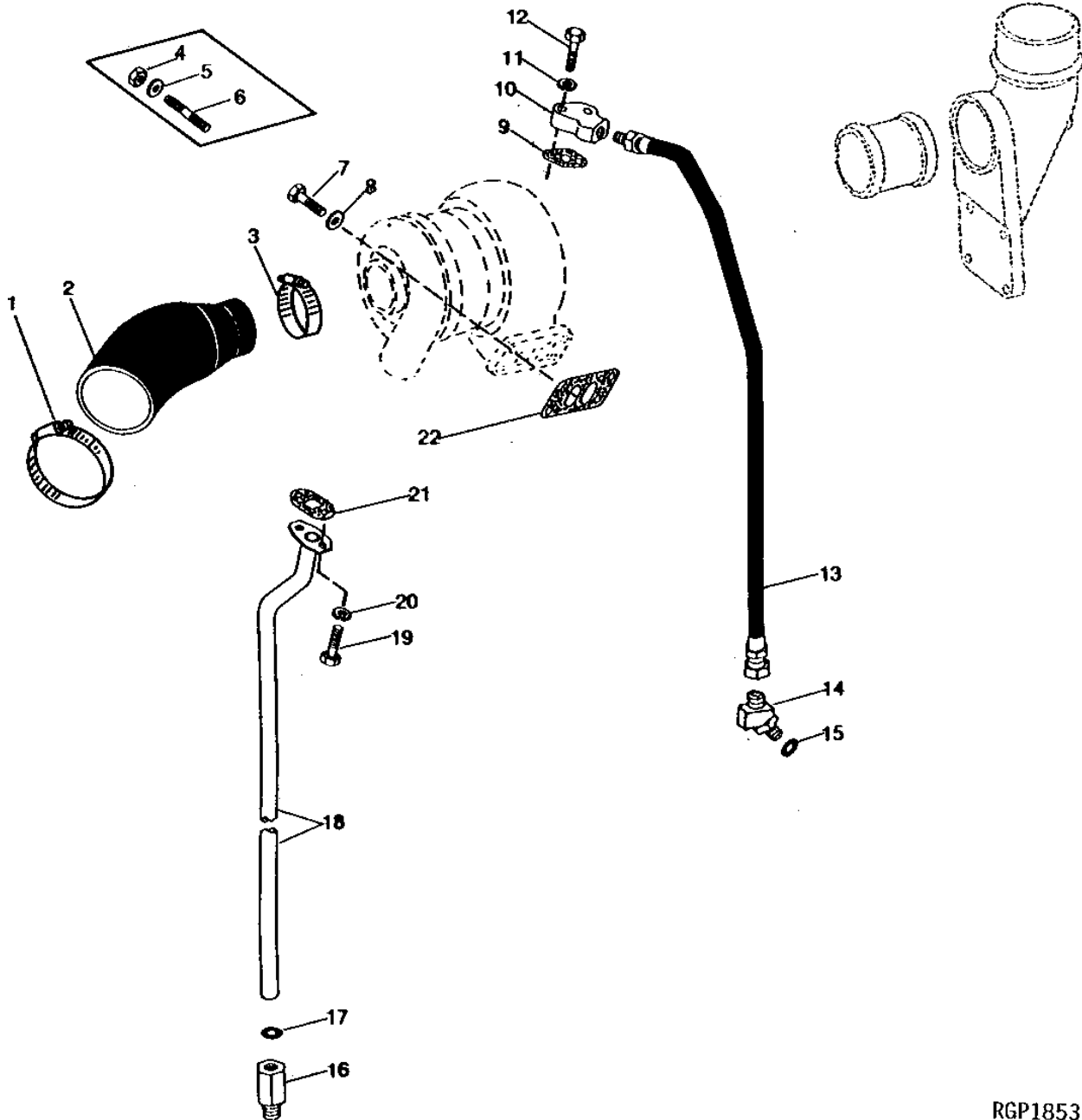
KEY	PART NO.	PART NAME	QTY	ENGINE SERIAL NO.	REMARKS
1	RE41991	CLAMP	2		(SUB FOR AR21999)
2	R43243	HOSE	1		
3	E55662	FLANGE NUT	4	3/8"	
4	24H1303	WASHER	4	13/32" X 11/16" X 0.065"	
5	R55078	STUD	4		(SUB FOR R43170) (SUB R54500 AND 24H1305, APPL)
6	R54500	SCREW	4		
7	24H1305	WASHER	4		
8	R43751	GASKET	1		
9	19H3552	CAP SCREW	2	5/16" X 1-1/2", HS, SAE 8	
10	12H303	LOCK WASHER	2	5/16"	
11	R43928	ADAPTER	1		
12	AR43573	OIL LINE	1		(SUB AR76425 AND R43928)
13	AR26745	ELBOW FITTING	1	-XXXXX	
14	R51203	O-RING	1		(SUB FOR R43781)
15	R27237	FITTING	1	XXXXX-	
16	AR76425	HOSE	1		(SUB FOR AR43573 OR AR43770)
17	R43413	GASKET	1		
18	R41285	ADAPTER	1		
19	R72328	O-RING	1		(SUB FOR R43780)
20	AR43106	OIL LINE	1	-XXXXX	
21	AR50380	OIL LINE	1	XXXXX-	
	AR43852	OIL LINE	1		(AIR CONDITIONING)
22	19H2284	CAP SCREW	2	3/8" X 7/8"	
23	12H304	LOCK WASHER	2	3/8"	
24	R97349	GASKET	1		(SUB FOR R43416)

1D24

FUEL AND AIR

TURBOCHARGER OIL LINES
(ENGINE SERIAL NO. 303519-)

RGP1853 -UN-01JAN94



RGP1853

1D25

FUEL AND AIR

TURBOCHARGER OIL LINES - CONTINUED
(ENGINE SERIAL NO. 303519-)

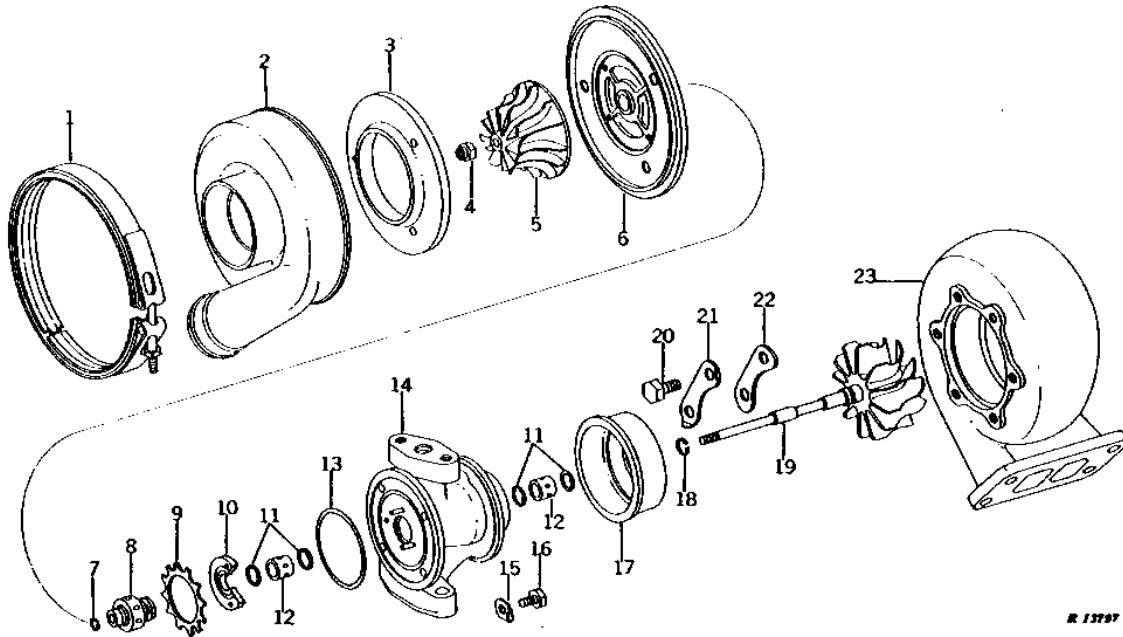
KEY	PART NO.	PART NAME	QTY	ENGINE SERIAL NO.	REMARKS
1	AR21842	CLAMP	1		(SUB TY22474)
2	R46952	HOSE	1		
3	AR21841	CLAMP	1		
4	E55662	FLANGE NUT	4		
5	24H1303	WASHER	4		13/32" X 11/16" X 0.065"
6	R55078	STUD	4		(SUB R54500 AND 24H1305, APPL)
7	R54500	SCREW	4		(SUB FOR R43780)
8	24H1305	WASHER	4		13/32" X 13/16" X 0.065"
9	R97348	GASKET	1		(SUB FOR R43413)
10	R43928	ADAPTER	1		
11	12H303	LOCK WASHER	2		5/16"
12	19H3552	CAP SCREW	2		5/16" X 1-1/2", HS, SAE 8
13	AR76425	HOSE	1		(SUB FOR AR43770)
14	AR26745	ELBOW FITTING	1		
15	R51203	O-RING	1		
16	R41285	ADAPTER	1		
17	R72328	O-RING	1		(SUB FOR R43780)
18	AR50150	OIL LINE	1		
19	19H2284	CAP SCREW	2		3/8" X 7/8"
20	12H304	LOCK WASHER	2		3/8"
21	R97349	GASKET	1		(SUB FOR R43416)
22	R43751	GASKET	1		

1E1

FUEL AND AIR

R13797 -UN-01JAN94

TURBOCHARGER (ENGINE SERIAL NO. -XXXXXX)



R 13797

KEY	PART NO.	PART NAME	QTY	ENGINE SERIAL NO.	REMARKS
1	R43809	CLAMP	1	(NLA)	
2	R43814	HOUSING	1	(NLA)	
3	R43811	DIFFUSER	1	(NLA)	
4	R43817	LOCK NUT	1	(A)	
5	R43813	IMPELLER	1	(A) (NLA)	
6	AR54935	PLATE	1	(A) (SUB FOR R43812)	
7	R43806	PISTON RING	1	(A)	
8	R43801	THRUST BEARING	1	(A)	
9	R43818	LOCK WASHER	1	(A)	
10	R43808	BEARING	1	(A)	
11	R43816	SNAP RING	4	(A)	
12	R43803	BEARING	2	(A)	
13	R43805	O-RING	1	(A)	
14	AR63781	HOUSING	1	(A) (SUB FOR AR43627)	
	AR43626	HOUSING	1	(NLA)	
15	R43986	LOCK PLATE	2		
16	19H1919	CAP SCREW	4	1/4" X 5/8"	
17	R43804	SHROUD	1	(A)	
18	R43807	HOUSING	1	(A)	
19	AR43625	WHEEL	1	(A)	
20	R43819	CAP SCREW	6		
21	R43815	LOCK PLATE	3		
22	R43821	CLAMP	3		
23	R43799	HOUSING	1	(NLA)	
..	AR70987	TURBOCHARGER	1	(SUB FOR AR43624, AR51427 OR AR54931)	

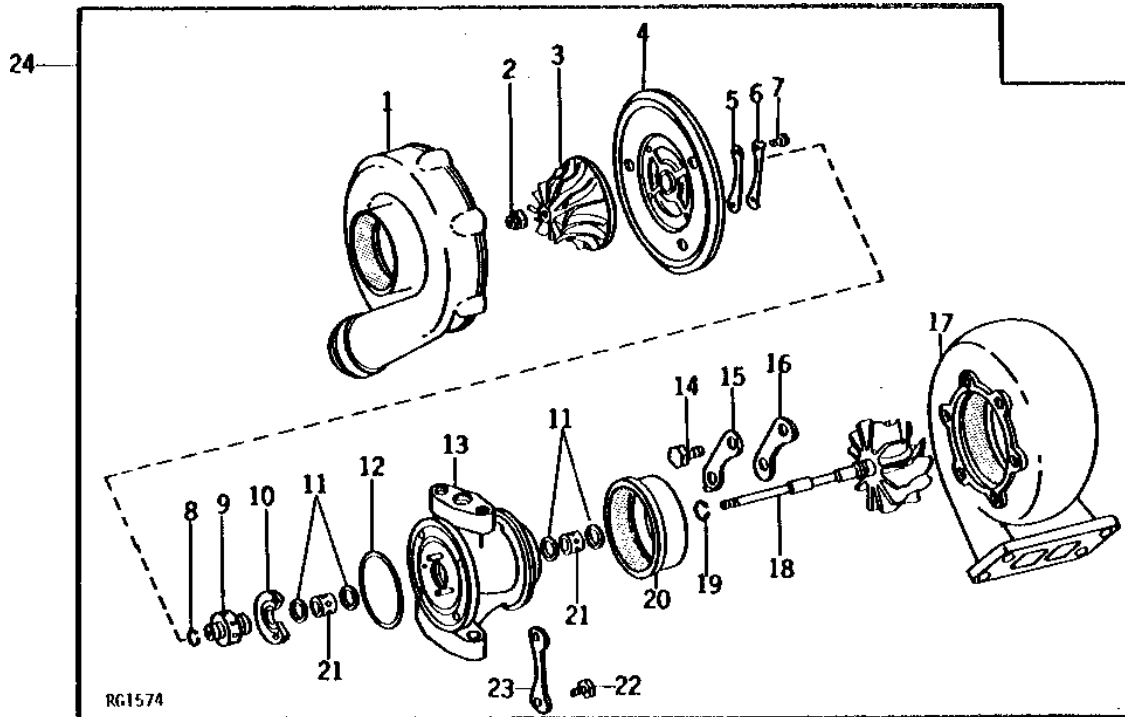
(A) CONTAINED IN AR43626

1E2

FUEL AND AIR

TURBOCHARGER (ENGINE SERIAL NO. XXXXXX-)

RG1574 -UN-01JAN94



KEY	PART NO.	PART NAME	QTY	ENGINE SERIAL NO.	REMARKS
1	R48711	HOUSING	1	-XXXXXX	(SUB R55026 AND R55025)
	R55026	HOUSING	1	XXXXXX-	
2	R43817	LOCK NUT	1		
3	R48708	IMPELLER	1	-XXXXXX	(SUB R55025 AND R55026)
	R55025	IMPELLER	1	XXXXXX-	
4	AR54934	COVER	1		
5	R48709	CLAMP	3		
6	R48710	LOCK PLATE	3		
7	19H2020	CAP SCREW	6		5/16" X 1/2"
8	R43806	PISTON RING	1		
9	R43801	THRUST BEARING	1		
10	R43808	BEARING	1		
11	R43816	SNAP RING	4		
12	R43805	O-RING	1		
13	AR63781	HOUSING	1		(SUB FOR AR43627)
14	R43819	CAP SCREW	6		
15	R43815	LOCK PLATE	3		
16	R43821	CLAMP	3		
17	R48712	HOUSING	1		
18	AR51988	TURBINE	1		
19	R55024	PISTON RING	1		
20	R43804	SHROUD	1		
21	R43803	BEARING	2		STD
	R50784	BEARING	2		0.13 MM (.005") US (NLA)
	R50785	BEARING	2		0.25 MM (.010") US
22	19H1919	CAP SCREW	4		1/4" X 5/8"
23	R43986	LOCK PLATE	2		
24	AR70987	TURBOCHARGER	1		REMANUFACTURED, (SUB FOR AR51427 OR AR54931)

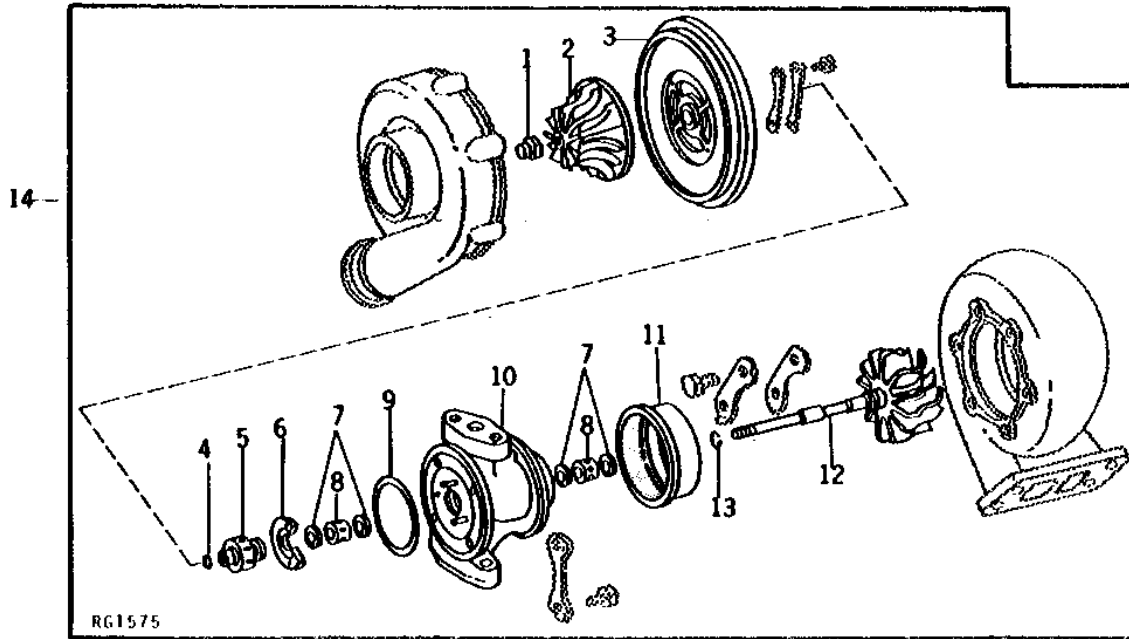
MEMORANDA

1E3

FUEL AND AIR

TURBOCHARGER CENTER HOUSING WITH ROTATING PARTS (ENGINE SERIAL NO. XXXXXX-)

RG1575 -UN-01JAN94



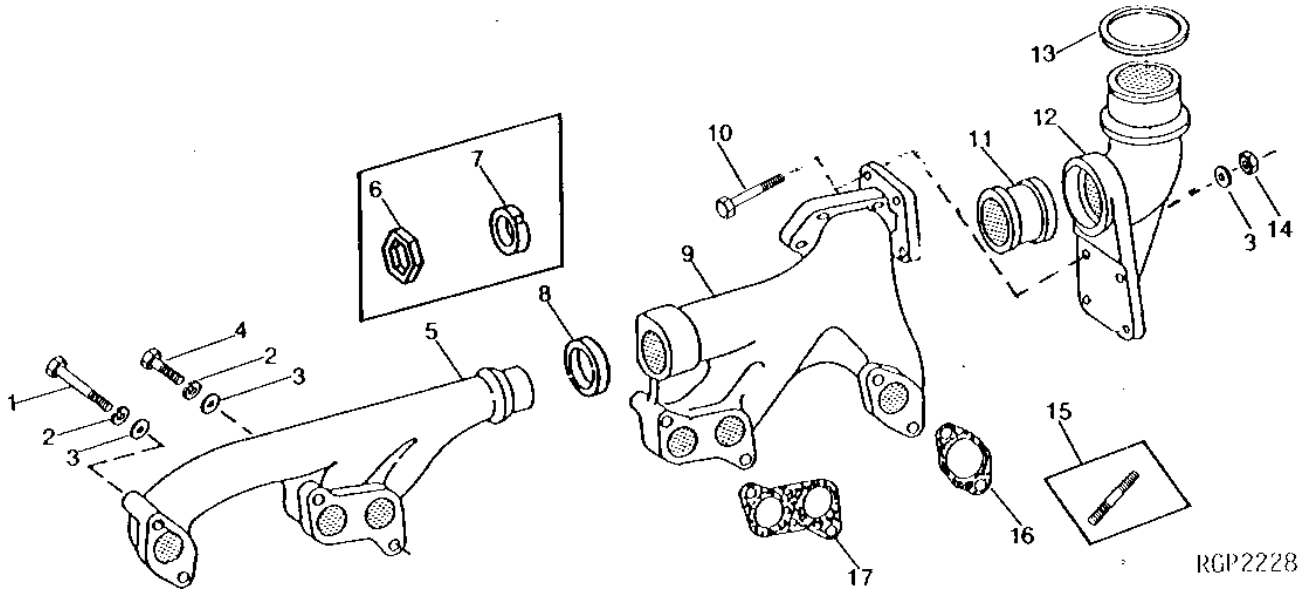
KEY	PART NO.	PART NAME	QTY	ENGINE SERIAL NO.	REMARKS
1	R43817	LOCK NUT	1		
2	R55025	IMPELLER	1		
3	AR54934	COVER	1		
4	R43806	PISTON RING	1		
5	R43801	THRUST BEARING	1		
6	R43808	BEARING	1		
7	R43816	SNAP RING	4		
8	R43803	BEARING	2	STD	
	R50784	BEARING	2	0.13 MM (.005") US (NLA)	
	R50785	BEARING	2	0.25 MM (.010") US	
9	R43805	O-RING	1		
10	AR63781	HOUSING	1	(SUB FOR AR43627)	
11	R43804	SHROUD	1		
12	AR51988	TURBINE	1		
13	R55024	PISTON RING	1		
14	AR63780	HOUSING	1		

1E4

FUEL AND AIR

RGP2228 -UN-01JAN94

EXHAUST MANIFOLDS AND ELBOW



RGP2228

KEY	PART NO.	PART NAME	QTY	ENGINE SERIAL NO.	REMARKS
1	19H1765	CAP SCREW	4	3/8" X 1-3/4"	
2	12H304	LOCK WASHER	8	3/8"	
3	24H1303	WASHER	12	13/32" X 11/16" X 0.065"	
4	19H2128	CAP SCREW	6	3/8" X 3"	
5	R43167	EXHAUST MANIFOLD	1		
6	R46576	RING	1	(SUB R58109)	
7	R46575	RING	1	(SUB R58109)	
8	R58109	RING	AR		
9	R43166	EXHAUST MANIFOLD	1		
10	R54500	SCREW	4	(SUB FOR R43170)	
11	R43724	ADAPTER	1	(SUB FOR R83034, APPL)	
12	R43172	ELBOW FITTING	1		
13	R42375	WASHER	1		
14	E55662	FLANGE NUT	4	3/8"	
15	R55078	STUD	4	SUB R54500 AND 24H1305, APPL)	
16	R83021	GASKET	2	(SUB FOR R43170 AND R44374)	
17	R83020	GASKET	2	(SUB FOR R44373)	

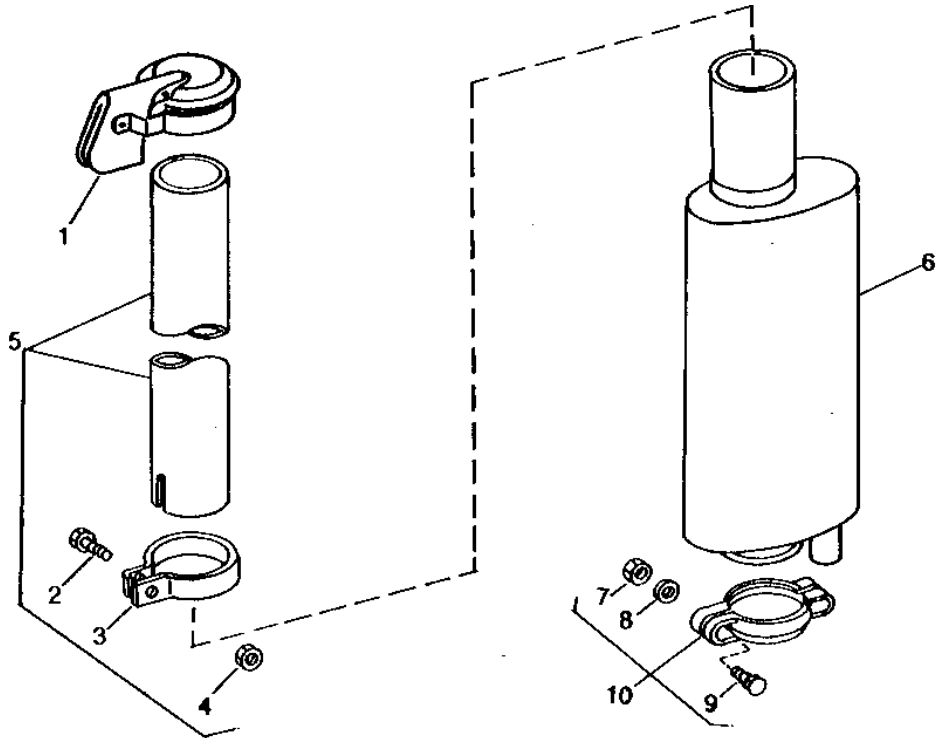
1E5

FUEL AND AIR

RWP4206 -UN-01JAN94

MUFFLER, EXTENSION, AND COVER

RWP4206



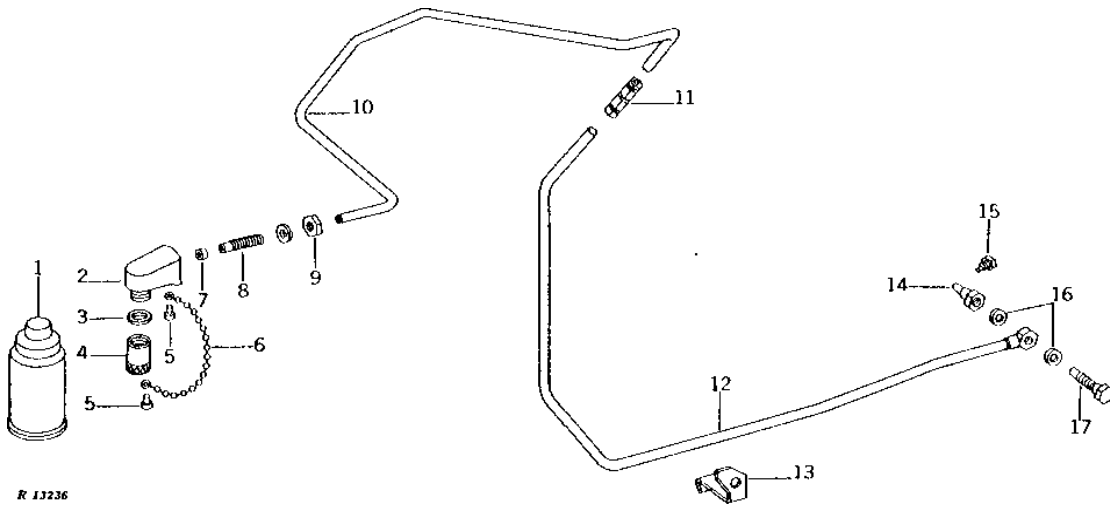
KEY	PART NO.	PART NAME	QTY	TRACTOR SERIAL NO.	REMARKS
1	AR86603	CAP	1		(SUB FOR AR43577 OR AR56787)
2	19H1732	CAP SCREW	1		3/8" X 1-1/4"
3	R66692	CLAMP	1		(ALSO ORDER 19H1732 AND 14H1076) (SUB FOR AR43579) (SUB RE54187)
4	14H1076	NUT	1		3/8"
5	AR59435	EXHAUST PIPE	1		(SUB FOR AR43716)
6	AR44418	MUFFLER	1		
7	14H1076	NUT	2		3/8"
8	R42729	WASHER	4		
9	19H2128	CAP SCREW	2		3/8" X 3"
10	AR43704	CLAMP	1		(SUB FOR AR64704)

1E6

FUEL AND AIR

R13236 -UN-01JAN94

**STARTING FLUID ADAPTER
(TRACTOR SERIAL NO. -XXXXXX)**



R 13236

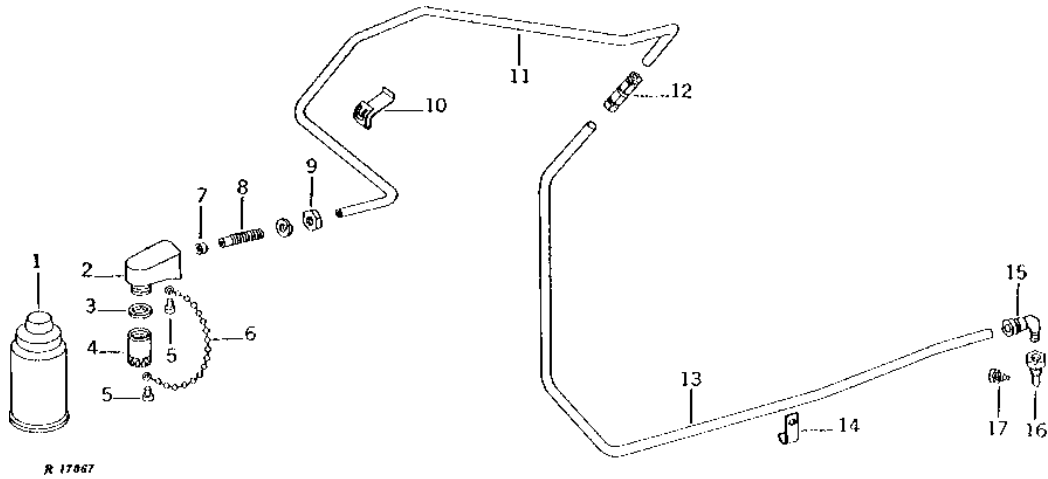
KEY	PART NO.	PART NAME	QTY	TRACTOR SERIAL NO.	REMARKS
1	RE33636	STARTING FLUID	1		(SUB FOR AR27814, RE24561 OR RE30174)
2	R39534	ADAPTER	1		
3	R26149	PACKING	1		
4	R32306	CAP	1		
5	37H44	SCREW	2	0.151" X 3/8"	
6	AR27940	LINK CHAIN	1		
7	R34394	WASHER	1		
8	R34395	ADAPTER	1		
9	14H1040	NUT	1	1/2"	
	12H301	LOCK WASHER	1	1/2"	
10	TUBE	1		(ORDER RE16181)
11	R34388	UNION FITTING	1		
12	AR43302	LINE	1		(SUB RE21790, R47160 AND RE16181)
13	B1986R	CLIP	1		
14	R28584	FITTING	1		
15	R28583	NOZZLE	1		
16	T20055	WASHER	2		
17	R26726	FITTING	1		

1E7

FUEL AND AIR

R17067 -UN-01JAN94

COLD WEATHER STARTING AID
(TRACTOR SERIAL NO. XXXXXX-)



KEY	PART NO.	PART NAME	QTY	TRACTOR SERIAL NO.	REMARKS
1	RE33636	STARTING FLUID	1	(SUB FOR AR27814, RE24561 OR RE30174)	
2	R39534	ADAPTER	1	(A)	
3	R26149	PACKING	1	(A)	
4	R32306	CAP	1	(A)	
5	37H44	SCREW	2	(A) 0.151" X 3/8"	
6	AR27940	LINK CHAIN	1	(A)	
7	R34394	WASHER	1	(A)	
8	R34395	ADAPTER	1	(A)	
9	14H1040	NUT	1	(A) 1/2"	
	12H301	LOCK WASHER	1	(A) 1/2"	
10	R47113	CLIP	1	(A)	
11	TUBE	1	(A) (ORDER RE50139)	
12	R34388	UNION FITTING	1	(A)	
13	TUBE	1	(A) (ORDER RE50139)	
14	B1986R	CLIP	2	(A)	
15	RE21790	ELBOW FITTING	1	(A) (SUB FOR AT25266)	
16	R47160	NOZZLE HOLDER	1	(A)	
17	R28583	NOZZLE	1	(A)	
..	AR50501	STARTING AID	1	(SUB RE16182)	

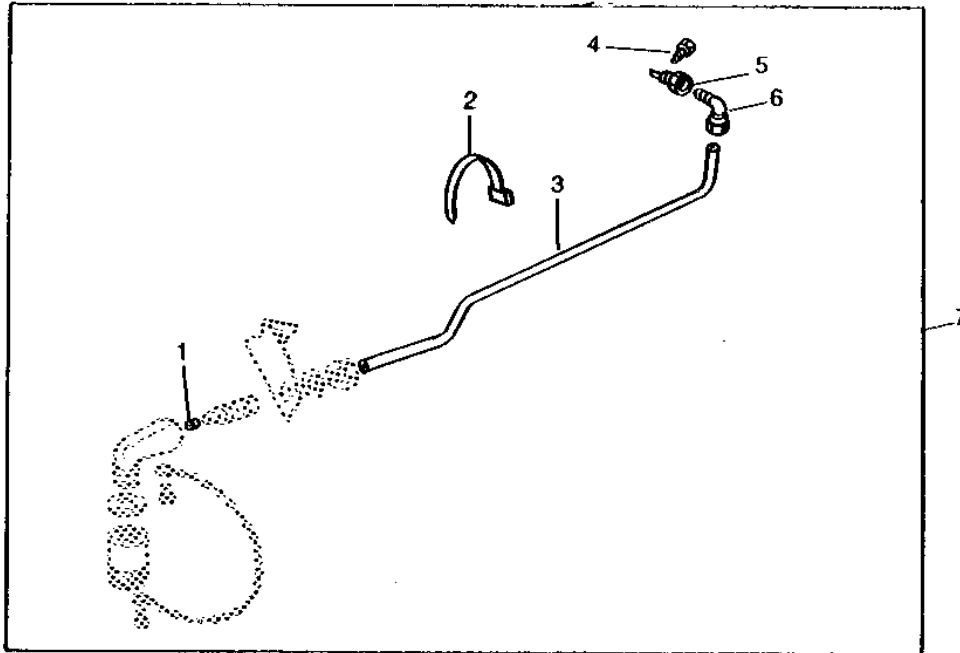
(A) INCLUDED IN AR50501

1E8

FUEL AND AIR

RWP5037 -UN-01JAN94

STARTING FLUID TUBE KIT



RWP5037

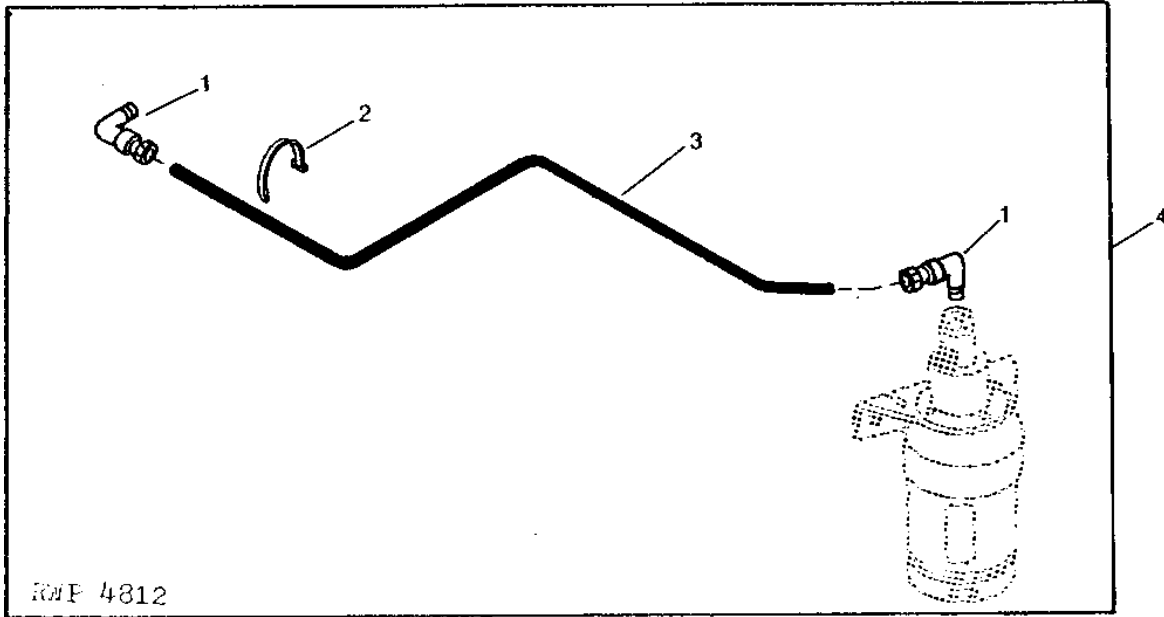
KEY	PART NO.	PART NAME	QTY	TRACTOR SERIAL NO.	REMARKS
1	R34394	WASHER	1		
2	R44302	TIE BAND	5		
3	TUBE	1		(ORDER RE16181)
4	R28583	NOZZLE	1		
5	R47160	NOZZLE HOLDER	1		
6	RE21790	ELBOW FITTING	1		(SUB FOR AT25266)
7	RE16181	KIT	1		

1E9

FUEL AND AIR

RWP4812 -UN-01JAN94

STARTING FLUID TUBE KIT



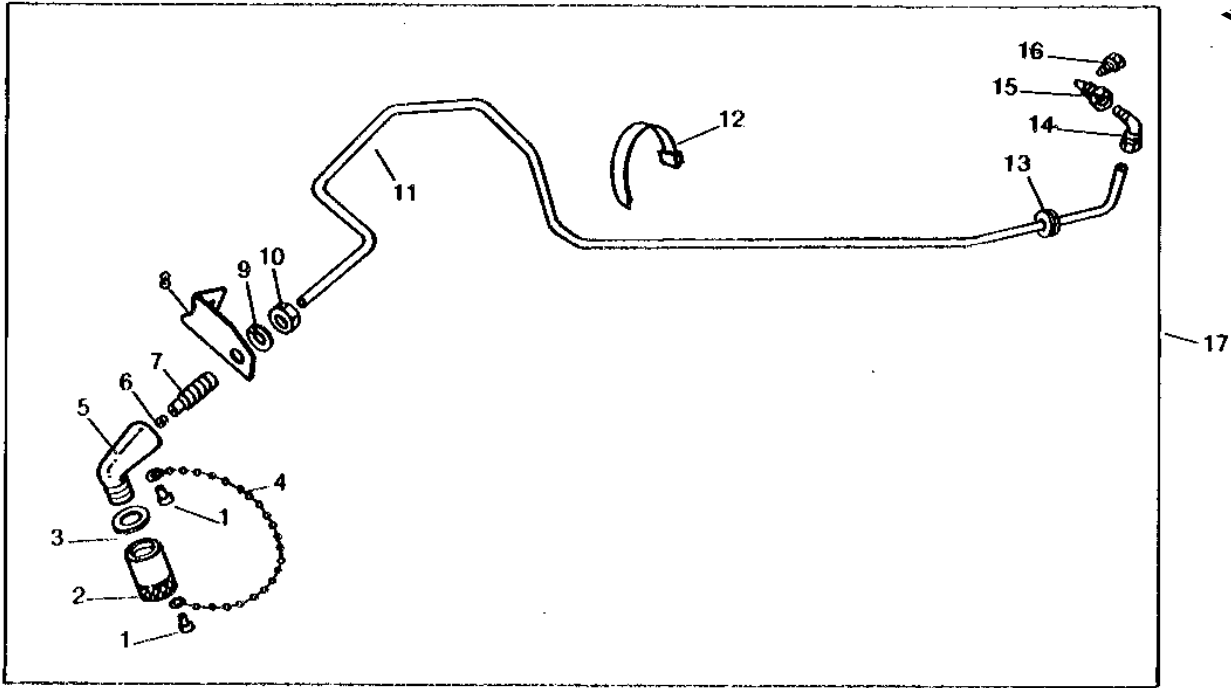
KEY	PART NO.	PART NAME	QTY	TRACTOR SERIAL NO.	REMARKS
1	RE21790	ELBOW FITTING	2		(SUB FOR AT25266)
2	R44302	TIE BAND	5		
3	TUBE	1		(ORDER RE50139)
4	RE50139	KIT	1		(SUB FOR RE16151)

1E10

FUEL AND AIR

RWP5158 -UN-01JAN94

ETHER STARTING AID KIT



RWP5158

KEY	PART NO.	PART NAME	QTY	TRACTOR SERIAL NO.	REMARKS
1	37H44	SCREW	2	0.151" X 3/8"	
2	R32306	CAP	1		
3	R26149	PACKING	1		
4	AR27940	LINK CHAIN	1		
5	T22534	ADAPTER	1		
6	R34394	WASHER	1		
7	R34395	ADAPTER	1		
8	R54440	BRACKET	1		
9	12H301	LOCK WASHER	1	1/2"	
10	14H1040	NUT	1	1/2"	
11	TUBE	1	(ORDER RE50139)	
12	R44302	TIE BAND	4		
13	R27180	GROMMET	1		
14	RE21790	ELBOW FITTING	1	(SUB FOR AT25266)	
15	R47160	NOZZLE HOLDER	1		
16	R28583	NOZZLE	1		
17	RE16182	KIT	1		

MEMORANDA

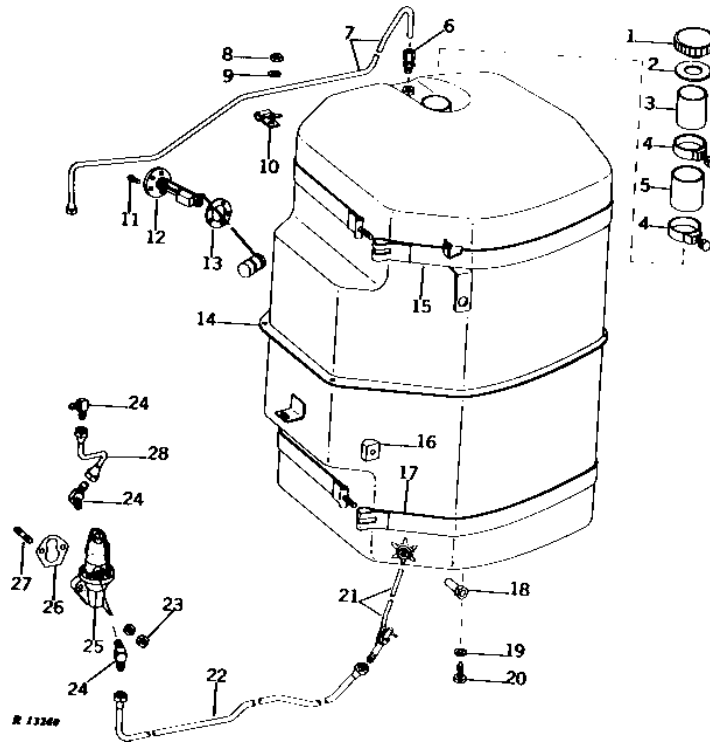
1E11

FUEL AND AIR

R13260

-UN-01JAN94

FUEL TANK AND FUEL PUMP
(ENGINE SERIAL NO. -XXXXXX)



1E12

FUEL AND AIR

FUEL TANK AND FUEL PUMP - CONTINUED
(ENGINE SERIAL NO. -XXXXXX)

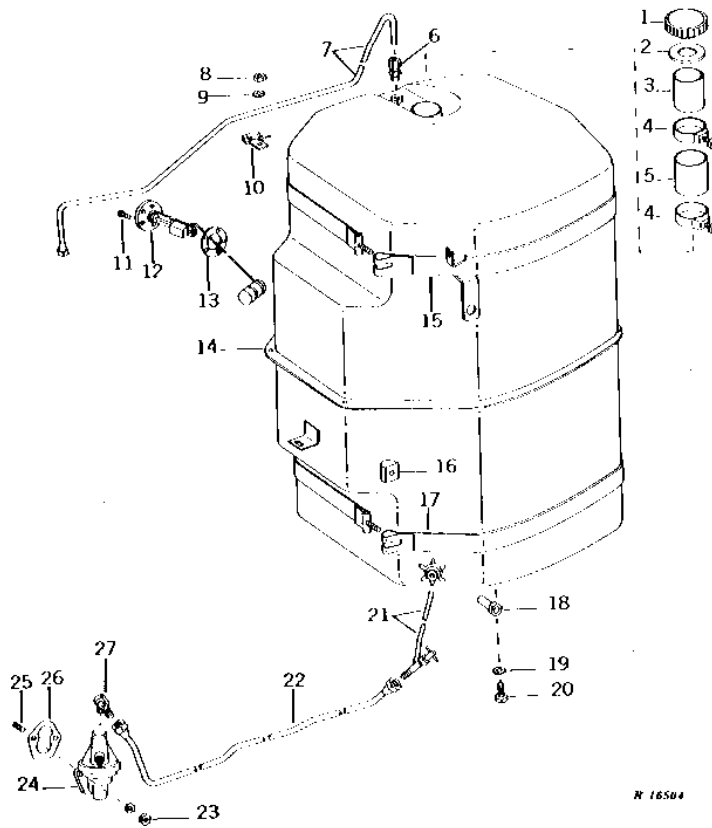
KEY	PART NO.	PART NAME	QTY	ENGINE SERIAL NO.	REMARKS
1	AT20911	FILLER CAP	1		
2	R39615	WASHER	1		
3	R39895	FILLER NECK	1		
4	AR21840	CLAMP	2		(SUB TY22470)
5	R26531	HOSE	1		57 X 64MM (2-1/4" X 2-1/2")
6	AR26649	FITTING	1		
7	AR43301	FUEL LINE	1		
8	14H785	NUT	1		5/16"
9	12H303	LOCK WASHER	1		5/16"
10	R35422	CLAMP	1		
11	37H95	SCREW	5		NO. 8 X 1/2"
	12M7084	LOCK WASHER	5		0.169"
12	AR43676	SENDER	1		
13	R27181	GASKET	1		
14	AR55182	FUEL TANK	1		(SUB FOR AR43022) (NLA)
15	AR43208	STRAP	1		
16	R26593	GUIDE	2		
17	AR43209	STRAP	1		
18	R26594	NUT	2		
19	R20770	WASHER	1		-XXXXXX
20	R43127	PLUG	1		-XXXXXX
	AT13740	DRAIN VALVE	1	XXXXXX-	(NOT ILLUSTRATED)
21	AR43252	SHUT-OFF VALVE	1		
22	AR43210	FUEL LINE	1		
23	14H785	NUT	2		5/16"
	12H303	LOCK WASHER	2		5/16"
24	AR26674	ELBOW FITTING	3		
25	AR40259	FUEL PUMP	1		
26	R97350	GASKET	1		(SUB FOR R27285)
27	R48755	STUD	2		(SUB FOR R26934)
28	AR42094	FUEL LINE	1		

1E13

FUEL AND AIR

R16504 -UN-01JAN94

FUEL TANK AND FUEL PUMP
(ENGINE SERIAL NO. XXXXXX -)



1E14

FUEL AND AIR

FUEL TANK AND FUEL PUMP - CONTINUED
(ENGINE SERIAL NO. XXXXXX-)

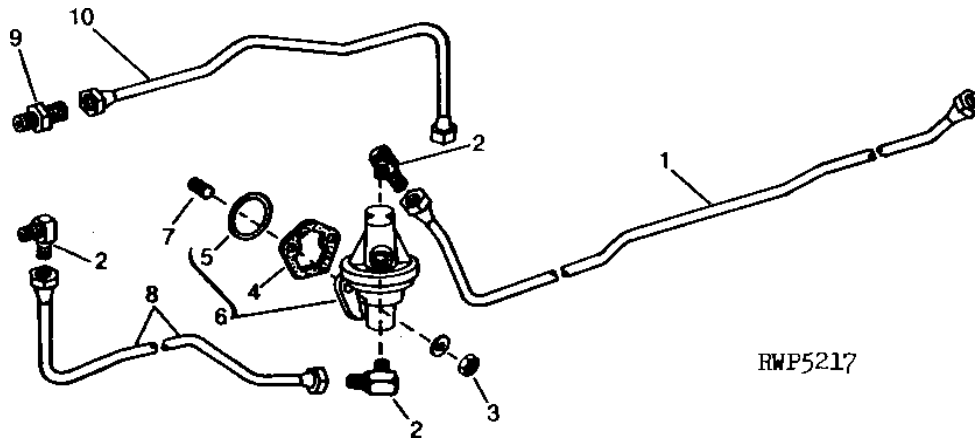
KEY	PART NO.	PART NAME	QTY	ENGINE SERIAL NO.	REMARKS
1	AT20911	FILLER CAP	1		
2	R39615	WASHER	1		
3	R39895	FILLER NECK	1		
4	AR21840	CLAMP	2		(SUB TY22470)
5	R26531	HOSE	1		57 X 64MM (2-1/4" X 2-1/2")
6	AR26649	FITTING	1		
7	AR43301	FUEL LINE	1		
8	14H785	NUT	1		5/16"
9	12H303	LOCK WASHER	1		5/16"
10	R35422	CLAMP	1		
11	37H95	SCREW	5		NO. 8 X 1/2"
	12M7084	LOCK WASHER	5		0.169"
12	AR43676	SENDER	1		
13	R27181	GASKET	1		
14	AR55182	FUEL TANK	1		(SUB FOR AR43022) (NLA)
15	AR43208	STRAP	1		
16	R26593	GUIDE	2		
17	AR43209	STRAP	1		
18	R26594	NUT	2		
19	R20770	WASHER	1		-XXXXX
20	R43127	PLUG	1		-XXXXX
	AT13740	DRAIN VALVE	1	XXXXX-	(NOT ILLUSTRATED)
21	AR43252	SHUT-OFF VALVE	1		
22	AR50148	FUEL LINE	1		
23	14H785	NUT	2		5/16"
	12H303	LOCK WASHER	2		5/16"
24	AR49770	FUEL PUMP	1		(SUB FOR AR52159) (SUB RE27667 AND R97350)
25	R48755	STUD	2		
26	R97350	GASKET	1		(SUB FOR R27285)
27	AR26674	ELBOW FITTING	1		

1E15

FUEL AND AIR

FUEL PUMP AND LINES

RWP5217 -UN-01JAN94



RWP5217

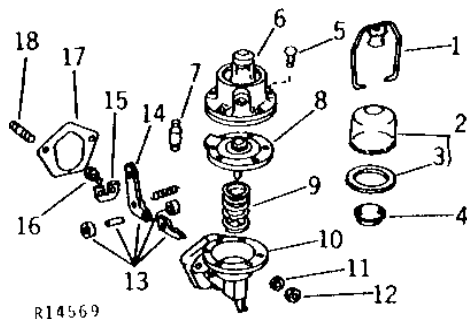
KEY	PART NO.	PART NAME	QTY	ENGINE SERIAL NO.	REMARKS
1	AR50148	FUEL LINE	1		
2	AR26674	ELBOW FITTING	3		
3	14H785	NUT	2	5/16"	
	12H303	LOCK WASHER	2	5/16"	
4	R97350	GASKET	1		(SUB FOR R27285)
5	R48399	WASHER	1		
6	RE42211	FUEL PUMP	1		(SUB FOR AR49770, AR52159 OR RE27667) (ALSO ORDER R97350)
	AR52556	LEVER	1		
	A4365R	O-RING	1		(SUB FOR R49139)
7	R48755	STUD	2		
8	AR49785	FUEL LINE	1		
9	R27346	FITTING	2		
10	AR49786	FUEL LINE	1		

1E16

FUEL AND AIR

FUEL PUMP
(ENGINE SERIAL NO. -XXXXXX)

R14569 -UN-01JAN94



KEY	PART NO.	PART NAME	QTY	ENGINE SERIAL NO.	REMARKS
1	AT10638	BAIL	1		
2	AR40407	SEDIMENT BOWL	1		
3	R40565	WASHER	1	(A)	
4	AT10635	SCREEN	1		
5	21H1295	SCREW	6	0.190" X 5/8"	
	12H246	LOCK WASHER	6	0.190"	
6	COVER	1		
7	AR26674	ELBOW FITTING	2		
8	KIT	1	(A)	
9	R30410	SPRING	1	(A)	
10	HOUSING	1		
11	12H303	LOCK WASHER	2	5/16"	
12	14H785	NUT	2	5/16"	
13	AR47304	KIT	1	(SUB RE42211 AND R97350) (SUB FOR AR28330)	
14	T10804	SPRING	1	(A)	
15	RETAINER	1		
16	21H1308	SCREW	2	0.138" X 3/8"	
17	R97350	GASKET	1	(A) (SUB FOR R27285)	
18	R48755	STUD	2	5/16" X 1-1/2", (SUB FOR R26934)	
..	RE38578	KIT	1	(FUEL PUMP OVERHAUL) (SUB FOR AR40482)	

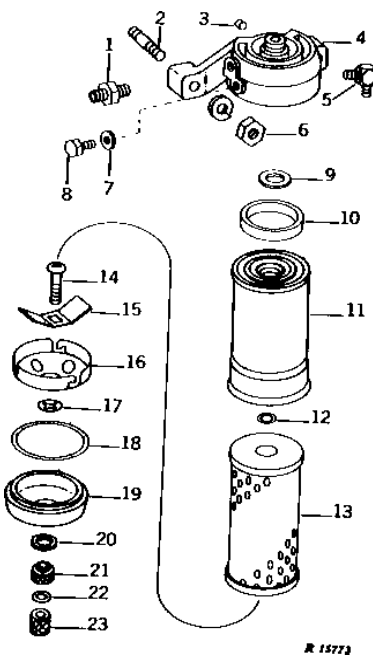
(A) CONTAINED IN AR40482

1E17

FUEL AND AIR

R15773 -UN-01JAN94

FUEL FILTER (ENGINE SERIAL NO. -XXXXXX)



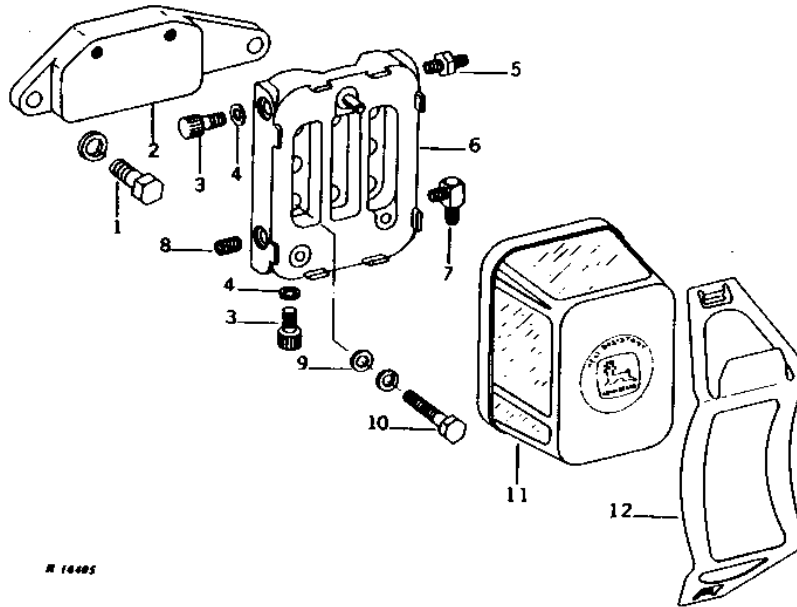
KEY	PART NO.	PART NAME	QTY	ENGINE SERIAL NO.	REMARKS
1	R27346	FITTING	1		
2	K3083R	STUD	2		
3	R27074	DOWEL PIN	1		
4	AR46144	HOUSING	1	(SUB AR59140, APPL)	
	AR59140	KIT	1		
5	AR26674	ELBOW FITTING	1		
6	14H813	NUT	2	7/16"	
	12H293	LOCK WASHER	2	7/16"	
7	R20498	WASHER	1		
8	19H2485	CAP SCREW	1	5/16" X 7/16"	
9	R44101	WASHER	2		
10	R44331	BUSHING	2		
11	AR45678	CASE	2		
12	R459R	O-RING	2		
13	AR44077	FILTER ELEMENT	2		
14	R41716	SCREW	2	(NLA)	
15	R41719	LEAF SPRING	2		
16	R41717	RETAINER	2		
17	R41718	SNAP RING	2		
18	R41721	O-RING	2		
19	R41720	BOWL	2		
20	R375R	O-RING	2	(USE WITH R41722)	
	R26919	WASHER	2	(USE WITH R46568)	
21	R41722	NUT	2	-XXXXXX (SUB R46568 AND R26919)	
	R46568	NUT	2	XXXXXX-	
22	R26286	O-RING	2		
23	R41723	NUT	2		

1E18

FUEL AND AIR

FUEL FILTER (ENGINE SERIAL NO. XXXXX-)

R16405 -UN-01JAN94



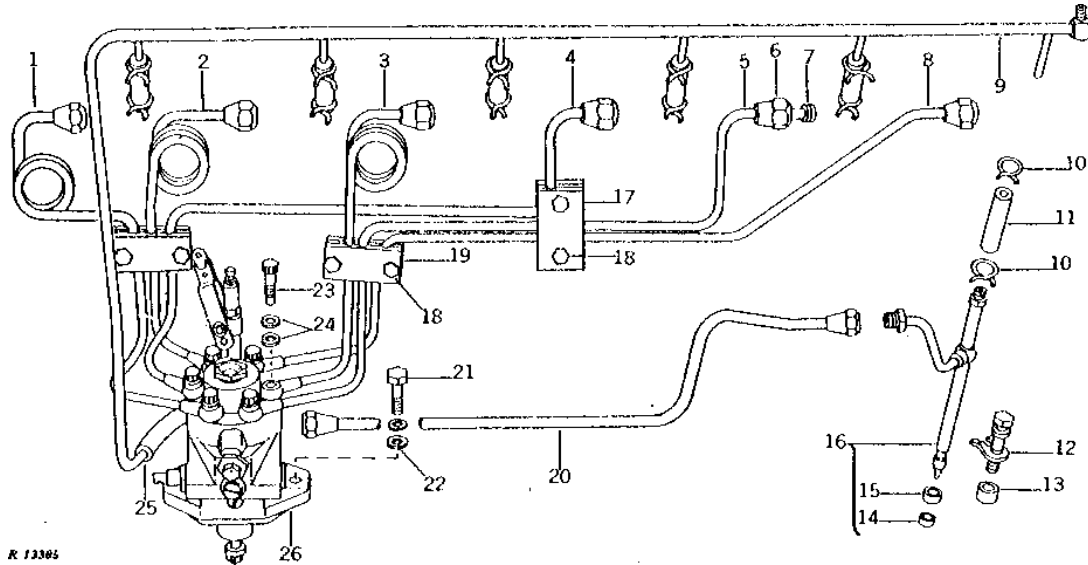
KEY	PART NO.	PART NAME	QTY	ENGINE SERIAL NO.	REMARKS
1	19H1822	CAP SCREW	2	7/16" X 1"	
	12H293	LOCK WASHER	2	7/16"	
2	R47433	SUPPORT	1		
3	R48071	DRAIN PLUG	2		
4	R26287	O-RING	2		(SUB FOR R34447)
5	R27346	FITTING	1		
6	AR50040	HOUSING	1		
7	AR26674	ELBOW FITTING	1		
8	R104592	PIPE PLUG	1	1/8"	
9	24H1289	WASHER	2	21/64" X 5/8" X 0.049"	
10	19H1905	CAP SCREW	2	5/16" X 1"	
	12H303	LOCK WASHER	2	5/16"	
11	AR50041	FUEL FILTER	1		
12	R66821	CLAMP	1		(SUB FOR R47358 OR R57258)
..	AR59140	KIT	1		MASTER FUEL FILTER

1E19

FUEL AND AIR

FUEL INJECTION PUMP, NOZZLES, AND FUEL LINES (ENGINE SERIAL NO. -242931)

R13305 -UN-01JAN94



KEY	PART NO.	PART NAME	QTY	ENGINE SERIAL NO.	REMARKS
1	AR41547	FUEL LINE	1		
2	AR41546	FUEL LINE	1		
3	AR41545	FUEL LINE	1		
4	AR41544	FUEL LINE	1		
5	AR41543	FUEL LINE	1		
6	R34763	FITTING	6		
7	R34762	SLEEVE	6		
8	AR41542	FUEL LINE	1		
9	AR41548	FUEL LINE	1		
10	R34766	CLAMP	12		
11	R34765	BOOT	6		
12	R34760	CLAMP	6		
13	R34761	SPACER	6		
14	R48000	WASHER	6		(SUB FOR R34767) (ROOSA MASTER)
15	R34764	WASHER	6		
16	INJECTION NOZZLE	6		(SUB FOR AR49307) (SUB AR52014)
17	R27781	STRAP	2		
	R27782	STRAP	2		
	R27783	CUSHION	2		
18	19H1914	CAP SCREW	6	1/4" X 1"	
19	R26728	STRAP	2		(SUB FOR R34785)
	R26789	STRAP	2		(SUB FOR R34786)
	R34787	CUSHION	2		
20	AR41549	LINE	1		
21	19H1905	CAP SCREW	2	5/16" X 1"	
	12H303	LOCK WASHER	2	5/16"	
22	24H1136	WASHER	2	11/32" X 11/16" X 0.065"	
23	R41680	SCREW	6		
24	T20055	WASHER	12		
25	TY22418	BULK HOSE	1		67MM (2 5/8") (BULK) (SUB FOR R32639)
26	AR43204	FUEL INJECTION PUMP	1		(A) (SUB AR69411, AR69416, (12) T20055 AND (6) R26726)
..	AR34368	PLUG	1		(SUB AR21969)

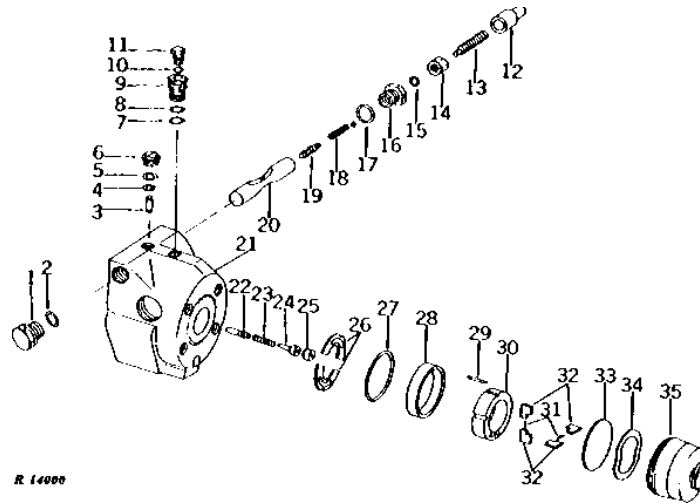
(A) "SEE YOUR AUTHORIZED PUMP REPAIR STATION FOR PARTS NOT LISTED."

1E20

FUEL AND AIR

INJECTION PUMP AUTOMATIC ADVANCE, DELIVERY VALVE AND TRANSFER PUMP (ENGINE SERIAL NO. -242931)

R14000 -UN-01JAN94



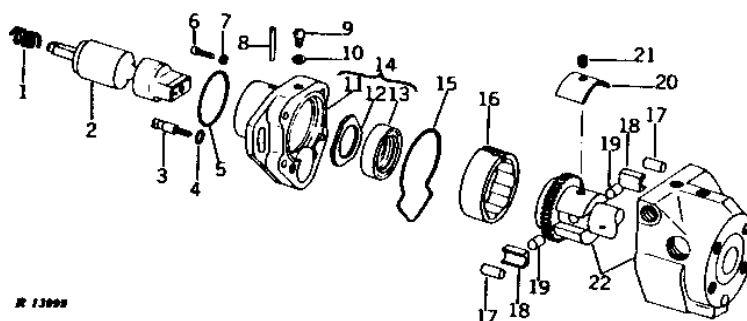
KEY	PART NO.	PART NAME	QTY	ENGINE SERIAL NO.	REMARKS
1	DRAIN PLUG	NA		
2	T11934	O-RING	1	(SUB R33259)	
3	PIN	NA		
4	SNAP RING	NA		
5	T26209	RING	1	(SUB FOR T15712)	
6	PLUG	NA		
7	T26209	RING	1		
8	T11934	O-RING	1	(SUB R33259)	
9	PLUG	NA		
10	A3917R	O-RING	1	(SUB FOR T26256)	
11	DRAIN PLUG	NA		
12	CAP	NA		
13	SET SCREW	NA		
14	NUT	NA		
15	T44604	O-RING	1	(SUB FOR T11915 OR R76578)	
16	DRAIN PLUG	NA		
17	R33259	O-RING	1	(SUB FOR T11934)	
18	SPRING	NA		
19	PISTON	NA		
20	PISTON	NA		
21	AR50333	KIT	1	(SUB FOR AR46844) (SUB AR69416 AND AR69411)	
22	VALVE	NA		
.....	VALVE	NA	(OVERSIZE)	
23	SPRING	NA		
24	STOP	NA		
25	SCREW	NA		
26	RETAINER	NA		
27	O-RING	NA		
28	WASHER	NA		
29	LINING	NA		
30	LINING	NA		
31	SPRING	NA		
32	KIT	NA	STD, (SUB FOR R45045)	
.....	KIT	NA	OS, (SUB FOR R45045)	
33	PLATE	NA		
34	WASHER	NA		
35	CAP	NA		
.....	SCREW	NA		

1E21

FUEL AND AIR

INJECTION PUMP HEAD, DRIVE SHAFT AND DRIVE HOUSING (ENGINE SERIAL NO. -242931)

R13999 -UN-01JAN94



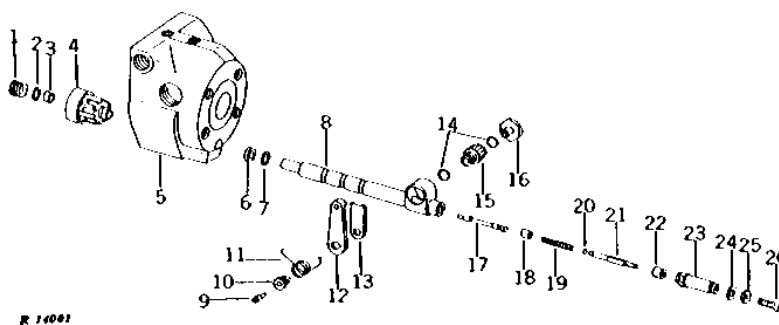
KEY	PART NO.	PART NAME	QTY	ENGINE SERIAL NO.	REMARKS
1	R44686	SPRING	1		
2	SHAFT	NA		
3	PLUG	NA		
4	SNAP RING	NA		
5	T28582	O-RING	1		
6	SCREW	NA		
7	WASHER	NA		
8	SPRING PIN	NA		
9	SCREW	NA		
10	T11878	WASHER	1		
11	HOUSING	NA		
12	GUIDE	NA		
13	SEAL	NA		(SUB FOR R45039)
14	HOUSING	NA		
15	SNAP RING	NA		
16	R45543	RING	1		(SUB AR69416 AND AR69411, APPL)
17	NEEDLE ROLLER	NA		
18	SHOE	NA		(SUB FOR T11885)
19	PLUNGER	NA		
	PLUNGER	NA		
	PLUNGER	NA		
	PLUNGER	NA		
20	LEAF SPRING	NA		
21	SCREW	NA		
22	AR50333	KIT	1		(SUB AR69416 AND AR69411) (SUB FOR AR46844)
..	AR52271	KIT	1		(INJECTION PUMP OVERHAUL) (SUB FOR AR46977)
					(SUB RE21230)
..	RE21230	KIT	1		

1E22

FUEL AND AIR

INJECTION PUMP GOVERNOR AND THROTTLE CONTROL (ENGINE SERIAL NO. -242931)

R14001 -UN-01JAN94



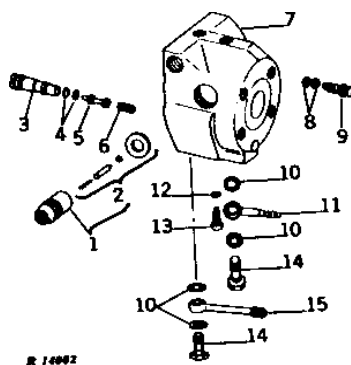
KEY	PART NO.	PART NAME	QTY	ENG. SER. NO. OR PUMP DATE	REMARKS
1	SCREW	NA		
2	SCREW	NA		
3	O-RING	NA		
4	GOVERNOR	NA		
5	AR50333	KIT	1		(SUB AR69416 AND AR69411) (SUB FOR AR46844)
6	WASHER	NA		
7	T11899	O-RING	1		
8	SLEEVE	NA		
9	T19859	SCREW	1		(SUB R70513)
10	T17950	RETAINER	1		
11	T17949	SPRING	1		
12	AR46843	LEVER	1		
13	T29164	LEVER	1		
14	A3917R	O-RING	2		(SUB FOR T26256)
15	GEAR	NA		
16	NUT	NA		
17	VALVE	NA		
18	WASHER	NA		
19	SPRING	NA		
20	O-RING	NA		
21	ROD	NA		
22	NUT	NA		
23	CAP	NA		
24	AT24209	SEAL	1		
25	NUT	1		
26	T17948	SCREW	1		

1E23

FUEL AND AIR

INJECTION PUMP SHUT-OFF SOLENOID (ENGINE SERIAL NO. -242931)

R14002 -UN-01JAN94



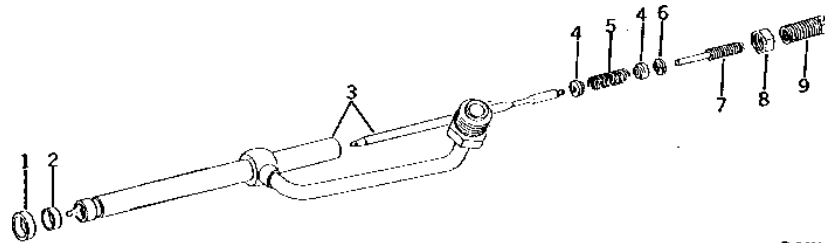
KEY	PART NO.	PART NAME	QTY	ENGINE SERIAL NO.	REMARKS
1	KIT	NA		SOLENOID REPLACEMENT
2	KIT	NA		SOLENOID REPAIR
3	SLEEVE	NA		
4	O-RING	NA		
5	PISTON	NA		
6	SPRING	NA		
7	AR50333	KIT	1		(SUB FOR AR46844) (SUB AR69416 AND AR69411)
8	T20055	WASHER	12		
9	R41680	SCREW	6		
10	T11292	WASHER	4		
11	R45592	FITTING	1		(SUB FOR AR44098)
12	O-RING	NA		
13	SCREW	NA		
14	T26217	FITTING	2		
15	FITTING	NA		(NLA)

1E24

FUEL AND AIR

FUEL INJECTION NOZZLE
 (9.52 MM) (ROOSA-MASTER)
 (ENGINE SERIAL NO. -242931)

R14918 -UN-01JAN94



R 14918

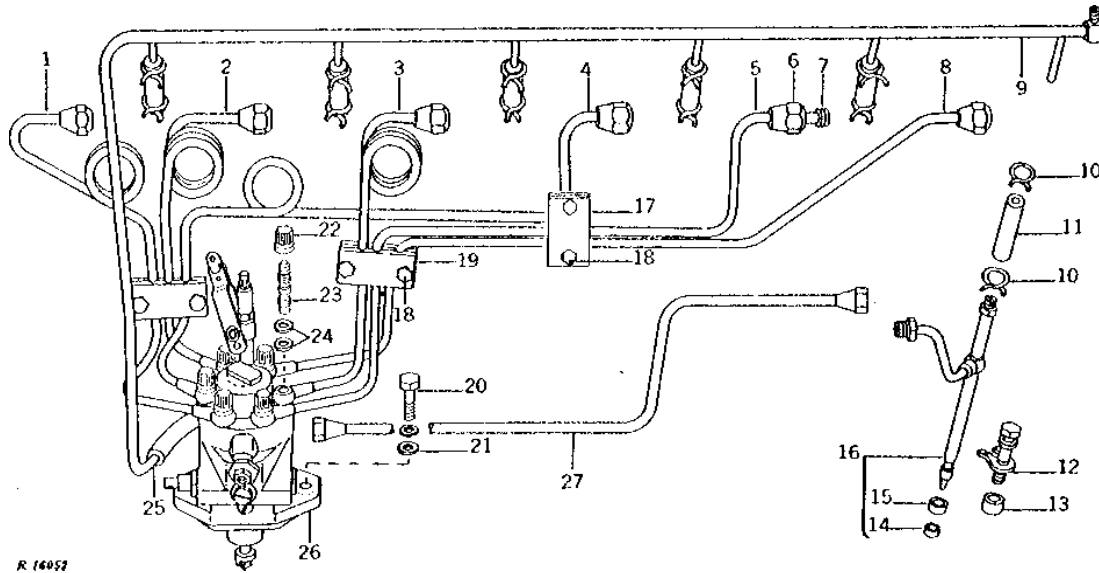
KEY	PART NO.	PART NAME	QTY	ENGINE SERIAL NO.	REMARKS
1	R34764	WASHER	1		
2	R48000	WASHER	1		(SUB FOR R34767)
3	AR49307	INJECTION NOZZLE	6		(SUB AR52014)
4	R39886	GUIDE	2		
5	R39885	SPRING	1		
6	R39887	WASHER	1		
7	R39888	SCREW	1		
8	R46675	NUT	1		(SUB FOR R39890)
9	SCREW	1		(NLA)

1E25

FUEL AND AIR

FUEL INJECTION PUMP, NOZZLES, AND FUEL LINES (SERIAL NO. 242932-245534)

R16052 -UN-01JAN94



KEY	PART NO.	PART NAME	QTY	ENGINE SERIAL NO.	REMARKS
1	AR41547	FUEL LINE	1		
2	AR41546	FUEL LINE	1		
3	AR41545	FUEL LINE	1		
4	AR41544	FUEL LINE	1		
5	AR41543	FUEL LINE	1		
6	R34763	FITTING	6		
7	R34762	SLEEVE	6		
8	AR41542	FUEL LINE	1		
9	AR41548	FUEL LINE	1		
10	R34766	CLAMP	12		
11	R34765	BOOT	6		
12	R34760	CLAMP	6		
13	R34761	SPACER	6		
14	R48000	WASHER	6		(SUB FOR R34767)
15	R34764	WASHER	6		
16	INJECTION NOZZLE	6		(SUB AR52014)
17	R27781	STRAP	1		
	R27782	STRAP	1		
	R27783	CUSHION	1		
18	19H1914	CAP SCREW	6		(A) 1/4" X 1"
19	R26728	STRAP	2		(A) (SUB FOR R34785)
	R26789	STRAP	2		(A) (SUB FOR R34786)
	R34787	CUSHION	2		
20	19H1905	CAP SCREW	2		5/16" X 1"
	12H303	LOCK WASHER	2		5/16"
21	24H1136	WASHER	2		11/32" X 11/16" X 0.065"
22	R46669	NUT	1		
23	R46844	SCREW	6		(NLA)
24	T20055	WASHER	12		
25	TY22418	BULK HOSE	1		67MM (2 5/8") (BULK) (SUB FOR R32639)
26	AR48683	FUEL INJECTION PUMP	1		(B) (ALSO ORDER R26726, T20055, AR40820 AND R32136) (SUB AR69416 AND AR69411)
27	AR41549	LINE	1		
..	AR34368	PLUG	1		(SUB AR21969)
..	AR69411	KIT	1		FUEL LINES

(A) CONTAINED IN AR69411

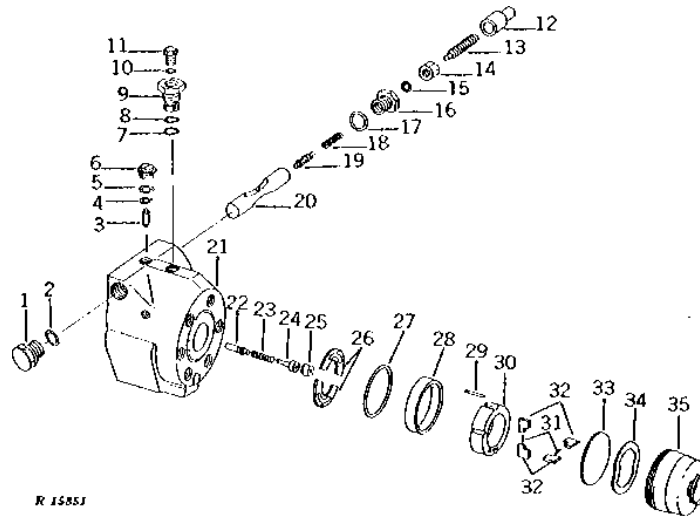
(B) "SEE YOUR AUTHORIZED PUMP REPAIR STATION FOR PARTS NOT LISTED."

1F1

FUEL AND AIR

INJECTION PUMP AUTOMATIC ADVANCE, DELIVERY VALVE AND TRANSFER PUMP (ENGINE SERIAL NO. 242932-245534)

R15851 -UN-01JAN94



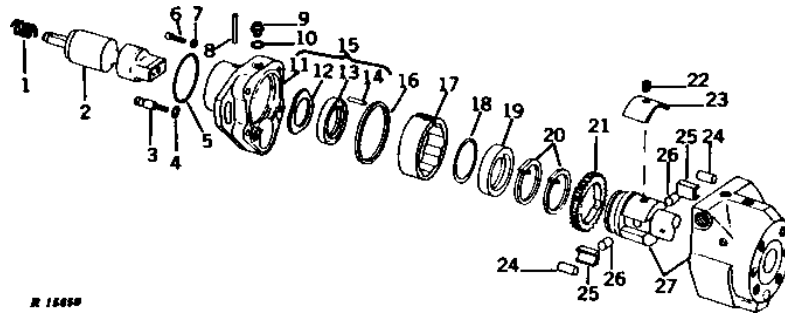
KEY	PART NO.	PART NAME	QTY	ENGINE SERIAL NO.	REMARKS
1		DRAIN PLUG	NA		
2	R33259	O-RING	1		(SUB FOR T11934)
3		PIN	NA		
4		SNAP RING	NA		
5	T26209	RING	1		
6		PLUG	NA		
7	T26209	RING	1		
8	R33259	O-RING	1		(SUB FOR T11934)
9		PLUG	NA		
10	A3917R	O-RING	1		(SUB FOR T26256)
11		DRAIN PLUG	NA		
12		CAP	NA		
13		SET SCREW	NA		
14		NUT	NA		
15	T44604	O-RING	1		(SUB FOR T11915 OR R76578)
16		DRAIN PLUG	NA		
17	R33259	O-RING	1		(SUB FOR T11934)
18		SPRING	NA		
19		PISTON	NA		
20		PISTON	NA		
21	AR51940	MANIFOLD	1		(SUB AR69411 AND AR69416)
22		VALVE	NA		
23		SPRING	NA		
24		STOP	NA		
25		SCREW	NA		
26		RETAINER	NA		
27		O-RING	NA		
28	R45044	WASHER	1		
29		DOWEL PIN	NA		
30		LINING	NA		
31		SPRING	NA		
32		KIT	NA		STD
		KIT	NA		OS
33		PLATE	NA		
34		WASHER	NA		
35		SCREW	NA		

1F2

FUEL AND AIR

INJECTION PUMP HEAD, DRIVE SHAFT AND DRIVE HOUSING (ENGINE SERIAL NO. 242932-245534)

R15850 -UN-01JAN94



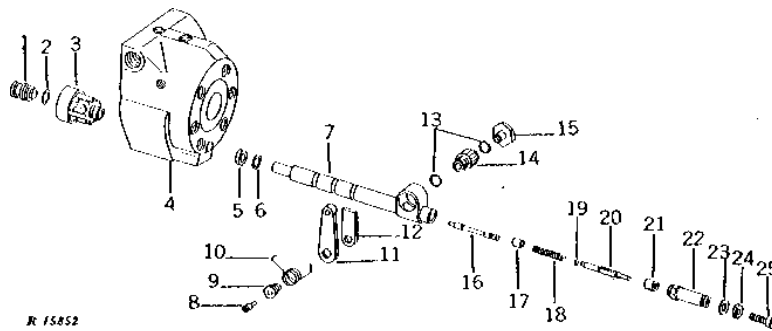
KEY	PART NO.	PART NAME	QTY	ENGINE SERIAL NO.	REMARKS
1	R44686	SPRING	1		
2	SHAFT	NA		
3	PLUG	NA		
4	O-RING	NA		
5	T28582	O-RING	1		
6	SCREW	NA		
7	WASHER	NA		
8	SPRING PIN	NA		
9	PLUG	NA		
10	T26209	RING	1		
11	HOUSING	NA		
12	GUIDE	NA		
13	SEAL	NA		
14	SPRING PIN	NA		
15	HOUSING	NA		
16	WASHER	NA		
17	R45543	RING	1	(SUB AR69413 AND AR69409)	
	R45543	RING	1	(SUB AR69409)	
18	SNAP RING	NA		
19	RING	NA		
20	RING	NA		
21	GEAR	NA		
22	SCREW	NA		
23	LEAF SPRING	NA		
24	NEEDLE ROLLER	NA		
25	SHOE	NA		
26	PLUNGER	NA		
	PLUNGER	NA		
	PLUNGER	NA		
	PLUNGER	NA		
27	AR51705	HYDRAULIC HEAD, AND ROTOR	1	(SUB AR69413 AND AR69409) (SUB FOR AR49112)	

1F3

FUEL AND AIR

INJECTION PUMP GOVERNOR AND THROTTLE CONTROL (ENGINE SERIAL NO. 242932-245534)

R15852 -UN-01JAN94



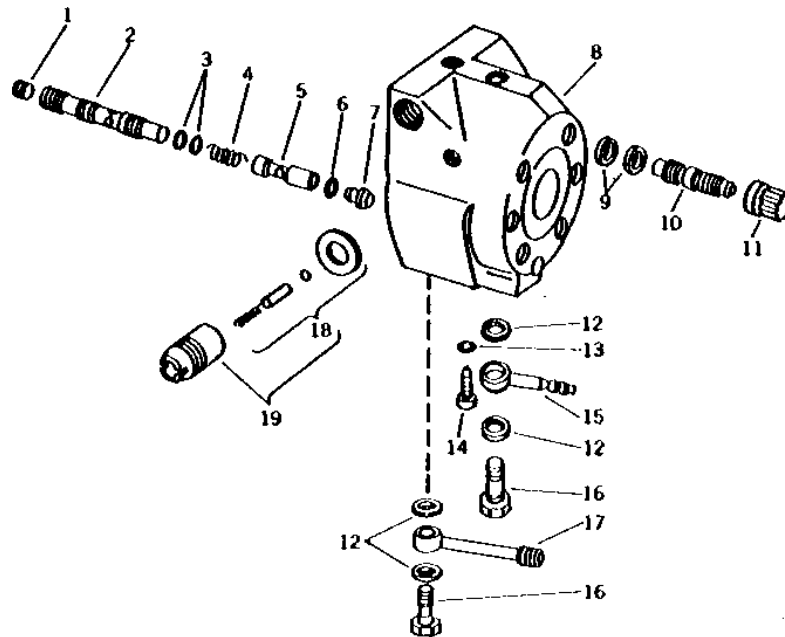
KEY	PART NO.	PART NAME	QTY	ENGINE SERIAL NO.	REMARKS
1	SCREW	NA		
2	O-RING	NA		
3	GOVERNOR	NA		
4	AR51940	MANIFOLD	1		(SUB AR69411 AND AR69416)
5	WASHER	NA		
6	T11899	O-RING	1		
7	SLEEVE	NA		
8	R70513	SCREW	1		(SUB FOR T19859)
9	T17950	RETAINER	1		
10	T17949	SPRING	1		
11	AR46843	LEVER	1		
12	T29164	LEVER	1		
13	A3917R	O-RING	2		(SUB FOR T26256)
14	GEAR	NA		
15	NUT	NA		
16	VALVE	NA		
17	WASHER	NA		
18	SPRING	NA		
19	O-RING	NA		
20	ROD	NA		
21	NUT	NA		
22	CAP	NA		
23	AT24209	SEAL	1		
24	NUT	NA		
25	T17948	SCREW	1		

1F4

FUEL AND AIR

INJECTION PUMP SHUT-OFF SOLENOID AND FITTING (ENGINE SERIAL NO. 242932-245534)

R15853 -UN-01JAN94



R15853

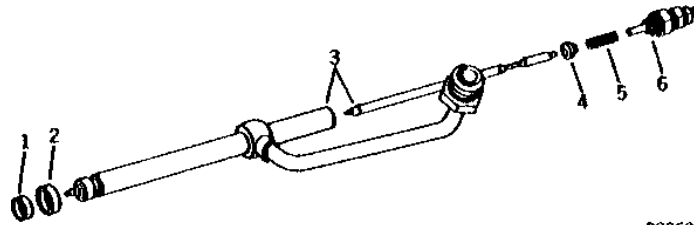
KEY	PART NO.	PART NAME	QTY	ENGINE SERIAL NO.	REMARKS
1	PLUG	NA		
2	SLEEVE	NA		
3	O-RING	NA		
4	SPRING	NA		
5	PISTON	NA		
6	O-RING	NA		
7	PLUG	NA		
8	AR51940	MANIFOLD	1		(SUB AR69411 AND AR69416)
9	T20055	WASHER	12		
10	R46844	SCREW	NA		
11	R46669	NUT	1		
12	T11292	WASHER	4		
13	O-RING	NA		
14	SCREW	NA		
15	R45592	FITTING	NA		
16	FITTING	NA		
17	FITTING	NA		
18	KIT	NA		
19	KIT	NA		

1F5

FUEL AND AIR

NOZZLE
(9.52 MM) (ROOSA-MASTER)
(ENGINE SERIAL NO. 242932-303518)

R20683 -UN-01JAN94



R20683

KEY	PART NO.	PART NAME	QTY	ENGINE SERIAL NO.	REMARKS
1	R48000	WASHER	1		
2	R34764	WASHER	1		
3	AR52014	INJECTION NOZZLE	1		
4	R54795	PLATE	1	(NLA)	
5	R47731	SPRING	1		
6	AR52720	SCREW	1		

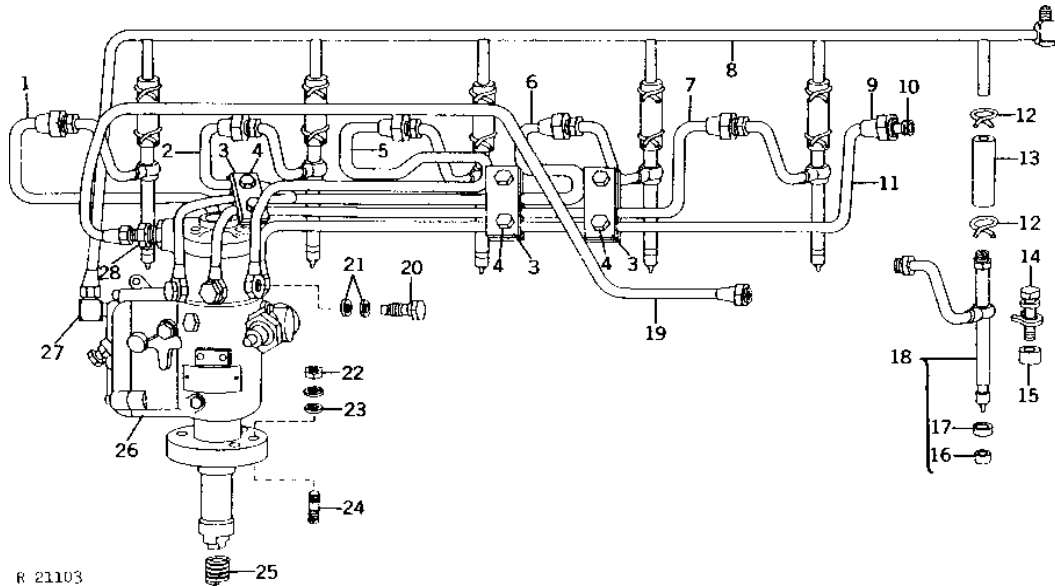
MEMORANDA

1F6

FUEL AND AIR

FUEL INJECTION PUMP, NOZZLES, AND FUEL LINES (ENGINE SERIAL NO. 245535-303518)

R21103 -UN-01JAN94



KEY	PART NO.	PART NAME	QTY	ENGINE SERIAL NO.	REMARKS
1	AR51199	FUEL LINE	1	(A)	
2	AR51198	FUEL LINE	1	(A)	
3	R26728	STRAP	3	(A)	
	R26789	STRAP	3	(A)	
	R26790	CUSHION	3	(A)	
4	19H1914	CAP SCREW	6	(A)	1/4" X 1"
5	AR51197	FUEL LINE	1	(A)	
6	AR51196	FUEL LINE	1	(A)	
7	AR51195	FUEL LINE	1	(A)	
8	AR34807	FUEL LINE	1	(A)	
9	R34763	FITTING	6		
10	R34762	SLEEVE	6		
11	AR51194	FUEL LINE	1	(A)	
12	R34766	CLAMP	12		
13	R34765	BOOT	6		
14	R34760	CLAMP	6		
15	R34761	SPACER	6		
16	R48000	WASHER	6		
17	R34764	WASHER	6		
18	INJECTION NOZZLE	6		(SUB AR50781) (ROOSA-MASTER NO. 1-18767)
19	AR50265	FUEL LINE	1		
20	R26726	FITTING	6		
21	T20055	WASHER	12		
22	E55662	FLANGE NUT	2		(SUB FOR R32511)
	12H304	LOCK WASHER	2		3/8"
23	24H1303	WASHER	2		13/32" X 11/16" X 0.065"
24	M3636T	STUD	2		
25	R44686	SPRING	1		
26	AR69416	FUEL INJECTION PUMP	1		(B) (ROOSA-MASTER NO.JDB633AL2718)
27	AR40820	ELBOW FITTING	1		
28	R32136	FITTING	1		
..	AR34368	PLUG	1		(SUB AR21969)
..	AR69411	KIT	1	-235534	FUEL LINES

(A) CONTAINED IN AR69411

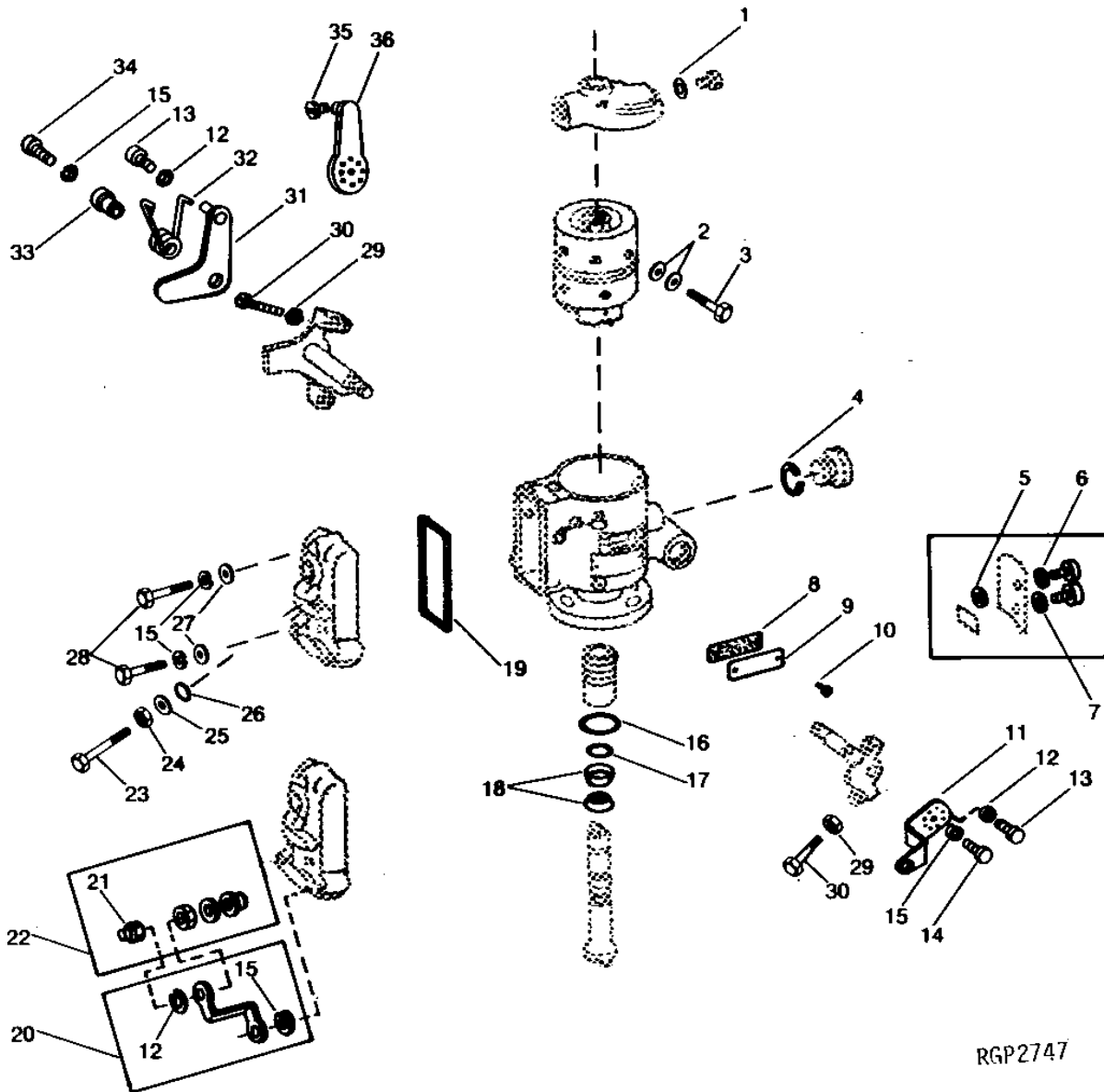
(B) "SEE YOUR AUTHORIZED PUMP REPAIR STATION FOR PARTS NOT LISTED."

1F7

FUEL AND AIR

FUEL INJECTION PUMP FITTINGS AND LINKAGE (FOR FUEL INJECTION CONVERSION) (ENGINE SERIAL NO. 245535-303518)

RGP2747 -UN-12OCT94



RGP2747

1F8

FUEL AND AIR

FUEL INJECTION PUMP FITTINGS AND LINKAGE - CONTINUED
 (FOR FUEL INJECTION CONVERSION)
 (ENGINE SERIAL NO. 245535-303518)

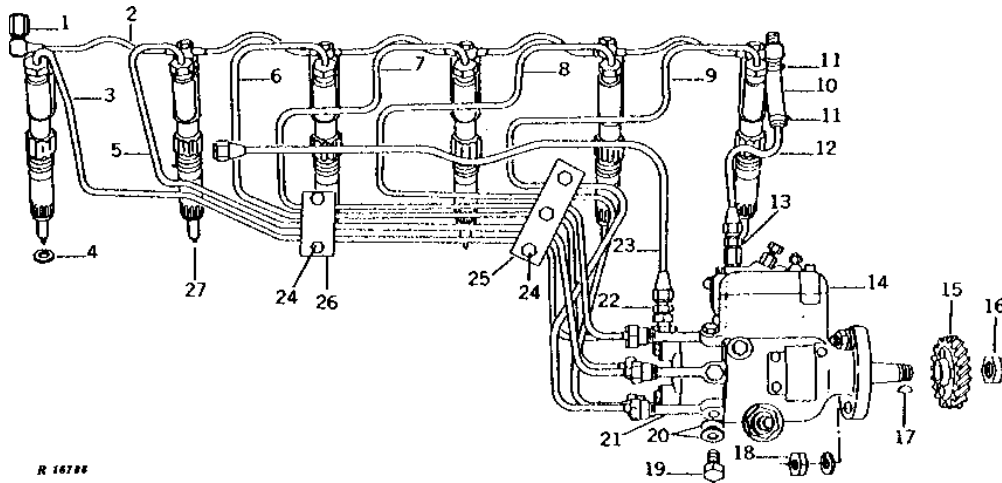
KEY	PART NO.	PART NAME	QTY	ENGINE SERIAL NO.	REMARKS
1	A3917R	O-RING	1		(SUB FOR T26256)
	O-RING	NA		
2	T20055	WASHER	12		
3	R26726	FITTING	6		
4	T15712	O-RING	1		
5	O-RING	NA		
6	O-RING	NA		
7	WASHER	NA		
8	T11883	GASKET	2		
9	T11882	COVER	2		
10	T11884	SCREW	4		
11	LEVER	NA		
12	R47077	LOCK WASHER	1		
13	SCREW	NA		
14	SCREW	NA		
15	12H295	LOCK WASHER	4		0.190"
16	O-RING	NA		
	T19854	O-RING	1		
17	P48347	O-RING	1		(SUB FOR R34404)
18	T11290	SEAL	2		
19	T11918	GASKET	1		
20	AR50874	KIT	1		
21	M63431	LOCK NUT	1		
22	AR90601	KIT	1		(SUB RE37091)
23	T17953	CAP SCREW	1		
24	T11921	NUT	1		
25	T17947	WASHER	1		
26	R34812	O-RING	1		
27	T15715	WASHER	3		
28	T15721	SCREW	3		
	SCREW	NA		
29	T11921	NUT	1		
30	T11941	SCREW	1		
31	AR51711	LEVER	1		
32	T17949	SPRING	1		
33	T17950	RETAINER	1		
34	SCREW	NA		
	R70513	SCREW	1		
	T17948	SCREW	1		(USE WITH AT16123)
35	SCREW	NA		
36	LEVER	NA		
	LEVER	NA		
..	KIT	1		(SUB RE37089) (ALSO ORDER RE37091)

1F9

FUEL AND AIR

FUEL INJECTION PUMP, NOZZLES, AND FUEL LINES (SERIAL NO. 303519-)

R16788 -UN-01JAN94



KEY	PART NO.	PART NAME	QTY	ENGINE SERIAL NO.	REMARKS
1	R31147	FITTING	1		
2	AR68961	FUEL LINE	1		(SUB FOR AR50732)
3	AR51057	FUEL LINE	1		
4	R64840	WASHER	6		(SUB FOR R48633)
5	AR51056	FUEL LINE	1		
6	AR51055	FUEL LINE	1		
7	AR51054	FUEL LINE	1		
8	AR51053	FUEL LINE	1		
9	AR51052	FUEL LINE	1		
10	TY22418	BULK HOSE	1		(BULK) (SUB FOR R32639)
11	AR48236	CLAMP	2		(SUB TY22462)
12	AR49613	FUEL LINE	1		
13	R35352	FITTING	1		
14	AR50002	FUEL INJECTION PUMP	1		(A) (ROOSA-MASTER NO. JDC625JT2398) (NLA)
15	AR52671	GEAR	1		(MATCHED SET) (SUB FOR R47013)
16	14H888	NUT	1		9/16"
17	26H10	SHAFT KEY	1		5/32" X 5/8"
18	14H1090	NUT	2		(SUB FOR R32511 OR E55662, APPL)
	12H304	LOCK WASHER	2		3/8"
19	R48512	SCREW	6		
20	R48511	WASHER	12		
21	R48510	FITTING	6		
22	R32136	FITTING	1		
23	AR49786	FUEL LINE	1		
24	19H1914	CAP SCREW	5		1/4" X 1"
25	R48358	STRAP	1		
	R48360	STRAP	1		
	R48359	CUSHION	1		
26	R26728	STRAP	1		
	R26789	STRAP	1		
	R26790	CUSHION	1		
27	INJECTION NOZZLE	6	-XXXXXX	(SUB AR53149)
	INJECTION NOZZLE	6	XXXXXX-	(SUB AR53091)

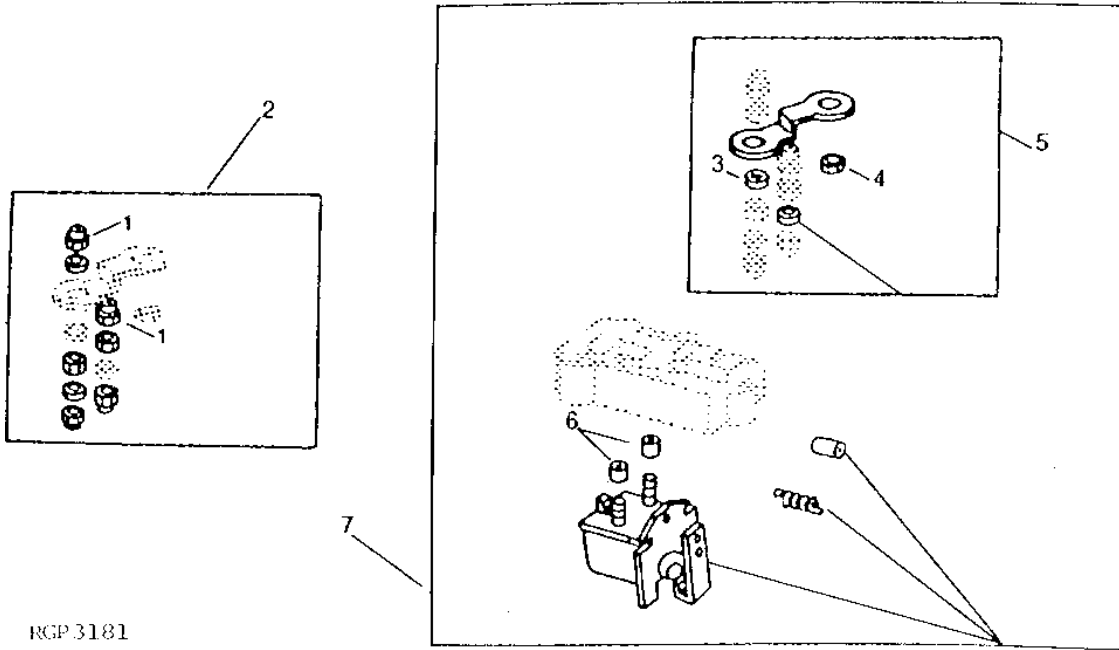
(A) "SEE YOUR AUTHORIZED PUMP REPAIR STATION FOR PARTS NOT LISTED."

1F10

FUEL AND AIR

RGP3181 -UN-01JAN94

FUEL INJECTION PUMP ELECTRIC SHUT-OFF KIT



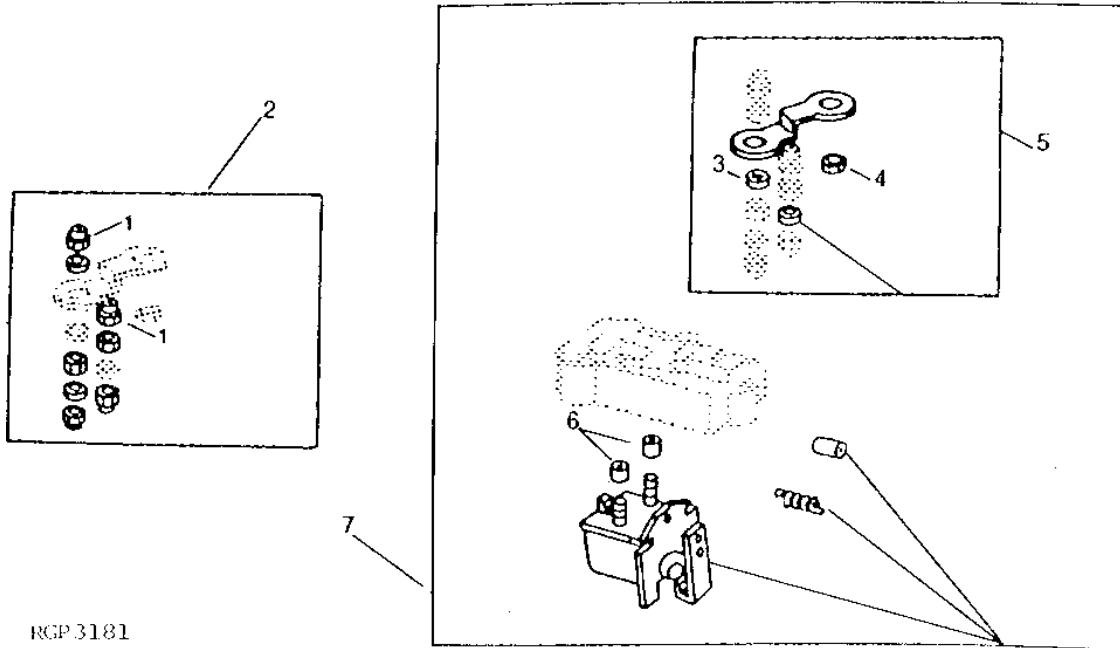
KEY	PART NO.	PART NAME	QTY	ENGINE SERIAL NO.	REMARKS
1	M63431	LOCK NUT	2		(SUB FOR T19977)
2	AR90601	KIT	1		(STANADYNE NO. 22270 OR 26431) (SUB RE37091)
3	R47077	LOCK WASHER	1		
4	12H295	LOCK WASHER	1	0.190"	
5	AR50874	KIT	1		(SUB FOR AR49542 OR R66593)
6	T11937	INSULATOR	2		
7	AR90340	KIT	1		(SUB FOR AR48219 OR AT11524) (SUB RE62240 AND RE37091)

1F11

FUEL AND AIR

RGP3181 -UN-01JAN94

FUEL INJECTION PUMP ELECTRIC SHUT-OFF KIT



RGP3181

KEY	PART NO.	PART NAME	QTY	ENGINE SERIAL NO.	REMARKS
1	M63431	LOCK NUT	2		
2	RE37091	KIT	1		
3	R47077	LOCK WASHER	1		
4	12H295	LOCK WASHER	1	0.190"	(SUB FOR AR49542 OR R66593)
5	AR50874	KIT	1		
6	T11937	INSULATOR	2		
7	RE62240	SOLENOID	1		(SUB FOR AR48219, AT11524, AR90340 OR RE37089)

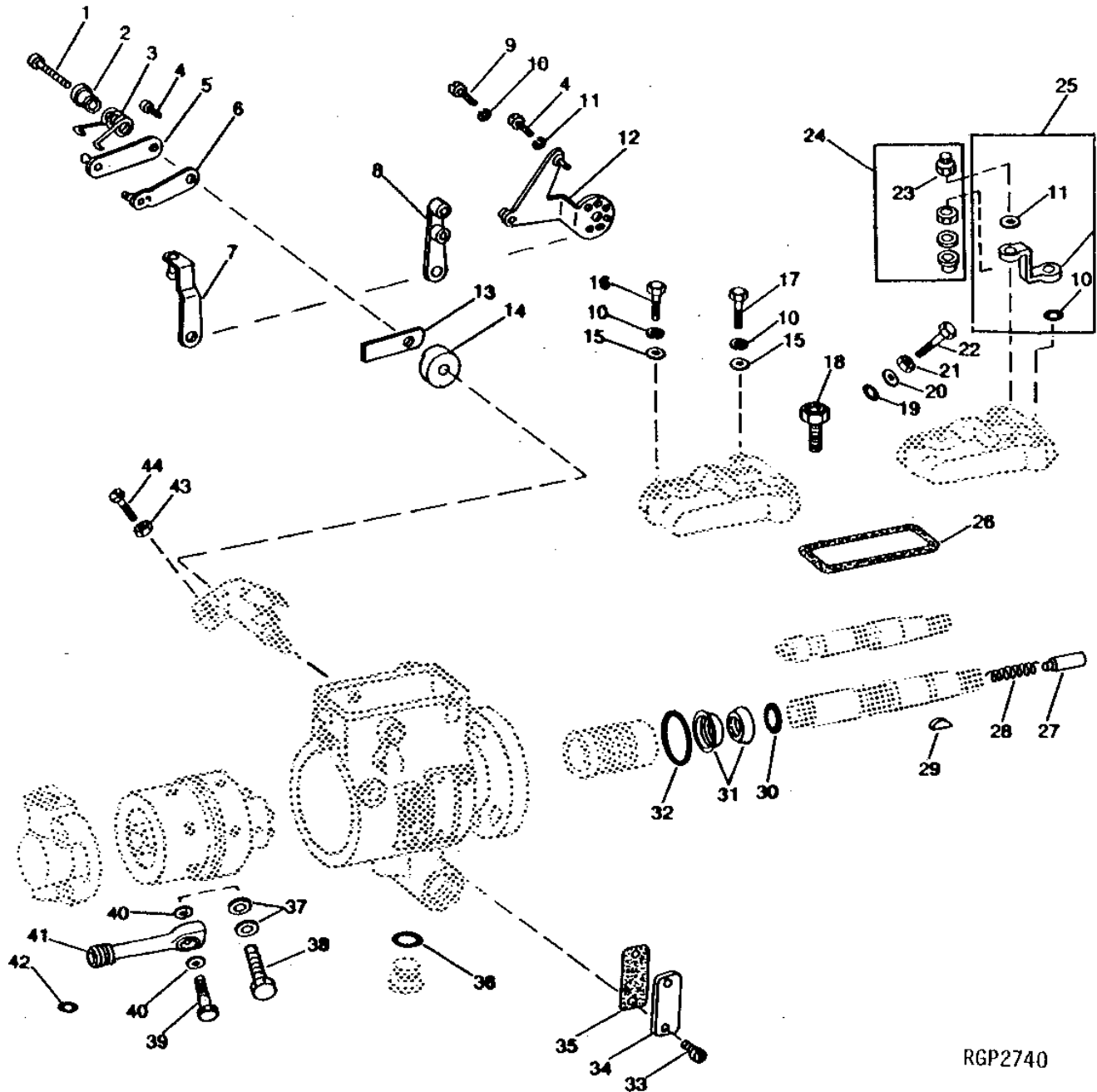
MEMORANDA

1F12

FUEL AND AIR

FUEL INJECTION PUMP FITTINGS AND LINKAGE (ENGINE SERIAL NO. 303519-)

RGP2740 -UN-01JAN94



RGP2740

1F13

FUEL AND AIR

FUEL INJECTION PUMP FITTINGS AND LINKAGE - CONTINUED
(ENGINE SERIAL NO. 303519-)

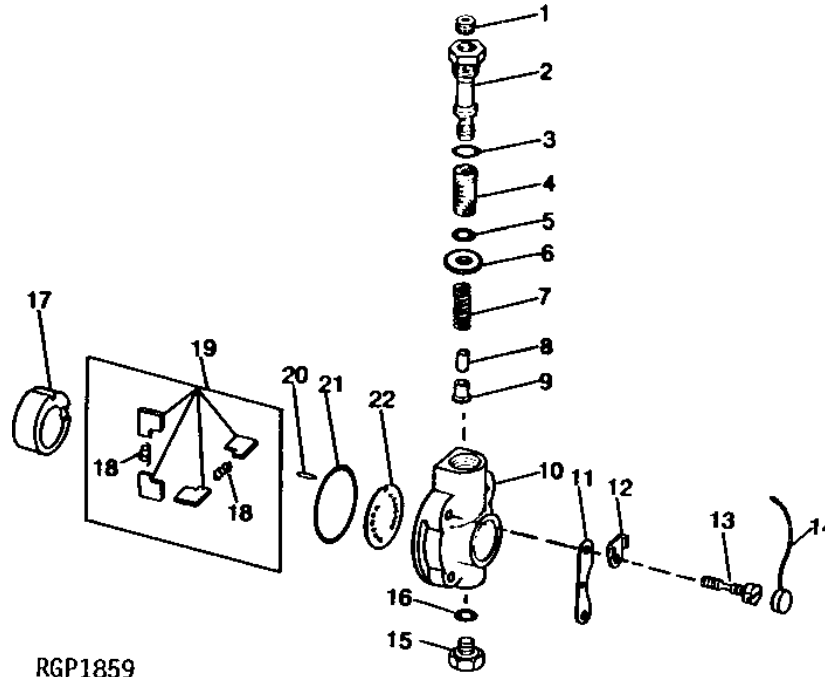
KEY	PART NO.	PART NAME	QTY	ENGINE SERIAL NO.	REMARKS
1	R70513	SCREW	1		
	SCREW	NA		
2	T17950	RETAINER	1		
3	T17949	SPRING	1		
4	T11917	SCREW	1		
5	LEVER	NA		
6	AR51718	LEVER	1		
7	LEVER	NA		
8	LEVER	NA		
9	SCREW	NA		
10	12H295	LOCK WASHER	4	0.190"	
11	R47077	LOCK WASHER	1		
12	LEVER	NA		
13	T19860	STRAP	1		
14	T19861	SPACER	1		
15	T15715	WASHER	3		
16	T15721	SCREW	1		
17	R71851	SCREW	2		
18	R36535	CHECK VALVE	1		
19	R34812	O-RING	1		
20	T17947	WASHER	1		
21	T11921	NUT	1		
22	CAP SCREW	1		
23	M63431	LOCK NUT	2		
24	AR90601	KIT	1	(SUB RE37091)	
25	AR50874	KIT	1		
26	T11918	GASKET	1		
27	T19855	PIN	1		
	PUSH BUTTON	NA		
28	R36540	SPRING	1		
29	26H10	SHAFT KEY	1		
30	O-RING	NA		
	R33259	O-RING	1	(SUB FOR T11934)	
31	T11290	SEAL	2		
32	T19854	O-RING	1		
33	T11884	SCREW	2		
34	T11882	COVER	1		
35	T11883	GASKET	1		
36	T15712	O-RING	1		
37	WASHER	NA		
38	SCREW	NA		
39	R48512	SCREW	6		
40	R48511	WASHER	12		
41	R48510	FITTING	6		
42	A3917R	O-RING	1	(SUB FOR T26256)	
43	T11921	NUT	1		
44	T11941	SCREW	1		
..	KIT	1	(SUB RE37089) (ALSO ORDER RE37091)	

1F14

FUEL AND AIR

FUEL TRANSFER PUMP
(SERIAL NO. 303519-)

RGP1859 -UN-01JAN94



RGP1859

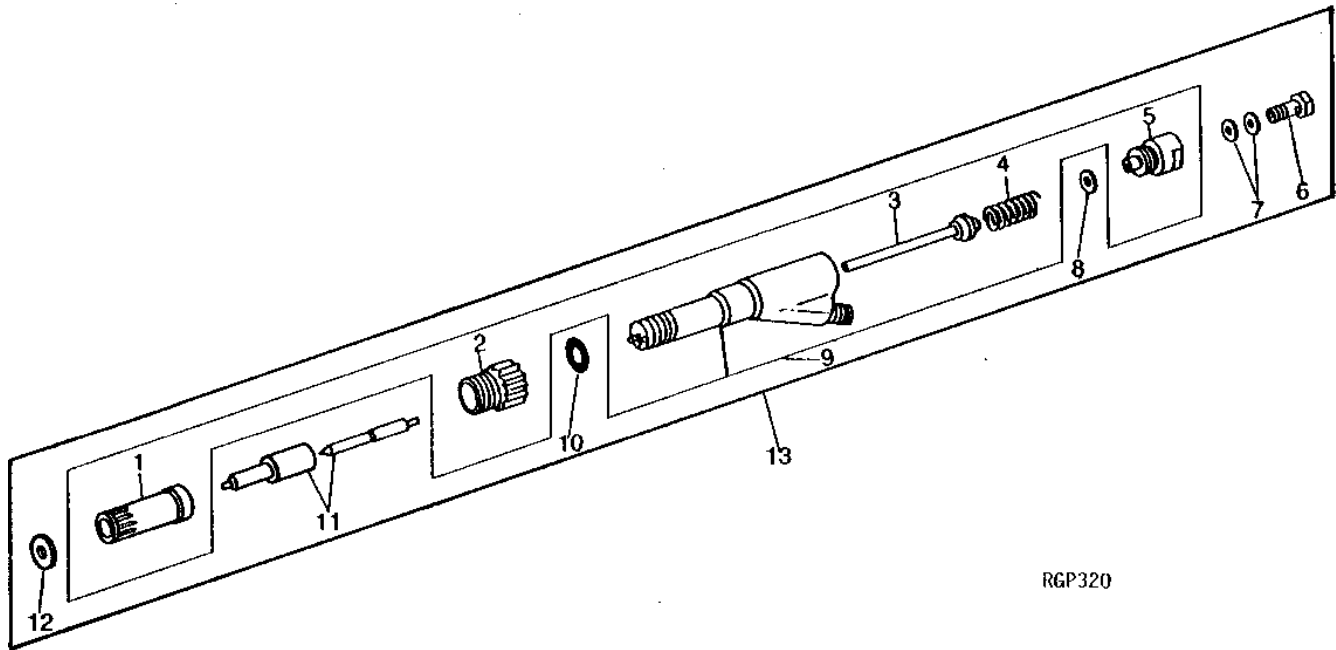
KEY	PART NO.	PART NAME	QTY	ENGINE SERIAL NO.	REMARKS
1	PLUG	NA		
2	SLEEVE	NA		
3	R33259	O-RING	1		(SUB FOR T11934)
4	STRAINER	NA		
5	WASHER	NA		
6	T11899	O-RING	1		
7	SPRING	NA		
8	DOWEL PIN	NA		
9	SEAL	NA		
10	PLATE	NA		
11	STRAP	NA		
12	CLIP	NA		
13	BOLT	NA		
14	WIRE	NA		
15	DRAIN PLUG	NA		
16	A3917R	O-RING	1		(SUB FOR T26256)
17	SLEEVE	NA		
18	SPRING	NA		
19	KIT	NA		(STANDARD)
	KIT	NA		(OVERSIZE)
20	34H240	SPRING PIN	1		1/8" X 1/4", (SUB FOR R34638)
21	O-RING	NA		
22	PLATE	NA		

1F15

FUEL AND AIR

FUEL INJECTION NOZZLE
(21 MM) (ROBERT BOSCH)
(ENGINE SERIAL NO. 303519-)

RGP320 -UN-01JAN94



RGP320

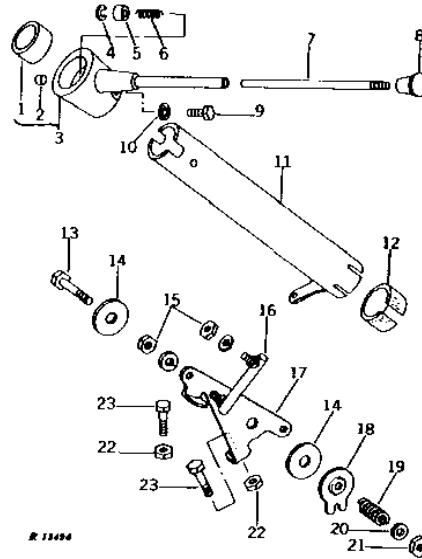
KEY	PART NO.	PART NAME	QTY	ENGINE SERIAL NO.	REMARKS
1	R48696	NUT	1		
2	R48695	NUT	1		
3	R48689	SPINDLE	1		
4	R48691	SPRING	1		
5	R48692	PLUG	1		
6	R48694	SCREW	1		
7	R48693	WASHER	2		
8	R48698	WASHER	1	1.09 MM (.043")	
	R48699	WASHER	1	1.14 MM (.045")	
	R48700	WASHER	1	1.19 MM (.047")	
	R48701	WASHER	1	1.24 MM (.049")	
	R48702	WASHER	1	1.30 MM (.051")	
	R48703	WASHER	1	1.35 MM (.053")	
	R48704	WASHER	1	1.40 MM (.055")	
	R48705	WASHER	1	1.45 MM (.057")	
	R48706	WASHER	1	1.50 MM (.059")	
	R49549	WASHER	1	1.55 MM (.061")	
	R49551	WASHER	1	1.60 MM (.063")	
	R49552	WASHER	1	1.65 MM (.065")	
	R49553	WASHER	1	1.70 MM (.067")	
	R49554	WASHER	1	1.75 MM (.069")	
	R49555	WASHER	1	1.80 MM (.071")	
	R49556	WASHER	1	1.85 MM (.073")	
	R49557	WASHER	1	1.91 MM (.075")	
	R49558	WASHER	1	1.96 MM (.077")	
9	AR52375	HOUSING	1	(SUB FOR AR51986)	
10	R51603	O-RING	1	(SUB FOR R375R)	
11	R48697	NOZZLE	1		
12	R64840	WASHER	1	(SUB FOR R48633)	
13	AR53091	INJECTION NOZZLE	6	(SUB FOR AR51985 OR AR53149)	

1F16

FUEL AND AIR

R13494 -UN-01JAN94

HAND SPEED CONTROL LEVER AND LINKAGE



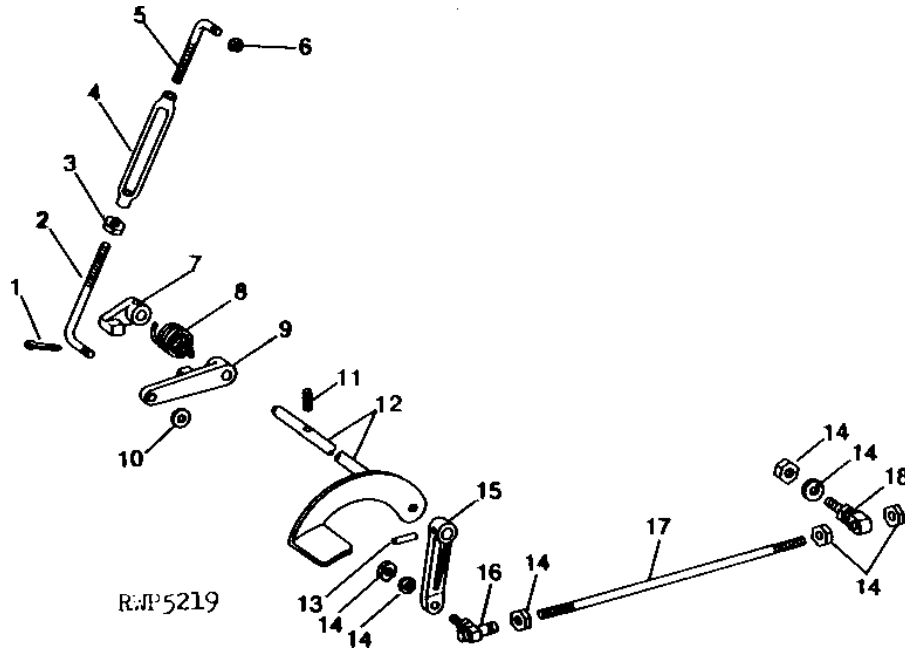
KEY	PART NO.	PART NAME	QTY	TRACTOR SERIAL NO.	REMARKS
1	R27075	BUSHING	1		
2	R27074	DOWEL PIN	1		
3	AR30472	HUB	1		(MARKED R27072)
4	R30828	SNAP RING	1		
5	R38377	WASHER	1		
6	R28009	SPRING	1		
7	R38376	LEVER	1		
8	R26670	KNOB	1		
9	R28007	BOLT	1		
10	12H310	LOCK WASHER	1	3/8"	
11	AR40702	TUBE	1		
12	R26958	ISOLATOR	1		
13	19H1726	CAP SCREW	1	3/8" X 2-1/4"	
14	R39985	WASHER	2		(SUB FOR R40983) (SUB R105814, THIS APPLICATION)
15	14H649	NUT	2	1/4"	
	12H302	LOCK WASHER	2	1/4"	
16	R40982	BALL JOINT	1		
17	AR40703	LEVER	1		
18	R40984	PLATE	1		
19	R31271	SPRING	1		
20	24H1305	WASHER	1	13/32" X 13/16" X 0.065"	
21	K40003	LOCK NUT	1		(SUB FOR R41564)
22	14H611	NUT	2	5/16"	
23	19H2831	CAP SCREW	2	5/16" X 1-1/2"	

1F17

FUEL AND AIR

FOOT SPEED CONTROL PEDAL AND LINKAGE (ENGINE SERIAL NO. -303518)

RWP5219 -UN-01JAN94



KEY	PART NO.	PART NAME	QTY	ENGINE SERIAL NO.	REMARKS
1	11M7079	COTTER PIN	1		
2	R43525	ROD	1		0.098" X 0.472"
3	14H611	NUT	1		5/16"
4	R40986	TURNBUCKLE	1		
5	R40985	BOLT	1		
6	R72653	SNAP RING	1		(SUB FOR M2396T)
7	R40991	ARM	1		
8	R38143	SPRING	1		(SUB R117129)
9	R40988	ARM	1		
10	24H1136	WASHER	1		11/32" X 11/16" X 0.065"
11	34H282	SPRING PIN	1		3/16" X 1"
12	AR43161	PEDAL	1		
13	34H282	SPRING PIN	1		3/16" X 1"
14	14H649	NUT	5		1/4"
	12H302	LOCK WASHER	2		1/4"
15	R40989	LEVER	1		
16	T23688	BALL JOINT	1		
17	R43528	ROD	1	-XXXXXX	
	R46647	ROD	1	XXXXXX-	
	R57792	HANDBRAKE LEVER	1		(A) (USE WITH AR69416)
18	AR46117	BALL JOINT	1	-XXXXXX	
	R36123	BALL JOINT	1	XXXXXX-	(A)
..	AR69411	KIT	1	-245534	FUEL INJECTION LINES

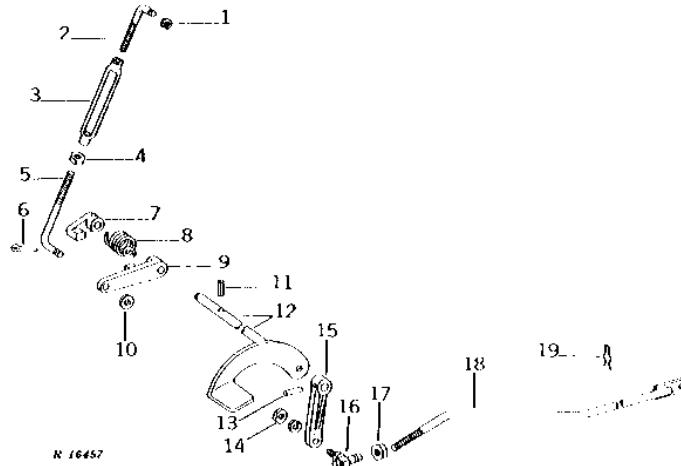
(A) INCLUDED IN AR69411

1F18

FUEL AND AIR

R16457 -UN-01JAN94

FOOT SPEED CONTROL PEDAL AND LINKAGE (ENGINE SERIAL NO. 303519-)



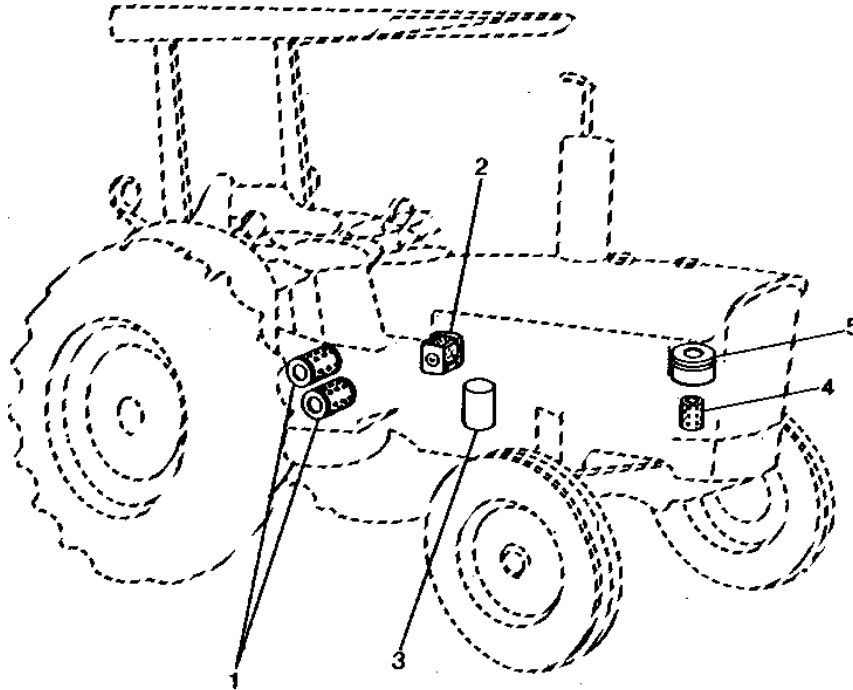
KEY	PART NO.	PART NAME	QTY	TRACTOR SERIAL NO.	REMARKS
1	R72653	SNAP RING	1		(SUB FOR M2396T)
2	R40985	BOLT	1		
3	R40986	TURNBUCKLE	1		
4	14H611	NUT	1	5/16"	
5	R43525	ROD	1		
6	11M7079	COTTER PIN	1	0.098" X 0.472"	
7	R40991	ARM	1		
8	R38143	SPRING	1	(SUB R117129)	
9	R40988	ARM	1		
10	24H1136	WASHER	1	11/32" X 11/16" X 0.065"	
11	34H282	SPRING PIN	1	3/16" X 1"	
12	AR43161	PEDAL	1		
13	34H282	SPRING PIN	1	3/16" X 1"	
14	14H649	NUT	1	1/4"	
	12H302	LOCK WASHER	1	1/4"	
15	R40989	LEVER	1		
16	AR52085	BALL JOINT	1		
17	14H649	NUT	1	1/4"	
18	AR52211	SHIFTER ROD	1		
19	R47646	SPRING LOCKING PIN	1		

1F19

FUEL AND AIR

RXP7904 -UN-01JAN94

FILTERS



RXP7904

KEY	PART NO.	PART NAME	QTY	TRACTOR SERIAL NO.	REMARKS
1	AR75603	FILTER ELEMENT	1		SYNCHRO-RANGE TRANSMISSION (PKG OF 2)
	AR75603	FILTER ELEMENT	2		POWER SHIFT TRANSMISSION (PKG OF 2)
2	AR50041	FUEL FILTER	1		FUEL
3	AR43634	OIL FILTER	1		ENGINE
4	AR43941	FILTER ELEMENT	2	-303518	AIR
	AR61988	FILTER ELEMENT	1	303519-	AIR
5	AR51431	FILTER ELEMENT	1	303519-	AIR
..	AR49680	FILTER ELEMENT	1		CAB ROOF

MEMORANDA

MEMORANDA

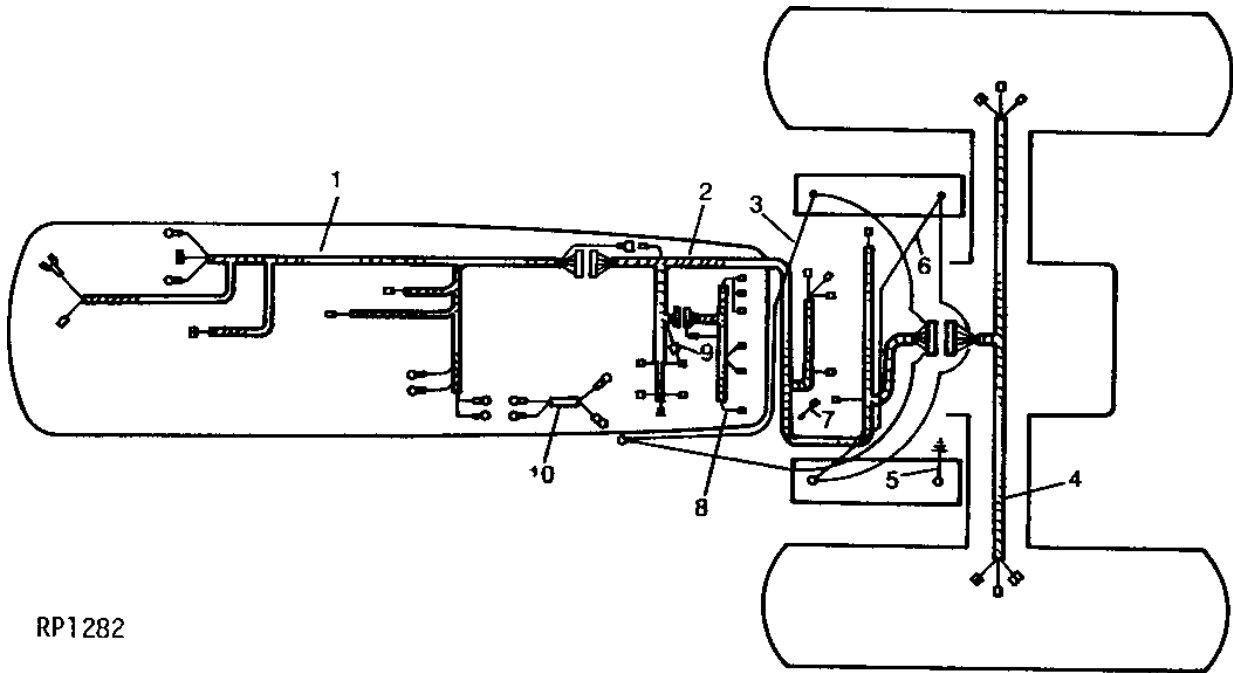
1G5

ELECTRICAL

RP1282

-UN-01JAN94

WIRING HARNESS AND BATTERY CABLES



RP1282

1G6

ELECTRICAL

WIRING HARNESS AND BATTERY CABLES - CONTINUED

KEY	PART NO.	PART NAME	QTY	TRACTOR SERIAL NO.	REMARKS
1	AR43159	WIRING HARNESS	1	-XXXXXX	ALTERNATOR TO MAIN WIRING HARNESS, (INCLUDES CONNECTIONS FOR HORN, FUEL GAUGE SENDER, VACUUM SWITCH, STARTING CIRCUIT RELAY, FUEL SHUTOFF AND OIL PRESSURE SWITCH) ((1) TWELVE WAY CONNECTOR TO MAIN HARNESS) (NLA)
	AR50914	WIRING HARNESS	1	XXXXXX-	ALTERNATOR TO MAIN WIRING HARNESS, (INCLUDES CONNECTIONS FOR HORN, FUEL GAUGE SENDER, VACUUM INDICATOR SWITCH, STARTING CIRCUIT RELAY, FUEL SHUT-OFF AND OIL PRESSURE SWITCH) ((1) SIX AND (1) FOUR WAY CONNECTOR TO MAIN HARNESS)
	R21551	CLIP	2		(FUEL SENDER TO FUEL TANK)
2	RE42185	WIRING HARNESS	1	-007127	(SUB FOR AR41683)
	RE42186	WIRING HARNESS	1	007128-XXXXXX	(SUB FOR AR47855 OR AR49349) (6 WAY TO REAR LIGHT HARNESS)
	AR48936	WIRING HARNESS	1	XXXXXX-	(1) 2 WAY AND (1) 4 WAY TO REAR LIGHT HARNESS)
3	AR51394	CABLE	1		(B) 1295MM (51") BATTERY, (SUB FOR AR48911)
	AR45923	CABLE	1		(C) 1778MM (70") BATTERY
4	AR41684	WIRING HARNESS	1	-XXXXXX	LIGHTING (6 WAY)
	AR48937	WIRING HARNESS	1	XXXXXX-	(1) 2 WAY AND (1) 4 WAY CONNECTOR)
5	AR51395	CABLE	1		GROUND, (SUB FOR AR45925)
6	AR48912	CABLE	1		1016MM (40") BATTERY, (SUB FOR AR45924)
7	AR46729	WIRING LEAD	1		(C) 1219MM (44") CLUTCH OIL FILTER BYPASS VALVE SWITCH TO TRANSMISSION PRESSURE SWITCH
	AR47858	WIRING HARNESS	1	007128-	CLUTCH OIL FLITER AND TRANSMISSION OIL SWITCH TO MAIN HARNESS
	AR46728	WIRING LEAD	1	-007127	381MM (15") TRANSMISSION PRESSURE SWITCH TO MAIN HARNESS (NLA)
	AR49416	WIRING LEAD	1	007128-XXXXXX	(B) INDICATOR LAMP GROUND
8	RE42183	WIRING HARNESS	1	-007127	(B) INSTRUMENT PANEL, (ALSO ORDER AR48647) (SUB FOR AR45516)
	RE42182	WIRING HARNESS	1	007128-XXXXXX	(B) (SUB FOR AR47856) INSTRUMENT PANEL ((1) TEN WAY CONNECTOR TO MAIN HARNESS)
	AR43986	WIRING HARNESS	1	XXXXXX-	(B) INSTRUMENT PANEL ((1) SIX AND (1) FOUR WAY CONNECTOR TO MAIN HARNESS)
	AR45517	WIRING HARNESS	1	-007127	(C) INSTRUMENT PANEL, (ALSO ORDER AR48647) (NLA)
	RE61109	WIRING HARNESS	1	007128-XXXXXX	(C) INSTRUMENT PANEL, (SUB FOR AR47857)
	AR43987	WIRING HARNESS	1	XXXXXX-	(C) INSTRUMENT PANEL
	AR45518	DIODE	1	-005964	(SUB AR48647)
	WIRING LEAD	1	005965-	(A) 254MM (10") ACCESSORY CIRCUIT BREAKER TO INSTRUMENT PANEL HARNESS, (MAKE FROM R66319, R32018 AND R32027) (ALSO ORDER R32024)
9	AR45519	WIRING LEAD	1	-006517	(SUB AR48647)
	AR47547	WIRING LEAD	1	006518-XXXXXX	(A)
	AR47548	FUSE	1	006158-XXXXXX	
10	AR43609	WIRING HARNESS	1		STARTING CIRCUIT RELAY TO STARTER SOLENOID
..	AR48647	KIT	1		FUSE HOLDER AND WIRING LEAD
..	R44302	TIE BAND	AR		
..	R45211	CLAMP	2		(SUB FOR T13744)
..	R45231	LABEL	1		
..	AT66865	LUBRICANT	1		0.15L (5.3 OZ) TUBE, (SUB FOR AR94760)

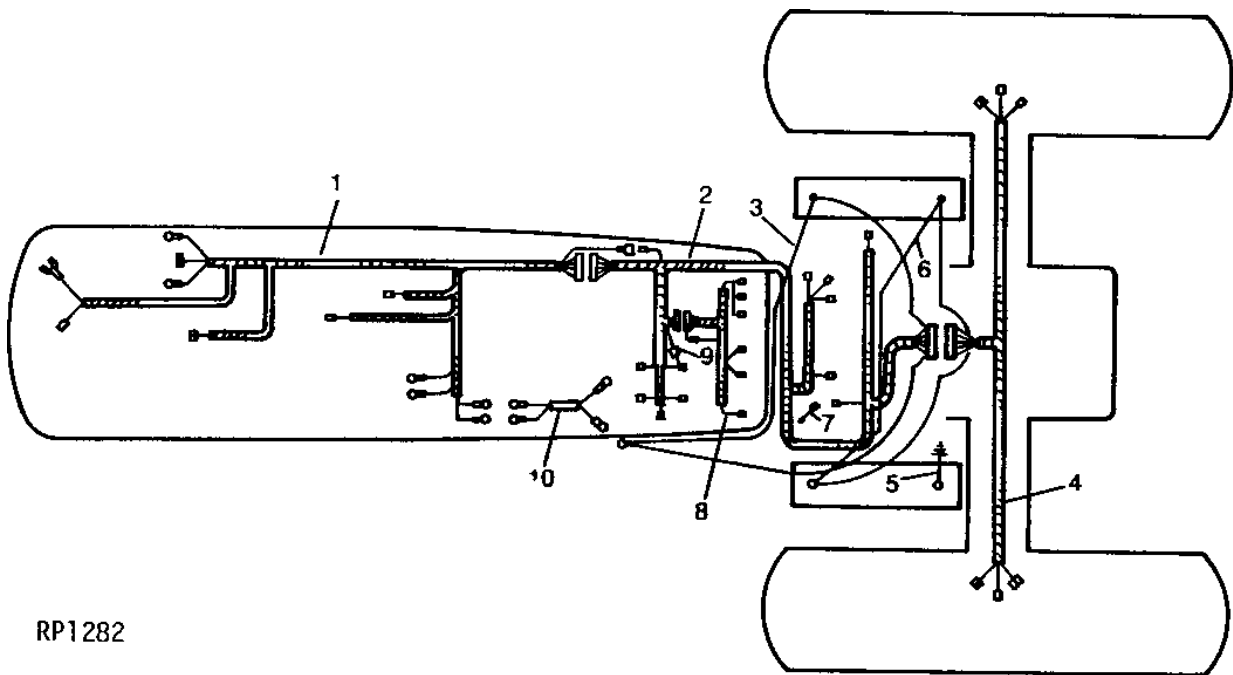
- (A) INCLUDED IN AR48647
- (B) SYNCRO-RANGE TRANSMISSION
- (C) POWER SHIFT TRANSMISSION

1G7

ELECTRICAL

WIRING HARNESS AND BATTERY CABLES
(AIR CONDITIONING)
(CAB SERIAL NO. 007920-)

RP1282 -UN-01JAN94



RP1282

1G8

ELECTRICAL

WIRING HARNESS AND BATTERY CABLES - CONTINUED
(AIR CONDITIONING)
(CAB SERIAL NO. 007920-)

KEY	PART NO.	PART NAME	QTY	TRACTOR SERIAL NO.	REMARKS
1	AR49355	WIRING HARNESS	1		ALTERNATOR TO MAIN WIRING HARNESS, (INCLUDES CONNECTIONS FOR HORN, FUEL GAUGE SENDER, VACUUM INDICATOR SWITCH, STARTING CIRCUIT RELAY, FUEL SHUT-OFF AND OIL PRESSURE SWITCH) (NLA)
	R21551	CLIP	2		(FUEL SENDER LEAD TO FUEL TANK)
2	RE42186	WIRING HARNESS	1		(SUB FOR AR49349) (INCLUDES CONNECTIONS FOR CIRCUIT BREAKERS, SIDE LAMPS, HORN SWITCH, LIGHT SWITCH, KEY SWITCH, FLASHER, CIGAR LIGHTER, STARTER SAFETY SWITCH, HYDRAULIC OIL FILTER BYPASS SWITCH AND AIR FILTER LAMP RELAY)
3	AR45923	CABLE	1		(C) 1778MM (70")
	AR51394	CABLE	1		(B) 1270MM (50") (SUB FOR AR48911)
	AR47086	WIRING LEAD	1		(C) BATTERY TO STARTER CIRCUIT RELAY
	AR47087	WIRING LEAD	1		(B) BATTERY TO STARTER CIRCUIT RELAY
4	WIRING HARNESS	1		(NOT REQUIRED ON TRACTORS WITH CAB)
5	AR51395	CABLE	1		356MM (14") GROUND
6	AR48912	CABLE	1		1219MM (40") BATTERY
7	AR47858	WIRING HARNESS	1		(C) 1118MM (44") CLUTCH OIL FILTER BYPASS VALVE SWITCH TO TRANSMISSION PRESSURE SWITCH
	WIRING LEAD	1		(B) 381MM (15") TRANSMISSION PRESSURE SWITCH TO MAIN HARNESS (FRONT WHEEL DRIVE)
8	RE42182	WIRING HARNESS	1		(B) INSTRUMENT PANEL, (SUB FOR AR47856) (INCLUDES CONNECTIONS FOR FUEL GAUGE, TACHOMETER LAMP, DIODE LEAD AND OIL, ALTERNATOR AND AIR CLEANER RESTRICTION INDICATOR LAMPS)
	RE61109	WIRING HARNESS	1		(C) INSTRUMENT PANEL, (SUB FOR AR47857)
	WIRING LEAD	1		(A) 254MM (10") ACCESSORY CIRCUIT BREAKER TO INSTRUMENT PANEL HARNESS, (MAKE FROM R66319, R32018 AND R32027) (ALSO ORDER R32024)
9	AR47547	FUSE HOLDER	1		(A)
	AR47548	FUSE	1		
10	AR43609	WIRING HARNESS	1		STARTING CIRCUIT RELAY TO STARTER SOLENOID
..	AR48647	KIT	1		FUSE HOLDER AND WIRING LEAD
..	R44302	TIE BAND	AR		
..	R45211	CLAMP	2		(SUB FOR T13744)
..	R45231	LABEL	1		

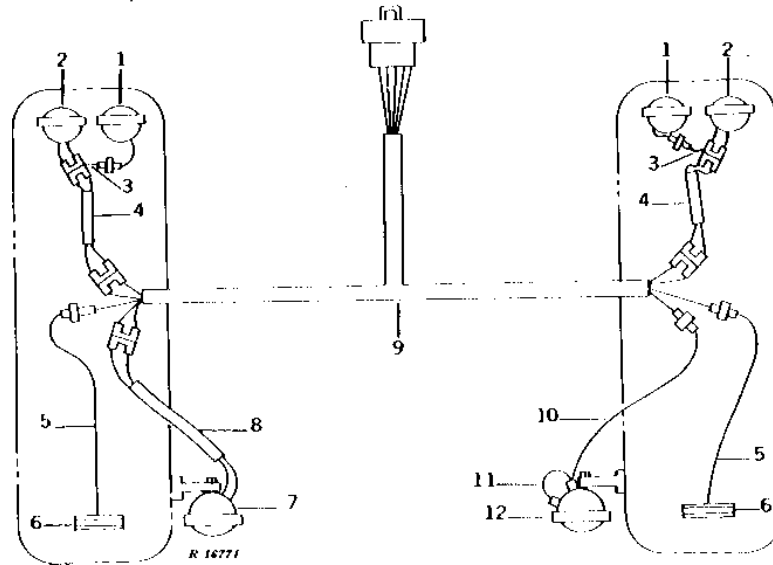
- (A) INCLUDED IN AR48647
- (B) SYNCRO-RANGE TRANSMISSION
- (C) POWER SHIFT TRANSMISSION

1G9

ELECTRICAL

R16771 -UN-01JAN94

LAMP WIRING (ROW-CROP)



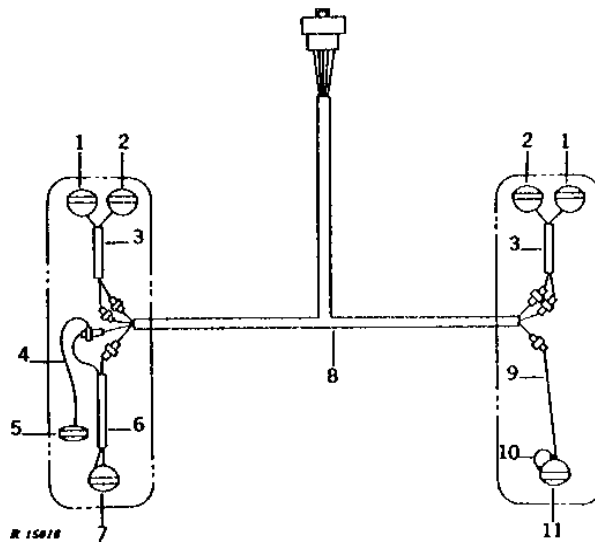
KEY	PART NO.	PART NAME	QTY	TRACTOR SERIAL NO.	REMARKS
1	RE19080	LAMP	2		(12-VOLT) FLOOD, (SUB FOR AT13381 OR AR48722)
	R20758	WASHER	2		
	F2935R	WASHER	2		
	12H301	LOCK WASHER	2	1/2"	
	14H1040	NUT	2	1/2"	
2	AR48721	LAMP	2		(12-VOLT) DUAL BEAM, (SUB FOR AT13380) (SUB RE25126 R.H. AND RE25127 L.H., THIS APPLICATION)
	R48663	WASHER	2		
	F2935R	WASHER	2		
	12H301	LOCK WASHER	2	1/2"	
	14H1040	NUT	2	1/2"	
3	AR50834	WIRING LEAD	2		FLOOD LAMP TO FENDER LAMP HARNESS
4	AR48939	WIRING HARNESS	2		FENDER LAMP TO LAMP HARNESS
	A3411R	GROMMET	2		
	R44302	TIE BAND	2		
5	WIRING LEAD	1		1041MM (41") WARNING LAMP, (MAKE FROM R66319, R32027, R32024 AND R32025)
6	AR38456	LAMP	2		WARNING, (SUB FOR AR72257)
7	AR77326	FLOODLAMP	1		(12-VOLT) (SUB FOR AR34990 OR AT16288)
	AR55888	SOCKET	1		
	12H301	LOCK WASHER	1	1/2"	
	14H1040	NUT	1	1/2"	
8	AR41702	WIRING HARNESS	1		LAMP TO LAMP HARNESS
	R26936	GROMMET	2		
9	AR41684	WIRING HARNESS	1	-XXXXXX	(6 WAY CONNECTOR)
	AR48937	WIRING HARNESS	1	XXXXXX-	(1) 2 WAY AND (1) 4 WAY CONNECTOR)
	R43264	COVER	2		
	19H2020	CAP SCREW	2	5/16" X 1/2"	
	12H303	LOCK WASHER	2	5/16"	
	T15737	CLAMP	1		LIGHTING HARNESS TO ROCKSHAFT HOUSING, (SUB T32231)
10	WIRING LEAD	1		1181MM (46-1/2") LAMP TO LAMP HARNESS, (MAKE FROM R66319, R32016, R32027 AND R32024)
11	WIRING LEAD	1		152MM (6") LAMP GROUND, (MAKE FROM R66319, R32016 AND R32028)
12	RE27099	LAMP	1		(12-VOLT) (SUB FOR AR28167)
	12H301	LOCK WASHER	1	1/2"	
	14H1040	NUT	1	1/2"	
	T28585	TERMINAL	4		

1G10

ELECTRICAL

R15016 -UN-01JAN94

LAMP WIRING (STANDARD)



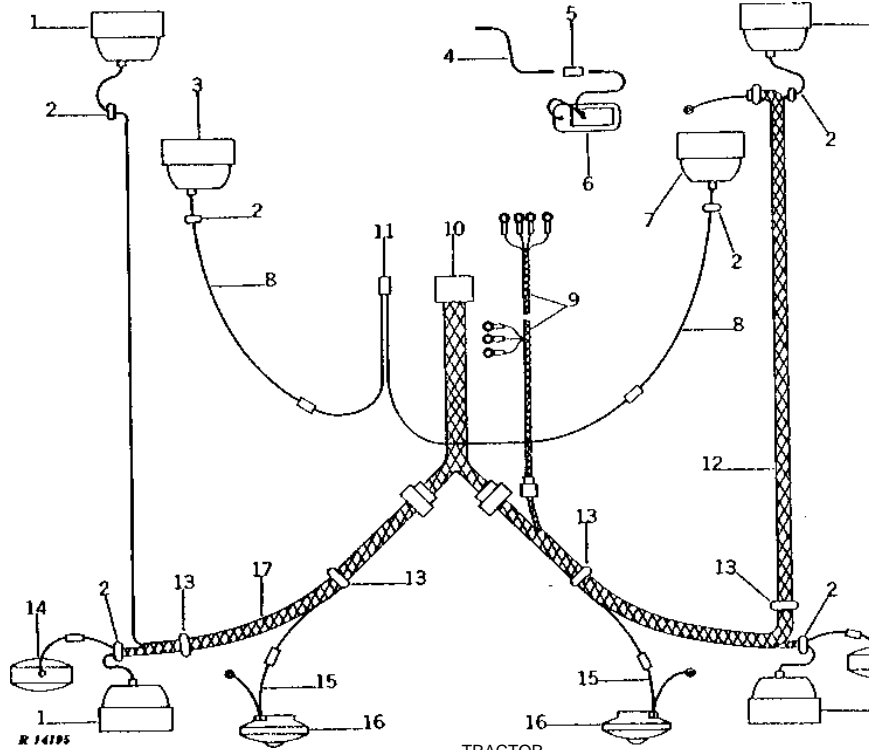
KEY	PART NO.	PART NAME	QTY	TRACTOR SERIAL NO.	REMARKS
1	AT13380	HEADLIGHT	2	(12-VOLT)	
	R20758	WASHER	2		
	F2935R	WASHER	2		
	12H301	LOCK WASHER	2	1/2"	
	14H1040	NUT	2	1/2"	
2	AT13381	LAMP	2	(12-VOLT)	
	R20758	WASHER	2		
	F2935R	WASHER	2		
	12H301	LOCK WASHER	2	1/2"	
	14H1040	NUT	2	1/2"	
3	AR41701	WIRING HARNESS	2	FENDER LAMP TO LAMP HARNESS (NLA)	
	R27180	GROMMET	4		
	R21551	CLIP	2		
4	WIRING LEAD	1	LEAD TO FENDER FRONT BRACE STRAP 1041MM (41") WARNING LAMP TO MAIN LIGHTING HARNESS, (MAKE FROM R66319, (2) R32027, R32024 AND R32025)	
5	AR38456	LAMP	1	WARNING, (SUB FOR AR72257)	
6	AR41702	WIRING HARNESS	1	LAMP TO LAMP HARNESS	
	R26936	GROMMET	2		
7	AR77326	FLOODLAMP	1	(12-VOLT) (SUB FOR AT16288)	
	12H301	LOCK WASHER	1	1/2"	
	14H1040	NUT	1	1/2"	
8	AR41684	WIRING HARNESS	1	HARNESS TO TRANSMISSION CASE COVER	
	B1986R	CLIP	1	HARNESS TO BATTERY BOX	
	R32320	CLIP	2		
	R43264	COVER	2		
	19H2020	CAP SCREW	2	5/16" X 1/2"	
	12H303	LOCK WASHER	2	5/16"	
9	WIRING LEAD	1	1181MM (46-1/2") LAMP TO LAMP HARNESS, (MAKE FROM R66319, R32016, R32027 AND R32024)	
10	WIRING LEAD	1	152MM (6") LAMP GROUND, (MAKE FROM R66319, R32016 AND R32028)	
11	AR35782	LAMP	1	(12-VOLT)	
	12H301	LOCK WASHER	1	1/2"	
	14H1040	NUT	1	1/2"	

1G11

ELECTRICAL

R14195 -UN-01JAN94

LAMP WIRING (STOLPER CAB)



KEY	PART NO.	PART NAME	QTY	TRACTOR SERIAL NO.	REMARKS
1	AR42119	LAMP	4		(12-VOLT) (HOBBS OR GUIDE LAMP) (SUB RE19075, THIS APPLICATION)
2	R27583	GROMMET	6		
3	RE19075	LAMP	1		(12-VOLT) (SUB FOR AR42121)
4	WIRING LEAD	1		254MM (10") DOME LIGHT, (MAKE FROM R66319, R32026, R32027 AND R32024)
5	R32029	TERMINAL	1		(SUB AL2976T)
6	AR45847	LAMP	1		DOME
7	RE19075	LAMP	1		(12-VOLT) (SUB FOR AR42120)
8	AR42008	WIRING LEAD	1		
	F2084R	CLIP	6		(B) (SUB R21551)
9	AR46335	WIRING HARNESS	1		CAB HARNESS TO ACCESSORY RELAY (NLA)
10	AR46333	WIRING HARNESS	1		TRACTOR TO CAB LIGHTING (NLA)
11	AR46081	WIRING HARNESS	1		MAIN LIGHTING TO LOWER LAMPS (NLA)
12	AR43742	WIRING HARNESS	1		(NLA)
	T14264	CLAMP	1		(A)
	R45211	CLAMP	1		(A) (SUB FOR T13744)
	R34557	CLAMP	1		(B)
	R27180	GROMMET	1		
13	R41439	GROMMET	4		
14	AR38456	LAMP	2		WARNING, (SUB FOR AR72257)
15	AR44996	WIRING LEAD	2	-XXXXXX	(USE WITH AR44989)
16	AR78825	TAIL LAMP	2		(SUB FOR AR44989 OR AR45099)
17	AR43743	WIRING HARNESS	1		(NLA)
	T14264	CLAMP	1		(A)
	R45211	CLAMP	1		(A) (SUB FOR T13744)
	R34557	CLAMP	1		(B)
	R27180	GROMMET	1		

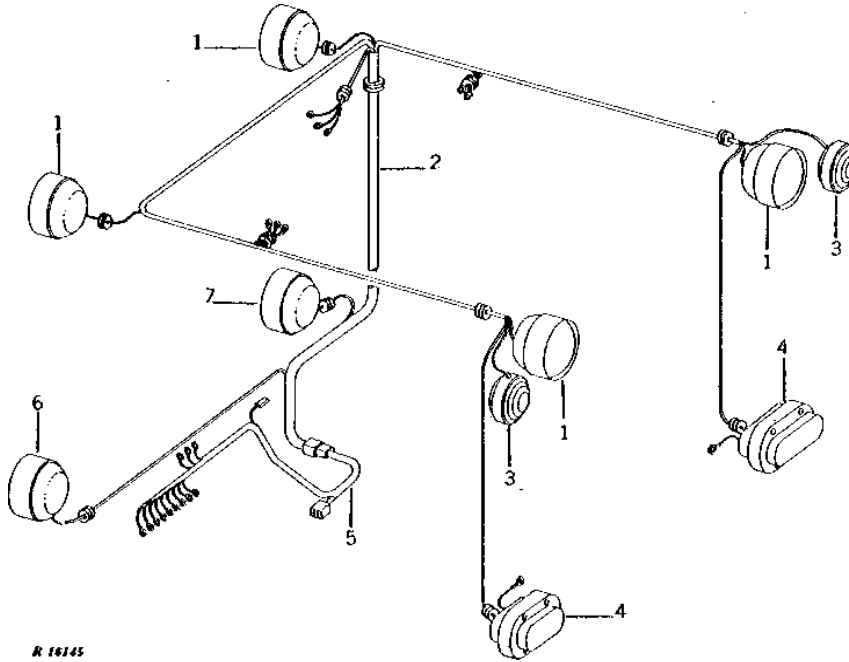
(A) HARNESS TO ROLL-GARD
(B) HARNESS TO CAB

1G12

ELECTRICAL

**CAB WIRING
(STOLPER CAB)
(AIR CONDITIONING)
(CAB SERIAL NO. 208300-)**

R16145 -UN-01JAN94



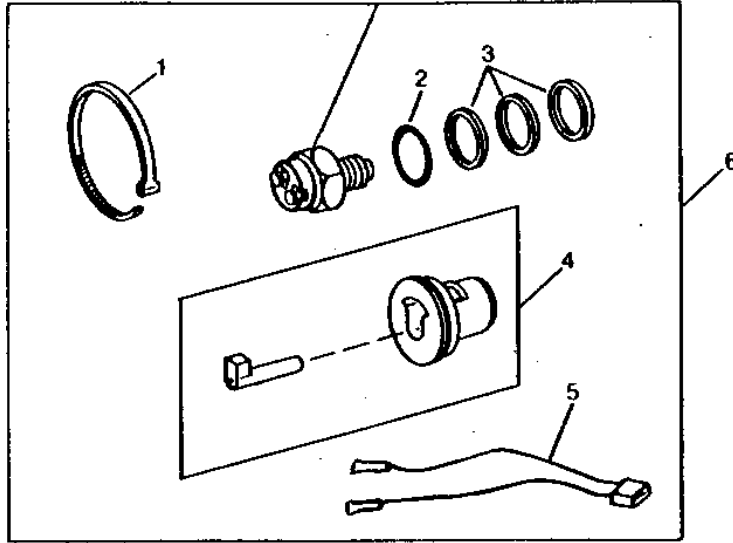
KEY	PART NO.	PART NAME	QTY	TRACTOR SERIAL NO.	REMARKS
1	AR42119	LAMP	4		(12-VOLT) (HOBBS OR GUIDE LAMP) (SUB RE19075, THIS APPLICATION)
	R27583	GROMMET	4		
2	AR49356	WIRING HARNESS	1		(NLA)
	H23127	GROMMET	2		
	R44458	GROMMET	3		
	R47474	CLIP	3		
3	AR38456	LAMP	2		WARNING
4	AR78825	TAIL LAMP	2		(SUB FOR AR45099)
	R27583	GROMMET	2		
5	AR46486	WIRING HARNESS	1		(NLA)
6	RE19075	LAMP	1		(12-VOLT) (SUB FOR AR42121)
	R27583	GROMMET	1		
7	RE19075	LAMP	1		(12-VOLT) (SUB FOR AR42120)
	R27583	GROMMET	1		

1G13

ELECTRICAL

RXP8097 -UN-01JAN94

NEUTRAL START SWITCH KIT



RXP8097

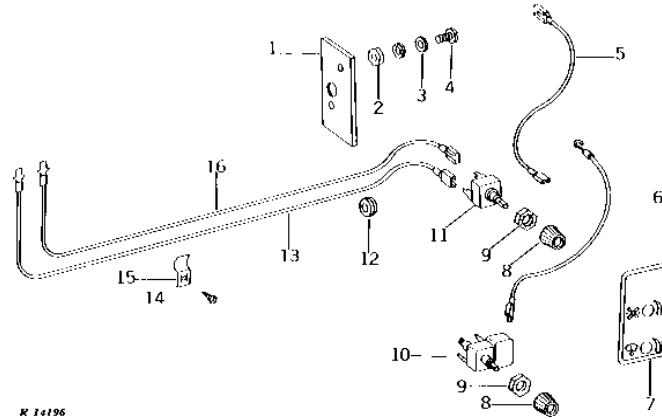
KEY	PART NO.	PART NAME	QTY	TRACTOR SERIAL NO.	REMARKS
1	R44302	TIE BAND	2		
2	R26448	O-RING	1		
3	T16911	SHIM	3		
4	RE37996	GAUGE	1		(NEUTRAL START SWITCH ADJ.)
5	RE14069	WIRING HARNESS	1		
6	RE38390	SWITCH	1		(SUB FOR AR89691 OR AR85153)

1G14

ELECTRICAL

BLOWER SWITCH, WIPER SWITCH, AND WIRING LEADS (STOLPER CAB)

R14196 -UN-01JAN94



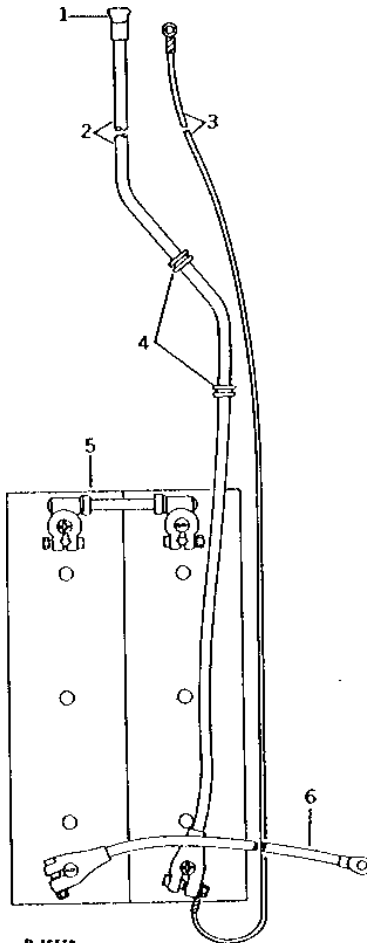
KEY	PART NO.	PART NAME	QTY	CAB SERIAL NO.	REMARKS
1	R44479	FUSE HOLDER	1		
2	14H605	NUT	2	0.164"	
	12H315	LOCK WASHER	2	0.164"	
3	24H1283	WASHER	2	7/32" X 1/2" X 0.049"	
4	21H1158	SCREW	2	0.164" X 1/2"	
5	WIRING LEAD	1		152MM (6") BLOWER SWITCH TO FUSE BLOCK, (MAKE FROM R32027 AND (2) R32024)
6	AR45853	WIRING LEAD	1		(NLA)
7	R44482	LABEL	1		
8	T30890	KNOB	2		(SUB FOR AR45849)
9	R44165	LOCK NUT	2		
10	AR45839	SWITCH	1		WIPER
11	AR45854	SWITCH	1		BLOWER (NLA)
12	H987R	GROMMET	2		
13	AR45851	WIRING LEAD	1		BLOWER MOTOR TO SWITCH
14	37H15	SCREW	2		NO. 6 X 1/4"
15	R44481	CLIP	2		
16	AR45852	WIRING LEAD	1		BLOWER MOTOR TO SWITCH

1G15

ELECTRICAL

R16118 -UN-01JAN94

BATTERY CABLES (STANDARD)



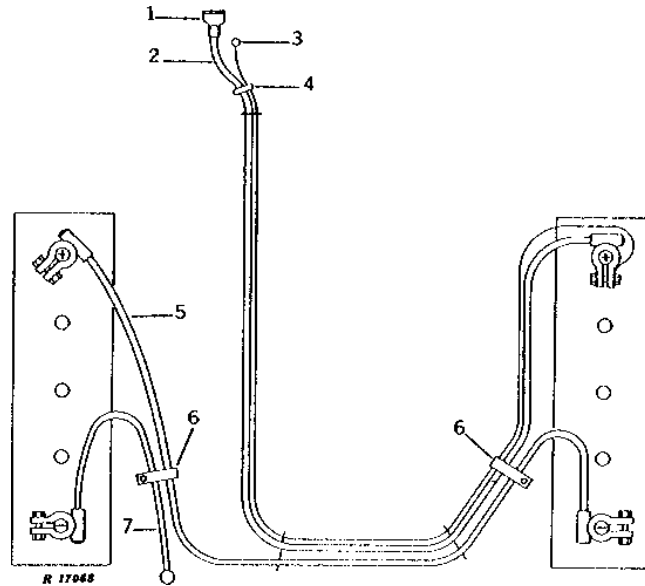
KEY	PART NO.	PART NAME	QTY	TRACTOR SERIAL NO.	REMARKS
1	R30964	COVER	1		
2	AR45926	CABLE	1		1422MM (56")
3	AR47087	WIRING LEAD	1		BATTERY TO STARTER CIRCUIT RELAY (SYNCRO-RANGE)
	AR47086	WIRING LEAD	1		BATTERY TO STARTER CIRCUIT RELAY (POWER SHIFT)
4	R41439	GROMMET	2		
5	AR45927	CABLE	1		CONNECTOR
6	AR69238	CABLE	1		457MM (18") GROUND, (SUB FOR AR45975)
..	R44302	TIE BAND	AR		

1G16

ELECTRICAL

R17068 -UN-01JAN94

BATTERY CABLES (ROW-CROP)



KEY	PART NO.	PART NAME	QTY	TRACTOR SERIAL NO.	REMARKS
1	R30964	COVER	1		
2	AR51394	CABLE	1	(A) 1270MM (50")	
	AR45923	CABLE	1	(B) 1778MM (70")	
3	AR47087	WIRING LEAD	1	(A) BATTERY TO STARTER CIRCUIT RELAY	
	AR47086	WIRING LEAD	1	(B) BATTERY TO STARTER CIRCUIT RELAY	
4	R41439	GROMMET	1		
5	AR48912	CABLE	1	1016MM (40") (SUB FOR AR45924)	
	R43498	SUPPORT	2		
6	R49921	CLAMP	AR	(2 USED LESS CAB) (3 USED (A), (C)) (1 USED (B), (C)) (SUB FOR R44605)	
	28H207	BUSHING	2	3/8" X 2-3/8"	
	28H1535	SPACER	2	3/8" X 2-3/4"	
	28H1635	SPACER	3	(C) 3/8" X 2-1/2"	
	19H2104	CAP SCREW	3	(C) 3/8" X 5"	
	19H2205	CAP SCREW	2	3/8" X 6"	
	12H304	LOCK WASHER	3	(C) 3/8"	
	A4624R	WASHER	3	(C)	
7	AR51395	CABLE	1	GROUND, (SUB FOR AR45925)	
..	R44302	TIE BAND	AR		

(A) SYNCRO-RANGE TRANSMISSION
(B) POWER SHIFT TRANSMISSION
(C) CAB

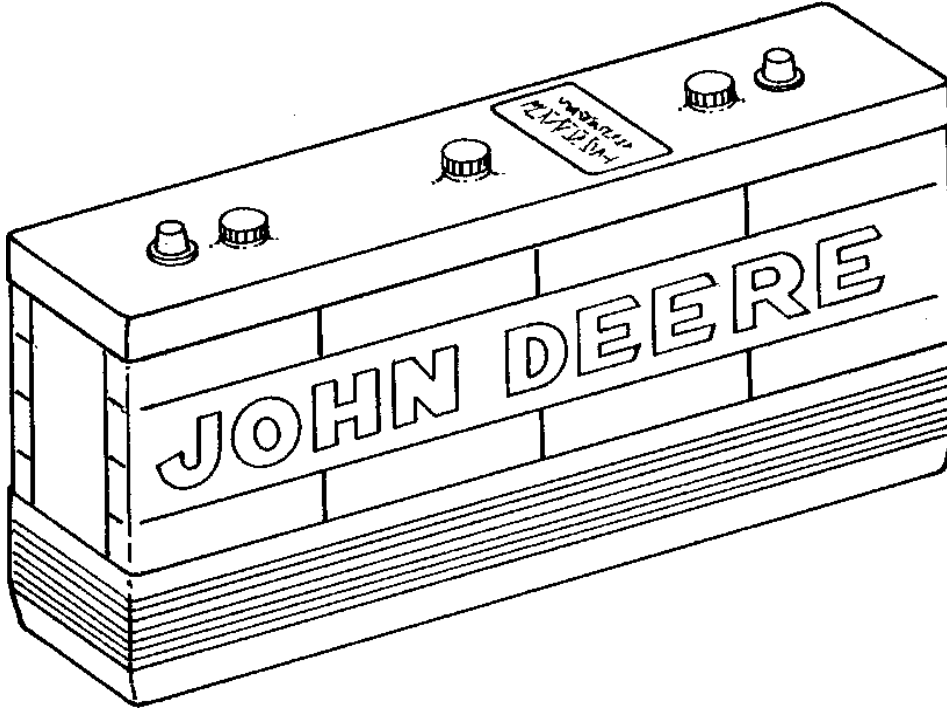
MEMORANDA

1G17

ELECTRICAL

RP1315 -UN-01JAN94

BATTERY



RP1315

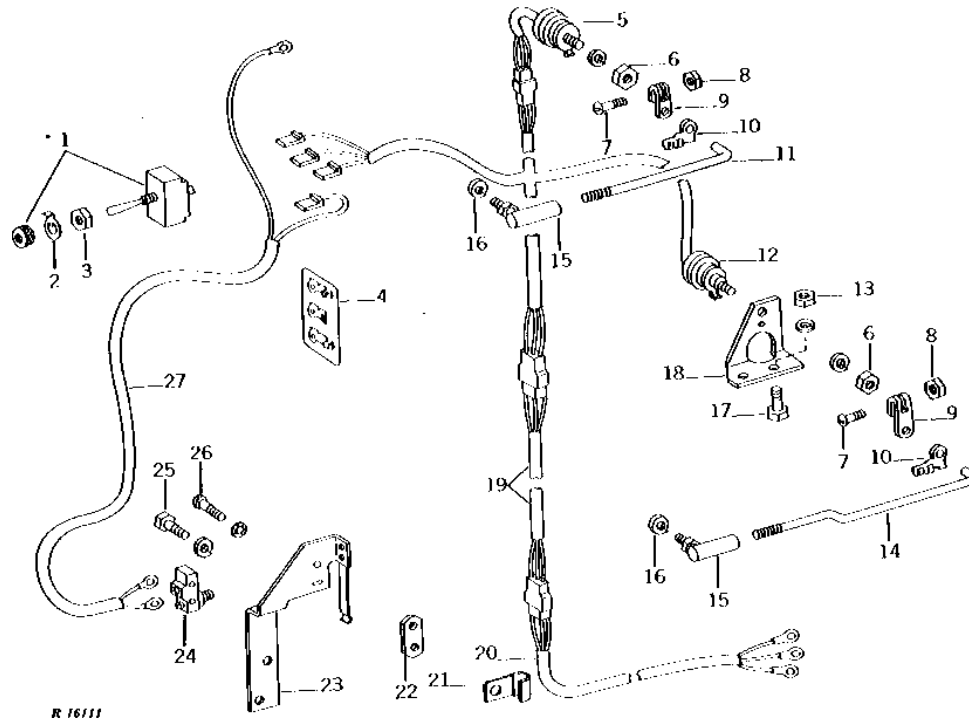
KEY	PART NO.	PART NAME	QTY	TRACTOR SERIAL NO.	REMARKS
..	TY21737	BATTERY	2		(6-VOLT) 850 COLD CRANKING AMPS AT 0°F (-18°C) 280 MINUTE RESERVE CAPACITY AT 25 AMPS (ILLUSTRATED) (SUB FOR AR45450 OR TY6118)

1G18

ELECTRICAL

ELECTRICAL SWITCHES AND WIRING (POWER FRONT WHEEL DRIVE) (SYNCRO-RANGE)

R16111 -UN-01JAN94



R 16111

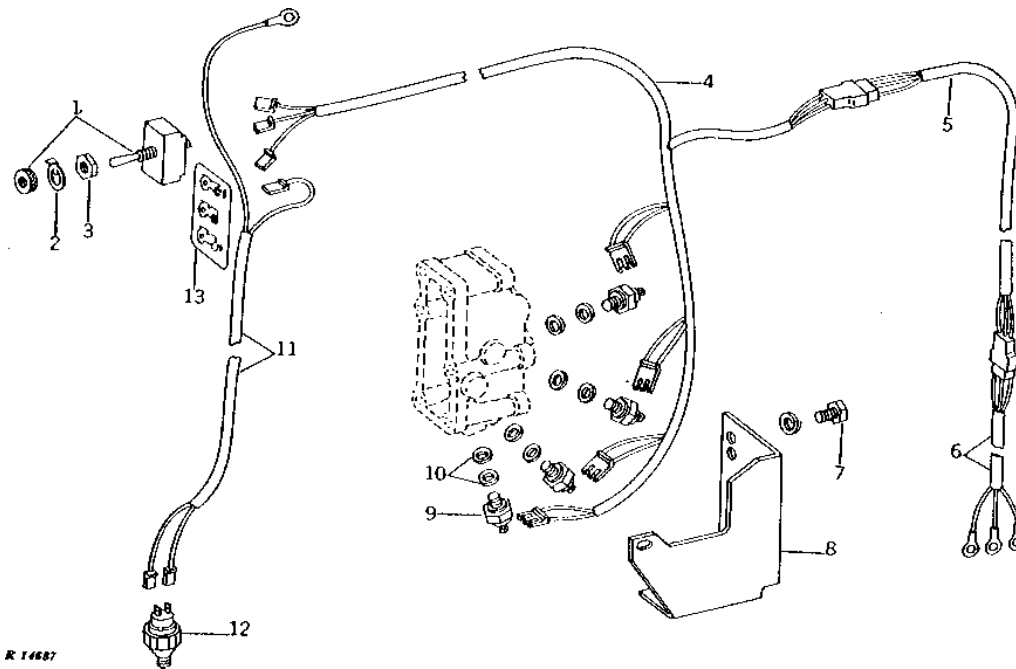
KEY	PART NO.	PART NAME	QTY	TRACTOR SERIAL NO.	REMARKS
1	AR53938	TOGGLE SWITCH	1		(SUB FOR AR45312)
2	R44096	LOCK PLATE	1		
3	R44097	NUT	1		
4	R44094	LABEL	1		(NLA)
5	AR49433	SWITCH	1		ROTARY, (NLA)
6	R44025	NUT	2		
7	12H292	LOCK WASHER	2		1/2"
8	21H1315	SCREW	2		0.164" X 3/4"
9	T19977	LOCK NUT	2		
10	R42985	ARM	2		
11	R42984	CLIP	2		
12	R42986	ROD	1		SPEED CHANGE
13	AR49432	SWITCH	1		(NLA)
14	14H1076	NUT	2		3/8"
15	12H304	LOCK WASHER	2		3/8"
16	R49785	ROD	1		SPEED RANGE, (SUB FOR R42987) (NLA)
17	AR45316	BALL JOINT	2		0.190"
18	12H246	LOCK WASHER	2		3/8" X 7/8"
19	19H2284	CAP SCREW	2		(SUB FOR R42988) (NLA)
20	R49784	BRACKET	1		(NLA)
21	AR45390	WIRING HARNESS	1		CONTROL SWITCH TO CONTROL VALVE (NLA)
22	AR45734	WIRING HARNESS	1		CONTROL VALVE
23	T13744	CLAMP	1	-XXXXXX	
24	R44016	STRAP	1		
25	AR49082	BRACKET	1		(NLA)
26	R44017	SWITCH	1		CLUTCH PEDAL
27	19H1800	CAP SCREW	1		3/8" X 1-1/2"
28	12H304	LOCK WASHER	1		3/8"
29	21H1348	SCREW	2		0.138" X 1-1/8"
30	12H321	WASHER	2		0.138"
31	AR49342	WIRING HARNESS	1		CIRCUIT BREAKER TO CLUTCH PEDAL SWITCH

1G19

ELECTRICAL

ELECTRICAL SWITCHES AND WIRING (POWER FRONT WHEEL DRIVE) (POWER SHIFT)

R14687 -UN-01JAN94



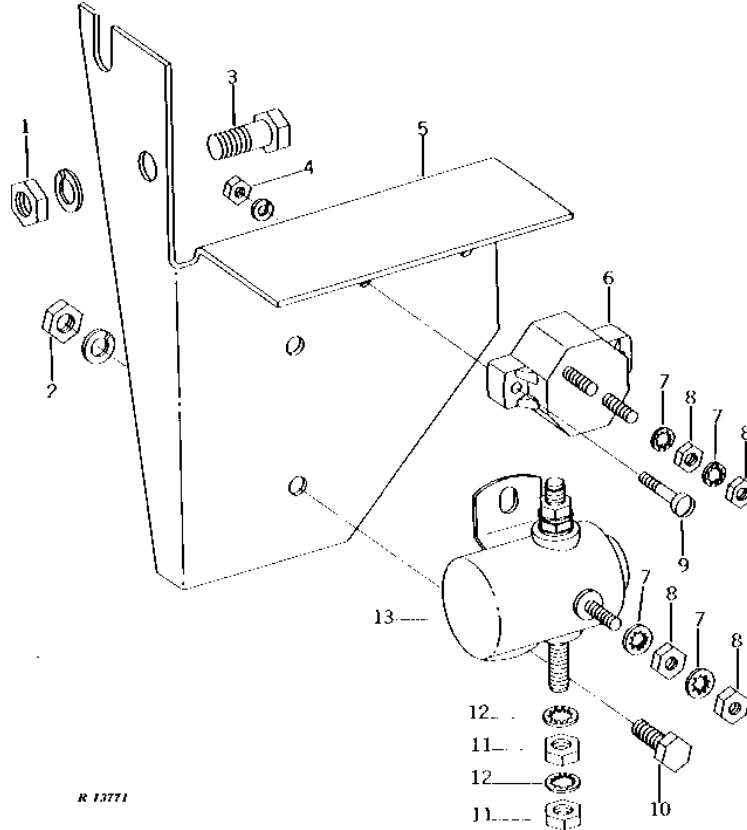
KEY	PART NO.	PART NAME	QTY	TRACTOR SERIAL NO.	REMARKS
1	AR53938	TOGGLE SWITCH	1		(SUB FOR AR45312)
2	R44096	LOCK PLATE	1		
3	R44097	NUT	1		
4	AR49479	WIRING HARNESS	1		CONTROL VALVE HOUSING SWITCH, (SUB FOR AR45392) (NLA)
5	AR45390	WIRING HARNESS	1		CONTROL SWITCH TO CONTROL VALVE (NLA)
6	AR45734	WIRING HARNESS	1		CONTROL VALVE
7	19H1777	CAP SCREW	1		1/2" X 1-3/4"
	12H301	LOCK WASHER	1		1/2"
8	R46810	SHIELD	1	-XXXXXX	(SUB R47833, 19H3330 AND 28H1635)
	R47833	SHIELD	1	XXXXXX-	(NLA)
9	RE38390	SWITCH	4		NEUTRAL-START, (SUB FOR R36265, AR85323, AR89691 OR AT85153)
10	T16911	SHIM	8		
11	AR45391	WIRING HARNESS	1	-XXXXXX	CIRCUIT BREAKER TO SWITCH, (SUB AR51373, AL67715 AND 15H639) (NLA)
	AR51373	WIRING HARNESS	1	XXXXXX-	CIRCUIT BREAKER TO SWITCH (NLA)
12	AR45317	SWITCH	1	-XXXXXX	PRESSURE, (SUB AL67715)
	AR51372	SWITCH	1	XXXXXX-	PRESSURE, (SUB AL67715)
	15H639	PIPE BUSHING	1	XXXXXX-	1/4" X 1/8", CLUTCH VALVE HOUSING
13	R44094	LABEL	1		
..	R44302	TIE BAND	AR		

1G20

ELECTRICAL

R13771 -UN-01JAN94

STARTING CIRCUIT RELAY AND MAIN CIRCUIT BREAKER



R 13771

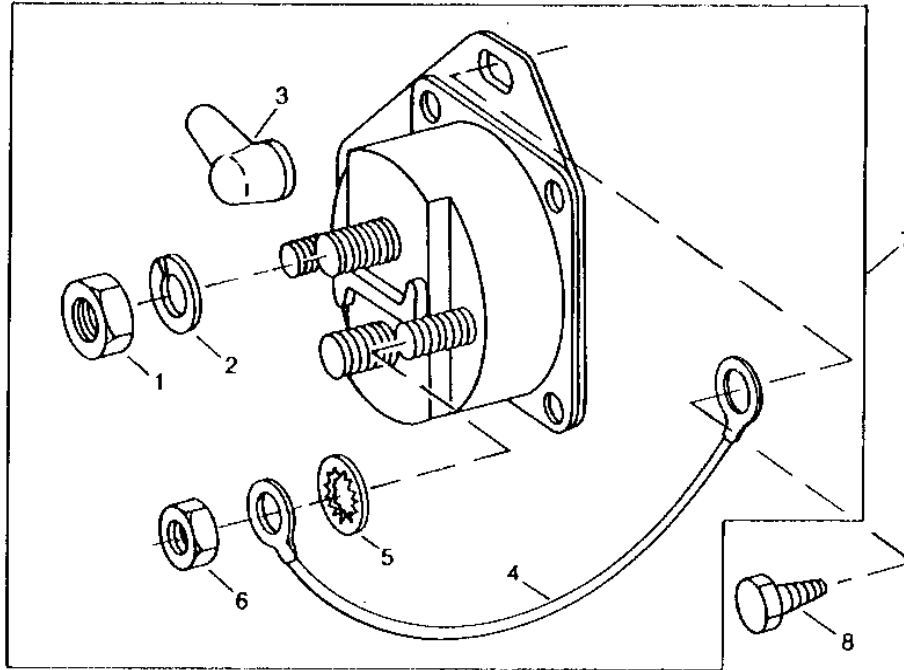
KEY	PART NO.	PART NAME	QTY	TRACTOR SERIAL NO.	REMARKS
1	14H1076	NUT	1	3/8"	
	12H310	LOCK WASHER	2	3/8"	
2	14H786	NUT	2	1/4"	
	12H302	LOCK WASHER	2	1/4"	
3	19H2284	CAP SCREW	1	3/8" X 7/8"	
4	14H631	NUT	2	0.190"	
	12H246	LOCK WASHER	2	0.190"	
5	AR55061	SUPPORT	1	(SUB FOR R43740)	
6	AR41287	CIRCUIT BREAKER	1	MAIN	
7	12M7060	WASHER	6	0.209"	
8	14H631	NUT	6	0.190"	
9	21H1282	SCREW	2	0.190" X 7/8"	
10	19H1227	CAP SCREW	2	1/4" X 1/2"	
11	14H650	NUT	4	5/16"	
12	12M7032	LOCK WASHER	4	0.331"	
13	AR44999	RELAY	1	(SUB RE38391)	

1G21

ELECTRICAL

RXP7387 -UN-01JAN94

STARTING CIRCUIT RELAY



RXP7387

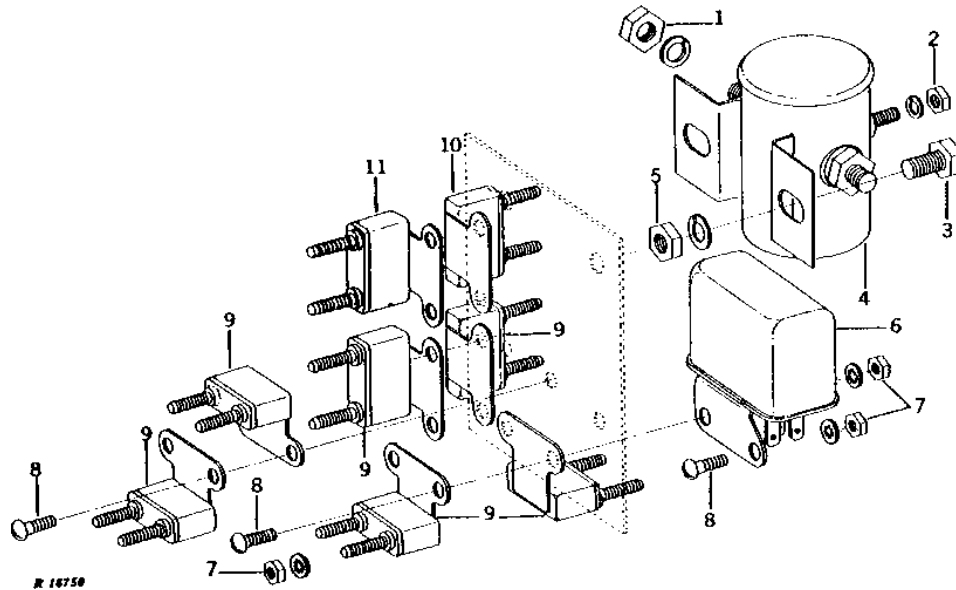
KEY	PART NO.	PART NAME	QTY	TRACTOR SERIAL NO.	REMARKS
1	14H785	NUT	2	5/16"	
2	12M7032	LOCK WASHER	2	0.331"	
3	R74993	BOOT	2		
4	WIRING LEAD	1	152 MM (6") (MAKE FROM R65593, R65599 AND R32018)	
5	12M7060	WASHER	2	0.209"	
6	14H631	NUT	2	0.190"	
7	RE38391	KIT	1	(SUB FOR AT68973 OR AR44999) (ALSO ORDER RE41287)	
8	R52938	CAP SCREW	2		

1G22

ELECTRICAL

R16750 -UN-01JAN94

CIRCUIT BREAKERS



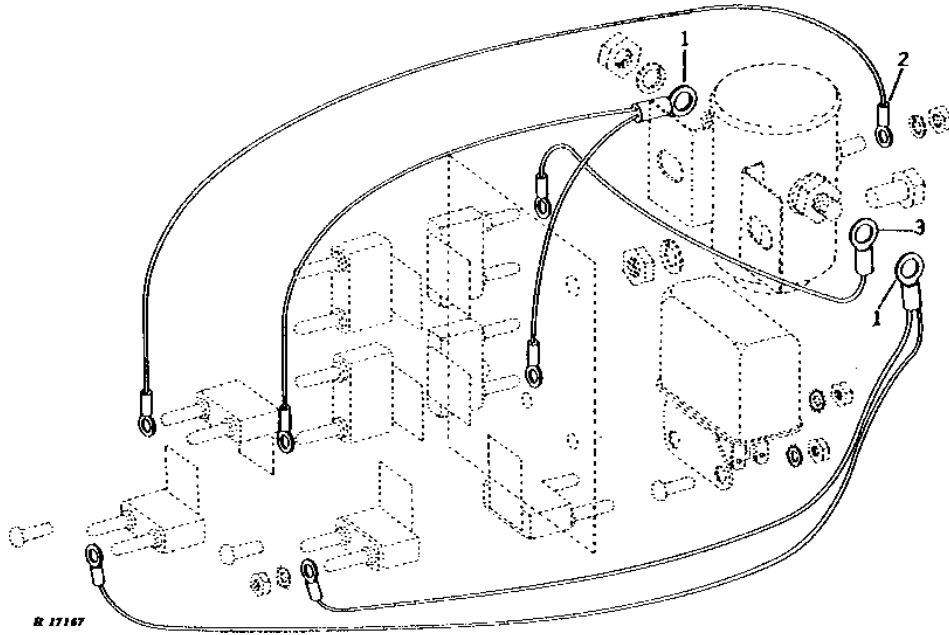
KEY	PART NO.	PART NAME	QTY	TRACTOR SERIAL NO.	REMARKS
1	14H650	NUT	2	5/16"	
	12H303	LOCK WASHER	2	5/16"	
2	14H605	NUT	1	0.164"	
	12H315	LOCK WASHER	1	0.164"	
3	19H1227	CAP SCREW	2	1/4" X 1/2"	
4	AR78382	KIT	1		CAB WIRING, (SUB FOR AR46334 OR AR54484) (SUB AR91166, THIS APPLICATION)
5	14H786	NUT	2	1/4"	
	12H302	LOCK WASHER	2	1/4"	
6	AH62341	RELAY	1		INDICATOR LAMP (POWER SHIFT) (SUB AR74411, AR99909 AND R67982)
7	14H631	NUT	17	0.190"	
	12M7060	WASHER	17	0.209"	
8	21H1295	SCREW	5	0.190" X 5/8"	
9	AR28403	CIRCUIT BREAKER	3	20 AMP	
	AR28403	CIRCUIT BREAKER	5	20 AMP (CAB)	
	AR28403	CIRCUIT BREAKER	1	20 AMP (OUTLET SOCKET)	
10	AR49352	CIRCUIT BREAKER	1	30 AMP, (AIR CONDITIONING)	
11	AR55649	CIRCUIT BREAKER	1	6 AMP (IGNITION) (SUB FOR AR48726)	
..	R48825	LABEL	1		

1G23

ELECTRICAL

R17167 -UN-01JAN94

CIRCUIT BREAKER LEADS (CAB AND AIR CONDITIONING)



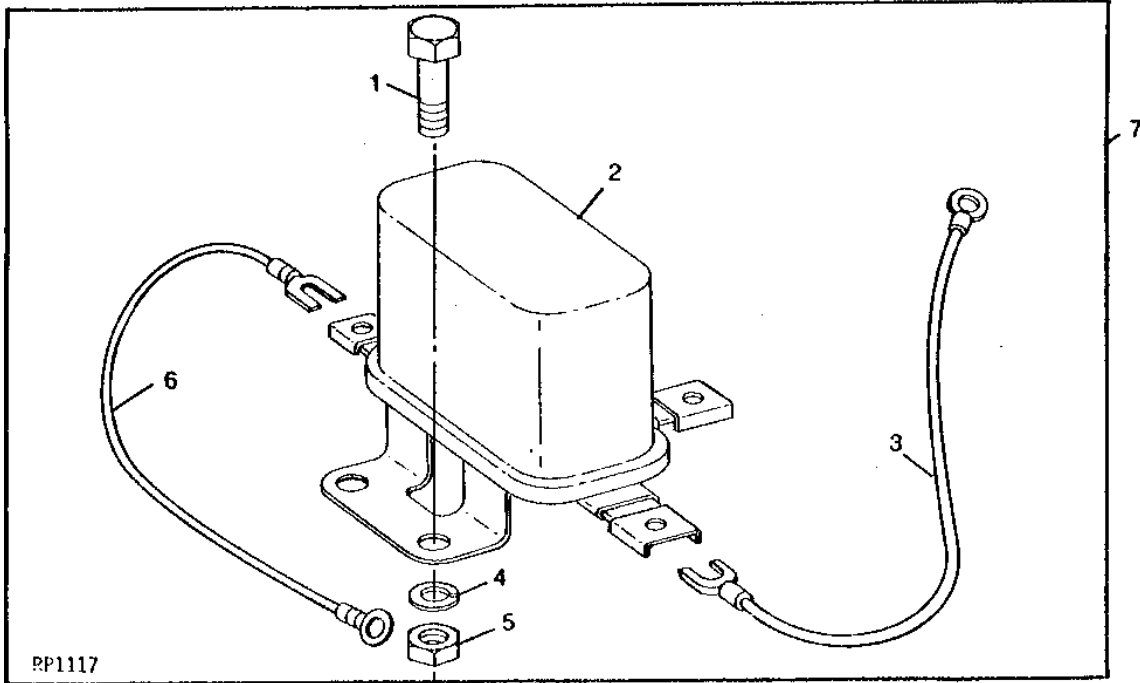
KEY	PART NO.	PART NAME	QTY	TRACTOR SERIAL NO.	REMARKS
1	AR49602	WIRING HARNESS	2		
2	WIRING LEAD	1		152MM (6") CIRCUIT BREAKER TO CAB RELAY, (MAKE FROM R32007 AND (2) R32018)
3	WIRING LEAD	1		152MM (6") CIRCUIT BREAKER TO CAB RELAY (AIR CONDITIONING) (MAKE FROM R32007, R32019 AND R32022)
..	R48825	LABEL	1		

1G24

ELECTRICAL

RP1117 -UN-01JAN94

ACCESSORY RELAY WIRING KIT



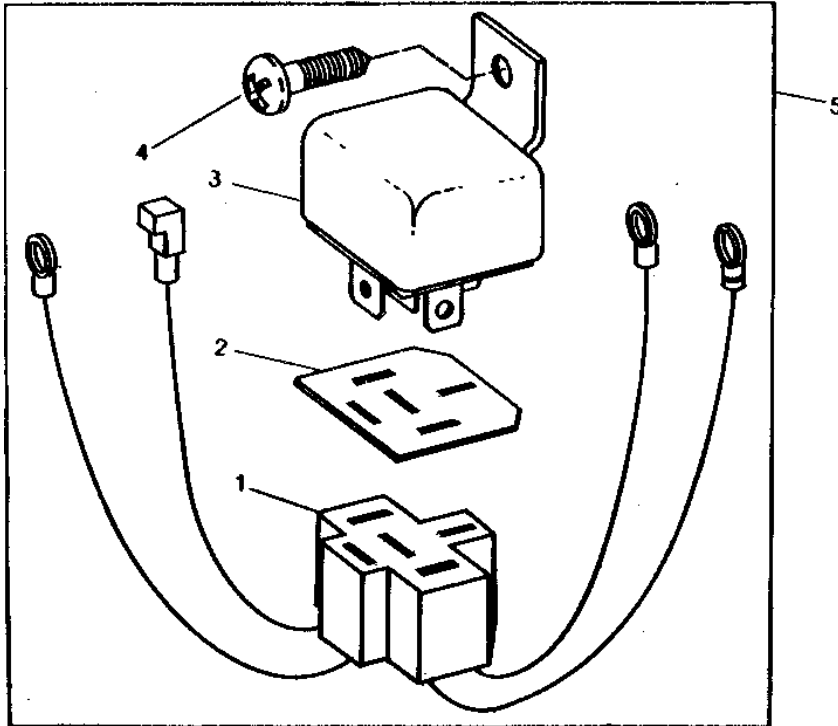
KEY	PART NO.	PART NAME	QTY	TRACTOR SERIAL NO.	REMARKS
1	19H1919	CAP SCREW	2	1/4" X 5/8"	
2	AE23861	RELAY	1	(SUB AH98337)	
3	AR78384	WIRING LEAD	1		
4	12H302	LOCK WASHER	2	1/4"	
5	14H786	NUT	2	1/4"	
6	AR78386	WIRING LEAD	1		
7	AR78382	KIT	1	(SUB AR91166)	

1G25

ELECTRICAL

RWP2586 -UN-01JAN94

ACCESSORY RELAY WIRING KIT



RWP2586

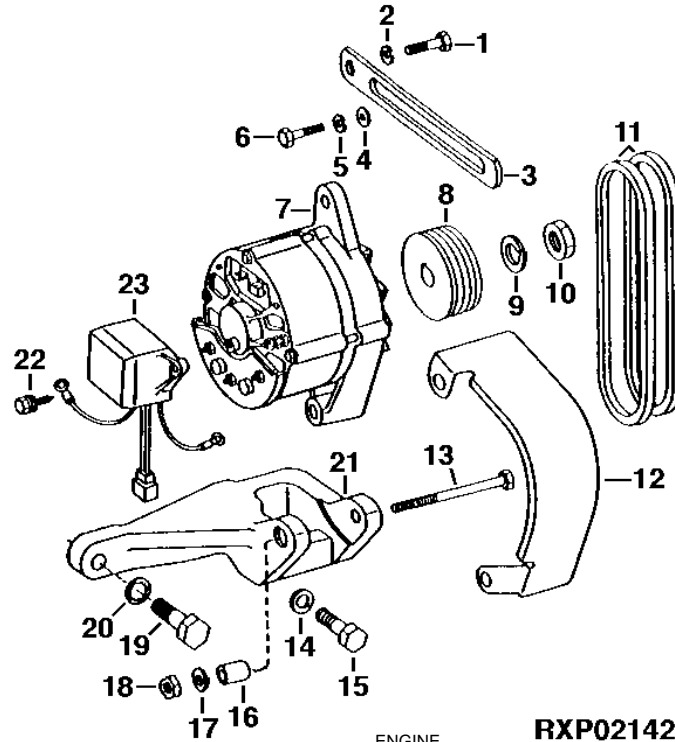
KEY	PART NO.	PART NAME	QTY	TRACTOR SERIAL NO.	REMARKS
1	AR91167	WIRING HARNESS	1		
	AR78384	WIRING LEAD	3		
	R32022	TERMINAL	2		
	R32028	TERMINAL	3		
2	R67982	COVER	1		
3	AR74411	RELAY	1		
4	37H52	SCREW	1	1/4" X 3/8"	
	19H1919	CAP SCREW	1	1/4" X 5/8"	
	12H302	LOCK WASHER	1	1/4"	
	14H786	NUT	1	1/4"	
5	AR91166	KIT	1		

1H1

ELECTRICAL

ALTERNATOR, REGULATOR, AND MOUNTING BRACKET (AR40420)

RXP021423 -UN-24JAN96



RXP021423

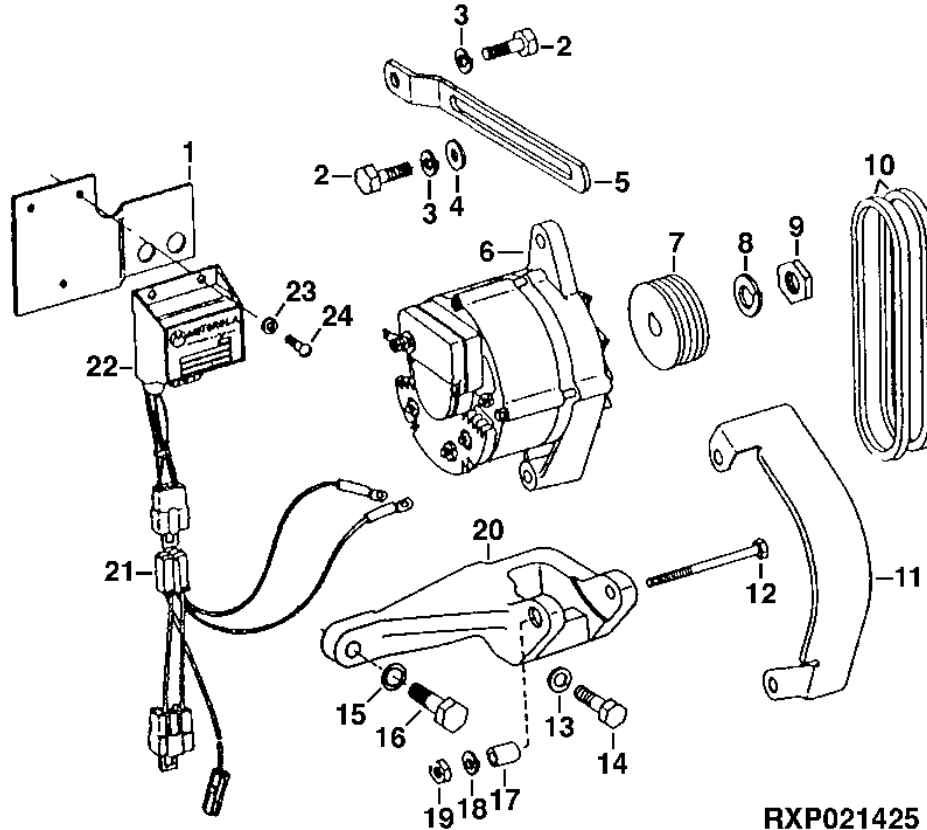
KEY	PART NO.	PART NAME	QTY	ENGINE SERIAL NO.	REMARKS
1	19H2284	CAP SCREW	1	3/8" X 7/8"	
2	12H304	LOCK WASHER	1	3/8"	
3	R43603	STRAP	1		
4	24H1292	WASHER	1	11/32" X 3/4" X 0.120"	
5	12H303	LOCK WASHER	1	5/16"	
6	19H1905	CAP SCREW	1	5/16" X 1"	
7	AR40420	ALTERNATOR	1	(55 AMP) (MOTOROLA NO.70D44110C01) (SUB TY1430)	
	TY1430	ALTERNATOR	1	(55 AMP) REMANUFACTURED	
8	R43828	PULLEY	1		
9	12H294	LOCK WASHER	1	5/8"	
10	14H866	NUT	1	5/8"	
11	AR43219	BELT SET	1		
12	R56012	SHIELD	1	(SUB FOR R41334 OR R55245)	
13	19H1854	CAP SCREW	1	3/8" X 3-3/4"	
14	12H293	LOCK WASHER	1	7/16"	
15	19H1740	CAP SCREW	1	7/16" X 1-3/4"	
16	R45377	SPACER	1	(SUB FOR R36615)	
17	12H304	LOCK WASHER	1	3/8"	
18	14H1076	NUT	1	3/8"	
19	19H2731	CAP SCREW	1	7/16" X 1-3/8"	
20	12H325	LOCK WASHER	1	7/16"	
21	R48777	BRACKET	1		
22	R44008	SCREW	3		
23	AR78298	VOLTAGE REGULATOR	1	(12-VOLT) (SUB FOR AR38459 OR AR52927)	

1H2

ELECTRICAL

ALTERNATOR, REGULATOR, AND MOUNTING BRACKET (AR43989) (WITH AIR CONDITIONING)

RXP021425 -UN-09JAN96



RXP021425

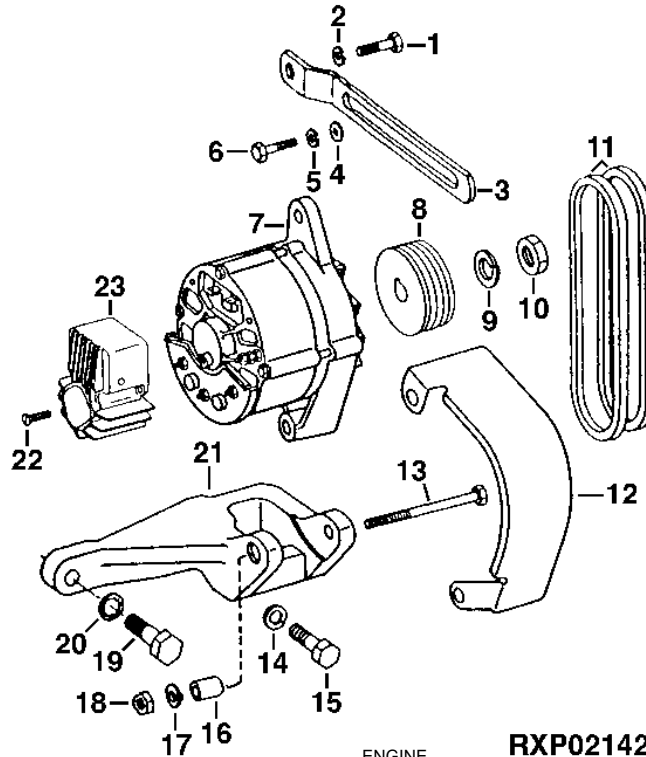
KEY	PART NO.	PART NAME	QTY	TRACTOR SERIAL NO.	REMARKS
1	R46159	SUPPORT	1	(NLA)	
2	19H1905	CAP SCREW	2	5/16" X 1"	
3	12H303	LOCK WASHER	2	5/16"	
4	24H1292	WASHER	1	11/32" X 3/4" X 0.120"	
5	R46731	STRAP	1		
6	AR43989	ALTERNATOR	1	(72 AMP) (MOTOROLA NO. 70D44236C) (SUB TY6603)	
	TY6603	ALTERNATOR	1	(SUB FOR AR43989 OR AR52077) (12-VOLT)(72 AMP)(REMANUFACTURED)(MOTORLA)	
7	AR55173	PULLEY	1	(SUB FOR R48426)	
8	12H294	LOCK WASHER	1	5/8"	
9	14H866	NUT	1	5/8"	
10	AR43955	BELT	1	(NLA)	
11	R56012	SHIELD	1	(SUB FOR R41334)	
12	19H1854	CAP SCREW	1	3/8" X 3-3/4"	
15	12H293	LOCK WASHER	2	7/16"	
16	19H2731	CAP SCREW	2	7/16" X 1-3/8"	
17	R45377	SPACER	1		
18	12H304	LOCK WASHER	1	3/8", (NOT REQUIRED)	
19	E55662	FLANGE NUT	1	3/8"	
20	R48778	BRACKET	1		
21	AR48267	WIRING HARNESS	1	(NLA)	
22	AR77485	VOLTAGE REGULATOR	1	(12-VOLT) (MOTOROLA) (SUB FOR AR48266)	
23	12M7060	WASHER	3	0.209"	
24	21H1316	SCREW	3	0.190" X 1/2"	

1H3

ELECTRICAL

ALTERNATOR, REGULATOR, AND MOUNTING BRACKET (AR52077) (WITH AIR CONDITIONING)

RXP021424 -UN-09JAN96



RXP021424

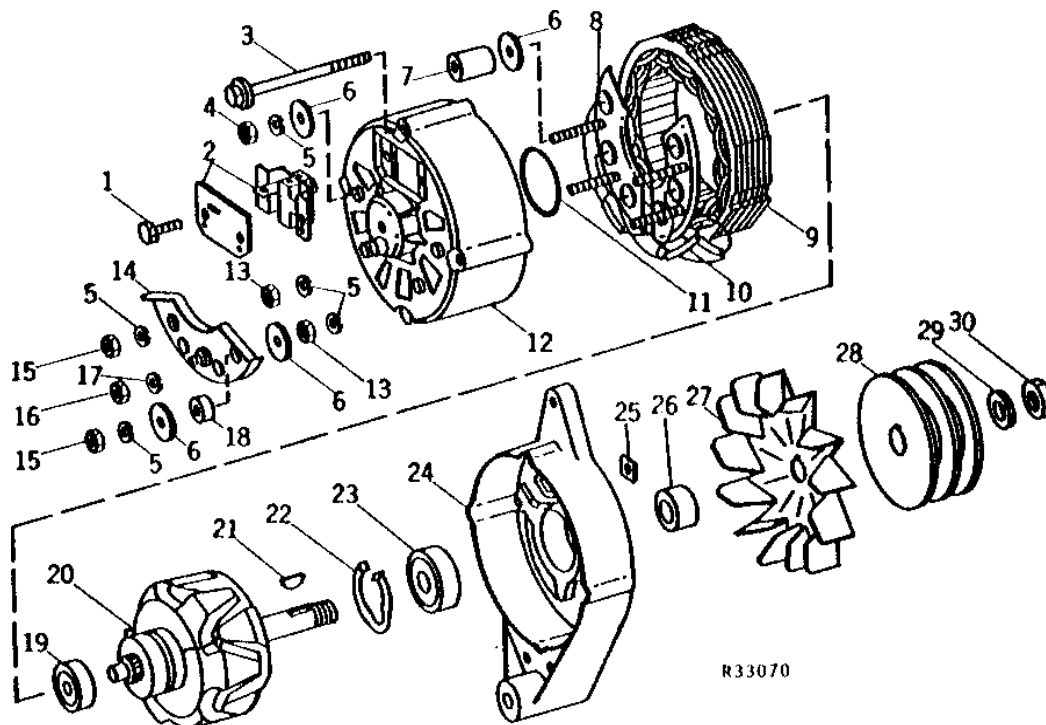
KEY	PART NO.	PART NAME	QTY	ENGINE SERIAL NO.	REMARKS
1	19H2284	CAP SCREW	1	3/8" X 7/8"	
2	12H304	LOCK WASHER	1	3/8"	
3	R43603	STRAP	1		
4	24H1292	WASHER	1	11/32" X 3/4" X 0.120"	
5	12H303	LOCK WASHER	1	5/16"	
6	19H1905	CAP SCREW	1	5/16" X 1"	
7	AR52077	ALTERNATOR	1	(72 AMP) (MOTOROLA NO.70D44414C01) (SUB TY6603)	
	TY6603	ALTERNATOR	1	(72 AMP) REMANUFACTURED	
8	AR55173	PULLEY	1	(SUB FOR R48426)	
9	12H294	LOCK WASHER	1	5/8"	
10	14H866	NUT	1	5/8"	
11	AR43955	BELT SET	1	(NLA)	
12	R56012	SHIELD	1	(SUB FOR R41334 OR R55245)	
13	19H1854	CAP SCREW	1	3/8" X 3-3/4"	
14	12H293	LOCK WASHER	1	7/16"	
15	19H1740	CAP SCREW	1	7/16" X 1-3/4"	
16	R45377	SPACER	1	(SUB FOR R36615)	
17	12H304	LOCK WASHER	1	3/8"	
18	14H1076	NUT	1	3/8"	
19	19H2731	CAP SCREW	1	7/16" X 1-3/8"	
20	12H325	LOCK WASHER	1	7/16"	
21	R48778	BRACKET	1	(SUB FOR R46574)	
22	T31308	SCREW	2		
23	AT56592	REGULATOR	1		

1H4

ELECTRICAL

ALTERNATOR (12-VOLT) (55 AMP) (MOTOROLA) (AR40420)

R33070 -UN-01JAN94



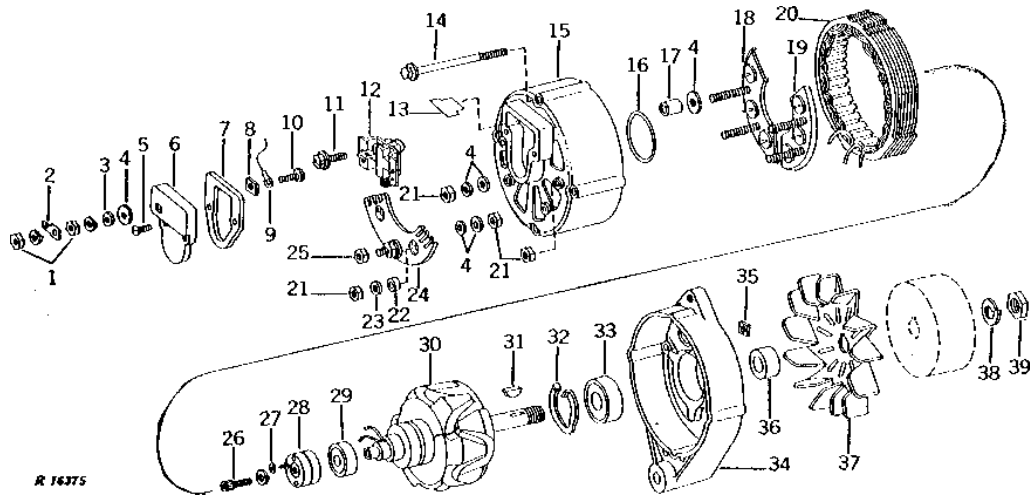
KEY	PART NO.	PART NAME	QTY	TRACTOR SERIAL NO.	REMARKS
1	37H10	SCREW	2		0.164" X 3/8"
2	AT27128	HOLDER	1		(SUB FOR R15026)
3	R15045	BOLT	4		
4	14H778	NUT	2		0.190"
5	12H295	LOCK WASHER	6		0.190"
6	R15036	WASHER	6		
7	R15035	SLEEVE	2		
8	R15023	DIODE	1		POSITIVE
9	R39802	STATOR	1		
10	R15024	DIODE	1		NEGATIVE
11	R15030	O-RING	1		
12	R38374	HOUSING	1		
13	14H778	NUT	2		0.190"
14	R39800	DIODE	1		
15	14H778	NUT	2		0.190"
16	14H786	NUT	1		1/4"
17	12H297	LOCK WASHER	2		1/4"
18	R39803	WASHER	1		
19	AT23189	BALL BEARING	1		(SUB FOR R15028)
20	R39801	ROTOR	1		
21	26H9	SHAFT KEY	1		1/8" X 5/8"
22	R15029	RETAINER	1		
23	JD8535	BALL BEARING	1		
24	R15033	HOUSING	1		
25	T23610	NUT	4		
26	T25343	BUSHING	1		(SUB FOR R15038)
27	R15027	FAN	1		
28	R43828	PULLEY	1		
29	12H294	LOCK WASHER	1		5/8"
30	14H866	NUT	1		5/8"
..	AR40420	ALTERNATOR	1		(LESS PULLEY) (MOTOROLA NO. 70D44110C01)
..	TY1430	ALTERNATOR	1		(REMANUFACTURED)

1H5

ELECTRICAL

**ALTERNATOR
(12-VOLT) (72 AMP) (MOTOROLA)
(AR43989) (AIR CONDITIONING)**

R16375 -UN-01JAN94



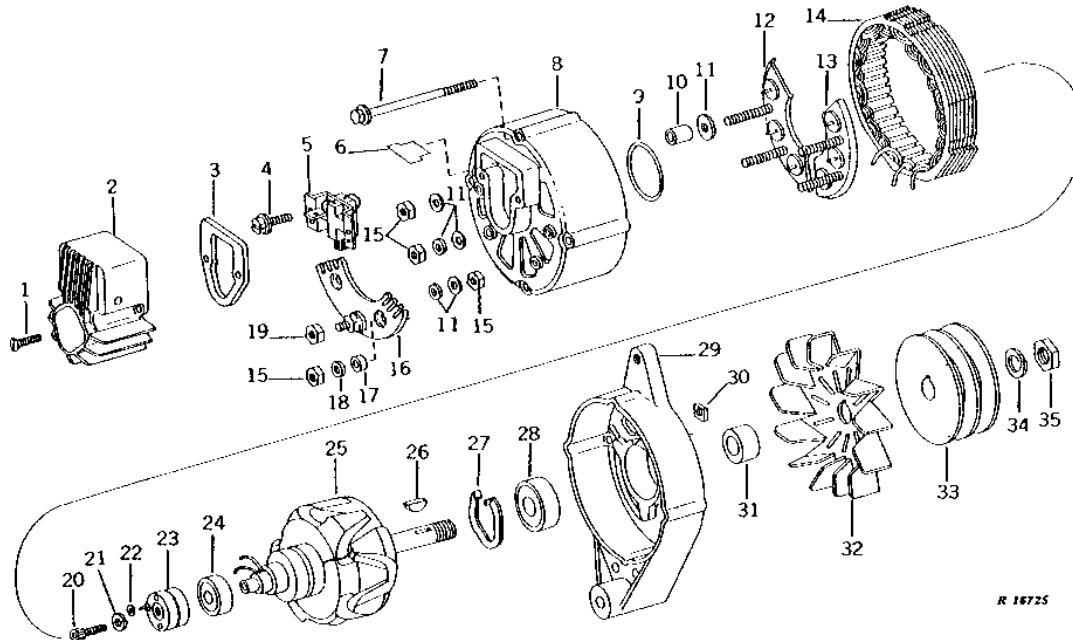
KEY	PART NO.	PART NAME	QTY	TRACTOR SERIAL NO.	REMARKS
1	14H778	NUT	2	0.190"	
	12M7060	WASHER	2	0.209"	
	T26041	TERMINAL	1	(NLA)	
3	24H1283	WASHER	1	7/32" X 1/2" X 0.049"	
4	R15036	WASHER	8		
5	37H78	SCREW	2	0.164" X 3/4"	
6	T29098	COVER	1	(NLA)	
7	T29100	GASKET	1		
8	T25350	INSULATOR	1	(NLA)	
9	T29101	WIRING LEAD	1	(NLA)	
10	T25349	SCREW	1		
11	37H10	SCREW	2	0.164" X 3/8"	
12	AT27128	HOLDER	1		
13	T46862	ISOLATOR	1	(SUB FOR T25357)	
14	R47460	BOLT	4		
15	T31307	HOUSING	1		
16	T29105	RETAINER	1	(NLA)	
17	T25353	BUSHING	2		
18	AH103067	PLATE	1		POSITIVE, (SUB FOR AT27123)
19	AH103068	PLATE	1		NEGATIVE, (SUB FOR AT27124)
20	AR50226	STATOR	1		
21	14H778	NUT	8	0.190"	
22	R39803	WASHER	1		
23	R15036	WASHER	1	(SUB FOR R39804)	
24	AR50229	DIODE	1		
25	14H786	NUT	1	1/4"	
	12H297	LOCK WASHER	1	1/4"	
26	T17948	SCREW	1	(SUB FOR T29102)	
	12H246	LOCK WASHER	1	0.190"	
27	R47461	INSULATOR	1		
28	AT27127	RING	1	(NLA)	
29	JD9449	BALL BEARING	1	(SUB FOR AT23188)	
30	AR50227	ROTOR	1	(SUB TY6603)	
31	26H72	SHAFT KEY	1	1/8" X 5/8"	
32	R15029	RETAINER	1		
33	JD9449	BALL BEARING	1	(SUB FOR AT23188)	
34	R15033	HOUSING	1	FRONT	
35	T23610	NUT	4		
36	T25343	BUSHING	1		
37	R15027	FAN	1		
38	12H294	LOCK WASHER	1	5/8"	
39	14H866	NUT	1	5/8"	
..	AR43989	ALTERNATOR	1	(SUB TY6603)	
..	TY6603	ALTERNATOR	1	(SUB FOR AR43989 OR AR52077) (REMANUFACTURED)	

1H6

ELECTRICAL

ALTERNATOR (12-VOLT) (72 AMP) (MOTOROLA) (AR52077) (AIR CONDITIONING)

R16725 -UN-01JAN94



R 16725

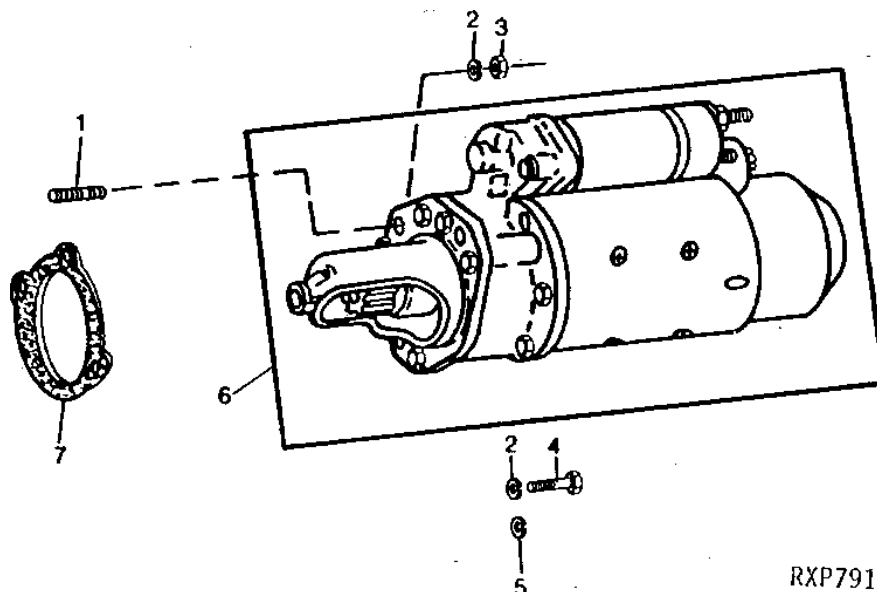
KEY	PART NO.	PART NAME	QTY	TRACTOR SERIAL NO.	REMARKS
1	T31308	SCREW	2		
2	AT56592	REGULATOR	1		(SUB FOR AR52079)
3	T29100	GASKET	1		
4	37H10	SCREW	2		0.164" X 3/8"
5	AT27128	HOLDER	1		
6	T25357	INSULATOR	1		
7	R47460	BOLT	4		
8	R48728	HOUSING	1		
9	T29105	RETAINER	1		
10	T25353	BUSHING	2		
11	R15036	WASHER	7		
12	AH103067	PLATE	1		POSITIVE, (SUB FOR AR50225)
13	AH103068	PLATE	1		NEGATIVE
14	AR50226	STATOR	1		
15	14H778	NUT	6		0.190"
16	12H246	LOCK WASHER	4		0.190"
17	AR50229	DIODE	1		
18	R39803	WASHER	1		
19	R15036	WASHER	1		(SUB FOR R39804)
20	14H786	NUT	1		1/4"
21	12H297	LOCK WASHER	1		1/4"
22	T17948	SCREW	1		(SUB FOR T29102)
23	12H246	LOCK WASHER	1		0.190"
24	R47461	INSULATOR	1		
25	AT27127	RING	1		(NLA)
26	JD9449	BALL BEARING	1		(SUB FOR AT23188)
27	AR50227	ROTOR	1		
28	26H72	SHAFT KEY	1		1/8" X 5/8"
29	R15029	RETAINER	1		
30	JD9449	BALL BEARING	1		(SUB FOR AT23188)
31	R15033	HOUSING	1		
32	T23610	NUT	4		
33	T25343	BUSHING	1		
34	R15027	FAN	1		
35	AR55173	PULLEY	1		(SUB FOR R48426)
..	12H294	LOCK WASHER	1		5/8"
..	14H866	NUT	1		5/8"
..	AR52077	ALTERNATOR	1		(LESS PULLEY) (MOTOROLA NO. 70D44414C01) (SUB FOR AR43989)
..	TY6603	ALTERNATOR	1		(REMANUFACTURED)

1H7

ELECTRICAL

STARTING MOTORS

RXP7911 -UN-01JAN94



RXP7911

KEY	PART NO.	PART NAME	QTY	TRACTOR SERIAL NO.	REMARKS
1	R56481	STUD	1	(A)	(SUB FOR M3636T)
	R55396	STUD	1	(B)	3/8" X 1-11/16"
2	12H304	LOCK WASHER	3	(C)	3/8", (NOT REQUIRED WITH E55662)
3	E55662	FLANGE NUT	1	(C)	3/8"
4	19H3219	CAP SCREW	2	(F)	3/8" X 1-3/8"
	19H1721	CAP SCREW	3	(D)	1/2" X 1-1/2"
	19H2552	CAP SCREW	2	(E)	3/8" X 1-1/8"
5	12H301	LOCK WASHER	3	(D)	1/2"
6	AR55638	STARTER	1		(DELCO-REMY NO. 1113672) (SUB TY6710)
	AR62267	STARTER	1		(DELCO-REMY NO. 1113402) (SUB TY6710)
	AR78538	STARTER	1		(DELO-REMY NO. 111391) (SUB TY6701, TY6713 OR RE41875)
	AR77254	STARTER	1		(NIPPONDENSONO. 028000-3290 OR 028000-3291) (SUB RE41875 OR TY6713)
	RE41875	STARTER	1		(NIPPONDENSONO NO. 02800-3292) (MARKED RE13722) (SUB FOR AR77254 OR AR78538)
	TY6701	STARTER	1		(DELCO-REMY) (REMANUFACTURED) (SUB FOR TY1597 OR TY6618)
	TY6710	STARTER	1		(DELCO-REMY) (REMANUFACTURED) (SUB FOR TY6667)
	TY6713	STARTER	1		(NIPPONDENSONO) (REMANUFACTURED) (SUB FOR TY6617)
7	R53108	GASKET	1		

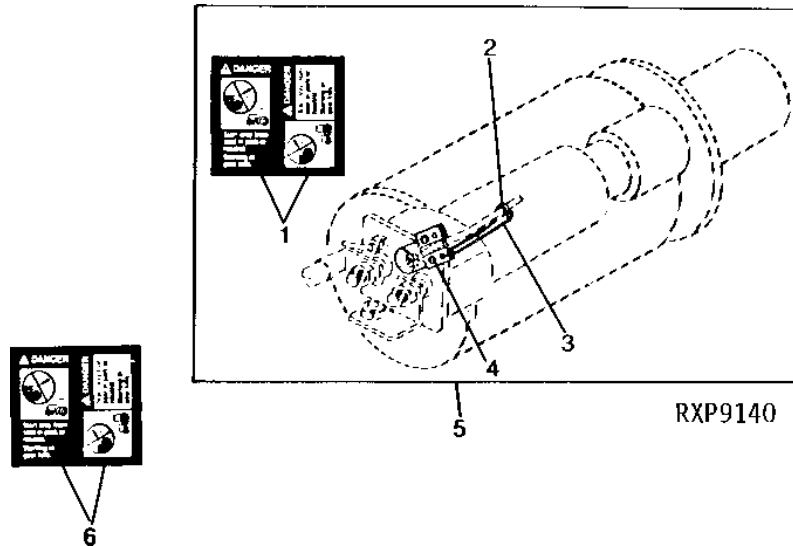
- (A) USE WITH AR55639, AR62267, RE41875, TY6710 OR TY6713
- (B) USE WITH AR77254, TY6701 OR TY6713
- (C) USE WITH AR55639, AR62267, AR77254, RE41875, TY6701, TY6710 OR TY6713
- (D) USE WITH AR78538 OR TY6701
- (E) USE WITH RE41875 OR TY6713
- (F) USE WITH AR55639, AR62267, AR77254, TY6710, TY6701 OR TY6713

1H8

ELECTRICAL

RXP9140 -UN-11NOV94

STARTER SOLENOID COVER KIT (DELCO-REMY)



KEY	PART NO.	PART NAME	QTY	TRACTOR SERIAL NO.	REMARKS
1	T146102	WARNING LABEL	1		(SUB FOR T84409 OR T134459) (ENGLISH)
2	R44302	TIE BAND	1		
3	R76477	TIE BAND	1		
4	R66117	SCREW	2		
5	RE39063	SHIELD	1	(A)	
6	T146106	WARNING LABEL	1		(SUB FOR T84410 OR T134452) (ESPANOL)
	T146104	WARNING LABEL	1		(SUB FOR T84411 OR T134453) (FRANCAIS)
	T146515	WARNING LABEL	1		(SUB FOR T84412 OR T134454) (DEUTSCH)
	T146516	WARNING LABEL	1		(SUB FOR T84413 OR T134455) (ITALIANO)
	T146517	WARNING LABEL	1		(SUB FOR T84578 OR T134456) (ENGLISH/FRANCAIS)

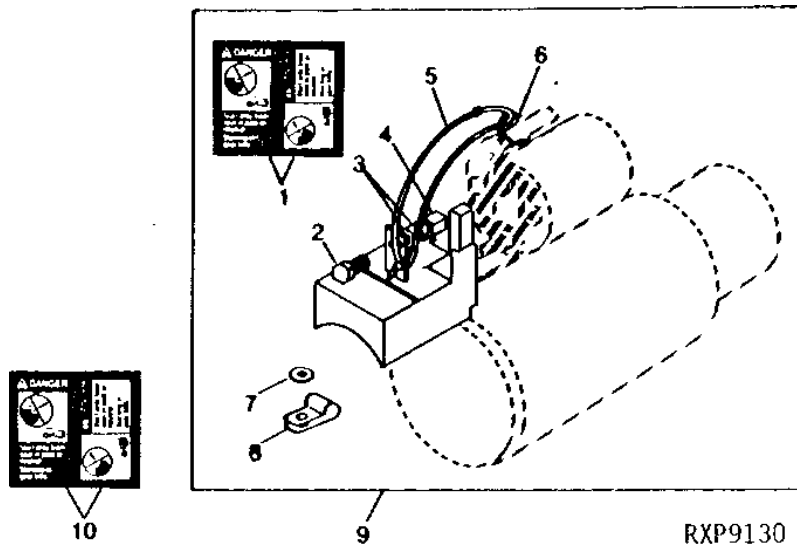
(A) USE WITH AR62267, AR78538, TY6667, TY6618, TY6701 OR TY6710

1H9

ELECTRICAL

STARTER SOLENOID COVER KIT (DELCO-REMY)

RXP9130 -UN-01JAN94



RXP9130

KEY	PART NO.	PART NAME	QTY	TRACTOR SERIAL NO.	REMARKS
1	T146102	WARNING LABEL	1		(ENGLISH) (SUB FOR T84409 OR T134459)
2	19H2038	CAP SCREW	1		3/8" X 1/2"
3	24H1305	WASHER	2		13/32" X 13/16" X 0.065"
4	R100380	NUT	1		
5	R76477	TIE BAND	1		
6	R44302	TIE BAND	1		
7	24H1289	WASHER	1		21/64" X 5/8" X 0.049"
8	R46414	CLAMP	1		
9	RE39061	SHIELD	1		(A)
10	T146106	WARNING LABEL	1		(ESPANOL) (SUB FOR T84410 OR T134452)
	T146104	WARNING LABEL	1		(FRANCAIS) (SUB FOR T84411 OR T134453)
	T146515	WARNING LABEL	1		(DEUTSCH) (SUB FOR T84412 OR T134454)
	T146516	WARNING LABEL	1		(ITALIANO) (SUB FOR T84413 OR T134455)
	T146517	WARNING LABEL	1		(ENGLISH/FRANCAIS) (SUB FOR T84578 OR T134456)

(A) USE WITH RE55638 OR TY1597

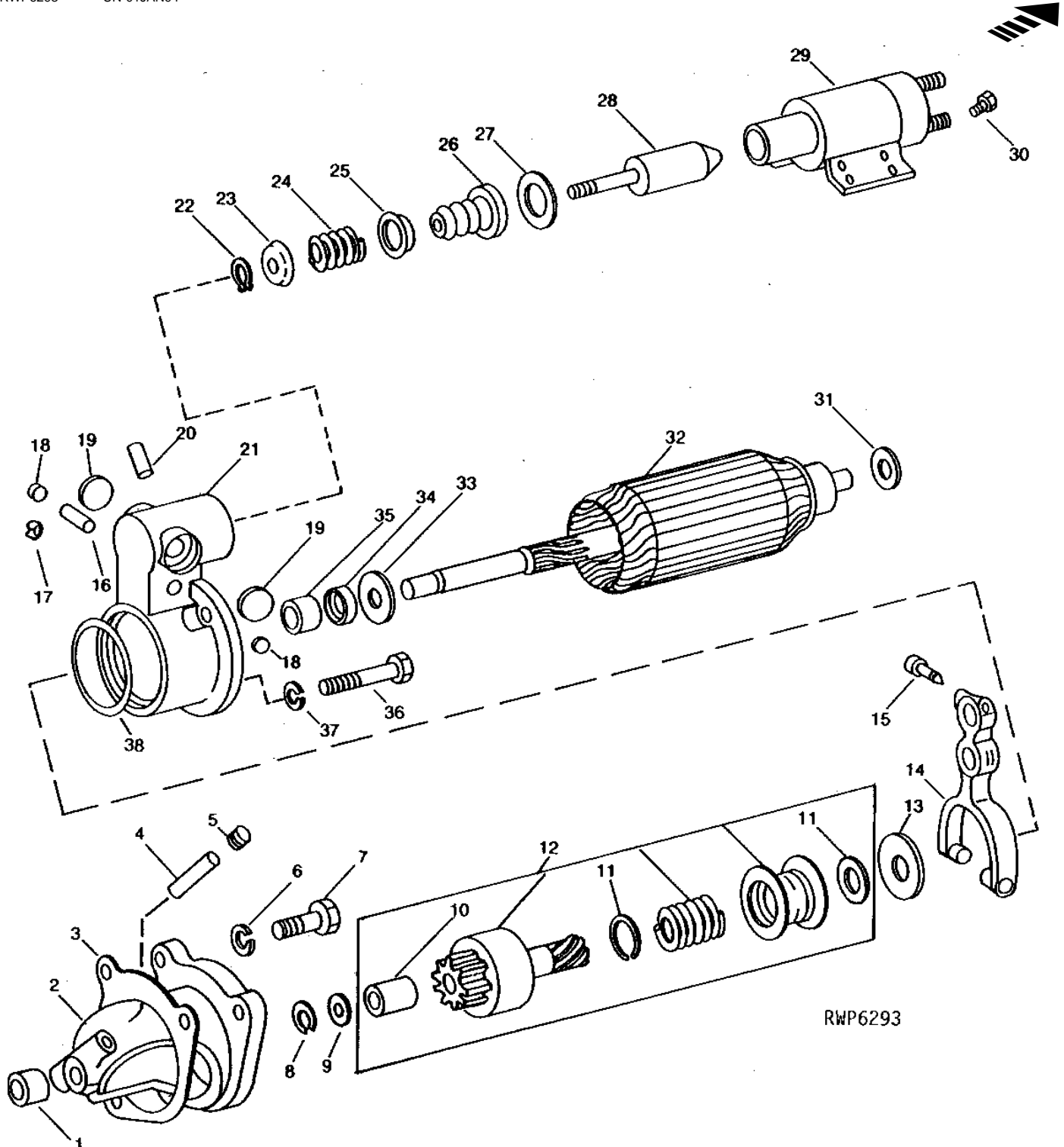
MEMORANDA

1H10

ELECTRICAL

STARTER DRIVE HOUSING, SOLENOID SWITCH AND ARMATURE
(12-VOLT) (DELCO-REMY NO. 1113672 OR 1113402)
(AR62267)

RWP6293 -UN-01JAN94



RWP6293

1H11

ELECTRICAL

STARTER DRIVE HOUSING, SOLENOID SWITCH AND ARMATURE - CONTINUED
(12-VOLT) (DELCO-REMY NO. 1113672 OR 1113402)
(AR62267)

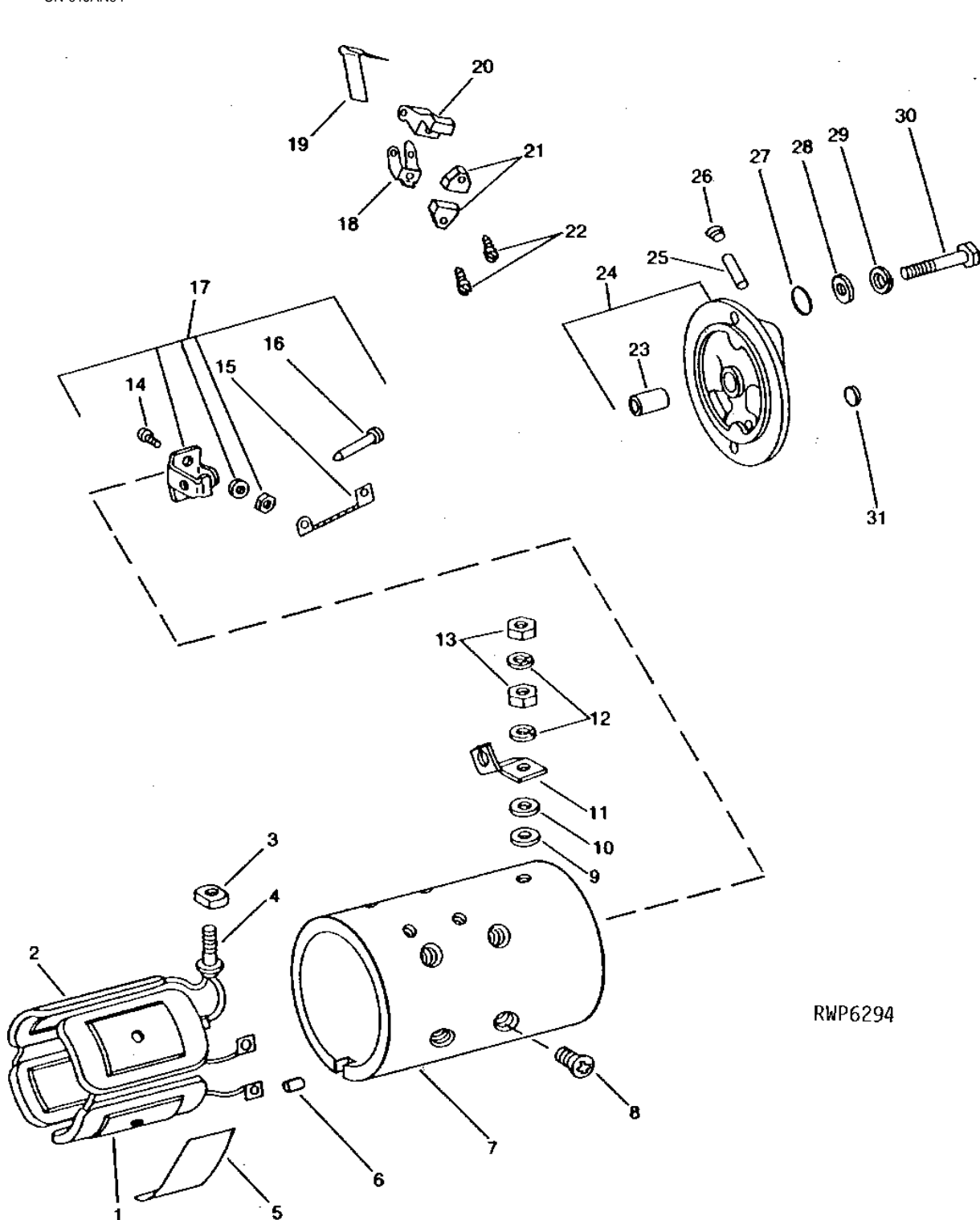
KEY	PART NO.	PART NAME	QTY	MODEL NO.	REMARKS
1	T11743	BUSHING	1		
2	AR11127	HOUSING	1		
3	R53108	GASKET	1		
4	R40337	WICK	1		
5	15H566	PIPE PLUG	1	1/8"	
6	12H304	LOCK WASHER	3	3/8"	
	M3636T	STUD	1		
	14H1076	NUT	2	3/8"	
7	19H3219	CAP SCREW	2	3/8" X 1-3/8"	
8	R11117	SNAP RING	1		
9	R48976	STOP	1		
10	1873796	BUSHING	1		
11	R11118	WIRE	2		
12	AR88880	BENDIX DRIVE	1		(SUB FOR AR44700 OR AR76841)
13	R11095	WASHER	1		
14	AR11128	LEVER	1		
15	R11222	PIN	1		
16	R11215	DOWEL PIN	2		
17	R11223	RETAINER	1		
18	30H7	PLUG	2	5/8"	
19	30H16	PLUG	2	1-3/16"	
20	R11201	WICK	1		
	R11016	PIPE PLUG	1		
21	AR11126	HOUSING	1		
22	R11026	SNAP RING	1		
23	R11129	CAP	1		
24	R11128	SPRING	1		
25	R11126	RETAINER	1		
26	R11127	BOOT	1		
27	R11221	WASHER	1		
28	AR11132	PLUNGER	1		
29	R11292	SWITCH	1		(DELCO-REMY NO. 1115510 OR 1115540)
30	T19909	BOLT	4		
31	R11096	WASHER	1		
32	AR44698	ARMATURE	1		
33	R11291	WASHER	1		
34	AR62964	SEAL	1		
35	R11212	BUSHING	1		
36	AR62963	SCREW	4		
37	12H303	LOCK WASHER	4	5/16"	
38	R40545	GASKET	1		
..	AR62267	STARTER	1		(SUB FOR AR55638) (SUB TY6710)
..	TY6710	STARTER	1		(REMANUFACTURED) (DELCO-REMY) (SUB FOR TY6667)

1H12

ELECTRICAL

STARTER MAIN FRAME, COIL, AND COMMUTATOR END FRAME
(12-VOLT) (DELCO-REMY NO. 1113672 OR 1113402)
(AR62267)

RWP6294 -UN-01JAN94



RWP6294

1H13

ELECTRICAL

STARTER MAIN FRAME, COIL, AND COMMUTATOR END FRAME - CONTINUED
 (12-VOLT) (DELCO-REMY NO. 1113672 OR 1113402)
 (AR62267)

KEY	PART NO.	PART NAME	QTY	ENGINE SERIAL NO.	REMARKS
1	R11003	SHOE	4		
2	AR44699	ELECTRICAL COIL	1		
3	R11058	BUSHING	2		
4	R11059	STUD	1		
5	R11253	INSULATOR	2		
6	R11087	DOWEL PIN	1		
7	FRAME	1		(ORDER TY6710)
8	21H1280	SCREW	4		3/8" X 3/4"
9	R11000	WASHER	2		
10	24M7096	WASHER	1		10.500 X 18 X 1.600 MM
11	R11296	CONNECTOR	1		
12	12H304	LOCK WASHER	2		3/8"
13	14H732	NUT	2		3/8"
14	T18098	SCREW	2		
15	AR11001	WIRING LEAD	1		
16	R11233	PIN	2		
17	AR11124	SUPPORT	2		
18	T738T	HOLDER	2		
19	R11209	SPRING	2		
20	R11290	CARBON BRUSH HOLDER	2		
21	R42574	BRUSH	4		
22	37H78	SCREW	4		0.164" X 3/4"
23	R61932	BUSHING	1		(SUB FOR T11739)
24	AR11140	FRAME	1		
25	15H566	PIPE PLUG	1		1/8"
26	R40337	WICK	1		
27	R27976	O-RING	2		
28	24H1136	WASHER	2		11/32" X 11/16" X 0.065"
29	12H303	LOCK WASHER	2		5/16"
30	R11298	BOLT	2		
31	30H9	PLUG	1		3/4"
..	AR62267	STARTER	1		(SUB FOR AR55638) (SUB TY6710)
..	TY6710	STARTER	1		(REMANUFACTURED) (DELCO-REMY) (SUB FOR TY6667)

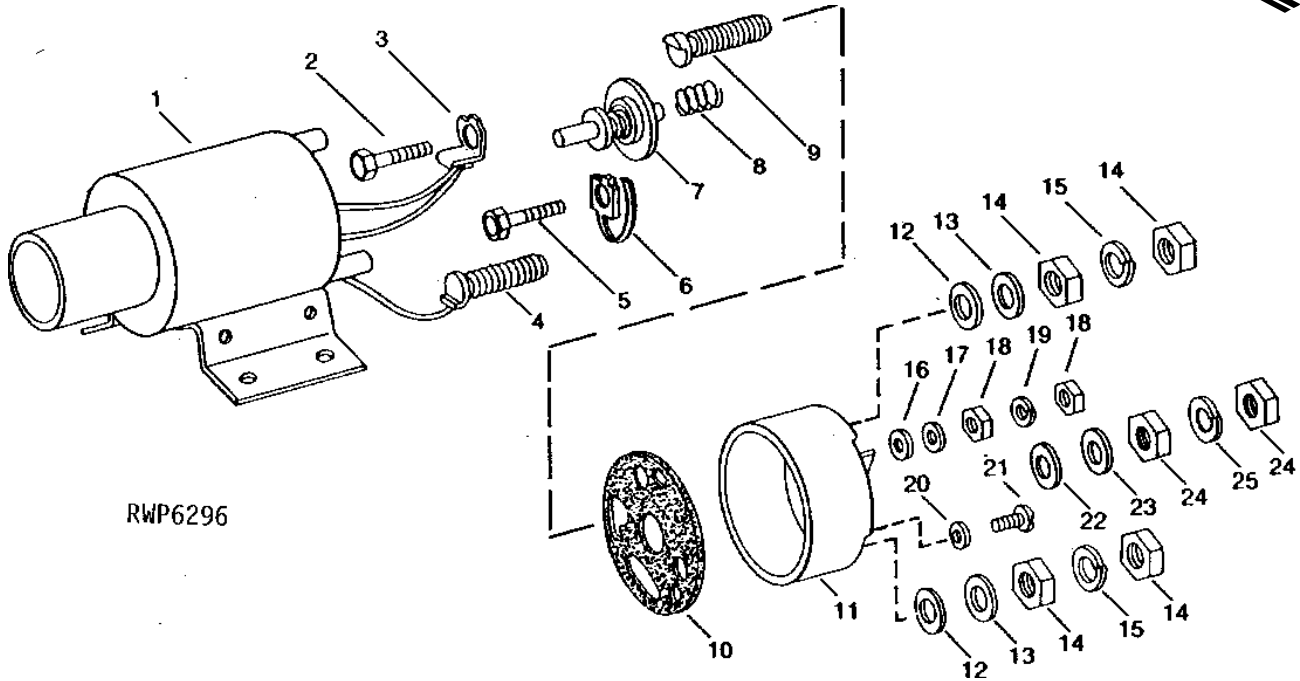
MEMORANDA

1H14

ELECTRICAL

RWP6296 -UN-01JAN94

SOLENOID SWITCH (12-VOLT) (DELCO-REMY NO. 1113672 OR 1113402)



KEY	PART NO.	PART NAME	QTY	ENGINE SERIAL NO.	REMARKS
1	R11292	SWITCH	1		
2	R11197	STUD	1		(SUB FOR T18110)
3	R11198	CLIP	1		(NLA)
4	R11293	STUD	1		
5	R11295	STUD	1		
6	R40546	CLIP	1		
7	AR11051	CONTACT	1		
8	R11066	SPRING	1		
9	T18105	STUD	1		
10	R40548	GASKET	1		
11	R11294	COVER	1		
12	T18107	WASHER	2		
13	24M7096	WASHER	1		10.500 X 18 X 1.600 MM
14	14H732	NUT	4		3/8"
15	12H304	LOCK WASHER	2		3/8"
16	T18106	WASHER	1		
17	24H1283	WASHER	1		7/32" X 1/2" X 0.049"
18	14H631	NUT	2		0.190"
19	12H246	LOCK WASHER	2		0.190"
20	R11039	WASHER	2		
21	21H1298	SCREW	2		0.190" X 3/8"
22	T19607	WASHER	1		
23	24H1281	WASHER	1		5/32" X 3/8" X 0.049"
24	14H605	NUT	2		0.164"
25	12M7084	LOCK WASHER	2		0.169"
..	R11292	SWITCH	1		(A) (DELCO-REMY NO. 1115510 OR 1115540)

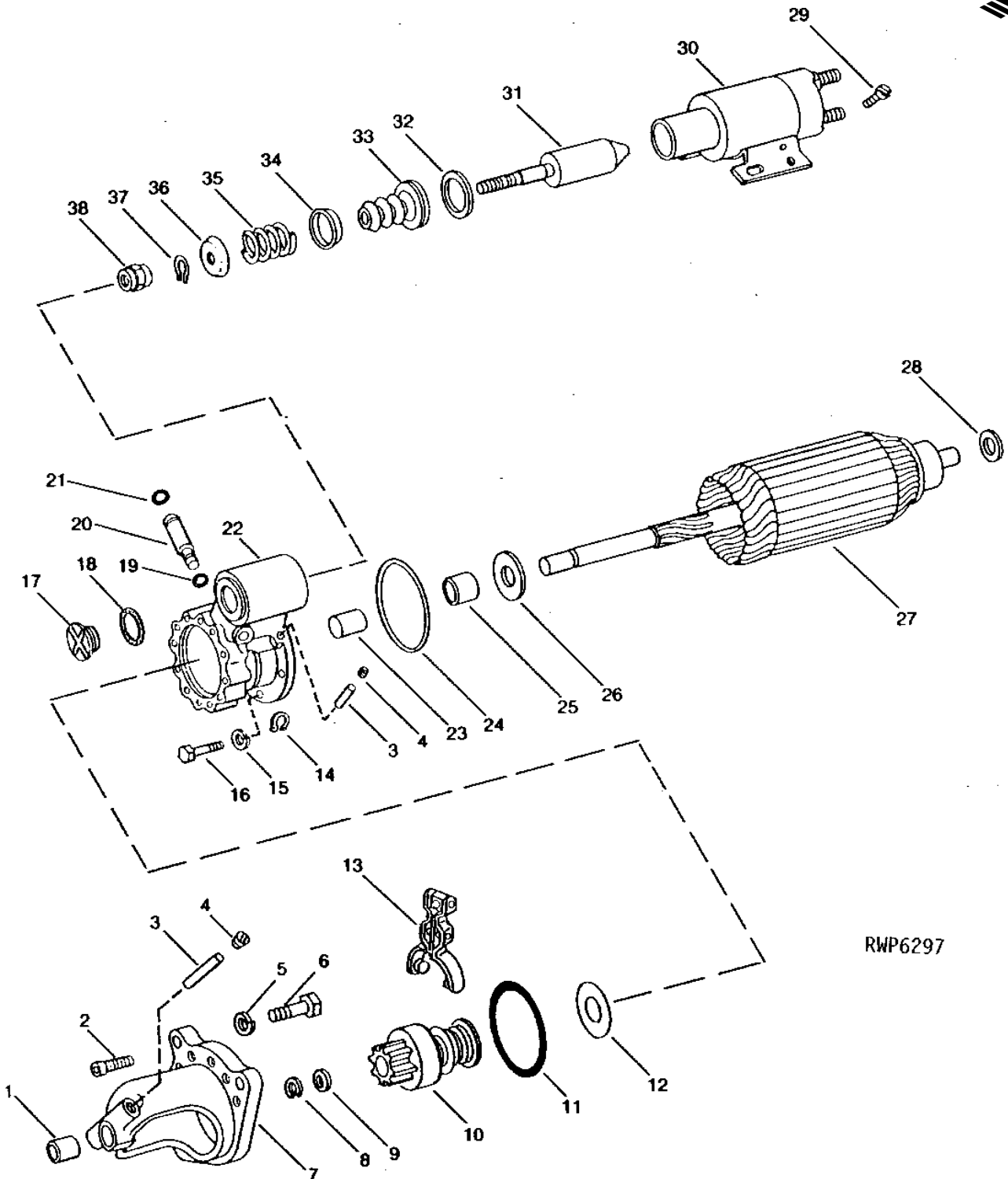
(A) USE WITH AR55638 OR AR62267

1H15

ELECTRICAL

STARTER ARMATURE, DRIVE END HOUSING AND DRIVE (12-VOLT) (DELCO-REMY NO. 1113391) (AR78538)

RWP6297 -UN-01JAN94



1H16

ELECTRICAL

STARTER ARMATURE, DRIVE END HOUSING AND DRIVE - CONTINUED
(12-VOLT) (DELCO-REMY NO. 1113391)
(AR78538)

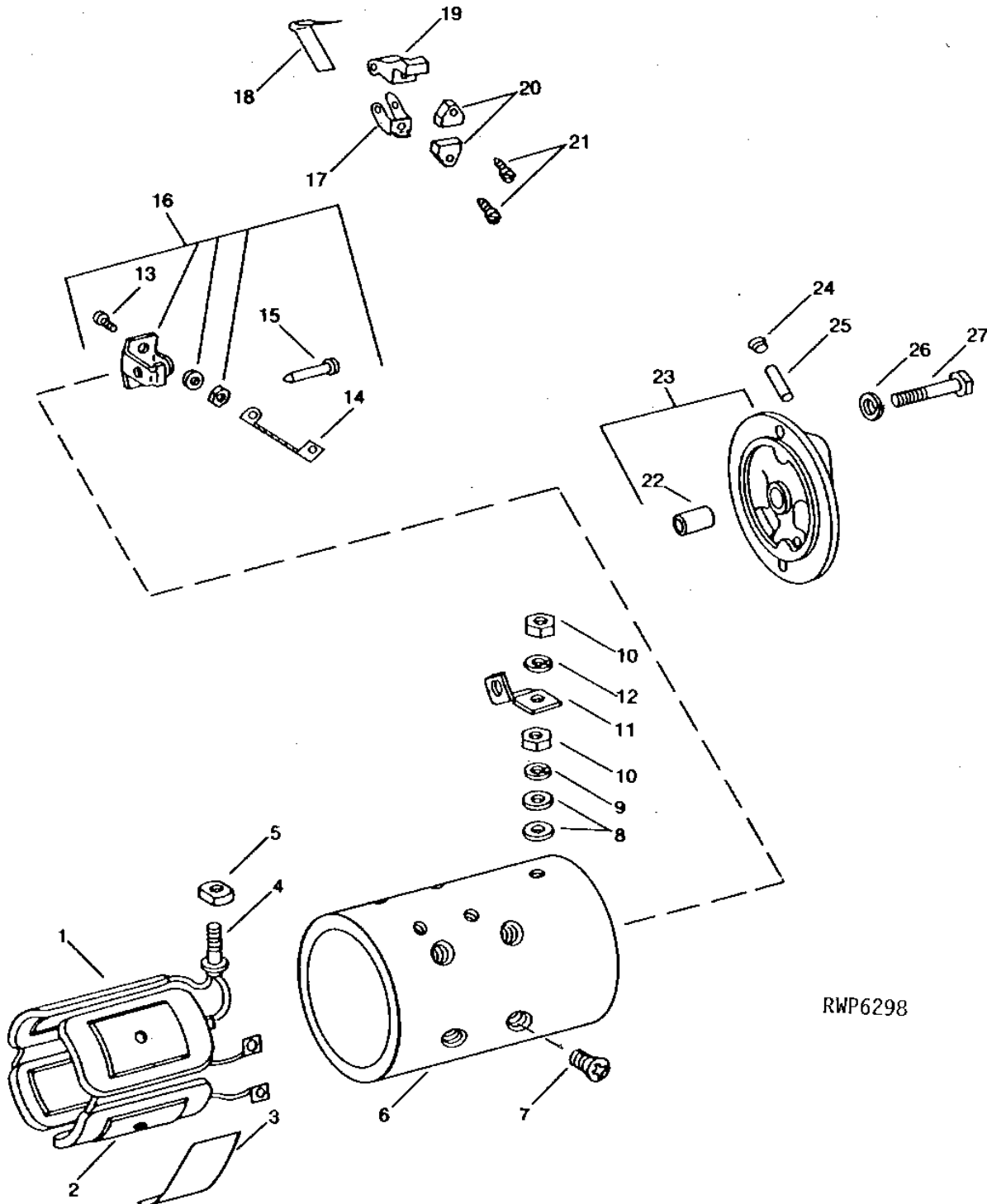
KEY	PART NO.	PART NAME	QTY	ENGINE SERIAL NO.	REMARKS
1	T11743	BUSHING	1		
2	R62674	SCREW	2		
3	R40337	WICK	2		
4	15H566	PIPE PLUG	2	1/8"	
5	12H301	LOCK WASHER	3	1/2"	
6	19H1721	CAP SCREW	3	1/2" X 1-1/2"	
7	AR77259	HOUSING	1		
8	R11117	SNAP RING	1		
9	R48976	STOP	1		
10	AR88880	BENDIX DRIVE	1	(SUB FOR AR76841)	
11	R62673	O-RING	1		
12	R11095	WASHER	1		
13	AR77261	LEVER	1		
14	R11026	SNAP RING	1		
15	12H302	LOCK WASHER	5	1/4"	
16	19H3005	CAP SCREW	5	1/4" X 1"	
17	R11133	PLUG	1		
18	R11121	GASKET	1		
19	A4365R	O-RING	1		
20	R62670	SHAFT	1		
21	A3917R	O-RING	1		
22	AR77260	HOUSING	1		
23	R11212	BUSHING	1		
24	R11120	O-RING	1		
25	AR62964	SEAL	1		
26	R11291	WASHER	2		
27	AR77257	ARMATURE	1		
28	R11096	WASHER	1		
29	T19909	BOLT	4		
30	AR77255	SWITCH	1		
31	AR77256	PLUNGER	1		
32	R11221	WASHER	1		
33	R11127	BOOT	1		
34	R11126	RETAINER	1		
35	R11128	SPRING	1		
36	R11129	CAP	1		
37	R11026	SNAP RING	1		
38	R62671	LOCK NUT	1		
..	AR78538	STARTER	1	(SUB FOR AR55638 OR AR62267) (SUB TY6701, TY6713 OR RE41875)	
..	TY6701	STARTER	1	(REMANUFACTURED) (DELCO-REMY) (SUB FOR TY6618)	

1H17

ELECTRICAL

STARTER MAIN FRAME, COIL, AND COMMUTATOR END FRAME
(12-VOLT) (DELCO-REMY NO. 1113391)
(AR78538)

RWP6298 -UN-01JAN94



RWP6298

1H18

ELECTRICAL

STARTER MAIN FRAME, COIL, AND COMMUTATOR END FRAME - CONTINUED
 (12-VOLT) (DELCO-REMY NO. 1113391)
 (AR78538)

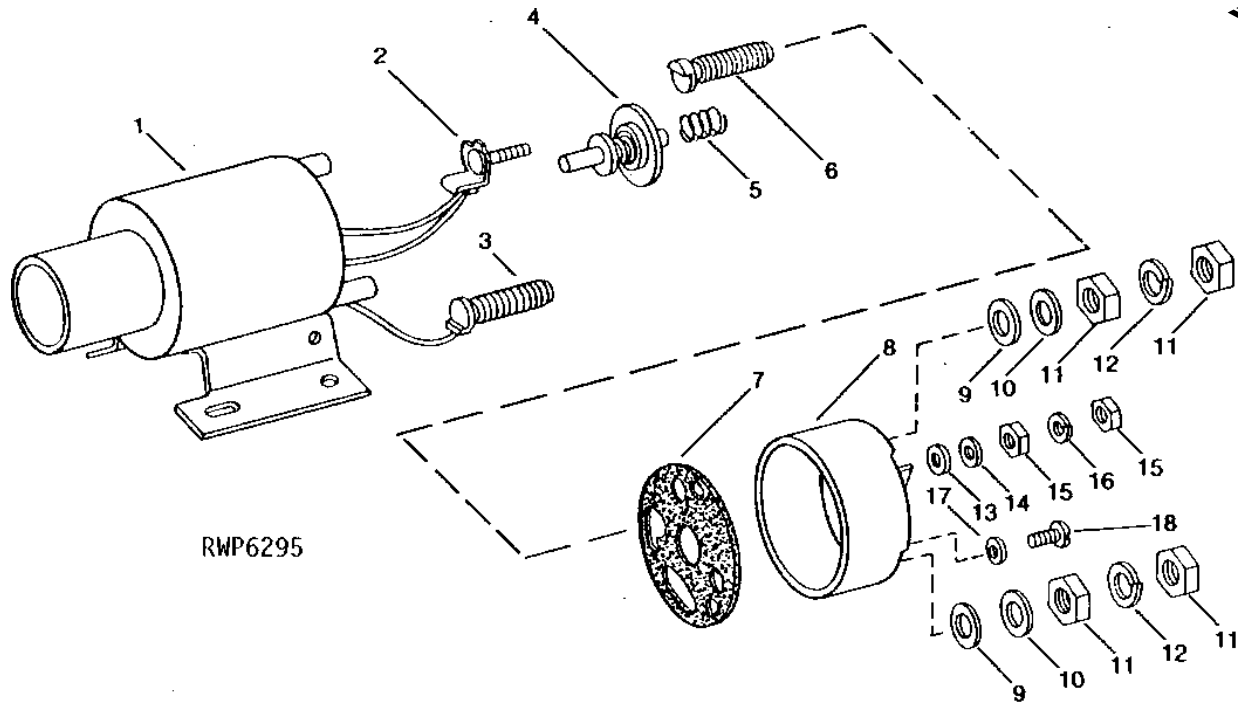
KEY	PART NO.	PART NAME	QTY	ENGINE SERIAL NO.	REMARKS
1	AR77258	FIELD WINDING COIL	1		
2	R11003	SHOE	4		
3	R62672	ISOLATOR	2		
4	R11146	SCREW	1		
5	AR40171	GROMMET	1		
6	FRAME	1		(ORDER TY6701)
7	21H1280	SCREW	4		3/8" X 3/4"
8	R11011	WASHER	2		
9	R68625	WASHER	2		(SUB FOR 811912)
10	14H971	NUT	2		1/2"
11	R62669	CONNECTOR	1		
12	12H301	LOCK WASHER	1		1/2"
13	T18098	SCREW	2		
	R11250	RIVET	2		
14	AR11001	WIRING LEAD	1		
15	R61933	PIN	2		
16	AR75908	KIT	2		
17	T738T	HOLDER	2		
18	R11209	SPRING	2		
19	R11290	CARBON BRUSH HOLDER	2		
20	R42574	BRUSH	4		
21	37H78	SCREW	4		0.164" X 3/4"
22	R61932	BUSHING	1		
23	AR75905	FRAME	1		
24	15H566	PIPE PLUG	1		1/8"
25	R61934	WICK	1		
26	12H302	LOCK WASHER	4		1/4"
27	19H3005	CAP SCREW	4		1/4" X 1"
..	AR78538	STARTER	1		(SUB FOR AR55638 OR AR62267) (SUB TY6701, TY6713 OR RE41875)
..	TY6701	STARTER	1		(REMANUFACTURED) (DELCO-REMY) (SUB FOR TY6618)

1H19

ELECTRICAL

RWP6295 -UN-01JAN94

SOLENOID SWITCH (12-VOLT) (DELCO-REMY NO. 1115530)



KEY	PART NO.	PART NAME	QTY	ENGINE SERIAL NO.	REMARKS
1	CASE	1		(ORDER AR77255)
2	R11197	STUD	2		(SUB FOR T18110)
3	R11293	STUD	1		
4	AR11051	CONTACT	1		
5	R11066	SPRING	1		
6	T18105	STUD	1		(SUB FOR R62667)
7	R40548	GASKET	1		
8	R62668	COVER	1		
9	T18107	WASHER	2		
10	24M7096	WASHER	2	10.500 X 18 X 1.600 MM	
11	14H732	NUT	4	3/8"	
12	12H304	LOCK WASHER	2	3/8"	
13	T18106	WASHER	2		
14	24H1283	WASHER	2	7/32" X 1/2" X 0.049"	
15	14H631	NUT	4	0.190"	
16	12H246	LOCK WASHER	2	0.190"	
17	R11039	WASHER	2		
18	21H1298	SCREW	2	0.190" X 3/8"	
..	AR77255	SWITCH	1		(A) (DELCO-REMY NO. 1115530)

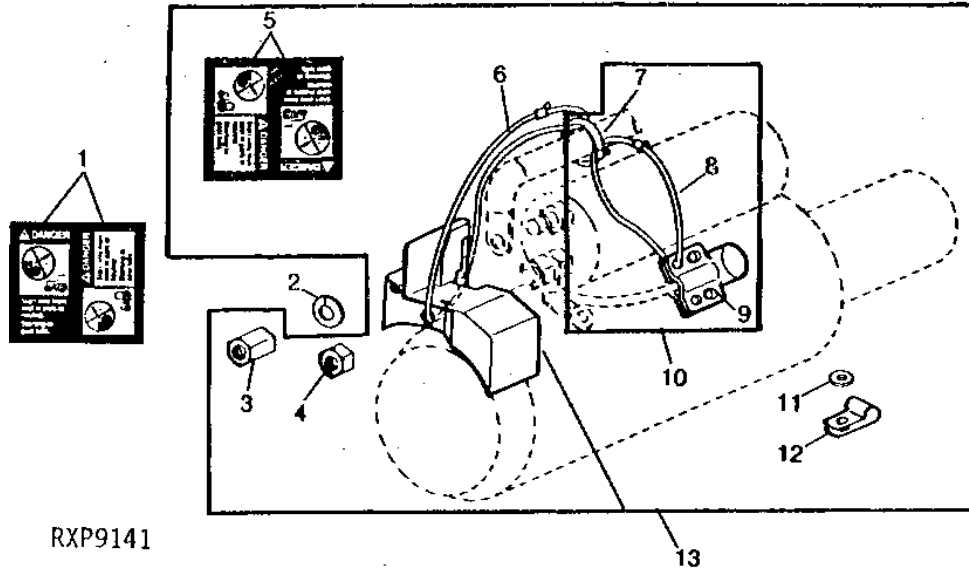
(A) USE WITH AR78538

1H20

ELECTRICAL

RXP9141 -UN-01JAN94

STARTER SOLENOID COVER KIT (JOHN DEERE)



RXP9141

KEY	PART NO.	PART NAME	QTY	TRACTOR SERIAL NO.	REMARKS
1	T146106	WARNING LABEL	1		(SUB FOR T84410 OR T134452) (ESPAÑOL)
	T146104	WARNING LABEL	1		(SUB FOR T84411 OR T134453) (FRANCAIS)
	T146515	WARNING LABEL	1		(SUB FOR T84412 OR T134454) (DEUTSCH)
	T146516	WARNING LABEL	1		(SUB FOR T84413 OR T134455) (ITALIANO)
	T146517	WARNING LABEL	1		(SUB FOR T84578 OR T134456) (ENGLISH/FRANCAIS)
2	12H246	LOCK WASHER	1		0.190"
3	R100380	NUT	1		
4	14H732	NUT	1		3/8"
5	T146102	WARNING LABEL	1		(SUB FOR T84409 OR T134459) (ENGLISH)
6	R76477	TIE BAND	1		
7	R44302	TIE BAND	1		
8	R76477	TIE BAND	1		
9	R66117	SCREW	2		
10	RE39063	SHIELD	1		(A)
11	24H1289	WASHER	1		
12	R46414	CLAMP	1		
13	RE39064	SHIELD	1		(A)

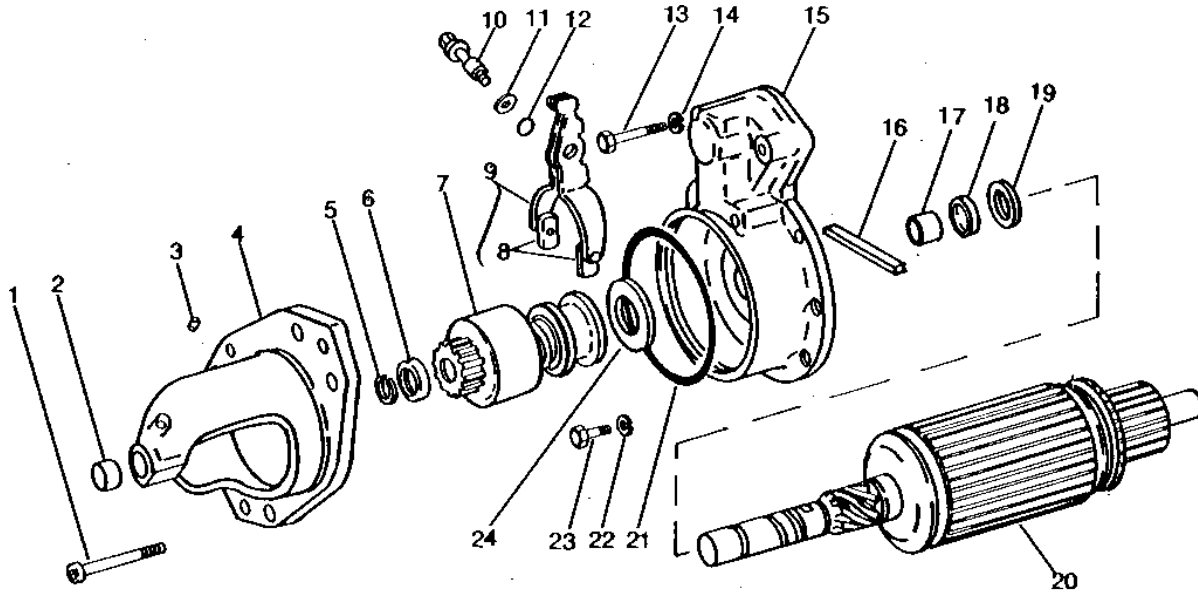
(A) USE WITH AR77254, RE41875, TY6617 OR TY6713

1H21

ELECTRICAL

STARTER DRIVE HOUSING AND ARMATURE (12 VOLT) (JOHN DEERE) (RE41875)

RGP1947 -UN-01JAN94



RGP1947

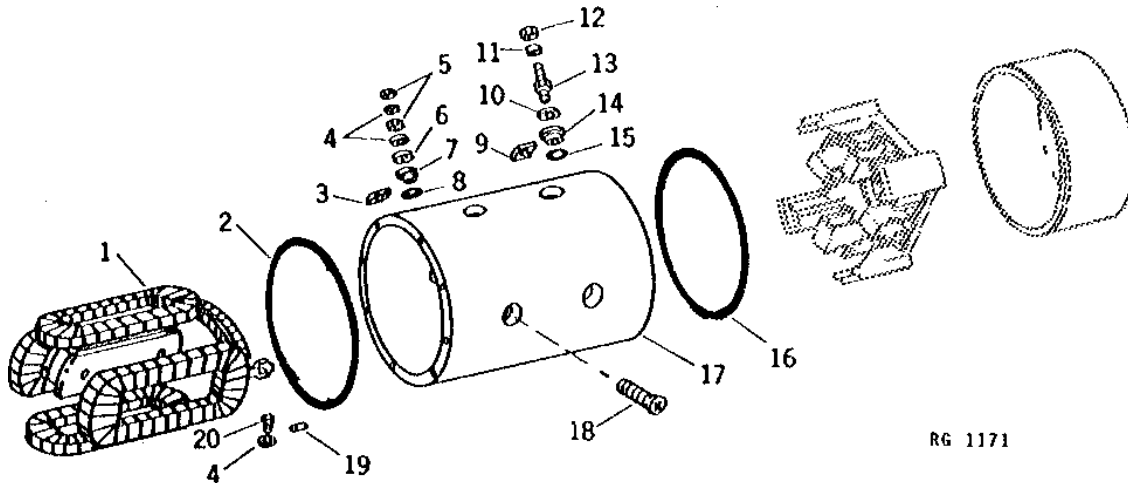
KEY	PART NO.	PART NAME	QTY	ENGINE SERIAL NO.	REMARKS
1	R50900	SCREW	6		
2	R50891	BUSHING	1		
3	R50892	PLUG	1		
4	AR54990	HOUSING	1		
5	R50902	SNAP RING	1		
6	R50903	STOP	1		
7	AR54992	DRIVE	1		
8	R51667	WEAR PLATE	2		
9	R50904	LEVER	1		(STARTER SERIAL NO. 11L0233 AND BELOW)
	AR67827	ARM	1		(STARTER SERIAL NO. 11L0234 AND ABOVE)
10	R50897	SHAFT	1		
11	24H1289	WASHER	1		(USE WITH RE13722, RE41875 OR TY6713)
12	R52387	O-RING	1		
13	R50893	SCREW	2		
14	12H302	LOCK WASHER	2		1/4"
15	AR54993	HOUSING	1		(STARTER SERIAL NO. 11L0233 AND BELOW)
	AR68430	HOUSING	1		(STARTER SERIAL NO. 11L0234 AND ABOVE)
16	R51666	WICK	1		
17	R51665	BUSHING	1		
18	AR55947	SEAL	1		
19	R50906	THRUST WASHER	1		
20	AR66778	ARMATURE	1		
21	R50901	WASHER	1		
22	12H317	LOCK WASHER	2		9/16"
23	R51661	SCREW	2		
24	R50905	WEAR RING	1		
..	RE41875	STARTER	1		(SUB FOR AR77254 OR AR78538)
..	TY6701	STARTER	1		(REMANUFACTURED) (SUB FOR TY1597 OR TY6618)
..	TY6713	STARTER	1		(REMANUFACTURED) (SUB FOR TY6617)

1H22

ELECTRICAL

STARTER MAIN FRAME AND COIL (12 VOLT) (JOHN DEERE) (RE41875)

RG1171 -UN-01JAN94



RG 1171

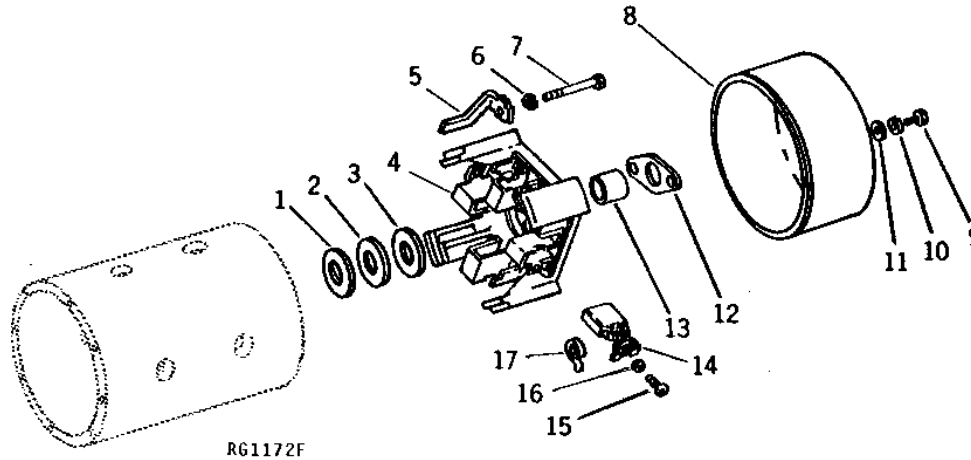
KEY	PART NO.	PART NAME	QTY	STARTER SERIAL NO.	REMARKS
1	AR54996	FIELD WINDING COIL	1	-8U0001	
	RE13731	FIELD WINDING COIL	1	9U0001-	
2	R50913	O-RING	1		
3	R50916	WASHER	1		
4	12H246	LOCK WASHER	3		0.190"
5	R50907	NUT	2		
6	24H1283	WASHER	1		7/32" X 1/2" X 0.049"
7	R50914	WASHER	1		
8	R50915	O-RING	1		
9	R50920	BUSHING	1		
10	R50917	WASHER	1		
11	R50899	LOCK WASHER	1		
12	R50909	NUT	1		
13	R56802	STUD	1		(SUB FOR R52386)
14	R50918	WASHER	1		
15	R50919	O-RING	1		
16	R50922	O-RING	1		
17	FRAME	1		(ORDER RE41785 OR TY6713)
18	R50921	SCREW	8		
19	R51664	DOWEL PIN	1		
20	R50931	SCREW	1		(SUB FOR R51663)
..	RE41875	STARTER	1		(SUB FOR AR77254 OR AR78538)
..	TY6701	STARTER	1		(REMANUFACTURED) (SUB FOR TY1597 OR TY6618)
..	TY6713	STARTER	1		(REMANUFACTURED) (SUB FOR TY6617)

1H23

ELECTRICAL

STARTER COMMUTATOR END FRAME (12-VOLT) (JOHN DEERE) (RE41875)

RG1172 -UN-01JAN94



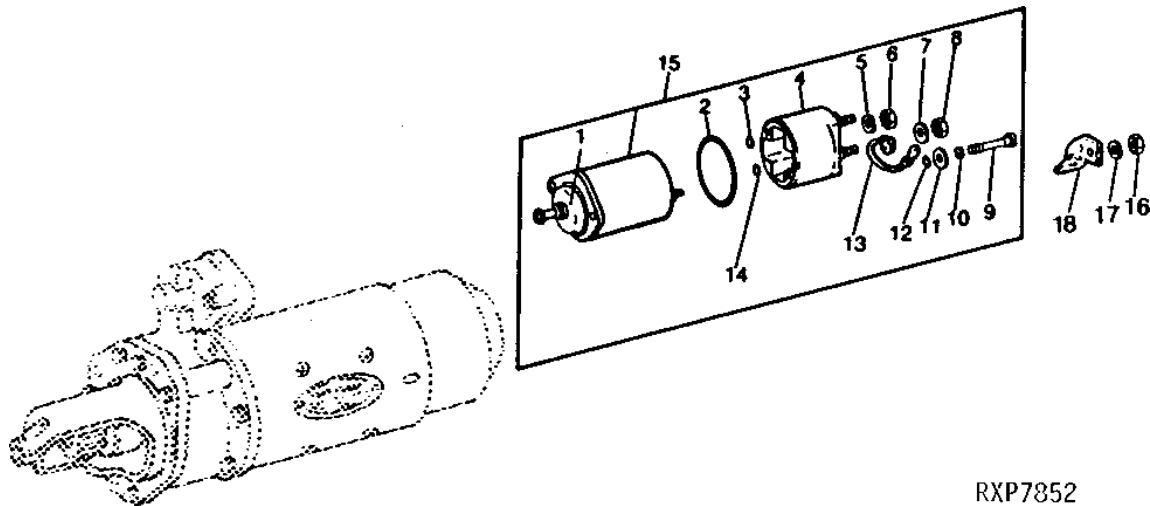
KEY	PART NO.	PART NAME	QTY	ENGINE SERIAL NO.	REMARKS
1	R50923	SHIM	AR		0.18 MM (.007") (USE WITH AR66778) (TYPE 1)
2	R50924	SHIM	AR		0.48 MM (.009") (USE WITH AR66778) (TYPE 1)
3	R50925	THRUST WASHER	1		
4	AR54997	FRAME	1		
5	R51660	BRACKET	2		
6	12H317	LOCK WASHER	2	9/16"	
7	R51659	SCREW	2		
8	R50912	COVER	1		
9	R50931	SCREW	2		
10	12H246	LOCK WASHER	6	0.190"	
11	24H1283	WASHER	2	7/32" X 1/2" X 0.049"	
12	R50930	GASKET	1		
13	R50891	BUSHING	1		
14	R50927	CARBON BRUSH CONDUCTOR	4		
15	R50929	SCREW	4		
16	12H246	LOCK WASHER	4	0.190"	
17	R50928	SPRING	4		
..	RE41875	STARTER	1		(SUB FOR AR77254 OR AR78538)
..	TY6701	STARTER	1		(REMANUFACTURED) (SUB FOR TY1597 OR TY6618)
..	TY6713	STARTER	1		(REMANUFACTURED) (SUB FOR TY6617)

1H24

ELECTRICAL

STARTER SOLENOID SWITCH
(12-VOLT) (JOHN DEERE)
(STARTING MOTOR DATE CODE -8S2760)

RXP7852 -UN-18OCT94



RXP7852

KEY	PART NO.	PART NAME	QTY	ENGINE SERIAL NO.	REMARKS
1	R52385	BOOT	1		
2	R51668	WASHER	1		
3	R56793	SHIM	1		
4	RE13733	SWITCH	1		(SUB FOR AR55948, AR71256 OR AR90071)
5	12H303	LOCK WASHER	1		5/16"
6	R51671	NUT	1		
7	12H246	LOCK WASHER	2		0.190"
8	14H631	NUT	2		0.190"
9	R51669	SCREW	2		
10	12H302	LOCK WASHER	2		1/4"
11	24H1305	WASHER	2		13/32" X 13/16" X 0.065"
12	R50894	O-RING	1		
13	AR55949	WIRING LEAD	1		(SUB RE15058)
14	R56792	WASHER	1		
15	RE13732	SOLENOID	1		(A) (SUB FOR AR54991 OR AR90070) (ALSO ORDER RE39064)
16	14H732	NUT	3		3/8"
17	R50899	LOCK WASHER	3		
18	R50910	CONNECTOR	1		

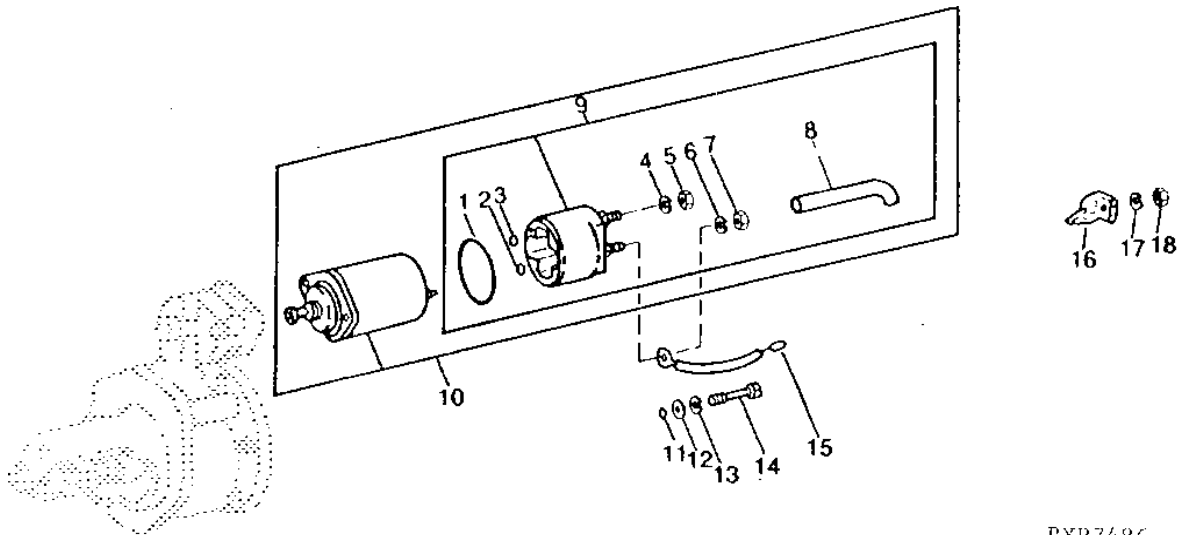
(A) USE WITH AR77254,RE41875,TY6617 OR TY6713

1H25

ELECTRICAL

**STARTER SOLENOID SWITCH
(12-VOLT) (JOHN DEERE)
(STARTING MOTOR DATE CODE 8S2761-)**

RXP7486 -UN-01JAN94



RXP7486

KEY	PART NO.	PART NAME	QTY	ENGINE SERIAL NO.	REMARKS
1	R68224	GASKET	1		
2	R56792	WASHER	1		
3	R56793	SHIM	1		
4	12H303	LOCK WASHER	1	5/16"	
5	R51671	NUT	1		
6	12H246	LOCK WASHER	1	0.190"	
7	14H631	NUT	2	0.190"	
8	R68222	HOSE	1		
9	RE13733	SWITCH	1		(NIPPONDENSO NO. 028099-3600) (SUB FOR AR90071)
10	RE13732	SOLENOID	1		(A) (SUB FOR AR90070) (ALSO ORDER RE39064) (NIPPONDENSO NO.028099-3610)
11	R50894	O-RING	2		
12	24H1305	WASHER	2	13/32" X 13/16" X 0.065"	
13	12H302	LOCK WASHER	2	1/4"	
14	R51669	SCREW	2		
15	RE15058	WIRE	1		(SUB FOR AR55949)
16	R50910	CONNECTOR	1		
17	R50899	LOCK WASHER	2		
18	14H732	NUT	2	3/8"	

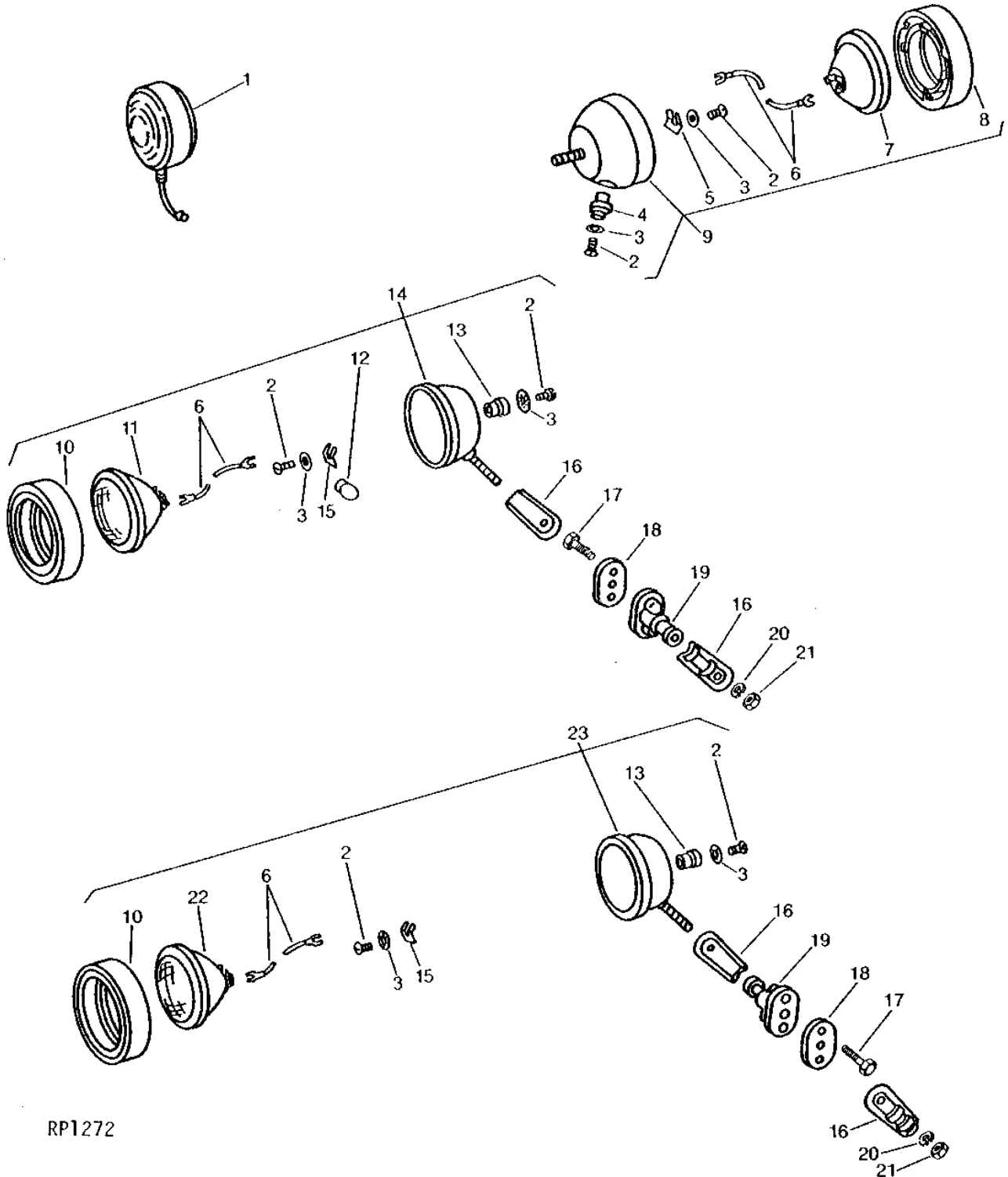
(A) USE WITH AR77254,RE41875,TY6617 OR TY6713

112

ELECTRICAL

FRONT AND REAR LAMP PARTS AND REAR LAMP BRACKETS (ROW-CROP)

RP1272 -UN-01JAN94



RP1272

113

ELECTRICAL

FRONT AND REAR LAMP PARTS AND REAR LAMP BRACKETS - CONTINUED
(ROW-CROP)

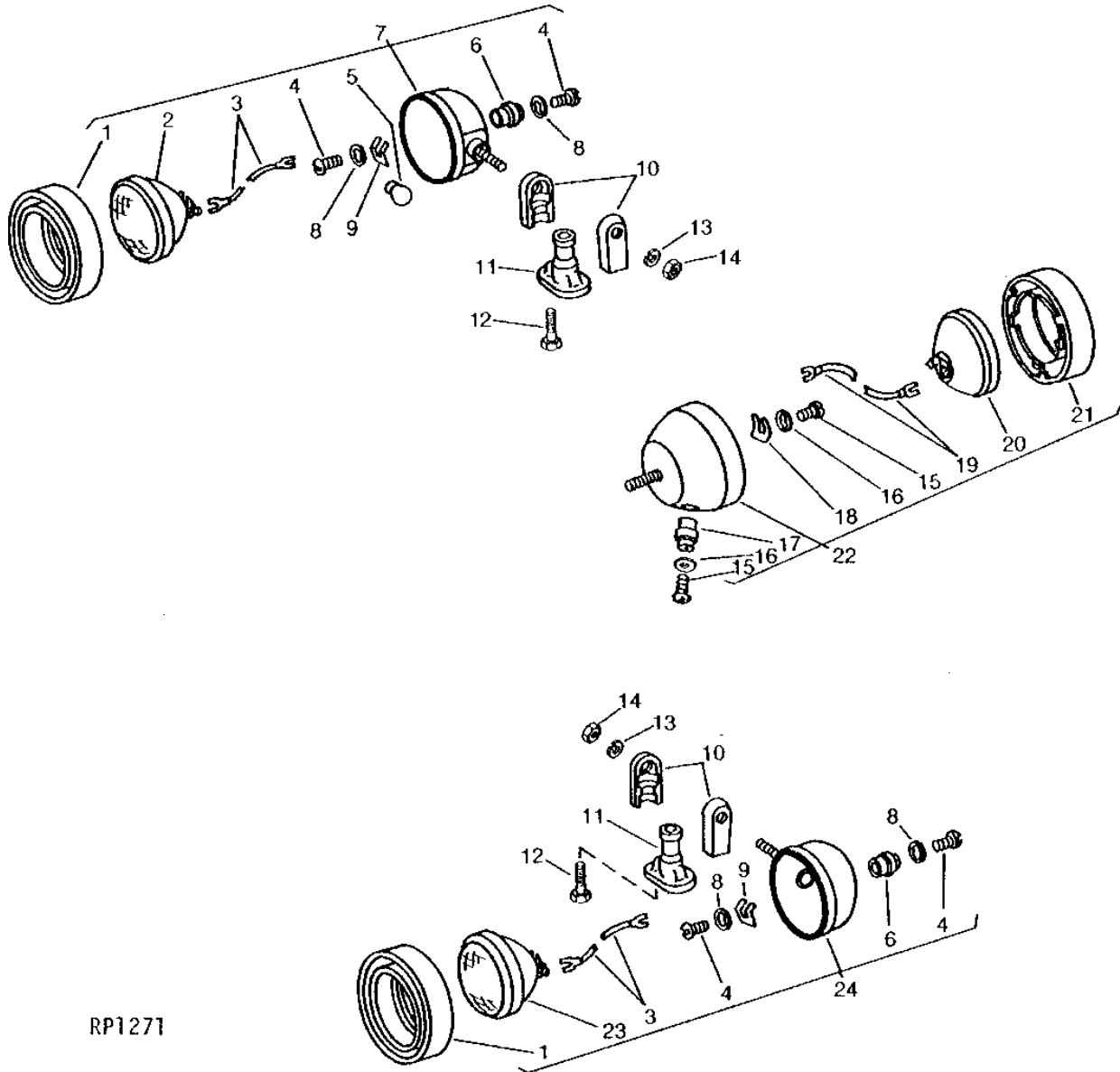
KEY	PART NO.	PART NAME	QTY	TRACTOR SERIAL NO.	REMARKS
1	AR38456	LAMP	1		
	AD2062R	BULB	1		(12-16 VOLT)
2	21H972	SCREW	2		0.164" X 5/16"
3	12M7084	LOCK WASHER	12		0.169"
4	R30181	PLATE	4		(FRONT LAMPS) (HOBBS)
	AA3495R	SUPPORT	4		(FRONT LAMPS) (GUIDE)
5	A2899R	ASSEMBLY LINE PARTS	4		(FRONT LAMPS)
6	WIRING LEAD	6		165MM (6-1/2") (MAKE FROM R66319 AND (2) R32016)
7	AF3892R	HEADLIGHT	2		(12-VOLT) (FRONT LAMP, INNER)
	AR21059	HEADLIGHT	2		(12-VOLT FLOOD) (FRONT LAMP, OUTER)
8	R30182	BEZEL	4		(FRONT LAMPS) (HOBBS)
	R31250	BEZEL	4		(FRONT LAMPS) (GUIDE)
9	AT13381	LAMP	2		(12-VOLT) FRONT, INNER
	AT13380	HEADLIGHT	2		(12-VOLT FLOOD) FRONT, OUTER
10	R30182	BEZEL	2		(REAR LAMPS) (HOBBS)
	R31250	BEZEL	1		(12-VOLT) (REAR LAMP, L.H.)
11	AR21737	LAMP	1	-XXXXXX	(SUB AR77324, AD2062R AND AR77325) (12-VOLT) (REAR LAMP, L.H.)
	AR77324	LAMP	1		(USE WITH AR77326)
	AR55888	SOCKET	1		(USE WITH AT16288)
	AR77325	SOCKET	1		(USE WITH AR77326)
12	AR86969	BULB	1		(USE WITH AT16288) (SUB FOR AR21739) (REAR LAMP, L.H.) 15 C.P.
	AD2062R	BULB	1		(USE WITH AR77326) (12-VOLT)
13	R30181	PLATE	4		(REAR LAMPS) (HOBBS)
	AA3495R	SUPPORT	4		(REAR LAMPS) (GUIDE)
14	AR77326	FLOODLAMP	1		L.H. (12-VOLT) (SUB FOR AR34990 OR AT16288)
15	A2899R	ASSEMBLY LINE PARTS	2		(REAR LAMPS) (GUIDE)
16	R27460	CLAMP	4		
17	R41881	SCREW	4		
18	T12444	WASHER	2		
19	T19178	BRACKET	2		
20	12H301	LOCK WASHER	2		1/2"
21	14H1040	NUT	2		1/2"
22	AR21059	HEADLIGHT	1		(12-VOLT) (REAR LAMP, R.H.)
23	RE27099	LAMP	1		(12-VOLT) REAR, R.H. (SUB FOR AR28167)

114

ELECTRICAL

FRONT AND REAR LAMP PARTS AND REAR LAMP BRACKETS (STANDARD)

RP1271 -UN-01JAN94



RP1271

115

ELECTRICAL

FRONT AND REAR LAMP PARTS AND REAR LAMP BRACKETS - CONTINUED (STANDARD)

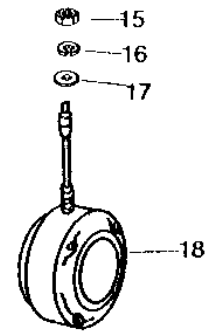
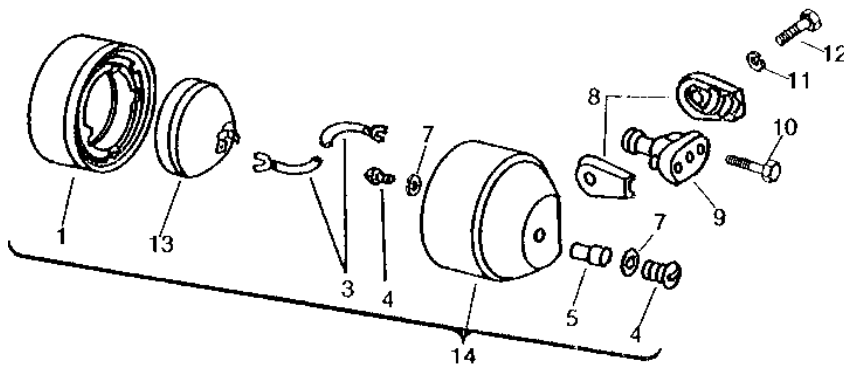
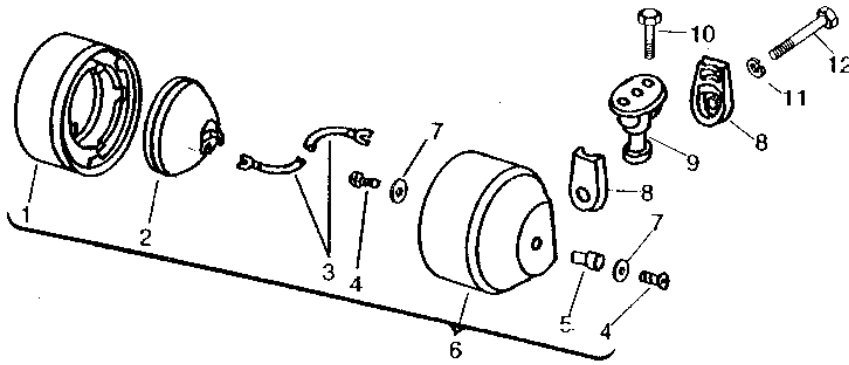
KEY	PART NO.	PART NAME	QTY	TRACTOR SERIAL NO.	REMARKS
1	R30182	BEZEL	2		(REAR LAMPS) (HOBBS)
	R31250	BEZEL	2		(REAR LAMPS) (GUIDE)
2	AR21737	LAMP	1	-XXXXXX	(SUB AR77324, AD2062R AND AR77325) (12-VOLT) (REAR LAMP, L.H.)
	AR77324	LAMP	1		(USE WITH AR77326)
	AR55888	SOCKET	1		(USE WITH AT16288)
	AR77325	SOCKET	1		(USE WITH AR77326)
3	WIRING LEAD	4		165MM (6-1/2") (MAKE FROM R66319 AND (2) R32016) (REAR LAMPS)
4	21H1293	SCREW	8		0.164" X 5/16", (REAR LAMPS)
5	AR86969	BULB	1		(USE WITH AT16288) (SUB FOR AR21739) (REAR LAMP, L.H.) 15 C.P.
	AD2062R	BULB	1		(USE WITH AR77326) (12-VOLT)
6	R30181	PLATE	4		(REAR LAMPS) (HOBBS)
	AA3495R	SUPPORT	4		(REAR LAMPS) (GUIDE)
7	AR77326	FLOODLAMP	1		L.H. (12-VOLT) (SUB FOR AT16288)
8	12M7084	LOCK WASHER	8		0.169", (REAR LAMPS)
9	A2899R	ASSEMBLY LINE PARTS	4		(REAR LAMPS) (GUIDE)
10	R27460	CLAMP	4		
11	T19178	BRACKET	2		
12	37H106	SCREW	4		3/8" X 5/8"
13	12H301	LOCK WASHER	2		1/2"
14	14H1040	NUT	2		1/2"
15	21H972	SCREW	8		0.164" X 5/16", (FRONT LAMPS)
16	12M7084	LOCK WASHER	8		0.169", (FRONT LAMPS)
17	R30181	PLATE	4		(FRONT LAMPS) (HOBBS)
	AA3495R	SUPPORT	4		(FRONT LAMPS) (GUIDE)
18	A2899R	ASSEMBLY LINE PARTS	4		(FRONT LAMPS)
19	WIRING LEAD	4		165MM (6-1/2") (MAKE FROM R66319 AND (2) R32016) (FRONT LAMPS)
20	AF3892R	HEADLIGHT	2		(12-VOLT) (FRONT LAMP, INNER)
	AR21059	HEADLIGHT	2		(12-VOLT FLOOD) (FRONT LAMP, OUTER)
21	R30182	BEZEL	4		(FRONT LAMPS) (HOBBS)
	R31250	BEZEL	4		(FRONT LAMPS) (GUIDE)
22	AT13381	LAMP	2		(12-VOLT) FRONT, INNER
	AT13380	HEADLIGHT	2		(12-VOLT FLOOD) FRONT, OUTER
23	AR21059	HEADLIGHT	1		(12-VOLT) (REAR LAMP, R.H.)
24	AR35782	LAMP	1		(12-VOLT) REAR, R.H.

116

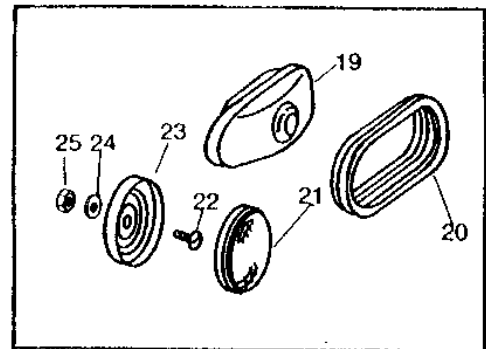
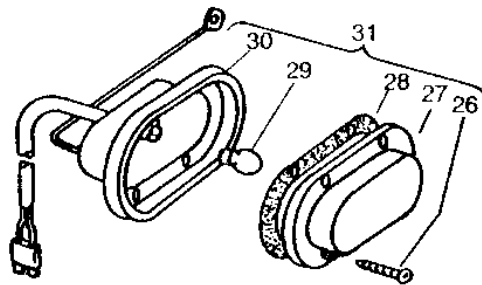
ELECTRICAL

FRONT AND REAR LAMP PARTS, WARNING LAMP AND REFLECTOR (STOLPER CAB)

RP1247 -UN-01JAN94



RP1247



**FRONT AND REAR LAMP PARTS, WARNING LAMP AND REFLECTOR - CONTINUED
(STOLPER CAB)**

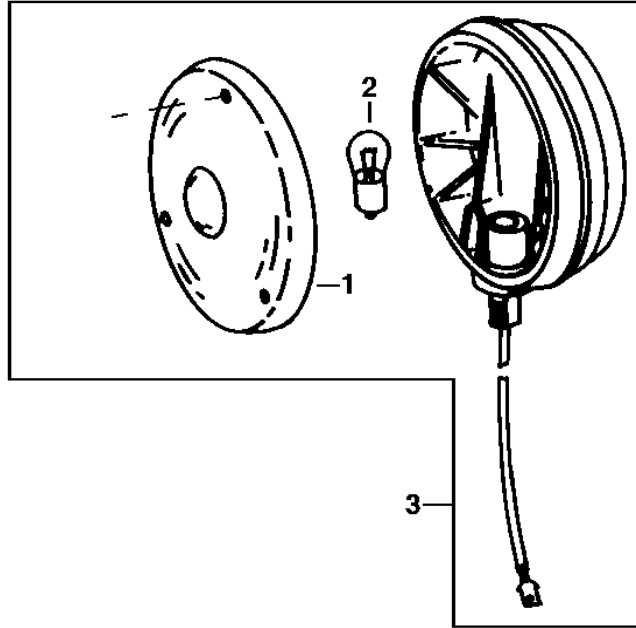
KEY	PART NO.	PART NAME	QTY	TRACTOR SERIAL NO.	REMARKS
1	R42689	BEZEL	6	(HOBBS)	
	R48293	BEZEL	6	(GUIDE LAMP)	
2	AR42591	HEADLIGHT	4	(12-VOLT) (FRONT AND REAR UPPER LAMPS) (USE WITH AR42119)	
	AR104119	HEADLIGHT	4	(12-VOLT) (USE WITH RE19075)	
3	WIRING LEAD	1	165MM (6-1/2") (MAKE FROM R66319 AND (2) R32016)	
4	21H1293	SCREW	12	0.164" X 5/16"	
5	R30181	PLATE	6	(HOBBS)	
6	AR42119	LAMP	4	(12-VOLT) (SUB RE19075, THIS APPLICATION)	
7	12M7084	LOCK WASHER	12	0.169"	
8	R27460	CLAMP	12		
9	T19178	BRACKET	6		
10	37H106	SCREW	12	3/8" X 5/8"	
11	12H301	LOCK WASHER	6	1/2"	
12	19H2644	CAP SCREW	6	1/2" X 2-1/2"	
13	AF3892R	HEADLIGHT	2	(12-VOLT) (FRONT LOWER LAMPS)	
	AR104119	HEADLIGHT	2	(USE WITH RE19075)	
14	AR42121	LAMP	1	(12-VOLT) (LOWER FRONT, L.H.) (SUB RE19075)	
	AR42120	LAMP	1	(12-VOLT) (LOWER FRONT, R.H.) (SUB RE19075)	
15	14H856	NUT	2	1/2"	
16	12H292	LOCK WASHER	2	1/2"	
17	R47831	WASHER	2		
18	AR38456	LAMP	2	WARNING	
19	AR78825	TAIL LAMP	2	(SUB FOR AR44989 OR AR45099)	
20	R42779	GROMMET	2		
21	R60731	REFLECTOR	2	(SUB FOR R42777)	
22	21H979	SCREW	2	0.190" X 5/16"	
23	T33745	REFLECTOR	2	(SUB FOR R42778 OR R60731)	
24	12M7060	WASHER	2	0.209"	
25	14H631	NUT	2	0.190"	
26	37H2	SCREW	8	0.164" X 5/8"	
27	R45936	LENS	2		
28	R45937	GASKET	2		
29	AR48041	BULB	2		
30	AR48040	HOUSING	2	(SUB AR78825)	
31	AR78825	TAIL LAMP	2	(SUB FOR AR45099)	

118

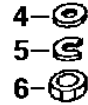
ELECTRICAL

RXP021418 -UN-24JAN96

WARNING LAMP FOR STOLPER CAB



RXP021418



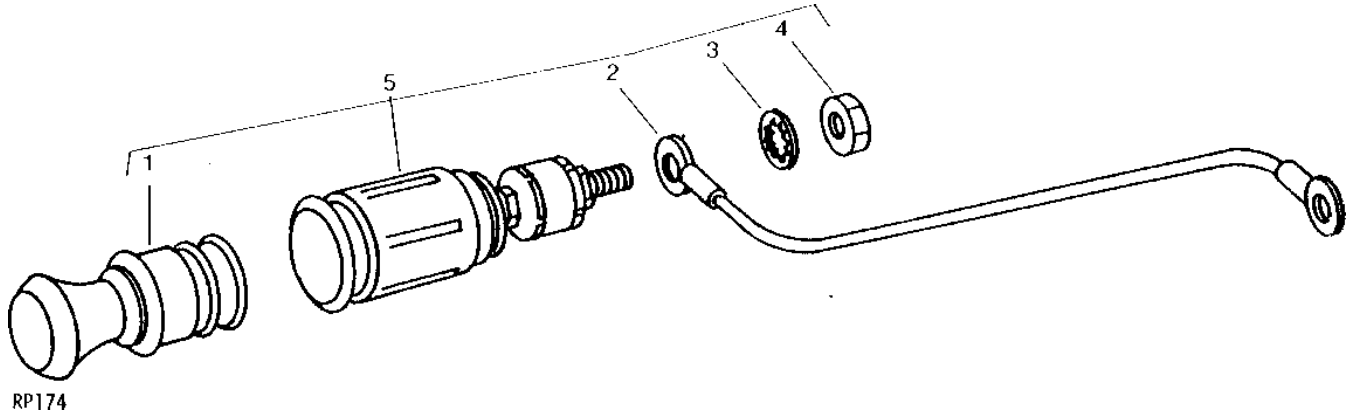
KEY	PART NO.	PART NAME	QTY	TRACTOR SERIAL NO.	REMARKS
1	R42666	LENS	2		(GUIDE) AMBER
	R42667	LENS	1		(GUIDE) RED (OPTION)
2	AD2062R	BULB	1		32 C.P. (12-16 VOLT)
3	AR38456	LAMP	1		(SUB FOR AR72257)
4	R47831	WASHER	1		
5	12H292	LOCK WASHER	1		1/2"
6	14H856	NUT	1		1/2"

119

ELECTRICAL

RP174 -UN-01JAN94

CIGAR LIGHTER ASSEMBLY



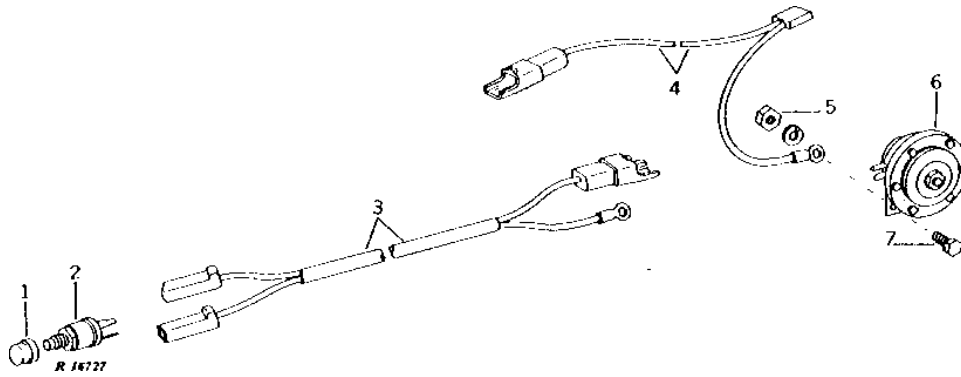
KEY	PART NO.	PART NAME	QTY	TRACTOR SERIAL NO.	REMARKS
1	AR60937	LIGHTER	1		
2	AR94130	WIRING LEAD	1		
3	12M7084	LOCK WASHER	1	4.300 MM	
4	14H605	NUT	2	0.164"	
5	AR48643	LIGHTER	1	CIGAR, (12-VOLT)	

1110

ELECTRICAL

R16727 -UN-01JAN94

HORN



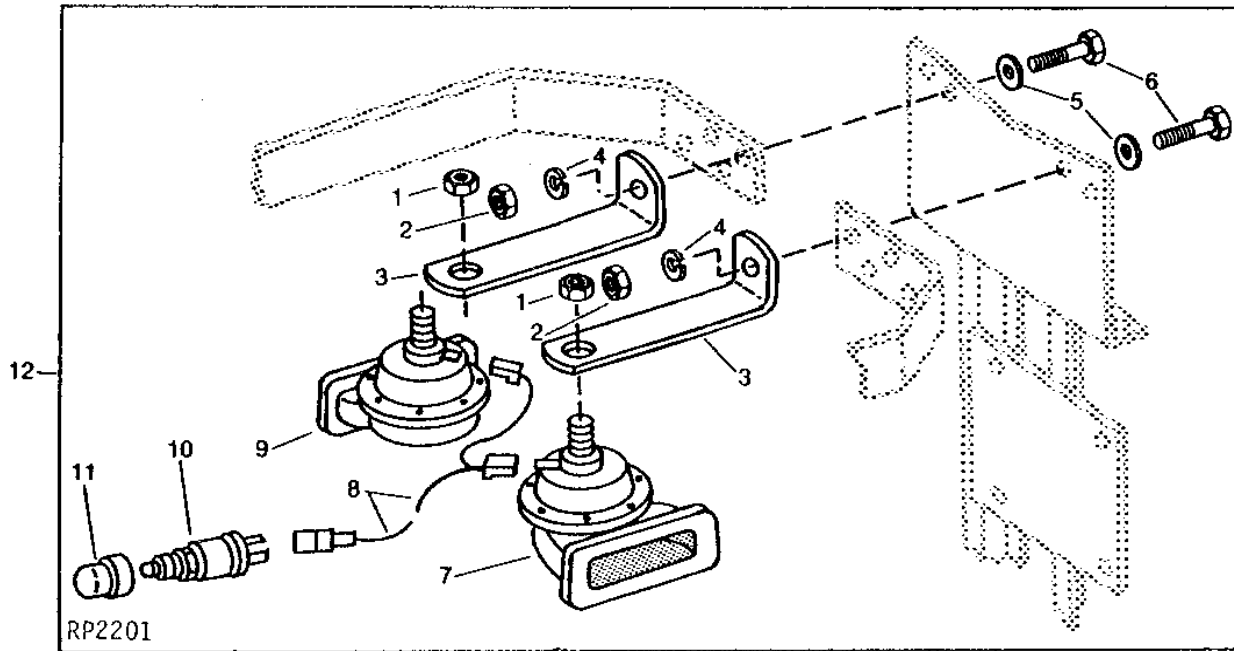
KEY	PART NO.	PART NAME	QTY	TRACTOR SERIAL NO.	REMARKS
1	T55501	CAP	1		(SUB FOR R21156, R39549 OR AR47374, THIS APPLICATION)
2	AR21823	SWITCH	1		
3	AR46730	WIRING HARNESS	1		
4	AR49038	WIRING HARNESS	1		(SUB AR73580)
5	14H785	NUT	1		5/16"
	12H303	LOCK WASHER	1		5/16"
6	AL14896	HORN	1		(12-VOLT) (SUB FOR AR49036 OR AR73579)
7	19H1813	CAP SCREW	1		5/16" X 5/8"
..	AR49032	HORN	1		(SUB FOR AR47093) (SUB AR102454)

1111

ELECTRICAL

RP2201 -UN-01JAN94

DUAL HORN ASSEMBLY



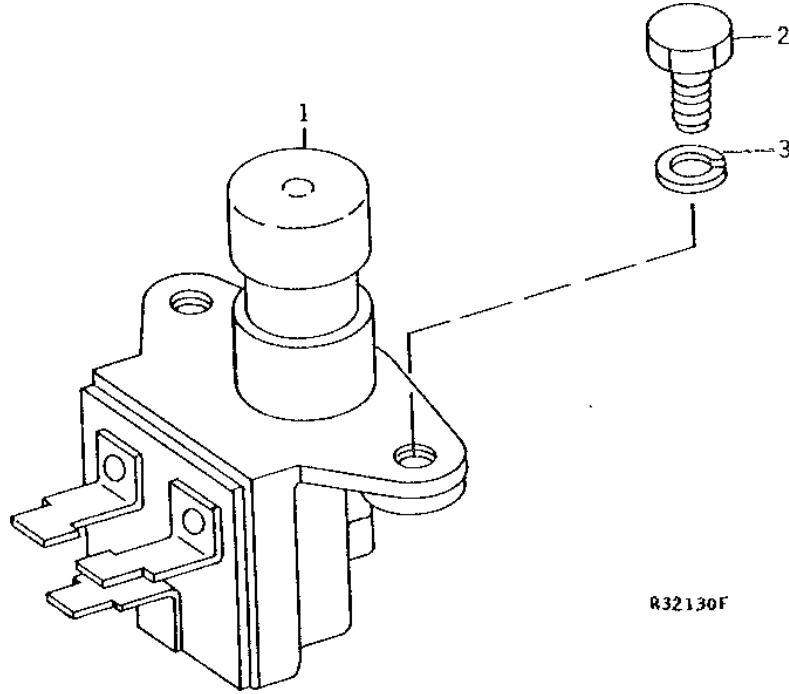
KEY	PART NO.	PART NAME	QTY	TRACTOR SERIAL NO.	REMARKS
1	R11278	NUT	2		
2	14H785	NUT	2	5/16"	
3	R66069	BRACKET	2		(ILLUSTRATED) (USE FOR, THIS APPLICATION)
	R75833	BRACKET	2		
4	12H303	LOCK WASHER	2	5/16"	
5	24H1136	WASHER	2	11/32" X 11/16" X 0.065"	
6	19H1849	CAP SCREW	2	5/16" X 1-1/4"	
7	R64700	LOW NOTE HORN	1		(12-VOLT) (HIGH NOTE)
8	AR85578	WIRING HARNESS	1		
9	AT39043	HIGH NOTE HORN	1		(12-VOLT) (LOW NOTE)
10	AR21823	SWITCH	1		
11	T55501	CAP	1		
12	AR102454	HORN	1		(SUB FOR AR81178) (ORDER COMPONENT PARTS)

1112

ELECTRICAL

R32130 -UN-01JAN94

DIMMER SWITCH



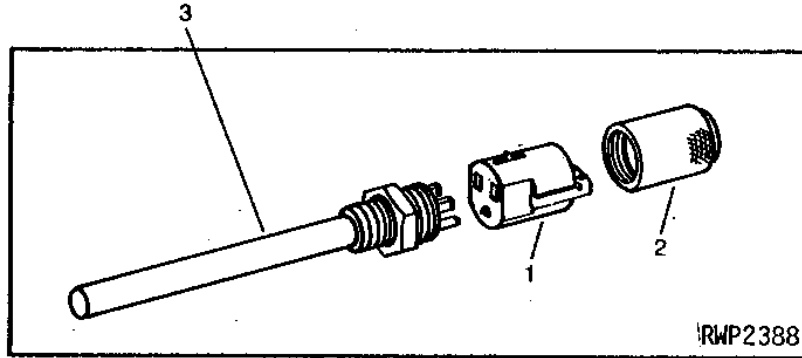
KEY	PART NO.	PART NAME	QTY	TRACTOR SERIAL NO.	REMARKS
1	AR48725	DIMMER SWITCH	1		
2	19H1919	CAP SCREW	2	1/4" X 5/8"	
3	12H302	LOCK WASHER	2	1/4"	

1113

ELECTRICAL

RWP2388 -UN-01JAN94

OIL HEATER



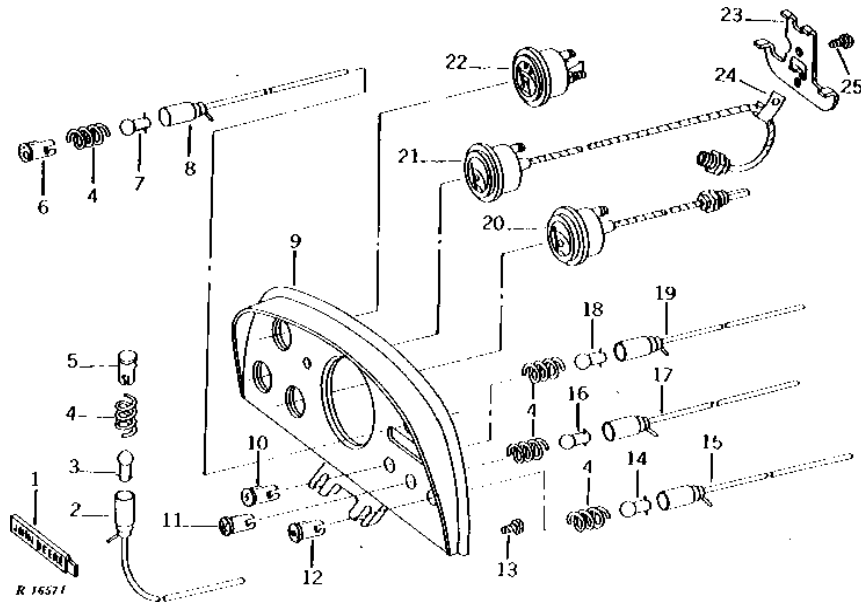
KEY	PART NO.	PART NAME	QTY	TRACTOR SERIAL NO.	REMARKS
1	AR21024	FITTING	1		
2	R20878	PLUG	1		
3	AR27139	HEATING ELEMENT	1		(240-WATT) (SUB AR21024, R20878 AND T23925)

1114

ELECTRICAL

R16571 -UN-01JAN94

INSTRUMENT PANEL, INSTRUMENTS, AND INDICATOR LAMPS



KEY	PART NO.	PART NAME	QTY	TRACTOR SERIAL NO.	REMARKS
1	AR45440	IDENTIFICATION PLATE	1		
2	AR48032	INDICATOR LIGHT	1		(A) HYDRAULIC FILTER RESTRICTION, (SUB AT44165, AR45446, AR55694 AND R30378)
3	AR55694	BULB	1		(A) (SUB FOR R30379)
4	R30378	SPRING	AR	XXXXXX-	(5 USED (A)) (4 USED (B))
5	AR45446	LENS	1		(A) HYDRAULIC FILTER RESTRICTION
6	AR47916	LENS	1	XXXXXX-	HIGH BEAM
7	AR50440	LAMP	1	XXXXXX-	
8	AR50508	INDICATOR LIGHT	1	XXXXXX-	HIGH-BEAM
9	R56320	INSTRUMENT PANEL	1		(ALSO ORDER (2) T16738) (SUB FOR R41705, R46520, AR66761 OR AR68199)
	R49025	LABEL	1		
10	AT48673	LENS	1		ALTERNATOR, (SUB FOR AR45438)
11	AR45439	LENS	1		AIR CLEANER FILTER RESTRICTION
12	AT48674	LENS	1		ENGINE OIL PRESSURE, (SUB FOR AR45437)
13	37M7245	SCREW	2		NO. 10 X 3/8"
14	AR55694	BULB	1		(SUB FOR R30379)
15	AR48035	INDICATOR LIGHT	1		ENGINE OIL PRESSURE, (SUB AT48674, AT44165, AR55694 AND R30378)
16	AR50439	LAMP	1		
17	AR48033	INDICATOR LIGHT	1		AIR CLEANER FILTER RESTRICTION, (SUB AR45439, AR55694, AT44165 AND R30378)
18	AR50439	LAMP	1		
19	AR48034	INDICATOR LIGHT	1		ALTERNATOR, (SUB AT48673, AR55694, AT44165 AND R30378)
20	AR48640	TEMPERATURE GAUGE	1		WATER
21	AR46979	PYROMETER	1		TRANSMISSION OIL
22	AR45436	GAUGE	1		FUEL
23	R44198	CLAMP	1		
24	R45211	CLAMP	1		
25	37H98	SCREW	AR		NO. 10 X 7/8", (1 USED (A)) (2 USED (B))
	37H41	SCREW	2		(A) NO. 10 X 1"

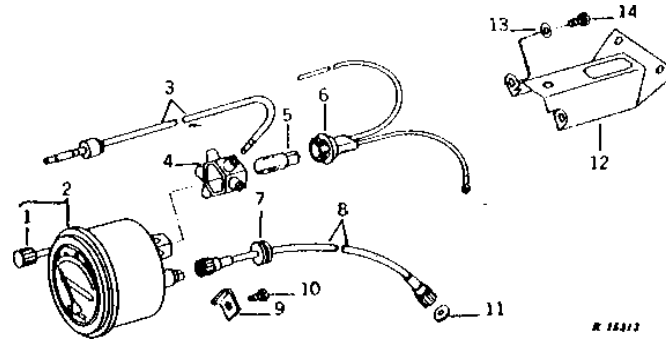
(A) POWER SHIFT TRANSMISSION
(B) SYNCRO-RANGE TRANSMISSION

1115

ELECTRICAL

R15313 -UN-01JAN94

SPEED-HOUR METER



KEY	PART NO.	PART NAME	QTY	TRACTOR SERIAL NO.	REMARKS
1	AR40802	KNOB	1		
2	AR50406	TACHOMETER	1		(A) (ALSO ORDER (3) AR48016) (SUB FOR AR45444 OR AR48021)
	AR50407	TACHOMETER	1		(B) (ALSO ORDER (3) AR48016) (SUB FOR AR45445, AR48022 OR AR50403)
3	AR47793	WIRING LEAD	3		(USE WITH R44909) (SUB FOR AR46340)
	AR48016	WIRING LEAD	3		(USE WITH SPEED-HOUR METER WITH FIBER OPTIC LEADS LAMP HOUSING)
4	R44909	GROMMET	1		(USE WITH SPEED-HOUR METER LESS FIBER OPTIC LEADS LAMP HOUSING) (SUB RE24041)
5	AR48015	BULB	1		(SUB FOR R45196)
6	AR50838	WIRING HARNESS	1		(SUB FOR AR48015)
7	R41440	GROMMET	1		
8	AR26721	CABLE	1		(AC SPARK PLUG) (SUB FOR AR28588)
	AR28589	CABLE	1		(STEWART WARNER) (INNER)
9	R34206	CLAMP	2		
10	37H98	SCREW	2		(A) NO. 10 X 7/8"
	37H41	SCREW	2		NO. 10 X 1"
11	B3285R	WASHER	1		
12	R41706	SUPPORT	1		
13	24H1283	WASHER	2		7/32" X 1/2" X 0.049"
14	37H121	SCREW	2		NO. 10 X 5/8"

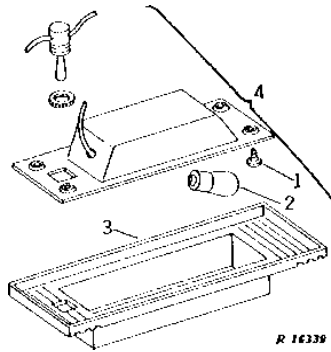
(A) SYNCRO-RANGE TRANSMISSION
 (B) POWER SHIFT TRANSMISSION

1116

ELECTRICAL

R16339 -UN-01JAN94

DOME LIGHT
(STOLPER)
(CAB SERIAL NO. 208300-)



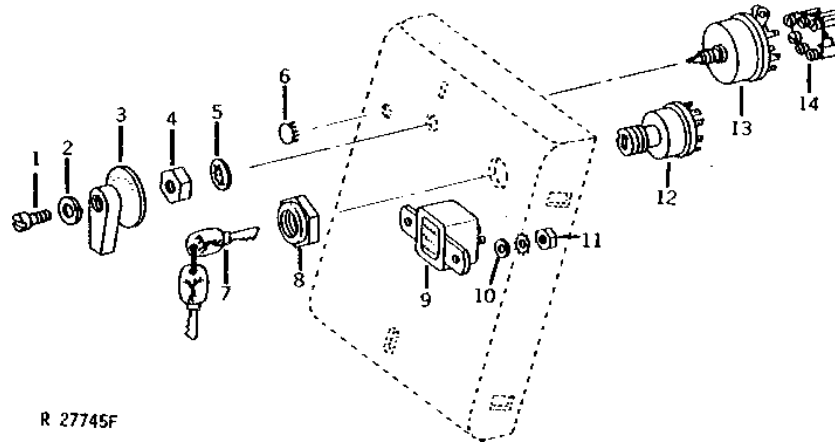
KEY	PART NO.	PART NAME	QTY	CAB SERIAL NO.	REMARKS
1	37H15	SCREW	4		NO. 6 X 1/4"
2	AR86969	BULB	1		NO. 1003-15CP, (SUB FOR AR21739)
3	R47886	LENS	1		
4	AR50260	LAMP	1		
	WIRING LEAD	1		1219MM (48") LIGHT TO CIRCUIT BREAKER, (MAKE FROM R66319, R32027 AND R32018)

1117

ELECTRICAL

R27745 -UN-01JAN94

LIGHT SWITCH, STARTER SWITCH AND LAMP FLASHER



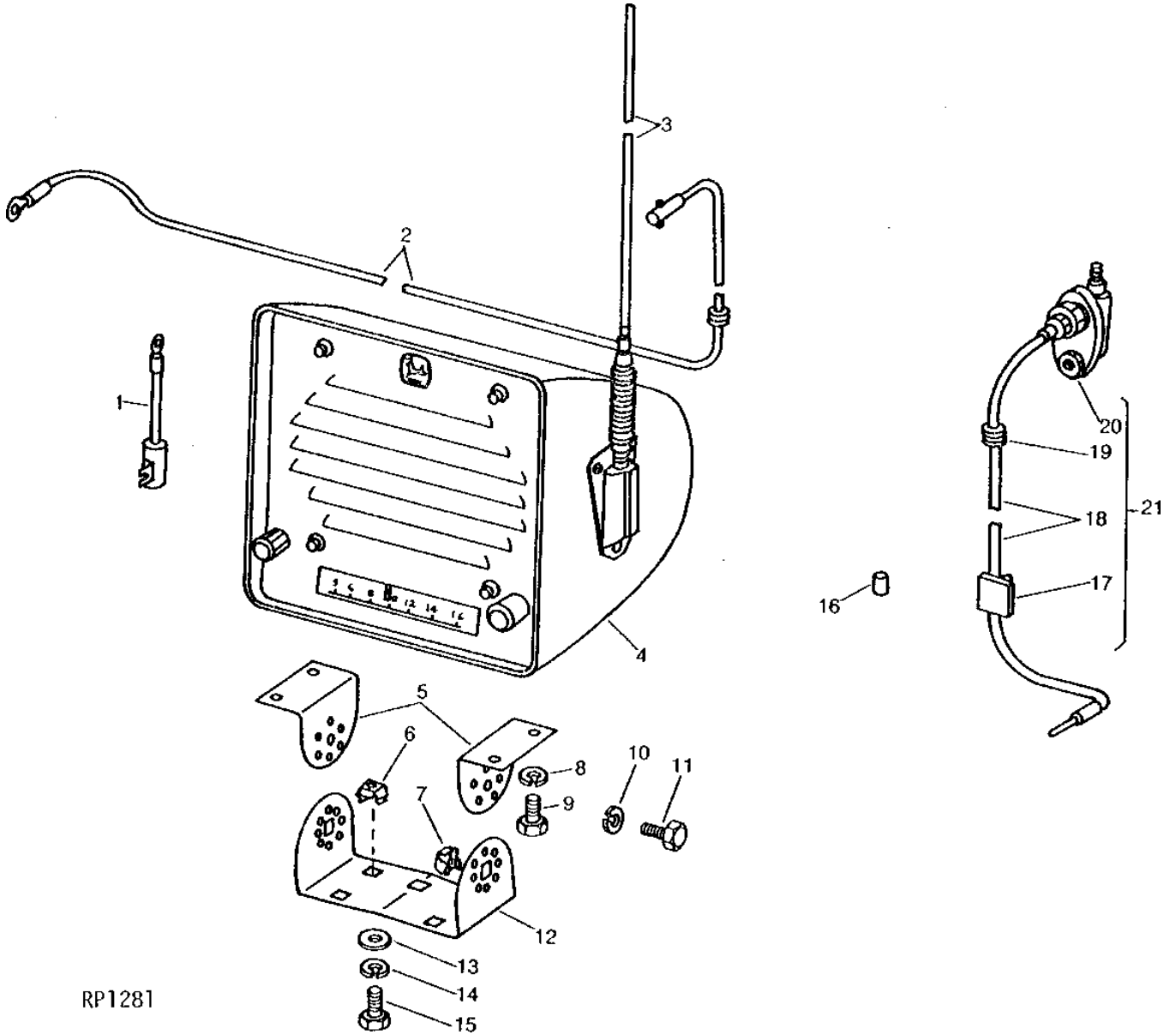
KEY	PART NO.	PART NAME	QTY	TRACTOR SERIAL NO.	REMARKS
1	21H1299	SCREW	1		0.164" X 3/8"
2	12H315	LOCK WASHER	1		0.164"
3	AT65316	KNOB	1	-XXXXXX	(SUB FOR R27963)
	AR54445	KNOB	1	XXXXXX-	(SUB FOR R46092)
4	A4655R	NUT	1		
5	12H292	LOCK WASHER	1		1/2"
6	R28473	PLUG	1		
7	AR51481	KEY	1		(SUB FOR R45361)
8	R44342	NUT	1		
9	AR48594	FLASHER	1	XXXXXX-	(SUB FOR AR38453)
10	24H1283	WASHER	2	XXXXXX-	7/32" X 1/2" X 0.049"
11	14H631	NUT	2	XXXXXX-	0.190"
	12M7060	WASHER	2	XXXXXX-	0.209"
12	AR58126	KEY SWITCH	1		IGNITION, (SUB FOR AR47235, AR47458 OR AR58126)
	AR47459	CYLINDER	1		(SUB FOR AR47458 OR AR53452)
13	AR41288	SWITCH	1	-XXXXXX	LIGHT
	AR48724	LIGHT SWITCH	1	XXXXXX-	LIGHT
14	AR83425	RECEPTACLE CONNECTOR BODY	1		

1118

ELECTRICAL

RP1281 -UN-01JAN94

RADIO
(BENDIX)



RP1281

1119

ELECTRICAL

**RADIO - CONTINUED
(BENDIX)**

KEY	PART NO.	PART NAME	QTY	TRACTOR SERIAL NO.	REMARKS
1	AR41758	CAPACITOR	1		
2	AR41756	WIRING LEAD	1		
3	AR41760	ANTENNA	1		
4	AR46986 AR68362	ANTENNA RADIO	1 1		(THREADED TYPE) (A) (ALSO ORDER AR46986) (SUB FOR AR40947, AR48717, AR54755 OR AR57157) (NLA)
5	R41879	BRACKET	2		(USE WITH AR40947) (NLA)
	R46505	BRACKET	1		(USE WITH AR48717, AR57157 OR AR68362) (NLA)
6	AR41951	NUT	4		
7	AR41950	NUT	2		
8	12H302	LOCK WASHER	4		1/4"
9	19H1227	CAP SCREW	4		1/4" X 1/2"
10	12H310	LOCK WASHER	2		3/8"
11	19H1936	CAP SCREW	2		3/8" X 3/4"
12	R41880	BRACKET	1		
13	24H1294	WASHER	4		11/32" X 1-1/8" X 1/16"
14	12M7032	LOCK WASHER	4		0.331"
15	19H1813	CAP SCREW	4		5/16" X 5/8"
16	R45136	PLUG	1		
17	R47474	CLIP	1		(SUB FOR R45137)
18	AR46985	WIRING LEAD	1		
19	R27583	GROMMET	1		
20	AR46984	BASE	1		
21	AR46983	BASE	1		(WITH CAB) (NLA)

(A) CHECK AUDIOVOX DIRECT - SHIP PROGRAM GUIDE

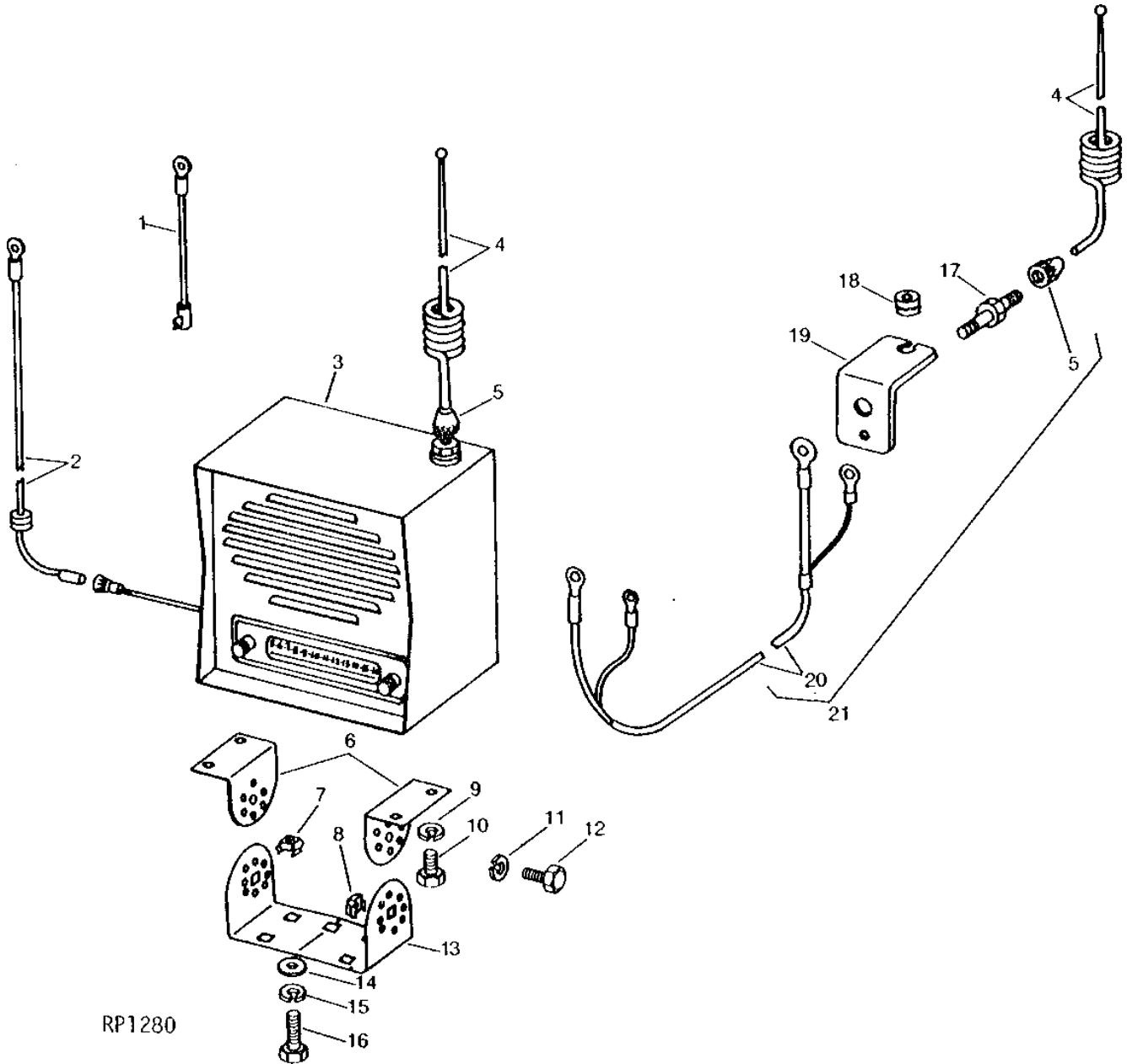
1120

ELECTRICAL

RP1280

-UN-01JAN94

RADIO
(MOTOROLA)



RP1280

1121

ELECTRICAL

RADIO - CONTINUED
(MOTOROLA)

KEY	PART NO.	PART NAME	QTY	TRACTOR SERIAL NO.	REMARKS
1	AR41758	CAPACITOR	1		
2	AR41756	WIRING LEAD	1		
3	AR42431	RADIO	1		(A) (NLA)
4	AR45013	MAST	1		(NLA)
5	R42800	NUT	1		(NLA)
6	R41879	BRACKET	2		
7	AR41951	NUT	4		
8	AR41950	NUT	2		
9	12H302	LOCK WASHER	4		1/4"
10	19H1227	CAP SCREW	4		1/4" X 1/2"
11	12H310	LOCK WASHER	2		3/8"
12	19H1936	CAP SCREW	2		3/8" X 3/4"
13	R41880	BRACKET	1		
14	24H1294	WASHER	4		11/32" X 1-1/8" X 1/16"
15	12M7032	LOCK WASHER	4		0.331"
16	19H1813	CAP SCREW	4		5/16" X 5/8"
17	AR45014	COUPLING	1		
18	R42801	GROMMET	1		
19	R42802	BRACKET	1		(NLA)
20	AR45015	ANTENNA	1		
21	AR42432	BASE	1		(WITH CAB) (SUB AR51483)

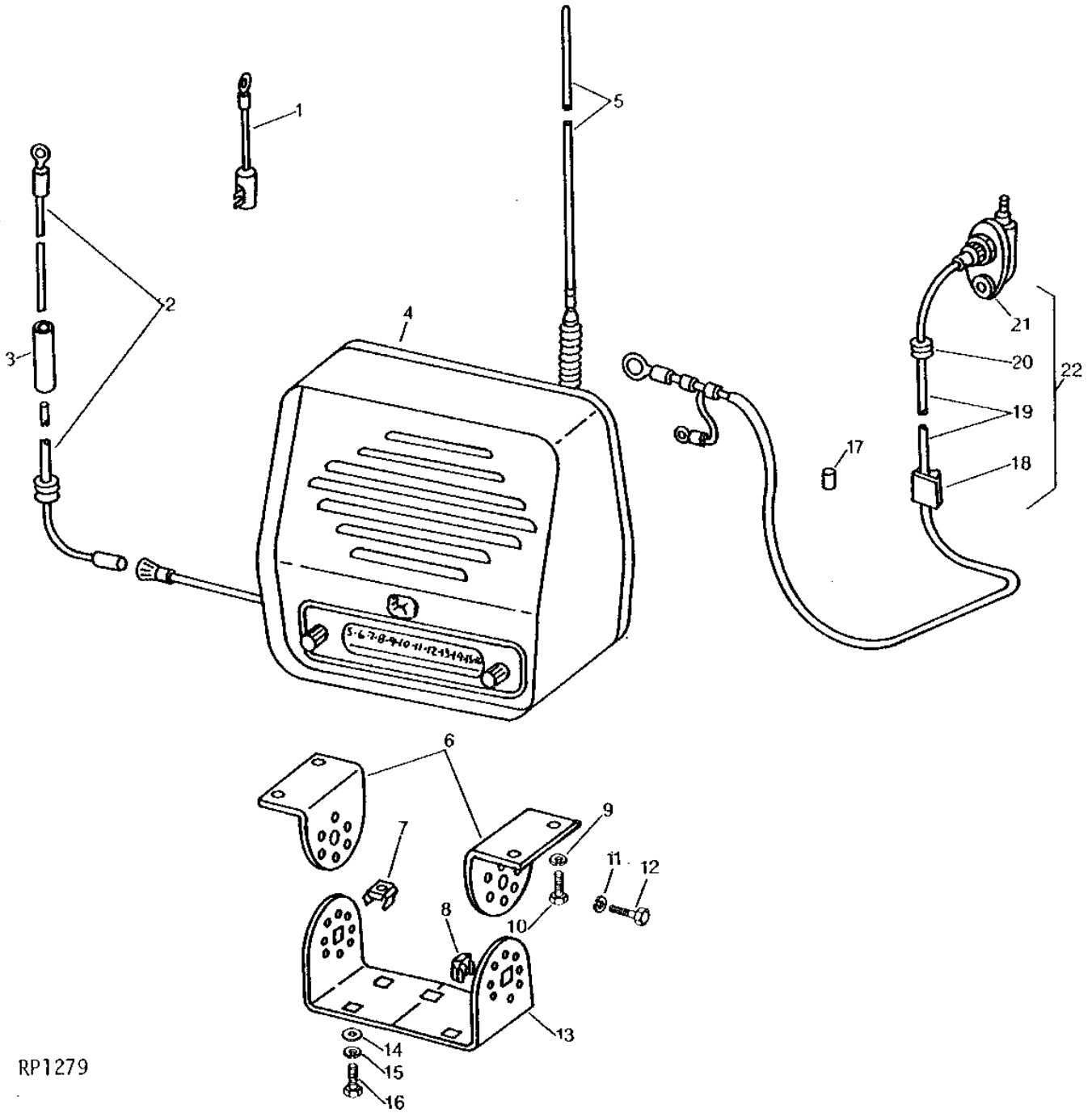
(A) CHECK AUDIOVOX DIRECT - SHIP PROGRAM GUIDE

1122

ELECTRICAL

RP1279 -UN-01JAN94

RADIO
(MOTOROLA)



RP1279

1123

ELECTRICAL

RADIO - CONTINUED
(MOTOROLA)

KEY	PART NO.	PART NAME	QTY	TRACTOR SERIAL NO.	REMARKS
1	AR41758	CAPACITOR	1		
2	AR41756	WIRING LEAD	1		
3	R42799	RESISTOR	1		
4	TY15276	RADIO	1		(A) (SUB FOR AR51973, AR57156, AR68361, AR101245 OR TY15155) (NLA)
5	AR46986	ANTENNA	1		
6	R52408	BRACKET	2		
7	AR41951	NUT	3		
8	AR41950	NUT	2		
9	12H302	LOCK WASHER	4	1/4"	
10	19H1227	CAP SCREW	4	1/4" X 1/2"	
11	12H310	LOCK WASHER	2	3/8"	
12	19H1936	CAP SCREW	2	3/8" X 3/4"	
13	R41880	BRACKET	1		
14	24H1294	WASHER	3	11/32" X 1-1/8" X 1/16"	
15	12M7032	LOCK WASHER	3	0.331"	
16	19H1813	CAP SCREW	3	5/16" X 5/8"	
17	R45136	PLUG	1		
18	R47474	CLIP	4		(SUB FOR R45137)
19	AR51484	WIRING LEAD	1		
20	R27583	GROMMET	1		
21	AR46984	BASE	1		
22	AR51483	BASE	1		(WITH CAB)

(A) CHECK AUDIOVOX DIRECT - SHIP PROGRAM GUIDE

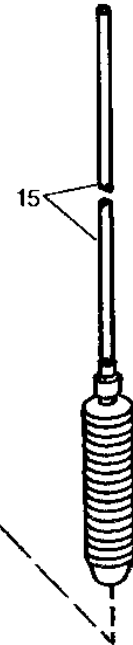
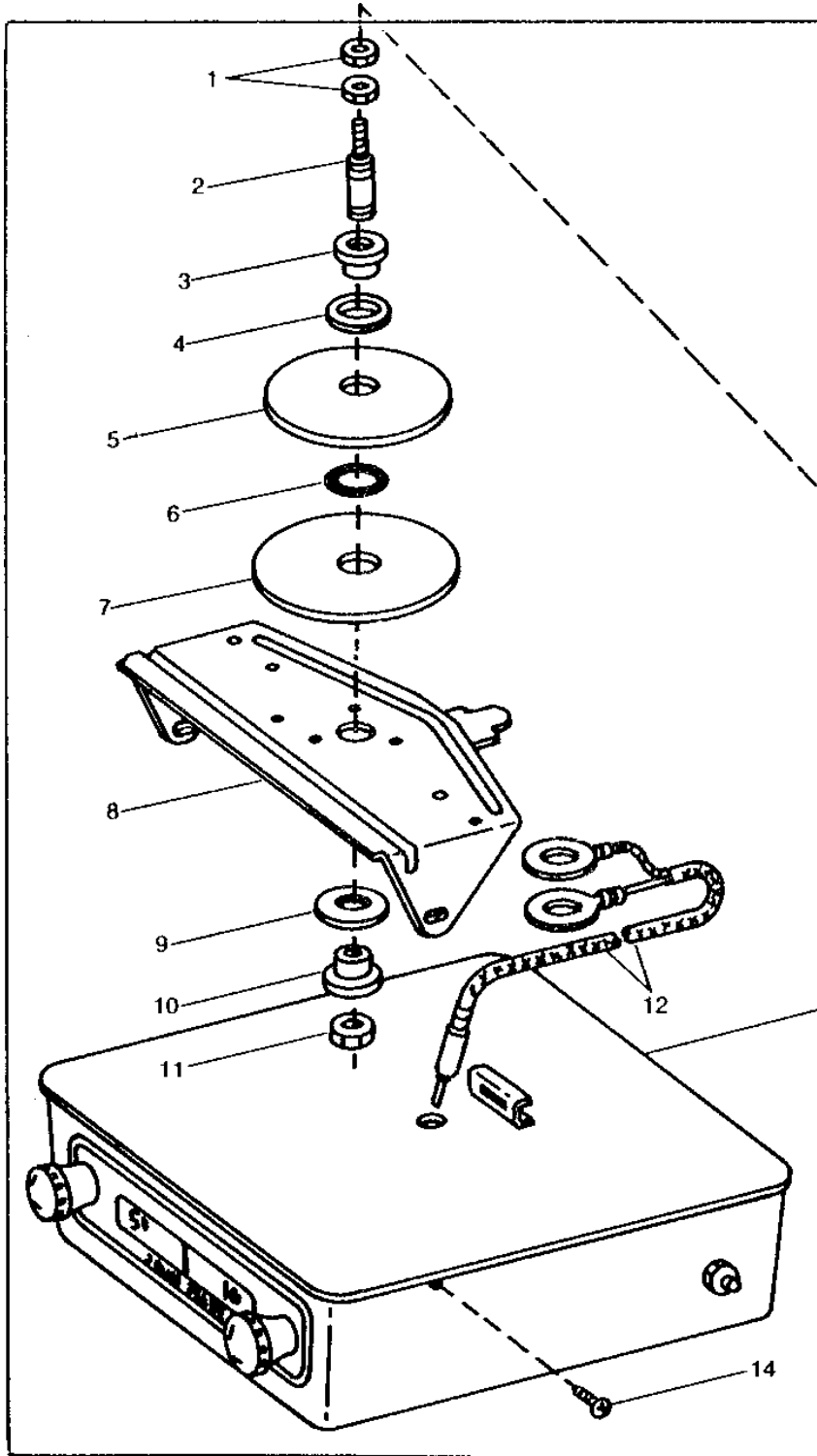
1124

ELECTRICAL

RP1306

-UN-01JAN94

CAB RADIO



13

RP1306

1125

ELECTRICAL

CAB RADIO - CONTINUED

KEY	PART NO.	PART NAME	QTY	TRACTOR SERIAL NO.	REMARKS
1	R53512	WELD NUT	2		
2	R53515	BUSHING	1	(NLA)	
3	R53516	WASHER	1	(LONG) (NLA)	
4	R53518	WASHER	1	(NLA)	
5	R53519	WASHER	1	(NLA)	
6	B2762R	O-RING	1	(NLA)	
7	R53520	WASHER	1	(NLA)	
8	R53521	BRACKET	1	(NLA)	
9	R53522	WASHER	1		
10	R53517	BUSHING	1	(SHORT) (NLA)	
11	R53512	WELD NUT	3	(NLA)	
12	AR60084	WIRING LEAD	1	(NLA)	
13	AR68363	RADIO	1	XXXXXX-	(A) (ALSO ORDER AR46986) (SUB FOR AR60083) (NLA)
14	AR60089	SCREW	2	(NLA)	
15	AR46986	ANTENNA	1		
..	AR41758	CAPACITOR	1		
..	R42799	RESISTOR	1		

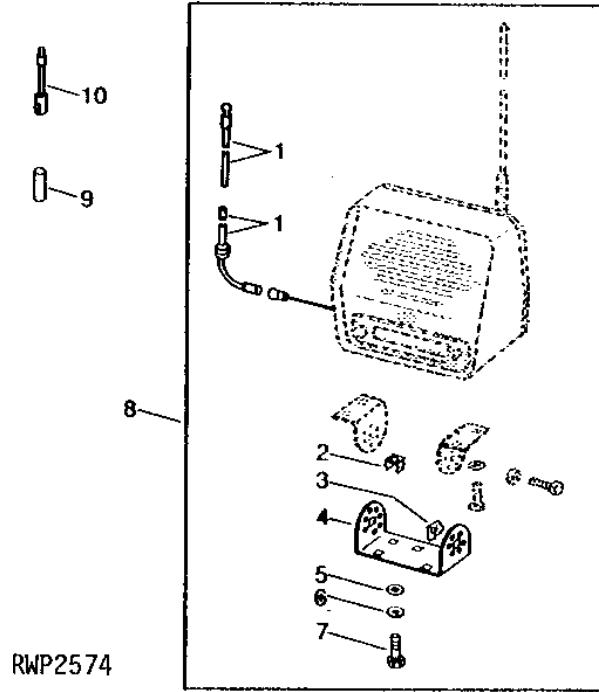
(A) CHECK AUDIOVOX DIRECT - SHIP PROGRAM GUIDE

1J1

ELECTRICAL

RWP2574 -UN-01JAN94

RADIO MOUNTING KIT



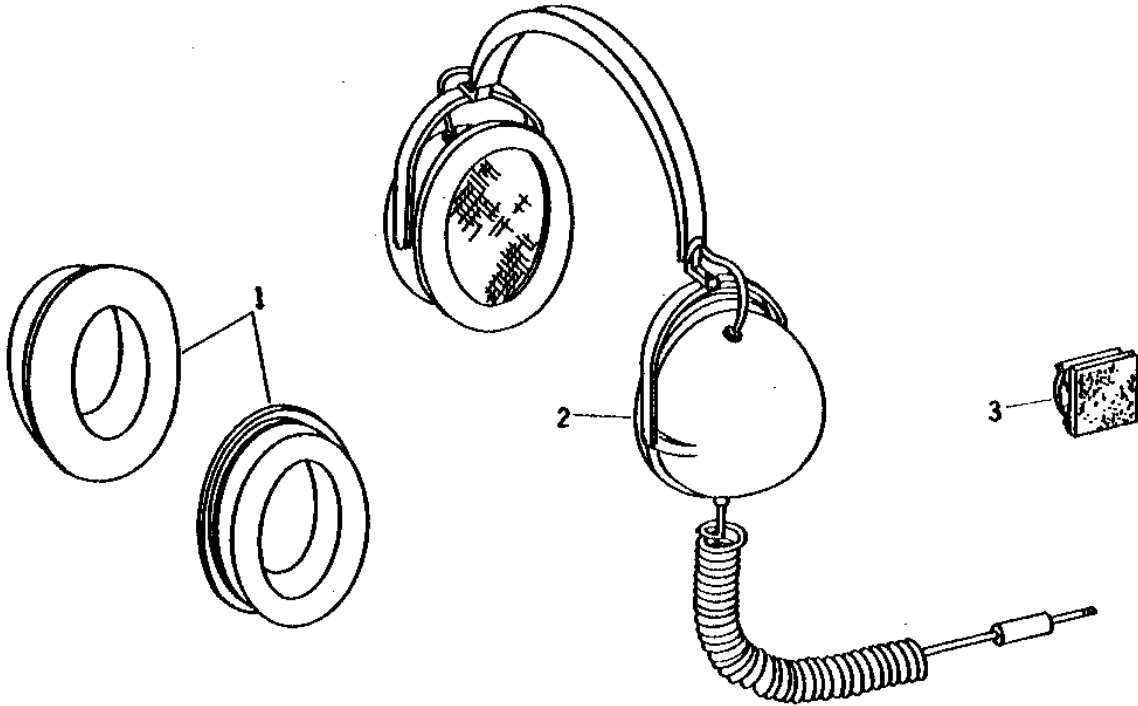
KEY	PART NO.	PART NAME	QTY	TRACTOR SERIAL NO.	REMARKS
1	AR41756	WIRING LEAD	1		
2	AR41951	NUT	3		
3	AR41950	NUT	2		
4	R41880	BRACKET	1		
5	24H1294	WASHER	3		11/32" X 1-1/8" X 1/16"
6	12M7032	LOCK WASHER	3		0.331"
7	19H1813	CAP SCREW	3		5/16" X 5/8"
8	AR41754	KIT	1		FOR 2ND VEHICLE RADIO APPLICATION
9	R42799	RESISTOR	1		NOISE SUPPRESSOR
10	AR41758	CAPACITOR	1		

1J2

ELECTRICAL

R33062 -UN-01JAN94

RADIO HEADPHONES



R33062

KEY	PART NO.	PART NAME	QTY	TRACTOR SERIAL NO.	REMARKS
1	AR73311	FOAM PAD	1		(SUB FOR R53409) (PKG. OF 2)
2	AR59663	HEADPHONES	1		(A)
3	R53410	CLIP	1		

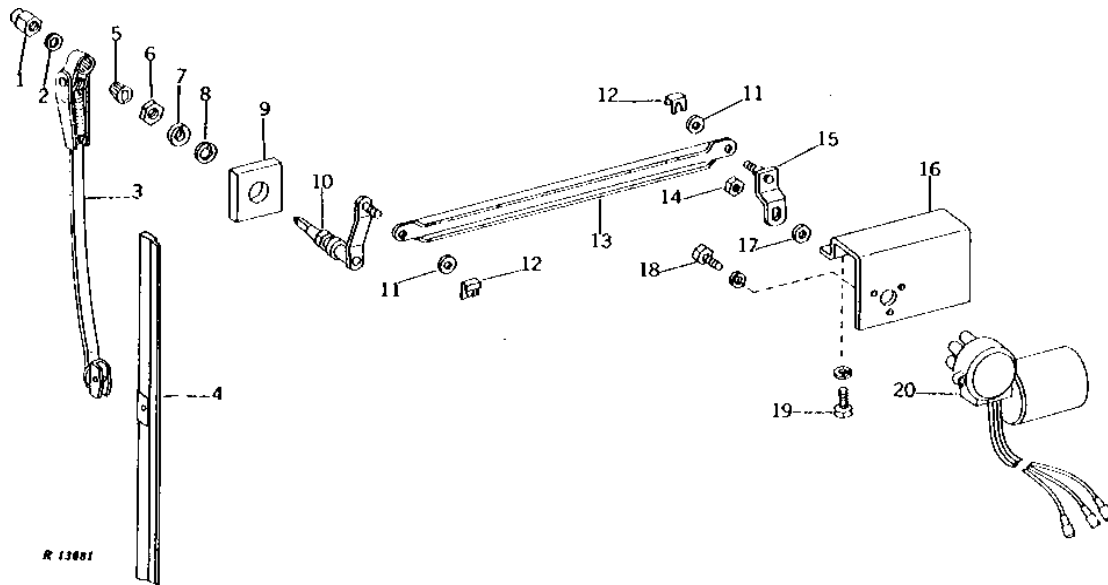
(A) CHECK AUDIOVOX DIRECT - SHIP PROGRAM GUIDE

1J3

ELECTRICAL

WINDSHIELD WIPER
(STOLPER)
(CAB SERIAL NO. -208299)

R13681 -UN-01JAN94



KEY	PART NO.	PART NAME	QTY	CAB SERIAL NO.	REMARKS
1	U46514	NUT	1	-142449	(SUB FOR R44466)
	R48075	NUT	1	142450-	(A) (NLA)
2	12M7032	LOCK WASHER	1	-142449	0.331"
	12H310	LOCK WASHER	1	142450-	(A) 3/8"
3	AR45843	ARM	1		
4	AR45844	WINDSHIELD WIPER	1		
5	R44465	DRIVER	1	-142449	
	R48074	DRIVE	1	142450-	(A)
6	R44464	NUT	1	-142449	
	AR50966	NUT	1	142450-	(A)
7	R44467	SPACER	1	-142449	
	R48073	WASHER	1	142450-	(A)
8	R44461	WASHER	1	-142449	
	R48072	WASHER	1	142450-	(A)
9	R44463	SEAL	1		
10	AR45842	SHAFT	1	-142449	
	AR50964	ARM	1	142450-	(A) (SUB FOR AR50965) (NLA)
11	R11032	SHIM	2		
12	R44462	CLIP	2		
13	AR45841	ARM	1		
14	14H860	NUT	1		1/4"
	12H297	LOCK WASHER	1		1/4"
15	AR45840	ARM	1		
16	AR45838	BRACKET	1		
17	R44460	WASHER	1		
18	19H1948	CAP SCREW	3		1/4" X 3/4"
	12H302	LOCK WASHER	3		1/4"
19	19H1914	CAP SCREW	4		1/4" X 1"
	12H302	LOCK WASHER	3		1/4"
20	AR45837	MOTOR	1		(SUB AT66481, AT66482 AND AR64992)
	AT66481	MOTOR	1		(SUB FOR AR45837 OR AR59444)

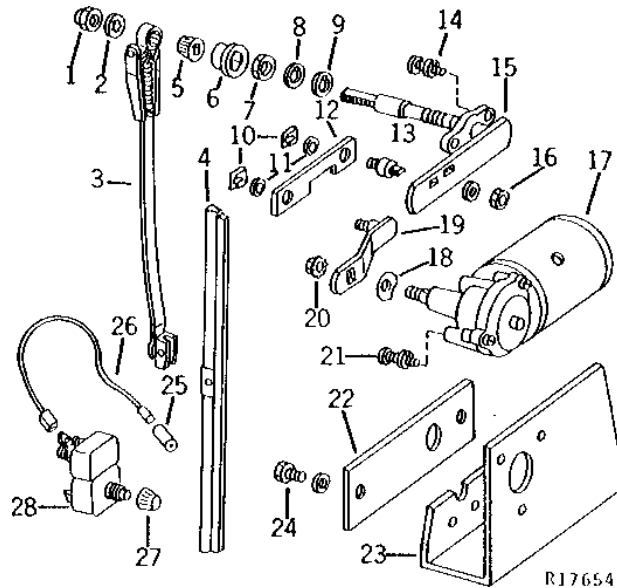
(A) INCLUDED IN AR50964

1J4

ELECTRICAL

WINDSHIELD WIPER
(STOLPER)
(CAB SERIAL NO. 208300-)

R17654 -UN-01JAN94



R17654F

KEY	PART NO.	PART NAME	QTY	CAB SERIAL NO.	REMARKS
1	U46514	NUT	1	(A)	
2	12H303	LOCK WASHER	1	(A) 5/16"	
3	AR45843	ARM	1		
4	AR45844	WINDSHIELD WIPER	1		
5	U46513	NUT	1	(A)	
6	U46512	CAP	1	(A)	
7	U46511	NUT	1	(A)	
8	U46510	WASHER	1	(A)	
9	U46509	WASHER	1	(A)	
10	U46506	CLIP	2	(B)	
11	T32255	SHIM	2	(B)	
12	AU43853	LINK	1	(B)	
13	U46507	PIN	1		
14	AU43855	SCREW	2	(SUB 21H1298 AND 12M7060)	
15	AR49972	PIVOT	1	(NLA)	
16	14H649	NUT	1	(A) 1/4"	
	12H297	LOCK WASHER	1	(A) 1/4"	
17	AT29855	MOTOR	1	(B) (SUB AT66481, AT66482 AND AR64992)	
	AT66481	MOTOR	1	(SUB FOR AT29855 OR AR59444)	
18	U46508	WASHER	1	(B)	
19	AU43954	ARM	1		
20	AU43857	LOCK NUT	1	(B)	
21	AU43854	SCREW	3	(B)	
22	R48454	SEAL	3	(B)	
23	U46515	BRACKET	1	(B)	
24	19H3003	CAP SCREW	3	1/4" X 1/2"	
	12H302	LOCK WASHER	3	1/4"	
25	AL2976T	CONNECTOR	3	(SUB FOR R32029)	
26	WIRING LEAD	1	279MM (11") WIPER SWITCH TO WIPER MOTOR, (MAKE FROM R66319, R32026 AND R32024)	
.....	WIRING LEAD	1	152MM (6") CIRCUIT BREAKER TO WIPER SWITCH, (MAKE FROM R32018, R66319, R32027 AND R32024)	
27	AR69370	KNOB	1	(SUB FOR AR49969)	
28	AR45839	SWITCH	1		
..	AR49971	MOTOR	1	(NLA)	

(A) INCLUDED IN AR49972

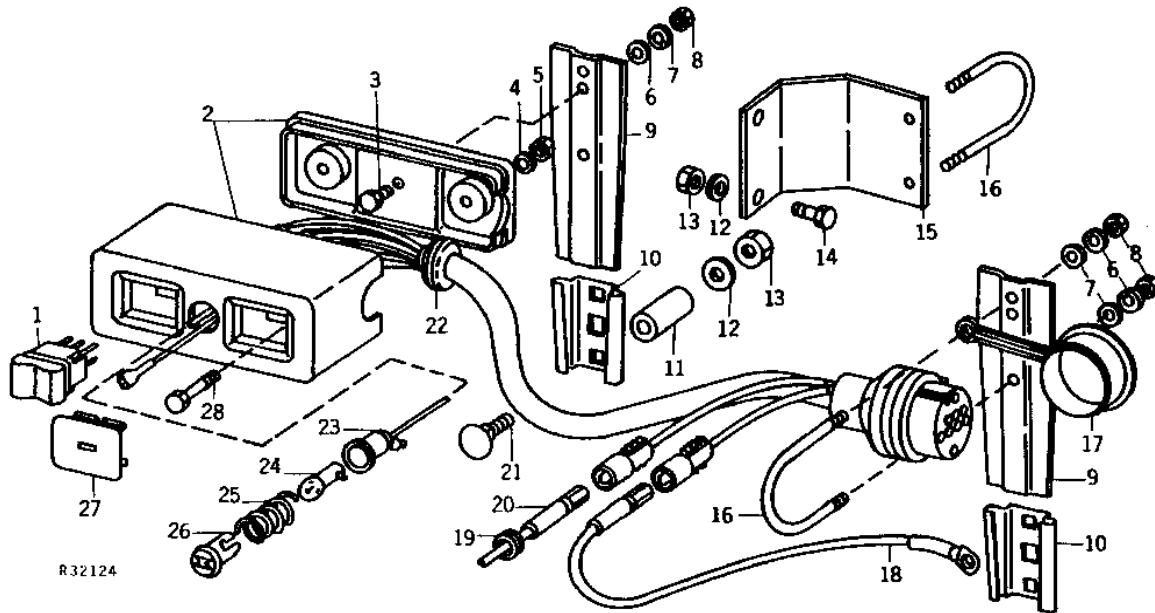
(B) INCLUDED IN AR49971

1J5

ELECTRICAL

R32124 -UN-01JAN94

ELECTRICAL REMOTE CONTROL



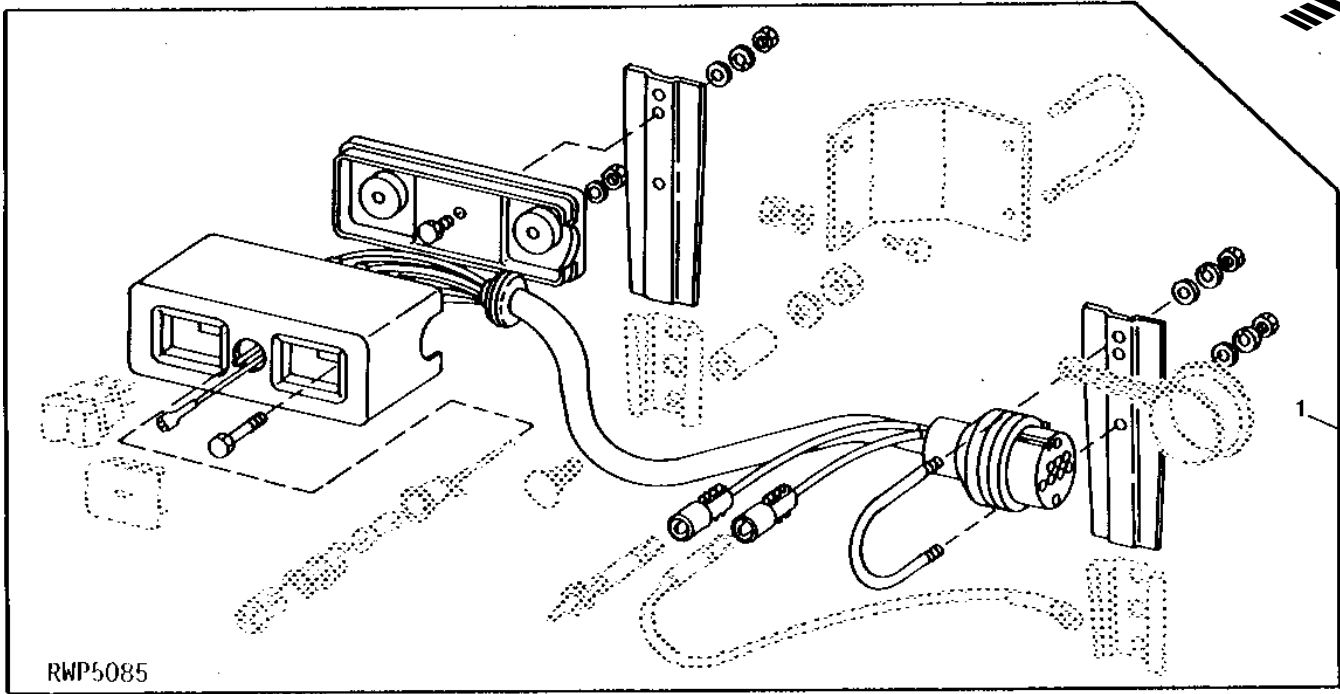
KEY	PART NO.	PART NAME	QTY	TRACTOR SERIAL NO.	REMARKS
1	AR49797	TOGGLE SWITCH	1		MOMENTARY ROCKER (FI)
	AR49798	ROCKER SWITCH	1		DETENT ROCKER (FI)
2	AR50779	WIRING HARNESS	1		TWO SWITCH
	AR50780	WIRING HARNESS	1		FOUR SWITCH
3	19H1914	CAP SCREW	1		1/4" X 1"
4	12H315	LOCK WASHER	2		0.164"
5	14H605	NUT	2		0.164"
6	24H1821	WASHER	3		9/32" X 47/64" X 1/16"
7	12H302	LOCK WASHER	3		1/4"
8	14H786	NUT	3		1/4"
9	R47861	BRACKET	2		TWO SWITCH
	R47860	BRACKET	1		FOUR SWITCH, (ALSO ORDER R47861)
10	JD126	SOCKET	2		
11	28H1495	SPACER	2		3/8" X 1"
12	24M7207	WASHER	4		8.400 X 24 X 2 MM
13	14H785	NUT	4		5/16"
14	21H1304	SCREW	2		5/16" X 3/4"
15	R54467	BRACKET	1		
16	E16050	U-BOLT	1		
17	R48048	CAP	1		
18	AR50928	WIRING LEAD	1		
19	H987R	GROMMET	4		
20	AR50927	WIRING LEAD	1		
21	03H1515	BOLT	2		5/16" X 2"
22	R36235	GROMMET	1		
23	AT44165	WIRING LEAD	1		
24	AR55694	BULB	1		
25	R30378	SPRING	1		
26	AT48673	LENS	1		
27	R48049	PLUG	1		
28	R48028	SCREW	2		
..	R48026	DECAL	1		
..	R48027	GROMMET	1		(CAB OPENING)
..	R32276	PLUG	1		(CAB OPENING)

1J6

ELECTRICAL

RWP5085 -UN-01JAN94

ELECTRICAL REMOTE CONTROL KIT



KEY	PART NO.	PART NAME	QTY	TRACTOR SERIAL NO.	REMARKS
1	AR62360	KIT	1	(TWO SWITCHES) (FI)	

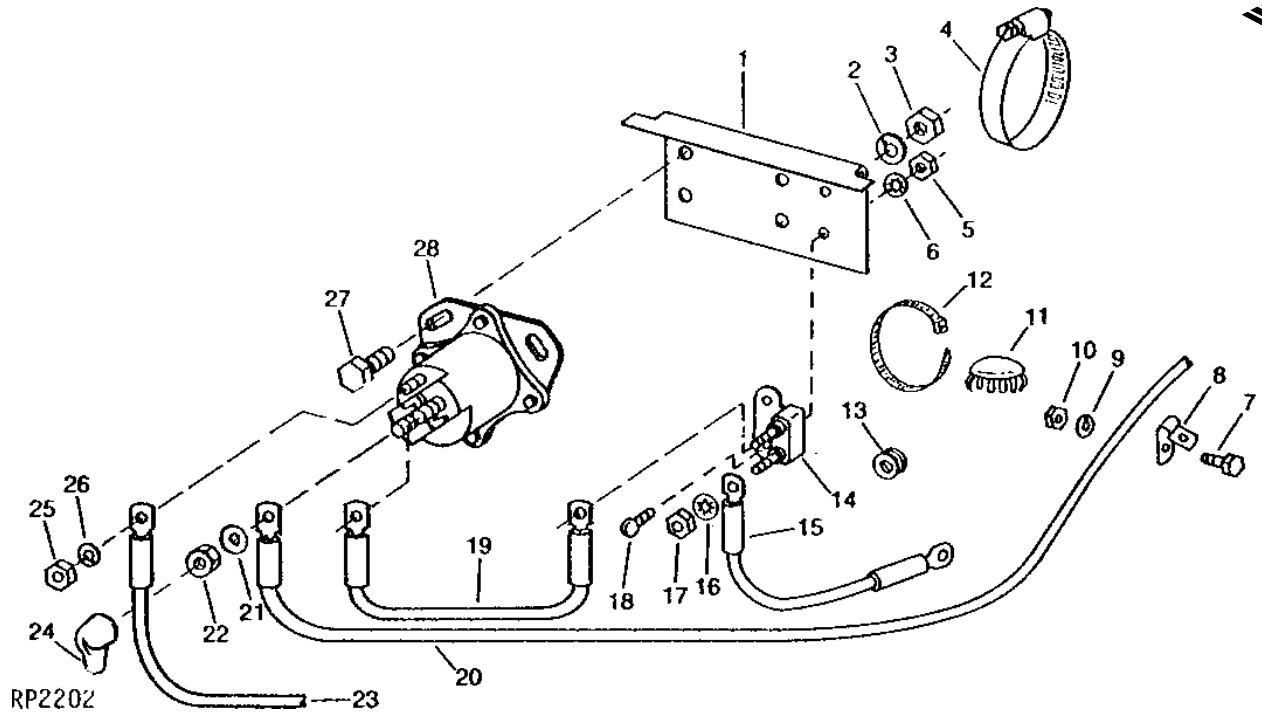
MEMORANDA

1J7

ELECTRICAL

RP2202 -UN-01JAN94

ELECTRICAL REMOTE CONTROL WIRING



KEY	PART NO.	PART NAME	QTY	TRACTOR SERIAL NO.	REMARKS
1	R69109	BRACKET	1	(SUB FOR R47859)	
2	12H297	LOCK WASHER	2	1/4"	
3	14H786	NUT	2	1/4"	
4	AR52392	CLAMP	2		
5	14H631	NUT	4	0.190"	
6	12H246	LOCK WASHER	2	0.190"	
7	19H1731	CAP SCREW	2	3/8" X 1"	
8	T14264	CLAMP	2		
9	12H304	LOCK WASHER	2	3/8"	
10	14H732	NUT	2	3/8"	
11	R32276	PLUG	1	(CAB OPENING)	
12	R44302	TIE BAND	AR		
13	R41439	GROMMET	1	(USED FOR BANDING)	
14	AR50926	CIRCUIT BREAKER	1		
15	AR50930	WIRING LEAD	1		
16	12M7060	WASHER	2	0.209"	
17	14H631	NUT	2	0.190"	
18	21H1295	SCREW	2	0.190" X 5/8"	
19	AR50929	WIRING LEAD	1		
20	AR50927	WIRING LEAD	1		
21	12H303	LOCK WASHER	2	5/16"	
22	14H785	NUT	2	5/16"	
23	AR50931	WIRING LEAD	1	TO IGNITION SWITCH	
24	R36732	BOOT	2		
25	14H631	NUT	1	0.190"	
26	12H246	LOCK WASHER	1	0.190"	
27	19H1919	CAP SCREW	2	1/4" X 5/8"	
28	RE44657	RELAY	1	(FI)	

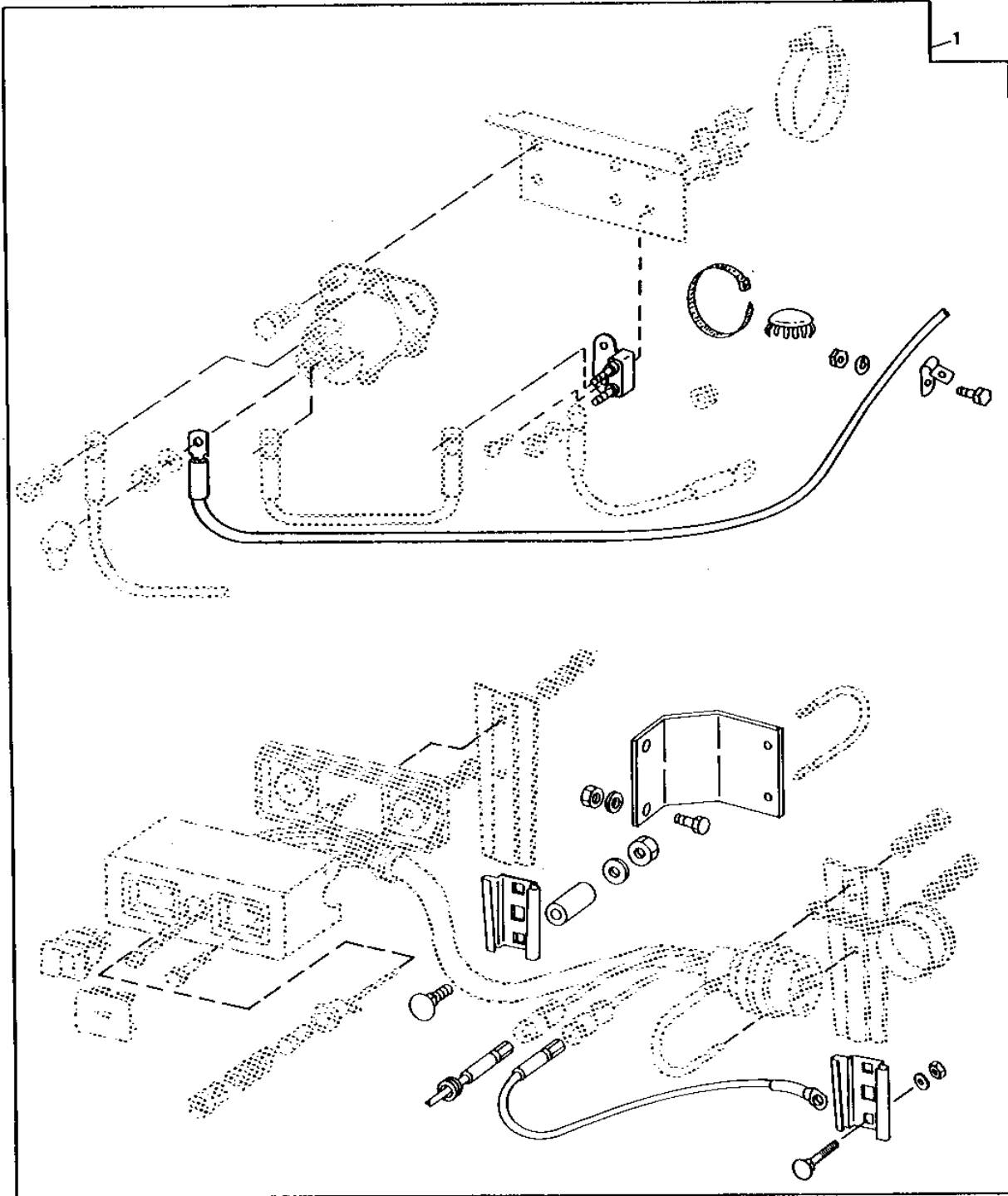
1J8

ELECTRICAL

RWP5666

-UN-01JAN94

ELECTRICAL REMOTE CONTROL WIRING KIT



RWP5666

1J9

ELECTRICAL

ELECTRICAL REMOTE CONTROL WIRING KIT - CONTINUED

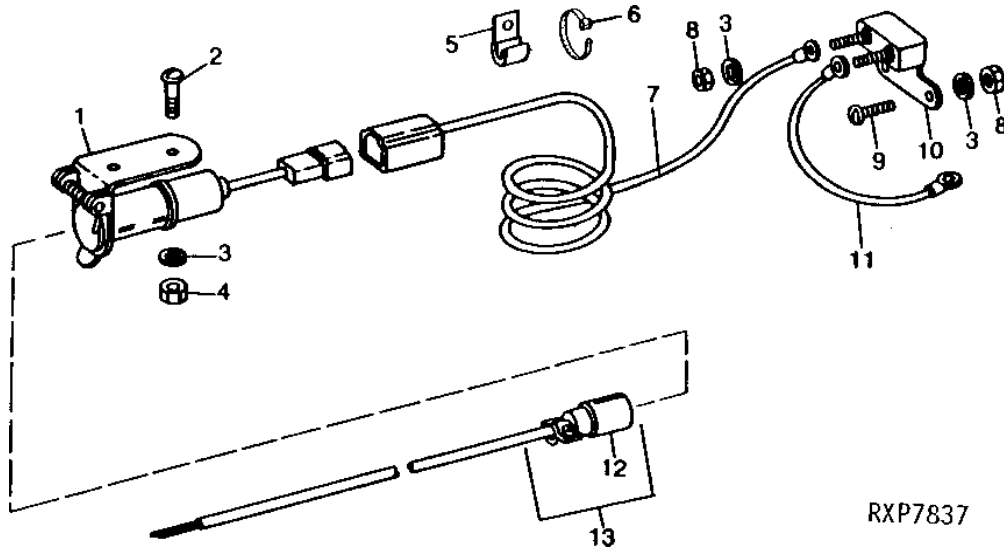
KEY	PART NO.	PART NAME	QTY	TRACTOR SERIAL NO.	REMARKS
1	RE25621	KIT	1	(SUB FOR AR62359)	

1J10

ELECTRICAL

RXP7837 -UN-23SEP94

ELECTRICAL OUTLET SOCKET



RXP7837

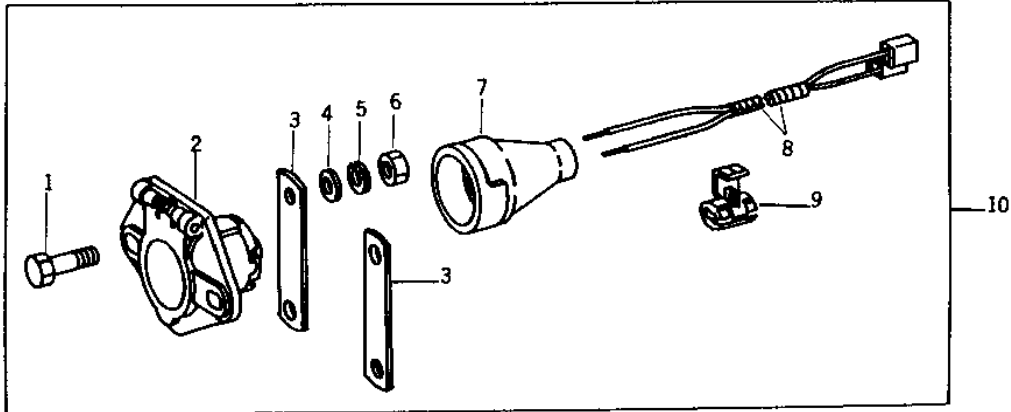
KEY	PART NO.	PART NAME	QTY	TRACTOR SERIAL NO.	REMARKS
1	AR26571	SOCKET	1		
2	21H1301	SCREW	2		0.190" X 1/2"
3	12M7060	WASHER	6		0.209"
4	14H778	NUT	2		0.190"
5	T32231	CLAMP	2		(SUB FOR R55618)
6	R44302	TIE BAND	5		
7	WIRING LEAD	1		4153MM (163-1/2") (MAKE FROM R66321, T28585, U46662, R77493 AND R77471)
8	14H631	NUT	4		0.190"
9	21H1295	SCREW	2		0.190" X 5/8"
10	AR28403	CIRCUIT BREAKER	1		
11	WIRING LEAD	1		152MM (6") (MAKE FROM R66321 AND (2) R77493)
12	AA5692R	ELECTRICAL PLUG	1		
13	AR40710	PLUG	1		

1J11

ELECTRICAL

R32128 -UN-01JAN94

7-TERMINAL ELECTRICAL OUTLET SOCKET



R32128

KEY	PART NO.	PART NAME	QTY	TRACTOR SERIAL NO.	REMARKS
1	19H1905	CAP SCREW	4	5/16" X 1"	
2	AR75695	SOCKET OUTLET	1		
3	R61776	STRAP	2		
4	24H1136	WASHER	4	11/32" X 11/16" X 0.065"	
5	12H303	LOCK WASHER	4	5/16"	
6	14H785	NUT	2	5/16"	
7	R61775	BOOT	1		
8	AR75696	WIRING HARNESS	1		
9	AR67855	CONNECTOR	4		
10	RE17282	KIT	1	(SUB FOR AR75694) (FI)	

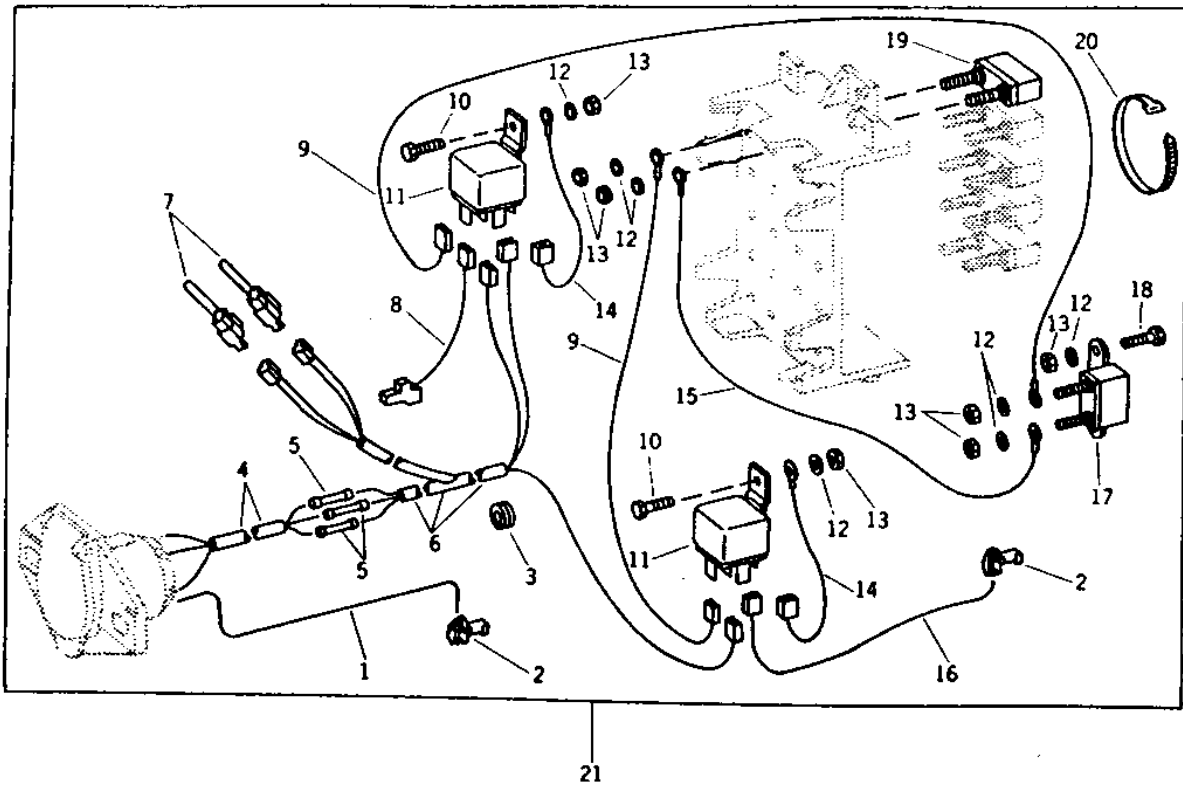
1J12

ELECTRICAL

R32129

-UN-07JAN91

7-TERMINAL SOCKET (SUPPLEMENTARY WIRING KIT)



1J13

ELECTRICAL

7-TERMINAL SOCKET - CONTINUED (SUPPLEMENTARY WIRING KIT)

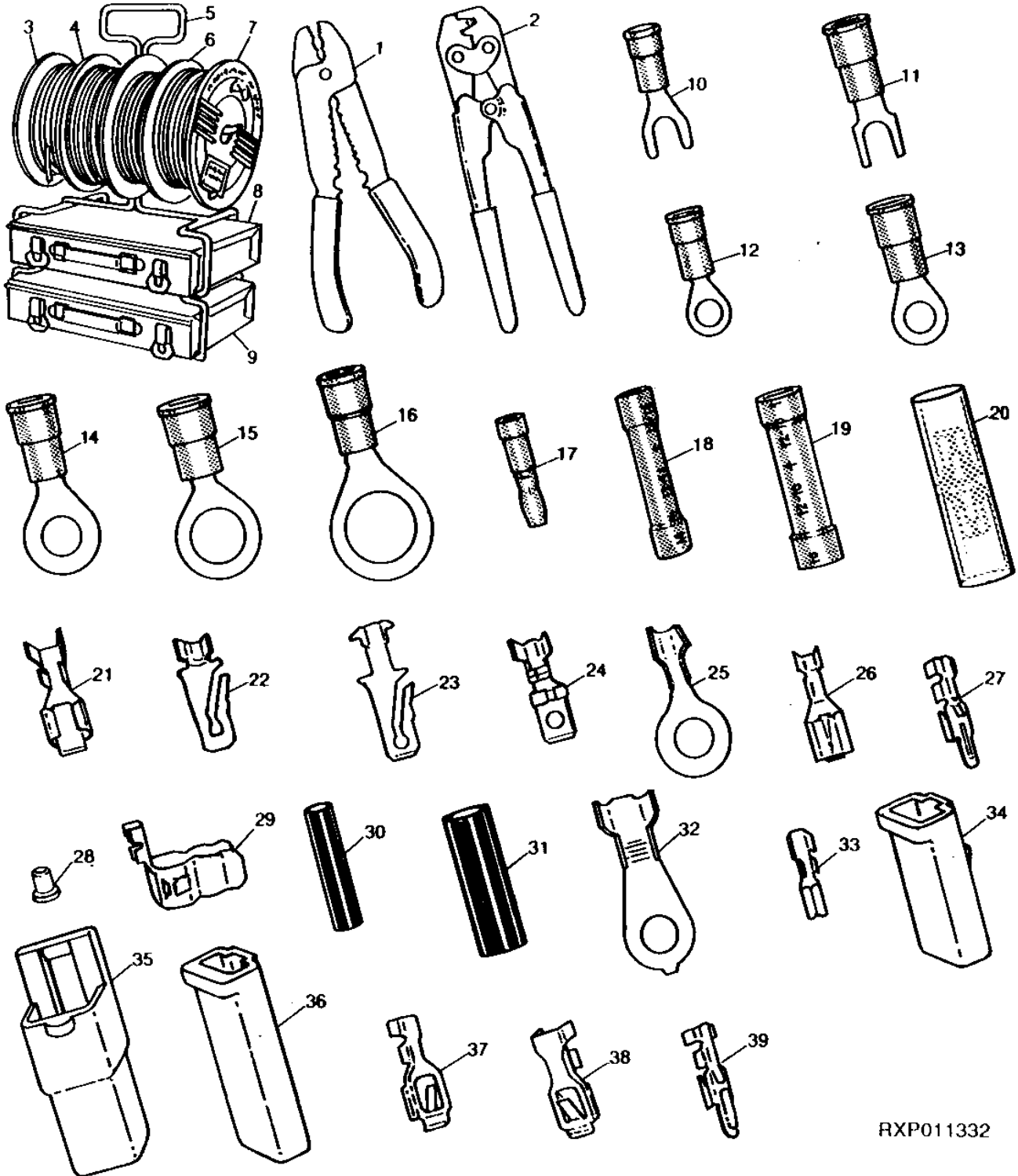
KEY	PART NO.	PART NAME	QTY	TRACTOR SERIAL NO.	REMARKS
1	WIRING LEAD	1		3962MM (156") (MAKE FROM R66319)
2	AR67855	CONNECTOR	2		
3	R40445	GROMMET	1		
4	AR82910	WIRING HARNESS	1		
5	R32027	CONNECTOR	4		
6	AR82912	WIRING HARNESS	1		
7	AR82911	WIRING LEAD	2		
8	AR50834	WIRING LEAD	1		
9	WIRING LEAD	3		311MM (12-1/4") (MAKE FROM R66319, R32018, R32027 AND R32024)
10	21H1282	SCREW	2		0.190" X 7/8"
11	AR74411	RELAY	2		
12	12M7060	WASHER	8		0.209"
13	14H631	NUT	8		0.190"
14	WIRING LEAD	2		152MM (6") (MAKE FROM R66319, R32021, R32027 AND R32025)
15	WIRING LEAD	2		152MM (6") (MAKE FROM R66319 AND (2) R32018)
16	AR82909	WIRING LEAD	1		
17	AR49352	CIRCUIT BREAKER	1		30 AMP
18	21H1295	SCREW	2		0.190" X 5/8"
19	AR28403	CIRCUIT BREAKER	1		20 AMP
20	R44302	TIE BAND	AR		
21	AR78052	KIT	1		(USE WITH AR75694)

1J14

ELECTRICAL

RXP011332 -UN-27SEP94

ELECTRICAL TERMINALS,CONNECTORS AND WIRING



RXP011332

1J15

ELECTRICAL

ELECTRICAL TERMINALS,CONNECTORS AND WIRING - CONTINUED

KEY	PART NO.	PART NAME	QTY	TRACTOR SERIAL NO.	REMARKS
1	R32011	TOOL	1	(NLA)	
2	R65594	TOOL	1		
3	R66319	WIRING LEAD	1	14 GA., 30.5 M (100 FT.) (1 SPOOL)	
4	R65593	WIRING LEAD	1	16 GA., 30.5 M (100 FT.) (1 SPOOL)	
5	R65608	RACK	1		
6	R66321	WIRING LEAD	1	10 GA., 15 M (50 FT.) (1 SPOOL)	
7	R66320	WIRING LEAD	1	12 GA., 30.5 M (100 FT.) (1 SPOOL)	
8	R65609	CONTAINER	1	(NLA)	
9	R65610	CONTAINER	1		
10	R32016	TERMINAL	1	14-16 GA., NO. 10 SPADE	
11	R32017	TERMINAL	1	10-12 GA., NO. 10 SPADE	
12	R32018	TERMINAL	1	14-16 GA., NO. 10 EYELET	
13	R32019	TERMINAL	1	10-12 GA., NO. 10 EYELET	
14	R32021	TERMINAL	1	10-12 GA., 1/4" EYELET	
15	R32022	TERMINAL	1	10-12 GA., 3/8" EYELET	
16	R32023	TERMINAL	1	10-12 GA., 1/2" EYELET	
17	R32026	TERMINAL	1	MALE BULLETT	
18	R32027	CONNECTOR	1	SPLICE, 14-16 GA.	
19	R32028	TERMINAL	1	SPLICE, 10-12 GA.	
20	AL2976T	CONNECTOR	1	(SUB FOR R32029) 2-WIRE BULLETT CONNECTOR	
21	R65595	TERMINAL	1	FEMALE, 10 GA.	
22	R65596	TERMINAL	1	MALE, 10 GA. OR TWO 14 GA. CABLES	
23	R65597	TERMINAL	1	MALE, 14-16 GA.	
24	R65598	TERMINAL	1	MALE, SHORT, 14-16 GA.	
25	R65599	TERMINAL	1	14-16 GA., 1/4" EYELET	
26	R65600	TERMINAL	1	FEMALE, 14-16 GA.	
27	R65601	TERMINAL	1	TWIN-LOCK, TWO 16 GA. CABLES	
28	R65602	SOCKET CONTACT	1	BULB SOCKET, 16-18 GA.	
29	R65603	TERMINAL NIPPLE	1	FUSE	
30	R65604	INSULATING SLEEVE	1	14-18 GA.	
31	R65605	INSULATING SLEEVE	1	8-12 GA.	
32	R65606	TERMINAL	1	6-8 GA., 1/4" EYELET	
33	R65607	TERMINAL	1	18-20 GA.	
34	T28583	RECEPTACLE	1	ONE CONTACT LOCK-TYPE, MALE	
35	T28585	TERMINAL	1	ONE CONTACT LOCK-TYPE, FEMALE	
36	U46370	CONNECTOR	1	CONNECTOR, ONE CONTACT SINGLE BODY, MALE	
37	U46662	TERMINAL	1	FEMALE	
38	U46663	TERMINAL	1	FEMALE	
39	U46664	TERMINAL	1	FEMALE	

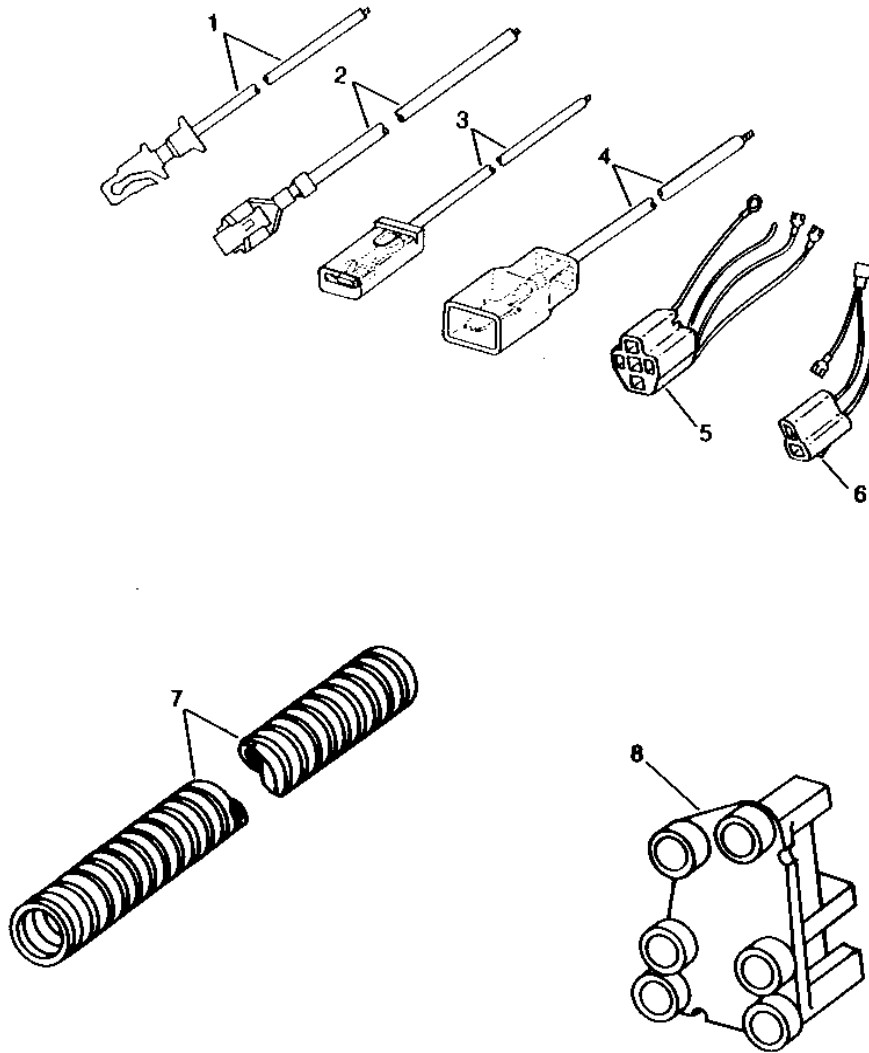
1J16

ELECTRICAL

RXP8619

-UN-28NOV94

SUPPLEMENTARY TERMINALS AND CONNECTORS



1J17

ELECTRICAL

SUPPLEMENTARY TERMINALS AND CONNECTORS - CONTINUED

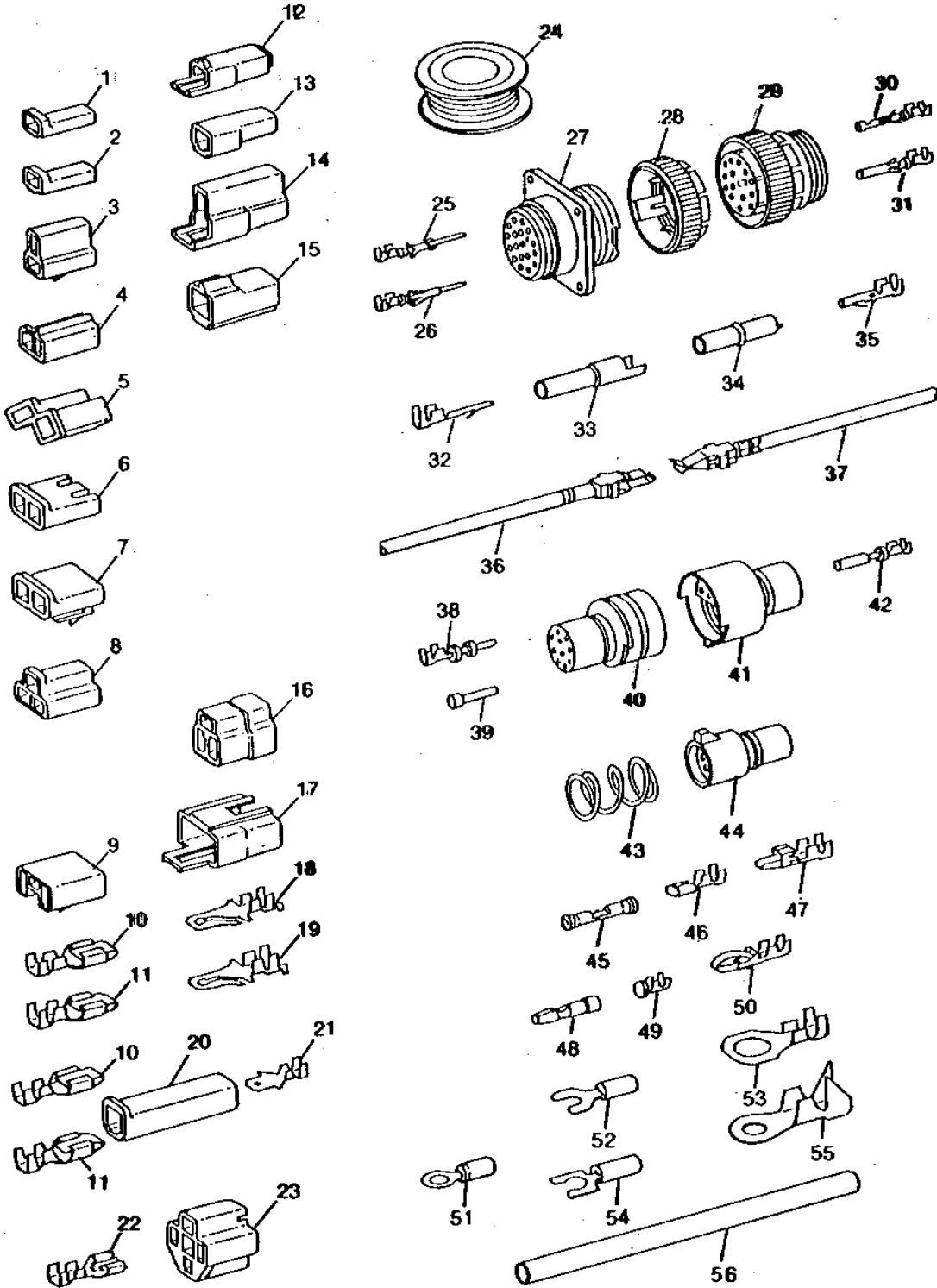
KEY	PART NO.	PART NAME	QTY	TRACTOR SERIAL NO.	REMARKS
1	AR65005	TERMINAL	1		
2	AR65006	TERMINAL	1		
3	R32024	WIRING LEAD	1		
4	R32025	WIRING LEAD	1		
5	RE21730	TERMINAL	1		
	RE21731	TERMINAL	1		
6	RE21732	TERMINAL	1		
7	R93219	CONDUIT	1		6.3 X 3048MM (1/4" X 120")
	R93220	CONDUIT	1		10.4 X 3048MM (13/32" X 120")
	R93221	CONDUIT	1		15.9 X 3048MM (5/8" X 120")
	R93222	CONDUIT	1		25.4 X 3048MM (1" X 120")
8	AR83425	RECEPTACLE CONNECTOR BODY	1		(LIGHT SWITCH)

1J18

ELECTRICAL

RXP010581 -UN-01JAN94

ELECTRICAL CONNECTORS, TERMINALS AND WIRING



RXP010581

1J19

ELECTRICAL

ELECTRICAL CONNECTORS, TERMINALS AND WIRING - CONTINUED

KEY	PART NO.	PART NAME	QTY	TRACTOR SERIAL NO.	REMARKS
1	T28583	RECEPTACLE	1	(B)	
2	M43835	FLAT CONNECTOR	1	(B)	
3	R77476	CONNECTOR	1	(A)	
4	R77477	CONNECTOR	1	(A)	
5	R77479	CONNECTOR	1	(A)	
6	R77480	CONNECTOR	1	(A)	
7	R77481	CONNECTOR	1	(A)	
8	R77482	CONNECTOR	1		
9	H104855	CONNECTOR	1		
10	U46662	TERMINAL	1	(E) (F)	
11	N115096	TERMINAL	1	(G) (SUB R65595) (PKG. OF 15)	
12	T28585	TERMINAL	1	(B)	
13	R77475	CONNECTOR	1	(B)	
14	T28586	CONNECTOR	1	(A)	
15	R77478	CONNECTOR	1	(A)	
16	R77483	CONNECTOR	1		
17	R48887	RECEPTACLE	1		
18	T34067	TERMINAL	1	(E) (F)	
19	R77484	TERMINAL	1	(G) (PKG. OF 15)	
20	U46370	CONNECTOR	1	(B)	
21	R77485	TAB	1	(C) (F)	
22	R77486	TERMINAL	1	(E) (F)	
23	R77487	CONNECTOR	1	(B)	
24	R66321	WIRING LEAD	1	15M (50 FT.) 10 GA.	
	R66320	WIRING LEAD	1	30.5M (100 FT.) 12 GA.	
	R77501	WIRE	1	30.5M (100 FT.) 14 GA.	
	R77500	WIRE	1	30.5M (100 FT.) 16 GA.	
	R77499	WIRE	1	30.5M (100 FT.) 18 GA.	
	R77498	WIRE	1	30.5M (100 FT.) 20 GA.	
25	R77462	PIN CONTACT	1	(PKG. OF 40) (20-22 OR 24 GA. WIRE)	
26	R77464	PIN CONTACT	1	(H) (PKG. OF 50)	
27	R77456	RECEPTACLE	1	(37 WAY)	
28	R77458	CONNECTOR	1	(A) (SIZE 23)	
	R77459	CONNECTOR	1	(A) (SIZE 17)	
	R77460	CONNECTOR	1	(A) (SIZE 13)	
	R77461	CONNECTOR	1	(A) (SIZE 11)	
29	R77457	ELECTRICAL PLUG	1	(37 WAY)	
30	R77463	SOCKET CONTACT	1	(PKG. OF 40) (20-22 OR 24 GA. WIRE)	
31	R77465	SOCKET CONTACT	1	(H) (PKG. OF 50)	
32	R77468	TERMINAL	1	(PKG. OF 5)	
33	R77466	CONNECTOR	1	(A)	
34	R77467	CONNECTOR	1	(A)	

(A) PKG. OF 2

(B) PKG. OF 3

(C) PKG. OF 10

(D) PKG. OF 20

(E) PKG. OF 25

(F) 14 OR 16 GA. WIRE

(G) 10 OR 12 GA. WIRE

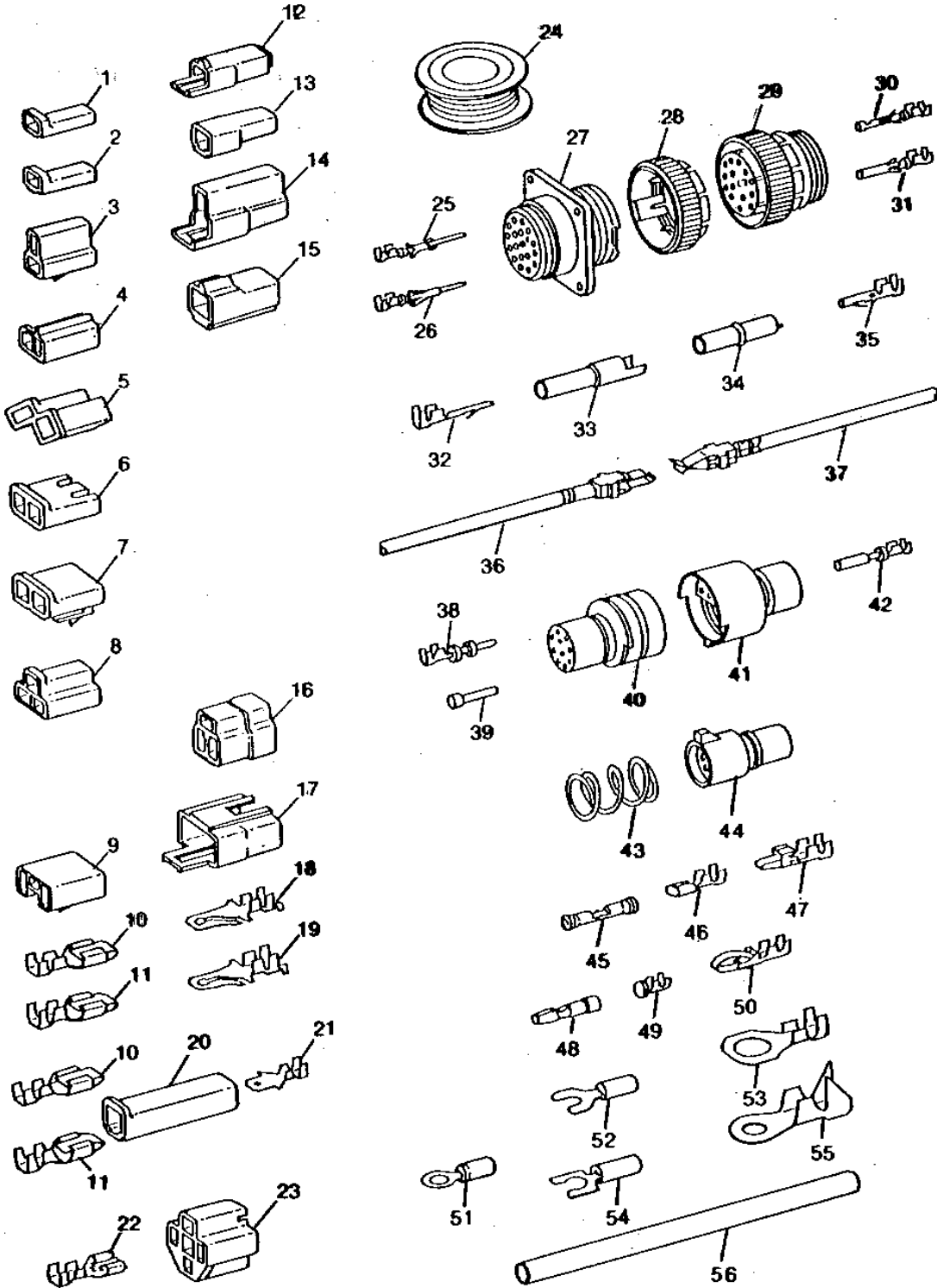
(H) 14-16 OR 18 GA. WIRE

1J20

ELECTRICAL

RXP010581 -UN-01JAN94

ELECTRICAL CONNECTORS, TERMINALS AND WIRING - CONTINUED



RXP010581

1J21

ELECTRICAL

ELECTRICAL CONNECTORS, TERMINALS AND WIRING - CONTINUED

KEY	PART NO.	PART NAME	QTY	TRACTOR SERIAL NO.	REMARKS
35	R77469	TERMINAL	1		(PKG. OF 5)
36	RE11156	TERMINAL	1		(B) (MALE)
37	RE11157	TERMINAL	1		(B) (FEMALE)
38	R70222	PIN CONTACT	1		(D) (H)
39	R70221	ELECTRICAL PLUG	1		(E)
40	R70219	PLUG	1		(A) (10 WAY)
	R70217	PLUG	1		(A) (7 WAY)
	R70215	PLUG	1		(A) (4 WAY)
	R70213	PLUG	1		(A) (3 WAY)
41	R70211	CONNECTOR	1		(A) (2 WAY)
	R70218	RECEPTACLE	1		(A) (10 WAY)
	R70216	RECEPTACLE	1		(A) (7 WAY)
	R70214	RECEPTACLE	1		(A) (4 WAY)
	R70212	RECEPTACLE	1		(A) (3 WAY)
	R70210	RECEPTACLE	1		(A) (2 WAY)
42	AR91793	SOCKET CONTACT	1		(D)
43	R30378	SPRING	1		(C)
44	R77474	CONNECTOR	1		(A) (6 WAY)
45	R77470	TERMINAL	1		SPLICE (PKG. OF 15) (16-18-20 OR 22 GA. WIRE)
	R77471	TERMINAL	1		(C) (G) SPLICE
	R77472	TERMINAL	1		(A) SPLICE (8 GA. WIRE)
	R77473	TERMINAL	1		(A) SPLICE (6 GA. WIRE)
46	R65607	TERMINAL	1		(C) (18 OR 20 GA. WIRE)
47	U46664	TERMINAL	1		(C) (F)
48	R32026	TERMINAL	1		(D) (F)
49	R65602	SOCKET CONTACT	1		(C) (16 OR 18 GA. WIRE)
50	R70220	TERMINAL	1		(C) (18 OR 20 GA. WIRE)
51	R77489	TERMINAL	1		(D) (14-16-18 OR 20 GA. WIRE) (NO. 10 EYELET)
	R77493	TERMINAL	1		(D) (G) (NO. 10 EYELET)
	R77488	TERMINAL	1		(D) (14-16-18 OR 20 GA. WIRE) (3/8" EYELET)
	R77490	TERMINAL	1		(D) (G) (1/2" EYELET)
52	R77496	TERMINAL	1		(D) (F) (NO. 8 SPADE)
	R77495	TERMINAL	1		(D) (18 GA. WIRE) (NO. 10 SPADE)
53	R77497	TERMINAL	1		(D) (F) (NO. 6 SPADE)
54	R77491	TERMINAL	1		(D) (G) (3/8" EYELET)
	R77492	TERMINAL	1		(D) (G) (1/4" EYELET)
55	R77494	TERMINAL	1		(D) (6 OR 8 GA. WIRE) (1/4" EYELET)
56	R77502	TUBE	1		(PKG. OF 8) 3/8" (HEAT SHRINK)
	R77503	TUBE	1		(PKG. OF 8) 3/16" (HEAT SHRINK)

(A) PKG. OF 2

(B) PKG. OF 3

(C) PKG. OF 10

(D) PKG. OF 20

(E) PKG. OF 25

(F) 14 OR 16 GA. WIRE

(G) 10 OR 12 GA. WIRE

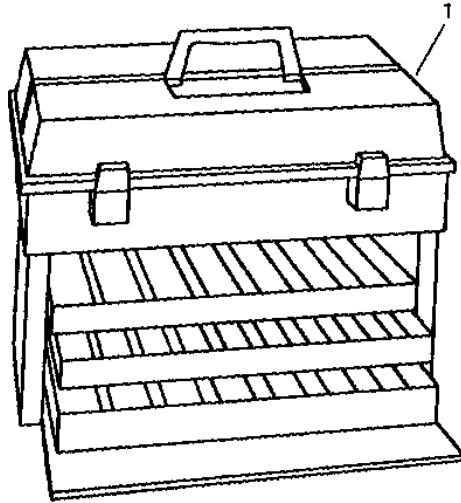
(H) 14-16 OR 18 GA. WIRE

1J22

ELECTRICAL

RXP010001 -UN-01JAN94

ELECTRICAL CONNECTOR AND TERMINAL KIT



RXP010001

KEY	PART NO.	PART NAME	QTY	TRACTOR SERIAL NO.	REMARKS
1	PM797NA	KIT	1	(A)	

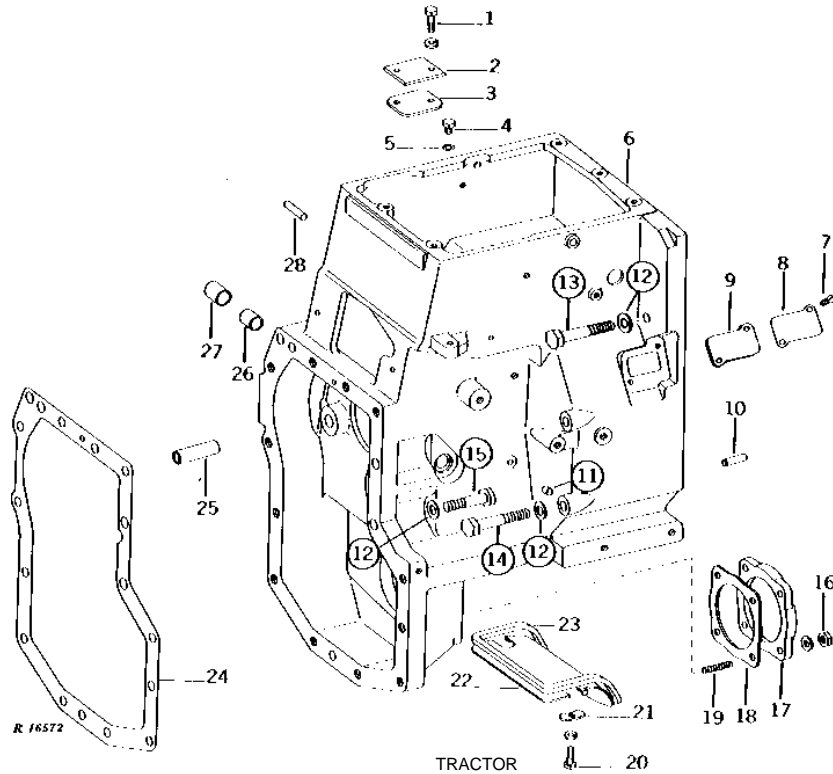
(A) KIT INCLUDES CONNECTORS,TERMINALS AND TOOLS

2B7

POWER TRAIN

R16572 -UN-01JAN94

CLUTCH HOUSING (SYNCRO-RANGE)



KEY	PART NO.	PART NAME	QTY	TRACTOR SERIAL NO.	REMARKS
1	19H2284	CAP SCREW	2	(A) 3/8" X 7/8"	
	12H304	LOCK WASHER	2	(A) 3/8"	
2	R41422	STRAP	1	(A)	
3	R41421	GASKET	1	(A)	
4	R27216	DRAIN PLUG	2	(SUB FOR R31631)	
5	R26287	O-RING	2		
6	AR49880	HOUSING	1	(MARKED R47750 OR R47820) (ALSO ORDER AR49657) (SUB FOR AR43567)	
7	21H1318	SCREW	2	0.216" X 1/2"	
8	R31493	COVER	1		
9	R31494	GASKET	1	(SUB R67989)	
10	T26565	DOWEL PIN	2	(SUB FOR C1220R)	
11	R31374	DOWEL PIN	1		
12	T21397	WASHER	6		
13	19H1425	CAP SCREW	2	3/4" X 2-3/4"	
14	R43360	CAP SCREW	4	(NLA)	
15	19H1374	CAP SCREW	1	3/4" X 2"	
	19H2113	CAP SCREW	1	3/4" X 3-1/4"	
	19H2725	CAP SCREW	1	3/4" X 3-3/4"	
16	14H1040	NUT	4	1/2"	
	12H301	LOCK WASHER	4	1/2"	
17	R43236	COVER	1	(A)	
18	R43234	GASKET	1	(A)	
19	R32101	STUD	4		
20	19H1731	CAP SCREW	2	3/8" X 1"	
	12H304	LOCK WASHER	2	3/8"	
21	R27640	CLAMP	2		
22	R43230	COVER	1		
23	R91558	FOAM PAD	1	(SUB FOR R30877)	
24	R99291	GASKET	1	(SUB FOR R43336, R47111 OR R47666)	
25	R26663	DOWEL PIN	1		
26	R26641	BUSHING	1		
27	R26642	BUSHING	1		
28	34H371	SPRING PIN	1	1/2" X 2"	

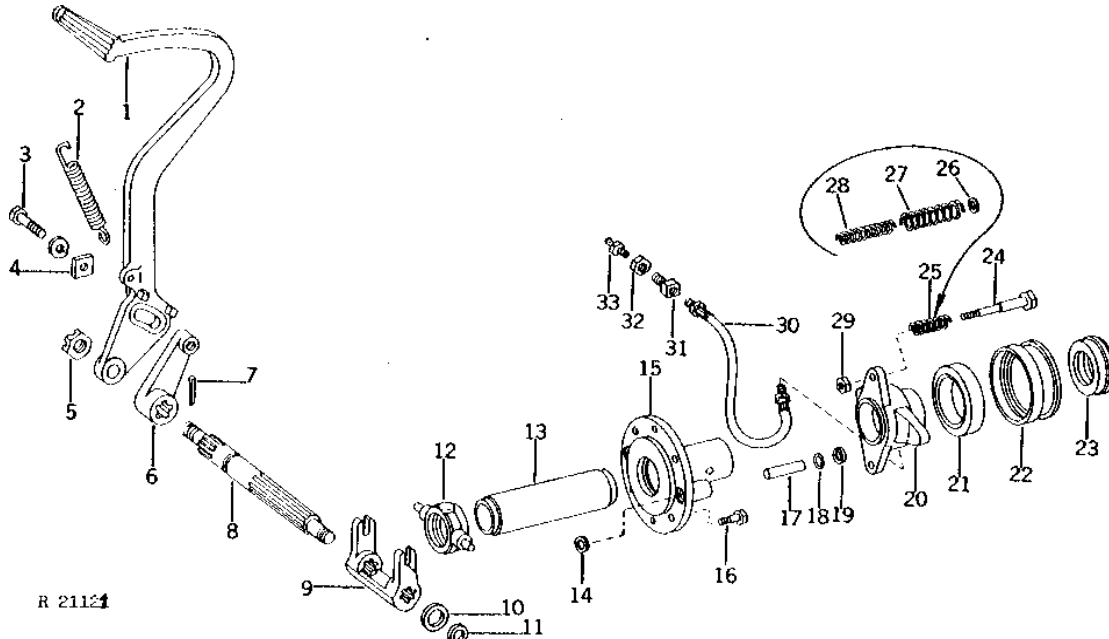
(A) TRACTORS LESS PTO

2B8

POWER TRAIN

TRANSMISSION AND PTO CLUTCH CONTROL (SYNCRO-RANGE)

R21121 -UN-01JAN94



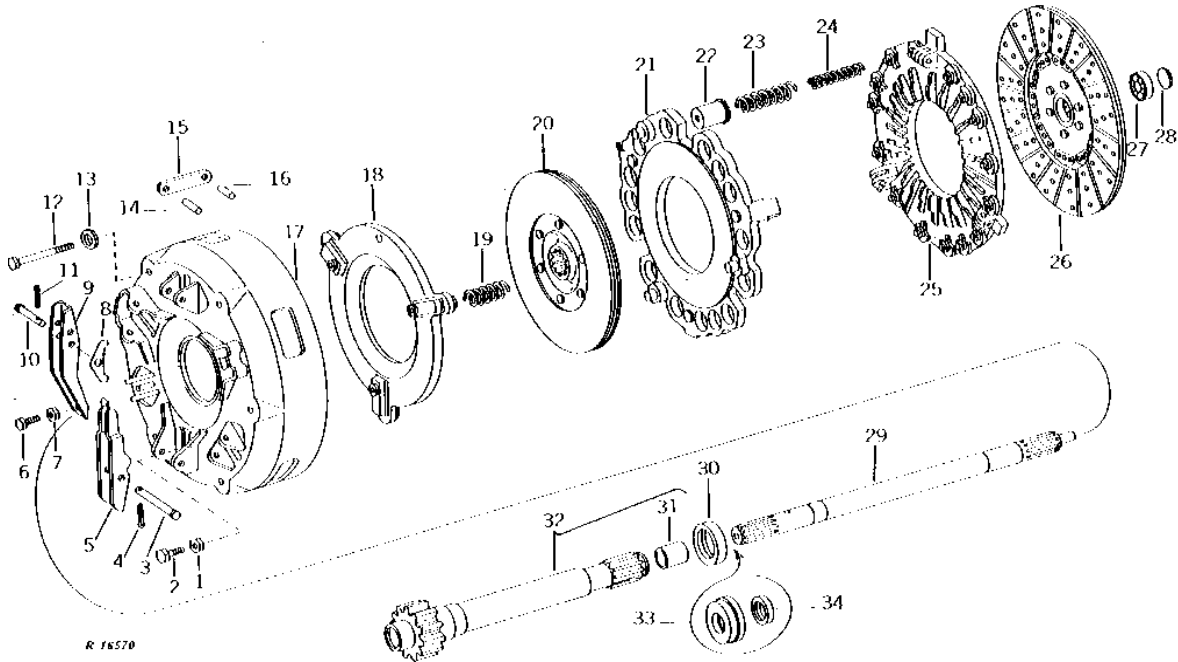
KEY	PART NO.	PART NAME	QTY	TRACTOR SERIAL NO.	REMARKS
1	R46778	PEDAL	1	-XXXXXX	(SUB FOR R41228)
	R47106	PEDAL	1	XXXXXX-	
	R34483	LABEL	1		
2	R44904	SPRING	1	-XXXXXX	
	R43684	SPRING	1	XXXXXX-	
3	19H1721	CAP SCREW	1		1/2" X 1-1/2"
	12H301	LOCK WASHER	1		1/2"
4	R27305	STRAP	1		
5	C1104R	NUT	1		
6	R26652	LEVER	1		
7	11M7083	COTTER PIN	1		0.126" X 1.969"
8	R43335	SHAFT	1		(NLA)
9	R46860	FORK	1		(SUB FOR R43146)
10	24H1396	WASHER	1		25/32" X 1-1/2" X 0.105"
11	R73380	SNAP RING	1		(SUB FOR A369R)
12	AR55864	SHIFT COLLAR	1		(ALSO ORDER R51559)
13	R43277	TUBE	1		(SUB AR55864 AND R51559)
14	R26919	WASHER	2		
15	AR55865	SUPPORT	1		(MARKED R51561)
16	R46567	CAP SCREW	1		(SUB FOR R31198)
17	R41511	DOWEL PIN	2		
18	R56464	O-RING	2		
19	R32588	BACK-UP RING	2		
20	R52355	SLEEVE	1		(SUB FOR R43333)
21	AR43084	BALL BEARING	1		
22	R43332	LOCKING COLLAR	1		
23	AR43065	THRUST BEARING	1		
24	R40809	BOLT	2		
25	R51865	SPRING	2		(SUB FOR R44104)
26	R52736	WASHER	2		
27	R52737	SPRING	2		
28	R51865	SPRING	2		
29	14H849	NUT	2		7/16"
30	R35644	HYDRAULIC HOSE	1		
31	R36311	FITTING	1		
32	E12379	NUT	1		
33	JD7797	LUBRICATION FITTING	1		
..	AR63606	KIT	1		COUNTERWEIGHTED PTO CLUTCH OPERATING LEVER CONVERSION

2B9

POWER TRAIN

R16570 -UN-01JAN94

TRANSMISSION AND PTO CLUTCH (SYNCRO-RANGE)



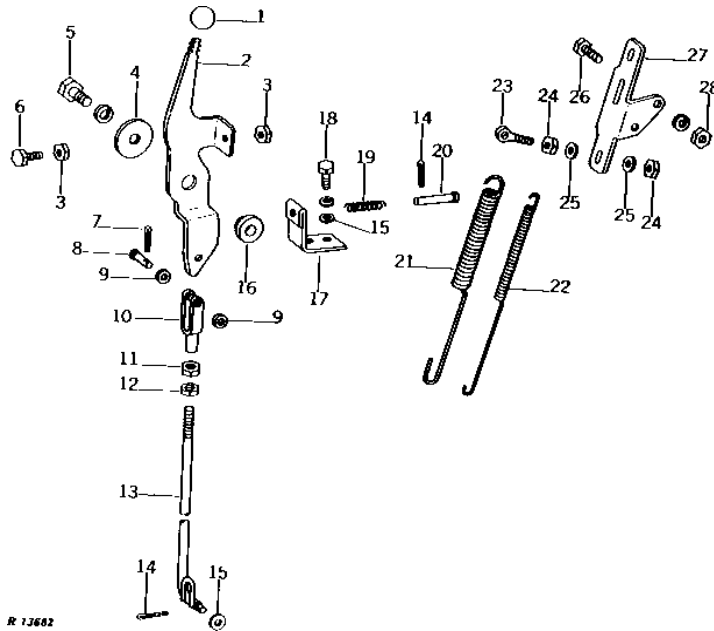
KEY	PART NO.	PART NAME	QTY	TRACTOR SERIAL NO.	REMARKS
1	14H934	NUT	3	7/16"	
2	R55184	SELF-LOCKING SCREW	3	(SUB FOR R43763)	
3	R43418	PIN	3		
4	11M7021	COTTER PIN	3	0.157" X 0.984"	
5	R33550	LEVER	3		
	AR63609	LEVER	3		(USE ONLY IF AR63606 HAS BEEN PREVIOUSLY INSTALLED)
6	R43446	BOLT	3		
7	14H774	NUT	3	3/8"	
8	R43625	PLATE	6		
9	R43445	LEVER	3		
10	R43388	PIN	3		
11	11M7021	COTTER PIN	3	0.157" X 0.984"	
12	R64523	BOLT	6	(SUB FOR R43866)	
13	R57696	WASHER	6	(SUB FOR R1870R)	
14	R43389	DOWEL PIN	3		
15	R43387	STRAP	3		
16	R35075	QUICK LOCK PIN	3		
17	AR43069	COVER	1		
18	R43334	PLATE	1		
19	R26659	SPRING	3		
20	RE29612	CLUTCH DISK	1	(SUB FOR AR43028)	
21	R43386	PLATE	1		
22	R43385	RETAINER	15		
23	R43443	SPRING	15		
24	R43444	SPRING	15		
25	R49044	CLUTCH PLATE	1	(SUB FOR R43384 OR R43944)	
26	RE29776	CLUTCH DISK	1	(SUB FOR AR43117)	
27	JD9449	BALL BEARING	1	(SUB FOR JD9281)	
28	R26656	WASHER	1		
29	R43094	SHAFT	1		
30	AR43085	SEAL	1		
31	R43233	BUSHING	1		
32	AR43052	SHAFT	1		
33	R43235	QUILL	1	(LESS PTO)	
34	AR70406	SEAL	1	(LESS PTO) (SUB FOR R35642)	

2B10

POWER TRAIN

PTO CLUTCH LEVER AND LINKAGE (SYNCRO-RANGE)

R13682 -UN-01JAN94



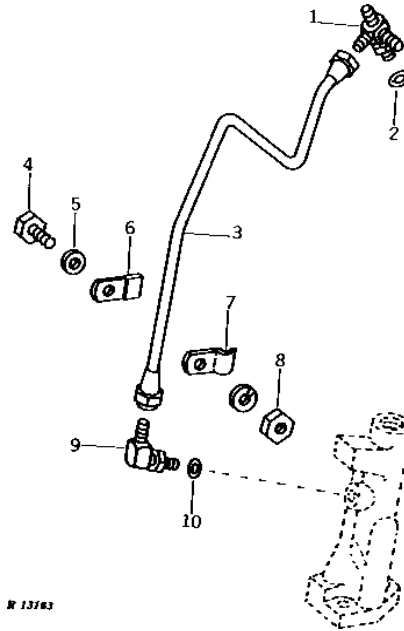
KEY	PART NO.	PART NAME	QTY	TRACTOR SERIAL NO.	REMARKS
1	R40948	KNOB	1		
2	R41370	LEVER	1		
3	14H1076	NUT	2	3/8"	
4	F2912R	WASHER	1		
5	19H2354	CAP SCREW	1	9/16" X 1-1/4"	
	12H317	LOCK WASHER	1	9/16"	
6	19H2791	CAP SCREW	1	3/8" X 1-3/4"	
7	11M7081	COTTER PIN	1	0.098" X 0.787"	
8	R65563	PIN	1	(SUB FOR C1067R)	
9	24H1309	WASHER	2	13/32" X 1-1/16" X 0.120"	
10	L324T	YOKE	1		
11	14H774	NUT	1	3/8"	
12	14H1080	NUT	1	3/8"	
13	AR43561	ROD	1		
14	11M7059	COTTER PIN	2	3.200 X 20 MM	
15	24H1136	WASHER	2	11/32" X 11/16" X 0.065"	
16	R26574	WASHER	1		
17	AR40984	STOP	1	(NLA)	
18	19H1900	CAP SCREW	2	5/16" X 3/4"	
	12H303	LOCK WASHER	2	5/16"	
19	R26823	SPRING	1		
20	R42507	PIN	1		
21	R42511	SPRING	1		
22	R42509	SPRING	1		
23	R42512	EYEBOLT	1		
24	14H1076	NUT	2	3/8"	
25	24H1305	WASHER	2	13/32" X 13/16" X 0.065"	
26	19H2284	CAP SCREW	2	3/8" X 7/8"	
27	R46313	BRACKET	1	(SUB FOR R42508)	
28	14H1076	NUT	2	3/8"	
	12H304	LOCK WASHER	2	3/8"	

2B11

POWER TRAIN

R13163 -UN-01JAN94

PTO CLUTCH OIL LINE (SYNCRO-RANGE)



R 13163

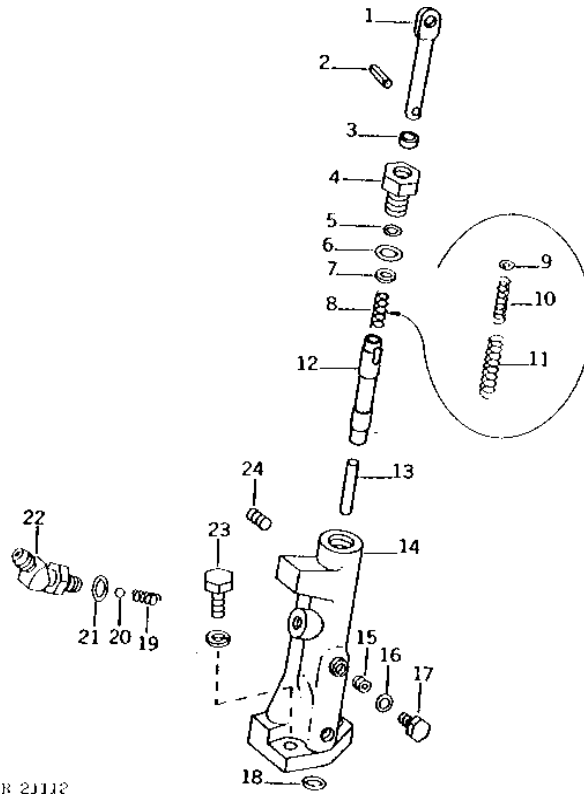
KEY	PART NO.	PART NAME	QTY	TRACTOR SERIAL NO.	REMARKS
1	AR40689	TEE FITTING	1		
2	R26286	O-RING	1		
3	AR43122	HYDRAULIC LINE	1		
4	19H1765	CAP SCREW	1	3/8" X 1-3/4"	
	19H1936	CAP SCREW	1	3/8" X 3/4"	
5	28H1697	SPACER	1	3/8" X 3/4"	
6	R31655	STRAP	1		
	R42290	PLATE	1		
7	R31654	CLAMP	2		
8	14H1076	NUT	2	3/8"	
	12H304	LOCK WASHER	2	3/8"	
9	AT32335	ELBOW FITTING	1	90°, (SUB FOR AR26746)	
10	R26287	O-RING	1		

2B12

POWER TRAIN

R21112 -UN-01JAN94

PTO CLUTCH VALVE
(SYNCRO-RANGE)



R 21112

2B13

POWER TRAIN

PTO CLUTCH VALVE - CONTINUED (SYNCRO-RANGE)

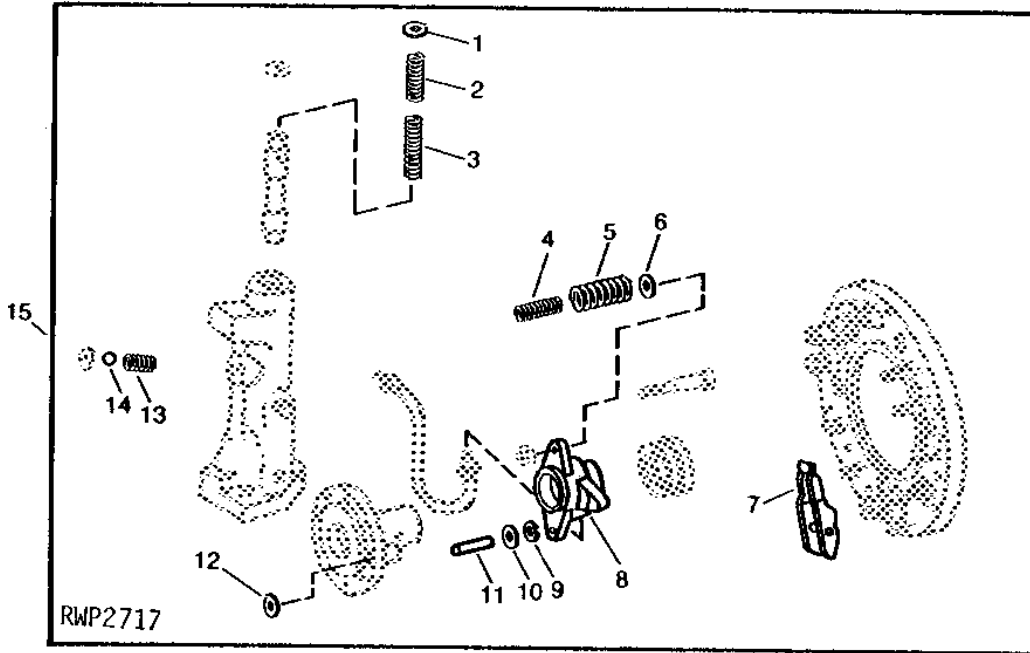
KEY	PART NO.	PART NAME	QTY	TRACTOR SERIAL NO.	REMARKS
1	R40812	SHAFT	1		
2	34H260	SPRING PIN	1		5/32" X 5/8"
3	AR40687	SEAL	1		
4	R40813	DRAIN PLUG	1		
5	A3917R	O-RING	1		
6	R26375	O-RING	1		
7	R31632	SHIM	1		
8	R44204	SPRING	1		
9	R53237	SHIM	1		
10	R52057	SPRING	1		
11	R45582	SPRING	1		
12	R40811	CONTROL VALVE	1		
13	R55081	NEEDLE ROLLER	1	-007459	(SUB FOR R36882)
14	AR45788	HOUSING	1	-007459	(MARKED R38546) (SUB AR48963)
	AR48963	HOUSING	1	007460-	(MARKED R46732)
15	R38545	SET SCREW	3	-007459	
16	R26287	O-RING	2	-007459	
	R26287	O-RING	1	007460-	
17	R27216	DRAIN PLUG	2	-007459	(SUB FOR R31631)
	R27216	DRAIN PLUG	1	007460-	(SUB FOR R31631)
18	R33259	O-RING	3		(SUB FOR T11934)
19	R26373	SPRING	1	XXXXXX-	
20	400R	BALL	1	XXXXXX-	
21	R26287	O-RING	1		
22	AT32335	ELBOW FITTING	1		90°, (SUB FOR AR40689)
23	19H2552	CAP SCREW	2		3/8" X 1-1/8"
	12H304	LOCK WASHER	2		3/8"
24	15H558	PIPE PLUG	1	-007459	1/8"
	15H558	PIPE PLUG	2	007460-	1/8"
	AR58572	HOUSING	1		(SUB AR46113, (3) R33259, (2) 12H304 AND (2) 19H2552)
..	AR63606	KIT	1		COUNTERWEIGHTED PTO CLUTCH OPERATING LEVER CONVERSION

2B14

POWER TRAIN

RWP2717 -UN-01JAN94

COUNTERWEIGHTED PTO CLUTCH OPERATING LEVER CONVERSION KIT



KEY	PART NO.	PART NAME	QTY	TRACTOR SERIAL NO.	REMARKS
1	R53237	SHIM	1		0.64MM (.025")
2	R52057	SPRING	1		INNER
3	R45582	SPRING	1		OUTER
4	R51865	SPRING	2		
5	R52737	SPRING	2		
6	R52736	WASHER	2		
7	AR63609	LEVER	3		
8	R52355	SLEEVE	1		
9	R32588	BACK-UP RING	2		
10	R56464	O-RING	2		
11	R41511	DOWEL PIN	2		
12	R26919	WASHER	2		
13	R26373	SPRING	1		
14	400R	BALL	1		6MM (1/4")
15	AR63606	KIT	1		

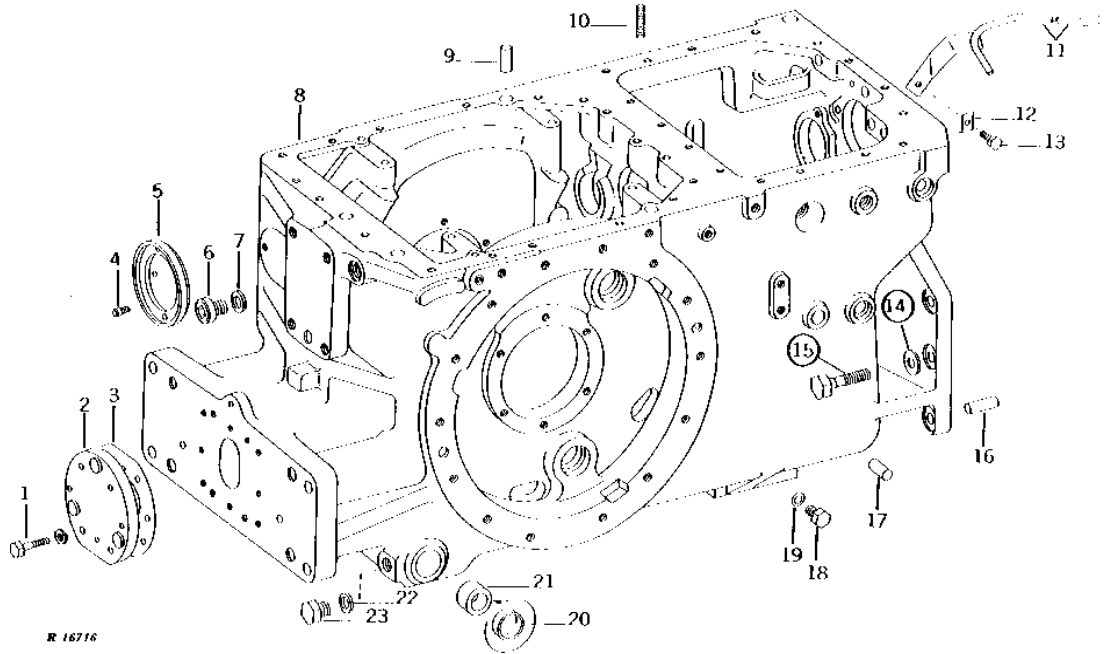
MEMORANDA

2B15

POWER TRAIN

R16716 -UN-01JAN94

TRANSMISSION CASE (SYNCRO-RANGE)



R 16716

KEY	PART NO.	PART NAME	QTY	TRACTOR SERIAL NO.	REMARKS
1	19H2473	CAP SCREW	6		1/2" X 1-3/4"
	12H301	LOCK WASHER	6		1/2"
2	R35274	COVER	1		(LESS PTO)
3	R58900	GASKET	1		(SUB FOR R35621)
4	R27329	SCREW	2		
5	AR26707	RETAINER	1		
6	R27483	PLUG	1		
7	H851R	WASHER	1		
8	AR43563	TRANSMISSION CASE	1	-XXXXXX	(MARKED R41240) (SUB AR63947, AR64640, R72371 AND (6) R46674)
	AR49732	TRANSMISSION CASE	1	XXXXXX-	(MARKED R46680) (SUB AR63947 AND AR64640)
9	R26616	DOWEL PIN	3		
10	D488R	STUD	1		
11	AR49146	TUBE	1		
12	R30959	LOCK PLATE	1		
13	19H2021	CAP SCREW	1		3/8" X 5/8"
14	T21397	WASHER	12		
15	19H1707	CAP SCREW	10		3/4" X 2-3/4"
	19H1862	CAP SCREW	2		3/4" X 2-1/2"
16	A776R	PIN	2		
17	R54380	DOWEL PIN	4		(SUB FOR T25317)
18	R27218	FITTING PLUG	1		(A)
19	T16911	SHIM	1		(A)
20	R43409	CAP	2		(LESS ROCKSHAFT)
21	R43315	BUSHING	2		
	R43931	BUSHING	1		0.08MM (.003")
	R43932	BUSHING	1		0.15MM (.006")
	R46802	BUSHING	1		0.23MM (.009") (SUB AR89133)
22	R26906	O-RING	1		
23	R27474	DRAIN PLUG	1		

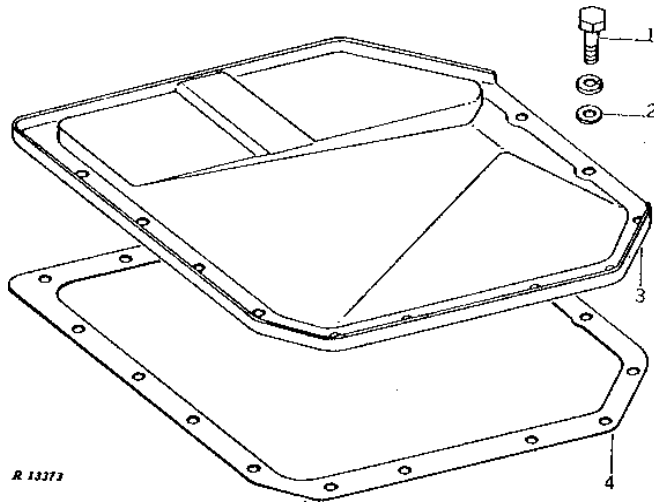
(A) LESS DIFFERENTIAL LOCK

2B16

POWER TRAIN

R13373 -UN-01JAN94

TRANSMISSION CASE COVER (SYNCRO-RANGE)



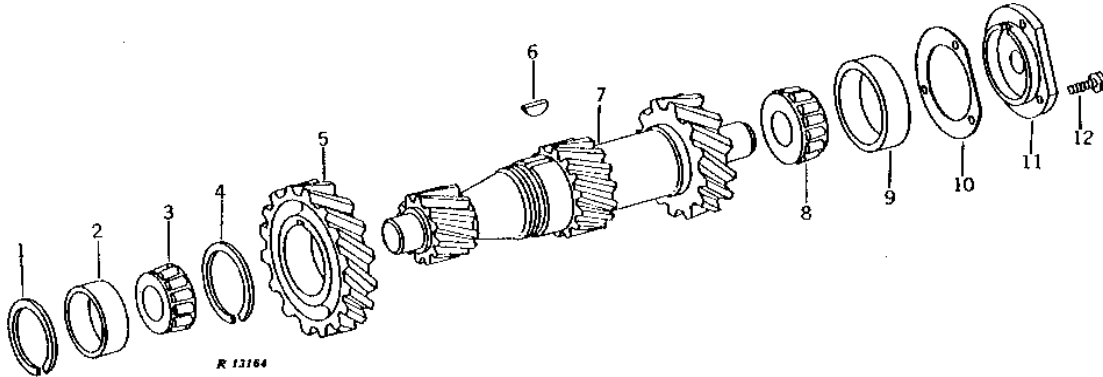
KEY	PART NO.	PART NAME	QTY	TRACTOR SERIAL NO.	REMARKS
1	19H1731	CAP SCREW	10	3/8" X 1"	
	19H1765	CAP SCREW	2	3/8" X 1-3/4"	
	19H1854	CAP SCREW	10	3/8" X 3-3/4"	
	19H2205	CAP SCREW	10	3/8" X 6"	
	24H1305	WASHER	2	13/32" X 13/16" X 0.065"	
	12H304	LOCK WASHER	14	3/8"	
2	A4624R	WASHER	14		
3	AR88539	COVER	1	(SUB FOR R43190)	
4	R43260	GASKET	1		

2B17

POWER TRAIN

R13164 -UN-01JAN94

COUNTERSHAFT (SYNCRO-RANGE)



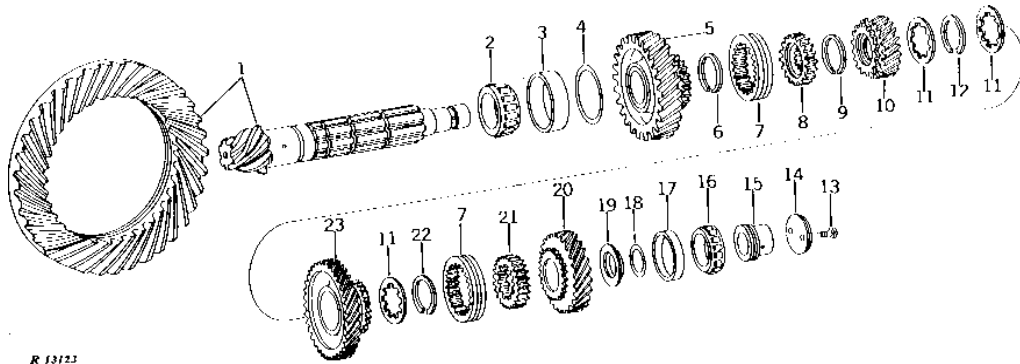
KEY	PART NO.	PART NAME	QTY	TRACTOR SERIAL NO.	REMARKS
1	R35377	SNAP RING	1		
2	JD8262	BEARING CUP	1	(SUB JD10005 AND JD8113)	
3	JD7383	BEARING CONE	1		
4	R35369	SNAP RING	1		
5	R43017	GEAR	1	(SIXTH AND EIGHTH SPEED)	
6	26H93	SHAFT KEY	1	1/4" X 1-1/4"	
7	R43128	COUNTERSHAFT	1		
8	JD9015	BEARING CONE	1		
9	JD8288	BEARING CUP	1		
10	R43346	SHIM	AR	0.15MM (.006")	
	R43347	SHIM	AR	0.25MM (.010")	
	R43348	SHIM	AR	0.46MM (.018")	
11	R43129	RETAINER	1		
12	R57725	SCREW	3	(SUB FOR R40835)	

2B18

POWER TRAIN

DIFFERENTIAL DRIVE AND BEVEL PINION ASSEMBLY (SYNCRO-RANGE)

R13123 -UN-25SEP95



R 13123

KEY	PART NO.	PART NAME	QTY	TRACTOR SERIAL NO.	REMARKS
1	AR43006	GEAR	1		(MARKED R43023 AND R43024) (MATCHED SET)
2	JD8977	BEARING CONE	1		
3	JD8266	BEARING CUP	1		
4	R33410	SHIM	AR	0.08MM (.003")	
	R33411	SHIM	AR	0.13MM (.005")	
	R33412	SHIM	AR	0.25MM (.010")	
5	AR54679	GEAR	1		FIRST AND THIRD SPEED, (MARKED R43131) (SUB FOR AR43025)
6	R35372	SNAP RING	1		
7	R35491	SHIFT COLLAR	2		
8	R43191	GEAR	1		
9	R43349	SNAP RING	1		
10	R43018	GEAR	1		SIXTH AND EIGHTH SPEED
11	R35426	THRUST WASHER	3		
12	R35373	SNAP RING	1		
13	R57725	SCREW	2		(SUB FOR R40835)
14	R43463	PLATE	1		
15	R43056	BEARING RACE	1		
16	JD7359	BEARING CONE	1		
17	JD8235	BEARING CUP	1		
18	R36765	SHIM	AR	0.08MM (.003")	
	R36766	SHIM	AR	0.13MM (.005")	
	R36767	SHIM	AR	0.25MM (.010")	
19	R36764	BUSHING	1		
20	R43019	GEAR	1		FOURTH AND SEVENTH SPEED
21	R35489	GEAR	1		
22	R35371	SNAP RING	1		
23	R43134	GEAR	1		SECOND AND FIFTH SPEED

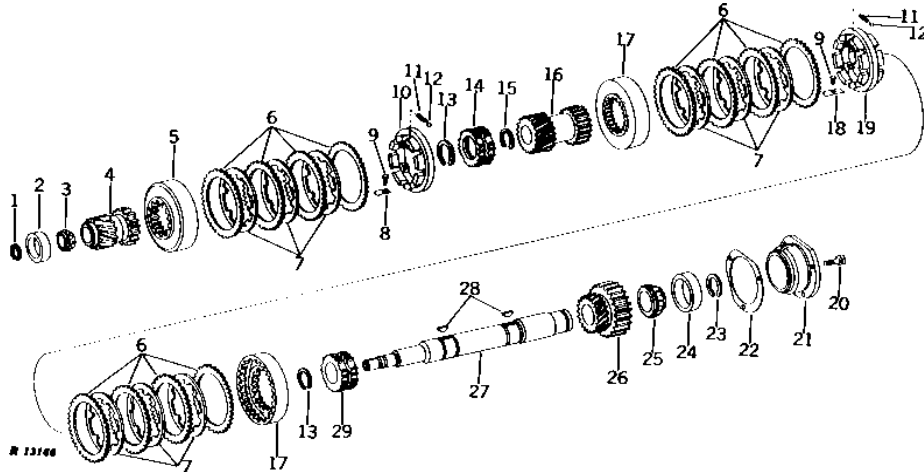
MEMORANDA

2B19

POWER TRAIN

R13166 -UN-01JAN94

TRANSMISSION DRIVE SHAFT ASSEMBLY (SNYCRO-RANGE)



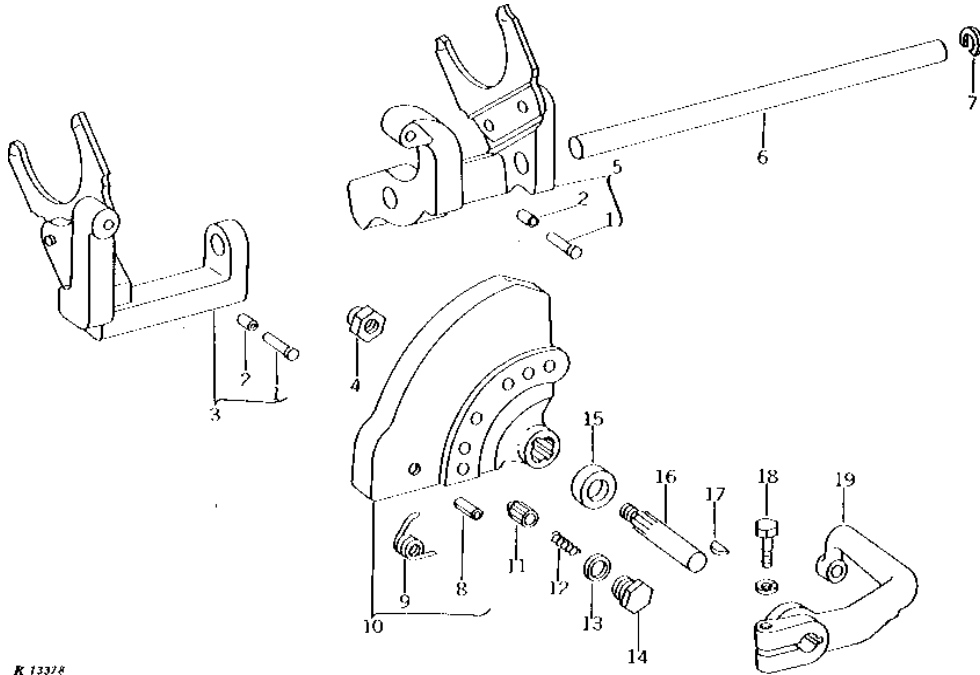
KEY	PART NO.	PART NAME	QTY	TRACTOR SERIAL NO.	REMARKS
1	R35164	SNAP RING	1	1.93MM (.076")	
	R35165	SNAP RING	1	2.01MM (.079")	
	R35166	SNAP RING	1	2.08MM (.082")	
	R35167	SNAP RING	1	2.16MM (.085")	
	R40713	SNAP RING	1	2.24MM (.088")	
	R40714	SNAP RING	1	2.31MM (.091")	
	R40715	SNAP RING	1	2.39MM (.094")	
2	JD8291	BEARING CUP	1		
3	JD7232	BEARING CONE	1		
4	R43022	PINION	1		REVERSE RANGE
5	R36678	DRUM	1		
6	AR69155	SYNCHRONIZER	1		(SUB FOR AR42990) (3 SETS USED) (SUB RE37120)
7	PLATE	1		(SUB RE37120)
8	R35460	CLAMP	2		
9	R45225	STUD	4		(SUB FOR R35459)
10	AR35404	CLAMP	1		
11	R59860	SPRING	8		(SUB FOR R27730)
12	A4742R	BALL	8		
13	R35385	SNAP RING	2		
14	R35458	SHIFT COLLAR	1		
15	R35386	SNAP RING	1		
16	R59827	PINION	1		LOW RANGE, (SUB FOR R43021 OR R51842)
17	R36678	DRUM	2		
18	R35461	CLAMP	2		
19	AR35403	SYNCHRONIZER	1		
20	R57725	SCREW	3		(SUB FOR R40835)
21	R50564	QUILL	1		(SUB FOR R43133)
22	R57977	SHIM	AR	0.15MM (.006")	(SUB FOR R43350)
	R57978	SHIM	AR	0.25MM (.010")	(SUB FOR R43351)
	R57979	SHIM	AR	0.46MM (.018")	(SUB FOR R43352)
23	R35381	SNAP RING	1	1.93MM (.076")	
	R35382	SNAP RING	1	2.01MM (.079")	
	R35383	SNAP RING	1	2.08MM (.082")	
	R35384	SNAP RING	1	2.16MM (.085")	
	R40711	SNAP RING	1	2.24MM (.088")	
	R40712	SNAP RING	1	2.31MM (.091")	
24	JD8240	BEARING CUP	1		
25	JD8907	BEARING CONE	1		
26	R54567	PINION	1		HIGH RANGE, (SUB FOR R43020)
27	R43189	DRIVE SHAFT	1		
28	26H82	SHAFT KEY	2		1/4" X 7/8"
29	R35457	SHIFT COLLAR	1		(SUB FOR R64129)

2B20

POWER TRAIN

GEAR SHIFTERS AND SHIFTER SHAFT (SYNCRO-RANGE)

R13378 -UN-01JAN94



R 13378

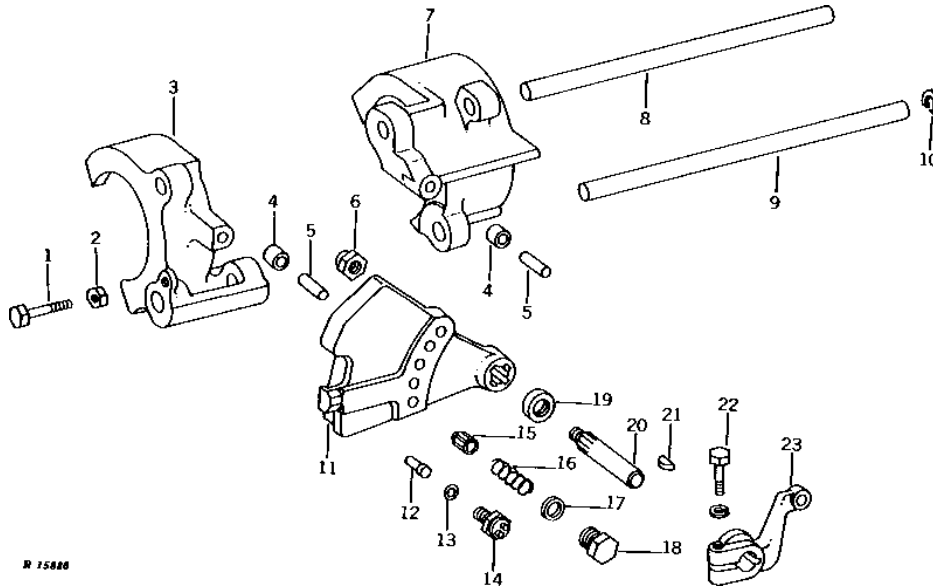
KEY	PART NO.	PART NAME	QTY	TRACTOR SERIAL NO.	REMARKS
1	R26206	PIN	2		
2	R26207	ROLLER	2		
3	AR43026	LEVER	1		(MARKED R43135) (FIRST AND THIRD SPEED, SIXTH AND EIGHTH SPEED)
4	E17421	LOCK NUT	1		
5	AR43027	LEVER	1		(MARKED R43136) SECOND AND FIFTH SPEED, FOURTH AND SEVENTH SPEED)
6	R43460	SHIFTER ROD	1		
7	R46205	RING	1		(SUB FOR F315R)
8	34H365	SPRING PIN	1		1/2" X 7/8"
9	R43593	SPRING	1		
10	AR77725	CAM	1		(MARKED R43391, R61108, R62803 OR R62972) (SUB FOR AR43097, AR74081 OR AR77462)
11	R26202	PAWL	1		
12	R26203	SPRING	1		
13	A4827R	WASHER	1		
14	R38181	FITTING	1		
15	AR389R	SEAL	1		
16	AR31904	SHAFT	1		(SUB R32630 AND E17421)
17	26H17	SHAFT KEY	1		3/16" X 7/8"
18	19H1800	CAP SCREW	1		3/8" X 1-1/2"
	12H304	LOCK WASHER	1		3/8"
19	R43392	ARM	1		SPEED CHANGE SHIFTER

2B21

POWER TRAIN

RANGE SHIFTERS AND SHIFTER SHAFTS (SYNCRO-RANGE)

R15880 -UN-01JAN94



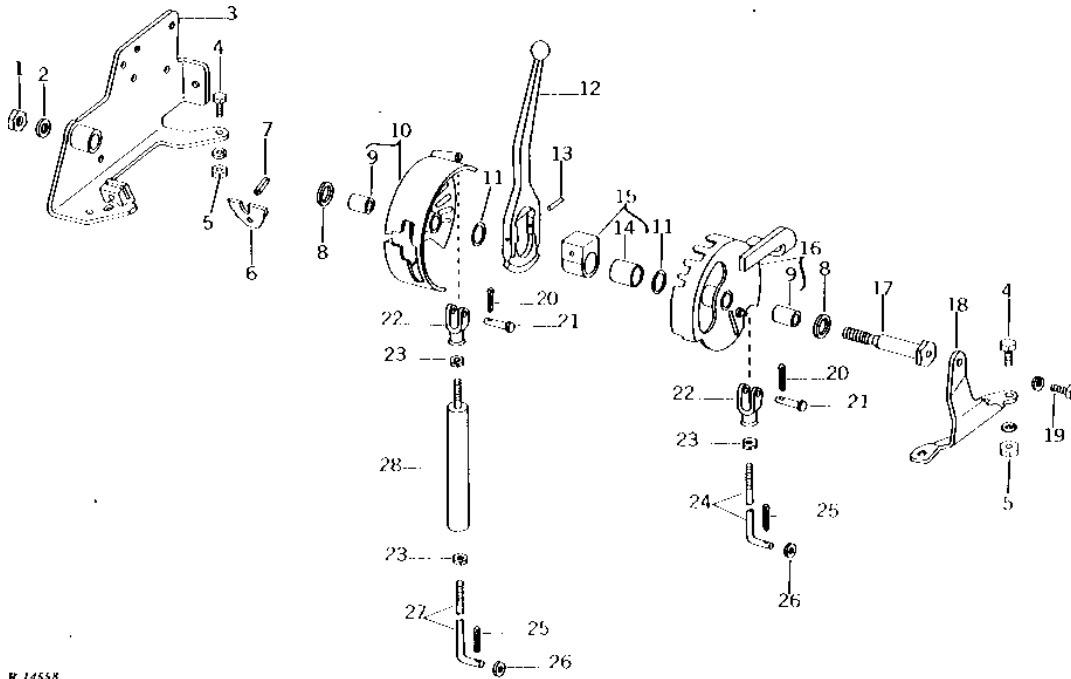
KEY	PART NO.	PART NAME	QTY	TRACTOR SERIAL NO.	REMARKS
1	19H2873	CAP SCREW	1		
2	14H1076	NUT	1		
3	AR43745	SHIFTER	1		(MARKED R43138) REVERSE RANGE
4	R43906	SPACER	2		
5	R97316	PIN	2		(SUB FOR R43907)
6	E17421	LOCK NUT	1		
7	AR43744	SHIFTER	1		(MARKED R43137) LOW AND HIGH RANGE
8	R70558	SHAFT	1		(SUB FOR R43461)
9	R43460	SHIFTER ROD	1		
10	R46205	RING	1		(SUB FOR F315R)
11	R100094	CAM	1		(SUB FOR R43393)
12	R99556	PIN	1		(SUB FOR R33731)
13	T16911	SHIM	AR		
14	RE38390	SWITCH	1		START-SAFETY, (SUB FOR R36265, AR85323, AR89691 OR AT85153)
15	R26202	PAWL	1		
16	T23856	SPRING	1		
17	A4827R	WASHER	1		
18	R38181	FITTING	1		
19	AR389R	SEAL	1		
20	AR31904	SHAFT	1		(SUB R32630 AND E17421)
21	26H17	SHAFT KEY	1		3/16" X 7/8"
22	19H1800	CAP SCREW	1		3/8" X 1-1/2"
	12H304	LOCK WASHER	1		3/8"
23	R43394	ARM	1		SPEED RANGE SHIFTER

2B22

POWER TRAIN

TRANSMISSION SHIFTER CONTROL LEVER, QUADRANT, AND LINKAGE (SYNCRO-RANGE)

R14558 -UN-01JAN94



R 14558

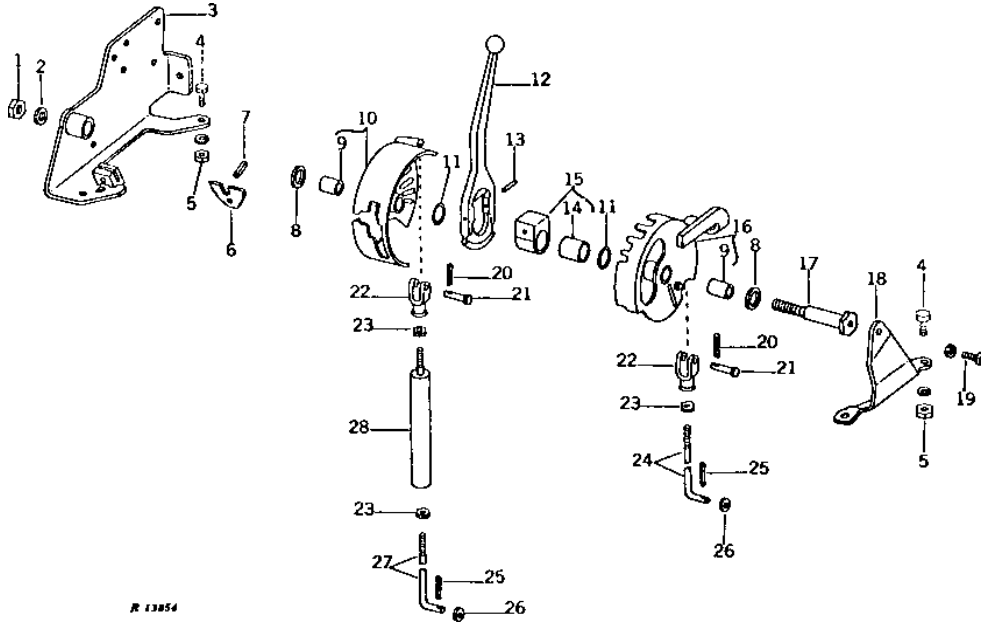
KEY	PART NO.	PART NAME	QTY	TRACTOR SERIAL NO.	REMARKS
1	14H1039	NUT	1		5/8"
2	F2783R	WASHER	1		
3	AR46042	SUPPORT	1		
4	19H2284	CAP SCREW	5		3/8" X 7/8"
5	14H1076	NUT	5		3/8"
	12H304	LOCK WASHER	5		3/8"
6	R52882	LATCH	1		(SUB FOR R42128)
7	34H348	SPRING PIN	1		3/8" X 1"
8	R42127	WASHER	2		
9	R26182	BUSHING	2		
10	AR45240	QUADRANT	1		SPEED CHANGE, (SUB FOR AR44263)
11	R26187	WASHER	2	XXXXXX-	
12	AR59446	LEVER	1		(SUB FOR R31188)
13	34H314	SPRING PIN	2		1/4" X 1-1/4"
14	R26186	BUSHING	1	-XXXXXX	
15	AR26360	PIVOT	1	-XXXXXX	(MARKED R26185) (SUB (2) R26187 AND R53247)
	R47203	PIVOT	1	XXXXXX-XXXXXX	(SUB (2) R26187 AND R53247)
	R53247	PIVOT	1	XXXXXX-	(ALSO ORDER (2) R26187)
16	AR45342	QUADRANT	1		SPEED RANGE, (SUB FOR AR44270)
17	R42126	SHAFT	1		
18	R42129	SUPPORT	1		
19	19H2284	CAP SCREW	1		3/8" X 7/8"
	12H304	LOCK WASHER	1		3/8"
20	11M7081	COTTER PIN	2		0.098" X 0.787"
21	R65563	PIN	2		(SUB FOR C1067R)
22	C284R	YOKE	2		
23	14H732	NUT	3		3/8"
24	R43462	BOLT	1		
25	11M7059	COTTER PIN	2		3.200 X 20 MM
26	24H1302	WASHER	2		13/32" X 11/16" X 0.035"
27	R43462	BOLT	1		(SUB FOR R43886)
28	AR49457	SPRING ASSEMBLY	1		(SUB FOR AR31649)

2B23

POWER TRAIN

TRANSMISSION SHIFTER CONTROL LEVER, QUADRANT, AND LINKAGE (POWER FRONT WHEEL DRIVE) (SYNCRO-RANGE)

R13854 -UN-01JAN94



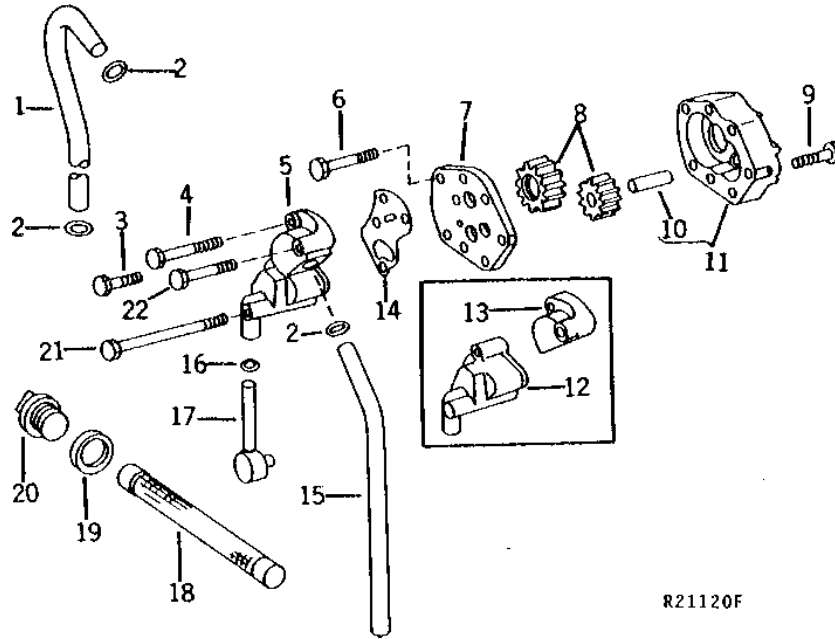
KEY	PART NO.	PART NAME	QTY	TRACTOR SERIAL NO.	REMARKS
1	14H1039	NUT	1	5/8"	
2	F2783R	WASHER	1		
3	AR46042	SUPPORT	1		
4	19H2284	CAP SCREW	3	3/8" X 7/8"	
	19H246	CAP SCREW	3	3/8" X 1-3/4"	
5	14H1076	NUT	4	3/8"	
	12H304	LOCK WASHER	4	3/8"	
6	R52882	LATCH	1	(SUB FOR R42128)	
7	34H348	SPRING PIN	1	3/8" X 1"	
8	R42127	WASHER	2		
9	R26182	BUSHING	2		
10	AR45240	QUADRANT	1	SPEED CHANGE	
11	R26187	WASHER	2		
12	AR59446	LEVER	1	(SUB FOR R31188)	
13	34H314	SPRING PIN	2	1/4" X 1-1/4"	
14	R26186	BUSHING	1	-XXXXXX	
15	AR26360	PIVOT	1	(MARKED R26185) (SUB (2) R26187 AND R53247)	
16	AR45342	QUADRANT	1	SPEED RANGE	
17	R42126	SHAFT	1		
18	R42129	SUPPORT	1		
19	19H2284	CAP SCREW	1	3/8" X 7/8"	
	12H304	LOCK WASHER	1	3/8"	
20	11M7081	COTTER PIN	2	0.098" X 0.787"	
21	R65563	PIN	2	(SUB FOR C1067R)	
22	C284R	YOKE	2		
23	14H732	NUT	3	3/8"	
24	R43462	BOLT	1		
25	11M7059	COTTER PIN	2	3.200 X 20 MM	
26	24H1302	WASHER	2	13/32" X 11/16" X 0.035"	
27	R43462	BOLT	1	(SUB FOR R43886)	
28	AR49457	SPRING ASSEMBLY	1	(SUB FOR AR31649)	

2B24

POWER TRAIN

R21120 -UN-01JAN94

TRANSMISSION OIL PUMP (SYNCRO-RANGE)



R21120F

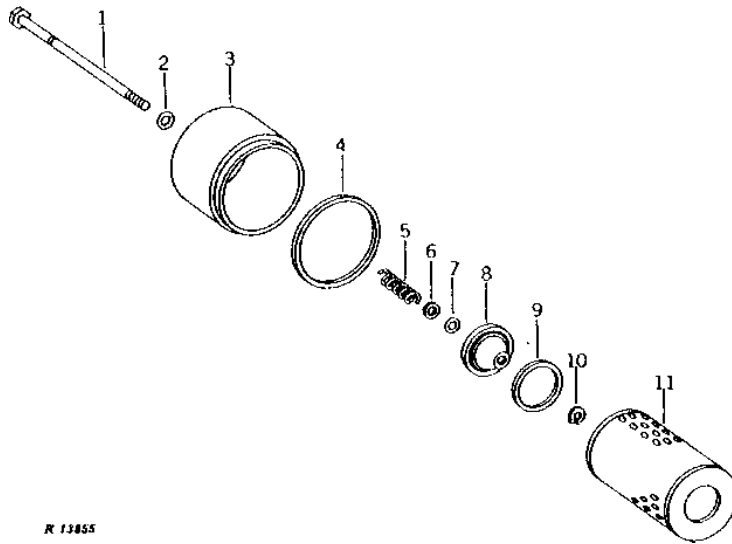
KEY	PART NO.	PART NAME	QTY	TRACTOR SERIAL NO.	REMARKS
1	R43254	OIL TUBE	1		
2	R56462	O-RING	3		
3	R41006	CAP SCREW	1		
4	R41008	CAP SCREW	1		
5	R51907	MANIFOLD	1	014471-	
6	R43252	CAP SCREW	2		
7	R43250	COVER	1		
8	AR40670	GEAR	1		
9	R41006	CAP SCREW	2		
10	R40824	DOWEL PIN	1		
11	AR51652	HOUSING	1		(MARKED R48451 OR R43251) (SUB FOR AR43736)
12	R40833	VENT	1	-014470	(ORDER R51907)
13	R40828	FILLER NECK	1	-014470	(ORDER R51907)
14	R43253	GASKET	1		
15	R40831	HYDRAULIC LINE	1		
16	A3917R	O-RING	1		
17	AR43058	HYDRAULIC LINE	1		
18	R53169	SCREEN	1		(NYLON)
	AR26375	SCREEN	1		(STEEL)
19	A4808R	WASHER	1		
20	R40147	FITTING	1		(SUB FOR A4806R)
21	R41009	CAP SCREW	1		
22	R41007	CAP SCREW	1		

2B25

POWER TRAIN

R13855 -UN-01JAN94

TRANSMISSION OIL FILTER (SYNCRO-RANGE)



R 13855

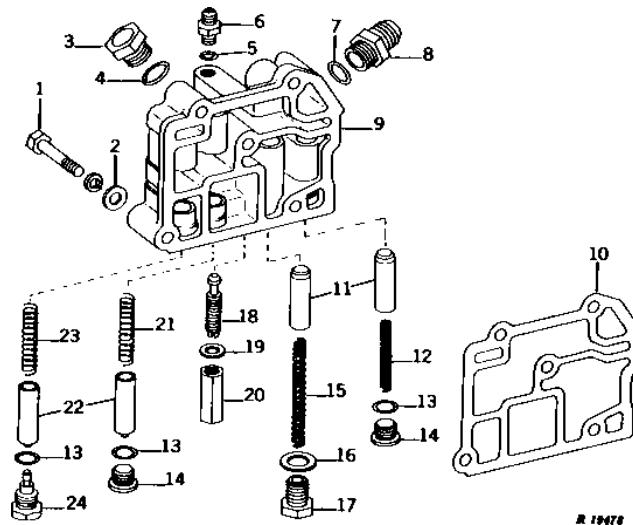
KEY	PART NO.	PART NAME	QTY	TRACTOR SERIAL NO.	REMARKS
1	R54750	CAP SCREW	1		(SUB FOR R39795)
2	R394R	O-RING	1		
3	R39796	COVER	1		
4	R34733	WASHER	1		
5	H819R	SPRING	1		
6	24H1227	WASHER	1		17/32" X 13/16" X 0.060"
7	R394R	O-RING	1		
8	R65892	RETAINER	1		(SUB FOR R28593)
9	R28594	WASHER	1		
10	R32507	SNAP RING	1		
11	AR75603	FILTER ELEMENT	1		(PKG. OF 2) (SUB FOR AR28271 OR AR75601)

2C1

POWER TRAIN

R19478 -UN-01JAN94

OIL FILTER RELIEF VALVE HOUSING (SYNCRO-RANGE)



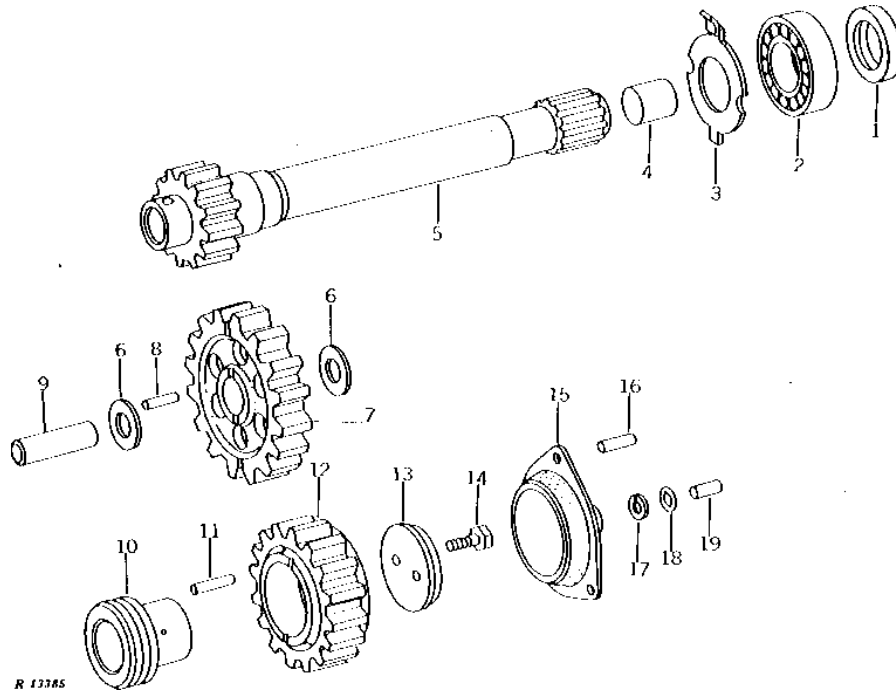
KEY	PART NO.	PART NAME	QTY	TRACTOR SERIAL NO.	REMARKS
1	19H2731	CAP SCREW	1	7/16" X 1-3/8"	
	19H1828	CAP SCREW	1	7/16" X 4"	
	19H2055	CAP SCREW	2	7/16" X 2-1/4"	
19H2227	19H2227	CAP SCREW	1	7/16" X 2-1/2"	
	12H293	LOCK WASHER	5	7/16"	
2	24H1325	WASHER	5	15/32" X 59/64" X 0.065"	
3	R33610	FITTING	1		
4	B2762R	O-RING	1		
5	R26286	O-RING	1		
6	R27272	FITTING	1		
7	F3171R	O-RING	1		
8	R27267	FITTING	1		
9	AR52630	HOUSING	1		(MARKED R49199 OR R49200)
	R39112	FITTING	1		(USE WITH R49200)
	R26375	O-RING	1		(USE WITH R49200)
	15H624	PIPE PLUG	1	1/2"	
10	R49758	GASKET	1		
11	R49197	VALVE	2		(SUB R57561 AND R33259)
12	R26686	SPRING	1		
13	R26375	O-RING	3		
14	R33138	FITTING	2		
15	R39808	SPRING	1		
16	R1742R	WASHER	1		
17	R52589	FITTING PLUG	1		(SUB FOR R33163)
18	R39587	SET SCREW	1		
19	F2846R	WASHER	1		
20	F2847R	NUT	1		
21	R28914	SPRING	1		
22	R33162	VALVE	2		(SUB R33259 AND R57559)
23	R42057	SPRING	1		
24	R36943	FITTING	1		

2C2

POWER TRAIN

1000 RPM PTO DRIVE SHAFT AND IDLER GEARS (SYNCRO-RANGE)

R13385 -UN-01JAN94



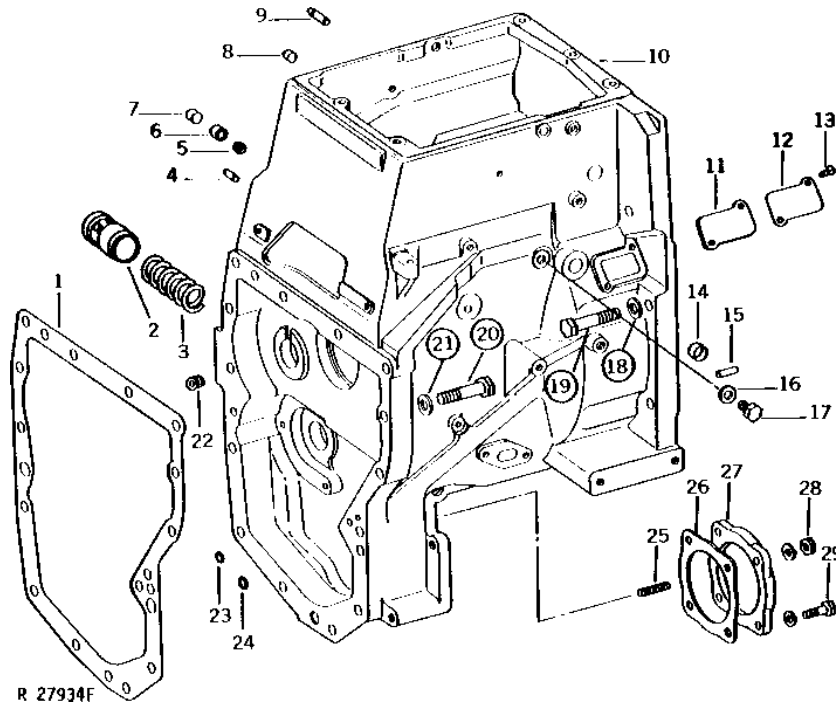
KEY	PART NO.	PART NAME	QTY	TRACTOR SERIAL NO.	REMARKS
1	R35643	SEAL	1		
2	JD7997	ROLLER BEARING	1		
3	R53440	WASHER	1		(SUB FOR AR43562)
4	R43233	BUSHING	1		
5	AR43052	SHAFT	1		
6	R33345	THRUST WASHER	2		
7	R43054	STEERING GEAR	1		
8	R26006	NEEDLE ROLLER	18		
9	R26663	DOWEL PIN	1		
10	R43056	BEARING RACE	1		
11	R33028	NEEDLE ROLLER	40		
12	R43055	STEERING GEAR	1		
13	R43463	PLATE	1		
14	R57725	SCREW	2		(SUB FOR R40835)
15	RE20735	BRAKE SHOE	1		(SUB FOR AR43031)
16	34H349	SPRING PIN	3		3/8" X 1-1/4"
17	R26551	BACK-UP RING	1		
18	R394R	O-RING	1		
19	R40815	PISTON	1		PTO BRAKE

2C3

POWER TRAIN

R27934 -UN-01JAN94

CLUTCH HOUSING (POWER SHIFT)



2C4

POWER TRAIN

CLUTCH HOUSING - CONTINUED (POWER SHIFT)

KEY	PART NO.	PART NAME	QTY	TRACTOR SERIAL NO.	REMARKS
1	R50973	GASKET	1		(SUB FOR R43536)
2	R33525	PISTON	1		CLUTCH OIL ACCUMULATOR
3	R33526	SPRING	1		
4	R1612R	DOWEL PIN	2		
5	AR26338	SEAL	1		
6	T42441	WASHER	1		(SUB FOR R28359)
7	R28361	DOWEL PIN	1		(LESS PTO)
8	R46373	PIPE PLUG	1		(SUB FOR R33528)
9	R33837	PIN	1		
10	AR43982	HOUSING	1		(MARKED R47740, R41270 OR R47810) (SUB FOR AR43568)
11	R31494	GASKET	1		(SUB FOR R67989)
12	R31493	COVER	1		
13	21H1318	SCREW	2		0.216" X 1/2"
14	A3910R	CAP	1		(SUB N102039)
15	T26565	DOWEL PIN	2		(SUB FOR C1220R)
16	R26286	O-RING	2		
17	R27094	DRAIN PLUG	2		
18	T21397	WASHER	6		
19	19H1425	CAP SCREW	6		3/4" X 2-3/4"
20	19H1862	CAP SCREW	2		3/4" X 2-1/2"
	19H1425	CAP SCREW	2		3/4" X 2-3/4"
	19H2000	CAP SCREW	2		3/4" X 5"
	19H2113	CAP SCREW	3		3/4" X 3-1/4"
	19H2174	CAP SCREW	2		3/4" X 4-1/4"
	19H1707	CAP SCREW	4		3/4" X 2-3/4"
21	T21397	WASHER	14		
22	15H624	PIPE PLUG	1		1/2"
23	A4730R	O-RING	2		
24	R26919	WASHER	2		
25	R32101	STUD	2		
26	R43234	GASKET	1		
27	R43236	COVER	1		(LESS PTO)
28	14H1040	NUT	2		1/2"
	12H301	LOCK WASHER	2		1/2"
29	19H3579	CAP SCREW	2		1/2" X 1-3/8"
	12H301	LOCK WASHER	2		1/2"

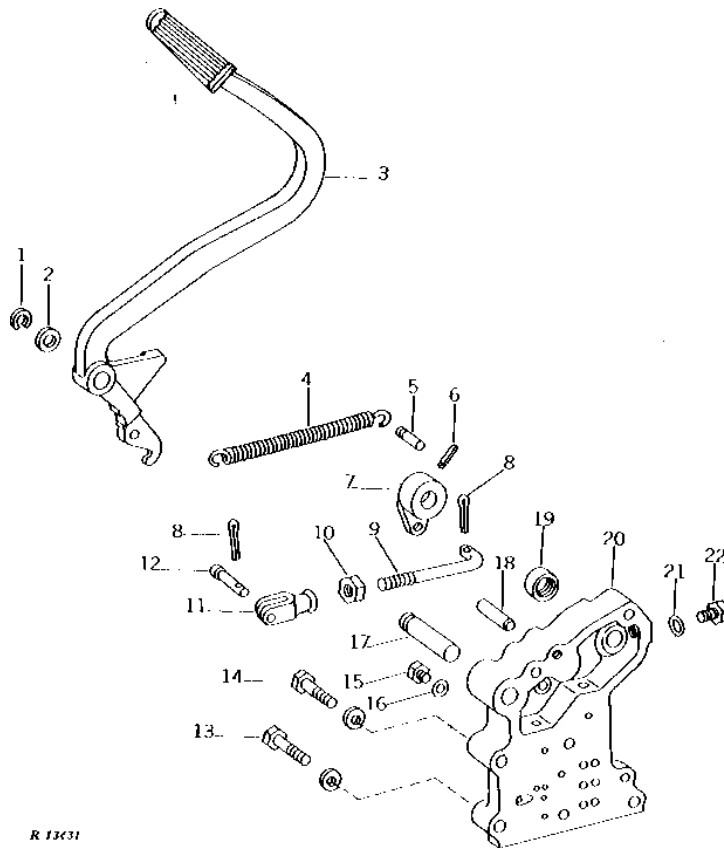
MEMORANDA

2C5

POWER TRAIN

TRANSMISSION CLUTCH VALVE, PEDAL, AND LINKAGE (POWER SHIFT)

R13431 -UN-01JAN94



R 13431

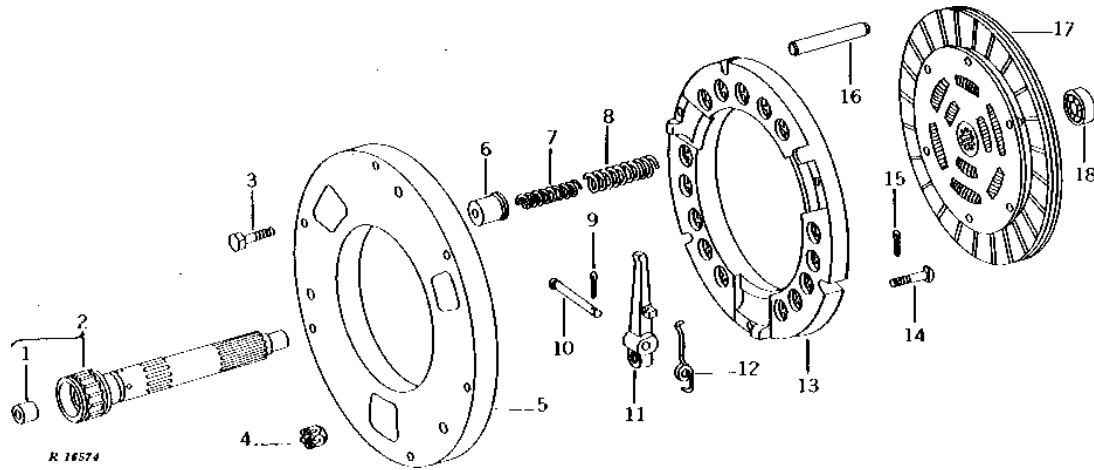
KEY	PART NO.	PART NAME	QTY	TRACTOR SERIAL NO.	REMARKS
1	R73380	SNAP RING	1	(SUB FOR A369R)	
2	24H1395	WASHER	1	25/32" X 1-7/16" X 0.060"	
3	R43467	PEDAL	1		
4	R43684	SPRING	1		
5	R33837	PIN	1		
6	34H188	SPRING PIN	1	5/16" X 1-3/4"	
7	R33157	LEVER	1		
8	11M7081	COTTER PIN	2	0.098" X 0.787"	
9	R33165	HOOK BOLT	1		
10	14H732	NUT	1	3/8"	
11	C284R	YOKE	1		
12	R65563	PIN	1	(SUB FOR C1067R)	
13	19H2055	CAP SCREW	5	7/16" X 2-1/4"	
	12H293	LOCK WASHER	5	7/16"	
14	19H2227	CAP SCREW	2	7/16" X 2-1/2"	
	12H293	LOCK WASHER	2	7/16"	
15	R27094	DRAIN PLUG	3		
16	R26286	O-RING	3		
17	R33156	PIN	1		
18	B3595R	DOWEL PIN	2		
19	AF2907R	SEAL	1		
20	AR88040	HOUSING	1	(MARKED R41151, R41152, R41153 OR R44164) (SUB FOR AR40794 OR AR45381) (ALSO ORDER 15H558)	
21	R26448	O-RING	1		
22	R27218	FITTING PLUG	1		

2C6

POWER TRAIN

TRANSMISSION DISCONNECT CLUTCH (POWER SHIFT)

R16574 -UN-01JAN94



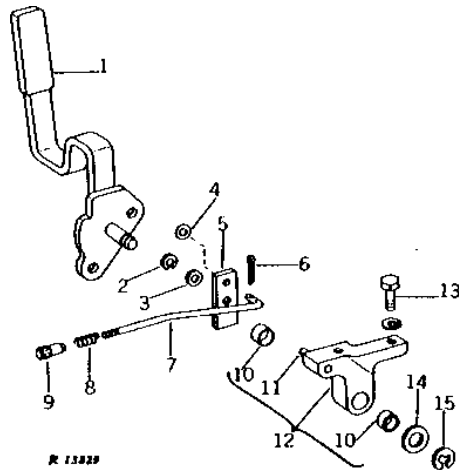
KEY	PART NO.	PART NAME	QTY	TRACTOR SERIAL NO.	REMARKS
1	R43214	BUSHING	1		
2	AR43045	SHAFT	1		
3	R112876	CAP SCREW	6		(SUB FOR R40808)
4	R39893	NUT	3		
5	R42110	COVER	1		
6	R33135	BUSHING	15		
7	R38185	SPRING	15		
8	R26637	SPRING	15		
9	11M7059	COTTER PIN	3		3.200 X 20 MM
10	R31711	PIN	3		
11	R39892	LEVER	3		
12	R20152	SPRING	3		
13	R46808	CLUTCH PLATE	1		(SUB FOR R43163)
14	R31713	BOLT	3		
15	11M7081	COTTER PIN	3		0.098" X 0.787"
16	R32192	DOWEL PIN	3		
17	RE29603	CLUTCH DISK	1		(SUB FOR AR43018, AR57268 OR AR73542)
18	JD9449	BALL BEARING	1		(SUB FOR JD9281)

2C7

POWER TRAIN

TRANSMISSION DISCONNECT CLUTCH LEVER AND LINKAGE (POWER SHIFT)

R13829 -UN-01JAN94



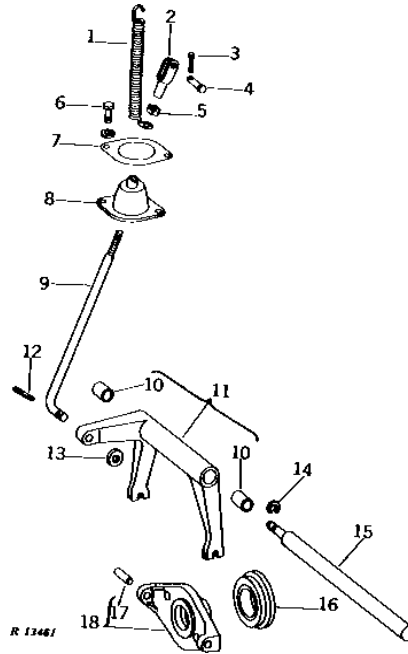
KEY	PART NO.	PART NAME	QTY	TRACTOR SERIAL NO.	REMARKS
1	AR54733	LEVER	1	(SUB AR40694)	
2	F3396R	SNAP RING	1		
3	24M7096	WASHER	1	10.500 X 18 X 1.600 MM	
4	24H1283	WASHER	1	7/32" X 1/2" X 0.049"	
5	R40970	STRAP	1		
6	11M7005	COTTER PIN	1	0.063" X 0.394"	
7	R40971	ROD	1		
8	A3182R	SPRING	1		
9	R40972	PUSH BUTTON	1		
10	R27116	BUSHING	2		
11	F3392R	PIN	1		
12	AR40671	SUPPORT	1	(MARKED R40845)	
13	19H1936	CAP SCREW	2	3/8" X 3/4"	
	12H304	LOCK WASHER	2	3/8"	
14	24H1395	WASHER	1	25/32" X 1-7/16" X 0.060"	
15	R27434	SNAP RING	1		

2C8

POWER TRAIN

TRANSMISSION DISCONNECT CLUTCH FORK AND CONTROL ROD (POWER SHIFT)

R13461 -UN-01JAN94



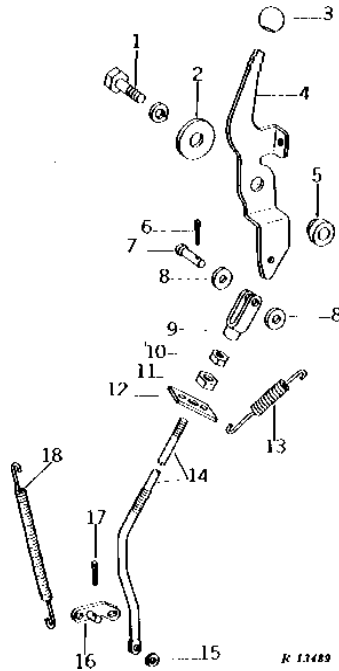
KEY	PART NO.	PART NAME	QTY	TRACTOR SERIAL NO.	REMARKS
1	R41892	SPRING	1		
2	L300T	YOKE	1		
3	11M7015	COTTER PIN	1	3.200 X 25 MM	
4	B178R	PIN	1		
5	14H934	NUT	1	7/16"	
6	19H2127	CAP SCREW	2	5/16" X 7/8"	
	12H303	LOCK WASHER	2	5/16"	
7	R33963	CLAMP	1		
8	R33962	BOOT	1		
9	R43535	BOLT	1		
10	R776R	BUSHING	2		
11	AR43034	FORK	1	(MARKED R43164)	
12	11M7015	COTTER PIN	1	3.200 X 25 MM	
13	24H1227	WASHER	1	17/32" X 13/16" X 0.060"	
14	R33527	SNAP RING	1		
15	R43624	SHAFT	1		
16	AR43065	THRUST BEARING	1		
17	R35075	QUICK LOCK PIN	2		
18	AR43035	PLANET PINION CARRIER	1	(MARKED R43165)	

2C9

POWER TRAIN

PTO CLUTCH CONTROL LEVER AND LINKAGE (POWER SHIFT)

R13489 -UN-01JAN94



R 13489

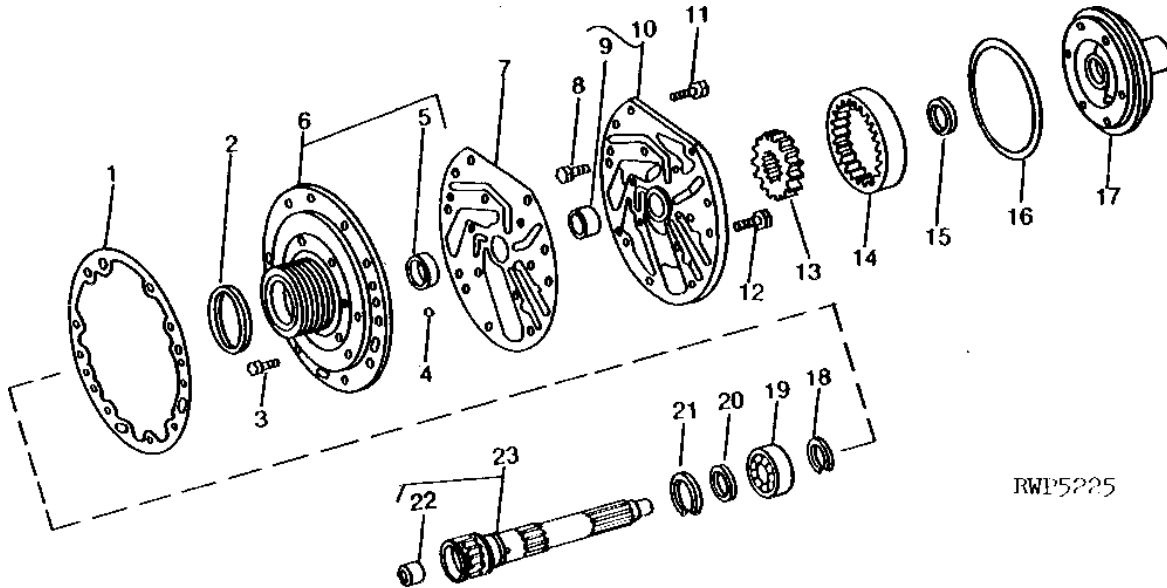
KEY	PART NO.	PART NAME	QTY	TRACTOR SERIAL NO.	REMARKS
1	19H2354	CAP SCREW	1	9/16" X 1-1/4"	
	12H317	LOCK WASHER	1	9/16"	
2	F2912R	WASHER	1		
3	R40948	KNOB	1		
4	R41370	LEVER	1		
5	R26574	WASHER	1		
6	11M7081	COTTER PIN	1	0.098" X 0.787"	
7	R65563	PIN	1	(SUB FOR C1067R)	
8	24H1309	WASHER	2	13/32" X 1-1/16" X 0.120"	
9	L324T	YOKE	1		
10	14H774	NUT	1	3/8"	
11	14H934	NUT	1	7/16"	
12	R43537	BUSHING	1		
13	R43538	SPRING	1		
14	R43471	ROD	1		
15	24H1286	WASHER	1	9/32" X 1/2" X 1/16"	
16	AR48689	ARM	1	PTO CLUTCH VALVE, (SUB FOR AR40929)	
17	11M7077	COTTER PIN	1	0.063" X 0.984"	
18	R41499	SPRING	1		

2C10

POWER TRAIN

TRANSMISSION CLUTCH OIL PUMP AND MANIFOLD (POWER SHIFT)

RWP5225 -UN-01JAN94



RWP5225

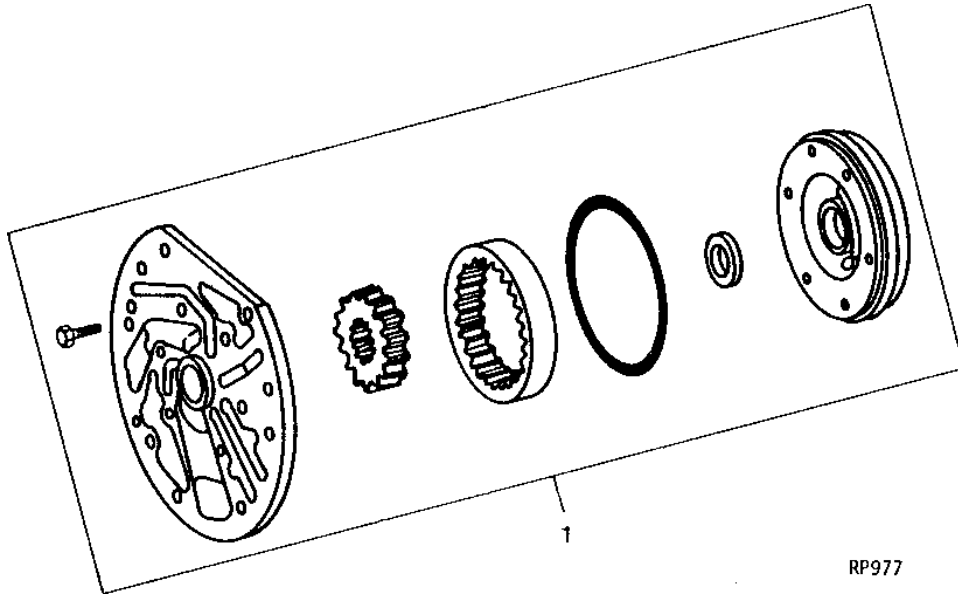
KEY	PART NO.	PART NAME	QTY	TRACTOR SERIAL NO.	REMARKS
1	R94323	GASKET	1		(SUB FOR R43534, R52568 OR R69305)
2	R43752	RING	4		
3	R41035	CAP SCREW	6		
4	R42849	BALL	2		
5	R45205	BUSHING	1		
6	AR63307	MANIFOLD	1		(MARKED R48648) (SUB FOR R43102, AR47131 OR AR51913)
7	R94326	GASKET	1		(SUB FOR R43533, R47684, R69306 OR R70250)
8	19H1849	CAP SCREW	1	-006874	5/16" X 1-1/4"
9	19H1900	CAP SCREW	1	006875-	5/16" X 3/4"
9	R43099	BUSHING	1		
10	RE21328	HOUSING	1		(MARKED R43098, R69303 OR R82362) (SUB FOR AR43017 OR AR90454, THIS APPLICATION)
11	T31783	BOLT	9		(SUB FOR R40808)
12	R41041	CAP SCREW	2		(SUB FOR T31784)
13	R43101	GEAR	1	-006874	(SUB AR48897, R46450 AND R46451)
13	R46450	GEAR	1	006875-	
14	R27880	GEAR	1	-006874	
14	R46451	GEAR	1	006875-	
15	AR70406	SEAL	1		(SUB FOR R35642)
16	R39876	PACKING	1		
17	AR43044	HOUSING	1	-006874	(MARKED R43211) (SUB AR48897, R46450 AND R46451)
	AR48897	HOUSING	1	006875-	(MARKED R46449)
18	A364R	SNAP RING	1		
19	JD8514	BALL BEARING	1		
20	R43738	THRUST WASHER	1		
21	B3169R	SNAP RING	1		
22	R43214	BUSHING	1		
23	AR43045	SHAFT	1		CLUTCH DRIVE
..	AR53214	OIL PUMP	1		(SUB AR90530)

2C11

POWER TRAIN

RP977 -UN-16NOV94

CLUTCH OIL PUMP ASSEMBLY



RP977

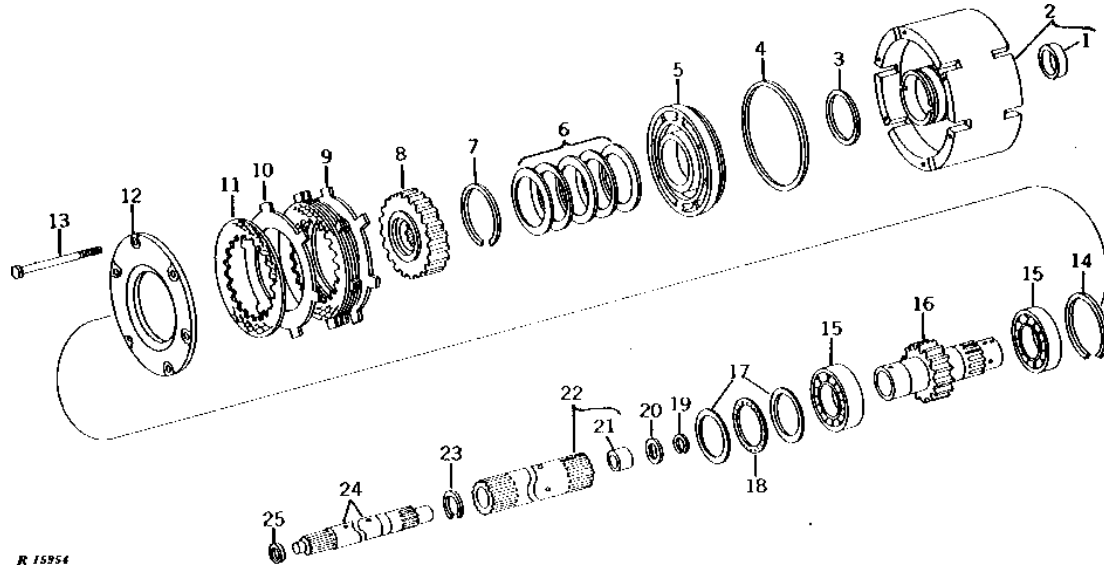
KEY	PART NO.	PART NAME	QTY	TRACTOR SERIAL NO.	REMARKS
1	AR90530	OIL PUMP	1	(MARKED R46449)	(SUB FOR AR90528)

2C12

POWER TRAIN

REAR TRANSMISSION CLUTCH PACK (POWER SHIFT)

R15954 -UN-01JAN94



R 15954

KEY	PART NO.	PART NAME	QTY	TRACTOR SERIAL NO.	REMARKS
1	R43367	BUSHING	1		(A) (B) (NLA)
2	AR43093	DRUM	1	-XXXXXX	(MARKED R43028)
	AR49654	DRUM	1	XXXXXX-	(A) (B) (MARKED R47124)
3	R43381	WASHER	1		(A) (C)
4	R43380	WASHER	1		(A) (C) (SUB R120841)
5	R43304	PISTON	1		(A) (C) PTO CLUTCH
6	R70027	DISK SPRING	5		(A) (C) (SUB FOR R43382)
7	R43383	SNAP RING	1		(A) (C)
8	R47125	HUB	1		(A) (C) (SUB FOR R43030)
9	R46418	DISK	1		(A) (C) (FLAT) (SUB FOR R43209)
10	R46419	CLUTCH PLATE	3		(A) (C) (WAVY) (SUB FOR R43210)
11	RE28023	CLUTCH DISK	4		(A) (SUB FOR AR43057, AR68352, AR87484 OR RE20133) (ALSO ORDER R46418)
12	R43151	PLATE	1		(A) (C)
13	19H2343	CAP SCREW	6		(A) (B) 5/16" X 5-1/2"
14	F2622R	SNAP RING	1		
15	JD9320	BALL BEARING	2		
16	R43905	SHAFT	1		PTO DRIVE, (SUB FOR R43060)
17	R43722	WASHER	1	-005257	
	JD9894	BEARING RACE	2	005258-	
18	JD9886	THRUST BEARING	1	005258-	
19	R43273	SNAP RING	1		
20	R43374	THRUST WASHER	1		
21	R43305	BUSHING	1		
22	AR43074	SHAFT	1		HIGH RANGE DRIVE
23	F2197R	SNAP RING	1		
24	R43109	SHAFT	1		LOW RANGE DRIVE
25	AT12889	SEAL	1		
..	AR90515	CLUTCH	1		PTO, (SUB FOR AR49395)
..	AR90516	CLUTCH	1		LESS PTO, (SUB FOR AR49396)

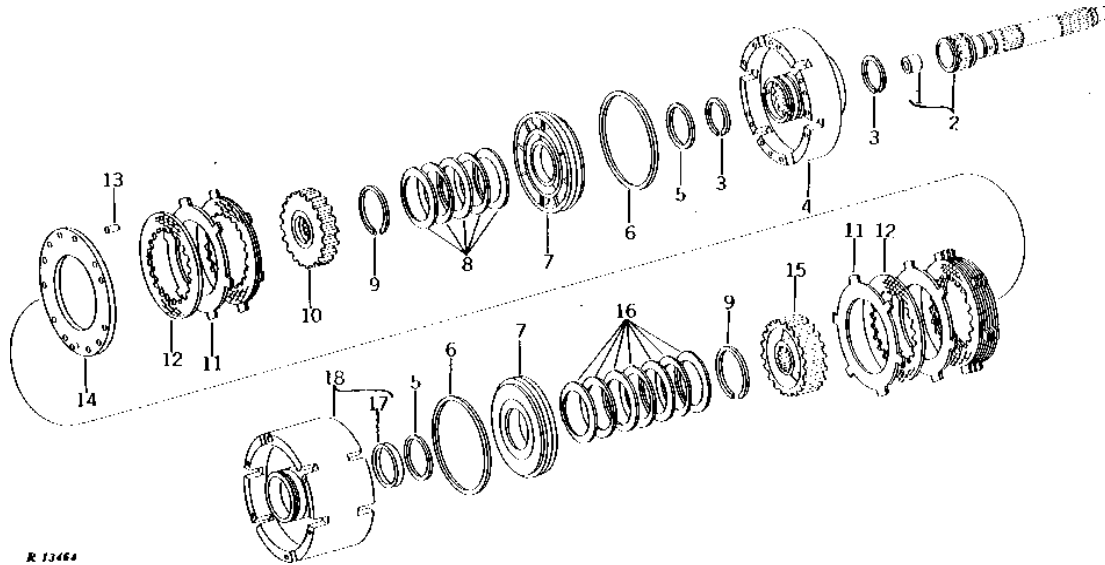
- (A) INCLUDED IN AR90515
- (B) INCLUDED IN AR90516
- (C) NOT REQUIRED ON TRACTORS LESS PTO

2C13

POWER TRAIN

FRONT TRANSMISSION CLUTCH PACK (POWER SHIFT)

R13464 -UN-01JAN94



KEY	PART NO.	PART NAME	QTY	TRACTOR SERIAL NO.	REMARKS
1	R43214	BUSHING	1	(A) (B)	
2	AR43045	SHAFT	1	(A) (B) DRIVE	
3	R36295	SNAP RING	2	(A) (B)	
4	R43025	DRUM	1	(A) (B)	
5	R43381	WASHER	2	(A) (B)	
6	R43380	WASHER	2	(A) (B) (SUB R120841)	
7	R43304	PISTON	2	(A) (B) LOW RANGE CLUTCH	
8	R70027	DISK SPRING	5	(A) (B) (SUB FOR R43382)	
9	R43383	SNAP RING	2	(A) (B)	
10	R43027	HUB	1	(A) (B) LOW RANGE CLUTCH	
11	R46418	DISK	8	(A) (B) (SUB FOR R43209)	
12	RE28023	CLUTCH DISK	8	(A) (B) (SUB FOR AR43057, AR68352, AR87484 OR RE20133) (ALSO ORDER R46418)	
13	R30587	DOWEL PIN	2	(A) (B)	
14	AR68353	PLATE	1	(A) (B) (SUB FOR AR43001)	
15	R43029	HUB	1	(A) (B) HIGH RANGE CLUTCH	
16	R70027	DISK SPRING	7	(A) (B) (SUB FOR R43382)	
17	R43367	BUSHING	1	(A) (B)	
18	AR43093	DRUM	1	-XXXXXX (MARKED R43028)	
..	AR49654	DRUM	1	XXXXXX- (A) (B) (MARKED R47124)	
..	AR90515	CLUTCH	1	PTO, (SUB FOR AR49395)	
..	AR90516	CLUTCH	1	LESS PTO, (SUB FOR AR49396)	

(A) INCLUDED IN AR90515

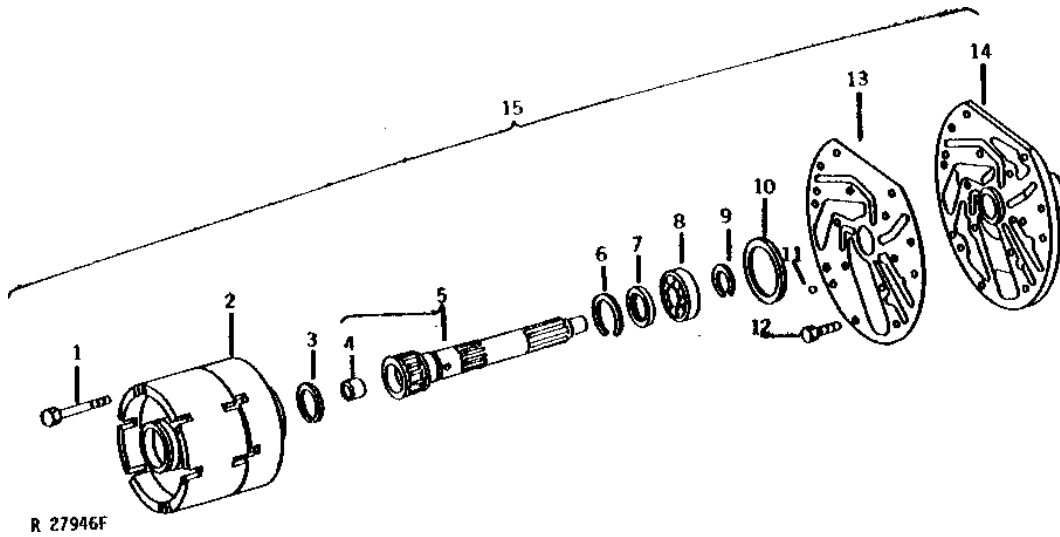
(B) INCLUDED IN AR90516

2C14

POWER TRAIN

R27946 -UN-01JAN94

CLUTCH ASSEMBLY (POWER SHIFT LESS PTO)



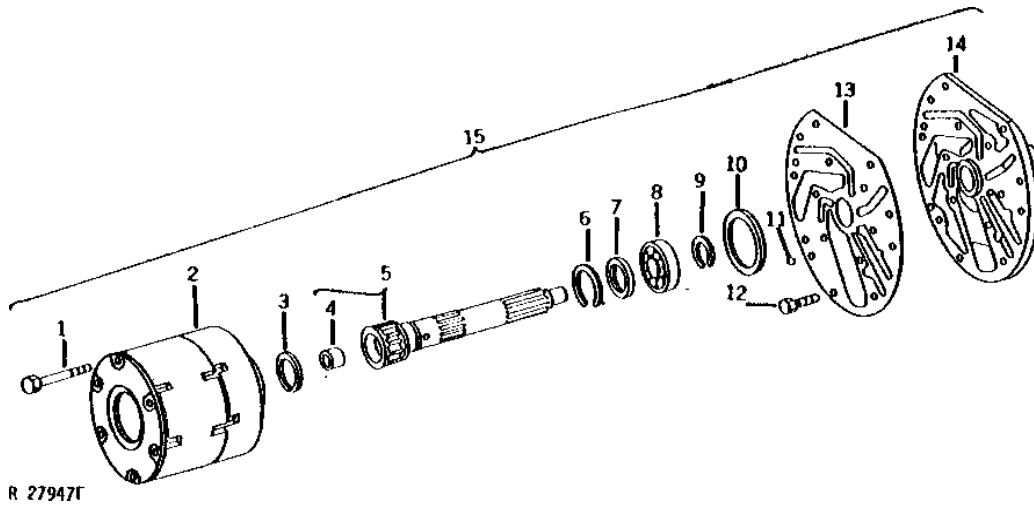
KEY	PART NO.	PART NAME	QTY	TRACTOR SERIAL NO.	REMARKS
1	19H2343	CAP SCREW	6	5/16" X 5-1/2"	
2	KIT	1		FRONT CLUTCH PACK AND REAR DRUM
3	R36295	SNAP RING	1		
4	R43214	BUSHING	1		
5	AR43045	SHAFT	1		DRIVE
6	B3169R	SNAP RING	1		
7	R43738	THRUST WASHER	1		
8	JD8514	BALL BEARING	1		
9	A364R	SNAP RING	1		
10	R43752	RING	4		
11	R42849	BALL	2		
12	R41035	CAP SCREW	6		
13	R94326	GASKET	1		(SUB FOR R43533, R47684, R69306 OR R70250)
14	HOUSING	1		PUMP
15	AR90516	CLUTCH	1		(SUB FOR AR49396)

2C15

POWER TRAIN

R27947 -UN-01JAN94

CLUTCH ASSEMBLY (POWER SHIFT WITH PTO)



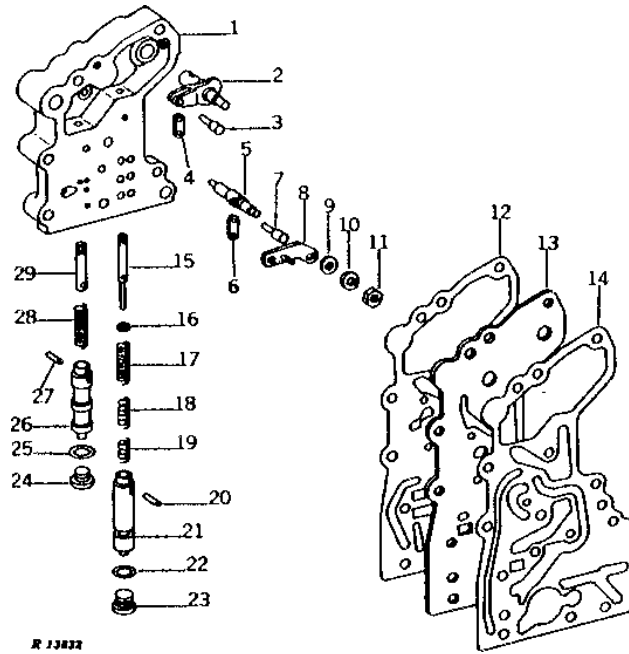
KEY	PART NO.	PART NAME	QTY	TRACTOR SERIAL NO.	REMARKS
1	19H2343	CAP SCREW	6	5/16" X 5-1/2"	
2	KIT	1		FRONT AND REAR CLUTCH PACK
3	R36295	SNAP RING	1		
4	R43214	BUSHING	1		
5	AR43045	SHAFT	1		DRIVE
6	B3169R	SNAP RING	1		
7	R43738	THRUST WASHER	1		
8	JD8514	BALL BEARING	1		
9	A364R	SNAP RING	1		
10	R43752	RING	4		
11	R42849	BALL	2		
12	R41035	CAP SCREW	6		
13	R94326	GASKET	1		(SUB FOR R43533, R47684, R69306 OR R70250)
14	HOUSING	1		PUMP
15	AR90515	CLUTCH	1		(SUB FOR AR49395)

2C16

POWER TRAIN

TRANSMISSION CLUTCH VALVE HOUSING, VALVES, AND GASKETS (POWER SHIFT)

R13832 -UN-01JAN94



R 13832

KEY	PART NO.	PART NAME	QTY	TRACTOR SERIAL NO.	REMARKS
1	AR88040	HOUSING	1		(MARKED R41151, R41152, R41153 OR R44164) (SUB FOR AR40794 OR AR45381) (ALSO ORDER 15H558)
2	AR32128	SHAFT	1		(SUB RE19993)
3	R33145	PIN	2		
4	R28401	LINK	1		
5	AR61609	SHAFT	1		(A) (SUB FOR AR48690 OR AR27720) (SUB AR98146 AND (2) T42441)
6	R28401	LINK	1		(A)
7	R33145	PIN	2		(A)
8	AR48689	ARM	1		(A) (SUB FOR AR40929)
9	24H1287	WASHER	1		(A) 9/32" X 5/8" X 0.065"
10	12H302	LOCK WASHER	1		(A) 1/4"
11	14H786	NUT	1		(A) 1/4"
12	R98926	GASKET	1		(SUB FOR R33178 AND R46816 OR R51573)
13	R33164	PLATE	1		
14	T67029	GASKET	1		(SUB FOR R33177 OR R46815)
15	R33137	SHAFT	1		
16	R33521	SHIM	1		0.76MM (.030")
17	R33173	SPRING	1		
18	R33174	SPRING	1		
19	R33175	SPRING	1		
20	34H245	SPRING PIN	1		1/8" X 5/8"
21	R33136	VALVE	1		
22	R26375	O-RING	1		
23	R33138	FITTING	1		
25	R26375	O-RING	1		
26	R47509	VALVE	1		(SUB FOR R41502)
27	34H260	SPRING PIN	1		5/32" X 5/8"
28	R31725	SPRING	1		
29	R41503	SHAFT	1		

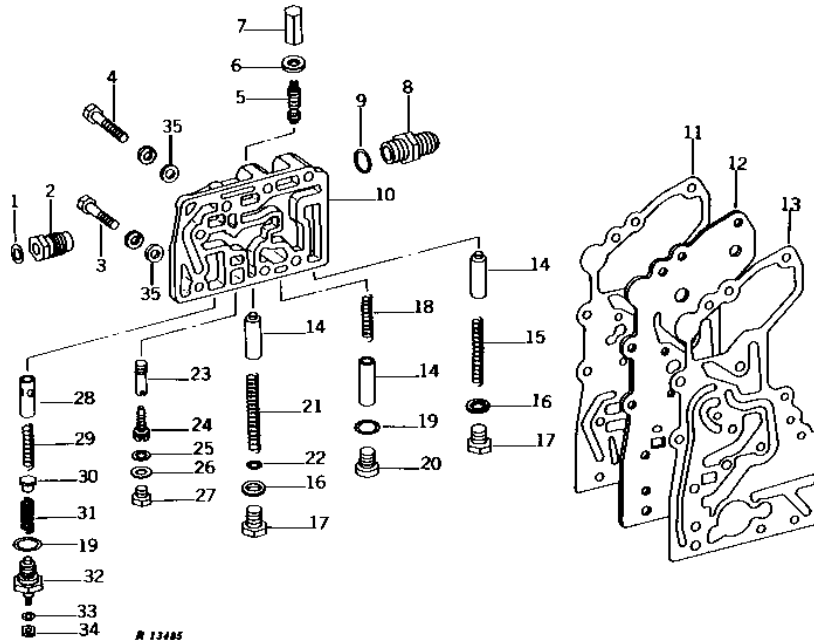
(A) NOT REQUIRED ON TRACTORS LESS PTO.

2C17

POWER TRAIN

TRANSMISSION CLUTCH REGULATING VALVE HOUSING, VALVES, AND GASKETS (POWER SHIFT)

R13485 -UN-01JAN94



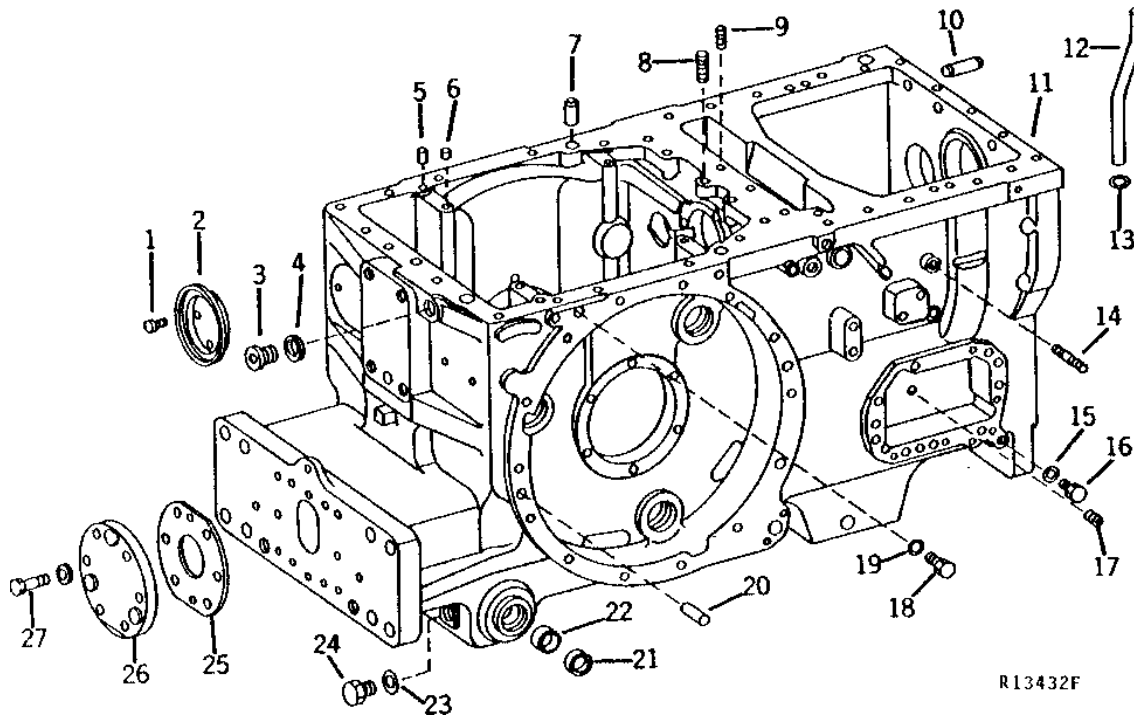
KEY	PART NO.	PART NAME	QTY	TRACTOR SERIAL NO.	REMARKS
1	B2762R	O-RING	1		
2	R33610	FITTING	1		
3	19H2055	CAP SCREW	5	7/16" X 2-1/4"	
	12H293	LOCK WASHER	5	7/16"	
4	19H1828	CAP SCREW	2	7/16" X 4"	
	12H293	LOCK WASHER	2	7/16"	
5	R39587	SET SCREW	1		
6	F2846R	WASHER	1		
7	F2847R	NUT	1		
8	R27267	FITTING	1		
9	F3171R	O-RING	1		
10	R41405	HOUSING	1		
11	R98926	GASKET	1		(SUB FOR R33178, R46816 OR R51573)
12	R33164	PLATE	1		
13	T67029	GASKET	1		(SUB FOR R33177 OR R46815)
14	R33162	VALVE	3		(SUB R33259 AND R57559)
15	R39808	SPRING	1		
16	R1742R	WASHER	2		
17	R52589	FITTING PLUG	2		(SUB FOR R33163)
18	R28914	SPRING	1		
19	R26375	O-RING	2		
20	R33138	FITTING	1		
21	R41850	SPRING	1		
22	R33521	SHIM	AR	0.76MM (.030")	
23	AR47611	ORIFICE	1	-XXXXXX	(SUB FOR T17512 OR AT19314) (SUB R10093, R34028 AND R45573)
24	R34028	BOLT	1	-XXXXXX	
25	R10093	O-RING	1	-XXXXXX	
26	R26286	O-RING	1		
27	R27094	DRAIN PLUG	1		
28	R41146	VALVE	1		FILTER BYPASS
29	R42057	SPRING	1		(OUTER)
	R33173	SPRING	1	XXXXXX-	(INNER)
30	R65652	GUIDE	1		(SUB FOR R41148)
31	R41147	SPRING	1	-XXXXXX	
	R46426	SPRING	1	XXXXXX-	
32	AR40795	TOUCH SWITCH	1		
33	24H1283	WASHER	1	7/32" X 1/2" X 0.049"	
34	14H631	NUT	1	0.190"	
35	24H1325	WASHER	7	15/32" X 59/64" X 0.065"	

2C18

POWER TRAIN

R13432 -UN-01JAN94

TRANSMISSION CASE (POWER SHIFT)



R13432F

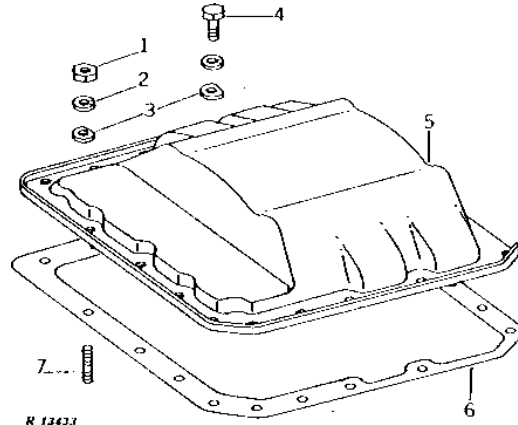
KEY	PART NO.	PART NAME	QTY	TRACTOR SERIAL NO.	REMARKS
1	R27329	SCREW	2		
2	AR26707	RETAINER	1		
3	R27483	PLUG	1		
4	H851R	WASHER	1		
5	R48685	DOWEL PIN	2		
6	R726R	DOWEL PIN	4		(SUB FOR R47316)
7	R26616	DOWEL PIN	3		
8	D488R	STUD	1		
9	R32042	STUD	2		
10	A776R	PIN	2		
11	AR49616	TRANSMISSION CASE	1		(MARKED R46960) (SUB FOR AR43565) (ALSO ORDER JD7446, JD8195, (2) R33415 AND (6) R46674)
12	R43145	OIL TUBE	1		
13	B2762R	O-RING	1		
14	R27612	STUD	1		
15	R26286	O-RING	1		
16	R27094	DRAIN PLUG	1		
17	15H559	PIPE PLUG	5	1/4"	
18	R27218	FITTING PLUG	1		(LESS DIFFERENTIAL LOCK)
19	T16911	SHIM	1		(LESS DIFFERENTIAL LOCK)
20	R54380	DOWEL PIN	4		(SUB FOR T25317)
21	R43409	CAP	2		(LESS ROCKSHAFT)
22	R43315	BUSHING	2		(ROCKSHAFT)
	R43931	BUSHING	1		0.08MM (.003")
	R43932	BUSHING	1		0.15MM (.006")
	R46802	BUSHING	1		0.23MM (.009") (SUB AR89133)
23	R26906	O-RING	1		
24	R27474	DRAIN PLUG	1		
25	R58900	GASKET	1		(SUB FOR R35621)
26	R35274	COVER	1		(LESS PTO)
27	19H2473	CAP SCREW	6	1/2" X 1-3/4"	
	12H301	LOCK WASHER	6	1/2"	

2C19

POWER TRAIN

R13433 -UN-01JAN94

TRANSMISSION CASE COVER (POWER SHIFT)



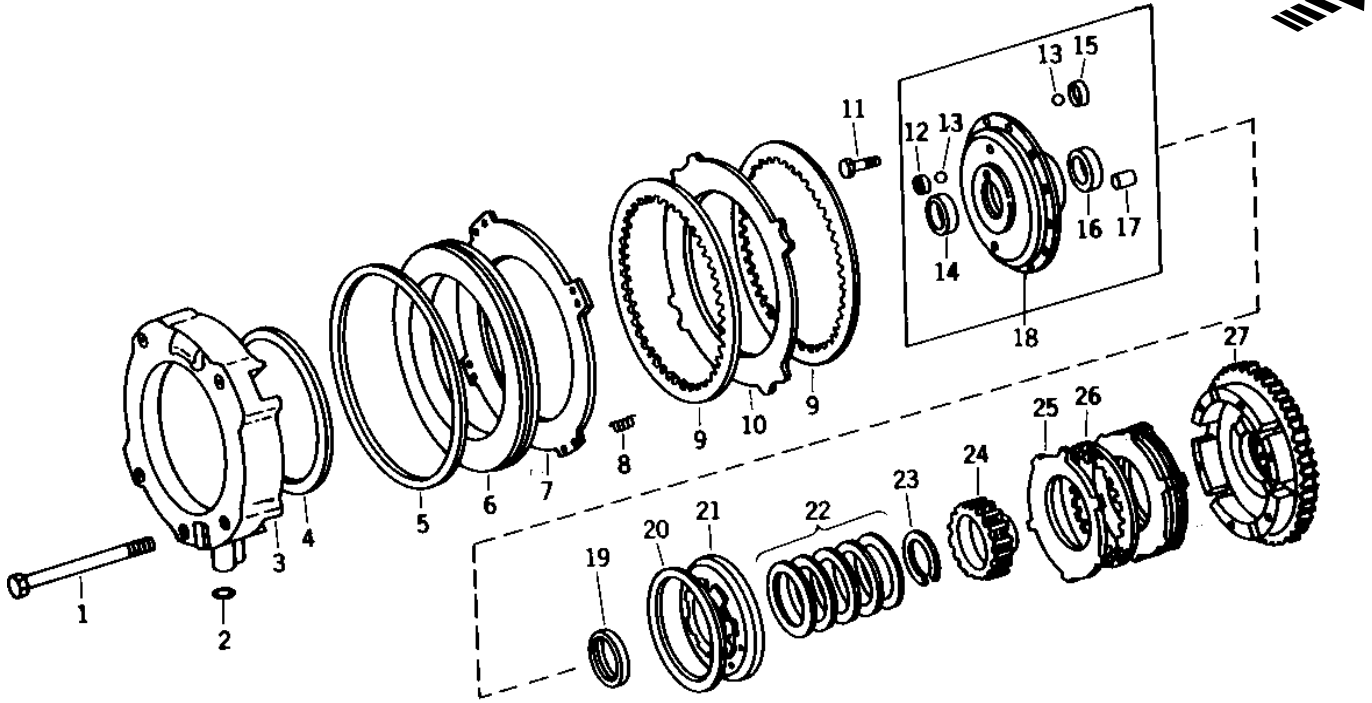
KEY	PART NO.	PART NAME	QTY	TRACTOR SERIAL NO.	REMARKS
1	14H1076	NUT	3	3/8"	
2	12H304	LOCK WASHER	3	3/8"	
3	A4624R	WASHER	15		
4	19H1731	CAP SCREW	11	3/8" X 1"	
	19H1765	CAP SCREW	11	3/8" X 1-3/4"	
	12H304	LOCK WASHER	12	3/8"	
5	R43179	COVER	1		
6	R43376	GASKET	1		
7	R32042	STUD	3		

2C20

POWER TRAIN

FOURTH PLANETARY BRAKE (POWER SHIFT)

R32334 -UN-01JAN94



R32334F

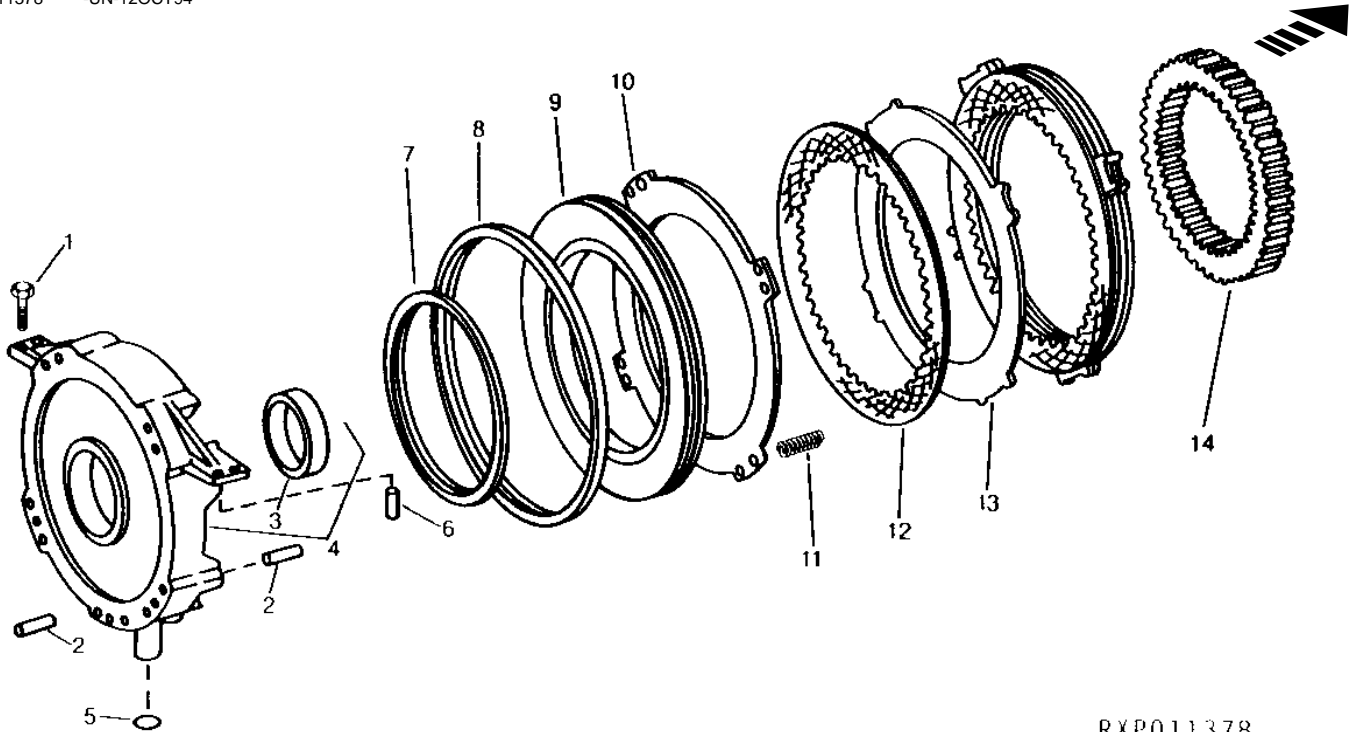
KEY	PART NO.	PART NAME	QTY	TRACTOR SERIAL NO.	REMARKS
1	08H4318	CAP SCREW	5	3/8" X 9"	
2	R459R	O-RING	2		
3	R43013	HOUSING	1		BRAKE PISTON
4	R43379	SEAL	1		
5	R43378	SEAL	1		
6	R65589	PISTON	1		SECOND AND FOURTH PLANET BRAKE, (SUB FOR R43220)
7	R46417	PLATE	1		(SUB FOR R43180)
8	R33054	SPRING	8		(SUB R74852)
9	AR94515	DISK, INNER SPLINE	2		(SUB FOR AR48096 OR AR68345) (SUB RE62897)
10	R46416	PLATE	1		(SUB FOR R43181)
11	R41168	CAP SCREW	6		
12	R43053	SEAT	1		
13	400R	BALL	1		
14	R43052	BUSHING	1		
15	R40426	CAP	1		
16	R78662	BUSHING	1		(SUB FOR R43050)
17	R28671	DOWEL PIN	1		
18	AR43005	HOUSING	1		PLANETARY CLUTCH PISTON, (MARKED R43051)
19	R43381	WASHER	1		
20	R43380	WASHER	1		(SUB R120841)
21	R43304	PISTON	1		PLANETARY CLUTCH
22	R70027	DISK SPRING	5		(SUB FOR R43382)
23	R43383	SNAP RING	1		
24	R43140	HUB	1		
25	R46418	DISK	4	-XXXXXX	(SUB FOR R43209)
	R81922	CLUTCH PLATE	3	XXXXXX-	
26	AR87484	DISK	4		(SUB FOR AR43057 OR AR68352)
27	R43036	DRUM	1		

2C21

POWER TRAIN

RXP011378 -UN-12OCT94

THIRD PLANETARY BRAKE (POWER SHIFT)



RXP011378

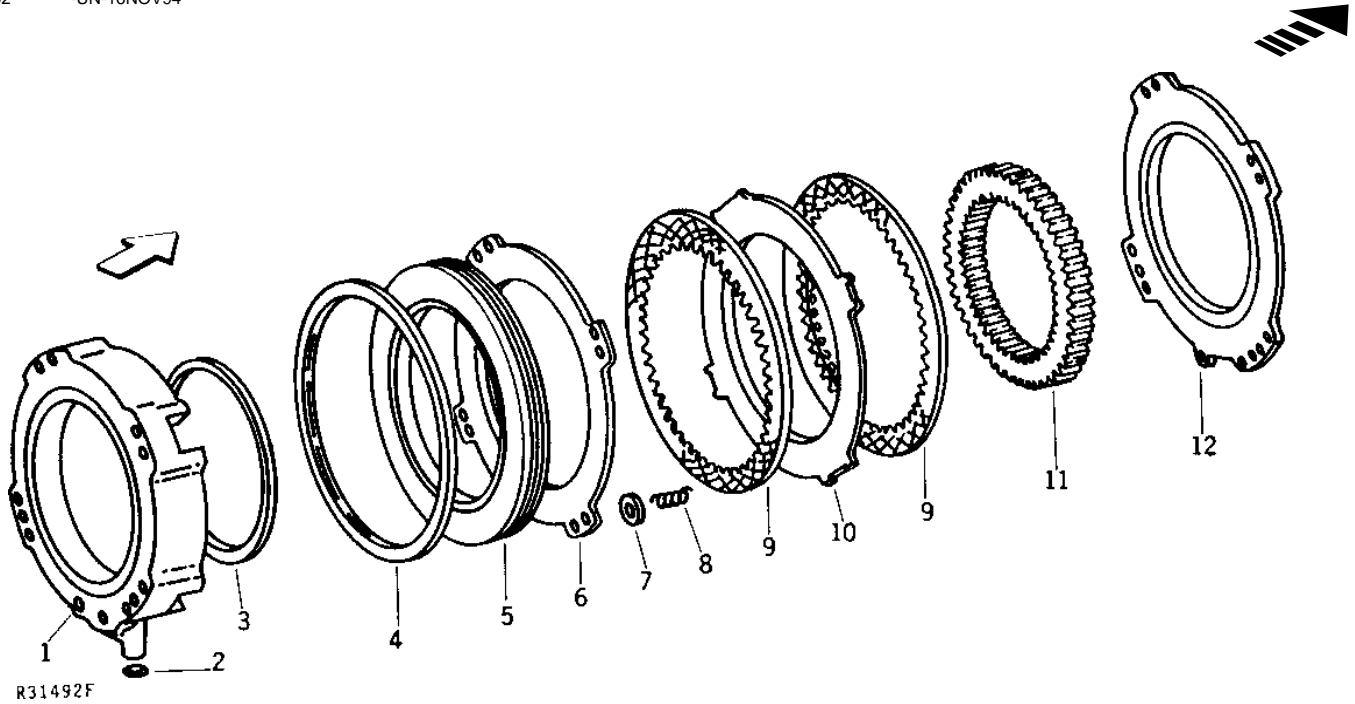
KEY	PART NO.	PART NAME	QTY	TRACTOR SERIAL NO.	REMARKS
1	19H1800	CAP SCREW	2		
2	R36666	DOWEL PIN	4		3/8" X 1-1/2"
3	R45269	BUSHING	1		
4	AR43113	HOUSING	1	-XXXXXX	BRAKE PISTON, (MARKED R43012) (SUB AR51463 AND R76312)
	AR51463	HOUSING	1	XXXXXX-	BRAKE PISTON, (MARKED R48401)
5	R459R	O-RING	1		
6	R33703	DOWEL PIN	2		
7	R43377	SEAL	1		
8	R43378	SEAL	1		
9	R65588	PISTON	1		FIRST AND THIRD PLANET BRAKE, (SUB FOR R43219)
10	R46417	PLATE	1		(SUB FOR R43180)
11	H343R	SPRING	8		
12	AR48096	DISK	4	-XXXXXX	(SUB RE62897)
	AR94515	DISK, INNER SPLINE	3	XXXXXX-	(SUB FOR AR68345) (SUB RE62897)
13	R46416	PLATE	3	-XXXXXX	(SUB FOR R43181)
	R46416	PLATE	2	XXXXXX-	
14	R43035	GEAR	1		

2C22

POWER TRAIN

R31492 -UN-16NOV94

SECOND PLANETARY BRAKE (POWER SHIFT)



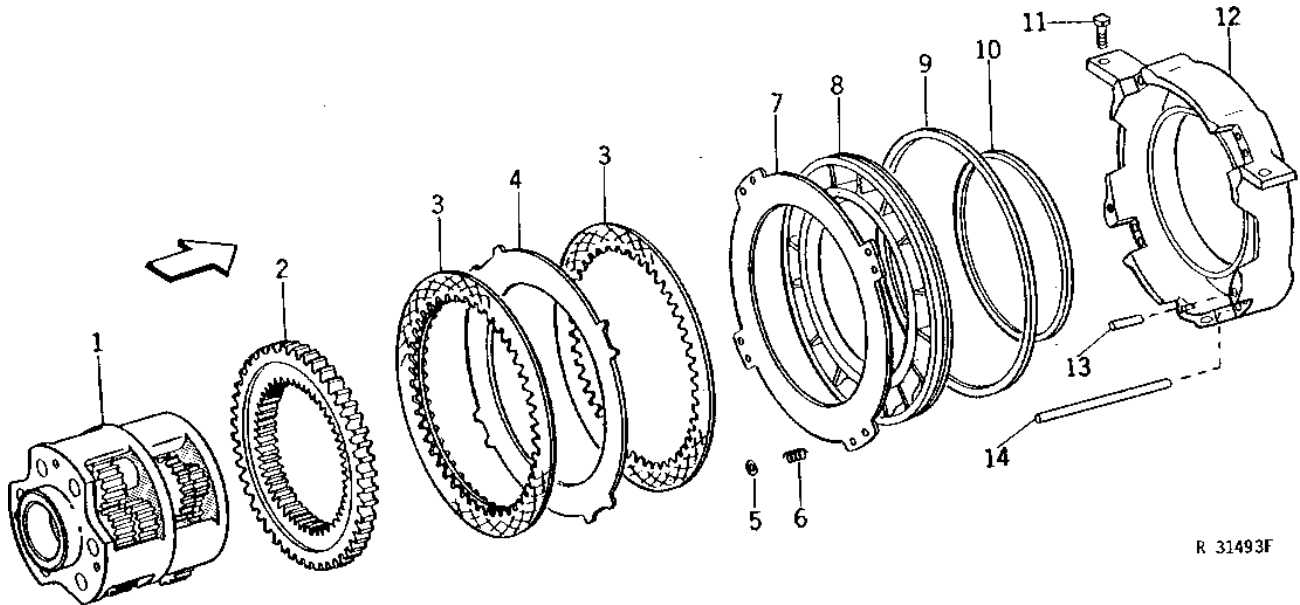
KEY	PART NO.	PART NAME	QTY	TRACTOR SERIAL NO.	REMARKS
1	R43011	HOUSING	1		SECOND PLANET
2	R459R	O-RING	1		
3	R43379	SEAL	1		
4	R43378	SEAL	1		
5	R65589	PISTON	1		SECOND AND FOURTH PLANET BRAKE, (SUB FOR R43220)
6	R46417	PLATE	1		(SUB FOR R43180)
7	R33054	SPRING	8		(SUB R74852)
8	24H1301	WASHER	8		13/32" X 9/16" X 0.065"
9	AR48096	DISK	3	-XXXXXX	(SUB RE62897)
	AR94515	DISK, INNER SPLINE	2	XXXXXX-	(SUB FOR AR68345) (SUB RE62897)
10	R46416	PLATE	2	-XXXXXX	(SUB FOR R43181)
	R46416	PLATE	1	XXXXXX-	
11	R43034	GEAR	1		
12	R43139	PLATE	1	-XXXXXX	
	R60365	PLATE	1	XXXXXX-	

2C23

POWER TRAIN

R31493 -UN-01JAN94

FIRST PLANETARY BRAKE (POWER SHIFT)



R 31493F

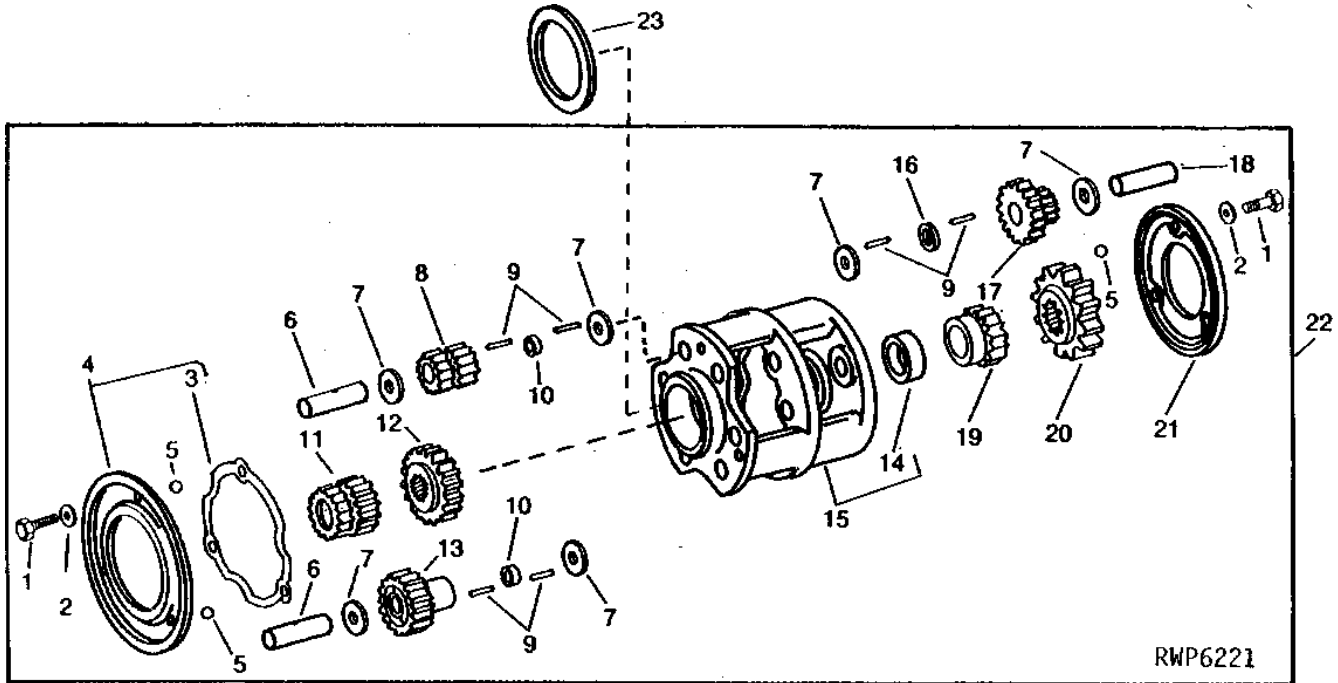
KEY	PART NO.	PART NAME	QTY	TRACTOR SERIAL NO.	REMARKS
1	AR53039	GEAR	1		PLANETARY ASSEMBLY (COMPLETE)
2	R43033	GEAR	1		
3	AR48096	DISK	3	-XXXXXX	(SUB RE62897)
4	AR94515	DISK, INNER SPLINE	2	XXXXXX-	(SUB FOR AR68345) (SUB RE62897)
	R46416	PLATE	2	-XXXXXX	(SUB FOR R43181)
	R46416	PLATE	1	XXXXXX-	
5	24H1301	WASHER	8		13/32" X 9/16" X 0.065"
6	R33054	SPRING	8		(SUB R74852)
7	R46417	PLATE	1		(SUB FOR R43180)
8	R65588	PISTON	1		FIRST AND THIRD PLANET BRAKE, (SUB FOR R43219)
9	R43378	SEAL	1		
10	R43377	SEAL	1		
11	19H1800	CAP SCREW	2		3/8" X 1-1/2"
12	R43009	HOUSING	1		BRAKE PISTON
13	R36666	DOWEL PIN	2		
14	R44110	DOWEL PIN	4		

2C24

POWER TRAIN

PLANETARY ASSEMBLY (POWER SHIFT)

RWP6221 -UN-01JAN94



RWP6221

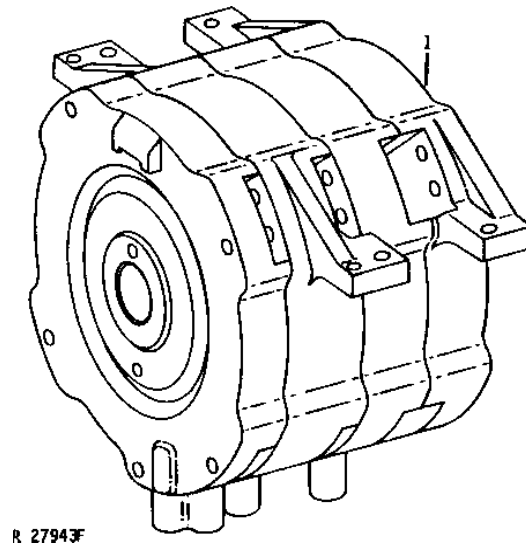
KEY	PART NO.	PART NAME	QTY	TRACTOR SERIAL NO.	REMARKS
1	R30165	CAP SCREW	6		
2	24H1685	WASHER	6		11/32" X 47/64" X 0.083"
3	R98928	GASKET	1		(SUB FOR R43372, R51993 OR R68154)
4	RE25404	RETAINER	1		(SUB FOR R43183 OR R68155)
5	H871R	BALL	9		
6	R43217	SHAFT	6	-018929	
7	R65053	PIN	6	018930-	(SUB FOR R62533)
7	R66197	THRUST WASHER	18		(SUB FOR R43216)
8	R43047	PINION	3		
9	R66196	NEEDLE ROLLER	360		(SUB FOR R43420)
10	R66143	WASHER	6		(SUB FOR R43215)
11	R43049	PINION	1		
12	R43046	PLANET PINION	1		
13	R43048	PINION	3		
14	R48789	BUSHING	1		
15	AR52230	PLANET PINION CARRIER	1		(MARKED R45212)
16	R66145	WASHER	3		(SUB FOR R43218)
17	R43032	PINION	3		(SUB FOR AR43586)
18	R43217	SHAFT	3		
19	AR47148	PINION	1		
	JD9894	BEARING RACE	2	-005258	
	JD9886	THRUST BEARING	1	-005258	
20	AR47132	PINION	1		
21	R43182	RETAINER	1		
22	AR53039	GEAR	1		COMPLETE PLANETARY
23	R45271	WASHER	1		(SUB R76312)

2C25

POWER TRAIN

R27943 -UN-01JAN94

TRANSMISSION PLANETARY (POWER SHIFT)



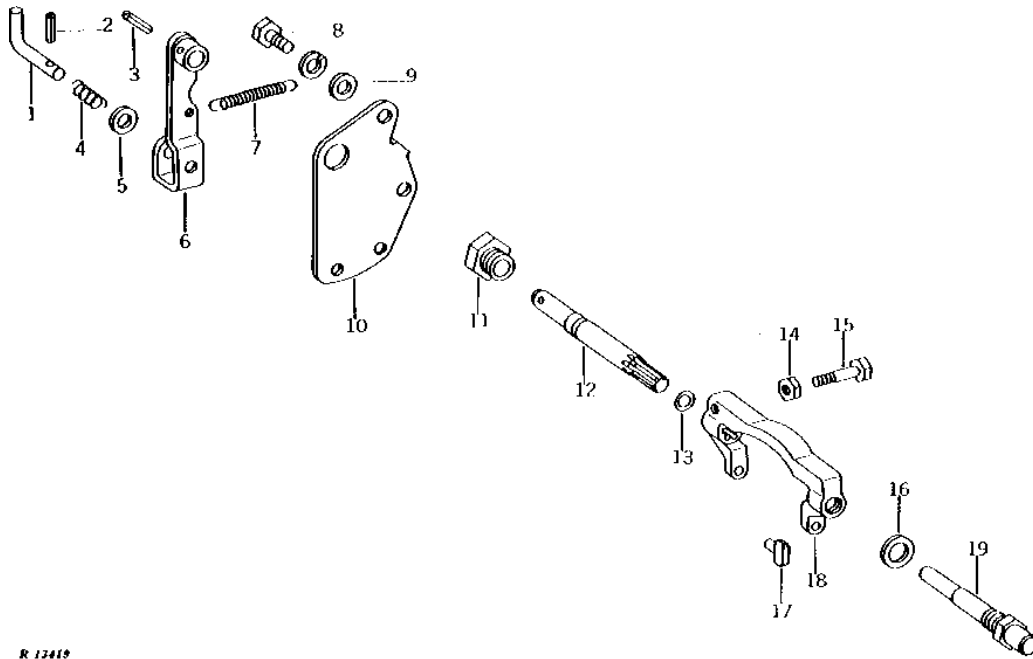
KEY	PART NO.	PART NAME	QTY	TRACTOR SERIAL NO.	REMARKS
1	AR49426	TRANSMISSION	1		PLANETARY (COMPLETE)

2D1

POWER TRAIN

TRANSMISSION DISCONNECT SHIFTER (POWER SHIFT)

R13419 -UN-01JAN94



R 13419

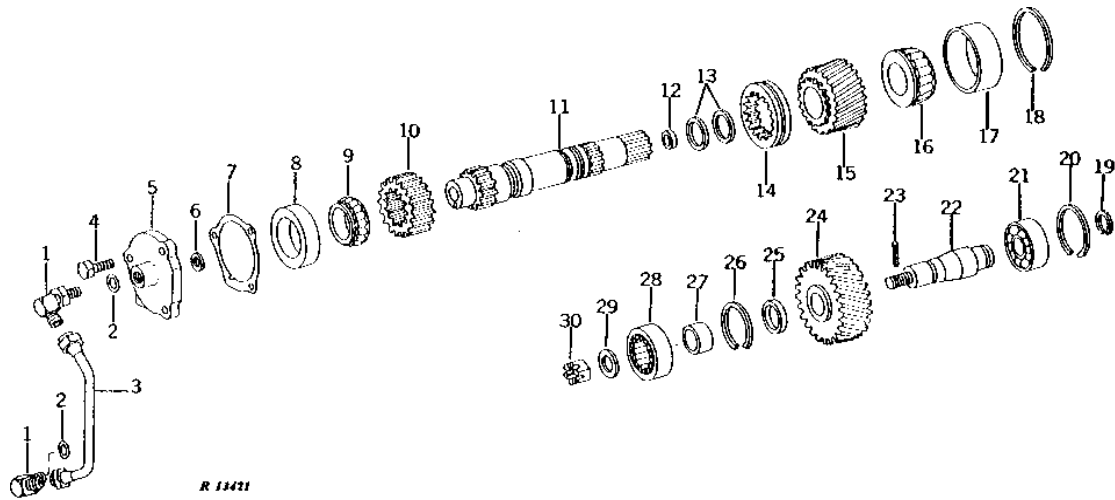
KEY	PART NO.	PART NAME	QTY	TRACTOR SERIAL NO.	REMARKS
1	R42379	PIN	1		
2	34H245	SPRING PIN	1	1/8" X 5/8"	
3	34H312	SPRING PIN	1	1/4" X 1"	
4	R26169	SPRING	1		
5	24M7096	WASHER	1	10.500 X 18 X 1.600 MM	
6	AR44423	LEVER	1		
7	R31877	SPRING	1		
8	19H2284	CAP SCREW	2	3/8" X 7/8"	
	12H304	LOCK WASHER	2	3/8"	
9	24H1305	WASHER	2	13/32" X 13/16" X 0.065"	
10	R48465	STRAP	1	(SUB FOR R43725)	
11	R33228	RETAINER	1		
12	R33227	PIN	1		
13	R33259	O-RING	1		
14	14H1076	NUT	1	-XXXXXX 3/8"	
15	19H2791	CAP SCREW	1	-XXXXXX 3/8" X 1-3/4"	
16	R41623	WASHER	1		
17	R33240	PIN	2		
18	R43144	YOKE	1		
19	R42492	SHAFT	1		

2D2

POWER TRAIN

TRANSMISSION GEAR REDUCTION AND IDLER GEAR AND SHAFT (POWER SHIFT)

R13421 -UN-01JAN94



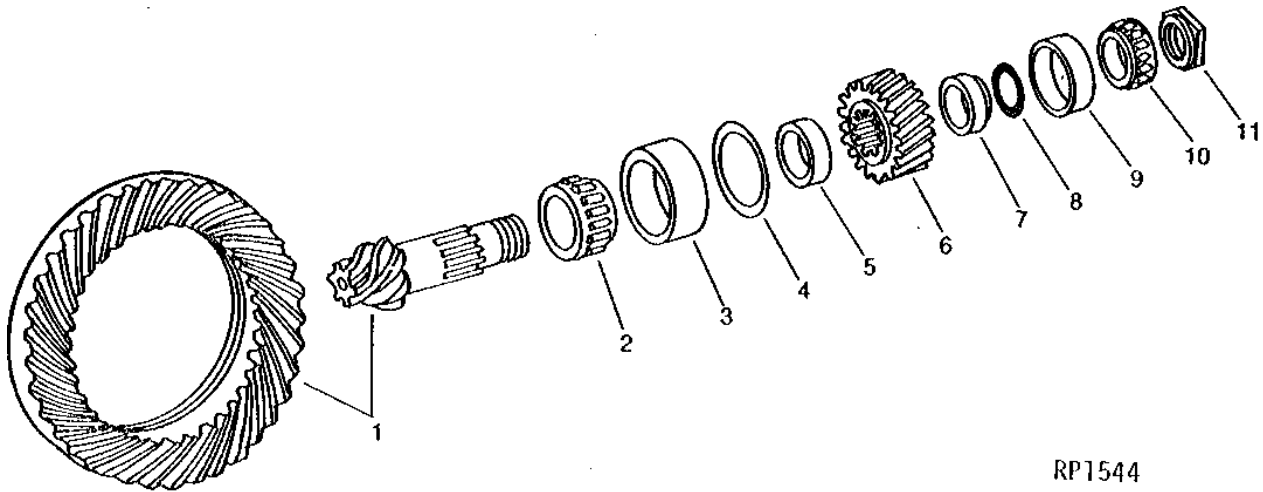
KEY	PART NO.	PART NAME	QTY	TRACTOR SERIAL NO.	REMARKS
1	AT32332	ELBOW FITTING	2		(SUB FOR AR26763)
2	R26375	O-RING	2		
3	AR43101	HYDRAULIC LINE	1		
4	R43766	CAP SCREW	3		
5	R58914	RETAINER	1		(SUB FOR R43746 OR R57756)
6	R33248	PISTON RING	1		
7	R43274	SHIM	AR	0.08MM (.003")	
	R43275	SHIM	AR	0.13MM (.005")	
	R43276	SHIM	AR	0.25MM (.010")	
8	JD7425	BEARING CUP	1		
9	JD9002	BEARING CONE	1		
10	R43143	GEAR	1		
11	R43946	SHAFT	1		REDUCTION, (SUB FOR R43038)
12	AT12889	SEAL	1		
13	R43659	RING	2		
14	R43248	SHIFT COLLAR	1		
15	R43947	GEAR	1		(SUB FOR R43037)
16	JD8941	BEARING CONE	1		
17	JD8287	BEARING CUP	1		
18	R81R	SNAP RING	1		
19	A364R	SNAP RING	1		
20	31415	SNAP RING	1		
21	JD7155	BALL BEARING	1		
22	R43141	SHAFT	1		
23	11M7086	COTTER PIN	1	0.098" X 1.969"	
24	R43112	GEAR	1		IDLER
25	R43307	SPACER	1		
26	F2367R	SNAP RING	1		
27	JD7561	BEARING RACE	1		
28	JD7951	BEARING	1		(SUB AT151388)
29	B3310R	WASHER	1		
30	F2664R	NUT	1		

2D3

POWER TRAIN

RP1544 -UN-01JAN94

TRANSMISSION DIFFERENTIAL DRIVE (POWER SHIFT)



RP1544

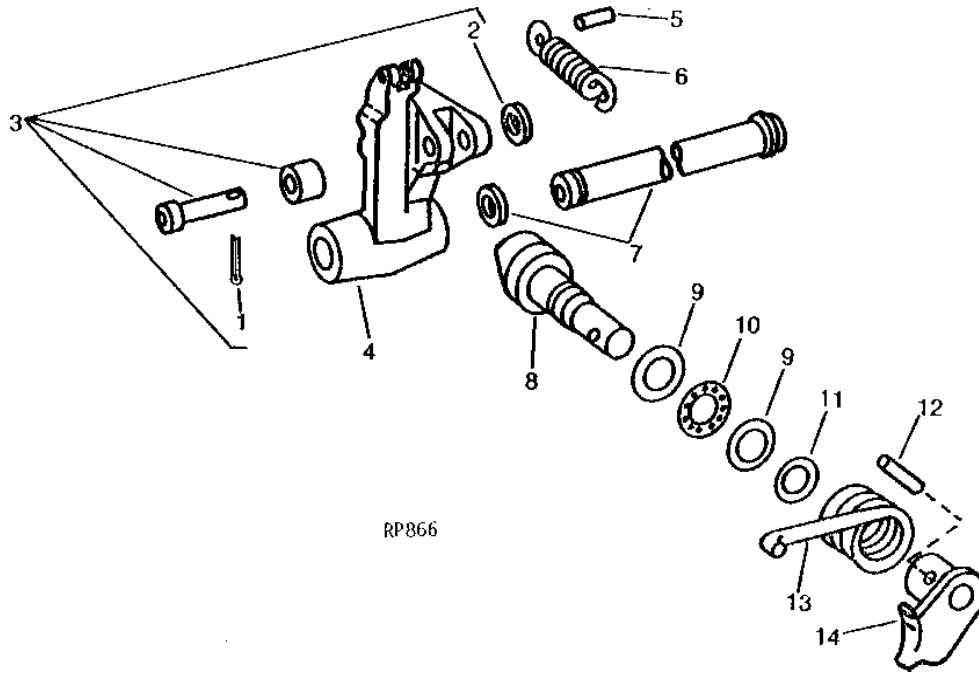
KEY	PART NO.	PART NAME	QTY	TRACTOR SERIAL NO.	REMARKS
1	AR63373	BEVEL GEAR DRIVE	1		(MATCHED SET) (MARKED R43023 AND R43031) (SUB FOR AR43007)
2	JD8977	BEARING CONE	1		
3	JD8266	BEARING CUP	1		
4	R33410	SHIM	AR	0.08MM (.003")	
	R33411	SHIM	AR	0.13MM (.005")	
	R33412	SHIM	AR	0.25MM (.010")	
5	R53303	SLEEVE	1		(SUB FOR R43401)
6	R43111	STEERING GEAR	1	-XXXXXX	(SUB R33414, R33415 AND R42828)
	R42828	GEAR	1	XXXXXX-	
7	R43306	SPACER	1		
8	R51196	SHIM	AR	0.08MM (.003")	(SUB FOR R33413)
	R51197	SHIM	AR	0.13MM (.005")	(SUB FOR R33414)
	R51198	SHIM	AR	0.25MM (.010")	(SUB FOR R33415)
9	JD7439	BEARING CUP	1	-XXXXXX	
	JD7446	BEARING CUP	1	XXXXXX-	
10	JD7234	BEARING CONE	1	-XXXXXX	
	JD8195	BEARING CONE	1	XXXXXX-	
11	R51200	LOCK NUT	1		(SUB FOR R33219)

2D4

POWER TRAIN

RP866 -UN-01JAN94

TRANSMISSION PARK LOCK



RP866

KEY	PART NO.	PART NAME	QTY	TRACTOR SERIAL NO.	REMARKS
1	11M7021	COTTER PIN	1		0.157" X 0.984"
2	24H1227	WASHER	1		17/32" X 13/16" X 0.060"
3	AR44553	PIN	1		
4	RE16371	PAWL	1		(SUB FOR AR43569 AND AR64922)
5	34H311	SPRING PIN	1		1/4" X 7/8"
6	R79985	SPRING	1		(SUB FOR R42485, R50575 OR R76504)
7	AR43592	SHAFT	1		
8	R43113	CAM	1		
9	JD9812	THRUST BEARING	2		
10	JD8856	NEEDLE BEARING	1		
11	B2762R	O-RING	1		
12	34H314	SPRING PIN	1		1/4" X 1-1/4"
13	R41131	TORSION SPRING	1		
14	RE12162	ARM	1		(SUB FOR AR44554 OR AR81571)

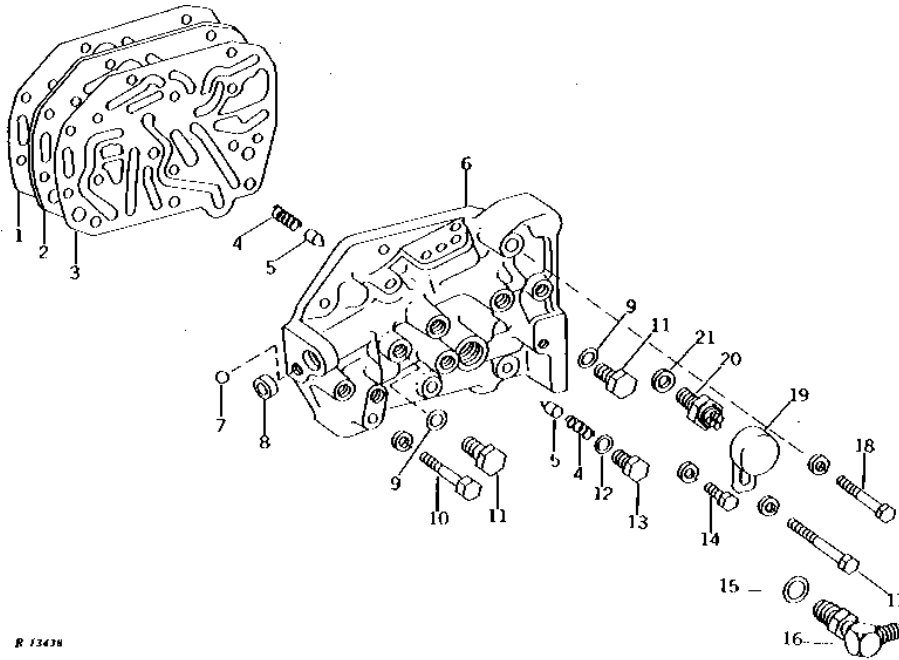
MEMORANDA

2D5

POWER TRAIN

R13438 -UN-01JAN94

TRANSMISSION CONTROL VALVE (POWER SHIFT)



R 13438

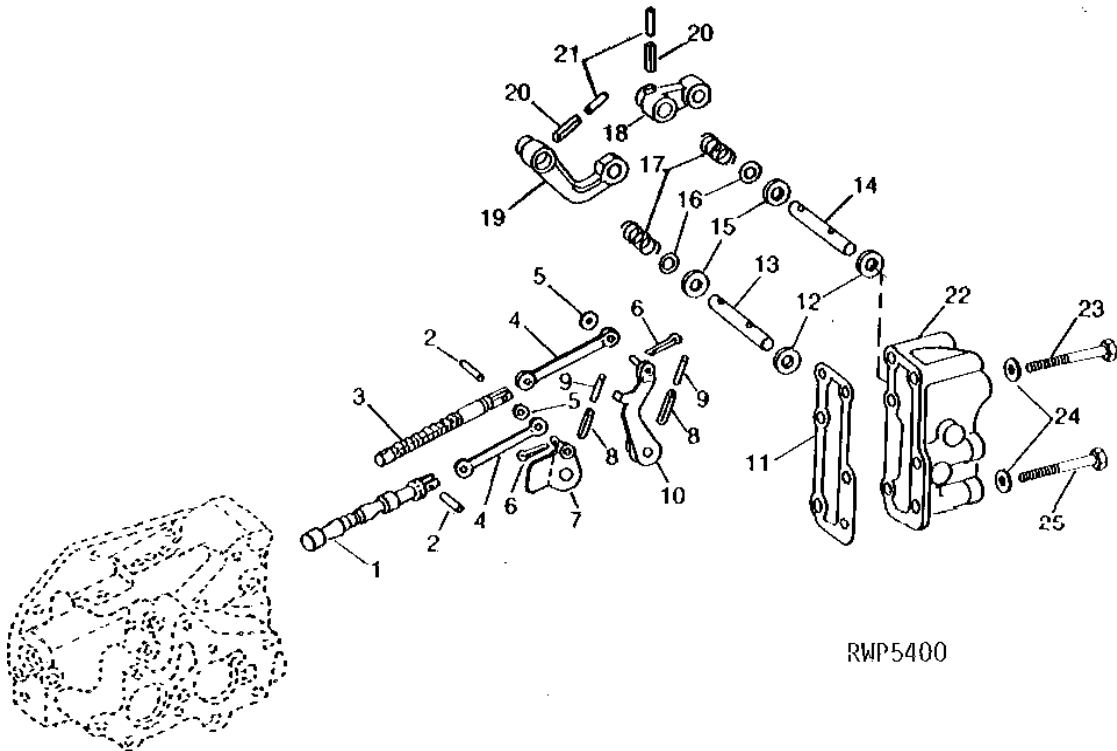
KEY	PART NO.	PART NAME	QTY	TRACTOR SERIAL NO.	REMARKS
1	R94321	GASKET	1		(SUB FOR R33273, R46817, R50567 OR R68817)
2	R50566	PLATE	1		(SUB FOR R33304)
3	R100308	GASKET	1		(SUB FOR R33274, R46818, R50568 OR R68818)
4	R33277	SPRING	2		
5	R42697	DETENT	2		
6	AR49711	HOUSING	1		(MARKED R47162) (SUB FOR AR43011)
7	D2361R	BALL	3		
8	A3910R	CAP	1		(SUB N102039)
9	R26286	O-RING	6		
10	19H2128	CAP SCREW	3		3/8" X 3"
	12H304	LOCK WASHER	3		3/8"
11	R27094	DRAIN PLUG	6		
12	R26448	O-RING	2		
13	R27218	FITTING PLUG	2		
14	19H1801	CAP SCREW	1		3/8" X 2"
	12H304	LOCK WASHER	1		3/8"
15	R26906	O-RING	1		
16	AR35712	ELBOW FITTING	1		
17	19H2228	CAP SCREW	1		3/8" X 4"
	19H1925	CAP SCREW	1		3/8" X 4-1/4", (POWER FRONT WHEEL DRIVE)
	19H1732	CAP SCREW	2		3/8" X 1-1/4"
	12H304	LOCK WASHER	3		3/8"
18	19H2023	CAP SCREW	1		3/8" X 3-1/4"
	12H304	LOCK WASHER	1		3/8"
19	AR34663	COVER	1		
20	RE38390	SWITCH	1		(SUB FOR R36265, AR85323, AR89691 OR AT85153)
21	T16911	SHIM	AR		

2D6

POWER TRAIN

TRANSMISSION CONTROL VALVE COVER, CONTROL VALVES, AND ARMS (POWER SHIFT)

RWP5400 -UN-01JAN94



RWP5400

2D7

POWER TRAIN

TRANSMISSION CONTROL VALVE COVER, CONTROL VALVES, AND ARMS - CONTINUED
(POWER SHIFT)

KEY	PART NO.	PART NAME	QTY	TRACTOR SERIAL NO.	REMARKS
1	R82024	VALVE	1		REVERSE, (SUB FOR R33291 OR R72411)
2	34H309	SPRING PIN	2		1/4" X 5/8"
3	R48370	VALVE	1		CONTROL
4	R33290	LINK	2		
5	24H753	WASHER	2		9/32" X 5/8" X 0.049"
6	11M7077	COTTER PIN	2		0.063" X 0.984"
7	AR32154	ARM	1	-XXXXXX	(SUB RE22320, R49817, R49819, 34H251, 34H252, 34H297 AND 34H299)
	RE22320	ARM	1	XXXXXX-	(SUB FOR AR53841)
	AR45314	ARM	1	-XXXXXX	(A) (SUB RE22321, R49817, R49819, 34H251, 34H252, 34H297 AND 34H299)
	RE22321	ARM	1	XXXXXX-	(A) (SUB FOR AR53843)
8	34H282	SPRING PIN	2	-XXXXXX	3/16" X 1"
	34H297	SPRING PIN	2	XXXXXX-	7/32" X 1"
9	34H251	SPRING PIN	2	XXXXXX-	1/8" X 1"
10	AR32155	ARM	1	-XXXXXX	(SUB RE21304, R49816, R49819, 34H251, 34H252, 34H297 AND 34H299)
	RE21304	ARM	1	XXXXXX-	(SUB FOR AR53840)
	AR45315	ARM	1	-XXXXXX	(A) (SUB AR53842, R49816, R49819, 34H251, 34H252, 34H297 AND 34H299)
	AR53842	ARM	1	XXXXXX-	(A)
11	R33275	GASKET	1		
12	R33587	SEAL	2		
13	R33287	SHAFT	1	-XXXXXX	CONTROL VALVE, (ORDER RE21304, R49816, R49819, 34H251, 34H252, 34H297 AND 34H299)
	R49819	PIN	1	XXXXXX-	
	R33287	SHAFT	1	-XXXXXX	(A) (ORDER AR53842, R49816, R49819, 34H251, 34H252, 34H297 AND 34H299)
	R49819	PIN	1	XXXXXX-	(A)
14	R33287	SHAFT	1	-XXXXXX	REVERSE VALVE, (ORDER RE22320, R49817, R49819, 34H251, 34H252, 34H297 AND 34H299)
	R49819	PIN	1	XXXXXX-	(A)
	R33287	SHAFT	1	-XXXXXX	(A) (ORDER RE22321, R49817, R49819, 34H251, 34H252, 34H297 AND 34H299)
	R49819	PIN	1	XXXXXX-	(A)
15	R36364	WASHER	2		
16	24H1359	WASHER	2		5/8" X 7/8" X 0.060"
17	F3221R	SPRING	2		
18	R33272	ARM	1	-XXXXXX	REVERSE VALVE, (ORDER RE22320, R49817, R49819, 34H251, 34H252, 34H297, 34H299)
	R49817	LEVER	1	XXXXXX-	
	R33272	ARM	1	-XXXXXX	(A) (ORDER RE22321, R49817, R49819, 34H251, 34H252, 34H297 AND 34H299)
	R49817	LEVER	1	XXXXXX-	(A)
19	R33271	ARM	1	-XXXXXX	CONTROL VALVE, (ORDER RE21304, R49816, R49819, 34H251, 34H252, 34H297 AND 34H299)
	R49816	LEVER	1	XXXXXX-	
	R33271	ARM	1	-XXXXXX	(A) (ORDER AR53842, R49816, R49819, 34H251, 34H252, 34H297 AND 34H299)
	R49816	LEVER	1	XXXXXX-	(A)
20	34H299	SPRING PIN	2		7/32" X 1-1/4"
21	34H252	SPRING PIN	2	XXXXXX-	1/8" X 1-1/4"
22	AR45255	COVER	1		(MARKED R33268 OR R44030)
	R82331	COVER	1		(A) (MARKED R48758) (SUB FOR R42989, AR52180, RE21305 OR AR95904) (ALSO ORDER R26287, R27216, R27218 AND (5) R26448)
	R26287	O-RING	1		
	R27216	DRAIN PLUG	1		(SUB FOR R31631)
23	19H2023	CAP SCREW	5		3/8" X 3-1/4"
24	24M7096	WASHER	6		10.500 X 18 X 1.600 MM
25	19H1854	CAP SCREW	1		3/8" X 3-3/4"

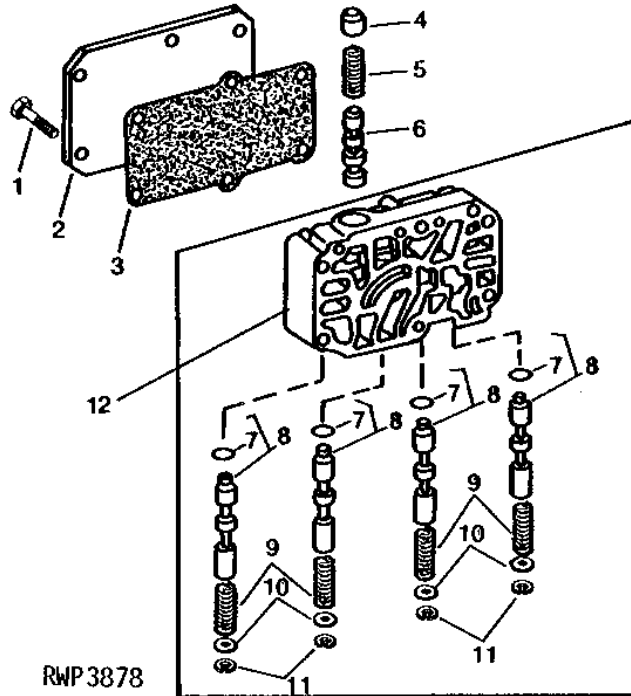
(A) POWER FRONT WHEEL DRIVE

2D8

POWER TRAIN

TRANSMISSION SHIFT VALVE (POWER SHIFT)

RWP3878 -UN-01JAN94



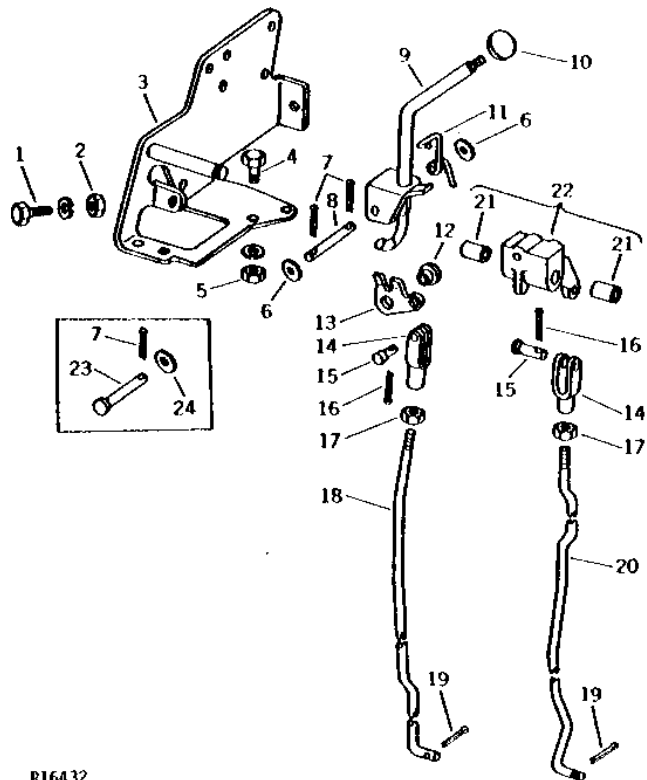
KEY	PART NO.	PART NAME	QTY	TRACTOR SERIAL NO.	REMARKS
1	19H1949	CAP SCREW	6	5/16" X 2-1/2"	
2	R33307	COVER	1		
3	R92474	GASKET	1		(SUB FOR R33276 OR R68821)
4	R34175	BOLT	1		
5	R51201	SPRING	1		
6	R48647	VALVE	1		
7	R35155	O-RING	4		
8	AR52251	VALVE	4		(SUB R48769 AND R35155)
9	R47393	SPRING	4		
10	R48013	WASHER	4		
11	R33282	SNAP RING	4		
12	AR52335	HOUSING	1		(MARKED R33077)

2D9

POWER TRAIN

R16432 -UN-01JAN94

TRANSMISSION SHIFTER CONTROL (POWER SHIFT)



R16432

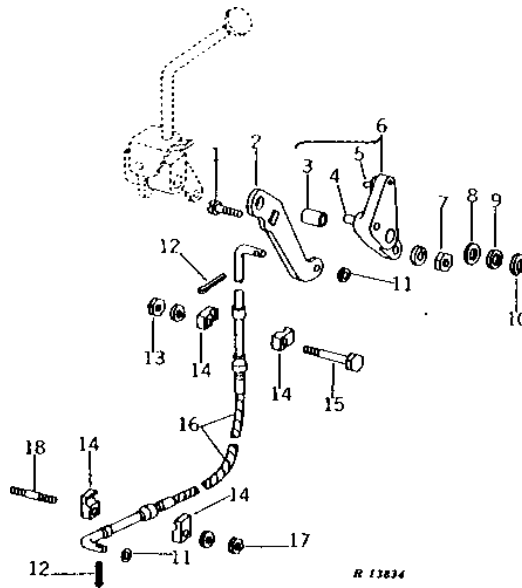
KEY	PART NO.	PART NAME	QTY	TRACTOR SERIAL NO.	REMARKS
1	19H2552	CAP SCREW	1		3/8" X 1-1/8"
	12H304	LOCK WASHER	1		3/8"
2	14H1076	NUT	1		3/8"
3	AR40788	SUPPORT	1		
4	19H2284	CAP SCREW	5		3/8" X 7/8"
5	14H1076	NUT	5		3/8"
	12H304	LOCK WASHER	5		3/8"
6	24H1289	WASHER	2		21/64" X 5/8" X 0.049"
7	11M7079	COTTER PIN	2		0.098" X 0.472"
8	R45832	PIN	1		
9	AR50118	LEVER	1		(SUB FOR AR40792) (ALSO ORDER AR50119 AND R47409)
10	R60458	KNOB	1		(SUB FOR F2861R)
11	R45651	SPRING	1		(SUB FOR R41140)
12	R41134	BUSHING	1		
13	R41133	FULCRUM	1	-XXXXXX	
	R47409	FULCRUM	1	XXXXXX-	
14	L324T	YOKE	2		
15	R65563	PIN	2		(SUB FOR (2) C1067R)
16	11M7081	COTTER PIN	2		0.098" X 0.787"
17	14H774	NUT	2		3/8"
18	R41135	ROD	1		REVERSE VALVE
19	11M7059	COTTER PIN	2		3.200 X 20 MM
20	R33302	ROD	1		CONTROL VALVE
21	R653R	BUSHING	2		
22	AR40790	PIVOT	1	-XXXXXX	(MARKED R41128)
	AR50119	PIVOT	1	XXXXXX-	(MARKED R47410)
23	R41141	PIN	1		(SUB R45832, (2) 24H1289 AND 11M7079)
24	24H1136	WASHER	1		11/32" X 11/16" X 0.065"

2D10

POWER TRAIN

TRANSMISSION PARK LOCK CONTROL LEVER AND LINKAGE (POWER SHIFT)

R13834 -UN-01JAN94



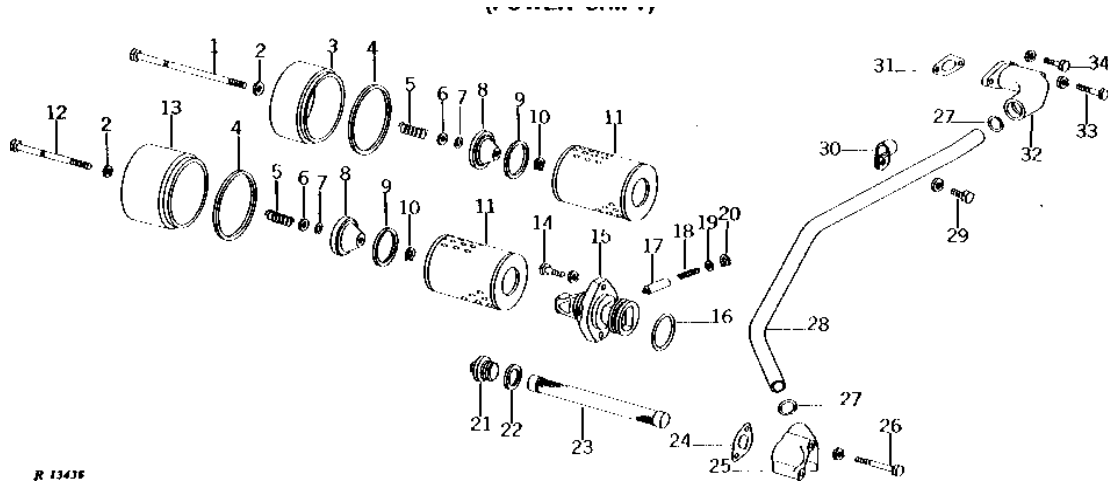
KEY	PART NO.	PART NAME	QTY	TRACTOR SERIAL NO.	REMARKS
1	03H1480	BOLT	1	3/8" X 1-1/4"	
2	R41132	ARM	1		
3	R653R	BUSHING	1		
4	R1800R	DOWEL PIN	1		
5	T15329	PIN	1		
6	AR40793	HUB	1	(MARKED R41142)	
7	14H1076	NUT	1	3/8"	
	12H304	LOCK WASHER	1	3/8"	
8	24H1366	WASHER	AR	21/32" X 1-1/8" X 0.036"	
9	24H1658	WASHER	AR	21/32" X 1" X 0.060"	
10	A4883R	RING	1		
11	B1664R	SHIM	2		
12	11M7077	COTTER PIN	2	0.063" X 0.984"	
13	14H1076	NUT	1	3/8"	
	12H304	LOCK WASHER	1	3/8"	
14	T33483	CLAMP	4		
15	19H1944	CAP SCREW	1	3/8" X 2-3/4"	
16	AR43102	PUSH PULL CABLE	1		
	R39725	SEAL	2		
	R39726	SEAL	1		
	R39727	SEAL	1		
17	14H1076	NUT	1	3/8"	
	12H304	LOCK WASHER	1	3/8"	
18	R27612	STUD	1		

2D11

POWER TRAIN

TRANSMISSION OIL FILTER AND OIL PUMP INTAKE (POWER SHIFT)

R13436 -UN-01JAN94



KEY	PART NO.	PART NAME	QTY	TRACTOR SERIAL NO.	REMARKS
1	R54750	CAP SCREW	1		(SUB FOR R39795)
2	R394R	O-RING	2		
3	R39794	COVER	1		
4	R34733	WASHER	2		
5	H819R	SPRING	2		
6	24H1227	WASHER	2		17/32" X 13/16" X 0.060"
7	R394R	O-RING	2		
8	R65892	RETAINER	2		
9	R28594	WASHER	2		
10	R32507	SNAP RING	2		
11	AR75603	FILTER ELEMENT	2		(SUB FOR AR28271 OR AR75601) (PKG. OF 2)
12	R54751	CAP SCREW	1		(SUB FOR R39797)
13	R39796	COVER	1		
14	19H1800	CAP SCREW	2		3/8" X 1-1/2"
	12H304	LOCK WASHER	2		3/8"
15	R54962	HOUSING	1		
16	U12198	O-RING	1		
17	R33162	VALVE	1		BYPASS, (SUB R33259 AND R57559)
18	R26686	SPRING	1		
19	R48013	WASHER	1		(SUB FOR R33294)
20	R33282	SNAP RING	1		
21	R40147	FITTING	1		(SUB FOR A4806R)
22	A4808R	WASHER	1		(ALUMINUM)
23	R53169	SCREEN	1		(NYLON)
	AR26375	SCREEN	1		(STEEL)
24	R28110	GASKET	1		
25	R84270	ADAPTER	1		(SUB FOR R33911)
26	19H1944	CAP SCREW	2		3/8" X 2-3/4"
	12H304	LOCK WASHER	2		3/8"
27	A3606R	O-RING	2		
28	R43249	TUBE	1		
29	19H2284	CAP SCREW	1		3/8" X 7/8"
	12H304	LOCK WASHER	1		3/8"
30	R33364	CLAMP	1		
31	R33363	GASKET	1		
32	AR41885	ADAPTER	1		
33	19H1765	CAP SCREW	1		3/8" X 1-3/4"
	12H304	LOCK WASHER	1		3/8"
34	19H1732	CAP SCREW	1		3/8" X 1-1/4"
	12H304	LOCK WASHER	1		3/8"

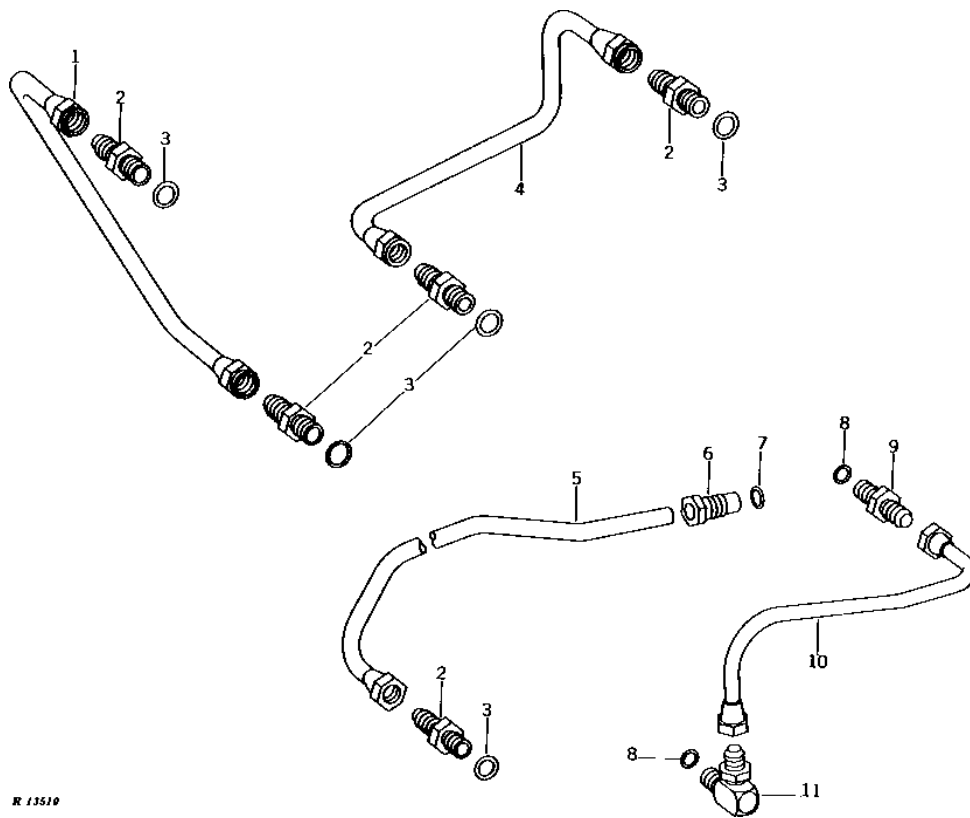
2D12

POWER TRAIN

TRANSMISSION CONTROL AND CLUTCH OIL LINES (POWER SHIFT)

R13510

-UN-01JAN94



R 13510

2D13

POWER TRAIN

TRANSMISSION CONTROL AND CLUTCH OIL LINES - CONTINUED (POWER SHIFT)

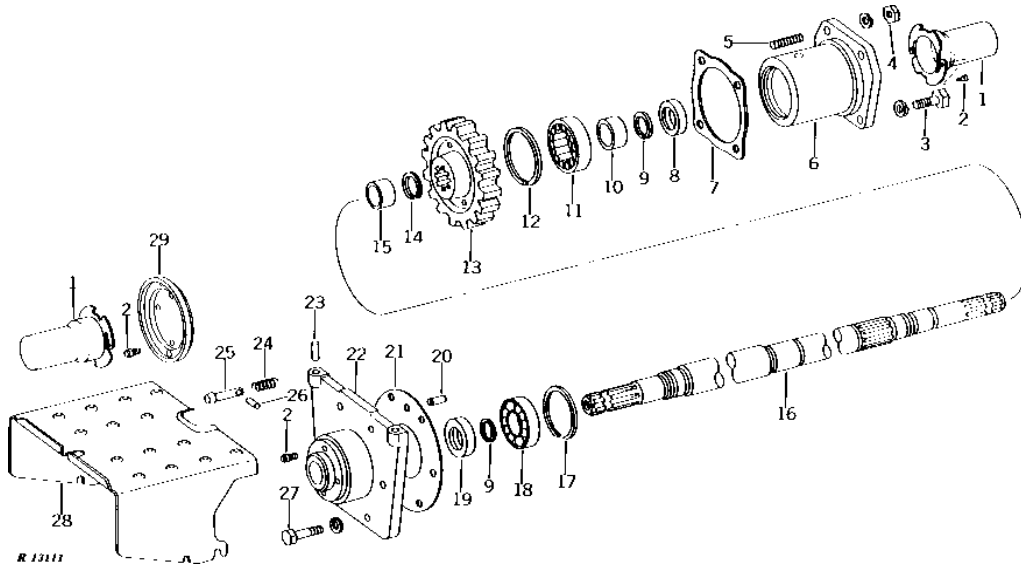
KEY	PART NO.	PART NAME	QTY	TRACTOR SERIAL NO.	REMARKS
1	AR43154	LINE	1		HYDRAULIC RETURN
2	R27267	FITTING	5		
3	F3171R	O-RING	5		
4	AR43126	HYDRAULIC LINE	1		(CLUTCH HOUSING TO TRANSMISSION CASE)
5	AR43125	HYDRAULIC LINE	1		(CLUTCH OIL PRESSURE REGULATING VALVE TO TRANSMISSION CASE)
6	R33610	FITTING	1		
7	B2762R	O-RING	1		
8	R26906	O-RING	2		
9	R27270	FITTING	1		
10	AR43124	OIL LINE	1		(TRANSMISSION CONTROL VALVE TO CLUTCH HOUSING)
11	AR35712	ELBOW FITTING	1		

2D14

POWER TRAIN

R13111 -UN-01JAN94

PTO SHAFT (1000 RPM PTO)



KEY	PART NO.	PART NAME	QTY	TRACTOR SERIAL NO.	REMARKS
1	AR26701	GUARD	2		
2	R27329	SCREW	6		
3	19H3579	CAP SCREW	2	(A) 1/2" X 1-3/8"	
4	12H301	LOCK WASHER	2	(A) 1/2"	
	14H1040	NUT	AR	1/2", (2 USED, A) (4 USED, B)	
	12H301	LOCK WASHER	AR	1/2", (2 USED, A) (4 USED, B)	
5	R32101	STUD	AR	(2 USED, A) (4 USED, B)	
6	R43057	QUILL	1	(B)	
	R43059	QUILL	1	(A)	
7	R43234	GASKET	1		
8	R33338	SEAL	1		
9	A364R	SNAP RING	2		
10	JD7595	BEARING RACE	1		
11	JD8731	BEARING RACE	1	(SUB FOR JD8722)	
12	31415	SNAP RING	1		
13	R43097	GEAR	1	PTO DRIVE	
14	R33325	SNAP RING	1		
15	R34328	BUSHING	1		
16	R43531	SHAFT	1	(B)	
	R43532	SHAFT	1	(A)	
17	B190R	SNAP RING	1		
18	JD9345	BALL BEARING	1		
19	AT344T	SEAL	1		
20	R26650	DOWEL PIN	2		
21	R58900	GASKET	1	(SUB FOR R35621)	
22	AR53471	HOUSING	1	(MARKED R35620 OR R49639) (SUB FOR AR35952)	
23	34H348	SPRING PIN	2	3/8" X 1"	
24	F1463R	SPRING	1		
25	F1462R	PIN	1		
26	34H286	SPRING PIN	1	3/16" X 1-1/2"	
27	19H2473	CAP SCREW	6	1/2" X 1-3/4"	
	12H301	LOCK WASHER	6	1/2"	
28	R27562	SHIELD	1		
29	AR26707	RETAINER	1		

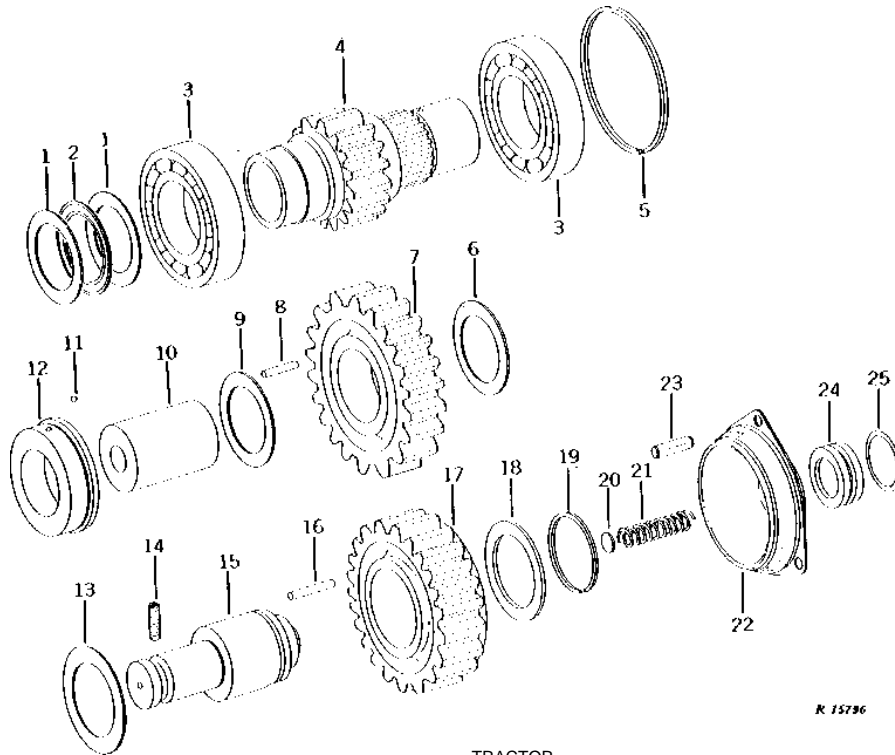
(A) POWER SHIFT TRANSMISSION
(B) SYNCRO-RANGE TRANSMISSION

2D15

POWER TRAIN

PTO DRIVE SHAFT AND IDLER GEARS (1000 RPM PTO) (POWER SHIFT)

R15796 -UN-01JAN94



R 15796

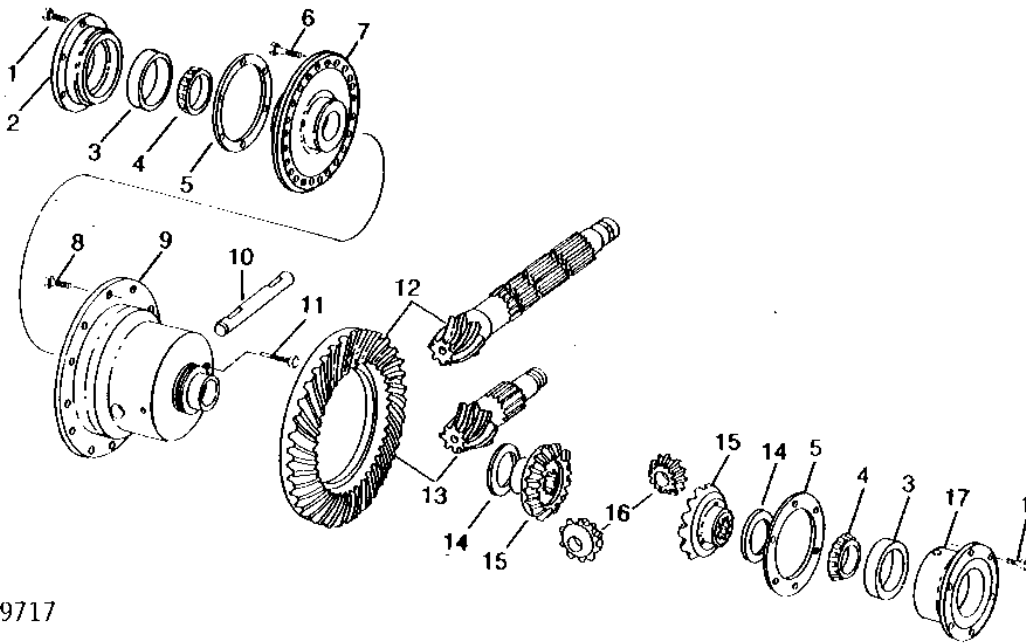
KEY	PART NO.	PART NAME	QTY	TRACTOR SERIAL NO.	REMARKS
1	R43722	WASHER	1	-005257	(SUB JD9894, JD9886 AND R43905)
	JD9894	BEARING RACE	2	005258-	
2	JD9886	THRUST BEARING	1	005258-	
3	JD9320	BALL BEARING	2		
4	R43905	SHAFT	1		(SUB FOR R43060) (ALSO ORDER JD9886 AND (2) JD9894)
5	F2622R	SNAP RING	1		
6	R43362	THRUST WASHER	1		
7	R43058	GEAR	1		
8	R26006	NEEDLE ROLLER	36		
9	R43477	THRUST WASHER	1		
10	R43150	SHAFT	1		
11	H871R	BALL	1		
12	R43361	QUILL	1		
13	R43365	WASHER	1		
14	R34582	SET SCREW	1		
15	R43363	SHAFT	1		(NLA)
16	R33028	NEEDLE ROLLER	40		
17	R43055	STEERING GEAR	1		
18	R43364	THRUST WASHER	1		
19	F1334R	SNAP RING	1		
20	30H9	PLUG	1		3/4"
21	A4546R	SPRING	1		
22	RE20735	BRAKE SHOE	1		(SUB FOR AR43031)
23	34H349	SPRING PIN	3		3/8" X 1-1/4"
24	R43366	PISTON	1		PTO BRAKE
25	R31378	O-RING	1		

2D16

POWER TRAIN

DIFFERENTIAL
(LESS DIFFERENTIAL LOCK)
(TWO PINION)

R19717 -UN-01JAN94



R19717

2D17

POWER TRAIN

DIFFERENTIAL - CONTINUED (LESS DIFFERENTIAL LOCK)

KEY	PART NO.	PART NAME	QTY	TRACTOR SERIAL NO.	REMARKS
1	R41049	CAP SCREW	12		(SUB R52634)
2	R43186	QUILL	1		(A) L.H.
	R73274	QUILL	1		L.H. (USE WITH AR101624)
3	JD8214	BEARING CUP	1		(A) L.H.
	JD8298	BEARING CUP	1		L.H. (USE WITH R73274)
	JD8214	BEARING CUP	1		R.H.
4	JD9019	BEARING CONE	1		(A) L.H.
	JD8962	BEARING CONE	1		L.H. (USE WITH R73274)
	JD9019	BEARING CONE	1		R.H.
5	R35501	SHIM	AR		0.08MM (.003")
	R35502	SHIM	AR		0.13MM (.005")
	R35503	SHIM	AR		0.25MM (.010")
6	R43369	SELF-LOCKING SCREW	12		(SUB FOR R42407)
7	AR88242	COVER	1		(A) (MARKED R43184 OR R46636) (SUB FOR AR43243)
	34H311	SPRING PIN	3		1/4" X 7/8"
8	R43368	CAP SCREW	12		
9	AR43114	HOUSING	1		(MARKED R43002 OR R43003) (SUB AR111163 AND R113732 OR R113733) (ALSO ORDER JD8298, JD8962, R73274, R94631 AND (3) 34H311)
10	R58424	PINION SHAFT	1		(SUB FOR R52154 OR R43344)
11	R70236	CAP SCREW	1		(SUB FOR R41050)
12	AR43006	GEAR	1		(MATCHED SET) (SYNCRO-RANGE) (MARKED R43023 AND R43024)
13	AR63373	BEVEL GEAR DRIVE	1		(MATCHED SET) (POWER SHIFT) (MARKED R43031 AND R43023) (SUB FOR AR43007)
14	R72586	THRUST WASHER	2		(SUB FOR R52157 OR R66788)
15	R64257	BEVEL GEAR	2		(SUB FOR R52155, R43185 OR R48251) (SUB R109489 AND R113732 OR R113733)
16	R48253	PINION	2		
17	R35500	QUILL	1		
..	AR101624	KIT	1		DIFFERENTIAL REPLACEMENT, (ALSO ORDER JD8298, JD8962, R73274, R94631 AND (3) 34H311)

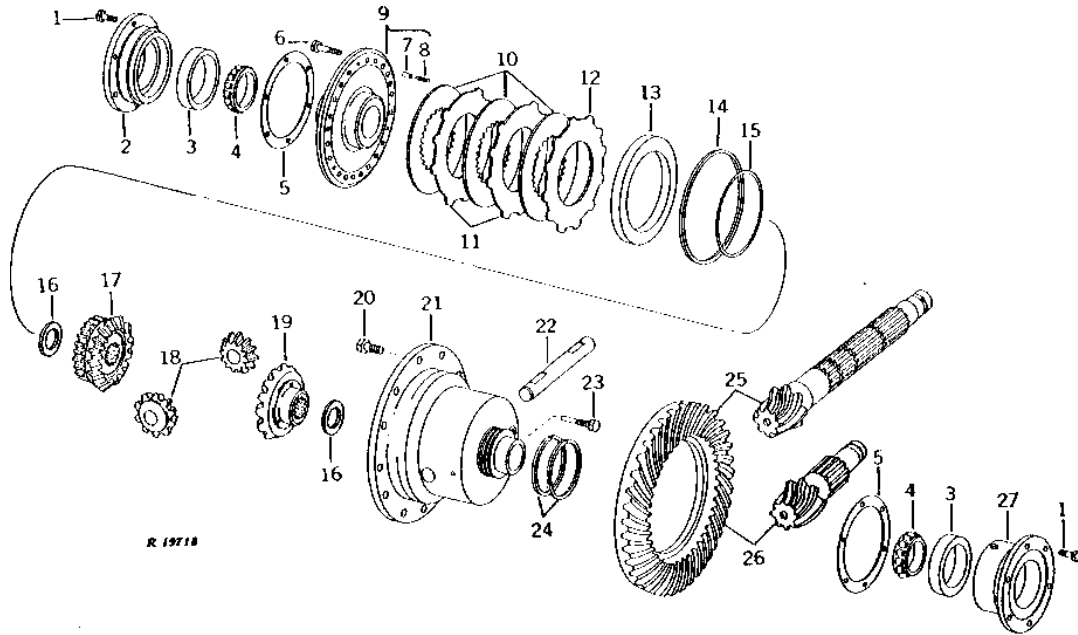
(A) SUB JD8298, JD8962, (2) R109489, R113732 (13 TEETH) OR R113733 (14 TEETH), (2) R72586, R73274 R94631 AND (3) 34H311

2D18

POWER TRAIN

R19718 -UN-01JAN94

DIFFERENTIAL (DIFFERENTIAL LOCK)



2D19

POWER TRAIN

**DIFFERENTIAL - CONTINUED
(DIFFERENTIAL LOCK)
(TWO-PINION)**

KEY	PART NO.	PART NAME	QTY	TRACTOR SERIAL NO.	REMARKS
1	R41049	CAP SCREW	12		(SUB R52634)
2	R43186	QUILL	1		(A) L.H.
	R73274	QUILL	1		L.H. (USE WITH AR101624)
3	JD8214	BEARING CUP	1		(A) L.H.
	JD8298	BEARING CUP	1		L.H. (USE WITH R73274)
	JD8214	BEARING CUP	1		R.H.
4	JD9019	BEARING CONE	1		(A) L.H.
	JD8962	BEARING CONE	1		L.H. (USE WITH R73274)
	JD9019	BEARING CONE	1		R.H.
5	R35501	SHIM	AR		0.08MM (.003")
	R35502	SHIM	AR		0.13MM (.005")
	R35503	SHIM	AR		0.25MM (.010")
6	R43369	SELF-LOCKING SCREW	12		(SUB FOR R42407)
7	34H311	SPRING PIN	3		1/4" X 7/8"
8	R34863	SPRING	3		
9	AR88242	COVER	1		(A) (MARKED R43184 OR R56104) (SUB FOR AR43243)
10	AR88550	DISK	3		(SUB FOR AR43086) (SUB RE29429, R43340 AND (2) R43343)
11	R43343	CLUTCH PLATE	2		
12	R43340	PLATE	1		
13	R43337	PISTON	1		
14	R43339	WASHER	1		
15	R46004	PACKING	1		
16	R72586	THRUST WASHER	2		(SUB FOR R52157)
17	R90869	BEVEL GEAR	1		(SUB FOR R52156 OR R66317) (SUB R112169 AND R113732 OR R113733) (ALSO ORDER R72586)
18	R48253	PINION	2		(SUB FOR R35498)
19	R64257	BEVEL GEAR	1		(SUB FOR R52155 OR R43185) (SUB R109489 AND R113732 OR R113733) (ALSO ORDER R72586)
20	R43368	CAP SCREW	12		
21	AR43114	HOUSING	1		(MARKED R43002 OR R43003) (SUB AR111163 AND R113732 OR R113733) (ALSO ORDER JD8298, JD8962, R73274, R94631 AND (3) 34H311)
22	R58424	PINION SHAFT	1		(SUB FOR R52154 OR R43344)
23	R70236	CAP SCREW	1		(SUB FOR R41050)
24	R36881	RING	2		
25	AR43006	GEAR	1		(MATCHED SET) (SYNCRO-RANGE) (MARKED R43023 AND R43024)
26	AR63373	BEVEL GEAR DRIVE	1		(MATCHED SET) (POWER SHIFT) (MARKED R43023 AND R43031) (SUB FOR AR43007)
27	R43345	QUILL	1		
..	AR101624	KIT	1		DIFFERENTIAL REPLACEMENT, (ALSO ORDER JD8298, JD8962, R73274, R94631 AND (3) 34H311)

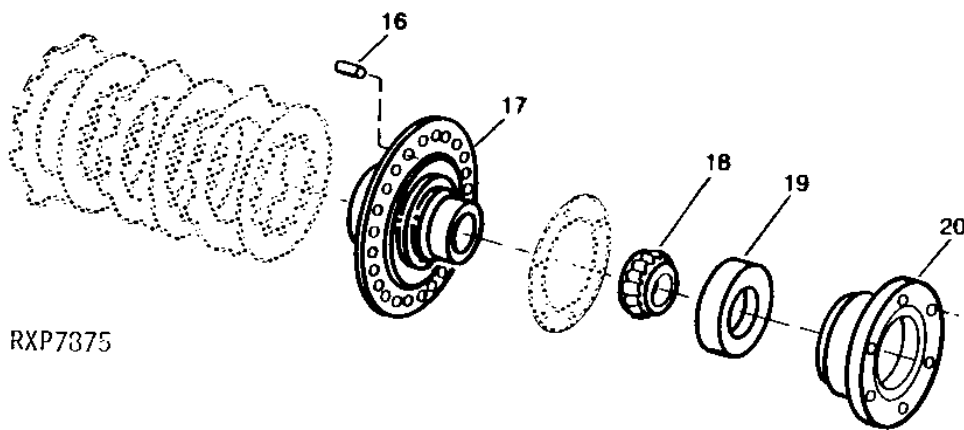
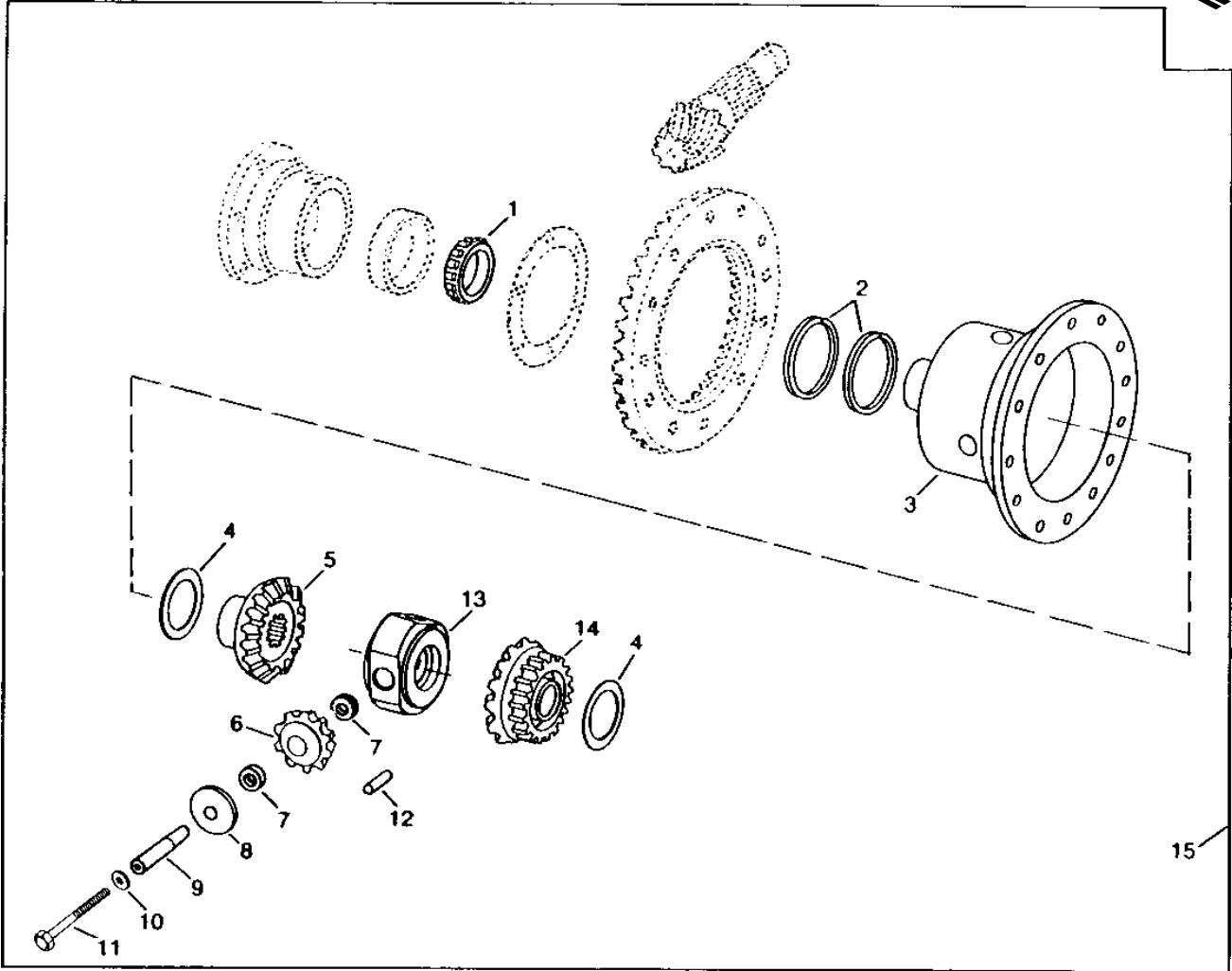
(A) SUB JD8298, JD8962, (2) R109489, R113732 (13 TEETH) OR R113733 (14 TEETH), (2) R72586, R73274, R94631 AND (3) 34H311

2D20

POWER TRAIN

RXP7875 -UN-16NOV94

ANTI-FRICTION DIFFERENTIAL KIT



2D21

POWER TRAIN

ANTI-FRICTION DIFFERENTIAL KIT - CONTINUED

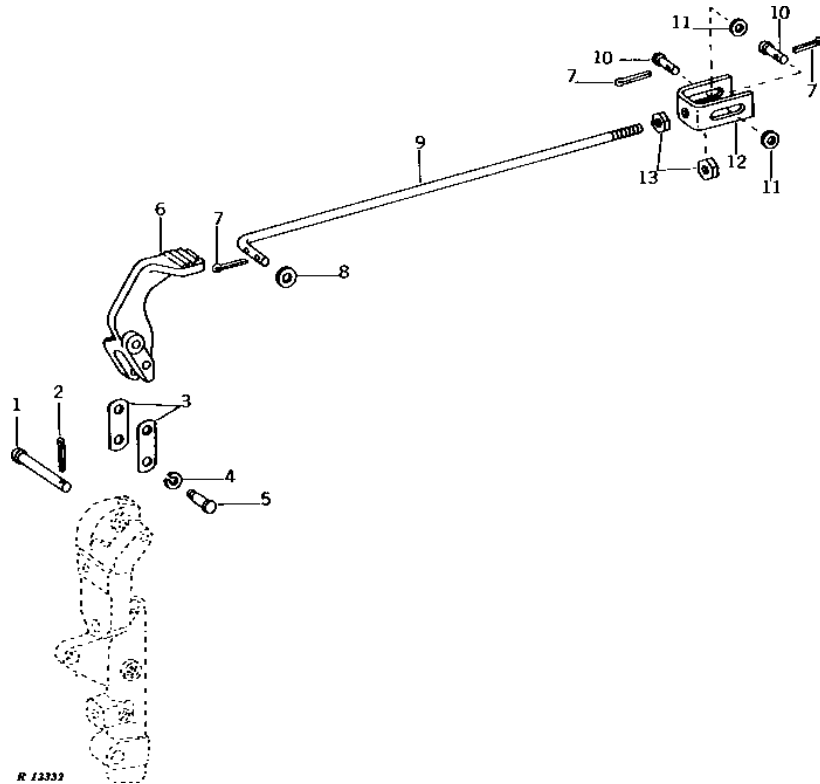
KEY	PART NO.	PART NAME	QTY	TRACTOR SERIAL NO.	REMARKS
1	JD9019	BEARING CONE	1		
2	R36881	RING	2		
3	AR88775	HOUSING	1		(MARKED R68165)
4	R99466	THRUST WASHER	2		(SUB FOR R72586)
5	R109489	BEVEL GEAR	1		
6	R67784	PINION	3		
7	R68167	WASHER	6		
8	R68166	THRUST WASHER	3		
9	R67782	SHAFT	3		
10	R57696	WASHER	3		
11	R89837	CAP SCREW	3		
12	R55081	NEEDLE ROLLER	54		
13	R93019	HUB	1		
14	R112169	BEVEL GEAR	1		
15	AR111163	KIT	1		(SUB FOR AR91055 OR AR101624) (ALSO ORDER JD8298, JD8962, R73274, R94631, (3) 34H311, AR111163 AND R113732 OR R113733)
16	34H311	SPRING PIN	3		
17	R94631	COVER	1		
18	JD8962	BEARING CONE	1		
19	JD8298	BEARING CUP	1		
20	R73274	QUILL	1		

2D22

POWER TRAIN

DIFFERENTIAL LOCK CONTROL PEDAL AND LINKAGE (TRACTOR SERIAL NO. -XXXXXX)

R13332 -UN-01JAN94



R 13332

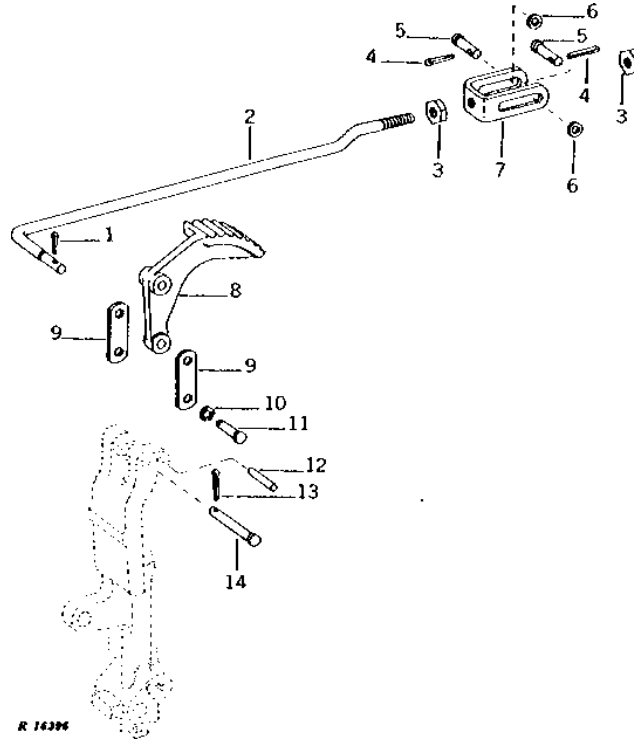
KEY	PART NO.	PART NAME	QTY	TRACTOR SERIAL NO.	REMARKS
1	R34815	PIN	1		
2	11M7059	COTTER PIN	1	3.200 X 20 MM	
3	R34522	STRAP	2		
4	R26386	SNAP RING	2		
5	R26385	PIN	2		
6	R45694	PEDAL	1	(SUB FOR R41005)	
7	11M7079	COTTER PIN	4	0.098" X 0.472"	
8	24M7096	WASHER	2	10.500 X 18 X 1.600 MM	
9	R43457	ROD	1		
10	H858R	PIN	2		
11	24H1136	WASHER	2	11/32" X 11/16" X 0.065"	
12	R46868	YOKE	1	(SUB FOR R43458)	
13	14H1076	NUT	2	3/8"	

2D23

POWER TRAIN

R16396 -UN-01JAN94

DIFFERENTIAL LOCK CONTROL PEDAL AND LINKAGE (TRACTOR SERIAL NO. XXXXXX-)



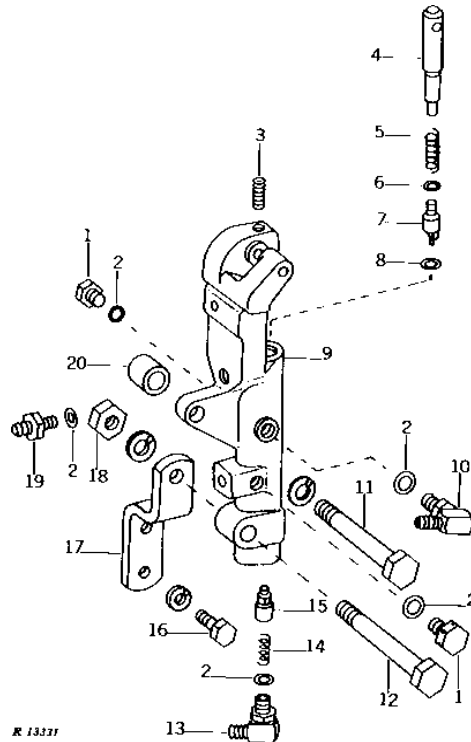
KEY	PART NO.	PART NAME	QTY	TRACTOR SERIAL NO.	REMARKS
1	11M7081	COTTER PIN	1	0.098" X 0.787"	
2	R46873	ROD	1		
3	14H1076	NUT	2	3/8"	
4	11M7079	COTTER PIN	2	0.098" X 0.472"	
5	H858R	PIN	2		
6	24H1136	WASHER	2	11/32" X 11/16" X 0.065"	
7	R46868	YOKE	1		
8	R46865	PEDAL	1		
9	R79135	LINK	2	(SUB FOR R46902)	
10	R26386	SNAP RING	1		
11	R26385	PIN	1		
12	34H331	SPRING PIN	1	5/16" X 1-1/2"	
13	11M7059	COTTER PIN	1	3.200 X 20 MM	
14	R46866	PIN	1		

2D24

POWER TRAIN

R13331 -UN-01JAN94

DIFFERENTIAL LOCK VALVE (TRACTOR SERIAL NO. -XXXXXX)



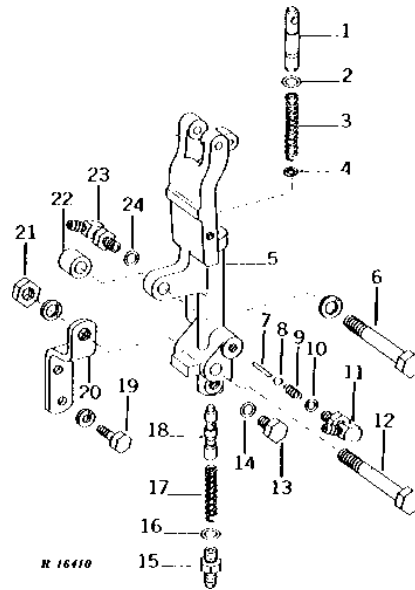
KEY	PART NO.	PART NAME	QTY	TRACTOR SERIAL NO.	REMARKS
1	R27094	DRAIN PLUG	2		
2	R26286	O-RING	5		
3	R34582	SET SCREW	1		
4	R39732	VALVE	1		RETURN
5	R39731	SPRING	1		
6	R46901	SHIM	AR		0.51MM (.020")
7	R34492	VALVE	1		FLOW CONTROL
8	R459R	O-RING	1		
9	AR40742	HOUSING	1		(MARKED R41044 OR R41052)
10	AT32333	ELBOW FITTING	1		(SUB FOR AR26771)
11	19H2615	CAP SCREW	1		5/8" X 3-3/4"
	12H294	LOCK WASHER	1		5/8"
12	19H3244	CAP SCREW	1		5/8" X 2-1/4"
13	AR40475	ELBOW FITTING	1		
14	R715R	SPRING	1		
15	R40629	VALVE	1		CHECK
16	19H1731	CAP SCREW	2		3/8" X 1"
	12H304	LOCK WASHER	2		3/8"
17	R43188	SUPPORT	1		
18	14H1039	NUT	1		5/8"
	12H294	LOCK WASHER	1		5/8"
19	R27272	FITTING	1		
20	28H2627	BUSHING	1		3/4" X 2-1/4"

2D25

POWER TRAIN

R16410 -UN-01JAN94

DIFFERENTIAL LOCK VALVE (TRACTOR SERIAL NO. XXXXXX-)



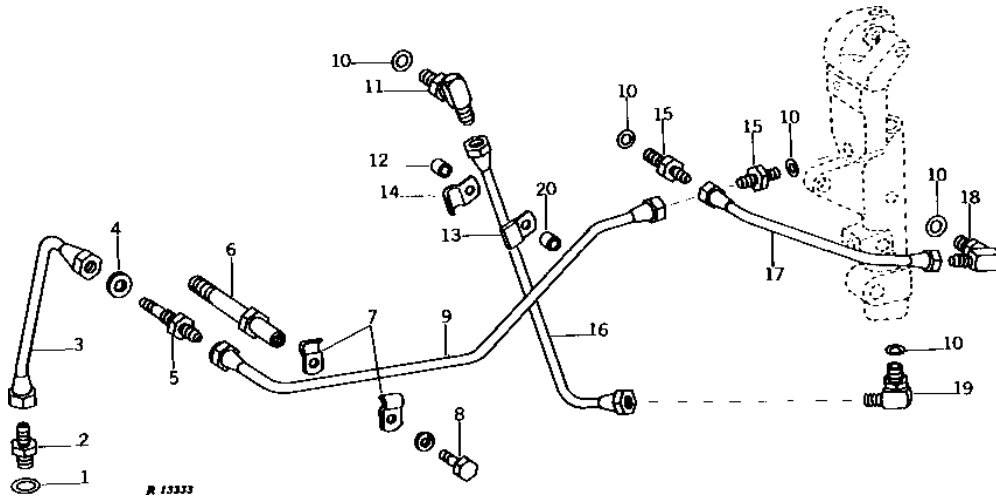
KEY	PART NO.	PART NAME	QTY	TRACTOR SERIAL NO.	REMARKS
1	R68648	PLUNGER	1	(SUB FOR R46863)	
2	F3353R	O-RING	1		
3	R46862	SPRING	1		
4	R46901	SHIM	AR	0.51MM (.020")	
5	R86770	HOUSING	1	(SUB FOR R64503, R46821 OR R79133) (ALSO ORDER R26287 AND R27216)	
6	19H2615	CAP SCREW	1	5/8" X 3-3/4"	
	12H294	LOCK WASHER	1	5/8"	
7	R33058	NEEDLE ROLLER	1		
8	400R	BALL	1		
9	R26373	SPRING	1		
10	R26287	O-RING	1		
11	AT32335	ELBOW FITTING	1	(SUB FOR AR26746)	
12	19H2615	CAP SCREW	1	5/8" X 3-3/4"	
13	R27094	DRAIN PLUG	1		
14	R26286	O-RING	1		
15	R46856	FITTING	1		
16	R26448	O-RING	1		
17	R31698	SPRING	1	(SUB R74418, R82134 AND (11) R82133)	
18	R82134	VALVE	1	PRESSURE CONTROL, (SUB FOR R74417, R46855 OR R79134) (ALSO ORDER R74418 AND (11) R82133)	
19	19H1731	CAP SCREW	2	3/8" X 1"	
	12H304	LOCK WASHER	2	3/8"	
20	R49581	SUPPORT	1	(SUB FOR R46877)	
	24H1367	WASHER	1	21/32" X 1-1/4" X 1/4"	
21	14H1039	NUT	1	5/8"	
	12H294	LOCK WASHER	1	5/8"	
22	28H2627	BUSHING	1	3/4" X 2-1/4"	
23	AT32333	ELBOW FITTING	1	(SUB FOR AR26771)	
24	R26286	O-RING	1		

2E1

POWER TRAIN

R13333 -UN-01JAN94

DIFFERENTIAL LOCK VALVE OIL LINES (TRACTOR SERIAL NO. -XXXXX)



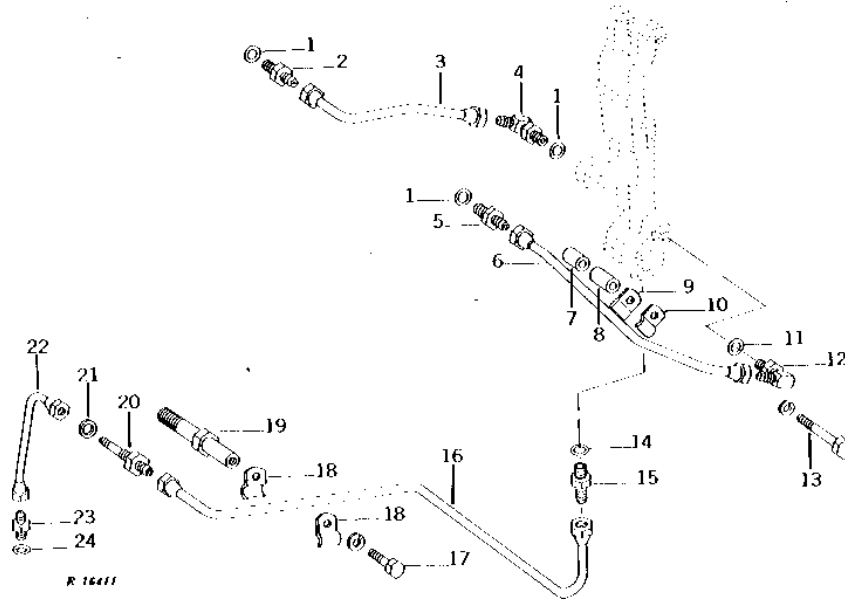
KEY	PART NO.	PART NAME	QTY	TRACTOR SERIAL NO.	REMARKS
1	R30903	O-RING	1		
2	R39597	ADAPTER	1		
3	AR43134	HYDRAULIC LINE	1		
4	R51494	WASHER	1	(SUB FOR T16911)	
5	AR34569	FITTING	1		
6	R43370	SCREW	1		
7	R42357	CLAMP	2		
8	19H1936	CAP SCREW	1	3/8" X 3/4"	
	12H304	LOCK WASHER	1	3/8"	
9	AR43135	HYDRAULIC LINE	1		
10	R26286	O-RING	5		
11	AR40475	ELBOW FITTING	1		
12	28H1878	SPACER	2	3/8" X 7/16"	
13	R31655	STRAP	1		
14	R31654	CLAMP	1		
15	R27272	FITTING	1		
16	AR43136	HYDRAULIC LINE	1		PRESSURE
17	AR43137	LINE	1		RETURN
18	AT32333	ELBOW FITTING	1	(SUB FOR AR26771)	
19	AR40475	ELBOW FITTING	1		
20	28H3381	SPACER	2	3/8" X 5/8"	

2E2

POWER TRAIN

R16411 -UN-01JAN94

DIFFERENTIAL LOCK VALVE OIL LINES (TRACTOR SERIAL NO. XXXXXX-)



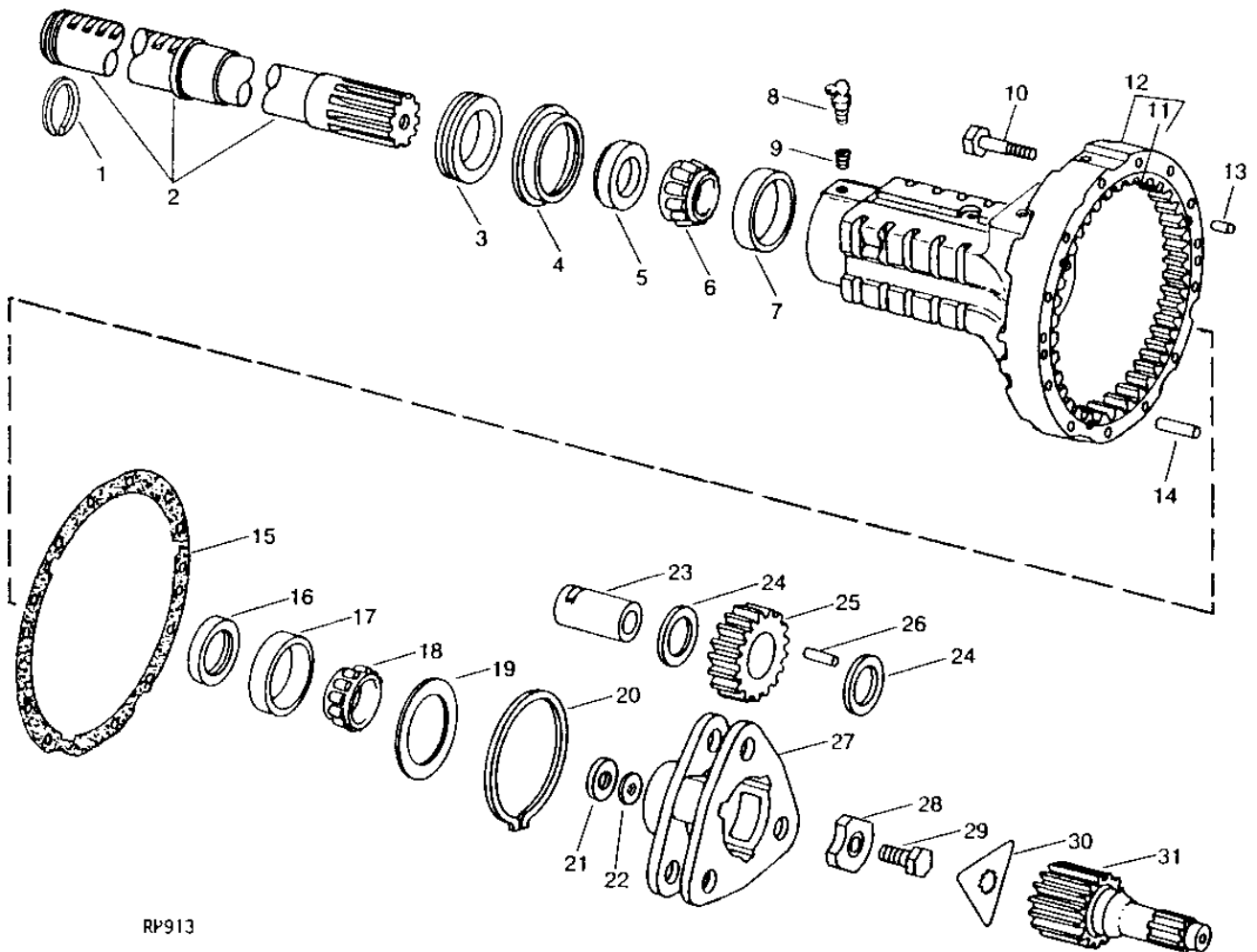
KEY	PART NO.	PART NAME	QTY	TRACTOR SERIAL NO.	REMARKS
1	R26286	O-RING	3		
2	R27272	FITTING	1		
3	AR49178	HYDRAULIC LINE	1		RETURN
4	AT32333	ELBOW FITTING	1		(SUB FOR AR26771)
5	R40617	FITTING	1		
6	AR49177	LINE	1		PRESSURE
7	28H1697	SPACER	1		3/8" X 3/4", (PRESSURE LINE)
8	28H1526	BUSHING	1		3/8" X 1-5/16", (PRESSURE LINE)
9	R31655	STRAP	1		
10	R31654	CLAMP	1		
11	R26287	O-RING	1		
12	AT32335	ELBOW FITTING	1		(SUB FOR AR26746)
13	19H2128	CAP SCREW	1		3/8" X 3"
	12H304	LOCK WASHER	1		3/8"
14	R26448	O-RING	1		
15	R46856	FITTING	1		
16	AR49179	HYDRAULIC LINE	1		
17	19H1731	CAP SCREW	1		3/8" X 1"
	12H304	LOCK WASHER	1		3/8"
18	R42357	CLAMP	2		
19	R43370	SCREW	1		
20	AR34569	FITTING	1		
21	R51494	WASHER	1		(SUB FOR T16911)
22	AR43134	HYDRAULIC LINE	1		
23	R39597	ADAPTER	1		
24	R30903	O-RING	1		

2E3

POWER TRAIN

RP913 -UN-16NOV94

PLANETARY AND REAR AXLE



RP913

2E4

POWER TRAIN

PLANETARY AND REAR AXLE - CONTINUED

KEY	PART NO.	PART NAME	QTY	TRACTOR SERIAL NO.	REMARKS
1	R53659	SNAP RING	1	XXXXX-	
2	R53651	SHAFT	1		(AXLE LENGTH 908MM (35.75")) (SUB FOR R43228)
	R53652	SHAFT	1		(AXLE LENGTH 1068MM (42.05")) (SUB FOR R43400)
	R53653	SHAFT	1		(AXLE LENGTH 1195MM (47.06")) (SUB FOR R43529)
3	R35634	SEAL	1		(SUB RE31702 AND R59074)
	RE31702	SEAL	1		(SUB FOR AH93852 OR RE33499)
4	R59074	OIL CUP	1		(SUB FOR R35002 OR R57268)
5	R63106	SPACER	1		(SUB FOR R35119 OR R53635)
6	JD8962	BEARING CONE	1		
	JD10003	BEARING CONE	1		US
7	JD8248	BEARING CUP	1		
8	JD7781	LUBRICATION FITTING	1		
9	15H639	PIPE BUSHING	1		1/4" X 1/8"
10	19H3168	CAP SCREW	AR		5/8" X 3-3/4", HS, SAE 8 (13 USED, DIFFERENTIAL LOCK) (14 USED, LESS DIFFERENTIAL LOCK)
11	R47169	GEAR	1		(53 TEETH)
	R57616	GEAR	1		(58 TEETH) (SUB FOR R61678 OR RE13479) (USE WHEN R57614 OR R61711 HAS BEEN INSTALLED)
12	AR54738	HOUSING	1		(53 TEETH) (MARKED R41300, R50240 OR R58294) (SUB FOR AR43050)
13	R54380	DOWEL PIN	2		(SUB FOR T25317)
14	R44961	DOWEL PIN	3		
15	R99394	GASKET	1		(SUB FOR R43227, R58295 OR R65308)
16	AR85311	SEAL	1		(SUB FOR R35735)
	AR98649	SEAL	1		US, (SUB FOR AR87199)
17	JD8248	BEARING CUP	1		
18	JD8962	BEARING CONE	1		
	JD10003	BEARING CONE	1		US
19	R42529	SHIM	1		
20	R33029	SNAP RING	1		
21	R59439	SHIM	1		0.13MM (.005")
	R59440	SHIM	1		0.51MM (.020")
	R61461	SHIM	1		0.08MM (.003")
22	F2380R	WASHER	1		
23	R43015	SHAFT	3		
24	R43245	THRUST WASHER	6		(SUB R83096)
25	R43014	PINION	3		(20 TEETH)
	R57615	PLANET PINION	3		(22 TEETH) (USE WHEN R57614 OR R61711 HAS BEEN INSTALLED)
26	R43244	NEEDLE ROLLER	126		
27	R43001	PLANET PINION CARRIER	1		
28	R61771	RETAINER	1		(SUB FOR R35006 OR R46806)
29	R82175	CAP SCREW	1		1" X 2" HS, SAE 8, (SUB FOR R26011 OR R60032)
30	R26012	LOCK PLATE	1		
31	R43016	SHAFT	1		(13 TEETH) (SUB R113732)
	R57614	SHAFT	1		(A) (14 TEETH) (SUB R113733)
	R61711	SHAFT	1		(A) (14 TEETH) (SUB R113733)
..	R72232	BALL	AR		AXLE SHIMMING LEAD BALLS, (SUB FOR AR94976)

(A) ALSO ORDER RE46334, (3) RE46328 AND R113741 IF NOT PREVIOUSLY INSTALLED

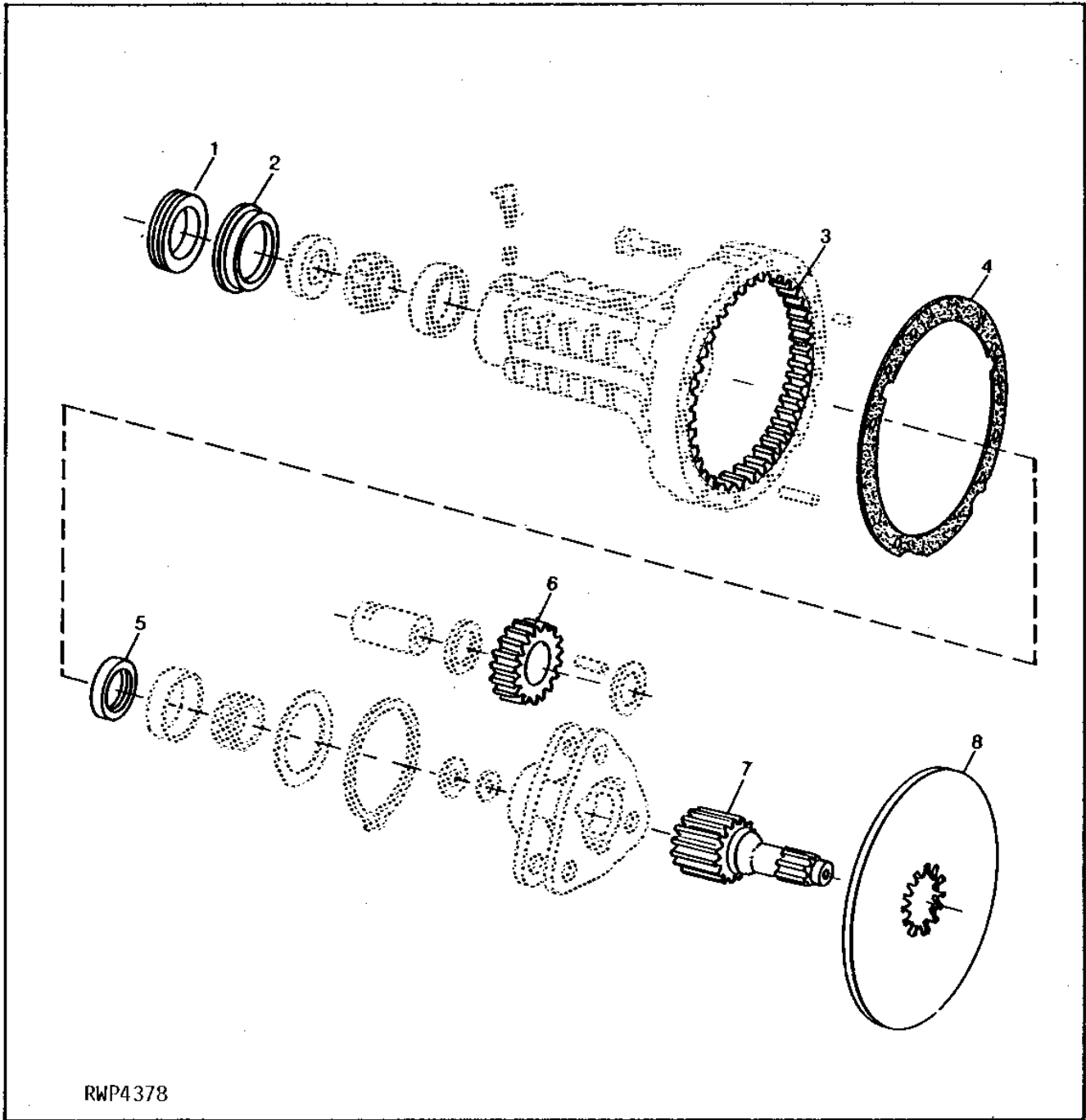
2E5

POWER TRAIN

RWP4378

-UN-01JAN94

HIGH PRESSURE ANGLE FINAL DRIVE KIT



9

2E6

POWER TRAIN

HIGH PRESSURE ANGLE FINAL DRIVE KIT - CONTINUED

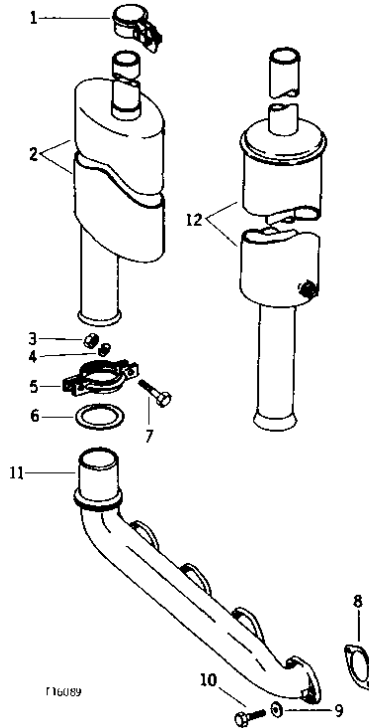
KEY	PART NO.	PART NAME	QTY	TRACTOR SERIAL NO.	REMARKS
1	RE31702	SEAL	2		(SUB FOR AR68721 OR AH93852)
2	R59074	OIL CUP	2		(SUB FOR R35002 OR R57268)
3	R57616	GEAR	2		(SUB FOR R61678 OR RE13479)
4	R99394	GASKET	2		(SUB FOR R65308)
5	AR98649	SEAL	2		
6	R57615	PLANET PINION	6		(22 TEETH)
7	R113733	SHAFT	2		(14 TEETH) (SUB FOR R61711)
8	R113741	BRAKE DISK	2		(SUB FOR R61712, R91826 OR R97801) (ALSO ORDER RE46334 AND (3) R46328)
9	RE41242	KIT	1		(SUB FOR AR80297 OR RE13478)

2E7

POWER TRAIN

R16089 -UN-01JAN94

HYDRAULIC LINE SHIELD (POWER FRONT WHEEL DRIVE)



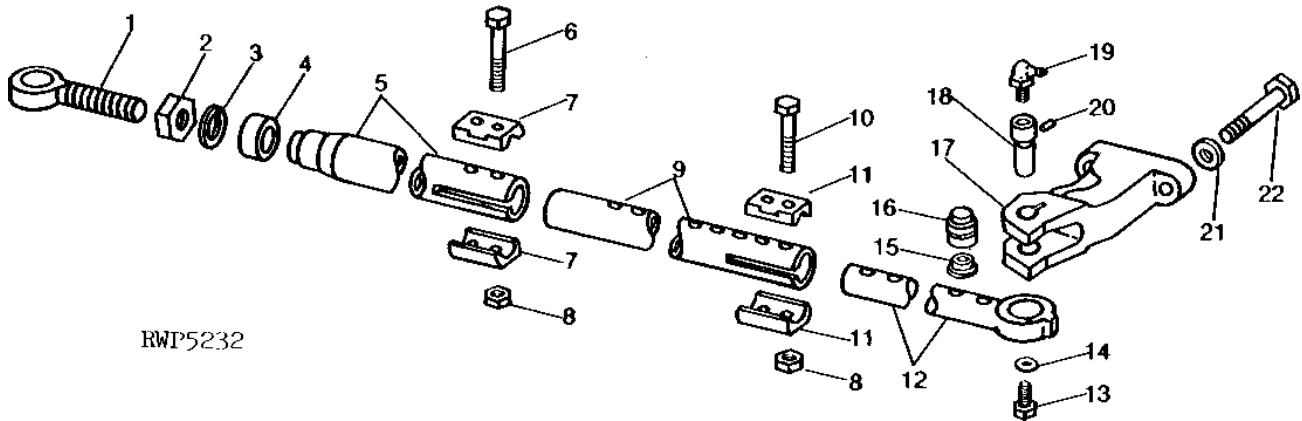
KEY	PART NO.	PART NAME	QTY	TRACTOR SERIAL NO.	REMARKS
1	R46899	GUARD	1		
2	AR49209	GUARD	1		
3	14H794	NUT	2	3/4"	
4	R46898	GUARD	1	(NLA)	
5	19H2284	CAP SCREW	8	3/8" X 7/8"	
	12H304	LOCK WASHER	8	3/8"	
6	19H1988	CAP SCREW	2	3/4" X 6"	
7	24H1392	WASHER	2	25/32" X 1-3/8" X 0.120"	

2E8

POWER TRAIN

RWP5232 -UN-01JAN94

STEERING ARMS, BELL CRANK AND TIE RODS (POWER FRONT WHEEL DRIVE)



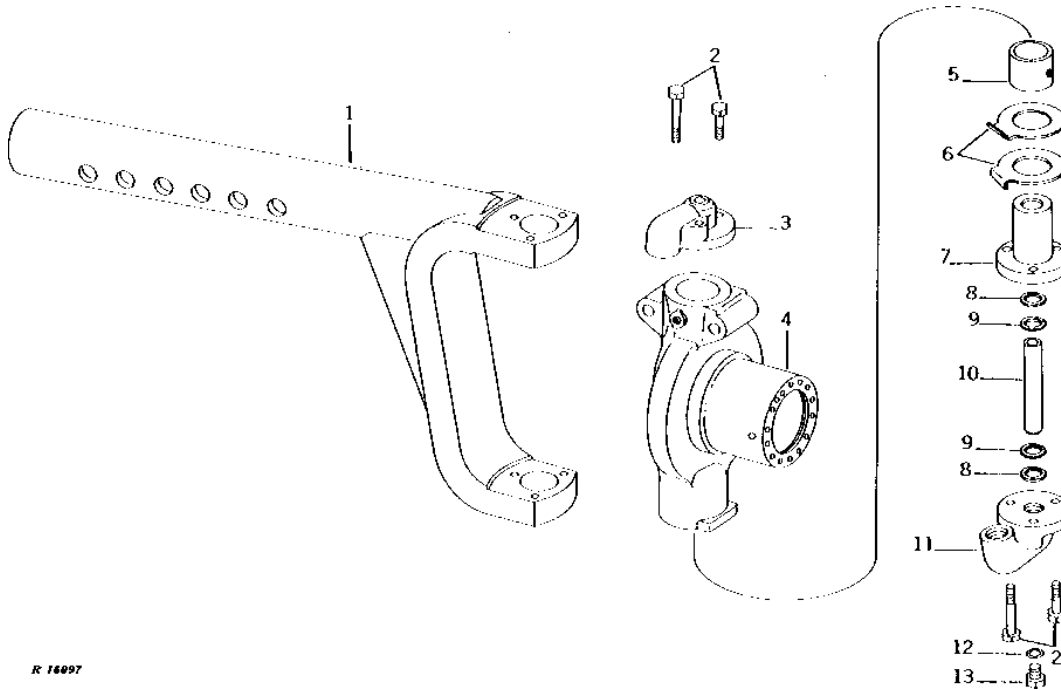
KEY	PART NO.	PART NAME	QTY	TRACTOR SERIAL NO.	REMARKS
1	AR43265	TIE ROD END	2		
2	14H876	NUT	2	1"	
3	12H234	LOCK WASHER	2	1"	
4	R43572	TIE ROD END	2		
5	R46848	TUBE	2		
6	19H2347	CAP SCREW	4	7/16" X 3"	
7	R46744	CLAMP	4		
8	N101346	LOCK NUT	8		
9	R43162	TUBE	2		
10	19H2106	CAP SCREW	4	7/16" X 2-3/4"	
11	R46963	CLAMP	4		
12	AR43040	TIE ROD END	2		
13	R43569	CAP SCREW	4	(SUB R72371)	
14	R43696	WASHER	4		
15	R43568	WASHER	4		
16	R43206	BUSHING	4		
17	R46742	ARM	1		
	R46743	ARM	1		
18	R43204	PIN	4		
19	JD7781	LUBRICATION FITTING	4		
20	T16573	PIN	4		
21	R1836R	WASHER	2		
22	19H2233	CAP SCREW	2	5/8" X 3-1/2"	

2E9

POWER TRAIN

R16097 -UN-01JAN94

KNEE AND MOTOR HOUSING (POWER FRONT WHEEL DRIVE)



R 16097

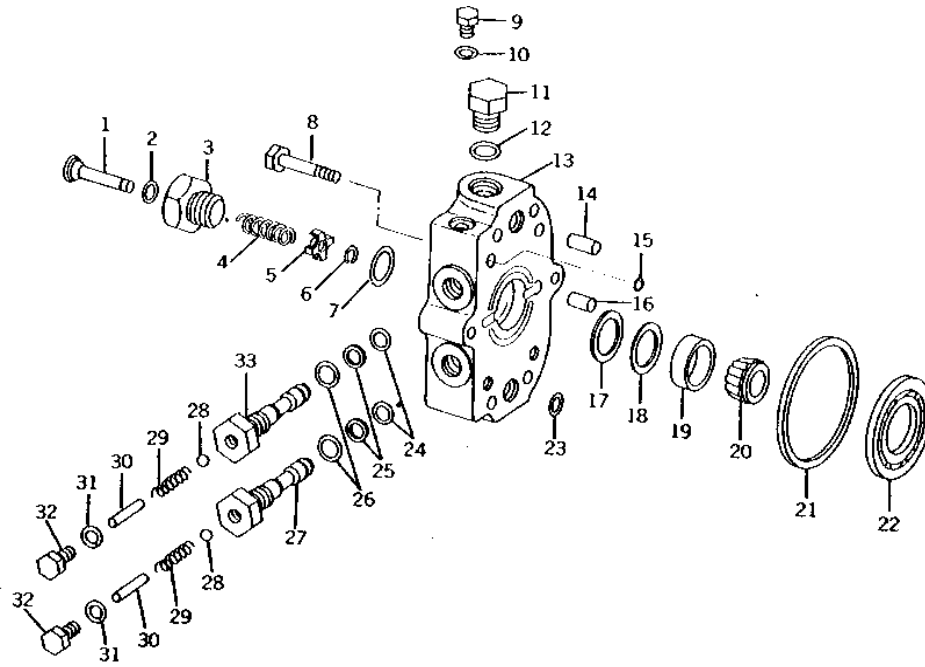
KEY	PART NO.	PART NAME	QTY	TRACTOR SERIAL NO.	REMARKS
1	AR43983	AXLE	1	R.H.	
	AR43984	AXLE	1	L.H.	
2	19H988	CAP SCREW	2	3/8" X 1-1/4"	
	19H1726	CAP SCREW	4	3/8" X 2-1/4"	
3	R42885	COVER	2	(UPPER R.H. AND LOWER L.H.)	
4	AR86538	HOUSING	1	(MARKED R42332 OR R66649) (ALSO ORDER R66650)	(SUB FOR AR45414)
5	R42821	BUSHING	2		
6	R61514	THRUST WASHER	4	(SUB FOR R42973)	
7	R42887	PIN	2		
8	R42975	O-RING	4		
9	R44979	BACK-UP RING	4	(SUB R73102)	
10	R42974	BUSHING	2		
11	R42886	COVER	2	(UPPER L.H. AND LOWER R.H.)	
12	R26448	O-RING	1		
13	R27218	FITTING PLUG	1		

2E10

POWER TRAIN

R19697 -UN-01JAN94

WHEEL MANIFOLD (POWER FRONT WHEEL DRIVE)



R 19697

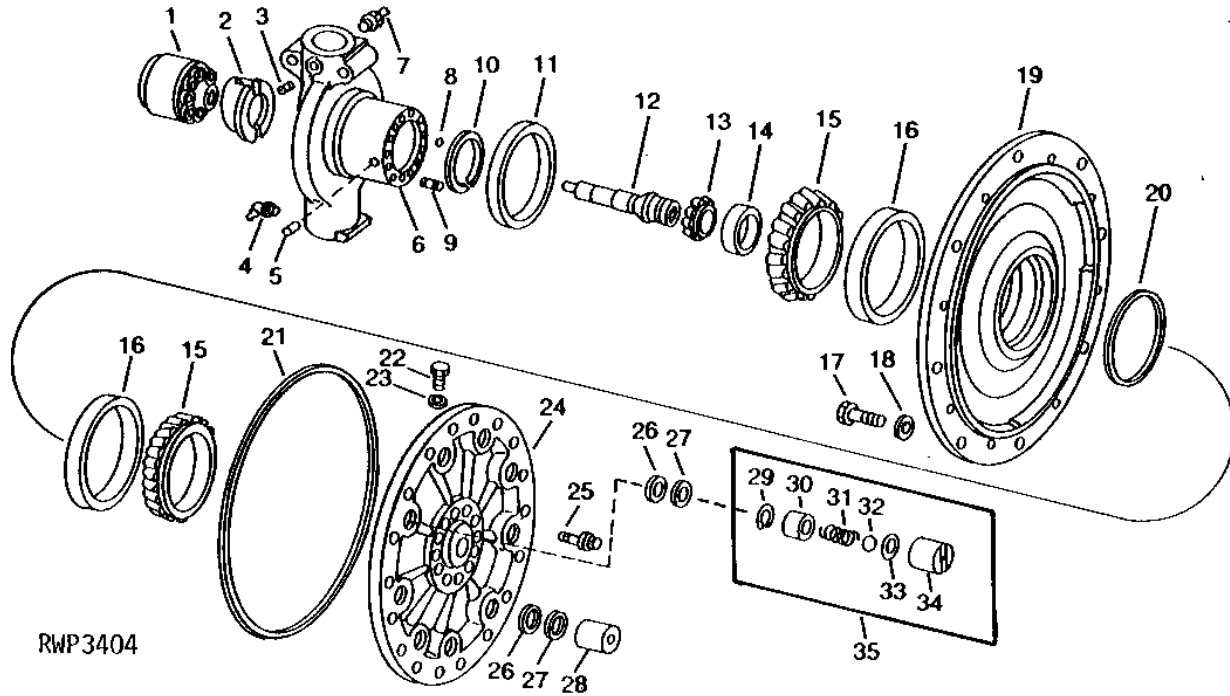
KEY	PART NO.	PART NAME	QTY	TRACTOR SERIAL NO.	REMARKS
1	R45357	VALVE	1	-XXXXXX	(SUB R62512 AND R62513)
	R62512	RELIEF VALVE	1	XXXXXX-	
2	P46051	O-RING	1	-XXXXXX	(SUB R62513, THIS APPLICATION)
	R62513	O-RING	1	XXXXXX-	
3	R45356	PRESSURE RELIEF FITTING	1		
4	R45358	SPRING	1		
5	R45359	RETAINER	1		
6	R40638	SNAP RING	1		
7	F3171R	O-RING	1		
8	19H3181	CAP SCREW	6	3/8" X 2"	
9	R27216	DRAIN PLUG	1	(SUB FOR R31631)	
10	R26287	O-RING	1		
11	R39112	FITTING	2		
12	R26375	O-RING	2		
13	R42468	MANIFOLD	1		
14	R28671	DOWEL PIN	2		
15	R42878	WASHER	1		
16	R42882	DOWEL PIN	1		
17	R42819	SHIM	AR	0.08MM (.003")	
18	R42820	SHIM	AR	0.25MM (.010")	
19	JD8293	BEARING CUP	1		
20	JD9030	BEARING CONE	1		
21	R42880	PACKING	1		
22	R42818	PLATE	1		
23	R42879	WASHER	2		
24	R42926	BACK-UP RING	2		
25	R28776	O-RING	2		
26	R26375	O-RING	2		
27	R42925	HOUSING	1		
28	400R	BALL	2		
29	R54174	SPRING	2		
30	34H252	SPRING PIN	2	1/8" X 1-1/4"	
31	R26287	O-RING	2		
32	R27216	DRAIN PLUG	2		
33	R54173	HOUSING	1		

2E11

POWER TRAIN

WHEEL HUB, MOTOR, AND HOUSING (POWER FRONT WHEEL DRIVE)

RWP3404 -UN-01JAN94



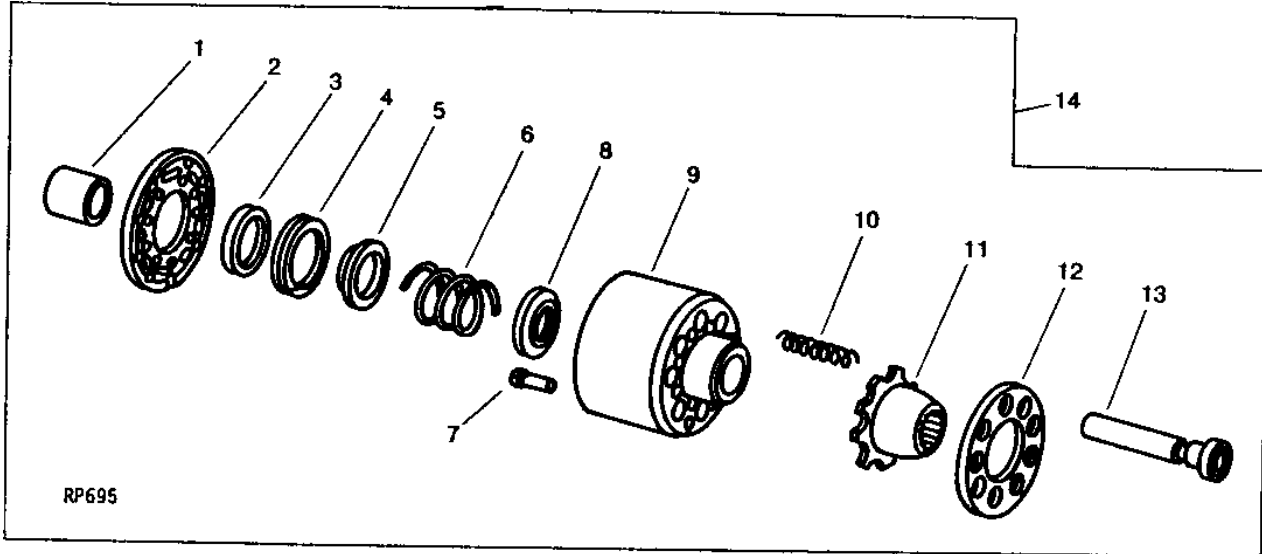
KEY	PART NO.	PART NAME	QTY	TRACTOR SERIAL NO.	REMARKS
1	AR73212	CYLINDER BLOCK	1		(SUB FOR AR45034)
2	R42817	SWASH PLATE	1		
3	15H558	PIPE PLUG	1	1/8"	
4	JD7781	LUBRICATION FITTING	1		
5	R42881	DOWEL PIN	1		
6	AR86538	HOUSING	1		(MARKED R42332 OR R66649) (ALSO ORDER R66650) (SUB FOR AR45414)
7	JD7759	LUBRICATION FITTING	1		
8	R27490	O-RING	1		(SUB T17951)
9	R36666	DOWEL PIN	2		
10	R45569	SNAP RING	1		
11	AR77224	SEAL	1		(SUB FOR AR47137)
12	R42735	SHAFT	1		
13	JD9029	BEARING CONE	1		
14	JD7403	BEARING CUP	1		
15	JD9028	BEARING CONE	2		
16	JD8292	BEARING CUP	2		
17	19H1800	CAP SCREW	8	3/8" X 1-1/2"	
18	R42729	WASHER	8		
19	R41958	HUB	1		
20	R42765	SHIM	AR	0.08MM (.003")	
	R48811	SHIM	AR	0.13MM (.005")	
	R42766	SHIM	AR	0.25MM (.010")	
21	R42877	PACKING	1		
22	R27216	DRAIN PLUG	1		(SUB FOR R27216)
23	R26287	O-RING	1		
24	AR44376	HOUSING	1		
25	R42969	BOLT	12		
26	R29354	O-RING	9		(SUB FOR R42763)
27	R35473	BACK-UP RING	9		
28	R42927	PISTON	8		
29	R33282	SNAP RING	1		
30	R54172	PLUNGER	1		(SUB AR78303)
31	R59860	SPRING	1		
32	R26552	BALL	1		
33	P48347	O-RING	1		(SUB FOR R34404, THIS APPLICATION)
34	R54171	PISTON	1		(SUB AR78303)
35	AR78303	PISTON	1		

2E12

POWER TRAIN

RP695 -UN-01JAN94

MOTOR CYLINDER BLOCK (POWER FRONT WHEEL DRIVE)



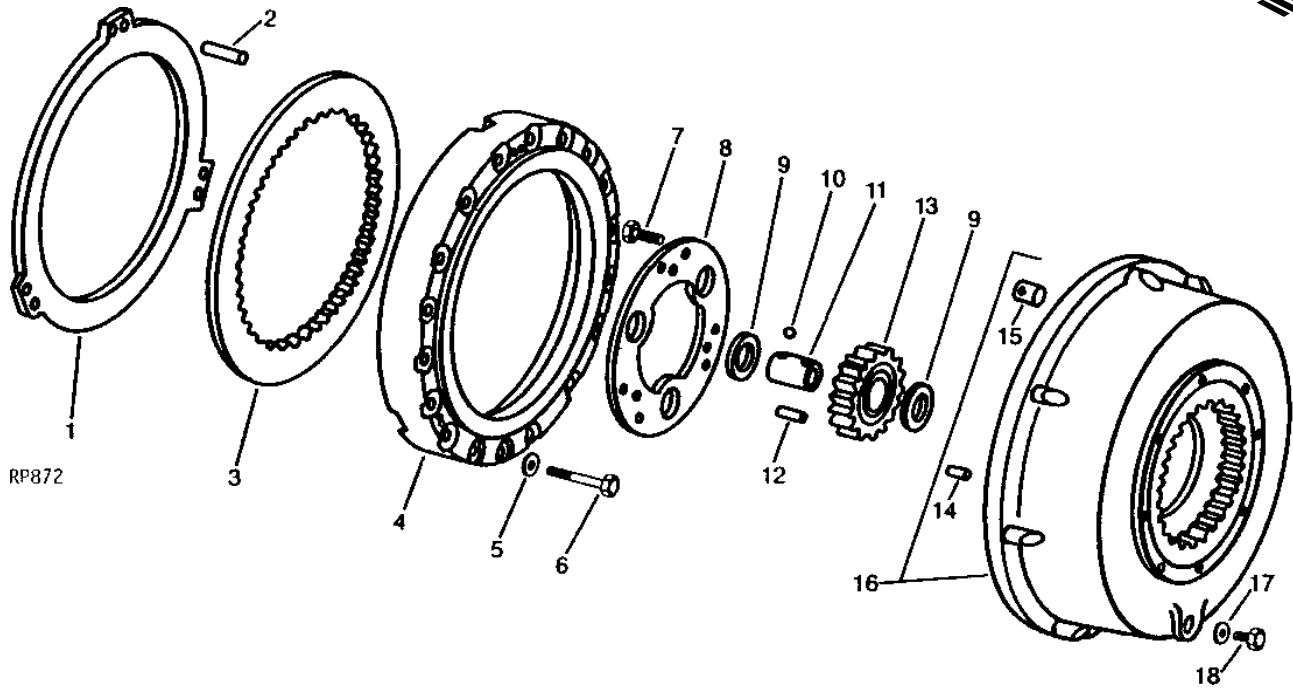
KEY	PART NO.	PART NAME	QTY	TRACTOR SERIAL NO.	REMARKS
1	R44415	BUSHING	1		
2	R44406	PLATE	1		
3	R44417	WASHER	1		
4	N107859	SNAP RING	1		
5	R44414	RETAINER	1		
6	R44409	SPRING	1		
7	R44416	DOWEL PIN	1		
8	R44412	SEAT	1		
9	AR73213	HOUSING	1		(SUB FOR AR45781) (ORDER AR73212)
10	R60428	SPRING	6		(SUB FOR R44411 OR AR73214)
11	R44408	GUIDE	1		
12	R44407	RETAINER	1		
13	AR45782	PISTON	9		
14	AR73212	CYLINDER BLOCK	1		(SUB FOR AR45034)

2E13

POWER TRAIN

SECOND PLANET PINION, PLANETARY HOUSING, AND BRAKE PLATES (POWER FRONT WHEEL DRIVE)

RP872 -UN-19OCT94



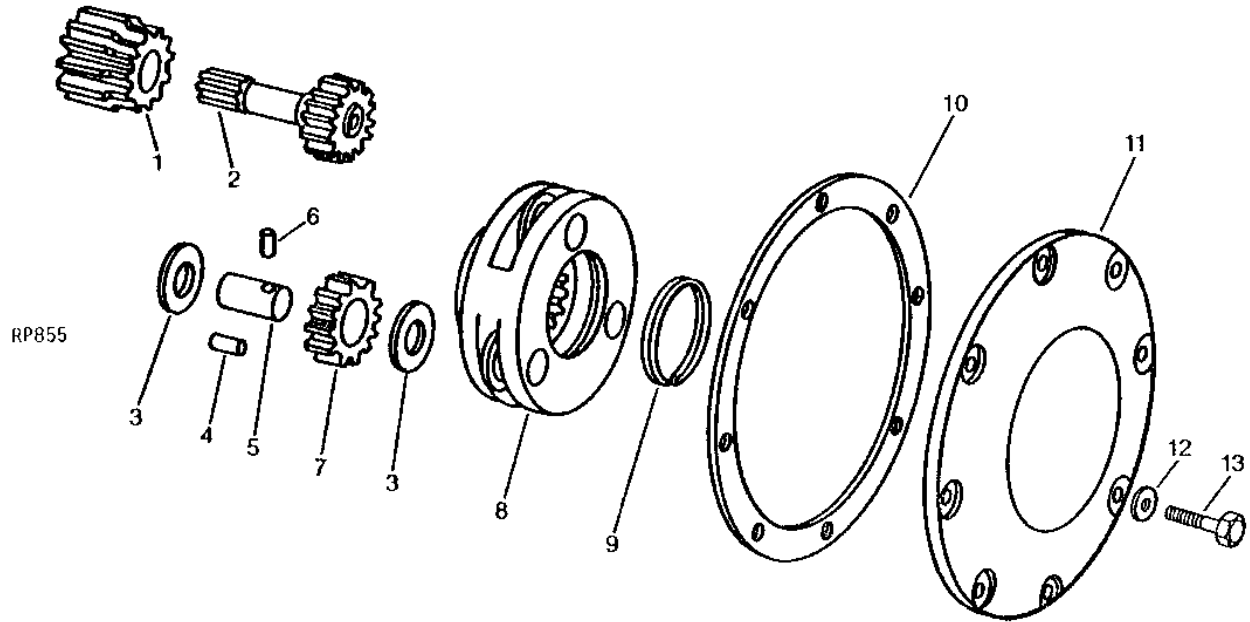
KEY	PART NO.	PART NAME	QTY	TRACTOR SERIAL NO.	REMARKS
1	R47142	PLATE	1		
2	R42762	SPRING	6		
3	R42516	GEAR	1		
4	R47141	PLATE	1		
5	R42729	WASHER	18		
6	19H268	CAP SCREW	18	3/8" X 2-1/2"	
7	19H2284	CAP SCREW	6	3/8" X 7/8"	
8	R42333	RETAINER	1		
9	R42931	THRUST WASHER	6		
10	H871R	BALL	6		
11	R42932	PIN	3		
12	R42883	NEEDLE ROLLER	66		
13	R42518	PINION	3		
14	R28671	DOWEL PIN	3		
15	R1612R	DOWEL PIN	2		
16	AR48527	HOUSING	1		
17	R26375	O-RING	1		
18	R39112	FITTING	1		

2E14

POWER TRAIN

FIRST PLANET PINION, CARRIER, AND COVER (POWER FRONT WHEEL DRIVE)

RP855 -UN-01JAN94



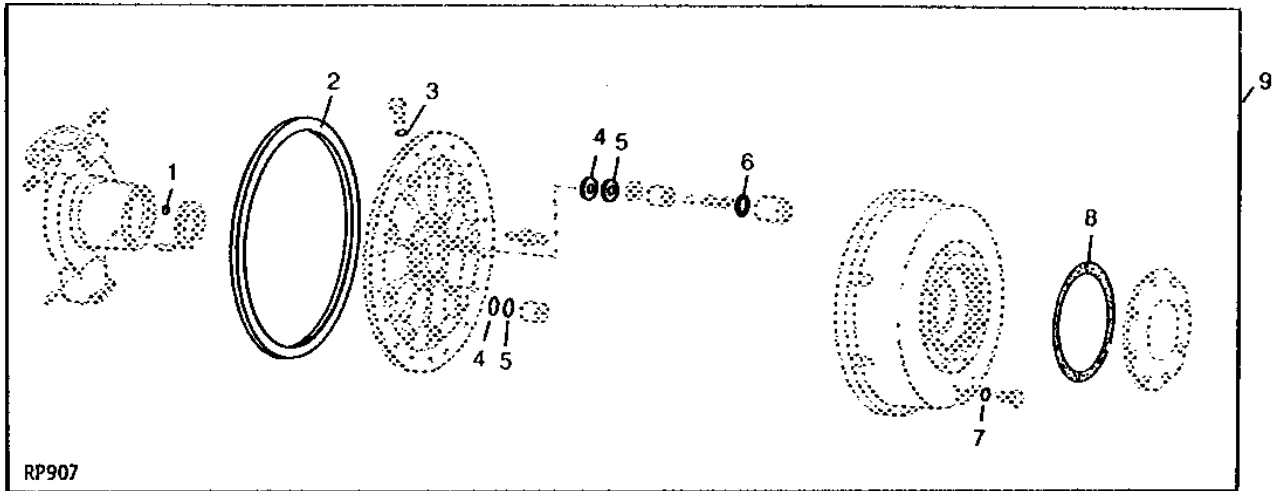
KEY	PART NO.	PART NAME	QTY	TRACTOR SERIAL NO.	REMARKS
1	R42734	PINION	1		
2	R46708	PINION	1		(14 TEETH)
3	R42929	THRUST WASHER	6		
4	R42884	NEEDLE ROLLER	51		
5	R42930	PIN	3		
6	B2641R	DOWEL PIN	3		
7	R46709	PINION	3		
8	R42519	PLANET PINION CARRIER	1		
9	R44013	SNAP RING	1		
10	R42764	GASKET	1		
11	R42968	COVER	1		
12	R42729	WASHER	8		
13	19H2552	CAP SCREW	8		3/8" X 1-1/8"

2E15

POWER TRAIN

BRAKE PISTON SEAL KIT (POWER FRONT WHEEL DRIVE)

RP907 -UN-01JAN94



KEY	PART NO.	PART NAME	QTY	TRACTOR SERIAL NO.	REMARKS
1	R27490	O-RING	2	(SUB T17951)	
2	R42877	PACKING	1		
3	R26287	O-RING	1		
4	R29354	O-RING	9	(SUB FOR R42763)	
5	R35473	BACK-UP RING	9	(SUB R29354)	
6	R34404	O-RING	1	(SUB P48347)	
7	R26375	O-RING	1		
8	R42764	GASKET	1		
9	AR63930	KIT	1		

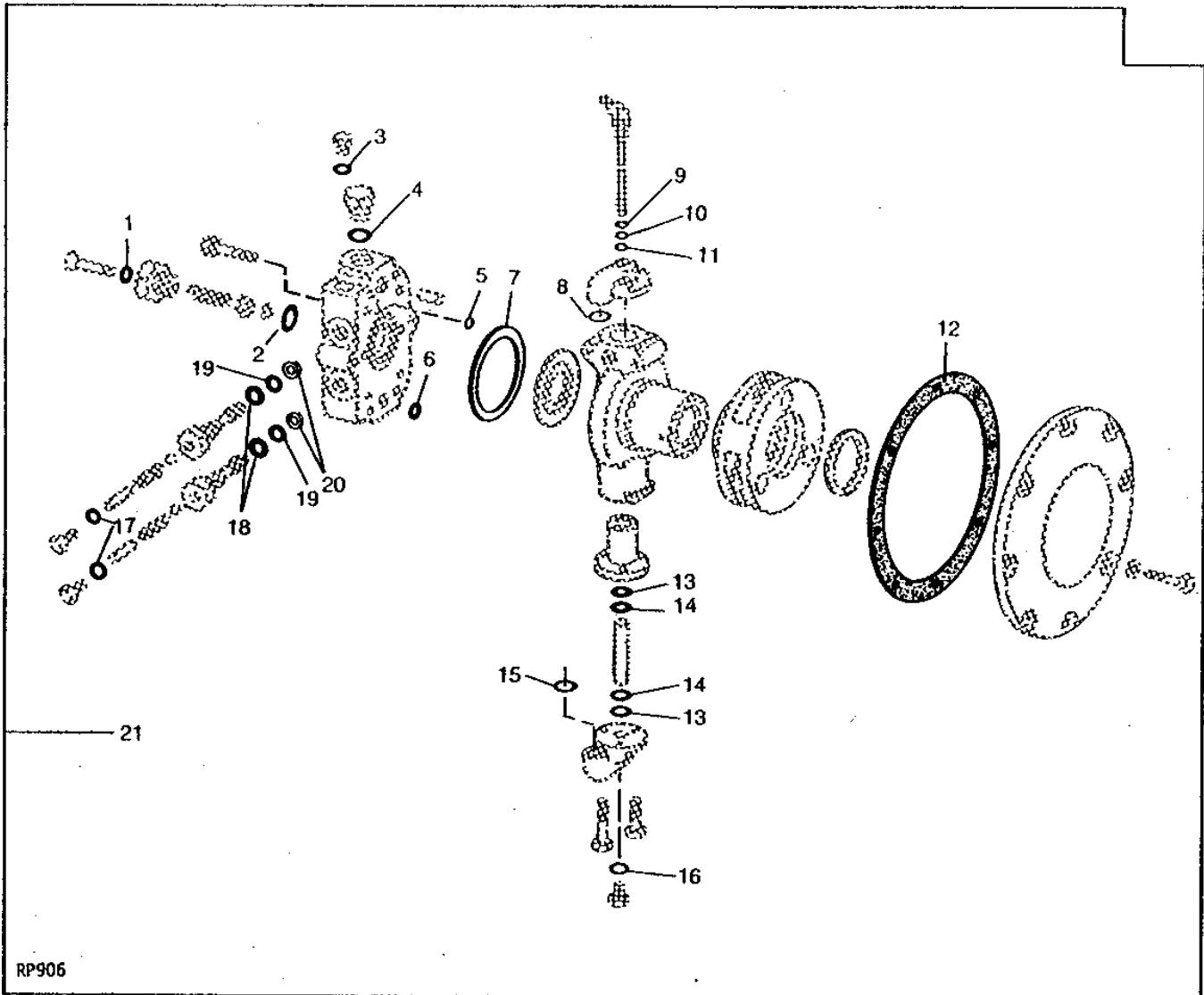
MEMORANDA

2E16

POWER TRAIN

MANIFOLD AND PIVOT PIN SEAL KIT (POWER FRONT WHEEL DRIVE)

RP906 -UN-01JAN94



RP906

2E17

POWER TRAIN

MANIFOLD AND PIVOT PIN SEAL KIT - CONTINUED
(POWER FRONT WHEEL DRIVE)

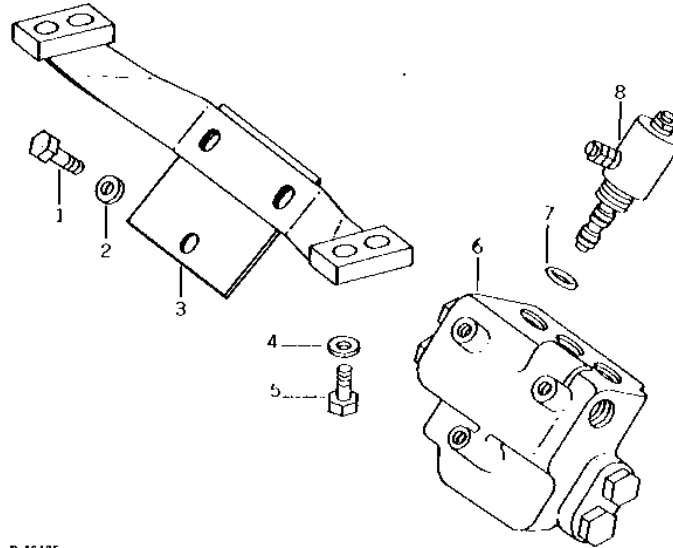
KEY	PART NO.	PART NAME	QTY	TRACTOR SERIAL NO.	REMARKS
1	R62513	O-RING	1		(SUB FOR P46051, THIS APPLICATION)
2	F3171R	O-RING	1		
3	R26287	O-RING	1		
4	R26375	O-RING	2		
5	R42878	WASHER	1		
6	R42879	WASHER	2		
7	R42880	PACKING	1		
8	F3171R	O-RING	1		
9	R61462	RING	1		(SUB FOR R26448, THIS APPLICATION)
10	R61463	BACK-UP RING	1		(SUB FOR R10093, THIS APPLICATION)
11	R26448	O-RING	1		(SUB FOR R44778, THIS APPLICATION)
12	R42764	GASKET	1		
13	R42975	O-RING	4		(SUB U11647)
14	R44979	BACK-UP RING	4		(SUB R73102)
15	F3171R	O-RING	1		
16	R26448	O-RING	1		
17	R26287	O-RING	2		
18	R26375	O-RING	2		
19	R28776	O-RING	2		
20	R42926	BACK-UP RING	2		
21	AR63929	KIT	1		

2E18

POWER TRAIN

R16106 -UN-01JAN94

DIRECTIONAL CONTROL VALVE AND SUPPORT (POWER FRONT WHEEL DRIVE)



R 16106

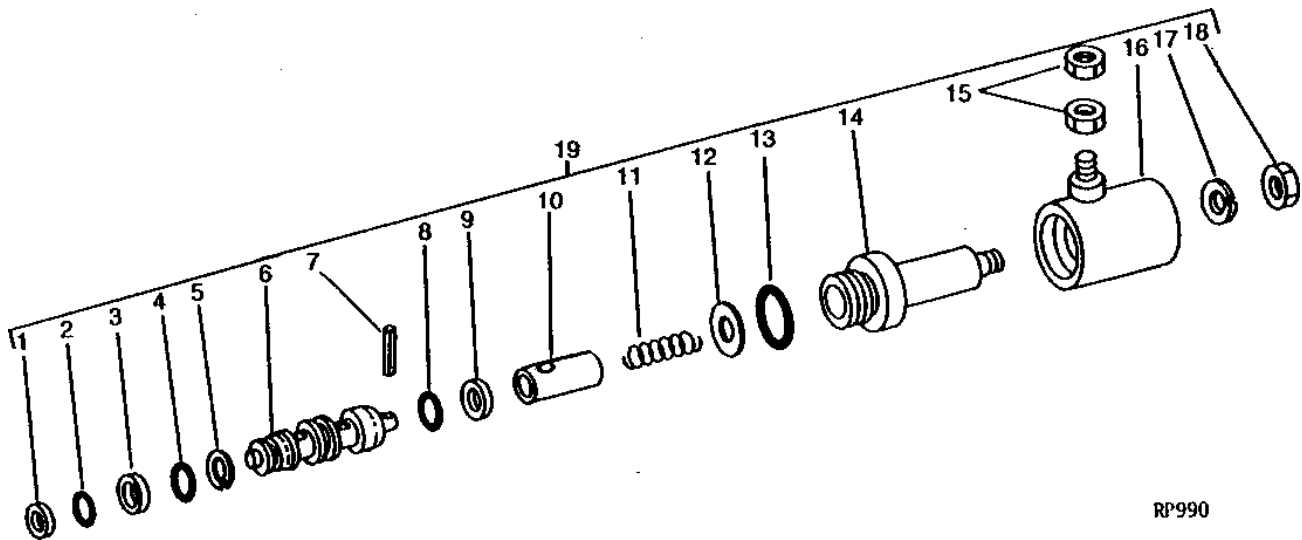
KEY	PART NO.	PART NAME	QTY	TRACTOR SERIAL NO.	REMARKS
1	19H2284	CAP SCREW	1	3/8" X 7/8"	
	19H2552	CAP SCREW	2	3/8" X 1-1/8"	
2	24H1309	WASHER	3	13/32" X 1-1/16" X 0.120"	
3	AR49231	BRACKET	1		
4	24H1325	WASHER	4	15/32" X 59/64" X 0.065"	
5	19H2731	CAP SCREW	4	7/16" X 1-3/8"	
6	AR81936	VALVE	1	(SUB FOR AR49420)	
7	U12547	O-RING	3		
8	AR81175	SOLENOID VALVE	3	(SUB FOR AR48901, AR53046 OR AR70920)	

2E19

POWER TRAIN

RP990 -UN-01JAN94

SOLENOID (POWER FRONT WHEEL DRIVE)



RP990

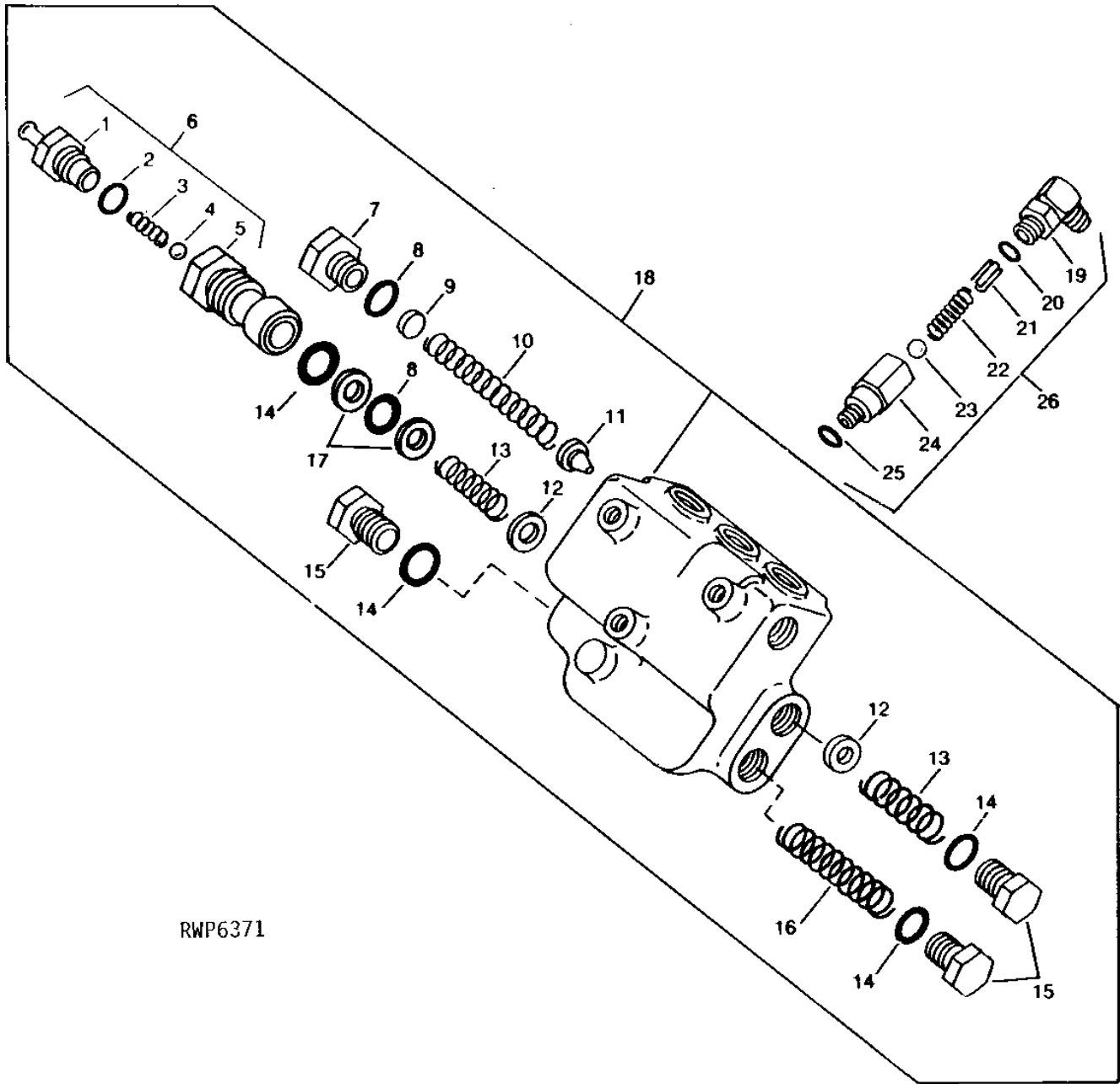
KEY	PART NO.	PART NAME	QTY	TRACTOR SERIAL NO.	REMARKS
1	R42926	BACK-UP RING	1		
2	R45186	O-RING	1		
3	R45187	BACK-UP RING	1		
4	R45638	O-RING	1		
5	R46701	SNAP RING	1		
6	AR70921	SLEEVE	1		(SUB FOR AR48902) (SUB AR81176 AND R58884)
7	34H227	SPRING PIN	1		3/32" X 1/2"
8	N31772	O-RING	1		
9	R46702	BACK-UP RING	1		
10	R58884	PLUNGER	1		(SUB FOR R45250) (ALSO ORDER AR81176)
11	R64698	SPRING	1		(SUB FOR R45251) (ALSO ORDER R64697 IF NOT PREVIOUSLY INSTALLED)
12	R64697	SHIM	1		(USE WITH TUBE MARKED WITH A "V")
13	U12547	O-RING	1		
14	AR48903	GUIDE	1		
15	14H605	NUT	2		0.164"
16	AR70922	ELECTRICAL COIL	1		(SUB FOR AR53047)
17	12H302	LOCK WASHER	1		1/4"
18	14H786	NUT	1		1/4"
19	AR81175	SOLENOID VALVE	3		

2E20

POWER TRAIN

CONTROL VALVE PARTS (POWER FRONT WHEEL DRIVE)

RWP6371 -UN-18OCT94



RWP6371

2E21

POWER TRAIN

CONTROL VALVE PARTS - CONTINUED
(POWER FRONT WHEEL DRIVE)

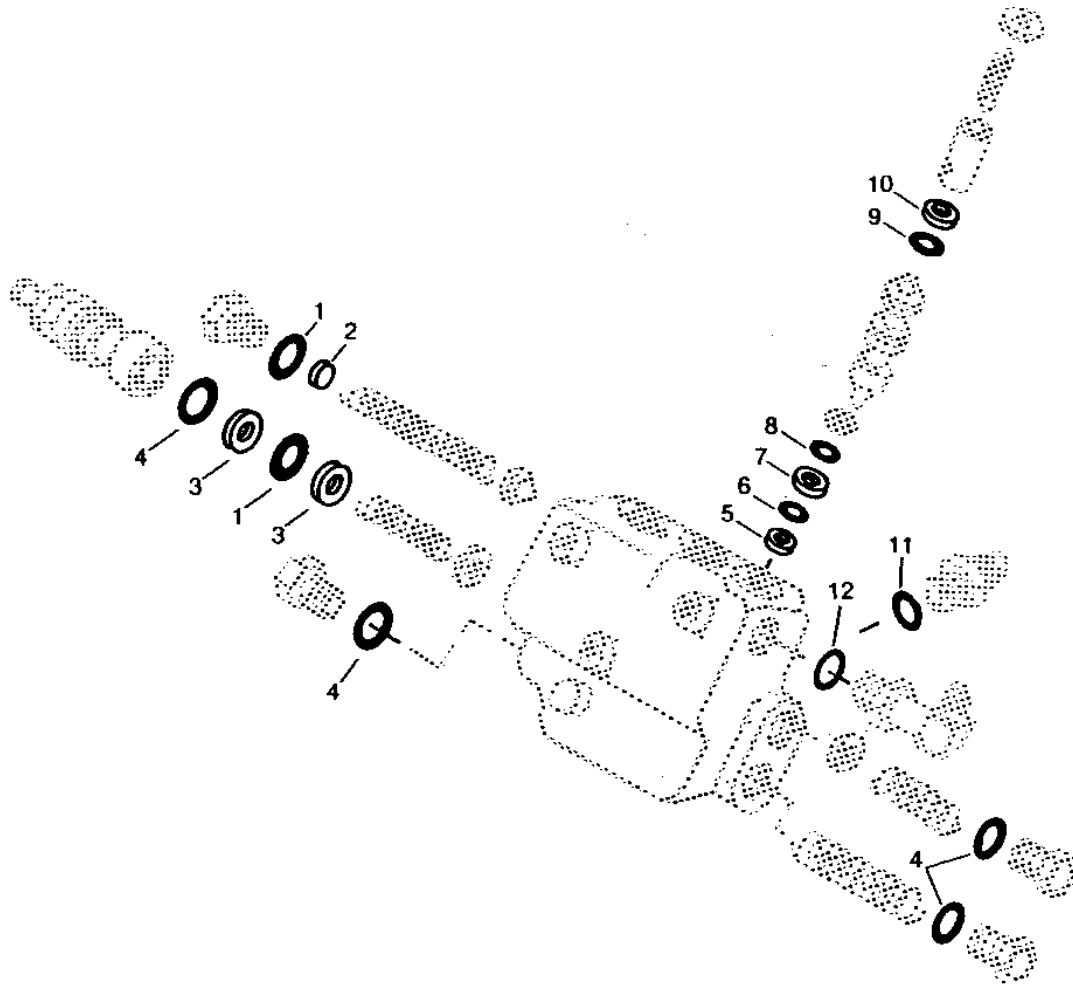
KEY	PART NO.	PART NAME	QTY	TRACTOR SERIAL NO.	REMARKS
1	SEAT	1		(ORDER AR81968)
2	R26448	O-RING	1		
3	A4816R	SPRING	1		
4	R26552	BALL	1		
5	PLUG	1		(ORDER AR81968)
6	AR81968	BLEED VALVE	1		
7	R45179	FITTING	1		
8	P47908	O-RING	2		
9	T14587	SHIM	1		0.61MM (.024")
10	R45183	SPRING	1		
11	R45176	ORIFICE	1		
12	R45184	WASHER	2		
13	R45182	SPRING	2		
14	32240	O-RING	4		
15	R45177	FITTING	3		
16	R45181	SPRING	1		
17	U40727	BACK-UP RING	2		
18	AR81936	VALVE	1		
19	AR58184	ELBOW FITTING	1		
20	R26448	O-RING	1		
21	R55458	GUIDE	1		
22	R227R	SPRING	1		
23	R42849	BALL	1		
24	HOUSING	1		(ORDER AR85464)
25	R26286	O-RING	1		
26	AR85464	CHECK VALVE	1		

2E22

POWER TRAIN

RWP6372 -UN-12OCT94

CONTROL VALVE OVERHAUL KIT
(POWER FRONT WHEEL DRIVE)



RWP6372

2E23

POWER TRAIN

CONTROL VALVE OVERHAUL KIT - CONTINUED (POWER FRONT WHEEL DRIVE)

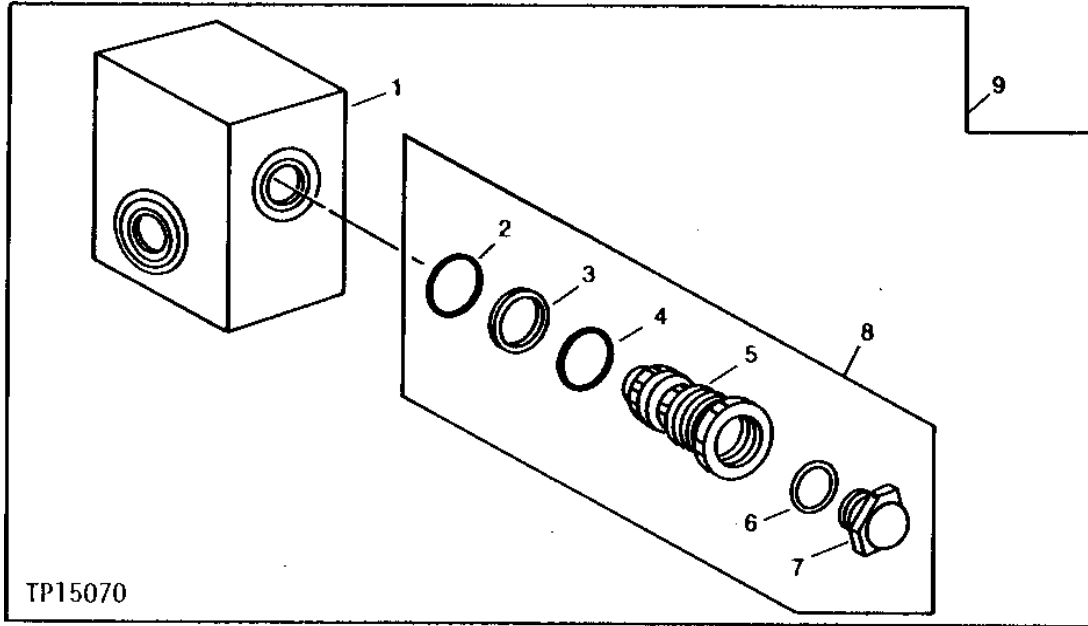
KEY	PART NO.	PART NAME	QTY	TRACTOR SERIAL NO.	REMARKS
1	P47908	O-RING	2		
2	T14587	SHIM	1	0.61MM (.024")	
3	U40727	BACK-UP RING	2		
4	32240	O-RING	4		
5	R42926	BACK-UP RING	1		
6	R45186	O-RING	1		
7	R45187	BACK-UP RING	1		
8	R45638	O-RING	1		
9	N31772	O-RING	1		
10	R46702	BACK-UP RING	1		
11	F3171R	O-RING	4		
12	U17409	O-RING	2		
13	AR48904	KIT	1		

2E24

POWER TRAIN

TP15070 -UN-01JAN94

REPLACEMENT RELIEF VALVE



TP15070

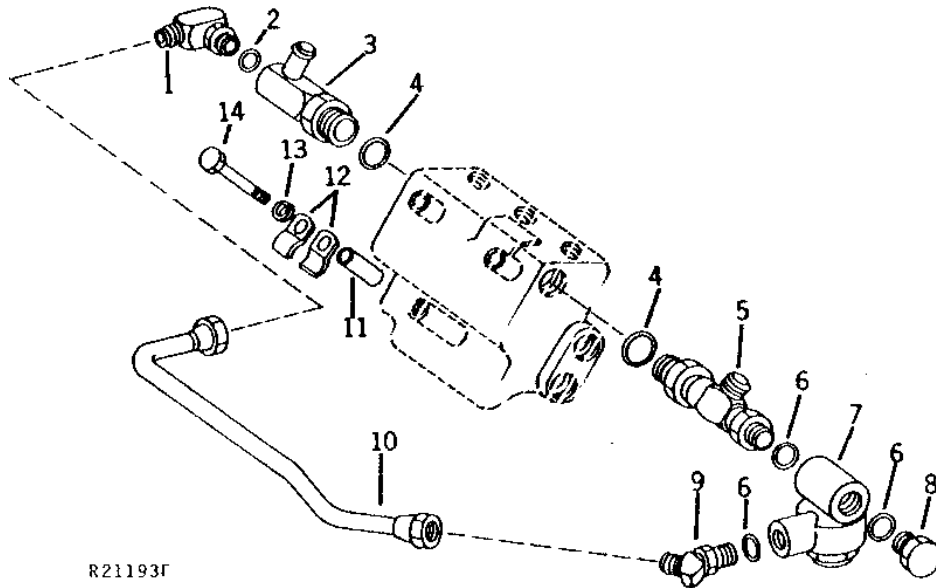
KEY	PART NO.	PART NAME	QTY	SERIAL NO.	REMARKS
1	VALVE	1	(SUB AT30373)	
2	T77072	O-RING	1		
3	T75972	BACK-UP RING	1		
4	U15242	O-RING	1		
5	RELIEF VALVE	1	(SUB AT80421)	
6	W19903	O-RING	1		
7	CAP	1	(SUB AT80421)	
8	AT80421	VALVE	1		
9	AT30373	RELIEF VALVE	1		

2E25

POWER TRAIN

R21193 -UN-01JAN94

PRESSURE RELIEF VALVE AND BYPASS PIPE (POWER FRONT WHEEL DRIVE)



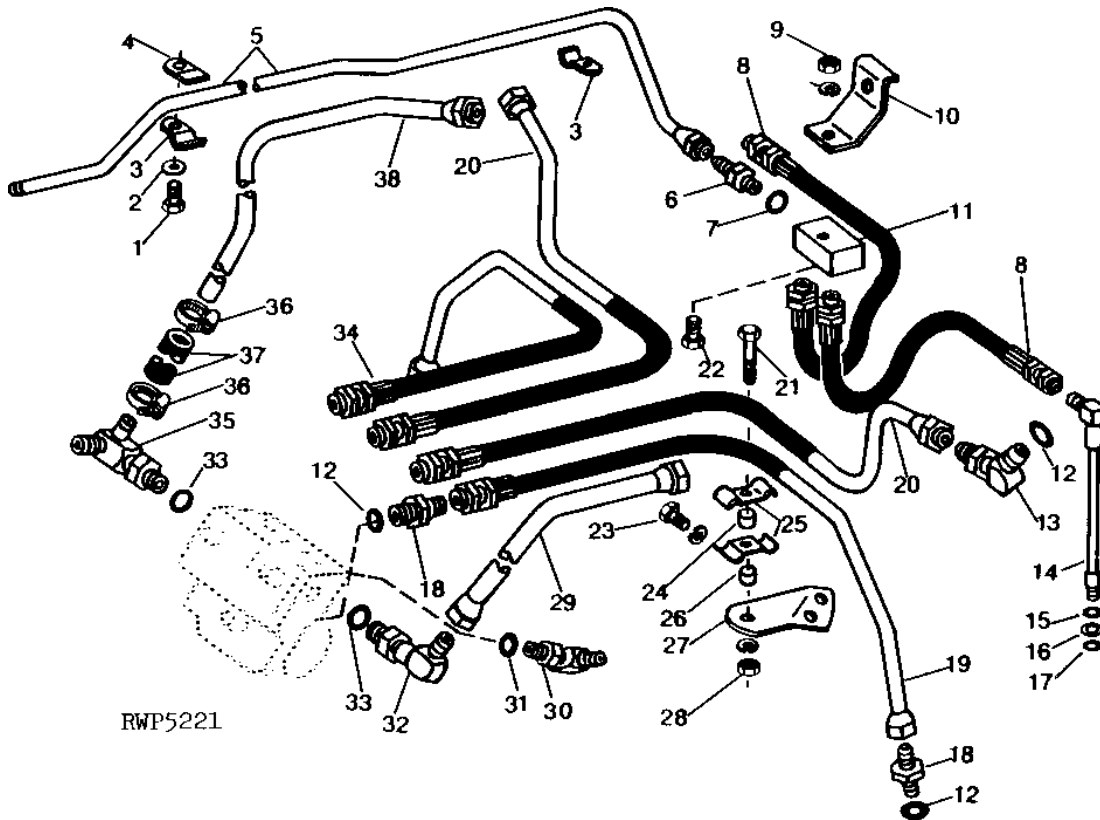
KEY	PART NO.	PART NAME	QTY	TRACTOR SERIAL NO.	REMARKS
1	AR30110	ELBOW FITTING	1		
2	R26375	O-RING	1		
3	AR54694	TEE FITTING	1		
4	U17409	O-RING	2		
5	AR53562	TEE FITTING	1		
6	R26906	O-RING	3		
7	AT30373	RELIEF VALVE	1		
8	R27474	DRAIN PLUG	1		
9	AT32338	FITTING	1		(SUB FOR AR26828)
10	AR53564	OIL LINE	1		
11	28H3380	SPACER	1		3/8" X 1-5/8"
12	R35726	CLAMP	2		
13	24M7096	WASHER	1		10.500 X 18 X 1.600 MM
14	19H1944	CAP SCREW	1		3/8" X 2-3/4"

2F1

POWER TRAIN

RWP5221 -UN-01JAN94

HYDRAULIC OIL LINES (POWER FRONT WHEEL DRIVE)



2F2

POWER TRAIN

HYDRAULIC OIL LINES - CONTINUED (POWER FRONT WHEEL DRIVE)

KEY	PART NO.	PART NAME	QTY	TRACTOR SERIAL NO.	REMARKS
1	19H2021	CAP SCREW	1		3/8" X 5/8"
2	24H1652	WASHER	1		13/32" X 11/16" X 7/64"
3	R28538	CLAMP	2		
4	R28539	CLAMP	1		
5	AR49131	LINE	1		
6	R39249	ADAPTER	1		
7	R26448	O-RING	1		
8	AR82265	HYDRAULIC HOSE	2		(SUB FOR AR49311 OR AR64634)
9	14H1076	NUT	1		3/8"
	12H304	LOCK WASHER	1		3/8"
10	R46962	BRACKET	1		
11	AR45234	FITTING	1		
12	F3171R	O-RING	8		(A)
13	AR47803	ELBOW FITTING	2		
14	AR53447	ELBOW FITTING	2		(SUB FOR AR45198)
15	R10093	O-RING	2		(A) (SUB R61462 AND R61463)
16	R44778	BACK-UP RING	2		(A) (SUB R61463 AND R61462)
17	R26448	O-RING	2		(A)
18	R27267	FITTING	6		
19	AR49217	HYDRAULIC HOSE	1		
20	AR49216	HYDRAULIC HOSE	2		
21	19H1899	CAP SCREW	2		7/16" X 2"
22	19H246	CAP SCREW	1		3/8" X 1-3/4"
23	19H2284	CAP SCREW	4		3/8" X 7/8"
	12H304	LOCK WASHER	4		3/8"
24	28H1888	BUSHING	2		3/8" X 1/2"
25	R46919	CLAMP	4		
26	28H1862	WASHER	1		0.493" X 0.675" X 7/32"
27	R46917	SUPPORT	1		R.H.
	R46918	SUPPORT	1		L.H.
28	14H1047	NUT	2		7/16"
	12H293	LOCK WASHER	2		7/16"
29	AR49129	HYDRAULIC LINE	1		
30	AT32332	ELBOW FITTING	1		(SUB FOR AR26763)
31	R26375	O-RING	1		
32	AR44384	ELBOW FITTING	1		
33	U17409	O-RING	2		
34	AR49218	HYDRAULIC HOSE	1		
35	AR54694	TEE FITTING	1		(SUB FOR AR49132) (ALSO ORDER R26375)
36	AR21839	CLAMP	2		(SUB TY22467)
37	HOSE	1		19 X 64MM (3/4" X 2-1/2") (MAKE FROM TY22329)
38	AR49130	OIL LINE	1		
..	AR63929	KIT	1		PFWD MANIFOLD AND PIVOT PIN SEAL

(A) INCLUDED IN AR63929

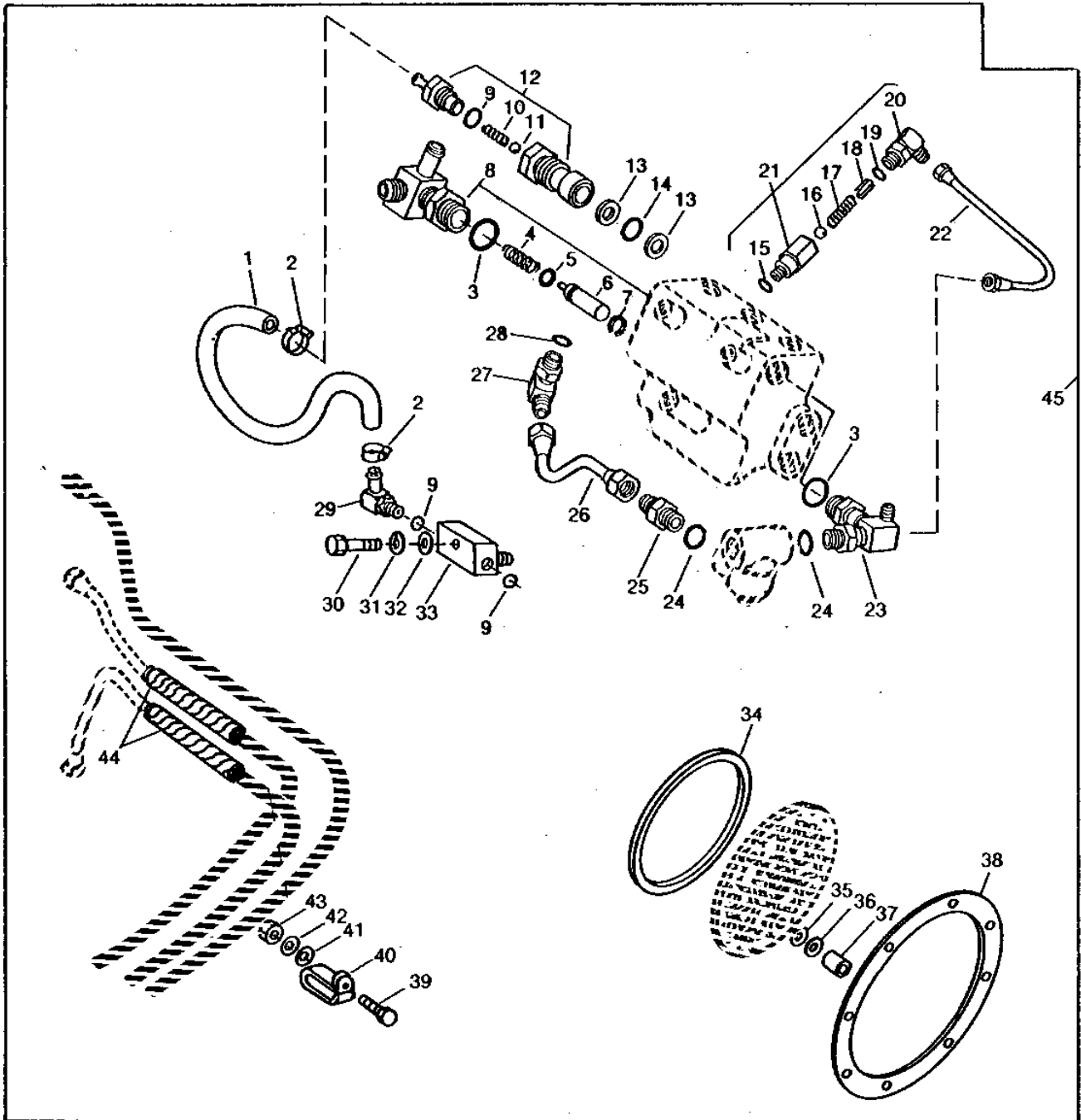
2F3

POWER TRAIN

RXP8621

-UN-01JAN94

POWER FRONT WHEEL DRIVE REPLACEMENT KIT



RXP8621

2F4

POWER TRAIN

POWER FRONT WHEEL DRIVE REPLACEMENT KIT - CONTINUED

KEY	PART NO.	PART NAME	QTY	TRACTOR SERIAL NO.	REMARKS
1	R66067	HYDRAULIC HOSE	1		
2	AR48236	CLAMP	2		(SUB TY22462)
3	U17409	O-RING	2		
4	F3463R	SPRING	1		
5	R64491	VALVE	1		
6	R45638	O-RING	1		
7	B474R	SNAP RING	1		
8	AR80591	TEE FITTING	1		
9	R26448	O-RING	3		
10	A4816R	SPRING	1		
11	R26552	BALL	1		
12	AR81968	BLEED VALVE	1		
13	U40727	BACK-UP RING	2		
14	P47908	O-RING	2		
15	R26286	O-RING	1		
16	R42849	BALL	1		
17	R227R	SPRING	1		
18	R55458	GUIDE	1		
19	R26448	O-RING	1		
20	AR58184	ELBOW FITTING	1		
21	AR85464	CHECK VALVE	1		
22	AR85463	LINE	1		
23	AR81935	TEE FITTING	1		(SUB AR86975 AND R36926)
24	R26906	O-RING	2		
25	R31665	FITTING	1		
26	AR56611	HYDRAULIC LINE	1		
27	AT32332	ELBOW FITTING	1		
28	R26375	O-RING	1		
29	AR85574	ELBOW FITTING	1		
30	19H1765	CAP SCREW	1		3/8" X 1-3/4"
31	12H304	LOCK WASHER	1		3/8"
32	24M7096	WASHER	1		10.500 X 18 X 1.600 MM
33	AR80595	FITTING	1		
34	R42877	PACKING	2		
35	R29354	O-RING	18		(SUB FOR R42763)
36	R35473	BACK-UP RING	18		(SUB R73101, THIS APPLICATION)
37	R42927	PISTON	2		
38	R42764	GASKET	2		
39	19H2021	CAP SCREW	4		3/8" X 5/8"
40	R65207	CLAMP	4		
41	12H304	LOCK WASHER	4		3/8"
42	24H1305	WASHER	4		13/32" X 13/16" X 0.065"
43	14H1076	NUT	4		3/8"
44	R67366	GUARD	4		(SUB R72341)
45	AR89501	KIT	1		(ORDER COMPONENT PARTS)

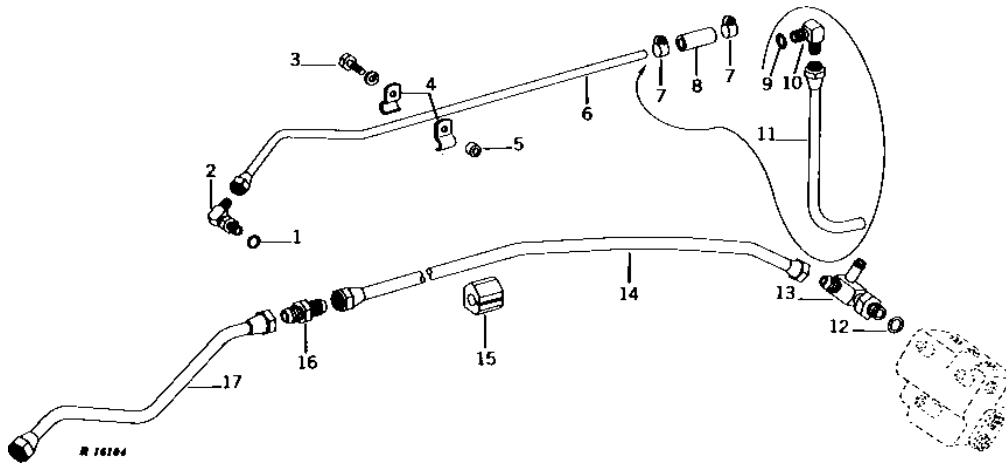
MEMORANDA

2F5

POWER TRAIN

R16104 -UN-01JAN94

HYDRAULIC OIL DRAIN LINES (POWER FRONT WHEEL DRIVE)



KEY	PART NO.	PART NAME	QTY	TRACTOR SERIAL NO.	REMARKS
1	R26375	O-RING	1	(A)	
2	AT32332	ELBOW FITTING	1	(A) (SUB FOR AR26763)	
3	19H2552	CAP SCREW	1	3/8" X 1-1/8"	
	24M7096	WASHER	1	10.500 X 18 X 1.600 MM	
4	R27539	CLAMP	2		
5	28H1519	WASHER	1	0.493" X 0.675" X 3/8"	
6	AR49083	LINE	1	(A) REAR DRAIN	
7	AR21837	CLAMP	2	(SUB TY22465)	
8	R32641	HOSE	1	(SUB FOR R33678) (SUB TY22327)	
9	R26448	O-RING	1	(B) REAR DRAIN	
10	AT35120	ELBOW FITTING	1	(B) (SUB FOR AR37017 AND AT32337)	
11	AR49081	LINE	1	(B)	
12	U17409	O-RING	1		
13	AR49132	TEE FITTING	1	(SUB AR54694, R26375 AND R39112)	
14	AR49118	OIL LINE	1	(A) FILTER RELIEF VALVE TO CONTROL VALVE, FRONT	
	AR49119	OIL LINE	1	(B) CLUTCH REGULATING VALVE TO CONTROL VALVE	
15	R43479	SPACER	1		
16	R27266	FITTING	1		
17	AR43150	HYDRAULIC LINE	1	(A) FILTER RELIEF VALVE TO CONTROL VALVE, REAR	

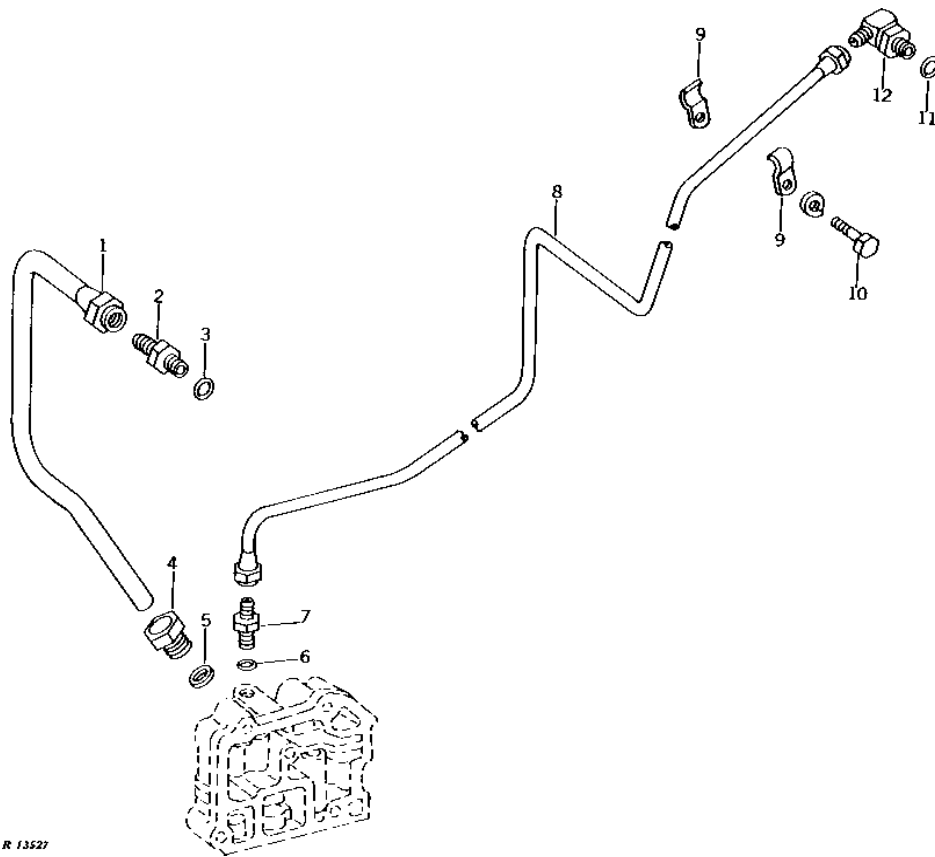
(A) SYNCRO-RANGE TRANSMISSION
(B) POWER SHIFT TRANSMISSION

2F6

POWER TRAIN

STEERING AND HYDRAULIC RETURN OIL LINES (POWER FRONT WHEEL DRIVE) (SYNCRO-RANGE)

R13527 -UN-01JAN94



2F7

POWER TRAIN

STEERING AND HYDRAULIC RETURN OIL LINES - CONTINUED
(POWER FRONT WHEEL DRIVE)
(SYNCRO-RANGE)

KEY	PART NO.	PART NAME	QTY	TRACTOR SERIAL NO.	REMARKS
1	AR43153	HYDRAULIC LINE	1		HYDRAULIC RETURN TO ROCKSHAFT HOUSING
2	R27267	FITTING	2		
3	F3171R	O-RING	2		
4	R33610	FITTING	1		
5	B2762R	O-RING	1		
6	R26286	O-RING	1		
7	R27272	FITTING	1		
8	AR49657	HYDRAULIC LINE	1		STEERING VALVE RETURN TO FILTER RELIEF VALVE (NLA)
9	R42357	CLAMP	2		
10	19H1800	CAP SCREW	1		3/8" X 1-1/2"
	12H304	LOCK WASHER	1		3/8"
11	R26286	O-RING	1		
12	AT32333	ELBOW FITTING	1		(SUB FOR AR26771)

MEMORANDA

MEMORANDA

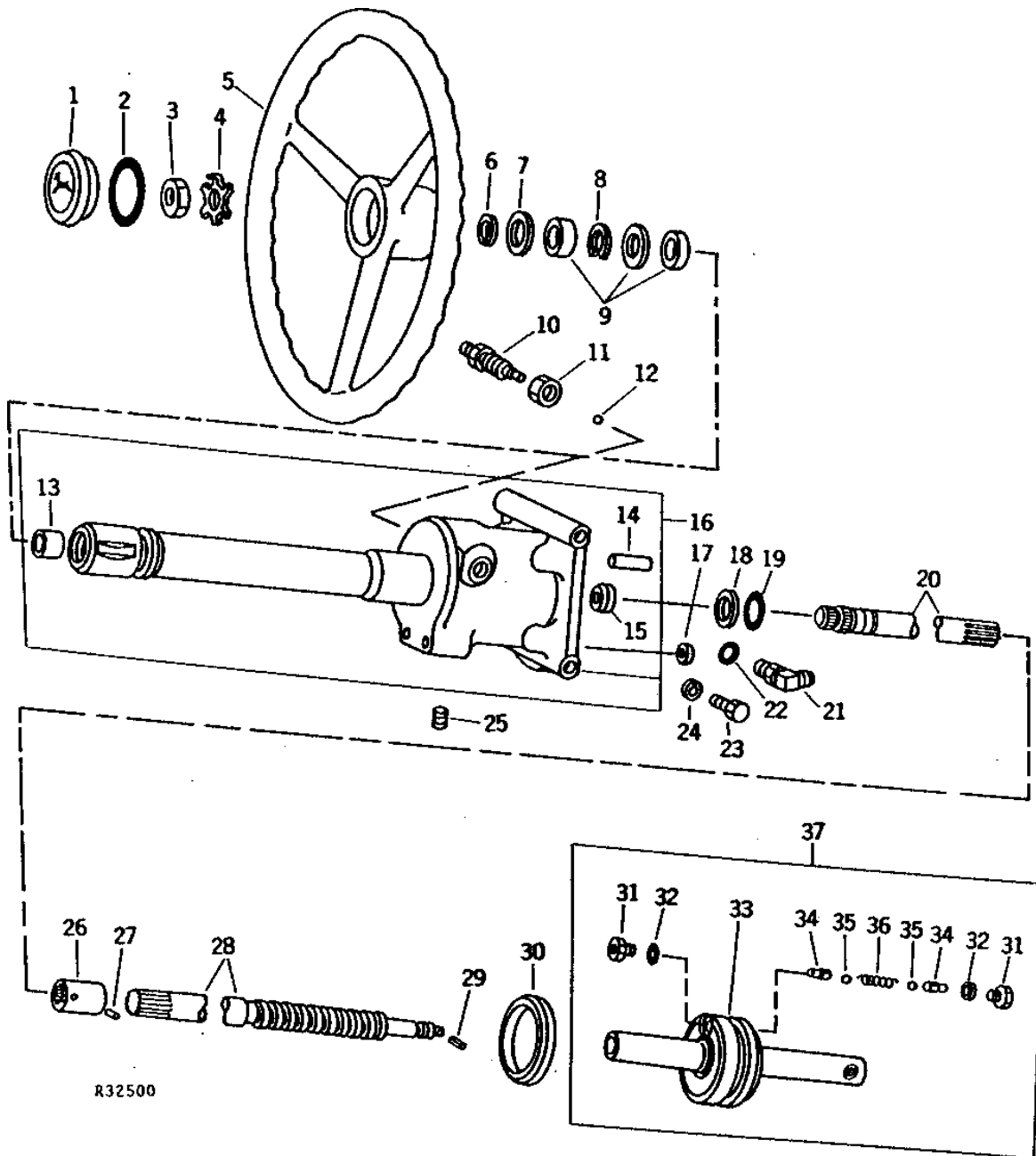
2F10

STEERING AND BRAKES

R32500

-UN-01JAN94

STEERING VALVE CYLINDER, SHAFT AND PISTON



R32500

2F11

STEERING AND BRAKES

STEERING VALVE CYLINDER, SHAFT AND PISTON - CONTINUED

KEY	PART NO.	PART NAME	QTY	MODEL NO.	REMARKS
1	R47998	CAP	1		(SUB FOR R34324 OR R45792)
2	B3690R	O-RING	1		
3	14H904	NUT	1		3/4"
4	T17148	LOCK WASHER	1		
5	AR26625	STEERING WHEEL	1		
6	B169R	SNAP RING	1		
7	R42629	WASHER	1		
8	R26933	SNAP RING	1		
9	AR34172	SEAL KIT	1		(A)
10	R27299	SCREW	1		
11	R27453	NUT	1		
12	400R	BALL	1		
13	R27320	BUSHING	1		
14	R32186	DOWEL PIN	2		
15	R27087	WASHER	1		
16	AR40786	CYLINDER	1	-9SV1	(MARKED R41124) (SUB AR47290)
	AR47290	CYLINDER	1	9SV2-	(MARKED R44846)
17	AR67783	O-RING KIT	1		(A) (SUB FOR AR42009)
18	R26441	BACK-UP RING	1		(A)
19	A3606R	O-RING	1		(A)
20	R73737	SHAFT	1		(SUB FOR R37426)
21	AT35121	ELBOW FITTING	1		(SUB FOR AR26725)
22	R26448	O-RING	1		(A)
23	19H1732	CAP SCREW	1		3/8" X 1-1/4"
	19H2284	CAP SCREW	3		3/8" X 7/8"
24	12H304	LOCK WASHER	4		3/8"
	24H1305	WASHER	1		13/32" X 13/16" X 0.065"
25	15H558	PIPE PLUG	1		1/8"
26	R27319	SPLINED COUPLING	1		
27	34H282	SPRING PIN	1		3/16" X 1"
28	R34125	SHAFT	1		
29	11M7081	COTTER PIN	1		0.098" X 0.787"
30	R40567	WASHER	1		(A)
31	R31202	VALVE	2		
32	R26287	O-RING	2		
33	AR30297	PISTON	1		(SUB FOR AR30298)
34	R31201	SHAFT	2		
35	H871R	BALL	1		
36	A4816R	SPRING	1		
37	AR30297	PISTON	1		
..	AR39585	KIT	1		STEERING VALVE CYLINDER OVERHAUL

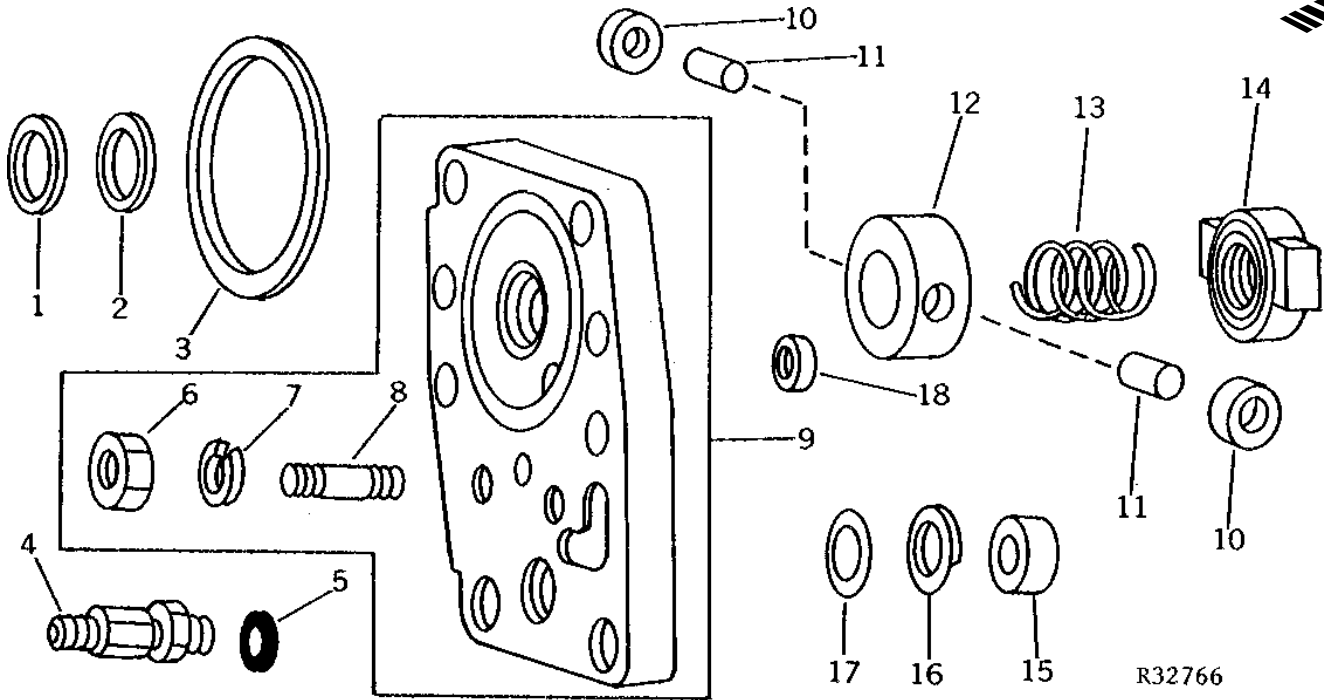
(A) INCLUDED IN AR39585

2F12

STEERING AND BRAKES

R32766 -UN-01JAN94

STEERING VALVE CYLINDER COVER



R32766

KEY	PART NO.	PART NAME	QTY	MODEL NO.	REMARKS
1	A3606R	O-RING	1	(A)	
2	R26441	BACK-UP RING	1	(A)	
3	AR67783	O-RING KIT	1	(A)	
4	AR41987	TEE FITTING	1	-XXXX	(B) (ILLUSTRATED)
	R49018	FITTING	1	XXXX-	(B) (SUB FOR AR35725)
	AR41987	TEE FITTING	1	-XXXX	(C)
	R49018	FITTING	1	XXXX-	(C) (SUB FOR AR35725)
	AR40689	TEE FITTING	1	-XXXX	(D)
	AR30762	TEE FITTING	1	XXXX-	(D)
5	R26286	O-RING	1		
6	14H1047	NUT	2	9SV2-	7/16"
7	12H293	LOCK WASHER	2	9SV2-	7/16"
8	R55183	STUD	2	9SV2-	(SUB FOR R45298)
9	AR44883	COVER	1	-9SV1	(MARKED R42707)
	AR47293	COVER	1	9SV2-	(MARKED R44845)
10	R26755	WASHER	2		
11	R27091	PIN	2		
12	R40149	LOCKING COLLAR	1		
13	R40531	SPRING	1		
14	R27089	NUT	1		
15	R34121	PISTON	1		
16	R47694	BACK-UP RING	1	(A)	(SUB FOR R26845)
17	R495R	O-RING	1	(A)	
18	AR67783	O-RING KIT	1	(A)	
..	AR39585	KIT	1		STEERING VALVE CYLINDER OVERHAUL

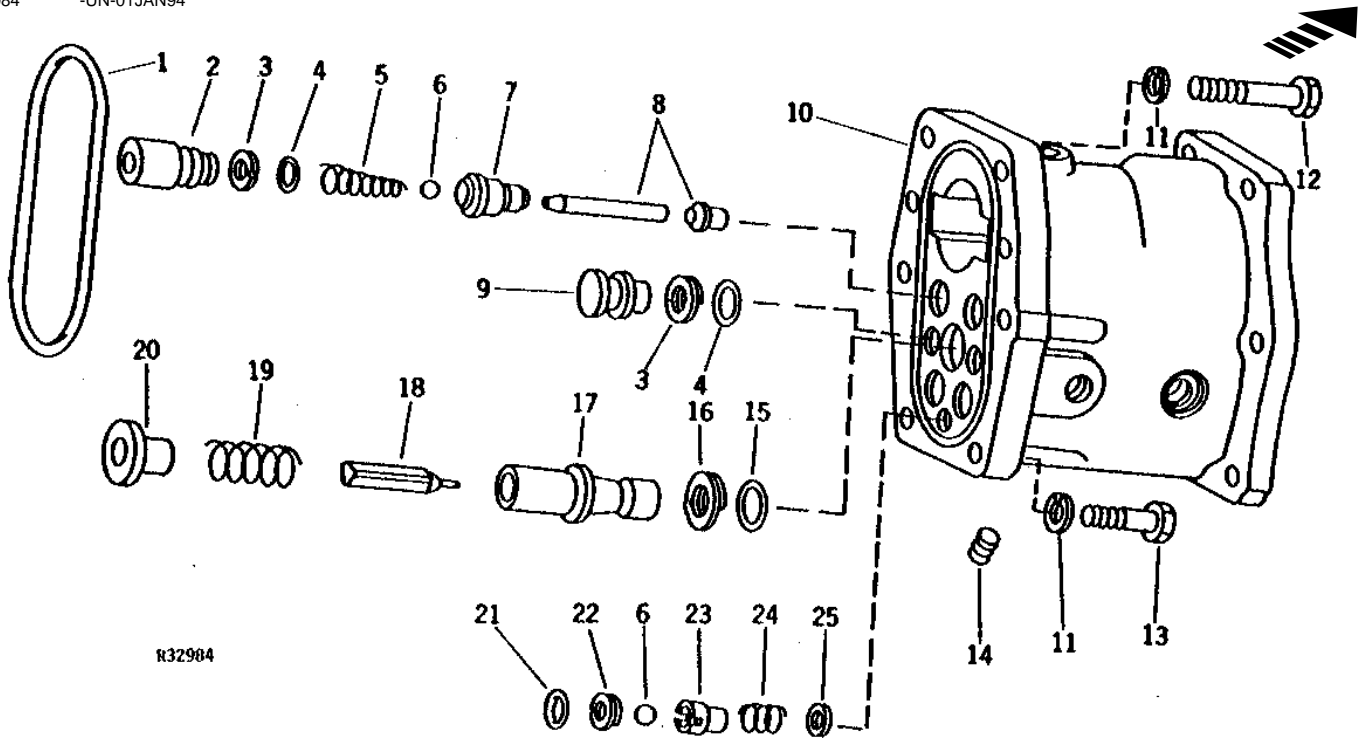
- (A) INCLUDED IN AR39585
- (B) POWER SHIFT TRANSMISSION
- (C) SYNCRO-RANGE TRANSMISSION LESS PTO
- (D) SYNCRO-RANGE TRANSMISSION WITH PTO

2F13

STEERING AND BRAKES

R32984 -UN-01JAN94

STEERING VALVE AND METERING SHAFT



R32984

KEY	PART NO.	PART NAME	QTY	MODEL NO.	REMARKS
1	R34733	WASHER	1		(A)
2	R41724	PLUG	4		
3	R32588	BACK-UP RING	6		(A)
4	R459R	O-RING	6		(A)
5	R26565	SPRING	4		
6	400R	BALL	5		
7	R28124	VALVE	4		
8	AR49535	SHAFT	2		LONG, WITH GUIDE, (SUB FOR AR30589)
	AR49536	SHAFT	2		SHORT, WITH GUIDE, (SUB FOR AR30590)
9	R34131	PLUG	2		
10	AR43559	HOUSING	1	-9SV1	(MARKED R34119 OR R43721) (SUB AR43809)
	AR43809	HOUSING	1	9SV2-	(MARKED R43962 OR R45811)
11	12H301	LOCK WASHER	6		1/2"
12	19H1990	CAP SCREW	4		1/2" X 2-1/4"
13	19H2510	CAP SCREW	2		1/2" X 1-5/8"
14	15H558	PIPE PLUG	1		1/8"
15	B2762R	O-RING	1		(A)
16	R26546	BACK-UP RING	1		(A)
17	R34123	VALVE SEAT	1		
18	R42661	SEAT	1		
19	R26151	SPRING	1		
20	R34122	STOP	1		
21	A4365R	O-RING	1		(A)
22	R34129	BACK-UP RING	1		(A)
23	R34336	GUIDE	1	-9SV1	(USE WITH R34119 OR R43721)
	R44254	GUIDE	1	9SV2-	(USE WITH R43962 OR R45811)
24	R26373	SPRING	1	-9SV1	(USE WITH R34119 OR R43721)
	R44256	SPRING	1	9SV2-	(USE WITH R43962 OR R45811)
25	R44255	WASHER	1	9SV2-	(USE WITH R43962 OR R45811)
..	AR39585	KIT	1		STEERING VALVE CYLINDER OVERHAUL

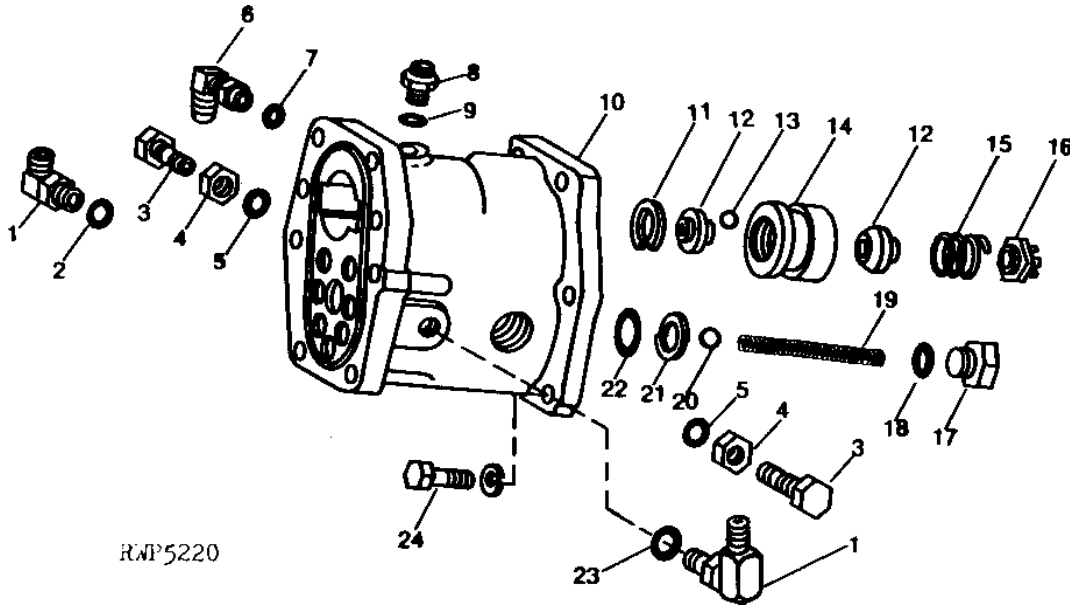
(A) INCLUDED IN AR39585

2F14

STEERING AND BRAKES

RWP5220 -UN-01JAN94

STEERING VALVE HOUSING



KEY	PART NO.	PART NAME	QTY	MODEL NO.	REMARKS
1	AT35121	ELBOW FITTING	2		(A) (SUB FOR AR26725)
2	R26448	O-RING	1		(A)
3	R40338	DRAIN PLUG	2		
4	R27296	NUT	2		
5	R26286	O-RING	2		(A)
6	AT32333	ELBOW FITTING	1		(SUB FOR AR26771)
7	R26286	O-RING	1		(A)
8	R27527	ADAPTER	1		
9	R26287	O-RING	1		
10	AR43559	HOUSING	1	-9SV1	(MARKED R34119 OR R43721) (SUB AR43809)
	AR43809	HOUSING	1	9SV2-	(MARKED R43962 OR R45811)
11	R26425	SNAP RING	1		
12	R40595	BEARING RACE	2		
13	R26552	BALL	13		
14	R40757	BUSHING	1		
15	R40596	SPRING	1		
16	R40597	LOCK NUT	1		
17	R39112	FITTING	1		
18	R26375	O-RING	1		(A)
19	R31278	SPRING	1		
20	R42849	BALL	1		
21	R30323	BACK-UP RING	1		(A)
22	P48347	O-RING	1		(A) (SUB FOR T12860 OR R34404)
23	R26448	O-RING	1		
24	19H2552	CAP SCREW	4		3/8" X 1-1/8"
	19H1765	CAP SCREW	4		3/8" X 1-3/4"
	19H1800	CAP SCREW	4		3/8" X 1-1/2"
	12H304	LOCK WASHER	6		3/8"
..	AR39585	KIT	1		STEERING VALVE CYLINDER OVERHAUL

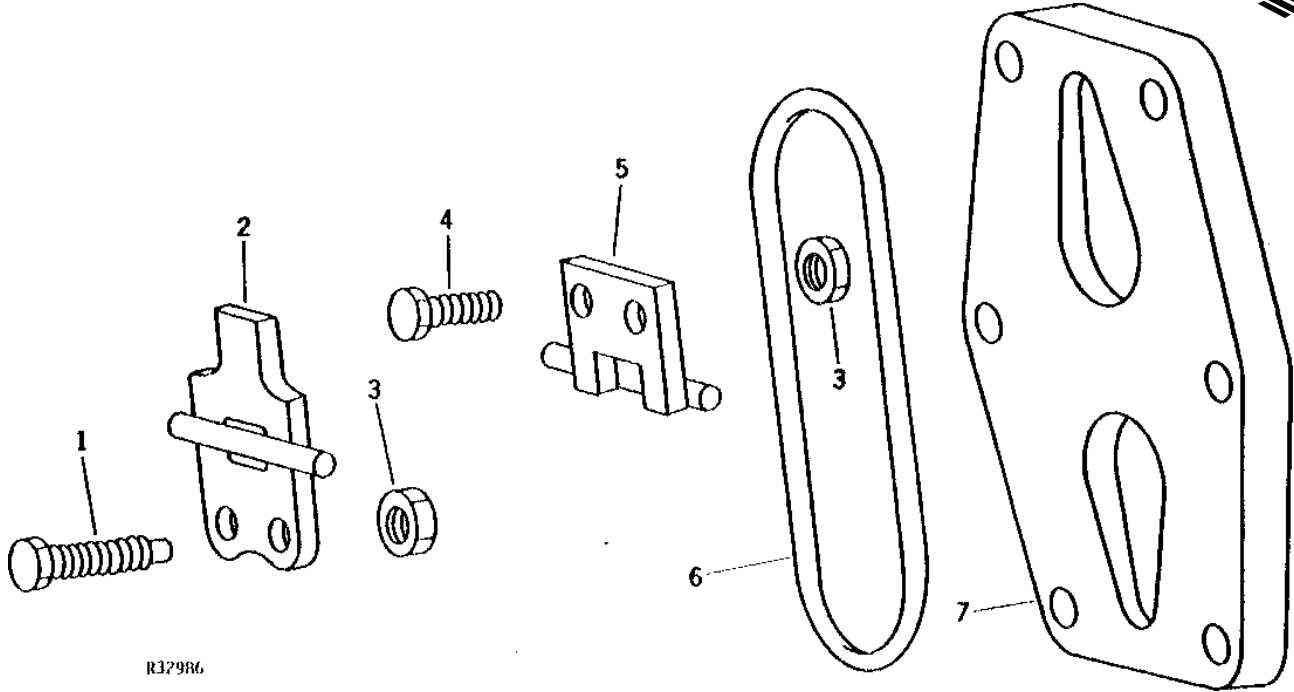
(A) INCLUDED IN AR39585

2F15

STEERING AND BRAKES

R32986 -UN-01JAN94

STEERING VALVE COVER AND VALVE OPERATING LEVERS



R32986

KEY	PART NO.	PART NAME	QTY	MODEL NO.	REMARKS
1	R26554	SET SCREW	2		
2	AR26448	LEVER	1		
3	14H649	NUT	4	1/4"	
4	R26762	BOLT	2		(SUB R31217, THIS APPLICATION)
5	AR26402	LEVER	1		
6	R34733	WASHER	1	(A)	
7	R57034	COVER	1		(SUB FOR R26553)
..	AR39585	KIT	1		STEERING VALVE CYLINDER OVERHAUL

(A) INCLUDED IN AR39585

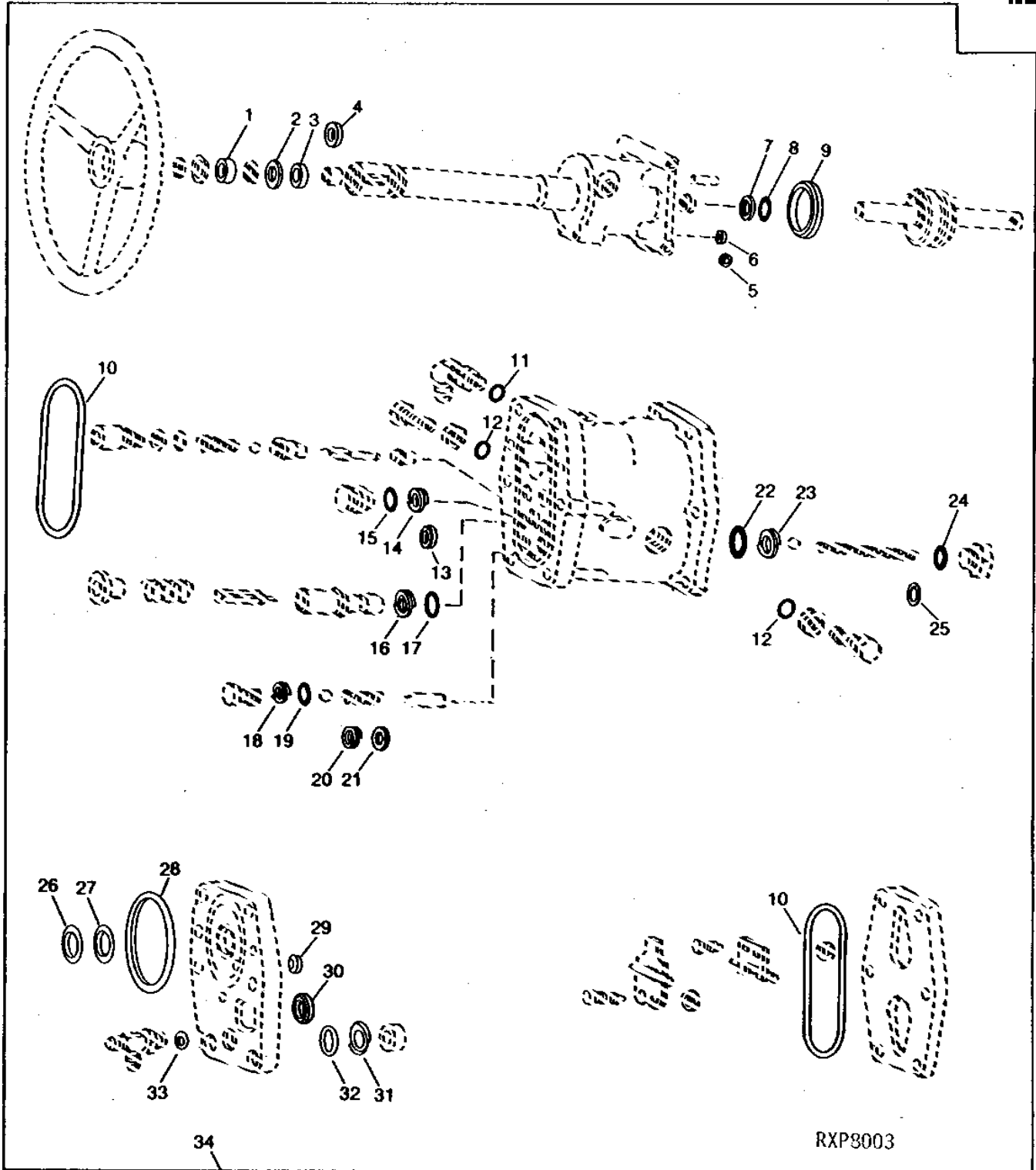
2F16

STEERING AND BRAKES

RXP8003

-UN-01JAN94

STEERING VALVE CYLINDER OVERHAUL KIT



RXP8003

2F17

STEERING AND BRAKES

STEERING VALVE CYLINDER OVERHAUL KIT - CONTINUED

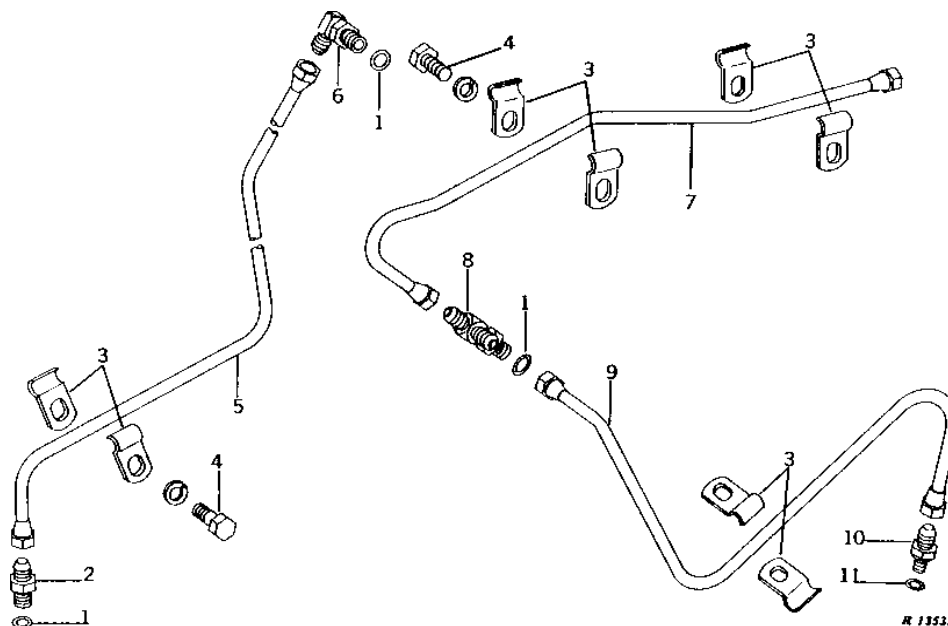
KEY	PART NO.	PART NAME	QTY	TRACTOR SERIAL NO.	REMARKS
1	AR39585	KIT	1		

2F18

STEERING AND BRAKES

R13533 -UN-01JAN94

BRAKE PRESSURE, STEERING PRESSURE AND STEERING RETURN LINES



KEY	PART NO.	PART NAME	QTY	TRACTOR SERIAL NO.	REMARKS
1	R26286	O-RING	3		
2	R27272	FITTING	1		
3	R42357	CLAMP	8		
4	19H1936	CAP SCREW	2	3/8" X 3/4"	
	12H304	LOCK WASHER	2	3/8"	
5	AR41131	HYDRAULIC LINE	1		(A) STEERING RETURN
	AR43999	HYDRAULIC LINE	1	-XXXXXX	(B) STEERING RETURN, (SUB FOR AR43152)
	AR49657	HYDRAULIC LINE	1	XXXXXX-	(B) STEERING RETURN (ILLUSTRATED) (NLA) (SUB FOR AR26771)
6	AT32333	ELBOW FITTING	1		
7	AR41130	HYDRAULIC LINE	1		CONTROL VALVE TO STEERING VALVE
8	AR41987	TEE FITTING	1		(A)
	AR41987	TEE FITTING	1		(B) (LESS PTO)
	AR40689	TEE FITTING	1		(B) (PTO)
9	AR46726	HYDRAULIC LINE	1		ACCUMULATOR PRESSURE, (SUB FOR AR41984)
	28H1862	WASHER	1	XXXXXX-	0.493" X 0.675" X 7/32"
10	R36742	COUPLING	1		
11	R26287	O-RING	1		

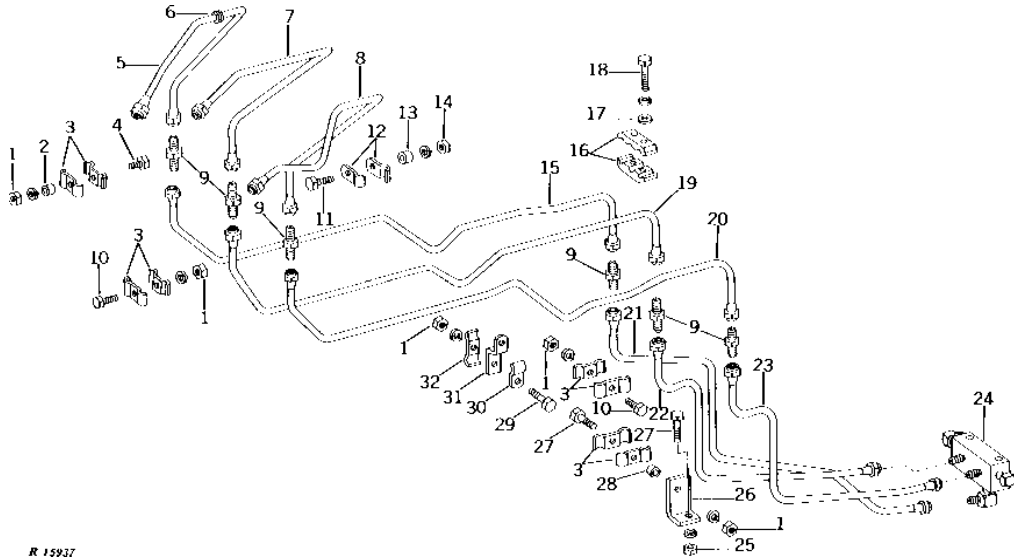
(A) POWER SHIFT TRANSMISSION
(B) SYNCRO-RANGE TRANSMISSION

2F19

STEERING AND BRAKES

R15937 -UN-01JAN94

STEERING OIL LINES



R 15937

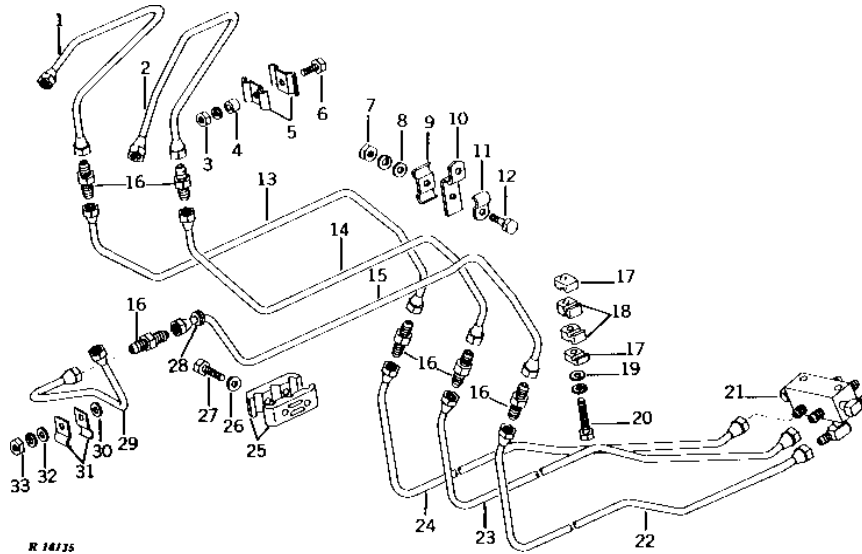
KEY	PART NO.	PART NAME	QTY	TRACTOR SERIAL NO.	REMARKS
1	14H1076	NUT	5	3/8"	
	12H304	LOCK WASHER	5	3/8"	
2	28H1519	WASHER	1	0.493" X 0.675" X 3/8"	
3	R27491	CLAMP	8		
4	19H1800	CAP SCREW	2	3/8" X 1-1/2"	
5	AR43421	HYDRAULIC LINE	1		STEERING VALVE, REAR, L.H.
6	R41441	GROMMET	1		
7	AR43420	LINE	1		STEERING VALVE, REAR, MIDDLE
8	AR43556	STEERING SYSTEM	1		STEERING VALVE, REAR, R.H. (ORDER AR49248, AR49249, R41440, 24H1652, 19H2979, 12H304, 24M7096, 14H1076 AND (2) R27720)
9	R27095	FITTING	6		
10	19H1936	CAP SCREW	2	3/8" X 3/4"	
11	19H1765	CAP SCREW	1	3/8" X 1-3/4"	
12	R27720	CLAMP	2		
13	B1828R	BUSHING	1		
14	14H785	NUT	1	5/16"	
	12H303	LOCK WASHER	1	5/16"	
15	AR43555	LINE	1		STEERING VALVE, MIDDLE, L.H.
16	R43761	CLAMP	2		
17	24H1302	WASHER	2	13/32" X 11/16" X 0.035"	
18	19H2549	CAP SCREW	2	3/8" X 1-7/8"	
	12H304	LOCK WASHER	2	3/8"	
19	AR43553	LINE	1		STEERING VALVE, MIDDLE, CENTER
20	AR43554	LINE	1		STEERING VALVE, MIDDLE, R.H. (ORDER AR49249, AR49248, R41440, 24H1652, 19H2979, 12H304, 24M7096, 14H1076 AND (2) R27720)
21	AR43552	HYDRAULIC LINE	1		STEERING VALVE, FRONT, LOWER
22	AR43551	LINE	1		STEERING VALVE, FRONT, L.H.
23	AR43550	OIL LINE	1		STEERING VALVE, FRONT, R.H.
24	AR43549	MANIFOLD	1		
25	14H841	NUT	1	3/8"	
	12H304	LOCK WASHER	1	3/8"	
26	R43714	ANGLE	1		
27	19H1801	CAP SCREW	1	3/8" X 2"	
28	28H1862	WASHER	1	0.493" X 0.675" X 7/32"	
29	19H1731	CAP SCREW	1	3/8" X 1"	
30	R27590	CLAMP	1		
31	R43648	SUPPORT	1		
32	R27323	CLAMP	1		

2F20

STEERING AND BRAKES

STEERING OIL LINES (TRACTOR SERIAL NO. 007920-) (AIR CONDITIONING)

R16135 -UN-01JAN94



KEY	PART NO.	PART NAME	QTY	TRACTOR SERIAL NO.	REMARKS
1	AR43421	HYDRAULIC LINE	1		STEERING VALVE, REAR, L.H.
2	AR43420	LINE	1		STEERING VALVE, REAR, R.H.
3	14H1076	NUT	1		3/8"
	12H304	LOCK WASHER	1		3/8"
4	28H3381	SPACER	1		3/8" X 5/8"
5	R27491	CLAMP	2		
6	19H1800	CAP SCREW	1		3/8" X 1-1/2"
7	14H786	NUT	1		1/4"
	12H302	LOCK WASHER	1		1/4"
8	24H1821	WASHER	1		9/32" X 47/64" X 1/16"
9	R27323	CLAMP	1		
10	R43648	SUPPORT	1		
11	R27590	CLAMP	1		
12	19H1914	CAP SCREW	1		1/4" X 1"
13	AR43960	LINE	1		STEERING VALVE, MIDDLE, L.H.
14	AR43958	LINE	1		STEERING VALVE, MIDDLE, CENTER
15	AR43959	LINE	1		STEERING VALVE, MIDDLE, R.H.
16	R27095	FITTING	6		
17	R46067	CLAMP	2		
18	R46066	CLAMP	2		
19	24H1305	WASHER	1		13/32" X 13/16" X 0.065"
20	19H2985	CAP SCREW	1		3/8" X 2-1/2"
	12H304	LOCK WASHER	1		3/8"
21	AR43549	MANIFOLD	1		
22	AR43839	HYDRAULIC LINE	1		STEERING VALVE, FRONT, CENTER
23	AR43841	LINE	1		STEERING VALVE, FRONT, R.H.
24	AR43842	LINE	1		STEERING VALVE, FRONT, L.H.
25	R43761	CLAMP	2		
26	24H1305	WASHER	2		13/32" X 13/16" X 0.065"
27	19H1765	CAP SCREW	2		3/8" X 1-3/4"
	12H304	LOCK WASHER	2		3/8"
28	R41440	GROMMET	1		
29	AR49248	LINE	1		STEERING VALVE, REAR, R.H.
30	24H1652	WASHER	1		13/32" X 11/16" X 7/64"
31	R27720	CLAMP	2		
32	24M7096	WASHER	1		10.500 X 18 X 1.600 MM
33	14H1076	NUT	1		3/8"
	12H304	LOCK WASHER	1		3/8"

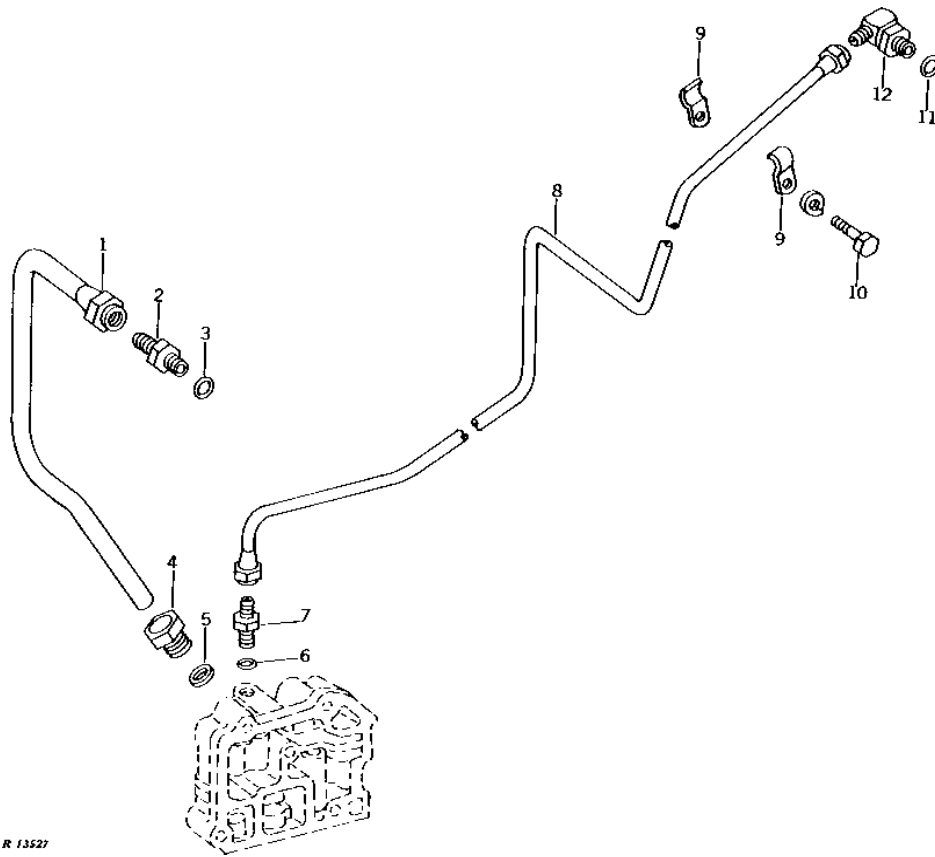
MEMORANDA

2F21

STEERING AND BRAKES

STEERING AND HYDRAULIC RETURN OIL LINES (SYNCRO-RANGE)

R13527 -UN-01JAN94



R 13527

2F22

STEERING AND BRAKES

STEERING AND HYDRAULIC RETURN OIL LINES - CONTINUED (SYNCRO-RANGE)

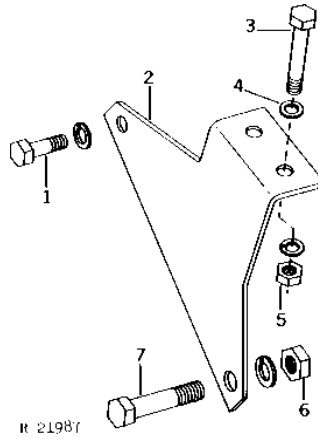
KEY	PART NO.	PART NAME	QTY	TRACTOR SERIAL NO.	REMARKS
1	AR43153	HYDRAULIC LINE	1		HYDRAULIC RETURN TO ROCKSHAFT HOUSING
2	R27267	FITTING	2		
3	F3171R	O-RING	2		
4	R33610	FITTING	1		
5	B2762R	O-RING	1		
6	R26286	O-RING	1		
7	R27272	FITTING	1		
8	AR43999	HYDRAULIC LINE	1	-XXXXXX	STEERING VALVE RETURN TO FILTER RELIEF VALVE, (SUB FOR AR43152)
	AR49657	HYDRAULIC LINE	1	XXXXXX-	STEERING VALVE RETURN TO FILTER RELIEF VALVE (NLA)
9	R42357	CLAMP	2		(SUB FOR R42010)
10	19H1800	CAP SCREW	1		3/8" X 1-1/2"
	12H304	LOCK WASHER	1		3/8"
11	R26286	O-RING	1		
12	AT32333	ELBOW FITTING	1		(SUB FOR AR26771)

2F23

STEERING AND BRAKES

R21987 -UN-01JAN94

STEERING LINE SUPPORT BRACKET



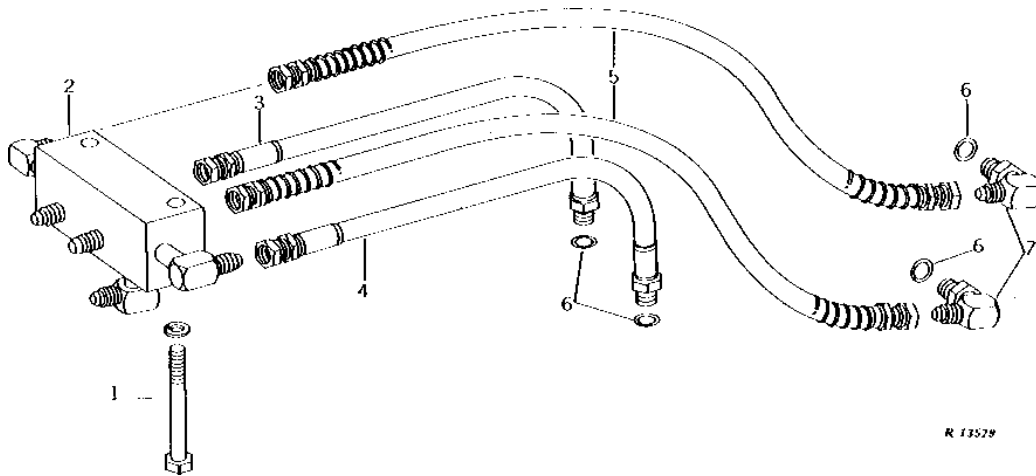
KEY	PART NO.	PART NAME	QTY	TRACTOR SERIAL NO.	REMARKS
1	19H218	CAP SCREW	1	3/8" X 1"	
	12H304	LOCK WASHER	1	3/8"	
2	R47515	BRACKET	1		
3	19H2549	CAP SCREW	2	3/8" X 1-7/8"	
4	24H1302	WASHER	2	13/32" X 11/16" X 0.035"	
5	14H1076	NUT	1	3/8"	
	12H304	LOCK WASHER	1	3/8"	
6	14H1040	NUT	1	1/2"	
	12H301	LOCK WASHER	1	1/2"	
7	19H1831	CAP SCREW	1	1/2" X 2"	

2F24

STEERING AND BRAKES

R13529 -UN-01JAN94

FLEXIBLE STEERING LINES



R 13529

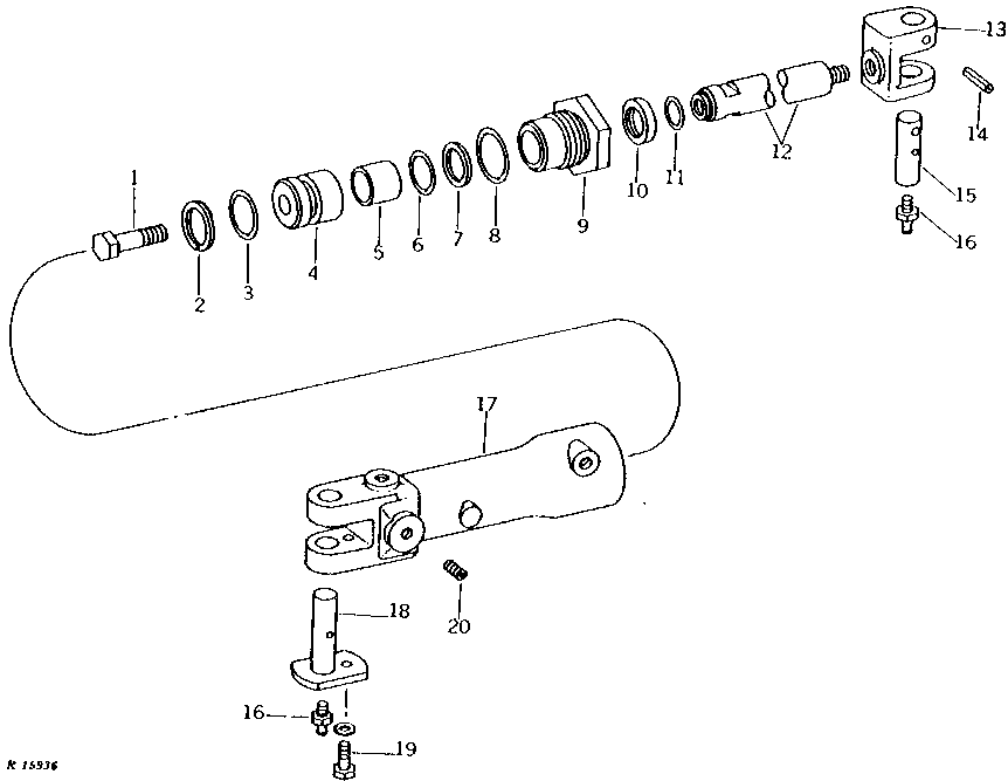
KEY	PART NO.	PART NAME	QTY	TRACTOR SERIAL NO.	REMARKS
1	19H1944	CAP SCREW	2	3/8" X 2-3/4"	
	12H304	LOCK WASHER	2	3/8"	
2	AR43549	MANIFOLD	1		
3	R43708	HYDRAULIC HOSE	1	(SUB AR47514)	
4	AR43580	HYDRAULIC HOSE	1		
5	R43707	HYDRAULIC HOSE	2		
6	R26448	O-RING	4		
7	AT35121	ELBOW FITTING	2	(SUB FOR AR26725)	

2F25

STEERING AND BRAKES

R15936 -UN-01JAN94

STEERING CYLINDER



KEY	PART NO.	PART NAME	QTY	TRACTOR SERIAL NO.	REMARKS
1	19H2663	CAP SCREW	1	3/4" X 2-1/8"	
2	R43686	BACK-UP RING	2		
3	U11017	O-RING	1		
4	R43685	PISTON	1		
5	B2498R	BUSHING	1		
6	U10289	O-RING	1		
7	R43689	BACK-UP RING	1		
8	R43750	O-RING	1		
9	AR43542	PIPE PLUG	1		
10	AR43540	SEAL	1		
11	R29354	O-RING	1		
12	R43687	ROD	1	(SUB AR52719)	
13	R43286	YOKE	1	(SUB AR52719)	
14	34H188	SPRING PIN	1	5/16" X 1-3/4"	
15	R43288	PIN	1		
16	JD7759	LUBRICATION FITTING	2		
17	AR43792	CYLINDER	1	(MARKED R43676)	
18	AR43541	PIN	1		
19	19H2552	CAP SCREW	2	3/8" X 1-1/8"	
	12H304	LOCK WASHER	2	3/8"	
20	15H571	PIPE PLUG	2	3/8"	

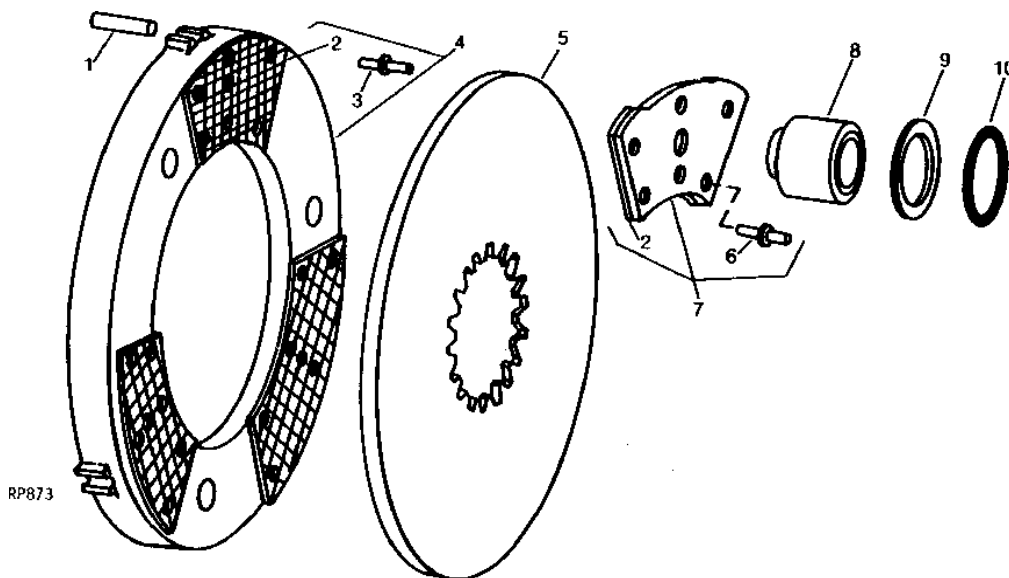
MEMORANDA

2G1

STEERING AND BRAKES

RP873 -UN-06OCT94

BRAKE PLATES AND FACINGS



KEY	PART NO.	PART NAME	QTY	TRACTOR SERIAL NO.	REMARKS
1	R44961	DOWEL PIN	6		(SUB FOR R35007)
2	R90086	BRAKE SHOE	12		(SUB FOR AR28488) (SUB R110464)
3	D1761R	RIVET	18		31/64"
	R708R	RIVET	18		1-11/64"
4	AR43046	PLATE	2	-XXXXXX	(MARKED R43224) (SUB RE46334, (3) RE46328 AND R100797)
	AR99647	PLATE	2	XXXXXX-	(MARKED R63917 OR R74350) (SUB FOR AR79129) (SUB RE46334, (3) RE46328 AND R100797)
	AR43046	PLATE	2	-XXXXXX	(A) (MARKED R43224) (SUB RE46334, (3) RE46328 AND R113741)
	AR99647	PLATE	2	XXXXXX-	(A) (MARKED R63917 OR R74350) (SUB FOR AR79129) (SUB RE46334, (3) RE46328 AND R113741)
5	R48864	BRAKE DISK	2		(13 TEETH) (SUB FOR R43223) (SUB RE46334, (3) RE46328 AND R100797)
	R91826	BRAKE DISK	1		(A) (14 TEETH) (SUB FOR R57617 OR R61712) (SUB RE46334, (3) RE46328 AND R113741)
6	D1761R	RIVET	36		31/64"
7	AR32243	PLATE	6		(SUB RE46334, (3) RE46328 AND R100797)
	AR32243	PLATE	6		(A) (SUB RE46334, (3) RE46328 AND R113741)
8	R42411	PISTON	6		(SUB R48240)
9	R26364	WASHER	6	-XXXXXX	
10	R26863	O-RING	6	-XXXXXX	

(A) USE WHEN R57614 OR R61711 HAS BEEN INSTALLED

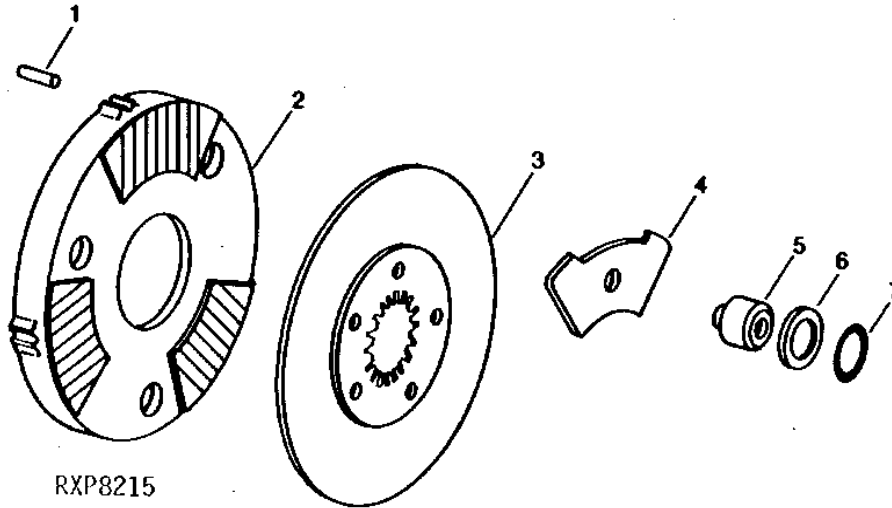
NOTE: THREE-PART SUBS ARE DUE TO INTRODUCTION OF NON-ASBESTOS LININGS.

2G2

STEERING AND BRAKES

RXP8215 -UN-01JAN94

BRAKE PLATES AND FACINGS



RXP8215

KEY	PART NO.	PART NAME	QTY	TRACTOR SERIAL NO.	REMARKS
1	R44961	DOWEL PIN	6		
2	RE44415	PLATE	2		(MARKED R97993 OR R107178) (SUB FOR RE36647) (SUB RE46334)
3	R100797	BRAKE DISK	2		(13 TEETH)
	R97801	BRAKE DISK	2		(A) (14 TEETH) (SUB R113741)
4	RE32681	PLATE	6		(SUB RE46328)
5	R46674	PISTON	6		
6	R46673	WASHER	6		
7	A4728R	O-RING	6		

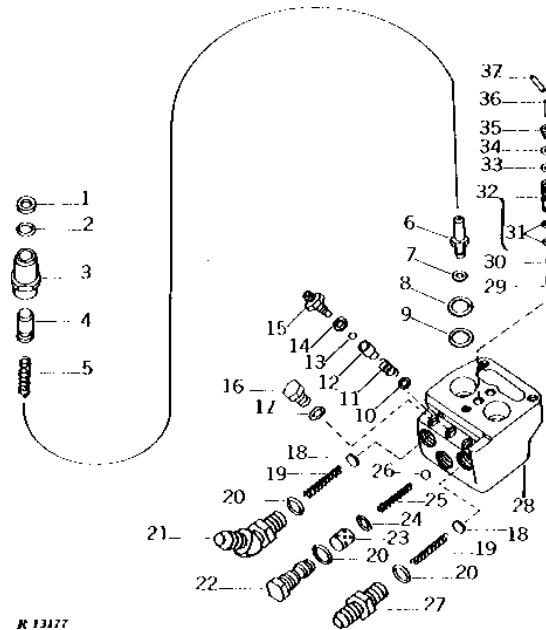
(A) USE WHEN R57614, R61711 OR R113733 HAS BEEN INSTALLED.

2G3

STEERING AND BRAKES

R13177 -UN-01JAN94

BRAKE VALVE



R 13177

KEY	PART NO.	PART NAME	QTY	TRACTOR SERIAL NO.	REMARKS
1	R32092	WASHER	2		
2	R459R	O-RING	2		
3	R32091	PISTON	2		
4	R32090	PLUNGER	2		
5	R26369	SPRING	2		
6	AR52497	VALVE	2		(SUB FOR AR46146 OR AR47805)
7	R26286	O-RING	2		
8	R27137	BACK-UP RING	2		
9	R27149	O-RING	2		
10	R44255	WASHER	1		
11	R44256	SPRING	1		
12	R44254	GUIDE	1		
13	400R	BALL	1		
14	R26287	O-RING	1		
15	R36742	COUPLING	1		
16	R27216	DRAIN PLUG	2		(SUB FOR R31631) (USE WITH R31454)
17	R26287	O-RING	2		(USE WITH R31454)
18	R26376	DISK	2		
19	R227R	SPRING	2		
20	R26375	O-RING	3		
21	AR43167	ELBOW FITTING	1		
22	R28774	FITTING	1		
23	R42684	STRAINER	1		
24	R28776	O-RING	1		
25	R26372	SPRING	1		
26	R42849	BALL	1		
27	R42008	FITTING	1		R.H. BRAKE VALVE
28	AR42400	HOUSING	1		(MARKED R31454 OR R42007)
29	A4816R	SPRING	2		
30	400R	BALL	2		
31	R30903	O-RING	4		
32	AR31016	GUIDE	2		
33	R31468	O-RING	2		
34	R31469	SHIM	2		
35	R31465	SLEEVE	2		
36	R31467	PIN	2		
37	R31464	PIN	2		

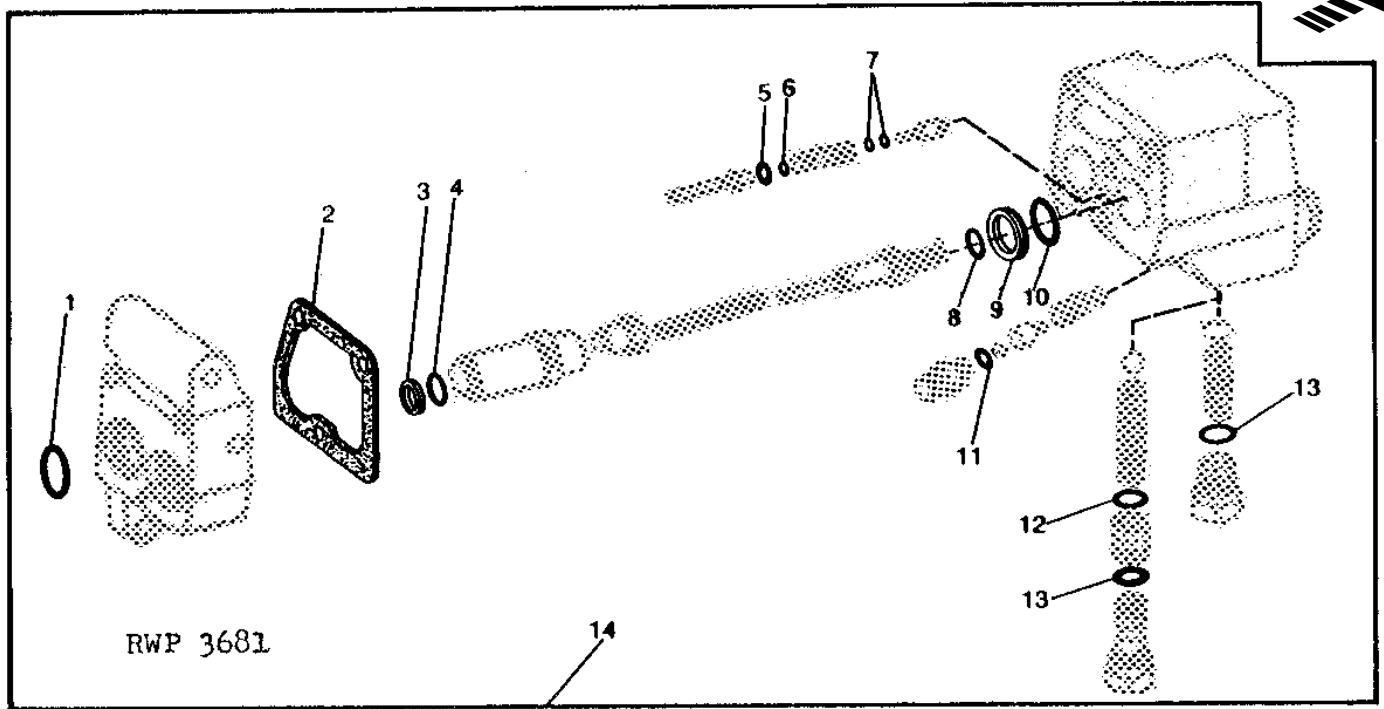
2G4

STEERING AND BRAKES

RWP3681

-UN-01JAN94

BRAKE VALVE OVERHAUL KIT



RWP 3681

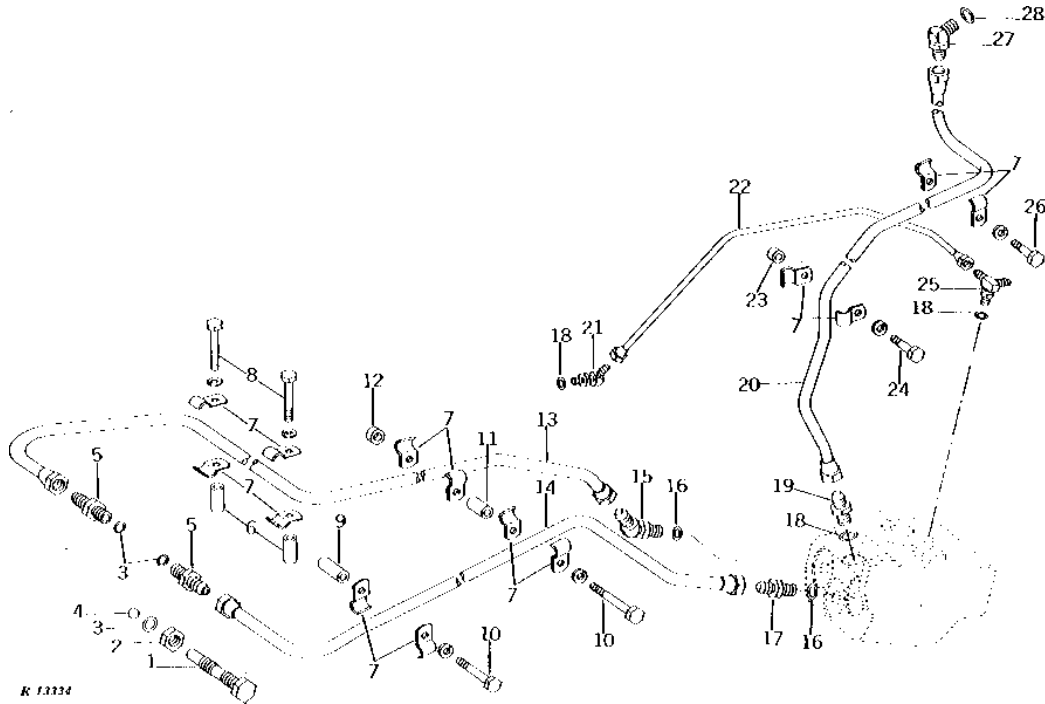
KEY	PART NO.	PART NAME	QTY	TRACTOR SERIAL NO.	REMARKS
1	A3606R	O-RING	2		
2	R31455	GASKET	1		
3	R32092	WASHER	2		
4	R495R	O-RING	2		
5	R31469	SHIM	2		
6	R31468	O-RING	2		
7	R30903	O-RING	4		
8	R26286	O-RING	2		
9	R27137	BACK-UP RING	2		
10	R27149	O-RING	2		
11	R26287	O-RING	1		
12	R28776	O-RING	1		
13	R26375	O-RING	3		
14	AR31946	KIT	1		

2G5

STEERING AND BRAKES

R13334 -UN-01JAN94

BRAKE OIL LINES



R 13334

KEY	PART NO.	PART NAME	QTY	TRACTOR SERIAL NO.	REMARKS
1	R27906	SCREW	2		
2	R27296	NUT	2		
3	R26286	O-RING	4		
4	R42849	BALL	2		
5	R27272	FITTING	2		
6	B1828R	BUSHING	2		
7	R42357	CLAMP	4		
8	19H1765	CAP SCREW	AR		3/8" X 1-3/4", (2 USED, A) (1 USED, B)
	12H304	LOCK WASHER	2		3/8"
	14H1076	NUT	2		(B) 3/8"
9	28H1526	BUSHING	1		3/8" X 1-5/16", (LESS DIFFERENTIAL LOCK)
	28H1878	SPACER	1		3/8" X 7/16", (DIFFERENTIAL LOCK)
	B1828R	BUSHING	1		(DIFFERENTIAL LOCK)
10	19H1801	CAP SCREW	1		3/8" X 2"
	12H304	LOCK WASHER	1		3/8"
11	28H3381	SPACER	1		3/8" X 5/8"
12	28H1862	WASHER	1		0.493" X 0.675" X 7/32"
13	AR43164	HYDRAULIC LINE	1		
14	AR43163	HYDRAULIC LINE	1		
15	AR43167	ELBOW FITTING	1		
16	R26375	O-RING	2		
17	R42008	FITTING	1		
18	R26287	O-RING	4		
19	R36742	COUPLING	1		
20	AR43165	HYDRAULIC LINE	1		
21	AR35223	ELBOW FITTING	1		(A)
	AT32335	ELBOW FITTING	1		(B) (SUB FOR AR26746)
22	AR43166	HYDRAULIC LINE	1		(A)
	AR52171	HYDRAULIC LINE	1		(B) (SUB FOR AR32240)
23	28H1878	SPACER	1		3/8" X 7/16"
24	19H1732	CAP SCREW	1		3/8" X 1-1/4"
	12H304	LOCK WASHER	1		3/8"
25	AR45252	TEE FITTING	1		
26	19H1936	CAP SCREW	1		3/8" X 3/4"
	12H304	LOCK WASHER	1		3/8"
27	AT58895	FITTING	1		(SUB FOR AR36874 OR AR46095)
28	R26286	O-RING	1		

(A) SYNCRO-RANGE TRANSMISSION

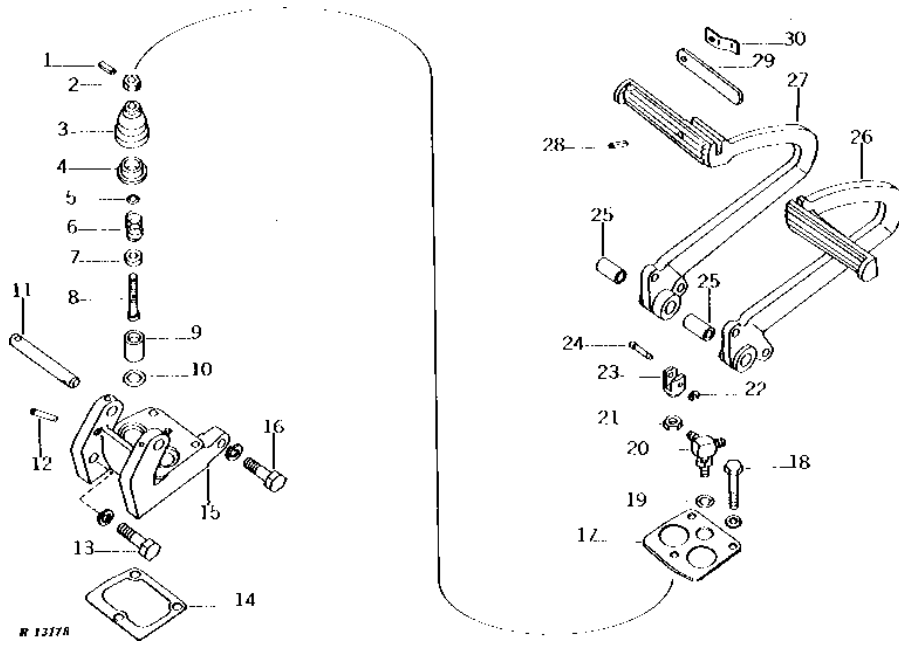
(B) POWER SHIFT TRANSMISSION

2G6

STEERING AND BRAKES

R13178 -UN-01JAN94

BRAKE PEDALS AND BRACKET



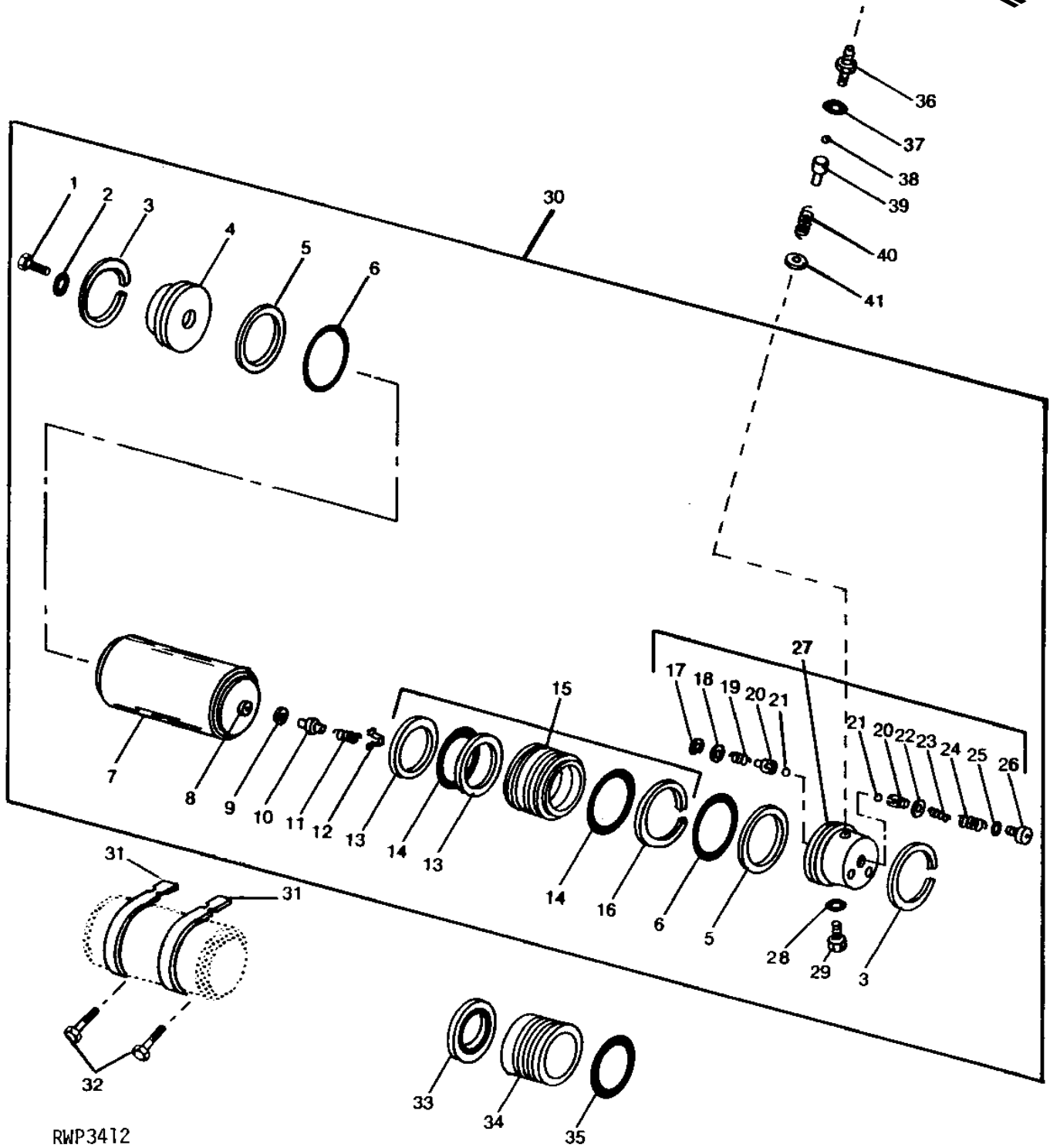
KEY	PART NO.	PART NAME	QTY	TRACTOR SERIAL NO.	REMARKS
1	34H245	SPRING PIN	2		1/8" X 5/8"
2	R39982	NUT	2		
3	R54059	BOOT	2		(SUB FOR R39981)
4	R31459	RETAINER	2		
5	R30903	O-RING	2		
6	R31271	SPRING	2		
7	R52168	STOP	2		(SUB FOR R31458)
8	R39980	BOLT	2		
9	R52169	GUIDE	2		(SUB FOR R31457)
10	A3606R	O-RING	2		
11	R34747	GROOVE PIN	1	-007074	
	R45929	GROOVE PIN	1	007075-	
12	34H252	SPRING PIN	1	-007074	1/8" X 1-1/4"
	34H286	SPRING PIN	1	007075-	3/16" X 1-1/2"
13	19H2550	CAP SCREW	1		1/2" X 1-5/8"
	12H301	LOCK WASHER	1		1/2"
14	R31455	GASKET	1		
15	R41080	BRACKET	1	-007074	(SUB R45926, R45929 AND 34H81)
	R45926	BRACKET	1	007075-	
16	19H1721	CAP SCREW	1		1/2" X 1-1/2"
	12H301	LOCK WASHER	1		1/2"
17	R26384	RETAINER	1		
18	19H1733	CAP SCREW	3		3/8" X 2-1/2"
	12H304	LOCK WASHER	3		3/8"
19	R26287	O-RING	1		
20	AR45252	TEE FITTING	1		
21	14H732	NUT	2		3/8"
22	R26386	SNAP RING	2		
23	R31273	YOKE	2		
24	R26385	PIN	2		
25	B177R	BUSHING	2		
26	AR43047	PEDAL	1		(MARKED R43225)
27	AR43048	PEDAL	1		(MARKED R43226)
28	34H313	SPRING PIN	1		1/4" X 1-1/8"
29	R50879	ARM	1		(SUB FOR R32376)
30	R50034	LEAF SPRING	1		(SUB FOR R31602)

2G7

STEERING AND BRAKES

RWP3412 -UN-01JAN94

ACCUMULATOR



RWP3412

2G8

STEERING AND BRAKES

ACCUMULATOR - CONTINUED

KEY	PART NO.	PART NAME	QTY	MODEL NO.	REMARKS
1	R27094	DRAIN PLUG	1		
2	R26286	O-RING	1		
3	U10136	SNAP RING	2		
4	R48957	END	1		
5	R35684	BACK-UP RING	2		
6	R86192	O-RING	2		
7	R46987	HYDRAULIC CYLINDER BARREL	1		(SUB FOR AR41947) (ALSO ORDER R48957, R35684, R60038, R41877, R47085, R47086, R47087, U10136 AND U12331)
8	R60038	PACKING	1		(SUB FOR R26760)
9	R47087	WASHER	1	4HA2-	
10	R44252	VALVE	1	-4HA1	
	R47085	VALVE	1	4HA2-	
11	R26373	SPRING	1	-4HA1	
	R47086	SPRING	1	4HA2-	
12	R41877	GUIDE	1		
13	L29015	BACK-UP RING	2	10HA2-	
14	A4728R	O-RING	2	10HA2-	
15	AL23523	PISTON	1	10HA2-	(MARKED L29014) (SUB R57103, (2) A4728R, (2) L29015 AND R27649)
16	R27649	BACK-UP RING	1	10HA2-	
17	R33282	SNAP RING	1	10HA1-	
18	R48013	WASHER	1	10HA1-	
19	R44256	SPRING	1	10HA1-	
20	R44254	GUIDE	2	10HA1-	
21	400R	BALL	2	10HA1-	6MM (1/4")
22	R31632	SHIM	2	10HA1-	
23	R47606	SPRING	1	10HA1-	INNER
24	R47605	SPRING	1	10HA1-	OUTER
25	R26286	O-RING	1	10HA1-	
26	R47607	PIPE PLUG	1	10HA1-	
27	R41878	CAP	1	-4HA2	(SUB AR93259)
	AR50387	CAP	1	10HA1-	(SUB AR93259)
28	R26286	O-RING	1		
29	R27272	FITTING	1		
	AT58895	FITTING	1		(SUB FOR AR46095)
30	AR67778	ACCUMULATOR	1		(SUB FOR AR45157 OR AR51092) (SUB RE11956)
31	R41891	STRAP	2		
32	19H2284	CAP SCREW	2		3/8" X 7/8"
33	R35680	SEAL	1	-10HA1	(USE WITH R48952)
34	R48952	PISTON	1	-10HA1	(SUB (2) A4728R, (2) L29015, R27649 AND R57103)
	AR55711	PISTON	1		(MARKED R49345) (SUB (2) A4728R, (2) L29015, R27649 AND R57103)
35	A4728R	O-RING	AR	-10HA1	(1 USED WITH R48952) (2 USED WITH R49345)
36	R36742	COUPLING	1		
	R46431	ADAPTER	1		(A)
37	R26287	O-RING	1		
38	400R	BALL	1		(A) 6MM (1/4")
39	R44254	GUIDE	1		(A)
40	R44256	SPRING	1		(A)
41	R44255	WASHER	1		(A)

(A) POWER FRONT WHEEL DRIVE

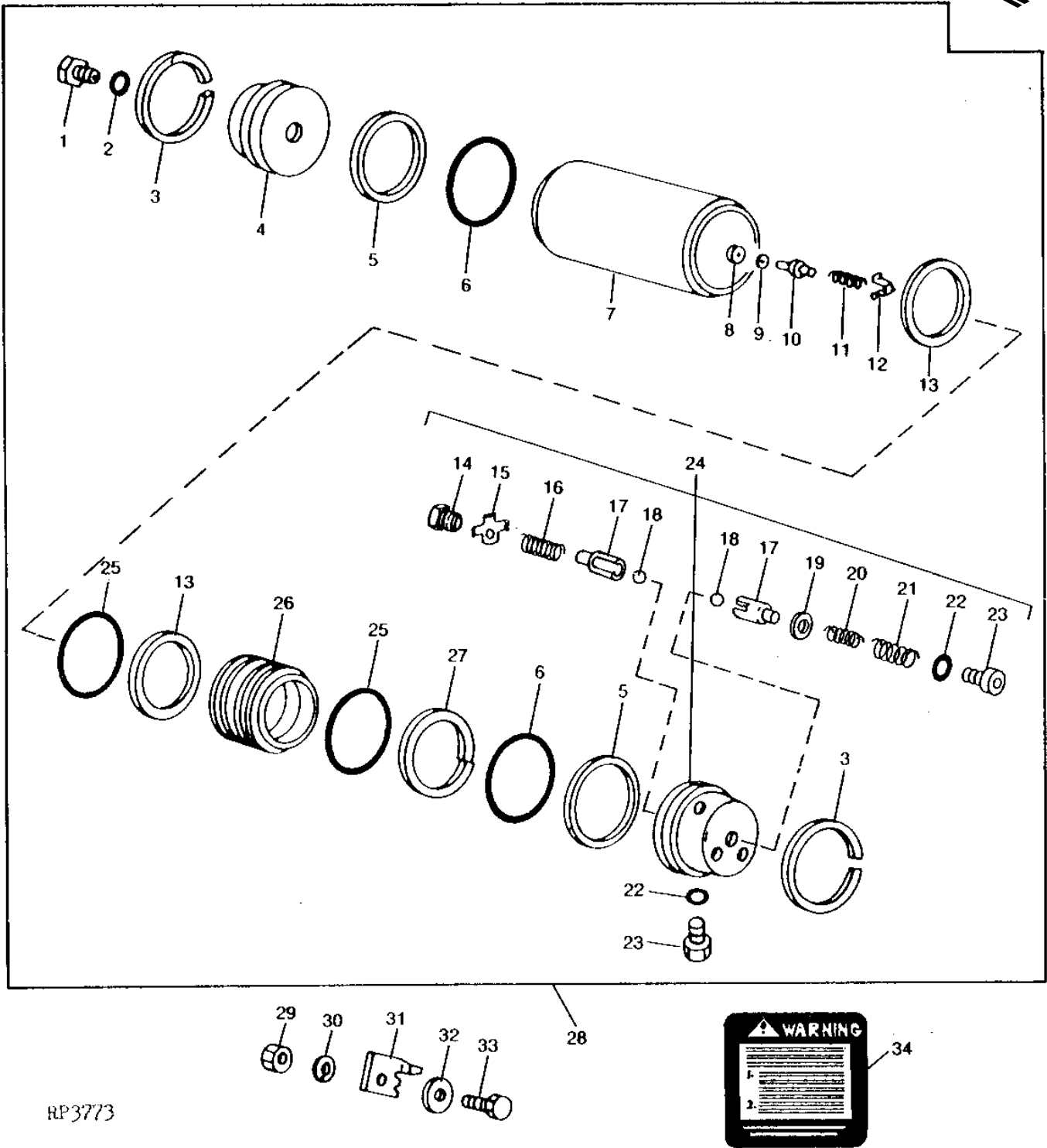
2G9

STEERING AND BRAKES

RP3773

-UN-01JAN94

ACCUMULATOR



RP3773

2G10

STEERING AND BRAKES

ACCUMULATOR - CONTINUED

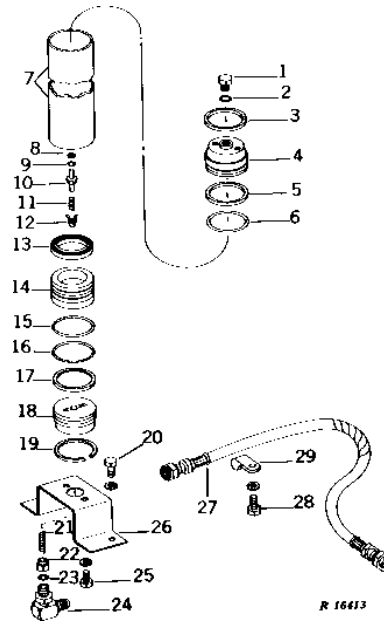
KEY	PART NO.	PART NAME	QTY	TRACTOR SERIAL NO.	REMARKS
1	R27094	DRAIN PLUG	1		
2	R26286	O-RING	1		
3	U10136	SNAP RING	2		(USE WITH R46987)
	R78101	SNAP RING	2		(USE WITH R77867)
4	R48957	END	1		
5	R35684	BACK-UP RING	2		
6	R86192	O-RING	2		
7	R46987	HYDRAULIC CYLINDER BARREL	1		(SUB R77867 AND (2) R78101)
8	R60038	PACKING	1		
9	R47087	WASHER	1		
10	R47085	VALVE	1		
11	R47086	SPRING	1		
12	R41877	GUIDE	1		
13	L29015	BACK-UP RING	2		
14	R74022	RETAINER	1		
15	R75866	LOCK PLATE	1		
16	R44256	SPRING	1		
17	R44254	GUIDE	2		
18	400R	BALL	2		6MM (1/4")
19	R31632	SHIM	AR		
20	R47606	SPRING	1		
21	R47605	SPRING	1		
22	R26286	O-RING	2		
23	R47607	PIPE PLUG	2		
24	AR93259	CAP	1		
25	A4728R	O-RING	2		
26	R57103	PISTON	1		
27	R27649	BACK-UP RING	1		
28	RE11956	ACCUMULATOR	1		(SUB FOR AR67778) (ALSO ORDER R120109, R120110, R80754 OR R82337)
29	14H785	NUT	1		5/16"
30	12H303	LOCK WASHER	1		5/16"
31	R51851	CLIP	1		
32	24H1299	WASHER	1		3/8" X 1-1/4" X 0.065"
33	19H1905	CAP SCREW	1		5/16" X 1"
34	R80752	LABEL	1		WARNING (ENGLISH) (SUB R120109)
	R80753	LABEL	1		WARNING (ESPANOL) (SUB R120110)
	R80754	LABEL	1		WARNING (FRANCAIS)
	R82337	LABEL	1		WARNING (DEUTSCH)

2G11

STEERING AND BRAKES

R16413 -UN-01JAN94

HYDRAULIC ACCUMULATOR (POWER FRONT WHEEL DRIVE)



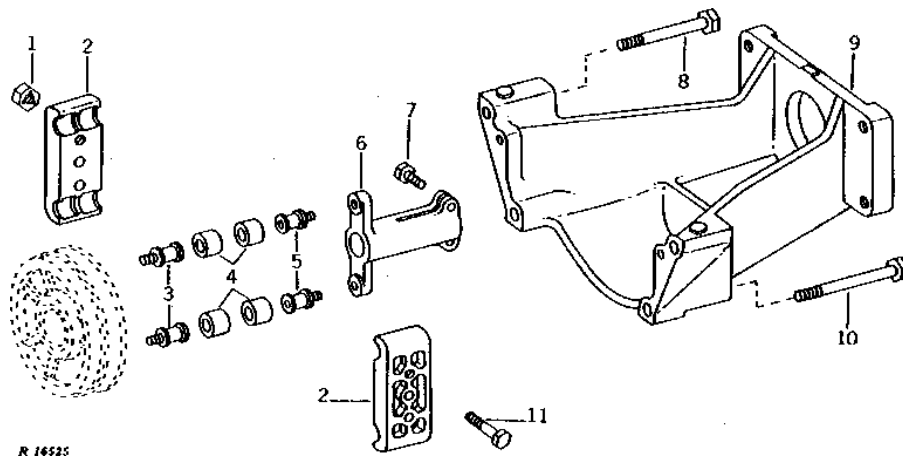
KEY	PART NO.	PART NAME	QTY	TRACTOR SERIAL NO.	REMARKS
1	R27094	DRAIN PLUG	1		
2	R26286	O-RING	1		
3	U10136	SNAP RING	1		
4	R48957	END	1	(SUB FOR R46988)	
5	R35684	BACK-UP RING	1		
6	R86192	O-RING	1		
7	R77866	HYDRAULIC CYLINDER BARREL	1	(SUB FOR R46986)	
8	R60038	PACKING	1	(SUB FOR R26760)	
9	R47087	WASHER	1		
10	R47085	VALVE	1		
11	R47086	SPRING	1		
12	R41877	GUIDE	1		
13	R35680	SEAL	1		
14	R44253	PISTON	1	(SUB (2) A4728R, (2) L29015, R27649 AND R57103)	
15	A4728R	O-RING	1		
16	R86192	O-RING	1		
17	R35684	BACK-UP RING	1		
18	R47912	CAP	1		
19	U10136	SNAP RING	1		
20	19H1822	CAP SCREW	2	7/16" X 1"	
	12H293	LOCK WASHER	2	7/16"	
	24H1325	WASHER	2	15/32" X 59/64" X 0.065"	
21	R28084	SPRING	1		
22	R47913	ORIFICE	1		
23	R26375	O-RING	1		
24	AT32332	ELBOW FITTING	1	(SUB FOR AR26763)	
25	19H2284	CAP SCREW	1	3/8" X 7/8"	
	12H304	LOCK WASHER	1	3/8"	
26	R46827	BRACKET	1		
27	AR49310	HYDRAULIC HOSE	1		
28	19H1134	CAP SCREW	1	3/8" X 3/4"	
	12H304	LOCK WASHER	1	3/8"	
29	T24959	CLAMP	1		
..	RE11958	ACCUMULATOR	1	(COMPLETE) (SUB FOR AR45248 AND AR70038)	

3B5

HYDRAULICS

R16525 -UN-01JAN94

HYDRAULIC PUMP DRIVE AND SUPPORT



KEY	PART NO.	PART NAME	QTY	TRACTOR SERIAL NO.	REMARKS
1	M63440	LOCK NUT	2		(SUB T11234)
2	R34362	EXTERNAL HALF COUPLER	2		
3	R46345	SCREW	2		
4	R45822	BUSHING	4		(SUB FOR AR34098 OR AR49427)
5	R34360	SCREW	2		
6	R43075	SHAFT	1		
7	19H1732	CAP SCREW	2	3/8" X 1-1/4"	
8	19H1781	CAP SCREW	2	1/2" X 3-1/2"	
9	R55008	SUPPORT	1		(SUB FOR R43074, R46429 OR R49404)
10	19H3597	CAP SCREW	2	1/2" X 4-3/4", HS, SAE 8	
11	19H2116	CAP SCREW	2	3/8" X 2-1/2"	

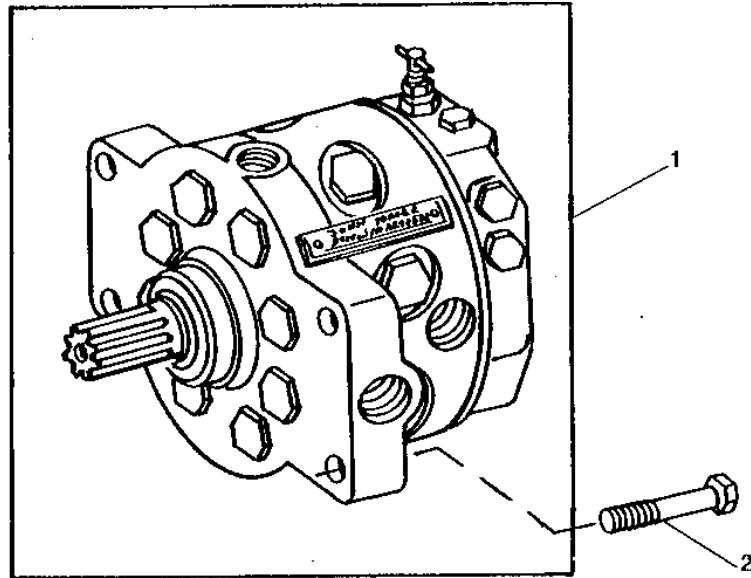
MEMORANDA

3B6

HYDRAULICS

RP3196 -UN-01JAN94

REPLACEMENT HYDRAULIC PUMP ASSEMBLY



RP3196

KEY	PART NO.	PART NAME	QTY	TRACTOR SERIAL NO.	REMARKS
1	AR94660	HYDRAULIC PUMP	1	(A) 50 CM3 (3 IN.3) (MODEL GA1) (SUB FOR AR56161) (ALSO ORDER RE19313 AND F3171R)	
	AR94661	HYDRAULIC PUMP	1	(B) 65 CM3 (4 IN.3) (MODEL JA1) (SUB FOR AR46246, AR70722, AR73106 OR AR99839)	
2	19H1990	CAP SCREW	4	1/2" X 2-1/4"	
(A) LESS POWER FRONT WHEEL DRIVE					
(B) POWER FRONT WHEEL DRIVE					

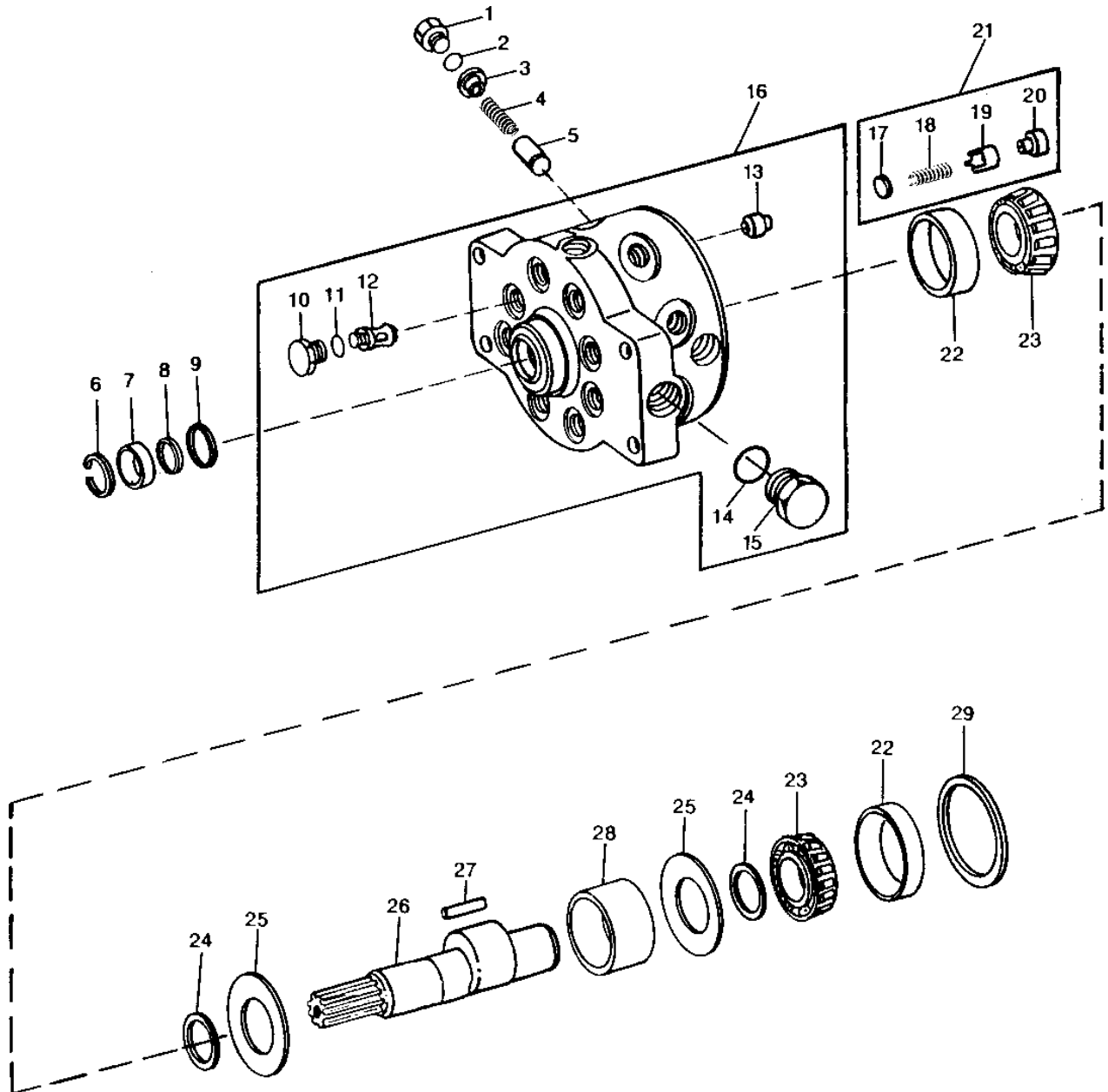
3B7

HYDRAULICS

RP3261

-UN-01JAN94

HYDRAULIC PUMP
49 CM3 (3 IN.3)
(PUMP LESS SERIAL PLATE)



3B8

HYDRAULICS

HYDRAULIC PUMP - CONTINUED
49 CM3 (3 IN.3)
(PUMP LESS SERIAL PLATE)

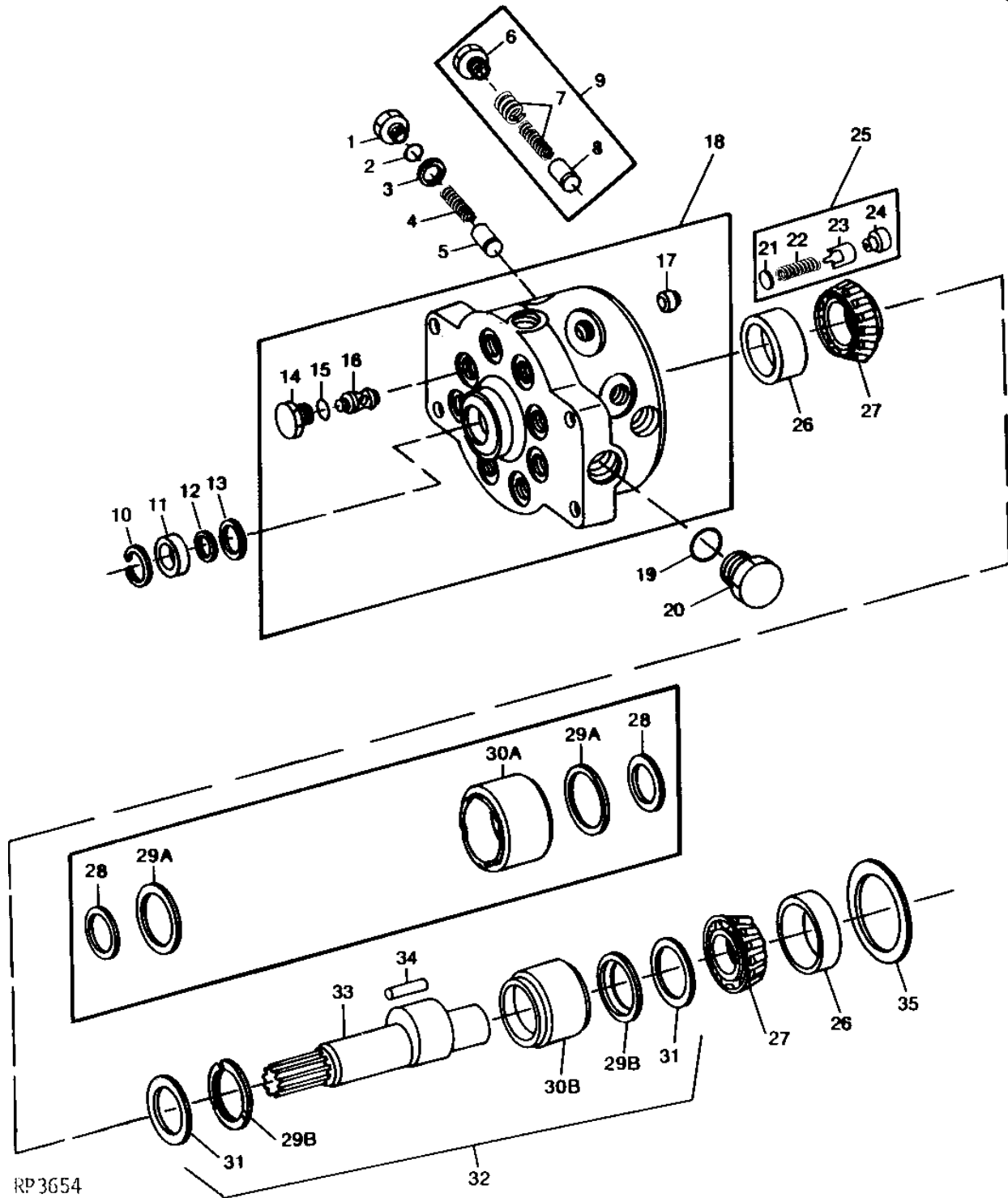
KEY	PART NO.	PART NAME	QTY	TRACTOR SERIAL NO.	REMARKS
1	R45438	FITTING	8		
2	R495R	O-RING	8	-XXXXXX	(SUB R56463 AND AR101236, THIS APPLICATION)
	R56463	O-RING	8	XXXXXX-	
3	AR101236	SHIELD	1	XXXXXX-	(SET OF 8) (SUB FOR R56749)
4	AR76762	SPRING	1		(SET OF 8) (SUB FOR AR55186)
5	R27150	PISTON	8		
6	R26137	SNAP RING	1		
7	RE28790	SEAL	1		(SUB FOR AR52224)
8	R56753	SHIM	1	XXXXXX-	
9	R39729	O-RING	1		
10	R78293	FITTING	8		(SUB FOR R44823)
11	R27149	O-RING	8		
12	AR53301	VALVE	8		(INLET) (SUB FOR AR26758)
13	R105583	SEAT	8		
14	U13639	O-RING	1		(USE WITH R45228)
	F3171R	O-RING	1		(USE WITH R45227)
15	R39741	DRAIN PLUG	1		(USE WITH R45228)
	R27175	DRAIN PLUG	1		(USE WITH R45227)
16	AR47580	HOUSING	1		(MARKED R45227 OR R45228) (SUB AR94660) (ALSO ORDER RE19313 AND F3171R)
17	R49297	DISK	8		(SUB FOR R39074)
18	R39228	SPRING	8		
19	R48738	GUIDE	8		(SUB FOR R39174)
20	R83508	STOP	8		(SUB FOR R39175, R49298 OR R72886)
21	RE23382	VALVE	8		(OUTLET) (SUB FOR AR52785 OR AR96613)
22	JD8223	BEARING CUP	2		
23	JD8192	BEARING CONE	2		
24	R34349	WASHER	2		
25	R60732	WASHER	2		(SUB FOR R42467)
26	R34348	SHAFT	1		
27	R27145	NEEDLE ROLLER	36		
28	R45874	BEARING RACE	1		
29	R27478	SHIM	AR		0.15MM (.006")
	R27479	SHIM	AR		0.25MM (.010")
..	AR56161	HYDRAULIC PUMP	1		(SUB AR94660) (ALSO ORDER RE19313 AND F3171R)

3B9

HYDRAULICS

HYDRAULIC PUMP
66 CM3 (4 IN.3)
(PUMP LESS SERIAL PLATE)
(POWER FRONT WHEEL DRIVE)

RP3654 -UN-12OCT94



RP3654

32

3B10

HYDRAULICS

HYDRAULIC PUMP - CONTINUED
66 CM3 (4 IN.3)
(PUMP LESS SERIAL PLATE)
(POWER FRONT WHEEL DRIVE)

KEY	PART NO.	PART NAME	QTY	TRACTOR SERIAL NO.	REMARKS
1	R75642	DRAIN PLUG	8		(SUB FOR R44745)
2	F3171R	O-RING	8	-XXXXXX	(SUB R56751 AND AR101237, THIS APPLICATION)
	R56751	O-RING	8	XXXXXX-	
3	AR101237	SHIELD	1	XXXXXX-	(SET OF 8) (SUB FOR R56750)
4	AR55330	SPRING	1		(SET OF 8)
5	R51827	PISTON	8		(SUB FOR R44824) (SUB RE11814)
6	R70648	DRAIN PLUG	8		
7	AR96408	SPRING	1		(SET OF 16)
8	R70976	PISTON	8		
9	RE11814	KIT	1		
10	R26137	SNAP RING	1		
11	RE28790	SEAL	1		(SUB FOR AR52224)
12	R56753	SHIM	1	XXXXXX-	
13	R39729	O-RING	1		
14	R78293	FITTING	8		(SUB FOR R44823)
15	R27149	O-RING	8		
16	AR53301	VALVE	8		(INLET)
17	R105583	SEAT	8		
18	AR70723	HOUSING	1		(MARKED R44801, R55010 OR R58773) (SUB FOR AR48770) (SUB AR94661)
19	U13639	O-RING	1		(USE WITH R44801)
	F3171R	O-RING	1		(USE WITH R58773)
20	R39741	DRAIN PLUG	1		1-5/8", (USE WITH R44801)
	R27175	DRAIN PLUG	1		1-1/16", (USE WITH R58773)
21	R49297	DISK	8		
22	R39228	SPRING	8		
23	R48738	GUIDE	8		
24	R83508	STOP	8		(SUB FOR R49298 OR R72886)
25	RE23382	VALVE	8		(SUB FOR AR52785 OR AR96613)
26	JD8223	BEARING CUP	2		
27	JD8192	BEARING CONE	2		
28	R45423	WASHER	2	-XXXXXX	(SUB RE12038) (ALSO ORDER RE11814)
29A	R72429	WASHER	2	-XXXXXX	(BRONZE) (SUB FOR R45424) (SUB RE12038) (ALSO ORDER RE11814)
29B	R72507	THRUST WASHER	2	XXXXXX-	
30A	R44744	BEARING RACE	1	-XXXXXX	(SUB RE12038) (ALSO ORDER RE11814)
30B	R80558	BEARING RACE	1	XXXXXX-	(SUB FOR R72509)
31	R77903	WASHER	2		(SUB FOR R45425)
32	RE12038	KIT	1		(SUB FOR AR95470) (ALSO ORDER RE11814)
33	R44743	SHAFT	1		(A) (SUB R79156 AND (2) R79151)
34	R77904	NEEDLE ROLLER	25		(SUB FOR R45422)
35	R27478	SHIM	AR		0.15MM (0.006")
	R27479	SHIM	AR		0.25MM (0.010")
..	AR46246	HYDRAULIC PUMP	1		(SUB AR94661)
..	AR70722	HYDRAULIC PUMP	1		(SUB FOR AR46246 OR AR73106) (SUB AR94661)
..	AR99839	HYDRAULIC PUMP	1		(SUB FOR AR46246, AR70722 OR AR73106) (SUB AR94661)

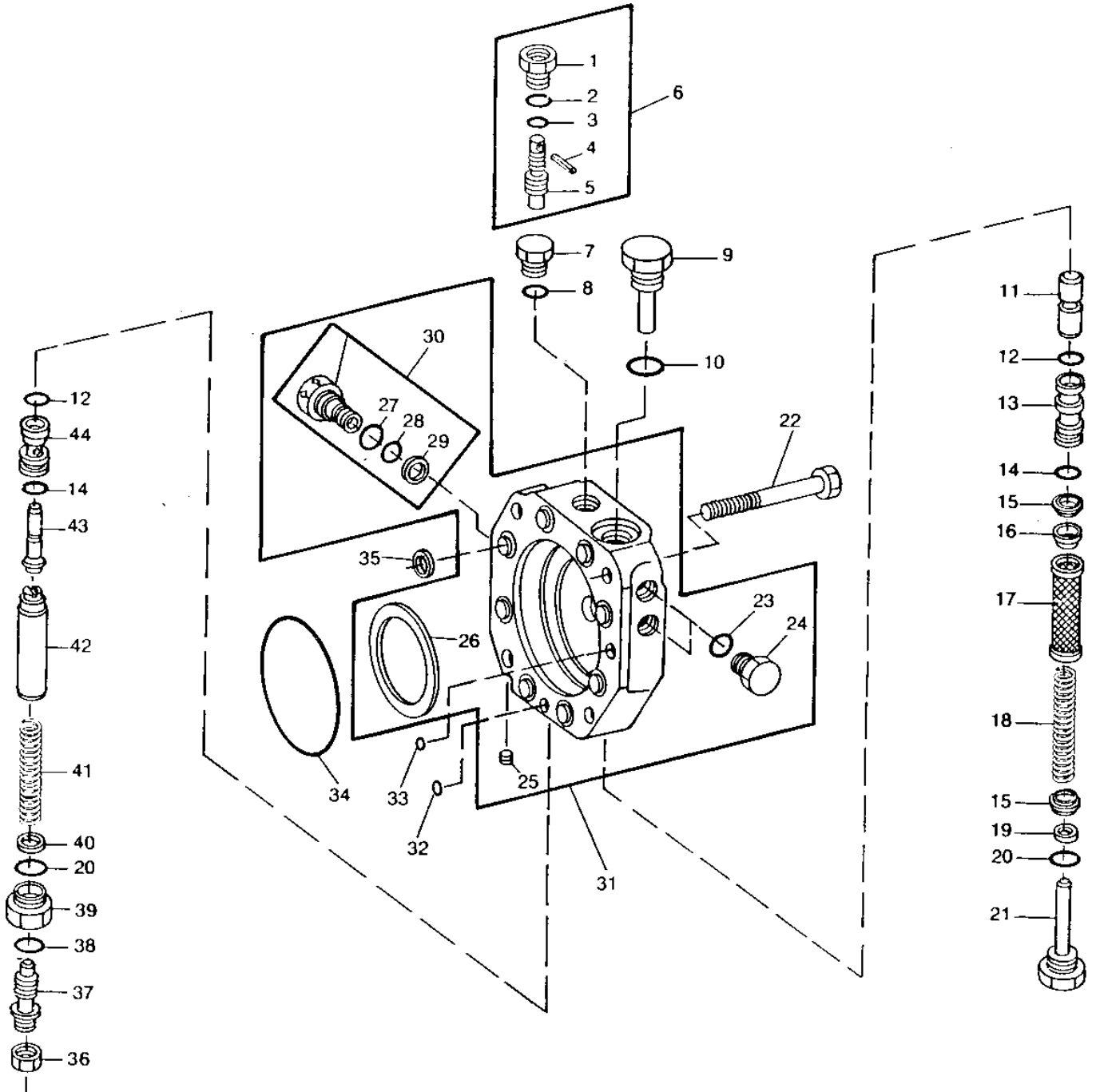
(A) ALSO ORDER R80558 AND (2) R72507 IF RE12038 KIT HAS NOT BEEN PREVIOUSLY INSTALLED.

3B11

HYDRAULICS

HYDRAULIC PUMP STROKE CONTROL VALVE
49 CM3 (3 IN.3) - 66 CM3 (4 IN.3)
(PUMPS LESS SERIAL PLATE)

RP3510 -UN-01JAN94



RP 3510

3B12

HYDRAULICS

HYDRAULIC PUMP STROKE CONTROL VALVE - CONTINUED
 49 CM3 (3 IN.3) - 66 CM3 (4 IN.3)
 (PUMP LESS SERIAL PLATE)

KEY	PART NO.	PART NAME	QTY	TRACTOR SERIAL NO.	REMARKS
1	R27475	FITTING	1		
2	R26448	O-RING	1		
3	A4365R	O-RING	1		
4	34H254	SPRING PIN	1		1/8" X 1-1/2"
5	R27171	SCREW	1		
6	AR33249	SCREW	1		(MANUAL DESTROKE)
7	R27218	FITTING PLUG	1		(LESS MANUAL DESTROKE)
8	R26448	O-RING	1		(LESS MANUAL DESTROKE)
9	AR51745	PLUG	1		
10	R26906	O-RING	1		
11	R27172	VALVE	1		
12	R27564	O-RING	2		
13	R70351	SLEEVE	1		(SUB FOR R27476)
14	R27166	O-RING	2		
15	R27174	PACKING	2		
16	R27167	GUIDE	1		
17	R27173	FILTER ELEMENT	1		
18	R27159	SPRING	1		
19	R27170	SHIM	AR		0.010"
	24H1298	WASHER	AR		0.030"
20	F3171R	O-RING	2		
21	AR26646	PLUG	1		
22	19H3520	CAP SCREW	4		1/2" X 3-1/4"
23	R26287	O-RING	2		
24	R27216	PLUG	2		
25	15H560	PIPE PLUG	1		1/16", (USE WITH R49071)
26	R49072	WASHER	1		(USE WITH R49071)
27	R26375	O-RING	1		(USE WITH R49071)
28	T40308	O-RING	1		(USE WITH R49071)
29	T57374	BACK-UP RING	1		(USE WITH R49071)
30	AR90378	PLUG	1		(USE WITH R49071)
31	AR38714	HOUSING	1		(MARKED R44802 OR R49071) (SUB FOR RE13611)
32	R56755	WASHER	1		(SUB FOR A4847R)
33	R56756	O-RING	1		(SUB FOR A3917R)
34	R56757	O-RING	1		(SUB FOR R26621)
35	R69279	WASHER	8		(SUB FOR R56754)
36	14H1021	NUT	1		7/16"
37	AR52254	SET SCREW	1		(SUB FOR AR51929, THIS APPLICATION)
38	R28782	O-RING	1		
39	R28781	FITTING	1		
40	R42260	WASHER	1		
41	R31781	SPRING	1		
42	R71321	GUIDE	1		(SUB FOR R32344)
43	R70559	CONTROL VALVE	1		(SUB FOR R65194) (SUB RE10712, R27166 AND R41057)
44	R69262	SLEEVE	1		(SUB FOR R27471, R58499 OR R65192) (SUB RE10712, R27166 AND R41057)

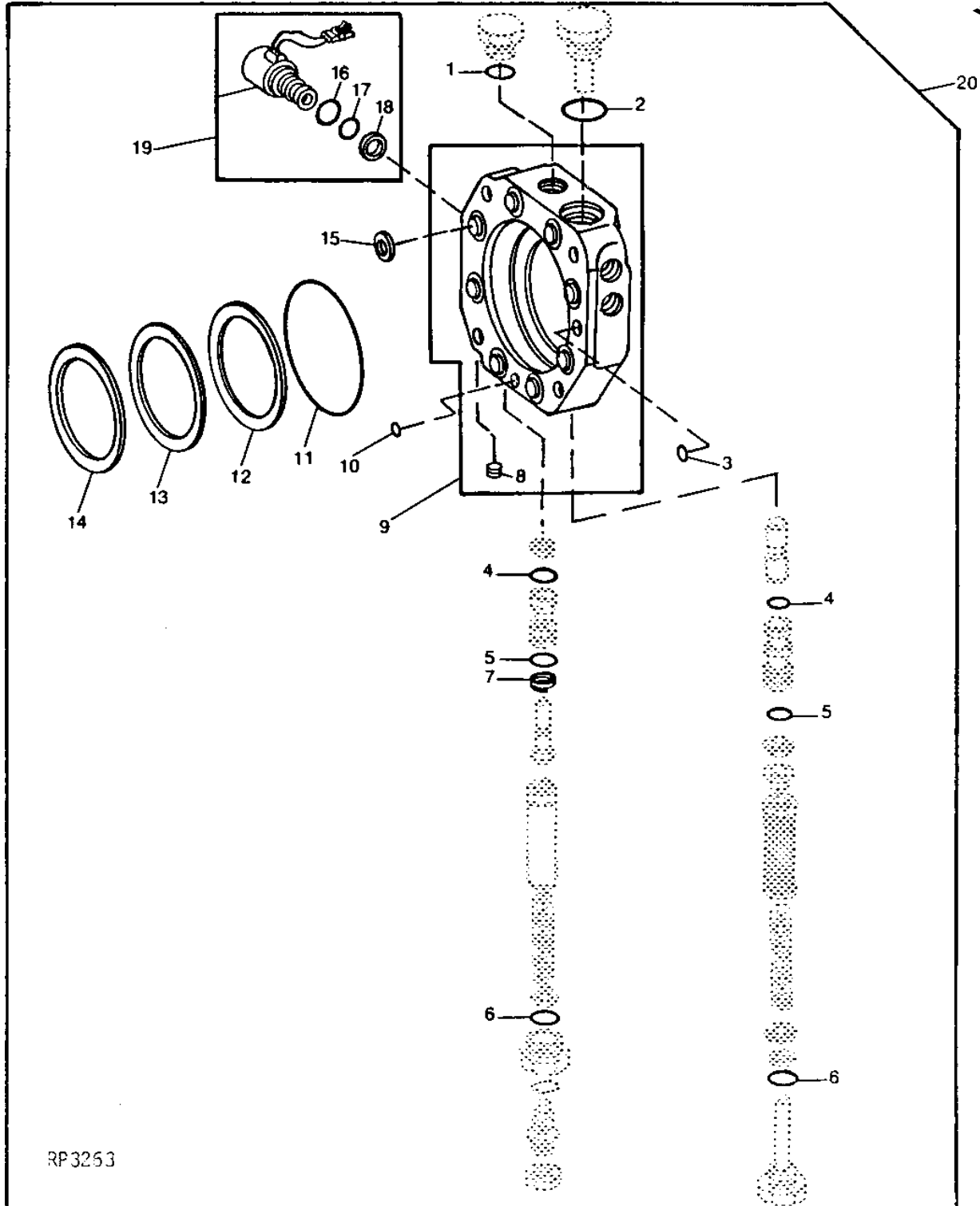
3B13

HYDRAULICS

HYDRAULIC PUMP ELECTRIC DESTROKE KIT
49 CM3 (3 IN.3) - 66 CM3 (4 IN.3)
(PUMPS LESS SERIAL PLATE)

RP3263

-UN-01JAN94



3B14

HYDRAULICS

HYDRAULIC PUMP ELECTRIC DESTROKE KIT - CONTINUED
49 CM3 (3 IN.3) - 66 CM3 (4 IN.3)
(PUMPS LESS SERIAL PLATE)

KEY	PART NO.	PART NAME	QTY	TRACTOR SERIAL NO.	REMARKS
1	R26448	O-RING	1		
2	R26906	O-RING	1		
3	R56756	O-RING	1		
4	R27564	O-RING	2		
5	R27166	O-RING	2		
6	F3171R	O-RING	2		
7	R41057	BACK-UP RING	1		
8	15H560	PIPE PLUG	1		1/16"
9	AR38714	HOUSING	1		(MARKED R49071) (SUB FOR AR52494 OR RE13611)
10	R56755	WASHER	1		
11	R56757	O-RING	1		
12	R27478	SHIM	2		0.15MM (.006")
13	R27479	SHIM	2		0.25MM (.010")
14	R49072	WASHER	1		(NOT USED IN ALL APPLICATIONS)
15	R69279	WASHER	8		
16	R26375	O-RING	1		
17	T40308	O-RING	1		
18	T57374	BACK-UP RING	1		
19	RE32529	SOLENOID VALVE	1		(SUB FOR RE12169 OR RE21725)
20	RE14868	KIT	1		(A)

(A) INCLUDES RE12330 WIRE CONNECTORS

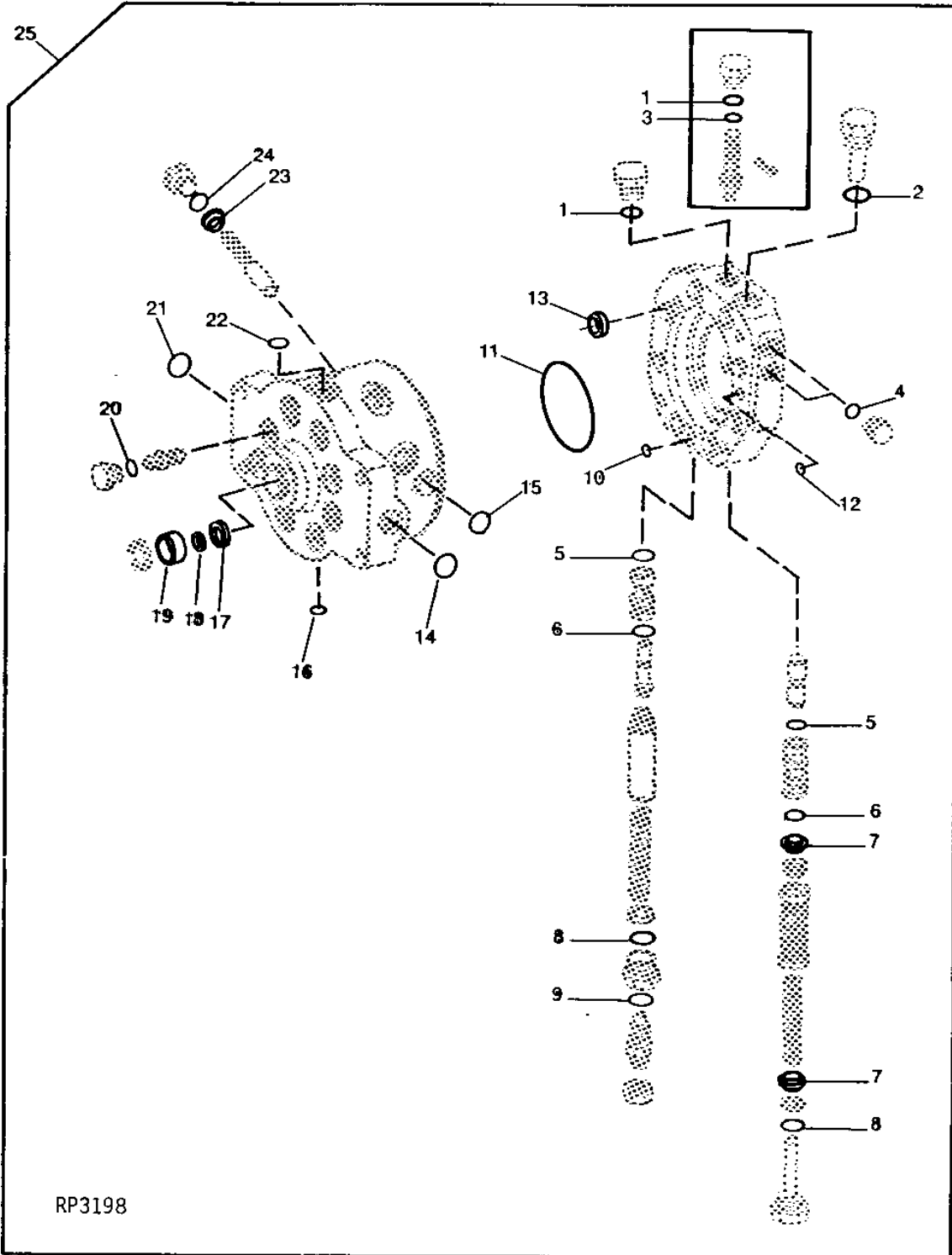
3B15

HYDRAULICS

HYDRAULIC PUMP AND STROKE CONTROL VALVE OVERHAUL KIT
49 CM3 (3 IN.3) - 66 CM3 (4 IN.3)
(PUMPS LESS SERIAL PLATE)

RP3198

-UN-01JAN94



RP3198

3B16

HYDRAULICS

HYDRAULIC PUMP AND STROKE CONTROL VALVE OVERHAUL KIT - CONTINUED
 49 CM3 (3 IN.3) - 66 CM3 (4 IN.3)
 (PUMPS LESS SERIAL PLATE)

KEY	PART NO.	PART NAME	QTY	TRACTOR SERIAL NO.	REMARKS
1	R26448	O-RING	1		
2	R26906	O-RING	1		
3	A4365R	O-RING	1		
4	R26287	O-RING	2		
5	R27564	O-RING	2		
6	R27166	O-RING	2		
7	R27174	PACKING	2		
8	R56751	O-RING	2		
9	R28782	O-RING	1		
10	R56755	WASHER	1		
11	R56757	O-RING	1		
12	R56756	O-RING	1		
13	R69279	WASHER	8		
14	U13639	O-RING	1		
15	R26906	O-RING	1	(B)	
	R56751	O-RING	1	(C)	
16	R26287	O-RING	1		
17	R39729	O-RING	1		
18	R56753	SHIM	1		
19	RE28790	SEAL	1		
20	R27149	O-RING	8		
21	R56751	O-RING	1		
	R29936	O-RING	1	(A) (C)	
22	R27928	O-RING	2	(A)	
	P47908	O-RING	1	(A)	
	R35827	WASHER	1	(A) (B)	
23	AR101236	SHIELD	1	(B) (SET OF 8)	
	AR101237	SHIELD	1	(C) (SET OF 8)	
24	R56463	O-RING	8	(B)	
	R56751	O-RING	8	(C)	
25	RE29103	KIT	1		(A) 49 CM3 (3 IN.3) (SUB FOR AR67718) (ALSO ORDER (2) R27166 AND (2) R41057, IF STROKE CONTROL VALVE HAS BEEN REPLACED.
	RE29104	KIT	1		(A) 66 CM3 (4 IN.3) (SUB FOR AR67720) (ALSO ORDER (2) R27166 AND (2) R41057, IF STROKE CONTROL VALVE HAS BEEN REPLACED.

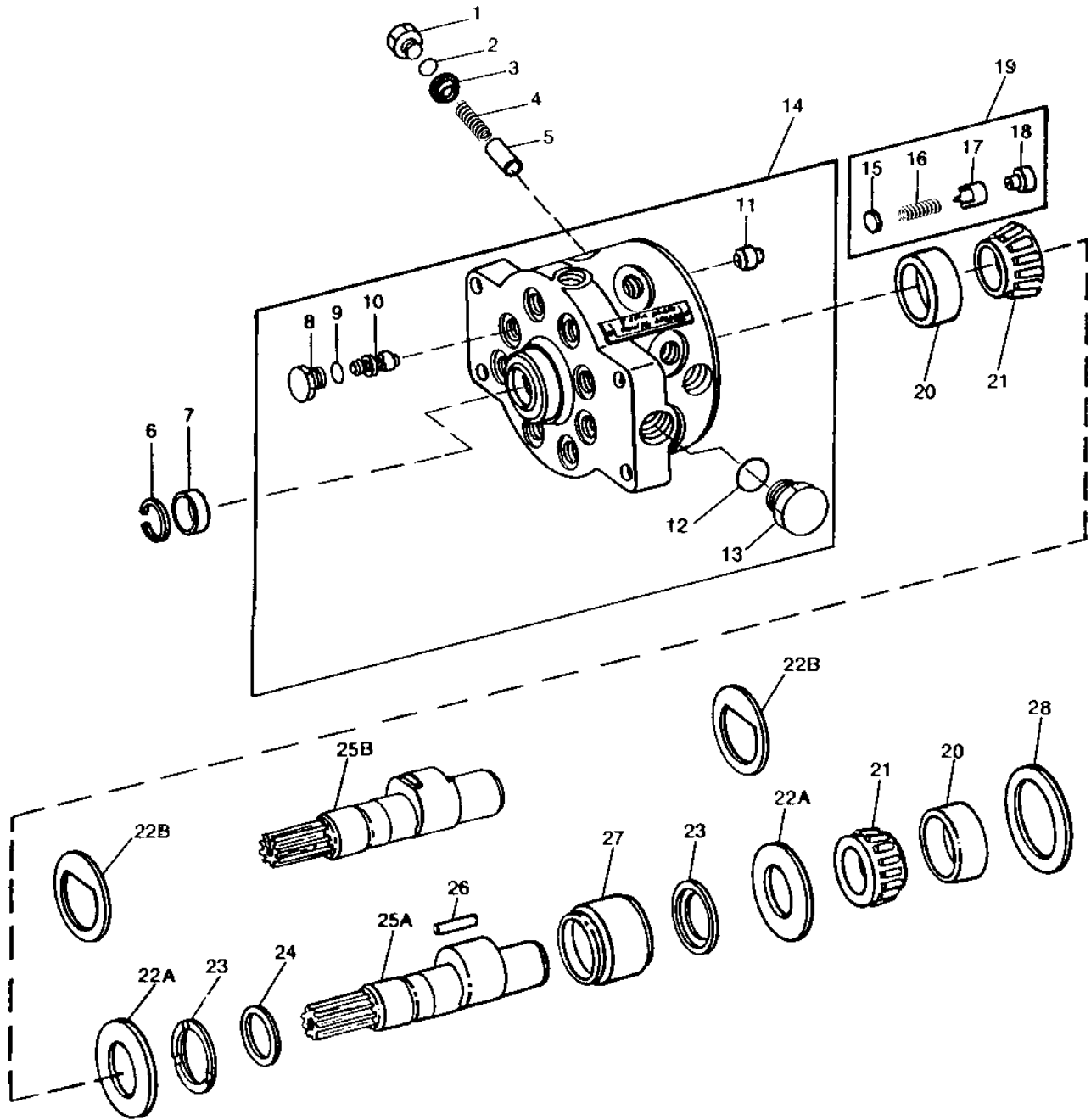
- (A) UNIVERSAL KIT - APPLICATIONS WILL VARY.
- (B) INCLUDED IN RE29103
- (C) INCLUDED IN RE29104

3B17

HYDRAULICS

HYDRAULIC PUMP - MODEL GA1
50 CM3 (3 IN.3)
(SERIAL PLATE)
(REPLACEMENT PUMP)

RP3199 -UN-02JAN94



RP3199

3B18

HYDRAULICS

HYDRAULIC PUMP - MODEL GA1 - CONTINUED
 50 CM3 (3 IN.3)
 (SERIAL PLATE)
 (REPLACEMENT PUMP)

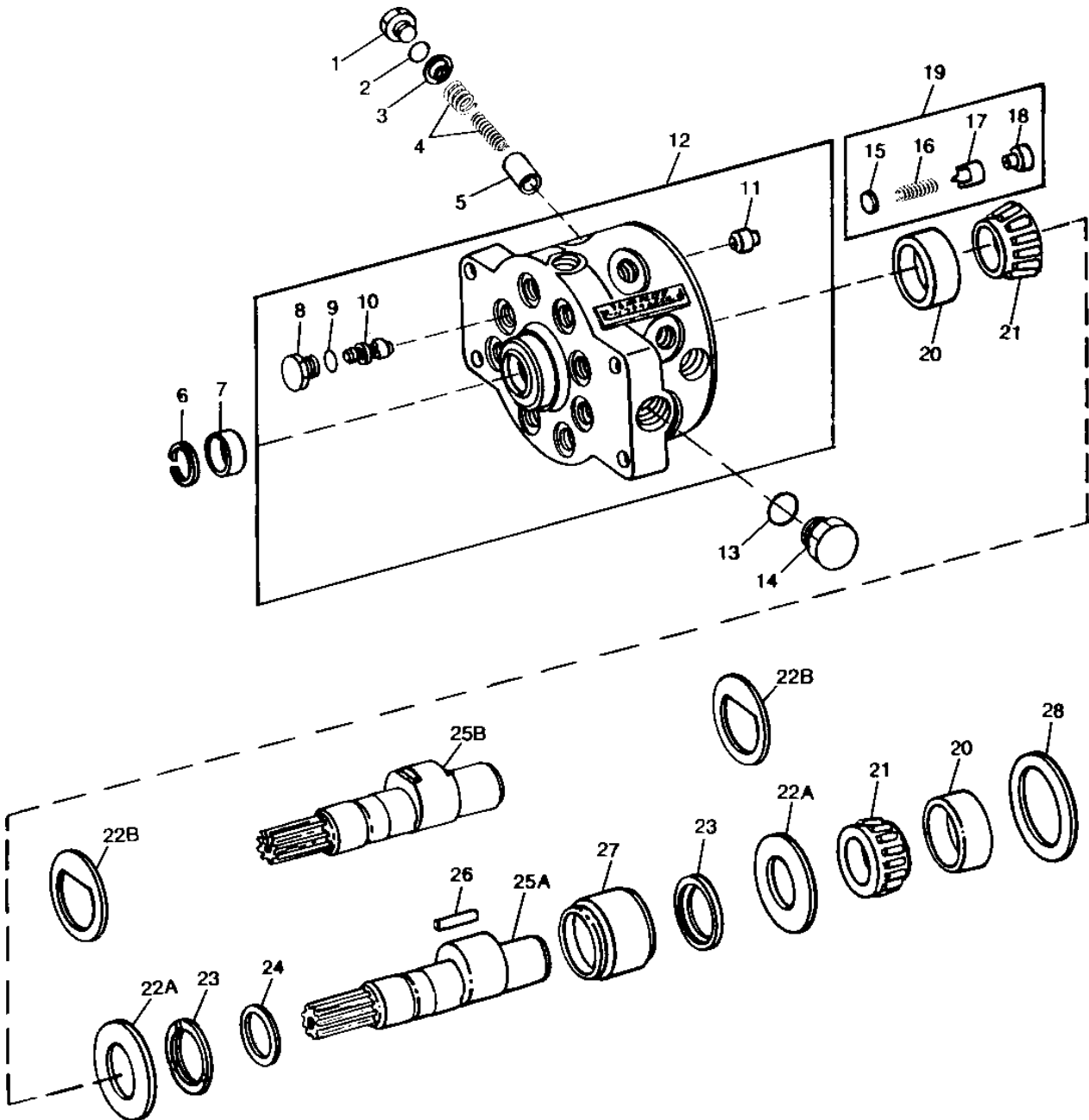
KEY	PART NO.	PART NAME	QTY	PUMP SERIAL NO.	REMARKS
1	R45438	FITTING	8		
2	R56463	O-RING	8		
3	AR101236	SHIELD	1		(SET OF 8)
4	AR76762	SPRING	1		(SET OF 8)
5	R27150	PISTON	8		
6	R26137	SNAP RING	1		
7	RE28790	SEAL	1		(SUB FOR AR52224)
8	R78293	FITTING	8		
9	R27149	O-RING	8		
10	AR53301	VALVE	8		(INLET)
11	R105583	SEAT	8		
12	F3171R	O-RING	1		(USE WITH R71586)
	U13639	O-RING	1		(USE WITH R73741)
13	R27175	DRAIN PLUG	1		(USE WITH R71586)
	R39741	DRAIN PLUG	1		(USE WITH R73741)
14	RE11804	HOUSING	1		(MODEL PJ1) (MARKED R71586 OR R73741)
15	R49297	DISK	8		
16	R39228	SPRING	8		
17	R48738	GUIDE	8		
18	R83508	STOP	8		(SUB FOR R49298 OR R72886)
19	RE23382	VALVE	8		(OUTLET) (SUB FOR AR96613)
20	JD8223	BEARING CUP	2		
21	JD8192	BEARING CONE	2		
22A	R77903	WASHER	2	-023628	(SUB FOR R45425)
22B	R79151	LOCK WASHER	2	023629-	(USE WITH R79152)
23	R72507	THRUST WASHER	2		
24	R77611	RING	1		(SEALING) (SUB FOR R68252 OR RE11777)
25A	R71598	SHAFT	1	-023628	(SUB R79152) (ALSO ORDER (2) R79151)
25B	R79152	SHAFT	1	023629-	
26	R77904	NEEDLE ROLLER	25		(SUB FOR R45422)
27	R80558	BEARING RACE	1		(SUB FOR R72506)
28	R27478	SHIM	AR		0.15MM (.006")
	R27479	SHIM	AR		0.25MM (.010")
..	AR94660	HYDRAULIC PUMP	1		(MODEL GA1) (SUB FOR AR56161)

3B19

HYDRAULICS

HYDRAULIC PUMP - MODEL JA1
65 CM3 (4 IN.3)
(SERIAL PLATE)
(REPLACEMENT PUMP)

RP3227 -UN-02JAN94



RP3227

3B20

HYDRAULICS

HYDRAULIC PUMP - MODEL JA1 - CONTINUED
 65 CM3 (4 IN.3)
 (SERIAL PLATE)
 (REPLACEMENT PUMP)

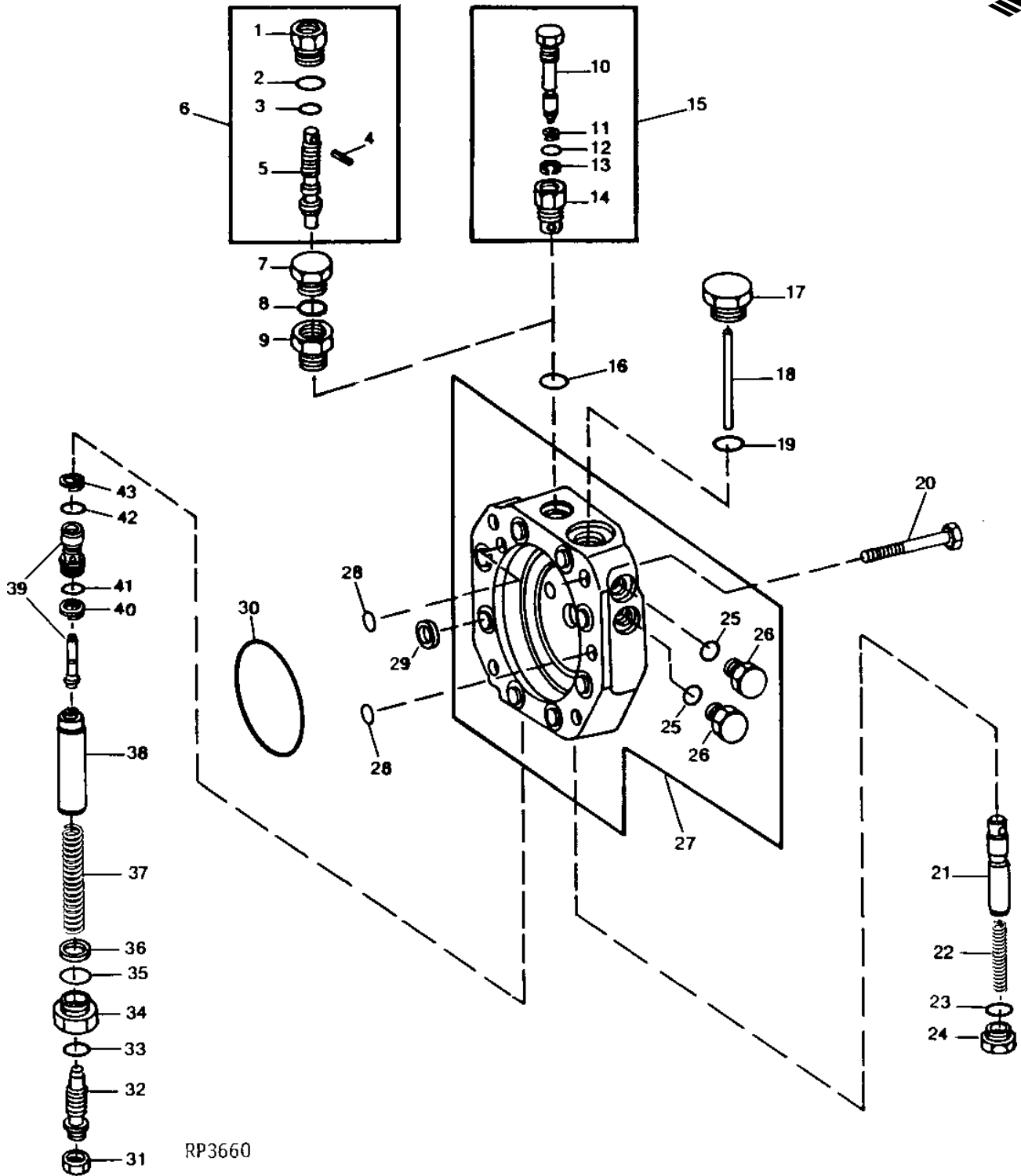
KEY	PART NO.	PART NAME	QTY	PUMP SERIAL NO.	REMARKS
1	R70648	DRAIN PLUG	8		
2	R56751	O-RING	8		
3	AR101237	SHIELD	1		(SET OF 8)
4	AR96408	SPRING	1		(SET OF 16)
5	R70976	PISTON	8		
6	R26137	SNAP RING	1		
7	RE28790	SEAL	1		(SUB FOR AR52224)
8	R78293	FITTING	8		
9	R27149	O-RING	8		
10	AR53301	VALVE	8		(INLET)
11	R105583	SEAT	8		
12	RE11810	HOUSING	1		(MODEL TG1) (MARKED R71587)
13	F3171R	O-RING	1		
14	R27175	DRAIN PLUG	1		
15	R49297	DISK	8		
16	R39228	SPRING	8		
17	R48738	GUIDE	8		
18	R83508	STOP	8		(SUB FOR R49298 OR R72886)
19	RE23382	VALVE	8		(OUTLET) (SUB FOR AR96613)
20	JD8223	BEARING CUP	2		
21	JD8192	BEARING CONE	2		
22A	R77903	WASHER	2	-010138	(SUB FOR R45425)
22B	R79151	LOCK WASHER	2	010139-	(USE WITH R79154)
23	R72507	THRUST WASHER	2		
24	R77611	RING	1		(SEALING) (SUB FOR R68252 OR RE11777)
25A	R71599	SHAFT	1	-010138	(SUB R79154) (ALSO ORDER (2) R79151)
25B	R79154	SHAFT	1	010139-	
26	R77904	NEEDLE ROLLER	25		(SUB FOR R45422)
27	R80558	BEARING RACE	1		(SUB FOR R72509)
28	R27478	SHIM	AR		0.15MM (.006")
	R27479	SHIM	AR		0.25MM (.010")
..	AR94661	HYDRAULIC PUMP	1		(MODEL JA1) (SUB FOR AR46246, AR70722, AR73106 OR AR99839)

3B21

HYDRAULICS

HYDRAULIC PUMP STROKE CONTROL VALVE
50 CM3 (3 IN.3) - 65 CM3 (4 IN.3)
(REPLACEMENT PUMPS WITH SERIAL PLATE)

RP3660 -UN-14SEP94



RP3660

3B22

HYDRAULICS

HYDRAULIC PUMP STROKE CONTROL VALVE - CONTINUED
 50 CM3 (3 IN.3) - 65 CM3 (4 IN.3)
 (REPLACEMENT PUMPS WITH SERIAL PLATE)

KEY	PART NO.	PART NAME	QTY	PUMP SERIAL NO.	REMARKS
1	R27475	FITTING	1		
2	R26448	O-RING	1		
3	A4365R	O-RING	1		
4	34H254	SPRING PIN	1	1/8" X 1-1/2"	
5	R75879	SCREW	1		
6	AR96625	SCREW	1	(A) (MANUAL DESTROKE)	
7	R27218	FITTING PLUG	1	(LESS MANUAL DESTROKE)	
8	R26448	O-RING	1	(LESS MANUAL DESTROKE)	
9	R70617	PIPE PLUG	1	-XXXXXX (USE WITH AR96625 OR R27218)	
10	R79266	SCREW	1		
11	R36358	BACK-UP RING	1		
12	R34802	O-RING	1		
13	R79268	SNAP RING	1		
14	R79267	PLUG	1		
15	RE13271	SCREW	1	(A) (MANUAL DESTROKE)	
16	R26906	O-RING	1		
17	R75642	DRAIN PLUG	1		
18	R75564	PIN	1		
19	R56751	O-RING	1		
20	19H3520	CAP SCREW	4	1/2" X 3-1/4"	
21	R70867	VALVE	1		
22	R70868	SPRING	1		
23	R26375	O-RING	1		
24	R73736	PLUG	1		
25	R26448	O-RING	2		
26	R75376	DRAIN PLUG	2		
27	RE12470	HOUSING	1	(MARKED R77714)	
28	R56755	WASHER	2		
29	R69279	WASHER	8		
30	R56757	O-RING	1		
31	14H1021	NUT	1	7/16"	
32	AR52254	SET SCREW	1		
33	R28782	O-RING	1		
34	R28781	FITTING	1		
35	F3171R	O-RING	1		
36	R42260	WASHER	1		
37	R31781	SPRING	1		
38	R71321	GUIDE	1		
39	RE10712	CONTROL VALVE	1		
40	R41057	BACK-UP RING	1		
41	R27166	O-RING	1		
42	R27564	O-RING	1		
43	R75938	WASHER	1		
..	AR94660	HYDRAULIC PUMP	1	(MODEL GA1)	
..	AR94661	HYDRAULIC PUMP	1	(MODEL JA1)	

(A) DESIGNS INTERCHANGEABLE

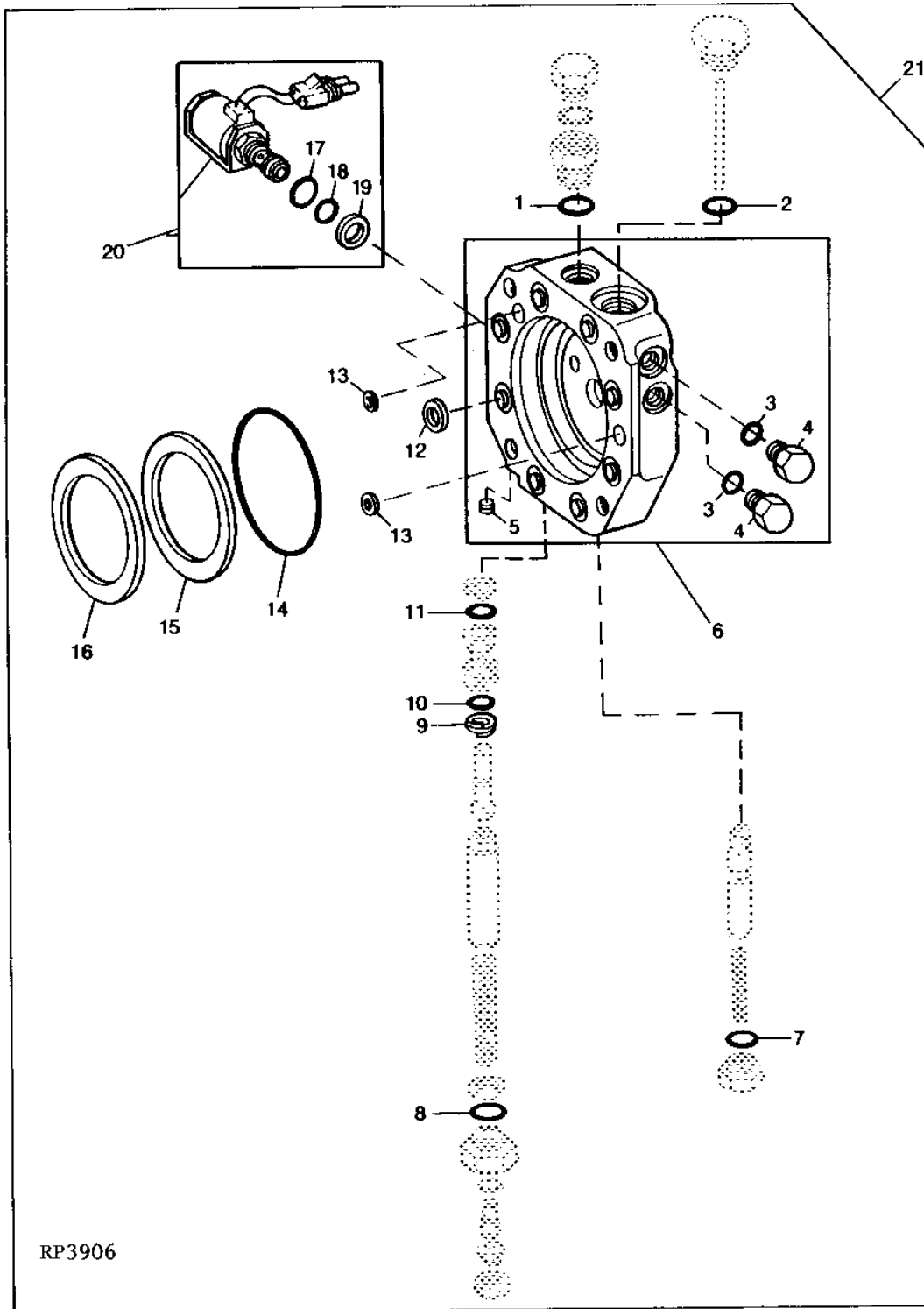
3B23

HYDRAULICS

HYDRAULIC PUMP ELECTRIC DESTROKE KIT
50 CM3 (3 IN.3) - 65 CM3 (4 IN.3)
(REPLACEMENT PUMP WITH SERIAL PLATE)

RP3906

-UN-12OCT94



RP3906

3B24

HYDRAULICS

HYDRAULIC PUMP ELECTRIC DESTROKE KIT - CONTINUED
50 CM3 (3 IN.3) - 65 CM3 (4 IN.3)
(REPLACEMENT PUMP WITH SERIAL PLATE)

KEY	PART NO.	PART NAME	QTY	PUMP SERIAL NO.	REMARKS
1	R26906	O-RING	1		
2	R56751	O-RING	1		
3	R26448	O-RING	2		
4	R75376	DRAIN PLUG	2		
5	15H560	PIPE PLUG	1	1/16"	
6	AR101632	HOUSING	1	(MARKED R77712)	
7	R26375	O-RING	1		
8	F3171R	O-RING	1		
9	R41057	BACK-UP RING	1		
10	R27166	O-RING	1		
11	R27564	O-RING	1		
12	R69279	WASHER	8		
13	R56755	WASHER	2		
14	R56757	O-RING	1		
15	R27478	SHIM	2	0.15MM (.006")	
16	R27479	SHIM	2	0.25MM (.010")	
17	R26375	O-RING	1		
18	T40308	O-RING	1		
19	T57374	BACK-UP RING	1		
20	RE32529	SOLENOID VALVE	1		
21	RE24647	KIT	1	(A)	

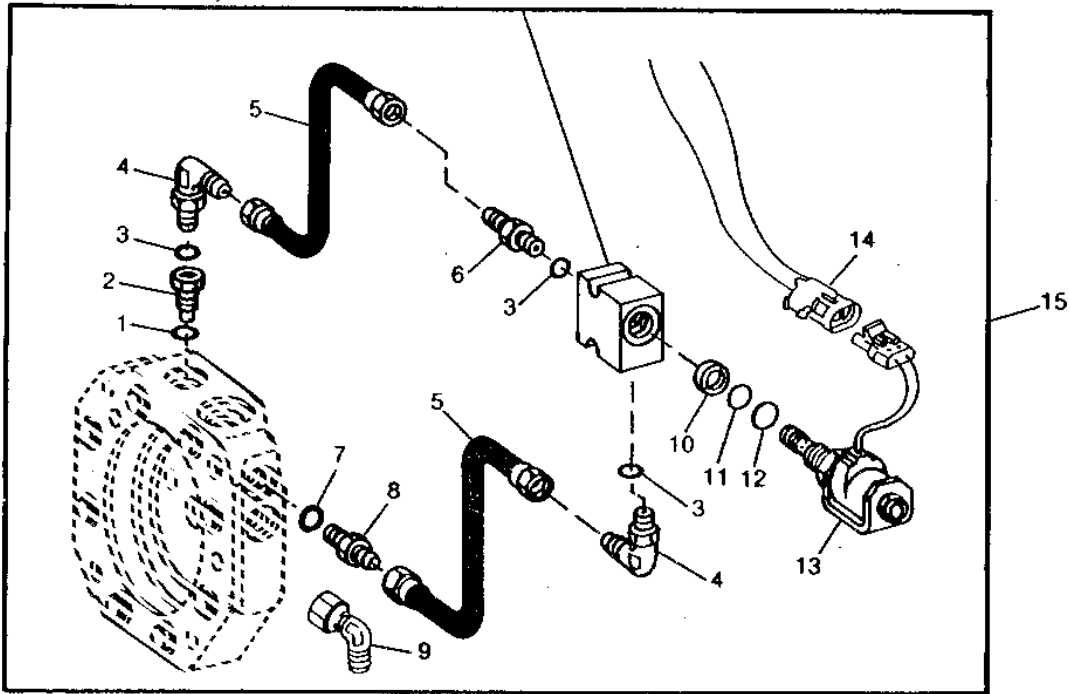
(A) INCLUDES RE12330 WIRE CONNECTORS

3B25

HYDRAULICS

RXP9501 -UN-01JAN94

HYDRAULIC PUMP ELECTRIC DESTROKE KIT



RXP9501

KEY	PART NO.	PART NAME	QTY	PUMP SERIAL NO.	REMARKS
1	R26906	O-RING	1		
2	R70617	PIPE PLUG	1		
3	R26448	O-RING	4		
4	AT35121	ELBOW FITTING	2		
5	AT66582	HYDRAULIC HOSE	2		
6	R27212	FITTING	1		
7	R26287	O-RING	1	(A)	
	R26448	O-RING	1	(B)	
8	T43535	FITTING	1	(A)	
	Z36276	ADAPTER	1	(B)	
9	AE24616	ELBOW FITTING	1	(USE WITH T43535 OR Z36276)	
10	T57374	BACK-UP RING	1		
11	T40308	O-RING	1		
12	R26375	O-RING	1		
13	RE32529	SOLENOID VALVE	1		
14	RE50017	WIRING HARNESS	1		
15	RE40463	KIT	1		

(A) NON-SERIALIZED PUMP
(B) SERIALIZED PUMP

MEMORANDA

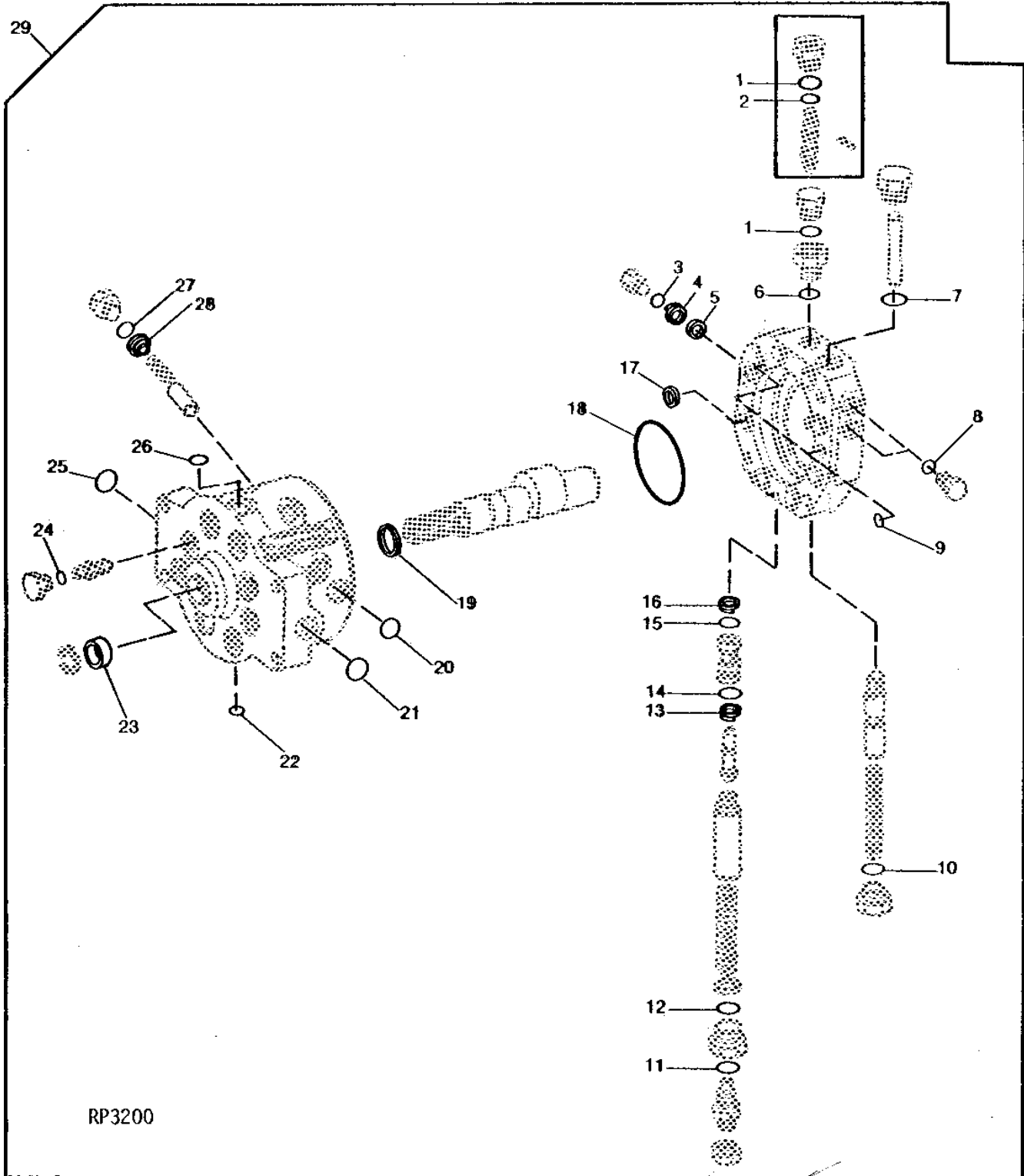
3C1

HYDRAULICS

HYDRAULIC PUMP AND STROKE CONTROL VALVE OVERHAUL KIT 50 CM3 (3 IN.3) - 65 CM3 (4 IN.3) (PUMPS WITH SERIAL PLATE)

RP3200

-UN-01JAN94



3C2

HYDRAULICS

HYDRAULIC PUMP AND STROKE CONTROL VALVE OVERHAUL KIT - CONTINUED
50 CM3 (3 IN.3) - 65 CM3 (4 IN.3)
(PUMPS WITH SERIAL PLATE)

KEY	PART NO.	PART NAME	QTY	PUMP SERIAL NO.	REMARKS
1	R26448	O-RING	1		
2	A4365R	O-RING	1		
3	R26375	O-RING	1	(A)	
4	T40308	O-RING	1	(A)	
5	T57374	BACK-UP RING	1	(A)	
6	R26906	O-RING	1		
7	R56751	O-RING	1		
8	R26448	O-RING	2		
	R26287	O-RING	2	(A) (C)	
9	R56755	WASHER	2		
10	R26375	O-RING	1		
11	R28782	O-RING	1		
12	R56751	O-RING	1		
13	R41057	BACK-UP RING	1		
14	R27166	O-RING	1		
15	R27564	O-RING	1		
16	R75938	WASHER	1		
17	R69279	WASHER	8		
18	R56757	O-RING	1		
19	R77611	RING	1	(SEALING)	
20	R56751	O-RING	1		
21	U13639	O-RING	1	(A)	
	R56751	O-RING	1	(A)	
	R29936	O-RING	1	(A)	
22	R26287	O-RING	1		
23	RE28790	SEAL	1		
24	R27149	O-RING	8		
25	R56751	O-RING	1	(A)	
	R29936	O-RING	1	(A)	
26	R27928	O-RING	1	(A) TOP	
	P47908	O-RING	1	(A) BOTTOM	
	R26906	O-RING	1	(A)	
27	R56463	O-RING	8	(B)	
	R56751	O-RING	8	(C)	
28	AR101236	SHIELD	1	(B) (SET OF 8)	
	AR101237	SHIELD	1	(C) (SET OF 8)	
29	RE29107	KIT	1	50 CM3 (3 IN.3) (SUB FOR AR96321)	
	RE29109	KIT	1	65 CM3 (4 IN.3) (SUB FOR AR96323)	

(A) UNIVERSAL KIT - APPLICATIONS WILL VARY.

(B) INCLUDED IN RE29107

(C) INCLUDED IN RE29109

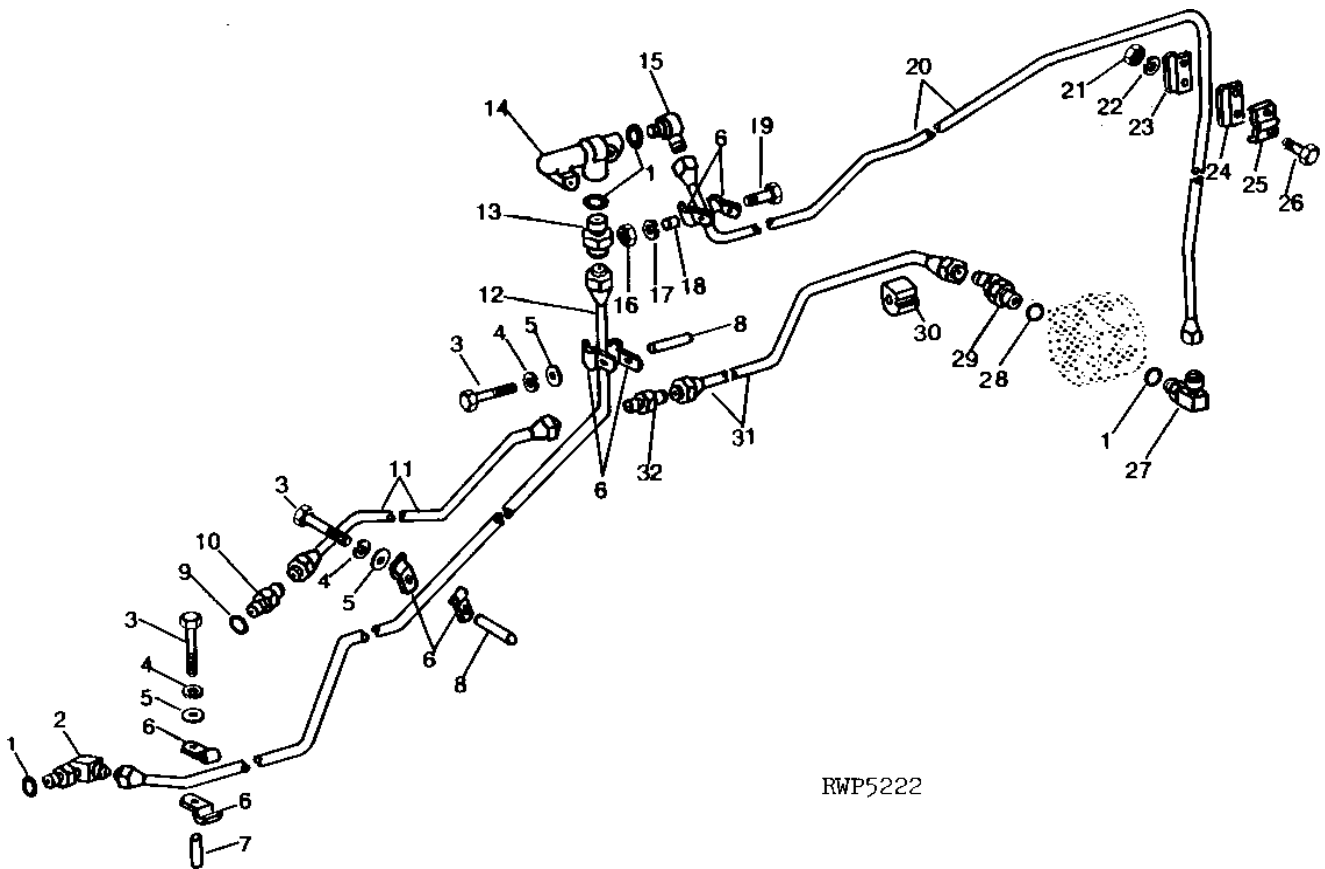
3C3

HYDRAULICS

RWP5222

-UN-01JAN94

PRESSURE CONTROL VALVE OIL LINES



3C4

HYDRAULICS

PRESSURE CONTROL VALVE OIL LINES - CONTINUED

KEY	PART NO.	PART NAME	QTY	TRACTOR SERIAL NO.	REMARKS
1	R26906	O-RING	4		
2	AR26724	ELBOW FITTING	1	-006002	90°
	AR43734	ELBOW FITTING	1	006003-	45°
3	19H2054	CAP SCREW	3		3/8" X 4-3/4"
4	12H304	LOCK WASHER	3		3/8"
5	24M7096	WASHER	3		10.500 X 18 X 1.600 MM
6	R35726	CLAMP	6		
7	28H3292	BUSHING	1	006003-	3/8" X 3-1/2"
8	28H2099	BUSHING	2		3/8" X 3-7/8"
9	R26286	O-RING	1		
10	R27272	FITTING	1		
11	AR43150	HYDRAULIC LINE	1		(A) FILTER RELIEF VALVE, REAR TO HYDRAULIC PUMP
12	AR43149	OIL LINE	1	-006002	ROCKSHAFT HOUSING OR TRANSMISSION REAR COVER
	AR43733	HYDRAULIC LINE	1	006003-	ROCKSHAFT HOUSING OR TRANSMISSION REAR COVER
13	R27270	FITTING	1		
14	R40999	HOUSING	1		PRESSURE CONTROL VALVE
15	AR26724	ELBOW FITTING	1		
16	14H1076	NUT	1		3/8"
17	12H304	LOCK WASHER	1		3/8"
18	28H1685	SPACER	1		3/8" X 1-11/16"
19	19H1944	CAP SCREW	1		3/8" X 2-3/4"
20	AR49660	HYDRAULIC LINE	1		HYDRAULIC PUMP, (SUB FOR AR43293)
21	14H786	NUT	2		1/4"
22	12H302	LOCK WASHER	2		1/4"
23	R27534	CLAMP	1		
24	R27546	PLATE	1		
25	R27251	CLAMP	1		
26	19H1914	CAP SCREW	2		1/4" X 1"
27	AR26724	ELBOW FITTING	1		
28	F3171R	O-RING	1		
29	AT48506	ELBOW FITTING	1		45°, (SUB FOR AR28251)
30	R43479	SPACER	1		
31	AR43151	HYDRAULIC LINE	1		(A) FILTER RELIEF VALVE, FRONT TO HYDRAULIC PUMP
	AR43155	HYDRAULIC LINE	1		(B) CLUTCH OIL PRESSURE REGULATING VALVE TO HYDRAULIC PUMP
32	R27266	FITTING	1		(A)
	R27267	FITTING	1		(B)
	F3171R	O-RING	1		(B)

(A) SYNCRO-RANGE TRANSMISSION

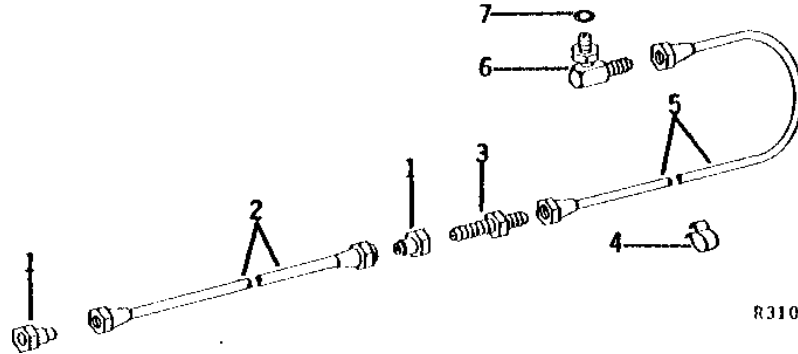
(B) POWER SHIFT TRANSMISSION

3C5

HYDRAULICS

R31006 -UN-01JAN94

HYDRAULIC PUMP SEAL DRAIN LINES



R31006F

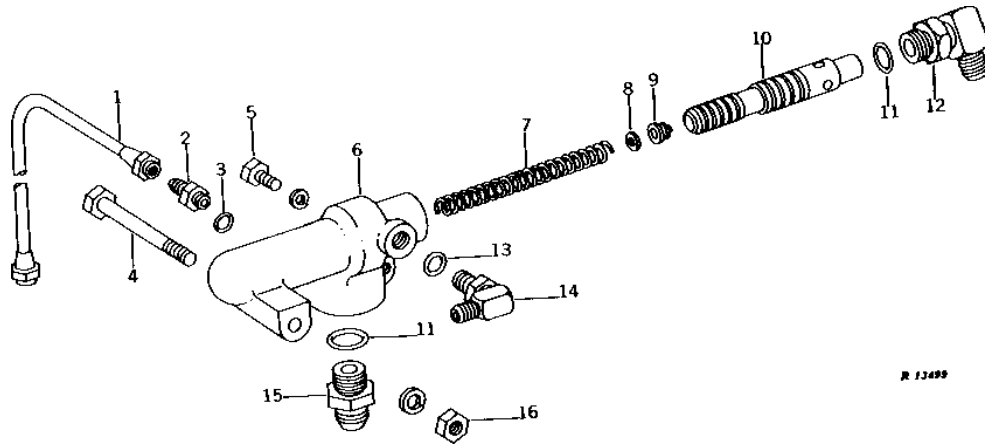
KEY	PART NO.	PART NAME	QTY	TRACTOR SERIAL NO.	REMARKS
1	R64170	ADAPTER	2		
2	AR79711	HYDRAULIC LINE	1		(NYLON) (SUB FOR AR45250) (ALSO ORDER (2) R64170)
3	R43783	FITTING	1		
4	R21551	CLIP	4		
5	AR44043	HYDRAULIC LINE	1	-006468	(NYLON)
	AT27324	HYDRAULIC LINE	1	006469-	(NYLON) (SUB FOR AR43799)
6	AT32335	ELBOW FITTING	1		(SUB FOR AR26746)
7	R26287	O-RING	1		

3C6

HYDRAULICS

R13499 -UN-01JAN94

PRESSURE CONTROL VALVE



R 13499

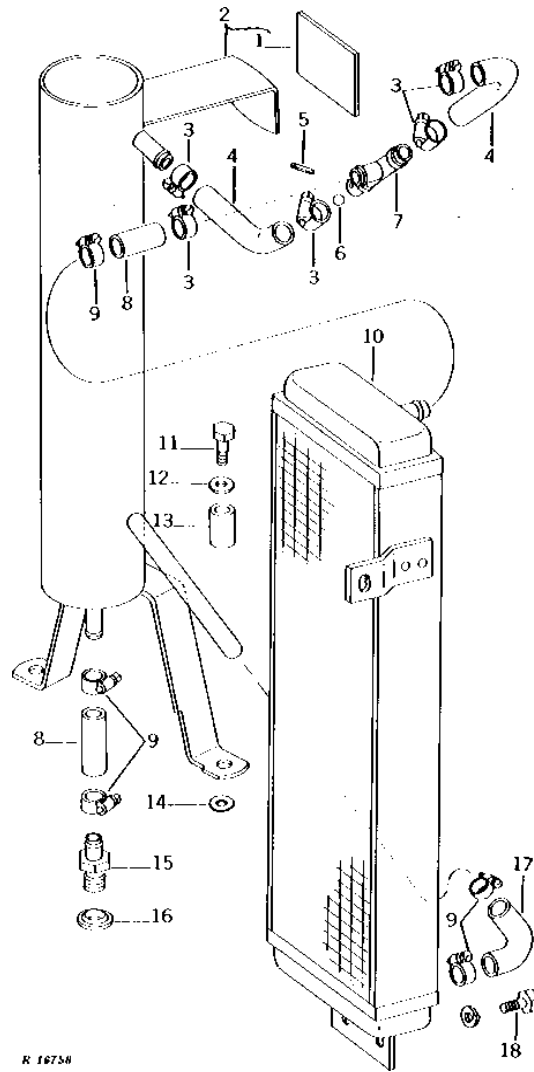
KEY	PART NO.	PART NAME	QTY	TRACTOR SERIAL NO.	REMARKS
1	AR44635	HYDRAULIC LINE	1		STEERING VALVE
2	R27527	ADAPTER	1		
3	R26287	O-RING	1		
4	19H3175	CAP SCREW	1	3/8" X 3-5/8", HS, SAE 8	
5	19H1731	CAP SCREW	1	3/8" X 1"	
	12H304	LOCK WASHER	1	3/8"	
6	R40999	HOUSING	1		
7	R40072	SPRING	1		
8	24H1283	WASHER	AR	7/32" X 1/2" X 0.049"	
9	R40562	APERTURE	1		
10	AR63906	VALVE	1		
11	R26906	O-RING	2		
12	AR26724	ELBOW FITTING	1		
13	R26286	O-RING	1		
14	AT32333	ELBOW FITTING	1		(SUB FOR AR26771)
15	R27270	FITTING	1		
16	14H1076	NUT	1	3/8"	
	12H304	LOCK WASHER	1	3/8"	

3C7

HYDRAULICS

R16758 -UN-01JAN94

HYDRAULIC OIL COOLER AND RESERVIOR (SYNCRO-RANGE)



3C8

HYDRAULICS

HYDRAULIC OIL COOLER AND RESERVOIR - CONTINUED (SYNCRO-RANGE)

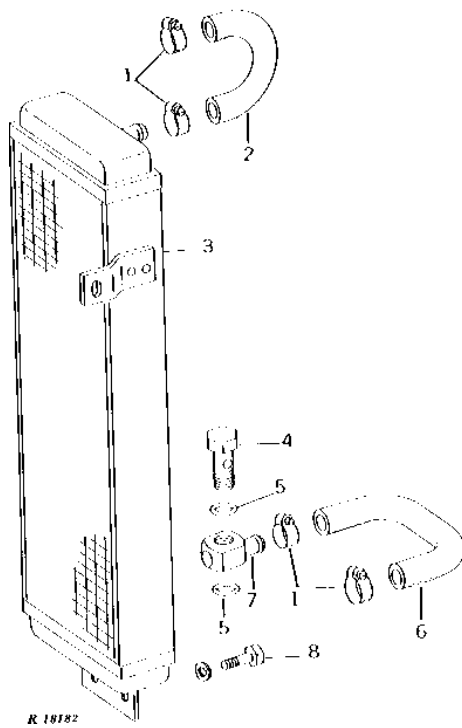
KEY	PART NO.	PART NAME	QTY	TRACTOR SERIAL NO.	REMARKS
1	FOAM PAD	1		51 X 102MM (2" X 4") (MAKE FROM R30596)
2	AR50593	RESERVOIR	1		
3	AR21839	CLAMP	5		(SUB TY22467)
4	T22958	HOSE	2		(SUB FOR T40167) (SUB L35843)
5	34H231	SPRING PIN	1		3/32" X 3/4"
6	R48084	BALL	1		
7	AR49751	CHECK VALVE	1		
8	HOSE	2		19 X 64MM (3/4" X 2-1/2") (MAKE FROM TY22329)
9	AT18904	CLAMP	5		
10	AR43525	OIL COOLER	1		
11	19H1731	CAP SCREW	2		3/8" X 1"
12	R27441	WASHER	2		
13	28H1878	SPACER	2		3/8" X 7/16"
14	R1791R	VALVE SEAT INSERT	2		(NLA)
15	R39215	FITTING	1		
16	R35827	WASHER	1		
17	T22958	HOSE	1		(SUB FOR T40167) (SUB L35843)
18	19H1936	CAP SCREW	3		3/8" X 3/4"
	12H304	LOCK WASHER	3		3/8"

3C9

HYDRAULICS

R18182 -UN-01JAN94

HYDRAULIC OIL COOLER (POWER SHIFT)



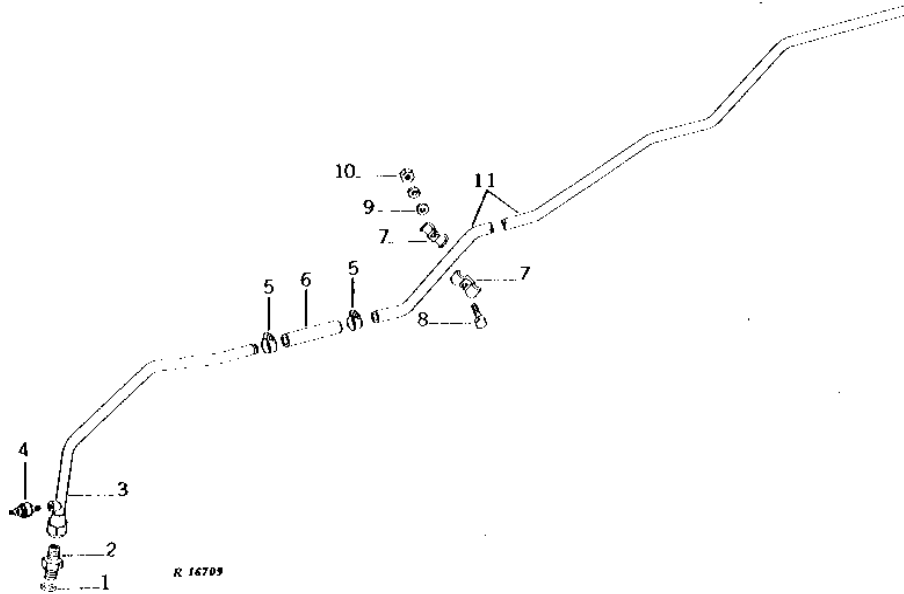
KEY	PART NO.	PART NAME	QTY	TRACTOR SERIAL NO.	REMARKS
1	AR21839	CLAMP	4		
2	R43643	HOSE	1		(SUB TY22467)
3	AR43525	OIL COOLER	1		
4	R27927	HOLLOW SCREW	1		
5	R27928	O-RING	2		
6	R43642	HOSE	1		
7	R27926	FITTING	1		
8	19H1936	CAP SCREW	3	3/8" X 3/4"	
	12H304	LOCK WASHER	3	3/8"	

3C10

HYDRAULICS

R16709 -UN-01JAN94

HYDRAULIC OIL COOLER RETURN LINES



KEY	PART NO.	PART NAME	QTY	TRACTOR SERIAL NO.	REMARKS
1	F3171R	O-RING	1		
2	AT48506	ELBOW FITTING	1	(A) (SUB FOR AR28251)	
	R27267	FITTING	1	(B)	
	AR43130	OIL LINE	1	(A)	
3	AR49656	HYDRAULIC LINE	1	(A) (C)	
	AR43131	OIL LINE	1	(B)	
	AR49658	OIL LINE	1	(B) (C)	
	R43755	GROMMET	1		
4	AR52607	TOUCH SWITCH	1	(B) TRANSMISSION LUBE OIL PRESSURE, (SUB FOR AR46727)	
5	AR21837	CLAMP	2	(SUB TY22465)	
6	HOSE	1	19 X 129MM (3/4" X 5-3/32") (SUB FOR R34603 OR R32087) (MAKE FROM TY22329)	
7	R43475	CLAMP	4		
8	19H1849	CAP SCREW	1	5/16" X 1-1/4"	
	19H1901	CAP SCREW	1	5/16" X 2"	
9	28H1888	BUSHING	1	3/8" X 7/32"	
	28H1697	SPACER	1	3/8" X 3/4"	
10	14H785	NUT	2	5/16"	
	12H303	LOCK WASHER	2	5/16"	
11	R43641	HYDRAULIC LINE	1	-XXXXXX (B) (NLA)	
	R43736	TUBE	1	-XXXXXX (A)	
	R47133	TUBE	1		

(A) SYNCRO-RANGE TRANSMISSION
 (B) POWER SHIFT TRANSMISSION
 (C) POWER FRONT WHEEL DRIVE

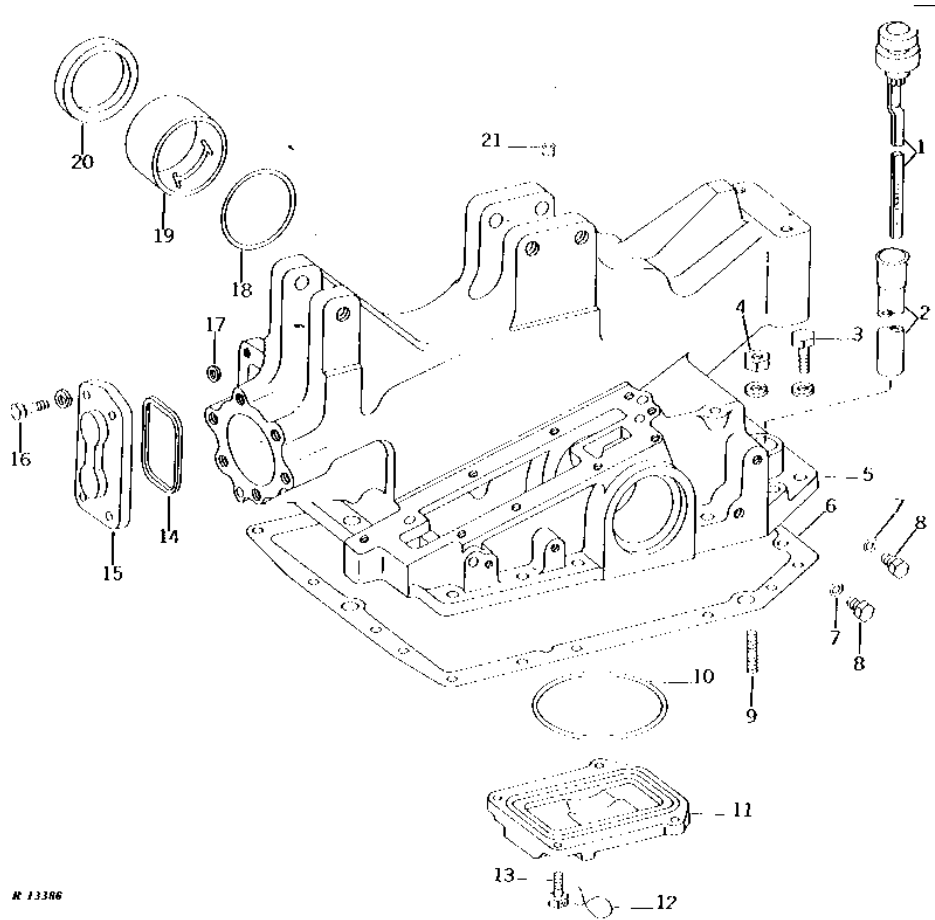
3C11

HYDRAULICS

R13386

-UN-01JAN94

ROCKSHAFT HOUSING WITH BUSHING AND OIL SEAL



R 13386

3C12

HYDRAULICS

ROCKSHAFT HOUSING WITH BUSHING AND OIL SEAL - CONTINUED

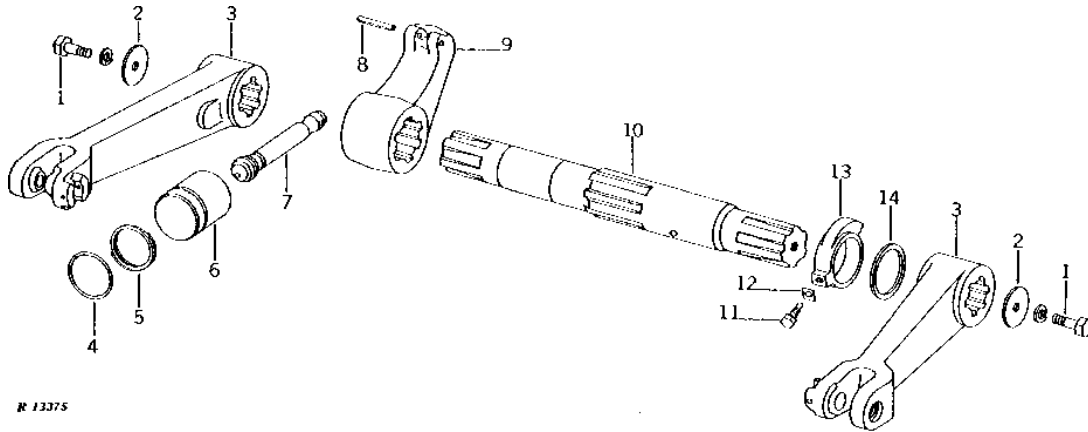
KEY	PART NO.	PART NAME	QTY	TRACTOR SERIAL NO.	REMARKS
1	AR43083	DIPSTICK	1		
2	R43325	HOOK BOLT	1		
3	19H1721	CAP SCREW	13		1/2" X 1-1/2"
	19H1990	CAP SCREW	4		1/2" X 2-1/4"
	12H301	LOCK WASHER	17		1/2"
4	14H1040	NUT	1		1/2"
	12H301	LOCK WASHER	1		1/2"
5	AR43220	HOUSING	1		(MARKED R41280)
6	R43408	GASKET	1		
7	R26286	O-RING	2		(LESS DIFFERENTIAL LOCK)
8	R27094	DRAIN PLUG	2		(LESS DIFFERENTIAL LOCK)
9	D488R	STUD	1		
10	R36425	WASHER	1		
11	R55080	COVER	1		(SUB FOR R43448 OR R51551) (SUB R58544, THIS APPLICATION)
12	WIRE	1	-XXXXXX	356MM (14") 16 GAUGE
13	R57725	SCREW	4		(SUB FOR R61762)
14	R40922	PACKING	1		
15	R41446	COVER	1		(LESS SELECTIVE CONTROL)
16	19H2531	CAP SCREW	4		7/16" X 3"
	12H293	LOCK WASHER	4		7/16"
17	F2741R	PACKING	1		
18	R36424	O-RING	1		L.H.
	A5598R	O-RING	1		R.H.
19	R36378	BUSHING	1		L.H.
	R36379	BUSHING	1		R.H.
20	R36423	SEAL	2		
21	15H559	PIPE PLUG	1		1/4"

3C13

HYDRAULICS

R13375 -UN-01JAN94

ROCKSHAFT, ROCKSHAFT PISTON, AND LIFT ARMS



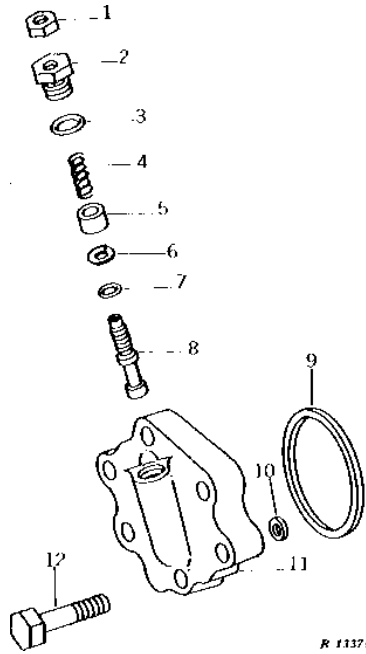
KEY	PART NO.	PART NAME	QTY	TRACTOR SERIAL NO.	REMARKS
1	19H2589	CAP SCREW	2	3/4" X 1-7/8"	
	12H236	LOCK WASHER	2	3/4"	
2	R36402	WASHER	2		
3	R43314	LIFT ARM	2		
4	A5598R	O-RING	1		
5	R43404	BACK-UP RING	1		
6	R43313	PISTON	1		
7	AR43547	ROD	1		
8	34H323	SPRING PIN	1	1/4" X 3"	
9	R54165	ARM	1	(SUB FOR R43311)	
10	R43324	ROCKSHAFT	1		
11	R69642	CAP SCREW	1	(SUB FOR R26626)	
12	F3173R	LOCK PLATE	1		
13	R62500	CAM	1	(SUB FOR R43312)	
14	R43601	WASHER	2		

3C14

HYDRAULICS

R13374 -UN-01JAN94

ROCKSHAFT THROTTLE VALVE



R 13374

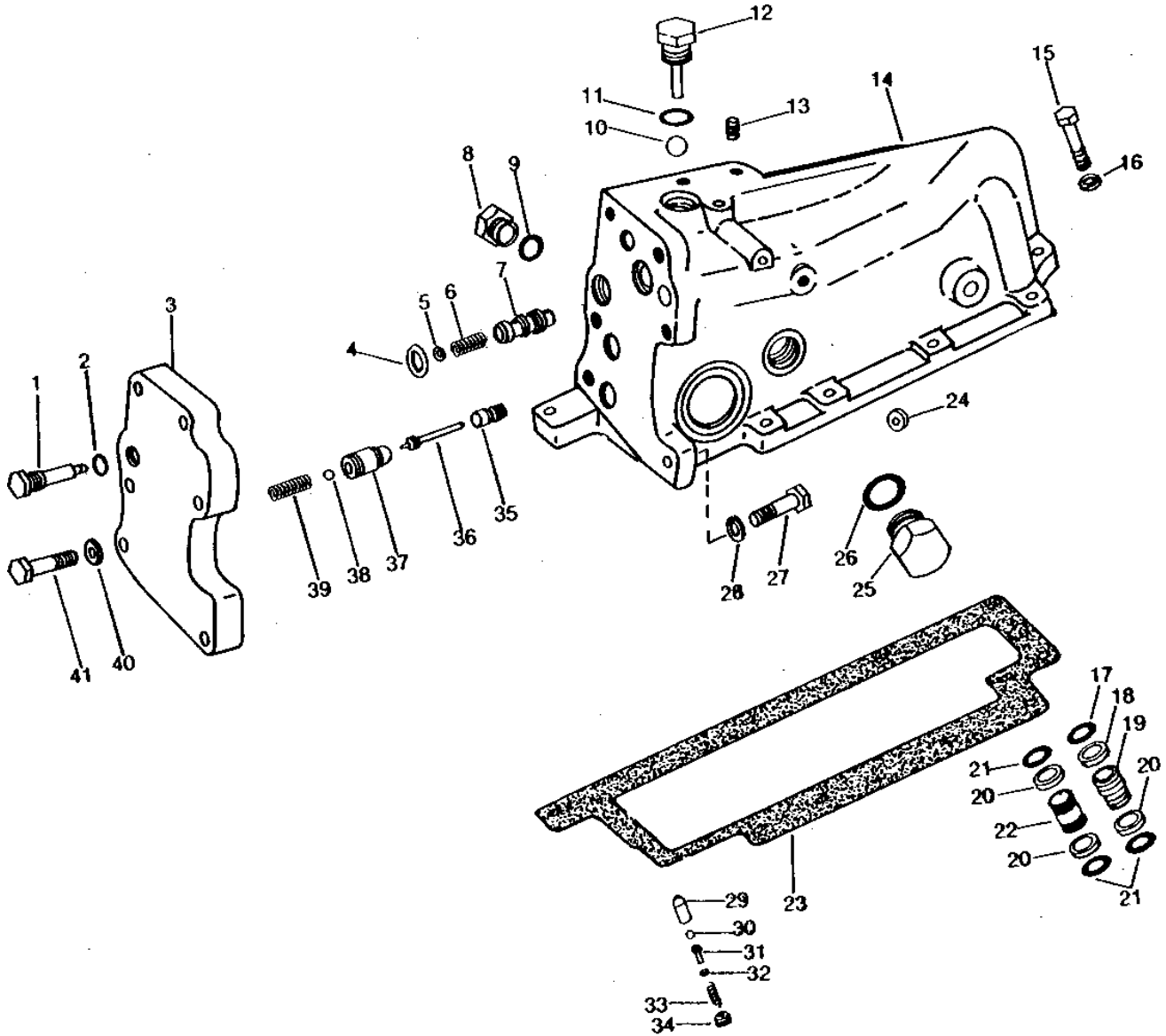
KEY	PART NO.	PART NAME	QTY	TRACTOR SERIAL NO.	REMARKS
1	14H774	NUT	1	3/8"	
2	R26458	FITTING	1		
3	R26906	O-RING	1		
4	B3686R	SPRING	1		
5	R59684	BUSHING	1	(SUB FOR R26457)	
6	R31136	BACK-UP RING	1		
7	A4365R	O-RING	1		
8	R26625	SHAFT	1		
9	R43403	WASHER	1		
10	F2741R	PACKING	1		
11	R43086	COVER	1	(SUB FOR R43091) (ALSO ORDER R26906 AND R27474)	
	R44820	COVER	1	(POWER WEIGHT TRANSFER HITCH)	
	15H558	PIPE PLUG	1	1/8"	
12	19H3244	CAP SCREW	6	5/8" X 2-1/4"	

3C15

HYDRAULICS

RWP2752 -UN-01JAN94

ROCKSHAFT CONTROL VALVE HOUSING



RWP2752

3C16

HYDRAULICS

ROCKSHAFT CONTROL VALVE HOUSING - CONTINUED

KEY	PART NO.	PART NAME	QTY	TRACTOR SERIAL NO.	REMARKS
1	R40881	FITTING	1		
2	R26448	O-RING	1		
3	R50065	VALVE COVER	1		SINGLE OR NO SELECTIVE CONTROL, (SUB FOR R41444) (SUB R59080 AND (2) R59082)
4	R26149	PACKING	5		
5	B1664R	SHIM	AR		
6	R26566	SPRING	1		
7	R51342	CONTROL VALVE	1		FLOW CONTROL
8	R39112	FITTING	1		
9	R26375	O-RING	1		
10	M886T	BALL	1		
11	R26906	O-RING	1		
12	R56916	PLUG	1		(SUB FOR AR26761)
13	15H558	PIPE PLUG	4		1/8"
14	AR76340	HOUSING	1		(MARKED R40541, R45975, AR54328, AR76277 OR AR94165) (SUB FOR AR41976, AR48005 OR AR54329)
15	19H1732	CAP SCREW	9		3/8" X 1-1/4"
16	12H304	LOCK WASHER	9		3/8"
17	R27166	O-RING	1		(USE WITH R40541)
	R27564	O-RING	1		(USE WITH R45975 AND AR54328)
18	R41057	BACK-UP RING	1		(USE WITH R40541)
	R45925	BACK-UP RING	1		(USE WITH R45975 AND AR54328)
19	R40945	VALVE	1		(USE WITH R40541)
	R45924	BUSHING	1		(USE WITH R45975 AND AR54328)
20	R41057	BACK-UP RING	3		
21	R27166	O-RING	3		
22	R40945	VALVE	1		
23	R40896	GASKET	1		
24	R66895	ORIFICE	1		(USE WITH AR94165)
25	R27175	DRAIN PLUG	1		
26	F3171R	O-RING	1		
27	19H2731	CAP SCREW	1		7/16" X 1-3/8"
28	12H293	LOCK WASHER	1		7/16"
29	R40893	VALVE SEAT INSERT	1		(SUB R61349 AND R61350)
30	R41776	BALL	1		(3/32")
31	R41777	PIN	1		
32	R40895	SHIM	AR		0.51MM (.020")
33	R59766	SPRING	1		(SUB FOR R27730)
34	R40894	PLUG	1		THERMAL RELIEF
35	AR78483	GUIDE	1		(PRESSURE) (SUB FOR AR31703)
	R31024	GUIDE	1		(RETURN)
36	R44298	SHAFT	2		METERING
37	R59083	VALVE	2		(SUB FOR R44299)
38	400R	BALL	2		
39	R26565	SPRING	2		
40	12H293	LOCK WASHER	5		7/16"
41	19H1978	CAP SCREW	5		7/16" X 1-1/2"

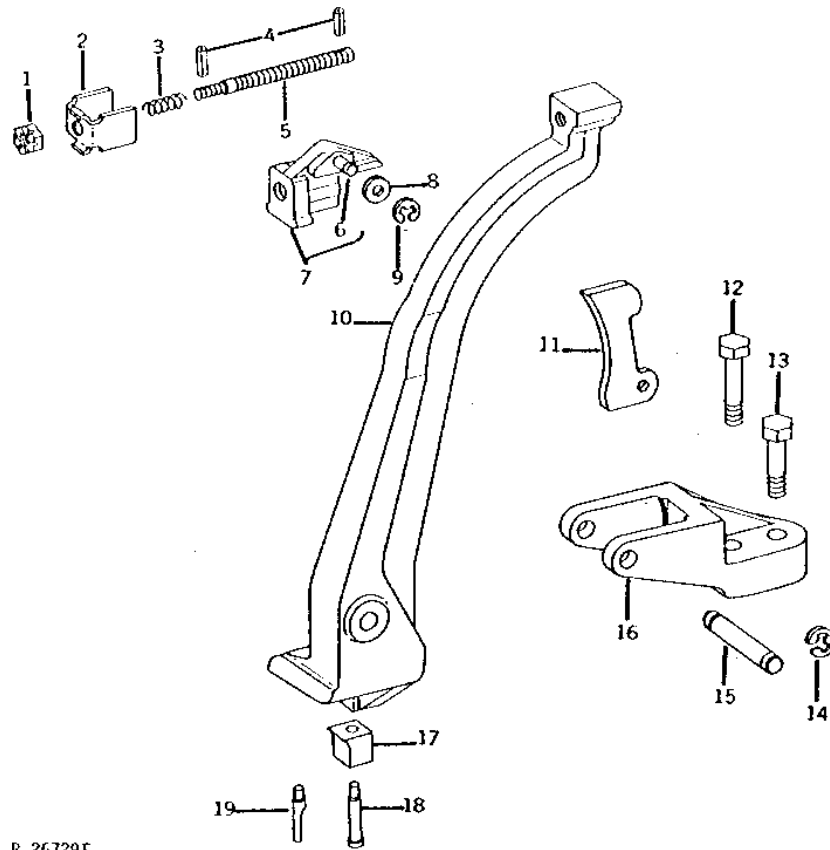
3C17

HYDRAULICS

R26729

-UN-01JAN94

LOAD CONTROL



3C18

HYDRAULICS

LOAD CONTROL - CONTINUED

KEY	PART NO.	PART NAME	QTY	TRACTOR SERIAL NO.	REMARKS
1	14H936	NUT	1		
2	R46443	LOCK PLATE	1		
3	F1463R	SPRING	1		
4	34H244	SPRING PIN	2		1/8" X 9/16"
5	R26628	STUD	1		
6	R64295	SPRING PIN	1		
7	AR77700	EXTENSION	1		(MARKED R41121 OR R62931) (SUB FOR AR40785)
8	24H1287	WASHER	1		9/32" X 5/8" X 0.065"
9	R72654	SNAP RING	1		(SUB FOR R27507)
10	R43921	ARM	1		(SUB FOR R43768)
11	R49336	CAM FOLLOWER	1		(SUB FOR R40888)
12	R43406	CAP SCREW	2	-XXXXXX	(SUB R115437)
13	R43369	SELF-LOCKING SCREW	1	-XXXXXX	(SUB FOR R42407)
	R43369	SELF-LOCKING SCREW	3	XXXXXX-	(SUB FOR R42407)
14	F2863R	SNAP RING	2		
15	R43769	PIN	1		
16	AR43615	SUPPORT	1	-XXXXXX	(MARKED R43771) (SUB R51751)
	R51751	SUPPORT	1		(SUB FOR AR43615 OR R48418) (NLA)
17	R40889	FOLLOWER	1		
18	R40891	PIN	1		
19	R43329	PIN	1	-006065	
	R43922	PIN	1	006066-	

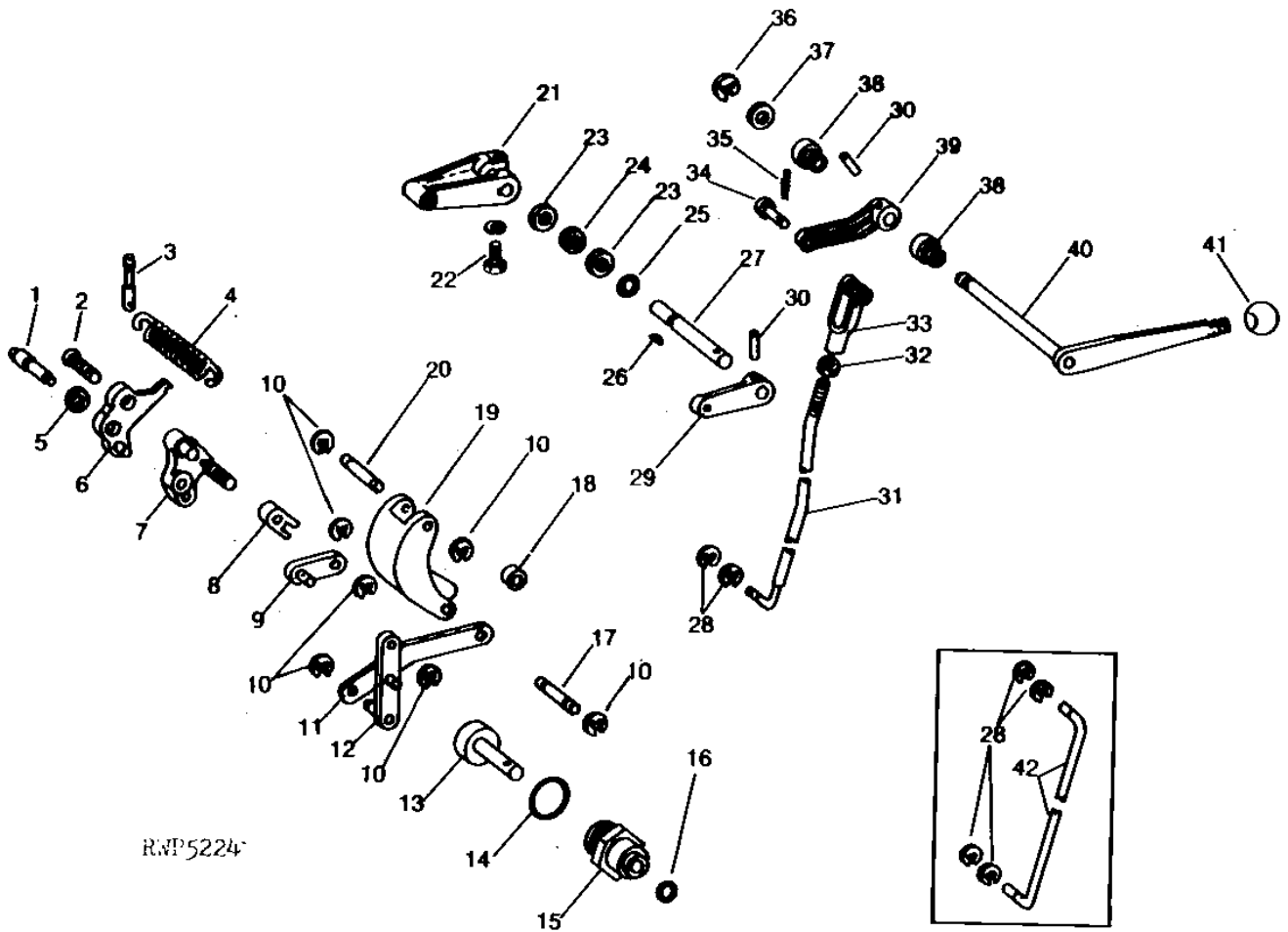
3C19

HYDRAULICS

RWP5224

-UN-14FEB95

ROCKSHAFT CONTROL LINKAGE AND LOAD SELECTOR CONTROL



3C20

HYDRAULICS

ROCKSHAFT CONTROL LINKAGE AND LOAD SELECTOR CONTROL - CONTINUED

KEY	PART NO.	PART NAME	QTY	TRACTOR SERIAL NO.	REMARKS
1	R64296	SHAFT	1		(SUB FOR R40949)
2	T22228	SCREW	1		
3	R41108	PIN	1		
4	R60730	SPRING	1		(SUB FOR R44300 OR R53033)
5	24H1321	SHIM	1		29/64" X 13/16" X 0.018"
6	AR40676	LEVER	1		CONTROL VALVE ADJUSTING
7	AR40754	LINK	1		(SUB AR81783, R64845, T519R AND R64843)
8	R40885	NUT	1		
9	AR40675	LEVER	1		
10	R72653	SNAP RING	7		(SUB FOR M2396T)
11	R51025	LINK	1		(SUB FOR R41079)
12	AR40753	LINK	1		(SUB AR72292 AND AR79505)
13	R41077	SHAFT	1		(SUB AR79505 AND AR72292)
14	U13639	O-RING	1		
15	R41115	QUILL	1		
16	R394R	O-RING	1		
17	R41118	PIN	1		
18	R41661	BUSHING	1		
19	R40886	LINK	1		(SUB AR58474)
20	R41119	PIN	1		
21	R40944	ARM	1		LOAD SELECTOR CONTROL, (SUB AR58474)
22	19H1905	CAP SCREW	1		5/16" X 1"
	12H303	LOCK WASHER	1		5/16"
23	R47301	WASHER	2		
24	T519T	WASHER	2		
25	R394R	O-RING	1		
26	26H67	SHAFT KEY	1		1/8" X 3/8"
27	R41117	SHAFT	1		
28	R72654	SNAP RING	2		(SUB FOR R27507)
29	R40892	LEVER	1		
30	34H297	SPRING PIN	2		7/32" X 1"
31	R43926	ROD	1	XXXXXX-	
32	14H882	NUT	1	XXXXXX-	5/16"
33	R42282	YOKE	1	XXXXXX-	(SUB T54033 OR R82766)
34	R72660	PIN	1	XXXXXX-	(SUB R662R)
35	11M7079	COTTER PIN	1	XXXXXX-	0.098" X 0.472"
36	P44982	PISTON RING	1		
37	24H1227	WASHER	1		17/32" X 13/16" X 0.060"
38	R41076	GROMMET	2		
39	R40915	LEVER	1		
40	AR40683	LEVER	1		
41	R40948	KNOB	1		
42	R43926	ROD	1		(SUB FOR R43646) (ALSO ORDER T54033, R82766, 11M7079 AND 14H882) (FOR NO OR SINGLE SELECTIVE CONTROL) (FOR DUAL OR TRIPLE SELECTIVE CONTROL, ALSO ORDER R43927)

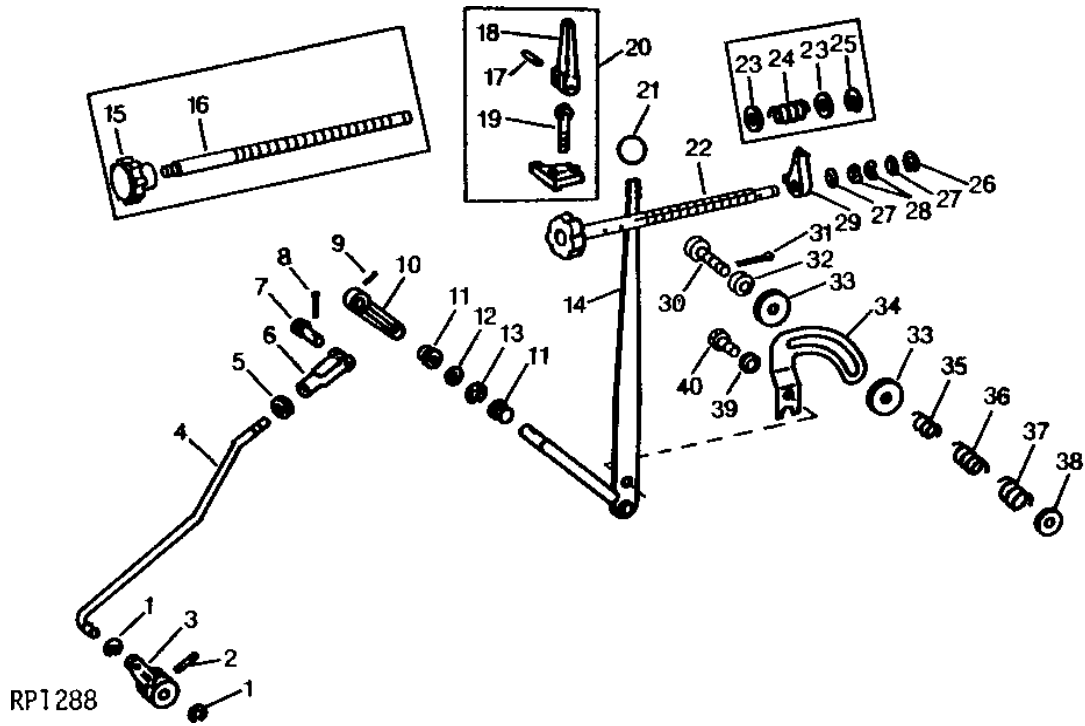
3C21

HYDRAULICS

RP1288

-UN-01JAN94

ROCKSHAFT CONTROL



3C22

HYDRAULICS

ROCKSHAFT CONTROL - CONTINUED

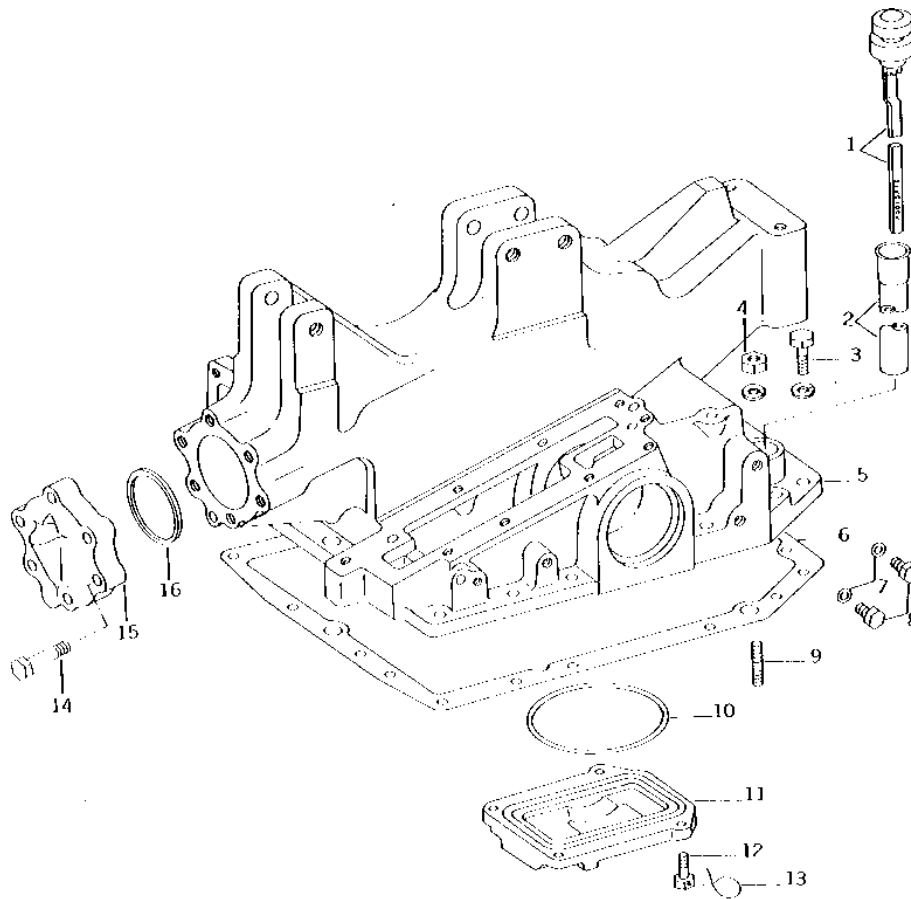
KEY	PART NO.	PART NAME	QTY	TRACTOR SERIAL NO.	REMARKS
1	R72653	SNAP RING	2		(SUB FOR M2396T)
2	34H284	SPRING PIN	1		3/16" X 1-1/4"
3	R41123	LEVER	1		(SUB R64829)
4	R43647	ROD	1		
5	14H882	NUT	1		5/16"
6	R42282	YOKE	1		(SUB T54033 AND R82766)
7	R72660	PIN	1		(SUB FOR R662R)
8	11M7079	COTTER PIN	1		0.098" X 0.472"
9	34H297	SPRING PIN	1		7/32" X 1"
10	R41122	LEVER	1		
11	R41076	GROMMET	2		
12	24H1227	WASHER	1		17/32" X 13/16" X 0.060"
13	R26871	SNAP RING	1		(SUB FOR P44982)
14	AR40988	LEVER	1		
15	R41385	KNOB	1		
16	R41384	SCREW	1	-XXXXXX	(SUB R58204)
	R58204	SCREW	1	XXXXXX-	(SUB FOR R47300)
17	R42641	EYEBOLT	1		
18	34H387	SPRING PIN	1		3/16" X 3/4"
19	R34537	CAM	1		
20	AR60331	STOP	1		(SUB FOR R42640) (NLA)
21	R41383	KNOB	1		
22	R58204	SCREW	1	XXXXXX-	(SUB FOR R41385 OR R47300)
23	24H1658	WASHER	2	-XXXXXX	21/32" X 1" X 0.060"
24	R1190R	SPRING	1	-XXXXXX	
25	F2863R	SNAP RING	1	-XXXXXX	
26	R26871	SNAP RING	1		(SUB FOR P44982)
27	24H1227	WASHER	2	-XXXXXX	17/32" X 13/16" X 0.060"
	R47301	WASHER	2	XXXXXX-	
28	T519T	WASHER	2	XXXXXX-	
29	R41386	STOP	1		
30	R42639	CAP SCREW	1		
31	11M7059	COTTER PIN	1		3.200 X 20 MM
32	14H732	NUT	1		3/8"
33	AR42287	WASHER	2		(SUB R105813 AND R41968)
34	R49411	PLATE	1		(SUB FOR R41966)
35	R41147	SPRING	1		
36	R44313	SPRING	1		
37	R44314	SPRING	1		
38	24H1299	WASHER	1		3/8" X 1-1/4" X 0.065"
39	12H303	LOCK WASHER	1		5/16"
40	19H2485	CAP SCREW	1		5/16" X 7/16"

3C23

HYDRAULICS

R15801 -UN-01JAN94

TRANSMISSION REAR COVER (LESS ROCKSHAFT)



R 15801

3C24

HYDRAULICS

TRANSMISSION REAR COVER - CONTINUED
(LESS ROCKSHAFT)

KEY	PART NO.	PART NAME	QTY	TRACTOR SERIAL NO.	REMARKS
1	AR43083	DIPSTICK	1		
	A4730R	O-RING	1		
2	R43325	HOOK BOLT	1		
3	19H1990	CAP SCREW	4	1/2" X 2-1/4"	
	19H1721	CAP SCREW	13	1/2" X 1-1/2"	
	12H301	LOCK WASHER	17	1/2"	
4	14H1040	NUT	1	1/2"	
	12H301	LOCK WASHER	1	1/2"	
5	AR50039	COVER	1		(MARKED R41290) (SUB FOR R41290)
6	R43408	GASKET	1		
7	R26286	O-RING	2		(LESS DIFFERENTIAL LOCK)
8	R27094	DRAIN PLUG	2		(LESS DIFFERENTIAL LOCK)
9	D488R	STUD	1		
10	R36425	WASHER	1		
11	R58544	COVER	1		(SUB FOR R43448, R51551 OR R55080)
12	R57725	SCREW	4		(SUB FOR R61762)
13	WIRE	1	-XXXXXX	356MM (14") 16 GAUGE
14	19H3244	CAP SCREW	6		5/8" X 2-1/4"
15	R43086	COVER	1		
16	R43403	WASHER	1		

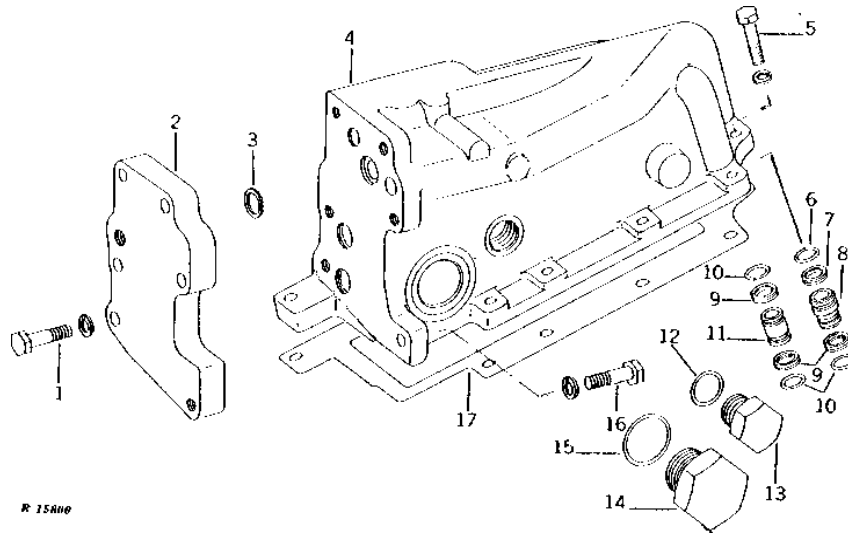
MEMORANDA

3C25

HYDRAULICS

R15800 -UN-01JAN94

SELECTIVE CONTROL VALVE SUPPORT (LESS ROCKSHAFT)



KEY	PART NO.	PART NAME	QTY	TRACTOR SERIAL NO.	REMARKS
1	19H1978	CAP SCREW	5	7/16" X 1-1/2"	
	19H2731	CAP SCREW	5	7/16" X 1-3/8"	
	12H293	LOCK WASHER	6	7/16"	
2	R50065	VALVE COVER	1		(SUB FOR R41444) (SUB R59080 AND (2) R59082)
3	R26149	PACKING	6	-XXXXXX	
4	AR76279	SUPPORT	1		(MARKED R40541, R45975, AR54820, AR76278 OR AR94166) (SUB FOR AR40505, AR48006 OR AR54944)
5	19H1732	CAP SCREW	9	3/8" X 1-1/4"	
	12H304	LOCK WASHER	9	3/8"	
6	R27564	O-RING	1		(USE WITH R45975)
7	R45925	BACK-UP RING	1		(USE WITH R45975)
8	R45924	BUSHING	1		(USE WITH R45975)
9	R41057	BACK-UP RING	AR		(2 USED WITH R40541) (1 USED WITH R45975)
10	R27166	O-RING	AR		(2 USED WITH R40541) (1 USED WITH R45975)
11	R40945	VALVE	1		(USE WITH R40541)
12	F3171R	O-RING	1		
13	R27175	DRAIN PLUG	1		
14	R39741	DRAIN PLUG	1		
15	U13639	O-RING	1		
16	19H2731	CAP SCREW	1	7/16" X 1-3/8"	
	12H293	LOCK WASHER	1	7/16"	
17	R40896	GASKET	1		

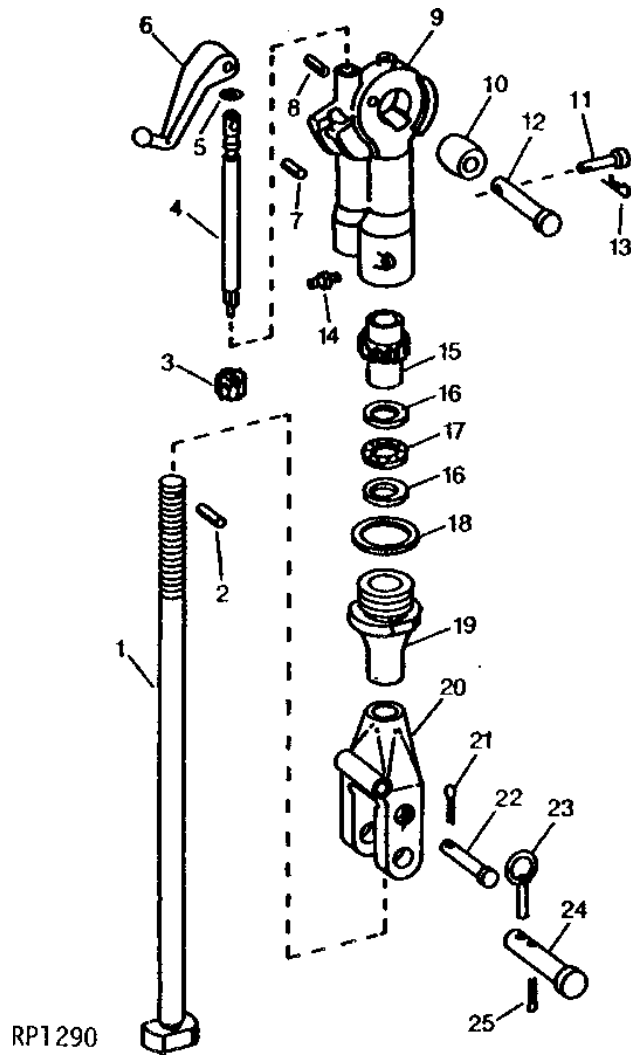
3D1

HYDRAULICS

RP1290

-UN-01JAN94

RIGHT-HAND LIFT LINK



3D2

HYDRAULICS

RIGHT-HAND LIFT LINK - CONTINUED

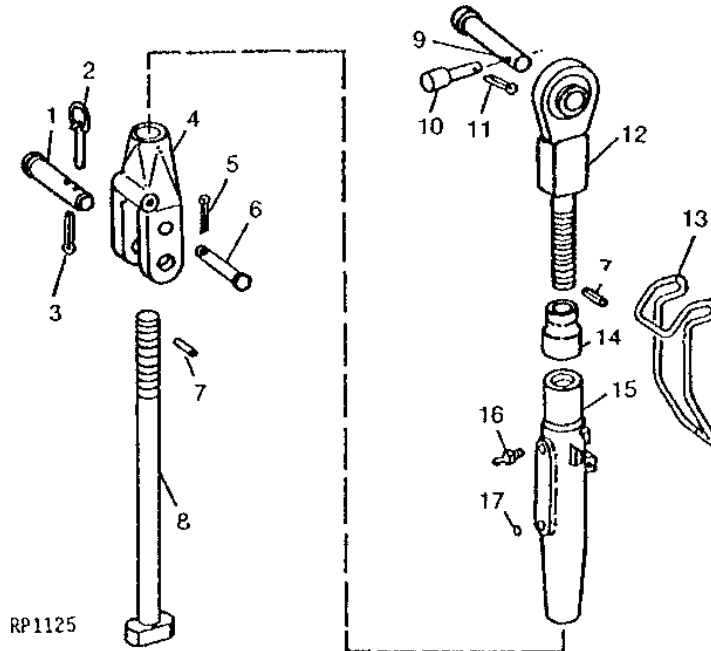
KEY	PART NO.	PART NAME	QTY	TRACTOR SERIAL NO.	REMARKS
1	R43258	LIFT LINK	1		
2	34H284	SPRING PIN	1	3/16" X 1-1/4"	
3	R43261	PINION	1		
4	R43080	PINION SHAFT	1		
5	T11934	O-RING	1	(SUB R33259)	
6	R43262	CRANK	1		
7	34H314	SPRING PIN	1	1/4" X 1-1/4"	
8	34H252	SPRING PIN	1	1/8" X 1-1/4"	
9	R43076	HOUSING	1		
10	R27011	BALL	1		
11	R69166	PIN	1	(SUB FOR AR26556, AR62152 OR AR83396, THIS APPLICATION) (ALSO ORDER 11M7059)	
12	R79916	DOWEL PIN	1	(SUB FOR AR43140 OR AR70027)	
13	11M7059	COTTER PIN	1	3.200 X 20 MM	
14	JD7797	LUBRICATION FITTING	1		
15	R43077	GEAR	1		
16	JD9853	BEARING RACE	2		
17	JD9847	THRUST BEARING	1		
18	R43322	WASHER	1		
19	R43078	BUSHING	1		
20	R58934	YOKE	1	(SUB FOR R42171)	
21	11M7021	COTTER PIN	1	0.157" X 0.984"	
22	R63737	PIN	1	(SUB FOR R42172)	
23	DA5883A	QUICK LOCK PIN	1		
24	R58264	PIN	1	(SUB FOR R43323)	
25	11M7030	COTTER PIN	1	0.197" X 1.575"	

3D3

HYDRAULICS

RP1125 -UN-01JAN94

LEFT-HAND LIFT LINK



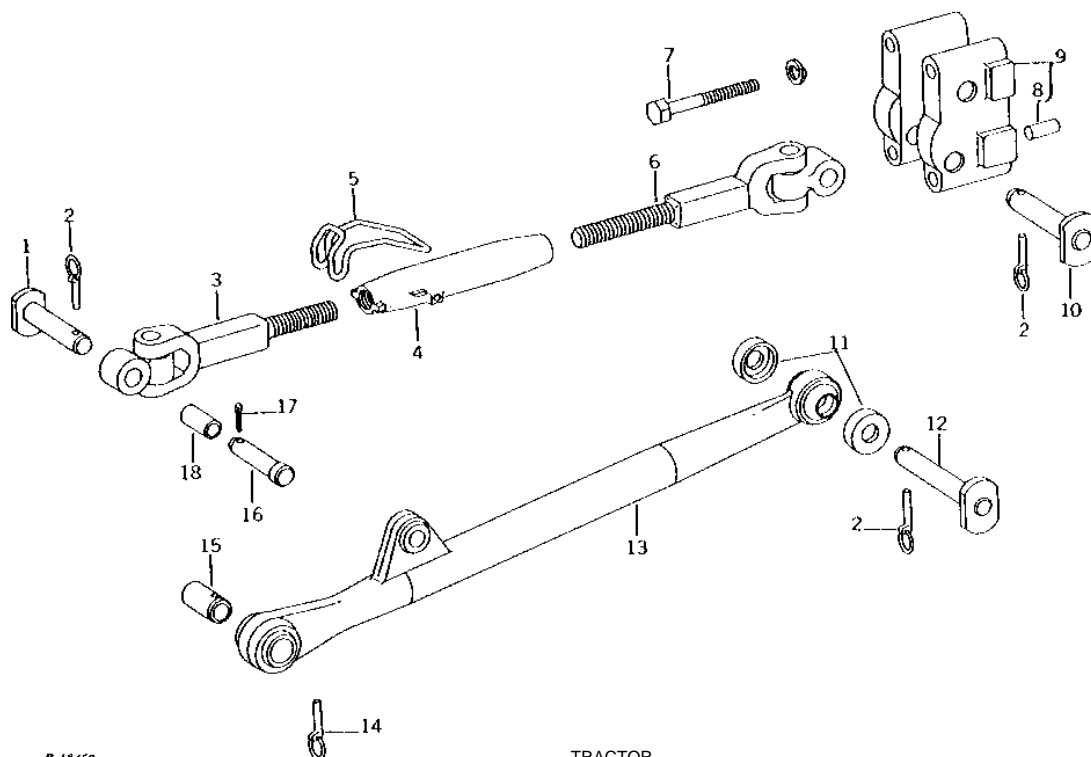
KEY	PART NO.	PART NAME	QTY	TRACTOR SERIAL NO.	REMARKS
1	R58264	PIN	1		(SUB FOR R43323)
2	DA5883A	QUICK LOCK PIN	1		
3	11M7030	COTTER PIN	1		0.197" X 1.575"
4	R42171	YOKE	1		
5	11M7021	COTTER PIN	1		0.157" X 0.984"
6	R63737	PIN	1		(SUB FOR R42172)
7	34H284	SPRING PIN	2		3/16" X 1-1/4"
8	R43259	LIFT LINK	1		
9	R79916	DOWEL PIN	1		(SUB FOR AR43140 OR AR70027)
10	R69166	PIN	1		(SUB FOR AR26556, AR62152 OR AR83396, THIS APPLICATION) (ALSO ORDER 11M7059)
11	11M7059	COTTER PIN	1		3.200 X 20 MM
12	AR78526	DRAFT LINK END	1		(SUB FOR AR43059) (SUB RE44555)
13	R42495	HANDLE	1		
14	R43706	SLEEVE	1		
15	R43079	LINK BODY	1		
16	JD7759	LUBRICATION FITTING	1		
17	30H6	PLUG	3		9/16"

3D4

HYDRAULICS

R18450 -UN-01JAN94

DRAFT LINKS AND CENTER LINK



KEY	PART NO.	PART NAME	QTY	TRACTOR SERIAL NO.	REMARKS
1	AR70026	PIN	1		(SUB FOR AR35763)
2	AR62151	QUICK LOCK PIN	4		(SUB FOR B11182) (1/4" DIA.)
	AR62149	QUICK LOCK PIN	4		(SUB FOR DA5883A) (7/16" DIA.)
3	AR35760	CENTER LINK END	1	-010018	
	AR60110	CENTER LINK END	1	010019-	(SUB FOR AR49566 OR AR54667)
4	R26811	LINK BODY	1	-010018	(SUB R47524)
	R47067	LINK BODY	1	010019-	
5	R42495	HANDLE	1		
6	AR35759	CENTER LINK END	1	-010018	
	AR60109	CENTER LINK END	1	010019-	(SUB FOR AR49565 OR AR54666)
7	19H2001	CAP SCREW	4		3/4" X 5-1/2"
	12H236	LOCK WASHER	4		3/4"
8	R26277	DOWEL PIN	1		
9	AR43316	BRACKET	1		(MARKED R43081)
10	R125450	PIN	1		(SUB FOR AR35773, AR70025 OR AR89302)
11	R26608	WASHER	4		
12	AR60295	PIN	2		(SUB FOR AR43077) (ALSO ORDER AR62149)
13	AR55150	DRAFT LINK	1		R.H. (SUB FOR AR35802)
	AR55151	DRAFT LINK	1		L.H. (SUB FOR AR35803)
14	AR62150	QUICK LOCK PIN	2		(SUB FOR R36471)
15	R66435	BUSHING	2		(A) (SUB FOR R36470)
16	R53296	PIN	1		(A) (SUB FOR R44918)
17	11M7040	COTTER PIN	1		0.248" X 1.969"
18	R66434	BUSHING	1		(A) (SUB FOR R36469)
..	AR35857	KIT	1		(A) IMPLEMENT HITCH BUSHING, (CONSISTS OF R53296, R66434, (2) R66435 AND 11M7040)

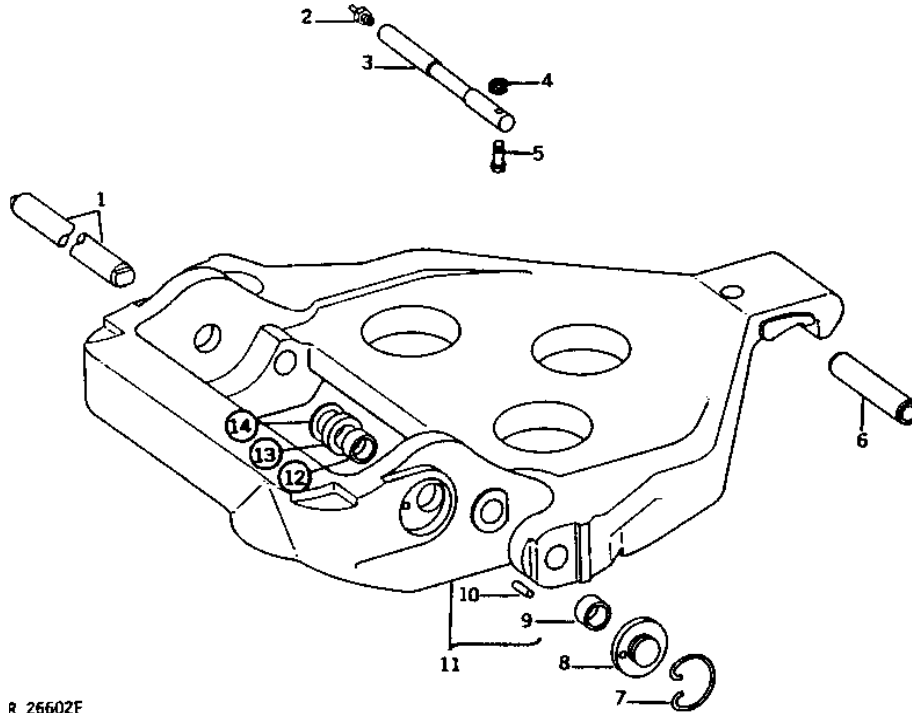
(A) CATEGORY II

3D5

HYDRAULICS

R26602 -UN-01JAN94

DRAFT LINK SUPPORT



R 26602F

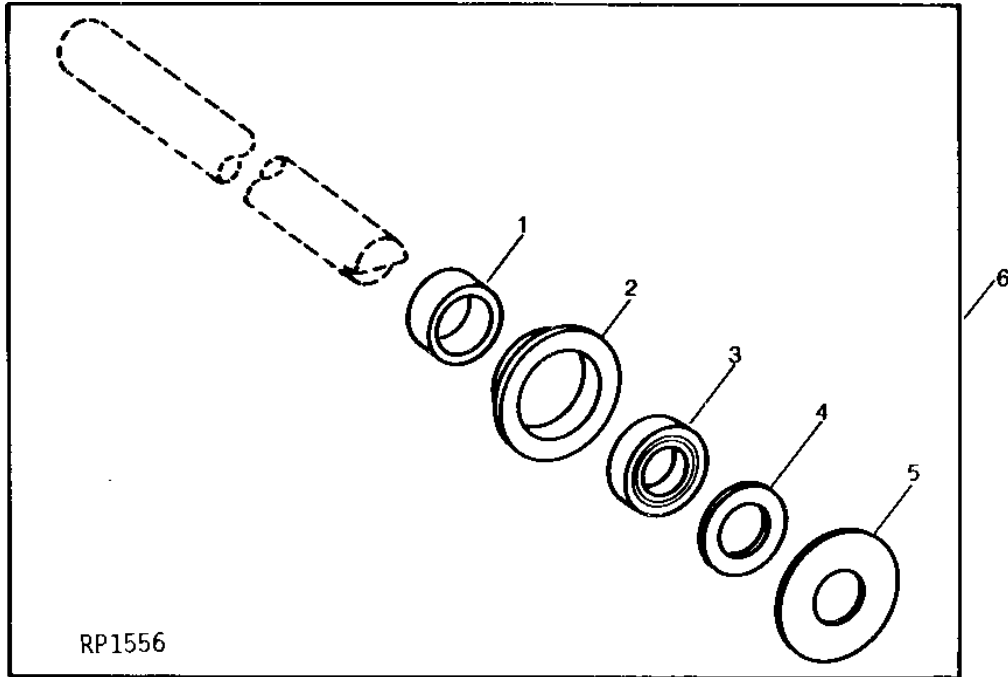
KEY	PART NO.	PART NAME	QTY	TRACTOR SERIAL NO.	REMARKS
1	R43318	PIN	1		LOAD CONTROL
2	JD7759	LUBRICATION FITTING	1		
3	R43298	PIN	1		
4	R26386	SNAP RING	1		
5	R26385	PIN	1		
6	R43326	BUSHING	1		
7	R43764	SNAP RING	2		
8	R43299	RETAINER	2		
9	R43316	BUSHING	2		
10	R1612R	DOWEL PIN	2		
11	AR62307	SUPPORT	1		(MARKED R51118 OR R54197) (SUB FOR AR43078 OR AR55203) (ALSO ORDER AR52606)
	AR51576	KIT	1		NEGATIVE STOP SCREW, (SUB R48452, R48453 AND 14H821) (USE WITH R51118)
12	R43315	BUSHING	2		
13	AR84793	SEAL	2		(SUB FOR AR43103 OR AR78339)
	R51154	WASHER	AR		1.3MM (.050") (USE WITH AR78339 OR AR84793)
	R51155	WASHER	AR		1.5MM (.060") (USE WITH AR78339 OR AR84793)
	R51156	WASHER	AR		1.8MM (.072") (USE WITH AR78339 OR AR84793)
14	H394R	WASHER	2		(SUB FOR R43449)

3D6

HYDRAULICS

RP1556 -UN-20NOV95

LOAD CONTROL SHAFT BUSHING KIT



KEY	PART NO.	PART NAME	QTY	TRACTOR SERIAL NO.	REMARKS
1	R68429	BUSHING	2		
2	R68430	BUSHING	2		(.030") OS
3	AR43103	SEAL	2		
4	H394R	WASHER	2		
5	R51154	WASHER	AR		1.27MM (.050")
	R51155	WASHER	AR		1.52MM (.060")
	R51156	WASHER	AR		1.83MM (.072")
6	AR89133	KIT	1		LOAD CONTROL REPAIR

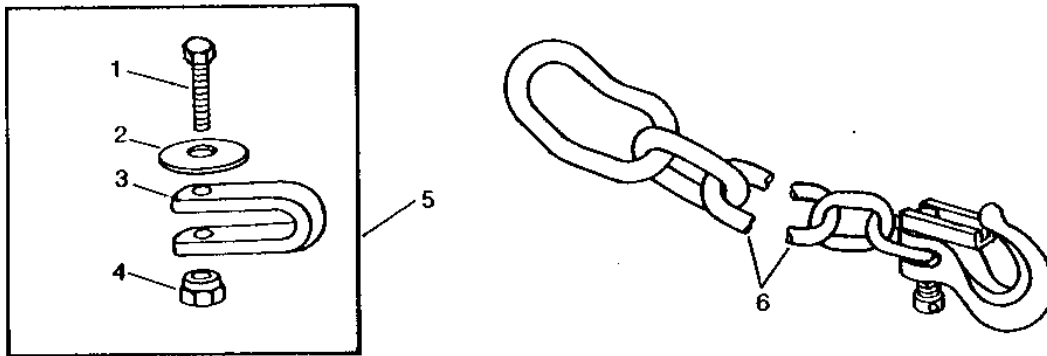
MEMORANDA

3D7

HYDRAULICS

RWP5796 -UN-01JAN94

IMPLEMENT SAFETY CHAIN



RWP5796

KEY	PART NO.	PART NAME	QTY	TRACTOR SERIAL NO.	REMARKS
1	19H1768	CAP SCREW	1	(A) (B) 3/4" X 2"	
	19H2084	CAP SCREW	1	(A) 3/4" X 4-1/2"	
	19H2174	CAP SCREW	1	(B) 3/4" X 4-1/4"	
2	R36402	WASHER	1		
3	R69408	CLEVIS	1	(A)	
	R69409	CLEVIS	1	(B)	
4	T25879	NUT	2		
5	AR90577	SAFETY CHAIN ADAPTER KIT	1		CATEGORY IV DRAWBARS
	AR90578	CHAIN KIT	1		CATEGORY II AND III DRAWBARS
6	RE26739	LINK CHAIN	1		61 LINKS 6.4 MM (1/4") DIA CHAIN (6,000 LB)
	AR90581	LINK CHAIN	1		61 LINKS 6.4 MM (1/4") DIA CHAIN (10,000 LB)
	AR90579	LINK CHAIN	1		42 LINKS 9.5 MM (3/8") DIA CHAIN
	AR90583	LINK CHAIN	1		43 LINKS 11.1 MM (7/16") DIA CHAIN
	AN212996	LINK CHAIN	1		42 LINKS 12.7 MM (1/2") DIA CHAIN, (SUB FOR RE26740)

(A) INCLUDED IN AR90577
 (B) INCLUDED IN AR90578

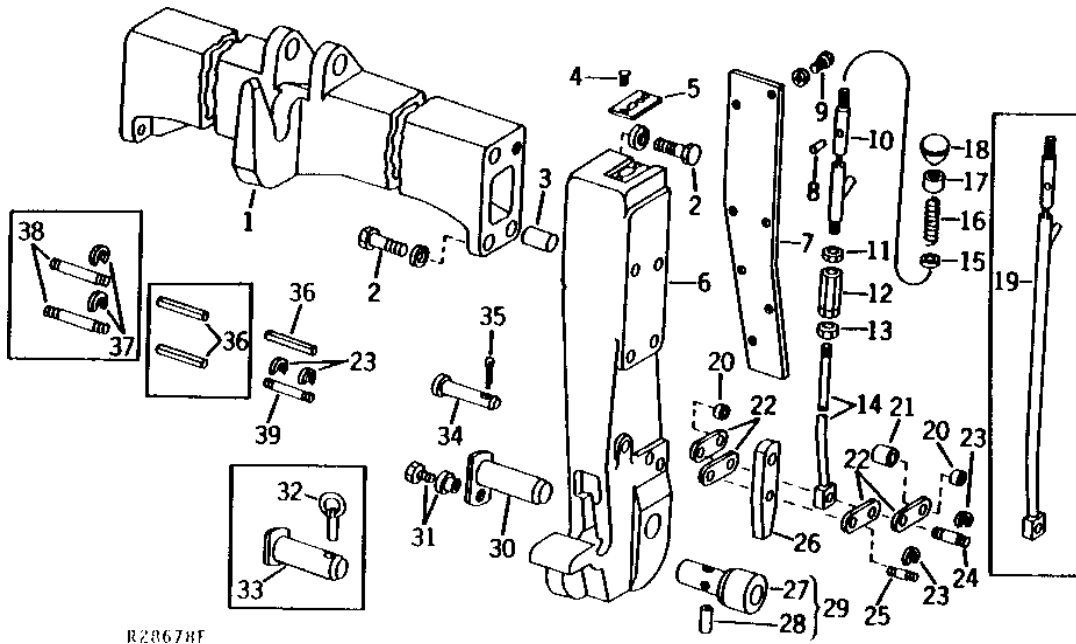
3D8

HYDRAULICS

R28678

-UN-01JAN94

IMPLEMENT QUICK COUPLER



3D9

HYDRAULICS

IMPLEMENT QUICK COUPLER - CONTINUED

KEY	PART NO.	PART NAME	QTY	TRACTOR SERIAL NO.	REMARKS
1	AR82263	DEVICE	1		(MARKED R36448 OR R65203) (SUB FOR AR35851)
2	19H1356	CAP SCREW	4		5/8" X 1-3/4"
	12H294	LOCK WASHER	4		5/8"
3	A776R	PIN	4		
4	37H71	SCREW	4		NO. 12 X 5/8", (USE WITH R65087 OR R65088)
	19H2284	CAP SCREW	2		3/8" X 7/8", (USE WITH AR87023 OR AR87024)
	12H304	LOCK WASHER	2		3/8", (USE WITH AR87023 OR AR87024)
5	R36443	BRACKET	2		(USE WITH R65087 OR R65088)
	AR50374	BRACKET	1		(USE WITH AR87023 OR AR87024)
6	AR87023	SUPPORT	1		R.H. (SUB FOR R47050 OR R65087) (ALSO ORDER R65082, (2) F2208R, 34H375, AR89303 AND AR78289)
	AR87024	QUICK COUPLER	1		L.H. (SUB FOR R47051 OR R65088)
7	R58617	SHIELD	2		(SUB FOR R36444)
8	34H277	SPRING PIN	2		3/16" X 5/8"
9	19H1919	CAP SCREW	14		1/4" X 5/8"
	12H297	LOCK WASHER	14		1/4"
10	AR41266	ROD	2	XXXXXX-	
11	14H597	NUT	2	XXXXXX-	1/2"
12	R33961	COUPLING	2	XXXXXX-	
13	14H473	NUT	2	XXXXXX-	1/2"
14	AR41267	ROD	2	XXXXXX-	(NLA)
15	24H1227	WASHER	2		17/32" X 13/16" X 0.060"
16	R1826R	SPRING	2		
17	R30778	BUSHING	2		
18	R60458	KNOB	2		(SUB FOR F2861R)
19	AR35761	ROD	1	-XXXXXX	R.H. (SUB AR41266, AR41267, R33961, 14H473 AND 14H597)
	AR35850	ROD	1	-XXXXXX	L.H. (SUB AR41266, AR41267, R33961, 14H473 AND 14H597)
20	F2206R	WASHER	4		
21	28H1919	BUSHING	2		1/2" X 15/16"
22	R65242	STRAP	8		(SUB FOR R36439 OR R47590)
23	F2208R	SNAP RING	10		
24	R119275	PIN	2		(SUB FOR R36613 OR R47679)
25	R119276	PIN	2		(SUB FOR R36440 OR R47678)
26	R36441	LATCH	2		
27	R27998	HALF SLEEVE	2		
28	R27999	SPRING PIN	2		
29	AR27093	ADAPTER	1		
30	AR48112	PIN	2		(USE WITH R47050 AND R47051)
	AR89303	PIN	1		(SUB FOR AR76161) (USE WITH R65087)
31	AR74673	CAP SCREW	2		(SUB FOR AR48110) (USE WITH R47050 AND R47051)
	AR78289	CAP SCREW	1		(USE WITH R65087)
32	AR83396	QUICK LOCK PIN	2		(SUB FOR AR26556 OR AR62152) (SUB R69166 AND 11M7059) (USE WITH R36449 AND R36450)
33	AR35762	PIN	2		(USE WITH R36449 AND R36450)
34	R28556	PIN	2		
35	11M7087	COTTER PIN	2		0.157" X 1.575"
36	34H375	SPRING PIN	4		1/2" X 3", (USE WITH R47050 AND R47051)
	34H375	SPRING PIN	4		1/2" X 3", (USE WITH R65087)
37	F2208R	SNAP RING	8		(USE WITH R36449, R36450, R46001 AND R46002)
38	R36442	PIN	4		(USE WITH R36449, R36450, R46001 AND R46002)
					(NLA)
39	R65082	PIN	1		(USE WITH R65087)

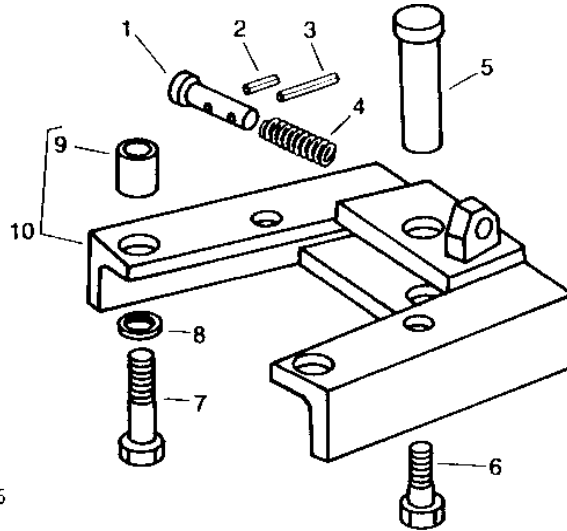
MEMORANDA

3D10

HYDRAULICS

RP955 -UN-16NOV94

DRAWBAR FRONT SUPPORT



RP955

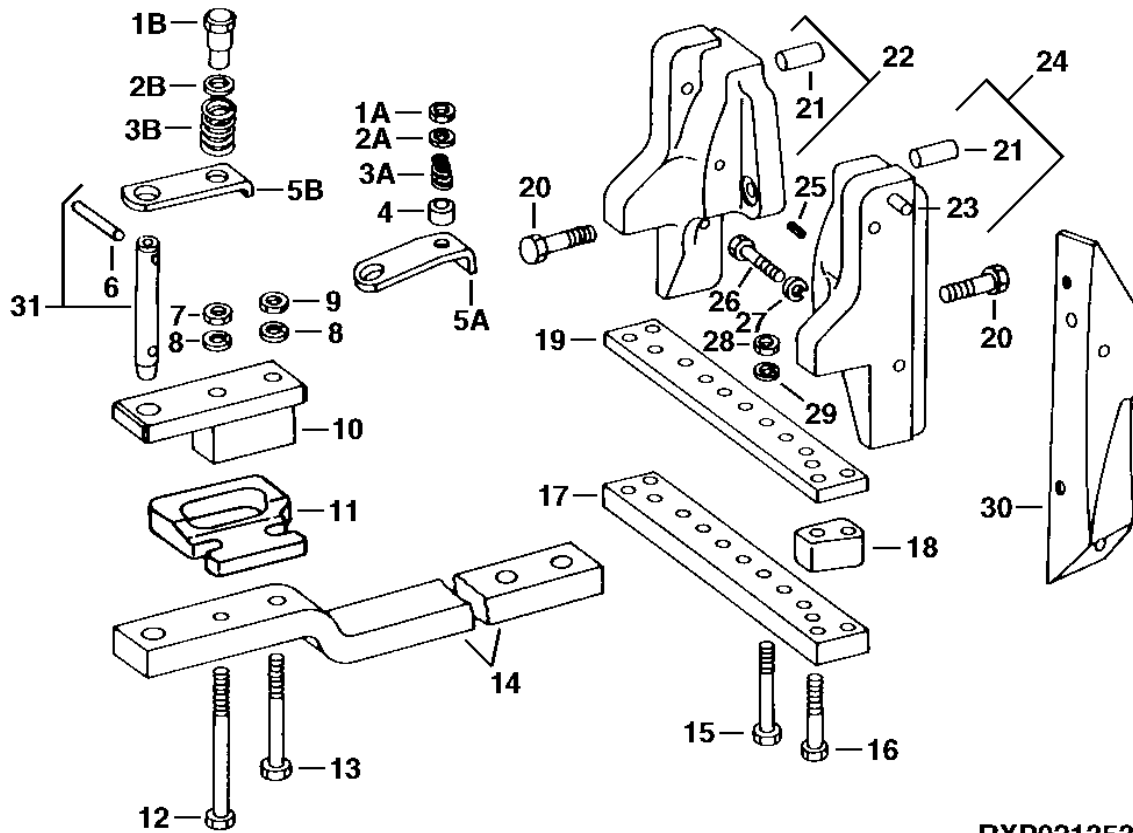
KEY	PART NO.	PART NAME	QTY	TRACTOR SERIAL NO.	REMARKS
1	R43319	PIN	1		
2	34H279	SPRING PIN	1	3/16" X 13/16"	
3	34H291	SPRING PIN	1	3/16" X 2-1/8"	
4	B423R	SPRING	1		
5	R62760	PIN	1	(SUB FOR R43320)	
6	19H2009	CAP SCREW	2	3/4" X 1-5/8"	
7	19H1707	CAP SCREW	2	3/4" X 2-3/4"	
8	B3627R	WASHER	2		
9	R35479	BUSHING	2		
10	AR43075	SUPPORT	1		

3D11

HYDRAULICS

RXP021353 -UN-26OCT95

REGULAR DRAWBAR



RXP021353

3D12

HYDRAULICS

REGULAR DRAWBAR - CONTINUED

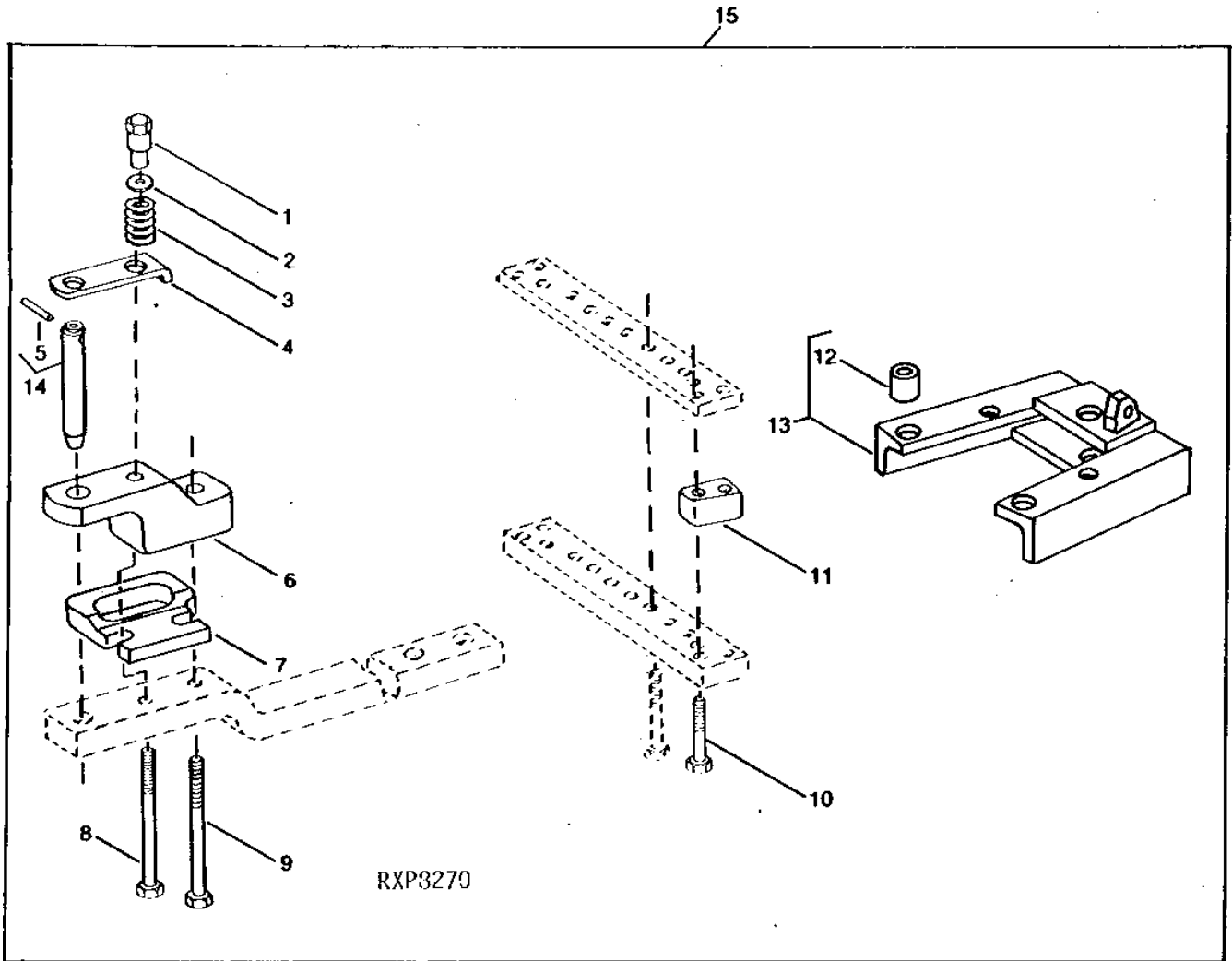
KEY	PART NO.	PART NAME	QTY	TRACTOR SERIAL NO.	REMARKS
1A	R40121	LOCK NUT	1	-XXXXXX	
1B	R54065	NUT	1	XXXXXX-	(SUB R72433)
2A	24H1395	WASHER	1	-XXXXXX	25/32" X 1-7/16" X 0.060"
2B	24H1513	WASHER	1	XXXXXX-	1-13/32" X 2" X 0.060"
3A	A350R	SPRING	1	-XXXXXX	
3B	F304R	SPRING	1	XXXXXX-	
4	R47044	BUSHING	1	-XXXXXX	
5A	R36609	RETAINER	1	-XXXXXX	(SUB R54064, R72433, F304R, 19H1988 AND 24H1513)
5B	R54064	RETAINER	1	XXXXXX-	
6	25H1191	GROOVE PIN	1		(SUB FOR T56005) (USE WITH AR69987)
7	14H794	NUT	1	-XXXXXX	3/4"
8	12H236	LOCK WASHER	2		3/4"
9	14H794	NUT	1		3/4"
10	R78214	STRAP	1	-XXXXXX	(SUB FOR RE19375 OR AR35912)
	R80447	STRAP	1	XXXXXX-	(SUB FOR AR53877 OR RE19377)
11	R105478	RETAINER	1		
12	19H2951	CAP SCREW	1	-XXXXXX	3/4" X 8-1/4"
	19H3225	CAP SCREW	1	XXXXXX-	3/4" X 6-1/2"
13	19H1988	CAP SCREW	1	-XXXXXX	3/4" X 6"
	19H3225	CAP SCREW	1	XXXXXX-	3/4" X 6-1/2"
14	R36608	DRAWBAR	1	-XXXXXX	1-1/2" X 3"
	R50984	DRAWBAR	1	XXXXXX-	1-3/4" X 3"
15	19H2827	CAP SCREW	2		3/4" X 4-3/4"
16	19H2000	CAP SCREW	4	-XXXXXX	3/4" X 5"
	19H3210	CAP SCREW	4	XXXXXX-	3/4" X 5-1/4"
17	R36273	SUPPORT	1		
18	R36509	SPACER	2	-XXXXXX	
	R40028	SPACER	2	XXXXXX-	
19	R36272	STRAP	1		
20	19H2089	CAP SCREW	6		7/8" X 2-3/4"
21	R35482	DOWEL PIN	4		
22	AR35862	BRACKET	1		(MARKED R36508)
23	R26277	DOWEL PIN	2		
24	AR35861	BRACKET	1		(MARKED R36507)
25	34H348	SPRING PIN	2		3/8" X 1"
26	19H1863	CAP SCREW	4		5/8" X 3"
27	12H294	LOCK WASHER	4		5/8"
28	14H794	NUT	2		3/4"
29	12H236	LOCK WASHER	2		3/4"
30	R48815	SWAY BLOCK	1		R.H.
	R48816	SWAY BLOCK	1		L.H.
31	AR69988	PIN	1	-XXXXXX	(SUB FOR AR937R)
	AR69987	PIN	1	XXXXXX-	(SUB FOR AR35807)

3D13

HYDRAULICS

DRAWBAR SUPPORT KIT
(REGULAR DRAWBAR)
(HEAVY-DUTY)

RXP8270 -UN-01JAN94



3D14

HYDRAULICS

**DRAWBAR SUPPORT KIT - CONTINUED
(REGULAR DRAWBAR)
(HEAVY-DUTY)**

KEY	PART NO.	PART NAME	QTY	TRACTOR SERIAL NO.	REMARKS
1	R72433	NUT	1		
2	24H1513	WASHER	1		1-13/32" X 2" X 0.060"
3	F304R	SPRING	1		
4	R54064	RETAINER	1		
5	25H1191	GROOVE PIN	1		(SUB FOR T56005)
6	R80447	STRAP	1		
7	R105478	RETAINER	1		
8	19H3225	CAP SCREW	1		3/4" X 6-1/2"
9	19H2825	CAP SCREW	1		3/4" X 4-1/4"
10	19H1897	CAP SCREW	4		5/16" X 3-3/4"
11	R40028	SPACER	2		
12	R35479	BUSHING	2		
13	AR55074	SUPPORT	1		
14	AR69987	PIN	1		
15	AR71026	SUPPORT	1		

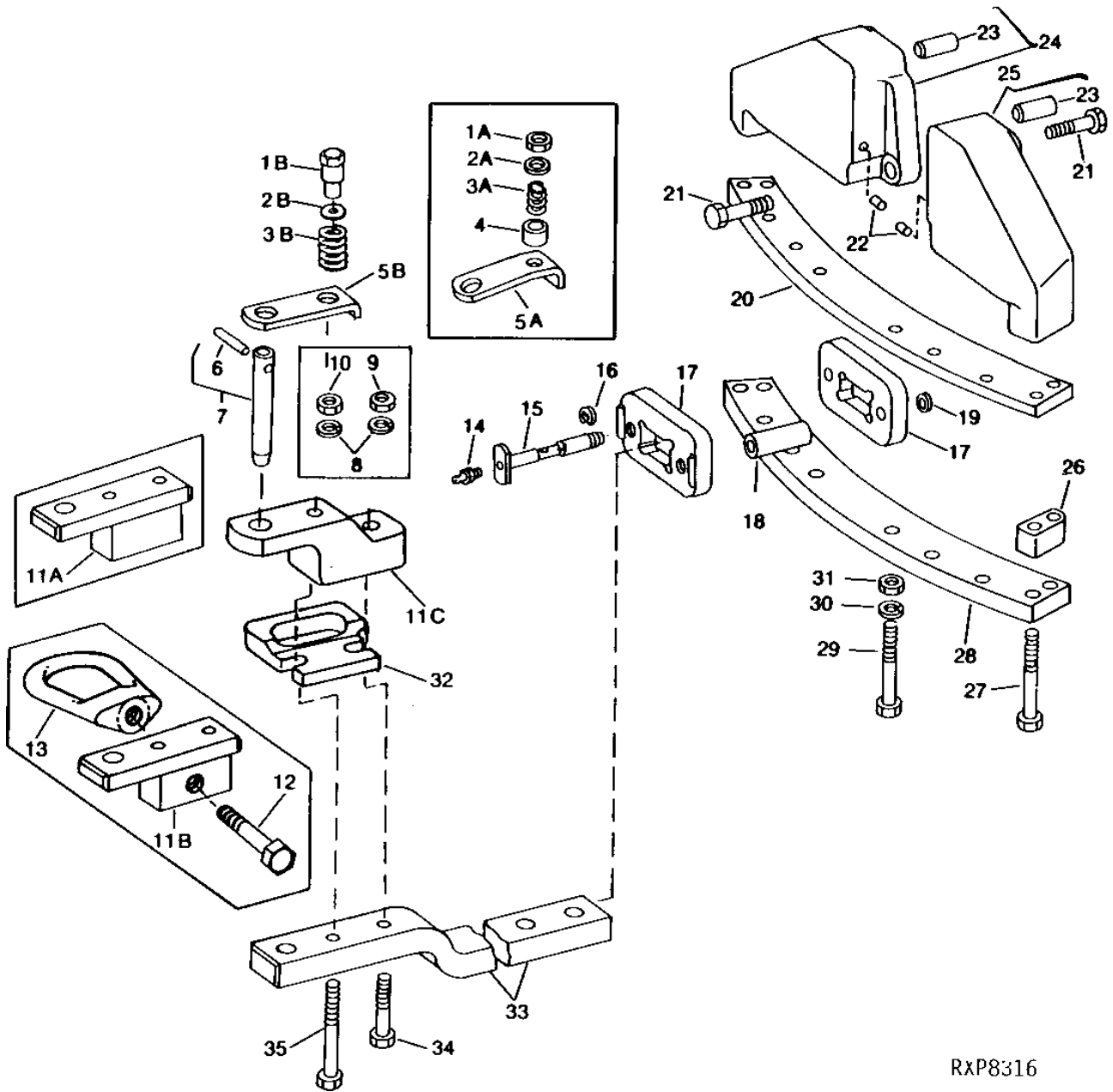
3D15

HYDRAULICS

RXP8316

-UN-01JAN94

WIDE SWING DRAWBAR



RXP8316

3D16

HYDRAULICS

WIDE SWING DRAWBAR - CONTINUED

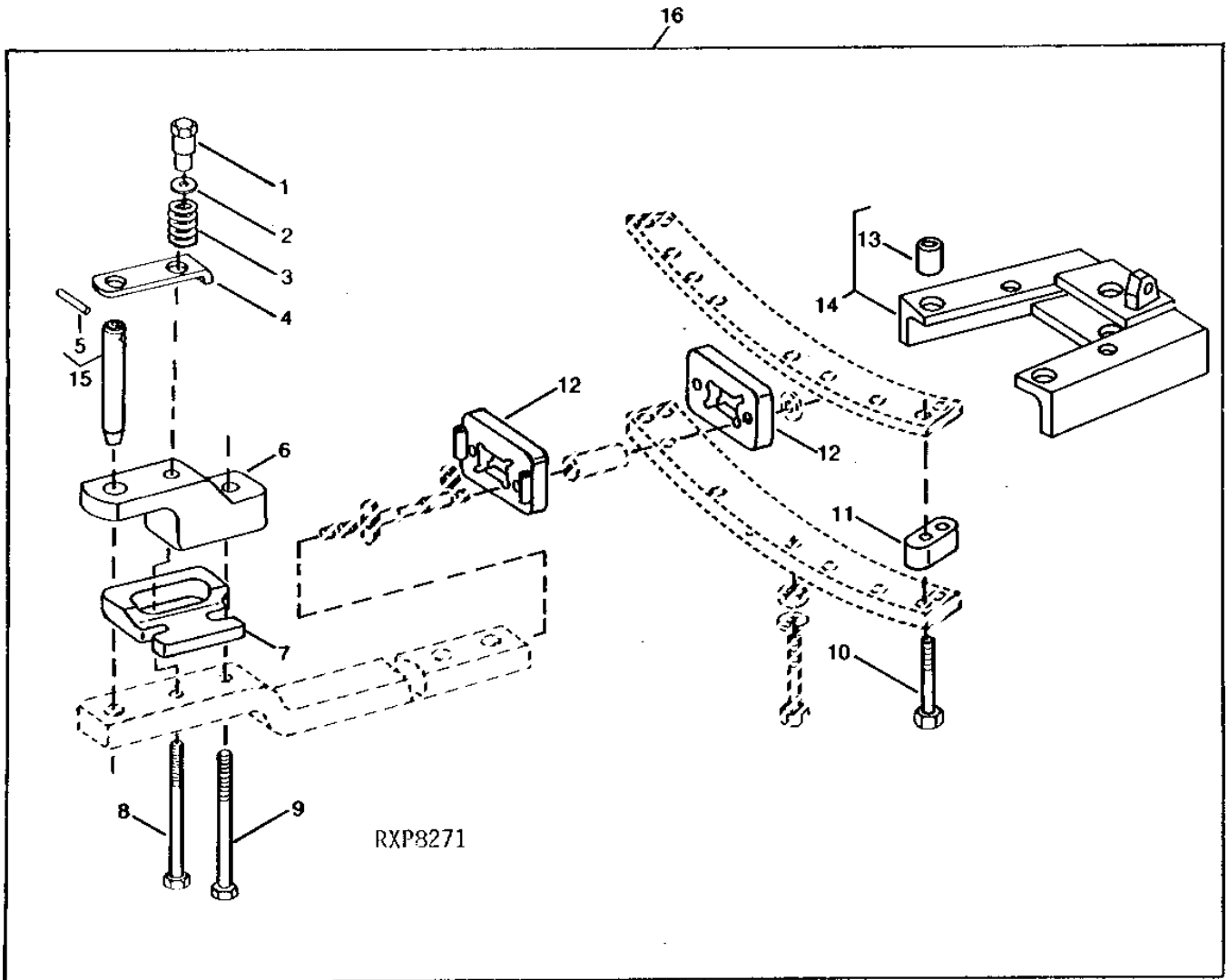
KEY	PART NO.	PART NAME	QTY	TRACTOR SERIAL NO.	REMARKS
1A	R40121	LOCK NUT	1	-XXXXXX	
1B	R54065	NUT	1	XXXXXX-	(SUB R72433)
2A	24H1395	WASHER	1	-XXXXXX	25/32" X 1-7/16" X 0.060"
2B	24H1513	WASHER	1	XXXXXX-	1-13/32" X 2" X 0.060"
3A	A350R	SPRING	1	-XXXXXX	
3B	F304R	SPRING	1	XXXXXX-	
4	R47044	BUSHING	1	-XXXXXX	
5A	R36609	RETAINER	1	-XXXXXX	(SUB R54064, R72433, F304R, 19H1988 AND 24H513)
5B	R54064	RETAINER	1	XXXXXX-	
6	25H1191	GROOVE PIN	1		(SUB FOR T56005) (USE WITH AR69987)
7	AR937R	PIN	1	-XXXXXX	(SUB AR69988)
	AR69987	PIN	1	XXXXXX-	(SUB FOR AR35807)
8	12H236	LOCK WASHER	2	-XXXXXX	3/4"
9	14H794	NUT	1	-XXXXXX	3/4"
10	14H794	NUT	1	-XXXXXX	3/4"
11A	AR35912	STRAP	1	-XXXXXX	(SUB R78214, R105478, 19H3196 AND 19H3612)
11B	AR53877	STRAP	1	XXXXXX-XXXXXX	(SUB R80447, R105478, 19H2825 AND 19H3225)
11C	R80447	STRAP	1		
12	19H2728	CAP SCREW	1	XXXXXX-XXXXXX	3/4" X 3"
13	R81245	SUPPORT	1	XXXXXX-XXXXXX	
14	JD7759	LUBRICATION FITTING	2		
15	AR61656	PIN	2		(SUB FOR AR44820)
16	R73380	SNAP RING	2		(SUB FOR A369R)
17	R52390	HANGER	2	-XXXXXX	(SUB FOR R35838)
	R49879	HANGER	2	XXXXXX-	
18	R54141	BUSHING	2		(SUB FOR R35839)
19	24M7353	WASHER	2		(SUB FOR R42660)
20	R35483	SUPPORT	1		(SUB R83112)
21	19H2089	CAP SCREW	6		7/8" X 2-3/4"
22	34H348	SPRING PIN	2		3/8" X 1"
23	R35482	DOWEL PIN	4		
24	AR71405	BRACKET	1		(MARKED R35468) (SUB FOR AR35527)
25	AR71404	BRACKET	1		(MARKED R35467) (SUB FOR AR35526)
26	R35835	SPACER	2	-XXXXXX	
	R49878	SPACER	2	XXXXXX-	
27	19H2000	CAP SCREW	4	-XXXXXX	3/4" X 5"
	19H3210	CAP SCREW	4	XXXXXX-	3/4" X 5-1/4"
28	R35476	SUPPORT	1		(SUB R83111)
29	19H2827	CAP SCREW	2		3/4" X 4-3/4"
30	12H236	LOCK WASHER	2		3/4"
31	14H794	NUT	2		3/4"
32	R105478	RETAINER	1		
33	R36608	DRAWBAR	1	-XXXXXX	
	R50984	DRAWBAR	1	XXXXXX-	
34	19H1988	CAP SCREW	1	-XXXXXX	3/4" X 6"
	19H3225	CAP SCREW	1	XXXXXX-	3/4" X 6-1/2"
35	19H2951	CAP SCREW	1	-XXXXXX	3/4" X 8-1/4"
	19H3225	CAP SCREW	1	XXXXXX-	3/4" X 6-1/2"

3D17

HYDRAULICS

DRAWBAR SUPPORT KIT
(WIDE SWING DRAWBAR)
(HEAVY-DUTY)

RXP8271 -UN-01JAN94



3D18

HYDRAULICS

**DRAWBAR SUPPORT KIT - CONTINUED
(WIDE SWING DRAWBAR)
(HEAVY-DUTY)**

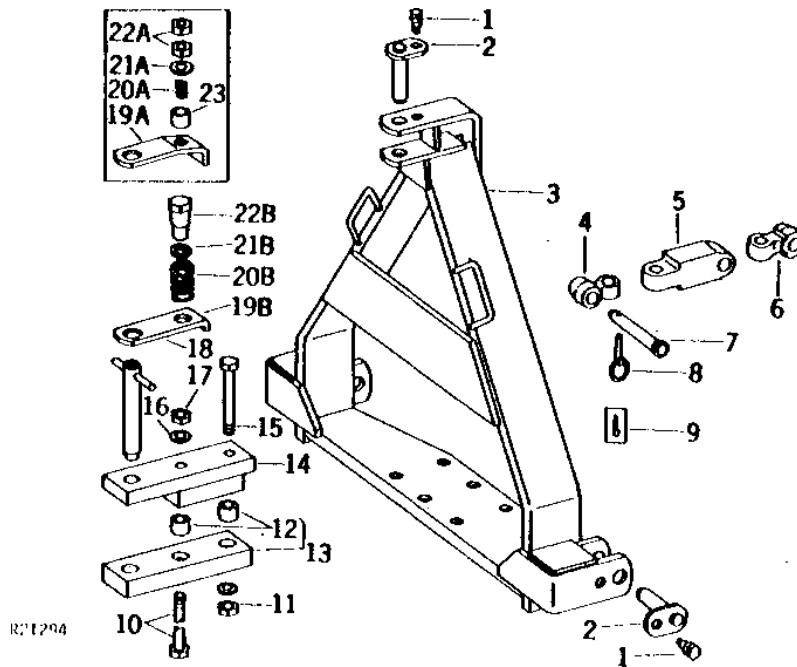
KEY	PART NO.	PART NAME	QTY	TRACTOR SERIAL NO.	REMARKS
1	R72433	NUT	1		
2	24H1513	WASHER	1		1-13/32" X 2" X 0.060"
3	F304R	SPRING	1		
4	R54064	RETAINER	1		
5	25H1191	GROOVE PIN	1		(SUB FOR T56005)
6	R80447	STRAP	1		
7	R105478	RETAINER	1		
8	19H3225	CAP SCREW	1		3/4" X 6-1/2"
9	19H2825	CAP SCREW	1		3/4" X 4-1/4"
10	19H1897	CAP SCREW	4		5/16" X 3-3/4"
11	R49878	SPACER	2		
12	R49879	HANGER	2		
13	R35479	BUSHING	2		
14	AR55074	SUPPORT	1		(NLA)
15	AR69987	PIN	1		
16	AR71025	SUPPORT	1		

3D19

HYDRAULICS

R21294 -UN-01JAN94

COUPLER (POWER WEIGHT TRANSFER HITCH)



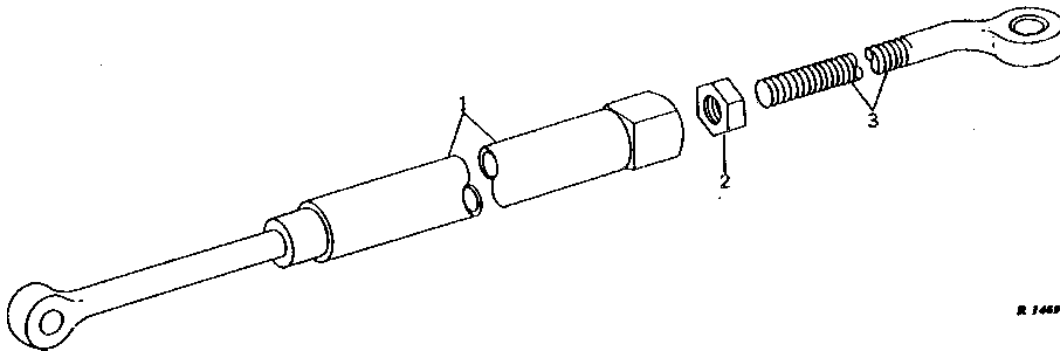
KEY	PART NO.	PART NAME	QTY	TRACTOR SERIAL NO.	REMARKS
1	AR40865	CAP SCREW	3		(SUB AR74673) (USE WITH PIN WITH 1/4" THICK HANDLE)
	AR48110	CAP SCREW	3		(SUB AR74673) (USE WITH PIN WITH 3/8" THICK HANDLE)
2	AR48111	PIN	3		(SUB FOR AR39783) (ALSO ORDER AR74673)
3	AR99336	COUPLING	1		(SUB FOR AR46828)
4	R44848	PIVOT	1		
5	R54143	PIVOT	1		(18.4-38, 20.8-34 OR 23.1-30 TIRES) (SUB FOR R48226)
6	R44848	PIVOT	1	-XXXXXX	
	R48299	PIVOT	1	XXXXXX-	
7	R58261	PIN	1		(SUB FOR R40516) (ALSO ORDER AR60372)
8	AR60372	QUICK LOCK PIN	1	XXXXXX-	
9	11M7038	COTTER PIN	1		-XXXXXX 0.248" X 1.575"
10	19H3234	CAP SCREW	1		-XXXXXX 3/4" X 8-1/2"
	19H1988	CAP SCREW	1	XXXXXX-	3/4" X 6"
11	14H794	NUT	1		3/4"
	12H236	LOCK WASHER	1		3/4"
12	R35479	BUSHING	2		
13	AR47567	DRAWBAR	1		
14	AR46256	STRAP	1		
15	19H1988	CAP SCREW	1		3/4" X 6"
16	12H236	LOCK WASHER	1		3/4"
17	14H794	NUT	1	-XXXXXX	3/4"
18	AR937R	PIN	1		(SUB AR69988)
19A	R36609	RETAINER	1	-XXXXXX	(SUB R54064, R72433, F304R, 19H1988 AND 24H1513)
19B	R54064	RETAINER	1	XXXXXX-	
20A	A350R	SPRING	1	-XXXXXX	
20B	F304R	SPRING	1	XXXXXX-	
21A	24H1395	WASHER	1	-XXXXXX	25/32" X 1-7/16" X 0.060"
21B	24H1513	WASHER	1	XXXXXX-	1-13/32" X 2" X 0.060"
22A	R40121	LOCK NUT	2	-XXXXXX	
22B	R54065	NUT	1	XXXXXX-	(SUB R72433)
23	R47044	BUSHING	1	-XXXXXX	

3D20

HYDRAULICS

R14696 -UN-01JAN94

IMPLEMENT LINK (POWER WEIGHT TRANSFER HITCH)



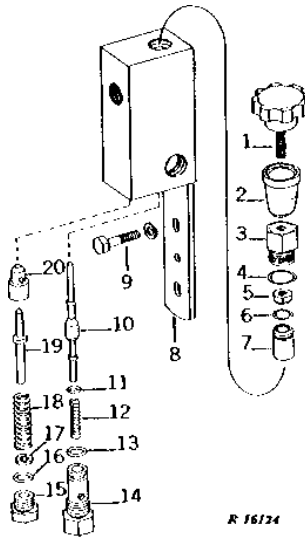
KEY	PART NO.	PART NAME	QTY	TRACTOR SERIAL NO.	REMARKS
1	AR47490	LINK	1		
2	14H887	NUT	1	1-1/8"	
3	R45447	EYEBOLT	1		

3D21

HYDRAULICS

R16124 -UN-01JAN94

CONTROL VALVE (POWER WEIGHT TRANSFER HITCH)



R 16124

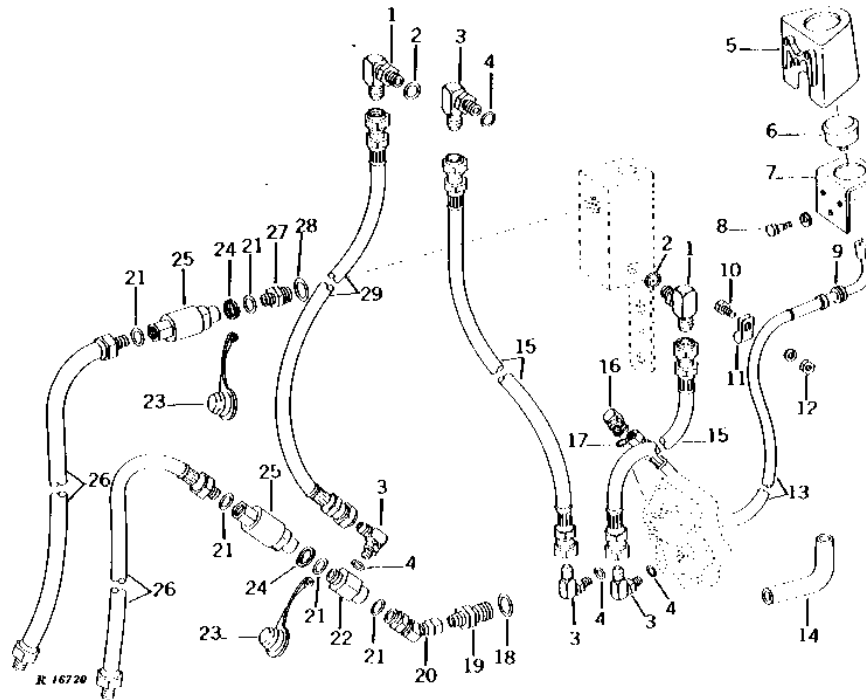
KEY	PART NO.	PART NAME	QTY	TRACTOR SERIAL NO.	REMARKS
1	AR49578	KNOB	1		
2	R54059	BOOT	1		(SUB FOR R39981)
3	R47016	ADAPTER	1		
4	F3171R	O-RING	1		
5	F3220R	LOCK NUT	1		
6	R26375	O-RING	1		
7	R47018	SHAFT	1		
8	AR49622	HOUSING	1		
9	19H1765	CAP SCREW	2	3/8" X 1-3/4"	
	12H304	LOCK WASHER	2	3/8"	
10	R44840	VALVE	1		
11	R375R	O-RING	1		
12	R26477	SPRING	1		
13	R495R	O-RING	1		
14	R47095	PLUG	1		
15	R27474	DRAIN PLUG	1		
16	R26906	O-RING	1		
17	R45189	SHIM	AR	0.51MM (.020")	
18	R35871	SPRING	1		
19	R45215	GUIDE	1		
20	R38543	VALVE	1		

3D22

HYDRAULICS

HYDRAULIC OIL PRESSURE GAUGE AND LINES (POWER WEIGHT TRANSFER HITCH)

R16720 -UN-01JAN94



KEY	PART NO.	PART NAME	QTY	TRACTOR SERIAL NO.	REMARKS
1	AT32332	ELBOW FITTING	2		(SUB FOR AR26763)
2	R26375	O-RING	2		
3	AT35120	ELBOW FITTING	4		(SUB FOR AR37017 OR AT32337)
4	R26448	O-RING	4		
5	R45669	COVER	1		
6	AR47486	PRESSURE GAUGE	1		
7	R45670	SUPPORT	1		
8	19H1849	CAP SCREW	3	5/16" X 1-1/4"	
	12H303	LOCK WASHER	3	5/16"	
9	R41439	GROMMET	1		
10	19H1813	CAP SCREW	4	5/16" X 5/8"	
11	R34557	CLAMP	4		
12	14H785	NUT	4	5/16"	
	12H303	LOCK WASHER	4	5/16"	
13	AR43795	HYDRAULIC HOSE	1		
14	T22958	HOSE	1		(SUB FOR T40167) (SUB L35843)
15	AR40465	HYDRAULIC HOSE	2		10 X 527MM (3/8" X 20-3/4")
16	AR40475	ELBOW FITTING	1		
17	R26286	O-RING	1		
18	H851R	WASHER	1		
19	A15532	ADAPTER	1		
20	AA14850	ELBOW FITTING	1		
21	R26375	O-RING	5		
22	R45106	FITTING	1		
23	R32419	COVER	2		
24	R36946	SPRING	2		
25	RE15361	COUPLING	2		(SUB FOR AR31611)
26	HOSE	1		(MAKE AS REQUIRED)
27	R36945	FITTING	1		
28	F3171R	O-RING	1		
29	AN140274	HYDRAULIC HOSE	1		

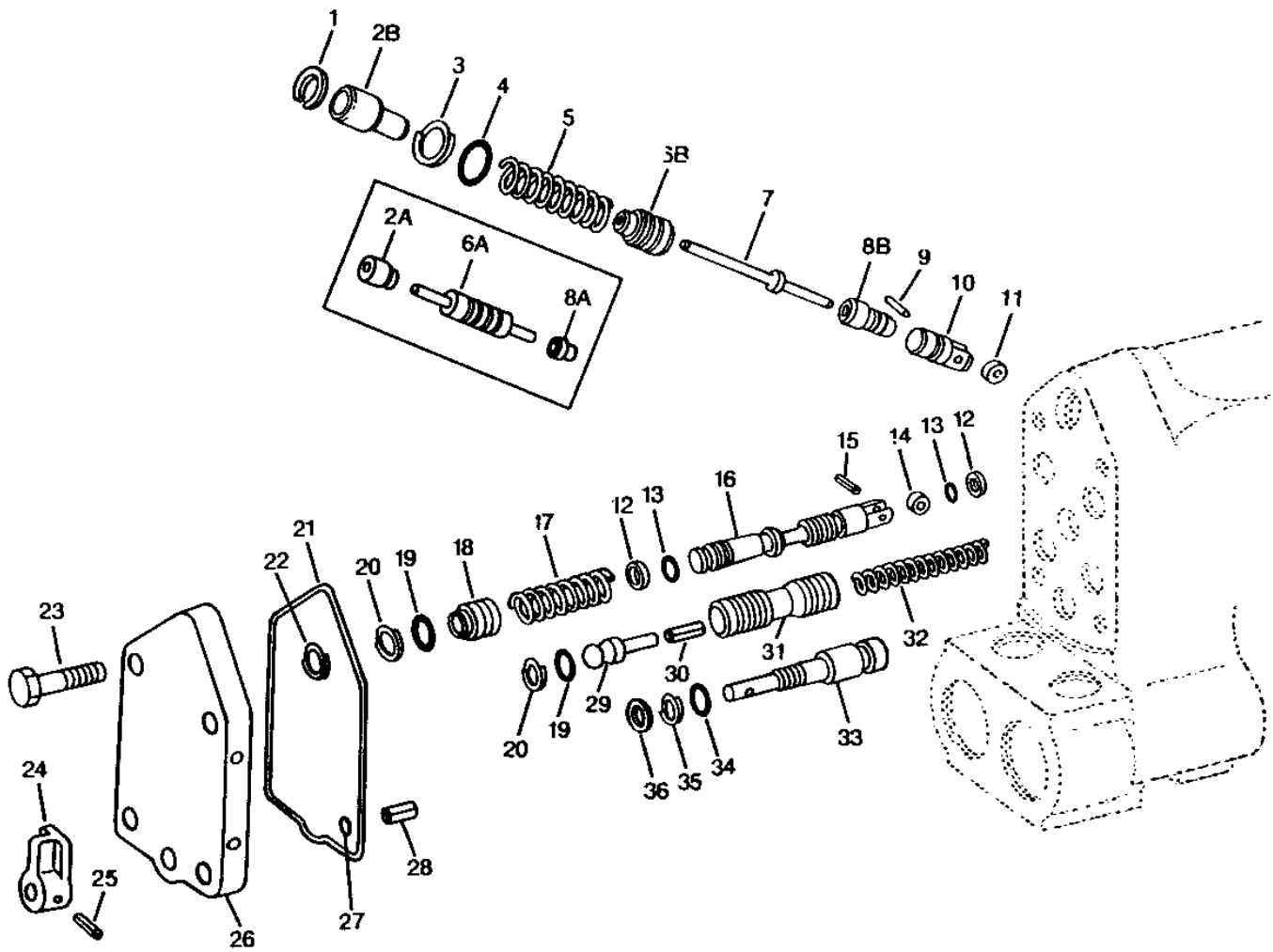
3D23

HYDRAULICS

RP1264

-UN-01JAN94

SELECTIVE CONTROL VALVE HOUSING VALVES



RP1264

3D24

HYDRAULICS

SELECTIVE CONTROL VALVE HOUSING VALVES - CONTINUED

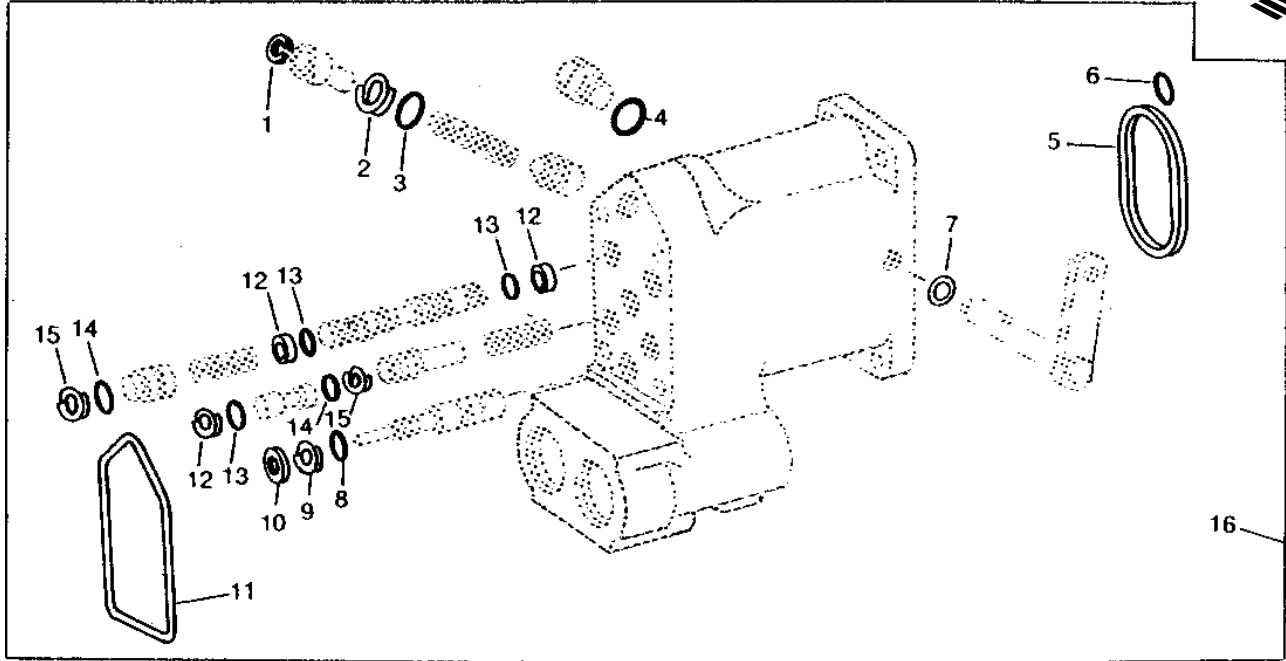
KEY	PART NO.	PART NAME	QTY	MODEL NO.	REMARKS
1	B474R	SNAP RING	1	-XXXXXX	
	R46722	SNAP RING	1	XXXXXX-	
2A	AR40678	GUIDE	1	-18SC1	(SUB AR52394 AND R46722)
	AR48933	GUIDE	1	18SC2-	(SUB AR52394)
2B	R48979	GUIDE	1	18SC3-	(SUB R55397 AND R55398)
3	R26546	BACK-UP RING	1		
4	B2762R	O-RING	1		
5	R41055	SPRING	1	18SC3-	
6A	AR40939	PISTON	1	-18SC2	(SUB AR52394)
6B	R48980	PISTON	1	18SC3-	
7	R55398	PIN	1	18SC3-	(SUB FOR R48981)
8A	AR40744	GUIDE	1	-18SC2	
8B	R48978	GUIDE	1	18SC3-	
9	34H241	SPRING PIN	1	-18SC3	1/8" X 3/8"
	R51411	PIN	1	18SC4-	
10	R45016	FOLLOWER	1	-18SC3	(SUB FOR R40903) (SUB R51410, R51409 AND R51411)
	R51410	CAM FOLLOWER	1	18SC4-	
11	R41613	WASHER	1	-18SC3	(SUB R51409)
	R51409	SPACER	1	18SC4-	
12	R26484	BACK-UP RING	6		
13	R65286	O-RING	6		(SUB FOR A3917R, THIS APPLICATION)
14	R41613	WASHER	4	-18SC3	(SUB R51409)
	R51409	SPACER	4	18SC4-	
15	34H242	SPRING PIN	4		1/8" X 7/16"
16	AR45647	VALVE	4	-18SC2	(SUB AR78396 AND R41055)
	AR52629	VALVE	4	-18SC3	(SUB AR78396 AND R41055)
	AR86535	VALVE	4	18SC4-	(SUB FOR AR56120 OR AR86535)
17	R65501	SPRING	2		RETURN
	R65502	SPRING	2		PRESSURE, (SUB FOR R44310)
18	R66416	BUSHING	4		(SUB FOR R41156)
19	R27166	O-RING	4		
20	R41057	BACK-UP RING	4		
21	R74695	WASHER	1	XXXXXX-	(USE WITH R59629)
22	R26149	PACKING	6		
23	19H1732	CAP SCREW	4		3/8" X 1-1/4"
24	R41338	ARM	1		(SUB R62652)
25	34H231	SPRING PIN	1		3/32" X 3/4"
26	AR40688	COVER	1		(MARKED R40899 OR R49708) (USE WITH R40499)
	AR85628	COVER	1		(MARKED R59629) (SUB R27166, R41057, R59629, R65501, R65502, R66916 AND R74695) (USE WITH R65284)
27	R34812	O-RING	1		
28	34H275	SPRING PIN	1		3/16" X 1/2"
29	R66916	STOP	1	XXXXXX-	(USE WITH R59629)
30	34H284	SPRING PIN	1		3/16" X 1-1/4"
31	R41154	VALVE	1	-18SC3	FLOW CONTROL, (SUB R52549)
	R52549	SHUT-OFF VALVE	1	18SC4-	FLOW CONTROL
32	R41549	SPRING	1		
33	R41149	VALVE	1	-18SC3	METERING, (SUB R52548 AND R52549)
	R52548	VALVE	1	18SC4-	METERING, (USE WITH R40499)
	R65289	VALVE	1		METERING, (USE WITH R65284)
34	P46051	O-RING	1		
35	R40937	BACK-UP RING	1		
36	R41339	SHIM	1		

3D25

HYDRAULICS

RWP3167 -UN-01JAN94

SELECTIVE CONTROL VALVE OVERHAUL KIT



RWP3167

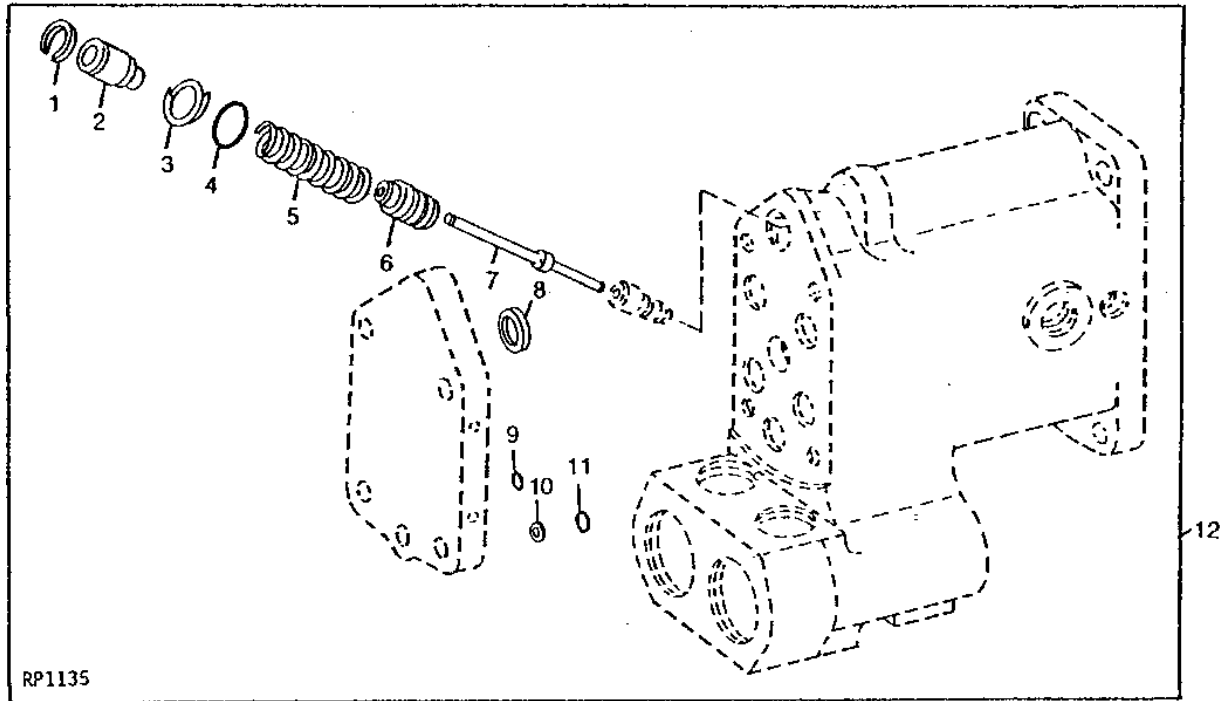
KEY	PART NO.	PART NAME	QTY	TRACTOR SERIAL NO.	REMARKS
1	R46722	SNAP RING	1		
2	R26546	BACK-UP RING	1		
3	B2762R	O-RING	1		
4	R26375	O-RING	1		
5	R40922	PACKING	1		
6	F2741R	PACKING	1		
7	R65287	O-RING	1		
8	P46051	O-RING	1		
9	R40937	BACK-UP RING	1		
10	R41339	SHIM	1		
11	R74695	WASHER	1		
12	R26484	BACK-UP RING	3		
13	R65286	O-RING	3		
14	R27166	O-RING	2		
15	R41057	BACK-UP RING	2		
16	RE10924	KIT	1		(SUB FOR AR46978 OR AR82571)

3E1

HYDRAULICS

RP1135 -UN-01JAN94

SELECTIVE CONTROL VALVE DETENT KIT



RP1135

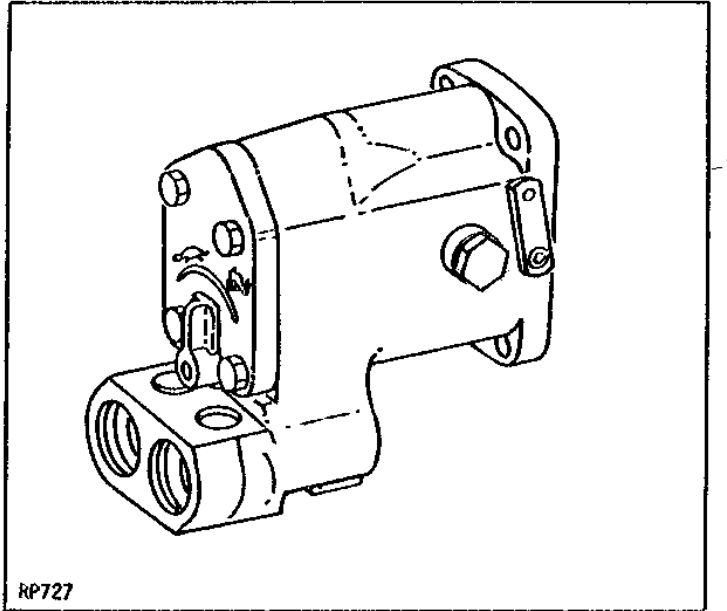
KEY	PART NO.	PART NAME	QTY	TRACTOR SERIAL NO.	REMARKS
1	R46722	SNAP RING	1		
2	R55397	GUIDE	1		(ALSO ORDER R55398)
3	R26546	BACK-UP RING	1		
4	B2762R	O-RING	1		
5	R41055	SPRING	1		
6	R48980	PISTON	1		
7	R55398	PIN	1		
8	R26149	PACKING	6		
9	R34812	O-RING	1		
10	R40937	BACK-UP RING	1		
11	P46051	O-RING	1		
12	AR52394	KIT	1	-XXXXXX	(INCLUDES R49187)

3E2

HYDRAULICS

RP727 -UN-01JAN94

SELECTIVE CONTROL VALVE KITS



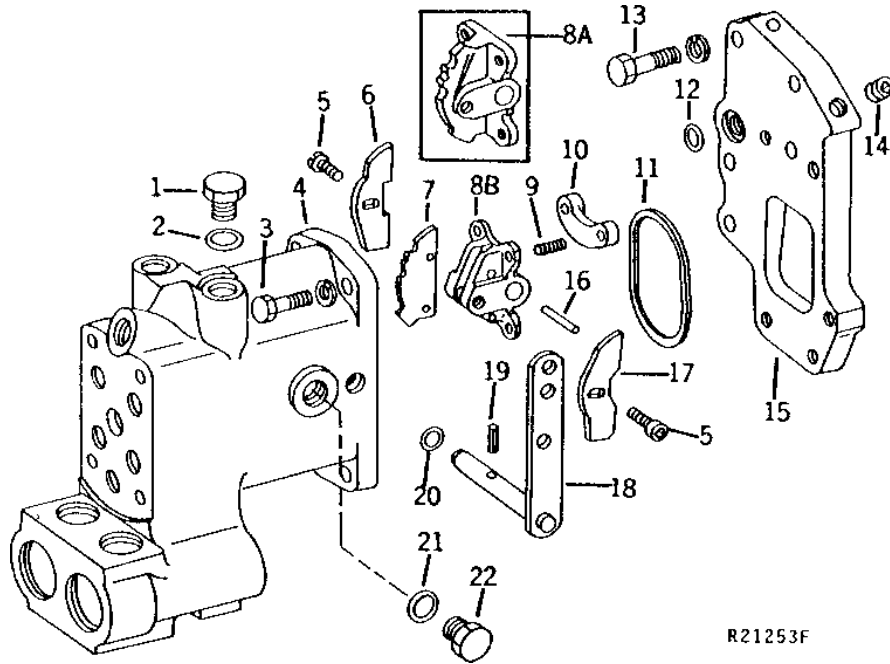
KEY	PART NO.	PART NAME	QTY	TRACTOR SERIAL NO.	REMARKS
1	AR65849 AR85251	CONTROL CONTROL	1 1		WITH LINKAGE WITH LINKAGE, (ALSO ORDER R60397) (INCLUDES DIRECTIONAL CONTROL VALVE)

3E3

HYDRAULICS

R21253 -UN-01JAN94

SELECTIVE CONTROL VALVE HOUSING, COVER, ROCKER, AND OPERATING CAMS



R21253F

KEY	PART NO.	PART NAME	QTY	MODEL NO.	REMARKS
1	R39112	FITTING	2		(USE WHEN REQUIRED)
2	R26375	O-RING	2		(USE WHEN REQUIRED)
3	19H2731	CAP SCREW	AR		7/16" X 1-3/8", (4 USED, SINGLE) (7 USED, DUAL) (11 USED, TRIPLE)
	19H2055	CAP SCREW	1		7/16" X 2-1/4", (DUAL OR TRIPLE)
	12H293	LOCK WASHER	4		7/16", (SINGLE)
4	AR82572	HOUSING	1		(MARKED R65284 OR R40499) (SUB FOR AR40827) (ALSO ORDER R27166, R41057, R59629, R65501, R65502, R66916, R74695 AND R65289)
5	R27233	SCREW	2		
6	R41931	CAM	1	-18SC3	(SUB R51414)
	R51414	CAM	1	18SC4-	
7	R51413	CAM	1	18SC4-	
8A	R40898	ROCKER	1	-18SC3	(SUB R51412, R51413, R51414, R51415 AND (2) R28744)
8B	R51412	ROCKER	1	18SC4-	
9	22H1025	SET SCREW	4		1/4" X 7/8"
10	R49221	RETAINER	2		
11	R40922	PACKING	1		
12	F2741R	PACKING	1		
13	19H1978	CAP SCREW	4		7/16" X 1-1/2"
	19H2731	CAP SCREW	4		7/16" X 1-3/8"
	12H293	LOCK WASHER	5		7/16"
14	15H559	PIPE PLUG	AR		1/4", (1 USED, DUAL) (2 USED, TRIPLE)
	15H558	PIPE PLUG	1		1/8", (TRIPLE)
15	AR54331	COVER	1		(MARKED R41445 OR R50066) (SUB FOR AR41969) (SUB AR71188 AND (2) R59082) (DUAL)
	AR54332	COVER	1		(MARKED R41448 OR R50067) (SUB FOR AR41970) (SUB AR71189 AND (2) R59082) (TRIPLE)
16	R28744	PIN	2	18SC4-	
17	R41932	CAM	1	-18SC3	(SUB R51415)
	R51415	CAM	1	18SC4-	
18	AR48734	ARM	1		(SUB FOR AR40684)
19	34H297	SPRING PIN	1		7/32" X 1"
20	R65287	O-RING	2		
21	R26375	O-RING	2		
22	R41155	PLUG	2		

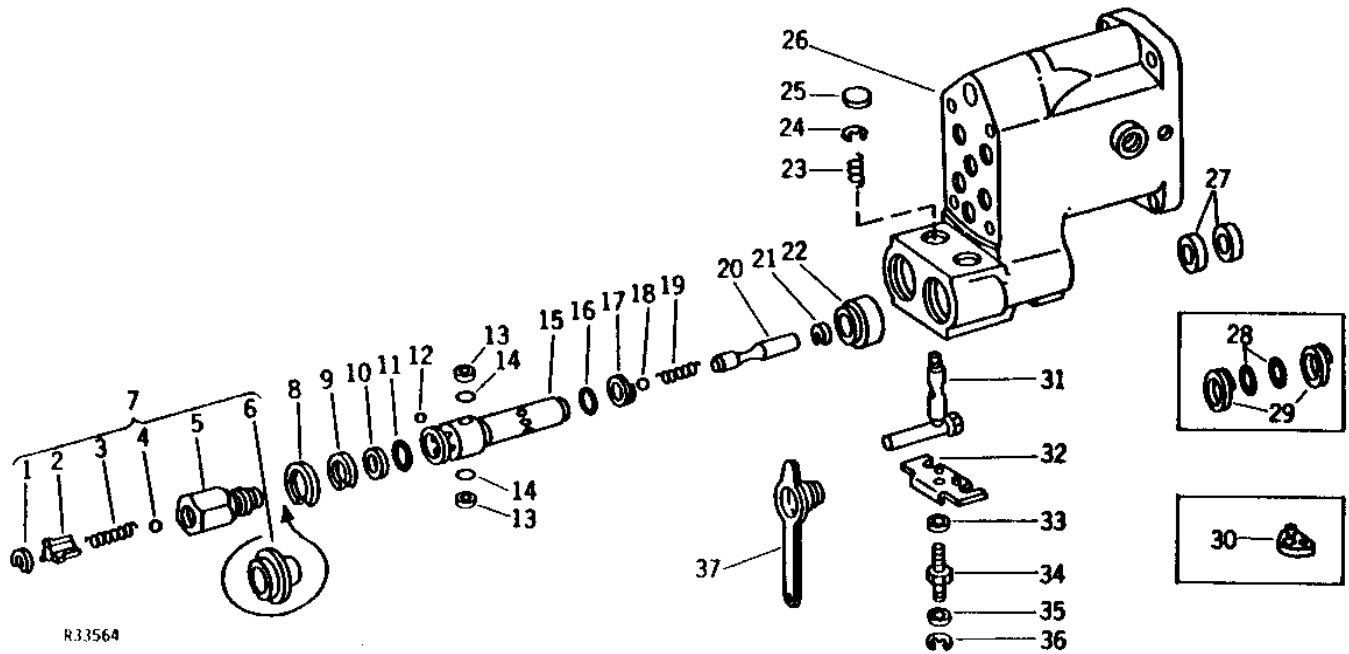
3E4

HYDRAULICS

R33564

-UN-01JAN94

BREAKAWAY COUPLER



3E5

HYDRAULICS

BREAKAWAY COUPLER - CONTINUED

KEY	PART NO.	PART NAME	QTY	TRACTOR SERIAL NO.	REMARKS
1	R59633	WEAR RING	2		(SUB FOR R28204)
2	R28085	GUIDE	2		(SUB AR93819 OR AR93820, THIS APPLICATION)
3	R28084	SPRING	2		
4	D2361R	BALL	2		
5	R27430	HYD. QUICK-CONNECT COUPLER	1		(PRESSURE) (SUB AR93819)
	R45630	HYD. QUICK-CONNECT COUPLER	1		(RETURN) (SUB AR93820)
6	R28006	CAP	2		
7	AR93819	HYD. QUICK-CONNECT COUPLER	1		(PRESSURE) (SUB FOR AR30210)
	AR93820	FITTING	1		(RETURN) (SUB FOR AR47643)
8	R34399	SNAP RING	2		
9	R32356	SNAP RING	2		
10	R26485	BACK-UP RING	2		
11	R59343	RING	2		
12	400R	BALL	12		
13	R26484	BACK-UP RING	4		
14	R65286	O-RING	4		(SUB FOR A3917R, THIS APPLICATION)
15	R34397	SOCKET OUTLET	2		
16	R375R	O-RING	2		
17	R26482	RING	2		
18	D2361R	BALL	2		
19	R28084	SPRING	2		
20	R34400	PLUG	2		
21	R26483	SNAP RING	2		
22	R34398	SLEEVE	2		
23	R31890	SPRING	2		
24	R72653	SNAP RING	2		(SUB FOR M2396T)
25	30H15	PLUG	2		1-1/8"
26	AR82572	HOUSING	1		(MARKED R65284 OR R40499) (SUB FOR AR40827) (ALSO ORDER R27166, R41057, R59629, R65501, R65502, R66916, R74695 AND R65289)
27	R79311	SEAL	4	XXXXXX-	(SUB FOR A4730R AND R26480)
28	A4730R	O-RING	4	-XXXXXX	
29	R26480	BACK-UP RING	4	-XXXXXX	
30	R51285	PLATE	1	-XXXXXX	(SUB R61957, THIS APPLICATION)
31	AR99100	LEVER	2		(SUB FOR AR33877 OR AR82576)
32	AR75958	CAM	1	XXXXXX-	(SUB R61957)
33	12H303	LOCK WASHER	1		5/16"
34	R49191	SCREW	1		
35	24H1286	WASHER	1		9/32" X 1/2" X 1/16"
36	R72654	SNAP RING	1		(SUB FOR R27507)
37	R32419	COVER	2		

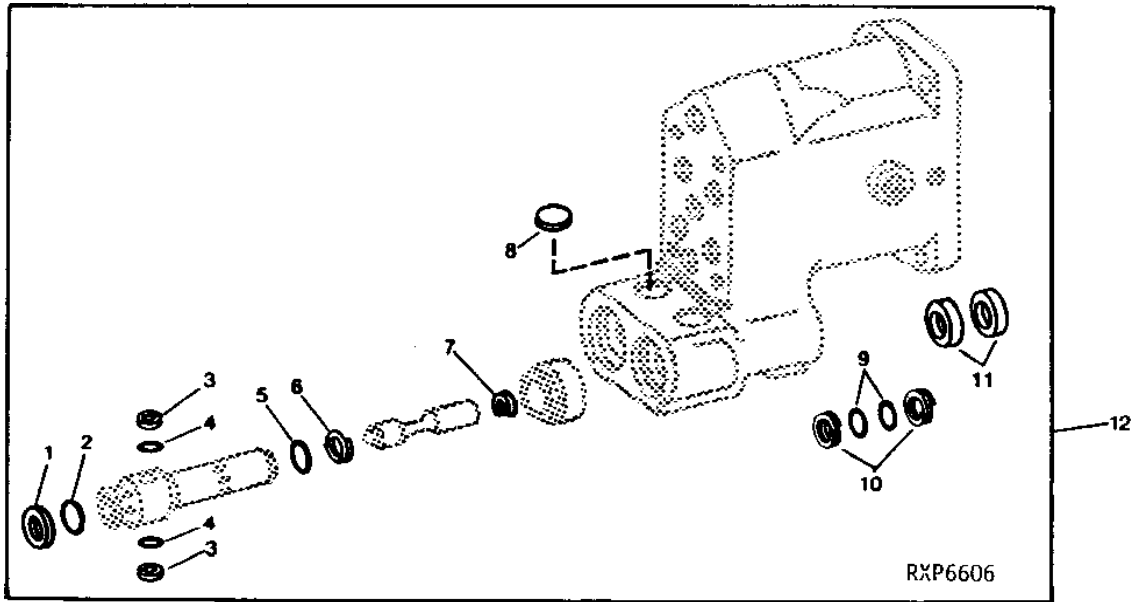
3E6

HYDRAULICS

RXP6606

-UN-06OCT94

BREAKAWAY COUPLER OVERHAUL KIT



KEY	PART NO.	PART NAME	QTY	TRACTOR SERIAL NO.	REMARKS
1	R26485	BACK-UP RING	2		
2	R59343	RING	2		
3	R26484	BACK-UP RING	4		
4	R65286	O-RING	4		
5	R375R	O-RING	2		
6	R26482	RING	2		
7	R26483	SNAP RING	2		
8	30H15	PLUG	2		
9	A4730R	O-RING	4		(EARLY DESIGN)
10	R26480	BACK-UP RING	4		(EARLY DESIGN)
11	R79311	SEAL	4		(CURRENT DESIGN) (SUB FOR R75285 OR R74530)
12	AR82570	KIT	1		(SUB FOR AR30685)

MEMORANDA

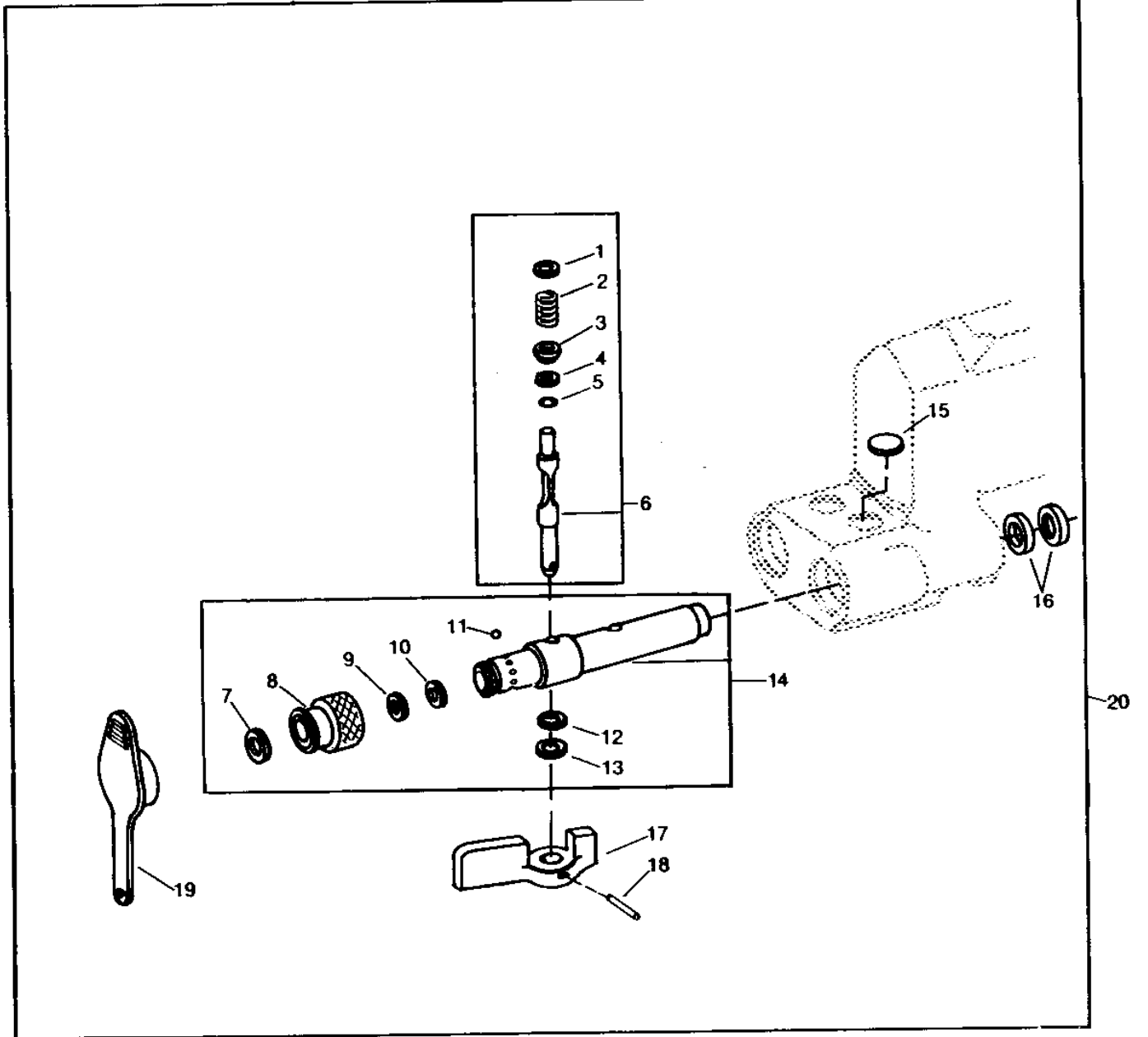
3E7

HYDRAULICS

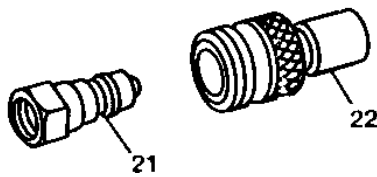
RWP4194

-UN-12OCT94

JOHN DEERE TO ISO COUPLER CONVERSION KIT



RWP4194



3E8

HYDRAULICS

JOHN DEERE TO ISO COUPLER CONVERSION KIT - CONTINUED

KEY	PART NO.	PART NAME	QTY	TRACTOR SERIAL NO.	REMARKS
1	R54242	SNAP RING	2		
2	R78767	SPRING	2		
3	R48698	WASHER	2		
4	R31136	BACK-UP RING	2		
5	R10093	O-RING	2		
6	RE13814	SHAFT	2		
7	40M4378	SNAP RING	2		
8	R78765	SLEEVE	2		
9	R71387	WASHER	2		
10	R74210	O-RING	2		
11	H871R	BALL	16		
12	P51212	O-RING	2		
13	R78766	BACK-UP RING	2		
14	RE13813	RECEPTACLE	2		
15	30H15	PLUG	2	1-1/8"	
16	R79311	SEAL	2	(SUB FOR R74530)	
17	R78769	HANDLE	2		
18	34H247	SPRING PIN	2	1/8" X 3/4"	
19	R78768	COVER	2		
20	RE12121	RECEIVER	1		
21	AR94522	INTERNAL HALF COUPLER	AR	(SUB FOR AL26973)	
22	AL26972	EXTERNAL HALF COUPLER	AR		

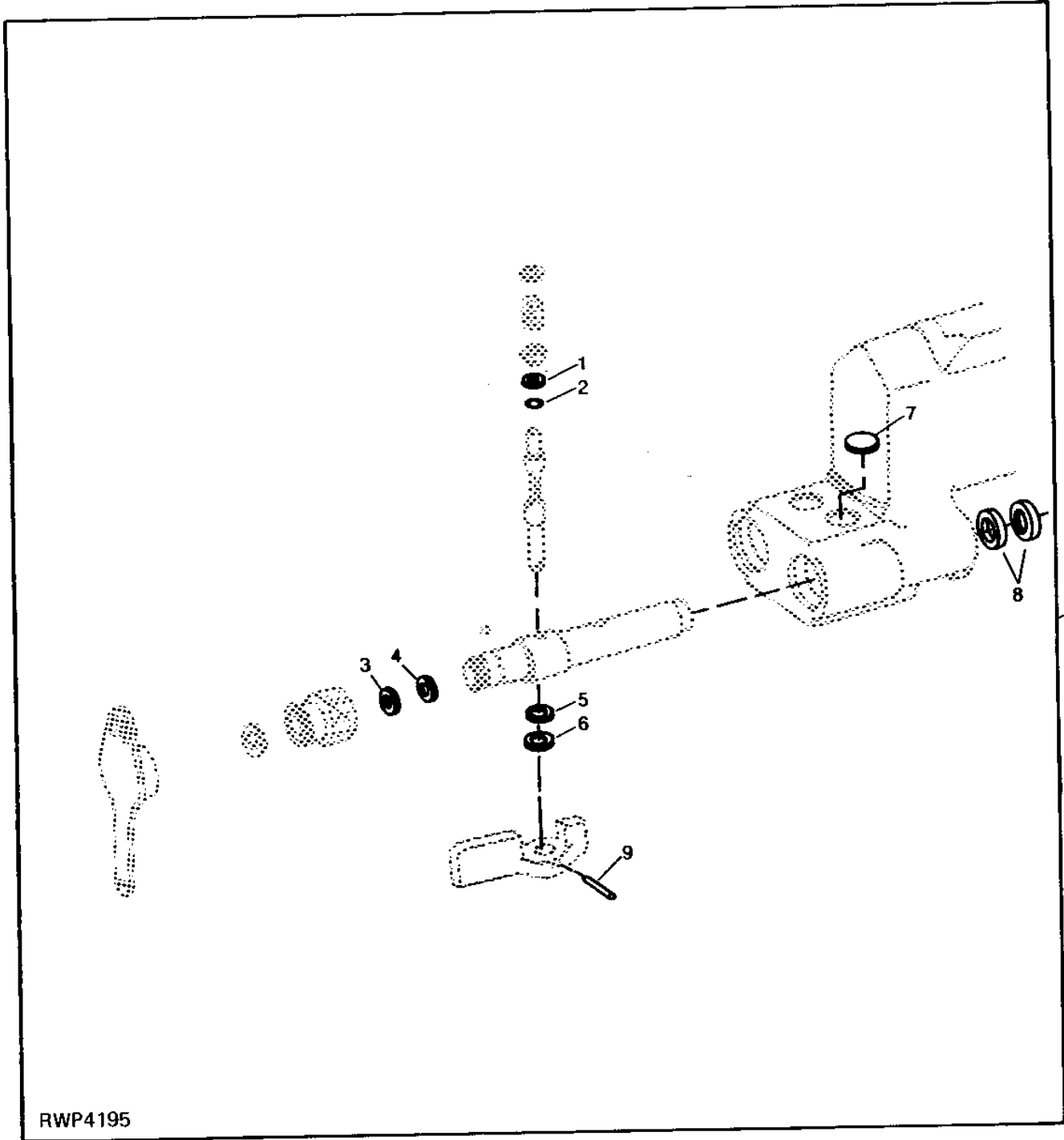
3E9

HYDRAULICS

RWP4195

-UN-12OCT94

ISO COUPLER OVERHAUL KIT



3E10

HYDRAULICS

ISO COUPLER OVERHAUL KIT - CONTINUED

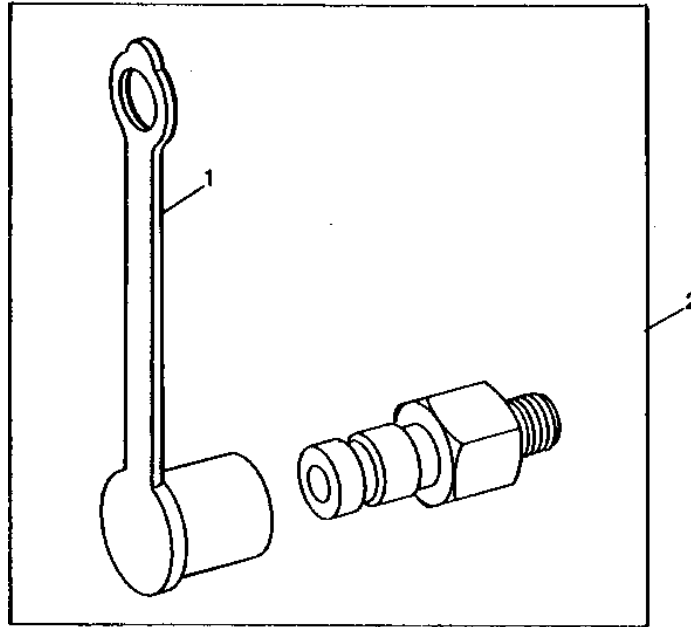
KEY	PART NO.	PART NAME	QTY	TRACTOR SERIAL NO.	REMARKS
1	R31136	BACK-UP RING	2		
2	R10093	O-RING	2		
3	R71387	WASHER	2		
4	R74210	O-RING	2		
5	P51212	O-RING	2		
6	R78766	BACK-UP RING	2		
7	30H15	PLUG	2	1-1/8"	
8	R79311	SEAL	4	(SUB FOR R74530)	
9	34H247	SPRING PIN	2	1/8" X 3/4"	
10	RE13815	KIT	1		

3E11

HYDRAULICS

RWP5202 -UN-01JAN94

DIAGNOSTIC RECEPTACLE



RWP5202

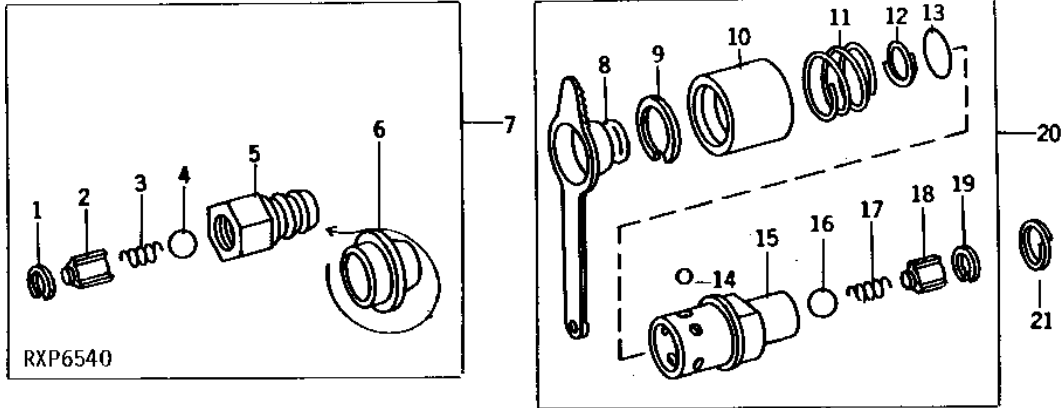
KEY	PART NO.	PART NAME	QTY	TRACTOR SERIAL NO.	REMARKS
1	R77175	COVER	1		
2	RE13561	RECEPTACLE	1		12.7MM (1/2") PORT
	RE13562	RECEPTACLE	1		9.525MM (3/8") PORT

3E12

HYDRAULICS

RXP6540 -UN-06OCT94

FLEXIBLE OIL LINE COUPLER



KEY	PART NO.	PART NAME	QTY	TRACTOR SERIAL NO.	REMARKS
1	R59633	WEAR RING	1		
2	R28085	GUIDE	1		(ORDER AR93819 OR AR93820, THIS APPLICATION)
3	R28084	SPRING	1		
4	D2361R	BALL	1		13MM (1/2")
5	R27430	HYD. QUICK-CONNECT COUPLER	1		(PRESSURE) (SUB AR93819)
	R45630	HYD. QUICK-CONNECT COUPLER	1		(RETURN) (SUB AR93820)
6	R28006	CAP	1		
7	AR30210	INTERNAL HALF COUPLER	1		(PRESSURE) (SUB AR93819)
	AR47643	BREAKAWAY COUPLER	1		(RETURN) (SUB AR93820)
8	R80324	COVER	1		(SUB FOR R32419)
9	R32356	SNAP RING	1		
10	R32355	SLEEVE	1		(SUB RE15361)
11	R32354	SPRING	1		(SUB RE15361)
12	R26485	BACK-UP RING	1		
13	R495R	O-RING	1		
14	400R	BALL	6		6MM (1/4")
15	R32353	SOCKET OUTLET	1		(SUB RE15361)
16	D2361R	BALL	1		13MM (1/2")
17	R28084	SPRING	1		
18	R28085	GUIDE	1		(ORDER RE15361)
19	R59633	WEAR RING	1		
20	AR47331	SOCKET OUTLET	1		(SUB RE15361)
21	R36946	SPRING	1		

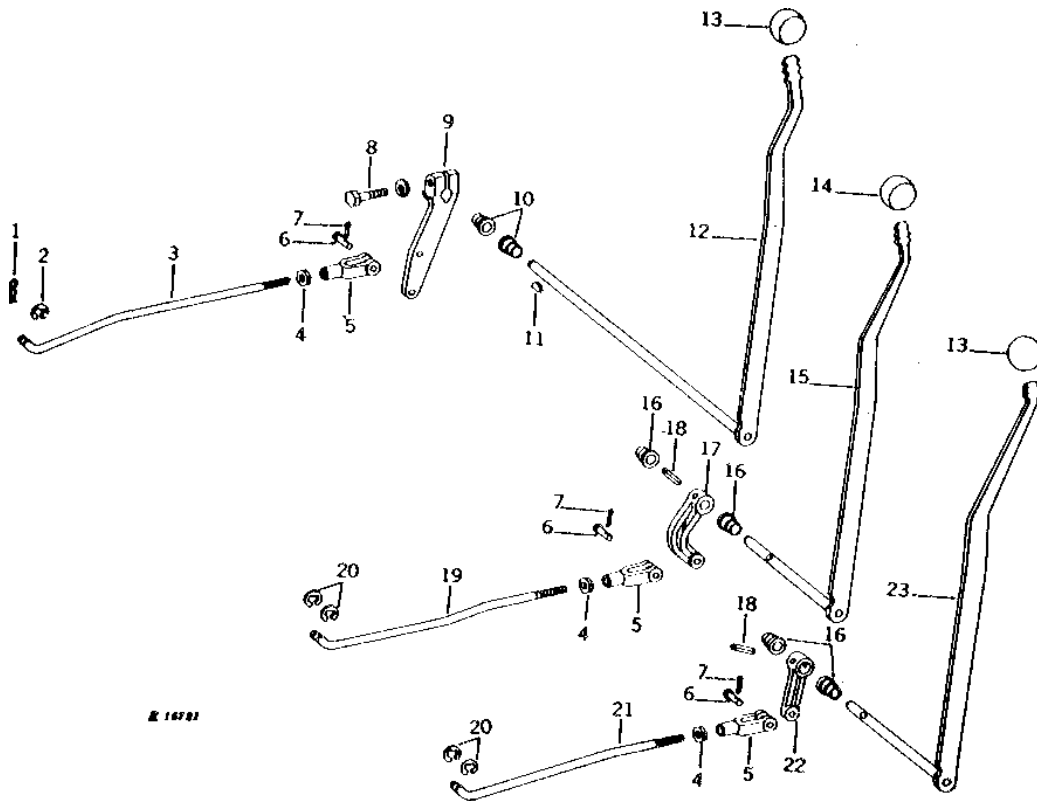
3E13

HYDRAULICS

R16781

-UN-01JAN94

SELECTIVE CONTROL LEVERS AND LINKAGE



3E14

HYDRAULICS

SELECTIVE CONTROL LEVERS AND LINKAGE - CONTINUED

KEY	PART NO.	PART NAME	QTY	TRACTOR SERIAL NO.	REMARKS
1	R46528	SPRING LOCKING PIN	1	008113-	
2	M2396T	SNAP RING	2	-008112	(SUB R72653)
	M2396T	SNAP RING	1	008113-	(SUB R72653)
3	R40918	ROD	1	-008112	(SUB R46527 AND R46528)
	R46529	SHIFTER ROD	1	008113-	(NLA)
	R47309	SHIFTER ROD	1		(USE WHEN AUXILIARY HYDRAULIC OUTLET HAS BEEN INSTALLED)
4	14H882	NUT	1		5/16"
5	R42282	YOKE	1		(SUB T54033 AND R82766)
6	R72660	PIN	1		(SUB FOR R662R)
7	11M7079	COTTER PIN	1		0.098" X 0.472"
8	19H1732	CAP SCREW	1		3/8" X 1-1/4"
	12H304	LOCK WASHER	1		3/8"
9	R42094	ARM	1		
10	R42093	GROMMET	2		
11	26H15	SHAFT KEY	1		1/4" X 3/4"
12	AR40989	LEVER	1		SINGLE SELECTIVE CONTROL
13	R44695	KNOB	1		
14	R41387	KNOB	1		
15	AR40990	LEVER	1		DUAL SELECTIVE CONTROL
16	R41076	GROMMET	2		
17	R40923	ARM	1		
18	34H297	SPRING PIN	1		7/32" X 1"
19	R43927	ROD	1		
20	R72653	SNAP RING	2		(SUB FOR M2396T)
21	R43639	ROD	1		
22	R41122	LEVER	1		
23	AR40991	LEVER	1		TRIPLE SELECTIVE CONTROL
..	R51302	SPRING	1		SELECTIVE CONTROL VALVE LEVER LOCK, (SUB FOR AR55421)

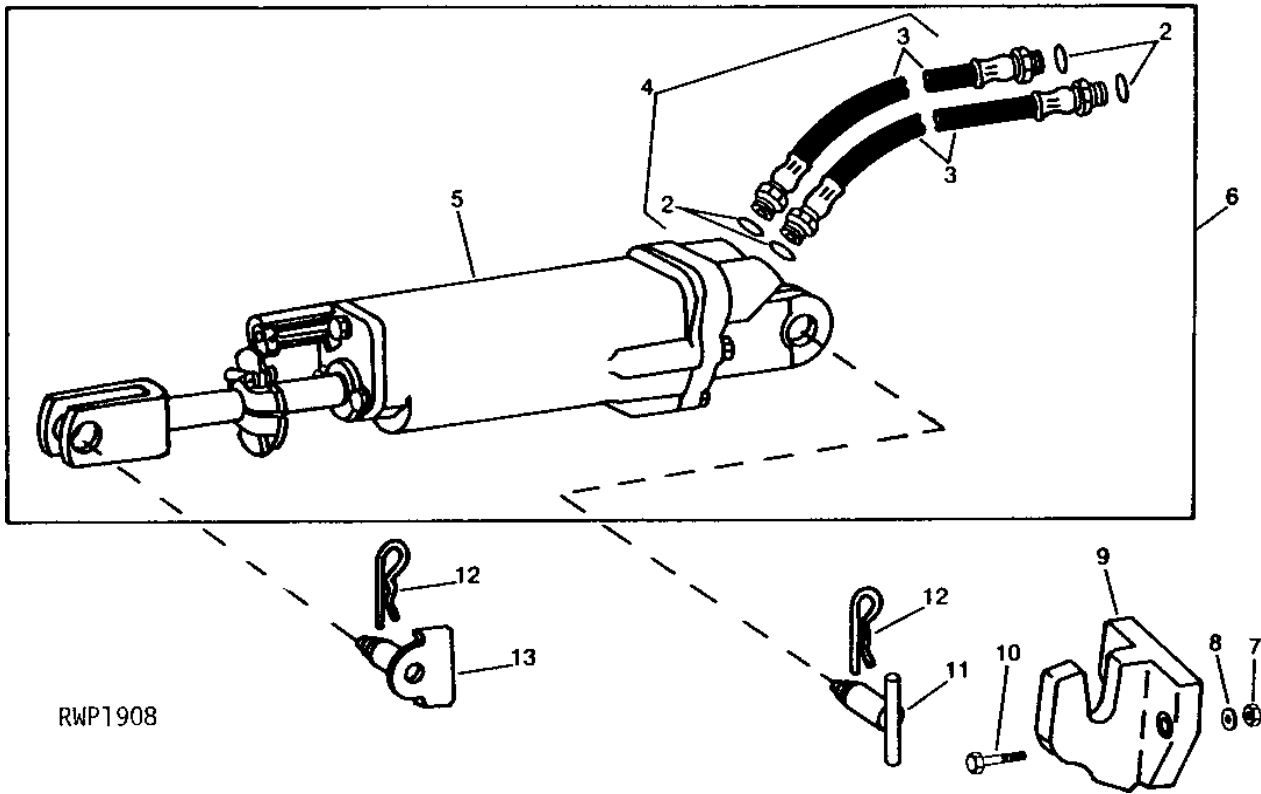
3E15

HYDRAULICS

RWP1908

-UN-17OCT94

REMOTE CYLINDER, HOSES, AND TRANSPORT ARM



RWP1908

3E16

HYDRAULICS

REMOTE CYLINDER, HOSES, AND TRANSPORT ARM - CONTINUED

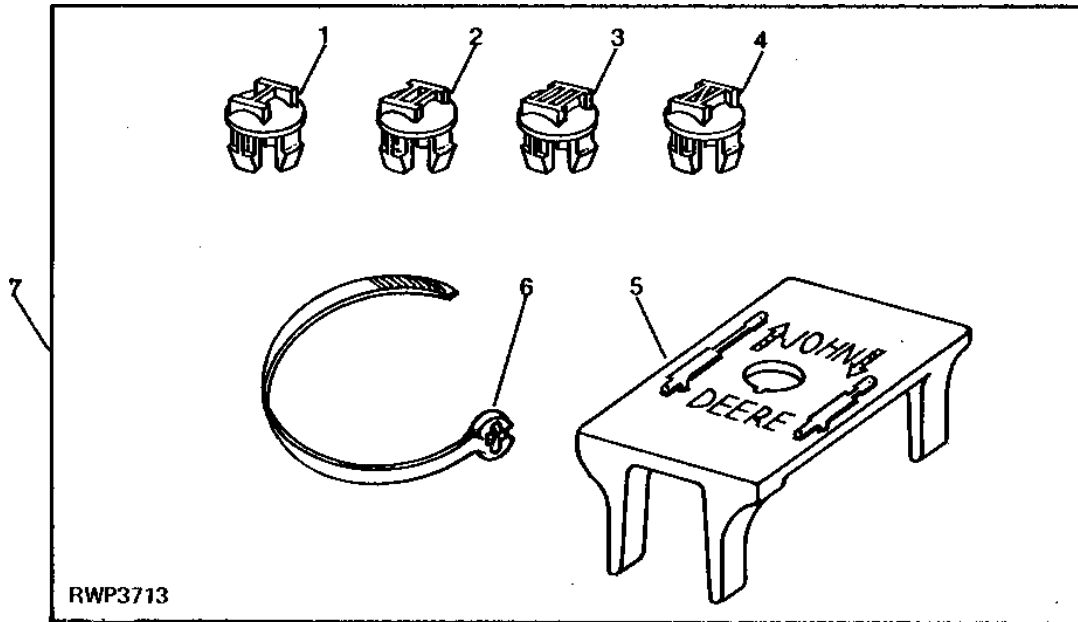
KEY	PART NO.	PART NAME	QTY	TRACTOR SERIAL NO.	REMARKS
1	AR30784	TEE FITTING	1		FOR 3/8" SINGLE WIRE BRAID LINE
2	R26375	O-RING	4		
3	R36795	HYDRAULIC HOSE	2		13 X 3048MM (1/2" X 120")
4	AR36158	OIL LINE	1		
5	AR35261	CYLINDER	1		HYDRAULIC STOP
	AR36303	CYLINDER	1		MECHANICAL STOP
6	AR36157	CYLINDER	1		HYDRAULIC STOP, (SUB AR36158 AND AR35261)
	AR36301	CYLINDER	1		MECHANICAL STOP, (SUB AR36158 AND AR36303)
7	14H1076	NUT	3		3/8"
8	12H304	LOCK WASHER	3		3/8"
9	R43207	ARM	1		R.H. (NOT AS ILLUSTRATED)
	R43208	ARM	1		L.H. (NOT AS ILLUSTRATED)
10	19H1765	CAP SCREW	3		3/8" X 1-3/4"
11	AR47825	PIN	2		(SUB FOR AA6309R)
12	A3581R	SPRING LOCKING PIN	2		
13	PIN	1		(SUB AR47825)

3E17

HYDRAULICS

RWP3713 -UN-01JAN94

REMOTE CYLINDER HOSE IDENTIFICATION KIT



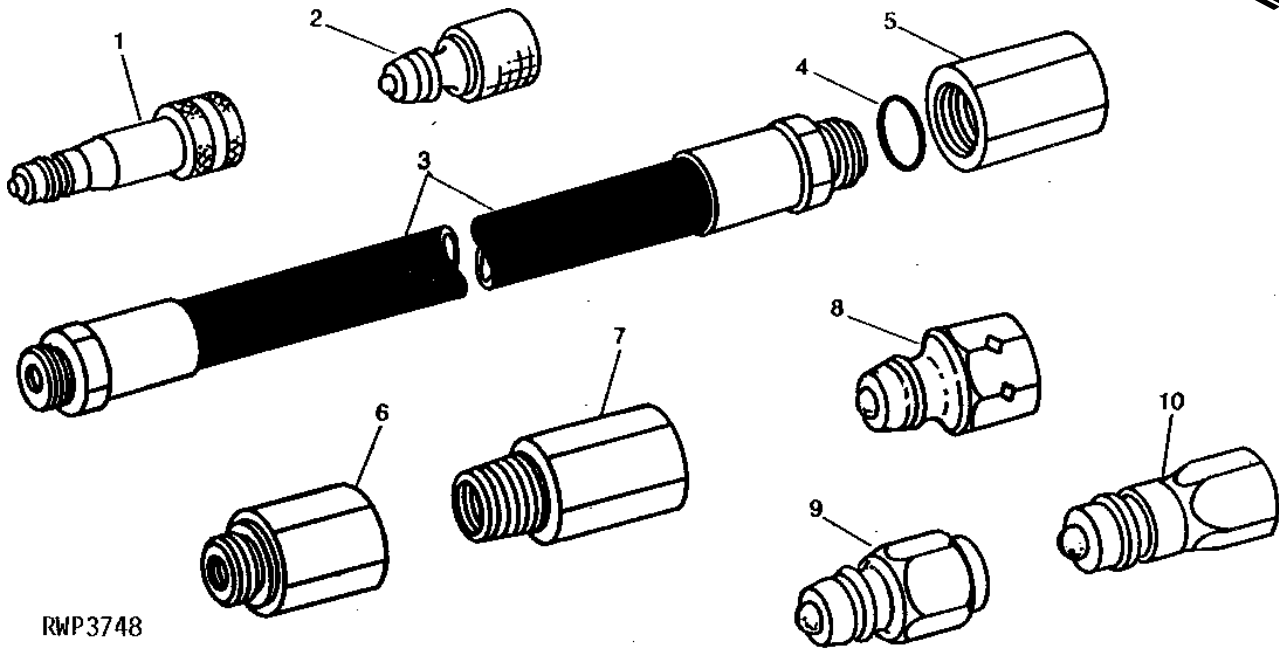
KEY	PART NO.	PART NAME	QTY	TRACTOR SERIAL NO.	REMARKS
1	R74242	PLUG	1		
2	R74243	PLUG	1		
3	R74244	PLUG	1		
4	R74246	PLUG	1		
5	R76459	TAG	1		
6	R76477	TIE BAND	2		
7	AR103808	KIT	1		

3E18

HYDRAULICS

RWP3748 -UN-01JAN94

IMPLEMENT HYDRAULIC OIL LINES AND FITTINGS



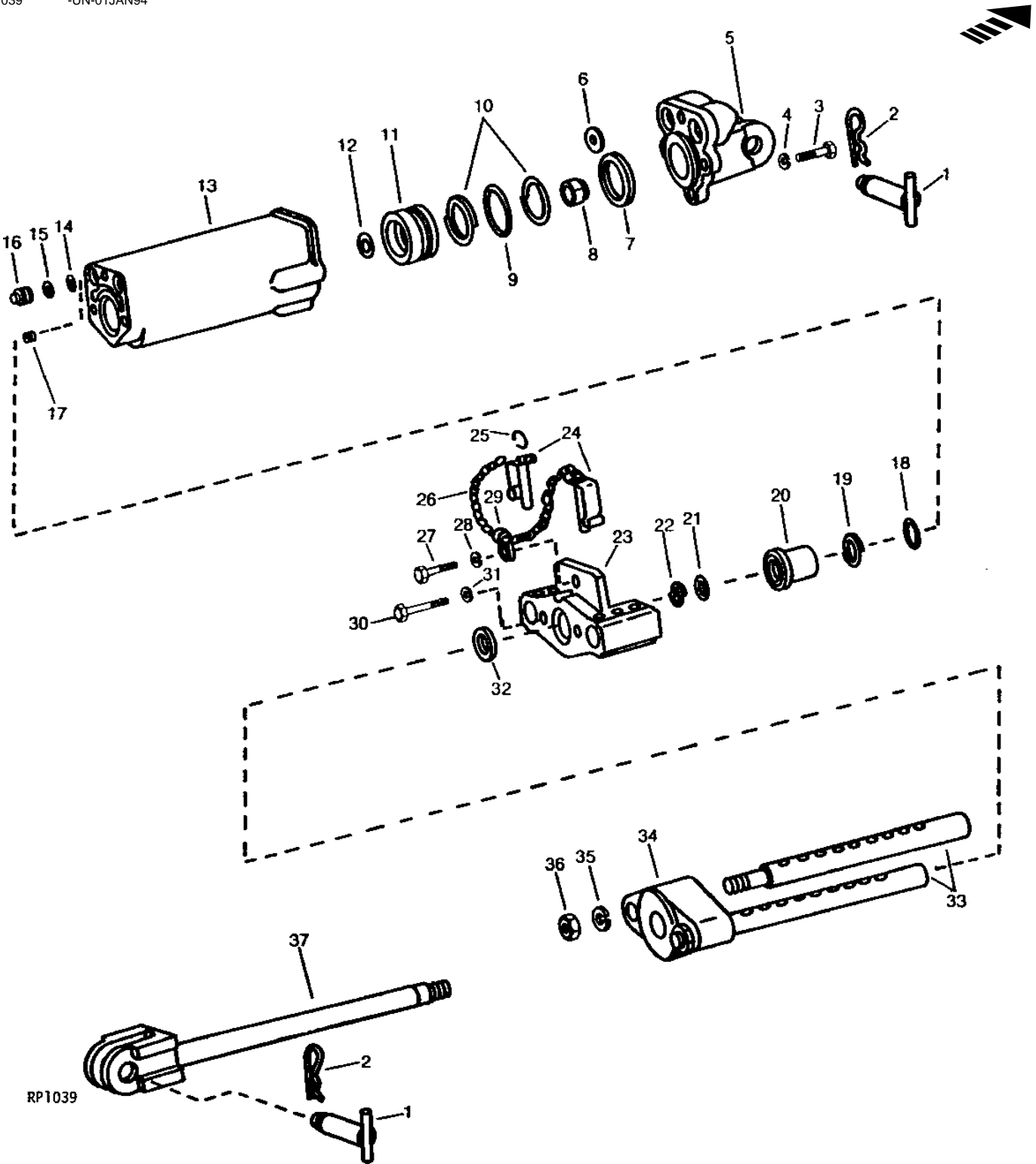
KEY	PART NO.	PART NAME	QTY	TRACTOR SERIAL NO.	REMARKS
1	AR98202	HYD. QUICK-CONNECT COUPLER	1	JOHN DEERE TO ISO	
	R21722	O-RING	1	(INCLUDED IN AR98202)	
	RE11457	ADAPTER	1	IHC TO ISO	
2	U11647	O-RING	1	(INCLUDED IN RE11457)	
	AR98201	HYD. QUICK-CONNECT COUPLER	1	ISO TO JOHN DEERE	
	R21722	O-RING	1	(INCLUDED IN AR90201, RE11458 AND RE11463)	
3	R71387	WASHER	1	(INCLUDED IN AR98201)	
	RE11456	ADAPTER	1	IHC TO JOHN DEERE	
	RE11458	ADAPTER	1	JOHN DEERE TO IHC	
	RE11463	ADAPTER	1	ISO TO IHC	
	TY3018	HYDRAULIC HOSE	1	10 X 610MM (3/8" X 24") (SUB FOR AR28754)	
4	AR28755	HYDRAULIC HOSE	1	10 X 914MM (3/8" X 36")	
	R36658	HYDRAULIC HOSE	1	13 X 610MM (1/2" X 24")	
	R36659	HYDRAULIC HOSE	1	13 X 914MM (1/2" X 36")	
5	R26375	O-RING	1		
6	R30815	FITTING	1	3/4" THREAD	
7	R30817	ADAPTER	1	3/4"-16UNF MALE X 1/2"-14NPT FEMALE	
8	R30816	ADAPTER	1	1/2"-14NPT MALE X 3/4"-16UNF FEMALE	
9	AR93820	FITTING	1	JOHN DEERE, 3/4"-16 UNF	
10	RE11447	FITTING	1	JOHN DEERE, 1/2"-14NPT	
	AR94522	INTERNAL HALF COUPLER	1	ISO, 3/4"-16UNF	

3E19

HYDRAULICS

RP1039 -UN-01JAN94

REMOTE CYLINDER PARTS (3-1/2" X 8" MECHANICAL STOP)



3E20

HYDRAULICS

REMOTE CYLINDER PARTS - CONTINUED (3-1/2" X 8" MECHANICAL STOP)

KEY	PART NO.	PART NAME	QTY	TRACTOR SERIAL NO.	REMARKS
1	AR47825	PIN	2		
2	A3581R	SPRING LOCKING PIN	2		
3	19H2357	CAP SCREW	4		9/16" X 2"
4	12H317	LOCK WASHER	2		9/16"
5	R35452	CYLINDER HEAD	1		
6	A4723R	WASHER	2		
7	F1427R	WASHER	1		
8	R45620	LOCK NUT	1		
9	F1430R	O-RING	1		
10	R35472	BACK-UP RING	2		
11	R44297	PISTON	1		
12	R27564	O-RING	1		
13	R35447	CYLINDER	1		
14	R459R	O-RING	1		
15	R32588	BACK-UP RING	1		
16	R34131	PLUG	1		
17	15H624	PIPE PLUG	1		1/2"
18	T19687	O-RING	1		(SUB FOR T11220)
19	R35474	BACK-UP RING	1		
20	R36951	GUIDE	1		
21	R29463	O-RING	1		
22	R35473	BACK-UP RING	1		
23	R44286	GUIDE	1		
24	AR68145	QUICK LOCK PIN	2		(SUB FOR AR45536)
25	D2913R	LINK	2		
26	R49193	LINK CHAIN	1		(SUB FOR A3184R) (SUB AN163885)
27	19H2552	CAP SCREW	1		3/8" X 1-1/8"
28	12H304	LOCK WASHER	1		3/8"
29	T13073	CLIP	1		
30	19H1726	CAP SCREW	2		3/8" X 2-1/4"
31	12H304	LOCK WASHER	2		3/8"
32	R35738	SEAL	1		
33	R44287	ROD	2		
34	R36952	STOP	1		
35	12H236	LOCK WASHER	2		3/4"
36	14H905	NUT	2		3/4"
37	AR45544	ROD	1		

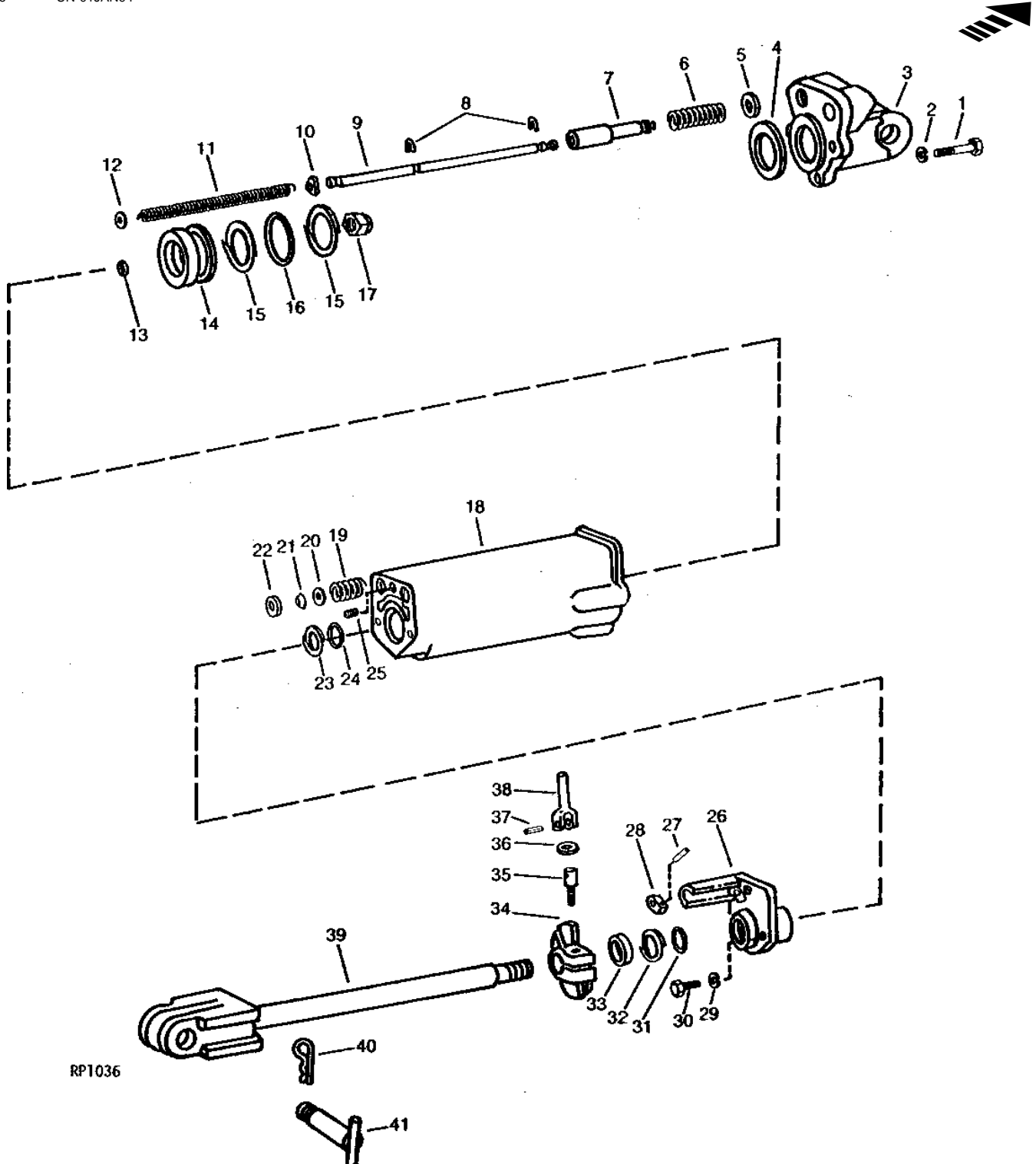
3E21

HYDRAULICS

RP1036

-UN-01JAN94

REMOTE CYLINDER PARTS (3-1/2" X 8" HYDRAULIC STOP)



RP1036

3E22

HYDRAULICS

REMOTE CYLINDER PARTS - CONTINUED (3-1/2" X 8" HYDRAULIC STOP)

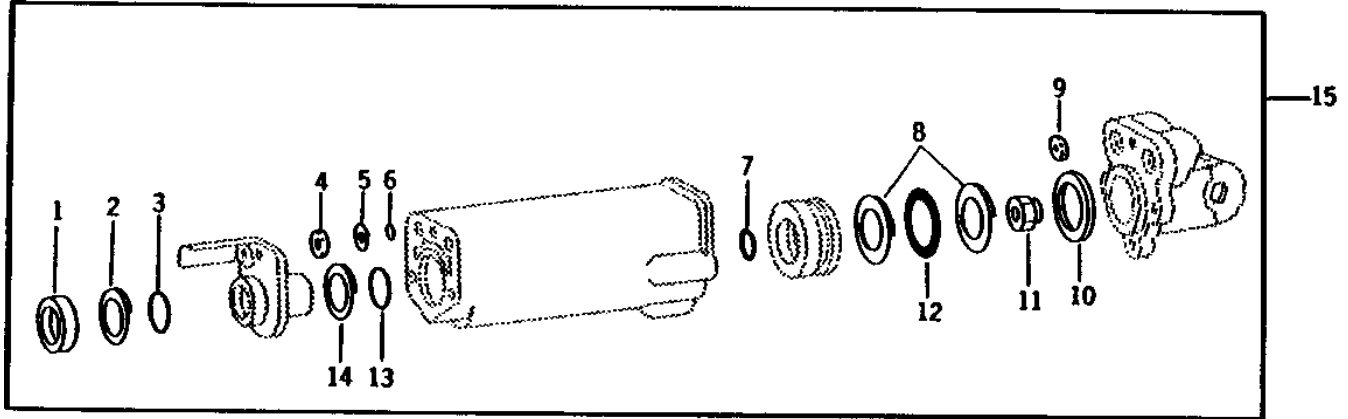
KEY	PART NO.	PART NAME	QTY	TRACTOR SERIAL NO.	REMARKS
1	19H2357	CAP SCREW	4		9/16" X 2"
2	12H317	LOCK WASHER	4		9/16"
3	R35452	CYLINDER HEAD	1		
4	F1427R	WASHER	1		
5	A4723R	WASHER	2		
6	R49352	SPRING	1		
7	R39012	VALVE	1		
8	A4739R	RING	2		
9	A4736R	ROD	1		
10	R57696	WASHER	1		(SUB FOR A4738R)
11	A4737R	SPRING	1		
12	24H1301	WASHER	1		13/32" X 9/16" X 0.065"
13	R27564	O-RING	1		
14	R44297	PISTON	1		
15	R35472	BACK-UP RING	2		
16	F1430R	O-RING	1		
17	R45620	LOCK NUT	1		
18	R35447	CYLINDER	1		
19	A4748R	SPRING ASSEMBLY	1		
20	A4747R	WASHER	1		
21	A4745R	PACKING	3		
22	A4746R	ADAPTER	1		
23	R35474	BACK-UP RING	1		
24	T19687	O-RING	1		(SUB FOR T11220)
25	15H624	PIPE PLUG	1		1/2"
26	R40219	GUIDE	1		
27	25H760	GROOVE PIN	1		7/32" X 1-1/4"
28	A5304R	ARM	1		
29	12H304	LOCK WASHER	3		3/8"
30	19H1731	CAP SCREW	3		3/8" X 1"
31	R29463	O-RING	1		
32	R35473	BACK-UP RING	1		
33	R35738	SEAL	1		
34	R35448	STOP	1		
35	A5301R	SCREW	1		
36	R57696	WASHER	1		(SUB FOR R1870R)
37	34H264	SPRING PIN	1		5/32" X 7/8"
38	A5302R	YOKE	1		
39	AR45544	ROD	1		
40	A3581R	SPRING LOCKING PIN	2		
41	AR47825	PIN	2		

3E23

HYDRAULICS

R32035 -UN-23SEP94

REMOTE CYLINDER OVERHAUL KIT (3-1/2" X 8" HYDRAULIC OR MECHANICAL STOP)



R32035F

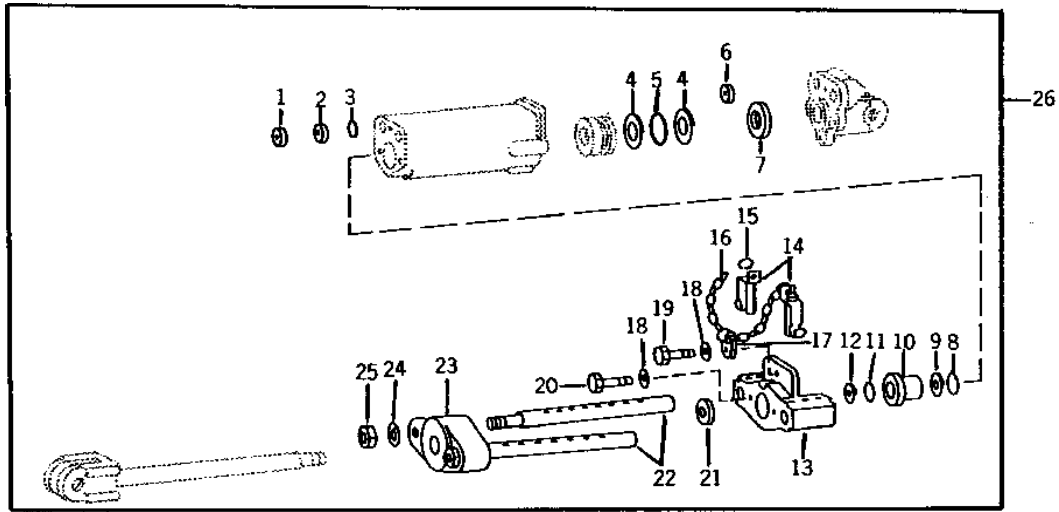
KEY	PART NO.	PART NAME	QTY	TRACTOR SERIAL NO.	REMARKS
1	R35738	SEAL	1		
2	R35473	BACK-UP RING	1		
3	R29463	O-RING	1		
4	A4745R	PACKING	3		(HYDRAULIC STOP)
5	R32588	BACK-UP RING	1		(MECHANICAL STOP)
6	R459R	O-RING	1		(MECHANICAL STOP)
7	R27564	O-RING	1		
8	R35472	BACK-UP RING	2		
9	A4723R	WASHER	2		
10	F1427R	WASHER	1		
11	R45620	LOCK NUT	1		
12	F1430R	O-RING	1		
13	T11220	O-RING	1		
14	R35474	BACK-UP RING	1		
15	AR31945	KIT	1		

3E24

HYDRAULICS

R32034 -UN-06OCT94

REMOTE CYLINDER CONVERSION KIT (3-1/2" X 8" HYDRAULIC STOP TO MECHANICAL STOP)



R32034F

KEY	PART NO.	PART NAME	QTY	TRACTOR SERIAL NO.	REMARKS
1	R34131	PLUG	1		
2	R32588	BACK-UP RING	1		
3	R459R	O-RING	1		
4	R35472	BACK-UP RING	2		
5	F1430R	O-RING	1		
6	A4723R	WASHER	2		
7	F1427R	WASHER	1		
8	T11220	O-RING	1		
9	R35474	BACK-UP RING	1		
10	R36951	GUIDE	1		
11	R29463	O-RING	1		
12	R35473	BACK-UP RING	1		
13	R44286	GUIDE	1		
14	AR68145	QUICK LOCK PIN	2		
15	D2913R	LINK	2		
16	AN163885	LINK CHAIN	1	(SUB FOR R49193)	
17	T13073	CLIP	1		
18	12H304	LOCK WASHER	3	3/8"	
19	19H2552	CAP SCREW	1	3/8" X 1-1/8"	
20	19H1726	CAP SCREW	2	3/8" X 2-1/4"	
21	R35738	SEAL	1		
22	R44287	ROD	2		
23	R36952	STOP	1		
24	12H236	LOCK WASHER	2	3/4"	
25	14H905	NUT	2	3/4"	
26	AR45534	KIT	1		

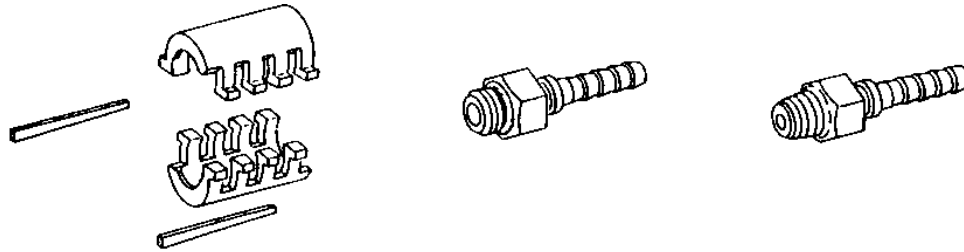
3E25

HYDRAULICS

RXP7733

-UN-23SEP94

BULK FLEXIBLE OIL LINE AND REUSABLE LOK-PIN COUPLINGS



Oil Line (Length) Approx. 50 ft.)		Set of Ferrules with Pins*	Stem-Straight Thread with O-ring	Stem-Pipe Thread
R 34790	3/8" I.D. — 1 Wire	AR 39635* *	R 39687
R 34791	1/2" I.D. — 1 Wire	AR 39636* *	R 39688
R 34792	3/4" I.D. — 1 Wire	AR 39637#	R 39689
R 34793	3/8" I.D. — 2 Wire	AR 39632	AR 39635* *	R 39687
R 34794	1/2" I.D. — 2 Wire	AR 39636* *	R 39688
R 34795	3/4" I.D. — 2 Wire	AR 39637#	R 39689

* Each set of ferrules includes two R39681 pins - extra pins may be ordered, packed 20 in a package.
 **Includes R26375 O-ring.
 # Includes F3171R O-ring.

REUSABLE COUPLINGS (Use With Braid Flexible Oil Line)



1 WR Single Wire		2 WR Double Wire		I.D.	Thread
Coupling No.		Coupling No.			
AF 3585	R	AR 21629		3/8"	3/8" — 18 NPTF
AF 3586	R	AR 21630		1/2"	1/2" — 14 NPTF
AF 3587	R		5/8"	3/4" — 14 NPTF
AF 3588	R	AR 21632		3/4"	3/4" — 14 NPTF
R 34644		AR 21634		1"	1" — 11-1/2" NPTF
R 34646			3/8"	3/4" — 16 O-ring type thread
		R 34647		1/2"	3/4" — 16 O-ring type thread

BULK SINGLE WIRE BRAID FLEXIBLE OIL LINE (Use With Reusable Coupling for Single Wire Braid Flexible Oil Line)

Part No.	I.D.	O.D.	Length
A 5776 R	1/2"	29/32"	Approx. 50 ft.
A 5777 R	5/8"	1-1/32"	Approx. 50 ft.

BULK DOUBLE WIRE BRAID FLEXIBLE OIL LINE (Use with Reusable Coupling for Double Wire Braid Flexible Oil Line)

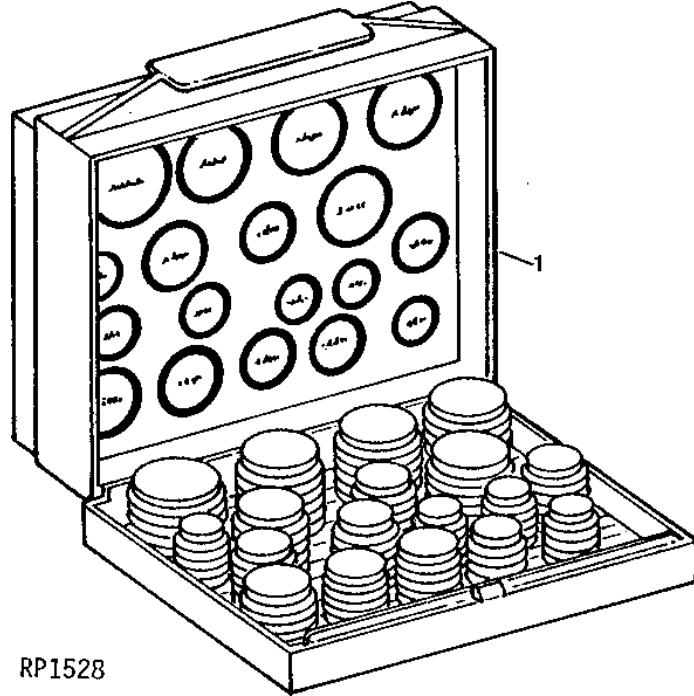
Part No.	I.D.	O.D.	Length
R 21531	3/8"	29/32"	Approx. 50 ft.
R 21532 RXP7733	1/2"	31/32"	Approx. 50 ft.

3F1

HYDRAULICS

RP1528 -UN-01JAN94

O-RING KIT



RP1528

KEY	PART NO.	PART NAME	QTY	TRACTOR SERIAL NO.	REMARKS
1	AR73500	KIT	1	HYDRAULIC	

3F2

HYDRAULICS

R32261

-UN-01JAN94

TRANSMISSION AND HYDRAULIC OIL



R32261F

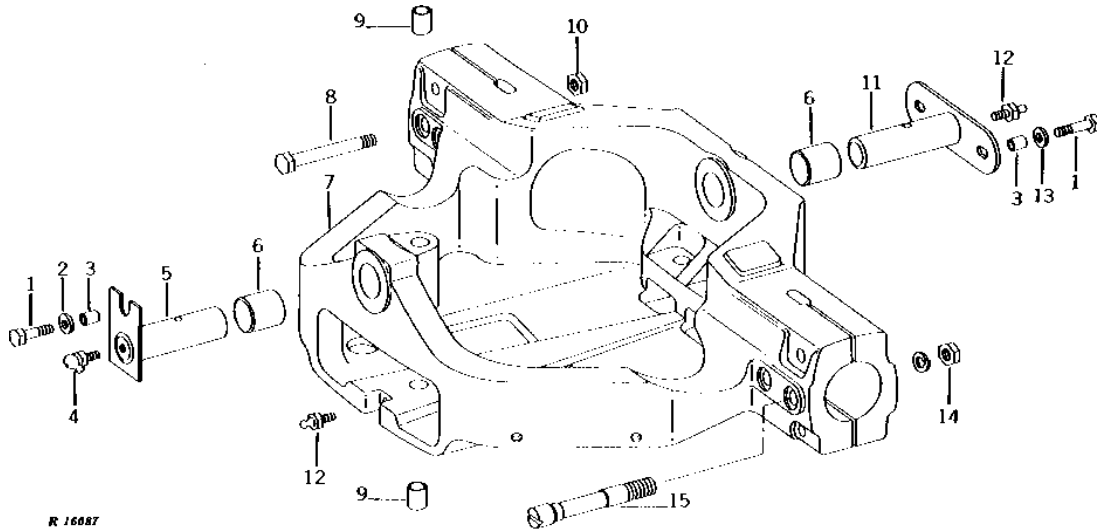
KEY	PART NO.	PART NAME	QTY	TRACTOR SERIAL NO.	REMARKS
1	AR69444	HY-GARD	1		19L (5 GAL.)
	AR69445	HY-GARD	1		208L (55 GAL.) (EMPTY DRUMS NOT RETURNABLE)

3F5

WHEELS, FRONT AXLES, SHEET METAL

R16087 -UN-01JAN94

FRONT AXLE HOUSING (ADJUSTABLE TREAD)



R 16087

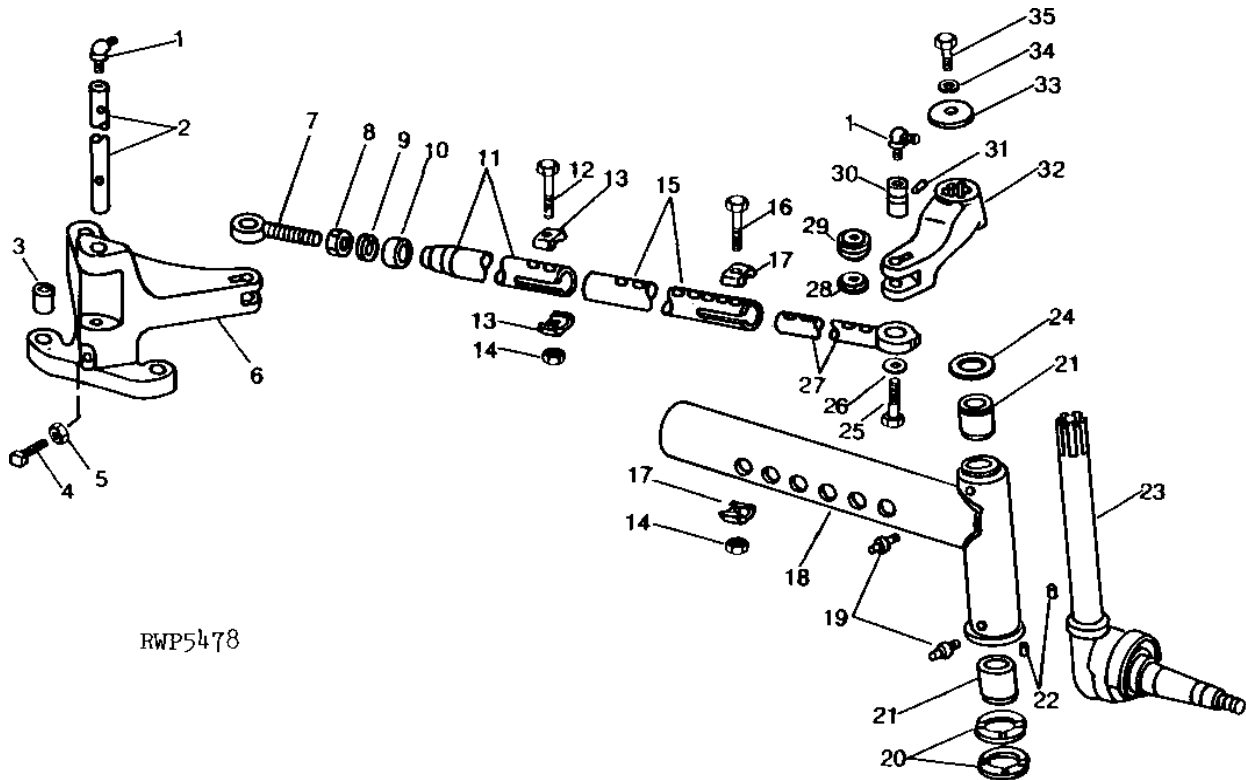
KEY	PART NO.	PART NAME	QTY	TRACTOR SERIAL NO.	REMARKS
1	19H3265	CAP SCREW	3		1/2" X 1-7/8"
2	T23891	WASHER	3		
3	R36728	BUSHING	3		
4	JD7759	LUBRICATION FITTING	1		STRAIGHT
	JD7781	LUBRICATION FITTING	1		90°, (POWER FRONT WHEEL DRIVE)
5	AR43039	PIN	1		
6	R35389	BUSHING	2		
7	AR49250	HOUSING	1		(MARKED R46782) (SUB FOR AR43268)
8	19H1988	CAP SCREW	2		3/4" X 6", (LOWER)
	19H2000	CAP SCREW	2		3/4" X 5", (UPPER)
9	R43199	BUSHING	4		
10	14H794	NUT	4		3/4"
11	AR43038	PIN	1		
12	JD7759	LUBRICATION FITTING	2		(3MM)
13	24H1272	WASHER	2		9/16" X 1-1/4" X 1/4"
14	14H854	NUT	2		1"
	12H234	LOCK WASHER	2		1"
15	R40198	BOLT	2		

3F6

WHEELS, FRONT AXLES, SHEET METAL

STEERING ARMS, BELL CRANK AND TIE RODS (ADJUSTABLE TREAD)

RWP5478 -UN-01JAN94



RWP5478

3F7

WHEELS, FRONT AXLES, SHEET METAL

STEERING ARMS, BELL CRANK AND TIE RODS - CONTINUED (ADJUSTABLE TREAD)

KEY	PART NO.	PART NAME	QTY	TRACTOR SERIAL NO.	REMARKS
1	JD7781	LUBRICATION FITTING	5		
2	R43203	PIN	1		
3	R43199	BUSHING	2		
4	22H952	SET SCREW	1		1/2" X 1-1/2"
5	14H971	NUT	1		1/2"
6	AR43269	LEVER	1		(MARKED R43157)
7	AR43265	TIE ROD END	2		
8	14H876	NUT	2		1"
9	12H234	LOCK WASHER	2		1"
10	R43572	TIE ROD END	2		
11	R43161	TUBE	2		
	R43956	TUBE	2		(A)
12	19H2444	CAP SCREW	2		7/16" X 3-1/4"
13	R43571	CLAMP	4		
14	N101346	LOCK NUT	4		
15	R43162	TUBE	2		
16	19H2227	CAP SCREW	2		7/16" X 2-1/2"
17	R43570	CLAMP	4		(OUTER)
18	AR51604	AXLE	1		R.H. (24" HORIZONTAL LENGTH) (SUB FOR AR43032)
	AR51605	AXLE	1		L.H. (24" HORIZONTAL LENGTH) (SUB FOR AR43032)
	AR51602	AXLE	1		(A) R.H. (20" HORIZONTAL LENGTH) (SUB FOR AR43802)
	AR51603	AXLE	1		(A) L.H. (20" HORIZONTAL LENGTH) (SUB FOR AR43802)
19	JD7759	LUBRICATION FITTING	4		
20	R30398	WASHER	4		
21	R52188	BUSHING	4		(SUB FOR R28471)
22	34H308	SPRING PIN	4		1/4" X 1/2"
23	AR71631	KNUCKLE	2		(SUB FOR AR43176) (NLA)
24	R31251	WASHER	2		
25	R43569	CAP SCREW	4		(SUB R72371)
26	R43696	WASHER	4		
27	AR43040	TIE ROD END	2		
28	R43568	WASHER	4		
29	R43206	BUSHING	4		
30	R43204	PIN	4		
31	T16573	PIN	4		
32	R48471	STEERING ARM	1		R.H. (SUB FOR R43195)
	R48472	STEERING ARM	1		L.H. (SUB FOR R43196) (NLA)
33	F3607R	WASHER	2		
34	12H236	LOCK WASHER	2		3/4"
35	19H1798	CAP SCREW	2		3/4" X 1-3/4"

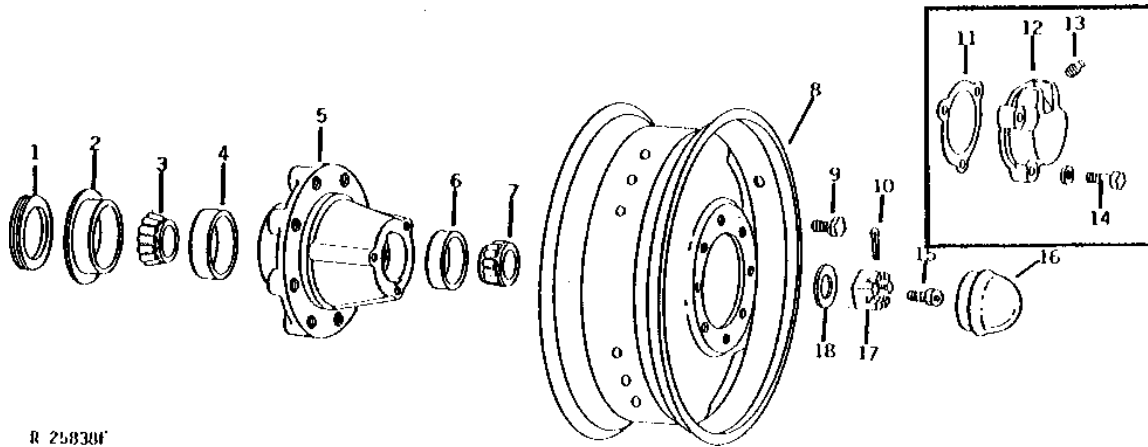
(A) EXTRA WIDE TREAD

3F8

WHEELS, FRONT AXLES, SHEET METAL

R25838 -UN-01JAN94

FRONT WHEELS



R 25838F

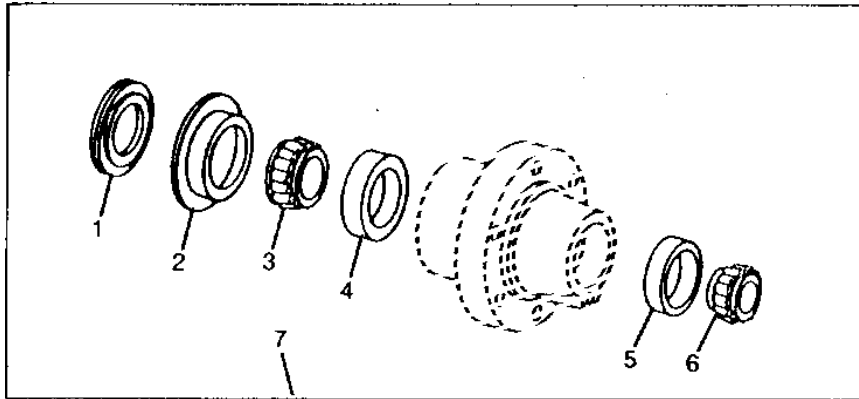
KEY	PART NO.	PART NAME	QTY	TRACTOR SERIAL NO.	REMARKS
1	AR27806	SEAL	1		
2	R28574	SEAL	1		
3	JD8131	BEARING CONE	1		
4	JD7439	BEARING CUP	1		
5	R40194 R63556	HUB HUB	1 1	-XXXXXX (SUB R63556, DT2127W, (8) 19H3418 AND 22H841) XXXXXX-	
6	JD7266	BEARING CUP	1		
7	JD8981	BEARING CONE	1		(SUB JD10190)
8	JD3207	WHEEL	1		(11.00 X 16", 6-PLY OR 8-PLY TIRE)
	JD3213	WHEEL	1		(9.50 X 20", 8-PLY TIRE)
	JD3216	WHEEL	1		(10.00 X 16", 6-PLY TIRE) (SUB RE51671 AND (8) 19H3570)
	JD3232	RIM	1		(14.00 X 16A" LOW PROFILE, 6-PLY TIRE) (SUB FOR JD3221) (SUB AR90898)
9	JD16	WHEEL BOLT	8		(USE WITH R40194 AND R63556)
	19H3418	CAP SCREW	8		5/8" X 1-1/2", (USE WITH R63556)
10	11M7032	COTTER PIN	1		0.197" X 1.969"
11	A1556R	GASKET	1	-XXXXXX	
12	A1555R	CAP	1	-XXXXXX	
13	15H638	PIPE PLUG	1	-XXXXXX	1/8"
14	19H2915	CAP SCREW	3	-XXXXXX	5/16" X 1-1/4"
	24H1136	WASHER	3	-XXXXXX	11/32" X 11/16" X 0.065"
15	22H841	SET SCREW	1	XXXXXX-	1/4" X 1/4"
16	DT2127W	CAP	1	XXXXXX-	
17	14H920	NUT	1		1"
18	R28575	WASHER	1		

3F9

WHEELS, FRONT AXLES, SHEET METAL

RXP9981 -UN-01JAN94

FRONT WHEEL BEARING KIT



RXP9981

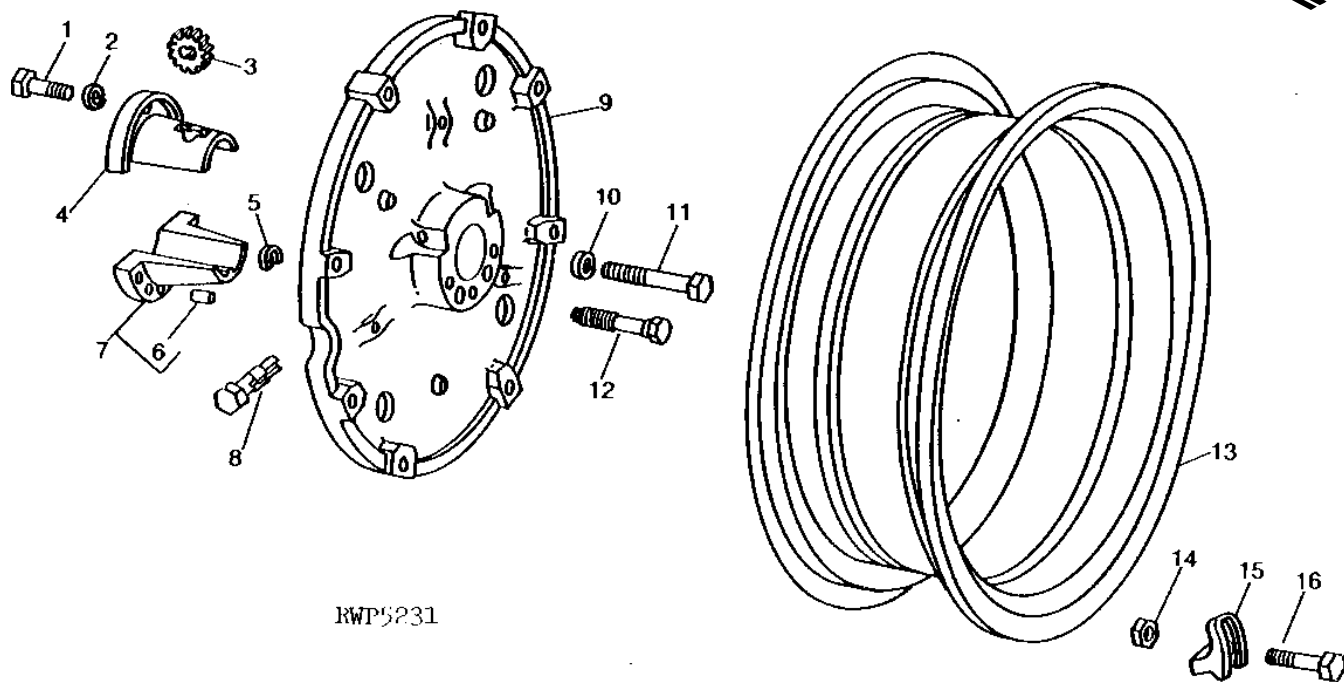
KEY	PART NO.	PART NAME	QTY	TRACTOR SERIAL NO.	REMARKS
1	AR27806	SEAL	1		
2	R28574	SEAL	1		
3	JD8131	BEARING CONE	1		
4	JD7439	BEARING CUP	1		
5	JD7266	BEARING CUP	1		
6	JD10190	BEARING CONE	1		
7	RE54816	BEARING KIT	1		

3F10

WHEELS, FRONT AXLES, SHEET METAL

RWP5231 -UN-01JAN94

REAR WHEELS



RWP5231

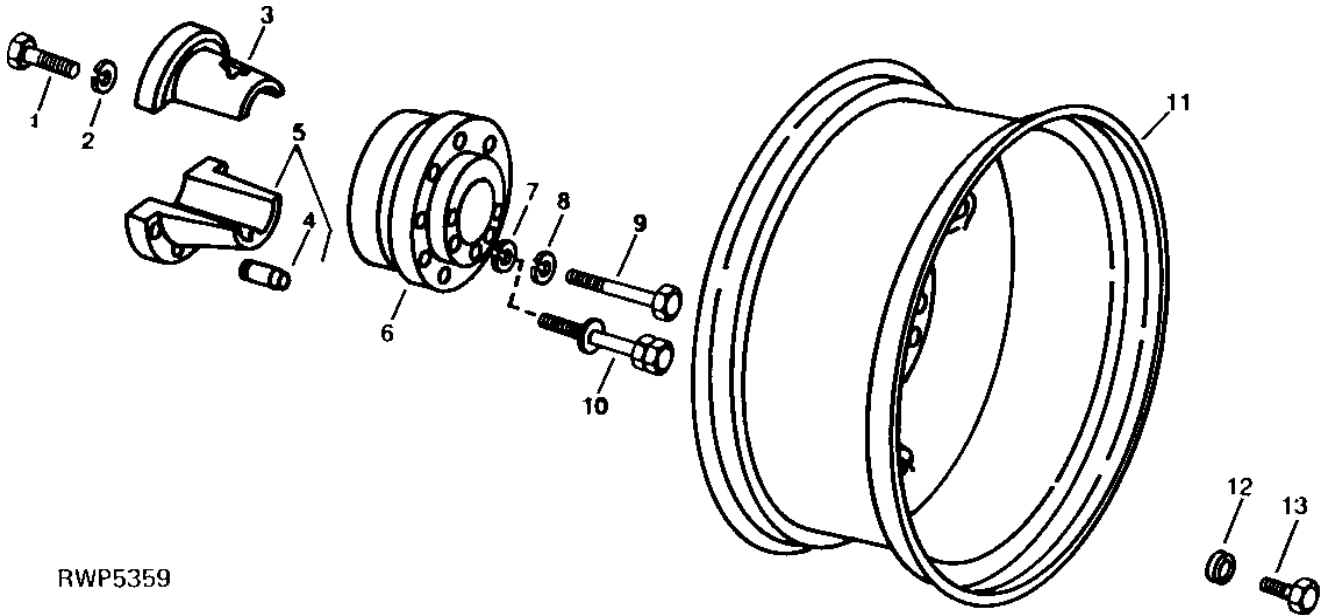
KEY	PART NO.	PART NAME	QTY	TRACTOR SERIAL NO.	REMARKS
1	19H2600	CAP SCREW	3	3/4" X 2-5/8"	
2	12H236	LOCK WASHER	3	3/4"	
3	A4379R	PINION	1		
4	R35302	HALF SLEEVE	1		
5	R35333	SNAP RING	2		
6	R35335	DOWEL PIN	2		
7	AR83354	SLEEVE	1	(SUB FOR R35303)	
8	A4380R	PINION SHAFT	1		
9	R36190	WHEEL	1	(24.5-32 TIRE)	
	R49860	WHEEL	1	(18.4-38 TIRE)	
	R43530	WHEEL	1	(12.4-42 TIRE)	
10	12H245	LOCK WASHER	3	7/8"	
11	08H4486	CAP SCREW	3		
12	R35332	SCREW	2		
13	R36097	RIM	1	(24.5-32 TIRE)	
	R80306	RIM	1	(18.4-38 TIRE) (SUB FOR R41012)	
	R43743	RIM	1	(12.4-42 TIRE)	
	R43744	RIM	1	(20.8-38 TIRE) (SUB R74851)	
14	14H800	NUT	AR	5/8", (12 USED WITH R36190) (16 USED WITH R49860 AND R43530)	
15	B634R	CLAMP	12	(USE WITH R36190)	
	A4388R	CLAMP	16	(USE WITH R49860 AND R43530)	
16	A4064R	BOLT	12	(SUB R34801) (USE WITH R36190)	
	08H4694	BOLT	16	5/8" X 4", (USE WITH R49860 AND R43530)	

3F11

WHEELS, FRONT AXLES, SHEET METAL

RWP5359 -UN-17NOV94

DUAL WHEELS



RWP5359

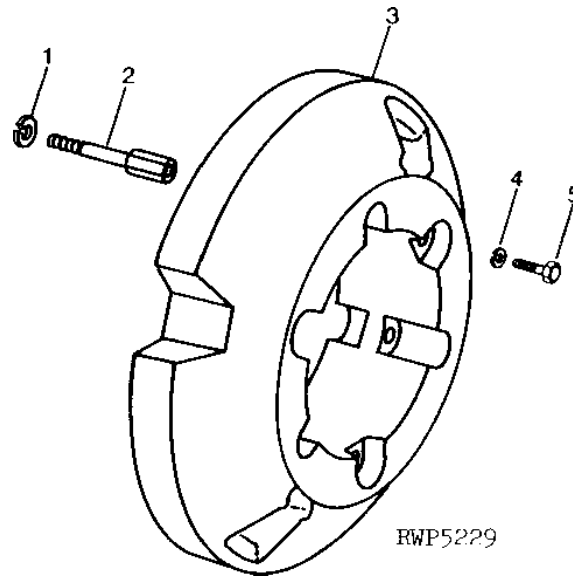
KEY	PART NO.	PART NAME	QTY	TRACTOR SERIAL NO.	REMARKS
1	19H1707	CAP SCREW	3	3/4" X 2-3/4"	
2	12H236	LOCK WASHER	3	3/4"	
3	R35302	HALF SLEEVE	1	PINION, (USE WITH RE50908 OR RE51962)	
4	R35335	DOWEL PIN	1		
5	AR83354	SLEEVE	1	KEY HALF, (SUB FOR R35303) (USE WITH RE50908 OR RE51962)	
6	R54160	HUB	1		
7	R35333	SNAP RING	2		
8	12H245	LOCK WASHER	3	7/8"	
9	08H4486	CAP SCREW	3		
10	R35332	SCREW	2		
11	AR89140	WHEEL	1	(18.4-38 TIRE) (SUB FOR JD3230) (SUB RE50908)	
	AR89141	WHEEL	1	(20.8-38 TIRE) (SUB FOR JD3231) (SUB RE51962)	
12	R52006	WASHER	10		
13	19H2088	CAP SCREW	10	7/8" X 1-3/4"	

3F12

WHEELS, FRONT AXLES, SHEET METAL

REAR WHEEL WEIGHT
(FOR 38" AND 42" CAST WHEEL)
(USE WITH R43530 OR R49860 ONLY)

RWP5229 -UN-17NOV94



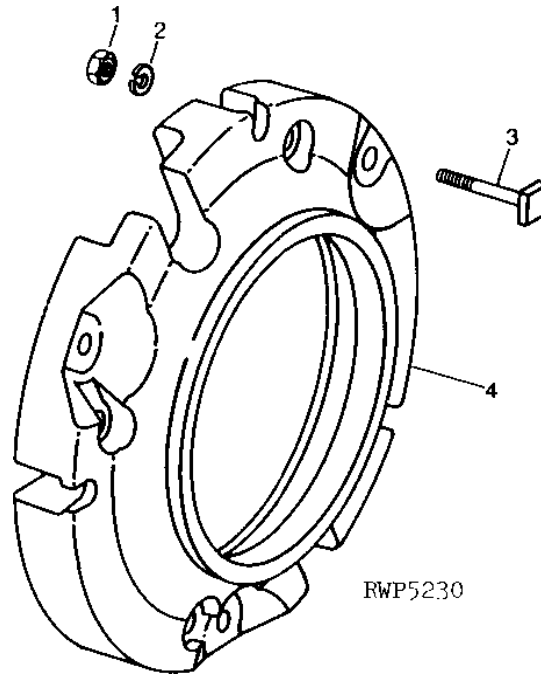
KEY	PART NO.	PART NAME	QTY	TRACTOR SERIAL NO.	REMARKS
1	12H236	LOCK WASHER	3	3/4"	
2	19H2174	CAP SCREW	3	3/4" X 4-1/4"	
	19H1782	CAP SCREW	3	3/4" X 2-1/4"	
3	R41030	WEIGHT	2	200KG (440 LBS)	
4	12H236	LOCK WASHER	3	3/4"	
5	R41256	SCREW	3		

3F13

WHEELS, FRONT AXLES, SHEET METAL

RWP5230 -UN-17NOV94

REAR WHEEL WEIGHT
(FOR 32" CAST WHEEL)



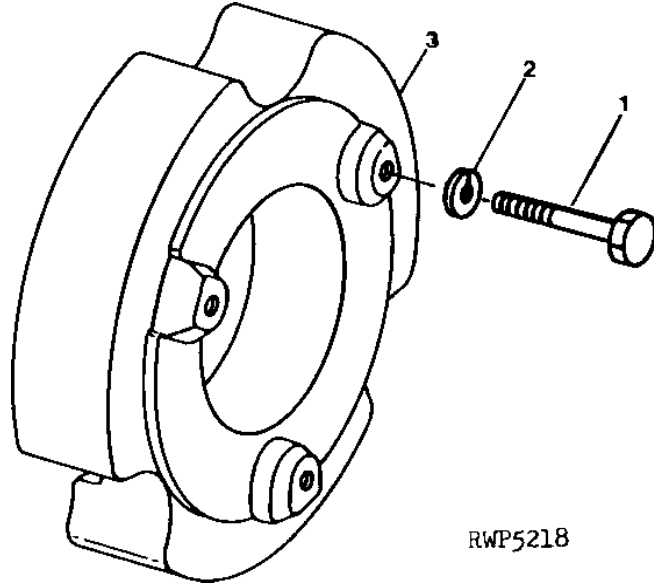
KEY	PART NO.	PART NAME	QTY	TRACTOR SERIAL NO.	REMARKS
1	14H1039	NUT	3	5/8"	
2	12H294	LOCK WASHER	3	5/8"	
3	R34801	BOLT	3		
4	T21689	WEIGHT	1	52KG (115 LBS)	

3F14

WHEELS, FRONT AXLES, SHEET METAL

RWP5218 -UN-01JAN94

REAR WHEEL INNER WEIGHT
(FOR 32" CAST WHEEL)



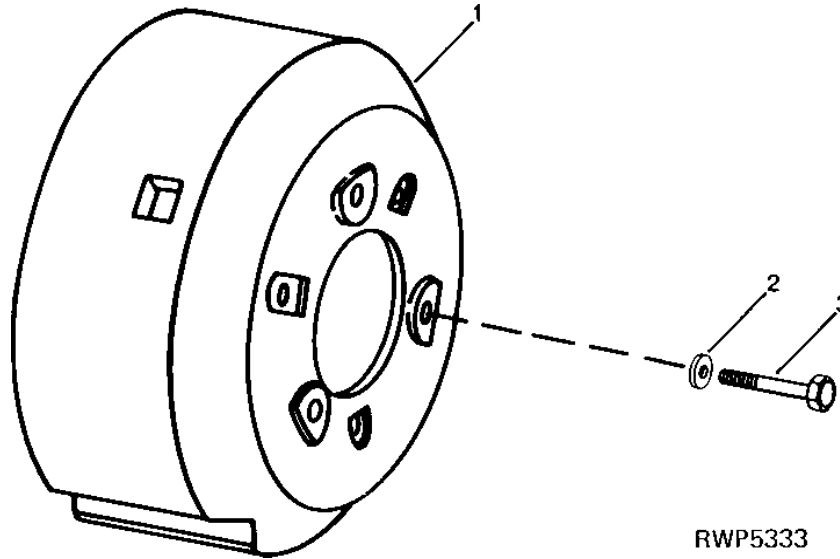
KEY	PART NO.	PART NAME	QTY	TRACTOR SERIAL NO.	REMARKS
1	19H1862	CAP SCREW	3	3/4" X 2-1/2"	
2	12H236	LOCK WASHER	3	3/4"	
3	R35780	WEIGHT	1	129KG (285 LBS)	

3F15

WHEELS, FRONT AXLES, SHEET METAL

RWP5333 -UN-17NOV94

REAR WHEEL INNER WEIGHT
(FOR 32", 34", 38" AND 42" CAST WHEEL)



RWP5333

KEY	PART NO.	PART NAME	QTY	TRACTOR SERIAL NO.	REMARKS
1	R72266	WEIGHT	1	680KG (1500 LBS)	
2	R78019	WASHER	3		
3	19H3167	CAP SCREW	3	(A) 3/4" X 3-1/4", HS, SAE 8	
	19H2826	CAP SCREW	3	(B) 3/4" X 4-1/2", HS, SAE 8	

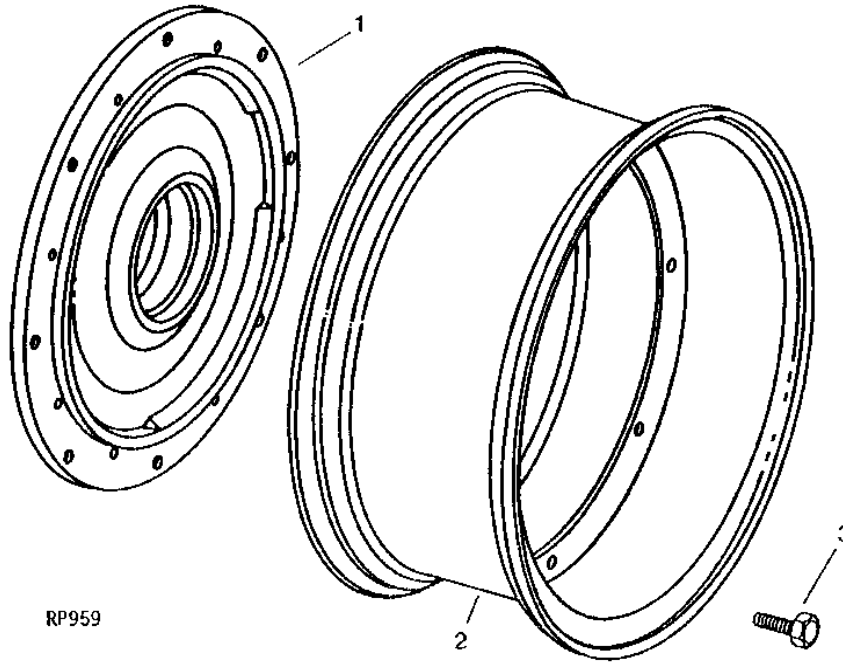
(A) 32" OR 34" WHEEL
(B) 38" OR 42" WHEEL

3F16

WHEELS, FRONT AXLES, SHEET METAL

RP959 -UN-01JAN94

FRONT WHEELS
(POWER FRONT WHEEL DRIVE)



KEY	PART NO.	PART NAME	QTY	TRACTOR SERIAL NO.	REMARKS
1	R41958	HUB	1		
2	AR49138	RIM	1	(14.9 X 24 TIRE)	
3	JD17	WHEEL BOLT	8		

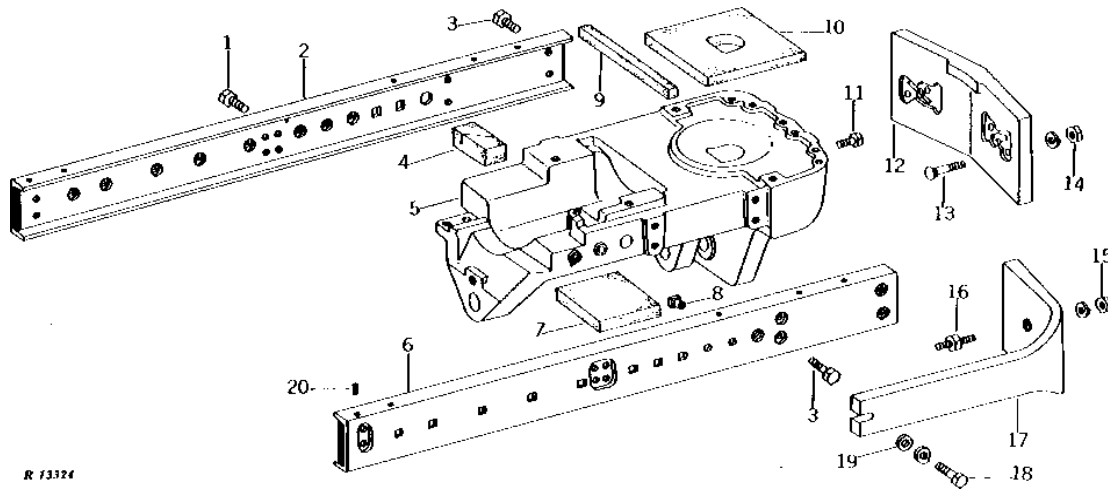
MEMORANDA

3F17

WHEELS, FRONT AXLES, SHEET METAL

R13324 -UN-01JAN94

SIDE FRAMES, FRONT SUPPORT, AND FRAME WEIGHTS



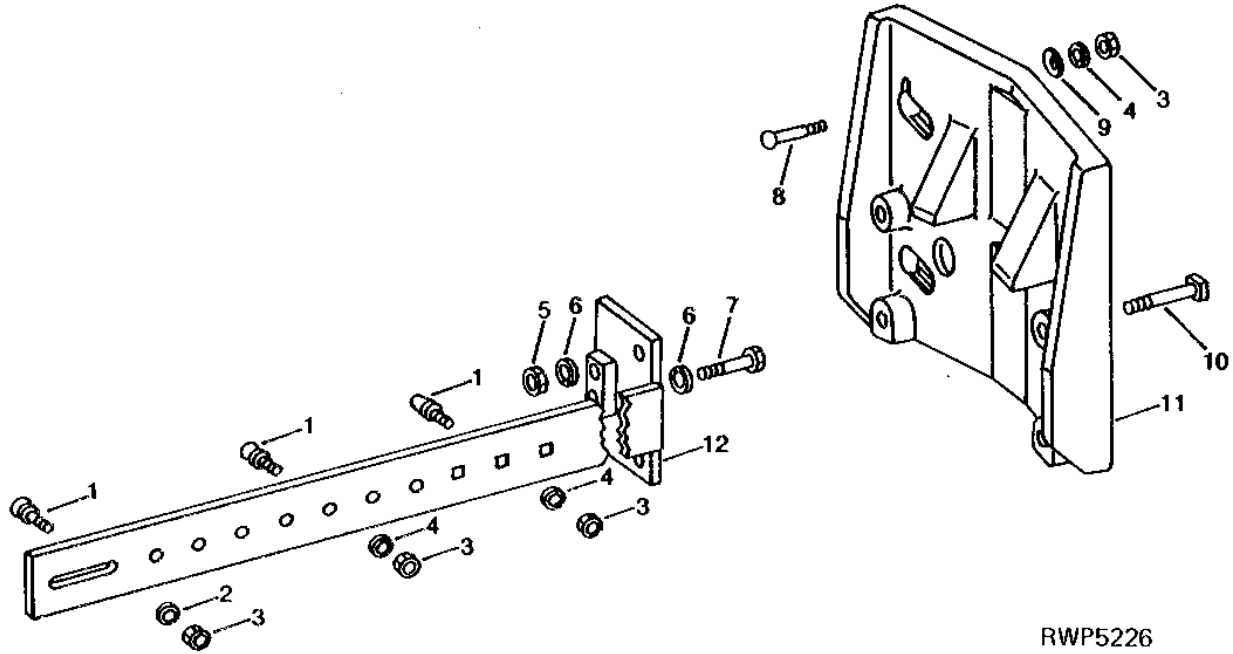
KEY	PART NO.	PART NAME	QTY	TRACTOR SERIAL NO.	REMARKS
1	R31505	BOLT	12		
2	AR50975	FRAME	1		(SUB FOR AR43004)
3	R35192	WHEEL BOLT	8		
4	FOAM PAD	1		51 X 51 X 114MM (2" X 2" X 4-1/2") (MAKE FROM R35340) PUMP LINE (SUB FOR R41310)
5	R46780	FRAME	1		
6	AR49108	FRAME	1		(SUB FOR AR43003)
7	R43782	COVER	1		
8	R43246	NUT	4		
9	FOAM PAD	1		25 X 25 X 305MM (1" X 1" X 12") (MAKE FROM R30937)
10	R43599	CUSHION	1		
11	19H2009	CAP SCREW	2		3/4" X 1-5/8"
12	R27643	WEIGHT	1		38KG (84 LBS)
13	03H1857	BOLT	2		5/8" X 2-3/4"
14	14H800	NUT	2		5/8"
	12H294	LOCK WASHER	2		5/8"
15	14H794	NUT	2		3/4"
	12H236	LOCK WASHER	2		3/4"
16	R27645	STUD	2		
17	WEIGHT	2		(NLA)
18	19H1847	CAP SCREW	2		5/8" X 2-1/2"
	12H294	LOCK WASHER	2		5/8"
19	F2783R	WASHER	2		
20	34H312	SPRING PIN	4		1/4" X 1"

3F18

WHEELS, FRONT AXLES, SHEET METAL

RWP5226 -UN-01JAN94

DOUBLE FRONT WEIGHT



RWP5226

KEY	PART NO.	PART NAME	QTY	TRACTOR SERIAL NO.	REMARKS
1	03H1399	BOLT	6	5/8" X 1-3/4"	
2	24H1367	WASHER	2	21/32" X 1-1/4" X 1/4"	
3	14H1039	NUT	10	5/8"	
4	12H294	LOCK WASHER	8	5/8"	
5	14H794	NUT	4	3/4"	
6	12H236	LOCK WASHER	6	3/4"	
7	19H2725	CAP SCREW	2	3/4" X 3-3/4"	
8	03H1858	BOLT	4	5/8" X 3-1/2"	
9	R44890	NUT	4		
10	08H4222	BOLT	4	3/4" X 3-3/4"	
11	R44350	WEIGHT	1	(NLA)	
12	AR58357	SUPPORT	2	(NLA)	

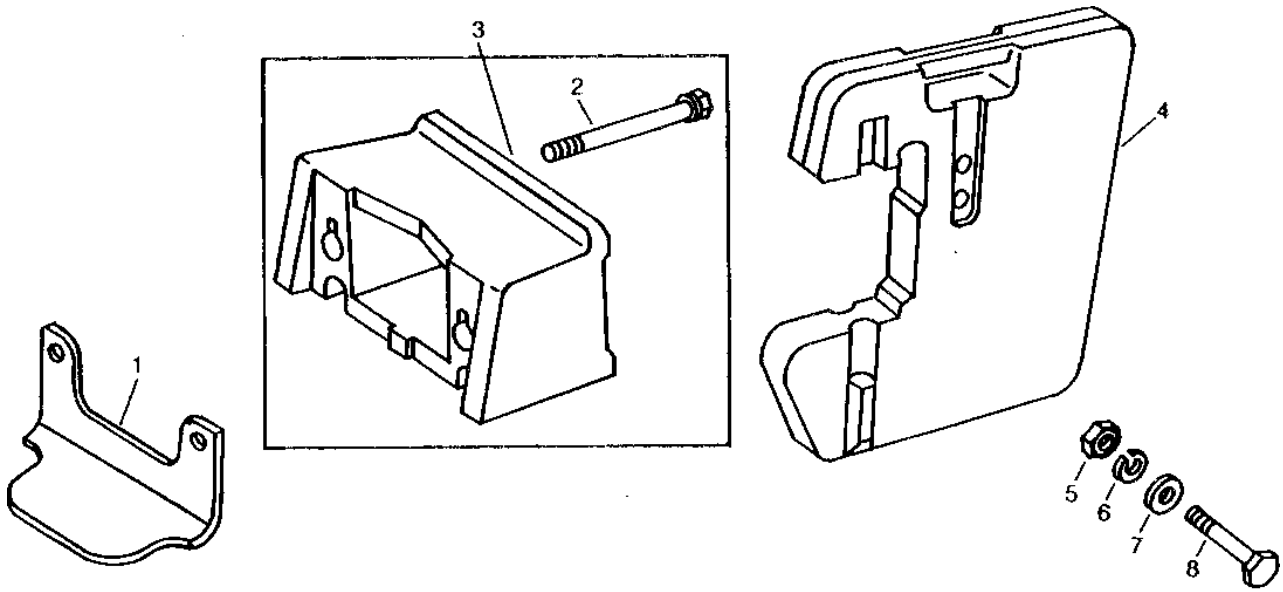
MEMORANDA

3F19

WHEELS, FRONT AXLES, SHEET METAL

FRONT WEIGHTS (TWO, FOUR, OR SIX QUIK-TATCH WEIGHTS)

RWP5530 -UN-01JAN94



RWP5530

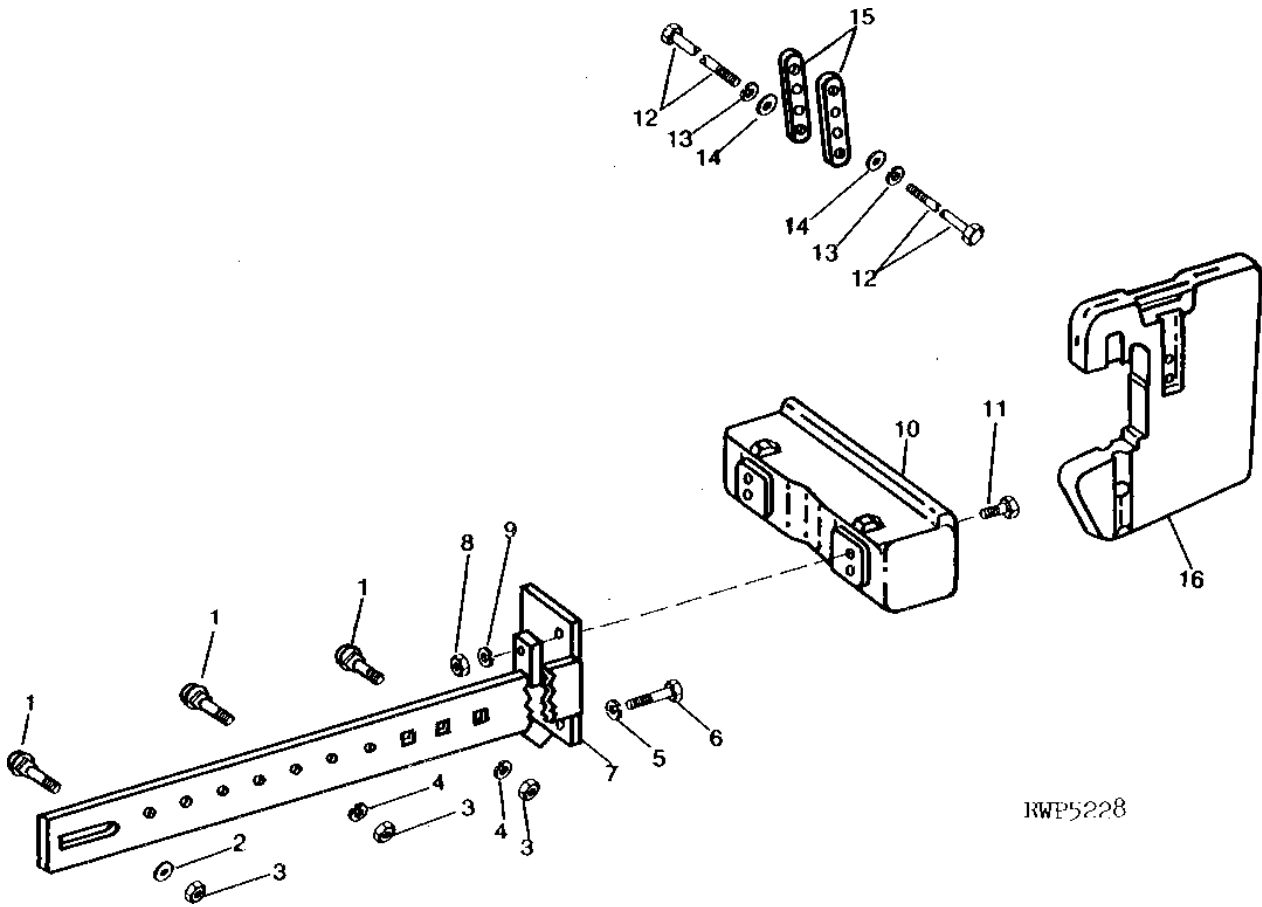
KEY	PART NO.	PART NAME	QTY	TRACTOR SERIAL NO.	REMARKS
1	R52914	ADAPTER	1		
2	R52924	SELF-LOCKING SCREW	2		
3	AR92425	SUPPORT	1		(SUB FOR AR58363) (ORDER R70417 AND (2) R52924)
4	R51680	WEIGHT	1		45KG (99 LBS)
5	14H1039	NUT	1		5/8"
6	12H294	LOCK WASHER	1		5/8"
7	24H1367	WASHER	1		21/32" X 1-1/4" X 1/4"
8	19H1926	CAP SCREW	1		5/8" X 4-3/4", (USE WITH 2 QUIK-TATCH WEIGHTS)
	08H4260	CAP SCREW	1		5/8" X 9", (USE WITH 4 QUIK-TATCH WEIGHTS)
	R51681	CAP SCREW	1		5/8 X 13 3/8", (USE WITH 6 QUIK-TATCH WEIGHTS)

3F20

WHEELS, FRONT AXLES, SHEET METAL

FRONT WEIGHTS (EIGHT OR TEN QUIK-TATCH WEIGHTS)

RWP5228 -UN-01JAN94



RWP5228

3F21

WHEELS, FRONT AXLES, SHEET METAL

**FRONT WEIGHTS - CONTINUED
(EIGHT OR TEN QUIK-TATCH WEIGHTS)**

KEY	PART NO.	PART NAME	QTY	TRACTOR SERIAL NO.	REMARKS
1	03H1399	BOLT	6		5/8" X 1-3/4"
2	24H1367	WASHER	2		21/32" X 1-1/4" X 1/4"
3	14H1039	NUT	6		5/8"
4	12H294	LOCK WASHER	4		5/8"
5	12H236	LOCK WASHER	2		3/4"
6	19H2725	CAP SCREW	2		3/4" X 3-3/4"
7	AR58357	SUPPORT	2		(NLA)
8	14H794	NUT	4		3/4"
9	12H236	LOCK WASHER	4		3/4"
10	R80326	SUPPORT	1		(SUB FOR AR72132) (NLA)
11	19H1782	CAP SCREW	4		3/4" X 2-1/4"
12	R51681	CAP SCREW	2		
13	12H294	LOCK WASHER	2		5/8"
14	24H1367	WASHER	2		21/32" X 1-1/4" X 1/4"
15	AR68801	RETAINER	2		(SUB FOR T32148) (NLA)
16	R51680	WEIGHT	1		45KG (99 LBS) (NLA)

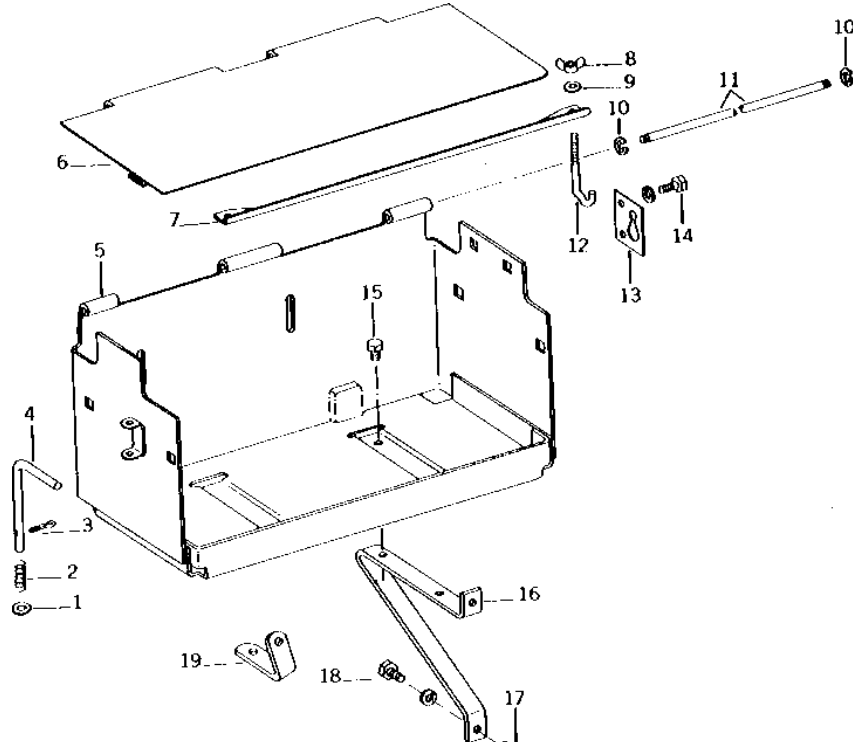
MEMORANDA

3F22

WHEELS, FRONT AXLES, SHEET METAL

R13446 -UN-01JAN94

BATTERY BOX (STANDARD)



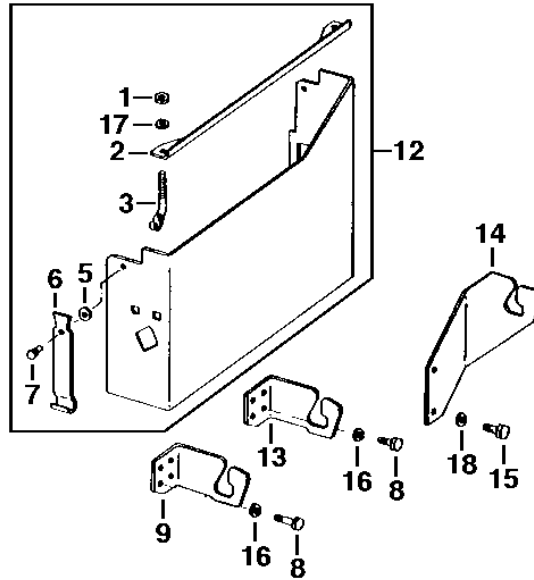
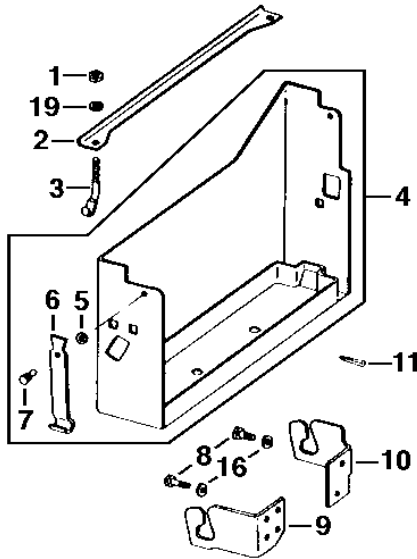
KEY	PART NO.	PART NAME	QTY	TRACTOR SERIAL NO.	REMARKS
1	24H1301	WASHER	1		13/32" X 9/16" X 0.065"
2	H26232	SPRING	1		
3	34H244	SPRING PIN	1		1/8" X 9/16"
4	R41548	PIN	1		
5	AR43523	BOX	1		
6	AR43138	DOOR	1		
7	R40423	CLAMP	2		
8	14H786	NUT	4		1/4"
9	24H1821	WASHER	4		9/32" X 47/64" X 1/16"
10	T12808	SNAP RING	2		(SUB R72655)
11	R43494	PIN	1		
12	R30805	ROD	4		
13	R43498	SUPPORT	1		
	R27583	GROMMET	1		
14	19H1936	CAP SCREW	2		3/8" X 3/4"
	12H304	LOCK WASHER	2		3/8"
15	19H2038	CAP SCREW	1		3/8" X 1/2"
16	R43495	BRACKET	1		
17	28H1525	BUSHING	1		3/8" X 1-1/16"
18	19H2284	CAP SCREW	2		3/8" X 7/8"
	19H246	CAP SCREW	2		3/8" X 1-3/4", (SYNCRO-RANGE)
	19H2284	CAP SCREW	2		3/8" X 7/8", (POWER SHIFT)
	12H304	LOCK WASHER	3		3/8"
19	R43496	BRACKET	1		

3F23

WHEELS, FRONT AXLES, SHEET METAL

BATTERY BOXES (LESS CAB)

RXP021372 -UN-06DEC95



RXP021372

KEY	PART NO.	PART NAME	QTY	TRACTOR SERIAL NO.	REMARKS
1	14H786	NUT	4	1/4"	
2	R40423	CLAMP	2		
3	R30805	ROD	4		
4	AR43141	BATTERY BOX	1		
5	24H1283	WASHER	4	7/32" X 1/2" X 0.049"	
6	R27084	CLAMP	2		
	R34958	LATCH	2		
7	R27085	RIVET	4		
8	19H2284	CAP SCREW	8	3/8" X 7/8"	
9	R40876	SUPPORT	2		
10	R43503	SUPPORT	1		
11	11M7084	COTTER PIN	2	5 X 25 MM	
12	AR40673	BATTERY BOX	1		
13	R40876	SUPPORT	1	(A)	
14	R43502	SUPPORT	1	(B)	
15	19H2284	CAP SCREW	2	(B) 3/8" X 7/8"	
16	12H304	LOCK WASHER	8	3/8"	
17	24H1821	WASHER	2	9/32" X 47/64" X 1/16"	
18	12H304	LOCK WASHER	2	(B) 3/8"	
19	24H1287	WASHER	2	9/32" X 5/8" X 0.065"	

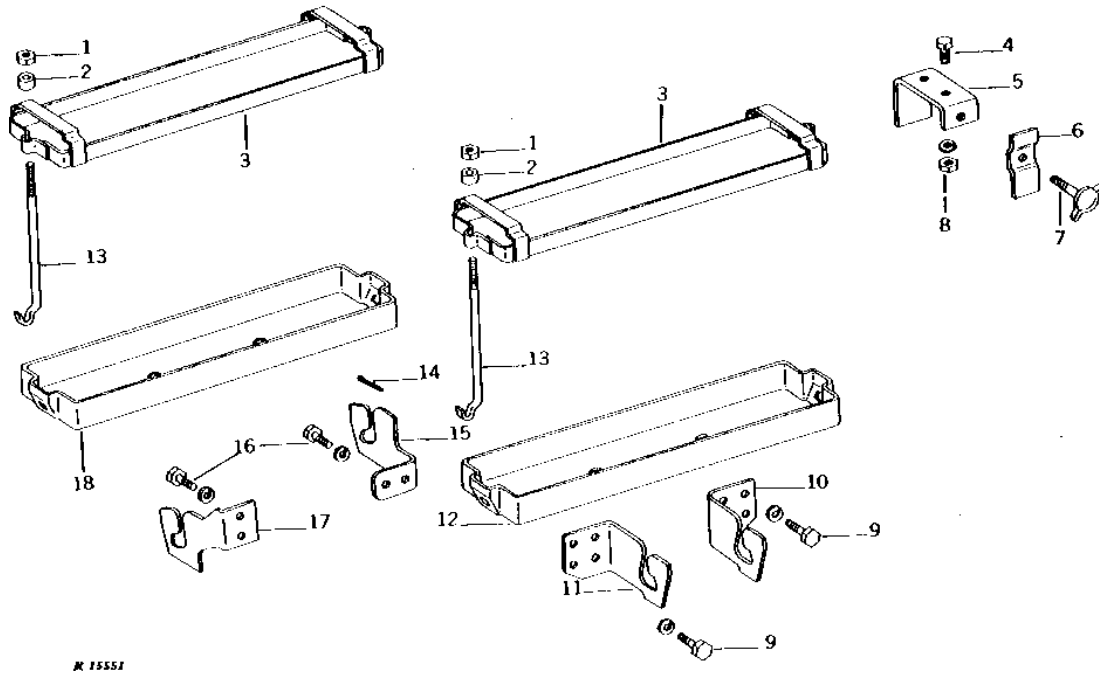
(A) POWER SHIFT TRANSMISSION
(B) SYNCRO-RANGE TRANSMISSION

3F24

WHEELS, FRONT AXLES, SHEET METAL

BATTERY BOXES (CAB) (TRACTOR SERIAL NO. 007552-)

R15551 -UN-01JAN94



R 15551

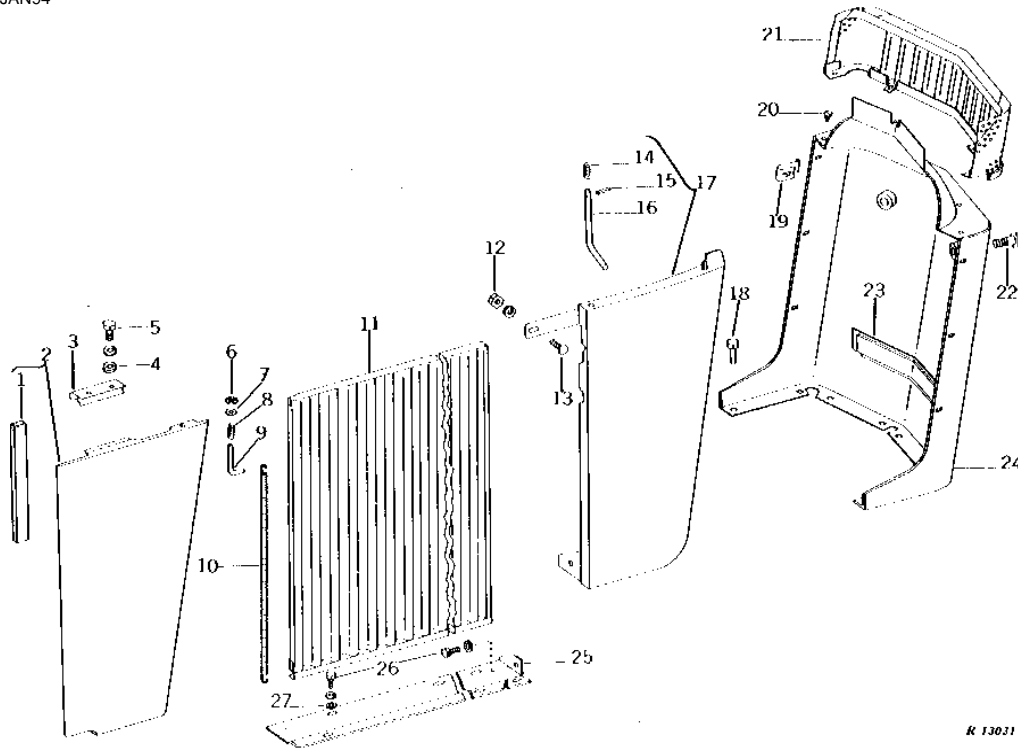
KEY	PART NO.	PART NAME	QTY	TRACTOR SERIAL NO.	REMARKS
1	14H786	NUT	4	1/4"	
2	R20522	BUSHING	4		
3	AR26469	HOLD-DOWN CLIP	2		
4	19H1936	CAP SCREW	4	3/8" X 3/4"	
5	AR50921	STOP	2	(SUB FOR AR47941)	
6	R46538	CLAMP	2	(SUB FOR R45895)	
7	R45896	WING SCREW	1		
8	14H1076	NUT	4	3/8"	
	12H304	LOCK WASHER	4	3/8"	
	A147R	LOCK WASHER	1		
9	19H2284	CAP SCREW	4	3/8" X 7/8"	
	12H304	LOCK WASHER	4	3/8"	
10	R43502	SUPPORT	1	(SYNCRO-RANGE)	
	R40876	SUPPORT	1	(POWER SHIFT)	
11	R40876	SUPPORT	1		
12	AR47939	BASE	1		
13	R45893	ROD	4		
14	11M7084	COTTER PIN	2	5 X 25 MM	
15	R43503	SUPPORT	1		
16	19H2284	CAP SCREW	4	3/8" X 7/8"	
	12H304	LOCK WASHER	4	3/8"	
17	R40876	SUPPORT	1		
18	AR43939	BASE	1		

3F25

WHEELS, FRONT AXLES, SHEET METAL

R13031 -UN-01JAN94

SIDE SHIELDS, GRILLES, PANELS, AND FRONT PLATE



R 13031

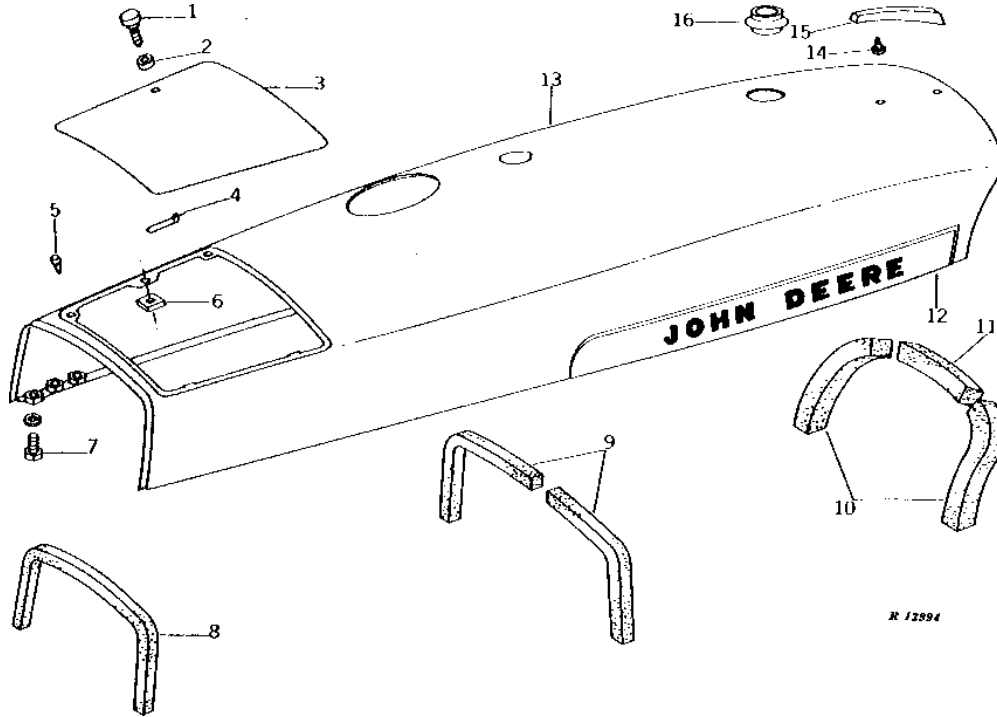
KEY	PART NO.	PART NAME	QTY	TRACTOR SERIAL NO.	REMARKS
1	FOAM PAD	2		13 X 25 X 254MM (1/2" X 1" X 10") (MAKE FROM R30936)
2	AR43290	SHIELD	1		R.H.
	AR43666	SHIELD	1		R.H. (HEATER)
	AR43291	SHIELD	1		L.H.
	AR49256	SHIELD	1		L.H. (AIR CONDITIONING)
3	R41983	SPRING	2		
4	24H1286	WASHER	4		9/32" X 1/2" X 1/16"
5	19H2479	CAP SCREW	4		1/4" X 3/8"
	12H302	LOCK WASHER	4		1/4"
6	R72654	SNAP RING	2		(SUB FOR R27507)
7	24H1286	WASHER	2		9/32" X 1/2" X 1/16"
8	R28783	SPRING	2		
9	R27506	PIN	2		
10	R35769	SPRING	2		
11	AR43060	GRILLE	2		
12	14H1076	NUT	2		3/8"
	12H304	LOCK WASHER	2		3/8"
13	03H1765	BOLT	2		3/8" X 3/4"
14	B161R	SPRING	2		
15	34H387	SPRING PIN	2		3/16" X 3/4"
16	R26702	ROD	1		R.H.
	R26703	ROD	1		L.H.
17	AR43216	PANEL	1		R.H.
	AR43217	PANEL	1		L.H.
18	19H1815	CAP SCREW	8		1/2" X 1-1/4"
19	R26694	CLIP	6		
20	37H84	SCREW	5		1/4" X 3/4"
21	AR43009	GRILLE	1		
22	19H2009	CAP SCREW	2		3/4" X 1-5/8"
23	FOAM PAD	1		3 X 38 X 267MM (1/8" X 1-1/2" X 10-1/2") LOWER, (MAKE FROM R21736)
24	AR43008	PLATE	1		
25	R43484	SUPPORT	1		R.H.
	R46781	SUPPORT	1		L.H.
26	19H1936	CAP SCREW	6		3/8" X 3/4"
	12H304	LOCK WASHER	6		3/8"
27	24H1305	WASHER	4		13/32" X 13/16" X 0.065"

3G1

WHEELS, FRONT AXLES, SHEET METAL

R12994 -UN-01JAN94

HOOD AND AIR CLEANER ACCESS COVER



R 12994

KEY	PART NO.	PART NAME	QTY	TRACTOR SERIAL NO.	REMARKS
1	R43631	KNOB	1		
2	R43661	RETAINER	1		
3	AR43256	COVER	1		
4	R43630	SPRING LOCKING PIN	2		
5	R43632	BUMPER	2		
6	14H1030	NUT	1	5/16"	
7	19H1936	CAP SCREW	2	3/8" X 3/4"	
	12H304	LOCK WASHER	2	3/8"	
8	FOAM PAD	1		25 X 25 X 737MM (1" X 1" X 29") HOOD, REAR, (MAKE FROM R30937)
9	FOAM PAD	2		25 X 25 X 292MM (1" X 1" X 11-1/2") RADIATOR, (MAKE FROM R30937)
10	R35340	FOAM PAD	2		
11	R26890	FOAM PAD	1		
12	AR28048	MOLDING	1		R.H.
	AR28049	MOLDING	1		L.H.
	R42662	NUT	10		
13	AR43254	HOOD	1		
	AR50337	HOOD	1		(FOR VERTICAL AIR STACK) (NLA)
14	37M7245	SCREW	2		NO. 10 X 3/8"
15	AR28047	MEDALLION	1		
16	R39613	GROMMET	1		

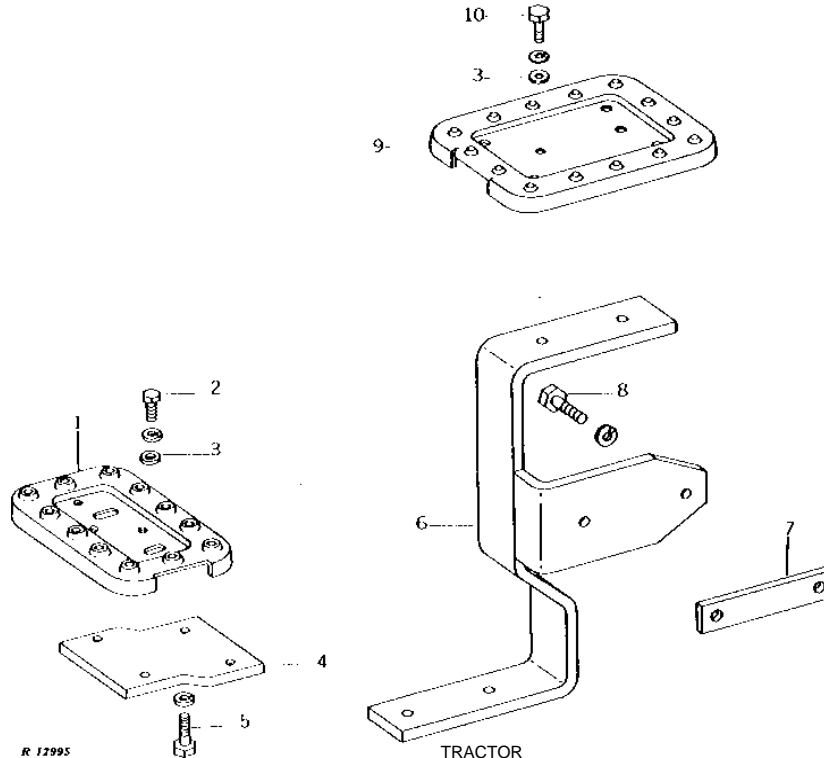
MEMORANDA

3G2

WHEELS, FRONT AXLES, SHEET METAL

R12995 -UN-01JAN94

TRACTOR STEPS



KEY	PART NO.	PART NAME	QTY	TRACTOR SERIAL NO.	REMARKS
1	F3195R	STEP	1	(A)	
2	19H1936	CAP SCREW	2	3/8" X 3/4"	
	12H304	LOCK WASHER	2	3/8"	
3	24H1305	WASHER	10	13/32" X 13/16" X 0.065"	
4	R35396	SUPPORT	1	(A) (NLA)	
5	19H1815	CAP SCREW	2	1/2" X 1-1/4"	
	12H301	LOCK WASHER	2	1/2"	
6	AR43090	SUPPORT	1	L.H.	
	AR43089	SUPPORT	1	R.H.	
7	R43575	STRAP	2		
8	19H3182	CAP SCREW	2	1/2" X 1-7/8", L.H. BRACKET	
	19H1721	CAP SCREW	2	1/2" X 1-1/2", R.H. BRACKET	
	12H301	LOCK WASHER	4	1/2"	
9	R43356	STEP	4		
10	19H2284	CAP SCREW	4	3/8" X 7/8"	
	12H304	LOCK WASHER	4	3/8"	

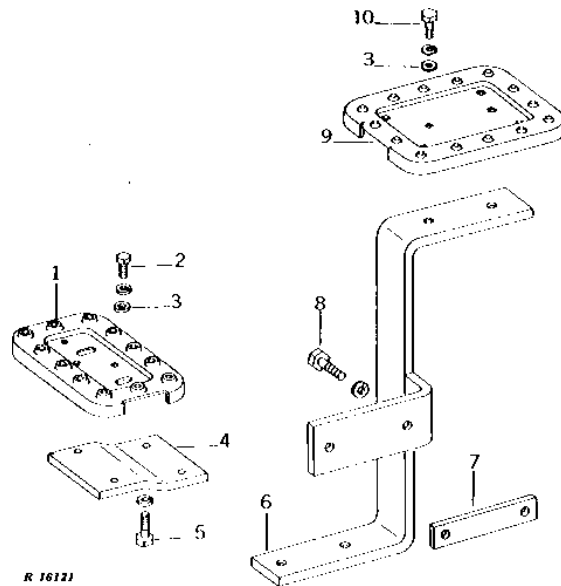
(A) WIDE SWING DRAWBAR

3G3

WHEELS, FRONT AXLES, SHEET METAL

R16121 -UN-01JAN94

TRACTOR STEPS (STANDARD)



R 16121

KEY	PART NO.	PART NAME	QTY	TRACTOR SERIAL NO.	REMARKS
1	F3195R	STEP	1	(A)	
2	19H1936	CAP SCREW	2	3/8" X 3/4"	
	12H304	LOCK WASHER	2	3/8"	
3	24H1305	WASHER	10	13/32" X 13/16" X 0.065"	
4	R35396	SUPPORT	1	(A) (NLA)	
5	19H1815	CAP SCREW	2	1/2" X 1-1/4"	
	12H301	LOCK WASHER	2	1/2"	
6	AR43092	SUPPORT	1	L.H.	
	AR43091	SUPPORT	1	R.H.	
7	R43575	STRAP	2		
8	19H3182	CAP SCREW	2	1/2" X 1-7/8", L.H. BRACKET	
	19H1721	CAP SCREW	2	1/2" X 1-1/2", R.H. BRACKET	
	12H301	LOCK WASHER	4	1/2"	
9	R43356	STEP	4		
10	19H2284	CAP SCREW	4	3/8" X 7/8"	
	12H304	LOCK WASHER	4	3/8"	

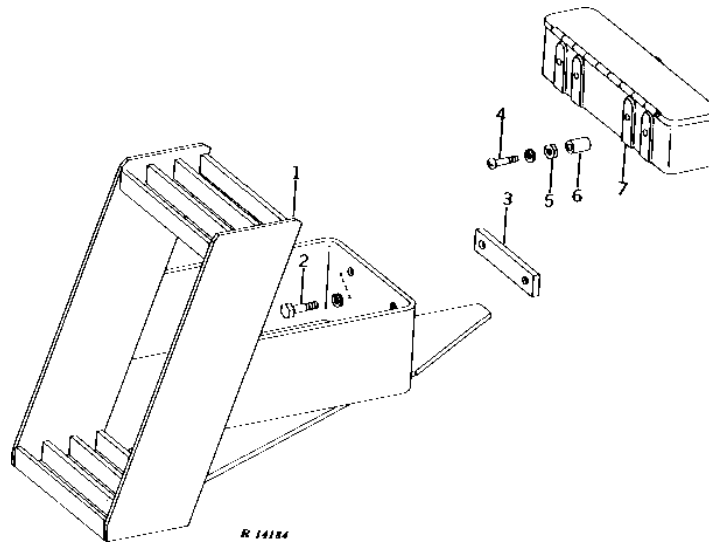
(A) WIDE SWING DRAWBAR

3G4

WHEELS, FRONT AXLES, SHEET METAL

CAB STEP AND TOOL BOX (STOLPER CAB)

R14184 -UN-01JAN94



KEY	PART NO.	PART NAME	QTY	CAB SERIAL NO.	REMARKS
1	AR43677	STEP	1		
2	19H3265	CAP SCREW	2	1/2" X 1-7/8"	
	12H301	LOCK WASHER	2	1/2"	
3	R43575	STRAP	1		
4	03H1558	BOLT	2	3/8" X 1-1/2"	
	12H304	LOCK WASHER	2	3/8"	
5	14H1076	NUT	2	3/8"	
6	28H1919	BUSHING	2	1/2" X 15/16"	
7	AR34684	TOOLBOX	1		

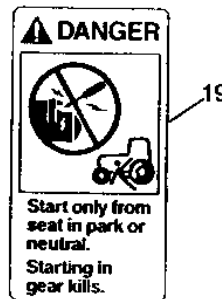
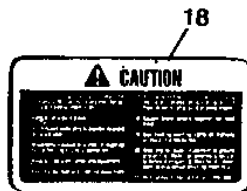
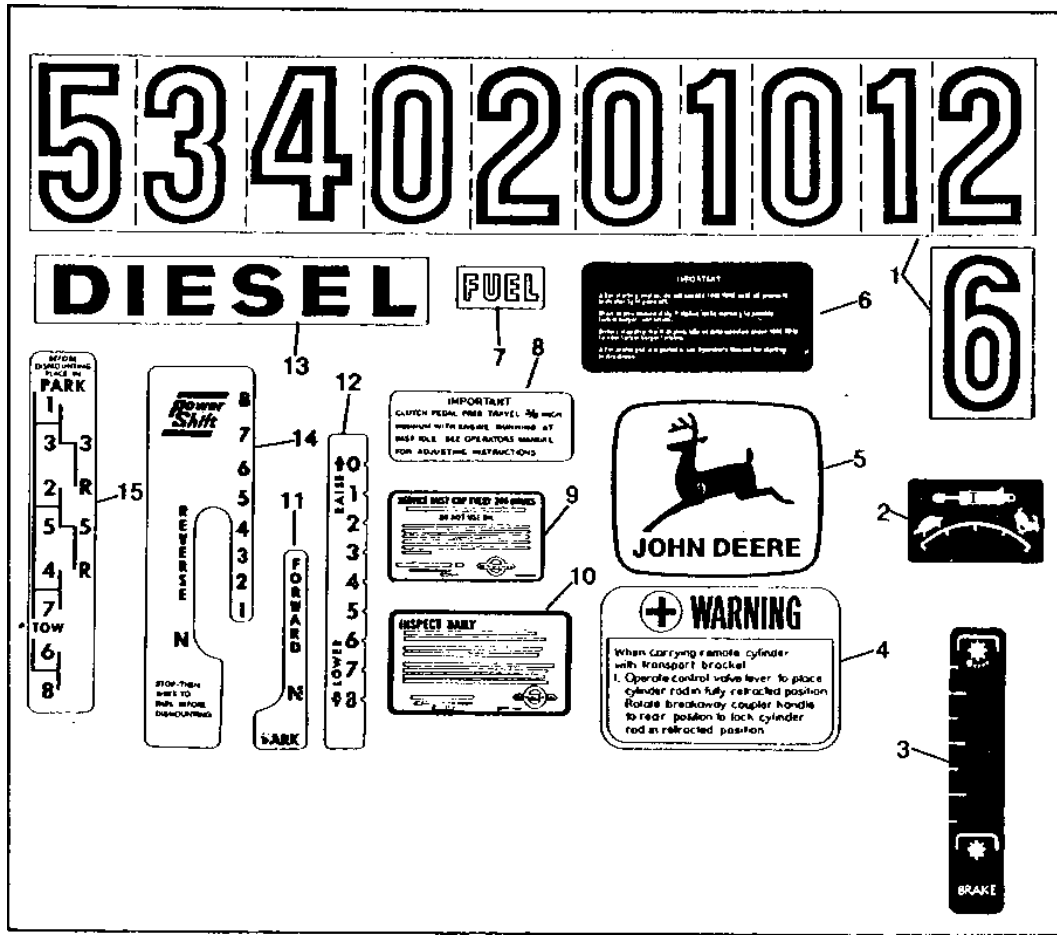
3G5

WHEELS, FRONT AXLES, SHEET METAL

RXP8088

-UN-01JAN94

DECAL SET



RXP8088

3G6

WHEELS, FRONT AXLES, SHEET METAL

DECAL SET - CONTINUED

KEY	PART NO.	PART NAME	QTY	TRACTOR SERIAL NO.	REMARKS
1	R48361	DECAL	2		(SUB FOR R45957)
2	R44315	LABEL	1		R.H. REMOTE CYLINDER
	R41933	LABEL	1		L.H. REMOTE CYLINDER
3	R53293	LABEL	1		(A) PTO, (SUB FOR R44951)
	R53294	LABEL	1		(B) PTO, (SUB FOR R44952)
4	R36689	DECAL	1		REMOTE CYLINDER WARNING
5	JD5234	DECAL	1		SEAT POST
6	R51908	LABEL	1		LABEL, INSTRUCTION
7	R31287	DECAL	1		
8	R34483	LABEL	1		CLUTCH
9	R36756	DECAL	1		AIR CLEANER INDICATOR
	R44710	LABEL	1		AIR CLEANER INDICATOR
10	R34608	DECAL	1		AIR CLEANER, (SUB AR52393)
11	R40505	LABEL	1		(B) PARK
12	R40509	LABEL	1		SELECTIVE CONTROL
13	R30694	DECAL	2		
14	R40504	LABEL	1		(B) QUADRANT
15	R40676	LABEL	1		(A) QUADRANT
16	AR52393	DECAL	1		(SUB FOR AR47091) (ALSO ORDER T84409)
17	R83103	LABEL	1		PTO SAFETY, (SUB FOR R64391) (SUB R120111)
18	R87529	LABEL	1		SAFETY, (SUB FOR R47739, R51821, R69270, R76341 OR R82425)
19	T146102	WARNING LABEL	1		BYPASS START (ENGLISH) (SUB FOR T84409 OR T134459)
	T146106	WARNING LABEL	1		(ESPANOL) (SUB FOR T84410 OR T134452)
	T146104	WARNING LABEL	1		(FRANCAIS) (SUB FOR T84411 OR T134453)
	T146515	WARNING LABEL	1		(DEUTSCH) (SUB FOR T84412 OR T134454)
	T146516	WARNING LABEL	1		(ITALIANO) (SUB FOR T84413 OR T134455)
	T146517	WARNING LABEL	1		(ENGLISH/FRANCAIS) (SUB FOR T84578 OR T134456)

(A) SYNCRO-RANGE TRANSMISSION
(B) POWER SHIFT TRANSMISSION

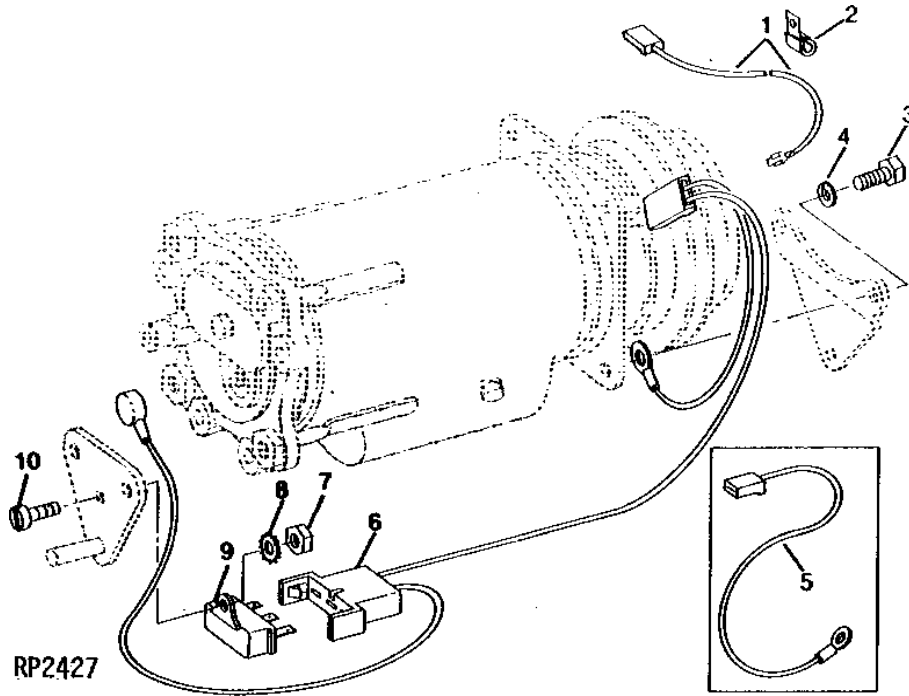
MEMORANDA

3G10

OPERATOR'S STATION

RP2427 -UN-01JAN94

AIR COMPRESSOR WIRING HARNESS



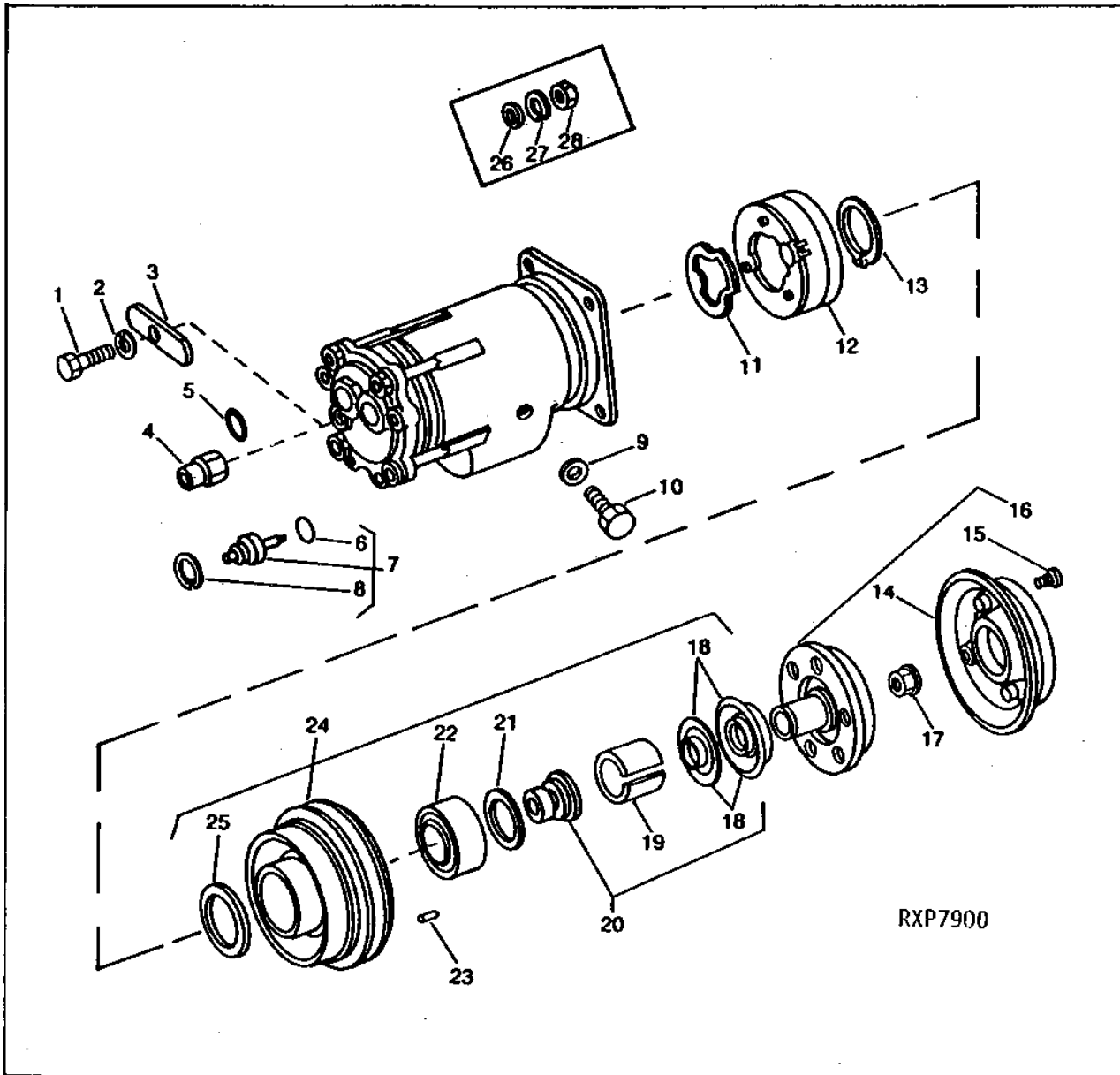
KEY	PART NO.	PART NAME	QTY	CAB SERIAL NO.	REMARKS
1	AR48956	WIRING LEAD	1	-XXXXXX	
2	T32231	CLAMP	1		(SUB FOR T15737)
3	19H2529	CAP SCREW	3		5/16" X 1"
4	12H303	LOCK WASHER	3		5/16"
5	AR48957	WIRING LEAD	1	-XXXXXX	
6	AR77345	WIRING HARNESS	1	XXXXXX-	
7	14H631	NUT	1	XXXXXX-	0.190"
8	12M7060	WASHER	1	XXXXXX-	0.209"
9	AR77344	FUSE	1	XXXXXX-	
10	21H1295	SCREW	1	XXXXXX-	0.190" X 5/8"

3G11

OPERATOR'S STATION

COMPRESSOR, COIL, CLUTCH AND PULLEY (HINSON) (6531A)

RXP7900 -UN-01JAN94



3G12

OPERATOR'S STATION

COMPRESSOR, COIL, CLUTCH AND PULLEY - CONTINUED
(HINSON)
(6531A)

KEY	PART NO.	PART NAME	QTY	CAB SERIAL NO.	REMARKS
1	19M7170	CAP SCREW	1		M10 X 50
2	12M7066	LOCK WASHER	1		
3	R60171	STRAP	1		
4	AR49808	VALVE	1		
5	R47235	O-RING	2		
6	32240	O-RING	1	036227-	
7	AR78501	KIT	1	036227-	
8	R63571	SNAP RING	1	036227-	
9	R47234	WASHER	1		
10	R47233	PLUG	1		
11	R56246	GASKET	1		(A)
12	AR49803	ELECTRICAL COIL	1		(A)
13	R47224	SNAP RING	1		(A)
14	AR71290	COVER	1		(SUB FOR AR53446)
15	37H32	SCREW	3		0.190" X 3/8"
16	AR71286	CLUTCH	1		(SUB FOR AR63255)
17	R69297	FLANGE NUT	1	XXXXXX-	
18	AR71289	SHIELD	1		(SUB FOR R47228 OR AR63254)
19	R47227	SEAL	1		(A)
20	AR71285	KIT	1		COMPRESSOR SHAFT SEAL WITH PULLEY BEARING FRONT SHIELD, (SUB FOR AR49806)
21	R47226	SNAP RING	1		(A)
22	AR71288	BALL BEARING	1		(SUB FOR AR49805)
23	R47229	SHAFT KEY	1		
24	AR71287	PULLEY	1		(SUB FOR AR49804)
25	R54766	WASHER	1		
26	R47230	WASHER	1	-XXXXXX	(SUB R69297, THIS APPLICATION)
27	R47231	SNAP RING	1	-XXXXXX	(SUB R69297)
28	R47232	NUT	1	-XXXXXX	(SUB R69297)
29	AR77343	COMPRESSOR	1	-XXXXXX	(SUB FOR AR68802, AR60748, AR49802 OR AR49799) (SUB TY6665, 19M7120, (3) 19M7163, (2) 19M7662, (3) 12M7065, (2) 12M7066)
	AR92109	COMPRESSOR	1	XXXXXX-	(SUB TY6665)
	TY6665	COMPRESSOR	1		(REMANUFACTURED)

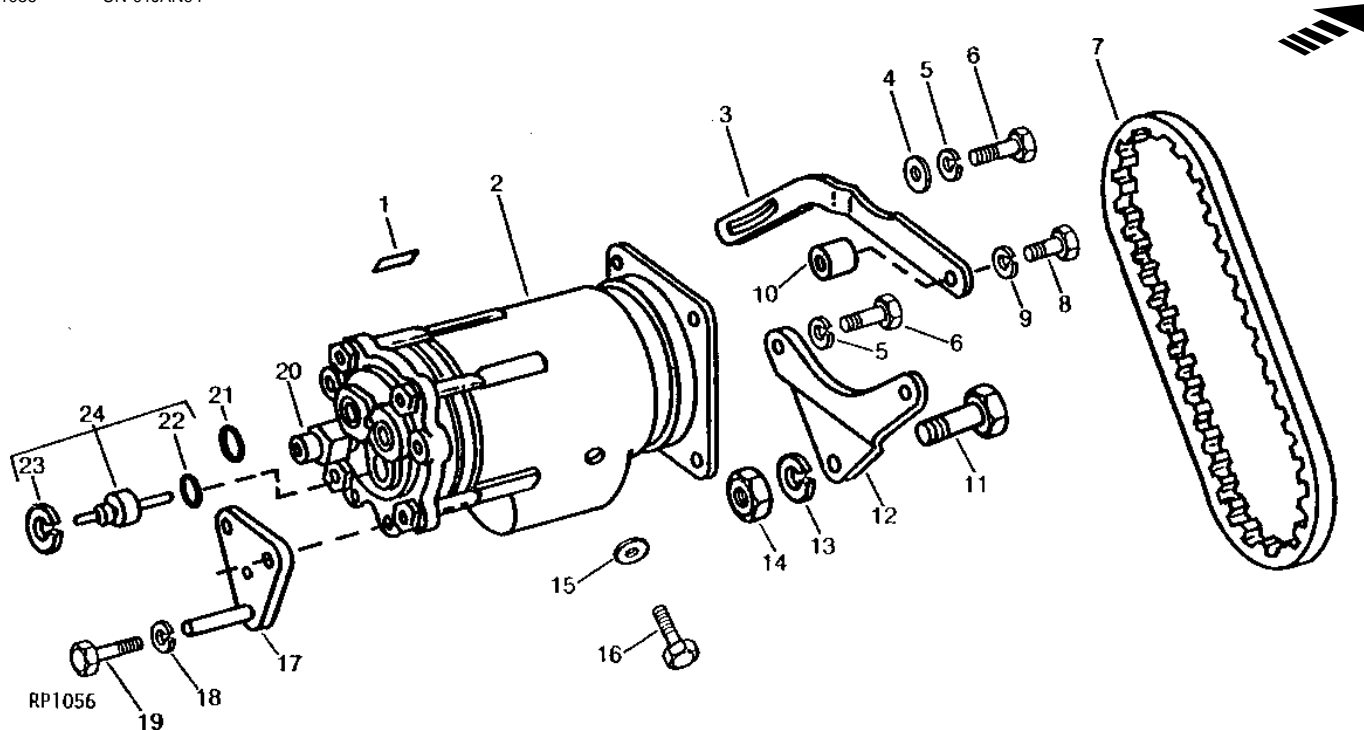
(A) ALSO ORDER AR71289

3G13

OPERATOR'S STATION

COMPRESSOR AND MOUNTING BRACKETS (STOLPER CAB) (CAB SERIAL NO. 208300-)

RP1056 -UN-01JAN94



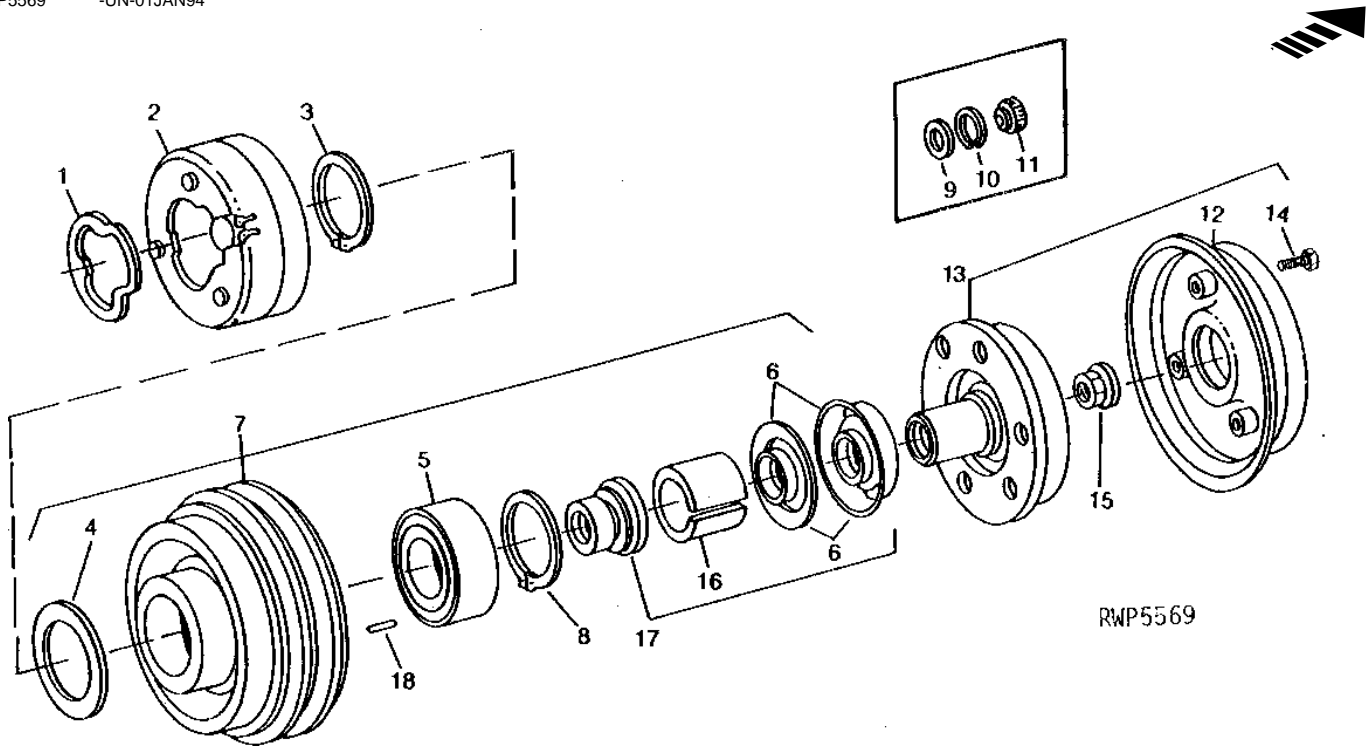
KEY	PART NO.	PART NAME	QTY	CAB SERIAL NO.	REMARKS
1	R42822	LABEL	1		
2	AR77343	COMPRESSOR	1	-XXXXXX	(SUB FOR AR49799, AR49802, AR60948 OR AR68802) (SUB TY6665, 19M7170, (3) 19M7163, (2) 19M7662, (3) 12M7065 AND (3) 12M7066)
	AR92109	COMPRESSOR	1	XXXXXX-	(SUB TY6665)
	TY6665	COMPRESSOR	1		(REMANUFACTURED)
3	R46099	STRAP	1		
4	R56397	WASHER	1		
5	12H303	LOCK WASHER	3	-XXXXXX	5/16"
	12M7065	LOCK WASHER	3	XXXXXX-	M8
6	19H2529	CAP SCREW	3	-XXXXXX	5/16" X 1"
	19M7163	CAP SCREW	3	XXXXXX-	M8 X 25
7	R71603	BELT	1		(SUB FOR R46098 OR R69562, THIS APPLICATION)
8	19H1800	CAP SCREW	1		3/8" X 1-1/2"
9	12H304	LOCK WASHER	1		3/8"
10	28H3381	SPACER	1		3/8" X 5/8"
11	19H1831	CAP SCREW	1		1/2" X 2"
12	R45981	BRACKET	1		
13	12H301	LOCK WASHER	1		1/2"
14	14H1040	NUT	1		1/2"
15	R47234	WASHER	1		
16	R47233	PLUG	1		
17	AR49485	BRACKET	1		(SUB AR77342)
18	12H304	LOCK WASHER	2	-XXXXXX	3/8"
	12M7066	LOCK WASHER	2	XXXXXX-	M10
19	19M7662	CAP SCREW	2	XXXXXX-	M10 X 30
	19H1731	CAP SCREW	2	-XXXXXX	3/8" X 1"
20	AR49808	VALVE	1		
21	R47235	O-RING	2		(SUB R74210)
22	32240	O-RING	1	XXXXXX-	
23	R63571	SNAP RING	1	XXXXXX-	
24	AR78501	KIT	1	XXXXXX-	SUPER HEAR SHUT-OFF
..	R49856	OIL	1		0.9L (1 QT.)

3G14

OPERATOR'S STATION

COMPRESSOR COIL, CLUTCH, AND PULLEY (STOLPER)

RWP5569 -UN-01JAN94



KEY	PART NO.	PART NAME	QTY	CAB SERIAL NO.	REMARKS
1	R56246	GASKET	1	(A)	
2	AR49803	ELECTRICAL COIL	1	(A)	
3	R47224	SNAP RING	1	(A)	
4	R54766	WASHER	1	(A)	
5	AR71288	BALL BEARING	1	(SUB FOR AR49805)	
6	AR71289	SHIELD	1	(SUB FOR R47228 OR AR63254)	
7	AR71287	PULLEY	1	(SUB FOR AR49804)	
8	R47226	SNAP RING	1	(A)	
9	R47230	WASHER	1	-XXXXXX	(SUB R69297, THIS APPLICATION)
10	R47231	SNAP RING	1	-XXXXXX	(SUB R69297)
11	R47232	NUT	1	-XXXXXX	(SUB R69297)
12	AR71290	COVER	1	(SUB FOR AR53446)	
13	AR71286	CLUTCH	1	(SUB FOR AR63255)	
14	37H32	SCREW	3		0.190" X 3/8"
15	R69297	FLANGE NUT	1	XXXXXX-	
16	R47227	SEAL	1	(A)	
17	AR71285	KIT	1	(SUB FOR AR49806)	
18	R47229	SHAFT KEY	1		

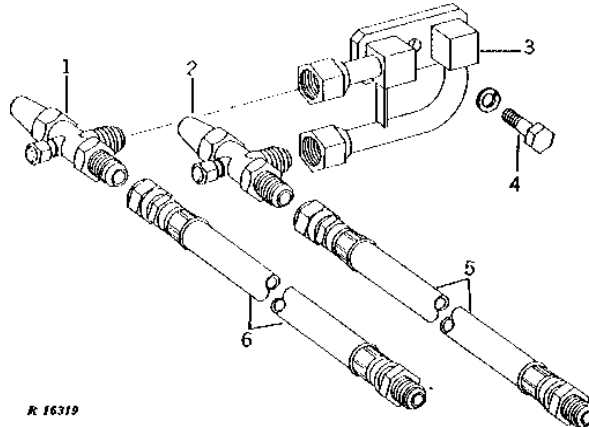
(A) ALSO ORDER AR71289

3G15

OPERATOR'S STATION

COMPRESSOR MANIFOLD AND HOSES
(STOLPER CAB)
(CAB SERIAL NO. 208300-)

R16319 -UN-01JAN94



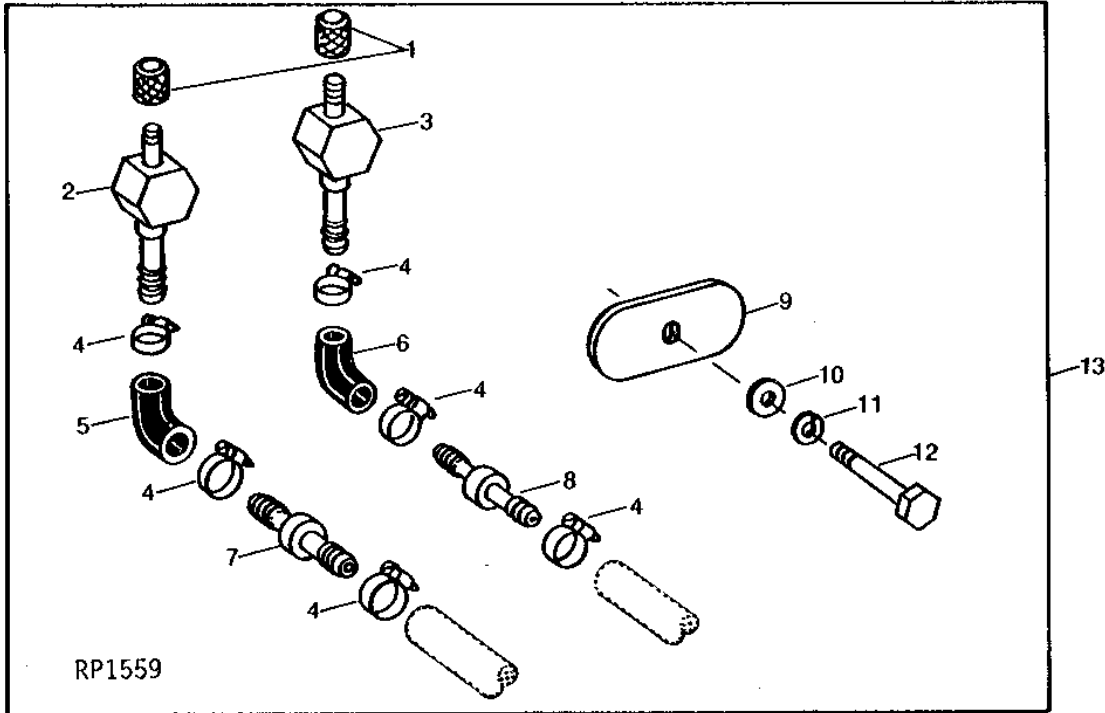
KEY	PART NO.	PART NAME	QTY	CAB SERIAL NO.	REMARKS
1	AR49950	VALVE	1	(SUCTION) (SUB AR94973)	
2	AR49951	VALVE	1	(PRESSURE) (SUB AR94973)	
3	AR49976	MANIFOLD	1	(SUB AR94973)	
4	19H1938	CAP SCREW	1	3/8" X 13/16"	
	12H304	LOCK WASHER	1	3/8"	
5	AR49974	HOSE	1	(PRESSURE)	
6	AR49975	HOSE	1	(SUCTION)	

3G16

OPERATOR'S STATION

RP1559 -UN-01JAN94

COMPRESSOR VALVE KIT (STOLPER CAB)



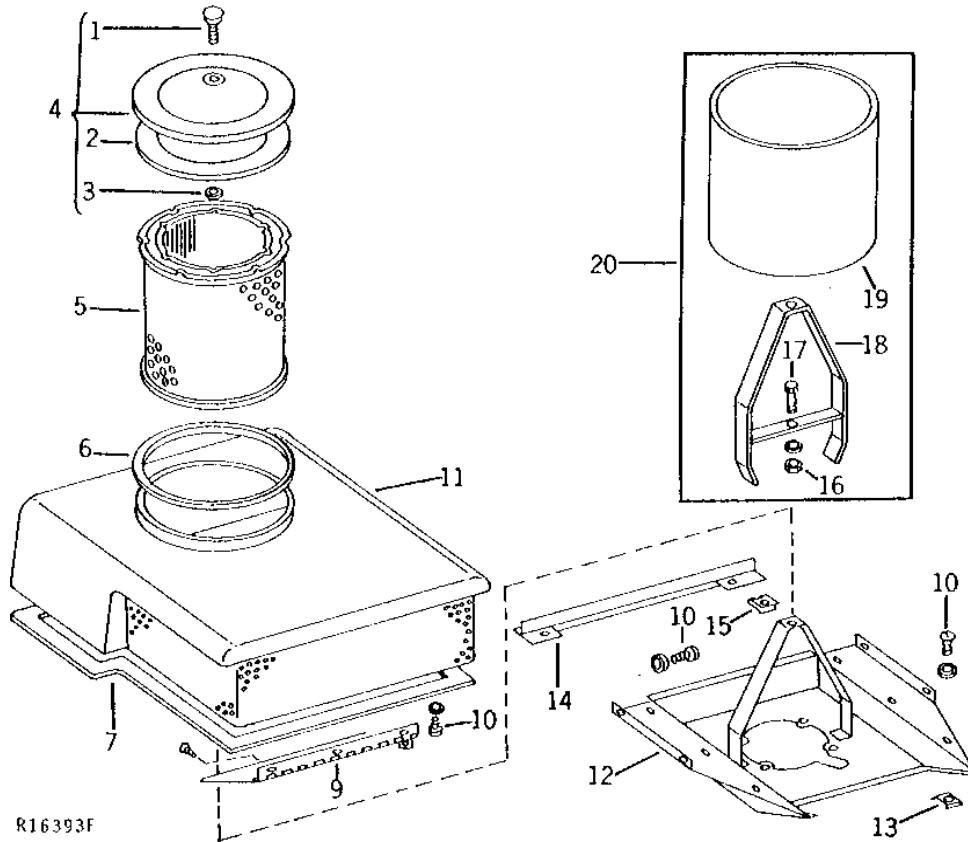
KEY	PART NO.	PART NAME	QTY	CAB SERIAL NO.	REMARKS
1	R60172	NUT	2		
2	AR94974	ADAPTER	1		
3	AR94975	ADAPTER	1		
4	AR21837	CLAMP	6		(SUB TY22465)
5	R72229	HOSE	1		13 X 25 X 3650 MM (1/2" X 1" X 143-3/4") NO. 10 SAE J51 TYPE A (CUT TO LENGTH)
6	R72228	HOSE	1		10 X 23 X 3650 MM (13/32" X 29/32" X 143-3/4") NO.8 SAE J51 TYPE A (CUT TO LENGTH)
7	R72227	COUPLING	1		
8	R72226	COUPLING	1		
9	R60171	STRAP	1		
10	24H1884	WASHER	1		13/32" X 13/16" X 0.120"
11	12H304	LOCK WASHER	1		3/8"
12	19H2959	CAP SCREW	1		3/8" X 2"
13	AR94973	FITTING	1		

3G17

OPERATOR'S STATION

ROOF VENT, FILTER HOUSING AND ELEMENT (STOLPER CAB)

R16393 -UN-01JAN94



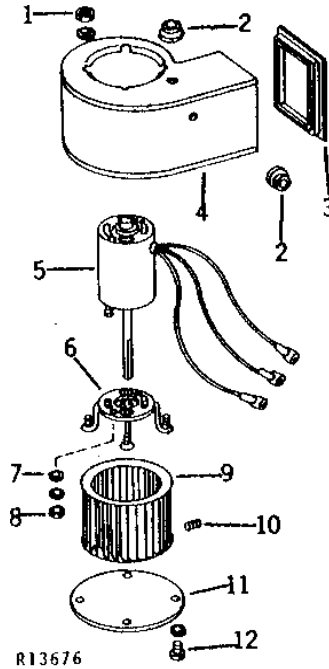
KEY	PART NO.	PART NAME	QTY	CAB SERIAL NO.	REMARKS
1	AR45850	SCREW	1		
2	R44455	GASKET	1	(NLA)	
3	R44456	WASHER	1		
4	AR45830	COVER	1		
5	AR49680	FILTER ELEMENT	1	(SUB FOR AR45831)	
6	R44452	SLAT	1	(2 USED, HEAVY-DUTY AIR CLEANER)	
7	R44453	WEATHERSTRIP	1		
8	37H43	SCREW	3	NO. 8 X 3/8"	
9	AR45828	DOOR	1		
10	21H1303	SCREW	12	1/4" X 3/4"	
	12H302	LOCK WASHER	12	1/4"	
11	AR45827	VENT	1		
12	AR45829	HOUSING	1		
13	R44577	NUT	6		
14	R44451	ISOLATOR	1		
15	R87345	LOCK NUT	1	(SUB FOR R44454 OR R72380)	
16	14H1040	NUT	1	1/2"	
	12H301	LOCK WASHER	1	1/2"	
17	19H1792	CAP SCREW	1	1/2" X 1"	
18	AR49679	EXTENSION	1	(NLA)	
19	R47137	HOUSING	1		
20	AR49678	KIT	1	HEAVY-DUTY AIR CLEANER (NLA)	

3G18

OPERATOR'S STATION

CAB BLOWER HOUSING, MOTOR AND WHEEL (STOLPER CAB)

R13676 -UN-01JAN94



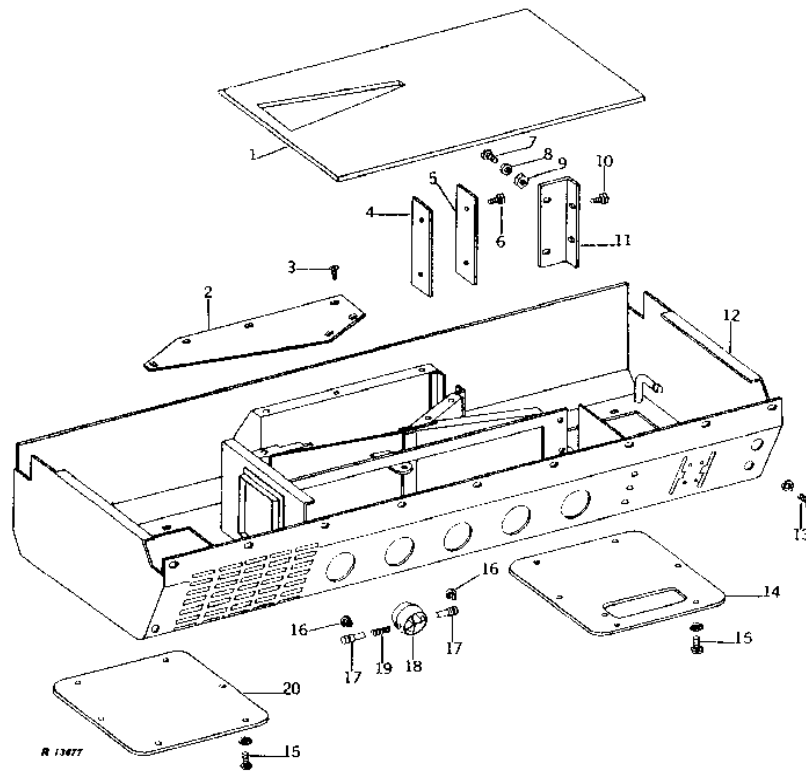
KEY	PART NO.	PART NAME	QTY	CAB SERIAL NO.	REMARKS
1	14H786	NUT	4	1/4"	
	12H302	LOCK WASHER	4	1/4"	
2	R44458	GROMMET	2		
3	R44457	SEAL	1		
4	AR45832	HOUSING	1		
5	AR45856	MOTOR	1	(12-VOLT)	
6	AR45834	BRACKET	1		
7	24H1283	WASHER	2	7/32" X 1/2" X 0.049"	
8	14H778	NUT	2	0.190"	
	12M7060	WASHER	2	0.209"	
9	AR45833	WHEEL	1		
10	22H791	SET SCREW	1	1/4" X 3/4"	
11	R44459	COVER	1		
12	21H1301	SCREW	4	0.190" X 1/2"	
	12M7060	WASHER	4	0.209"	

3G19

OPERATOR'S STATION

R13677 -UN-01JAN94

CAB CONSOLE
(STOLPER CAB)



3G20

OPERATOR'S STATION

CAB CONSOLE - CONTINUED (STOLPER CAB)

KEY	PART NO.	PART NAME	QTY	CAB SERIAL NO.	REMARKS
1	R44476	SEAL	1		
2	R44486	PLATE	1		
3	T10671	CAP SCREW	6		
4	R44485	PLATE	2	(A)	
5	R44484	PLATE	2	(A)	
6	37M7245	SCREW	2	(A) NO. 10 X 3/8"	
7	21H1301	SCREW	2	0.190" X 1/2"	
8	24H1283	WASHER	2	7/32" X 1/2" X 0.049"	
9	14H778	NUT	2	0.190"	
10	37M7245	SCREW	2	NO. 10 X 3/8"	
11	R44483	ISOLATOR	1		
12	AR45845	PANEL	1		
13	21H1303	SCREW	9	1/4" X 3/4"	
	12H302	LOCK WASHER	9	1/4"	
14	R44474	PANEL	1		
15	21H1301	SCREW	12	0.190" X 1/2"	
	12M7060	WASHER	12	0.209"	
16	R30828	SNAP RING	10	(SUB FOR R44470)	
17	R44471	PIN	10		
18	R44468	DEFLECTOR	5	(NLA)	
19	R44469	SPRING	5		
20	R44475	PANEL	1		

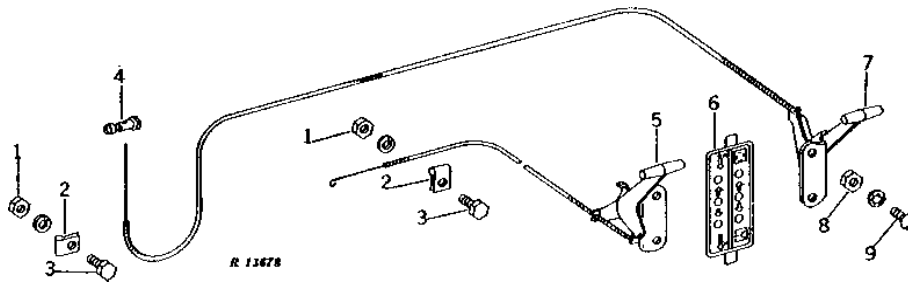
(A) CAB LESS HEATER

3G21

OPERATOR'S STATION

R13678 -UN-01JAN94

CAB CONTROLS
(STOLPER CAB)



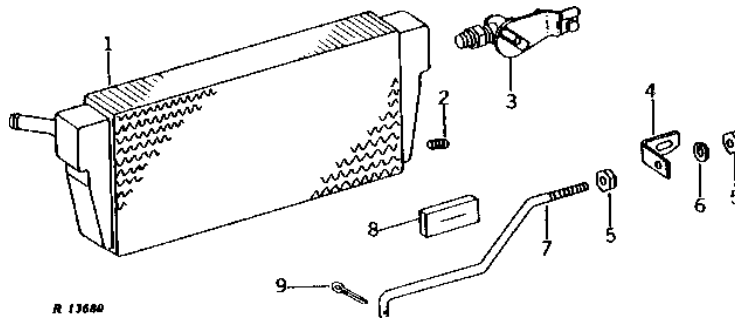
KEY	PART NO.	PART NAME	QTY	CAB SERIAL NO.	REMARKS
1	14H786	NUT	2	1/4"	
	12H302	LOCK WASHER	2	1/4"	
2	R44472	CLIP	2		
3	19H1919	CAP SCREW	2	1/4" X 5/8"	
4	AR45846	SWIVEL	1		
5	AR45836	LEVER	1		HEATER OR DAMPER DOOR
6	R44478	LABEL	1		
7	AR45835	LEVER	1		ROOF VENT DOOR
8	14H778	NUT	4	0.190"	
	21H1301	SCREW	4	0.190" X 1/2"	
9	12M7060	WASHER	4	0.209"	

3G22

OPERATOR'S STATION

R13680 -UN-01JAN94

HEATER (STOLPER CAB)



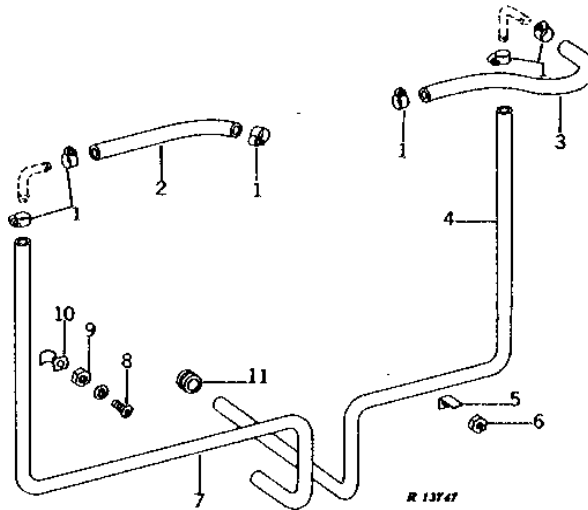
KEY	PART NO.	PART NAME	QTY	CAB SERIAL NO.	REMARKS
1	AR45857	CORE	1		
2	15H253	PIPE PLUG	1	1/8"	
3	AR45858	VALVE	1	SHUT-OFF	
4	R44489	ANGLE	1		
5	14H786	NUT	2	1/4"	
6	12H302	LOCK WASHER	1	1/4"	
7	R44487	LINK	1		
8	R44473	SEAL	1		
9	11M7077	COTTER PIN	1	0.063" X 0.984"	

3G23

OPERATOR'S STATION

R13747 -UN-01JAN94

CAB HEATER HOSE (STOLPER CAB)



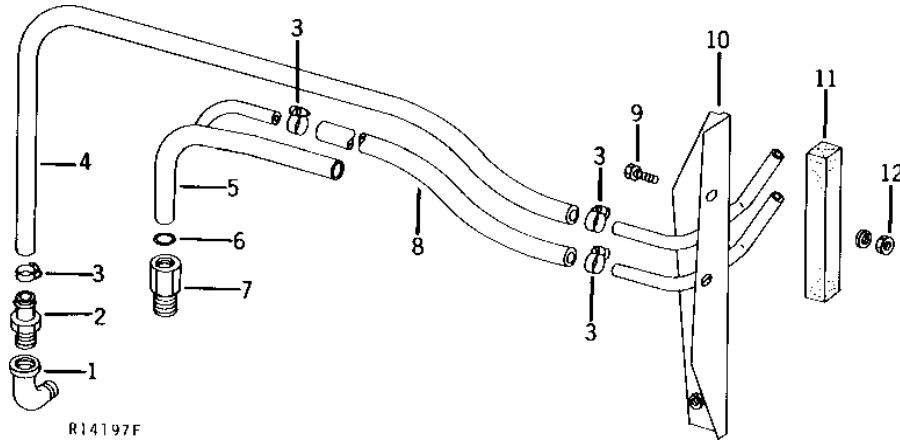
KEY	PART NO.	PART NAME	QTY	CAB SERIAL NO.	REMARKS
1	AR21839	CLAMP	6	(SUB TY22467)	
2	HOSE	1	16 X 381MM (5/8" X 15") (MAKE FROM R45847)	
3	HOSE	1	16 X 533MM (5/8" X 21") (MAKE FROM R45847)	
4	HOSE	1	16 X 1422MM (5/8" X 56") (MAKE FROM R45847)	
5	R42771	ANGLE	3		
6	14H785	NUT	1	5/16"	
7	HOSE	1	16 X 2032MM (5/8" X 80") (MAKE FROM R45847)	
8	21H1302	SCREW	2	1/4" X 5/8"	
9	12H297	LOCK WASHER	2	1/4"	
10	14H786	NUT	2	1/4"	
11	R44488	CLAMP	2		
	GROMMET	1	(NOT REQUIRED)	

3G24

OPERATOR'S STATION

R14197 -UN-01JAN94

TRACTOR HEATER HOSE (STOLPER CAB)



KEY	PART NO.	PART NAME	QTY	CAB SERIAL NO.	REMARKS
1	15H622	ELBOW FITTING	1	3/8"	
2	R42312	HOSE FITTING	1		
3	AR21837	CLAMP	4	(SUB TY22465)	
4	HOSE	1	16 X 1422MM (5/8" X 56")	(MAKE FROM R45847)
5	AR43738	TUBE	1	(NLA)	
6	A4730R	O-RING	1		
7	R43491	FITTING	1		
8	HOSE	1	16 X 914MM (5/8" X 36")	(MAKE FROM R45847)
9	19H2284	CAP SCREW	2	3/8" X 7/8"	
10	AR43667	SUPPORT	1		
11	FOAM PAD	1	25 X 25 X 191MM (1" X 1" X 7-1/2")	(MAKE FROM R30937)
12	14H1076	NUT	2	3/8"	
	12H304	LOCK WASHER	2	3/8"	

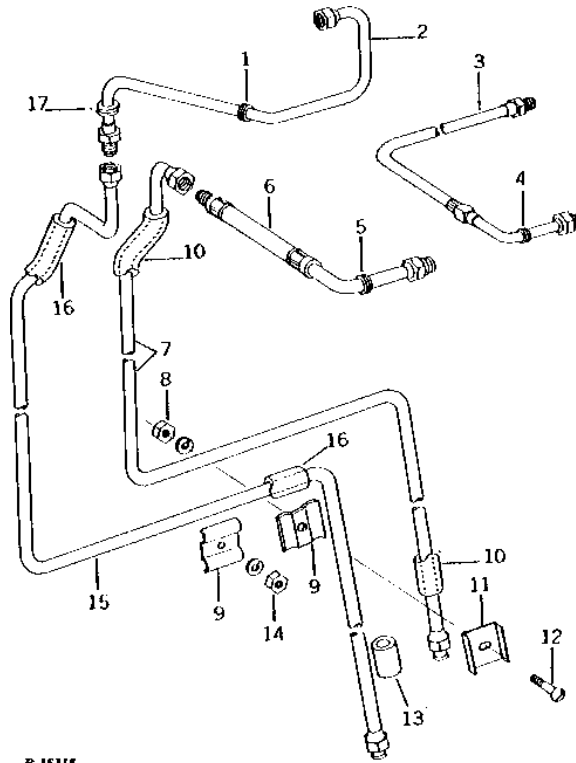
MEMORANDA

3G25

OPERATOR'S STATION

AIR CONDITIONER CAB LINES (STOLPER CAB) (CAB SERIAL NO. 208300-)

R16318 -UN-01JAN94



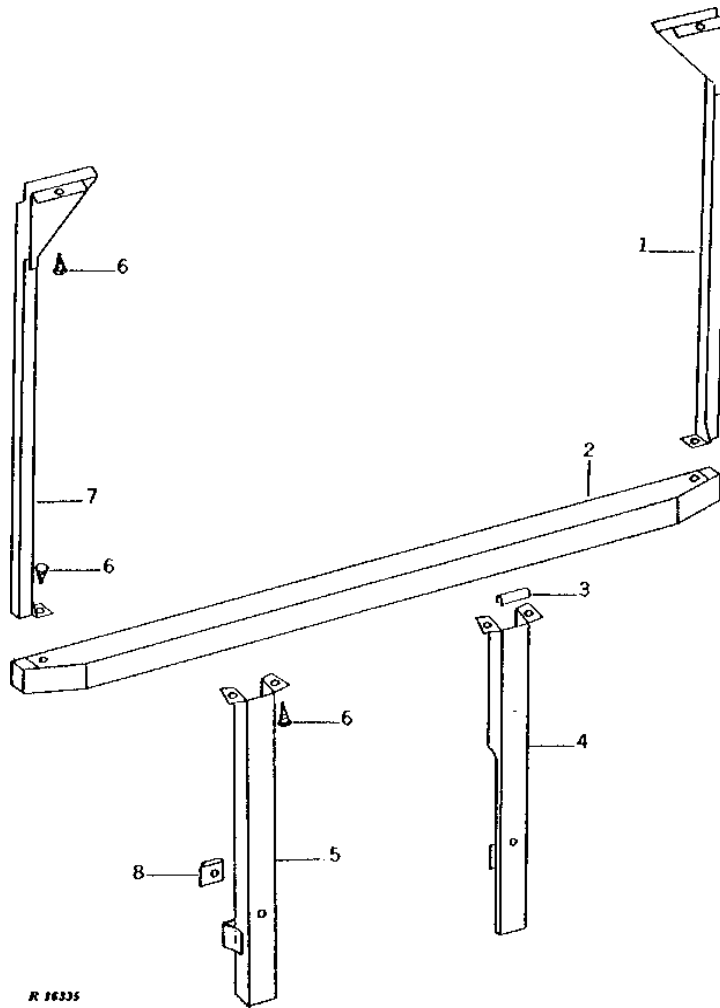
KEY	PART NO.	PART NAME	QTY	CAB SERIAL NO.	REMARKS
1	R26941	GROMMET	1		
2	AR49957	LINE	1		CONDENSER INLET
3	AR49958	HOSE	1		WITH SIGHT GLASS
4	R44512	GROMMET	1		
6	AR49959	HOSE	1		EVAPORATOR OUTLET
7	AR49956	LINE	1		RETURN
8	14H608	NUT	2		0.216"
	12H296	WASHER	2		0.216"
9	R47330	CLAMP	4		
10	R47477	HOSE	1		
11	R47329	SPACER	2		(NLA)
12	21H1318	SCREW	2		0.216" X 1/2"
13	R47476	HOSE	1		(NLA)
14	14H778	NUT	2		0.190"
	12H246	LOCK WASHER	2		0.190"
15	AR49955	LINE	1		PRESSURE
16	R47478	HOSE	1		
17	B30667	GROMMET	1		

3H1

OPERATOR'S STATION

R16335 -UN-01JAN94

TUBE SHIELDS
(STOLPER CAB)
(CAB SERIAL NO. 208330-)



3H2

OPERATOR'S STATION

TUBE SHIELDS - CONTINUED
(STOLPER CAB)
(CAB SERIAL NO. 208300-)

KEY	PART NO.	PART NAME	QTY	CAB SERIAL NO.	REMARKS
1	AR50005	SHIELD	1		
2	R47324	SHIELD	1		
3	MOLDING	1		51MM (2") (MAKE FROM R44452)
	MOLDING	1		76MM (3") (MAKE FROM R44452)
4	AR49775	SHIELD	1		
	21H1318	SCREW	1		0.216" X 1/2"
5	AR50004	SHIELD	1		
	21H1318	SCREW	1		0.216" X 1/2"
6	37H49	SCREW	11		NO. 10 X 1/2"
7	AR50006	SHIELD	1		
8	R87345	LOCK NUT	2		(SUB FOR R44454 OR R72380)

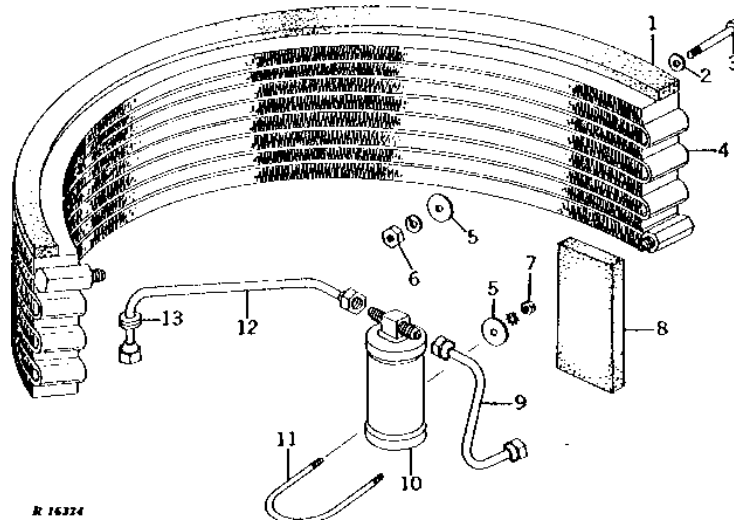
MEMORANDA

3H3

OPERATOR'S STATION

CONDENSER AND RECEIVER-DRYER (STOLPER CAB) (CAB SERIAL NO. 208300-)

R16324 -UN-01JAN94



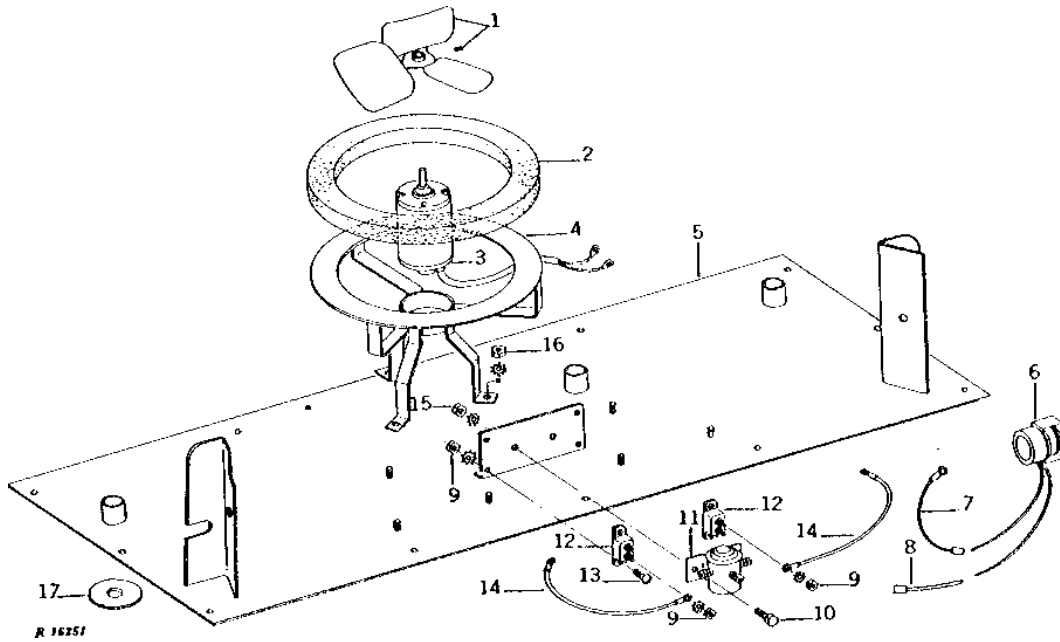
KEY	PART NO.	PART NAME	QTY	CAB SERIAL NO.	REMARKS
1	R47471	ISOLATOR	1		
	R47472	ISOLATOR	1		
2	24H1136	WASHER	2	11/32" X 11/16" X 0.065"	
3	19H1904	CAP SCREW	2	5/16" X 3"	
4	AR49967	CORE	1		
5	24H1291	WASHER	4	21/64" X 1-15/32" X 7/64"	
6	14H785	NUT	2	5/16"	
	12H303	LOCK WASHER	2	5/16"	
7	14H786	NUT	2	1/4"	
	12H302	LOCK WASHER	2	1/4"	
8	FOAM PAD	1	25 X 51 X 152MM (1" X 2" X 6") (MAKE FROM R28123)	
9	AR49953	LINE	1		CONDENSER TO RECEIVER-DRYER
10	AR45867	RECEIVER	1		
11	R47325	BOLT	1		
12	AR49954	LINE	1		OUTLET
13	R26936	GROMMET	1		

3H4

OPERATOR'S STATION

CONDENSER FANS, MOTORS AND CIRCUIT BREAKERS
(STOLPER CAB)
(CAB SERIAL NO. 208300-)

R16251 -UN-01JAN94



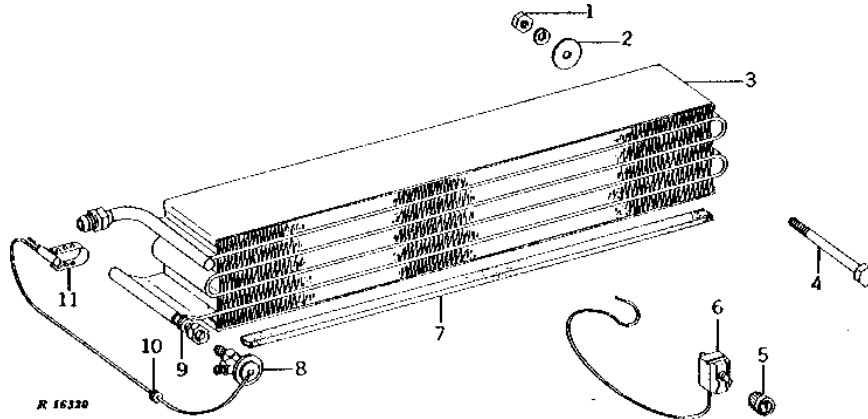
KEY	PART NO.	PART NAME	QTY	CAB SERIAL NO.	REMARKS
1	AR49963	FAN	2		
2	R47470	ISOLATOR	2		
3	AR49962	MOTOR	2		
4	AR50021	SUPPORT	2		
5	AR50020	PLATE	1		
6	AR45868	THERMOSTAT	1		
7	WIRING LEAD	1		241MM (9-1/2") THERMOSTAT TO RELAY, (MAKE FROM R66319, R32027 AND R32018)
8	WIRING LEAD	1		178MM (7") (MAKE FROM R32027) (ALSO ORDER R32025)
9	14H778	NUT	8		0.190"
	12H246	LOCK WASHER	8		0.190"
10	19H1919	CAP SCREW	1		1/4" X 5/8"
11	AR54484	RELAY	1		(SUB FOR AR46334)
12	AR49973	CIRCUIT BREAKER	2		15 AMP
13	21H1148	SCREW	4		0.190" X 3/4"
14	WIRING LEAD	1		166MM (6-1/2") CIRCUIT BREAKER TO RELAY, (MAKE FROM R66319 AND (2) R32018)
15	14H786	NUT	2		1/4"
	12H302	LOCK WASHER	2		1/4"
16	14H785	NUT	6		5/16"
	12H303	LOCK WASHER	6		5/16"
17	R47469	WASHER	3		
..	R46663	SEALING TRIM	AR		

3H5

OPERATOR'S STATION

EVAPORATOR
(STOLPER CAB)
(CAB SERIAL NO. 208300-)

R16320 -UN-01JAN94



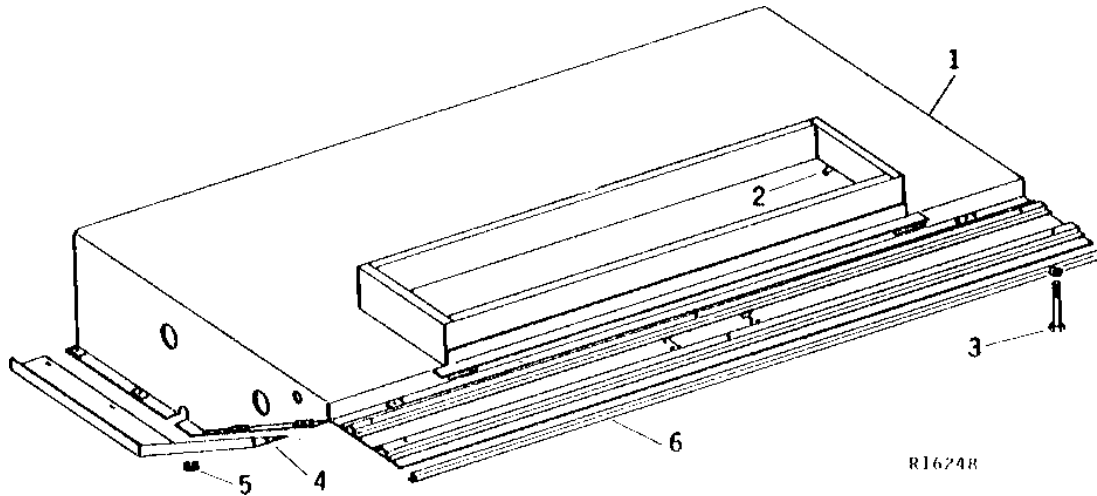
KEY	PART NO.	PART NAME	QTY	CAB SERIAL NO.	REMARKS
1	14H785	NUT	3	5/16"	
	12H303	LOCK WASHER	3	5/16"	
2	24H1291	WASHER	3	21/64" X 1-15/32" X 7/64"	
3	AR49966	CORE	1		
4	19H2342	CAP SCREW	3	5/16" X 4-1/2"	
5	AR69370	KNOB	1	(SUB FOR AR49969)	
6	AR49960	SWITCH	1	THERMOSTAT, (SUB AR59779)	
7	R47468	ISOLATOR	1		
8	AR49961	VALVE	1	EXPANSION	
9	R44512	GROMMET	1		
10	R44458	GROMMET	2		
11	CLAMP	1	(NOT FURNISHED)	

3H6

OPERATOR'S STATION

EVAPORATOR SUPPORT AND CONSOLE HOUSING
(STOLPER CAB)
(CAB SERIAL NO. 208300-)

R16248 -UN-01JAN94



KEY	PART NO.	PART NAME	QTY	CAB SERIAL NO.	REMARKS
1	AR50008	HOUSING	1		
2	AR50010	CLIP	4		
3	19H1900	CAP SCREW	8		(SUB FOR AR50009)
	12H303	LOCK WASHER	8		5/16" X 3/4"
4	AR50007	SHIELD	1		L.H.
	R47328	SHIELD	1		R.H.
5	H23124	PLUG	1		(NLA)
6	R44452	WEATHERSTRIP	1		

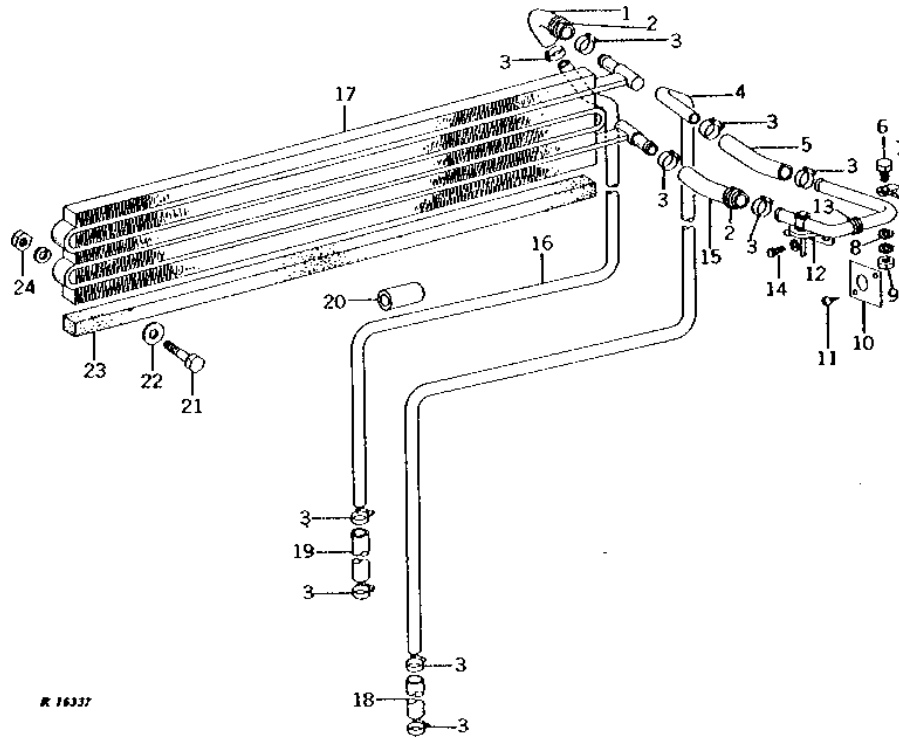
MEMORANDA

3H7

OPERATOR'S STATION

HEATER (STOLPER CAB) (CAB SERIAL NO. 208300-)

R16337 -UN-01JAN94



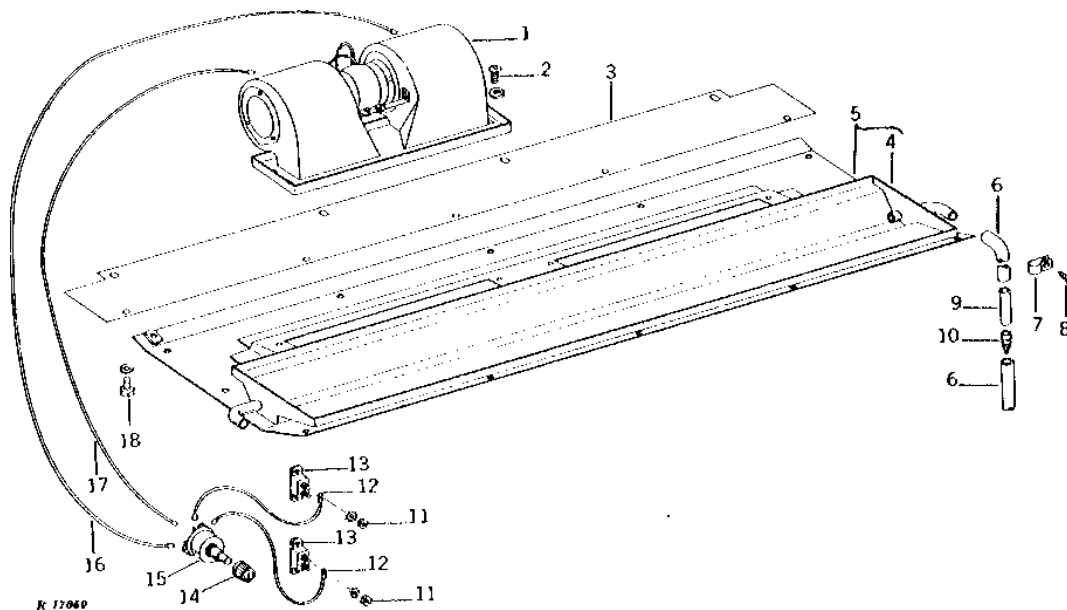
KEY	PART NO.	PART NAME	QTY	CAB SERIAL NO.	REMARKS
1	HOSE	1		305MM (12") OUTLET, (MAKE FROM R45847)
2	R44495	GROMMET	2		(NLA)
3	AR21837	CLAMP	10		(SUB TY22465)
4	R47303	LINE	1		PRESSURE
5	HOSE	1		152MM (6") INLET, (MAKE FROM R45847)
6	19H1227	CAP SCREW	1		1/4" X 1/2"
7	A5339R	CLIP	1		(NLA)
8	24H1285	WASHER	1		17/64" X 7/16" X 0.065"
9	14H786	NUT	1		1/4"
	12H302	LOCK WASHER	1		1/4"
10	R47331	COVER	1		
11	37H49	SCREW	2		NO. 10 X 1/2"
12	AR49987	VALVE	1		SHUT-OFF
13	P41858	GROMMET	1		
14	19H1227	CAP SCREW	2		1/4" X 1/2"
	12H302	LOCK WASHER	2		1/4"
15	HOSE	1		200MM (7-7/8") INLET, (MAKE FROM R45847)
16	R47302	LINE	1		RETURN
17	AR49965	CORE	1		
18	HOSE	1		216MM (8-1/2") (MAKE FROM R45847)
19	HOSE	1		229MM (9") (MAKE FROM R45847)
20	R47476	HOSE	8		(NLA)
21	19H3552	CAP SCREW	2		5/16" X 1-1/2"
22	24H1291	WASHER	2		21/64" X 1-15/32" X 7/64"
23	R47468	ISOLATOR	1		
	14H785	NUT	2		5/16"
	12H303	LOCK WASHER	2		5/16"

3H8

OPERATOR'S STATION

PRESSURIZER MOTOR AND EVAPORATOR TRAY (STOLPER CAB) (CAB SERIAL NO. 208300-)

R17060 -UN-01JAN94



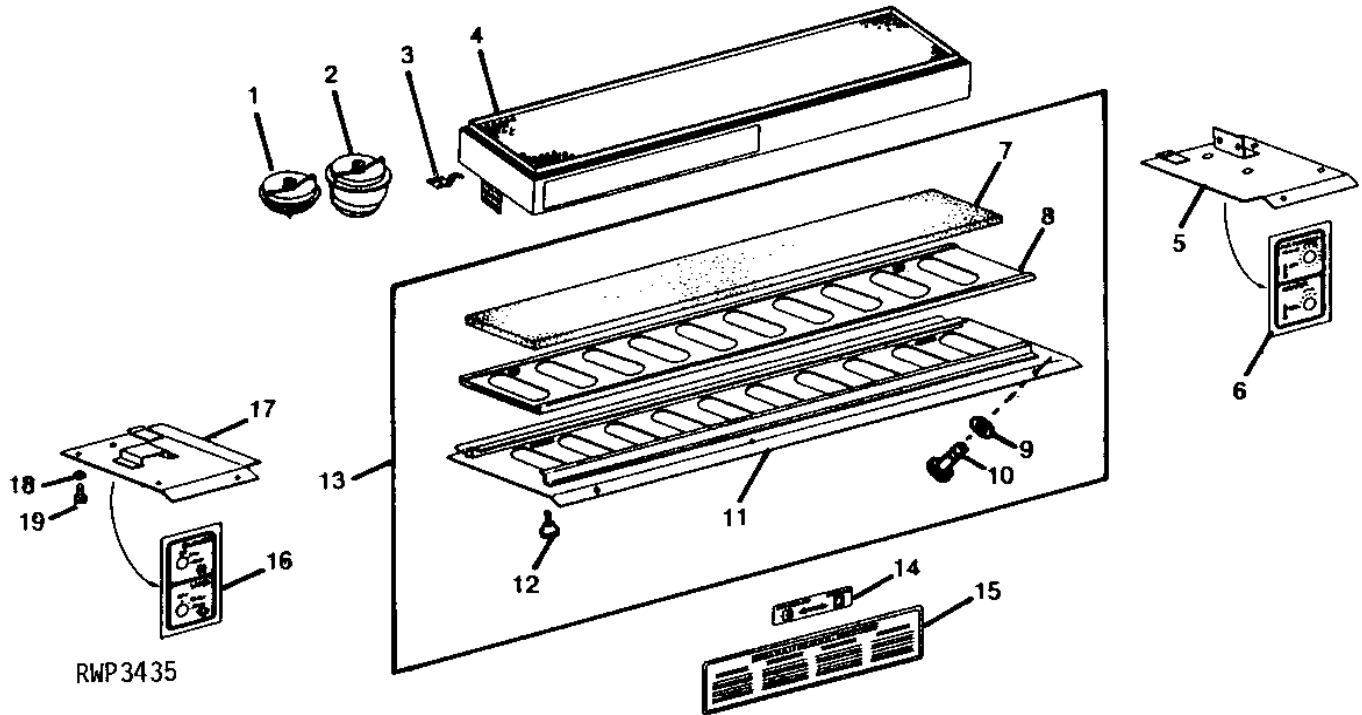
KEY	PART NO.	PART NAME	QTY	CAB SERIAL NO.	REMARKS
1	AR68973	BLOWER	2		(SUB FOR AR49968, AR53156, AR62561 OR AR66027) (ALSO ORDER R36229)
2	21H1158	SCREW	8		0.164" X 1/2"
	12H315	LOCK WASHER	8		0.164"
3	R47326	COVER	1		
4	AR55715	CONTAINER	1		CONDENSATION TRAY, (SUB FOR AR50014) (ALSO ORDER R48913)
5	AR55713	PANEL	1		(SUB FOR AR50013) (ALSO ORDER R48913)
6	R47475	HOSE	2		
7	R44516	CLAMP	4		
8	37H49	SCREW	4		NO. 10 X 1/2"
9	R47306	TUBE	2		
10	R47305	VALVE	2		(SUB R48906, R45211 AND TY22465)
11	14H778	NUT	4		0.190"
	12H246	LOCK WASHER	4		0.190"
12	WIRING LEAD	2		152MM (6") CIRCUIT BREAKER TO BLOWER SWITCH, (MAKE FROM R32018, R66319 AND R32027) (ALSO ORDER R32024)
13	AR49973	CIRCUIT BREAKER	2		15 AMP
14	AR69370	KNOB	1		(SUB FOR AR49969)
15	AR53155	SWITCH	1		(SUB FOR AR49964)
16	WIRING LEAD	1		1168MM (46") R.H. BLOWER, (MAKE FROM (2) R32027 AND R66319) (ALSO ORDER (2) R32024)
17	WIRING LEAD	1		813MM (32") L.H. BLOWER, (MAKE FROM (2) R32027 AND R66319) (ALSO ORDER (2) R32024)
18	19H1227	CAP SCREW	15		1/4" X 1/2"
	12H302	LOCK WASHER	15		1/4"

3H9

OPERATOR'S STATION

FILTERS AND LOUVERS (STOLPER) (CAB SERIAL NO. 208300-)

RWP3435 -UN-01JAN94



RWP3435

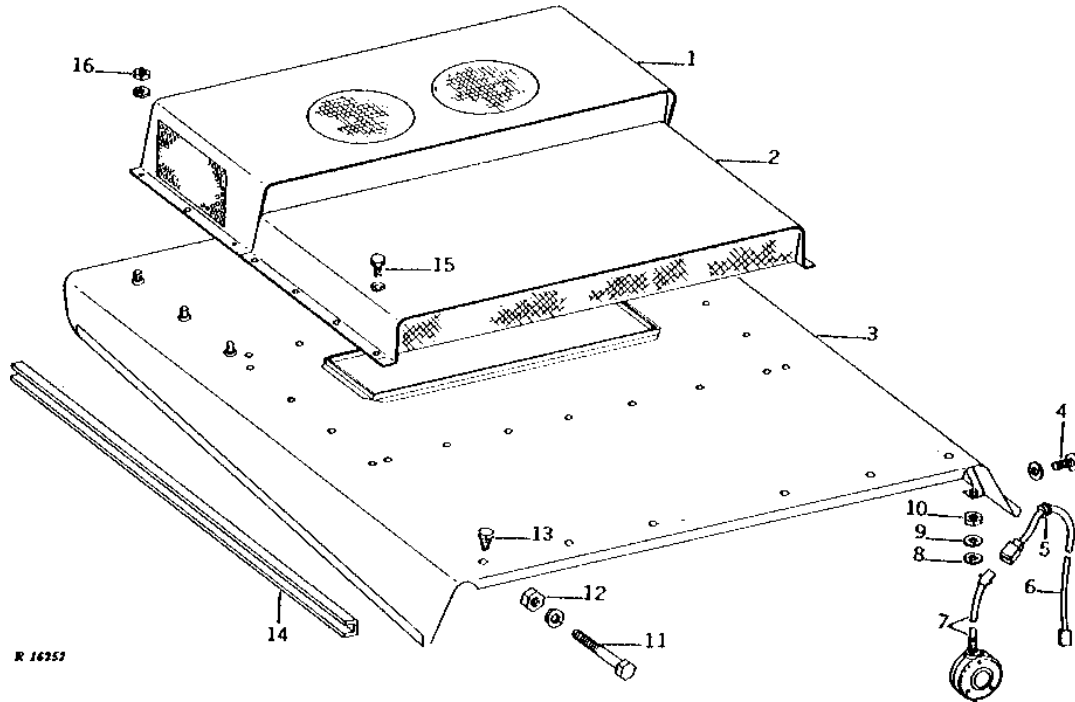
KEY	PART NO.	PART NAME	QTY	CAB SERIAL NO.	REMARKS
1	AR49952	DEFLECTOR	3		
2	AR49970	DEFLECTOR	1		
3	CLIP	4		
4	AR61903	AIR FILTER	1		(SUB FOR AR49986)
5	AR50011	PANEL	1		
6	R47518	LABEL	1		
7	R47304	FILTER ELEMENT	1		
8	AR50018	DOOR	1		
9	R44456	WASHER	2		
10	R47323	SCREW	2		
11	AR50017	PANEL	1		
12	AR50019	KNOB	2		
13	AR50016	PANEL	1		
14	R47334	LABEL	1		
15	R47333	LABEL	1		
16	R47517	LABEL	1		
17	AR50012	PANEL	1		
18	12H302	LOCK WASHER	12	1/4"	
19	19H1227	CAP SCREW	12	1/4" X 1/2"	

3H10

OPERATOR'S STATION

AIR SCOOP AND CANOPY
(STOLPER CAB)
(AIR CONDITIONING)
(CAB SERIAL NO. 208300-)

R16252 -UN-01JAN94



R 16352

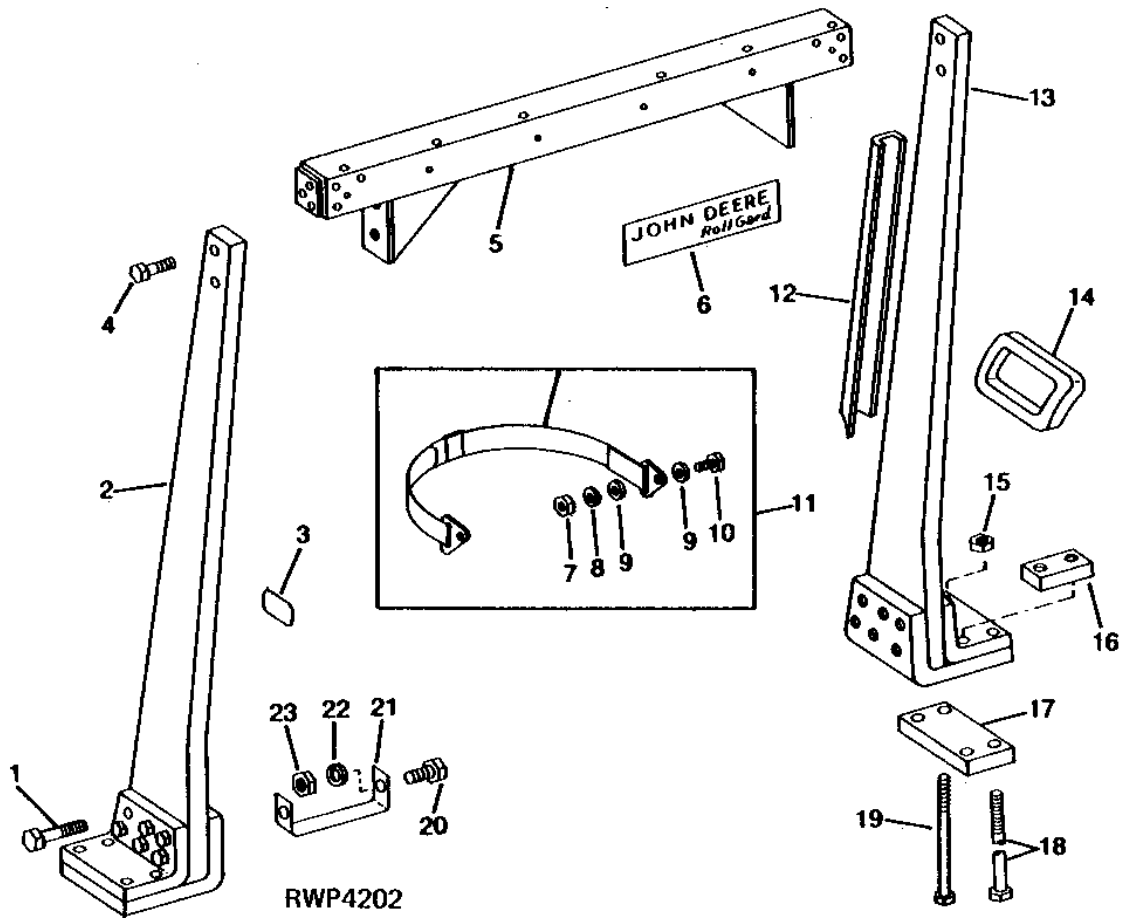
KEY	PART NO.	PART NAME	QTY	CAB SERIAL NO.	REMARKS
1	AR50022	COVER	1		
2	AR50023	COVER	1		
	R47473	WEATHERSTRIP	1		
3	AR49225	CANOPY	1		
	R47327	HEADLINER	1		
	R47332	EXTENSION	2		
4	19H1731	CAP SCREW	6	3/8" X 1"	
	12H304	LOCK WASHER	6	3/8"	
5	R27583	GROMMET	2		
6	AR46411	WIRING LEAD	2		
	T15737	CLAMP	2	(SUB T32231)	
	R45211	CLAMP	2		
7	AR38456	LAMP	2		WARNING
8	R38371	WASHER	2		
9	24H1227	WASHER	2	17/32" X 13/16" X 0.060"	
10	14H856	NUT	2	1/2"	
11	19H2054	CAP SCREW	6	3/8" X 4-3/4"	
12	14H1076	NUT	6	3/8"	
	14H1040	NUT	6	1/2"	
13	37H29	SCREW	10	5/16" X 5/8"	
14	R41358	ISOLATOR	2		
15	19H1227	CAP SCREW	22	1/4" X 1/2"	
16	14H786	NUT	15	1/4"	
	12H302	LOCK WASHER	15	1/4"	

3H11

OPERATOR'S STATION

RWP4202 -UN-01JAN94

ROLL-GARD AND SEAT BELT
(TRACTOR SERIAL NO. -XXXXXX)



3H12

OPERATOR'S STATION

ROLL-GARD AND SEAT BELT - CONTINUED
(TRACTOR SERIAL NO. -XXXXXX)

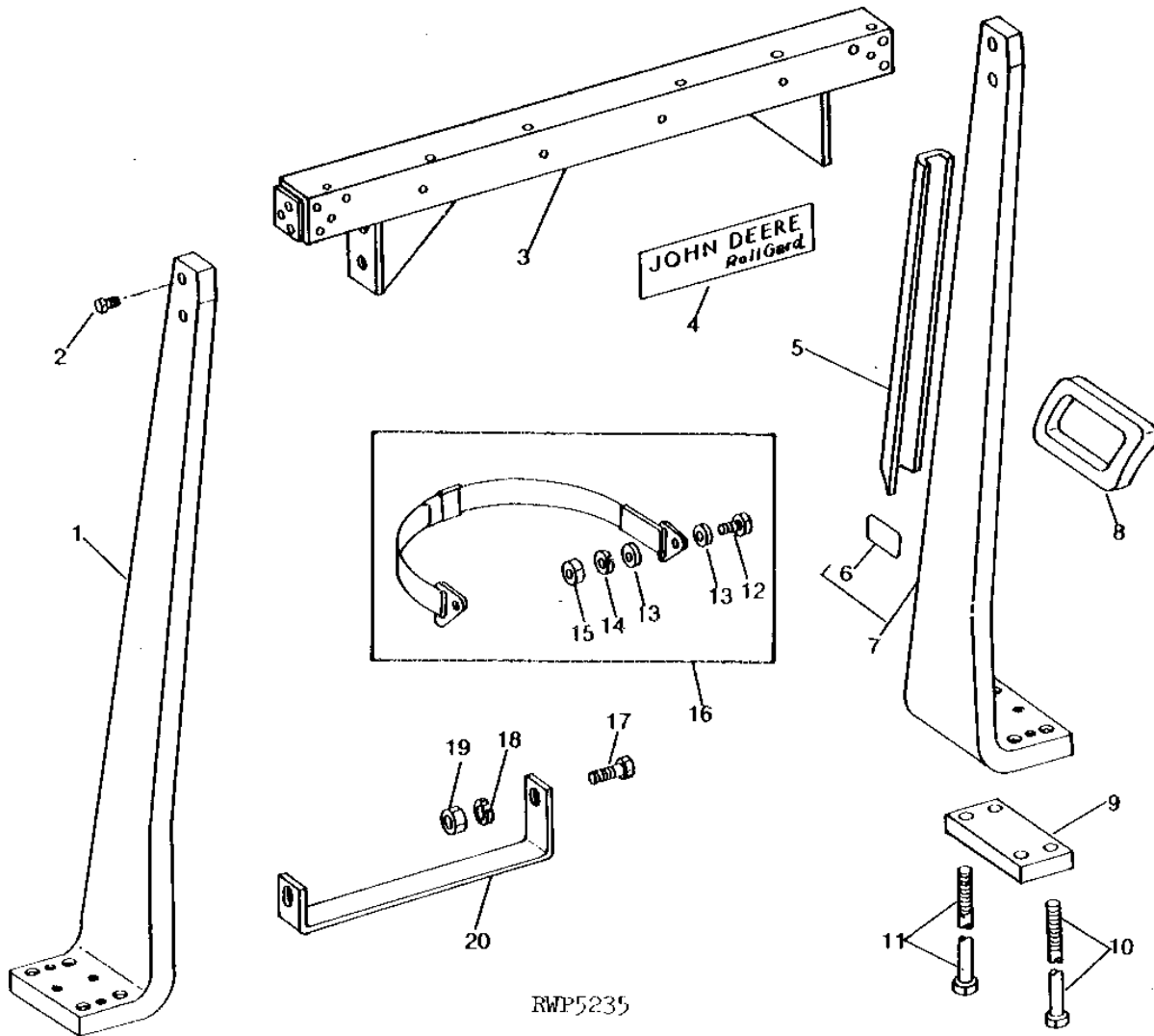
KEY	PART NO.	PART NAME	QTY	TRACTOR SERIAL NO.	REMARKS
1	19H2421	CAP SCREW	8		1" X 3-3/4"
2	AR43631	FRAME	1		
3	R87527	LABEL	1		CAUTION, (SUB FOR R41781)
4	19H2728	CAP SCREW	4		3/4" X 3"
5	AR44613	CROSSBAR	1		(SUB FOR AR42508 OR AR68306)
6	T27155	LABEL	1		
7	14H863	NUT	2		3/4"
8	12H293	LOCK WASHER	2		7/16"
9	24H1226	WASHER	4		1/2" X 1-1/4" X 0.083"
10	R41778	BOLT	2		
11	AR41761	SEAT BELT	1		51MM (2")
	AT38518	SEAT BELT	1		76MM (3")
	R81424	LABEL	1		CAUTION
12	R42646	FOAM PAD	2		
13	AR43602	FRAME	1		(SUB FOR AR43630) (NLA)
14	R44619	GROMMET	1		R.H.
	R44621	GROMMET	1		L.H.
15	14H932	NUT	4		7/8"
16	R44584	PLATE	2		
17	R44582	PLATE	2		
18	R43826	CAP SCREW	4		1" X 12-1/2"
19	R43671	CAP SCREW	4		7/8" X 12-1/2", (NLA)
20	19H2284	CAP SCREW	2		3/8" X 7/8"
21	R43887	BRACKET	2		
22	12H304	LOCK WASHER	2		3/8"
23	14H1076	NUT	2		3/8"

3H13

OPERATOR'S STATION

RWP5235 -UN-01JAN94

ROLL-GARD AND SEAT BELT
(TRACTOR SERIAL NO. XXXXXX-)



3H14

OPERATOR'S STATION

ROLL-GARD AND SEAT BELT - CONTINUED
(TRACTOR SERIAL NO. XXXXXX-)

KEY	PART NO.	PART NAME	QTY	TRACTOR SERIAL NO.	REMARKS
1	R47713	FRAME	1	(A) (NLA)	
	R47715	FRAME	1	(B)	
2	19H2728	CAP SCREW	4	3/4" X 3"	
3	AR44613	CROSSBAR	1	(SUB FOR AR42508 OR AR68306)	
4	R47292	LABEL	1	(SUB FOR T27155)	
5	R42646	FOAM PAD	2		
6	R87527	LABEL	1	CAUTION, (SUB FOR R41781)	
7	AR50539	FRAME	1	(A) (NLA)	
	AR50540	FRAME	1	(B)	
8	R44619	GROMMET	1	R.H.	
	R44621	GROMMET	1	L.H.	
9	R44582	PLATE	2		
10	R47722	CAP SCREW	4		
11	R47721	SCREW	4		
12	R41778	BOLT	2		
13	24H1226	WASHER	4	1/2" X 1-1/4" X 0.083"	
14	12H293	LOCK WASHER	2	7/16"	
15	14H807	NUT	2	7/16"	
16	AR41761	SEAT BELT	1	51MM (2")	
	AT38518	SEAT BELT	1	76MM (3")	
	R81424	LABEL	1	CAUTION, (SUB FOR R42732)	
17	19H2284	CAP SCREW	2	3/8" X 7/8"	
18	12H304	LOCK WASHER	2	3/8"	
19	14H1076	NUT	2	3/8"	
20	R43887	BRACKET	2		

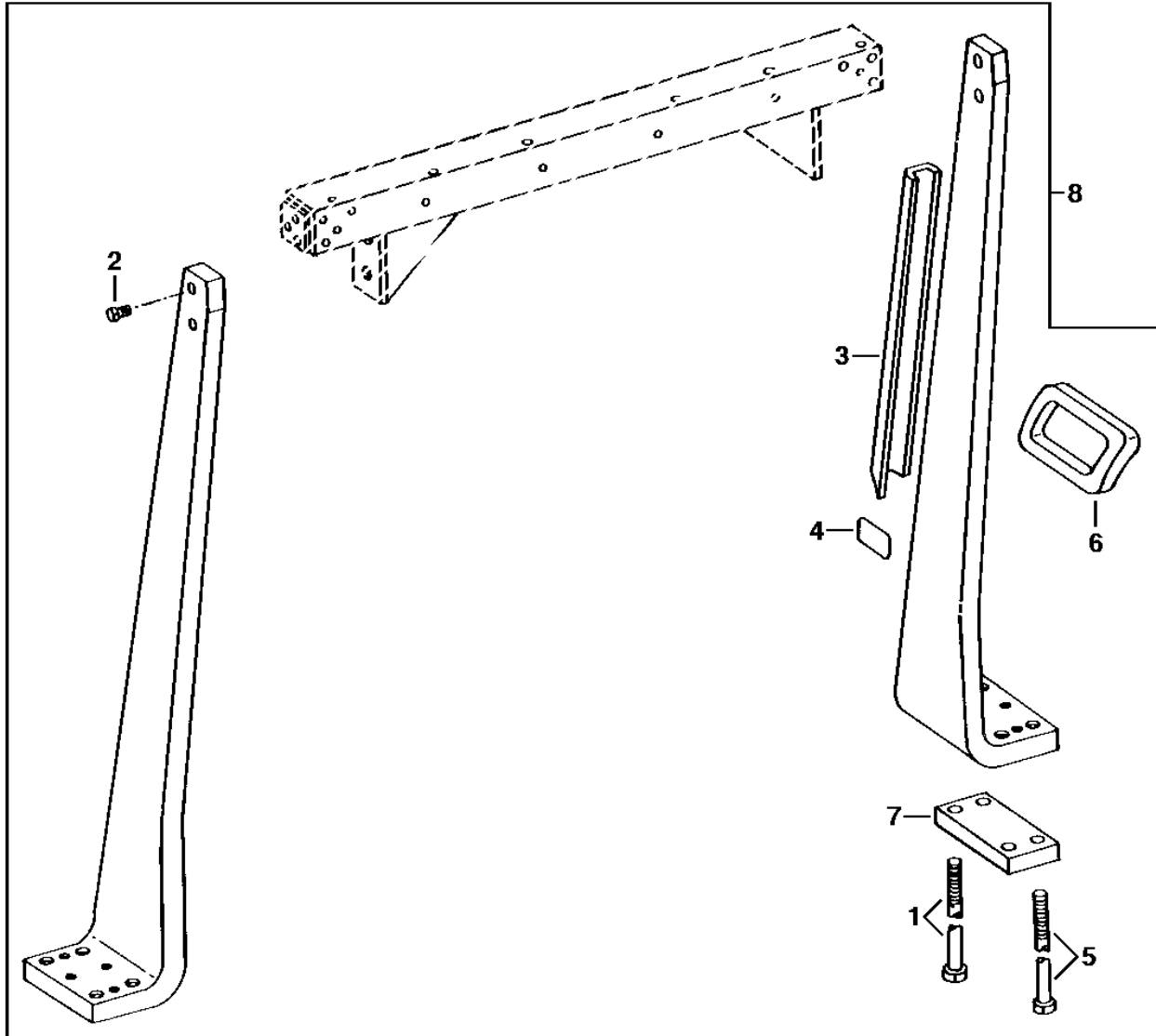
(A) ROW-CROP
(B) STANDARD

3H15

OPERATOR'S STATION

RXP025159 -UN-06DEC95

ROLL-GARD FRAME KIT



RXP025159

3H16

OPERATOR'S STATION

ROLL-GARD FRAME KIT - CONTINUED

KEY	PART NO.	PART NAME	QTY	TRACTOR SERIAL NO.	REMARKS
1	R47721	SCREW	4		
2	19H2728	CAP SCREW	4	3/4" X 3"	
3	R42646	FOAM PAD	2		
4	R87527	LABEL	1		CAUTION, (SUB FOR R41781)
5	R47722	CAP SCREW	4		
6	R44619	GROMMET	1		R.H.
	R44621	GROMMET	1		L.H.
7	R44582	PLATE	2		
8	AR50534	ROLL-GARD	1		
..	19H1974	CAP SCREW	8	1/2" X 2-3/4"	

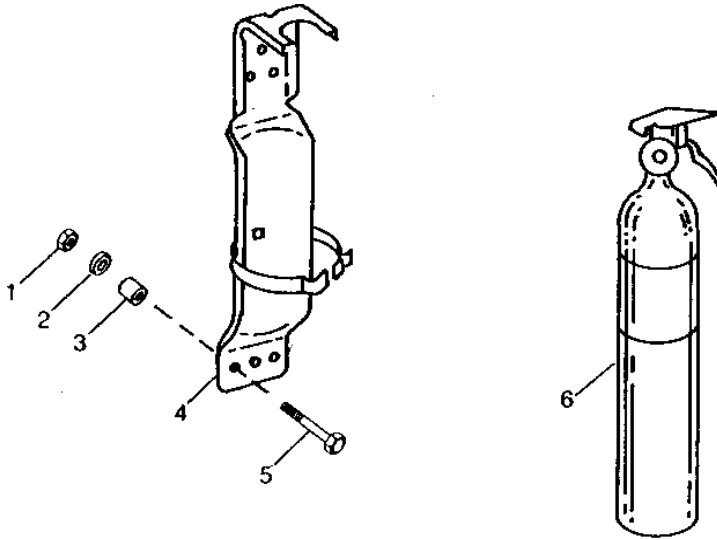
MEMORANDA

3H17

OPERATOR'S STATION

RWP2787 -UN-01JAN94

FIRE EXTINGUISHER



RWP2787

KEY	PART NO.	PART NAME	QTY	SG BODY SERIAL NO.	REMARKS
1	14H786	NUT	2	1/4"	
2	24H1287	WASHER	2	9/32" X 5/8" X 0.065"	
3	28H1914	BUSHING	2		
4	AT75387	BRACKET	1	(SUB FOR AT62019)	
5	21H1035	SCREW	2	1/4" X 1-1/2"	
6	AT168165	FIRE EXTINGUISHER	1	(SUB FOR AT62018, AT81764 OR AT141924)	

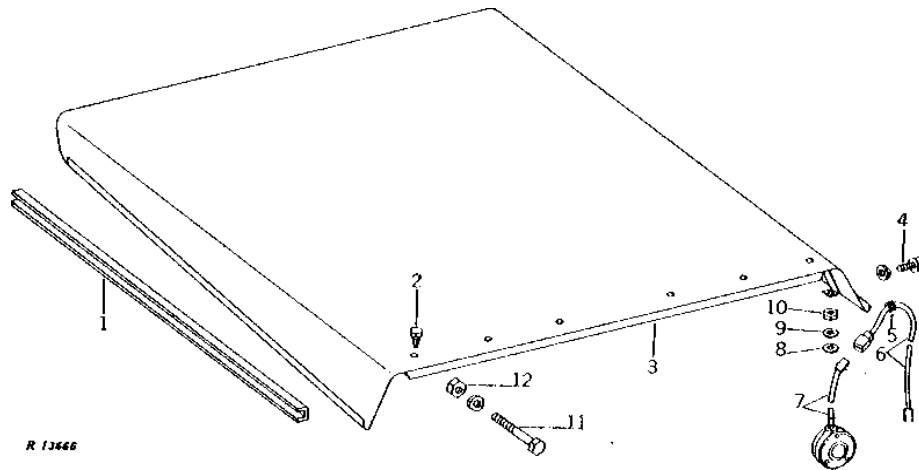
MEMORANDA

3H18

OPERATOR'S STATION

R13666 -UN-01JAN94

CANOPY AND CAB ROOF
(TRACTOR SERIAL NO. -XXXXXX)



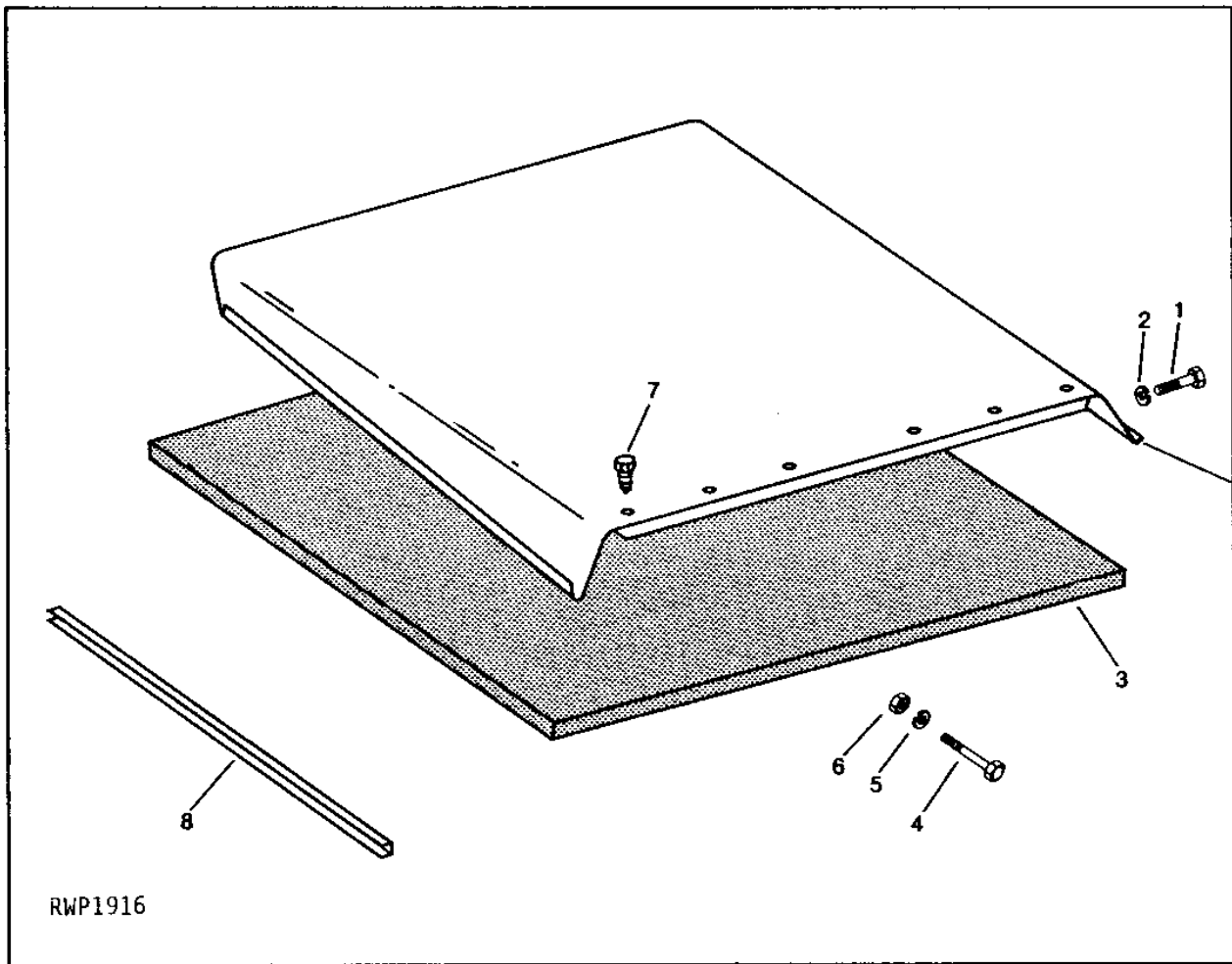
KEY	PART NO.	PART NAME	QTY	TRACTOR SERIAL NO.	REMARKS
1	R41358	ISOLATOR	2		
2	37H27	SCREW	10	5/16" X 7/8"	
3	AR47210	CANOPY	1	(SUB AR51452)	
	R47197	FOAM PAD	1		
	R44477	HEADLINER	1	(STOLPER CAB)	
4	19H1731	CAP SCREW	6	3/8" X 1"	
	12H304	LOCK WASHER	6	3/8"	
5	R27583	GROMMET	2		
	R41440	GROMMET	4		
6	AR46411	WIRING LEAD	2		
	T15737	CLAMP	2	(SUB T32231)	
	R45211	CLAMP	2		
7	AR38456	LAMP	2		
8	R38371	WASHER	2		
9	24H1227	WASHER	2	17/32" X 13/16" X 0.060"	
10	14H856	NUT	2	1/2"	
11	19H2054	CAP SCREW	6	3/8" X 4-3/4"	
12	14H1076	NUT	6	3/8"	
	12H304	LOCK WASHER	6	3/8"	

3H19

OPERATOR'S STATION

RWP1916 -UN-01JAN94

CANOPY AND CAB ROOF
(TRACTOR SERIAL NO. XXXXXX-)



3H20

OPERATOR'S STATION

CANOPY AND CAB ROOF - CONTINUED
(TRACTOR SERIAL NO. XXXXXX-)

KEY	PART NO.	PART NAME	QTY	TRACTOR SERIAL NO.	REMARKS
1	19H1731	CAP SCREW	6	3/8" X 1"	
2	12H304	LOCK WASHER	6	3/8"	
3	R47197	FOAM PAD	1		
4	19H2054	CAP SCREW	6	3/8" X 4-3/4"	
5	12H304	LOCK WASHER	6	3/8"	
6	14H1076	NUT	6	3/8"	
7	37H27	SCREW	10	5/16" X 7/8"	
8	R41358	ISOLATOR	2		
9	AR51452	CANOPY	1		
..	R52195	BRACKET	2	WARNING LAMP	

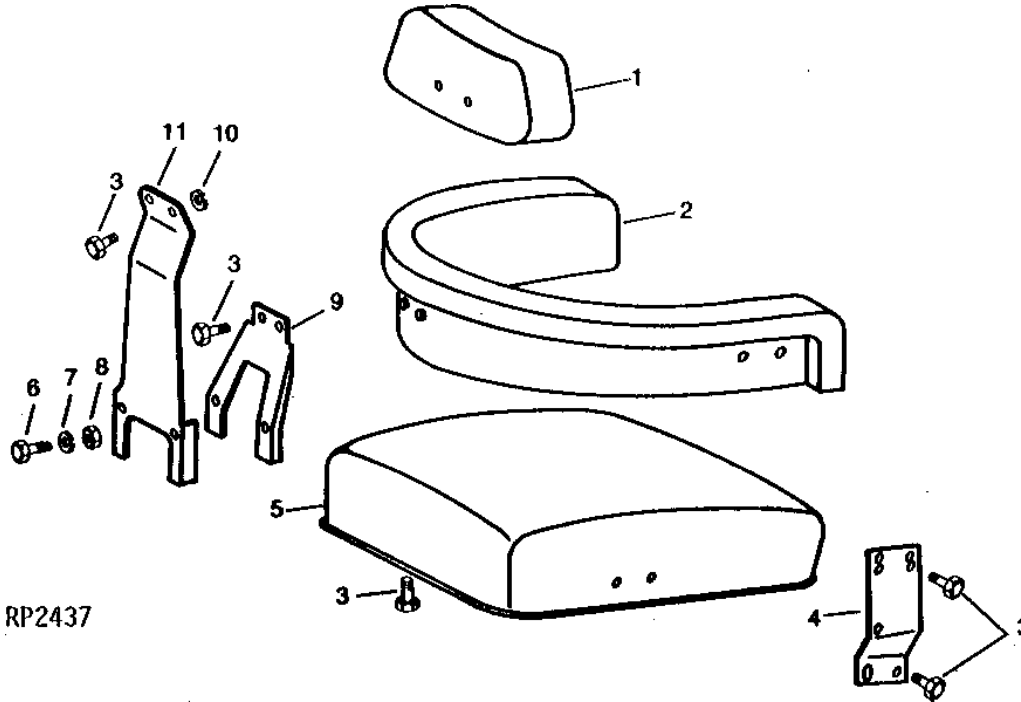
MEMORANDA

3H21

OPERATOR'S STATION

RP2437 -UN-01JAN94

DELUXE SEAT



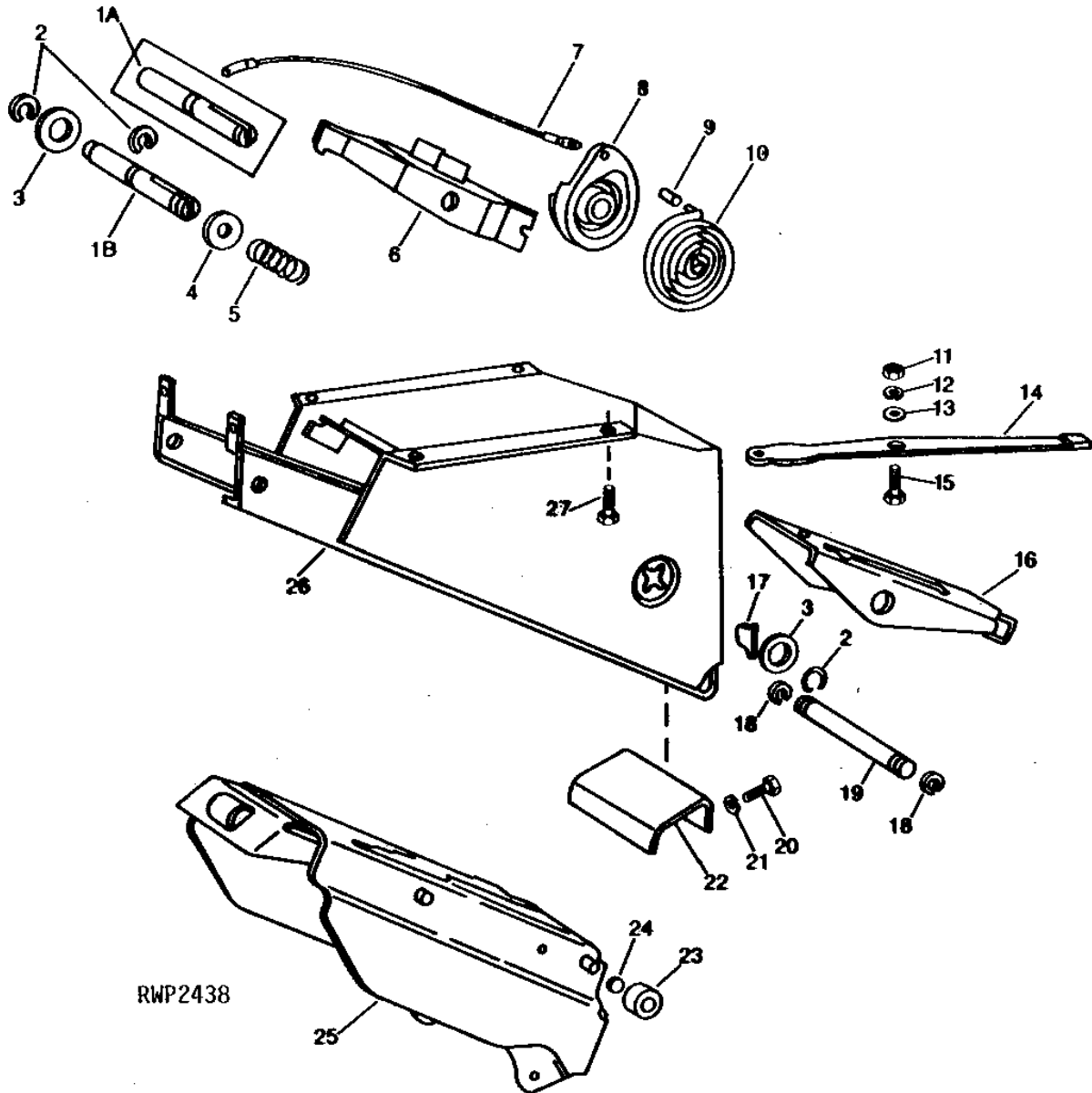
KEY	PART NO.	PART NAME	QTY	TRACTOR SERIAL NO.	REMARKS
1	R34267	SEAT BACK	1		(SUB FOR R34267 OR AR59679)
	R34619	CUSHION COVER	1		
2	AR59680	ARMREST	1		(SUB FOR AR42598)
	R34620	CUSHION COVER	1		
3	19H1813	CAP SCREW	16		5/16" X 5/8"
	19H2127	CAP SCREW	2		5/16" X 7/8"
	24H1517	WASHER	2		1-13/32" X 2-23/32" X 0.036"
4	R57274	SUPPORT	1		R.H. (SUB FOR R41937)
	R41938	SUPPORT	1		L.H.
5	AR59681	CUSHION	1		(SUB AR44763)
	R32736	COVER	1		(NATURAL CANVAS)
	R34618	CUSHION COVER	1		(YELLOW VINYL)
6	19H1905	CAP SCREW	2		5/16" X 1"
7	12H303	LOCK WASHER	2		5/16"
8	14H785	NUT	2		5/16"
9	R27785	SUPPORT	1		
10	24H448	WASHER	2		25/32" X 1-1/8" X 0.090"
11	R34272	SUPPORT	1		
..	AR41761	SEAT BELT	1		51MM (2") WIDTH
..	AT38518	SEAT BELT	1		76MM (3") WIDTH
..	R81424	LABEL	1		SEAT BELT CAUTION, (SUB FOR R42732)

3H22

OPERATOR'S STATION

RWP2438 -UN-01JAN94

DELUXE SEAT SUPPORT



RWP2438

3H23

OPERATOR'S STATION

DELUXE SEAT SUPPORT - CONTINUED

KEY	PART NO.	PART NAME	QTY	TRACTOR SERIAL NO.	REMARKS
1A	R26874	SHAFT	1	-XXXXXX	
1B	R57572	PIN	1	XXXXXX-	(SUB FOR R56064) (ALSO ORDER R73380 AND (2) 24H1384)
2	R73380	SNAP RING	2	-XXXXXX	(SUB FOR A369R)
	R73380	SNAP RING	3	XXXXXX-	(SUB FOR A369R)
3	24H1384	WASHER	2	XXXXXX-	49/64" X 1-1/16" X 0.036"
4	24H1395	WASHER	1		25/32" X 1-7/16" X 0.060"
5	A4744R	SPRING	1		
6	R26828	LATCH	1		
7	R78257	CABLE	1		(SUB FOR AR26403)
8	R26432	REEL	1		
9	34H282	SPRING PIN	1		3/16" X 1"
10	R31260	SPRING	1		
11	14H786	NUT	1		1/4"
12	12H302	LOCK WASHER	1		1/4"
13	24H1287	WASHER	1		9/32" X 5/8" X 0.065"
14	R27439	LEVER	1		
15	R26431	SCREW	1		
16	R26830	HANDLE	1		
17	R26434	LATCH	1		
18	R26871	SNAP RING	2		
19	R26829	PIN	1		
20	19H1900	CAP SCREW	2	-XXXXXX	5/16" X 3/4"
21	12H303	LOCK WASHER	2	-XXXXXX	5/16"
22	AR54598	STOP	1	-XXXXXX	(ROLL-GARD OR SOUND-GARD BODY)
23	R26436	ROLLER	4		
24	R26872	SHIM	1		0.25MM (.010")
	R26873	SHIM	1		0.51MM (.020")
25	AR26632	FRAME	1		(NOT AS ILLUSTRATED)
26	AR68728	SUPPORT	1		(SUB FOR AR54261 OR AR65883) (ALSO ORDER R57572, R73380, (2) 24H1384 AND (2) 28H1517)

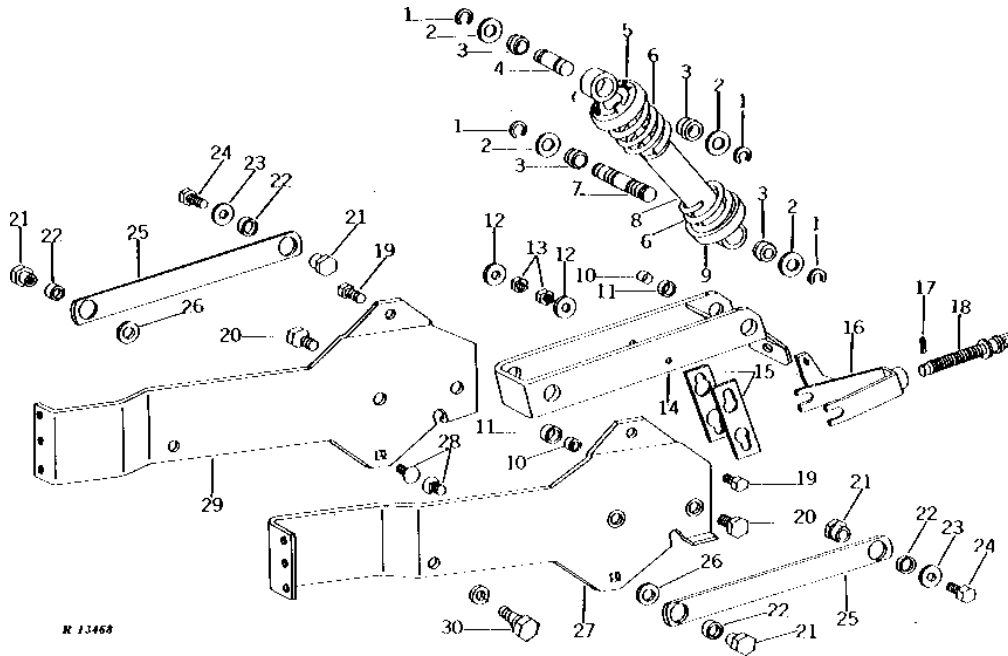
MEMORANDA

3H24

OPERATOR'S STATION

R13468 -UN-01JAN94

DELUXE SEAT SUSPENSION



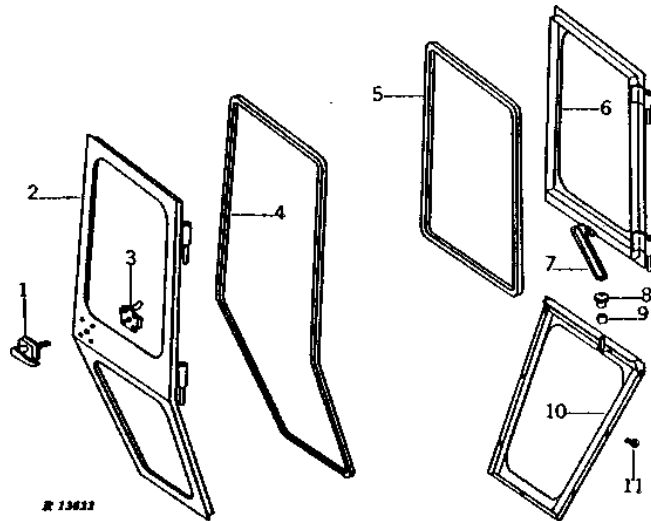
KEY	PART NO.	PART NAME	QTY	TRACTOR SERIAL NO.	REMARKS
1	F2863R	SNAP RING	4		
2	R1836R	WASHER	4		
3	R26832	BUSHING	4		
4	R26875	PIN	1		
5	R27442	CAP	1		
6	R26877	SPRING	1		
7	R26876	SHAFT	1		
8	AR71976	ABSORBER	1	(SUB FOR AR26529 OR AR69854)	(SUB RE62234)
9	R26879	CAP	1		
10	R27440	BUSHING	4		
11	R36704	WASHER	4	(SUB R51648)	
12	R27441	WASHER	4		
13	T11234	LOCK NUT	4	(SUB FOR C744DN)	
14	AR60029	ARM	1	(SUB FOR AR36048)	
15	R26878	LINK	2		
16	AR69271	YOKE	1	(SUB FOR AR26530)	
17	34H247	SPRING PIN	1	1/8" X 3/4"	
18	R27121	SCREW	1	(SUB R57623 AND 11H113)	
19	19H1732	CAP SCREW	2	3/8" X 1-1/4"	
20	R31505	BOLT	4	(SUB FOR R26288)	
21	R26880	NUT	4		
22	R36704	WASHER	4	(SUB R51648)	
23	R27441	WASHER	2		
24	19H1936	CAP SCREW	2	3/8" X 3/4"	
25	AR31977	LINK	2		
26	R48450	WASHER	2	(SUB FOR R26113)	
27	R43121	SUPPORT	1		
28	10H1026	BOLT	2	3/8" X 1"	
29	R43122	SUPPORT	1		
30	19H1815	CAP SCREW	2	1/2" X 1-1/4"	
	12H301	LOCK WASHER	2	1/2"	

3H25

OPERATOR'S STATION

DOOR, RIGHT-HAND LOWER PANEL AND FRONT WINDOW (STOLPER CAB)

R13633 -UN-01JAN94



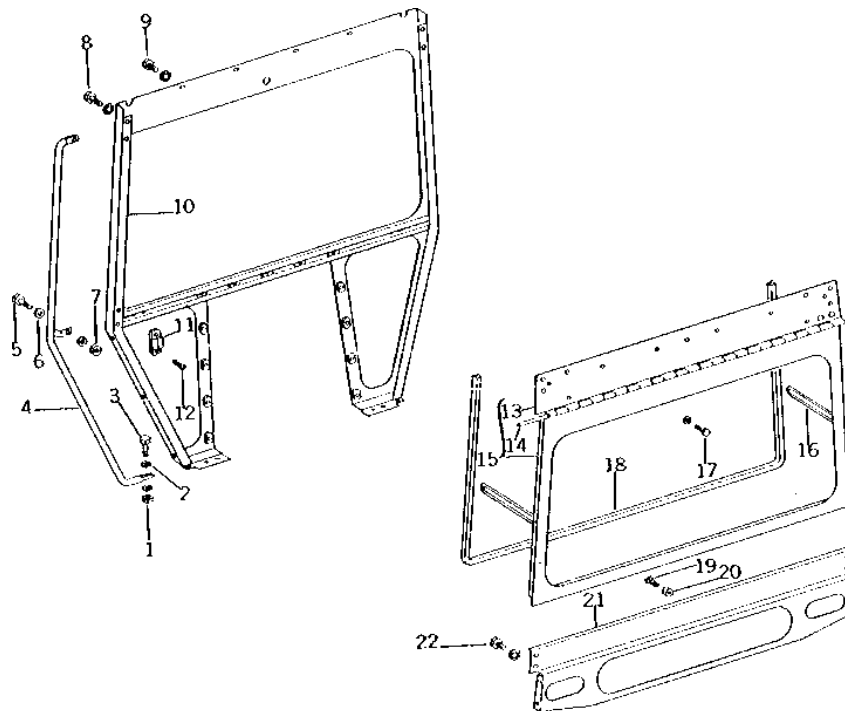
KEY	PART NO.	PART NAME	QTY	CAB SERIAL NO.	REMARKS
1	AH64758	HANDLE	1		
2	AR45813	DOOR	1		
3	AR45814	LATCH	1		
4	H61993	WEATHERSTRIP	1		
5	SEAL	1	2692MM (106")	(MAKE FROM H61993)
6	AR45815	WINDOW	1		
7	R44444	ARM	1		
8	R44446	KNOB	1		
9	R44445	BUSHING	1		
10	AR45816	PANEL	1		
11	21H1304	SCREW	7	5/16" X 3/4"	

311

OPERATOR'S STATION

R14188 -UN-01JAN94

FRONT AND REAR PANELS (STOLPER CAB)



R 14188

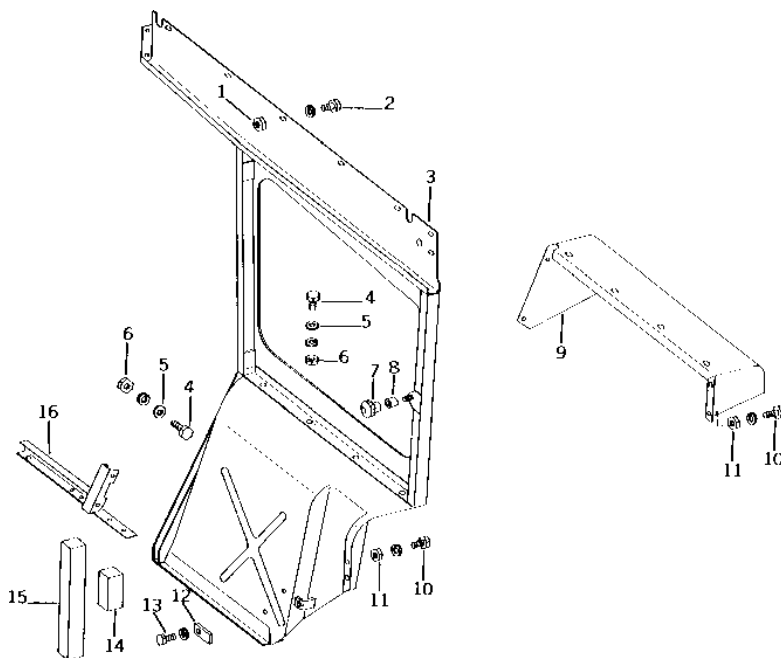
KEY	PART NO.	PART NAME	QTY	CAB SERIAL NO.	REMARKS
1	14H1076	NUT	1		3/8"
	12H304	LOCK WASHER	1		3/8"
2	24H1305	WASHER	1		13/32" X 13/16" X 0.065"
3	19H1765	CAP SCREW	1		3/8" X 1-3/4"
4	AR46299	HANDLE	1		
5	19H1900	CAP SCREW	1		5/16" X 3/4"
6	24H1136	WASHER	1		11/32" X 11/16" X 0.065"
7	14H785	NUT	1		5/16"
	12H303	LOCK WASHER	1		5/16"
8	19H1726	CAP SCREW	4		3/8" X 2-1/4"
	12H310	LOCK WASHER	4		3/8"
9	19H1731	CAP SCREW	6		3/8" X 1"
	12H310	LOCK WASHER	6		3/8"
10	AR43739	PANEL	1		
	AR50026	PANEL	1	208300-	(AIR CONDITIONING)
11	H63952	PLATE	1		
12	21H1210	SCREW	2		1/4" X 3/4"
13	R44431	PANEL	1		
14	R44432	PIN	1		
15	AR45810	PANEL	1		
	R48457	CONTAINER	1		
16	R44444	ARM	2		
17	19H1905	CAP SCREW	6		5/16" X 1"
	12M7032	LOCK WASHER	6		0.331"
18	SEAL	1		2908MM (114-1/2") (MAKE FROM H61993)
19	R44436	SCREW	1		
20	T101090	BUMPER	1		(SUB FOR R44434)
21	AR45811	PANEL	1		
22	19H1936	CAP SCREW	4		3/8" X 3/4"
	12H310	LOCK WASHER	4		3/8"

312

OPERATOR'S STATION

R15925 -UN-01JAN94

RIGHT-HAND SIDE AND FENDER (STOLPER CAB)



R 15925

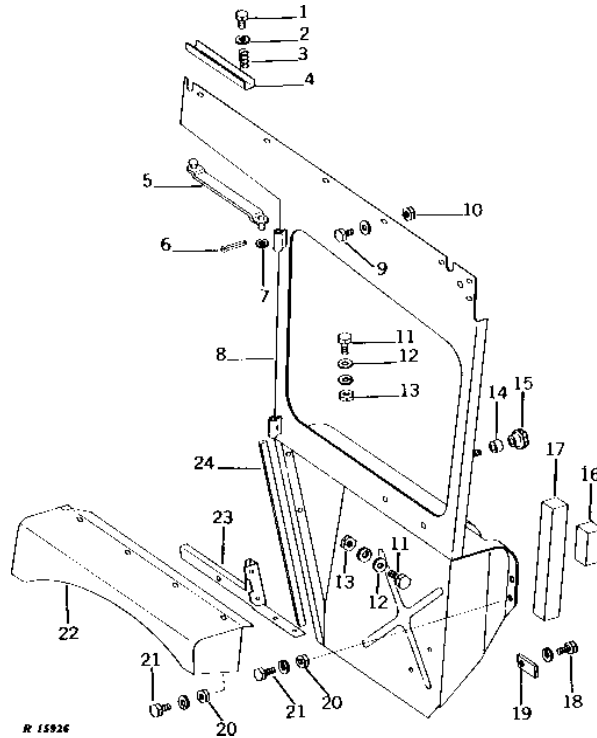
KEY	PART NO.	PART NAME	QTY	CAB SERIAL NO.	REMARKS
1	14H1076	NUT	4	3/8"	
2	19H1731	CAP SCREW	6	3/8" X 1"	
	12H310	LOCK WASHER	6	3/8"	
3	AR43740	CAB	1		
	R48456	CONTAINER	1		
4	19H1936	CAP SCREW	7	3/8" X 3/4"	
5	24H1305	WASHER	7	13/32" X 13/16" X 0.065"	
6	14H1076	NUT	7	3/8"	
	12H304	LOCK WASHER	7	3/8"	
7	R44446	KNOB	1		
8	R44445	BUSHING	1		
9	AR46761	FENDER	1	(NLA)	
10	19H1936	CAP SCREW	4	3/8" X 3/4"	
	12H304	LOCK WASHER	4	3/8"	
11	14H1076	NUT	4	3/8"	
12	R44984	STRAP	1		
13	19H1731	CAP SCREW	1	3/8" X 1"	
	12H304	LOCK WASHER	1	3/8"	
14	FOAM PAD	1	51 X 51 X 102MM (2" X 2" X 4") (MAKE FROM R45015)	
15	FOAM PAD	1	51 X 51 X 356MM (2" X 2" X 14") (MAKE FROM R45015)	
16	AR45817	SILL	1		

313

OPERATOR'S STATION

LEFT-HAND SIDE AND FENDER (STOLPER CAB)

R15926 -UN-01JAN94



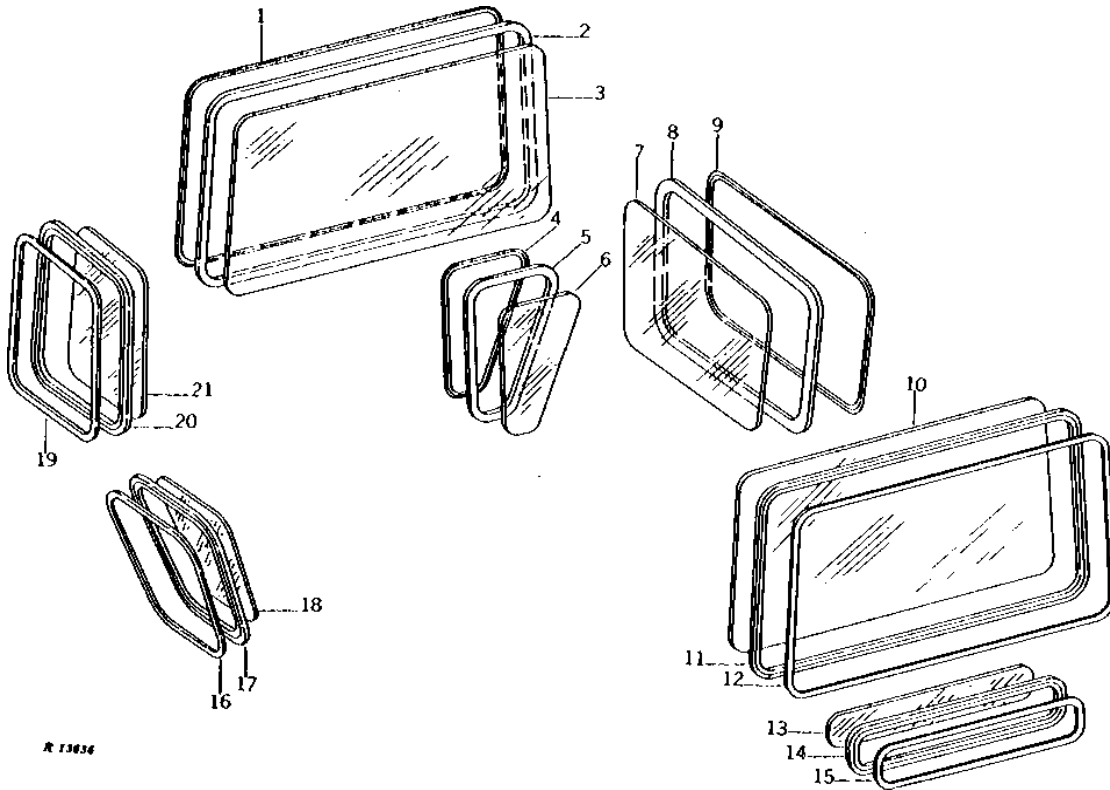
KEY	PART NO.	PART NAME	QTY	CAB SERIAL NO.	REMARKS
1	19H1726	CAP SCREW	2		3/8" X 2-1/4"
2	24H1305	WASHER	2		13/32" X 13/16" X 0.065"
3	R44448	SPRING	2		
4	AR45823	STOP	1		(NLA)
5	AR45824	ROD	1		
6	11M7059	COTTER PIN	1		3.200 X 20 MM
7	24H1305	WASHER	1		13/32" X 13/16" X 0.065"
8	AR43741	CAB CONTAINER	1		
9	19H1731	CAP SCREW	6		3/8" X 1"
	12H310	LOCK WASHER	6		3/8"
10	14H1076	NUT	4		3/8"
11	19H1936	CAP SCREW	7		3/8" X 3/4"
12	24H1305	WASHER	7		13/32" X 13/16" X 0.065"
13	14H1076	NUT	7		3/8"
	12H304	LOCK WASHER	7		3/8"
14	R44445	BUSHING	1		
15	R44446	KNOB	1		
16	FOAM PAD	1		51 X 51 X 102MM (2" X 2" X 4") (MAKE FROM R45015)
17	FOAM PAD	1		51 X 51 X 356MM (2" X 2" X 14") (MAKE FROM R45015)
18	19H1731	CAP SCREW	1		3/8" X 1"
	12H304	LOCK WASHER	1		3/8"
19	R44984	STRAP	1		
20	14H1076	NUT	4		3/8"
21	19H1936	CAP SCREW	4		3/8" X 3/4"
	12H304	LOCK WASHER	4		3/8"
22	AR45820	FENDER	1		(NLA)
23	AR45818	SILL	1		
24	R46433	SEALING TRIM	1		

314

OPERATOR'S STATION

R13636 -UN-01JAN94

GLASS
(STOLPER CAB)



315

OPERATOR'S STATION

**GLASS - CONTINUED
(STOLPER CAB)**

KEY	PART NO.	PART NAME	QTY	CAB SERIAL NO.	REMARKS
1	R44438	ISOLATOR	1		
2	R44437	MOLDING	1		
3	R44439	WINDOWPANE	1		WINDSHIELD (NLA)
4	ISOLATOR	2		1632MM (64-1/4") (MAKE FROM R44438)
5	MOLDING	2		1632MM (64-1/4") (MAKE FROM R44437)
6	R44441	WINDOWPANE	2		
7	R44449	WINDOWPANE	2		
8	MOLDING	2		3251MM (128") (MAKE FROM R44437)
9	ISOLATOR	2		3251MM (128") (MAKE FROM R44438)
10	R44433	WINDOWPANE	1		REAR
11	MOLDING	1		3810MM (150") (MAKE FROM R44437)
12	ISOLATOR	1		3810MM (150") (MAKE FROM R44438)
13	R44435	WINDOWPANE	1		
14	MOLDING	1		1930MM (76") (MAKE FROM R44437)
15	ISOLATOR	1		1930MM (76") (MAKE FROM R44438)
16	ISOLATOR	2		1943MM (76-1/2") (MAKE FROM R44438)
17	MOLDING	2		1943MM (76-1/2") (MAKE FROM R44437)
18	R44443	WINDOWPANE	1		
19	ISOLATOR	2		2229MM (87-3/4") (MAKE FROM R44438)
20	MOLDING	2		2229MM (87-3/4") (MAKE FROM R44437)
21	R44442	WINDOWPANE	1		

316

OPERATOR'S STATION

**PLATFORM MAT
(NOT ILLUSTRATED)**

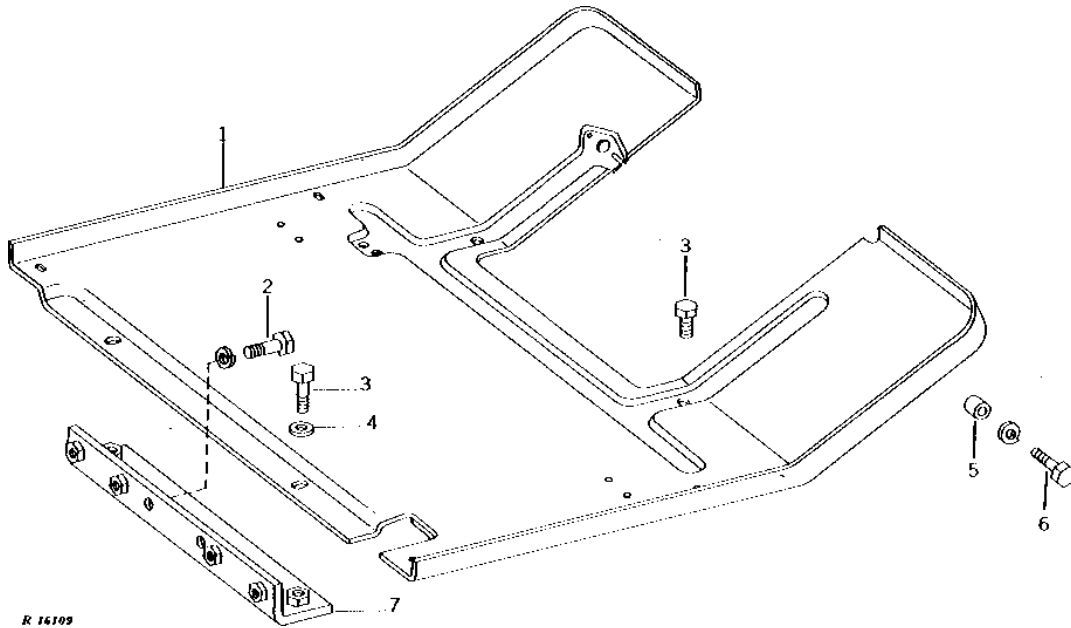
KEY	PART NO.	PART NAME	QTY	TRACTOR SERIAL NO.	REMARKS
..	R43877	MAT	1		(ROW-CROP) (NLA)
..	R47680	MAT	1		(STANDARD) (NLA)
..	AR49185	MAT	1		(STOLPER CAB) (SUB FOR AR43665) (NLA)
..	R46882	PAD	1		(STOLPER CAB) (SUB FOR R43859) (NLA)

317

OPERATOR'S STATION

R16109 -UN-01JAN94

PLATFORM



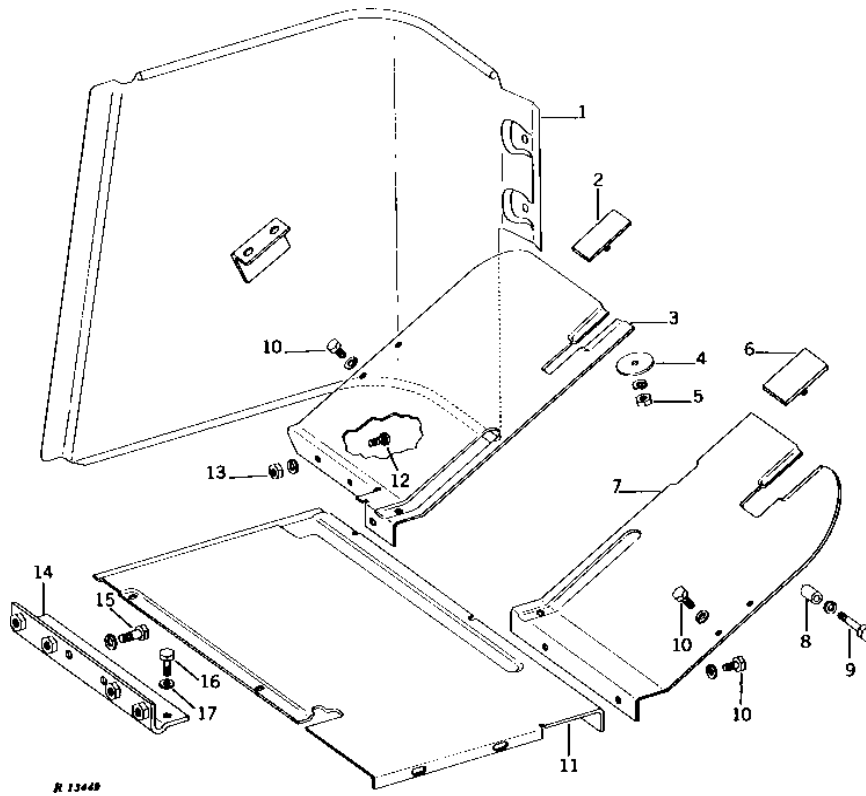
KEY	PART NO.	PART NAME	QTY	TRACTOR SERIAL NO.	REMARKS
1	AR43948	PLATFORM	1		(SUB FOR AR43098 OR AR43949)
2	19H1815	CAP SCREW	2		1/2" X 1-1/4"
	12H301	LOCK WASHER	2		1/2"
3	19H1936	CAP SCREW	4		3/8" X 3/4"
4	24H1305	WASHER	2		13/32" X 13/16" X 0.065"
5	B3675R	BUSHING	2		
6	19H1765	CAP SCREW	2		3/8" X 1-3/4"
	12H304	LOCK WASHER	2		3/8"
7	AR43133	SUPPORT	1		

318

OPERATOR'S STATION

R13449 -UN-01JAN94

PLATFORM AND OPERATOR SHIELD (STANDARD)



319

OPERATOR'S STATION

PLATFORM AND OPERATOR SHIELD - CONTINUED
(STANDARD)

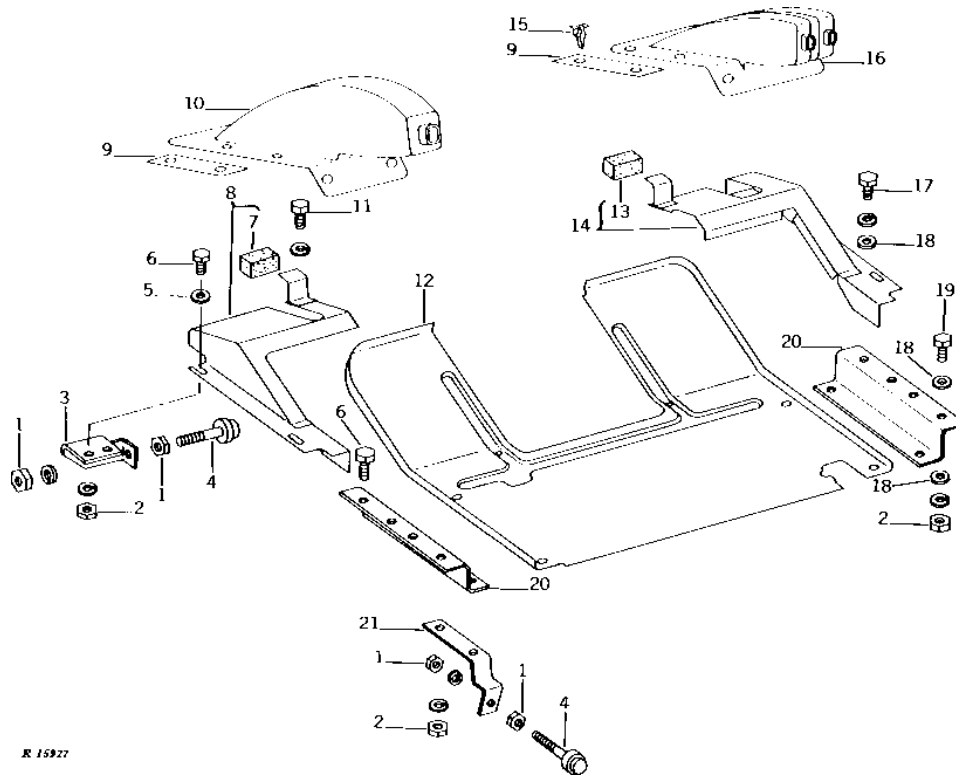
KEY	PART NO.	PART NAME	QTY	TRACTOR SERIAL NO.	REMARKS
1	AR43088	SHIELD	1	L.H.	
	AR43087	SHIELD	1	R.H.	
2	AR43120	COVER	1	(CLUTCH)	
3	R47222	EXTENSION	1	(SUB FOR R43453)	
4	R43456	WASHER	2		
5	14H785	NUT	2	5/16"	
6	AR43119	COVER	1	(BRAKE)	
7	R43452	EXTENSION	1		
8	B3675R	BUSHING	2		
9	19H1765	CAP SCREW	2	3/8" X 1-3/4"	
	12H304	LOCK WASHER	2	3/8"	
10	19H1134	CAP SCREW	7	3/8" X 3/4"	
	12H304	LOCK WASHER	7	3/8"	
11	AR49186	PLATFORM	1	(SUB FOR AR43118)	
12	03H1765	BOLT	2	3/8" X 3/4"	
13	14H1076	NUT	2	3/8"	
	12H304	LOCK WASHER	2	3/8"	
14	AR43133	SUPPORT	1		
15	19H1815	CAP SCREW	2	1/2" X 1-1/4"	
	12H301	LOCK WASHER	2	1/2"	
16	19H1134	CAP SCREW	2	3/8" X 3/4"	
17	24H1305	WASHER	2	13/32" X 13/16" X 0.065"	

3110

OPERATOR'S STATION

PLATFORM, BRACKETS, EXTENSION, AND Baffles (STOPLER CAB)

R15927 -UN-01JAN94



3111

OPERATOR'S STATION

PLATFORM, BRACKETS, EXTENSION, AND BAFFLES - CONTINUED
(STOLPER CAB)

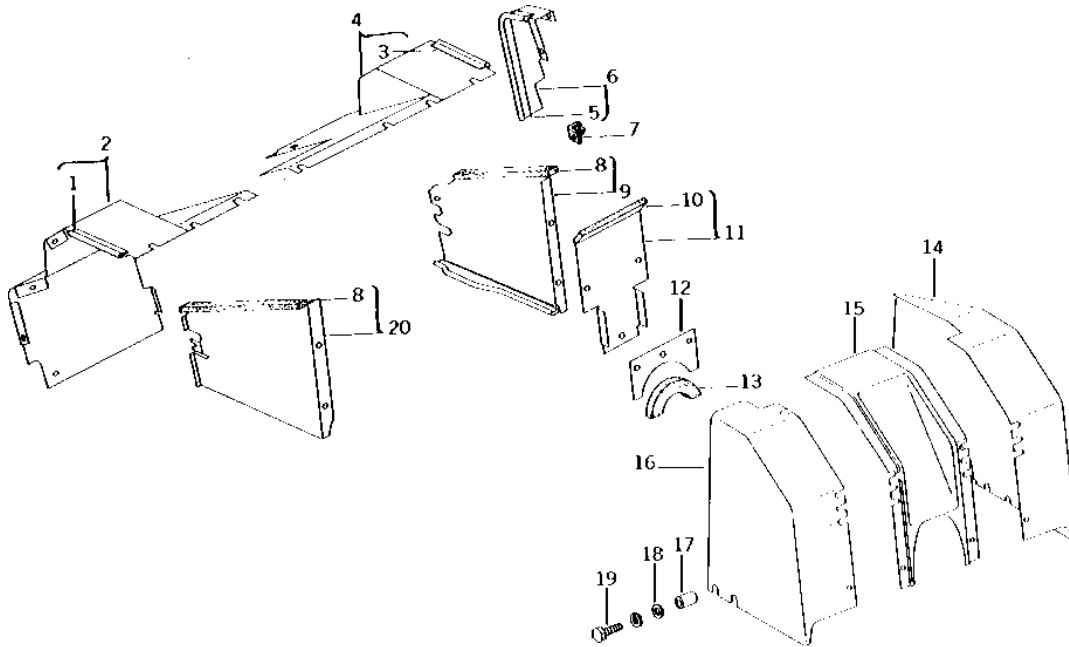
KEY	PART NO.	PART NAME	QTY	CAB SERIAL NO.	REMARKS
1	14H1040	NUT	8	1/2"	
	12H301	LOCK WASHER	12	1/2"	
2	14H1076	NUT	15	3/8"	
	12H304	LOCK WASHER	15	3/8"	
3	R43856	BRACKET	1	L.H.	
	R43855	BRACKET	1	R.H.	
4	AR45718	SCREW	4		
	R45822	BUSHING	4		(AIR CONDITIONING) (SUB FOR AR49427)
5	24M7096	WASHER	3		10.500 X 18 X 1.600 MM
6	19H1800	CAP SCREW	3	3/8" X 1-1/2"	
	19H2552	CAP SCREW	8	3/8" X 1-1/8"	
7	FOAM PAD	1		25 X 25 X 64MM (1" X 1" X 2-1/2") (MAKE FROM R30937)
8	AR43664	EXTENSION	1		
9	R43910	STRAP	6		
10	R43899	BOOT	1		CLUTCH PEDAL
11	19H1936	CAP SCREW	1	3/8" X 3/4"	
	12H304	LOCK WASHER	1	3/8"	
12	AR43948	PLATFORM	1		(SUB FOR AR43098)
13	FOAM PAD	1		25 X 25 X 64MM (1" X 1" X 2-1/2") (MAKE FROM R30937)
14	AR43663	EXTENSION	1		
15	R43911	CLIP	12		
16	R43900	BOOT	1		BRAKE PEDAL
17	19H2021	CAP SCREW	4	3/8" X 5/8"	
	12H304	LOCK WASHER	4	3/8"	
18	24M7096	WASHER	7		10.500 X 18 X 1.600 MM
19	19H1731	CAP SCREW	4	3/8" X 1"	
20	R43853	SUPPORT	2		
21	R43858	BRACKET	1	L.H.	
	R43857	BRACKET	1	R.H.	

3112

OPERATOR'S STATION

R15928 -UN-01JAN94

FUNCTION COVERS AND PANELS (STOLPER CAB)



R 15928

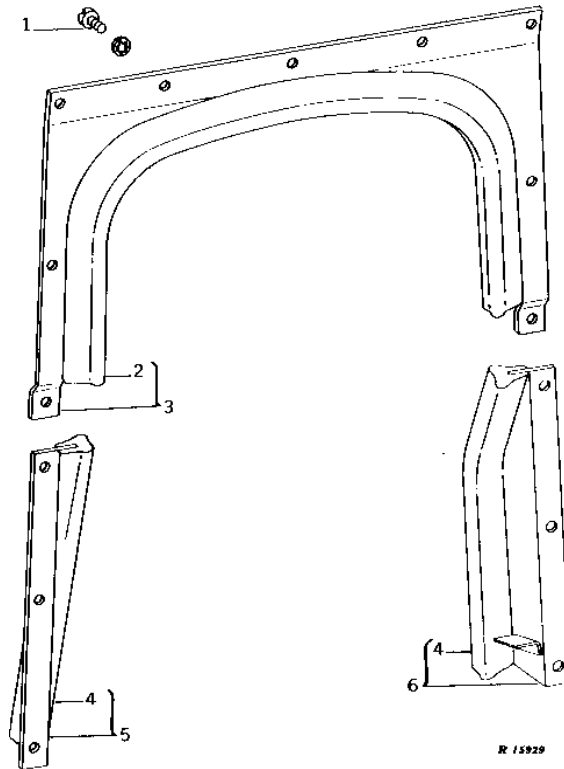
KEY	PART NO.	PART NAME	QTY	CAB SERIAL NO.	REMARKS
1	MOLDING	2		219MM (8-5/8") (MAKE FROM R44447)
2	AR43658 M42229	PANEL PLUG	1		(SUB FOR R32234)
3	FOAM PAD	1		13 X 25 X 143MM (1/2" X 1" X 5-5/8") (MAKE FROM R45015)
4	AR43657 M42229	PANEL PLUG	1		(SUB FOR R32234)
5	MOLDING	1		381MM (15") (MAKE FROM R44447)
6	AR43656	PANEL	1		
7	AR43662	BRACKET	1		
8	FOAM PAD	2		13 X 25 X 533MM (1/2" X 1" X 21") (MAKE FROM R45015)
9	AR43659	PANEL	1		
10	FOAM PAD	1		13 X 25 X 194MM (1/2" X 1" X 7-5/8") (MAKE FROM R45015)
11	AR43661	PANEL	1		
12	R49243	PANEL	1		(SUB FOR R43852)
13	FOAM PAD	1		25 X 25 X 267MM (1" X 1" X 10-1/2") (MAKE FROM R30937)
14	R43915 R50119	COVER COVER	1		(SINGLE OR DUAL SELECTIVE CONTROL) (TRIPLE SELECTIVE CONTROL) (SUB FOR R43916)
15	AR43759	COVER	1		
16	R43917	COVER	1		
17	R27168	BUSHING	4		
18	24H1305	WASHER	6		13/32" X 13/16" X 0.065"
19	19H1765 12H304	CAP SCREW LOCK WASHER	4		3/8" X 1-3/4" 3/8"
20	AR52709	PANEL	1		(SUB FOR AR43660) (ALSO ORDER R49243)

3113

OPERATOR'S STATION

R15929 -UN-01JAN94

COWL PANELS (STOLPER CAB)



R 15929

KEY	PART NO.	PART NAME	QTY	CAB SERIAL NO.	REMARKS
1	21H1304	SCREW	13		5/16" X 3/4"
	12M7032	LOCK WASHER	13		0.331"
2	R44585	SEAL	1		908MM (35-3/4")
3	AR43701	PANEL	1		
4	SEAL	2		337MM (13-1/4") (MAKE FROM R44585)
5	AR43675	PANEL	1		(NLA)
	AR50341	PANEL	1	208300-	(AIR CONDITIONING)
6	AR43674	PANEL	1		

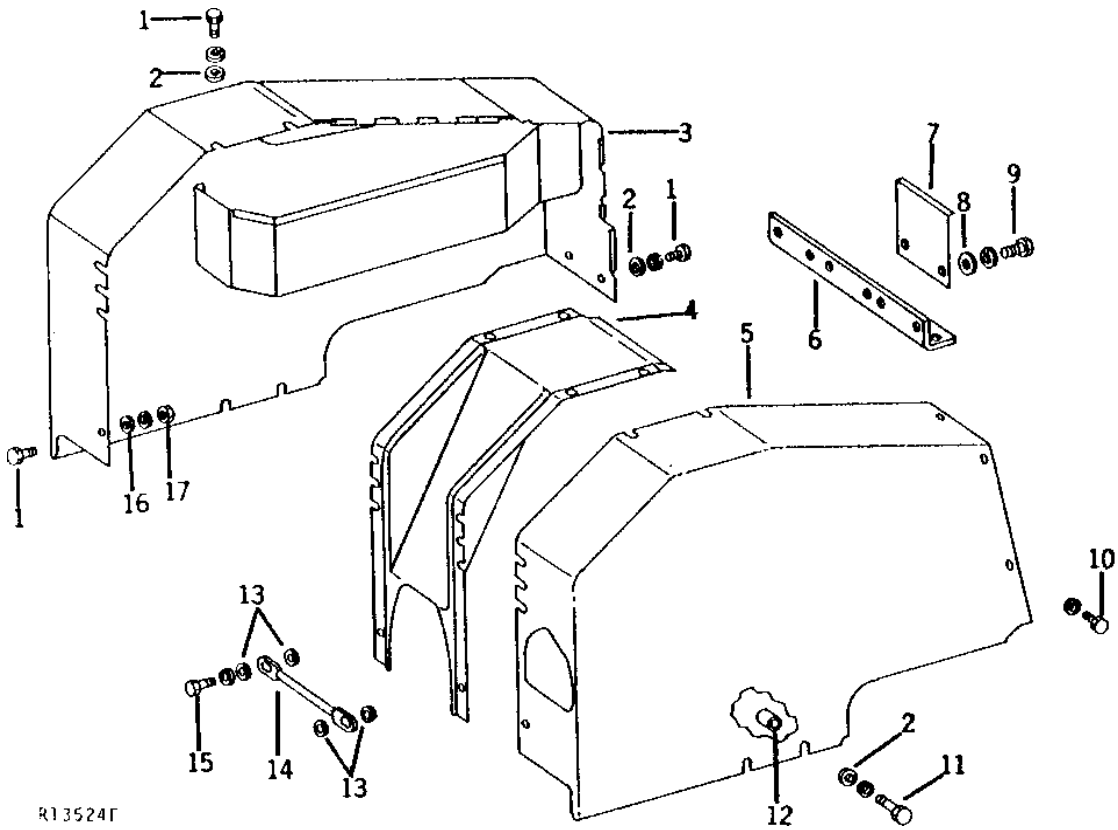
3114

OPERATOR'S STATION

R13524

-UN-01JAN94

ROCKSHAFT HOUSING COVERS



R13524F

3115

OPERATOR'S STATION

ROCKSHAFT HOUSING COVERS -CONTINUED

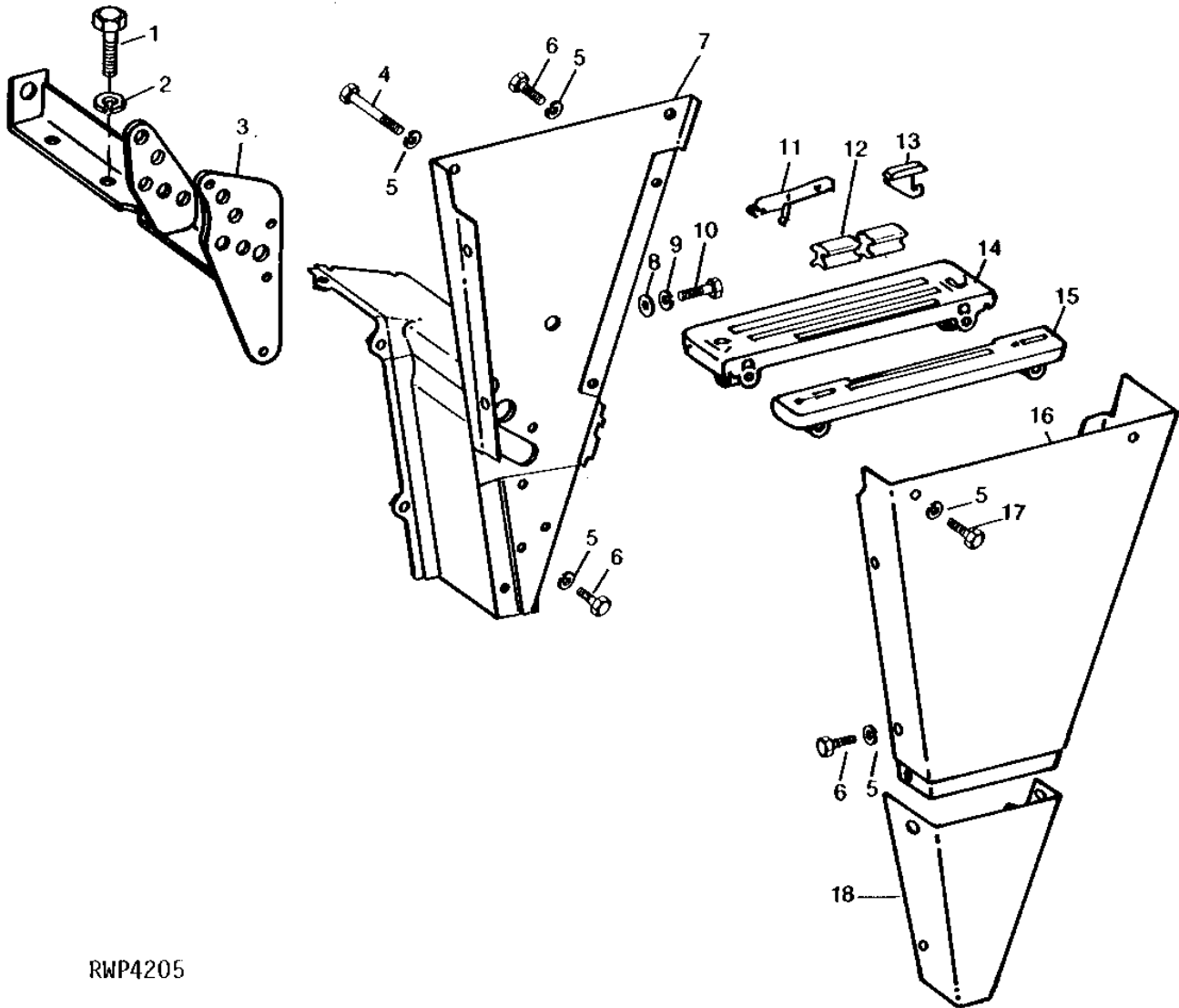
KEY	PART NO.	PART NAME	QTY	TRACTOR SERIAL NO.	REMARKS
1	19H1936	CAP SCREW	10		3/8" X 3/4"
	12H304	LOCK WASHER	10		3/8"
2	24H1305	WASHER	13		13/32" X 13/16" X 0.065"
3	AR43010	COVER	1		
	R41933	LABEL	1		REMOTE CYLINDER, L.H.
4	AR43070	COVER	1		
5	R43071	COVER	1		(SUB FOR R43294)
	R44315	LABEL	1		REMOTE CYLINDER, R.H.
6	AR43133	SUPPORT	1		
7	R43291	COVER	1		
8	24H1338	WASHER	2		33/64" X 7/8" X 0.048"
9	19H1815	CAP SCREW	2		1/2" X 1-1/4"
	12H301	LOCK WASHER	2		1/2"
10	19H1900	CAP SCREW	3		5/16" X 3/4"
	12H303	LOCK WASHER	3		5/16"
11	19H1765	CAP SCREW	4		3/8" X 1-3/4"
	12H304	LOCK WASHER	4		3/8"
12	R27168	BUSHING	4		
13	A4847R	WASHER	4		
14	R43726	CENTER LINK	1		
15	19H1936	CAP SCREW	4		3/8" X 3/4"
	19H1731	CAP SCREW	2		3/8" X 1"
	12H304	LOCK WASHER	6		3/8"
16	24M7207	WASHER	2		8.400 X 24 X 2 MM
17	14H1076	NUT	2		3/8"
	12H304	LOCK WASHER	2		3/8"

3116

OPERATOR'S STATION

RWP4205 -UN-01JAN94

ROCKSHAFT AND SELECTIVE CONTROL CONSOLE



RWP4205

3117

OPERATOR'S STATION

ROCKSHAFT AND SELECTIVE CONTROL CONSOLE - CONTINUED

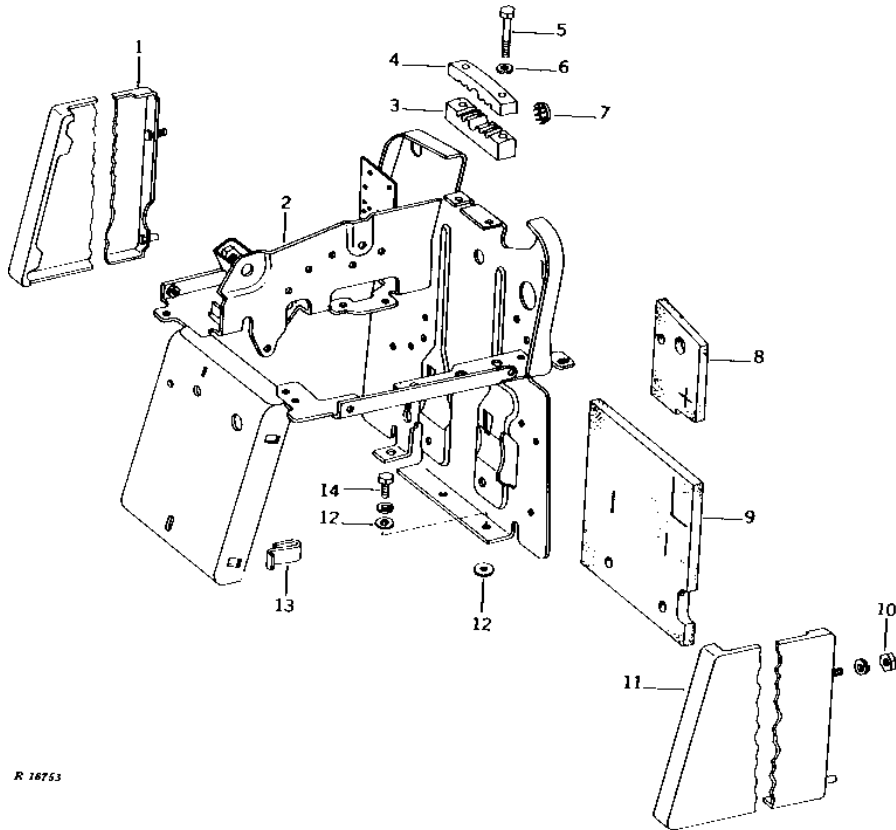
KEY	PART NO.	PART NAME	QTY	TRACTOR SERIAL NO.	REMARKS
1	19H1815	CAP SCREW	2		1/2" X 1-1/4"
2	12H301	LOCK WASHER	2		1/2"
3	AR40806	BRACKET	1		
4	19H1921	CAP SCREW	2		5/16" X 3-1/4"
5	12H303	LOCK WASHER	16		5/16"
6	19H1900	CAP SCREW	12		5/16" X 3/4"
7	AR43123	COVER	1		
8	24H1305	WASHER	2		13/32" X 13/16" X 0.065"
9	12H304	LOCK WASHER	2		3/8"
10	19H1936	CAP SCREW	1		3/8" X 3/4"
	19H2038	CAP SCREW	1		3/8" X 1/2"
11	R51302	SPRING	1		(SUB FOR AR55421)
12	R54533	STOP	1		SELECTIVE CONTROL VALVE STOP, (SUB FOR AR62598)
13	AR53792	STRAP	1		SELECTIVE CONTROL LEVER STOP
14	R41194	GUIDE	1		
15	R41760	GUIDE	1		
16	AR40812	COVER	1		(NLA)
	AR47752	COVER	1		(WITH POWER WEIGHT TRANSFER HITCH)
17	19H2020	CAP SCREW	2		5/16" X 1/2"
18	AR41602	COVER	1		(NLA)

3118

OPERATOR'S STATION

R16753 -UN-25SEP95

CONTROL SUPPORT AND COVERS



R 16753

3119

OPERATOR'S STATION

CONTROL SUPPORT AND COVERS - CONTINUED

KEY	PART NO.	PART NAME	QTY	TRACTOR SERIAL NO.	REMARKS
1	AR40585	COVER	1		
2	AR51071	SUPPORT	1		(SUB FOR AR42629) (NLA)
3	R41442	CLAMP	1		
4	R41438	CLAMP	1		
5	19H2334	CAP SCREW	2		1/4" X 2-1/2"
6	24H1287	WASHER	2		9/32" X 5/8" X 0.065"
7	R36590	PLUG	1		(A)
8	R41435	FOAM PAD	1		
9	R41436	FOAM PAD	1		
10	14H785	NUT	2		5/16"
	12H303	LOCK WASHER	2		5/16"
11	AR40584	COVER	1		
	FOAM PAD	1		25 X 25 X 102MM (1" X 1" X 4") (MAKE FROM R30937)
12	24H1309	WASHER	5		(A) 13/32" X 1-1/16" X 0.120"
	R48378	WASHER	10		(B)
13	R42275	CLIP	4		
14	19H1936	CAP SCREW	5		(A) 3/8" X 3/4"
	12H304	LOCK WASHER	5		(A) 3/8"
	R57725	SCREW	5		(B) (SUB FOR R40835)
	24H1051	WASHER	5		(B) 13/32" X 13/16" X 0.065"
..	R45395	FOAM PAD	1		(B) UPPER
..	R45396	FOAM PAD	1		(B) CENTER
..	R45397	INSULATOR	1		(B) THROTTLE ROD
..	R41436	FOAM PAD	1		BATTERY CABLE
..	R41439	GROMMET	1		BATTERY CABLE

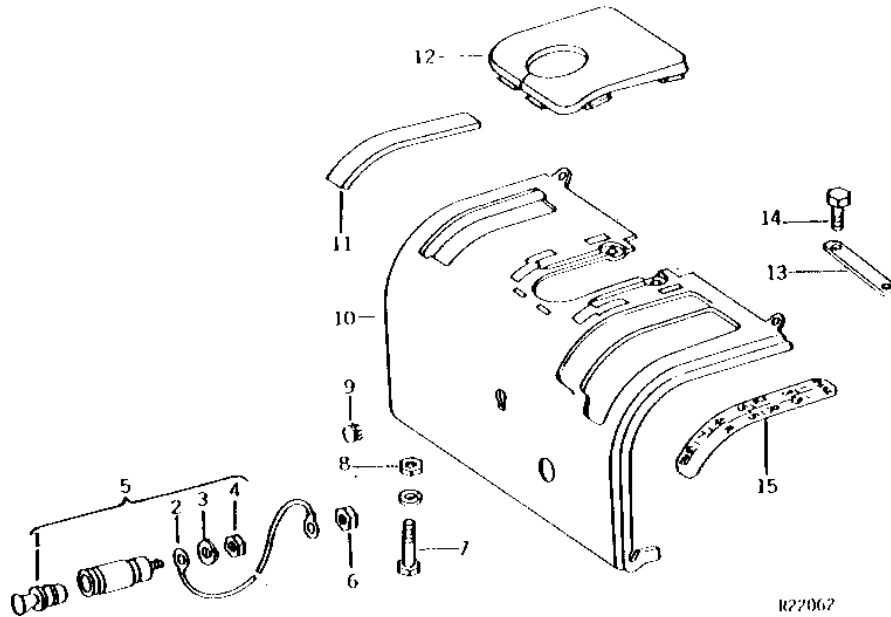
(A) LESS CAB
(B) CAB

3120

OPERATOR'S STATION

R22062 -UN-01JAN94

DASH AND COVER



R27067

KEY	PART NO.	PART NAME	QTY	TRACTOR SERIAL NO.	REMARKS
1	AR60937	LIGHTER	1	(SUB FOR AA578R)	
2	AR94130	WIRING LEAD	1	299MM (9")	
3	12M7084	LOCK WASHER	1	0.169"	
4	14H605	NUT	1	0.164"	
5	AR48643	LIGHTER	1	(12-VOLT) (SUB FOR AR46079)	
6	14H631	NUT	1	0.190"	
7	19H2284	CAP SCREW	2	3/8" X 7/8"	
	12H304	LOCK WASHER	2	3/8"	
8	14H1076	NUT	2	3/8"	
9	M42229	PLUG	1	(GASOLINE AND LP-GAS) (SUB FOR T11708)	
10	AR49632	INSTRUMENT PANEL	1	(A) (SUB FOR AR40825)	
	AR49631	INSTRUMENT PANEL	1	(B) (SUB AR40826 AND R47113)	
11	R45405	ISOLATOR	1	(LESS PTO)	
	R53293	LABEL	1	(A) PTO LEVER, (SUB FOR R44951)	
	R53294	LABEL	1	(B) PTO LEVER, (SUB FOR R44952)	
12	R41604	COVER	1	(GASOLINE AND DIESEL)	
	R41605	COVER	1	(LP-GAS)	
13	R40925	PLATE	1		
14	19H1900	CAP SCREW	2	5/16" X 3/4"	
15	R40676	LABEL	1	(A) SHIFT	
	R40504	LABEL	1	(B) SHIFT	
	R40505	LABEL	1	(B) PARK	

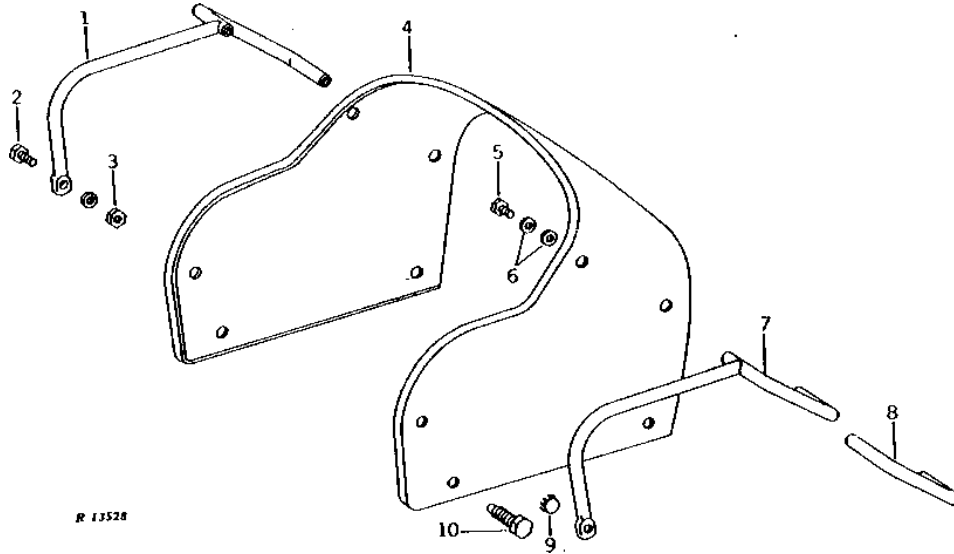
(A) SYNCRO-RANGE TRANSMISSION
 (B) POWER SHIFT TRANSMISSION

3121

OPERATOR'S STATION

R13528 -UN-01JAN94

COWL



R 13528

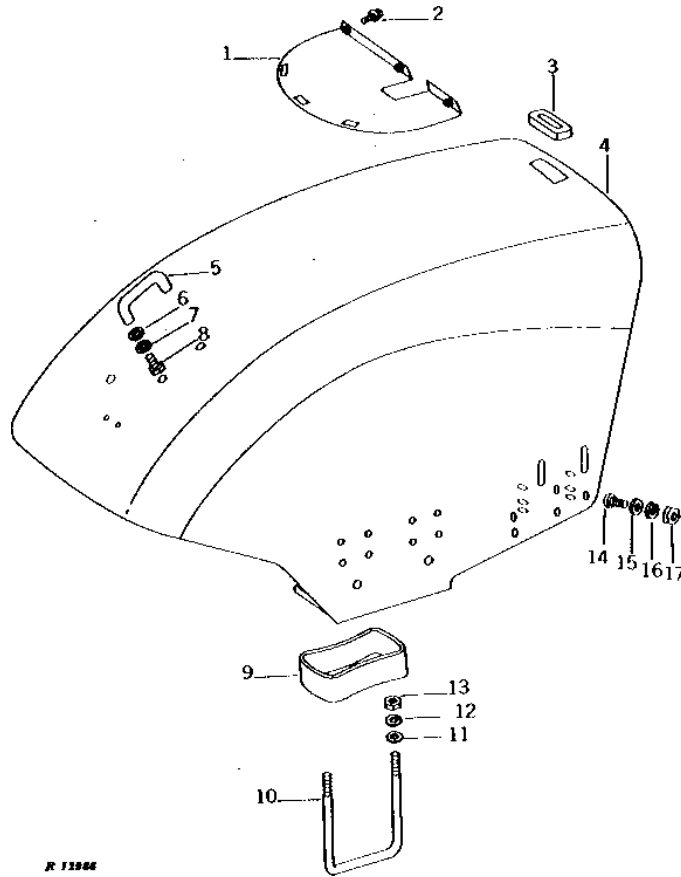
KEY	PART NO.	PART NAME	QTY	TRACTOR SERIAL NO.	REMARKS
1	AR45370	HANDLE	1	PTO	
2	19H1731	CAP SCREW	1	3/8" X 1"	
3	14H1076	NUT	1	3/8"	
	12H304	LOCK WASHER	1	3/8"	
4	AR41584	COWL	1	(SUB FOR AR45371)	
5	19H1936	CAP SCREW	4	3/8" X 3/4"	
6	24H1305	WASHER	8	13/32" X 13/16" X 0.065"	
7	AR45369	HANDLE	1	(POWER SHIFT)	
8	R31618	HANDLE	1		
9	R42451	PLUG	1	(SUB T15005)	
10	AR26568	SCREW	4		

3122

OPERATOR'S STATION

R12986 -UN-01JAN94

FENDERS
(STANDARD)



3123

OPERATOR'S STATION

FENDERS - CONTINUED (STANDARD)

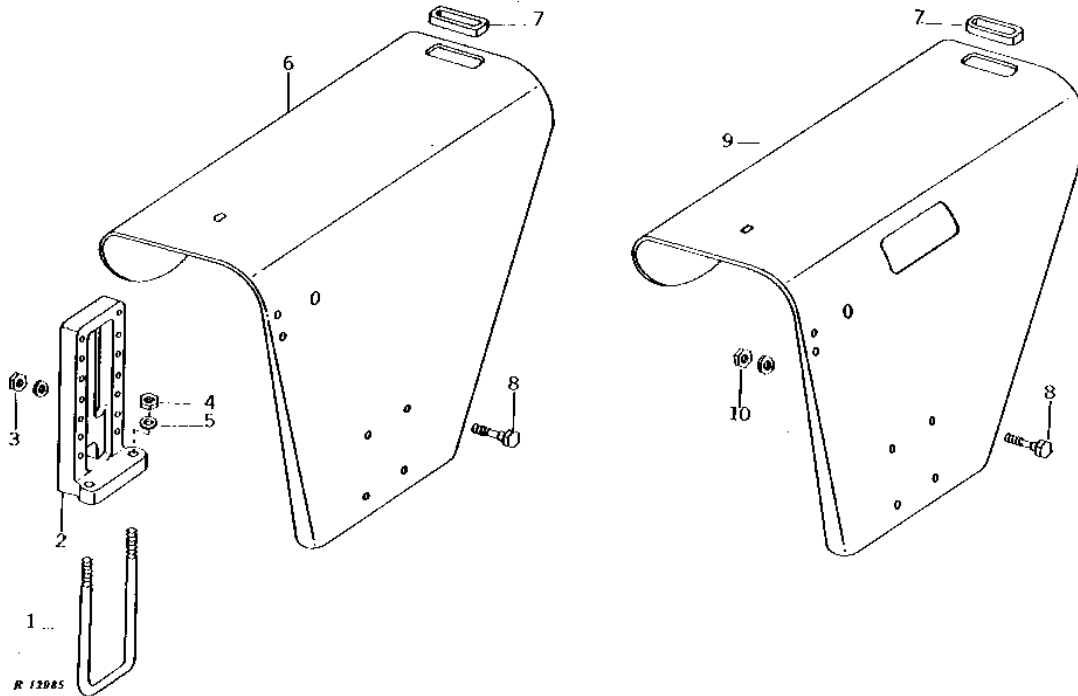
KEY	PART NO.	PART NAME	QTY	TRACTOR SERIAL NO.	REMARKS
1	AR35271	SHIELD	1		L.H. (NLA)
	AR35270	SHIELD	1		R.H.
2	AR26568	SCREW	1		
3	R20759	GROMMET	2		
4	AR49063	FENDER	1		L.H. (NLA)
	AR81651	FENDER	1		R.H. (SUB FOR AR49062) (NLA)
	AR49793	FENDER	1		L.H. (ROLL-GARD) (NLA)
	AR81650	FENDER	1		R.H. (ROLL-GARD) (SUB FOR AR49792) (NLA)
5	R31618	HANDLE	1		
6	24H1309	WASHER	2		13/32" X 1-1/16" X 0.120"
7	R27441	WASHER	2		
8	19H1134	CAP SCREW	2		3/8" X 3/4"
9	AR43099	SPACER	2		(NLA)
	AR43100	SPACER	2		(24.5X32 R20 TIRES) (NLA)
10	R43666	U-BOLT	4		(NLA)
	R43398	U-BOLT	4		(24.5X32 R20 TIRES) (NLA)
11	24H1139	WASHER	8		11/16" X 1-1/4" X 0.105"
12	12H294	LOCK WASHER	8		5/8"
13	14H1039	NUT	8		5/8"
14	03H1765	BOLT	2		3/8" X 3/4"
15	24M7096	WASHER	2		10.500 X 18 X 1.600 MM
16	12H304	LOCK WASHER	2		3/8"
17	14H1076	NUT	2		3/8"

3124

OPERATOR'S STATION

R12985 -UN-01JAN94

FENDERS (ROW-CROP)



KEY	PART NO.	PART NAME	QTY	TRACTOR SERIAL NO.	REMARKS
1	R43390	U-BOLT	2		
2	R70588	SUPPORT	2		(SUB FOR R43396 OR R67410)
3	14H1040	NUT	8		1/2"
	12H301	LOCK WASHER	8		1/2"
4	14H1039	NUT	4		5/8"
5	24H1139	WASHER	4		11/16" X 1-1/4" X 0.105"
6	AR43968	FENDER	1		L.H. (SUB FOR AR43143)
	AR43967	FENDER	1		R.H. (SUB FOR AR43142)
7	R20759	GROMMET	2		
8	19H1974	CAP SCREW	8		1/2" X 2-3/4"
9	AR43970	FENDER	1		L.H. (ROLL-GARD) (SUB FOR AR43533)
	AR43969	FENDER	1		R.H. (ROLL-GARD) (SUB FOR AR43532)
10	14H1040	NUT	8		1/2"
	12H301	LOCK WASHER	8		1/2"
..	R82425	LABEL	1		SAFETY, (SUB FOR R47739, R51821, R69270 OR R76341)

3125

OPERATOR'S STATION

R32259 -UN-01JAN94

LOCTITE SEALANT



R32259F

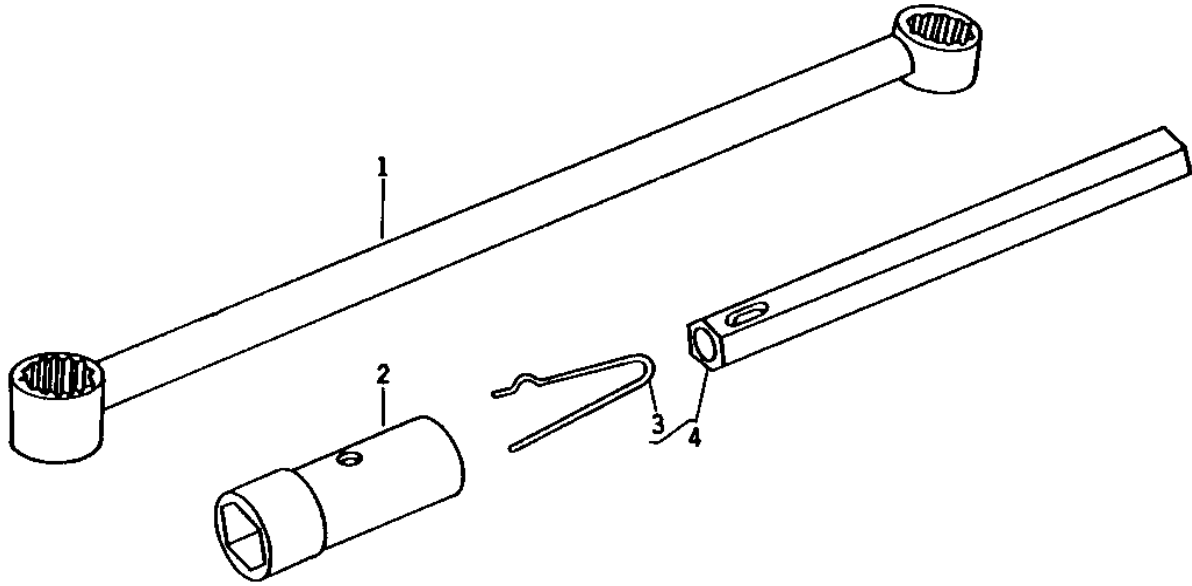
KEY	PART NO.	PART NAME	QTY	TRACTOR SERIAL NO.	REMARKS
1	TY9371	ADHESIVE	1		(TUBE OF 6 CC) (SUB FOR AT14927 OR AT24538)

3J1

OPERATOR'S STATION

R32260 -UN-12OCT94

TOOLS



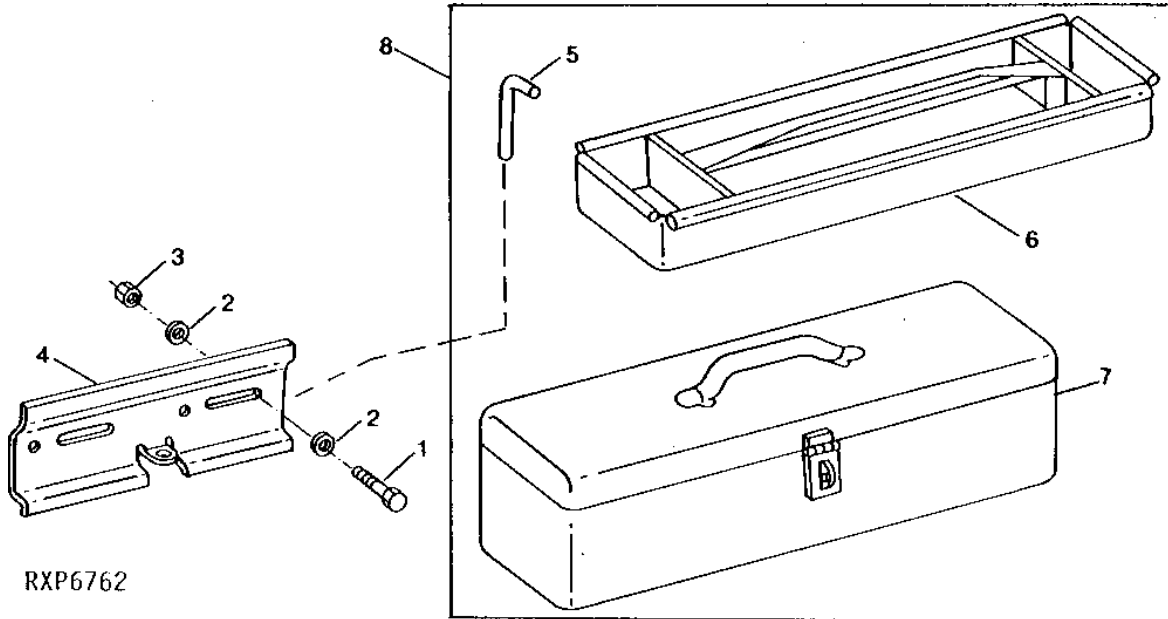
R32260F

KEY	PART NO.	PART NAME	QTY	TRACTOR SERIAL NO.	REMARKS
1	R34827	WRENCH	1		
2	AR39683	WRENCH	1		
3	R39739	SPRING LOCKING PIN	1		
4	AR39682	EXTENSION	1		

3J2

OPERATOR'S STATION

TOOLBOX
RXP6762 -UN-01JAN94



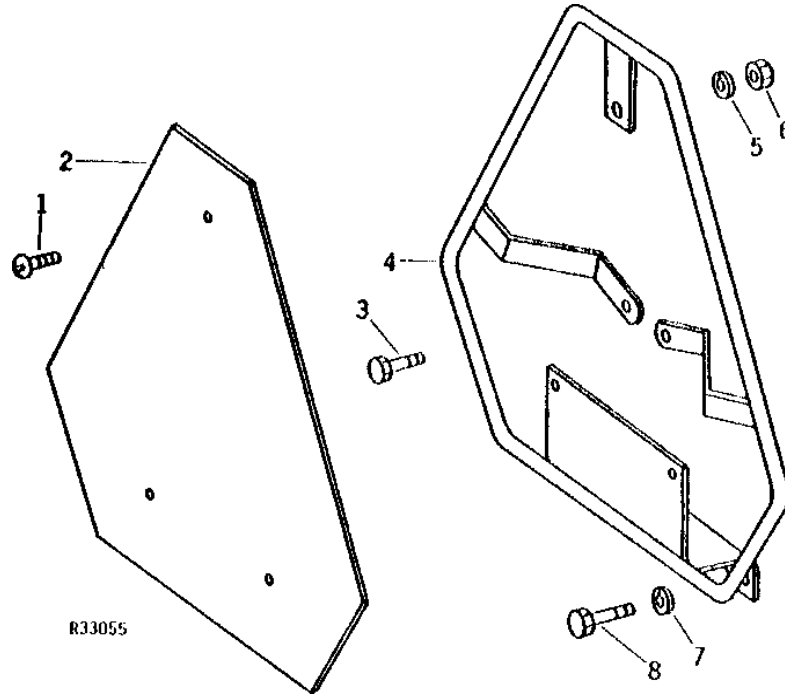
KEY	PART NO.	PART NAME	QTY	TRACTOR SERIAL NO.	REMARKS
1	19H1833	CAP SCREW	2	5/8" X 1-1/4"	
2	12H294	LOCK WASHER	2	5/8"	
3	14H1039	NUT	2	5/8"	
4	T23033	BRACKET	1		
5	T23027	PIN	1		
6	AT22073	HOLDER	1		
7	TOOLBOX	1	(ORDER AT22070)	
8	AT22070	TOOLBOX	1		

3J3

OPERATOR'S STATION

R33055 -UN-01JAN94

SLOW MOVING VEHICLE EMBLEM



KEY	PART NO.	PART NAME	QTY	TRACTOR SERIAL NO.	REMARKS
1	21H1301	SCREW	3	(A) 0.190" X 1/2"	
2	JD5403	SMV EMBLEM	1		
3	19H1900	CAP SCREW	2	(A) 5/16" X 3/4"	
4	AR46282	SUPPORT	1		
5	12H246	LOCK WASHER	3	(A) 0.190"	
6	14H778	NUT	3	(A) 0.190"	
7	12H303	LOCK WASHER	2	5/16"	
8	19H1849	CAP SCREW	2	(A) 5/16" X 1-1/4"	

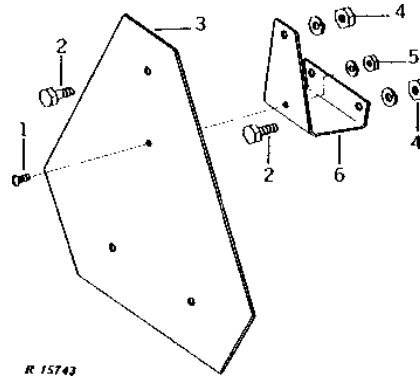
(A) INCLUDED IN AR46282

3J4

OPERATOR'S STATION

R15743 -UN-01JAN94

SLOW MOVING VEHICLE EMBLEM (STOLPER CAB)



R 15743

KEY	PART NO.	PART NAME	QTY	TRACTOR SERIAL NO.	REMARKS
1	21H1301	SCREW	1	(A) 0.190" X 1/2"	
2	19H2644	CAP SCREW	3	(A) 1/2" X 2-1/2"	
3	JD5403	SMV EMBLEM	1	(SUB TY2615)	
4	14H785	NUT	3	(A) 5/16"	
	12H303	LOCK WASHER	3	(A) 5/16"	
5	14H778	NUT	1	(A) 0.190"	
	12H246	LOCK WASHER	1	(A) 0.190"	
6	AR47859	BRACKET	1	(A)	

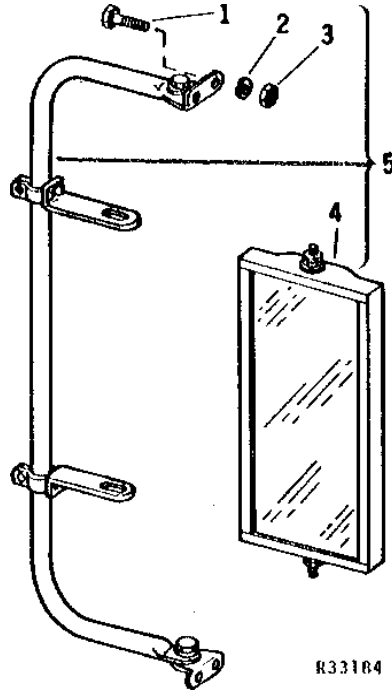
(A) INCLUDED IN AR47859

3J5

OPERATOR'S STATION

R33184 -UN-01JAN94

OUTSIDE MIRROR



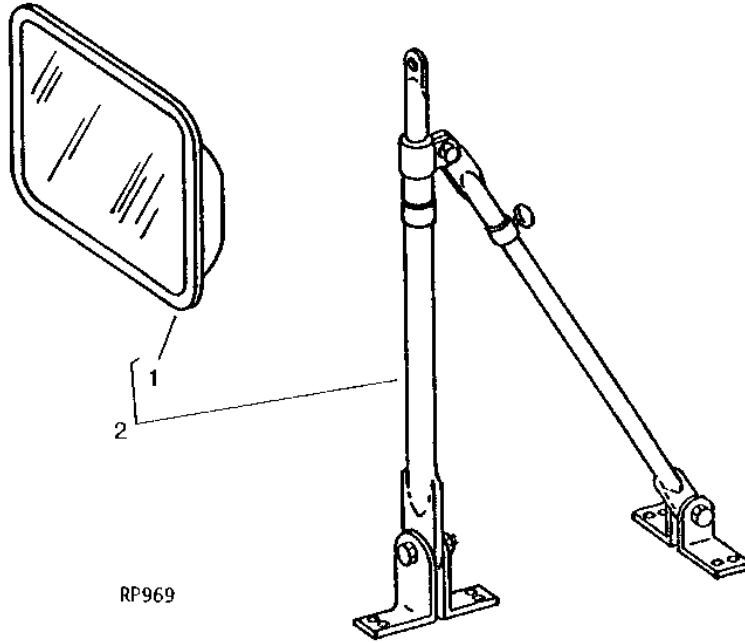
KEY	PART NO.	PART NAME	QTY	CAB SERIAL NO.	REMARKS
1	19H1948	CAP SCREW	4	1/4" X 3/4"	
2	12H302	LOCK WASHER	4	1/4"	
3	14H786	NUT	4	1/4"	
4	AR52555	REAR VIEW MIRROR	1		
5	AR52554	REAR VIEW MIRROR	1		

3J6

OPERATOR'S STATION

RP969 -UN-01JAN94

REAR VIEW MIRROR



KEY	PART NO.	PART NAME	QTY	TRACTOR SERIAL NO.	REMARKS
1	AR89137	REAR VIEW MIRROR	1	(SUB FOR AR44255)	
2	AR44254	REAR VIEW MIRROR	1	(SUB AH85438, AR89137 AND H78354)	

MEMORANDA

1K4

TRACTOR - 4520

NUMERICAL INDEX

PART NO.	GRID	KEY	PAGE	PART NO.	GRID	KEY	PAGE	PART NO.	GRID	KEY	PAGE
AA14850	3D22	20	70 - 63	AR101549	1C23	7	20 - 33	AR21969	1B5	..	20 - 1
AA3495R	1I3	4	40 - 43	AR101624	2D17	2	50 - 62A	AR21969	1E19	..	30 - 28
AA3495R	1I3	13	40 - 43	AR101624	2D17	..	50 - 62A	AR21969	1E25	..	30 - 34
AA3495R	1I5	6	40 - 45	AR101624	2D19	2	50 - 63	AR21969	1F6	..	30 - 41
AA3495R	1I5	17	40 - 45	AR101624	2D19	..	50 - 63	AR21999	1D2	6	20 - 37
AA5692R	1J10	12	40 - 76	AR101624	2D21	15	50 - 65	AR21999	1D2	27	20 - 37
AA578R	3I20	1	90 - 64	AR101632	3B24	6	70 - 19B	AR21999	1D23	1	30 - 11
AA6309R	3E16	11	70 - 81	AR102454	1I10	..	40 - 50	AR26338	2C4	5	50 - 23
AD2062R	1I3	1	40 - 43	AR102454	1I11	12	40 - 51	AR26360	2B22	15	50 - 16
AD2062R	1I3	11	40 - 43	AR103808	3E17	7	70 - 82	AR26360	2B23	15	50 - 17
AD2062R	1I3	12	40 - 43	AR103811	1B7	1	20 - 4	AR26375	2B24	18	50 - 18
AD2062R	1I5	2	40 - 45	AR103811	1B10	3	20 - 7	AR26375	2D11	23	50 - 57
AD2062R	1I5	5	40 - 45	AR104119	1I7	2	40 - 47	AR26402	2F15	5	60 - 7
AD2062R	1I8	2	40 - 48	AR104119	1I7	13	40 - 47	AR26403	3H23	7	90 - 41
AE23861	1G24	2	40 - 22	AR11001	1H13	15	40 - 30C	AR26444	1B11	3	20 - 8
AE24616	3B25	9	70 - 19C	AR11001	1H18	14	40 - 33B	AR26448	2F15	2	60 - 7
AF1522R	1C24	5	20 - 34	AR11051	1H14	7	40 - 31	AR26469	3F24	3	80 - 23
AF2907R	2C5	19	50 - 25	AR11051	1H19	4	40 - 34	AR26516	1B10	4	20 - 7
AF3892R	1I3	7	40 - 43	AR111163	2D17	9	50 - 62A	AR26529	3H24	8	90 - 43
AF3892R	1I5	20	40 - 45	AR111163	2D19	21	50 - 63	AR26530	3H24	16	90 - 43
AF3892R	1I7	13	40 - 47	AR111163	2D21	15	50 - 65	AR26556	3D2	11	70 - 45
AH103067	1H5	18	40 - 26	AR111124	1H13	17	40 - 30C	AR26556	3D3	10	70 - 46
AH103067	1H6	12	40 - 27	AR111126	1H11	21	40 - 30A	AR26556	3D9	32	70 - 53
AH103068	1H5	19	40 - 26	AR111127	1H11	2	40 - 30A	AR26568	3I21	10	90 - 65
AH103068	1H6	13	40 - 27	AR111128	1H11	14	40 - 30A	AR26568	3I23	2	90 - 67
AH62341	1G22	6	40 - 20	AR111132	1H11	28	40 - 30A	AR26571	1J10	1	40 - 76
AH64758	3H25	1	90 - 44	AR111140	1H13	24	40 - 30C	AR26625	2F11	5	60 - 3
AH78125	1D13	2	30 - 3	AR21024	1I13	1	40 - 53	AR26632	3H23	25	90 - 41
AH85438	3J6	2	90 - 75	AR21024	1I13	3	40 - 53	AR26646	3B12	21	70 - 9
AH93852	2E4	3	50 - 73	AR21059	1I3	7	40 - 43	AR26649	1E12	6	30 - 21
AH93852	2E6	1	50 - 73B	AR21059	1I3	22	40 - 43	AR26649	1E14	6	30 - 23
AH98337	1G24	2	40 - 22	AR21059	1I5	20	40 - 45	AR26674	1E12	24	30 - 21
AL14896	1I10	6	40 - 50	AR21059	1I5	23	40 - 45	AR26674	1E14	27	30 - 23
AL23523	2G8	15	60 - 25	AR21737	1I3	11	40 - 43	AR26674	1E15	2	30 - 24
AL26972	3E8	22	70 - 73	AR21737	1I5	2	40 - 45	AR26674	1E16	7	30 - 25
AL26973	3E8	21	70 - 73	AR21739	1I3	12	40 - 43	AR26674	1E17	5	30 - 26
AL2976T	1G11	5	40 - 8	AR21739	1I5	5	40 - 45	AR26674	1E18	7	30 - 27
AL2976T	1J4	25	40 - 69	AR21739	1I16	2	40 - 56	AR26701	2D14	1	50 - 60
AL2976T	1J15	20	40 - 81	AR21823	1I10	2	40 - 50	AR26707	2B15	5	50 - 8
AL67715	1G19	11	40 - 17	AR21823	1I11	10	40 - 51	AR26707	2C18	2	50 - 38
AL67715	1G19	12	40 - 17	AR21836	1D2	20	20 - 37	AR26707	2D14	29	50 - 60
AN140274	3D22	29	70 - 63	AR21837	1C22	2	20 - 32A	AR26721	1I15	8	40 - 55
AN163885	3E20	26	70 - 85	AR21837	2F5	7	50 - 93	AR26724	3C4	2	70 - 23
AN163885	3E24	16	70 - 89	AR21837	3C10	5	70 - 27	AR26724	3C4	15	70 - 23
AN212996	3D7	6	70 - 51	AR21837	3G16	4	90 - 5	AR26724	3C4	27	70 - 23
AR100161	1I1	1	40 - 41	AR21837	3G24	3	90 - 13	AR26724	3C6	12	70 - 23B
AR100384	1B12	7	20 - 9	AR21837	3H7	3	90 - 24	AR26725	2F11	21	60 - 3
AR100385	1B12	7	20 - 9	AR21839	1C17	14	20 - 28	AR26725	2F14	1	60 - 6
AR101236	3B8	2	70 - 5	AR21839	1C18	5	20 - 29	AR26725	2F24	7	60 - 17
AR101236	3B8	3	70 - 5	AR21839	1C25	1	20 - 35	AR26745	1D23	13	30 - 11
AR101236	3B16	23	70 - 13	AR21839	1D12	4	30 - 2	AR26745	1D25	14	30 - 11B
AR101236	3B18	3	70 - 15	AR21839	1D21	14	30 - 9	AR26746	2B11	9	50 - 5
AR101236	3C2	28	70 - 21	AR21839	2F2	36	50 - 89	AR26746	2D25	11	50 - 69
AR101237	3B10	2	70 - 7	AR21839	3C8	3	70 - 25	AR26746	2E2	12	50 - 71
AR101237	3B10	3	70 - 7	AR21839	3C9	1	70 - 26	AR26746	2G5	21	60 - 22
AR101237	3B16	23	70 - 13	AR21839	3G23	1	90 - 12	AR26746	3C5	6	70 - 23A
AR101237	3B20	3	70 - 17	AR21840	1D2	26	20 - 37	AR26758	3B8	12	70 - 5
AR101237	3C2	28	70 - 21	AR21840	1D20	1	30 - 8	AR26761	3C16	12	70 - 33
AR101245	1I23	4	40 - 63	AR21840	1D21	17	30 - 9	AR26763	2D2	1	50 - 47
AR101549	1C19	7	20 - 30	AR21840	1E12	4	30 - 21	AR26763	2F2	30	50 - 89
AR101549	1C20	7	20 - 31	AR21840	1E14	4	30 - 23	AR26763	2F5	2	50 - 93
AR101549	1C20	8	20 - 31	AR21841	1D14	10	30 - 4	AR26763	2G11	24	60 - 26
AR101549	1C20	9	20 - 31	AR21841	1D15	5	30 - 5	AR26763	3D22	1	70 - 63
AR101549	1C20	10	20 - 31	AR21841	1D20	4	30 - 8	AR26771	2D24	10	50 - 68
AR101549	1C23	4	20 - 33	AR21841	1D25	3	30 - 11B	AR26771	2D25	23	50 - 69
AR101549	1C23	5	20 - 33	AR21842	1D15	7	30 - 5	AR26771	2E1	18	50 - 70
AR101549	1C23	6	20 - 33	AR21842	1D25	1	30 - 11B	AR26771	2E2	4	50 - 71

1K5

TRACTOR - 4520

NUMERICAL INDEX - CONTINUED

PART NO.	GRID	KEY	PAGE	PART NO.	GRID	KEY	PAGE	PART NO.	GRID	KEY	PAGE
AR26771	2F7	12	50 - 95	AR34098	3B5	4	70 - 1	AR38456	3H18	7	90 - 35
AR26771	2F14	6	60 - 6	AR34172	2F11	9	60 - 3	AR38459	1H1	23	40 - 24
AR26771	2F18	6	60 - 10	AR34294	1B11	12	20 - 8	AR38714	3B12	31	70 - 9
AR26771	2F22	12	60 - 15	AR34368	1E19	..	30 - 28	AR38714	3B14	9	70 - 11
AR26771	3C6	14	70 - 23B	AR34368	1E25	..	30 - 34	AR389R	2B20	15	50 - 14
AR26828	2E25	9	50 - 87	AR34368	1F6	..	30 - 41	AR389R	2B21	19	50 - 15
AR27093	3D9	29	70 - 53	AR34569	2E1	5	50 - 70	AR39585	2F11	..	60 - 3
AR27139	1113	3	40 - 53	AR34569	2E2	20	50 - 71	AR39585	2F11	..	60 - 3
AR27703	1C12	9	20 - 23	AR34663	2D5	19	50 - 51	AR39585	2F12	..	60 - 4
AR27703	1C12	12	20 - 23	AR34684	3G4	7	80 - 29	AR39585	2F12	..	60 - 4
AR27720	2C16	5	50 - 36	AR34807	1F6	8	30 - 41	AR39585	2F13	..	60 - 5
AR27806	3F8	1	80 - 4	AR34990	1G9	7	40 - 6	AR39585	2F13	..	60 - 5
AR27806	3F9	1	80 - 5	AR34990	1I3	14	40 - 43	AR39585	2F14	..	60 - 6
AR27814	1E6	1	30 - 18	AR35223	2G5	21	60 - 22	AR39585	2F14	..	60 - 6
AR27814	1E7	1	30 - 19	AR35261	3E16	5	70 - 81	AR39585	2F15	..	60 - 7
AR27940	1E6	6	30 - 18	AR35261	3E16	6	70 - 81	AR39585	2F15	..	60 - 7
AR27940	1E7	6	30 - 19	AR35270	3I23	1	90 - 67	AR39585	2F17	1	60 - 9
AR27940	1E10	4	30 - 19C	AR35271	3I23	1	90 - 67	AR39682	3J1	4	90 - 70
AR27977	1B15	25	20 - 13	AR35403	2B19	19	50 - 13	AR39683	3J1	2	90 - 70
AR28047	3G1	15	80 - 25	AR35404	2B19	10	50 - 13	AR39783	3D19	2	70 - 60
AR28048	3G1	12	80 - 25	AR35526	3D16	25	70 - 59	AR40171	1H18	5	40 - 33B
AR28049	3G1	12	80 - 25	AR35527	3D16	24	70 - 59	AR40174	1I1	1	40 - 41
AR28167	1G9	12	40 - 6	AR35712	2D5	16	50 - 51	AR40259	1E12	25	30 - 21
AR28167	1I3	23	40 - 43	AR35712	2D13	11	50 - 59	AR40407	1E16	2	30 - 25
AR28251	3C4	29	70 - 23	AR35725	2F12	4	60 - 4	AR40420	1H1	7	40 - 24
AR28251	3C10	2	70 - 27	AR35759	3D4	6	70 - 47	AR40420	1H4	..	40 - 25B
AR28271	2B25	11	50 - 19	AR35760	3D4	3	70 - 47	AR40465	3D22	15	70 - 63
AR28271	2D11	11	50 - 57	AR35761	3D9	19	70 - 53	AR40475	2D24	13	50 - 68
AR28330	1E16	13	30 - 25	AR35762	3D9	33	70 - 53	AR40475	2E1	11	50 - 70
AR28403	1G22	9	40 - 20	AR35763	3D4	1	70 - 47	AR40475	2E1	19	50 - 70
AR28403	1J10	10	40 - 76	AR35773	3D4	10	70 - 47	AR40475	3D22	16	70 - 63
AR28403	1J13	19	40 - 79	AR35782	1G10	11	40 - 7	AR40482	1E16	..	30 - 25
AR28482	1D2	2	20 - 37	AR35782	1I5	24	40 - 45	AR40505	3C25	4	70 - 43
AR28488	2G1	2	60 - 19A	AR35802	3D4	13	70 - 47	AR40584	3I19	11	90 - 63
AR28588	1I15	8	40 - 55	AR35803	3D4	13	70 - 47	AR40585	3I19	1	90 - 63
AR28589	1I15	8	40 - 55	AR35807	3D12	31	70 - 57	AR40670	2B24	8	50 - 18
AR28754	3E18	3	70 - 83	AR35807	3D16	7	70 - 59	AR40671	2C7	12	50 - 27
AR28755	3E18	3	70 - 83	AR35850	3D9	19	70 - 53	AR40673	3F23	12	80 - 22
AR30110	2E25	1	50 - 87	AR35851	3D9	1	70 - 53	AR40675	3C20	9	70 - 37
AR30210	3E5	7	70 - 71	AR35857	3D4	..	70 - 47	AR40676	3C20	6	70 - 37
AR30210	3E12	7	70 - 77	AR35861	3D12	24	70 - 57	AR40676	3C24	2A	70 - 65
AR30297	2F11	33	60 - 3	AR35862	3D12	22	70 - 57	AR40678	1B11	17	20 - 8
AR30297	2F11	37	60 - 3	AR35912	3D12	10	70 - 57	AR40683	3C20	40	70 - 37
AR30298	2F11	33	60 - 3	AR35912	3D16	11A	70 - 59	AR40684	3E3	18	70 - 69
AR30472	1F16	3	30 - 52	AR35952	2D14	22	50 - 60	AR40687	2B13	3	50 - 7
AR30589	2F13	8	60 - 5	AR36048	3H24	14	90 - 43	AR40688	3D24	26	70 - 65
AR30590	2F13	8	60 - 5	AR36157	3E16	6	70 - 81	AR40689	2B11	1	50 - 5
AR30685	3E6	12	70 - 71A	AR36158	3E16	4	70 - 81	AR40689	2B13	22	50 - 7
AR30762	2F12	4	60 - 4	AR36158	3E16	6	70 - 81	AR40689	2F12	4	60 - 4
AR30784	3E16	1	70 - 81	AR36301	3E16	6	70 - 81	AR40689	2F18	8	60 - 10
AR31016	2G3	32	60 - 20	AR36303	3E16	5	70 - 81	AR40694	2C7	1	50 - 27
AR31611	3D22	25	70 - 63	AR36303	3E16	6	70 - 81	AR40702	1F16	11	30 - 52
AR31649	2B22	28	50 - 16	AR36668	1C19	7	20 - 30	AR40703	1F16	17	30 - 52
AR31649	2B23	28	50 - 17	AR36668	1C20	9	20 - 31	AR40710	1J10	13	40 - 76
AR31703	3C16	35	70 - 33	AR36668	1C23	6	20 - 33	AR40742	2D24	9	50 - 68
AR31904	2B20	16	50 - 14	AR36874	2G5	27	60 - 22	AR40744	3D24	8A	70 - 65
AR31904	2B21	20	50 - 15	AR37017	2F5	10	50 - 93	AR40750	1B15	24	20 - 13
AR31945	3E23	15	70 - 88	AR37017	3D22	3	70 - 63	AR40753	3C20	12	70 - 37
AR31946	2G4	14	60 - 21	AR38453	1I17	9	40 - 57	AR40754	3C20	7	70 - 37
AR31977	3H24	25	90 - 43	AR38456	1G9	6	40 - 6	AR40785	3C18	7	70 - 35
AR32128	2C16	2	50 - 36	AR38456	1G10	5	40 - 7	AR40786	2F11	16	60 - 3
AR32154	2D7	7	50 - 53	AR38456	1G11	14	40 - 8	AR40788	2D9	3	50 - 55
AR32155	2D7	10	50 - 53	AR38456	1G12	3	40 - 9	AR40790	2D9	22	50 - 55
AR32240	2G5	22	60 - 22	AR38456	1I3	1	40 - 43	AR40792	2D9	9	50 - 55
AR32243	2G1	7	60 - 19A	AR38456	1I7	18	40 - 47	AR40793	2D10	6	50 - 56
AR33249	3B12	6	70 - 9	AR38456	1I8	3	40 - 48	AR40794	2C5	20	50 - 25
AR33877	3E5	31	70 - 71	AR38456	3H10	7	90 - 27	AR40794	2C16	1	50 - 36

1K6

TRACTOR - 4520

NUMERICAL INDEX - CONTINUED

PART NO.	GRID	KEY	PAGE	PART NO.	GRID	KEY	PAGE	PART NO.	GRID	KEY	PAGE
AR40795	2C17	32	50 - 37	AR41758	1I21	1	40 - 61	AR43014	1B7	15	20 - 4
AR40802	1I15	1	40 - 55	AR41758	1I23	1	40 - 63	AR43017	2C10	10	50 - 30
AR40806	3I17	3	90 - 61	AR41758	1I25	..	40 - 65	AR43018	2C6	17	50 - 26
AR40812	3I17	16	90 - 61	AR41758	1J1	10	40 - 66	AR43020	1C19	8	20 - 30
AR40820	1E25	26	30 - 34	AR41760	1I19	3	40 - 59	AR43021	1C19	6	20 - 30
AR40820	1F6	27	30 - 41	AR41761	3H12	11	90 - 29	AR43022	1E12	14	30 - 21
AR40825	3I20	10	90 - 64	AR41761	3H14	16	90 - 31	AR43022	1E14	14	30 - 23
AR40826	3I20	10	90 - 64	AR41761	3H21	..	90 - 39	AR43025	2B18	5	50 - 11
AR40827	3E3	4	70 - 69	AR41785	1B5	..	20 - 1	AR43026	2B20	3	50 - 14
AR40827	3E5	26	70 - 71	AR41870	1B5	..	20 - 1	AR43027	2B20	5	50 - 14
AR40865	3D19	1	70 - 60	AR41885	2D11	32	50 - 57	AR43028	2B9	20	50 - 3
AR40929	2C9	16	50 - 29	AR41947	2G8	7	60 - 25	AR43031	2C2	15	50 - 21
AR40929	2C16	8	50 - 36	AR41950	1I19	7	40 - 59	AR43031	2D15	22	50 - 61
AR40939	3D24	6A	70 - 65	AR41950	1I21	8	40 - 61	AR43032	3F7	18	80 - 3
AR40947	1I19	4	40 - 59	AR41950	1I23	8	40 - 63	AR43034	2C8	11	50 - 28
AR40947	1I19	5	40 - 59	AR41950	1J1	3	40 - 66	AR43035	2C8	18	50 - 28
AR40984	2B10	17	50 - 4	AR41951	1I19	6	40 - 59	AR43038	3F5	11	80 - 1
AR40988	3C22	14	70 - 39	AR41951	1I21	7	40 - 61	AR43039	3F5	5	80 - 1
AR40989	3E14	12	70 - 79	AR41951	1I23	7	40 - 63	AR43040	2E8	12	50 - 74A
AR40990	3E14	15	70 - 79	AR41951	1J1	2	40 - 66	AR43040	3F7	27	80 - 3
AR40991	3E14	23	70 - 79	AR41969	3E3	15	70 - 69	AR43044	2C10	17	50 - 30
AR41006	1B11	22	20 - 8	AR41970	3E3	15	70 - 69	AR43045	2C6	2	50 - 26
AR41056	1C11	4	20 - 22	AR41976	3C16	14	70 - 33	AR43045	2C10	23	50 - 30
AR41130	2F18	7	60 - 10	AR41984	2F18	9	60 - 10	AR43045	2C13	2	50 - 33
AR41131	2F18	5	60 - 10	AR41987	2F12	4	60 - 4	AR43045	2C14	5	50 - 34
AR41266	3D9	10	70 - 53	AR41987	2F18	8	60 - 10	AR43045	2C15	5	50 - 35
AR41266	3D9	19	70 - 53	AR42008	1G11	8	40 - 8	AR43046	2G1	4	60 - 19A
AR41267	3D9	14	70 - 53	AR42009	2F11	17	60 - 3	AR43047	2G6	26	60 - 23
AR41267	3D9	19	70 - 53	AR42094	1E12	28	30 - 21	AR43048	2G6	27	60 - 23
AR41287	1G20	6	40 - 18	AR42119	1G11	1	40 - 8	AR43050	2E4	12	50 - 73
AR41288	1I17	13	40 - 57	AR42119	1G12	1	40 - 9	AR43052	2B9	32	50 - 3
AR41542	1E19	8	30 - 28	AR42119	1I7	2	40 - 47	AR43052	2C2	5	50 - 21
AR41542	1E25	8	30 - 34	AR42119	1I7	6	40 - 47	AR43053	1D14	9	30 - 4
AR41543	1E19	5	30 - 28	AR42120	1G11	7	40 - 8	AR43054	1D14	1	30 - 4
AR41543	1E25	5	30 - 34	AR42120	1G12	7	40 - 9	AR43057	2C12	11	50 - 32
AR41544	1E19	4	30 - 28	AR42120	1I7	14	40 - 47	AR43057	2C13	12	50 - 33
AR41544	1E25	4	30 - 34	AR42121	1G11	3	40 - 8	AR43057	2C20	26	50 - 40
AR41545	1E19	3	30 - 28	AR42121	1G12	6	40 - 9	AR43058	2B24	17	50 - 18
AR41545	1E25	3	30 - 34	AR42121	1I7	14	40 - 47	AR43059	3D3	12	70 - 46
AR41546	1E19	2	30 - 28	AR42287	3C22	33	70 - 39	AR43060	3F25	11	80 - 24
AR41546	1E25	2	30 - 34	AR42326	1C22	11	20 - 32A	AR43065	2B8	23	50 - 2
AR41547	1E19	1	30 - 28	AR42400	2G3	28	60 - 20	AR43065	2C8	16	50 - 28
AR41547	1E25	1	30 - 34	AR42431	1I21	3	40 - 61	AR43069	2B9	17	50 - 3
AR41548	1E19	9	30 - 28	AR42432	1I21	21	40 - 61	AR43070	3I15	4	90 - 59
AR41548	1E25	9	30 - 34	AR42508	3H12	5	90 - 29	AR43074	2C12	22	50 - 32
AR41549	1E19	20	30 - 28	AR42508	3H14	3	90 - 31	AR43075	3D10	10	70 - 55
AR41549	1E25	27	30 - 34	AR42591	1I7	2	40 - 47	AR43077	3D4	12	70 - 47
AR41584	3I21	4	90 - 65	AR42598	3H21	2	90 - 39	AR43078	3D5	11	70 - 48
AR41602	3I17	18	90 - 61	AR42629	3I19	2	90 - 63	AR43083	3C12	1	70 - 29
AR41683	1G6	2	40 - 3	AR42883	1C22	11	20 - 32A	AR43083	3C24	1	70 - 41
AR41684	1G6	4	40 - 3	AR42990	2B19	6	50 - 13	AR43084	2B8	21	50 - 2
AR41684	1G9	9	40 - 6	AR42991	1C22	11	20 - 32A	AR43085	2B9	30	50 - 3
AR41684	1G10	8	40 - 7	AR43001	2C13	14	50 - 33	AR43086	2D19	10	50 - 63
AR41691	1C19	4	20 - 30	AR43003	3F17	6	80 - 14	AR43087	3I9	1	90 - 53
AR41691	1C19	6	20 - 30	AR43004	3F17	2	80 - 14	AR43088	3I9	1	90 - 53
AR41691	1C19	7	20 - 30	AR43005	2C20	18	50 - 40	AR43089	3G2	6	80 - 27
AR41691	1C20	7	20 - 31	AR43006	2B18	1	50 - 11	AR43090	3G2	6	80 - 27
AR41691	1C23	4	20 - 33	AR43006	2D17	12	50 - 62A	AR43091	3G3	6	80 - 28
AR41701	1G10	3	40 - 7	AR43006	2D19	25	50 - 63	AR43092	3G3	6	80 - 28
AR41702	1G9	8	40 - 6	AR43007	2D3	1	50 - 48	AR43093	2C12	2	50 - 32
AR41702	1G10	6	40 - 7	AR43007	2D17	13	50 - 62A	AR43093	2C13	18	50 - 33
AR41754	1J1	8	40 - 66	AR43007	2D19	26	50 - 63	AR43097	2B20	10	50 - 14
AR41756	1I19	2	40 - 59	AR43008	3F25	24	80 - 24	AR43098	3I7	1	90 - 51
AR41756	1I21	2	40 - 61	AR43009	3F25	21	80 - 24	AR43098	3I11	12	90 - 55
AR41756	1I23	2	40 - 63	AR43010	3I15	3	90 - 59	AR43099	3I23	9	90 - 67
AR41756	1J1	1	40 - 66	AR43011	2D5	6	50 - 51	AR43100	3I23	9	90 - 67
AR41758	1I19	1	40 - 59	AR43013	1C2	5	20 - 17	AR43101	2D2	3	50 - 47

1K7

TRACTOR - 4520

NUMERICAL INDEX - CONTINUED

PART NO.	GRID	KEY	PAGE	PART NO.	GRID	KEY	PAGE	PART NO.	GRID	KEY	PAGE
AR43102	2D10	16	50-56	AR43210	1E12	22	30-21	AR43577	1E5	1	30-17
AR43103	3D5	13	70-48	AR43216	3F25	17	80-24	AR43579	1E5	3	30-17
AR43103	3D6	3	70-49	AR43217	3F25	17	80-24	AR43580	2F24	4	60-17
AR43106	1D23	20	30-11	AR43219	1C19	13	20-30	AR43586	2C24	17	50-44
AR43108	1C2	13	20-17	AR43219	1H1	11	40-24	AR43592	2D4	7	50-49
AR43112	1C16	17	20-27	AR43220	3C12	5	70-29	AR43594	1B12	1	20-9
AR43113	2C21	4	50-41	AR43243	2D17	7	50-62A	AR43595	1D14	12	30-4
AR43114	2D17	9	50-62A	AR43243	2D19	9	50-63	AR43602	3H12	13	90-29
AR43114	2D19	21	50-63	AR43252	1E12	21	30-21	AR43605	1D14	4	30-4
AR43117	2B9	26	50-3	AR43252	1E14	21	30-23	AR43607	1C19	4	20-30
AR43118	3I9	11	90-53	AR43254	3G1	13	80-25	AR43608	1D20	7	30-8
AR43119	3I9	6	90-53	AR43256	3G1	3	80-25	AR43609	1G6	10	40-3
AR43120	3I9	2	90-53	AR43261	1C16	1	20-27	AR43609	1G8	10	40-5
AR43122	2B11	3	50-5	AR43261	1C16	18	20-27	AR43615	3C18	16	70-35
AR43123	3I17	7	90-61	AR43261	1C16	20	20-27	AR43624	1E1	..	30-12
AR43124	2D13	10	50-59	AR43265	2E8	1	50-74A	AR43625	1E1	19	30-12
AR43125	2D13	5	50-59	AR43265	3F7	7	80-3	AR43626	1E1	14	30-12
AR43126	2D13	4	50-59	AR43268	3F5	7	80-1	AR43627	1E1	14	30-12
AR43130	3C10	2	70-27	AR43269	3F7	6	80-3	AR43627	1E2	13	30-13
AR43131	3C10	3	70-27	AR43290	3F25	2	80-24	AR43627	1E3	10	30-15
AR43133	3I7	7	90-51	AR43291	3F25	2	80-24	AR43630	3H12	13	90-29
AR43133	3I9	14	90-53	AR43293	3C4	20	70-23	AR43631	3H12	2	90-29
AR43133	3I15	6	90-59	AR43301	1E12	7	30-21	AR43634	1C16	1	20-27
AR43134	2E1	3	50-70	AR43301	1E14	7	30-23	AR43634	1C16	18	20-27
AR43134	2E2	22	50-71	AR43302	1E6	12	30-18	AR43634	1C16	20	20-27
AR43135	2E1	9	50-70	AR43316	3D4	9	70-47	AR43634	1F19	3	30-55
AR43136	2E1	16	50-70	AR43420	2F19	7	60-11	AR43650	1C2	13	20-17
AR43137	2E1	17	50-70	AR43420	2F20	2	60-12	AR43656	3I12	6	90-56
AR43138	3F22	6	80-21	AR43421	2F19	5	60-11	AR43657	3I12	4	90-56
AR43140	3D2	12	70-45	AR43421	2F20	1	60-12	AR43658	3I12	2	90-56
AR43140	3D3	9	70-46	AR43496	1B15	22	20-13	AR43659	3I12	9	90-56
AR43141	3F23	4	80-22	AR43510	1C15	..	20-26	AR43660	3I12	20	90-56
AR43142	3I24	6	90-68	AR43517	1B17	1	20-13B	AR43661	3I12	11	90-56
AR43143	3I24	6	90-68	AR43517	1B19	1	20-13D	AR43662	3I12	7	90-56
AR43149	3C4	12	70-23	AR43523	3F22	5	80-21	AR43663	3I11	14	90-55
AR43150	2F5	17	50-93	AR43525	3C8	10	70-25	AR43664	3I11	8	90-55
AR43150	3C4	11	70-23	AR43525	3C9	3	70-26	AR43665	3I6	..	90-50
AR43151	3C4	31	70-23	AR43532	3I24	9	90-68	AR43666	3F25	2	80-24
AR43152	2F18	5	60-10	AR43533	3I24	9	90-68	AR43667	3G24	10	90-13
AR43152	2F22	8	60-15	AR43540	2F25	10	60-18	AR43674	3I13	6	90-57
AR43153	2F7	1	50-95	AR43541	2F25	18	60-18	AR43675	3I13	5	90-57
AR43153	2F22	1	60-15	AR43542	2F25	9	60-18	AR43676	1E12	12	30-21
AR43154	2D13	1	50-59	AR43544	1D12	2	30-2	AR43676	1E14	12	30-23
AR43155	3C4	31	70-23	AR43545	1D17	14	30-7	AR43677	3G4	1	80-29
AR43156	1C17	21	20-28	AR43547	3C13	7	70-30	AR43701	3I13	3	90-57
AR43159	1G6	1	40-3	AR43549	2F19	24	60-11	AR43704	1E5	10	30-17
AR43161	1F17	12	30-53	AR43549	2F20	21	60-12	AR43716	1D17	22	30-7
AR43161	1F18	12	30-54	AR43549	2F24	2	60-17	AR43716	1E5	5	30-17
AR43162	1C2	5	20-17	AR43550	2F19	23	60-11	AR43733	3C4	12	70-23
AR43163	2G5	14	60-22	AR43551	2F19	22	60-11	AR43734	3C4	2	70-23
AR43164	2G5	13	60-22	AR43552	2F19	21	60-11	AR43736	2B24	11	50-18
AR43165	2G5	20	60-22	AR43553	2F19	19	60-11	AR43737	1C22	..	20-32A
AR43166	2G5	22	60-22	AR43554	2F19	20	60-11	AR43738	3G24	5	90-13
AR43167	2G3	21	60-20	AR43555	2F19	15	60-11	AR43739	3I1	10	90-45
AR43167	2G5	15	60-22	AR43556	2F19	8	60-11	AR43740	3I2	3	90-46
AR43170	1C11	8	20-22	AR43557	1D2	22	20-37	AR43741	3I3	8	90-47
AR43171	1C11	7	20-22	AR43559	2F13	10	60-5	AR43742	1G11	12	40-8
AR43171	1C11	8	20-22	AR43559	2F14	10	60-6	AR43743	1G11	17	40-8
AR43172	1C11	7	20-22	AR43561	2B10	13	50-4	AR43744	2B21	7	50-15
AR43176	3F7	23	80-3	AR43562	2C2	3	50-21	AR43745	2B21	3	50-15
AR43177	1C19	11	20-30	AR43563	2B15	8	50-8	AR43746	1C19	8	20-30
AR43190	1D2	6	20-37	AR43565	2C18	11	50-38	AR43747	1C19	4	20-30
AR43204	1E19	26	30-28	AR43567	2B7	6	50-1	AR43747	1C20	4	20-31
AR43208	1E12	15	30-21	AR43568	2C4	10	50-23	AR43757	1B7	15	20-4
AR43208	1E14	15	30-23	AR43569	2D4	4	50-49	AR43759	3I12	15	90-56
AR43209	1E12	17	30-21	AR43573	1D23	12	30-11	AR43770	1D23	16	30-11
AR43209	1E14	17	30-23	AR43573	1D23	16	30-11	AR43770	1D25	13	30-11B

1K8

TRACTOR - 4520

NUMERICAL INDEX - CONTINUED

PART NO.	GRID	KEY	PAGE	PART NO.	GRID	KEY	PAGE	PART NO.	GRID	KEY	PAGE
AR43792	2F25	17	60 - 18	AR44698	1H11	32	40 - 30A	AR45530	1B10	3	20 - 7
AR43795	3D22	13	70 - 63	AR44699	1H13	2	40 - 30C	AR45534	3E24	26	70 - 89
AR43799	3C5	5	70 - 23A	AR44700	1H11	12	40 - 30A	AR45536	3E20	24	70 - 85
AR43802	3F7	18	80 - 3	AR44763	3H21	5	90 - 39	AR45544	3E20	37	70 - 85
AR43809	2F13	10	60 - 5	AR44820	3D16	15	70 - 59	AR45544	3E22	39	70 - 87
AR43809	2F14	10	60 - 6	AR44883	2F12	9	60 - 4	AR45647	3D24	16	70 - 65
AR43839	2F20	22	60 - 12	AR44989	1G11	15	40 - 8	AR45678	1E17	11	30 - 26
AR43841	2F20	23	60 - 12	AR44989	1G11	16	40 - 8	AR45718	3I11	4	90 - 55
AR43842	2F20	24	60 - 12	AR44989	1I7	19	40 - 47	AR45723	1C7	9	20 - 19B
AR43843	1D2	22	20 - 37	AR44996	1G11	15	40 - 8	AR45723	1C8	9	20 - 19C
AR43852	1B15	22	20 - 13	AR44999	1G20	13	40 - 18	AR45723	1C11	11	20 - 22
AR43852	1D23	21	30 - 11	AR44999	1G21	7	40 - 19	AR45734	1G18	20	40 - 16
AR43939	3F24	18	80 - 23	AR45013	1I21	4	40 - 61	AR45734	1G19	6	40 - 17
AR43940	1D14	3	30 - 4	AR45014	1I21	17	40 - 61	AR45781	2E12	9	50 - 77
AR43940	1D15	2	30 - 5	AR45015	1I21	20	40 - 61	AR45782	2E12	13	50 - 77
AR43941	1D14	4	30 - 4	AR45034	2E11	1	50 - 76	AR45788	2B13	14	50 - 7
AR43941	1F19	4	30 - 55	AR45034	2E12	14	50 - 77	AR45810	3I1	15	90 - 45
AR43945	1D2	6	20 - 37	AR45035	1D11	..	30 - 1	AR45811	3I1	21	90 - 45
AR43947	1D2	6	20 - 37	AR45099	1G11	16	40 - 8	AR45813	3H25	2	90 - 44
AR43948	3I7	1	90 - 51	AR45099	1G12	4	40 - 9	AR45814	3H25	3	90 - 44
AR43948	3I11	12	90 - 55	AR45099	1I7	19	40 - 47	AR45815	3H25	6	90 - 44
AR43949	3I7	1	90 - 51	AR45099	1I7	31	40 - 47	AR45816	3H25	10	90 - 44
AR43954	1C2	19	20 - 17	AR45157	2G8	30	60 - 25	AR45817	3I2	16	90 - 46
AR43955	1H2	10	40 - 25	AR45198	2F2	14	50 - 89	AR45818	3I3	23	90 - 47
AR43955	1H3	11	40 - 25A	AR45234	2F2	11	50 - 89	AR45820	3I3	22	90 - 47
AR43958	2F20	14	60 - 12	AR45240	2B22	10	50 - 16	AR45823	3I3	4	90 - 47
AR43959	2F20	15	60 - 12	AR45240	2B23	10	50 - 17	AR45824	3I3	5	90 - 47
AR43960	2F20	13	60 - 12	AR45248	2G11	..	60 - 26	AR45827	3G17	11	90 - 6
AR43967	3I24	6	90 - 68	AR45250	3C5	2	70 - 23A	AR45828	3G17	9	90 - 6
AR43968	3I24	6	90 - 68	AR45252	2G5	25	60 - 22	AR45829	3G17	12	90 - 6
AR43969	3I24	9	90 - 68	AR45252	2G6	20	60 - 23	AR45830	3G17	4	90 - 6
AR43970	3I24	9	90 - 68	AR45255	2D7	22	50 - 53	AR45831	3G17	5	90 - 6
AR43982	2C4	10	50 - 23	AR45312	1G18	1	40 - 16	AR45832	3G18	4	90 - 7
AR43983	2E9	1	50 - 74B	AR45312	1G19	1	40 - 17	AR45833	3G18	9	90 - 7
AR43984	2E9	1	50 - 74B	AR45314	2D7	7	50 - 53	AR45834	3G18	6	90 - 7
AR43986	1G6	8	40 - 3	AR45315	2D7	10	50 - 53	AR45835	3G21	7	90 - 10
AR43987	1G6	8	40 - 3	AR45316	1G18	15	40 - 16	AR45836	3G21	5	90 - 10
AR43989	1H2	6	40 - 25	AR45317	1G19	12	40 - 17	AR45837	1J3	20	40 - 68
AR43989	1H5	..	40 - 26	AR45342	2B22	16	50 - 16	AR45838	1J3	16	40 - 68
AR43989	1H6	..	40 - 27	AR45342	2B23	16	50 - 17	AR45839	1G14	10	40 - 11
AR43998	1D17	1	30 - 7	AR45369	3I21	7	90 - 65	AR45839	1J4	28	40 - 69
AR43998	1D19	6	30 - 7B	AR45370	3I21	1	90 - 65	AR45840	1J3	15	40 - 68
AR43999	2F18	5	60 - 10	AR45371	3I21	4	90 - 65	AR45841	1J3	13	40 - 68
AR43999	2F22	8	60 - 15	AR45381	2C5	20	50 - 25	AR45842	1J3	10	40 - 68
AR44043	3C5	5	70 - 23A	AR45381	2C16	1	50 - 36	AR45843	1J3	3	40 - 68
AR44077	1E17	13	30 - 26	AR45390	1G18	19	40 - 16	AR45843	1J4	3	40 - 69
AR44098	1E23	11	30 - 32	AR45390	1G19	5	40 - 17	AR45844	1J3	4	40 - 68
AR44254	3J6	2	90 - 75	AR45391	1G19	11	40 - 17	AR45844	1J4	4	40 - 69
AR44255	3J6	1	90 - 75	AR45392	1G19	4	40 - 17	AR45845	3G20	12	90 - 9
AR44263	2B22	10	50 - 16	AR45414	2E9	4	50 - 74B	AR45846	3G21	4	90 - 10
AR44270	2B22	16	50 - 16	AR45414	2E11	6	50 - 76	AR45847	1G11	6	40 - 8
AR44376	2E11	24	50 - 76	AR45436	1I14	22	40 - 54	AR45849	1G14	8	40 - 11
AR44382	1B15	4	20 - 13	AR45437	1I14	12	40 - 54	AR45850	3G17	1	90 - 6
AR44384	2F2	32	50 - 89	AR45438	1I14	10	40 - 54	AR45851	1G14	13	40 - 11
AR44390	1C12	7	20 - 23	AR45439	1I14	11	40 - 54	AR45852	1G14	16	40 - 11
AR44402	1B6	1	20 - 2	AR45439	1I14	17	40 - 54	AR45853	1G14	6	40 - 11
AR44418	1E5	6	30 - 17	AR45440	1I14	1	40 - 54	AR45854	1G14	11	40 - 11
AR44423	2D1	6	50 - 46	AR45444	1I15	2	40 - 55	AR45856	3G18	5	90 - 7
AR44442	1C15	3	20 - 26	AR45445	1I15	2	40 - 55	AR45857	3G22	1	90 - 11
AR44444	1C15	8	20 - 26	AR45446	1I14	2	40 - 54	AR45858	3G22	3	90 - 11
AR44553	2D4	3	50 - 49	AR45446	1I14	5	40 - 54	AR45867	3H3	10	90 - 19
AR44554	2D4	14	50 - 49	AR45450	1G17	..	40 - 15	AR45868	3H4	6	90 - 20
AR44613	3H12	5	90 - 29	AR45516	1G6	8	40 - 3	AR45923	1G6	3	40 - 3
AR44613	3H14	3	90 - 31	AR45517	1G6	8	40 - 3	AR45923	1G8	3	40 - 5
AR44624	1C10	1	20 - 21	AR45518	1G6	8	40 - 3	AR45923	1G16	2	40 - 13
AR44625	1C10	6	20 - 21	AR45519	1G6	9	40 - 3	AR45924	1G6	6	40 - 3
AR44635	3C6	1	70 - 23B	AR45530	1B7	1	20 - 4	AR45924	1G16	5	40 - 13

1K9

TRACTOR - 4520

NUMERICAL INDEX - CONTINUED

PART NO.	GRID	KEY	PAGE	PART NO.	GRID	KEY	PAGE	PART NO.	GRID	KEY	PAGE
AR45925	1G6	5	40 - 3	AR46986	1119	4	40 - 59	AR48034	1114	19	40 - 54
AR45925	1G16	7	40 - 13	AR46986	1123	5	40 - 63	AR48035	1114	15	40 - 54
AR45926	1G15	2	40 - 12	AR46986	1125	13	40 - 65	AR48040	117	30	40 - 47
AR45927	1G15	5	40 - 12	AR46986	1125	15	40 - 65	AR48041	117	29	40 - 47
AR45974	1C22	1	20 - 32A	AR47086	1G8	3	40 - 5	AR48096	2C20	9	50 - 40
AR45975	1G15	6	40 - 12	AR47086	1G15	3	40 - 12	AR48096	2C21	12	50 - 41
AR46042	2B22	3	50 - 16	AR47086	1G16	3	40 - 13	AR48096	2C22	9	50 - 42
AR46042	2B23	3	50 - 17	AR47087	1G8	3	40 - 5	AR48096	2C23	3	50 - 43
AR46079	3I20	5	90 - 64	AR47087	1G15	3	40 - 12	AR48110	3D9	31	70 - 53
AR46081	1G11	11	40 - 8	AR47087	1G16	3	40 - 13	AR48110	3D19	1	70 - 60
AR46095	2G5	27	60 - 22	AR47091	3G6	16	80 - 31	AR48111	3D19	2	70 - 60
AR46095	2G8	29	60 - 25	AR47093	1110	..	40 - 50	AR48112	3D9	30	70 - 53
AR46113	2B13	24	50 - 7	AR47131	2C10	6	50 - 30	AR48219	1F10	7	30 - 45
AR46117	1F17	18	30 - 53	AR47132	2C24	20	50 - 44	AR48219	1F11	7	30 - 46
AR46144	1E17	4	30 - 26	AR47137	2E11	11	50 - 76	AR48236	1D13	8	30 - 3
AR46146	2G3	6	60 - 20	AR47148	2C24	19	50 - 44	AR48236	1F9	11	30 - 44
AR46246	3B6	1	70 - 3	AR47210	3H18	3	90 - 35	AR48236	2F4	2	50 - 91
AR46246	3B10	..	70 - 7	AR47235	1117	12	40 - 57	AR48262	1C12	11	20 - 23
AR46246	3B20	..	70 - 17	AR47290	2F11	16	60 - 3	AR48266	1H2	22	40 - 25
AR46256	3D19	14	70 - 60	AR47293	2F12	9	60 - 4	AR48267	1H2	21	40 - 25
AR46282	3J3	4	90 - 72	AR47304	1E16	13	30 - 25	AR48289	1B15	22	20 - 13
AR46282	3J3	..	90 - 72	AR47331	3E12	20	70 - 77	AR48289	1C12	11	20 - 23
AR46299	3I1	4	90 - 45	AR47374	1110	1	40 - 50	AR48289	1C12	..	20 - 23
AR46333	1G11	10	40 - 8	AR47458	1117	12	40 - 57	AR48487	1C15	3	20 - 26
AR46334	1G22	4	40 - 20	AR47459	1117	12	40 - 57	AR48527	2E13	16	50 - 78
AR46334	3H4	11	90 - 20	AR47486	3D22	6	70 - 63	AR48594	1117	9	40 - 57
AR46335	1G11	9	40 - 8	AR47490	3D20	1	70 - 61	AR48640	1114	20	40 - 54
AR46340	1115	3	40 - 55	AR47514	2F24	3	60 - 17	AR48643	119	5	40 - 49
AR46395	1C11	11	20 - 22	AR47524	1C15	12	20 - 26	AR48643	3I20	5	90 - 64
AR46396	1C4	2	20 - 18	AR47547	1G6	9	40 - 3	AR48647	1G6	8	40 - 3
AR46396	1C5	9	20 - 19	AR47547	1G8	9	40 - 5	AR48647	1G6	9	40 - 3
AR46396	1C11	11	20 - 22	AR47548	1G6	9	40 - 3	AR48647	1G6	..	40 - 3
AR46397	1C11	11	20 - 22	AR47548	1G8	9	40 - 5	AR48647	1G6	..	40 - 3
AR46398	1C11	11	20 - 22	AR47567	3D19	13	70 - 60	AR48647	1G8	..	40 - 5
AR46399	1C10	6	20 - 21	AR47580	3B8	16	70 - 5	AR48675	1C25	9	20 - 35
AR46400	1C10	6	20 - 21	AR47611	2C17	23	50 - 37	AR48683	1E25	26	30 - 34
AR46401	1C10	6	20 - 21	AR47643	3E5	7	70 - 71	AR48687	1C11	10	20 - 22
AR46402	1C10	6	20 - 21	AR47643	3E12	7	70 - 77	AR48689	2C9	16	50 - 29
AR46403	1C10	1	20 - 21	AR47752	3I17	16	90 - 61	AR48689	2C16	8	50 - 36
AR46404	1C10	1	20 - 21	AR47793	1115	3	40 - 55	AR48690	2C16	5	50 - 36
AR46405	1C10	1	20 - 21	AR47803	2F2	13	50 - 89	AR48717	1119	4	40 - 59
AR46406	1C10	1	20 - 21	AR47805	2G3	6	60 - 20	AR48717	1119	5	40 - 59
AR46407	1C10	1	20 - 21	AR47825	3E16	11	70 - 81	AR48721	1G9	2	40 - 6
AR46411	3H10	6	90 - 27	AR47825	3E16	13	70 - 81	AR48722	1G9	1	40 - 6
AR46411	3H18	6	90 - 35	AR47825	3E20	1	70 - 85	AR48724	1117	13	40 - 57
AR46486	1G12	5	40 - 9	AR47825	3E22	41	70 - 87	AR48725	1112	1	40 - 52
AR46726	2F18	9	60 - 10	AR47855	1G6	2	40 - 3	AR48726	1G22	11	40 - 20
AR46727	3C10	4	70 - 27	AR47856	1G6	8	40 - 3	AR48734	3E3	18	70 - 69
AR46728	1G6	7	40 - 3	AR47856	1G8	8	40 - 5	AR48768	1C11	7	20 - 22
AR46729	1G6	7	40 - 3	AR47857	1G6	8	40 - 3	AR48770	3B10	18	70 - 7
AR46730	1110	3	40 - 50	AR47857	1G8	8	40 - 5	AR48871	1C20	16	20 - 31
AR46761	3I2	9	90 - 46	AR47858	1G6	7	40 - 3	AR48871	1D2	28	20 - 37
AR46828	3D19	3	70 - 60	AR47858	1G8	7	40 - 5	AR48897	2C10	13	50 - 30
AR46843	1E22	12	30 - 31	AR47859	3J4	6	90 - 73	AR48897	2C10	17	50 - 30
AR46843	1F3	11	30 - 37	AR47916	1114	6	40 - 54	AR48901	2E18	8	50 - 80
AR46844	1E20	21	30 - 29	AR47939	3F24	12	80 - 23	AR48902	2E19	6	50 - 81
AR46844	1E21	22	30 - 30	AR47941	3F24	5	80 - 23	AR48903	2E19	14	50 - 81
AR46844	1E22	5	30 - 31	AR48005	3C16	14	70 - 33	AR48904	2E23	13	50 - 85
AR46844	1E23	7	30 - 32	AR48006	3C25	4	70 - 43	AR48911	1G6	3	40 - 3
AR46977	1E21	..	30 - 30	AR48015	1115	5	40 - 55	AR48911	1G8	3	40 - 5
AR46978	3D25	16	70 - 66	AR48015	1115	6	40 - 55	AR48912	1G6	6	40 - 3
AR46979	1114	21	40 - 54	AR48016	1115	2	40 - 55	AR48912	1G8	6	40 - 5
AR46983	1119	21	40 - 59	AR48016	1115	3	40 - 55	AR48912	1G16	5	40 - 13
AR46984	1119	20	40 - 59	AR48021	1115	2	40 - 55	AR48933	3D24	2A	70 - 65
AR46984	1123	21	40 - 63	AR48022	1115	2	40 - 55	AR48936	1G6	2	40 - 3
AR46985	1119	18	40 - 59	AR48032	1114	2	40 - 54	AR48937	1G6	4	40 - 3
AR46986	1119	3	40 - 59	AR48033	1114	17	40 - 54	AR48937	1G9	9	40 - 6

1K10

TRACTOR - 4520

NUMERICAL INDEX - CONTINUED

PART NO.	GRID	KEY	PAGE	PART NO.	GRID	KEY	PAGE	PART NO.	GRID	KEY	PAGE
AR48939	1G9	4	40 - 6	AR49420	2E18	6	50 - 80	AR49806	3G14	17	90 - 3B
AR48940	1C10	1	20 - 21	AR49426	2C25	1	50 - 45	AR49808	3G12	4	90 - 3
AR48956	3G10	1	90 - 1	AR49427	3B5	4	70 - 1	AR49808	3G13	20	90 - 3A
AR48957	3G10	5	90 - 1	AR49427	3I11	4	90 - 55	AR49880	2B7	6	50 - 1
AR48963	2B13	14	50 - 7	AR49432	1G18	12	40 - 16	AR49950	3G15	1	90 - 4
AR49025	1C12	5	20 - 23	AR49433	1G18	5	40 - 16	AR49951	3G15	2	90 - 4
AR49025	1C13	9	20 - 24	AR49457	2B22	28	50 - 16	AR49952	3H9	1	90 - 26
AR49032	1110	..	40 - 50	AR49457	2B23	28	50 - 17	AR49953	3H3	9	90 - 19
AR49036	1110	6	40 - 50	AR49479	1G19	4	40 - 17	AR49954	3H3	12	90 - 19
AR49038	1110	4	40 - 50	AR49485	3G13	17	90 - 3A	AR49955	3G25	15	90 - 15
AR49062	3I23	4	90 - 67	AR49503	1B12	12	20 - 9	AR49956	3G25	7	90 - 15
AR49063	3I23	4	90 - 67	AR49535	2F13	8	60 - 5	AR49957	3G25	2	90 - 15
AR49081	2F5	11	50 - 93	AR49536	2F13	8	60 - 5	AR49958	3G25	3	90 - 15
AR49082	1G18	23	40 - 16	AR49539	1C13	14	20 - 24	AR49959	3G25	6	90 - 15
AR49083	2F5	6	50 - 93	AR49542	1F10	5	30 - 45	AR49960	3H5	6	90 - 21
AR49108	3F17	6	80 - 14	AR49542	1F11	5	30 - 46	AR49961	3H5	8	90 - 21
AR49112	1F2	27	30 - 36	AR49565	3D4	6	70 - 47	AR49962	3H4	3	90 - 20
AR49118	2F5	14	50 - 93	AR49566	3D4	3	70 - 47	AR49963	3H4	1	90 - 20
AR49119	2F5	14	50 - 93	AR49578	3D21	1	70 - 62	AR49964	3H8	15	90 - 25
AR49129	2F2	29	50 - 89	AR49602	1G23	1	40 - 21	AR49965	3H7	17	90 - 24
AR49130	2F2	38	50 - 89	AR49613	1F9	12	30 - 44	AR49966	3H5	3	90 - 21
AR49131	2F2	5	50 - 89	AR49616	2C18	11	50 - 38	AR49967	3H3	4	90 - 19
AR49132	2F2	35	50 - 89	AR49622	3D21	8	70 - 62	AR49968	3H8	1	90 - 25
AR49132	2F5	13	50 - 93	AR49631	3I20	10	90 - 64	AR49969	1J4	27	40 - 69
AR49138	3F16	2	80 - 12	AR49632	3I20	10	90 - 64	AR49969	3H5	5	90 - 21
AR49146	2B15	11	50 - 8	AR49649	1C20	21	20 - 31	AR49970	3H8	14	90 - 25
AR49177	2E2	6	50 - 71	AR49650	1C12	4	20 - 23	AR49970	3H9	2	90 - 26
AR49178	2E2	3	50 - 71	AR49650	1C13	4	20 - 24	AR49971	1J4	..	40 - 69
AR49179	2E2	16	50 - 71	AR49654	2C12	2	50 - 32	AR49971	1J4	..	40 - 69
AR49185	3I6	..	90 - 50	AR49654	2C13	18	50 - 33	AR49972	1J4	15	40 - 69
AR49186	3I9	11	90 - 53	AR49655	1C20	21	20 - 31	AR49972	1J4	..	40 - 69
AR49209	2E7	2	50 - 74	AR49656	3C10	3	70 - 27	AR49973	3H4	12	90 - 20
AR49216	2F2	20	50 - 89	AR49657	2B7	6	50 - 1	AR49973	3H8	13	90 - 25
AR49217	2F2	19	50 - 89	AR49657	2F7	8	50 - 95	AR49974	3G15	5	90 - 4
AR49218	2F2	34	50 - 89	AR49657	2F18	5	60 - 10	AR49975	3G15	6	90 - 4
AR49225	3H10	3	90 - 27	AR49657	2F22	8	60 - 15	AR49976	3G15	3	90 - 4
AR49231	2E18	3	50 - 80	AR49658	3C10	3	70 - 27	AR49986	3H9	4	90 - 26
AR49232	1C10	1	20 - 21	AR49660	3C4	20	70 - 23	AR49987	3H7	12	90 - 24
AR49233	1C10	1	20 - 21	AR49678	3G17	20	90 - 6	AR49998	1D21	3	30 - 9
AR49234	1C10	1	20 - 21	AR49679	3G17	18	90 - 6	AR50000	1B8	12	20 - 5
AR49235	1C10	1	20 - 21	AR49680	1F19	..	30 - 55	AR50002	1F9	14	30 - 44
AR49236	1C10	1	20 - 21	AR49680	3G17	5	90 - 6	AR50004	3H2	5	90 - 17
AR49248	2F19	8	60 - 11	AR49711	2D5	6	50 - 51	AR50005	3H2	1	90 - 17
AR49248	2F19	20	60 - 11	AR49732	2B15	8	50 - 8	AR50006	3H2	7	90 - 17
AR49248	2F20	29	60 - 12	AR49751	3C8	7	70 - 25	AR50007	3H6	4	90 - 22
AR49249	2F19	8	60 - 11	AR49760	1D17	5A	30 - 7	AR50008	3H6	1	90 - 22
AR49249	2F19	20	60 - 11	AR49770	1E14	24	30 - 23	AR50009	3H6	2	90 - 22
AR49250	3F5	7	80 - 1	AR49770	1E15	6	30 - 24	AR50010	3H6	2	90 - 22
AR49256	3F25	2	80 - 24	AR49775	3H2	4	90 - 17	AR50011	3H9	5	90 - 26
AR49307	1E19	16	30 - 28	AR49785	1E15	8	30 - 24	AR50012	3H9	17	90 - 26
AR49307	1E24	3	30 - 33	AR49786	1E15	10	30 - 24	AR50013	3H8	5	90 - 25
AR49310	2G11	27	60 - 26	AR49786	1F9	23	30 - 44	AR50014	3H8	4	90 - 25
AR49311	2F2	8	50 - 89	AR49792	3I23	4	90 - 67	AR50016	3H9	13	90 - 26
AR49342	1G18	27	40 - 16	AR49793	3I23	4	90 - 67	AR50017	3H9	11	90 - 26
AR49349	1G6	2	40 - 3	AR49797	1J5	1	40 - 70	AR50018	3H9	8	90 - 26
AR49349	1G8	2	40 - 5	AR49798	1J5	1	40 - 70	AR50019	3H9	12	90 - 26
AR49352	1G22	10	40 - 20	AR49799	3G12	29	90 - 3	AR50020	3H4	5	90 - 20
AR49352	1J13	17	40 - 79	AR49799	3G13	2	90 - 3A	AR50021	3H4	4	90 - 20
AR49355	1G8	1	40 - 5	AR49802	3G12	29	90 - 3	AR50022	3H10	1	90 - 27
AR49356	1G12	2	40 - 9	AR49802	3G13	2	90 - 3A	AR50023	3H10	2	90 - 27
AR49395	2C12	..	50 - 32	AR49803	3G12	12	90 - 3	AR50026	3I1	10	90 - 45
AR49395	2C13	..	50 - 33	AR49803	3G14	2	90 - 3B	AR50039	3C24	5	70 - 41
AR49395	2C15	15	50 - 35	AR49804	3G12	24	90 - 3	AR50040	1E18	6	30 - 27
AR49396	2C12	..	50 - 32	AR49804	3G14	7	90 - 3B	AR50041	1E18	11	30 - 27
AR49396	2C13	..	50 - 33	AR49805	3G12	22	90 - 3	AR50041	1F19	2	30 - 55
AR49396	2C14	15	50 - 34	AR49805	3G14	5	90 - 3B	AR50118	2D9	9	50 - 55
AR49416	1G6	7	40 - 3	AR49806	3G12	20	90 - 3	AR50119	2D9	9	50 - 55

1K11

TRACTOR - 4520

NUMERICAL INDEX - CONTINUED

PART NO.	GRID	KEY	PAGE	PART NO.	GRID	KEY	PAGE	PART NO.	GRID	KEY	PAGE
AR50119	2D9	22	50 - 55	AR50930	1J7	15	40 - 73	AR51965	1B17	1	20 - 13B
AR50136	1C2	11	20 - 17	AR50931	1J7	23	40 - 73	AR51973	1I23	4	40 - 63
AR50148	1E14	22	30 - 23	AR50940	1C11	7	20 - 22	AR51985	1F15	13	30 - 51
AR50148	1E15	1	30 - 24	AR50940	1C11	8	20 - 22	AR51986	1F15	9	30 - 51
AR50150	1D25	18	30 - 11B	AR50964	1J3	10	40 - 68	AR51988	1E2	18	30 - 13
AR50152	1D21	9	30 - 9	AR50965	1J3	10	40 - 68	AR51988	1E3	12	30 - 15
AR50225	1H6	12	40 - 27	AR50966	1J3	6	40 - 68	AR52014	1E19	16	30 - 28
AR50226	1H5	20	40 - 26	AR50975	3F17	2	80 - 14	AR52014	1E24	3	30 - 33
AR50226	1H6	14	40 - 27	AR51052	1F9	9	30 - 44	AR52014	1E25	16	30 - 34
AR50227	1H5	30	40 - 26	AR51053	1F9	8	30 - 44	AR52014	1F5	3	30 - 39
AR50227	1H6	25	40 - 27	AR51054	1F9	7	30 - 44	AR52061	1B15	22	20 - 13
AR50229	1H5	24	40 - 26	AR51055	1F9	6	30 - 44	AR52077	1H2	6	40 - 25
AR50229	1H6	16	40 - 27	AR51056	1F9	5	30 - 44	AR52077	1H3	7	40 - 25A
AR50260	1I16	4	40 - 56	AR51057	1F9	3	30 - 44	AR52077	1H5	..	40 - 26
AR50265	1F6	19	30 - 41	AR51059	1C20	18	20 - 31	AR52077	1H6	..	40 - 27
AR50292	1B17	1	20 - 13B	AR51071	3I19	2	90 - 63	AR52079	1H6	2	40 - 27
AR50292	1B19	1	20 - 13D	AR51092	2G8	30	60 - 25	AR52085	1F18	16	30 - 54
AR50297	1B15	22	20 - 13	AR51194	1F6	11	30 - 41	AR52159	1E14	24	30 - 23
AR50333	1E20	21	30 - 29	AR51195	1F6	7	30 - 41	AR52159	1E15	6	30 - 24
AR50333	1E21	22	30 - 30	AR51196	1F6	6	30 - 41	AR52160	1B15	22	20 - 13
AR50333	1E22	5	30 - 31	AR51197	1F6	5	30 - 41	AR52171	2G5	22	60 - 22
AR50333	1E23	7	30 - 32	AR51198	1F6	2	30 - 41	AR52180	2D7	22	50 - 53
AR50336	1C11	8	20 - 22	AR51199	1F6	1	30 - 41	AR52211	1F18	18	30 - 54
AR50337	3G1	13	80 - 25	AR51372	1G19	12	40 - 17	AR52222	1C18	15	20 - 29
AR50341	3I13	5	90 - 57	AR51373	1G19	11	40 - 17	AR52224	3B8	7	70 - 5
AR50374	3D9	5	70 - 53	AR51374	1D21	17	30 - 9	AR52224	3B10	11	70 - 7
AR50380	1D23	21	30 - 11	AR51394	1G6	3	40 - 3	AR52224	3B18	7	70 - 15
AR50387	2G8	27	60 - 25	AR51394	1G8	3	40 - 5	AR52224	3B20	7	70 - 17
AR50399	1C21	4	20 - 32	AR51394	1G16	2	40 - 13	AR52230	2C24	15	50 - 44
AR50403	1I15	2	40 - 55	AR51395	1G6	5	40 - 3	AR52251	2D8	8	50 - 54
AR50406	1I15	2	40 - 55	AR51395	1G8	5	40 - 5	AR52254	3B12	37	70 - 9
AR50407	1I15	2	40 - 55	AR51395	1G16	7	40 - 13	AR52254	3B22	32	70 - 19
AR50411	1C21	5	20 - 32	AR51427	1E1	..	30 - 12	AR52271	1E21	..	30 - 30
AR50439	1I14	16	40 - 54	AR51427	1E2	24	30 - 13	AR52335	2D8	12	50 - 54
AR50439	1I14	18	40 - 54	AR51431	1D15	4	30 - 5	AR52375	1F15	9	30 - 51
AR50440	1I14	7	40 - 54	AR51431	1F19	5	30 - 55	AR52392	1J7	4	40 - 73
AR50489	1D13	6	30 - 3	AR51432	1D15	10	30 - 5	AR52393	3G6	10	80 - 31
AR50489	1D15	12	30 - 5	AR51452	3H18	3	90 - 35	AR52393	3G6	16	80 - 31
AR50501	1E7	..	30 - 19	AR51452	3H20	9	90 - 37	AR52394	3D24	2A	70 - 65
AR50501	1E7	..	30 - 19	AR51463	2C21	4	50 - 41	AR52394	3D24	6A	70 - 65
AR50508	1I14	8	40 - 54	AR51481	1I17	7	40 - 57	AR52394	3E1	12	70 - 67
AR50518	1C21	8	20 - 32	AR51483	1I21	21	40 - 61	AR52494	3B14	9	70 - 11
AR50534	3H16	8	90 - 31B	AR51483	1I23	22	40 - 63	AR52497	2G3	6	60 - 20
AR50539	3H14	7	90 - 31	AR51484	1I23	19	40 - 63	AR52554	3J5	5	90 - 74
AR50540	3H14	7	90 - 31	AR51517	1D14	2	30 - 4	AR52555	3J5	4	90 - 74
AR50593	3C8	2	70 - 25	AR51518	1C17	21	20 - 28	AR52556	1E15	6	30 - 24
AR50624	1C11	7	20 - 22	AR51519	1C18	12	20 - 29	AR52563	1B15	24	20 - 13
AR50624	1C11	8	20 - 22	AR51576	3D5	11	70 - 48	AR52571	1C15	..	20 - 26
AR50625	1C11	7	20 - 22	AR51602	3F7	18	80 - 3	AR52606	3D5	11	70 - 48
AR50732	1F9	2	30 - 44	AR51603	3F7	18	80 - 3	AR52607	3C10	4	70 - 27
AR50779	1J5	2	40 - 70	AR51604	3F7	18	80 - 3	AR52624	1B15	24	20 - 13
AR50780	1J5	2	40 - 70	AR51605	3F7	18	80 - 3	AR52629	3D24	16	70 - 65
AR50781	1F6	18	30 - 41	AR51652	2B24	11	50 - 18	AR52630	2C1	9	50 - 20
AR50834	1G9	3	40 - 6	AR51705	1F2	27	30 - 36	AR52671	1B12	14	20 - 9
AR50834	1J13	8	40 - 79	AR51711	1F8	31	30 - 43	AR52671	1F9	15	30 - 44
AR50838	1I15	6	40 - 55	AR51718	1F13	6	30 - 49	AR52709	3I12	20	90 - 56
AR50874	1F8	20	30 - 43	AR51728	1D15	13	30 - 5	AR52719	2F25	12	60 - 18
AR50874	1F10	5	30 - 45	AR51741	1C11	7	20 - 22	AR52719	2F25	13	60 - 18
AR50874	1F11	5	30 - 46	AR51745	3B12	9	70 - 9	AR52720	1F5	6	30 - 39
AR50874	1F13	25	30 - 49	AR51798	1B21	1	20 - 13F	AR52785	3B8	21	70 - 5
AR50914	1G6	1	40 - 3	AR51798	1C11	8	20 - 22	AR52785	3B10	25	70 - 7
AR50921	3F24	5	80 - 23	AR51913	2C10	6	50 - 30	AR52927	1H1	23	40 - 24
AR50926	1J7	14	40 - 73	AR51929	3B12	37	70 - 9	AR53039	2C23	1	50 - 43
AR50927	1J5	20	40 - 70	AR51940	1F1	21	30 - 35	AR53039	2C24	22	50 - 44
AR50927	1J7	20	40 - 73	AR51940	1F3	4	30 - 37	AR53046	2E18	8	50 - 80
AR50928	1J5	18	40 - 70	AR51940	1F4	8	30 - 38	AR53047	2E19	16	50 - 81
AR50929	1J7	19	40 - 73	AR51956	1C11	10	20 - 22	AR53091	1F9	27	30 - 44

1K12

TRACTOR - 4520

NUMERICAL INDEX - CONTINUED

PART NO.	GRID	KEY	PAGE	PART NO.	GRID	KEY	PAGE	PART NO.	GRID	KEY	PAGE
AR53091	1F15	13	30 - 51	AR54935	1E1	6	30 - 12	AR57157	1119	4	40 - 59
AR53094	1D5	..	20 - 40	AR54944	3C25	4	70 - 43	AR57157	1119	5	40 - 59
AR53094	1D7	35	20 - 43	AR54990	1H21	4	40 - 36	AR57268	2C6	17	50 - 26
AR53095	1D7	34	20 - 43	AR54991	1H24	15	40 - 39	AR58126	1117	12	40 - 57
AR53149	1F9	27	30 - 44	AR54992	1H21	7	40 - 36	AR58175	1C2	13	20 - 17
AR53149	1F15	13	30 - 51	AR54993	1H21	15	40 - 36	AR58184	2E21	19	50 - 83
AR53155	3H8	15	90 - 25	AR54996	1H22	1	40 - 37	AR58184	2F4	20	50 - 91
AR53156	3H8	1	90 - 25	AR54997	1H23	4	40 - 38	AR58357	3F18	12	80 - 15
AR53214	2C10	..	50 - 30	AR55061	1G20	5	40 - 18	AR58357	3F21	7	80 - 19
AR53301	3B8	12	70 - 5	AR55074	3D14	13	70 - 57B	AR58363	3F19	3	80 - 17
AR53301	3B10	16	70 - 7	AR55074	3D18	14	70 - 59B	AR58474	3C20	19	70 - 37
AR53301	3B18	10	70 - 15	AR55150	3D4	13	70 - 47	AR58474	3C20	21	70 - 37
AR53301	3B20	10	70 - 17	AR55151	3D4	13	70 - 47	AR58572	2B13	24	50 - 7
AR53381	1C2	5	20 - 17	AR55173	1H2	7	40 - 25	AR59140	1E17	4	30 - 26
AR53443	1C11	10	20 - 22	AR55173	1H3	8	40 - 25A	AR59140	1E18	..	30 - 27
AR53446	3G12	14	90 - 3	AR55173	1H6	33	40 - 27	AR59422	1C11	4	20 - 22
AR53446	3G14	12	90 - 3B	AR55182	1E12	14	30 - 21	AR59435	1D17	22	30 - 7
AR53447	2F2	14	50 - 89	AR55182	1E14	14	30 - 23	AR59435	1E5	5	30 - 17
AR53452	1117	12	40 - 57	AR55186	3B8	4	70 - 5	AR59444	1J3	20	40 - 68
AR53471	2D14	22	50 - 60	AR55203	3D5	11	70 - 48	AR59444	1J4	17	40 - 69
AR53562	2E25	5	50 - 87	AR55250	1C11	8	20 - 22	AR59446	2B22	12	50 - 16
AR53564	2E25	10	50 - 87	AR55330	3B10	4	70 - 7	AR59446	2B23	12	50 - 17
AR53633	1D5	..	20 - 40	AR55421	3E14	..	70 - 79	AR59663	1J2	2	40 - 67
AR53634	1D5	..	20 - 40	AR55421	3117	11	90 - 61	AR59679	3H21	1	90 - 39
AR53792	3117	13	90 - 61	AR55624	1C23	10	20 - 33	AR59680	3H21	2	90 - 39
AR53840	2D7	10	50 - 53	AR55638	1H7	6	40 - 28	AR59681	3H21	5	90 - 39
AR53841	2D7	7	50 - 53	AR55638	1H11	..	40 - 30A	AR59779	3H5	6	90 - 21
AR53842	2D7	10	50 - 53	AR55638	1H13	..	40 - 30C	AR60009	1C2	5	20 - 17
AR53842	2D7	13	50 - 53	AR55638	1H16	..	40 - 33	AR60029	3H24	14	90 - 43
AR53842	2D7	19	50 - 53	AR55638	1H18	..	40 - 33B	AR60083	1125	13	40 - 65
AR53843	2D7	7	50 - 53	AR55639	1H7	..	40 - 28	AR60084	1125	12	40 - 65
AR53877	3D12	10	70 - 57	AR55649	1G22	11	40 - 20	AR60089	1125	14	40 - 65
AR53877	3D16	11B	70 - 59	AR55694	1114	2	40 - 54	AR60109	3D4	6	70 - 47
AR53938	1G18	1	40 - 16	AR55694	1114	3	40 - 54	AR60110	3D4	3	70 - 47
AR53938	1G19	1	40 - 17	AR55694	1114	14	40 - 54	AR60295	3D4	12	70 - 47
AR53997	1B15	24	20 - 13	AR55694	1114	15	40 - 54	AR60331	3C22	20	70 - 39
AR53998	1B15	24	20 - 13	AR55694	1114	17	40 - 54	AR60372	3D19	7	70 - 60
AR54261	3H23	26	90 - 41	AR55694	1114	19	40 - 54	AR60372	3D19	8	70 - 60
AR54293	1B11	16	20 - 8	AR55694	1J5	24	40 - 70	AR60748	3G12	29	90 - 3
AR54328	3C16	14	70 - 33	AR55711	2G8	34	60 - 25	AR60937	119	1	40 - 49
AR54328	3C16	17	70 - 33	AR55713	3H8	5	90 - 25	AR60937	3I20	1	90 - 64
AR54328	3C16	18	70 - 33	AR55715	3H8	4	90 - 25	AR60948	3G13	2	90 - 3A
AR54328	3C16	19	70 - 33	AR55750	1D19	18	30 - 7B	AR61609	2C16	5	50 - 36
AR54329	3C16	14	70 - 33	AR55751	1D17	14	30 - 7	AR61656	3D16	15	70 - 59
AR54331	3E3	15	70 - 69	AR55752	1D17	14	30 - 7	AR61903	3H9	4	90 - 26
AR54332	3E3	15	70 - 69	AR55753	1D17	5B	30 - 7	AR61988	1D15	10	30 - 5
AR54445	1117	3	40 - 57	AR55753	1D19	9	30 - 7B	AR61988	1F19	4	30 - 55
AR54484	1G22	4	40 - 20	AR55864	2B8	12	50 - 2	AR62149	3D4	2	70 - 47
AR54484	3H4	11	90 - 20	AR55864	2B8	13	50 - 2	AR62149	3D4	12	70 - 47
AR54598	3H23	22	90 - 41	AR55865	2B8	15	50 - 2	AR62150	3D4	14	70 - 47
AR54666	3D4	6	70 - 47	AR55888	1G9	7	40 - 6	AR62151	3D4	2	70 - 47
AR54667	3D4	3	70 - 47	AR55888	1I3	11	40 - 43	AR62152	3D2	11	70 - 45
AR54679	2B18	5	50 - 11	AR55888	1I5	2	40 - 45	AR62152	3D3	10	70 - 46
AR54694	2E25	3	50 - 87	AR55947	1H21	18	40 - 36	AR62152	3D9	32	70 - 53
AR54694	2F2	35	50 - 89	AR55948	1H24	4	40 - 39	AR62267	1H7	6	40 - 28
AR54694	2F5	13	50 - 93	AR55949	1H24	13	40 - 39	AR62267	1H7	..	40 - 28
AR54733	2C7	1	50 - 27	AR55949	1H25	15	40 - 40	AR62267	1H8	..	40 - 28A
AR54738	2E4	12	50 - 73	AR56075	1C2	5	20 - 17	AR62267	1H11	..	40 - 30A
AR54749	1B6	4	20 - 2	AR56120	3D24	16	70 - 65	AR62267	1H13	..	40 - 30C
AR54755	1119	4	40 - 59	AR56161	3B6	1	70 - 3	AR62267	1H16	..	40 - 33
AR54820	3C25	4	70 - 43	AR56161	3B8	..	70 - 5	AR62267	1H18	..	40 - 33B
AR54904	1B11	16	20 - 8	AR56161	3B18	..	70 - 15	AR62307	3D5	11	70 - 48
AR54905	1B11	12	20 - 8	AR56611	2F4	26	50 - 91	AR62322	1D11	..	30 - 1
AR54931	1E1	..	30 - 12	AR56638	1C20	18	20 - 31	AR62359	1J9	1	40 - 75
AR54931	1E2	24	30 - 13	AR56639	1C15	12	20 - 26	AR62360	1J6	1	40 - 71
AR54934	1E2	4	30 - 13	AR56787	1E5	1	30 - 17	AR62377	1D11	..	30 - 1
AR54934	1E3	3	30 - 15	AR57156	1I23	4	40 - 63	AR62561	3H8	1	90 - 25

1K13

TRACTOR - 4520

NUMERICAL INDEX - CONTINUED

PART NO.	GRID	KEY	PAGE	PART NO.	GRID	KEY	PAGE	PART NO.	GRID	KEY	PAGE
AR62598	3I17	12	90 - 61	AR67783	2F12	3	60 - 4	AR69416	1F6	26	30 - 41
AR62934	1C19	7	20 - 30	AR67783	2F12	18	60 - 4	AR69416	1F17	17	30 - 53
AR62934	1C20	9	20 - 31	AR67827	1H21	9	40 - 36	AR69444	3F2	1	70 - 92
AR62934	1C23	6	20 - 33	AR67855	1J11	9	40 - 77	AR69445	3F2	1	70 - 92
AR62963	1H11	36	40 - 30A	AR67855	1J13	2	40 - 79	AR69854	3H24	8	90 - 43
AR62964	1H11	34	40 - 30A	AR68145	3E20	24	70 - 85	AR69984	1C12	7	20 - 23
AR62964	1H16	25	40 - 33	AR68145	3E24	14	70 - 89	AR69987	3D12	6	70 - 57
AR63095	1C12	4	20 - 23	AR68180	1C15	3	20 - 26	AR69987	3D12	31	70 - 57
AR63095	1C13	4	20 - 24	AR68180	1C15	..	20 - 26	AR69987	3D14	14	70 - 57B
AR63095	1C14	6	20 - 25	AR68199	1I14	9	40 - 54	AR69987	3D16	6	70 - 59
AR63218	1B5	1	20 - 1	AR68306	3H12	5	90 - 29	AR69987	3D16	7	70 - 59
AR63219	1B5	1	20 - 1	AR68306	3H14	3	90 - 31	AR69987	3D18	15	70 - 59B
AR63222	1B5	1	20 - 1	AR68345	2C20	9	50 - 40	AR69988	3D12	31	70 - 57
AR63254	3G12	18	90 - 3	AR68345	2C21	12	50 - 41	AR69988	3D16	7	70 - 59
AR63254	3G14	6	90 - 3B	AR68345	2C22	9	50 - 42	AR69988	3D19	18	70 - 60
AR63255	3G12	16	90 - 3	AR68345	2C23	3	50 - 43	AR69988	3D19	18	70 - 60
AR63255	3G14	13	90 - 3B	AR68352	2C12	11	50 - 32	AR70025	3D4	10	70 - 47
AR63280	1B12	7	20 - 9	AR68352	2C13	12	50 - 33	AR70026	3D4	1	70 - 47
AR63307	2C10	6	50 - 30	AR68352	2C13	12	50 - 33	AR70027	3D2	12	70 - 45
AR63373	2D3	1	50 - 48	AR68352	2C20	26	50 - 40	AR70027	3D3	9	70 - 46
AR63373	2D17	13	50 - 62A	AR68353	2C13	14	50 - 33	AR70038	2G11	..	60 - 26
AR63373	2D19	26	50 - 63	AR68361	1I23	4	40 - 63	AR70038	2G11	..	60 - 26
AR63606	2B8	..	50 - 2	AR68362	1I19	4	40 - 59	AR70406	2B9	34	50 - 3
AR63606	2B9	5	50 - 3	AR68362	1I19	5	40 - 59	AR70406	2C10	15	50 - 30
AR63606	2B13	..	50 - 7	AR68363	1I25	13	40 - 65	AR70601	1C24	5	20 - 34
AR63606	2B14	15	50 - 7A	AR68430	1H21	15	40 - 36	AR70645	1C11	8	20 - 22
AR63609	2B9	5	50 - 3	AR68721	2E6	1	50 - 73B	AR70645	1C11	10	20 - 22
AR63609	2B14	7	50 - 7A	AR68728	3H23	26	90 - 41	AR70722	3B6	1	70 - 3
AR63780	1E3	14	30 - 15	AR68733	1D13	13	30 - 3	AR70722	3B10	..	70 - 7
AR63781	1E1	14	30 - 12	AR68734	1D13	12	30 - 3	AR70722	3B20	..	70 - 17
AR63781	1E2	13	30 - 13	AR68801	3F21	15	80 - 19	AR70723	3B10	18	70 - 7
AR63781	1E3	10	30 - 15	AR68802	3G12	29	90 - 3	AR70912	1C11	4	20 - 22
AR63865	1C15	..	20 - 26	AR68802	3G12	29	90 - 3	AR70920	2E18	8	50 - 80
AR63906	3C6	10	70 - 23B	AR68802	3G13	2	90 - 3A	AR70921	2E19	6	50 - 81
AR63929	2E17	21	50 - 79D	AR68961	1F9	2	30 - 44	AR70922	2E19	16	50 - 81
AR63929	2F2	..	50 - 89	AR68973	3H8	1	90 - 25	AR70987	1E1	..	30 - 12
AR63929	2F2	..	50 - 89	AR69155	2B19	6	50 - 13	AR70987	1E2	24	30 - 13
AR63930	2E15	9	50 - 79A	AR69238	1G15	6	40 - 12	AR71025	3D18	16	70 - 59B
AR63947	2B15	8	50 - 8	AR69271	3H24	16	90 - 43	AR71026	3D14	15	70 - 57B
AR63979	1B5	1	20 - 1	AR69370	1J4	27	40 - 69	AR71118	1B17	1	20 - 13B
AR64634	2F2	8	50 - 89	AR69370	3H5	5	90 - 21	AR71118	1C15	..	20 - 26
AR64640	2B15	8	50 - 8	AR69370	3H8	14	90 - 25	AR71188	3E3	15	70 - 69
AR64704	1E5	10	30 - 17	AR69409	1F2	17	30 - 36	AR71189	3E3	15	70 - 69
AR64922	2D4	4	50 - 49	AR69411	1E19	26	30 - 28	AR71256	1H24	4	40 - 39
AR64992	1J3	20	40 - 68	AR69411	1E20	21	30 - 29	AR71285	3G12	20	90 - 3
AR64992	1J4	17	40 - 69	AR69411	1E21	16	30 - 30	AR71285	3G14	17	90 - 3B
AR65005	1J17	1	40 - 83	AR69411	1E21	16	30 - 30	AR71286	3G12	16	90 - 3
AR65006	1J17	2	40 - 83	AR69411	1E21	22	30 - 30	AR71286	3G14	13	90 - 3B
AR65235	1C10	1	20 - 21	AR69411	1E22	5	30 - 31	AR71287	3G12	24	90 - 3
AR65236	1C10	1	20 - 21	AR69411	1E23	7	30 - 32	AR71287	3G12	24	90 - 3
AR65237	1C10	1	20 - 21	AR69411	1E25	26	30 - 34	AR71287	3G14	7	90 - 3B
AR65238	1C10	1	20 - 21	AR69411	1E25	26	30 - 34	AR71288	3G12	22	90 - 3
AR65239	1C10	1	20 - 21	AR69411	1E25	..	30 - 34	AR71288	3G14	5	90 - 3B
AR65240	1C10	1	20 - 21	AR69411	1F1	21	30 - 35	AR71289	3G12	18	90 - 3
AR65507	1C11	10	20 - 22	AR69411	1F3	4	30 - 37	AR71289	3G12	..	90 - 3
AR65849	3E2	1	70 - 68	AR69411	1F4	8	30 - 38	AR71289	3G14	6	90 - 3B
AR65883	3H23	26	90 - 41	AR69411	1F6	..	30 - 41	AR71289	3G14	..	90 - 3B
AR66027	3H8	1	90 - 25	AR69411	1F7	..	30 - 53	AR71290	3G12	14	90 - 3
AR66761	1I14	9	40 - 54	AR69413	1F2	17	30 - 36	AR71290	3G14	12	90 - 3B
AR66778	1H21	20	40 - 36	AR69413	1F2	27	30 - 36	AR71404	3D16	25	70 - 59
AR66778	1H23	1	40 - 38	AR69416	1E19	26	30 - 28	AR71405	3D16	24	70 - 59
AR66778	1H23	2	40 - 38	AR69416	1E20	21	30 - 29	AR71631	3F7	23	80 - 3
AR67718	3B16	25	70 - 13	AR69416	1E21	16	30 - 30	AR71976	3H24	8	90 - 43
AR67720	3B16	25	70 - 13	AR69416	1E21	22	30 - 30	AR72132	3F21	10	80 - 19
AR67778	2G8	30	60 - 25	AR69416	1E22	5	30 - 31	AR72257	1G9	6	40 - 6
AR67778	2G10	28	60 - 25B	AR69416	1E23	7	30 - 32	AR72257	1G10	5	40 - 7
AR67783	2F11	17	60 - 3	AR69416	1E25	26	30 - 34	AR72257	1G11	14	40 - 8
				AR69416	1F1	21	30 - 35	AR72257	1I8	3	40 - 48
				AR69416	1F3	4	30 - 37	AR72292	3C20	12	70 - 37
				AR69416	1F4	8	30 - 38	AR72292	3C20	13	70 - 37

1K14

TRACTOR - 4520

NUMERICAL INDEX - CONTINUED

PART NO.	GRID	KEY	PAGE	PART NO.	GRID	KEY	PAGE	PART NO.	GRID	KEY	PAGE
AR72318	1B15	3	20 - 13	AR76425	1D23	16	30 - 11	AR77752	1C10	1	20 - 21
AR72319	1B7	13	20 - 4	AR76425	1D25	13	30 - 11B	AR77752	1C10	3	20 - 21
AR72319	1B8	10	20 - 5	AR76762	3B8	4	70 - 5	AR77752	1C10	5	20 - 21
AR72319	1B15	11	20 - 13	AR76762	3B18	4	70 - 15	AR77753	1C6	4	20 - 19A
AR72337	1D17	1	30 - 7	AR76841	1H11	12	40 - 30A	AR77753	1C7	4	20 - 19B
AR72337	1D19	6	30 - 7B	AR76841	1H16	10	40 - 33	AR77753	1C8	4	20 - 19C
AR72998	1C10	3	20 - 21	AR77224	2E11	11	50 - 76	AR77753	1C10	1	20 - 21
AR73106	3B6	1	70 - 3	AR77254	1H7	6	40 - 28	AR77753	1C10	2	20 - 21
AR73106	3B10	..	70 - 7	AR77254	1H7	..	40 - 28	AR77753	1C10	3	20 - 21
AR73106	3B20	..	70 - 17	AR77254	1H20	..	40 - 35	AR77753	1C10	4	20 - 21
AR73212	2E11	1	50 - 76	AR77254	1H21	..	40 - 36	AR78052	1J13	21	40 - 79
AR73212	2E12	9	50 - 77	AR77254	1H22	..	40 - 37	AR78289	3D9	6	70 - 53
AR73212	2E12	14	50 - 77	AR77254	1H23	..	40 - 38	AR78289	3D9	31	70 - 53
AR73213	2E12	9	50 - 77	AR77255	1H16	30	40 - 33	AR78298	1H1	23	40 - 24
AR73214	2E12	10	50 - 77	AR77255	1H19	1	40 - 34	AR78303	2E11	30	50 - 76
AR73271	1C10	3	20 - 21	AR77255	1H19	..	40 - 34	AR78303	2E11	34	50 - 76
AR73272	1C10	3	20 - 21	AR77256	1H16	31	40 - 33	AR78303	2E11	35	50 - 76
AR73273	1C10	3	20 - 21	AR77257	1H16	27	40 - 33	AR78339	3D5	13	70 - 48
AR73274	1C10	3	20 - 21	AR77258	1H18	1	40 - 33B	AR78382	1G22	4	40 - 20
AR73275	1C10	2	20 - 21	AR77259	1H16	7	40 - 33	AR78382	1G24	7	40 - 22
AR73276	1C10	2	20 - 21	AR77260	1H16	22	40 - 33	AR78384	1G24	3	40 - 22
AR73311	1J2	1	40 - 67	AR77261	1H16	13	40 - 33	AR78384	1G25	1	40 - 23
AR73500	3F1	1	70 - 91	AR77324	1I3	11	40 - 43	AR78386	1G24	6	40 - 22
AR73542	2C6	17	50 - 26	AR77324	1I5	2	40 - 45	AR78396	3D24	16	70 - 65
AR73579	1I10	6	40 - 50	AR77325	1I3	11	40 - 43	AR78483	3C16	35	70 - 33
AR73580	1I10	4	40 - 50	AR77325	1I5	2	40 - 45	AR78501	3G12	7	90 - 3
AR73714	1C15	3	20 - 26	AR77326	1G9	7	40 - 6	AR78501	3G13	24	90 - 3A
AR73714	1C15	8	20 - 26	AR77326	1G10	7	40 - 7	AR78522	1B15	2	20 - 13
AR73714	1C15	..	20 - 26	AR77326	1I3	11	40 - 43	AR78526	3D3	12	70 - 46
AR74081	2B20	10	50 - 14	AR77326	1I3	12	40 - 43	AR78538	1H7	6	40 - 28
AR74144	1B12	7	20 - 9	AR77326	1I3	14	40 - 43	AR78538	1H7	..	40 - 28
AR74411	1G22	6	40 - 20	AR77326	1I5	2	40 - 45	AR78538	1H8	..	40 - 28A
AR74411	1G25	3	40 - 23	AR77326	1I5	5	40 - 45	AR78538	1H16	..	40 - 33
AR74411	1J13	11	40 - 79	AR77326	1I5	7	40 - 45	AR78538	1H18	..	40 - 33B
AR74624	1C2	11	20 - 17	AR77342	3G13	17	90 - 3A	AR78538	1H21	..	40 - 36
AR74673	3D9	31	70 - 53	AR77343	3G12	29	90 - 3	AR78538	1H22	..	40 - 37
AR74673	3D19	1	70 - 60	AR77343	3G13	2	90 - 3A	AR78538	1H23	..	40 - 38
AR74673	3D19	2	70 - 60	AR77344	3G10	9	90 - 1	AR78825	1G11	16	40 - 8
AR74814	1C4	5	20 - 18	AR77345	3G10	6	90 - 1	AR78825	1G12	4	40 - 9
AR74814	1C5	3	20 - 19	AR77411	1C24	5	20 - 34	AR78825	1I7	19	40 - 47
AR74814	1C10	6	20 - 21	AR77462	2B20	10	50 - 14	AR78825	1I7	30	40 - 47
AR74815	1C10	6	20 - 21	AR77485	1H2	22	40 - 25	AR78825	1I7	31	40 - 47
AR74816	1C6	3	20 - 19A	AR77700	3C18	7	70 - 35	AR78914	1C2	5	20 - 17
AR74816	1C7	3	20 - 19B	AR77725	2B20	10	50 - 14	AR79129	2G1	4	60 - 19A
AR74816	1C8	3	20 - 19C	AR77747	1C4	6	20 - 18	AR79505	3C20	12	70 - 37
AR74816	1C10	6	20 - 21	AR77747	1C5	4	20 - 19	AR79505	3C20	13	70 - 37
AR74817	1C10	6	20 - 21	AR77747	1C10	1	20 - 21	AR79711	3C5	2	70 - 23A
AR74818	1C10	6	20 - 21	AR77747	1C10	2	20 - 21	AR80294	1B15	1	20 - 13
AR75601	2B25	11	50 - 19	AR77747	1C10	3	20 - 21	AR80297	2E6	9	50 - 73B
AR75601	2D11	11	50 - 57	AR77747	1C10	4	20 - 21	AR80591	2F4	8	50 - 91
AR75603	1F19	1	30 - 55	AR77748	1C4	7	20 - 18	AR80595	2F4	33	50 - 91
AR75603	2B25	11	50 - 19	AR77748	1C5	5	20 - 19	AR81175	2E18	8	50 - 80
AR75603	2D11	11	50 - 57	AR77748	1C10	1	20 - 21	AR81175	2E19	19	50 - 81
AR75694	1J11	10	40 - 77	AR77748	1C10	3	20 - 21	AR81176	2E19	6	50 - 81
AR75694	1J13	21	40 - 79	AR77748	1C10	5	20 - 21	AR81176	2E19	10	50 - 81
AR75695	1J11	2	40 - 77	AR77749	1C10	1	20 - 21	AR81178	1I11	12	40 - 51
AR75696	1J11	8	40 - 77	AR77749	1C10	3	20 - 21	AR81571	2D4	14	50 - 49
AR75896	1C15	..	20 - 26	AR77749	1C10	5	20 - 21	AR81650	3I23	4	90 - 67
AR75905	1H18	23	40 - 33B	AR77750	1C6	5	20 - 19A	AR81651	3I23	4	90 - 67
AR75908	1H18	16	40 - 33B	AR77750	1C7	5	20 - 19B	AR81783	3C20	7	70 - 37
AR75958	3E5	32	70 - 71	AR77750	1C8	5	20 - 19C	AR81935	2F4	23	50 - 91
AR76161	3D9	30	70 - 53	AR77750	1C10	1	20 - 21	AR81936	2E18	6	50 - 80
AR76277	3C16	14	70 - 33	AR77750	1C10	3	20 - 21	AR81936	2E21	18	50 - 83
AR76278	3C25	4	70 - 43	AR77750	1C10	5	20 - 21	AR81968	2E21	1	50 - 83
AR76279	3C25	4	70 - 43	AR77751	1C10	1	20 - 21	AR81968	2E21	5	50 - 83
AR76340	3C16	14	70 - 33	AR77751	1C10	3	20 - 21	AR81968	2E21	6	50 - 83
AR76425	1D23	12	30 - 11	AR77751	1C10	5	20 - 21	AR81968	2F4	12	50 - 91

1K15

TRACTOR - 4520

NUMERICAL INDEX - CONTINUED

PART NO.	GRID	KEY	PAGE	PART NO.	GRID	KEY	PAGE	PART NO.	GRID	KEY	PAGE
AR82263	3D9	1	70 - 53	AR89141	3F11	11	80 - 7	AR93820	3E12	7	70 - 77
AR82265	2F2	8	50 - 89	AR89302	3D4	10	70 - 47	AR93820	3E18	8	70 - 83
AR82570	3E6	12	70 - 71A	AR89303	3D9	6	70 - 53	AR94130	1I9	2	40 - 49
AR82571	3D25	16	70 - 66	AR89303	3D9	30	70 - 53	AR94130	3I20	2	90 - 64
AR82572	3E3	4	70 - 69	AR89501	2F4	45	50 - 91	AR94165	3C16	14	70 - 33
AR82572	3E5	26	70 - 71	AR89691	1G13	6	40 - 10	AR94165	3C16	24	70 - 33
AR82576	3E5	31	70 - 71	AR89691	1G19	9	40 - 17	AR94166	3C25	4	70 - 43
AR82909	1J13	16	40 - 79	AR89691	2B21	14	50 - 15	AR94515	2C20	9	50 - 40
AR82910	1J13	4	40 - 79	AR89691	2D5	20	50 - 51	AR94515	2C21	12	50 - 41
AR82911	1J13	7	40 - 79	AR90070	1H24	15	40 - 39	AR94515	2C22	9	50 - 42
AR82912	1J13	6	40 - 79	AR90070	1H25	10	40 - 40	AR94515	2C23	3	50 - 43
AR83354	3F10	7	80 - 6	AR90071	1H24	4	40 - 39	AR94522	3E8	21	70 - 73
AR83354	3F11	5	80 - 7	AR90071	1H25	9	40 - 40	AR94522	3E18	10	70 - 83
AR83396	3D2	11	70 - 45	AR90201	3E18	2	70 - 83	AR94560	1B23	3	20 - 14
AR83396	3D3	10	70 - 46	AR90340	1F10	7	30 - 45	AR94560	1B24	8	20 - 15
AR83396	3D9	32	70 - 53	AR90340	1F11	7	30 - 46	AR94660	3B6	1	70 - 3
AR83425	1I17	14	40 - 57	AR90378	3B12	30	70 - 9	AR94660	3B8	16	70 - 5
AR83425	1J17	8	40 - 83	AR90454	2C10	10	50 - 30	AR94660	3B8	..	70 - 5
AR84793	3D5	13	70 - 48	AR90515	2C12	..	50 - 32	AR94660	3B18	..	70 - 15
AR85153	1G13	6	40 - 10	AR90515	2C12	..	50 - 32	AR94660	3B22	..	70 - 19
AR85251	3E2	1	70 - 68	AR90515	2C13	..	50 - 33	AR94661	3B6	1	70 - 3
AR85311	2E4	16	50 - 73	AR90515	2C13	..	50 - 33	AR94661	3B10	18	70 - 7
AR85323	1G19	9	40 - 17	AR90515	2C15	15	50 - 35	AR94661	3B10	..	70 - 7
AR85323	2B21	14	50 - 15	AR90516	2C12	..	50 - 32	AR94661	3B20	..	70 - 17
AR85323	2D5	20	50 - 51	AR90516	2C12	..	50 - 32	AR94661	3B22	..	70 - 19
AR85407	1I1	1	40 - 41	AR90516	2C13	..	50 - 33	AR94760	1G6	..	40 - 3
AR85463	2F4	22	50 - 91	AR90516	2C13	..	50 - 33	AR94973	3G15	1	90 - 4
AR85464	2E21	24	50 - 83	AR90516	2C14	15	50 - 34	AR94973	3G15	2	90 - 4
AR85464	2E21	26	50 - 83	AR90528	2C11	1	50 - 31	AR94973	3G15	3	90 - 4
AR85464	2F4	21	50 - 91	AR90530	2C10	..	50 - 30	AR94973	3G16	13	90 - 5
AR85574	2F4	29	50 - 91	AR90530	2C11	1	50 - 31	AR94974	3G16	2	90 - 5
AR85578	1I11	8	40 - 51	AR90577	3D7	5	70 - 51	AR94975	3G16	3	90 - 5
AR85628	3D24	26	70 - 65	AR90577	3D7	..	70 - 51	AR94976	2E4	..	50 - 73
AR86535	3D24	16	70 - 65	AR90578	3D7	5	70 - 51	AR95470	3B10	32	70 - 7
AR86538	2E9	4	50 - 74B	AR90578	3D7	..	70 - 51	AR95904	2D7	22	50 - 53
AR86538	2E11	6	50 - 76	AR90579	3D7	6	70 - 51	AR96189	1C3	5	20 - 17B
AR86603	1E5	1	30 - 17	AR90581	3D7	6	70 - 51	AR96321	3C2	29	70 - 21
AR86969	1I3	12	40 - 43	AR90583	3D7	6	70 - 51	AR96323	3C2	29	70 - 21
AR86969	1I5	5	40 - 45	AR90601	1F8	22	30 - 43	AR96408	3B10	7	70 - 7
AR86969	1I16	2	40 - 56	AR90601	1F10	2	30 - 45	AR96408	3B20	4	70 - 17
AR86975	2F4	23	50 - 91	AR90601	1F13	24	30 - 49	AR96613	3B8	21	70 - 5
AR86980	1C11	4	20 - 22	AR90898	3F8	8	80 - 4	AR96613	3B10	25	70 - 7
AR87023	3D9	4	70 - 53	AR91055	2D21	15	50 - 65	AR96613	3B18	19	70 - 15
AR87023	3D9	5	70 - 53	AR91166	1G22	4	40 - 20	AR96613	3B20	19	70 - 17
AR87023	3D9	6	70 - 53	AR91166	1G24	7	40 - 22	AR96625	3B22	6	70 - 19
AR87024	3D9	4	70 - 53	AR91166	1G25	5	40 - 23	AR96625	3B22	9	70 - 19
AR87024	3D9	5	70 - 53	AR91167	1G25	1	40 - 23	AR98146	2C16	5	50 - 36
AR87024	3D9	6	70 - 53	AR91793	1J21	42	40 - 87	AR98201	3E18	2	70 - 83
AR87199	2E4	16	50 - 73	AR92109	3G12	29	90 - 3	AR98202	3E18	1	70 - 83
AR87484	2C12	11	50 - 32	AR92109	3G13	2	90 - 3A	AR98568	1C23	10	20 - 33
AR87484	2C13	12	50 - 33	AR92425	3F19	3	80 - 17	AR98649	2E4	16	50 - 73
AR87484	2C20	26	50 - 40	AR93259	2G8	27	60 - 25	AR98649	2E6	5	50 - 73B
AR88040	2C5	20	50 - 25	AR93259	2G10	24	60 - 25B	AR99100	3E5	31	70 - 71
AR88040	2C16	1	50 - 36	AR937R	3D12	31	70 - 57	AR99336	3D19	3	70 - 60
AR88242	2D17	7	50 - 62A	AR937R	3D16	7	70 - 59	AR99647	2G1	4	60 - 19A
AR88242	2D19	9	50 - 63	AR937R	3D19	18	70 - 60	AR99839	3B6	1	70 - 3
AR88539	2B16	3	50 - 9	AR93819	3E5	2	70 - 71	AR99839	3B10	..	70 - 7
AR88550	2D19	10	50 - 63	AR93819	3E5	5	70 - 71	AR99839	3B20	..	70 - 17
AR88775	2D21	3	50 - 65	AR93819	3E5	7	70 - 71	AR99909	1G22	6	40 - 20
AR88880	1H11	12	40 - 30A	AR93819	3E12	2	70 - 77	AT10635	1E16	4	30 - 25
AR88880	1H16	10	40 - 33	AR93819	3E12	5	70 - 77	AT10638	1E16	1	30 - 25
AR89133	2B15	21	50 - 8	AR93819	3E12	7	70 - 77	AT11524	1F10	7	30 - 45
AR89133	2C18	22	50 - 38	AR93820	3E5	2	70 - 71	AT11524	1F11	7	30 - 46
AR89133	3D6	6	70 - 49	AR93820	3E5	5	70 - 71	AT12889	2C12	25	50 - 32
AR89137	3J6	1	90 - 75	AR93820	3E5	7	70 - 71	AT12889	2D2	12	50 - 47
AR89137	3J6	2	90 - 75	AR93820	3E12	2	70 - 77	AT13380	1G9	2	40 - 6
AR89140	3F11	11	80 - 7	AR93820	3E12	5	70 - 77	AT13380	1G10	1	40 - 7

1K16

TRACTOR - 4520

NUMERICAL INDEX - CONTINUED

PART NO.	GRID	KEY	PAGE	PART NO.	GRID	KEY	PAGE	PART NO.	GRID	KEY	PAGE
AT13380	1I3	9	40 - 43	AT32333	2F22	12	60 - 15	A2899R	1I3	15	40 - 43
AT13380	1I5	22	40 - 45	AT32333	3C6	14	70 - 23B	A2899R	1I5	9	40 - 45
AT13381	1G9	1	40 - 6	AT32335	2B11	9	50 - 5	A2899R	1I5	18	40 - 45
AT13381	1G10	2	40 - 7	AT32335	2B13	22	50 - 7	A3182R	2C7	8	50 - 27
AT13381	1I3	9	40 - 43	AT32335	2D25	11	50 - 69	A3184R	3E20	26	70 - 85
AT13381	1I5	22	40 - 45	AT32335	2E2	12	50 - 71	A3411R	1G9	4	40 - 6
AT13740	1B15	4	20 - 13	AT32335	2G5	21	60 - 22	A350R	3D12	3A	70 - 57
AT13740	1D2	24	20 - 37	AT32335	3C5	6	70 - 23A	A350R	3D16	3A	70 - 59
AT13740	1E12	20	30 - 21	AT32337	2F5	10	50 - 93	A350R	3D19	20A	70 - 60
AT13740	1E14	20	30 - 23	AT32337	3D22	3	70 - 63	A3581R	3E16	12	70 - 81
AT141924	3H17	6	90 - 33	AT32338	2E25	9	50 - 87	A3581R	3E20	2	70 - 85
AT14927	3I25	1	90 - 69	AT344T	2D14	19	50 - 60	A3581R	3E22	40	70 - 87
AT151388	2D2	28	50 - 47	AT35120	2F5	10	50 - 93	A3606R	2D11	27	50 - 57
AT16123	1F8	34	30 - 43	AT35120	3D22	3	70 - 63	A3606R	2F11	19	60 - 3
AT16288	1G9	7	40 - 6	AT35121	2F11	21	60 - 3	A3606R	2F12	1	60 - 4
AT16288	1G10	7	40 - 7	AT35121	2F14	1	60 - 6	A3606R	2G4	1	60 - 21
AT16288	1I3	11	40 - 43	AT35121	2F24	7	60 - 17	A3606R	2G6	10	60 - 23
AT16288	1I3	12	40 - 43	AT35121	3B25	4	70 - 19C	A364R	2C10	18	50 - 30
AT16288	1I3	14	40 - 43	AT38518	3H12	11	90 - 29	A364R	2C14	9	50 - 34
AT16288	1I5	2	40 - 45	AT38518	3H14	16	90 - 31	A364R	2C15	9	50 - 35
AT16288	1I5	5	40 - 45	AT38518	3H21	..	90 - 39	A364R	2D2	19	50 - 47
AT16288	1I5	7	40 - 45	AT39043	1I11	9	40 - 51	A364R	2D14	9	50 - 60
AT168165	3H17	6	90 - 33	AT44165	1I14	2	40 - 54	A369R	2B8	11	50 - 2
AT18904	3C8	9	70 - 25	AT44165	1I14	15	40 - 54	A369R	2C5	1	50 - 25
AT19314	2C17	23	50 - 37	AT44165	1I14	17	40 - 54	A369R	3D16	16	70 - 59
AT20911	1E12	1	30 - 21	AT44165	1I14	19	40 - 54	A369R	3H23	2	90 - 41
AT20911	1E14	1	30 - 23	AT44165	1J5	23	40 - 70	A3910R	2C4	14	50 - 23
AT22070	3J2	7	90 - 71	AT48506	3C4	29	70 - 23	A3910R	2D5	8	50 - 51
AT22070	3J2	8	90 - 71	AT48506	3C10	2	70 - 27	A3917R	1E20	10	30 - 29
AT22073	3J2	6	90 - 71	AT48673	1I14	10	40 - 54	A3917R	1E22	14	30 - 31
AT23188	1H5	29	40 - 26	AT48673	1I14	19	40 - 54	A3917R	1F1	10	30 - 35
AT23188	1H5	33	40 - 26	AT48673	1J5	26	40 - 70	A3917R	1F3	13	30 - 37
AT23188	1H6	24	40 - 27	AT48674	1I14	12	40 - 54	A3917R	1F8	1	30 - 43
AT23188	1H6	28	40 - 27	AT48674	1I14	15	40 - 54	A3917R	1F13	42	30 - 49
AT23189	1H4	19	40 - 25B	AT56592	1H3	23	40 - 25A	A3917R	1F14	16	30 - 50
AT24209	1E22	24	30 - 31	AT56592	1H6	2	40 - 27	A3917R	1H16	21	40 - 33
AT24209	1F3	23	30 - 37	AT58895	2G5	27	60 - 22	A3917R	2B13	5	50 - 7
AT24538	3I25	1	90 - 69	AT58895	2G8	29	60 - 25	A3917R	2B24	16	50 - 18
AT25266	1E7	15	30 - 19	AT62018	3H17	6	90 - 33	A3917R	3B12	33	70 - 9
AT25266	1E8	6	30 - 19A	AT62019	3H17	4	90 - 33	A3917R	3D24	13	70 - 65
AT25266	1E9	1	30 - 19B	AT65316	1I17	3	40 - 57	A3917R	3E5	14	70 - 71
AT25266	1E10	14	30 - 19C	AT66481	1J3	20	40 - 68	A4064R	3F10	16	80 - 6
AT27123	1H5	18	40 - 26	AT66481	1J4	17	40 - 69	A4365R	1E15	6	30 - 24
AT27124	1H5	19	40 - 26	AT66482	1J3	20	40 - 68	A4365R	1H16	19	40 - 33
AT27127	1H5	28	40 - 26	AT66482	1J4	17	40 - 69	A4365R	2F13	21	60 - 5
AT27127	1H6	23	40 - 27	AT66582	3B25	5	70 - 19C	A4365R	3B12	3	70 - 9
AT27128	1H4	2	40 - 25B	AT66865	1G6	..	40 - 3	A4365R	3B16	3	70 - 13
AT27128	1H5	12	40 - 26	AT68973	1G21	7	40 - 19	A4365R	3B22	3	70 - 19
AT27128	1H6	5	40 - 27	AT75387	3H17	4	90 - 33	A4365R	3C2	2	70 - 21
AT27324	3C5	5	70 - 23A	AT80421	2E24	5	50 - 86	A4365R	3C14	7	70 - 31
AT29855	1J4	17	40 - 69	AT80421	2E24	7	50 - 86	A4379R	3F10	3	80 - 6
AT30373	2E24	1	50 - 86	AT80421	2E24	8	50 - 86	A4380R	3F10	8	80 - 6
AT30373	2E24	9	50 - 86	AT81764	3H17	6	90 - 33	A4388R	3F10	15	80 - 6
AT30373	2E25	7	50 - 87	AT85153	1G19	9	40 - 17	A4546R	2D15	21	50 - 61
AT32332	2D2	1	50 - 47	AT85153	2B21	14	50 - 15	A4624R	1G16	6	40 - 13
AT32332	2F2	30	50 - 89	AT85153	2D5	20	50 - 51	A4624R	2B16	2	50 - 9
AT32332	2F4	27	50 - 91	AT85174	1B15	25	20 - 13	A4624R	2C19	3	50 - 39
AT32332	2F5	2	50 - 93	AU43853	1J4	12	40 - 69	A4655R	1I17	4	40 - 57
AT32332	2G11	24	60 - 26	AU43854	1J4	21	40 - 69	A4656R	1C22	9	20 - 32A
AT32332	3D22	1	70 - 63	AU43855	1J4	14	40 - 69	A4723R	3E20	6	70 - 85
AT32333	2D24	10	50 - 68	AU43857	1J4	20	40 - 69	A4723R	3E22	5	70 - 87
AT32333	2D25	23	50 - 69	AU43954	1J4	19	40 - 69	A4723R	3E23	9	70 - 88
AT32333	2E1	18	50 - 70	A147R	3F24	8	80 - 23	A4723R	3E24	6	70 - 89
AT32333	2E2	4	50 - 71	A15532	3D22	19	70 - 63	A4728R	2G2	7	60 - 19B
AT32333	2F7	12	50 - 95	A1555R	3F8	12	80 - 4	A4728R	2G8	14	60 - 25
AT32333	2F14	6	60 - 6	A1556R	3F8	11	80 - 4	A4728R	2G8	15	60 - 25
AT32333	2F18	6	60 - 10	A2899R	1I3	5	40 - 43	A4728R	2G8	34	60 - 25

1K17

TRACTOR - 4520

NUMERICAL INDEX - CONTINUED

PART NO.	GRID	KEY	PAGE	PART NO.	GRID	KEY	PAGE	PART NO.	GRID	KEY	PAGE
A4728R	2G8	35	60 - 25	B2762R	2C17	1	50 - 37	E55662	1C13	17	20 - 24
A4728R	2G10	25	60 - 25B	B2762R	2C18	13	50 - 38	E55662	1C16	2	20 - 27
A4728R	2G11	14	60 - 26	B2762R	2D4	11	50 - 49	E55662	1D23	3	30 - 11
A4728R	2G11	15	60 - 26	B2762R	2D13	7	50 - 59	E55662	1D25	4	30 - 11B
A4730R	1B15	23	20 - 13	B2762R	2F7	5	50 - 95	E55662	1E4	14	30 - 16
A4730R	1C23	8	20 - 33	B2762R	2F13	15	60 - 5	E55662	1F6	22	30 - 41
A4730R	1D5	22	20 - 40	B2762R	2F22	5	60 - 15	E55662	1F9	18	30 - 44
A4730R	1D7	23	20 - 43	B2762R	3D24	4	70 - 65	E55662	1H2	19	40 - 25
A4730R	2C4	23	50 - 23	B2762R	3D25	3	70 - 66	E55662	1H7	3	40 - 28
A4730R	3C24	1	70 - 41	B2762R	3E1	4	70 - 67	F1334R	2D15	19	50 - 61
A4730R	3E5	27	70 - 71	B30667	3G25	17	90 - 15	F1427R	3E20	7	70 - 85
A4730R	3E5	28	70 - 71	B3169R	2C10	21	50 - 30	F1427R	3E22	4	70 - 87
A4730R	3E6	9	70 - 71A	B3169R	2C14	6	50 - 34	F1427R	3E23	10	70 - 88
A4730R	3G24	6	90 - 13	B3169R	2C15	6	50 - 35	F1427R	3E24	7	70 - 89
A4736R	3E22	9	70 - 87	B3285R	1115	11	40 - 55	F1430R	3E20	9	70 - 85
A4737R	3E22	11	70 - 87	B3310R	2D2	29	50 - 47	F1430R	3E22	16	70 - 87
A4738R	3E22	10	70 - 87	B3595R	2C5	18	50 - 25	F1430R	3E23	12	70 - 88
A4739R	3E22	8	70 - 87	B3627R	3D10	8	70 - 55	F1430R	3E24	5	70 - 89
A4742R	2B19	12	50 - 13	B3675R	3I7	5	90 - 51	F1462R	2D14	25	50 - 60
A4744R	3H23	5	90 - 41	B3675R	3I9	8	90 - 53	F1463R	2D14	24	50 - 60
A4745R	3E22	21	70 - 87	B3686R	3C14	4	70 - 31	F1463R	3C18	3	70 - 35
A4745R	3E23	4	70 - 88	B3690R	2F11	2	60 - 3	F1649R	1C22	11	20 - 32A
A4746R	3E22	22	70 - 87	B423R	3D10	4	70 - 55	F1743R	1B7	14	20 - 4
A4747R	3E22	20	70 - 87	B474R	2F4	7	50 - 91	F1743R	1B8	11	20 - 5
A4748R	3E22	19	70 - 87	B474R	3D24	1	70 - 65	F1743R	1B13	5	20 - 11
A4806R	2B24	20	50 - 18	B634R	3F10	15	80 - 6	F1743R	1B15	10	20 - 13
A4806R	2D11	21	50 - 57	C1067R	2B10	8	50 - 4	F2084R	1G11	8	40 - 8
A4808R	2B24	19	50 - 18	C1067R	2B22	21	50 - 16	F2197R	2C12	23	50 - 32
A4808R	2D11	22	50 - 57	C1067R	2B23	21	50 - 17	F2206R	3D9	20	70 - 53
A4816R	2E21	3	50 - 83	C1067R	2C5	12	50 - 25	F2208R	3D9	6	70 - 53
A4816R	2F4	10	50 - 91	C1067R	2C9	7	50 - 29	F2208R	3D9	23	70 - 53
A4816R	2F11	36	60 - 3	C1067R	2D9	15	50 - 55	F2208R	3D9	37	70 - 53
A4816R	2G3	29	60 - 20	C1104R	2B8	5	50 - 2	F2367R	2D2	26	50 - 47
A4827R	1B23	8	20 - 14	C1220R	2B7	10	50 - 1	F2380R	2E4	22	50 - 73
A4827R	2B20	13	50 - 14	C1220R	2C4	15	50 - 23	F2411R	1D2	14	20 - 37
A4827R	2B21	17	50 - 15	C16054	1D17	2	30 - 7	F2622R	2C12	14	50 - 32
A4847R	3B12	32	70 - 9	C16054	1D19	5	30 - 7B	F2622R	2D15	5	50 - 61
A4847R	3I15	13	90 - 59	C284R	2B22	22	50 - 16	F2664R	2D2	30	50 - 47
A4883R	2D10	10	50 - 56	C284R	2B23	22	50 - 17	F2741R	3C12	17	70 - 29
A5203R	1C17	15	20 - 28	C284R	2C5	11	50 - 25	F2741R	3C14	10	70 - 31
A5301R	3E22	35	70 - 87	C744DN	3H24	13	90 - 43	F2741R	3D25	6	70 - 66
A5302R	3E22	38	70 - 87	DA5883A	3D2	23	70 - 45	F2741R	3E3	12	70 - 69
A5304R	3E22	28	70 - 87	DA5883A	3D3	2	70 - 46	F2783R	2B22	2	50 - 16
A5339R	3H7	7	90 - 24	DA5883A	3D4	2	70 - 47	F2783R	2B23	2	50 - 17
A5598R	3C12	18	70 - 29	DS0251	1B5	..	20 - 1	F2783R	3F17	19	80 - 14
A5598R	3C13	4	70 - 30	DS0557	1B5	..	20 - 1	F2846R	2C1	19	50 - 20
A776R	2B15	16	50 - 8	DT2127W	3F8	5	80 - 4	F2846R	2C17	6	50 - 37
A776R	2C18	10	50 - 38	DT2127W	3F8	16	80 - 4	F2847R	2C1	20	50 - 20
A776R	3D9	3	70 - 53	D1761R	2G1	3	60 - 19A	F2847R	2C17	7	50 - 37
B11182	3D4	2	70 - 47	D1761R	2G1	6	60 - 19A	F2861R	2D9	10	50 - 55
B161R	3F25	14	80 - 24	D2361R	2D5	7	50 - 51	F2861R	3D9	18	70 - 53
B1664R	2D10	11	50 - 56	D2361R	3E5	4	70 - 71	F2863R	3C18	14	70 - 35
B1664R	3C16	5	70 - 33	D2361R	3E5	18	70 - 71	F2863R	3C22	25	70 - 39
B169R	2F11	6	60 - 3	D2361R	3E12	4	70 - 77	F2863R	3H24	1	90 - 43
B177R	2G6	25	60 - 23	D2361R	3E12	16	70 - 77	F2912R	2B10	4	50 - 4
B178R	2C8	4	50 - 28	D2913R	3E20	25	70 - 85	F2912R	2C9	2	50 - 29
B1828R	2F19	13	60 - 11	D2913R	3E24	15	70 - 89	F2935R	1G9	1	40 - 6
B1828R	2G5	6	60 - 22	D488R	2B15	10	50 - 8	F2935R	1G9	2	40 - 6
B1828R	2G5	9	60 - 22	D488R	2C18	8	50 - 38	F2935R	1G10	1	40 - 7
B190R	2D14	17	50 - 60	D488R	3C12	9	70 - 29	F2935R	1G10	2	40 - 7
B1986R	1E6	13	30 - 18	D488R	3C24	9	70 - 41	F304R	3D12	3B	70 - 57
B1986R	1E7	14	30 - 19	E12379	2B8	32	50 - 2	F304R	3D12	5A	70 - 57
B1986R	1G10	8	40 - 7	E16050	1J5	16	40 - 70	F304R	3D14	3	70 - 57B
B2498R	2F25	5	60 - 18	E17421	2B20	4	50 - 14	F304R	3D16	3B	70 - 59
B2641R	2E14	6	50 - 79	E17421	2B20	16	50 - 14	F304R	3D16	5A	70 - 59
B2762R	1I25	6	40 - 65	E17421	2B21	6	50 - 15	F304R	3D18	3	70 - 59B
B2762R	2C1	4	50 - 20	E17421	2B21	20	50 - 15	F304R	3D19	19A	70 - 60

1K18

TRACTOR - 4520

NUMERICAL INDEX - CONTINUED

PART NO.	GRID	KEY	PAGE	PART NO.	GRID	KEY	PAGE	PART NO.	GRID	KEY	PAGE
F304R	3D19	20B	70 - 60	H871R	2E13	10	50 - 78	JD8214	2D19	3	50 - 63
F315R	2B20	7	50 - 14	H871R	2F11	35	60 - 3	JD8223	3B8	22	70 - 5
F315R	2B21	10	50 - 15	H871R	3E8	11	70 - 73	JD8223	3B10	26	70 - 7
F3171R	2C1	7	50 - 20	H987R	1G14	12	40 - 11	JD8223	3B18	20	70 - 15
F3171R	2C17	9	50 - 37	H987R	1J5	19	40 - 70	JD8223	3B20	20	70 - 17
F3171R	2D13	3	50 - 59	IPSKIT1	1B5	..	20 - 1	JD8235	2B18	17	50 - 11
F3171R	2E10	7	50 - 75	JD10003	2E4	6	50 - 73	JD8240	2B19	24	50 - 13
F3171R	2E17	2	50 - 79D	JD10003	2E4	18	50 - 73	JD8248	2E4	7	50 - 73
F3171R	2E17	8	50 - 79D	JD10005	2B17	2	50 - 10	JD8248	2E4	17	50 - 73
F3171R	2E17	15	50 - 79D	JD10190	3F8	7	80 - 4	JD8262	2B17	2	50 - 10
F3171R	2E23	11	50 - 85	JD10190	3F9	6	80 - 5	JD8266	2B18	3	50 - 11
F3171R	2F2	12	50 - 89	JD126	1J5	10	40 - 70	JD8266	2D3	3	50 - 48
F3171R	2F7	3	50 - 95	JD16	3F8	9	80 - 4	JD8287	2D2	17	50 - 47
F3171R	2F22	3	60 - 15	JD17	3F16	3	80 - 12	JD8288	2B17	9	50 - 10
F3171R	3B6	1	70 - 3	JD3207	3F8	8	80 - 4	JD8291	2B19	2	50 - 13
F3171R	3B8	14	70 - 5	JD3213	3F8	8	80 - 4	JD8292	2E11	16	50 - 76
F3171R	3B8	16	70 - 5	JD3216	3F8	8	80 - 4	JD8293	2E10	19	50 - 75
F3171R	3B8	..	70 - 5	JD3221	3F8	8	80 - 4	JD8298	2D17	3	50 - 62A
F3171R	3B10	2	70 - 7	JD3230	3F11	11	80 - 7	JD8298	2D17	9	50 - 62A
F3171R	3B10	19	70 - 7	JD3231	3F11	11	80 - 7	JD8298	2D17	..	50 - 62A
F3171R	3B12	20	70 - 9	JD3232	3F8	8	80 - 4	JD8298	2D17	..	50 - 62A
F3171R	3B14	6	70 - 11	JD5234	3G6	5	80 - 31	JD8298	2D19	3	50 - 63
F3171R	3B18	12	70 - 15	JD5403	3J3	2	90 - 72	JD8298	2D19	21	50 - 63
F3171R	3B20	13	70 - 17	JD5403	3J4	3	90 - 73	JD8298	2D19	..	50 - 63
F3171R	3B22	35	70 - 19	JD7155	2D2	21	50 - 47	JD8298	2D19	..	50 - 63
F3171R	3B24	8	70 - 19B	JD7232	2B19	3	50 - 13	JD8298	2D21	15	50 - 65
F3171R	3C4	28	70 - 23	JD7234	2D3	10	50 - 48	JD8298	2D21	19	50 - 65
F3171R	3C4	32	70 - 23	JD7266	3F8	6	80 - 4	JD8514	2C10	19	50 - 30
F3171R	3C10	1	70 - 27	JD7266	3F9	5	80 - 5	JD8514	2C14	8	50 - 34
F3171R	3C16	26	70 - 33	JD7359	2B18	16	50 - 11	JD8514	2C15	8	50 - 35
F3171R	3C25	12	70 - 43	JD7383	2B17	3	50 - 10	JD8535	1H4	23	40 - 25B
F3171R	3D21	4	70 - 62	JD7403	2E11	14	50 - 76	JD8722	2D14	11	50 - 60
F3171R	3D22	28	70 - 63	JD7425	2D2	8	50 - 47	JD8731	2D14	11	50 - 60
F3173R	3C13	12	70 - 30	JD7439	2D3	9	50 - 48	JD8856	2D4	10	50 - 49
F3195R	3G2	1	80 - 27	JD7439	3F8	4	80 - 4	JD8907	2B19	25	50 - 13
F3195R	3G3	1	80 - 28	JD7439	3F9	4	80 - 5	JD8941	2D2	16	50 - 47
F3220R	3D21	5	70 - 62	JD7446	2C18	11	50 - 38	JD8962	2D17	4	50 - 62A
F3221R	2D7	17	50 - 53	JD7446	2D3	9	50 - 48	JD8962	2D17	9	50 - 62A
F3353R	2D25	2	50 - 69	JD7561	2D2	27	50 - 47	JD8962	2D17	..	50 - 62A
F3392R	2C7	11	50 - 27	JD7595	2D14	10	50 - 60	JD8962	2D17	..	50 - 62A
F3396R	2C7	2	50 - 27	JD7759	2E11	7	50 - 76	JD8962	2D19	4	50 - 63
F3463R	2F4	4	50 - 91	JD7759	2F25	16	60 - 18	JD8962	2D19	21	50 - 63
F3607R	3F7	33	80 - 3	JD7759	3D3	16	70 - 46	JD8962	2D19	..	50 - 63
F3646R	1B15	6	20 - 13	JD7759	3D5	2	70 - 48	JD8962	2D19	..	50 - 63
F3646R	1C16	21	20 - 27	JD7759	3D16	14	70 - 59	JD8962	2D19	..	50 - 63
H104855	1J19	9	40 - 85	JD7759	3F5	4	80 - 1	JD8962	2D21	15	50 - 65
H23124	3H6	5	90 - 22	JD7759	3F5	12	80 - 1	JD8962	2E4	6	50 - 73
H23127	1G12	2	40 - 9	JD7759	3F7	19	80 - 3	JD8962	2E4	18	50 - 73
H26232	3F22	2	80 - 21	JD7781	2E4	8	50 - 73	JD8977	2B18	2	50 - 11
H343R	2C21	11	50 - 41	JD7781	2E8	19	50 - 74A	JD8977	2D3	2	50 - 48
H394R	3D5	14	70 - 48	JD7781	2E11	4	50 - 76	JD8981	3F8	7	80 - 4
H394R	3D6	4	70 - 49	JD7781	3F5	4	80 - 1	JD9002	2D2	9	50 - 47
H61993	3H25	4	90 - 44	JD7781	3F7	1	80 - 3	JD9015	2B17	8	50 - 10
H61993	3H25	5	90 - 44	JD7797	2B8	33	50 - 2	JD9019	2D17	4	50 - 62A
H61993	3I1	18	90 - 45	JD7797	3D2	14	70 - 45	JD9019	2D19	4	50 - 63
H63952	3I1	11	90 - 45	JD7951	2D2	28	50 - 47	JD9019	2D21	1	50 - 65
H78354	3J6	2	90 - 75	JD7997	2C2	2	50 - 21	JD9028	2E11	15	50 - 76
H819R	2B25	5	50 - 19	JD8113	2B17	2	50 - 10	JD9029	2E11	13	50 - 76
H819R	2D11	5	50 - 57	JD8131	3F8	3	80 - 4	JD9030	2E10	20	50 - 75
H826R	1C15	6	20 - 26	JD8131	3F9	3	80 - 5	JD9257	1C19	9	20 - 30
H851R	2B15	7	50 - 8	JD8192	3B8	23	70 - 5	JD9257	1C20	11	20 - 31
H851R	2C18	4	50 - 38	JD8192	3B10	27	70 - 7	JD9257	1C23	9	20 - 33
H851R	3D22	18	70 - 63	JD8192	3B18	21	70 - 15	JD9281	2B9	27	50 - 3
H858R	2D22	10	50 - 66	JD8192	3B20	21	70 - 17	JD9281	2C6	18	50 - 26
H858R	2D23	5	50 - 67	JD8195	2C18	11	50 - 38	JD9320	2C12	15	50 - 32
H871R	2C24	5	50 - 44	JD8195	2D3	10	50 - 48	JD9320	2D15	3	50 - 61
H871R	2D15	11	50 - 61	JD8214	2D17	3	50 - 62A	JD9345	2D14	18	50 - 60

1K19

TRACTOR - 4520

NUMERICAL INDEX - CONTINUED

PART NO.	GRID	KEY	PAGE	PART NO.	GRID	KEY	PAGE	PART NO.	GRID	KEY	PAGE
JD9449	1H5	29	40 - 26	P44982	3C22	13	70 - 39	RE13722	1H7	6	40 - 28
JD9449	1H5	33	40 - 26	P44982	3C22	26	70 - 39	RE13722	1H21	11	40 - 36
JD9449	1H6	24	40 - 27	P46051	2E10	2	50 - 75	RE13731	1H22	1	40 - 37
JD9449	1H6	28	40 - 27	P46051	2E17	1	50 - 79D	RE13732	1H24	15	40 - 39
JD9449	2B9	27	50 - 3	P46051	3D24	34	70 - 65	RE13732	1H25	10	40 - 40
JD9449	2C6	18	50 - 26	P46051	3D25	8	70 - 66	RE13733	1H24	4	40 - 39
JD9812	2D4	9	50 - 49	P46051	3E1	11	70 - 67	RE13733	1H25	9	40 - 40
JD9847	3D2	17	70 - 45	P47908	2E21	8	50 - 83	RE13813	3E8	14	70 - 73
JD9853	3D2	16	70 - 45	P47908	2E23	1	50 - 85	RE13814	3E8	6	70 - 73
JD9886	2C12	18	50 - 32	P47908	2F4	14	50 - 91	RE13815	3E10	10	70 - 75
JD9886	2C24	19	50 - 44	P47908	3B16	22	70 - 13	RE14069	1G13	5	40 - 10
JD9886	2D15	1	50 - 61	P47908	3C2	26	70 - 21	RE14868	3B14	20	70 - 11
JD9886	2D15	2	50 - 61	P48347	1F8	17	30 - 43	RE14953	1C14	5	20 - 25
JD9886	2D15	4	50 - 61	P48347	2E11	33	50 - 76	RE15058	1H24	13	40 - 39
JD9894	2C12	17	50 - 32	P48347	2E15	6	50 - 79A	RE15058	1H25	15	40 - 40
JD9894	2C24	19	50 - 44	P48347	2F14	22	60 - 6	RE15361	3D22	25	70 - 63
JD9894	2D15	1	50 - 61	P51212	3E8	12	70 - 73	RE15361	3E12	10	70 - 77
JD9894	2D15	4	50 - 61	P51212	3E10	5	70 - 75	RE15361	3E12	11	70 - 77
K3083R	1E17	2	30 - 26	RE10712	3B12	43	70 - 9	RE15361	3E12	15	70 - 77
K40003	1F16	21	30 - 52	RE10712	3B12	44	70 - 9	RE15361	3E12	18	70 - 77
L29014	2G8	15	60 - 25	RE10712	3B22	39	70 - 19	RE15361	3E12	20	70 - 77
L29015	2G8	13	60 - 25	RE10834	1C16	3	20 - 27	RE15427	1D2	4	20 - 37
L29015	2G8	15	60 - 25	RE10924	3D25	16	70 - 66	RE15727	1B12	7	20 - 9
L29015	2G8	34	60 - 25	RE11156	1J21	36	40 - 87	RE16151	1E9	4	30 - 19B
L29015	2G10	13	60 - 25B	RE11157	1J21	37	40 - 87	RE16181	1E6	10	30 - 18
L29015	2G11	14	60 - 26	RE11410	1B11	22	20 - 8	RE16181	1E6	12	30 - 18
L300T	2C8	2	50 - 28	RE11447	3E18	9	70 - 83	RE16181	1E8	3	30 - 19A
L324T	2B10	10	50 - 4	RE11456	3E18	2	70 - 83	RE16181	1E8	7	30 - 19A
L324T	2C9	9	50 - 29	RE11457	3E18	1	70 - 83	RE16182	1E7	..	30 - 19
L324T	2D9	14	50 - 55	RE11458	3E18	2	70 - 83	RE16182	1E10	17	30 - 19C
L35843	3C8	4	70 - 25	RE11463	3E18	2	70 - 83	RE16371	2D4	4	50 - 49
L35843	3C8	17	70 - 25	RE11777	3B18	24	70 - 15	RE17282	1J11	10	40 - 77
L35843	3D22	14	70 - 63	RE11777	3B20	24	70 - 17	RE17352	1C14	5	20 - 25
M2396T	1F17	6	30 - 53	RE11804	3B18	14	70 - 15	RE19075	1G11	1	40 - 8
M2396T	1F18	1	30 - 54	RE11810	3B20	12	70 - 17	RE19075	1G11	3	40 - 8
M2396T	3C20	10	70 - 37	RE11814	3B10	5	70 - 7	RE19075	1G11	7	40 - 8
M2396T	3C22	1	70 - 39	RE11814	3B10	9	70 - 7	RE19075	1G12	1	40 - 9
M2396T	3E5	24	70 - 71	RE11814	3B10	28	70 - 7	RE19075	1G12	6	40 - 9
M2396T	3E14	2	70 - 79	RE11814	3B10	29A	70 - 7	RE19075	1G12	7	40 - 9
M2396T	3E14	20	70 - 79	RE11814	3B10	30A	70 - 7	RE19075	1I7	2	40 - 47
M3636T	1F6	24	30 - 41	RE11814	3B10	32	70 - 7	RE19075	1I7	6	40 - 47
M3636T	1H7	1	40 - 28	RE11956	2G8	30	60 - 25	RE19075	1I7	13	40 - 47
M3636T	1H11	6	40 - 30A	RE11956	2G10	28	60 - 25B	RE19075	1I7	14	40 - 47
M42229	3I12	2	90 - 56	RE11958	2G11	..	60 - 26	RE19080	1G9	1	40 - 6
M42229	3I12	4	90 - 56	RE12038	3B10	28	70 - 7	RE19313	3B6	1	70 - 3
M42229	3I20	9	90 - 64	RE12038	3B10	29A	70 - 7	RE19313	3B8	16	70 - 5
M43835	1J19	2	40 - 85	RE12038	3B10	30A	70 - 7	RE19313	3B8	..	70 - 5
M63431	1F8	21	30 - 43	RE12038	3B10	32	70 - 7	RE19375	3D12	10	70 - 57
M63431	1F10	1	30 - 45	RE12038	3B10	..	70 - 7	RE19377	3D12	10	70 - 57
M63431	1F11	1	30 - 46	RE12121	3E8	20	70 - 73	RE19993	2C16	2	50 - 36
M63431	1F13	23	30 - 49	RE12162	2D4	14	50 - 49	RE20024	1C20	21	20 - 31
M63440	3B5	1	70 - 1	RE12169	3B14	19	70 - 11	RE20024	1C20	22	20 - 31
M72490	1B17	1	20 - 13B	RE12330	3B24	..	70 - 19B	RE20025	1C19	8	20 - 30
M72490	1C15	4	20 - 26	RE12434	1C4	10	20 - 18	RE20025	1C19	..	20 - 30
M72490	1C15	..	20 - 26	RE12434	1C5	10	20 - 19	RE20133	2C12	11	50 - 32
M886T	3C16	10	70 - 33	RE12434	1C5	12	20 - 19	RE20133	2C13	12	50 - 33
N101346	2E8	8	50 - 74A	RE12470	3B22	27	70 - 19	RE20735	2C2	15	50 - 21
N101346	3F7	14	80 - 3	RE13271	3B22	15	70 - 19	RE20735	2D15	22	50 - 61
N102039	2C4	14	50 - 23	RE13478	2E6	9	50 - 73B	RE21230	1E21	..	30 - 30
N102039	2D5	8	50 - 51	RE13479	2E4	11	50 - 73	RE21304	2D7	10	50 - 53
N107859	2E12	4	50 - 77	RE13479	2E6	3	50 - 73B	RE21304	2D7	13	50 - 53
N115096	1J19	11	40 - 85	RE13551	1B17	1	20 - 13B	RE21304	2D7	19	50 - 53
N31772	2E19	8	50 - 81	RE13551	1B19	1	20 - 13D	RE21305	2D7	22	50 - 53
N31772	2E23	9	50 - 85	RE13561	3E11	2	70 - 76	RE21328	2C10	10	50 - 30
PM797NA	1J22	1	40 - 88	RE13562	3E11	2	70 - 76	RE21725	3B14	19	70 - 11
P41858	3H7	13	90 - 24	RE13611	3B12	31	70 - 9	RE21730	1J17	5	40 - 83
P44982	3C20	36	70 - 37	RE13611	3B14	9	70 - 11	RE21731	1J17	5	40 - 83

1K20

TRACTOR - 4520

NUMERICAL INDEX - CONTINUED

PART NO.	GRID	KEY	PAGE	PART NO.	GRID	KEY	PAGE	PART NO.	GRID	KEY	PAGE
RE21732	1J17	6	40-83	RE33636	1E7	1	30-19	RE42679	1C5	2	20-19
RE21790	1E6	12	30-18	RE35992	1B6	3	20-2	RE42679	1C5	10	20-19
RE21790	1E7	15	30-19	RE36416	1C6	8	20-19A	RE44415	2G2	2	60-19B
RE21790	1E8	6	30-19A	RE36416	1C8	10	20-19C	RE44555	3D3	12	70-46
RE21790	1E9	1	30-19B	RE36416	1C8	12	20-19C	RE44657	1J7	28	40-73
RE21790	1E10	14	30-19C	RE36647	2G2	2	60-19B	RE46328	2E4	..	50-73
RE22320	2D7	7	50-53	RE37089	1F8	..	30-43	RE46328	2G1	4	60-19A
RE22320	2D7	14	50-53	RE37089	1F11	7	30-46	RE46328	2G1	5	60-19A
RE22320	2D7	18	50-53	RE37089	1F13	..	30-49	RE46328	2G1	7	60-19A
RE22321	2D7	7	50-53	RE37091	1F8	22	30-43	RE46328	2G2	4	60-19B
RE22321	2D7	14	50-53	RE37091	1F8	..	30-43	RE46334	2E4	..	50-73
RE22321	2D7	18	50-53	RE37091	1F10	2	30-45	RE46334	2E6	8	50-73B
RE22764	1C12	4	20-23	RE37091	1F10	7	30-45	RE46334	2G1	4	60-19A
RE22764	1C13	4	20-24	RE37091	1F11	2	30-46	RE46334	2G1	5	60-19A
RE22764	1C14	5	20-25	RE37091	1F13	24	30-49	RE46334	2G1	7	60-19A
RE22764	1C14	6	20-25	RE37091	1F13	..	30-49	RE46334	2G2	2	60-19B
RE23182	1B6	2	20-2	RE37120	2B19	6	50-13	RE50017	3B25	14	70-19C
RE23382	3B8	21	70-5	RE37120	2B19	7	50-13	RE50139	1E7	11	30-19
RE23382	3B10	25	70-7	RE37996	1G13	4	40-10	RE50139	1E7	13	30-19
RE23382	3B18	19	70-15	RE38390	1G13	6	40-10	RE50139	1E9	3	30-19B
RE23382	3B20	19	70-17	RE38390	1G19	9	40-17	RE50139	1E9	4	30-19B
RE24041	1I15	4	40-55	RE38390	2B21	14	50-15	RE50139	1E10	11	30-19C
RE24561	1E6	1	30-18	RE38390	2D5	20	50-51	RE50908	3F11	3	80-7
RE24561	1E7	1	30-19	RE38391	1G20	13	40-18	RE50908	3F11	5	80-7
RE24647	3B24	21	70-19B	RE38391	1G21	7	40-19	RE50908	3F11	11	80-7
RE25126	1G9	2	40-6	RE38578	1E16	..	30-25	RE51671	3F8	8	80-4
RE25404	2C24	4	50-44	RE39061	1H9	9	40-28B	RE51962	3F11	3	80-7
RE25621	1J9	1	40-75	RE39063	1H8	5	40-28A	RE51962	3F11	5	80-7
RE26739	3D7	6	70-51	RE39063	1H20	10	40-35	RE51962	3F11	11	80-7
RE26740	3D7	6	70-51	RE39064	1H20	13	40-35	RE52576	1C3	5	20-17B
RE27099	1G9	12	40-6	RE39064	1H24	15	40-39	RE53203	1C3	4	20-17B
RE27099	1I3	23	40-43	RE39064	1H25	10	40-40	RE53203	1C3	7	20-17B
RE27667	1E14	24	30-23	RE40463	3B25	15	70-19C	RE53203	1C3	8	20-17B
RE27667	1E15	6	30-24	RE41242	2E6	9	50-73B	RE53204	1C8	2	20-19C
RE28023	2C12	11	50-32	RE41287	1G21	7	40-19	RE53204	1C8	11	20-19C
RE28023	2C13	12	50-33	RE41785	1H22	17	40-37	RE53204	1C8	12	20-19C
RE28790	3B8	7	70-5	RE41875	1H7	6	40-28	RE53205	1C5	2	20-19
RE28790	3B10	11	70-7	RE41875	1H7	..	40-28	RE53205	1C5	11	20-19
RE28790	3B16	19	70-13	RE41875	1H16	..	40-33	RE53205	1C5	12	20-19
RE28790	3B18	7	70-15	RE41875	1H18	..	40-33B	RE53422	1C2	11	20-17
RE28790	3B20	7	70-17	RE41875	1H20	..	40-35	RE53422	1C3	5	20-17B
RE28790	3C2	23	70-21	RE41875	1H21	11	40-36	RE53422	1C3	8	20-17B
RE29103	3B16	25	70-13	RE41875	1H21	..	40-36	RE53423	1C3	7	20-17B
RE29103	3B16	..	70-13	RE41875	1H22	..	40-37	RE53424	1C2	11	20-17
RE29104	3B16	25	70-13	RE41875	1H23	..	40-38	RE53424	1C4	1	20-18
RE29104	3B16	..	70-13	RE41991	1D23	1	30-11	RE53424	1C4	10	20-18
RE29107	3C2	29	70-21	RE42182	1G6	8	40-3	RE53424	1C5	10	20-19
RE29107	3C2	..	70-21	RE42182	1G8	8	40-5	RE53424	1C5	12	20-19
RE29109	3C2	29	70-21	RE42183	1G6	8	40-3	RE53425	1C2	11	20-17
RE29109	3C2	..	70-21	RE42185	1G6	2	40-3	RE53425	1C6	8	20-19A
RE29408	1C21	4	20-32	RE42186	1G6	2	40-3	RE53425	1C7	10	20-19B
RE29408	1C21	7	20-32	RE42186	1G8	2	40-5	RE53425	1C8	10	20-19C
RE29429	2D19	10	50-63	RE42211	1E15	6	30-24	RE53425	1C8	12	20-19C
RE29603	2C6	17	50-26	RE42211	1E16	13	30-25	RE53476	1B15	22	20-13
RE29612	2B9	20	50-3	RE42671	1C3	5	20-17B	RE53476	1B17	1	20-13B
RE29776	2B9	26	50-3	RE42672	1C7	10	20-19B	RE53476	1B19	1	20-13D
RE30174	1E6	1	30-18	RE42672	1C8	10	20-19C	RE54187	1D17	20	30-7
RE30174	1E7	1	30-19	RE42672	1C8	12	20-19C	RE54187	1E5	3	30-17
RE31702	2E4	3	50-73	RE42673	1C5	10	20-19	RE54816	3F9	7	80-5
RE31702	2E6	1	50-73B	RE42673	1C5	12	20-19	RE61109	1G6	8	40-3
RE32529	3B14	19	70-11	RE42675	1C3	4	20-17B	RE61109	1G8	8	40-5
RE32529	3B24	20	70-19B	RE42675	1C3	6	20-17B	RE62234	3H24	8	90-43
RE32529	3B25	13	70-19C	RE42678	1C7	2	20-19B	RE62240	1F10	7	30-45
RE32681	2G2	4	60-19B	RE42678	1C7	10	20-19B	RE62240	1F11	7	30-46
RE33499	2E4	3	50-73	RE42678	1C8	2	20-19C	RE62897	2C20	9	50-40
RE33622	1C6	8	20-19A	RE42678	1C8	10	20-19C	RE62897	2C21	12	50-41
RE33636	1E6	1	30-18	RE42679	1C4	1	20-18	RE62897	2C22	9	50-42

1K21

TRACTOR - 4520

NUMERICAL INDEX - CONTINUED

PART NO.	GRID	KEY	PAGE	PART NO.	GRID	KEY	PAGE	PART NO.	GRID	KEY	PAGE
RE62897	2C23	3	50 - 43	R11096	1H11	31	40 - 30A	R113733	2E4	31	50 - 73
RG21340	1B21	1	20 - 13F	R11096	1H16	28	40 - 33	R113733	2E6	7	50 - 73B
RG22790	1B22	1	20 - 13H	R11117	1H11	8	40 - 30A	R113733	2G2	..	60 - 19B
RG23427	1B22	1	20 - 13H	R11117	1H16	8	40 - 33	R113741	2E4	..	50 - 73
RG23435	1B21	1	20 - 13F	R11118	1H11	11	40 - 30A	R113741	2E6	8	50 - 73B
R100094	2B21	11	50 - 15	R11120	1H16	24	40 - 33	R113741	2G1	4	60 - 19A
R100308	2D5	3	50 - 51	R11121	1H16	18	40 - 33	R113741	2G1	5	60 - 19A
R100380	1H9	4	40 - 28B	R11126	1H11	25	40 - 30A	R113741	2G1	7	60 - 19A
R100380	1H20	3	40 - 35	R11126	1H16	34	40 - 33	R113741	2G2	3	60 - 19B
R100797	2G1	4	60 - 19A	R11127	1H11	26	40 - 30A	R115050	1C14	3	20 - 25
R100797	2G1	5	60 - 19A	R11127	1H16	33	40 - 33	R115437	3C18	12	70 - 35
R100797	2G1	7	60 - 19A	R11128	1H11	24	40 - 30A	R116253	1C11	9	20 - 22
R100797	2G2	3	60 - 19B	R11128	1H16	35	40 - 33	R116311	1C3	7	20 - 17B
R10093	2C17	23	50 - 37	R11129	1H11	23	40 - 30A	R116311	1C5	11	20 - 19
R10093	2C17	25	50 - 37	R11129	1H16	36	40 - 33	R116311	1C8	11	20 - 19C
R10093	2E17	10	50 - 79D	R11133	1H16	17	40 - 33	R117129	1F17	8	30 - 53
R10093	2F2	15	50 - 89	R11146	1H18	4	40 - 33B	R117129	1F18	8	30 - 54
R10093	3E8	5	70 - 73	R11197	1H14	2	40 - 31	R1190R	3C22	24	70 - 39
R10093	3E10	2	70 - 75	R11197	1H19	2	40 - 34	R119275	3D9	24	70 - 53
R104592	1B15	14	20 - 13	R11198	1H14	3	40 - 31	R119276	3D9	25	70 - 53
R104592	1E18	8	30 - 27	R11201	1H11	20	40 - 30A	R120109	2G10	28	60 - 25B
R105346	1D5	11	20 - 40	R11209	1H13	19	40 - 30C	R120109	2G10	34	60 - 25B
R105346	1D7	8	20 - 43	R11209	1H18	18	40 - 33B	R120110	2G10	28	60 - 25B
R105478	3D12	11	70 - 57	R11212	1H11	35	40 - 30A	R120110	2G10	34	60 - 25B
R105478	3D14	7	70 - 57B	R11212	1H16	23	40 - 33	R120111	3G6	17	80 - 31
R105478	3D16	11A	70 - 59	R11215	1H11	16	40 - 30A	R120752	1C2	9	20 - 17
R105478	3D16	11B	70 - 59	R112169	2D19	17	50 - 63	R120752	1C3	3	20 - 17B
R105478	3D16	32	70 - 59	R112169	2D21	14	50 - 65	R120752	1C4	4	20 - 18
R105478	3D18	7	70 - 59B	R11221	1H11	27	40 - 30A	R120752	1C5	1	20 - 19
R105488	1C3	4	20 - 17B	R11221	1H16	32	40 - 33	R120752	1C6	1	20 - 19A
R105488	1C5	2	20 - 19	R11222	1H11	15	40 - 30A	R120752	1C7	1	20 - 19B
R105488	1C7	1	20 - 19B	R11223	1H11	17	40 - 30A	R120752	1C8	1	20 - 19C
R105488	1C7	2	20 - 19B	R11233	1H13	16	40 - 30C	R120841	2C12	4	50 - 32
R105488	1C8	2	20 - 19C	R11250	1H18	13	40 - 33B	R120841	2C13	6	50 - 33
R105583	3B8	13	70 - 5	R11253	1H13	5	40 - 30C	R120841	2C20	20	50 - 40
R105583	3B10	17	70 - 7	R11278	1111	1	40 - 51	R125027	1C14	3	20 - 25
R105583	3B18	11	70 - 15	R112876	2C6	3	50 - 26	R125450	3D4	10	70 - 47
R105583	3B20	11	70 - 17	R11290	1H13	20	40 - 30C	R15023	1H4	8	40 - 25B
R105813	3C22	33	70 - 39	R11290	1H18	19	40 - 33B	R15024	1H4	10	40 - 25B
R105814	1F16	14	30 - 52	R11291	1H11	33	40 - 30A	R15026	1H4	2	40 - 25B
R106859	1B15	6	20 - 13	R11291	1H16	26	40 - 33	R15027	1H4	27	40 - 25B
R106859	1C16	21	20 - 27	R11292	1H11	29	40 - 30A	R15027	1H5	37	40 - 26
R107178	2G2	2	60 - 19B	R11292	1H14	1	40 - 31	R15027	1H6	32	40 - 27
R109489	2D17	15	50 - 62A	R11292	1H14	..	40 - 31	R15028	1H4	19	40 - 25B
R109489	2D17	..	50 - 62A	R11293	1H14	4	40 - 31	R15029	1H4	22	40 - 25B
R109489	2D19	19	50 - 63	R11293	1H19	3	40 - 34	R15029	1H5	32	40 - 26
R109489	2D19	..	50 - 63	R11294	1H14	11	40 - 31	R15029	1H6	27	40 - 27
R109489	2D21	5	50 - 65	R11295	1H14	5	40 - 31	R15030	1H4	11	40 - 25B
R11000	1H13	9	40 - 30C	R11296	1H13	11	40 - 30C	R15033	1H4	24	40 - 25B
R11003	1H13	1	40 - 30C	R11298	1H13	30	40 - 30C	R15033	1H5	34	40 - 26
R11003	1H18	2	40 - 33B	R113732	2D17	9	50 - 62A	R15033	1H6	29	40 - 27
R11011	1H18	8	40 - 33B	R113732	2D17	15	50 - 62A	R15035	1H4	7	40 - 25B
R11016	1H11	20	40 - 30A	R113732	2D17	..	50 - 62A	R15036	1H4	6	40 - 25B
R11026	1H11	22	40 - 30A	R113732	2D19	17	50 - 63	R15036	1H5	4	40 - 26
R11026	1H16	14	40 - 33	R113732	2D19	19	50 - 63	R15036	1H5	23	40 - 26
R11026	1H16	37	40 - 33	R113732	2D19	21	50 - 63	R15036	1H6	11	40 - 27
R11032	1J3	11	40 - 68	R113732	2D19	..	50 - 63	R15036	1H6	18	40 - 27
R11039	1H14	20	40 - 31	R113732	2D21	15	50 - 65	R15038	1H4	26	40 - 25B
R11039	1H19	17	40 - 34	R113732	2E4	31	50 - 73	R15045	1H4	3	40 - 25B
R110464	2G1	2	60 - 19A	R113733	2D17	9	50 - 62A	R1612R	1B15	12	20 - 13
R11058	1H13	3	40 - 30C	R113733	2D17	15	50 - 62A	R1612R	2C4	4	50 - 23
R11059	1H13	4	40 - 30C	R113733	2D17	..	50 - 62A	R1612R	2E13	15	50 - 78
R11066	1H14	8	40 - 31	R113733	2D19	17	50 - 63	R1612R	3D5	10	70 - 48
R11066	1H19	5	40 - 34	R113733	2D19	19	50 - 63	R1742R	2C1	16	50 - 20
R11087	1H13	6	40 - 30C	R113733	2D19	21	50 - 63	R1742R	2C17	16	50 - 37
R11095	1H11	13	40 - 30A	R113733	2D19	..	50 - 63	R1791R	3C8	14	70 - 25
R11095	1H16	12	40 - 33	R113733	2D21	15	50 - 65	R1800R	2D10	4	50 - 56

1K22

TRACTOR - 4520

NUMERICAL INDEX - CONTINUED

PART NO.	GRID	KEY	PAGE	PART NO.	GRID	KEY	PAGE	PART NO.	GRID	KEY	PAGE
R1826R	3D9	16	70 - 53	R26185	2B22	15	50 - 16	R26287	2E17	17	50 - 79D
R1836R	2E8	21	50 - 74A	R26185	2B23	15	50 - 17	R26287	2F11	32	60 - 3
R1836R	3H24	2	90 - 43	R26186	2B22	14	50 - 16	R26287	2F14	9	60 - 6
R1870R	2B9	13	50 - 3	R26186	2B23	14	50 - 17	R26287	2F18	11	60 - 10
R1870R	3E22	36	70 - 87	R26187	2B22	11	50 - 16	R26287	2G3	14	60 - 20
R20152	2C6	12	50 - 26	R26187	2B22	15	50 - 16	R26287	2G3	17	60 - 20
R20498	1E17	7	30 - 26	R26187	2B23	11	50 - 17	R26287	2G4	11	60 - 21
R20522	3F24	2	80 - 23	R26187	2B23	15	50 - 17	R26287	2G5	18	60 - 22
R20758	1G9	1	40 - 6	R26202	2B20	11	50 - 14	R26287	2G6	19	60 - 23
R20758	1G10	1	40 - 7	R26202	2B21	15	50 - 15	R26287	2G8	37	60 - 25
R20758	1G10	2	40 - 7	R26203	2B20	12	50 - 14	R26287	3B12	23	70 - 9
R20759	3I23	3	90 - 67	R26206	2B20	1	50 - 14	R26287	3B16	4	70 - 13
R20759	3I24	7	90 - 68	R26207	2B20	2	50 - 14	R26287	3B16	16	70 - 13
R20770	1E12	19	30 - 21	R26277	3D4	8	70 - 47	R26287	3B25	7	70 - 19C
R20770	1E14	19	30 - 23	R26277	3D12	23	70 - 57	R26287	3C2	8	70 - 21
R20878	1I13	2	40 - 53	R26286	1E17	22	30 - 26	R26287	3C2	22	70 - 21
R20878	1I13	3	40 - 53	R26286	2B11	2	50 - 5	R26287	3C5	7	70 - 23A
R21156	1I10	1	40 - 50	R26286	2C1	5	50 - 20	R26287	3C6	3	70 - 23B
R21551	1G6	1	40 - 3	R26286	2C4	16	50 - 23	R26288	3H24	20	90 - 43
R21551	1G8	1	40 - 5	R26286	2C5	16	50 - 25	R26297	1D5	6	20 - 40
R21551	1G10	3	40 - 7	R26286	2C17	26	50 - 37	R26297	1D7	7	20 - 43
R21551	1G11	8	40 - 8	R26286	2C18	15	50 - 38	R26297	1D20	6	30 - 8
R21551	3C5	4	70 - 23A	R26286	2D5	9	50 - 51	R26297	1D21	12	30 - 9
R21630	1B15	14	20 - 13	R26286	2D24	2	50 - 68	R26325	1C11	1	20 - 22
R21722	3E18	1	70 - 83	R26286	2D25	14	50 - 69	R26333	1C2	15	20 - 17
R21722	3E18	2	70 - 83	R26286	2D25	24	50 - 69	R26356	1B7	3	20 - 4
R21736	1D19	15	30 - 7B	R26286	2E1	10	50 - 70	R26356	1D5	7	20 - 40
R21736	3F25	23	80 - 24	R26286	2E2	1	50 - 71	R26364	2G1	9	60 - 19A
R227R	2E21	22	50 - 83	R26286	2E21	25	50 - 83	R26369	2G3	5	60 - 20
R227R	2F4	17	50 - 91	R26286	2F4	15	50 - 91	R26372	2G3	25	60 - 20
R227R	2G3	19	60 - 20	R26286	2F7	6	50 - 95	R26373	2B13	19	50 - 7
R26006	2C2	8	50 - 21	R26286	2F7	11	50 - 95	R26373	2B14	13	50 - 7A
R26006	2D15	8	50 - 61	R26286	2F12	5	60 - 4	R26373	2D25	9	50 - 69
R26011	2E4	29	50 - 73	R26286	2F14	5	60 - 6	R26373	2F13	24	60 - 5
R26012	2E4	30	50 - 73	R26286	2F14	7	60 - 6	R26373	2G8	11	60 - 25
R26049	1C2	10	20 - 17	R26286	2F18	1	60 - 10	R26375	2B13	6	50 - 7
R26049	1C3	4	20 - 17B	R26286	2F22	6	60 - 15	R26375	2C1	9	50 - 20
R26049	1C4	3	20 - 18	R26286	2F22	11	60 - 15	R26375	2C1	13	50 - 20
R26049	1C6	2	20 - 19A	R26286	2G3	7	60 - 20	R26375	2C16	22	50 - 36
R26058	1C12	3	20 - 23	R26286	2G4	8	60 - 21	R26375	2C16	25	50 - 36
R26058	1C13	3	20 - 24	R26286	2G5	3	60 - 22	R26375	2C17	19	50 - 37
R26058	1C14	4	20 - 25	R26286	2G5	28	60 - 22	R26375	2D2	2	50 - 47
R26058	1D5	12	20 - 40	R26286	2G8	2	60 - 25	R26375	2E10	12	50 - 75
R26058	1D7	12	20 - 43	R26286	2G8	25	60 - 25	R26375	2E10	26	50 - 75
R26079	1B11	9	20 - 8	R26286	2G8	28	60 - 25	R26375	2E13	17	50 - 78
R26081	1B11	6	20 - 8	R26286	2G10	2	60 - 25B	R26375	2E15	7	50 - 79A
R26084	1C12	6	20 - 23	R26286	2G10	22	60 - 25B	R26375	2E17	4	50 - 79D
R26084	1D5	14	20 - 40	R26286	2G11	2	60 - 26	R26375	2E17	18	50 - 79D
R26113	3H24	26	90 - 43	R26286	3C4	9	70 - 23	R26375	2E25	2	50 - 87
R26115	1B15	19	20 - 13	R26286	3C6	13	70 - 23B	R26375	2F2	31	50 - 89
R26125	1B11	21	20 - 8	R26286	3C12	7	70 - 29	R26375	2F2	35	50 - 89
R26137	3B8	6	70 - 5	R26286	3C24	7	70 - 41	R26375	2F4	28	50 - 91
R26137	3B10	10	70 - 7	R26286	3D22	17	70 - 63	R26375	2F5	1	50 - 93
R26137	3B18	6	70 - 15	R26287	1E18	4	30 - 27	R26375	2F5	13	50 - 93
R26137	3B20	6	70 - 17	R26287	2B7	5	50 - 1	R26375	2F14	18	60 - 6
R26149	1E6	3	30 - 18	R26287	2B11	10	50 - 5	R26375	2G3	20	60 - 20
R26149	1E7	3	30 - 19	R26287	2B13	16	50 - 7	R26375	2G4	13	60 - 21
R26149	1E10	3	30 - 19C	R26287	2B13	21	50 - 7	R26375	2G5	16	60 - 22
R26149	3C16	4	70 - 33	R26287	2D7	22	50 - 53	R26375	2G11	23	60 - 26
R26149	3C25	3	70 - 43	R26287	2D25	5	50 - 69	R26375	3B12	27	70 - 9
R26149	3D24	22	70 - 65	R26287	2D25	10	50 - 69	R26375	3B14	16	70 - 11
R26149	3E1	8	70 - 67	R26287	2E2	11	50 - 71	R26375	3B22	23	70 - 19
R26151	2F13	19	60 - 5	R26287	2E10	10	50 - 75	R26375	3B24	7	70 - 19B
R26169	2D1	4	50 - 46	R26287	2E10	31	50 - 75	R26375	3B24	17	70 - 19B
R26172	1B13	4	20 - 11	R26287	2E11	23	50 - 76	R26375	3B25	12	70 - 19C
R26182	2B22	9	50 - 16	R26287	2E15	3	50 - 79A	R26375	3C2	3	70 - 21
R26182	2B23	9	50 - 17	R26287	2E17	3	50 - 79D	R26375	3C2	10	70 - 21

1K23

TRACTOR - 4520

NUMERICAL INDEX - CONTINUED

PART NO.	GRID	KEY	PAGE	PART NO.	GRID	KEY	PAGE	PART NO.	GRID	KEY	PAGE
R26375	3C16	9	70 - 33	R26477	3D21	12	70 - 62	R26727	1B23	9	20 - 14
R26375	3D21	6	70 - 62	R26480	3E5	27	70 - 71	R26728	1E19	19	30 - 28
R26375	3D22	2	70 - 63	R26480	3E5	29	70 - 71	R26728	1E25	19	30 - 34
R26375	3D22	21	70 - 63	R26480	3E6	10	70 - 71A	R26728	1F6	3	30 - 41
R26375	3D25	4	70 - 66	R26482	3E5	17	70 - 71	R26728	1F9	26	30 - 44
R26375	3E3	2	70 - 69	R26482	3E6	6	70 - 71A	R26748	1B11	15	20 - 8
R26375	3E3	21	70 - 69	R26483	3E5	21	70 - 71	R26755	2F12	10	60 - 4
R26375	3E16	2	70 - 81	R26483	3E6	7	70 - 71A	R26760	2G8	8	60 - 25
R26375	3E18	4	70 - 83	R26484	3D24	12	70 - 65	R26760	2G11	8	60 - 26
R26376	2G3	18	60 - 20	R26484	3D25	12	70 - 66	R26762	2F15	4	60 - 7
R26384	2G6	17	60 - 23	R26484	3E5	13	70 - 71	R26789	1E19	19	30 - 28
R26385	2D22	5	50 - 66	R26484	3E6	3	70 - 71A	R26789	1E25	19	30 - 34
R26385	2D23	11	50 - 67	R26485	3E5	10	70 - 71	R26789	1F6	3	30 - 41
R26385	2G6	24	60 - 23	R26485	3E6	1	70 - 71A	R26789	1F9	26	30 - 44
R26385	3D5	5	70 - 48	R26485	3E12	12	70 - 77	R26790	1F6	3	30 - 41
R26386	2D22	4	50 - 66	R26531	1E12	5	30 - 21	R26790	1F9	26	30 - 44
R26386	2D23	10	50 - 67	R26531	1E14	5	30 - 23	R26811	3D4	4	70 - 47
R26386	2G6	22	60 - 23	R26546	2F13	16	60 - 5	R26823	2B10	19	50 - 4
R26386	3D5	4	70 - 48	R26546	3D24	3	70 - 65	R26828	3H23	6	90 - 41
R26405	1B10	2	20 - 7	R26546	3D25	2	70 - 66	R26829	3H23	19	90 - 41
R26413	1D2	18	20 - 37	R26546	3E1	3	70 - 67	R26830	3H23	16	90 - 41
R26413	1D4	5	20 - 39	R26551	2C2	17	50 - 21	R26832	3H24	3	90 - 43
R26417	1D2	15	20 - 37	R26552	2E11	32	50 - 76	R26845	2F12	16	60 - 4
R26425	2F14	11	60 - 6	R26552	2E21	4	50 - 83	R26863	2G1	10	60 - 19A
R26431	3H23	15	90 - 41	R26552	2F4	11	50 - 91	R26871	3C22	13	70 - 39
R26432	3H23	8	90 - 41	R26552	2F14	13	60 - 6	R26871	3C22	26	70 - 39
R26434	3H23	17	90 - 41	R26553	2F15	7	60 - 7	R26871	3H23	18	90 - 41
R26436	3H23	23	90 - 41	R26554	2F15	1	60 - 7	R26872	3H23	24	90 - 41
R26441	2F11	18	60 - 3	R26559	1B11	14	20 - 8	R26873	3H23	24	90 - 41
R26441	2F12	2	60 - 4	R26565	2F13	5	60 - 5	R26874	3H23	1A	90 - 41
R26448	1G13	2	40 - 10	R26565	3C16	39	70 - 33	R26875	3H24	4	90 - 43
R26448	2C5	21	50 - 25	R26566	3C16	6	70 - 33	R26876	3H24	7	90 - 43
R26448	2D5	12	50 - 51	R26574	2B10	16	50 - 4	R26877	3H24	6	90 - 43
R26448	2D7	22	50 - 53	R26574	2C9	5	50 - 29	R26878	3H24	15	90 - 43
R26448	2D25	16	50 - 69	R26593	1E12	16	30 - 21	R26879	3H24	9	90 - 43
R26448	2E2	14	50 - 71	R26593	1E14	16	30 - 23	R26880	3H24	21	90 - 43
R26448	2E9	12	50 - 74B	R26594	1E12	18	30 - 21	R26890	3G1	11	80 - 25
R26448	2E17	9	50 - 79D	R26594	1E14	18	30 - 23	R26906	2B15	22	50 - 8
R26448	2E17	11	50 - 79D	R26608	3D4	11	70 - 47	R26906	2C18	23	50 - 38
R26448	2E17	16	50 - 79D	R26616	2B15	9	50 - 8	R26906	2D5	15	50 - 51
R26448	2E21	2	50 - 83	R26616	2C18	7	50 - 38	R26906	2D13	8	50 - 59
R26448	2E21	20	50 - 83	R26621	3B12	34	70 - 9	R26906	2E25	6	50 - 87
R26448	2F2	7	50 - 89	R26622	1B15	6	20 - 13	R26906	2F4	24	50 - 91
R26448	2F2	17	50 - 89	R26625	3C14	8	70 - 31	R26906	3B12	10	70 - 9
R26448	2F4	9	50 - 91	R26626	3C13	11	70 - 30	R26906	3B14	2	70 - 11
R26448	2F4	19	50 - 91	R26628	3C18	5	70 - 35	R26906	3B16	2	70 - 13
R26448	2F5	9	50 - 93	R26637	2C6	8	50 - 26	R26906	3B16	15	70 - 13
R26448	2F11	22	60 - 3	R26641	2B7	26	50 - 1	R26906	3B22	16	70 - 19
R26448	2F14	2	60 - 6	R26642	2B7	27	50 - 1	R26906	3B24	1	70 - 19B
R26448	2F14	23	60 - 6	R26650	2D14	20	50 - 60	R26906	3B25	1	70 - 19C
R26448	2F24	6	60 - 17	R26652	2B8	6	50 - 2	R26906	3C2	6	70 - 21
R26448	3B12	2	70 - 9	R26656	2B9	28	50 - 3	R26906	3C2	26	70 - 21
R26448	3B12	8	70 - 9	R26659	2B9	19	50 - 3	R26906	3C4	1	70 - 23
R26448	3B14	1	70 - 11	R26662	1C16	21	20 - 27	R26906	3C6	11	70 - 23B
R26448	3B16	1	70 - 13	R26663	2B7	25	50 - 1	R26906	3C14	3	70 - 31
R26448	3B22	2	70 - 19	R26663	2C2	9	50 - 21	R26906	3C14	11	70 - 31
R26448	3B22	8	70 - 19	R26670	1F16	8	30 - 52	R26906	3C16	11	70 - 33
R26448	3B22	25	70 - 19	R26686	2C1	12	50 - 20	R26906	3D21	16	70 - 62
R26448	3B24	3	70 - 19B	R26686	2D11	18	50 - 57	R26919	1E17	20	30 - 26
R26448	3B25	3	70 - 19C	R26694	3F25	19	80 - 24	R26919	1E17	21	30 - 26
R26448	3B25	7	70 - 19C	R26702	3F25	16	80 - 24	R26919	2B8	14	50 - 2
R26448	3C2	1	70 - 21	R26703	3F25	16	80 - 24	R26919	2B14	12	50 - 7A
R26448	3C2	8	70 - 21	R26726	1E6	17	30 - 18	R26919	2C4	24	50 - 23
R26448	3C16	2	70 - 33	R26726	1E19	26	30 - 28	R26933	2F11	8	60 - 3
R26448	3D22	4	70 - 63	R26726	1E25	26	30 - 34	R26934	1B15	13	20 - 13
R26457	3C14	5	70 - 31	R26726	1F6	20	30 - 41	R26934	1E12	27	30 - 21
R26458	3C14	2	70 - 31	R26726	1F8	3	30 - 43	R26934	1E16	18	30 - 25

1K24

TRACTOR - 4520

NUMERICAL INDEX - CONTINUED

PART NO.	GRID	KEY	PAGE	PART NO.	GRID	KEY	PAGE	PART NO.	GRID	KEY	PAGE
R26936	1G9	8	40-6	R27172	3B12	11	70-9	R27296	2F14	4	60-6
R26936	1G10	6	40-7	R27173	3B12	17	70-9	R27296	2G5	2	60-22
R26936	3H3	13	90-19	R27174	3B12	15	70-9	R27299	2F11	10	60-3
R26941	3G25	1	90-15	R27174	3B16	7	70-13	R27305	2B8	4	50-2
R26958	1F16	12	30-52	R27175	3B8	15	70-5	R27319	2F11	26	60-3
R27011	3D2	10	70-45	R27175	3B10	20	70-7	R27320	2F11	13	60-3
R27072	1F16	3	30-52	R27175	3B18	13	70-15	R27323	2F19	32	60-11
R27074	1E17	3	30-26	R27175	3B20	14	70-17	R27323	2F20	9	60-12
R27074	1F16	2	30-52	R27175	3C16	25	70-33	R27329	2B15	4	50-8
R27075	1F16	1	30-52	R27175	3C25	13	70-43	R27329	2C18	1	50-38
R27084	3F23	6	80-22	R27180	1E10	13	30-19C	R27329	2D14	2	50-60
R27085	3F23	7	80-22	R27180	1G10	3	40-7	R27346	1E15	9	30-24
R27087	2F11	15	60-3	R27180	1G11	12	40-8	R27346	1E17	1	30-26
R27089	2F12	14	60-4	R27180	1G11	17	40-8	R27346	1E18	5	30-27
R27091	2F12	11	60-4	R27181	1E12	13	30-21	R27430	3E5	5	70-71
R27094	2C4	17	50-23	R27181	1E14	13	30-23	R27430	3E12	5	70-77
R27094	2C5	15	50-25	R27209	1D2	1	20-37	R27434	2C7	15	50-27
R27094	2C17	27	50-37	R27212	3B25	6	70-19C	R27439	3H23	14	90-41
R27094	2C18	16	50-38	R27216	2B7	4	50-1	R27440	3H24	10	90-43
R27094	2D5	11	50-51	R27216	2B13	17	50-7	R27441	3C8	12	70-25
R27094	2D24	1	50-68	R27216	2D7	22	50-53	R27441	3H24	12	90-43
R27094	2D25	13	50-69	R27216	2D25	5	50-69	R27441	3H24	23	90-43
R27094	2G8	1	60-25	R27216	2E10	9	50-75	R27441	3I23	7	90-67
R27094	2G10	1	60-25B	R27216	2E10	32	50-75	R27442	3H24	5	90-43
R27094	2G11	1	60-26	R27216	2E11	22	50-76	R27443	1B11	10	20-8
R27094	3C12	8	70-29	R27216	2G3	16	60-20	R27453	2F11	11	60-3
R27094	3C24	8	70-41	R27216	3B12	24	70-9	R27460	1I3	16	40-43
R27095	2F19	9	60-11	R27218	2B15	18	50-8	R27460	1I5	10	40-45
R27095	2F20	16	60-12	R27218	2C5	22	50-25	R27460	1I7	8	40-47
R27116	2C7	10	50-27	R27218	2C18	18	50-38	R27471	3B12	44	70-9
R27121	3H24	18	90-43	R27218	2D5	13	50-51	R27474	2B15	23	50-8
R27137	2G3	8	60-20	R27218	2D7	22	50-53	R27474	2C18	24	50-38
R27137	2G4	9	60-21	R27218	2E9	13	50-74B	R27474	2E25	8	50-87
R27145	3B8	27	70-5	R27218	3B12	7	70-9	R27474	3C14	11	70-31
R27149	2G3	9	60-20	R27218	3B22	7	70-19	R27474	3D21	15	70-62
R27149	2G4	10	60-21	R27218	3B22	9	70-19	R27475	3B12	1	70-9
R27149	3B8	11	70-5	R27233	3E3	5	70-69	R27475	3B22	1	70-19
R27149	3B10	15	70-7	R27237	1D23	15	30-11	R27476	3B12	13	70-9
R27149	3B16	20	70-13	R27251	3C4	25	70-23	R27478	3B8	29	70-5
R27149	3B18	9	70-15	R27266	2F5	16	50-93	R27478	3B10	35	70-7
R27149	3B20	9	70-17	R27266	3C4	32	70-23	R27478	3B14	12	70-11
R27149	3C2	24	70-21	R27267	2C1	8	50-20	R27478	3B18	28	70-15
R27150	3B8	5	70-5	R27267	2C17	8	50-37	R27478	3B20	28	70-17
R27150	3B18	5	70-15	R27267	2D13	2	50-59	R27478	3B24	15	70-19B
R27159	3B12	18	70-9	R27267	2F2	18	50-89	R27479	3B8	29	70-5
R27166	3B12	14	70-9	R27267	2F7	2	50-95	R27479	3B10	35	70-7
R27166	3B12	43	70-9	R27267	2F22	2	60-15	R27479	3B14	13	70-11
R27166	3B12	44	70-9	R27267	3C4	32	70-23	R27479	3B18	28	70-15
R27166	3B14	5	70-11	R27267	3C10	2	70-27	R27479	3B20	28	70-17
R27166	3B16	6	70-13	R27270	2D13	9	50-59	R27479	3B24	16	70-19B
R27166	3B16	25	70-13	R27270	3C4	13	70-23	R27483	2B15	6	50-8
R27166	3B22	41	70-19	R27270	3C6	15	70-23B	R27483	2C18	3	50-38
R27166	3B24	10	70-19B	R27272	2C1	6	50-20	R27490	2E11	8	50-76
R27166	3C2	14	70-21	R27272	2D24	19	50-68	R27490	2E15	1	50-79A
R27166	3C16	17	70-33	R27272	2E1	15	50-70	R27491	2F19	3	60-11
R27166	3C16	21	70-33	R27272	2E2	2	50-71	R27491	2F20	5	60-12
R27166	3C25	10	70-43	R27272	2F7	7	50-95	R27506	3F25	9	80-24
R27166	3D24	19	70-65	R27272	2F18	2	60-10	R27507	3C18	9	70-35
R27166	3D24	26	70-65	R27272	2F22	7	60-15	R27507	3C20	28	70-37
R27166	3D25	14	70-66	R27272	2G5	5	60-22	R27507	3E5	36	70-71
R27166	3E3	4	70-69	R27272	2G8	29	60-25	R27507	3F25	6	80-24
R27166	3E5	26	70-71	R27272	3C4	10	70-23	R27527	2F14	8	60-6
R27167	3B12	16	70-9	R27285	1D5	9	20-40	R27527	3C6	2	70-23B
R27168	3I12	17	90-56	R27285	1E12	26	30-21	R27529	1B11	2	20-8
R27168	3I15	12	90-59	R27285	1E14	26	30-23	R27534	3C4	23	70-23
R27170	3B12	19	70-9	R27285	1E15	4	30-24	R27539	2F5	4	50-93
R27171	3B12	5	70-9	R27285	1E16	17	30-25	R27546	3C4	24	70-23

1K25

TRACTOR - 4520

NUMERICAL INDEX - CONTINUED

PART NO.	GRID	KEY	PAGE	PART NO.	GRID	KEY	PAGE	PART NO.	GRID	KEY	PAGE
R27562	2D14	28	50 - 60	R28007	1F16	9	30 - 52	R29936	3B16	21	70 - 13
R27564	3B12	12	70 - 9	R28009	1F16	6	30 - 52	R29936	3C2	21	70 - 21
R27564	3B14	4	70 - 11	R28015	1D2	3	20 - 37	R29936	3C2	25	70 - 21
R27564	3B16	5	70 - 13	R28015	1D4	1	20 - 39	R30165	2C24	1	50 - 44
R27564	3B22	42	70 - 19	R28084	2G11	21	60 - 26	R30181	1I3	4	40 - 43
R27564	3B24	11	70 - 19B	R28084	3E5	3	70 - 71	R30181	1I3	13	40 - 43
R27564	3C2	15	70 - 21	R28084	3E5	19	70 - 71	R30181	1I5	6	40 - 45
R27564	3C16	17	70 - 33	R28084	3E12	3	70 - 77	R30181	1I5	17	40 - 45
R27564	3C25	6	70 - 43	R28084	3E12	17	70 - 77	R30181	1I7	5	40 - 47
R27564	3E20	12	70 - 85	R28085	3E5	2	70 - 71	R30182	1I3	8	40 - 43
R27564	3E22	13	70 - 87	R28085	3E12	2	70 - 77	R30182	1I3	10	40 - 43
R27564	3E23	7	70 - 88	R28085	3E12	18	70 - 77	R30182	1I5	1	40 - 45
R27583	1G11	2	40 - 8	R28110	2D11	24	50 - 57	R30182	1I5	21	40 - 45
R27583	1G12	1	40 - 9	R28123	1D2	17	20 - 37	R30200	1C21	6	20 - 32
R27583	1G12	4	40 - 9	R28123	1D19	16	30 - 7B	R30323	2F14	21	60 - 6
R27583	1G12	6	40 - 9	R28123	3H3	8	90 - 19	R30378	1I14	2	40 - 54
R27583	1G12	7	40 - 9	R28124	2F13	7	60 - 5	R30378	1I14	4	40 - 54
R27583	1I19	19	40 - 59	R28204	3E5	1	70 - 71	R30378	1I14	15	40 - 54
R27583	1I23	20	40 - 63	R28359	2C4	6	50 - 23	R30378	1I14	17	40 - 54
R27583	3F22	13	80 - 21	R28361	2C4	7	50 - 23	R30378	1I14	19	40 - 54
R27583	3H10	5	90 - 27	R28401	2C16	4	50 - 36	R30378	1J5	25	40 - 70
R27583	3H18	5	90 - 35	R28401	2C16	6	50 - 36	R30378	1J21	43	40 - 87
R27590	2F19	30	60 - 11	R28471	3F7	21	80 - 3	R30379	1I14	3	40 - 54
R27590	2F20	11	60 - 12	R28473	1I17	6	40 - 57	R30379	1I14	14	40 - 54
R27612	2C18	14	50 - 38	R28538	2F2	3	50 - 89	R30398	3F7	20	80 - 3
R27612	2D10	18	50 - 56	R28539	2F2	4	50 - 89	R30410	1E16	9	30 - 25
R27640	2B7	21	50 - 1	R28556	3D9	34	70 - 53	R30587	2C13	13	50 - 33
R27643	3F17	12	80 - 14	R28574	3F8	2	80 - 4	R30596	3C8	1	70 - 25
R27645	3F17	16	80 - 14	R28574	3F9	2	80 - 5	R30597	1D2	7	20 - 37
R27649	2G8	15	60 - 25	R28575	3F8	18	80 - 4	R30597	1D4	2	20 - 39
R27649	2G8	16	60 - 25	R28583	1E6	15	30 - 18	R30694	3G6	13	80 - 31
R27649	2G8	34	60 - 25	R28583	1E7	17	30 - 19	R30778	3D9	17	70 - 53
R27649	2G10	27	60 - 25B	R28583	1E8	4	30 - 19A	R30805	3F22	12	80 - 21
R27649	2G11	14	60 - 26	R28583	1E10	16	30 - 19C	R30805	3F23	3	80 - 22
R27693	1B23	6	20 - 14	R28584	1E6	14	30 - 18	R30815	3E18	5	70 - 83
R27720	2F19	8	60 - 11	R28593	2B25	8	50 - 19	R30816	3E18	7	70 - 83
R27720	2F19	12	60 - 11	R28594	2B25	9	50 - 19	R30817	3E18	6	70 - 83
R27720	2F19	20	60 - 11	R28594	2D11	9	50 - 57	R30828	1F16	4	30 - 52
R27720	2F20	31	60 - 12	R28671	2C20	17	50 - 40	R30828	3G20	16	90 - 9
R27730	2B19	11	50 - 13	R28671	2E10	14	50 - 75	R30877	1D4	6	20 - 39
R27730	3C16	33	70 - 33	R28671	2E13	14	50 - 78	R30877	2B7	23	50 - 1
R27747	1D17	12	30 - 7	R28744	3E3	8A	70 - 69	R30903	2E1	1	50 - 70
R27747	1D19	13	30 - 7B	R28744	3E3	16	70 - 69	R30903	2E2	24	50 - 71
R27781	1E19	17	30 - 28	R28774	2G3	22	60 - 20	R30903	2G3	31	60 - 20
R27781	1E25	17	30 - 34	R28776	2E10	25	50 - 75	R30903	2G4	7	60 - 21
R27782	1E19	17	30 - 28	R28776	2E17	19	50 - 79D	R30903	2G6	5	60 - 23
R27782	1E25	17	30 - 34	R28776	2G3	24	60 - 20	R30936	1D2	11	20 - 37
R27783	1E19	17	30 - 28	R28776	2G4	12	60 - 21	R30936	1D4	3	20 - 39
R27783	1E25	17	30 - 34	R28781	3B12	39	70 - 9	R30936	3F25	1	80 - 24
R27785	3H21	9	90 - 39	R28781	3B22	34	70 - 19	R30937	1D2	16	20 - 37
R27880	2C10	14	50 - 30	R28782	3B12	38	70 - 9	R30937	3F17	9	80 - 14
R27906	2G5	1	60 - 22	R28782	3B16	9	70 - 13	R30937	3G1	8	80 - 25
R27926	3C9	7	70 - 26	R28782	3B22	33	70 - 19	R30937	3G1	9	80 - 25
R27927	3C9	4	70 - 26	R28782	3C2	11	70 - 21	R30937	3G24	11	90 - 13
R27928	3B16	22	70 - 13	R28783	3F25	8	80 - 24	R30937	3I11	7	90 - 55
R27928	3C2	26	70 - 21	R28811	1C2	4	20 - 17	R30937	3I11	13	90 - 55
R27928	3C9	5	70 - 26	R28914	2C1	21	50 - 20	R30937	3I12	13	90 - 56
R27948	1C17	2	20 - 28	R28914	2C17	18	50 - 37	R30937	3I19	11	90 - 63
R27948	1C18	2	20 - 29	R29354	2E11	26	50 - 76	R30959	2B15	12	50 - 8
R27948	1D5	30	20 - 40	R29354	2E15	4	50 - 79A	R30964	1G15	1	40 - 12
R27948	1D7	31	20 - 43	R29354	2E15	5	50 - 79A	R30964	1G16	1	40 - 13
R27963	1I17	3	40 - 57	R29354	2F4	35	50 - 91	R31024	3C16	35	70 - 33
R27976	1H13	27	40 - 30C	R29354	2F25	11	60 - 18	R31136	3C14	6	70 - 31
R27998	3D9	27	70 - 53	R29463	3E20	21	70 - 85	R31136	3E8	4	70 - 73
R27999	3D9	28	70 - 53	R29463	3E22	31	70 - 87	R31136	3E10	1	70 - 75
R28006	3E5	6	70 - 71	R29463	3E23	3	70 - 88	R31147	1F9	1	30 - 44
R28006	3E12	6	70 - 77	R29463	3E24	11	70 - 89	R31188	2B22	12	50 - 16

1L1

TRACTOR - 4520

NUMERICAL INDEX - CONTINUED

PART NO.	GRID	KEY	PAGE	PART NO.	GRID	KEY	PAGE	PART NO.	GRID	KEY	PAGE
R31188	2B23	12	50 - 17	R32007	1G23	3	40 - 21	R32027	1J13	14	40 - 79
R31198	2B8	16	50 - 2	R32011	1J15	1	40 - 81	R32027	1J15	18	40 - 81
R31201	2F11	34	60 - 3	R32016	1G9	10	40 - 6	R32027	3H4	7	90 - 20
R31202	2F11	31	60 - 3	R32016	1G9	11	40 - 6	R32027	3H4	8	90 - 20
R31217	2F15	4	60 - 7	R32016	1G10	9	40 - 7	R32027	3H8	12	90 - 25
R31250	1I3	8	40 - 43	R32016	1G10	10	40 - 7	R32027	3H8	16	90 - 25
R31250	1I3	10	40 - 43	R32016	1I3	6	40 - 43	R32027	3H8	17	90 - 25
R31250	1I5	1	40 - 45	R32016	1I5	3	40 - 45	R32028	1G9	11	40 - 6
R31250	1I5	21	40 - 45	R32016	1I5	19	40 - 45	R32028	1G10	10	40 - 7
R31251	3F7	24	80 - 3	R32016	1I7	3	40 - 47	R32028	1G25	1	40 - 23
R31260	3H23	10	90 - 41	R32016	1J15	10	40 - 81	R32028	1J15	19	40 - 81
R31271	1F16	19	30 - 52	R32017	1J15	11	40 - 81	R32029	1G11	5	40 - 8
R31271	2G6	6	60 - 23	R32018	1G6	8	40 - 3	R32029	1J4	25	40 - 69
R31273	2G6	23	60 - 23	R32018	1G8	8	40 - 5	R32029	1J15	20	40 - 81
R31278	2F14	19	60 - 6	R32018	1G21	4	40 - 19	R32042	1B15	7	20 - 13
R31287	3G6	7	80 - 31	R32018	1G23	2	40 - 21	R32042	1C16	21	20 - 27
R31374	2B7	11	50 - 1	R32018	1I16	4	40 - 56	R32042	2C18	9	50 - 38
R31378	1C21	2	20 - 32	R32018	1J4	26	40 - 69	R32042	2C19	7	50 - 39
R31378	2D15	25	50 - 61	R32018	1J13	9	40 - 79	R32087	3C10	6	70 - 27
R31454	2G3	16	60 - 20	R32018	1J13	15	40 - 79	R32090	2G3	4	60 - 20
R31454	2G3	17	60 - 20	R32018	1J15	12	40 - 81	R32091	2G3	3	60 - 20
R31454	2G3	28	60 - 20	R32018	3H4	7	90 - 20	R32092	2G3	1	60 - 20
R31455	2G4	2	60 - 21	R32018	3H4	14	90 - 20	R32092	2G4	3	60 - 21
R31455	2G6	14	60 - 23	R32018	3H8	12	90 - 25	R32101	2B7	19	50 - 1
R31457	2G6	9	60 - 23	R32019	1G23	3	40 - 21	R32101	2C4	25	50 - 23
R31458	2G6	7	60 - 23	R32019	1J15	13	40 - 81	R32101	2D14	5	50 - 60
R31459	2G6	4	60 - 23	R32021	1J13	14	40 - 79	R32136	1E25	26	30 - 34
R31464	2G3	37	60 - 20	R32021	1J15	14	40 - 81	R32136	1F6	28	30 - 41
R31465	2G3	35	60 - 20	R32022	1G23	3	40 - 21	R32136	1F9	22	30 - 44
R31467	2G3	36	60 - 20	R32022	1G25	1	40 - 23	R32186	2F11	14	60 - 3
R31468	2G3	33	60 - 20	R32022	1J15	15	40 - 81	R32192	1C2	3	20 - 17
R31468	2G4	6	60 - 21	R32023	1J15	16	40 - 81	R32192	2C6	16	50 - 26
R31469	2G3	34	60 - 20	R32024	1G6	8	40 - 3	R32234	3I12	2	90 - 56
R31469	2G4	5	60 - 21	R32024	1G8	8	40 - 5	R32234	3I12	4	90 - 56
R31493	2B7	8	50 - 1	R32024	1G9	5	40 - 6	R32276	1J5	..	40 - 70
R31493	2C4	12	50 - 23	R32024	1G9	10	40 - 6	R32276	1J7	11	40 - 73
R31494	2B7	9	50 - 1	R32024	1G10	4	40 - 7	R32306	1E6	4	30 - 18
R31494	2C4	11	50 - 23	R32024	1G10	9	40 - 7	R32306	1E7	4	30 - 19
R31505	3F17	1	80 - 14	R32024	1G11	4	40 - 8	R32306	1E10	2	30 - 19C
R31505	3H24	20	90 - 43	R32024	1G14	5	40 - 11	R32320	1G10	8	40 - 7
R31602	2G6	30	60 - 23	R32024	1J4	26	40 - 69	R32344	3B12	42	70 - 9
R31618	3I21	8	90 - 65	R32024	1J13	9	40 - 79	R32353	3E12	15	70 - 77
R31618	3I23	5	90 - 67	R32024	1J17	3	40 - 83	R32354	3E12	11	70 - 77
R31631	2B7	4	50 - 1	R32024	3H8	12	90 - 25	R32355	3E12	10	70 - 77
R31631	2B13	17	50 - 7	R32024	3H8	16	90 - 25	R32356	3E5	9	70 - 71
R31631	2D7	22	50 - 53	R32024	3H8	17	90 - 25	R32356	3E12	9	70 - 77
R31631	2E10	9	50 - 75	R32025	1G9	5	40 - 6	R32376	2G6	29	60 - 23
R31631	2G3	16	60 - 20	R32025	1G10	4	40 - 7	R32419	3D22	23	70 - 63
R31632	2B13	7	50 - 7	R32025	1J13	14	40 - 79	R32419	3E5	37	70 - 71
R31632	2G8	22	60 - 25	R32025	1J17	4	40 - 83	R32419	3E12	8	70 - 77
R31632	2G10	19	60 - 25B	R32025	3H4	8	90 - 20	R32426	1B13	2	20 - 11
R31654	2B11	7	50 - 5	R32026	1G11	4	40 - 8	R32507	2B25	10	50 - 19
R31654	2E1	14	50 - 70	R32026	1J4	26	40 - 69	R32507	2D11	10	50 - 57
R31654	2E2	10	50 - 71	R32026	1J15	17	40 - 81	R32511	1F6	22	30 - 41
R31655	2B11	6	50 - 5	R32026	1J21	48	40 - 87	R32511	1F9	18	30 - 44
R31655	2E1	13	50 - 70	R32027	1G6	8	40 - 3	R32588	2B8	19	50 - 2
R31655	2E2	9	50 - 71	R32027	1G8	8	40 - 5	R32588	2B14	9	50 - 7A
R31665	2F4	25	50 - 91	R32027	1G9	5	40 - 6	R32588	2F13	3	60 - 5
R31698	2D25	17	50 - 69	R32027	1G9	10	40 - 6	R32588	3E20	15	70 - 85
R31711	2C6	10	50 - 26	R32027	1G10	4	40 - 7	R32588	3E23	5	70 - 88
R31713	2C6	14	50 - 26	R32027	1G10	9	40 - 7	R32588	3E24	2	70 - 89
R31725	2C16	28	50 - 36	R32027	1G11	4	40 - 8	R32593	1B7	3	20 - 4
R31781	3B12	41	70 - 9	R32027	1G14	5	40 - 11	R32593	1B10	5	20 - 7
R31781	3B22	37	70 - 19	R32027	1I16	4	40 - 56	R32593	1D5	7	20 - 40
R31877	2D1	7	50 - 46	R32027	1J4	26	40 - 69	R32593	1D7	2	20 - 43
R31890	3E5	23	70 - 71	R32027	1J13	5	40 - 79	R32617	1B15	22	20 - 13
R32007	1G23	2	40 - 21	R32027	1J13	9	40 - 79	R32617	1C12	11	20 - 23

1L2

TRACTOR - 4520

NUMERICAL INDEX - CONTINUED

PART NO.	GRID	KEY	PAGE	PART NO.	GRID	KEY	PAGE	PART NO.	GRID	KEY	PAGE
R32617	1C12	..	20 - 23	R33273	2D5	1	50 - 51	R34129	2F13	22	60 - 5
R32630	2B20	16	50 - 14	R33274	2D5	3	50 - 51	R34131	2F13	9	60 - 5
R32630	2B21	20	50 - 15	R33275	2D7	11	50 - 53	R34131	3E20	16	70 - 85
R32639	1D2	21	20 - 37	R33276	2D8	3	50 - 54	R34131	3E24	1	70 - 89
R32639	1E19	25	30 - 28	R33277	2D5	4	50 - 51	R34175	2D8	4	50 - 54
R32639	1E25	25	30 - 34	R33282	2D8	11	50 - 54	R34206	1I15	9	40 - 55
R32639	1F9	10	30 - 44	R33282	2D11	20	50 - 57	R34267	3H21	1	90 - 39
R32641	2F5	8	50 - 93	R33282	2E11	29	50 - 76	R34272	3H21	11	90 - 39
R32736	3H21	5	90 - 39	R33282	2G8	17	60 - 25	R34324	2F11	1	60 - 3
R33028	2C2	11	50 - 21	R33287	2D7	13	50 - 53	R34328	2D14	15	50 - 60
R33028	2D15	16	50 - 61	R33287	2D7	14	50 - 53	R34336	2F13	23	60 - 5
R33029	2E4	20	50 - 73	R33290	2D7	4	50 - 53	R34348	3B8	26	70 - 5
R33054	2C20	8	50 - 40	R33291	2D7	1	50 - 53	R34349	3B8	24	70 - 5
R33054	2C22	7	50 - 42	R33294	2D11	19	50 - 57	R34360	3B5	5	70 - 1
R33054	2C23	6	50 - 43	R33302	2D9	20	50 - 55	R34362	3B5	2	70 - 1
R33058	2D25	7	50 - 69	R33304	2D5	2	50 - 51	R34388	1E6	11	30 - 18
R33077	2D8	12	50 - 54	R33307	2D8	2	50 - 54	R34388	1E7	12	30 - 19
R33135	2C6	6	50 - 26	R33325	2D14	14	50 - 60	R34394	1E6	7	30 - 18
R33136	2C16	21	50 - 36	R33338	2D14	8	50 - 60	R34394	1E7	7	30 - 19
R33137	2C16	15	50 - 36	R33345	2C2	6	50 - 21	R34394	1E8	1	30 - 19A
R33138	2C1	14	50 - 20	R33363	2D11	31	50 - 57	R34394	1E10	6	30 - 19C
R33138	2C16	23	50 - 36	R33364	2D11	30	50 - 57	R34395	1E6	8	30 - 18
R33138	2C17	20	50 - 37	R33410	2B18	4	50 - 11	R34395	1E7	8	30 - 19
R33145	2C16	3	50 - 36	R33410	2D3	4	50 - 48	R34395	1E10	7	30 - 19C
R33145	2C16	7	50 - 36	R33411	2B18	4	50 - 11	R34397	3E5	15	70 - 71
R33156	2C5	17	50 - 25	R33411	2D3	4	50 - 48	R34398	3E5	22	70 - 71
R33157	2C5	7	50 - 25	R33412	2B18	4	50 - 11	R34399	3E5	8	70 - 71
R33162	2C1	22	50 - 20	R33412	2D3	4	50 - 48	R34400	3E5	20	70 - 71
R33162	2C17	14	50 - 37	R33413	2D3	8	50 - 48	R34404	1F8	17	30 - 43
R33162	2D11	17	50 - 57	R33414	2D3	6	50 - 48	R34404	2E11	33	50 - 76
R33163	2C1	17	50 - 20	R33414	2D3	8	50 - 48	R34404	2E15	6	50 - 79A
R33163	2C17	17	50 - 37	R33415	2C18	11	50 - 38	R34404	2F14	22	60 - 6
R33164	2C16	13	50 - 36	R33415	2D3	6	50 - 48	R34447	1E18	4	30 - 27
R33164	2C17	12	50 - 37	R33415	2D3	8	50 - 48	R34483	2B8	1	50 - 2
R33165	2C5	9	50 - 25	R33521	2C16	16	50 - 36	R34483	3G6	8	80 - 31
R33173	2C16	17	50 - 36	R33521	2C17	22	50 - 37	R34492	2D24	7	50 - 68
R33173	2C17	29	50 - 37	R33525	2C4	2	50 - 23	R34522	2D22	3	50 - 66
R33174	2C16	18	50 - 36	R33526	2C4	3	50 - 23	R34537	3C22	19	70 - 39
R33175	2C16	19	50 - 36	R33527	2C8	14	50 - 28	R34557	1G11	12	40 - 8
R33177	2C16	14	50 - 36	R33528	2C4	8	50 - 23	R34557	1G11	17	40 - 8
R33177	2C17	13	50 - 37	R33550	2B9	5	50 - 3	R34557	3D22	11	70 - 63
R33178	2C16	12	50 - 36	R33587	2D7	12	50 - 53	R34582	2D15	14	50 - 61
R33178	2C17	11	50 - 37	R33610	2C1	3	50 - 20	R34582	2D24	3	50 - 68
R33219	2D3	11	50 - 48	R33610	2C17	2	50 - 37	R34603	3C10	6	70 - 27
R33227	2D1	12	50 - 46	R33610	2D13	6	50 - 59	R34608	3G6	10	80 - 31
R33228	2D1	11	50 - 46	R33610	2F7	4	50 - 95	R34618	3H21	5	90 - 39
R33240	2D1	17	50 - 46	R33610	2F22	4	60 - 15	R34619	3H21	1	90 - 39
R33248	2D2	6	50 - 47	R33678	2F5	8	50 - 93	R34620	3H21	2	90 - 39
R33259	1E20	2	30 - 29	R33703	2C21	6	50 - 41	R34638	1F14	20	30 - 50
R33259	1E20	8	30 - 29	R33731	2B21	12	50 - 15	R34733	2B25	4	50 - 19
R33259	1E20	17	30 - 29	R33837	2C4	9	50 - 23	R34733	2D11	4	50 - 57
R33259	1F1	2	30 - 35	R33837	2C5	5	50 - 25	R34733	2F13	1	60 - 5
R33259	1F1	8	30 - 35	R33911	2D11	25	50 - 57	R34733	2F15	6	60 - 7
R33259	1F1	17	30 - 35	R33961	3D9	12	70 - 53	R34747	2G6	11	60 - 23
R33259	1F13	30	30 - 49	R33961	3D9	19	70 - 53	R34760	1E19	12	30 - 28
R33259	1F14	3	30 - 50	R33962	2C8	8	50 - 28	R34760	1E25	12	30 - 34
R33259	2B13	18	50 - 7	R33963	2C8	7	50 - 28	R34760	1F6	14	30 - 41
R33259	2B13	24	50 - 7	R34028	2C17	23	50 - 37	R34761	1E19	13	30 - 28
R33259	2C1	11	50 - 20	R34028	2C17	24	50 - 37	R34761	1E25	13	30 - 34
R33259	2C1	22	50 - 20	R34119	2F13	10	60 - 5	R34761	1F6	15	30 - 41
R33259	2C17	14	50 - 37	R34119	2F13	23	60 - 5	R34762	1E19	7	30 - 28
R33259	2D1	13	50 - 46	R34119	2F13	24	60 - 5	R34762	1E25	7	30 - 34
R33259	2D11	17	50 - 57	R34119	2F14	10	60 - 6	R34762	1F6	10	30 - 41
R33259	3D2	5	70 - 45	R34121	2F12	15	60 - 4	R34763	1E19	6	30 - 28
R33268	2D7	22	50 - 53	R34122	2F13	20	60 - 5	R34763	1E25	6	30 - 34
R33271	2D7	19	50 - 53	R34123	2F13	17	60 - 5	R34763	1F6	9	30 - 41
R33272	2D7	18	50 - 53	R34125	2F11	28	60 - 3	R34764	1E19	15	30 - 28

1L3

TRACTOR - 4520

NUMERICAL INDEX - CONTINUED

PART NO.	GRID	KEY	PAGE	PART NO.	GRID	KEY	PAGE	PART NO.	GRID	KEY	PAGE
R34764	1E24	1	30 - 33	R35373	2B18	12	50 - 11	R35644	2B8	30	50 - 2
R34764	1E25	15	30 - 34	R35377	2B17	1	50 - 10	R35680	2G8	33	60 - 25
R34764	1F5	2	30 - 39	R35381	2B19	23	50 - 13	R35680	2G11	13	60 - 26
R34764	1F6	17	30 - 41	R35382	2B19	23	50 - 13	R35684	2G8	5	60 - 25
R34765	1E19	11	30 - 28	R35383	2B19	23	50 - 13	R35684	2G8	7	60 - 25
R34765	1E25	11	30 - 34	R35384	2B19	23	50 - 13	R35684	2G10	5	60 - 25B
R34765	1F6	13	30 - 41	R35385	2B19	13	50 - 13	R35684	2G11	5	60 - 26
R34766	1E19	10	30 - 28	R35386	2B19	15	50 - 13	R35684	2G11	17	60 - 26
R34766	1E25	10	30 - 34	R35389	3F5	6	80 - 1	R35726	2E25	12	50 - 87
R34766	1F6	12	30 - 41	R35396	3G2	4	80 - 27	R35726	3C4	6	70 - 23
R34767	1E19	14	30 - 28	R35396	3G3	4	80 - 28	R35735	2E4	16	50 - 73
R34767	1E24	2	30 - 33	R35422	1E12	10	30 - 21	R35738	3E20	32	70 - 85
R34767	1E25	14	30 - 34	R35422	1E14	10	30 - 23	R35738	3E22	33	70 - 87
R34785	1E19	19	30 - 28	R35426	2B18	11	50 - 11	R35738	3E23	1	70 - 88
R34785	1E25	19	30 - 34	R35447	3E20	13	70 - 85	R35738	3E24	21	70 - 89
R34786	1E19	19	30 - 28	R35447	3E22	18	70 - 87	R35769	3F25	10	80 - 24
R34786	1E25	19	30 - 34	R35448	3E22	34	70 - 87	R35780	3F14	3	80 - 10
R34787	1E19	19	30 - 28	R35452	3E20	5	70 - 85	R35827	3B16	22	70 - 13
R34787	1E25	19	30 - 34	R35452	3E22	3	70 - 87	R35827	3C8	16	70 - 25
R34801	3F10	16	80 - 6	R35457	2B19	29	50 - 13	R35835	3D16	26	70 - 59
R34801	3F13	3	80 - 9	R35458	2B19	14	50 - 13	R35838	3D16	17	70 - 59
R34802	3B22	12	70 - 19	R35459	2B19	9	50 - 13	R35839	3D16	18	70 - 59
R34812	1F8	26	30 - 43	R35460	2B19	8	50 - 13	R35871	3D21	18	70 - 62
R34812	1F13	19	30 - 49	R35461	2B19	18	50 - 13	R36097	3F10	13	80 - 6
R34812	3D24	27	70 - 65	R35467	3D16	25	70 - 59	R36123	1F17	18	30 - 53
R34812	3E1	9	70 - 67	R35468	3D16	24	70 - 59	R36190	3F10	9	80 - 6
R34815	2D22	1	50 - 66	R35472	3E20	10	70 - 85	R36190	3F10	14	80 - 6
R34827	3J1	1	90 - 70	R35472	3E22	15	70 - 87	R36190	3F10	15	80 - 6
R34863	2D19	8	50 - 63	R35472	3E23	8	70 - 88	R36190	3F10	16	80 - 6
R34958	3F23	6	80 - 22	R35472	3E24	4	70 - 89	R36229	3H8	1	90 - 25
R35002	2E4	4	50 - 73	R35473	2E11	27	50 - 76	R36235	1J5	22	40 - 70
R35002	2E6	2	50 - 73B	R35473	2E15	5	50 - 79A	R36265	1G19	9	40 - 17
R35006	2E4	28	50 - 73	R35473	2F4	36	50 - 91	R36265	2B21	14	50 - 15
R35007	2G1	1	60 - 19A	R35473	3E20	22	70 - 85	R36265	2D5	20	50 - 51
R35075	2B9	16	50 - 3	R35473	3E22	32	70 - 87	R36272	3D12	19	70 - 57
R35075	2C8	17	50 - 28	R35473	3E23	2	70 - 88	R36273	3D12	17	70 - 57
R35119	2E4	5	50 - 73	R35473	3E24	12	70 - 89	R36295	2C13	3	50 - 33
R35155	2D8	7	50 - 54	R35474	3E20	19	70 - 85	R36295	2C14	3	50 - 34
R35155	2D8	8	50 - 54	R35474	3E22	23	70 - 87	R36295	2C15	3	50 - 35
R35164	2B19	1	50 - 13	R35474	3E23	14	70 - 88	R36311	2B8	31	50 - 2
R35165	2B19	1	50 - 13	R35474	3E24	9	70 - 89	R36358	3B22	11	70 - 19
R35166	2B19	1	50 - 13	R35476	3D16	28	70 - 59	R36364	2D7	15	50 - 53
R35167	2B19	1	50 - 13	R35479	3D10	9	70 - 55	R36378	3C12	19	70 - 29
R35192	3F17	3	80 - 14	R35479	3D14	12	70 - 57B	R36379	3C12	19	70 - 29
R35256	1B12	2	20 - 9	R35479	3D18	13	70 - 59B	R36402	3C13	2	70 - 30
R35274	2B15	2	50 - 8	R35479	3D19	12	70 - 60	R36402	3D7	2	70 - 51
R35274	2C18	26	50 - 38	R35482	3D12	21	70 - 57	R36423	3C12	20	70 - 29
R35302	3F10	4	80 - 6	R35482	3D16	23	70 - 59	R36424	3C12	18	70 - 29
R35302	3F11	3	80 - 7	R35483	3D16	20	70 - 59	R36425	3C12	10	70 - 29
R35303	3F10	7	80 - 6	R35489	2B18	21	50 - 11	R36425	3C24	10	70 - 41
R35303	3F11	5	80 - 7	R35491	2B18	7	50 - 11	R36439	3D9	22	70 - 53
R35332	3F10	12	80 - 6	R35498	2D19	18	50 - 63	R36440	3D9	25	70 - 53
R35332	3F11	10	80 - 7	R35500	2D17	17	50 - 62A	R36441	3D9	26	70 - 53
R35333	3F10	5	80 - 6	R35501	2D17	5	50 - 62A	R36442	3D9	38	70 - 53
R35333	3F11	7	80 - 7	R35501	2D19	5	50 - 63	R36443	3D9	5	70 - 53
R35335	3F10	6	80 - 6	R35502	2D17	5	50 - 62A	R36444	3D9	7	70 - 53
R35335	3F11	4	80 - 7	R35502	2D19	5	50 - 63	R36444	3D9	1	70 - 53
R35339	1D2	5	20 - 37	R35503	2D17	5	50 - 62A	R36449	3D9	32	70 - 53
R35339	1D2	31	20 - 37	R35503	2D19	5	50 - 63	R36449	3D9	33	70 - 53
R35339	1D17	9	30 - 7	R35620	2D14	22	50 - 60	R36449	3D9	37	70 - 53
R35339	1D17	10	30 - 7	R35621	2B15	3	50 - 8	R36449	3D9	38	70 - 53
R35340	3F17	4	80 - 14	R35621	2C18	25	50 - 38	R36450	3D9	32	70 - 53
R35340	3G1	10	80 - 25	R35621	2D14	21	50 - 60	R36450	3D9	33	70 - 53
R35352	1F9	13	30 - 44	R35634	2E4	3	50 - 73	R36450	3D9	37	70 - 53
R35369	2B17	4	50 - 10	R35642	2B9	34	50 - 3	R36450	3D9	38	70 - 53
R35371	2B18	22	50 - 11	R35642	2C10	15	50 - 30	R36469	3D4	18	70 - 47
R35372	2B18	6	50 - 11	R35643	2C2	1	50 - 21	R36470	3D4	15	70 - 47

1L4

TRACTOR - 4520

NUMERICAL INDEX - CONTINUED

PART NO.	GRID	KEY	PAGE	PART NO.	GRID	KEY	PAGE	PART NO.	GRID	KEY	PAGE
R36471	3D4	14	70 - 47	R38543	3D21	20	70 - 62	R39804	1H6	18	40 - 27
R36507	3D12	24	70 - 57	R38545	2B13	15	50 - 7	R39808	2C1	15	50 - 20
R36508	3D12	22	70 - 57	R38546	2B13	14	50 - 7	R39808	2C17	15	50 - 37
R36509	3D12	18	70 - 57	R38614	1B17	1	20 - 13B	R39876	2C10	16	50 - 30
R36535	1F13	18	30 - 49	R38614	1C15	3	20 - 26	R39885	1E24	5	30 - 33
R36540	1F13	28	30 - 49	R38614	1C15	..	20 - 26	R39886	1E24	4	30 - 33
R36590	3I19	7	90 - 63	R39012	3E22	7	70 - 87	R39887	1E24	6	30 - 33
R36608	3D12	14	70 - 57	R39074	3B8	17	70 - 5	R39888	1E24	7	30 - 33
R36608	3D16	33	70 - 59	R39112	2C1	9	50 - 20	R39890	1E24	8	30 - 33
R36609	3D12	5A	70 - 57	R39112	2E10	11	50 - 75	R39892	2C6	11	50 - 26
R36609	3D16	5A	70 - 59	R39112	2E13	18	50 - 78	R39893	2C6	4	50 - 26
R36609	3D19	19A	70 - 60	R39112	2F2	35	50 - 89	R39895	1E12	3	30 - 21
R36613	3D9	24	70 - 53	R39112	2F5	13	50 - 93	R39895	1E14	3	30 - 23
R36615	1H1	16	40 - 24	R39112	2F14	17	60 - 6	R39980	2G6	8	60 - 23
R36615	1H3	16	40 - 25A	R39112	3C16	8	70 - 33	R39981	2G6	3	60 - 23
R36658	3E18	3	70 - 83	R39112	3E3	1	70 - 69	R39981	3D21	2	70 - 62
R36659	3E18	3	70 - 83	R39174	3B8	19	70 - 5	R39982	2G6	2	60 - 23
R36666	2C21	2	50 - 41	R39175	3B8	20	70 - 5	R39984	1D17	4	30 - 7
R36666	2C23	13	50 - 43	R39215	3C8	15	70 - 25	R39985	1F16	14	30 - 52
R36666	2E11	9	50 - 76	R39228	3B8	18	70 - 5	R40028	3D12	18	70 - 57
R36678	2B19	5	50 - 13	R39228	3B10	22	70 - 7	R40028	3D14	11	70 - 57B
R36678	2B19	17	50 - 13	R39228	3B18	16	70 - 15	R40072	3C6	7	70 - 23B
R36689	3G6	4	80 - 31	R39228	3B20	16	70 - 17	R40121	3D12	1A	70 - 57
R36704	3H24	11	90 - 43	R39249	2F2	6	50 - 89	R40121	3D16	1A	70 - 59
R36704	3H24	22	90 - 43	R394R	2B25	2	50 - 19	R40121	3D19	22A	70 - 60
R36715	1C16	15	20 - 27	R394R	2B25	7	50 - 19	R40147	2B24	20	50 - 18
R36728	3F5	3	80 - 1	R394R	2C2	18	50 - 21	R40147	2D11	21	50 - 57
R36732	1J7	24	40 - 73	R394R	2D11	2	50 - 57	R40149	2F12	12	60 - 4
R36742	2F18	10	60 - 10	R394R	2D11	7	50 - 57	R40194	3F8	5	80 - 4
R36742	2G3	15	60 - 20	R394R	3C20	16	70 - 37	R40194	3F8	9	80 - 4
R36742	2G5	19	60 - 22	R394R	3C20	25	70 - 37	R40198	3F5	15	80 - 1
R36742	2G8	36	60 - 25	R39534	1E6	2	30 - 18	R40219	3E22	26	70 - 87
R36756	3G6	9	80 - 31	R39534	1E7	2	30 - 19	R40337	1H11	4	40 - 30A
R36757	1D11	..	30 - 1	R39549	1I10	1	40 - 50	R40337	1H13	26	40 - 30C
R36764	2B18	19	50 - 11	R39587	2C1	18	50 - 20	R40337	1H16	3	40 - 33
R36765	2B18	18	50 - 11	R39587	2C17	5	50 - 37	R40338	2F14	3	60 - 6
R36766	2B18	18	50 - 11	R39597	2E1	2	50 - 70	R40423	3F22	7	80 - 21
R36767	2B18	18	50 - 11	R39597	2E2	23	50 - 71	R40423	3F23	2	80 - 22
R36795	3E16	3	70 - 81	R39613	3G1	16	80 - 25	R40426	2C20	15	50 - 40
R36881	2D19	24	50 - 63	R39615	1E12	2	30 - 21	R40445	1J13	3	40 - 79
R36881	2D21	2	50 - 65	R39615	1E14	2	30 - 23	R40499	3D24	26	70 - 65
R36882	2B13	13	50 - 7	R39725	2D10	16	50 - 56	R40499	3D24	33	70 - 65
R36926	2F4	23	50 - 91	R39726	2D10	16	50 - 56	R40499	3E3	4	70 - 69
R36943	2C1	24	50 - 20	R39727	2D10	16	50 - 56	R40499	3E5	26	70 - 71
R36945	3D22	27	70 - 63	R39729	3B8	9	70 - 5	R40504	3G6	14	80 - 31
R36946	3D22	24	70 - 63	R39729	3B10	13	70 - 7	R40504	3I20	15	90 - 64
R36946	3E12	21	70 - 77	R39729	3B16	17	70 - 13	R40505	3G6	11	80 - 31
R36951	3E20	20	70 - 85	R39731	2D24	5	50 - 68	R40505	3I20	15	90 - 64
R36951	3E24	10	70 - 89	R39732	2D24	4	50 - 68	R40509	3G6	12	80 - 31
R36952	3E20	34	70 - 85	R39739	3J1	3	90 - 70	R40516	3D19	7	70 - 60
R36952	3E24	23	70 - 89	R39741	3B8	15	70 - 5	R40531	2F12	13	60 - 4
R37426	2F11	20	60 - 3	R39741	3B10	20	70 - 7	R40541	3C16	14	70 - 33
R375R	1E17	20	30 - 26	R39741	3B18	13	70 - 15	R40541	3C16	17	70 - 33
R375R	1F15	10	30 - 51	R39741	3C25	14	70 - 43	R40541	3C16	18	70 - 33
R375R	3D21	11	70 - 62	R39794	2D11	3	50 - 57	R40541	3C16	19	70 - 33
R375R	3E5	16	70 - 71	R39795	2B25	1	50 - 19	R40541	3C25	4	70 - 43
R375R	3E6	5	70 - 71A	R39795	2D11	1	50 - 57	R40541	3C25	9	70 - 43
R38143	1F17	8	30 - 53	R39796	2B25	3	50 - 19	R40541	3C25	10	70 - 43
R38143	1F18	8	30 - 54	R39796	2D11	13	50 - 57	R40541	3C25	11	70 - 43
R38181	2B20	14	50 - 14	R39797	2D11	12	50 - 57	R40545	1H11	38	40 - 30A
R38181	2B21	18	50 - 15	R39800	1H4	14	40 - 25B	R40546	1H14	6	40 - 31
R38185	2C6	7	50 - 26	R39801	1H4	20	40 - 25B	R40548	1H14	10	40 - 31
R38371	3H10	8	90 - 27	R39802	1H4	9	40 - 25B	R40548	1H19	7	40 - 34
R38371	3H18	8	90 - 35	R39803	1H4	18	40 - 25B	R40562	3C6	9	70 - 23B
R38374	1H4	12	40 - 25B	R39803	1H5	22	40 - 26	R40565	1E16	3	30 - 25
R38376	1F16	7	30 - 52	R39803	1H6	17	40 - 27	R40567	2F11	30	60 - 3
R38377	1F16	5	30 - 52	R39804	1H5	23	40 - 26	R40595	2F14	12	60 - 6

1L5

TRACTOR - 4520

NUMERICAL INDEX - CONTINUED

PART NO.	GRID	KEY	PAGE	PART NO.	GRID	KEY	PAGE	PART NO.	GRID	KEY	PAGE
R40596	2F14	15	60 - 6	R40945	3C25	11	70 - 43	R41080	2G6	15	60 - 23
R40597	2F14	16	60 - 6	R40948	2B10	1	50 - 4	R41108	3C20	3	70 - 37
R40617	2E2	5	50 - 71	R40948	2C9	3	50 - 29	R41115	3C20	15	70 - 37
R40629	2D24	15	50 - 68	R40948	3C20	41	70 - 37	R41117	3C20	27	70 - 37
R40638	2E10	6	50 - 75	R40949	3C20	1	70 - 37	R41118	3C20	17	70 - 37
R40676	3G6	15	80 - 31	R40970	2C7	5	50 - 27	R41119	3C20	20	70 - 37
R40676	3I20	15	90 - 64	R40971	2C7	7	50 - 27	R41121	3C18	7	70 - 35
R40711	2B19	23	50 - 13	R40972	2C7	9	50 - 27	R41122	3C22	10	70 - 39
R40712	2B19	23	50 - 13	R40982	1F16	16	30 - 52	R41122	3E14	22	70 - 79
R40713	2B19	1	50 - 13	R40983	1F16	14	30 - 52	R41123	3C22	3	70 - 39
R40714	2B19	1	50 - 13	R40984	1F16	18	30 - 52	R41124	2F11	16	60 - 3
R40715	2B19	1	50 - 13	R40985	1F17	5	30 - 53	R41128	2D9	22	50 - 55
R40740	1C2	11	20 - 17	R40985	1F18	2	30 - 54	R41131	2D4	13	50 - 49
R40740	1C3	4	20 - 17B	R40986	1F17	4	30 - 53	R41132	2D10	2	50 - 56
R40740	1C3	6	20 - 17B	R40986	1F18	3	30 - 54	R41133	2D9	13	50 - 55
R40757	2F14	14	60 - 6	R40988	1F17	9	30 - 53	R41134	2D9	12	50 - 55
R40791	1C22	9	20 - 32A	R40988	1F18	9	30 - 54	R41135	2D9	18	50 - 55
R40808	2C6	3	50 - 26	R40989	1F17	15	30 - 53	R41140	2D9	11	50 - 55
R40808	2C10	11	50 - 30	R40989	1F18	15	30 - 54	R41141	2D9	23	50 - 55
R40809	2B8	24	50 - 2	R40991	1F17	7	30 - 53	R41142	2D10	6	50 - 56
R40811	2B13	12	50 - 7	R40991	1F18	7	30 - 54	R41146	2C17	28	50 - 37
R40812	2B13	1	50 - 7	R40999	3C4	14	70 - 23	R41147	2C17	31	50 - 37
R40813	2B13	4	50 - 7	R40999	3C6	6	70 - 23B	R41147	3C22	35	70 - 39
R40815	2C2	19	50 - 21	R41005	2D22	6	50 - 66	R41148	2C17	30	50 - 37
R40824	2B24	10	50 - 18	R41006	2B24	3	50 - 18	R41149	3D24	33	70 - 65
R40828	2B24	13	50 - 18	R41006	2B24	9	50 - 18	R41151	2C5	20	50 - 25
R40831	2B24	15	50 - 18	R41007	2B24	22	50 - 18	R41151	2C16	1	50 - 36
R40833	2B24	12	50 - 18	R41008	2B24	4	50 - 18	R41152	2C5	20	50 - 25
R40835	2B17	12	50 - 10	R41009	2B24	21	50 - 18	R41152	2C16	1	50 - 36
R40835	2B18	13	50 - 11	R41012	3F10	13	80 - 6	R41153	2C5	20	50 - 25
R40835	2B19	20	50 - 13	R41030	3F12	3	80 - 8	R41153	2C16	1	50 - 36
R40835	2C2	14	50 - 21	R41035	2C10	3	50 - 30	R41154	3D24	31	70 - 65
R40835	3I19	14	90 - 63	R41035	2C14	12	50 - 34	R41155	3E3	22	70 - 69
R40845	2C7	12	50 - 27	R41035	2C15	12	50 - 35	R41156	3D24	18	70 - 65
R40876	3F23	9	80 - 22	R41041	2C10	12	50 - 30	R41168	2C20	11	50 - 40
R40876	3F23	13	80 - 22	R41044	2D24	9	50 - 68	R41194	3I17	14	90 - 61
R40876	3F24	10	80 - 23	R41049	1C2	1	20 - 17	R41228	2B8	1	50 - 2
R40876	3F24	11	80 - 23	R41049	2D17	1	50 - 62A	R41240	2B15	8	50 - 8
R40876	3F24	17	80 - 23	R41049	2D19	1	50 - 63	R41256	3F12	5	80 - 8
R40881	3C16	1	70 - 33	R41050	2D17	11	50 - 62A	R41270	2C4	10	50 - 23
R40885	3C20	8	70 - 37	R41050	2D19	23	50 - 63	R41280	3C12	5	70 - 29
R40886	3C20	19	70 - 37	R41052	2D24	9	50 - 68	R41285	1D23	18	30 - 11
R40888	3C18	11	70 - 35	R41055	3D24	5	70 - 65	R41285	1D25	16	30 - 11B
R40889	3C18	17	70 - 35	R41055	3D24	16	70 - 65	R41290	3C24	5	70 - 41
R40891	3C18	18	70 - 35	R41055	3E1	5	70 - 67	R41300	2E4	12	50 - 73
R40892	3C20	29	70 - 37	R41057	3B12	43	70 - 9	R41310	3F17	5	80 - 14
R40893	3C16	29	70 - 33	R41057	3B12	44	70 - 9	R41334	1H1	12	40 - 24
R40894	3C16	34	70 - 33	R41057	3B14	7	70 - 11	R41334	1H2	11	40 - 25
R40895	3C16	32	70 - 33	R41057	3B16	25	70 - 13	R41334	1H3	12	40 - 25A
R40896	3C16	23	70 - 33	R41057	3B22	40	70 - 19	R41338	3D24	24	70 - 65
R40896	3C25	17	70 - 43	R41057	3B24	9	70 - 19B	R41339	3D24	36	70 - 65
R40898	3E3	8A	70 - 69	R41057	3C2	13	70 - 21	R41339	3D25	10	70 - 66
R40899	3D24	26	70 - 65	R41057	3C16	18	70 - 33	R41358	3H10	14	90 - 27
R40903	3D24	10	70 - 65	R41057	3C16	20	70 - 33	R41358	3H18	1	90 - 35
R40915	3C20	39	70 - 37	R41057	3C25	9	70 - 43	R41358	3H20	8	90 - 37
R40918	3E14	3	70 - 79	R41057	3D24	20	70 - 65	R41370	2B10	2	50 - 4
R40922	3C12	14	70 - 29	R41057	3D24	26	70 - 65	R41370	2C9	4	50 - 29
R40922	3D25	5	70 - 66	R41057	3D25	15	70 - 66	R41383	3C22	21	70 - 39
R40922	3E3	11	70 - 69	R41057	3E3	4	70 - 69	R41384	3C22	16	70 - 39
R40923	3E14	17	70 - 79	R41057	3E5	26	70 - 71	R41385	3C22	15	70 - 39
R40925	3I20	13	90 - 64	R41070	1B15	16	20 - 13	R41385	3C22	22	70 - 39
R40937	3D24	35	70 - 65	R41071	1C22	3	20 - 32A	R41386	3C22	29	70 - 39
R40937	3D25	9	70 - 66	R41076	3C20	38	70 - 37	R41387	3E14	14	70 - 79
R40937	3E1	10	70 - 67	R41076	3C22	11	70 - 39	R41405	2C17	10	50 - 37
R40944	3C20	21	70 - 37	R41076	3E14	16	70 - 79	R41406	1C12	2	20 - 23
R40945	3C16	19	70 - 33	R41077	3C20	13	70 - 37	R41406	1C13	2	20 - 24
R40945	3C16	22	70 - 33	R41079	3C20	11	70 - 37	R41406	1C14	3	20 - 25

1L6

TRACTOR - 4520

NUMERICAL INDEX - CONTINUED

PART NO.	GRID	KEY	PAGE	PART NO.	GRID	KEY	PAGE	PART NO.	GRID	KEY	PAGE
R41421	2B7	3	50 - 1	R41877	2G8	12	60 - 25	R42332	2E11	6	50 - 76
R41422	2B7	2	50 - 1	R41877	2G10	12	60 - 25B	R42333	2E13	8	50 - 78
R41423	1C11	4	20 - 22	R41877	2G11	12	60 - 26	R42339	1B12	4	20 - 9
R41425	1C11	6	20 - 22	R41878	2G8	27	60 - 25	R42340	1B15	9	20 - 13
R41426	1C11	5	20 - 22	R41879	1119	5	40 - 59	R42352	1B12	3	20 - 9
R41435	3I19	8	90 - 63	R41879	1121	6	40 - 61	R42352	1B12	7	20 - 9
R41436	3I19	9	90 - 63	R41880	1119	12	40 - 59	R42356	1B12	9	20 - 9
R41436	3I19	..	90 - 63	R41880	1121	13	40 - 61	R42357	2E1	7	50 - 70
R41438	3I19	4	90 - 63	R41880	1123	13	40 - 63	R42357	2E2	18	50 - 71
R41439	1G11	13	40 - 8	R41880	1J1	4	40 - 66	R42357	2F7	9	50 - 95
R41439	1G15	4	40 - 12	R41881	1I3	17	40 - 43	R42357	2F18	3	60 - 10
R41439	1G16	4	40 - 13	R41891	2G8	31	60 - 25	R42357	2F22	9	60 - 15
R41439	1J7	13	40 - 73	R41892	2C8	1	50 - 28	R42357	2G5	7	60 - 22
R41439	3D22	9	70 - 63	R41920	1B17	1	20 - 13B	R42364	1B7	9	20 - 4
R41439	3I19	..	90 - 63	R41920	1C15	5	20 - 26	R42375	1E4	13	30 - 16
R41440	1115	7	40 - 55	R41920	1C15	..	20 - 26	R42379	2D1	1	50 - 46
R41440	2F19	8	60 - 11	R41931	3E3	6	70 - 69	R42390	1C15	3	20 - 26
R41440	2F19	20	60 - 11	R41932	3E3	17	70 - 69	R42390	1C15	7	20 - 26
R41440	2F20	28	60 - 12	R41933	3G6	2	80 - 31	R42392	1C15	3	20 - 26
R41440	3H18	5	90 - 35	R41933	3I15	3	90 - 59	R42392	1C15	8	20 - 26
R41441	2F19	6	60 - 11	R41934	1C2	8	20 - 17	R42392	1C15	..	20 - 26
R41442	3I19	3	90 - 63	R41934	1C3	1	20 - 17B	R42404	1D5	15	20 - 40
R41444	3C16	3	70 - 33	R41934	1C4	9	20 - 18	R42404	1D7	17	20 - 43
R41444	3C25	2	70 - 43	R41934	1C5	7	20 - 19	R42406	1C19	1	20 - 30
R41445	3E3	15	70 - 69	R41934	1C6	7	20 - 19A	R42406	1C20	1	20 - 31
R41446	3C12	15	70 - 29	R41934	1C7	7	20 - 19B	R42406	1C23	1	20 - 33
R41448	3E3	15	70 - 69	R41934	1C8	7	20 - 19C	R42406	1D5	27	20 - 40
R41499	2C9	18	50 - 29	R41937	3H21	4	90 - 39	R42406	1D7	13	20 - 43
R41502	2C16	26	50 - 36	R41938	3H21	4	90 - 39	R42407	2D17	6	50 - 62A
R41503	2C16	29	50 - 36	R41958	2E11	19	50 - 76	R42407	2D19	6	50 - 63
R41511	2B8	17	50 - 2	R41958	3F16	1	80 - 12	R42407	3C18	13	70 - 35
R41511	2B14	11	50 - 7A	R41966	3C22	34	70 - 39	R42411	2G1	8	60 - 19A
R41548	3F22	4	80 - 21	R41968	3C22	33	70 - 39	R42424	1B23	4	20 - 14
R41549	3D24	32	70 - 65	R41983	3F25	3	80 - 24	R42424	1D5	2	20 - 40
R41564	1F16	21	30 - 52	R42007	2G3	28	60 - 20	R42451	3I21	9	90 - 65
R41604	3I20	12	90 - 64	R42008	2G3	27	60 - 20	R42467	3B8	25	70 - 5
R41605	3I20	12	90 - 64	R42008	2G5	17	60 - 22	R42468	2E10	13	50 - 75
R41613	3D24	11	70 - 65	R42010	2F22	9	60 - 15	R42485	2D4	6	50 - 49
R41613	3D24	14	70 - 65	R42057	2C1	23	50 - 20	R42492	2D1	19	50 - 46
R41623	2D1	16	50 - 46	R42057	2C17	29	50 - 37	R42495	3D3	13	70 - 46
R41661	3C20	18	70 - 37	R42093	3E14	10	70 - 79	R42495	3D4	5	70 - 47
R41680	1E19	23	30 - 28	R42094	3E14	9	70 - 79	R42507	2B10	20	50 - 4
R41680	1E23	9	30 - 32	R42110	2C6	5	50 - 26	R42508	2B10	27	50 - 4
R41705	1114	9	40 - 54	R42126	2B22	17	50 - 16	R42509	2B10	22	50 - 4
R41706	1115	12	40 - 55	R42126	2B23	17	50 - 17	R42511	2B10	21	50 - 4
R41709	1B7	16	20 - 4	R42127	2B22	8	50 - 16	R42512	2B10	23	50 - 4
R41709	1D5	1	20 - 40	R42127	2B23	8	50 - 17	R42516	2E13	3	50 - 78
R41716	1E17	14	30 - 26	R42128	2B22	6	50 - 16	R42518	2E13	13	50 - 78
R41717	1E17	16	30 - 26	R42128	2B23	6	50 - 17	R42519	2E14	8	50 - 79
R41718	1E17	17	30 - 26	R42129	2B22	18	50 - 16	R42529	2E4	19	50 - 73
R41719	1E17	15	30 - 26	R42129	2B23	18	50 - 17	R42574	1H13	21	40 - 30C
R41720	1E17	19	30 - 26	R42171	3D2	20	70 - 45	R42574	1H18	20	40 - 33B
R41721	1E17	18	30 - 26	R42171	3D3	4	70 - 46	R42629	2F11	7	60 - 3
R41722	1E17	20	30 - 26	R42172	3D2	22	70 - 45	R42639	3C22	30	70 - 39
R41722	1E17	21	30 - 26	R42172	3D3	6	70 - 46	R42640	3C22	20	70 - 39
R41723	1E17	23	30 - 26	R42173	1C11	3	20 - 22	R42641	3C22	17	70 - 39
R41724	2F13	2	60 - 5	R42174	1C11	6	20 - 22	R42646	3H12	12	90 - 29
R41760	3I17	15	90 - 61	R42175	1C11	6	20 - 22	R42646	3H14	5	90 - 31
R41776	3C16	30	70 - 33	R42260	3B12	40	70 - 9	R42646	3H16	3	90 - 31B
R41777	3C16	31	70 - 33	R42260	3B22	36	70 - 19	R42660	3D16	19	70 - 59
R41778	3H12	10	90 - 29	R42275	3I19	13	90 - 63	R42661	2F13	18	60 - 5
R41778	3H14	12	90 - 31	R42282	3C20	33	70 - 37	R42662	3G1	12	80 - 25
R41781	3H12	3	90 - 29	R42282	3C22	6	70 - 39	R42666	1I8	1	40 - 48
R41781	3H14	6	90 - 31	R42282	3E14	5	70 - 79	R42667	1I8	1	40 - 48
R41781	3H16	4	90 - 31B	R42290	2B11	6	50 - 5	R42684	2G3	23	60 - 20
R41850	2C17	21	50 - 37	R42312	3G24	2	90 - 13	R42689	1I7	1	40 - 47
R41877	2G8	7	60 - 25	R42332	2E9	4	50 - 74B	R42693	1C24	3	20 - 34

1L7

TRACTOR - 4520

NUMERICAL INDEX - CONTINUED

PART NO.	GRID	KEY	PAGE	PART NO.	GRID	KEY	PAGE	PART NO.	GRID	KEY	PAGE
R42693	1C25	16	20 - 35	R42887	2E9	7	50 - 74B	R43038	2D2	11	50 - 47
R42693	1D5	5	20 - 40	R42925	2E10	27	50 - 75	R43043	1D2	28	20 - 37
R42693	1D7	3	20 - 43	R42926	2E10	24	50 - 75	R43046	2C24	12	50 - 44
R42697	2D5	5	50 - 51	R42926	2E17	20	50 - 79D	R43047	2C24	8	50 - 44
R42707	2F12	9	60 - 4	R42926	2E19	1	50 - 81	R43048	2C24	13	50 - 44
R42726	1D11	..	30 - 1	R42926	2E23	5	50 - 85	R43049	2C24	11	50 - 44
R42728	1B7	9	20 - 4	R42927	2E11	28	50 - 76	R43050	2C20	16	50 - 40
R42729	1C15	4	20 - 26	R42927	2F4	37	50 - 91	R43051	2C20	18	50 - 40
R42729	1E5	8	30 - 17	R42929	2E14	3	50 - 79	R43052	2C20	14	50 - 40
R42729	2E11	18	50 - 76	R42930	2E14	5	50 - 79	R43053	2C20	12	50 - 40
R42729	2E13	5	50 - 78	R42931	2E13	9	50 - 78	R43054	2C2	7	50 - 21
R42729	2E14	12	50 - 79	R42932	2E13	11	50 - 78	R43055	2C2	12	50 - 21
R42732	3H14	16	90 - 31	R42953	1D14	2	30 - 4	R43055	2D15	17	50 - 61
R42732	3H21	..	90 - 39	R42968	2E14	11	50 - 79	R43056	2B18	15	50 - 11
R42734	2E14	1	50 - 79	R42969	2E11	25	50 - 76	R43056	2C2	10	50 - 21
R42735	2E11	12	50 - 76	R42973	2E9	6	50 - 74B	R43057	2D14	6	50 - 60
R42762	2E13	2	50 - 78	R42974	2E9	10	50 - 74B	R43058	2D15	7	50 - 61
R42763	2E11	26	50 - 76	R42975	2E9	8	50 - 74B	R43059	2D14	6	50 - 60
R42763	2E15	4	50 - 79A	R42975	2E17	13	50 - 79D	R43060	2C12	16	50 - 32
R42763	2F4	35	50 - 91	R42984	1G18	10	40 - 16	R43060	2D15	4	50 - 61
R42764	2E14	10	50 - 79	R42985	1G18	9	40 - 16	R43071	3I15	5	90 - 59
R42764	2E15	8	50 - 79A	R42986	1G18	11	40 - 16	R43074	3B5	9	70 - 1
R42764	2E17	12	50 - 79D	R42987	1G18	14	40 - 16	R43075	3B5	6	70 - 1
R42764	2F4	38	50 - 91	R42988	1G18	18	40 - 16	R43076	3D2	9	70 - 45
R42765	2E11	20	50 - 76	R42989	2D7	22	50 - 53	R43077	3D2	15	70 - 45
R42766	2E11	20	50 - 76	R43001	2E4	27	50 - 73	R43078	3D2	19	70 - 45
R42771	3G23	5	90 - 12	R43002	2D17	9	50 - 62A	R43079	3D3	15	70 - 46
R42777	1I7	21	40 - 47	R43002	2D19	21	50 - 63	R43080	3D2	4	70 - 45
R42778	1I7	23	40 - 47	R43003	2D17	9	50 - 62A	R43081	3D4	9	70 - 47
R42779	1I7	20	40 - 47	R43003	2D19	21	50 - 63	R43086	3C14	11	70 - 31
R42799	1I23	3	40 - 63	R43009	2C23	12	50 - 43	R43086	3C24	15	70 - 41
R42799	1I25	..	40 - 65	R43011	2C22	1	50 - 42	R43091	3C14	11	70 - 31
R42799	1J1	9	40 - 66	R43012	2C21	4	50 - 41	R43093	1C2	6	20 - 17
R42800	1I21	5	40 - 61	R43013	2C20	3	50 - 40	R43094	2B9	29	50 - 3
R42801	1I21	18	40 - 61	R43014	2E4	25	50 - 73	R43097	2D14	13	50 - 60
R42802	1I21	19	40 - 61	R43015	2E4	23	50 - 73	R43098	2C10	10	50 - 30
R42817	2E11	2	50 - 76	R43016	2E4	31	50 - 73	R43099	2C10	9	50 - 30
R42818	2E10	22	50 - 75	R43017	2B17	5	50 - 10	R43100	1C2	5	20 - 17
R42819	2E10	17	50 - 75	R43018	2B18	10	50 - 11	R43101	2C10	13	50 - 30
R42820	2E10	18	50 - 75	R43019	2B18	20	50 - 11	R43102	2C10	6	50 - 30
R42821	2E9	5	50 - 74B	R43020	2B19	26	50 - 13	R43109	2C12	24	50 - 32
R42822	3G13	1	90 - 3A	R43021	2B19	16	50 - 13	R43110	1C2	5	20 - 17
R42828	2D3	6	50 - 48	R43022	2B19	4	50 - 13	R43111	2D3	6	50 - 48
R42849	2C10	4	50 - 30	R43023	2B18	1	50 - 11	R43112	2D2	24	50 - 47
R42849	2C14	11	50 - 34	R43023	2D3	1	50 - 48	R43113	2D4	8	50 - 49
R42849	2C15	11	50 - 35	R43023	2D17	12	50 - 62A	R43114	1C19	8	20 - 30
R42849	2E21	23	50 - 83	R43023	2D17	13	50 - 62A	R43114	1C19	9	20 - 30
R42849	2F4	16	50 - 91	R43023	2D19	25	50 - 63	R43114	1C19	..	20 - 30
R42849	2F14	20	60 - 6	R43023	2D19	26	50 - 63	R43115	1C19	6	20 - 30
R42849	2G3	26	60 - 20	R43024	2B18	1	50 - 11	R43117	1C19	5	20 - 30
R42849	2G5	4	60 - 22	R43024	2D17	12	50 - 62A	R43117	1C19	8	20 - 30
R42852	1C16	9	20 - 27	R43024	2D19	25	50 - 63	R43117	1C20	5	20 - 31
R42877	2E11	21	50 - 76	R43025	2C13	4	50 - 33	R43117	1C20	21	20 - 31
R42877	2E15	2	50 - 79A	R43027	2C13	10	50 - 33	R43117	1C23	2	20 - 33
R42877	2F4	34	50 - 91	R43028	2C12	2	50 - 32	R43117	1D5	18	20 - 40
R42878	2E10	15	50 - 75	R43028	2C13	18	50 - 33	R43117	1D7	30	20 - 43
R42878	2E17	5	50 - 79D	R43029	2C13	15	50 - 33	R43118	1C19	10	20 - 30
R42879	2E10	23	50 - 75	R43030	2C12	8	50 - 32	R43120	1B7	15	20 - 4
R42879	2E17	6	50 - 79D	R43031	2D3	1	50 - 48	R43121	3H24	27	90 - 43
R42880	2E10	21	50 - 75	R43031	2D17	13	50 - 62A	R43122	3H24	29	90 - 43
R42880	2E17	7	50 - 79D	R43031	2D19	26	50 - 63	R43127	1E12	20	30 - 21
R42881	2E11	5	50 - 76	R43032	2C24	17	50 - 44	R43127	1E14	20	30 - 23
R42882	2E10	16	50 - 75	R43033	2C23	2	50 - 43	R43128	2B17	7	50 - 10
R42883	2E13	12	50 - 78	R43034	2C22	11	50 - 42	R43129	2B17	11	50 - 10
R42884	2E14	4	50 - 79	R43035	2C21	14	50 - 41	R43131	2B18	5	50 - 11
R42885	2E9	3	50 - 74B	R43036	2C20	27	50 - 40	R43133	2B19	21	50 - 13
R42886	2E9	11	50 - 74B	R43037	2D2	15	50 - 47	R43134	2B18	23	50 - 11

1L8

TRACTOR - 4520

NUMERICAL INDEX - CONTINUED

PART NO.	GRID	KEY	PAGE	PART NO.	GRID	KEY	PAGE	PART NO.	GRID	KEY	PAGE
R43135	2B20	3	50 - 14	R43214	2C15	4	50 - 35	R43312	3C13	13	70 - 30
R43136	2B20	5	50 - 14	R43215	2C24	10	50 - 44	R43313	3C13	6	70 - 30
R43137	2B21	7	50 - 15	R43216	2C24	7	50 - 44	R43314	3C13	3	70 - 30
R43138	2B21	3	50 - 15	R43217	2C24	6	50 - 44	R43315	2B15	21	50 - 8
R43139	2C22	12	50 - 42	R43217	2C24	18	50 - 44	R43315	2C18	22	50 - 38
R43140	2C20	24	50 - 40	R43218	2C24	16	50 - 44	R43315	3D5	12	70 - 48
R43141	2D2	22	50 - 47	R43219	2C21	9	50 - 41	R43316	3D5	9	70 - 48
R43143	2D2	10	50 - 47	R43219	2C23	8	50 - 43	R43318	3D5	1	70 - 48
R43144	2D1	18	50 - 46	R43220	2C20	6	50 - 40	R43319	3D10	1	70 - 55
R43145	2C18	12	50 - 38	R43220	2C22	5	50 - 42	R43320	3D10	5	70 - 55
R43146	2B8	9	50 - 2	R43222	1D20	3	30 - 8	R43322	3D2	18	70 - 45
R43150	2D15	10	50 - 61	R43223	2G1	5	60 - 19A	R43323	3D2	24	70 - 45
R43151	2C12	12	50 - 32	R43224	2G1	4	60 - 19A	R43323	3D3	1	70 - 46
R43157	3F7	6	80 - 3	R43225	2G6	26	60 - 23	R43324	3C13	10	70 - 30
R43161	3F7	11	80 - 3	R43226	2G6	27	60 - 23	R43325	3C12	2	70 - 29
R43162	2E8	9	50 - 74A	R43227	2E4	15	50 - 73	R43325	3C24	2	70 - 41
R43162	3F7	15	80 - 3	R43228	2E4	2	50 - 73	R43326	3D5	6	70 - 48
R43163	2C6	13	50 - 26	R43230	2B7	22	50 - 1	R43329	3C18	19	70 - 35
R43164	2C8	11	50 - 28	R43233	2B9	31	50 - 3	R43332	2B8	22	50 - 2
R43165	2C8	18	50 - 28	R43233	2C2	4	50 - 21	R43333	2B8	20	50 - 2
R43166	1E4	9	30 - 16	R43234	2B7	18	50 - 1	R43334	2B9	18	50 - 3
R43167	1E4	5	30 - 16	R43234	2C4	26	50 - 23	R43335	2B8	8	50 - 2
R43170	1D23	5	30 - 11	R43234	2D14	7	50 - 60	R43336	2B7	24	50 - 1
R43170	1E4	10	30 - 16	R43235	2B9	33	50 - 3	R43337	2D19	13	50 - 63
R43170	1E4	16	30 - 16	R43236	2B7	17	50 - 1	R43339	2D19	14	50 - 63
R43172	1E4	12	30 - 16	R43236	2C4	27	50 - 23	R43340	2D19	10	50 - 63
R43179	2C19	5	50 - 39	R43239	1D14	8	30 - 4	R43340	2D19	12	50 - 63
R43180	2C20	7	50 - 40	R43243	1D14	11	30 - 4	R43343	2D19	10	50 - 63
R43180	2C21	10	50 - 41	R43243	1D23	2	30 - 11	R43343	2D19	11	50 - 63
R43180	2C22	6	50 - 42	R43244	2E4	26	50 - 73	R43344	2D17	10	50 - 62A
R43180	2C23	7	50 - 43	R43245	2E4	24	50 - 73	R43344	2D19	22	50 - 63
R43181	2C20	10	50 - 40	R43246	3F17	8	80 - 14	R43345	2D19	27	50 - 63
R43181	2C21	13	50 - 41	R43248	2D2	14	50 - 47	R43346	2B17	10	50 - 10
R43181	2C22	10	50 - 42	R43249	2D11	28	50 - 57	R43347	2B17	10	50 - 10
R43181	2C23	4	50 - 43	R43250	2B24	7	50 - 18	R43348	2B17	10	50 - 10
R43182	2C24	21	50 - 44	R43251	2B24	11	50 - 18	R43349	2B18	9	50 - 11
R43183	2C24	4	50 - 44	R43252	2B24	6	50 - 18	R43350	2B19	22	50 - 13
R43184	2D17	7	50 - 62A	R43253	2B24	14	50 - 18	R43351	2B19	22	50 - 13
R43184	2D19	9	50 - 63	R43254	2B24	1	50 - 18	R43352	2B19	22	50 - 13
R43185	2D17	15	50 - 62A	R43258	3D2	1	70 - 45	R43356	3G2	9	80 - 27
R43185	2D19	19	50 - 63	R43259	3D3	8	70 - 46	R43356	3G3	9	80 - 28
R43186	2D17	2	50 - 62A	R43260	2B16	4	50 - 9	R43360	2B7	14	50 - 1
R43186	2D19	2	50 - 63	R43261	3D2	3	70 - 45	R43361	2D15	12	50 - 61
R43188	2D24	17	50 - 68	R43262	3D2	6	70 - 45	R43362	2D15	6	50 - 61
R43189	2B19	27	50 - 13	R43264	1G9	9	40 - 6	R43363	2D15	15	50 - 61
R43190	2B16	3	50 - 9	R43264	1G10	8	40 - 7	R43364	2D15	18	50 - 61
R43191	2B18	8	50 - 11	R43273	2C12	19	50 - 32	R43365	2D15	13	50 - 61
R43195	3F7	32	80 - 3	R43274	2D2	7	50 - 47	R43366	2D15	24	50 - 61
R43196	3F7	32	80 - 3	R43275	2D2	7	50 - 47	R43367	2C12	1	50 - 32
R43199	3F5	9	80 - 1	R43276	2D2	7	50 - 47	R43367	2C13	17	50 - 33
R43199	3F7	3	80 - 3	R43277	2B8	13	50 - 2	R43368	2D17	8	50 - 62A
R43203	3F7	2	80 - 3	R43286	2F25	13	60 - 18	R43368	2D19	20	50 - 63
R43204	2E8	18	50 - 74A	R43288	2F25	15	60 - 18	R43369	1B12	6	20 - 9
R43204	3F7	30	80 - 3	R43291	3I15	7	90 - 59	R43369	2D17	6	50 - 62A
R43206	2E8	16	50 - 74A	R43294	3I15	5	90 - 59	R43369	2D19	6	50 - 63
R43206	3F7	29	80 - 3	R43298	3D5	3	70 - 48	R43369	3C18	13	70 - 35
R43207	3E16	9	70 - 81	R43299	3D5	8	70 - 48	R43370	2E1	6	50 - 70
R43208	3E16	9	70 - 81	R43304	2C12	5	50 - 32	R43370	2E2	19	50 - 71
R43209	2C12	9	50 - 32	R43304	2C13	7	50 - 33	R43372	2C24	3	50 - 44
R43209	2C13	11	50 - 33	R43304	2C20	21	50 - 40	R43374	2C12	20	50 - 32
R43209	2C20	25	50 - 40	R43305	2C12	21	50 - 32	R43376	2C19	6	50 - 39
R43210	2C12	10	50 - 32	R43306	2D3	7	50 - 48	R43377	2C21	7	50 - 41
R43211	2C10	17	50 - 30	R43307	2D2	25	50 - 47	R43377	2C23	10	50 - 43
R43214	2C6	1	50 - 26	R43310	1B15	22	20 - 13	R43378	2C20	5	50 - 40
R43214	2C10	22	50 - 30	R43310	1B21	1	20 - 13F	R43378	2C21	8	50 - 41
R43214	2C13	1	50 - 33	R43310	1C11	10	20 - 22	R43378	2C22	4	50 - 42
R43214	2C14	4	50 - 34	R43311	3C13	9	70 - 30	R43378	2C23	9	50 - 43

1L9

TRACTOR - 4520

NUMERICAL INDEX - CONTINUED

PART NO.	GRID	KEY	PAGE	PART NO.	GRID	KEY	PAGE	PART NO.	GRID	KEY	PAGE
R43379	2C20	4	50 - 40	R43446	2B9	6	50 - 3	R43558	1C17	8	20 - 28
R43379	2C22	3	50 - 42	R43448	3C12	11	70 - 29	R43558	1C18	19	20 - 29
R43380	2C12	4	50 - 32	R43448	3C24	11	70 - 41	R43558	1D5	29	20 - 40
R43380	2C13	6	50 - 33	R43449	3D5	14	70 - 48	R43558	1D7	20	20 - 43
R43380	2C20	20	50 - 40	R43452	3I9	7	90 - 53	R43559	1C17	18	20 - 28
R43381	2C12	3	50 - 32	R43453	3I9	3	90 - 53	R43560	1C17	20	20 - 28
R43381	2C13	5	50 - 33	R43456	3I9	4	90 - 53	R43560	1C18	13	20 - 29
R43381	2C20	19	50 - 40	R43457	2D22	9	50 - 66	R43562	1C17	7	20 - 28
R43382	2C12	6	50 - 32	R43458	2D22	12	50 - 66	R43563	1C17	5	20 - 28
R43382	2C13	8	50 - 33	R43460	2B20	6	50 - 14	R43563	1C18	22	20 - 29
R43382	2C13	16	50 - 33	R43460	2B21	9	50 - 15	R43563	1D5	21	20 - 40
R43382	2C20	22	50 - 40	R43461	2B21	8	50 - 15	R43563	1D7	21	20 - 43
R43383	2C12	7	50 - 32	R43462	2B22	24	50 - 16	R43564	1C17	4	20 - 28
R43383	2C13	9	50 - 33	R43462	2B22	27	50 - 16	R43568	2E8	15	50 - 74A
R43383	2C20	23	50 - 40	R43462	2B23	24	50 - 17	R43568	3F7	28	80 - 3
R43384	2B9	25	50 - 3	R43462	2B23	27	50 - 17	R43569	2E8	13	50 - 74A
R43385	2B9	22	50 - 3	R43463	2B18	14	50 - 11	R43569	3F7	25	80 - 3
R43386	2B9	21	50 - 3	R43463	2C2	13	50 - 21	R43570	3F7	17	80 - 3
R43387	2B9	15	50 - 3	R43467	2C5	3	50 - 25	R43571	3F7	13	80 - 3
R43388	2B9	10	50 - 3	R43471	2C9	14	50 - 29	R43572	2E8	4	50 - 74A
R43389	2B9	14	50 - 3	R43475	3C10	7	70 - 27	R43572	3F7	10	80 - 3
R43390	3I24	1	90 - 68	R43477	2D15	9	50 - 61	R43575	3G2	7	80 - 27
R43391	2B20	10	50 - 14	R43479	2F5	15	50 - 93	R43575	3G3	7	80 - 28
R43392	2B20	19	50 - 14	R43479	3C4	30	70 - 23	R43575	3G4	3	80 - 29
R43393	2B21	11	50 - 15	R43484	3F25	25	80 - 24	R43580	1D2	10	20 - 37
R43394	2B21	23	50 - 15	R43486	1C24	6	20 - 34	R43581	1D2	25	20 - 37
R43396	3I24	2	90 - 68	R43487	1C24	2	20 - 34	R43582	1D2	30	20 - 37
R43398	3I23	10	90 - 67	R43488	1C24	4	20 - 34	R43583	1D2	19	20 - 37
R43400	2E4	2	50 - 73	R43488	1D5	8	20 - 40	R43593	2B20	9	50 - 14
R43401	2D3	5	50 - 48	R43488	1D7	32	20 - 43	R43594	1B7	5	20 - 4
R43403	3C14	9	70 - 31	R43489	1C24	8	20 - 34	R43594	1B8	2	20 - 5
R43403	3C24	16	70 - 41	R43491	1C24	9	20 - 34	R43595	1B7	6	20 - 4
R43404	3C13	5	70 - 30	R43491	1C25	12	20 - 35	R43595	1B8	3	20 - 5
R43406	3C18	12	70 - 35	R43491	3G24	7	90 - 13	R43595	1D5	17	20 - 40
R43408	3C12	6	70 - 29	R43494	3F22	11	80 - 21	R43595	1D7	18	20 - 43
R43408	3C24	6	70 - 41	R43495	3F22	16	80 - 21	R43599	3F17	10	80 - 14
R43409	2B15	20	50 - 8	R43496	3F22	19	80 - 21	R43601	3C13	14	70 - 30
R43409	2C18	21	50 - 38	R43498	1G16	5	40 - 13	R43603	1H1	3	40 - 24
R43410	1C18	14	20 - 29	R43498	3F22	13	80 - 21	R43603	1H3	3	40 - 25A
R43410	1C19	15	20 - 30	R43502	3F23	14	80 - 22	R43604	1D20	2	30 - 8
R43410	1C20	15	20 - 31	R43502	3F24	10	80 - 23	R43604	1D21	18	30 - 9
R43413	1D5	10	20 - 40	R43503	3F23	10	80 - 22	R43605	1D20	5	30 - 8
R43413	1D23	17	30 - 11	R43503	3F24	15	80 - 23	R43610	1D12	10	30 - 2
R43413	1D25	9	30 - 11B	R43525	1F17	2	30 - 53	R43621	1B15	15	20 - 13
R43416	1D5	11	20 - 40	R43525	1F18	5	30 - 54	R43624	2C8	15	50 - 28
R43416	1D7	8	20 - 43	R43528	1F17	17	30 - 53	R43625	2B9	8	50 - 3
R43416	1D23	24	30 - 11	R43529	2E4	2	50 - 73	R43630	3G1	4	80 - 25
R43416	1D25	21	30 - 11B	R43530	3F10	9	80 - 6	R43631	3G1	1	80 - 25
R43417	1C19	1	20 - 30	R43530	3F10	14	80 - 6	R43632	3G1	5	80 - 25
R43418	2B9	3	50 - 3	R43530	3F10	15	80 - 6	R43634	1B15	21	20 - 13
R43420	2C24	9	50 - 44	R43530	3F10	16	80 - 6	R43635	1B7	2	20 - 4
R43421	1C16	17	20 - 27	R43531	2D14	16	50 - 60	R43639	3E14	21	70 - 79
R43423	1C16	10	20 - 27	R43532	2D14	16	50 - 60	R43641	3C10	11	70 - 27
R43424	1C16	4	20 - 27	R43533	2C10	7	50 - 30	R43642	3C9	6	70 - 26
R43424	1C16	12	20 - 27	R43533	2C14	13	50 - 34	R43643	3C9	2	70 - 26
R43425	1C16	3	20 - 27	R43533	2C15	13	50 - 35	R43646	3C20	42	70 - 37
R43425	1C16	13	20 - 27	R43534	2C10	1	50 - 30	R43647	3C22	4	70 - 39
R43426	1C16	16	20 - 27	R43535	2C8	9	50 - 28	R43648	2F19	31	60 - 11
R43427	1C16	13	20 - 27	R43536	2C4	1	50 - 23	R43648	2F20	10	60 - 12
R43427	1C16	14	20 - 27	R43537	2C9	12	50 - 29	R43659	2D2	13	50 - 47
R43428	1C16	7	20 - 27	R43538	2C9	13	50 - 29	R43660	1C16	20	20 - 27
R43429	1C16	18	20 - 27	R43548	1C16	5	20 - 27	R43661	3G1	2	80 - 25
R43436	1C15	10	20 - 26	R43553	1C17	1	20 - 28	R43663	1C19	2	20 - 30
R43441	1B15	28	20 - 13	R43553	1C18	1	20 - 29	R43663	1C20	2	20 - 31
R43443	2B9	23	50 - 3	R43554	1C17	10	20 - 28	R43666	3I23	10	90 - 67
R43444	2B9	24	50 - 3	R43555	1C17	16	20 - 28	R43671	3H12	19	90 - 29
R43445	2B9	9	50 - 3	R43556	1C17	15	20 - 28	R43676	2F25	17	60 - 18

1L10

TRACTOR - 4520

NUMERICAL INDEX - CONTINUED

PART NO.	GRID	KEY	PAGE	PART NO.	GRID	KEY	PAGE	PART NO.	GRID	KEY	PAGE
R43677	1B12	3	20 - 9	R43780	1D5	23	20 - 40	R43887	3H12	21	90 - 29
R43677	1B12	7	20 - 9	R43780	1D7	26	20 - 43	R43887	3H14	20	90 - 31
R43679	1B11	20	20 - 8	R43780	1D23	19	30 - 11	R43899	3I11	10	90 - 55
R43680	1B7	15	20 - 4	R43780	1D25	7	30 - 11B	R43900	3I11	16	90 - 55
R43681	1B7	15	20 - 4	R43780	1D25	17	30 - 11B	R43904	1C19	4	20 - 30
R43681	1B8	13	20 - 5	R43781	1D7	27	20 - 43	R43904	1C19	6	20 - 30
R43682	1B7	15	20 - 4	R43781	1D23	14	30 - 11	R43904	1C20	6	20 - 31
R43683	1B7	15	20 - 4	R43782	3F17	7	80 - 14	R43904	1C23	3	20 - 33
R43683	1B8	13	20 - 5	R43783	3C5	3	70 - 23A	R43905	2C12	16	50 - 32
R43684	2B8	2	50 - 2	R43787	1B11	20	20 - 8	R43905	2D15	1	50 - 61
R43684	2C5	4	50 - 25	R43788	1B11	20	20 - 8	R43905	2D15	4	50 - 61
R43685	2F25	4	60 - 18	R43789	1B11	20	20 - 8	R43906	2B21	4	50 - 15
R43686	2F25	2	60 - 18	R43798	1C17	19	20 - 28	R43907	2B21	5	50 - 15
R43687	2F25	12	60 - 18	R43799	1E1	23	30 - 12	R43910	3I11	9	90 - 55
R43689	2F25	7	60 - 18	R43801	1E1	8	30 - 12	R43911	3I11	15	90 - 55
R43696	2E8	14	50 - 74A	R43801	1E2	9	30 - 13	R43913	1B7	15	20 - 4
R43696	3F7	26	80 - 3	R43801	1E3	5	30 - 15	R43913	1B8	13	20 - 5
R43698	1D12	8	30 - 2	R43803	1E1	12	30 - 12	R43914	1B7	15	20 - 4
R43702	1D12	5	30 - 2	R43803	1E2	21	30 - 13	R43914	1B11	19	20 - 8
R43703	1D12	7	30 - 2	R43803	1E3	8	30 - 15	R43915	3I12	14	90 - 56
R43706	3D3	14	70 - 46	R43804	1E1	17	30 - 12	R43916	3I12	14	90 - 56
R43707	2F24	5	60 - 17	R43804	1E2	20	30 - 13	R43917	3I12	16	90 - 56
R43708	2F24	3	60 - 17	R43804	1E3	11	30 - 15	R43920	1B7	15	20 - 4
R43714	2F19	26	60 - 11	R43805	1E1	13	30 - 12	R43921	3C18	10	70 - 35
R43721	2F13	10	60 - 5	R43805	1E2	12	30 - 13	R43922	3C18	19	70 - 35
R43721	2F13	23	60 - 5	R43805	1E3	9	30 - 15	R43926	3C20	31	70 - 37
R43721	2F13	24	60 - 5	R43806	1E1	7	30 - 12	R43926	3C20	42	70 - 37
R43721	2F14	10	60 - 6	R43806	1E2	8	30 - 13	R43927	3C20	42	70 - 37
R43722	2C12	17	50 - 32	R43806	1E3	4	30 - 15	R43927	3E14	19	70 - 79
R43722	2D15	1	50 - 61	R43807	1E1	18	30 - 12	R43928	1D23	11	30 - 11
R43724	1E4	11	30 - 16	R43808	1E1	10	30 - 12	R43928	1D23	12	30 - 11
R43725	2D1	10	50 - 46	R43808	1E2	10	30 - 13	R43928	1D25	10	30 - 11B
R43726	3I15	14	90 - 59	R43808	1E3	6	30 - 15	R43931	2B15	21	50 - 8
R43736	3C10	11	70 - 27	R43809	1E1	1	30 - 12	R43931	2C18	22	50 - 38
R43738	2C10	20	50 - 30	R43811	1E1	3	30 - 12	R43932	2B15	21	50 - 8
R43738	2C14	7	50 - 34	R43812	1E1	6	30 - 12	R43932	2C18	22	50 - 38
R43738	2C15	7	50 - 35	R43813	1E1	5	30 - 12	R43944	2B9	25	50 - 3
R43740	1G20	5	40 - 18	R43814	1E1	2	30 - 12	R43946	2D2	11	50 - 47
R43742	1B12	1	20 - 9	R43815	1E1	21	30 - 12	R43947	2D2	15	50 - 47
R43743	3F10	13	80 - 6	R43815	1E2	15	30 - 13	R43956	3F7	11	80 - 3
R43744	3F10	13	80 - 6	R43816	1E1	11	30 - 12	R43962	2F13	10	60 - 5
R43746	2D2	5	50 - 47	R43816	1E2	11	30 - 13	R43962	2F13	23	60 - 5
R43749	1D12	6	30 - 2	R43816	1E3	7	30 - 15	R43962	2F13	24	60 - 5
R43750	2F25	8	60 - 18	R43817	1E1	4	30 - 12	R43962	2F13	25	60 - 5
R43751	1D5	28	20 - 40	R43817	1E2	2	30 - 13	R43962	2F14	10	60 - 6
R43751	1D7	16	20 - 43	R43817	1E3	1	30 - 15	R43986	1E1	15	30 - 12
R43751	1D23	8	30 - 11	R43818	1E1	9	30 - 12	R43986	1E2	23	30 - 13
R43751	1D25	22	30 - 11B	R43819	1E1	20	30 - 12	R44008	1H1	22	40 - 24
R43752	2C10	2	50 - 30	R43819	1E2	14	30 - 13	R44013	2E14	9	50 - 79
R43752	2C14	10	50 - 34	R43821	1E1	22	30 - 12	R44016	1G18	22	40 - 16
R43752	2C15	10	50 - 35	R43821	1E2	16	30 - 13	R44017	1G18	24	40 - 16
R43755	3C10	3	70 - 27	R43826	3H12	18	90 - 29	R44025	1G18	6	40 - 16
R43758	1D14	2	30 - 4	R43828	1H1	8	40 - 24	R44030	2D7	22	50 - 53
R43761	2F19	16	60 - 11	R43828	1H4	28	40 - 25B	R44094	1G18	4	40 - 16
R43761	2F20	25	60 - 12	R43851	1B13	6	20 - 11	R44094	1G19	13	40 - 17
R43763	2B9	2	50 - 3	R43852	3I12	12	90 - 56	R44096	1G18	2	40 - 16
R43764	3D5	7	70 - 48	R43853	3I11	20	90 - 55	R44096	1G19	2	40 - 17
R43766	2D2	4	50 - 47	R43855	3I11	3	90 - 55	R44097	1G18	3	40 - 16
R43768	3C18	10	70 - 35	R43856	3I11	3	90 - 55	R44097	1G19	3	40 - 17
R43769	3C18	15	70 - 35	R43857	3I11	21	90 - 55	R44101	1E17	9	30 - 26
R43771	3C18	16	70 - 35	R43858	3I11	21	90 - 55	R44104	2B8	25	50 - 2
R43774	1C16	8	20 - 27	R43859	3I6	..	90 - 50	R44110	2C23	14	50 - 43
R43774	1D5	20	20 - 40	R43866	2B9	12	50 - 3	R44164	2C5	20	50 - 25
R43774	1D7	19	20 - 43	R43877	3I6	..	90 - 50	R44164	2C16	1	50 - 36
R43776	1B9	1	20 - 6	R43883	1B11	19	20 - 8	R44165	1G14	9	40 - 11
R43778	1B9	3	20 - 6	R43886	2B22	27	50 - 16	R44198	1I14	23	40 - 54
R43779	1B9	2	20 - 6	R43886	2B23	27	50 - 17	R44204	2B13	8	50 - 7

1L11

TRACTOR - 4520

NUMERICAL INDEX - CONTINUED

PART NO.	GRID	KEY	PAGE	PART NO.	GRID	KEY	PAGE	PART NO.	GRID	KEY	PAGE
R44214	1B7	10	20 - 4	R44412	2E12	8	50 - 77	R44470	3G20	16	90 - 9
R44215	1B7	11	20 - 4	R44414	2E12	5	50 - 77	R44471	3G20	17	90 - 9
R44216	1B7	11	20 - 4	R44415	2E12	1	50 - 77	R44472	3G21	2	90 - 10
R44252	2G8	10	60 - 25	R44416	2E12	7	50 - 77	R44473	3G22	8	90 - 11
R44253	2G11	14	60 - 26	R44417	2E12	3	50 - 77	R44474	3G20	14	90 - 9
R44254	2F13	23	60 - 5	R44418	1D15	1	30 - 5	R44475	3G20	20	90 - 9
R44254	2G3	12	60 - 20	R44431	3I1	13	90 - 45	R44476	3G20	1	90 - 9
R44254	2G8	20	60 - 25	R44432	3I1	14	90 - 45	R44477	3H18	3	90 - 35
R44254	2G8	39	60 - 25	R44433	3I5	10	90 - 49	R44478	3G21	6	90 - 10
R44254	2G10	17	60 - 25B	R44434	3I1	20	90 - 45	R44479	1G14	1	40 - 11
R44255	2F13	25	60 - 5	R44435	3I5	13	90 - 49	R44481	1G14	15	40 - 11
R44255	2G3	10	60 - 20	R44436	3I1	19	90 - 45	R44482	1G14	7	40 - 11
R44255	2G8	41	60 - 25	R44437	3I5	2	90 - 49	R44483	3G20	11	90 - 9
R44256	2F13	24	60 - 5	R44437	3I5	5	90 - 49	R44484	3G20	5	90 - 9
R44256	2G3	11	60 - 20	R44437	3I5	8	90 - 49	R44485	3G20	4	90 - 9
R44256	2G8	19	60 - 25	R44437	3I5	11	90 - 49	R44486	3G20	2	90 - 9
R44256	2G8	40	60 - 25	R44437	3I5	14	90 - 49	R44487	3G22	7	90 - 11
R44256	2G10	16	60 - 25B	R44437	3I5	17	90 - 49	R44488	3G23	10	90 - 12
R44286	3E20	23	70 - 85	R44437	3I5	20	90 - 49	R44489	3G22	4	90 - 11
R44286	3E24	13	70 - 89	R44438	3I5	1	90 - 49	R44495	3H7	2	90 - 24
R44287	3E20	33	70 - 85	R44438	3I5	4	90 - 49	R44512	3G25	4	90 - 15
R44287	3E24	22	70 - 89	R44438	3I5	9	90 - 49	R44512	3H5	9	90 - 21
R44297	3E20	11	70 - 85	R44438	3I5	12	90 - 49	R44516	3H8	7	90 - 25
R44297	3E22	14	70 - 87	R44438	3I5	15	90 - 49	R44577	3G17	13	90 - 6
R44298	3C16	36	70 - 33	R44438	3I5	16	90 - 49	R44582	3H12	17	90 - 29
R44299	3C16	37	70 - 33	R44438	3I5	19	90 - 49	R44582	3H14	9	90 - 31
R44300	3C20	4	70 - 37	R44439	3I5	3	90 - 49	R44582	3H16	7	90 - 31B
R44302	1C22	4	20 - 32A	R44441	3I5	6	90 - 49	R44584	3H12	16	90 - 29
R44302	1D13	..	30 - 3	R44442	3I5	21	90 - 49	R44585	3I13	2	90 - 57
R44302	1E8	2	30 - 19A	R44443	3I5	18	90 - 49	R44585	3I13	4	90 - 57
R44302	1E9	2	30 - 19B	R44444	3H25	7	90 - 44	R44605	1G16	6	40 - 13
R44302	1E10	12	30 - 19C	R44444	3I1	16	90 - 45	R44619	3H12	14	90 - 29
R44302	1G6	..	40 - 3	R44445	3H25	9	90 - 44	R44619	3H14	8	90 - 31
R44302	1G8	..	40 - 5	R44445	3I2	8	90 - 46	R44619	3H16	6	90 - 31B
R44302	1G9	4	40 - 6	R44445	3I3	14	90 - 47	R44621	3H12	14	90 - 29
R44302	1G13	1	40 - 10	R44446	3H25	8	90 - 44	R44621	3H14	8	90 - 31
R44302	1G15	..	40 - 12	R44446	3I2	7	90 - 46	R44621	3H16	6	90 - 31B
R44302	1G16	..	40 - 13	R44446	3I3	15	90 - 47	R44644	1C22	12	20 - 32A
R44302	1G19	..	40 - 17	R44447	3I12	1	90 - 56	R44686	1E21	1	30 - 30
R44302	1H8	2	40 - 28A	R44447	3I12	5	90 - 56	R44686	1F2	1	30 - 36
R44302	1H9	6	40 - 28B	R44448	3I3	3	90 - 47	R44686	1F6	25	30 - 41
R44302	1H20	7	40 - 35	R44449	3I5	7	90 - 49	R44695	3E14	13	70 - 79
R44302	1J7	12	40 - 73	R44451	3G17	14	90 - 6	R44710	3G6	9	80 - 31
R44302	1J10	6	40 - 76	R44452	3G17	6	90 - 6	R44743	3B10	33	70 - 7
R44302	1J13	20	40 - 79	R44452	3H2	3	90 - 17	R44744	3B10	30A	70 - 7
R44310	3D24	17	70 - 65	R44452	3H6	6	90 - 22	R44745	3B10	1	70 - 7
R44313	3C22	36	70 - 39	R44453	3G17	7	90 - 6	R44778	2E17	11	50 - 79D
R44314	3C22	37	70 - 39	R44454	3G17	15	90 - 6	R44778	2F2	16	50 - 89
R44315	3G6	2	80 - 31	R44454	3H2	8	90 - 17	R44801	3B10	18	70 - 7
R44315	3I15	5	90 - 59	R44455	3G17	2	90 - 6	R44801	3B10	19	70 - 7
R44331	1E17	10	30 - 26	R44456	3G17	3	90 - 6	R44801	3B10	20	70 - 7
R44342	1I17	8	40 - 57	R44456	3H9	9	90 - 26	R44802	3B12	31	70 - 9
R44350	3F18	11	80 - 15	R44457	3G18	3	90 - 7	R44820	3C14	11	70 - 31
R44373	1D5	4	20 - 40	R44458	1G12	2	40 - 9	R44823	3B8	10	70 - 5
R44373	1D7	6	20 - 43	R44458	3G18	2	90 - 7	R44823	3B10	14	70 - 7
R44373	1E4	17	30 - 16	R44458	3H5	10	90 - 21	R44824	3B10	5	70 - 7
R44374	1D5	3	20 - 40	R44459	3G18	11	90 - 7	R44840	3D21	10	70 - 62
R44374	1D7	4	20 - 43	R44460	1J3	17	40 - 68	R44845	2F12	9	60 - 4
R44374	1E4	16	30 - 16	R44461	1J3	8	40 - 68	R44846	2F11	16	60 - 3
R44378	1C7	9	20 - 19B	R44462	1J3	12	40 - 68	R44848	3D19	4	70 - 60
R44378	1C8	9	20 - 19C	R44463	1J3	9	40 - 68	R44848	3D19	6	70 - 60
R44378	1C11	11	20 - 22	R44464	1J3	6	40 - 68	R44853	1B13	1	20 - 11
R44406	2E12	2	50 - 77	R44465	1J3	5	40 - 68	R44853	1D5	16	20 - 40
R44407	2E12	12	50 - 77	R44466	1J3	1	40 - 68	R44853	1D7	15	20 - 43
R44408	2E12	11	50 - 77	R44467	1J3	7	40 - 68	R44890	3F18	9	80 - 15
R44409	2E12	6	50 - 77	R44468	3G20	18	90 - 9	R44904	2B8	2	50 - 2
R44411	2E12	10	50 - 77	R44469	3G20	19	90 - 9	R44909	1I15	3	40 - 55

1L12

TRACTOR - 4520

NUMERICAL INDEX - CONTINUED

PART NO.	GRID	KEY	PAGE	PART NO.	GRID	KEY	PAGE	PART NO.	GRID	KEY	PAGE
R44909	1115	4	40-55	R45211	3H8	10	90-25	R45693	1B8	17	20-5
R44918	3D4	16	70-47	R45211	3H10	6	90-27	R45694	2D22	6	50-66
R44925	1C11	11	20-22	R45211	3H18	6	90-35	R45792	2F11	1	60-3
R44926	1C4	2	20-18	R45212	2C24	15	50-44	R45811	2F13	10	60-5
R44926	1C5	9	20-19	R45215	3D21	19	70-62	R45811	2F13	23	60-5
R44926	1C11	11	20-22	R45225	2B19	9	50-13	R45811	2F13	24	60-5
R44927	1C11	11	20-22	R45227	3B8	14	70-5	R45811	2F13	25	60-5
R44928	1C11	11	20-22	R45227	3B8	15	70-5	R45811	2F14	10	60-6
R44951	3G6	3	80-31	R45227	3B8	16	70-5	R45822	3B5	4	70-1
R44951	3I20	11	90-64	R45228	3B8	14	70-5	R45822	3I11	4	90-55
R44952	3G6	3	80-31	R45228	3B8	15	70-5	R45832	2D9	8	50-55
R44952	3I20	11	90-64	R45228	3B8	16	70-5	R45832	2D9	23	50-55
R44961	2E4	14	50-73	R45231	1G6	..	40-3	R45847	1C22	4	20-32A
R44961	2G1	1	60-19A	R45231	1G8	..	40-5	R45847	1C22	5	20-32A
R44961	2G2	1	60-19B	R45250	2E19	10	50-81	R45847	3G23	2	90-12
R44979	2E9	9	50-74B	R45251	2E19	11	50-81	R45847	3G23	3	90-12
R44979	2E17	14	50-79D	R45269	2C21	3	50-41	R45847	3G23	4	90-12
R44984	3I2	12	90-46	R45271	2C24	23	50-44	R45847	3G23	7	90-12
R44984	3I3	19	90-47	R45298	2F12	8	60-4	R45847	3G24	4	90-13
R45003	1B11	19	20-8	R45356	2E10	3	50-75	R45847	3G24	8	90-13
R45004	1B11	19	20-8	R45357	2E10	1	50-75	R45847	3H7	1	90-24
R45005	1B11	19	20-8	R45358	2E10	4	50-75	R45847	3H7	5	90-24
R45015	3I2	14	90-46	R45359	2E10	5	50-75	R45847	3H7	15	90-24
R45015	3I2	15	90-46	R45361	1117	7	40-57	R45847	3H7	18	90-24
R45015	3I3	16	90-47	R45377	1H1	16	40-24	R45847	3H7	19	90-24
R45015	3I3	17	90-47	R45377	1H2	17	40-25	R45874	3B8	28	70-5
R45015	3I12	3	90-56	R45377	1H3	16	40-25A	R45893	3F24	13	80-23
R45015	3I12	8	90-56	R45395	3I19	..	90-63	R45895	3F24	6	80-23
R45015	3I12	10	90-56	R45396	3I19	..	90-63	R45896	3F24	7	80-23
R45016	3D24	10	70-65	R45397	3I19	..	90-63	R459R	1E17	12	30-26
R45039	1E21	13	30-30	R45405	3I20	11	90-64	R459R	2C20	2	50-40
R45044	1F1	28	30-35	R45422	3B10	34	70-7	R459R	2C21	5	50-41
R45045	1E20	32	30-29	R45422	3B18	26	70-15	R459R	2C22	2	50-42
R45106	3D22	22	70-63	R45422	3B20	26	70-17	R459R	2D24	8	50-68
R45133	1C15	1	20-26	R45423	3B10	28	70-7	R459R	2F13	4	60-5
R45133	1C15	3	20-26	R45424	3B10	29A	70-7	R459R	2G3	2	60-20
R45133	1C15	..	20-26	R45425	3B10	31	70-7	R459R	3E20	14	70-85
R45136	1119	16	40-59	R45425	3B18	22A	70-15	R459R	3E23	6	70-88
R45136	1123	17	40-63	R45425	3B20	22A	70-17	R459R	3E24	3	70-89
R45137	1119	17	40-59	R45438	3B8	1	70-5	R45924	3C16	19	70-33
R45137	1123	18	40-63	R45438	3B18	1	70-15	R45924	3C25	8	70-43
R45176	2E21	11	50-83	R45447	3D20	3	70-61	R45925	3C16	18	70-33
R45177	2E21	15	50-83	R45543	1E21	16	30-30	R45925	3C25	7	70-43
R45179	2E21	7	50-83	R45543	1F2	17	30-36	R45926	2G6	15	60-23
R45181	2E21	16	50-83	R45569	2E11	10	50-76	R45929	2G6	11	60-23
R45182	2E21	13	50-83	R45573	2C17	23	50-37	R45929	2G6	15	60-23
R45183	2E21	10	50-83	R45582	2B13	11	50-7	R45936	117	27	40-47
R45184	2E21	12	50-83	R45582	2B14	3	50-7A	R45937	117	28	40-47
R45186	2E19	2	50-81	R45592	1E23	11	30-32	R45957	3G6	1	80-31
R45186	2E23	6	50-85	R45592	1F4	15	30-38	R45968	1B15	29	20-13
R45187	2E19	3	50-81	R45620	3E20	8	70-85	R45968	1D5	19	20-40
R45187	2E23	7	50-85	R45620	3E22	17	70-87	R45968	1D7	14	20-43
R45189	3D21	17	70-62	R45620	3E23	11	70-88	R45975	3C16	14	70-33
R45192	1B7	10	20-4	R45630	3E5	5	70-71	R45975	3C16	17	70-33
R45192	1B8	7	20-5	R45630	3E12	5	70-77	R45975	3C16	18	70-33
R45193	1B7	11	20-4	R45638	2E19	4	50-81	R45975	3C16	19	70-33
R45193	1B8	8	20-5	R45638	2E23	8	50-85	R45975	3C25	4	70-43
R45194	1B7	11	20-4	R45638	2F4	6	50-91	R45975	3C25	6	70-43
R45194	1B8	8	20-5	R45651	2D9	11	50-55	R45975	3C25	7	70-43
R45195	1B8	6	20-5	R45669	3D22	5	70-63	R45975	3C25	8	70-43
R45196	1115	5	40-55	R45670	3D22	7	70-63	R45975	3C25	9	70-43
R45205	2C10	5	50-30	R45692	1B7	17	20-4	R45975	3C25	10	70-43
R45211	1G6	..	40-3	R45692	1B8	14	20-5	R45980	1B15	22	20-13
R45211	1G8	..	40-5	R45692	1D12	8	30-2	R45980	1B19	1	20-13D
R45211	1G11	12	40-8	R45692	1D12	10	30-2	R45980	1B21	1	20-13F
R45211	1G11	17	40-8	R45692	1D12	15	30-2	R45980	1C11	10	20-22
R45211	1114	24	40-54	R45693	1B7	19	20-4	R45981	3G13	12	90-3A

1L13

TRACTOR - 4520

NUMERICAL INDEX - CONTINUED

PART NO.	GRID	KEY	PAGE	PART NO.	GRID	KEY	PAGE	PART NO.	GRID	KEY	PAGE
R46001	3D9	37	70 - 53	R46520	1114	9	40 - 54	R46844	1E25	23	30 - 34
R46001	3D9	38	70 - 53	R46521	1D2	6	20 - 37	R46844	1F4	10	30 - 38
R46002	3D9	37	70 - 53	R46521	1D2	30	20 - 37	R46848	2E8	5	50 - 74A
R46002	3D9	38	70 - 53	R46522	1D2	28	20 - 37	R46855	2D25	18	50 - 69
R46004	2D19	15	50 - 63	R46527	3E14	3	70 - 79	R46856	2D25	15	50 - 69
R46066	2F20	18	60 - 12	R46528	3E14	1	70 - 79	R46856	2E2	15	50 - 71
R46067	2F20	17	60 - 12	R46528	3E14	3	70 - 79	R46860	2B8	9	50 - 2
R46092	1117	3	40 - 57	R46529	3E14	3	70 - 79	R46862	2D25	3	50 - 69
R46098	3G13	7	90 - 3A	R46532	1C18	11	20 - 29	R46863	2D25	1	50 - 69
R46099	3G13	3	90 - 3A	R46538	3F24	6	80 - 23	R46865	2D23	8	50 - 67
R46158	1B15	22	20 - 13	R46561	1C20	21	20 - 31	R46866	2D23	14	50 - 67
R46158	1C12	10	20 - 23	R46561	1C20	22	20 - 31	R46868	2D22	12	50 - 66
R46158	1C12	11	20 - 23	R46562	1C19	8	20 - 30	R46868	2D23	7	50 - 67
R46158	1D5	13	20 - 40	R46562	1C19	10	20 - 30	R46873	2D23	2	50 - 67
R46159	1H2	1	40 - 25	R46562	1C20	12	20 - 31	R46877	2D25	20	50 - 69
R46205	2B20	7	50 - 14	R46567	1C15	11	20 - 26	R46882	3I6	..	90 - 50
R46205	2B21	10	50 - 15	R46567	2B8	16	50 - 2	R46898	2E7	4	50 - 74
R46206	1B11	19	20 - 8	R46568	1E17	20	30 - 26	R46899	2E7	1	50 - 74
R46207	1B11	19	20 - 8	R46568	1E17	21	30 - 26	R46901	2D24	6	50 - 68
R46208	1B11	19	20 - 8	R46572	1C2	14	20 - 17	R46901	2D25	4	50 - 69
R46209	1B7	15	20 - 4	R46573	1C2	18	20 - 17	R46902	2D23	9	50 - 67
R46209	1B8	13	20 - 5	R46574	1H3	21	40 - 25A	R46903	1B12	4	20 - 9
R46313	2B10	27	50 - 4	R46575	1E4	7	30 - 16	R46903	1B15	20	20 - 13
R46328	2E6	8	50 - 73B	R46576	1E4	6	30 - 16	R46917	2F2	27	50 - 89
R46337	1C15	3	20 - 26	R46636	2D17	7	50 - 62A	R46918	2F2	27	50 - 89
R46337	1C15	..	20 - 26	R46647	1F17	17	30 - 53	R46919	2F2	25	50 - 89
R46345	3B5	3	70 - 1	R46663	3H4	..	90 - 20	R46937	1D14	9	30 - 4
R46373	2C4	8	50 - 23	R46669	1E25	22	30 - 34	R46952	1D15	6	30 - 5
R46414	1D13	2	30 - 3	R46669	1F4	11	30 - 38	R46952	1D25	2	30 - 11B
R46414	1H9	8	40 - 28B	R46673	2G2	6	60 - 19B	R46960	2C18	11	50 - 38
R46414	1H20	12	40 - 35	R46674	2B15	8	50 - 8	R46962	2F2	10	50 - 89
R46416	2C20	10	50 - 40	R46674	2C18	11	50 - 38	R46963	2E8	11	50 - 74A
R46416	2C21	13	50 - 41	R46674	2G2	5	60 - 19B	R46971	1D15	15	30 - 5
R46416	2C22	10	50 - 42	R46675	1E24	8	30 - 33	R46983	1C13	7	20 - 24
R46416	2C23	4	50 - 43	R46680	2B15	8	50 - 8	R46984	1C13	5	20 - 24
R46417	2C20	7	50 - 40	R46701	2E19	5	50 - 81	R46984	1D7	29	20 - 43
R46417	2C21	10	50 - 41	R46702	2E19	9	50 - 81	R46986	2G11	7	60 - 26
R46417	2C22	6	50 - 42	R46702	2E23	10	50 - 85	R46987	2G8	7	60 - 25
R46417	2C23	7	50 - 43	R46708	2E14	2	50 - 79	R46987	2G10	3	60 - 25B
R46418	2C12	9	50 - 32	R46709	2E14	7	50 - 79	R46987	2G10	7	60 - 25B
R46418	2C12	11	50 - 32	R46722	3D24	1	70 - 65	R46988	2G11	4	60 - 26
R46418	2C13	11	50 - 33	R46722	3D24	2A	70 - 65	R46999	1B12	12	20 - 9
R46418	2C13	12	50 - 33	R46722	3D25	1	70 - 66	R47011	1B12	14	20 - 9
R46418	2C20	25	50 - 40	R46722	3E1	1	70 - 67	R47012	1B12	13	20 - 9
R46419	2C12	10	50 - 32	R46731	1H2	5	40 - 25	R47013	1B12	14	20 - 9
R46424	1C16	17	20 - 27	R46732	2B13	14	50 - 7	R47013	1F9	15	30 - 44
R46424	1C16	21	20 - 27	R46742	2E8	17	50 - 74A	R47016	3D21	3	70 - 62
R46426	2C17	31	50 - 37	R46743	2E8	17	50 - 74A	R47018	3D21	7	70 - 62
R46429	3B5	9	70 - 1	R46744	2E8	7	50 - 74A	R47020	1B15	22	20 - 13
R46431	2G8	36	60 - 25	R46778	2B8	1	50 - 2	R47020	1B19	1	20 - 13D
R46433	3I3	24	90 - 47	R46780	3F17	5	80 - 14	R47020	1B21	1	20 - 13F
R46443	3C18	2	70 - 35	R46781	3F25	25	80 - 24	R47020	1C11	10	20 - 22
R46449	2C10	17	50 - 30	R46782	3F5	7	80 - 1	R47044	3D12	4	70 - 57
R46449	2C11	1	50 - 31	R46802	2B15	21	50 - 8	R47044	3D16	4	70 - 59
R46450	2C10	13	50 - 30	R46802	2C18	22	50 - 38	R47044	3D19	23	70 - 60
R46450	2C10	17	50 - 30	R46806	2E4	28	50 - 73	R47047	1C13	13	20 - 24
R46451	2C10	13	50 - 30	R46808	2C6	13	50 - 26	R47047	1D7	28	20 - 43
R46451	2C10	14	50 - 30	R46810	1G19	8	40 - 17	R47050	3D9	6	70 - 53
R46451	2C10	17	50 - 30	R46815	2C16	14	50 - 36	R47050	3D9	30	70 - 53
R46453	1D2	6	20 - 37	R46815	2C17	13	50 - 37	R47050	3D9	31	70 - 53
R46453	1D2	25	20 - 37	R46816	2C16	12	50 - 36	R47050	3D9	36	70 - 53
R46477	1C25	7	20 - 35	R46816	2C17	11	50 - 37	R47051	3D9	6	70 - 53
R46478	1C25	10	20 - 35	R46817	2D5	1	50 - 51	R47051	3D9	30	70 - 53
R46479	1C25	8	20 - 35	R46818	2D5	3	50 - 51	R47051	3D9	31	70 - 53
R46479	1D7	5	20 - 43	R46821	2D25	5	50 - 69	R47051	3D9	36	70 - 53
R46480	1C25	14	20 - 35	R46825	1C22	..	20 - 32A	R47065	1D12	1	30 - 2
R46505	1119	5	40 - 59	R46827	2G11	26	60 - 26	R47065	1D15	11	30 - 5

1L14

TRACTOR - 4520

NUMERICAL INDEX - CONTINUED

PART NO.	GRID	KEY	PAGE	PART NO.	GRID	KEY	PAGE	PART NO.	GRID	KEY	PAGE
R47067	3D4	4	70 - 47	R47203	2B22	15	50 - 16	R47460	1H5	14	40 - 26
R47074	1C12	1	20 - 23	R47222	3I9	3	90 - 53	R47460	1H6	7	40 - 27
R47074	1C13	1	20 - 24	R47224	3G12	13	90 - 3	R47461	1H5	27	40 - 26
R47074	1C14	1	20 - 25	R47224	3G14	3	90 - 3B	R47461	1H6	22	40 - 27
R47077	1F8	12	30 - 43	R47226	3G12	21	90 - 3	R47468	3H5	7	90 - 21
R47077	1F10	3	30 - 45	R47226	3G14	8	90 - 3B	R47468	3H7	23	90 - 24
R47077	1F11	3	30 - 46	R47227	3G12	19	90 - 3	R47469	3H4	17	90 - 20
R47077	1F13	11	30 - 49	R47227	3G14	16	90 - 3B	R47470	3H4	2	90 - 20
R47085	2G8	7	60 - 25	R47228	3G12	18	90 - 3	R47471	3H3	1	90 - 19
R47085	2G8	10	60 - 25	R47228	3G14	6	90 - 3B	R47472	3H3	1	90 - 19
R47085	2G10	10	60 - 25B	R47229	3G12	23	90 - 3	R47473	3H10	2	90 - 27
R47085	2G11	10	60 - 26	R47229	3G14	18	90 - 3B	R47474	1G12	2	40 - 9
R47086	2G8	7	60 - 25	R47230	3G12	26	90 - 3	R47474	1I19	17	40 - 59
R47086	2G8	11	60 - 25	R47230	3G14	9	90 - 3B	R47474	1I23	18	40 - 63
R47086	2G10	11	60 - 25B	R47231	3G12	27	90 - 3	R47475	3H8	6	90 - 25
R47086	2G11	11	60 - 26	R47231	3G14	10	90 - 3B	R47475	3G25	13	90 - 15
R47087	2G8	7	60 - 25	R47232	3G12	28	90 - 3	R47476	3H7	20	90 - 24
R47087	2G8	9	60 - 25	R47232	3G14	11	90 - 3B	R47477	3G25	10	90 - 15
R47087	2G10	9	60 - 25B	R47233	3G12	10	90 - 3	R47478	3G25	16	90 - 15
R47087	2G11	9	60 - 26	R47233	3G13	16	90 - 3A	R47509	2C16	26	50 - 36
R47091	1C18	6	20 - 29	R47234	3G12	9	90 - 3	R47515	2F23	2	60 - 16
R47092	1B15	1	20 - 13	R47234	3G13	15	90 - 3A	R47517	3H9	16	90 - 26
R47095	3D21	14	70 - 62	R47235	3G12	5	90 - 3	R47518	3H9	6	90 - 26
R47102	1C17	3	20 - 28	R47235	3G13	21	90 - 3A	R47524	3D4	4	70 - 47
R47102	1C17	6	20 - 28	R47292	3H14	4	90 - 31	R47590	3D9	22	70 - 53
R47102	1C18	10	20 - 29	R47300	3C22	16	70 - 39	R47605	2G8	24	60 - 25
R47102	1C25	4	20 - 35	R47300	3C22	22	70 - 39	R47605	2G10	21	60 - 25B
R47102	1D7	25	20 - 43	R47301	3C20	23	70 - 37	R47606	2G8	23	60 - 25
R47102	1D21	8	30 - 9	R47301	3C22	27	70 - 39	R47606	2G10	20	60 - 25B
R47104	1C13	10	20 - 24	R47302	3H7	16	90 - 24	R47607	2G8	26	60 - 25
R47105	1C13	6	20 - 24	R47303	3H7	4	90 - 24	R47607	2G10	23	60 - 25B
R47106	2B8	1	50 - 2	R47304	3H9	7	90 - 26	R47646	1F18	19	30 - 54
R47110	1B15	22	20 - 13	R47305	3H8	10	90 - 25	R47666	2B7	24	50 - 1
R47110	1C11	10	20 - 22	R47306	3H8	9	90 - 25	R47678	3D9	25	70 - 53
R47111	2B7	24	50 - 1	R47309	3E14	3	70 - 79	R47679	3D9	24	70 - 53
R47113	1E7	10	30 - 19	R47311	1D21	10	30 - 9	R47680	3I6	..	90 - 50
R47113	3I20	10	90 - 64	R47312	1D21	3	30 - 9	R47684	2C10	7	50 - 30
R47114	1C20	23	20 - 31	R47314	1D21	5	30 - 9	R47684	2C14	13	50 - 34
R47116	1D14	8	30 - 4	R47316	2C18	6	50 - 38	R47684	2C15	13	50 - 35
R47116	1D15	15	30 - 5	R47320	1B8	12	20 - 5	R47692	1C21	1	20 - 32
R47124	2C12	2	50 - 32	R47323	3H9	10	90 - 26	R47693	1C21	3	20 - 32
R47124	2C13	18	50 - 33	R47324	3H2	2	90 - 17	R47694	2F12	16	60 - 4
R47125	2C12	8	50 - 32	R47325	3H3	11	90 - 19	R47713	3H14	1	90 - 31
R47126	1C20	12	20 - 31	R47326	3H8	3	90 - 25	R47715	3H14	1	90 - 31
R47126	1C20	21	20 - 31	R47327	3H10	3	90 - 27	R47721	3H14	11	90 - 31
R47127	1C2	20	20 - 17	R47328	3H6	4	90 - 22	R47721	3H16	1	90 - 31B
R47133	3C10	11	70 - 27	R47329	3G25	11	90 - 15	R47722	3H14	10	90 - 31
R47137	3G17	19	90 - 6	R47330	3G25	9	90 - 15	R47722	3H16	5	90 - 31B
R47141	2E13	4	50 - 78	R47331	3H7	10	90 - 24	R47731	1F5	5	30 - 39
R47142	2E13	1	50 - 78	R47332	3H10	3	90 - 27	R47739	3G6	18	80 - 31
R47153	1C23	8	20 - 33	R47333	3H9	15	90 - 26	R47739	3I24	..	90 - 68
R47153	1C24	7	20 - 34	R47334	3H9	14	90 - 26	R47740	2C4	10	50 - 23
R47153	1C25	13	20 - 35	R47358	1E18	12	30 - 27	R47750	2B7	6	50 - 1
R47153	1D7	23	20 - 43	R47393	2D8	9	50 - 54	R47810	2C4	10	50 - 23
R47160	1E6	12	30 - 18	R47394	1D21	7	30 - 9	R47820	2B7	6	50 - 1
R47160	1E7	16	30 - 19	R47395	1D21	4	30 - 9	R47831	1I7	17	40 - 47
R47160	1E8	5	30 - 19A	R47409	2D9	9	50 - 55	R47831	1I8	4	40 - 48
R47160	1E10	15	30 - 19C	R47409	2D9	13	50 - 55	R47833	1G19	8	40 - 17
R47162	2D5	6	50 - 51	R47410	2D9	22	50 - 55	R47847	1C20	21	20 - 31
R47169	2E4	11	50 - 73	R47419	1C3	4	20 - 17B	R47859	1J7	1	40 - 73
R47193	1D17	11	30 - 7	R47426	1C25	5	20 - 35	R47860	1J5	9	40 - 70
R47194	1D17	25	30 - 7	R47428	1D21	16	30 - 9	R47861	1J5	9	40 - 70
R47194	1D19	1	30 - 7B	R47429	1C25	3	20 - 35	R47886	1I16	3	40 - 56
R47195	1D17	3	30 - 7	R47430	1C18	9	20 - 29	R47912	2G11	18	60 - 26
R47195	1D19	7	30 - 7B	R47430	1C25	2	20 - 35	R47913	2G11	22	60 - 26
R47197	3H18	3	90 - 35	R47430	1D21	15	30 - 9	R47914	1C18	21	20 - 29
R47197	3H20	3	90 - 37	R47433	1E18	2	30 - 27	R47998	2F11	1	60 - 3

1L15

TRACTOR - 4520

NUMERICAL INDEX - CONTINUED

PART NO.	GRID	KEY	PAGE	PART NO.	GRID	KEY	PAGE	PART NO.	GRID	KEY	PAGE
R48000	1E19	14	30 - 28	R48512	1F9	19	30 - 44	R48952	2G8	33	60 - 25
R48000	1E24	2	30 - 33	R48512	1F13	39	30 - 49	R48952	2G8	34	60 - 25
R48000	1E25	14	30 - 34	R48567	1D15	8	30 - 5	R48952	2G8	35	60 - 25
R48000	1F5	1	30 - 39	R48568	1D15	14	30 - 5	R48957	2G8	4	60 - 25
R48000	1F6	16	30 - 41	R48632	1D14	2	30 - 4	R48957	2G8	7	60 - 25
R48013	2D8	10	50 - 54	R48633	1D7	10	20 - 43	R48957	2G10	4	60 - 25B
R48013	2D11	19	50 - 57	R48633	1F9	4	30 - 44	R48957	2G11	4	60 - 26
R48013	2G8	18	60 - 25	R48633	1F15	12	30 - 51	R48976	1H11	9	40 - 30A
R48017	1D14	1	30 - 4	R48647	2D8	6	50 - 54	R48976	1H16	9	40 - 33
R48026	1J5	..	40 - 70	R48648	2C10	6	50 - 30	R48978	3D24	8B	70 - 65
R48027	1J5	..	40 - 70	R48663	1G9	2	40 - 6	R48979	3D24	2B	70 - 65
R48028	1J5	28	40 - 70	R48685	2C18	5	50 - 38	R48980	3D24	6B	70 - 65
R48032	1C18	23	20 - 29	R48689	1F15	3	30 - 51	R48980	3E1	6	70 - 67
R48048	1J5	17	40 - 70	R48691	1F15	4	30 - 51	R48981	3D24	7	70 - 65
R48049	1J5	27	40 - 70	R48692	1F15	5	30 - 51	R49018	2F12	4	60 - 4
R48071	1E18	3	30 - 27	R48693	1D7	11	20 - 43	R49025	1I14	9	40 - 54
R48072	1J3	8	40 - 68	R48693	1F15	7	30 - 51	R49044	2B9	25	50 - 3
R48073	1J3	7	40 - 68	R48694	1F15	6	30 - 51	R49071	3B12	25	70 - 9
R48074	1J3	5	40 - 68	R48695	1F15	2	30 - 51	R49071	3B12	26	70 - 9
R48075	1J3	1	40 - 68	R48696	1F15	1	30 - 51	R49071	3B12	27	70 - 9
R48084	3C8	6	70 - 25	R48697	1F15	11	30 - 51	R49071	3B12	28	70 - 9
R48226	3D19	5	70 - 60	R48698	1F15	8	30 - 51	R49071	3B12	29	70 - 9
R48240	2G1	8	60 - 19A	R48698	3E8	3	70 - 73	R49071	3B12	30	70 - 9
R48251	2D17	15	50 - 62A	R48699	1F15	8	30 - 51	R49071	3B12	31	70 - 9
R48253	2D17	16	50 - 62A	R48700	1F15	8	30 - 51	R49071	3B14	9	70 - 11
R48253	2D19	18	50 - 63	R48701	1F15	8	30 - 51	R49072	3B12	26	70 - 9
R48291	1B7	16	20 - 4	R48702	1F15	8	30 - 51	R49072	3B14	14	70 - 11
R48291	1B8	15	20 - 5	R48703	1F15	8	30 - 51	R49139	1E15	6	30 - 24
R48291	1D5	1	20 - 40	R48704	1F15	8	30 - 51	R49187	3E1	12	70 - 67
R48291	1D7	1	20 - 43	R48705	1F15	8	30 - 51	R49191	3E5	34	70 - 71
R48293	1I7	1	40 - 47	R48706	1F15	8	30 - 51	R49193	3E20	26	70 - 85
R48299	3D19	6	70 - 60	R48708	1E2	3	30 - 13	R49193	3E24	16	70 - 89
R48358	1F9	25	30 - 44	R48709	1E2	5	30 - 13	R49197	2C1	11	50 - 20
R48359	1F9	25	30 - 44	R48710	1E2	6	30 - 13	R49199	2C1	9	50 - 20
R48360	1F9	25	30 - 44	R48711	1E2	1	30 - 13	R49200	2C1	9	50 - 20
R48361	3G6	1	80 - 31	R48712	1E2	17	30 - 13	R49221	3E3	10	70 - 69
R48362	1D21	13	30 - 9	R48728	1H6	8	40 - 27	R49240	1D15	3	30 - 5
R48370	2D7	3	50 - 53	R48738	3B8	19	70 - 5	R49243	3I12	12	90 - 56
R48378	3I19	12	90 - 63	R48738	3B10	23	70 - 7	R49243	3I12	20	90 - 56
R48395	1C2	14	20 - 17	R48738	3B18	17	70 - 15	R49270	1D21	16	30 - 9
R48395	1C2	18	20 - 17	R48738	3B20	17	70 - 17	R49275	1B12	10	20 - 9
R48396	1C2	14	20 - 17	R48755	1B15	13	20 - 13	R49297	3B8	17	70 - 5
R48396	1C2	18	20 - 17	R48755	1E12	27	30 - 21	R49297	3B10	21	70 - 7
R48399	1D7	22	20 - 43	R48755	1E14	25	30 - 23	R49297	3B18	15	70 - 15
R48399	1D7	35	20 - 43	R48755	1E15	7	30 - 24	R49297	3B20	15	70 - 17
R48399	1E15	5	30 - 24	R48755	1E16	18	30 - 25	R49298	3B8	20	70 - 5
R48401	2C21	4	50 - 41	R48758	2D7	22	50 - 53	R49298	3B10	24	70 - 7
R48418	3C18	16	70 - 35	R48769	2D8	8	50 - 54	R49298	3B18	18	70 - 15
R48426	1H2	7	40 - 25	R48774	1C18	7	20 - 29	R49298	3B20	18	70 - 17
R48426	1H3	8	40 - 25A	R48777	1H1	21	40 - 24	R49336	3C18	11	70 - 35
R48426	1H6	33	40 - 27	R48778	1H2	20	40 - 25	R49345	2G8	34	60 - 25
R48427	1D2	25	20 - 37	R48778	1H3	21	40 - 25A	R49345	2G8	35	60 - 25
R48450	3H24	26	90 - 43	R48789	2C24	14	50 - 44	R49352	3E22	6	70 - 87
R48451	2B24	11	50 - 18	R48791	1C18	15	20 - 29	R49403	1D15	9	30 - 5
R48452	3D5	11	70 - 48	R48794	1C18	4	20 - 29	R49404	3B5	9	70 - 1
R48453	3D5	11	70 - 48	R48811	2E11	20	50 - 76	R49411	3C22	34	70 - 39
R48454	1J4	22	40 - 69	R48815	3D12	30	70 - 57	R495R	1B10	1	20 - 7
R48455	3I3	8	90 - 47	R48816	3D12	30	70 - 57	R495R	1D5	26	20 - 40
R48456	3I2	3	90 - 46	R48824	1D2	10	20 - 37	R495R	1D7	24	20 - 43
R48457	3I1	15	90 - 45	R48825	1G22	..	40 - 20	R495R	2F12	17	60 - 4
R48465	2D1	10	50 - 46	R48825	1G23	..	40 - 21	R495R	2G4	4	60 - 21
R48471	3F7	32	80 - 3	R48864	2G1	5	60 - 19A	R495R	3B8	2	70 - 5
R48472	3F7	32	80 - 3	R48887	1J19	17	40 - 85	R495R	3D21	13	70 - 62
R48510	1F9	21	30 - 44	R48893	1C13	7	20 - 24	R495R	3E12	13	70 - 77
R48510	1F13	41	30 - 49	R48906	3H8	10	90 - 25	R49526	1D17	3	30 - 7
R48511	1F9	20	30 - 44	R48913	3H8	4	90 - 25	R49526	1D19	7	30 - 7B
R48511	1F13	40	30 - 49	R48913	3H8	5	90 - 25	R49531	1C2	5	20 - 17

1L16

TRACTOR - 4520

NUMERICAL INDEX - CONTINUED

PART NO.	GRID	KEY	PAGE	PART NO.	GRID	KEY	PAGE	PART NO.	GRID	KEY	PAGE
R49549	1F15	8	30 - 51	R50893	1H21	13	40 - 36	R51410	3D24	10	70 - 65
R49551	1F15	8	30 - 51	R50894	1H24	12	40 - 39	R51411	3D24	9	70 - 65
R49552	1F15	8	30 - 51	R50894	1H25	11	40 - 40	R51411	3D24	10	70 - 65
R49553	1F15	8	30 - 51	R50897	1H21	10	40 - 36	R51412	3E3	8A	70 - 69
R49554	1F15	8	30 - 51	R50899	1H22	11	40 - 37	R51412	3E3	8B	70 - 69
R49555	1F15	8	30 - 51	R50899	1H24	17	40 - 39	R51413	3E3	7	70 - 69
R49556	1F15	8	30 - 51	R50899	1H25	17	40 - 40	R51413	3E3	8A	70 - 69
R49557	1F15	8	30 - 51	R50900	1H21	1	40 - 36	R51414	3E3	6	70 - 69
R49558	1F15	8	30 - 51	R50901	1H21	21	40 - 36	R51414	3E3	8A	70 - 69
R49581	2D25	20	50 - 69	R50902	1H21	5	40 - 36	R51415	3E3	8A	70 - 69
R49639	2D14	22	50 - 60	R50903	1H21	6	40 - 36	R51415	3E3	17	70 - 69
R49708	3D24	26	70 - 65	R50904	1H21	9	40 - 36	R51479	1D17	14	30 - 7
R49758	2C1	10	50 - 20	R50905	1H21	24	40 - 36	R51494	2E1	4	50 - 70
R49784	1G18	18	40 - 16	R50906	1H21	19	40 - 36	R51494	2E2	21	50 - 71
R49785	1G18	14	40 - 16	R50907	1H22	5	40 - 37	R51526	1D17	4	30 - 7
R49816	2D7	10	50 - 53	R50909	1H22	12	40 - 37	R51526	1D19	8	30 - 7B
R49816	2D7	13	50 - 53	R50910	1H24	18	40 - 39	R51551	3C12	11	70 - 29
R49816	2D7	19	50 - 53	R50910	1H25	16	40 - 40	R51551	3C24	11	70 - 41
R49817	2D7	7	50 - 53	R50912	1H23	8	40 - 38	R51559	2B8	12	50 - 2
R49817	2D7	14	50 - 53	R50913	1H22	2	40 - 37	R51559	2B8	13	50 - 2
R49817	2D7	18	50 - 53	R50914	1H22	7	40 - 37	R51561	2B8	15	50 - 2
R49819	2D7	7	50 - 53	R50915	1H22	8	40 - 37	R51573	2C16	12	50 - 36
R49819	2D7	10	50 - 53	R50916	1H22	3	40 - 37	R51573	2C17	11	50 - 37
R49819	2D7	13	50 - 53	R50917	1H22	10	40 - 37	R51603	1F15	10	30 - 51
R49819	2D7	14	50 - 53	R50918	1H22	14	40 - 37	R51648	3H24	11	90 - 43
R49819	2D7	18	50 - 53	R50919	1H22	15	40 - 37	R51648	3H24	22	90 - 43
R49819	2D7	19	50 - 53	R50920	1H22	9	40 - 37	R51659	1H23	7	40 - 38
R49856	3G13	..	90 - 3A	R50921	1H22	18	40 - 37	R51660	1H23	5	40 - 38
R49860	3F10	9	80 - 6	R50922	1H22	16	40 - 37	R51661	1H21	23	40 - 36
R49860	3F10	14	80 - 6	R50923	1H23	1	40 - 38	R51663	1H22	20	40 - 37
R49860	3F10	15	80 - 6	R50924	1H23	2	40 - 38	R51664	1H22	19	40 - 37
R49860	3F10	16	80 - 6	R50925	1H23	3	40 - 38	R51665	1H21	17	40 - 36
R49866	1B7	3	20 - 4	R50927	1H23	14	40 - 38	R51666	1H21	16	40 - 36
R49866	1B10	5	20 - 7	R50928	1H23	17	40 - 38	R51667	1H21	8	40 - 36
R49866	1D5	7	20 - 40	R50929	1H23	15	40 - 38	R51668	1H24	2	40 - 39
R49866	1D7	2	20 - 43	R50930	1H23	12	40 - 38	R51669	1H24	9	40 - 39
R49878	3D16	26	70 - 59	R50931	1H22	20	40 - 37	R51669	1H25	14	40 - 40
R49878	3D18	11	70 - 59B	R50931	1H23	9	40 - 38	R51671	1H24	6	40 - 39
R49879	3D16	17	70 - 59	R50973	2C4	1	50 - 23	R51671	1H25	5	40 - 40
R49879	3D18	12	70 - 59B	R50984	3D12	14	70 - 57	R51680	3F19	4	80 - 17
R49921	1G16	6	40 - 13	R50984	3D16	33	70 - 59	R51680	3F21	16	80 - 19
R50034	2G6	30	60 - 23	R51025	3C20	11	70 - 37	R51681	3F19	8	80 - 17
R50065	3C16	3	70 - 33	R51118	3D5	11	70 - 48	R51681	3F21	12	80 - 19
R50065	3C25	2	70 - 43	R51154	3D5	13	70 - 48	R51751	3C18	16	70 - 35
R50066	3E3	15	70 - 69	R51154	3D6	5	70 - 49	R51821	3G6	18	80 - 31
R50067	3E3	15	70 - 69	R51155	3D5	13	70 - 48	R51821	3I24	..	90 - 68
R50119	3I12	14	90 - 56	R51155	3D6	5	70 - 49	R51827	3B10	5	70 - 7
R50240	2E4	12	50 - 73	R51156	3D5	13	70 - 48	R51842	2B19	16	50 - 13
R50402	1C18	9	20 - 29	R51156	3D6	5	70 - 49	R51851	2G10	31	60 - 25B
R50402	1C25	2	20 - 35	R51196	2D3	8	50 - 48	R51860	1C2	5	20 - 17
R50402	1D21	15	30 - 9	R51197	2D3	8	50 - 48	R51865	2B8	25	50 - 2
R50420	1C23	8	20 - 33	R51198	2D3	8	50 - 48	R51865	2B8	28	50 - 2
R50420	1C25	13	20 - 35	R51200	2D3	11	50 - 48	R51865	2B14	4	50 - 7A
R50420	1D7	23	20 - 43	R51201	2D8	5	50 - 54	R51870	1C2	5	20 - 17
R50564	2B19	21	50 - 13	R51203	1D5	24	20 - 40	R51907	2B24	5	50 - 18
R50566	2D5	2	50 - 51	R51203	1D7	27	20 - 43	R51907	2B24	12	50 - 18
R50567	2D5	1	50 - 51	R51203	1D23	14	30 - 11	R51907	2B24	13	50 - 18
R50568	2D5	3	50 - 51	R51203	1D25	15	30 - 11B	R51908	3G6	6	80 - 31
R50575	2D4	6	50 - 49	R51285	3E5	30	70 - 71	R51944	1B23	9	20 - 14
R50784	1E2	21	30 - 13	R51302	3E14	..	70 - 79	R51993	2C24	3	50 - 44
R50784	1E3	8	30 - 15	R51302	3I17	11	90 - 61	R52006	3F11	12	80 - 7
R50785	1E2	21	30 - 13	R51342	3C16	7	70 - 33	R52048	1C15	10	20 - 26
R50785	1E3	8	30 - 15	R51380	1D17	18	30 - 7	R52049	1C15	10	20 - 26
R50879	2G6	29	60 - 23	R51380	1D19	17	30 - 7B	R52057	2B13	10	50 - 7
R50891	1H21	2	40 - 36	R51409	3D24	10	70 - 65	R52057	2B14	2	50 - 7A
R50891	1H23	13	40 - 38	R51409	3D24	11	70 - 65	R52154	2D17	10	50 - 62A
R50892	1H21	3	40 - 36	R51409	3D24	14	70 - 65	R52154	2D19	22	50 - 63

1L17

TRACTOR - 4520

NUMERICAL INDEX - CONTINUED

PART NO.	GRID	KEY	PAGE	PART NO.	GRID	KEY	PAGE	PART NO.	GRID	KEY	PAGE
R52155	2D17	15	50 - 62A	R53293	3I20	11	90 - 64	R54750	2D11	1	50 - 57
R52155	2D19	19	50 - 63	R53294	3G6	3	80 - 31	R54751	2D11	12	50 - 57
R52156	2D19	17	50 - 63	R53294	3I20	11	90 - 64	R54766	3G12	25	90 - 3
R52157	2D17	14	50 - 62A	R53296	3D4	16	70 - 47	R54766	3G14	4	90 - 3B
R52157	2D19	16	50 - 63	R53296	3D4	..	70 - 47	R54795	1F5	4	30 - 39
R52168	2G6	7	60 - 23	R53303	2D3	5	50 - 48	R54962	2D11	15	50 - 57
R52169	2G6	9	60 - 23	R53409	1J2	1	40 - 67	R55008	3B5	9	70 - 1
R52188	3F7	21	80 - 3	R53410	1J2	3	40 - 67	R55010	3B10	18	70 - 7
R52195	3H20	..	90 - 37	R53423	1C25	10	20 - 35	R55024	1E2	19	30 - 13
R52250	1D12	8	30 - 2	R53440	2C2	3	50 - 21	R55024	1E3	13	30 - 15
R52250	1D12	10	30 - 2	R53512	1I25	1	40 - 65	R55025	1E2	1	30 - 13
R52250	1D12	14	30 - 2	R53512	1I25	11	40 - 65	R55025	1E2	3	30 - 13
R52355	2B8	20	50 - 2	R53515	1I25	2	40 - 65	R55025	1E3	2	30 - 15
R52355	2B14	8	50 - 7A	R53516	1I25	3	40 - 65	R55026	1E2	1	30 - 13
R52385	1H24	1	40 - 39	R53517	1I25	10	40 - 65	R55026	1E2	3	30 - 13
R52386	1H22	13	40 - 37	R53518	1I25	4	40 - 65	R55078	1D23	5	30 - 11
R52387	1H21	12	40 - 36	R53519	1I25	5	40 - 65	R55078	1D25	6	30 - 11B
R52390	3D16	17	70 - 59	R53520	1I25	7	40 - 65	R55078	1E4	15	30 - 16
R52408	1I23	6	40 - 63	R53521	1I25	8	40 - 65	R55080	3C12	11	70 - 29
R52548	3D24	33	70 - 65	R53522	1I25	9	40 - 65	R55080	3C24	11	70 - 41
R52549	3D24	31	70 - 65	R53635	2E4	5	50 - 73	R55081	2B13	13	50 - 7
R52549	3D24	33	70 - 65	R53651	2E4	2	50 - 73	R55081	2D21	12	50 - 65
R52568	2C10	1	50 - 30	R53652	2E4	2	50 - 73	R55183	2F12	8	60 - 4
R52589	2C1	17	50 - 20	R53653	2E4	2	50 - 73	R55184	2B9	2	50 - 3
R52589	2C17	17	50 - 37	R53659	2E4	1	50 - 73	R55245	1H1	12	40 - 24
R52634	1C2	1	20 - 17	R54059	2G6	3	60 - 23	R55245	1H3	12	40 - 25A
R52634	2D17	1	50 - 62A	R54059	3D21	2	70 - 62	R55396	1H7	1	40 - 28
R52634	2D19	1	50 - 63	R54064	3D12	5A	70 - 57	R55397	3D24	2B	70 - 65
R52736	2B8	26	50 - 2	R54064	3D12	5B	70 - 57	R55397	3E1	2	70 - 67
R52736	2B14	6	50 - 7A	R54064	3D14	4	70 - 57B	R55398	3D24	2B	70 - 65
R52737	2B8	27	50 - 2	R54064	3D16	5A	70 - 59	R55398	3D24	7	70 - 65
R52737	2B14	5	50 - 7A	R54064	3D16	5B	70 - 59	R55398	3E1	2	70 - 67
R52773	1B11	18	20 - 8	R54064	3D18	4	70 - 59B	R55398	3E1	7	70 - 67
R52773	1B12	5	20 - 9	R54064	3D19	19A	70 - 60	R55458	2E21	21	50 - 83
R52811	1C17	3	20 - 28	R54064	3D19	19B	70 - 60	R55458	2F4	18	50 - 91
R52811	1C17	6	20 - 28	R54065	3D12	1B	70 - 57	R55596	1C10	1	20 - 21
R52811	1C17	19	20 - 28	R54065	3D16	1B	70 - 59	R55597	1C10	1	20 - 21
R52811	1C18	10	20 - 29	R54065	3D19	22B	70 - 60	R55618	1J10	5	40 - 76
R52811	1C25	4	20 - 35	R54141	3D16	18	70 - 59	R55737	1C10	1	20 - 21
R52811	1D7	25	20 - 43	R54143	3D19	5	70 - 60	R55738	1C10	1	20 - 21
R52811	1D21	8	30 - 9	R54160	3F11	6	80 - 7	R55739	1C10	1	20 - 21
R52882	2B22	6	50 - 16	R54165	3C13	9	70 - 30	R55740	1C10	1	20 - 21
R52882	2B23	6	50 - 17	R54171	2E11	34	50 - 76	R55741	1C10	1	20 - 21
R52914	3F19	1	80 - 17	R54172	2E11	30	50 - 76	R55742	1C10	1	20 - 21
R52924	3F19	2	80 - 17	R54173	2E10	33	50 - 75	R55743	1C10	1	20 - 21
R52924	3F19	3	80 - 17	R54174	2E10	29	50 - 75	R55744	1C10	1	20 - 21
R52938	1G21	8	40 - 19	R54197	3D5	11	70 - 48	R55745	1C10	1	20 - 21
R53013	1B23	3	20 - 14	R54242	3E8	1	70 - 73	R55746	1C10	1	20 - 21
R53013	1B24	8	20 - 15	R54263	1C11	6	20 - 22	R56012	1H1	12	40 - 24
R53033	3C20	4	70 - 37	R54264	1C11	6	20 - 22	R56012	1H2	11	40 - 25
R53108	1H7	7	40 - 28	R54380	2B15	17	50 - 8	R56012	1H3	12	40 - 25A
R53108	1H11	3	40 - 30A	R54380	2C18	20	50 - 38	R56064	3H23	1B	90 - 41
R53169	2B24	18	50 - 18	R54380	2E4	13	50 - 73	R56104	2D19	9	50 - 63
R53169	2D11	23	50 - 57	R54440	1E10	8	30 - 19C	R56246	3G12	11	90 - 3
R53237	2B13	9	50 - 7	R54467	1J5	15	40 - 70	R56246	3G14	1	90 - 3B
R53237	2B14	1	50 - 7A	R54500	1D23	5	30 - 11	R56320	1I14	9	40 - 54
R53247	2B22	15	50 - 16	R54500	1D23	6	30 - 11	R56397	3G13	4	90 - 3A
R53247	2B23	15	50 - 17	R54500	1D25	6	30 - 11B	R56462	2B24	2	50 - 18
R53282	1B23	4	20 - 14	R54500	1D25	7	30 - 11B	R56463	3B8	2	70 - 5
R53282	1B24	1	20 - 15	R54500	1E4	10	30 - 16	R56463	3B16	24	70 - 13
R53282	1D5	2	20 - 40	R54500	1E4	15	30 - 16	R56463	3B18	2	70 - 15
R53282	1D7	33	20 - 43	R54533	3I17	12	90 - 61	R56463	3C2	27	70 - 21
R53288	1C11	2	20 - 22	R54564	1B11	7	20 - 8	R56464	2B8	18	50 - 2
R53288	1C11	4	20 - 22	R54565	1B11	3	20 - 8	R56464	2B14	10	50 - 7A
R53290	1C11	1	20 - 22	R54565	1B11	5	20 - 8	R56481	1H7	1	40 - 28
R53292	1C11	2	20 - 22	R54567	2B19	26	50 - 13	R56749	3B8	3	70 - 5
R53293	3G6	3	80 - 31	R54750	2B25	1	50 - 19	R56750	3B10	3	70 - 7

1L18

TRACTOR - 4520

NUMERICAL INDEX - CONTINUED

PART NO.	GRID	KEY	PAGE	PART NO.	GRID	KEY	PAGE	PART NO.	GRID	KEY	PAGE
R56751	3B10	2	70 - 7	R57614	2G1	..	60 - 19A	R59439	2E4	21	50 - 73
R56751	3B16	8	70 - 13	R57614	2G2	..	60 - 19B	R59440	2E4	21	50 - 73
R56751	3B16	15	70 - 13	R57615	2E4	25	50 - 73	R59629	3D24	21	70 - 65
R56751	3B16	21	70 - 13	R57615	2E6	6	50 - 73B	R59629	3D24	26	70 - 65
R56751	3B16	24	70 - 13	R57616	2E4	11	50 - 73	R59629	3D24	29	70 - 65
R56751	3B20	2	70 - 17	R57616	2E6	3	50 - 73B	R59629	3E3	4	70 - 69
R56751	3B22	19	70 - 19	R57617	2G1	5	60 - 19A	R59629	3E5	26	70 - 71
R56751	3B24	2	70 - 19B	R57623	3H24	18	90 - 43	R59633	3E5	1	70 - 71
R56751	3C2	7	70 - 21	R57696	2B9	13	50 - 3	R59633	3E12	1	70 - 77
R56751	3C2	12	70 - 21	R57696	2D21	10	50 - 65	R59633	3E12	19	70 - 77
R56751	3C2	20	70 - 21	R57696	3E22	10	70 - 87	R59684	3C14	5	70 - 31
R56751	3C2	21	70 - 21	R57696	3E22	36	70 - 87	R59766	3C16	33	70 - 33
R56751	3C2	25	70 - 21	R57725	2B17	12	50 - 10	R59827	2B19	16	50 - 13
R56751	3C2	27	70 - 21	R57725	2B18	13	50 - 11	R59860	2B19	11	50 - 13
R56753	3B8	8	70 - 5	R57725	2B19	20	50 - 13	R59860	2E11	31	50 - 76
R56753	3B10	12	70 - 7	R57725	2C2	14	50 - 21	R60032	2E4	29	50 - 73
R56753	3B16	18	70 - 13	R57725	3C12	13	70 - 29	R60038	2G8	7	60 - 25
R56754	3B12	35	70 - 9	R57725	3C24	12	70 - 41	R60038	2G8	8	60 - 25
R56755	3B12	32	70 - 9	R57725	3I19	14	90 - 63	R60038	2G10	8	60 - 25B
R56755	3B14	10	70 - 11	R57756	2D2	5	50 - 47	R60038	2G11	8	60 - 26
R56755	3B16	10	70 - 13	R57778	1C10	2	20 - 21	R60171	3G12	3	90 - 3
R56755	3B22	28	70 - 19	R57779	1C10	3	20 - 21	R60171	3G16	9	90 - 5
R56755	3B24	13	70 - 19B	R57780	1C10	3	20 - 21	R60172	3G16	1	90 - 5
R56755	3C2	9	70 - 21	R57792	1F17	17	30 - 53	R60365	2C22	12	50 - 42
R56756	3B12	33	70 - 9	R57977	2B19	22	50 - 13	R60397	3E2	1	70 - 68
R56756	3B14	3	70 - 11	R57978	2B19	22	50 - 13	R60428	2E12	10	50 - 77
R56756	3B16	12	70 - 13	R57979	2B19	22	50 - 13	R60458	2D9	10	50 - 55
R56757	3B12	34	70 - 9	R58109	1E4	6	30 - 16	R60458	3D9	18	70 - 53
R56757	3B14	11	70 - 11	R58109	1E4	7	30 - 16	R60472	1C10	6	20 - 21
R56757	3B16	11	70 - 13	R58109	1E4	8	30 - 16	R60473	1C6	3	20 - 19A
R56757	3B22	30	70 - 19	R58204	3C22	16	70 - 39	R60473	1C7	3	20 - 19B
R56757	3B24	14	70 - 19B	R58204	3C22	22	70 - 39	R60473	1C8	3	20 - 19C
R56757	3C2	18	70 - 21	R58261	3C19	7	70 - 60	R60473	1C10	6	20 - 21
R56792	1H24	14	40 - 39	R58264	3D2	24	70 - 45	R60474	1C10	6	20 - 21
R56792	1H25	2	40 - 40	R58264	3D3	1	70 - 46	R60475	1C10	6	20 - 21
R56793	1H24	3	40 - 39	R58294	2E4	12	50 - 73	R60476	1C10	3	20 - 21
R56793	1H25	3	40 - 40	R58295	2E4	15	50 - 73	R60477	1C10	3	20 - 21
R56802	1H22	13	40 - 37	R58424	2D17	10	50 - 62A	R60478	1C10	3	20 - 21
R56902	1D14	2	30 - 4	R58424	2D19	22	50 - 63	R60479	1C10	3	20 - 21
R56916	3C16	12	70 - 33	R58499	3B12	44	70 - 9	R60480	1C10	3	20 - 21
R56934	1C3	6	20 - 17B	R58544	3C12	11	70 - 29	R60481	1C10	3	20 - 21
R56972	1C15	3	20 - 26	R58544	3C24	11	70 - 41	R60482	1C10	3	20 - 21
R56972	1C15	..	20 - 26	R58617	3D9	7	70 - 53	R60483	1C10	3	20 - 21
R56979	1C2	11	20 - 17	R58773	3B10	18	70 - 7	R60484	1C10	2	20 - 21
R56979	1C3	4	20 - 17B	R58773	3B10	19	70 - 7	R60650	1B11	7	20 - 8
R56979	1C3	6	20 - 17B	R58773	3B10	20	70 - 7	R60730	3C20	4	70 - 37
R57034	2F15	7	60 - 7	R58882	1C11	2	20 - 22	R60731	1I7	21	40 - 47
R57103	2G8	15	60 - 25	R58882	1C11	4	20 - 22	R60731	1I7	23	40 - 47
R57103	2G8	34	60 - 25	R58884	2E19	6	50 - 81	R60732	3B8	25	70 - 5
R57103	2G10	26	60 - 25B	R58884	2E19	10	50 - 81	R60754	1C15	10	20 - 26
R57103	2G11	14	60 - 26	R58900	2B15	3	50 - 8	R61108	2B20	10	50 - 14
R57258	1E18	12	30 - 27	R58900	2C18	25	50 - 38	R61150	1B12	6	20 - 9
R57268	2E4	4	50 - 73	R58900	2D14	21	50 - 60	R61150	1B12	7	20 - 9
R57268	2E6	2	50 - 73B	R58914	2D2	5	50 - 47	R61289	1C5	3	20 - 19
R57274	3H21	4	90 - 39	R58934	3D2	20	70 - 45	R61289	1C10	6	20 - 21
R57286	1D13	7	30 - 3	R59034	1C15	..	20 - 26	R61292	1C2	7	20 - 17
R57559	2C1	22	50 - 20	R59074	2E4	3	50 - 73	R61292	1C4	8	20 - 18
R57559	2C17	14	50 - 37	R59074	2E4	4	50 - 73	R61349	3C16	29	70 - 33
R57559	2D11	17	50 - 57	R59074	2E6	2	50 - 73B	R61350	3C16	29	70 - 33
R57561	2C1	11	50 - 20	R59080	3C16	3	70 - 33	R61420	1C2	5	20 - 17
R57572	3H23	1B	90 - 41	R59080	3C25	2	70 - 43	R61461	2E4	21	50 - 73
R57572	3H23	26	90 - 41	R59082	3C16	3	70 - 33	R61462	2E17	9	50 - 79D
R57584	1C4	5	20 - 18	R59082	3C25	2	70 - 43	R61462	2F2	15	50 - 89
R57584	1C5	3	20 - 19	R59082	3E3	15	70 - 69	R61462	2F2	16	50 - 89
R57614	2E4	11	50 - 73	R59083	3C16	37	70 - 33	R61463	2E17	10	50 - 79D
R57614	2E4	25	50 - 73	R59343	3E5	11	70 - 71	R61463	2F2	15	50 - 89
R57614	2E4	31	50 - 73	R59343	3E6	2	70 - 71A	R61463	2F2	16	50 - 89

1L19

TRACTOR - 4520

NUMERICAL INDEX - CONTINUED

PART NO.	GRID	KEY	PAGE	PART NO.	GRID	KEY	PAGE	PART NO.	GRID	KEY	PAGE
R61514	2E9	6	50 - 74B	R62986	1C5	4	20 - 19	R65082	3D9	6	70 - 53
R61608	1C10	6	20 - 21	R62986	1C6	4	20 - 19A	R65082	3D9	39	70 - 53
R61609	1C10	6	20 - 21	R62986	1C7	4	20 - 19B	R65087	3D9	4	70 - 53
R61610	1C10	6	20 - 21	R62986	1C8	4	20 - 19C	R65087	3D9	5	70 - 53
R61611	1C10	6	20 - 21	R62986	1C10	4	20 - 21	R65087	3D9	6	70 - 53
R61678	2E4	11	50 - 73	R62987	1C4	7	20 - 18	R65087	3D9	30	70 - 53
R61678	2E6	3	50 - 73B	R62987	1C5	5	20 - 19	R65087	3D9	31	70 - 53
R61711	2E4	11	50 - 73	R62987	1C10	5	20 - 21	R65087	3D9	36	70 - 53
R61711	2E4	25	50 - 73	R62988	1C5	5	20 - 19	R65087	3D9	39	70 - 53
R61711	2E4	31	50 - 73	R62988	1C10	5	20 - 21	R65088	3D9	4	70 - 53
R61711	2E6	7	50 - 73B	R63002	1C10	5	20 - 21	R65088	3D9	5	70 - 53
R61711	2G1	..	60 - 19A	R63003	1C6	5	20 - 19A	R65088	3D9	6	70 - 53
R61711	2G2	..	60 - 19B	R63003	1C7	5	20 - 19B	R65192	3B12	44	70 - 9
R61712	2E6	8	50 - 73B	R63003	1C8	5	20 - 19C	R65194	3B12	43	70 - 9
R61712	2G1	5	60 - 19A	R63003	1C10	5	20 - 21	R65203	3D9	1	70 - 53
R61762	3C12	13	70 - 29	R63004	1C10	5	20 - 21	R65207	2F4	40	50 - 91
R61762	3C24	12	70 - 41	R63005	1C10	5	20 - 21	R65242	3D9	22	70 - 53
R61771	2E4	28	50 - 73	R63006	1C10	5	20 - 21	R65284	3D24	26	70 - 65
R61775	1J11	7	40 - 77	R63007	1C6	5	20 - 19A	R65284	3D24	33	70 - 65
R61776	1J11	3	40 - 77	R63007	1C7	5	20 - 19B	R65284	3E3	4	70 - 69
R61909	1C6	3	20 - 19A	R63007	1C8	5	20 - 19C	R65284	3E5	26	70 - 71
R61909	1C7	3	20 - 19B	R63007	1C10	5	20 - 21	R65286	3D24	13	70 - 65
R61909	1C8	3	20 - 19C	R63008	1C10	5	20 - 21	R65286	3D25	13	70 - 66
R61932	1H13	23	40 - 30C	R63009	1C10	5	20 - 21	R65286	3E5	14	70 - 71
R61932	1H18	22	40 - 33B	R63010	1C6	4	20 - 19A	R65286	3E6	4	70 - 71A
R61933	1H18	15	40 - 33B	R63010	1C7	4	20 - 19B	R65287	3D25	7	70 - 66
R61934	1H18	25	40 - 33B	R63010	1C8	4	20 - 19C	R65287	3E3	20	70 - 69
R61957	3E5	30	70 - 71	R63010	1C10	4	20 - 21	R65289	3D24	33	70 - 65
R61957	3E5	32	70 - 71	R63106	2E4	5	50 - 73	R65289	3E3	4	70 - 69
R62410	1D5	16	20 - 40	R63326	1C3	2	20 - 17B	R65289	3E5	26	70 - 71
R62410	1D7	15	20 - 43	R63326	1C5	8	20 - 19	R653R	2D9	21	50 - 55
R62418	1B7	8	20 - 4	R63326	1C7	8	20 - 19B	R653R	2D10	3	50 - 56
R62418	1B7	10	20 - 4	R63326	1C8	8	20 - 19C	R65308	2E4	15	50 - 73
R62418	1B8	5	20 - 5	R63451	1C2	11	20 - 17	R65308	2E6	4	50 - 73B
R62418	1B8	7	20 - 5	R63451	1C3	4	20 - 17B	R65501	3D24	17	70 - 65
R62419	1B7	8	20 - 4	R63451	1C3	5	20 - 17B	R65501	3D24	26	70 - 65
R62419	1B7	11	20 - 4	R63451	1C3	6	20 - 17B	R65501	3E3	4	70 - 69
R62419	1B8	5	20 - 5	R63555	3F8	9	80 - 4	R65501	3E5	26	70 - 71
R62419	1B8	8	20 - 5	R63556	3F8	5	80 - 4	R65502	3D24	17	70 - 65
R62420	1B7	8	20 - 4	R63556	3F8	9	80 - 4	R65502	3D24	26	70 - 65
R62420	1B7	11	20 - 4	R63571	3G12	8	90 - 3	R65502	3E3	4	70 - 69
R62420	1B8	5	20 - 5	R63571	3G13	23	90 - 3A	R65502	3E5	26	70 - 71
R62420	1B8	8	20 - 5	R63737	3D2	22	70 - 45	R65563	2B10	8	50 - 4
R62421	1B7	8	20 - 4	R63737	3D3	6	70 - 46	R65563	2B22	21	50 - 16
R62421	1B7	9	20 - 4	R63917	2G1	4	60 - 19A	R65563	2B23	21	50 - 17
R62421	1B8	5	20 - 5	R64129	2B19	29	50 - 13	R65563	2C5	12	50 - 25
R62421	1B8	6	20 - 5	R64170	3C5	1	70 - 23A	R65563	2C9	7	50 - 29
R62500	3C13	13	70 - 30	R64170	3C5	2	70 - 23A	R65563	2D9	15	50 - 55
R62512	2E10	1	50 - 75	R64257	2D17	15	50 - 62A	R65588	2C21	9	50 - 41
R62513	2E10	1	50 - 75	R64257	2D19	19	50 - 63	R65588	2C23	8	50 - 43
R62513	2E10	2	50 - 75	R64295	3C18	6	70 - 35	R65589	2C20	6	50 - 40
R62513	2E17	1	50 - 79D	R64296	3C20	1	70 - 37	R65589	2C22	5	50 - 42
R62533	2C24	6	50 - 44	R64391	3G6	17	80 - 31	R65593	1G21	4	40 - 19
R62652	3D24	24	70 - 65	R64491	2F4	5	50 - 91	R65593	1J15	4	40 - 81
R62667	1H19	6	40 - 34	R64503	2D25	5	50 - 69	R65594	1J15	2	40 - 81
R62668	1H19	8	40 - 34	R64523	2B9	12	50 - 3	R65595	1J15	21	40 - 81
R62669	1H18	11	40 - 33B	R64697	2E19	11	50 - 81	R65595	1J19	11	40 - 85
R62670	1H16	20	40 - 33	R64697	2E19	12	50 - 81	R65596	1J15	22	40 - 81
R62671	1H16	38	40 - 33	R64698	2E19	11	50 - 81	R65597	1J15	23	40 - 81
R62672	1H18	3	40 - 33B	R64700	1111	7	40 - 51	R65598	1J15	24	40 - 81
R62673	1H16	11	40 - 33	R64829	3C22	3	70 - 39	R65599	1G21	4	40 - 19
R62674	1H16	2	40 - 33	R64840	1D7	10	20 - 43	R65599	1J15	25	40 - 81
R62760	3D10	5	70 - 55	R64840	1F9	4	30 - 44	R65600	1J15	26	40 - 81
R62803	2B20	10	50 - 14	R64840	1F15	12	30 - 51	R65601	1J15	27	40 - 81
R62931	3C18	7	70 - 35	R64843	3C20	7	70 - 37	R65602	1J15	28	40 - 81
R62972	2B20	10	50 - 14	R64845	3C20	7	70 - 37	R65602	1J21	49	40 - 87
R62986	1C4	6	20 - 18	R65053	2C24	6	50 - 44	R65603	1J15	29	40 - 81

1L20

TRACTOR - 4520

NUMERICAL INDEX - CONTINUED

PART NO.	GRID	KEY	PAGE	PART NO.	GRID	KEY	PAGE	PART NO.	GRID	KEY	PAGE
R65604	1J15	30	40-81	R66692	1D17	20	30-7	R70027	2C12	6	50-32
R65605	1J15	31	40-81	R66692	1E5	3	30-17	R70027	2C13	8	50-33
R65606	1J15	32	40-81	R66788	2D17	14	50-62A	R70027	2C13	16	50-33
R65607	1J15	33	40-81	R66821	1E18	12	30-27	R70027	2C20	22	50-40
R65607	1J21	46	40-87	R66895	3C16	24	70-33	R70210	1J21	41	40-87
R65608	1J15	5	40-81	R66916	3D24	26	70-65	R70211	1J21	40	40-87
R65609	1J15	8	40-81	R66916	3D24	29	70-65	R70212	1J21	41	40-87
R65610	1J15	9	40-81	R66916	3E3	4	70-69	R70213	1J21	40	40-87
R65652	2C17	30	50-37	R66916	3E5	26	70-71	R70214	1J21	41	40-87
R65892	2B25	8	50-19	R66922	1C11	2	20-22	R70215	1J21	40	40-87
R65892	2D11	8	50-57	R66922	1C11	4	20-22	R70216	1J21	41	40-87
R66067	2F4	1	50-91	R67035	1D3	1	20-38	R70217	1J21	40	40-87
R66069	1111	3	40-51	R67366	2F4	44	50-91	R70218	1J21	41	40-87
R66117	1H8	4	40-28A	R67410	3I24	2	90-68	R70219	1J21	40	40-87
R66117	1H20	9	40-35	R67782	2D21	9	50-65	R70220	1J21	50	40-87
R66143	2C24	10	50-44	R67784	2D21	6	50-65	R70221	1J21	39	40-87
R66145	2C24	16	50-44	R67982	1G22	6	40-20	R70222	1J21	38	40-87
R66196	2C24	9	50-44	R67982	1G25	2	40-23	R70236	2D17	11	50-62A
R66197	2C24	7	50-44	R67989	2B7	9	50-1	R70236	2D19	23	50-63
R662R	3C20	34	70-37	R67989	2C4	11	50-23	R70250	2C10	7	50-30
R662R	3C22	7	70-39	R68154	2C24	3	50-44	R70250	2C14	13	50-34
R662R	3E14	6	70-79	R68155	2C24	4	50-44	R70250	2C15	13	50-35
R66317	2D19	17	50-63	R68165	2D21	3	50-65	R70351	3B12	13	70-9
R66319	1G6	8	40-3	R68166	2D21	8	50-65	R70417	3F19	3	80-17
R66319	1G8	8	40-5	R68167	2D21	7	50-65	R70513	1E22	9	30-31
R66319	1G9	5	40-6	R68222	1H25	8	40-40	R70513	1F3	8	30-37
R66319	1G9	10	40-6	R68224	1H25	1	40-40	R70513	1F8	34	30-43
R66319	1G9	11	40-6	R68252	3B18	24	70-15	R70513	1F13	1	30-49
R66319	1G10	4	40-7	R68252	3B20	24	70-17	R70558	2B21	8	50-15
R66319	1G10	9	40-7	R68429	3D6	1	70-49	R70559	3B12	43	70-9
R66319	1G10	10	40-7	R68430	3D6	2	70-49	R70588	3I24	2	90-68
R66319	1G11	4	40-8	R68625	1H18	9	40-33B	R70617	3B22	9	70-19
R66319	1I3	6	40-43	R68648	2D25	1	50-69	R70617	3B25	2	70-19C
R66319	1I5	3	40-45	R68817	2D5	1	50-51	R70648	3B10	6	70-7
R66319	1I5	19	40-45	R68818	2D5	3	50-51	R70648	3B20	1	70-17
R66319	1I7	3	40-47	R68821	2D8	3	50-54	R708R	2G1	3	60-19A
R66319	1I16	4	40-56	R69109	1J7	1	40-73	R70826	1B11	3	20-8
R66319	1J4	26	40-69	R69166	3D2	11	70-45	R70826	1B11	7	20-8
R66319	1J13	1	40-79	R69166	3D3	10	70-46	R70867	3B22	21	70-19
R66319	1J13	9	40-79	R69166	3D9	32	70-53	R70868	3B22	22	70-19
R66319	1J13	14	40-79	R69262	3B12	44	70-9	R70976	3B10	8	70-7
R66319	1J13	15	40-79	R69270	3G6	18	80-31	R70976	3B20	5	70-17
R66319	1J15	3	40-81	R69270	3I24	..	90-68	R71208	1B11	1	20-8
R66319	3H4	7	90-20	R69279	3B12	35	70-9	R71208	1B11	8	20-8
R66319	3H4	14	90-20	R69279	3B14	15	70-11	R71321	3B12	42	70-9
R66319	3H8	12	90-25	R69279	3B16	13	70-13	R71321	3B22	38	70-19
R66319	3H8	16	90-25	R69279	3B22	29	70-19	R71387	3E8	9	70-73
R66319	3H8	17	90-25	R69279	3B24	12	70-19B	R71387	3E10	3	70-75
R66320	1J15	7	40-81	R69279	3C2	17	70-21	R71387	3E18	2	70-83
R66320	1J19	24	40-85	R69297	3G12	17	90-3	R715R	2D24	14	50-68
R66321	1J10	7	40-76	R69297	3G12	26	90-3	R71529	1B12	7	20-9
R66321	1J10	11	40-76	R69297	3G12	27	90-3	R71531	1B12	6	20-9
R66321	1J15	6	40-81	R69297	3G12	28	90-3	R71531	1B12	7	20-9
R66321	1J19	24	40-85	R69297	3G14	9	90-3B	R71586	3B18	12	70-15
R66416	3D24	18	70-65	R69297	3G14	10	90-3B	R71586	3B18	13	70-15
R66434	3D4	18	70-47	R69297	3G14	11	90-3B	R71586	3B18	14	70-15
R66434	3D4	..	70-47	R69297	3G14	15	90-3B	R71587	3B20	12	70-17
R66435	3D4	15	70-47	R69303	2C10	10	50-30	R71598	3B18	25A	70-15
R66435	3D4	..	70-47	R69305	2C10	1	50-30	R71599	3B20	25A	70-17
R66452	1B21	1	20-13F	R69306	2C10	7	50-30	R71603	3G13	7	90-3A
R66452	1C11	1	20-22	R69306	2C14	13	50-34	R71851	1F13	17	30-49
R66593	1F10	5	30-45	R69306	2C15	13	50-35	R71909	1B24	8	20-15
R66593	1F11	5	30-46	R69408	3D7	3	70-51	R71918	1B23	4	20-14
R66649	2E9	4	50-74B	R69409	3D7	3	70-51	R71918	1B24	1	20-15
R66649	2E11	6	50-76	R69562	3G13	7	90-3A	R71918	1D5	2	20-40
R66650	2E9	4	50-74B	R69642	3C13	11	70-30	R71918	1D7	33	20-43
R66650	2E11	6	50-76	R699R	1C16	21	20-27	R72226	3G16	8	90-5

1L21

TRACTOR - 4520

NUMERICAL INDEX - CONTINUED

PART NO.	GRID	KEY	PAGE	PART NO.	GRID	KEY	PAGE	PART NO.	GRID	KEY	PAGE
R72227	3G16	7	90 - 5	R73274	2D17	..	50 - 62A	R76477	1H20	8	40 - 35
R72228	3G16	6	90 - 5	R73274	2D19	2	50 - 63	R76477	3E17	6	70 - 82
R72229	3G16	5	90 - 5	R73274	2D19	3	50 - 63	R76504	2D4	6	50 - 49
R72232	2E4	..	50 - 73	R73274	2D19	4	50 - 63	R76578	1E20	15	30 - 29
R72266	3F15	1	80 - 11	R73274	2D19	21	50 - 63	R76578	1F1	15	30 - 35
R72328	1D5	23	20 - 40	R73274	2D19	..	50 - 63	R77003	1C16	7	20 - 27
R72328	1D7	26	20 - 43	R73274	2D19	..	50 - 63	R77175	3E11	1	70 - 76
R72328	1D23	19	30 - 11	R73274	2D21	15	50 - 65	R77456	1J19	27	40 - 85
R72328	1D25	17	30 - 11B	R73274	2D21	20	50 - 65	R77457	1J19	29	40 - 85
R72341	2F4	44	50 - 91	R73380	2B8	11	50 - 2	R77458	1J19	28	40 - 85
R72371	2B15	8	50 - 8	R73380	2C5	1	50 - 25	R77459	1J19	28	40 - 85
R72371	2E8	13	50 - 74A	R73380	3D16	16	70 - 59	R77460	1J19	28	40 - 85
R72371	3F7	25	80 - 3	R73380	3H23	1B	90 - 41	R77461	1J19	28	40 - 85
R72380	3G17	15	90 - 6	R73380	3H23	2	90 - 41	R77462	1J19	25	40 - 85
R72380	3H2	8	90 - 17	R73380	3H23	26	90 - 41	R77463	1J19	30	40 - 85
R72411	2D7	1	50 - 53	R73445	1B24	4	20 - 15	R77464	1J19	26	40 - 85
R72429	3B10	29A	70 - 7	R73736	3B22	24	70 - 19	R77465	1J19	31	40 - 85
R72433	3D12	1B	70 - 57	R73737	2F11	20	60 - 3	R77466	1J19	33	40 - 85
R72433	3D12	5A	70 - 57	R73741	3B18	12	70 - 15	R77467	1J19	34	40 - 85
R72433	3D14	1	70 - 57B	R73741	3B18	13	70 - 15	R77468	1J19	32	40 - 85
R72433	3D16	1B	70 - 59	R73741	3B18	14	70 - 15	R77469	1J21	35	40 - 87
R72433	3D16	5A	70 - 59	R74022	2G10	14	60 - 25B	R77470	1J21	45	40 - 87
R72433	3D18	1	70 - 59B	R74210	3E8	10	70 - 73	R77471	1J10	7	40 - 76
R72433	3D19	19A	70 - 60	R74210	3E10	4	70 - 75	R77471	1J21	45	40 - 87
R72433	3D19	22B	70 - 60	R74210	3G13	21	90 - 3A	R77472	1J21	45	40 - 87
R72506	3B18	27	70 - 15	R74242	3E17	1	70 - 82	R77473	1J21	45	40 - 87
R72507	3B10	29B	70 - 7	R74243	3E17	2	70 - 82	R77474	1J21	44	40 - 87
R72507	3B10	..	70 - 7	R74244	3E17	3	70 - 82	R77475	1J19	13	40 - 85
R72507	3B18	23	70 - 15	R74246	3E17	4	70 - 82	R77476	1J19	3	40 - 85
R72507	3B20	23	70 - 17	R74350	2G1	4	60 - 19A	R77477	1J19	4	40 - 85
R72509	3B10	30B	70 - 7	R74417	2D25	18	50 - 69	R77478	1J19	15	40 - 85
R72509	3B20	27	70 - 17	R74418	2D25	17	50 - 69	R77479	1J19	5	40 - 85
R72586	2D17	14	50 - 62A	R74418	2D25	18	50 - 69	R77480	1J19	6	40 - 85
R72586	2D17	..	50 - 62A	R74530	3E6	11	70 - 71A	R77481	1J19	7	40 - 85
R72586	2D19	16	50 - 63	R74530	3E8	16	70 - 73	R77482	1J19	8	40 - 85
R72586	2D19	17	50 - 63	R74530	3E10	8	70 - 75	R77483	1J19	16	40 - 85
R72586	2D19	19	50 - 63	R74695	3D24	21	70 - 65	R77484	1J19	19	40 - 85
R72586	2D19	..	50 - 63	R74695	3D24	26	70 - 65	R77485	1J19	21	40 - 85
R72586	2D21	4	50 - 65	R74695	3D25	11	70 - 66	R77486	1J19	22	40 - 85
R726R	2C18	6	50 - 38	R74695	3E3	4	70 - 69	R77487	1J19	23	40 - 85
R72653	1F17	6	30 - 53	R74695	3E5	26	70 - 71	R77488	1J21	51	40 - 87
R72653	1F18	1	30 - 54	R74851	3F10	13	80 - 6	R77489	1J21	51	40 - 87
R72653	3C20	10	70 - 37	R74852	2C20	8	50 - 40	R77490	1J21	51	40 - 87
R72653	3C22	1	70 - 39	R74852	2C22	7	50 - 42	R77491	1J21	54	40 - 87
R72653	3E5	24	70 - 71	R74852	2C23	6	50 - 43	R77492	1J21	54	40 - 87
R72653	3E14	2	70 - 79	R74993	1G21	3	40 - 19	R77493	1J10	7	40 - 76
R72653	3E14	20	70 - 79	R75285	3E6	11	70 - 71A	R77493	1J10	11	40 - 76
R72654	3C18	9	70 - 35	R75376	3B22	26	70 - 19	R77493	1J21	51	40 - 87
R72654	3C20	28	70 - 37	R75376	3B24	4	70 - 19B	R77494	1J21	55	40 - 87
R72654	3E5	36	70 - 71	R75564	3B22	18	70 - 19	R77495	1J21	52	40 - 87
R72654	3F25	6	80 - 24	R75642	3B10	1	70 - 7	R77496	1J21	52	40 - 87
R72655	3F22	10	80 - 21	R75642	3B22	17	70 - 19	R77497	1J21	53	40 - 87
R72660	3C20	34	70 - 37	R75833	1111	3	40 - 51	R77498	1J19	24	40 - 85
R72660	3C22	7	70 - 39	R75866	2G10	15	60 - 25B	R77499	1J19	24	40 - 85
R72660	3E14	6	70 - 79	R75879	3B22	5	70 - 19	R77500	1J19	24	40 - 85
R72886	3B8	20	70 - 5	R75938	3B22	43	70 - 19	R77501	1J19	24	40 - 85
R72886	3B10	24	70 - 7	R75938	3C2	16	70 - 21	R77502	1J21	56	40 - 87
R72886	3B18	18	70 - 15	R76126	1B7	8	20 - 4	R77503	1J21	56	40 - 87
R72886	3B20	18	70 - 17	R76126	1B8	5	20 - 5	R776R	2C8	10	50 - 28
R73101	2F4	36	50 - 91	R76312	2C21	4	50 - 41	R77611	3B18	24	70 - 15
R73102	2E9	9	50 - 74B	R76312	2C24	23	50 - 44	R77611	3B20	24	70 - 17
R73102	2E17	14	50 - 79D	R76341	3G6	18	80 - 31	R77611	3C2	19	70 - 21
R73274	2D17	2	50 - 62A	R76341	3I24	..	90 - 68	R77712	3B24	6	70 - 19B
R73274	2D17	3	50 - 62A	R76459	3E17	5	70 - 82	R77714	3B22	27	70 - 19
R73274	2D17	4	50 - 62A	R76477	1H8	3	40 - 28A	R77866	2G11	7	60 - 26
R73274	2D17	9	50 - 62A	R76477	1H9	5	40 - 28B	R77867	2G10	3	60 - 25B
R73274	2D17	..	50 - 62A	R76477	1H20	6	40 - 35	R77867	2G10	7	60 - 25B

1L22

TRACTOR - 4520

NUMERICAL INDEX - CONTINUED

PART NO.	GRID	KEY	PAGE	PART NO.	GRID	KEY	PAGE	PART NO.	GRID	KEY	PAGE
R77903	3B10	31	70 - 7	R80753	2G10	34	60 - 25B	R88397	1D5	5	20 - 40
R77903	3B18	22A	70 - 15	R80754	2G10	28	60 - 25B	R88397	1D7	3	20 - 43
R77903	3B20	22A	70 - 17	R80754	2G10	34	60 - 25B	R89837	2D21	11	50 - 65
R77904	3B10	34	70 - 7	R81R	2D2	18	50 - 47	R90086	2G1	2	60 - 19A
R77904	3B18	26	70 - 15	R81245	3D16	13	70 - 59	R90869	2D19	17	50 - 63
R77904	3B20	26	70 - 17	R81424	3H12	11	90 - 29	R91558	1D4	6	20 - 39
R78019	3F15	2	80 - 11	R81424	3H14	16	90 - 31	R91558	2B7	23	50 - 1
R78101	2G10	3	60 - 25B	R81424	3H21	..	90 - 39	R91826	2E6	8	50 - 73B
R78101	2G10	7	60 - 25B	R81922	2C20	25	50 - 40	R91826	2G1	5	60 - 19A
R78102	1C4	1	20 - 18	R82024	2D7	1	50 - 53	R92474	2D8	3	50 - 54
R78102	1C4	10	20 - 18	R82133	2D25	17	50 - 69	R93019	2D21	13	50 - 65
R78124	1C12	2	20 - 23	R82133	2D25	18	50 - 69	R93219	1J17	7	40 - 83
R78124	1C13	2	20 - 24	R82134	2D25	17	50 - 69	R93220	1J17	7	40 - 83
R78124	1C14	2	20 - 25	R82134	2D25	18	50 - 69	R93221	1J17	7	40 - 83
R78124	1C14	3	20 - 25	R82175	2E4	29	50 - 73	R93222	1J17	7	40 - 83
R78214	3D12	10	70 - 57	R82331	2D7	22	50 - 53	R94321	2D5	1	50 - 51
R78214	3D16	11A	70 - 59	R82337	2G10	28	60 - 25B	R94323	2C10	1	50 - 30
R78257	3H23	7	90 - 41	R82337	2G10	34	60 - 25B	R94326	2C10	7	50 - 30
R78293	3B8	10	70 - 5	R82362	2C10	10	50 - 30	R94326	2C14	13	50 - 34
R78293	3B10	14	70 - 7	R82425	3G6	18	80 - 31	R94326	2C15	13	50 - 35
R78293	3B18	8	70 - 15	R82425	3I24	..	90 - 68	R94631	2D17	9	50 - 62A
R78293	3B20	8	70 - 17	R82766	3C20	33	70 - 37	R94631	2D17	..	50 - 62A
R78662	2C20	16	50 - 40	R82766	3C20	42	70 - 37	R94631	2D17	..	50 - 62A
R78765	3E8	8	70 - 73	R82766	3C22	6	70 - 39	R94631	2D19	21	50 - 63
R78766	3E8	13	70 - 73	R82766	3E14	5	70 - 79	R94631	2D19	..	50 - 63
R78766	3E10	6	70 - 75	R83020	1D5	4	20 - 40	R94631	2D19	..	50 - 63
R78767	3E8	2	70 - 73	R83020	1D7	6	20 - 43	R94631	2D21	15	50 - 65
R78768	3E8	19	70 - 73	R83020	1E4	17	30 - 16	R94631	2D21	17	50 - 65
R78769	3E8	17	70 - 73	R83021	1D5	3	20 - 40	R96460	1C6	8	20 - 19A
R79133	2D25	5	50 - 69	R83021	1D7	4	20 - 43	R97316	2B21	5	50 - 15
R79134	2D25	18	50 - 69	R83021	1E4	16	30 - 16	R97346	1D21	4	30 - 9
R79135	2D23	9	50 - 67	R83034	1E4	11	30 - 16	R97348	1D5	10	20 - 40
R79151	3B10	33	70 - 7	R83096	2E4	24	50 - 73	R97348	1D7	9	20 - 43
R79151	3B18	22B	70 - 15	R83103	3G6	17	80 - 31	R97348	1D25	9	30 - 11B
R79151	3B18	25A	70 - 15	R83111	3D16	28	70 - 59	R97349	1D5	11	20 - 40
R79151	3B20	22B	70 - 17	R83112	3D16	20	70 - 59	R97349	1D23	24	30 - 11
R79151	3B20	25A	70 - 17	R83508	3B8	20	70 - 5	R97349	1D25	21	30 - 11B
R79152	3B18	22B	70 - 15	R83508	3B10	24	70 - 7	R97350	1D5	9	20 - 40
R79152	3B18	25A	70 - 15	R83508	3B18	18	70 - 15	R97350	1E12	26	30 - 21
R79152	3B18	25B	70 - 15	R83508	3B20	18	70 - 17	R97350	1E14	24	30 - 23
R79154	3B20	22B	70 - 17	R84270	2D11	25	50 - 57	R97350	1E14	26	30 - 23
R79154	3B20	25A	70 - 17	R85027	1B11	17	20 - 8	R97350	1E15	4	30 - 24
R79154	3B20	25B	70 - 17	R86192	2G8	6	60 - 25	R97350	1E15	6	30 - 24
R79156	3B10	33	70 - 7	R86192	2G10	6	60 - 25B	R97350	1E16	13	30 - 25
R79266	3B22	10	70 - 19	R86192	2G11	6	60 - 26	R97350	1E16	17	30 - 25
R79267	3B22	14	70 - 19	R86192	2G11	16	60 - 26	R97801	2E6	8	50 - 73B
R79268	3B22	13	70 - 19	R86770	2D25	5	50 - 69	R97801	2G2	3	60 - 19B
R79311	3E5	27	70 - 71	R87345	3G17	15	90 - 6	R97993	2G2	2	60 - 19B
R79311	3E6	11	70 - 71A	R87345	3H2	8	90 - 17	R98926	2C16	12	50 - 36
R79311	3E8	16	70 - 73	R87527	3H12	3	90 - 29	R98926	2C17	11	50 - 37
R79311	3E10	8	70 - 75	R87527	3H14	6	90 - 31	R98928	2C24	3	50 - 44
R79916	3D2	12	70 - 45	R87527	3H16	4	90 - 31B	R99291	2B7	24	50 - 1
R79916	3D3	9	70 - 46	R87529	3G6	18	80 - 31	R99394	2E4	15	50 - 73
R79985	2D4	6	50 - 49	R88042	1B7	9	20 - 4	R99394	2E6	4	50 - 73B
R80306	3F10	13	80 - 6	R88042	1B8	6	20 - 5	R99466	2D21	4	50 - 65
R80324	3E12	8	70 - 77	R88042	1B8	..	20 - 5	R99556	2B21	12	50 - 15
R80326	3F21	10	80 - 19	R88043	1B7	10	20 - 4	TY1430	1H1	7	40 - 24
R80447	3D12	10	70 - 57	R88043	1B8	7	20 - 5	TY1430	1H4	..	40 - 25B
R80447	3D14	6	70 - 57B	R88043	1B8	..	20 - 5	TY15155	1I23	4	40 - 63
R80447	3D16	11B	70 - 59	R88044	1B7	11	20 - 4	TY15276	1I23	4	40 - 63
R80447	3D16	11C	70 - 59	R88044	1B8	8	20 - 5	TY1597	1H7	6	40 - 28
R80447	3D18	6	70 - 59B	R88044	1B8	..	20 - 5	TY1597	1H21	..	40 - 36
R80558	3B10	30B	70 - 7	R88045	1B7	11	20 - 4	TY1597	1H22	..	40 - 37
R80558	3B10	..	70 - 7	R88045	1B8	8	20 - 5	TY1597	1H23	..	40 - 38
R80558	3B18	27	70 - 15	R88045	1B8	..	20 - 5	TY16004	1B6	2	20 - 2
R80558	3B20	27	70 - 17	R88397	1C24	3	20 - 34	TY16005	1B6	3	20 - 2
R80752	2G10	34	60 - 25B	R88397	1C25	16	20 - 35	TY16005	1B6	..	20 - 2

1L23

TRACTOR - 4520

NUMERICAL INDEX - CONTINUED

PART NO.	GRID	KEY	PAGE	PART NO.	GRID	KEY	PAGE	PART NO.	GRID	KEY	PAGE
TY21737	1G17	..	40 - 15	TY6603	1H5	..	40 - 26	T11883	1F13	35	30 - 49
TY22007	1B5	2	20 - 1	TY6603	1H6	..	40 - 27	T11884	1F8	10	30 - 43
TY22008	1B5	2	20 - 1	TY6617	1H7	6	40 - 28	T11884	1F13	33	30 - 49
TY22009	1B5	1	20 - 1	TY6617	1H20	..	40 - 35	T11885	1E21	18	30 - 30
TY22010	1B5	2	20 - 1	TY6617	1H21	..	40 - 36	T11899	1E22	7	30 - 31
TY22011	1B5	2	20 - 1	TY6617	1H22	..	40 - 37	T11899	1F3	6	30 - 37
TY22327	2F5	8	50 - 93	TY6617	1H23	..	40 - 38	T11899	1F14	6	30 - 50
TY22329	2F2	37	50 - 89	TY6618	1H7	6	40 - 28	T11915	1E20	15	30 - 29
TY22329	3C8	8	70 - 25	TY6618	1H8	..	40 - 28A	T11915	1F1	15	30 - 35
TY22329	3C10	6	70 - 27	TY6618	1H16	..	40 - 33	T11917	1F13	4	30 - 49
TY22418	1E19	25	30 - 28	TY6618	1H18	..	40 - 33B	T11918	1F8	19	30 - 43
TY22418	1E25	25	30 - 34	TY6618	1H21	..	40 - 36	T11918	1F13	26	30 - 49
TY22418	1F9	10	30 - 44	TY6618	1H22	..	40 - 37	T11921	1F8	24	30 - 43
TY22462	1D13	8	30 - 3	TY6618	1H23	..	40 - 38	T11921	1F8	29	30 - 43
TY22462	1F9	11	30 - 44	TY6665	3G12	29	90 - 3	T11921	1F13	21	30 - 49
TY22462	2F4	2	50 - 91	TY6665	3G13	2	90 - 3A	T11921	1F13	43	30 - 49
TY22465	1C22	2	20 - 32A	TY6667	1H7	6	40 - 28	T11934	1E20	2	30 - 29
TY22465	2F5	7	50 - 93	TY6667	1H8	..	40 - 28A	T11934	1E20	8	30 - 29
TY22465	3C10	5	70 - 27	TY6667	1H11	..	40 - 30A	T11934	1E20	17	30 - 29
TY22465	3G16	4	90 - 5	TY6667	1H13	..	40 - 30C	T11934	1F1	2	30 - 35
TY22465	3G24	3	90 - 13	TY6701	1H7	6	40 - 28	T11934	1F1	8	30 - 35
TY22465	3H7	3	90 - 24	TY6701	1H7	..	40 - 28	T11934	1F1	17	30 - 35
TY22465	3H8	10	90 - 25	TY6701	1H8	..	40 - 28A	T11934	1F13	30	30 - 49
TY22467	1C17	14	20 - 28	TY6701	1H16	..	40 - 33	T11934	1F14	3	30 - 50
TY22467	1C18	5	20 - 29	TY6701	1H18	6	40 - 33B	T11934	2B13	18	50 - 7
TY22467	1C25	1	20 - 35	TY6701	1H18	..	40 - 33B	T11934	3D2	5	70 - 45
TY22467	1D12	4	30 - 2	TY6701	1H21	..	40 - 36	T11937	1F10	6	30 - 45
TY22467	1D21	14	30 - 9	TY6701	1H22	..	40 - 37	T11937	1F11	6	30 - 46
TY22467	2F2	36	50 - 89	TY6701	1H23	..	40 - 38	T11941	1F8	30	30 - 43
TY22467	3C8	3	70 - 25	TY6710	1H7	6	40 - 28	T11941	1F13	44	30 - 49
TY22467	3C9	1	70 - 26	TY6710	1H7	..	40 - 28	T12250	1D3	2	20 - 38
TY22467	3G23	1	90 - 12	TY6710	1H8	..	40 - 28A	T12444	1I3	18	40 - 43
TY22470	1D2	26	20 - 37	TY6710	1H11	..	40 - 30A	T12808	3F22	10	80 - 21
TY22470	1D20	1	30 - 8	TY6710	1H13	7	40 - 30C	T12860	2F14	22	60 - 6
TY22470	1D21	17	30 - 9	TY6710	1H13	..	40 - 30C	T13073	3E20	29	70 - 85
TY22470	1E12	4	30 - 21	TY6713	1H7	6	40 - 28	T13073	3E24	17	70 - 89
TY22470	1E14	4	30 - 23	TY6713	1H7	..	40 - 28	T134452	1H8	6	40 - 28A
TY22474	1D15	7	30 - 5	TY6713	1H16	..	40 - 33	T134452	1H9	10	40 - 28B
TY22474	1D25	1	30 - 11B	TY6713	1H18	..	40 - 33B	T134452	1H20	1	40 - 35
TY22475	1D17	1	30 - 7	TY6713	1H20	..	40 - 35	T134452	3G6	19	80 - 31
TY22475	1D17	2	30 - 7	TY6713	1H21	11	40 - 36	T134453	1H8	6	40 - 28A
TY22475	1D19	5	30 - 7B	TY6713	1H21	..	40 - 36	T134453	1H9	10	40 - 28B
TY22475	1D19	6	30 - 7B	TY6713	1H22	17	40 - 37	T134453	1H20	1	40 - 35
TY2615	3J4	3	90 - 73	TY6713	1H22	..	40 - 37	T134453	3G6	19	80 - 31
TY3018	3E18	3	70 - 83	TY6713	1H23	..	40 - 38	T134454	1H8	6	40 - 28A
TY6118	1G17	..	40 - 15	TY9371	3I25	1	90 - 69	T134454	1H9	10	40 - 28B
TY6280	1B5	1	20 - 1	T101090	3I1	20	90 - 45	T134454	1H20	1	40 - 35
TY6297	1B5	1	20 - 1	T10671	3G20	3	90 - 9	T134454	3G6	19	80 - 31
TY6298	1B5	1	20 - 1	T10804	1E16	14	30 - 25	T134455	1H8	6	40 - 28A
TY6300	1B5	1	20 - 1	T11220	3E20	18	70 - 85	T134455	1H9	10	40 - 28B
TY6301	1B5	1	20 - 1	T11220	3E22	24	70 - 87	T134455	1H20	1	40 - 35
TY6311	1B5	1	20 - 1	T11220	3E23	13	70 - 88	T134455	3G6	19	80 - 31
TY6312	1B5	1	20 - 1	T11220	3E24	8	70 - 89	T134456	1H8	6	40 - 28A
TY6313	1B5	1	20 - 1	T11234	3B5	1	70 - 1	T134456	1H9	10	40 - 28B
TY6359	1B5	1	20 - 1	T11234	3H24	13	90 - 43	T134456	1H20	1	40 - 35
TY6360	1B5	1	20 - 1	T11290	1F8	18	30 - 43	T134456	3G6	19	80 - 31
TY6361	1B5	1	20 - 1	T11290	1F13	31	30 - 49	T134459	1H8	1	40 - 28A
TY6364	1B5	1	20 - 1	T11292	1E23	10	30 - 32	T134459	1H9	1	40 - 28B
TY6389	1B5	2	20 - 1	T11292	1F4	12	30 - 38	T134459	1H20	5	40 - 35
TY6390	1B5	2	20 - 1	T11708	3I20	9	90 - 64	T134459	3G6	19	80 - 31
TY6391	1B5	2	20 - 1	T11739	1H13	23	40 - 30C	T13744	1G6	..	40 - 3
TY6392	1B5	2	20 - 1	T11743	1H11	1	40 - 30A	T13744	1G8	..	40 - 5
TY6393	1B5	2	20 - 1	T11743	1H16	1	40 - 33	T13744	1G11	12	40 - 8
TY6394	1B5	2	20 - 1	T11878	1E21	10	30 - 30	T13744	1G11	17	40 - 8
TY6603	1H2	6	40 - 25	T11882	1F8	9	30 - 43	T13744	1G18	21	40 - 16
TY6603	1H3	7	40 - 25A	T11882	1F13	34	30 - 49	T14264	1G11	12	40 - 8
TY6603	1H5	30	40 - 26	T11883	1F8	8	30 - 43	T14264	1G11	17	40 - 8

1L24

TRACTOR - 4520

NUMERICAL INDEX - CONTINUED

PART NO.	GRID	KEY	PAGE	PART NO.	GRID	KEY	PAGE	PART NO.	GRID	KEY	PAGE
T14264	1J7	8	40 - 73	T17950	1F3	9	30 - 37	T23856	2B21	16	50 - 15
T14587	2E21	9	50 - 83	T17950	1F8	33	30 - 43	T23891	1C2	2	20 - 17
T14587	2E23	2	50 - 85	T17950	1F13	2	30 - 49	T23891	3F5	2	80 - 1
T146102	1H8	1	40 - 28A	T17951	2E11	8	50 - 76	T23925	1113	3	40 - 53
T146102	1H9	1	40 - 28B	T17951	2E15	1	50 - 79A	T24959	2G11	29	60 - 26
T146102	1H20	5	40 - 35	T17953	1F8	23	30 - 43	T25317	2B15	17	50 - 8
T146102	3G6	19	80 - 31	T18098	1H13	14	40 - 30C	T25317	2C18	20	50 - 38
T146104	1H8	6	40 - 28A	T18098	1H18	13	40 - 33B	T25317	2E4	13	50 - 73
T146104	1H9	10	40 - 28B	T18105	1H14	9	40 - 31	T25343	1H4	26	40 - 25B
T146104	1H20	1	40 - 35	T18105	1H19	6	40 - 34	T25343	1H5	36	40 - 26
T146104	3G6	19	80 - 31	T18106	1H14	16	40 - 31	T25343	1H6	31	40 - 27
T146106	1H8	6	40 - 28A	T18106	1H19	13	40 - 34	T25349	1H5	10	40 - 26
T146106	1H9	10	40 - 28B	T18107	1H14	12	40 - 31	T25350	1H5	8	40 - 26
T146106	1H20	1	40 - 35	T18107	1H19	9	40 - 34	T25353	1H5	17	40 - 26
T146106	3G6	19	80 - 31	T18110	1H14	2	40 - 31	T25353	1H6	10	40 - 27
T146515	1H8	6	40 - 28A	T18110	1H19	2	40 - 34	T25357	1H5	13	40 - 26
T146515	1H9	10	40 - 28B	T19178	1I3	19	40 - 43	T25357	1H6	6	40 - 27
T146515	1H20	1	40 - 35	T19178	1I5	11	40 - 45	T25879	3D7	4	70 - 51
T146515	3G6	19	80 - 31	T19178	1I7	9	40 - 47	T26041	1H5	2	40 - 26
T146516	1H8	6	40 - 28A	T19607	1H14	22	40 - 31	T26209	1E20	5	30 - 29
T146516	1H9	10	40 - 28B	T19687	3E20	18	70 - 85	T26209	1E20	7	30 - 29
T146516	1H20	1	40 - 35	T19687	3E22	24	70 - 87	T26209	1F1	5	30 - 35
T146516	3G6	19	80 - 31	T19854	1F8	16	30 - 43	T26209	1F1	7	30 - 35
T146517	1H8	6	40 - 28A	T19854	1F13	32	30 - 49	T26209	1F2	10	30 - 36
T146517	1H9	10	40 - 28B	T19855	1F13	27	30 - 49	T26217	1E23	14	30 - 32
T146517	1H20	1	40 - 35	T19859	1E22	9	30 - 31	T26256	1E20	10	30 - 29
T146517	3G6	19	80 - 31	T19859	1F3	8	30 - 37	T26256	1E22	14	30 - 31
T15005	3I21	9	90 - 65	T19860	1F13	13	30 - 49	T26256	1F1	10	30 - 35
T15329	2D10	5	50 - 56	T19861	1F13	14	30 - 49	T26256	1F3	13	30 - 37
T15539	1B15	18	20 - 13	T19909	1H11	30	40 - 30A	T26256	1F8	1	30 - 43
T15539	1C10	7	20 - 21	T19909	1H16	29	40 - 33	T26256	1F13	42	30 - 49
T15712	1E20	5	30 - 29	T19977	1F10	1	30 - 45	T26256	1F14	16	30 - 50
T15712	1F8	4	30 - 43	T19977	1G18	8	40 - 16	T26565	2B7	10	50 - 1
T15712	1F13	36	30 - 49	T20055	1D5	25	20 - 40	T26565	2C4	15	50 - 23
T15715	1F8	27	30 - 43	T20055	1E6	16	30 - 18	T27155	3H12	6	90 - 29
T15715	1F13	15	30 - 49	T20055	1E19	24	30 - 28	T27155	3H14	4	90 - 31
T15721	1F8	28	30 - 43	T20055	1E19	26	30 - 28	T27261	1C20	8	20 - 31
T15721	1F13	16	30 - 49	T20055	1E23	8	30 - 32	T27261	1C23	5	20 - 33
T15737	1G9	9	40 - 6	T20055	1E25	24	30 - 34	T27860	1C12	2	20 - 23
T15737	3G10	2	90 - 1	T20055	1E25	26	30 - 34	T27860	1C13	2	20 - 24
T15737	3H10	6	90 - 27	T20055	1F4	9	30 - 38	T27860	1C14	2	20 - 25
T15737	3H18	6	90 - 35	T20055	1F6	21	30 - 41	T27860	1C14	3	20 - 25
T16573	2E8	20	50 - 74A	T20055	1F8	2	30 - 43	T28582	1E21	5	30 - 30
T16573	3F7	31	80 - 3	T20077	1B11	23	20 - 8	T28582	1F2	5	30 - 36
T16738	1114	9	40 - 54	T20129	1B11	24	20 - 8	T28583	1J15	34	40 - 81
T16911	1G13	3	40 - 10	T20166	1B7	4	20 - 4	T28583	1J19	1	40 - 85
T16911	1G19	10	40 - 17	T20166	1B8	1	20 - 5	T28585	1G9	12	40 - 6
T16911	2B15	19	50 - 8	T20173	1B15	6	20 - 13	T28585	1J10	7	40 - 76
T16911	2B21	13	50 - 15	T20173	1C16	21	20 - 27	T28585	1J15	35	40 - 81
T16911	2C18	19	50 - 38	T20303	1C16	11	20 - 27	T28585	1J19	12	40 - 85
T16911	2D5	21	50 - 51	T21397	2B7	12	50 - 1	T28586	1J19	14	40 - 85
T16911	2E1	4	50 - 70	T21397	2B15	14	50 - 8	T29098	1H5	6	40 - 26
T16911	2E2	21	50 - 71	T21397	2C4	18	50 - 23	T29100	1H5	7	40 - 26
T17148	2F11	4	60 - 3	T21397	2C4	21	50 - 23	T29100	1H6	3	40 - 27
T17512	2C17	23	50 - 37	T21689	3F13	4	80 - 9	T29101	1H5	9	40 - 26
T17947	1F8	25	30 - 43	T22228	3C20	2	70 - 37	T29102	1H5	26	40 - 26
T17947	1F13	20	30 - 49	T22534	1E10	5	30 - 19C	T29102	1H6	20	40 - 27
T17948	1E22	26	30 - 31	T22645	1C22	8	20 - 32A	T29105	1H5	16	40 - 26
T17948	1F3	25	30 - 37	T22958	3C8	4	70 - 25	T29105	1H6	9	40 - 27
T17948	1F8	34	30 - 43	T22958	3C8	17	70 - 25	T29164	1E22	13	30 - 31
T17948	1H5	26	40 - 26	T22958	3D22	14	70 - 63	T29164	1F3	12	30 - 37
T17948	1H6	20	40 - 27	T23027	3J2	5	90 - 71	T30890	1G14	8	40 - 11
T17949	1E22	11	30 - 31	T23033	3J2	4	90 - 71	T31307	1H5	15	40 - 26
T17949	1F3	10	30 - 37	T23610	1H4	25	40 - 25B	T31308	1H3	22	40 - 25A
T17949	1F8	32	30 - 43	T23610	1H5	35	40 - 26	T31308	1H6	1	40 - 27
T17949	1F13	3	30 - 49	T23610	1H6	30	40 - 27	T31483	1D13	9	30 - 3
T17950	1E22	10	30 - 31	T23688	1F17	16	30 - 53	T31783	2C10	11	50 - 30

1L25

TRACTOR - 4520

NUMERICAL INDEX - CONTINUED

PART NO.	GRID	KEY	PAGE	PART NO.	GRID	KEY	PAGE	PART NO.	GRID	KEY	PAGE
T31784	2C10	12	50 - 30	T84413	1H8	6	40 - 28A	400R	2B13	20	50 - 7
T32148	3F21	15	80 - 19	T84413	1H9	10	40 - 28B	400R	2B14	14	50 - 7A
T32231	1G9	9	40 - 6	T84413	1H20	1	40 - 35	400R	2C20	13	50 - 40
T32231	1J10	5	40 - 76	T84413	3G6	19	80 - 31	400R	2D25	8	50 - 69
T32231	3G10	2	90 - 1	T84578	1H8	6	40 - 28A	400R	2E10	28	50 - 75
T32231	3H10	6	90 - 27	T84578	1H9	10	40 - 28B	400R	2F11	12	60 - 3
T32231	3H18	6	90 - 35	T84578	1H20	1	40 - 35	400R	2F13	6	60 - 5
T32255	1J4	11	40 - 69	T84578	3G6	19	80 - 31	400R	2G3	13	60 - 20
T33483	2D10	14	50 - 56	U10136	2G8	3	60 - 25	400R	2G3	30	60 - 20
T33745	1I7	23	40 - 47	U10136	2G8	7	60 - 25	400R	2G8	21	60 - 25
T34067	1J19	18	40 - 85	U10136	2G10	3	60 - 25B	400R	2G8	38	60 - 25
T40167	3C8	4	70 - 25	U10136	2G11	3	60 - 26	400R	2G10	18	60 - 25B
T40167	3C8	17	70 - 25	U10136	2G11	19	60 - 26	400R	3C16	38	70 - 33
T40167	3D22	14	70 - 63	U10289	2F25	6	60 - 18	400R	3E5	12	70 - 71
T40308	3B12	28	70 - 9	U11017	2F25	3	60 - 18	400R	3E12	14	70 - 77
T40308	3B14	17	70 - 11	U11647	2E17	13	50 - 79D	811912	1H18	9	40 - 33B
T40308	3B24	18	70 - 19B	U11647	3E18	1	70 - 83				
T40308	3B25	11	70 - 19C	U12198	2D11	16	50 - 57				
T40308	3C2	4	70 - 21	U12331	2G8	7	60 - 25				
T42441	2C4	6	50 - 23	U12547	2E18	7	50 - 80				
T42441	2C16	5	50 - 36	U12547	2E19	13	50 - 81				
T43535	3B25	8	70 - 19C	U13639	3B8	14	70 - 5				
T43535	3B25	9	70 - 19C	U13639	3B10	19	70 - 7				
T44604	1E20	15	30 - 29	U13639	3B16	14	70 - 13				
T44604	1F1	15	30 - 35	U13639	3B18	12	70 - 15				
T46862	1H5	13	40 - 26	U13639	3C2	21	70 - 21				
T519R	3C20	7	70 - 37	U13639	3C20	14	70 - 37				
T519T	3C20	24	70 - 37	U13639	3C25	15	70 - 43				
T519T	3C22	28	70 - 39	U15242	2E24	4	50 - 86				
T54033	3C20	33	70 - 37	U17409	2E23	12	50 - 85				
T54033	3C20	42	70 - 37	U17409	2E25	4	50 - 87				
T54033	3C22	6	70 - 39	U17409	2F2	33	50 - 89				
T54033	3E14	5	70 - 79	U17409	2F4	3	50 - 91				
T55501	1I10	1	40 - 50	U17409	2F5	12	50 - 93				
T55501	1I11	11	40 - 51	U40727	2E21	17	50 - 83				
T56005	3D12	6	70 - 57	U40727	2E23	3	50 - 85				
T56005	3D14	5	70 - 57B	U40727	2F4	13	50 - 91				
T56005	3D16	6	70 - 59	U40750	1C16	6	20 - 27				
T56005	3D18	5	70 - 59B	U46370	1J15	36	40 - 81				
T57374	3B12	29	70 - 9	U46370	1J19	20	40 - 85				
T57374	3B14	18	70 - 11	U46506	1J4	10	40 - 69				
T57374	3B24	19	70 - 19B	U46507	1J4	13	40 - 69				
T57374	3B25	10	70 - 19C	U46508	1J4	18	40 - 69				
T57374	3C2	5	70 - 21	U46509	1J4	9	40 - 69				
T67029	2C16	14	50 - 36	U46510	1J4	8	40 - 69				
T67029	2C17	13	50 - 37	U46511	1J4	7	40 - 69				
T738T	1H13	18	40 - 30C	U46512	1J4	6	40 - 69				
T738T	1H18	17	40 - 33B	U46513	1J4	5	40 - 69				
T75972	2E24	3	50 - 86	U46514	1J3	1	40 - 68				
T77072	2E24	2	50 - 86	U46514	1J4	1	40 - 69				
T84409	1H8	1	40 - 28A	U46515	1J4	23	40 - 69				
T84409	1H9	1	40 - 28B	U46662	1J10	7	40 - 76				
T84409	1H20	5	40 - 35	U46662	1J15	37	40 - 81				
T84409	3G6	16	80 - 31	U46662	1J19	10	40 - 85				
T84409	3G6	19	80 - 31	U46663	1J15	38	40 - 81				
T84410	1H8	6	40 - 28A	U46664	1J15	39	40 - 81				
T84410	1H9	10	40 - 28B	U46664	1J21	47	40 - 87				
T84410	1H20	1	40 - 35	W19903	2E24	6	50 - 86				
T84410	3G6	19	80 - 31	Z36276	3B25	8	70 - 19C				
T84411	1H8	6	40 - 28A	Z36276	3B25	9	70 - 19C				
T84411	1H9	10	40 - 28B	1873796	1H11	10	40 - 30A				
T84411	1H20	1	40 - 35	31415	2D2	20	50 - 47				
T84411	3G6	19	80 - 31	31415	2D14	12	50 - 60				
T84412	1H8	6	40 - 28A	32240	2E21	14	50 - 83				
T84412	1H9	10	40 - 28B	32240	2E23	4	50 - 85				
T84412	1H20	1	40 - 35	32240	3G12	6	90 - 3				
T84412	3G6	19	80 - 31	32240	3G13	22	90 - 3A				