

R14448 -UN-01JAN94



*JOHN DEERE 3020 ROW-CROP TRACTOR  
(MANUFACTURED 1969-1972)*

*(SPECIFICATIONS AND DESIGN SUBJECT TO CHANGE WITHOUT NOTICE)*

*COPYRIGHT (C) 1997, DEERE & COMPANY, MOLINE, ILLINOIS. ALL RIGHTS RESERVED.*

# 1A3

3020 - TRACTOR (TRACTOR SERIAL NO. 123,000- )

R14449

-UN-01JAN94



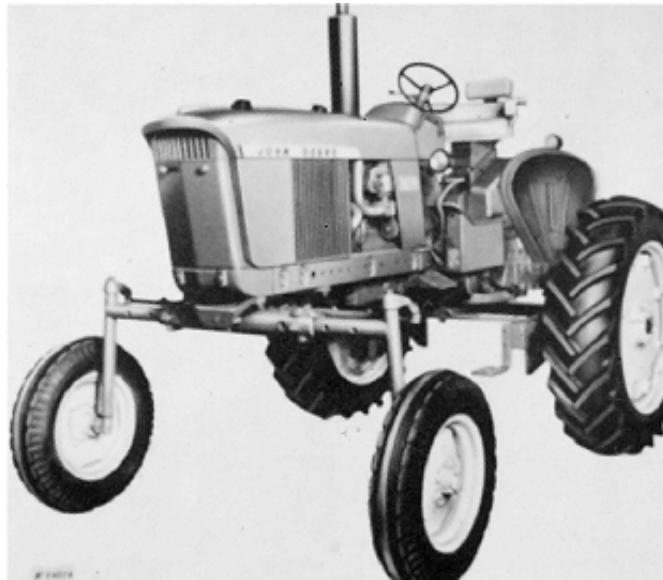
*JOHN DEERE 3020 STANDARD TRACTOR*

*(SPECIFICATIONS AND DESIGN SUBJECT TO CHANGE WITHOUT NOTICE)*

# 1A4

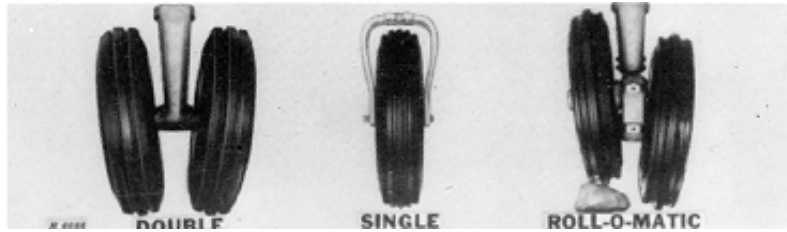
3020 - TRACTOR (TRACTOR SERIAL NO. 123,000- )

R14518 -UN-01JAN94



*JOHN DEERE 3020 HI-CROP TRACTOR*

R6086 -UN-01JAN94



R6088 -UN-01JAN94



## JOHN DEERE FRONT END EQUIPMENT

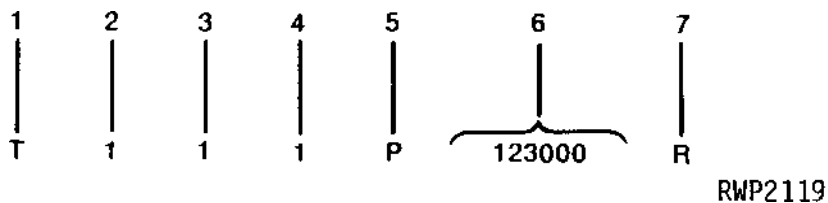


## SERIAL NUMBERS

EACH 3020 TRACTOR HAS THE FOLLOWING SERIAL NUMBER PLATES: BASIC TRACTOR AND ENGINE.

### TRACTOR SERIAL NUMBER

RWP2119 -UN-01JAN94



1. DESIGNATES TYPE OF UNIT
2. DESIGNATES MODEL SERIES
3. DESIGNATES CHASSIS DESIGN
4. DESIGNATES ENGINE FUEL TYPE
5. DESIGNATES TRANSMISSION TYPE
6. DESIGNATES TRACTOR SERIAL NUMBER
7. DESIGNATES TRACTOR MANUFACTURER

- T - TRACTOR
- 1 - 3020
- 1 - ROW-CROP
- 2 - STANDARD
- 3 - HI-CROP
- 1 - GASOLINE
- 2 - LP-GAS
- 3 - DIESEL
- P - POWER SHIFT
- S - SYNCRO-RANGE
- R - JOHN DEERE TRACTOR WORKS

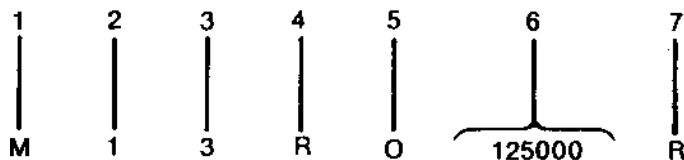
R14451 -UN-01JAN94



THE BASIC TRACTOR SERIAL NUMBER PLATE IS LOCATED IN THE UPPER RIGHT-HAND CORNER AT THE REAR OF THE TRANSMISSION CASE.

## ENGINE SERIAL NUMBER 125000 TO 132165

RWP3138 -UN-01JAN94

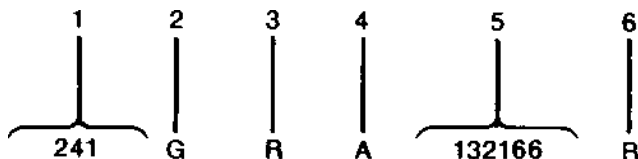


RWP3138

1. DESIGNATES UNIT
2. DESIGNATES SERIES
3. DESIGNATES FUEL TYPE
4. DESIGNATES UNIT APPLICATION
5. DESIGNATES VARIATION
6. DESIGNATES ENGINE SERIAL NUMBER
7. DESIGNATES ENGINE MANUFACTURER

- M - ENGINE
- 1 - SERIES 1
- 1 - GASOLINE
- 2 - LP-GAS
- 3 - DIESEL
- R - JOHN DEERE TRACTOR WORKS
- O - BEGINNING
- R - JOHN DEERE TRACTOR WORKS

RWP3271 -UN-01JAN94



RWP3271

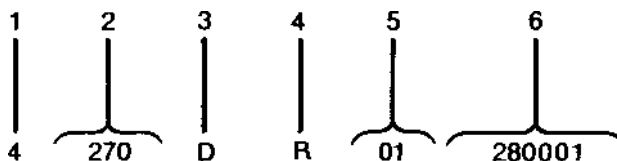
## ENGINE SERIAL NUMBER 132166 TO 280000

1. DESIGNATES CUBIC INCH DISPLACEMENT
2. DESIGNATES FUEL TYPE
3. DESIGNATES USER FACTORY
4. DESIGNATES VARIATION
5. DESIGNATES ENGINE SERIAL NUMBER
6. DESIGNATES ENGINE MANUFACTURER

- 241
- G - GASOLINE
- L - LP-GAS
- D - DIESEL
- R - JOHN DEERE TRACTOR WORKS
- A - BEGINNING
- R - JOHN DEERE TRACTOR WORKS

## ENGINE SERIAL NUMBER 280000 AND UP

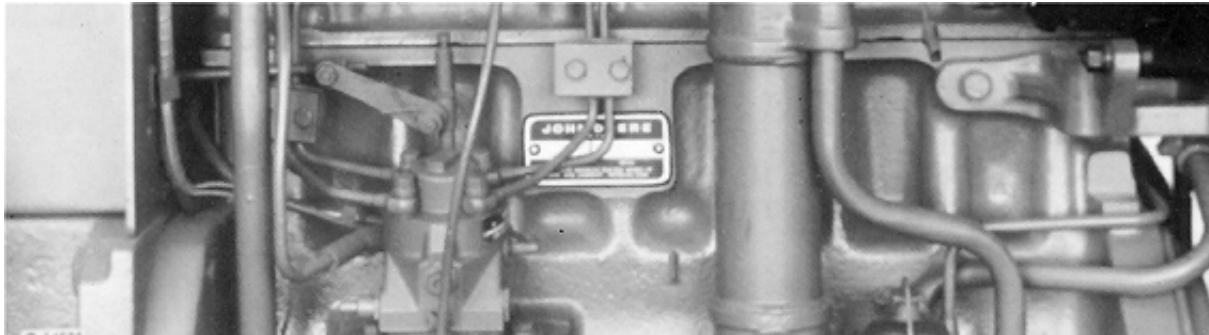
RWP3272 -UN-01JAN94



RWP3272

- |                                       |                              |
|---------------------------------------|------------------------------|
| 1. DESIGNATES NUMBER OF CYLINDERS     | 4                            |
| 2. DESIGNATES CUBIC INCH DISPLACEMENT | 270                          |
| 3. DESIGNATES FUEL TYPE               | D - DIESEL                   |
| 4. DESIGNATES USER FACTORY            | R - JOHN DEERE TRACTOR WORKS |
| 5. DESIGNATES VARIATION               | 01- 1ST                      |
| 6. DESIGNATES ENGINE SERIAL NUMBER    |                              |

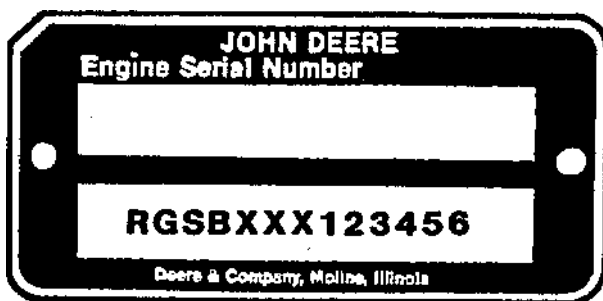
R14521 -UN-01JAN94



THE ENGINE SERIAL NUMBER PLATE IS LOCATED ON THE RIGHT-HAND SIDE OF THE CYLINDER BLOCK TO THE REAR OF THE ENGINE OIL COOLER.

**SHORT BLOCK SERIAL NUMBER PLATE**  
 (SHORT BLOCK SERIAL NUMBER -RGSB270882500)

RGP2856 -UN-01JAN94



RGP2856

A SHORT BLOCK SERIAL NUMBER PLATE PLUS 2-37H44 DRIVE SCREWS ARE USED TO ATTACH TO REPLACEMENT SHORT BLOCK ASSEMBLIES. THIS NUMBER WILL BE REFERRED TO WHEN NEW PARTS AFFECT THE SHORT BLOCK ASSEMBLY. THE PREVIOUS ENGINE SERIAL NUMBER SHOULD BE STAMPED INTO THE BLANK SPACE PROVIDED, AS A REFERENCE FOR YOUR DEALER.

- |                                       |                            |
|---------------------------------------|----------------------------|
| 1. DESIGNATES ENGINE MANUFACTURER     | RG - WATERLOO ENGINE WORKS |
| 2. DESIGNATES REPLACEMENT SHORT BLOCK | SB                         |
| 3. DESIGNATES CUBIC INCH              | XXX                        |
| 4. DESIGNATES THE PRODUCTION DATE     | 1234                       |
| 5. DESIGNATES COMPONENT SEQUENCE      | 56                         |

**SERIAL NUMBER CODES**

THE FOLLOWING CODES ARE USED TO DESIGNATE SERIAL NUMBER TYPES IN GROUP HEADINGS AND FOOTNOTES BECAUSE OF LIMITED SPACE. THEY WILL BE USED ONLY WHEN THE TYPE IS DIFFERENT THAN THE SERIAL COLUMN HEADING SHOWN ON THE PAGE.

- RG--ROLL-GARD
- SGB--SOUND-GARD BODY
- CSN--CAB SERIAL NUMBER
- ESN--ENGINE SERIAL NUMBER
- ASN--AXLE SERIAL NUMBER
- PSN--HYDRAULIC PUMP SERIAL NUMBER
- TSN--TRACTOR SERIAL NUMBER
- PQT--POWRQUAD TRANSMISSION SERIAL NUMBER
- PST--POWER SHIFT TRANSMISSION SERIAL NUMBER
- QRT--QUADRANGE TRANSMISSION SERIAL NUMBER
- SPT--SYNCRPLUS TRANSMISSION SERIAL NUMBER
- SRT--SYNCR-RANGE TRANSMISSION SERIAL NUMBER
- DSN--DIFFERENTIAL SERIAL NUMBER

## SERIAL NUMBER LISTING INFORMATION

SERIAL NUMBER INFORMATION IS LISTED TO SHOW ON WHICH MACHINES EACH PART CAN BE USED; FOR EXAMPLE:

- THE PART CAN BE USED ON ALL MACHINES.
- 000000- THE PART CAN BE USED ON ALL MACHINES BEGINNING WITH THE SERIAL NUMBER LISTED.
- 000000 THE PART CAN BE USED ON ALL MACHINES UP TO AND INCLUDING THE SERIAL NUMBER LISTED.
- 000000-000000 THE PART CAN BE USED ON ALL MACHINES BETWEEN AND INCLUDING THE SERIAL NUMBERS LISTED.
  
- 15BV1- WHEN A MODEL NUMBER BEGINS WITH 15BV, 14HA, 15PP, 25SC, 2RC, 4RC, 15RS, 3CY, 2SP, OR 31SV, IT REFERS TO THE MODEL NUMBER OF THE BRAKE VALVE, HYDRAULIC ACCUMULATOR, HYDRAULIC PUMP, REMOTE CYLINDER SELECTIVE CONTROL VALVE FOR NO ROCKSHAFT, REMOTE CYLINDER SELECTIVE CONTROL VALVES, REMOTE CYLINDERS, REMOTE CYLINDERS WITH MECHANICAL STOPS, ROCKSHAFT CONTROL VALVE, STEERING CYLINDER, STEERING METERING PUMP, OR STEERING VALVE.

WHEN XXXXXX'S ARE LISTED IN PLACE OF A SERIAL NUMBER, A SERIAL NUMBER CHANGE WAS MADE BUT THE EXACT SERIAL NUMBER WAS NOT AVAILABLE WHEN THE CATALOG WAS PRODUCED.

## MODEL NUMBERS

THE FOLLOWING COMPONENTS HAVE MODEL NUMBERS:

BRAKE VALVE .....	15BV1
HYDRAULIC ACCUMULATOR .....	14HA2
HYDRAULIC PUMP (100 CM3 (6 IN3)) .....	1
REMOTE CYLINDER SELECTIVE CONTROL VALVE FOR NO ROCKSHAFT - TRIPLE OR QUAD .....	39SC1
REMOTE CYLINDER SELECTIVE CONTROL VALVE FOR ROCKSHAFT - TRIPLE OR QUAD .....	41SC1
REMOTE CYLINDER (89 X 203 MM (3-1/2" X 8")) .....	2RC4
REMOTE CYLINDER WITH MECHANICAL STOP (89 X 203 MM (3-1/2" X 8")) .....	4RC3
ROCKSHAFT CONTROL VALVE .....	1
STEERING CYLINDER .....	3CY1
STEERING METERING PUMP .....	2SP1
STEERING VALVE .....	31SV1

EACH OF THE ABOVE COMPONENTS HAS A MODEL NUMBER. WHEN THE DESIGN OF ONE OF THESE COMPONENTS IS CHANGED, THE MODEL NUMBER FOR THE NEWLY DESIGNED COMPONENT IS CHANGED.

## DIRECTION ARROW

ARROWS ARE USED WITH ILLUSTRATIONS TO INDICATE THE FRONT OF THE UNIT. "RIGHT-HAND" AND "LEFT-HAND" SIDES ARE DETERMINED BY FACING IN THE DIRECTION OF MACHINE FORWARD TRAVEL.

## BOX-ENCLOSED ILLUSTRATIONS

A KEY NUMBER, SHOWN IN THE PARTS LIST, IS ASSIGNED TO A BOX ENCLOSING ALL PARTS SOLD AS A SERVICE ASSEMBLY.

## BOLT AND CAP SCREW STRENGTH IDENTIFICATION

U.S. CUSTOMARY DIMENSIONED PRODUCT: BOLTS AND CAP SCREWS REQUIRED TO HAVE HIGH-STRENGTH QUALITIES EQUIVALENT TO SAE GRADE 8 ARE IDENTIFIED THROUGHOUT THIS CATALOG BY THE DESCRIPTION HS SAE 8. ALL STANDARD BOLTS AND CAP SCREWS ARE SAE GRADE 5 OR LOWER.

METRIC DIMENSIONED PRODUCT: BOLTS AND CAP SCREWS REQUIRED TO HAVE HIGH-STRENGTH QUALITIES EQUIVALENT TO PROPERTY CLASS 10.9 ARE IDENTIFIED THROUGHOUT THIS CATALOG BY THE DESCRIPTION HS 10.9. ALL STANDARD BOLTS AND CAP SCREWS ARE PROPERTY CLASS 8.8 OR LOWER.

## JDM REMANUFACTURED COMPONENTS

THE SERVICE PARTS LISTED IN THIS CATALOG ARE INTENDED FOR THE REPAIR OF ORIGINAL EQUIPMENT COMPONENTS. ALTHOUGH MOST SERVICE PARTS MAY BE USED TO REPAIR REMANUFACTURED COMPONENTS, THE REMANUFACTURING PROCESS MAY CHANGE PARTS SUFFICIENTLY SO THAT SERVICE PARTS ARE INADEQUATE OR NOT USABLE.

## TRADEMARKS

THROUGHOUT THIS PARTS CATALOG, YOU WILL FIND THE FOLLOWING DEERE AND COMPANY TRADEMARKS:

HYDRACUSHIONED™  
INVESTIGATOR™ II  
PERSONAL-POSTURE™  
QUAD-RANGE™

ROLL-GARD®  
SOUND-GARD®  
TORQ-GARD SUPREME®  
HY-GARD®  
QUIK-TATCH®

## CHANGE INDICATOR LINE (MICROFICHE CATALOGS ONLY)

CHANGES AFFECTING THE ORDERING OF PARTS ARE IDENTIFIED BY VERTICAL LINES MARKED IN THE LEFT-HAND MARGIN OF REVISED PARTS LISTING IMAGES. A LINE IS ALSO AT THE LEFT-HAND EDGE OF THE SAME PART NUMBER IN THE NUMERICAL INDEX TO SHOW THE LOCATION OF REVISED INFORMATION.

## QUANTITY COLUMN OR REMARKS COLUMN

GENERALLY THE QUANTITY SHOWN IS FOR THE ENTIRE TRACTOR AT ANY GIVEN LOCATION. THERE ARE EXCEPTIONS AS IN WHEEL HARDWARE WHERE ONLY ENOUGH IS SHOWN FOR ONE WHEEL.

THE FOLLOWING ABBREVIATIONS ARE USED IN THE REMARKS COLUMN:

NLR - NO LONGER REQUIRED

NA - NOT APPLICABLE

NLA - NO LONGER AVAILABLE

**FI - FIELD INSTALLED**

**CA - CONVENIENCE ASSEMBLY**

CA AND FI ARE OPTIONS THAT MUST BE ORDERED DIRECT FROM THE PRODUCING FACTORY.

## CODES USED IN "REMARKS" COLUMN

RXP020961 -UN-17OCT94

	ENGLISH
ALSO ORDER	ALSO ORDER
AMP	AMPERE
AND	AND
APPL	THIS APPLICATION ONLY
AR	AS REQUIRED
ASSY	COMPLETE ASSEMBLY
COMPLETE	COMPLETE
FRONT	FRONT
HP	HORSEPOWER
ID	INSIDE DIAMETER
INCL KEYS	INCLUDES KEYS
KIT	KIT
LH	LEFT-HAND
LOW	LOWER
MARKED	MARKED
MF	MAKE FROM
MFWD	MECHANICAL FRONT WHEEL DRIVE
NA	NOT USED THIS APPLICATION
NLA	NO LONGER AVAILABLE
NSEP	NOT SUPPLIED SEPARATELY
OD	OUTSIDE DIAMETER
OR	OR
ORD	ORDER
OS	OVERSIZE
PKG	PACKAGE
REAR	REAR
RH	RIGHT-HAND
STD	STANDARD
SUB	REPLACED BY
SUB FOR	SUBSTITUTES FOR
TK	THICKNESS
UP	UPPER
US	UNDERSIZE
USE WITH	USE WITH
W /	WITH
W/O	WITHOUT
Z	GEAR AND SPROCKET TEETH NUMBER

RXP020961



# 1A14

3020 - TRACTOR (TRACTOR SERIAL NO. 123,000- )

## SECTION INDEX

GENERAL INFORMATION .....	10
ENGINE .....	20
FUEL AND AIR .....	30
ELECTRICAL .....	40
POWER TRAIN .....	50
STEERING AND BRAKES .....	60
HYDRAULICS .....	70
WHEELS, FRONT AXLES, SHEET METAL .....	80
OPERATOR'S STATION .....	90
NUMERICAL INDEX .....	95

## ALPHABETICAL INDEX

GRID		PAGE	GRID		PAGE
	A				
4B10	ABSORBER, SHOCK, SEAT SUPPORT.....	90-3	3I7	BATTERY BOX (ROW-CROP).....	80-30
3C5	ACCUMULATOR PISTON .....	60-24	3I10	BATTERY BOX COVER.....	80-33
2G18	ACCUMULATOR PISTON (POWER SHIFT).....	50-26	3I8	BATTERY BOXES .....	80-31
3C3	ACCUMULATOR, BRAKE .....	60-22	3I9	BATTERY BOXES (STANDARD) .....	80-32
3C5	ACCUMULATOR, BRAKE .....	60-24	2B12	BATTERY CABLES .....	40-4
4B20	ACOUSTICAL CONTROL KIT .....	90-13	2B13	BATTERY CABLES .....	40-5
1G13	ADAPTER, COLD WEATHER STARTING AID.....	30-73	3I8	BATTERY CLAMPS .....	80-31
1G14	ADAPTER, COLD WEATHER STARTING AID.....	30-74	3I9	BATTERY CLAMPS (STANDARD) .....	80-32
3E24	ADAPTER, IMPLEMENT QUICK COUPLER.....	70-66	3H7	BEARING CONE .....	80-5
3F2	ADAPTER, IMPLEMENT QUICK COUPLER.....	70-70	1C8	BEARING, CONNECTING ROD (GAS & LP) .....	20-26
3F1	ADAPTER, IMPLEMENT QUICK COUPLER (HEAVY DUTY).....	70-68	1C14	BEARING, MAIN.....	20-32
1F13	ADVANCE, FUEL INJECTION PUMP .....	30-48	1C14	BEARING, MAIN THRUST.....	20-32
1G14	AID, COLD WEATHER STARTING .....	30-74	1C10	BEARINGS, CONNECTING ROD (4270DR).....	20-28
1D17	AIR CLEANER .....	30-2	2I5	BELT PULLEY .....	50-64
1D18	AIR CLEANER .....	30-3	2C2	BELT, FAN AND ALTERNATOR DRIVE.....	40-20
1G18	AIR CLEANER .....	30-78	1D5	BELT, FAN AND ALTERNATOR DRIVE (DIESEL) .....	20-46
1G18	AIR CLEANER ELEMENT .....	30-78	4B13	BELT, SEAL (W/O HI CROP) .....	90-6
1D19	AIR INTAKE PIPE .....	30-4	4B11	BELT, SEAT .....	90-4
1D20	AIR INTAKE PIPE (DIESEL) .....	30-5	2E3	BENDIX RADIO .....	40-74
1D21	AIR INTAKE PIPE (DIESEL) .....	30-6	2H17	BEVEL GEAR, DIFFERENTIAL .....	50-51
1D16	AIR STACK.....	30-1	2I6	BEVEL GEAR, DIFFERENTIAL .....	50-65
3G21	AIR-CONDITIONING O-RING KIT .....	70-117	2I7	BEVEL GEAR, DIFFERENTIAL .....	50-66
2C2	ALTERNATOR .....	40-20	2H17	BEVEL PINION, DIFFERENTIAL.....	50-51
2C3	ALTERNATOR .....	40-21	2I6	BEVEL PINION, DIFFERENTIAL.....	50-65
3E23	ARM, CENTER LINK (HI-CROP).....	70-65	2I7	BEVEL PINION, DIFFERENTIAL.....	50-66
1G11	ARM, FOOT SPEED CONTROL .....	30-71	2G15	BEVEL, GEAR, DIFFERENTIAL .....	50-23
3E13	ARM, FRONT ROCKSHAFT .....	70-54	2G15	BEVEL, PINION, DIFFERENTIAL .....	50-23
1C24	ARM, GOVERNOR (GAS & LP) .....	20-40	2I22	BLOCK, CYLINDER (FRONT WHEEL DRIVE).....	50-81
3E3	ARM, IMPLEMENT.....	70-43	1B19	BLOCK, CYLINDER FITTINGS .....	20-14
3E2	ARM, LIFT.....	70-42	1B21	BLOCK, CYLINDER FITTINGS .....	20-15A
3E8	ARM, LOAD CONTROL .....	70-48	1B23	BLOCK, CYLINDER FITTINGS .....	20-16
3G6	ARM, REMOTE CYLINDER TRANSPORT .....	70-101	1C1	BLOCK, SHORT (DIESEL).....	20-18
3E2	ARM, ROCKSHAFT CRANK .....	70-42	1C3	BLOCK, SHORT (DIESEL).....	20-20
2H21	ARM, SPEED CHANGE SHIFTER .....	50-55	3F5	BLOCK, SWAY CONTROL .....	70-73
2H20	ARM, SPEED RANGE SHIFTER.....	50-54	2H18	BLOCKERS, TRANSMISSION (SYNCRO-RANGE) .....	50-52
3H17	ARM, STEERING .....	80-15	4C10	BODY, CAB (HINSON CAB) .....	90-28
3H18	ARM, STEERING .....	80-16	1B10	BOLTS, HEAD .....	20-4
3H20	ARM, STEERING .....	80-18	3I8	BOX, BATTERY .....	80-31
2G22	ARM, TRANSMISSION CONTROL VALVE.....	50-30	3I7	BOX, BATTERY (ROW-CROP) .....	80-30
2C12	ARMATURE, STARTER .....	40-30	3I9	BOX, BATTERY (STANDARD) .....	80-32
2C24	ARMATURE, STARTER.....	40-44	4D16	BOX, TOOL.....	90-60
2C20	ARMATURE,STARTER.....	40-40	4D15	BOX, TOOL (HINSON CAB) .....	90-59
1B17	ARMS, ROCKER (DIESEL) .....	20-12	2E16	BRACKET, ELECTRICAL REMOTE CONTROL .....	40-87
1B15	ARMS, ROCKER (GASOLINE & LP) .....	20-10	2E9	BRACKET, FENDER .....	40-80
2E22	AUXILIARY ELECTRICAL OUTLET, 7-TERMINAL.....	40-93	4D22	BRACKET, FIRE EXTINGUISHER.....	90-66
3G1	AUXILIARY OUTLET COUPLER KIT .....	70-94	3I6	BRACKET, IMPLEMENT ATTACHING .....	80-29
3G3	AUXILIARY OUTLET COUPLER KIT .....	70-96	4C16	BRACKET, PLATFORM (HINSON CAB).....	90-35
3G4	AUXILIARY OUTLET COUPLER KIT .....	70-98	4B25	BRACKET, PLATFORM (STOLPER CAB) .....	90-18
3H22	AXLE HOUSING (FRONT WHEEL DRIVE) .....	80-20	2F3	BRACKET,RADAR .....	40-97A
3H3	AXLE, FRONT .....	80-1	3C3	BRAKE ACCUMULATOR .....	60-22
3H5	AXLE, FRONT .....	80-3	3C5	BRAKE ACCUMULATOR.....	60-24
3H15	AXLE, FRONT .....	80-13	3B19	BRAKE FACING .....	60-14
3H16	AXLE, FRONT .....	80-14	3C1	BRAKE OIL LINES .....	60-20
3H19	AXLE, FRONT (FIXED TREAD) .....	80-17	3B25	BRAKE OIL PRESSURE PIPES .....	60-19
2I14	AXLE, REAR.....	50-73	3B24	BRAKE PEDALS.....	60-18
	B		3B19	BRAKE PLATES.....	60-14
4B8	BACK, SEAT.....	90-1	3B17	BRAKE PRESSURE LINES .....	60-12
3I12	BAFFLE, HOOD .....	80-35	3B21	BRAKE VALVE .....	60-15
1D9	BALANCER, ENGINE.....	20-50	3B22	BRAKE VALVE OVERHAUL KIT .....	60-16
2B15	BATTERY .....	40-7	2G10	BRAKE, FIRST PLANETARY.....	50-18
2B14	BATTERY (STOLPER CAB).....	40-6	2G7	BRAKE, FOURTH PLANETARY .....	50-15
			3C2	BRAKE, OIL LINES .....	60-21
			2G9	BRAKE, SECOND PLANETARY .....	50-17
			2G8	BRAKE, THIRD PLANETARY .....	50-16
			3F21	BREAKAWAY COUPLER.....	70-90
			3F23	BREAKAWAY COUPLER OVERHAUL KIT.....	70-92
			2B16	BREAKER CIRCUIT .....	40-8

## ALPHABETICAL INDEX - CONTINUED

GRID		PAGE	GRID		PAGE
2B17	BREAKER, CIRCUIT .....	40 - 9	2G5	CASE, TRANSMISSION (POWER SHIFT) .....	50 - 13
2B20	BREAKER, CIRCUIT .....	40 - 12	2H14	CASE, TRANSMISSION (SYNCRO-RANGE) .....	50 - 48
2E18	BREAKER, CIRCUIT, REMOTE CONTROL .....	40 - 89	3H10	CAST DISK WHEELS .....	80 - 8
2E21	BREAKER, ELECTRICAL OUTLET CIRCUIT .....	40 - 92	3H9	CAST DISK WHEELS (HI-CROP) .....	80 - 7
4B17	BUMPER, RUBBER, SEAT (STOLPER CAB) .....	90 - 10	3H12	CAST DISK WHEELS (HI-CROP) .....	80 - 10
3E10	BUSHING KIT, LOAD CONTROL SHAFT .....	70 - 51	3E19	CENTER LINK .....	70 - 61
1B13	BUSHING, CAMSHAFT .....	20 - 8	3E20	CENTER LINK (HI-CROP) .....	70 - 62
3D21	BYPASS VALVE, HYDRAULIC OIL COOLER (SYNCRO-RANGE) .....	70 - 36	3E18	CENTER LINK, HITCH (RC AND STD) .....	70 - 60
3D16	BYPASS VALVE, THERMOSTATIC (POWER SHIFT) .....	70 - 31	3F6	CHAIN, IMPLEMENT SAFETY .....	70 - 74
			4B22	CHECK, DOOR (STOLPER CAB) .....	90 - 15
			1G12	CHOKE CABLE .....	30 - 72
			4D13	CIGAR LIGHTER .....	90 - 57
			2B16	CIRCUIT BREAKER .....	40 - 8
			2E21	CIRCUIT BREAKER, ELECTRICAL OUTLET .....	40 - 92
			2E23	CIRCUIT BREAKER, SUPPLEMENTARY WIRING .....	40 - 94
			2B17	CIRCUIT BREAKERS .....	40 - 9
			2B20	CIRCUIT BREAKERS .....	40 - 12
			3I8	CLAMP, BATTERY .....	80 - 31
			3I7	CLAMP, BATTERY (ROW-CROP) .....	80 - 30
			3I9	CLAMP, BATTERY (STANDARD) .....	80 - 32
			1D17	CLEANER, AIR .....	30 - 2
			1D18	CLEANER, AIR .....	30 - 3
			2F23	CLUTCH (POWER SHIFT) .....	50 - 6
			2H9	CLUTCH COLLAR (SYNCRO-RANGE) .....	50 - 42
			2F22	CLUTCH CONTROL, PTO (POWER SHIFT) .....	50 - 5
			2H9	CLUTCH CONTROL, TRANSMISSION .....	50 - 42
			2F20	CLUTCH CONTROL, TRANSMISSION DISCONNECT .....	50 - 3
			2F19	CLUTCH DISK (POWER SHIFT) .....	50 - 2
			2H8	CLUTCH DISK (SYNCRO-RANGE) .....	50 - 41
			2F25	CLUTCH DRUM (POWER SHIFT) .....	50 - 8
			2G1	CLUTCH DRUM (POWER SHIFT) .....	50 - 9
			2F21	CLUTCH FORK (POWER SHIFT) .....	50 - 4
			2H9	CLUTCH FORK (SYNCRO-RANGE) .....	50 - 42
			2F18	CLUTCH HOUSING (POWER SHIFT) .....	50 - 1
			2H7	CLUTCH HOUSING (SYNCRO-RANGE) .....	50 - 40
			2H10	CLUTCH LEVER LINKAGE, PTO .....	50 - 43
			2F18	CLUTCH OIL ACCUMULATOR PISTON .....	50 - 1
			2G18	CLUTCH OIL ACCUMULATOR PISTON .....	50 - 26
			2F24	CLUTCH OIL MANIFOLD (POWER SHIFT) .....	50 - 7
			2G2	CLUTCH PEDAL (POWER SHIFT) .....	50 - 10
			2H9	CLUTCH PEDAL (SYNCRO-RANGE) .....	50 - 42
			2F24	CLUTCH SHAFT (POWER SHIFT) .....	50 - 7
			2H8	CLUTCH SHAFT (SYNCRO-RANGE) .....	50 - 41
			2F25	CLUTCH VALVE, PTO .....	50 - 8
			2F25	CLUTCH, PTO (POWER SHIFT) .....	50 - 8
			2H8	CLUTCH, PTO (SYNCRO-RANGE) .....	50 - 41
			2H11	CLUTCH, PTO, OIL LINES (SYNCRO-RANGE) .....	50 - 44
			2F19	CLUTCH, TRANSMISSION DISCONNECT .....	50 - 2
			2F25	CLUTCH, TRANSMISSION, PACK .....	50 - 8
			2G1	CLUTCH, TRANSMISSION, PACK .....	50 - 9
			2H12	CLUTCH, VALVE, PTO (SYNCRO-RANGE) .....	50 - 45
			2C25	COIL STARTER .....	40 - 45
			2C4	COIL, IGNITION .....	40 - 22
			1G13	COLD WEATHER STARTING AID .....	30 - 73
			1G14	COLD WEATHER STARTING AID .....	30 - 74
			2H9	COLLAR, CLUTCH (SYNCRO-RANGE) .....	50 - 42
			2H9	COLLAR, CLUTCH RELEASE BEARING .....	50 - 42
			2H18	COLLAR, SYNCHRONIZER DRIVE .....	50 - 52
			2D1	COMMUTATOR END FRAME, STARTER .....	40 - 46
			2C7	CONDENSER .....	40 - 25
			1C8	CONNECTING ROD BEARINGS (GAS & LP) .....	20 - 26
			1C10	CONNECTING ROD BEARINGS (4270DR) .....	20 - 28
			1C8	CONNECTING RODS (GAS & LP) .....	20 - 26
			1C10	CONNECTING RODS (4270DR) .....	20 - 28
			2F12	CONNECTORS, ELECTRICAL, SUPPLEMENTARY .....	40 - 105
			2F9	CONNECTORS, ELECTRICAL, WEATHERPACK .....	40 - 102
			3D9	CONNECTORS, HYDRAULIC PUMP (LESS PFWD) .....	70 - 24



## ALPHABETICAL INDEX - CONTINUED

<i>GRID</i>		<i>PAGE</i>	<i>GRID</i>		<i>PAGE</i>
4C13	DOOR, CAB (HINSON CAB) .....	90 - 32	2E1	ENGINE COOLANT HEATER .....	40 - 72
4B18	DOOR, L.H. (STOLPER CAB) .....	90 - 11	1B19	ENGINE DIPSTICK.....	20 - 14
3I3	DOUBLE FRONT WEIGHT .....	80 - 26	1B21	ENGINE DIPSTICK.....	20 - 15A
3E22	DRAFT LINK SUPPORT (HI-CROP) .....	70 - 64	1B23	ENGINE DIPSTICK.....	20 - 16
3E23	DRAFT LINK SUPPORT (HI-CROP) .....	70 - 65	1D12	ENGINE GASKET KIT (DIESEL) (LATE ENGINES).....	20 - 53
3E21	DRAFT LINKS.....	70 - 63	1D11	ENGINE GASKET KIT (GAS & LP).....	20 - 52
3E22	DRAFT LINKS (HI-CROP) .....	70 - 64	1B8	ENGINE OIL (TORQ-GARD) .....	20 - 1
3F8	DRAWBAR (HI-CROP) .....	70 - 77	1C21	ENGINE OIL COOLER.....	20 - 37
3F9	DRAWBAR CLEVIS PIN KIT .....	70 - 78	1C22	ENGINE OIL FILTER .....	20 - 38
3F4	DRAWBAR SUPPORT, FRONT.....	70 - 72	1G18	ENGINE OIL FILTER .....	30 - 78
3F10	DRAWBAR, POWER WEIGHT TRANSFER COUPLER.....	70 - 79	1C22	ENGINE OIL PUMP .....	20 - 38
3F5	DRAWBAR, REGULAR .....	70 - 73	4D11	ENGINE OIL TEMPERATURE GAUGE.....	90 - 55
3F7	DRAWBAR, WIDE SWING.....	70 - 76	1B19	ENGINE OVERHAUL KIT.....	20 - 14
3H25	DRIVE WHEELS (FRONT WHEEL DRIVE) .....	80 - 23	1B21	ENGINE OVERHAUL KIT.....	20 - 15A
1F12	DRIVE, FUEL INJECTION PUMP .....	30 - 47	1B23	ENGINE OVERHAUL KIT.....	20 - 16
3C12	DRIVE, HYDRAULIC PUMP.....	70 - 2	1G17	ETHER STARTING AID KIT .....	30 - 77
1D10	DRIVE, TACHOMETER .....	20 - 51	1E19	EXCESSIVE VAPOR FLOW VALVE (LP-GAS) .....	30 - 28
2F25	DRUM, CLUTCH (POWER SHIFT) .....	50 - 8	1E20	EXCESSIVE VAPOR FLOW VALVE (LP-GAS) .....	30 - 29
2G1	DRUM, CLUTCH (POWER SHIFT) .....	50 - 9	1E3	EXHAUST MANIFOLD (DIESEL).....	30 - 12
2D22	DUAL HORNS .....	40 - 68	1D23	EXHAUST MANIFOLD (GASOLINE) .....	30 - 8
3H13	DUAL REAR WHEELS.....	80 - 11	1E1	EXHAUST MANIFOLD (LP) .....	30 - 10
3F21	DUST COVER, BREAKAWAY COUPLER.....	70 - 90	1E1	EXHAUST MANIFOLD GASKETS (LP).....	30 - 10
3F24	DUST COVER, BREAKAWAY COUPLER.....	70 - 93	1E3	EXHAUST MANIFOLD GASKETS(DIESEL) .....	30 - 12
			1D22	EXHAUST MUFFLER COVER.....	30 - 7
	<b>E</b>		1E5	EXHAUST PIPE (ROW-CROP) .....	30 - 14
1F22	ELECTRIC SHUT-OFF KIT, INJECTION PUMP.....	30 - 57	1B10	EXHAUST VALVE SEAT INSERT .....	20 - 4
2C22	ELECTRICAL COIL,STARTER.....	40 - 42	1B17	EXHAUST VALVES (DIESEL) .....	20 - 12
2F13	ELECTRICAL CONNECTOR AND TERMINAL KIT .....	40 - 106	1B15	EXHAUST VALVES (GASOLINE & LP) .....	20 - 10
2F12	ELECTRICAL CONNECTORS, SUPPLEMENTARY .....	40 - 105	4D5	EXTENSION, BATTERY BOX .....	90 - 49
2E21	ELECTRICAL OUTLET CIRCUIT BREAKER .....	40 - 92	1E3	EXTENSION, MUFFLER (DIESEL) .....	30 - 12
2E21	ELECTRICAL OUTLET PLUG .....	40 - 92	1D23	EXTENSION, MUFFLER (GASOLINE) .....	30 - 8
2E21	ELECTRICAL OUTLET SOCKET .....	40 - 92	1E1	EXTENSION, MUFFLER (LP) .....	30 - 10
2E22	ELECTRICAL OUTLET SOCKET, 7-TERMINAL.....	40 - 93	3I10	EXTENSION, PLATFORM .....	80 - 33
2E16	ELECTRICAL REMOTE CONTROL .....	40 - 87	3H4	EXTENSION, SPINDLE FRONT WHEEL .....	80 - 2
2E16	ELECTRICAL REMOTE CONTROL BRACKETS .....	40 - 87	3H3	EXTENSION, SPINDLE, FRONT WHEEL.....	80 - 1
2E17	ELECTRICAL REMOTE CONTROL KIT .....	40 - 88	4C21	EXTENSIONS, PLATFORM (HINSON CAB).....	90 - 40
2E16	ELECTRICAL REMOTE CONTROL SWITCH.....	40 - 87	4B25	EXTENSIONS, PLATFORM (STOLPER CAB) .....	90 - 18
2E18	ELECTRICAL REMOTE CONTROL WIRING .....	40 - 89	4D22	EXTINGUISHER, FIRE .....	90 - 66
2E19	ELECTRICAL REMOTE CONTROL WIRING KIT.....	40 - 90			
2E18	ELECTRICAL REMOTE CONTROL WIRING RELAY.....	40 - 89		<b>F</b>	
2F9	ELECTRICAL TERMINALS AND CONNECTORS, WEATHERPACK .....	40 - 102	3B19	FACING, BRAKE .....	60 - 14
2F12	ELECTRICAL TERMINALS, SUPPLEMENTARY .....	40 - 105	1D5	FAN (DIESEL).....	20 - 46
1G18	ELEMENT, AIR CLEANER.....	30 - 78	1D3	FAN (GAS & LP) .....	20 - 44
4C3	ELEMENT, CAB FILTER (STOLPER CAB) .....	90 - 21	1D5	FAN BELT (DIESEL) .....	20 - 46
2D25	ELEMENT, COOLANT HEATING .....	40 - 71	1D3	FAN BELT (GAS & LP) .....	20 - 44
2E1	ELEMENT, COOLANT HEATING .....	40 - 72	1D3	FAN PULLEY (GAS 7 LP) .....	20 - 44
1G18	ELEMENT, ENGINE OIL FILTER .....	30 - 78	1D2	FAN SHROUD .....	20 - 43
4C20	ELEMENT, FILTER (HINSON CAB) .....	90 - 39	4B21	FENDER, L.H. (STOLPER CAB).....	90 - 15
1F7	ELEMENT, FUEL FILTER .....	30 - 42	4B21	FENDER, R.H. (STOLPER CAB).....	90 - 14
1G18	ELEMENT, FUEL FILTER .....	30 - 78	4D3	FENDERS (HI-CROP) .....	90 - 47
2H2	ELEMENT, OIL FILTER, TRANSMISSION .....	50 - 35	4D1	FENDERS (ROW-CROP).....	90 - 45
2H24	ELEMENT, OIL FILTER, TRANSMISSION .....	50 - 58	4D2	FENDERS (STANDARD) .....	90 - 46
1G18	ELEMENT, TRANSMISSION OIL FILTER.....	30 - 78	3H8	FENDERS, FRONT .....	80 - 6
4D19	EMBLEM, SLOW MOVING VEHICLE .....	90 - 63	4C20	FILTER, BLOWER (HINSON CAB) .....	90 - 39
4D20	EMBLEM, SLOW MOVING VEHICLE .....	90 - 64	4C3	FILTER, BLOWER (STOLPER CAB).....	90 - 21
3B7	EMBLEM, STEERING WHEEL .....	60 - 2	1C22	FILTER, ENGINE OIL.....	20 - 38
2D1	END FRAME, STARTER COMMUTATOR .....	40 - 46	1G18	FILTER, ENGINE OIL.....	30 - 78
2C22	END FRAME,STARTER .....	40 - 42	1F7	FILTER, FUEL .....	30 - 42
3H17	END, TIE ROD .....	80 - 15	1G18	FILTER, FUEL .....	30 - 78
3H18	END, TIE ROD .....	80 - 16	1F5	FILTER, FUEL (DIESEL) (EARLY DESIGN).....	30 - 40
3H20	END, TIE ROD .....	80 - 18	1F8	FILTER, FUEL (DIESEL) (LATE DESIGN) .....	30 - 43
1D9	ENGINE BALANCER .....	20 - 50	2H24	FILTER, TRANSMISSION HYDRAULIC .....	50 - 58
1D9	ENGINE BALANCER GEARS .....	20 - 50	2H2	FILTER, TRANSMISSION HYDRAULIC OIL.....	50 - 35
2D25	ENGINE COOLANT HEATER .....	40 - 71	1G18	FILTER, TRANSMISSION OIL.....	30 - 78



## ALPHABETICAL INDEX - CONTINUED

GRID		PAGE	GRID		PAGE
2G15	GEAR, BEVEL, DIFFERENTIAL .....	50-23	2D25	HEATER, ENGINE, COOLANT .....	40-71
2I6	GEAR, BEVEL, DIFFERENTIAL .....	50-65	2E1	HEATER, ENGINE, COOLANT .....	40-72
2I7	GEAR, BEVEL, DIFFERENTIAL .....	50-66	2E2	HEATER, OIL .....	40-73
2I9	GEAR, BEVEL, DIFFERENTIAL .....	50-68	3E22	HITCH, 3-POINT DRAFT LINKS (HI-CROP).....	70-64
1B13	GEAR, CAMSHAFT .....	20-8	3E16	HITCH, 3-POINT LIFT LINKS .....	70-57
2H16	GEAR, COUNTERSHAFT (SYNCRO-RANGE).....	50-50	3E18	HITCH, 3-POINT, CENTER LINK .....	70-60
1C12	GEAR, CRANKSHAFT .....	20-30	3E19	HITCH, 3-POINT, CENTER LINK .....	70-61
2H23	GEAR, OIL PUMP DRIVE (SYNCRO-RANGE).....	50-57	3E20	HITCH, 3-POINT, CENTER LINK (HI-CROP).....	70-62
2H4	GEAR, PTO COUNTERSHAFT (POWER SHIFT) .....	50-37	3E21	HITCH, 3-POINT, DRAFT LINKS.....	70-63
2I2	GEAR, PTO COUNTERSHAFT (SYNCRO-RANGE) .....	50-61	3F2	HITCH, 3-POINT, IMPLEMENT QUICK COUPLER .....	70-70
2H5	GEAR, PTO DRIVE .....	50-38	3E17	HITCH, 3-POINT, LIFT LINKS .....	70-58
2H4	GEAR, PTO DRIVE (POWER SHIFT).....	50-37	3I12	HOOD .....	80-35
2I2	GEAR, PTO DRIVE (SYNCRO-RANGE).....	50-61	2D23	HORN .....	40-69
2I4	GEAR, PTO IDLER (SYNCRO-RANGE).....	50-63	2D24	HORN .....	40-70
2I3	GEAR, REAR PTO DRIVE (SYNCRO-RANGE).....	50-62	2D22	HORNS,DUAL.....	40-68
2H20	GEAR, SHIFTER (SYNCRO-RANGE).....	50-54	1D19	HOSE, AIR INTAKE .....	30-4
1C12	GEAR, STARTER.....	20-30	1D20	HOSE, AIR INTAKE (DIESEL).....	30-5
1D9	GEARS, ENGINE BALANCER.....	20-50	1D21	HOSE, AIR INTAKE (DIESEL).....	30-6
2H6	GEARS, PTO DRIVE .....	50-39	4C8	HOSE, HEATER, CAB (STOLPER CAB) .....	90-26
2G14	GEARS, TRANSMISSION (POWER SHIFT).....	50-22	4C17	HOSE, HEATER, TRACTOR (HINSON CAB).....	90-36
2H17	GEARS, TRANSMISSION (SYNCRO-RANGE).....	50-51	4C9	HOSE, HEATER, TRACTOR (STOLPER CAB) .....	90-27
2G25	GEARSHIFT LEVER.....	50-33	1D2	HOSE, RADIATOR .....	20-43
4C15	GLASS, CAB (HINSON CAB) .....	90-34	3G6	HOSE, REMOTE CYLINDER.....	70-101
4B23	GLASS, CAB (STOLPER CAB).....	90-16	1C24	HOUSING GOVERNOR (GAS & LP) .....	20-40
1C24	GOVERNOR (GAS & LP).....	20-40	4C4	HOUSING, CAB BLOWER (STOLPER CAB) .....	90-22
1C24	GOVERNOR HOUSING (GAS & LP) .....	20-40	4C3	HOUSING, CAB FILTER (STOLPER CAB).....	90-21
1G2	GOVERNOR, FUEL INJECTION .....	30-62	2F18	HOUSING, CLUTCH (POWER SHIFT) .....	50-1
1F14	GOVERNOR, FUEL INJECTION PUMP .....	30-49	2H7	HOUSING, CLUTCH (SYNCRO-RANGE).....	50-40
3I11	GRILLE .....	80-34	2G4	HOUSING, CLUTCH REGULATING VALVE.....	50-12
2B12	GROUND STRAP, BATTERY .....	40-4	1C19	HOUSING, CRANKSHAFT OIL SEAL.....	20-35
2B13	GROUND STRAP, BATTERY .....	40-5	2I6	HOUSING, DIFFERENTIAL .....	50-65
2B14	GROUND STRAP, BATTERY (STOLPER CAB).....	40-6	2I7	HOUSING, DIFFERENTIAL .....	50-66
2I2	GUARD, FRONT PTO (SYNCRO-RANGE).....	50-61	2I10	HOUSING, DIFFERENTIAL LOCK VALVE .....	50-69
2I18	GUARD, FRONT WHEEL DRIVE OIL LINE .....	50-77	2I11	HOUSING, DIFFERENTIAL LOCK VALVE .....	50-70
2H5	GUARD, MID PTO .....	50-38	2I15	HOUSING, DRIVE SHAFT (HI-CROP) .....	50-74
2I1	GUARD, PTO (SYNCRO-RANGE).....	50-60	2I16	HOUSING, FINAL DRIVE (HI-CROP) .....	50-75
2H3	GUARD, REAR PTO (POWER SHIFT).....	50-36	3H15	HOUSING, FRONT AXLE .....	80-13
<b>H</b>					
1G10	HAND SPEED CONTROL LINKAGE.....	30-70	3H19	HOUSING, FRONT AXLE (FIXED TREAD) .....	80-17
1G11	HAND SPEED CONTROL LINKAGE.....	30-71	2I21	HOUSING, FRONT WHEEL DRIVE MOTOR .....	50-80
1G12	HAND SPEED CONTROL LINKAGE.....	30-72	3H24	HOUSING, FRONT WHEEL DRIVE MOTOR .....	80-22
3E19	HANDLE, CENTER LINK ADJUSTING .....	70-61	2I23	HOUSING, PLANETARY (FRONT WHEEL DRIVE).....	50-82
3E20	HANDLE, CENTER LINK ADJUSTING (HI-CROP).....	70-62	3D13	HOUSING, PRESSURE CONTROL VALVE .....	70-28
4C13	HANDLE, DOOR (HINSON CAB) .....	90-32	3D22	HOUSING, PRESSURE CONTROL VALVE .....	70-37
4B18	HANDLE, DOOR (STOLPER CAB).....	90-11	2I14	HOUSING, REAR AXLE.....	50-73
3E16	HANDLE, LIFT LINK ADJUSTING.....	70-57	3D25	HOUSING, ROCKSHAFT.....	70-40
4C10	HANDLE, MOUNTING (HINSON CAB) .....	90-28	3F15	HOUSING, SELECTIVE CONTROL VALVE .....	70-84
4B17	HANDLE, MOUNTING (STOLPER CAB) .....	90-10	3F19	HOUSING, SELECTIVE CONTROL VALVE .....	70-88
4D2	HANDLE, TRACTOR MOUNTING .....	90-46	3F21	HOUSING, SELECTIVE CONTROL VALVE .....	70-90
4D10	HANDLE, TRACTOR MOUNTING .....	90-54	2C24	HOUSING, STARTER DRIVE .....	40-44
3I16	HANDRAIL .....	80-39	3B18	HOUSING, STEERING MOTOR .....	60-13
2B10	HARNESS, WIRING .....	40-2	1D8	HOUSING, THERMOSTAT (LATE DESIGN).....	20-49
2B11	HARNESS, WIRING .....	40-3	2G2	HOUSING, TRANSMISSION CLUTCH VALVE.....	50-10
2D16	HARNESS, WIRING (HINSON).....	40-62	2G3	HOUSING, TRANSMISSION CLUTCH VALVE.....	50-11
2D20	HARNESS, WIRING (STOLPER).....	40-66	2G17	HOUSING, TRANSMISSION CONTROL VALVE .....	50-25
2E23	HARNESS,WIRING, SUPPLEMENTARY WIRING KIT.....	40-94	2G18	HOUSING, TRANSMISSION CONTROL VALVE .....	50-26
1F12	HEAD AND ROTOR, FUEL INJECTION PUMP .....	30-47	2I5	HUB, BELT PULLEY .....	50-64
1B10	HEAD BOLTS .....	20-4	2I21	HUB, WHEEL (FRONT WHEEL DRIVE).....	50-80
1B10	HEAD, CYLINDER .....	20-4	3C11	HYDRAULIC AND TRANSMISSION OIL.....	70-1
2E10	HEADPHONES, RADIO .....	40-81	4D7	HYDRAULIC COVERS .....	90-51
4C17	HEATER CORE (HINSON CAB) .....	90-36	4C1	HYDRAULIC COVERS (STOLPER CAB) .....	90-19
4C7	HEATER CORE (STOLPER CAB).....	90-25	3F20	HYDRAULIC DIAGNOSTIC RECEPTACLE .....	70-89
4C8	HEATER HOSE, CAB (STOLPER CAB).....	90-26	3D14	HYDRAULIC OIL COOLER (POWER SHIFT).....	70-29
4C9	HEATER HOSE, TRACTOR (STOLPER CAB).....	90-27	3D17	HYDRAULIC OIL COOLER (SYNCRO-RANGE).....	70-32
			3D18	HYDRAULIC OIL COOLER (SYNCRO-RANGE) (EARLY DESIGN).....	70-33
			3D19	HYDRAULIC OIL COOLER (SYNCRO-RANGE) (LATE DESIGN) .....	70-34

## ALPHABETICAL INDEX - CONTINUED

GRID		PAGE	GRID		PAGE
3D21	HYDRAULIC OIL COOLER BYPASS VALVE (SYNCRO-RANGE) .....	70 - 36	1E3	INTAKE MANIFOLD GASKETS (DIESEL).....	30 - 12
3B16	HYDRAULIC OIL LINE SUPPORT .....	60 - 11	1E1	INTAKE MANIFOLD GASKETS (LP).....	30 - 10
3G19	HYDRAULIC OIL LINES, IMPLEMENT .....	70 - 115	1B10	INTAKE VALVE SEAT INSERT .....	20 - 4
3D14	HYDRAULIC OIL RETURN LINE (POWR SHIFT) .....	70 - 29	1B15	INTAKE VALVES (GASOLINE & LP).....	20 - 10
3D17	HYDRAULIC OIL RETURN LINES (SYNCRO-RANGE) .....	70 - 32	1B17	INTAKE VALVES (DIESEL) .....	20 - 12
3D15	HYDRAULIC OIL RETURN LINES (POWER SHIFT) .....	70 - 30	K		
3C14	HYDRAULIC PUMP .....	70 - 4	2D5	KEY SWITCH .....	40 - 50
3C16	HYDRAULIC PUMP (PFWD) .....	70 - 6	3G21	KIT, AIR-CONDITIONING O-RING .....	70 - 117
3C13	HYDRAULIC PUMP ASSEMBLY, REPLACEMENT .....	70 - 3	2E22	KIT, AUXILIARY ELECTRICAL OUTLET SOCKET .....	40 - 93
3D9	HYDRAULIC PUMP CONNECTORS (LESS PFWD) .....	70 - 24	3G3	KIT, AUXILIARY OUTLET COUPLER .....	70 - 96
3D11	HYDRAULIC PUMP CONNECTORS (PFWD).....	70 - 26	3G4	KIT, AUXILIARY OUTLET COUPLER .....	70 - 98
3C12	HYDRAULIC PUMP DRIVE .....	70 - 2	3B22	KIT, BRAKE VALVE OVERHAUL .....	60 - 16
3C20	HYDRAULIC PUMP ELECTRIC DESTROKE KIT.....	70 - 10	3F23	KIT, BREAKAWAY COUPLER OVERHAUL .....	70 - 92
3D5	HYDRAULIC PUMP ELECTRIC DESTROKE KIT (2.4 IN3) .....	70 - 20	4C10	KIT, CAB REINFORCEMENT (HINSON CAB) .....	90 - 28
3C22	HYDRAULIC PUMP OVERHAUL KIT .....	70 - 12	1E13	KIT, CARBURETOR GASKET .....	30 - 22
3D7	HYDRAULIC PUMP OVERHAUL KIT .....	70 - 22	1E17	KIT, CARBURETOR GASKET .....	30 - 26
3C24	HYDRAULIC PUMP REPLACEMENT .....	70 - 14	3F9	KIT, CLEVIS, DRAWBAR PIN .....	70 - 78
3D1	HYDRAULIC PUMP REPLACEMENT (PFWD).....	70 - 16	2J2	KIT, CONTROL VALVE OVERHAUL (PFWD) .....	50 - 86
3C18	HYDRAULIC PUMP STROKE CONTROL VALVE .....	70 - 8	3G18	KIT, CONVERSION, REMOTE CYLINDER.....	70 - 114
3D3	HYDRAULIC PUMP STROKE CONTROL VALVE .....	70 - 18	3I17	KIT, DECAL .....	80 - 40
3D20	HYDRAULIC RETURN OIL LINES (SYNCRO-RANGE) .....	70 - 35	2E17	KIT, ELECTRICAL REMOTE CONTROL .....	40 - 88
I			2E19	KIT, ELECTRICAL REMOTE CONTROL WIRING .....	40 - 90
2I4	IDLER, GEAR, PTO (SYNCRO-RANGE) .....	50 - 63	1B19	KIT, ENGINE OVERHAUL .....	20 - 14
2C4	IGNITION COIL.....	40 - 22	1B21	KIT, ENGINE OVERHAUL .....	20 - 15A
2D5	IGNITION SWITCH.....	40 - 50	1B23	KIT, ENGINE OVERHAUL .....	20 - 16
1D5	IMPELLER, WATER PUMP (DIESEL).....	20 - 46	1G17	KIT, ETHER STARTING AID .....	30 - 77
3E3	IMPLEMENT ARMS .....	70 - 43	1G15	KIT, ETHER STARTING TUBE .....	30 - 75
3G6	IMPLEMENT ARMS .....	70 - 101	3H7	KIT, FRONT WHEEL BEARING .....	80 - 5
3I6	IMPLEMENT ATTACHING BRACKET.....	80 - 29	1F21	KIT, FUEL INJECTION LINES AND MISC ITEMS .....	30 - 56
3G19	IMPLEMENT HYDRAULIC OIL LINES .....	70 - 115	1F11	KIT, FUEL INJECTION PUMP GASKET .....	30 - 46
3F11	IMPLEMENT LINK, POWER WEIGHT TRANSFER .....	70 - 80	1F3	KIT, FUEL PUMP OVERHAUL (DIESEL) .....	30 - 38
3E24	IMPLEMENT QUICK COUPLER (REGULAR).....	70 - 66	1D12	KIT, GASKET (DIESEL) (LATE ENGINES).....	20 - 53
3F1	IMPLEMENT QUICK COUPLER, HEAVY DUTY .....	70 - 68	1D11	KIT, GASKET (GAS & LP).....	20 - 52
3F2	IMPLEMENT QUICK COUPLER, HEAVY-DUTY .....	70 - 70	4C3	KIT, HEAVY DUTY AIR CLEANER (STOLPER).....	90 - 21
3F6	IMPLEMENT SAFETY CHAIN .....	70 - 74	3C20	KIT, HYDRAULIC PUMP ELECTRIC DESTROKE .....	70 - 10
4D11	INDICATOR LAMPS .....	90 - 55	3D5	KIT, HYDRAULIC PUMP ELECTRIC DESTROKE (2.4 IN3) .....	70 - 20
1F9	INJECTION NOZZLE .....	30 - 44	3C22	KIT, HYDRAULIC PUMP OVERHAUL.....	70 - 12
1G8	INJECTION NOZZLE .....	30 - 68	3D7	KIT, HYDRAULIC PUMP OVERHAUL.....	70 - 22
1F16	INJECTION NOZZLE (LATE DESIGN) .....	30 - 51	1F17	KIT, INJECTION PUMP OVERHAUL.....	30 - 52
1G9	INJECTION NOZZLE, FUEL .....	30 - 69	1G6	KIT, INJECTION PUMP OVERHAUL GASKET.....	30 - 66
1F9	INJECTION PUMP .....	30 - 44	2C1	KIT, NEUTRAL START SWITCH.....	40 - 18
1F11	INJECTION PUMP .....	30 - 46	3G21	KIT, O-RING, HYDRAULIC .....	70 - 117
1F23	INJECTION PUMP .....	30 - 58	1C7	KIT, OIL PAN GASKET .....	20 - 25
1F25	INJECTION PUMP .....	30 - 60	1C6	KIT, OIL PAN REPLACEMENT .....	20 - 24
1G1	INJECTION PUMP .....	30 - 61	3G16	KIT, OVERHAUL, REMOTE CYLINDER .....	70 - 112
1G2	INJECTION PUMP .....	30 - 62	2E9	KIT, RADIO MOUNTING .....	40 - 80
1G3	INJECTION PUMP .....	30 - 63	2D16	KIT, REAR CENTER FLOOD LAMPS.....	40 - 62
1G4	INJECTION PUMP .....	30 - 64	2B19	KIT, RELAY.....	40 - 11
1F16	INJECTION PUMP (LATE DESIGN) .....	30 - 51	3G11	KIT, REMOTE CYLINDER OVERHAUL .....	70 - 106
1F22	INJECTION PUMP ELECTRIC SHUT-OFF KIT .....	30 - 57	3G12	KIT, REMOTE CYLINDER OVERHAUL .....	70 - 108
1G6	INJECTION PUMP OVERHAUL GASKET KIT .....	30 - 66	3G14	KIT, REMOTE CYLINDER OVERHAUL .....	70 - 110
1F17	INJECTION PUMP OVERHAUL KIT .....	30 - 52	3E9	KIT, REVERSE SIGNAL LOCKOUT .....	70 - 49
1G5	INJECTOR PUMP.....	30 - 65	4B19	KIT, SEALING.....	90 - 12
1B10	INSERT, VALVE SEAT.....	20 - 4	3F17	KIT, SELECTIVE CONTROL VALVE OVERHAUL .....	70 - 86
4D13	INSTRUMENT PANEL .....	90 - 57	4B20	KIT, SOUND REDUCTION.....	90 - 13
4D11	INSTRUMENT PANEL AND INSTRUMENTS .....	90 - 55	2D4	KIT, STARTER MOTOR SEALING .....	40 - 49
1E3	INTAKE MANIFOLD (DIESEL).....	30 - 12	1G16	KIT, STARTING FLUID TUBE .....	30 - 76
1D23	INTAKE MANIFOLD (GASOLINE) .....	30 - 8	2C23	KIT, STARTING MOTOR SEALING .....	40 - 43
1E1	INTAKE MANIFOLD (LP) .....	30 - 10	3B13	KIT, STEERING VALVE AND CYLINDER OVERHAUL .....	60 - 8
			3C18	KIT, STROKE CONTROL VALVE SHUT-OFF .....	70 - 8
			3D3	KIT, STROKE CONTROL VALVE SHUT-OFF .....	70 - 18



## ALPHABETICAL INDEX - CONTINUED

GRID		PAGE	GRID		PAGE
2E23	KIT, SUPPLEMENTARY WIRING .....	40 - 94	4C6	LEVER, ROOF DOOR VENT (STOLPER CAB) .....	90 - 24
2H19	KIT, SYNCHRONIZER REPLACEMENT .....	50 - 53	2F19	LEVER, TRANSMISSION DISCONNECT CLUTCH .....	50 - 2
2F7	KIT, TERMINAL AND WIRING .....	40 - 100	2F20	LEVER, TRANSMISSION DISCONNECT SHIFTER .....	50 - 3
2G20	KIT, TRANSMISSION CONTROL VALVE .....	50 - 28	2G13	LEVER, TRANSMISSION DISCONNECT SHIFTER .....	50 - 21
2D16	KIT, UPPER FRONT FLOOD LAMPS .....	40 - 62	2G25	LEVER, TRANSMISSION SHIFTER CONTROL .....	50 - 33
1D5	KIT, WATER PUMP OVERHAUL (DIESEL) .....	20 - 46	3F14	LEVERS, SELECTIVE CONTROL .....	70 - 83
1D7	KIT, WATER PUMP REPAIR (DIESEL) .....	20 - 48	3B12	LEVERS, STEERING VALVE OPERATING .....	60 - 7
2E11	KIT, WINDSHIELD WASHER .....	40 - 82	3E16	LIFT LINKS .....	70 - 57
2F13	KIT,ELECTRICAL CONNECTOR AND TERMINAL .....	40 - 106	3E17	LIFT LINKS .....	70 - 58
2C10	KIT,STARTER SOLENOID COVER .....	40 - 28	2D5	LIGHT SWITCH .....	40 - 50
2C11	KIT,STARTER SOLENOID COVER .....	40 - 29	2D21	LIGHT, DOME (HINSON CAB) .....	40 - 67
2C9	KIT,STARTER SOLENOID COVER(GAS AND LP-GAS) .....	40 - 27	4D13	LIGHTER, CIGAR .....	90 - 57
2B9	KIT,STARTING CIRCUIT RELAY(12-VOLT) .....	40 - 1	3D14	LINE, HYDRAULIC OIL RETURN (POWER SHIFT) .....	70 - 29
3E10	KIY, LOAD CONTROL SHAFT BUSHING .....	70 - 51	3D20	LINE, HYDRAULIC PUMP DRAIN (SYNCR-RANGE) .....	70 - 35
3H24	KNEE (FRONT WHEEL DRIVE) .....	80 - 22	3D20	LINE, HYDRAULIC PUMP SEAL DRAIN (SYNCR-RANGE) .....	70 - 35
3H16	KNEE, FRONT AXLE .....	80 - 14	3D15	LINE, HYDRAULIC PUMP SEAL DRAIN (POWER SHIFT) .....	70 - 30
3H19	KNEE, FRONT AXLE (FIXED TREAD) .....	80 - 17	1D8	LINE, WATER BYPASS .....	20 - 49
1G10	KNOB, HAND SPEED CONTROL LEVER .....	30 - 70	1C8	LINERS, CYLINDER (GAS & LP) .....	20 - 26
4C10	KNOB, WINDOW ADJUSTER (HINSON CAB) .....	90 - 28	1C10	LINERS, CYLINDER (4270DR) .....	20 - 28
4C13	KNOB, WINDOW ADJUSTER (HINSON CAB) .....	90 - 32	3C1	LINES, BRAKE OIL .....	60 - 20
4B18	KNOB, WINDOW ADJUSTER (STOLPER CAB) .....	90 - 11	3C2	LINES, BRAKE OIL .....	60 - 21
3H4	KNUCKLE, ROLL-O-MATIC .....	80 - 2	3B17	LINES, BRAKE PRESSURE .....	60 - 12
L					
3I17	LABEL KIT .....	80 - 40	1E22	LINES, FLEXIBLE FUEL (LP-GAS) .....	30 - 32
4C20	LABEL, CONTROL LEVER (HINSON CAB) .....	90 - 39	1E24	LINES, FLEXIBLE FUEL (LP-GAS) .....	30 - 34
4C6	LABEL, CONTROL LEVER (STOLPER CAB) .....	90 - 24	1F5	LINES, FUEL (DIESEL) (EARLY DESIGN) .....	30 - 40
2C9	LABEL,STARTER SOLENOID COVER .....	40 - 27	1F8	LINES, FUEL (DIESEL) (LATE DESIGN) .....	30 - 43
2C11	LABEL,STARTER SOLENOID SAFETY .....	40 - 29	1F5	LINES, FUEL FILTER (DIESEL) (EARLY DESIGN) .....	30 - 40
2C10	LABEL,STARTER SOLENOID START .....	40 - 28	1F10	LINES, FUEL INJECTION (EARLY DESIGN) .....	30 - 45
2D20	LAMP, CAB (STOLPER) .....	40 - 66	1F16	LINES, FUEL INJECTION (LATE DESIGN) .....	30 - 51
4D12	LAMP, DASH .....	90 - 56	3D17	LINES, HYDRAULIC OIL RETURN (SYNCR-RANGE) .....	70 - 32
2D8	LAMP, FRONT .....	40 - 53	3D20	LINES, HYDRAULIC OIL RETURN (SYNCR-RANGE) .....	70 - 35
2D9	LAMP, FRONT .....	40 - 54	3D15	LINES, HYDRAULIC OIL RETURN (POWER SHIFT) .....	70 - 30
2D10	LAMP, FRONT .....	40 - 55	3G19	LINES, OIL, IMPLEMENT HYDRAULIC .....	70 - 115
2D11	LAMP, FRONT .....	40 - 56	3D23	LINES, POWER FRONT WHEEL DRIVE .....	70 - 38
2D12	LAMP, FRONT .....	40 - 57	3F13	LINES, POWER WEIGHT TRANSFER HITCH .....	70 - 82
2D13	LAMP, FRONT .....	40 - 58	3D15	LINES, ROCKSHAFT OIL (POWER SHIFT) .....	70 - 30
2D14	LAMP, FRONT .....	40 - 59	3B15	LINES, STEERING OIL .....	60 - 10
4D11	LAMP, INDICATOR .....	90 - 55	3B17	LINES, STEERING OIL .....	60 - 12
2D8	LAMP, REAR .....	40 - 53	3D15	LINES, TRANSMISSION CONTROL OIL (POWER SHIFT) .....	70 - 30
2D9	LAMP, REAR .....	40 - 54	3E19	LINK, CENTER .....	70 - 61
2D10	LAMP, REAR .....	40 - 55	3E20	LINK, CENTER (HI-CROP) .....	70 - 62
2D11	LAMP, REAR .....	40 - 56	2I8	LINK, DIFFERENTIAL LOCK RELEASE .....	50 - 67
2D12	LAMP, REAR .....	40 - 57	2I9	LINK, DIFFERENTIAL LOCK RELEASE .....	50 - 68
2D13	LAMP, REAR .....	40 - 58	3E21	LINK, DRAFT .....	70 - 63
2D14	LAMP, REAR .....	40 - 59	3E22	LINK, DRAFT (HI-CROP) .....	70 - 64
4B15	LAMP, ROLL-GARD CANOPY WARNING .....	90 - 8	3E18	LINK, HITCH CENTER (RC AND STD) .....	70 - 60
2D8	LAMP, WARNING .....	40 - 53	3E16	LINK, LIFT .....	70 - 57
2D9	LAMP, WARNING .....	40 - 54	3E17	LINK, LIFT .....	70 - 58
2D10	LAMP, WARNING .....	40 - 55	3F11	LINK, POWER WEIGHT TRANSFER HITCH .....	70 - 80
2D11	LAMP, WARNING .....	40 - 56	3E6	LINKAGE, ROCKSHAFT CONTROL .....	70 - 46
2D12	LAMP, WARNING .....	40 - 57	3F14	LINKAGE, SELECTIVE CONTROL .....	70 - 83
2D13	LAMP, WARNING .....	40 - 58	1G10	LINKAGE, SPEED CONTROL .....	30 - 70
2D14	LAMP, WARNING .....	40 - 59	1G11	LINKAGE, SPEED CONTROL .....	30 - 71
2D16	LAMPS CAB (HINSON) .....	40 - 62	1G12	LINKAGE, SPEED CONTROL .....	30 - 72
2D15	LAMPS, CAB (HINSON) .....	40 - 60	2F20	LINKAGE, TRANSMISSION DISCONNECT .....	50 - 3
2D18	LAMPS, CAB (STOLPER) .....	40 - 64	3E8	LOAD CONTROL .....	70 - 48
2D18	LENS, REFLECTOR (STOLPER) .....	40 - 64	3E10	LOAD CONTROL SHAFT BUSHING KIT .....	70 - 51
2H22	LEVER, GEARSHIFT (SYNCR-RANGE) .....	50 - 56	3E6	LOAD SELECTOR CONTROL .....	70 - 46
3E6	LEVER, LOAD SELECTOR CONTROL .....	70 - 46			
2F22	LEVER, PTO CLUTCH (POWER SHIFT) .....	50 - 5			
2H10	LEVER, PTO CLUTCH (SYNCR-RANGE) .....	50 - 43			
3E11	LEVER, ROCKSHAFT CONTROL .....	70 - 52			

## ALPHABETICAL INDEX - CONTINUED

GRID		PAGE
3E9	LOCKOUT KIT, REVERSE SIGNAL .....	70 - 49
4D18	LOCTITE SEALANT .....	90 - 62

### M

1B19	MAIN BEARING CAPS.....	20 - 14
1B21	MAIN BEARING CAPS.....	20 - 15A
1B23	MAIN BEARING CAPS.....	20 - 16
1C14	MAIN BEARINGS .....	20 - 32
2C25	MAIN FRAME, STARTER .....	40 - 45
1C14	MAIN THRUST BEARING .....	20 - 32
2F24	MANIFOLD, CLUTCH OIL (POWER SHIFT).....	50 - 7
1E3	MANIFOLD, EXHAUST (DIESEL) .....	30 - 12
1D23	MANIFOLD, EXHAUST (GASOLINE) .....	30 - 8
1E1	MANIFOLD, EXHAUST (LP) .....	30 - 10
1E3	MANIFOLD, INTAKE (DIESEL) .....	30 - 12
1D23	MANIFOLD, INTAKE (GASOLINE) .....	30 - 8
1E1	MANIFOLD, INTAKE (LP) .....	30 - 10
2I19	MANIFOLD, WHEEL (FRONT WHEEL DRIVE) .....	50 - 78
2I1	MASTER SHIELD (SYNCRO-RANGE) .....	50 - 60
4C22	MAT, FLOOR (HINSON CAB) .....	90 - 41
4D6	MAT, PLATFORM.....	90 - 50
4D12	METER, SPEED-HOUR .....	90 - 56
2F5	MINI-MONITOR, PERFORMANCE TRAK II .....	40 - 98
4C24	MIRROR, OUTSIDE .....	90 - 43
4C25	MIRROR, REAR VIEW.....	90 - 44
2F5	MONITOR, MINI (PERFORMANCE TRAK II) .....	40 - 98
2I21	MOTOR HOUSING (FRONT WHEEL DRIVE) .....	50 - 80
3H24	MOTOR HOUSING (FRONT WHEEL DRIVE) .....	80 - 22
2I22	MOTOR, FRONT WHEEL DRIVE .....	50 - 81
2C8	MOTOR, STARTING.....	40 - 26
3B18	MOTOR, STEERING .....	60 - 13
2E12	MOTOR, WIPER (HINSON CAB) .....	40 - 83
2E14	MOTOR, WIPER (STOLPER) .....	40 - 85
4C19	MOTOR, 12-VOLT BLOWER (HINSON CAB) .....	90 - 38
4C4	MOTOR, 12-VOLT BLOWER (STOLPER CAB) .....	90 - 22
2E5	MOTOROLA RADIO .....	40 - 76
2E7	MOTOROLA RADIO .....	40 - 78
4D2	MOUNTING HANDLE .....	90 - 46
4D10	MOUNTING HANDLE.....	90 - 54
2E3	MOUNTS, RADIO.....	40 - 74
2E5	MOUNTS, RADIO.....	40 - 76
2E7	MOUNTS, RADIO.....	40 - 78
1E3	MUFFLER (DIESEL).....	30 - 12
1D23	MUFFLER (GASOLINE) .....	30 - 8
1E1	MUFFLER (LP) .....	30 - 10
1E5	MUFFLER (ROW-CROP) .....	30 - 14
1D22	MUFFLER COVER .....	30 - 7
1E3	MUFFLER EXTENSION (DIESEL).....	30 - 12
1D23	MUFFLER EXTENSION (GASOLINE).....	30 - 8
1E1	MUFFLER EXTENSION (LP).....	30 - 10

### N

3I12	NAME PLATE .....	80 - 35
2C1	NEUTRAL START SWITCH KIT .....	40 - 18
1G9	NOZZLE, FUEL INJECTION .....	30 - 69
1G8	NOZZLE, INJECTION.....	30 - 68
1F16	NOZZLE, INJECTION (LATE DESIGN).....	30 - 51
1F9	NOZZLE, INJECTOR .....	30 - 44
1F10	NOZZLES, FUEL INJECTION (EARLY DESIGN).....	30 - 45

GRID		PAGE
	<b>O</b>	
3G21	O-RING AIR-CONDITIONING KIT .....	70 - 117
3G21	O-RING PACKING KIT .....	70 - 117
1C21	OIL COOLER, ENGINE .....	20 - 37
3D14	OIL COOLER, HYDRAULIC (POWER SHIFT) .....	70 - 29
3D17	OIL COOLER, HYDRAULIC (SYNCRO-RANGE) .....	70 - 32
3D18	OIL COOLER, HYDRAULIC (SYNCRO-RANGE) (EARLY DESIGN).....	70 - 33
3D19	OIL COOLER, HYDRAULIC (SYNCRO-RANGE) (LATE DESIGN).....	70 - 34
2H2	OIL FILTER COVER.....	50 - 35
2H24	OIL FILTER COVER.....	50 - 58
2H2	OIL FILTER ELEMENT, TRANSMISSION.....	50 - 35
2H24	OIL FILTER ELEMENT, TRANSMISSION.....	50 - 58
2H25	OIL FILTER RELIEF VALVE .....	50 - 59
1C22	OIL FILTER, ENGINE.....	20 - 38
2E2	OIL HEATER.....	40 - 73
3B16	OIL LINE SUPPORT, HYDRAULIC .....	60 - 11
3B16	OIL LINE SUPPORT, STEERING .....	60 - 11
3G20	OIL LINE, BULK FLEXIBLE .....	70 - 116
3C1	OIL LINES, BRAKE .....	60 - 20
3C2	OIL LINES, BRAKE .....	60 - 21
3G19	OIL LINES, HYDRAULIC, IMPLEMENT .....	70 - 115
3F13	OIL LINES, POWER WEIGHT TRANSFER .....	70 - 82
3D13	OIL LINES, ROCKSHAFT PRESSURE .....	70 - 28
3B15	OIL LINES, STEERING .....	60 - 10
3B17	OIL LINES, STEERING .....	60 - 12
1C5	OIL PAN .....	20 - 23
1C5	OIL PAN GASKET .....	20 - 23
1C7	OIL PAN GASKET KIT.....	20 - 25
1C6	OIL PAN REPLACEMENT KIT .....	20 - 24
3B25	OIL PIPES, BRAKE PRESSURE.....	60 - 19
2I12	OIL PIPES, DIFFERENTIAL LOCK .....	50 - 71
2I13	OIL PIPES, DIFFERENTIAL LOCK .....	50 - 72
2H11	OIL PIPES, PTO CLUTCH (SYNCRO-RANGE) .....	50 - 44
1D10	OIL PRESSURE REGULATOR .....	20 - 51
1D9	OIL PUMP INTAKE TUBE .....	20 - 50
2H23	OIL PUMP TRANSMISSION (SYNCRO-RANGE).....	50 - 57
1C22	OIL PUMP, ENGINE.....	20 - 38
2F24	OIL PUMP, TRANSMISSION CLUTCH.....	50 - 7
3D14	OIL RETURN LINE, HYDRAULIC (POWER SHIFT) .....	70 - 29
3D20	OIL RETURN LINES, HYDRAULIC (SYNCRO-RANGE) .....	70 - 35
1C19	OIL SEAL, CRANKSHAFT .....	20 - 35
1C20	OIL SEAL, FRONT .....	20 - 36
3C11	OIL, HYDRAULIC AND TRANSMISSION .....	70 - 1
4D4	OPERATOR PLATFORM .....	90 - 48
4D5	OPERATOR PLATFORM .....	90 - 49
3I10	OPERATOR SHIELDS .....	80 - 33
3I12	ORNAMENT, HOOD.....	80 - 35
3D24	OUTTEXT .....	70 - 39
3H11	OUTTEXT .....	80 - 9
1E13	OVERHAUL KIT, CARBURETOR .....	30 - 22
1E17	OVERHAUL KIT, CARBURETOR .....	30 - 26
2J2	OVERHAUL KIT, CONTROL VALVE (PFW) .....	50 - 86
1B19	OVERHAUL KIT, ENGINE .....	20 - 14
1B21	OVERHAUL KIT, ENGINE .....	20 - 15A
1B23	OVERHAUL KIT, ENGINE .....	20 - 16
3C22	OVERHAUL KIT, HYDRAULIC PUMP.....	70 - 12
3D7	OVERHAUL KIT, HYDRAULIC PUMP.....	70 - 22
1F17	OVERHAUL KIT, INJECTION PUMP.....	30 - 52
3G16	OVERHAUL KIT, REMOTE CYLINDER .....	70 - 112

## ALPHABETICAL INDEX - CONTINUED

GRID	P	PAGE	GRID	PAGE	
2G7	PACK, CLUTCH (POWER SHIFT).....	50 - 15	2G12	PLANETARY ASSEMBLY (POWER SHIFT)..... 50 - 20	
4D6	PAD, FLOOR MAT .....	90 - 50	2G10	PLANETARY BRAKE, FIRST..... 50 - 18	
1C5	PAN, OIL.....	20 - 23	2G9	PLANETARY BRAKE, SECOND .....	50 - 17
4C21	PANEL, BAFFLE (HINSON CAB) .....	90 - 40	2G8	PLANETARY BRAKE, THRID .....	50 - 16
4B17	PANEL, CAB FRAME (STOLPER CAB) .....	90 - 10	2G7	PLANETARY BRAKES AND CLUTCH PACK.....	50 - 15
4C23	PANEL, CAB REAR FILLER (HINSON CAB) .....	90 - 42	2G11	PLANETARY, TRANSMISSION (POWER SHIFT) .....	50 - 19
4C18	PANEL, CONSOLE (HINSON CAB) .....	90 - 37	3B19	PLATE, BRAKE FACING .....	60 - 14
4C5	PANEL, CONSOLE (STOLPER CAB).....	90 - 23	3B19	PLATE, BRAKE PRESSURE .....	60 - 14
4C20	PANEL, FRONT (HINSON CAB) .....	90 - 39	2F19	PLATE, CLUTCH DRIVE (POWER SHIFT) .....	50 - 2
4D11	PANEL, INSTRUMENT.....	90 - 55	3I11	PLATE, FRONT .....	80 - 34
4D13	PANEL, INSTRUMENT.....	90 - 57	3I1	PLATE, FRONT FRAME .....	80 - 24
4C12	PANEL, LOWER (HINSON CAB) .....	90 - 30	2H18	PLATE, SYNCHRONIZER (SYNCRO-RANGE).....	50 - 52
4B18	PANEL, LOWER, R.H. (STOLPER CAB) .....	90 - 11	4D5	PLATFORM.....	90 - 49
4C10	PANEL, REAR LOWER (HINSON CAB).....	90 - 28	4C21	PLATFORM (HINSON CAB) .....	90 - 40
4C10	PANEL, REAR WINDOW (HINSON CAB).....	90 - 28	4D4	PLATFORM (STANDARD) .....	90 - 48
3I11	PANEL, SIDE .....	80 - 34	4D6	PLATFORM MAT .....	90 - 50
4B24	PANELS, COWL (STOLPER CAB) .....	90 - 17	4B25	PLATFORM SUPPORT (STOLPER CAB).....	90 - 18
2H1	PARK LOCK CONTROL .....	50 - 34	4C16	PLATFORM, SUPPORT (HINSON CAB) .....	90 - 35
2G16	PARK LOCK, TRANSMISSION (POWER SHIFT).....	50 - 24	2C4	PLUGS, SPARK .....	40 - 22
3B24	PEDAL, BRAKE .....	60 - 18	3H22	POWER FRONT WHEEL DRIVE AXLE HOUSING .....	80 - 20
2G2	PEDAL, CLUTCH (POWER SHIFT) .....	50 - 10	2I23	POWER FRONT WHEEL DRIVE BRAKE PLATE .....	50 - 82
2H9	PEDAL, CLUTCH (SYNCRO-RANGE) .....	50 - 42	2I24	POWER FRONT WHEEL DRIVE CARRIER.....	50 - 83
2I8	PEDAL, DIFFERENTIAL LOCK .....	50 - 67	2I25	POWER FRONT WHEEL DRIVE CONTROL VALVE.....	50 - 84
2I9	PEDAL, DIFFERENTIAL LOCK .....	50 - 68	2J1	POWER FRONT WHEEL DRIVE CONTROL VALVE.....	50 - 85
1G11	PEDAL, FOOT SPEED.....	30 - 71	3H24	POWER FRONT WHEEL DRIVE KNEE .....	80 - 22
3F5	PIN, DRAWBAR .....	70 - 73	3D23	POWER FRONT WHEEL DRIVE LINES.....	70 - 38
3F7	PIN, DRAWBAR .....	70 - 76	3H24	POWER FRONT WHEEL DRIVE MOTOR HOUSING .....	80 - 22
2G15	PINION, BEVEL, DIFFERENTIAL .....	50 - 23	2I21	POWER FRONT WHEEL DRIVE MOTOR, HOUSING.....	50 - 80
2H17	PINION, BEVEL, DIFFERENTIAL .....	50 - 51	3H22	POWER FRONT WHEEL DRIVE PIVOT BRACKET .....	80 - 20
2I6	PINION, BEVEL, DIFFERENTIAL .....	50 - 65	2I23	POWER FRONT WHEEL DRIVE PLANET PINION .....	50 - 82
2I7	PINION, BEVEL, DIFFERENTIAL .....	50 - 66	2I24	POWER FRONT WHEEL DRIVE PLANET PINION .....	50 - 83
2H18	PINION, HIGH RANGE (SYNCRO-RANGE) .....	50 - 52	2J4	POWER FRONT WHEEL DRIVE SOLENOID PARTS.....	50 - 88
2H18	PINION, LOW RANGE (SYNCRO-RANGE) .....	50 - 52	3H23	POWER FRONT WHEEL DRIVE STEERING ARMS.....	80 - 21
2I14	PINION, PLANET .....	50 - 73	2B24	POWER FRONT WHEEL DRIVE SWITCHES .....	40 - 16
2I23	PINION, PLANET (FRONT WHEEL DRIVE).....	50 - 82	2B25	POWER FRONT WHEEL DRIVE SWITCHES .....	40 - 17
2I24	PINION, PLANET (FRONT WHEEL DRIVE).....	50 - 83	3H23	POWER FRONT WHEEL DRIVE TIE RODS .....	80 - 21
1D19	PIPE, AIR INTAKE .....	30 - 4	3H25	POWER FRONT WHEEL DRIVE WHEELS .....	80 - 23
1D20	PIPE, AIR INTAKE (DIESEL).....	30 - 5	2I21	POWER FRONT WHEEL DRIVE, WHEEL HUB .....	50 - 80
1D21	PIPE, AIR INTAKE (DIESEL).....	30 - 6	3F10	POWER WEIGHT TRANSFER COUPLER .....	70 - 79
1E5	PIPE, EXHAUST (ROW-CROP).....	30 - 14	3F11	POWER WEIGHT TRANSFER HITCH LINK.....	70 - 80
4C17	PIPE, WATER BYPASS, HEATER (HINSON) .....	90 - 36	3F13	POWER WEIGHT TRANSFER HITCH OIL GAUGE .....	70 - 82
4C9	PIPE, WATER BYPASS, HEATER (STOLPER) .....	90 - 27	3F12	POWER WEIGHT TRANSFER HITCH VALVE .....	70 - 81
1F1	PIPES, FUEL (DIESEL) .....	30 - 36	1D16	PRE-CLEANER.....	30 - 1
1F2	PIPES, FUEL (DIESEL) .....	30 - 37	1D16	PRE-SCREENER .....	30 - 1
1E22	PIPES, FUEL CONVERTER (LP-GAS) .....	30 - 32	3D13	PRESSURE CONTROL VALVE.....	70 - 28
1F9	PIPES, FUEL INJECTION .....	30 - 44	3D22	PRESSURE CONTROL VALVE.....	70 - 37
3B25	PIPES, OIL PRESSURE, BRAKE .....	60 - 19	3D13	PRESSURE CONTROL VALVE OIL LINES .....	70 - 28
2I12	PIPES, OIL, DIFFERENTIAL LOCK .....	50 - 71	2I5	PTO BELT PULLEY .....	50 - 64
2I13	PIPES, OIL, DIFFERENTIAL LOCK .....	50 - 72	2F19	PTO CLUTCH (POWER SHIFT) .....	50 - 2
2H11	PIPES, OIL, PTO CLUTCH (SYNCRO-RANGE).....	50 - 44	2H8	PTO CLUTCH (SYNCRO-RANGE) .....	50 - 41
3C3	PISTON ACCUMULATOR .....	60 - 22	2F22	PTO CLUTCH CONTROL (POWER SHIFT).....	50 - 5
1C8	PISTON RINGS (GAS & LP) .....	20 - 26	2H10	PTO CLUTCH CONTROL (SYNCRO-RANGE).....	50 - 43
1C10	PISTON RINGS (4270DR) .....	20 - 28	2F21	PTO CLUTCH LEVER LINKAGE.....	50 - 4
3C5	PISTON, ACCUMULATOR.....	60 - 24	2H10	PTO CLUTCH LEVER LINKAGE.....	50 - 43
2F18	PISTON, CLUTCH OIL ACCUMULATOR .....	50 - 1	2H12	PTO CLUTCH VALVE (SYNCRO-RANGE).....	50 - 45
2G18	PISTON, CLUTCH OIL ACCUMULATOR .....	50 - 26	2H4	PTO DRIVE GEAR (POWER SHIFT) .....	50 - 37
2G1	PISTON, HIGH RANGE CLUTCH (POWER SHIFT) .....	50 - 9	2H5	PTO DRIVE GEAR (SYNCRO-RANGE) .....	50 - 38
2F25	PISTON, LOW RANGE CLUTCH (POWER SHIFT).....	50 - 8	2I2	PTO DRIVE GEAR (SYNCRO-RANGE) .....	50 - 61
3E2	PISTON, ROCKSHAFT.....	70 - 42	2H6	PTO DRIVE SHAFT .....	50 - 39
3B7	PISTON, STEERING VALVE .....	60 - 2	2H4	PTO DRIVE SHAFT (POWER SHIFT) .....	50 - 37
1C8	PISTONS (GAS & LP) .....	20 - 26	2H5	PTO DRIVE SHAFT (POWER SHIFT) .....	50 - 38
1C10	PISTONS (4270DR) .....	20 - 28	2I2	PTO DRIVE SHAFT (SYNCRO-RANGE) .....	50 - 61
2I23	PLANET PINION (FRONT WHEEL DRIVE) .....	50 - 82	2I4	PTO DRIVE SHAFT (SYNCRO-RANGE) .....	50 - 63
2I24	PLANET PINION (FRONT WHEEL DRIVE) .....	50 - 83	2H3	PTO GUARD (POWER SHIFT) .....	50 - 36
2I14	PLANET PINION CARRIER.....	50 - 73	2I1	PTO GUARD (SYNCRO-RANGE) .....	50 - 60
			2I2	PTO GUARD (SYNCRO-RANGE) .....	50 - 61
			2H6	PTO IDLER GEARS.....	50 - 39

## ALPHABETICAL INDEX - CONTINUED

GRID		PAGE	GRID		PAGE
214	PTO IDLER GEARS (SYNCRO-RANGE) .....	50 - 63	2D8	REAR AND WARNING LAMP .....	40 - 53
211	PTO MASTER SHIELD (SYNCRO-RANGE) .....	50 - 60	2D9	REAR AND WARNING LAMP .....	40 - 54
215	PULLEY, BELT .....	50 - 64	2D10	REAR AND WARNING LAMP .....	40 - 55
1C12	PULLEY, CRANKSHAFT .....	20 - 30	2D11	REAR AND WARNING LAMP .....	40 - 56
1D5	PULLEY, FAN (DIESEL) .....	20 - 46	2D12	REAR AND WARNING LAMP .....	40 - 57
1D3	PULLEY, FAN (GAS & LP) .....	20 - 44	2D13	REAR AND WARNING LAMP .....	40 - 58
3C13	PUMP ASSEMBLY, HYDRAULIC, REPLACEMENT .....	70 - 3	2D14	REAR AND WARNING LAMP .....	40 - 59
3C12	PUMP DRIVE COUPLER .....	70 - 2	2I14	REAR AXLE HOUSING .....	50 - 73
1F17	PUMP OVERHAUL KIT, FUEL INJECTION .....	30 - 52	2I14	REAR AXLE SHAFT .....	50 - 73
3C24	PUMP REPLACEMENT, HYDRAULIC .....	70 - 14	2I17	REAR AXLE SHAFT .....	50 - 76
3D1	PUMP REPLACEMENT, HYDRAULIC (PFWD) .....	70 - 16	4C25	REAR VIEW MIRROR .....	90 - 44
1C22	PUMP, ENGINE OIL .....	20 - 38	3H14	REAR WHEEL WEIGHTS .....	80 - 12
1E8	PUMP, FUEL .....	30 - 17	3H10	REAR WHEELS .....	80 - 8
1F4	PUMP, FUEL .....	30 - 39	3H13	REAR WHEELS .....	80 - 11
1F2	PUMP, FUEL (DIESEL) .....	30 - 37	3H9	REAR WHEELS (HI-CROP) .....	80 - 7
1F3	PUMP, FUEL (DIESEL) .....	30 - 38	3H12	REAR WHEELS (HI-CROP) .....	80 - 10
1F9	PUMP, FUEL INJECTION .....	30 - 44	3F20	RECEPTACLE, DIAGNOSTIC .....	70 - 89
1F11	PUMP, FUEL INJECTION .....	30 - 46	2C2	REGULATOR, ALTERNATOR .....	40 - 20
1F23	PUMP, FUEL INJECTION .....	30 - 58	1D10	REGULATOR, OIL PRESSURE .....	20 - 51
1F25	PUMP, FUEL INJECTION .....	30 - 60	2B19	RELAY KIT .....	40 - 11
1G1	PUMP, FUEL INJECTION .....	30 - 61	2B18	RELAY WIRING KIT, ACCESSORY .....	40 - 10
1G2	PUMP, FUEL INJECTION .....	30 - 62	2B16	RELAY, CAB WIRING .....	40 - 8
1G3	PUMP, FUEL INJECTION .....	30 - 63	2B16	RELAY, INDICATOR LAMP .....	40 - 8
1G4	PUMP, FUEL INJECTION .....	30 - 64	2B21	RELAY, STARTING CIRCUIT .....	40 - 13
1F10	PUMP, FUEL INJECTION (EARLY DESIGN) .....	30 - 45	2B22	RELAY, STARTING CIRCUIT .....	40 - 14
1F16	PUMP, FUEL INJECTION (LATE DESIGN) .....	30 - 51	2E23	RELAY, SUPPLEMENTARY WIRING .....	40 - 94
1F13	PUMP, FUEL TRANSFER .....	30 - 48	2E18	RELAY, WIRING, ELECTRICAL REMOTE CONTROL .....	40 - 89
3C14	PUMP, HYDRAULIC .....	70 - 4	2B9	RELAY, STARTING CIRCUIT KIT (12-VOLT) .....	40 - 1
3C16	PUMP, HYDRAULIC (PFWD) .....	70 - 6	2B23	RELAY, STARTING CIRCUIT (12-VOLT) .....	40 - 15
2H23	PUMP, OIL TRANSMISSION (SYNCRO-RANGE) .....	50 - 57	2H25	RELIEF VALVE, OIL FILTER .....	50 - 59
2F24	PUMP, TRANSMISSION CLUTCH, OIL .....	50 - 7	2E18	REMOTE CONTROL CIRCUIT BREAKER .....	40 - 89
1D1	PUMP, VENTILATOR (DIESEL) .....	20 - 42	2E17	REMOTE CONTROL KIT, ELECTRICAL .....	40 - 88
1C24	PUMP, VENTILATOR (GAS & LP) .....	20 - 40	2E19	REMOTE CONTROL WIRING KIT, ELECTRICAL .....	40 - 90
1D5	PUMP, WATER (DIESEL) .....	20 - 46	2E18	REMOTE CONTROL WIRING, ELECTRICAL .....	40 - 89
1D3	PUMP, WATER (GAS & LP) .....	20 - 44	2E16	REMOTE CONTROL, ELECTRICAL .....	40 - 87
1B17	PUSH RODS (DIESEL) .....	20 - 12	3G6	REMOTE CYLINDER .....	70 - 101
1B15	PUSH RODS (GASOLINE & LP) .....	20 - 10	3G9	REMOTE CYLINDER (HYDRAULIC STOP) .....	70 - 104
			3G18	REMOTE CYLINDER CONVERSION KIT .....	70 - 114
	<b>Q</b>		3G11	REMOTE CYLINDER OVERHAUL .....	70 - 106
			3G16	REMOTE CYLINDER OVERHAUL KIT .....	70 - 112
2H22	QUADRANT, SPEED CHANGE (SYNCRO-RANGE) .....	50 - 56	3G12	REMOTE CYLINDER PARTS .....	70 - 108
2H22	QUADRANT, SPEED RANGE (SYNCRO-RANGE) .....	50 - 56	3G14	REMOTE CYLINDER PARTS .....	70 - 110
3F2	QUICK COUPLER, HEAVY-DUTY IMPLEMENT .....	70 - 70	3G7	REMOTE CYLINDER PARTS (3" X 8" MECH.) .....	70 - 102
3F1	QUICK COUPLER, IMPLEMENT (HEAVY-DUTY) .....	70 - 68	1D7	REPAIR KIT, WATER PUMP (DIESEL) .....	20 - 48
3E24	QUICK COUPLER, IMPLEMENT (REGULAR) .....	70 - 66	1D3	REPAIR KIT, WATER PUMP (GAS & LP) .....	20 - 44
3I4	QUIK-TATCH WEIGHTS .....	80 - 27	3C13	REPLACEMENT HYDRAULIC PUMP ASSEMBLY .....	70 - 3
3I5	QUIK-TATCH WEIGHTS .....	80 - 28	1C6	REPLACEMENT KIT, OIL PAN .....	20 - 24
2I5	QUILL, BELT PULLEY .....	50 - 64	3D18	RESERVOIR, HYDRAULIC OIL (SYNCRO-RANGE) (EARLY DESIGN) .....	70 - 33
2I3	QUILL, REAR PTO BEARING (SYNCRO-RANGE) .....	50 - 62	3D19	RESERVOIR, HYDRAULIC OIL (SYNCRO-RANGE) (LATE DESIGN) .....	70 - 34
			3E9	REVERSE SIGNAL LOCKOUT KIT .....	70 - 49
	<b>R</b>		3H10	RIM, DEMOUNTABLE .....	80 - 8
2F3	RADAR BRACKET .....	40 - 97A	3H13	RIM, DEMOUNTABLE .....	80 - 11
2F1	RADAR SENSOR .....	40 - 96	3H9	RIM, DEMOUNTABLE (HI-CROP) .....	80 - 7
2F3	RADAR SENSOR .....	40 - 97A	3H12	RIM, DEMOUNTABLE (HI-CROP) .....	80 - 10
2F3	RADAR WIRING HARNESS .....	40 - 97A	1C8	RINGS, PISTON (GAS & LP) .....	20 - 26
1D2	RADIATOR .....	20 - 43	1C10	RINGS, PISTON (4270DR) .....	20 - 28
1D2	RADIATOR CAP .....	20 - 43	1B12	ROCKER ARM COVER .....	20 - 6
1D2	RADIATOR FOAM PADS .....	20 - 43	1B12	ROCKER ARM COVER GASKET .....	20 - 6
2E3	RADIO (BENDIX) .....	40 - 74	1B17	ROCKER ARM SHAFT (DIESEL) .....	20 - 12
2E5	RADIO (MOTOROLA) .....	40 - 76	1B15	ROCKER ARM SHAFT (GASOLINE & LP) .....	20 - 10
2E7	RADIO (MOTOROLA) .....	40 - 78	1B17	ROCKER ARMS (DIESEL) .....	20 - 12
2E10	RADIO MOTORPHONES .....	40 - 81	1B15	ROCKER ARMS (GASOLINE & LP) .....	20 - 10
2E9	RADIO MOUNTING KIT .....	40 - 80	4D14	ROCKSHAFT CONSOLE .....	90 - 58
3H21	RADIUS RODS (HI-CROP) .....	80 - 19	3E11	ROCKSHAFT CONTROL LEVER .....	70 - 52
			3E6	ROCKSHAFT CONTROL LINKAGE .....	70 - 46

## ALPHABETICAL INDEX - CONTINUED

<i>GRID</i>		<i>PAGE</i>	<i>GRID</i>		<i>PAGE</i>
3F19	ROCKSHAFT CONTROL VALVE COVER .....	70-88	2I3	SHAFT, PTO DRIVE (SYNCRO-RANGE) .....	50-62
3E2	ROCKSHAFT CRANK .....	70-42	2I4	SHAFT, PTO DRIVE (SYNCRO-RANGE) .....	50-63
3D25	ROCKSHAFT HOUSING .....	70-40	2I14	SHAFT, REAR AXLE .....	50-73
3D25	ROCKSHAFT HOUSING COVER .....	70-40	2I17	SHAFT, REAR AXLE .....	50-76
3E2	ROCKSHAFT LIFT ARMS .....	70-42	2I3	SHAFT, REAR PTO (SYNCRO-RANGE) .....	50-62
3D13	ROCKSHAFT OIL LINES .....	70-28	1B17	SHAFT, ROCKER ARM (DIESEL) .....	20-12
3D15	ROCKSHAFT OIL LINES (POWER SHIFT) .....	70-30	1B15	SHAFT, ROCKER ARM (GASOLINE & LP) .....	20-10
3D20	ROCKSHAFT OIL LINES (SYNCRO-RANGE) .....	70-35	3B7	SHAFT, STEERING .....	60-2
3E2	ROCKSHAFT PISTON .....	70-42	2H20	SHAFTS, SHIFTER (SYNCRO-RANGE) .....	50-54
3E1	ROCKSHAFT PISTON COVER .....	70-41	2H21	SHAFTS, SHIFTER (SYNCRO-RANGE) .....	50-55
3E13	ROCKSHAFT, FRONT MOUNTED .....	70-54	2C2	SHIELD, ALTERNATOR .....	40-20
1C8	RODS, CONNECTING (GAS & LP) .....	20-26	2I18	SHIELD, OIL LINE (FRONT WHEEL DRIVE) .....	50-77
1B17	RODS, PUSH (DIESEL) .....	20-12	3I10	SHIELD, OPERATOR .....	80-33
1B15	RODS, PUSH (GASOLINE & LP) .....	20-10	2H3	SHIELD, PTO MASTER (POWER SHIFT) .....	50-36
3H21	RODS, RADIUS (HI-CROP) .....	80-19	2I1	SHIELD, PTO MASTER (SYNCRO-RANGE) .....	50-60
3H23	RODS, TIE (FRONT WHEEL DRIVE) .....	80-21	3I11	SHIELD, SIDE .....	80-34
4B12	ROLL-GARD (HI-CROP) .....	90-5	2G24	SHIFT VALVE, TRANSMISSION .....	50-32
4B13	ROLL-GARD (W/O HI CROP) .....	90-6	2H20	SHIFTER SHAFTS (SYNCRO-RANGE) .....	50-54
4B11	ROLL-GARD AND SEAT BELT .....	90-4	2H21	SHIFTER SHAFTS (SYNCRO-RANGE) .....	50-55
3H4	ROLL-O-MATIC .....	80-2	4B10	SHOCK ABSORBER .....	90-3
4C12	ROOF, CAB (HINSON CAB) .....	90-30	1C1	SHORT BLOCK (DIESEL) .....	20-18
	<b>S</b>		1C3	SHORT BLOCK (DIESEL) .....	20-20
3F6	SAFETY CHAIN, IMPLEMENT .....	70-74	1D2	SHROUD, FAN .....	20-43
1C20	SEAL, OIL, FRONT .....	20-36	1F15	SHUT OFF, FUEL INJECTION PUMP .....	30-50
4C5	SEAL, ROOF (STOLPER CAB) .....	90-23	3I1	SIDE FRAME .....	80-24
4C10	SEAL, RUBBER WINDOW (HINSON CAB) .....	90-28	3I11	SIDE PANEL .....	80-34
4C13	SEAL, RUBBER WINDOW (HINSON CAB) .....	90-32	3I11	SIDE SHIELD .....	80-34
4B23	SEAL, RUBBER WINDOW (STOLPER CAB) .....	90-16	4B22	SIDE, FRAME, L.H. (STOLPER CAB) .....	90-15
1D5	SEAL, WATER PUMP (DIESEL) .....	20-46	4B21	SIDE, FRAME, R.H. (STOLPER CAB) .....	90-14
4D18	SEALANT, LOCTITE .....	90-62	4B22	SILL, FRONT, L.H. (STOLPER CAB) .....	90-15
4B19	SEALING KIT .....	90-12	4B21	SILL, FRONT, R.H. (STOLPER CAB) .....	90-14
4B8	SEAT BACK CUSHION .....	90-1	4D19	SLOW MOVING VEHICLE EMBLEM .....	90-63
4B11	SEAT BELT .....	90-4	4D20	SLOW MOVING VEHICLE EMBLEM .....	90-64
4B12	SEAT BELT (HI-CROP) .....	90-5	2E21	SOCKET, ELECTRICAL OUTLET .....	40-92
4B13	SEAT BELT (W/O HI CROP) .....	90-6	2E22	SOCKET, ELECTRICAL OUTLET, 7-TERMINAL .....	40-93
4B8	SEAT CUSHION .....	90-1	2C12	SOLENOID SWITCH .....	40-30
4B9	SEAT SUPPORT, DELUXE .....	90-2	2D2	SOLENOID SWITCH (DIESEL) .....	40-47
4B10	SEAT SUSPENSION .....	90-3	2C19	SOLENOID SWITCH (GASOLINE AND LP-GAS) .....	40-38
2G9	SECOND PLANETARY BRAKE .....	50-17	2D3	SOLENOID SWITCH, STARTER .....	40-48
4D14	SELECTIVE CONTROL CONSOLE .....	90-58	2I25	SOLENOID VALVE (FRONT WHEEL DRIVE) .....	50-84
3F14	SELECTIVE CONTROL LEVERS .....	70-83	1E9	SOLENOID, FUEL (GASOLINE) .....	30-18
3F15	SELECTIVE CONTROL VALVE .....	70-84	1E16	SOLENOID, FUEL (GASOLINE) .....	30-25
3F19	SELECTIVE CONTROL VALVE .....	70-88	2J4	SOLENOID, POWER FRONT WHEEL DRIVE .....	50-88
3F21	SELECTIVE CONTROL VALVE .....	70-90	4B20	SOUND REDUCTION KIT .....	90-13
3F18	SELECTIVE CONTROL VALVE CAP ASSEMBLY .....	70-87	2C4	SPARK PLUG CABLES .....	40-22
3F17	SELECTIVE CONTROL VALVE OVERHAUL KIT .....	70-86	2C4	SPARK PLUGS .....	40-22
3E15	SELECTIVE CONTROL VALVE SUPPORT .....	70-56	2H21	SPEED CHANGE ARM .....	50-55
1F1	SENDER, FUEL GAUGE (DIESEL) .....	30-36	1G10	SPEED CONTROL LINKAGE .....	30-70
1E6	SENDER, FUEL GAUGE (GASOLINE) .....	30-15	1G11	SPEED CONTROL LINKAGE .....	30-71
1E19	SENDER, FUEL GAUGE (LP-GAS) .....	30-28	1G12	SPEED CONTROL LINKAGE .....	30-72
1E20	SENDER, FUEL GAUGE (LP-GAS) .....	30-29	2H20	SPEED RANGE ARM (SYNCRO-RANGE) .....	50-54
2F3	SENSOR, RADAR .....	40-97A	4D12	SPEED-HOUR METER .....	90-56
2F1	SENSOR, RADAR .....	40-96	3H3	SPINDLE EXTENSION, FRONT WHEEL .....	80-1
2I5	SHAFT, BELT PULLEY .....	50-64	1D16	STACK, AIR .....	30-1
2F19	SHAFT, CLUTCH (POWER SHIFT) .....	50-2	2C8	STARTER .....	40-26
2H8	SHAFT, CLUTCH (SYNCRO-RANGE) .....	50-41	2C20	STARTER .....	40-40
2F21	SHAFT, CLUTCH FORK (POWER SHIFT) .....	50-4	2C22	STARTER .....	40-42
2H10	SHAFT, CLUTCH FORK (SYNCRO-RANGE) .....	50-43	2C23	STARTER (DIESEL) .....	40-43
2I15	SHAFT, DRIVE AND PINION (HI-CROP) .....	50-74	2C14	STARTER (GASOLINE AND LP-GAS) .....	40-32
3E8	SHAFT, LOAD CONTROL .....	70-48	2C15	STARTER (GASOLINE AND LP-GAS) .....	40-33
2I14	SHAFT, PLANET PINION .....	50-73	2C16	STARTER (GASOLINE AND LP-GAS) .....	40-34
2H6	SHAFT, PTO DRIVE .....	50-39	2C12	STARTER (GASOLINE) .....	40-30
2H4	SHAFT, PTO DRIVE (POWER SHIFT) .....	50-37	2C13	STARTER (GASOLINE) .....	40-31
2H5	SHAFT, PTO DRIVE (POWER SHIFT) .....	50-38	2C17	STARTER (LP-GAS) .....	40-36
			2C18	STARTER (LP-GAS) .....	40-37
			2C20	STARTER ARMATURE .....	40-40
			2C24	STARTER ARMATURE .....	40-44

## ALPHABETICAL INDEX - CONTINUED

GRID		PAGE	GRID		PAGE
2B21	STARTER CIRCUIT RELAY.....	40 - 13	3E22	SUPPORT, DRAFT LINK (HI-CROP) .....	70 - 64
2B22	STARTER CIRCUIT RELAY.....	40 - 14	3F8	SUPPORT, DRAWBAR FRONT (HI-CROP) .....	70 - 77
2C22	STARTER COIL .....	40 - 42	3F4	SUPPORT, DRAWBAR, FRONT .....	70 - 72
2D1	STARTER COMMUTATOR END FRAME .....	40 - 46	3E23	SUPPORT, DRAWBAR, FRONT (HI-CROP).....	70 - 65
2C20	STARTER DRIVE HOUSING .....	40 - 40	4D1	SUPPORT, FENDER .....	90 - 45
2C24	STARTER DRIVE HOUSING .....	40 - 44	3B16	SUPPORT, HYDRAULIC OIL LINE .....	60 - 11
2C22	STARTER END FRAME.....	40 - 42	3C12	SUPPORT, HYDRAULIC PUMP .....	70 - 2
1C12	STARTER GEAR .....	20 - 30	3E8	SUPPORT, LOAD CONTROL .....	70 - 48
2C25	STARTER MAIN FRAME .....	40 - 45	4D4	SUPPORT, PLATFORM .....	90 - 48
2D4	STARTER MOTOR SEALING KIT .....	40 - 49	4D5	SUPPORT, PLATFORM.....	90 - 49
2C10	STARTER SOLENOID COVER KIT .....	40 - 28	3E15	SUPPORT, SELECTIVE CONTROL VALVE .....	70 - 56
2C11	STARTER SOLENOID COVER KIT .....	40 - 29	3B16	SUPPORT, STEERING OIL LINE .....	60 - 11
2C9	STARTER SOLENOID COVER KIT(GAS AND LP-GAS) .....	40 - 27	4D16	SUPPORT, TOOL BOX .....	90 - 60
2C9	STARTER SOLENOID COVER SAFTEY LABEL .....	40 - 27	4B10	SUSPENSION, DELUXE SEAT .....	90 - 3
2C11	STARTER SOLENOID SAFTEY LABEL .....	40 - 29	3F5	SWAY CONTROL BLOCKS.....	70 - 73
2C10	STARTER SOLENOID SAFTEY START LABEL .....	40 - 28	4C19	SWITCH, BLOWER (HINSON CAB) .....	90 - 38
2C20	STARTER SOLENOID SWITCH .....	40 - 40	2E13	SWITCH, BLOWER (STOLPER CAB).....	40 - 84
2D3	STARTER SOLENOID SWITCH .....	40 - 48	2D7	SWITCH, DIMMER .....	40 - 52
2D5	STARTER SWITCH .....	40 - 50	2E16	SWITCH, ELECTRICAL REMOTE CONTROL .....	40 - 87
2C25	STARTER, COIL.....	40 - 45	2D23	SWITCH, HORN .....	40 - 69
1G17	STARTING AID KIT, ETHER .....	30 - 77	2D24	SWITCH, HORN .....	40 - 70
1G15	STARTING AID TUBE KIT.....	30 - 75	2D5	SWITCH, IGNITION KEY .....	40 - 50
2B9	STARTING CIRCUIT RELAY KIT(12-VOLT) .....	40 - 1	2D5	SWITCH, LIGHT .....	40 - 50
2B23	STARTING CIRCUIT RELAY(12-VOLT) .....	40 - 15	3D14	SWITCH, OIL COOLER PRESSURE (POWER SHIFT) .....	70 - 29
1G13	STARTING FLUID.....	30 - 73	2D2	SWITCH, SOLENOID (DIESEL).....	40 - 47
1G14	STARTING FLUID.....	30 - 74	2C19	SWITCH, SOLENOID (GASOLINE AND LP-GAS) .....	40 - 38
1G15	STARTING FLUID TUBE KIT .....	30 - 75	2G17	SWITCH, START-SAFETY (POWER SHIFT) .....	50 - 25
1G16	STARTING FLUID TUBE KIT .....	30 - 76	2H20	SWITCH, START-SAFETY (SYNCRO-RANGE) .....	50 - 54
3H17	STEERING ARM.....	80 - 15	2D5	SWITCH, STARTER .....	40 - 50
3H18	STEERING ARM.....	80 - 16	2D3	SWITCH, STARTER SOLENOID .....	40 - 48
3H20	STEERING ARM.....	80 - 18	2E11	SWITCH, WINDSHIELD WASHER .....	40 - 82
3H23	STEERING ARMS (FRONT WHEEL DRIVE) .....	80 - 21	2E12	SWITCH, WIPER (HINSON CAB) .....	40 - 83
3B7	STEERING CYLINDER.....	60 - 2	2E13	SWITCH, WIPER (STOLPER CAB).....	40 - 84
3B9	STEERING CYLINDER COVER .....	60 - 4	2C20	SWITCH,STARTER SOLENOID.....	40 - 40
3B18	STEERING MOTOR .....	60 - 13	2B24	SWITCHES, ELECTRICAL (FRONT WHEEL DRIVE) .....	40 - 16
3B16	STEERING OIL LINE SUPPORT.....	60 - 11	2B25	SWITCHES, ELECTRICAL (FRONT WHEEL DRIVE) .....	40 - 17
3B15	STEERING OIL LINES.....	60 - 10	2H18	SYNCHRONIZER DRUM (SYNCRO-RANGE) .....	50 - 52
3B17	STEERING OIL LINES.....	60 - 12	2H19	SYNCHRONIZER REPLACEMENT KIT .....	50 - 53
3B13	STEERING VALVE AND CYLINDER OVERHAUL KIT .....	60 - 8			
3B10	STEERING VALVE ASSEMBLY .....	60 - 5		T	
3B11	STEERING VALVE ASSEMBLY .....	60 - 6			
3B12	STEERING VALVE COVER.....	60 - 7			
3B7	STEERING VALVE CYLINDER .....	60 - 2	4D12	TACHOMETER .....	90 - 56
3B12	STEERING VALVE OPERATING LEVERS.....	60 - 7	1D10	TACHOMETER DRIVE.....	20 - 51
3B9	STEERING VALVE PISTON .....	60 - 4	1F1	TANK, FUEL (DIESEL).....	30 - 36
3B7	STEERING WHEEL .....	60 - 2	1E6	TANK, FUEL (GASOLINE).....	30 - 15
3B7	STEERING, EMBLEM, WHEEL .....	60 - 2	1E19	TANK, FUEL (LP-GAS) .....	30 - 28
3I16	STEP .....	80 - 39	1E20	TANK, FUEL (LP-GAS) .....	30 - 29
4C16	STEP (HINSON CAB) .....	90 - 35	2F7	TERMINAL AND WIRING KIT .....	40 - 100
4C2	STEP (STOLPER CAB) .....	90 - 20	2F12	TERMINALS, ELECTRICAL, SUPPLEMENTARY .....	40 - 105
3I15	STEP, TRACTOR (HI-CROP) .....	80 - 38	2F9	TERMINALS, ELECTRICAL, WEATHERPACK .....	40 - 102
3I13	STEP, TRACTOR (ROW-CROP).....	80 - 36	1D8	THERMOSTAT .....	20 - 49
3I14	STEP, TRACTOR (STANDARD) .....	80 - 37	1D8	THERMOSTAT HOUSING (LATE DESIGN) .....	20 - 49
1E25	STRAINER, FUEL (LP-GAS) .....	30 - 35	1D8	THERMOSTAT HOUSING COVER(LATE DESIGN).....	20 - 49
2B12	STRAP, BATTERY GROUND .....	40 - 4	3D16	THERMOSTATIC BYPASS VALVE (POWER SHIFT) .....	70 - 31
2B13	STRAP, BATTERY GROUND .....	40 - 5	2G8	THIRD PLANETARY BRAKE .....	50 - 16
3C18	STROKE CONTROL VALVE SHUT-OFF KIT .....	70 - 8	3E18	THREE POINT HITCH CENTER LINK .....	70 - 60
3D3	STROKE CONTROL VALVE SHUT-OFF KIT .....	70 - 18	3E19	THREE POINT HITCH CENTER LINK .....	70 - 61
3C18	STROKE CONTROL VALVE, HYDRAULIC PUMP.....	70 - 8	3E20	THREE POINT HITCH CENTER LINK (HI-CROP).....	70 - 62
3D3	STROKE CONTROL VALVE, HYDRAULIC PUMP.....	70 - 18	3E21	THREE POINT HITCH DRAFT LINKS .....	70 - 63
2E22	SUPPLEMENTARY OUTLET, 7-TERMINAL .....	40 - 93	3E22	THREE POINT HITCH DRAFT LINKS (HI-CROP) .....	70 - 64
2F11	SUPPLEMENTARY TERMINALS AND CONNECTORS.....	40 - 104	3F4	THREE-POINT HITCH .....	70 - 72
2F12	SUPPLEMENTARY TERMINALS AND CONNECTORS.....	40 - 105	3E16	THREE-POINT HITCH LIFT LINK .....	70 - 57
2E23	SUPPLEMENTARY WIRING KIT.....	40 - 94	3E17	THREE-POINT HITCH LIFT LINKS.....	70 - 58
4D8	SUPPORT, CONTROL .....	90 - 52	3E23	THREE-POINT HITCH SUPPORT (HI-CROP) .....	70 - 65
4D13	SUPPORT, DASH.....	90 - 57	1F14	THROTTLE CONTROL, FUEL INJECTION PUMP.....	30 - 49

## ALPHABETICAL INDEX - CONTINUED

<i>GRID</i>		<i>PAGE</i>	<i>GRID</i>		<i>PAGE</i>
3H17	TIE RODS .....	80 - 15	2H25	VALVE, OIL FILTER RELIEF .....	50 - 59
3H18	TIE RODS .....	80 - 16	3F12	VALVE, POWER WEIGHT TRANSFER HITCH .....	70 - 81
3H20	TIE RODS .....	80 - 18	3D13	VALVE, PRESSURE CONTROL .....	70 - 28
1C20	TIMING GEAR COVER .....	20 - 36	3D22	VALVE, PRESSURE CONTROL .....	70 - 37
1C20	TIMING GEAR COVER GASKET .....	20 - 36	2H12	VALVE, PTO CLUTCH (SYNCRO-RANGE) .....	50 - 45
4D16	TOOL BOX .....	90 - 60	3F15	VALVE, SELECTIVE CONTROL .....	70 - 84
4D15	TOOL BOX (HINSON CAB) .....	90 - 59	2G24	VALVE, SHIFT (POWER SHIFT) .....	50 - 32
4C2	TOOL BOX (STOLPER CAB) .....	90 - 20	4C17	VALVE, SHUT-OFF, HEATER (HINSON CAB) .....	90 - 36
4D17	TOOLS .....	90 - 61	2I25	VALVE, SOLENOID (FRONT WHEEL DRIVE) .....	50 - 84
1B8	TORQ-GARD ENGINE OIL .....	20 - 1	3B10	VALVE, STEERING ASSEMBLY .....	60 - 5
3I15	TRACTOR STEP (HI-CROP) .....	80 - 38	3B11	VALVE, STEERING ASSEMBLY .....	60 - 6
3I13	TRACTOR STEP (ROW-CROP) .....	80 - 36	3D16	VALVE, THERMOSTATIC BYPASS (POWER SHIFT) .....	70 - 31
3I14	TRACTOR STEP (STANDARD) .....	80 - 37	2G2	VALVE, TRANSMISSION CLUTCH (POWER SHIFT) .....	50 - 10
1F13	TRANSFER PUMP, FUEL .....	30 - 48	2G3	VALVE, TRANSMISSION CLUTCH (POWER SHIFT) .....	50 - 11
3C11	TRANSMISSION AND HYDRAULIC OIL .....	70 - 1	2G4	VALVE, TRANSMISSION CLUTCH REGULATING .....	50 - 12
2H18	TRANSMISSION BLOCKERS (SYNCRO-RANGE) .....	50 - 52	2G17	VALVE, TRANSMISSION CONTROL .....	50 - 25
2G5	TRANSMISSION CASE (POWER SHIFT) .....	50 - 13	2G18	VALVE, TRANSMISSION CONTROL .....	50 - 26
2H14	TRANSMISSION CASE (SYNCRO-RANGE) .....	50 - 48	2G22	VALVE, TRANSMISSION CONTROL .....	50 - 30
2F24	TRANSMISSION CLUTCH OIL PUMP .....	50 - 7	1B17	VALVES, EXHAUST (DIESEL) .....	20 - 12
2F25	TRANSMISSION CLUTCH PACK (POWER SHIFT) .....	50 - 8	1B15	VALVES, EXHAUST (GASOLINE & LP) .....	20 - 10
2G1	TRANSMISSION CLUTCH PACK (POWER SHIFT) .....	50 - 9	1B17	VALVES, INTAKE (DIESEL) .....	20 - 12
2G4	TRANSMISSION CLUTCH REGULATING VALVE .....	50 - 12	1B15	VALVES, INTAKE (GASOLINE & LP) .....	20 - 10
2G2	TRANSMISSION CLUTCH VALVE (POWER SHIFT) .....	50 - 10	4C3	VENT, ROOF (STOLPER CAB) .....	90 - 21
2G3	TRANSMISSION CLUTCH VALVE (POWER SHIFT) .....	50 - 11	1D1	VENTILATOR PUMP (DIESEL) .....	20 - 42
2G22	TRANSMISSION CONTROL VALVE .....	50 - 30	1C24	VENTILATOR PUMP (GAS & LP) .....	20 - 40
2G20	TRANSMISSION CONTROL VALVE KIT .....	50 - 28			
2H16	TRANSMISSION COUNTERSHAFT (SYNCRO-RANGE) .....	50 - 50		W	
2G6	TRANSMISSION COVER, FRONT .....	50 - 14	2D8	WARNING LAMP .....	40 - 53
2H15	TRANSMISSION COVER, FRONT .....	50 - 49	2D9	WARNING LAMP .....	40 - 54
2G15	TRANSMISSION DIFFERENTIAL DRIVE .....	50 - 23	2D10	WARNING LAMP .....	40 - 55
2G13	TRANSMISSION DISCONNECT (POWER SHIFT) .....	50 - 21	2D11	WARNING LAMP .....	40 - 56
2F19	TRANSMISSION DISCONNECT CLUTCH .....	50 - 2	2D12	WARNING LAMP .....	40 - 57
2F20	TRANSMISSION DISCONNECT CLUTCH CONTROL .....	50 - 3	2D13	WARNING LAMP .....	40 - 58
2H18	TRANSMISSION DRIVE (SYNCRO-RANGE) .....	50 - 52	2D14	WARNING LAMP .....	40 - 59
2G14	TRANSMISSION GEAR REDUCTION .....	50 - 22	2D5	WARNING LAMP FLASHER .....	40 - 50
2G14	TRANSMISSION IDLER GEAR AND SHAFT .....	50 - 22	2D6	WARNING LAMP, IMPLEMENT .....	40 - 51
2G16	TRANSMISSION LOCK (POWER SHIFT) .....	50 - 24	4B15	WARNING LAMP, ROLL-GARD CANOPY .....	90 - 8
2H1	TRANSMISSION LOCK CONTROL .....	50 - 34	1D8	WATER BYPASS LINES .....	20 - 49
1G18	TRANSMISSION OIL FILTER .....	30 - 78	1D5	WATER PUMP (DIESEL) .....	20 - 46
2G11	TRANSMISSION PLANETARY (POWER SHIFT) .....	50 - 19	1D3	WATER PUMP (GAS & LP) .....	20 - 44
3E14	TRANSMISSION REAR COVER .....	70 - 55	1D5	WATER PUMP GASKET (DIESEL) .....	20 - 46
2G24	TRANSMISSION SHIFT VALVE (POWER SHIFT) .....	50 - 32	1D3	WATER PUMP GASKET (GAS & LP) .....	20 - 44
2G25	TRANSMISSION SHIFTER CONTROL .....	50 - 33	1D5	WATER PUMP OVERHAUL KIT (DIESEL) .....	20 - 46
2H18	TRANSMISSION SYNCHRONIZER DISK .....	50 - 52	1D7	WATER PUMP REPAIR KIT (DIESEL) .....	20 - 48
3D15	TRANSMISSION, CONTROL OIL LINES (POWER SHIFT) .....	70 - 30	1D3	WATER PUMP REPAIR KIT (GAS & LP) .....	20 - 44
1D9	TUBE, OIL PUMP INTAKE .....	20 - 50	4D11	WATER TEMPERATURE GAUGE .....	90 - 55
	U		2F9	WEATHERPACK CONNECTORS .....	40 - 102
4C22	UPHOLSTERING (HINSON CAB) .....	90 - 41	2F9	WEATHERPACK TERMINALS .....	40 - 102
	V		4D21	WEATHERSHIELD .....	90 - 65
3F19	VALVE HOUSING, SELECTIVE CONTROL .....	70 - 88	3I2	WEIGHT, FRONT .....	80 - 25
1B10	VALVE SEAT INSERT .....	20 - 4	3I3	WEIGHT, FRONT .....	80 - 26
3B21	VALVE, BRAKE .....	60 - 15	3I4	WEIGHT, FRONT .....	80 - 27
2J1	VALVE, CONTROL (FRONT WHEEL DRIVE) .....	50 - 85	3I5	WEIGHT, FRONT .....	80 - 28
2I10	VALVE, DIFFERENTIAL LOCK .....	50 - 69	3H14	WEIGHTS, REAR WHEEL .....	80 - 12
2I11	VALVE, DIFFERENTIAL LOCK .....	50 - 70	2I19	WHEEL MANIFOLD (FRONT WHEEL DRIVE) .....	50 - 78
2I25	VALVE, DIRECTIONAL CONTROL .....	50 - 84	3H14	WHEEL WEIGHTS, REAR .....	80 - 12
1E19	VALVE, EXCESS VAPOR FLOW (LP-GAS) .....	30 - 28	4C4	WHEEL, BLOWER (STOLPER CAB) .....	90 - 22
1E20	VALVE, EXCESS VAPOR FLOW (LP-GAS) .....	30 - 29	3B7	WHEEL, STEERING .....	60 - 2
3D21	VALVE, HYDRAULIC OIL COOLER BYPASS (SYNCRO-RANGE) .....	70 - 36	3H5	WHEELS, FRONT .....	80 - 3
			3H6	WHEELS, FRONT .....	80 - 4
			3H25	WHEELS, POWER FRONT WHEEL DRIVE .....	80 - 23
			3H10	WHEELS, REAR .....	80 - 8
			3H13	WHEELS, REAR .....	80 - 11
			3H9	WHEELS, REAR (HI-CROP) .....	80 - 7

## ALPHABETICAL INDEX - CONTINUED

<i>GRID</i>		<i>PAGE</i>	<i>GRID</i>	<i>PAGE</i>
3H12	WHEELS, REAR (HI-CROP) .....	80 - 10		
3F7	WIDE SWING DRAWBAR .....	70 - 76		
4C13	WINDOW, FRONT, R.H. (HINSON CAB) .....	90 - 32		
4B18	WINDOW, FRONT, R.H. (STOLPER CAB).....	90 - 11		
4B23	WINDOWS (STOLPER CAB).....	90 - 16		
2E11	WINDSHIELD WASHER, SWITCH .....	40 - 82		
2E15	WINDSHIELD WIPER.....	40 - 86		
2E12	WINDSHIELD WIPER (HINSON CAB) .....	40 - 83		
2E14	WINDSHIELD WIPER (STOLPER) .....	40 - 85		
2E15	WIPER, WINDSHIELD .....	40 - 86		
2E12	WIPER, WINDSHIELD (HINSON CAB) .....	40 - 83		
2E14	WIPER, WINDSHIELD (STOLPER).....	40 - 85		
2F7	WIRING AND TERMINAL KIT .....	40 - 100		
2F7	WIRING CRIMPING TOOL .....	40 - 100		
2B10	WIRING HARNESS .....	40 - 2		
2B11	WIRING HARNESS .....	40 - 3		
2F5	WIRING HARNESS, MINI-MONITOR (PERFORMANCE TRAK II).....	40 - 98		
2F3	WIRING HARNESS,RADAR.....	40 - 97A		
2B18	WIRING KIT, ACCESSORY RELAY .....	40 - 10		
2E19	WIRING KIT, ELECTRICAL REMOTE CONTROL .....	40 - 90		
2F7	WIRING STRIPPING TOOL .....	40 - 100		
2D20	WIRING, CAB LAMP (STOLPER) .....	40 - 66		
2B20	WIRING, CIRCUIT BREAKERS .....	40 - 12		
2E22	WIRING, ELECTRICAL OUTLET, 7-TERMINAL .....	40 - 93		
2E18	WIRING, ELECTRICAL REMOTE CONTROL.....	40 - 89		
2D16	WIRING, LAMP (HINSON).....	40 - 62		
2E23	WIRING, SUPPLEMENTARY.....	40 - 94		
2D10	WIRING, TRACTOR LAMP .....	40 - 55		
2D11	WIRING, TRACTOR LAMP .....	40 - 56		
2D12	WIRING, TRACTOR LAMP .....	40 - 57		

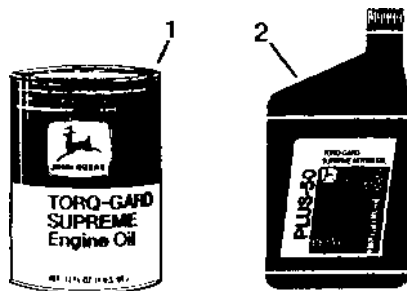


# 1B8

ENGINE

RGP3291 -UN-01JAN94

## TORQ-GARD SUPREME AND PLUS-50 ENGINE OIL

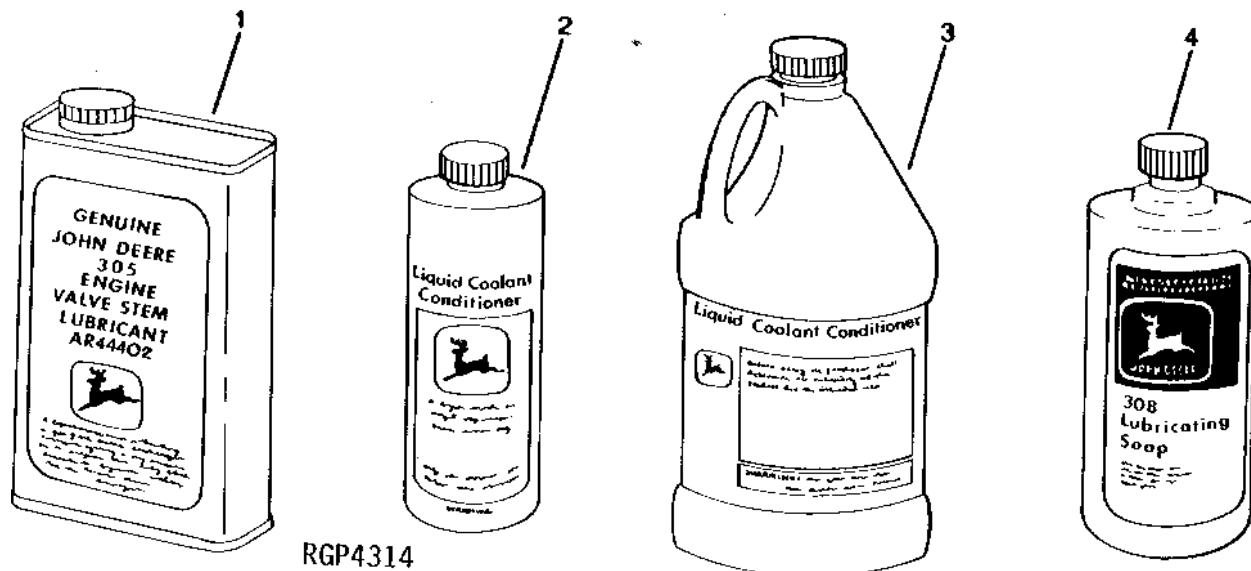


RGP 3291

TORQ-GARD SUPREME ENGINE						
KEY	PART NO.	PART NAME	QTY	SERIAL NO.	REMARKS	
1	TY6359	OIL	1		(SAE 5W/30), 0.9 L (1 QUART) (SUB TY22064)	
	TY22064	OIL	1		(SAE 5W/30), 0.9L (1 QUART)	
	TY6360	OIL	1		(SAE 5W/30), 19 L (5 GALLON) (SUB TY22065)	
	TY22065	OIL	1		(SAE 5W/30), 19L (5 GALLON)	
	TY6361	OIL	1		(SAE 5W/30), 208 L (55 GALLON) DRUM (SUB TY2066)	
	TY22066	OIL	1		(SAE 5W/30), 208L (55 GALLON)	
	TY6364	OIL	1		(SAE 10W/30), 0.9 L (1 QUART) (BREAKIN)	
	TY6297	OIL	1		(SAE 15W/40, 0.9 L (1 QUART) (SUB TY6389)	
	TY6298	OIL	1		(SAE 15W/40), 19 L (5 GALLON) (SUB TY6390)	
	TY6300	OIL	1		(SAE 15W/40), 114 L (30 GALLON) (SUB TY22010)	
	TY6301	OIL	1		(SAE 15W/40), 208 L (55 GALLON) (SUB TY6391)	
	TY6311	OIL	1		(SAE 10W), 0.9 L (1 QUART) (NLA)	
	TY22009	OIL	1		(SAE 10W), 3.8 L (1 GALLON) (SUB TY22067)	
	TY22067	OIL	1		(SAE 10W), .9L (1 GALLON)	
	TY6312	OIL	1		(SAE 10W), 19 L (5 GALLON) (SUB TY22068)	
	TY22068	OIL	1		(SAE 10W), 19L (5 GALLON)	
	TY6313	OIL	1		(SAE 10W), 208 L (55 GALLON) (SUB TY22069)	
	TY22069	OIL	1		(SAE 10W), 208L (55 GALLON)	
	AR63979	OIL	1		(SAE 30W), 0.2 L (1 HALF PINT) (SUB TY22070)	
	AR63218	OIL	1		(SAE 30W), 0.9 L (1 QUART) (SUB TY22070)	
	TY22070	OIL	1		(SAE 30W), 0.9L (1 GALLON)	
	AR63219	OIL	1		(SAE 30W), 19 L (5 GALLON) (SUB TY22073)	
	TY22073	OIL	1		(SAE 30W), 19L (5 GALLON)	
	TY6280	OIL	1		(SAE 30W), 114 L (30 GALLON)	
	AR63222	OIL	1		(SAE 30W), 208 L (55 GALLON) (SUB TY22074)	
	TY22074	OIL	1		(SAE 30W), 208L (55 GALLON)	

TORQ-GARD PLUS-50 ENGINE						
KEY	PART NO.	PART NAME	QTY	SERIAL NO.	REMARKS	
2	TY6389	OIL	1		(SAE 15W/40), 0.9 L (1 QUART)	
	TY22008	OIL	1		(SAE 15W/40), 3.8 L (1 GALLON)	
	TY6390	OIL	1		(SAE 15W/40), 19 L (5 GALLON)	
	TY22010	OIL	1		(SAE 15W/40), 113.6 L (30 GALLON)	
	TY6391	OIL	1		(SAE 15W/40), 208 L (55 GALLON)	
	TY6392	OIL	1		(SAE 30W), 0.9 L (1 QUART)	
	TY22007	OIL	1		(SAE 30W), 3.8 L (1 GALLON)	
	TY6393	OIL	1		(SAE 30W), 19 L (5 GALLON)	
	TY22011	OIL	1		(SAE 30W), 113.6 L (30 GALLON)	
	TY6394	OIL	1		(SAE 30W), 208 L (55 GALLON)	
..	TY22041	OIL	1		(SAE 10W/30), 3.8 L (1 GALLON) (FACTORY SPEC BREAKIN)	
..	TY22042	OIL	1		(SAE 10W/30), 208 L (55 GALLON) (FACTORY SPEC. BREAKIN)	

RGP4314 -UN-01JAN94

**COOLANT CONDITIONER AND ENGINE PART LUBRICANTS**

**VALVE STEM LUBRICANT**

KEY	PART NO.	PART NAME	QTY	SERIAL NO.	REMARKS
1	AR44402	OIL	1		0.9 L (1 QT.)

**COOLANT CONDITIONER**

KEY	PART NO.	PART NAME	QTY	SERIAL NO.	REMARKS
2	RE23182	ENGINE COOLANT CONDITIONER	1		0.473 L (16 OZ.) (PHOSPHATE - FREE) (SUB TY16004)
	TY16004	ENGINE COOLANT CONDITIONER	1		0.472 L (16 OZ.)
3	RE35992	ENGINE COOLANT CONDITIONER	1		3.8 L (1 GAL.) (PHOSPHATE - FREE) (SUB TY16005)
..	TY16005	ENGINE COOLANT CONDITIONER	1		1.9 L (1/2 GAL.)

**OTHER LUBRICANTS**

KEY	PART NO.	PART NAME	QTY	SERIAL NO.	REMARKS
4	AR54749	LUBRICANT	1		0.9 L (1 QT.)
	AT66865	LUBRICANT	1		(ELECTRICAL CONNECTIONS) (NOT SHOWN)

**KITS  
(NOT ILLUSTRATED)**

KEY	PART NO.	PART NAME	QTY	SERIAL NO.	REMARKS
..	AR41785	KIT	1		CONTAINS 0.9 L (1 QT.) (OFF-SEASON STORAGE)
..	AR21969	KIT	1		(DUST CAP/COVER KIT)
..	DS0251	KIT	1		(COOLANT SCAN TEST)
..	IPSKIT1	KIT	1		(OIL SCAN TEST)
..	DS0557	VALVE	1		(SAMPLING SYSTEM)
..	TY16423	INDICATOR	1		(COOLANT EYE - FILL OR FLUSHING PORT)

---

MEMORANDA

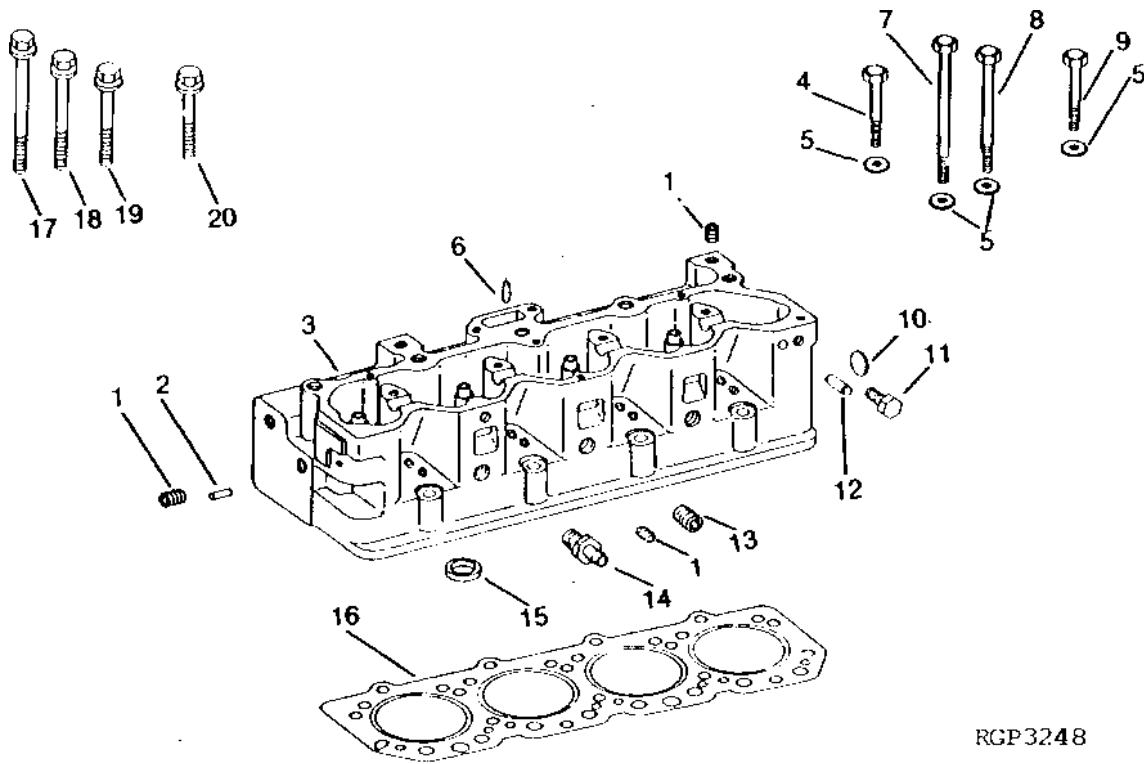
# 1B10

ENGINE

RGP3248

-UN-01JAN94

## CYLINDER HEAD



RGP3248

# 1B11

ENGINE

## CYLINDER HEAD - CONTINUED

KEY	PART NO.	PART NAME	QTY	ENGINE SERIAL NO.	REMARKS
1	15H690	PIPE PLUG	7	3/4"	
2	F1743R	DOWEL PIN	1		
3	AR47066	CYLINDER HEAD	1		(A) (B) (NLA) (MARKED R40530 OR R45160) (SUB FOR AR40306 OR AR40307) (ALSO ORDER (4) R45161)
	AR81614	CYLINDER HEAD	1		(C) (MARKED R40540) (SUB FOR AR40309)
4	R62421	SCREW	4		(C) 9/16" X 3-3/8", (SUB FOR R42728 OR R45195) (SUB R88042)
	R42727	CAP SCREW	4	-125702	(A) (B) 9/16" X 2-3/8", (USE WITH R40540)
	R45161	CAP SCREW	4	125703-	(A) (B) 9/16" X 2-3/4", (USE WITH R45160)
5	R76126	WASHER	18		(SUB FOR R42364) (USE ONLY WITH R62421, R42727, R45161, R62419, R62420 AND R62418)
6	34H387	SPRING PIN	1		3/16" X 3/4"
7	R62419	SCREW	6		9/16" X 6-3/8", (SUB R88044) (SUB FOR R44215, R45193)
8	R62420	SCREW	5		9/16" X 7-1/2", (SUB R88045) (SUB FOR R44216, R45194)
9	R62418	SCREW	3		9/16" X 5-3/8", (SUB FOR R44214 AND R45192) (SUB R88043)
10	30H37	PLUG	1		(A) (B) 1", (NLA)
11	19H1916	CAP SCREW	2		5/8" X 1"
12	R48685	DOWEL PIN	AR		(SUB FOR A120R)
13	15H624	PIPE PLUG	1		(C) 1/2", (4 USED GASOLINE AND LP-GAS)
14	R41071	FITTING	1		
15	R33634	VALVE SEAT INSERT	4		(B) (EXHAUST)
	R34593	VALVE SEAT INSERT	AR		(A) (B) 0.25MM (.010") OS, (EXHAUST)
	R43681	VALVE SEAT INSERT	4		(C) (EXHAUST)
	R43683	VALVE SEAT INSERT	AR		(C) 0.25MM (.010") OS, (EXHAUST)
	R43680	VALVE SEAT INSERT	4		(C) (INTAKE)
	R43682	VALVE SEAT INSERT	AR		(C) 0.25MM (.010") OS, (INTAKE)
16	R41608	ENGINE CYLINDER HEAD GASKET	1		(A) (B)
	R48292	ENGINE CYLINDER HEAD GASKET	1		(C) (SUB FOR R41710)
17	R88045	SCREW	5		14.288 X 188 MM (9/16" X 7.402")
18	R88044	SCREW	6		
19	R88043	SCREW	3		
20	R88042	SCREW	4		
..	AR53030	GASKET KIT	1		(A) (B) (SUB FOR AR44037) (HEAD GASKET KIT) (NLA)
..	AR53034	GASKET KIT	1		(C) (SUB FOR AR44035) (HEAD GASKET KIT)

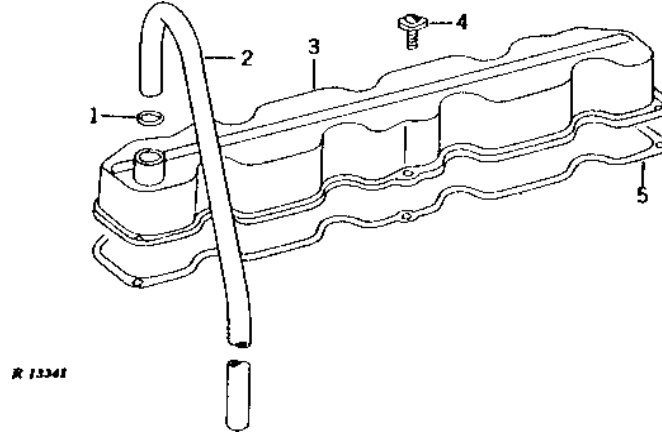
- (A) GASOLINE ENGINE
- (B) LP-GAS ENGINE
- (C) DIESEL ENGINE

# 1B12

ENGINE

R13341 -UN-01JAN94

## ROCKER ARM COVER



KEY	PART NO.	PART NAME	QTY	ENGINE SERIAL NO.	REMARKS
1	R495R	O-RING	1		
2	R26405	LINE	1		
3	AR34240	COVER	1		(SUB FOR AR26515) (NLA)
4	AR103811	SCREW, WITH WASHER	6		(SUB FOR AR27702 OR AR45530)
5	R49865	GASKET	1		(SUB FOR R26745 OR R32592)

---

MEMORANDA

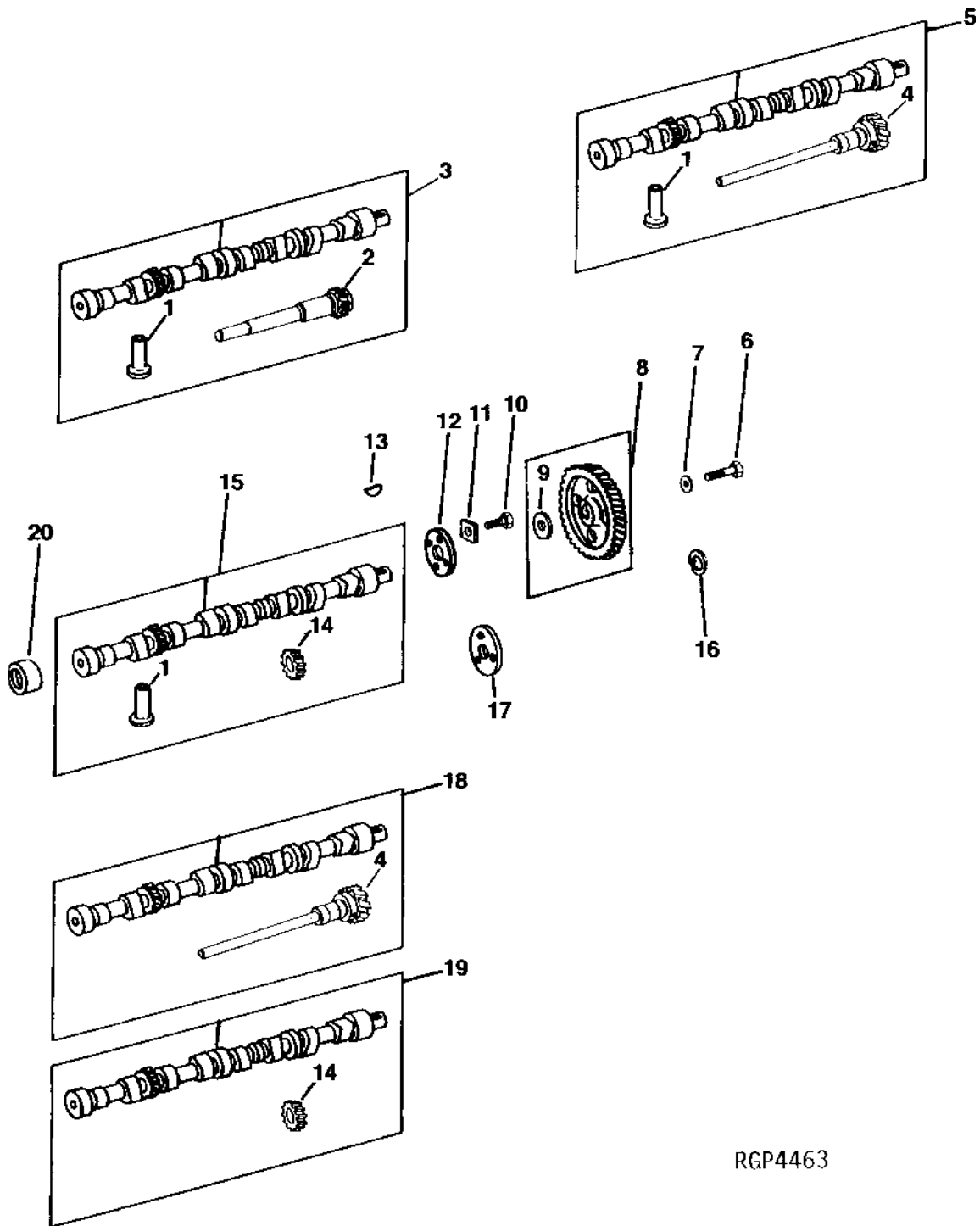
# 1B13

ENGINE

RGP4463

-UN-04MAR95

## CAMSHAFT



RGP4463



# 1B14

ENGINE

CAMSHAFT - CONTINUED					
KEY	PART NO.	PART NAME	QTY	ENGINE SERIAL NO.	REMARKS
1	R52773	CAM FOLLOWER	8		(USE WITH AR49142, AR44393, AR44392, AR49143, AR32729 OR AR32730)
2	R45134	GEAR	1		(CONTAINED IN AR44393) (AS SHOWN)
3	AR44393	CAMSHAFT	1		(C) (D) (DIESEL) (MARKED R42351) (3020E, 3020L) (CONTAINS R45134 AND (8) R52773)
4	AR31684	GEAR	1		(CONTAINED IN AR49142, AR44392 AND AR32729) (AS SHOWN)
5	AR44392	CAMSHAFT	1		(A) (D) (GAS & LP) (3020E, 3020L) (MARKED R42351) (USE WITH R40690 OR R49510)
	AR49142	CAMSHAFT	1		(CONTAINS AR31684 AND (8) R52773) (GAS & LP) (3020E) (MARKED R46427) (NLA) (INCLUDES (8) R52773 AND AR31684) (USE WITH R40920 OR R49540)
6	19H1721	CAP SCREW	1		1/2" X 1-1/2"
7	R35256	WASHER	1		(3020L)
8	AR43594	GEAR	1		(MARKED R43742) (INCLUDES R43754) (SUB FOR R26077)
9	R43754	WASHER	1		
10	19H1813	CAP SCREW	AR		
11	T13857	LOCK PLATE	3		(SUB FOR R35128) (3010, 3020E)
12	R42355	THRUST WASHER	1		(USE WITH R40910, R40920, R46350 OR R49540)
	R40634	THRUST WASHER	1		(USE WITH R46427, R33777 OR R46430)
13	26H72	SHAFT KEY	1		(CONTAINS R32428)
14	R32428	GEAR	1		(CONTAINED IN AR49143 AND AR32730)
15	AR49143	CAMSHAFT	1		(B) (D) (DIESEL) (3010, 3020E) (MARKED R46427) (GEAR MARKED R32428) (USE WITH R46350 AND R46430) (CONTAINS R32428 AND (8) R52773)
16	F534R	SNAP RING	1		(3010, 3020E)
17	R26078	WASHER	1		(3 HOLES) (3010, 3020E) (USE WITH R26150, R26160, R32020, R33190, R40840 AND R40850)
18	AR32729	CAMSHAFT	1		(A) (GAS & LP) (3010, 3020E) (MARKED R32424 OR R33777) (CONTAINS AR31684) (ALSO ORDER (8) R26342) (USE WITH R26150, R33190 OR R40840) (SUB FOR R26747 OR R31680)
19	AR32730	CAMSHAFT	1		(B) (DIESEL) (3010, 3020E) (MARKED R32424 OR R33777) (GEAR MARKED R32428) (ALSO ORDER (8) R26342 AND R32426) (USE WITH R26160, R32020 OR R40850) (SUB FOR R26747 OR AR31681)
20	R46903	BUSHING	3		(SUB FOR R26114, R42339)

(A) CONTAINS AR31684 OIL PUMP DRIVE GEAR

(B) CONTAINS R32428 OIL PUMP DRIVE GEAR (USED WITH EARLY ENGINES ONLY)

(C) CONTAINS R45132 OIL PUMP DRIVE GEAR

(D) CONTAINS (8) R52773 CAM FOLLOWER

(3020E) TSN ( -122999)

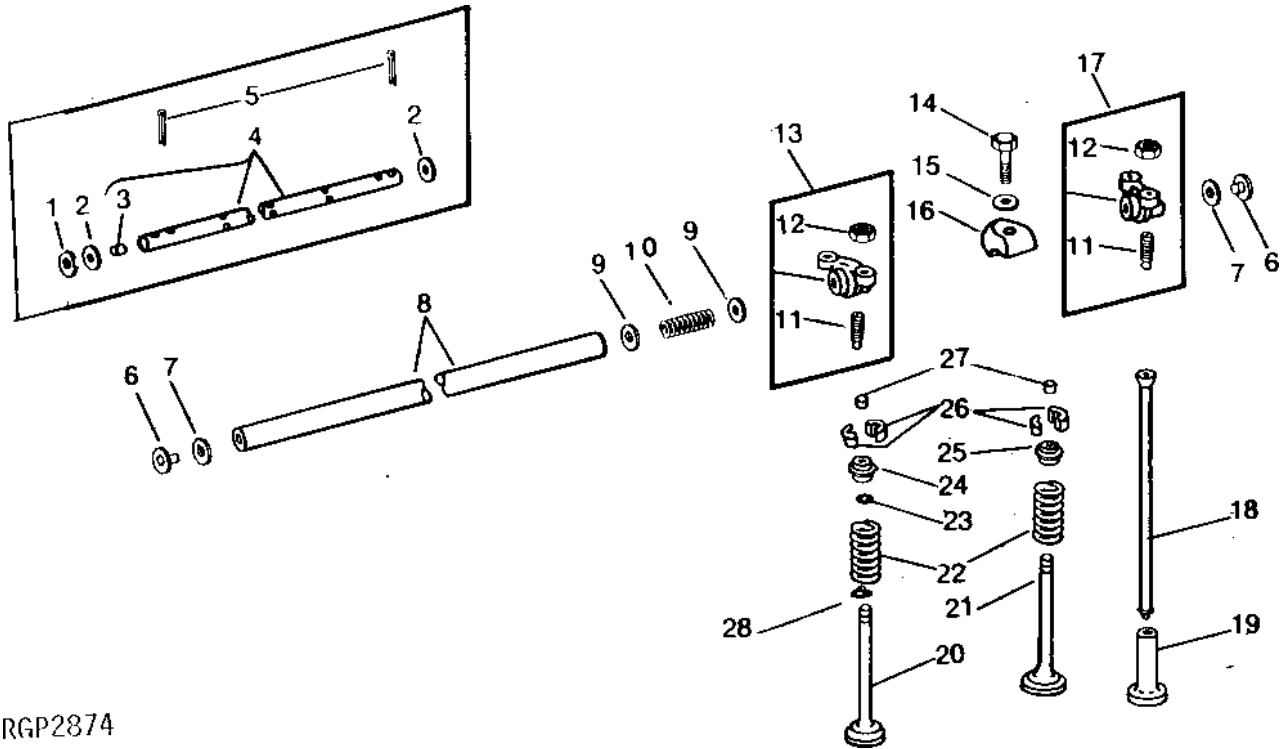
(3020L) TSN (123000- )

# 1B15

ENGINE

## ROCKER ARMS, SHAFT, VALVES AND PUSH RODS (GASOLINE & LP)

RGP2874 -UN-02JAN94



RGP2874

KEY	PART NO.	PART NAME	QTY	ENGINE SERIAL NO.	REMARKS
1	24H1384	WASHER	12	-287806	49/64" X 1-1/16" X 0.036", (USE WITH AR26514 OR R54563)
2	R71208	WASHER	2	-287806	19.500 X 26 X 0.910MM (0.768" X 1.024" X 0.036")
3	R27529 R54565	PLUG PLUG	2 2	-287806 287807-	
4	AR26514	ROCKER ARM SHAFT	1	-287806	(SUB R70832 AND (2) R54565) (ALSO ORDER R26081)
5	11M7082	COTTER PIN	2	-287806	2.500 X 25 MM, (NOT USED W/ R70832)
6	R54565	PLUG	2	287807-	(USE W/ R54563 OR R70832)
7	R26081	WASHER	2		
8	R70832	ROCKER ARM SHAFT	1	287807-	(SUB FOR AR26514 OR R54563) (ALSO ORDER (2) R54565)
9	R71208	WASHER	6		19.500 X 26 X 0.910 MM (0.768" X 1.024" X 0.036")
10	R26079	SPRING	3		
11	R27443	SET SCREW	8		
12	14H1080	NUT	8		3/8"
13	AR54905	ROCKER ARM	4		(SUB FOR AR26446 OR AR34294)
14	19H1740	CAP SCREW	4		7/16" X 1-3/4"
15	R26559	WASHER	4		
16	R26748	CLAMP	4		
17	AR54904	ROCKER ARM	4		(SUB FOR AR26445 OR AR34293)
18	AR26355	PUSH ROD	8		(USE WITH R26150, R33190 OR R40840) (3020E, 3010)
	AR40679	PUSH ROD	8		(USE WITH R40920 OR R49540) (3020E, 3020L, 3010)
19	R26342	CAM FOLLOWER	8		(USE WITH R26150, R33190 OR R40840) (3020E, 3020L, 3010)
	R52773	CAM FOLLOWER	8		(SUB FOR R40906) (USE WITH R40920, R49540, R40690 OR R49510) (3020E, 3020L)

# 1B16

ENGINE

## ROCKER ARMS, SHAFT, VALVES AND PUSH RODS - (CONTINUED) (GASOLINE & LP)

KEY	PART NO.	PART NAME	QTY	ENGINE SERIAL NO.	REMARKS
20	R26109	INTAKE VALVE	4		STD (3020E, 3010)
	R41414	INTAKE VALVE	4		STD, (3020L)
	R42149	INTAKE VALVE	4		0.08 MM (.003") OS, (3020L) (NLA)
	R42150	INTAKE VALVE	4		0.40 MM (.015") OS, (3020L) (NLA)
	R42151	INTAKE VALVE	4		0.76 MM (.030") OS, (3020L) (NLA)
21	R42420	EXHAUST VALVE	4		(SUB FOR R26108) (STD) (3020E, 3010)
	R41413	EXHAUST VALVE	4		STD, (3020L)
	R42152	EXHAUST VALVE	4		0.08 MM (.003") OS, (3020L) (NLA)
	R42153	EXHAUST VALVE	4		0.40 MM (.015") OS, (3020L) (NLA)
	R42154	EXHAUST VALVE	4		0.76 MM (.030") OS, (3020L) (NLA)
22	R26110	SPRING	8		
23	R27976	O-RING	4		
24	R26111	CAP	4		(3020E, 3010)
	R41415	CAP	4		(8 USED LP) (3020L)
25	AR26336	ROTATOR	4		(3020E, 3010)
	T20287	ROTATOR	4		(3020L)
26	B367R	LOCK	16		(3020E)
	T20077	RETAINER	16		(3020L)
27	.....	CAP	NA		(NOT USED GAS & LP)
28	R27975	SPACER	4		(3020E, 3010)

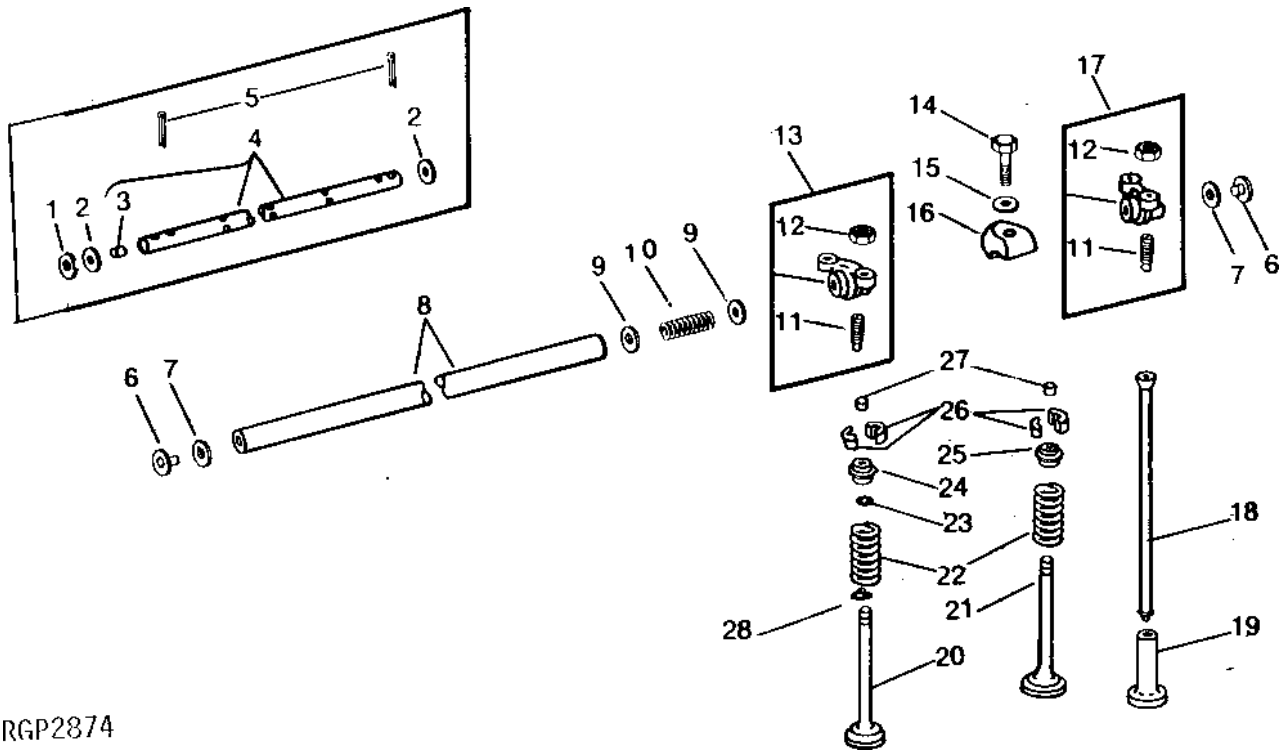
3020E ( -122999)  
3020L (123000- )

# 1B17

ENGINE

## ROCKER ARMS, SHAFT, VALVES AND PUSH RODS (DIESEL)

RGP2874 -UN-02JAN94



RGP2874

KEY	PART NO.	PART NAME	QTY	ENGINE SERIAL NO.	REMARKS
1	24H1384	WASHER	12	-287806	49/64" X 1-1/16" X 0.036", (USE WITH AR26514 OR R54563)
2	R71208	WASHER	2	-287806	
3	R27529	PLUG	2	-287806	
	R54565	PLUG	2	287807-	
4	AR26514	ROCKER ARM SHAFT	1	-287806	(SUB R70832 AND (2) R54565) (ALSO ORDER R26081)
5	11M7082	COTTER PIN	2	-287806	2.500 X 25 MM, (NOT USED W/ R70832)
6	R54565	PLUG	2	287807-	(USE W/ R54563 OR R70832)
7	R26081	WASHER	2		
8	R70832	ROCKER ARM SHAFT	1	287807-	(SUB FOR AR26514 OR R54563) (ALSO ORDER (2) R54565)
9	R71208	WASHER	8		19.500 X 26 X 0.910 MM (0.768" X 1.024" X 0.036")
10	R26079	SPRING	3		
11	R27443	SET SCREW	8		
12	14H1080	NUT	8		3/8"
13	AR54905	ROCKER ARM	4		(SUB FOR AR26446 OR AR34294)
14	19H1740	CAP SCREW	4		7/16" X 1-3/4"
15	R26559	WASHER	4		
16	R26748	CLAMP	4		
17	AR54904	ROCKER ARM	4		(SUB FOR AR26645 OR AR34293)
18	AR26356	PUSH ROD	8		(USE WITH R26160, R32020 OR R40850) (3020E, 3010)
	R85027	PUSH ROD	8		(SUB FOR AR40680) (USE WITH R40910, R40920, R46350, R46430 OR R49540) (3010, 3020E, 3020L)

# 1B18

ENGINE

## ROCKER ARMS, SHAFT, VALVES, AND PUSH RODS - CONTINUED (DIESEL)

KEY	PART NO.	PART NAME	QTY	ENGINE SERIAL NO.	REMARKS
19	R26342	CAM FOLLOWER	8		(USE WITH R26160, R32020, R40700, R40850, R40350 OR R48430) (3010, 3020E, 3020L)
	R52773	CAM FOLLOWER	8		(SUB FOR R40906) (USE WITH R40910, R40920, R46350, R47520, R46430 OR R49540) (3010, 3020E, 3020L)
20	R44174	INTAKE VALVE	4		STD, (SUB FOR R32034) (3020E)
	R43883	INTAKE VALVE	4		STD, (3020L)
	R45003	INTAKE VALVE	4		0.08 MM (.003") OS, (3020L)
	R45004	INTAKE VALVE	4		0.40 MM (.015") OS, (3020L)
	R45005	INTAKE VALVE	4		0.76 MM (.030") OS, (3020L)
	R26124	INTAKE VALVE	4		(3010)
21	R44175	EXHAUST VALVE	4		STD, (SUB FOR R32035) (3020E)
	R43679	EXHAUST VALVE	4		STD, (3020L)
	R43787	EXHAUST VALVE	4		0.08 MM (.003") OS, (3020L)
	R43788	EXHAUST VALVE	4		0.40 MM (.015") OS, (3020L)
	R43789	EXHAUST VALVE	4		0.76 MM (.030") OS, (3020L)
	R26123	EXHAUST VALVE	4		(3010)
22	R26125	SPRING	8		
23	R87627	O-RING	4		(SUB FOR R27976, APPL)
24	R40223	CAP	4		(SUB FOR R26126) (3010, 3020E)
	AR40163	SEAL	2		(SET OF 2) (3010, 3020E) (INTAKE)
	AR41690	SEAL	2		(SET OF 2) (3020E) (EXHAUST)
	R41412	CAP	4		(INTAKE) (3020L)
25	AR26337	ROTATOR	4		(3010, 3020E)
	RE11410	ROTATOR	4		(SUB FOR AR41006) (3020L)
26	T20077	RETAINER	16		(3020L)
	B367R	LOCK	16		(3010, 3020E)
27	T20129	CAP	8		(3020L)
28	.....	SPACER	NA		(NOT USED DIESEL)

3020E ( -122999)  
3020L (123000- )

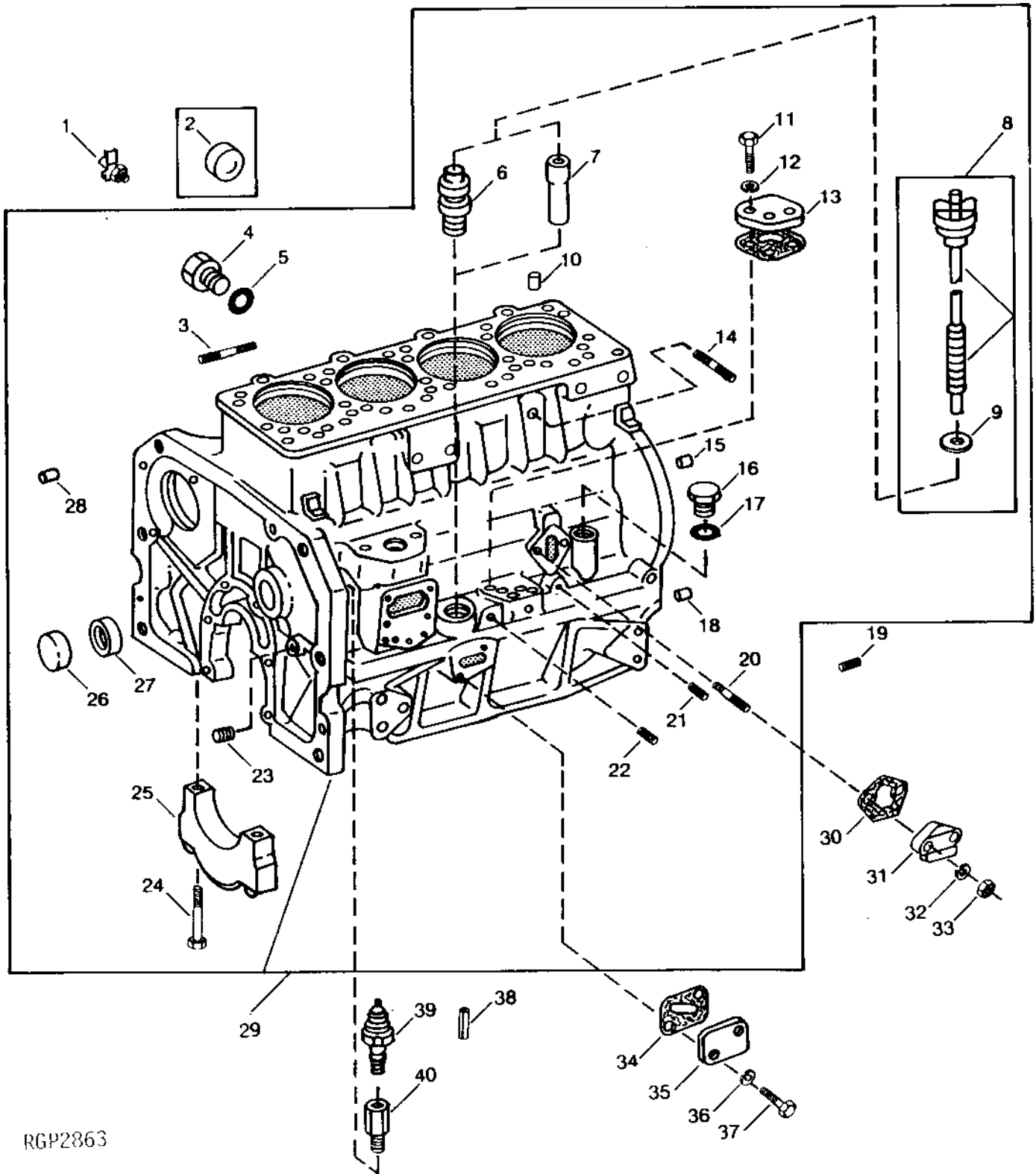
# 1B19

ENGINE

RGP2863

-UN-02JAN94

## CYLINDER BLOCK, FITTINGS AND MAIN BEARING CAPS



RGP2863

# 1B20

ENGINE

## CYLINDER BLOCK, FITTINGS AND MAIN BEARING CAPS - CONTINUED

KEY	PART NO.	PART NAME	QTY	ENGINE SERIAL NO.	REMARKS
1	AT13740	DRAIN VALVE	1		(USE WITH R32020, R33190, R40840 OR R40850) (SUB FOR AT27653 ON 3020E AND AR44382 ON 3010)
2	AR44382	DRAIN VALVE	1		(USE WITH R40920, R46430, R46350, R49540)
	AR80294	PLUG	1		(SUB FOR R47092)
	AR80294	PLUG	1	280001-	(SUB FOR R47092) (3020L)
3	R56481	STUD	2		(SUB FOR M3636T) NOT USED WITH R72127
4	R39741	DRAIN PLUG	1		
5	U13639	O-RING	1		
6	R41883	TUBE	1		(THREADED) (SUB FOR R35152 OR R40603 3010, ON 3020E USE WITH R32020, R33190, R40840 OR R40850)
7	R41070	TUBE	1		(UNTHREADED) (USE WITH R40920, R46350, R46430 OR R49540) (3020E,3020L, 3010)
	R26116	TUBE	1		(UNTHREADED) (USE WITH R26160)
8	AR40512	DIPSTICK	1		(SUB FOR AR27290 OR AR34918) (USE WITH R26150 OR R26160) (3010)
	AR40510	CAP	1		(SUB FOR AR32562 OR AR34916) (USE WITH R32020, R33190, R40840 OR R40850)
	AR40751	DIPSTICK	1		(USE WITH R40910, R40920, R46350, R46430 OR R49540)
9	A4730R	O-RING	2		(USE WITH AR40751)
	R39520	WASHER	1		(USE WITH AR40510)
	R31486	WASHER	1		(SUB FOR R26177) (USE WITH AR32562)
10	R26241	DOWEL PIN	2		
	R42340	BUSHING	2		
11	19H1800	CAP SCREW	3		3/8" X 1-1/2"
12	12H304	LOCK WASHER	3		3/8"
13	R42493	COVER	1		(DIESEL) (NLA)
	R42494	GASKET	1		(DIESEL) (NLA)
14	K3083R	STUD	2		
15	F1743R	DOWEL PIN	AR		(3020E, 3020L)
16	R27175	DRAIN PLUG	1		(OIL COOLER RETURN LINE HOLE IN BLOCK)
17	F3171R	O-RING	1		(OIL COOLER RETURN LINE HOLE IN BLOCK)
18	R1612R	DOWEL PIN	2		
19	15H624	PIPE PLUG	1		(3020E)
20	R48755	STUD	2		(SUB FOR R26934)
21	15H666	PIPE PLUG	1		3/8"
22	R104592	PIPE PLUG	AR		(SUB FOR R21630, THIS APPLICATION)
23	15H255	PIPE PLUG	1		3/8"
	15H624	PIPE PLUG	1		1/2", (3020L)
24	T15539	BOLT	10		
25	R57158	BEARING CAP	4		(MAIN) (SUB FOR R42525)
	R57159	BEARING CAP	1		(MAIN THRUST) (SUB FOR R42526)
26	R26115	CAP	1		
27	R46903	BUSHING	3		
28	R43634	DOWEL PIN	1		(USE WITH R40920, R46350, R46430 AND R49540)

(3020E) TSN ( -122999)

(3020L) TSN (123000- )

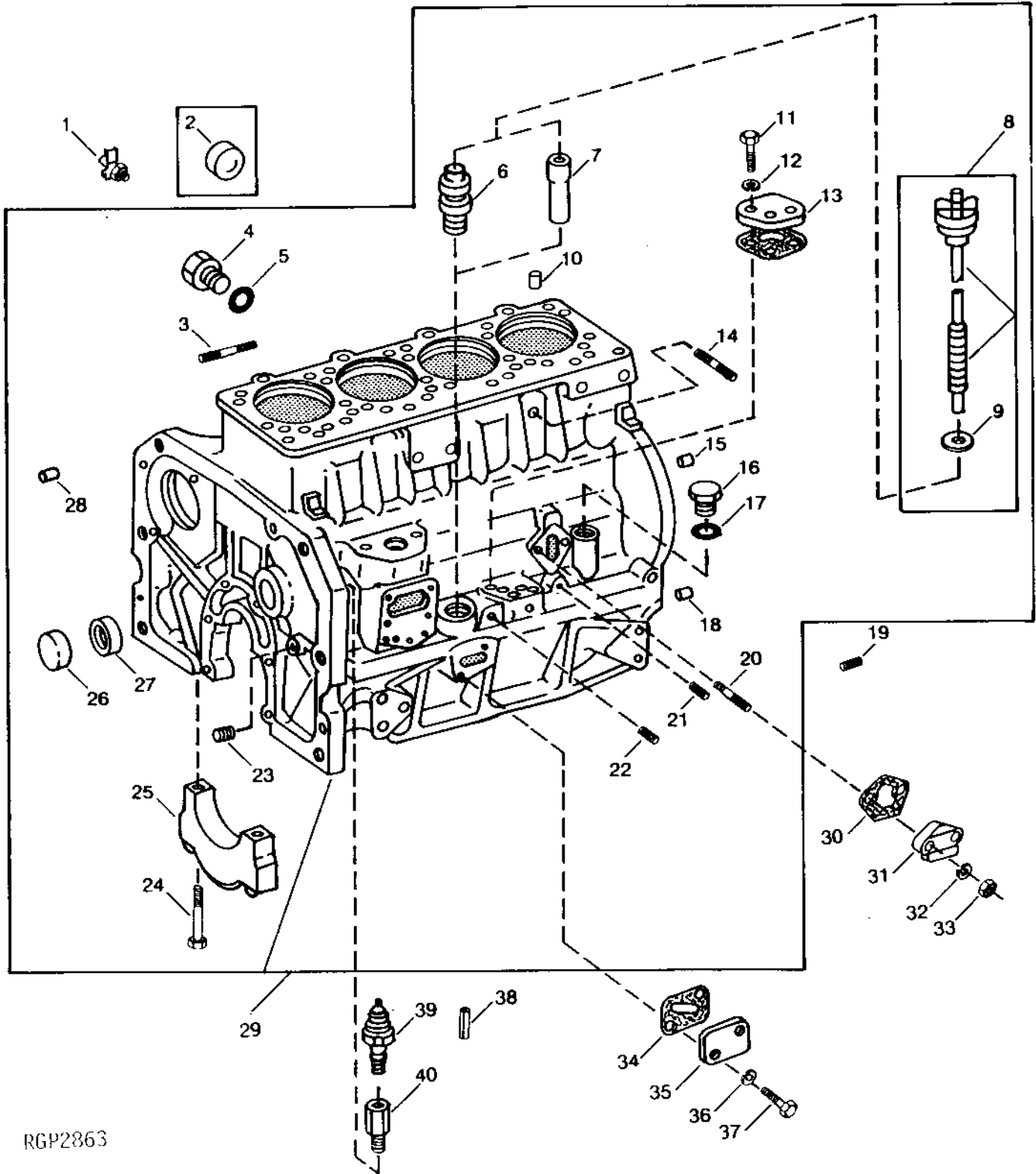
# 1B21

ENGINE

RGP2863

-UN-02JAN94

## CYLINDER BLOCK, FITTINGS AND MAIN BEARING CAPS



RGP2863



# 1B22

ENGINE

## CYLINDER BLOCK, FITTINGS AND MAIN BEARING CAPS - CONTINUED

KEY	PART NO.	PART NAME	QTY	ENGINE SERIAL NO.	REMARKS
29	.....	CYLINDER BLOCK	1		(GAS & LP) ( AR44556 NLA) (MARKED R33190, R40840 OR R49540) (WITH CYLINDER HEAD & BALANCER)
	.....	CYLINDER BLOCK	1		(GAS & LP) (3010) (AR53325 NLA) (MARKED R26150, R33190, R40840 OR R49540) (SUB FOR AR32922 AND AR40636)
	.....	CYLINDER BLOCK	1		(GAS & LP) (3020E) (AR53325 NLA) (MARKED R40920 OR R49540) (SUB FOR AR40655) (USE ONLY WHEN AR44555 OR AR44556 HAVE BEEN INSTALLED)
	.....	CYLINDER BLOCK	1		(GAS & LP) (3020L) (MARKED R40690 OR R49510) (SUB FOR AR42665) (AR53322 NLA)
	AR48625	CYLINDER BLOCK	1		(DIESEL) (3020E) (NLA) (MARKED R32020, R40850, R46350 OR R46430) (SUB FOR AR40637, AR50353 OR AR44557) (WITH BALANCER HOUSING)
	AR48629	CYLINDER BLOCK	1		(DIESEL) (A) (3010, 3020E) (NLA) (SUB RG23361) (MARKED R26160, R32020, R40850 OR R46430) (SUB FOR AR32923 AND AR40637) (USE ONLY WHEN AR48625 HAS BEEN PREVIOUSLY INSTALLED) (USE W/ AR48522)
	AR54702	CYLINDER BLOCK	1		(DIESEL) (3020E) (NLA) (MARKED R40700, R48430 OR R50610) (SUB FOR AR42642 OR AR52239)
	AR50638	CYLINDER BLOCK	1	280001-	(DIESEL) (3020L) (MARKED R47520) (NLA) (ALSO ORDER (8) R79188)
	AR52239	CYLINDER BLOCK	1	-280000	(DIESEL) (3020L) (NLA) (MARKED R40700 OR R48430) (SUB FOR AR42642) (ALSO ORDER (8) R79188)
	AR94839	CYLINDER BLOCK	1		(DIESEL) (3020E) (MARKED R72127) (NLA)
30	R97350	GASKET	1		(SUB FOR R27285)
31	R27286	COVER	1		(GAS & LP)
32	12H303	LOCK WASHER	2		5/16"
33	14H785	NUT	2		5/16"
34	R46192	GASKET	1		(DIESEL) (SUB FOR R26826)
35	R26825	COVER	1		(DIESEL)
36	12H304	LOCK WASHER	2		3/8", (DIESEL)
37	19H2284	CAP SCREW	2		3/8" X 7/8", (DIESEL)
38	34H366	SPRING PIN	2		1/2" X 1"
39	AT85174	SWITCH	1		(SUB FOR AR27977) (3020E, 3020L)
40	R53014	FITTING	1		(NOT APPLICABLE)

(A) CALL AUTHORIZED JOHN DEERE ENGINE FACILITY: 1-800-JD-REMAN (1-800-537-3626)

(B) CONSISTS OF PISTON LINERS, GASKET KIT, STD BEARINGS, FRONT/REAR OIL SEALS AND SNAP RINGS.

(3020E) TSN ( -122999)

(3020L) TSN (123000- )

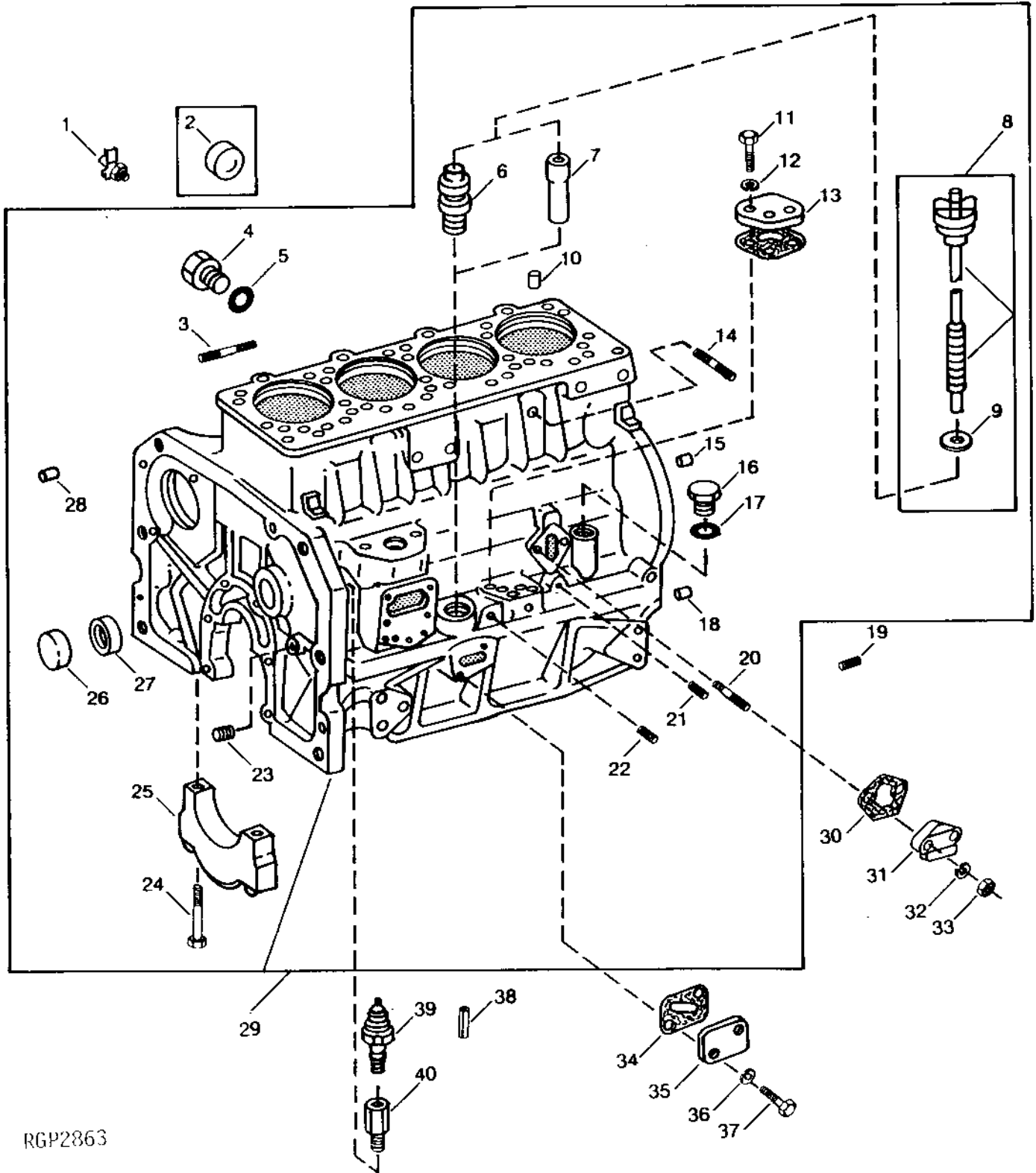
# 1B23

ENGINE

RGP2863

-UN-02JAN94

## CYLINDER BLOCK, FITTINGS AND MAIN BEARING CAPS



RGP2863

CYLINDER BLOCK, FITTINGS AND MAIN BEARING CAPS - CONTINUED

KEY	PART NO.	PART NAME	QTY	ENGINE SERIAL NO.	REMARKS
..	AR53307	SHORT BLOCK ASSEMBLY	1		(A) (GAS & LP) (3020E, 3010) (NLA) (MARKED R26150, R33190, R40840 OR R49540) (SUB FOR AR34376 OR AR47357)
..	AR53308	SHORT BLOCK ASSEMBLY	1		(A) (GAS & LP) (3020E) (NLA) (SUB FOR AR34377 OR AR47358)
..	AR53302	SHORT BLOCK ASSEMBLY	1		(GAS & LP) (MARKED R49510) (NLA) (SUB FOR AR44061 ON 3020L)
..	AR53303	SHORT BLOCK ASSEMBLY	1		(GAS) (3020L) (NLA) (SUB FOR AR44063)
..	AR44065	SHORT BLOCK ASSEMBLY	1	-280000	(DIESEL) (3020E, 3020L) (SUB RG23362)
..	AR52231	SHORT BLOCK ASSEMBLY	1	280001-	(DIESEL) (3020E, 3020L) (MARKED R48430) (SUB RG23362)
..	AR48623	SHORT BLOCK ASSEMBLY	1		(C) (DIESEL) (3020E, 3010) (MARKED R32020, R40850, R46350 OR R46430) (ENGINE REPLACEMENT WITH BALANCER HOUSING) (SUB FOR AR34378 OR AR47359) (SUB RG23361)
..	AR54703	SHORT BLOCK ASSEMBLY	1		(DIESEL) (3020L) (MARKED R50610) (SUB RG23362)
..	AR94819	SHORT BLOCK ASSEMBLY	1		(DIESEL) (3020L) (MARKED R40700, R48430 OR R72127) (SUB FOR AR44065, AR52231 OR AR54703) (SUB RG23362)
..	RG23361	SHORT BLOCK ASSEMBLY	1		(E) (F) (DIESEL) (3010, 3020E) (REMANUFACTURED) (SUB FOR AR48623 OR AR48629)
..	RG23362	SHORT BLOCK ASSEMBLY	1		(E) (G) (DIESEL) (3020L) (REMANUFACTURED)
..	RG23430	ENGINE OVERHAUL KIT	1		(B) (DIESEL) (3020E) (USE WITH R40910, R46350 OR R46430) (SUB FOR RG17898) (ALSO ORDER R66452 ROD BOLTS)
..	RG23431	ENGINE OVERHAUL KIT	1		(B) (DIESEL) (3010 OR 3020E) (USE WITH R26160, R32020 OR R40850) (SUB FOR RG17899) (ALSO ORDER R66452 ROD BOLTS)
..	RG23432	ENGINE OVERHAUL KIT	1		(B) (DIESEL) (3020L) (USE WITH R40700, R47520, R48430, R50610 OR R72127) (SUB FOR RG17900) (ALSO ORDER R66452 ROD BOLTS)
..	RG26787	COMPLETE BLOCK ASSEMBLY	1		(DIESEL) (A) (C) (D)

(A) CONSISTS OF ENGINE REPLACEMENT BLOCK WITH CYLINDER HEAD

(B) CONSISTS OF PISTON LINERS, GASKET KIT, STD BEARINGS, FRONT/REAR OIL SEALS AND SNAP RINGS

(C) CONTAINS WATER PUMP

(D) A/O (4) RE23170 AND R40634 (THRUST PLATE) W/ R40910, R46350 OR R46430 BLOCK OR (4) RE23173 W/ R26160, R32020 OR R40850 BLOCK

(E) CALL AUTHORIZED JOHN DEERE ENGINE FACILITY: 1-800-JD-REM (1-800-537-3626)

(F) USE WITH BLOCKS MARKED R32020, R40850, R46350 OR R46430

(G) USE WITH BLOCKS MARKED R40700, R48430 OR R72127

(3020E) TSN ( -122999)

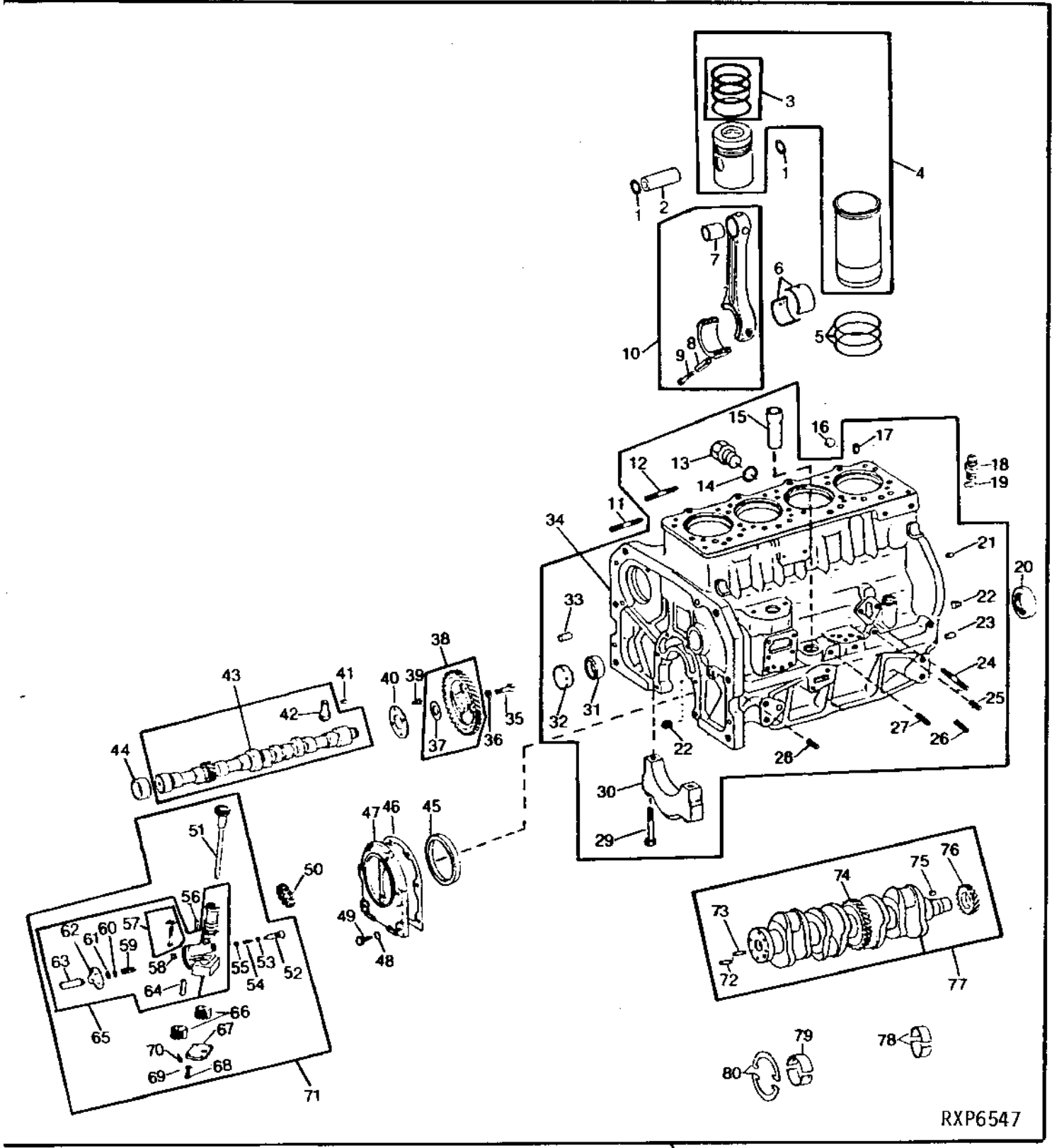
(3020L) TSN (123000- )

# 1C1

ENGINE

RXP6547 -UN-01JAN94

## SHORT BLOCK (DIESEL)



RXP6547

81

## SHORT BLOCK (DIESEL) - CONTINUED

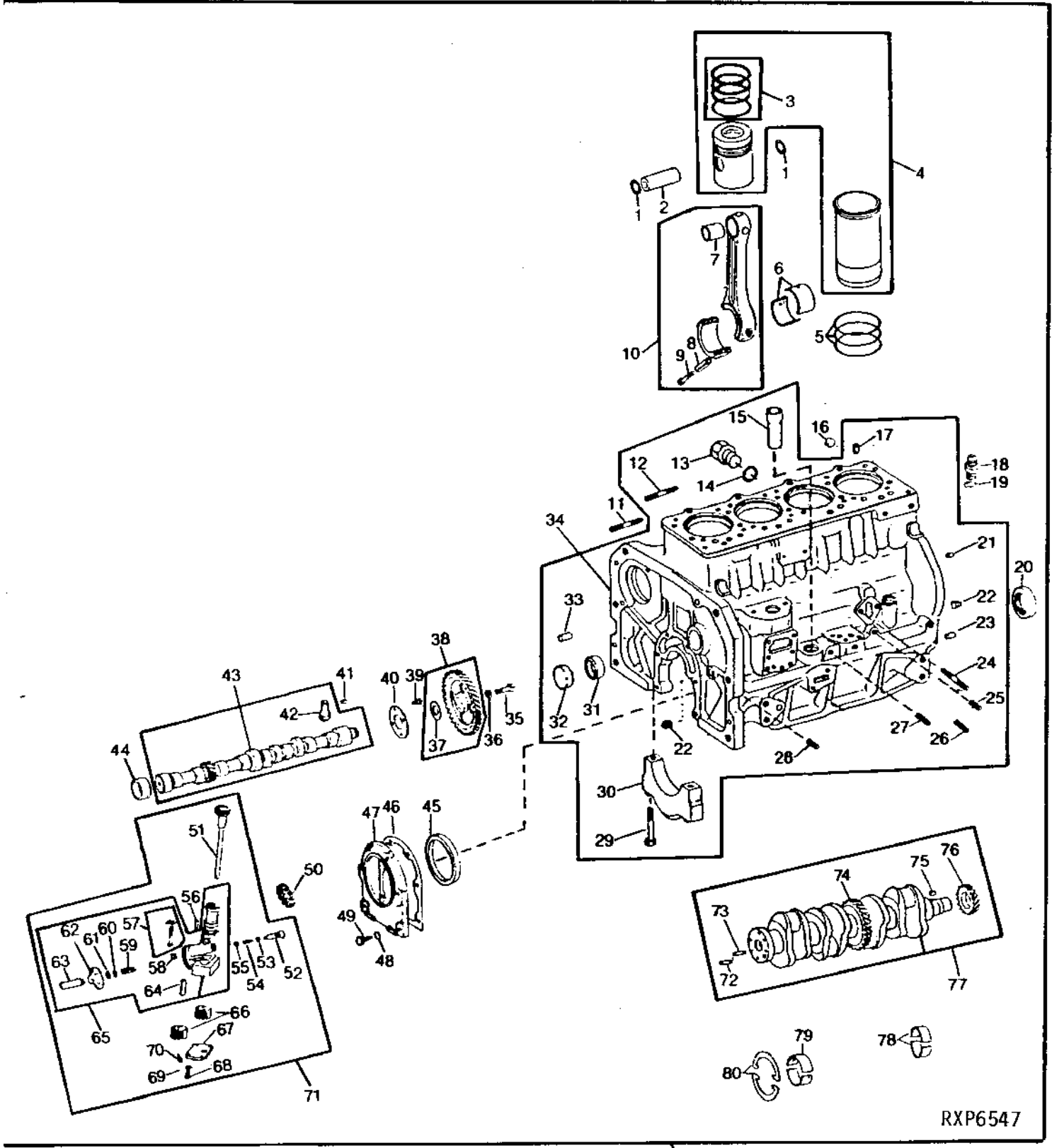
KEY	PART NO.	PART NAME	QTY	ENGINE SERIAL NO.	REMARKS
1	R26093	SNAP RING	8		
2	R44161	PISTON PIN	4		
3	AR55630	PISTON RING KIT	4		(SUB FOR AR41563 OR AR54732)
4	RE23165	KIT	4		(MARKED RE23168) (SUB FOR AR41562 OR AR68650)
5	AR70645	O-RING KIT	4		(SUB FOR AR48687) (INCLUDES R48767 AND R55453)
6	AR45723	BEARING	4		(PKG. OF (2) R44378)
7	R30939	BUSHING	4		
8	R53292	SLEEVE	8		
9	R66452	CAP SCREW	8		(SUB FOR R26325)
10	AR86981	CONNECTING ROD	4		(MARKED R26647, R53285, R58880 OR R66923) (SUB FOR AR26328, AR59419 OR AR70910)
11	R56481	STUD	1		
12	R114130	STUD	1		9.525 X 42.926MM (3/8" X 1.690") (SUB FOR R26117 OR R55396, APPL)
13	R39741	DRAIN PLUG	1		
14	U13639	O-RING	1		
15	R41070	TUBE	1		
16	15H665	PIPE PLUG	1		3/4", (SUB FOR AR72318)
17	R42340	BUSHING	2		
18	R27267	FITTING	1		
19	F3171R	O-RING	1		
20	AR49025	SEAL	1		
21	F1743R	DOWEL PIN	2		
22	15H624	PIPE PLUG	2		1/2", (SUB FOR AR72319)
23	R1612R	DOWEL PIN	2		
24	R48755	STUD	2		7.925 X 38.1MM (5/16" X 1-1/2")
25	15H255	PIPE PLUG	1		3/8"
26	15H255	PIPE PLUG	1		3/8"
27	15H638	PIPE PLUG	1		1/8"
28	15H638	PIPE PLUG	3		1/8", (SUB FOR R21630, APPL)
29	T15539	BOLT	10		
30	R57158	BEARING CAP	4		(MAIN)
	R57159	BEARING CAP	1		(MAIN THRUST)
31	R46903	BUSHING	1		
32	R26115	CAP	1		
33	R43634	DOWEL PIN	1		
34	AR94839	CYLINDER BLOCK	1		(MARKED R72127) (SUB FOR AR54702) (NLA)
35	19H1721	CAP SCREW	1		1/2" X 1-1/2"
36	R35256	WASHER	1		
37	R43754	WASHER	1		
38	AR43594	GEAR	1		(MARKED R43742)
39	19H1813	CAP SCREW	4		5/16" X 5/8"
40	R42355	THRUST WASHER	1		
41	26H72	SHAFT KEY	1		1/8" X 5/8"
42	R52773	CAM FOLLOWER	8		(SUB FOR R40906)
43	AR44393	CAMSHAFT	1		(MARKED R42351) (INCLUDES (1) R45134 GEAR)
44	R46903	BUSHING	3		(SUB FOR R42339)
45	RE22764	SEAL	1		(SUB FOR RE14953, RE17352 OR AR63095)
46	R26058	GASKET	1		
47	R78124	HOUSING	1		
48	T27860	WASHER	6		
49	R47074	CAP SCREW	6		
50	R32426	GEAR	1		

# 1C3

ENGINE

RXP6547 -UN-01JAN94

## SHORT BLOCK (DIESEL)



RXP6547

81

# 1C4

ENGINE

## SHORT BLOCK - CONTINUED

KEY	PART NO.	PART NAME	QTY	ENGINE SERIAL NO.	REMARKS
51	R45134	GEAR	1		(SUB FOR AR45256, AR47335 OR R44032)
52	R26153	FITTING	1		
53	H294R	WASHER	1		
54	R36715	SPRING	1		
55	R26152	VALVE	1		
56	H826R	DOWEL PIN	1		
57	AR63865	KIT	1		(PKG (2) R42729 AND (2) R41920)
58	R26493	BUSHING	1		
59	R26151	SPRING	1		
60	24H1388	WASHER	1		25/32" X 15/16" X 0.036"
61	R26149	PACKING	1		
62	R26147	PLATE	1		
63	R26146	TUBE	1		
64	R26144	SHAFT	1		
65	AR68309	HOUSING	1		(MARKED R27919 OR R56603) (SUB FOR AR27232)
66	AR36694	GEAR	1		
67	R27688	COVER	1		
68	19H2127	CAP SCREW	4		5/16" X 7/8"
69	R35128	LOCK PLATE	4		
70	R495R	O-RING	1		
71	AR76545	OIL PUMP	1		(SUB FOR AR31885)
72	B2641R	DOWEL PIN	1		
73	R41934	DOWEL PIN	1		
74	R63326	GEAR	1		(SUB FOR R26521) (SUB AR40485, APPL)
75	26H9	SHAFT KEY	1		1/8" X 5/8"
76	R26049	GEAR	1		
77	AR40485	CRANKSHAFT	1		(MARKED R40570)
78	AR74814	BEARING	4		(SUB FOR AR44625) ((4) PKGS. OF (1) R61289 AND (1) R57584)
79	AR77748	THRUST BEARING	1		(PKG. OF (1) R62987 AND (1) R62988)
80	AR77747	THRUST WASHER	1		(PKG. OF (3) R62986)
81	AR48629	CYLINDER BLOCK	1		(3020E) (MARKED R32020, R40850, R46350 OR R46430) (SUB RG23361)
	AR94819	SHORT BLOCK ASSEMBLY	1		(3020L) (MARKED R72127) (SUB RG23362)
..	AR53035	GASKET	1		(A)

(A) SHORT BLOCK ASSEMBLY INCLUDES GASKETS AND GASKET KITS

3020E ( -122999)

3020L (123000- )

MEMORANDA

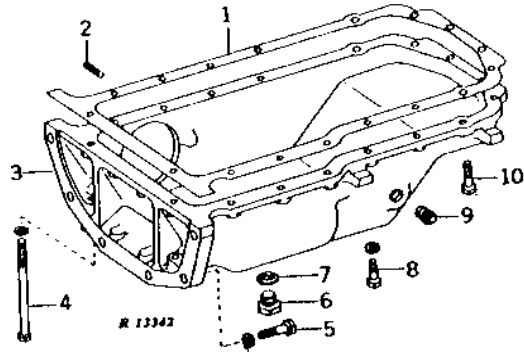


# 1C5

ENGINE

R13342 -UN-01JAN94

## OIL PAN



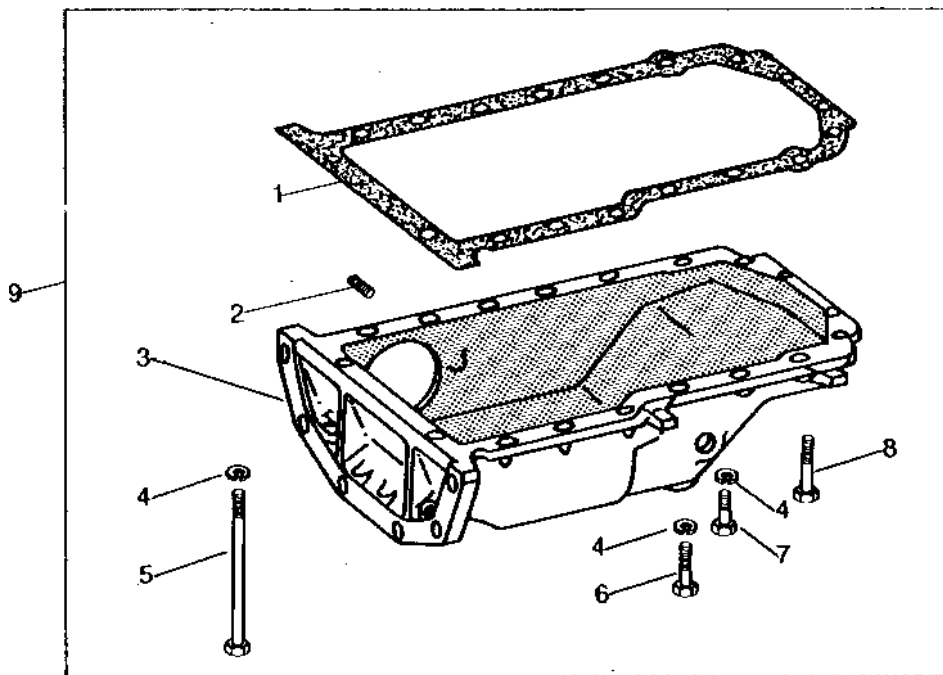
KEY	PART NO.	PART NAME	QTY	ENGINE SERIAL NO.	REMARKS
1	R71917	GASKET	1		(SUB FOR R34615 OR R42423)
2	D2420R	STUD	4		3/8" X 1-7/8"
3	AR30303	OIL PAN	1		(EXCEPT HI-CROP) (MARKED R31221) (SUB AR94559)
4	AR34018	OIL PAN	1		(HI-CROP ONLY) (NLA) (MARKED R34571)
	19H2205	CAP SCREW	2		3/8" X 6"
	12H304	LOCK WASHER	2		3/8"
5	19H1777	CAP SCREW	6		1/2" X 1-3/4"
	12H301	LOCK WASHER	6		1/2"
6	R26727	DRAIN PLUG	1		(SUB FOR R51944, APPL)
7	A4827R	WASHER	1		
8	19H2552	CAP SCREW	16		3/8" X 1-1/8"
	12H304	LOCK WASHER	16		3/8"
9	15H690	PIPE PLUG	1		3/4"
10	R27693	SCREW	2		
..	AR30544	GASKET KIT	1		OIL PAN REPLACEMENT

# 1C6

ENGINE

**OIL PAN REPLACEMENT KIT**  
**(4270DR'S EXCEPT 4270DR-08)**  
**(ENGINE SERIAL NO. -305635)**  
**(4270DR-08)**  
**(ENGINE SERIAL NO. -305826)**

RGP3229 -UN-01JAN94



RGP 3229

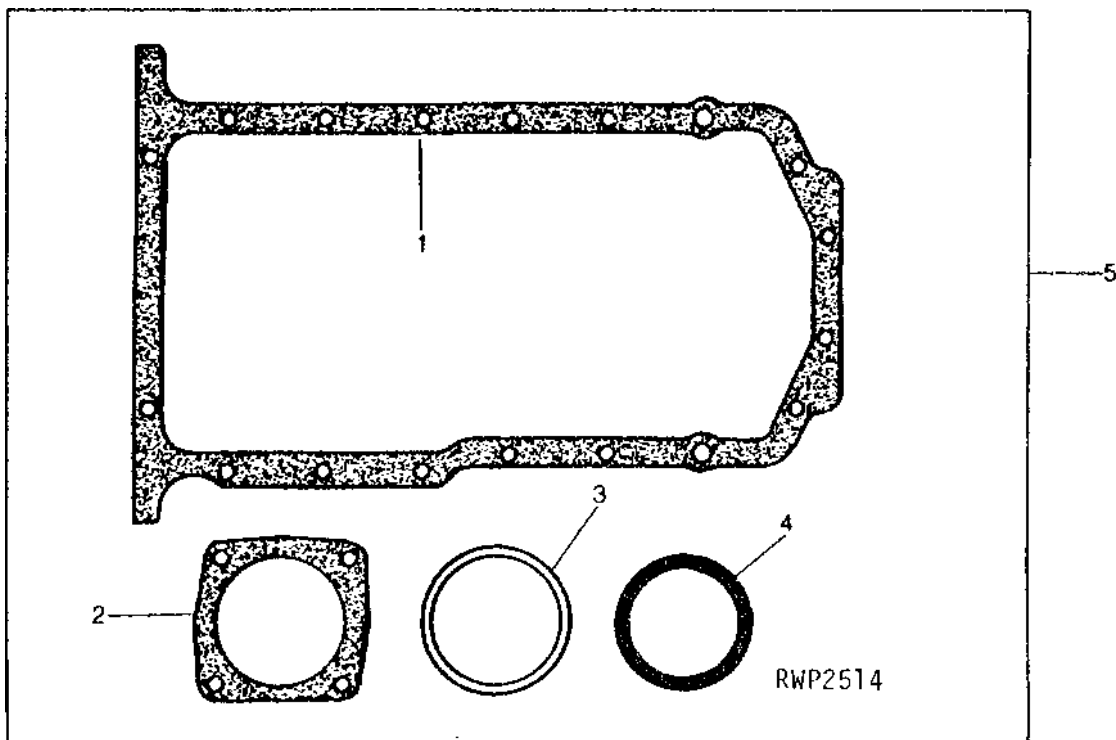
KEY	PART NO.	PART NAME	QTY	ENGINE SERIAL NO.	REMARKS
1	R71917	GASKET	1		
2	D2420R	STUD	4		
3	R71908	OIL PAN	1	-305635	(SUB FOR AR94666) (SUB AR94559)
	AR94668	OIL PAN	1	-305826	(MARKED R71908) (SUB AR94669)
4	12H304	LOCK WASHER	16		3/8"
5	19H3041	CAP SCREW	2		3/8" X 6"
6	19H2633	CAP SCREW	13		3/8" X 1-1/2"
7	19H3483	CAP SCREW	1		3/8" X 1-1/8"
8	R73445	SCREW	2		
9	AR94559	KIT	1	-305635	
	AR94669	KIT	1	-305826	

# 1C7

ENGINE

RWP2514 -UN-01JAN94

## GASKET KIT FOR OIL PAN REPLACEMENT



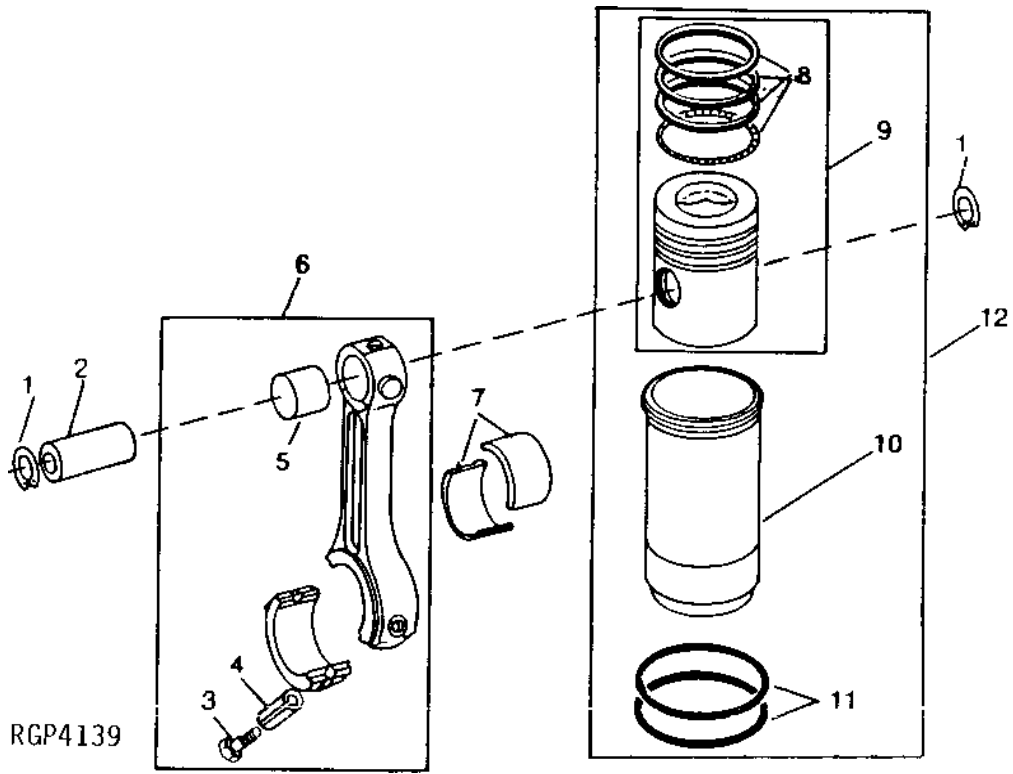
KEY	PART NO.	PART NAME	QTY	ENGINE SERIAL NO.	REMARKS
1	R71917	GASKET	1		(SUB FOR R34615 OR R42423)
2	R26354	GASKET	1		
3	B3586R	WASHER	1		
4	R26163	O-RING	1		
5	AR30544	GASKET KIT	1		

# 1C8

## PISTONS, RINGS, LINERS AND CONNECTING RODS (GASOLINE AND LP-GAS)

RGP4139

-UN-20JAN95



RGP4139

**PISTONS, RINGS, LINERS AND CONNECTING RODS - CONTINUED  
(GASOLINE AND LP-GAS)**

KEY	PART NO.	PART NAME	QTY	ENGINE SERIAL NO.	REMARKS
1	R41707	SNAP RING	8		(SUB FOR R26145)
2	R26088	PISTON PIN	4		
	R28970	PISTON PIN	4		0.08MM (.003") OS (YELLOW) (NLA)
	R28971	PISTON PIN	4		0.13MM (.005") OS, (RED)
3	R66454	CAP SCREW	8		(SUB FOR R26323 OR R53289)
4	R53291	SLEEVE	8		(USE WITH RODS R53284 OR R58879)
5	R30929	BUSHING	4		
6	AR86982	CONNECTING ROD	4		(MARKED R26046, R44257, R53284, R58879 OR R66454) (SUB FOR AR26327, AR45498 OR AR70909)
7	AR45723	BEARING	4		STD (PKG (2) R26087 OR R44378 4 PKGS USED) (SUB FOR AR27628)
	AR46395	BEARING	4		0.05MM (.002") US, (PKG (2) R28226 OR R44925 4 PKGS USED) (SUB FOR AR27629)
	AR46396	BEARING	4		0.25MM (.010") US, (PKG (2) R44926 4 PKGS USED)
	AR46397	BEARING	4		0.51MM (.020") US, (PKG (2) R28228 OR R44927 4 PKGS USED) (SUB FOR AR27640)
	AR46398	BEARING	4		0.76MM (.030") US, (PKG (2) R28230 OR R44928 4 PKGS USED) (SUB FOR AR27642)
8	AR27851	PISTON RING	4		(USE WITH R26089, R26090, R28107, R42185, R42186 OR R42187)
	AR34394	PISTON RING	4		(A) (USE WITH R33372) (SUB FOR AR33994)
	AR45966	PISTON RING	4	-122999	(A) (HEAVY DUTY)
	AR42612	PISTON RING	4	-280184	(A)
	AR54879	PISTON RING	4	280185-	(A) (SUB FOR AR42612 OR AR52253)
	AR34394	PISTON RING	4		(B) (USE WITH R33374) (SUB FOR AR33994)
	AR42612	PISTON RING	4		(B)
9	AR39770	PISTON	4		(B) (MARKED R33374 OR R40778) (USE WITH R40920 AND R49540) (SUB FOR AR40616)
	AR42608	PISTON	4	-280184	(A) (MARKED R40795) (SUB AR54878)
	AR44093	PISTON	4		(B) (MARKED R26090 OR R42185) (USE WITH R26150) (SUB FOR AR39765) (FLAT HEAD)
	AR44094	PISTON	4		(A) (MARKED R26089 OR R42186) (USE WITH R26150) (SUB FOR AR39764)
	AR45964	PISTON	4		(A) (MARKED R33372 OR R34617) (USE WITH R40920 OR R49540) (SUB FOR AR39769 AND AR39771)
	AR45964	PISTON	4		(A) (MARKED R33372 OR R34617) (USE WITH R33190, R33197 OR AR40155)
	AR52804	PISTON	4		(A) (MARKED R40796 AND R49347) (SUB FOR AR42609)
	AR54878	PISTON	4	280185-	(A) (USE WITH R40690 OR R49510) (MARKED R47863) (SUB FOR AR50786)
10	R26118	CYLINDER LINER	4		(4.00" BORE) (USE WITH R26150) (ALSO ORDER AR40154) (SUB FOR AR28191)
	R40614	CYLINDER LINER	4		(4.25") (USE WITH R40920, R49540, R40690 OR R49510)
	R33197	CYLINDER LINER	4		(A) (B) (4.25") (USE WITH R33190 OR R40840) (ALSO ORDER AR40155) (SUB FOR AR32194)
11	AR40154	O-RING KIT	4		(SET OF 2) (USE WITH R26150) (SUB FOR (2) R26119, APPL)
	AR70645	O-RING KIT	4		(SET OF 2) (USE WITH R40920, R46350, R46430 OR R49540) (SUB FOR AR48687)
	AR40155	O-RING KIT	4		(SET OF 2)(SUB FOR (2) R26121 ON 3020*)
12	AR52544	ENGINE OVERHAUL KIT	1		(A) (NLA) (SUB (4) AR52548 AND AR53029)
	AR52548	KIT	4		(A) (4.00") (USE WITH R26150, R33190 OR R40920 BLOCK AND/OR R42186 PISTON)
	AR52545	ENGINE OVERHAUL KIT	1		(A) (NLA) (SUB (4) AR52549 AND AR53029)
	AR52549	KIT	4		(A) (4.25") (USE WITH R26070, R33190, R40840, R40900 OR R40930 BLOCK AND/OR R26089, R33372, R40795 OR R47863 PISTON)
..	.....	SHIM	AR		0.76MM (.030") ( AR31742 NLA) (USE WITH R26150)
..	.....	SHIM	AR		0.38MM (.015") ( AR39520 NLA) (USE WITH R26150)

(A) GASOLINE  
(B) LP-GAS (USE WITH FLAT HEAD PISTONS)

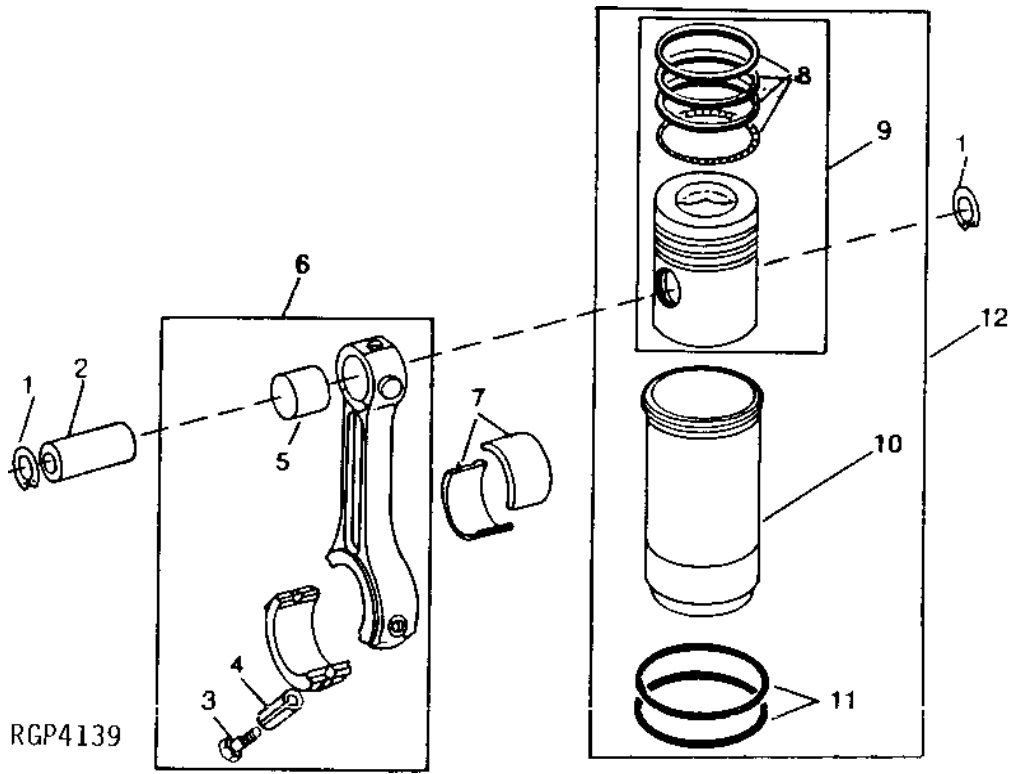
# 1C10

ENGINE

## PISTONS, RINGS, LINERS AND CONNECTING RODS (DIESEL)

RGP4139

-UN-20JAN95



**PISTONS, RINGS, LINERS AND CONNECTING RODS - CONTINUED  
(DIESEL)**

KEY	PART NO.	PART NAME	QTY	ENGINE SERIAL NO.	REMARKS
1	R26093	SNAP RING	8		
2	R44161	PISTON PIN	4		STD, (SUB FOR R26092)
	R44162	PISTON PIN	4		0.08MM (.003") OS, (SUB FOR R28972)
	R44163	PISTON PIN	4		0.13MM (.005") OS, (SUB FOR R28973)
3	R66452	CAP SCREW	8		(SUB FOR R26325 OR R53290)
4	R53292	SLEEVE	8		
5	R30939	BUSHING	4		
6	AR86981	CONNECTING ROD	4		(MARKED R26047, R53285 OR R58880 OR R66923) (SUB FOR AR26328, AR59419 OR AR70910)
7	AR45723	BEARING	4		STD, (PKG (2) R26087 OR R44378) (SUB FOR AR27628)
	AR46395	BEARING	4		0.05MM (.002") US, (PKG (2) R28226 OR R44925) (SUB FOR AR27629)
	AR46396	BEARING	4		0.25MM (.010") US, (PKG (2) R44926)
	AR46397	BEARING	4		0.51MM (.020") US, (PKG (2) R28228 OR R44927) (SUB FOR AR27640)
	AR46398	BEARING	4		0.76MM (.030") US, (PKG (2) R28230 OR R44928) (SUB FOR AR27642)
8	AR27852	PISTON RING KIT	4		(USE WITH R26091)
	AR39860	PISTON RING KIT	4		(USE WITH R39927)
	AR40145	PISTON RING KIT	4		(4 RING) (USE WITH R32073) (SUB FOR AR33995)
	AR55630	PISTON RING KIT	4		(3 RING) (USE WITH AR46265, AR51799, RE23172 OR RE40566) (SUB FOR AR41563 AND AR54732)
9	AR39859	PISTON	4		(MARKED R26091 OR R39927) (SUB RE23173) (USE WITH R26160) (3010)
	AR46264	PISTON	4		(MARKED AR46265 OR R32073) (SUB FOR AR39768, AR40254 AND AR46264) (USE WITH R32020, R26160, R40850, R40910, R46430 OR R46350) (SUB RE23170 OR RE23173) (3010, 3020E, 3020L)
10	AR28192	CYLINDER LINER	4		(USE WITH R26120) (NLA)
	R26120	CYLINDER LINER	4		105MM (4-1/8") BORE, (USE WITH R26160) (SUB FOR AR28192) (NLA) (3010)
	R32050	CYLINDER LINER	4		108MM (4-1/4") BORE, (USE WITH R26160) (SUB FOR AR32195) (SUB RE23173) (ALSO ORDER AR40155) (3020E)
	R55851	CYLINDER LINER	4		(USE WITH R40910, R46350 OR R46430) (SUB FOR AR65571 AND AR65572) (SUB RE23170, APPL)(3020E)
11	AR40155	O-RING KIT	4		(SET OF 2) (USE WITH R26160, R32020 OR R40850) (INCLUDED WITH RE23173)
	AR70645	O-RING KIT	4		(SET OF 2) (USE WITH R40910, R46350 OR R46430) (SUB FOR AR48687) (INCLUDED WITH RE23170)
12	AR68650	KIT	4		(MARKED AR51799) (SUB RE23165) (SUB FOR AR41562) (3020E)
	RE23173	KIT	4		(USE WITH R26160, R32020 OR R40850) (SUB FOR AR49052) (MARKED RE23172 OR RE40566) (AR40155 INCLUDED)
	RE23170	KIT	4		(USE WITH R40910, R46350 OR R46430) (SUB FOR AR40615, AR41562, AR68650 OR AR84048) (MARKED RE23172 OR RE40566) (AR70645 INCLUDED)
	RE23165	KIT	4		(A) (BLOCK MARKED R40700, R47520, R48430, R50610 OR R72127) (SUB FOR AR68650) (MARKED RE23168, AR51799 OR RE40564) (ALSO ORDER AR70645, APPL) (3020E)
	AR63967	PISTON-LINER KIT	1		(A) (BLOCK MARKED R40700, R47520, R48430, R50610 OR R72127) (SUB (4) RE23165 AND AR53035)
..	AR31744	SHIM	AR		0.10MM (.004") (USE WITH R26160, R32030, R33180, R34340 OR R40850)
..	AR31745	SHIM	AR		0.76MM (.030") (USE WITH R26160, R32020, R33180, R34340 OR R40850)
..	AR39521	SHIM	AR		0.38MM (.015") (USE WITH R26160, R32020, R33180, R34340 OR R40850)

3020E ( -122999)

3020L (130000- )

(A) AR65507 O'RINGS INCLUDED WITH RE23165, NOT USED, APPL.

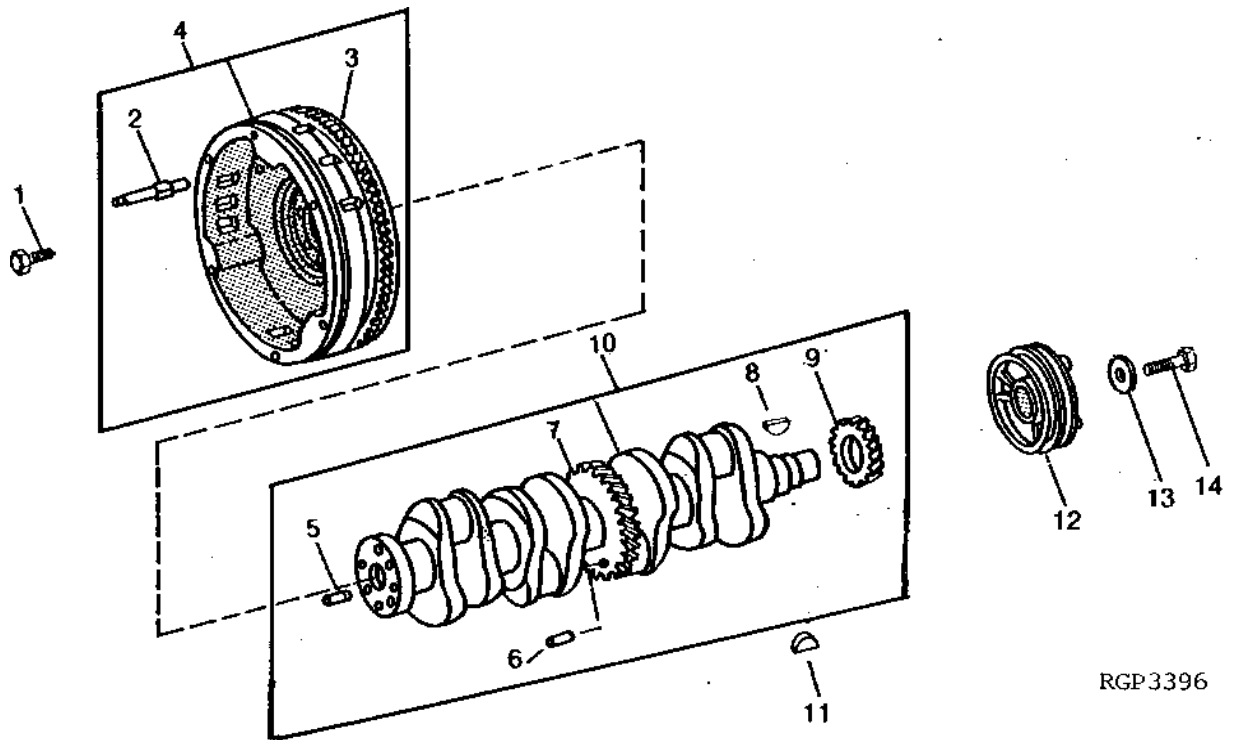
# 1C12

ENGINE

RGP3396

-UN-01JAN94

## CRANKSHAFT AND FLYWHEEL



RGP3396



# 1C13

ENGINE

## CRANKSHAFT AND FLYWHEEL

KEY	PART NO.	PART NAME	QTY	ENGINE SERIAL NO.	REMARKS
1	19H3385	CAP SCREW	4		(SUB FOR R28029)
2	15H690	PIPE PLUG	3		3/4", (USE WITH AR30411 OR AR30412)
	R40731	DOWEL PIN	3		(A) (SUB FOR R34213) (USE WITH AR32246, AR32247, AR40564 OR AR40565)
	R32192	DOWEL PIN	3		(B)
3	R26054	GEAR	1		(GAS & LP)
	R28811	RING GEAR	1		(DIESEL)
4	AR40564	FLYWHEEL	1		(A) (GAS & LP) (MARKED R26720 OR R40726) (SUB FOR AR26486, AR30411 OR AR32246) (3010, 3020*, 3020&)
	AR40565	FLYWHEEL	1		(A) (DIESEL) (MARKED R28810 OR R40727) (SUB FOR AR28052, AR30412 OR AR32247) (3010, 3020*, 3020&)
	AR53380	FLYWHEEL	1		(B) (DIESEL) (MARKED R31638 OR R40729 OR R49529) (SUB FOR AR34238 OR AR40563) (3010, 3020*, 3020&)
	AR53379	FLYWHEEL	1		(B) (GAS) (NLA) (MARKED R33530, R40728 OR R49528) (SUB FOR AR34239 OR AR40562) (3010, 3020*, 3020&)
5	R41934	DOWEL PIN	AR		(SUB FOR R28999)
6	B2641R	DOWEL PIN	1		
7	R63326	GEAR	1		(SUB FOR R26521) (SUB APPLICABLE CRANKSHAFT)
8	26H72	SHAFT KEY	1		1/8" X 5/8"
9	R26049	GEAR	1		
10	AR26426	CRANKSHAFT	1		(GAS & LP) (NLA) (MARKED R26530) (3010, 3020*)
	AR26428	CRANKSHAFT	1	-122999	(DIESEL) (MARKED R26540 OR R46498) (TWO PIN) (3010,3020*)
	AR40483	CRANKSHAFT	1		(GAS) (NLA) (MARKED R40720) (3020&)
	AR40485	CRANKSHAFT	1	130000-	(DIESEL) (MARKED R40570) (ONE PIN) (3020&)
11	26H85	SHAFT KEY	1		1/4" X 1"
12	R26332	PULLEY	1		(3010)
	R53031	PULLEY	1		(SUB FOR R34366 OR R47624) (3020*,3020&)
13	R26333	WASHER	1		
14	19H2706	CAP SCREW	1		5/8" X 2"

(A) COLLAR SHIFT OR SYNCRO-RANGE

(B) POWER SHIFT

(\*) 3020 ( -122999)

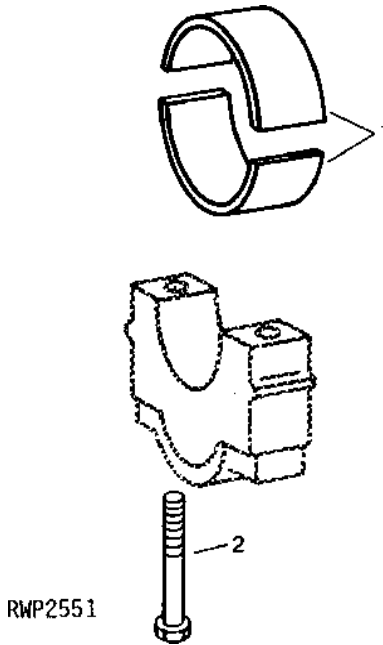
(&) 3020 (130000- )

# 1C14

ENGINE

RWP2551 -UN-06OCT94

## MAIN THRUST BEARINGS



KEY	PART NO.	PART NAME	QTY	ENGINE SERIAL NO.	REMARKS
1	AR49243	BEARING	AR	(A) (C) STD, (SUB FOR AR27621) (PKG (2) R61289) (OFFSET)	
	AR74814	BEARING	AR	(B) (C) STD, (SUB FOR AR44625) (PKG R61289 AND R57584) (OFFSET AND CENTERED)	
	AR49244	BEARING	AR	(A) (C) 0.05MM (.002") US, (SUB FOR AR27622) (PKG (2) R61608) (OFFSET)	
	AR74815	BEARING	AR	(B) (C) 0.05MM (.002") US, (SUB FOR AR46399) (PKG R61608 AND R60472) (OFFSET AND CENTERED)	
	AR49245	BEARING	AR	(A) (C) 0.25MM (.010") US, (SUB FOR AR45218) OR (2) R61609) (OFFSET)	
	AR74816	BEARING	AR	(B) (C) 0.25MM (.010") US, (SUB FOR AR46400) (PKG R61609 AND R60473) (OFFSET AND CENTERED)	
	AR49246	BEARING	AR	(A) (C) 0.51MM (.020") US, (SUB FOR AR27624) (PKG (2) R61610) (OFFSET)	
	AR74817	BEARING	AR	(B) (C) 0.51MM (.020") US, (SUB FOR AR46401) (PKG R61610 AND R60474) (OFFSET AND CENTERED)	
	AR49247	BEARING	AR	(A) (C) 0.76MM (.030") US, (PKG (2) R61611) (OFFSET)	
	AR74818	BEARING	AR	(B) (C) 0.76MM (.030") US, (SUB FOR AR46402) (PKG R61611 AND R60475) (OFFSET AND CENTERED)	
2	T15539	BOLT	AR	(SUB FOR 19H1497) (6 USED GASOLINE AND LP-GAS) (10 USED DIESEL)	

- (A) USE WITH BLOCKS MARKED R26150, R26160, R32020, R33190, R40840, R40850, R49510 OR R72127
- (B) USE WITH BLOCKS MARKED R40690, R40700, R40910, R40920, R46350, R46430, R47520, R48430, R49540 OR R50610
- (C) (2) PKGS USED GASOLINE AND LP-GAS) (4 PKGS USED DIESEL)

---

MEMORANDA

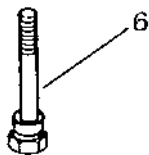
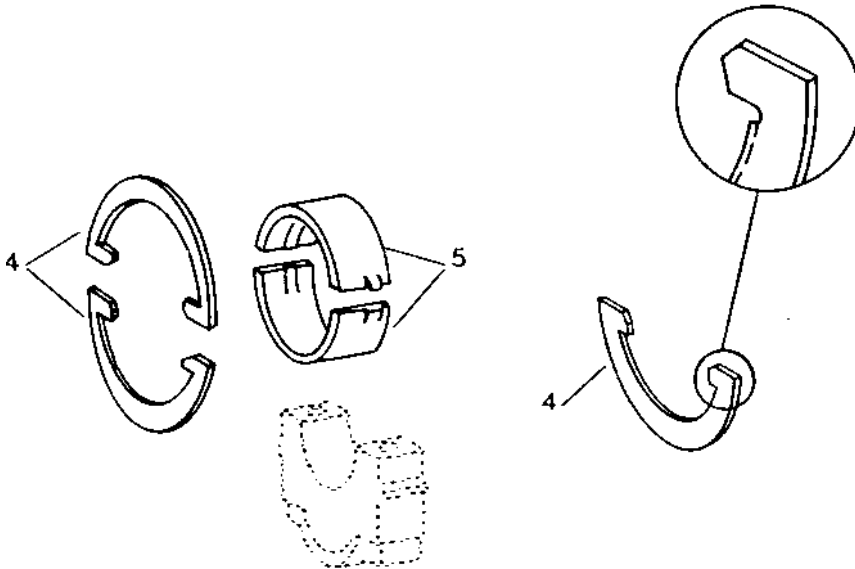
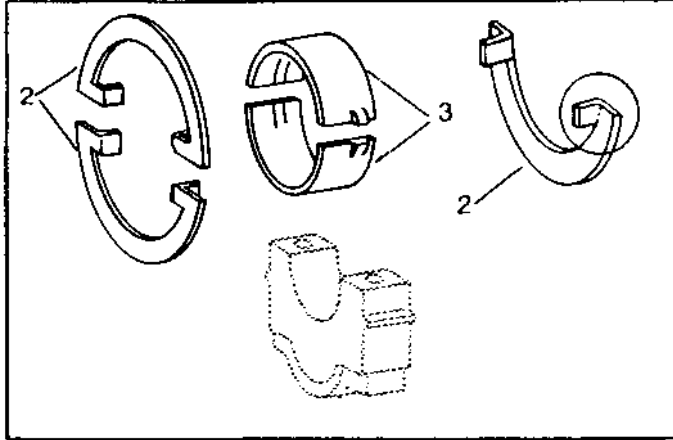
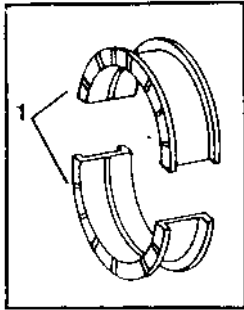
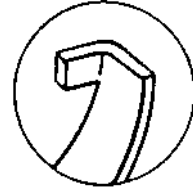
# 1C15

ENGINE

RGP2862

-UN-02JAN94

## MAIN THRUST BEARINGS



RGP2862

## MAIN THRUST BEARINGS - CONTINUED

KEY	PART NO.	PART NAME	QTY	ENGINE SERIAL NO.	REMARKS
1	AR49242	THRUST BEARING	1	-XXXXXX	(A) (SUB FOR AR27631) (SUB AR77754 AND AR77747 OR AR77753) (PKG (1) R26056 AND (1) R26604 OR (1) R40224 AND (1) R40225 OR (2) R46723)
	AR65235	THRUST BEARING	1	-291319	(B) STD (PKG R42521 AND R42524 OR R55596 AND R55597) (SUB AR77748 AND AR77747 OR AR77753) (SUB FOR AR44624 AND AR48940)
	AR49237	THRUST BEARING	1	-XXXXXX	(A) 0.05MM (.002") US, STD FLANGE, (SUB FOR AR27632) (SUB AR77755 AND AR77747 OR AR77753) (PKG (1) R28232 AND (1) R28233 OR (2) R46921)
	AR65236	THRUST BEARING	1	-291319	(B) 0.05 MM (.002") US (PKG R44937 AND R44938 OR R46921 AND R46922 OR R55737 AND R55738) (SUB AR77749 AND AR77747 OR AR77753) (SUB FOR AR46403 OR AR49232)
	AR49238	THRUST BEARING	1	-XXXXXX	(A) 0.25MM (.010") US, STD FLANGE, (SUB AR77756 AND AR77747 OR AR77753) (PKG R42992 AND R42993 OR R46923) (SUB FOR AR45219)
	AR65237	THRUST BEARING	1	-291319	(B) 0.25 MM (.010") US, STD FLANGE (PKG R44939 AND R44940 OR R46923 AND R46924 OR R55739 AND R55740) (SUB AR77750 AND AR77747 OR AR77753) (SUB FOR AR46404 OR AR49233)
	AR45220	THRUST BEARING	1		(A) 0.25MM (.010") US 0.15MM (.007") OS FLANGE, (SUB AR49241) (PKG (1) R42994 AND (1) R42995)
	AR46407	THRUST BEARING	1		(B) 0.25MM (.010") US, 0.15MM(.007") OS FLANGE (PKG (1) R44945 AND (1) R44946) (SUB AR77750 AND AR77747 OR AR77753)
	AR49239	THRUST BEARING	1	-XXXXXX	(A) 0.51MM (.020") US, STD FLANGE, (SUB FOR AR27634) (SUB AR77757 AND AR77747 OR AR77753) (PKG (1) R28236 AND (1) R28237 OR (2) R46925)
	AR49234	THRUST BEARING	1		(B) 0.51MM (.020") US, STD FLANGE, (SUB AR77751 AND AR77747 OR AR77753) (SUB FOR AR46405) (PKG (1) R44941 AND (1) R44942 OR (1) R46925 AND (1) R46926)
	AR65238	THRUST BEARING	1	-291319	(B) 0.51 MM (.020") US (PKG R55741 AND R55742) (SUB AR77751 AND AR77747 OR AR77753) (SUB FOR AR49234)
	AR49240	THRUST BEARING	1	-XXXXXX	(A) 0.76MM (.030") US, STD SIZE, (SUB FOR AR27636) (SUB AR77758 AND AR77747 OR AR77753) (PKG (1) R28240 AND (1) R28241 OR (2) R46927)
	AR65239	THRUST BEARING	1	-291319	(B) 0.76 MM (.030") US (PKG R55743 AND R55744) (SUB AR77752 AND AR77747 OR AR77753) (SUB FOR AR49235)
	AR46406	THRUST BEARING	1		(B) 0.76MM (.030") US, STD FLANGE, (SUB AR77752 AND AR77747 OR AR77753) (PKG (1) R44943 AND (1) R44944)
	AR49241	THRUST BEARING	1	-XXXXXX	(A) 0.25MM (.010") US, 0.18MM (.007") OS FLANGE (PKG (1) R46929 AND (1) R46931)
	AR49236	THRUST BEARING	1	-XXXXXX	(B) 0.25MM (.010") US, (SUB AR77750 AND AR77747 OR AR77753) 0.18MM (.007") OS FLANGE (PKG ONE R46929 AND ONE R46930)
	AR65240	THRUST BEARING	1	-291319	(B) 0.25 MM (.010") US WITH 0.18 MM (.007") OS FLANGE (PKG R55745 AND R55746) (SUB AR77750 AND AR77753) (SUB FOR AR49236)

(A) USE WITH BLOCKS MARKED R26150,R26160,R32020,R33190,R40690,R40840, R40850, R49510, R50610, R50840 OR R72127

(B) USE WITH BLOCKS MARKED R40700, R40910, R40920, R46350, R46430, R47520, R48430 OR R49540

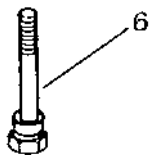
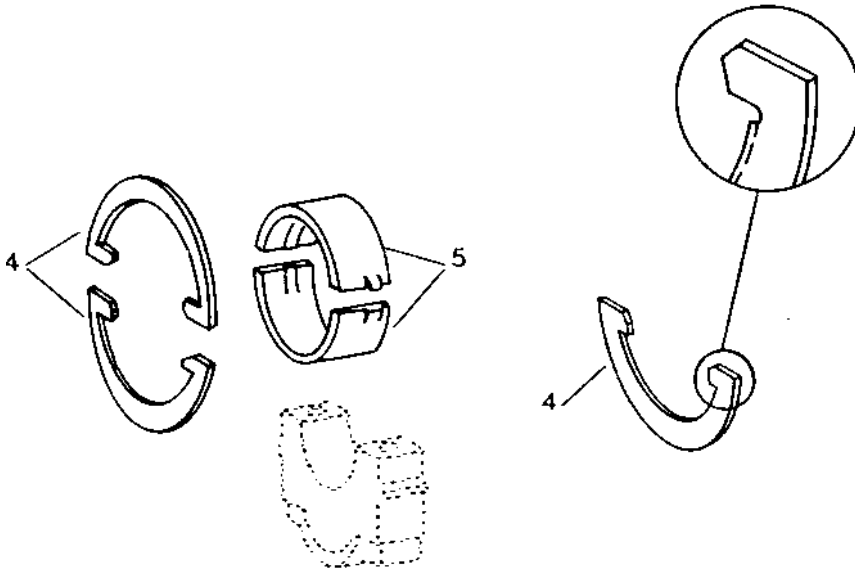
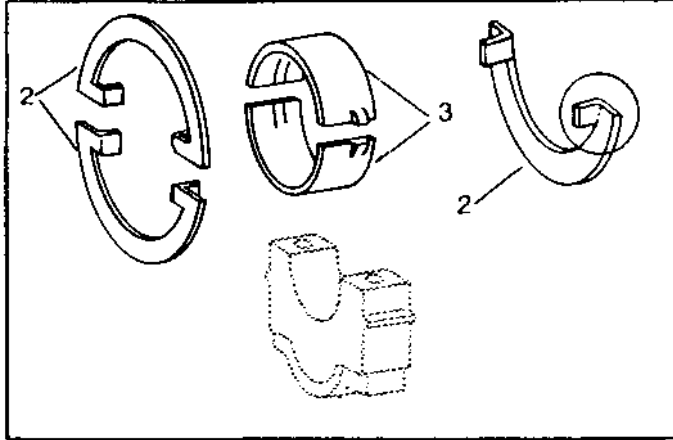
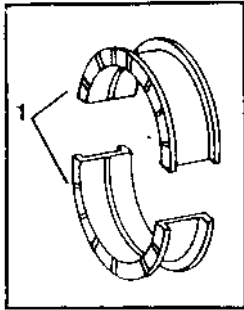
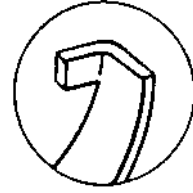
# 1C17

ENGINE

RGP2862

-UN-02JAN94

## MAIN THRUST BEARINGS



RGP2862

MAIN THRUST BEARINGS - CONTINUED

KEY	PART NO.	PART NAME	QTY	ENGINE SERIAL NO.	REMARKS
2	AR73275	THRUST WASHER	1	291320-291426	STD (PKG (3) R57778) (SUB AR77747)
	AR73276	THRUST WASHER	1	291320-291426	0.18 MM (.007") OS FLANGE (PKG (3) R60484) (SUB AR77753)
3	AR72998	THRUST BEARING	1	291320-291426	STD (PKG R57779 AND R57780) (SUB AR77748 AND AR77747 OR AR77753)
	AR73271	THRUST BEARING	1	291320-291426	0.05 MM (.002") US (PKG R60476 AND R60477) (SUB AR77749 AND AR77747 OR AR77753)
	AR73272	THRUST BEARING	1	291320-291426	0.25 MM (.010") US (PKG R60478 AND R60479) (SUB AR77750 AND AR77747 OR AR77753)
	AR73273	THRUST BEARING	1	291320-291426	0.51 MM (.020") US (PKG R60480 AND R60481) (SUB AR77751 AND AR77747 OR AR77753)
	AR73274	THRUST BEARING	1	291320-291426	0.76 MM (.030") US (PKG R60482 AND R60483) (SUB AR77752 AND AR77747 OR AR77753)
4	AR77747	THRUST WASHER	1	291427-	STD (PKG (3) R62986)
	AR77753	THRUST WASHER	1	291427-	0.18 MM (.007") OS FLANGE (PKG (2) R63010 AND R62986)
5	AR77748	THRUST BEARING	1	291427-	(B) STD (PKG R62987 - OFFSET NOTCHED AND R62988 - CENTER NOTCHED)
	AR77749	THRUST BEARING	1	291427-	(B) 0.05 MM (.002") US (PKG R63002 AND R63006)
	AR77750	THRUST BEARING	1	291427-	(B) 0.25 MM (.010") US (PKG R63003 AND R63007)
	AR77751	THRUST BEARING	1	291427-	(B) 0.51 MM (.020") US (PKG R63004 AND R63008)
	AR77752	THRUST BEARING	1	291427-	(B) 0.76 MM (.030") US (PKG R63005 AND R63009)
	AR77754	THRUST BEARING	1	XXXXXX-	(A) (PKG (2) R62987-OFFSET NOTCHED)
	AR77755	THRUST BEARING	1	XXXXXX-	(A) 0.05MM (.002") US, (PKG (2) R63002)
	AR77756	THRUST BEARING	1	XXXXXX-	(A) 0.24MM (.010") US, (PKG (2) R63003)
AR77757	THRUST BEARING	1	XXXXXX-	(A) 0.51MM (.020") US, (PKG (2) R63004)	
AR77758	THRUST BEARING	1	XXXXXX-	(A) 0.76MM (.030") US, (PKG (2) R63005)	
6	T15539	BOLT	AR		(6 USED GASOLINE AND LP-GAS) (10 USED DIESEL) (SUB FOR 19H1497)

(A) USE WITH BLOCKS MARKED R26150, R26160, R32020, R33190, R40690, R40840, R40850, R49510, R50610, R50840 OR R72127

(B) USE WITH BLOCKS MARKED R40700, R40910, R40920, R46350, R46430, R47520, R48430 OR R49540

---

MEMORANDA

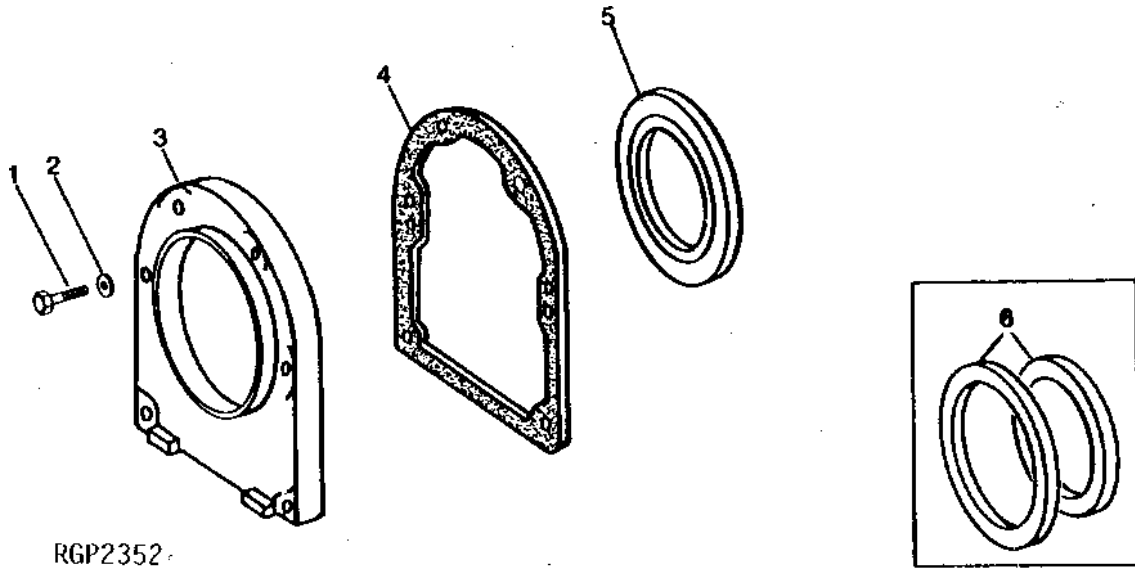


# 1C19

ENGINE

RGP2352 -UN-01JAN94

## CRANKSHAFT OIL SEAL AND HOUSING



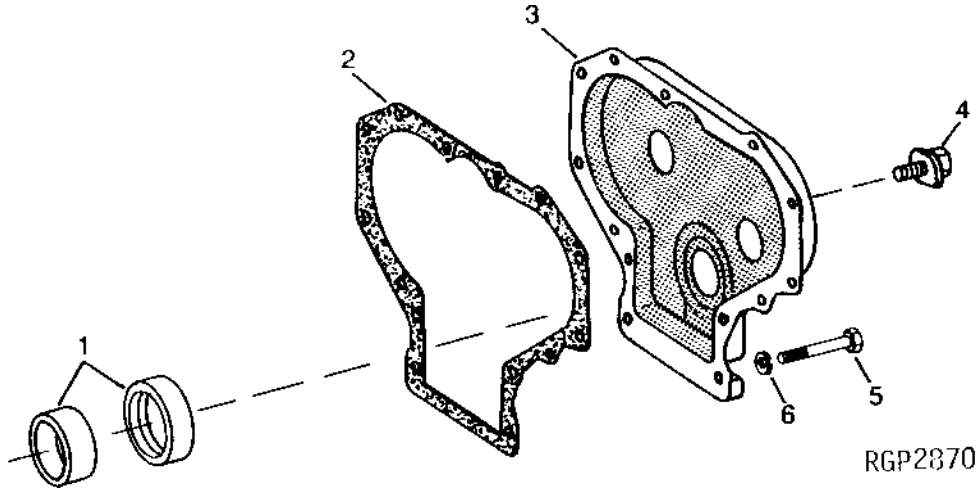
KEY	PART NO.	PART NAME	QTY	ENGINE SERIAL NO.	REMARKS
1	19H2117	CAP SCREW	6		5/16" X 1-1/8", (USE WITH R26057)
	R47074	CAP SCREW	6		(USE WITH R41406 OR R78124 ONLY)
2	T27860	WASHER	6		(USE WITH 19H2117 OR R47074 ON R26057) (SUB FOR R35128)
3	R41406	HOUSING	1		(SUB R125027 AND (6) T27860)
	R125027	HOUSING	1		(SUB FOR R26057, R41406, R115050 OR R78124)
4	R26058	GASKET	1		
5	RE22764	SEAL	1		(SUB FOR RE14953 OR RE17352)
6	AR63095	SEAL	1		(SUB RE22764) (SUB FOR AR26438, AR30382, AR34682, AR49650 OR AR49651)

# 1C20

ENGINE

RGP2870 -UN-02JAN94

## TIMING GEAR COVER AND OIL SEAL



RGP2870

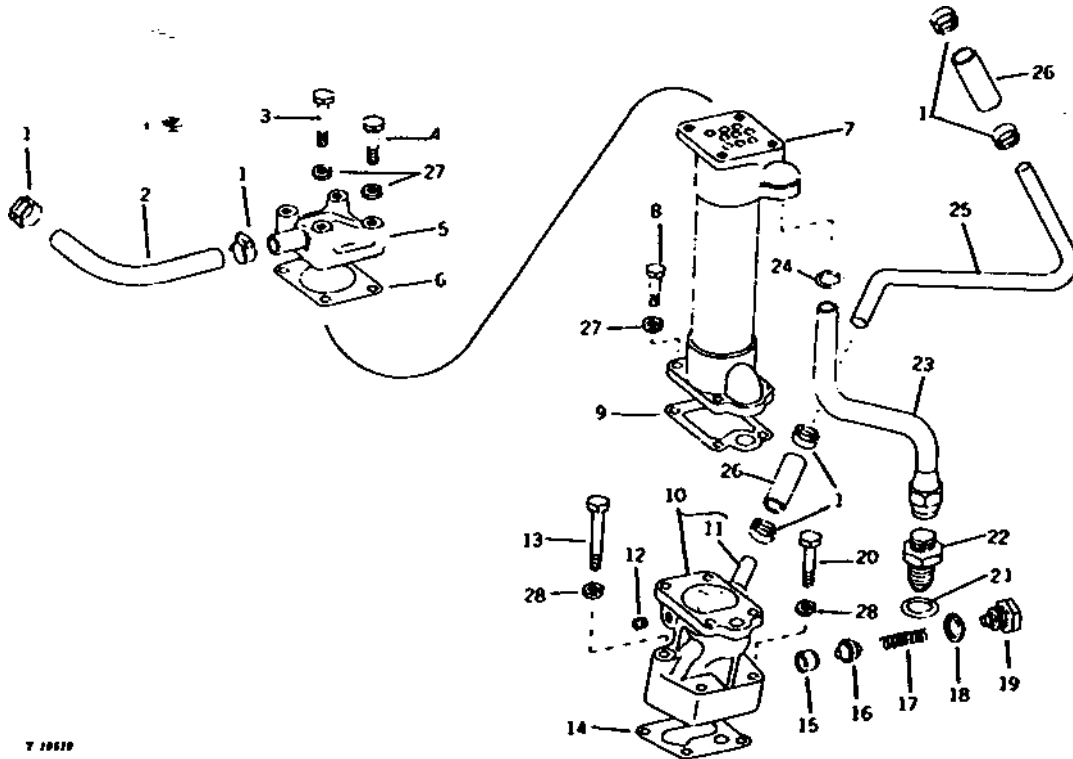
KEY	PART NO.	PART NAME	QTY	ENGINE SERIAL NO.	REMARKS
1	.....	SEAL	1	-036699	(FACE TYPE) ( AR27354 NO LONGER AVAILABLE) (SUB AR69984)
	AR49025	SEAL	1	036700-	(LIP TYPE) (SUB FOR AR31882, AR47891 AND AR48728)
2	R26084	GASKET	1		
3	AR69984	COVER	1		(SUB FOR AR31934, AR44390, AR26636, AR31536 OR AR31537)
4	AR27703	SCREW	11		
5	19H2661	CAP SCREW	2	5/16" X 1-3/8"	
6	12H303	LOCK WASHER	2	5/16"	

# 1C21

ENGINE

T19519 -UN-02JAN94

## ENGINE OIL COOLER



T 19519

KEY	PART NO.	PART NAME	QTY	ENGINE SERIAL NO.	REMARKS
1	TY22467	CLAMP	6		(SUB FOR AR21837 OR AR21839, APPL)
2	R44065	HOSE	1		(GAS & LP)
	R45891	HOSE	1		(DIESEL) (SUB FOR R32135 OR R32642)
3	19H1901	CAP SCREW	1		5/16" X 2"
4	19H3552	CAP SCREW	3		5/16" X 1-1/2"
5	AR45292	CAP	1		(GAS & LP) (NLA) (MARKED R32122)
	AR31213	CAP	1		(DIESEL) (MARKED R32122)
6	R32123	GASKET	1		
7	AR32694	OIL COOLER	1		
8	19H2127	CAP SCREW	4		5/16" X 7/8"
9	R34109	GASKET	1		
10	AR32695	HOUSING	1		(MARKED R34108)
11	R27548	TUBE	1		
12	15H559	PIPE PLUG	1		1/4"
13	19H1733	CAP SCREW	1		3/8" X 2-1/2"
14	R34110	GASKET	1		
15	R26493	BUSHING	1		
16	R26152	VALVE	1		
17	A354R	SPRING	1		
18	H294R	WASHER	1		
19	R27949	DRAIN PLUG	1		
20	19H3181	CAP SCREW	2		3/8" X 2"
21	F3171R	O-RING	1		
22	R27267	FITTING	1		
23	AR32696	OIL LINE	1		
24	R32100	O-RING	1		(SUB FOR B2762R, APPL)
25	R34116	LINE	1		
26	R20922	HOSE	2		(SUB FOR A5334R)
27	12H303	LOCK WASHER	8		5/16"
28	12H304	LOCK WASHER	3		3/8"

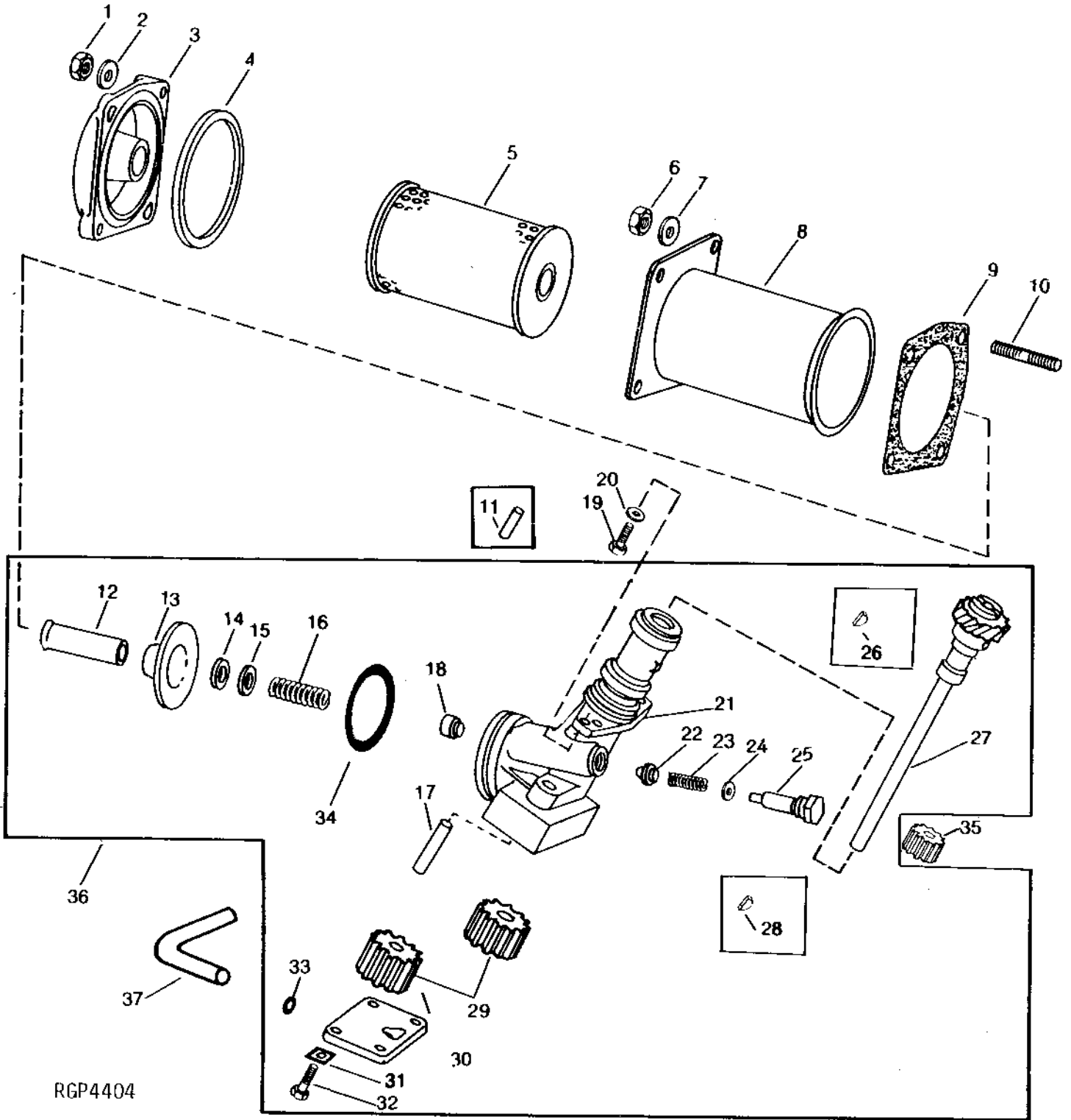
# 1C22

ENGINE

RGP4404

-UN-14DEC94

## ENGINE OIL PUMP AND FILTER



RGP4404

**ENGINE OIL PUMP AND FILTER - CONTINUED**

KEY	PART NO.	PART NAME	QTY	ENGINE SERIAL NO.	REMARKS
1	E55662	FLANGE NUT	4		
2	24H1301	WASHER	4		13/32" X 9/16" X 0.065"
3	R42054	COVER	1		(SUB FOR R27261)
4	B3586R	WASHER	1		
5	AR26350	OIL FILTER	1		(SUB FOR AR28110)
6	14H732	NUT	2		3/8"
7	24H1652	WASHER	2		13/32" X 11/16" X 7/64"
8	R26166	HOUSING	1		
9	R26354	GASKET	1		
10	D2420R	STUD	4		
11	.....	DOWEL PIN	1		( H826R NO LONGER USED)
12	R26146	TUBE	1		
13	R26147	PLATE	1		
14	R26149	PACKING	1		
15	24H1388	WASHER	1		25/32" X 15/16" X 0.036"
16	R26151	SPRING	1		
17	R26144	SHAFT	1		
18	R26493	BUSHING	1		
19	AR63865	KIT	2		(PKG (2) M72490 AND R41920) (3010, 3020E, 3020L)
20	M72490	WASHER	2		(SUB FOR R1888R OR R42729, APPL)
21	AR26347	HOUSING	1		(B) (MARKED R26143) (SUB AR67467, AR36694, R27688 AND AR63865) (3010)
	AR26347	HOUSING	1	-083999	(B) (MARKED R26143) (SUB AR36694, AR67467, R27688 AND AR63865) (3020E)
	AR27232	HOUSING	1	-289195	(C) (MARKED R27919) (SUB AR67467 AND AR63865) (3020L) (USE WITH AR30012)
	AR27232	HOUSING	1	-083999	(C) (MARKED R27919) (SUB AR67467 AND (2) AR63865) (3020E, 3010) (USE WITH AR30012)
	AR67467	HOUSING	1	084000-	(B) (C) (MARKED R56603) (SUB FOR AR68309) (ALSO ORDER AR63865) (3020E)
	AR67467	HOUSING	1	289196-	(C) (MARKED R56603) (SUB FOR AR68309) (ALSO ORDER AR63865) (3020L)
22	R26152	VALVE	1		
23	R36715	SPRING	1		(SUB FOR A655R, APPL)
24	H294R	WASHER	1		
25	R26153	FITTING	1		
26	26H72	SHAFT KEY	1	-XXXXXX	1/8" X 5/8", (3020E) (NOT USE WITH AR30012)
27	AR26459	GEAR	1	-032999	(B) (MARKED R26155) (SUB FOR R26154) (3010) (NOT AS SHOWN)
	AR31684	GEAR	1	033000-	(B) (MARKED R32427) (3010, 3020E, 3020L) (NOT AS SHOWN)
	AR30012	GEAR	1	-032999	(C) (SUB FOR AR26460) (3010) (USE WITH R27919) (15 TEETH)
	R45134	GEAR	1	033000-	(C) (SUB FOR AR31685, AR45256, R44032 AND AR47335) (3010, 3020E, 3020L) (20 TEETH) (AS SHOWN)
28	26H73	SHAFT KEY	1	-XXXXXX	5/32" X 5/8", (3020E, 3020L)
29	AR40218	GEAR	1		(B) (SUB FOR AR26517) (3010)
	AR36694	GEAR	1		(A) (C) (SUB FOR AR26705) (3010, 3020E, 3020L)
30	R27688	COVER	1		(B) (SUB FOR R28745)
	R27688	COVER	1		(C)
31	R35128	LOCK PLATE	4		(SUB FOR T12857, APPL)
	R1888R	STRAP	2		(USE WITH R28745) (3020E)
32	19H2127	CAP SCREW	4		5/16" X 7/8"
	19H1800	CAP SCREW	2		(USE WITH R28745) (3020E)
33	R495R	O-RING	1		
34	R26163	O-RING	1		
35	R32428	GEAR	1		(C) (USE WITH R32426, R33777 OR R46427) (3010, 3020E) (20 TEETH)
36	AR27251	OIL PUMP	1	-032999	(B) (DOESN'T CONTAIN R32428 OR R45134)
	AR31884	OIL PUMP	1	033000-	(B) (DOESN'T CONTAIN R32428 OR R45134)
	AR76546	OIL PUMP	1	-032999	(C) (NLA) (DOESN'T CONTAIN R32428 OR R45134)
	AR76545	OIL PUMP	1	033000-	(C) (SUB FOR AR31885) (CONTAINS R45134)
37	R34183	TUBE	1		(SUB FOR R27689) (USE WITH R34182)

- (A) USED ON GASOLINE AND LP-GAS WHEN AR27232 HAS BEEN INSTALLED
- (B) GASOLINE AND LP-GAS
- (C) DIESEL
- 3020E ( -122999)
- 3020L (123000- )

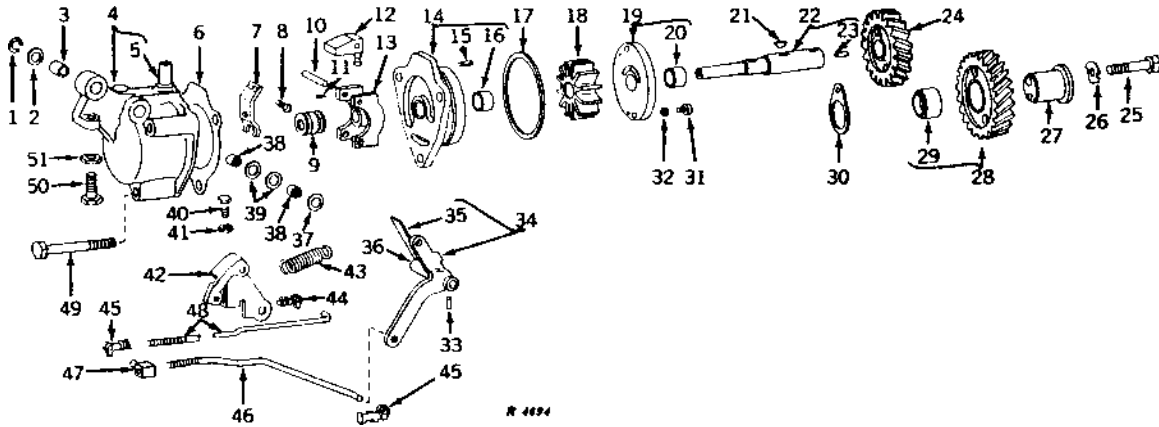
# 1C24

ENGINE

## GOVERNOR AND VENTILATOR PUMP (GASOLINE AND LP-GAS)

R4694

-UN-12DEC94



KEY	PART NO.	PART NAME	QTY	ENGINE SERIAL NO.	REMARKS
1	R26517	SNAP RING	1		
2	24H1325	WASHER	1		15/32" X 59/64" X 0.065"
3	R27922	BUSHING	1		
4	AR26418	HOUSING	1	-020071	(MARKED R26512) (NLA)
	AR45297	HOUSING	1	020072-	(MARKED R31338, R44078 OR R44079) (SUB FOR AR30445) (NLA) (ORDER INDIVIDUAL COMPONENTS)
	AR45299	HOUSING	1	020072-	(SUB FOR AR45297) (ALSO ORDER R20423 AND R26127)
5	R26127	BUSHING	1	-020071	
6	R31340	GASKET	1		(SUB FOR R26141)
7	R26129	LEVER	1		
8	19H1227	CAP SCREW	2		1/4" X 1/2", (SUB FOR AR28756)
	12H356	LOCK WASHER	2		1/4", (SUB FOR AR28756)
9	AL2769T	BALL BEARING	1		(SUB FOR AL2691T)
	L4299T	WASHER	2		(SUB FOR AL2691T)
10	R27205	PIN	2		
11	11H229	COTTER PIN	2		3/32" X 2"
12	AR26421	WEIGHT	2		
13	R26131	CRADLE	1		
14	AR26339	HOUSING	1	-020071	(MARKED R26133) (SUB AR30444)
	AR30444	HOUSING	1	020072-	(MARKED R31337)
	AR45306	HOUSING	1		(MARKED R44083) (3020L)
15	34H245	SPRING PIN	2		1/8" X 5/8"
16	R30713	BUSHING	1		
17	R40777	WASHER	1		(SUB FOR R39954) (3010)
	R40776	WASHER	1		(SUB FOR R26142) (3020E, 3020L)
18	R26135	IMPELLER	1		(NLA)
19	AR26341	COVER	1		(MARKED R26136) (NLA)
20	R30713	BUSHING	1		

# 1C25

ENGINE

## GOVERNOR AND VENTILATOR PUMP - CONTINUED (GASOLINE AND LP-GAS)

KEY	PART NO.	PART NAME	QTY	ENGINE SERIAL NO.	REMARKS
21	26H70	SHAFT KEY	3		1/8" X 1/2"
22	AR26420	SHAFT	1		
23	B2641R	DOWEL PIN	1		
24	R26138	GEAR	1		
25	19H3181	CAP SCREW	1		3/8" X 2"
26	R26403	LOCK PLATE	1		
27	R26401	SHAFT	1		
28	AR26389	GEAR	1		(MARKED R26399)
29	R30712	BUSHING	1		
30	R26402	WASHER	1		
31	19H2925	SCREW	2		1/4" X 1/2" NO. 10 X 1/2"
32	12H246	LOCK WASHER	2		0.190"
33	34H247	SPRING PIN	1	-021275	1/8" X 3/4"
34	AR27245	ARM	1	-021275	(SUB AR44847)
	AR30828	ARM	1	021276-115366	(SUB AR44847)
	AR44847	ARM	1	115367-	
35	R42624	STRAP	1	-115366	(SUB FOR R27923)
	16H97	RIVET	2		1/8" X 3/8"
	R42624	STRAP	1	115367-	
36	R26128	LEVER	1	-021275	(SUB AR44847)
37	AR26338	SEAL	1		
38	JD8862	NEEDLE BEARING	2		
39	24H1227	WASHER	2		17/32" X 13/16" X 0.060"
40	19H1914	CAP SCREW	1		1/4" X 1"
41	14H850	NUT	1		1/4"
42	AR59651	ARM	1		(SUB FOR AR26342) (NLA)
43	R26518	SPRING	1		
44	R26524	CLIP	1		
45	R26501	CLIP	2		GAS (R.H.)
	R26501	CLIP	1		LP (L.H.)
	R26524	CLIP	1		GAS - LP (R.H.)
46	R26523	ROD	1		(GAS)
	R26523	ROD	1	-115366	(LP)
	R42163	ROD	1	115367-	(LP) (NLA)
	R44899	ROD	1		(GAS) (3020L) (NLA)
47	R26500	SWIVEL	1		
48	R34710	ROD	1		(SUB FOR R27102)
	R41569	ROD	1		(NLA) (3020L)
49	R41920	CAP SCREW	3	-020071	(SUB FOR R27207)
	R31542	BOLT	3	020072-	
50	19H2831	CAP SCREW	1		5/16" X 1-1/2"
51	14H611	NUT	1		5/16"

3020E ( -122999) TRACTOR SERIAL NO.

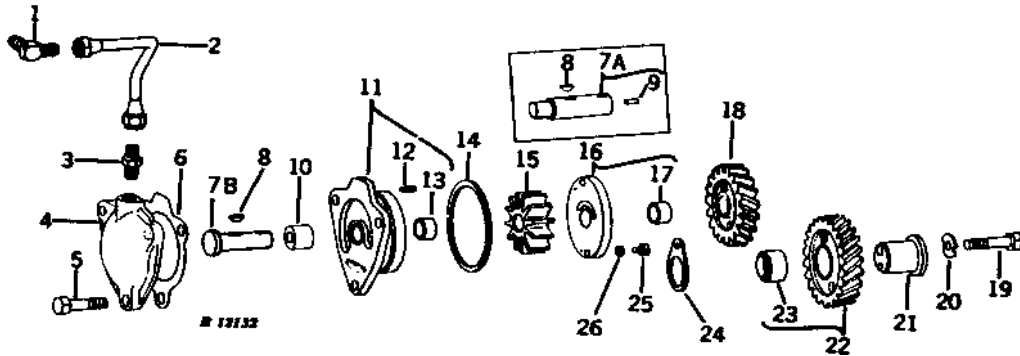
3020L (123000- ) TRACTOR SERIAL NO.

# 1D1

ENGINE

## VENTILATOR PUMP (DIESEL)

R12132 -UN-12OCT94



KEY	PART NO.	PART NAME	QTY	ENGINE SERIAL NO.	REMARKS
1	M42830	ELBOW FITTING	1	020111-	90°, (SUB FOR AR26635)
2	AR30450	HYDRAULIC LINE	1	020111-	
3	R26127	BUSHING	1	-020110	
	R26892	FITTING	1	020111-	
4	AR26391	COVER	1	-020110	(NLA) (MARKED R26408)
	R31346	COVER	1	020111-	(NLA)
5	R41920	CAP SCREW	3		(SUB FOR R27207)
6	R31340	GASKET	1		(SUB FOR R26141)
7A	AR26390	SHAFT	1	-083999	(SUB AR40405)
7B	AR40405	SHAFT	1	084000-	
8	26H70	SHAFT KEY	2		1/8" X 1/2"
9	B2641R	DOWEL PIN	1		(USED WITH AR26390)
10	R26407	SPACER	1	-083999	(SUB AR40405)
11	AR26339	HOUSING	1	-020110	(MARKED R26133) (SUB AR30444)
	AR30444	HOUSING	1	020111-	(MARKED R31337)
12	34H245	SPRING PIN	2		1/8" X 5/8"
13	R30713	BUSHING	1		(3010)
14	R40777	WASHER	1		(SUB FOR R39954)
	R40776	WASHER	1		(SUB FOR R26142) (3020E)
15	R26135	IMPELLER	1		
16	AR26341	COVER	1		(MARKED R26136) (NLA)
17	R30713	BUSHING	1		
18	R26138	GEAR	1		
19	19H3181	CAP SCREW	1		3/8" X 2"
20	R26403	LOCK PLATE	1		
21	R26401	SHAFT	1		
22	AR26389	GEAR	1		(MARKED R26399)
23	R30712	BUSHING	1		
24	R26402	WASHER	1		
25	19H2925	SCREW	2		NO. 10 X 1/2", (SUB FOR R27206)
26	12H246	LOCK WASHER	2		0.190", (SUB FOR A767R)

3020E ( -122999)

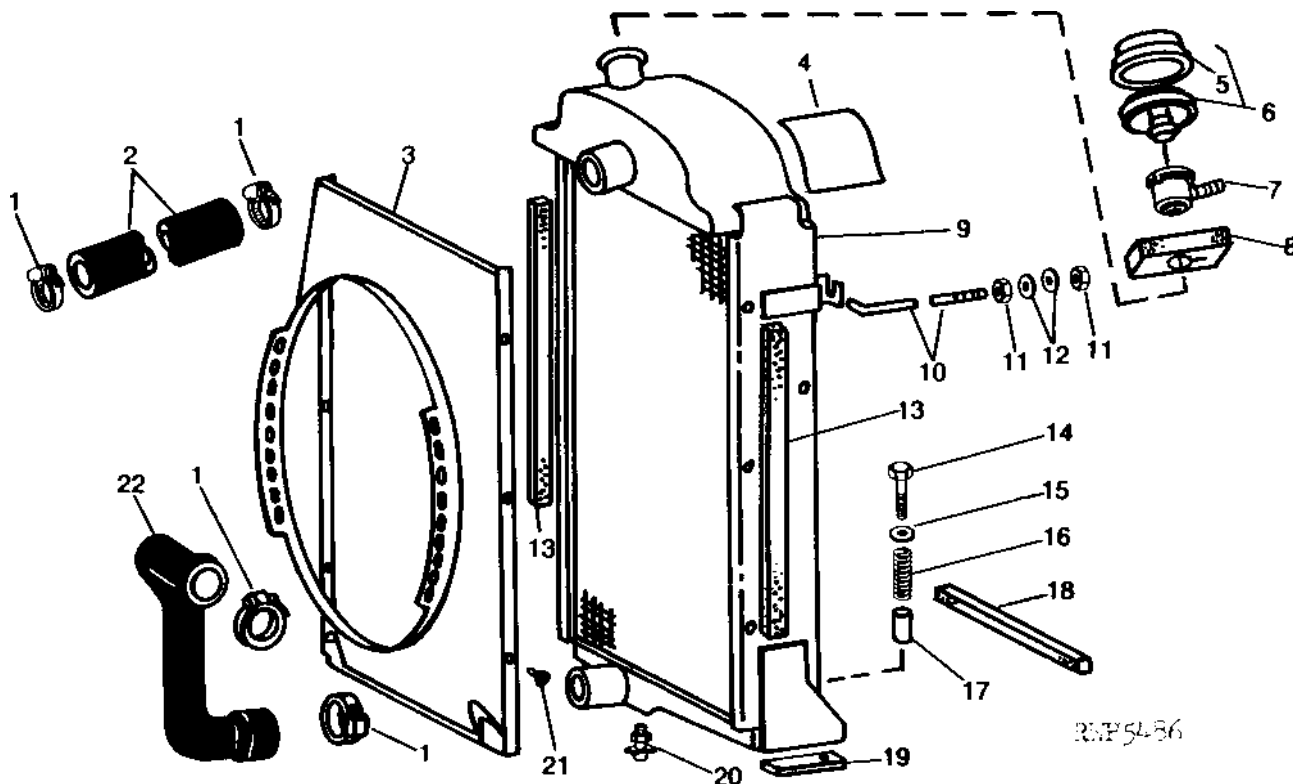


# 1D2

ENGINE

RWP5486 -UN-01JAN94

## RADIATOR



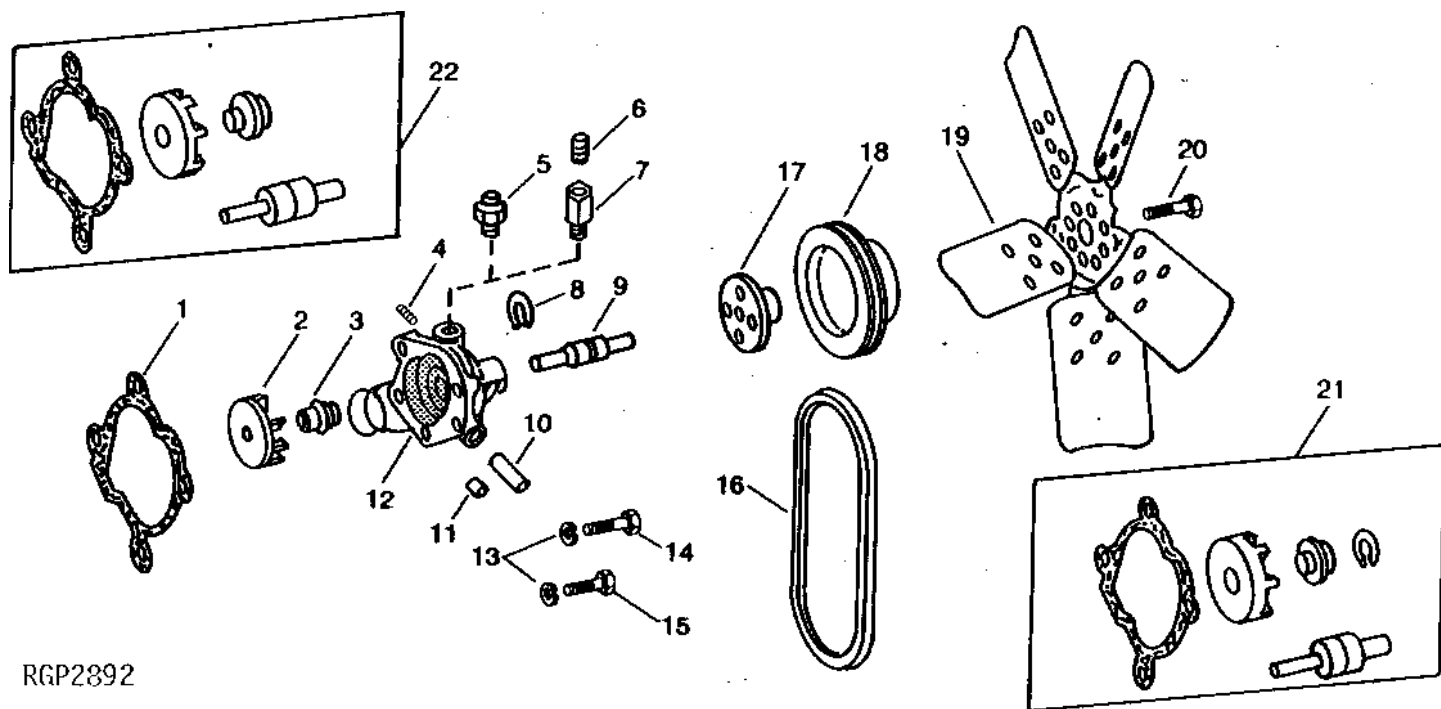
KEY	PART NO.	PART NAME	QTY	ENGINE SERIAL NO.	REMARKS
1	AR21840	CLAMP	4		
2	R26475	HOSE	1		
3	R34255	SHROUD	1		
4	.....	ISOLATOR	1		3 X 102 X 140MM (1/8" X 4" X 5-1/2") (MAKE FROM R30597)
5	R27209	COVER	1		
6	AR28482	CAP	1		
7	RE15427	FILLER NECK	1		
8	R28015	FOAM PAD	1		
9	AR46016	RADIATOR	1		(SUB FOR AR40831)
10	R35437	HOOK BOLT	1		L.H. (SUB FOR R42961)
	R39517	ROD	1		R.H.
11	14H1076	NUT	4		3/8" HS, SAE 8
12	24H1305	WASHER	4		13/32" X 13/16" X 0.065"
13	.....	FOAM PAD	2		13 X 25 X 495MM (1/2" X 1" X 19-1/2") (MAKE FROM R30936)
14	19H2549	CAP SCREW	2		3/8" X 1-7/8"
15	24H1309	WASHER	2		13/32" X 1-1/16" X 0.120"
16	F2411R	SPRING	2		
17	R26417	SPACER	2		
18	.....	FOAM PAD	1		25 X 25 X 406MM (1" X 1" X 16") (MAKE FROM R30937)
19	R26413	STRAP	2		
20	AT13740	DRAIN VALVE	1		
21	37H79	SCREW	6		1/4" X 5/8"
22	R26472	HOSE	1		

# 1D3

ENGINE

## FAN AND WATER PUMP (GASOLINE AND LP-GAS)

RGP2892 -UN-01JAN94



RGP2892

KEY	PART NO.	PART NAME	QTY	ENGINE SERIAL NO.	REMARKS
1	R26331	GASKET	1		
2	R40978	IMPELLER	1		(A) (USE WITH R26326, R34976 OR R34981) (SUB FOR R26328, AR31896, R26328 OR R31425) (ALSO ORDER AR62933)
3	R41321 AR62933	IMPELLER SEAL KIT	1 1		(B) (USE WITH R41313, R41317 OR R44119) (SUB FOR AR40698, AF2057R OR R32622) (ALSO ORDER R40978)
4	AR101549 15H559	SEAL KIT PIPE PLUG	1 1	091618- 068000-112014	(SUB FOR AR41691, APPL) 1/4", (3020E)
5	15H559 R26892 R26892	PIPE PLUG FITTING FITTING	1 1 1		1/4", (3020L) (3010, 3020L) (3020E)
6	15H624	PIPE PLUG	1	-067999	1/2", (3020L)
7	R41285	ADAPTER	1		(3020L)
8	R1529R	RETAINER	1		
9	JD9212 JD9355	BALL BEARING BEARING	1 1		(A) (B)
10	R34985 R27548	LINE TUBE	1 1	068000-112014	COMPLETE, (3020E) (3020L)
11	R34987 R28746	CAP CAP	1 1	-067999	(3020E) (NLA) (3020L)
12	AR45330	WATER PUMP	1		(MARKED R26326, R34976, R34981, R41317, R44116 OR R44119) (SUB FOR AR26380, AR31262, AR31894, AR34855 OR AR44378)
13	12H304	LOCK WASHER	4		3/8"
14	19H1801	CAP SCREW	1		3/8" X 2"
15	19H1800	CAP SCREW	3		3/8" X 1-1/2"
16	R41627	BELT	1		(SUB FOR R26606)

# 1D4

ENGINE

**FAN AND WATER PUMP - CONTINUED  
(GASOLINE AND LP-GAS)**

KEY	PART NO.	PART NAME	QTY	ENGINE SERIAL NO.	REMARKS
17	R40662	HUB	1		(SUB FOR R26329)
18	R40211	PULLEY	1		(SUB FOR R26334 OR AR40148)
19	AR34450	FAN	1		(SUB FOR AR26422)
20	19H2284	CAP SCREW	4		3/8" X 7/8"
21	AR55616	KIT	1		(A) REPAIR
22	AR55618	KIT	1		(B) REPAIR, (USE WITH R41313, R41317, R44116, R44119 OR R48742)
..	T13119	O-RING	2		WATER BYPASS TUBE

(A) USE WITH R26326, R34976 OR R34981

(B) USE WITH R41313, R41317, R44116 OR R44119

3020E ( -122999)

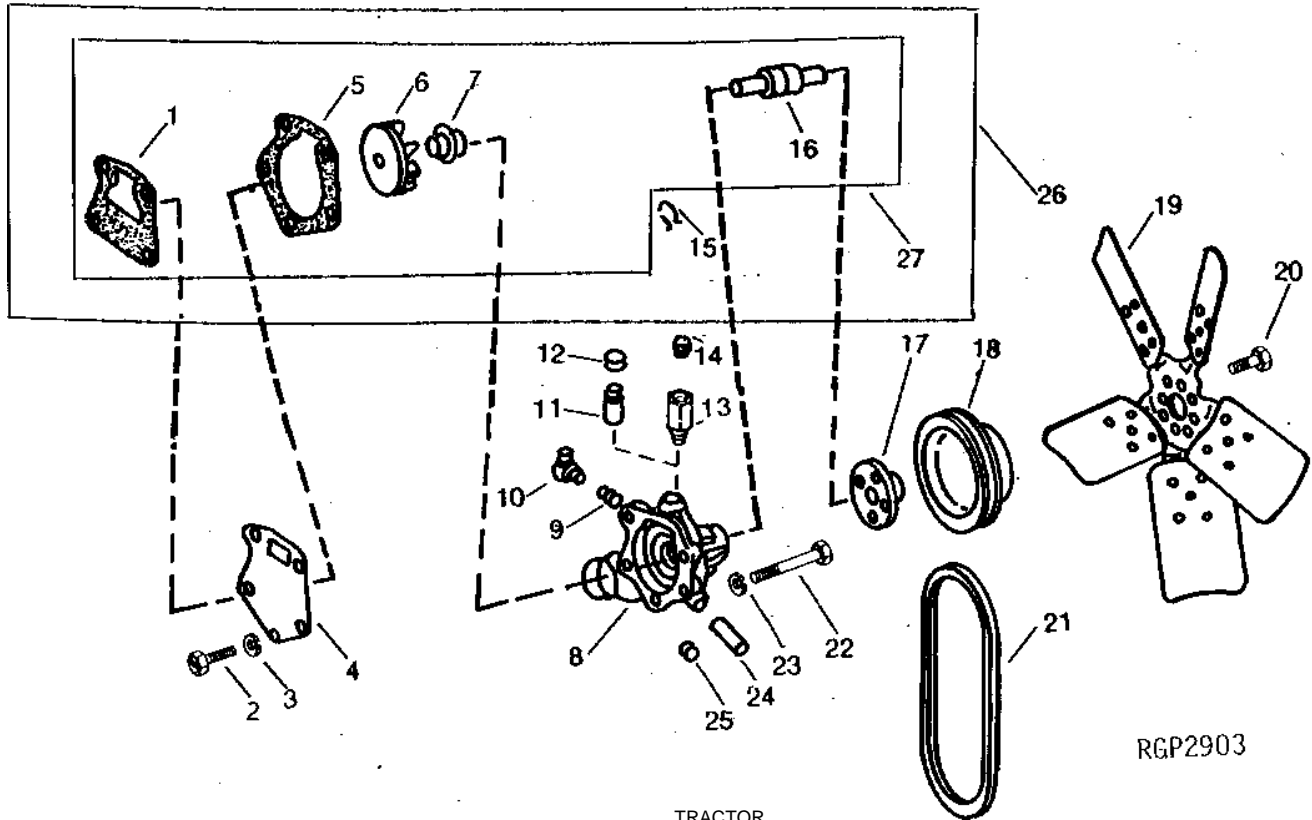
3020L (123000- )

# 1D5

ENGINE

## FAN AND WATER PUMP (DIESEL)

RGP2903 -UN-01JAN94



RGP2903

KEY	PART NO.	PART NAME	QTY	TRACTOR SERIAL NO.	REMARKS
1	R26341	GASKET	1		
2	21H1225	SCREW	1	5/16" X 3/4"	
3	12H323	LOCK WASHER	1	5/16"	
4	R26340	COVER	1		
5	R26343	GASKET	1		
6	R40979	IMPELLER	1		(ALSO ORDER AR62933) (SUB FOR R26338, AR30519, AR31897 OR R31427)
7	AR62933	SEAL KIT	1		(ALSO ORDER R40979) (SUB FOR AF2057R, R32622 OR AR40698) (CONTAINS RE62290, R32174 AND R40243)
8	AR45332	WATER PUMP	1		COMPLETE, (MARKED R26337, R34977, R27547, R34982, R41318, R41315 OR R44122) (SUB FOR AR27933, AR27931, AR31895, AR34856, AR40923, AR31264 OR AR44379)
	TY6740	WATER PUMP	1		(REMANUFACTURED)
9	15H559	PIPE PLUG	1	068000-112014	1/4"
10	M42830	ELBOW FITTING	1	-067999	90°, (SUB FOR AR26635)
11	R34986	TUBE	1	068000-112014	
12	R34987	CAP	1	-067999	(NLA)
13	R41285	ADAPTER	1		(3020L)
14	15H624	PIPE PLUG	1		1/2", (3020L)
15	R1529R	RETAINER	1	-089429	(DO NOT USE W/R40970)
16	JD9212	BALL BEARING	1		(USE WITH R27547, R26337, R34977 OR R34982) (INCLUDED IN AR55617)
	JD9355	BEARING	1		(USE WITH R41315, R41318 OR R44122) (INCLUDED IN AR55619)
17	R40662	HUB	1		(SUB FOR R26329)
18	R40211	PULLEY	1		(SUB FOR R26334)
19	AR34450	FAN	1		
20	19H2284	CAP SCREW	4	3/8" X 7/8"	

# 1D6

ENGINE

## FAN AND WATER PUMP - CONTINUED (DIESEL)

KEY	PART NO.	PART NAME	QTY	ENGINE SERIAL NO.	REMARKS
21	R41627	BELT	1		(SUB FOR R26607, R41628 OR R71459, APPL) (3020E, 3020L)
	R41681	BELT	1		(SUB FOR R26607, R41628 OR R71459) (3010)
22	19H1801	CAP SCREW	4		3/8" X 2"
	19H1765	CAP SCREW	4		3/8" X 1-3/4", (3020E)
23	12H304	LOCK WASHER	4		3/8"
24	R27548	TUBE	1		(3020E, 3020L)
25	R28746	CAP	1		(USE WITH AR31895)
26	AR55617	KIT	1		(USE WITH R27547, R26337, R34977 OR R34982)
27	AR55619	KIT	1		(USE WITH R41318 OR R44122)
..	T13119	O-RING	2		(WATER BYPASS TUBE)

3020E ( -122999)

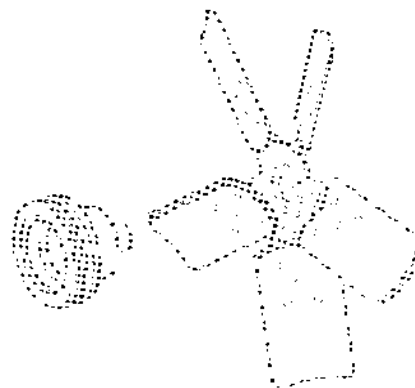
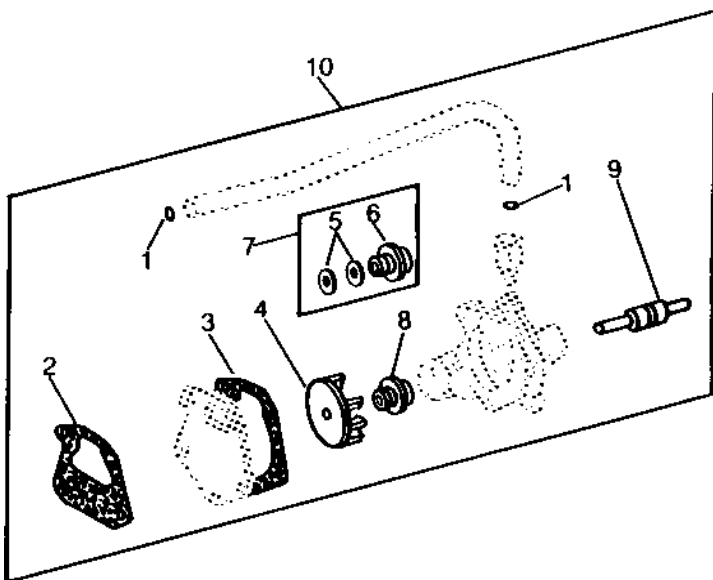
3020L (123000- )

# 1D7

ENGINE

## WATER PUMP REPAIR KIT (DIESEL)

RGP1134 -UN-02JAN94



RGPI1 34

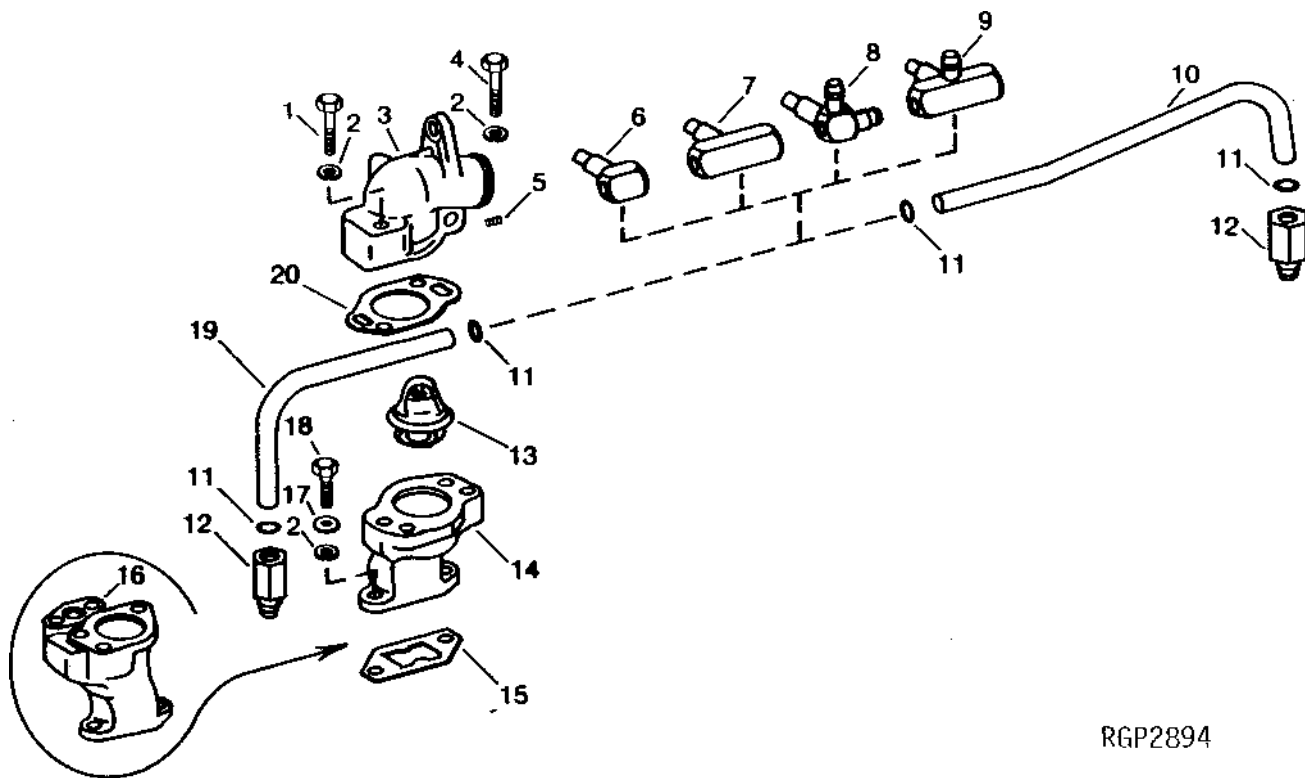
KEY	PART NO.	PART NAME	QTY	ENGINE SERIAL NO.	REMARKS
1	T13119	O-RING	2		
2	R26341	GASKET	1		
3	R26343	GASKET	1		
4	R40979	IMPELLER	1		
5	AR41691	INSERT	1		(SUB AR101549)
6	T27261	SEAL	1		(SUB AR101549)
7	AR62934	SEAL	1		(SUB AR101549)
8	AR101549	SEAL KIT	1		
9	JD9257	BALL BEARING	1		
10	AR98564	KIT	1		(SUB FOR AR55620)

# 1D8

ENGINE

## THERMOSTAT HOUSING, THERMOSTAT AND WATER BYPASS LINE (ENGINE SERIAL NO. 112015- )

RGP2894 -UN-09DEC94



RGP2894

KEY	PART NO.	PART NAME	QTY	ENGINE SERIAL NO.	REMARKS
1	19H1765	CAP SCREW	1	(A) (C) 3/8" X 1-3/4", (FUEL)	
	19H1800	CAP SCREW	1	(B) 3/8" X 1-1/2"	
	19H1801	CAP SCREW	1	3/8" X 2", (USE WITH AR45483)	
2	12H304	LOCK WASHER	4	3/8"	
3	AR45483	COVER	1	(MARKED R34988, R34989, R44233 OR R44234) (SUB FOR AR40898) (NLA)	
4	19H1732	CAP SCREW	1	(A) (C) 3/8" X 1-1/4"	
	19H1800	CAP SCREW	1	(B) 3/8" X 1-1/2"	
	19H1765	CAP SCREW	1	(A) (C) 3/8" X 1-3/4", (USE WITH AR45483)	
5	15H559	PIPE PLUG	1	1/4"	
6	AR40902	ELBOW FITTING	NA	(NLA)	
7	AR45484	TEE FITTING	1	(A) (C) (3020L)	
8	AR40903	ELBOW FITTING	1	(B) 90° (NLA) (3020E)	
9	AR45485	TEE FITTING	1	(B) (3020L) (NLA)	
10	R41283	LINE	1	(A) (B) (SUB FOR R39504 ON 3020L) (NLA)	
	R41284	LINE	1	(C) (SUB FOR R39504 ON 3020L)	
11	T13119	O-RING	4		
12	R41285	ADAPTER	1		
13	R36847	THERMOSTAT	1	RANGE 71°-83° C. (160°-182° F.)	
	R36846	THERMOSTAT	1	RANGE 82°-94° C. (180°-202° F.)	
14	AR44840	HOUSING	1	(A) (C) (MARKED R41853 OR R42644)	
15	R88397	GASKET	1	(SUB FOR R42693)	
16	R26469	HOUSING	1	(B) (NLA)	
17	24H1303	WASHER	2	(A) (C) 13/32" X 11/16" X 0.065", (NLA)	
18	19H1731	CAP SCREW	2	(B) 3/8" X 1"	
	19H1732	CAP SCREW	2	(A) (C) 3/8" X 1-1/4"	
19	R44237	LINE	1	(3020L)	
20	R42694	GASKET	1		

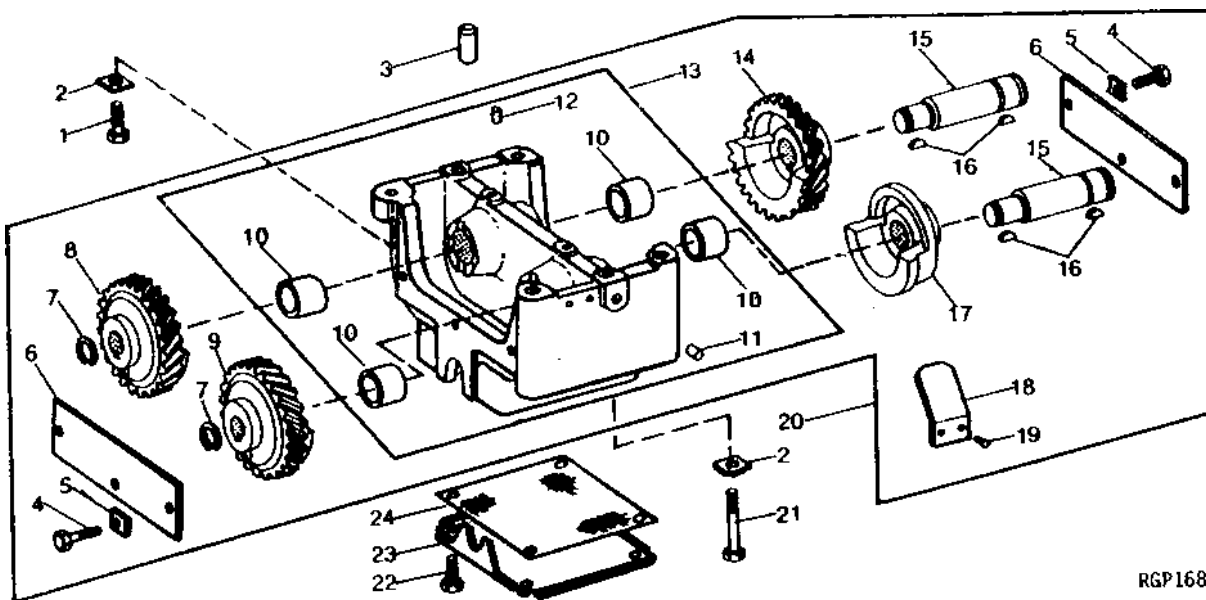
- (A) GASOLINE
- (B) LP GAS
- (C) DIESEL
- 3020 (E) ( -122999)
- 3020 (L) (123000- )

# 1D9

ENGINE

## ENGINE BALANCER

RGP1687 -UN-12DEC94



RGP1687

KEY	PART NO.	PART NAME	QTY	ENGINE SERIAL NO.	REMARKS
1	19H1777	CAP SCREW	1	1/2" X 1-3/4"	
2	R32214	WASHER	4		
3	34H366	SPRING PIN	2	1/2" X 1"	
4	19H2020	CAP SCREW	6	5/16" X 1/2"	
5	T13857	LOCK PLATE	6		
6	R27097	PLATE	2		
7	B169R	SNAP RING	2		
8	R41277	GEAR	1		(A) (NLA) (SUB FOR R26846) (MARKED R26846 OR R41277)
	R41273	GEAR	1		(B) (SUB FOR R26848) (MARKED R26848 OR R41273)
9	R41276	HELICAL GEAR	1		(A) (NLA) (SUB FOR R26845) (MARKED R26845 OR R41276)
	R41272	GEAR	1		(B) (SUB FOR R26847) (MARKED R26847 OR R41272)
10	R30784	BUSHING	4		
11	R726R	DOWEL PIN	1		
12	F1743R	DOWEL PIN	2		
13	AR48522	HOUSING	1		(B) (MARKED R41269) (USE WITH R46430 OR R49540) (SUB FOR AR40897)
	AR48521	HOUSING	1		(A) (B) (MARKED R26850) (USE WITH R26160, R32020 OR R40850)
14	R41279	GEAR	1		(A) (NLA) (SUB FOR R27098) (MARKED R27098 OR R41279)
	R41275	GEAR	1		(B) (SUB FOR R27099) (MARKED R27099 OR R41275)
15	R27096	BALANCER SHAFT	2		
16	26H72	SHAFT KEY	4	1/8" X 5/8"	
17	R41278	WEIGHT	1	(A) (NLA)	
	R41274	WEIGHT	1	(B)	
18	R41271	DEFLECTOR	1		
19	37H44	SCREW	2	0.154" X 3/8"	
20	AR42648	HOUSING	1		(B) (MARKED R41269) (USE WITH R46430 OR R49540)
	.....	HOUSING	NA		(NOT AVAILABLE W/MARKED R26260, R32020 OR R40850)
21	R83569	CAP SCREW	3	1/2" X 4-1/2"	
22	19H1813	CAP SCREW	4	5/16" X 5/8"	
23	R26844	FRAME	1		
24	R34182	SCREEN	1		(USE WITH R34183)
..	R34183	TUBE	1		(OIL PUMP INTAKE)

(A) GASOLINE (B) DIESEL

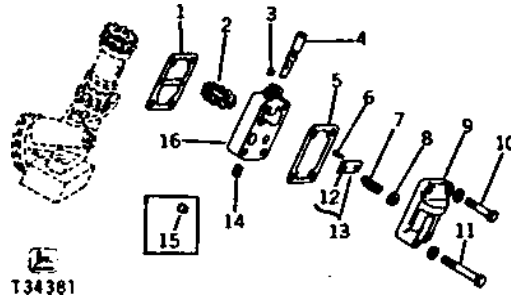


# 1D10

ENGINE

T34381 -UN-09DEC94

## OIL PRESSURE REGULATOR AND TACHOMETER DRIVE



KEY	PART NO.	PART NAME	QTY	ENGINE SERIAL NO.	REMARKS
1	R44853	GASKET	1		(SUB FOR R26174)
2	R26171	GEAR	1	-032999	
	R32426	GEAR	1	033000-	(USE WITH R33777 OR R46427) (NOT INCLUDED W AR45953)
3	26H3	SHAFT KEY	1		3/32" X 3/8"
4	R26172	SHAFT	1		
5	R26173	GASKET	1		
6	16H644	RIVET	1		1/4" X 1/2"
7	R26169	SPRING	1		
8	24M7096	WASHER	1		0.413" X 0.709" X 0.063"
9	AR26351	HOUSING	1		(MARKED R26167) (3010, 3020E)
	R26168	SCREW	1		(USE WITH R26167) (3010, 3020E)
	A3098	WASHER	2		(USE WITH R26167) (3010, 3020E)
	14H732	NUT	1		3/8", (USE WITH R26167) (3010, 3020E)
	B427R	CAP SCREW, AND NUT	1		(USE WITH R26167) (3010, 3020E)
	AR41108	HOUSING	1		(MARKED R41452) (3020L)
10	19H2549	CAP SCREW	3		3/8" X 1-7/8"
	24H1303	WASHER	3		13/32" X 11/16" X 0.065"
11	19H1944	CAP SCREW	1		3/8" X 2-3/4", (3010, 3020E)
	19H2733	CAP SCREW	1		3/8" X 2-3/8", (SUB FOR R41453) (3020L)
	24H1303	WASHER	1		13/32" X 11/16" X 0.065"
12	D2425R	PIN	1		
13	AB3453R	LEAF SPRING	1		
14	15H559	PIPE PLUG	1		1/4"
15	F1743R	DOWEL PIN	2		(USE WITH AR45952) (NOT INCLUDED IN AR45953)
16	AR45953	HOUSING	1		(MARKED R26170 OR AR45953) (SUB FOR AR26353 OR AR45952) (NOT W/ F1743R OR R32426)

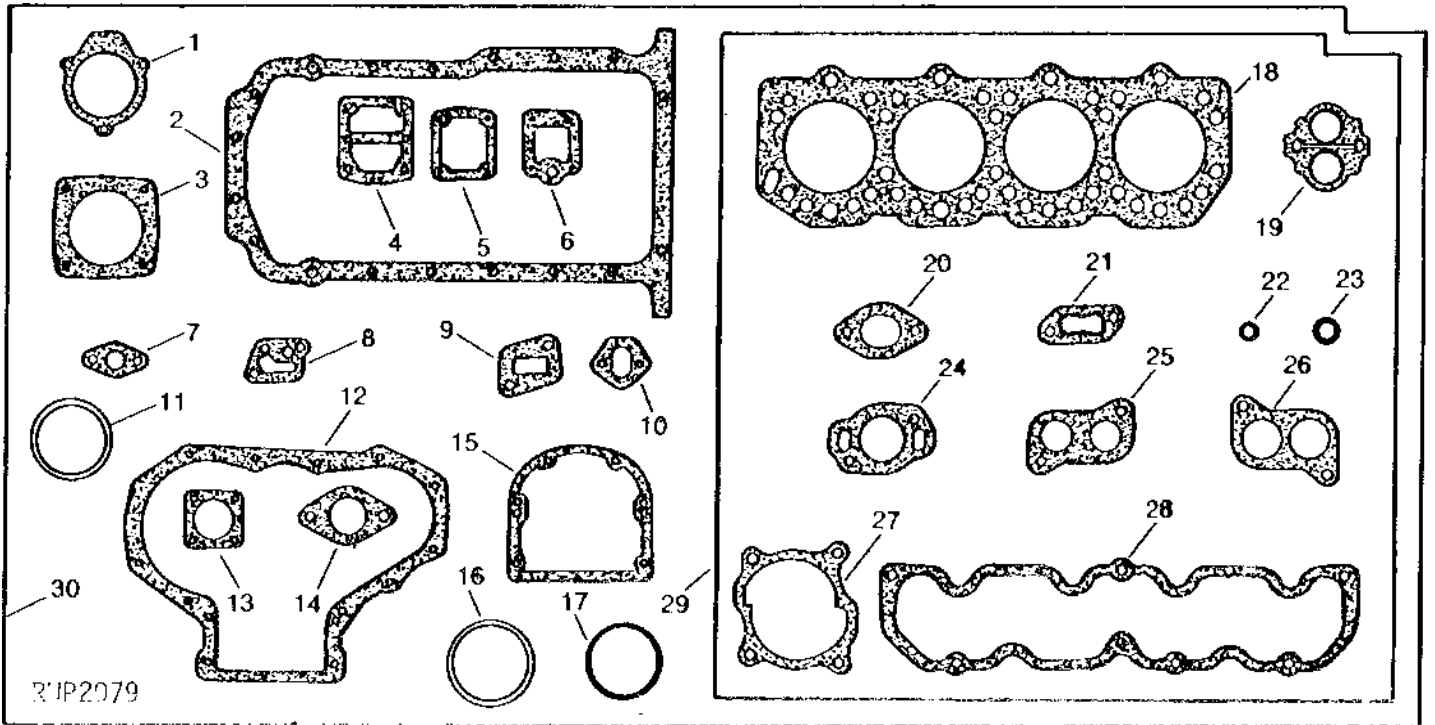
3020E ( -122999)  
 3020L (123000- )

# 1D11

ENGINE

RWP2079 -UN-01JAN94

## GASKET KIT (GASOLINE AND LP-GAS)



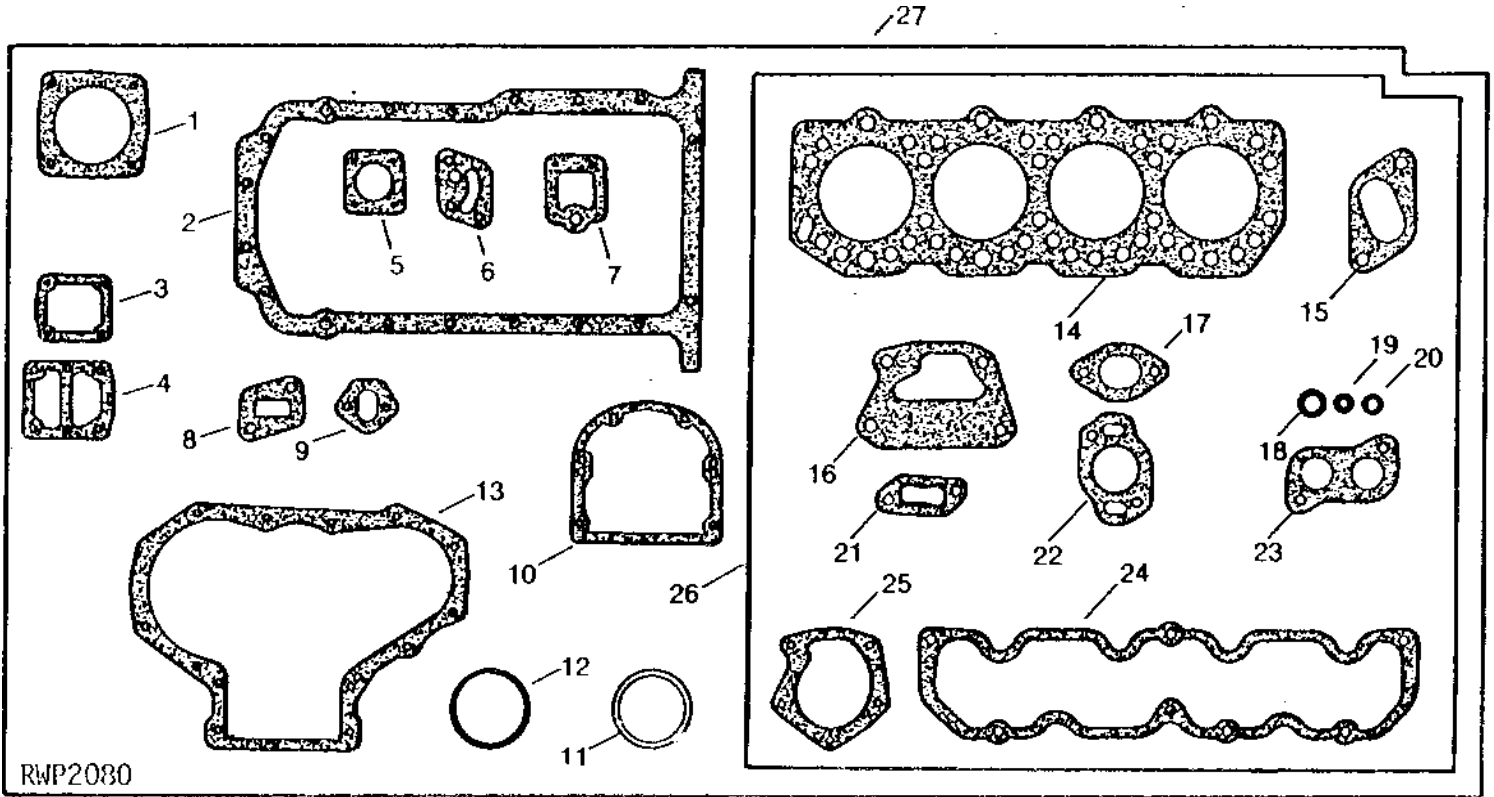
KEY	PART NO.	PART NAME	QTY	ENGINE SERIAL NO.	REMARKS
1	R31340	GASKET	1		
2	R71917	GASKET	1		(SUB FOR R42423)
3	R26354	GASKET	1		
4	R44853	GASKET	1		(SUB FOR R26174)
5	R26173	GASKET	1		
6	R34109	GASKET	1		
7	R26738	GASKET	1		
8	R34110	GASKET	1		
9	R46192	GASKET	1		(SUB FOR R26826)
10	R97350	GASKET	1		(SUB FOR R27285)
11	R40777	WASHER	1		
12	R26084	GASKET	1		
13	R32123	GASKET	1		
14	R26499	GASKET	1		
15	R26058	GASKET	1		
16	B3586R	WASHER	1		
17	R26163	O-RING	1		
18	R41608	ENGINE CYLINDER HEAD GASKET	1		
19	R100641	GASKET	2		(SUB FOR R31053)
20	R83021	GASKET	2		(SUB FOR R44374)
21	R88397	GASKET	1		(SUB FOR R42693)
22	R87627	O-RING	8		(SUB FOR (4) R27976)
23	R495R	O-RING	1		
24	R42694	GASKET	1		
25	R26291	GASKET	2		
26	R83020	GASKET	1		(SUB FOR R44373)
27	R26331	GASKET	1		
28	R49865	GASKET	1		(SUB FOR R26745 OR R32592)
29	AR53030	GASKET KIT	1		(SUB FOR AR44037) (NO LONGER AVAILABLE)
30	AR53031	GASKET	1		

# 1D12

ENGINE

RWP2080 -UN-01JAN94

## GASKET KIT (DIESEL)



KEY	PART NO.	PART NAME	QTY	ENGINE SERIAL NO.	REMARKS
1	R26354	GASKET	1		
2	R71917	GASKET	1		(SUB FOR R42423)
3	R26173	GASKET	1		
4	R44853	GASKET	1		(SUB FOR R26174)
5	R32123	GASKET	1		
6	R34110	GASKET	1		
7	R34109	GASKET	1		
8	R46192	GASKET	1		(SUB FOR R26826)
9	R97350	GASKET	1		(SUB FOR R27285)
10	R26058	GASKET	1		
11	B3586R	WASHER	1		
12	R26163	O-RING	1		
13	R26084	GASKET	1		
14	R48292	ENGINE CYLINDER HEAD GASKET	1		(SUB FOR R41710) (USE W/7.5" TOP DECK)
15	R26297	GASKET	2		
16	R26341	GASKET	1		
17	R83021	GASKET	2		(SUB FOR R44374)
18	R495R	O-RING	1		
19	R87627	O-RING	8		(SUB FOR (4) R27976)
20	T20055	WASHER	8		
21	R88397	GASKET	2		(SUB FOR R42693)
22	R42694	GASKET	1		
23	R83020	GASKET	1		(SUB FOR R44373)
24	R49865	GASKET	1		(SUB FOR R26745 OR R32592)
25	R26343	GASKET	1		
26	AR53034	GASKET KIT	1		(SUB FOR AR44035) (CYLINDER HEAD)
27	AR53035	GASKET	1		(ENGINE REBUILD)

---

MEMORANDA

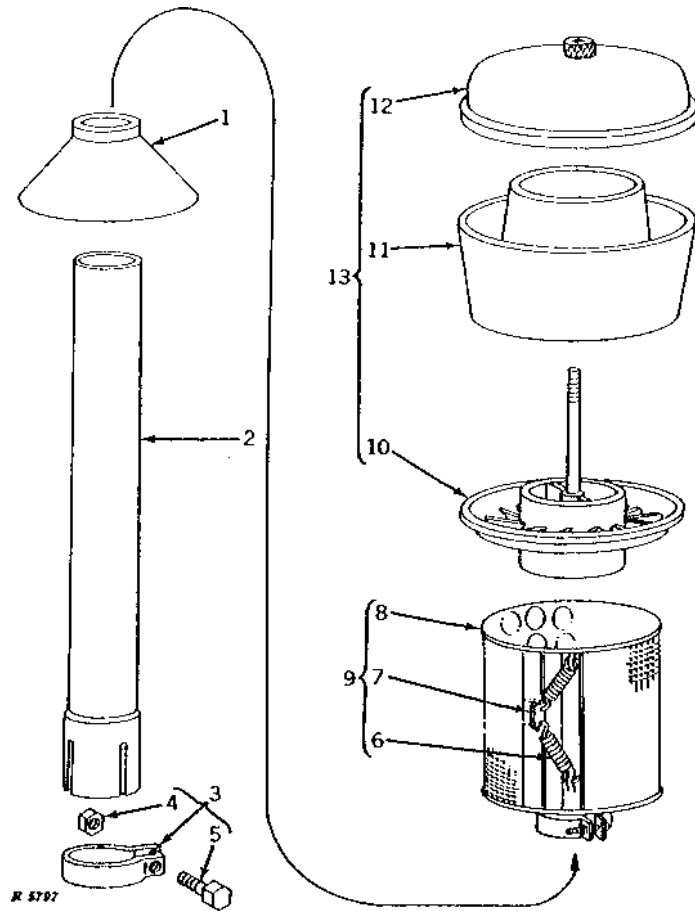
# 1D16

FUEL AND AIR

R5797

-UN-01JAN94

## PRE-CLEANER AND PRE-SCREENER



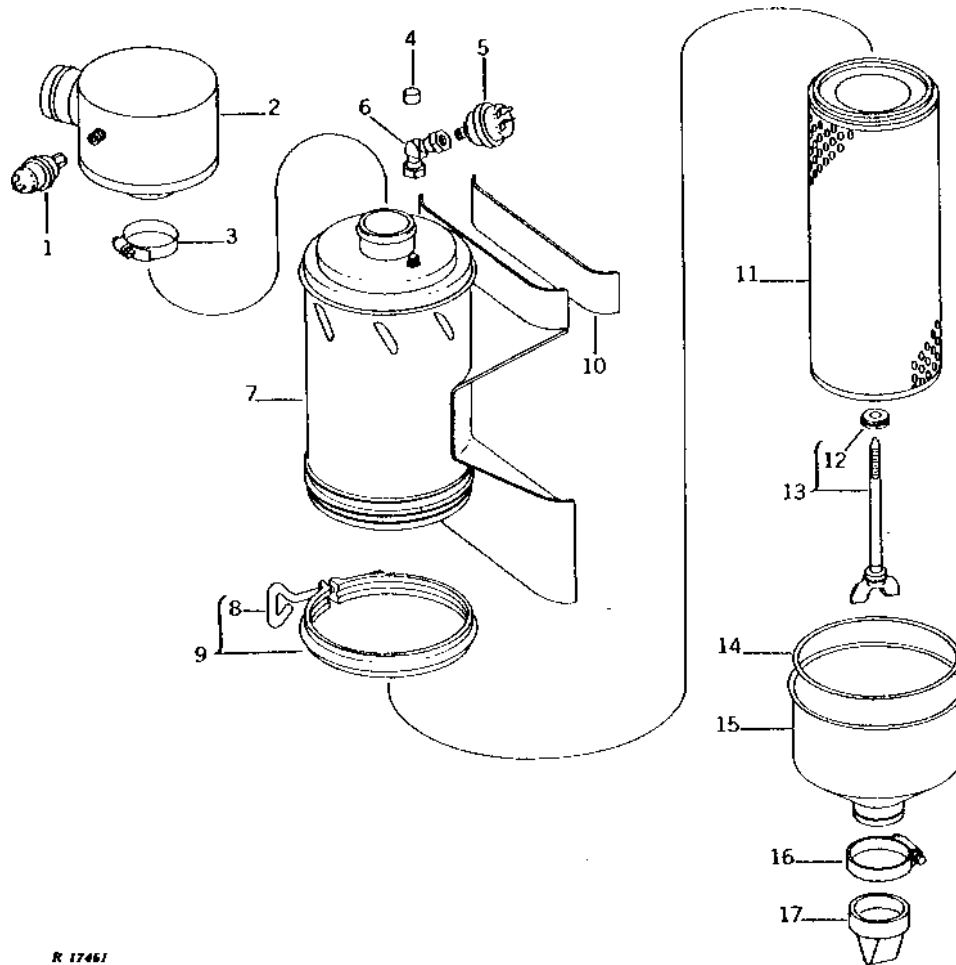
KEY	PART NO.	PART NAME	QTY	TRACTOR SERIAL NO.	REMARKS
1	R28798	SEAL	1		
2	R34604	AIR INTAKE STACK	1		
3	AR26929	CLAMP	1		
4	14H1076	NUT	1	3/8"	
5	19H2461	CAP SCREW	1	3/8" X 1-1/4"	
6	R21644	SPRING	2		
7	R21645	RETAINER	1		
8	AR21790	SCREEN	1		
9	<b>AR27158</b>	<b>PRESCREENER</b>	1	<b>(FI)</b>	
10	AR28073	BASE	1		
11	R28794	DUST BOWL	1		
12	AL37364	COVER	1		(SUB FOR AF3583R)
13	AR26811	PRESCREENER	1		PRE-CLEANER

# 1D17

FUEL AND AIR

R17461 -UN-01JAN94

## DRY AIR CLEANER (TRACTORS LESS PRE-CLEANER) (GASOLINE AND DIESEL)



R 17461

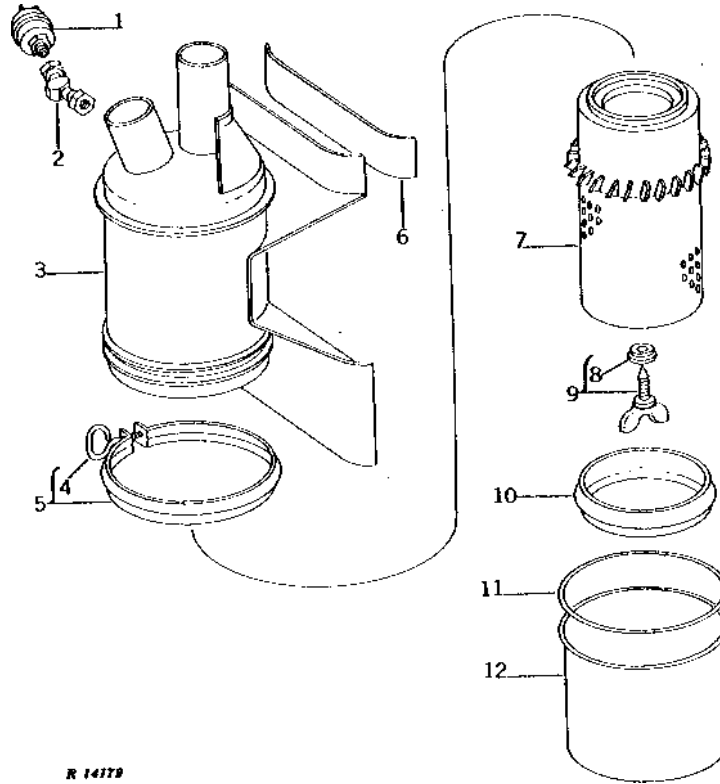
KEY	PART NO.	PART NAME	QTY	TRACTOR SERIAL NO.	REMARKS
1	AR50489	SWITCH	1	150001-	
2	AR51922	AIR CLEANER	1	150001-	
3	AR21999	CLAMP	1	150001-	
4	15H21	FITTING	1	150001-	1/8"
5	AR45184	SWITCH	1	-150000	
6	AR45204	ADAPTER	1	-150000	
7	AR50490	AIR CLEANER	1		(SUB FOR AR45679) (NLA)
8	R28633	BOLT	1		
9	AR34005	CLAMP	1		
10	.....	ISOLATOR	1		1.59MM X 50.8MM X 152.4MM (1/16" X 2" X 6") (MAKE FROM R30596) (ANTI-SQUEAK WEBBING)
	.....	ISOLATOR	1		1.59MM X 101.6MM X 152.4MM (1/16" X 4" X 6") (MAKE FROM R30596) (ANTI-SQUEAK WEBBING)
11	AR46481	FILTER ELEMENT	1		
12	R39825	SEAL	1		
13	AR46975	BOLT	1		
14	R42636	O-RING	1		
15	R45128	DUST BOWL	1		
16	AR21841	CLAMP	1		(SUB TY22473)
17	R53605	VALVE	1		(SUB FOR R45092)
	R56902	LABEL	1	-XXXXXX	(SUB FOR R48632)

# 1D18

FUEL AND AIR

R14179 -UN-01JAN94

## DRY AIR CLEANER (TRACTORS WITH PRE-CLEANER)



R 14179

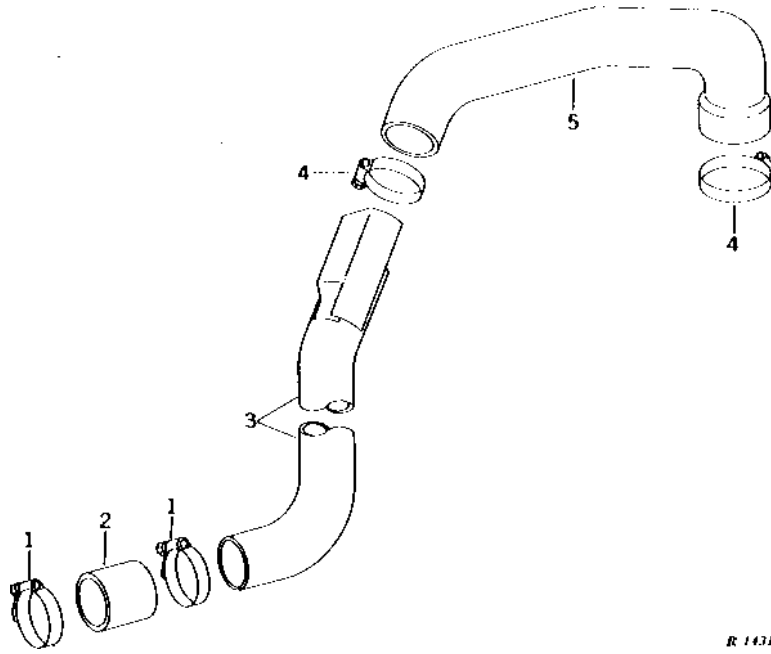
KEY	PART NO.	PART NAME	QTY	TRACTOR SERIAL NO.	REMARKS
1	AR45184	SWITCH	1		
2	AR45204	ADAPTER	1		
3	AR46147	AIR CLEANER	1	(A) (NLA)	
	AR46148	AIR CLEANER	1	(B) (NLA)	
4	B1569R	BOLT	1	(A)	
	R28633	BOLT	1	(B)	
5	AH20854	CLAMP	1	(A)	
	AR34005	CLAMP	1	(B)	
6	.....	ISOLATOR	1	(A) 1.59MM X 50.8MM X 101.6MM (1/16" X 2" X 4") (MAKE FROM R30596) (ANTI-SQUEAK WEBBING)	
	.....	ISOLATOR	2	(B) 1.59MM X 50.8MM X 101.6MM (1/16" X 2" X 4") (MAKE FROM R30596) (ANTI-SQUEAK WEBBING)	
	.....	ISOLATOR	1	(A) 1.59MM X 101.6MM X 152.4MM (1/16" X 4" X 6") (MAKE FROM R30596) (ANTI-SQUEAK WEBBING)	
7	AH19848	FILTER ELEMENT	1	(A)	
	AR39798	FILTER ELEMENT	1	(B)	
8	R39825	SEAL	1		
9	AT18674	BOLT	1		
10	AH20857	ISOLATOR	1	(A)	
	AH20858	ISOLATOR	1	(B)	
11	R42635	O-RING	1	(A)	
	R42636	O-RING	1	(B)	
12	AR40470	DUST BOWL	1	(A)	
	R39826	DUST BOWL	1	(B) (SUB AT54179)	
..	R56902	LABEL	1	-XXXXXX (SUB FOR R48632) (DRY AIR CLEANER)	

(A) GASOLINE AND LP-GAS  
(B) DIESEL

# 1D19

R14319 -UN-01JAN94

## AIR INTAKE PIPE AND HOSES (GASOLINE AND LP-GAS)



KEY	PART NO.	PART NAME	QTY	TRACTOR SERIAL NO.	REMARKS
1	AR21840	CLAMP	2		
2	R26531	HOSE	1		(SUB FOR R26294)
3	AR45300	PIPE	1		(NLA)
4	AR21999	CLAMP	2		
5	R42955	HOSE	1	-150000	(SUB R42957) (GASOLINE)
	R47667	HOSE	1	150001-	(GASOLINE) (NO LONGER AVAILABLE)
	R40519	HOSE	1		(AIR CLEANER WITH PRE-CLEANER) (NLA)

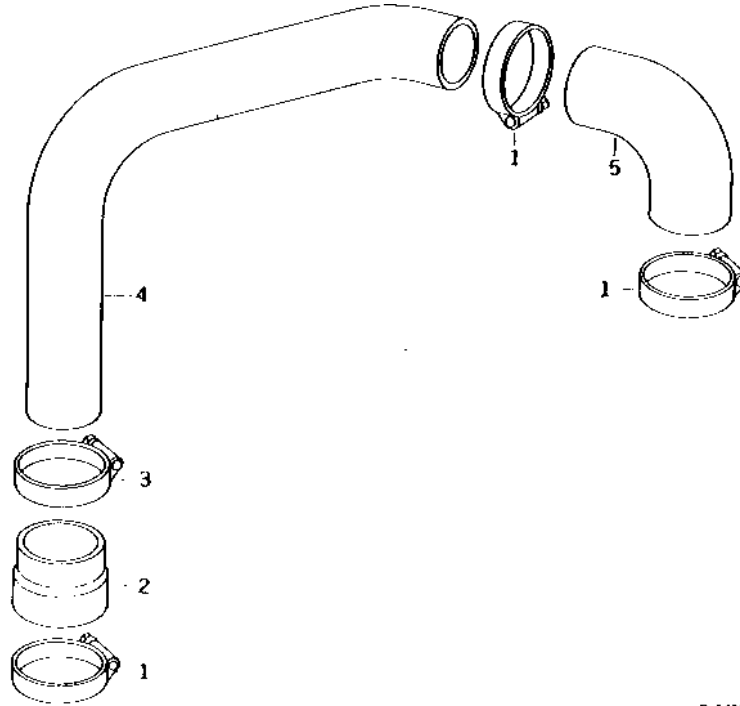


# 1D20

FUEL AND AIR

R14320 -UN-01JAN94

AIR INTAKE PIPE AND HOSES (DIESEL)  
(TRACTOR SERIAL NO. -150000)



R 14320

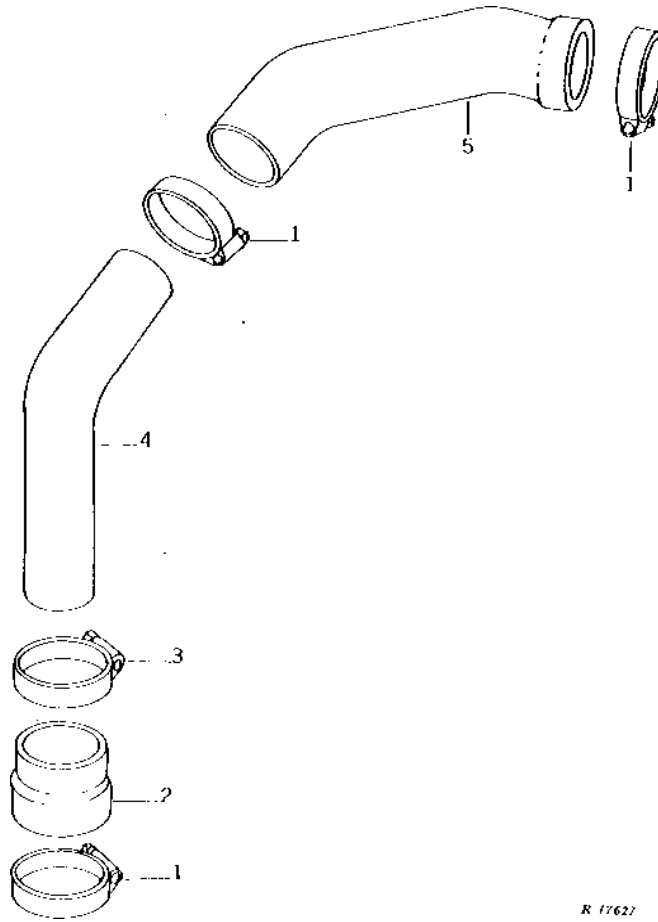
KEY	PART NO.	PART NAME	QTY	TRACTOR SERIAL NO.	REMARKS
1	AR21999	CLAMP	2		
2	R33901	HOSE	1		
3	AR21841	CLAMP	1		(SUB TY22473)
4	R42951	PIPE	1		(NLA)
	AR39535	PIPE	1		(AIR CLEANER WITH PRE-CLEANER) (NLA)
	15H558	PIPE PLUG	1		1/8"
5	R39623	HOSE	1		(SUB FOR R42956)

# 1D21

FUEL AND AIR

R17627 -UN-01JAN94

## AIR INTAKE PIPE AND HOSES (DIESEL) (TRACTOR SERIAL NO. 150001- )



R 17627

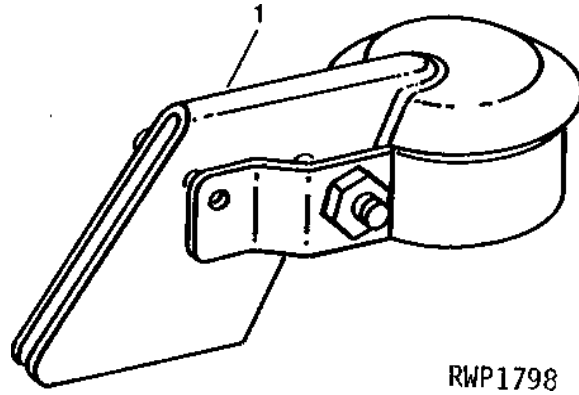
KEY	PART NO.	PART NAME	QTY	TRACTOR SERIAL NO.	REMARKS
1	AR21999	CLAMP	3		
2	R33901	HOSE	1		
3	AR21841	CLAMP	1		(SUB TY22473)
4	R47671	PIPE	1		(NLA)
	AR39535	PIPE	1		(AIR CLEANER WITH PRE-CLEANER) (NLA)
	15H558	PIPE PLUG	1		1/8"
5	R47668	HOSE	1		
	R39623	HOSE	1		(AIR CLEANER WITH PRE-CLEANER)

# 1D22

FUEL AND AIR

RWP1798 -UN-01JAN94

## EXHAUST MUFFLER COVER



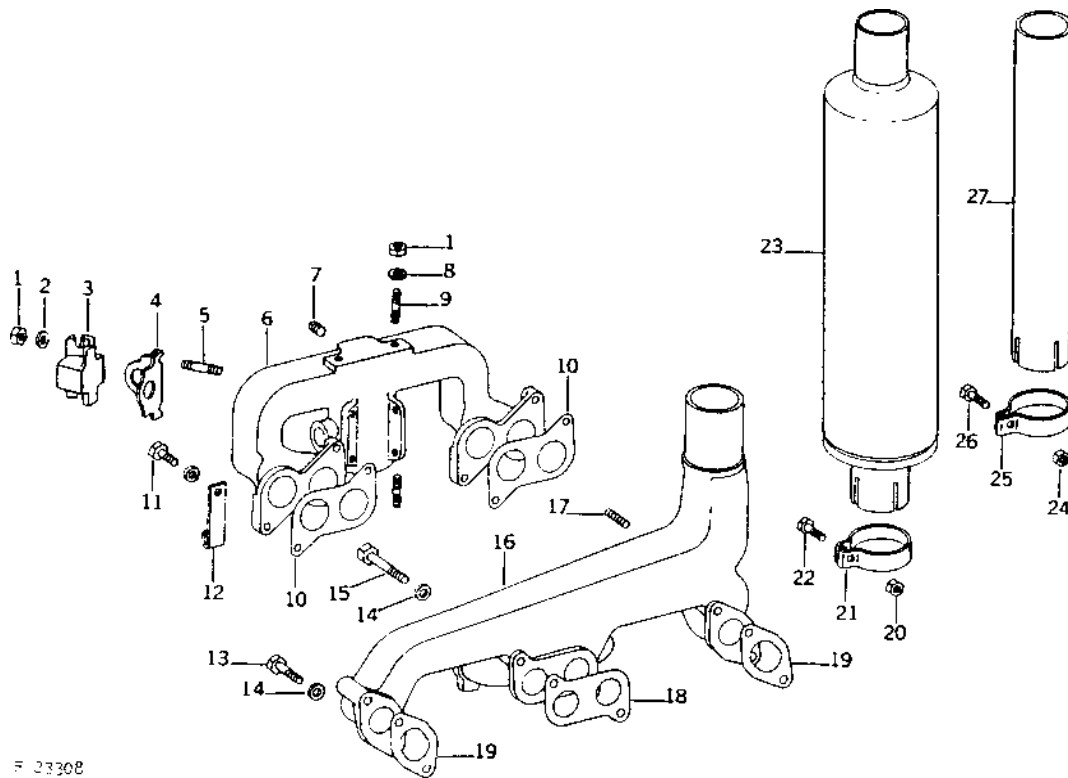
KEY	PART NO.	PART NAME	QTY	TRACTOR SERIAL NO.	REMARKS
1	AR86596	CAP	1	(SUB FOR AR45915, AR45918, AR47785 OR AR56783)	

# 1D23

FUEL AND AIR

## MANIFOLDS AND MUFFLER (GASOLINE)

R23308 -UN-12DEC94



F 23308

KEY	PART NO.	PART NAME	QTY	ENGINE SERIAL NO.	REMARKS
1	A4646R	NUT	6	9.525 MM (3/8")	
2	M72490	WASHER	4	10.300 X 21 X 2.500 MM (0.406" X 0.827" X 0.098") (SUB FOR R42729)	
3	R27610	VALVE	2		
4	R31053	GASKET	2	(SUB FOR R27611)	
5	R63431	STUD	4	9.525 X 55.626 MM (3/8" X 2.190") (SUB FOR R27612)	
6	AR56076	INTAKE MANIFOLD	1	(MARKED R27407 OR R33189) (SUB FOR AR30038 OR AR32156) (NLA) (SUB R33189, R56481, R63431 AND 15H638)	
	R33189	INTAKE MANIFOLD	1	(NLA)	
7	R104592	PIPE PLUG	1		
8	A4624R	WASHER	2	10.312 X 26.924 X 3.048 MM (13/32" X 1.060" X 0.120")	
9	R56481	STUD	2	(SUB FOR R26117 OR M3636T)	
10	R26291	GASKET	2		
11	19H1765	CAP SCREW	4	3/8" X 1-3/4"	
	12H304	LOCK WASHER	4	3/8"	
12	R28789	CLIP	1		
13	19H1765	CAP SCREW	3	3/8" X 1-3/4"	
	12H304	LOCK WASHER	3	3/8"	
14	R63845	WASHER	6		
15	19H1944	CAP SCREW	3	3/8" X 2-3/4"	
	12H304	LOCK WASHER	3	3/8"	
16	R27404	EXHAUST MANIFOLD	1	(RC, ST AND RU) (3010, 3020&)	
	R31744	EXHAUST MANIFOLD	1	(RC, RU AND OR) (MARKED R31744) (ALSO ORDER L851T) (SUB FOR AR31119) (USE WITH R31769) (NOT AS ILLUSTRATED) (3010, 3020L)	
17	L851T	STUD	2	11.125 X 41.500 MM (7/16" X 1.634") (USE WITH R31744 OR R31769) (RC, RU AND OR) (3010, 3020L)	
18	R83020	GASKET	1	(SUB FOR R26360 OR R44373)	
19	R83021	GASKET	2	(SUB FOR R26361 OR R44374)	
20	E55662	FLANGE NUT	1	3/8", (RC, ST AND RU)	

# 1D24

FUEL AND AIR

## MANIFOLDS AND MUFFLER - CONTINUED (GASOLINE)

KEY	PART NO.	PART NAME	QTY	ENGINE SERIAL NO.	REMARKS
21	AR26905	CLAMP	1		(RC, ST AND RU)
22	19H1800	CAP SCREW	1		3/8" X 1-1/2", (RC, ST AND RU)
23	AR26786	MUFFLER	1		(VERTICAL) (RC, ST AND RU) (3010, 3020E)
	R31406	MUFFLER	1		(HORIZONTAL) (NOT ILLUSTRATED) (RC, ST AND RU) (3010) (NLA)
	AR41172	MUFFLER	1		(NOT ILLUSTRATED) (SUB FOR AR26786 ON 3020L)
24	E55662	FLANGE NUT	1		3/8", (RC, ST AND RU)
25	R66684	CLAMP	1		(RC, ST AND RU) (SUB FOR AR26906, APPL) (3010, 3020L)
26	19H1732	CAP SCREW	1		3/8" X 1-1/4" (3020E, 3020L)
	19H1800	CAP SCREW	1		3/8" X 1-1/2" (3010)
27	AR27090	MUFFLER EXTENSION	1		(RC, ST AND RU)
	AR45916	MUFFLER EXTENSION	1		(SUB FOR AR27090 ON 3020L)
	R66683	EXHAUST PIPE	1		(NOT ILLUSTRATED) (SUB FOR AR46357 AND AR86807) (CAB) (ALSO ORDER R66684, 19H1732, 14H812) (3020L)

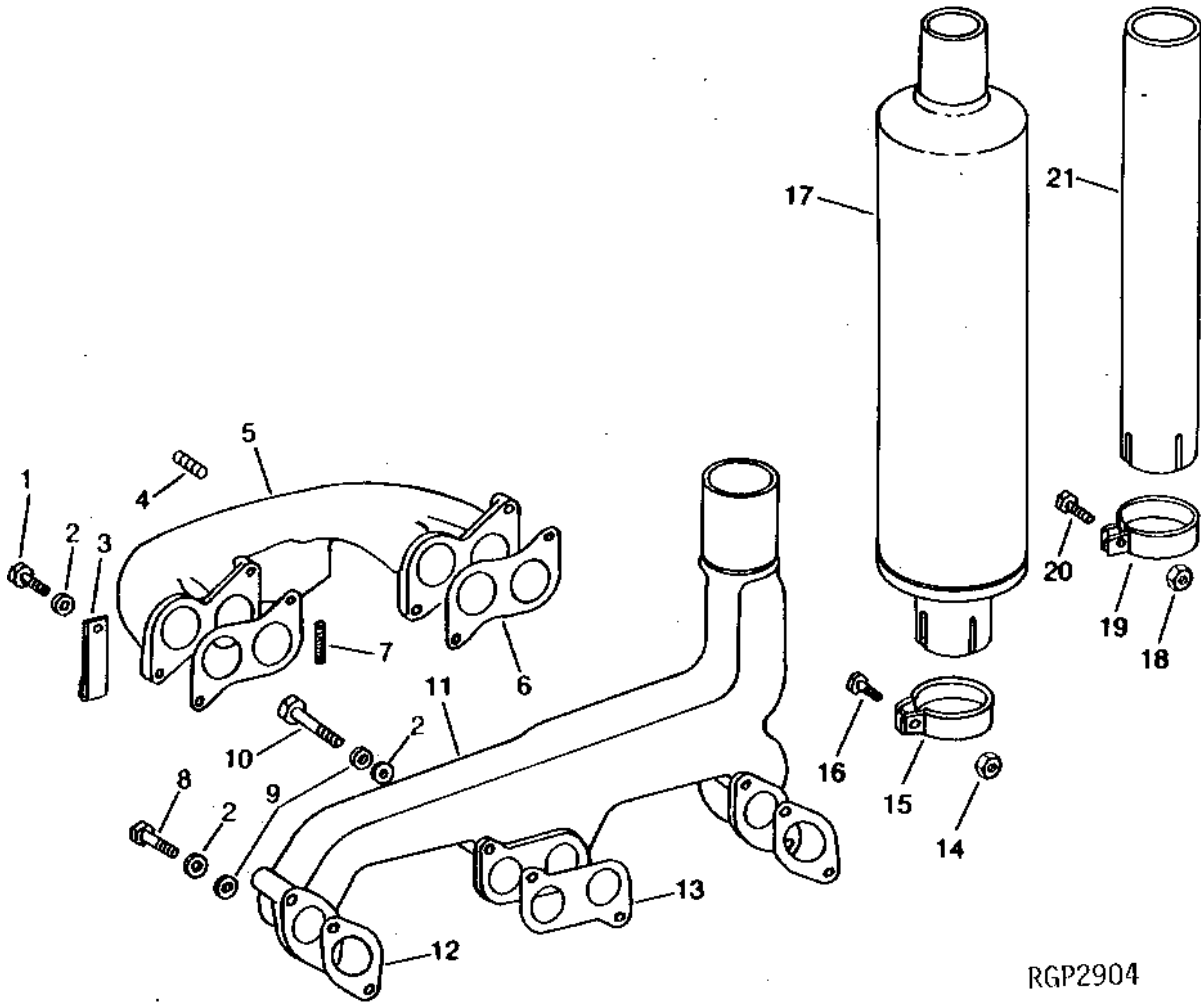
RC - ROW-CROP, ST - STANDARD, RU - ROW-CROP UTILITY, OR - ORCHARD  
 3020E ( -122999)  
 3020L (123000- )

# 1E1

## MANIFOLDS AND MUFFLER (LP)

RGP2904

-UN-01JAN94



RGP2904

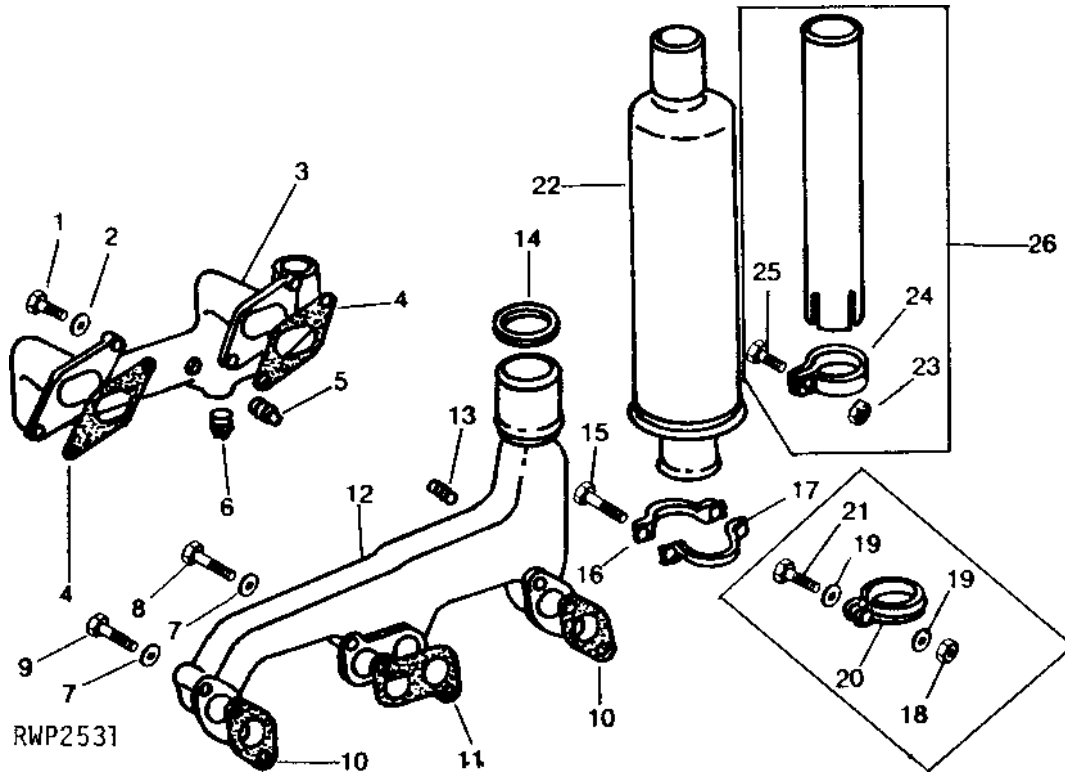
**MANIFOLDS AND MUFFLER - CONTINUED**  
(LP)

KEY	PART NO.	PART NAME	QTY	ENGINE SERIAL NO.	REMARKS
1	19H1732	CAP SCREW	4		3/8" X 1-1/4"
2	12H304	LOCK WASHER	10		3/8"
3	R28789	CLIP	1		(3010, 3020*)
4	R104592	PIPE PLUG	1	114932-	(3020*, 3020&)
5	AR30039	INTAKE MANIFOLD	1		(MARKED R27408) (NLA)
6	R26291	GASKET	2		
7	R56481	STUD	2		(SUB FOR R26117 OR M3636T) (3010, 3020*)
	19H2929	SCREW	2	114932-	3/8" X 1.120", (3020*, 3020&)
8	19H1765	CAP SCREW	3		3/8" X 1-3/4"
9	R63845	WASHER	6		
10	19H1944	CAP SCREW	3		3/8" X 2-3/4"
11	R27405	EXHAUST MANIFOLD	1		(NLA)
12	R83021	GASKET	2		(SUB FOR R26361 OR R44374)
13	R83020	GASKET	1		(SUB FOR R26360 OR R44373)
14	E55662	FLANGE NUT	1		3/8"
15	AR26905	CLAMP	1		
16	19H1732	CAP SCREW	1		3/8" X 1-1/4"
	19H1800	CAP SCREW	1		3/8" X 1-1/2" (3010)
17	AR26786	MUFFLER	1		(VERTICAL) (3010, 3020*)
	R31406	MUFFLER	1		(HORIZONTAL) (NOT ILLUSTRATED) (3010, 3020*) (NLA)
	AR41172	MUFFLER	1		(VERTICAL)(NOT ILLUSTRATED) (3020&)
18	E55662	FLANGE NUT	1		3/8"
19	AR26906	CLAMP	1		(3010, 3020*)
	R66684	CLAMP	1		(SUB FOR AR45917) (3020&)
20	19H1800	CAP SCREW	1		3/8" X 1-1/2"
	19H1732	CAP SCREW	1		3/8" X 1-1/4", (SUB FOR AR45917) (3020&)
21	AR27090	MUFFLER EXTENSION	1		(3010, 3020*)
	AR45916	MUFFLER EXTENSION	1		(3020&)
	R66683	EXHAUST PIPE	1		(NOT ILLUSTRATED) (SUB FOR AR46357 OR AR86807) (ALSO ORDER R66684, 19H1732 AND E55662) (3020&)

(\*) 3020 ( -122999)  
(&) 3020 (123000- )

MANIFOLDS AND MUFFLER  
(DIESEL)

RWP2531 -UN-12DEC94



KEY	PART NO.	PART NAME	QTY	ENGINE SERIAL NO.	REMARKS
1	19H1732	CAP SCREW	4		3/8" X 1-1/4"
2	12H304	LOCK WASHER	4		3/8"
3	R27409	INTAKE MANIFOLD	1	-021110	(SUB R31349 AND 15H604) (3010)
	AR45304	INTAKE MANIFOLD	1	021111-	( R31349 NLA) (3010)
	AR45304	INTAKE MANIFOLD	1		(MARKED R33217 OR R44084) (3020L, 3020E)
4	R26297	GASKET	2		
5	15H255	PIPE PLUG	1		3/8"
6	15H584	PIPE PLUG	1		1/2"
7	R63845	WASHER	6		
8	19H1944	CAP SCREW	3		3/8" X 2-3/4"
	12H304	LOCK WASHER	3		3/8"
9	19H1765	CAP SCREW	3		3/8" X 1-3/4"
	12H304	LOCK WASHER	3		3/8"
10	R83021	GASKET	2		(SUB FOR R26361 OR R44374)
11	R83020	GASKET	1		(SUB FOR R26360 OR R44373)
12	R27406	EXHAUST MANIFOLD	1		(RC, ST AND RU)
	AR31120	EXHAUST MANIFOLD	1		(RC, RU AND OR) (MARKED R31745) (USE WITH R31769) (NOT AS ILLUSTRATED) (NLA)
13	L851T	STUD	2		11.125 X 41.500 MM (7/16" X 1.634") (RC, RU AND OR) (USE WITH R31769)
14	R31142	SEALING WASHER	1	006644-	(RC, ST AND RU)
15	19H1849	CAP SCREW	2	032000-	5/16" X 1-1/4"
16	R32235	CLAMP	1	032000-	
17	AR46323	CLAMP	1	032000-	(SUB FOR R32236)
18	E55662	FLANGE NUT	1	-031999	3/8", (RC, ST AND RU)
19	24H1305	WASHER	2	006644-031999	13/32" X 13/16" X 0.065"
20	AR26905	CLAMP	1	-006643	(RC, ST AND RU)
	AR30191	CLAMP	1	006644-031999	(RC, ST AND RU) (SUB R32235, AR46323 AND (2) 19H1849)



**MANIFOLDS AND MUFFLER - CONTINUED  
(DIESEL)**

KEY	PART NO.	PART NAME	QTY	ENGINE SERIAL NO.	REMARKS
21	19H1800	CAP SCREW	1	-006643	3/8" X 1-1/2", (RC, ST AND RU)
	19H2023	CAP SCREW	1	006644-031999	3/8" X 3-1/4", (RC, ST AND RU)
22	AR26786	MUFFLER	1	-006643	(RC, ST AND RU) (3010)
	AR30189	MUFFLER	1	006644-	(RC, ST AND RU) (3010, 3020E)
	R31407	MUFFLER	1		(RC, ST AND RU) (NOT ILLUSTRATED) (3010, 3020E)
	AR86595	MUFFLER	1		(SUB FOR AR30189 OR AR41171 ON 3020L)
23	E55662	FLANGE NUT	1		3/8", (RC, ST AND RU)
24	AR26906	CLAMP	1		(RC, ST AND RU) (3010, 3020E)
	R66684	CLAMP	1		(SUB FOR AR45917) (ALSO ORDER 19H1732, 14H1074) (3020L)
25	19H1800	CAP SCREW	1		3/8" X 1-1/2", (RC, ST AND RU)
	19H1732	CAP SCREW	1		3/8" X 1-1/4", (USE WITH AR45917 OR R66684 ON 3020L) (3020E, 3020L)
26	AR27090	MUFFLER EXTENSION	1		(INCLUDES AR26906) (RC, ST AND RU) (3010, 3020E)
	AR45916	MUFFLER EXTENSION	1		(3020L)

RC - ROW-CROP, ST - STANDARD, RU - ROW-CROP UTILITY, OR - ORCHARD  
 3020E ( -122999) TRACTOR SERIAL NO.  
 3020L (123000- ) TRACTOR SERIAL NO.

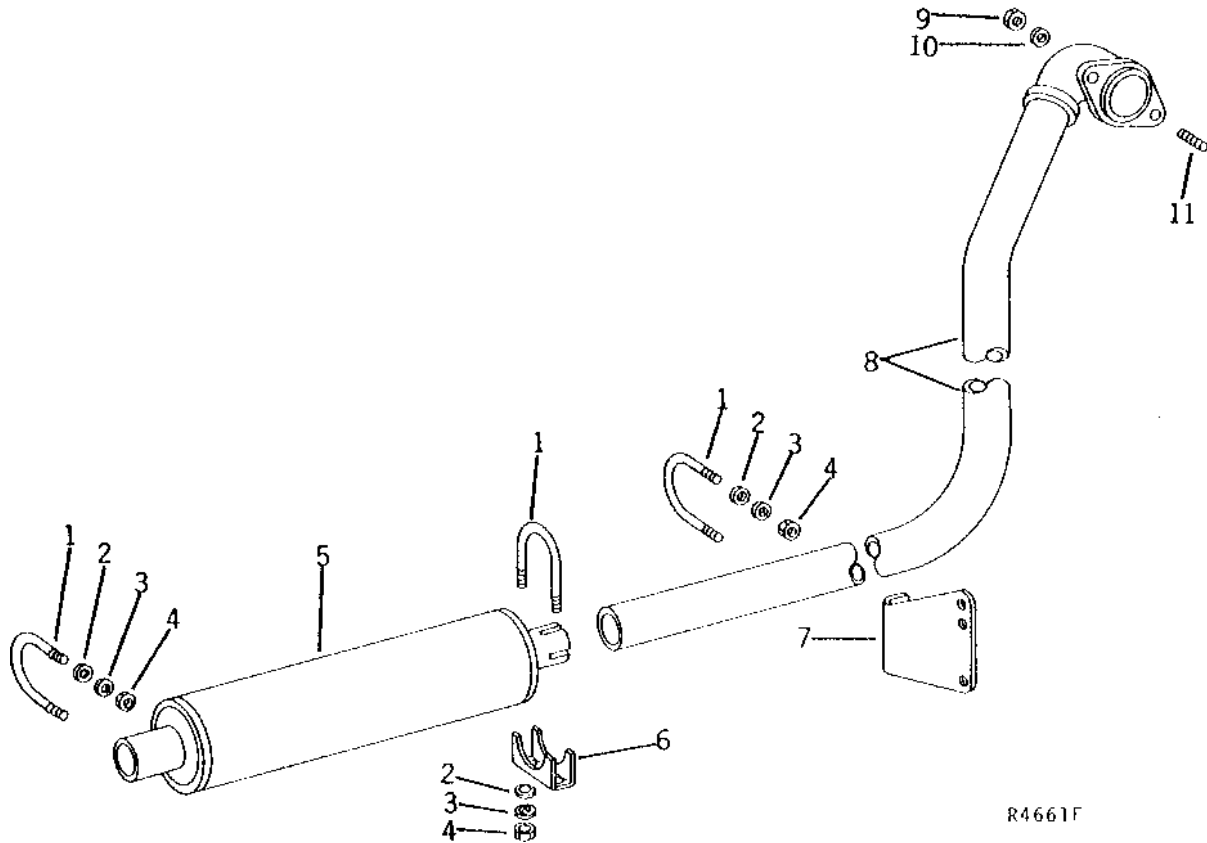
# 1E5

FUEL AND AIR

R4661

-UN-01JAN94

## REAR MUFFLER AND EXHAUST PIPE (ROW-CROP)



R4661F

KEY	PART NO.	PART NAME	QTY	ENGINE SERIAL NO.	REMARKS
1	R31754	U-BOLT	3		
2	24H1136	WASHER	6	11/32" X 11/16" X 0.065"	
3	12H303	LOCK WASHER	6	5/16"	
4	14H785	NUT	6	5/16"	
5	R31769	MUFFLER	1	(NLA)	
6	R31772	CLAMP	2		
7	R34712	SUPPORT	1		
8	AR30852	EXHAUST PIPE	1	(GASOLINE) (NLA)	
	AR30853	SPARK ARRESTING MUFFLER	1	(DIESEL) (NO LONGER AVAILABLE)	
9	L852T	NUT	2		
10	24H1322	WASHER	2	29/64" X 13/16" X 0.065"	
11	L851T	STUD	2	7/16" X 1-5/8"	

PARTS LISTED BELOW (NOT ILLUSTRATED) ARE USED IN ADDITION TO THOSE ABOVE

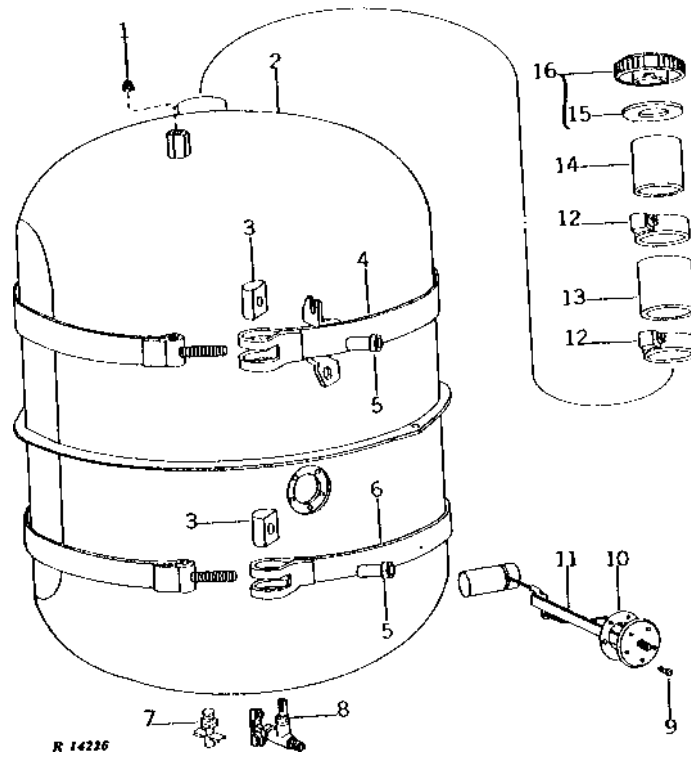
..	R28482	U-BOLT	1		
..	R32704	STRAP	1		
..	R32705	HANGER	1	(SUB R52835)	
..	19H1792	CAP SCREW	1	1/2" X 1"	
..	12H304	LOCK WASHER	2	3/8"	
..	24H1298	WASHER	1	3/8" X 5/8" X 0.032"	
..	14H1076	NUT	1	3/8"	

# 1E6

FUEL AND AIR

R14226 -UN-01JAN94

## FUEL TANK (GASOLINE)



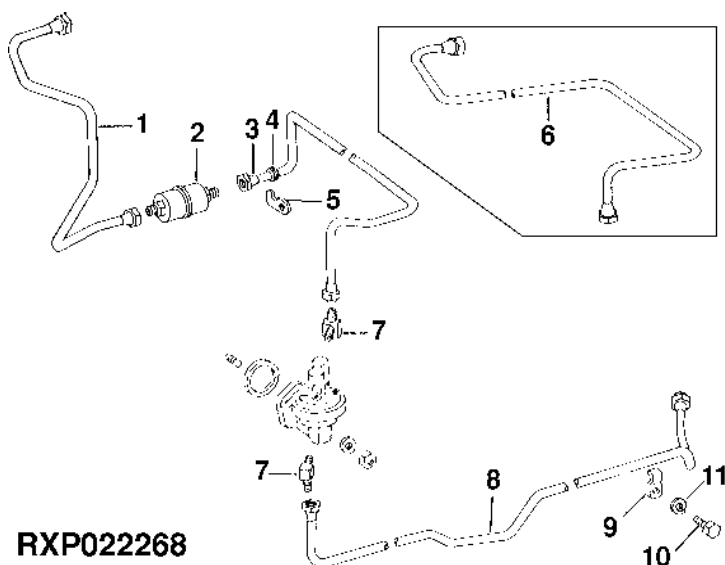
R 14226

KEY	PART NO.	PART NAME	QTY	TRACTOR SERIAL NO.	REMARKS
1	15H559	PIPE PLUG	1		1/4"
2	AR39586	FUEL TANK	1		
3	R26593	GUIDE	2		
4	AR26736	STRAP	1		
5	R26594	NUT	2		
6	AR26737	STRAP	1		
7	AT13740	DRAIN VALVE	1		
8	R34656	SHUT-OFF VALVE	1		
9	37H95	SCREW	5		NO. 8 X 1/2"
10	R27181	GASKET	1		
11	AR46268	SENDER	1		
12	AR21840	CLAMP	2		
13	R26531	HOSE	1		
14	R39895	FILLER NECK	1		
15	R39615	WASHER	1		
16	AT20911	FILLER CAP	1		

# 1E7

RXP022268 -UN-04SEP97

## FUEL PIPES (GASOLINE)



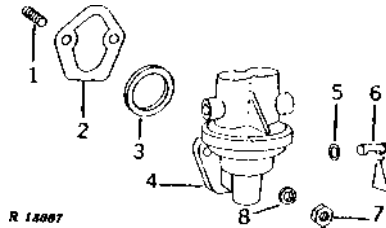
RXP022268

KEY	PART NO.	PART NAME	QTY	TRACTOR SERIAL NO.	REMARKS
1	AR50142	FUEL LINE	1		
2	AR50141	FUEL FILTER	1		
3	AR50140	FUEL LINE	1		
4	R26409	GROMMET	1		
5	R47421	CLIP	1		
6	AR32640	FUEL LINE	1	-280000	(SUB AR50140)
7	T30938	PORT PLATE	2		(SUB FOR AR26674)
8	AR45528	FUEL LINE	1		(SUB FOR AR32451)
9	T14050	CLAMP	1		
10	19H1936	CAP SCREW	1		3/8" X 3/4"
11	12H304	LOCK WASHER	1		3/8"

# 1E8

R18007 -UN-01JAN94

## FUEL PUMP



KEY	PART NO.	PART NAME	QTY	ENGINE SERIAL NO.	REMARKS
1	R26934	STUD	2		5/16" X 1-5/8", (USE WITH R26150 AND R26160) (SUB R48755)
	R48755	STUD	2		5/16" X 1-1/2", (USE WITH R40919, R40920, R46350, R46430 AND R49540)
2	R97350	GASKET	1		(SUB FOR R27285) (USE WITH RE42211, RE43273 OR RE43274)
3	R48399	WASHER	AR		
4	.....	FUEL PUMP	1		(SUB FOR AR53567) (SUB RE43273) (ALSO ORDER R97350) (3010)
	.....	FUEL PUMP	1		(GASOLINE) (SUB RE42211) (ALSO ORDER R97350) (SUB FOR AR32638, AR40258) (3020*)
	.....	FUEL PUMP	1		(GASOLINE) (SUB RE43274) (ALSO ORDER R97350) (SUB FOR AR52158, AR64120) (3020*, 3020&)
	.....	FUEL PUMP	1		(DIESEL) (SUB RE42211) (ALSO ORDER R97350) (SUB FOR AR34415, AR40259, AR52159 OR RE27667) (3020*)
	RE43273	FUEL PUMP	1		(ALSO ORDER R97350) (3010)
	RE43274	FUEL PUMP	1		(GASOLINE) (ALSO ORDER R97350) (3020*, 3020&)
5	A4365R	O-RING	1		(SUB FOR R49139)
6	AR52556	LEVER	1		
7	14H785	NUT	2		5/16"
8	12H303	LOCK WASHER	2		5/16"

(\*) 3020 TSN ( -122999)

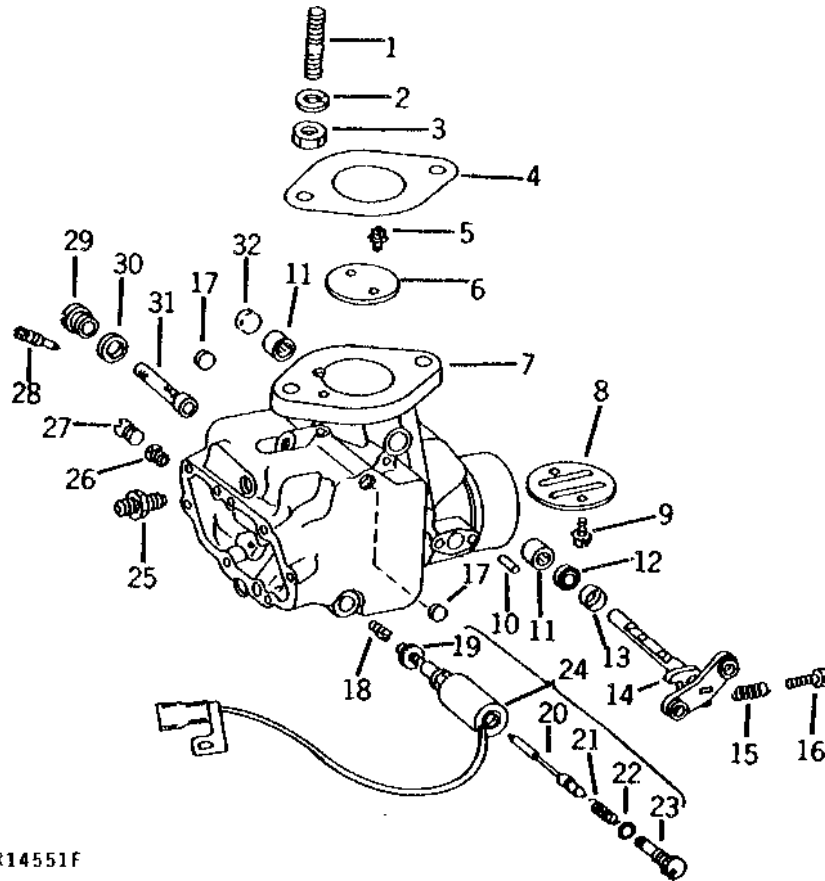
(&) 3020 TSN (123000- )

# 1E9

FUEL AND AIR

R14551 -UN-01JAN94

## CARBURETOR BODY, SOLENOID AND CHOKE (MARVEL-SCHEBLER) (GASOLINE)



R14551F

KEY	PART NO.	PART NAME	QTY	ENGINE SERIAL NO.	REMARKS
1	M3636T	STUD	2		3/8" X 1-1/2"
2	12H304	LOCK WASHER	2		3/8"
3	14H1076	NUT	2		3/8"
4	R26499	GASKET	1		
5	AA6086R	SCREW	2		
6	R10083	DISK	1		
7	AR45159	CARBURETOR	1		(SUB AR52449)
8	R10181	FAN	1		
9	AR723R	SCREW	2		
10	34H194	SPRING PIN	1		3/16" X 3/4"
11	JD8867	NEEDLE BEARING	2		
12	R10194	PACKING	1		
13	R10182	RETAINER	1		
14	AR10101	SHAFT	1		
15	R10104	SPRING	1		
16	21H1160	SCREW	1		0.164" X 3/4"
17	30H34	PLUG	2		3/8"
18	R45662	SEAT	1		
19	H22548	GASKET	1		
20	T31164	NEEDLE	1		(SUB FOR R45664)
21	T25152	SPRING	1		
22	R34812	O-RING	1		
23	T32554	SCREW	1		(SUB FOR T25151)
24	AT30178	SOLENOID	1		(SUB FOR AR47743)
25	R27346	FITTING	1		
26	T31157	SET SCREW	1		
27	R10202	SET SCREW	1		
28	AR39833	NEEDLE	1		(SUB FOR R10203)

# 1E10

FUEL AND AIR

**CARBURETOR BODY, SOLENOID AND CHOKE - CONTINUED  
(MARVEL-SCHEBLER) (GASOLINE)**

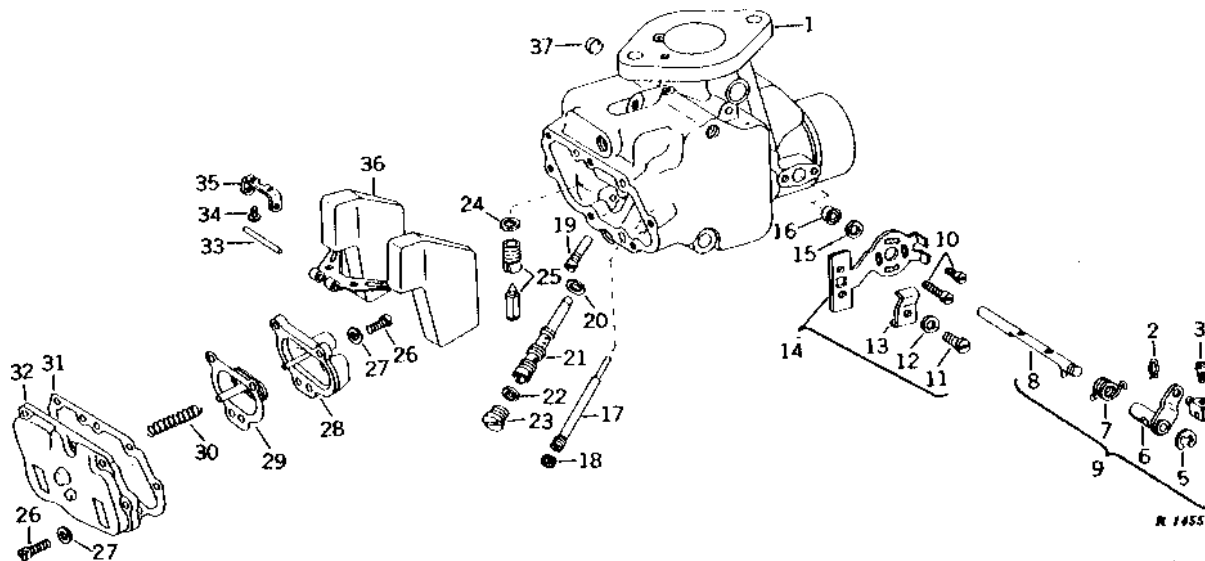
KEY	PART NO.	PART NAME	QTY	ENGINE SERIAL NO.	REMARKS
29	R10206	PLUG	1		
30	R10222	GASKET	1		
31	AR10104	FUEL FILTER	1		
32	R10300	CAP	1		
..	AR45159	CARBURETOR	1	(SUB AR52449)	
..	.....	WIRING LEAD	1	(MAKE FROM R32024, R32025 AND R32027)	

# 1E11

FUEL AND AIR

R14552 -UN-01JAN94

## CARBURETOR BODY, THROTTLE, AND FLOAT (MARVEL-SCHEBLER) (GASOLINE)



KEY	PART NO.	PART NAME	QTY	ENGINE SERIAL NO.	REMARKS
1	AR45159	CARBURETOR	1	(SUB AR52449)	
2	R10185	SPRING PIN	1		
3	21H972	SCREW	1	0.164" X 5/16"	
4	R10184	SWIVEL	1		
5	R27507	SNAP RING	1		
6	AR10096	LEVER	1	(NLA)	
7	R10183	TORSION SPRING	1		
8	AR10095	SHAFT	1		
	34H227	SPRING PIN	1	3/32" X 1/2"	
9	AR10301	SHAFT	1	(NLA)	
10	21H996	SCREW	1	0.164" X 3/8"	
	R45665	SCREW	1		
	12M7084	LOCK WASHER	2	0.169"	
11	21H972	SCREW	1	0.164" X 5/16"	
12	12H315	LOCK WASHER	1	0.164"	
13	R10188	CLIP	1		
14	AR10302	BRACKET	1		
15	R10187	SHIM	1		
16	R10186	SEAL	1		
17	AR39831	JET	1		
18	R39874	FILTER	1		
19	R10204	NOZZLE	1		
20	R10209	WASHER	1		
21	R10190	NOZZLE	1		
22	R10170	GASKET	1		
23	R10207	PLUG	1		
24	R10223	GASKET	1		
25	AR47741	VALVE	1		
26	21H1158	SCREW	10	0.164" X 1/2"	
27	12H315	LOCK WASHER	10	0.164"	
28	AR10112	HOUSING	1		
29	AR10108	DIAPHRAGM	1		
30	R10215	SPRING	1		
31	R10217	GASKET	1		
32	AR47740	COVER	1		



# 1E12

FUEL AND AIR

**CARBURETOR BODY, THROTTLE, AND FLOAT - CONTINUED  
(MARVEL-SCHEBLER) (GASOLINE)**

KEY	PART NO.	PART NAME	QTY	ENGINE SERIAL NO.	REMARKS
33	R10211	SHAFT	1		
34	37H1	SCREW	2	1/8" X 3/8"	
35	R10218	BRACKET	1		
36	R10221	FLOAT	1		
37	R10198	CAP	1		
..	AR45159	CARBURETOR	1	(SUB AR52449)	

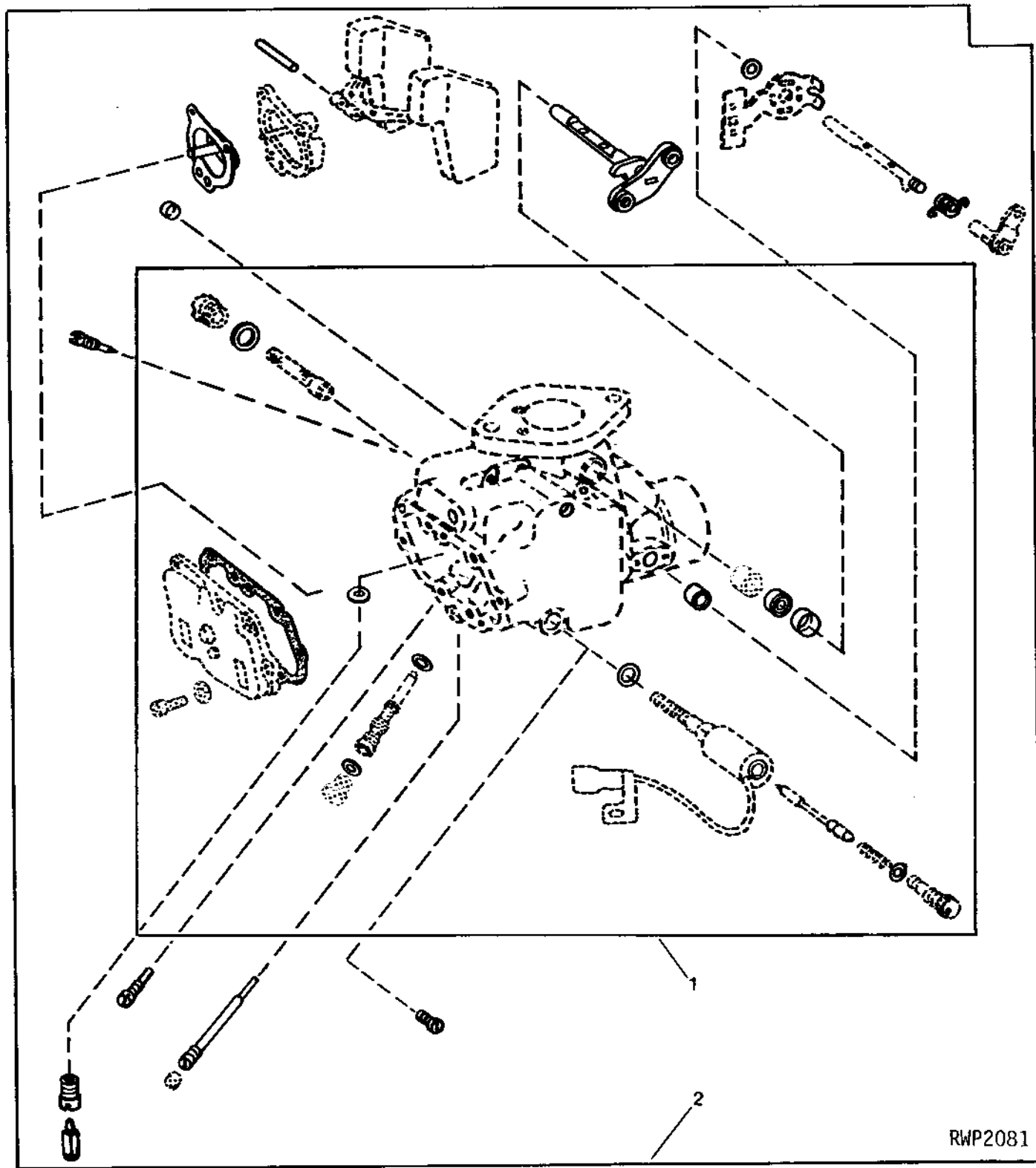
# 1E13

FUEL AND AIR

RWP2081

-UN-01JAN94

## CARBURETOR GASKET AND OVERHAUL KITS (MARVEL-SCHEBLER) (GASOLINE)



RWP2081

# 1E14

FUEL AND AIR

---

**CARBURETOR GASKET AND OVERHAUL KITS - CONTINUED  
(MARVEL-SCHEBLER) (GASOLINE)**

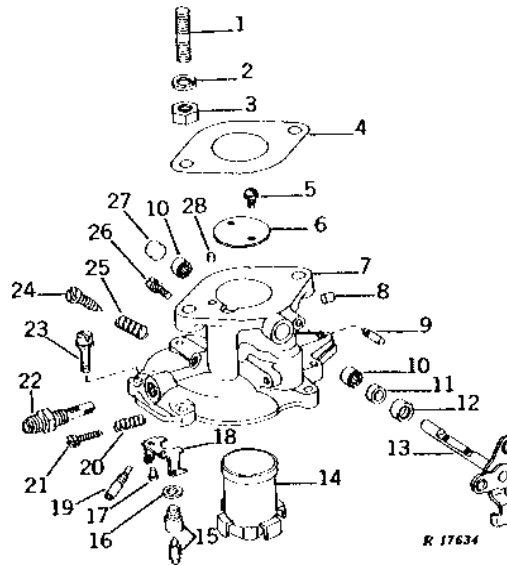
KEY	PART NO.	PART NAME	QTY	ENGINE SERIAL NO.	REMARKS
1	AR10109	GASKET KIT	1		(SUB FOR AT30175 OR AR56084)
2	AR47742	KIT	1		

# 1E15

FUEL AND AIR

R17634 -UN-01JAN94

## CARBURETOR (ZENITH) (GASOLINE)



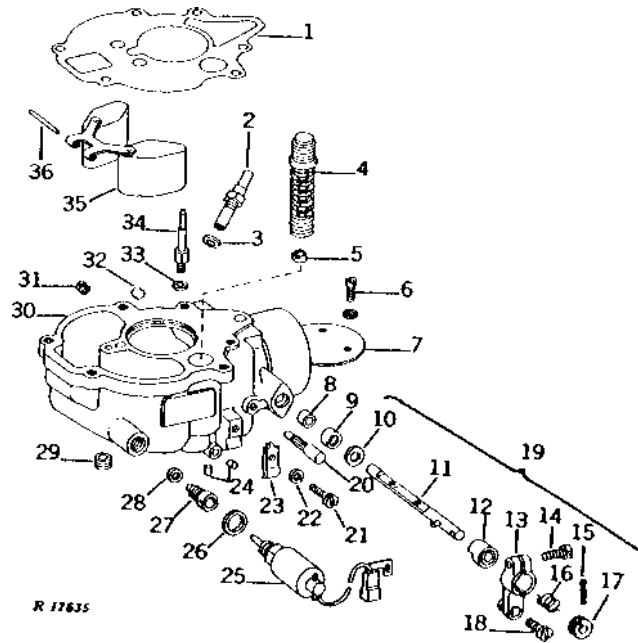
KEY	PART NO.	PART NAME	QTY	ENGINE SERIAL NO.	REMARKS
1	M3636T	STUD	2		
2	12H304	LOCK WASHER	2	3/8"	
3	14H1076	NUT	2	3/8"	
4	R26499	GASKET	1		
5	AT10557	SCREW, WITH WASHER	2		
6	R13038	DISK	1		
7	AR13016	HOUSING	1		
8	R13051	PLUG	1		
9	R13035	PIN	1		
10	JD8867	NEEDLE BEARING	2		
11	R13039	SEAL	1		
12	R13040	RETAINER	1		
13	AR13017	SHAFT	1		
14	R13027	VENTURI	1		
15	AR52453	SHUT-OFF VALVE	1		
16	H20925	WASHER	1		
17	R13046	SCREW	2		
18	R13043	BRACKET	1		
19	R13044	NOZZLE	1		
20	R13036	SPRING	1		
21	R13021	SCREW	1		
22	AR13019	STRAINER	1		
23	AR13024	SCREW	6		
24	H20954	NEEDLE	1		
25	H20923	SPRING	1		
26	AR40008	SCREW, WITH WASHER	1	(NO LONGER AVAILABLE)	
27	R13041	CAP	1		
28	R13050	PLUG	1		
..	AR52449	CARBURETOR	1	COMPLETE	

# 1E16

FUEL AND AIR

R17635 -UN-01JAN94

## CARBURETOR (ZENITH) (GASOLINE)



KEY	PART NO.	PART NAME	QTY	ENGINE SERIAL NO.	REMARKS
1	R13052	GASKET	1		
2	R13025	NOZZLE	1		
3	R13020	WASHER	1		
4	AR13022	PUMP	1		
5	AR13030	CHECK VALVE	1		
6	AR723R	SCREW	2		
7	R13065	DISK	1		
8	E10118	WASHER	1		
9	R13064	RETAINER	1		
10	R13058	WASHER	1		
11	AR13027	SHAFT	1		
12	R13055	BUSHING	1		
13	AR13028	LEVER	1		
14	H21048	SCREW	1		(NO LONGER AVAILABLE)
15	11M7077	COTTER PIN	1		0.063" X 0.984"
16	R13056	SPRING	1		
17	R13057	RETAINER	1		
18	E10121	SCREW	1		(NO LONGER AVAILABLE)
19	AR13026	SHAFT	1		
20	R13060	PIN	1		
21	T10702	CAP SCREW	1		
22	12H315	LOCK WASHER	1		0.164"
23	R10188	CLIP	1		
24	R13075	PLUG	2		(NO LONGER AVAILABLE)
25	AR80564	SOLENOID	1		(1/2") (SUB FOR AR52452)
26	H21058	WASHER	1		
27	R13031	JET	1		
28	H20927	WASHER	1		
29	H21033	PIPE PLUG	1		
30	AR52451	HOUSING	1		
31	H20988	TUBE	1		
32	R13042	CAP	1		
33	H20926	WASHER	1		
34	AR13031	JET	1		
35	AH10620	FLOAT	1		
36	H21000	DOWEL PIN	1		
..	AR52449	CARBURETOR	1		COMPLETE

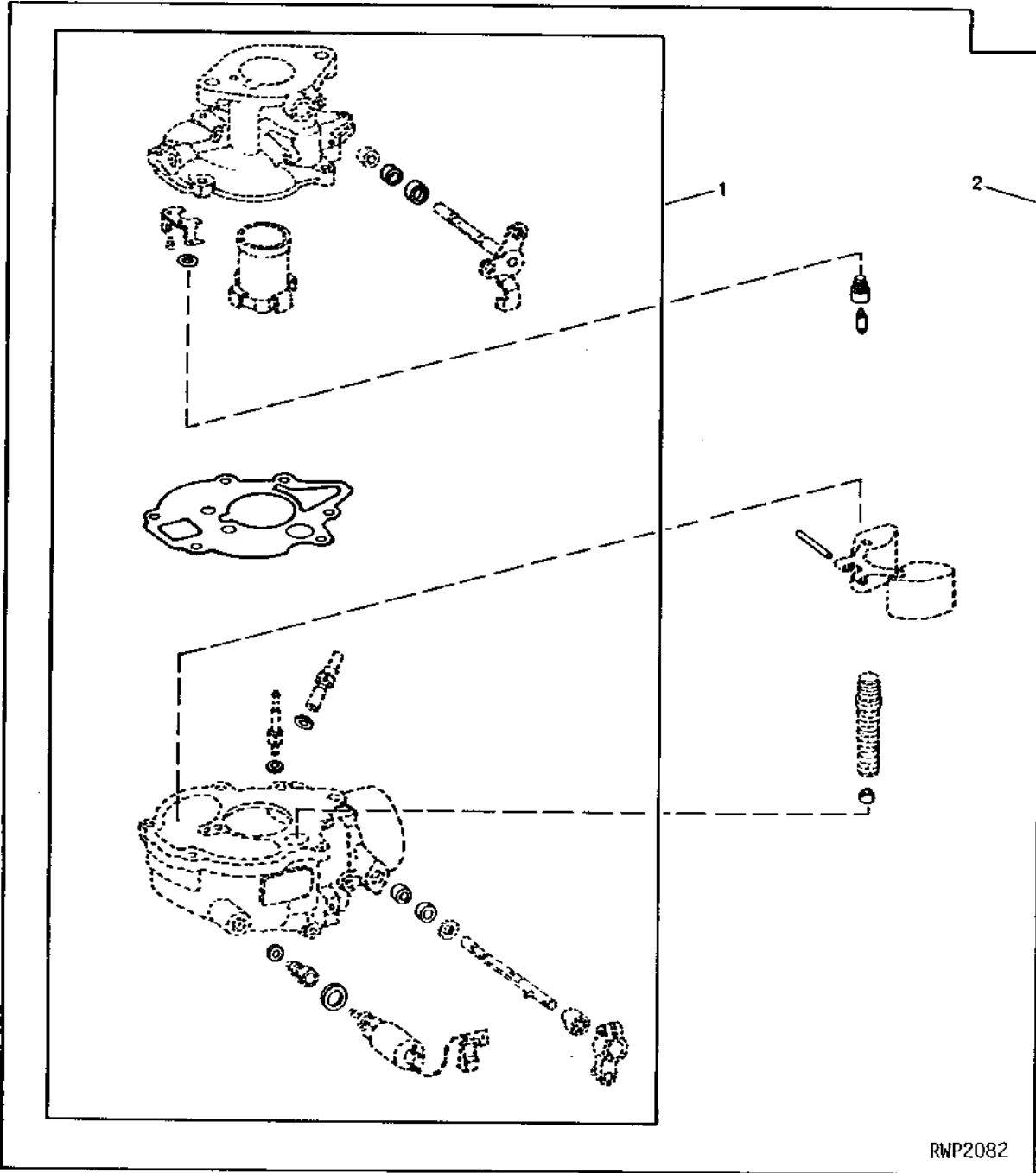
# 1E17

FUEL AND AIR

RWP2082

-UN-06OCT94

## CARBURETOR GASKET AND OVER HAUL KITS (ZENITH) (GASOLINE)



# 1E18

FUEL AND AIR

---

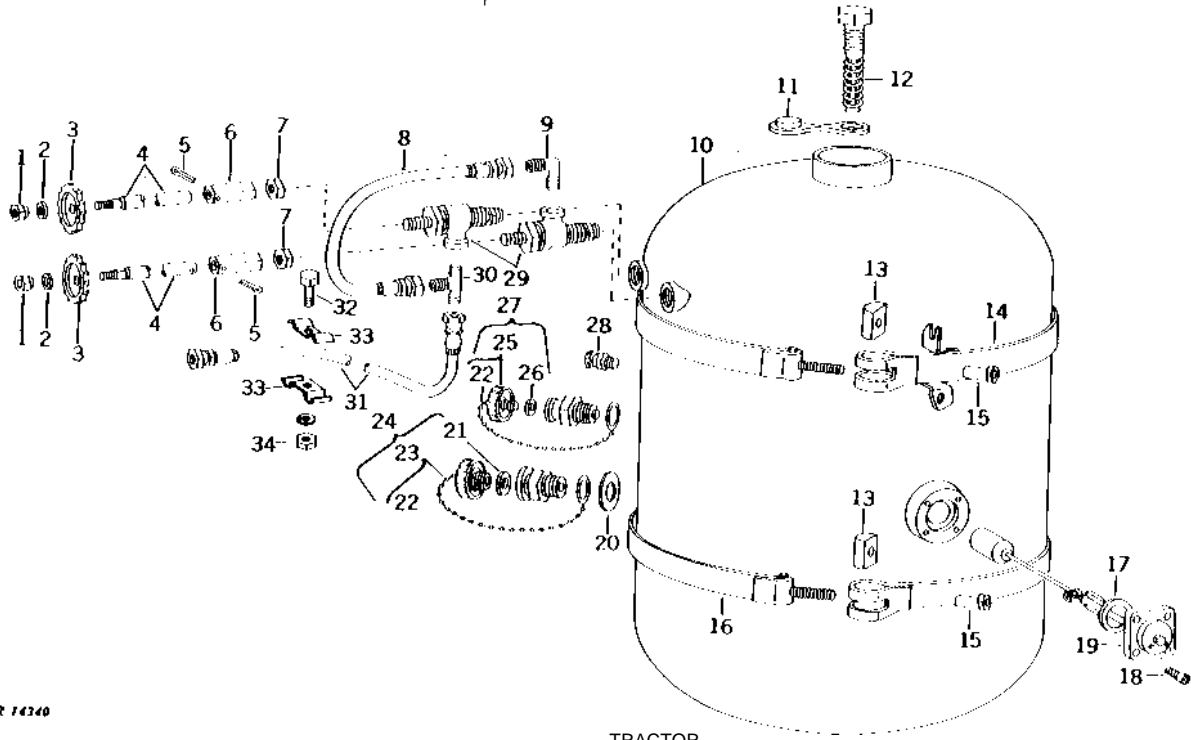
**CARBURETOR GASKET AND OVERHAUL KITS - CONTINUED  
(ZENITH) (GASOLINE)**

KEY	PART NO.	PART NAME	QTY	ENGINE SERIAL NO.	REMARKS
1	AR13033	GASKET KIT	1		
2	AR52454	KIT	1		REPAIR

# 1E19

R14340 -UN-01JAN94

## FUEL TANK AND VALVES (LP-GAS)



R 14340

KEY	PART NO.	PART NAME	QTY	TRACTOR SERIAL NO.	REMARKS
1	BP12232	LOCK NUT	2		
2	A3030R	WASHER	2		
3	A4999R	HANDLE	2		
4	R27420	ROD	2		
5	11M7030	COTTER PIN	2	0.197" X 1.575"	
6	R27184	ADAPTER	2		
7	14H971	NUT	2	1/2"	
8	AR26436	HOSE	1		
9	A4928R	ELBOW FITTING	1		
10	AR32450	FUEL TANK	1		
11	R21560	CAP	1		
12	AR21690	RELIEF VALVE	1		
13	R26593	GUIDE	2		
14	AR26736	STRAP	1		
15	R26594	NUT	2		
16	AR26737	STRAP	1		
17	A5141R	WASHER	1		
18	21H1170	SCREW	4	5/16" X 7/8"	
19	AR26695	SENDER	1	(INCLUDES AR28621, (2) R30759, A5141R AND (4) 21H1170)	
	AR28621	SENDER	1	(SUB AR26695) (DIAL)	
	R30759	SCREW	2		

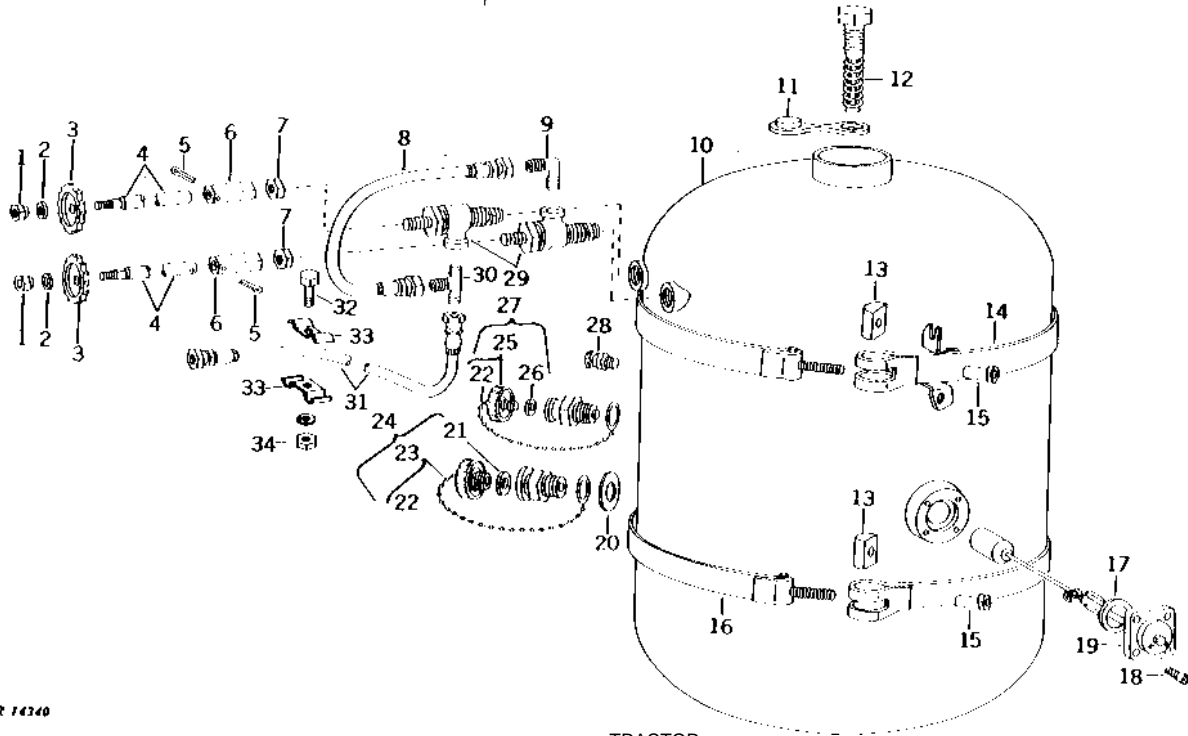


# 1E20

FUEL AND AIR

R14340 -UN-01JAN94

## FUEL TANK AND VALVES (LP-GAS)



R 14340

KEY	PART NO.	PART NAME	QTY	TRACTOR SERIAL NO.	REMARKS
20	A5297R	REINFORCEMENT	1		
21	A4996R	WASHER	1		
22	.....	LINK CHAIN	1		(SUB AA6059R)
23	AA6059R	CAP	1		
	A4997R	SCREW	1		
24	AA6001R	VALVE	1		
25	AA6060R	CAP	1		
	A4997R	SCREW	1		
26	A4998R	WASHER	1		(NLA)
27	AA6002R	VALVE	1		
28	AB4847R	GAUGE	1		
	AA6057R	VALVE	1		
	A4993R	INSTRUCTION PLATE	1		
	A4995R	SNAP RING	1		
29	AR26967	VALVE	2		
30	A4929R	TEE FITTING	1		
31	AR27749	HOSE	1		
32	19H1905	CAP SCREW	1		5/16" X 1"
33	F1682R	HALF CLAMP	6		
34	14H785	NUT	1		5/16"
	12H303	LOCK WASHER	1		5/16"

---

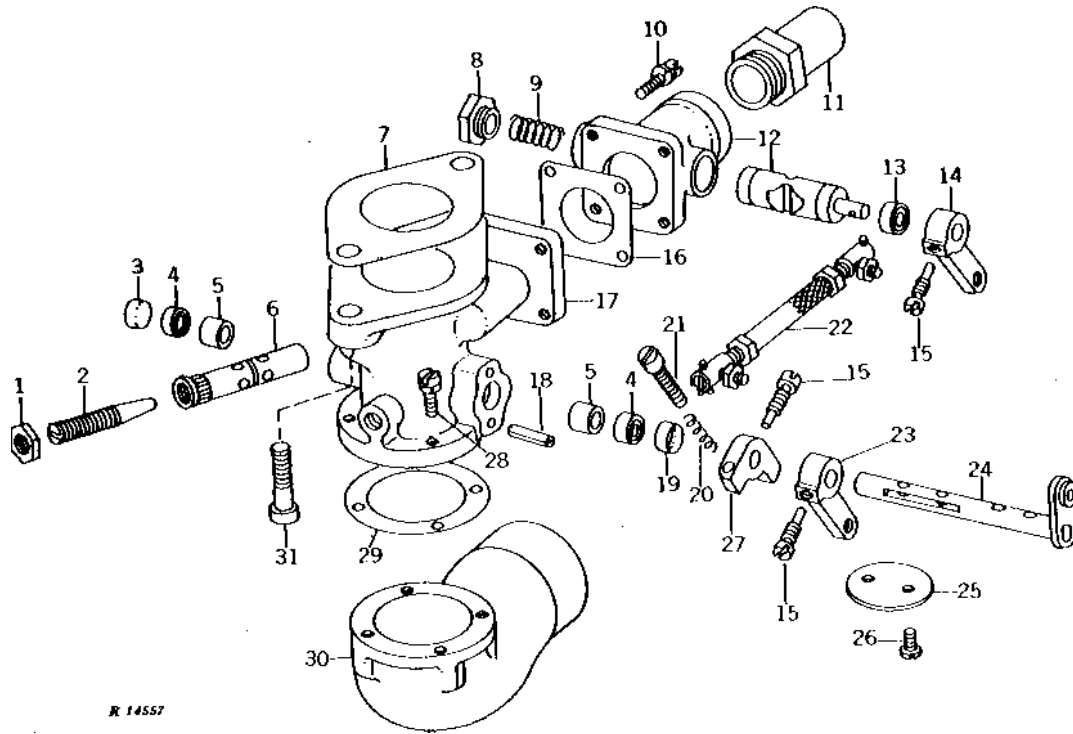
MEMORANDA

# 1E21

FUEL AND AIR

R14557 -UN-01JAN94

## CARBURETOR (LP-GAS)



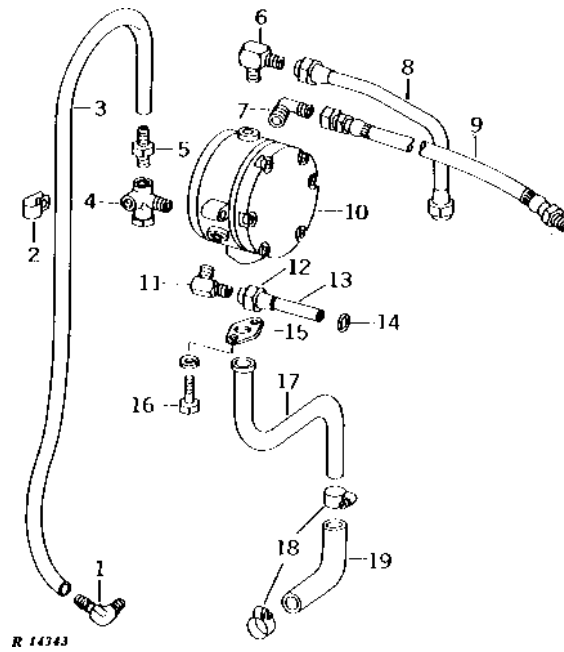
KEY	PART NO.	PART NAME	QTY	ENGINE SERIAL NO.	REMARKS
1	T26407	NUT	1		
2	R42709	SCREW	1		(NO LONGER AVAILABLE)
3	R10300	CAP	1		
4	R10194	PACKING	2		
5	JD8867	NEEDLE BEARING	2		(SUB FOR T23531)
6	AR44897	BAR	1		(NO LONGER AVAILABLE)
7	R26499	GASKET	1		
8	R42713	FITTING	1		
9	T16109	SPRING	1		
10	AT14321	SCREW	4		(NO LONGER AVAILABLE)
11	T25476	FITTING	1		(SUB FOR R42717)
12	AR44895	VALVE	1		(INCLUDES R42713, T16109 AND R42712)
13	R42712	SEAL	1		
14	T16122	LEVER	1		
15	T16106	SET SCREW	3		
16	R42710	GASKET	1		
17	AR44050	CARBURETOR	1		COMPLETE ASSEMBLY (NO LONGER AVAILABLE)
18	34H387	SPRING PIN	1		3/16" X 3/4"
19	R10182	RETAINER	1		
20	R10104	SPRING	1		
21	21H1315	SCREW	1		0.164" X 3/4"
22	AR47748	DRAG LINK	1		
23	R45666	LEVER	1		
24	AR44896	SHAFT	1		
25	R10083	DISK	1		
26	T26396	SCREW	2		
27	T26399	STOP	1		
28	15A86	SCREW	4		(NO LONGER AVAILABLE)
29	R42711	GASKET	1		
30	R42716	HORN	1		
31	19H2929	SCREW	2		3/8" X 1.120"

# 1E22

FUEL AND AIR

R14343 -UN-01JAN94

## FUEL CONVERTOR, FLEXIBLE FUEL LINE AND PIPES (LP-GAS)



KEY	PART NO.	PART NAME	QTY	ENGINE SERIAL NO.	REMARKS
1	T19086	HOSE FITTING	1	(NLA)	
2	M2267T	CLIP	1	(NO LONGER AVAILABLE)	
3	R42679	HOSE	1		
4	AR44052	VALVE	1	(NLA)	
5	R42681	FITTING	1	(NO LONGER AVAILABLE)	
6	AR26708	FITTING	1		
7	A4928R	ELBOW FITTING	1		
8	AR34882	LINE	1		
9	AA6028R	HOSE	1		
10	AR26508	CONVERTER	1		COMPLETE ASSEMBLY
11	AR26708	FITTING	1		
12	R27058	FITTING PLUG	1		
13	R27354	FUEL LINE	1		
14	F3353R	O-RING	1		
15	R26738	GASKET	1		
16	19H2915	CAP SCREW	2	5/16" X 1-1/4"	
	12H303	LOCK WASHER	2	5/16"	
17	R42166	TUBE	1		
18	AR21839	CLAMP	2		
19	T22958	HOSE	1	(SUB FOR T40167)	

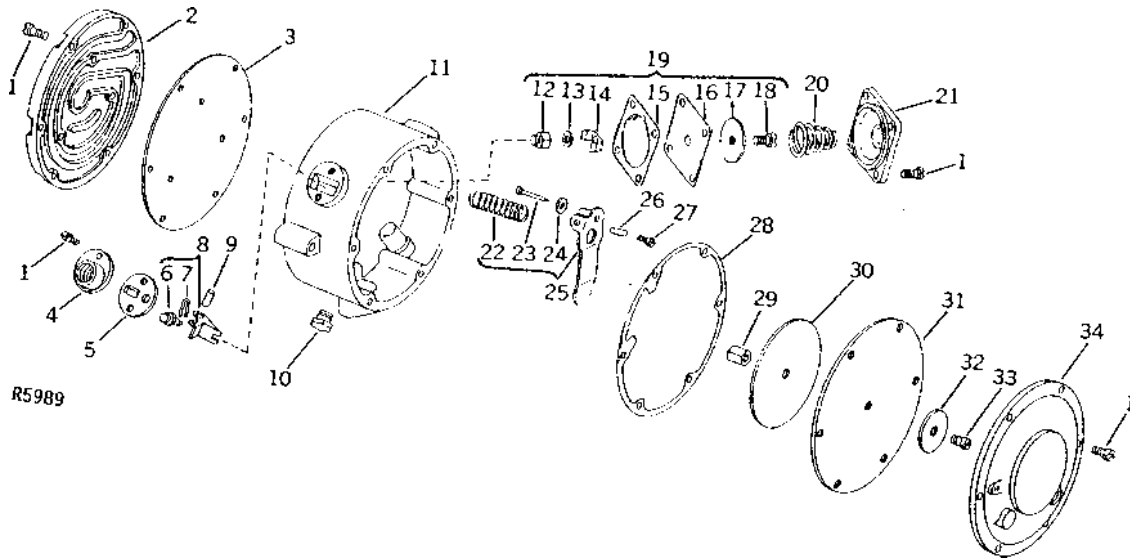
# 1E23

FUEL AND AIR

R5989

-UN-01JAN94

## FUEL CONVERTOR PARTS (LP-GAS)

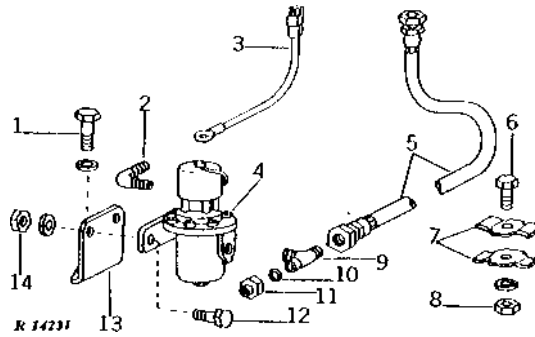


KEY	PART NO.	PART NAME	QTY	ENGINE SERIAL NO.	REMARKS
1	21H981	SCREW	21	0.190" X 1/2"	
2	T10256	COVER	1	(NO LONGER AVAILABLE)	
3	T10270	GASKET	1		
4	T10279	COVER	1		
5	T10260	GASKET	1		
6	AT10845	LEVER	1	(SUB FOR T10280)	
7	A5108R	SPRING PIN	1	(NO LONGER AVAILABLE)	
8	AT10845	LEVER	1		
9	T10264	DOWEL PIN	1		
10	T10281	PIPE PLUG	1	(NO LONGER AVAILABLE)	
11	AR10094	HOUSING	1		
12	T10263	LINE	1	(SUB AT10177)	
13	T10276	WASHER	1	(SUB AT10177)	
14	T10277	ABSORBER	1	(SUB AT10177)	
15	T10274	GASKET	1		
16	T10259	DIAPHRAGM	1	(SUB AT10177)	
17	T10265	PLATE	1	(SUB AT10177) (NO LONGER AVAILABLE)	
18	21H1167	SCREW	1	0.190" X 1/4", (SUB AT10177)	
19	AT10177	DIAPHRAGM	1		
20	T10275	SPRING	1		
21	T10262	COVER	1	(NO LONGER AVAILABLE)	
22	T10273	SPRING	1		
23	T10255	PIN	1		
24	T10268	WASHER	1		
25	AT10599	LEVER	1		
26	T10267	DOWEL PIN	1	(NO LONGER AVAILABLE)	
27	T11334	SCREW	2	(NO LONGER AVAILABLE)	
28	T10257	GASKET	1		
29	T10269	PUSH BUTTON	1		
30	T10266	PLATE	1	(NO LONGER AVAILABLE)	
31	T10258	DIAPHRAGM	1		
32	T10265	PLATE	1	(NO LONGER AVAILABLE)	
33	21H1167	SCREW	1	0.190" X 1/4"	
34	T10278	COVER	1		
..	AR26508	CONVERTER	1	COMPLETE ASSEMBLY	

# 1E24

R14231 -UN-01JAN94

## FUEL STRAINER, BRACKET, AND FLEXIBLE FUEL LINE (LP-GAS)



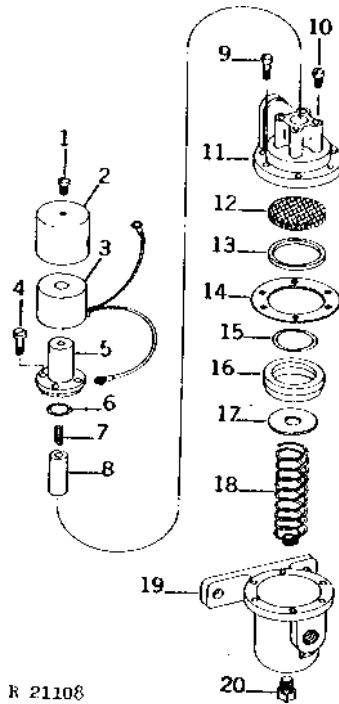
KEY	PART NO.	PART NAME	QTY	ENGINE SERIAL NO.	REMARKS
1	19H1801	CAP SCREW	1		3/8" X 2"
	12H304	LOCK WASHER	1		3/8"
2	A4928R	ELBOW FITTING	1		
3	.....	WIRING LEAD	1		190.5MM (7-1/2") (MAKE FROM R32007, R32025, R32018 AND R32027) (FUEL STRAINER TO ENGINE HARNESS)
4	AR52765	STRAINER	1		(SUB FOR AR26437)
5	AR27749	HOSE	1		
6	19H1905	CAP SCREW	1		5/16" X 1"
7	F1682R	HALF CLAMP	2		
8	14H785	NUT	1		5/16"
	12H303	LOCK WASHER	1		5/16"
9	A4932R	TEE FITTING	1		
10	A4931R	GASKET	1		
11	A4930R	FITTING	1		
12	19H1948	CAP SCREW	2		1/4" X 3/4"
13	R41295	BRACKET	1		
14	14H786	NUT	2		1/4"
	12H302	LOCK WASHER	2		1/4"

# 1E25

FUEL AND AIR

R21108 -UN-01JAN94

## FUEL STRAINER PARTS (LP-GAS)

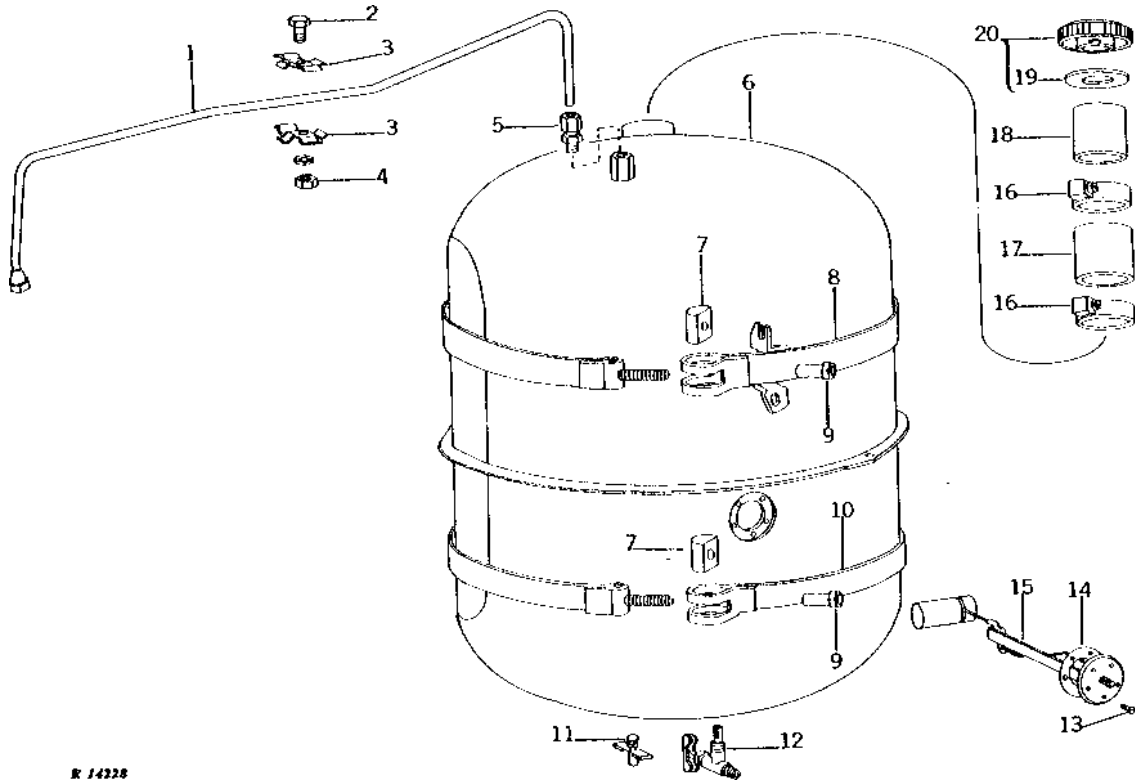


KEY	PART NO.	PART NAME	QTY	ENGINE SERIAL NO.	REMARKS
1	21H1167	SCREW	1		0.190" X 1/4"
2	T10514	CASE	1	-280472	(SUB R49285 AND AR52766)
	R49285	CASE	1	280473-	
3	AF1395R	ELECTRICAL COIL	1	-280472	(SUB AR52766 AND R49285)
	AR52766	ELECTRICAL COIL	1	280473-	
4	21H1073	SCREW	4		0.190" X 1/2"
5	AF1396R	HOUSING	1		
6	F1127R	O-RING	1		
7	F1126R	SPRING	1		
8	TY15269	HITCH	1		(SUB FOR AF1397R) (SUB TY16042)
9	21H1301	SCREW	6		0.190" X 1/2"
10	21H1292	SCREW	1		0.164" X 1/4"
11	AF1398R	COVER	1		
12	AF1399R	FILTER	1		
13	F1129R	WASHER	1		
14	F1130R	GASKET	1	-280472	(NLA)
15	H63858	O-RING	1	280473-	(NLA)
16	R49288	RETAINER	1	280473-	
17	R49289	WASHER	1	280473-	
18	R49287	SPRING	1	280473-	
19	F3500R	HOUSING	1	-280472	(SUB AR52767)
	AR52767	HOUSING	1	280473-	
20	R10160	PIPE PLUG	1		
..	AR26437	STRAINER	1	-280472	(SUB AR52765)
..	AR52765	STRAINER	1	280473-	

# 1F1

R14228 -UN-01JAN94

## FUEL TANK (DIESEL)



R 14228

KEY	PART NO.	PART NAME	QTY	TRACTOR SERIAL NO.	REMARKS
1	AR39640	FUEL LINE	1		
2	19H1948	CAP SCREW	1	1/4" X 3/4"	
3	R34838	CLAMP	2		
4	14H786	NUT	1	1/4"	
	12H302	LOCK WASHER	1	1/4"	
5	AR26649	FITTING	1		
6	AR39586	FUEL TANK	1		
7	R26593	GUIDE	2		
8	AR26736	STRAP	1		
9	R26594	NUT	2		
10	AR26737	STRAP	1		
11	AT13740	DRAIN VALVE	1		
12	R34656	SHUT-OFF VALVE	1		
13	37H95	SCREW	5	NO. 8 X 1/2"	
	12M7084	LOCK WASHER	5	0.169"	
14	R27181	GASKET	1		
15	AR46268	SENDER	1		
16	AR21840	CLAMP	2		
17	R26531	HOSE	1		
18	R39895	FILLER NECK	1		
19	R39615	WASHER	1		
20	AT20911	FILLER CAP	1		

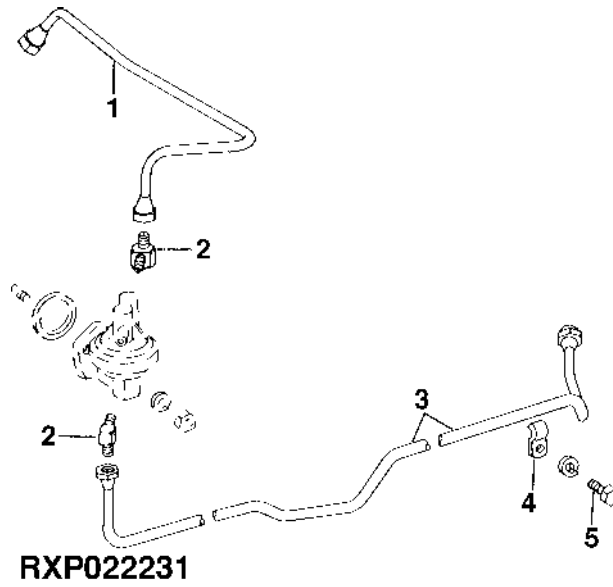


# 1F2

FUEL AND AIR

RXP022231 -UN-21AUG97

## FUEL PUMP AND FUEL PIPES (DIESEL)

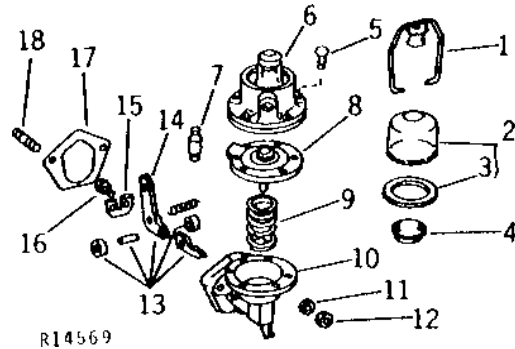


KEY	PART NO.	PART NAME	QTY	TRACTOR SERIAL NO.	REMARKS
1	AR41726	FUEL LINE	1	-280000	
	AR54489	FUEL LINE	1	280001-	(SUB FOR AR50261)
2	AR26674	ELBOW FITTING	2		(SUB T30738)
3	AR45528	FUEL LINE	1		(SUB FOR AR32451)
4	T14050	CLAMP	1		
5	19H1936	CAP SCREW	1		3/8" X 3/4"
9	12H304	LOCK WASHER	1		3/8"

# 1F3

R14569 -UN-01JAN94

FUEL PUMP PARTS  
(ENGINE SERIAL NO. 150000-280000)

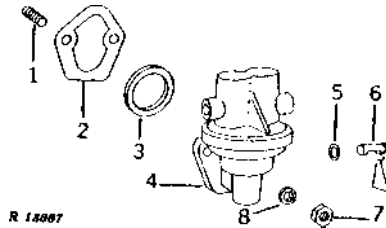


KEY	PART NO.	PART NAME	QTY	ENGINE SERIAL NO.	REMARKS
1	AT10638	BAIL	1		
2	AR40407	SEDIMENT BOWL	1		
3	R40565	WASHER	1		
4	AT10635	SCREEN	1		
5	21H1295	SCREW	6	0.190" X 5/8"	
	12H246	LOCK WASHER	6	0.190"	
6	.....	COVER	1	(SUB AR64120 OR AR52159)	
7	AR26674	ELBOW FITTING	2	(SUB T30738)	
8	.....	DIAPHRAGM	1	(SUB AR40482)	
9	R30410	SPRING	1		
10	.....	HOUSING	1	(SUB AR64120 OR AR52159)	
11	12H303	LOCK WASHER	2	5/16"	
12	14H785	NUT	2	5/16"	
13	AR47304	KIT	1	(SUB AR52159) FUEL PUMP PARTS	
14	T10804	SPRING	1		
15	.....	RETAINER	1	(SUB AR64120 OR AR52159)	
16	21H1308	SCREW	2	0.138" X 3/8"	
17	R27285	GASKET	1		
18	R48755	STUD	2	5/16" X 1-1/2"	
..	AR64120	FUEL PUMP	1	(SUB FOR AR40258) (GASOLINE)	
..	AR52159	FUEL PUMP	1	(SUB FOR AR40259) (DIESEL)	
..	AR40482	KIT	1	(USE WITH AR40258 AND AR40259) FUEL PUMP OVERHAUL	

# 1F4

R18007 -UN-01JAN94

## FUEL PUMP



KEY	PART NO.	PART NAME	QTY	ENGINE SERIAL NO.	REMARKS
1	R26934	STUD	2		5/16" X 1-5/8", (USE WITH R26150 AND R26160) (SUB R48755)
	R48755	STUD	2		5/16" X 1-1/2", (USE WITH R40919, R40920, R46350, R46430 AND R49540)
2	R97350	GASKET	1		(SUB FOR R27285) (USE WITH RE42211, RE43273 OR RE43274)
3	R48399	WASHER	AR		
4	.....	FUEL PUMP	1		(SUB FOR AR53567) (SUB RE43273) (ALSO ORDER R97350) (3010)
	.....	FUEL PUMP	1		(GASOLINE) (SUB RE42211) (ALSO ORDER R97350) (SUB FOR AR32638, AR40258) (3020 (E))
	.....	FUEL PUMP	1		(GASOLINE) (SUB RE43274) (ALSO ORDER R97350) (SUB FOR AR52158, AR64120) (3020 (E), 3020 (L))
	.....	FUEL PUMP	1		(DIESEL) (SUB RE42211) (ALSO ORDER R97350) (SUB FOR AR34415, AR40259, AR52159 OR RE27667) (3020 (E))
	RE43273	FUEL PUMP	1		(ALSO ORDER R97350) (3010)
	RE43274	FUEL PUMP	1		(GASOLINE) (ALSO ORDER R97350) (3020 (E), 3020 (L))
5	A4365R	O-RING	1		(SUB FOR R49139)
6	AR52556	LEVER	1		
7	14H785	NUT	2		5/16"
8	12H303	LOCK WASHER	2		5/16"

3020 (E) TSN ( -122999)

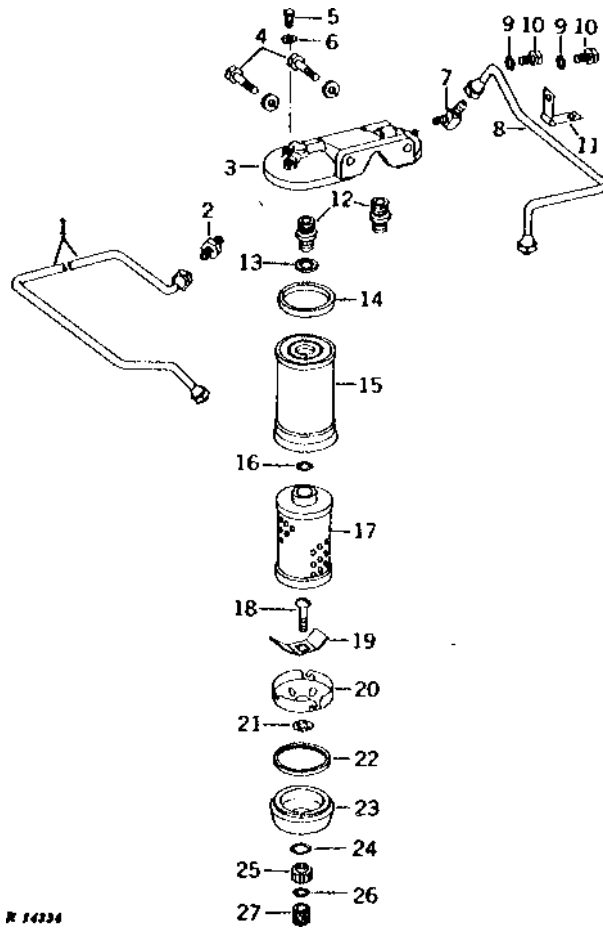
3020 (L) TSN (123000- )

# 1F5

R14334

-UN-01JAN94

## FUEL FILTER AND LINES (DIESEL) (ENGINE SERIAL NO. 125000-280000)



R 14334

# 1F6

FUEL AND AIR

**FUEL FILTER AND LINES (DIESEL) - CONTINUED**  
**(ENGINE SERIAL NO. 125000-280000)**

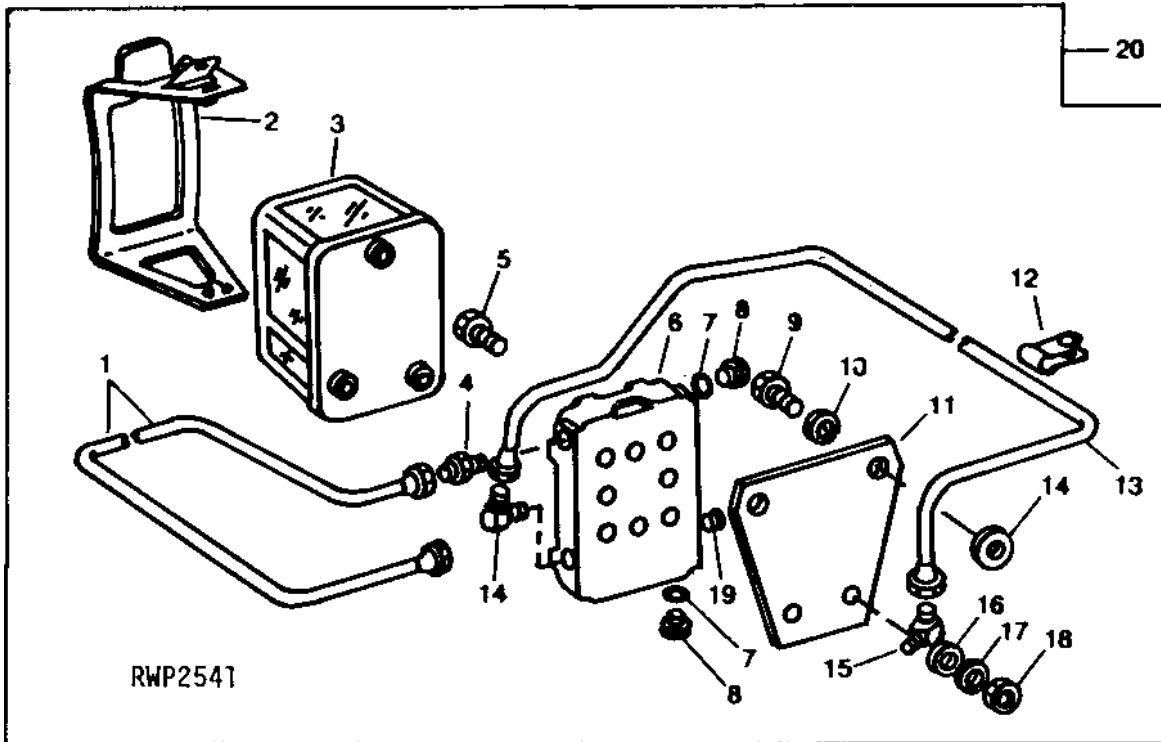
KEY	PART NO.	PART NAME	QTY	ENGINE SERIAL NO.	REMARKS
1	AR41556	FUEL LINE	1		
2	R27346	FITTING	1		
3	AR46257	HOUSING	1	-124999	(MARKED R44777) (SUB AR55220)
4	AR46257	HOUSING	1	125000-	(MARKED R44777) (SUB AR55221)
	19H2731	CAP SCREW	2		7/16" X 1-3/8"
	12H293	LOCK WASHER	2		7/16"
5	19H2485	CAP SCREW	1		5/16" X 7/16"
6	R20498	WASHER	1		
7	T30738	ELBOW FITTING	1		(SUB FOR AR26674, APPL)
8	AR41726	FUEL LINE	1		
9	A3439R	WASHER	2		
10	19H2346	CAP SCREW	2		7/16" X 1/2"
11	R27284	CLIP	2		
12	R32110	FITTING	2		(NLA)
13	R44101	WASHER	2		
14	R44331	BUSHING	2		
15	AR45678	CASE	2		
16	R459R	O-RING	2		
17	AR44077	FILTER ELEMENT	2		
18	R41716	SCREW	2		(NLA)
19	R41719	LEAF SPRING	2		(NLA)
20	R41717	RETAINER	2		(NLA)
21	R41718	SNAP RING	2		(NLA)
22	R41721	O-RING	2		
23	R41720	BOWL	2		
24	R26919	WASHER	2		(ALSO ORDER R46568) (UNLESS PREVIOUSLY INSTALLED)
25	R46568	NUT	2		(SUB FOR R41722) (USE WITH R26919)
26	R26286	O-RING	2		
27	R41723	NUT	2		

# 1F7

FUEL AND AIR

REPLACEMENT FUEL FILTER (DIESEL)  
(ENGINE SERIAL NO. 065000-280000)

RWP2541 -UN-02JAN94



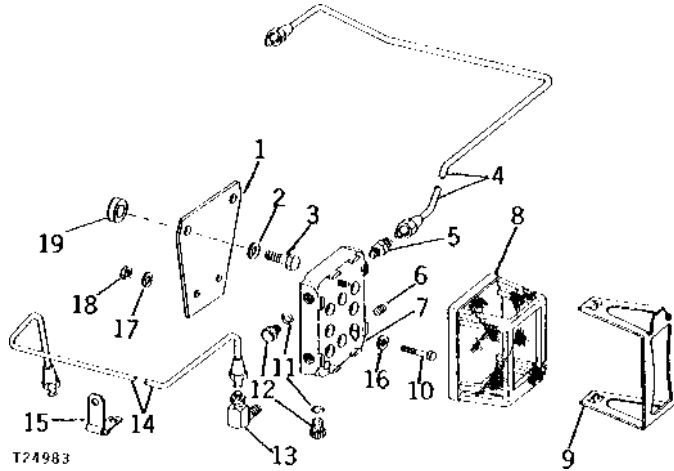
KEY	PART NO.	PART NAME	QTY	ENGINE SERIAL NO.	REMARKS
1	AR55227	FUEL LINE	1	-128119	
	AR55228	FUEL LINE	1	128120-	
2	R66821	CLAMP	1		(SUB FOR R47358 OR R57258)
3	AR50041	FUEL FILTER	1		
4	R27346	FITTING	1		
5	19H2127	CAP SCREW	2	5/16" X 7/8"	
6	AR50040	HOUSING	1		
7	R26287	O-RING	2	(SUB FOR R34447)	
8	R48071	DRAIN PLUG	2		
9	19H2731	CAP SCREW	2	7/16" X 1-3/8"	
10	12H293	LOCK WASHER	2	7/16"	
11	R47706	BRACKET	1		
12	R27284	CLIP	2		
13	AR55224	FUEL LINE	1	-128119	
	AR55225	FUEL LINE	1	128120-	
14	R50317	SPACER	2		
15	T30738	ELBOW FITTING	2		(SUB FOR AR26674, THIS APPLICATION)
16	24H1289	WASHER	2	21/64" X 5/8" X 0.049"	
17	12H303	LOCK WASHER	2	5/16"	
18	14H785	NUT	1	5/16"	
19	R104592	PIPE PLUG	1		
20	AR55220	KIT	1	-128119	
	AR55221	KIT	1	128120-	

# 1F8

FUEL AND AIR

FUEL FILTER (DIESEL)  
(ENGINE SERIAL NO. 280001- )

T24983 -UN-01JAN94

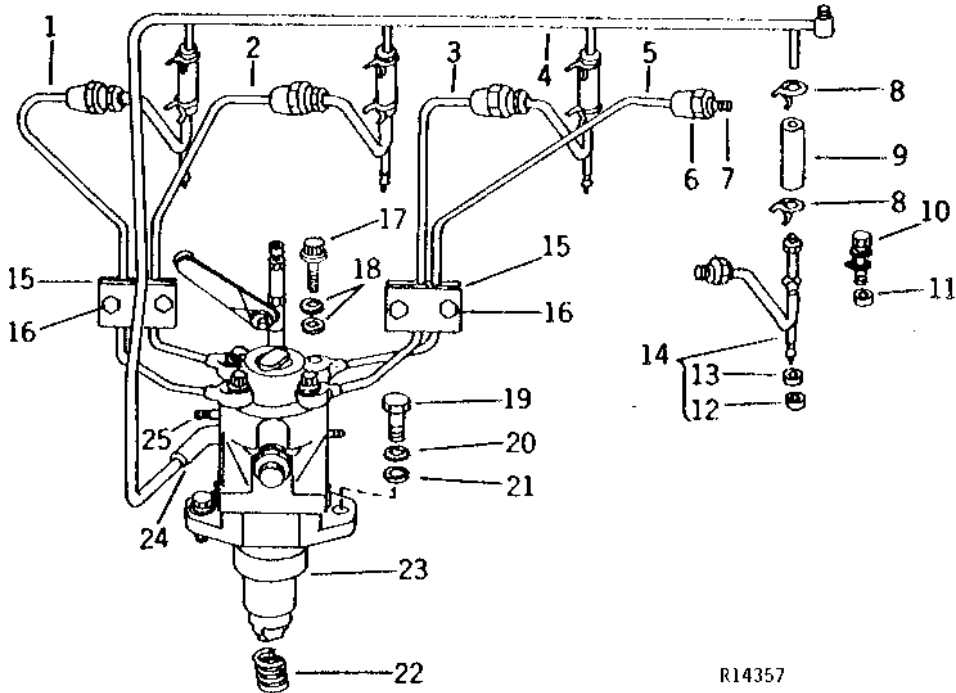


KEY	PART NO.	PART NAME	QTY	ENGINE SERIAL NO.	REMARKS
1	R47706	BRACKET	1		
2	12H293	LOCK WASHER	2		7/16"
3	19H1822	CAP SCREW	2	-283143	7/16" X 1"
4	19H2731	CAP SCREW	2	283144-	7/16" X 1-3/8"
	AR50264	FUEL LINE	1	-283143	(SUB AR54490)
5	AR54490	FUEL LINE	1	283144-	
	R27346	FITTING	1		
6	R104592	PIPE PLUG	1		
7	AR50040	HOUSING	1		
8	AR50041	FUEL FILTER	1		
9	R66821	CLAMP	1		(SUB FOR R47358 OR R57258)
10	19H2127	CAP SCREW	2		5/16" X 7/8"
11	R26287	O-RING	2		(SUB FOR R34447, THIS APPLICATION)
12	R48071	DRAIN PLUG	2		
13	T30738	ELBOW FITTING	1		(SUB FOR AR26674)
14	AR54489	FUEL LINE	1		(SUB FOR AR50261)
15	R27284	CLIP	2		
16	24H1289	WASHER	2		21/64" X 5/8" X 0.049"
17	12H303	LOCK WASHER	2		5/16"
18	14H785	NUT	2		5/16"
19	R50317	SPACER	2	283149-	

# 1F9

FUEL INJECTION PUMP, NOZZLES, AND FUEL PIPES  
(ENGINE SERIAL NO. 125000-132165)  
(AR41625)

R14357 -UN-01JAN94



R14357

KEY	PART NO.	PART NAME	QTY	ENGINE SERIAL NO.	REMARKS
1	AR41554	FUEL LINE	1		
2	AR41553	FUEL LINE	1	(NLA)	
3	AR41552	FUEL LINE	1		
4	AR41555	FUEL LINE	1		
5	AR41551	FUEL LINE	1		
6	R34763	FITTING	4		
7	R34762	SLEEVE	4		
8	R34766	CLAMP	8		
9	R34765	BOOT	4		
10	R34760	CLAMP	4		
11	R34761	SPACER	4		
12	R48000	WASHER	4	(ROOSA-MASTER) (SUB FOR R34767)	
13	R34764	WASHER	4		
14	AR46846	INJECTION NOZZLE	4	9.52MM (ROOSA-MASTER NO. I-17705) (SUB AR50781)	
15	R27781	STRAP	2		
	R27782	STRAP	2		
	R27783	CUSHION	2		
16	19H1914	CAP SCREW	4	1/4" X 1"	
17	R41680	SCREW	4		
18	T20055	WASHER	8		
19	19H1905	CAP SCREW	2	5/16" X 1"	
20	12H303	LOCK WASHER	2	5/16"	
21	24H1136	WASHER	2	11/32" X 11/16" X 0.065"	
22	R44686	SPRING	1		
23	AR69412	FUEL INJECTION PUMP	1	(SUB FOR AR41625 AND AR48682) (ALSO ORDER AR69408)	
24	R32639	HOSE	1		
25	R45038	FITTING	1		
..	AR34368	PLUG	1	(FOR FUEL INJECTION OVERHAUL)	

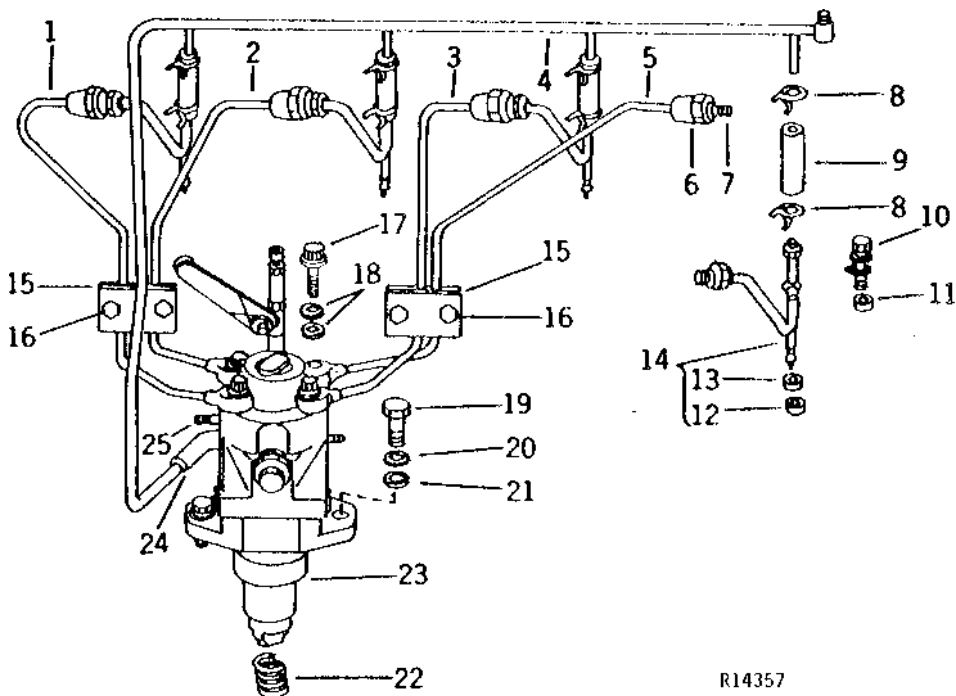


# 1F10

FUEL AND AIR

FUEL INJECTION PUMP, LINES AND NOZZLES  
(USE ONLY WITH MODEL C SERIES FUEL INJECTION PUMP)  
(ENGINE SERIAL NO. 132166 - 280000)(AR48682)

R14357 -UN-01JAN94



KEY	PART NO.	PART NAME	QTY	ENGINE SERIAL NO.	REMARKS
1	AR41554	FUEL LINE	1		NO. 4 (NLA)
2	AR41553	FUEL LINE	1		NO. 3 (NLA)
3	AR41552	FUEL LINE	1		NO. 2 (NLA)
4	AR41555	FUEL LINE	1		
5	AR41551	FUEL LINE	1		NO. 1
6	R34763	FITTING	4		
7	R34762	SLEEVE	4		
8	R34766	CLAMP	8		
9	R34765	BOOT	4		
10	R34760	CLAMP	4		
11	R34761	SPACER	4		
12	R48000	WASHER	4		(SUB FOR R34767)
13	R34764	WASHER	4		(SUB FOR R60746, APPL)
14	.....	NOZZLE	4	133485-	9.52MM (3/8") (ROOSA-MASTER NO. I-18646) (SUB AR50781) (SUB FOR AR49226)
	.....	NOZZLE	4	-133484	9.52MM (ROOSA-MASTER NO. I-17705) (SUB AR50781) (SUB FOR AR46846)
15	R27781	STRAP	2		
	R27782	STRAP	2		
	R27783	CUSHION	4		
16	19H1914	CAP SCREW	4		1/4" X 1"
17	R41680	SCREW	4		
18	T20055	WASHER	8		
19	19H1905	CAP SCREW	2		5/16" X 1"
20	12H303	LOCK WASHER	2		5/16"
21	24H1136	WASHER	2		11/32" X 11/16" X 0.065"
22	R44686	SPRING	1		
23	AR41625	FUEL PUMP	1	125000-132165	(A) (MARKED AR41624) (SUB AR69412 AND AR69408) (ALSO ORDER (4) R46669)
	AR48682	FUEL INJECTION PUMP	1	132166-280000	(A) (SUB AR69412 AND AR69408) (ALSO ORDER (4) R46669)
24	TY22418	BULK HOSE	1		(SUB FOR R32639)
25	R45038	FITTING	1		(NLA)

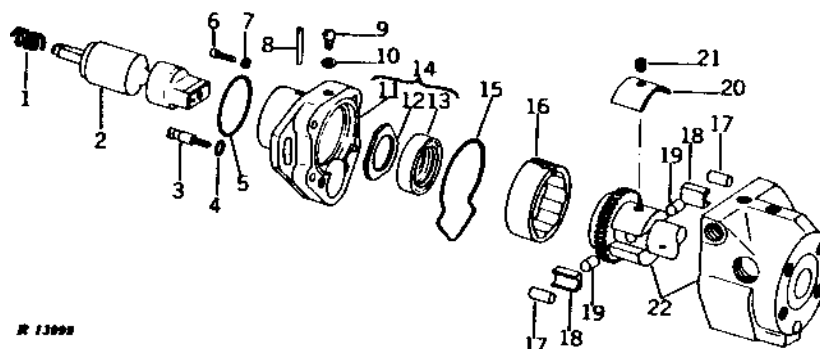
(A) "SEE YOUR AUTHORIZED PUMP REPAIR STATION FOR PARTS NOT LISTED."

# 1F11

FUEL AND AIR

FUEL INJECTION PUMP HEAD, DRIVE SHAFT AND DRIVE HOUSING  
(ENGINE SERIAL NO. 125000-132165)  
(AR41625)

R13999 -UN-01JAN94



KEY	PART NO.	PART NAME	QTY	ENGINE SERIAL NO.	REMARKS
1	R44686	SPRING	1		
2	R45042	DRIVE SHAFT	NA		
3	T26229	PLUG	NA		
4	T26230	O-RING	NA		
5	T28582	O-RING	1		
6	T26227	SCREW	NA		
7	T26226	WASHER	NA		
8	R45043	SPRING PIN	NA		
9	T11930	SCREW	NA		
10	T11878	WASHER	1		
11	R45040	HOUSING	NA		
12	R45041	GUIDE	NA		
13	R46841	SEAL	NA		(SUB FOR R45039)
14	AR46840	HOUSING	NA		
15	T11891	O-RING	NA		
16	R45542	RING	NA		(SUB FOR R45037)
17	T11886	NEEDLE ROLLER	NA		
18	R56483	SHOE	NA		(SUB FOR T11885)
19	R30728	PLUNGER	NA		(ROTOR A)
	R30729	PLUNGER	NA		(ROTOR B)
	R30730	PLUNGER	NA		(ROTOR C)
	R30731	PLUNGER	NA		(ROTOR D)
20	R34639	LEAF SPRING	NA		
21	T11887	SCREW	NA		
22	AR50332	KIT	1		(SUB FOR AR46839) (ORDER AR69412 AND AR69408)
..	AR69412	FUEL INJECTION PUMP	1		(SUB FOR AR41625 AND AR48682) (ALSO ORDER AR69408 AND (4) R46669)
..	RE21230	KIT	NA		OVERHAUL, (SUB FOR AR46977 OR AR52271)

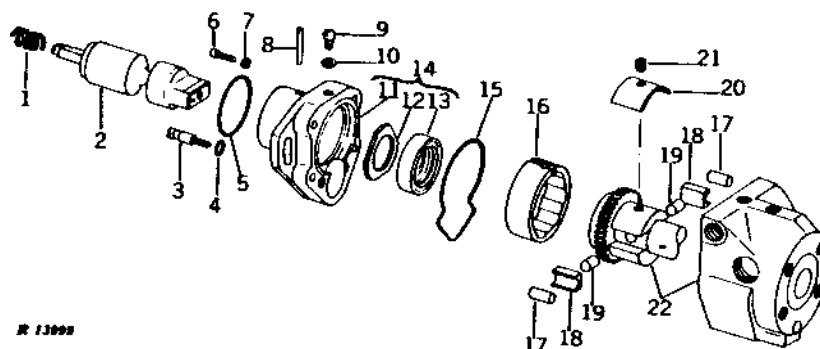
NOTE: SEE YOUR AUTHORIZED PUMP REPAIR STATION FOR PARTS NOT AVAILABLE. (NA)

# 1F12

FUEL AND AIR

## FUEL INJECTION PUMP HEAD AND ROTOR, AND DRIVE (ENGINE SERIAL NO. 125000-132165) (ENGINE SERIAL NO. 132166-280000)

R13999 -UN-01JAN94



KEY	PART NO.	PART NAME	QTY	ENGINE SERIAL NO.	REMARKS
1	R44686	SPRING	1		
2	.....	DRIVE SHAFT	NA		
3	.....	PLUG	NA		
4	.....	SNAP RING	NA		
5	T28582	O-RING	1		
6	.....	SCREW	NA		
7	.....	WASHER	NA		
8	.....	SPRING PIN	NA		
9	.....	SCREW	NA		
10	T11878	WASHER	1	125000-132165	
	T26209	RING	1	132166-280000	
11	.....	HOUSING	NA		
12	.....	GUIDE	NA		
13	.....	SEAL	NA		(SUB FOR R45039)
14	.....	HOUSING	NA		
15	.....	SNAP RING	NA		
16	.....	RING	NA		(SUB FOR R45037 OR R45542) (SUB AR69412 AND AR69408)
17	.....	NEEDLE ROLLER	NA		
18	.....	SHOE	NA		(SUB FOR T11885)
19	.....	PLUNGER	NA		ROTOR A
	.....	PLUNGER	NA		ROTOR B
	.....	PLUNGER	NA		ROTOR C
	.....	PLUNGER	NA		ROTOR D
20	.....	LEAF SPRING	NA		
21	.....	SCREW	NA		
22	.....	KIT	NA		(SUB AR69412 AND AR69408) (SUB FOR AR46839, AR49430 OR AR50332)

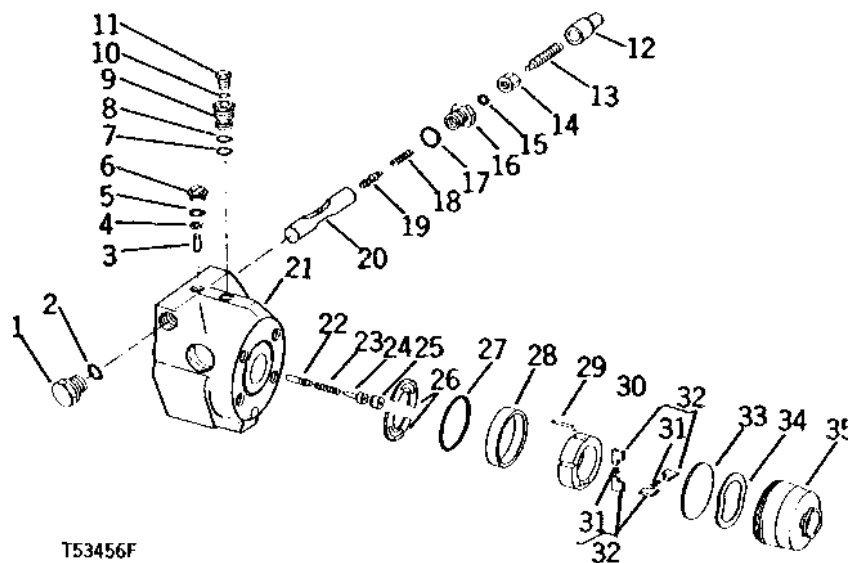
(A) SEE YOUR AUTHORIZED PUMP REPAIR STATION FOR PARTS NOT LISTED.

# 1F13

FUEL AND AIR

## FUEL INJECTION PUMP ADVANCE, DELIVERY VALVE AND TRANSFER PUMP (ENGINE SERIAL NO. 125000-132165)(AR41625) (ENGINE SERIAL NO. 132166-280000)(AR48682)

T53456 -UN-01JAN94



T53456F

KEY	PART NO.	PART NAME	QTY	ENGINE SERIAL NO.	REMARKS
1	.....	DRAIN PLUG	NA		
2	T11934	O-RING	1		(USE WITH AR48682)
3	.....	PIN	NA		
4	.....	SNAP RING	NA		
5	T26209	RING	1		
6	.....	PLUG	NA		
7	T26209	RING	1		
8	T11934	O-RING	1		
9	.....	PLUG	NA		
10	A3917R	O-RING	1		(SUB FOR T26256)
11	.....	DRAIN PLUG	NA		
12	.....	CAP	NA		
13	.....	SET SCREW	NA		
14	.....	NUT	NA		
15	T44604	O-RING	1		(SUB FOR T11915 OR R76578)
16	.....	DRAIN PLUG	NA		
17	R33259	O-RING	1		(SUB FOR T11934)
18	.....	SPRING	NA		
19	.....	PISTON	NA		
20	.....	PISTON	NA		
21	.....	KIT	1		(SUB AR69412 AND AR69408) (SUB FOR AR46839, AR49430 OR AR50332)
22	.....	VALVE	NA		
23	.....	SPRING	NA		
24	.....	STOP	NA		
25	.....	SCREW	NA		
26	.....	RETAINER	NA		
27	.....	O-RING	NA		
28	.....	WASHER	NA		
29	.....	DOWEL PIN	NA		
30	.....	LINING	NA		
31	.....	SPRING	NA		
32	.....	KIT	NA		STANDARD, (SUB FOR R45045)
	.....	KIT	NA		OVERSIZE
33	.....	PLATE	NA		
34	.....	WASHER	NA		
35	.....	CAP	NA		

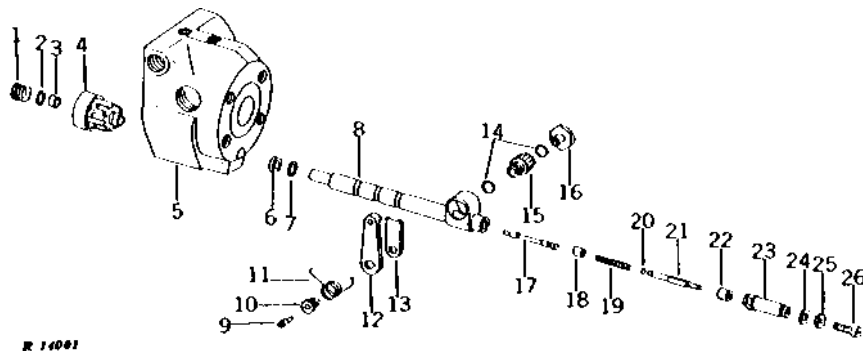
(A) SEE YOUR AUTHORIZED PUMP REPAIR STATION FOR PARTS NOT LISTED.

# 1F14

FUEL AND AIR

FUEL INJECTION PUMP GOVERNOR AND THROTTLE CONTROL  
 (ENGINE SERIAL NO. 125000-132165)(AR41625)  
 (ENGINE SERIAL NO. 132166-280000)(AR48682)

R14001 -UN-01JAN94



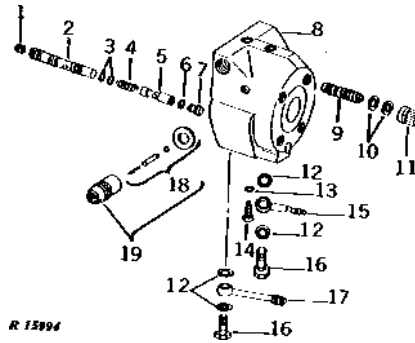
KEY	PART NO.	PART NAME	QTY	ENGINE SERIAL NO.	REMARKS
1	.....	SCREW	NA		(SUB FOR R45048)
2	.....	O-RING	NA		
3	.....	INSERT	NA		(SUB R46618)
4	.....	GOVERNOR	NA		
5	.....	KIT	1		(SUB AR69412 AND AR69408) (SUB FOR AR46839, AR49430 OR AR50332)
6	.....	WASHER	NA		
7	T11899	O-RING	1		
8	.....	SLEEVE	NA		
9	R70513	SCREW	1		(SUB FOR T19859)
10	T17950	RETAINER	1		
11	T17949	SPRING	1		
12	AR46843	LEVER	1		
13	T29164	LEVER	1		
14	A3917R	O-RING	2		(SUB FOR T26256)
15	.....	GEAR	NA		
16	.....	NUT	NA		
17	.....	VALVE	NA		
18	.....	WASHER	NA		(SUB FOR R45053)
19	.....	SPRING	NA		(COLORED GREEN AND BLUE)
20	.....	O-RING	NA		
21	.....	ROD	NA		
22	.....	NUT	NA		
23	.....	CAP	NA		
24	AT24209	SEAL	1		
25	.....	NUT	NA		
26	T17948	SCREW	1		

(A) SEE YOUR AUTHORIZED PUMP REPAIR STATION FOR PARTS NOT LISTED.

# 1F15

FUEL INJECTION PUMP SHUT-OFF SOLENOID AND FITTINGS  
 (ENGINE SERIAL NO. 125000-132165)(AR41625)  
 (ENGINE SERIAL NO. 132166-280000)(AR48682)

R15994 -UN-01JAN94



KEY	PART NO.	PART NAME	QTY	ENGINE SERIAL NO.	REMARKS
1	.....	PLUG	NA		
2	.....	SLEEVE	NA		
3	.....	O-RING	NA		
4	.....	SPRING	NA		
5	.....	PISTON	NA		
6	.....	O-RING	NA		
7	.....	PLUG	NA		
8	.....	KIT	NA		(SUB AR69412 AND AR69408) (SUB FOR AR46839, AR49430 OR AR50332)
9	R41680	SCREW	4		(USE WITH AR41625)
	R46844	SCREW	4		(USE WITH AR48682)
10	T20055	WASHER	8		
11	R46669	NUT	1		(USE WITH AR48682)
12	T11292	WASHER	4		
13	.....	O-RING	NA		
14	.....	SCREW	NA		
15	R45592	FITTING	1		
16	T26217	FITTING	2		
17	.....	FITTING	NA		
18	.....	KIT	NA		SOLENOID REPAIR
19	.....	KIT	NA		SOLENOID REPLACEMENT

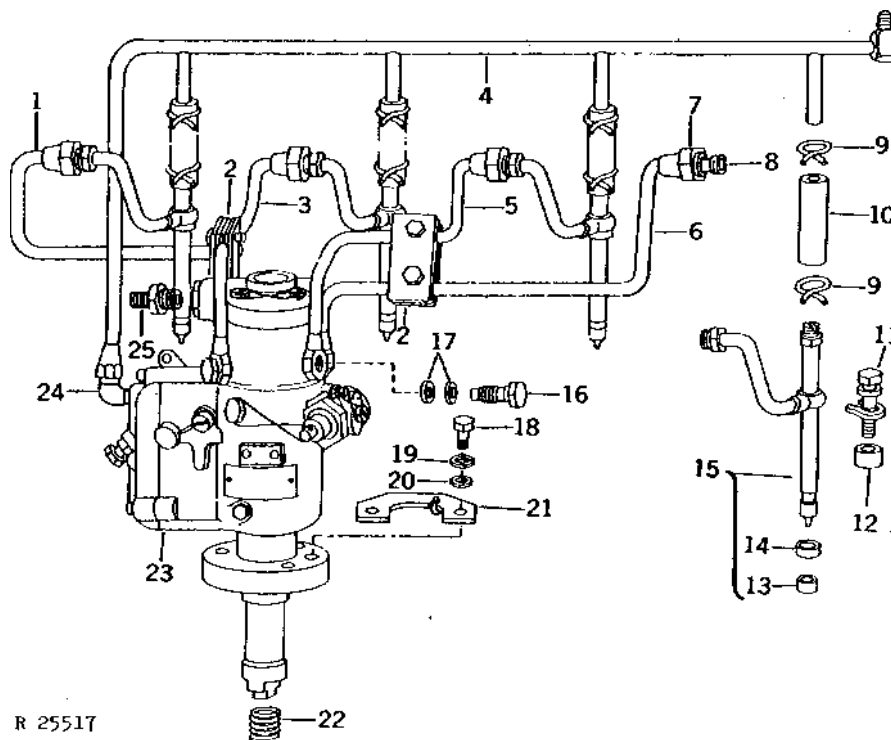
(A) "SEE YOUR AUTHORIZED PUMP REPAIR STATION FOR PARTS NOT LISTED."

# 1F16

FUEL AND AIR

FUEL INJECTION PUMP, NOZZLES, AND FUEL LINES  
 (ENGINE SERIAL NO. 280001- ) (AR50144)  
 (ENGINE SERIAL NO. 125000-280000) (AR69412)  
 FOR FUEL INJECTION SYSTEM CONVERSION

R25517 -UN-01JAN94



R 25517

KEY	PART NO.	PART NAME	QTY	ENGINE SERIAL NO.	REMARKS
1	AR34715	FUEL LINE	1	NO. 4	
2	R27781	STRAP	2		
	R27782	STRAP	2		
	R27783	CUSHION	2		
	19H1914	CAP SCREW	4	1/4" X 1"	
3	AR34714	FUEL LINE	1	NO. 3	
4	AR34806	FUEL LINE	1		
5	AR34713	FUEL LINE	1	NO. 2	
6	AR34712	FUEL LINE	1	NO. 1	
7	R34763	FITTING	4		
8	R34762	SLEEVE	4		
9	R34766	CLAMP	8		
10	R34765	BOOT	4		
11	R34760	CLAMP	4		
12	R34761	SPACER	4		
13	R48000	WASHER	4		
14	R34764	WASHER	1	(R60746, APPL)	
15	AR50781	NOZZLE	4	(ROOSA-MASTER NO. I-18767)	
16	R26726	FITTING	4		
17	T20055	WASHER	8		
18	19H1905	CAP SCREW	2	5/16" X 1"	
19	12H303	LOCK WASHER	2	5/16"	
20	24H1136	WASHER	2	11/32" X 11/16" X 0.065"	
21	AR69420	CLAMP	1	(USE WITH AR69412)	
22	R44686	SPRING	1		
23	AR69412	FUEL INJECTION PUMP	1	125000-280000	(A) (ROOSA-MASTER NO. JDB431AL2722)
	AR50144	FUEL INJECTION PUMP	1	280001-	(A) (ROOSA MASTER NO. JDB431AL2401)
24	AR40820	ELBOW FITTING	1	125000-280000	
	T30738	ELBOW FITTING	1	280001-	(SUB FOR AR26674)
25	R32136	FITTING	1		
..	AR49907	WIRING LEAD	1		(ELECTRIC FUEL SHUT-OFF)

(A) "SEE YOUR AUTHORIZED PUMP REPAIR STATION FOR PARTS NOT LISTED."

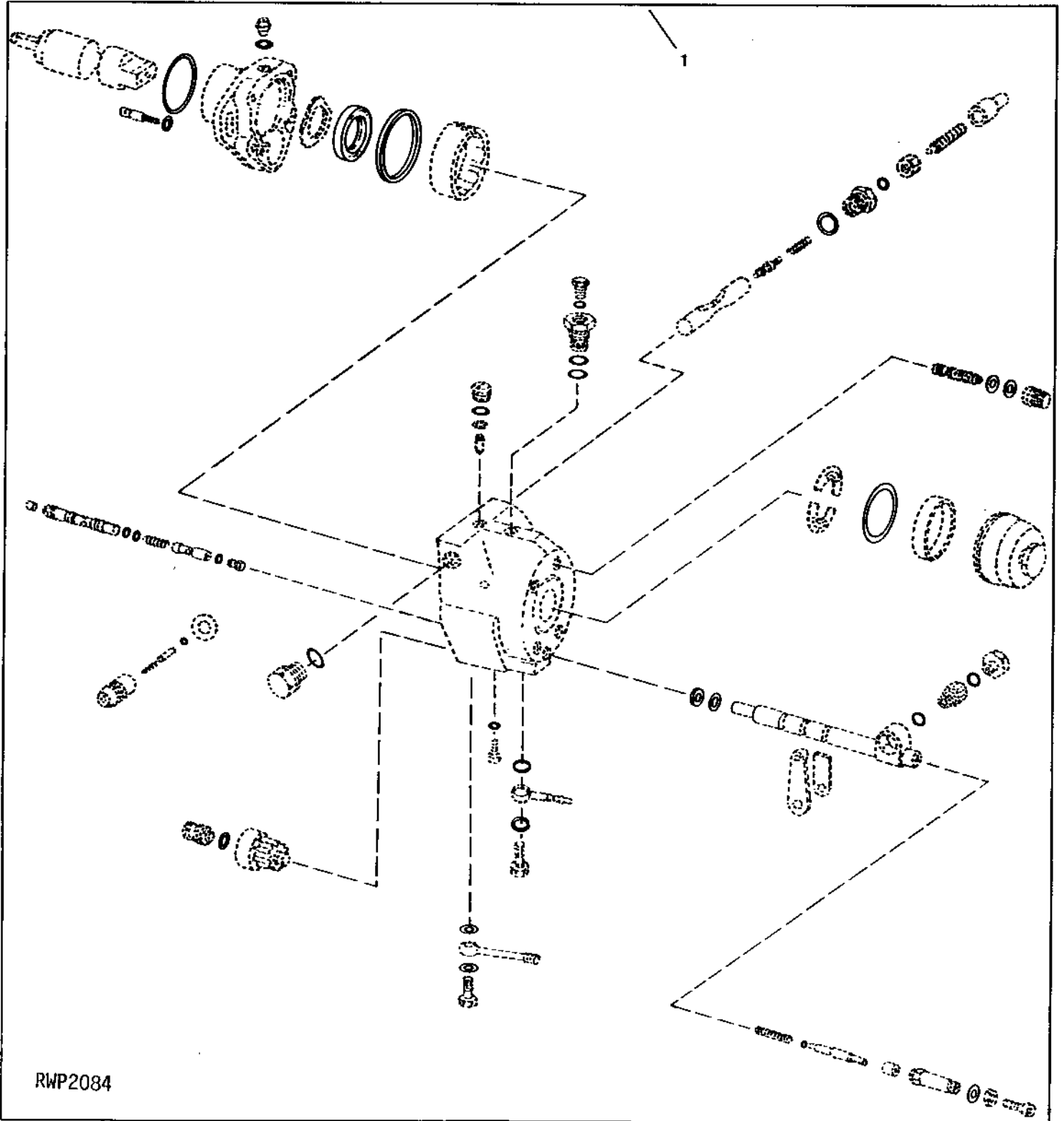
# 1F17

FUEL AND AIR

## INJECTION PUMP OVERHAUL KIT

RWP2084

-UN-01JAN94



RWP2084



# 1F18

FUEL AND AIR

## INJECTION PUMP OVERHAUL KIT - CONTINUED

KEY	PART NO.	PART NAME	QTY	ENGINE SERIAL NO.	REMARKS
1	RE21230	KIT	NA	(SUB FOR AR46977 OR AR53371)	

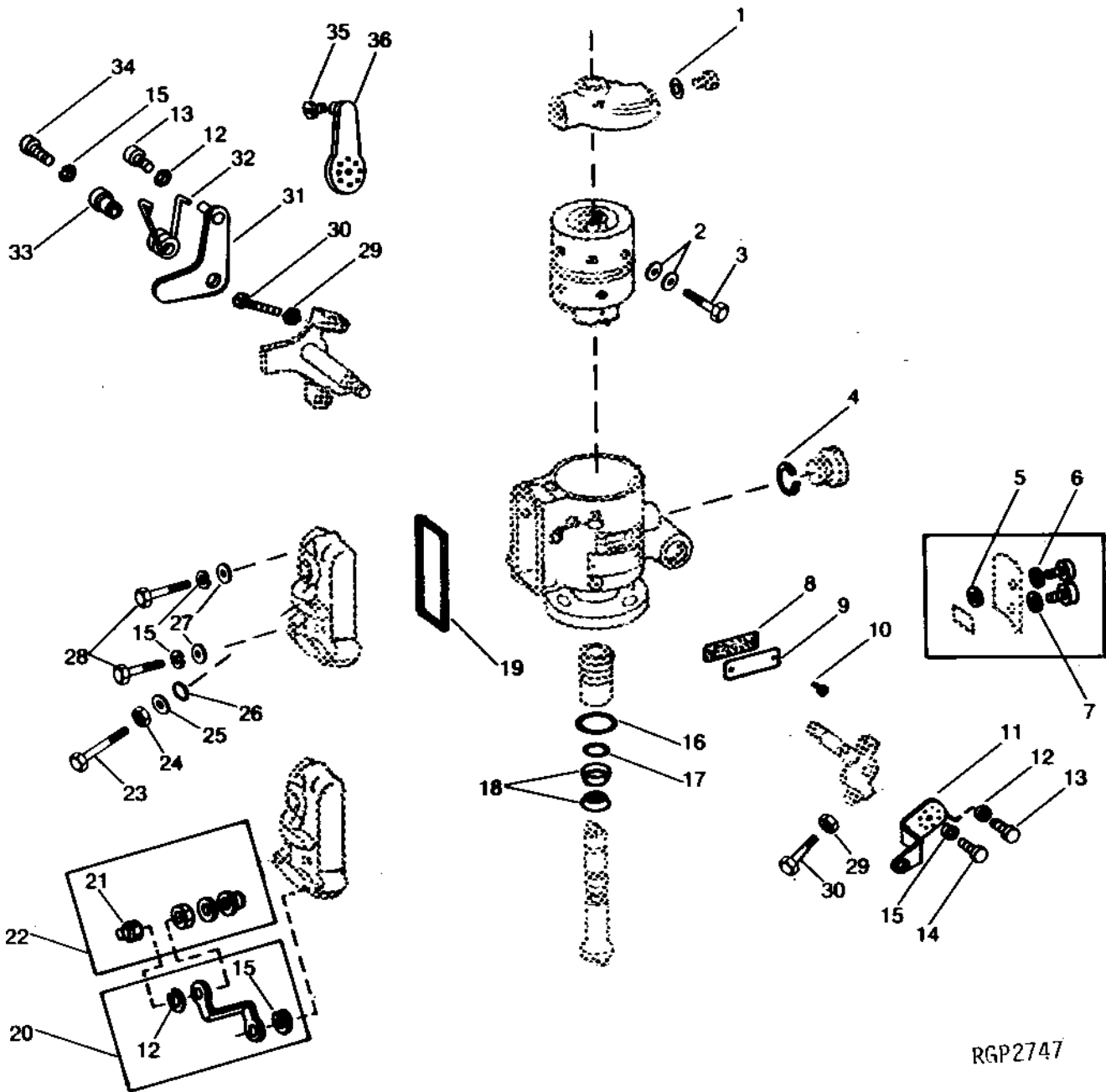
NOTE: SEE YOUR AUTHORIZED PUMP REPAIR STATION FOR PARTS NOT AVAILABLE. (NA)

# 1F19

FUEL AND AIR

FUEL INJECTION PUMP FITTINGS AND LINKAGE  
(ROOSA MASTER NO. JDB431AL2722)  
(ENGINE SERIAL NO. 125000-280000)(AR69412)  
(ROOSA MASTER NO. JDB431AL2401)  
(ENGINE SERIAL NO. 280001- ) (AR50144)

RGP2747 -UN-12OCT94



RGP2747

# 1F20

FUEL AND AIR

FUEL INJECTION PUMP FITTINGS AND LINKAGE - CONTINUED  
 (ROOSA MASTER NO. JDB431AL2722)  
 (ENGINE SERIAL NO. 125000-280000)(AR69412)  
 (ROOSA MASTER NO. JDB431AL2401)  
 (ENGINE SERIAL NO. 280001- ) (AR50144)

KEY	PART NO.	PART NAME	QTY	ENGINE SERIAL NO.	REMARKS
1	A3917R	O-RING	1		(SUB FOR T26256)
	.....	O-RING	NA		
2	T20055	WASHER	8		
3	R26726	FITTING	4		
4	T15712	O-RING	1		
5	.....	O-RING	NA		
6	.....	O-RING	NA		
7	.....	WASHER	NA		
8	T11883	GASKET	2		
9	T11882	COVER	2		
10	T11884	SCREW	4		
11	.....	LEVER	NA		
12	R47077	LOCK WASHER	1		
13	.....	SCREW	NA		
14	.....	SCREW	NA		
15	12M7060	WASHER	4		5.300 MM
16	.....	O-RING	NA		
	T19854	O-RING	1		
17	P48347	O-RING	1		(SUB FOR R34404, APPL)
18	T11290	SEAL	2		
19	T11918	GASKET	1		
20	AR50874	KIT	1		
21	M63431	LOCK NUT	2		
22	RE37091	KIT	1		(SUB FOR AR90601)
23	T17953	CAP SCREW	1		
24	T11921	NUT	1		
25	T17947	WASHER	1		
26	R34812	O-RING	1		
27	T15715	WASHER	3		
28	T15721	SCREW	3		(USE (1) WITH AR69412)
	R71851	SCREW	2		(USE WITH AR50144)
29	T11921	NUT	1		
30	T11941	SCREW	1		
31	AR51711	LEVER	1		
32	T17949	SPRING	1		
33	T17950	RETAINER	1		
34	.....	SCREW	NA		
	R70513	SCREW	1		
35	.....	SCREW	NA		
36	.....	LEVER	NA		
	.....	LEVER	NA		
..	.....	KIT	1		(SUB RE37089) (SUB FOR AR90340) (ALSO ORDER RE37091)

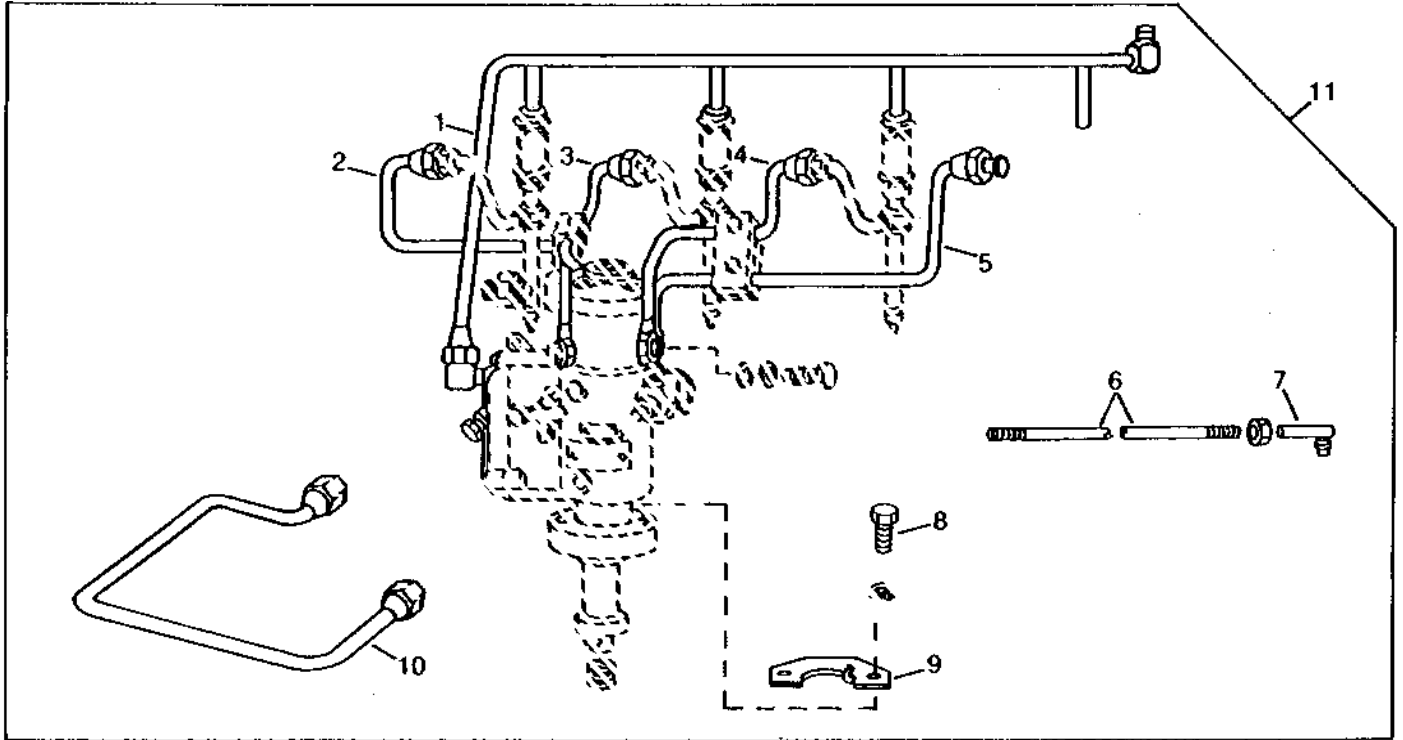
# 1F21

FUEL AND AIR

## FUEL INJECTION LINES AND MISCELLANEOUS ITEMS KIT

RGP3394

-UN-01JAN94



RGP3394

KEY	PART NO.	PART NAME	QTY	ENGINE SERIAL NO.	REMARKS
1	AR34806	FUEL LINE	1		
2	AR34715	FUEL LINE	1	NO. 4	
3	AR34714	FUEL LINE	1	NO. 3	
4	AR34713	FUEL LINE	1	NO. 2	
5	AR34712	FUEL LINE	1	NO. 1	
6	R47673	STUD	1		
7	R36123	BALL JOINT	1		
8	19H1849	CAP SCREW	1	5/16" X 1-1/4"	
9	AR69420	CLAMP	1		
10	AR31178	FUEL LINE	1		
11	AR69408	KIT	1		(CONTAINS AR49907 WIRING LEAD) (ORDER COMPONENT PARTS)

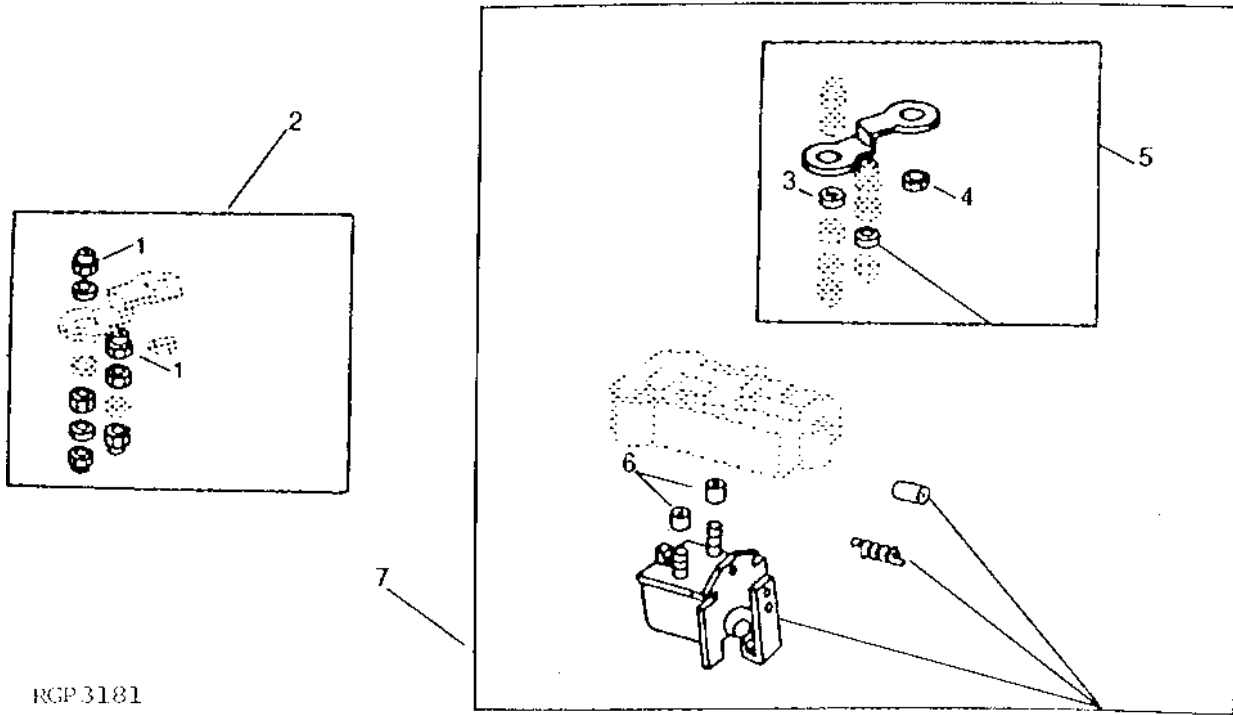
# 1F22

FUEL AND AIR

RGP3181

-UN-01JAN94

## FUEL INJECTION PUMP ELECTRIC SHUT-OFF KIT



RGP 3181

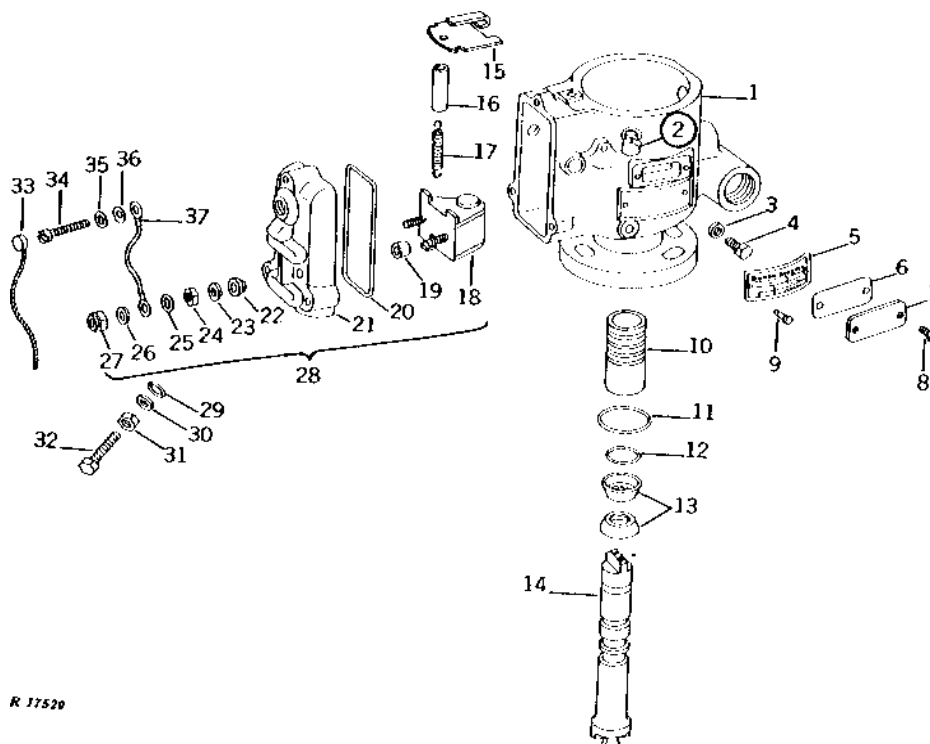
KEY	PART NO.	PART NAME	QTY	ENGINE SERIAL NO.	REMARKS
1	M63431	LOCK NUT	2		
2	RE37091	KIT	1	(SUB FOR AR90601)	
3	R47077	LOCK WASHER	1		
4	12M7060	WASHER	1	5.300 MM	
5	AR50874	KIT	1	(SUB FOR AR49542 OR R66593)	
6	T11937	INSULATOR	1		
7	RE62240	SOLENOID	1	(SUB FOR AR48219, AT11524, AR87068, AR90340 OR RE37089) (ALSO ORDER RE37091)	

# 1F23

FUEL AND AIR

FUEL INJECTION PUMP HOUSING, DRIVE SHAFT, AND ELECTRICAL SHUT-OFF  
 (ROOSA-MASTER NO. JDB431AL2722)  
 (ENGINE SERIAL NO. 125000-280000)  
 (AR69412)

R17520 -UN-01JAN94



KEY	PART NO.	PART NAME	QTY	ENGINE SERIAL NO.	REMARKS
1	AR51708	HOUSING	NA		
2	R30714	BOLT	NA		
3	T11878	WASHER	2		
4	T11930	SCREW	NA		
5	T11875	IDENTIFICATION PLATE	NA		
6	T11883	GASKET	2		
7	T11882	COVER	2		
8	T11884	SCREW	4		
9	T11876	SCREW	NA		
10	R48571	TUBE	NA		
11	T19854	O-RING	1		
12	P48347	O-RING	1		(SUB FOR T12860 OR R34404)
13	T11290	SEAL	2		
14	R32409	DRIVE SHAFT	NA		
15	AT11524	ARM	1		(SUB AR90340)
16	R48795	SLEEVE	NA		
17	T11935	SPRING	NA		
18	AR90340	KIT	1		(SUB FOR AR48219)
19	T11937	INSULATOR	2		
20	T11918	GASKET	1		
21	R37139	COVER	NA		
22	T11936	WASHER	2		(SUB AR90601)
23	R47049	WASHER	2		(SUB AR90601)
24	T11938	NUT	2		(SUB AR90601)
25	R47077	LOCK WASHER	1		
26	R47049	WASHER	1		(SUB AR90601)
27	T19977	LOCK NUT	2		
28	AR49543	COVER	1		(SUB AR90340) (12-VOLT)
29	R34812	O-RING	1		(SUB FOR T17051 AND T11906)
30	T17947	WASHER	1		
31	T11921	NUT	1		
32	T17953	CAP SCREW	1		
33	T11877	WIRE	NA		
34	T15721	SCREW	3		
35	12M7060	WASHER	3	0.209"	

NOTE: SEE YOUR AUTHORIZED PUMP REPAIR STATION FOR PARTS NOT AVAILABLE. (NA)

# 1F24

FUEL AND AIR

FUEL INJECTION PUMP HOUSING, DRIVE SHAFT, AND ELECTRICAL SHUT-OFF - CONTINUED  
(ROOSA-MASTER NO. JDB431AL2722)  
(ENGINE SERIAL NO. 125000-280000)  
(AR69412)

KEY	PART NO.	PART NAME	QTY	ENGINE SERIAL NO.	REMARKS
36	T15715	WASHER	3		
37	R66593	STRAP	1		(SUB FOR AR49542)
..	AR51796	SOLENOID	1		(SUB AR90340)
..	AR69412	FUEL INJECTION PUMP	1		(ROOSA-MASTER NO. JDB431AL2722)
..	AR34612	GASKET KIT	NA		(SUB FOR AR51713) OVERHAUL

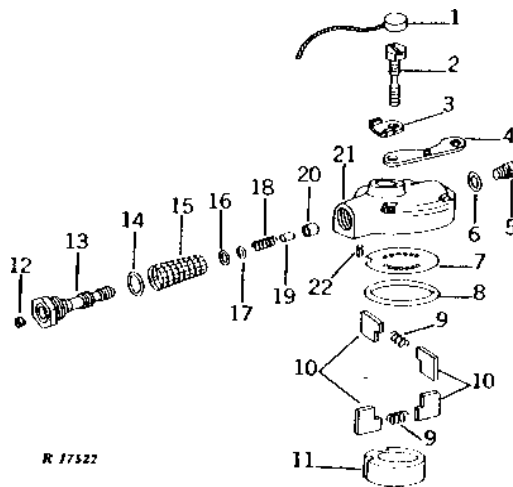
NOTE: SEE YOUR AUTHORIZED PUMP REPAIR STATION FOR PARTS NOT AVAILABLE. (NA)

# 1F25

FUEL AND AIR

FUEL INJECTION PUMP TRANSFER PUMP AND END PLATE  
 (ROOSA-MASTER NO. JDB431AL2722)  
 (ENGINE SERIAL NO. 125000-280000)  
 (AR69412)

R17522 -UN-01JAN94



KEY	PART NO.	PART NAME	QTY	ENGINE SERIAL NO.	REMARKS
1	T11877	WIRE	NA		
2	R48498	BOLT	NA		
3	R48496	CLIP	NA		
4	R48497	STRAP	NA		
5	T30607	DRAIN PLUG	NA		
6	T26256	O-RING	1		
7	R34631	PLATE	NA		
8	T11894	O-RING	NA		
9	R34630	SPRING	NA		
10	AR73828	KIT	NA		(SUB FOR R45045) STANDARD
	AR73829	KIT	NA		(SUB FOR R45045) OVERSIZE
11	T26238	SLEEVE	NA		
12	R34623	PLUG	NA		
13	R34622	SLEEVE	NA		(SUB RE21439) (NO LONGER AVAILABLE)
14	R33259	O-RING	1		(SUB FOR T11934)
15	R34625	STRAINER	NA		
16	R34632	WASHER	NA		
17	T11899	O-RING	1		
18	R49209	SPRING	NA		(SUB FOR R34627) (NO LONGER AVAILABLE)
19	T11900	DOWEL PIN	NA		
20	R82439	BUSHING	NA		(SUB FOR T25142) (NO LONGER AVAILABLE)
21	R34624	PLATE	NA		
22	34H240	SPRING PIN	1		1/8" X 1/4"
..	AR69412	FUEL INJECTION PUMP	1		(ROOSA-MASTER NO. JDB431AL2722)
..	AR34612	GASKET KIT	NA		(SUB FOR AR51713) OVERHAUL

NOTE: SEE YOUR AUTHORIZED PUMP REPAIR STATION FOR PARTS NOT AVAILABLE. (NA)

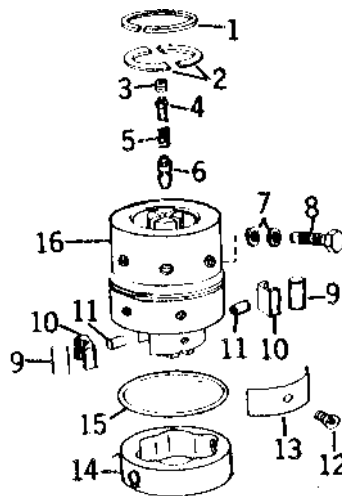


# 1G1

FUEL AND AIR

FUEL INJECTION PUMP HYDRAULIC HEAD AND ROTOR, AND CAM ROLLER  
 (ROSSA-MASTER NO. JDB431AL2722)  
 (ENGINE SERIAL NO. 125000-280000)  
 (AR69412)

R17523 -UN-01JAN94



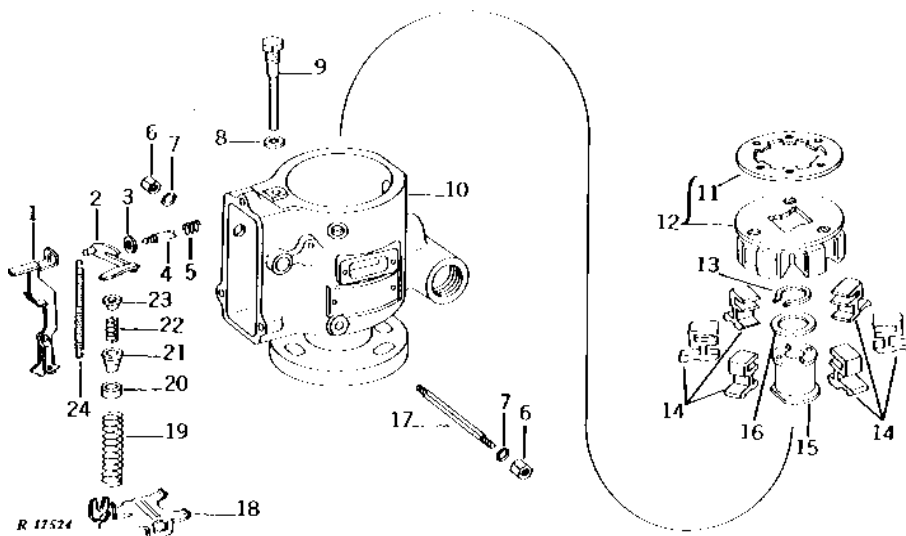
R 17523

KEY	PART NO.	PART NAME	QTY	ENGINE SERIAL NO.	REMARKS
1	T11889	SNAP RING	NA		
2	T11890	RETAINER	NA		
3	R30737	SCREW	NA		
4	T26223	STOP	NA		
5	R30735	SPRING	NA		
6	R34640	VALVE	NA		
	R34641	VALVE	NA		(OVERSIZE)
7	T20055	WASHER	8		
8	R26726	FITTING	4		
9	T11886	NEEDLE ROLLER	NA		
10	R56483	SHOE	NA		
11	R30728	PLUNGER	NA		(ROTOR A)
	R30729	PLUNGER	NA		(ROTOR B)
	R30730	PLUNGER	NA		(ROTOR C)
	R30731	PLUNGER	NA		(ROTOR D)
12	T11887	SCREW	NA		
13	T11888	LEAF SPRING	NA		
14	R48501	RING	NA		
15	T11891	O-RING	NA		
16	AR51706	HYDRAULIC HEAD, AND ROTOR	NA		
	R30725	SCREW	NA		
	T11926	SET SCREW	NA		
	R48495	WIRE	NA		
	R30727	RETAINER	NA		
..	AR69412	FUEL INJECTION PUMP	1		(ROSSA-MASTER NO. JDB431AL2722)
..	AR34612	GASKET KIT	NA		(SUB FOR AR51713) (OVERHAUL)

NOTE: SEE YOUR AUTHORIZED PUMP REPAIR STATION FOR PARTS NOT AVAILABLE. (NA)

**FUEL INJECTION PUMP GOVERNOR  
(ROOSA-MASTER NO. JDB431AL2722)  
(ENGINE SERIAL NO. 125000-280000)  
(AR69412)**

R17524 -UN-01JAN94



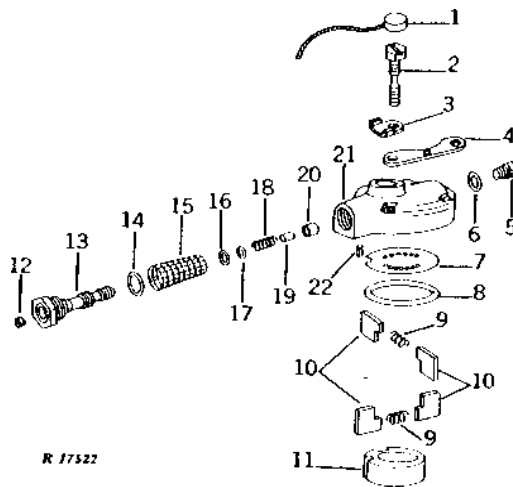
KEY	PART NO.	PART NAME	QTY	ENGINE SERIAL NO.	REMARKS
1	AT11520	HOOK	NA		
	T15699	HOOK	NA		
	AR28602	LINK	NA		
	R30718	SCREW	NA		
	R30719	LOCK WASHER	NA		
2	AR30736	ARM	1		
3	R30732	SHIM	NA		
4	R48500	VALVE	NA	(SUB AR91548)	
5	R58422	SPRING	NA		
6	T11932	NUT	NA		
7	R34812	O-RING	2	(SUB FOR T11906)	
8	T11943	WASHER	NA		
9	T11923	STUD	NA		
10	AR51708	HOUSING	NA		
11	R42483	RING	NA		
12	AR69418	RETAINER	NA		
13	T11931	RING	NA		
14	R48499	WEIGHT	NA		
15	T16601	SLEEVE	1	(SUB R74472) (NO LONGER AVAILABLE)	
16	T11909	WASHER	NA		
17	T11925	SHAFT	NA		
18	T16602	ARM	NA		
19	R48526	SPRING	NA		
20	T17952	WASHER	NA		
21	T11924	RETAINER	NA		
22	T11913	SPRING	NA		
23	T11914	GUIDE	NA		
24	T11911	SPRING	NA		
..	AR69412	FUEL INJECTION PUMP	1	(ROOSA-MASTER NO. JDB431AL2722)	
..	AR34612	GASKET KIT	NA	(SUB FOR AR51713) OVERHAUL	

NOTE: SEE YOUR AUTHORIZED PUMP REPAIR STATION FOR PARTS NOT AVAILABLE. (NA)

# 1G3

FUEL INJECTION PUMP TRANSFER PUMP AND END PLATE  
 (ROOSA-MASTER NO. JDB431AL2401)  
 (ENGINE SERIAL NO. 280001- )  
 (AR50144)

R17522 -UN-01JAN94



KEY	PART NO.	PART NAME	QTY	ENGINE SERIAL NO.	REMARKS
1	T11877	WIRE	NA		
2	R48498	BOLT	NA		
3	R48496	CLIP	NA		
4	R48497	STRAP	NA		
5	T30607	DRAIN PLUG	NA		
6	T26256	O-RING	1		
7	R34631	PLATE	NA		
8	T11894	O-RING	NA		
9	R34630	SPRING	NA		
10	AR73828	KIT	NA		STANDARD, (SUB FOR R45045) (INCLUDES R34630)
	AR73829	KIT	NA		OVERSIZE (INCLUDES R34630)
11	T26238	SLEEVE	NA		
12	R34623	PLUG	NA		PRESSURE ADJUSTING
13	R34622	SLEEVE	NA		(SUB RE21439) (NO LONGER AVAILABLE)
14	R33259	O-RING	1		(SUB FOR T11934)
15	R34625	STRAINER	NA		
16	R34632	WASHER	NA		
17	T11899	O-RING	1		
18	R49209	SPRING	NA		(SUB FOR R34627) (NO LONGER AVAILABLE)
19	T11900	DOWEL PIN	NA		
20	R82439	BUSHING	NA		(SUB FOR T25142) (NO LONGER AVAILABLE)
21	R34624	PLATE	NA		
22	34H240	SPRING PIN	1		1/8" X 1/4"
..	AR50144	FUEL INJECTION PUMP	1		(ROOSA-MASTER NO. JDB431AL2401)
..	AR34612	GASKET KIT	NA		(SUB FOR AR51713) OVERHAUL

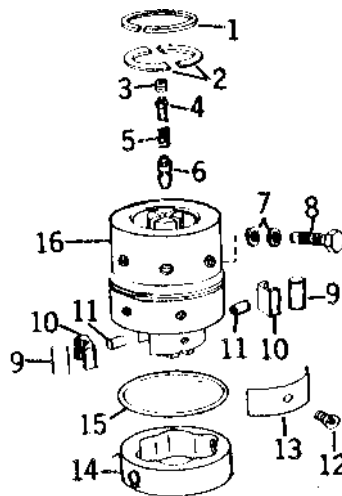
NOTE: SEE YOUR AUTHORIZED PUMP REPAIR STATION FOR PARTS NOT AVAILABLE. (NA)

# 1G4

FUEL AND AIR

FUEL INJECTION PUMP HYDRAULIC HEAD AND ROTOR, AND CAM ROLLER  
 (ROOSA-MASTER NO. JDB431AL2401)  
 (ENGINE SERIAL NO. 280001- )  
 (AR50144)

R17523 -UN-01JAN94



R 17523

KEY	PART NO.	PART NAME	QTY	ENGINE SERIAL NO.	REMARKS
1	T11889	SNAP RING	NA		
2	T11890	RETAINER	NA		
3	R30737	SCREW	NA		
4	T26223	STOP	NA		
5	R30735	SPRING	NA		
6	R34640	VALVE	NA		
	R34641	VALVE	NA		(OVERSIZE)
7	T20055	WASHER	8		
8	R26726	FITTING	4		
9	T11886	NEEDLE ROLLER	NA		
10	R56483	SHOE	NA		(SUB FOR T11885)
11	R30728	PLUNGER	NA		(ROTOR A)
	R30729	PLUNGER	NA		(ROTOR B)
	R30730	PLUNGER	NA		(ROTOR C)
	R30731	PLUNGER	NA		(ROTOR D)
12	T11887	SCREW	NA		
13	T11888	LEAF SPRING	NA		
14	R48501	RING	NA		
15	T11891	O-RING	NA		
16	AR51706	HYDRAULIC HEAD, AND ROTOR	NA		
	R30725	SCREW	NA		
	T11926	SET SCREW	NA		
	R49346	DOWEL PIN	NA		
	R30727	RETAINER	NA		
..	AR50144	FUEL INJECTION PUMP	1		(ROOSA-MASTER NO. JDB431AL2401)
..	AR34612	GASKET KIT	NA		OVERHAUL, (SUB FOR AR51713)

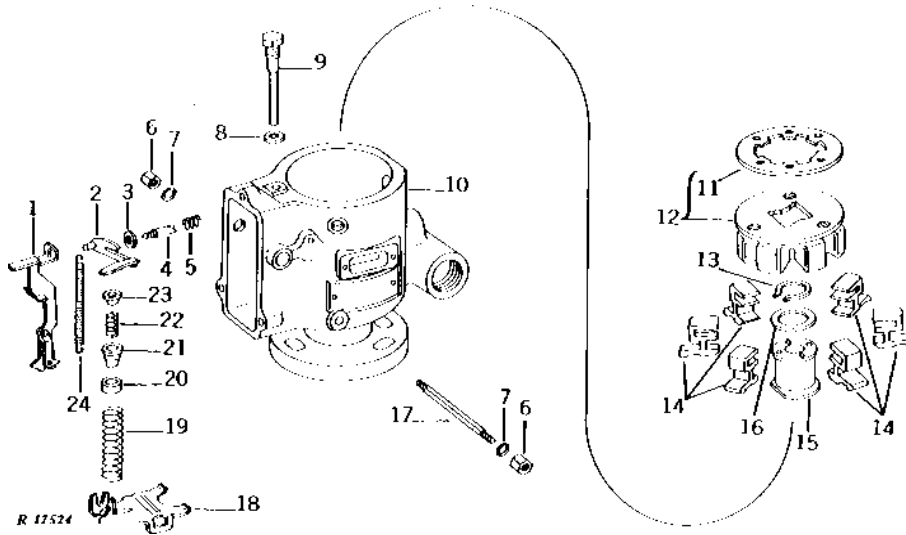
NOTE: SEE YOUR AUTHORIZED PUMP REPAIR STATION FOR PARTS NOT AVAILABLE. (NA)

# 1G5

FUEL AND AIR

FUEL INJECTION PUMP GOVERNOR  
(ROOSA-MASTER NO. JDB431AL2401)  
(ENGINE SERIAL NO. 280001- )  
(AR50144)

R17524 -UN-01JAN94



KEY	PART NO.	PART NAME	QTY	ENGINE SERIAL NO.	REMARKS
1	AT11520	HOOK	NA		
	T15699	HOOK	NA		
	AR28602	LINK	NA		
	R30718	SCREW	NA		
	R30719	LOCK WASHER	NA		
2	AR30736	ARM	1		
3	R30732	SHIM	NA		
4	R48500	VALVE	NA		(SUB AR91548) (SUB FOR AR26437)
5	R58422	SPRING	NA		(SUB FOR T11907)
6	T11932	NUT	NA		
7	R34812	O-RING	2		
8	T11943	WASHER	NA		
9	T11923	STUD	NA		
10	AR51708	HOUSING	NA		
11	R42483	RING	NA		
12	AR51714	RETAINER	NA		
13	T11931	RING	NA		
14	R48499	WEIGHT	NA		
15	T16601	SLEEVE	1		(SUB R74472) (NO LONGER AVAILABLE)
16	T11909	WASHER	NA		
17	T11925	SHAFT	NA		
18	T16602	ARM	NA		
19	R48526	SPRING	NA		
20	T17952	WASHER	NA		
21	T11924	RETAINER	NA		
22	T11913	SPRING	NA		
23	T11914	GUIDE	NA		
24	T11911	SPRING	NA		
..	AR50144	FUEL INJECTION PUMP	1		(ROOSA-MASTER NO. JDB431AL2401)
..	AR34612	GASKET KIT	NA		OVERHAUL, (SUB FOR AR51713)

NOTE: SEE YOUR AUTHORIZED PUMP REPAIR STATION FOR PARTS NOT AVAILABLE. (NA)

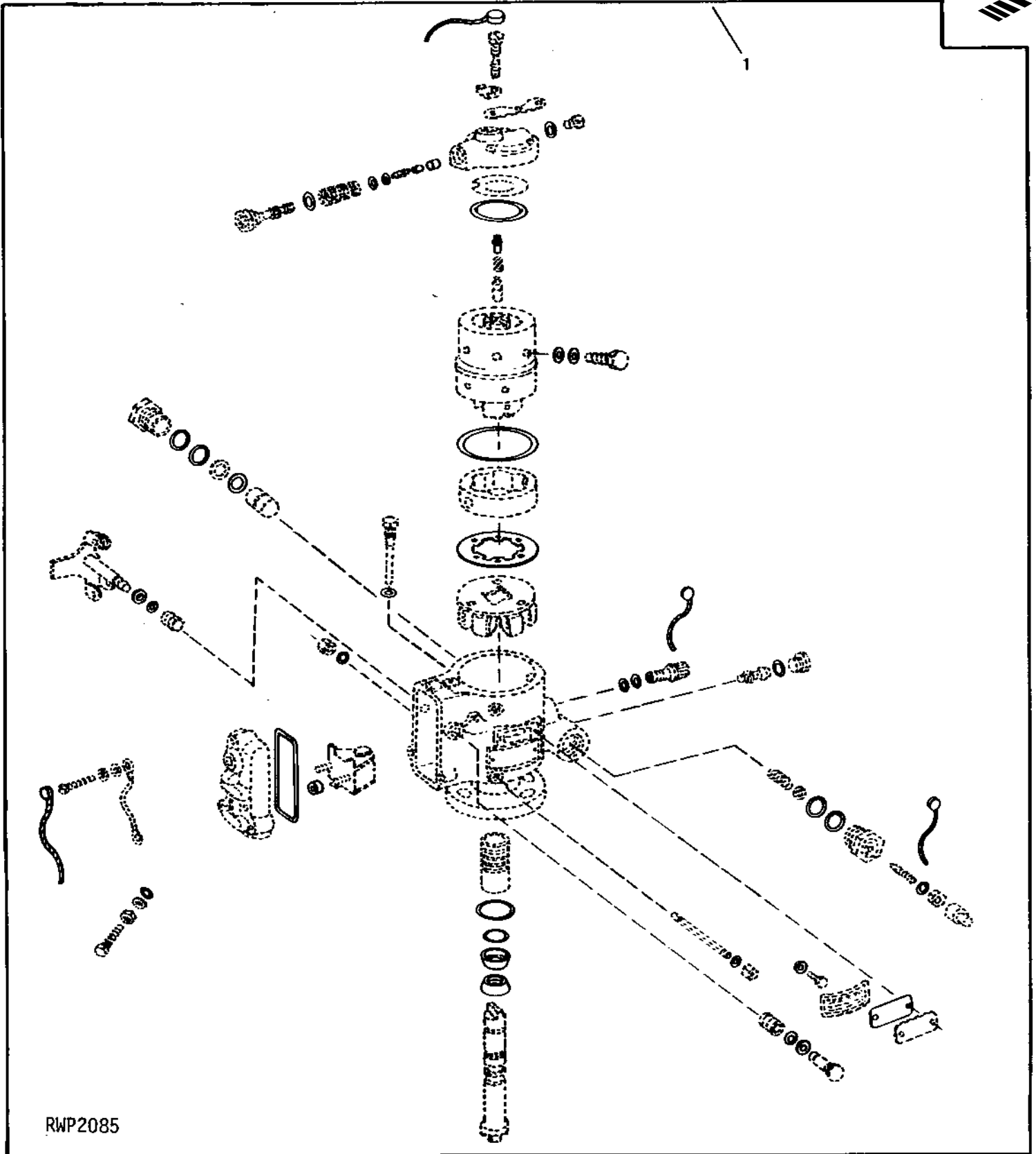
# 1G6

FUEL AND AIR

RWP2085

-UN-01JAN94

## INJECTION PUMP OVERHAUL GASKET KIT



RWP2085

# 1G7

FUEL AND AIR

## INJECTION PUMP OVERHAUL GASKET KIT - CONTINUED

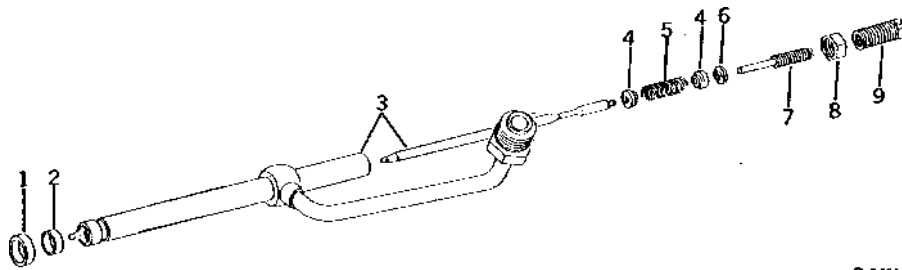
KEY	PART NO.	PART NAME	QTY	ENGINE SERIAL NO.	REMARKS
1	AR34612	GASKET KIT	1		(SUB FOR AR51713) (NLA)

# 1G8

FUEL AND AIR

INJECTOR NOZZLE (9.52MM) (ROOSA-MASTER)  
 (ENGINE SERIAL NO. 125000-280000)  
 (AR46846 AND AR49226)

R14918 -UN-01JAN94



R 14918

KEY	PART NO.	PART NAME	QTY	ENGINE SERIAL NO.	REMARKS
1	R34764	WASHER	1		(SUB FOR R60746, APPL)
2	R48000	WASHER	1		(SUB FOR R34767)
3	AR46846	INJECTION NOZZLE	4	-133484	9.52MM, (SUB AR50781) (ROOSA-MASTER NO. I-17705)
	AR49226	NOZZLE	4	133485-	9.52MM, (SUB AR50781) (ROOSA-MASTER NO. I-18646)
4	R39886	GUIDE	2		
5	R39885	SPRING	1		
6	R39887	WASHER	1		(NLA)
7	R39888	SCREW	1		(NLA)
8	R46675	NUT	1		(SUB FOR R39890) (NLA)
9	R39889	SCREW	1		(NLA)

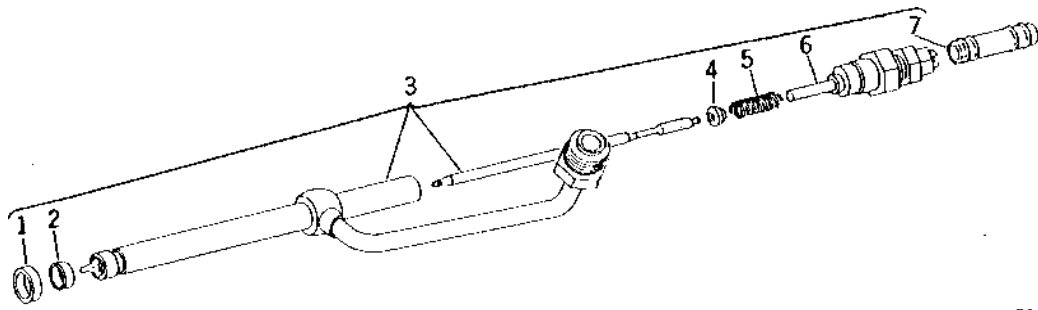


# 1G9

FUEL AND AIR

FUEL INJECTION NOZZLE  
(ENGINE SERIAL NO. 280001- )  
(AR50781)

T23870 -UN-01JAN94



T23870

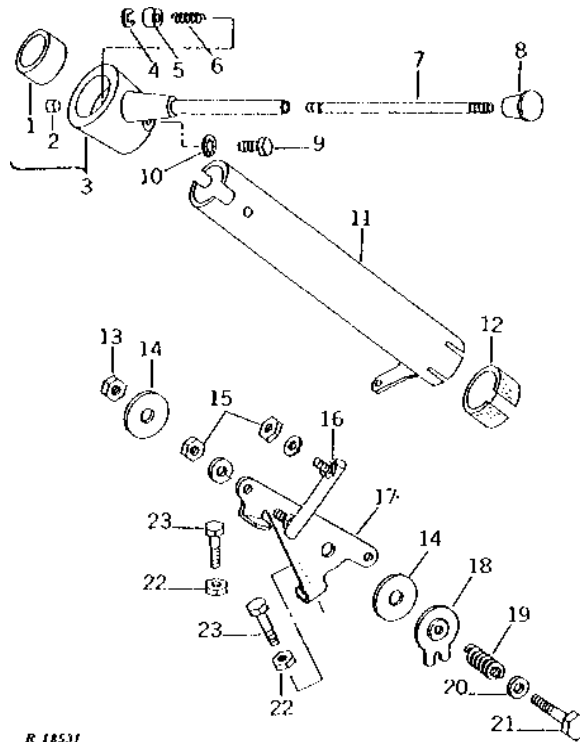
KEY	PART NO.	PART NAME	QTY	ENGINE SERIAL NO.	REMARKS
1	R34764	WASHER	1		(SUB FOR R60746, APPL)
2	R48000	WASHER	1		
3	AR50781	NOZZLE	4		9.52 MM (ROOSA-MASTER NOS. I-18767 OR 20494)
4	R39886	GUIDE	1		
5	R47731	SPRING	1		
6	AR52720	SCREW	1		
7	R34765	BOOT	1		

# 1G10

FUEL AND AIR

R18531 -UN-01JAN94

## HAND SPEED CONTROL LINKAGE



R 18531

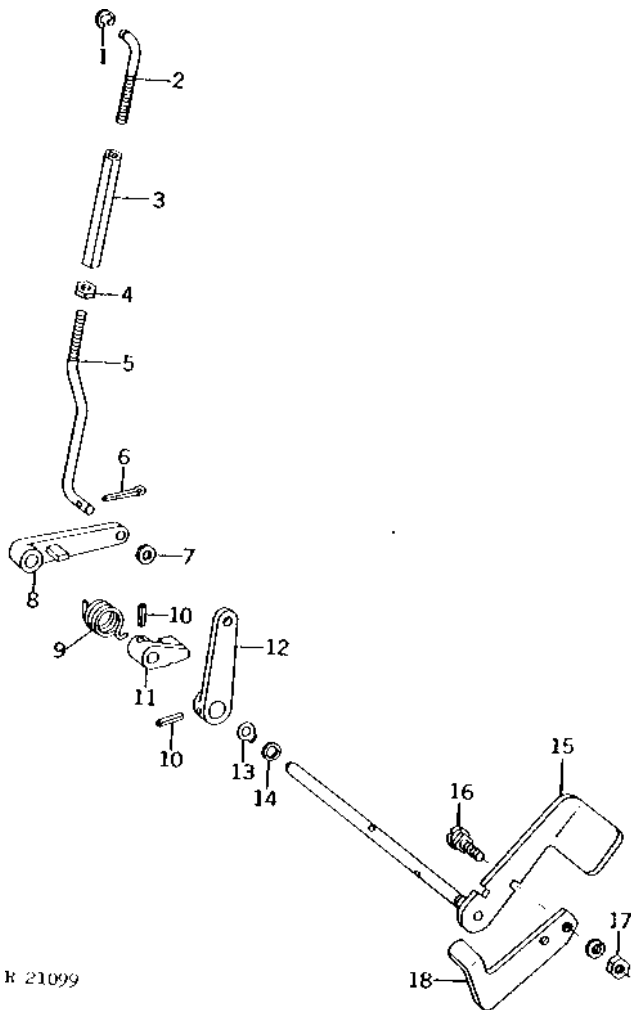
KEY	PART NO.	PART NAME	QTY	TRACTOR SERIAL NO.	REMARKS
1	R27075	BUSHING	1		
2	R51114	DOWEL PIN	1		
3	AR41565	HUB	1		(MARKED R41614)
4	R30828	SNAP RING	1		
5	R38377	WASHER	1		
6	R28009	SPRING	1		
7	R38376	LEVER	1		
8	R26670	KNOB	1		
9	R28007	BOLT	1		
10	12H310	LOCK WASHER	1		3/8"
11	AR40702	TUBE	1		
12	R26958	ISOLATOR	1		
13	K40003	LOCK NUT	1		(SUB FOR R41564)
14	R39985	WASHER	2		(SUB FOR R40983) (SUB R105814)
15	14H649	NUT	2		1/4"
	12H302	LOCK WASHER	2		1/4"
16	R40982	BALL JOINT	1		
17	AR40703	LEVER	1		
18	R40984	PLATE	1		
19	R31271	SPRING	1		
20	24H1305	WASHER	1		13/32" X 13/16" X 0.065"
21	19H1726	CAP SCREW	1		3/8" X 2-1/4"
22	14H611	NUT	2		5/16"
23	19H2831	CAP SCREW	2		5/16" X 1-1/2"

# 1G11

FUEL AND AIR

R21099 -UN-01JAN94

## FOOT SPEED CONTROL LINKAGE



R 21099

KEY	PART NO.	PART NAME	QTY	TRACTOR SERIAL NO.	REMARKS
1	R72653	SNAP RING	1		(SUB FOR M2396T)
2	R40985	BOLT	1		
3	R40986	TURNBUCKLE	1		
4	14H611	NUT	1	5/16"	
5	R48897	ROD	1	(SUB FOR R40987)	
6	11M7079	COTTER PIN	1	0.098" X 0.472"	
7	24H1136	WASHER	1	11/32" X 11/16" X 0.065"	
8	R40988	ARM	1		
9	R38143	SPRING	1	(SUB R117129)	
10	34H282	SPRING PIN	2	3/16" X 1"	
11	R40991	ARM	1		
12	R40989	LEVER	1		
13	R26871	SNAP RING	1	(SUB FOR R38126 OR P44982)	
14	T25050	WASHER	1		
15	AT46795	PEDAL	1	(SUB FOR AR40704)	
16	03H1778	BOLT	2	(A) 1/4" X 5/8"	
17	14H850	NUT	2	(A) 1/4"	
	12H302	LOCK WASHER	2	(A) 1/4"	
18	R44898	PEDAL	1	(A) (NLA)	

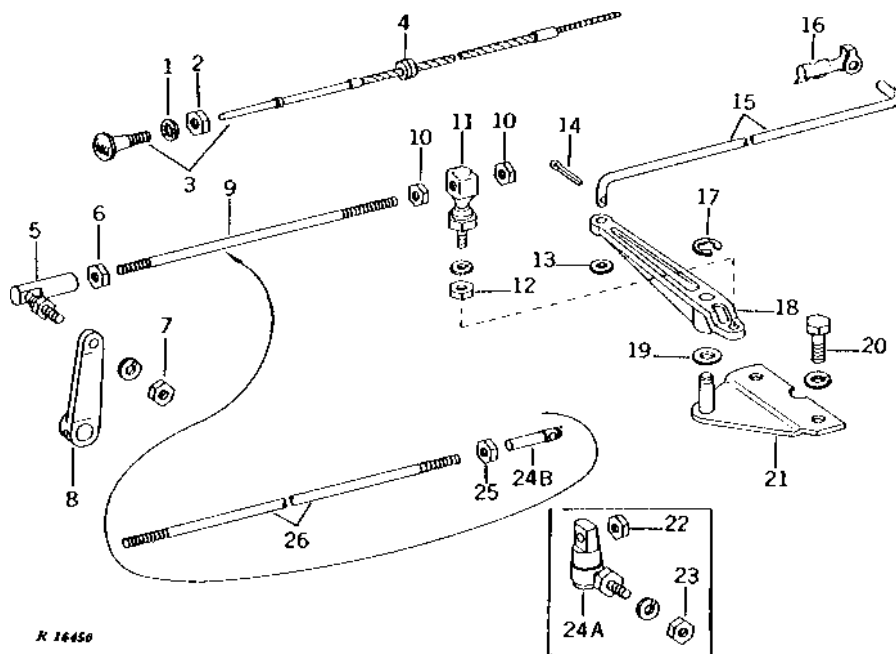
(A) GASOLINE AND LP-GAS

# 1G12

FUEL AND AIR

R16450 -UN-01JAN94

## SPEED CONTROL RODS AND CHOKE CABLE



KEY	PART NO.	PART NAME	QTY	TRACTOR SERIAL NO.	REMARKS
1	12H310	LOCK WASHER	1	(A) 3/8"	
2	14H774	NUT	1	(A) 3/8"	
3	AR45735	PUSH PULL CABLE	1	(A)	
4	R41441	GROMMET	1	(A)	
5	T23688	BALL JOINT	1		
6	14H649	NUT	1	1/4"	
7	14H649	NUT	1	1/4"	
	12H302	LOCK WASHER	1	1/4"	
8	R40989	LEVER	1		
9	R40994	STUD	1	(A) (B)	
10	14H850	NUT	2	(A) (B) 1/4"	
11	AA5302R	BALL JOINT	1	(A) (B)	
12	14H649	NUT	1	(A) (B) 1/4"	
	12H302	LOCK WASHER	1	(A) (B) 1/4"	
13	24H1287	WASHER	1	(A) (B) 9/32" X 5/8" X 0.065"	
14	11M7082	COTTER PIN	1	(A) (B) 2.500 X 25 MM	
15	R41569	ROD	1	(A) (B) (NO LONGER AVAILABLE)	
16	R26524	CLIP	1	(A) (B)	
17	P44982	PISTON RING	1	(A) (B)	
18	R41571	CRANK	1	(A) (B)	
19	24H1341	WASHER	1	(A) (B) 17/32" X 15/16" X 0.060"	
20	19H1731	CAP SCREW	2	(A) (B) 3/8" X 1"	
	12H304	LOCK WASHER	2	(A) (B) 3/8"	
21	AR40705	BRACKET	1	(A) (B)	
22	14H649	NUT	1	-150000 (C) 1/4"	
23	14H649	NUT	1	-150000 (C) 1/4"	
	12H302	LOCK WASHER	1	-150000 (C) 1/4"	
24A	AR46117	BALL JOINT	1	-150000 (C)	
24B	R36123	BALL JOINT	1	150001- (C)	
25	14H649	NUT	1	(C) 1/4"	
26	R41573	STUD	1	-150000 (C)	
	R47673	STUD	1	150001- (C)	

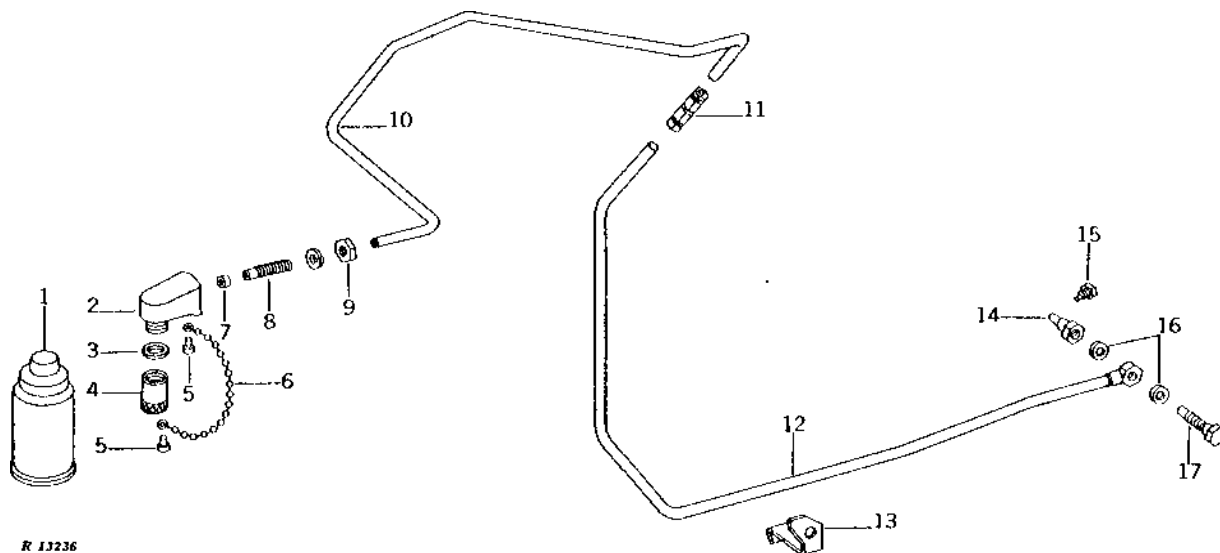
- (A) GASOLINE
- (B) LP-GAS
- (C) DIESEL

# 1G13

FUEL AND AIR

R13236 -UN-01JAN94

## STARTING FLUID ADAPTER (TRACTOR SERIAL NO. 123000-134937)



R 13236

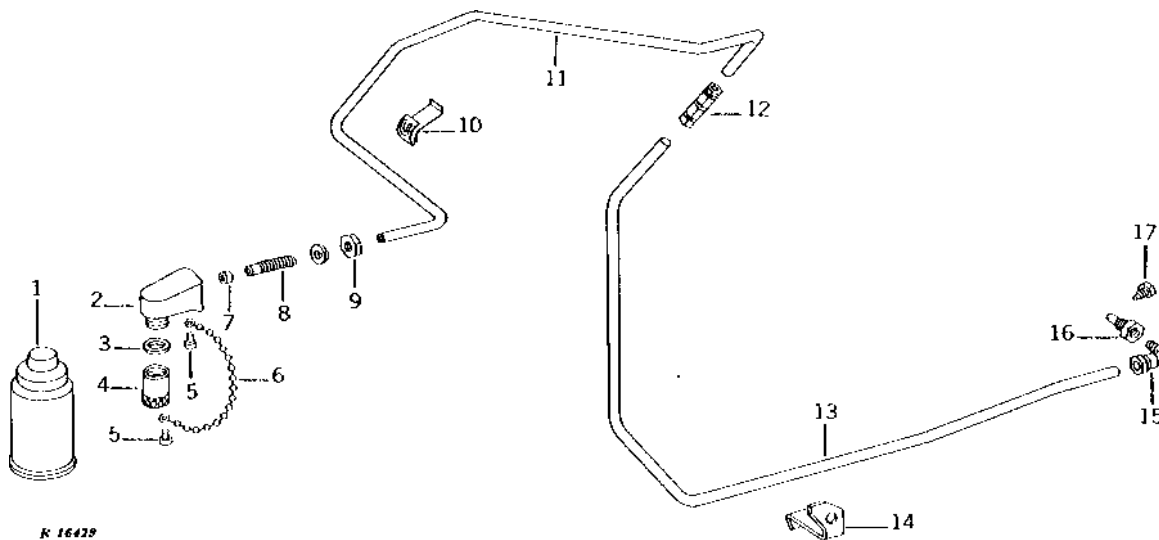
KEY	PART NO.	PART NAME	QTY	TRACTOR SERIAL NO.	REMARKS
1	RE33636	STARTING FLUID	1		(SUB FOR AR27814, RE24561 OR RE30174)
2	R39534	ADAPTER	1		
3	R26149	PACKING	1		
4	R32306	CAP	1		
5	37H44	SCREW	2	0.154" X 3/8"	
6	AR27940	LINK CHAIN	1		
7	R34394	WASHER	1		
8	R34395	ADAPTER	1		
9	14H1040	NUT	1	1/2"	
	12H301	LOCK WASHER	1	1/2"	
10	.....	TUBE	1		(ORDER RE16181)
11	R34388	UNION FITTING	1		
12	AR40706	LINE	1		(ORDER RE16181)
13	B1986R	CLIP	1		
14	R28584	FITTING	1		
15	R28583	NOZZLE	1		
16	T20055	WASHER	2		
17	R26726	FITTING	1		

# 1G14

FUEL AND AIR

R16429 -UN-01JAN94

**COLD WEATHER STARTING AID  
(DIESEL)  
(TRACTOR SERIAL NO. 134938- )**



R 16429

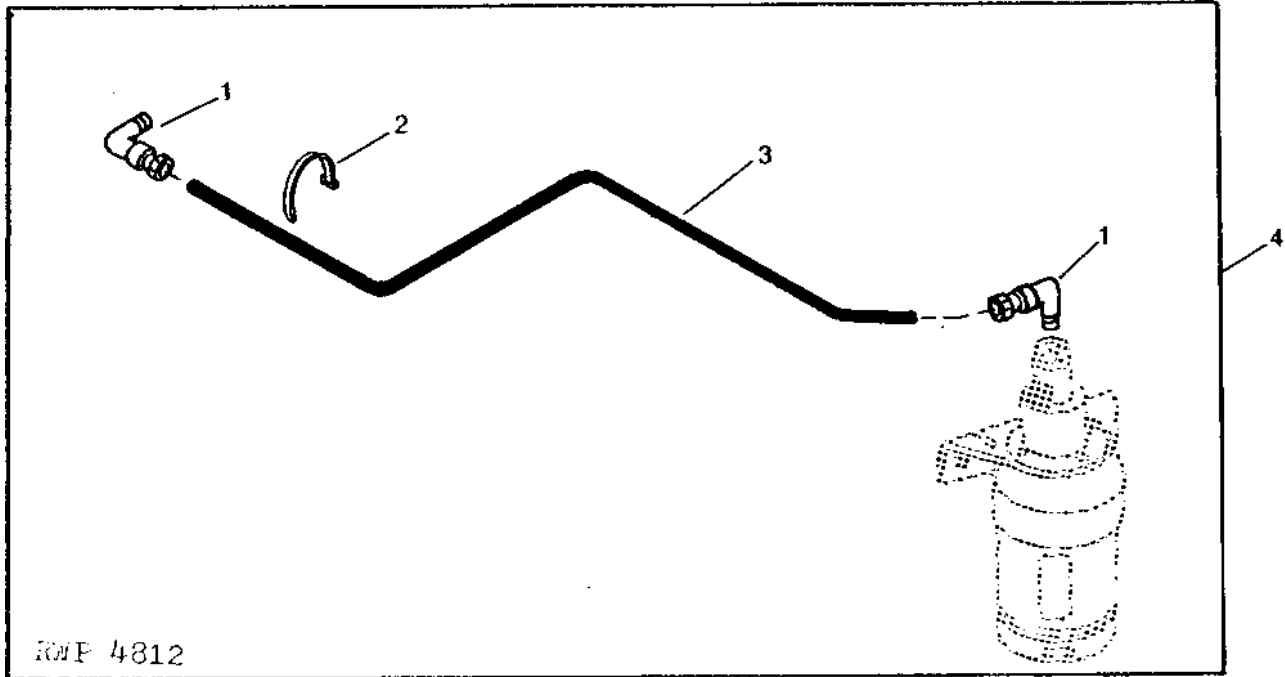
KEY	PART NO.	PART NAME	QTY	TRACTOR SERIAL NO.	REMARKS
1	RE33636	STARTING FLUID	1		(SUB FOR AR27814, RE24561 OR RE30174)
2	R39534	ADAPTER	1		
3	R26149	PACKING	1		
4	R32306	CAP	1		
5	37H44	SCREW	2	0.154" X 3/8"	
6	AR27940	LINK CHAIN	1		
7	R34394	WASHER	1		
8	R34395	ADAPTER	1		
9	14H1040	NUT	1	1/2"	
	12H301	LOCK WASHER	1	1/2"	
10	R47113	CLIP	1		
11	.....	TUBE	1		(ORDER RE50139)
12	R34388	UNION FITTING	1		
13	.....	TUBE	1		(ORDER RE50139)
14	B1986R	CLIP	1		
15	RE21790	ELBOW FITTING	1		(SUB FOR AT25266)
16	R47160	NOZZLE HOLDER	1		
17	R28583	NOZZLE	1		
..	AR50495	STARTING AID	1	150001-	(SUB RE16182)

# 1G15

FUEL AND AIR

## STARTING FLUID TUBE KIT

RWP4812 -UN-01JAN94



RWP 4812

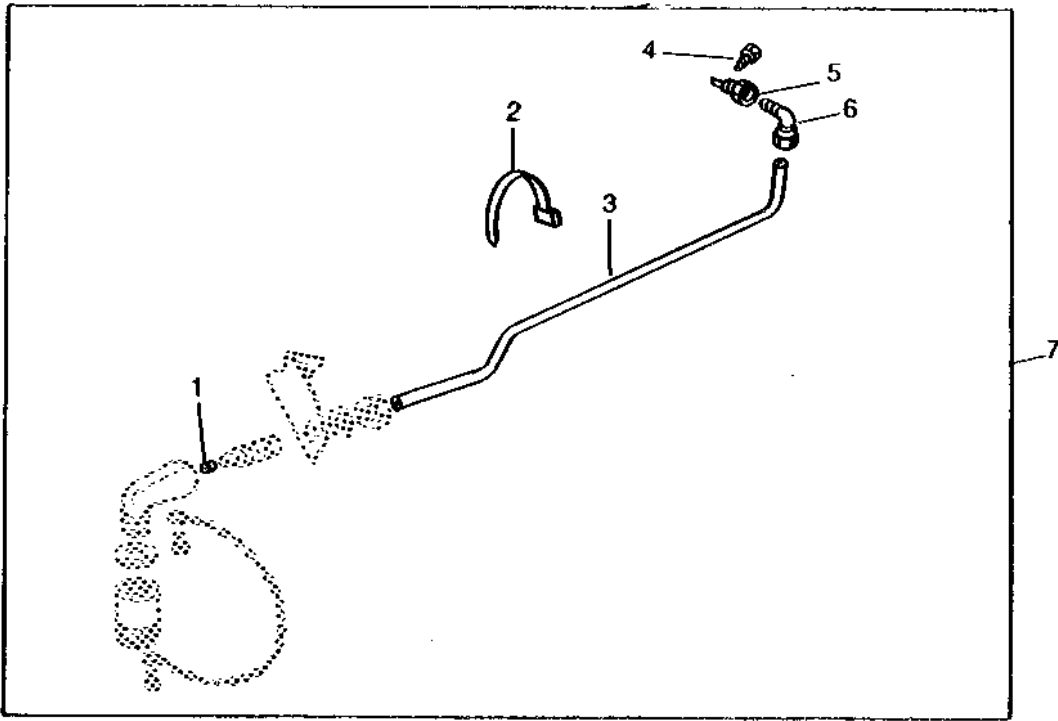
KEY	PART NO.	PART NAME	QTY	TRACTOR SERIAL NO.	REMARKS
1	RE21790	ELBOW FITTING	2		(SUB FOR AT25266)
2	R44302	TIE BAND	5		
3	.....	TUBE	1		(ORDER RE16151)
4	RE50139	KIT	1		(SUB FOR RE16151)

# 1G16

FUEL AND AIR

RWP5037 -UN-01JAN94

## STARTING FLUID TUBE KIT



RWP5037

KEY	PART NO.	PART NAME	QTY	TRACTOR SERIAL NO.	REMARKS
1	R34394	WASHER	1		
2	R44302	TIE BAND	5		
3	.....	TUBE	1		(ORDER RE16181)
4	R28583	NOZZLE	1		
5	R47160	NOZZLE HOLDER	1		
6	RE21790	ELBOW FITTING	1		(SUB FOR AT25266)
7	RE16181	KIT	1		

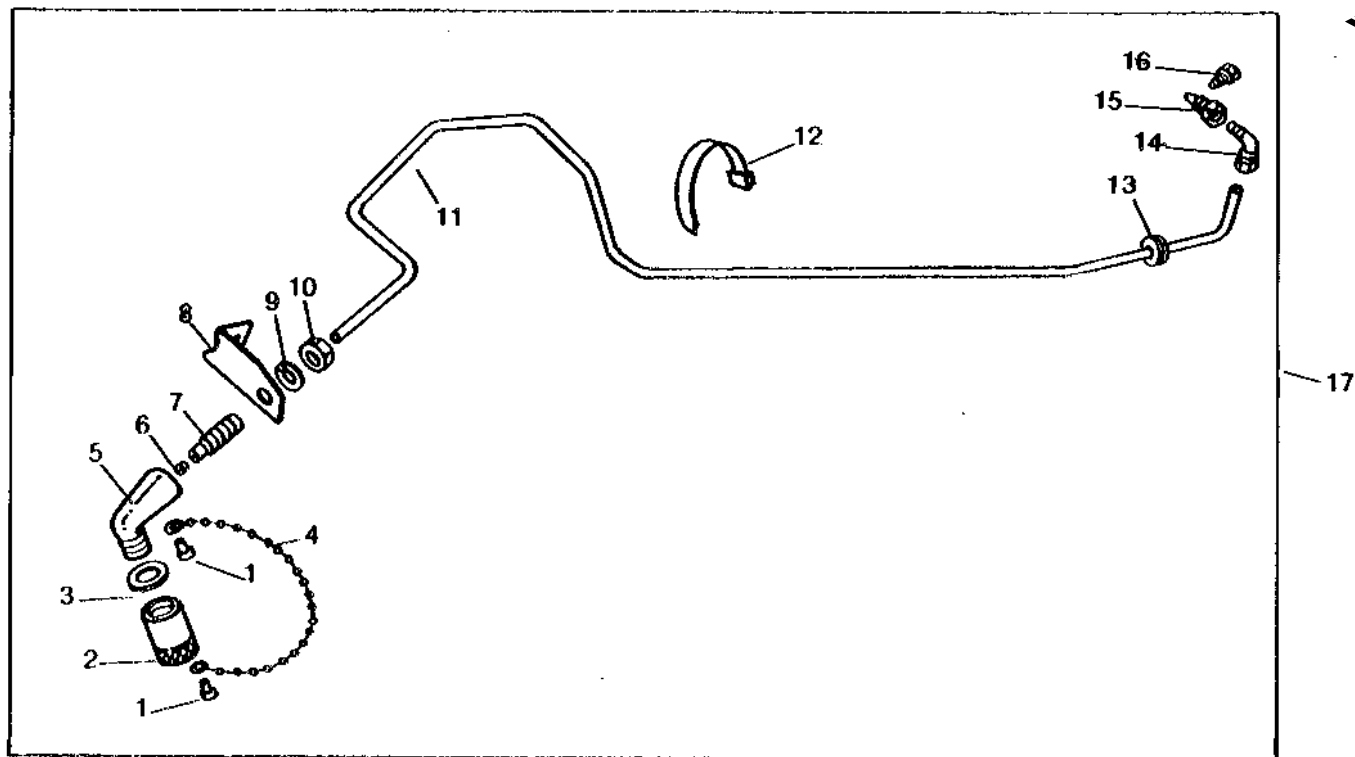


# 1G17

FUEL AND AIR

RWP5158 -UN-01JAN94

## ETHER STARTING AID KIT



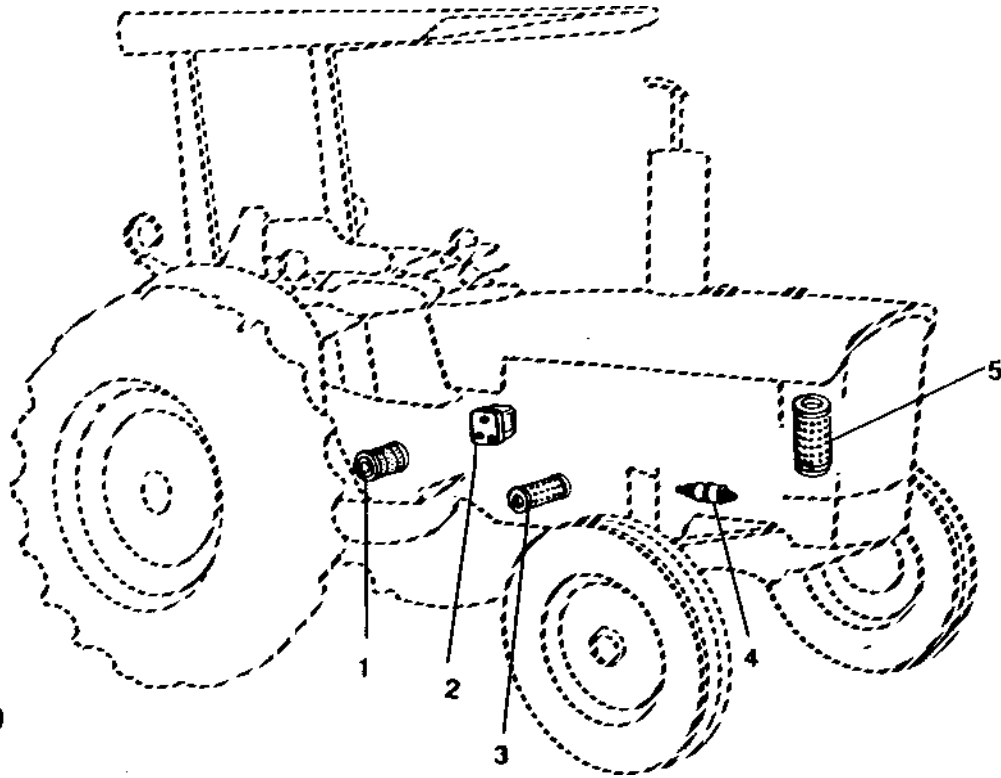
RWP5158

KEY	PART NO.	PART NAME	QTY	TRACTOR SERIAL NO.	REMARKS
1	37H44	SCREW	2	0.154" X 3/8"	
2	R32306	CAP	1		
3	R26149	PACKING	1		
4	AR27940	LINK CHAIN	1		
5	T22534	ADAPTER	1		
6	R34394	WASHER	1		
7	R34395	ADAPTER	1		
8	R54440	BRACKET	1		
9	12H301	LOCK WASHER	1	1/2"	
10	14H1040	NUT	1	1/2"	
11	.....	TUBE	1	(ORDER RE50139)	
12	R44302	TIE BAND	4		
13	R27180	GROMMET	1		
14	RE21790	ELBOW FITTING	1	(SUB FOR AT25266)	
15	R47160	NOZZLE HOLDER	1		
16	R28583	NOZZLE	1		
17	<b>RE16182</b>	<b>KIT</b>	1	<b>(FI)</b>	

# 1G18

RXP6520 -UN-01JAN94

## FILTERS



RXP6520

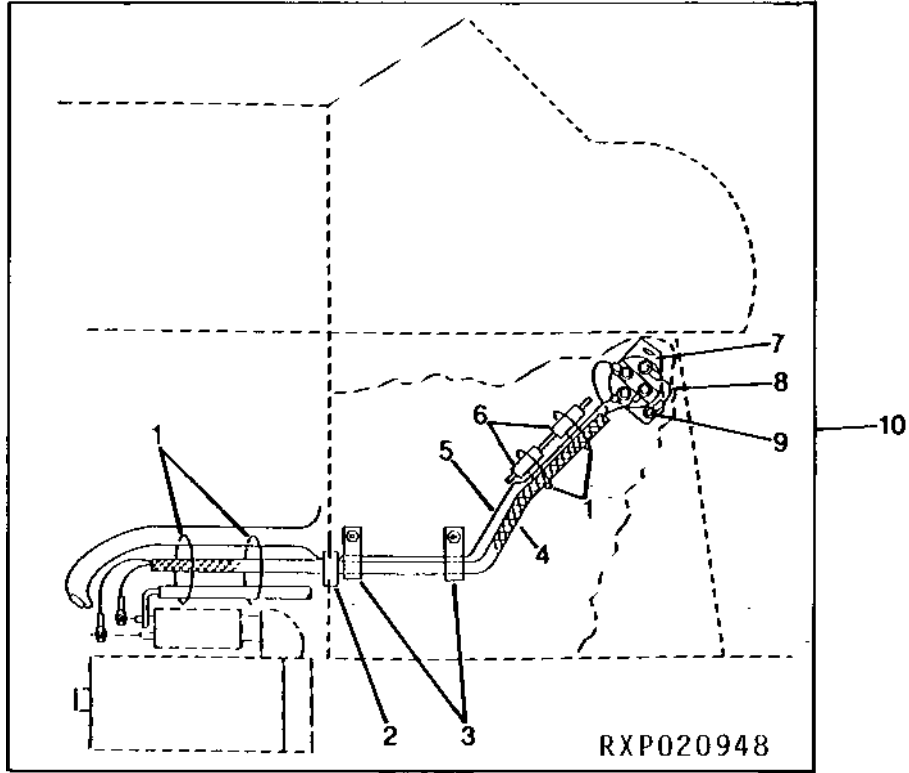
KEY	PART NO.	PART NAME	QTY	TRACTOR SERIAL NO.	REMARKS
1	AR75603	FILTER ELEMENT	1		TRANSMISSION, (SUB FOR AR28271 OR AR75601) (PKG. OF 2)
2	AR44077	FILTER ELEMENT	1	125000-280000	FUEL (DIESEL)
	AR50041	FUEL FILTER	1		FUEL (DIESEL)
3	AR26350	OIL FILTER	1		ENGINE, (SUB FOR AR28110)
4	AR50141	FUEL FILTER	1		FUEL (GASOLINE)
5	AR46481	FILTER ELEMENT	1		AIR (LESS PRE-CLEANER GASOLINE AND DIESEL)
	AR39798	FILTER ELEMENT	1		AIR (PRE-CLEANER DIESEL)
	AH19848	FILTER ELEMENT	1		AIR (PRE-CLEANER GASOLINE AND LP-GAS)
6	AR61903	AIR FILTER	1		(SUB RE12793) BLOWER (NOT ILLUSTRATED) (HINSON CAB)
	RE67830	AIR FILTER	1		BLOWER (NOT ILLUSTRATED) (HINSON CAB)
	AR49680	FILTER ELEMENT	1		BLOWER (NOT ILLUSTRATED) (STOLPER CAB)

# 2B9

ELECTRICAL

RXP020948 -UN-12OCT94

## STARTING CIRCUIT RELAY KIT



KEY	PART NO.	PART NAME	QTY	TRACTOR SERIAL NO.	REMARKS
1	R44302	TIE BAND	AR		
2	R41439	GROMMET	1		
3	R72853	CLAMP	2		
	19H1919	CAP SCREW	2	1/4" X 5/8"	
	24H1286	WASHER	2	9/32" X 1/2" X 1/16"	
	12H297	LOCK WASHER	2	1/4"	
	14H786	NUT	2	1/4"	
4	AR69980	WIRING HARNESS	1		
5	.....	WIRING LEAD	1		(MAKE FROM R65593, R65599 AND R32027)
6	.....	HOSE	2		(MAKE FROM TY22328) (SUB FOR R45847)
7	RE38391	STARTER RELAY	1		(A) (CONTAINS (2) 12H297, (2) 14H786 AND (2) 24H1286) (ALSO ORDER RE41287) (12-VOLT)
8	.....	WIRING LEAD	1		(MAKE FROM R65593, R65599 AND R32018) RELAY GROUND
9	19H1919	CAP SCREW	2	1/4" X 5/8"	
	24H1286	WASHER	2	9/32" X 1/2" X 1/16"	
	12H297	LOCK WASHER	2	1/4"	
	14H786	NUT	2	1/4"	
10	RE44536	KIT	1		(FI)(12-VOLT)

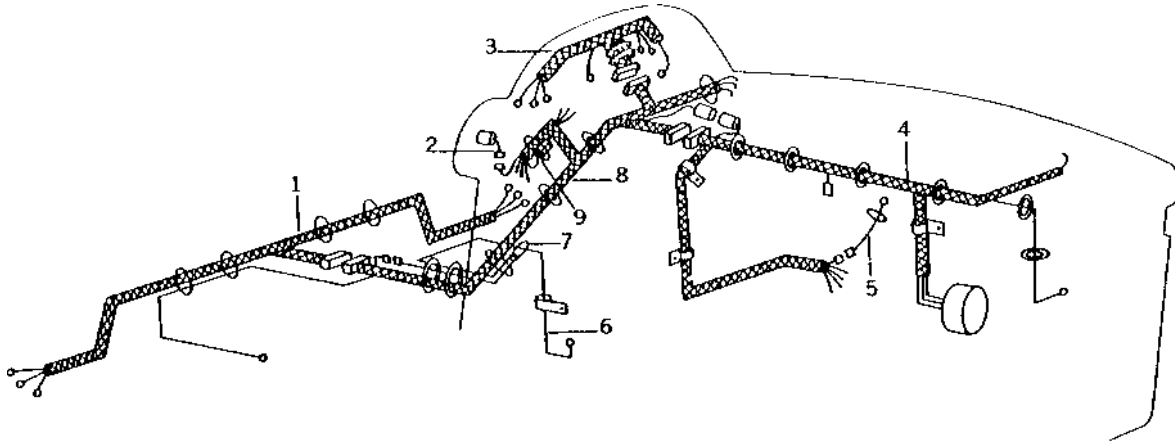
(A) RE41287 KIT CONTAINS RE39063, R102961, R102962, (2) H113196, (2) R44302 AND (4) 37M7277

# 2B10

ELECTRICAL

## WIRING HARNESS (TRACTOR SERIAL NO. -150000)

R17642 -UN-01JAN94



R 17642

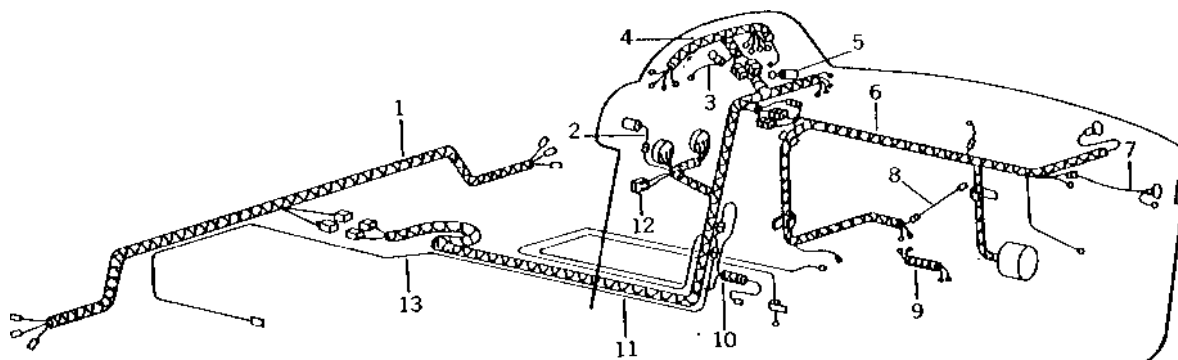
KEY	PART NO.	PART NAME	QTY	TRACTOR SERIAL NO.	REMARKS
1	AR41684	WIRING HARNESS	1		MAIN LIGHTING
	R34046	COVER	1		FENDER LAMP HARNESS
2	.....	WIRING LEAD	1		228.6MM (9") (MAKE FROM R66319, R32018, R32025 AND R32027) CIGAR LIGHTER (SYNCRO-RANGE) (SUB RE42183) (ALSO ORDER AR48647)
3	AR45516	WIRING HARNESS	1	-130206	(SUB RE42182) (SYNCRO-RANGE)
	AR47856	WIRING HARNESS	1	130207-	(POWER SHIFT) (ALSO ORDER AR48647) (NLA)
	AR45517	WIRING HARNESS	1	-130206	(POWER SHIFT)
	AR47857	WIRING HARNESS	1	130207-	(POWER SHIFT)
	AR45518	DIODE	1	-126390	(SUB AR48647)
	.....	WIRING LEAD	1		254MM (10") (MAKE FROM R66319, R32018, R32024 AND R32027) ACCESSORY CIRCUIT BREAKER TO INSTRUMENT PANEL HARNESS
	AR45519	WIRING LEAD	1	-127577	(SUB AR48647)
	AR47547	WIRING LEAD	1	127578-	FUSE
4	AR41687	WIRING HARNESS	1		(GASOLINE AND LP-GAS) ALTERNATOR TO MAIN (NLA)
	AR41688	WIRING HARNESS	1		(DIESEL) ALTERNATOR TO MAIN (NLA)
	R44302	TIE BAND	AR		
	R45211	CLAMP	2		OPEN COATED
5	.....	WIRING LEAD	1		190.5MM (7-1/2") (MAKE FROM R66319, R32018, R32025 AND R32027) FUELOCK (LP-GAS)
	.....	WIRING LEAD	1		254MM (10") (MAKE FROM R66319, R32025, R32024 AND R32027) FUEL SHUT-OFF (GASOLINE)
6	AR46729	WIRING LEAD	1	-130206	1118MM (44") CLUTCH OIL FILTER BYPASS VALVE SWITCH TO TRANSMISSION PRESSURE SWITCH (POWER SHIFT) (NLA)
	AR47858	WIRING HARNESS	1	130207-	CLUTCH FILTER AND TRANSMISSION OIL SWITCH TO MAIN HARNESS (POWER SHIFT)
	AR46728	WIRING LEAD	1	-130206	381MM (15") TRANSMISSION PRESSURE SWITCH TO MAIN HARNESS (POWER SHIFT) (NLA)
7	R45211	CLAMP	1		OPEN COATED
	AR49416	WIRING LEAD	1	130207-	(SYNCRO-RANGE) INDICATOR LAMP
8	AR41683	WIRING HARNESS	1	-130206	(SUB RE42185) MAIN
	AR47855	WIRING HARNESS	1	130207-132814	MAIN, (SUB RE42185)
	AR49349	WIRING HARNESS	1	132815-	(SUB RE42186) MAIN
	B1986R	CLIP	2		
9	AR48594	FLASHER	1		(USE WITH (2) R44302) (SUB FOR AR38453)
	AR41694	WIRING LEAD	1		(NOT REQUIRED)
..	AR48647	KIT	1		FUSE AND WIRING LEAD
..	AR47548	FUSE	1		
..	R45231	LABEL	1		WIRING

# 2B11

ELECTRICAL

## WIRING HARNESS (TRACTOR SERIAL NO. 150000- )

R17643 -UN-01JAN94



R 17643

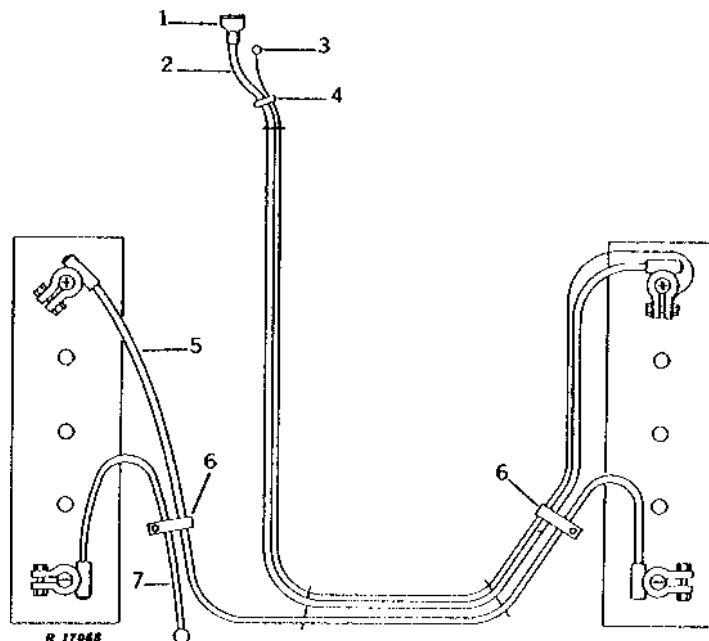
KEY	PART NO.	PART NAME	QTY	TRACTOR SERIAL NO.	REMARKS
1	AR48937	WIRING HARNESS	1		MAIN LIGHTING
	R34046	COVER	1		FENDER LAMP HARNESS
2	.....	WIRING LEAD	1		228.6MM (9") (MAKE FROM R66319, R32018, R32025 AND R32027) CIGAR LIGHTER
3	AR50838	WIRING HARNESS	1		SPEED-HOUR METER LAMP
4	AR43986	WIRING HARNESS	1		(SYNCRO-RANGE)
	AR43987	WIRING HARNESS	1		(POWER SHIFT)
5	AR46730	WIRING HARNESS	1		HORN SWITCH
6	AR50825	WIRING HARNESS	1		(GASOLINE AND LP-GAS) ALTERNATOR TO MAIN (NLA)
	AR52731	WIRING HARNESS	1		(DIESEL) ALTERNATOR TO MAIN, (SUB FOR AR50824)
	R44302	TIE BAND	AR		
	R45211	CLAMP	3		OPEN COATED
7	AR73580	WIRING HARNESS	1		HORN, (SUB FOR AR49038)
8	.....	WIRING LEAD	1		254MM (10") (GASOLINE) (MAKE FROM R66319, R32024, R32025 AND R32027) FUEL SHUT-OFF
	.....	WIRING LEAD	1		190.5MM (7-1/2") (LP-GAS AND DIESEL) (MAKE FROM R66319, R32024, R32025 AND R32027) FUELOCK
9	AR43609	WIRING HARNESS	1		(DIESEL) RELAY TO STARTER
10	AR52467	WIRING HARNESS	1		(POWER SHIFT) (SUB FOR AR50833) CLUTCH OIL FILTER AND TRANSMISSION OIL SWITCH TO MAIN
11	AR48936	WIRING HARNESS	1		MAIN
12	AR48594	FLASHER	1		WARNING LAMP
13	AR50829	WIRING HARNESS	1		START SAFETY SWITCH TO MAIN
..	AR47547	WIRING LEAD	1		FUSE
..	AR47548	FUSE	1		

# 2B12

ELECTRICAL

R17068 -UN-01JAN94

## BATTERY CABLES (ROW-CROP AND HI-CROP)



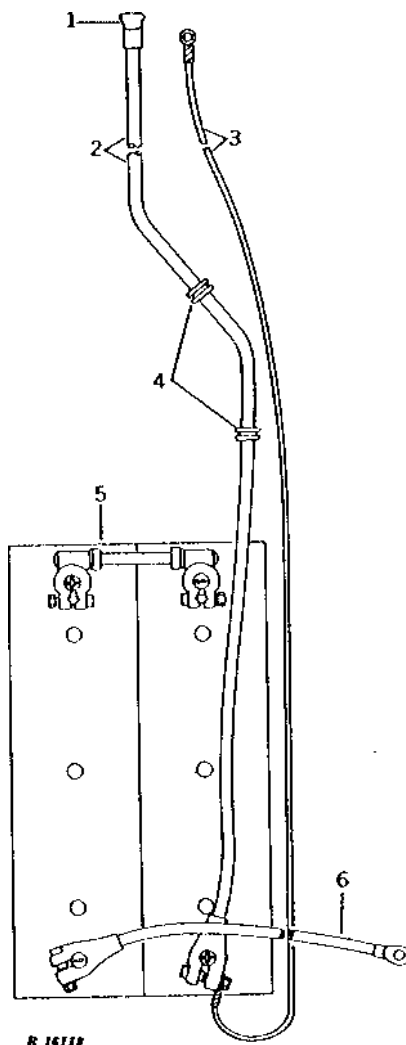
KEY	PART NO.	PART NAME	QTY	TRACTOR SERIAL NO.	REMARKS
1	R30964	COVER	1		STARTER TERMINAL
2	AR45923	CABLE	1	-150000	(A) 1778MM (70") (+)
	AR51394	CABLE	1	150001-	(A) 1270MM (50")(+) )
	AR51394	CABLE	1		(A) 1220MM (48") (ROW-CROP WITH CAB AND SYNCRO-RANGE) (+) (SUB FOR AR48911)
3	AR47086	WIRING LEAD	1		(A) (ROW-CROP) TO STARTER CIRCUIT RELAY
	AR47087	WIRING LEAD	1		(A) TO STARTER CIRCUIT RELAY
4	R41439	GROMMET	1		
5	AR45923	CABLE	1	-150000	(B) 1778MM (70") (+ -)
	AR45926	CABLE	1	150001-	(B) 1422MM (56") (+ -)
	AR45924	CABLE	1	-150000	(A) 1220MM (48") (+ -) (SUB AR48912)
	AR48912	CABLE	1	150001-	(A) 1016MM (40")( + -)
	R43498	SUPPORT	2		(NLA)
6	R49921	CLAMP	2		(LESS CAB) (3 USED SYNCRO-RANGE) (1 USED POWER SHIFT) (SUB FOR R44605)
	28H207	BUSHING	2		3/8" X 2-3/8"
	28H1532	SPACER	6		3/8" X 2"
	24H1305	WASHER	2		13/32" X 13/16" X 0.065", (LESS CAB) (3 USED WITH CAB)
	19H2104	CAP SCREW	3		3/8" X 5", (CAB)
	19H2023	CAP SCREW	2		3/8" X 3-1/4"
	12H304	LOCK WASHER	3		3/8", (CAB)
	A4624R	WASHER	3		(CAB)
7	AR38565	CABLE	1	-150000	483MM (19") (-) (SUB AR45925)
	AR51395	CABLE	1	150001-	356MM (14")
	R44302	TIE BAND	AR		

(A) DIESEL  
(B) GASOLINE AND LP-GAS

# 2B13

R16118 -UN-01JAN94

## BATTERY CABLES (STANDARD)



R 16118

KEY	PART NO.	PART NAME	QTY	TRACTOR SERIAL NO.	REMARKS
1	R30964	COVER	1		STARTER TERMINAL
2	AR45923	CABLE	1	-150000	(A) 1778MM (70") (+)
	AR51394	CABLE	1	150001-	(A) 1270MM (50") (+)
	AR45926	CABLE	1		(B) 1422MM (56") (+)
3	AR47086	WIRING LEAD	1	-150000	(A) (C) STARTER CIRCUIT RELAY (+)
	AR47087	WIRING LEAD	1		(C) STARTER CIRCUIT RELAY (+)
4	R41439	GROMMET	2		
5	AR45927	CABLE	1		(B) (C) 127MM (5") (+ -)
6	AR45925	CABLE	1	-150000	(A) 483MM (19") (-)
	AR51395	CABLE	1	150001-	(A) 356MM (14")(-)
	AR45975	CABLE	1		(B) (C) 406MM (16") (-) (SUB FOR AR45921)
..	R44302	TIE BAND	AR		

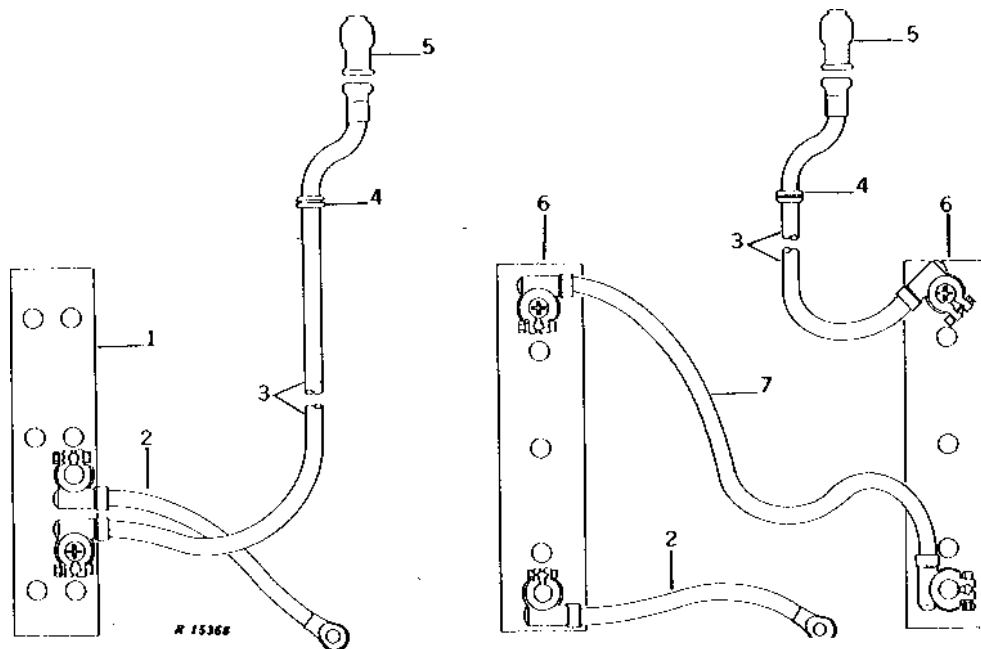
- (A) CAB
- (B) LESS CAB
- (C) DIESEL

# 2B14

ELECTRICAL

**BATTERY CABLES AND BATTERIES  
(STOLPER)  
(SERIAL NO. 131617-150000)**

R15368 -UN-01JAN94



KEY	PART NO.	PART NAME	QTY	CAB SERIAL NO.	REMARKS
1	TY21733	BATTERY	1		(A) (SUB FOR AR46115 OR TY6121) (12-VOLT) (DO NOT ACTIVATE UNTIL PLACED IN SERVICE) (130 MIN. RESERVE CAPACITY AT 27°C (80°F), 460 COLD CRANKING AMPS AT -18°C (0°F))
2	AR38565	CABLE	1		(A) 483MM (19") (-) (SUB AR51395)
	AR51395	CABLE	1		(B) 356MM (14") (SYNCRO-RANGE) (-)
3	AR45923	CABLE	1		(A) 1778MM (70")(+) (SUB FOR AR40408)
	AR45926	CABLE	1		(B) 1422MM (56") (+)
	AR45923	CABLE	1		1778MM (70") (+) (SYNCRO-RANGE)
	R44302	TIE BAND	AR		
	R49921	CLAMP	1		(SUB FOR R44605)
	28H1535	SPACER	1		3/8" X 2.75"
	24H1305	WASHER	1		13/32" X 13/16" X 0.065"
	19H1854	CAP SCREW	1		3/8" X 3-3/4", (CLIP TO TRANSMISSION CASE COVER)
	12H304	LOCK WASHER	1		3/8"
4	R41439	GROMMET	2		(A) (3 USED DIESEL)
5	R30964	COVER	1		STARTER TERMINAL
6	TY21737	BATTERY	2		(B) (SUB FOR AR45450 OR TY6118) (6-VOLT) (DO NOT ACTIVATE UNTIL PLACED IN SERVICE) (340 MIN. RESERVE CAPACITY AT 27°C (80°F), 850 COLD CRANKING AMPS AT -18°C (0°F))
7	AR48912	CABLE	1		(B) 1219MM (48") (SUB FOR AR45924)
	R49921	CLAMP	1		(SUB FOR R44605)
	28H1535	SPACER	1		3/8" X 2.75"
	24H1305	WASHER	1		13/32" X 13/16" X 0.065"
	19H1854	CAP SCREW	1		3/8" X 3-3/4", (CLIP TO TRANSMISSION CASE COVER)
	12H304	LOCK WASHER	1		3/8"

(A) GASOLINE AND LP-GAS  
(B) DIESEL

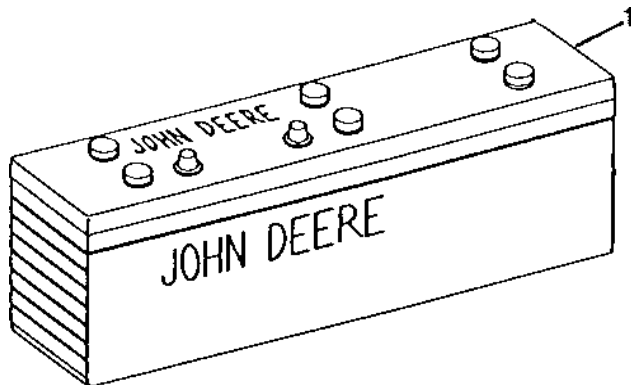


# 2B15

ELECTRICAL

RXP011348 -UN-12OCT94

## STORAGE BATTERY



RXP011348

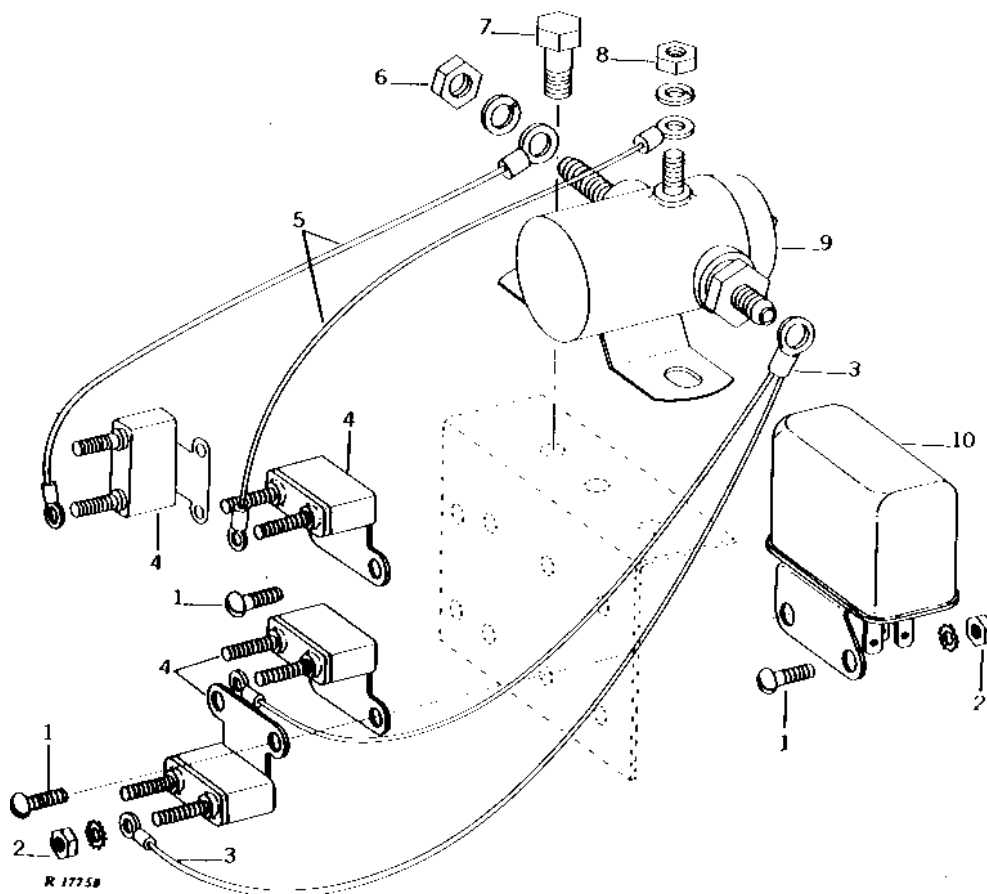
KEY	PART NO.	PART NAME	QTY	TRACTOR SERIAL NO.	REMARKS
1	TY21733	BATTERY	1		(SUB FOR AR46115 OR TY6121) (12-VOLT) (460 COLD CRANKING AMPS AT -18°C (0°F) 130 MINUTE RESERVE CAPACITY AT 120 AMPS) (GASOLINE AND LP-GAS) (DO NOT ACTIVATE UNTIL PLACED IN SERVICE)
	TY21737	BATTERY	2		(SUB FOR AR45450 OR TY6118) (6-VOLT) (850 COLD CRANKING AMPS AT -18° C 0° F) 340 MINUTE RESERVE CAPACITY AT 280 AMPS) (DIESEL) (DO NOT ACTIVATE UNTIL PLACED IN SERVICE)

# 2B16

ELECTRICAL

## CIRCUIT BREAKERS AND LEADS (TRACTOR SERIAL NO. -150000)

R17758 -UN-01JAN94



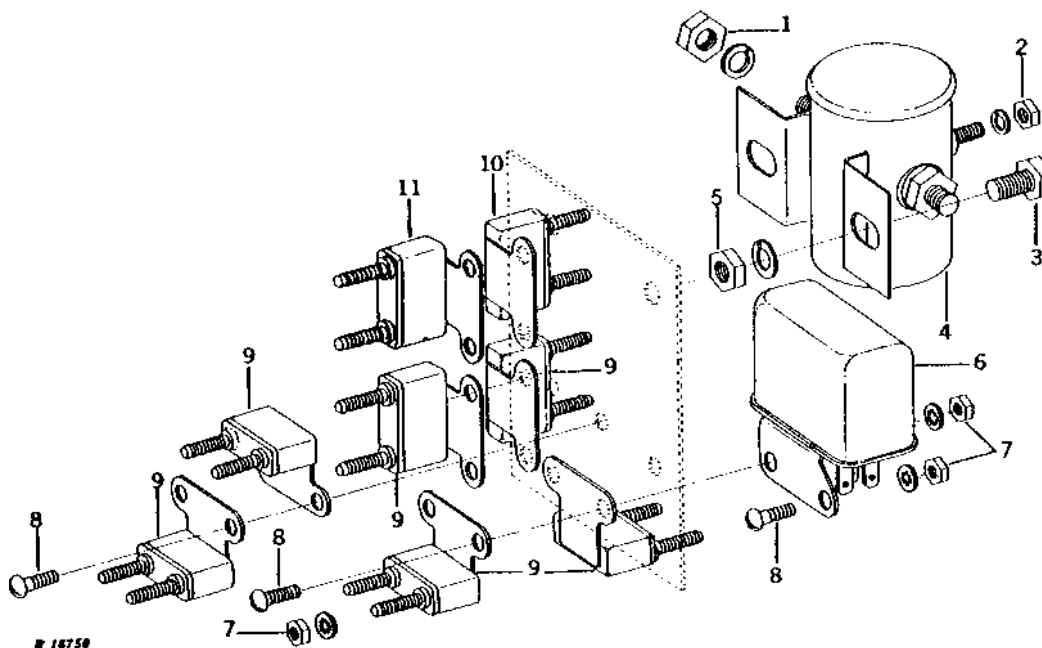
KEY	PART NO.	PART NAME	QTY	TRACTOR SERIAL NO.	REMARKS
1	21H1295	SCREW	5		0.190" X 5/8"
2	14H631	NUT	11		0.190"
	12M7060	WASHER	11		0.209"
3	AR49602	WIRING HARNESS	1		
4	AR28403	CIRCUIT BREAKER	3		(4 USED WITH CAB)
5	.....	WIRING LEAD	2		(MAKE FROM R32007 AND (2) R32018) (CIRCUIT BREAKER TO CAB RELAY)
6	14H650	NUT	2		5/16"
	12H303	LOCK WASHER	2		5/16"
7	19H1227	CAP SCREW	2		1/4" X 1/2"
8	14H605	NUT	1		0.164"
	12H315	LOCK WASHER	1		0.164"
9	AR54484	RELAY	1		(SUB FOR AR46334) (SUB AR91166, THIS APPLICATION)
10	AH62341	RELAY	1		(POWER SHIFT) (SUB AR74411, AR99909 AND R67982)
..	R45231	LABEL	1	-150000	
..	R48825	LABEL	1	150001-	

# 2B17

ELECTRICAL

## CIRCUIT BREAKERS (TRACTOR SERIAL NO. 150001- )

R16750 -UN-01JAN94



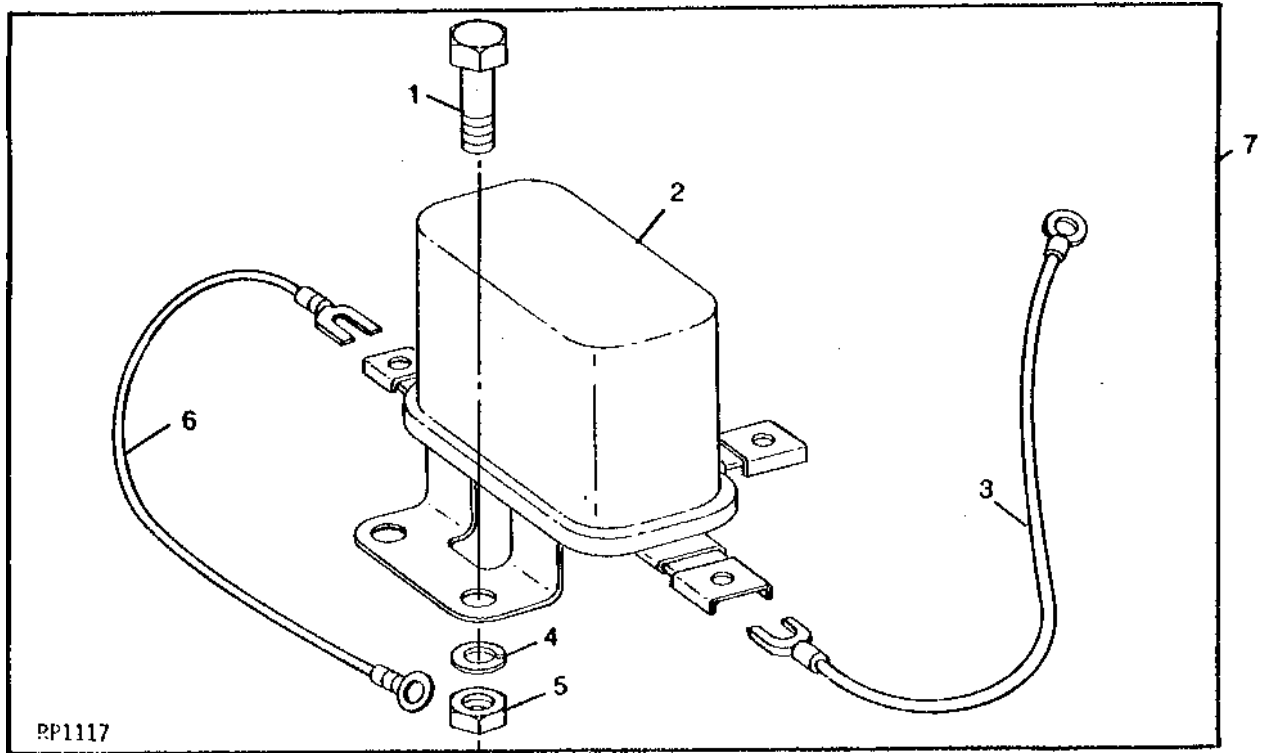
KEY	PART NO.	PART NAME	QTY	TRACTOR SERIAL NO.	REMARKS
1	14H650	NUT	2	5/16"	
	12H303	LOCK WASHER	2	5/16"	
2	14H606	NUT	1	0.190"	
	12H246	LOCK WASHER	1	0.190"	
3	19H1227	CAP SCREW	2	1/4" X 1/2"	
4	AR54484	RELAY	1		(SUB FOR AR46334) (SUB AR91166, THIS APPLICATION)
5	14H786	NUT	2	1/4"	
	12H297	LOCK WASHER	2	1/4"	
6	AH62341	RELAY	1		(POWER SHIFT) INDICATOR LAMP, (SUB AR74411, AR99909 AND R67982)
7	14H631	NUT	17	0.190"	
	12M7060	WASHER	17	0.209"	
8	21H1295	SCREW	5	0.190" X 5/8"	
9	AR28403	CIRCUIT BREAKER	3		(20 AMP) (5 USED WITH CAB) (1 MORE USED WITH OUTLET SOCKET)
10	.....	CIRCUIT BREAKER	1		(NOT REQUIRED)
11	AR55649	CIRCUIT BREAKER	1	150001-	IGNITION (10 AMP) (SUB FOR AR48726)
..	R45231	LABEL	1	-150000	WIRING
..	R48825	LABEL	1	150001-	WIRING

# 2B18

ELECTRICAL

RP1117 -UN-01JAN94

## ACCESSORY RELAY WIRING KIT



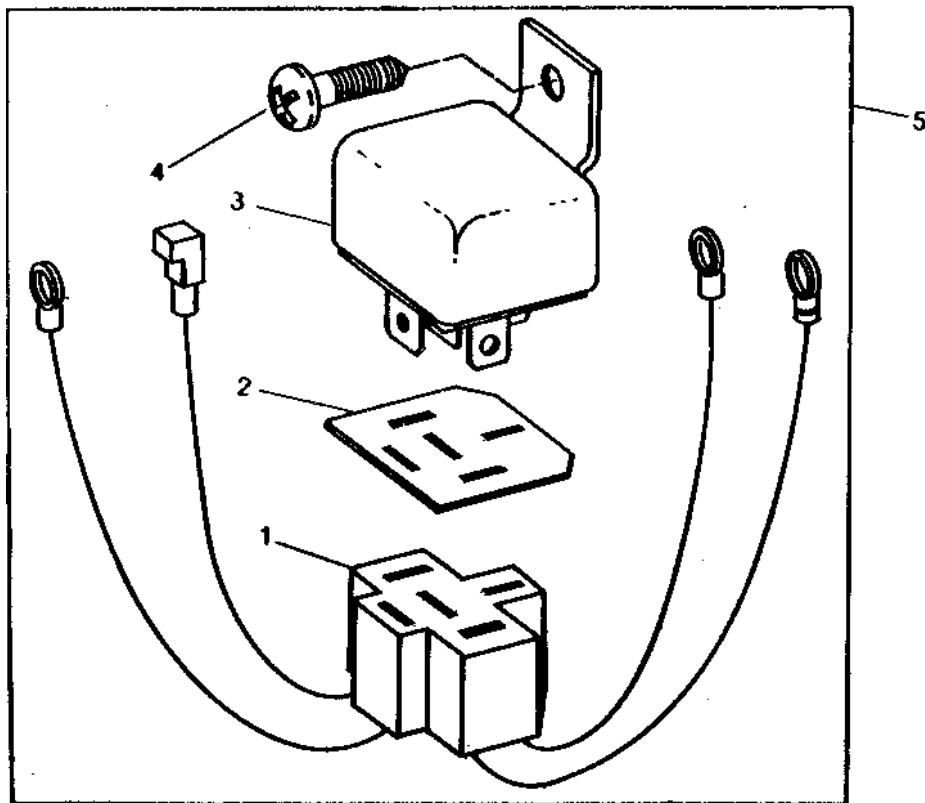
KEY	PART NO.	PART NAME	QTY	TRACTOR SERIAL NO.	REMARKS
1	19H1919	CAP SCREW	2	1/4" X 5/8"	
2	AE23861	RELAY	1		
3	AR78384	WIRING LEAD	1	(TO CIRCUIT BREAKER)	
4	12H302	LOCK WASHER	2	1/4"	
5	14H786	NUT	2	1/4"	
6	AR78386	WIRING LEAD	1	(-)	
7	AR78382	KIT	1	(SUB AR91166)	

# 2B19

ELECTRICAL

RWP2586 -UN-01JAN94

## WIRING ACCESSORY RELAY KIT



RWP2586

KEY	PART NO.	PART NAME	QTY	TRACTOR SERIAL NO.	REMARKS
1	AR91167	WIRING HARNESS	1		
	AR78384	WIRING LEAD	3		
	R32022	TERMINAL	2		
	R32028	TERMINAL	3		
2	R67982	COVER	1		
	AR74411	RELAY	1		
4	37H52	SCREW	1		1/4" X 3/8"
	19H1919	CAP SCREW	1		1/4" X 5/8"
	12H302	LOCK WASHER	1		1/4"
	14H786	NUT	1		1/4"
	5	AR91166	KIT	1	

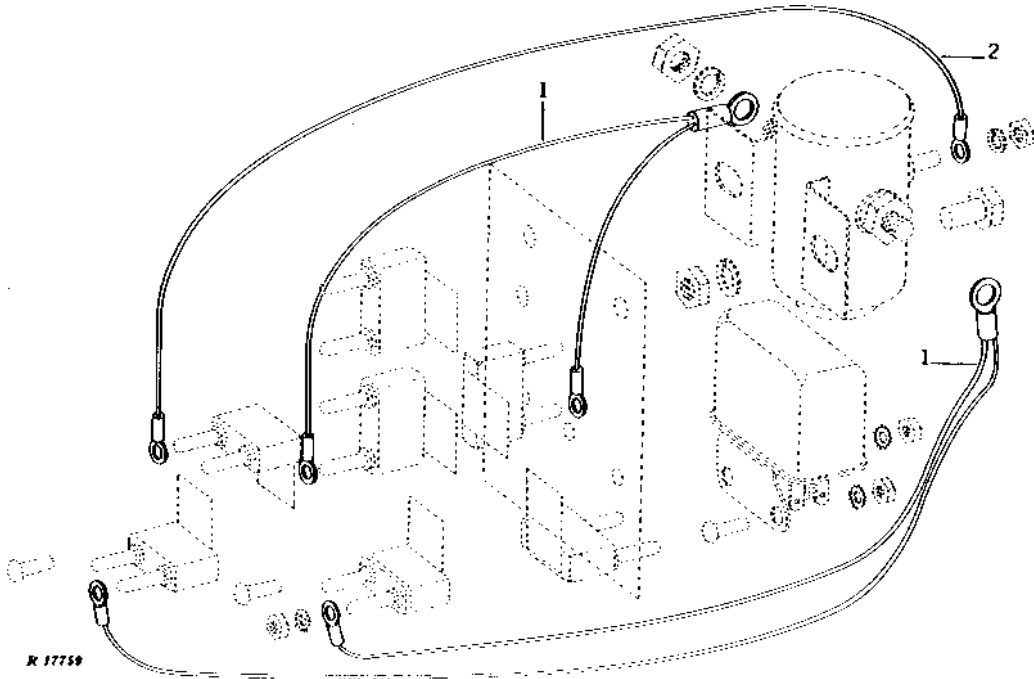
# 2B20

ELECTRICAL

## CIRCUIT BREAKER LEADS FOR CAB AND AIR CONDITIONING (TRACTOR SERIAL NO. 150001- )

R17759

-UN-01JAN94



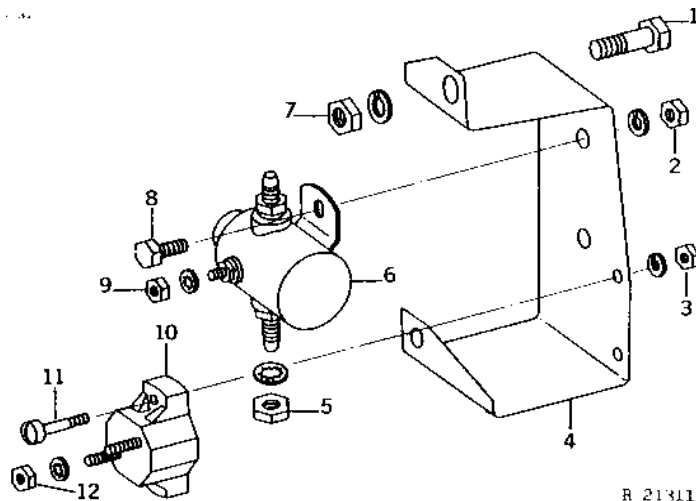
KEY	PART NO.	PART NAME	QTY	TRACTOR SERIAL NO.	REMARKS
1	AR49602	WIRING HARNESS	2		
2	.....	WIRING LEAD	1		152.4MM (6") (MAKE FROM R32007 AND (2) R32018) (CIRCUIT BREAKER TO CAB RELAY)
..	R48825	LABEL	1		WIRING

# 2B21

ELECTRICAL

## STARTING CIRCUIT RELAY AND MAIN CIRCUIT BREAKER (TRACTOR SERIAL NO. -154991)

R21311 -UN-01JAN94



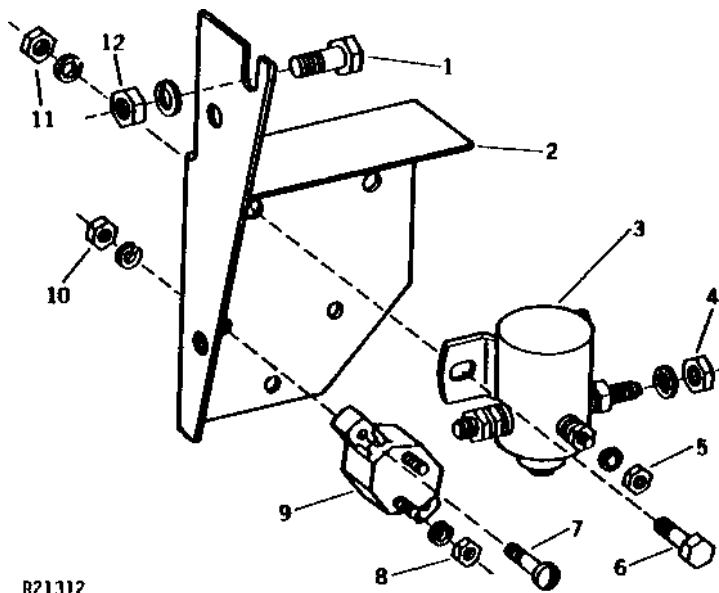
KEY	PART NO.	PART NAME	QTY	TRACTOR SERIAL NO.	REMARKS
1	19H1936	CAP SCREW	2	3/8" X 3/4"	
2	14H786	NUT	2	1/4"	
	12H302	LOCK WASHER	2	1/4"	
3	14H631	NUT	2	0.190"	
	12H246	LOCK WASHER	2	0.190"	
4	R42784	SUPPORT	1	(SUB AR55061, 19H1948 AND 12H302)	
5	14H650	NUT	4	5/16"	
	12M7032	LOCK WASHER	4	0.331"	
6	AR44999	RELAY	1	(SUB RE38391) (ALSO ORDER (2) 12H303, (2) 14H785, 12H246 AND 14H631)	
7	14H1076	NUT	2	3/8"	
	12H304	LOCK WASHER	2	3/8"	
8	19H1227	CAP SCREW	2	1/4" X 1/2"	
9	14H605	NUT	2	0.164"	
	12M7084	LOCK WASHER	2	0.169"	
10	AR41287	CIRCUIT BREAKER	1		
11	21H1282	SCREW	2	0.190" X 7/8"	
12	14H631	NUT	4	0.190"	
	12M7060	WASHER	4	0.209"	

# 2B22

ELECTRICAL

## STARTING CIRCUIT RELAY AND MAIN CIRCUIT BREAKER (TRACTOR SERIAL NO. 154992- )

R21312 -UN-01JAN94



R21312

KEY	PART NO.	PART NAME	QTY	TRACTOR SERIAL NO.	REMARKS
1	19H1936	CAP SCREW	1	3/8" X 3/4"	
	19H2284	CAP SCREW	1	3/8" X 7/8"	
2	AR55061	SUPPORT	1		
3	AR44999	RELAY	1		(SUB RE38391) (ALSO ORDER (2) 12H303, (2) 14H785, 12H246 AND 14H631)
4	14H650	NUT	4	5/16"	
	12M7032	LOCK WASHER	4	0.331"	
5	14H605	NUT	2	0.164"	
	12M7084	LOCK WASHER	2	0.169"	
6	19H1227	CAP SCREW	2	1/4" X 1/2"	
7	21H1282	SCREW	2	0.190" X 7/8"	
8	14H631	NUT	4	0.190"	
	12M7060	WASHER	4	0.209"	
9	AR41287	CIRCUIT BREAKER	1		
10	14H631	NUT	2	0.190"	
	12H246	LOCK WASHER	2	0.190"	
11	14H786	NUT	2	1/4"	
	12H302	LOCK WASHER	2	1/4"	
12	14H1076	NUT	2	3/8"	
	12H304	LOCK WASHER	2	3/8"	

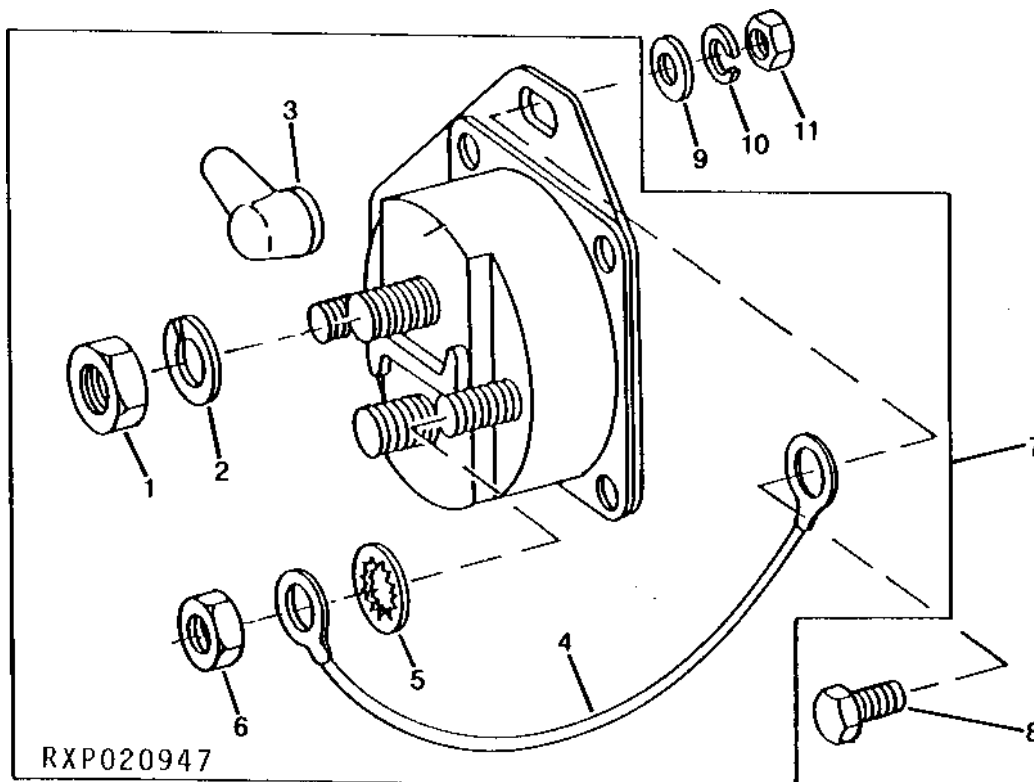


# 2B23

ELECTRICAL

RXP020947 -UN-12OCT94

## STARTING CIRCUIT RELAY(12-VOLT)



KEY	PART NO.	PART NAME	QTY	TRACTOR SERIAL NO.	REMARKS
1	14H785	NUT	2	5/16"	
2	12M7032	LOCK WASHER	2	0.331"	
3	R74993	BOOT	2		
4	.....	WIRING LEAD	1		(MAKE FROM R65593, R65599 AND R32018)
5	12M7060	WASHER	2	0.209"	
6	14H631	NUT	2	0.190"	
7	RE38391	STARTER RELAY	1		(A) (ALSO ORDER RE41287) (12-VOLT)
8	19H1919	CAP SCREW	2	1/4" X 5/8"	
9	24H1286	WASHER	2	9/32" X 1/2" X 1/16"	
10	12H297	LOCK WASHER	2	1/4"	
11	14H786	NUT	2	1/4"	

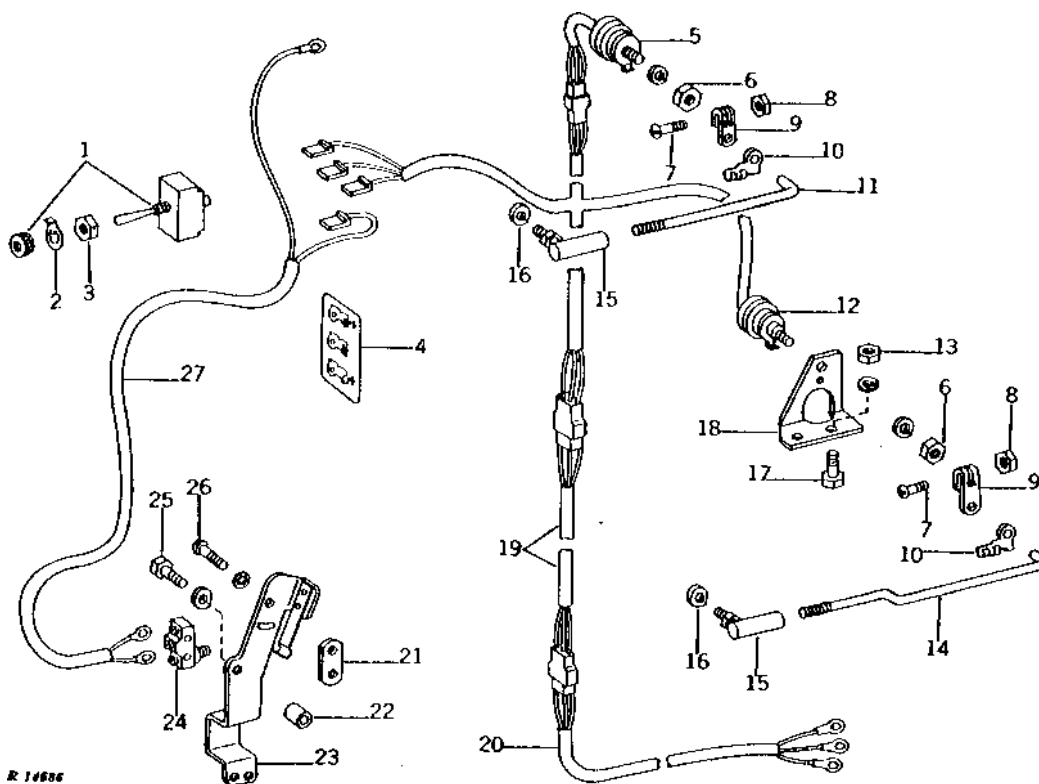
(A) RE41287 KIT CONTAINS RE39063, R102961, R102962, (2) H113196, (2) R44302 AND (4) 37M7277

# 2B24

ELECTRICAL

## POWER FRONT WHEEL DRIVE ELECTRICAL SWITCHES AND WIRING (SYNCHRO-RANGE)

R14686 -UN-01JAN94



KEY	PART NO.	PART NAME	QTY	TRACTOR SERIAL NO.	REMARKS
1	AR53938	TOGGLE SWITCH	1	(SUB FOR AR45312) (NLA)	
2	R44096	LOCK PLATE	1		
3	R44097	NUT	1		
4	R44094	LABEL	1	(NLA)	
5	AR46062	SWITCH	1	(ROTARY) (NLA)	
6	R44025	NUT	2		
7	12H292	LOCK WASHER	2	1/2"	
8	21H1315	SCREW	2	0.164" X 3/4"	
9	T19977	LOCK NUT	2		
10	R42985	ARM	2		
11	R42984	CLIP	2		
12	R42986	BOLT	1	(NLA)	
13	AR46063	SWITCH	1	(NLA)	
14	14H1076	NUT	2	3/8"	
15	12H304	LOCK WASHER	2	3/8"	
16	R49785	ROD	1	(SUB FOR R42987) (NLA)	
17	AR45316	BALL JOINT	2		
18	12H246	LOCK WASHER	2	0.190"	
19	19H2284	CAP SCREW	2	3/8" X 7/8"	
20	R49784	BRACKET	1	(SUB FOR R42988) (NLA)	
21	AR45390	WIRING HARNESS	1	(NLA)	
22	AR45734	WIRING HARNESS	1		
23	R44016	STRAP	1		
24	28H1517	WASHER	1	0.493" X 0.675" X 1/4"	
25	AR45237	BRACKET	1	(SUB FOR AR45238) (NLA)	
26	R44017	SWITCH	1		
27	19H1732	CAP SCREW	1	3/8" X 1-1/4"	
	12H304	LOCK WASHER	1	3/8"	
	21H1348	SCREW	2	0.138" X 1-1/8"	
	12H321	WASHER	2	0.138"	
	AR49342	WIRING HARNESS	1	(SUB FOR AR45389) (NLA)	
	R41439	GROMMET	1		
	R44302	TIE BAND	AR		

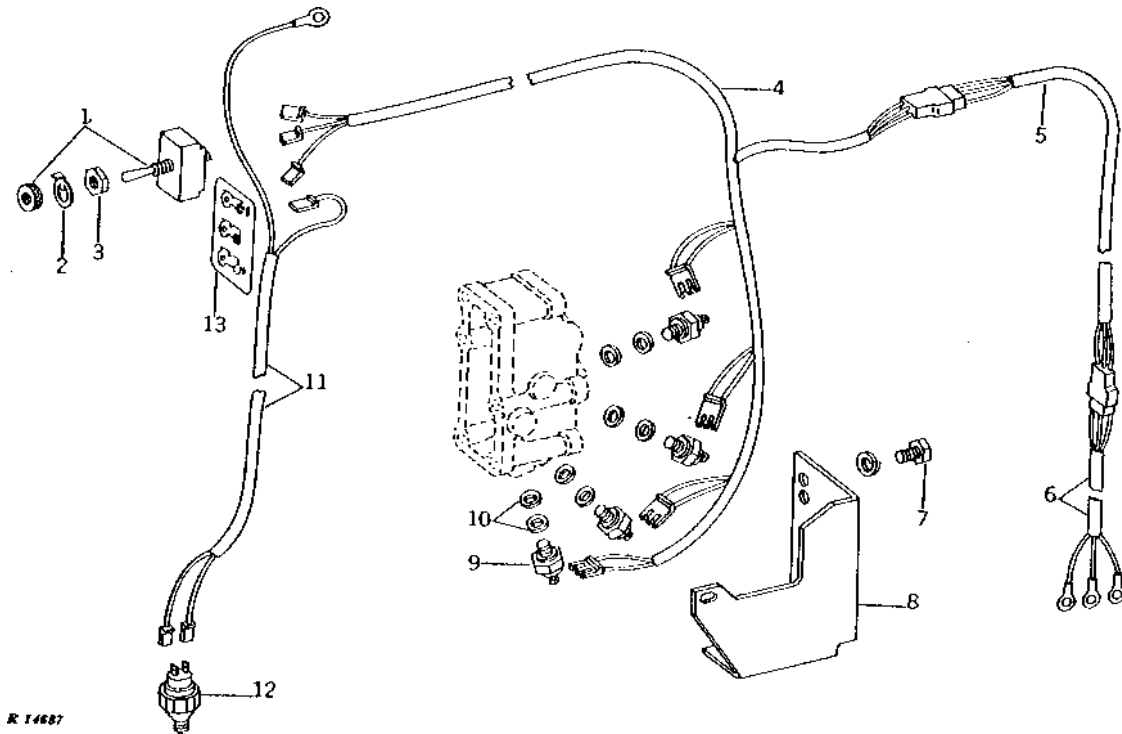
# 2B25

ELECTRICAL

## POWER FRONT WHEEL DRIVE ELECTRICAL SWITCHES AND WIRING (POWER SHIFT)

R14687

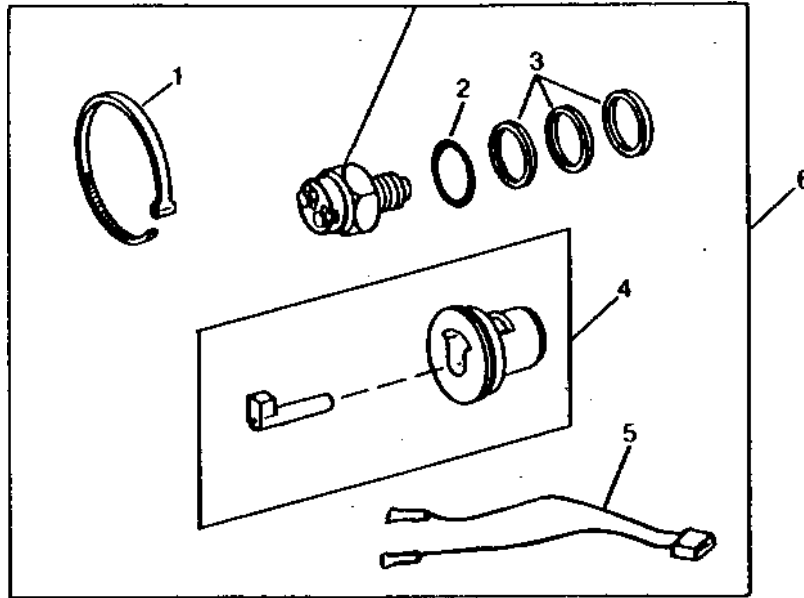
-UN-01JAN94



KEY	PART NO.	PART NAME	QTY	TRACTOR SERIAL NO.	REMARKS
1	AR53938	TOGGLE SWITCH	1		(SUB FOR AR45312) (NLA)
2	R44096	LOCK PLATE	1		
3	R44097	NUT	1		
4	AR49479	WIRING HARNESS	1		(SUB FOR AR45392) (NLA)
5	AR45390	WIRING HARNESS	1		(NLA)
6	AR45734	WIRING HARNESS	1		
7	19H1777	CAP SCREW	1		1/2" X 1-3/4"
	12H301	LOCK WASHER	1		1/2"
8	R44055	SHIELD	1	-150000	(SUB R47832, 19H3330 AND 28H1635) (NLA)
	R47832	SHIELD	1	150001-	(NLA)
9	RE38390	SWITCH	4		(SUB FOR R36265, AR85323, AR89691 OR AT85153)
10	T16911	SHIM	8		
11	AR45391	WIRING HARNESS	1	-150000	(SUB AR51373, AR85759, JD7838 AND 15H639) (NLA)
	AR51373	WIRING HARNESS	1	150001-	(NLA)
12	AR45317	SWITCH	1	-150000	(SUB AL67715)
	AR51372	SWITCH	1	150001-	(SUB AL67715)
	15H639	PIPE BUSHING	1	150001-	1/4" X 1/8"
13	R44094	LABEL	1		(NLA)
..	R44302	TIE BAND	AR		

RXP8097 -UN-01JAN94

## NEUTRAL START SWITCH KIT

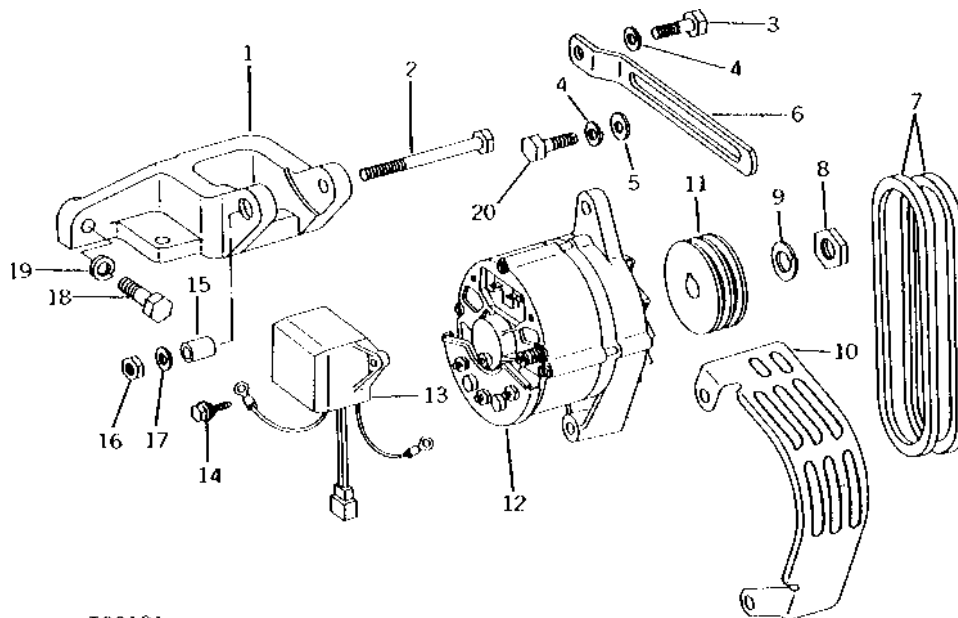


RXP8097

KEY	PART NO.	PART NAME	QTY	TRACTOR SERIAL NO.	REMARKS
1	R44302	TIE BAND	2		
2	R26448	O-RING	1		
3	T16911	SHIM	3		
4	RE37996	GAUGE	1		(NEUTRAL START SWITCH ADJ.)
5	RE14069	WIRING HARNESS	1		
6	RE38390	SWITCH	1		

MEMORANDA

T39181 -UN-01JAN94

**ALTERNATOR, REGULATOR, AND MOUNTING BRACKETS**


T39181

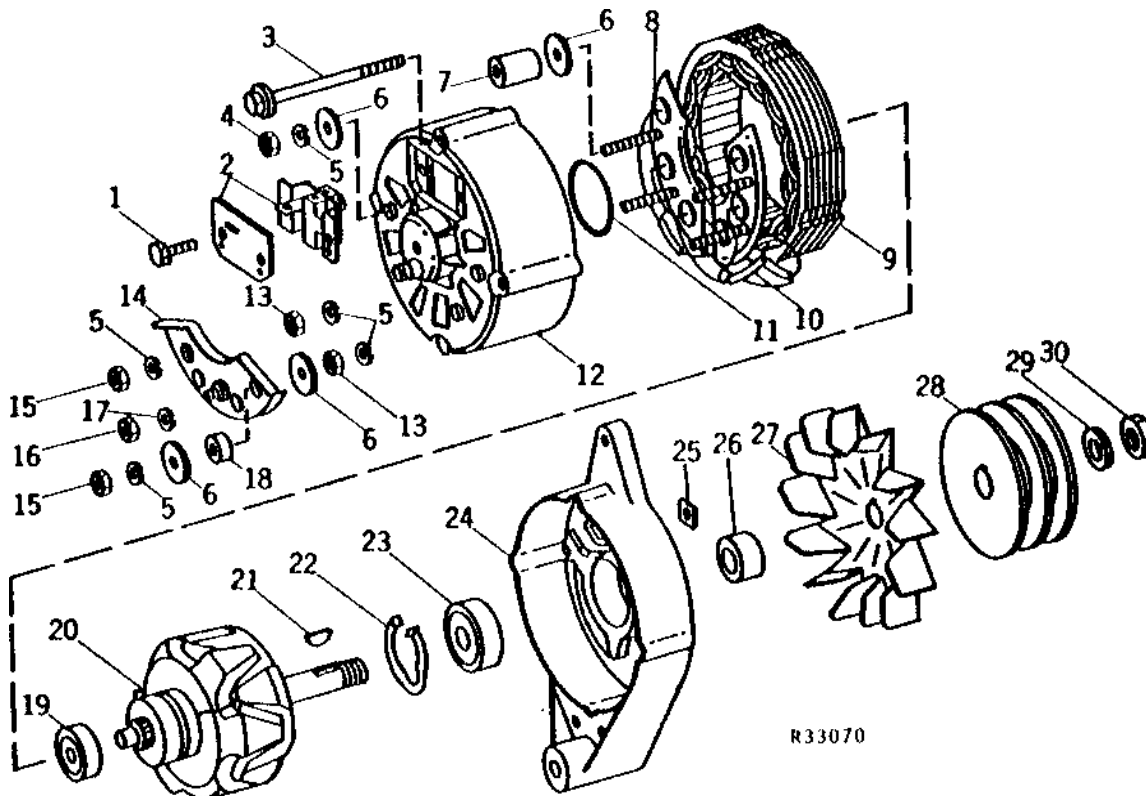
KEY	PART NO.	PART NAME	QTY	TRACTOR SERIAL NO.	REMARKS
1	R40952	BRACKET	1		
2	19H1854	CAP SCREW	1		
3	19H1905	CAP SCREW	2	3/8" X 3-3/4"	
4	12H303	LOCK WASHER	2	5/16" X 1"	
5	24H1292	WASHER	1	5/16"	
6	R40953	STRAP	1	11/32" X 3/4" X 0.120"	
7	R41627	BELT	1		(GASOLINE AND LP-GAS)
	R71459	BELT	1		(SUB FOR R41628) (DIESEL)
8	14H866	NUT	1	5/8"	
9	12H294	LOCK WASHER	1	5/8"	
10	R122848	SHIELD	1		(SUB FOR R41334 OR R56012)
11	R15019	SHEAVE	1		
12	AR40420	ALTERNATOR	1		(12-VOLT) (55-AMP) (MOTOROLA) (SUB TY24307)
	TY24307	ALTERNATOR	1		(SUB FOR TY1430 OR AR40420) (REMANUFACTURED)
13	AH117788	VOLTAGE REGULATOR	1		(SUB FOR AR38459 AND AR52927) (12-VOLT) (MOTOROLA)
14	R44008	SCREW	3		
	R45377	SPACER	1		
16	E55662	FLANGE NUT	1		
17	12H304	LOCK WASHER	1	3/8", (NOT REQUIRED WITH E55662)	
18	19H2731	CAP SCREW	2	7/16" X 1-3/8"	
19	12H293	LOCK WASHER	2	7/16"	
20	19H1905	CAP SCREW	1	5/16" X 1"	

# 2C3

ELECTRICAL

R33070 -UN-01JAN94

## ALTERNATOR PARTS (12-VOLT) (55-AMP) (MOTOROLA)

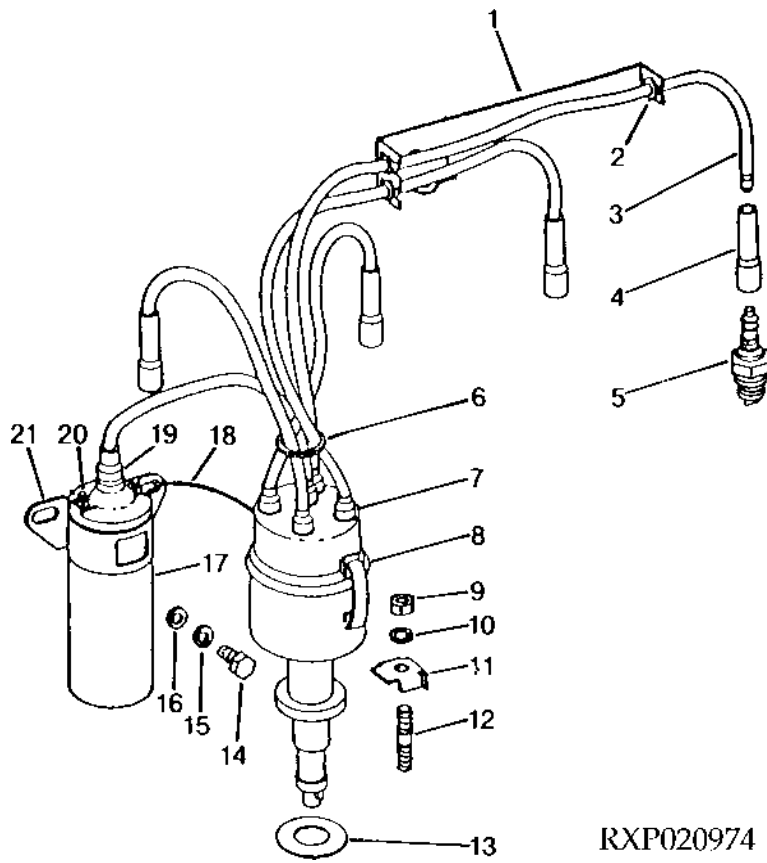


KEY	PART NO.	PART NAME	QTY	TRACTOR SERIAL NO.	REMARKS
1	37H10	SCREW	2		
2	AT27128	HOLDER	1		0.164" X 3/8"
3	R15045	BOLT	4		(SUB FOR R15026)
4	14H778	NUT	2		0.190"
5	12M7060	WASHER	6		0.209"
6	R15036	WASHER	6		
7	R15035	SLEEVE	2		
8	R15023	DIODE	1		(POSITIVE)
9	R39802	STATOR	1		
10	R15024	DIODE	1		(NEGATIVE)
11	R15030	O-RING	1		
12	R38374	HOUSING	1		
13	14H778	NUT	2		0.190"
14	R39800	DIODE	1		DUAL
15	14H778	NUT	2		0.190"
16	14H786	NUT	1		1/4"
17	12H297	LOCK WASHER	2		1/4"
18	12H297	LOCK WASHER	1		1/4"
19	R39803	WASHER	1		
20	AT23189	BALL BEARING	1		(SUB FOR R15028)
21	R39801	ROTOR	1		
22	26H72	SHAFT KEY	1		1/8" X 5/8"
23	R15029	RETAINER	1		
24	JD9449	BALL BEARING	1		(SUB FOR JD8535 OR AT23188)
25	R15033	HOUSING	1		
26	T23610	NUT	4		
27	T25343	BUSHING	1		(SUB FOR R15038)
28	R15027	FAN	1		
29	R15019	SHEAVE	1		(NOT AS ILLUSTRATED)
30	12H294	LOCK WASHER	1		5/8"
..	14H866	NUT	1		5/8"
..	AR40420	ALTERNATOR	1		(12-VOLT) (55-AMP) (MOTOROLA) (SUB TY24307)
..	TY24307	ALTERNATOR	1		(SUB FOR TY1430 OR AR40420) (REMANUFACTURED)

# 2C4

## DISTRIBUTOR, COIL, SPARK PLUG CABLES, AND SPARK PLUGS

RXP020974 -UN-12DEC94



RXP020974



# 2C5

ELECTRICAL

## DISTRIBUTOR, COIL, SPARK PLUG CABLES, AND SPARK PLUGS - CONTINUED

KEY	PART NO.	PART NAME	QTY	ENGINE SERIAL NO.	REMARKS
1	R26862	BRACKET	1	(NLA)	
2	R26409	GROMMET	3		
3	AR50270	CABLE	1		(SUB FOR AR28060) (SET OF 5)
4	R26861	BOOT	4		
5	AA4053R	SPARK PLUG	4		(A) (CHAMPION)
	TY21725	SPARK PLUG	4		(A) (B) (PRESTOLITE) (SUB FOR AA6332R, AR14019, AR26469, AR14021, TY6073 OR TY6074)
	AR26544	SPARK PLUG	4		(C) (CHAMPION) (SUB FOR AR26543 OR AR26545)
6	R44302	TIE BAND	1		
7	A3539R	TERMINAL NIPPLE	5		
8	AR11162	IGNITION DISTRIBUTOR	1		(D) (E) (DELCO-REMY NO. 1112474) (SUB FOR AT361T, AT17366 OR AR11145) (ORDER TY15857) (NLA)
	TY15857	IGNITION DISTRIBUTOR	1		(REMANUFACTURED)
9	E55662	FLANGE NUT	2		3/8"
10	12H304	LOCK WASHER	2		3/8", (NOT REQUIRED WITH E55662)
11	A4157R	CLAMP	2		
12	R56481	STUD	2		3/8" X 1-1/2", (SUB FOR R26117 OR M3636T)
13	F2632R	GASKET	1		
14	19H1813	CAP SCREW	2		5/16" X 5/8"
15	12H303	LOCK WASHER	2		5/16"
16	24H1136	WASHER	1		11/32" X 11/16" X 0.065"
17	AR46064	ELECTRICAL COIL	1		(6-VOLT) (DELCO-REMY NO. 1115380 OR 1115202) (SUB FOR AM791T OR AM373T)
18	R11269	WIRING LEAD	1		(ORDER TY15857) (NLA)
19	A4159R	BOOT	2		(NLA)
20	14H631	NUT	2		0.190", NO. 10
	12H246	LOCK WASHER	2		0.190", (SUB FOR 1909206) NO. 10
21	R73142	BRACKET	1		
..	AR46273	CABLE	1		914 MM (36")
..	AR46274	KIT	1		RADIATION SUPPRESSION SPARK PLUG CABLE FOR USE WITH RADIO, (SUB AR46278, AR46279 AND AR46280)

- (A) GAS
- (B) GAS/LP
- (C) LP
- (D) REFER TO MARKETING PARTS BULLETIN AG91-26 AUG 1991 OR REMANUFACTURED PC2344, PC2345 OR PC2346
- (E) RETURN CUSTOMERS' CORE TO SUPPLIER FOR REMANUFACTURE

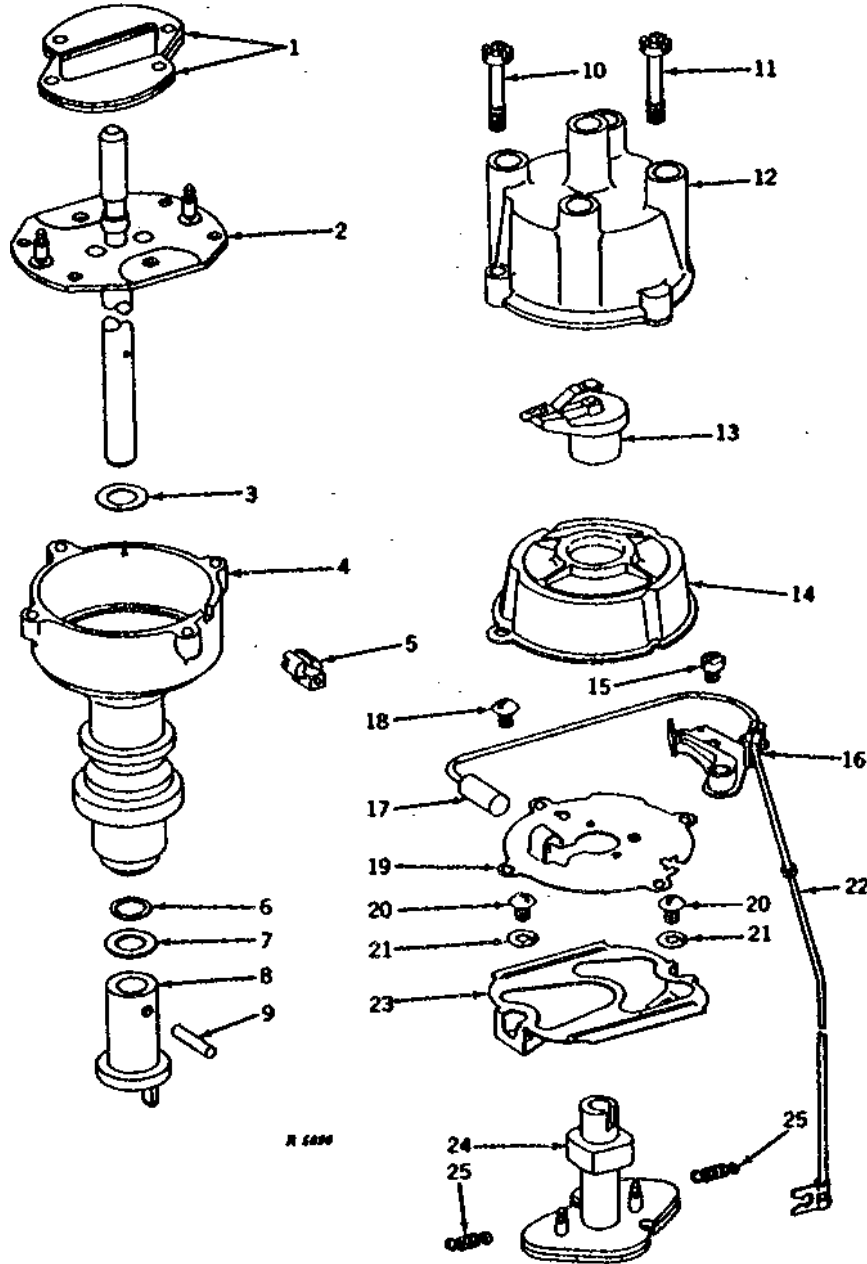
# 2C6

ELECTRICAL

R5890

-UN-01JAN94

## DISTRIBUTOR



## DISTRIBUTOR - CONTINUED

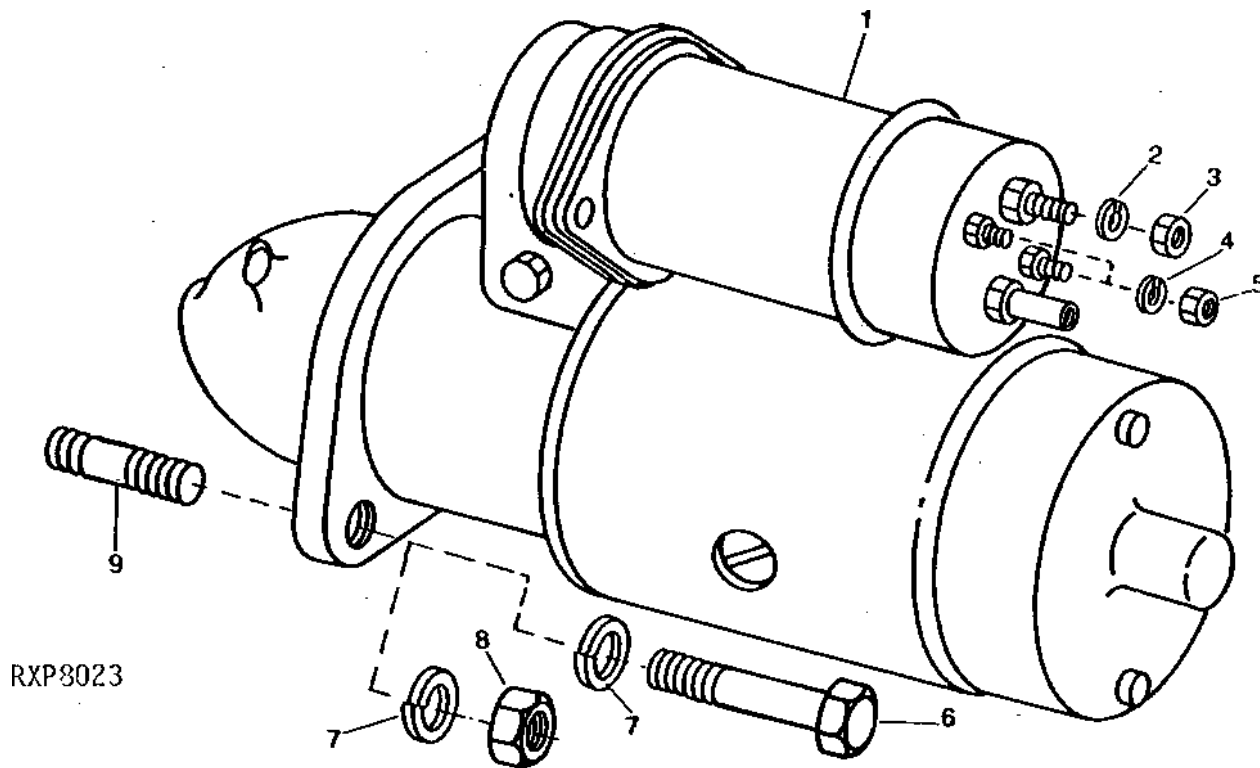
KEY	PART NO.	PART NAME	QTY	TRACTOR SERIAL NO.	REMARKS
1	1881371	WEIGHT	4	(A) (NLA)	
2	R11299	PLATE	1	(A) (NLA)	
3	811912	WASHER	1		
4	R11256	HOUSING	1	(A) (NLA)	
5	R11270	GROMMET	1	(A) (NLA)	
6	810074	WASHER	AR	(A) (NLA)	
7	811912	WASHER	1		
8	1909273	COUPLING	1	(A) (NLA)	
9	34H279	SPRING PIN	1	3/16" X 13/16"	
10	21H1319	SCREW	1	0.164" X 7/8"	
11	21H1282	SCREW	1	0.190" X 7/8"	
12	R11257	CAP	1		
13	R11260	ROTOR	1		
14	R11264	COVER	1	(A) (NLA)	
15	T19088	SCREW	1		
16	AR44864	CONTACT	1	(HEAVY-DUTY)	
	AR31814	POINT	1	(REGULAR DUTY)	
17	AT14468	CAPACITOR	1		
18	21H1299	SCREW	2	0.164" X 3/8"	
19	R11263	PLATE	1		
20	21H1292	SCREW	2	0.164" X 1/4"	
21	12H315	LOCK WASHER	2	0.164"	
22	R11269	WIRING LEAD	1	(A) (NLA)	
23	R11301	PLATE	1	(A) (NLA)	
24	R11300	CAM	1	(A) (NLA)	
25	R11302	EXTENSION SPRING	2	(A) (NLA)	
..	AR11162	IGNITION DISTRIBUTOR	1	(B) (C) (DELCO-REMY NO.1112474) (ORDER TY15857) (NLA)	
..	TY15857	IGNITION DISTRIBUTOR	1	(REMANUFACTURED)	

(A) ORDER TY15857

(B) REFER TO MARKETING PARTS BULLEITN AG91, 08 AUG 1991 OR REMANUFACTURING PC2344, 45 OR 46

(C) RETURN CUSTOMER'S CORE TO SUPPLIER FOR REMANUFACTURE

RXP8023 -UN-01JAN94

**STARTING MOTOR AND ATTACHING PARTS**


KEY	PART NO.	PART NAME	QTY	TRACTOR SERIAL NO.	REMARKS
1	AR11160	STARTER	1	-130260	(A) (DELCO-REMY NO. 1107350) (SUB FOR AR11300) (SUB TY6691)
	TY6691	STARTER	1	-130260	(A) (SUB FOR AR11160 OR TY1435) (CONTAINS RE39838) (REMANUFACTURED)
	AR11161	STARTER	1	130261-	(B) (DELCO-REMY NO. 1107578) (SUB TY6694)
	TY6694	STARTER	1	130261-	(B) (SUB FOR AR11161, AR11305 OR TY1456) (CONTAINS RE39838) (REMANUFACTURED)
	AR60085	STARTER	1		(B)
	TY6722	STARTER	1		(B) (SUB FOR AR60085) (CONTAINS RE39838) (REMANUFACTURED)
	AR62267	STARTER	1		(C) (SUB FOR AR55638) (SUB TY6710) (ALSO ORDER R53108) (DELCO-REMY NO. 1109147)
	TY6710	STARTER	1		(C) (CONTAINS RE39838) (SUB FOR AR55638, AR62267, TY1597 OR TY6667) (ALSO ORDER R53108) (REMANUFACTURED)
	AR77254	STARTER	1		(C) (SUB RE41875 OR TY6713) (ALSO ORDER R53108) (NIPPONDENSO NO. 028000-3290)
	RE41875	STARTER	1		(C) (MARKED RE13722) (CONTAINS RE39064) (ALSO ORDER R53108) (JOHN DEERE)
	TY6713	STARTER	1		(C) (SUB FOR AR77254 OR TY6617) (CONTAINS RE39064) (REMANUFACTURED)
2	12H303	LOCK WASHER	1		(C) 7.938 MM (5/16")
	12H304	LOCK WASHER	1		(A) (B) 3/8"
3	R51671	NUT	1		(C)
	14H812	NUT	1		(A) (B) 3/8"
4	14H631	NUT	2		(C) 0.190"
	14H605	NUT	2		(A) (B) 0.164"
5	12H246	LOCK WASHER	1		(C) 0.190"
	12M7084	LOCK WASHER	2		(A) (B) 4.300 MM, NO.8
6	19H2552	CAP SCREW	2		(C) 3/8" X 1-1/8"
	19H2545	CAP SCREW	2		(A) (B) 3/8" X 1-3/8"
7	12H304	LOCK WASHER	3		3/8"
8	14H1076	NUT	1		(C) 3/8"
	14H812	NUT	1		(A) (B) 3/8"
9	R55396	STUD	1		(C) (SUB FOR M3636T, THIS APPLICATION)
10	R56481	STUD	1		(A) (B)

(A) GASOLINE ONLY

(B) GASOLINE AND LP-GAS

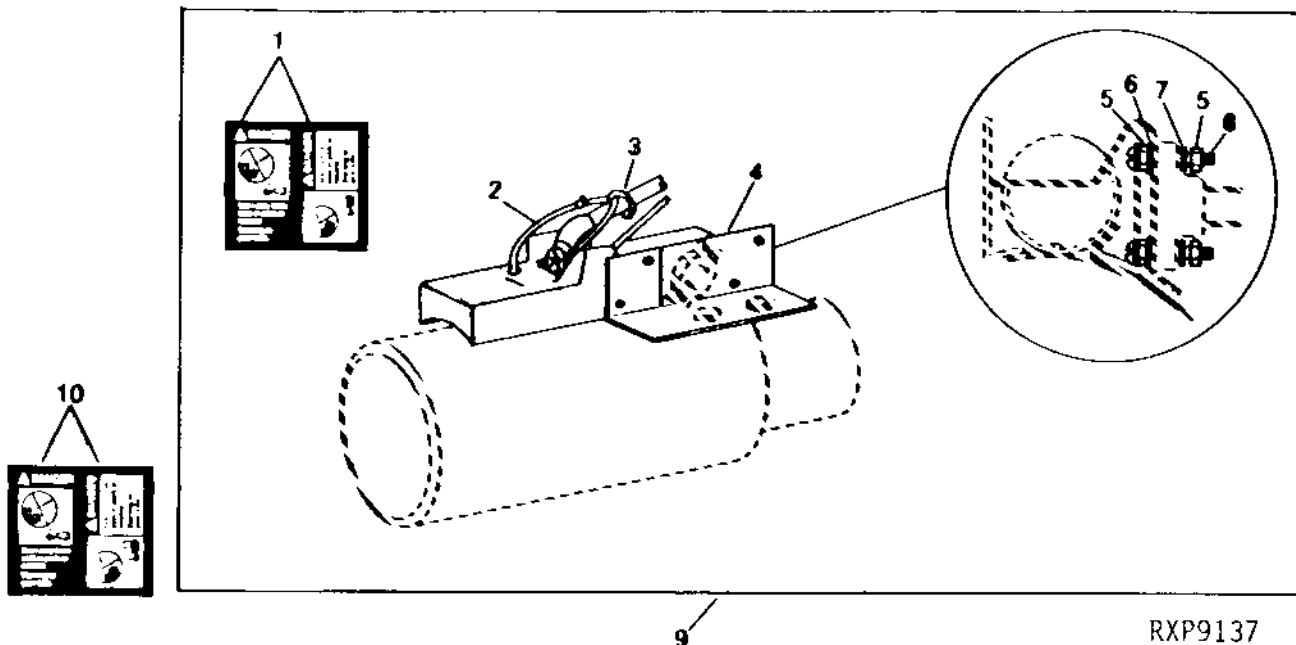
(C) DIESEL

# 2C9

ELECTRICAL

## STARTER SOLENOID COVER KIT (GAS AND LP-GAS)(DELCO-REMY)

RXP9137 -UN-12OCT94



RXP9137

KEY	PART NO.	PART NAME	QTY	ENGINE SERIAL NO.	REMARKS
1	T146102	LABEL	1		(ENGLISH) (SUB FOR T84409 OR T134459)
2	R76477	TIE BAND	1		
3	R44302	TIE BAND	1		
4	R45642	BRACKET	1		
5	14H631	NUT	4	0.190"	
6	24H1283	WASHER	4	7/32" X 1/2" X 0.049"	
7	12H246	LOCK WASHER	2	0.190"	
8	21H981	SCREW	2	0.190" X 1/2"	
9	RE39838	SHIELD	1	(A)	
10	T146106	SAFETY SIGN	1		(ESPAÑOL) (SUB FOR T84410 OR T134452)
	T146104	SAFETY SIGN	1		(FRANCAIS) (SUB FOR T84411 OR T134453)
	T146515	SAFETY SIGN	1		(DEUTSCH) (SUB FOR T84412 OR T134454)
	T146516	SAFETY SIGN	1		(ITALIANO) (SUB FOR T84413 OR T134455)
	T146517	SAFETY SIGN	1		(ENGLISH/FRANCAIS) (SUB FOR T84578 OR T134456)

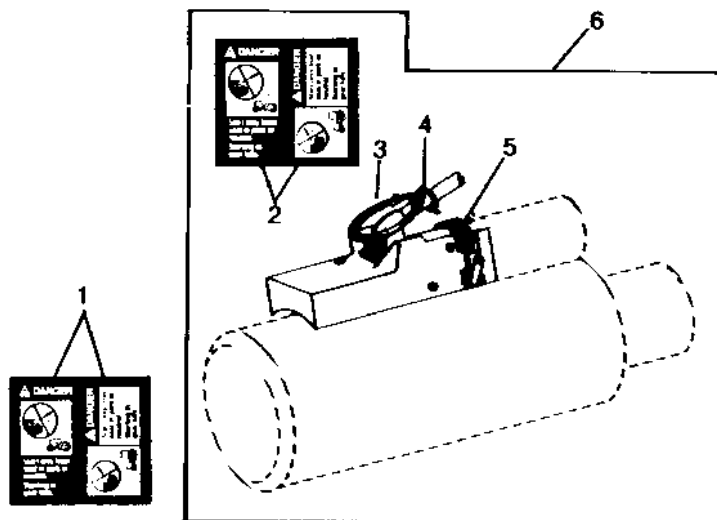
(A) USE WITH AR11160,AR11161,AR60085,TY1435,TY1456,TY6691,TY6694 OR TY6722

# 2C10

ELECTRICAL

RXP9139 -UN-12OCT94

## STARTER SOLENOID COVER KIT (DIESEL)



RXP9139

KEY	PART NO.	PART NAME	QTY	ENGINE SERIAL NO.	REMARKS
1	T146106	SAFETY SIGN	1		(ESPAÑOL) (SUB FOR T84410 OR T134452)
	T146104	SAFETY SIGN	1		(FRANÇAIS) (SUB FOR T84411 OR T134453)
	T146515	SAFETY SIGN	1		(DEUTSCH) (SUB FOR T84412 OR T134454)
	T146516	SAFETY SIGN	1		(ITALIANO) (SUB FOR T84413 OR T134455)
	T146517	SAFETY SIGN	1		(ENGLISH/FRANÇAIS) (SUB FOR T84578 OR T134456)
2	T146102	LABEL	1		(ENGLISH) (SUB FOR T84409 OR T134459)
3	R76477	TIE BAND	1		
4	R44302	TIE BAND	1		
5	AR40418	CLAMP	1		
6	RE39838	SHIELD	1	(A)	

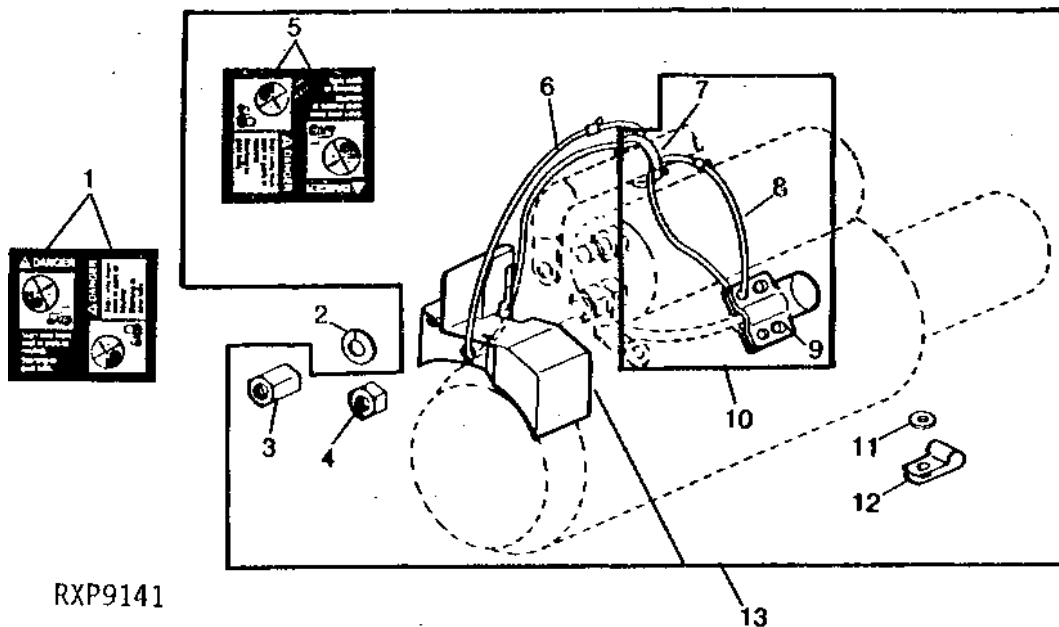
(A) USE WITH AR62267,AR55638,TY6667,TY1597 OR TY6710

# 2C11

ELECTRICAL

## STARTER SOLENOID COVER KIT

RXP9141 -UN-01JAN94



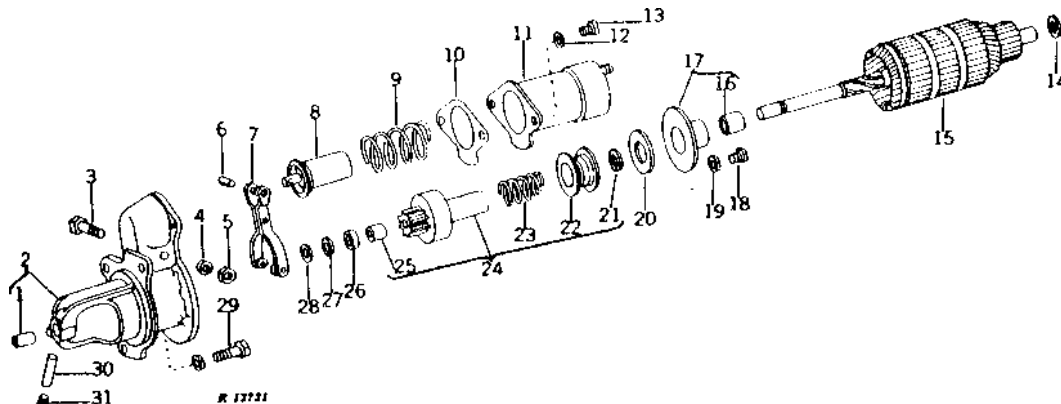
RXP9141

KEY	PART NO.	PART NAME	QTY	ENGINE SERIAL NO.	REMARKS
1	T146106	SAFETY SIGN	1		(ESPAÑOL) (SUB FOR T84410 OR T134452)
	T146104	SAFETY SIGN	1		(FRANCAIS) (SUB FOR T84411 OR T134453)
	T146515	SAFETY SIGN	1		(DEUTSCH) (SUB FOR T84412 OR T134454)
	T146516	SAFETY SIGN	1		(ITALIANO) (SUB FOR T84413 OR T134455)
	T146517	SAFETY SIGN	1		(ENGLISH/FRANCAIS) (SUB FOR T84578 OR T134456)
2	12H246	LOCK WASHER	1		0.190"
3	R100380	NUT	1		
4	14H732	NUT	1		3/8"
5	T146102	LABEL	1		(ENGLISH) (SUB FOR T84409 OR T134459)
6	R76477	TIE BAND	1		
7	R44302	TIE BAND	1		
8	R76477	TIE BAND	1		
9	R66117	SCREW	2		
10	RE39063	SHIELD	1		
11	24H1289	WASHER	1		21/64" X 5/8" X 0.049"
12	R46414	CLAMP	1		
13	RE39064	SHIELD	1		(A)

(A) USE WITH AR77254,RE41875,TY6617 OR TY6713

STARTER DRIVE END HOUSING, SOLENOID SWITCH, AND ARMATURE  
(12-VOLT) (GASOLINE)  
(ENGINE SERIAL NO. -130260)

R12721 -UN-01JAN94



KEY	PART NO.	PART NAME	QTY	TRACTOR SERIAL NO.	REMARKS
1	T17987	BUSHING	1		
2	AR11107	HOUSING	1		(ORDER TY6691) (NLA)
3	T11672	CAP SCREW	1		
4	12H303	LOCK WASHER	1	5/16"	
5	14H611	NUT	1	5/16"	
6	34H279	SPRING PIN	1	3/16" X 13/16"	
7	T18113	SHIFTER	1		(SUB FOR T11674) (USE WITH AR11300)
8	AT15147	PLUNGER	1		
9	R81176	COMPRESSION SPRING	1		(SUB FOR T11675)
10	T17058	GASKET	1		(ASSEMBLE FROM R11192)
11	AR68304	SOLENOID	1		(DELCO-REMY NO. 1114264 OR 1114356) (SUB FOR R11240)
	TY6690	SOLENOID	1		(REMANUFACTURED)
12	12H302	LOCK WASHER	2	1/4"	
13	21H1310	SCREW	2	1/4" X 1/2"	
14	R11096	WASHER	1		
15	AR11104	ARMATURE	1		
16	820148	BUSHING	1		
17	820149	BEARING	1		
18	21H1298	SCREW	2	0.190" X 3/8"	
19	12H246	LOCK WASHER	2	0.190"	
20	R11095	WASHER	1		
21	R11118	WIRE	1		
22	R11225	LOCKING COLLAR	1		(ORDER AR57094) (SUB FOR 1838436)
23	37517	SPRING	1		
24	AR57094	DRIVE	1		(SUB FOR AR11108 OR AT15140)
25	1873796	BUSHING	1		
26	R11116	SPACER	1		
27	R11117	SNAP RING	1		
28	R11080	WASHER	1		
29	19H2552	CAP SCREW	2	3/8" X 1-1/8"	
	M3636T	STUD	1	3/8" X 1-1/2"	
	14H1076	NUT	2	3/8"	
	12H304	LOCK WASHER	3	3/8", (NOT REQUIRED WITH E55662)	
30	R40337	WICK	1		(SUB FOR R11108)
31	15H566	PIPE PLUG	1	1/8", (SUB FOR R11085)	
..	AR11160	STARTER	1		(12-VOLT) (DELCO-REMY NO.1107350) (SUB FOR AR11300) (SUB TY6691)
..	TY6691	STARTER	1		(REMANUFACTURED) (CONTAINS RE39838) (SUB FOR AR11160 OR TY1435)

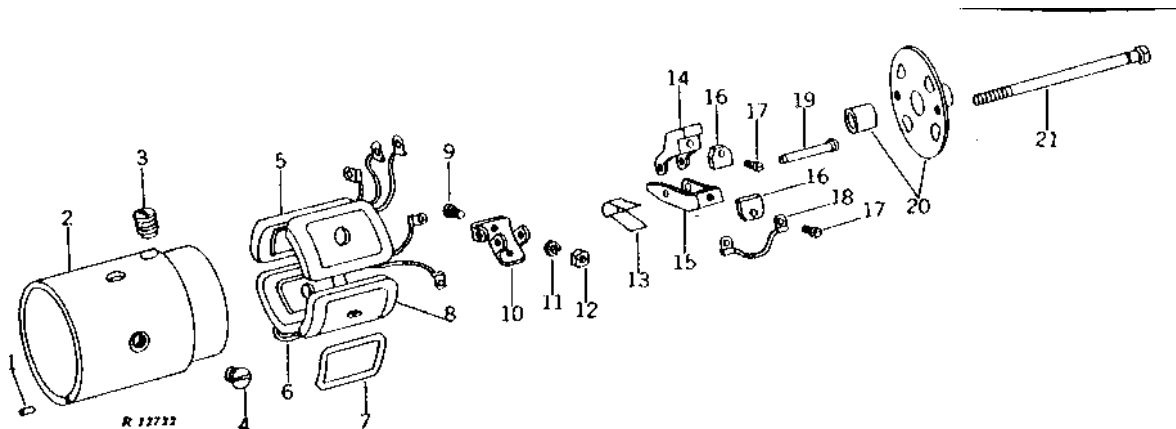


# 2C13

ELECTRICAL

STARTER MAIN FRAME, COIL, AND COMMUTATOR END FRAME  
(12-VOLT) (GASOLINE)  
(ENGINE SERIAL NO. -130260)

R12722 -UN-01JAN94



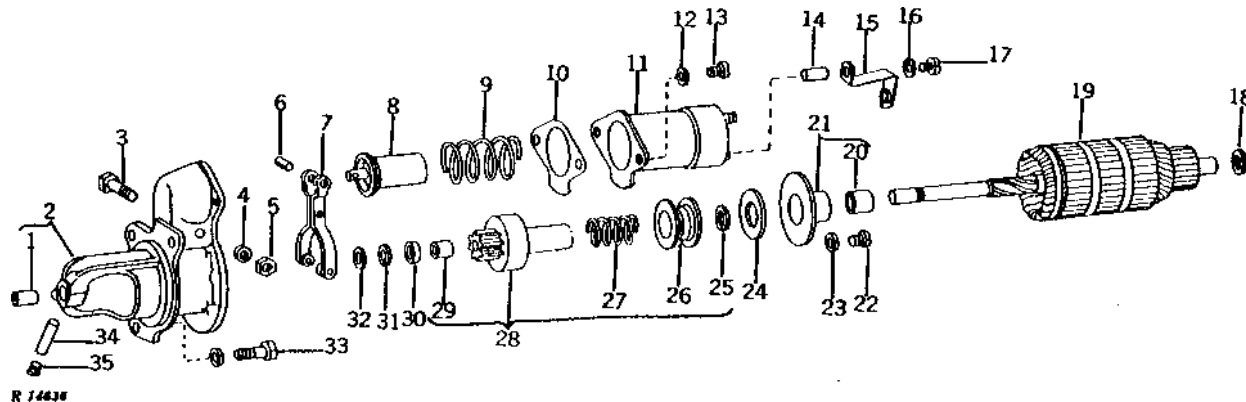
KEY	PART NO.	PART NAME	QTY	TRACTOR SERIAL NO.	REMARKS
1	R11087	DOWEL PIN	1		
2	.....	FRAME	1		(ORDER TY6691)
3	R11191	GROMMET	1		(SUB FOR R11097 OR T18353)
4	21H1280	SCREW	4		3/8" X 3/4"
5	AR90826	FIELD WINDING COIL	1		(SUB FOR AR11106 OR AR88016)
6	AR90826	FIELD WINDING COIL	1		(SUB FOR AR11105 OR AR88016)
7	T743T	INSULATOR	4		
8	R39857	SHOE	4		(SUB FOR AT515T)
9	21H1301	SCREW	4		0.190" X 1/2"
10	AT516T	KIT	2		
11	12H246	LOCK WASHER	4		0.190"
12	14H778	NUT	4		0.190"
13	T740T	SPRING	2		
14	R11290	CARBON BRUSH HOLDER	2		INSULATED, (SUB FOR T739T)
15	T738T	HOLDER	2		GROUND
16	T735T	BRUSH	4		
17	37H2	SCREW	4		0.164" X 5/8", (SUB FOR T10397)
18	AT514T	WIRING LEAD	2		
19	T736T	PIN	2		
20	AT517T	FRAME	1		
	810620	BUSHING	1		
21	T741T	BOLT	2		
..	AR11160	STARTER	1		(12-VOLT) (DELCO-REMY NO. 1107350) (SUB TY6691)
..	TY6691	STARTER	1		(SUB FOR AR11160 OR TY1435) (REMANUFACTURED)

# 2C14

ELECTRICAL

## STARTER DRIVE END HOUSING, SOLENOID SWITCH, AND ARMATURE (12-VOLT) (GASOLINE AND LP-GAS) (ENGINE SERIAL NO. 130261- )

R14636 -UN-01JAN94



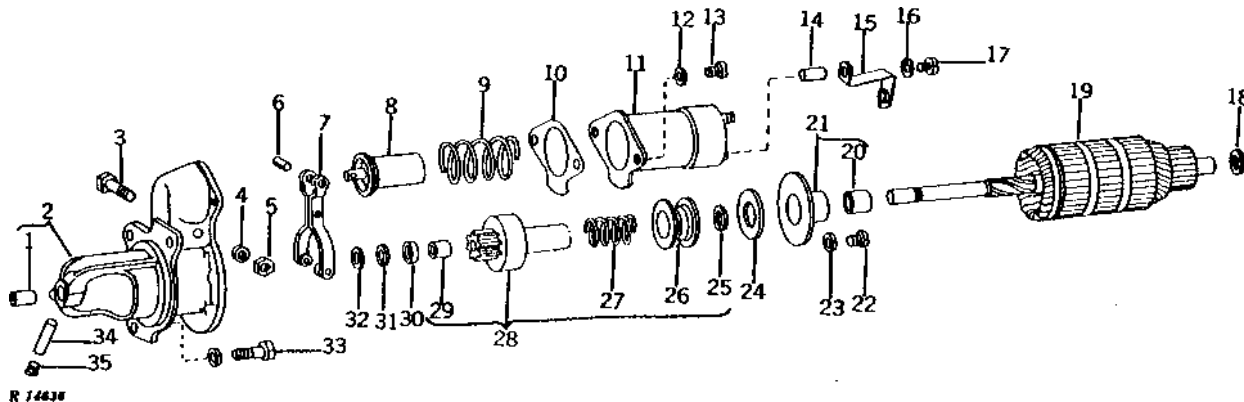
KEY	PART NO.	PART NAME	QTY	TRACTOR SERIAL NO.	REMARKS
1	T17987	BUSHING	1		
2	AR11107	HOUSING	1	(NLA)	
3	T11672	CAP SCREW	1		
4	12H303	LOCK WASHER	1	5/16"	
5	14H611	NUT	1	5/16", (SUB FOR T11682)	
6	34H279	SPRING PIN	1	3/16" X 13/16"	
7	T18113	SHIFTER	1		
8	AT15147	PLUNGER	1		
9	R81176	COMPRESSION SPRING	1	(SUB FOR T11675)	
10	T17058	GASKET	1	(SUB FOR R11192)	
11	AR68304	SOLENOID	1	(SUB FOR R11240) (DELCO-REMY NO. 1114356)	
	TY6690	SOLENOID	1	(REMANUFACTURED)	
12	12H302	LOCK WASHER	2	1/4"	
13	21H1310	SCREW	2	1/4" X 1/2"	
14	T19608	BUSHING	1		
15	R57025	FITTING	1	(SUB FOR R39877)	
16	12M7060	WASHER	1	0.209"	
17	T19610	CAP SCREW	1		
18	R11096	WASHER	1		
19	AT15138	ARMATURE	1		

# 2C15

ELECTRICAL

## STARTER DRIVE END HOUSING, SOLENOID SWITCH, AND ARMATURE - CONTINUED (12-VOLT) (GASOLINE AND LP-GAS) (ENGINE SERIAL NO. 130261- )

R14636 -UN-01JAN94



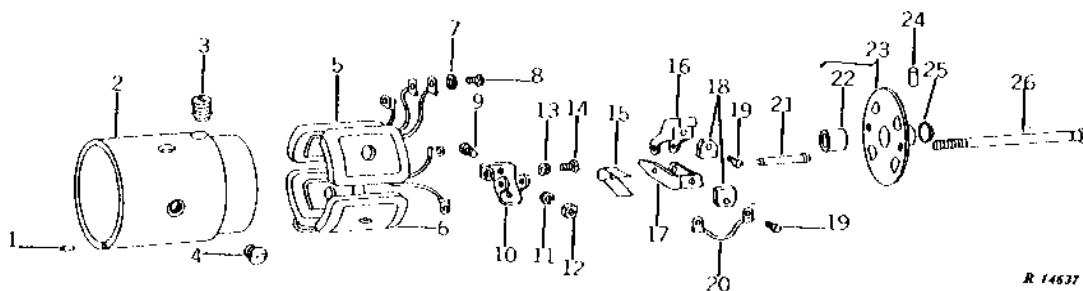
KEY	PART NO.	PART NAME	QTY	TRACTOR SERIAL NO.	REMARKS
20	820148	BUSHING	1		(SUB FOR T11684)
21	820149	BEARING	1		(SUB FOR T11683 AND T11684)
22	21H1127	SCREW	2		0.190" X 7/16"
23	12H246	LOCK WASHER	2		0.190"
24	R11095	WASHER	1		
25	R11118	WIRE	1		
26	R11225	LOCKING COLLAR	1		(ORDER AR57094) (SUB FOR 1838436 OR R11225)
27	37517	SPRING	1		
28	AR57094	DRIVE	1		(SUB FOR AT15140)
29	1873796	BUSHING	1		
30	R48976	STOP	1		(SUB FOR R11116)
31	R11117	SNAP RING	1		
32	R11080	WASHER	1		
33	19H2552	CAP SCREW	2		3/8" X 1-1/8"
	R56481	STUD	1		3/8" X 1-1/2", (SUB FOR M3636T, THIS APPLICATION)
	E55662	FLANGE NUT	2		
	12H304	LOCK WASHER	3		3/8", (NOT REQUIRED WITH E55662)
34	R40337	WICK	1		(SUB FOR R11108)
35	15H566	PIPE PLUG	2		1/8", (SUB FOR R11085)
..	AR11161	STARTER	1		COMPLETE (12-VOLT) (DELCO-REMY NO. 1107578) (SUB TY6694)
..	TY6694	STARTER	1		(SUB FOR AR11161 OR TY1456) (REMANUFACTURED)

# 2C16

ELECTRICAL

STARTER MAIN FRAME, COIL, AND COMMUTATOR END FRAME  
(12-VOLT) (GASOLINE AND LP-GAS)  
(ENGINE SERIAL NO. 130261- )

R14637 -UN-01JAN94



KEY	PART NO.	PART NAME	QTY	TRACTOR SERIAL NO.	REMARKS
1	R11087	DOWEL PIN	1		
2	.....	FRAME	1	(ORDER TY6694)	
3	R11236	GROMMET	1		
4	21H1280	SCREW	8	3/8" X 3/4"	
5	R11237	FIELD WINDING COIL	1		
6	T11680	SHOE	4		
7	12M7060	WASHER	1	0.209"	
8	21H1298	SCREW	1	0.190" X 3/8"	
9	21H1301	SCREW	4	0.190" X 1/2"	
10	AT516T	KIT	2		
11	12H246	LOCK WASHER	4	0.190"	
12	14H778	NUT	4	0.190"	
13	12H315	LOCK WASHER	1	0.164"	
14	21H1292	SCREW	1	0.164" X 1/4"	
15	T740T	SPRING	2		
16	R11290	CARBON BRUSH HOLDER	2	INSULATED, (SUB FOR T739T)	
17	T738T	HOLDER	2	GROUND	
18	R11239	BRUSH	4		
19	37H79	SCREW	4	1/4" X 5/8"	
20	AT514T	WIRING LEAD	2		
21	T736T	PIN	2		
22	R61932	BUSHING	1	(SUB FOR T11739)	
23	R11238	END PLATE	1		
24	H23193	FELT	1		
25	30H9	PLUG	1	3/4"	
26	R11243	CAP SCREW	2		
..	AR11161	STARTER	1	(12-VOLT) (DELCO-REMY NO. 1107578) (SUB TY6694)	
..	TY6694	STARTER	2	(SUB FOR AR11161 OR TY1456) (REMANUFACTURED)	

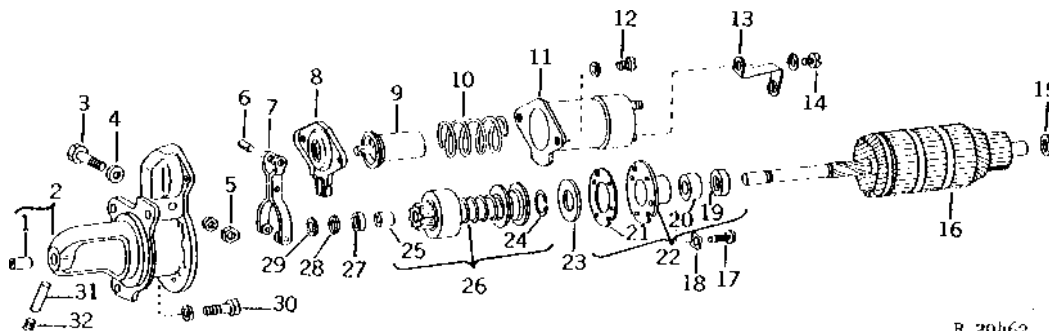
MEMORANDA

# 2C17

ELECTRICAL

## STARTER DRIVE END HOUSING, SOLENOID SWITCH, AND ARMATURE (12-VOLT) (DELCO-REMY) (LP-GAS)

R20462 -UN-01JAN94



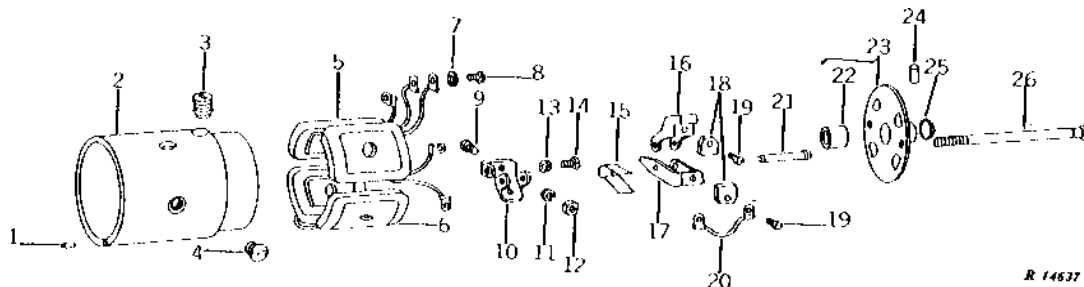
KEY	PART NO.	PART NAME	QTY	TRACTOR SERIAL NO.	REMARKS
1	T17987	BUSHING	1		
2	AR63943	HOUSING	1		(ORDER TY6722)
3	T11672	CAP SCREW	1		
4	AR62966	WASHER	1		
5	14H611	NUT	1		5/16", (SUB FOR T11682)
	12H303	LOCK WASHER	1		5/16"
6	34H279	SPRING PIN	1		3/16" X 13/16"
7	T18113	SHIFTER	1		
8	R55162	BOOT	1		
9	AT15147	PLUNGER	1		
10	R81176	COMPRESSION SPRING	1		(SUB FOR T11675)
11	AR68304	SOLENOID	1		(SUB FOR R11240) (DELCO-REMY NO. 1114356)
	TY6690	SOLENOID	1		(REMANUFACTURED)
12	21H1310	SCREW	2		1/4" X 1/2"
	12H302	LOCK WASHER	2		1/4"
13	R57025	FITTING	1		(SUB FOR R39877)
14	T19610	CAP SCREW	1		
	12M7060	WASHER	1		0.209"
15	R11096	WASHER	1		
16	AT15138	ARMATURE	1		
17	21H1127	SCREW	4		0.190" X 7/16"
18	12M7060	WASHER	4		0.209"
19	AR62965	SEAL	1		
20	R54584	BUSHING	1		
21	R54585	GASKET	1		
22	AR62967	BEARING	1		
23	R11095	WASHER	1		
24	R11118	WIRE	1		
25	1873796	BUSHING	1		
26	AR57094	DRIVE	1		
27	R48976	STOP	1		(SUB FOR R11116)
28	R11117	SNAP RING	1		
29	R11080	WASHER	1		
30	19H2552	CAP SCREW	2		3/8" X 1-1/8"
	R56481	STUD	1		3/8" X 1-1/2", (SUB FOR M3636T, THIS APPLICATION)
	E55662	FLANGE NUT	2		3/8"
	12H304	LOCK WASHER	3		3/8", (NOT REQUIRED W/ E55662)
31	R40337	WICK	1		
32	15H566	PIPE PLUG	2		1/8"
..	AR60085	STARTER	1		(SUB TY6722) (12-VOLT) (DELCO-REMY NO.1109147)
..	TY6722	STARTER	1		(SUB FOR AR60085) (REMANUFACTURED)

# 2C18

ELECTRICAL

## STARTER MAIN FRAME, COIL, AND COMMUTATOR END FRAME (12-VOLT) (DELCO-REMY) (LP-GAS)

R14637 -UN-01JAN94



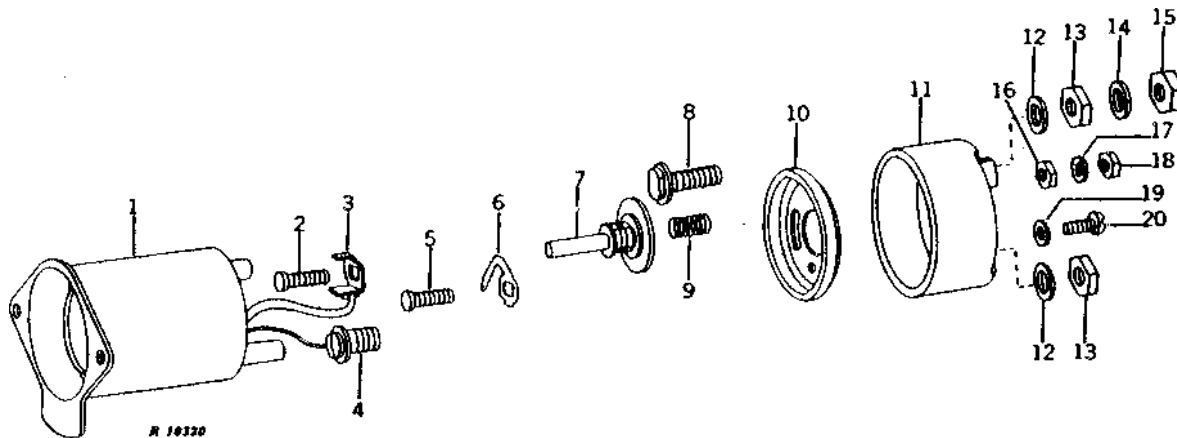
KEY	PART NO.	PART NAME	QTY	TRACTOR SERIAL NO.	REMARKS
1	R11087	DOWEL PIN	1		
2	.....	FRAME	1		
3	R11236	GROMMET	1		
4	21H1280	SCREW	8	3/8" X 3/4"	
5	R11237	FIELD WINDING COIL	1		
6	T11680	SHOE	4		
7	12M7060	WASHER	1	0.209"	
8	21H1298	SCREW	1	0.190" X 3/8"	
9	21H1301	SCREW	4	0.190" X 1/2"	
10	AT516T	KIT	2		
11	12H246	LOCK WASHER	4	0.190"	
12	14H778	NUT	4	0.190"	
13	12H315	LOCK WASHER	1	0.164"	
14	21H1292	SCREW	1	0.164" X 1/4"	
15	T740T	SPRING	2		
16	R11290	CARBON BRUSH HOLDER	2	(SUB FOR T739T) INSULATED	
17	T738T	HOLDER	2	GROUND	
18	R11239	BRUSH	4		
19	37H79	SCREW	4	1/4" X 5/8"	
20	AT514T	WIRING LEAD	2		
21	T736T	PIN	2		
22	R61932	BUSHING	1	(SUB FOR T11739)	
23	R11238	END PLATE	1		
24	H23193	FELT	1		
25	30H9	PLUG	1	3/4"	
26	R11243	CAP SCREW	2		
..	AR60085	STARTER	1	(SUB TY6722) (12-VOLT) (DELCO-REMY NO.1109147)	
..	TY6722	STARTER	1	(SUB FOR AR60085) (REMANUFACTURED)	

# 2C19

ELECTRICAL

R10320 -UN-01JAN94

## SOLENOID SWITCH (12-VOLT) (GASOLINE AND LP-GAS)



KEY	PART NO.	PART NAME	QTY	TRACTOR SERIAL NO.	REMARKS
1	.....	SOLENOID	1		(SUB FOR R11240) (ORDER AR68304 OR TY6690)
2	T19606	STUD	1		SWITCH TERMINAL
3	R11198	CLIP	1		(NLA)
4	T18354	SCREW	1		
5	T19606	STUD	1		RESISTOR TERMINAL
6	T19604	CONTACT	1		
7	AT15146	CONTACT	1		(SUB AR68304 OR TY6690)
8	T18105	STUD	1		
9	R11066	SPRING	1		
10	R61133	GASKET	1		(SUB FOR T18109 OR R49394)
11	R61134	COVER	1		(SUB AR68304 OR TY6690) (SUB FOR T19609, R49393 OR R57452) (NLA)
12	R11194	WASHER	2		
13	14H732	NUT	2		3/8"
14	12H304	LOCK WASHER	1		3/8", (NOT REQUIRED W/ E55662)
15	E55662	FLANGE NUT	1		3/8"
16	AR11131	NUT	2		(NLA)
17	12M7084	LOCK WASHER	2		0.169"
18	14H605	NUT	2		0.164"
19	R11039	WASHER	2		
20	21H1298	SCREW	2		0.190" X 3/8"
..	AR68304	SOLENOID	1		(SUB FOR R11240) (12-VOLT) (DELCO-REMY NO. 1114356)
..	TY6690	SOLENOID	1		(REMANUFACTURED)



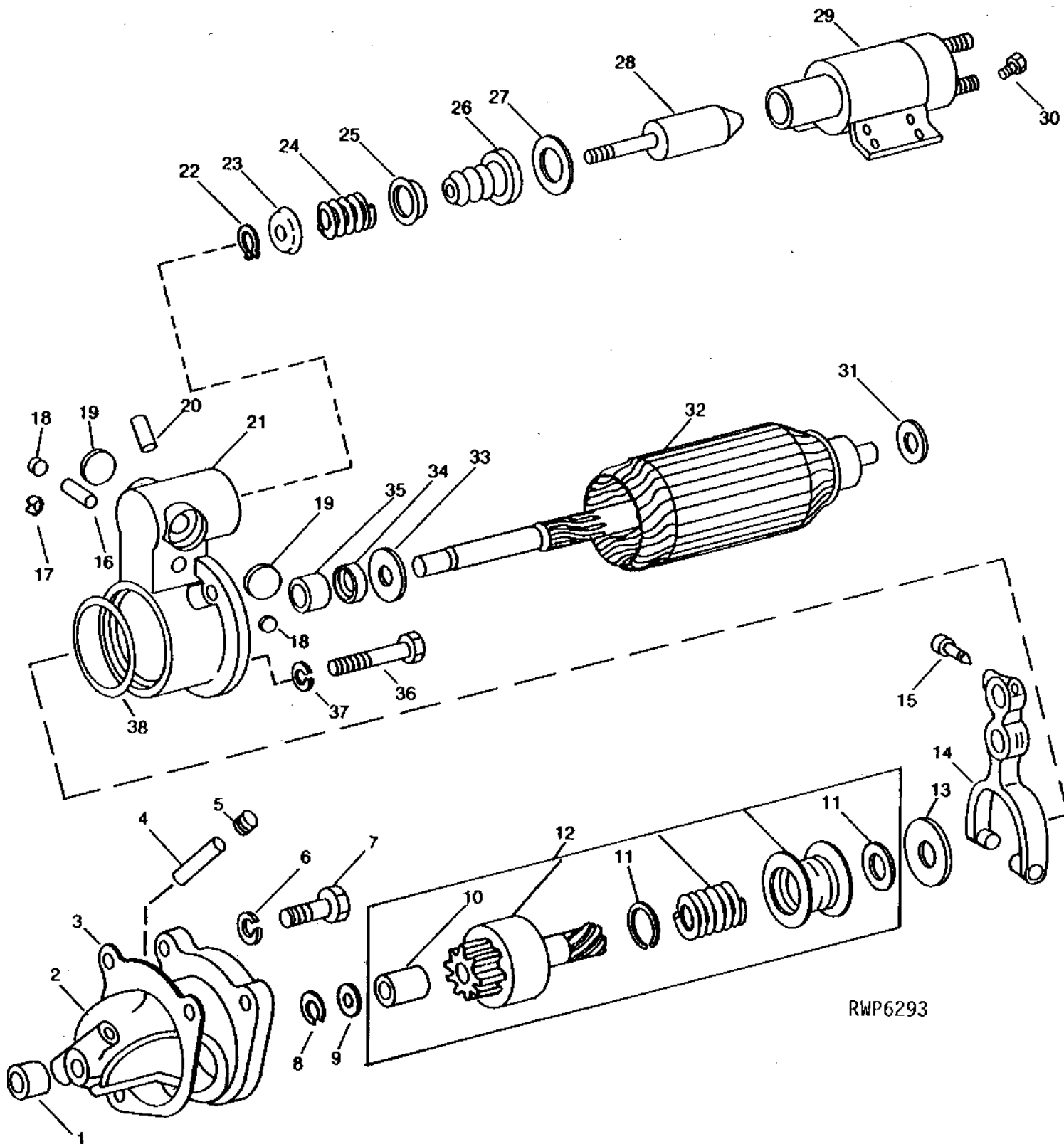
MEMORANDA

# 2C20

ELECTRICAL

## STARTER DRIVE HOUSING, SOLENOID SWITCH AND ARMATURE (12-VOLT)(DELCO-REMY)(DIESEL)(AR62267)

RWP6293 -UN-01JAN94



RWP6293

STARTER DRIVE HOUSING, SOLENOID SWITCH, AND ARMATURE - CONTINUED  
(12-VOLT) (DELCO-REMY) (DIESEL)(AR62267)

KEY	PART NO.	PART NAME	QTY	ENGINE SERIAL NO.	REMARKS
1	T11743	BUSHING	1		
2	AR11127	HOUSING	1		
3	R53108	GASKET	1		
4	R40337	WICK	1		
5	15H566	PIPE PLUG	1	1/8"	
6	12H304	LOCK WASHER	3		3/8", (NOT REQUIRED W/E55662)
	R56481	STUD	1		(SUB FOR M3636T OR C2175R)
	E55662	FLANGE NUT	2	3/8"	
7	19H2552	CAP SCREW	2	3/8" X 1-1/8"	
8	R11117	SNAP RING	1		
9	R48976	STOP	1		
10	1873796	BUSHING	1		
11	R11118	WIRE	1		
12	AR88880	BENDIX DRIVE	1		(SUB FOR AR44700 OR AR76841)
13	R11095	WASHER	1		
14	AR11128	LEVER	1		
15	R11222	PIN	1		
16	R11215	DOWEL PIN	2		
17	R11223	RETAINER	1		
18	30H7	PLUG	2	5/8"	
19	30H16	PLUG	2	1-3/16"	
20	R11201	WICK	1		
	R11016	PIPE PLUG	1		
21	AR11126	HOUSING	1		
22	R11026	SNAP RING	1		
23	R11129	CAP	1		
24	R11128	SPRING	1		
25	R11126	RETAINER	1		
26	R11127	BOOT	1		
27	R11221	WASHER	1		
28	AR11132	PLUNGER	1		
29	R11292	SWITCH	1		(DELCO-REMY NO. 1115510 OR 1115540)
30	T19909	BOLT	4		
31	R11096	WASHER	1		
32	AR44698	ARMATURE	1		
33	R11291	WASHER	1		
34	AR62964	SEAL	1		
35	R11212	BUSHING	1		
36	AR62963	SCREW	4		
37	12H303	LOCK WASHER	4	5/16"	
38	R40545	GASKET	1		
..	AR62267	STARTER	1		(SUB TY6710) (SUB FOR AR55638) (DELCO-REMY NO.1113402)
..	TY6710	STARTER	1		(REMANUFACTURED) (SUB FOR AR55638 OR AR62267)

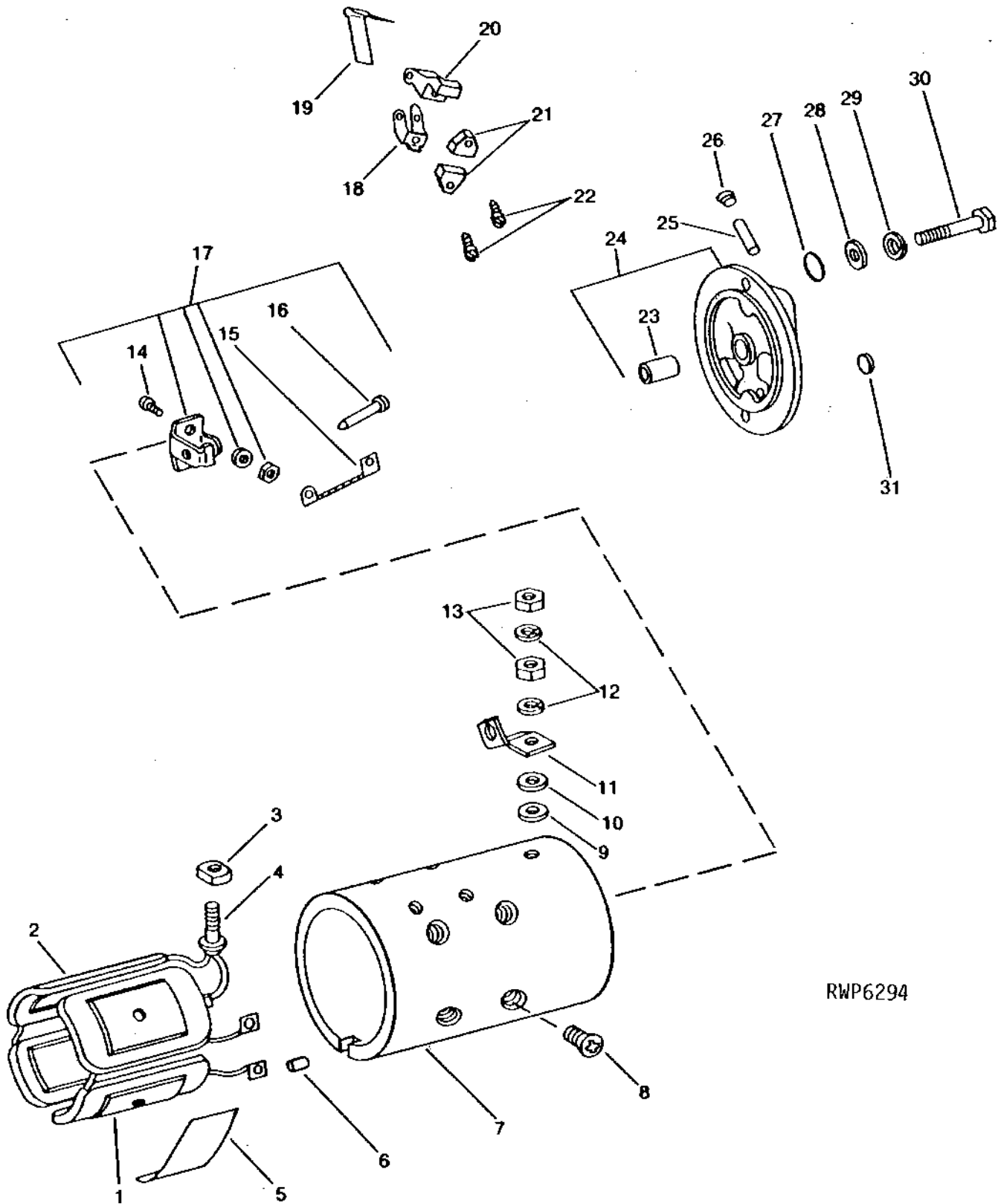
# 2C22

ELECTRICAL

## STARTER MAIN FRAME, COIL AND COMMUTATOR END FRAME (12-VOLT)(DELCO-REMY)(DIESEL)(AR62267)

RWP6294

-UN-01JAN94



RWP6294

**STARTER MAIN FRAME, COIL, AND COMMUTATOR END FRAME  
(12-VOLT) (DELCO-REMY) (DIESEL)(AR62267)**

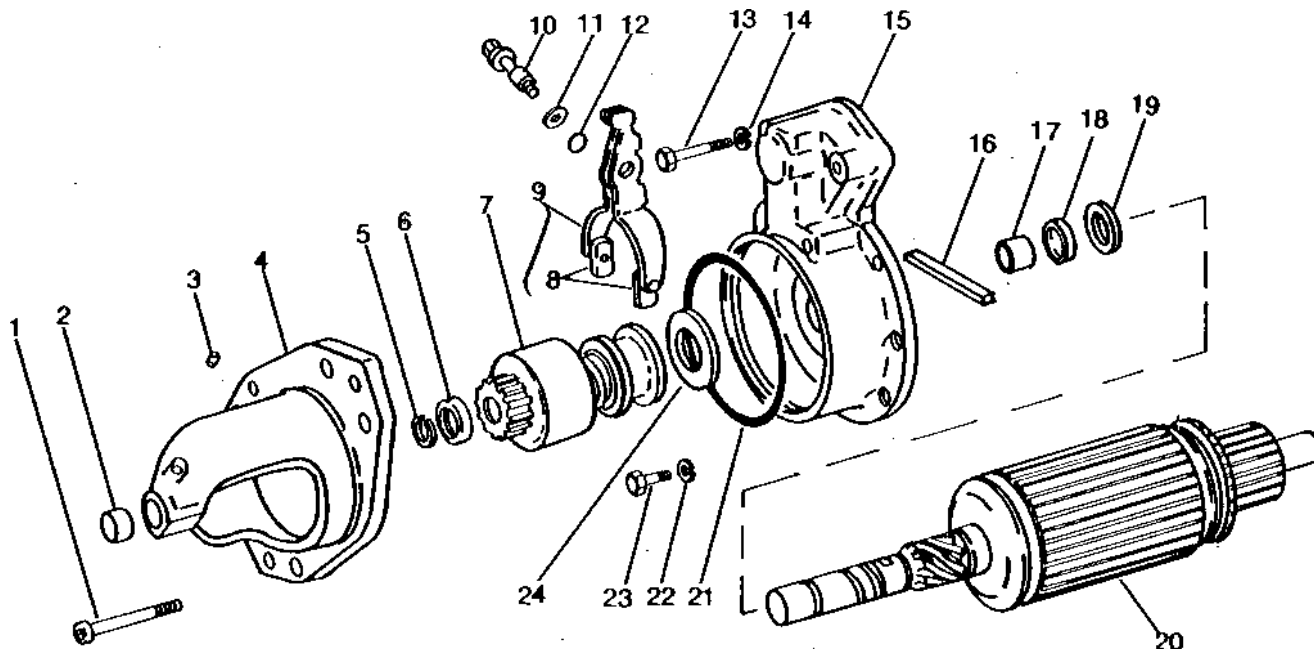
KEY	PART NO.	PART NAME	QTY	ENGINE SERIAL NO.	REMARKS
1	R11003	SHOE	4		
2	AR44699	ELECTRICAL COIL	1		
3	R11058	BUSHING	2		
4	R11059	STUD	1		
5	R11253	INSULATOR	2		
6	R11087	DOWEL PIN	1		
7	.....	FRAME	1	(ORDER TY6710)	
8	21H1280	SCREW	4	3/8" X 3/4"	
9	R11000	WASHER	2		
10	24M7096	WASHER	1	10.500 X 18 X 1.600 MM	
11	R11296	CONNECTOR	1		
12	12H304	LOCK WASHER	2	3/8"	
13	14H732	NUT	2	3/8"	
14	T18098	SCREW	2		
15	AR11001	WIRING LEAD	1		
16	R11233	PIN	2		
17	AR11124	SUPPORT	2		
18	T738T	HOLDER	2		
19	R11209	SPRING	2		
20	R11290	CARBON BRUSH HOLDER	2		
21	R42574	BRUSH	4		
22	37H78	SCREW	4	0.164" X 3/4"	
23	R61932	BUSHING	1	(SUB FOR T11739)	
24	AR11140	FRAME	1		
25	15H566	PIPE PLUG	1	1/8"	
26	R40337	WICK	1		
27	R27976	O-RING	2		
28	24H1136	WASHER	2	11/32" X 11/16" X 0.065"	
29	12H303	LOCK WASHER	2	5/16"	
30	R11298	BOLT	2		
31	30H9	PLUG	1	3/4"	
..	AR62267	STARTER	1	(SUB TY6710) (SUB FOR AR55638) (DELCO-REMY NO.1113402)	
..	TY6710	STARTER	1	(REMANUFACTURED) (SUB FOR AR55638 OR AR62267)	

# 2C24

ELECTRICAL

## STARTER DRIVE HOUSING AND ARMATURE(12-VOLT)(DIESEL) (JOHN DEERE)(AR77254 OR RE41875)

RGP1947 -UN-01JAN94



RGP1947

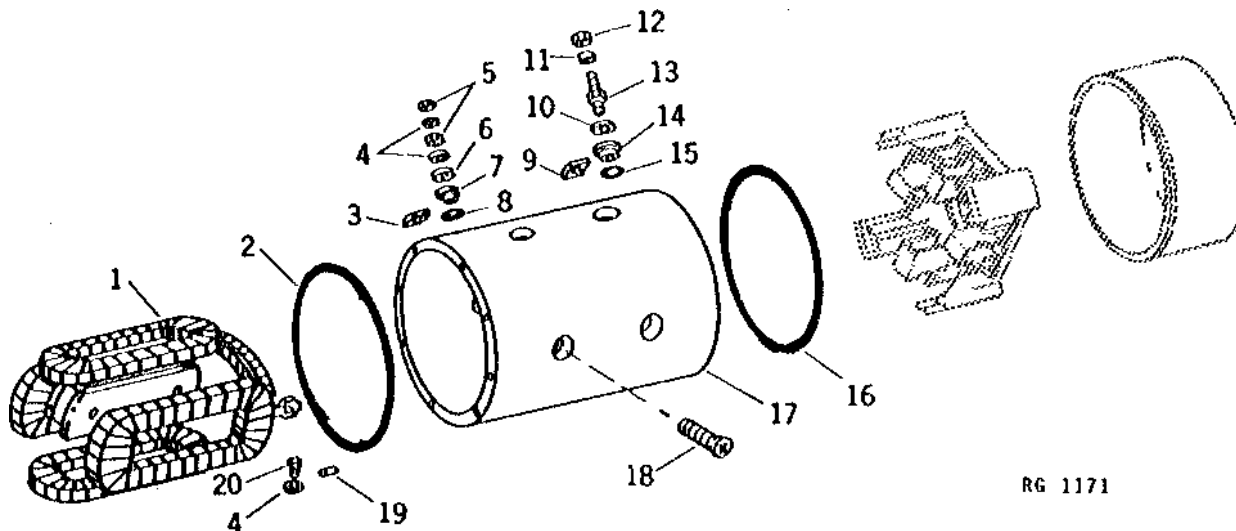
KEY	PART NO.	PART NAME	QTY	ENGINE SERIAL NO.	REMARKS
1	R50900	SCREW	6		
2	R50891	BUSHING	1		(INCLUDED W/AR54990)
3	R50892	PLUG	1		
4	AR54990	HOUSING	1		(INCLUDES R50891)
5	R50902	SNAP RING	1		
6	R50903	STOP	1		
7	AR54992	DRIVE	1		
8	R51667	WEAR PLATE	2		
9	R50904	LEVER	1		(USE WITH AR54993) (SUB AR67827 AND AR68430) (STARTER SERIAL NO.11L0233 AND BELOW)
	AR67827	ARM	1		(BLACK OXIDE FINISH, USE WITH HOUSING MARKED -J-)(STARTER SERIAL NO.11L0234 AND ABOVE)
10	R50897	SHAFT	1		
11	24H1289	WASHER	1		21/64" X 5/8" X 0.049"
12	R52387	O-RING	1		
13	R50893	SCREW	2		
14	12H302	LOCK WASHER	2		1/4"
15	AR54993	HOUSING	1		(MARKED -J-)(STARTER SERIAL NO.11L0233 AND BELOW) (SUB AR68430 AND AR67827) (NLA) (SUB FOR AR54993) (INCLUDES AR55947, R51665 AND R51666) (MARKED -J-)(STARTER SERIAL NO.11L0234 AND UP)
	AR68430	HOUSING	1		
16	R51666	WICK	1		
17	R51665	BUSHING	1		(INCLUDED W/AR68430)
18	AR55947	SEAL	1		(INCLUDED W/AR68430)
19	R50906	THRUST WASHER	1		
20	AR66778	ARMATURE	1		(SUB FOR AR54994)
21	R50901	WASHER	1		
22	12H317	LOCK WASHER	2		9/16"
23	R51661	SCREW	2		
24	R50905	WEAR RING	1		
..	AR77254	STARTER	1		(SUB RE41875 OR TY6713)
..	RE41875	STARTER	1		(MARKED RE13722)
..	TY6713	STARTER	1		(REMANUFACTURED) (SUB FOR AR77254 OR TY6617)

# 2C25

ELECTRICAL

## STARTER MAIN FRAME AND COIL(12-VOLT)(DIESEL) (JOHN DEERE)(AR77254 OR RE41875)

RG1171 -UN-01JAN94



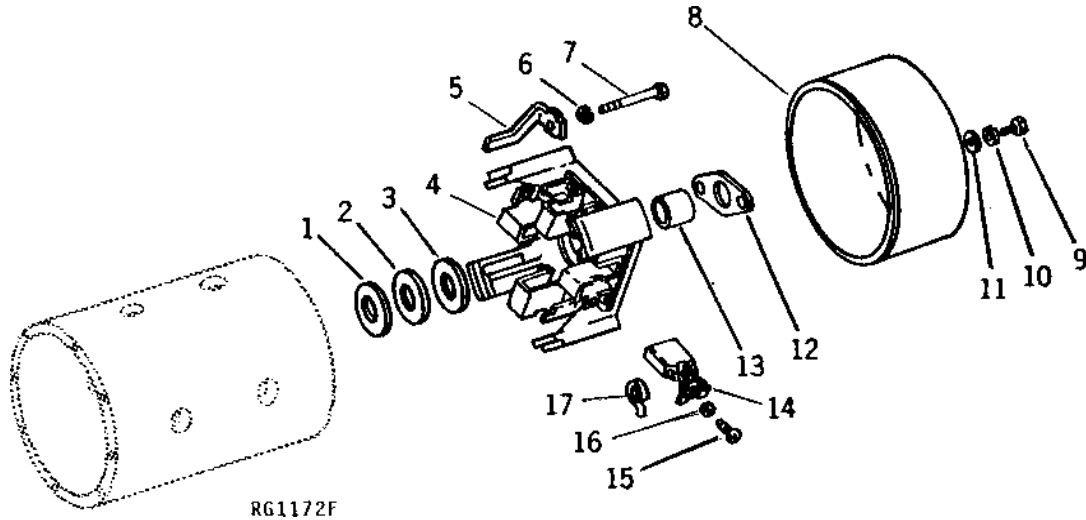
KEY	PART NO.	PART NAME	QTY	ENGINE SERIAL NO.	REMARKS
1	AR54996	FIELD WINDING COIL	1	-9U0000	
	RE13731	FIELD WINDING COIL	1	9U0001-	
2	R50913	O-RING	1		
3	R50916	WASHER	1		
4	12H246	LOCK WASHER	3	0.190"	
5	R50907	NUT	2		
6	24H1283	WASHER	1	7/32" X 1/2" X 0.049"	
7	R50914	WASHER	1		
8	R50915	O-RING	1		
9	R50920	BUSHING	1		
10	R50917	WASHER	1		
11	R50899	LOCK WASHER	1		
12	R50909	NUT	1		
13	R56802	STUD	1	(SUB FOR R52386)	
14	R50918	WASHER	1		
15	R50919	O-RING	1		
16	R50922	O-RING	1		
17	.....	FRAME	1	(ORDER RE41875 OR TY6713)	
18	R50921	SCREW	8		
19	R51664	DOWEL PIN	1		
20	R50931	SCREW	1	(SUB FOR R51663)	
..	AR77254	STARTER	1	(SUB RE41875 OR TY6713)	
..	RE41875	STARTER	1	(MARKED RE13722)	
..	TY6713	STARTER	1	(REMANUFACTURED) (SUB FOR AR77254 OR TY6617)	

# 2D1

ELECTRICAL

STARTER COMMUTATOR END FRAME(12-VOLT)(DIESEL)  
(JOHN DEERE)(AR77254 OR RE41875)

RG1172F -UN-01JAN94

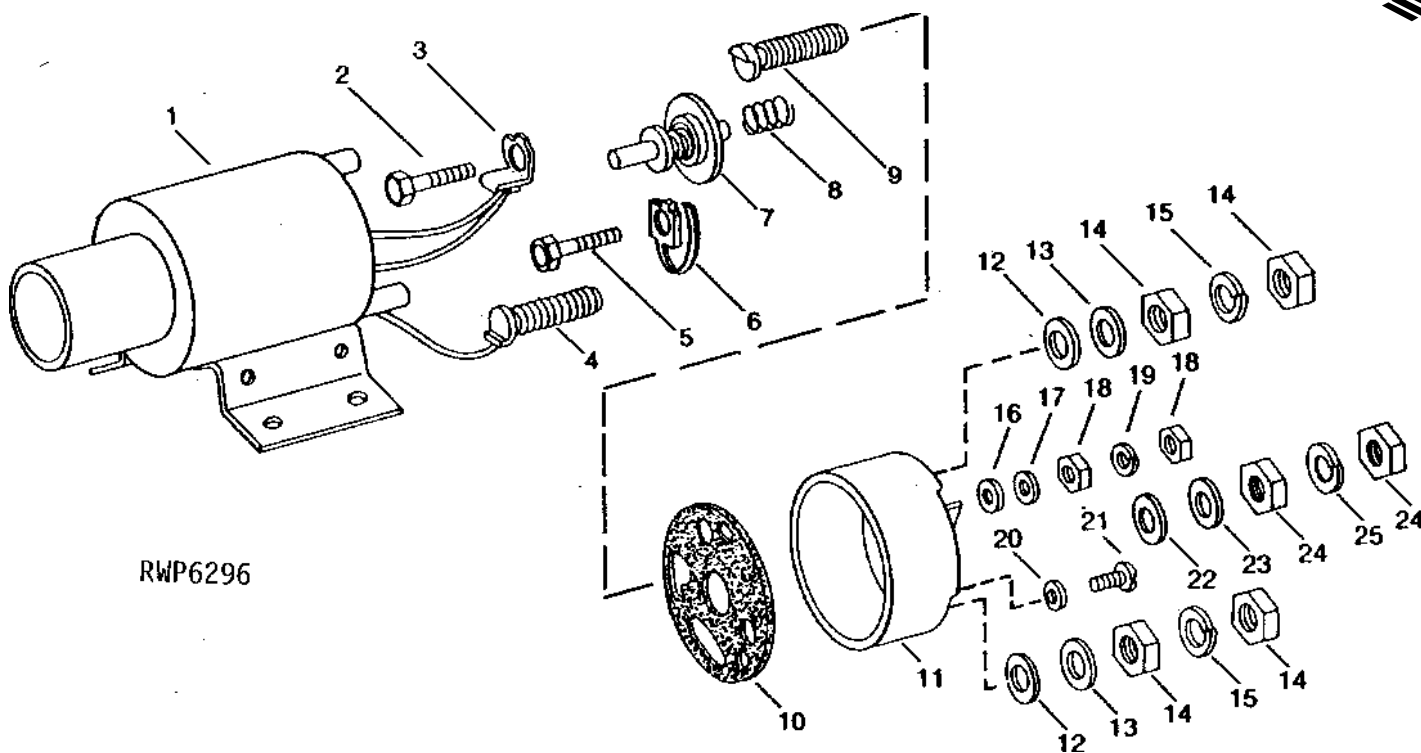


KEY	PART NO.	PART NAME	QTY	ENGINE SERIAL NO.	REMARKS
1	R50923	SHIM	AR		0.18MM (.007") (USE WITH AR54994 OR AR66778) (TYPE 1)
2	R50924	SHIM	AR		0.48MM (.019") (USE WITH AR54994 OR AR66778) (TYPE 1)
3	R50925	THRUST WASHER	1		(USE WITH AR54994 OR AR66778) (TYPE 1)
4	AR54997	FRAME	1		
5	R51660	BRACKET	2		
6	12H317	LOCK WASHER	2	9/16"	
7	R51659	SCREW	2		
8	R50912	COVER	1		
9	R50931	SCREW	2		
10	12H246	LOCK WASHER	6	0.190"	
11	24H1283	WASHER	2	7/32" X 1/2" X 0.049"	
12	R50930	GASKET	1		
13	R50891	BUSHING	1		
14	R50927	CARBON BRUSH CONDUCTOR	4		
15	R50929	SCREW	4		
16	12H246	LOCK WASHER	4	0.190"	
17	R50928	SPRING	4		
..	AR77254	STARTER	1		(SUB FOR RE41875 OR TY6713)
..	RE41875	STARTER	1		(MARKED RE13722)
..	TY6713	STARTER	1		(REMANUFACTURED) (SUB FOR AR77254 OR TY6617)



RWP6296 -UN-01JAN94

## STARTER SOLENOID SWITCH (12-VOLT) (DELCO-REMY) (DIESEL)

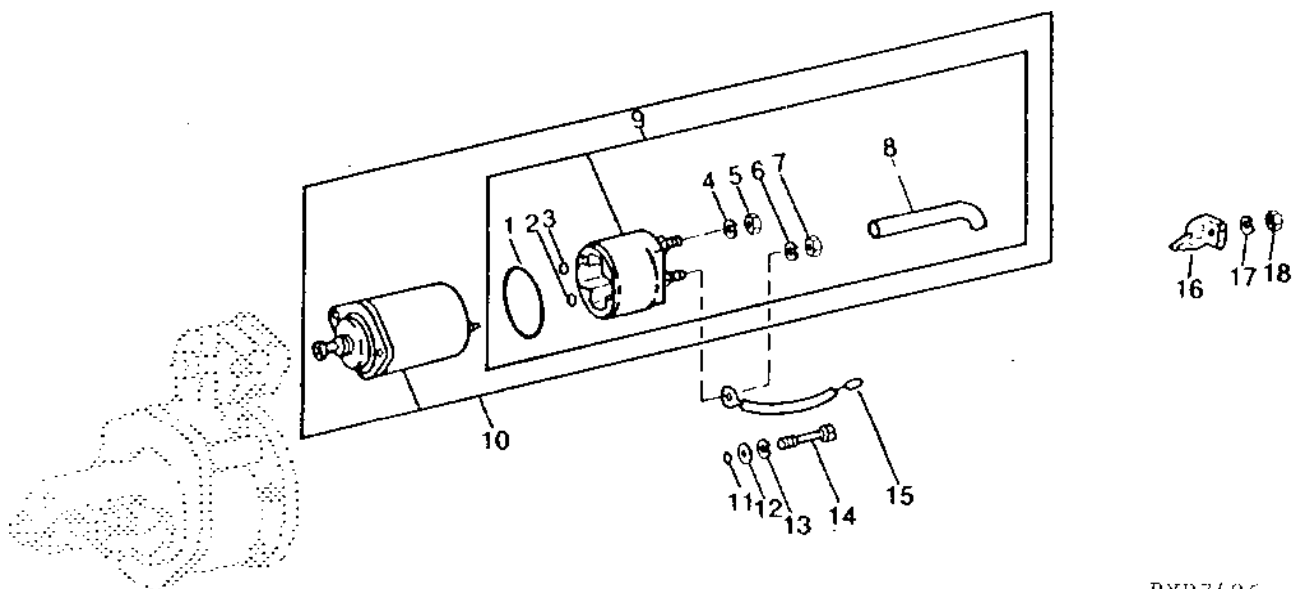


RWP6296

KEY	PART NO.	PART NAME	QTY	TRACTOR SERIAL NO.	REMARKS
1	R11292	SWITCH	1		
2	R11197	STUD	1		(SUB FOR T18810)
3	R11198	CLIP	1		(NLA)
4	R11293	STUD	1		(MOTOR TERMINAL)
5	R11295	STUD	1		(RESISTER TERMINAL)
6	R40546	CLIP	1		
7	AR11051	CONTACT	1		
8	R11066	SPRING	1		
9	T18105	STUD	1		
10	R40548	GASKET	1		
11	R11294	COVER	1		
12	T18107	WASHER	1		
13	24M7096	WASHER	1		10.500 X 18 X 1.600 MM
14	14H732	NUT	4		3/8"
15	12H304	LOCK WASHER	2		3/8", (NLR)
16	T50222	WASHER	1		(SUB FOR T18106)
17	24H1283	WASHER	1		7/32" X 1/2" X 0.049"
18	14H631	NUT	2		0.190"
19	12H246	LOCK WASHER	2		0.190"
20	R11039	WASHER	2		
21	21H1298	SCREW	2		0.190" X 3/8"
22	T19607	WASHER	1		
23	24H1281	WASHER	1		5/32" X 3/8" X 0.049"
24	14H605	NUT	2		0.164"
25	12M7084	LOCK WASHER	2		0.169"
..	R11292	SWITCH	1		(USE WITH AR55638, AR62267, TY1597, TY6667 OR TY6710) (DELCO-REMY NO.1115510 OR NO.1115540)

**STARTER SOLENOID SWITCH  
(12-VOLT)(JOHN DEERE)(DIESEL)**

RXP7486 -UN-01JAN94



RXP7486

KEY	PART NO.	PART NAME	QTY	ENGINE SERIAL NO.	REMARKS
1	R68224	GASKET	1		
	R51668	WASHER	1		(USE ON AR71256 ONLY)
2	R56792	WASHER	1		
3	R56793	SHIM	1		
4	12H303	LOCK WASHER	1	5/16"	
5	R51671	NUT	1		
6	12H246	LOCK WASHER	1	0.190"	
7	14H631	NUT	2	0.190"	
8	R68222	HOSE	1		
9	RE13733	SWITCH	1		(NIPPONDENSO NO. 028099-3600) (SUB FOR AR55948, AR71256 OR AR90071)
10	RE13732	SOLENOID	1		(NIPPONDENSO NO. 028099-3610) (SUB FOR AR90070) (USE WITH AR77254, RE41875, TY6617 OR TY6713)
	R52385	BOOT	1		(USE ON AR71256 ONLY)
11	R50894	O-RING	2		
12	24H1305	WASHER	2	13/32" X 13/16" X 0.065"	
13	24H1283	WASHER	2	7/32" X 1/2" X 0.049"	
14	R51669	SCREW	2		
15	RE15058	WIRE	1		(SUB FOR AR55949)
16	14H732	NUT	2	3/8"	
17	R50899	LOCK WASHER	2		
18	R50910	CONNECTOR	1		

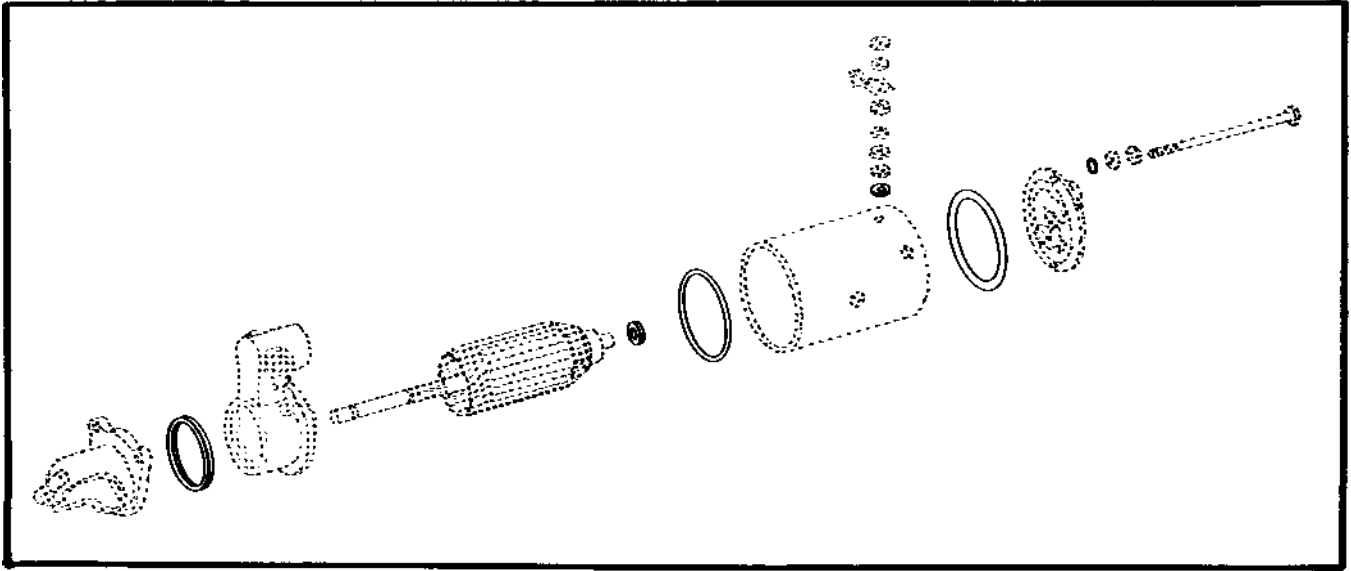
# 2D4

ELECTRICAL

RP1234

-UN-20NOV95

## STARTER MOTOR SEALING KIT



RP1234

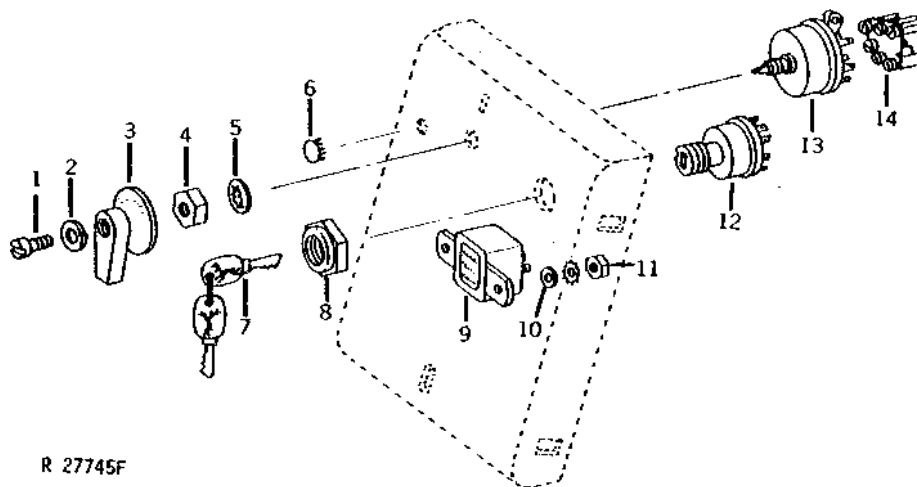
KEY	PART NO.	PART NAME	QTY	TRACTOR SERIAL NO.	REMARKS
1	AR100161	SEAL KIT	1	(SUB FOR AR40174 OR AR85407)	

# 2D5

ELECTRICAL

R27745 -UN-01JAN94

## LIGHT AND STARTER SWITCHES



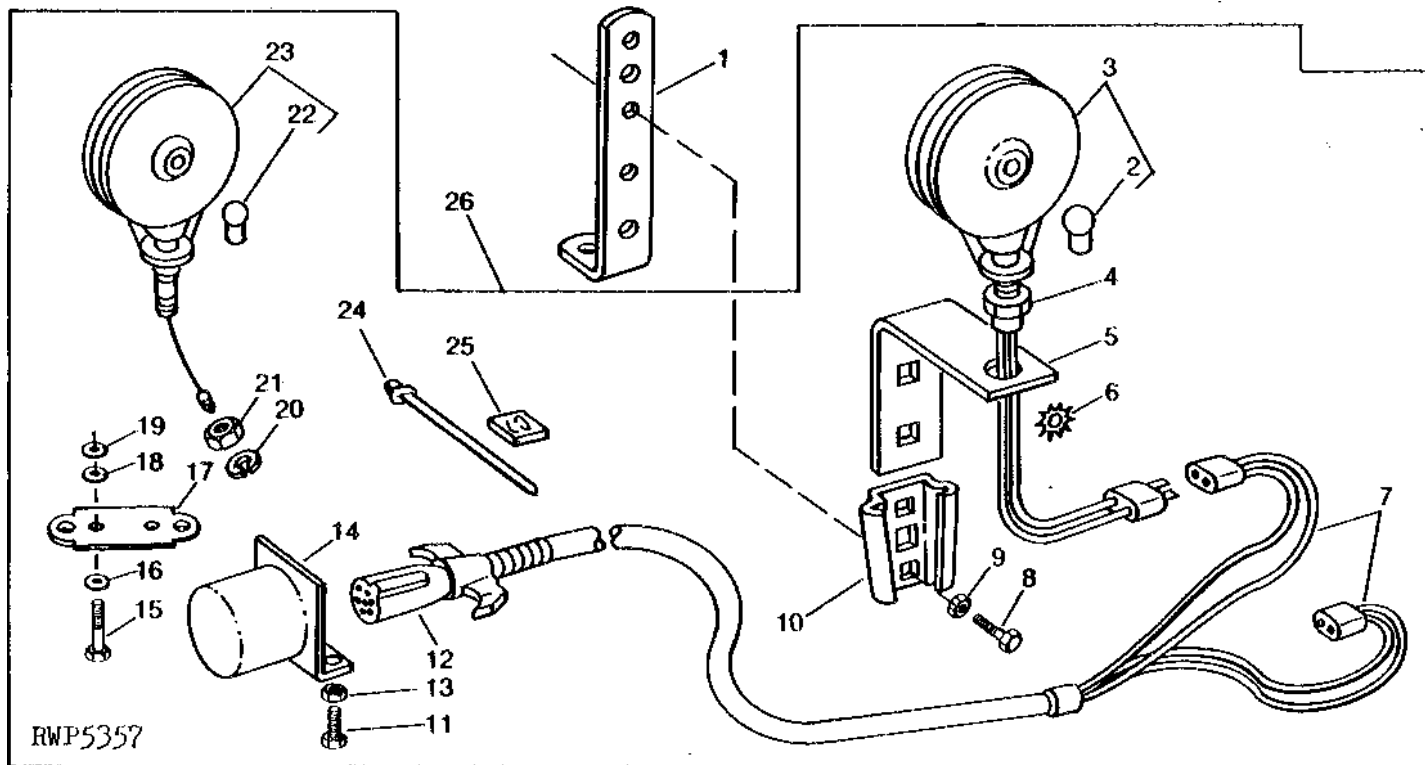
KEY	PART NO.	PART NAME	QTY	TRACTOR SERIAL NO.	REMARKS
1	21H1299	SCREW	1		0.164" X 3/8"
2	12H315	LOCK WASHER	1		0.164"
3	AT65316	KNOB	1	-150000	(SUB FOR R27963)
	AR54445	KNOB	1	150001-	(SUB FOR R46092)
4	A4655R	NUT	1		
5	12H275	LOCK WASHER	1		1/2"
6	R28473	PLUG	1		(LP-GAS AND DIESEL)
7	R45361	KEY	1	-150000	(SUB AR51481)
	AR51481	KEY	1	150001-	
8	R44342	NUT	1		
9	AR48594	FLASHER	1	150001-	
10	24H1283	WASHER	2	150001-	7/32" X 1/2" X 0.049"
11	14H631	NUT	2	150001-	0.190"
	12M7060	WASHER	2	150001-	0.209"
12	AR58126	KEY SWITCH	1		(SUB FOR AR47235, AR47458 OR AR53452)
	AR47459	CYLINDER	1		(USE WITH AR47458)
13	AR41288	SWITCH	1	-150000	
	AR48724	LIGHT SWITCH	1	150001-	
14	AR83425	RECEPTACLE CONNECTOR BODY	1		(LIGHT SWITCH)

# 2D6

ELECTRICAL

RWP5357 -UN-01JAN94

## IMPLEMENT WARNING LAMP KIT



KEY	PART NO.	PART NAME	QTY	SERIAL NO. OR YEAR	REMARKS
1	A39716	BRACKET	2		
2	AD2062R	BULB	2		
3	AA34967	LAMP	2		(SUB FOR PT1293)
	A48331	LENS	2		
4	12H301	LOCK WASHER	2	1/2"	
	14H856	NUT	2	1/2"	
5	PT18180	BRACKET	2		(SUB FOR PT1624 OR PT9319)
6	PT9390	WASHER	1		
7	PT9318	WIRING HARNESS	2		(2-CONDUCTOR) (SUB FOR PT1294)
8	37H57	SCREW	4	5/16" X 3/4"	
9	14H785	NUT	4	5/16"	
10	JD126	SOCKET	2		
11	37H3	SCREW	4	1/4" X 5/8"	
12	AH93625	PLUG	1	(7-PIN)	
13	14H786	NUT	4	1/4"	
14	PT1296	BRACKET	1		(STORING, 7-PIN PLUG)
15	37H57	SCREW	5	5/16" X 3/4"	
16	24H1822	WASHER	1	11/32" X 7/8" X 1/16"	
17	PT9320	BRACKET	1		(SUB PT18181)
18	24H1822	WASHER	5	11/32" X 7/8" X 1/16"	
19	14H1080	NUT	5	3/8"	
20	12H301	LOCK WASHER	1	1/2"	
21	14H856	NUT	1	1/2"	
22	AR48041	BULB	1		
23	AA34968	TAIL LAMP	1		
	A48332	LENS	1		
24	R44302	TIE BAND	AR		
25	AT55441	BASE	AR		(ADHESIVE) (SUB FOR PT1297 OR TY9321)
26	<b>TY16055</b>	<b>WARNING LIGHT KIT</b>	1		<b>(WITH DIRECTION) (SUB FOR TY9305 OR TY15263)</b> <b>(FI)</b>
..	AA32178	WIRING LEAD	1		ACCESSORY

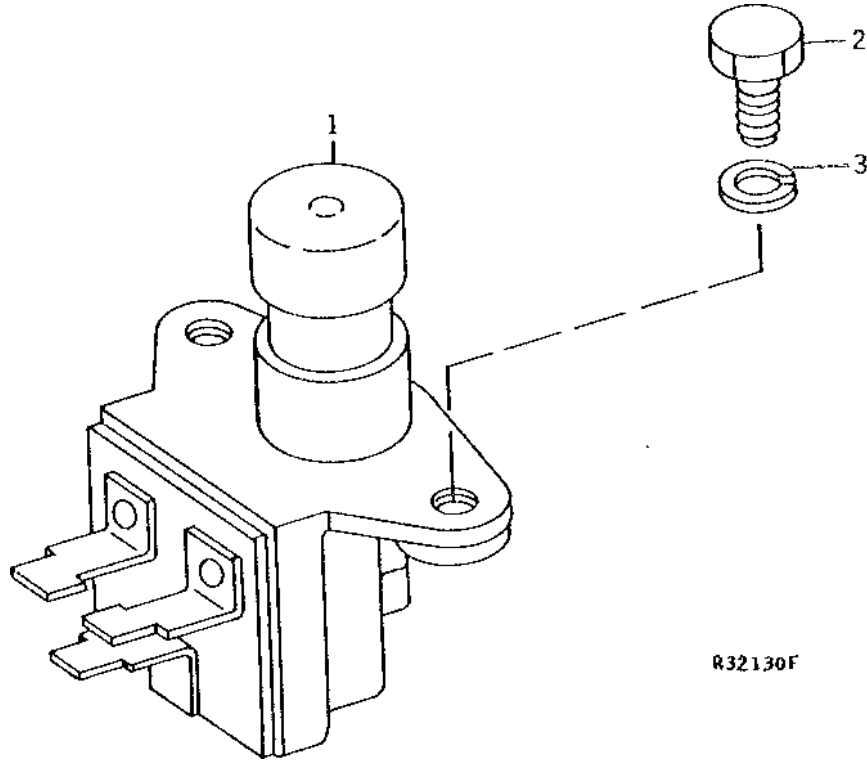
# 2D7

ELECTRICAL

R32130

-UN-01JAN94

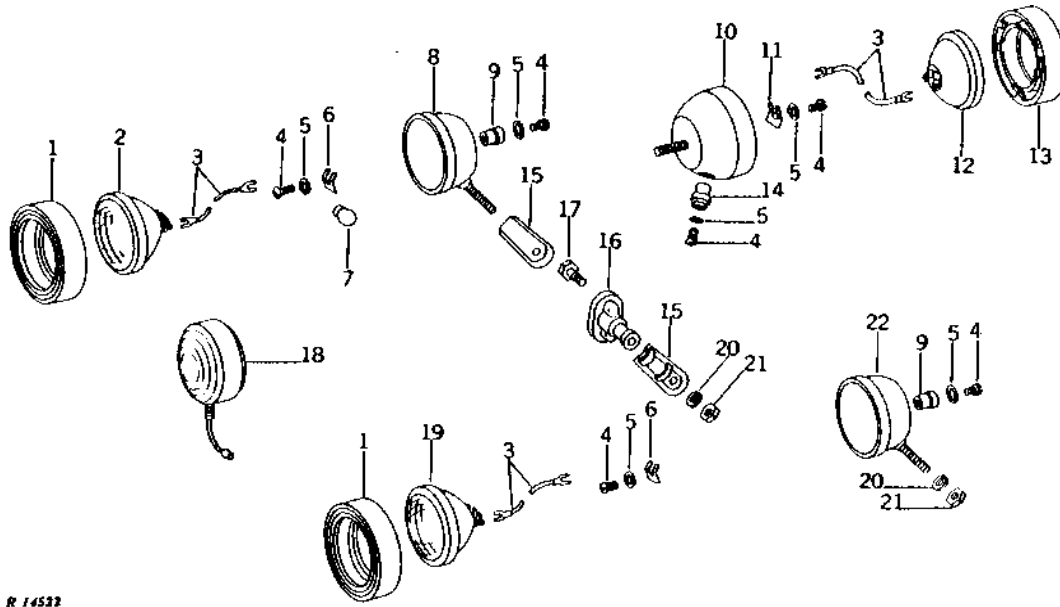
## DIMMER SWITCH



KEY	PART NO.	PART NAME	QTY	TRACTOR SERIAL NO.	REMARKS
1	AR48725	DIMMER SWITCH	1		
2	19H1919	CAP SCREW	2	1/4" X 5/8"	
3	12H302	LOCK WASHER	1	1/4"	

FRONT AND REAR LAMP PARTS AND REAR LAMP BRACKETS  
(TRACTOR SERIAL NO. 123000-150000)

R14522 -UN-01JAN94



R 14522

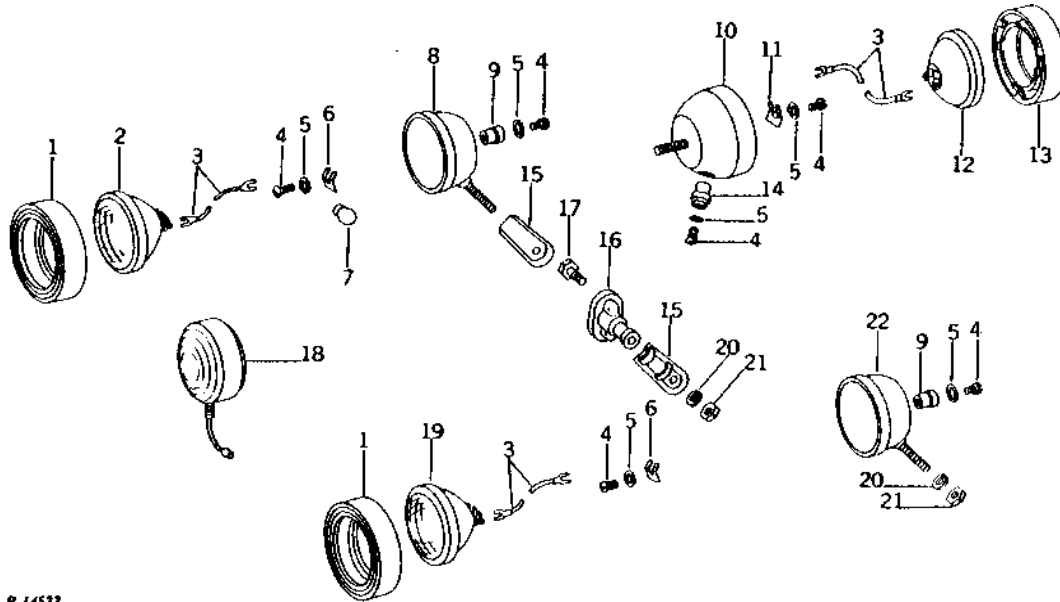
KEY	PART NO.	PART NAME	QTY	TRACTOR SERIAL NO.	REMARKS
1	R30182	BEZEL	2		(REAR LAMPS) (HOBBS)
	R31250	BEZEL	2		(REAR LAMPS) (GUIDE)
2	AR21737	LAMP	1	-XXXXXX	(SUB AR77324, AD2062R AND AR77325) (12-VOLT)
3	.....	WIRING LEAD	6		(REAR LAMP,L.H.) 165MM (6-1/2") (MAKE FROM R66319 AND (2) R32016) SEALED UNIT TO TERMINAL PLATE
4	21H1293	SCREW	12		0.164" X 5/16"
5	12M7084	LOCK WASHER	12		0.169"
6	A2899R	ASSEMBLY LINE PARTS	2		(REAR LAMPS) (GUIDE)
7	AR86969	BULB	1		(SUB FOR AR21739) (REAR LAMP,L.H.)
	AD2062R	BULB	1		(USE WITH AR77326) (12-VOLT)
8	AR77326	FLOODLAMP	1		(SUB FOR AR34990 OR AT16288) (12-VOLT)
	AR55888	SOCKET	1		(SUB AR70856, (2) R42408) (HOBBS)
	AR77325	SOCKET	1		(USE WITH AR77326)
9	R30181	PLATE	4		(REAR LAMPS) (HOBBS)
	AA3495R	SUPPORT	4		(REAR LAMPS) (GUIDE)
10	AT13381	LAMP	2		(12-VOLT) (ROW-CROP AND HI-CROP) FRONT INNER OR SIDE
	AR28166	LAMP	2		(STANDARD) FENDER, INNER
	AT13380	HEADLIGHT	2		(12-VOLT FLOOD) (ROW-CROP) FRONT OUTER
11	A2899R	ASSEMBLY LINE PARTS	4		(FRONT LAMPS)
12	AR21059	HEADLIGHT	2		(12-VOLT FLOOD) (FRONT LAMP, OUTER AND INNER)
13	R30182	BEZEL	4		(FRONT LAMPS) (HOBBS)
	R31250	BEZEL	4		(FRONT LAMPS) (GUIDE)
14	R30181	PLATE	4		(FRONT LAMPS) (HOBBS)
	AA3495R	SUPPORT	4		(FRONT LAMPS) (GUIDE)
15	R27460	CLAMP	4		(ROW-CROP)
16	R43662	BRACKET	2		(ROW-CROP)
17	37H106	SCREW	1		3/8" X 5/8"
18	AT23467	LAMP	1		(SUB FOR AR38456)
	AD2062R	BULB	1		
19	AR21059	HEADLIGHT	1		(12-VOLT) (REAR LAMP, R.H.)
20	12H301	LOCK WASHER	2		1/2"
21	14H1040	NUT	2		1/2"
22	RE27099	LAMP	1		(SUB FOR AR28167) (STANDARD) (12-VOLT)

# 2D9

ELECTRICAL

## FRONT AND REAR LAMP PARTS AND REAR LAMP BRACKETS (TRACTOR SERIAL NO. 150001- )

R14522 -UN-01JAN94



R 14522

KEY	PART NO.	PART NAME	QTY	TRACTOR SERIAL NO.	REMARKS
1	R30182	BEZEL	2		(REAR LAMPS) (HOBBS)
	R31250	BEZEL	2		(REAR LAMPS) (GUIDE)
2	AR21737	LAMP	1	-XXXXXX	(SUB AR77324, AD2062R AND AR77325) (12-VOLT) (REAR LAMP, L.H.)
	AR77324	LAMP	1		(USE WITH AR77326)
3	.....	WIRING LEAD	6		165MM (6-1/2") (MAKE FROM R66319 AND (2) R32016) SEALED UNIT TO TERMINAL PLATE
4	21H1293	SCREW	12		0.164" X 5/16"
5	12M7084	LOCK WASHER	12		0.169"
6	A2899R	ASSEMBLY LINE PARTS	2		(REAR LAMPS) (GUIDE)
7	AR86969	BULB	1		(USE WITH AT16288) (REAR LAMP, L.H.)
	AD2062R	BULB	1		(USE WITH AR77326) (12-VOLT)
8	AT16288	FLOODLAMP	1	-XXXXXX	(SUB FOR AR34990) (SUB AR77326) (12-VOLT)
	AR77326	FLOODLAMP	1	XXXXXX-	
	AR55888	SOCKET	1		(USE WITH AT16288) (HOBBS)
	AR77325	SOCKET	1		(USE WITH AR77326)
9	R30181	PLATE	4		(REAR LAMPS) (HOBBS)
	AA3495R	SUPPORT	4		(REAR LAMPS) (GUIDE)
10	AR48721	LAMP	2		(12-VOLT DUAL BEAM) (SUB RE25126, R.H. AND RE25127, L.H. THIS APPLICATION)
	RE19080	LAMP	2		(SUB FOR AR48722) (12-VOLT FLOOD) (ROW-CROP AND STANDARD)
11	A2899R	ASSEMBLY LINE PARTS	4		(FRONT LAMPS) (HALOGEN)
12	RE25125	DUAL BEAM HEADLAMP	2		(SUB FOR AR48723)
	AR21059	HEADLIGHT	2		(12-VOLT FLOOD) (FRONT LAMP, OUTER) (SUB AF3892R)
13	R30182	BEZEL	4		(FRONT LAMPS) (HOBBS)
	R31250	BEZEL	4		(FRONT LAMPS) (GUIDE)
14	R30181	PLATE	4		(FRONT LAMPS) (HOBBS)
	AA3495R	SUPPORT	4		(FRONT LAMPS) (GUIDE)
15	R27460	CLAMP	2		(ROW-CROP)
16	R43662	BRACKET	1		(ROW-CROP)
17	37H106	SCREW	1		3/8" X 5/8"
18	AR50580	LAMP	1		
	AD2062R	BULB	1		(12-16 VOLT)
	R48665	LENS	1		(AMBER)
	R48664	LENS	1		(AMBER AND RED REFLECTOR)
	R49296	SCREW	6		
19	AR21059	HEADLIGHT	1		(12-VOLT) (REAR LAMP, R.H.)
20	12H301	LOCK WASHER	2		1/2"
21	14H1040	NUT	2		1/2"
22	RE27099	LAMP	1		(SUB FOR AR28167) (STANDARD)

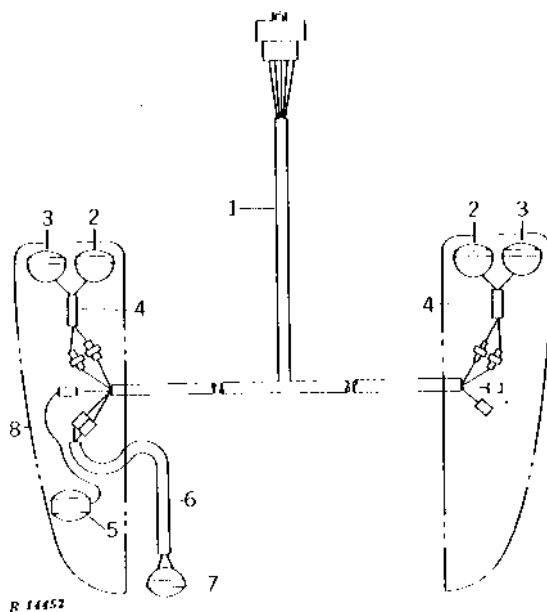


# 2D10

ELECTRICAL

R14452 -UN-01JAN94

## LAMP WIRING (ROW-CROP) (TRACTOR SERIAL NO. -150000)



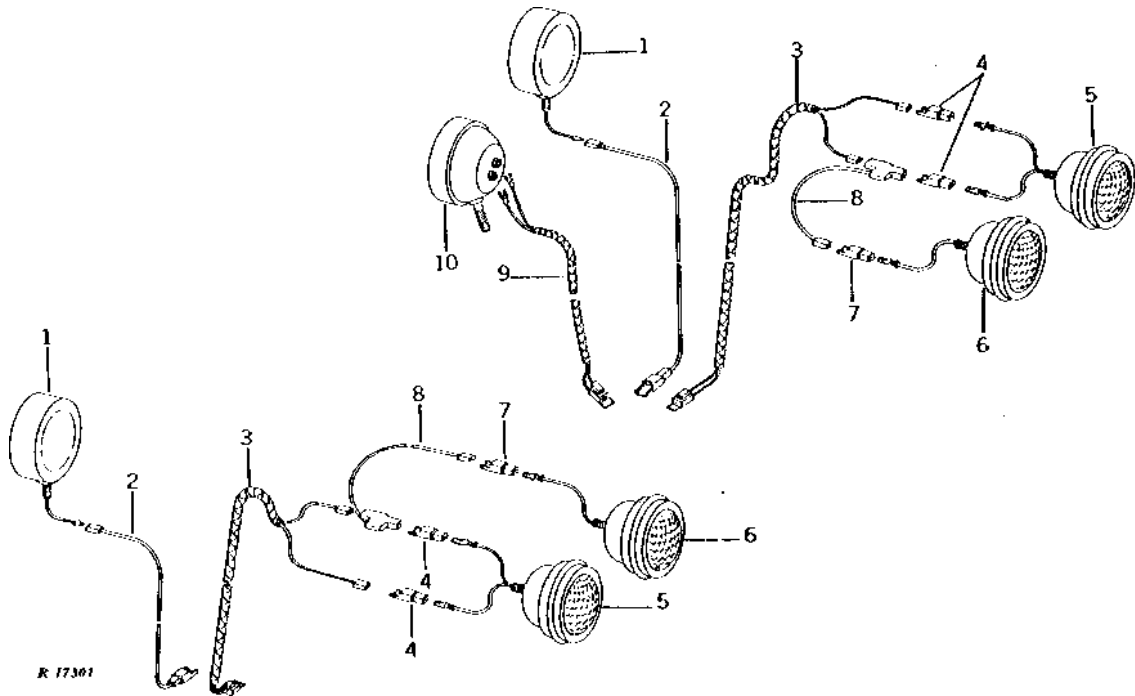
KEY	PART NO.	PART NAME	QTY	TRACTOR SERIAL NO.	REMARKS
1	AR41684	WIRING HARNESS	1		
	R34045	COVER	2		FENDER LAMP HARNESS (NLA)
	19H2020	CAP SCREW	2		5/16" X 1/2"
	12H303	LOCK WASHER	2		5/16"
	R45211	CLAMP	2		
2	AT13381	LAMP	2		
	R20758	WASHER	2		
	F2935R	WASHER	2		
	12H301	LOCK WASHER	2		1/2"
	14H1040	NUT	2		1/2"
3	AT13380	HEADLIGHT	2		
	R20758	WASHER	2		
	F2935R	WASHER	2		
	12H301	LOCK WASHER	2		1/2"
	14H1040	NUT	2		1/2"
4	AR41696	WIRING HARNESS	2		
	A3411R	GROMMET	2		
	R21551	CLIP	2		
5	AT23467	LAMP	1		(SUB FOR AR38456)
	AD2062R	BULB	1		12-16 VOLT
	R38371	WASHER	1		RUBBER
	24H1227	WASHER	1		17/32" X 13/16" X 0.060"
	12H292	LOCK WASHER	1		1/2"
	14H856	NUT	1		1/2"
6	AR41699	WIRING HARNESS	1		
	AR41702	WIRING HARNESS	1		(ROLL-GARD)
	A3411R	GROMMET	1	-XXXXXX	
	R41439	GROMMET	1	XXXXXX-	
	R26409	GROMMET	1		
	R36235	GROMMET	1		(ROLL-GARD)
7	AT16288	FLOODLAMP	1	-XXXXXX	(SUB FOR AR34990) (SUB AR77326)
	AR77326	FLOODLAMP	1	XXXXXX-	
	12H301	LOCK WASHER	1		1/2"
	14H1040	NUT	1		1/2"
8	AR41695	WIRING LEAD	1		

# 2D11

ELECTRICAL

R17301 -UN-01JAN94

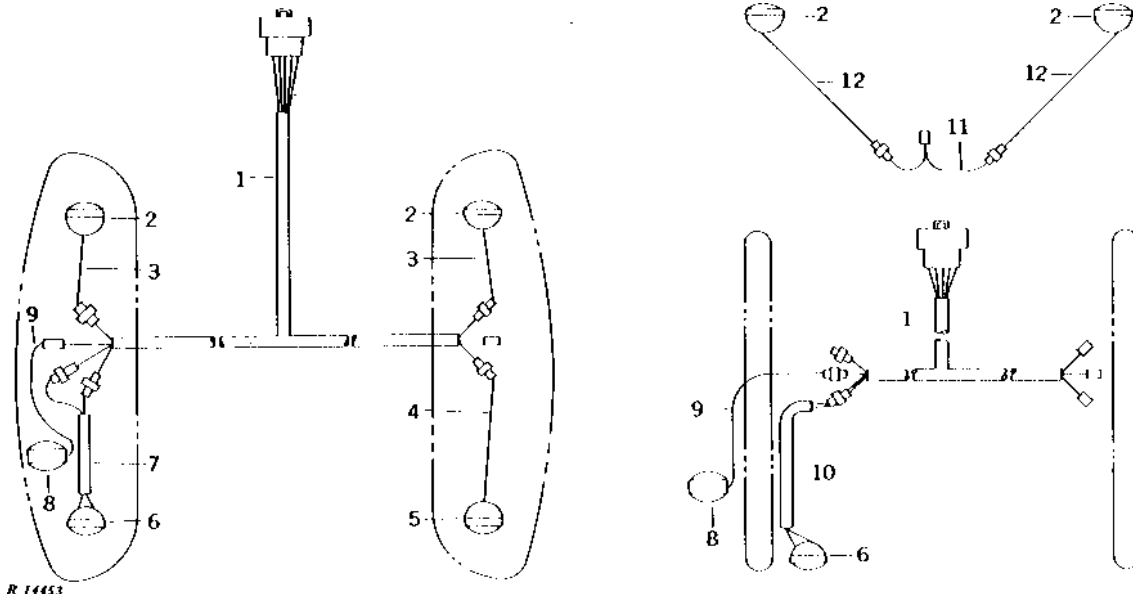
## LAMP WIRING (ROW-CROP) (TRACTOR SERIAL NO. 150001- )



KEY	PART NO.	PART NAME	QTY	TRACTOR SERIAL NO.	REMARKS
1	AR50580	LAMP	2		
	R47831	WASHER	2		
	14H856	NUT	2	1/2"	
	12H292	LOCK WASHER	2	1/2"	
2	.....	WIRING LEAD	2		686MM (27") (MAKE FROM R66319, R32024, R32025 AND (2) R32027) WARNING LAMP TO MAIN LIGHTING HARNESS
3	AR48938	WIRING HARNESS	2		
	AR48939	WIRING HARNESS	2		(TRACTORS WITH 18.4-38,20.8-34 OR 23.1-30 TIRES)
	R41439	GROMMET	2		
	R21551	CLIP	3		
4	T28585	TAB CONNECTOR BODY	4		
5	AR48721	LAMP	2		(12-VOLT DUAL BEAM) (SUB RE25126, R.H., AND RE25127, L.H. THIS APPLICATION)
	R48663	WASHER	2		SPHERICAL
	F2935R	WASHER	2		
	12H301	LOCK WASHER	2	1/2"	
	14H1040	NUT	2	1/2"	
6	RE19080	LAMP	2		(SUB FOR AR48722) (12-VOLT FLOOD)
	R20758	WASHER	2		RUBBER
	F2935R	WASHER	2		
	12H301	LOCK WASHER	2	1/2"	
	14H1040	NUT	2	1/2"	
7	T28585	TAB CONNECTOR BODY	2		
8	AR50834	WIRING LEAD	2		
9	AR41699	WIRING HARNESS	1		
	AR41702	WIRING HARNESS	1		(WITH ROLL-GARD)
	R40445	GROMMET	1		
	R26409	GROMMET	1		
10	AT16288	FLOODLAMP	1	-XXXXXX	(SUB FOR AR34990) (SUB AR77326) (12-VOLT)
	AR77326	FLOODLAMP	1	XXXXXX-	
	12H301	LOCK WASHER	1		1/2"
	14H1040	NUT	1		1/2"
..	AR49615	LAMP	1		(SUB (2) AR50834, (2) F2935R, (2) RE19080, (2) R20758, (2) T28585, (2) 12H301 AND (2) 14H1040) FLOOD LAMP AND FASTENINGS, INNER

R14453 -UN-01JAN94

LAMP WIRING (STANDARD AND HI-CROP)  
(TRACTOR SERIAL NO. -150000)



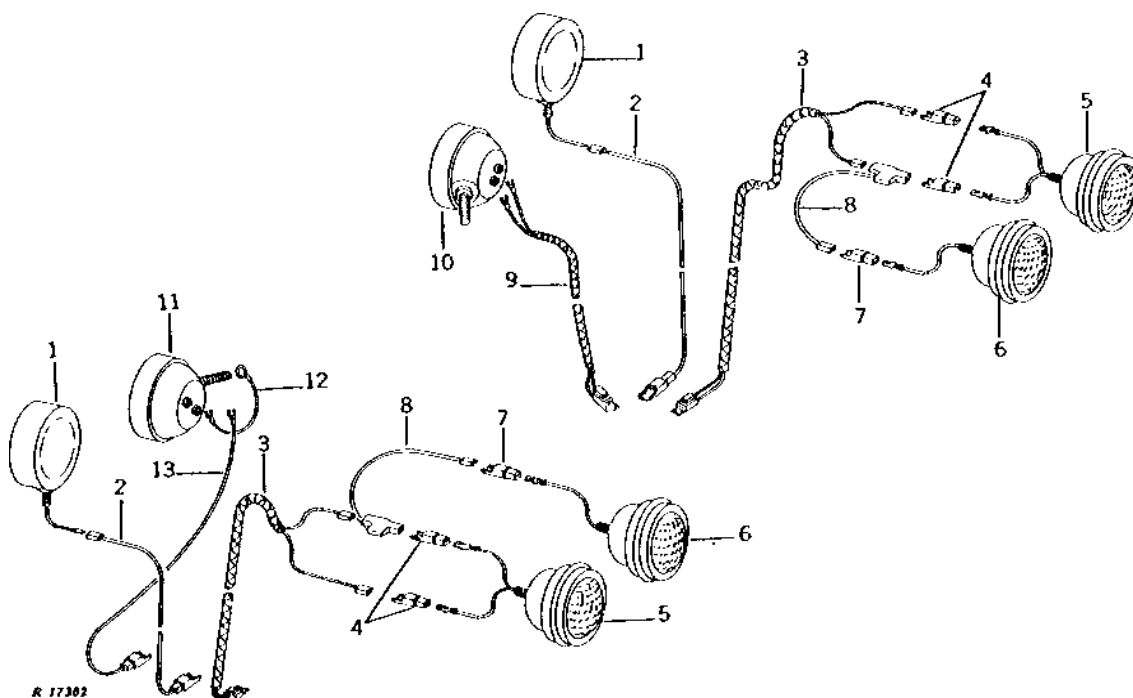
KEY	PART NO.	PART NAME	QTY	TRACTOR SERIAL NO.	REMARKS
1	AR41684	WIRING HARNESS	1		
	R34045	COVER	1	(NLA)	
	19H2020	CAP SCREW	2	5/16" X 1/2"	
	12H303	LOCK WASHER	2	5/16"	
	R45211	CLAMP	2		
2	AT13381	LAMP	2	(HI-CROP)	
	AR28166	LAMP	2	(STANDARD)	
	R20758	WASHER	2		
	F2935R	WASHER	2		
	12H301	LOCK WASHER	2	1/2"	
	14H1040	NUT	2	1/2"	
3	.....	WIRING LEAD	1	914MM (36") HS, SAE 8, (MAKE FROM R66319, R32016, R32025 AND R32027) (2 USED)	
	R26936	GROMMET	2	(STANDARD)	
4	.....	WIRING LEAD	1	914MM (36") (MAKE FROM R66319, R32016, R32025 AND R32027) (STANDARD)	
	R26936	GROMMET	2	(STANDARD)	
5	RE27099	LAMP	1	(SUB FOR AR28167)	
	A2743R	WASHER	1	(STANDARD) (NLA)	
6	AT16288	FLOODLAMP	1	-XXXXXX (SUB FOR AR34990) (SUB AR77326)	
	AR77326	FLOODLAMP	1	XXXXXX-	
	A2743R	WASHER	1	(NLA)	
	12H301	LOCK WASHER	1	1/2"	
	24H1355	WASHER	1	37/64" X 1-1/8" X 0.120", (SUB FOR R31892)	
	14H1040	NUT	1	1/2"	
7	AR41699	WIRING HARNESS	1	(STANDARD)	
	R26936	GROMMET	4	(STANDARD)	
8	AT23467	LAMP	1	(SUB FOR AR38456)	
	AD2062R	BULB	1		
	R38371	WASHER	1	RUBBER	
	24H1227	WASHER	1	17/32" X 13/16" X 0.060"	
	12H292	LOCK WASHER	1	1/2"	
	14H856	NUT	1	1/2"	
9	AR41695	WIRING LEAD	1		
10	AR41702	WIRING HARNESS	1	(HI-CROP)	
	R26409	GROMMET	1	(HI-CROP)	
	R36235	GROMMET	1	(HI-CROP) REAR LAMP WIRING	
11	AR46081	WIRING HARNESS	1	(HI-CROP) (NLA)	
	R26941	GROMMET	2	(HI-CROP)	
12	.....	WIRING LEAD	1	394MM (15-1/2") (MAKE FROM R66319, R32016, R32025 AND R32027) (2 USED) (HI-CROP)	

# 2D13

ELECTRICAL

## LAMP WIRING (STANDARD) (TRACTOR SERIAL NO. 150001- )

R17302 -UN-01JAN94



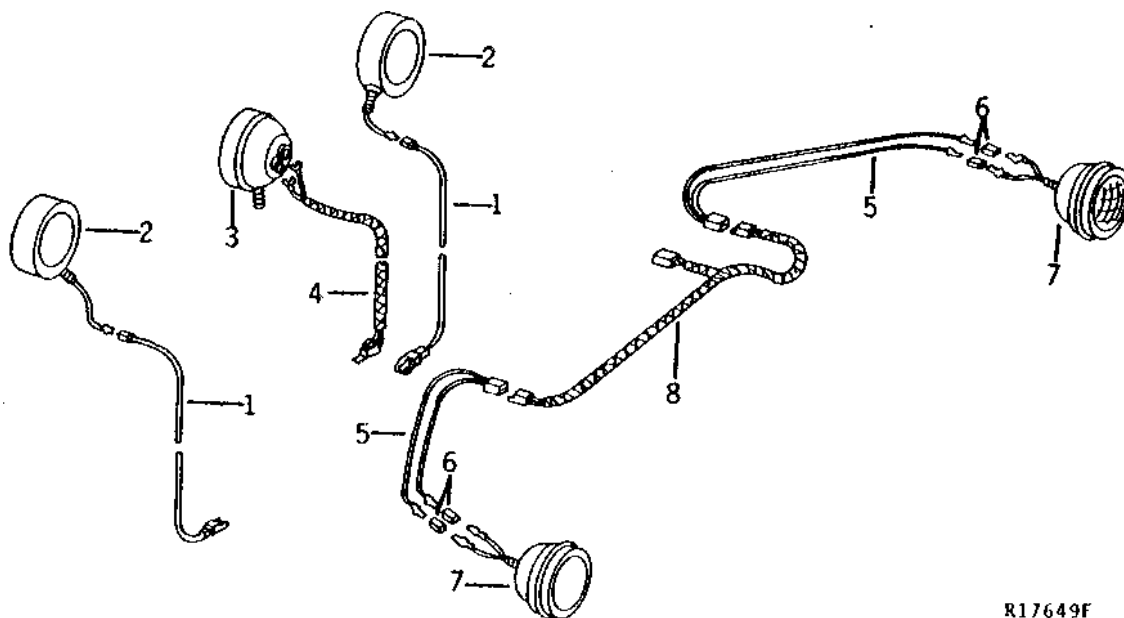
KEY	PART NO.	PART NAME	QTY	TRACTOR SERIAL NO.	REMARKS
1	AR50580	LAMP	2		
	R47831	WASHER	2		RUBBER
	14H856	NUT	2		1/2"
	12H292	LOCK WASHER	2		1/2"
2	.....	WIRING LEAD	2		1041MM (41") (MAKE FROM R66319, R32024, R32025 AND (2) R32027) WARNING LAMP TO MAIN LIGHTING HARNESS
3	AR48939	WIRING HARNESS	2		
	R27180	GROMMET	4		
4	T28585	TAB CONNECTOR BODY	4		
5	AR48721	LAMP	2		(12-VOLT DUAL BEAM) (SUB RE25126, R.H., AND RE25127, L.H., THIS APPLICATION)
	R48663	WASHER	2		
	F2935R	WASHER	2		
	12H301	LOCK WASHER	2		1/2"
	14H1040	NUT	2		1/2"
6	RE19080	LAMP	2		(SUB FOR AR48722) (12-VOLT FLOOD)
	R20758	WASHER	2		RUBBER
	F2935R	WASHER	2		
	12H301	LOCK WASHER	2		1/2"
	14H1040	NUT	2		1/2"
7	T28585	TAB CONNECTOR BODY	2		
8	AR50834	WIRING LEAD	2		
9	AR41702	WIRING HARNESS	1		
	R26936	GROMMET	2		
10	AR77326	FLOODLAMP	1		(SUB FOR AR34990 OR AT16288) (12-VOLT)
	12H301	LOCK WASHER	1		1/2"
	14H1040	NUT	1		1/2"
11	RE27099	LAMP	1		(SUB FOR AR28167)
	12H301	LOCK WASHER	1		1/2"
	14H1040	NUT	1		1/2" HS, SAE 8
12	.....	WIRING LEAD	1		152MM (6") (MAKE FROM R66319, R32016 AND R32023) R.H. REAR LAMP GROUND
13	.....	WIRING LEAD	1		1181MM (46-1/2") (MAKE FROM R66319, R32016, R32024 AND R32027) R.H. REAR LAMP TO MAIN LIGHTING HARNESS
..	AR49615	LAMP	1		(SUB (2) AR50834, (2) F2935R, (2) RE19080, (2) R20758, (2) T28585, (2) 12H301 AND (2) 14H1040)

# 2D14

ELECTRICAL

R17649 -UN-01JAN94

## LAMP WIRING (HI-CROP) (TRACTOR SERIAL NO. 150001- )



R17649F

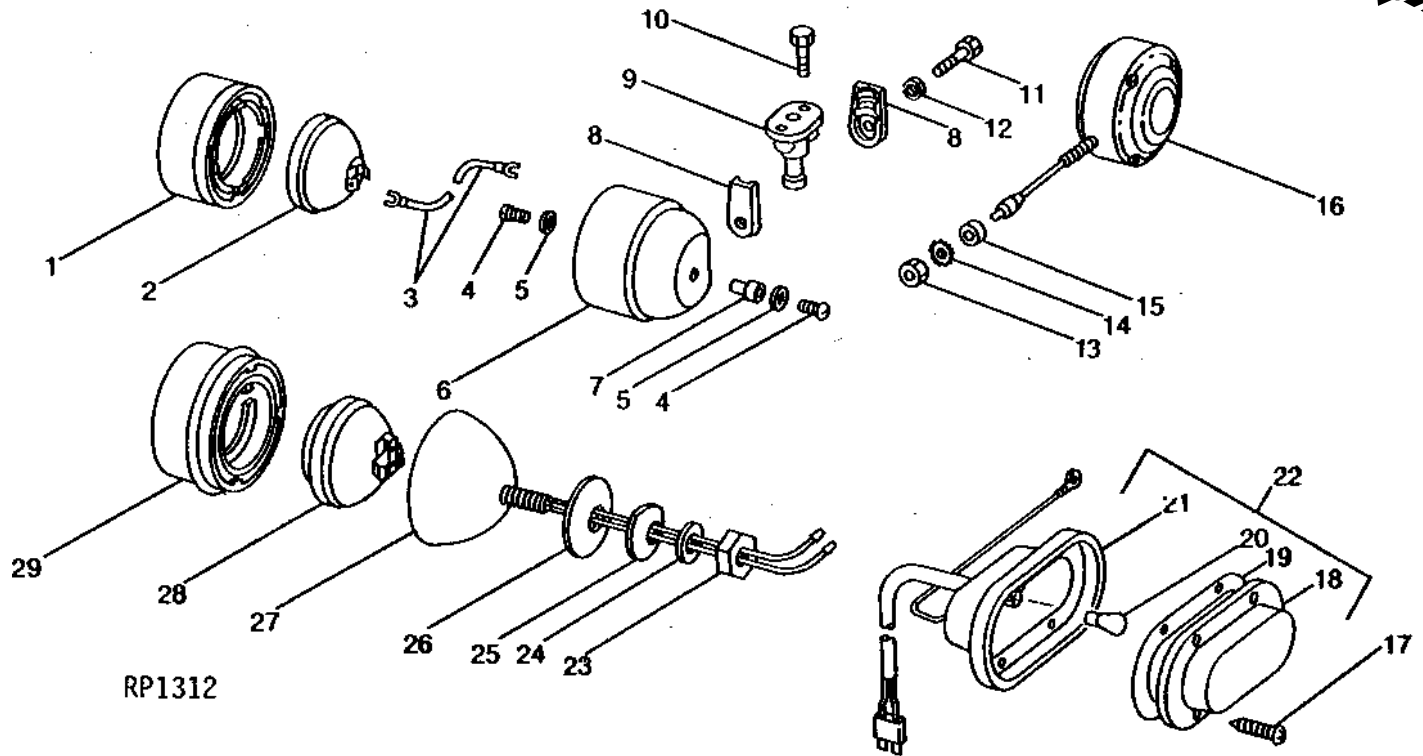
KEY	PART NO.	PART NAME	QTY	TRACTOR SERIAL NO.	REMARKS
1	AR41695	WIRING LEAD	2		
2	AR50580	LAMP	2		
	R47831	WASHER	2		RUBBER
	24H1227	WASHER	2		17/32" X 13/16" X 0.060"
	14H856	NUT	2		1/2"
	12H292	LOCK WASHER	2		1/2"
3	AR77326	FLOODLAMP	1		(SUB FOR AR34990 OR AT16288)
	A2743R	WASHER	1		
	24H1355	WASHER	1		37/64" X 1-1/8" X 0.120", (SUB FOR R31892)
	14H1040	NUT	1		1/2"
	12H301	LOCK WASHER	1		1/2"
4	AR41702	WIRING HARNESS	1		
	R26409	GROMMET	1		
	R36235	GROMMET	1		REAR LAMP WIRING
5	AR50836	WIRING HARNESS	2		(NLA)
6	T28583	RECEPTACLE CONNECTOR BODY	4		
7	AR48721	LAMP	2		(12-VOLT DUAL BEAM) (SUB RE25126, R.H., AND RE25127, L.H., THIS APPLICATION)
	R48663	WASHER	2		RUBBER
	D2865R	WASHER	2		(SUB 24H1111)
	F2935R	WASHER	2		
	14H1040	NUT	2		1/2"
	12H301	LOCK WASHER	2		1/2"
8	AR50835	WIRING HARNESS	1		(NLA)
	R26941	GROMMET	2		

# 2D15

ELECTRICAL

## CAB FRONT AND REAR LAMPS, TAIL LAMP AND WARNING LAMPS (HINSON)

RP1312 -UN-01JAN94



RP1312

KEY	PART NO.	PART NAME	QTY	CAB SERIAL NO.	REMARKS
1	R42689	BEZEL	1	(HOBBS)	
	R48293	BEZEL	1	(GUIDE)	
2	RE19075	LAMP	1	(12V) (FRNT/REAR LAMPS)	
	AR104119	HEADLIGHT	1	(12V) (FRNT/REAR LAMPS) (USE WITH RE19075)	
3	.....	WIRING LEAD	1	165MM (6-1/2") (MAKE FROM R66319 AND (2) R32016) (SEALED UNIT TO TERMINAL PLATE)	
4	21H1293	SCREW	2	0.164" X 5/16"	
	12M7084	LOCK WASHER	2	0.169"	
6	RE19075	LAMP	1	(12V) (HOBBS OR GUIDE)	
7	R30181	PLATE	1	(HOBBS)	
8	R27460	CLAMP	2		
9	R43662	BRACKET	1		
10	37H106	SCREW	2	3/8" X 5/8"	
11	19H2644	CAP SCREW	1	1/2" X 2-1/2"	
12	12H301	LOCK WASHER	1	1/2"	
13	14H856	NUT	1	1/2"	
14	12H292	LOCK WASHER	1	1/2"	
15	R38371	WASHER	1		
16	AT23467	LAMP	1	-XXXXXX	(SUB FOR AR38456)
	RE69223	LAMP	1	XXXXXX-	(SUB FOR AR54975)
	AD2062R	BULB	1		32 C.P., 12-16 VOLT
	R42666	LENS	1		AMBER
	R42667	LENS	1		RED
17	37H2	SCREW	4	0.164" X 5/8"	
18	R45936	LENS	1		
19	R45937	GASKET	1		
20	AR48041	BULB	1		
21	AR48040	HOUSING	1		(ORDER AR78825)
22	AR78825	TAIL LAMP	1		(SUB FOR AR45099)
23	14H1040	NUT	1	1/2"	
24	12H301	LOCK WASHER	1	1/2"	
25	F2935R	WASHER	1		
26	R48663	WASHER	1		
27	AR51335	LAMP	1		
28	RE25125	DUAL BEAM HEADLAMP	1		(12-VOLT) (FRONT, LOWER) (SUB FOR AR48723)
29	R48293	BEZEL	1		

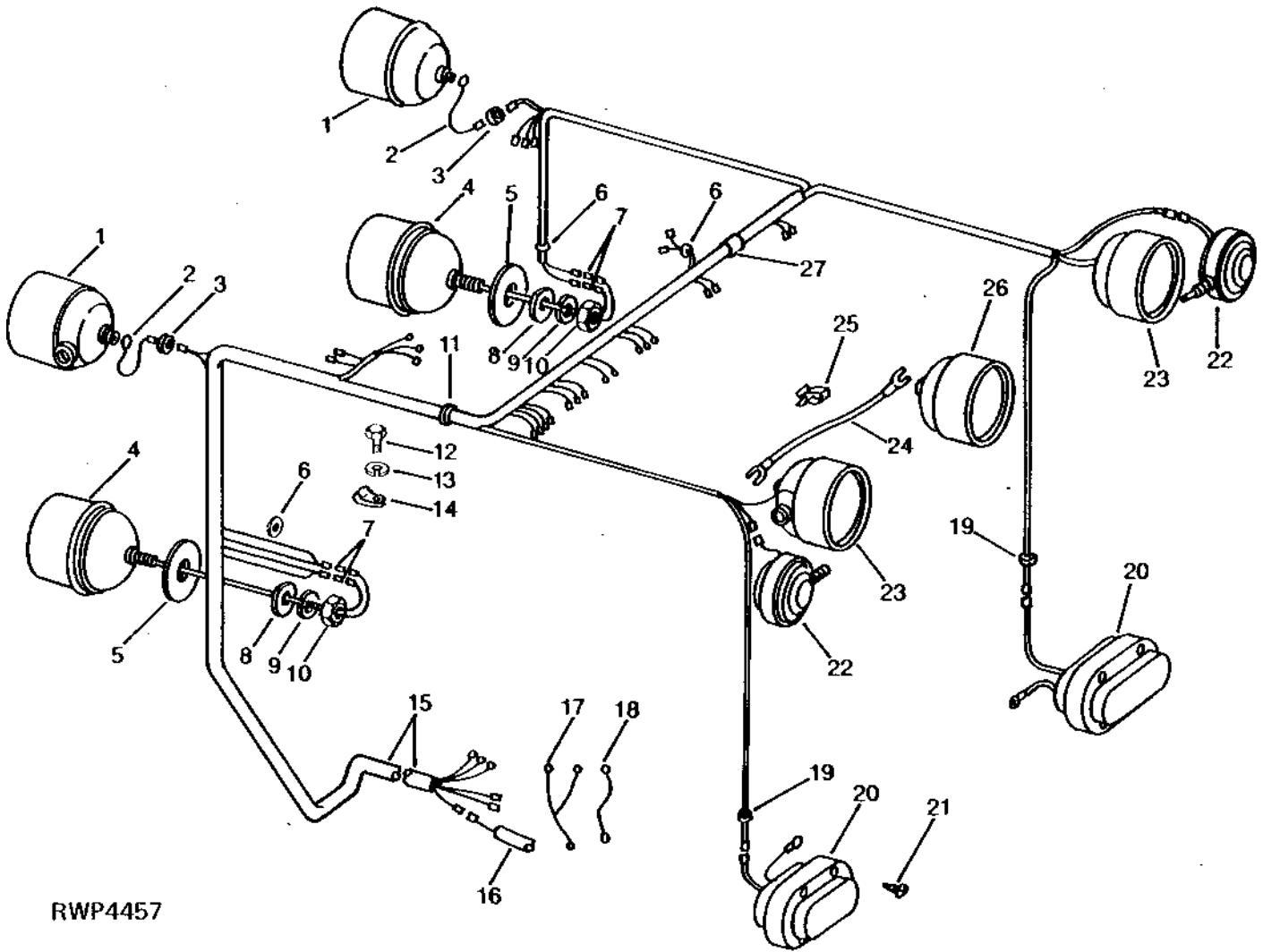
MEMORANDA

# 2D16

ELECTRICAL

RWP4457 -UN-01JAN94

## CAB LAMP WIRING (HINSON)



RWP4457



# 2D17

ELECTRICAL

## CAB LAMP WIRING - CONTINUED (HINSON)

KEY	PART NO.	PART NAME	QTY	CAB SERIAL NO.	REMARKS
1	RE19075	LAMP	2		(HOBBS OR GUIDE)
2	.....	WIRING LEAD	2		190MM (7-1/2") (MAKE FROM R66319, R32025, R32018 AND R32027)
3	R2579R	GROMMET	2		
4	AR51335	LAMP	2		(SUB RE25126 R.H. AND RE25127 L.H.)
5	R48663	WASHER	2		
6	R27180	GROMMET	3		
7	T28585	TAB CONNECTOR BODY	4		LAMP LEADS
	T28583	RECEPTACLE CONNECTOR BODY	4		HARNESS LEADS
8	F2935R	WASHER	2		
9	12H301	LOCK WASHER	2		1/2"
10	14H1040	NUT	2		1/2"
11	R27533	GROMMET	2		
12	19H1227	CAP SCREW	1		1/4" X 1/2"
13	12H302	LOCK WASHER	1		1/4"
14	R40791	CLAMP	1		
15	AR67346	WIRING HARNESS	1		(SUB FOR AR52303 AND AR53157) (NLA)
	R48887	TAB CONNECTOR BODY	1		
	R48888	TAB CONNECTOR BODY	1		(NLA)
16	.....	WIRING HARNESS	1		(NOT REQUIRED)
17	AR49602	WIRING HARNESS	2		
18	.....	WIRING LEAD	1		330MM (13") (MAKE FROM R66319 AND (2) R32022) STARTING CIRCUIT RELAY TO STARTING MOTOR GROUND
19	M1895T	GROMMET	4		
20	AR78825	TAIL LAMP	2		SUB. FOR AR45099
21	37H2	SCREW	8		0.164" X 5/8"
22	AT23467	LAMP	2		(SUB FOR AR38456)
23	RE19075	LAMP	1		(HOBBS OR GUIDE)
24	.....	WIRING HARNESS	1		686MM (27") (MAKE FROM R66319 AND (2) R32016)
25	R21551	CLIP	2		
26	RE19075	LAMP	1		(HOBBS OR GUIDE)
27	R48883	CLAMP	2		
..	<b>AR51968</b>	<b>KIT</b>	<b>1</b>		<b>UPPER FRONT FLOOD LAMPS (FI)</b>
..	<b>AR52604</b>	<b>KIT</b>	<b>1</b>		<b>REAR CENTER FLOOD LAMP (FI)</b>

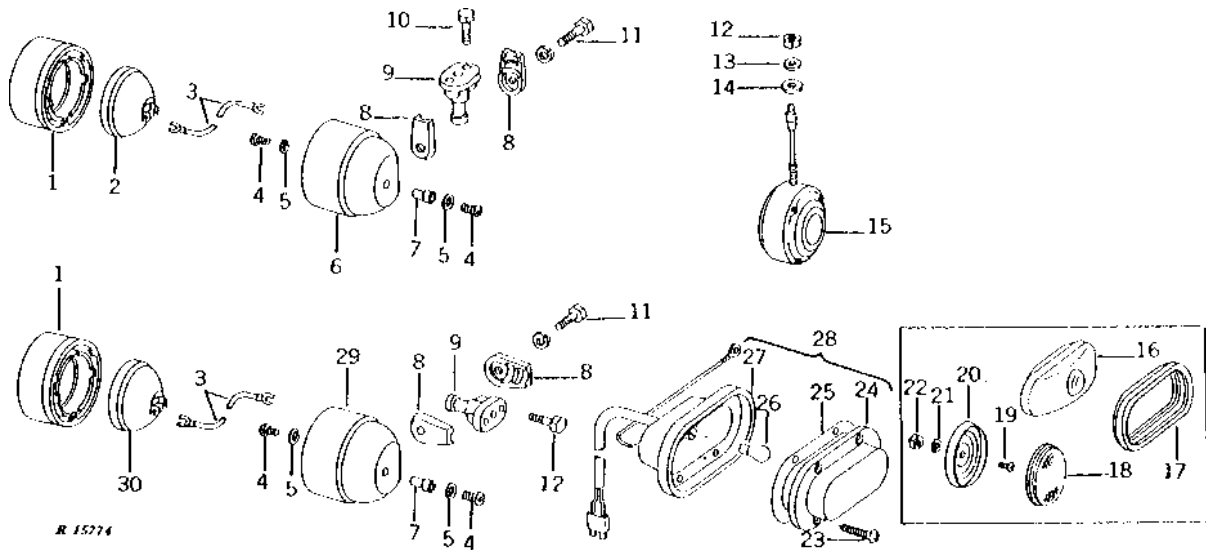
# 2D18

ELECTRICAL

## CAB LAMP PARTS, WARNING LAMP AND REFLECTOR (STOLPER)

R15774

-UN-01JAN94



# 2D19

ELECTRICAL

## CAB LAMP PARTS, WARNING LAMP AND REFLECTOR - CONTINUED (STOLPER)

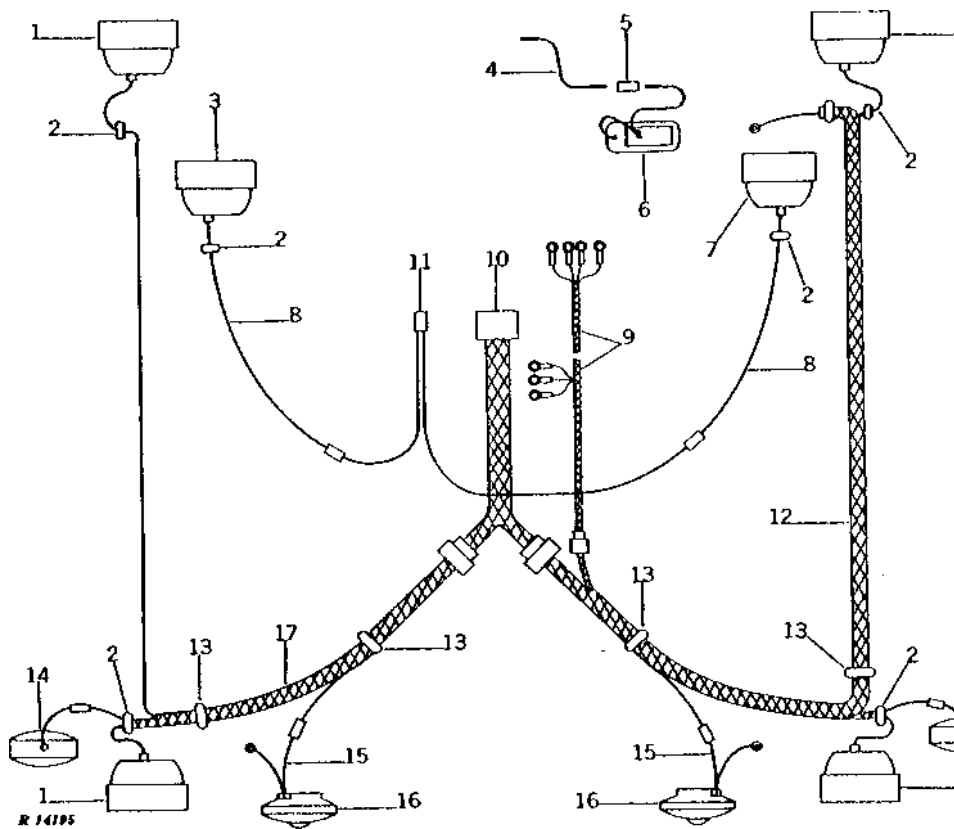
KEY	PART NO.	PART NAME	QTY	CAB SERIAL NO.	REMARKS
1	R42689	BEZEL	6	(HOBBS)	
	R48293	BEZEL	6	(GUIDE LAMP)	
2	AR104119	HEADLIGHT	4	(12-VOLT) (FRONT AND REAR UPPER LAMPS)	
	AR104119	HEADLIGHT	4	(12-VOLT) (FRONT AND REAR UPPER LAMPS) (USE WITH RE19075)	
3	.....	WIRING LEAD	1	165MM (6-1/2") (MAKE FROM R66319 AND (2) R32016) SEALED UNIT TO TERMINAL PLATE	
4	21H1293	SCREW	12	0.164" X 5/16"	
5	12M7084	LOCK WASHER	12	0.169"	
6	RE19075	LAMP	4	(12-VOLT) (HOBBS OR GUIDE)	
7	R30181	PLATE	6	(HOBBS)	
8	R27460	CLAMP	12		
9	T19178	BRACKET	6		
10	37H106	SCREW	12	3/8" X 5/8"	
11	19H2644	CAP SCREW	6	1/2" X 2-1/2"	
	12H301	LOCK WASHER	6	1/2"	
12	14H856	NUT	2	1/2"	
13	24H1227	WASHER	2	17/32" X 13/16" X 0.060"	
14	R38371	WASHER	2		
15	AT23467	LAMP	2	(SUB FOR AR38456) WARNING	
	AD2062R	BULB	1	32 C.P., 12-16 VOLT	
	R42666	LENS	1	AMBER	
	R42667	LENS	1	RED	
16	AR78825	TAIL LAMP	2	(SUB FOR AR44989 AND AR45099)	
17	R42779	GROMMET	2	(NLA)	
18	T33745	REFLECTOR	2	(SUB FOR R42777 OR R60731)	
19	21H979	SCREW	2	0.190" X 5/16"	
20	R42778	BEZEL	2	(SUB T33745)	
21	12M7060	WASHER	2	0.209"	
22	14H631	NUT	2	0.190"	
23	37H2	SCREW	8	0.164" X 5/8"	
24	R45936	LENS	2		
25	R45937	GASKET	2		
26	AR48041	BULB	2		
27	AR48040	HOUSING	2	(ORDER AR78825)	
28	AR78825	TAIL LAMP	2	(SUB FOR AR45099)	
29	RE19075	LAMP	1	(SUB FOR AR42120 AND AR42121) (12-VOLT)	
30	AR21059	HEADLIGHT	2	(12-VOLT) (FRONT LOWER LAMPS)	
	AR104119	HEADLIGHT	2	(USE WITH RE19075)	

# 2D20

ELECTRICAL

## CAB LAMP WIRING (STOLPER)

R14195 -UN-01JAN94



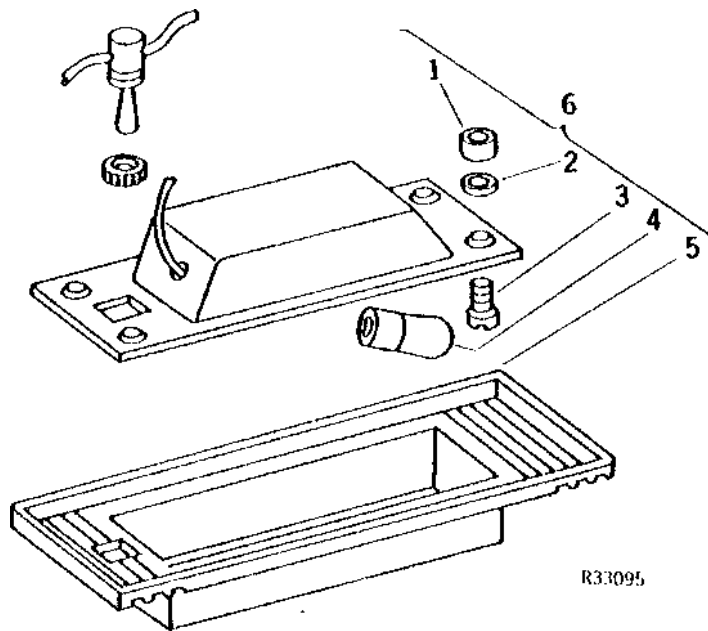
KEY	PART NO.	PART NAME	QTY	CAB SERIAL NO.	REMARKS
1	RE19075	LAMP	4		(12-VOLT) (HOBBS OR GUIDE) (UPPER FRONT AND REAR)
2	R27583	GROMMET	6		
	R26941	GROMMET	2		
3	RE19075	LAMP	1		(12-VOLT) LOWER, (SUB FOR AR42121)
4	.....	WIRING LEAD	1		254MM (10") DOME LIGHT, (MAKE FROM R66319, R32024, R32026 AND R32027)
5	R32029	TERMINAL	1		
6	AR45847	LAMP	1		DOME LIGHT
7	RE19075	LAMP	1		(SUB FOR AR42121) (12-VOLT) LOWER
8	AR42008	WIRING LEAD	2		(NLA)
	T32231	CLAMP	2		
	F2084R	CLIP	6		
9	AR46335	WIRING HARNESS	1		TO ACCESSORY RELAY (NLA)
10	AR46333	WIRING HARNESS	1		TO CAB LIGHTING (NLA)
11	AR46081	WIRING HARNESS	1		(NLA)
12	AR43742	WIRING HARNESS	1		(NLA)
	T14264	CLAMP	1		
	R45211	CLAMP	1		
	R34557	CLAMP	1		
	R27180	GROMMET	1		
13	R41439	GROMMET	3		
	R40445	GROMMET	1		
14	AT23467	LAMP	2		(SUB FOR AR38456) WARNING
15	AR44996	WIRING LEAD	2	-XXXXXX	(USE WITH AR78825) (NLA)
16	AR78825	TAIL LAMP	2		(SUB FOR AR44989 AND AR45099)
17	AR43743	WIRING HARNESS	1		(NLA)
	T14264	CLAMP	1		
	R45211	CLAMP	1		
	R34557	CLAMP	1		
	R27180	GROMMET	1		
..	R45231	LABEL	1		WIRING INSTRUCTIONS

# 2D21

ELECTRICAL

R33095 -UN-01JAN94

## DOMELIGHT



KEY	PART NO.	PART NAME	QTY	CAB SERIAL NO.	REMARKS
1	14H1026	NUT	4	0.138"	
2	12H314	LOCK WASHER	4	0.138"	
3	21H1353	SCREW	4	0.138" X 3/4"	
4	AR86969	BULB	1	(SUB FOR AR21739)	
5	R47886	LENS	1		
6	AR50260	LAMP	1		
..	.....	WIRING LEAD	1	203MM (8") (MAKE FROM R66319, R32025 AND R32018) (DOME LIGHT GROUND)	
..	.....	WIRING LEAD	1	165MM (6-1/2") (MAKE FROM R32027 AND R32025) (DOME LIGHT POWER)	

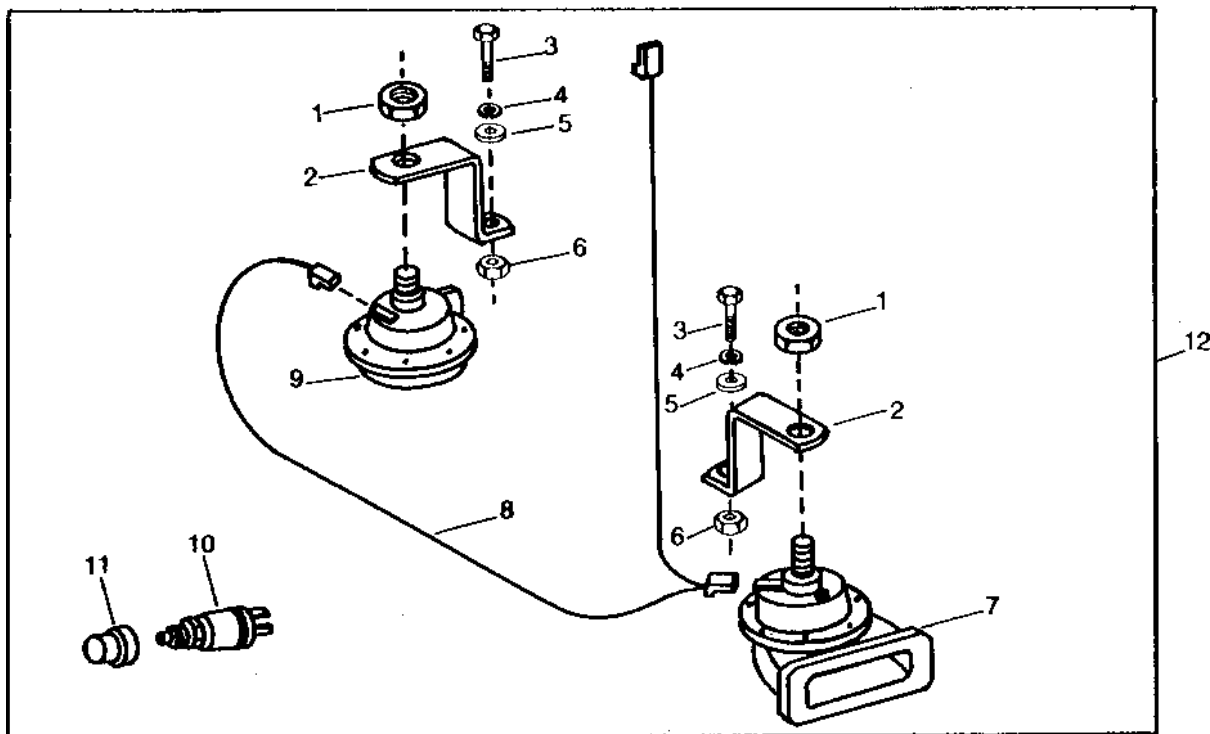
# 2D22

ELECTRICAL

RWP4230

-UN-01JAN94

## DUAL HORN ASSEMBLY



RWP4230

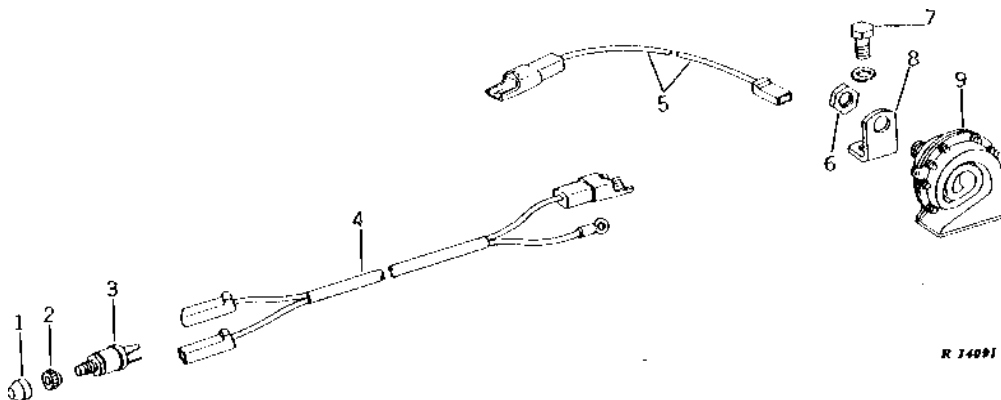
KEY	PART NO.	PART NAME	QTY	TRACTOR SERIAL NO.	REMARKS
1	R11278	NUT	2		
2	R75833	BRACKET	2		
3	19H1849	CAP SCREW	2	5/16" X 1-1/4"	
4	12H303	LOCK WASHER	2	5/16"	
5	24H1136	WASHER	2	11/32" X 11/16" X 0.065"	
6	14H785	NUT	2	5/16"	
7	R64700	HIGH NOTE HORN	1		
8	AR85578	WIRING HARNESS	1	508 MM (20")	
	AR81179	WIRING HARNESS	1	457 MM (18")	
9	AT39043	HIGH NOTE HORN	1		
10	AR20235	SWITCH	1	(SUB FOR AR21823)	
11	T55501	CAP	1		
12	AR102454	HORN	1	(SUB FOR AR47093, AR49032 OR AR81178) (ORDER COMPONENT PARTS)	

# 2D23

ELECTRICAL

R14091 -UN-01JAN94

HORN  
(TRACTOR SERIAL NO. -134413)



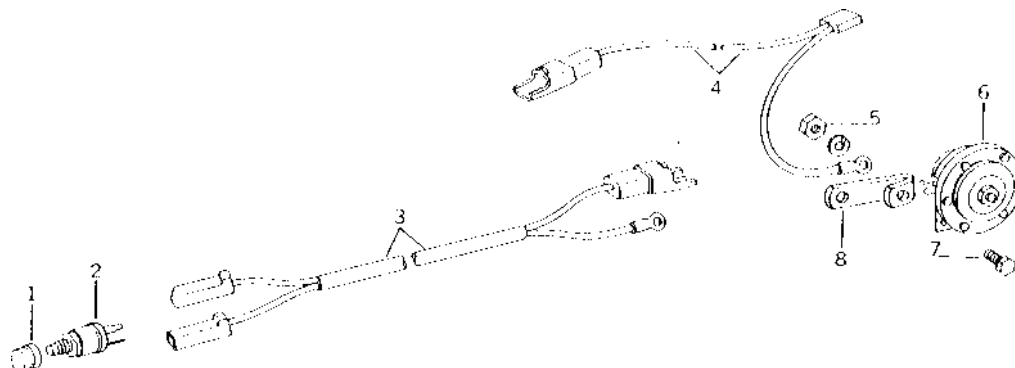
KEY	PART NO.	PART NAME	QTY	TRACTOR SERIAL NO.	REMARKS
1	T55501	CAP	1		(SUB FOR R39549 AND R21157 OR AR47374, THIS APPLICATION)
2	R21157	NUT	1		(SUB T55501)
3	AR21823	SWITCH	1		
4	AR46730	WIRING HARNESS	1		
5	.....	WIRING LEAD	1		(MAKE FROM R66319, R32024, R32025 AND (2) R32027)
6	R11278	NUT	1		
7	19H1765	CAP SCREW	1		3/8" X 1-3/4"
	12H304	LOCK WASHER	1		3/8"
8	R34701	BRACKET	1		(NLA)
9	AT39043	HIGH NOTE HORN	1		(SUB FOR R11276) (LOW NOTE, 12-VOLT)

# 2D24

ELECTRICAL

R17610 -UN-01JAN94

HORN  
(SERIAL NO. 134414- )



KEY	PART NO.	PART NAME	QTY	TRACTOR SERIAL NO.	REMARKS
1	T55501	CAP	1		(SUB FOR AR47374, THIS APPLICATION)
2	AR21823	SWITCH	1		
3	AR46730	WIRING HARNESS	1		
4	AR73580	WIRING HARNESS	1		(SUB FOR AR49038)
5	14H785	NUT	1		5/16"
	12H303	LOCK WASHER	1		5/16"
6	AL14896	HORN	1		(SUB FOR AR49036 OR AR73579) (SUB R68700, R75833, R11278, 19M7139, 24M7055, 12M7032 AND 14M7273) (12-VOLT)
7	19H1813	CAP SCREW	1		5/16" X 5/8"
8	R46790	BRACKET	1		(NLA)

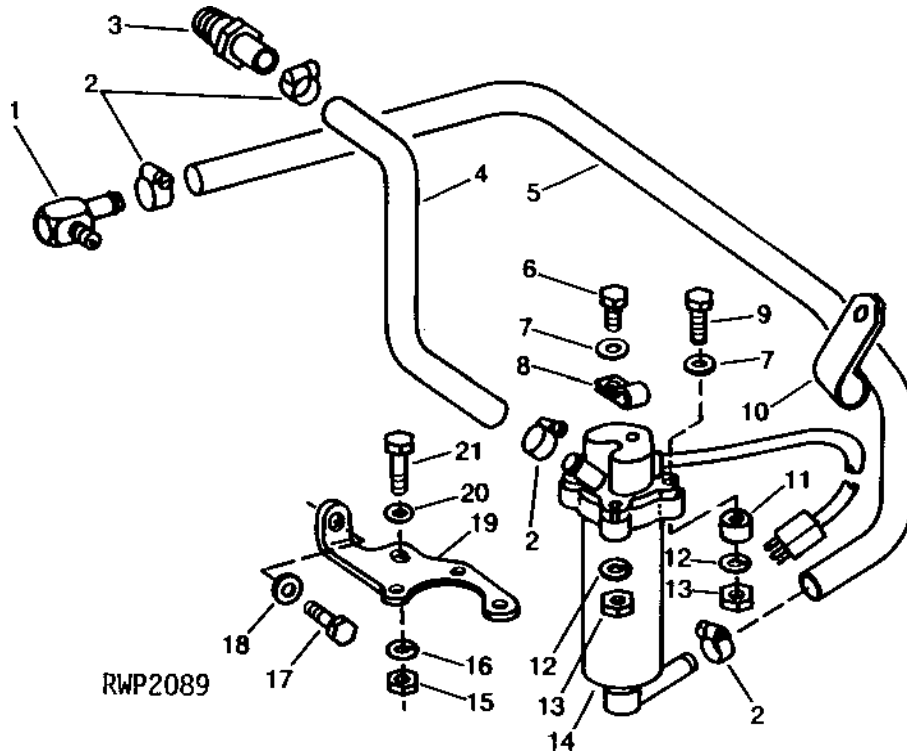


# 2D25

ELECTRICAL

## ENGINE COOLANT HEATER (ENGINE SERIAL NO. 125000-280000)

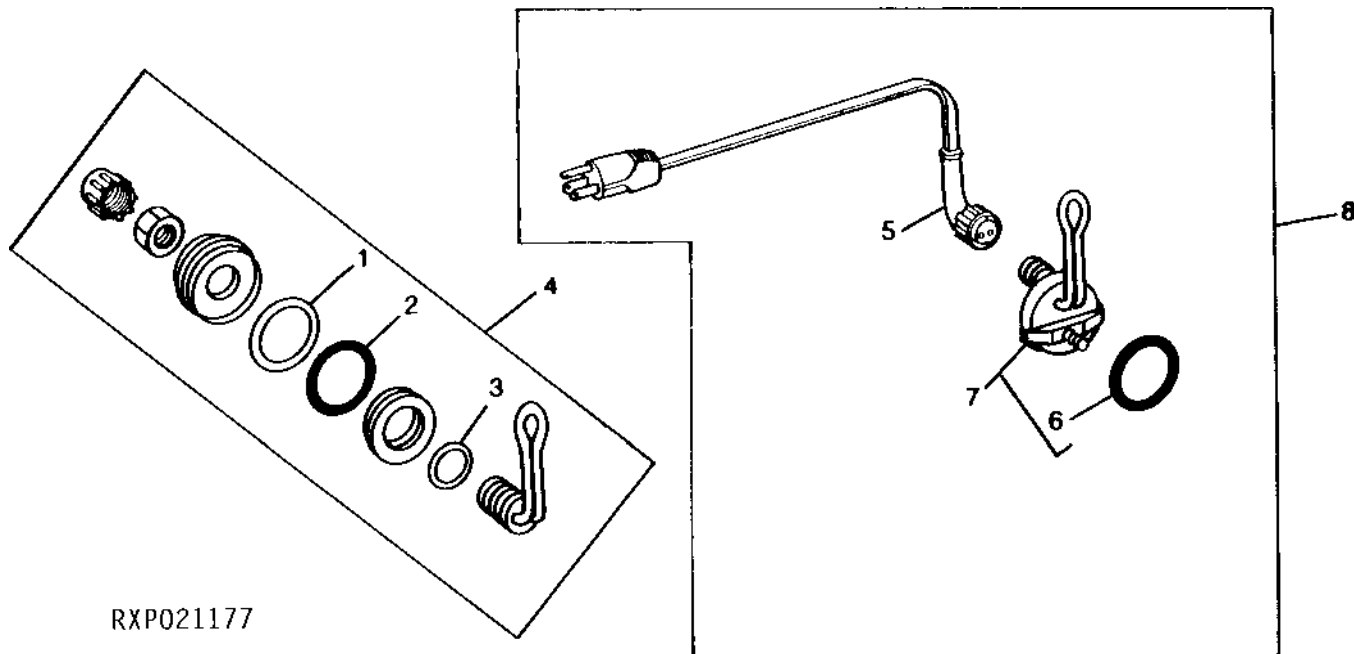
RWP2089 -UN-01JAN94



KEY	PART NO.	PART NAME	QTY	TRACTOR SERIAL NO.	REMARKS
1	AR45974	FITTING	1		
2	AR21837	CLAMP	4		
3	R41071	FITTING	1		
4	.....	HOSE	1		216MM (8-1/2") (MAKE FROM TY22328) (SUB FOR R45847) (GASOLINE AND LP-GAS)
	.....	HOSE	1		724MM (28-1/2") (MAKE FROM TY22328) (SUB FOR R45847) (DIESEL)
5	R44302	TIE BAND	1		(HEATER HOSE TO OIL COOLER HOSE)
	.....	HOSE	1		1041MM (41") (MAKE FROM TY22328) (SUB FOR R45847)
6	19H1898	CAP SCREW	1		1/4" X 1-1/2"
7	24H1287	WASHER	4		9/32" X 5/8" X 0.065"
8	T22645	CLIP	1		
9	19H1738	CAP SCREW	3		1/4" X 2"
10	R40791	CLAMP	1		(SUB FOR A4656R)
11	R27370	WASHER	3		
12	12H302	LOCK WASHER	4		1/4"
13	14H786	NUT	4		1/4"
14	AR42326	HEATER	1		COMPLETE
	AR42883	COOLANT HEATER	1		ELEMENT
	AR42991	HOUSING	1		(INCLUDES VALVE)
	F1649R	O-RING	1		
15	14H1076	NUT	1		3/8" HS
16	12H304	LOCK WASHER	1		3/8"
17	19H1978	CAP SCREW	1		7/16" X 1-1/2"
18	24H1325	WASHER	1		15/32" X 59/64" X 0.065"
19	R44643	BRACKET	1		
20	24H1305	WASHER	1		13/32" X 13/16" X 0.065"
21	19H1732	CAP SCREW	1		3/8" X 1-1/4"
..	AR47092	HEATER	1		KIT, EXTERNAL COOLANT HEATER, COMPLETE
..	R46825	DECAL	1		GROUNDING CORD WARNING

RXP021177 -UN-10MAY94

ENGINE COOLANT HEATER  
(ENGINE SERIAL NO. 280001- )



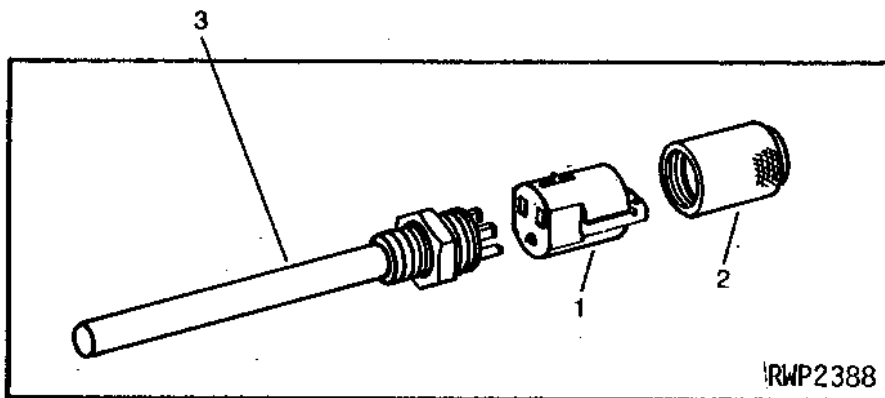
KEY	PART NO.	PART NAME	QTY	TRACTOR SERIAL NO.	REMARKS
1	R47692	RING	1		
2	R31378	O-RING	1		
3	R47693	GASKET	1		
4	AR50399	HEATER	1	(SUB RE29408)	
5	AR50411	WIRING LEAD	1		
6	R30200	O-RING	1		
7	RE29408	COOLANT HEATER	1		
8	AR50518	COOLANT HEATER	1		

# 2E2

ELECTRICAL

RWP2388 -UN-01JAN94

## OIL HEATER



KEY	PART NO.	PART NAME	QTY	TRACTOR SERIAL NO.	REMARKS
1	AR27139	HEATING ELEMENT	1		
2	AR21024	FITTING	1		(SUB AR21024, R20878 AND T23925)
3	R20878	PLUG	1		

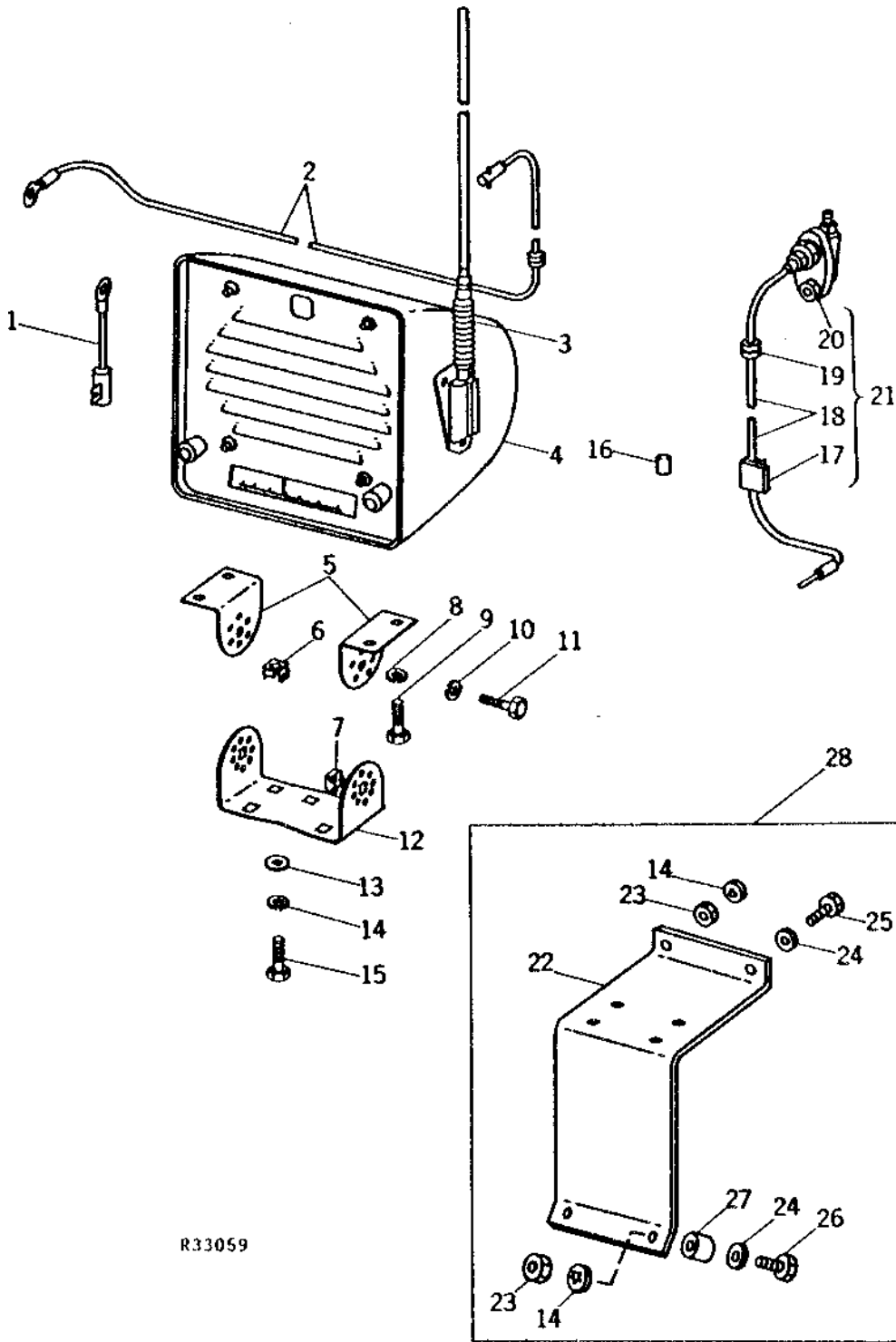
# 2E3

ELECTRICAL

R33059

-UN-01JAN94

## RADIO (BENDIX)



R33059

RADIO - CONTINUED  
(BENDIX)

KEY	PART NO.	PART NAME	QTY	TRACTOR SERIAL NO.	REMARKS
1	AR41758	CAPACITOR	1		NOISE SUPPRESSOR
2	AR41756	WIRING LEAD	1		
3	AR41760	ANTENNA	1		
4	AR46986	ANTENNA	1		(THREADED TYPE)
	AR101245	RADIO	1		(A) (ALSO ORDER AR46986) (SUB FOR AR40947, AR48717, AR68361, AR68362 OR AR57157) (SUB TY15155)
	TY15155	RADIO	1		(A) (SUB FOR AR48717, AR68362, AR57157, AR68361 OR AR101245) (ALSO ORDER AR46986) (NLA)
5	R41879	BRACKET	2		(USE WITH AR40947) (NLA)
	R46505	BRACKET	2		(USE WITH AR48717, AR57157, AR68361, AR68362 OR AR101245) (NLA)
6	AR41951	NUT	4		
7	AR41950	NUT	2		
8	12H302	LOCK WASHER	4		1/4"
9	19H1227	CAP SCREW	4		1/4" X 1/2"
10	12H310	LOCK WASHER	2		3/8"
11	19H1936	CAP SCREW	2		3/8" X 3/4"
12	R41880	BRACKET	1		
13	24H1294	WASHER	4		11/32" X 1-1/8" X 1/16"
14	12M7032	LOCK WASHER	4		0.331"
15	19H1813	CAP SCREW	4		5/16" X 5/8"
16	R45136	PLUG	1		ANTENNA POST
17	R47474	CLIP	1		(SUB FOR R45137)
18	AR46985	WIRING LEAD	1		
19	R27583	GROMMET	1		
20	AR46984	BASE	1		
21	AR46983	BASE	1		(WITH CAB) (NLA)
22	R49056	BRACKET	1		(NLA)
23	14H785	NUT	4		5/16"
	12M7032	LOCK WASHER	4		0.331"
24	24H1294	WASHER	4		11/32" X 1-1/8" X 1/16"
25	19H1813	CAP SCREW	2		5/16" X 5/8"
26	19H1875	CAP SCREW	2		5/16" X 1-3/4"
27	28H1495	SPACER	2		3/8" X 1"
28	AR52478	KIT	1		(MOUNT FOR HINSON CAB) (NLA)

(A) CHECK AUDIOVOX DIRECT-SHIP PROGRAM GUIDE

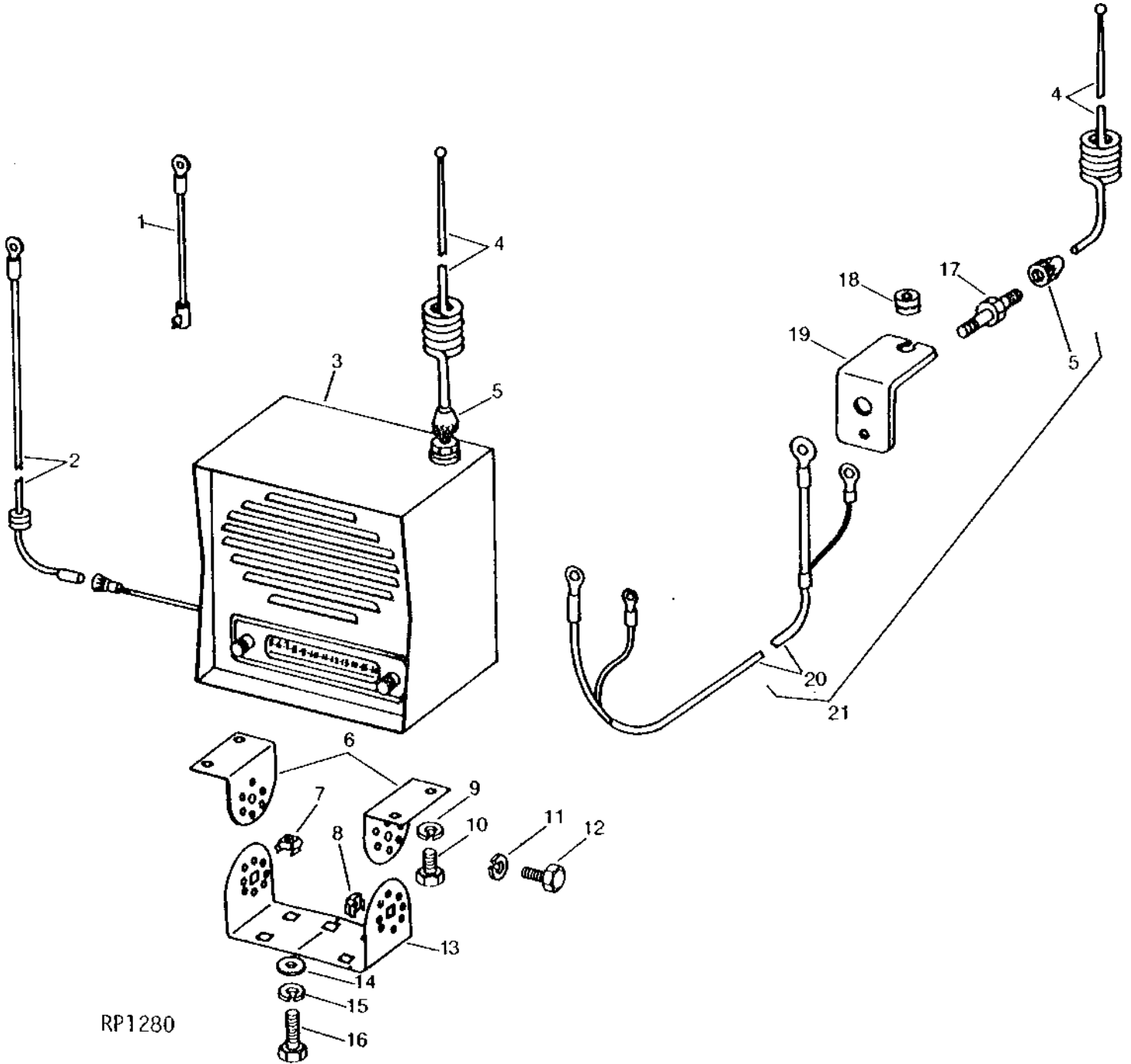
# 2E5

ELECTRICAL

RP1280

-UN-01JAN94

RADIO  
(MOTOROLA)



RP1280

# 2E6

ELECTRICAL

## RADIO - CONTINUED (MOTOROLA)

KEY	PART NO.	PART NAME	QTY	TRACTOR SERIAL NO.	REMARKS
1	AR41758	CAPACITOR	1		
2	AR41756	WIRING LEAD	1		
3	TY15155	RADIO	1		(A) (ALSO ORDER AR46986) (SUB FOR AR42431 OR AR101245) (NLA)
4	AR45013	ANTENNA	1		
5	R42800	NUT	1		(NLA)
6	R41879	BRACKET	2		
7	AR41951	NUT	4		
8	AR41950	NUT	1		
9	12H302	LOCK WASHER	4		1/4"
10	19H1227	CAP SCREW	4		1/4" X 1/2"
11	12H310	LOCK WASHER	2		3/8"
12	19H1936	CAP SCREW	2		3/8" X 3/4"
13	R41880	BRACKET	1		
14	24H1294	WASHER	4		11/32" X 1-1/8" X 1/16"
15	12M7032	LOCK WASHER	4		0.331"
16	19H1813	CAP SCREW	4		5/16" X 5/8"
17	AR45014	COUPLING	1		(NLA)
18	R42801	GROMMET	1		(NLA)
19	R42802	BRACKET	1		(NLA)
20	AR45015	ANTENNA	1		
21	AR42432	BASE	1		(SUB AR51483) WITH CAB

(A) CHECK AUDIOVOX DIRECT-SHIP PROGRAM GUIDE

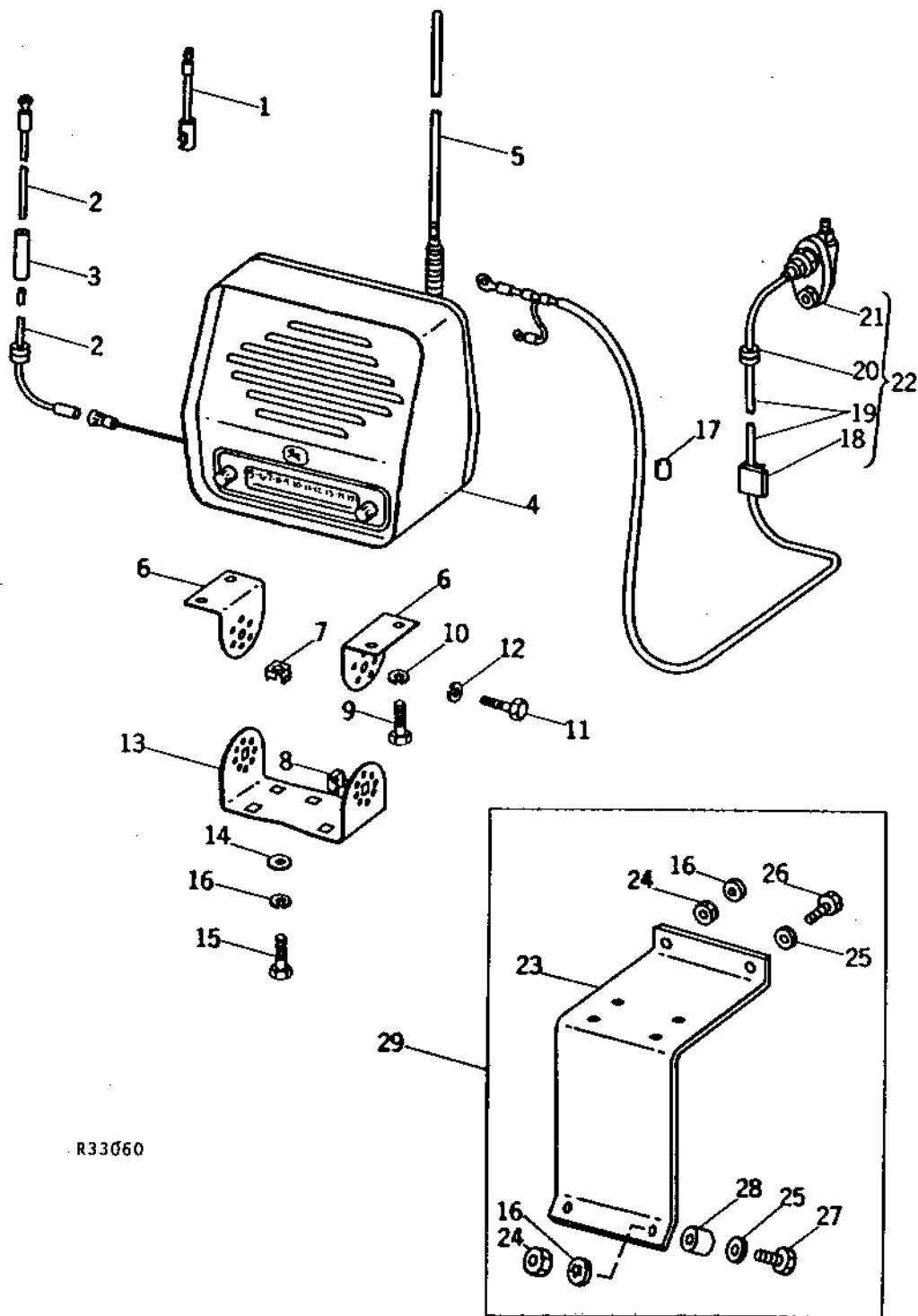
# 2E7

ELECTRICAL

R33060

-UN-01JAN94

## RADIO (MOTOROLA)



R33060



RADIO - CONTINUED  
(MOTOROLA)

KEY	PART NO.	PART NAME	QTY	TRACTOR SERIAL NO.	REMARKS
1	AR41758	CAPACITOR	1		
2	AR41756	WIRING LEAD	1		
3	R42799	RESISTOR	1		
4	TY15276	RADIO	1		(A) (ALSO ORDER AR46986) (SUB FOR AR51973, AR57156, AR101245 OR TY15155) (NLA)
5	AR46986	ANTENNA	1		
6	R52408	BRACKET	2		
7	AR41951	NUT	4		
8	AR41950	NUT	2		
9	19H1227	CAP SCREW	4		1/4" X 1/2"
10	12H302	LOCK WASHER	4		1/4"
11	19H1936	CAP SCREW	2		3/8" X 3/4"
12	12H310	LOCK WASHER	2		3/8"
13	R41880	BRACKET	1		
14	24H1294	WASHER	3		11/32" X 1-1/8" X 1/16"
15	19H1813	CAP SCREW	3		5/16" X 5/8"
16	12M7032	LOCK WASHER	7		0.331"
17	R45136	PLUG	1		
18	R47474	CLIP	4		(SUB FOR R45137)
19	AR46985	WIRING LEAD	1		
20	R27583	GROMMET	1		
21	AR46984	BASE	1		
22	AR46983	BASE	1		(WITH CAB) (NLA)
23	R49056	BRACKET	1		(NLA)
24	14H785	NUT	4		5/16"
25	24H1294	WASHER	4		11/32" X 1-1/8" X 1/16"
26	19H1813	CAP SCREW	2		5/16" X 5/8"
27	19H1875	CAP SCREW	2		5/16" X 1-3/4"
28	28H1495	SPACER	2		3/8" X 1"
29	AR52478	KIT	1		(WITH HINSON CAB) (NLA)

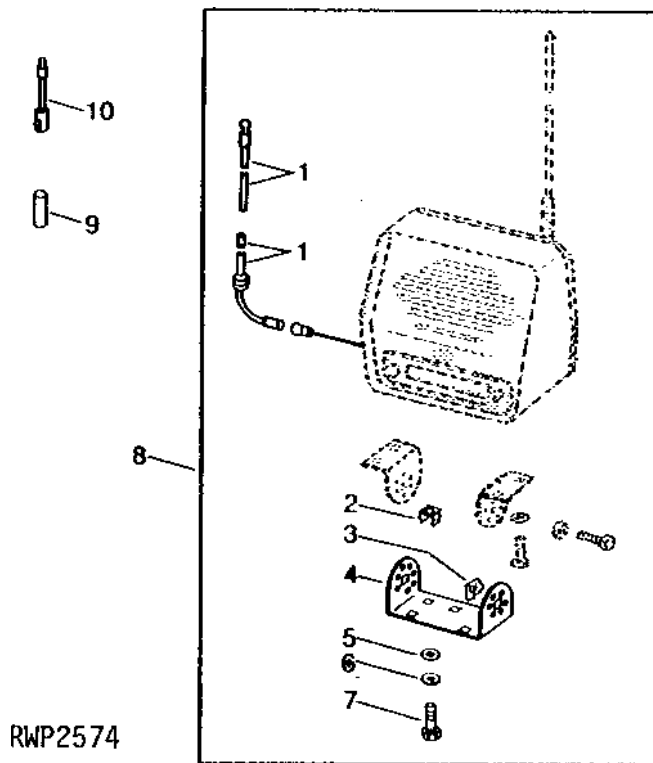
(A) CHECK AUDIOVOX DIRECT-SHIP PROGRAM GUIDE

# 2E9

ELECTRICAL

RWP2574 -UN-01JAN94

## RADIO MOUNTING KIT



KEY	PART NO.	PART NAME	QTY	TRACTOR SERIAL NO.	REMARKS
1	AR41756	WIRING LEAD	1		
2	AR41951	NUT	3		
3	AR41950	NUT	2		
4	R41880	BRACKET	1		
5	24H1294	WASHER	3	11/32" X 1-1/8" X 1/16"	
6	12M7032	LOCK WASHER	3	0.331"	
7	19H1813	CAP SCREW	3	5/16" X 5/8"	
8	AR41754	KIT	1		
9	R42799	RESISTOR	1	NOISE SUPPRESSOR	
10	AR41758	CAPACITOR	1		

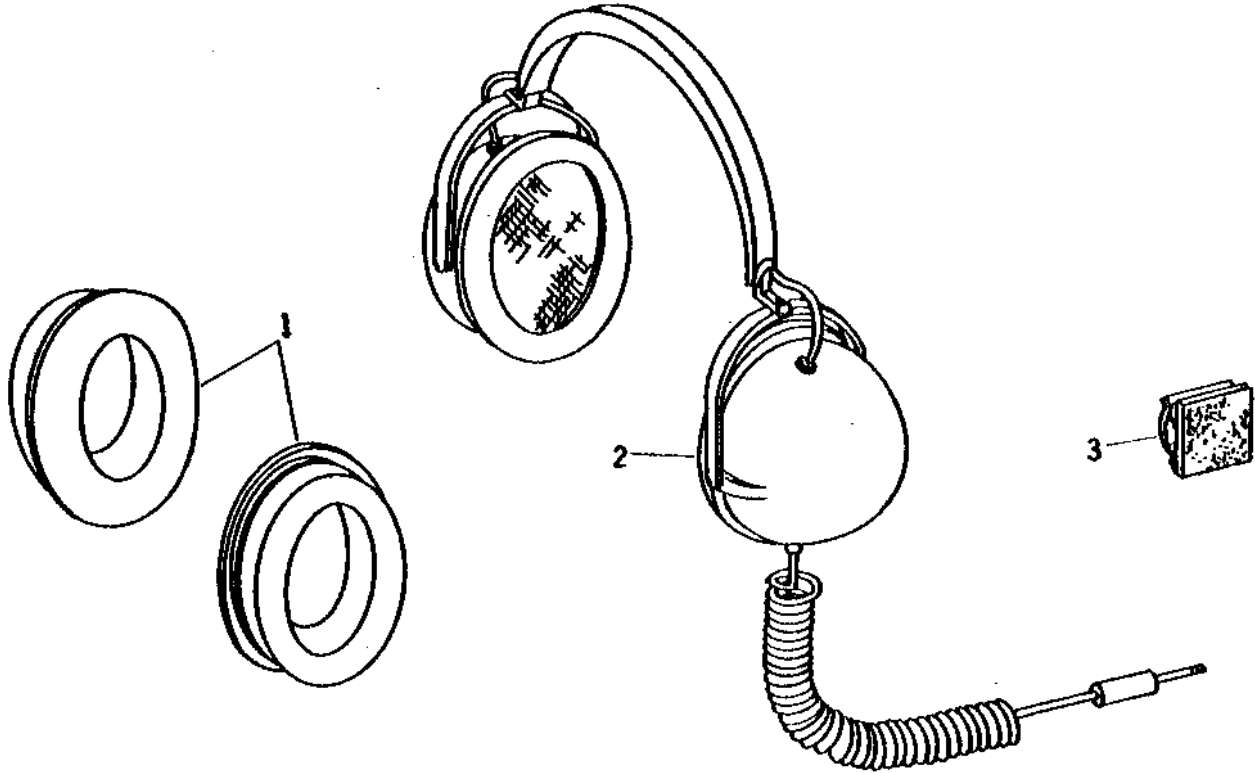
# 2E10

ELECTRICAL

R33062

-UN-01JAN94

## RADIO HEADPHONES



### R33062

KEY	PART NO.	PART NAME	QTY	TRACTOR SERIAL NO.	REMARKS
1	AR73311	FOAM PAD	1		(SUB FOR R53409) (PKG. OF 2)
2	AR59663	HEADPHONES	1		(A) (INCLUDES PADS AND CLIP) (NLA)
3	R53410	CLIP	1		

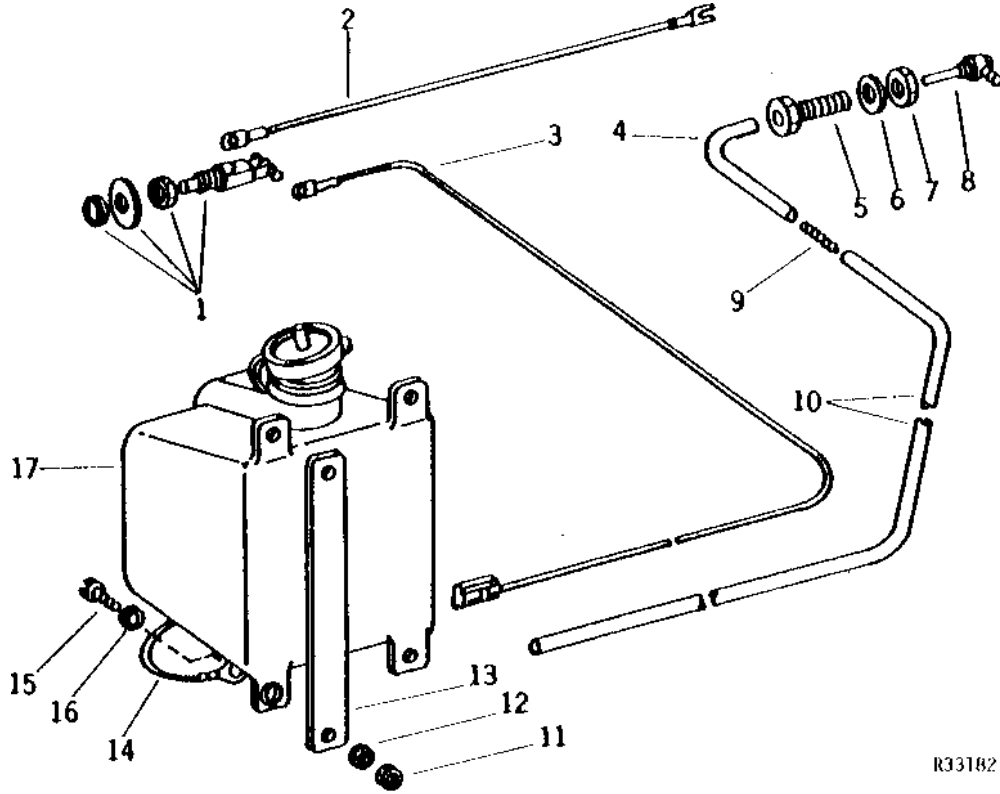
(A) CHECK AUDIOVOX DIRECT-SHIP PROGRAM GUIDE

# 2E11

ELECTRICAL

R33182 -UN-01JAN94

## WINDSHIELD WASHER



R33182

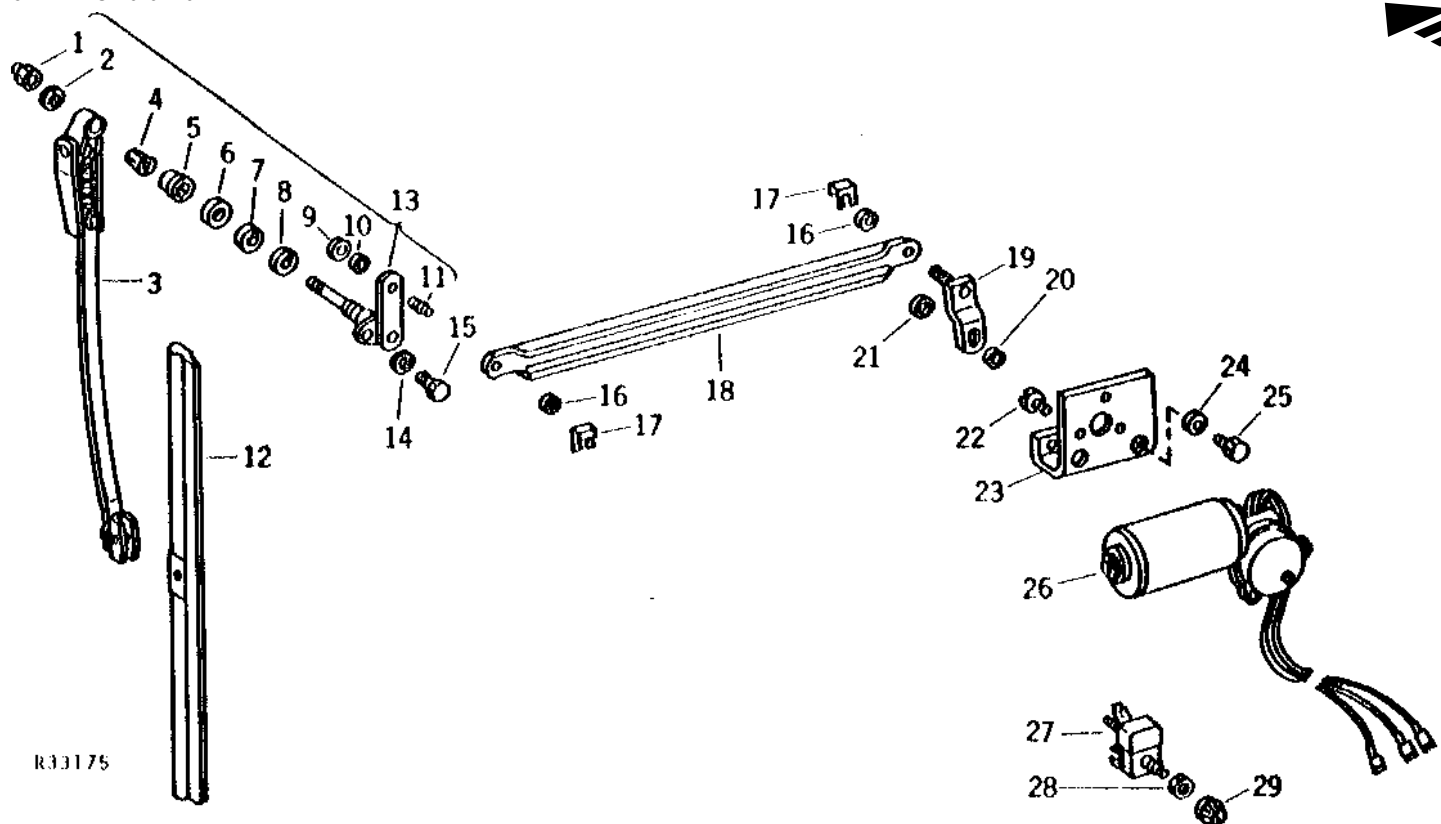
KEY	PART NO.	PART NAME	QTY	CAB SERIAL NO.	REMARKS
1	AR62294	WIPER/WASHER SWITCH	1		
2	AR62295	WIRING LEAD	1	(NLA)	
3	AR62296	WIRING LEAD	1		
4	.....	HOSE	1		(MAKE FROM R54447) (152MM) (6") COUPLER TO NOZZLE
5	R54446	BOLT	1	(NLA)	
6	D2865R	WASHER	1	(SUB 24H1111)	
7	14H1040	NUT	1	1/2"	
8	.....	NOZZLE	1	(ORDER AR62293)	
9	R54443	HOSE FITTING	1		
10	R54445	HOSE	1		2.54MM (100") (CUT TO LENGTH)
11	14H786	NUT	4	1/4"	
12	12H302	LOCK WASHER	4	1/4"	
13	R54442	BRACKET	2	(NLA)	
14	.....	WIRING LEAD	1		
15	21H1303	SCREW	1	1/4" X 3/4"	
16	24H1286	WASHER	1	9/32" X 1/2" X 1/16"	
17	AR62293	KIT	1		(INCLUDES AR62294) WINDSHIELD WASHER (NLA)

# 2E12

ELECTRICAL

R33175 -UN-01JAN94

## WINDSHIELD WIPER (HINSON)



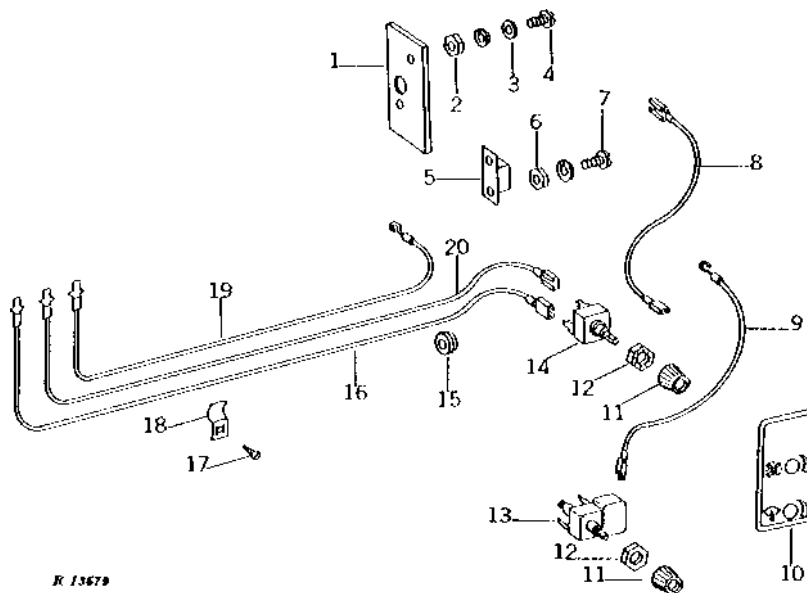
KEY	PART NO.	PART NAME	QTY	CAB SERIAL NO.	REMARKS
1	U46514	NUT	1		(NLA)
2	12H303	LOCK WASHER	1		5/16"
3	AR45843	ARM	1	-008145	
	AR55155	ARM	1	008146-	
4	U46513	NUT	1		(NLA)
5	U46512	CAP	1		(NLA)
6	U46511	NUT	1		(NLA)
7	24H1362	WASHER	1		(SUB FOR U46510)
8	U46509	WASHER	1		(NLA)
9	14H649	NUT	1		1/4"
10	12H297	LOCK WASHER	1		1/4"
11	U46507	PIN	1		
12	AR45844	WINDSHIELD WIPER	1	-008145	
	AU42026	WIPER BLADE	1	008146-	
13	AU43852	SHAFT	1		(SUB AT58209)
14	12H246	LOCK WASHER	2		0.190"
15	21H1317	SCREW	2		0.190" X 5/8"
16	T32255	SHIM	2		
17	U46506	CLIP	2		
18	AR52294	LINK	1		(NLA)
19	AU43954	ARM	1		
20	U46508	WASHER	1		
21	AU43857	LOCK NUT	1		
22	AU43854	SCREW, WITH WASHER	3		
23	R48875	BRACKET	1		(NLA)
24	12H302	LOCK WASHER	2		1/4"
25	19H1227	CAP SCREW	2		1/4" X 1/2"
26	AR59444	MOTOR	1		(SUB AT66481 AND AT66482) (SUB FOR AT29855) (ALSO ORDER AR64992)
27	AR45839	SWITCH	1		(USE WITH AT29855)
	AR64992	WIPER SWITCH	1		(USE WITH AR59444 OR AT66481)
28	R44165	LOCK NUT	1		
29	AR69370	KNOB	1		(SUB FOR AR49969)

# 2E13

ELECTRICAL

## BLOWER SWITCH, WIPER SWITCH, AND WIRING LEADS (STOLPER)

R13679 -UN-01JAN94



R 13679

KEY	PART NO.	PART NAME	QTY	CAB SERIAL NO.	REMARKS
1	R44479	FUSE HOLDER	1	(NLA)	
2	14H605	NUT	2	0.164"	
	12H315	LOCK WASHER	2	0.164"	
3	24H1283	WASHER	2	7/32" X 1/2" X 0.049"	
4	21H1158	SCREW	2	0.164" X 1/2"	
5	AR45859	CIRCUIT BREAKER	1	(A) (NLA)	
6	14H778	NUT	2	(A) 0.190"	
7	21H1301	SCREW	2	(A) 0.190" X 1/2"	
	12M7060	WASHER	2	(A) 0.209"	
8	.....	WIRING LEAD	1	152MM (6") (MAKE FROM (2) R32024 AND R32027) (IN AR84006) (BLOWER SWITCH TO FUSE BLOCK)	
9	AR45853	WIRING LEAD	1	(B) WIPER SWITCH (NLA)	
	AR45853	WIRING LEAD	1	(A) WIPER SWITCH (NLA)	
10	R44482	LABEL	1	(NLA)	
11	T30890	KNOB	2	(SUB FOR AR45849)	
12	R44165	LOCK NUT	2		
13	AR45839	SWITCH	1	WIPER	
14	AR45854	SWITCH	1	BLOWER (NLA)	
15	H987R	GROMMET	2		
16	AR45851	WIRING LEAD	1	BLOWER MOTOR TO SWITCH (NLA)	
17	37H15	SCREW	2	NO. 6 X 1/4"	
18	R44481	CLIP	2	(NLA)	
19	AR45860	WIRING LEAD	1	(A) BLOWER MOTOR TO CIRCUIT BREAKER (NLA)	
20	AR45852	WIRING LEAD	1	BLOWER MOTOR TO SWITCH (NLA)	

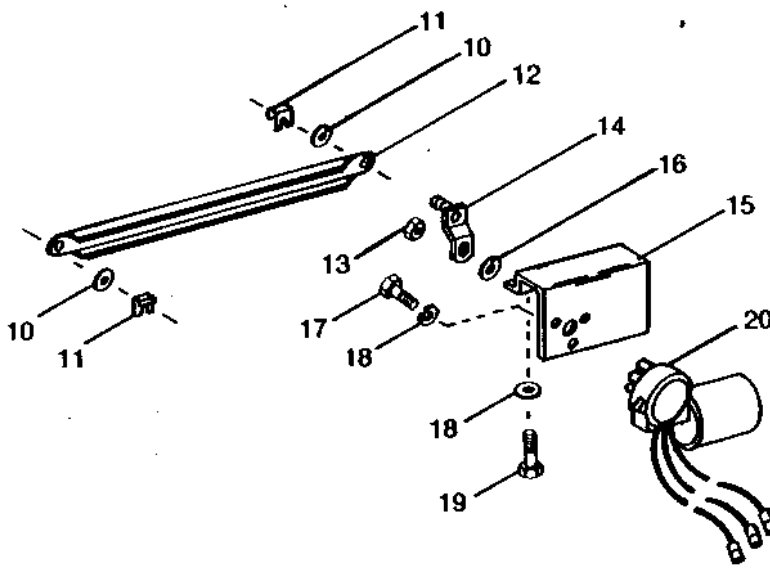
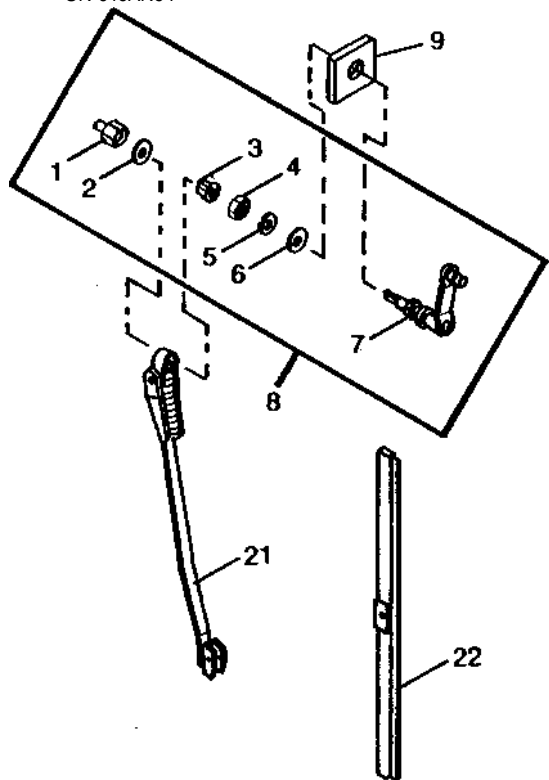
(A) DIESEL  
(B) GASOLINE AND LP-GAS

# 2E14

ELECTRICAL

## WINDSHIELD WIPER(STOLPER) (CAB SERIAL NO. -208299)

RWP2707 -UN-01JAN94



### RWP2707

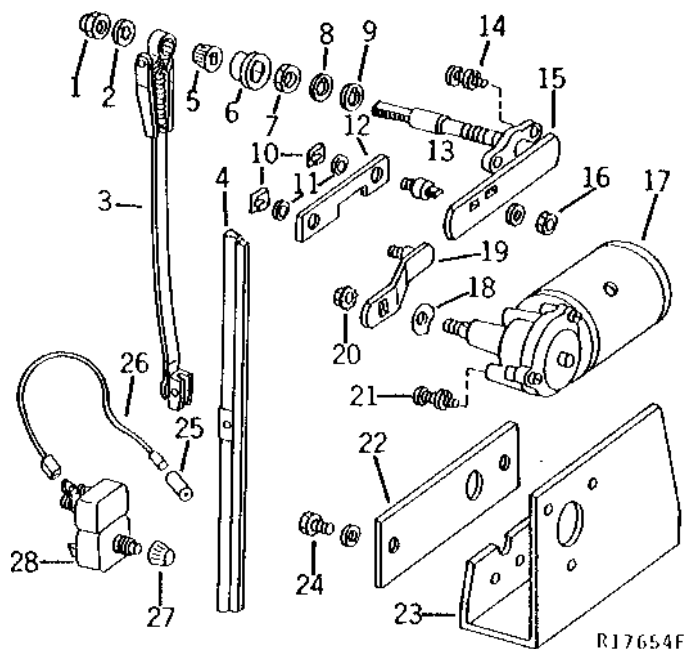
KEY	PART NO.	PART NAME	QTY	CAB SERIAL NO.	REMARKS
1	U46514	NUT	1	-142449	(SUB FOR R44466)
	R48075	NUT	1	142450-	(NLA)
2	12M7032	LOCK WASHER	1	-142449	0.331"
	12H310	LOCK WASHER	1	142450-	3/8"
3	R44465	DRIVER	1	-142499	(NLA)
	R48074	DRIVE	1	142450-	(NLA)
4	R44464	NUT	1	-142499	(NLA)
	AR50966	NUT	1	142450-	(NLA)
5	R44467	SPACER	1	-142499	(NLA)
	R48073	WASHER	1	142450-	(NLA)
6	R44461	WASHER	1	-142449	(LEATHER)(NLA)
	R48072	WASHER	1	142450-	(LEATHER)(NLA)
7	AR45842	SHAFT	1	-142499	(NLA)
	AR50965	ARM	1	142450-	(SUB AR50964) (NLA)
8	AR50964	ARM	1	142450-	(NLA)
9	R44463	SEAL	1		(NLA)
10	R11032	SHIM	2		(NLA)
11	R44462	CLIP	2		
12	AR45841	ARM	1		(NLA)
13	14H860	NUT	1		1/4"
	12H297	LOCK WASHER	1		1/4"
14	AR45840	ARM	1		(NLA)
15	AR45838	BRACKET	1		(NLA)
16	R44460	WASHER	1		(NLA)
17	19H1948	CAP SCREW	3		1/4" X 3/4"
18	12H302	LOCK WASHER	6		1/4"
19	19H1914	CAP SCREW	4		1/4" X 1"
	12H302	LOCK WASHER	3		1/4"
20	AR59444	MOTOR	1		(ALSO ORDER AR64992) (SUB FOR AR45837) (SUB AT66481 AND AT66482)
21	AR45843	ARM	1		
22	AR45844	WINDSHIELD WIPER	1		

# 2E15

ELECTRICAL

R17654 -UN-01JAN94

## WINDSHIELD WIPER(STOLPER) (CAB SERIAL NO. 208300- )



R17654F

KEY	PART NO.	PART NAME	QTY	CAB SERIAL NO.	REMARKS
1	U46514	NUT	1	(A)	
2	12H303	LOCK WASHER	1	(A) 5/16"	
3	AR45843	ARM	1		
4	AR45844	WINDSHIELD WIPER	1		
5	U46513	NUT	1	(A)	
6	U46512	CAP	1	(A) RUBBER	
7	U46511	NUT	1	(A)	
8	U46510	WASHER	1	(A) STEEL	
9	U46509	WASHER	1	(A) LEATHER	
10	U46506	CLIP	2	(B)	
11	T32255	SHIM	2	(B)	
12	AU43853	LINK	1	(B)	
13	U46507	PIN	1	(A)	
14	AU43855	SCREW, WITH WASHER	2	(B) (SUB 21H1298 AND 12M7060)	
15	AR49972	PIVOT	1	(NLA)	
16	14H649	NUT	1	(A) 1/4"	
	12H297	LOCK WASHER	1	(A) 1/4"	
17	AR59444	MOTOR	1	(SUB FOR AT29855 OR AR49971) (ALSO ORDER AR64992) (SUB AT66481 AND AT66482) (ALSO ORDER AT66482) (SUB FOR AT29855, AR49971 OR AR59444)	
	AT66481	WIPER MOTOR	1		
18	U46508	WASHER	1	(B)	
19	AU43954	ARM	1		
20	AU43857	LOCK NUT	1	(B)	
21	AU43854	SCREW, WITH WASHER	3	(B)	
22	R48454	SEAL	1	(B) (NLA)	
23	U46515	BRACKET	1	(B)	
24	19H3003	CAP SCREW	3	1/4" X 1/2"	
	12H302	LOCK WASHER	3	1/4"	
	R32029	TERMINAL	3		
25	.....	WIRING LEAD	3	279MM (11") (MAKE FROM R32024, R32007 AND R32026)	
	.....	WIRING LEAD	1	152MM (6") (MAKE FROM R32018, R32007, R32027 AND R32024)	
27	AR69370	KNOB	1	(SUB FOR AR49969)	
28	AR45839	SWITCH	1	(USE WITH AT29855)	
	AR64992	WIPER SWITCH	1	(USE WITH AR59444 OR AT66481)	

(A) AR49972 CONSISTS OF THESE PARTS

(B) AR49971 CONSISTS OF THESE PARTS

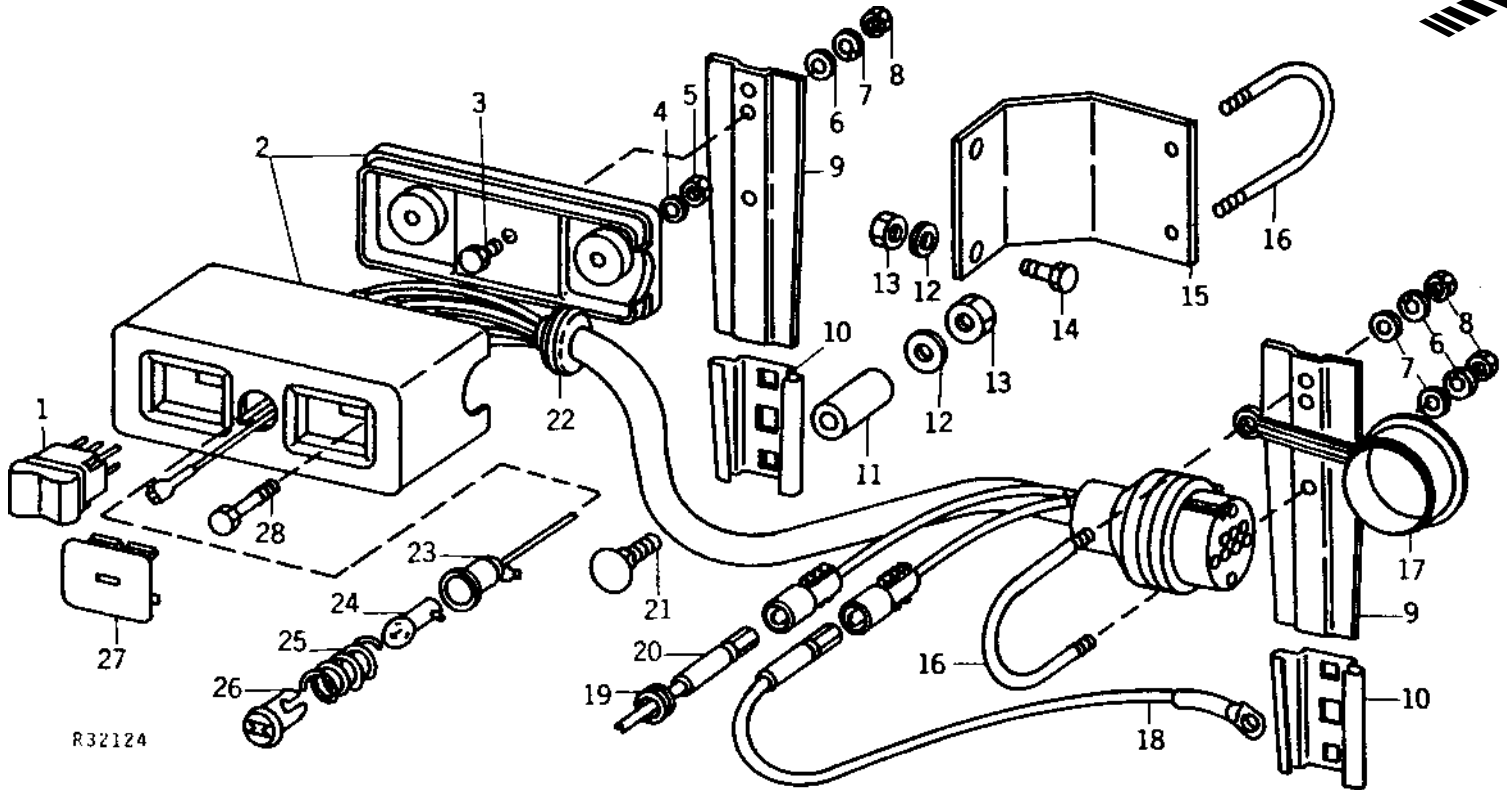


# 2E16

ELECTRICAL

## ELECTRICAL REMOTE CONTROL

R32124F -UN-02JAN94



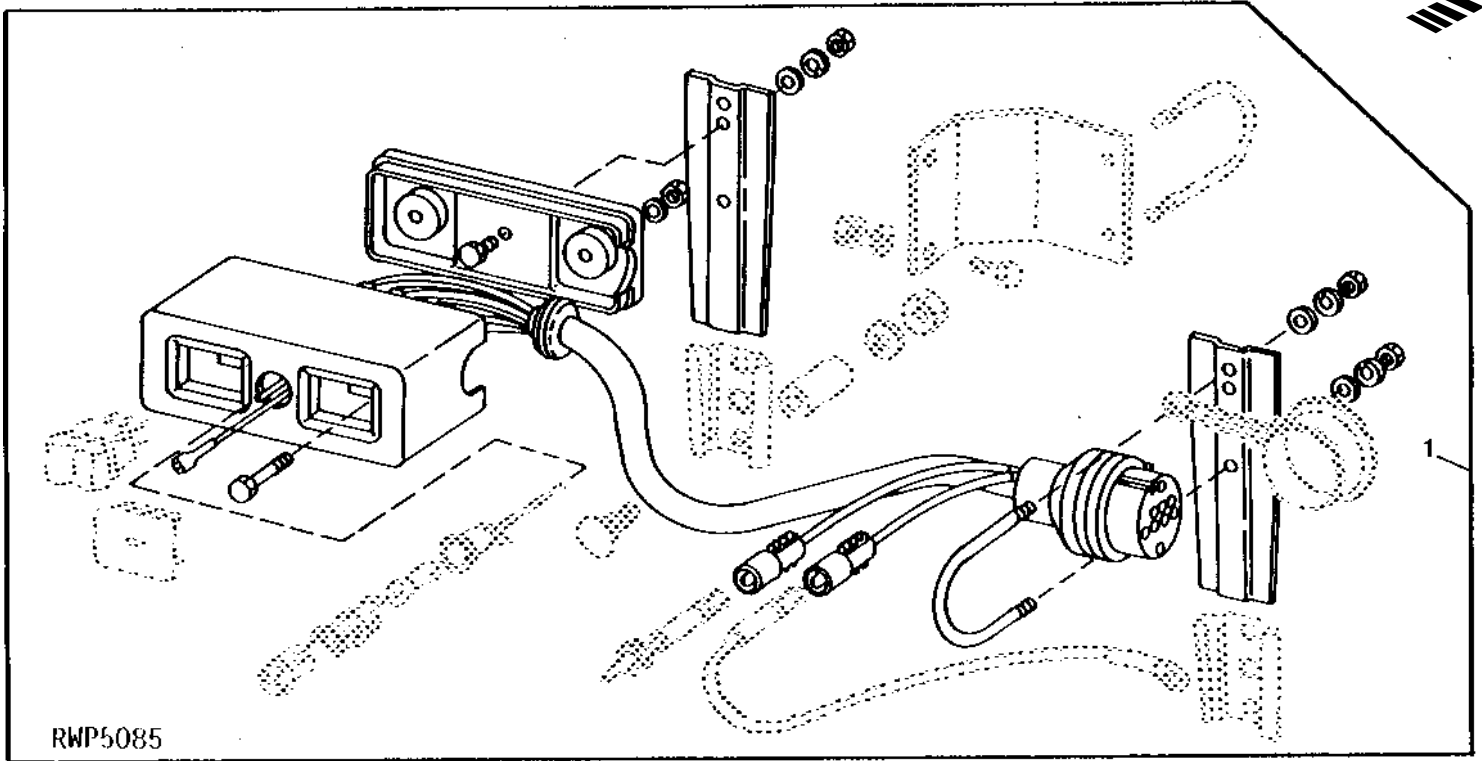
KEY	PART NO.	PART NAME	QTY	TRACTOR SERIAL NO.	REMARKS
1	AR49797	TOGGLE SWITCH	1		MOMENTARY ROCKER (FI)
	AR49798	ROCKER SWITCH	1		DETENT ROCKER (FI)
2	AR50779	WIRING HARNESS	1		TWO SWITCH AND HARNESS
	AR50780	WIRING HARNESS	1		FOUR SWITCH AND HARNESS
3	19H1914	CAP SCREW	1		1/4" X 1"
4	12H315	LOCK WASHER	2		0.164"
5	14H605	NUT	2		0.164"
6	24H1821	WASHER	3		9/32" X 47/64" X 1/16"
7	12H302	LOCK WASHER	3		1/4"
8	14H786	NUT	3		1/4"
9	R47861	BRACKET	2		(2 USED, TWO SWITCH) (1 USED, FOUR SWITCH)
	R47860	BRACKET	1		FOUR SWITCH
10	JD126	SOCKET	2		
11	28H1495	SPACER	2		3/8" X 1"
12	24M7207	WASHER	4		8.400 X 24 X 2 MM
13	14H785	NUT	4		5/16"
14	21H1304	SCREW	2		5/16" X 3/4"
15	R54467	BRACKET	1		
16	E16050	U-BOLT	1		
17	R48048	CAP	1		
18	AR50928	WIRING LEAD	1		GROUND
19	H987R	GROMMET	4		
20	AR50927	WIRING LEAD	1		TO WIRING RELAY
21	03H1515	BOLT	2		5/16" X 2"
22	R36235	GROMMET	1		
23	AT44165	WIRING LEAD	1		
24	AR55694	BULB	1		
25	R30378	SPRING	1		
26	AT48673	LENS	1		
27	R48049	PLUG	1		
28	R48028	SCREW	2		
..	R48026	DECAL	1		WARNING
..	R48027	GROMMET	1		(CAB OPENING)
..	R32276	PLUG	1		(CAB OPENING)

# 2E17

ELECTRICAL

RWP5085 -UN-01JAN94

## ELECTRICAL REMOTE CONTROL KIT



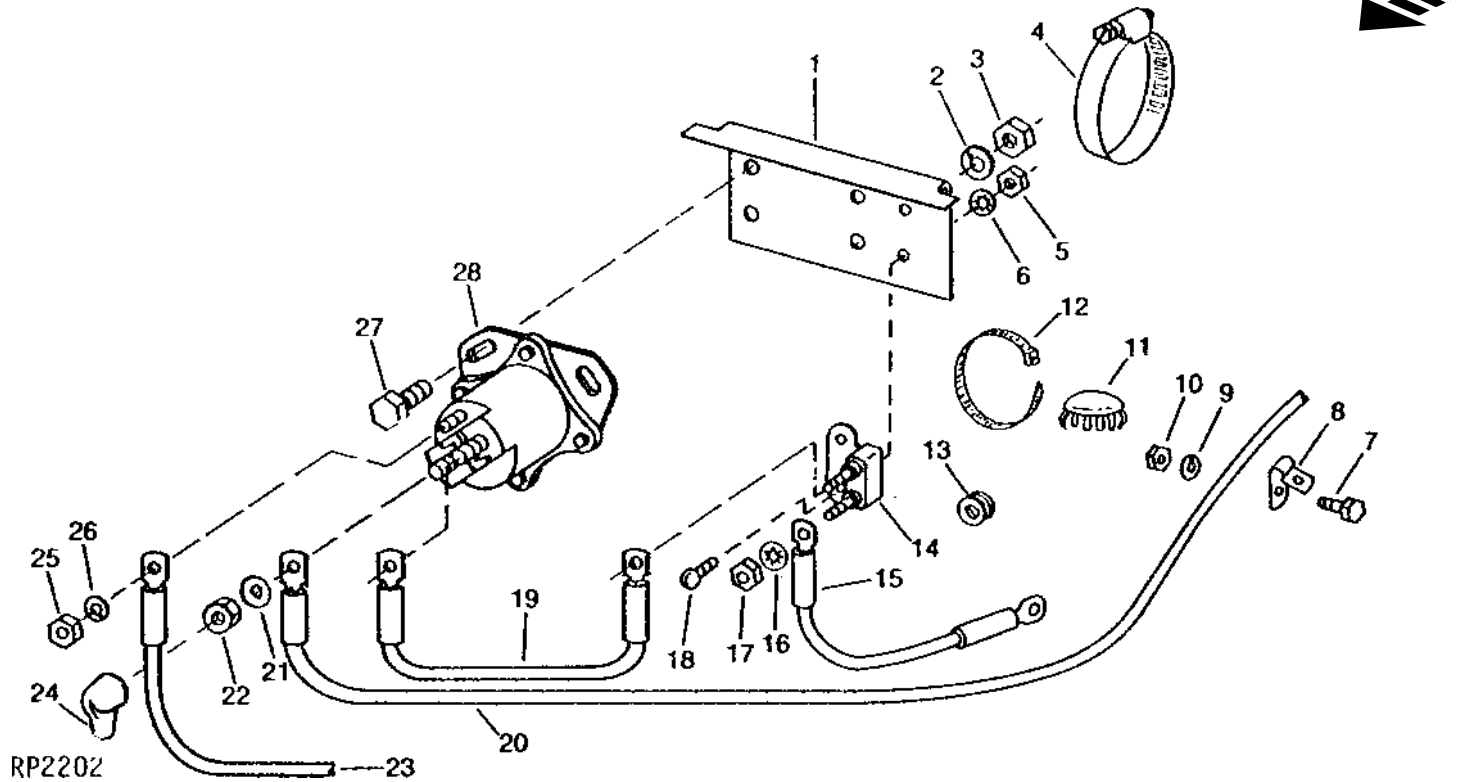
KEY	PART NO.	PART NAME	QTY	TRACTOR SERIAL NO.	REMARKS
1	AR62360	KIT	1	(TWO SWITCHES) (FI)	

# 2E18

ELECTRICAL

## ELECTRICAL REMOTE CONTROL WIRING

RP2202 -UN-01JAN94



KEY	PART NO.	PART NAME	QTY	TRACTOR SERIAL NO.	REMARKS
1	R69109	BRACKET	1	(SUB FOR R47859)	
2	12H297	LOCK WASHER	2	1/4"	
3	14H786	NUT	2	1/4"	
4	AR52392	CLAMP	2		
5	14H631	NUT	2	0.190"	
6	12M7060	WASHER	2	0.209"	
7	19H1731	CAP SCREW	2	3/8" X 1"	
8	T14264	CLAMP	2		
9	12H304	LOCK WASHER	2	3/8"	
10	14H732	NUT	2	3/8"	
11	R32276	PLUG	1	(CAB OPENING)	
12	R44302	TIE BAND	AR		
13	R41439	GROMMET	1		
14	AR50926	CIRCUIT BREAKER	1		
15	AR50930	WIRING LEAD	1	TO STARTER	
16	12M7060	WASHER	2	0.209"	
17	14H631	NUT	2	0.190"	
18	21H1295	SCREW	2	0.190" X 5/8"	
19	AR50929	WIRING LEAD	1		
20	AR50927	WIRING LEAD	1	TO SWITCH BOX	
21	12H303	LOCK WASHER	2	5/16"	
22	14H785	NUT	2	5/16"	
23	AR50931	WIRING LEAD	1	TO ACCESSORY CIRCUIT BREAKER	
24	R36732	BOOT	2		
25	14H631	NUT	1	0.190"	
26	12H246	LOCK WASHER	1	0.190"	
27	19H1919	CAP SCREW	2	1/4" X 5/8"	
28	<b>RE44657</b>	<b>RELAY</b>	1	<b>(FI)</b>	

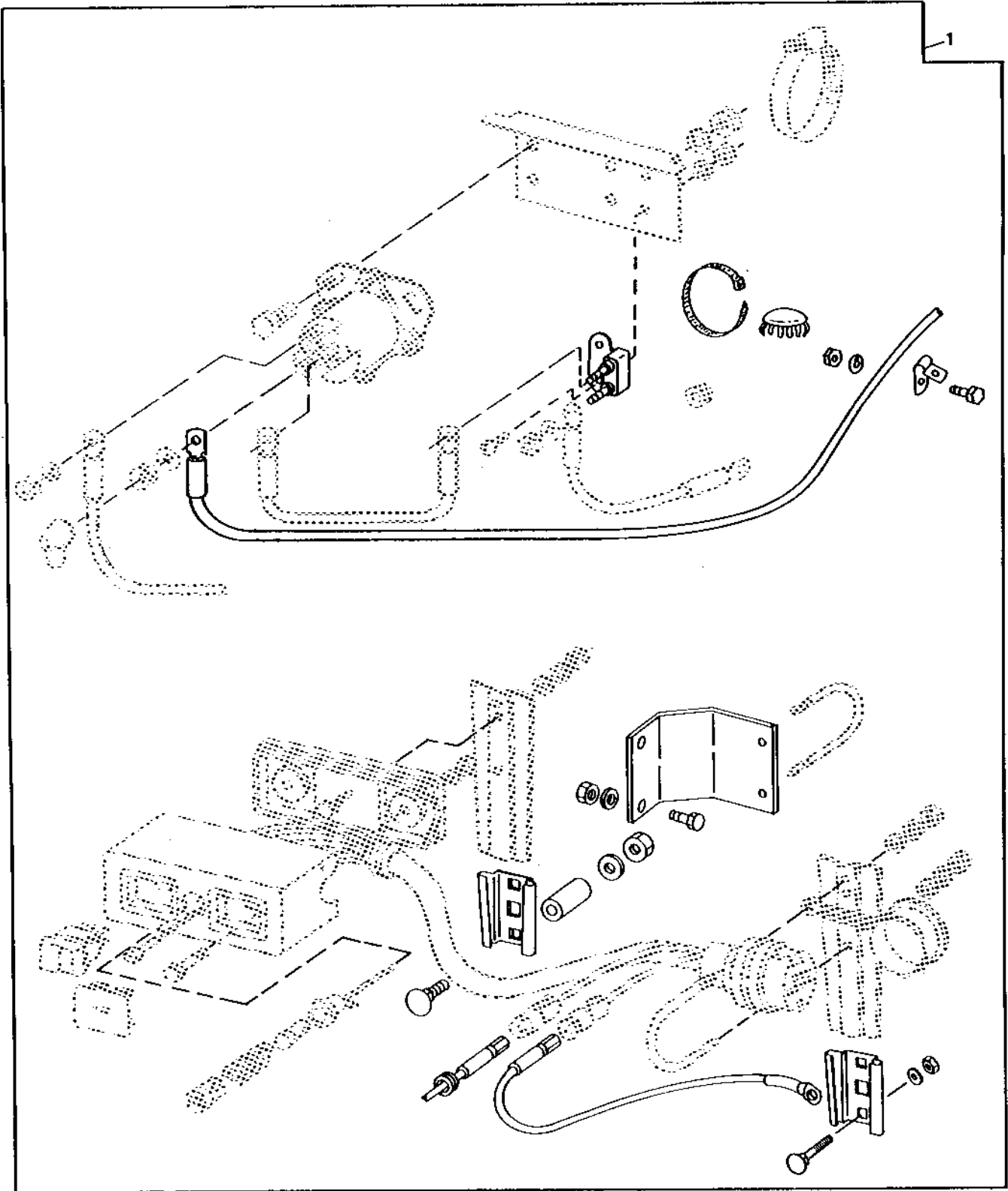
# 2E19

ELECTRICAL

RWP5666

-UN-01JAN94

## ELECTRICAL REMOTE CONTROL WIRING KIT



RWP5666

# 2E20

ELECTRICAL

## ELECTRICAL REMOTE CONTROL WIRING KIT - CONTINUED

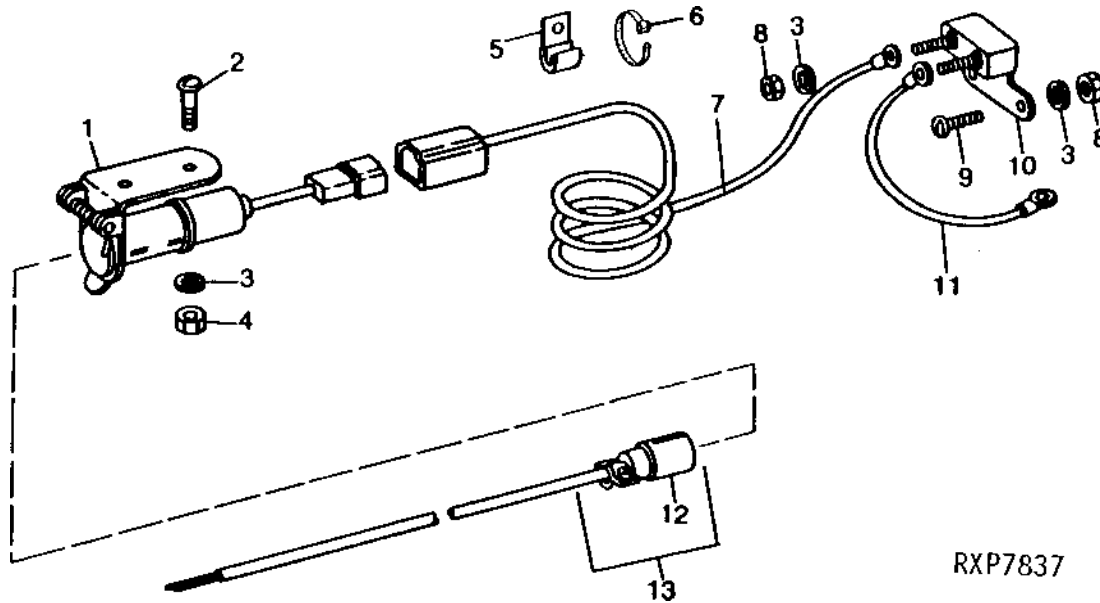
KEY	PART NO.	PART NAME	QTY	TRACTOR SERIAL NO.	REMARKS
1	RE25621	KIT	1	(SUB FOR AR62359) (FI)	

# 2E21

ELECTRICAL

RXP7837 -UN-23SEP94

## ELECTRICAL OUTLET SOCKET



RXP7837

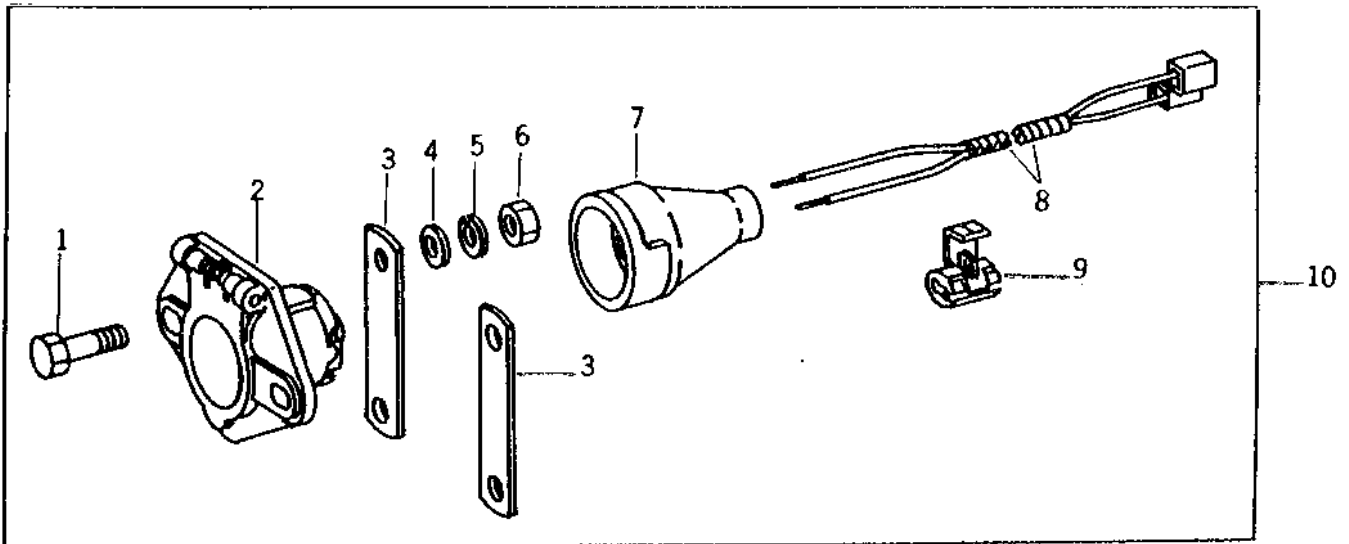
KEY	PART NO.	PART NAME	QTY	TRACTOR SERIAL NO.	REMARKS
1	AR26571	SOCKET	1		
2	21H1301	SCREW	2	0.190" X 1/2"	
3	12M7060	WASHER	6	0.209"	
4	14H778	NUT	2	0.190"	
5	T32231	CLAMP	2		
6	R44302	TIE BAND	5		
7	.....	WIRING LEAD	1		4153MM (163-1/2") (MAKE FROM R66321, T28585, R65600, R32019 AND R32028)
8	14H631	NUT	4	0.190"	
9	21H1295	SCREW	2	0.190" X 5/8"	
10	AR28403	CIRCUIT BREAKER	1		
11	.....	WIRING LEAD	1		152MM (6") (MAKE FROM R66321 AND (2) R32019)
12	AA5692R	ELECTRICAL PLUG	1		
13	AR40710	PLUG	1		

# 2E22

ELECTRICAL

R32128F -UN-01JAN94

## 7-TERMINAL ELECTRICAL OUTLET SOCKET



R32128F

KEY	PART NO.	PART NAME	QTY	TRACTOR SERIAL NO.	REMARKS
1	19H1905	CAP SCREW	4	5/16" X 1"	
2	AR75695	SOCKET OUTLET	1		
3	R61776	STRAP	2		
4	24H1136	WASHER	4	11/32" X 11/16" X 0.065"	
5	12H303	LOCK WASHER	4	5/16"	
6	14H785	NUT	2	5/16"	
7	R61775	BOOT	1		
8	AR75696	WIRING HARNESS	1		
9	AR67855	CONNECTOR	4	WIRE TAP	
10	RE17282	KIT	1	(SUB FOR AR75694) (FI)	

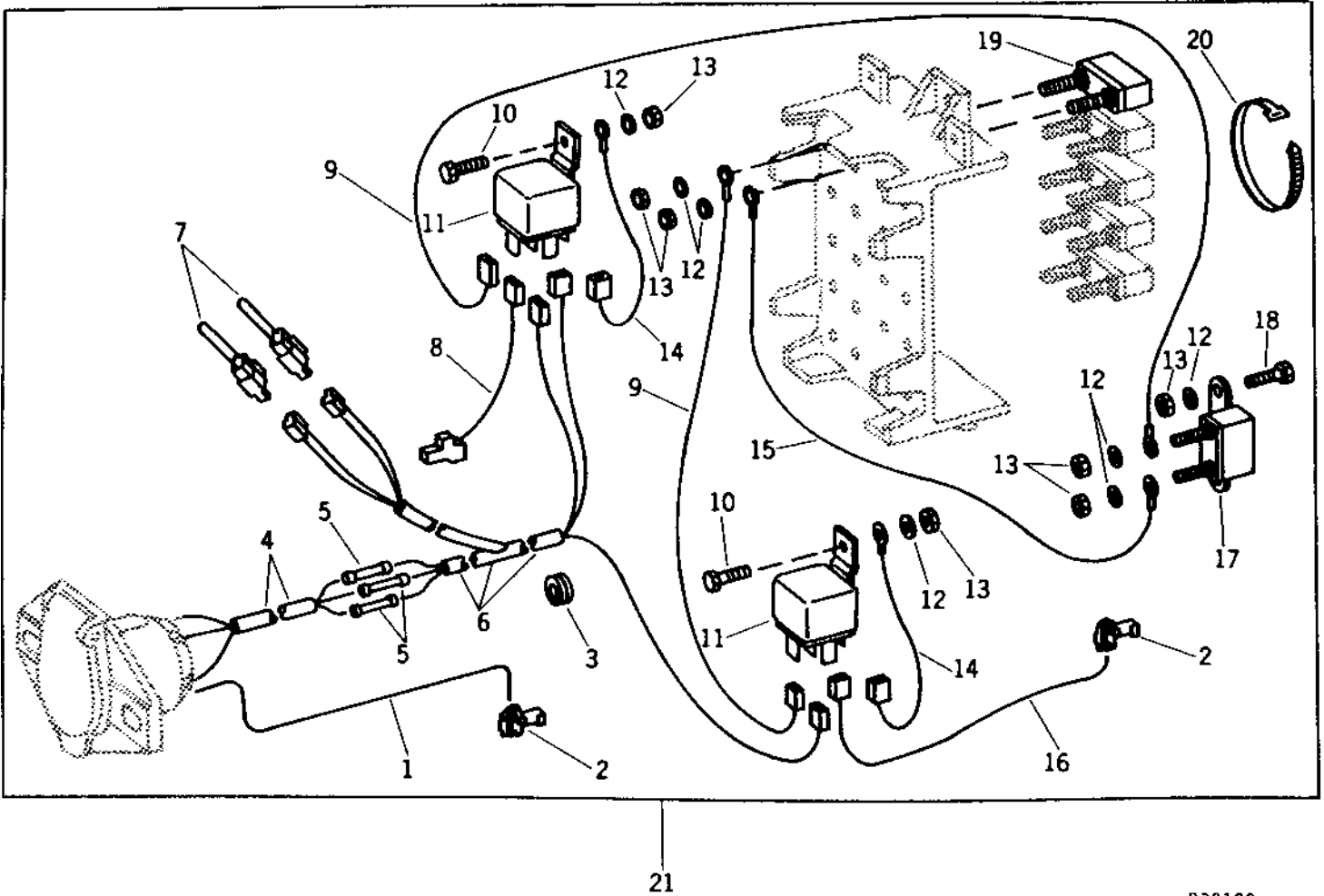
# 2E23

ELECTRICAL

## 7-TERMINAL SOCKET (SUPPLEMENTARY WIRING KIT)

R32129F

-UN-01JAN94



R32129



7-TERMINAL SOCKET - CONTINUED  
(SUPPLEMENTARY WIRING KIT)

KEY	PART NO.	PART NAME	QTY	TRACTOR SERIAL NO.	REMARKS
1	.....	WIRING LEAD	1		3962MM (156") (MAKE FROM R66319)
2	AR67855	CONNECTOR	2		WIRE TAP
3	R40445	GROMMET	1		
4	AR82910	WIRING HARNESS	1		
5	R32027	CONNECTOR	4		SPLICE
6	AR82912	WIRING HARNESS	1		
7	AR82911	WIRING LEAD	2		
8	AR50834	WIRING LEAD	1		
9	.....	WIRING LEAD	3		311MM (12-1/4") (MAKE FROM R66319, R32018, R32027 AND R32024)
10	21H1282	SCREW	2		0.190" X 7/8"
11	AR74411	RELAY	2		
12	12M7060	WASHER	8		0.209"
13	14H631	NUT	8		0.190"
14	.....	WIRING LEAD	2		152MM (6") (MAKE FROM R66319, R32021, R32027 AND R32025)
15	.....	WIRING LEAD	2		152MM (6") (MAKE FROM R66319 AND (2) R32018)
16	AR82909	WIRING LEAD	1		
17	AR49352	CIRCUIT BREAKER	1		30 AMP
18	21H1295	SCREW	2		0.190" X 5/8"
19	AR28403	CIRCUIT BREAKER	1		20 AMP
20	R44302	TIE BAND	AR		
21	AR78052	KIT	1		(USE WITH AR75694 OR RE17282) (FI)

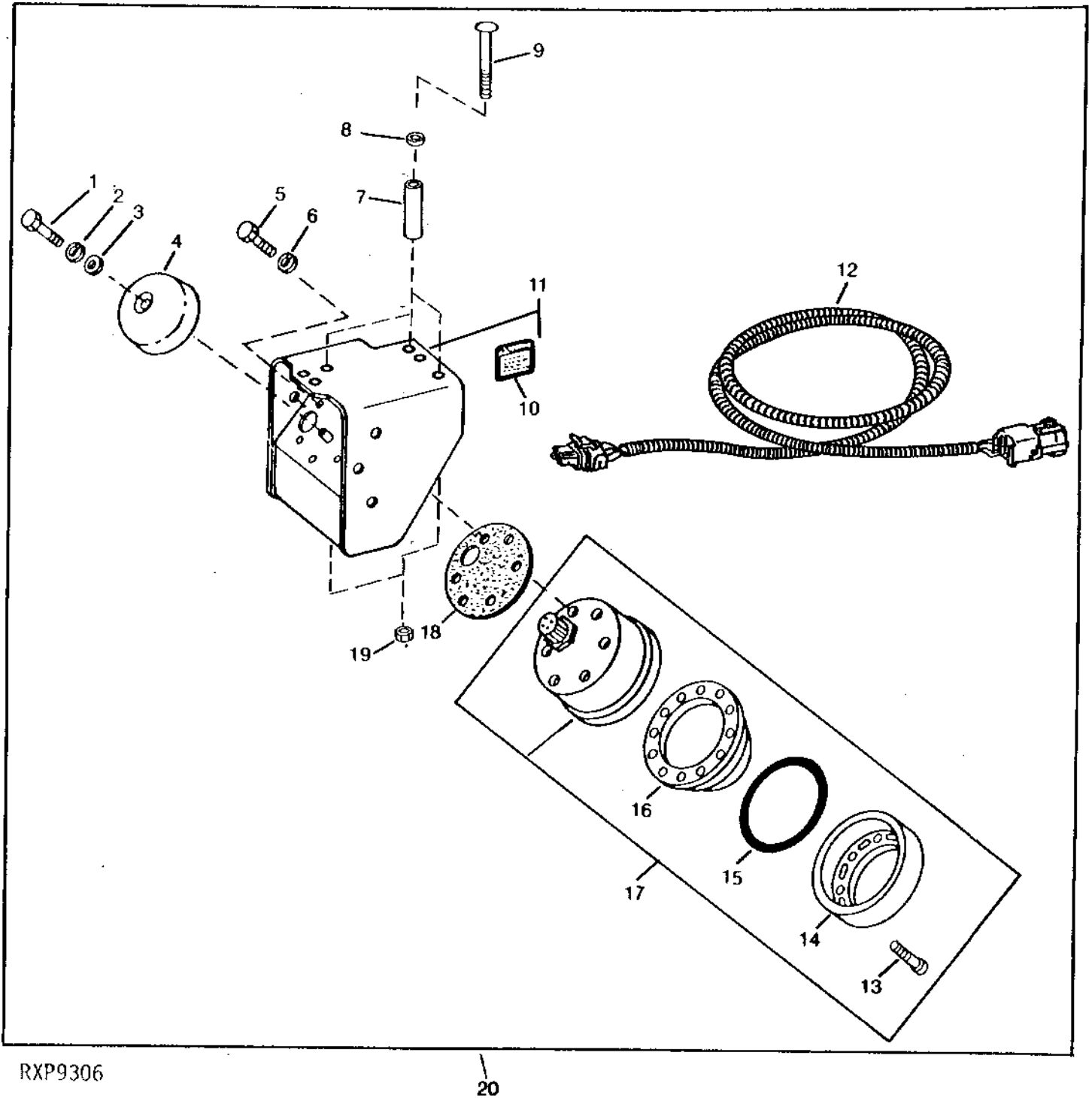
# 2F1

ELECTRICAL

RXP9306

-UN-01JAN94

## RADAR SENSOR



RXP9306

20

## RADAR SENSOR-CONTINUED

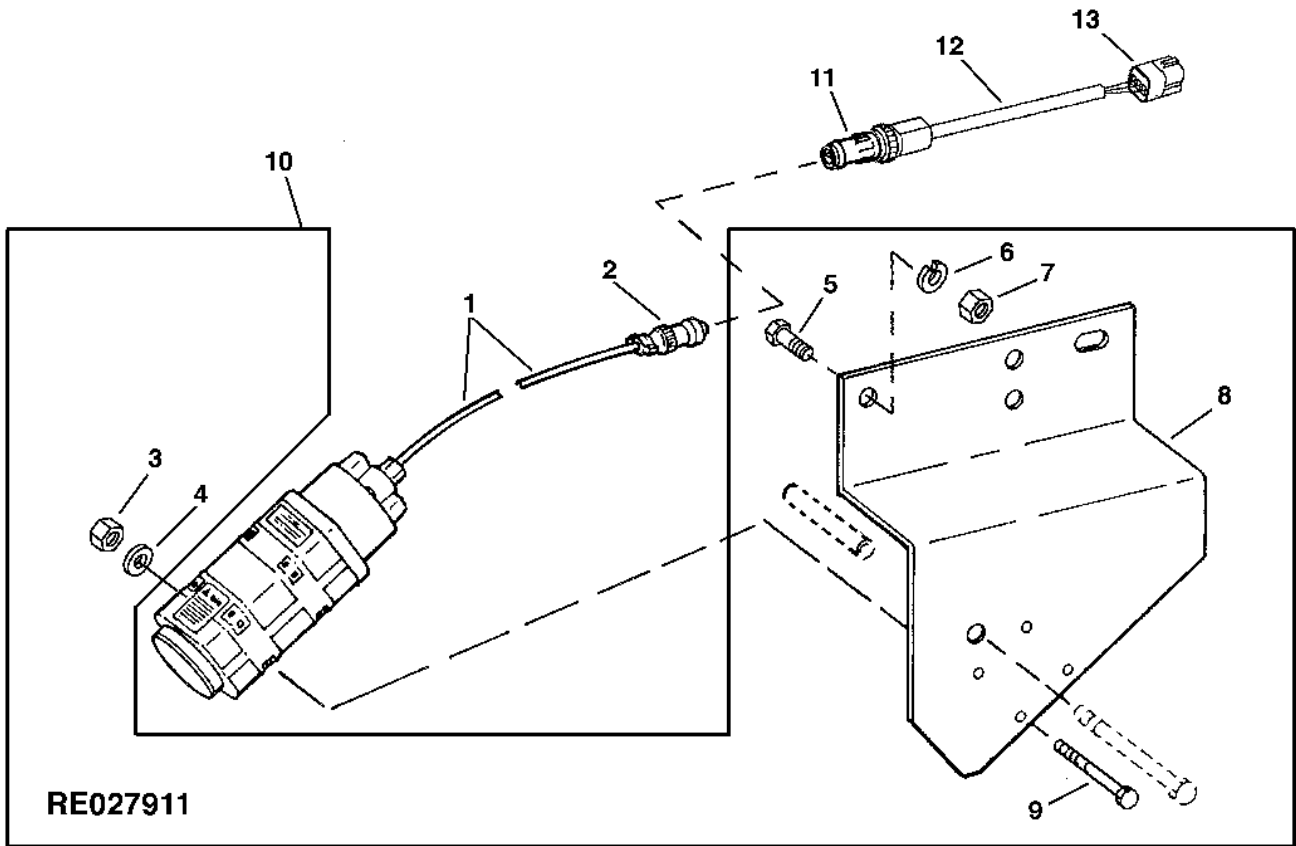
KEY	PART NO.	PART NAME	QTY	TRACTOR SERIAL NO.	REMARKS
1	19H1813	CAP SCREW	1	5/16" X 5/8"	
2	12H303	LOCK WASHER	1	5/16"	
3	24H1136	WASHER	1	11/32" X 11/16" X 0.065"	
4	R82355	SHIELD	1		
5	19H1813	CAP SCREW	6	5/16" X 5/8"	
6	12H303	LOCK WASHER	6	5/16"	
7	28H3343	BUSHING	3	0.546" X 0.840" X 5-3/8"	
8	24H1625	WASHER	2	17/32" X 1" X 0.120"	
9	03H2052	BOLT	3	1/2" X 6-1/2"	
10	R120107	LABEL	1	(ENGLISH)	
	R120106	LABEL	1	(FRENCH)	
	R105942	LABEL	1	(GERMAN)	
	R120108	LABEL	1	(SPANISH)	
	L65000	LABEL	1		
11	RE46317	BRACKET	1	(SUB FOR RE21096 OR RE38707)	
12	RE46414	WIRING HARNESS	1		
13	R82239	SCREW	12		
14	R82237	SNAP RING	1		
15	R82238	O-RING	1		
16	R82236	COVER	1		
17	RE43025	RADAR SENSOR	1	(SUB RE66845 OR AA41337)	
	RE66845	RADAR SENSOR	1	(REMANUFACTURED)	
18	R82243	GASKET	1		
19	14H1040	NUT	3	1/2"	
20	AR111058	SENSOR	1	(SUB FOR RE21510 OR RW26466) (SUB AA41337, BA6064 AND RE71409) (FI)	

# 2F3

ELECTRICAL

RE027911 -UN-15MAY97

## RADAR SENSOR



RE027911

# 2F4

ELECTRICAL

## RADAR SENSOR - CONTINUED

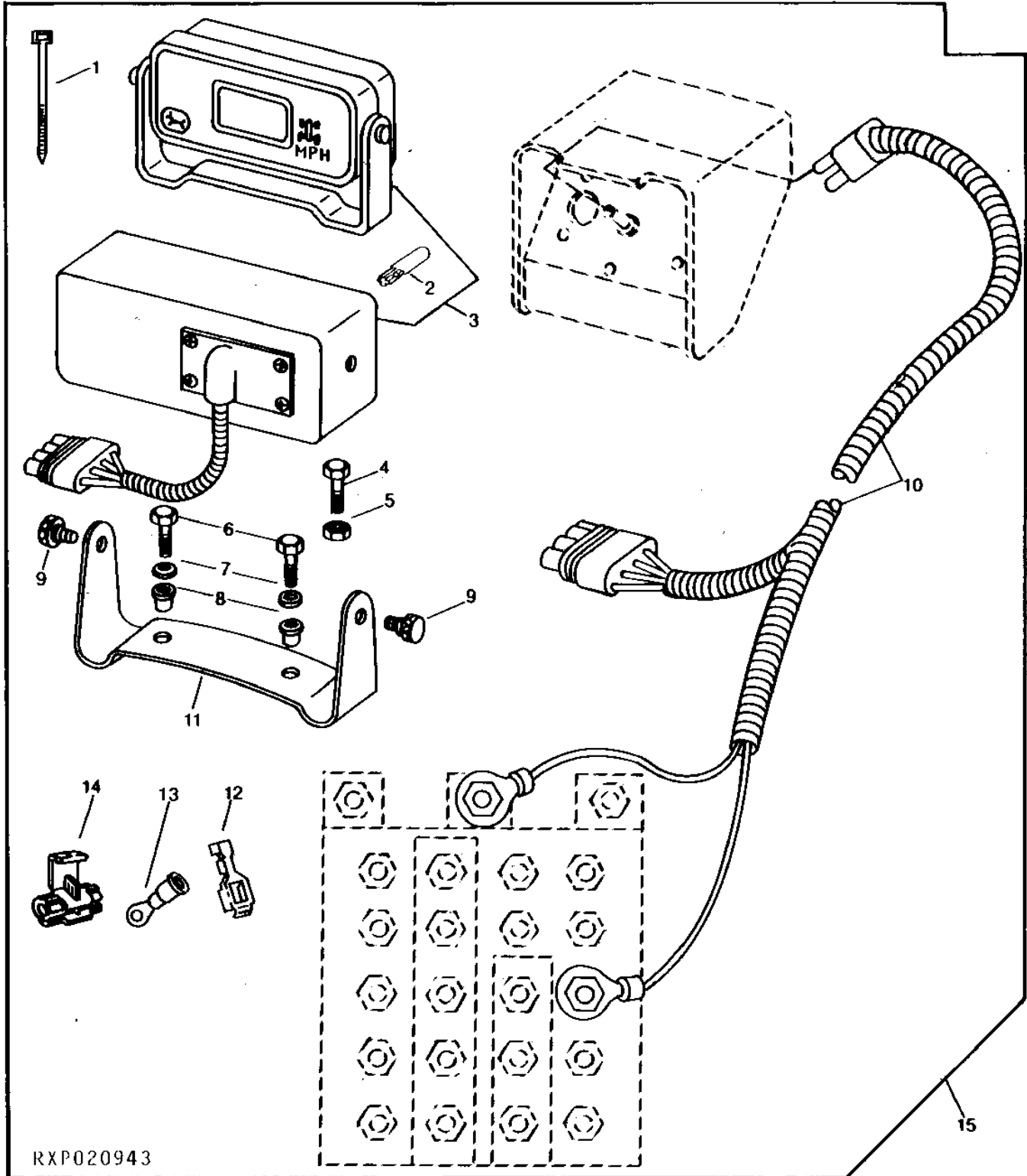
KEY	PART NO.	PART NAME	QTY	TRACTOR SERIAL NO.	REMARKS
1	AA41337	SENSOR	1		(SUB FOR RE43025)
2	AA35686	CLAMP	1		
	R77461	CONNECTOR	1		
	R77464	PIN CONTACT	3		
3	K40001	LOCK NUT	4		
4	24H1287	WASHER	4		9/32" X 5/8" X 0.065"
5	03H1528	BOLT	2		5/8" X 1-1/2"
6	12H294	LOCK WASHER	2		5/8"
7	14H1039	NUT	2		5/8"
8	A49845	BRACKET	1		
9	19H2337	CAP SCREW	4		1/4" X 4"
<b>10</b>	<b>BA26064</b>	<b>KIT</b>	<b>1</b>		<b>(SUB FOR RW26466 OR AR111058) (FI)</b>
11	57M7421	PIN CONTACT CONNECTOR BODY	1		
12	RE71409	WIRING HARNESS	1		
13	T138822	CONNECTOR	1		
	57M7251	TERMINAL	3		
	57M7292	INSULATING CAPSULE	1		
	R78064	ELECTRICAL PLUG	1		

# 2F5

ELECTRICAL

## PERFORMANCE TRAK II MINI-MONITOR (ANALOG TACHOMETER)

RXP020943 -UN-12OCT94



RXP020943

# 2F6

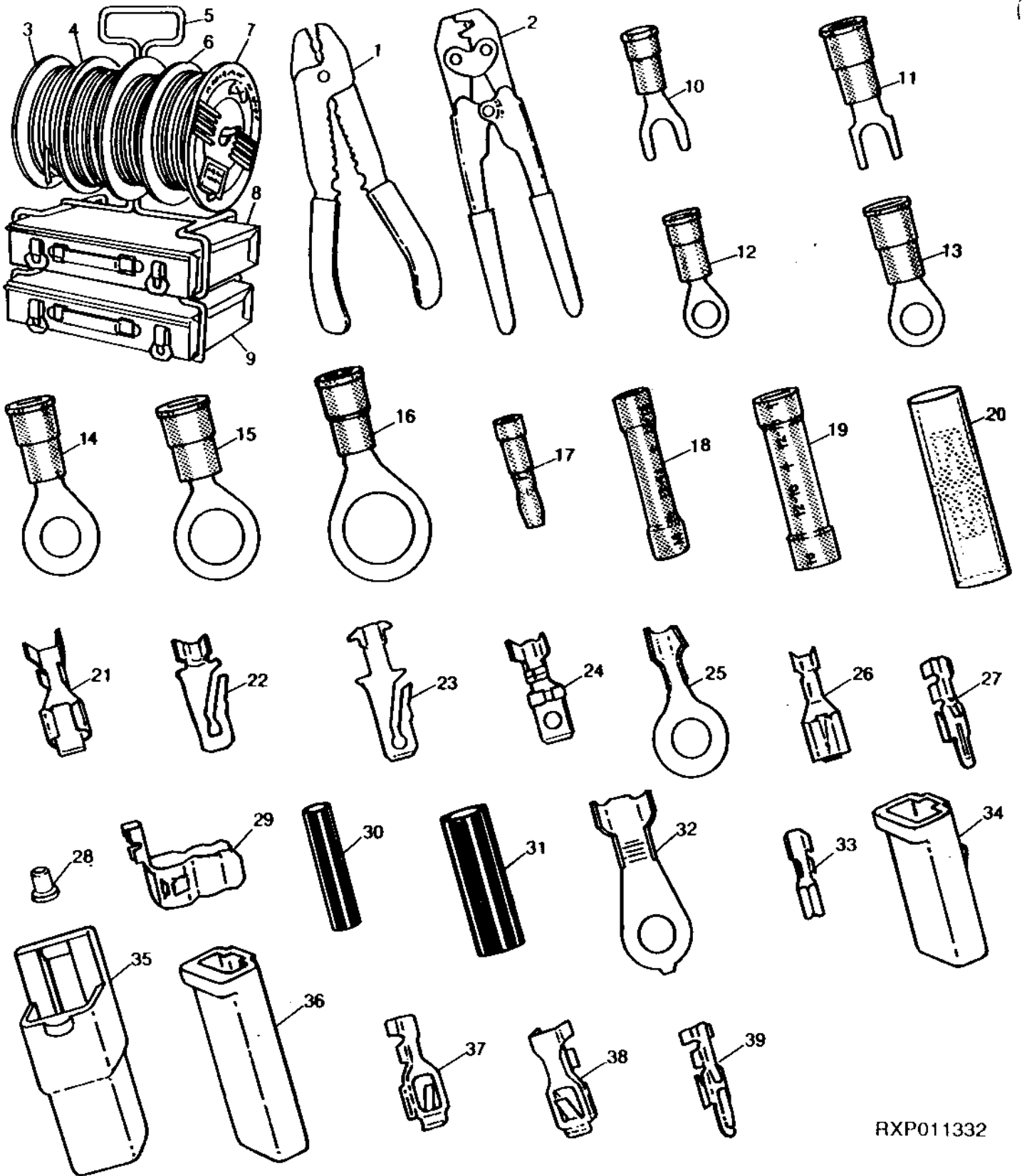
ELECTRICAL

## PERFORMANCE TRAK II MINI-MONITOR - CONTINUED (ANALOG TACHOMETER)

KEY	PART NO.	PART NAME	QTY	TRACTOR SERIAL NO.	REMARKS
1	R44302	TIE BAND	AR		
2	RE22589	LAMP	1		
3	RE21112	MONITOR CONSOLE	1		
4	19H1978	CAP SCREW	3		7/16" X 1-1/2"
	12H293	LOCK WASHER	3		7/16"
5	14H1047	NUT	3		7/16"
	14H786	NUT	2		1/4"
6	19H1914	CAP SCREW	2		1/4" X 1"
7	24H1287	WASHER	4		9/32" X 5/8" X 0.065"
8	R82423	NUT	2		RUBBER
9	R83055	WING SCREW	2		
10	RE21113	WIRING HARNESS	1		3500MM (138")
11	R83109	BRACKET	1		
12	U46662	TERMINAL	1		
13	R77489	TERMINAL	1		
	R84158	TERMINAL	1		
14	AR67855	CONNECTOR	3		
15	<b>RE21738</b>	<b>MONITOR CONSOLE</b>	<b>1</b>	<b>(FI)</b>	

RXP011332 -UN-27SEP94

## ELECTRICAL TERMINALS, CONNECTORS AND WIRING



RXP011332



# 2F8

ELECTRICAL

## ELECTRICAL TERMINALS,CONNECTORS AND WIRING - CONTINUED

KEY	PART NO.	PART NAME	QTY	TRACTOR SERIAL NO.	REMARKS
1	R32011	TOOL	1	(NLA)	
2	R65594	TOOL	1		
3	R66319	WIRING LEAD	1	14 GA., 30.5 M (100 FT.) (1 SPOOL)	
4	R65593	WIRING LEAD	1	16 GA., 30.5 M (100 FT.) (1 SPOOL)	
5	R65608	RACK	1		
6	R66321	WIRING LEAD	1	10 GA., 15 M (50 FT.) (1 SPOOL)	
7	R66320	WIRING LEAD	1	(SUB TY16069) 12 GA., 30.5 M (100 FT.) (1 SPOOL)	
8	R65609	CONTAINER	1	(NLA)	
9	R65610	CONTAINER	1		
10	R32016	TERMINAL	1	14-16 GA., NO. 10 SPADE	
11	R32017	TERMINAL	1	10-12 GA., NO. 10 SPADE	
12	R32018	TERMINAL	1	14-16 GA., NO. 10 EYELET	
13	R32019	TERMINAL	1	10-12 GA., NO. 10 EYELET	
14	R32021	TERMINAL	1	10-12 GA., 1/4" EYELET	
15	R32022	TERMINAL	1	10-12 GA., 3/8" EYELET	
16	R32023	TERMINAL	1	10-12 GA., 1/2" EYELET	
17	R32026	TERMINAL	1	MALE BULLETT	
18	R32027	CONNECTOR	1	SPLICE, 14-16 GA.	
19	R32028	TERMINAL	1	SPLICE, 10-12 GA.	
20	AL2976T	CONNECTOR	1	(SUB FOR R32029) 2-WIRE BULLETT CONNECTOR	
21	R65595	TERMINAL	1	FEMALE, 10 GA.	
22	R65596	TERMINAL	1	MALE, 10 GA. OR TWO 14 GA. CABLES	
23	R65597	TERMINAL	1	MALE, 14-16 GA.	
24	R65598	TERMINAL	1	MALE, SHORT, 14-16 GA.	
25	R65599	TERMINAL	1	14-16 GA., 1/4" EYELET	
26	R65600	TERMINAL	1	FEMALE, 14-16 GA.	
27	R65601	TERMINAL	1	TWIN-LOCK, TWO 16 GA. CABLES	
28	R65602	SOCKET CONTACT	1	BULB SOCKET, 16-18 GA.	
29	R65603	TERMINAL NIPPLE	1	FUSE	
30	R65604	INSULATING SLEEVE	1	14-18 GA.	
31	R65605	INSULATING SLEEVE	1	8-12 GA.	
32	R65606	TERMINAL	1	6-8 GA., 1/4" EYELET	
33	R65607	TERMINAL	1	18-20 GA.	
34	T28583	RECEPTACLE CONNECTOR BODY	1	ONE CONTACT LOCK-TYPE, MALE	
35	T28585	TAB CONNECTOR BODY	1	ONE CONTACT LOCK-TYPE, FEMALE	
36	U46370	CONNECTOR	1	CONNECTOR, ONE CONTACT SINGLE BODY, MALE	
37	U46662	TERMINAL	1	FEMALE	
38	U46663	TERMINAL	1	FEMALE	
39	U46664	TERMINAL	1	FEMALE	

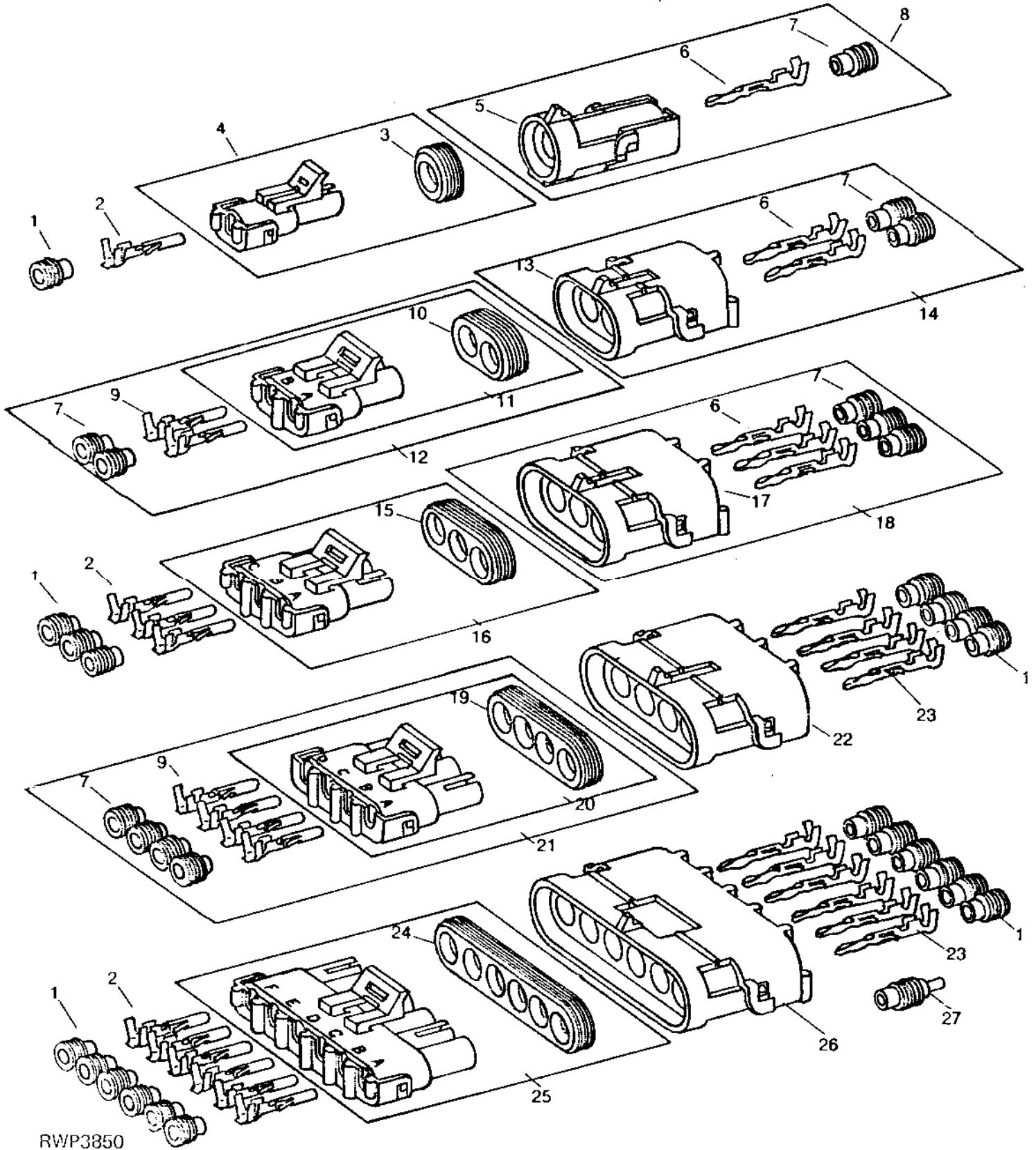
# 2F9

ELECTRICAL

RWP3850

-UN-01JAN94

## WEATHERPACK TERMINALS AND CONNECTORS



# 2F10

ELECTRICAL

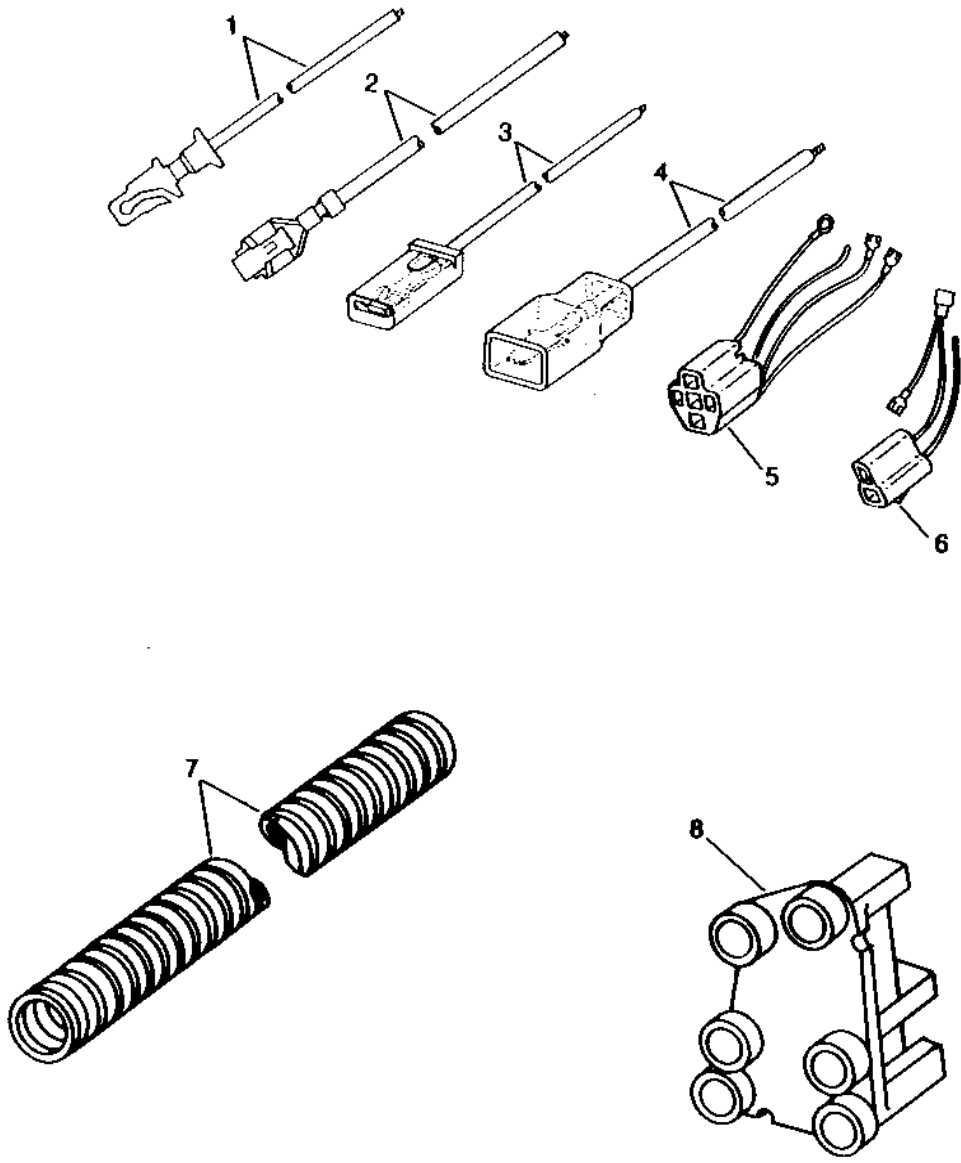
## WEATHERPACK TERMINALS AND CONNECTORS - CONTINUED

KEY	PART NO.	PART NAME	QTY	TRACTOR SERIAL NO.	REMARKS
1	R78063	TERMINAL NIPPLE	1		(PKG. OF 40) (16 GA. WIRE) (GRAY)
	R78059	ELECTRICAL PLUG	1		(PKG. OF 40) (18 OR 20 GA. WIRE) (GREEN)
	R78062	TERMINAL NIPPLE	1		(PKG. OF 40) (14 GA. WIRE) (BLUE)
2	R78057	SOCKET CONTACT	1		(PKG. OF 40) (18 OR 20 GA. WIRE) (NO. 19)
	R78060	SOCKET CONTACT	1		(PKG. OF 40) (14 OR 16 GA. WIRE) (NO. 15)
3	R78047	SEAL	1		(PKG. OF 5)
4	RE12362	CONNECTOR	1		(PKG. OF 3)
5	R78052	PIN CONTACT CONNECTOR BODY	1		(PKG. OF 3)
6	R78061	PIN CONTACT	1		(PKG. OF 40) (14 OR 16 GA. WIRE) (NO. 15)
7	R78063	TERMINAL NIPPLE	1		(PKG. OF 40) (16 GA. WIRE) (GRAY)
8	RE12334	CONNECTOR	1		
9	R78060	SOCKET CONTACT	1		(PKG. OF 40) (14 OR 16 GA. WIRE) (NO. 15)
10	R78048	TERMINAL NIPPLE	1		(PKG. OF 5)
11	RE12363	CONNECTOR	1		(PKG. OF 3)
12	RE12331	CONNECTOR	1		(SUB RE12363, (2) R78060 AND (2) R78063)
13	R78053	PIN CONTACT CONNECTOR BODY	1		(PKG. OF 3)
14	RE12330	CONNECTOR	1		
15	R78049	SEAL	1		(PKG. OF 5)
16	RE12364	SOCKET CONT.CONNECTOR BODY	1		(PKG. OF 3)
17	R78054	PIN CONTACT CONNECTOR BODY	1		(PKG. OF 3)
18	RE12332	CONNECTOR	1		
19	R78050	SEAL	1		(PKG. OF 5)
20	RE12365	CONNECTOR	1		(PKG. OF 2)
21	RE12333	CONNECTOR	1		
22	R78055	PIN CONTACT CONNECTOR BODY	1		(PKG. OF 2)
23	R78061	PIN CONTACT	1		(PKG. OF 40) (14 OR 16 GA. WIRE) (NO. 15)
	R78058	PIN CONTACT	1		(PKG. OF 40) (18 OR 20 GA. WIRE) (NO. 19)
24	R78051	SEAL	1		(PKG. OF 5)
25	RE12366	CONNECTOR	1		(PKG. OF 2)
26	R78056	PIN CONTACT CONNECTOR BODY	1		(PKG. OF 2)
27	R78064	ELECTRICAL PLUG	1		(PKG. OF 40)

# 2F11

## SUPPLEMENTARY TERMINALS AND CONNECTORS

RXP8619 -UN-28NOV94



-----

# 2F12

ELECTRICAL

## SUPPLEMENTARY TERMINALS, CONNECTORS AND REPAIR CONDUIT - CONTINUED

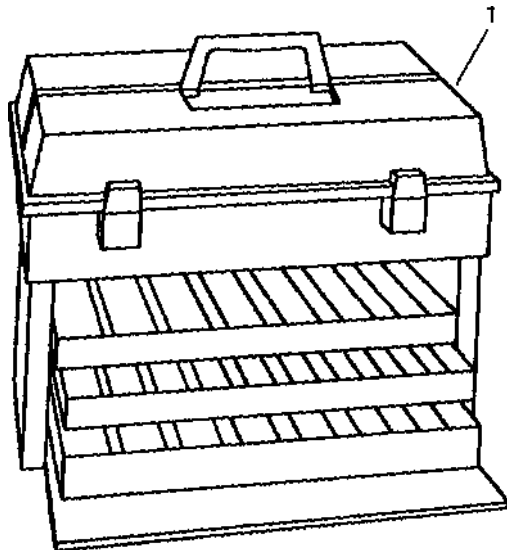
KEY	PART NO.	PART NAME	QTY	TRACTOR SERIAL NO.	REMARKS
1	AR65005	TERMINAL	1		
2	AR65006	TERMINAL	1		
3	R32024	WIRING LEAD	1		
4	R32025	WIRING LEAD	1		
5	RE21730	TERMINAL	1		
6	RE21732	TERMINAL	1		
7	R93219	CONDUIT	1		6.3 X 3048MM (1/4" X 120")
	R93220	CONDUIT	1		10.4 X 3048MM (13/32" X 120")
	R93221	CONDUIT	1		15.9 X 3048MM (5/8" X 120")
	R93222	CONDUIT	1		25.4 X 3048MM (1" X 120")
8	AR83425	RECEPTACLE CONNECTOR BODY	1		(LIGHT SWITCH)

# 2F13

ELECTRICAL

RXP010001 -UN-01JAN94

## ELECTRICAL CONNECTOR AND TERMINAL KIT



RXP010001

KEY	PART NO.	PART NAME	QTY	TRACTOR SERIAL NO.	REMARKS
1	PM797NA	KIT	1	(A)	

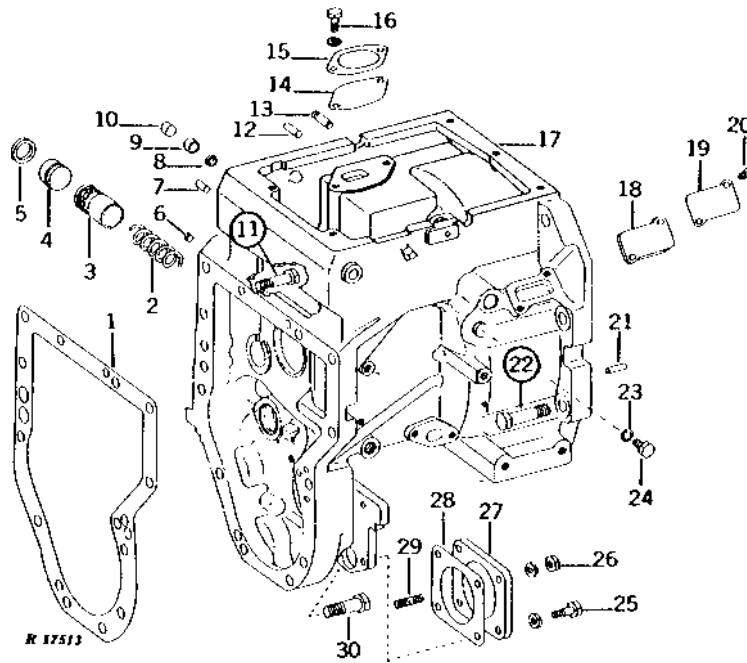
(A) KIT INCLUDES CONNECTORS, TERMINALS AND TOOLS

# 2F18

POWER TRAIN

R17513 -UN-01JAN94

## CLUTCH HOUSING (POWER SHIFT)



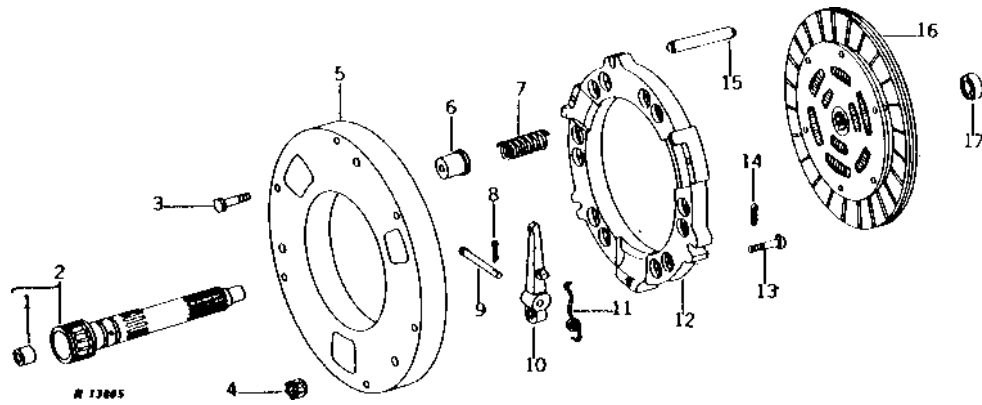
KEY	PART NO.	PART NAME	QTY	TRACTOR SERIAL NO.	REMARKS
1	R33908	GASKET	1		
2	R33526	SPRING	1	-150000	
3	R33525	PISTON	1	-150000	
4	R47443	PIN	1	150001-	
5	R48594	SEAL	1	150001-	
6	R46373	PIPE PLUG	1	-150000	ACCUMULATOR BYPASS, (SUB FOR R33528)
7	R1612R	DOWEL PIN	2		CLUTCH OIL VALVE
8	AR26338	SEAL	1		PTO CLUTCH VALVE SHAFT
9	R28359	WASHER	1		PTO CLUTCH VALVE SHAFT
10	R28361	DOWEL PIN	1		(TRACTORS LESS PTO)
11	19H1847	CAP SCREW	2		5/8" X 2-1/2"
12	34H351	SPRING PIN	1		3/8" X 1-1/2" (L.H. PLATFORM SUPPORT)
13	R33837	PIN	1		CLUTCH PEDAL RETURN
14	R34212	GASKET	1	150001-	(TRACTORS LESS TRANSMISSION DISCONNECT)
15	R33963	CLAMP	1		
16	19H2127	CAP SCREW	2		5/16" X 7/8"
	12H303	LOCK WASHER	2		5/16"
17	AR41004	HOUSING	1	-150000	(MARKED R40510) (SUB AR52164)
	AR52164	HOUSING	1	150001-	(MARKED R47700 OR R47770)
18	R31494	GASKET	1		(SUB R67989)
19	R31493	COVER	1		
20	21H1318	SCREW	2		0.216" X 1/2"
21	T26565	DOWEL PIN	2		(SUB FOR C1220R)
22	19H1707	CAP SCREW	6		3/4" X 2-3/4"
23	R26286	O-RING	1		
24	R27094	DRAIN PLUG	1		
25	19H1815	CAP SCREW	2		1/2" X 1-1/4"
	12H301	LOCK WASHER	2		1/2"
26	14H1040	NUT	2		1/2"
	12H301	LOCK WASHER	2		1/2"
27	R33216	COVER	1		(TRACTORS LESS PTO)
28	R33236	GASKET	1		
29	R32101	STUD	2		1/2" X 1-3/4"
30	19H1707	CAP SCREW	8		3/4" X 2-3/4"
	19H2026	CAP SCREW	2		3/4" X 4"
	19H2174	CAP SCREW	8		3/4" X 4-1/4"

# 2F19

POWER TRAIN

R13805 -UN-01JAN94

## TRANSMISSION DISCONNECT CLUTCH (POWER SHIFT)



KEY	PART NO.	PART NAME	QTY	TRACTOR SERIAL NO.	REMARKS
1	R33168	BUSHING	1		
2	AR32462	SHAFT	1		
3	R49527	CAP SCREW	6		
4	R39893	NUT	3		
5	R42110	COVER	1		
6	R33135	BUSHING	12		
7	R26637	SPRING	12		
8	11M7059	COTTER PIN	3		3.200 X 20 MM
9	R31711	PIN	3		
10	R39892	LEVER	3		
11	R20152	SPRING	3		
12	R40806	CLUTCH PLATE	1	-150000	(SUB R46807)
	R46807	CLUTCH PLATE	1	150001-	
13	R31713	BOLT	3		
14	11M7081	COTTER PIN	3		0.098" X 0.787"
15	R32192	DOWEL PIN	3		
16	AR40686	CLUTCH DISK	1		(SUB RE29607)
17	JD9449	BALL BEARING	1		(SUB FOR JD9281)

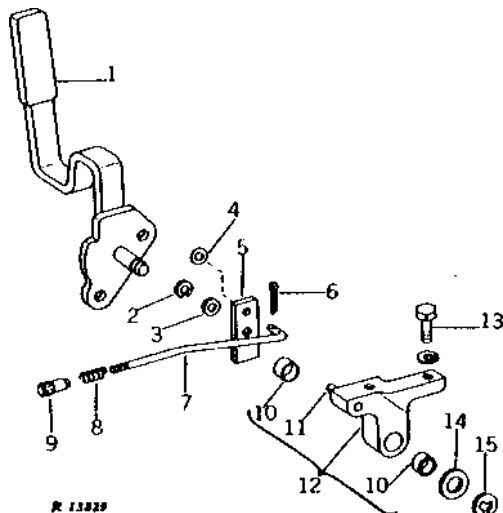


# 2F20

POWER TRAIN

## TRANSMISSION DISCONNECT CLUTCH LEVER LINKAGE (POWER SHIFT)

R13829 -UN-01JAN94



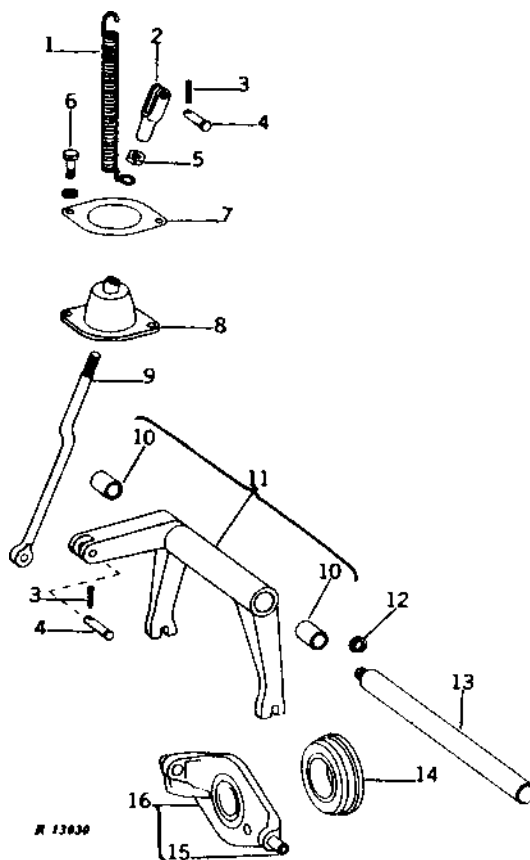
KEY	PART NO.	PART NAME	QTY	TRACTOR SERIAL NO.	REMARKS
1	AR40694	LEVER	1		
2	F3396R	SNAP RING	1		
3	24M7096	WASHER	1	10.500 X 18 X 1.600 MM	
4	24H1283	WASHER	1	7/32" X 1/2" X 0.049"	
5	R40970	STRAP	1		
6	11M7005	COTTER PIN	1	0.063" X 0.394"	
7	R40971	ROD	1		
8	A4580R	SPRING	1		
9	R40972	PUSH BUTTON	1		
10	R27116	BUSHING	2		
11	F3392R	PIN	1		
12	AR40671	SUPPORT	1	(MARKED R40845)	
13	19H1936	CAP SCREW	2	3/8" X 3/4"	
	12H304	LOCK WASHER	2	3/8"	
14	24H1395	WASHER	1	25/32" X 1-7/16" X 0.060"	
15	R27434	SNAP RING	1		

# 2F21

POWER TRAIN

## TRANSMISSION DISCONNECT CLUTCH FORK, SHAFT, AND CONTROL ROD (POWER SHIFT)

R13830 -UN-01JAN94



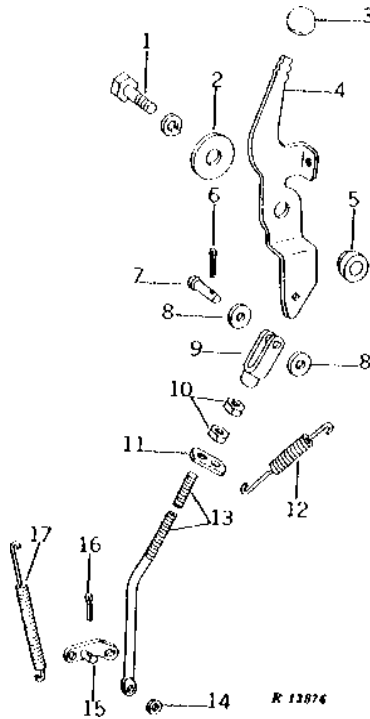
KEY	PART NO.	PART NAME	QTY	TRACTOR SERIAL NO.	REMARKS
1	R41892	SPRING	1		
2	L300T	YOKE	1		
3	11M7015	COTTER PIN	2	3.200 X 25 MM	
4	B178R	PIN	2		
5	14H934	NUT	1	7/16"	
6	19H2127	CAP SCREW	2	5/16" X 7/8"	
7	12H303	LOCK WASHER	2	5/16"	
8	R33963	CLAMP	1		
8	R33962	BOOT	1		
9	R33154	ROD	1		
10	R27320	BUSHING	2		
11	AR32140	FORK	1	(MARKED R33195)	
12	B169R	SNAP RING	2		
13	R33194	SHAFT	1		
14	AM3983T	THRUST BEARING	1		
15	R35075	QUICK LOCK PIN	2		
16	AR51193	CRADLE	1	(MARKED R33196 OR R48178) (SUB FOR AR32141)	

# 2F22

POWER TRAIN

R13876 -UN-01JAN94

## PTO CLUTCH CONTROL (POWER SHIFT)



KEY	PART NO.	PART NAME	QTY	TRACTOR SERIAL NO.	REMARKS
1	19H2354	CAP SCREW	1		9/16" X 1-1/4"
	12H317	LOCK WASHER	1		9/16"
2	F2912R	WASHER	1		
3	R40948	KNOB	1		
4	R41370	LEVER	1		
5	R26574	WASHER	1		
6	11M7081	COTTER PIN	1		0.098" X 0.787"
7	R65563	PIN	1		(SUB FOR C1067R)
8	24H1309	WASHER	2		13/32" X 1-1/16" X 0.120"
9	L324T	YOKE	1		
10	14H774	NUT	2		3/8"
11	R41501	BUSHING	1		
12	R42091	SPRING	1		
13	R42090	ROD	1		(SUB FOR R45209)
14	24H1286	WASHER	1		9/32" X 1/2" X 1/16"
15	AR48689	ARM	1		(SUB FOR AR40929)
16	11M7077	COTTER PIN	1		0.063" X 0.984"
17	F2762R	SPRING	1		

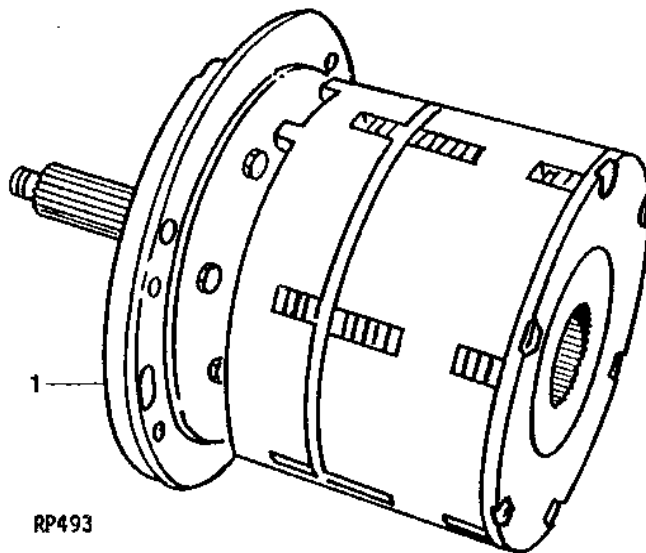
# 2F23

POWER TRAIN

RP493

-UN-01JAN94

## CLUTCH ASSEMBLY (POWER SHIFT)



RP493

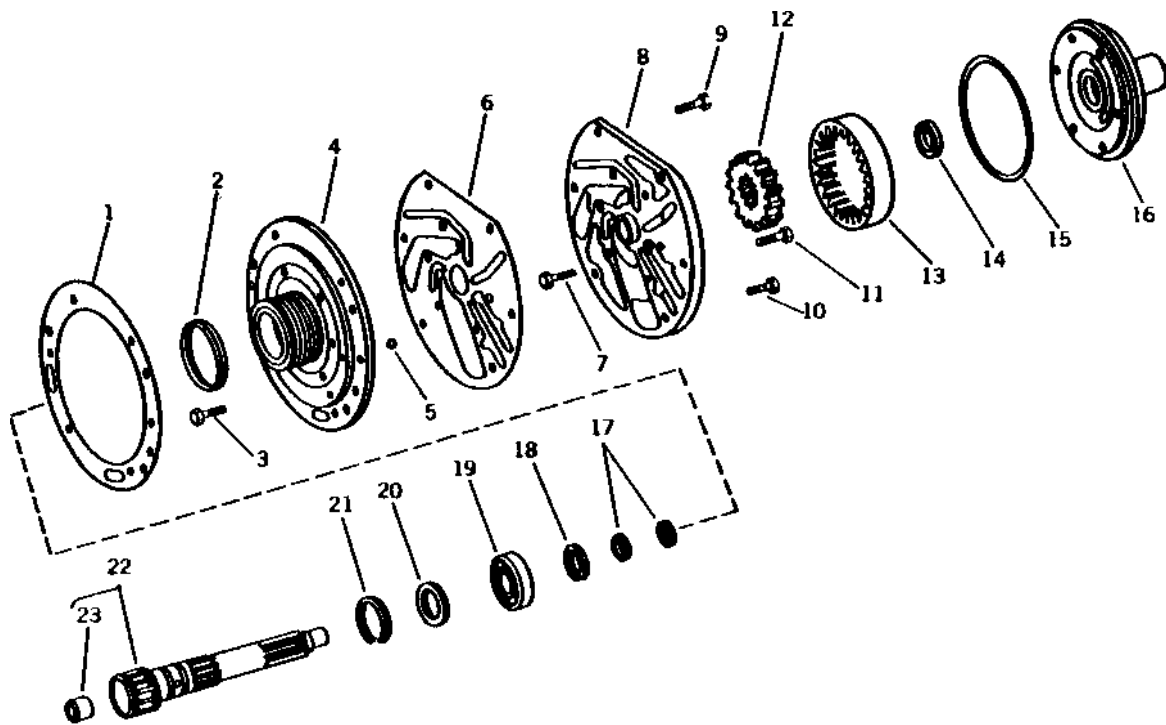
KEY	PART NO.	PART NAME	QTY	TRACTOR SERIAL NO.	REMARKS
1	AR91599	CLUTCH	1		(SUB FOR AR53208) (TRACTORS LESS PTO)
	AR91600	CLUTCH	1		(SUB FOR AR53209) (TRACTORS WITH PTO) (NLA)

# 2F24

POWER TRAIN

## TRANSMISSION CLUTCH OIL PUMP AND MANIFOLD (POWER SHIFT)

R12622 -UN-01JAN94



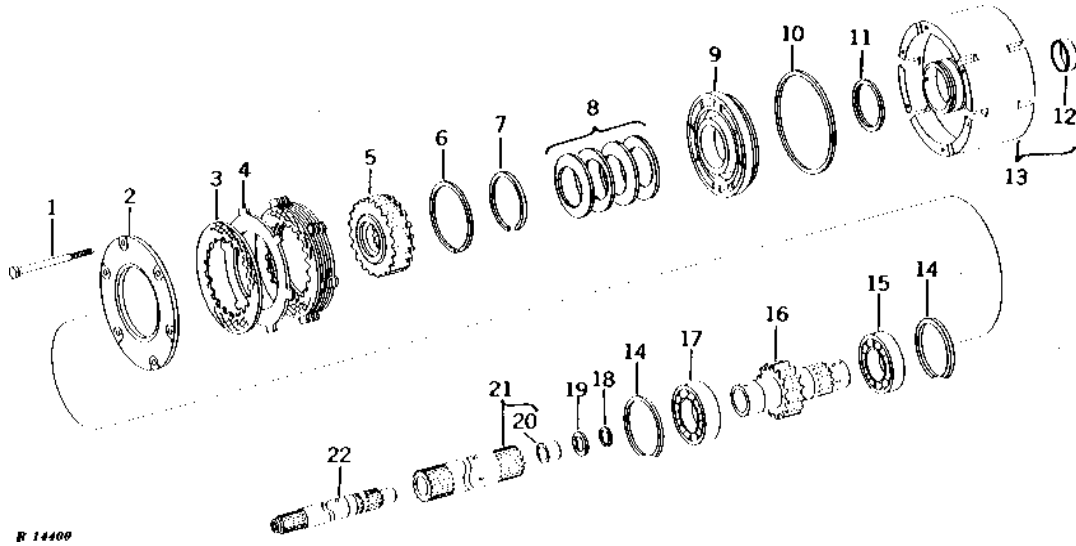
R12622

KEY	PART NO.	PART NAME	QTY	TRACTOR SERIAL NO.	REMARKS
1	R69585	GASKET	1		(SUB FOR R33171 OR R49294) (SUB R100232)
2	R33167	RING	4	-129183	
	R43752	RING	4	129184-	
3	R41035	CAP SCREW	6		
4	R33061	MANIFOLD	1	-129183	(USE WITH R33133)
	R69586	MANIFOLD	1	129184-151145	(SUB FOR R45621) (SUB R69588)
	R48649	MANIFOLD	1	151146-	(SUB R69588)
5	R42849	BALL	2		(9.53MM)
6	R69587	GASKET	1		(SUB FOR R33116, R49295 OR R57915)
7	19H1900	CAP SCREW	1		5/16" X 3/4"
8	AR90850	HOUSING	1		(MARKED R33133 OR R69589) (SUB FOR AR32127)
9	R41041	CAP SCREW	2		(SUB FOR T31784)
10	T31785	BOLT	1		
11	T31783	BOLT	3		
12	R31695	GEAR	1	-151145	
	R48176	GEAR	1	151146-	
13	R27880	GEAR	1	-151145	
	R46451	GEAR	1	151146-	
14	R34650	SEAL	1		
15	R39876	PACKING	1		
16	AR48898	HOUSING	1	-151145	(MARKED R31692) (SUB FOR AR30795)
	AR51190	HOUSING	1	151146-	(MARKED R48174)
17	R26753	RING	2		
18	F2370R	SNAP RING	1		
19	JD7145	BALL BEARING	1		
20	R34295	THRUST WASHER	1		
21	A3815R	SNAP RING	1		
22	AR32462	SHAFT	1		
23	R33168	BUSHING	1		
..	AR53213	OIL PUMP	1		(TRANSMISSION CLUTCH)

# 2F25

## TRANSMISSION CLUTCH PACK (POWER SHIFT) (REAR)

R14400 -UN-01JAN94

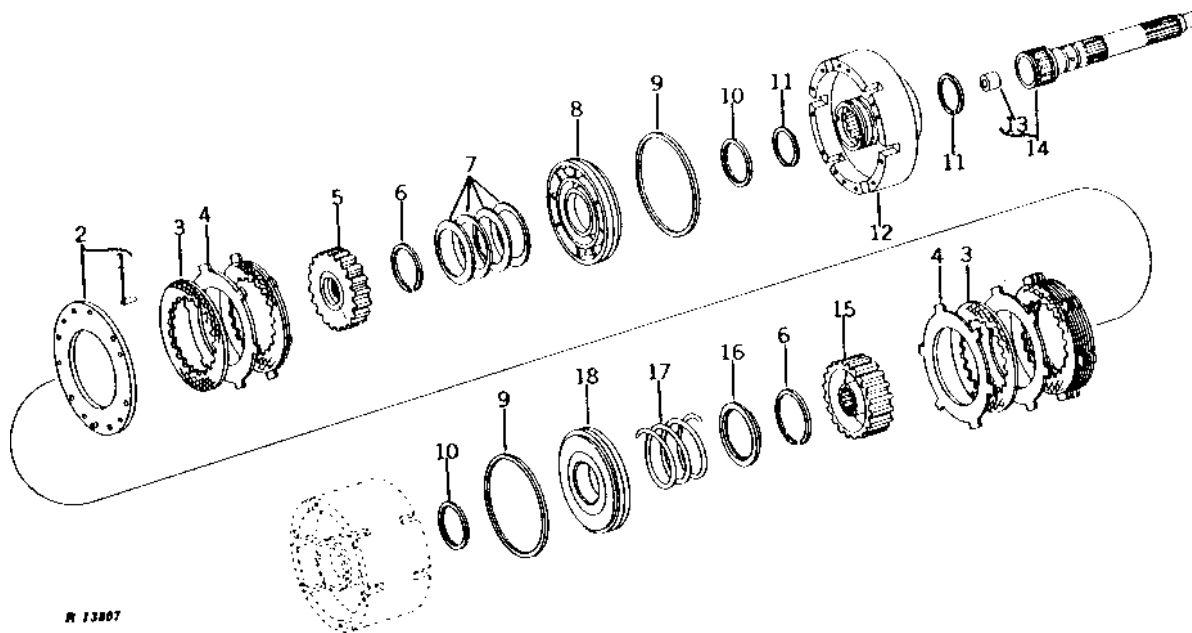


KEY	PART NO.	PART NAME	QTY	TRACTOR SERIAL NO.	REMARKS
1	19H2653	CAP SCREW	6	5/16" X 4-3/4"	
2	R33188	PLATE	1	(A)	
3	R31404	DISK, INNER SPLINE	3	(A) (SUB RE23000)	
4	R80813	CLUTCH PLATE	1	(A) (SUB FOR R33873 OR R46391)	
	R57345	CLUTCH PLATE	2	(A) (SUB FOR R32313 OR R39325)	
5	R41106	HUB	1	(A)	
6	R33520	SNAP RING	1	(A)	
7	R33247	SNAP RING	1	(A)	
8	R67840	DISK SPRING	4	(SUB FOR R33518)	
9	R41160	PISTON	1		
10	R41166	SEAL	1	(A)	
11	R33246	SEAL	1	(A)	
12	R33073	BUSHING	1		
13	AR40783	DRUM	1	(MARKED R41104)	
14	F1373R	SNAP RING	2		
15	JD9292	BALL BEARING	1		
16	R38393	SHAFT	1	PTO DRIVE	
17	JD9279	BALL BEARING	1	(SUB CH17453)	
18	R26643	SNAP RING	1		
19	R33118	THRUST WASHER	1		
20	R33109	BUSHING	1		
21	AR42093	SHAFT	1		
22	R41751	SHAFT	1		

(A) NOT REQUIRED ON TRACTORS LESS PTO

TRANSMISSION CLUTCH PACK  
(POWER SHIFT)  
(FRONT)

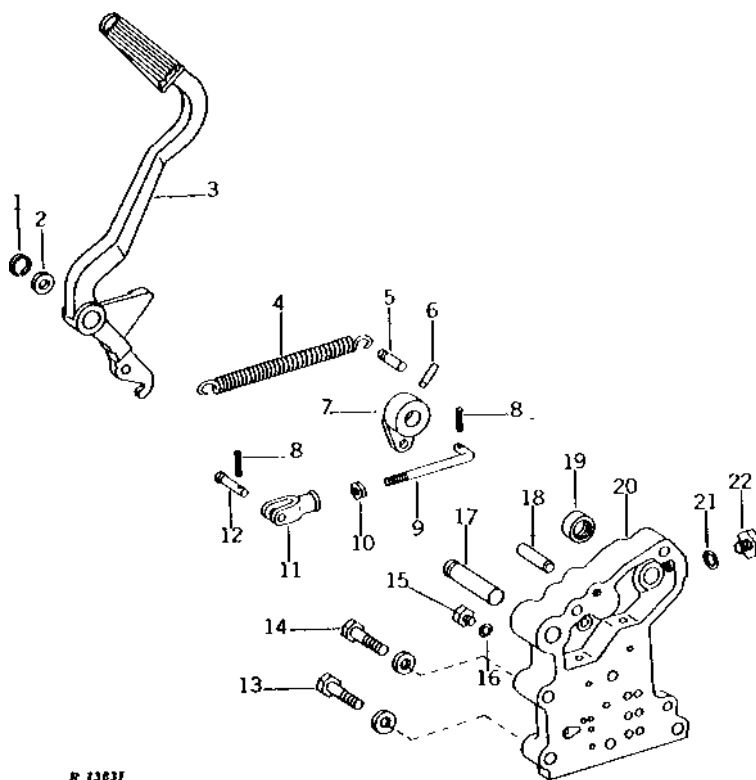
R13807 -UN-01JAN94



KEY	PART NO.	PART NAME	QTY	TRACTOR SERIAL NO.	REMARKS
1	R30587	DOWEL PIN	2		
2	AR32136	PLATE	1		
3	R31404	DISK, INNER SPLINE	6		(SUB RE23000)
4	R46391	CLUTCH PLATE	6		(SUB FOR R33873)
5	AR103337	HUB	1		(SUB FOR R33183 OR AR71824)
6	R33247	SNAP RING	2		
7	R67840	DISK SPRING	4		(SUB FOR R33518)
8	R41105	PISTON	1		
9	R41166	SEAL	2		
10	R33246	SEAL	2		
11	R33169	SNAP RING	2		
12	R41036	DRUM	1	-129183	
	R45622	DRUM	1	129184-XXXXXX	(SUB R59494)
	R59494	DRUM	1	XXXXXX-	(USE WITH R69588)
13	R33168	BUSHING	1		
14	AR32462	SHAFT	1		
15	R33192	HUB	1		
16	R33114	BUSHING	1		
17	R66612	SPRING	1		(SUB FOR R31359)
18	R41039	PISTON	1		

## TRANSMISSION CLUTCH VALVE, PEDAL, AND LINKAGE (POWER SHIFT)

R13831 -UN-01JAN94

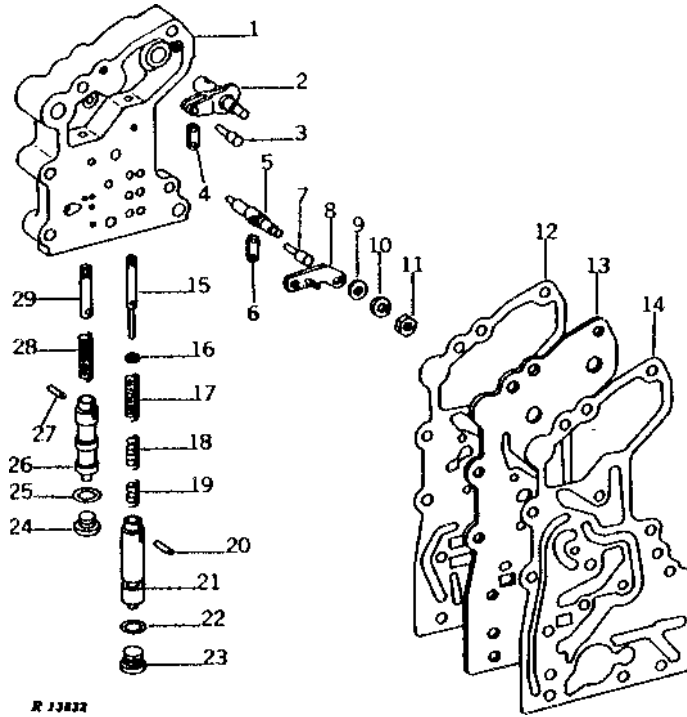


KEY	PART NO.	PART NAME	QTY	TRACTOR SERIAL NO.	REMARKS
1	A369R	SNAP RING	1	(SUB R73380)	
2	24H1395	WASHER	1	25/32" X 1-7/16" X 0.060"	
3	R44395	PEDAL	1		
4	R43684	SPRING	1		
5	R33837	PIN	1		
6	34H188	SPRING PIN	1	5/16" X 1-3/4"	
7	R33157	LEVER	1		
8	11M7081	COTTER PIN	2	0.098" X 0.787"	
9	R33165	HOOK BOLT	1		
10	14H732	NUT	1	3/8"	
11	C284R	YOKE	1		
12	R65563	PIN	1	(SUB FOR C1067R)	
13	19H2055	CAP SCREW	5	7/16" X 2-1/4"	
	12H293	LOCK WASHER	5	7/16"	
14	19H2227	CAP SCREW	2	7/16" X 2-1/2"	
	12H293	LOCK WASHER	2	7/16"	
15	R27094	DRAIN PLUG	3		
16	R26286	O-RING	3		
17	R33156	PIN	1		
18	B3595R	DOWEL PIN	2		
19	AF2907R	SEAL	1		
20	AR88040	HOUSING	1	(MARKED R41151, R41152, R41153 OR R44164) (SUB FOR AR40794 OR AR45381) (ALSO ORDER 15H558)	
21	R26448	O-RING	1		
22	R27218	FITTING PLUG	1		



## TRANSMISSION CLUTCH VALVE, VALVES, AND GASKETS (POWER SHIFT)

R13832 -UN-01JAN94

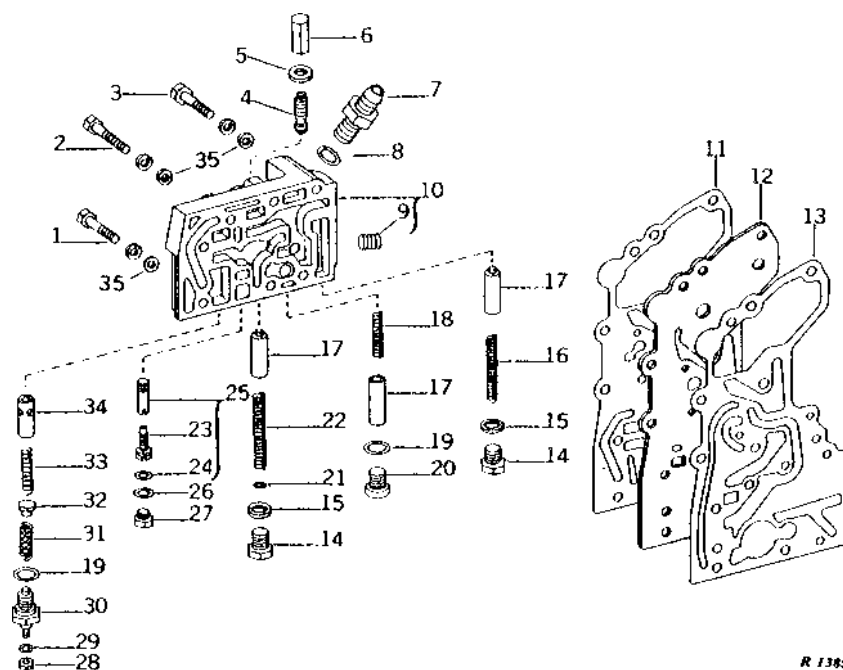


KEY	PART NO.	PART NAME	QTY	TRACTOR SERIAL NO.	REMARKS
1	AR88040	HOUSING	1		(MARKED R41151, R41152, R41153 OR R44164) (SUB FOR AR40794 OR AR45381) (ALSO ORDER 15H558)
2	AR32128	SHAFT	1		(SUB RE19993)
3	R33145	PIN	2		
4	R28401	LINK	1		
5	AR61609	SHAFT	1		(A) (SUB FOR AR27720 AND AR48690) (SUB AR98146 AND (2) R28359) (WITH AR48689)
6	R28401	LINK	1		(A)
7	R33145	PIN	2		(A)
8	AR48689	ARM	1		(A) (SUB FOR AR40929)
9	24H1287	WASHER	1		(A) 9/32" X 5/8" X 0.065"
10	12H302	LOCK WASHER	1		(A) 1/4"
11	14H786	NUT	1		(A) 1/4"
12	R51573	GASKET	1		(SUB FOR R33178 OR R46816) (SUB R98926)
13	R33164	PLATE	1		
14	R94331	GASKET	1		(SUB FOR R33177, R46815 OR T67029)
15	R33137	SHAFT	1		
16	R33521	SHIM	1		0.76MM (.030")
17	R33173	SPRING	1		
18	R33174	SPRING	1		
19	R33175	SPRING	1		
20	34H245	SPRING PIN	1		1/8" X 5/8"
21	R33136	VALVE	1		
22	R26375	O-RING	1		
23	R33138	FITTING	1		
24	R33138	FITTING	1		(A)
25	R26375	O-RING	1		(A)
26	R47509	VALVE	1		(A) (SUB FOR R41502)
27	34H260	SPRING PIN	1		(A) 5/32" X 5/8"
28	R31725	SPRING	1		(A)
29	R41503	SHAFT	1		

(A) NOT REQUIRED ON TRACTORS LESS PTO

R13857 -UN-01JAN94

## TRANSMISSION CLUTCH REGULATING VALVE (POWER SHIFT)



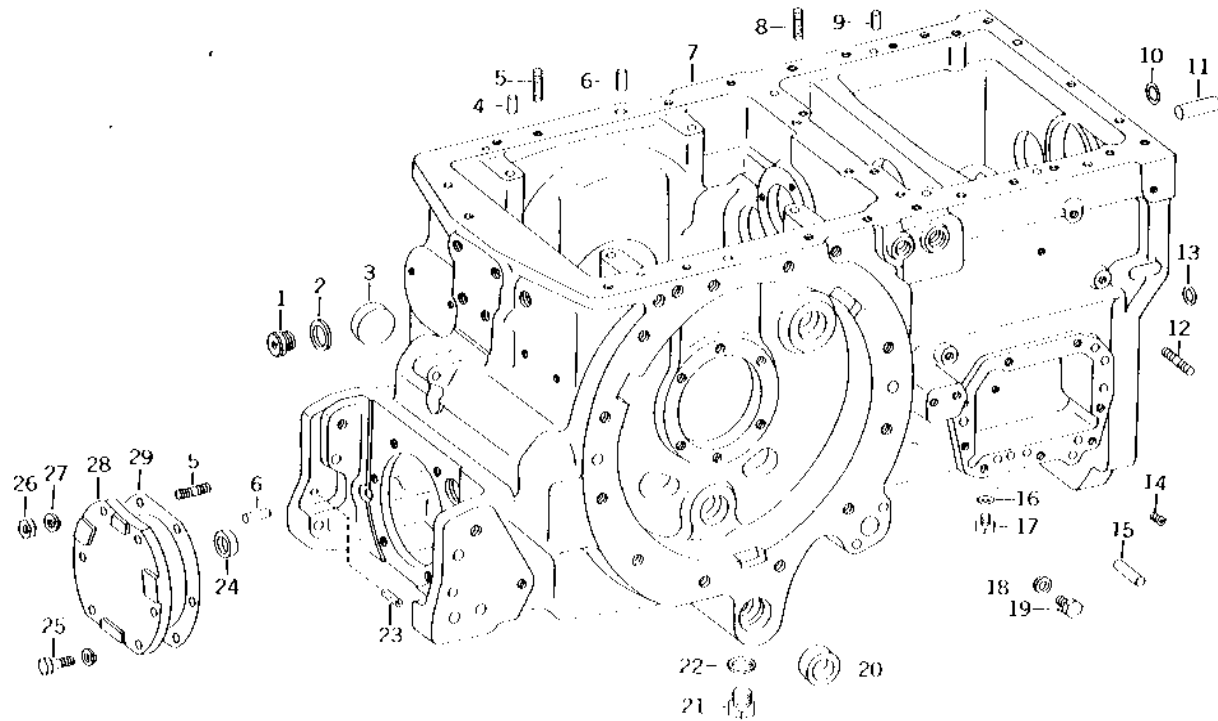
R 13857

KEY	PART NO.	PART NAME	QTY	TRACTOR SERIAL NO.	REMARKS
1	19H2055	CAP SCREW	3		7/16" X 2-1/4"
	12H293	LOCK WASHER	4		7/16"
2	19H1828	CAP SCREW	2		7/16" X 4"
	12H293	LOCK WASHER	2		7/16"
3	19H2055	CAP SCREW	1		7/16" X 2-1/4"
	12H293	LOCK WASHER	1		7/16"
4	R39587	SET SCREW	1		HYDRAULIC OIL BYPASS
5	F2846R	WASHER	1		
6	F2847R	NUT	1		
7	R27267	FITTING	1		
8	F3171R	O-RING	1		
9	15H624	PIPE PLUG	1		1/2"
10	AR44030	HOUSING	1		(MARKED R41404)
11	R51573	GASKET	1		(SUB FOR R33178 OR R46816)
12	R33164	PLATE	1		
13	R94331	GASKET	1		(SUB FOR R33177, R46815 OR T67029)
14	R52589	FITTING PLUG	2		(SUB FOR R33163)
15	R1742R	WASHER	2		
16	R39808	SPRING	1		
17	R57559	VALVE	3		(SUB FOR R33162) (ALSO ORDER R33259)
18	R28914	SPRING	1		
19	R26375	O-RING	2		
20	R33138	FITTING	1		
21	R33521	SHIM	AR		0.76MM (.030")
22	R41850	SPRING	1		
23	R34028	BOLT	1	-150000	
24	R10093	O-RING	1	-150000	
25	AR47611	ORIFICE	1	-150000	
26	R26286	O-RING	1		
27	R27094	DRAIN PLUG	1		
28	14H631	NUT	1		0.190"
29	24H1283	WASHER	1		7/32" X 1/2" X 0.049"
30	AR40795	TOUCH SWITCH	1		
31	R41147	SPRING	1	-128329	
	R46426	SPRING	1	128330-	
32	R41148	GUIDE	1		
33	R42057	SPRING	1		(OUTER)
	R33173	SPRING	1	128330-	(INNER)
34	R41146	VALVE	1	-153180	
	R57560	VALVE	1	153181-	(ALSO ORDER R33259) (SUB FOR R49198)
35	24H1325	WASHER	7		15/32" X 59/64" X 0.065"

# 2G5

R14402 -UN-01JAN94

## TRANSMISSION CASE (POWER SHIFT)



R 14402

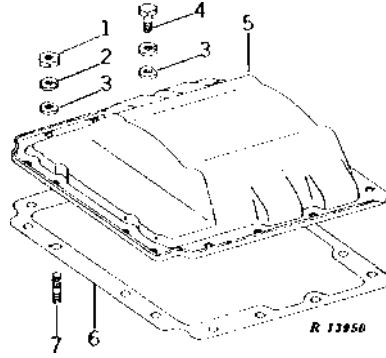
KEY	PART NO.	PART NAME	QTY	TRACTOR SERIAL NO.	REMARKS
1	R27483	PLUG	1		
2	H851R	WASHER	1		
3	R38344	CAP	1		(TRACTORS WITH 1000 RPM PTO ONLY OR TRACTORS LESS PTO)
4	R1612R	DOWEL PIN	4	-150000	
	15H558	PIPE PLUG	4	150001-	1/8", (SUB FOR R21630)
5	R32101	STUD	6		1/2" X 1-3/4"
	R465R	STUD	1		1/2" X 3-1/2"
6	R48685	DOWEL PIN	4		(SUB FOR A120R)
7	AR41770	TRANSMISSION CASE	1	-150000	(MARKED R40580) (SUB AR50709, (6) R48240, R101055, (2) R56504 AND (10) R38614)
	AR50709	TRANSMISSION CASE	1	150001-	(MARKED R47090) (NLA)
8	R32042	STUD	3		3/8" X 1-3/8"
9	R33703	DOWEL PIN	2		
10	A4730R	O-RING	2		
11	A776R	PIN	2		
12	R699R	STUD	1		3/8" X 2-1/2"
13	R459R	O-RING	3		
14	15H559	PIPE PLUG	2		1/4"
15	T26565	DOWEL PIN	4		(SUB FOR C1220R)
16	R26286	O-RING	6		
17	R27094	DRAIN PLUG	6		
18	R51494	WASHER	1		(TRACTORS LESS DIFFERENTIAL LOCK)
19	R27218	FITTING PLUG	1		(TRACTORS LESS DIFFERENTIAL LOCK)
20	R27018	BUSHING	2		
	R45513	BUSHING	1		0.08MM (.003") OVERSIZE
	R45514	BUSHING	1		0.15MM (.006") OVERSIZE
	R46799	BUSHING	1		0.23MM (.009") OVERSIZE, (SUB AR89132)
21	F3128R	DRAIN PLUG	1		
22	A4827R	WASHER	1		
23	34H348	SPRING PIN	2		3/8" X 1"
24	R33498	CAP	1		(TRACTORS WITH 1000 RPM PTO ONLY OR TRACTORS LESS PTO)
25	19H1815	CAP SCREW	4		1/2" X 1-1/4"
	12H301	LOCK WASHER	4		1/2"
26	14H1040	NUT	2		1/2"
27	12H301	LOCK WASHER	2		1/2"
28	R33489	COVER	1		(TRACTORS LESS PTO)
29	R33337	GASKET	1		

# 2G6

POWER TRAIN

R13950 -UN-01JAN94

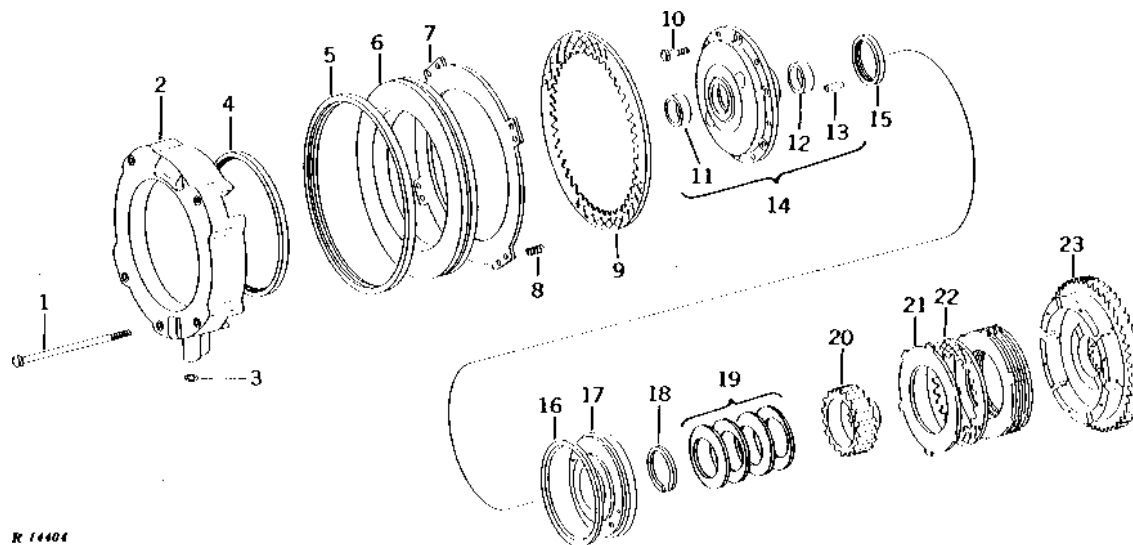
## TRANSMISSION CASE COVER (POWER SHIFT)



KEY	PART NO.	PART NAME	QTY	TRACTOR SERIAL NO.	REMARKS
1	14H1076	NUT	3	3/8"	
2	12H304	LOCK WASHER	3	3/8"	
3	A4624R	WASHER	11		
4	19H1731	CAP SCREW	8	3/8" X 1"	
	12H304	LOCK WASHER	8	3/8"	
5	R40911	COVER	1	(SUB R73989)	
6	R40912	GASKET	1		
7	R32042	STUD	3	3/8" X 1-3/8"	

R14404 -UN-01JAN94

## FOURTH PLANETARY BRAKE AND CLUTCH PACK (POWER SHIFT)



R 14404

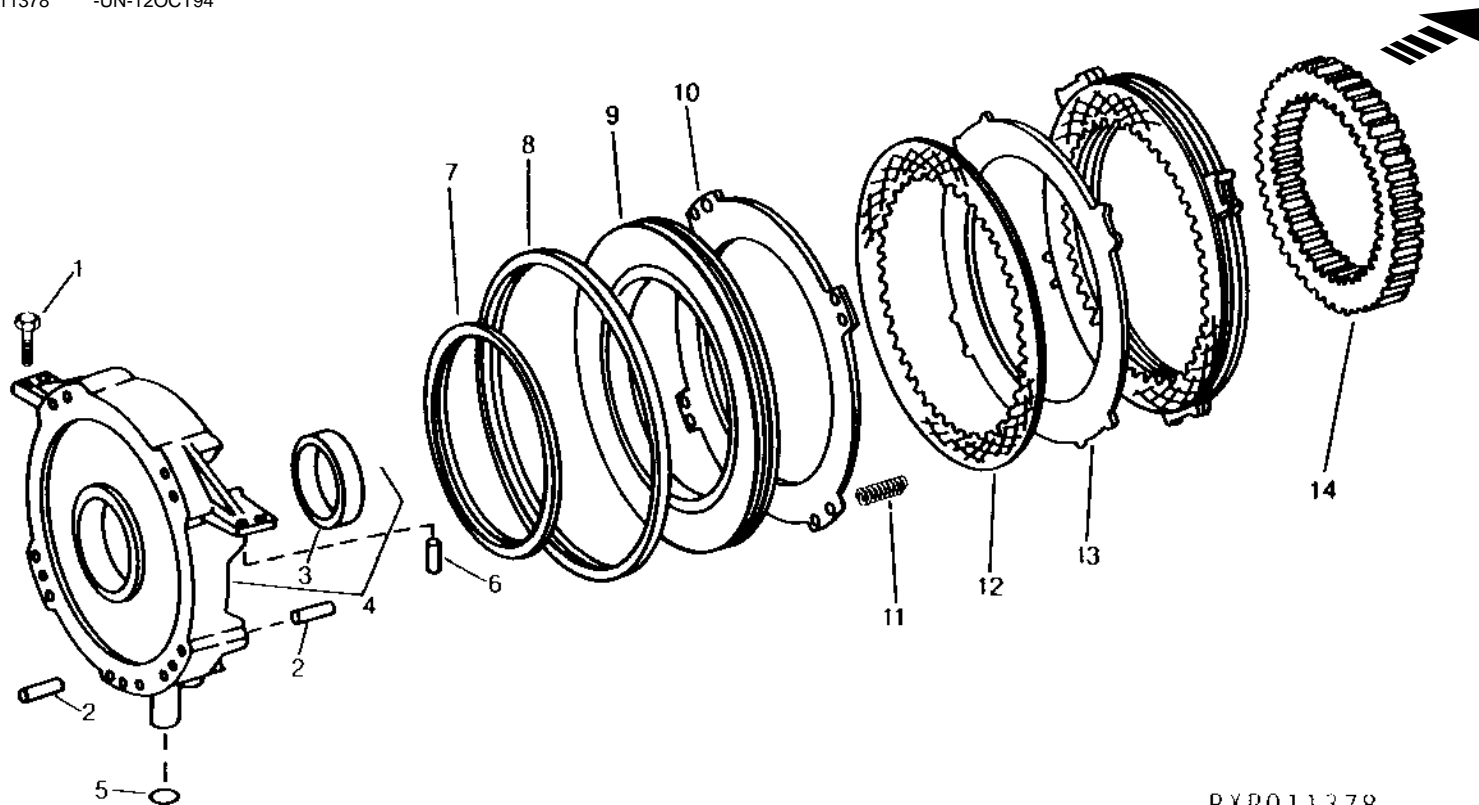
KEY	PART NO.	PART NAME	QTY	TRACTOR SERIAL NO.	REMARKS
1	19H3481	CAP SCREW	5	3/8" X 7-1/2"	
2	R38245	HOUSING	1		
3	R459R	O-RING	2		
4	R65479	PACKING	1	(SUB FOR R33244 OR R44816)	
5	R65480	PACKING	1	(SUB FOR R33245 OR R44817)	
6	R81494	PISTON	1	(SUB FOR R33261 OR R65592)	
7	R48235	PLATE	1	(SUB FOR R33871)	
8	R33054	SPRING	8	(SUB R74852)	
9	R33053	DISK, INNER SPLINE	1		
10	R41168	CAP SCREW	6		
11	R34613	BUSHING	1		
12	R85041	BUSHING	1	(SUB FOR R34614)	
13	R28671	DOWEL PIN	1		
14	AR38297	HOUSING	1	(MARKED R38238)	
15	R33246	SEAL	1		
16	R41166	SEAL	1		
17	R41160	PISTON	1		
18	R33247	SNAP RING	1		
19	R67840	DISK SPRING	1	(SUB FOR R33518)	
20	R38237	HUB	1		
21	R46391	CLUTCH PLATE	1	(SUB FOR R33873)	
22	R57345	CLUTCH PLATE	2	(SUB FOR R32313 OR R39325) (WAVY)	
23	R31404	DISK, INNER SPLINE	3	(SUB RE23000)	
23	R38236	DRUM	1		

# 2G8

POWER TRAIN

## THIRD PLANETARY BRAKE (POWER SHIFT)

RXP011378 -UN-12OCT94



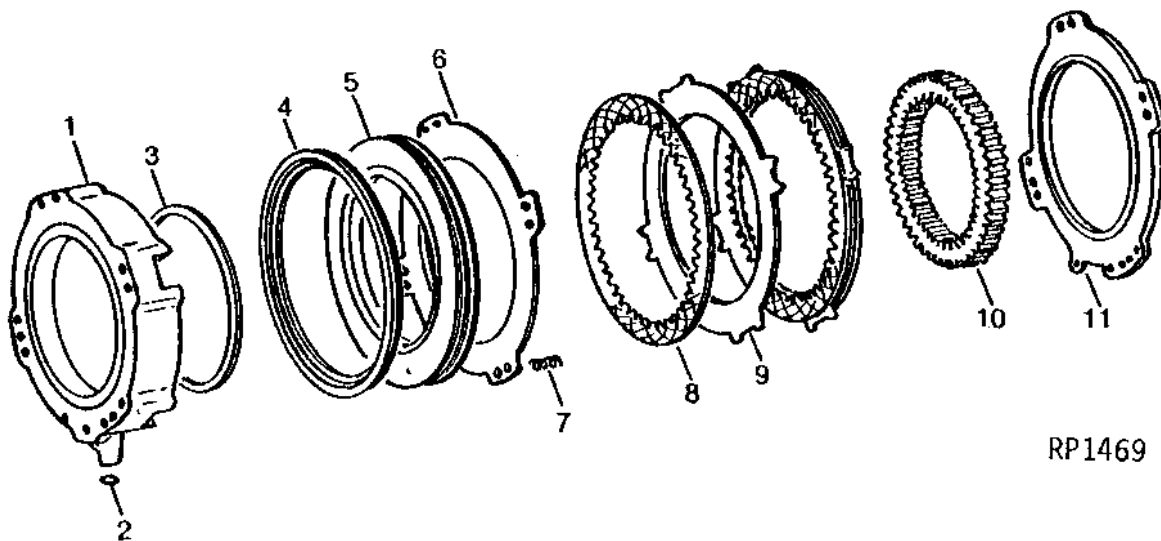
RXP011378

KEY	PART NO.	PART NAME	QTY	TRACTOR SERIAL NO.	REMARKS
1	19H1849	CAP SCREW	1	5/16" X 1-1/4"	
2	R36666	DOWEL PIN	4		
3	R33045	BUSHING	1		
4	AR40800	HOUSING	1		(MARKED R41162)
5	R459R	O-RING	1		
6	R33703	DOWEL PIN	2		
7	R65478	PACKING	1		(SUB FOR R41379 OR R44815)
8	R65480	PACKING	1		(SUB FOR R33245 OR R44817)
9	R41378	PISTON	1		(SUB R65591)
10	R48235	PLATE	1		(SUB FOR R33871)
11	R33054	SPRING	8		(SUB R74852)
12	R33053	DISK, INNER SPLINE	3		
13	R48236	PLATE	2		(SUB FOR R33872)
14	R38149	GEAR	1		

# 2G9

RP1469 -UN-01JAN94

## SECOND PLANETARY BRAKE (POWER SHIFT)



RP1469

KEY	PART NO.	PART NAME	QTY	TRACTOR SERIAL NO.	REMARKS
1	R41161	HOUSING	1		
2	R459R	O-RING	1		
3	R65479	PACKING	1		(SUB FOR R33244 OR R44816)
4	R65480	PACKING	1		(SUB FOR R33245 OR R44817)
5	R81494	PISTON	1		(SUB FOR R33261 OR R65592)
6	R48235	PLATE	1		(SUB FOR R33871)
7	R33054	SPRING	8		(SUB R74852)
8	R33053	DISK, INNER SPLINE	2		
9	R48236	PLATE	1		(SUB FOR R33872)
10	R33051	RING GEAR	1		
11	R38200	PLATE	1		

# 2G10

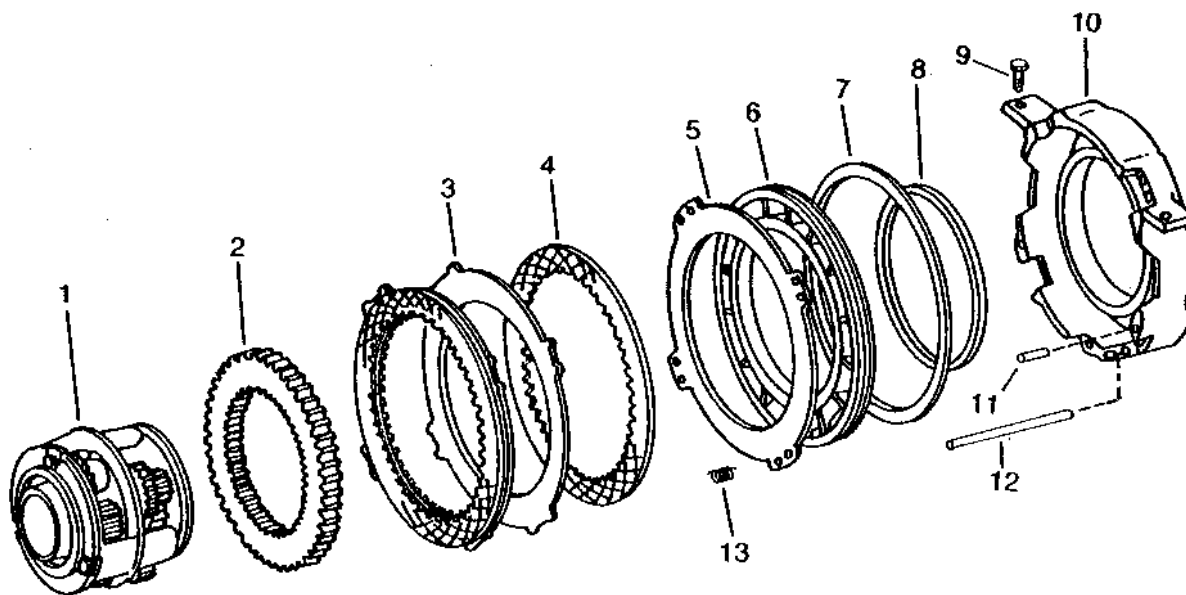
POWER TRAIN

RP1470 -UN-01JAN94

## FIRST PLANETARY BRAKE (POWER SHIFT)



RP1470



KEY	PART NO.	PART NAME	QTY	TRACTOR SERIAL NO.	REMARKS
1	AR53036	PLANETARY ASSEMBLY	1		PLANETARY ASSEMBLY
2	R38148	GEAR	1		
3	R48236	PLATE	1		(SUB FOR R33872)
4	R33053	DISK, INNER SPLINE	2		
5	R48235	PLATE	1		(SUB FOR R33871)
6	R81494	PISTON	1		(SUB FOR R33261 OR R65592)
7	R65480	PACKING	1		(SUB FOR R33245 OR R44817)
8	R65479	PACKING	1		(SUB FOR R33244 OR R44816)
9	19H1978	CAP SCREW	2		7/16" X 1-1/2"
10	R33035	HOUSING	1		
11	R36666	DOWEL PIN	2		
12	R33111	PIN	4		
13	R38198	SPRING	8		

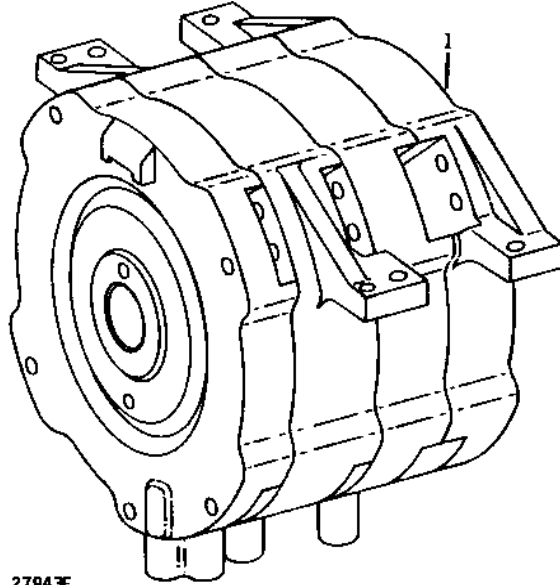


# 2G11

POWER TRAIN

R27943 -UN-01JAN94

## TRANSMISSION PLANETARY (POWER SHIFT)



R 27943F

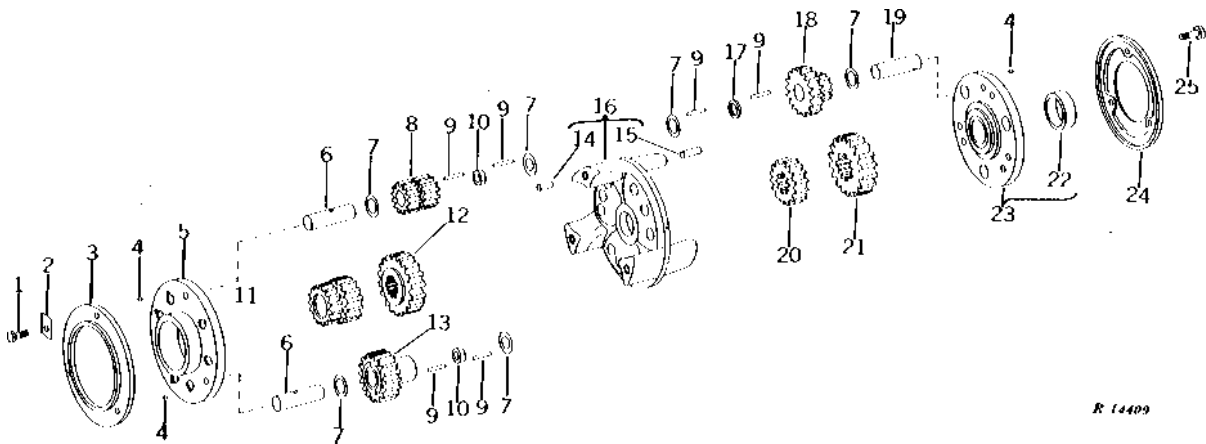
KEY	PART NO.	PART NAME	QTY	TRACTOR SERIAL NO.	REMARKS
1	AR89854	PLANETARY ASSEMBLY	1		PLANETARY ASSEMBLY, (SUB FOR AR53212)

# 2G12

POWER TRAIN

R14409 -UN-01JAN94

## PLANETARY ASSEMBLY (POWER SHIFT)



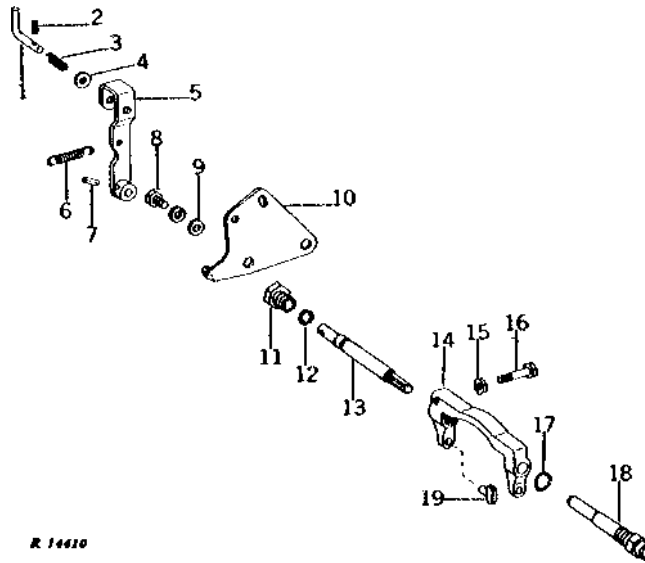
R 14409

KEY	PART NO.	PART NAME	QTY	TRACTOR SERIAL NO.	REMARKS
1	R34583	CAP SCREW	3		
2	R1888R	STRAP	3		
3	R33082	RETAINER	1		
4	H871R	BALL	9	4.76MM (3/16")	
5	R33011	COVER	1		
6	R38193	SHAFT	6		
7	R66197	THRUST WASHER	18	(SUB FOR R33087 OR R43216)	
8	R38195	PINION	3		
9	R33058	NEEDLE ROLLER	558		
10	R33088	WASHER	6		
11	R33112	PINION	1		
12	R38197	PLANET PINION	1		
13	R38196	PINION	3		
14	R33089	BUSHING	3		
15	R26650	DOWEL PIN	3		
16	AR38403	PLANET PINION CARRIER	1		
17	R33088	WASHER	3		
18	AR55423	PINION	1	(SUB R51303 SET OF (3)) (SUB FOR AR40518 OR AR49532) (SET OF (3) R47045)	
19	R38193	SHAFT	3		
20	R33091	PLANET PINION	1		
21	R33588	PLANET PINION	1		
22	R49372	BUSHING	1	(SUB FOR R33008)	
	R49370	WASHER	1		
23	AR52929	COVER	1	(MARKED R41373 OR R49371) (SUB FOR AR40985)	
24	R51718	RETAINER	1	(SUB FOR R33081)	
25	R46567	CAP SCREW	3	(SUB FOR R31198)	
..	AR53036	PLANETARY ASSEMBLY	1	PLANETARY ASSEMBLY	

# 2G13

## TRANSMISSION DISCONNECT SHIFTER LEVER AND YOKE (POWER SHIFT)

R14410 -UN-01JAN94



R 14410

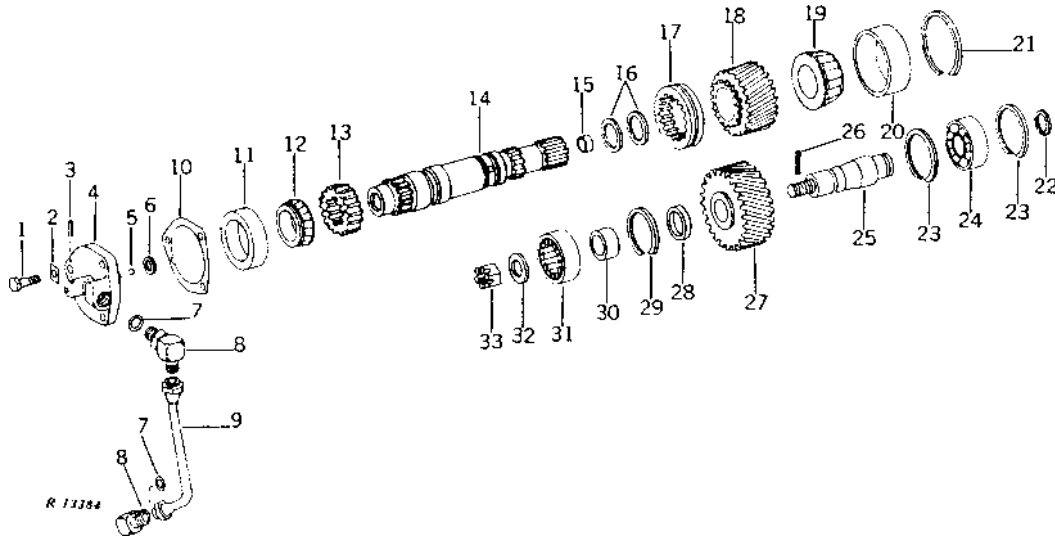
KEY	PART NO.	PART NAME	QTY	TRACTOR SERIAL NO.	REMARKS
1	R42379	PIN	1		
2	34H245	SPRING PIN	1		1/8" X 5/8"
3	R26169	SPRING	1		
4	24H1303	WASHER	1		13/32" X 11/16" X 0.065"
5	AR44423	LEVER	1		
6	R31877	SPRING	1		
7	34H312	SPRING PIN	1		1/4" X 1"
8	19H2284	CAP SCREW	2		3/8" X 7/8"
	12H304	LOCK WASHER	2		3/8"
9	24H1305	WASHER	2		13/32" X 13/16" X 0.065"
10	R40837	STRAP	1	-131903	(SUB R48464)
	R48464	STRAP	1	131904-	(SUB FOR R46735)
11	R33228	RETAINER	1		
12	R33259	O-RING	1		(SUB FOR T11934)
13	R33227	PIN	1		
14	R41164	YOKE	1		
15	14H1076	NUT	1		3/8"
16	19H2791	CAP SCREW	1		3/8" X 1-3/4"
17	R41623	WASHER	1		
18	R42492	SHAFT	1		
19	R33240	PIN	2		

# 2G14

POWER TRAIN

## TRANSMISSION GEAR REDUCTION AND IDLER GEAR AND SHAFT (POWER SHIFT)

R13384 -UN-02JAN94

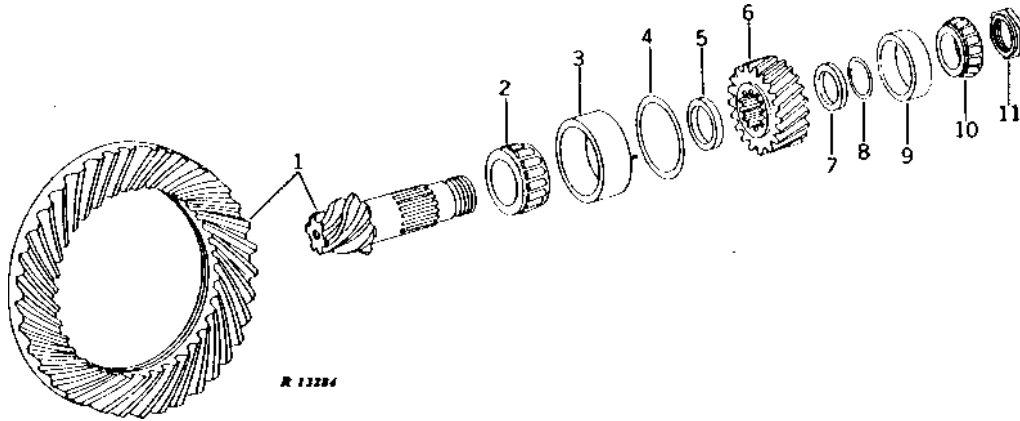


KEY	PART NO.	PART NAME	QTY	TRACTOR SERIAL NO.	REMARKS
1	19H2552	CAP SCREW	3	3/8" X 1-1/8"	
2	R1888R	STRAP	2		
3	R33058	NEEDLE ROLLER	1		
4	R33122	RETAINER	1		
5	R42849	BALL	1	10MM (3/8")	
6	R33248	PISTON RING	1		
7	R26375	O-RING	2		
8	AT32332	ELBOW FITTING	2	(SUB FOR AR26763)	
9	AR32126	HYDRAULIC LINE	1		
	R33106	SHIM	AR	0.13MM (.005")	
10	R33105	SHIM	AR	0.08MM (.003")	
	R33106	SHIM	AR	0.13MM (.005")	
11	JD8237	BEARING CUP	1		
12	JD8902	BEARING CONE	1		
13	R33131	SLEEVE	1		
14	R30713	BUSHING	1		
15	AR48679	SHAFT	1	(SUB FOR AR41746) (SUB RE55584)	
16	R33104	RING	2		
17	R33735	RIM	1		
18	R45598	GEAR	1	(SUB FOR R33099)	
19	JD8974	BEARING CONE	1		
20	JD8268	BEARING CUP	1		
21	R35377	SNAP RING	1		
22	B1402R	SNAP RING	1		
23	M3649T	SNAP RING	2		
24	JD8518	BALL BEARING	1		
25	R33126	SHAFT	1		
26	11M7086	COTTER PIN	1	0.098" X 1.969"	
27	R33098	GEAR	1		
28	T23656	BUSHING	1		
29	F2367R	SNAP RING	1		
30	JD7552	BEARING RACE	1		
31	JD7502	ROLLER BEARING	1		
32	B3310R	WASHER	1		
33	14H1086	NUT	1	3/4"	

# 2G15

## TRANSMISSION DIFFERENTIAL DRIVE (POWER SHIFT)

R13284 -UN-01JAN94

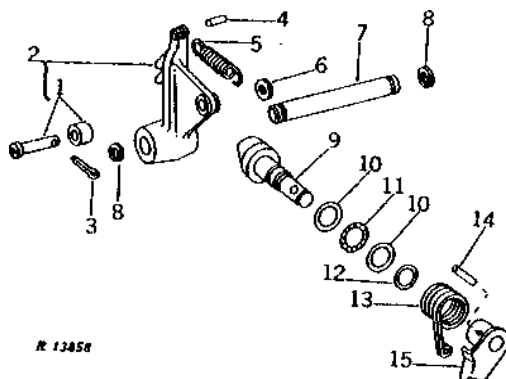


KEY	PART NO.	PART NAME	QTY	TRACTOR SERIAL NO.	REMARKS
1	AR34736	BEVEL GEAR DRIVE	1		(MARKED R34875 AND R34874) (SUB RE50113, AR34723 AND R51200) (MATCHED SET) (INCLUDES SHIMS)
2	JD8973	BEARING CONE	1		
3	JD8246	BEARING CUP	1		
4	R26227	SHIM	AR	0.08MM (.003")	
	R26228	SHIM	AR	0.13MM (.005")	
5	R33125	BUSHING	1		
6	R33097	GEAR	1		
7	R33121	WASHER	1		
8	R33413	SHIM	AR	-154358	0.08MM (.003")
	R33414	SHIM	AR	-154358	0.13MM (.005")
	R33415	SHIM	AR	-154358	0.25MM (.010")
	R51196	SHIM	AR	154359-	0.18MM (.007")
	R51197	SHIM	AR	154359-	0.25MM (.010")
	R51198	SHIM	AR	154359-	0.30MM (.012")
	R51199	SHIM	AR	154359-	0.38MM (.015")
9	JD8258	BEARING CUP	1		
10	JD8971	BEARING CONE	1		
11	R51200	LOCK NUT	1		(SUB FOR R33219)

# 2G16

R13858 -UN-01JAN94

## TRANSMISSION LOCK (POWER SHIFT)

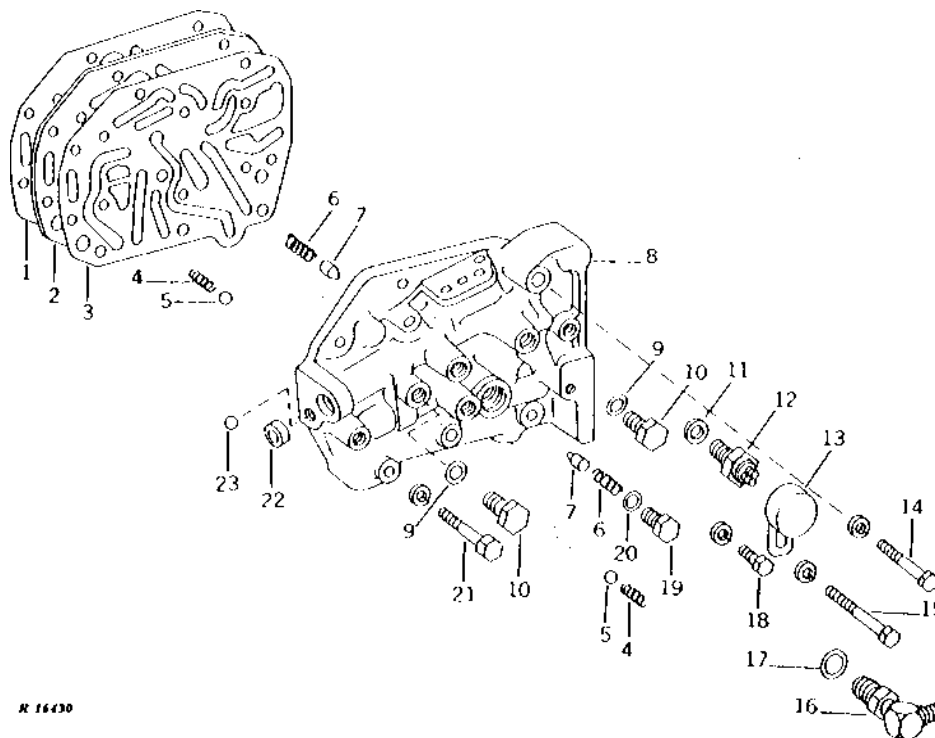


KEY	PART NO.	PART NAME	QTY	TRACTOR SERIAL NO.	REMARKS
1	AR44553	PIN	1		
2	AR44552	PAWL	1		(MARKED R42487) (SUB RE16370)
3	11M7021	COTTER PIN	1		0.157" X 0.984"
4	34H311	SPRING PIN	1		1/4" X 7/8"
5	R50575	EXTENSION SPRING	1		(SUB FOR R42485) (SUB R79985)
6	24H1227	WASHER	1		17/32" X 13/16" X 0.060"
7	R51066	SHAFT	1		(SUB FOR R33128)
8	B169R	SNAP RING	2		(USE WITH (2) R33138)
9	R42491	CAM	1		
10	JD9812	THRUST BEARING	2		
11	JD8856	NEEDLE BEARING	1		
12	B2762R	O-RING	1		
13	R41131	TORSION SPRING	1		
14	34H314	SPRING PIN	1		1/4" X 1-1/4"
15	RE12162	ARM	1		(SUB FOR AR81571 OR AR44554)

# 2G17

## TRANSMISSION CONTROL VALVE (POWER SHIFT) (TRACTOR SERIAL NO. 123000-150000)

R16430 -UN-01JAN94



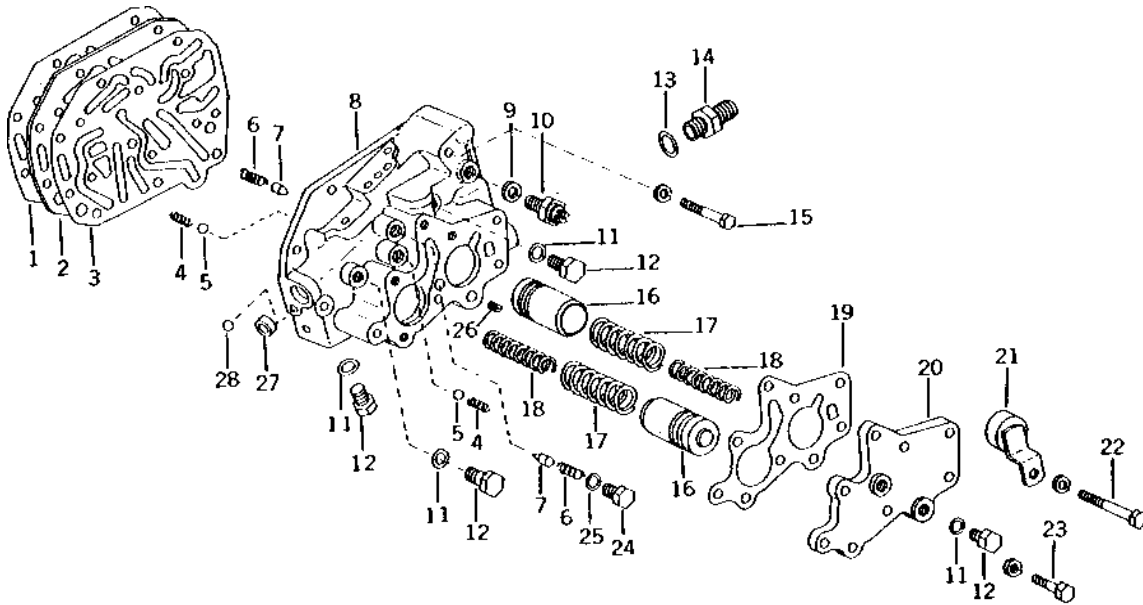
R 16430

KEY	PART NO.	PART NAME	QTY	TRACTOR SERIAL NO.	REMARKS
1	R68817	GASKET	1		(SUB FOR R33273, R46817 OR R50567)
2	R50566	PLATE	1		(SUB FOR R33304)
3	R68818	GASKET	1		(SUB FOR R33274, R46818, R47073 OR R50568)
4	R47816	SPRING	2	134516-	
5	D2361R	BALL	2	134516-	13MM (1/2")
6	R33277	SPRING	4	-134515	
	R33277	SPRING	2	134516-	
7	R42697	DETENT	4	-134515	
	R42697	DETENT	2	134516-	
8	AR33890	HOUSING	1	-134515	(MARKED R33076) (SUB AR49709)
	AR49709	HOUSING	1	134516-	(MARKED R47159)
	R26286	O-RING	2		
10	R27094	DRAIN PLUG	2		
11	T16911	SHIM	AR		
12	AR89691	SWITCH	1		(SUB FOR R36265 OR AR85323)
13	AR34663	COVER	1		
14	19H2023	CAP SCREW	1		3/8" X 3-1/4"
	12H304	LOCK WASHER	1		3/8"
15	19H2228	CAP SCREW	1		3/8" X 4"
	19H1925	CAP SCREW	1		3/8" X 4-1/4", (USE WITH POWER FRONT WHEEL DRIVE)
	12H304	LOCK WASHER	1		3/8"
16	AR35712	ELBOW FITTING	1		
17	R26906	O-RING	1		
18	19H1732	CAP SCREW	2		3/8" X 1-1/4"
	19H1765	CAP SCREW	2		3/8" X 1-3/4"
	12H304	LOCK WASHER	4		3/8"
19	R27218	FITTING PLUG	2		
20	R26448	O-RING	2		
21	19H2128	CAP SCREW	2		3/8" X 3"
	12H304	LOCK WASHER	2		3/8"
22	A3910R	CAP	1		
23	D2361R	BALL	3		13MM (1/2")

# 2G18

## TRANSMISSION CONTROL VALVE (POWER SHIFT) (TRACTOR SERIAL NO. 150001- )

R16436 -UN-01JAN94



R 16436



# 2G19

POWER TRAIN

TRANSMISSION CONTROL VALVE - CONTINUED  
(POWER SHIFT)  
(TRACTOR SERIAL NO. 150001- )

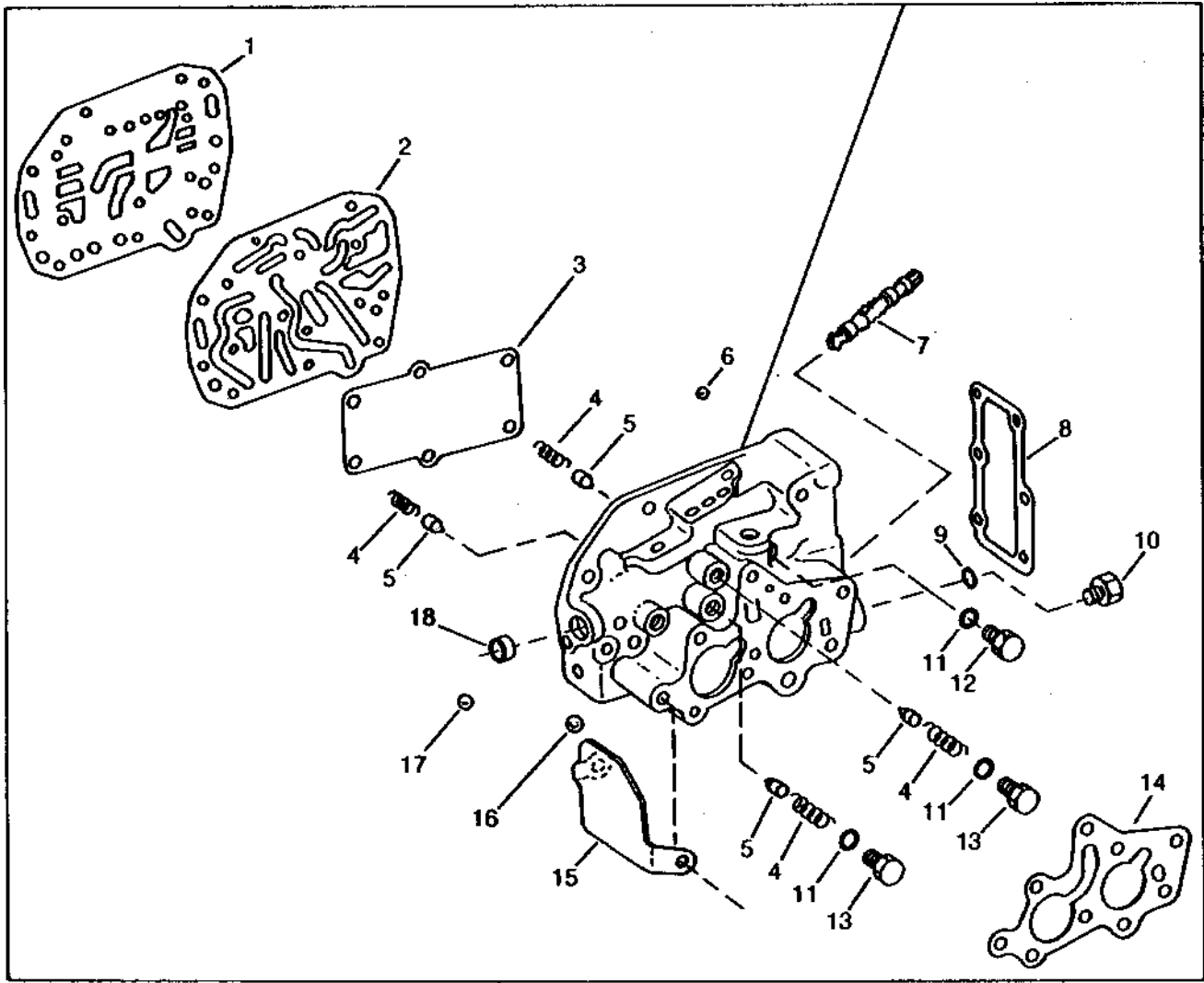
KEY	PART NO.	PART NAME	QTY	TRACTOR SERIAL NO.	REMARKS
1	R94321	GASKET	1		(SUB FOR R33273, R46817, R50567 OR R68817)
2	R50566	PLATE	1		(SUB FOR R33304)
3	R100308	GASKET	1		(SUB FOR R33274, R46818, R47073, R50568 OR R68818) (USE WITH R46042 OR R53604)
4	R94322	GASKET	1		(USE WITH R67037, R72408, R78742 OR R68819)
	R47816	SPRING	2		
5	D2361R	BALL	2		13MM (1/2")
6	R33277	SPRING	2		
7	R42697	DETENT	2		
8	AR87115	HOUSING	1	-XXXXXX	(MARKED R46042, R53604 OR R67037) (SUB FOR AR50171 OR AR60519) (SUB RE46459)
	RE20832	HOUSING	1	XXXXXX-	(ALSO ORDER (2) R33277 AND (2) R42697) (SUB RE46459)
9	T16911	SHIM	AR		
10	RE38390	SWITCH	1		(SUB FOR R36265, AR85323 OR AR89691)
11	R26286	O-RING	9		
12	R27094	DRAIN PLUG	9		
13	R26906	O-RING	1		
14	R27270	FITTING	1		
15	19H1732	CAP SCREW	1		3/8" X 1-1/4"
	19H1732	CAP SCREW	2		3/8" X 1-1/4", (USE WITH POWER FRONT WHEEL DRIVE)
	19H1800	CAP SCREW	1		3/8" X 1-1/2"
	19H1944	CAP SCREW	1		3/8" X 2-3/4"
	19H2023	CAP SCREW	1		3/8" X 3-1/4"
	19H1925	CAP SCREW	1		3/8" X 4-1/4", (USE WITH POWER FRONT WHEEL DRIVE)
	12H304	LOCK WASHER	4		3/8"
16	R47319	PISTON	2		
	24H1312	WASHER	2		13/32" X 1-3/8" X 0.105"
17	R47449	SPRING	2		
18	R47450	SPRING	2		
19	R98929	GASKET	1		(SUB FOR R47445, R52971 OR R68820)
20	R47321	COVER	1		
21	AR50180	COVER	1		
22	19H3180	CAP SCREW	4		3/8" X 6-1/4"
	12H304	LOCK WASHER	4		3/8"
23	19H1732	CAP SCREW	4		3/8" X 1-1/4"
	12H304	LOCK WASHER	4		3/8"
24	R27218	FITTING PLUG	2		
25	R26448	O-RING	2		
26	R47448	ORIFICE	2		
27	A3910R	CAP	1		
28	R42849	BALL	1		10MM (3/8")

# 2G20

RXP8633

-UN-01JAN94

## TRANSMISSION CONTROL VALVE KIT



RXP8633

19

# 2G21

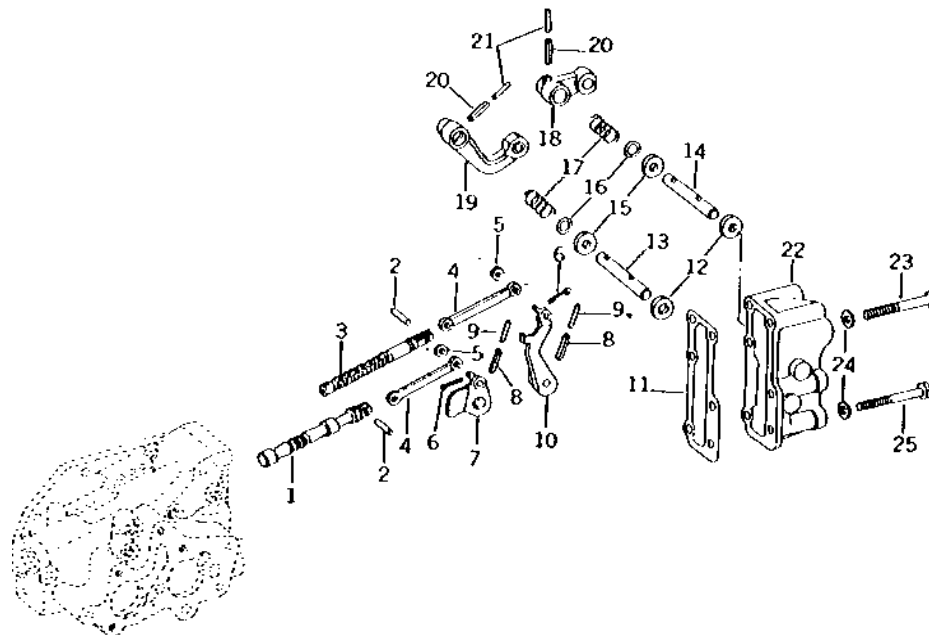
POWER TRAIN

## TRANSMISSION CONTROL VALVE KIT - CONTINUED

KEY	PART NO.	PART NAME	QTY	TRACTOR SERIAL NO.	REMARKS
1	R94321	GASKET	1		
2	R94322	GASKET	1		
3	R92474	GASKET	1		
4	R33277	SPRING	4		
5	R42697	DETENT	4		
6	R26552	BALL	5		
7	R82024	VALVE	1		
8	R33275	GASKET	1		
9	R26906	O-RING	1		
10	R27474	DRAIN PLUG	1		
11	R26448	O-RING	7		
12	R27094	DRAIN PLUG	7		
13	R27218	FITTING PLUG	2		
14	R98929	GASKET	1		
15	R72415	SHIELD	1		
16	R42849	BALL	1		
17	D2361	BALL	2		
18	30H13	PLUG	AR		
19	RE46459	KIT	1		(ALSO FURNISH RE38390)

## TRANSMISSION CONTROL VALVE COVER, CONTROL VALVES AND ARMS (POWER SHIFT)

R21187 -UN-01JAN94



R 21187

KEY	PART NO.	PART NAME	QTY	TRACTOR SERIAL NO.	REMARKS
1	R82024	VALVE	1		(SUB FOR R33291 OR R72411)
2	34H309	SPRING PIN	2		1/4" X 5/8"
3	R48370	VALVE	1		
4	R33290	LINK	2		
5	24H753	WASHER	2		9/32" X 5/8" X 0.049"
6	11M7077	COTTER PIN	2		0.063" X 0.984"
7	AR32154	ARM	1	-154294	(SUB RE22320, R49817, R49819, 34H251, 34H252, 34H297 AND 34H299)
	AR53841	ARM	1	154295-	
	AR45314	ARM	1	-154294	(A) (SUB RE38361, R49817, R49819, 34H251, 34H252, 34H297 AND 34H299)
	AR53843	ARM	1	154295-	(A) (SUB RE38361)
8	34H282	SPRING PIN	2	-154294	3/16" X 1"
	34H297	SPRING PIN	2	154295-	7/32" X 1"
9	34H251	SPRING PIN	2	154295-	1/8" X 1"
10	AR32155	ARM	1	-154294	(A) (SUB RE38361, R49817, R49819, 34H251, 34H252, 34H297 AND 34H299)
	AR53840	ARM	1	154295-	(SUB RE22319)
	AR45315	ARM	1	-154294	(A) (SUB AR53842, R49816, R49819, 34H251, 34H252, 34H297 AND 34H299)
	AR53842	ARM	1	154295-	(A) (NO LONGER AVAILABLE)
11	R33275	GASKET	1		
12	R33587	SEAL	2		
13	R33287	SHAFT	1	-154294	(SUB RE22319, R49816, R49819, 34H251, 34H252, 34H297 AND 34H299)
	R49819	PIN	1	154295-	
	R33287	SHAFT	1	-154294	(A) (SUB AR53842, R49816, R49819, 34H251, 34H252, 34H297 AND 34H299)
	R49819	PIN	1	154295-	(A)

**TRANSMISSION CONTROL VALVE COVER, CONTROL VALVES AND ARMS - CONTINUED  
(POWER SHIFT)**

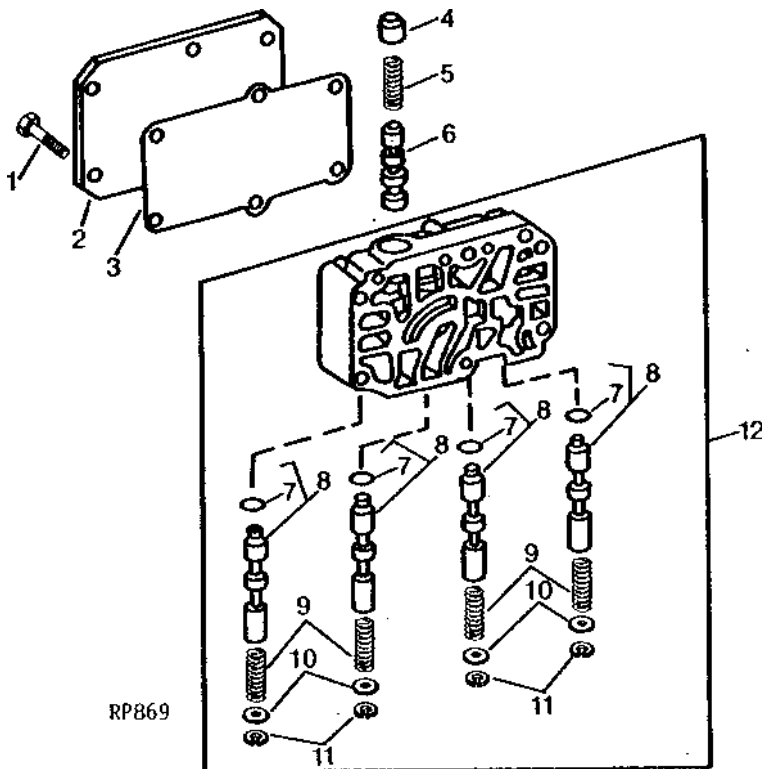
KEY	PART NO.	PART NAME	QTY	TRACTOR SERIAL NO.	REMARKS
14	R33287	SHAFT	1	-154294	(SUB RE22320, R49817, R49819, 34H251, 34H252, 34H297 AND 34H299)
	R49819	PIN	1	154295-	
	R33287	SHAFT	1	-154294	(A) (SUB RE38361, R49817, R49819, 34H251, 34H252, 34H297 AND 34H299)
	R49819	PIN	1	154295-	(A)
15	R36364	WASHER	2		
16	24H1359	WASHER	2		5/8" X 7/8" X 0.060"
17	F3221R	SPRING	2		
18	R33272	ARM	1	-154294	(SUB RE22320, R49817, R49819, 34H251, 34H252, 34H297 AND 34H299)
	R49817	LEVER	1	154295-	
	R33272	ARM	1	-154294	(A) (SUB RE38361, R49817, R49819, 34H251, 34H252, 34H297 AND 34H299)
	R49817	LEVER	1	154295-	(A) (SUB RE21304)
19	R33271	ARM	1	-154294	(SUB RE22319, R49816, R49819, 34H251, 34H252, 34H297 AND 34H299)
	R49816	LEVER	1	154295-	
	R33271	ARM	1	-154294	(A) (SUB AR53842, R49816, R49819, 34H251, 34H252, 34H297 AND 34H299)
	R49816	LEVER	1	154295-	(A)
20	34H299	SPRING PIN	2		7/32" X 1-1/4"
21	34H252	SPRING PIN	2	154925-	1/8" X 1-1/4"
22	AR45255	COVER	1		(MARKED R33268 OR R44030)
	AR95904	COVER	1		(A) (MARKED R48758) (SUB R82331, R26287, R27216, R27218 AND (5) R26448) (SUB FOR R42989, AR52180 OR RE21305)
	R26287	O-RING	1		
	R27216	DRAIN PLUG	1		(SUB FOR R31631, THIS APPLICATION)
23	19H2023	CAP SCREW	5		3/8" X 3-1/4"
24	24M7096	WASHER	6		10.500 X 18 X 1.600 MM
25	19H1854	CAP SCREW	1		3/8" X 3-3/4"

(A) POWER FRONT WHEEL DRIVE

# 2G24

RP869 -UN-01JAN94

## TRANSMISSION SHIFT VALVE (POWER SHIFT)



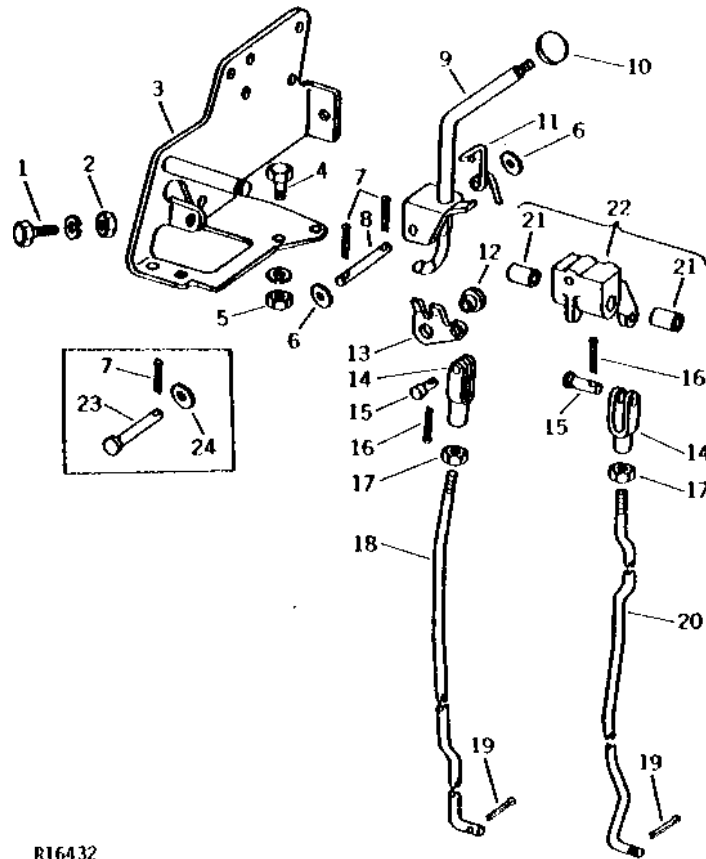
KEY	PART NO.	PART NAME	QTY	TRACTOR SERIAL NO.	REMARKS
1	19H1949	CAP SCREW	6	5/16" X 2-1/2"	
2	R33307	COVER	1		
3	R92474	GASKET	1		(SUB FOR R33276 OR R68821)
4	R34175	BOLT	1		
5	R51201	SPRING	1	-150000	(SUB FOR R33284)
	R47444	SPRING	1	150001-	
6	R33306	VALVE	1	-150000	(SUB R48647)
	R48647	VALVE	1	150001-	
7	R35155	O-RING	4		
8	AR48589	VALVE	4	-XXXXXX	
	AR52251	VALVE	4	XXXXXX-	(SUB R48769 AND R35155)
9	R33280	SPRING	4	-150000	(SUB R47393)
	R47393	SPRING	4	150001-	
10	R33294	WASHER	4	-150000	(SUB R48013)
	R48013	WASHER	4	150001-	
11	R33282	SNAP RING	4		
12	AR52335	HOUSING	1		(MARKED R33077)

# 2G25

POWER TRAIN

## TRANSMISSION SHIFTER CONTROL (POWER SHIFT)

R16432 -UN-01JAN94



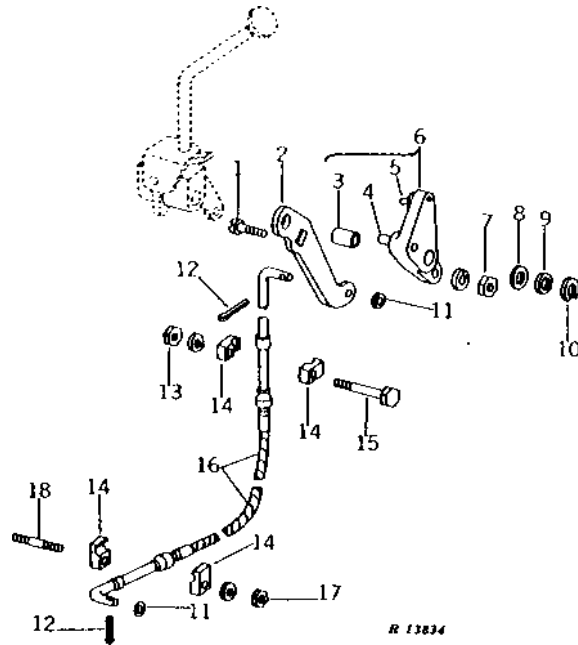
R16432

KEY	PART NO.	PART NAME	QTY	TRACTOR SERIAL NO.	REMARKS
1	19H2552	CAP SCREW	1		3/8" X 1-1/8"
	12H304	LOCK WASHER	1		3/8"
2	14H1076	NUT	1		3/8"
3	AR40788	SUPPORT	1		(NLA)
4	19H2284	CAP SCREW	5		3/8" X 7/8"
5	14H1076	NUT	5		3/8"
	12H304	LOCK WASHER	5		3/8"
6	24H1289	WASHER	2		21/64" X 5/8" X 0.049"
7	11M7079	COTTER PIN	2		0.098" X 0.472"
8	R45832	PIN	1		
9	AR40792	LEVER	1	-150000	(SUB AR50118, AR50119 AND R47409)
	AR50118	LEVER	1	150001-	
10	R60458	KNOB	1		(SUB FOR F2861R)
11	R45651	SPRING	1		(SUB FOR R41140)
12	R41134	BUSHING	1		
13	R41133	FULCRUM	1	-150000	
	R47409	FULCRUM	1	150001-	
14	L324T	YOKE	2		
15	R65563	PIN	2		(SUB FOR C1067R)
16	11M7081	COTTER PIN	2		0.098" X 0.787"
17	14H774	NUT	2		3/8"
18	R41004	ROD	1		
19	11M7059	COTTER PIN	2		3.200 X 20 MM
20	R41003	ROD	1		
21	R653R	BUSHING	2		
22	AR40790	PIVOT	1	-150000	(MARKED R41128)
	AR50119	PIVOT	1	150001-	(MARKED R47410)
23	R41141	PIN	1		(SUB R45832, (2) 24H1289 AND (2) 11M7079)
24	24H1136	WASHER	1		11/32" X 11/16" X 0.065"

# 2H1

R13834 -UN-01JAN94

## TRANSMISSION LOCK CONTROL (POWER SHIFT)

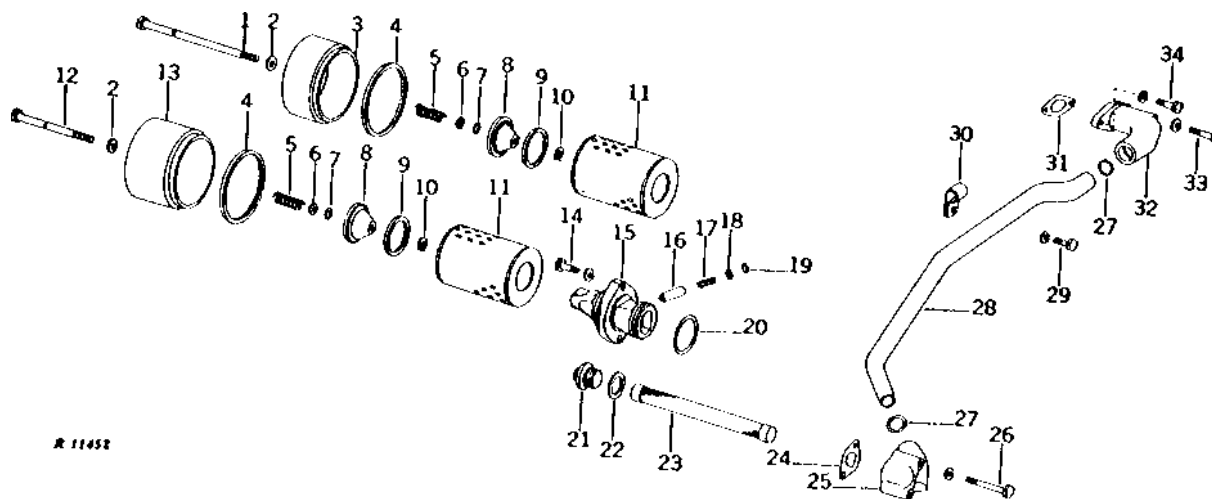


KEY	PART NO.	PART NAME	QTY	TRACTOR SERIAL NO.	REMARKS
1	03H1480	BOLT	1	3/8" X 1-1/4"	
2	R41132	ARM	1		
3	R653R	BUSHING	1		
4	R1800R	DOWEL PIN	1		
5	T15329	PIN	1		
6	AR40793	HUB	1	(MARKED R41142)	
7	14H1076	NUT	1	3/8"	
8	12H304	LOCK WASHER	1	3/8"	
8	24H1366	WASHER	AR	21/32" X 1-1/8" X 0.036"	
9	24H1658	WASHER	AR	21/32" X 1" X 0.060"	
10	A4883R	RING	1		
11	B1664R	SHIM	2		
12	11M7079	COTTER PIN	2	0.098" X 0.472"	
13	14H1076	NUT	1	3/8"	
13	12H304	LOCK WASHER	1	3/8"	
14	T33483	CLAMP	4		
15	19H1733	CAP SCREW	1	3/8" X 2-1/2"	
16	AT48763	CABLE	1	(SUB FOR AR40789)	
	R39725	SEAL	2	CABLE HOUSING	
	R39726	SEAL	1	BOTTOM END	
	R39727	SEAL	1	TOP END	
17	14H812	NUT	1	3/8"	
17	12H304	LOCK WASHER	1	3/8"	
18	R699R	STUD	1	3/8" X 2-1/2"	



## OIL FILTERS AND TRANSMISSION OIL PUMP INTAKE (POWER SHIFT)

R11452 -UN-01JAN94



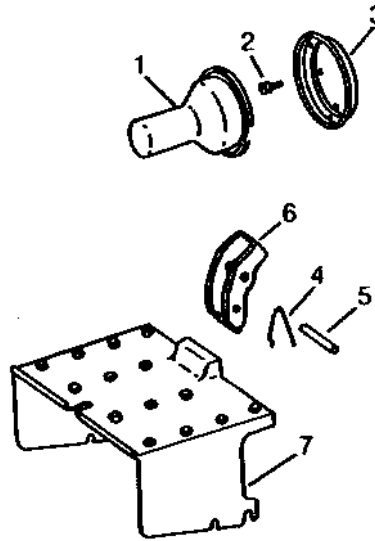
KEY	PART NO.	PART NAME	QTY	TRACTOR SERIAL NO.	REMARKS
1	R54750	CAP SCREW	1	(SUB FOR R39795)	
2	R394R	O-RING	2		
3	R39794	COVER	1		
4	R34733	LOCK WASHER	2		
5	R66064	SPRING	2		
6	24H1227	WASHER	2	17/32" X 13/16" X 0.060"	
7	R394R	O-RING	2		
8	R28593	RETAINER	2	(SUB R65892 AND F2741R)	
9	R28594	WASHER	2	(SUB R65892 AND F2741R)	
10	R32507	SNAP RING	2		
11	AR75603	FILTER ELEMENT	1	(SUB FOR AR28271 OR AR75601) (PKG. OF 2)	
12	R54751	CAP SCREW	1	(SUB FOR R39797)	
13	R39796	COVER	1		
14	19H1800	CAP SCREW	2	3/8" X 1-1/2"	
	12H304	LOCK WASHER	2	3/8"	
15	R54962	HOUSING	1	(SUB FOR R39586)	
16	R33162	VALVE	1	(SUB R57559 AND R33259)	
17	R26686	SPRING	1		
18	R48013	WASHER	1	(SUB FOR R33294)	
19	R33282	SNAP RING	1		
20	U12198	O-RING	1		
21	R40147	FITTING	1	(SUB FOR A4806R)	
22	A4808R	WASHER	1		
23	R53169	SCREEN	1	(NYLON)	
	AR26375	SCREEN	1	(STEEL)	
24	R28110	GASKET	1		
25	R84270	ADAPTER	1	(SUB FOR R33911)	
26	19H1944	CAP SCREW	2	3/8" X 2-3/4"	
	12H304	LOCK WASHER	2	3/8"	
27	A3606R	O-RING	2		
28	R33914	HYDRAULIC LINE	1		
29	19H1936	CAP SCREW	1	3/8" X 3/4"	
	12H304	LOCK WASHER	1	3/8"	
30	R33364	CLAMP	1		
31	R33363	GASKET	1		
32	AR41885	ADAPTER	1	(MARKED R33362 OR R41851)	
	15H624	PIPE PLUG	1	1/2"	
33	19H1765	CAP SCREW	1	3/8" X 1-3/4"	
	12H304	LOCK WASHER	1	3/8"	
34	19H1732	CAP SCREW	1	3/8" X 1-1/4"	
	12H304	LOCK WASHER	1	3/8"	

# 2H3

POWER TRAIN

## 540 RPM AND 1000 RPM PTO MASTER SHIELD AND REAR GUARD (POWER SHIFT)

RXP8623 -UN-01JAN94



RXP8623

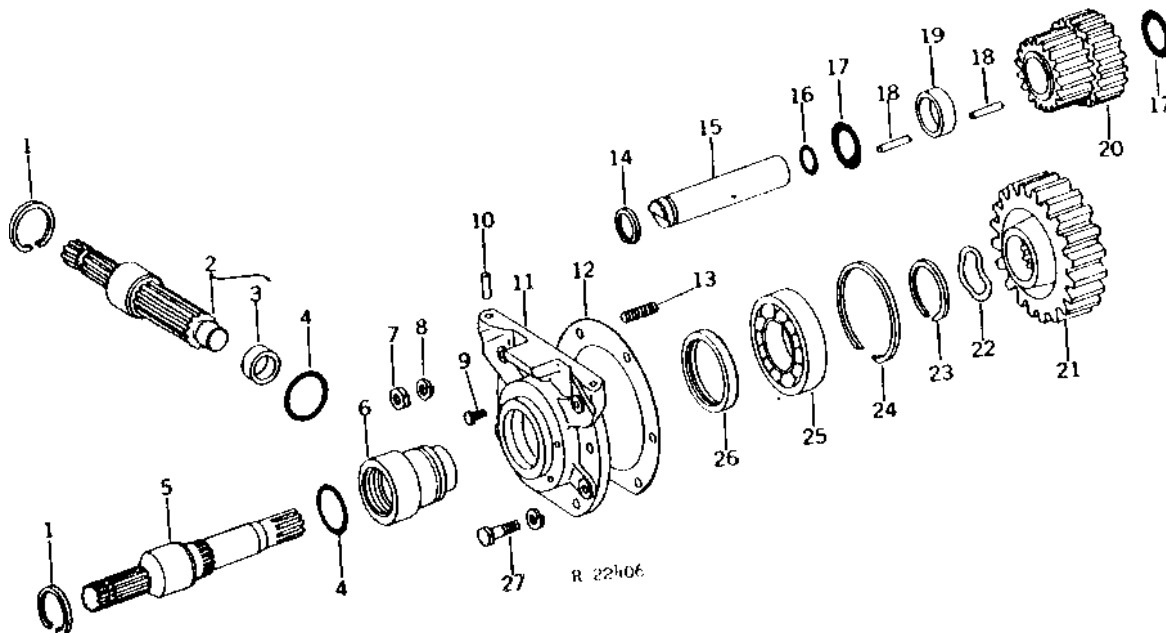
KEY	PART NO.	PART NAME	QTY	TRACTOR SERIAL NO.	REMARKS
1	AR26782	GUARD	1	(SUB L64456)	
2	R27329	SCREW	2		
3	AR26707	RETAINER	1		
4	R42585	SPRING	1		
5	34H335	SPRING PIN	1	5/16" X 2-1/8"	
6	R42583	RETAINER	1	(SUB FOR AR44712)	
7	R33348	SHIELD	1		

# 2H4

POWER TRAIN

## 540 RPM AND 1000 RPM PTO REAR DRIVE GEAR AND SHAFTS (POWER SHIFT)

R22406 -UN-01JAN94



KEY	PART NO.	PART NAME	QTY	TRACTOR SERIAL NO.	REMARKS
1	R38221	SNAP RING	2		
2	AR41752	SHAFT	1	540 RPM	
3	JD7557	BEARING RACE	1		
4	P50631	O-RING	2		
5	R38224	SHAFT	1	1000 RPM, (SUB R94130)	
6	R45126	GUIDE	1	(SUB FOR R38220)	
7	14H1040	NUT	2	1/2"	
8	12H301	LOCK WASHER	2	1/2"	
9	R27329	SCREW	2		
10	34H348	SPRING PIN	2	3/8" X 1"	
11	AR38168	QUILL	1	(MARKED R38218 OR R47507) (SUB RE47805, R106715 AND R106866)	
	AR32440	QUILL	1	(1000 RPM PTO ONLY) (MARKED R33487 OR R47508) (SUB FOR AR54487 AND AR55216) (SUB AR54487 AND AR55216)	
12	R33337	GASKET	1		
13	R32101	STUD	2	1/2" X 1-3/4"	
14	R33320	SNAP RING	1		
15	R33852	COUNTERSHAFT	1		
16	R30319	O-RING	1		
17	R33853	THRUST WASHER	2		
18	R33028	NEEDLE ROLLER	48		
19	R33344	SPACER	1		
20	R33339	GEAR	1		
21	R42014	GEAR	1		
22	R38219	THRUST WASHER	1		
23	F1334R	SNAP RING	1		
24	C1919R	SNAP RING	1		
25	JD9320	BALL BEARING	1		
26	AT16431	SEAL	1	(SUB RE13181)	
	AT344T	SEAL	1	(1000 RPM PTO ONLY)	
27	19H1721	CAP SCREW	4	1/2" X 1-1/2"	
	12H301	LOCK WASHER	4	1/2"	

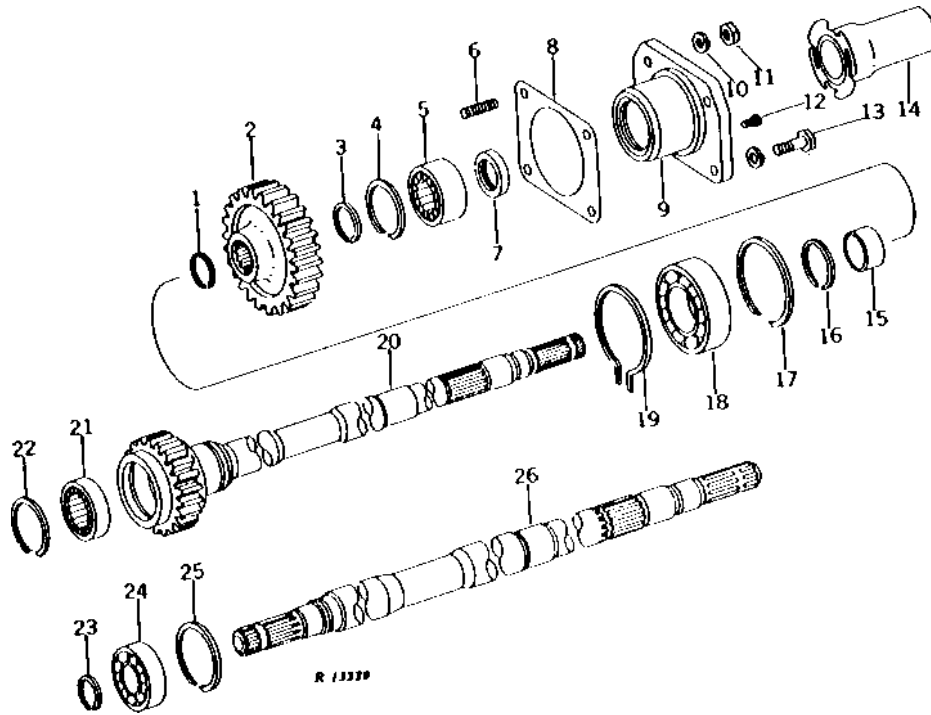
# 2H5

POWER TRAIN

## 540 RPM AND 1000 RPM PTO DRIVE GEAR, SHAFTS AND FRONT GUARD (POWER SHIFT)

R13229

-UN-01JAN94



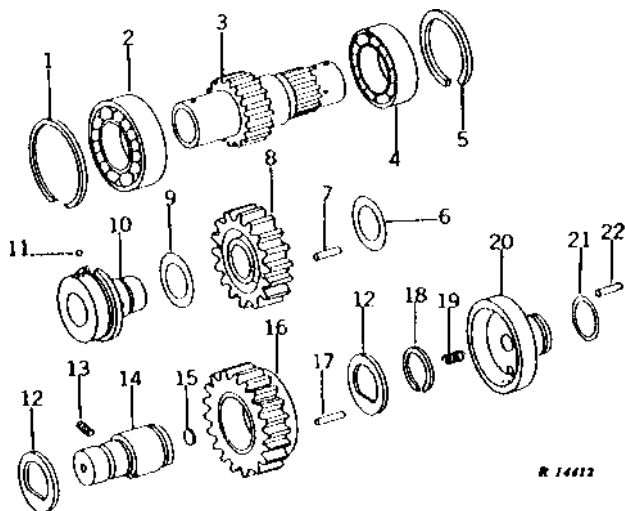
KEY	PART NO.	PART NAME	QTY	TRACTOR SERIAL NO.	REMARKS
1	R33325	SNAP RING	1		
2	R33336	GEAR	1		
3	R27000	SNAP RING	1		
4	F2367R	SNAP RING	1		
5	JD8725	ROLLER BEARING	1		
6	R32101	STUD	2	1/2" X 1-3/4"	
7	R33338	SEAL	1		
8	R33236	GASKET	1		
9	AR33998	QUILL	1	(MARKED R33212)	
10	12H301	LOCK WASHER	2	1/2"	
11	14H1040	NUT	2	1/2"	
12	R27329	SCREW	2		
13	19H1721	CAP SCREW	2	1/2" X 1-1/2"	
	12H301	LOCK WASHER	2	1/2"	
14	AR26701	GUARD	1		
15	R34328	BUSHING	1		
16	R36295	SNAP RING	1		
17	R33321	RING	1		
18	JD8537	BEARING	1		
19	R33322	SNAP RING	1		
20	AR32165	SHAFT	1	(NLA)	
21	JD7537	ROLLER BEARING	1		
22	F2367R	SNAP RING	1		
23	A364R	SNAP RING	1	(1000 RPM PTO ONLY)	
24	JD9345	BALL BEARING	1	(1000 RPM PTO ONLY)	
25	B190R	SNAP RING	1	(1000 RPM PTO ONLY)	
26	R34165	SHAFT	1	(1000 RPM PTO ONLY)	

# 2H6

POWER TRAIN

## 540 RPM AND 1000 RPM PTO DRIVE SHAFT AND IDLER GEARS (POWER SHIFT)

R14412 -UN-01JAN94



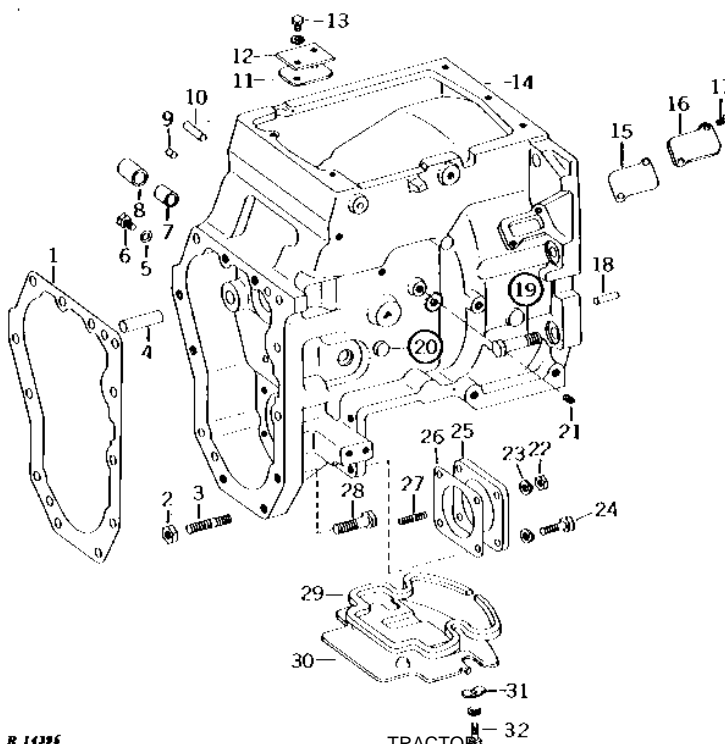
R 14412

KEY	PART NO.	PART NAME	QTY	TRACTOR SERIAL NO.	REMARKS
1	F1373R	SNAP RING	1		
2	JD9279	BALL BEARING	1	(SUB CH17453)	
3	R38393	SHAFT	1		
4	JD9292	BALL BEARING	1		
5	31415	SNAP RING	1		
6	R33330	WASHER	1		
7	R26022	NEEDLE ROLLER	24		
8	R41954	GEAR	1		
9	R41956	WASHER	1		
10	AR42221	QUILL	1	(INCLUDES THRUST WASHERS, ROLLERS AND QUILL) (SUB AR42223, R33330, R41954, R41956 AND (24) R26022)	
11	H871R	BALL	1	5MM (3/16")	
12	R42720	THRUST WASHER	2		
13	R34582	SET SCREW	1		
14	R41744	SHAFT	1		
15	30H9	PLUG	1	3/4"	
16	R33335	GEAR	1		
17	R26006	NEEDLE ROLLER	29		
18	R34222	SNAP RING	1		
19	A1651R	SPRING	1		
20	AR39773	BRAKE SHOE	1	(SUB RE20731)	
21	T11220	O-RING	1		
22	R40336	DOWEL PIN	1		

# 2H7

R14395 -UN-01JAN94

## CLUTCH HOUSING (SYNCRO-RANGE)



R 14395

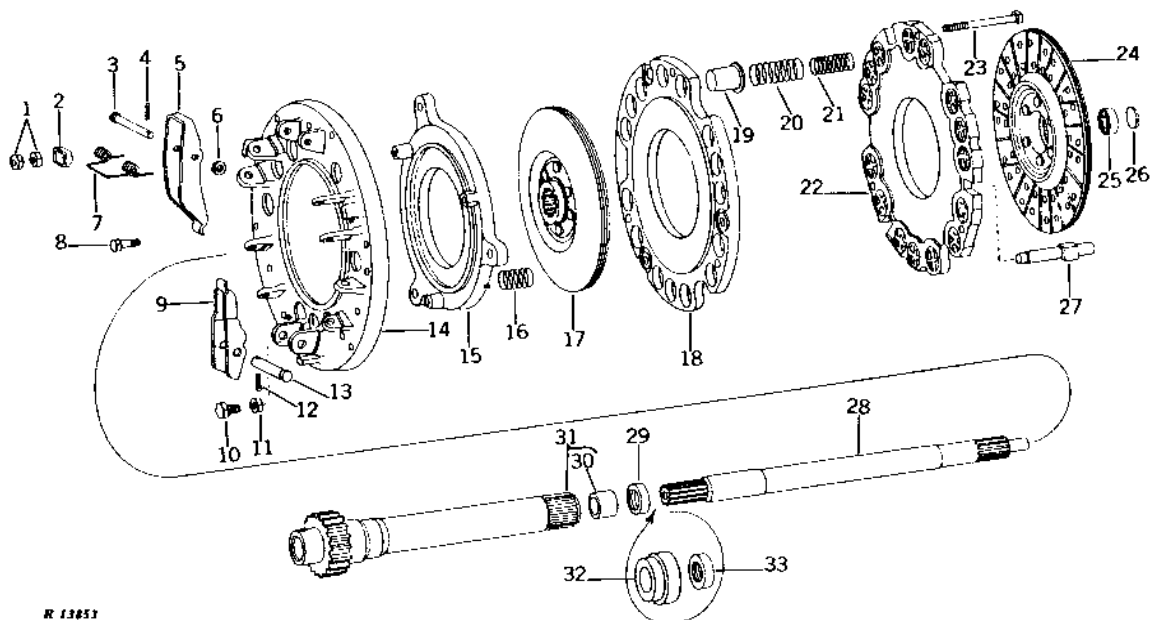
KEY	PART NO.	PART NAME	QTY	TRACTOR SERIAL NO.	REMARKS
1	R54178	GASKET	1		(SUB FOR R33894)
2	14H794	NUT	3		3/4"
3	R1548R	STUD	3		3/4" X 3-1/2"
4	R26663	DOWEL PIN	1		
5	R26287	O-RING	1		
6	R27216	DRAIN PLUG	1		(SUB FOR R31631)
7	R26641	BUSHING	1		CLUTCH FORK SHAFT, R.H.
8	R26642	BUSHING	1		CLUTCH FORK SHAFT, L.H.
9	R31374	DOWEL PIN	1		(LESS PTO)
10	34H371	SPRING PIN	1		1/2" X 2"
11	R41421	GASKET	1		(LESS PTO)
12	R41422	STRAP	1		(LESS PTO)
13	19H2284	CAP SCREW	2		3/8" X 7/8"
	12H304	LOCK WASHER	2		3/8"
14	AR41003	HOUSING	1	-150000	(MARKED R40640) (SUB AR52163, AR50700, R27035, (2) R32101, (2) T26565, (2) 19H2351 AND 34H371)
	AR52163	HOUSING	1	150001-	(MARKED R47690 OR R47760) (SUB AR50700, R27035, (2) R32101, (2) T26565, (2) 19H2351 AND 34H371)
	15H253	PIPE PLUG	2		1/8", (LESS PTO)
15	R31494	GASKET	1		(SUB R67989)
16	R31493	COVER	1		
17	21H1318	SCREW	2		0.216" X 1/2"
18	T26565	DOWEL PIN	2		(SUB FOR C1220R)
19	19H1707	CAP SCREW	6		3/4" X 2-3/4"
20	R27035	CAP	1		
21	15H558	PIPE PLUG	2		1/8" 1/8", (SUB FOR R21630)
22	14H1040	NUT	2		1/2"
23	12H301	LOCK WASHER	2		1/2"
24	19H1721	CAP SCREW	2		1/2" X 1-1/2"
	12H301	LOCK WASHER	2		1/2"
25	R33216	COVER	1		(LESS PTO)
26	R33236	GASKET	1		
27	R32101	STUD	2		1/2" X 1-3/4"
28	19H2600	CAP SCREW	7		3/4" X 2-5/8"
29	R91558	FOAM PAD	1		(SUB FOR R30877)
30	R41562	COVER	1		
31	R27640	CLAMP	2		
32	19H1731	CAP SCREW	2		3/8" X 1"
	12H304	LOCK WASHER	2		3/8"

# 2H8

POWER TRAIN

## TRANSMISSION AND PTO CLUTCH (SYNCRO-RANGE)

R13853 -UN-01JAN94



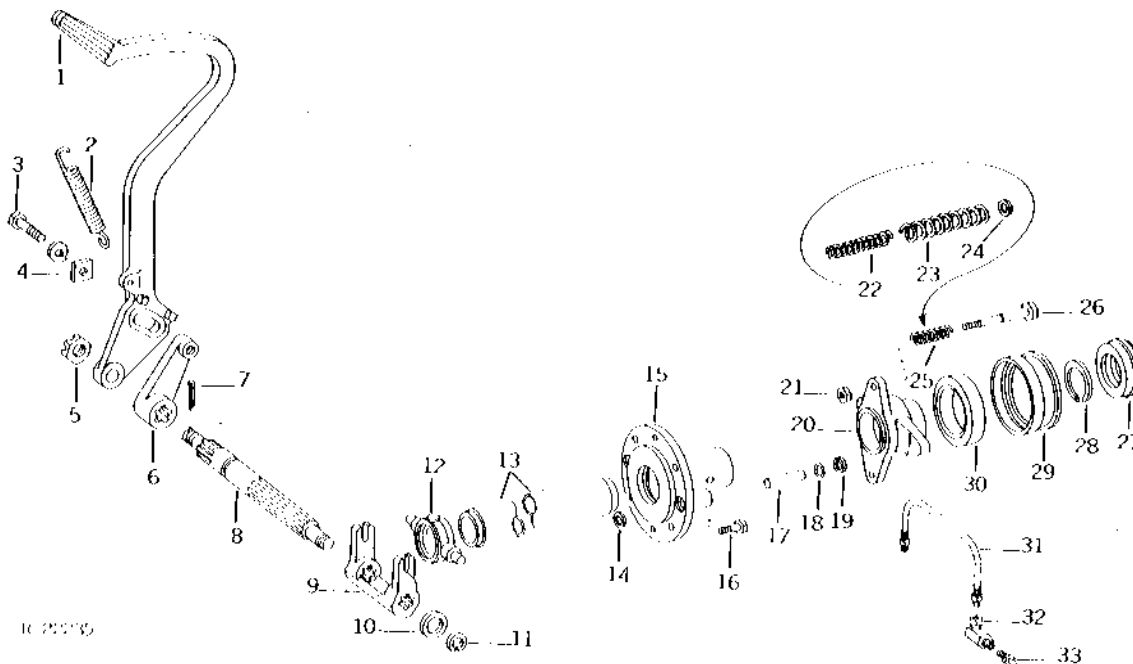
R 13853

KEY	PART NO.	PART NAME	QTY	TRACTOR SERIAL NO.	REMARKS
1	14H774	NUT	6	3/8"	
2	R32631	BAR	3		
3	R31131	PIN	3		
4	11M7021	COTTER PIN	3	0.157" X 0.984"	
5	AR31906	LEVER	3		TRANSMISSION CLUTCH
6	24M7096	WASHER	3		10.500 X 18 X 1.600 MM
7	R26639	SPRING	3		
8	R46567	CAP SCREW	6		(SUB FOR R31198)
9	R33550	LEVER	3		(A) PTO CLUTCH
	AR58171	LEVER	3		(A) PTO CLUTCH (USE WHEN AR63608 HAS BEEN INSTALLED)
10	R26804	CAP SCREW	3		(A)
11	14H774	NUT	3	(A) 3/8"	
12	11M7021	COTTER PIN	3	(A) 0.157" X 0.984"	
13	R43418	PIN	3	(A)	
14	R46425	COVER	1		(SUB FOR R41179)
15	R41343	PLATE	1		
16	R26659	SPRING	3		
17	RE29610	CLUTCH DISK	1		PTO, (SUB FOR AR26840)
18	R41342	PLATE	1		
19	R27033	BUSHING	12		
20	R26637	SPRING	12		
21	R38185	SPRING	12		
22	R51392	CLUTCH PLATE	1		(SUB FOR R41341)
23	R49579	BOLT	3		(SUB FOR R32632)
24	RE29774	CLUTCH DISK	1		(SUB FOR AR42125)
	AR55661	CLUTCH DISK	1		(HEAVY-DUTY) (SUB FOR AR42126)
25	JD9449	BALL BEARING	1		(SUB FOR JD9281)
26	R26656	WASHER	1		
27	R40731	DOWEL PIN	3		
28	R33927	SHAFT	1		
29	AR26532	SEAL	1		(A)
30	R30854	BUSHING	1		(A)
31	AR32469	SHAFT	1		(A)
32	R53585	QUILL	1		(LESS PTO) (SUB FOR R27042)
33	AR26602	SEAL	1		(LESS PTO)
..	AR63608	KIT	1		COUNTERWEIGHTED PTO CLUTCH OPERATING LEVER

(A) NOT USED ON TRACTORS LESS PTO

## TRANSMISSION AND PTO CLUTCH CONTROL (SYNCRO-RANGE)

R22235 -UN-01JAN94



KEY	PART NO.	PART NAME	QTY	TRACTOR SERIAL NO.	REMARKS
1	R41228	PEDAL	1		
	R34483	LABEL	1		
2	R44904	SPRING	1		
3	19H1721	CAP SCREW	1	1/2" X 1-1/2"	
	12H301	LOCK WASHER	1	1/2"	
4	R27305	STRAP	1		
5	C1104R	NUT	1		
6	R26652	LEVER	1		
7	11M7083	COTTER PIN	1		
8	R44277	SHAFT	1	0.126" X 1.969"	(SUB FOR R40933)
9	R41180	FORK	1		
10	24H1396	WASHER	1	25/32" X 1-1/2" X 0.105"	
11	A369R	SNAP RING	1	(SUB R73380)	
12	AR27472	SHIFT COLLAR	1	(MARKED R27660)	
13	R41785	BUSHING	1		
14	R26919	WASHER	2	(A)	
15	AR41210	SUPPORT	1	(MARKED R41515)	
16	R46567	CAP SCREW	4		
17	R41511	DOWEL PIN	2	(A)	
18	R56464	O-RING	2	(A)	
19	R32588	BACK-UP RING	2	(A)	
20	R52417	SLEEVE	1	(A) (SUB FOR R40794)	
21	14H849	NUT	2	(A) 7/16"	
22	R51865	SPRING	2	(A)	
23	R52737	SPRING	2	(A)	
24	R52736	WASHER	2	(A)	
25	R51865	SPRING	2	(A) (SUB FOR R44104)	
26	R40809	BOLT	2	(A)	
27	AR41794	THRUST BEARING	1		
28	A5518R	SNAP RING	1		
29	R27665	SHIFT COLLAR	1	(A)	
30	AR26845	BALL BEARING	1	(A)	
31	R32164	HOSE	1	(A)	
32	R32222	UNION FITTING	1	(A)	
33	JD7778	LUBRICATION FITTING	1		
..	AR63608	KIT	1		COUNTERWEIGHTED PTO CLUTCH OPERATING LEVER

(A) NOT REQUIRED ON TRACTORS LESS PTO.

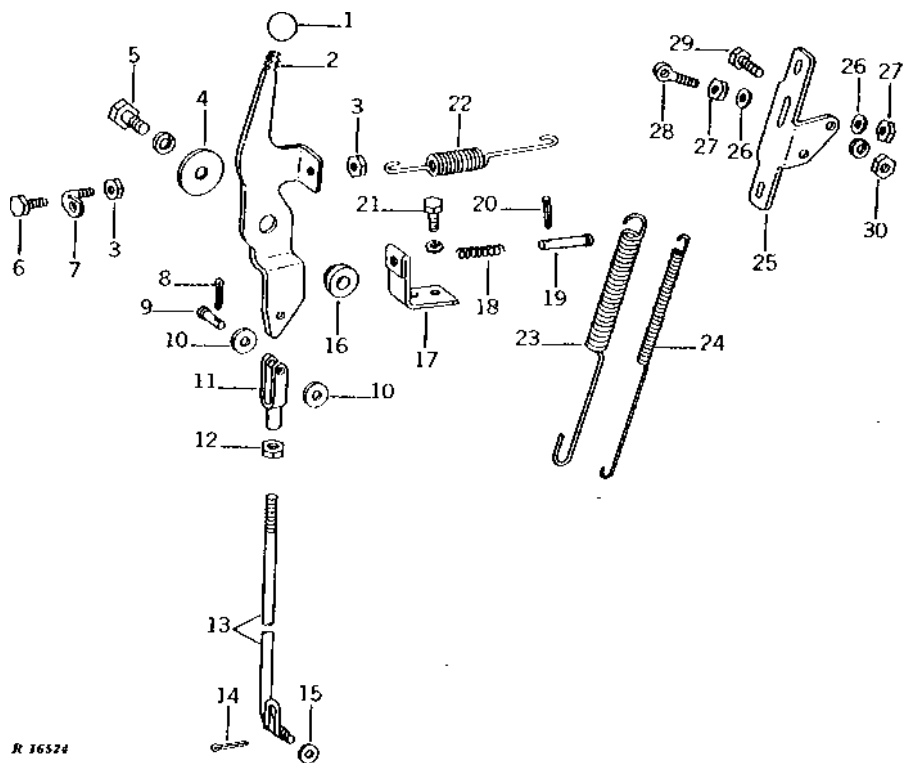


# 2H10

POWER TRAIN

## PTO CLUTCH VALVE CONTROL LINKAGE (SYNCRO-RANGE)

R16524 -UN-01JAN94

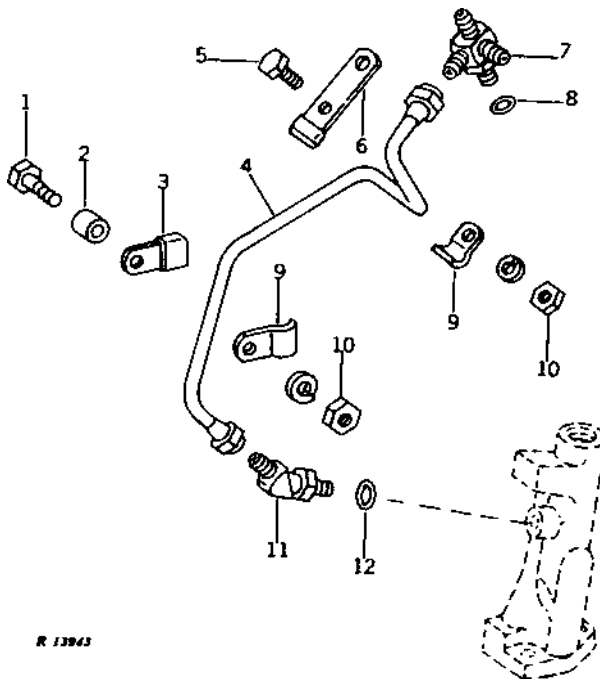


KEY	PART NO.	PART NAME	QTY	TRACTOR SERIAL NO.	REMARKS
1	R40948	KNOB	1		
2	R41370	LEVER	1		
3	14H732	NUT	2		3/8"
4	F2912R	WASHER	1		
5	19H2354	CAP SCREW	1		9/16" X 1-1/4"
	12H317	LOCK WASHER	1		9/16"
6	19H2791	CAP SCREW	1	-150000	3/8" X 1-3/4"
7	R48102	STUD	1	150001-	
8	11M7081	COTTER PIN	1		0.098" X 0.787"
9	R65563	PIN	1		(SUB FOR C1067R)
10	24H1309	WASHER	2		13/32" X 1-1/16" X 0.120"
11	L324T	YOKE	1		
12	14H774	NUT	1		3/8"
13	AR44616	ROD	1		
14	11M7059	COTTER PIN	1		3.200 X 20 MM
15	24H1136	WASHER	1		11/32" X 11/16" X 0.065"
16	R26574	WASHER	1		
17	R41372	STOP	1	-150000	
18	R26823	SPRING	1	-150000	
19	R42507	PIN	1	-150000	
20	11M7059	COTTER PIN	1	-150000	3.200 X 20 MM
21	19H1900	CAP SCREW	2	-150000	5/16" X 3/4"
	12H303	LOCK WASHER	2	-150000	5/16"
22	R48101	SPRING	1	150001-	
23	R42511	SPRING	1		
24	R42509	SPRING	1		
25	R46313	BRACKET	1		(SUB FOR R42508)
26	24H1305	WASHER	2		13/32" X 13/16" X 0.065"
27	14H1076	NUT	2		3/8"
28	R42512	EYEBOLT	1		
29	19H2284	CAP SCREW	2		3/8" X 7/8"
30	14H1076	NUT	2		3/8"
	12H304	LOCK WASHER	2		3/8"

# 2H11

R13943 -UN-01JAN94

## PTO CLUTCH VALVE OIL PIPE (SYNCRO-RANGE)



R 13943

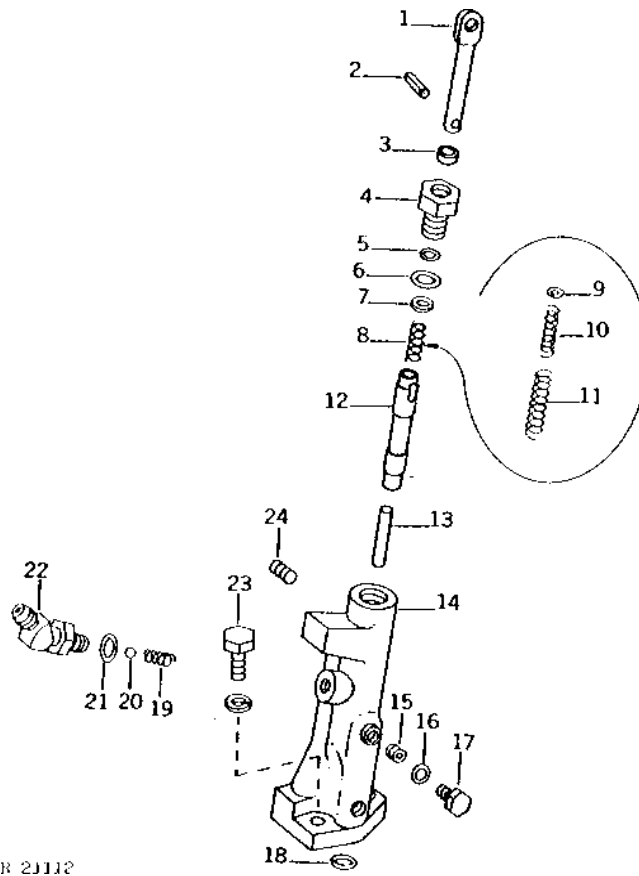
KEY	PART NO.	PART NAME	QTY	TRACTOR SERIAL NO.	REMARKS
1	19H1765	CAP SCREW	1		
2	28H1697	SPACER	1		
3	R31655	STRAP	1		
4	AR40940	HYDRAULIC LINE	1		
5	19H1936	CAP SCREW	1		3/8" X 3/4"
6	R42290	PLATE	1		
7	AR40689	TEE FITTING	1	-150000	(SYNCRO-RANGE WITH PTO)
	AR30762	TEE FITTING	1	150001-	(SYNCRO-RANGE WITH PTO)
8	R26286	O-RING	1		
9	R31654	CLAMP	2		
10	14H1076	NUT	2		3/8"
	12H304	LOCK WASHER	2		3/8"
11	AR35223	ELBOW FITTING	1		
12	R26287	O-RING	1		

# 2H12

POWER TRAIN

R21112 -UN-01JAN94

## PTO CLUTCH VALVE (SYNCRO-RANGE)



R 2J112

KEY	PART NO.	PART NAME	QTY	TRACTOR SERIAL NO.	REMARKS
1	R40812	SHAFT	1		
2	34H260	SPRING PIN	1	5/32" X 5/8"	
3	AR40687	SEAL	1		
4	R40813	DRAIN PLUG	1		
5	A3917R	O-RING	1		
6	R26375	O-RING	1		
7	R31632	SHIM	1		
8	R44204	SPRING	1		
9	R53237	SHIM	1		
10	R52057	SPRING	1		
11	R45582	SPRING	1		
12	R40811	CONTROL VALVE	1		
13	R36882	DOWEL PIN	1		(SUB R55081)
14	AR45788	HOUSING	1	-131239	(MARKED R38546) (SUB AR46113)
	AR48963	HOUSING	1	131240-	(MARKED R46732) (SUB AR46113)
15	R38545	SET SCREW	3	-131239	
16	R26287	O-RING	2	-131239	
	R26287	O-RING	1	131240-	
17	R27216	DRAIN PLUG	2	-131239	(SUB FOR R31631)
	R27216	DRAIN PLUG	1	131240-	(SUB FOR R31631)
	R33259	O-RING	3		(SUB FOR T11934)
19	R26373	SPRING	1	156422-	
20	400R	BALL	1	156422-	6.35MM (1/4")
21	R26287	O-RING	1		
22	AR35223	ELBOW FITTING	1		
23	19H2552	CAP SCREW	2		3/8" X 1-1/8"
	12H304	LOCK WASHER	2		3/8"
24	15H558	PIPE PLUG	1	-131239	1/8"
	15H558	PIPE PLUG	2	131240-	1/8"
..	AR58572	HOUSING	1		(SUB AR46113, (3) R33259, (2) 12H304 AND (2) 19H2552) COMPLETE PTO CLUTCH VALVE
..	AR63608	KIT	1		COUNTERWEIGHTED PTO CLUTCH OPERATING LEVER

MEMORANDA

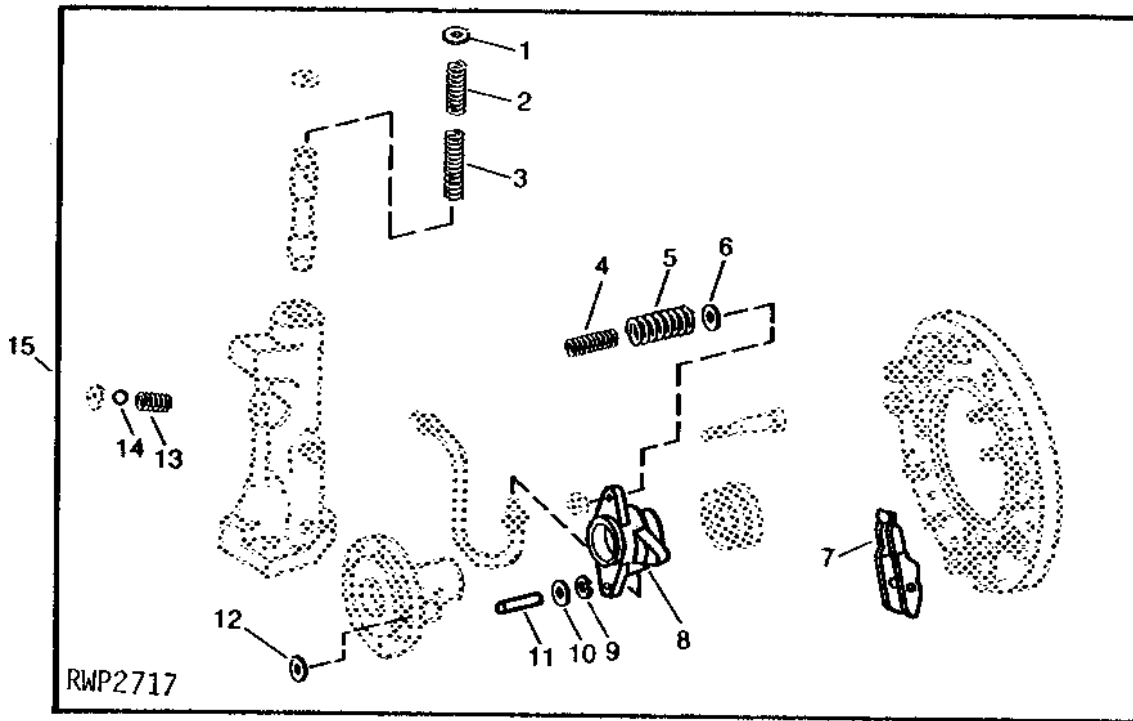
# 2H13

POWER TRAIN

## COUNTERWEIGHTED PTO CLUTCH OPERATING LEVER CONVERSION

RWP2717

-UN-01JAN94

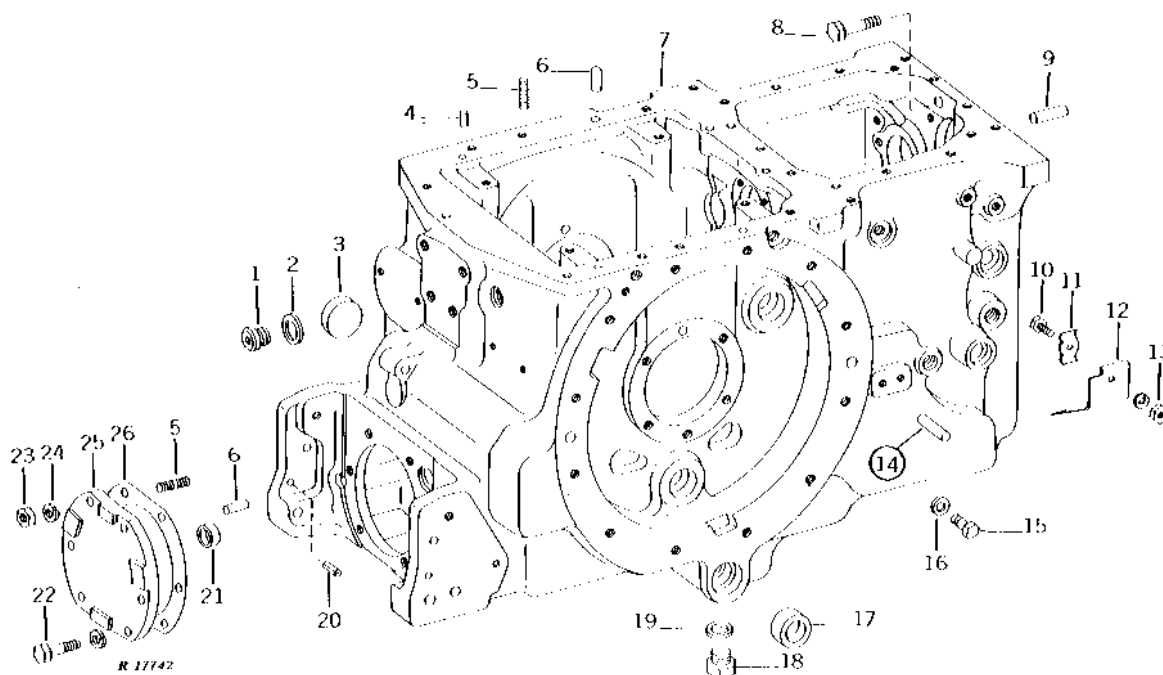


KEY	PART NO.	PART NAME	QTY	TRACTOR SERIAL NO.	REMARKS
1	R53237	SHIM	1	0.64MM (.025")	
2	R52057	SPRING	1	INNER	
3	R45582	SPRING	1	OUTER	
4	R51865	SPRING	2		
5	R52737	SPRING	2		
6	R52736	WASHER	2		
7	AR58171	LEVER	3		
8	R52417	SLEEVE	1	(SUB FOR R40794)	
9	R32588	BACK-UP RING	2		
10	R56464	O-RING	2		
11	R41511	DOWEL PIN	2		
12	R26919	WASHER	2		
13	R26373	SPRING	1		
14	400R	BALL	1	6MM (1/4")	
15	AR63608	KIT	1		

# 2H14

R17742 -UN-01JAN94

## TRANSMISSION CASE (SYNCRO-RANGE)



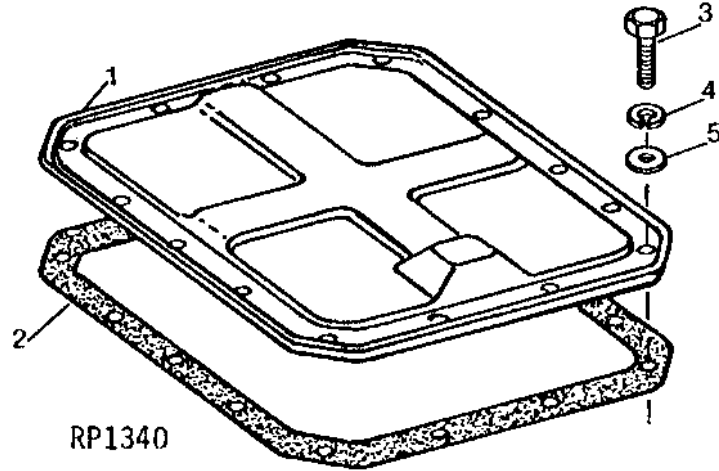
KEY	PART NO.	PART NAME	QTY	TRACTOR SERIAL NO.	REMARKS
1	R27483	PLUG	1		
2	H851R	WASHER	1		
3	R38344	CAP	1		(EQUIPPED WITH 1000 PTO OR LESS PTO)
4	R1612R	DOWEL PIN	4	-150000	
	15H558	PIPE PLUG	4	150001-	1/8" 1/8", (SUB FOR R21630)
5	R32101	STUD	6		1/2" X 1-3/4"
6	R48685	DOWEL PIN	4		(SUB FOR A120R)
7	AR41767	TRANSMISSION CASE	1	-150000	(MARKED R40590) (SUB AR50708, (6) R48240, R47828, R101055, (2) R56504 AND (10) R38614) (ALSO ORDER R47826) (IF ROCKSHAFT EQUIPPED)
	AR50708	TRANSMISSION CASE	1	150001-	(MARKED R47080)
	R465R	STUD	1		
	15H253	PIPE PLUG	1		1/8"
8	19H2461	CAP SCREW	2		3/8" X 1-1/4"
9	A776R	PIN	2		
10	19H1731	CAP SCREW	1		3/8" X 1"
11	R42009	CLAMP	1		
12	R49019	COVER	1		
13	14H1076	NUT	1		3/8"
	12H304	LOCK WASHER	1		3/8"
14	T26565	DOWEL PIN	4		(SUB FOR C1220R)
15	R27218	FITTING PLUG	1		(LESS DIFFERENTIAL LOCK)
16	R51494	WASHER	1		(LESS DIFFERENTIAL LOCK)
17	R27018	BUSHING	2		
	R45513	BUSHING	1		0.08MM (.003") OVERSIZE
	R45514	BUSHING	1		0.15MM (.006") OVERSIZE
	R46799	BUSHING	1		0.23MM (.009") OVERSIZE, (SUB AR89132)
18	F3128R	DRAIN PLUG	1		
19	A4827R	WASHER	1		
20	34H348	SPRING PIN	2		3/8" X 1"
21	R33498	CAP	1		(EQUIPPED WITH 1000 RPM PTO ONLY OR LESS PTO)
22	19H1815	CAP SCREW	4		1/2" X 1-1/4"
	12H301	LOCK WASHER	4		1/2"
23	14H1040	NUT	2		1/2"
24	12H301	LOCK WASHER	2		1/2"
25	R33489	COVER	1		(LESS PTO)
26	R33337	GASKET	1		

# 2H15

POWER TRAIN

RP1340 -UN-01JAN94

## TRANSMISSION CASE COVER (SYNCRO-RANGE)



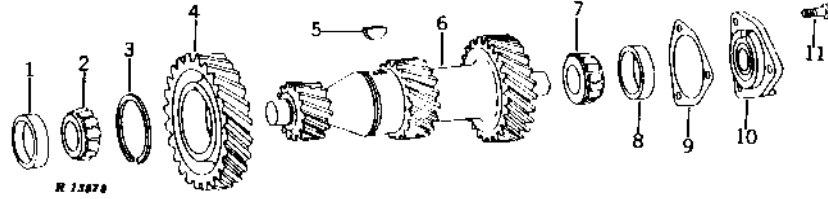
KEY	PART NO.	PART NAME	QTY	TRACTOR SERIAL NO.	REMARKS
1	R33713	COVER	1		
2	R33714	GASKET	1		
3	19H1731	CAP SCREW	12	3/8" X 1"	
	19H1801	CAP SCREW	2	3/8" X 2"	
4	12H304	LOCK WASHER	14	3/8"	
5	A4624R	WASHER	14		

# 2H16

POWER TRAIN

R13878 -UN-01JAN94

## COUNTERSHAFT (SYNCRO-RANGE)



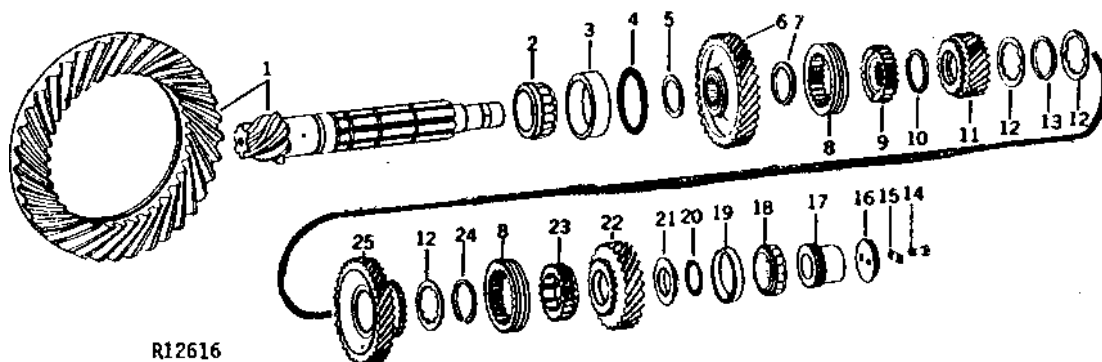
KEY	PART NO.	PART NAME	QTY	TRACTOR SERIAL NO.	REMARKS
1	JD8267	BEARING CUP	1		
2	JD8979	BEARING	1		
3	R26246	SNAP RING	1		
4	R33500	GEAR	1		
5	26H82	SHAFT KEY	1	1/4" X 7/8"	
6	T32876	COUNTERSHAFT	1	(SUB FOR R33499)	
7	JD8929	BEARING CONE	1		
8	JD8251	BEARING CUP	1		
9	R33461	SHIM	AR	0.15MM (.006")	
	R33462	SHIM	AR	0.25MM (.010")	
	R33463	SHIM	AR	0.46MM (.018")	
10	R33515	RETAINER	1		
11	R57725	SCREW	3	(SUB FOR R40835)	



# 2H17

## DIFFERENTIAL DRIVE AND BEVEL PINION ASSEMBLY (SYNCRO-RANGE)

R12616 -UN-01JAN94



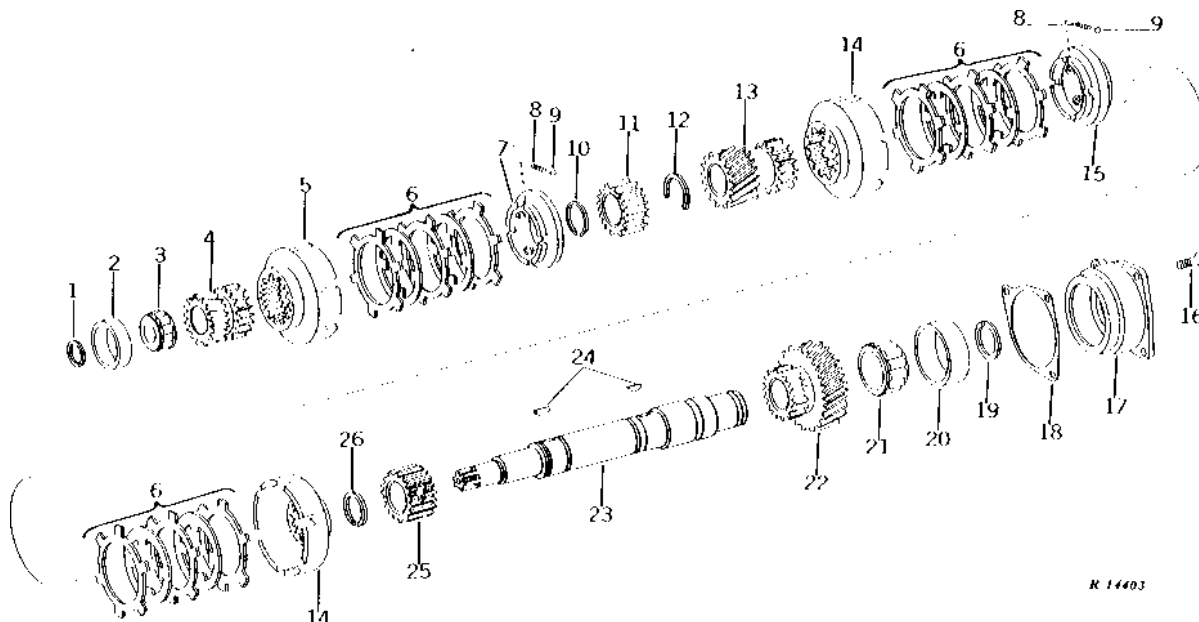
R12616

KEY	PART NO.	PART NAME	QTY	TRACTOR SERIAL NO.	REMARKS
1	AR34735	BEVEL GEAR DRIVE	1		(MARKED R34875 AND R34873) (MATCHED SET)
2	JD8970	BEARING CONE	1		
3	JD8264	BEARING CUP	1		
4	R26227	SHIM	AR	0.08MM (.003")	
	R26228	SHIM	AR	0.13MM (.005")	
5	R33516	WASHER	1		
6	AR87813	GEAR	1		(MARKED R33501 OR R67423) (SUB FOR AR32237)
7	R26264	SNAP RING	1		
8	T80380	SHIFT COLLAR	2		(SUB FOR T23519 OR T31800)
9	R33510	GEAR	1		
10	R33474	SNAP RING	1		
11	R33511	GEAR	1		
12	R26253	THRUST WASHER	3		
13	R26265	SNAP RING	1		
14	19H1731	CAP SCREW	2	3/8" X 1"	
15	R26072	STRAP	1		
16	R50365	PLATE	1		(SUB FOR R33347)
17	R33795	BEARING RACE	1		(TRACTORS LESS PTO)
18	JD8980	BEARING CONE	1		
19	JD7430	BEARING CUP	1		
20	R33413	SHIM	AR	0.08MM (.003")	
	R33414	SHIM	AR	0.13MM (.005")	
	R33415	SHIM	AR	0.25MM (.010")	
21	R69214	THRUST WASHER	1		(SUB FOR R33386)
22	R26990	GEAR	1		
23	R26255	GEAR	1		
24	R26266	SNAP RING	1		
25	R33503	GEAR	1		

# 2H18

## TRANSMISSION DRIVE SHAFT ASSEMBLY (SYNCRO-RANGE)

R14403 -UN-01JAN94



R 14403

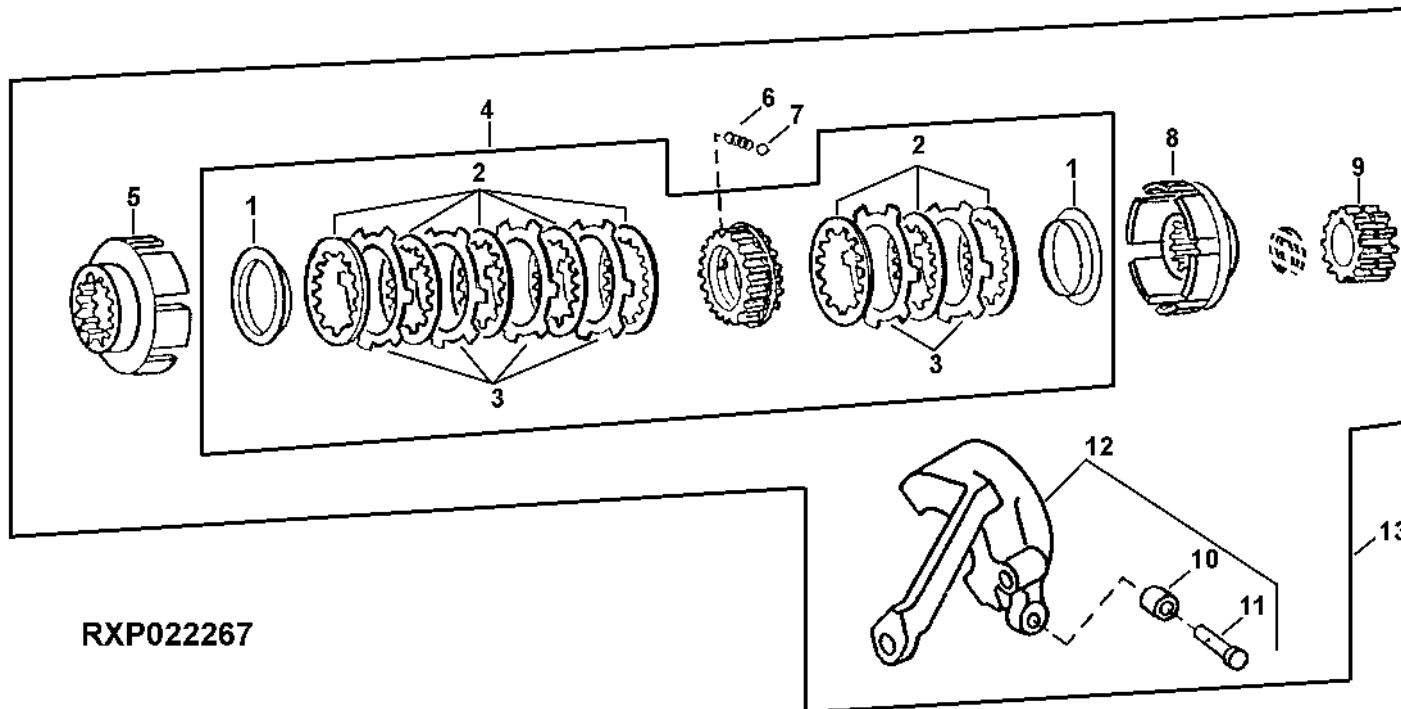
KEY	PART NO.	PART NAME	QTY	TRACTOR SERIAL NO.	REMARKS
1	R26220	SNAP RING	1		1.93MM (.076") THICK
	R26221	SNAP RING	1		2.01MM (.079") THICK
	R26222	SNAP RING	1		2.08MM (.082") THICK
	R26223	SNAP RING	1		2.16MM (.085") THICK
2	JD7449	BEARING CUP	1		
3	JD8190	BEARING CONE	1		
4	R33479	PINION	1		
5	R52499	DRUM	1		(SUB FOR R31027)
6	AR69154	SYNCHRONIZER	3		(SUB FOR AR44997) (SET OF (3) DISKS, WITH FACINGS AND DISKS) (ALSO ORDER R52499) (SUB FOR R27729) (SUB FOR R27730) (THIS APPLICATION ONLY)
7	R52498	STOP	1		
8	R59860	SPRING	8		
9	A4742R	BALL	8		3.96MM (5/32")
10	R33475	SNAP RING	1		
11	R33480	SHIFT COLLAR	1		
12	R33476	SNAP RING	1		
13	R59536	PINION	1		(SUB FOR R44640 OR R50367)
14	R31026	DRUM	2		
15	R31028	SYNCHRONIZER	1		
16	R57725	SCREW	3		(SUB FOR R40835)
17	R33514	HOUSING	1		
18	R33467	SHIM	AR		0.15MM (.006")
	R33468	SHIM	AR		0.25MM (.010")
	R33469	SHIM	AR		0.46MM (.018")
19	R33470	SNAP RING	1		1.93MM (.076") THICK
	R33471	SNAP RING	1		2.01MM (.079") THICK
	R33472	SNAP RING	1		2.08MM (.082") THICK
	R33473	SNAP RING	1		2.16MM (.085") THICK
20	JD7421	BEARING CUP	1		
21	JD8910	BEARING CONE	1		
22	R44639	PINION	1		
23	R33512	SHAFT	1		
24	26H77	SHAFT KEY	2		3/16" X 3/4"
25	R33383	SHIFT COLLAR	1		
26	R26218	SNAP RING	1		
..	AR77814	KIT	1		SYNCHRONIZER REPAIR, (INCLUDES AR77818, AR77821 AND R62806)

# 2H19

POWER TRAIN

RXP022267 -UN-15SEP97

## SYNCHRONIZER REPLACEMENT KIT



**RXP022267**

KEY	PART NO.	PART NAME	QTY	TRACTOR SERIAL NO.	REMARKS
1	R63070	RETAINER	2		
2	RE36170	DISK, INNER SPLINE	8		(SUB FOR AR77819)
3	R63069	CLUTCH PLATE	6		
4	AR77817	SYNCHRONIZER	1		(B)
5	R63073	BRAKE DRUM	1		(A)
6	R63074	SPRING	4		
7	R63075	BALL	4		6MM (7/32")
8	R63072	DRUM	1		(C)
9	R62806	SHIFT COLLAR	1		
10	R26207	ROLLER	1		
11	R26206	PIN	1		
12	AR77821	SHIFTER	1		(MARKED R61563 OR R63077)
13	AR77814	KIT	1		(ALSO ORDER R61564 AND R61565)

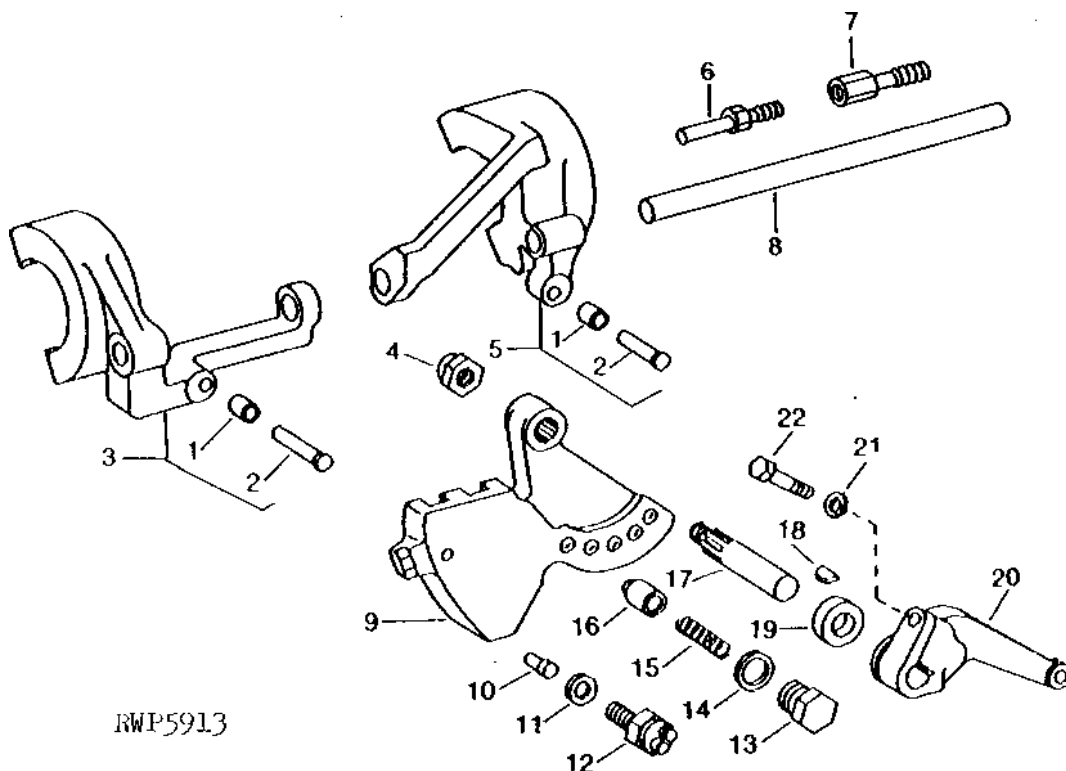
- (A) LOW RANGE
- (B) LOW RANGE AND HIGH RANGE
- (C) HIGH RANGE

# 2H20

POWER TRAIN

## RANGE SHIFTERS AND SHIFTER SHAFT (SYNCHRO-RANGE)

RWP5913 -UN-01JAN94



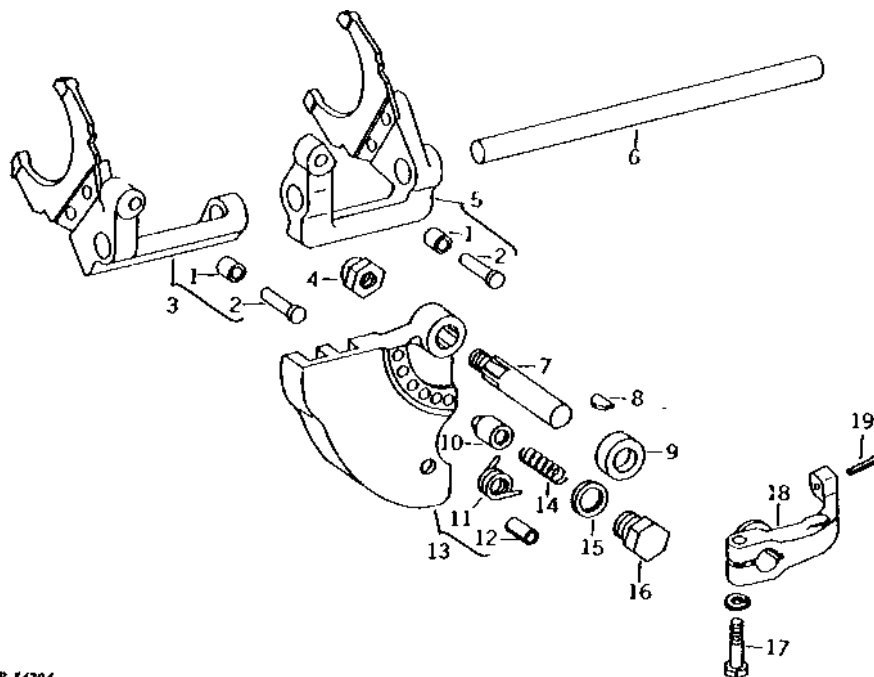
RWP5913

KEY	PART NO.	PART NAME	QTY	TRACTOR SERIAL NO.	REMARKS
1	R26207	ROLLER	2		
2	R26206	PIN	2		
3	AR32191	SHIFTER	1		REVERSE RANGE, (MARKED R33445)
4	E17421	LOCK NUT	1		(SUB FOR R32629)
5	AR77821	SHIFTER	1		LOW AND HIGH RANGE, (MARKED R33444, R56956, R61563 OR R63077) (ALSO ORDER R61564 AND R61565) (SUB FOR AR32190, AR68147 OR AR74748)
6	R61564	SCREW	1		
7	R61565	SCREW	1		
8	R33449	PIN	1		SHIFTER SHAFT
9	R33443	CAM	1		
10	R99556	PIN	1		(SUB FOR R33731)
11	T16911	SHIM	1		
12	AR89691	SWITCH	1		NEUTRAL START, (SUB FOR R36265 OR AR85323)
13	R34844	RETAINER	1		
14	A4827R	WASHER	1		
15	R26203	SPRING	1		
16	R26202	PAWL	1		
17	AR31903	SHAFT	1		
18	26H17	SHAFT KEY	1		3/16" X 7/8"
19	AR389R	SEAL	1		
20	R26398	LEVER	1		
21	12H304	LOCK WASHER	1		3/8"
22	19H1800	CAP SCREW	1		3/8" X 1-1/2"

# 2H21

## GEAR SHIFTERS AND SHIFTER SHAFTS (SYNCRO-RANGE)

R14204 -UN-01JAN94



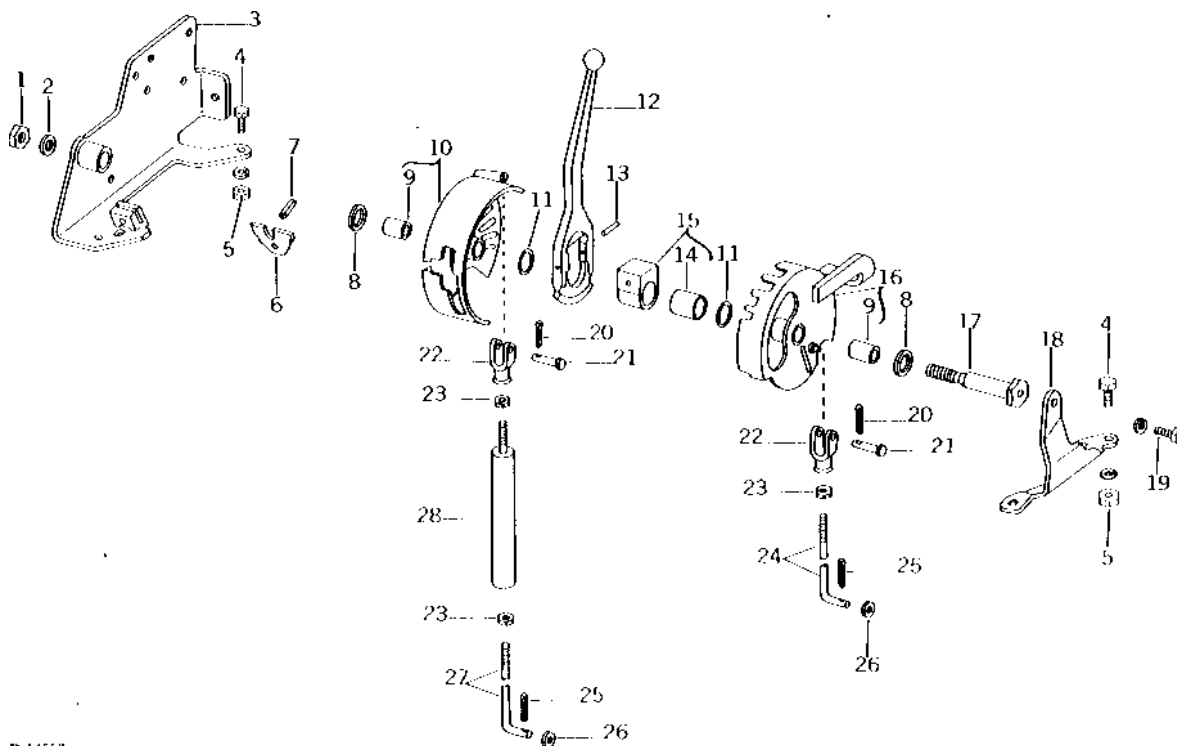
R 14204

KEY	PART NO.	PART NAME	QTY	TRACTOR SERIAL NO.	REMARKS
1	R26207	ROLLER	2		
2	R26206	PIN	2		
3	AR32196	LEVER	1		(MARKED R33451)
4	E17421	LOCK NUT	1		
5	AR32197	LEVER	1		(MARKED R33452)
6	R33449	PIN	1		
7	AR31903	SHAFT	1		(SUB R32628)
8	26H17	SHAFT KEY	1		3/16" X 7/8"
9	AR389R	SEAL	1		
10	R26202	PAWL	1		
11	R109478	SPRING	1		(SUB FOR R27243, R73444 OR R55910)
12	34H365	SPRING PIN	1		1/2" X 7/8"
13	AR74078	CAM	1		(MARKED R33771 AND R61106) (SUB FOR AR32693 AND AR65492)
14	R26203	SPRING	1		
15	A4827R	WASHER	1		
16	R38181	FITTING	1		
17	19H1800	CAP SCREW	1		3/8" X 1-1/2"
	12H304	LOCK WASHER	1		3/8"
18	R33772	ARM	1		
19	11M7015	COTTER PIN	1		3.200 X 25 MM

# 2H22

## TRANSMISSION SHIFTER CONTROL (SYNCRO-RANGE)

R14558 -UN-01JAN94



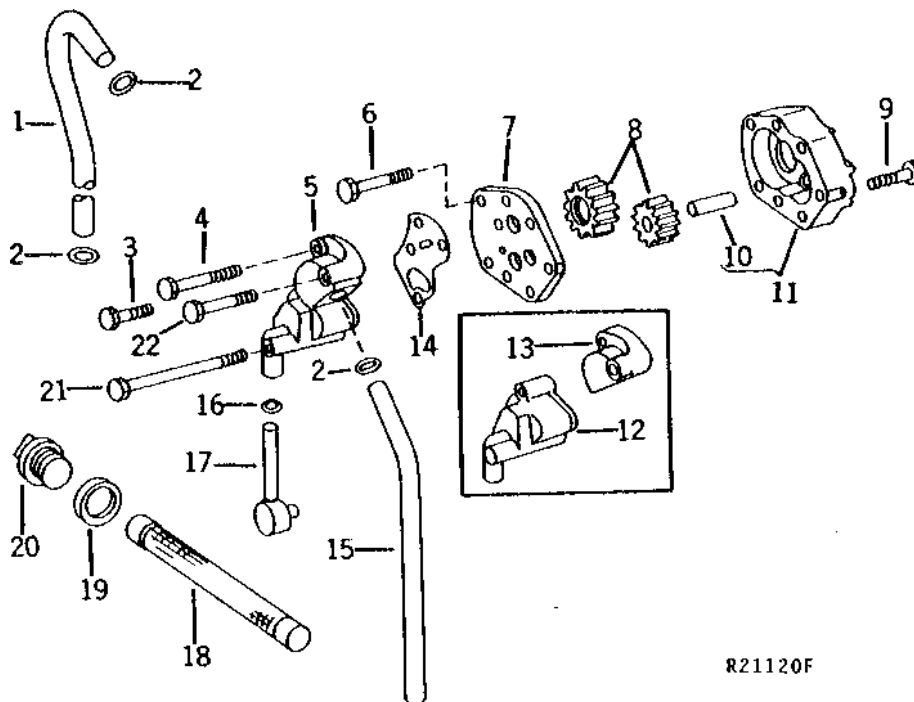
KEY	PART NO.	PART NAME	QTY	TRACTOR SERIAL NO.	REMARKS
1	14H1039	NUT	1	5/8"	
2	F2783R	WASHER	1		
3	AR46042	SUPPORT	1		
4	19H2284	CAP SCREW	5	3/8" X 7/8"	
5	14H1076	NUT	5	3/8"	
	12H304	LOCK WASHER	5	3/8"	
6	R52882	LATCH	1		(SUB FOR R42128)
7	34H348	SPRING PIN	1	3/8" X 1"	
8	R42127	WASHER	2		
9	R26182	BUSHING	2		
10	AR45240	QUADRANT	1		
11	R26187	WASHER	2	-135482	
12	R46285	GEARSHIFT LEVER	1		
13	34H314	SPRING PIN	2	1/4" X 1-1/4"	
14	R26186	BUSHING	1	-135482	
15	AR26360	PIVOT	1	-135482	(MARKED R26185) (SUB R26187 AND R53247)
	R47203	PIVOT	1	135483-	(SUB R26187 AND R53247)
16	AR45342	QUADRANT	1		
17	R42126	SHAFT	1		
18	R42129	SUPPORT	1		
19	19H2284	CAP SCREW	1	3/8" X 7/8"	
	12H304	LOCK WASHER	1	3/8"	
20	11M7081	COTTER PIN	2	0.098" X 0.787"	
21	R65563	PIN	2	(SUB FOR C1067R)	
22	C284R	YOKE	2		
23	14H732	NUT	3	3/8"	
24	R46303	HOOK BOLT	1	(SUB FOR R27830)	
25	11M7059	COTTER PIN	2	3.200 X 20 MM	
26	24H1302	WASHER	2	13/32" X 11/16" X 0.035"	
27	R32396	BOLT	1		
28	AR49457	SPRING ASSEMBLY	1	(SUB FOR AR31649)	

# 2H23

POWER TRAIN

R21120 -UN-01JAN94

## TRANSMISSION OIL PUMP (SYNCRO-RANGE)



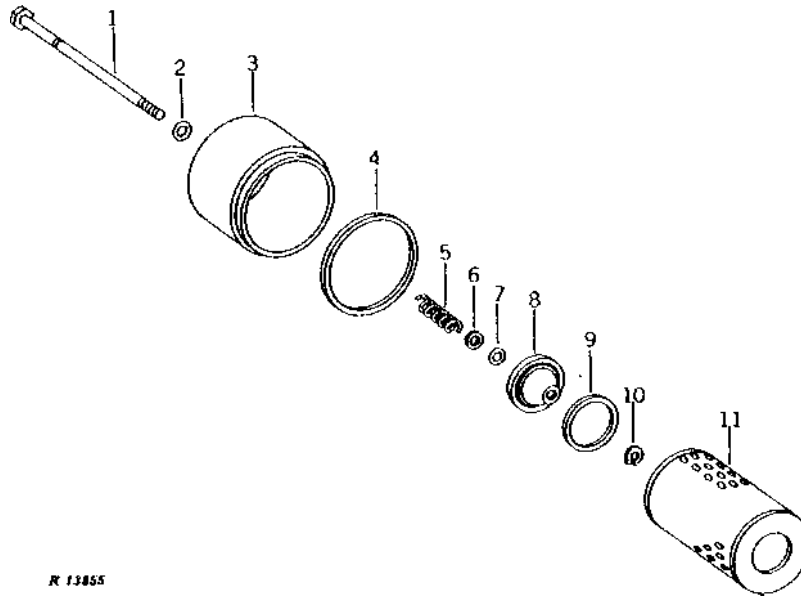
R21120F

KEY	PART NO.	PART NAME	QTY	TRACTOR SERIAL NO.	REMARKS
1	R41144	HYDRAULIC LINE	1		
2	R56462	O-RING	3		(SUB FOR B2762R)
3	R41006	CAP SCREW	1		
4	R41008	CAP SCREW	1		
5	R51906	MANIFOLD	1	155300-	
6	R41007	CAP SCREW	2		
7	R40827	COVER	1		
8	AR40670	GEAR	1		
9	R41006	CAP SCREW	2		
10	R40824	DOWEL PIN	1		
11	AR41948	HOUSING	1		(MARKED R40636)
12	R40833	VENT	1	-155299	(ORDER R51906)
13	R40828	FILLER NECK	1	-155299	(ORDER R51906)
14	R40829	GASKET	1		
15	R41145	LINE	1	-150000	
	R47828	OIL TUBE	1	150001-	
16	A3917R	O-RING	1		
17	AR40669	HYDRAULIC LINE	1		
18	R53169	SCREEN	1		(NYLON)
	AR26375	SCREEN	1		(STEEL)
	A4808R	WASHER	1		
20	R40147	FITTING	1		(SUB FOR A4806R)
21	R41009	CAP SCREW	1		
22	R41007	CAP SCREW	1		

# 2H24

R13855 -UN-01JAN94

## TRANSMISSION OIL FILTER (SYNCRO-RANGE)



R 13855

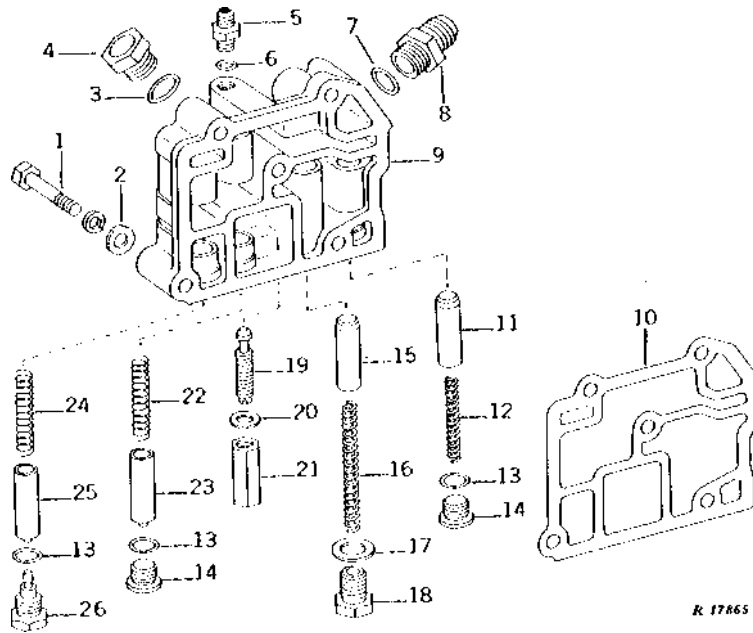
KEY	PART NO.	PART NAME	QTY	TRACTOR SERIAL NO.	REMARKS
1	R54750	CAP SCREW	1		(SUB FOR R39795)
2	R394R	O-RING	1		
3	R39796	COVER	1		
4	R34733	LOCK WASHER	1		
5	R66064	SPRING	1		
6	24H1227	WASHER	1		17/32" X 13/16" X 0.060"
7	R394R	O-RING	1		
8	R28593	RETAINER	1		(SUB R65892 AND F2741)
9	R28594	WASHER	1		(SUB R65892 AND F2741)
10	R32507	SNAP RING	1		
11	AR75603	FILTER ELEMENT	1		(SUB FOR AR28271 OR AR75601) (PKG. OF 2)



# 2H25

## OIL FILTER RELIEF VALVE HOUSING (SYNCRO-RANGE)

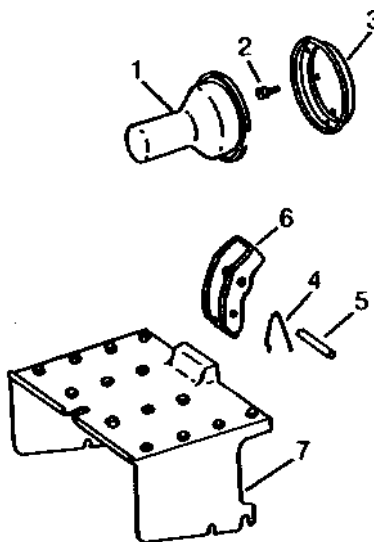
R17865 -UN-01JAN94



KEY	PART NO.	PART NAME	QTY	TRACTOR SERIAL NO.	REMARKS
1	19H2500	CAP SCREW	1		7/16" X 1-3/8"
	19H1828	CAP SCREW	1		7/16" X 4"
	19H2055	CAP SCREW	2		7/16" X 2-1/4"
	19H2227	CAP SCREW	1		7/16" X 2-1/2"
	12H293	LOCK WASHER	5		7/16"
2	24H1325	WASHER	5		15/32" X 59/64" X 0.065"
3	B2762R	O-RING	1		
4	R76494	FITTING	1		(SUB FOR R33610)
5	R27272	FITTING	1		
6	R26286	O-RING	1		
7	F3171R	O-RING	1		
8	R27267	FITTING	1		
9	AR45542	HOUSING	1	-153180	(MARKED R40664 OR R44006) (SUB AR52630, (2) R57561 AND (2) R33259)
	AR52630	HOUSING	1	153181-	(MARKED R49199 OR R49200)
	R39112	FITTING	1		(USE WITH R44006 OR R49200)
	R26375	O-RING	1		(USE WITH R44006 OR R49200)
	400R	BALL	2		6.35MM (1/4") (USE WITH R44006 OR R49200)
10	R49758	GASKET	1		(SUB FOR R41463)
11	R57559	VALVE	1	-153180	(SUB FOR R33162) (ALSO ORDER R33259)
	R57561	VALVE	1	153181-	(SUB FOR R49197) (ALSO ORDER R33259)
12	R26686	SPRING	1		
13	R26375	O-RING	3		
14	R33138	FITTING	3	-126222	
	R33138	FITTING	2	126223-	
15	R57559	VALVE	1	-153180	(SUB FOR R33162) (ALSO ORDER R33259)
	R57561	VALVE	1	153181-	(SUB FOR R49197) (ALSO ORDER R33259)
16	R39808	SPRING	1		
17	R1742R	WASHER	1		
18	R52589	FITTING PLUG	1		(SUB FOR R33163)
19	R39587	SET SCREW	1		
20	F2846R	WASHER	1		
21	F2847R	NUT	1		
22	R28914	SPRING	1		
23	R57559	VALVE	1		(SUB FOR R33162) (ALSO ORDER R33259)
24	R42057	SPRING	1		
25	R57559	VALVE	1		(SUB FOR R33162) (ALSO ORDER R33259)
26	R36943	FITTING	1	126223-	

540 RPM AND 1000 RPM PTO MASTER SHIELD AND REAR GUARD  
(SYNCRO-RANGE)

RXP8623 -UN-01JAN94

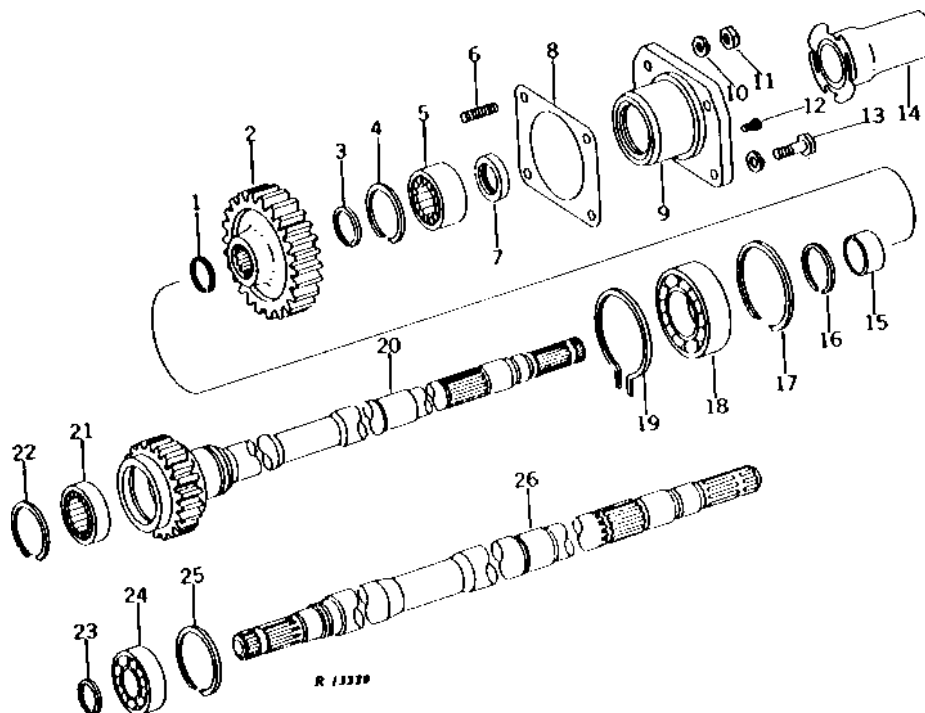


RXP8623

KEY	PART NO.	PART NAME	QTY	TRACTOR SERIAL NO.	REMARKS
1	AR26782	GUARD	1		
2	R27329	SCREW	2		
3	AR26707	RETAINER	1		
4	R42585	SPRING	1		
5	34H335	SPRING PIN	1	5/16" X 2-1/8"	
6	R42584	RETAINER	1	(SUB FOR AR44713)	
7	R33348	SHIELD	1		

540 RPM AND 1000 RPM PTO DRIVE GEAR, SHAFTS, AND FRONT GUARD  
(SYNCO-RANGE)

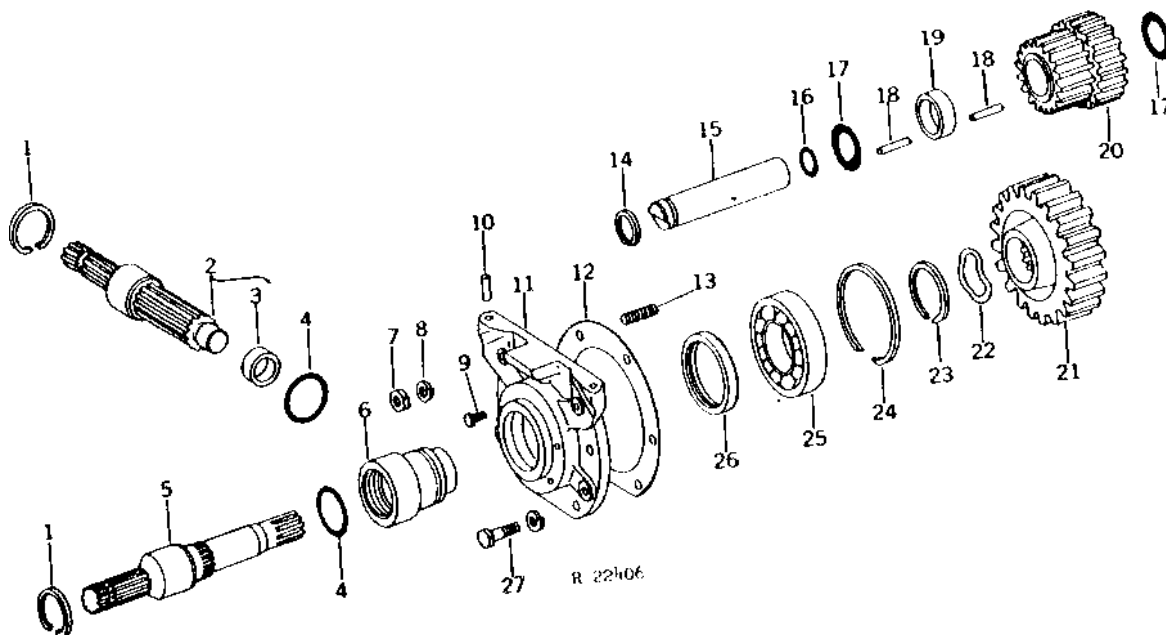
R13229 -UN-01JAN94



KEY	PART NO.	PART NAME	QTY	TRACTOR SERIAL NO.	REMARKS
1	R33325	SNAP RING	1		
2	R33791	GEAR	1		
3	R27000	SNAP RING	1		
4	F2367R	SNAP RING	1		
5	JD8725	ROLLER BEARING	1		
6	R32101	STUD	2	1/2" X 1-3/4"	
7	R33338	SEAL	1		
8	R33236	GASKET	1		
9	AR32713	QUILL	1	(MARKED R33486)	
10	12H301	LOCK WASHER	2	1/2"	
11	14H1040	NUT	2	1/2"	
12	R27329	SCREW	2		
13	19H1721	CAP SCREW	2	1/2" X 1-1/2"	
	12H301	LOCK WASHER	2	1/2"	
14	AR26701	GUARD	1		
15	R34328	BUSHING	1		
16	R36295	SNAP RING	1		
17	R33321	RING	1		
18	JD8537	BEARING	1		
19	R33322	SNAP RING	1		
20	AR32573	SHAFT	1		
21	JD7537	ROLLER BEARING	1		
22	F2367R	SNAP RING	1		
23	A364R	SNAP RING	1	(1000 RPM PTO ONLY)	
24	JD9345	BALL BEARING	1	(1000 RPM PTO ONLY)	
25	B190R	SNAP RING	1	(1000 RPM PTO ONLY)	
26	R34056	SHAFT	1	(1000 RPM PTO ONLY)	

## 540 RPM AND 1000 RPM PTO REAR DRIVE GEAR AND SHAFTS (SYNCHRO-RANGE)

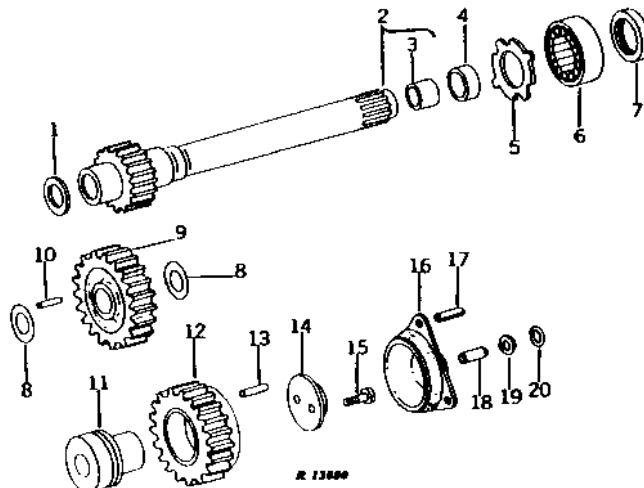
R22406 -UN-01JAN94



KEY	PART NO.	PART NAME	QTY	TRACTOR SERIAL NO.	REMARKS
1	R38221	SNAP RING	2		
2	AR41752	SHAFT	1	540 RPM	
3	JD7557	BEARING RACE	1		
4	P50631	O-RING	2		
5	R38224	SHAFT	1	1000 RPM	
6	R45126	GUIDE	1	(SUB FOR R38220)	
7	14H1040	NUT	2	1/2"	
8	12H301	LOCK WASHER	2	1/2"	
9	R27329	SCREW	2		
10	34H348	SPRING PIN	2	3/8" X 1"	
11	AR38168	QUILL	1	(MARKED R38218 OR R47507) (SUB RE47805, R106715 AND R106866)	
	AR32440	QUILL	1	(MARKED R33487 OR R47508) (SUB AR54487 AND AR55216) (1000 RPM PTO ONLY)	
12	R33337	GASKET	1		
13	R32101	STUD	2	1/2" X 1-3/4"	
14	R33320	SNAP RING	1		
15	R33852	COUNTERSHAFT	1		
16	R30319	O-RING	1		
17	R33853	THRUST WASHER	2		
18	R33028	NEEDLE ROLLER	48		
19	R33344	SPACER	1		
20	R33339	GEAR	1		
21	R42014	GEAR	1		
22	R38219	THRUST WASHER	1		
23	F1334R	SNAP RING	1		
24	C1919R	SNAP RING	1		
25	JD9320	BALL BEARING	1		
26	AT16431	SEAL	1	(SUB RE13181)	
	AT344T	SEAL	1	(1000 RPM PTO ONLY)	
27	19H1721	CAP SCREW	4	1/2" X 1-1/2"	
	12H301	LOCK WASHER	4	1/2"	

540 RPM AND 1000 RPM PTO DRIVE SHAFT AND IDLER GEARS  
(SYNCRO-RANGE)

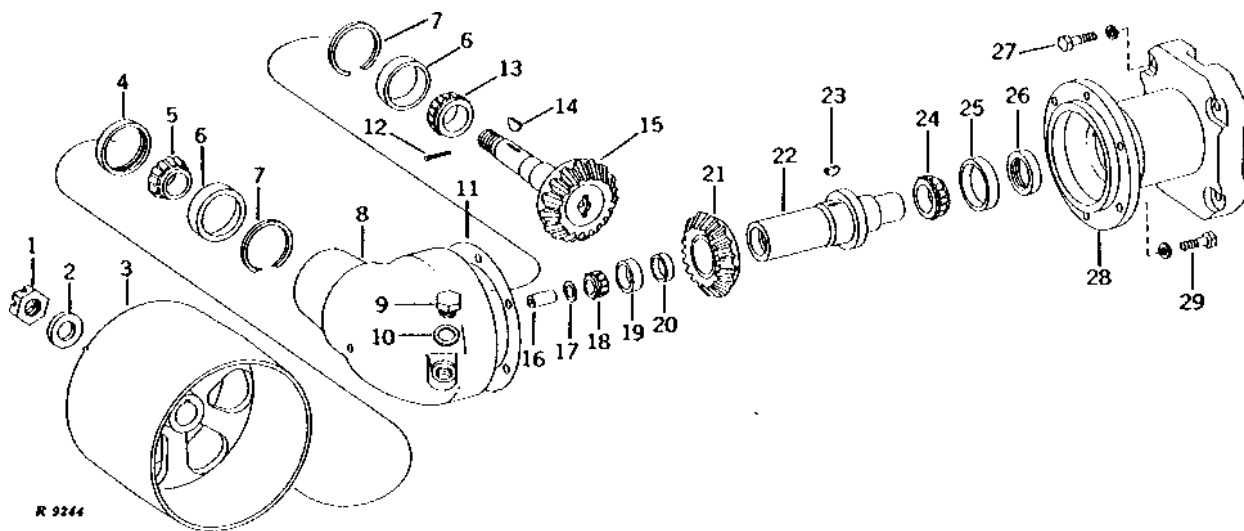
R13880 -UN-01JAN94



KEY	PART NO.	PART NAME	QTY	TRACTOR SERIAL NO.	REMARKS
1	R33580	WASHER	1		
2	AR32469	SHAFT	1		
3	R30854	BUSHING	1		
4	AR26532	SEAL	1		
5	R33579	WASHER	1		
6	JD8723	ROLLER BEARING	1		
7	R33578	SEAL	1		
8	R33345	THRUST WASHER	2		
9	R33793	GEAR	1		(COUNTERSHAFT)
10	R26006	NEEDLE ROLLER	18		
11	R33795	BEARING RACE	1		
12	R33794	GEAR	1		(DIFFERENTIAL SHAFT)
13	R26006	NEEDLE ROLLER	33		
14	R50365	PLATE	1		(SUB FOR R33347)
15	R57725	SCREW	2		(SUB FOR R40835)
16	RE20730	BRAKE SHOE	1		(SUB FOR AR45170)
17	34H349	SPRING PIN	3		3/8" X 1-1/4"
18	R40815	DOWEL PIN	1		
19	R26551	BACK-UP RING	1		
20	R394R	O-RING	1		

R9244 -UN-01JAN94

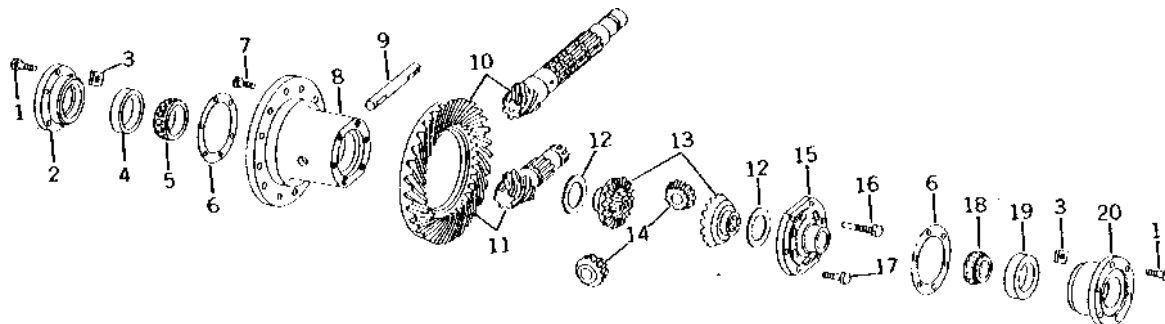
## BELT PULLEY (FOR USE WITH 1000-RPM PTO)



KEY	PART NO.	PART NAME	QTY	TRACTOR SERIAL NO.	REMARKS
1	14H540	NUT	1	1"	
2	R30399	WASHER	1	(SUB FOR T18996)	
3	T18718	PULLEY	1		
4	AT16887	SEAL	1		
5	JD8982	BEARING CONE	1		
6	JD7418	BEARING CUP	2		
7	T13325	SNAP RING	2		
8	T29242	CASE	1	(SUB FOR T13326)	
9	R26727	DRAIN PLUG	1		
10	A4827R	WASHER	1		
11	R44372	SHIM	AR	0.13MM (.005") PAPER	
	R44361	SHIM	AR	0.13MM (.005")	
	T13341	SHIM	AR	0.25MM (.010")	
12	11M7032	COTTER PIN	1	0.197" X 1.969"	
13	JD8969	BEARING CONE	1		
14	26H93	SHAFT KEY	1	1/4" X 1-1/4"	
15	T18717	DRIVE SHAFT	1	(SUB R63691 AND R63692)	
16	T13471	PIN	1		
17	T13331	SHIM	AR	0.08MM (.003")	
	T13332	SHIM	AR	0.13MM (.005")	
	T13333	SHIM	AR	0.25MM (.010")	
18	JD8135	BEARING CONE	1		
19	JD7438	BEARING CUP	1		
20	M2206T	CAP	1		
21	R63692	GEAR	1	(SUB FOR T13330) (ALSO ORDER R63691) (NLA)	
22	T13329	HUB	1		
23	26H85	SHAFT KEY	1	1/4" X 1"	
24	JD8922	BEARING CONE	1		
25	JD8247	BEARING CUP	1		
26	AT12431	SEAL	1		
27	19H1831	CAP SCREW	4	1/2" X 2"	
	12H301	LOCK WASHER	4	1/2"	
28	R34594	QUILL	1		
29	19H3579	CAP SCREW	6	1/2" X 1-3/8"	
	12H301	LOCK WASHER	6	1/2"	
..	AR34071	PULLEY	1	ASSEMBLY	

R21222 -UN-01JAN94

## DIFFERENTIAL (TRACTORS LESS DIFFERENTIAL LOCK)

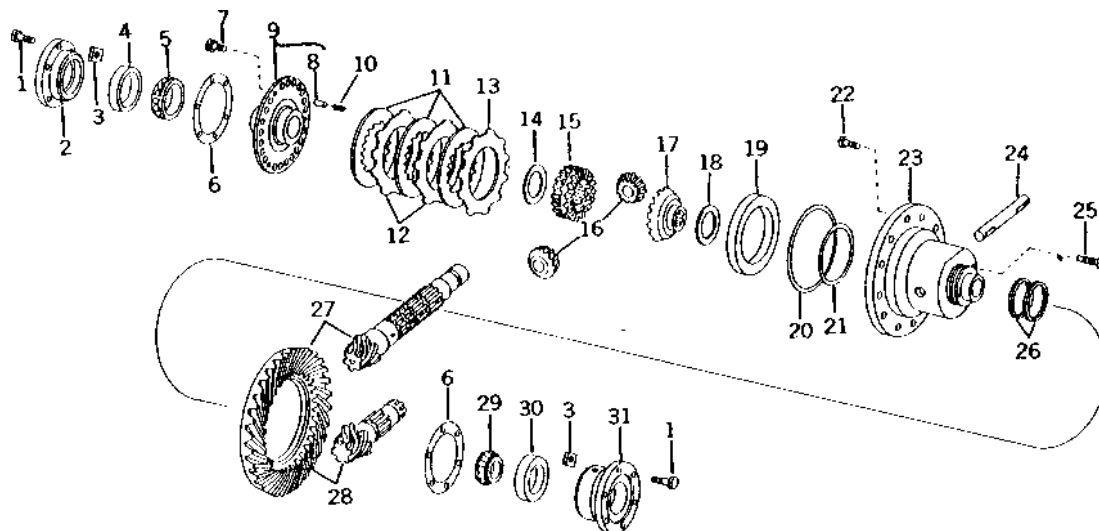


R 21222

KEY	PART NO.	PART NAME	QTY	TRACTOR SERIAL NO.	REMARKS
1	R46162	SCREW	12	(SUB FOR R41049 AND R41354) (SUB R112882)	
2	R33493	QUILL	1	L.H.	
3	14H823	NUT	2	1/2"	
4	JD8259	BEARING CUP	1		
5	JD8954	BEARING CONE	1		
6	R46323	SHIM	AR	0.08MM (.003") (SUB FOR R26042)	
	R46324	SHIM	AR	0.13MM (.005") (SUB FOR R26043)	
7	R41048	CAP SCREW	10		
8	R33078	HOUSING	1	(SUB R44007)	
9	R68347	SHAFT	1	(SUB FOR R41902)	
10	AR34735	BEVEL GEAR DRIVE	1	(MARKED R34875 AND R34873) (SUB AR34722, (2) R26227, (4) R26228, (2) R33413 AND (4) R33414) (MATCHED SET) (SYNCRO-RANGE)	
11	AR34736	BEVEL GEAR DRIVE	1	(MARKED R34875 AND R34874) (SUB RE50113, AR34723 AND R51200) (MATCHED SET) (POWER SHIFT)	
12	R77145	WASHER	2	(USE WITH R74868) (SUB FOR R53202 OR R65741)	
13	R74868	BEVEL GEAR	2	(SUB FOR R60007 AND R42445) (USE WITH R65741)	
14	R42443	PINION	2		
15	R33491	COVER	1		
16	R70236	CAP SCREW	1	(SUB FOR R41050)	
17	R41049	CAP SCREW	5	(SUB R52634)	
18	JD8159	BEARING CONE	1		
19	JD8210	BEARING CUP	1		
20	R33492	QUILL	1	R.H.	

R21223 -UN-01JAN94

## DIFFERENTIAL (WITH DIFFERENTIAL LOCK)



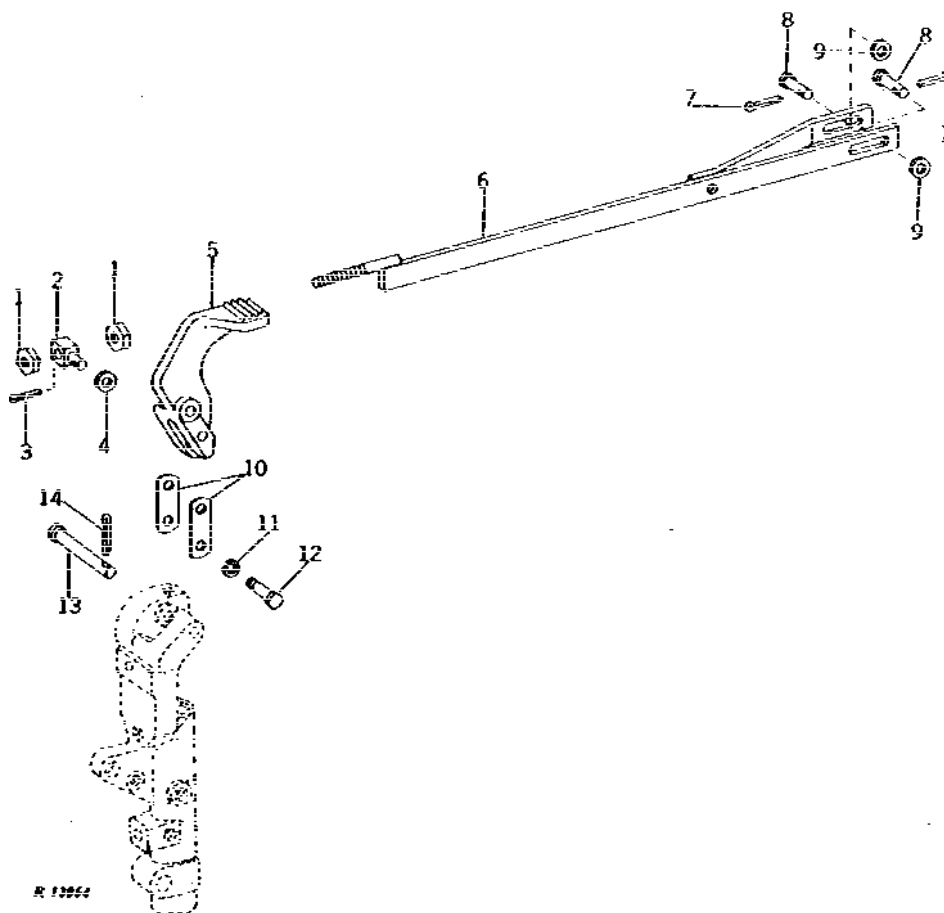
R 21223

KEY	PART NO.	PART NAME	QTY	TRACTOR SERIAL NO.	REMARKS
1	R46162	SCREW	12		(SUB FOR R41049 AND R41354) (SUB R112882)
2	R33493	QUILL	1		L.H.
3	14H823	NUT	2		1/2"
4	JD8259	BEARING CUP	1		
5	JD8954	BEARING CONE	1		
6	R46323	SHIM	AR		0.08MM (.003") (SUB FOR R26042)
	R46324	SHIM	AR		0.13MM (.005") (SUB FOR R26043)
7	R40235	CAP SCREW	10	-150000	(USE WITH R34807)
	R38614	CAP SCREW	10	150001-	(USE WITH R47711 AND T34236)
8	34H297	SPRING PIN	2		7/32" X 1"
9	AT33285	COVER	1		(MARKED R34807, R47711 OR T34236) (SUB FOR AR47835 OR AR34754) (ALSO ORDER (10) R38614) (SUB R101055 AND (2) R56504)
10	R34863	SPRING	2		
11	AR69349	DISK	3		(SUB FOR AR33974) (SUB RE12518)
12	R34520	CLUTCH PLATE	2		(SUB R78155)
13	R78156	CLUTCH PLATE	1		(SUB FOR R34517)
14	R77145	WASHER	1		(SUB FOR R53202 OR R65741) (USE WITH R74869)
15	R74869	BEVEL GEAR	1		(USE WITH R65741) (SUB FOR R42620, R42447 OR R60008)
16	R42443	PINION	2		
17	R74868	BEVEL GEAR	1		(SUB FOR R42445 OR R60007) (USE WITH R65741)
18	R77145	WASHER	1		(SUB FOR R53202 OR R65741) (SUB R93623) (USE WITH R74868)
19	R34526	PISTON	1		
20	R41018	PACKING	1		
21	R44327	WASHER	1		(SUB FOR R41019)
22	R41048	CAP SCREW	10		
23	AR34823	HOUSING	1		(MARKED R34806)
24	R68347	SHAFT	1		(SUB FOR R41902)
25	R70236	CAP SCREW	1		(SUB FOR R41050)
26	R34513	RING	2		
27	AR34735	BEVEL GEAR DRIVE	1		(MARKED R34875 AND R34873) (SUB AR34722, (2) R26227, (4) R26228, (2) R33413 AND (4) R33414) (MATCHED SET) (SYNCRO-RANGE)
28	AR34736	BEVEL GEAR DRIVE	1		(MARKED R34875 AND R34874) (SUB AR34723, RE50113 AND R51200) (MATCHED SET) (POWER SHIFT)
29	JD8159	BEARING CONE	1		
30	JD8210	BEARING CUP	1		
31	R34529	QUILL	1		R.H.



R13954 -UN-01JAN94

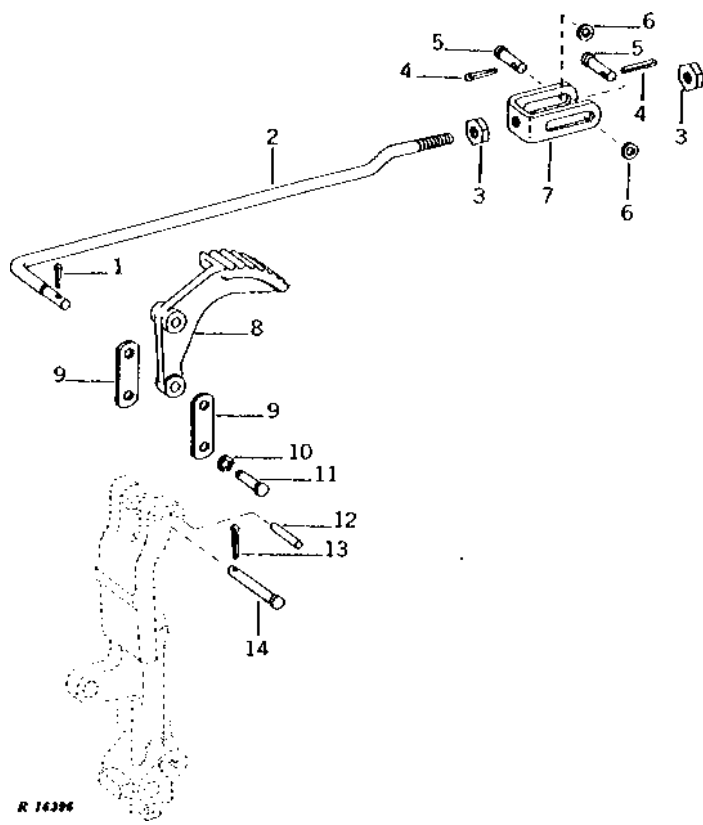
## DIFFERENTIAL LOCK VALVE PEDAL AND RELEASE LINK (TRACTOR SERIAL NO. 123000-150000)



KEY	PART NO.	PART NAME	QTY	TRACTOR SERIAL NO.	REMARKS
1	14H1076	NUT	2	3/8"	
2	R34581	SWIVEL	1		
3	11M7059	COTTER PIN	1	3.200 X 20 MM	
4	24M7096	WASHER	1	10.500 X 18 X 1.600 MM	
5	R45694	PEDAL	1	(SUB FOR R41005) (NLA)	
6	AR40739	LINK	1		
7	11M7079	COTTER PIN	2	0.098" X 0.472"	
8	H858R	PIN	2		
9	24H1136	WASHER	2	11/32" X 11/16" X 0.065"	
10	R34522	STRAP	2		
11	R26386	SNAP RING	2		
12	R26385	PIN	2		
13	R34815	PIN	1		
14	11M7059	COTTER PIN	1	3.200 X 20 MM	

R16396 -UN-01JAN94

**DIFFERENTIAL LOCK CONTROL PEDAL AND LINKAGE**  
(TRACTOR SERIAL NO. 150001- )

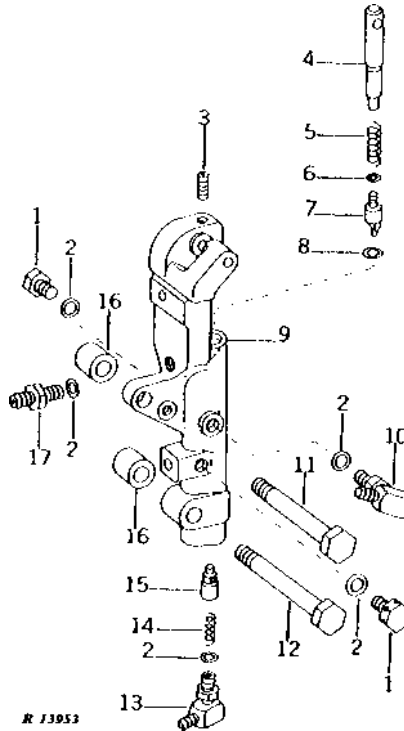


KEY	PART NO.	PART NAME	QTY	TRACTOR SERIAL NO.	REMARKS
1	11M7081	COTTER PIN	1		0.098" X 0.787"
2	R46867	ROD	1		
3	14H1076	NUT	2		3/8"
4	11M7079	COTTER PIN	2		0.098" X 0.472"
5	H858R	PIN	2		
6	24H1136	WASHER	2		11/32" X 11/16" X 0.065"
7	R46868	YOKE	1		(NLA)
8	R46865	PEDAL	1		
9	R79135	LINK	2		(SUB FOR R46902)
10	R26386	SNAP RING	1		
11	R26385	PIN	1		
12	34H331	SPRING PIN	1		5/16" X 1-1/2"
13	11M7059	COTTER PIN	1		3.200 X 20 MM
14	R46866	PIN	1		

# 2110

R13953 -UN-01JAN94

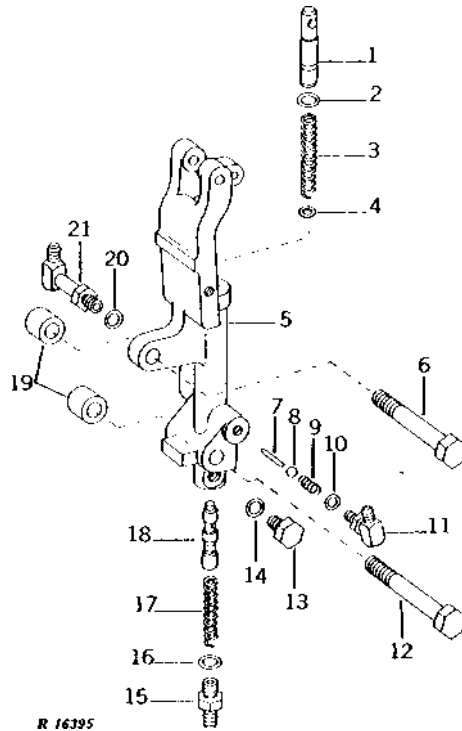
## DIFFERENTIAL LOCK VALVE (TRACTOR SERIAL NO. 123000-150000)



KEY	PART NO.	PART NAME	QTY	TRACTOR SERIAL NO.	REMARKS
1	R27094	DRAIN PLUG	2		
2	R26286	O-RING	5		
3	R34582	SET SCREW	1		
4	R39732	VALVE	1		
5	R39731	SPRING	1		
6	R39730	SHIM	AR	0.13MM (.005")	
7	R34492	VALVE	1		
8	R459R	O-RING	1		
9	AR42109	HOUSING	1		(MARKED R40803 OR R41929)
10	AT32333	ELBOW FITTING	1		90°, (SUB FOR AR26771)
11	19H2133	CAP SCREW	1		5/8" X 4-1/2"
12	19H1550	CAP SCREW	1		5/8" X 5"
13	AR40475	ELBOW FITTING	1		90°
14	R715R	SPRING	1		
15	R40629	VALVE	1		
16	R34495	SPACER	2		
17	R27272	FITTING	1		

R16395 -UN-01JAN94

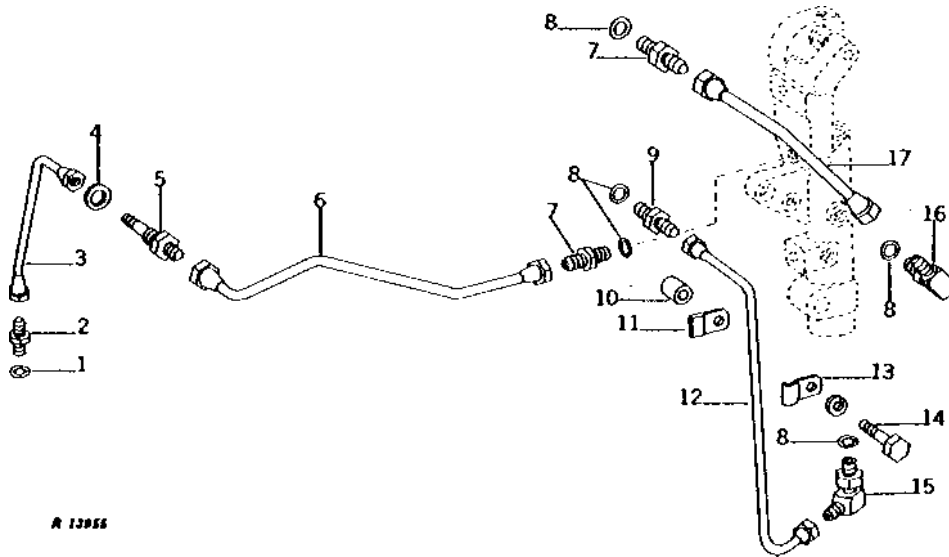
**DIFFERENTIAL LOCK VALVE  
(TRACTOR SERIAL NO. 150001- )**



KEY	PART NO.	PART NAME	QTY	TRACTOR SERIAL NO.	REMARKS
1	R86162	PLUNGER	1		(SUB FOR R46863 OR R68648)
2	F3353R	O-RING	1		
3	R46862	SPRING	1		
4	R46901	SHIM	AR	0.51MM (.020")	
5	R86767	HOUSING	1	(SUB FOR R46819)	
6	19H2364	CAP SCREW	1	9/16" X 4-1/2"	
7	R33058	NEEDLE ROLLER	1		
8	400R	BALL	1	6MM (1/4")	
9	R26373	SPRING	1		
10	R26287	O-RING	1		
11	AT32335	ELBOW FITTING	1	(SUB FOR AR26746)	
12	08H4686	CAP SCREW	1	9/16" X 6-1/2"	
13	R27094	DRAIN PLUG	1		
14	R26286	O-RING	1		
15	R46856	FITTING	1		
16	R26448	O-RING	1		
17	R31698	SPRING	1	(SUB R74418, R82134 AND R82133)	
18	R74417	VALVE	1	(SUB FOR R46855) (SUB R82134, R82133 AND R74418)	
19	C14757	BUSHING	2		
20	R26286	O-RING	1		
21	AR35710	ELBOW FITTING	1		

R13955 -UN-01JAN94

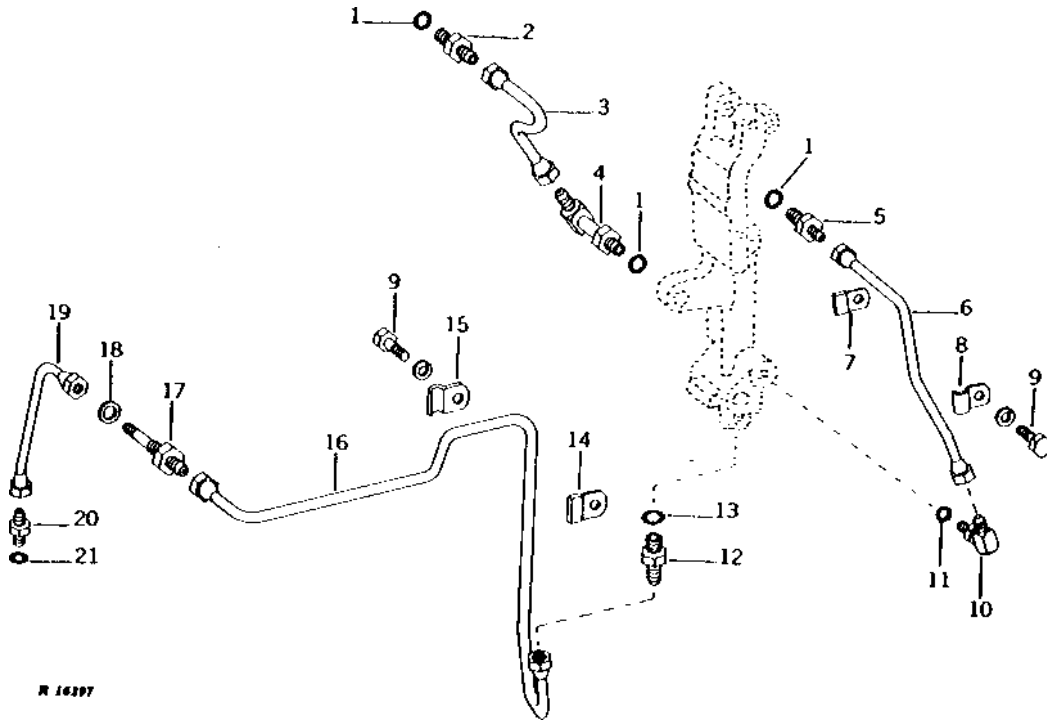
**DIFFERENTIAL LOCK VALVE OIL PIPES  
(TRACTOR SERIAL NO. 123000-150000)**



KEY	PART NO.	PART NAME	QTY	TRACTOR SERIAL NO.	REMARKS
1	R30903	O-RING	1		
2	R39597	ADAPTER	1		
3	AR42613	HYDRAULIC LINE	1		
4	R51494	WASHER	1		
5	AR34569	FITTING	1		
6	AR34568	HYDRAULIC LINE	1		(ROW-CROP AND STANDARD)
	AR39823	LINE	1		(HI-CROP) (NLA)
7	R27272	FITTING	2		
8	R26286	O-RING	5		
9	R40617	FITTING	1		
10	28H1697	SPACER	1	3/8" X 3/4"	
11	R31655	STRAP	1		
12	AR40964	HYDRAULIC LINE	1		
13	R31654	CLAMP	1		
14	19H1800	CAP SCREW	1	3/8" X 1-1/2"	
	12H304	LOCK WASHER	1	3/8"	
15	AR40475	ELBOW FITTING	1		
16	AT32333	ELBOW FITTING	1		(SUB FOR AR26771) (SUB RE56322)
17	AR40653	HYDRAULIC LINE	1		

R16397 -UN-01JAN94

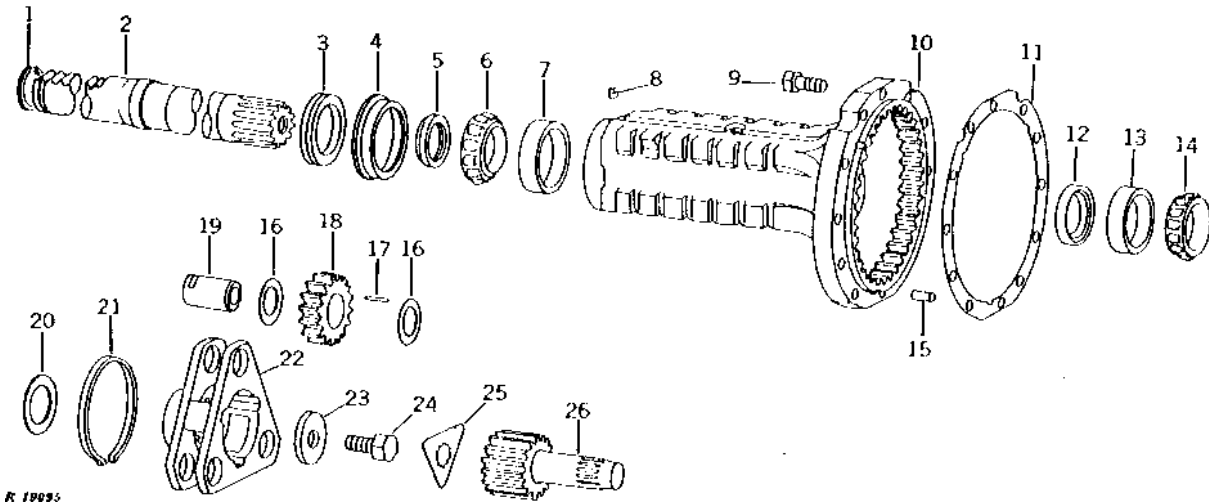
**DIFFERENTIAL LOCK VALVE OIL PIPES**  
(TRACTOR SERIAL NO. 150001- )



KEY	PART NO.	PART NAME	QTY	TRACTOR SERIAL NO.	REMARKS
1	R26286	O-RING	3		
2	R27272	FITTING	1		
3	AR49174	HYDRAULIC LINE	1		
4	AR35710	ELBOW FITTING	1		
5	R40617	FITTING	1		
6	AR49173	HYDRAULIC LINE	1		
7	R31655	STRAP	1		
8	R31654	CLAMP	1		
9	19H1936	CAP SCREW	2	3/8" X 3/4"	
	12H304	LOCK WASHER	2	3/8"	
10	AT32335	ELBOW FITTING	1	(SUB FOR AR26746)	
11	R26287	O-RING	1		
12	R46856	FITTING	1		
13	R26448	O-RING	1		
14	R34819	PLATE	1		
15	R27539	CLAMP	1		
16	AR49175	HYDRAULIC LINE	1		
17	AR34569	FITTING	1		
18	R51494	WASHER	1		
19	AR42613	HYDRAULIC LINE	1		
20	R39597	ADAPTER	1		
21	R30903	O-RING	1		

R19095 -UN-01JAN94

## PLANETARY AND REAR AXLE



KEY	PART NO.	PART NAME	QTY	TRACTOR SERIAL NO.	REMARKS
1	R53657	SNAP RING	1		
2	R53638	SHAFT	1		(ALSO ORDER R53657) (SUB FOR R33689 OR R40261) (91" AND 104" TREAD) (AXLE LENGTH 37-3/8")
	R53637	SHAFT	1		(ALSO ORDER R53657) (SUB FOR R33693) (SPECIAL 120" TREAD) (ROW-CROP) (AXLE LENGTH 45-3/8") (NLA)
3	RE31701	SEAL	1		(SUB FOR AR27446 OR AR52260)
4	R57269	OIL CUP	1		(SUB FOR R28128)
5	R55428	SPACER	1		(SUB FOR R28127)
6	JD8167	BEARING CONE	1		
7	JD8214	BEARING CUP	1		
8	15H559	PIPE PLUG	1	1/4"	
9	19H2361	CAP SCREW	12	9/16" X 3"	
10	AR101712	HOUSING	1		(MARKED R75362) (SUB FOR AR32100) (ALSO ORDER R76126)
11	R34184	GASKET	1		
12	AR42005	SEAL	1		
13	JD8207	BEARING CUP	1		
14	JD8152	BEARING CONE	1		
15	R65543	DOWEL PIN	3		(SUB FOR R33024)
16	R33022	THRUST WASHER	6		
17	R33028	NEEDLE ROLLER	99		
18	R33032	PINION	3		
19	R63112	PINION SHAFT	3		(SUB FOR R33021)
20	F2253R	SHIM	1		
21	R33033	SNAP RING	1		
22	R69445	PLANET PINION CARRIER	1		(SUB FOR R42900 OR R52330)
23	R33877	WASHER	1		
24	R69210	CAP SCREW	1		(SUB FOR R26025 OR R60033)
25	R26026	PLATE	1		
26	R49427	SHAFT	1		(SUB FOR R33494) (EXCEPT HI-CROP)

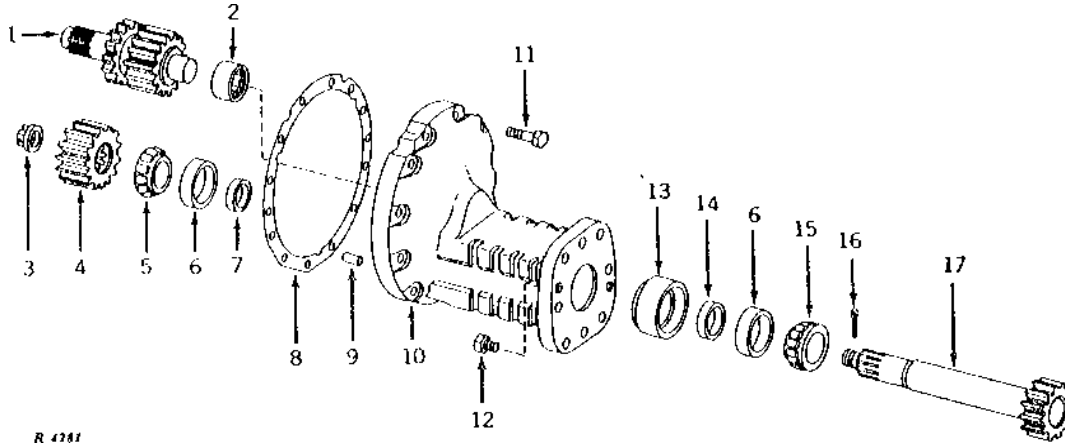
# 2115

POWER TRAIN

R4281

-UN-01JAN94

## DRIVE SHAFT AND DRIVE SHAFT HOUSING (HI-CROP)



KEY	PART NO.	PART NAME	QTY	TRACTOR SERIAL NO.	REMARKS
1	R34465	SHAFT	1		
2	JD8623	ROLLER BEARING	1		
3	B350R	NUT	1		
4	R34466	GEAR	1		
5	JD8942	BEARING CONE	1		
6	JD7446	BEARING CUP	2		
7	AA6606R	SEAL	1		
8	R34184	GASKET	1		
9	R65543	DOWEL PIN	3		(SUB FOR R33024)
10	R34470	HOUSING	1		(NLA)
11	19H2361	CAP SCREW	10		9/16" X 3"
	B1789R	STUD	2		9/16" X 6-1/2"
	14H961	NUT	2		9/16"
12	A3750R	FITTING	2		(FOR PLUGGING REMOVAL HOLES)
13	F991R	ADAPTER	1		
14	AF1156R	SEAL	1		
15	JD8130	BEARING CONE	1		
16	11M7032	COTTER PIN	1		0.197" X 1.969"
17	AR28034	SHAFT	1		(MARKED R28169) (NO LONGER AVAILABLE)

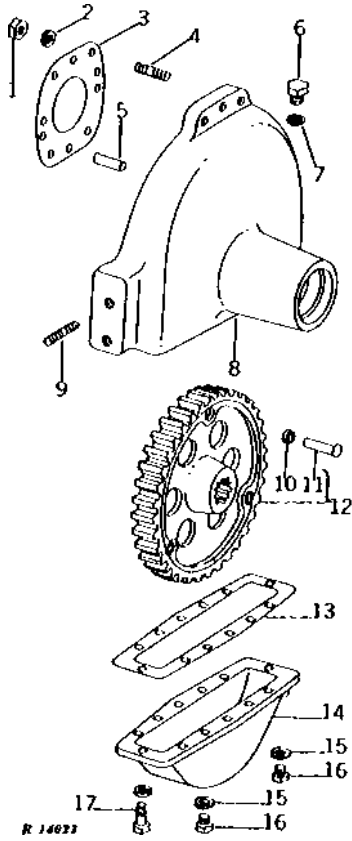


# 2116

POWER TRAIN

## FINAL DRIVE GEAR HOUSING, GEAR, AND COVER (HI-CROP)

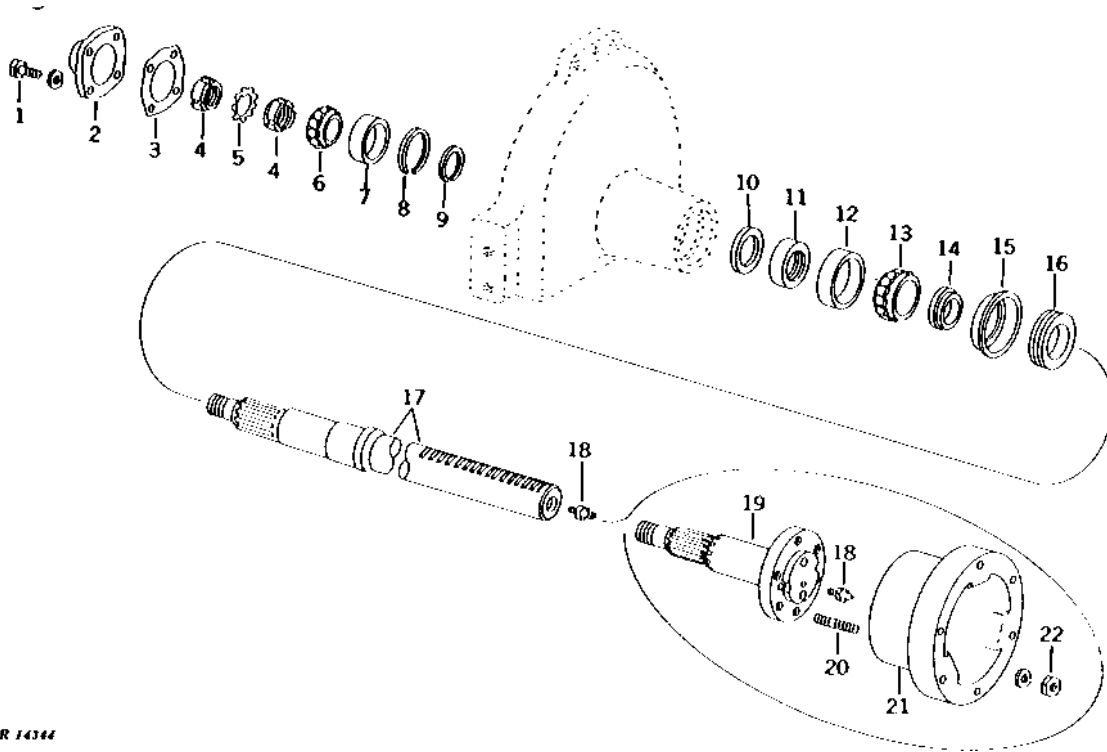
R14022 -UN-01JAN94



KEY	PART NO.	PART NAME	QTY	TRACTOR SERIAL NO.	REMARKS
1	14H858	NUT	6	3/4"	
2	12H236	LOCK WASHER	6	3/4"	
3	R98912	GASKET	1	(SUB FOR F3357R)	
4	R1548R	STUD	6	3/4" X 3-1/2"	
5	F3358R	DOWEL PIN	2		
6	F3128R	DRAIN PLUG	1		
7	A4827R	WASHER	1		
8	AR30474	HOUSING	1	(MARKED R28612) (NLA)	
9	F1024R	STUD	2	3/4" X 2-3/4"	
10	R31R	WASHER	6		
11	16H1175	RIVET	3	5/16" X 2-1/2"	
12	AR27746	GEAR	1	(NLA)	
13	F1000R	GASKET	1		
14	F999R	COVER	1		
15	R229R	WASHER	2		
16	R228R	FITTING	2		
17	19H1978	CAP SCREW	12	7/16" X 1-1/2"	
	12H293	LOCK WASHER	12	7/16"	

## REAR AXLE SHAFT, BEARINGS, AND OIL SEALS (HI-CROP)

R14344 -UN-01JAN94



R 14344

KEY	PART NO.	PART NAME	QTY	TRACTOR SERIAL NO.	REMARKS
1	19H2461	CAP SCREW	4		3/8" X 1-1/4"
	12H304	LOCK WASHER	4		3/8"
2	F997R	COVER	1		(NLA)
3	F998R	GASKET	1		(SUB R51609)
4	F1483R	NUT	2		
5	F1484R	LOCK WASHER	1		
6	JD8149	BEARING CONE	1		
7	JD7444	BEARING CUP	1		
8	R81R	SNAP RING	1		
9	B2342R	SNAP RING	1		
10	F228R	WASHER	1		
11	AF316R	SEAL	1		
12	JD7448	BEARING CUP	1		
13	JD8112	BEARING CONE	1		
14	F785R	SPACER	1		
15	R57269	OIL CUP	1		(SUB FOR R28128)
16	RE31701	SEAL	1		(SUB FOR AR27446 OR AR52260) WITH R57269
17	AR21601	SHAFT	1		
18	JD7759	LUBRICATION FITTING	1		
19	AF1160R	SHAFT	1		
20	A2833R	STUD	6		
21	R28578	HUB	1		(NLA)
22	14H1077	NUT	6		7/8"
	12H245	LOCK WASHER	6		7/8"

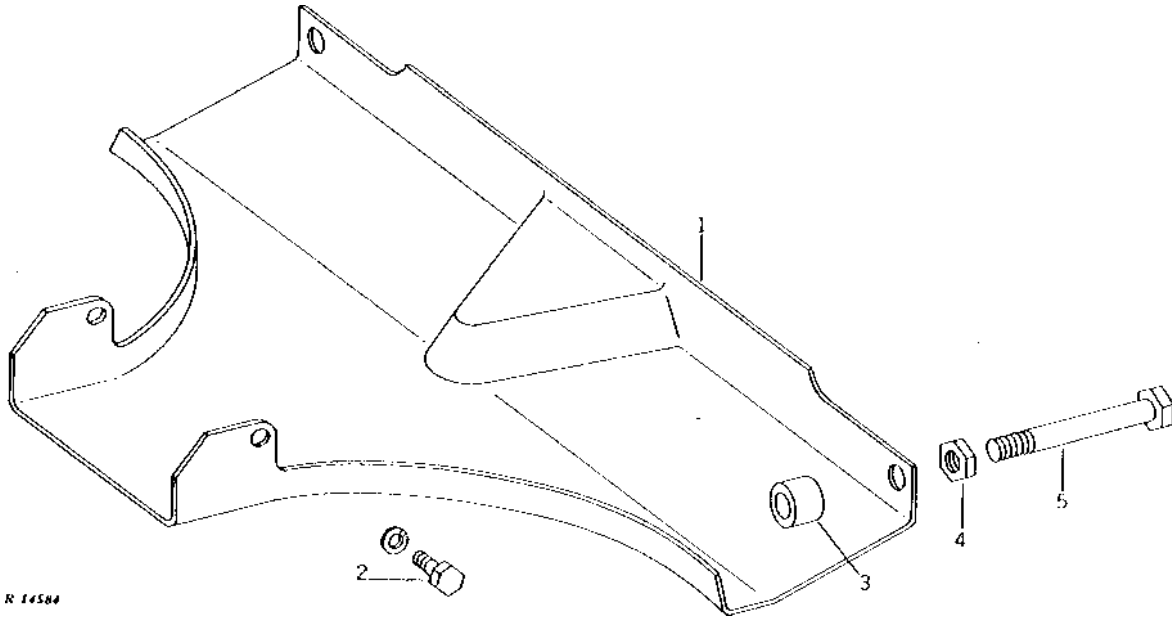
PARTS LISTED BELOW ARE NOT ILLUSTRATED.

..	AF1690R	ADAPTER	1		(NLA)
..	A3959R	DOWEL PIN	2		
..	AF1155R	SEAL	1		(NLA)
..	AF1691R	FLANGE	1		(NLA)
..	AF1692R	COVER	1		(NLA)
..	19H1847	CAP SCREW	1		5/8" X 2-1/2"
..			1		
..	12H294	LOCK WASHER	1		5/8"

R14584

-UN-01JAN94

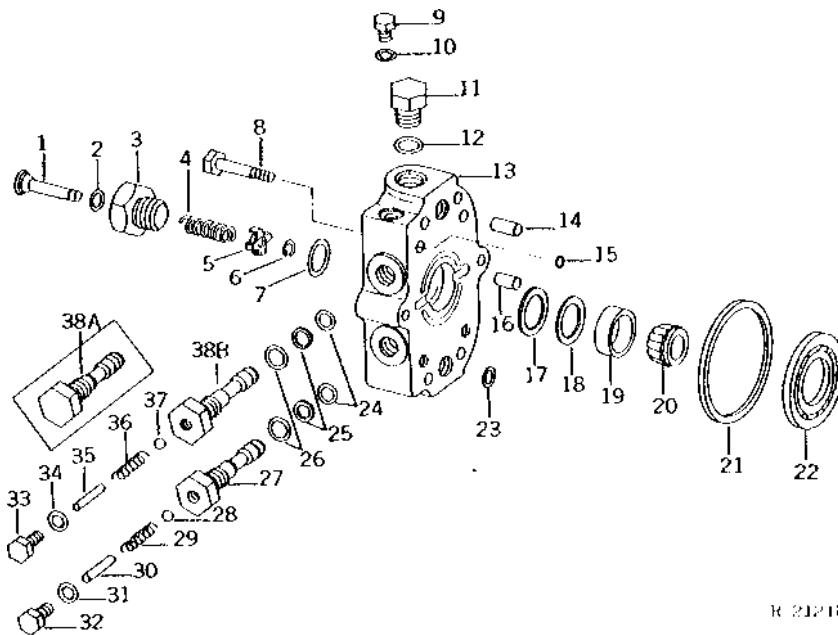
POWER FRONT WHEEL DRIVE HYDRAULIC LINE SHIELD



KEY	PART NO.	PART NAME	QTY	TRACTOR SERIAL NO.	REMARKS
1	R44012	GUARD	1	(NLA)	
2	19H2548	CAP SCREW	2	1/2" X 7/8"	
	12H301	LOCK WASHER	2	1/2"	
3	R44011	BUSHING	2	(NLA)	
4	14H794	NUT	2	3/4"	
5	19H3210	CAP SCREW	2	3/4" X 5-1/4"	
..	R45661	CLIP	2	(NLA)	

R21218 -UN-01JAN94

## POWER FRONT WHEEL DRIVE WHEEL MANIFOLD



R 21218

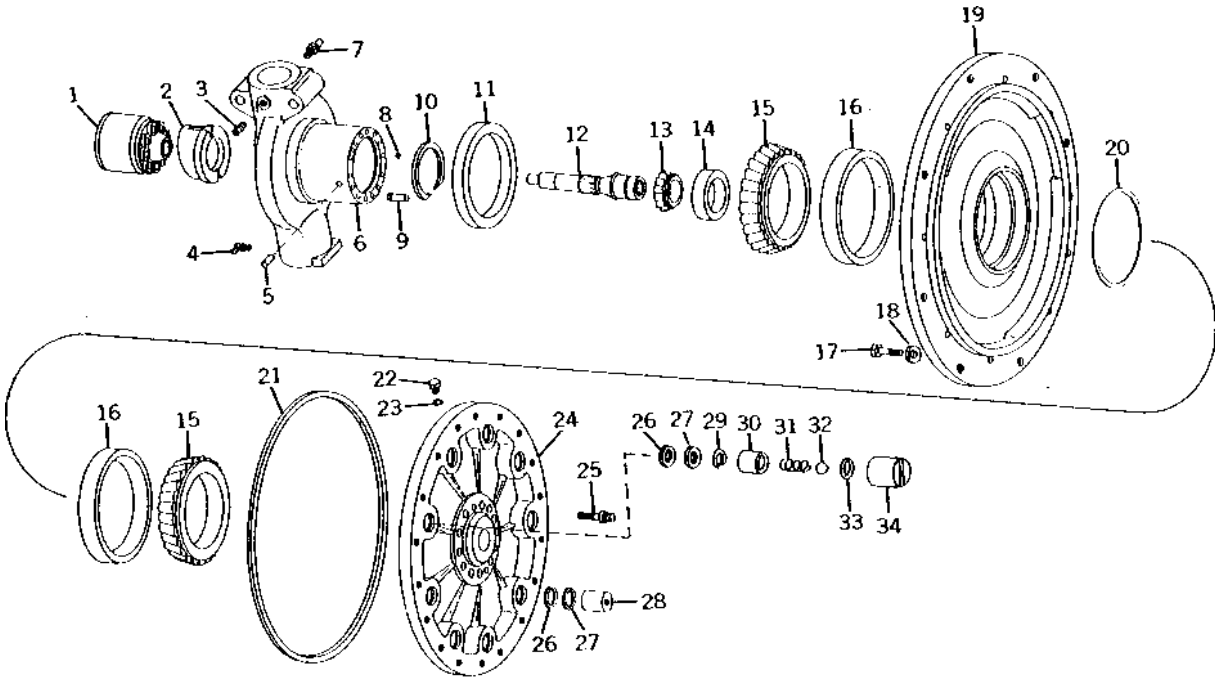
KEY	PART NO.	PART NAME	QTY	TRACTOR SERIAL NO.	REMARKS
1	R45357	VALVE	1		(SUB R62512 AND R62513)
2	P46051	O-RING	1		
3	R45356	PRESSURE RELIEF FITTING	1		(NLA)
4	R45358	SPRING	1		
5	R45359	RETAINER	1		(NLA)
6	R40638	SNAP RING	1		
7	F3171R	O-RING	1		
8	19H3181	CAP SCREW	6		3/8" X 2"
9	R27216	DRAIN PLUG	1		(SUB FOR R31631)
10	R26287	O-RING	1		
11	R39112	FITTING	2		
12	R26375	O-RING	2		
13	R42468	MANIFOLD	1		
14	R28671	DOWEL PIN	2		
15	R42878	WASHER	1		
16	R42882	DOWEL PIN	1		
17	R42819	SHIM	AR		0.08MM (.003")
18	R42820	SHIM	AR		0.25MM (.010")
19	JD8293	BEARING CUP	1		
20	JD9030	BEARING CONE	1		
21	R42880	PACKING	1		
22	R42818	PLATE	1		
23	R42879	WASHER	2		
24	R42926	BACK-UP RING	2		
25	R28776	O-RING	2		
26	R26375	O-RING	2		
27	R42925	HOUSING	1		
28	400R	BALL	1		6.35MM (1/4")
29	R26421	SPRING	1		
30	34H252	SPRING PIN	1		1/8" X 1-1/4"
31	R26287	O-RING	1		
32	R27216	DRAIN PLUG	1		
33	R27216	DRAIN PLUG	1		
34	R26287	O-RING	1		
35	34H252	SPRING PIN	1		1/8" X 1-1/4"
36	R54174	SPRING	1		

## POWER FRONT WHEEL DRIVE WHEEL MANIFOLD-CONTINUED

KEY	PART NO.	PART NAME	QTY	TRACTOR SERIAL NO.	REMARKS
37	400R	BALL	1		6.35MM (1/4")
38A	R42924	PLUG	1		(SUB 400R, R26287, R27216, R54173, (2) R54174 AND 34H252)
38B	R54173	HOUSING	1		
..	AR78303	PISTON	1		(PISTON PLANET BRAKE BLEED VALVE)

## WHEEL HUB, MOTOR, AND HOUSING (POWER FRONT WHEEL DRIVE)

R19696N -UN-01JAN94



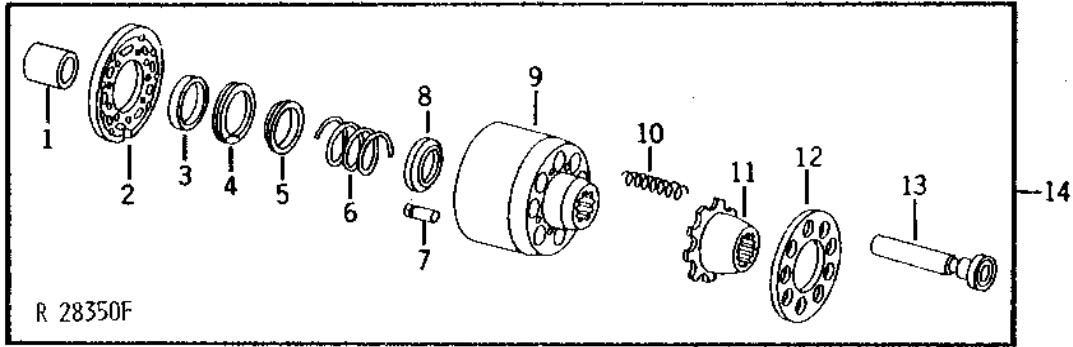
R19696N

KEY	PART NO.	PART NAME	QTY	TRACTOR SERIAL NO.	REMARKS
1	AR73212	CYLINDER BLOCK	1		(SUB FOR AR45034)
2	R42817	SWASH PLATE	1		
3	15H558	PIPE PLUG	1		1/8"
4	JD7781	LUBRICATION FITTING	1		
5	R42881	DOWEL PIN	1		
6	AR86538	HOUSING	1		(MARKED R42332) (ALSO ORDER (2) R66650) (SUB FOR AR45414)
7	JD7759	LUBRICATION FITTING	1		
8	R27490	O-RING	1		(SUB T17951)
9	R36666	DOWEL PIN	2		
10	R45569	SNAP RING	1		
11	AR77224	SEAL	1		(SUB FOR AR47137)
12	R42735	SHAFT	1		(SUB R60495)
13	JD9029	BEARING CONE	1		
14	JD7403	BEARING CUP	1		
15	JD9028	BEARING CONE	2		
16	JD8292	BEARING CUP	2		
17	19H1800	CAP SCREW	8		3/8" X 1-1/2"
18	R42729	WASHER	8		
19	R41958	HUB	1		
20	R42765	SHIM	AR		0.08MM (.003")
	R48811	SHIM	AR		0.13MM (.005")
	R42766	SHIM	AR		0.25MM (.010")
21	R42877	PACKING	1		
22	R27216	DRAIN PLUG	1		(SUB FOR R31631)
23	R26287	O-RING	1		
24	AR44376	HOUSING	1		
25	R42969	BOLT	12		
26	R42763	O-RING	9		
27	R35473	BACK-UP RING	9		
28	R42927	PISTON	9		
29	R33282	SNAP RING	1		
30	.....	PISTON	1		(ORDER AR78303)
31	R59860	SPRING	1		(SUB FOR R27730) (THIS LOCATION ONLY)
32	R26552	BALL	1		7.94MM (5/16")
33	R34404	O-RING	1		(SUB P48347)
34	.....	PISTON	1		(ORDER AR78303)
..	AR78303	PISTON	1		(PISTON PLANET BRAKE BLEED VALVE)

POWER FRONT WHEEL DRIVE MOTOR CYLINDER BLOCK PARTS

R28350

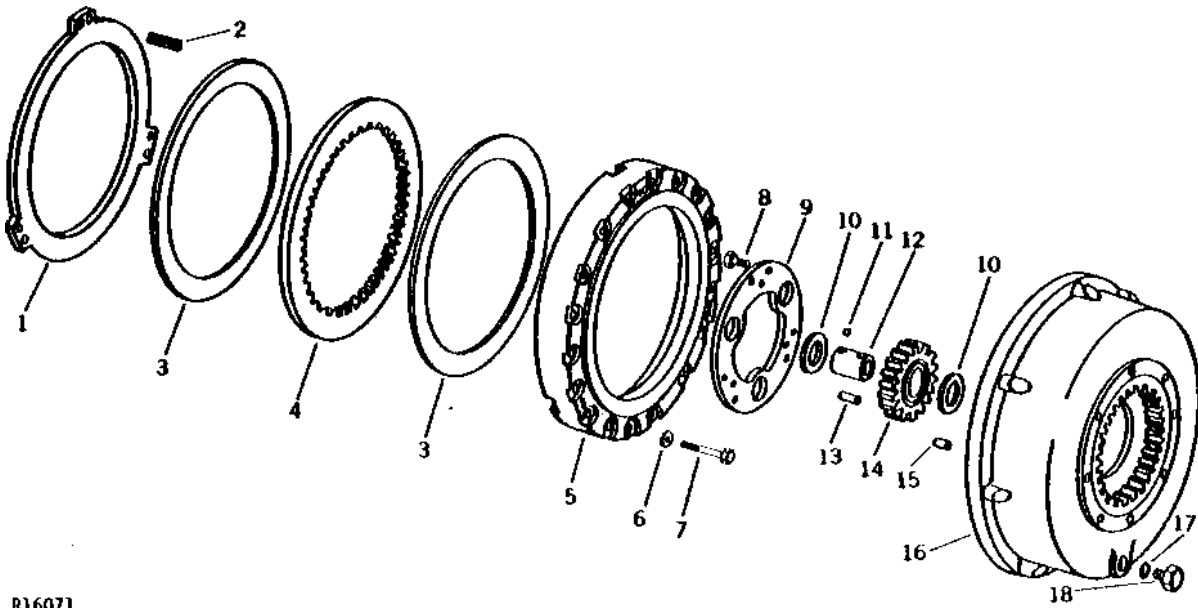
-UN-01JAN94



KEY	PART NO.	PART NAME	QTY	TRACTOR SERIAL NO.	REMARKS
1	R44415	BUSHING	1		
2	R44406	PLATE	1		
3	R44417	WASHER	1		
4	N107859	SNAP RING	1		(SUB FOR J17817)
5	R44414	RETAINER	1		
6	R44409	SPRING	1		
7	R44416	DOWEL PIN	1		
8	R44412	SEAT	1		
9	AR73213	HOUSING	1		(SUB FOR AR45781) (ORDER AR73212)
10	AR73214	SPRING	1		(SUB FOR R44411) (PKG OF 6)
11	R44408	GUIDE	1		
12	R44407	RETAINER	1		
13	AR45782	PISTON	9		
14	AR73212	CYLINDER BLOCK	1		

POWER FRONT WHEEL DRIVE SECOND PLANET PINION,  
PLANETARY HOUSING, AND BRAKE PLATES

R16071 -UN-01JAN94



R16071

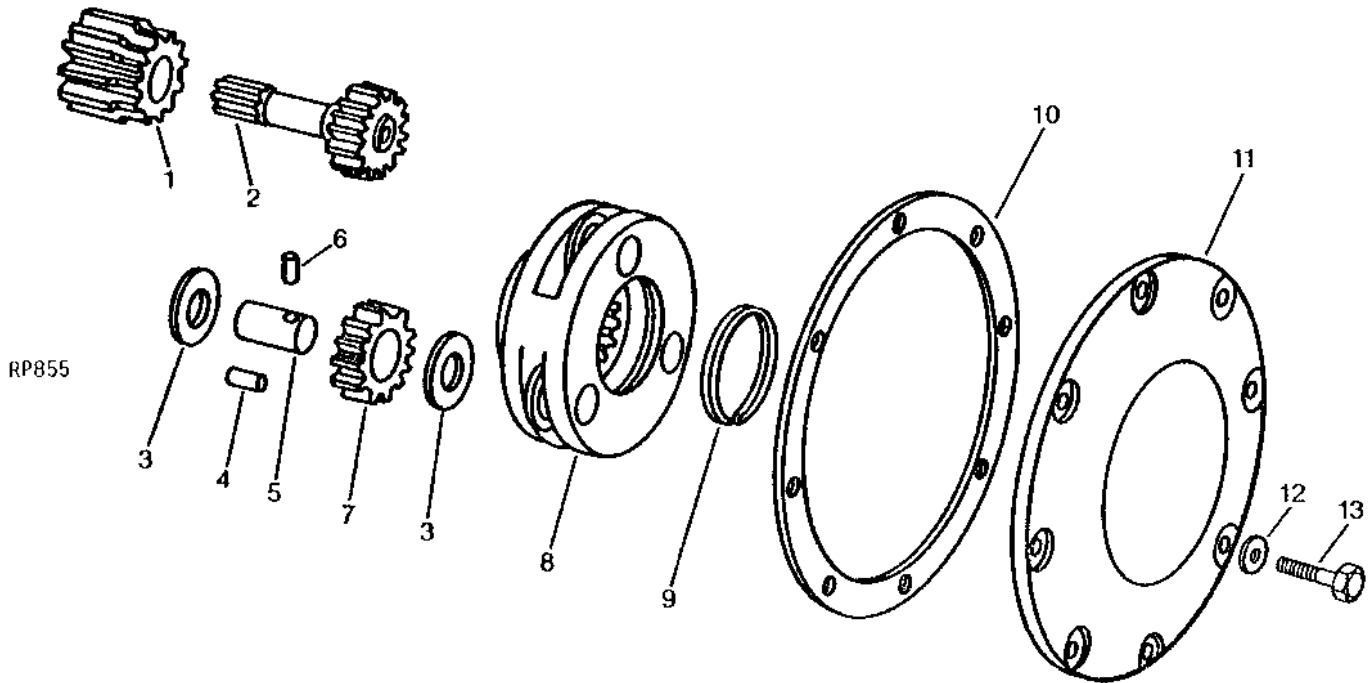
KEY	PART NO.	PART NAME	QTY	TRACTOR SERIAL NO.	REMARKS
1	R42328	PLATE	1	-155344	(ORDER R47142 AND R47141) (DISGARD R42517)
	R47142	PLATE	1	155345-	
2	R42762	SPRING	6		
3	R42517	DISK	2	-155344	
4	R42516	GEAR	1		
5	R45378	PLATE	1	-155344	(NLA)
	R47141	PLATE	1	155345-	
6	R42729	WASHER	18		
7	19H1733	CAP SCREW	18		3/8" X 2-1/2"
8	19H2284	CAP SCREW	6		3/8" X 7/8"
9	R42333	RETAINER	1		(SUB R67905)
10	R42931	THRUST WASHER	6		
11	H871R	BALL	6		4.76MM (3/16")
12	R42932	PIN	3		
13	R42883	NEEDLE ROLLER	66		
14	R42518	PINION	3		
15	R28671	DOWEL PIN	3		
16	AR48527	HOUSING	1		
17	R26375	O-RING	1		
18	R39112	FITTING	1		



POWER FRONT WHEEL DRIVE FIRST PLANET PINION, CARRIER, AND COVER

RP855

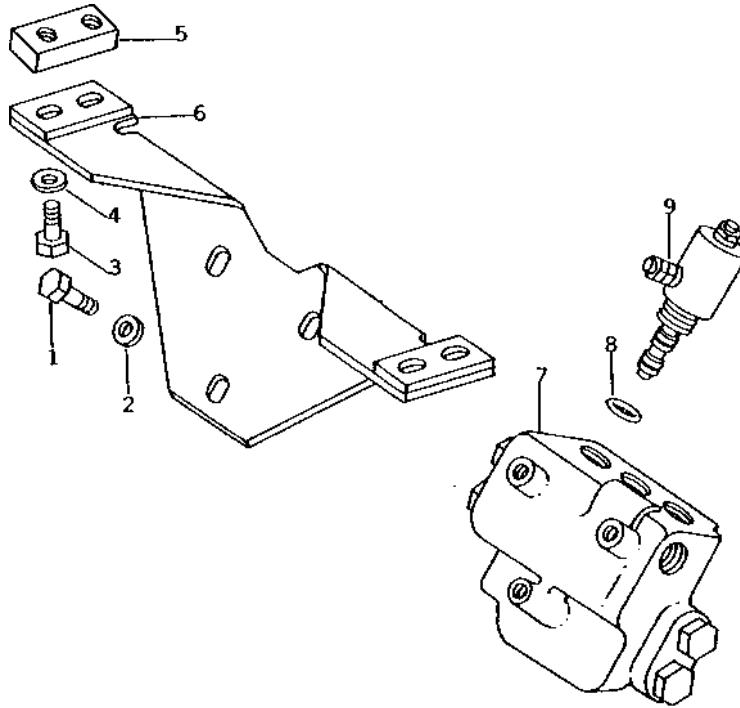
-UN-01JAN94



KEY	PART NO.	PART NAME	QTY	TRACTOR SERIAL NO.	REMARKS
1	R42734	PINION	1		
2	R42733	PINION	1		(23 TEETH)
3	R42929	THRUST WASHER	6		
4	R42884	NEEDLE ROLLER	51		
5	R42930	PIN	3		
6	B2641R	DOWEL PIN	3		
7	R42928	PINION	3		
8	R42519	PLANET PINION CARRIER	1		
9	R44013	SNAP RING	1		
10	R42764	GASKET	1		
11	R42968	COVER	1		
12	R42729	WASHER	8		
13	19H2552	CAP SCREW	8		3/8" X 1-1/8"

R14634 -UN-01JAN94

POWER FRONT WHEEL DRIVE CONTROL VALVE AND SUPPORT



R 14634

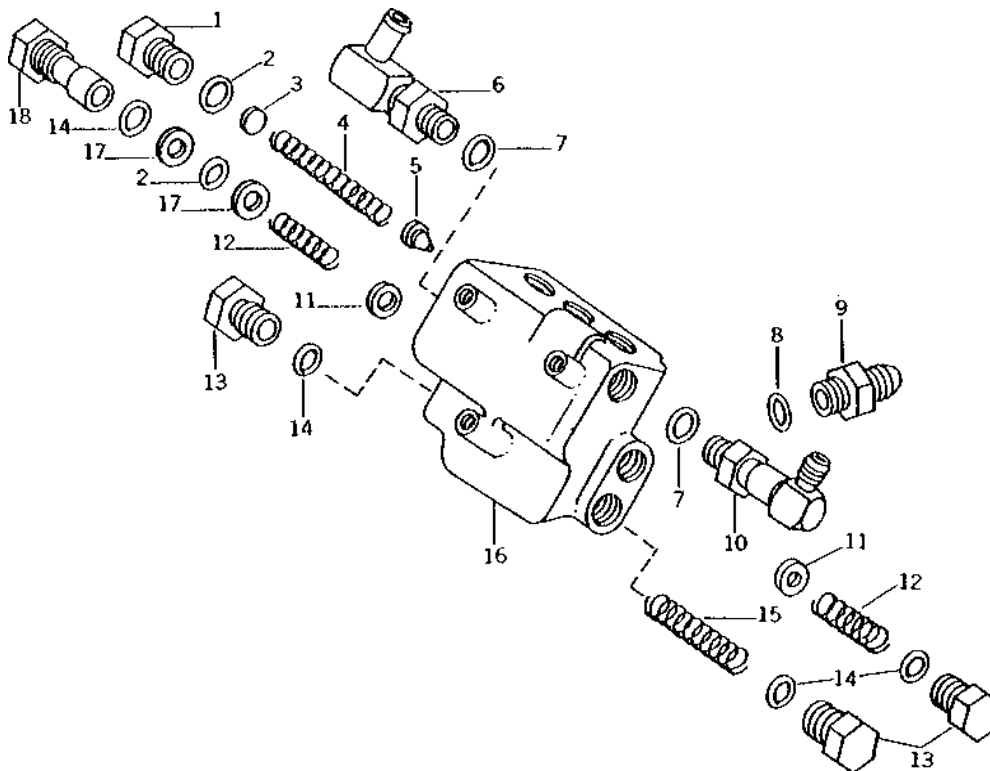
KEY	PART NO.	PART NAME	QTY	TRACTOR SERIAL NO.	REMARKS
1	19H2284	CAP SCREW	3	3/8" X 7/8"	
2	24H1309	WASHER	3	13/32" X 1-1/16" X 0.120"	
3	19H2770	CAP SCREW	4	1/2" X 1-1/2"	
4	24H1325	WASHER	4	15/32" X 59/64" X 0.065"	
5	R27598	STRAP	2		
6	AR45282	BRACKET	1	(NLA)	
7	AR81936	VALVE	1		(SUB FOR AR45341 OR R49420)
8	U12547	O-RING	3		
9	AR45233	VALVE	3	-131870	(SUB AR81175) (SUB FOR AR70920)
	AR48901	SOLENOID VALVE	3	131871-XXXXXX	(SUB AR81175) (SUB FOR AR70920)
	AR53046	SOLENOID VALVE	3	XXXXXX-	(SUB AR81175) (SUB FOR AR70920)

# 2J1

POWER TRAIN

R16418 -UN-01JAN94

## POWER FRONT WHEEL DRIVE CONTROL VALVE PARTS

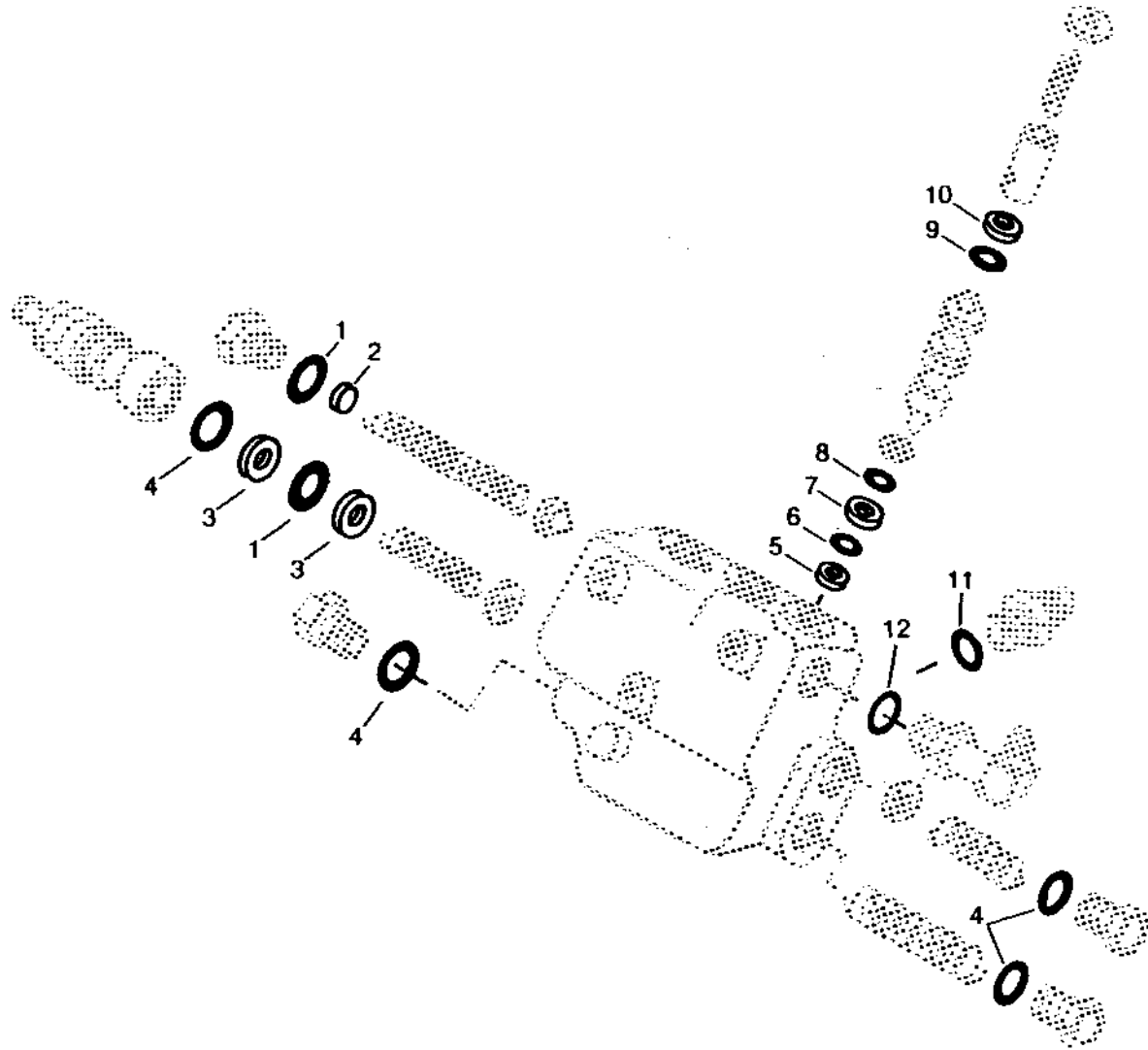


R 16418

KEY	PART NO.	PART NAME	QTY	TRACTOR SERIAL NO.	REMARKS
1	R45179	FITTING	1		
2	P47908	O-RING	2		
3	T14587	SHIM	AR	0.61MM (.024")	
4	R45183	SPRING	1		
5	R45176	ORIFICE	1		
6	AR46957	ELBOW FITTING	1	(L.H.) (SUB AR53560, R26375 AND R39112)	
7	U17409	O-RING	2		
8	F3171R	O-RING	4		
9	R27267	FITTING	4		
10	AR44384	ELBOW FITTING	1	R.H.	
11	R45184	WASHER	2		
12	R45182	SPRING	2		
13	R45177	FITTING	3		
14	32240	O-RING	4		
15	R45181	SPRING	1		
16	AR81936	VALVE	1	(SUB FOR AR45341 OR AR49420)	
17	U40727	BACK-UP RING	2		
18	R45178	PLUG	1		

RWP6372 -UN-12OCT94

## CONTROL VALVE OVERHAUL KIT (POWER FRONT WHEEL DRIVE)



RWP6372

# 2J3

POWER TRAIN

## CONTROL VALVE OVERHAUL KIT - CONTINUED (POWER FRONT WHEEL DRIVE)

KEY	PART NO.	PART NAME	QTY	TRACTOR SERIAL NO.	REMARKS
1	P47908	O-RING	2		
2	T14587	SHIM	3		0.61MM (.024")
3	U40727	BACK-UP RING	2		
4	32240	O-RING	4		
5	R42926	BACK-UP RING	3		
6	R45186	O-RING	3		
7	R45187	BACK-UP RING	3		
8	R45638	O-RING	3		
9	N31772	O-RING	3		
10	R46702	BACK-UP RING	3		
11	F3171R	O-RING	8		
12	U17409	O-RING	2		
13	AR48904	KIT	1		

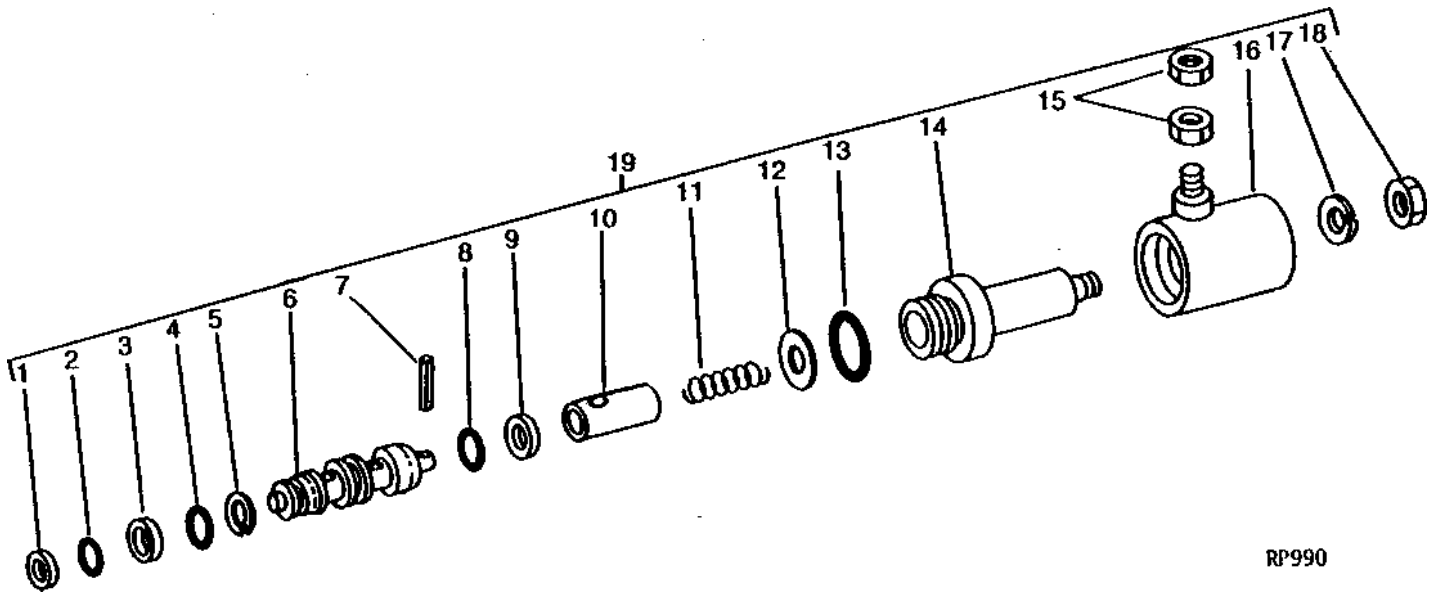
# 2J4

POWER TRAIN

## POWER FRONT WHEEL DRIVE SOLENOID PARTS

RP990

-UN-01JAN94



RP990

KEY	PART NO.	PART NAME	QTY	TRACTOR SERIAL NO.	REMARKS
1	R42926	BACK-UP RING	1		
2	R45186	O-RING	1		
3	R45187	BACK-UP RING	2	-131870	
4	R45187	BACK-UP RING	1	131871-	
	R45638	O-RING	2	-131870	
	R45638	O-RING	1	131871-	
5	R46701	SNAP RING	1		
6	AR70921	SLEEVE	1		(SUB AR81176) (SUB FOR AR47178) (ALSO ORDER R58884)
7	34H227	SPRING PIN	1		3/32" X 1/2"
8	N31772	O-RING	1		
9	R46702	BACK-UP RING	1		
10	R58884	PLUNGER	1		(ALSO ORDER AR81176) (SUB FOR R45250)
11	R64698	SPRING	1		(SUB FOR R45251)
12	R64697	SHIM	1	XXXXXX-	
13	U12547	O-RING	1		
14	AR48903	GUIDE	1		(SUB FOR AR47179)
15	14H605	NUT	2		0.164"
16	AR53047	ELECTRICAL COIL	1	-XXXXXX	(SUB AR81175)
	AR70922	ELECTRICAL COIL	1	XXXXXX-	
17	12H297	LOCK WASHER	1		1/4"
18	14H786	NUT	1		1/4"
19	AR45233	VALVE	1	-131870	(SUB AR81175)
	AR48901	SOLENOID VALVE	1	131870-XXXXXX	(SUB AR81175)
	AR53046	SOLENOID VALVE	1	XXXXXX-XXXXXX	(SUB AR81175)
	AR81175	SOLENOID VALVE	1	XXXXXX-	

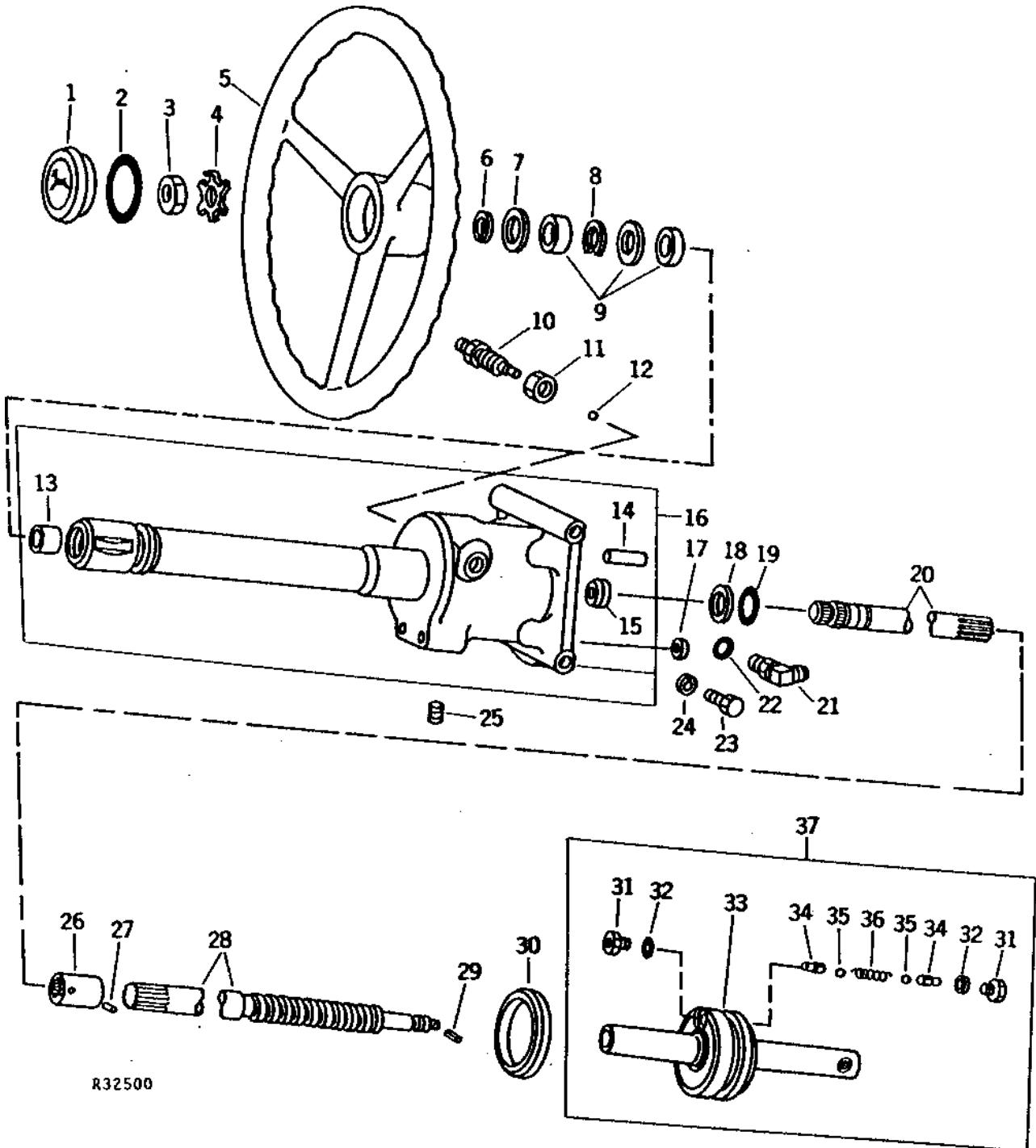
MEMORANDA

# 3B7

R32500

-UN-01JAN94

## STEERING VALVE CYLINDER, SHAFT AND PISTON



R32500



# 3B8

## STEERING AND BRAKES

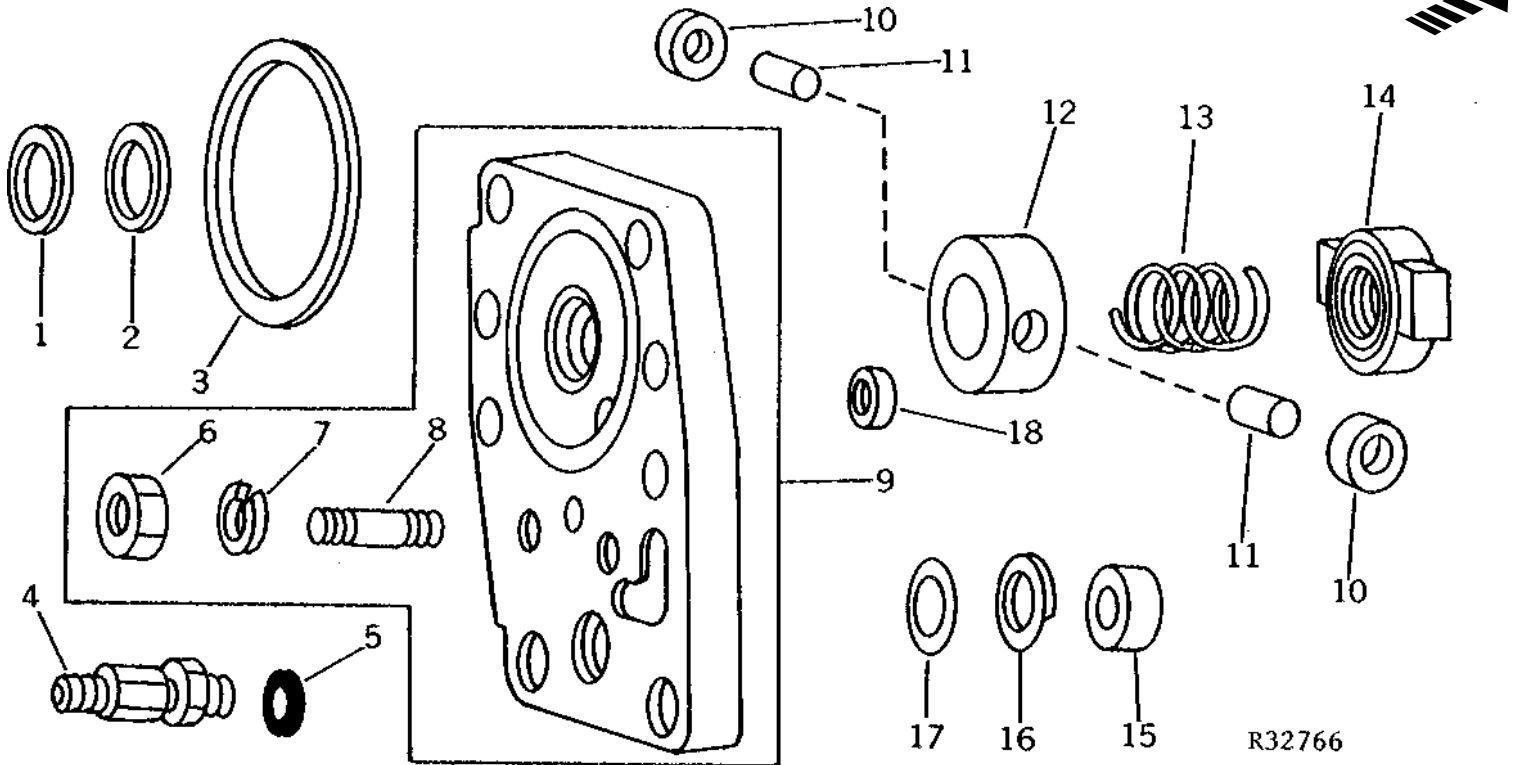
### STEERING VALVE CYLINDER, SHAFT AND PISTON - CONTINUED

KEY	PART NO.	PART NAME	QTY	MODEL NO.	REMARKS
1	R47998	CAP	1		(SUB FOR R34324 AND R45792)
2	B3690R	O-RING	1		
3	14H904	NUT	1		3/4"
4	T17148	LOCK WASHER	1		
5	T22875	STEERING WHEEL	1		
6	B169R	SNAP RING	1		
7	R42629	WASHER	1		
8	R26933	SNAP RING	1		
9	AR34172	SEAL KIT	1		OIL SEAL
10	R27299	SCREW	1		
11	R27453	NUT	1		
12	400R	BALL	1		6MM (1/4")
13	R27320	BUSHING	1		
14	R32186	DOWEL PIN	2		
15	R27087	WASHER	1		
16	AR40786	CYLINDER	1	-9SV1	(MARKED R41124) (SUB AR47290)
	AR47290	CYLINDER	1	9SV2-	(MARKED R44846)
17	AR67783	O-RING KIT	1		STEERING VALVE CYLINDER TO COVER PACKING, (SUB FOR AR42009)
18	R26441	BACK-UP RING	1		
19	A3606R	O-RING	1		
20	R73737	SHAFT	1		(SUB FOR R37426)
21	AT35121	ELBOW FITTING	1		90°, (SUB FOR AR26725)
22	R26448	O-RING	1		
23	19H1732	CAP SCREW	1		3/8" X 1-1/4"
	19H2284	CAP SCREW	3		3/8" X 7/8"
24	12H304	LOCK WASHER	4		3/8"
	24H1305	WASHER	1		13/32" X 13/16" X 0.065"
25	15H558	PIPE PLUG	1		1/8"
26	R27319	SPLINED COUPLING	1		
27	34H282	SPRING PIN	1		3/16" X 1"
28	R34125	SHAFT	1		
29	34H282	SPRING PIN	1		3/16" X 1"
30	R40567	WASHER	1		
31	R31202	VALVE	2		
32	R26287	O-RING	2		
33	AR30297	PISTON	1		(SUB FOR AR30298)
34	R31201	SHAFT	2		
35	H871R	BALL	2		5MM (3/16")
36	A4816R	SPRING	1		
37	AR30297	PISTON	1		

# 3B9

R32766 -UN-01JAN94

## STEERING VALVE CYLINDER COVER



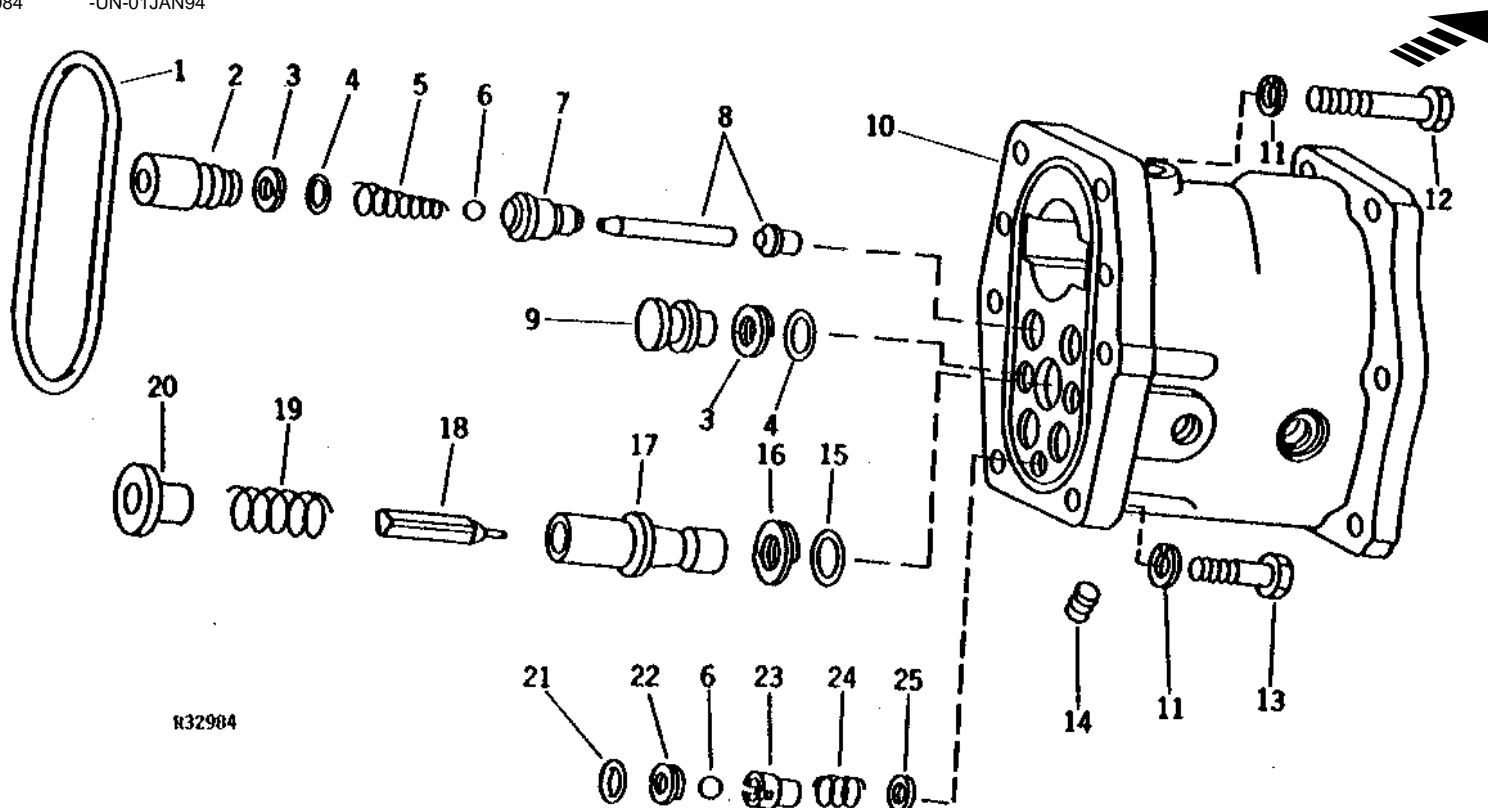
KEY	PART NO.	PART NAME	QTY	MODEL NO.	REMARKS
1	A3606R	O-RING	1		
2	R26441	BACK-UP RING	1		
3	AR67783	O-RING KIT	1		STEERING VALVE COVER TO CYLINDER PACKING, (SUB FOR AR42009)
4	AR41987 R49018	TEE FITTING FITTING	1 1	-150084 150085-	(POWER SHIFT) (SYNCRO-RANGE LESS PTO) (SUB FOR AR35725) (POWER SHIFT) (SYNCRO-RANGE LESS PTO) (ILLUSTRATED)
	AR40689 AR30762	TEE FITTING TEE FITTING	1 1	-150084 150085-	(SYNCRO-RANGE WITH PTO) (SYNCRO-RANGE WITH PTO)
5	R26286	O-RING	1		
6	14H1047	NUT	2	9SV2-	7/16"
7	12H293	LOCK WASHER	2	9SV2-	7/16"
8	R55183	STUD	2	9SV2-	7/16" X 2-3/8"
9	AR44883 AR47293	COVER COVER	1 1	-9SV1 9SV2-	(MARKED R42707) (MARKED R44845)
10	R26755	WASHER	2		
11	R27091	PIN	2		
12	R40149	LOCKING COLLAR	1		
13	R40531	SPRING	1		
14	R27089	NUT	1		
15	R34121	PISTON	1		
16	R47694	BACK-UP RING	1		
17	R495R	O-RING	1		
18	AR67783	O-RING KIT	1		STEERING VALVE COVER TO CYLINDER PACKING, (SUB FOR AR42009)

# 3B10

STEERING AND BRAKES

R32984 -UN-01JAN94

## STEERING VALVE



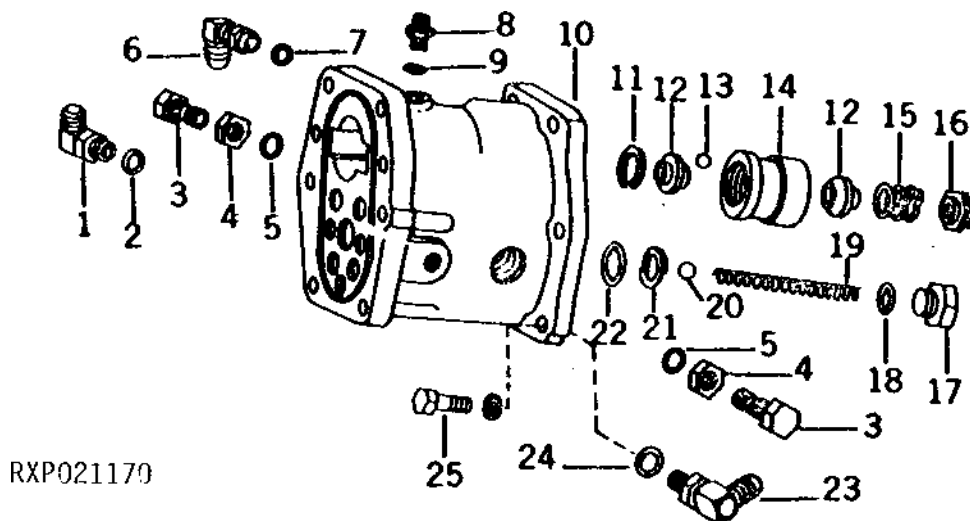
R32984

KEY	PART NO.	PART NAME	QTY	MODEL NO.	REMARKS
1	R34733	LOCK WASHER	1		
2	R41724	PLUG	4		
3	R32588	BACK-UP RING	6		
4	R459R	O-RING	6		
5	R26565	SPRING	4		
6	400R	BALL	1		6MM (1/4")
7	R28124	VALVE	4		
8	AR49535	SHAFT	2		UPPER, (SUB FOR AR30589)
	AR49536	SHAFT	2		LOWER, (SUB FOR AR30590)
9	R34131	PLUG	2		
10	AR43559	HOUSING	1	-9SV1	(MARKED R34119 OR R43721) (SUB AR43809)
	AR43809	HOUSING	1	9SV2-	(MARKED R43962 OR R45811) (INCLUDES METERING SHAFTS)
11	12H301	LOCK WASHER	6		1/2"
12	19H1990	CAP SCREW	4		1/2" X 2-1/4", (SUB FOR R48784)
13	R48783	CAP SCREW	2		
14	15H558	PIPE PLUG	1		1/8"
15	B2762R	O-RING	1		
16	R26546	BACK-UP RING	1		
17	R34123	VALVE SEAT	1		
18	R42661	SEAT	1		
19	R26151	SPRING	1		
20	R34122	STOP	1		
21	A4365R	O-RING	1		
22	R34129	BACK-UP RING	1		
23	R34336	GUIDE	1	-9SV1	(USE WITH R34119 OR R43721)
	R44254	GUIDE	1	9SV2-	(USE WITH R43962 OR R45811)
24	R26373	SPRING	1	-9SV1	(USE WITH R34119 OR R43721)
	R44256	SPRING	1	9SV2-	(USE WITH R43962 OR R45811)
25	R44255	WASHER	1	9SV2-	(USE WITH R43962 OR R45811)

# 3B11

RXP021170 -UN-21JUN95

## STEERING VALVE



RXP021170

KEY	PART NO.	PART NAME	QTY	MODEL NO.	REMARKS
1	AT35121	ELBOW FITTING	1		90°, (SUB FOR AR26725)
2	R26448	O-RING	1		
3	R40338	DRAIN PLUG	2		
4	R27296	NUT	2		
5	R26286	O-RING	2		
6	AT32333	ELBOW FITTING	1		(SUB FOR AR26771)
7	R26286	O-RING	1		
8	R27527	ADAPTER	1		
9	R26287	O-RING	1		
10	AR43559	HOUSING	1	-9SV1	(MARKED R34119 OR R43721) (SUB AR43809)
	AR43809	HOUSING	1	9SV2-	(MARKED R43962 OR R45811)
11	R26425	SNAP RING	1		
12	R40595	BEARING RACE	2		
13	R26552	BALL	13		8MM (5/16")
14	R40757	BUSHING	1		
15	R40596	SPRING	1		
16	R40597	LOCK NUT	1		
17	R39112	FITTING	1		
18	R26375	O-RING	1		
19	R31278	SPRING	1		
20	R42849	BALL	1		10MM (3/8")
21	R30323	BACK-UP RING	1		
22	P48347	O-RING	1		(SUB FOR T12860 OR R34404)
23	AT35121	ELBOW FITTING	2		(SUB FOR AR26725)
24	R26448	O-RING	1		
25	19H2552	CAP SCREW	4		3/8" X 1-1/8"
	19H1765	CAP SCREW	4		3/8" X 1-3/4"
	19H1800	CAP SCREW	4		3/8" X 1-1/2"
	12H304	LOCK WASHER	6		3/8"

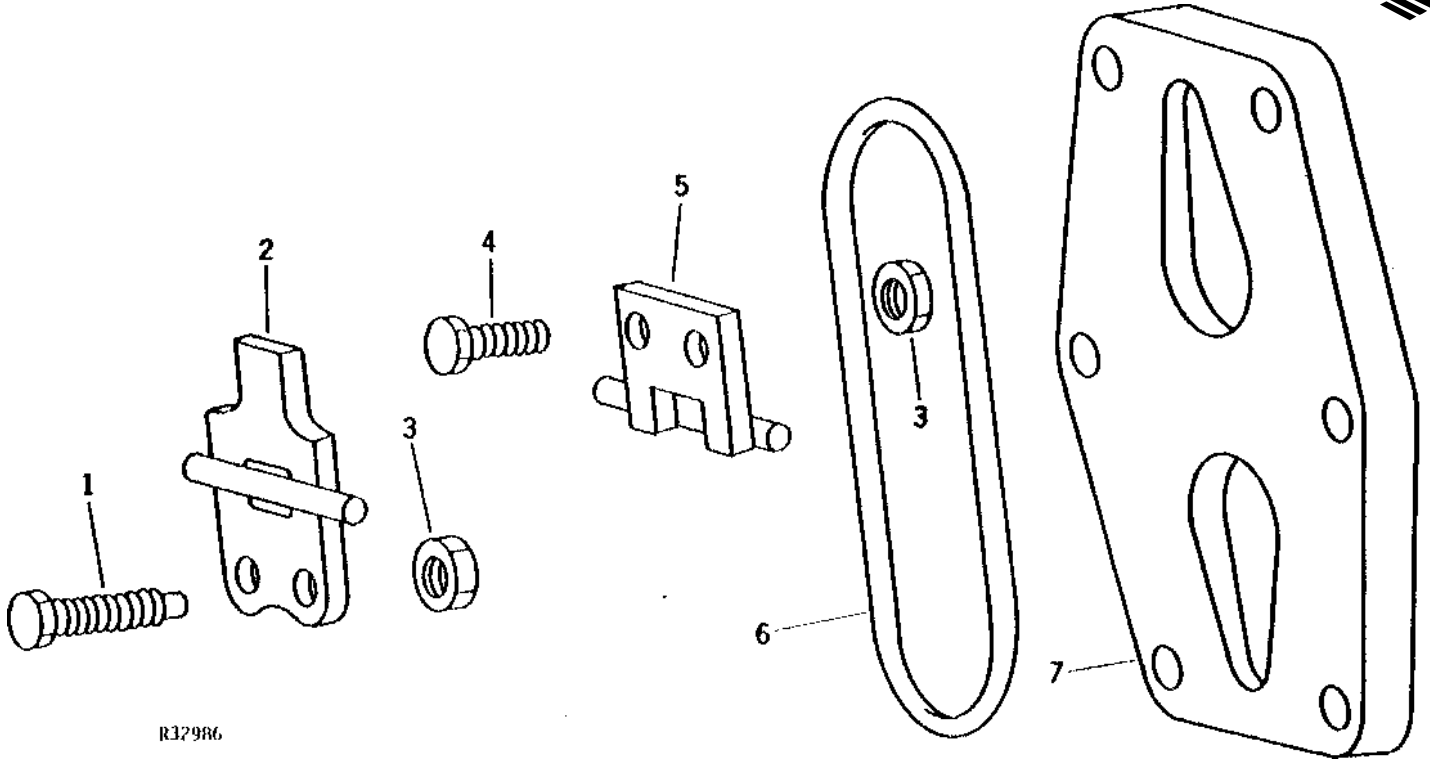
# 3B12

STEERING AND BRAKES

R32986

-UN-01JAN94

## STEERING VALVE COVER AND VALVE OPERATING LEVERS



R32986

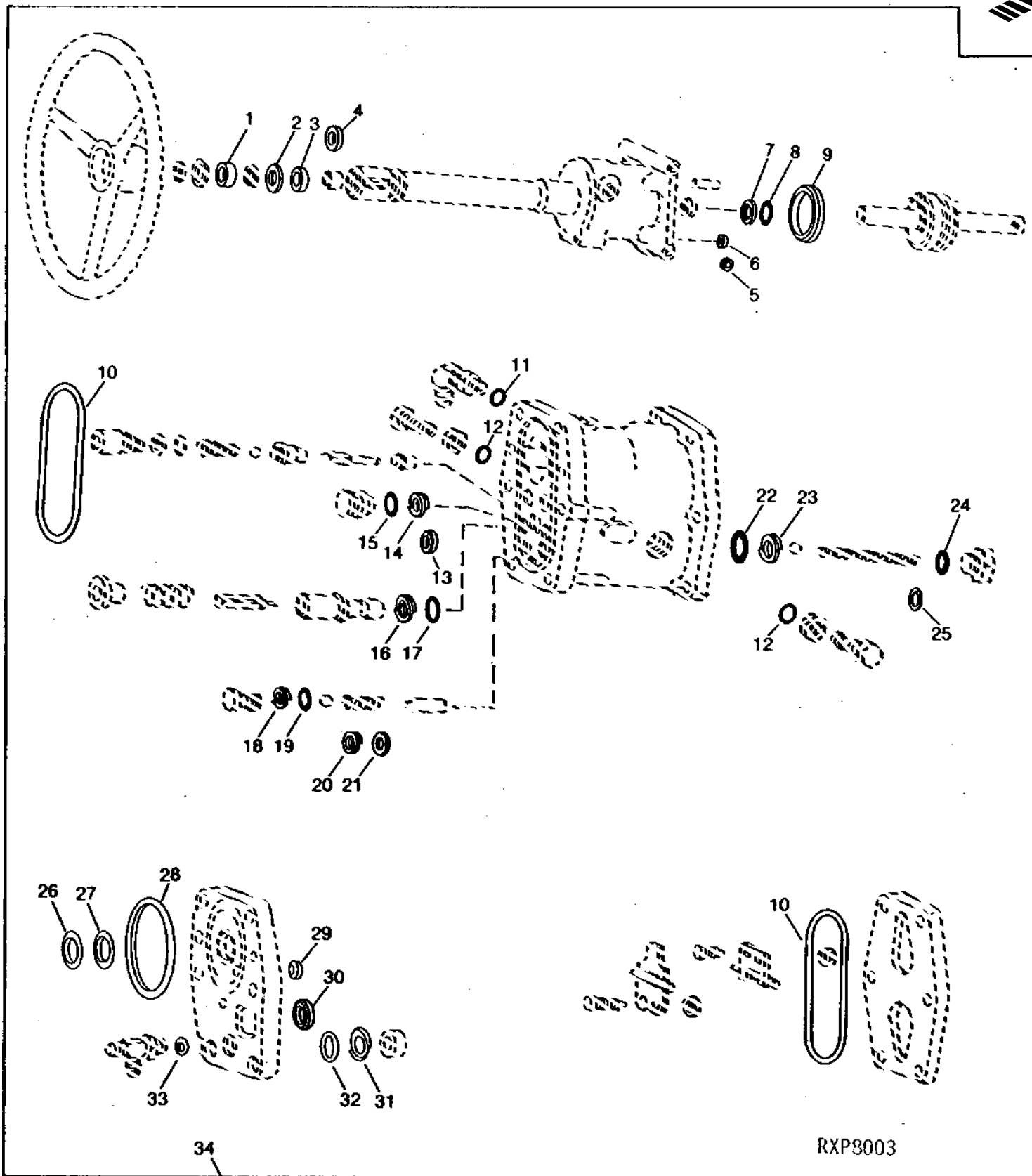
KEY	PART NO.	PART NAME	QTY	MODEL NO.	REMARKS
1	R26554	SET SCREW	2		
2	AR26448	LEVER	1		
3	14H649	NUT	4	1/4"	
4	R31217	SCREW	2		(SUB FOR R26762 THIS APPLICATION)
5	AR26402	LEVER	1		
6	R34733	LOCK WASHER	1		
7	R57034	COVER	1		(SUB FOR R26553 AND R51748)

# 3B13

STEERING AND BRAKES

RXP8003 -UN-01JAN94

## STEERING VALVE AND CYLINDER OVERHAUL KIT



RXP8003

# 3B14

STEERING AND BRAKES

## STEERING CYLINDER AND VALVE OVERHAUL KIT - CONTINUED

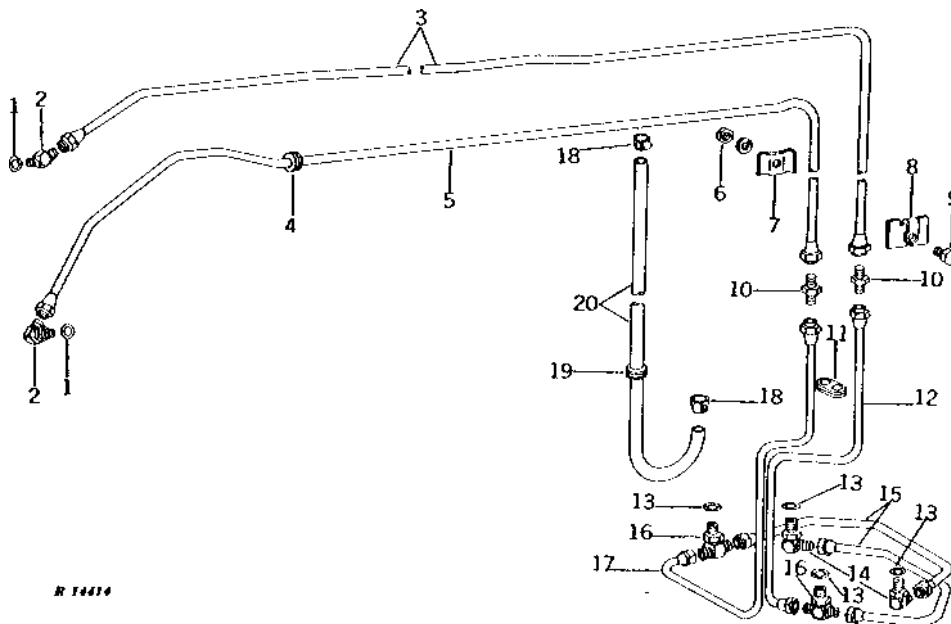
KEY	PART NO.	PART NAME	QTY	TRACTOR SERIAL NO.	REMARKS
1	R72858	SEAL	1		
2	R32731	WASHER	1		
3	R72858	SEAL	1		
4	R54063	SEAL	1	(A)	
5	R26448	O-RING	2		
6	AR67783	O-RING KIT	1		
7	R26441	BACK-UP RING	1		
8	A3606R	O-RING	2		
9	R40567	WASHER	1		
10	R34733	LOCK WASHER	2		
11	R26286	O-RING	1		
12	R26286	O-RING	2		
13	R31488	WASHER	2	(A)	
14	R459R	O-RING	6		
15	R32588	BACK-UP RING	6		
16	R26546	BACK-UP RING	2		
17	B2762R	O-RING	2		
18	R34129	BACK-UP RING	1		
19	A4365R	O-RING	1		
20	R26551	BACK-UP RING	1	(A)	
21	R394R	O-RING	1		
22	R34404	O-RING	1		
23	R30323	BACK-UP RING	1		
24	R26375	O-RING	1		
25	R26547	WASHER	2	(A)	
26	A3606R	O-RING	2		
27	R26441	BACK-UP RING	1		
28	AR67783	O-RING KIT	1		
29	AR67783	O-RING KIT	1		
30	R31489	WASHER	1	(A)	
31	R47694	BACK-UP RING	1		
	R26485	BACK-UP RING	1	(A)	
32	R495R	O-RING	1		
33	R26286	O-RING	1		
34	AR39585	KIT	1	(A)	

(A)EARLY DESIGN

# 3B15

R14414 -UN-01JAN94

## STEERING MOTOR OIL LINES



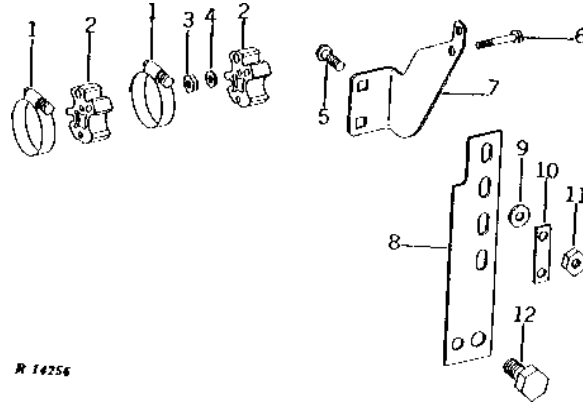
KEY	PART NO.	PART NAME	QTY	TRACTOR SERIAL NO.	REMARKS
1	R26448	O-RING	2		
2	AT35121	ELBOW FITTING	2	90°, (SUB FOR AR26725)	
3	AR26812	HYDRAULIC LINE	1		TOP R.H.
4	R41439	GROMMET	1		
5	AR26813	HYDRAULIC LINE	1		TOP L.H.
6	14H786	NUT	1	1/4"	
	12H302	LOCK WASHER	1	1/4"	
7	R27323	CLAMP	1		
8	R27324	CLIP	1		
9	19H1914	CAP SCREW	1	1/4" X 1"	
10	R27095	FITTING	2		
11	R26418	GROMMET	1		
12	AR26814	HYDRAULIC LINE	1		BOTTOM R.H. (LONG WHEEL BASE)
	AR27653	LINE	1		BOTTOM R.H. (SHORT WHEEL BASE)
13	R26286	O-RING	4		
14	AT32333	ELBOW FITTING	2	90°, (SUB FOR AR26771)	
15	AR26679	OIL LINE	2		
16	AR27254	TEE FITTING	2		
17	AR26815	HYDRAULIC LINE	1		BOTTOM L.H. (LONG WHEEL BASE)
	AR27654	LINE	1		BOTTOM L.H. (SHORT WHEEL BASE)
18	AR21836	CLAMP	2		
19	R26941	GROMMET	1		
20	R33733	HOSE	1		
..	AR21969	KIT	1		PLUG ASSORTMENT



# 3B16

R14256 -UN-01JAN94

## HYDRAULIC AND STEERING OIL LINE SUPPORT

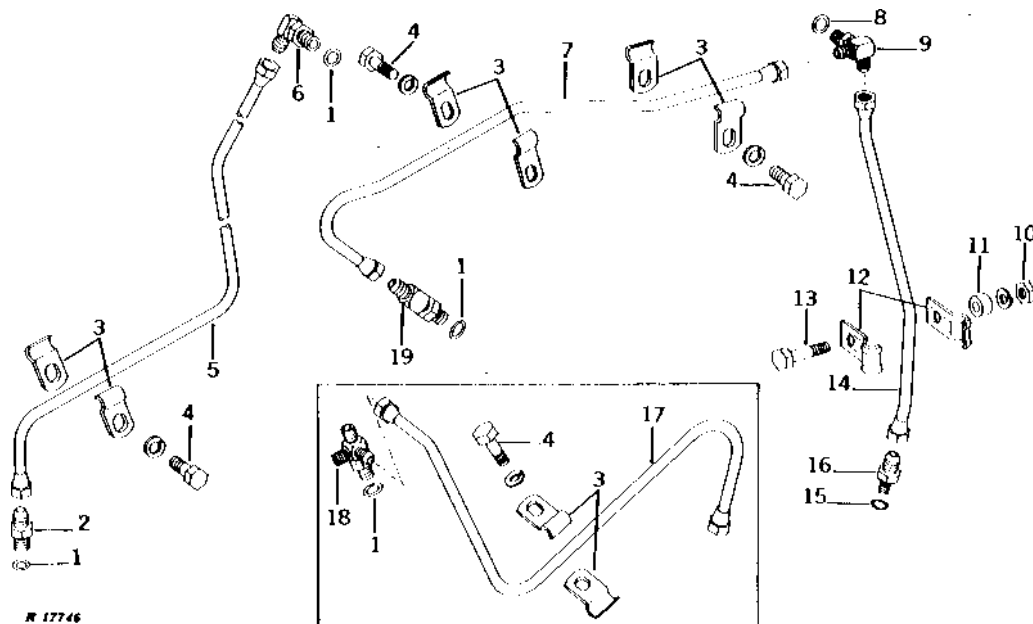


KEY	PART NO.	PART NAME	QTY	TRACTOR SERIAL NO.	REMARKS
1	AR21840	CLAMP	2		
2	AR41016	SPACER	2		
3	14H786	NUT	2	1/4"	
4	24H1287	WASHER	2	9/32" X 5/8" X 0.065"	
5	03H1519	BOLT	2	3/8" X 1"	
6	19H1898	CAP SCREW	2	1/4" X 1-1/2"	
7	T36366	SUPPORT	1	(SUB FOR R41478)	
8	R41477	BRACKET	1		
9	24H1305	WASHER	2	13/32" X 13/16" X 0.065"	
10	R27962	STRAP	1		
11	14H1076	NUT	2	3/8"	
12	19H1916	CAP SCREW	1	5/8" X 1"	

# 3B17

R17746 -UN-01JAN94

## BRAKE PRESSURE, STEERING PRESSURE AND STEERING RETURN LINES

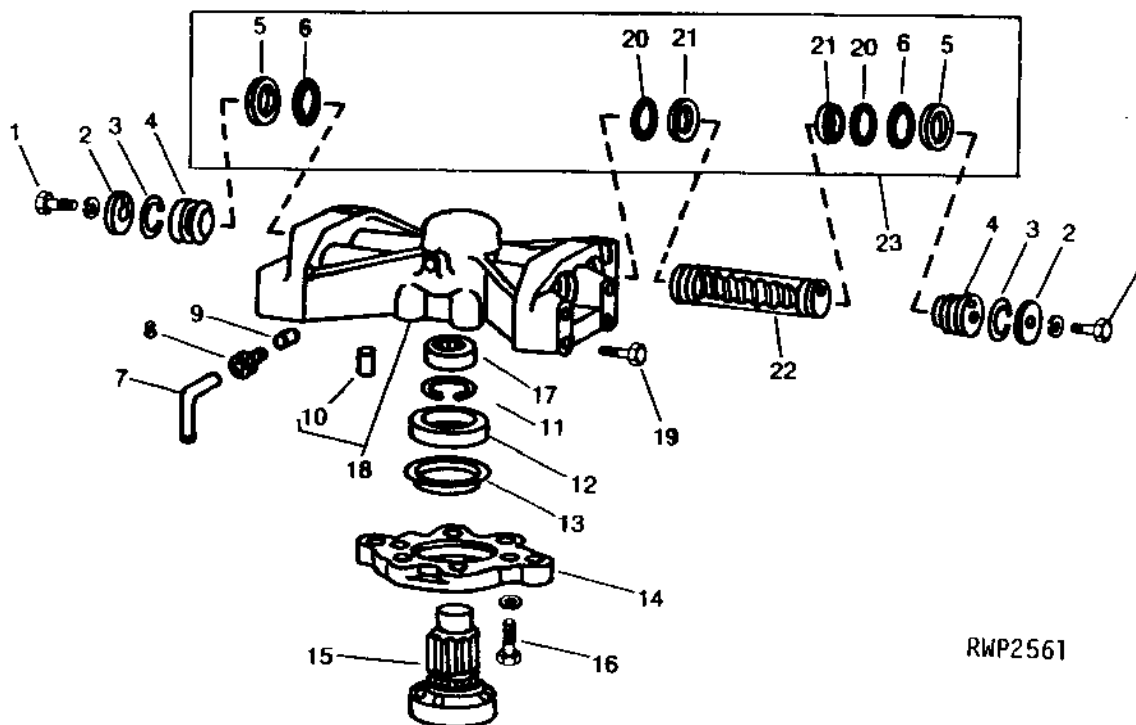


KEY	PART NO.	PART NAME	QTY	TRACTOR SERIAL NO.	REMARKS
1	R26286	O-RING	3		
2	R27272	FITTING	1		
3	R42357	CLAMP	6		
4	19H1936	CAP SCREW	2	3/8" X 3/4"	
	12H304	LOCK WASHER	2	3/8"	
5	AR41131	HYDRAULIC LINE	1		(POWER SHIFT) (ILLUSTRATED) (STEERING RETURN)
	AR41126	HYDRAULIC LINE	1		(SYNCRO-RANGE) (STEERING RETURN)
6	AT32333	ELBOW FITTING	1		(SUB FOR AR26771)
7	AR41130	HYDRAULIC LINE	1		(PRESSURE CONTROL VALVE TO STEERING VALVE)
8	R26286	O-RING	1	150085-	
9	AR49789	TEE FITTING	1	150085-	
10	14H1076	NUT	1	150085-	3/8"
	12H304	LOCK WASHER	1	150085-	3/8"
11	28H1517	WASHER	1	150085-	3/8" X .250"
12	R57549	CLAMP	2	150085-	(SUB FOR R47687)
13	19H1800	CAP SCREW	1	150085-	3/8" X 1-1/2"
14	AR50514	HYDRAULIC LINE	1	150085-	(ACCUMULATOR PRESSURE)
15	R26287	O-RING	1		
16	R36742	COUPLING	1		
17	AR46726	HYDRAULIC LINE	1	-150084	(SUB FOR AR41984) (ACCUMULATOR PRESSURE)
	28H1517	WASHER	1	-150084	3/8" X .250"
18	AR41987	TEE FITTING	1	-150084	(POWER SHIFT)
	AR41987	TEE FITTING	1	-150084	(SYNCRO-RANGE LESS PTO)
	AR40689	TEE FITTING	1	-150084	(SYNCRO-RANGE WITH PTO)
19	R49018	FITTING	1	150085-	(SUB FOR AR35725) (POWER SHIFT)
	R49018	FITTING	1	150085-	(SUB FOR AR35725) (SYNCRO-RANGE LESS PTO)
	AR30762	TEE FITTING	1	150085-	(SYNCRO-RANGE WITH PTO)

# 3B18

RWP2561 -UN-01JAN94

## STEERING MOTOR



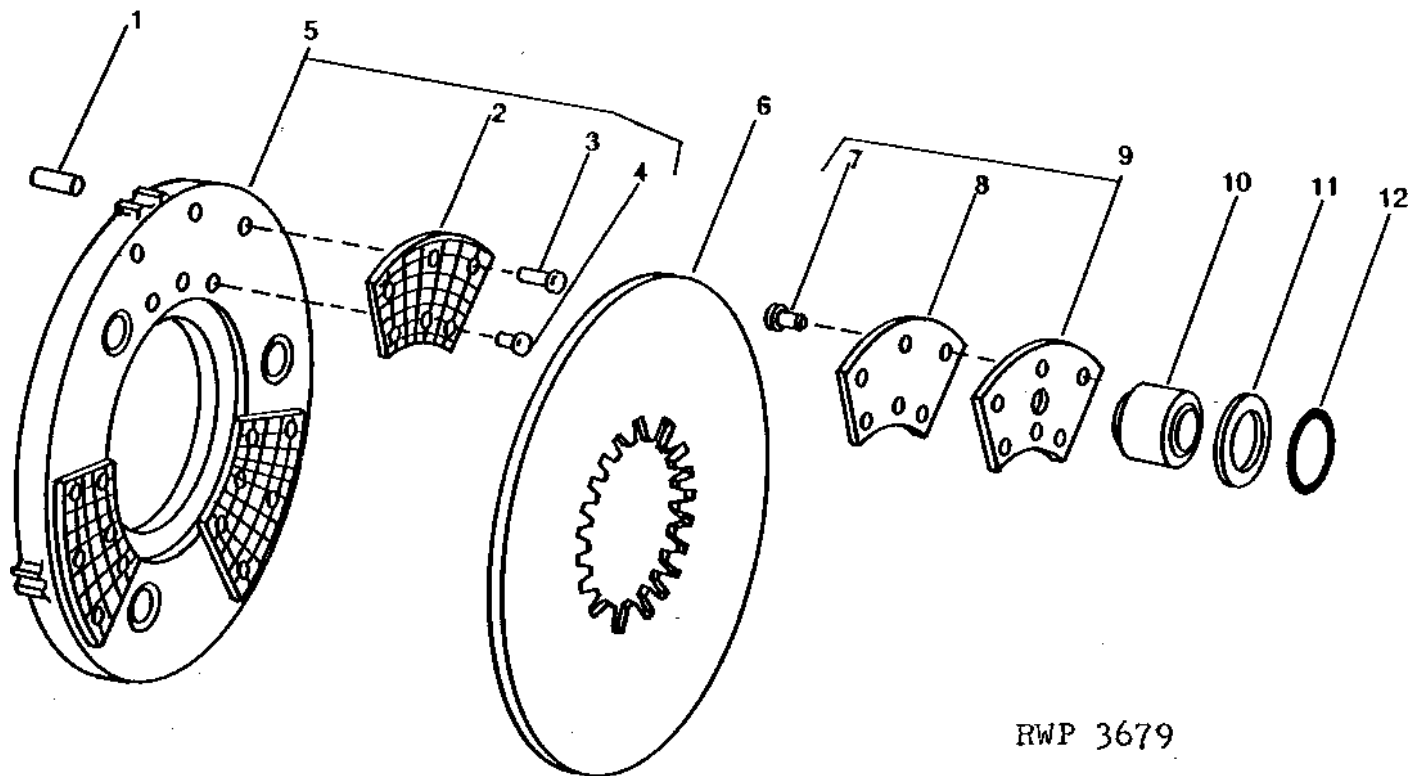
RWP2561

KEY	PART NO.	PART NAME	QTY	TRACTOR SERIAL NO.	REMARKS
1	19H1732	CAP SCREW	4		
	12H304	LOCK WASHER	4	3/8" X 1-1/4"	
2	R26281	WASHER	4	3/8"	
3	R26283	SNAP RING	4		
4	R26280	PLUG	4		
5	R26290	BACK-UP RING	4		
6	R26282	O-RING	4		
7	R33732	OIL TUBE	1		
8	R28676	FITTING	1		
9	R28677	SLEEVE	1		
10	R26277	DOWEL PIN	2		
11	R26285	SNAP RING	1		
12	AR26981	BALL BEARING	1		
13	R34748	SEAL	1		
14	R31561	RETAINER	1		
15	AR34825	SPINDLE	1		
16	19H2550	CAP SCREW	6	1/2" X 1-5/8"	
	12H301	LOCK WASHER	6	1/2"	
17	JD9817	NEEDLE BEARING	1		
18	AR34824	HOUSING	1	(MARKED R34980)	
19	R31505	BOLT	8		
20	B3685R	O-RING	4		
21	R47083	BACK-UP RING	4	(SUB FOR R40761)	
22	R26278	PISTON	2		
23	AR52016	O-RING KIT	1		

# 3B19

## BRAKE PLATES AND FACINGS

RWP3679 -UN-01JAN94



RWP 3679

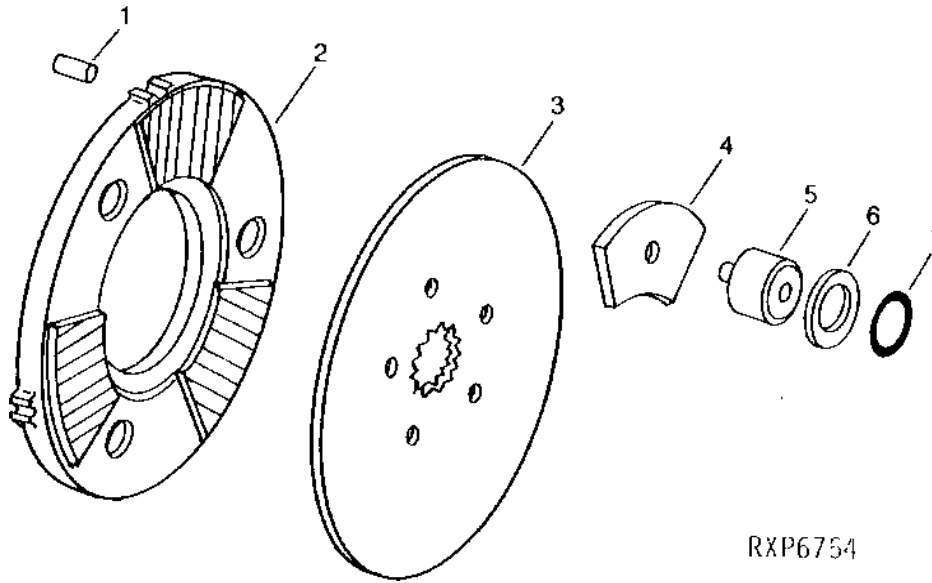
KEY	PART NO.	PART NAME	QTY	TRACTOR SERIAL NO.	REMARKS
1	R65543	DOWEL PIN	6		(SUB FOR R33024)
2	R26969	BRAKE SHOE	12		(SUB FOR AR28487) (SUB R111122)
3	R708R	RIVET	18		1-11/64"
4	D1761R	RIVET	18		4.670 X 12.300 MM (0.184" X 0.484")
5	AR51801	PLATE	2		(MARKED R33813 OR R48576) (SUB FOR AR32483) (SUB RE46335, (3) RE46330 AND R78432) (ROW-CROP AND STANDARD)
	AR33930	PLATE	2		(MARKED R34467) (HI-CROP) (NLA)
6	R33816	DISK	2		(SUB FOR R33815)
7	D1761R	RIVET	36		31/64"
8	AR28487	LINING	4		62MM (2-7/16) (SUB R111122)
9	AR32441	PLATE	6		(SUB RE46335, (3) RE46330 AND R78432)
10	R42225	PISTON	6	-150000	
	R48240	PISTON	6	150001-	
11	R26973	WASHER	6	-150000	
	R26364	WASHER	6	150001-	
12	F1056R	O-RING	6	-150000	
	R26863	O-RING	6	150001-	

NOTE: THREE PART SUBS ARE DUE TO INTRODUCTION OF NON-ASBESTOS LININGS.

# 3B20

RXP6754 -UN-01JAN94

## BRAKE DISK



RXP6754

KEY	PART NO.	PART NAME	QTY	TRACTOR SERIAL NO.	REMARKS
1	R65543	DOWEL PIN	6		
2	RE46335	PLATE	2		(MARKED R79673) (SUB FOR RE32969)
3	R78432	BRAKE DISK	2		
4	RE46330	PLATE	6		(SUB FOR RE36657)
5	R48240	PISTON	6		
6	R26364	WASHER	6		
7	R26863	O-RING	6		

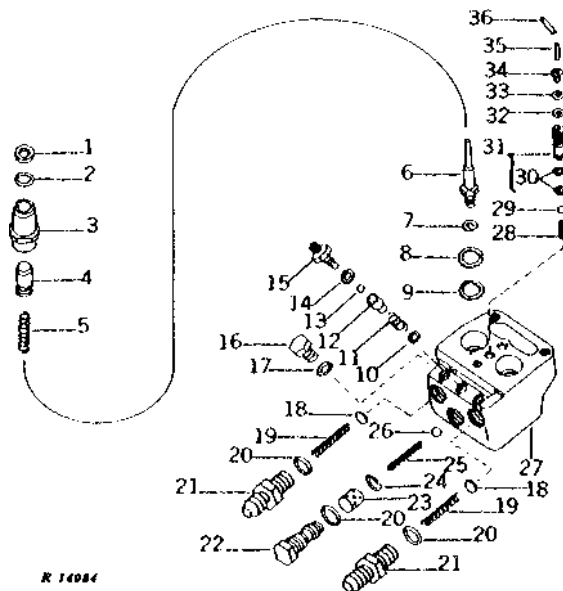
---

MEMORANDA

# 3B21

R14084 -UN-01JAN94

## BRAKE VALVE

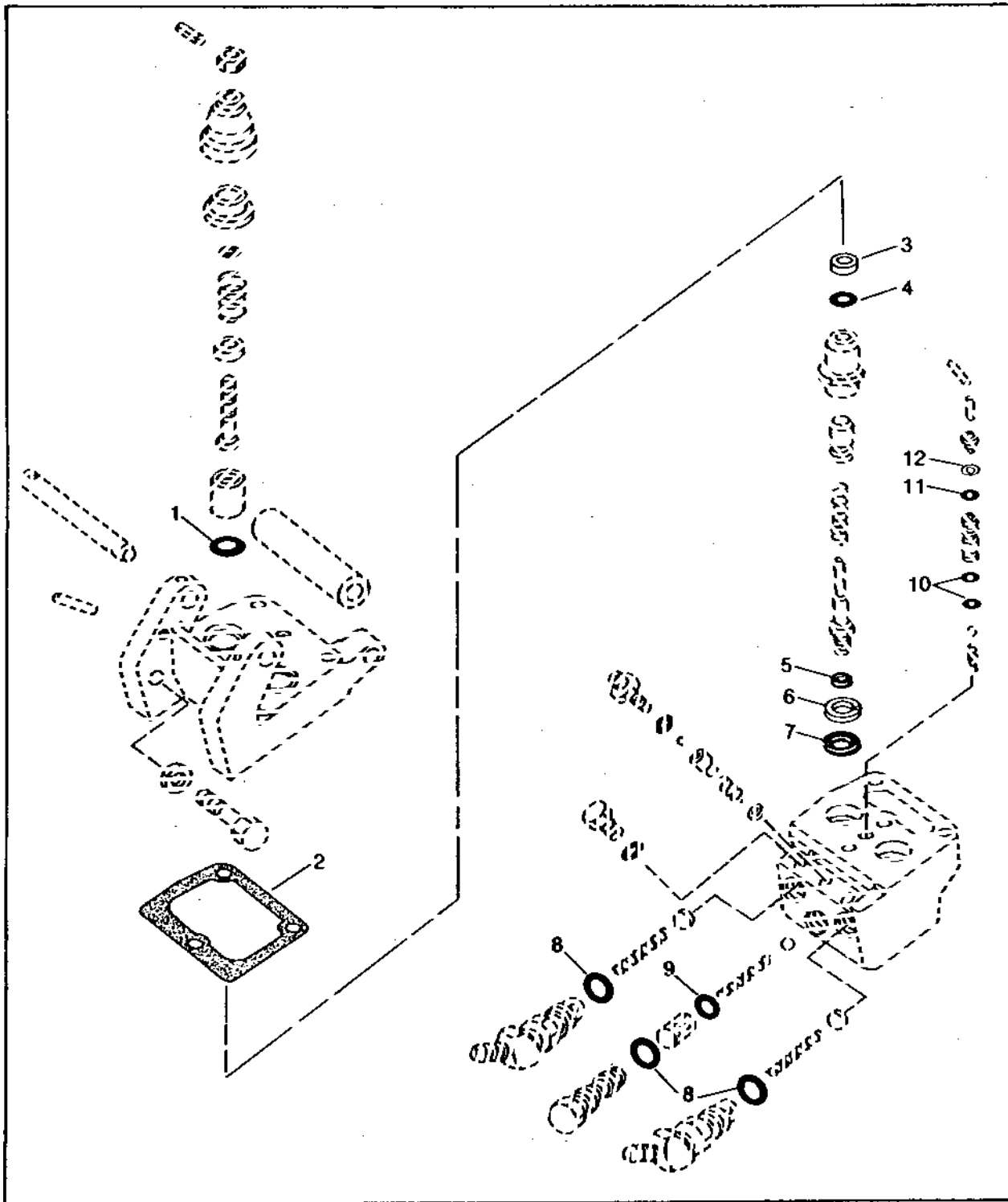


KEY	PART NO.	PART NAME	QTY	TRACTOR SERIAL NO.	REMARKS
1	R32092	WASHER	2		
2	R459R	O-RING	2		
3	R32091	PISTON	2		
4	R32090	PLUNGER	2		
5	R26369	SPRING	2		
6	AR52497	VALVE	2		(SUB FOR AR46146 OR AR47805)
7	R26286	O-RING	2		
8	R27137	BACK-UP RING	2		
9	R27149	O-RING	2		
10	R44255	WASHER	1		
11	R44256	SPRING	1		
12	R44254	GUIDE	1		
13	400R	BALL	1	6MM (1/4")	
14	R26287	O-RING	1		
15	R36742	COUPLING	1		
16	R27216	DRAIN PLUG	2		(SUB FOR R31631) (USE WITH R31454)
17	R26287	O-RING	2		(USE WITH R31454)
18	R26376	DISK	2		
19	R227R	SPRING	2		
20	R26375	O-RING	3		
21	R42008	FITTING	2		
22	R28774	FITTING	1		
23	R42684	STRAINER	1		
24	R28776	O-RING	1		
25	R26372	SPRING	1		
26	R42849	BALL	1	10MM (3/8")	
27	AR42400	HOUSING	1	(MARKED R31454 OR R42007)	
28	A4816R	SPRING	2		
29	400R	BALL	2	6MM (1/4")	
30	R30903	O-RING	4		
31	AR31016	GUIDE	2		
32	R31468	O-RING	2		
33	R31469	SHIM	2		
34	R31465	SLEEVE	2		
35	R31467	PIN	2		
36	R31464	PIN	2		

# 3B22

RXP8301 -UN-01JAN94

## BRAKE VALVE OVERHAUL KIT



RXP8301



# 3B23

STEERING AND BRAKES

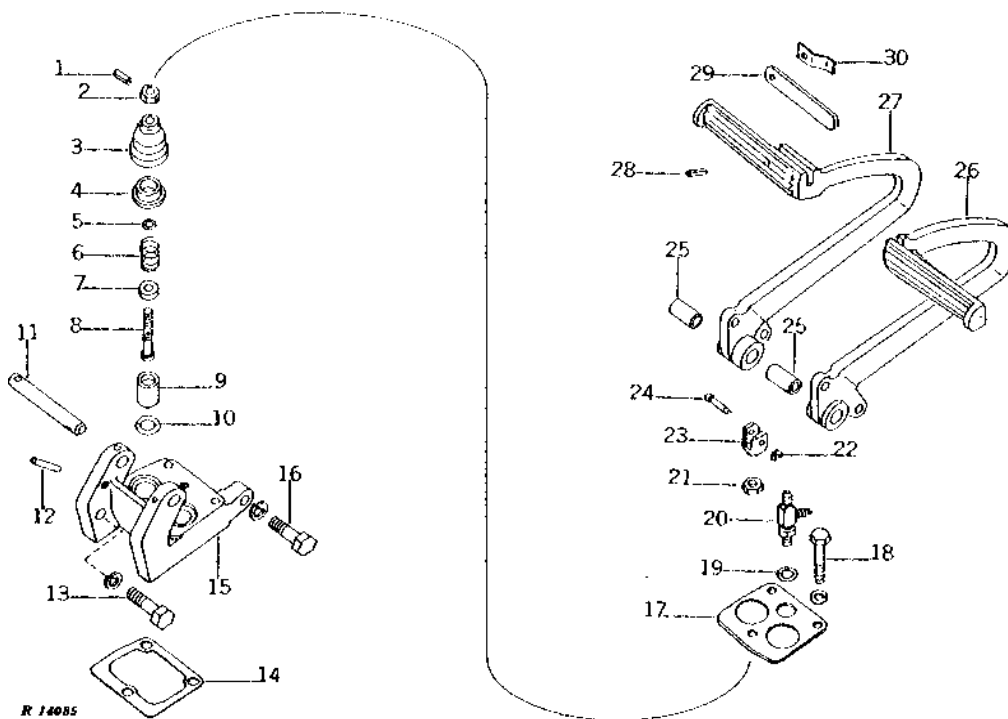
## BRAKE VALVE OVERHAUL KIT - CONTINUED

KEY	PART NO.	PART NAME	QTY	TRACTOR SERIAL NO.	REMARKS
1	A3606R	O-RING	2		
2	R31455	GASKET	1		
3	R32092	WASHER	2		
4	R459R	O-RING	2		
5	R26286	O-RING	2		
6	R27137	BACK-UP RING	2		
7	R27149	O-RING	2		
8	R26375	O-RING	3		
9	R28776	O-RING	1		
10	R30903	O-RING	4		
11	R31468	O-RING	2		
12	R31469	SHIM	2		
13	AR31946	KIT	1		

# 3B24

R14085 -UN-01JAN94

## BRAKE PEDALS AND BRACKET



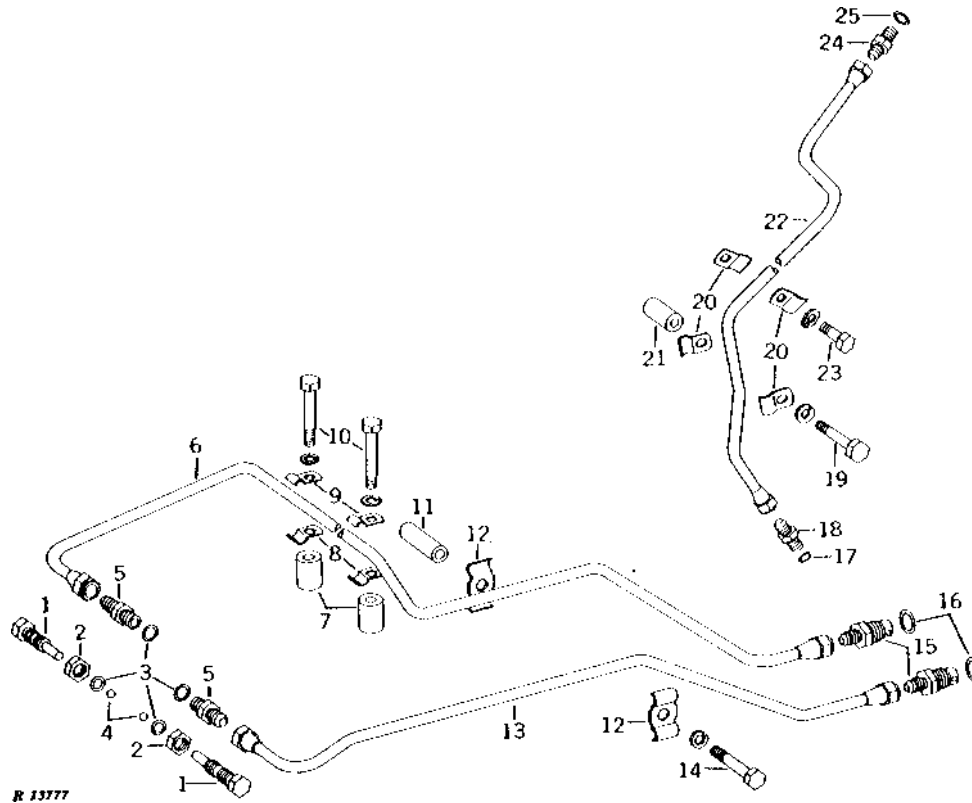
KEY	PART NO.	PART NAME	QTY	TRACTOR SERIAL NO.	REMARKS
1	34H245	SPRING PIN	2		1/8" X 5/8"
2	R39982	NUT	2		
3	R54059	BOOT	2		(SUB FOR R39981)
4	R31459	RETAINER	2		
5	R30903	O-RING	2		
6	R31271	SPRING	2		
7	R52168	STOP	2		(SUB FOR R31458)
8	R39980	BOLT	2		
9	R52169	GUIDE	2		(SUB FOR R31457)
10	A3606R	O-RING	2		
11	R34747	GROOVE PIN	1	-129949	
	R45929	GROOVE PIN	1	129950-	
12	34H252	SPRING PIN	1	-129949	1/8" X 1-1/4"
	34H286	SPRING PIN	1	129950-	3/16" X 1-1/2"
13	19H2550	CAP SCREW	1		1/2" X 1-5/8"
	12H301	LOCK WASHER	1		1/2"
14	R31455	GASKET	1		
15	R45926	BRACKET	1		(SUB FOR R41080) (USE WITH R45929 AND 34H286)
16	19H3579	CAP SCREW	1		1/2" X 1-3/8"
	12H301	LOCK WASHER	1		1/2"
17	R26384	RETAINER	1		
18	19H1733	CAP SCREW	3		3/8" X 2-1/2"
	12H304	LOCK WASHER	3		3/8"
19	R26287	O-RING	1		
20	AR45251	TEE FITTING	1		(SYNCRO-RANGE)
	AR45252	TEE FITTING	1		(POWER SHIFT)
21	14H732	NUT	2		3/8"
22	R26386	SNAP RING	2		
23	R31273	YOKE	2		
24	R26385	PIN	2		
25	B177R	BUSHING	2		
26	AR40757	PEDAL	1		(MARKED R41081)
27	AR49182	PEDAL	1		(MARKED R41082 OR R46881) (SUB FOR AR40758)
28	34H313	SPRING PIN	1		1/4" X 1-1/8"
29	R50879	ARM	1		(SUB FOR R32376)
30	R50034	LEAF SPRING	1		(SUB FOR R31602)

# 3B25

STEERING AND BRAKES

R13777 -UN-01JAN94

## BRAKE OIL PRESSURE PIPES

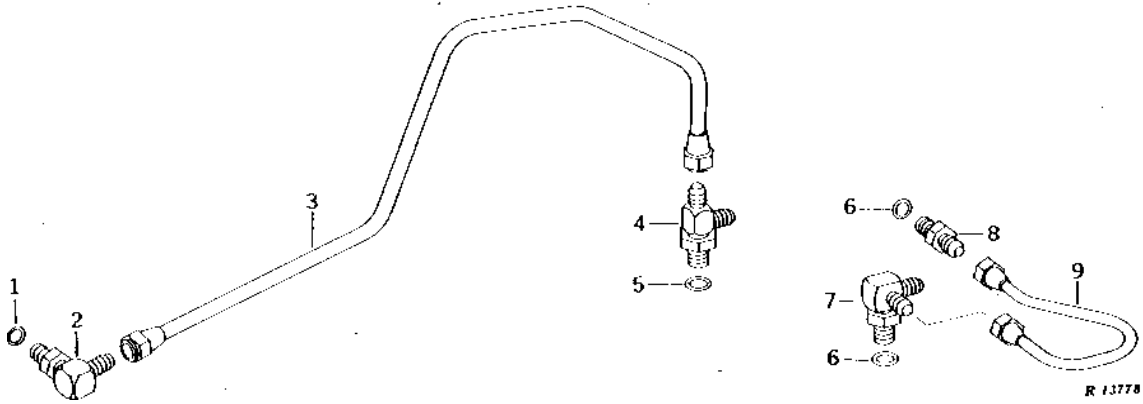


KEY	PART NO.	PART NAME	QTY	TRACTOR SERIAL NO.	REMARKS
1	R27906	SCREW	2		
2	R27296	NUT	2		
3	R26286	O-RING	4		
4	R42849	BALL	2	10MM (3/8")	
5	R27272	FITTING	2		
6	AR42392	HYDRAULIC LINE	1	L.H.	
7	28H1495	SPACER	2	3/8" X 1"	
8	R31655	STRAP	1		
9	R31654	CLAMP	1		
10	19H1801	CAP SCREW	2	3/8" X 2"	
	12H304	LOCK WASHER	2	3/8"	
11	28H1524	SPACER	1	3/8" X 7/8", (ROW-CROP AND HI-CROP)	
	28H1531	BUSHING	1	3/8" X 1-7/8", (STANDARD MODELS AND SYNCRO-RANGE WITH POWER FRONT WHEEL DRIVE)	
12	R42009	CLAMP	2		
13	AR42393	HYDRAULIC LINE	1	R.H.	
14	19H1765	CAP SCREW	1	3/8" X 1-3/4"	
	19H1944	CAP SCREW	1	3/8" X 2-3/4", (STANDARD MODELS AND SYNCRO-RANGE WITH POWER FRONT WHEEL DRIVE)	
	12H304	LOCK WASHER	1	3/8"	
15	R42008	FITTING	2		
16	R26375	O-RING	3		
17	R26287	O-RING	1		
18	R36742	COUPLING	1		
19	19H1801	CAP SCREW	1	3/8" X 2"	
	12H304	LOCK WASHER	1	3/8"	
20	R42357	CLAMP	10		
21	28H1938	BUSHING	1	3/8" X 1-3/16"	
22	AR41985	HYDRAULIC LINE	1		
23	19H1936	CAP SCREW	1	3/8" X 3/4", (STANDARD MODELS)	
	12H304	LOCK WASHER	1	3/8", (STANDARD MODELS)	
24	R27272	FITTING	1		
25	R26286	O-RING	1		

# 3C1

**BRAKE OIL RETURN LINES**  
(TRACTOR SERIAL NO. -XXXXXX)

R13778 -UN-01JAN94



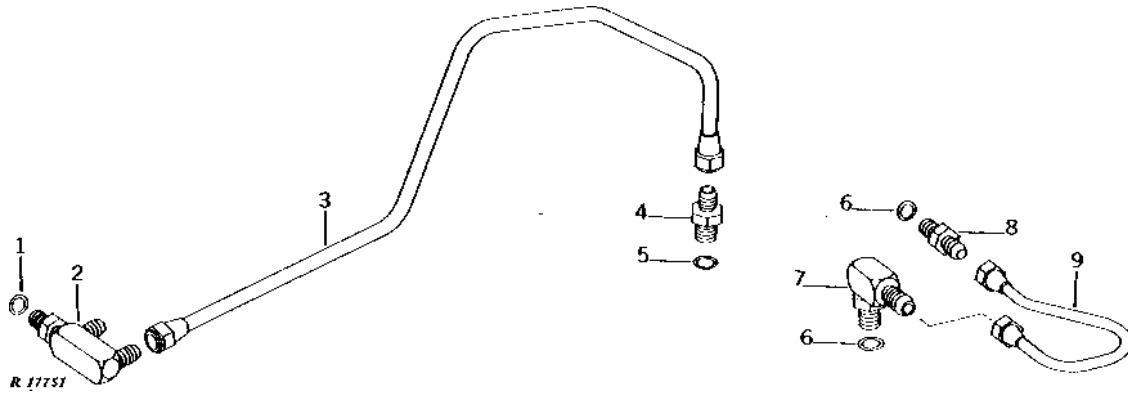
KEY	PART NO.	PART NAME	QTY	TRACTOR SERIAL NO.	REMARKS
1	R26287	O-RING	2	(A)	
2	AT32335	ELBOW FITTING	1	(A)	(SUB FOR AR26746)
3	AR49180	LINE	1	(A)	(SUB FOR AR42398)
4	AR45251	TEE FITTING	1	(A)	
5	R26287	O-RING	1	(A)	
6	R26287	O-RING	2	(B)	
7	AR45252	TEE FITTING	1	(B)	
8	R27527	ADAPTER	1	(B)	(SUB FOR R27139)
9	AR44430	HYDRAULIC LINE	1	(B)	

(A) SYNCRO-RANGE TRANSMISSION  
(B) POWER SHIFT TRANSMISSION

# 3C2

**BRAKE OIL RETURN LINES**  
(TRACTOR SERIAL NO. XXXXXX- )

R17751 -UN-01JAN94



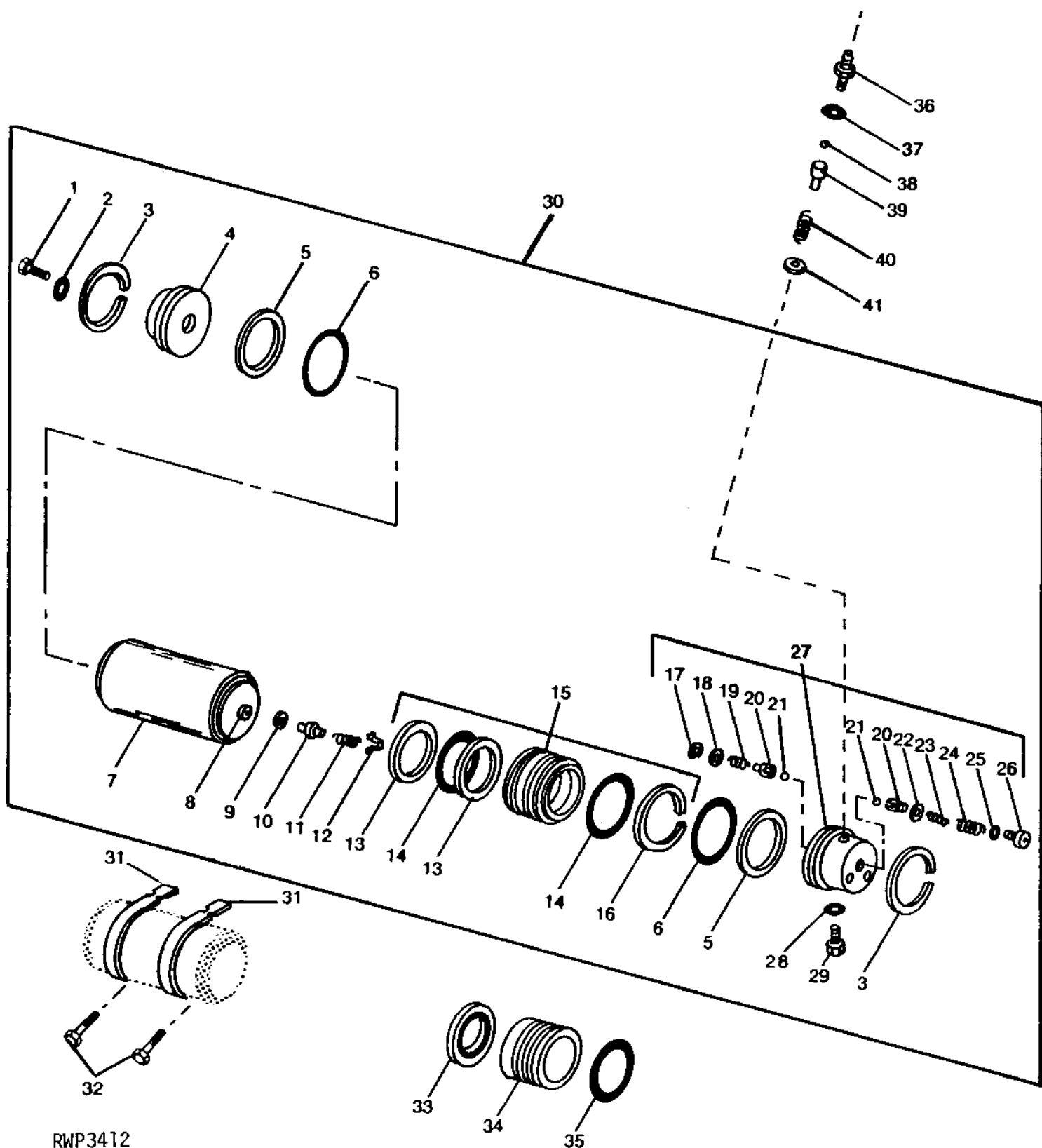
KEY	PART NO.	PART NAME	QTY	TRACTOR SERIAL NO.	REMARKS
1	R26287	O-RING	1		
2	AR52168	TEE FITTING	1	(A)	
3	AR52167	HYDRAULIC LINE	1	(A)	
4	R27527	ADAPTER	1	(A) (SUB FOR R27139)	
5	R26287	O-RING	1		
6	R26287	O-RING	2		
7	AT32335	ELBOW FITTING	1	(B) (SUB FOR AR26746)	
8	R27527	ADAPTER	1	(B)	
9	AR44430	HYDRAULIC LINE	1	(B)	

(A) SYNCRO-RANGE TRANSMISSION  
(B) POWER SHIFT TRANSMISSION

# 3C3

## ACCUMULATOR

RWP3412 -UN-01JAN94



RWP3412

# 3C4

STEERING AND BRAKES

## ACCUMULATOR - CONTINUED

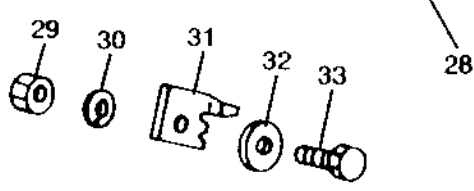
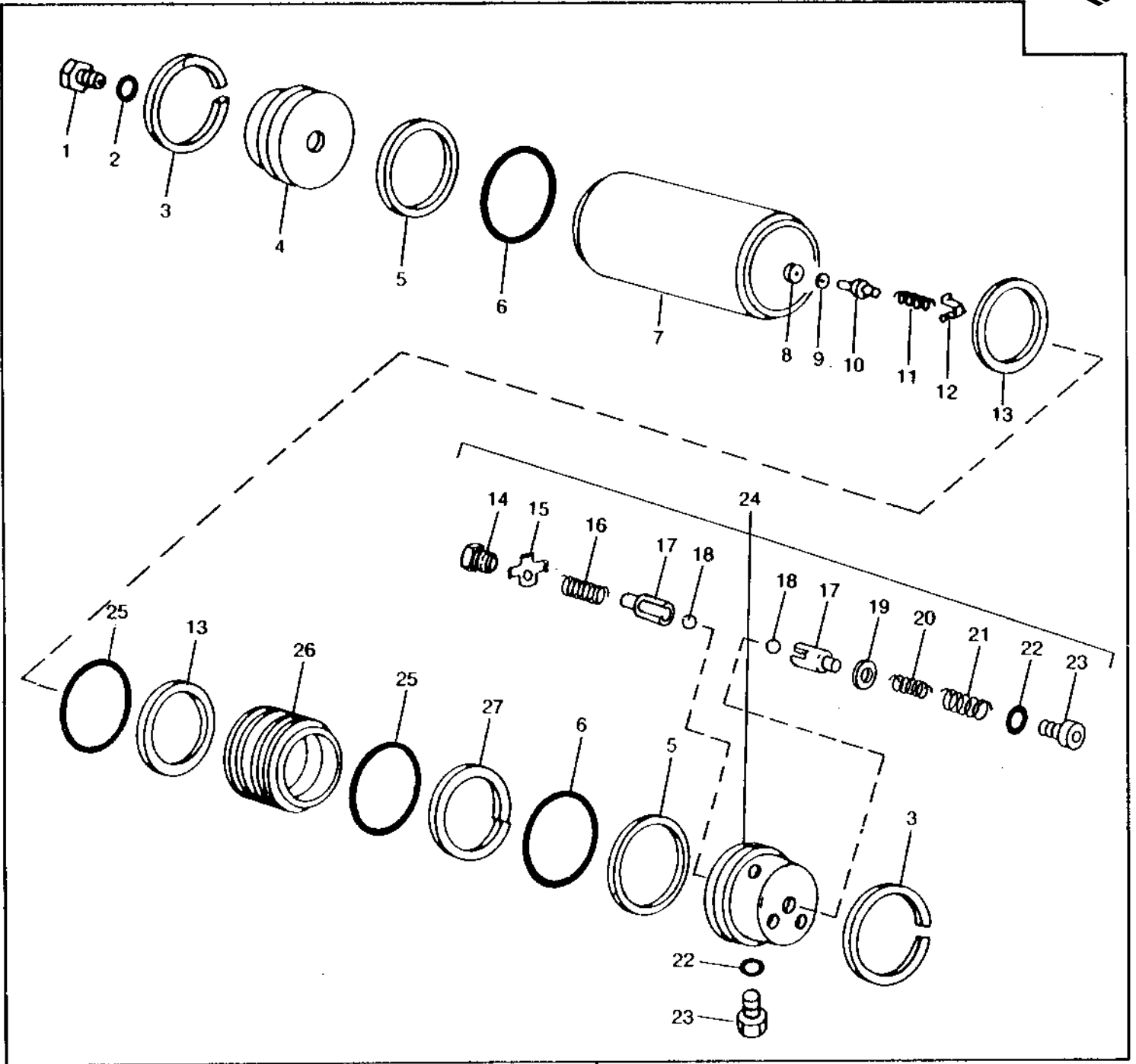
KEY	PART NO.	PART NAME	QTY	MODEL NO.	REMARKS
1	R27094	DRAIN PLUG	1		
2	R26286	O-RING	1		
3	U10136	SNAP RING	2		
4	R48957	END	1		
5	R35684	BACK-UP RING	2		
6	U12331	O-RING	2		
7	R77867	HYDRAULIC CYLINDER BARREL	1		(ALSO ORDER R48957, R35684, (2) R78101 AND U12331) (SUB FOR AR41947 OR R46987)
8	R60038	PACKING	1		(SUB FOR R26760)
9	R47087	WASHER	1	4HA2-	
10	R44252	VALVE	1	-4HA1	
	R47085	VALVE	1	4HA2-	
11	R26373	SPRING	1	-4HA1	
	R47086	SPRING	1	4HA2-	
12	R41877	GUIDE	1		
13	L29015	BACK-UP RING	2	10HA2-	
14	A4728R	O-RING	2	10HA2-	
15	AL23523	PISTON	1	10HA2-	(MARKED L29014) (SUB R57103, (2) A4728R, (2) L29015 AND R27649)
16	R27649	BACK-UP RING	1	10HA2-	
17	R33282	SNAP RING	1	10HA1-	
18	R48013	WASHER	1	10HA1-	
19	R44256	SPRING	1	10HA1-	
20	R44254	GUIDE	2	10HA1-	
21	400R	BALL	2	10HA1-	6MM (1/4")
22	R31632	SHIM	2	10HA1-	
23	R47606	SPRING	1	10HA1-	INNER
24	R47605	SPRING	1	10HA1-	OUTER
25	R26286	O-RING	1	10HA1-	
26	R47607	PIPE PLUG	1	10HA1-	
27	R41878	CAP	1	-4HA2	(SUB AR93259)
	AR50387	CAP	1	10HA1-	(SUB AR93259)
28	R26286	O-RING	1		
29	R27272	FITTING	1		
30	AR67778	ACCUMULATOR	1		(SUB FOR AR45157 OR AR51092) (SUB RE11956)
31	R41891	STRAP	2		
32	19H2284	CAP SCREW	2		3/8" X 7/8"
33	R35680	SEAL	1	-10HA1	(USE WITH R48952)
34	R48952	PISTON	1	-10HA1	(SUB (2) A4728R, (2) L29015, R27649 AND R57103)
	AR55711	PISTON	1		(MARKED R49345) (SUB (2) A4728R, (2) L29015, R27649 AND R57103)
35	A4728R	O-RING	AR	-10HA1	(1 USED WITH R48952) (2 USED WITH R49345)
36	R36742	COUPLING	1		
	R46431	ADAPTER	1		(A)
37	R26287	O-RING	1		
38	400R	BALL	1		(A) 6MM (1/4")
39	R44254	GUIDE	1		(A)
40	R44256	SPRING	1		(A)
41	R44255	WASHER	1		(A)

(A) POWER FRONT WHEEL DRIVE

# 3C5

RP3773 -UN-01JAN94

## ACCUMULATOR



RP3773



# 3C6

STEERING AND BRAKES

## ACCUMULATOR - CONTINUED

KEY	PART NO.	PART NAME	QTY	TRACTOR SERIAL NO.	REMARKS
1	R27094	DRAIN PLUG	1		
2	R77673	O-RING	1		
3	U10136	SNAP RING	2		(USE WITH R46987)
	R78101	SNAP RING	2		(USE WITH R77867)
4	R48957	END	1		
5	R35684	BACK-UP RING	2		
6	R86192	O-RING	2		
7	R77867	HYDRAULIC CYLINDER BARREL	1		(ALSO ORDER R48957, R35684, (2) R78101 AND R86192) (SUB FOR AR41947 OR R46987)
8	R60038	PACKING	1		
9	R47087	WASHER	1		
10	R47085	VALVE	1		
11	R47086	SPRING	1		
12	R41877	GUIDE	1		
13	L29015	BACK-UP RING	2		
14	R74022	RETAINER	1		
15	R75866	LOCK PLATE	1		
16	R44256	SPRING	1		
17	R44254	GUIDE	2		
18	400R	BALL	2		6MM (1/4")
19	R31632	SHIM	AR		
20	R47606	SPRING	1		
21	R47605	SPRING	1		
22	R77673	O-RING	2		
23	R47607	PIPE PLUG	2		
24	AR93259	CAP	1		
25	A4728R	O-RING	2		
26	R57103	PISTON	1		
27	R27649	BACK-UP RING	1		
28	RE11956	ACCUMULATOR	1		(ALSO ORDER R80752, R80753, R80754 OR R82337) (SUB FOR AR67778)
29	14H785	NUT	1		5/16"
30	12H303	LOCK WASHER	1		5/16"
31	R51851	CLIP	1		
32	24H1299	WASHER	1		3/8" X 1-1/4" X 0.065"
33	19H1905	CAP SCREW	1		5/16" X 1"
34	R80752	LABEL	1		WARNING, (SUB R120109)
	R80753	LABEL	1		WARNING (ESPANOL) (SUB R120110)
	R80754	LABEL	1		WARNING (FRANCAIS)
	R82337	LABEL	1		WARNING (DEUTSCH)

---

MEMORANDA

# 3C11

HYDRAULICS

RE026740 -UN-20FEB96

## TRANSMISSION AND HYDRAULIC OIL



**RE026740**

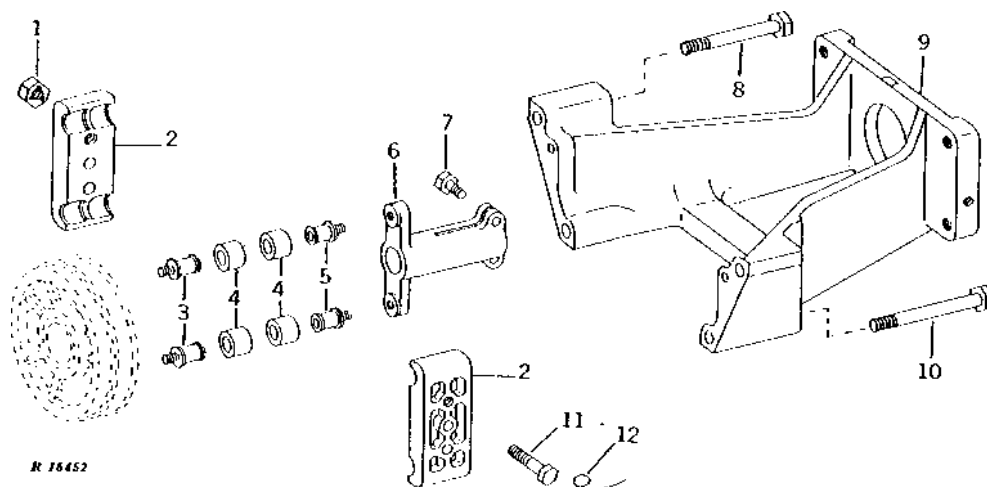
KEY	PART NO.	PART NAME	QTY	TRACTOR SERIAL NO.	REMARKS
1	AR69444	HY-GARD	1		19 L (5 GAL)
	AR69445	HY-GARD	1		208 L (55 GAL)
2	TY22043	OIL	1		1 GAL
	TY22044	OIL	1		19 L (5 GAL)
	TY22063	OIL	1		208 L (55 GAL)

# 3C12

HYDRAULICS

R16452 -UN-01JAN94

## HYDRAULIC PUMP DRIVE AND SUPPORT

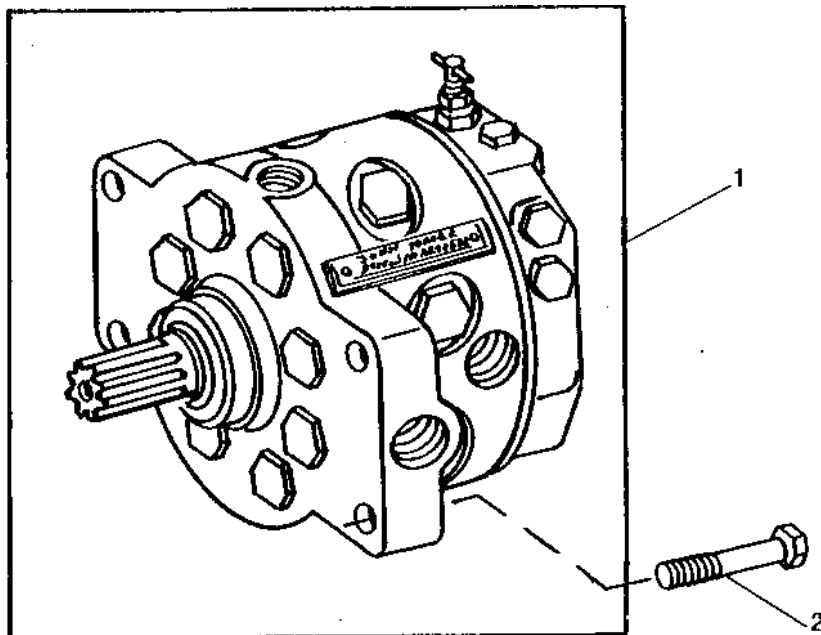


KEY	PART NO.	PART NAME	QTY	TRACTOR SERIAL NO.	REMARKS
1	M63440	LOCK NUT	2	XXXXXX-	(SUB FOR C744DN) (SUB E50102)
2	R34362	EXTERNAL HALF COUPLER	2		
3	R34360	SCREW	2	-150000	
	R46345	SCREW	2	150001-	
4	AR49427	BUSHING	1		(SUB (4) R45822)
5	R34360	SCREW	2		
6	AT42311	SHAFT	1	-XXXXXX	(SUB R34359)
	T36523	DRIVE SHAFT	1	XXXXXX-	
7	19H1732	CAP SCREW	2		3/8" X 1-1/4"
8	19H1868	CAP SCREW	2		1/2" X 3-3/4"
9	R46774	SUPPORT	1		(SUB FOR R34358)
10	19H3544	CAP SCREW	2		1/2" X 4-1/2" HS, SAE 8
11	R34363	CAP SCREW	2	-XXXXXX	
	19H2116	CAP SCREW	2	XXXXXX-	3/8" X 2-1/2"
12	.....	WIRE	1	-XXXXXX	16 GAUGE X 305MM (12")

# 3C13

RP3196 -UN-01JAN94

## REPLACEMENT HYDRAULIC PUMP ASSEMBLY



RP3196

KEY	PART NO.	PART NAME	QTY	TRACTOR SERIAL NO.	REMARKS
1	AR97872	HYDRAULIC PUMP	1	123000-150000	(A) 40 CM3 (2.4 IN.3) (MODEL EA1) (ALSO ORDER AT49331, R39741, P47908, U13639 AND F3171R) (SUB FOR AR39695 AND AR90459)
	AR97872	HYDRAULIC PUMP	1	150001-	(A) 40 CM3 (2.4 IN.3) (MODEL EA1) (ALSO ORDER AT49331, R26906 AND F3171R) (SUB FOR AR39695 AND AR90459)
	AR101807	HYDRAULIC PUMP	1	123000-150000	(A) (C) 50 CM3 (3 IN.3) (MODEL GH1) (ALSO ORDER RE15417, P47908 AND F3171R) (SUB FOR AR39694, AR47802 AND AR56161)
	AR101807	HYDRAULIC PUMP	1	150001-	(A) (C) 50 CM3 (3 IN.3) (MODEL GH1) (ALSO ORDER RE15417, R26906 AND F3171R) (SUB FOR AR39694, AR47802 AND AR56161)
	AR97872	HYDRAULIC PUMP	1	123000-	(B) 40 CM3 (2.4 IN.3) (MODEL EA1) (ALSO ORDER AT49331, R39741, P47908, U13639 AND F3171R) (SUB FOR AR39695 AND AR90459)
	AR101807	HYDRAULIC PUMP	1	123000-	(B) (C) 50 CM3 (3 IN.3) (MODEL GH1) (ALSO ORDER RE15417, P47908 AND F3171R) (SUB FOR AR39694, AR47802 AND AR56161)
2	19H1990	CAP SCREW	4		1/2" X 2-1/4"

(A) SYNCRO-RANGE TRANSMISSION

(B) POWER SHIFT TRANSMISSION

(C) POWER FRONT WHEEL DRIVE

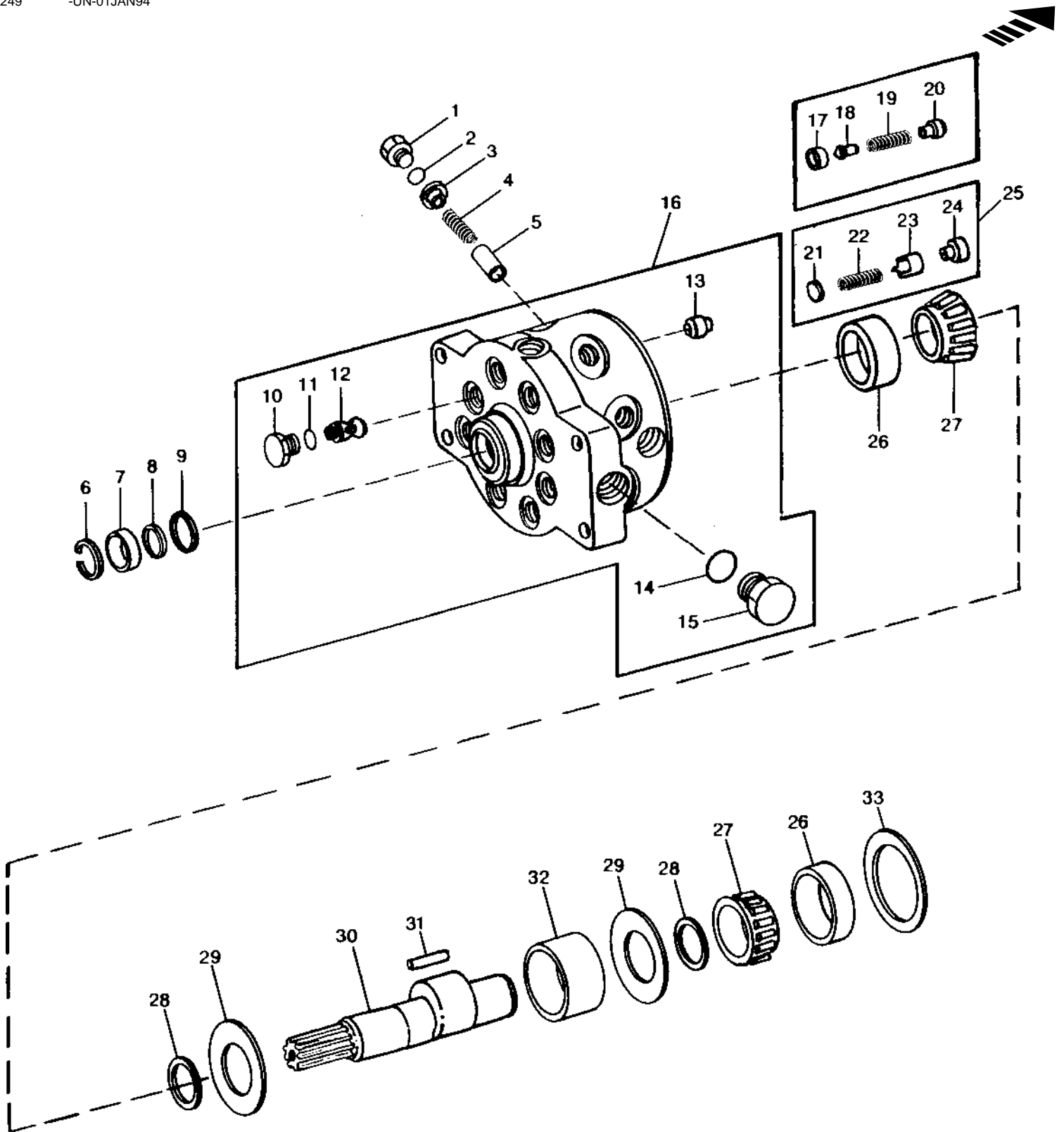
# 3C14

HYDRAULICS

HYDRAULIC PUMP  
39 CM3 (2.4 IN.3)  
(PUMP LESS SERIAL PLATE)

RP3249

-UN-01JAN94



RP3249

# 3C15

HYDRAULICS

HYDRAULIC PUMP - CONTINUED  
39 CM3 (2.4 IN.3)  
(PUMP LESS SERIAL PLATE)

KEY	PART NO.	PART NAME	QTY	MODEL NO.	REMARKS
1	R45438	FITTING	8		(SUB FOR R34353)
2	R495R	O-RING	8	-XXXX	(SUB (8) R56463 AND AR101236, THIS APPLICATION)
	R56463	O-RING	8	XXXX-	
3	AR101236	SHIELD	1	XXXX-	(SET OF 8) (SUB FOR R56749)
4	AR76762	SPRING	1		(SET OF 8) (SUB FOR AR33821 OR AR55186)
5	R27150	PISTON	8		
6	R26137	SNAP RING	1		
7	RE28790	SEAL	1		(SUB FOR AR52224)
8	R56753	SHIM	1	XXXX-	
9	R39729	O-RING	1		(SUB FOR R27147)
10	R78293	FITTING	8		(SUB FOR R27148 OR R44823)
11	R27149	O-RING	8		
12	AR53301	VALVE	8		(SUB FOR AR26758)
13	R105583	SEAT	8	2PP3-2PP4	(SUB FOR R39067)
14	U13639	O-RING	1		(USE WITH R34354 OR R45228)
	F3171R	O-RING	1		(USE WITH R45227)
15	R39741	DRAIN PLUG	1		(USE WITH R34354 OR R45228)
	R27175	DRAIN PLUG	1		(USE WITH R45227)
16	AR47580	HOUSING	1	2PP1-2PP2	(A) (MARKED R34347 OR R34354) (ALSO ORDER (8) RE23382 AND (8) R78293) (SUB AR97872) (SUB FOR AR39696 AND AR47170)
	AR47580	HOUSING	1	2PP3-2PP4	(A) (MARKED R45227 OR R45228) (SUB AR97872) (SUB FOR AR39696 AND AR47170)
17	R27155	WASHER	8	2PP1-2PP2	
18	R27154	POPPET	8	2PP1-2PP2	
19	R38531	SPRING	8	2PP1-2PP2	
20	R27157	GUIDE	8	2PP1-2PP2	
21	R49297	DISK	8	2PP3-2PP4	
22	R39228	SPRING	8	2PP3-2PP4	
23	R48738	GUIDE	8	2PP3-2PP4	(SUB FOR R39174)
24	R83508	STOP	8	2PP3-2PP4	(SUB FOR R39175, R49298 OR R72886)
25	RE23382	VALVE	8	2PP3-2PP4	(SUB FOR AR39026, AR52099, AR52785 OR AR96613)
26	JD8223	BEARING CUP	2		
27	JD8192	BEARING CONE	2		
28	R34349	WASHER	2		
29	R60732	WASHER	2		(SUB FOR R42467)
30	R39843	SHAFT	1		
31	R27145	NEEDLE ROLLER	36		
32	R45874	BEARING RACE	1		
33	R27478	SHIM	AR		0.15MM (.006")
	R27479	SHIM	AR		0.25MM (.010")
..	AR39695	HYDRAULIC PUMP	1		(A) (SUB AR97872)
..	AR90459	HYDRAULIC PUMP	1		(A) (SUB AR97872)

(A) ALSO ORDER APPROPRIATE CONNECTORS, FITTINGS AND O-RINGS

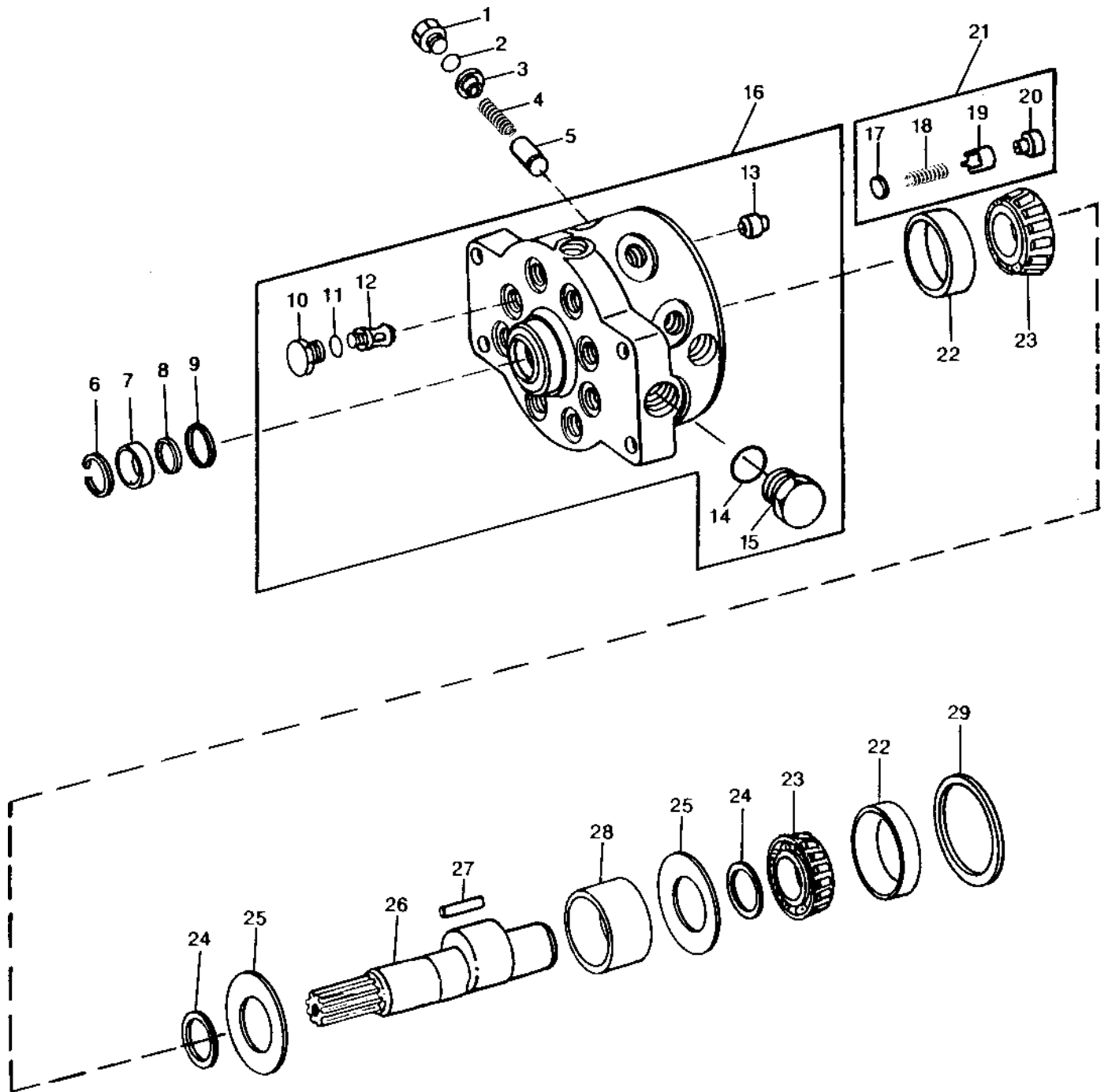
# 3C16

HYDRAULICS

HYDRAULIC PUMP  
49 CM3 (3 IN.3)  
(PUMP LESS SERIAL PLATE)  
(POWER FRONT WHEEL DRIVE)

RP3261

-UN-01JAN94





# 3C17

HYDRAULICS

HYDRAULIC PUMP - CONTINUED  
 49 CM3 (3 IN.3)  
 (PUMP LESS SERIAL PLATE)  
 (POWER FRONT WHEEL DRIVE)

KEY	PART NO.	PART NAME	QTY	MODEL NO.	REMARKS
1	R45438	FITTING	8		
2	R495R	O-RING	8	-XXXX	(SUB (8) R56463 AND AR101236, THIS APPLICATION)
	R56463	O-RING	8	XXXX-	
3	AR101236	SHIELD	1	XXXX-	(SET OF 8) (SUB FOR R56749)
4	AR76762	SPRING	1		(SET OF 8) (SUB FOR AR55186)
5	R27150	PISTON	8		
6	R26137	SNAP RING	1		
7	RE28790	SEAL	1		(SUB FOR AR52224)
8	R56753	SHIM	1	XXXX-	
9	R39729	O-RING	1		
10	R78293	FITTING	8		(SUB FOR R44823)
11	R27149	O-RING	8		
12	AR53301	VALVE	8		(INLET) (SUB FOR AR26758)
13	R105583	SEAT	8		(SUB FOR R39067)
14	U13639	O-RING	1		(USE WITH R45228)
	F3171R	O-RING	1		(USE WITH R45227)
15	R39741	DRAIN PLUG	1		(USE WITH R45228)
	R27175	DRAIN PLUG	1		(USE WITH R45227)
16	AR47580	HOUSING	1		(A) (MARKED R45227 OR R45228) (SUB FOR AR101807, THIS APPLICATION)
17	R49297	DISK	8		(SUB FOR R39074)
18	R39228	SPRING	8		
19	R48738	GUIDE	8		(SUB FOR R39174)
20	R83508	STOP	8		(SUB FOR R39175, R49298 OR R72886)
21	RE23382	VALVE	8		(OUTLET) (SUB FOR AR52785 OR AR96613)
22	JD8223	BEARING CUP	2		
23	JD8192	BEARING CONE	2		
24	R34349	WASHER	2		
25	R60732	WASHER	2		(SUB FOR R42467)
26	R34348	SHAFT	1		
27	R27145	NEEDLE ROLLER	36		
28	R45874	BEARING RACE	1		
29	R27478	SHIM	AR		0.15MM (.006")
	R27479	SHIM	AR		0.25MM (.010")
..	AR39694	HYDRAULIC PUMP	1		(A) (SUB AR101807, THIS APPLICATION)
..	AR47802	HYDRAULIC PUMP	1		(A) (SUB AR101807, THIS APPLICATION) (SUB FOR AR39694)
..	AR56161	HYDRAULIC PUMP	1		(A) (SUB AR101807, THIS APPLICATION) (SUB FOR AR39694 AND AR47802)

(A) ALSO ORDER APPROPRIATE CONNECTORS, FITTINGS AND O-RINGS

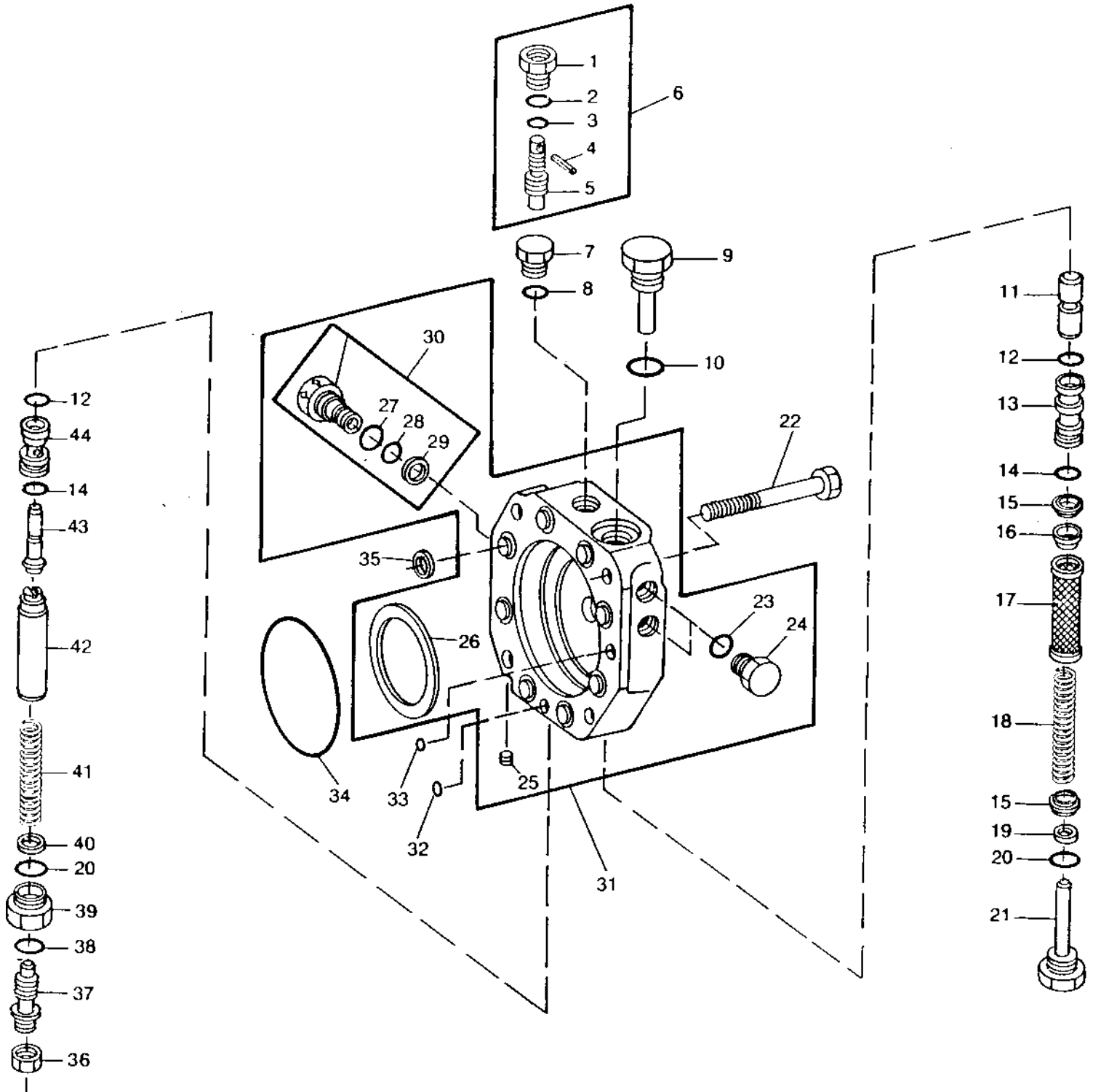
# 3C18

HYDRAULICS

## HYDRAULIC PUMP STROKE CONTROL VALVE 39 CM3 (2.4 IN.3) - 49 CM3 (3 IN.3) (PUMP LESS SERIAL PLATE)

RP3510

-UN-01JAN94



RP3510

# 3C19

HYDRAULICS

HYDRAULIC PUMP STROKE CONTROL VALVE - CONTINUED  
 39 CM3 (2.4 IN.3) - 49 CM3 (3 IN.3)  
 (PUMP LESS SERIAL PLATE)

KEY	PART NO.	PART NAME	QTY	TRACTOR SERIAL NO.	REMARKS
1	R27475	FITTING	1		
2	R26448	O-RING	1		
3	A4365R	O-RING	1		
4	34H254	SPRING PIN	1	1/8" X 1-1/2"	
5	R27171	SCREW	1		
6	AR33249	SCREW	1		(MANUAL DESTROKE)
7	R27218	FITTING PLUG	1		(LESS MANUAL DESTROKE)
8	R26448	O-RING	1		(LESS MANUAL DESTROKE)
9	AR51745	DRAIN PLUG	1		
10	R26906	O-RING	1		
11	R27172	VALVE	1		
12	R27564	O-RING	2		
13	R70351	SLEEVE	1		(SUB FOR R27476)
14	R27166	O-RING	2		
15	R27174	PACKING	2		
16	R27167	GUIDE	1		
17	R27173	FILTER ELEMENT	1		
18	R27159	SPRING	1		
19	R27170	SHIM	AR	0.010"	
	24H1298	WASHER	AR	0.030"	
20	F3171R	O-RING	2		
21	AR26646	DRAIN PLUG	1		
22	19H3520	CAP SCREW	4	1/2" X 3-1/4"	
23	R26287	O-RING	2		
24	R27216	DRAIN PLUG	2		
25	15H560	PIPE PLUG	1	1/16", (USE WITH R49071)	
26	R49072	WASHER	1		
27	R26375	O-RING	1		(USE WITH R49071)
28	T40308	O-RING	1		(USE WITH R49071)
29	T57374	BACK-UP RING	1		(USE WITH R49071)
30	AR90378	PLUG	1		(USE WITH R49071)
31	AR38714	HOUSING	1		(MARKED R42663, R44802 OR R49071)
32	R56755	WASHER	1		(SUB FOR A4847R)
33	R56756	O-RING	1		(SUB FOR A3917R)
34	R56757	O-RING	1		(SUB FOR R26621)
35	R69279	WASHER	8		(SUB FOR R26149 OR R56754)
36	14H1021	NUT	1	7/16"	
37	AR52254	SET SCREW	1		(SUB FOR AR31710)
38	R28782	O-RING	1		
39	R28781	FITTING	1		
40	R42260	WASHER	1		
41	R31781	SPRING	1		
42	R71321	GUIDE	1		(SUB FOR R32344)
43	R70559	CONTROL VALVE	1		(SUB RE10712, R27166 AND R41057) (SUB FOR R27472 OR R65194)
44	R69262	SLEEVE	1		(SUB RE10712, R27166 AND R41057) (SUB FOR R27471, R58499 OR R65192)

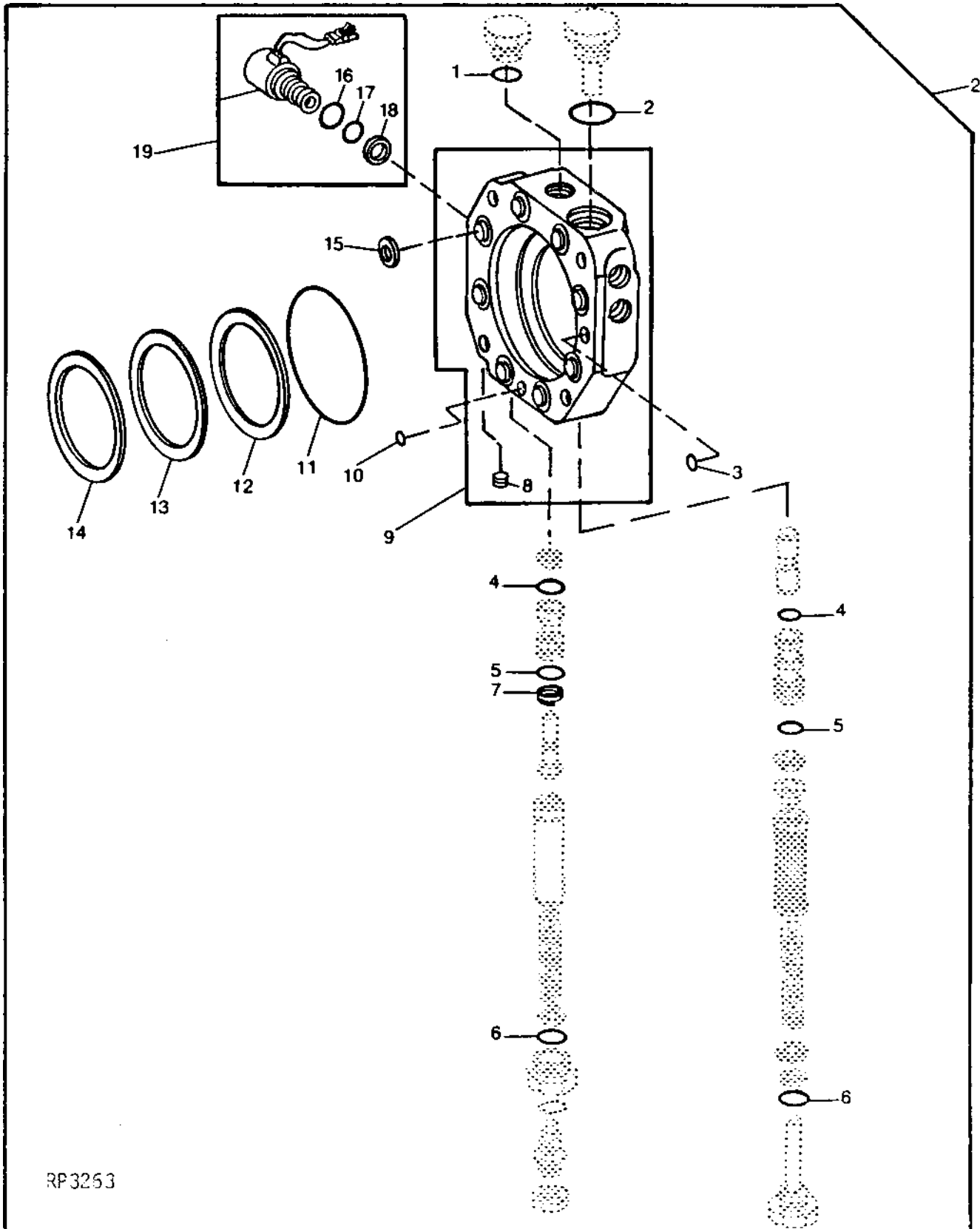
# 3C20

HYDRAULICS

## HYDRAULIC PUMP ELECTRIC DESTROKE KIT 39 CM3 (2.4 IN.3) - 49 CM3 (3 IN.3) (PUMP LESS SERIAL PLATE)

RP3263

-UN-01JAN94



# 3C21

HYDRAULICS

HYDRAULIC PUMP ELECTRIC DESTROKE KIT - CONTINUED  
39 CM3 (2.4 IN.3) - 49 CM3 (3 IN.3)  
(PUMP LESS SERIAL PLATE)

KEY	PART NO.	PART NAME	QTY	TRACTOR SERIAL NO.	REMARKS
1	R26448	O-RING	1		
2	R26906	O-RING	1		
3	R56756	O-RING	1		
4	R27564	O-RING	2		
5	R27166	O-RING	2		
6	F3171R	O-RING	2		
7	R41057	BACK-UP RING	1		
8	15H560	PIPE PLUG	1	1/16"	
9	AR52494	HOUSING	1	(MARKED R49071)	
10	R56755	WASHER	1		
11	R56757	O-RING	1		
12	R27478	SHIM	2	0.15MM (.006")	
13	R27479	SHIM	2	0.25MM (.010")	
14	R49072	WASHER	1	(NOT USED IN ALL APPLICATIONS)	
15	R69279	WASHER	8		
16	R26375	O-RING	1		
17	T40308	O-RING	1		
18	T57374	BACK-UP RING	1		
19	RE32529	SOLENOID VALVE	1		
20	RE40463	KIT	1	(SUB FOR RE14868) (INCLUDES RE12330)	

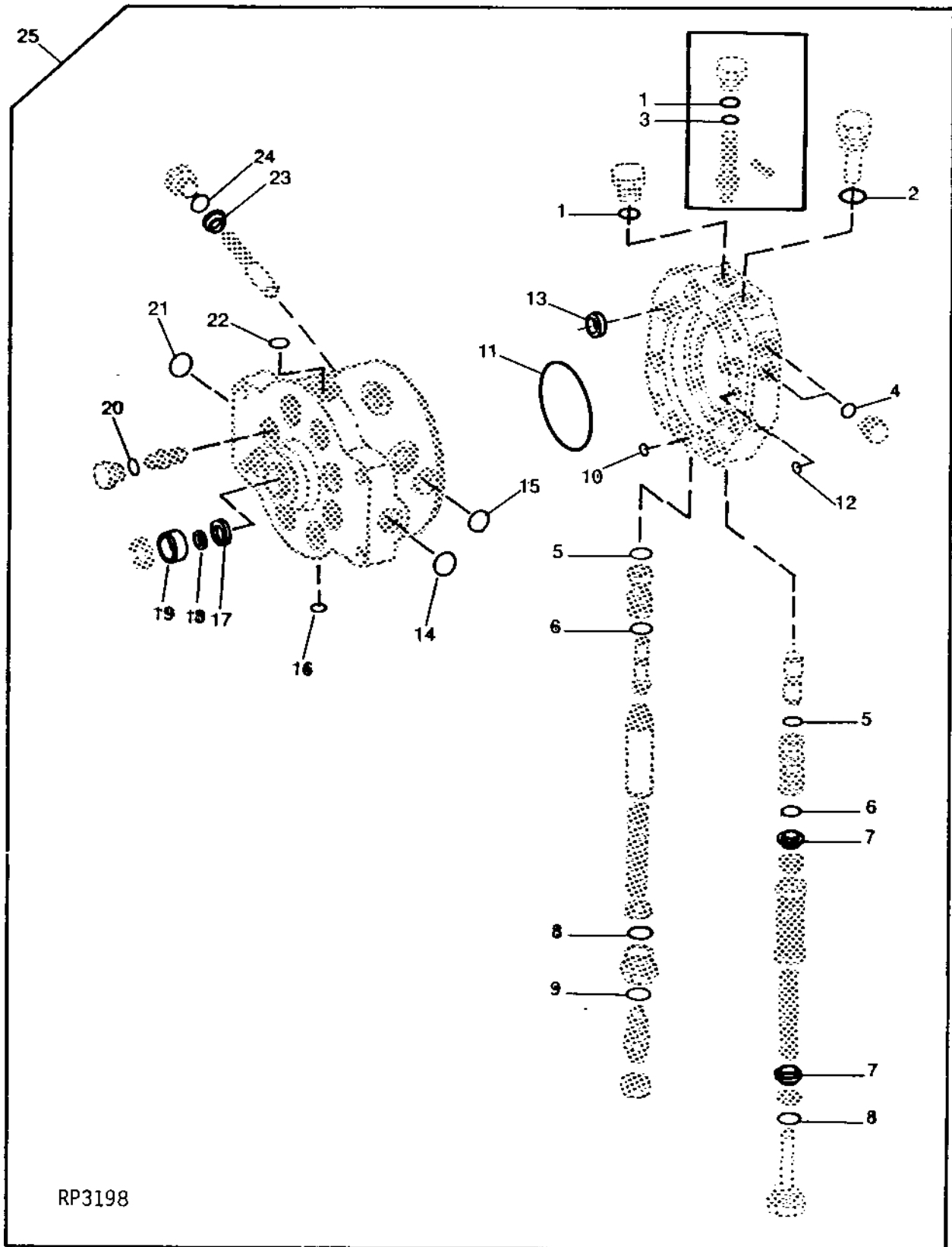
# 3C22

HYDRAULICS

## HYDRAULIC PUMP AND STROKE CONTROL VALVE OVERHAUL KIT 39 CM3 (2.4 IN.3) - 49 CM3 (3 IN.3) (PUMP LESS SERIAL PLATE)

RP3198

-UN-01JAN94



RP3198

**HYDRAULIC PUMP AND STROKE CONTROL VALVE OVERHAUL KIT - CONTINUED**  
**39 CM3 (2.4 IN.3) - 49 CM3 (3 IN.3)**  
**(PUMP LESS SERIAL PLATE)**

KEY	PART NO.	PART NAME	QTY	TRACTOR SERIAL NO.	REMARKS
1	R26448	O-RING	2		
2	R26906	O-RING	1		
3	A4365R	O-RING	1		
4	R26287	O-RING	2		
5	R27564	O-RING	2		
6	R27166	O-RING	2		
7	R27174	PACKING	2		
8	R56751	O-RING	2		
9	R28782	O-RING	1		
10	R56755	WASHER	1		
11	R56757	O-RING	1		
12	R56756	O-RING	1	(A)	
	A4365R	O-RING	1	(A)	
13	R69279	WASHER	8		
14	U13639	O-RING	1		
15	R26906	O-RING	1		
16	R26287	O-RING	1		
17	R39729	O-RING	1		
18	R56753	SHIM	1		
19	RE28790	SEAL	1	(SUB FOR AR52224)	
20	R27149	O-RING	8		
21	R56751	O-RING	1		
22	R27928	O-RING	2	(A) TOP	
	P47908	O-RING	1	(A) BOTTOM	
	R35827	WASHER	1	(A)	
23	AR101236	SHIELD	1	(SET OF 8)	
24	R56463	O-RING	8		
25	RE29103	KIT	1	(B) (SUB FOR AR67718)	

(A) UNIVERSAL KIT - APPLICATIONS WILL VARY

(B) ALSO ORDER (2) R27166 AND (2) R41057 IF STROKE CONTROL VALVE HAS BEEN REPLACED.

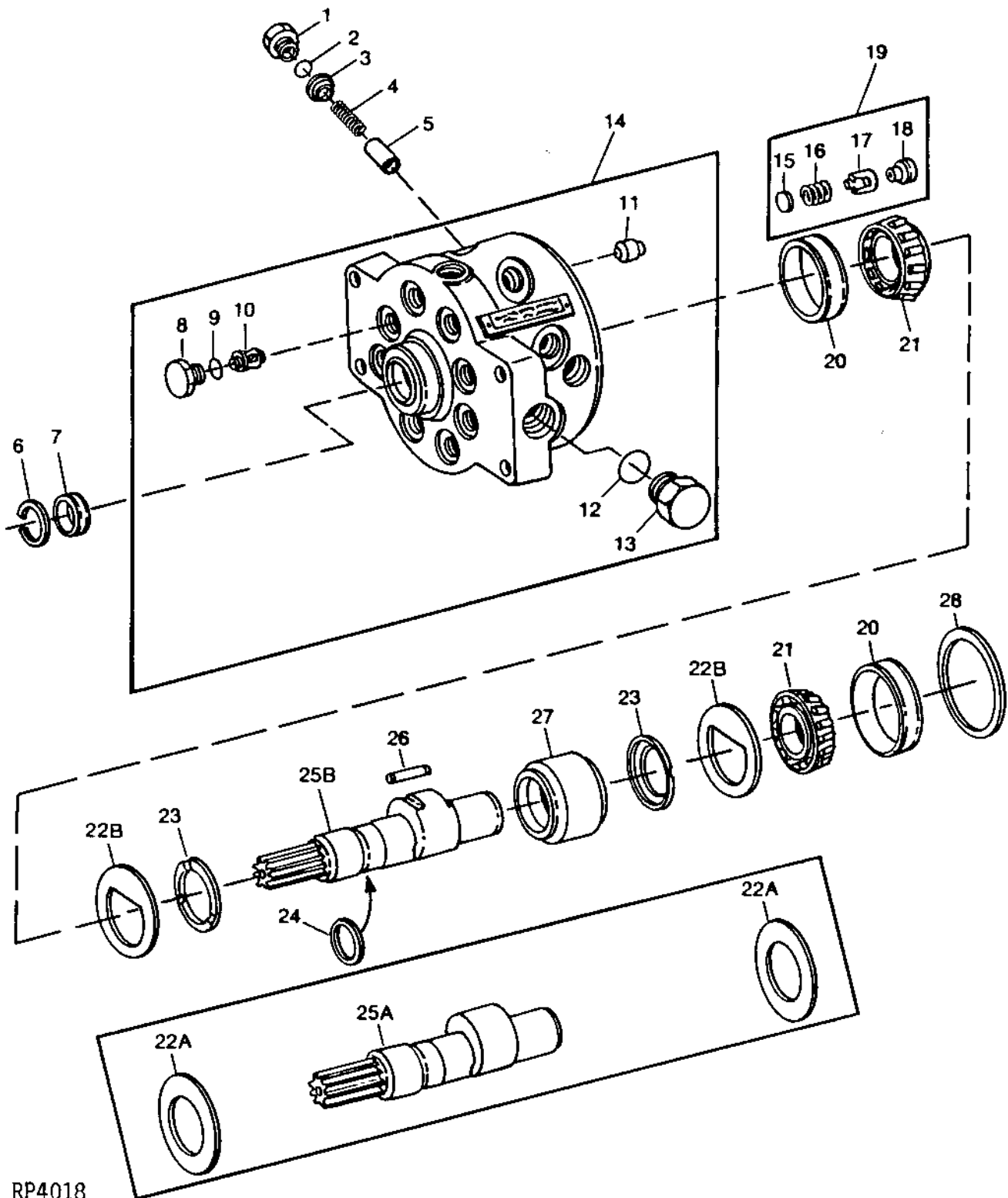
# 3C24

HYDRAULICS

HYDRAULIC PUMP - MODEL EA1  
40 CM3 (2.4 IN.3)  
(REPLACEMENT PUMP WITH SERIAL PLATE)

RP4018

-UN-18OCT94



RP4018



# 3C25

HYDRAULICS

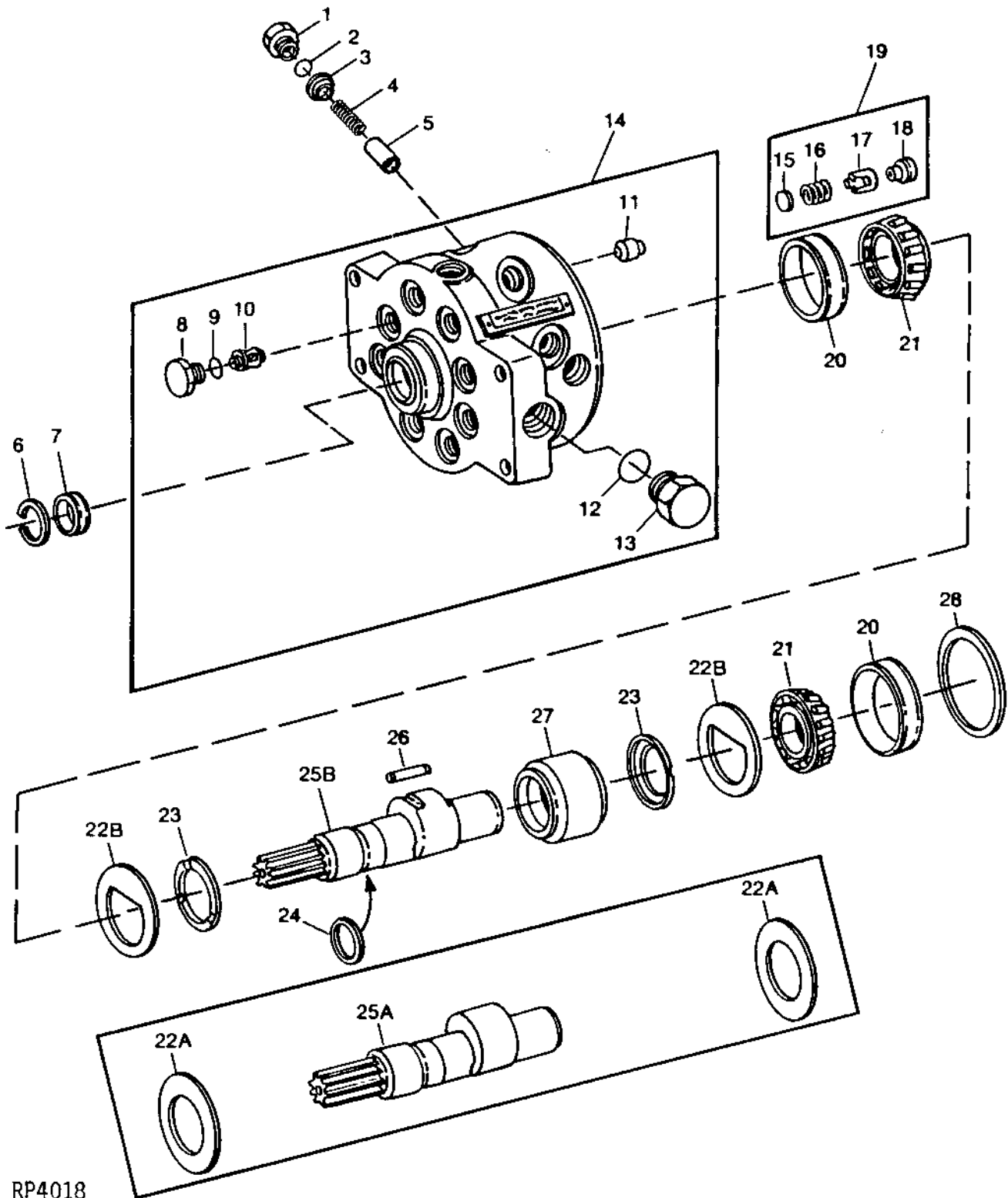
HYDRAULIC PUMP - MODEL EA1 - CONTINUED  
 40 CM3 (2.4 IN.3)  
 (REPLACEMENT PUMP WITH SERIAL PLATE)

KEY	PART NO.	PART NAME	QTY	PUMP SERIAL NO.	REMARKS
1	R45438	FITTING	8		
2	R56463	O-RING	8		
3	AR101236	SHIELD	1		(SET OF 8) (SUB FOR R56749)
4	AR76762	SPRING	1		(SET OF 8)
5	R27150	PISTON	8		
6	R26137	SNAP RING	1		
7	RE28790	SEAL	1		(SUB FOR AR52224)
8	R78293	FITTING	8		
9	R27149	O-RING	8		
10	AR53301	VALVE	8		(INLET)
11	R105583	SEAT	8		(SUB FOR R39067)
12	U13639	O-RING	1		
13	R39741	DRAIN PLUG	1		
14	RE11804	HOUSING	1		(MODEL PJ1) (MARKED R73741)
15	R49297	DISK	8		
16	R39228	SPRING	8		
17	R48738	GUIDE	8		
18	R83508	STOP	8		(SUB FOR R72886)
19	RE23382	VALVE	8		(OUTLET) (SUB FOR AR96613)
20	JD8223	BEARING CUP	2		
21	JD8192	BEARING CONE	2		
22A	R77903	WASHER	2	-014818	(SUB FOR R45425)
22B	R79151	LOCK WASHER	2	014819-	(USE WITH R79150)
23	R72507	THRUST WASHER	2		
24	R77611	RING	1		(SEALING) (SUB FOR R68252 OR RE11777)
25A	R73228	SHAFT	1	-014818	(SUB R79150) (ALSO ORDER (2) R79151)
25B	R79150	SHAFT	1	014819-	
26	R45422	NEEDLE ROLLER	25		
27	R80558	BEARING RACE	1		(SUB FOR R72506)
28	R27478	SHIM	AR		0.15MM (.006")
	R27479	SHIM	AR		0.25MM (.010")
..	AR97872	HYDRAULIC PUMP	1		

# 3D1

HYDRAULIC PUMP - MODEL GH1  
50 CM3 (3 IN.3)  
(REPLACEMENT PUMP WITH SERIAL PLATE)  
(POWER FRONT WHEEL DRIVE)

RP4018 -UN-18OCT94



RP4018

HYDRAULIC PUMP - MODEL GH1 - CONTINUED  
 50 CM3 (3 IN.3)  
 (REPLACEMENT PUMP WITH SERIAL PLATE)  
 (POWER FRONT WHEEL DRIVE)

KEY	PART NO.	PART NAME	QTY	PUMP SERIAL NO.	REMARKS
1	R45438	FITTING	8		
2	R56463	O-RING	8		
3	AR101236	SHIELD	1		(SET OF 8)
4	AR76762	SPRING	1		(SET OF 8)
5	R27150	PISTON	8		
6	R26137	SNAP RING	1		
7	RE28790	SEAL	1		(SUB FOR AR52224)
8	R78293	FITTING	8		
9	R27149	O-RING	8		
10	AR53301	VALVE	8		(INLET)
11	R105583	SEAT	8		(SUB FOR R39067)
12	U13639	O-RING	1		
13	R39741	DRAIN PLUG	1		
14	RE11804	HOUSING	1		(MODEL PJ1) (MARKED R73741)
15	R49297	DISK	1		
16	R39228	SPRING	1		
17	R48738	GUIDE	1		
18	R83508	STOP	1		(SUB FOR R72886)
19	RE23382	VALVE	1		(OUTLET) (SUB FOR AR96613)
20	JD8223	BEARING CUP	2		
21	JD8192	BEARING CONE	2		
22A	R77903	WASHER	2	-004674	(SUB FOR R45425)
22B	R79151	LOCK WASHER	2	004675-	(USE WITH R79152)
23	R72507	THRUST WASHER	2		
24	R77611	RING	1		(SEALING) (SUB FOR R68252 OR RE11777)
25A	R71598	SHAFT	1	-004674	(SUB R79152) (ALSO ORDER (2) R79151)
25B	R79152	SHAFT	1	004675-	
26	R45422	NEEDLE ROLLER	25		
27	R80558	BEARING RACE	1		(SUB FOR R72506)
28	R27478	SHIM	AR		0.15MM (.006")
	R27479	SHIM	AR		0.25MM (.010")
..	AR101807	HYDRAULIC PUMP	1		

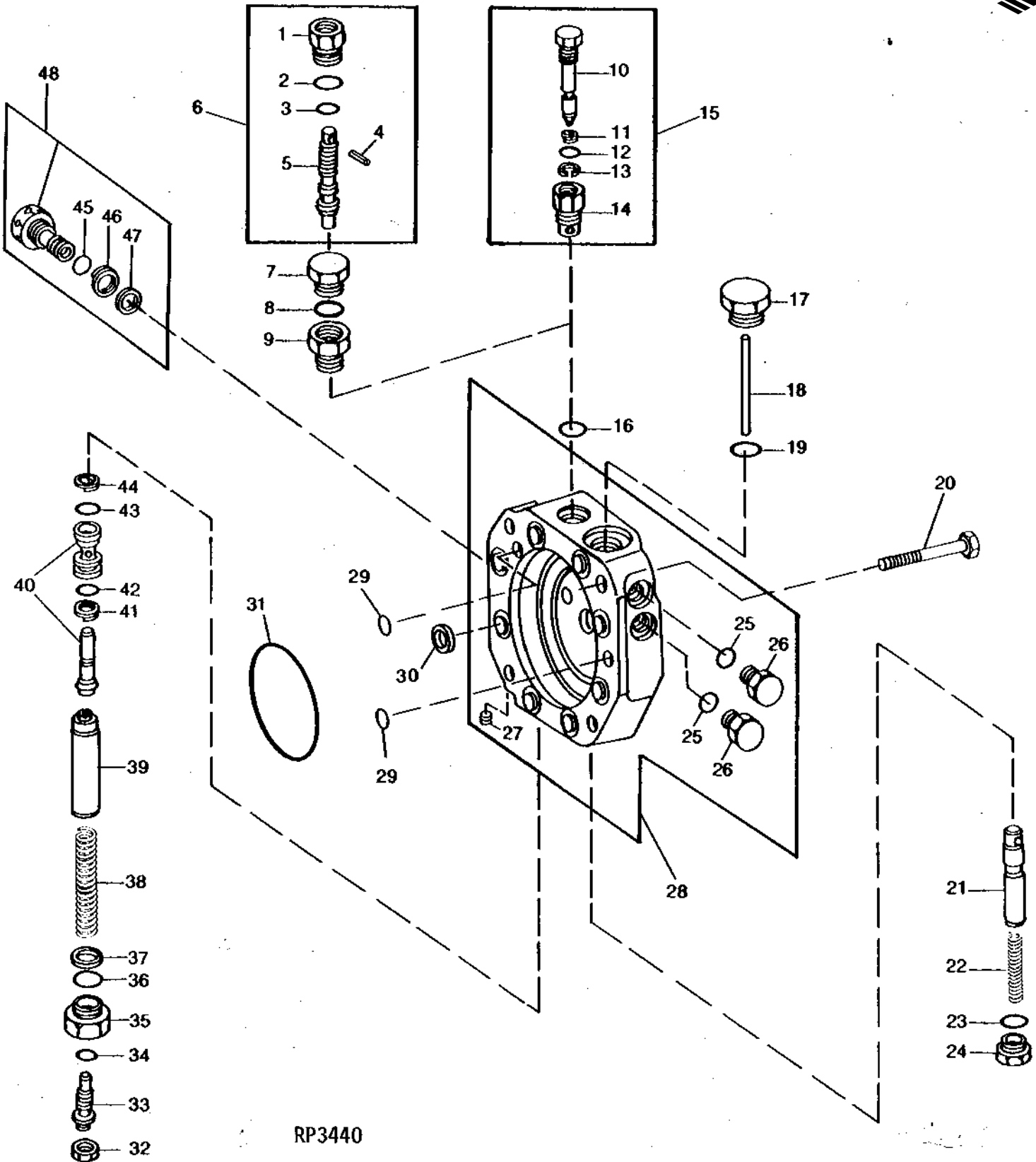
# 3D3

HYDRAULICS

## HYDRAULIC PUMP STROKE CONTROL VALVE 40 CM3 (2.4 IN.3) - 50 CM3 (3 IN.3) (REPLACEMENT PUMP WITH SERIAL PLATE)

RP3440

-UN-01JAN94



RP3440

HYDRAULIC PUMP STROKE CONTROL VALVE - CONTINUED  
 40 CM3 (2.4 IN.3) - 50 CM3 (3 IN.3)  
 (REPLACEMENT PUMP WITH SERIAL PALTE)

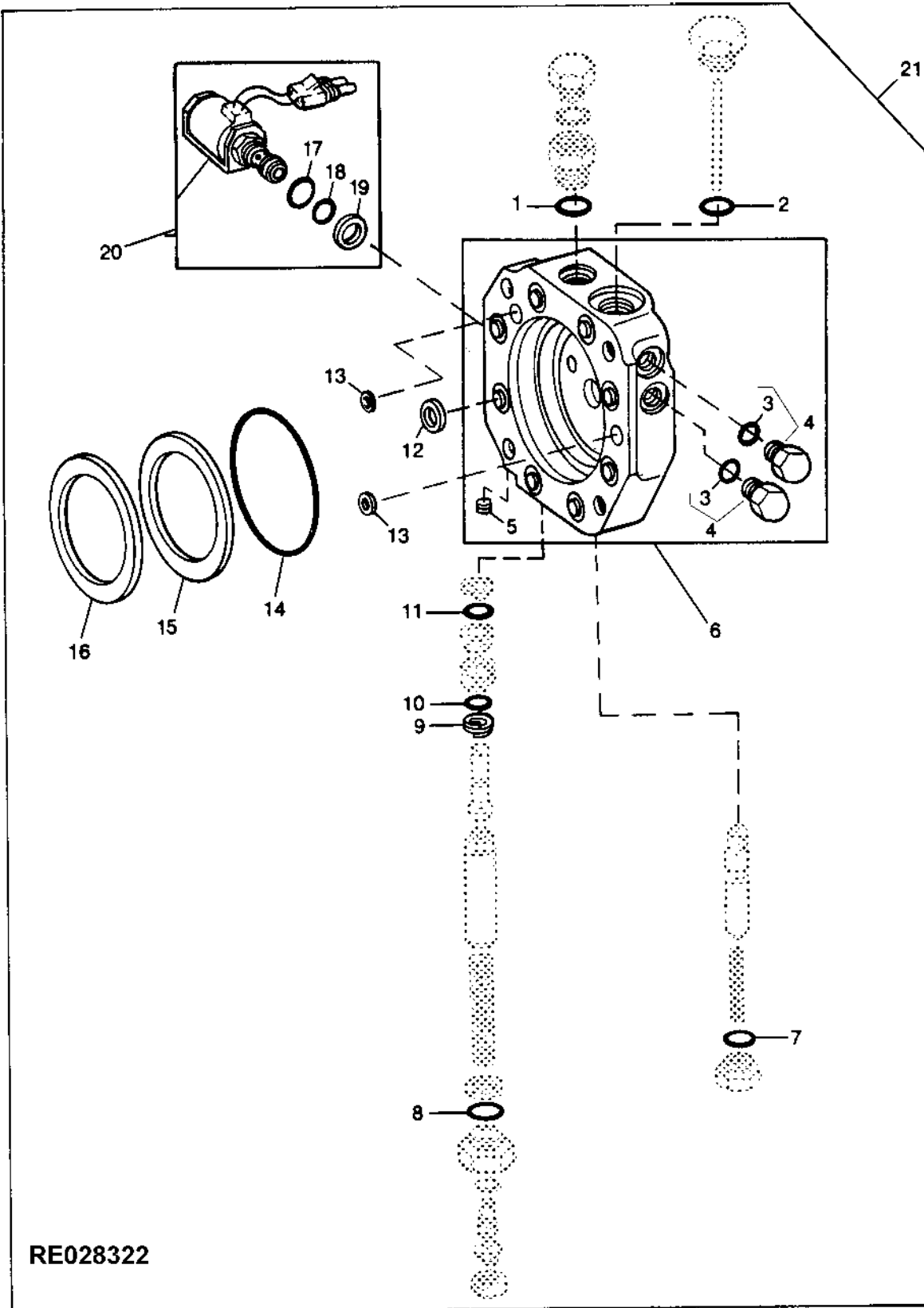
KEY	PART NO.	PART NAME	QTY	PUMP SERIAL NO.	REMARKS
1	R27475	FITTING	1		
2	R26448	O-RING	1		
3	A4365R	O-RING	1		
4	34H254	SPRING PIN	1	1/8" X 1-1/2"	
5	R75879	SCREW	1		
6	AR96625	SCREW	1	(A) (MANUAL DESTROKE)	
7	R27218	FITTING PLUG	1	(LESS MANUAL DESTROKE)	
8	R26448	O-RING	1	(LESS MANUAL DESTROKE)	
9	R70617	PIPE PLUG	1	(USE WITH AR96625 OR R27218)	
10	R79266	SCREW	1		
11	R36358	BACK-UP RING	1		
12	R34802	O-RING	1		
13	R79268	SNAP RING	1		
14	R79267	PLUG	1		
15	RE13271	SCREW	1	(A) (MANUAL DESTROKE)	
16	R26906	O-RING	1		
17	R75642	DRAIN PLUG	1		
18	R75564	PIN	1		
19	R56751	O-RING	1		
20	19H3520	CAP SCREW	4	1/2" X 3-1/4"	
21	R70867	VALVE	1		
22	R70868	SPRING	1		
23	R26375	O-RING	1		
24	R73736	PLUG	1		
25	51M7041	O-RING	2	11.300 X 2.200 MM	
26	RE46684	PLUG	2	(SUB FOR R75376)	
27	15H560	PIPE PLUG	1	1/16", (USE WITH R77712)	
28	AR101632	HOUSING	1	(MODEL GH1) (MARKED R77712)	
	RE12470	HOUSING	1	(MODEL EA1) (MARKED R77714) (LESS ELECTRIC DESTROKE PORT)	
29	R56755	WASHER	2		
30	R69279	WASHER	8		
31	R56757	O-RING	1		
32	14H1021	NUT	1	7/16"	
33	AR52254	SET SCREW	1		
34	R28782	O-RING	1		
35	R28781	FITTING	1		
36	F3171R	O-RING	1		
37	R42260	WASHER	1		
38	R31781	SPRING	1		
39	R71321	GUIDE	1		
40	RE10712	CONTROL VALVE	1		
41	R41057	BACK-UP RING	1		
42	R27166	O-RING	1		
43	R27564	O-RING	1		
44	R75938	WASHER	1		
45	R26375	O-RING	1	(USE WITH R77712)	
46	T40308	O-RING	1	(USE WITH R77712)	
47	T57374	BACK-UP RING	1	(USE WITH R77712)	
48	AR90378	PLUG	1	(USE WITH R77712)	

(A) DESIGNS INTERCHANGEABLE

# 3D5

## HYDRAULIC PUMP ELECTRIC DESTROKE KIT 40 CM3 (2.4 IN.3) (REPLACEMENT PUMP WITH SERIAL PLATE)

RE028322 -UN-19SEP97



# 3D6

HYDRAULICS

HYDRAULIC PUMP ELECTRIC DESTROKE KIT - CONTINUED  
40 CM3 (2.4 IN.3)  
(REPLACEMENT PUMP WITH SERIAL PLATE)

KEY	PART NO.	PART NAME	QTY	PUMP SERIAL NO.	REMARKS
1	R26906	O-RING	1		
2	R56751	O-RING	1		
3	51M7041	O-RING	2		11.300 X 2.200 MM
4	RE46684	PLUG	2		(SUB FOR R75376)
5	15H560	PIPE PLUG	1		1/16"
6	AR101632	HOUSING	1		(MARKED R77712)
7	R26375	O-RING	1		
8	F3171R	O-RING	1		
9	R41057	BACK-UP RING	1		
10	R27166	O-RING	1		
11	R27564	O-RING	1		
12	R69279	WASHER	8		
13	R56755	WASHER	2		
14	R56757	O-RING	1		
15	R27478	SHIM	2		0.15MM (.006")
16	R27479	SHIM	2		0.25MM (.010")
17	R26375	O-RING	1		
18	T40308	O-RING	1		
19	T57374	BACK-UP RING	1		
20	RE32529	SOLENOID VALVE	1		
21	RE40463	KIT	1		(A) (SUB FOR RE24647)

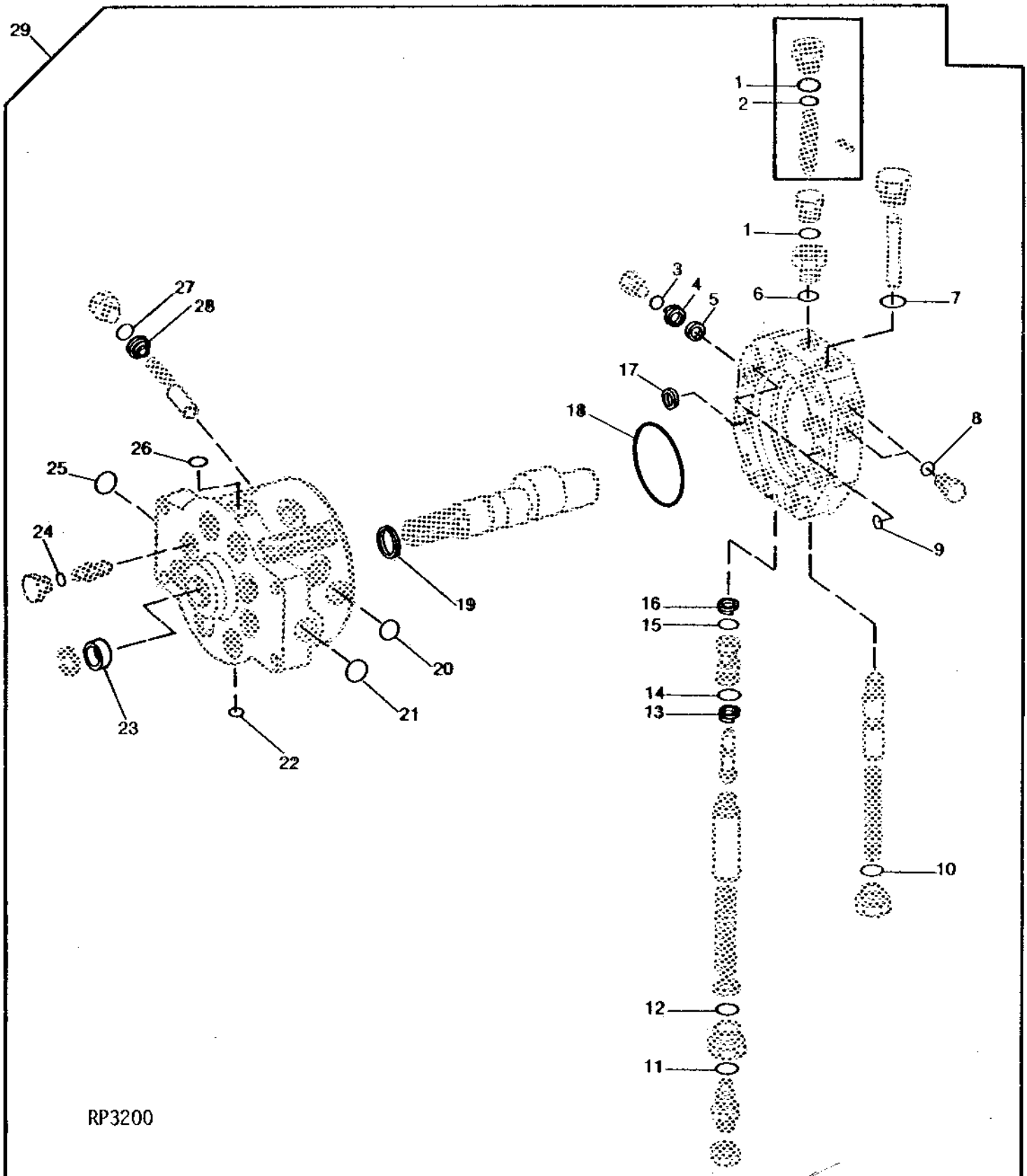
(A) INCLUDES RE12330 WIRE CONNECTORS

# 3D7

HYDRAULICS

## HYDRAULIC PUMP AND STROKE CONTROL VALVE OVERHAUL KIT 40 CM3 (2.4 IN.3) - 50 CM3 (3 IN.3) (REPLACEMENT PUMP WITH SERIAL PLATE)

RP3200 -UN-01JAN94





# 3D8

HYDRAULICS

HYDRAULIC PUMP AND STROKE CONTROL VALVE OVERHAUL KIT - CONTINUED  
 40 CM3 (2.4 IN.3) - 50 CM3 (3 IN.3)  
 (REPLACEMENT PUMP WITH SERIAL PLATE)

KEY	PART NO.	PART NAME	QTY	PUMP SERIAL NO.	REMARKS
1	R26448	O-RING	1		
2	A4365R	O-RING	1		
3	R26375	O-RING	1	(A)	
4	T40308	O-RING	1	(A)	
5	T57374	BACK-UP RING	1	(A)	
6	R26906	O-RING	1		
7	R56751	O-RING	1		
8	R26448	O-RING	2		
9	R56755	WASHER	2		
10	R26375	O-RING	1		
11	R28782	O-RING	1		
12	R56751	O-RING	1		
13	R41057	BACK-UP RING	1		
14	R27166	O-RING	1		
15	R27564	O-RING	1		
16	R75938	WASHER	1		
17	R69279	WASHER	8		
18	R56757	O-RING	1		
19	R77611	RING	1	(SEALING)	
20	R56751	O-RING	1		
21	U13639	O-RING	1	(A)	
	R56751	O-RING	1	(A)	
	R29936	O-RING	1	(A)	
22	R26287	O-RING	1		
23	RE28790	SEAL	1	(SUB FOR AR52224)	
24	R27149	O-RING	8		
25	R56751	O-RING	1	(A)	
	R29936	O-RING	1	(A)	
26	R27928	O-RING	1	(A) (TOP)	
	P47908	O-RING	1	(A) (BOTTOM)	
	R26906	O-RING	1	(A)	
27	R56463	O-RING	8		
28	AR101236	SHIELD	1	(SET OF 8)	
29	RE29107	KIT	1	(SUB FOR AR96321)	

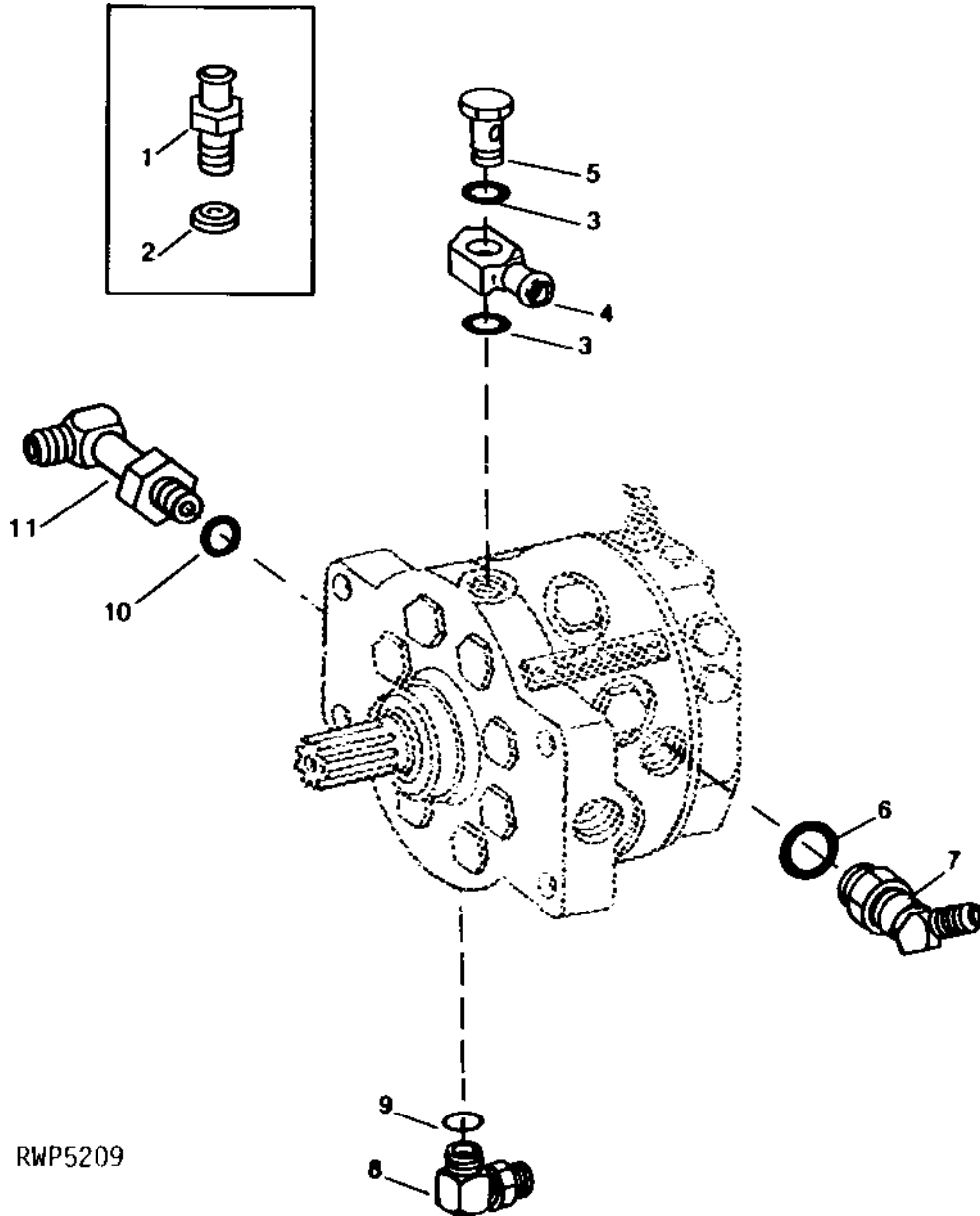
(A) UNIVERSAL KIT - APPLICATIONS WILL VARY

# 3D9

HYDRAULIC PUMP CONNECTORS  
39 CM3 (2.4 IN.3) PUMP  
(LESS POWER FRONT WHEEL DRIVE)

RWP5209

-UN-01JAN94



# 3D10

HYDRAULICS

HYDRAULIC PUMP CONNECTORS - CONTINUED  
 39 CM3 (2.4 IN.3) PUMP  
 (LESS POWER FRONT WHEEL DRIVE)

KEY	PART NO.	PART NAME	QTY	TRACTOR SERIAL NO.	REMARKS
1	R27927	HOLLOW SCREW	1	123000-127341	(A)
	R43737	FITTING	1	127342-150000	(A)
	R39215	FITTING	1	150001-	(A) (ILLUSTRATED)
2	R35827	WASHER	1	150001-	(A)
	R26906	O-RING	1	150001-	(A) (C)
3	R27928	O-RING	2	-150000	(A)
	R27928	O-RING	1	-150000	(A) (C) (TOP)
	P47908	O-RING	1	-150000	(A) (C) (BOTTOM)
4	R27928	O-RING	2		(B)
	R27928	O-RING	1		(B) (C) (TOP)
	P47908	O-RING	1		(B) (C) (BOTTOM)
4	R27926	FITTING	1	-150000	(A)
	R27926	FITTING	1		(B)
5	R27927	HOLLOW SCREW	1		(B)
6	R26906	O-RING	1		
	F3171R	O-RING	1		(C)
7	AT32338	FITTING	1		(SUB FOR AR26828)
	AT49331	ELBOW FITTING	1		(C)
8	AT32335	ELBOW FITTING	1		
9	R26287	O-RING	1		
10	F3171R	O-RING	1		
11	AR26747	ELBOW FITTING	1		

(A) SYNCRO-RANGE TRANSMISSION

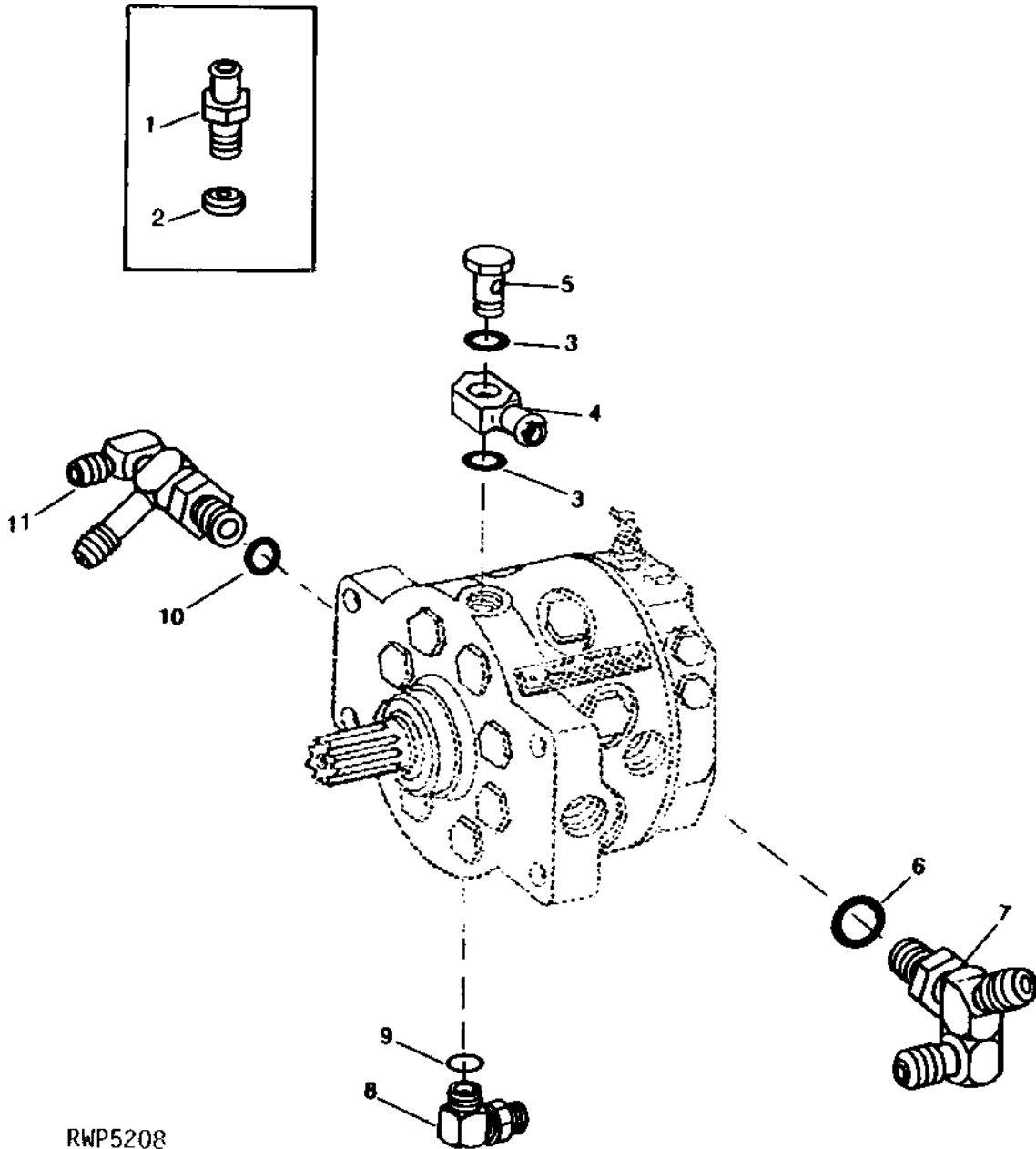
(B) POWER SHIFT TRANSMISSION

(C) REPLACEMENT PUMP WITH SERIAL PLATE

# 3D11

HYDRAULIC PUMP CONNECTORS  
49 CM3 (3 IN.3) PUMP  
(POWER FRONT WHEEL DRIVE)

RWP5208 -UN-01JAN94



RWP5208

**HYDRAULIC PUMP CONNECTORS - CONTINUED**  
**49 CM3 (3 IN.3) PUMP**  
**(POWER FRONT WHEEL DRIVE)**

KEY	PART NO.	PART NAME	QTY	TRACTOR SERIAL NO.	REMARKS
1	R27927	HOLLOW SCREW	1	123000-127341	(A)
	R43737	FITTING	1	127342-150000	(A)
	R39215	FITTING	1	150001-	(A)
2	R35827	WASHER	1	150001-	(A)
	R26906	O-RING	1	150001-	(A) (C)
3	R27928	O-RING	2	-150000	(A)
	R27928	O-RING	1	-150000	(A) (C) (TOP)
	P47908	O-RING	1	-150000	(A) (C) (BOTTOM)
4	R27928	O-RING	2		(B)
	R27928	O-RING	1		(B) (C) (TOP)
	P47908	O-RING	1		(B) (C) (BOTTOM)
4	R27926	FITTING	1	-150000	(A)
	R27926	FITTING	1		(B)
5	R27927	HOLLOW SCREW	1		(B)
6	R26906	O-RING	1		
	F3171R	O-RING	1		(C)
7	AR45283	TEE FITTING	1		(SUB FOR AR26828) (NLA)
	RE15417	TEE FITTING	1		(C)
8	AT32335	ELBOW FITTING	1		
9	R26287	O-RING	1		
10	F3171R	O-RING	1		
11	AR44386	TEE FITTING	1		

(A) SYNCRO-RANGE TRANSMISSION

(A) SYNCRO-RANGE TRANSMISSION

(B) POWER SHIFT TRANSMISSION

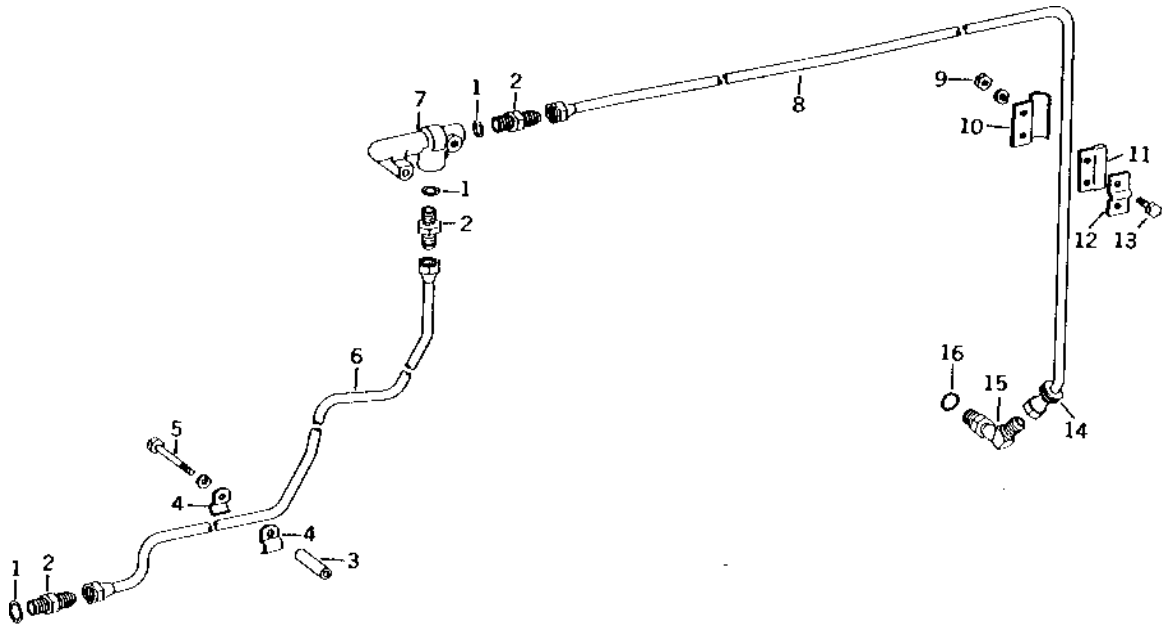
(C) REPLACEMENT PUMP WITH SERIAL PLATE

# 3D13

HYDRAULICS

R14483 -UN-01JAN94

## HYDRAULIC OIL PRESSURE LINES



R 14483

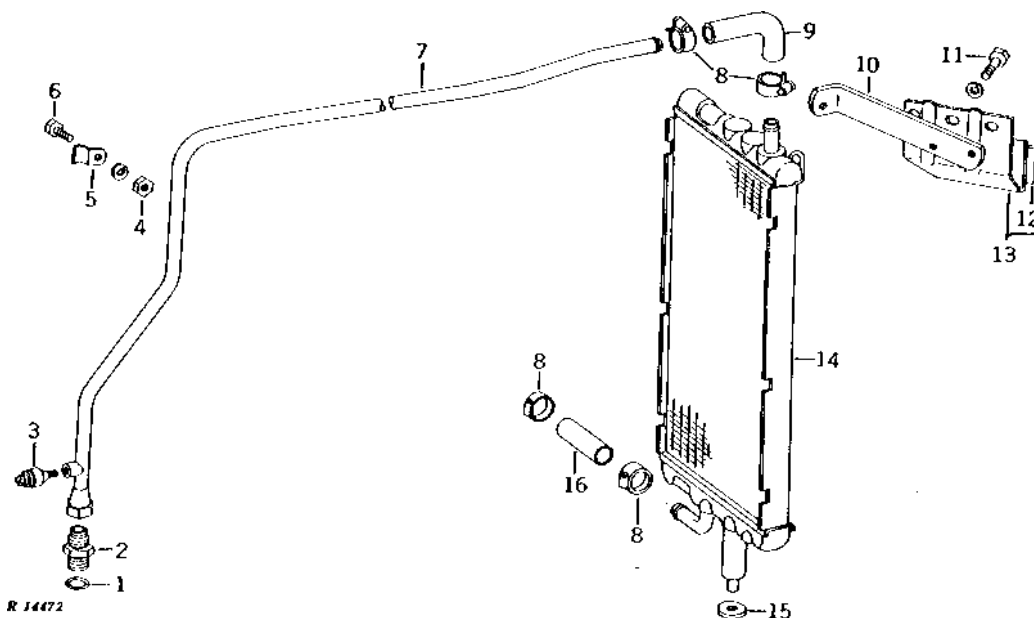
KEY	PART NO.	PART NAME	QTY	TRACTOR SERIAL NO.	REMARKS
1	R26906	O-RING	3		
2	R27270	FITTING	3		
3	28H1535	SPACER	1	3/8" X 2-3/4"	
4	R35726	CLAMP	2		
5	19H1912	CAP SCREW	1	3/8" X 3-1/2"	
	12H304	LOCK WASHER	1	3/8"	
6	AR41129	HYDRAULIC LINE	1		
7	R40999	HOUSING	1		
8	AR33793	HYDRAULIC LINE	1		
9	14H786	NUT	2	1/4"	
	12H302	LOCK WASHER	2	1/4"	
10	R27534	CLAMP	1		
11	R27546	PLATE	1		
12	R27251	CLAMP	1		
13	19H1914	CAP SCREW	2	1/4" X 1"	
14	R27533	GROMMET	1		
15	AT32338	FITTING	1	(SUB FOR AR26828)	
16	R26906	O-RING	1		

# 3D14

HYDRAULICS

## HYDRAULIC OIL COOLER AND OIL RETURN LINE (POWER SHIFT)

R14472 -UN-01JAN94

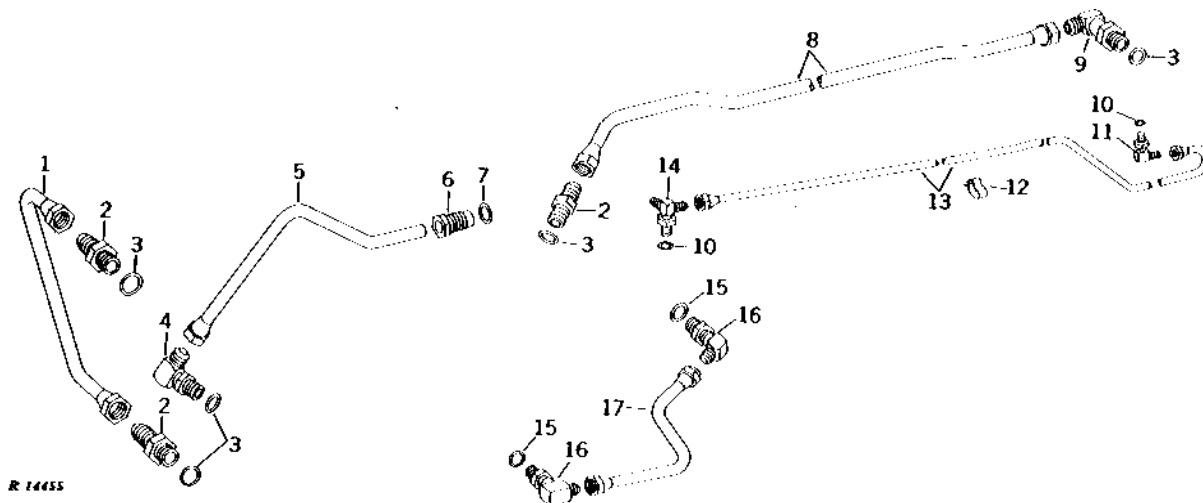


KEY	PART NO.	PART NAME	QTY	TRACTOR SERIAL NO.	REMARKS
1	F3171R	O-RING	1		
2	R27267	FITTING	1		
3	AR52607	PRESSURE SWITCH	1		(SUB FOR AR46727)
4	14H1076	NUT	1	3/8"	
	12H304	LOCK WASHER	1	3/8"	
5	R41465	CLAMP	1		
6	19H1936	CAP SCREW	1	3/8" X 3/4"	
7	AR42152	HYDRAULIC LINE	1		
8	AR21839	CLAMP	4		
9	T22958	HOSE	1		(SUB FOR T40167)
10	R41731	SUPPORT	1		
11	19H2485	CAP SCREW	3	5/16" X 7/16"	
	12H303	LOCK WASHER	3	5/16"	
12	.....	ISOLATOR	1		1.6 X 51 X 101.6MM (1/16" X 2" X 4") (MAKE FROM R30596)
13	AR41719	BRACKET	1		
14	AR44283	OIL COOLER	1		
15	T22381	WASHER	1		
16	.....	HOSE	1		63.5MM (2.5") (MAKE FROM R57300) (SUB FOR R26905)

# 3D15

## HYDRAULIC OIL RETURN LINES (POWER SHIFT)

R14455 -UN-01JAN94



KEY	PART NO.	PART NAME	QTY	TRACTOR SERIAL NO.	REMARKS
1	AR41128	HYDRAULIC LINE	1		
2	R27267	FITTING	3		
3	F3171R	O-RING	4		
4	AT32331	ELBOW FITTING	1		(SUB FOR AR26723)
5	AR39561	HYDRAULIC LINE	1		
6	R76494	FITTING	1		(SUB FOR R33610)
7	B2762R	O-RING	1		
8	AR41127	HYDRAULIC LINE	1		
9	AR26747	ELBOW FITTING	1		
10	R26287	O-RING	2		
11	AT32335	ELBOW FITTING	1		(SUB FOR AR26746)
12	R21551	CLIP	2		
13	AR46078	LINE	1	-XXXXXX	(SUB FOR AR79712 AND (2) R64170)
	AR45250	OIL LINE	1	XXXXXX-	(SUB FOR AR79711 AND (2) R64170)
14	AR45252	TEE FITTING	1	-XXXXXX	
	AT32335	ELBOW FITTING	1	XXXXXX-	(SUB FOR AR26746)
15	R26906	O-RING	2		
16	AR35712	ELBOW FITTING	2		(1 USED POWER FRONT WHEEL DRIVE)
	AR26724	ELBOW FITTING	1		(A)
	AR45268	ELBOW FITTING	1		(A)
17	AR32162	HYDRAULIC LINE	1	-150000	
	AR52280	HYDRAULIC LINE	1	150001-	
	AR45266	OIL LINE	1	-150000	(A)
	AR50599	OIL LINE	1	150001-	(A)

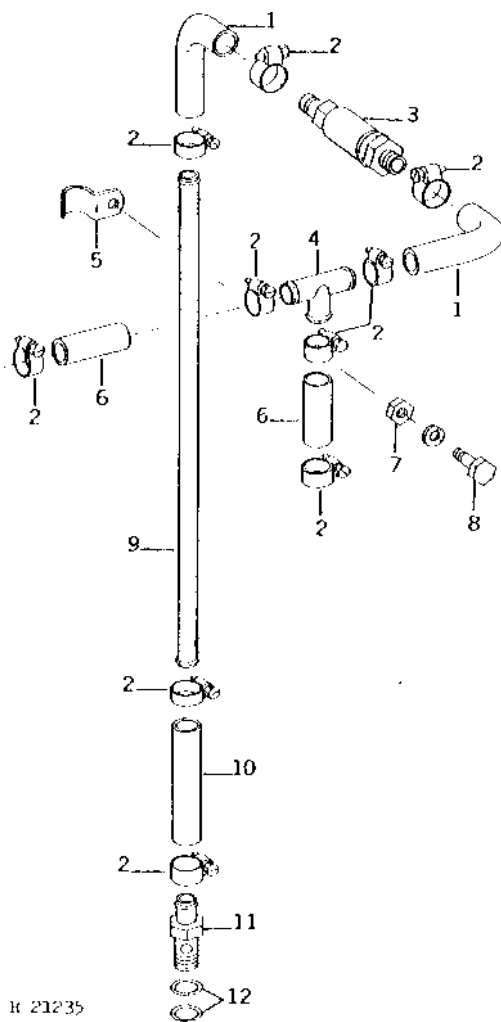
(A) POWER FRONT WHEEL DRIVE



# 3D16

## THERMOSTATIC BYPASS VALVE (POWER SHIFT)

R21235 -UN-01JAN94

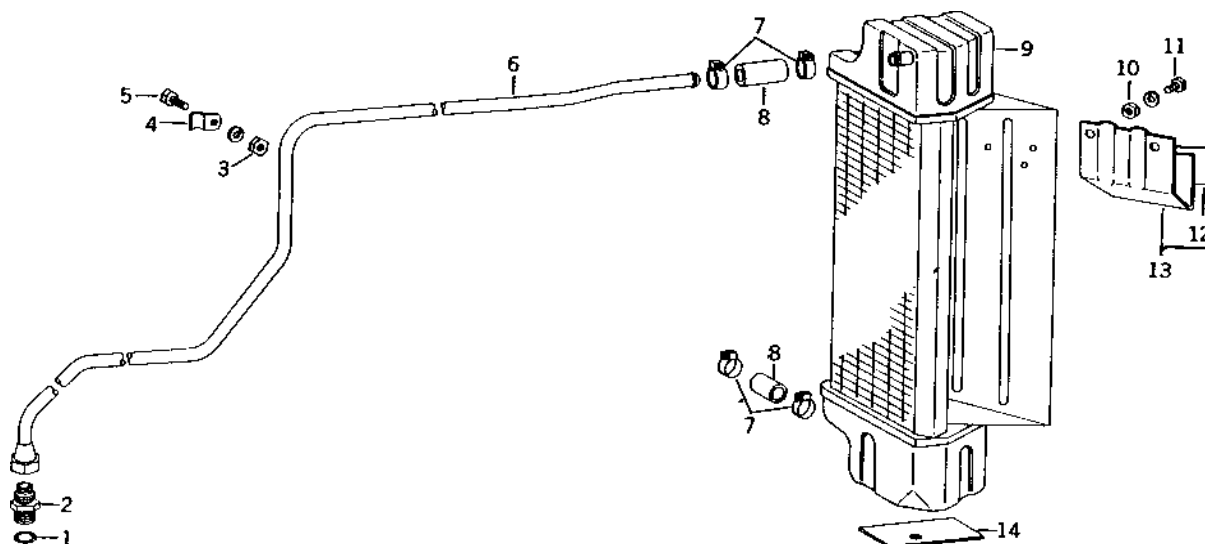


KEY	PART NO.	PART NAME	QTY	TRACTOR SERIAL NO.	REMARKS
1	T22958	HOSE	2		(SUB FOR T40167)
2	AR21839	CLAMP	10		
3	AR54473	VALVE	1		
4	R61955	TEE FITTING	1		
5	R41465	CLAMP	1		
6	.....	HOSE	2		63.5MM (2.5") (MAKE FROM R57300) (SUB FOR R26905)
7	14H785	NUT	1		5/16"
8	19H2126	CAP SCREW	1		1/4" X 2"
	12H303	LOCK WASHER	1		5/16"
9	R50235	TUBE	1		
10	.....	HOSE	1		(SUB FOR R34603 OR R32087) (MAKE FROM R57300)
11	R43737	FITTING	1		
12	R27928	O-RING	2		

# 3D17

## HYDRAULIC OIL COOLER AND OIL RETURN LINE (SYNCRO-RANGE)

R14471 -UN-01JAN94



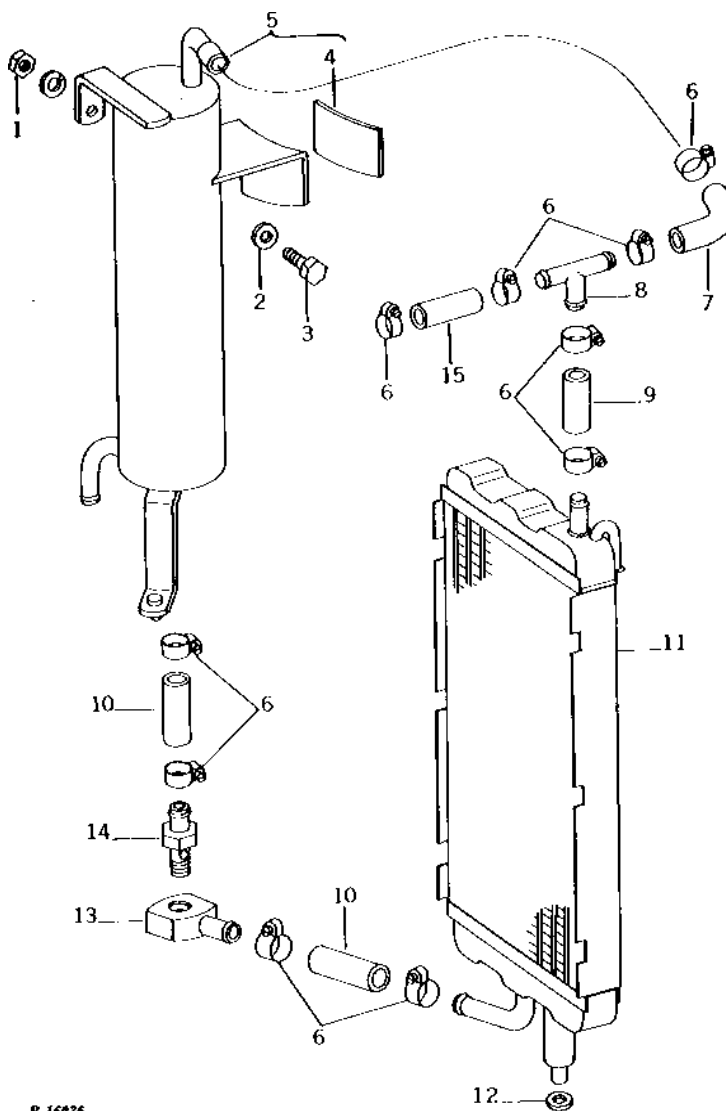
R 14471

KEY	PART NO.	PART NAME	QTY	TRACTOR SERIAL NO.	REMARKS
1	F3171R	O-RING	1		
2	R27267	FITTING	1		
3	14H1076	NUT	1	3/8"	
	12H304	LOCK WASHER	1	3/8"	
4	R41465	CLAMP	1		
5	19H1936	CAP SCREW	1	3/8" X 3/4"	
6	AR42295	HYDRAULIC LINE	1		
7	AR21839	CLAMP	4		
8	.....	HOSE	2	63.5MM (2.5") (MAKE FROM R57300) (SUB FOR R26905)	
9	AR31150	OIL COOLER	1	(SUB R35827, R39215, TY22425, AR44283, AR49751, AR50591 AND AR53119) (NLA)	
10	14H785	NUT	2	5/16"	
	12H303	LOCK WASHER	2	5/16"	
11	19H2020	CAP SCREW	2	5/16" X 1/2"	
12	.....	ISOLATOR	1	1.6 X 51 X 101.MM (1/16" X 2" X 4") (MAKE FROM R30596)	
13	AR41719	BRACKET	1		
14	.....	ISOLATOR	1	1.6 X 101.6 X 140MM (1/8" X 4" X 5-1/2") (MAKE FROM R30597)	

# 3D18

R16026 -UN-01JAN94

## COOLER AND RESERVOIR (SYNCRO-RANGE) (SERIAL NO. 127342-150000)



R 16026

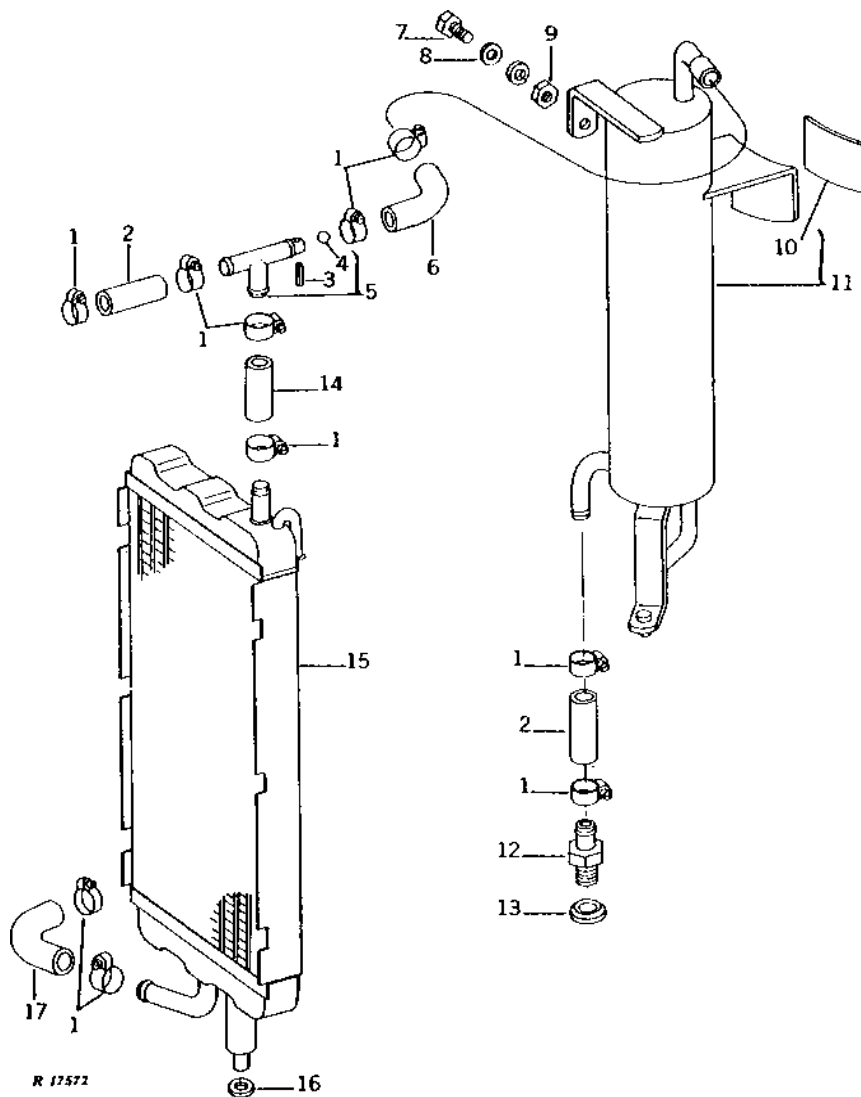
KEY	PART NO.	PART NAME	QTY	TRACTOR SERIAL NO.	REMARKS
1	14H785	NUT	1	5/16"	
	12H303	LOCK WASHER	1	5/16"	
2	24H1136	WASHER	1	11/32" X 11/16" X 0.065"	
3	19H2127	CAP SCREW	1	5/16" X 7/8"	
4	.....	ISOLATOR	1	1.6 X 51 X 102MM (1/16" X 2" X 4")	(MAKE FROM R30596)
5	AR45626	RESERVOIR	1	(SUB AR49751, AR50591, R35827, R39215 AND TY22425)	
6	AR21839	CLAMP	10		
7	R46485	HOSE	1	(SUB FOR R44141)	
8	R44140	TEE FITTING	1		
9	.....	HOSE	1	57MM (2-1/4")	(SUB FOR R27930 OR T35695) (MAKE FROM T61939)
10	.....	HOSE	2	63.5MM (2.5")	(MAKE FROM R57300) (SUB FOR R26905)
11	AR44283	OIL COOLER	1		
12	T22381	WASHER	1		
13	R27926	FITTING	1		
14	R43737	FITTING	1		
15	.....	HOSE	1	86MM X (3.4")	(MAKE FROM R57300) (SUB FOR R34147)

# 3D19

HYDRAULICS

## HYDRAULIC OIL COOLER AND RESERVOIR (SYNCRO-RANGE) (SERIAL NO. 150001- )

R17572 -UN-01JAN94



KEY	PART NO.	PART NAME	QTY	TRACTOR SERIAL NO.	REMARKS
1	AR21839	CLAMP	10		
2	.....	HOSE	2	63.5MM (2.5") (MAKE FROM R57300) (SUB FOR R26905)	
3	34H231	SPRING PIN	1	3/32" X 3/4"	
4	R48084	BALL	1		
5	AR49751	CHECK VALVE	1		
6	R46485	HOSE	1	(SUB TY22425) (SUB FOR R44141)	
7	19H2127	CAP SCREW	1	5/16" X 7/8"	
8	24H1136	WASHER	1	11/32" X 11/16" X 0.065"	
9	14H785	NUT	1	5/16"	
	12H303	LOCK WASHER	1	5/16"	
10	.....	ISOLATOR	1	1.6 X 51 X 102MM (1/16" X 2" X 4") (MAKE FROM R30596)	
11	AR50591	RESERVOIR	1		
12	R39215	FITTING	1		
13	R35827	WASHER	1		
14	.....	HOSE	1	57MM (2-1/4") (SUB FOR R27930 OR T23695) (MAKE FROM T61939)	
15	AR44283	OIL COOLER	1		
16	T22381	WASHER	1		
17	TY22425	HOSE	1	(SUB FOR R47756)	
..	AR53119	KIT	1	(INCLUDES FASTENINGS AND CONNECTIONS FOR OIL COOLER AND RESERVOIR)	

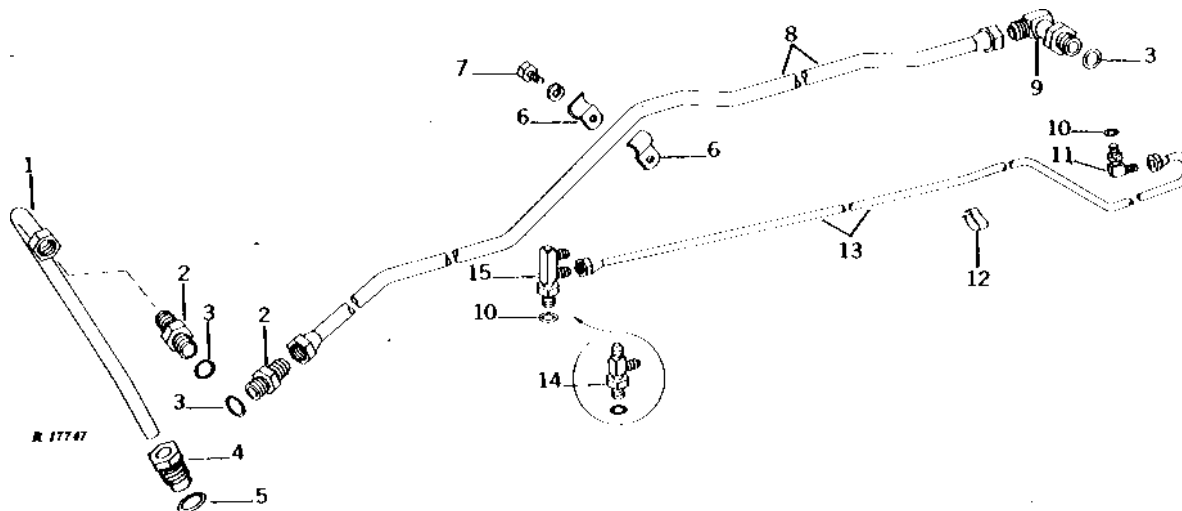
# 3D20

HYDRAULICS

## HYDRAULIC OIL RETURN LINES (SYNCRO-RANGE)

R17747

-UN-01JAN94



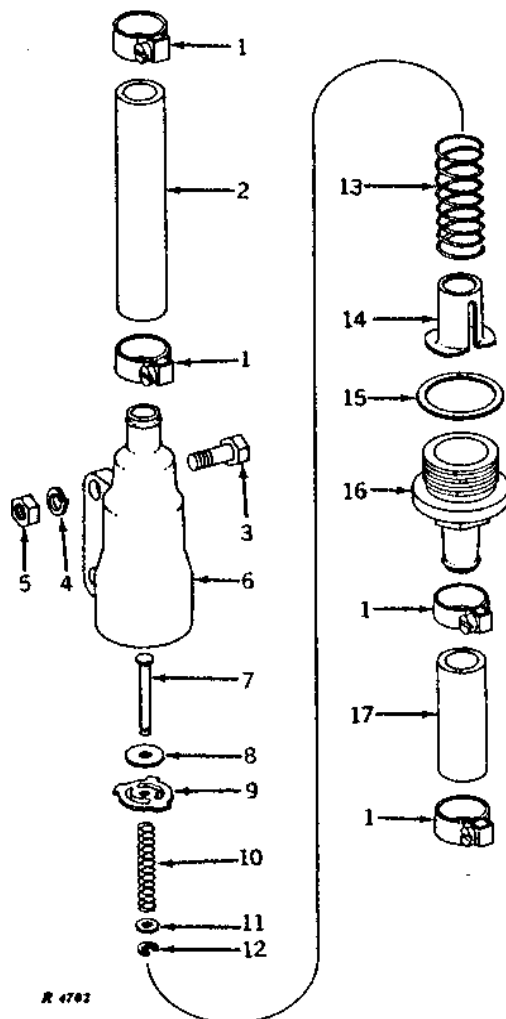
KEY	PART NO.	PART NAME	QTY	TRACTOR SERIAL NO.	REMARKS
1	AR41124	HYDRAULIC LINE	1		
2	R27267	FITTING	2		
3	F3171R	O-RING	3		
4	R76494	FITTING	1		(SUB FOR R33610)
5	B2762R	O-RING	1		
6	R38323	CLAMP	2		
7	19H1936	CAP SCREW	1		3/8" X 3/4"
	12H304	LOCK WASHER	1		3/8"
8	AR41125	HYDRAULIC LINE	1		
9	AR26747	ELBOW FITTING	1		
10	R26287	O-RING	2		
11	AT32335	ELBOW FITTING	1		(SUB FOR AR26746)
12	R21551	CLIP	1		
13	AR46078	LINE	1	-XXXXXX	(52" LONG) (SUB AR79712 AND (2) R64170)
	AR45249	OIL LINE	1	XXXXXX-	(SUB AR79711 AND R64170) (65" LONG)
14	AR45251	TEE FITTING	1	-XXXXXX	
15	AR52168	TEE FITTING	1	XXXXXX-	

# 3D21

HYDRAULICS

## HYDRAULIC OIL COOLER BYPASS VALVE (SYNCRO-RANGE) (SERIAL NO. 123000-127341)

R4702 -UN-01JAN94



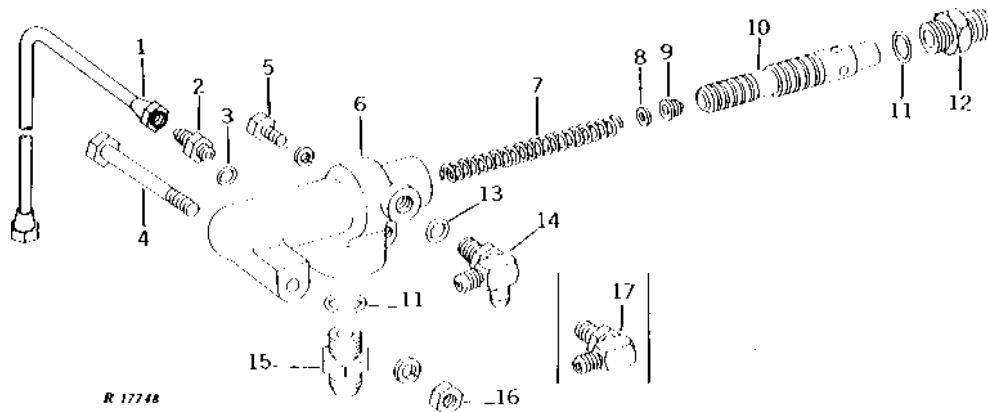
KEY	PART NO.	PART NAME	QTY	TRACTOR SERIAL NO.	REMARKS
1	AR21839	CLAMP	4		
2	.....	HOSE	1		57MM (2-1/4") (SUB FOR R27930 OR T35695) (MAKE FROM T61939)
3	19H2284	CAP SCREW	2		3/8" X 7/8"
4	12H304	LOCK WASHER	2		3/8"
5	14H1076	NUT	2		3/8"
6	AR31152	HOUSING	1		(MARKED R31931) (ORDER AR31547, (4) AR21839, R57300, (2) 12H304, (2) 14H255 AND (2) 19H2284) (INCLUDES VALVE, HOSES AND CLAMPS)
7	R31939	PIN	1		
8	R31933	WASHER	1		
9	R31932	VALVE	1		
10	H837R	SPRING	1		
11	24H1283	WASHER	1		7/32" X 1/2" X 0.049"
12	R31935	SNAP RING	1		
13	R31934	SPRING	1		
14	R31936	GUIDE	1		
15	R31378	O-RING	1		
16	R31937	FITTING	1		
17	.....	HOSE	1		63.5MM (2.5") (MAKE FROM R57300) (SUB FOR R26905)

# 3D22

HYDRAULICS

R17748 -UN-01JAN94

## PRESSURE CONTROL VALVE



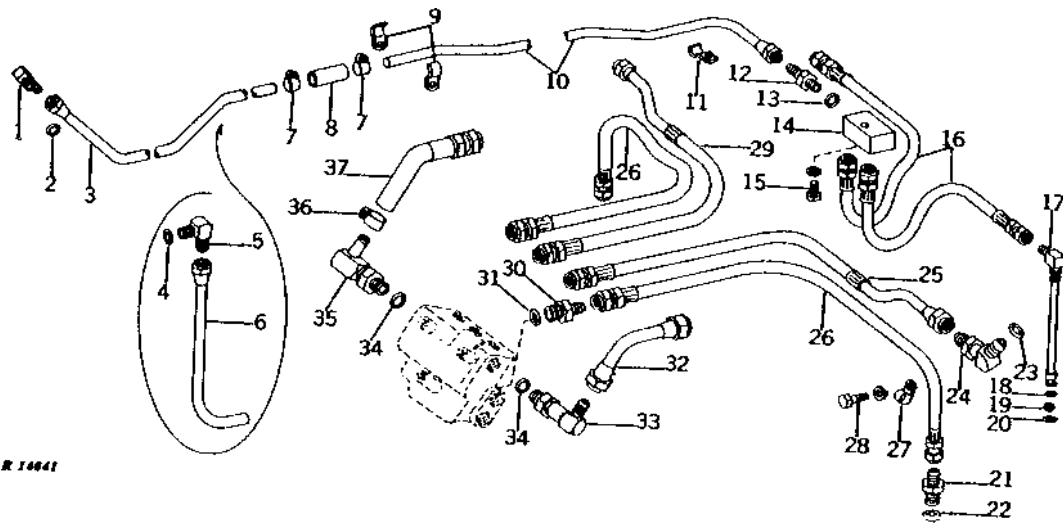
KEY	PART NO.	PART NAME	QTY	TRACTOR SERIAL NO.	REMARKS
1	AR44635	HYDRAULIC LINE	1		
2	R27527	ADAPTER	1		
3	R26287	O-RING	1		
4	19H1854	CAP SCREW	1	3/8" X 3-3/4"	
5	19H1731	CAP SCREW	1	3/8" X 1"	
	12H304	LOCK WASHER	1	3/8"	
6	R40999	HOUSING	1		
7	R40072	SPRING	1		
8	24H1283	WASHER	AR	7/32" X 1/2" X 0.049"	
9	R40562	APERTURE	1		
10	AR63906	VALVE	1		(SUB FOR R41001)
11	R26906	O-RING	2		
12	R27270	FITTING	1		
13	R26286	O-RING	1		
14	AR49789	TEE FITTING	1	150085-	
15	R27270	FITTING	1		
16	14H1076	NUT	1	3/8"	
	12H304	LOCK WASHER	1	3/8"	
17	AT32333	ELBOW FITTING	1	-150084	(SUB FOR AR26771)

# 3D23

R14641

-UN-01JAN94

## POWER FRONT WHEEL DRIVE HYDRAULIC LINES



R 14641



**POWER FRONT WHEEL DRIVE HYDRAULIC LINES - CONTINUED**

KEY	PART NO.	PART NAME	QTY	TRACTOR SERIAL NO.	REMARKS
1	AT32332	ELBOW FITTING	1	(A)	(SUB FOR AR26763)
2	R26375	O-RING	1	(A)	
3	AR45540	LINE	1	(A)	(REAR)
4	R26448	O-RING	1	(B)	
5	AT35120	ELBOW FITTING	1	(B)	(SUB FOR AR37017 OR AT32337)
6	AR45539	LINE	1	(B)	(REAR)
7	AR21837	CLAMP	2		
8	.....	HOSE	1		54MM (2-1/8") (MAKE FROM TY22327) (SUB FOR R32641)
9	R44293	CLAMP	2		
10	AR45537	OIL LINE	1	(FRONT)	
11	R28538	CLAMP	1		
12	R39249	ADAPTER	1		
13	R26448	O-RING	1		
14	AR45234	FITTING	1		
15	19H1800	CAP SCREW	1		3/8" X 1-1/2"
	12H304	LOCK WASHER	1		3/8"
16	AR45235	HYDRAULIC HOSE	2		(64" TO 82" TREAD)
	AR90081	HYDRAULIC HOSE	2		(SUB FOR AR50770) (70" TO 88" TREAD)
17	AR53447	ELBOW FITTING	1		(SUB FOR AR45198)
18	R61462	RING	2		(SUB FOR R10093) (ALSO ORDER R61463)
19	R61463	BACK-UP RING	2		(SUB FOR R44778) (ALSO ORDER R61462)
20	R26448	O-RING	2		
21	R27267	FITTING	2		
22	F3171R	O-RING	2		
23	F3171R	O-RING	2		
24	AR47803	ELBOW FITTING	2		
25	AR45231	HYDRAULIC HOSE	1		(64" TO 82" TREAD)
	AR49295	HOSE	1		(70" TO 88" TREAD)
26	AR45230	HYDRAULIC HOSE	2		(64" TO 82" TREAD)
	AR49297	HYDRAULIC HOSE	2		(70" TO 88" TREAD)
27	R33364	CLAMP	2		
28	19H1936	CAP SCREW	2		3/8" X 3/4"
	12H304	LOCK WASHER	2		3/8"
29	AR45232	HYDRAULIC HOSE	1		(64" X 82" TREAD) (NLA)
	AR49296	HOSE	1		(70" TO 88" TREAD)
30	R27267	FITTING	4		
31	F3171R	O-RING	4		
32	AR45016	OIL LINE	1		
33	AR44384	ELBOW FITTING	1		
34	U17409	O-RING	2		
35	AR46957	ELBOW FITTING	1		(SUB AR53560, R26375 AND R39112)
36	AR21839	CLAMP	1		
37	AR46959	HYDRAULIC HOSE	1		

(A) SYNCRO-RANGE TRANSMISSION

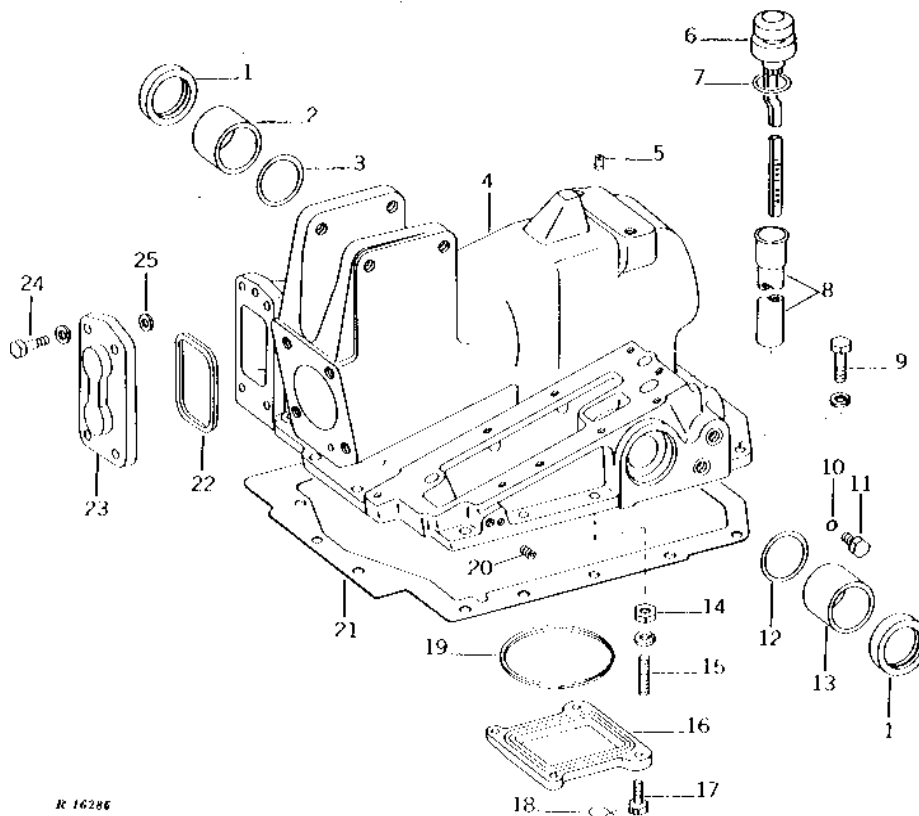
(B) POWER SHIFT TRANSMISSION

# 3D25

HYDRAULICS

R16286 -UN-01JAN94

## ROCKSHAFT HOUSING WITH BUSHINGS AND OIL SEALS



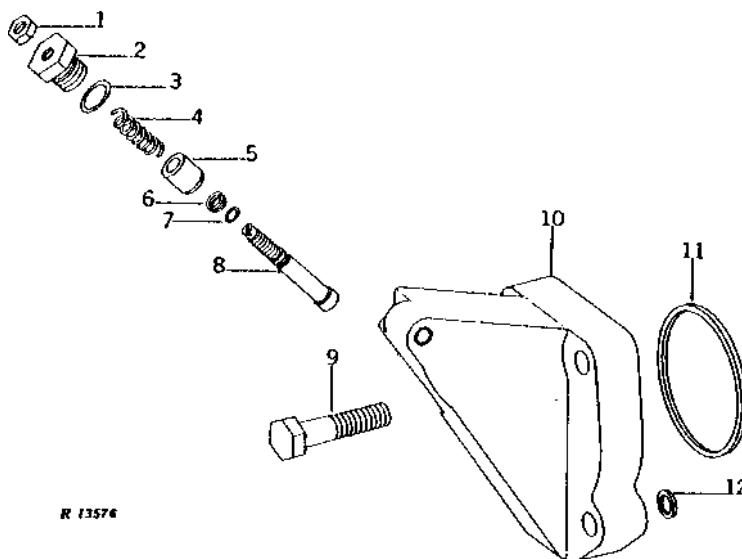
KEY	PART NO.	PART NAME	QTY	TRACTOR SERIAL NO.	REMARKS
1	AF2643R	SEAL	2		
2	R26842	BUSHING	1		
3	A4728R	O-RING	1		
4	AR41973	HOUSING	1		(MARKED R40660) (INCLUDES BUSHINGS AND FILLER TUBE)
5	15H559	PIPE PLUG	1		1/4"
6	AR40677	DIPSTICK	1		
7	A4730R	O-RING	2		
8	R41858	LINE	1		(SYNCRO-RANGE)
	R41859	LINE	1		(POWER SHIFT)
9	19H3579	CAP SCREW	5		1/2" X 1-3/8"
	19H1815	CAP SCREW	5		1/2" X 1-1/4"
	19H1990	CAP SCREW	5		1/2" X 2-1/4"
	12H301	LOCK WASHER	7		1/2"
10	R26286	O-RING	2		(LESS DIFFERENTIAL LOCK)
11	R27094	DRAIN PLUG	2		(LESS DIFFERENTIAL LOCK)
12	R26863	O-RING	1		
13	R26841	BUSHING	1		
14	14H1040	NUT	4		1/2"
	12H301	LOCK WASHER	4		1/2"
15	R32101	STUD	4		1/2" X 1-3/4", (SUB FOR R49988)
16	R55079	COVER	1		(SUB FOR R27210 OR R52246)
17	R57725	SCREW	4		(SUB FOR R61762) (DRILLED)
18	.....	WIRE	2	-XXXXXX	(16 GAUGE X 12" LONG)
19	R26769	WASHER	1		
20	15H558	PIPE PLUG	1		1/8"
21	R40939	GASKET	1		
22	R40922	PACKING	1		(LESS SELECTIVE CONTROL)
23	R41446	COVER	1		(LESS SELECTIVE CONTROL)
24	19H2500	CAP SCREW	4		7/16" X 1-3/8"
	12H293	LOCK WASHER	4		7/16"
25	F2741R	PACKING	1		(LESS SELECTIVE CONTROL)

# 3E1

HYDRAULICS

R13576 -UN-01JAN94

## ROCKSHAFT PISTON COVER AND ASSOCIATED PARTS



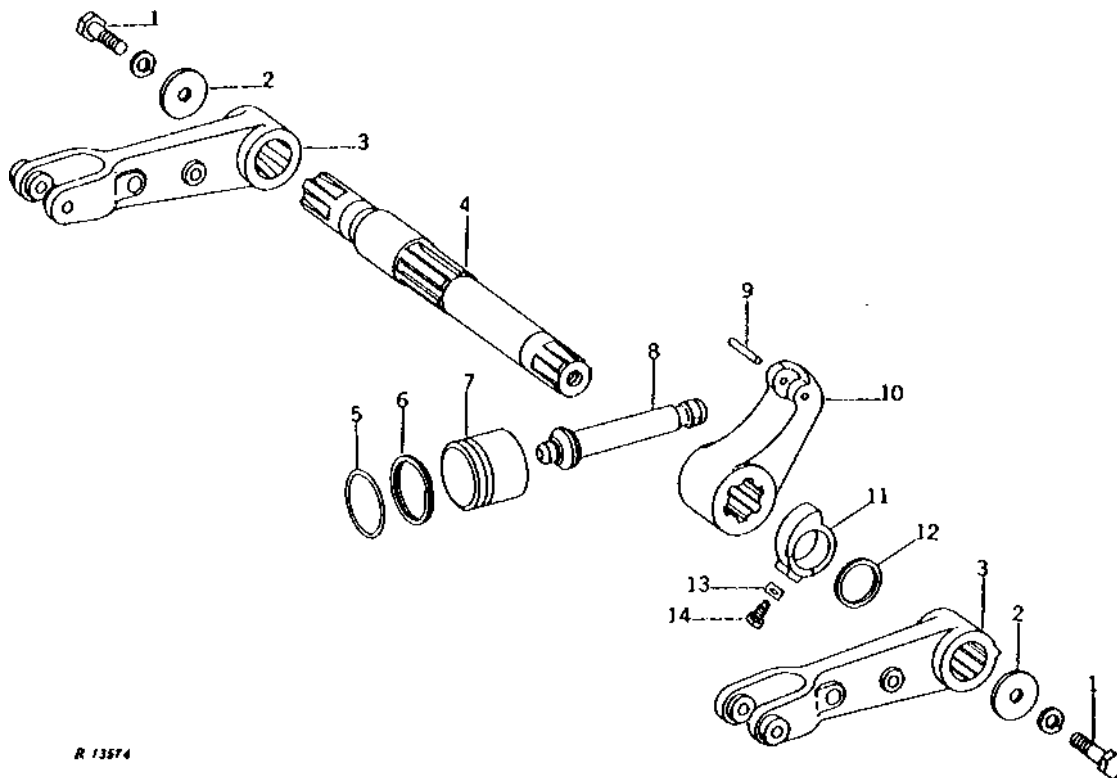
KEY	PART NO.	PART NAME	QTY	TRACTOR SERIAL NO.	REMARKS
1	14H774	NUT	1	3/8"	
2	R26458	FITTING	1		
3	R26906	O-RING	1		
4	B3686R	SPRING	1		
5	R26457	VALVE	1		
6	R31136	BACK-UP RING	1		
7	A4365R	O-RING	1		
8	R26625	SHAFT	1		
9	19H3244	CAP SCREW	4	5/8" X 2-1/4"	
10	R41120	COVER	1		
	R40897	CAP	1		(LESS ROCKSHAFT)
	R44819	COVER	1		(POWER WEIGHT TRANSFER HITCH)
11	R34154	WASHER	1		
12	F2741R	PACKING	1		

# 3E2

HYDRAULICS

R13574 -UN-01JAN94

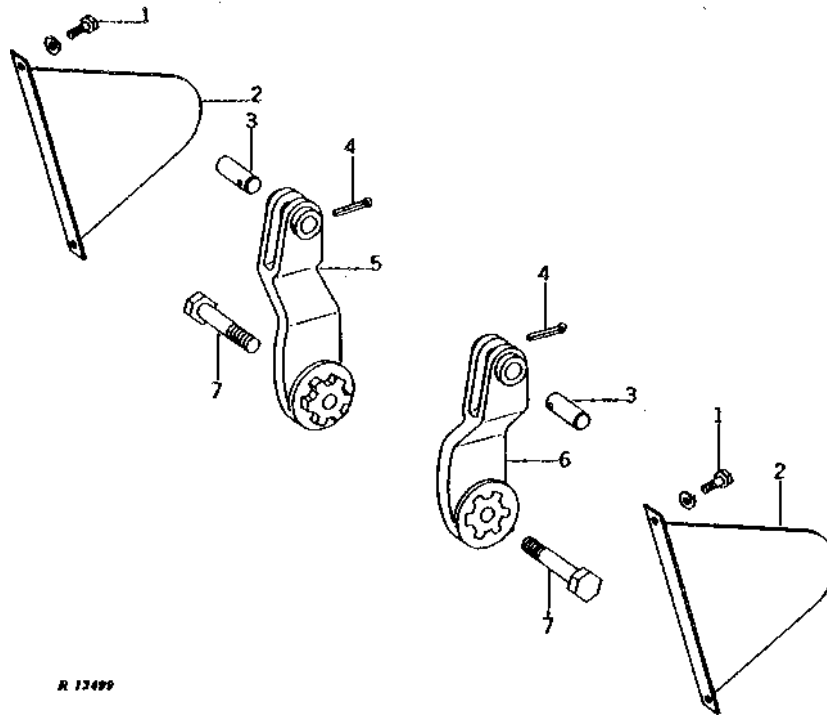
## ROCKSHAFT, ROCKSHAFT PISTON AND LIFT ARMS



KEY	PART NO.	PART NAME	QTY	TRACTOR SERIAL NO.	REMARKS
1	19H1782	CAP SCREW	2	3/4" X 2-1/4"	
	12H236	LOCK WASHER	2	3/4"	
2	R20136	WASHER	2		
3	R56175	LIFT ARM	2		(SUB FOR R41565 AND R51130) (ROW-CROP AND STANDARD)
	R78452	ARM	1		R.H. (HI-CROP) (SUB FOR R41566)
	R78453	ARM	1		L.H. (HI-CROP) (SUB FOR R41567)
4	R34487	SHAFT	1		
5	R26543	O-RING	1		
6	R26754	BACK-UP RING	1		
7	R42299	PISTON	1		(NLA)
8	AR44356	ROD	1		
9	34H322	SPRING PIN	1	1/4" X 2-3/4"	
10	R42773	ARM	1		
11	R40887	CAM	1		
12	24H1602	WASHER	AR	2-17/64" X 2-3/4" X 0.060"	
13	F3173R	LOCK PLATE	1		
14	R69642	CAP SCREW	1		(SUB FOR R26626)

R12499 -UN-01JAN94

IMPLEMENT ARMS



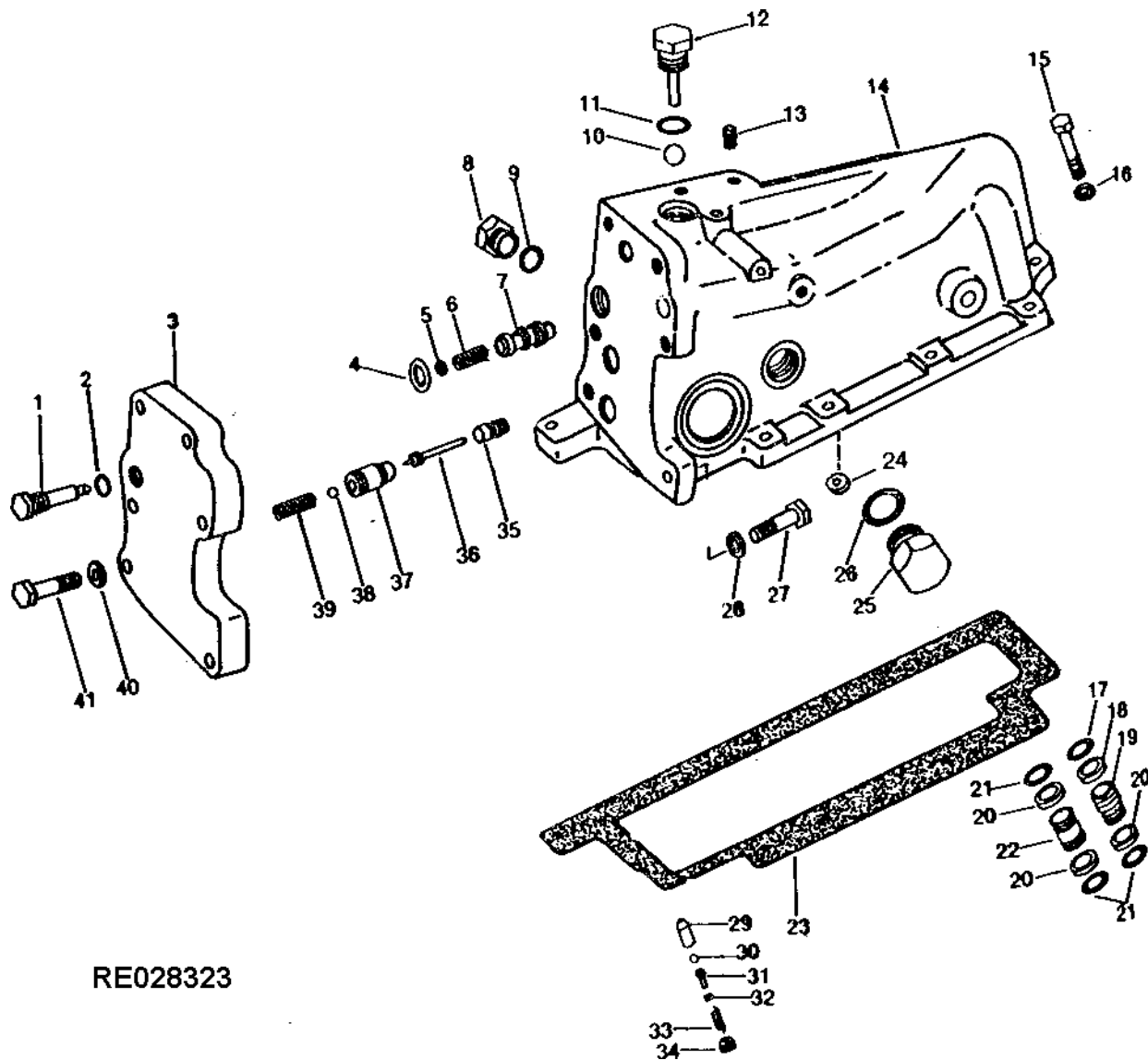
R 12499

KEY	PART NO.	PART NAME	QTY	TRACTOR SERIAL NO.	REMARKS
1	19H1900	CAP SCREW	4		5/16" X 3/4"
	12H303	LOCK WASHER	4		5/16"
2	AR40977	GUARD	2		
3	R42644	PIN	2		
4	11M7096	COTTER PIN	2		5 X 80 MM
5	AR40976	ARM	1		(MARKED R41361)
6	AR44765	ARM	1		(MARKED R42643)
7	19H2113	CAP SCREW	2		3/4" X 3-1/4"

# 3E4

RE028323 -UN-19SEP97

## ROCKSHAFT CONTROL VALVE HOUSING



RE028323

## ROCKSHAFT CONTROL VALVE HOUSING - CONTINUED

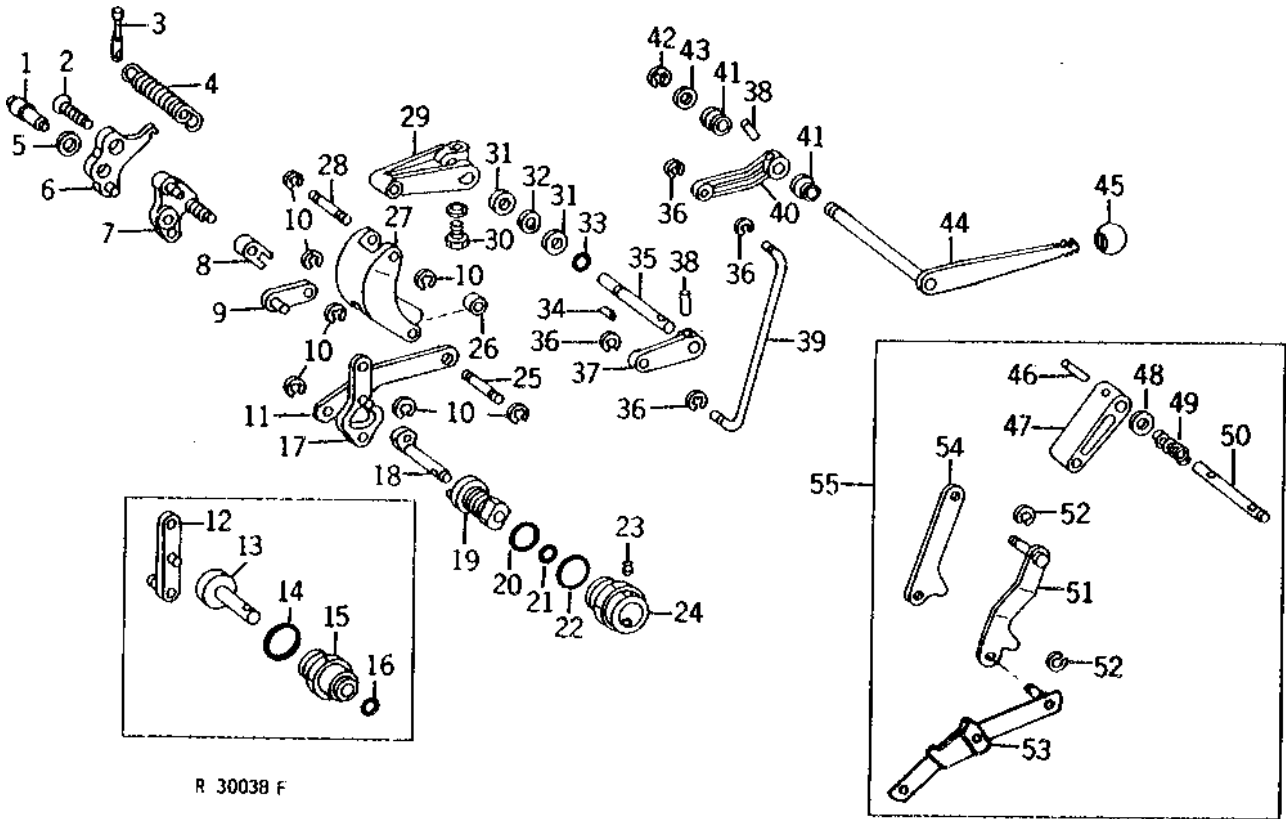
KEY	PART NO.	PART NAME	QTY	MODEL NO.	REMARKS
1	R40881	FITTING	1		
2	R26448	O-RING	1		
3	R50065	VALVE COVER	1		(SUB FOR R41444) (SUB R59080 AND (2) R59082) (SINGLE AND NO SELECTIVE CONTROL)
4	R26149	PACKING	6	-130812	
	R26149	PACKING	5	130813-	
5	B1664R	SHIM	AR		
6	R26566	SPRING	1		
7	AR50088	VALVE	1		(SUB FOR R44536)
8	R39112	FITTING	1		
9	R26375	O-RING	1		
10	M886T	BALL	1		15.88MM (5/8")
11	R26906	O-RING	1		
12	R56916	PLUG	1		(SUB FOR AR26761)
13	15H558	PIPE PLUG	3		1/8"
14	AR76340	HOUSING	1		(MARKED R40541, R45975, R62152, AR76277 OR AR94165) (SUB FOR AR41976, AR48007 AND AR54329)
	R66895	ORIFICE	1		(USE WITH AR94165)
15	19H1732	CAP SCREW	9		3/8" X 1-1/4"
16	12H304	LOCK WASHER	8		3/8"
17	R27564	O-RING	1		(USE WITH R45975)
18	R45925	BACK-UP RING	1		(USE WITH R45975)
19	R45924	BUSHING	1		(USE WITH R45975)
20	R41057	BACK-UP RING	AR		(USE WITH (4) R40541) (USE WITH (3) R45975)
21	R27166	O-RING	AR		(USE WITH (4) R40541) (USE WITH (3) R45975)
22	R40945	VALVE	AR		(USE WITH (2) R40541) (USE WITH R45975)
23	R40896	GASKET	1		
24	R66895	ORIFICE	1		(USE WITH AR94165)
25	R27175	DRAIN PLUG	1		
26	F3171R	O-RING	1		
27	19H2500	CAP SCREW	1		7/16" X 1-3/8"
28	12H293	LOCK WASHER	1		7/16"
29	R40893	VALVE SEAT INSERT	1		(SUB R61349 AND R61350)
30	R41776	BALL	1		2.38MM (3/32")
31	R41777	PIN	1		
32	R40895	SHIM	AR		0.51MM (.020")
33	R59766	SPRING	1		(SUB FOR R27730)
34	R40894	PLUG	1		
35	AR78483	GUIDE	2		(SUB FOR AR31703)
36	R44298	SHAFT	2		
37	R59083	VALVE	2		(SUB FOR R44299)
38	400R	BALL	2		6.35MM (1/4")
39	R26565	SPRING	2		
40	12H293	LOCK WASHER	5		7/16"
41	19H1978	CAP SCREW	5		7/16" X 1-1/2"

# 3E6

R30038

-UN-01JAN94

## ROCKSHAFT CONTROL LINKAGE AND LOAD SELECTOR CONTROL



R 30038 F



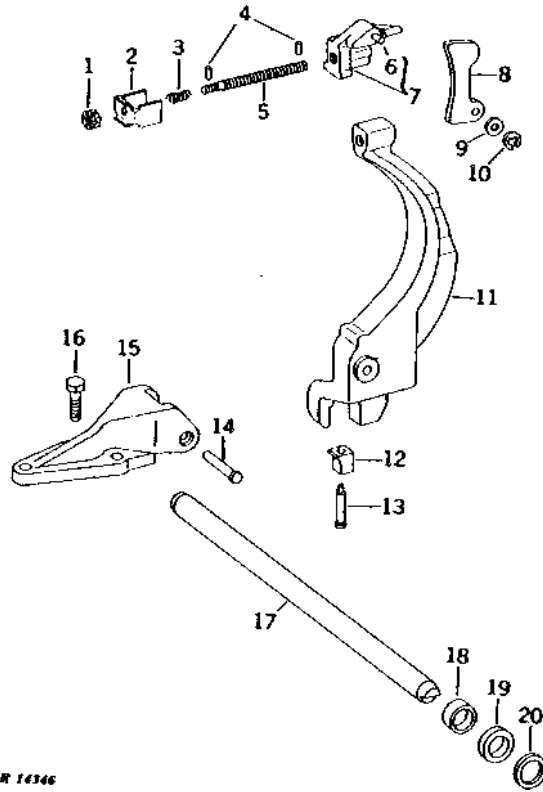
## ROCKSHAFT CONTROL LINKAGE AND LOAD SELECTOR CONTROL - CONTINUED

KEY	PART NO.	PART NAME	QTY	MODEL NO.	REMARKS
1	R64296	SHAFT	1		(SUB FOR R40949)
2	T22228	SCREW	1		
3	R41108	PIN	1	-XXXXXX	
	R66894	PIN	1	XXXXXX-	
4	R60730	SPRING	1		(SUB FOR R44300 OR R53033)
5	24H1321	SHIM	1		0.018"
6	AR40676	LEVER	1		
7	AR40754	LINK	1		(SUB AR81783, R64845, T519 AND R64843)
8	R40885	NUT	1		(NLA)
9	AR40675	LEVER	1		
10	R72653	SNAP RING	7		(SUB FOR M2396T)
11	R51025	LINK	1		(SUB FOR R41079)
12	AR40753	LINK	1	-5RS1	(SUB AR79505 AND AR72292)
13	R41077	SHAFT	1	-5RS1	(SUB AR79505 AND AR72292)
14	U13639	O-RING	1	-5RS1	
15	R41115	QUILL	1	-5RS1	
16	R394R	O-RING	1	-5RS1	
17	AR52797	LINK	1	5RS2-	
18	R49333	SHAFT	1	5RS2-	
19	AR52796	BUSHING	1	5RS2-	
20	R27928	O-RING	1	5RS2-	
21	R394R	O-RING	1	5RS2-	
22	U13639	O-RING	1	5RS2-	
23	22H1033	SET SCREW	1	5RS2-	5/16" X 3/8"
24	R49332	QUILL	1	5RS2-	
25	R41118	PIN	1		
26	R41661	BUSHING	1		
27	R40886	LINK	1		(SUB FOR AR58474) (SUB AR86775)
28	R41119	PIN	1		
29	R40944	ARM	1		(SUB FOR AR58474) (SUB AR86775)
30	19H1905	CAP SCREW	1		5/16" X 1"
	12H303	LOCK WASHER	1		5/16"
31	R47301	WASHER	2		
32	T519T	WASHER	2		
33	R394R	O-RING	1		
34	26H67	SHAFT KEY	1		1/8" X 3/8"
35	R41117	SHAFT	1		
36	R27507	SNAP RING	4		
37	R40892	LEVER	1		
38	34H297	SPRING PIN	2		7/32" X 1"
39	R40916	PIN	1		
40	R40915	LEVER	1		
41	R41076	GROMMET	2		
42	R26871	SNAP RING	1		(SUB FOR P44982)
43	24H1227	WASHER	1		17/32" X 13/16" X 0.060"
44	AR40683	LEVER	1		
45	R40948	KNOB	1		
46	R56504	SPRING PIN	1		
47	R56821	ARM	1		(SUB FOR R52824)
48	24H1341	WASHER	1		17/32" X 15/16" X 0.060"
49	B423R	SPRING	1		
50	R52823	SHAFT	1		
51	AR58236	LINK	1		(SUB AR72293 AND AR72294)
52	R72653	SNAP RING	3		(SUB FOR M2396T)
53	AR72293	LINK	1		
54	R52828	LINK	1		
55	AR86775	KIT	1		(SUB FOR AR58474) LOAD SELECTOR CONTROL LINKAGE

# 3E8

R14346 -UN-01JAN94

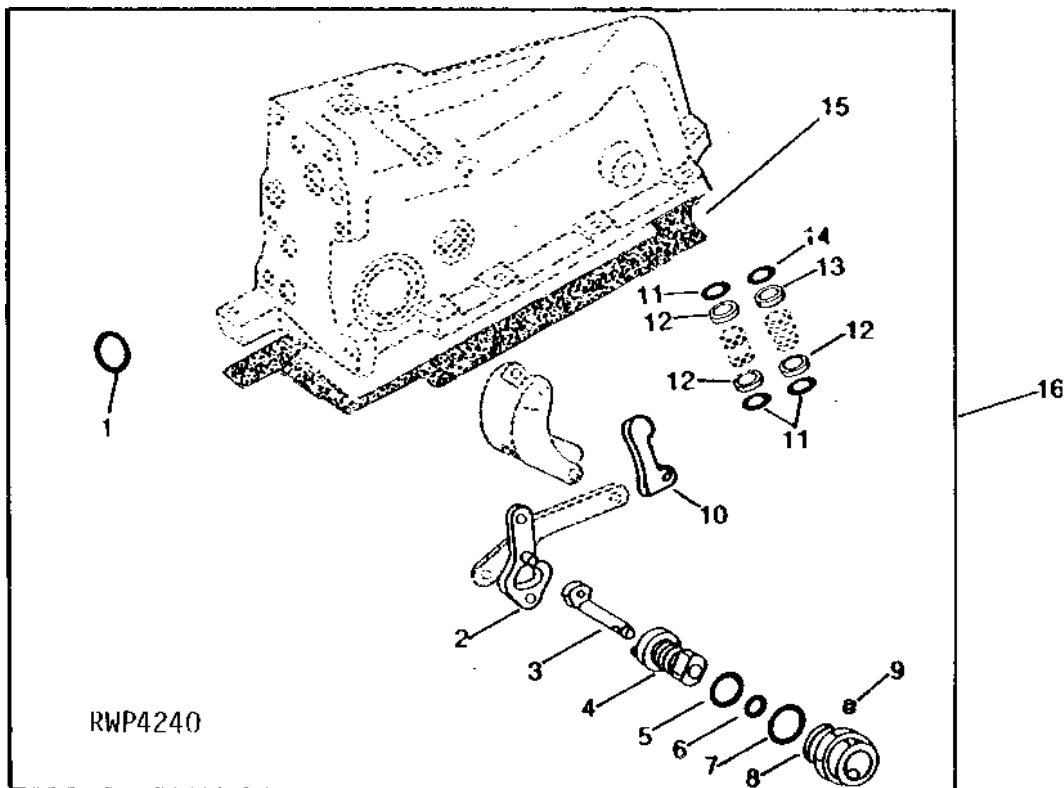
## LOAD CONTROL



KEY	PART NO.	PART NAME	QTY	TRACTOR SERIAL NO.	REMARKS
1	14H936	NUT	1	3/8"	
2	R46443	LOCK PLATE	1	(SUB FOR R27127)	
3	F1463R	SPRING	1		
4	34H244	SPRING PIN	2	1/8" X 9/16"	
5	R26628	STUD	1		
6	R26869	PIN	1		
7	AR77700	EXTENSION	1	(MARKED R41121 OR R62931) (SUB FOR AR40785)	
8	R49336	CAM FOLLOWER	1	(SUB FOR R40888)	
9	24H1287	WASHER	1	9/32" X 5/8" X 0.065"	
10	R27507	SNAP RING	1		
11	R40938	ARM	1	-150000	(SUB R47826)
	R47826	ARM	1	150001-	
12	R40889	FOLLOWER	1		
13	R40891	PIN	1		
14	R41078	PIN	1		
15	R40943	SUPPORT	1	-155785	(SUB R51195 AND (3) T12637)
	R51195	SUPPORT	1	155786-	
16	R41049	CAP SCREW	3	-155785	(SUB R52634)
	T12637	SCREW	3	155786-	
17	R33883	PIN	1		
	R45513	BUSHING	2		.08MM (.003") OVERSIZE
	R45514	BUSHING	2		.15MM (.006") OVERSIZE
	R46799	BUSHING	2		.23MM (.009") (SUB AR89132) OVERSIZE
18	R27018	BUSHING	2		
19	AR84791	SEAL	2	(SUB FOR AR27371 OR AR78337) LOAD CONTROL	SHAFT OIL SEAL WITH WASHER
20	R28961	WASHER	2		

REVERSE SIGNAL LOCKOUT KIT (FOR ELIMINATION OF NEGATIVE STOP SCREW)

RWP4240 -UN-01JAN94



KEY	PART NO.	PART NAME	QTY	TRACTOR SERIAL NO.	REMARKS
1	R40922	PACKING	1		(LESS SELECTIVE CONTROL)
2	AR52797	LINK	1		
3	R49333	SHAFT	1		
4	AR52796	BUSHING	1		
5	R27928	O-RING	1		
6	R394R	O-RING	1		
7	U13639	O-RING	1		
8	R49332	QUILL	1		
9	22H1033	SET SCREW	1	5/16" X 3/8"	
10	R49336	CAM FOLLOWER	1	(SUB FOR R40888)	
11	R27166	O-RING	4	(3 USED WITH AR48007 OR AR54328) (4 USED WITH AR40387)	
12	R41057	BACK-UP RING	4	(4 USED WITH AR40387) (3 USED WITH AR48007 OR AR54328)	
13	R45925	BACK-UP RING	1	(USE WITH AR48007 OR AR54328)	
14	R27564	O-RING	1	(USE WITH AR48007 OR AR54328)	
15	R40896	GASKET	1		
16	AR55210	KIT	1		

MEMORANDA

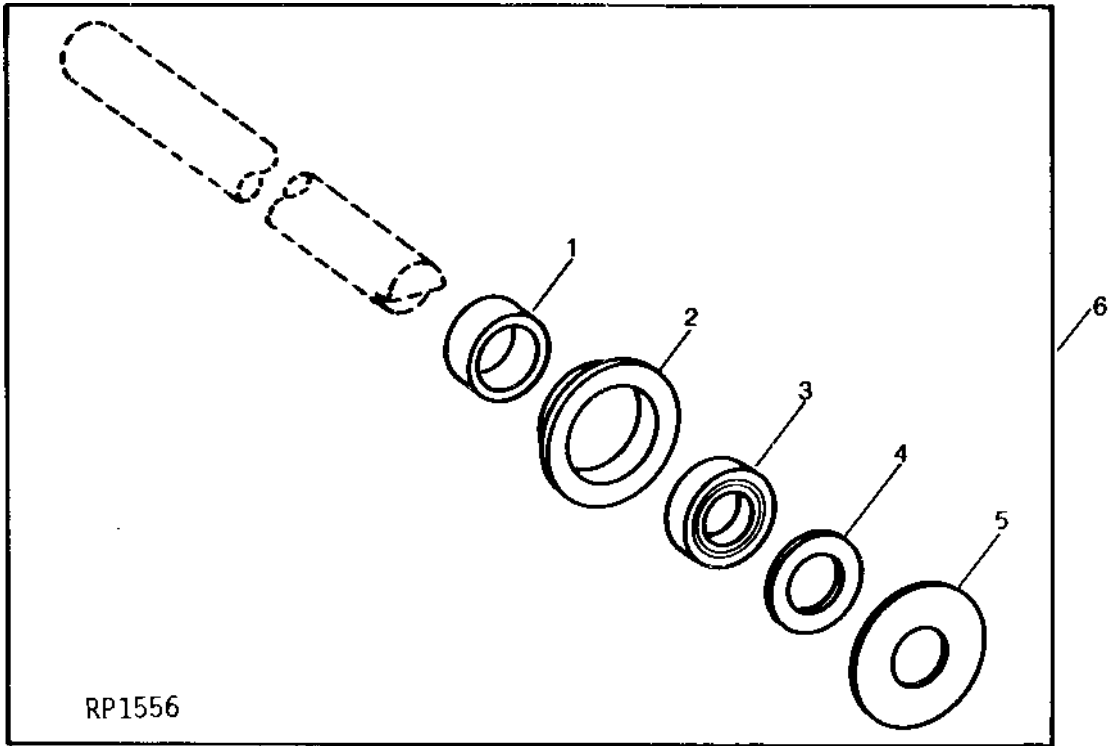
# 3E10

HYDRAULICS

RP1556

-UN-20NOV95

## LOAD CONTROL SHAFT BUSHING KIT



KEY	PART NO.	PART NAME	QTY	TRACTOR SERIAL NO.	REMARKS
1	R68424	BUSHING	2		.030" (OVERSIZE)
2	R68428	BUSHING	2		
3	AR27371	SEAL	2		
4	R28961	WASHER	2		
5	R68425	WASHER	AR		1.22MM (.048")
	R68426	WASHER	AR		0.91MM (.036")
	R68427	WASHER	AR		1.57MM (.062")
6	AR89132	KIT	1		

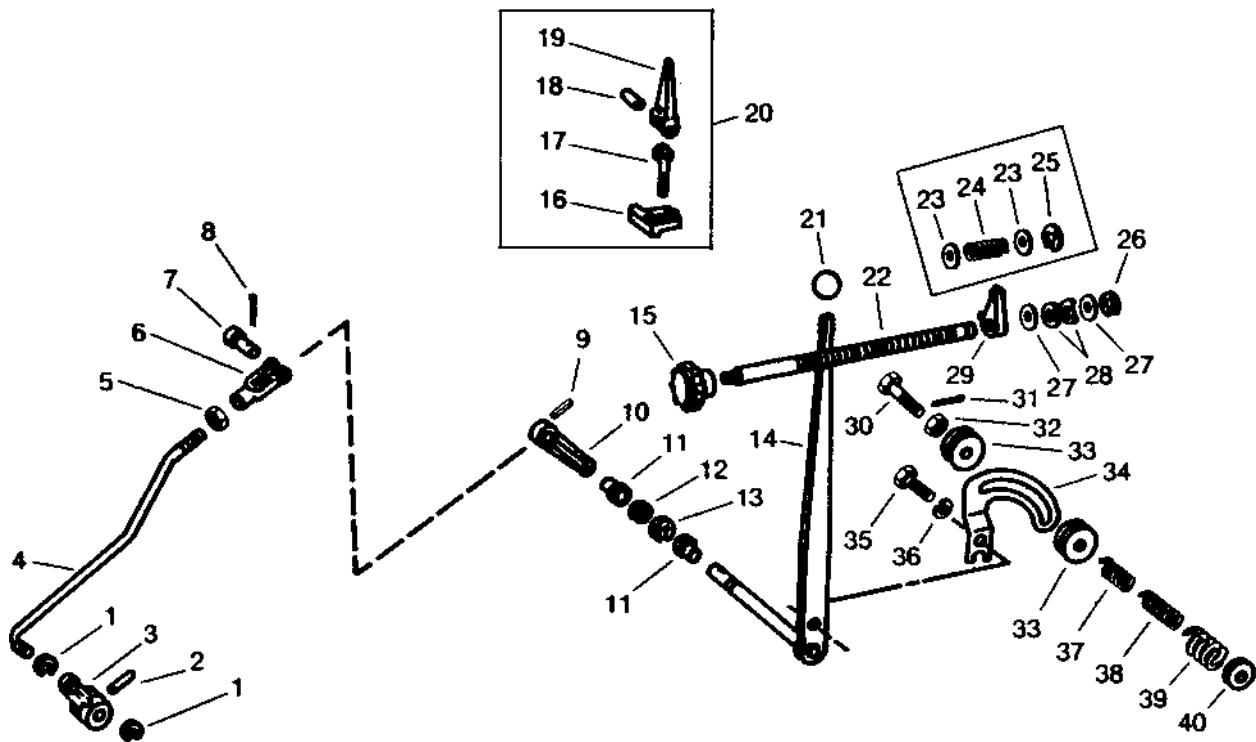
# 3E11

HYDRAULICS

RP693

-UN-01JAN94

## ROCKSHAFT CONTROL



RP693

# 3E12

HYDRAULICS

## ROCKSHAFT CONTROL - CONTINUED

KEY	PART NO.	PART NAME	QTY	TRACTOR SERIAL NO.	REMARKS
1	R72653	SNAP RING	2		(SUB FOR M2396T)
2	34H284	SPRING PIN	1		3/16" X 1-1/4"
3	R64829	ARM	1		(SUB FOR R41123)
4	R40917	ROD	1		
5	14H882	NUT	1		5/16"
6	T54033	YOKE	1		(SUB FOR R42282) (ALSO ORDER R82766)
7	R72660	PIN	1		(SUB FOR R662R)
8	11M7079	COTTER PIN	1		2.500 X 12 MM
9	34H297	SPRING PIN	1		7/32" X 1"
10	R41122	LEVER	1		
11	R41076	GROMMET	2		
12	24H1227	WASHER	1	-152405	17/32" X 13/16" X 0.060"
13	R26871	SNAP RING	1	-152405	(SUB FOR P44982)
14	AR40988	LEVER	1	-152405	(ALSO ORDER R49411)
	AR40988	LEVER	1	152406-	
15	R41385	KNOB	1		
16	R53475	STOP	1		(SUB FOR R42640)
17	R42641	EYEBOLT	1		
18	34H387	SPRING PIN	1		3/16" X 3/4"
19	R34537	CAM	1		
20	AR60331	STOP	1		(SUB FOR AR50340) (NLA)
21	R41383	KNOB	1		
22	R41384	SCREW	1	-135474	(SUB R47300, (2) R47301 AND (2) T519T)
	R47300	SCREW	1	135475-	
23	24H1658	WASHER	2	-135474	21/32" X 1" X 0.060"
24	R1190R	SPRING	1	-135474	
25	F2863R	SNAP RING	1	-135474	
26	R26871	SNAP RING	1		(SUB FOR P44982)
27	24H1227	WASHER	2	-135474	17/32" X 13/16" X 0.060"
	R47301	WASHER	2	135475-	
28	T519T	WASHER	2	135475-	
29	R41386	STOP	1		
30	R42639	CAP SCREW	1		
31	11M7059	COTTER PIN	1		3.200 X 20 MM
32	14H732	NUT	1		3/8"
33	AR42287	WASHER	2		(SUB R105813 AND R41968)
34	R41966	PLATE	1	-152405	(SUB R49411)
	R49411	PLATE	1	152406-	
35	19H2485	CAP SCREW	1		5/16" X 7/16"
36	12H303	LOCK WASHER	1		5/16"
37	R41147	SPRING	1		
38	R44313	SPRING	1		
39	R44314	SPRING	1		
40	24H1299	WASHER	1		3/8" X 1-1/4" X 0.065"

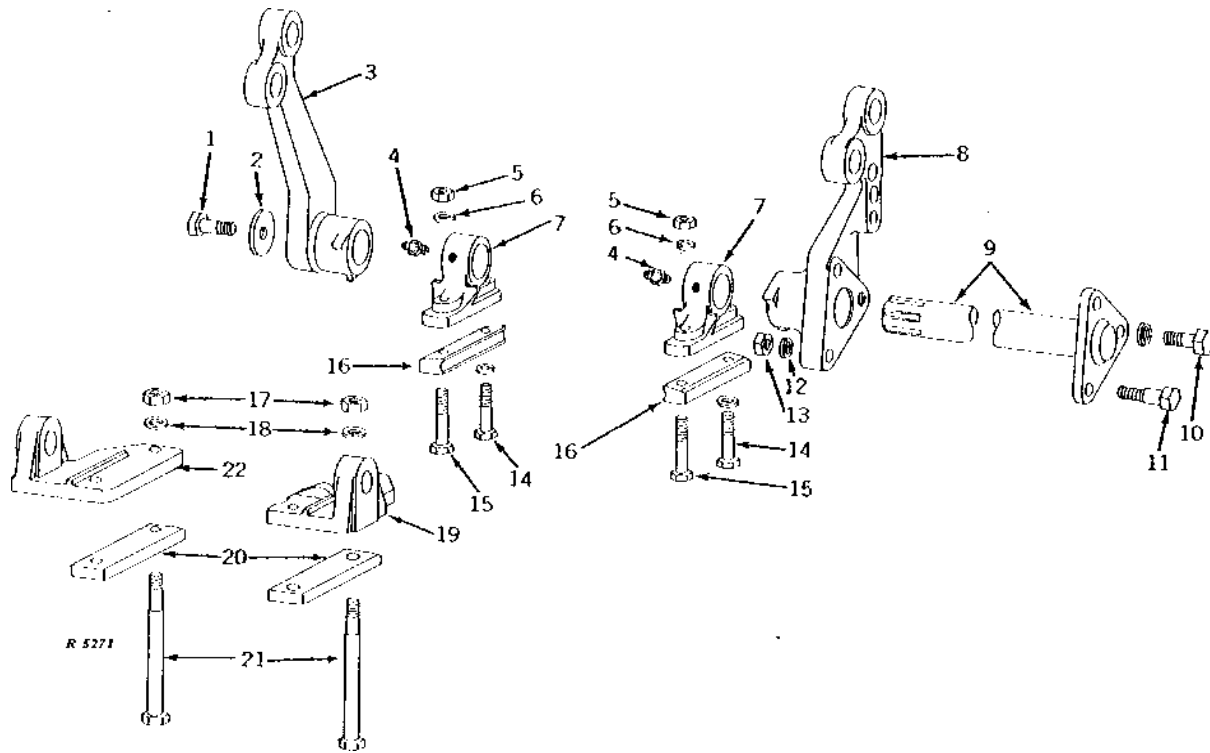
# 3E13

HYDRAULICS

R5271

-UN-01JAN94

## FRONT MOUNTED ROCKSHAFT



KEY	PART NO.	PART NAME	QTY	TRACTOR SERIAL NO.	REMARKS
1	19H1756	CAP SCREW	1		5/8" X 1-1/2"
2	R20135	WASHER	1		
3	R38089	ARM	1		
4	JD7778	LUBRICATION FITTING	2		
5	14H1040	NUT	2		1/2"
6	12H301	LOCK WASHER	2		1/2"
7	R31403	BRACKET	2		(NLA)
8	R26708	ARM	1		
9	AR34350	ROCKSHAFT	1		
10	19H1756	CAP SCREW	1		5/8" X 1-1/2"
	12H294	LOCK WASHER	1		5/8"
11	R27819	BOLT	2		
12	12H294	LOCK WASHER	2		5/8"
13	14H1083	NUT	2		5/8"
14	19H1990	CAP SCREW	2		1/2" X 2-1/4"
	12H301	LOCK WASHER	2		1/2"
15	19H1974	CAP SCREW	2		1/2" X 2-3/4"
16	R28755	SUPPORT	2		
17	14H1039	NUT	4		5/8"
18	12H294	LOCK WASHER	4		5/8"
19	R26710	BRACKET	1		(NLA)
20	R38093	STRAP	2		
21	R26784	BOLT	4		
22	R26711	BRACKET	1		



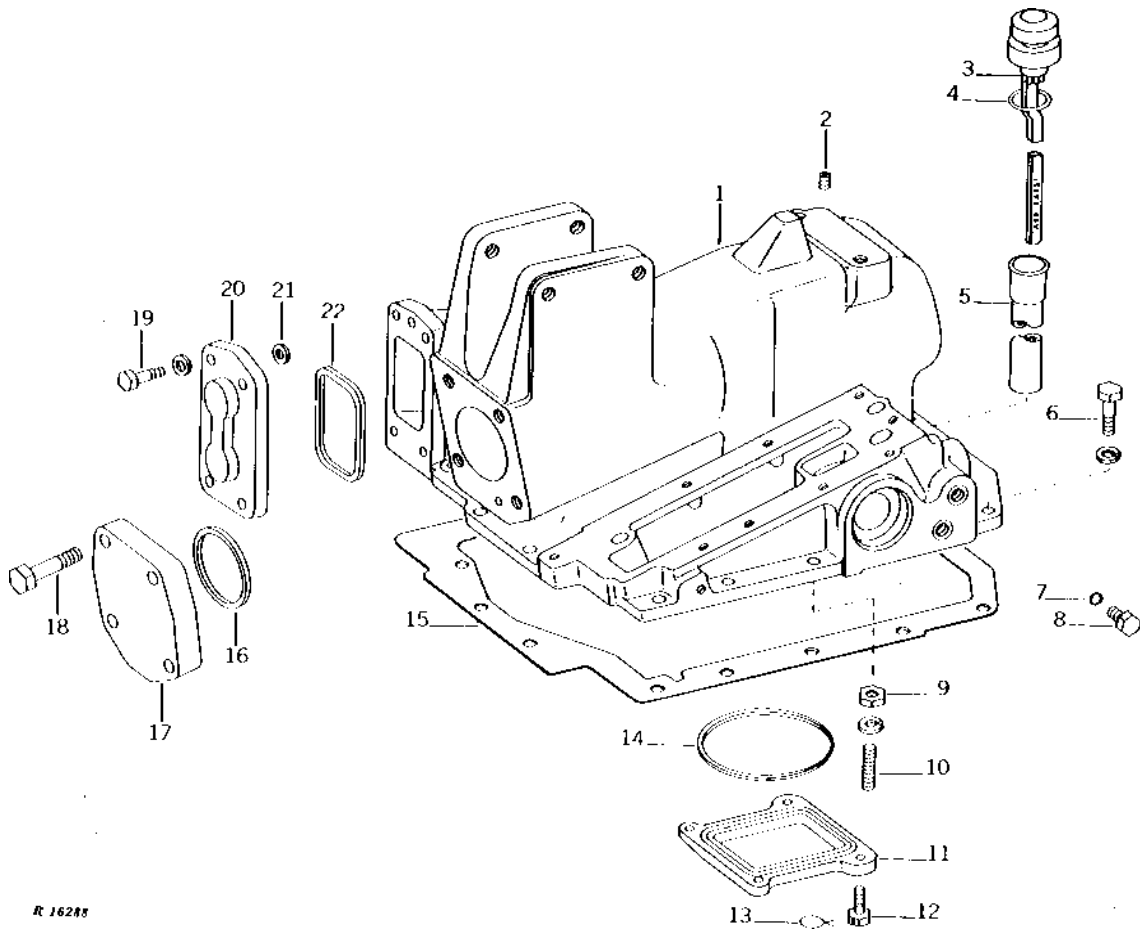
# 3E14

HYDRAULICS

## TRANSMISSION REAR COVER (LESS ROCKSHAFT)

R16288

-UN-01JAN94



R 16288

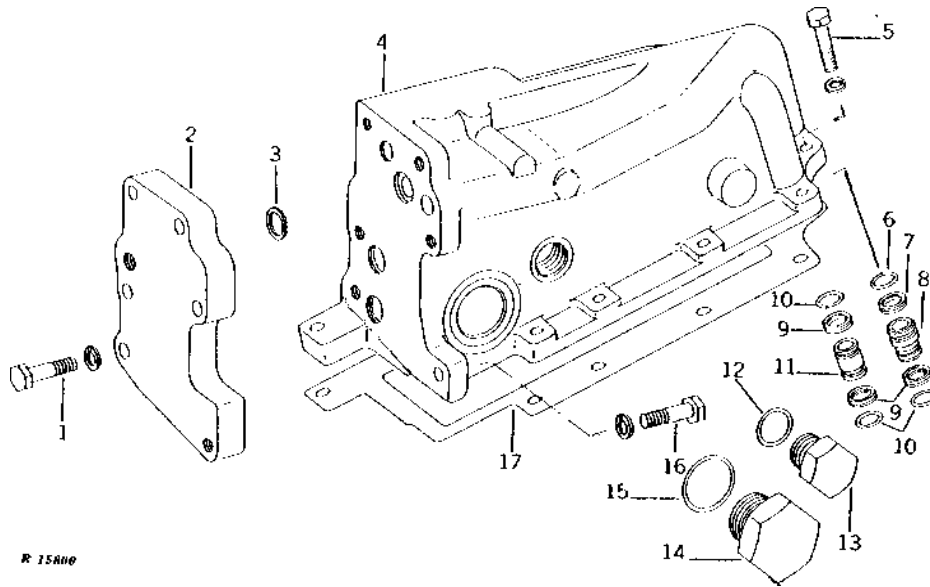
KEY	PART NO.	PART NAME	QTY	TRACTOR SERIAL NO.	REMARKS
1	AR41975	COVER	1		(MARKED R40760) (INCLUDES PLUG AND FILLER TUBE)
2	15H559	PIPE PLUG	1		1/4"
3	AR40677	DIPSTICK	1		
4	A4730R	O-RING	2		
5	R41858	LINE	1		(SYNCRO-RANGE)
	R41859	LINE	1		(POWER SHIFT)
6	19H3579	CAP SCREW	5		1/2" X 1-3/8"
	19H1815	CAP SCREW	5		1/2" X 1-1/4"
	19H1990	CAP SCREW	5		1/2" X 2-1/4"
	12H301	LOCK WASHER	7		1/2"
7	R26286	O-RING	2		(LESS DIFFERENTIAL LOCK)
8	R27094	DRAIN PLUG	2		(LESS DIFFERENTIAL LOCK)
9	14H1040	NUT	4		1/2"
	12H301	LOCK WASHER	4		1/2"
10	R32101	STUD	4		1/2" X 1-3/4", (SUB FOR R49988)
11	R55079	COVER	1		(SUB FOR R27210 OR R52246)
12	R57725	SCREW	4		(SUB FOR R61762) (DRILLED)
13	.....	WIRE	2	-XXXXXX	16 GAUGE X 12" LONG
14	R26769	WASHER	1		
15	R40939	GASKET	1		
16	R34154	WASHER	1		
17	R40897	CAP	1		
18	19H3244	CAP SCREW	4		5/8" X 2-1/4"
19	19H2500	CAP SCREW	4		7/16" X 1-3/8"
	12H293	LOCK WASHER	4		7/16"
20	R41446	COVER	1		(LESS SELECTIVE CONTROL)
21	F2741R	PACKING	1		(LESS SELECTIVE CONTROL)
22	R40922	PACKING	1		(LESS SELECTIVE CONTROL)

# 3E15

HYDRAULICS

R15800 -UN-01JAN94

## SELECTIVE CONTROL VALVE SUPPORT (LESS ROCKSHAFT)



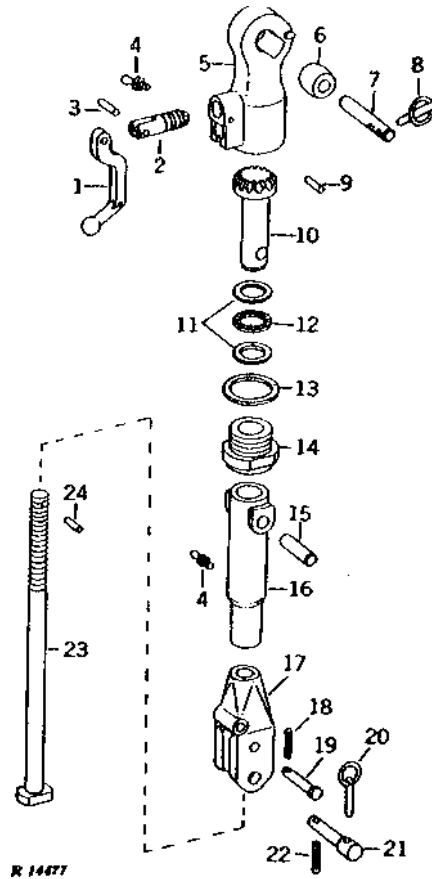
KEY	PART NO.	PART NAME	QTY	TRACTOR SERIAL NO.	REMARKS
1	19H1978	CAP SCREW	5		7/16" X 1-1/2"
	19H2500	CAP SCREW	5		7/16" X 1-3/8"
	12H293	LOCK WASHER	6		7/16"
2	R59080	COVER	1		(SUB FOR R41444 OR R50065) (ALSO ORDER (2) R59082)
3	R26149	PACKING	6	-130812	
	R26149	PACKING	5	130813-	
4	AR76279	SUPPORT	1		(MARKED R40541, R45975 OR R62152) (SUB FOR R40505, AR48006 OR AR54944) SUB. FOR A R40505 ( AR48006, AND AR54944)
5	19H1732	CAP SCREW	9		3/8" X 1-1/4"
	12H304	LOCK WASHER	9		3/8"
6	R27564	O-RING	1		(USE WITH R45975)
7	R45925	BACK-UP RING	1		(USE WITH R45975)
8	R45924	BUSHING	1		(USE WITH R45975)
9	R41057	BACK-UP RING	2		(WITH R40541) (1 USED WITH R45975)
10	R27166	O-RING	2		(WITH R40541) (1 USED WITH R45975)
11	R40945	VALVE	1		(USE WITH R40541)
12	F3171R	O-RING	1		
13	R27175	DRAIN PLUG	1		
14	R39741	DRAIN PLUG	1		
15	U13639	O-RING	1		
16	19H2500	CAP SCREW	1		7/16" X 1-3/8"
	12H293	LOCK WASHER	1		7/16"
17	R40896	GASKET	1		

# 3E16

HYDRAULICS

R14477 -UN-01JAN94

## HITCH RIGHT-HAND LIFT LINK

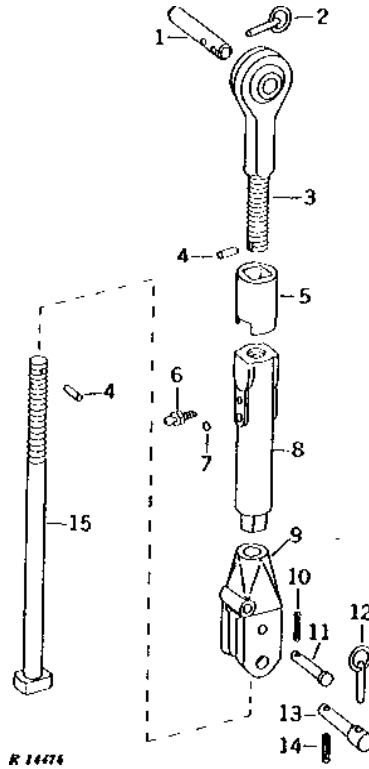


KEY	PART NO.	PART NAME	QTY	TRACTOR SERIAL NO.	REMARKS
1	R41538	CRANK	1		
2	R41537	PINION	1		
3	34H297	SPRING PIN	1	7/32" X 1"	
4	JD7797	LUBRICATION FITTING	2		
5	R41533	HOUSING	1		
6	R41541	BALL	1		
7	R58260	PIN	1	(SUB FOR R41544)	
8	AR83396	QUICK LOCK PIN	1	(SUB FOR AR26556 OR AR62152) (SUB R69166 AND 11M7059, THIS APPLICATION)	
9	34H316	SPRING PIN	1	1/4" X 1-1/2"	
10	R41536	PINION SHAFT	1		
11	JD9849	THRUST BEARING	2		
12	JD9848	THRUST BEARING	1		
13	R41535	WASHER	1		
14	R41534	BUSHING	1		
15	R41539	DOWEL PIN	1		
16	R41531	LINK BODY	1		
17	R56931	YOKE	1	(SUB FOR R41303)	
18	11M7021	COTTER PIN	1	0.157" X 0.984"	
19	T16068	PIN	1		
20	AR62149	QUICK LOCK PIN	1	(SUB FOR DA5883A)	
21	R54170	PIN	1	(SUB FOR R26618)	
22	11M7030	COTTER PIN	1	0.197" X 1.575"	
23	R41528	LIFT LINK	1	(ROW-CROP AND STANDARD)	
	R41545	LIFT LINK	1	(HI-CROP)	
24	34H282	SPRING PIN	1	3/16" X 1"	

# 3E17

R14476 -UN-01JAN94

## HITCH LEFT-HAND LIFT LINK



KEY	PART NO.	PART NAME	QTY	TRACTOR SERIAL NO.	REMARKS
1	R58260	PIN	1	(SUB FOR R41544)	
	RE13194	PIN	2	(HI-CROP) (SUB R79917)	
2	AR83396	QUICK LOCK PIN	1	(SUB FOR AR26556 OR AR62152)	
3	AR44568	END	1		
4	34H282	SPRING PIN	2	3/16" X 1"	
5	R41543	LOCK	1		
6	JD7759	LUBRICATION FITTING	1		
7	30H6	PLUG	2	9/16"	
8	R41532	LINK BODY	1		
9	R56931	YOKE	1	(SUB FOR R41303)	
10	11M7021	COTTER PIN	1	0.157" X 0.984"	
11	T16068	PIN	1		
12	AR62149	QUICK LOCK PIN	1	(SUB FOR DA5883A)	
13	R54170	PIN	1	(SUB FOR R26618)	
14	11M7030	COTTER PIN	1	0.197" X 1.575"	
15	R41528	LIFT LINK	1	(ROW-CROP AND STANDARD)	
	R41545	LIFT LINK	1	(HI-CROP)	

MEMORANDA

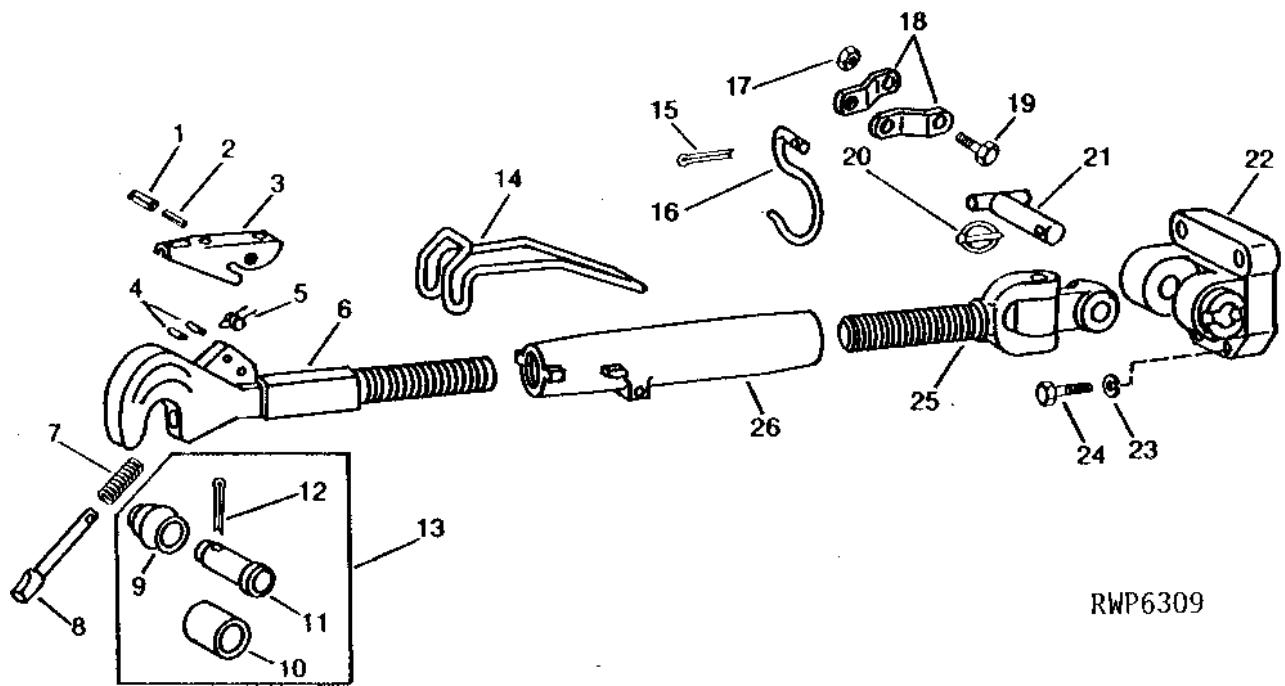
# 3E18

HYDRAULICS

RWP6309

-UN-01JAN94

## HITCH CENTER LINK (ROW-CROP AND STANDARD)



RWP6309

HITCH CENTER LINK (ROW-CROP AND STANDARD) - CONTINUED

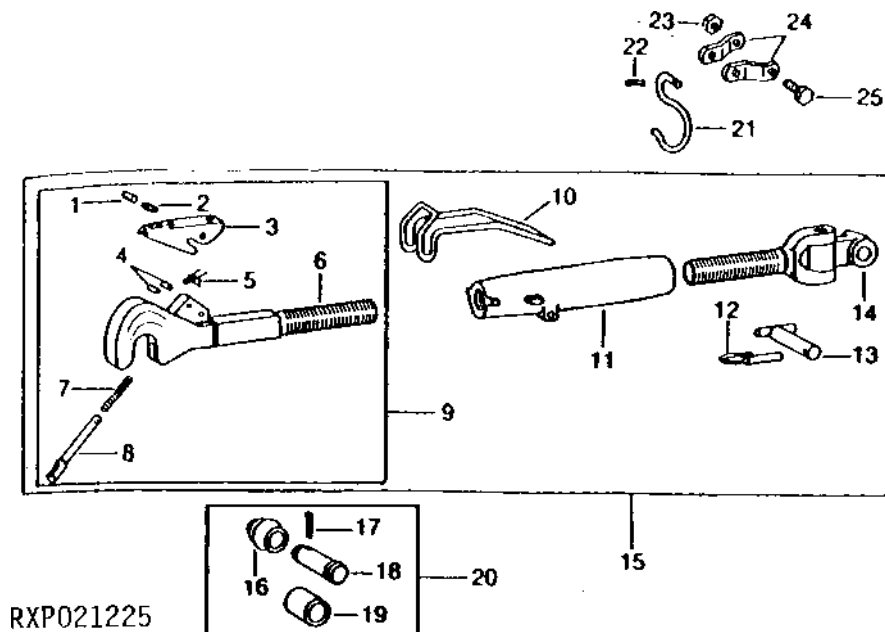
KEY	PART NO.	PART NAME	QTY	TRACTOR SERIAL NO.	REMARKS
1	R56506	SPRING PIN	1		
2	34H252	SPRING PIN	1		1/8" X 1-1/4", (SUB FOR R56505)
3	F2824R	HANDLE	1		
4	34H283	SPRING PIN	2		3/16" X 1-1/8"
5	F2823R	SPRING	1		
6	R26813	HOOK	1		
7	F2822R	SPRING	1		
8	R53196	LATCH	1		(SUB FOR F2821R)
9	F2680R	BALL STUD	1		(A)
	F2681R	BALL	1		(B)
10	28H1753	BUSHING	1		(B) (SUB FOR R44917)
	R66432	BUSHING	2		(A)
	R66433	BUSHING	2		(A)
11	R58262	PIN	1		(A) (SUB FOR R28061 AND R44917)
	R53296	PIN	1		(B) (SUB FOR F2863R OR R44918)
12	11M7040	COTTER PIN	1		(B) 0.248" X 1.969"
	11M7038	COTTER PIN	1		(A)
13	AF2710R	BALL	1		(A) 19MM (49/64") I.D. (SUB AR31547, (4) AR21839, R57300, (2) 12H304, (2) 14H255 AND (2) 19H2284)
	AF2711R	BALL	1		(B) 26MM (1-1/64") I.D.
14	R42495	HANDLE	1		
15	11M7059	COTTER PIN	1		3.200 X 20 MM
16	R32119	HOOK	1	-150000	(SUB R53762)
	R53762	HOOK	1	150001-	(SUB FOR R47072)
17	14H785	NUT	2	150001-	5/16", (POWER WEIGHT TRANSFER HITCH)
18	R40633	BRACKET	2	150001-	(POWER WEIGHT TRANSFER HITCH)
19	19H1901	CAP SCREW	1	150001-	5/16" X 2", (POWER WEIGHT TRANSFER HITCH)
20	AR62151	QUICK LOCK PIN	1		(SUB FOR B11182) (SUB M115827)
21	AR67880	PIN	1		(SUB FOR AR39681)
22	R39759	BRACKET	1		
23	12H294	LOCK WASHER	4		5/8"
24	19H3244	CAP SCREW	4		5/8" X 2-1/4"
25	AR32531	CENTER LINK END	1		
26	R26811	LINK BODY	1	-150000	(ALSO ORDER R53762) (SUB FOR R26811)
	R47524	LINK BODY	1	150001-	

(A) CATEGORY I

(B) CATEGORY II

RXP021225 -UN-11JUL95

## HITCH CENTER LINK (HI-CROP)



KEY	PART NO.	PART NAME	QTY	TRACTOR SERIAL NO.	REMARKS
1	34H299	SPRING PIN	1		7/32" X 1-1/4", (SUB FOR R56506)
2	R56505	SPRING PIN	1		
3	F2824R	HANDLE	1		
4	34H283	SPRING PIN	2		3/16" X 1-1/8"
5	F2823R	SPRING	1		
6	R26813	HOOK	1		
7	F2822R	SPRING	1		
8	R53196	LATCH	1		
9	AR46298	HOOK	1		
10	R42495	HANDLE	1		
11	R47524	LINK BODY	1		
	R47887	LINK BODY	1		(SUB R51524, R51525, 19H3208 AND 19H3244) (18.4-38, 20.8-34 OR 23.1-30 TIRES)
12	AR62151	QUICK LOCK PIN	1		(SUB M115827)
13	AR67880	PIN	1		(SUB FOR AR39681)
14	AR32531	CENTER LINK END	1		
15	AR34208	LINK	1		
16	F2680R	BALL STUD	1		(A)
	F2681R	BALL	1		(B)
17	11H215	COTTER PIN	1		(A) 1/4" X 1-1/2"
	11H249	COTTER PIN	1		(B) 1/4" X 2"
18	R58262	PIN	1		(A) (SUB FOR R44917)
	R53296	PIN	1		(B) (SUB FOR R44918)
19	28H1753	BUSHING	1		(B) 3/4" X 2-1/16"
	R66432	BUSHING	2		(A)
	R66433	BUSHING	2		(A)
20	AF2710R	BALL	1		(A) (SUB AR31547, (4) AR21839, R57300, (2) 12H304, (2) 14H255, (2) 19H2284) (BALL INNER DIAMETER, 49/64")
	AF2711R	BALL	1		(B) (BALL INNER DIAMETER, 1-1/64")
21	R53762	HOOK	1		
22	11H211	COTTER PIN	1		1/8" X 3/4"
23	14H785	NUT	2		5/16"
24	R40633	BRACKET	2		
25	19H1901	CAP SCREW	1		5/16" X 2"

(A) CATEGORY I

(B) CATEGORY II

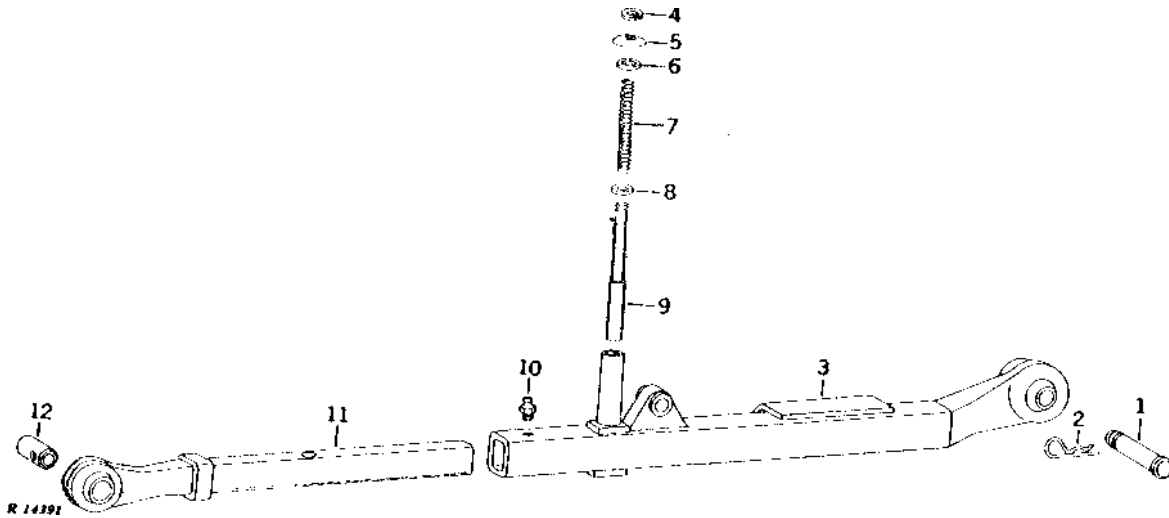


# 3E21

HYDRAULICS

R14391 -UN-01JAN94

## DRAFT LINKS (ROW-CROP AND STANDARD)



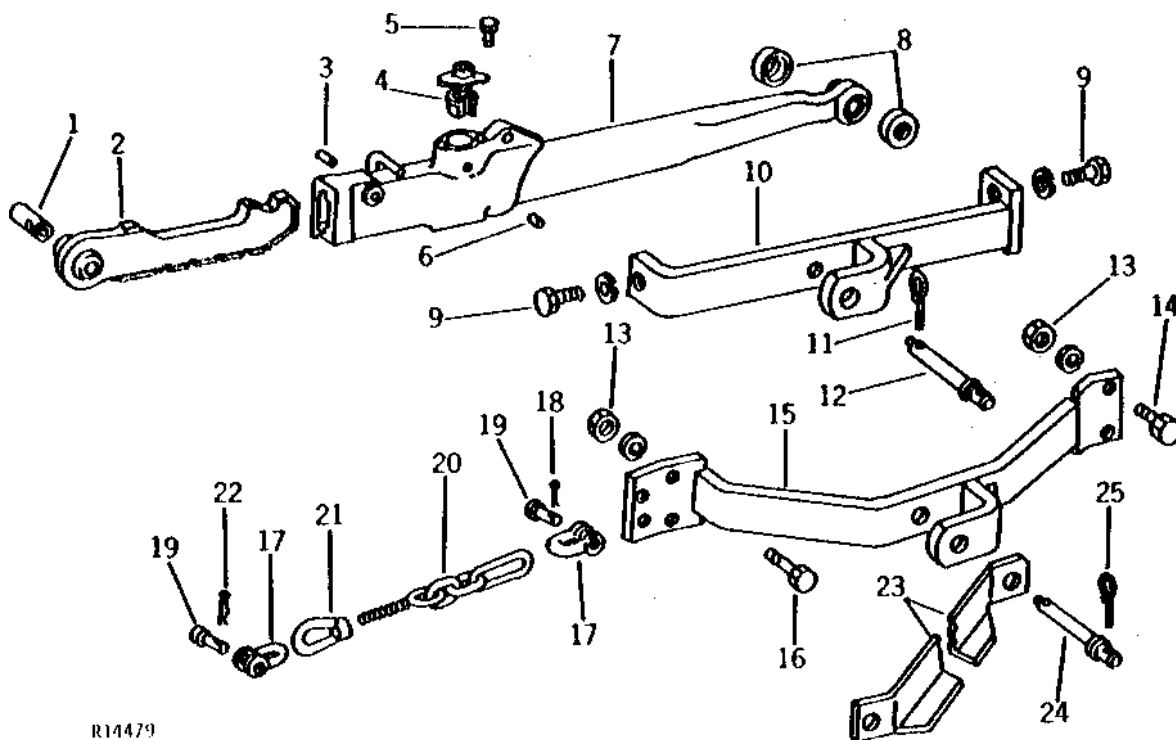
KEY	PART NO.	PART NAME	QTY	TRACTOR SERIAL NO.	REMARKS
1	R58261	PIN	2		(SUB FOR R40516 OR R53562) (USE WITH AR60372)
2	AR62151	QUICK LOCK PIN	2		(SUB FOR B11182) (SUB M115827)
3	AR32547	TUBE	1		R.H.
	AR32548	TUBE	1		L.H.
4	F2208R	SNAP RING	2		
5	B2477R	WASHER	2		
6	24M7098	WASHER	2		19 X 30 X 3 MM
7	F2695R	SPRING	2		
8	D2865R	WASHER	2		(SUB 24H1111)
9	F2693R	PIN	2		
10	JD7759	LUBRICATION FITTING	2		
11	AR28570	BAR	2		
12	R66432	BUSHING	2		(A) (SUB FOR F2684R)
	R66433	BUSHING	2		(B) (SUB FOR F2685R)
	AF3147R	BAR	1		IMPLEMENT HITCH (NOT ILLUSTRATED)

(A) CATEGORY I

(B) CATEGORY II

## HITCH DRAFT LINKS AND SUPPORTS (HI-CROP)

R14479 -UN-01JAN94



R14479

KEY	PART NO.	PART NAME	QTY	TRACTOR SERIAL NO.	REMARKS
1	R66432	BUSHING	2		CATEGORY I, (SUB FOR F2684R)
	R66433	BUSHING	2		CATEGORY II, (SUB FOR F2685R)
2	AR27645	DRAFT LINK END	1		R.H. (MARKED R28255)
	AR27646	DRAFT LINK END	1		(MARKED R28256) L.H.
3	34H371	SPRING PIN	2		1/2" X 2"
4	AR69317	LATCH	2	-XXXXXX	(SUB FOR AR30288)
	AR90082	LOCK	2	XXXXXX-	
5	19H1227	CAP SCREW	4		1/4" X 1/2"
6	B2641R	DOWEL PIN	2		
7	AR69315	LINK BODY	1		R.H. (SUB FOR AR27649)
	AR69316	LINK BODY	1		L.H. (SUB FOR AR27650)
8	R26608	WASHER	4		
9	19H2589	CAP SCREW	6		3/4" X 1-7/8"
	12H236	LOCK WASHER	6		3/4"
10	AR33952	SUPPORT	2		(WITH HITCH FOR WIDE CLEARANCE IMPLEMENTS)
11	AR62151	QUICK LOCK PIN	1		(SUB FOR B11182) (SUB M115827)
12	R26609	PIN	2		
13	14H794	NUT	8		3/4"
	12H236	LOCK WASHER	8		3/4"
14	19H1782	CAP SCREW	4		3/4" X 2-1/4"
15	AR33954	SUPPORT	1		R.H. (HITCH FOR MODIFIED CATEGORY I OR CATEGORY II IMPLEMENTS)
	AR33955	SUPPORT	1		L.H. (HITCH FOR MODIFIED CATEGORY I OR CATEGORY II IMPLEMENTS)
16	19H1715	CAP SCREW	4		3/4" X 3"
17	31603	CLEVIS	4		(NLA)
18	11M7084	COTTER PIN	2		5 X 25 MM
19	RV695A	PIN	4		
20	AR27790	LINK CHAIN	2		
21	R21342	NUT	2		
22	A3581R	SPRING LOCKING PIN	2		
23	R28272	BRACE	2		
24	R42453	PIN	2		(SUB R26609)
25	AR62151	QUICK LOCK PIN	2		(SUB FOR B11182) (SUB M115827)
..	AF3147R	BAR	1		IMPLEMENT HITCH (NOT ILLUSTRATED)

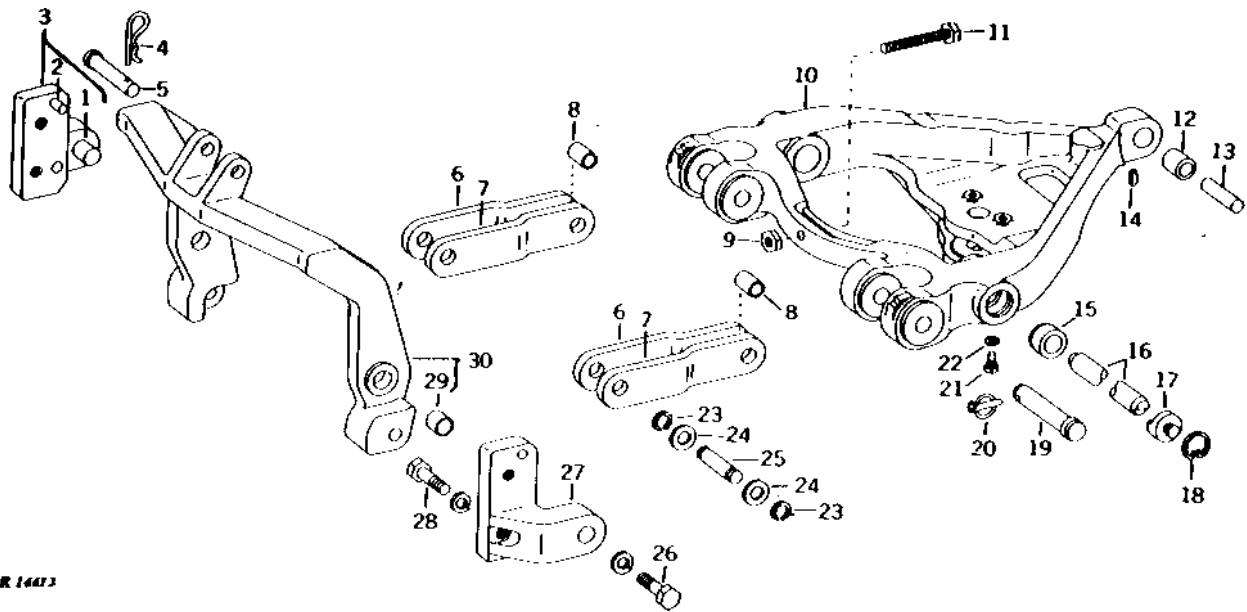
# 3E23

HYDRAULICS

## HITCH DRAFT CENTER LINK SUPPORT ASSEMBLY (HI-CROP)

R14473

-UN-01JAN94



KEY	PART NO.	PART NAME	QTY	TRACTOR SERIAL NO.	REMARKS
1	R28381	PIN	2		
2	R60161	DOWEL PIN	2		(SUB FOR R35046)
3	AR56023	SUPPORT	1		(MARKED R41750 OR R51779) (SUB FOR AR41744)
4	A3581R	SPRING LOCKING PIN	1		
5	M2071T	PIN	1		
6	R34477	DRAFT LINK	2		
7	R34579	DRAFT LINK	2		(NLA)
8	A2530R	WASHER	2		
9	14H1039	NUT	1		5/8"
10	AR40768	SUPPORT	1		(MARKED R41100)
11	R42944	CAP SCREW	1		
12	R31438	BUSHING	1		
13	R26503	DOWEL PIN	1		
14	34H309	SPRING PIN	1		1/4" X 5/8"
15	R41088	BUSHING	2		
16	R33883	PIN	1		
17	R41763	RETAINER	2		
18	R34399	SNAP RING	2		
19	R58261	PIN	2		(SUB FOR R40516 OR R53562) (USE WITH AR60372)
20	AR62151	QUICK LOCK PIN	2		(SUB FOR B11182) (SUB M115827)
21	R40928	BOLT	2		
22	12H303	LOCK WASHER	2		5/16"
23	A369R	SNAP RING	4		(SUB R73380)
24	24H1396	WASHER	4		25/32" X 1-1/2" X 0.105"
25	R31400	PIN	2		
26	19H1831	CAP SCREW	2		-XXXXXX 1/2" X 2"
	12H301	LOCK WASHER	2		-XXXXXX 1/2"
27	AR56022	SUPPORT	1		(MARKED R41749 OR R51778) (SUB FOR AR41743)
28	19H2602	CAP SCREW	4		5/8" X 2-5/8"
	12H294	LOCK WASHER	4		5/8"
29	R27899	BUSHING	2		
30	AR33950	ARM	1		(MARKED R34474)

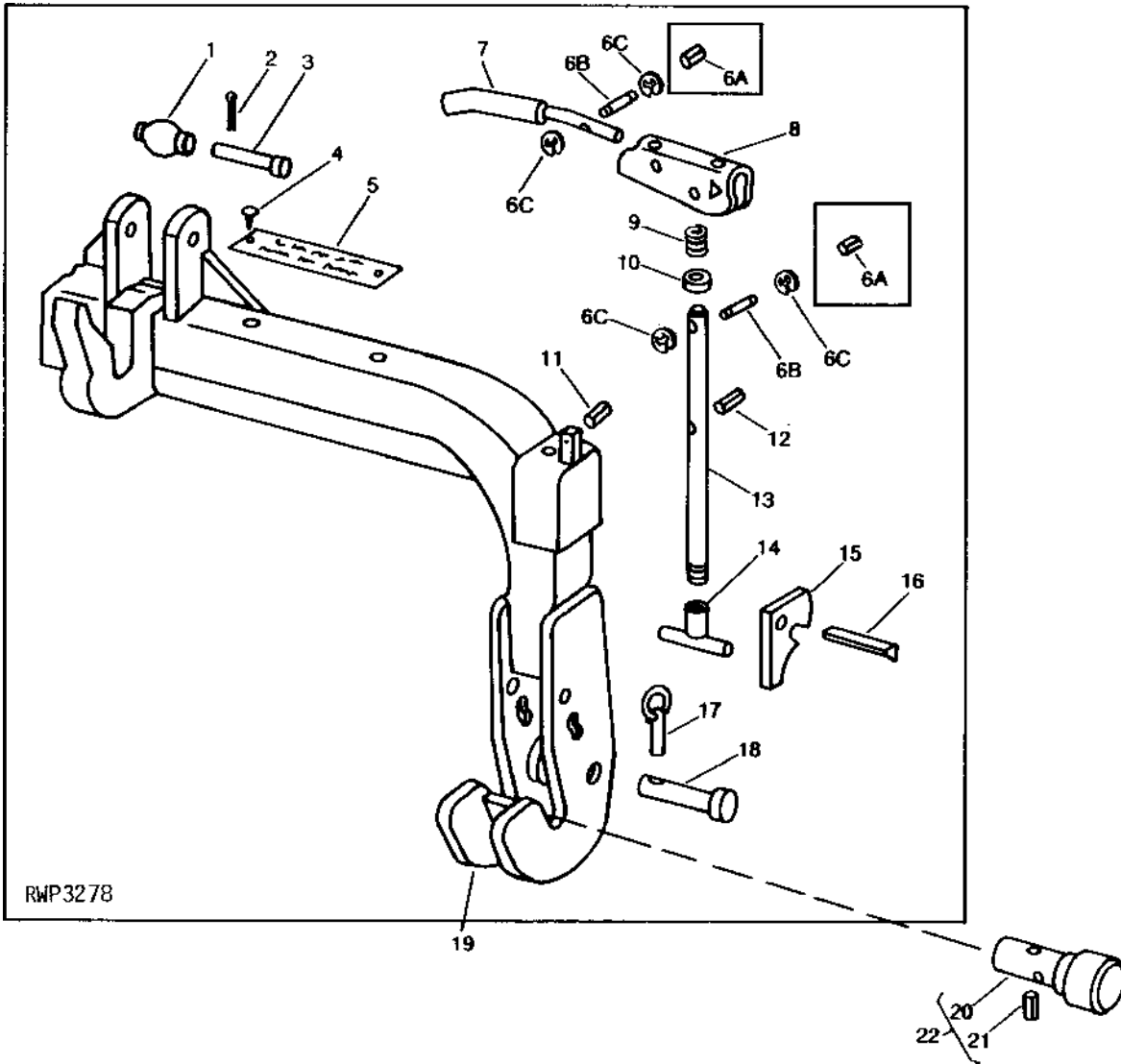
# 3E24

HYDRAULICS

RWP3278

-UN-06OCT94

REGULAR IMPLEMENT QUICK COUPLER



# 3E25

HYDRAULICS

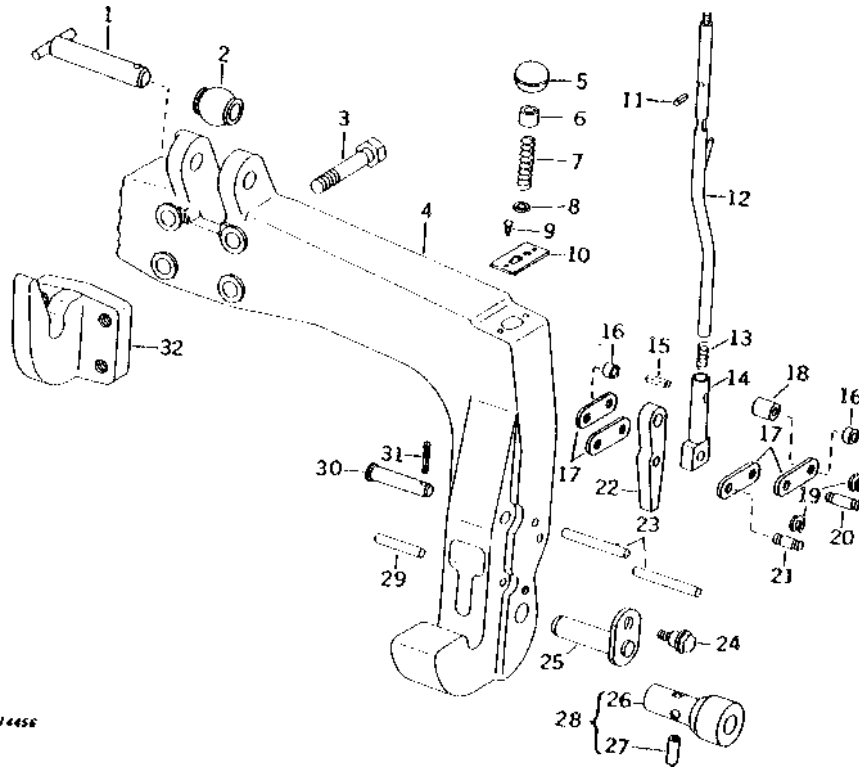
## REGULAR DUTY IMPLEMENT QUICK COUPLER - CONTINUED

KEY	PART NO.	PART NAME	QTY	TRACTOR SERIAL NO.	REMARKS
1	F2681R	BALL	1		
2	11M7040	COTTER PIN	1		
3	R53296	PIN	1		(SUB FOR R44918)
4	37H44	SCREW	2		0.154" X 3/8"
5	R56039	DECAL	1		
6A	34H311	SPRING PIN	4	-XXXXXX	1/4" X 7/8"
6B	R66901	SPRING PIN	4	XXXXXX-	
6C	R27507	SNAP RING	8	XXXXXX-	
7	R48163	HANDLE	2		
8	R48164	LEVER	2		
9	R43444	SPRING	2		
10	R46890	SLEEVE	2		
11	34H311	SPRING PIN	2		1/4" X 7/8"
12	34H277	SPRING PIN	2		3/16" X 5/8"
13	R46889	STUD	2		
14	AR49206	PIN	2		
15	R46893	LATCH	2		
16	34H373	SPRING PIN	2		1/2" X 2-1/2"
17	AR62151	QUICK LOCK PIN	2		(SUB FOR B11182) (SUB M115827)
18	R58268	PIN	2		(SUB FOR R27997)
19	TY15269	HITCH	1		(SUB FOR AR49202) (SUB TY16042)
20	R27998	HALF SLEEVE	2		
21	R27999	SPRING PIN	2		
22	AR27093	ADAPTER	2		

# 3F1

## HEAVY-DUTY IMPLEMENT QUICK COUPLER (TRACTOR SERIAL NO. 123000-150000)

R14456 -UN-01JAN94



KEY	PART NO.	PART NAME	QTY	TRACTOR SERIAL NO.	REMARKS
1	AR67881	PIN	1		(SUB FOR AR39784)
2	F2681R	BALL	1		
3	19H2026	CAP SCREW	4		3/4" X 4"
4	.....	FRAME	1		(ORDER TY15269)
5	R60455	BRACKET	2		(SUB FOR F2861R)
6	R39814	SLEEVE	2		
7	M60409	SPRING	2		
8	24H1658	WASHER	2		21/32" X 1" X 0.060"
9	37H71	SCREW	4		NO. 12 X 5/8"
10	R39815	BRACKET	2		(NLA)
11	34H279	SPRING PIN	2		3/16" X 13/16"
12	AR40194	ROD	1		R.H.
	AR39786	ROD	1		L.H.
13	B3686R	SPRING	2		
14	AR41933	END	2		
15	34H282	SPRING PIN	2		3/16" X 1"
16	F2206R	WASHER	4		
17	R65242	STRAP	8		(SUB FOR R36439 OR R47590)
18	28H1919	BUSHING	2		1/2" X 15/16"
19	F2208R	SNAP RING	8		
20	R119275	PIN	2		(SUB FOR R36613 OR R47679)
21	R119276	PIN	2		(SUB FOR R36440 OR R47678)
22	R40424	LATCH	2		
23	34H377	SPRING PIN	4		1/2" X 3-1/2"
24	AR74673	CAP SCREW	2		(SUB FOR AR40865) (USE WITH PIN WITH 1/4" THICK HANDLE)
	AR48110	CAP SCREW	2		(USE WITH PIN WITH 3/8" THICK HANDLE)
25	AR48111	PIN	2		(SUB FOR AR39783) (USE WITH AR74673)
26	R27998	HALF SLEEVE	2		
27	R27999	SPRING PIN	2		
28	AR27093	ADAPTER	2		
29	34H373	SPRING PIN	2		1/2" X 2-1/2"
30	R63736	PIN	2		(SUB FOR R40425)
31	11M7087	COTTER PIN	2		0.157" X 1.575"
32	R59478	HOOK	1		(ORDER TY15269) (SUB FOR R41861)

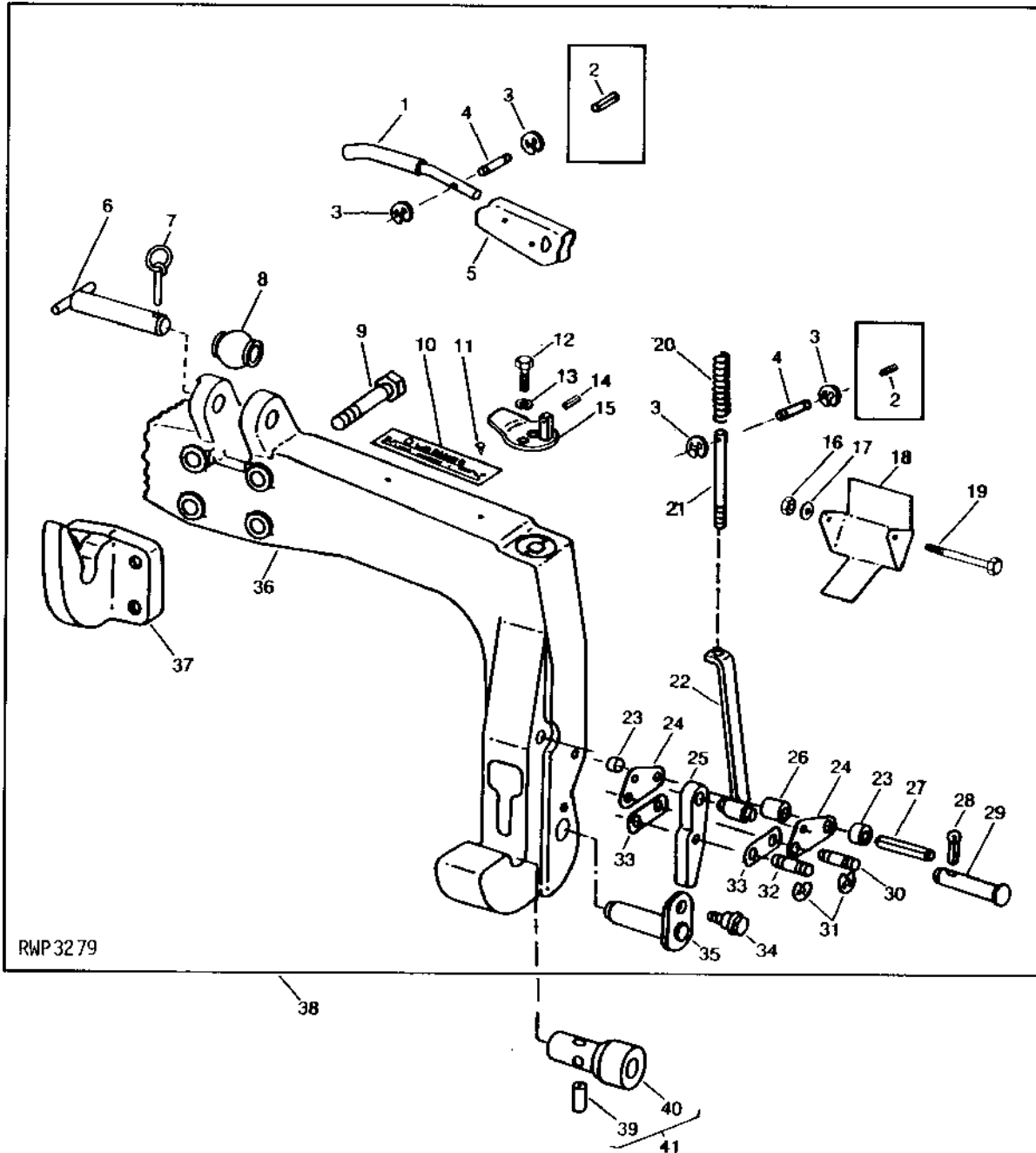
MEMORANDA

# 3F2

RWP3279

-UN-06OCT94

## HEAVY-DUTY IMPLEMENT QUICK COUPLER (TRACTOR SERIAL NO. 150001- )





# 3F3

HYDRAULICS

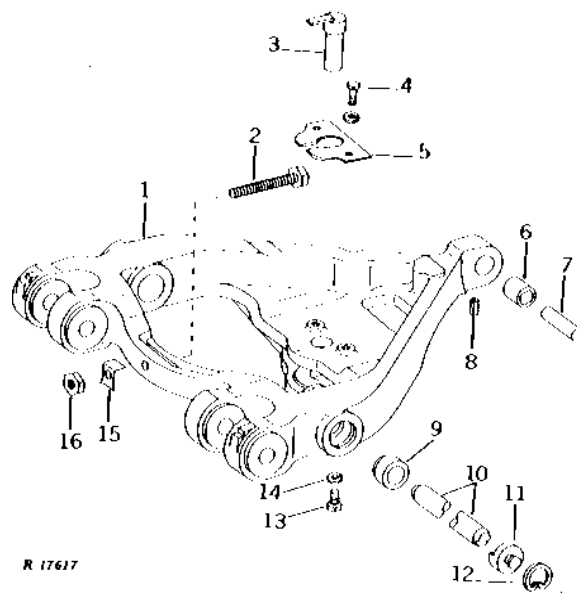
HEAVY-DUTY IMPLEMENT QUICK COUPLER - CONTINUED  
(TRACTOR SERIAL NO. 150001- )

KEY	PART NO.	PART NAME	QTY	TRACTOR SERIAL NO.	REMARKS
1	R48163	HANDLE	2		
2	34H311	SPRING PIN	4		
3	R27507	SNAP RING	8	-XXXXXX	1/4" X 7/8"
4	R66901	SPRING PIN	4	XXXXXX-	
5	R48164	LEVER	2	XXXXXX-	
6	AR67881	PIN	1		(SUB FOR AR51867)
7	AR62151	QUICK LOCK PIN	1		(SUB FOR B11182) (SUB M115827)
8	F2681R	BALL	1		
9	19H2026	CAP SCREW	4		3/4" X 4"
10	R56038	DECAL	1		
11	37H44	SCREW	2		0.154" X 3/8"
12	19H1731	CAP SCREW	4		3/8" X 1"
13	12H304	LOCK WASHER	4		3/8"
14	34H311	SPRING PIN	4		1/4" X 7/8"
15	AR50374	BRACKET	2		
16	14H786	NUT	2		1/4"
17	12H302	LOCK WASHER	2		1/4"
18	R53295	SHIELD	2		
19	19H2338	CAP SCREW	2		1/4" X 4-1/2"
20	R43444	SPRING	2		
21	R47578	STUD	2		
22	AR50372	BAR	1		R.H.
	AR50373	BAR	1		L.H.
23	F2206R	WASHER	4		
24	R65243	LINK	4		(SUB FOR R47581 OR R58203)
25	R40424	LATCH	2		
26	28H1919	BUSHING	2		1/2" X 15/16"
27	34H377	SPRING PIN	2		1/2" X 3-1/2"
28	11M7087	COTTER PIN	2		0.157" X 1.575"
29	R63736	PIN	2		(SUB FOR R40425)
30	R119275	PIN	2		(SUB FOR R47679)
31	F2208R	SNAP RING	8		
32	R119276	PIN	2		(SUB FOR R47678)
33	R65242	STRAP	4		(SUB FOR R47590)
34	AR74673	CAP SCREW	2		(SUB FOR AR48110)
35	AR48111	PIN	2		
36	R47577	FRAME	1		
37	R59478	HOOK	1		(SUB FOR R41861)
38	AR50368	QUICK COUPLER	1		(SUB TY15269)
39	R27999	SPRING PIN	2		
40	R27998	HALF SLEEVE	2		
41	AR27093	ADAPTER	1		

# 3F4

R17617 -UN-01JAN94

## FRONT DRAWBAR SUPPORT (ROW-CROP AND STANDARD)



R 17617

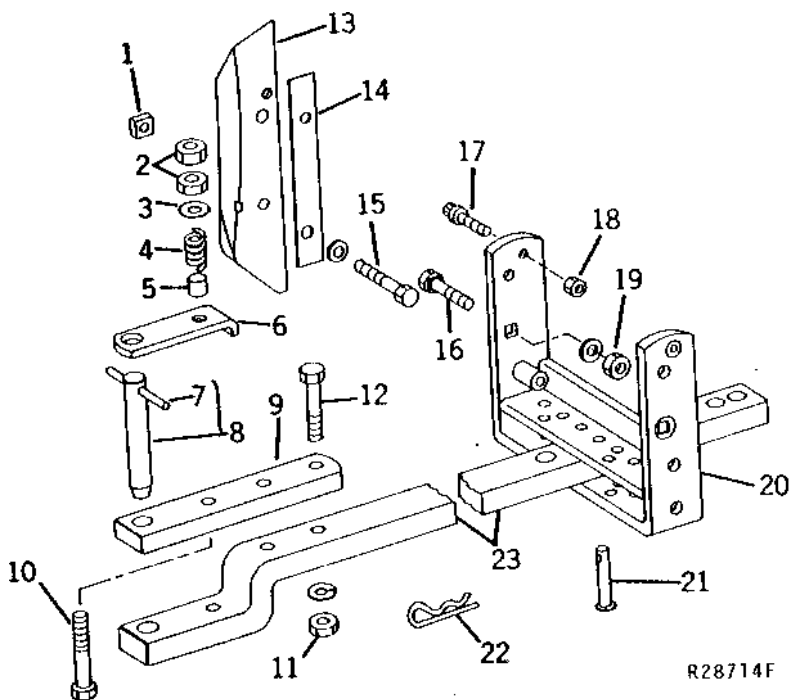
KEY	PART NO.	PART NAME	QTY	TRACTOR SERIAL NO.	REMARKS
1	AR40767	SUPPORT	1		(MARKED R41090) (SUB AR52798, R28040, R56728, R96420, A147R, 19H1732 AND 12H304)
2	R42944	CAP SCREW	1		(USE WITH AR40767)
3	AR44189	PIN	1		
4	19H2284	CAP SCREW	2	3/8" X 7/8"	
	12H304	LOCK WASHER	2	3/8"	
5	R34253	RETAINER	1		(SUB R96420, R28040, A147R, 12H304 AND 19H1732)
6	R31438	BUSHING	1		
7	R26503	DOWEL PIN	1		
8	34H309	SPRING PIN	1	1/4" X 5/8"	
9	R41088	BUSHING	2		
10	R33883	PIN	1		
11	R41763	RETAINER	2		
12	N107859	SNAP RING	2		(SUB FOR R44040 OR J17817)
13	R40928	BOLT	2		
14	12H303	LOCK WASHER	2	5/16"	
15	R47626	LOCK PLATE	1		(USE WITH AR40767)
16	14H1039	NUT	1		5/8", (USE WITH AR40767)

# 3F5

HYDRAULICS

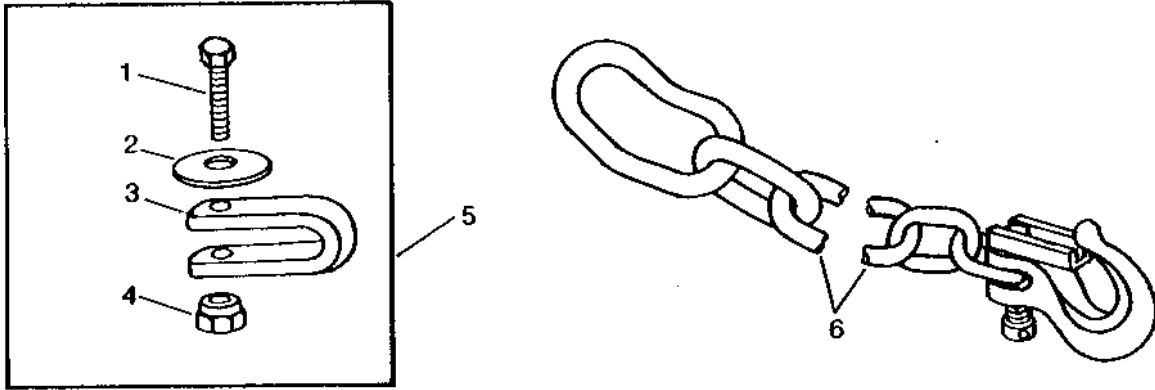
R28714 -UN-01JAN94

## REGULAR DRAWBAR (ROW-CROP AND STANDARD)



KEY	PART NO.	PART NAME	QTY	TRACTOR SERIAL NO.	REMARKS
1	14H893	NUT	2	5/8"	
2	14H1039	NUT	2	5/8"	
3	24H1372	WASHER	1	21/32" X 1-1/2" X 0.060"	
4	F3541R	SPRING	1		
5	F3542R	BUSHING	1		
6	F3539R	RETAINER	1		
7	34H363	SPRING PIN	1	3/8" X 4"	
8	AR26462	PIN	1		
9	R26584	STRAP	1		
10	19H2124	CAP SCREW	1	5/8" X 4-1/4"	
11	14H794	NUT	2	3/4"	
	12H236	LOCK WASHER	2	3/4"	
12	19H3027	CAP SCREW	2	3/4" X 3-1/2" HS, SAE 8	
13	R39512	SWAY BLOCK	1	R.H.	
	R39513	SWAY BLOCK	1	L.H.	
14	R65527	WASHER	2	(SUB FOR R34505)	
15	19H2233	CAP SCREW	2	5/8" X 3-1/2"	
	12H294	LOCK WASHER	2	5/8"	
16	R49106	BOLT	2		
17	R42440	CAP SCREW	2		
18	14H1040	NUT	2	1/2"	
19	14H1039	NUT	2	5/8"	
	12H294	LOCK WASHER	2	5/8"	
20	AR32495	SUPPORT	1		
21	R33831	PIN	2	(SUB R61967 AND A3581R, THIS APPLICATION)	
22	AR62151	QUICK LOCK PIN	2	(SUB FOR B11182) (SUB M115827)	
23	R28057	DRAWBAR	1	(SUB RE20662)	
	R81576	DRAWBAR	1	(HEAVY-DUTY) (NOT DRILLED FOR STRAP)	

IMPLEMENT SAFETY CHAIN



RWP5796

KEY	PART NO.	PART NAME	QTY	TRACTOR SERIAL NO.	REMARKS
1	19H1768	CAP SCREW	1	(A) (B)	
	19H2084	CAP SCREW	1	(A)	
	19H2174	CAP SCREW	1	(B)	
2	R36402	WASHER	1		
3	R69408	CLEVIS	1	(A)	
	R69409	CLEVIS	1	(B)	
4	T25879	NUT	2		
5	AR90577	SAFETY CHAIN ADAPTER KIT	1		CATEGORY IV DRAWBARS
	AR90578	CHAIN KIT	1		CATEGORY II AND III DRAWBARS
6	RE26739	LINK CHAIN	1		61 LINKS 6.4 MM (1/4") DIA CHAIN (6,000 LB)
	AR90581	LINK CHAIN	1		61 LINKS 6.4 MM (1/4") DIA CHAIN (10,000 LB)
	AR90579	LINK CHAIN	1		42 LINKS 9.5 MM (3/8") DIA CHAIN
	AR90583	LINK CHAIN	1		43 LINKS 11.1 MM (7/16") DIA CHAIN
	AN212996	LINK CHAIN	1		(SUB FOR RE26740) 42 LINKS 12.7 MM (1/2") DIA CHAIN

(A) INCLUDED IN AR90577

(B) INCLUDED IN AR90578

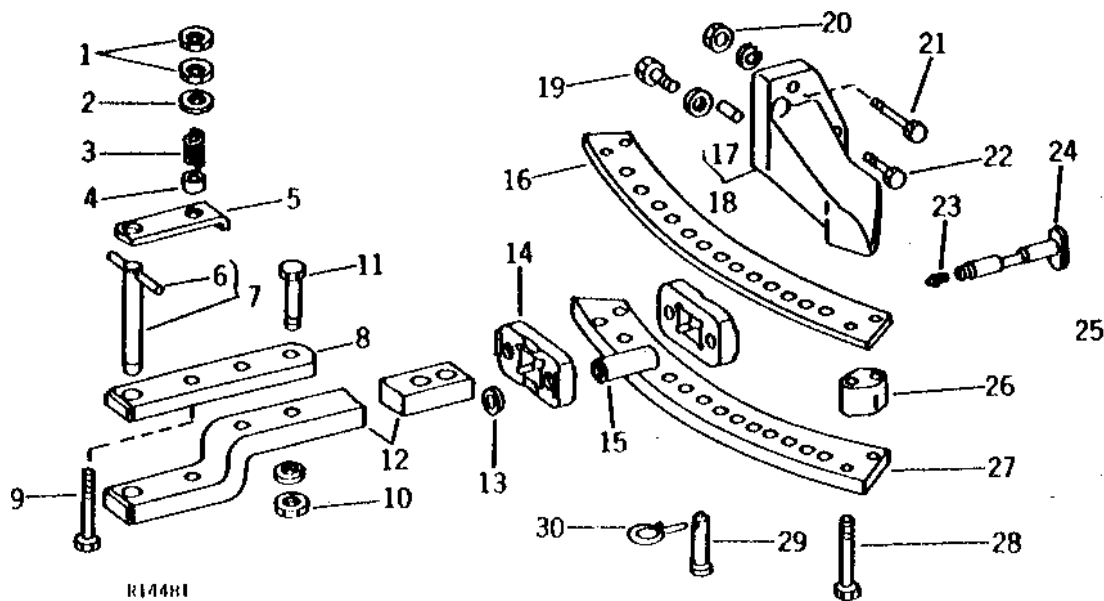
MEMORANDA

# 3F7

HYDRAULICS

R14481 -UN-01JAN94

## WIDE SWING DRAWBAR (ROW-CROP AND STANDARD)



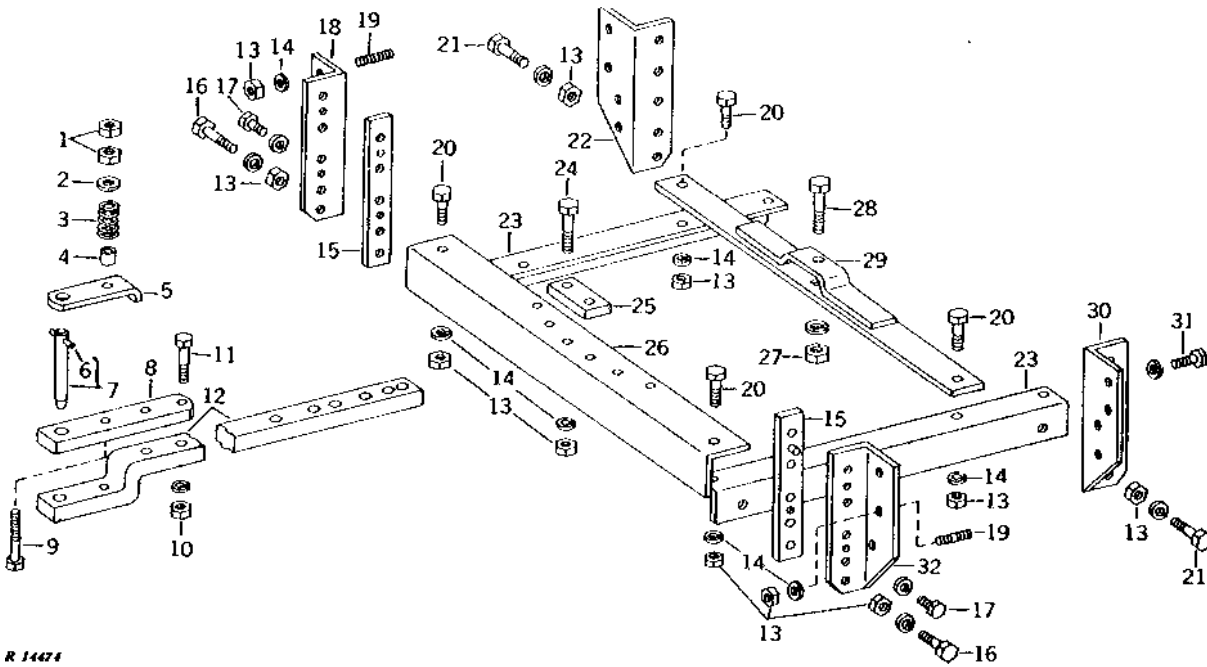
KEY	PART NO.	PART NAME	QTY	TRACTOR SERIAL NO.	REMARKS
1	14H1039	NUT	2	5/8"	
2	24H1372	WASHER	1	21/32" X 1-1/2" X 0.060"	
3	F3541R	SPRING	1		
4	F3542R	BUSHING	1		
5	F3539R	RETAINER	1		
6	34H363	SPRING PIN	1	3/8" X 4"	
7	AR26462	PIN	1		
8	R26584	STRAP	1		
9	19H2124	CAP SCREW	1	5/8" X 4-1/4"	
10	14H794	NUT	2	3/4"	
	12H236	LOCK WASHER	2	3/4"	
11	19H3027	CAP SCREW	2	3/4" X 3-1/2" HS, SAE 8	
12	R28057	DRAWBAR	1	(SUB RE20662)	
	R81576	DRAWBAR	1	(HEAVY-DUTY) (NOT DRILLED FOR STRAP)	
13	24M7353	WASHER	2	(SUB FOR R42660)	
14	R34374	HANGER	2		
15	R54141	BUSHING	2	(SUB FOR R35839)	
16	R34375	STRAP	1		
17	R54380	DOWEL PIN	2	(SUB FOR T25317)	
18	AR45104	SUPPORT	1	R.H. (MARKED R42695)	
	AR45105	SUPPORT	1	L.H. (MARKED R42696)	
19	19H1890	CAP SCREW	4	5/8" X 2-3/4"	
	12H294	LOCK WASHER	4	5/8"	
20	14H1040	NUT	2	1/2"	
	12H301	LOCK WASHER	2	1/2"	
21	19H1868	CAP SCREW	2	1/2" X 3-3/4"	
22	19H1847	CAP SCREW	2	5/8" X 2-1/2"	
23	JD7759	LUBRICATION FITTING	2		
24	AR61656	PIN	2	(SUB FOR AR44820)	
25	A369R	SNAP RING	2	(SUB R73380)	
26	R34373	SPACER	2		
27	R34376	SUPPORT	1		
28	19H2124	CAP SCREW	4	5/8" X 4-1/4"	
29	R58262	PIN	2	(SUB FOR R28061 AND R44917)	
30	AR62151	QUICK LOCK PIN	2	(SUB FOR B11182) (SUB M115827)	

# 3F8

HYDRAULICS

R14474 -UN-01JAN94

## DRAWBAR (HI-CROP)



R 14474

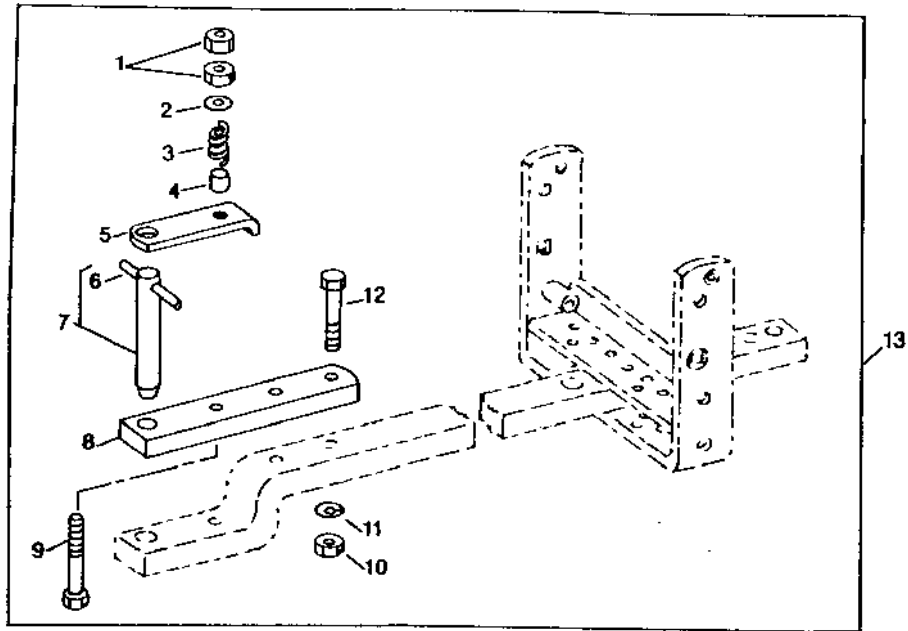
KEY	PART NO.	PART NAME	QTY	TRACTOR SERIAL NO.	REMARKS
1	14H1039	NUT	2	5/8"	
2	24H1372	WASHER	1	21/32" X 1-1/2" X 0.060"	
3	F3541R	SPRING	1		
4	F3542R	BUSHING	1		
5	F3539R	RETAINER	1		
6	34H363	SPRING PIN	1	3/8" X 4"	
7	AR26462	PIN	1		
8	R26584	STRAP	1		
9	19H2124	CAP SCREW	1	5/8" X 4-1/4"	
10	14H794	NUT	2	3/4"	
	12H236	LOCK WASHER	2	3/4"	
11	19H3027	CAP SCREW	2	3/4" X 3-1/2" HS, SAE 8	
12	R28057	DRAWBAR	1	(SUB RE20662)	
	R81576	DRAWBAR	1	(HEAVY-DUTY) (NOT DRILLED FOR STRAP)	
	14H794	NUT	14	3/4"	
14	12H236	LOCK WASHER	10	3/4"	
15	AR28141	SWAY BLOCK	2		
16	19H1440	CAP SCREW	2	3/4" X 3"	
	12H236	LOCK WASHER	2	3/4"	
17	19H1721	CAP SCREW	2	1/2" X 1-1/2"	
	12H301	LOCK WASHER	2	1/2"	
18	R28197	SUPPORT	1		
19	F1024R	STUD	4	3/4" X 2-3/4"	
20	19H1374	CAP SCREW	4	3/4" X 2"	
21	19H1374	CAP SCREW	2	3/4" X 2"	
	12H236	LOCK WASHER	2	3/4"	
22	R28195	SUPPORT	1		
23	R28199	DRAWBAR	2		
24	19H2113	CAP SCREW	2	3/4" X 3-1/4"	
25	R28203	STRAP	1	(NLA)	
26	R28201	DRAWBAR	1	(NLA)	
27	14H854	NUT	1	1"	
	12H234	LOCK WASHER	1	1"	
28	19H2421	CAP SCREW	1	1" X 3-3/4"	
29	AR56014	DRAWBAR	1	(SUB FOR AR27581)	
30	R28194	SUPPORT	1		
31	19H2589	CAP SCREW	2	3/4" X 1-7/8"	
	12H236	LOCK WASHER	2	3/4"	
32	R28196	SUPPORT	1		

# 3F9

HYDRAULICS

RWP1907 -UN-06OCT94

## DRAWBAR CLEVIS PIN KIT



RWP1907

KEY	PART NO.	PART NAME	QTY	TRACTOR SERIAL NO.	REMARKS
1	14H263	NUT	2	5/8"	
2	24H1372	WASHER	1	21/32" X 1-1/2" X 0.060"	
3	F3541R	SPRING	1		
4	F3542R	BUSHING	1		
5	F3539R	RETAINER	1		
6	34H363	SPRING PIN	1	3/8" X 4"	
7	AR26462	PIN	1		
8	R26584	STRAP	1		
9	19H3169	CAP SCREW	1	5/8" X 4-1/4"	
10	14H794	NUT	2	3/4"	
11	12H236	LOCK WASHER	4	3/4"	
12	19H2113	CAP SCREW	2	3/4" X 3-1/4"	
13	AR27033	CLEVIS	1		

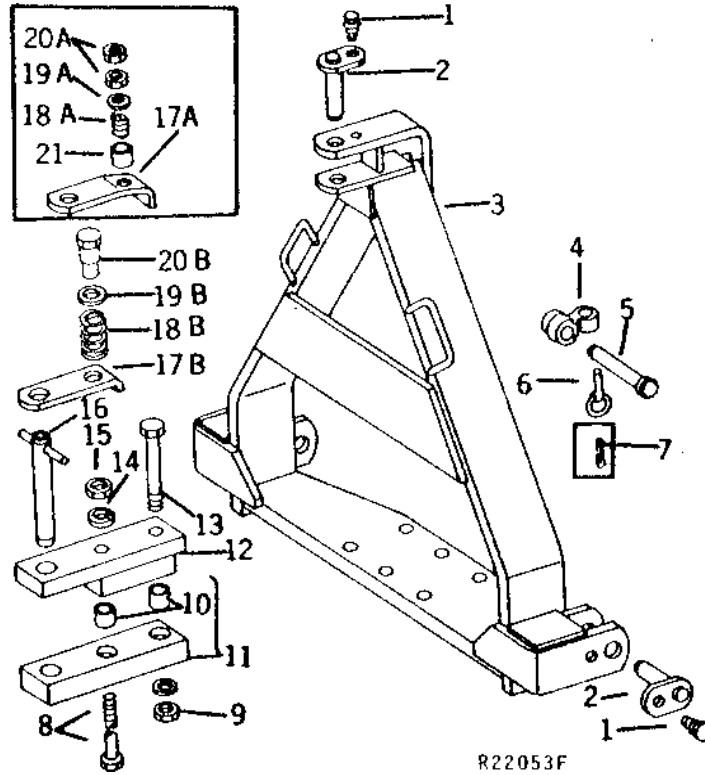


# 3F10

HYDRAULICS

R22053 -UN-01JAN94

## POWER WEIGHT TRANSFER COUPLER



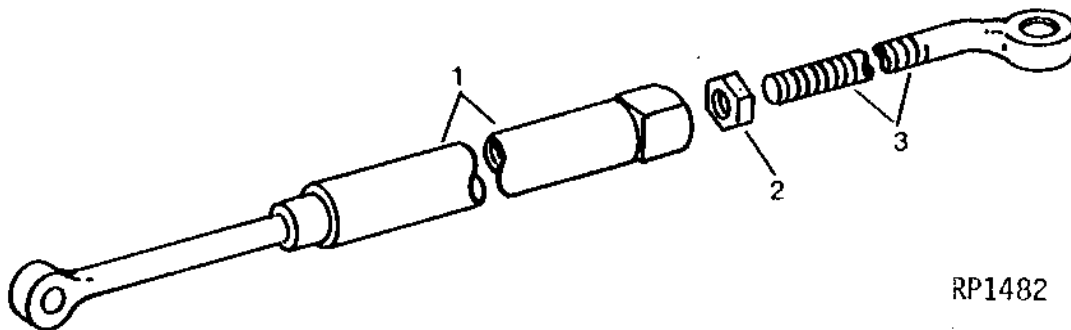
KEY	PART NO.	PART NAME	QTY	TRACTOR SERIAL NO.	REMARKS
1	AR74673	CAP SCREW	3		(SUB FOR AR40865 OR AR48110)
2	AR48111	PIN	3		(ALSO ORDER AR74673) (SUB FOR AR39783)
3	AR99336	COUPLING	1		(SUB FOR AR46828) (NLA)
4	R44848	PIVOT	2		
5	R58261	PIN	1		(ALSO ORDER AR60372) (SUB FOR R40516 AND R53562)
6	AR60372	QUICK LOCK PIN	1	XXXXXX-	
7	11M7038	COTTER PIN	1	-XXXXXX	0.248" X 1.575"
8	19H3234	CAP SCREW	1	-XXXXXX	3/4" X 8-1/2"
	19H1988	CAP SCREW	1	XXXXXX-	3/4" X 6"
9	14H794	NUT	1		3/4"
	12H236	LOCK WASHER	1		3/4"
10	R35479	BUSHING	2		
11	AR47567	DRAWBAR	1		
12	AR46256	STRAP	1		
13	19H1988	CAP SCREW	1		3/4" X 6"
14	12H236	LOCK WASHER	1		3/4"
15	14H794	NUT	1	-XXXXXX	3/4"
16	AR69988	PIN	1		(SUB FOR AR937R)
17A	R36609	RETAINER	1	-XXXXXX	(SUB R54064, R72433, F304R, 19H1988 AND 24H1513)
17B	R54064	RETAINER	1	XXXXXX-	
18A	A350R	SPRING	1	-XXXXXX	
18B	F304R	SPRING	1	XXXXXX-	
19A	24H1395	WASHER	1	-XXXXXX	25/32" X 1-7/16" X 0.060"
19B	24H1513	WASHER	1	XXXXXX-	1-13/32" X 2" X 0.060"
20A	R40121	LOCK NUT	2	-XXXXXX	
20B	R54065	NUT	1	XXXXXX-	(SUB R72433)
21	R47044	BUSHING	1	-XXXXXX	

# 3F11

HYDRAULICS

RP1482 -UN-01JAN94

## POWER WEIGHT TRANSFER IMPLEMENT LINK



RP1482

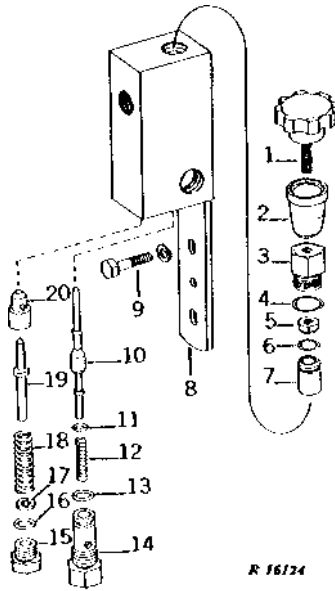
KEY	PART NO.	PART NAME	QTY	TRACTOR SERIAL NO.	REMARKS
1	AR47490	LINK	1		
2	14H887	NUT	1	1-1/8"	
3	R45447	EYEBOLT	1		

# 3F12

HYDRAULICS

R16124 -UN-01JAN94

## POWER WEIGHT TRANSFER CONTROL VALVE



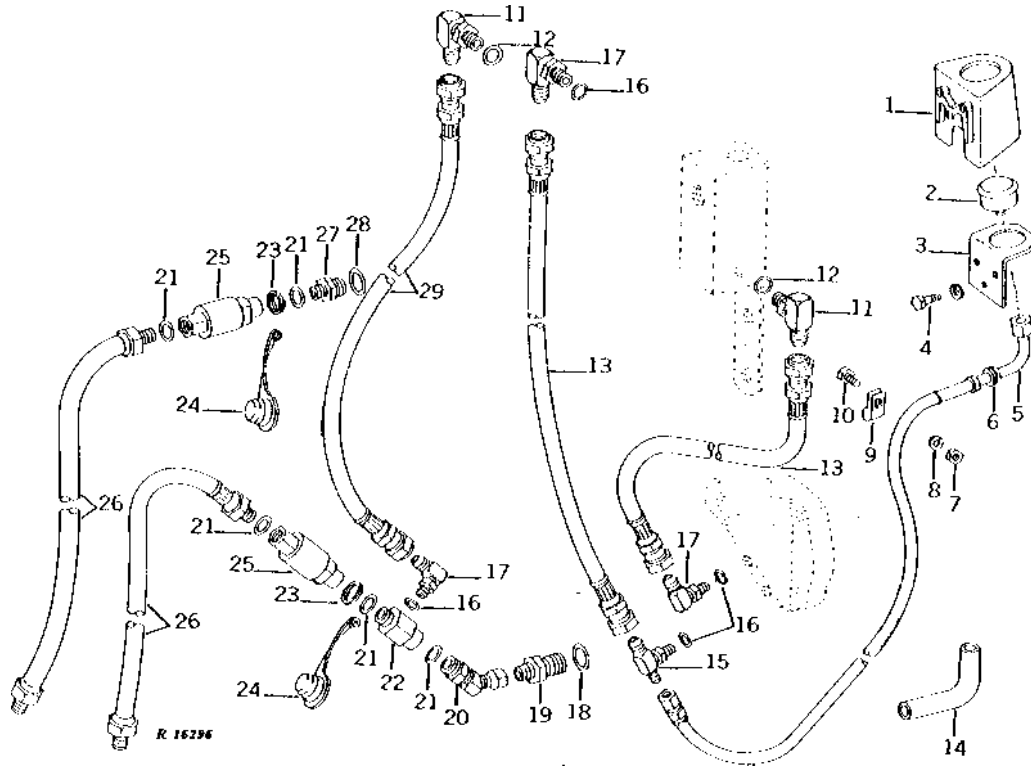
KEY	PART NO.	PART NAME	QTY	TRACTOR SERIAL NO.	REMARKS
1	AR49578	KNOB	1		
2	R54059	BOOT	1		(SUB FOR R39981)
3	R47016	ADAPTER	1		
4	F3171R	O-RING	1		
5	F3220R	LOCK NUT	1		
6	R26375	O-RING	1		
7	R47018	SHAFT	1		
8	AR49622	HOUSING	1		
9	19H1765	CAP SCREW	2	3/8" X 1-3/4"	
	12H304	LOCK WASHER	2	3/8"	
10	R44840	VALVE	1		
11	R375R	O-RING	1		
12	R26477	SPRING	1		
13	R495R	O-RING	1		
14	R47095	PLUG	1		
15	R27474	DRAIN PLUG	1		
16	R26906	O-RING	1		
17	R45189	SHIM	AR	51MM (.020")	
18	R35871	SPRING	1		
19	R45215	GUIDE	1		
20	R38543	VALVE	1		
..	R45672	LABEL	1		

# 3F13

## POWER WEIGHT TRANSFER HYDRAULIC OIL PRESSURE GAUGE AND LINES

R16296

-UN-01JAN94



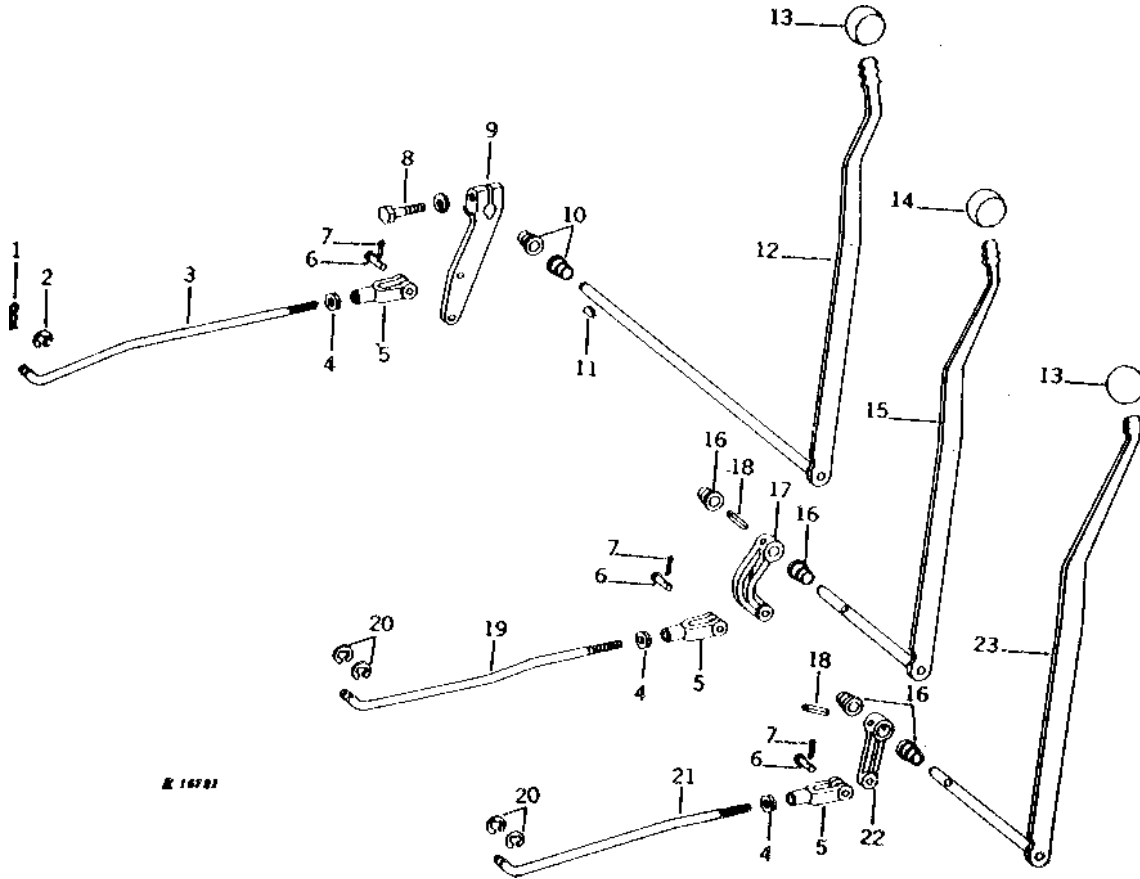
KEY	PART NO.	PART NAME	QTY	TRACTOR SERIAL NO.	REMARKS
1	R45669	COVER	1		
2	AR47486	PRESSURE GAUGE	1		
3	R45670	SUPPORT	1	(NLA)	
4	19H1849	CAP SCREW	3	5/16" X 1-1/4"	
5	12H303	LOCK WASHER	3	5/16"	
	AR47753	HYDRAULIC HOSE	1		
6	R41439	GROMMET	1		
7	14H785	NUT	1	5/16"	
8	12H303	LOCK WASHER	1	5/16"	
9	R34557	CLAMP	4		
10	19H1813	CAP SCREW	1	5/16" X 5/8"	
11	AT32332	ELBOW FITTING	2	(SUB FOR AR26763)	
12	R26375	O-RING	2		
13	AR40465	HYDRAULIC HOSE	2		
14	T22958	HOSE	1	(SUB FOR T40167)	
15	AR47603	TEE FITTING	1		
16	R26448	O-RING	4		
17	AT35120	ELBOW FITTING	3	(SUB FOR AR37017 AND AT32337)	
18	H851R	WASHER	1		
19	A15532	ADAPTER	1		
20	AA14850	ELBOW FITTING	1		
21	R26375	O-RING	5		
22	R45106	FITTING	1		
23	R36946	SPRING	2		
24	R32419	COVER	2		
25	AR31611	COUPLING	2	(SUB RE15361)	
26	TY3018	HYDRAULIC HOSE	1	10 X 610MM (3/8" X 24")	(SUB FOR AR28754)
	AR28755	HYDRAULIC HOSE	1	10 X 914MM (3/8" X 36")	
	R36658	HYDRAULIC HOSE	1	13 X 610MM (1/2" X 24")	
	R36659	HYDRAULIC HOSE	1	13 X 914MM (1/2" X 36")	
27	R36945	FITTING	1		
28	F3171R	O-RING	1		
29	AR40465	HYDRAULIC HOSE	1		

# 3F14

HYDRAULICS

R16781 -UN-01JAN94

## SELECTIVE CONTROL LEVERS AND LINKAGE



KEY	PART NO.	PART NAME	QTY	TRACTOR SERIAL NO.	REMARKS
1	R46528	SPRING LOCKING PIN	1	133161-	
2	R72653	SNAP RING	2	-133160	(SUB FOR M2396T)
	R72653	SNAP RING	1	133161-	(SUB FOR M2396T)
3	R40918	ROD	1	-133160	(A) (SUB R46527 AND R46528)
	R46527	ROD	1	133161-	(A)
	R47308	ROD	1		(A) (USE WHEN AUXILIARY HYDRAULIC OUTLET HAS BEEN INSTALLED)
4	14H882	NUT	1		5/16"
5	T54033	YOKE	1		(SUB FOR R42282) (ALSO ORDER R82766)
6	R72660	PIN	1		(SUB FOR R662R)
7	11M7079	COTTER PIN	1		0.098" X 0.472"
8	19H1732	CAP SCREW	1		3/8" X 1-1/4"
	12H304	LOCK WASHER	1		3/8"
9	R42094	ARM	1		(NLA)
10	R42093	GROMMET	2		
11	26H15	SHAFT KEY	1		1/4" X 3/4"
12	AR40989	LEVER	1		(A)
13	R44695	KNOB	1		
14	R41387	KNOB	1		
15	AR40990	LEVER	1		(B)
16	R41076	GROMMET	2		
17	R40923	ARM	1		
18	34H297	SPRING PIN	1		7/32" X 1"
19	R41392	ROD	1		(B)
20	R72653	SNAP RING	2		(SUB FOR M2396T)
21	R41058	ROD	1		(C)
22	R41122	LEVER	1		
23	AR40991	LEVER	1		(C)

(A) SINGLE SELECTIVE CONTROL

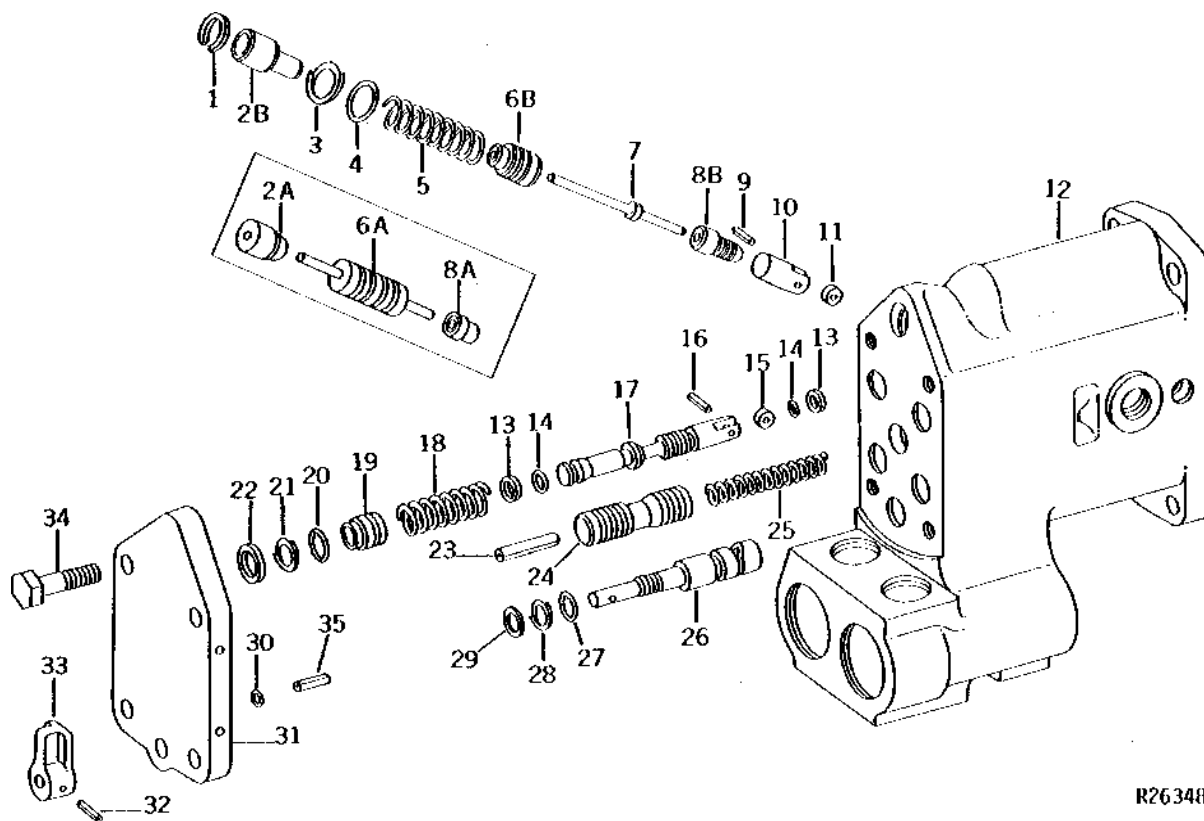
(B) DUAL SELECTIVE CONTROL

(C) TRIPLE SELECTIVE CONTROL

# 3F15

R26348 -UN-01JAN94

## SELECTIVE CONTROL VALVE HOUSING AND VALVES



R26348F

# 3F16

HYDRAULICS

## SELECTIVE CONTROL VALVE HOUSING AND VALVES - CONTINUED

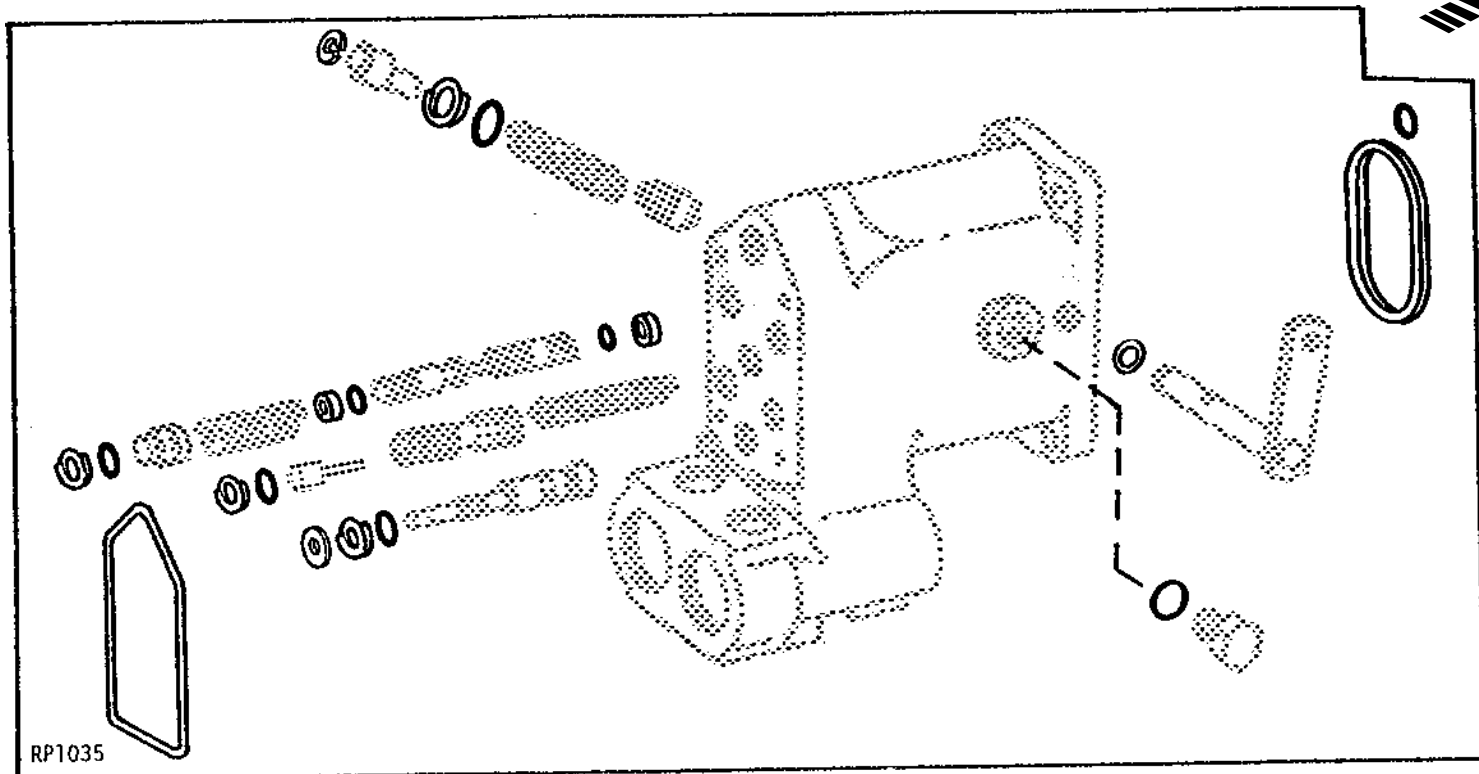
KEY	PART NO.	PART NAME	QTY	SERIAL OR MODEL NO.	REMARKS
1	B474R	SNAP RING	1	-134107	
	R46722	SNAP RING	1	134108-	
2A	AR40678	GUIDE	1	-18SC1	(SUB AR52394 AND R46722)
	AR48933	GUIDE	1	-18SC2	(SUB AR52394 AND R46722)
2B	R48979	GUIDE	1	18SC3-	(SUB R55397 AND R55398)
3	R26546	BACK-UP RING	1		
4	B2762R	O-RING	1		
5	R41055	SPRING	1	18SC3-	
6A	AR40939	PISTON	1	-18SC2	(SUB AR52394)
6B	R48980	PISTON	1	18SC3-	
7	R48981	PIN	1	18SC3-	(SUB R55398)
8A	AR40744	GUIDE	1	-18SC2	
8B	R48978	GUIDE	1	18SC3-	
9	34H241	SPRING PIN	1	-18SC3	1/8" X 3/8"
	R51411	PIN	1	18SC4-	
10	R45016	FOLLOWER	1	-18SC3	(SUB FOR R40903) (SUB R51410, R51409 AND R51411)
	R51410	CAM FOLLOWER	1	18SC4-	
11	R41613	WASHER	1	-18SC3	(SUB R51409)
	R51409	SPACER	1	18SC4-	
12	AR40827	HOUSING	1	-XXXXXX	(MARKED R40499) (SUB AR82572, AR85628 AND R65289)
	AR82572	HOUSING	1	XXXXXX-	(MARKED R65284)
13	R26484	BACK-UP RING	6		(4 USED PRESSURE, 2 USED RETURN)
14	R65286	O-RING	6		(4 USED PRESSURE, 2 USED RETURN) (SUB FOR A3917R, THIS APPLICATION)
15	R41613	WASHER	4	-18SC3	(SUB R51409)
	R51409	SPACER	4	18SC4-	
16	34H242	SPRING PIN	4		1/8" X 7/16"
17	AR45647	VALVE	4	-18SC2	(SUB AR86535 AND R65501)
	AR52629	VALVE	4	-18SC3	(SUB AR86535 AND R65501)
	AR56120	VALVE	4	18SC4-	(SUB AR86535 AND R65501)
18	R65501	SPRING	2		(SUB FOR R41055) RETURN
	R65502	SPRING	2		(SUB FOR R44310) PRESSURE
19	R41156	GUIDE	4		(SUB R66416)
20	R27166	O-RING	4		
21	R41057	BACK-UP RING	4		
22	R26149	PACKING	6		
23	34H284	SPRING PIN	1		3/16" X 1-1/4"
24	R41154	VALVE	1	-18SC3	(SUB R52549)
	R52549	SHUT-OFF VALVE	1	18SC4-	
25	R41549	SPRING	1		
26	R41149	VALVE	1	-18SC3	(SUB R52548 AND R52549) (ALSO ORDER AR52394)
	R52548	VALVE	1	18SC4-	(USE WITH R40499)
	R65289	VALVE	1		(USE WITH R65284)
27	P46051	O-RING	1		
28	R40937	BACK-UP RING	1		
29	R41339	SHIM	1		
30	R34812	O-RING	1		
31	AR40688	COVER	1		(MARKED R40899 OR R49708) (USE WITH R40499)
	AR85628	COVER	1		(USE WITH R65284)
	R74695	WASHER	1		(USE WITH R59629)
	R41933	LABEL	1		REMOTE CYLINDER L.H.
	R44315	LABEL	1		REMOTE CYLINDER R.H.
32	34H231	SPRING PIN	1		3/32" X 3/4"
33	R62652	ARM	1		(SUB FOR R41338)
34	19H988	CAP SCREW	4		3/8" X 1-1/4"
35	34H275	SPRING PIN	1		3/16" X 1/2"
..	AR52394	KIT	1		SELECTIVE CONTROL VALVE DETENT

# 3F17

HYDRAULICS

RP1035 -UN-01JAN94

## SELECTIVE CONTROL VALVE OVERHAUL KIT



KEY	PART NO.	PART NAME	QTY	SERIAL OR MODEL NO.	REMARKS
1	RE10924	KIT	1	(SUB FOR AR46978 OR AR82571)	

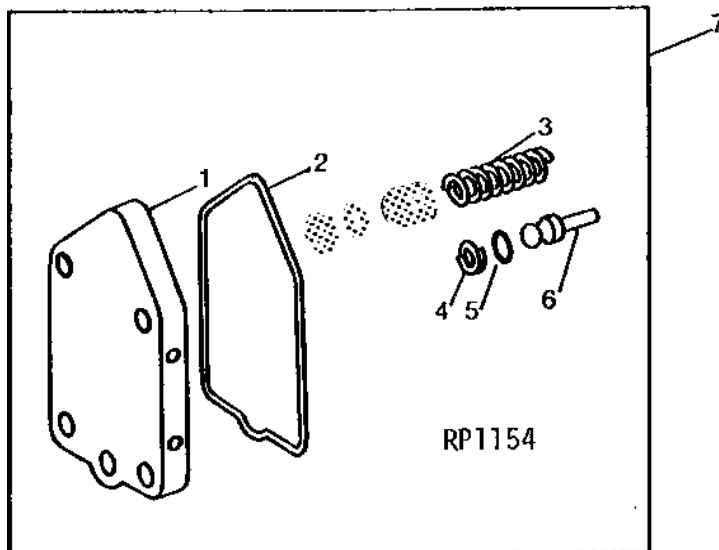


# 3F18

HYDRAULICS

RP1154 -UN-01JAN94

## SELECTIVE CONTROL VALVE CAP ASSEMBLY



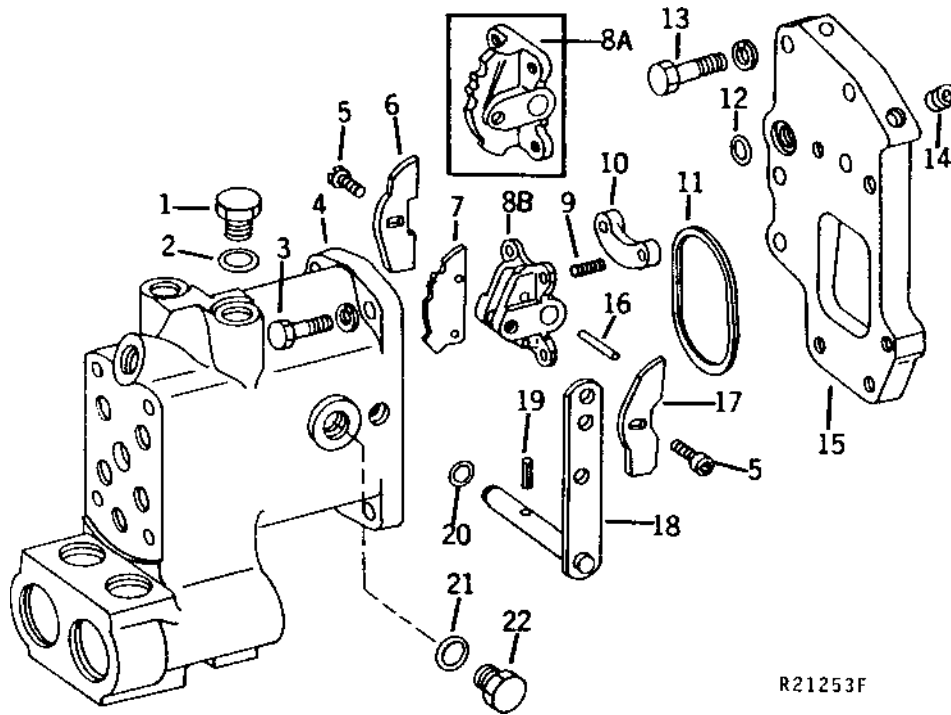
KEY	PART NO.	PART NAME	QTY	SERIAL OR MODEL NO.	REMARKS
1	R59629	CAP	1		
2	R49187	WASHER	1		
3	R65501	SPRING	2		RETURN
	R65502	SPRING	2		PRESSURE
4	R41057	BACK-UP RING	1		
5	R27166	O-RING	1		
6	R66916	STOP	1		
7	AR85628	COVER	1		

# 3F19

HYDRAULICS

## SELECTIVE CONTROL VALVE HOUSING, COVER, ROCKER, AND OPERATING CAMS

R21253N -UN-01JAN94



R21253F

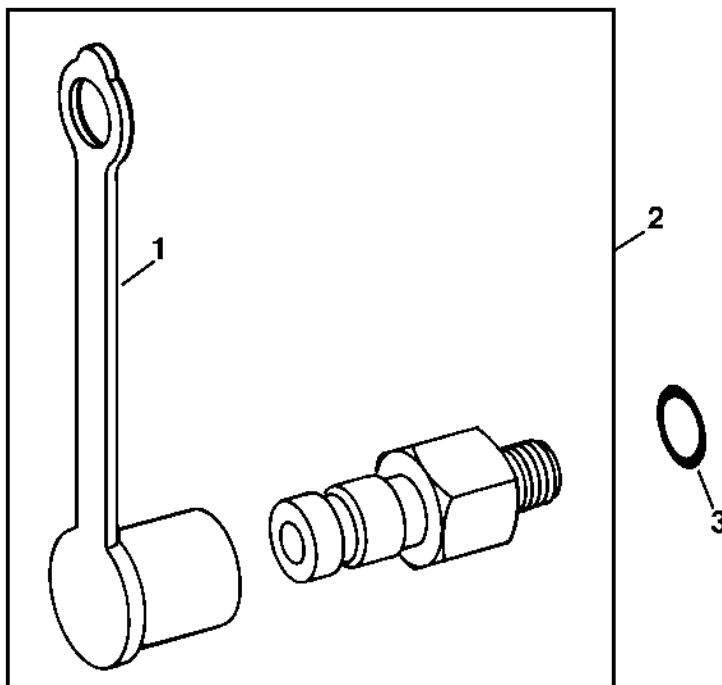
KEY	PART NO.	PART NAME	QTY	SERIAL OR MODEL NO.	REMARKS
1	R39112	FITTING	2		(USE WHEN REQUIRED)
2	R26375	O-RING	2		(USE WHEN REQUIRED)
3	19H2500	CAP SCREW	4		7/16" X 1-3/8", (7 USED DUAL, 11 USED TRIPLE)
	19H2055	CAP SCREW	1		7/16" X 2-1/4", (DUAL AND TRIPLE)
	12H293	LOCK WASHER	4		7/16"
4	AR40827	HOUSING	1	-XXXXXX	(MARKED R40499) (SUB AR82572, AR85628 AND R65289)
	AR82572	HOUSING	1	XXXXXX-	(MARKED R65284)
5	R27233	SCREW	2		
6	R41931	CAM	1	-18SC3	(SUB R51414)
	R51414	CAM	1	18SC4-	
7	R51413	CAM	1	18SC4-	
8A	R40898	ROCKER	1	-18SC3	(SUB R51412, R51413, R51414, R51415 AND (2) R28744)
8B	R51412	ROCKER	1	18SC4-	
9	22H1025	SET SCREW	4		1/4" X 7/8"
10	R49221	RETAINER	2		
11	R40922	PACKING	1		
12	F2741R	PACKING	1		
13	19H1978	CAP SCREW	4		7/16" X 1-1/2"
	19H2500	CAP SCREW	1		7/16" X 1-3/8"
	12H293	LOCK WASHER	5		7/16"
14	15H559	PIPE PLUG	1		1/4", (DUAL) (2 USED TRIPLE)
	15H558	PIPE PLUG	1		1/8", (TRIPLE ONLY)
15	AR71188	COVER	1		(MARKED R41445, R50066 OR R59081) (ALSO ORDER (2) R59082) (SUB FOR AR41969 OR AR54331) (DUAL)
	AR71189	COVER	1		(MARKED R41448, R50067 OR R59084) (ALSO ORDER (2) R59082) (SUB FOR AR41970 OR AR54332) (TRIPLE)
16	R28744	PIN	2	18SC4-	
17	R41932	CAM	1	-18SC3	(SUB R51415)
	R51415	CAM	1	18SC4-	
18	AR48734	ARM	1		(SUB FOR AR40684)
19	34H297	SPRING PIN	1		7/32" X 1"
20	R394R	O-RING	1		
21	R26375	O-RING	2		
22	R41155	PLUG	2		

# 3F20

HYDRAULICS

RXP022105 -UN-17APR97

## DIAGNOSTIC RECEPTACLE



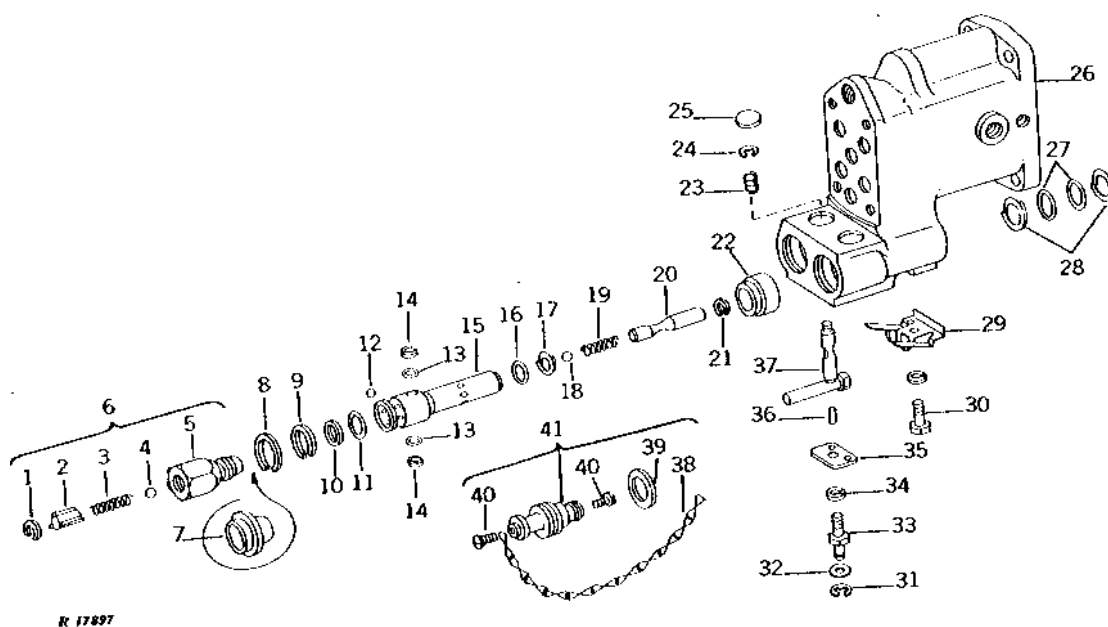
**RXP022105**

KEY	PART NO.	PART NAME	QTY	TRACTOR SERIAL NO.	REMARKS
1	R77175	COVER	1		
2	RE13561	RECEPTACLE	1	12.7MM (1/2") PORT	
	RE13562	RECEPTACLE	1	9.525MM (3/8") PORT	
3	R26286	O-RING	1	(USE WITH RE13561)	
	R26287	O-RING	1	(USE WITH RE13562)	

# 3F21

R17897 -UN-01JAN94

## BREAKAWAY COUPLER



# 3F22

HYDRAULICS

## BREAKAWAY COUPLER - CONTINUED

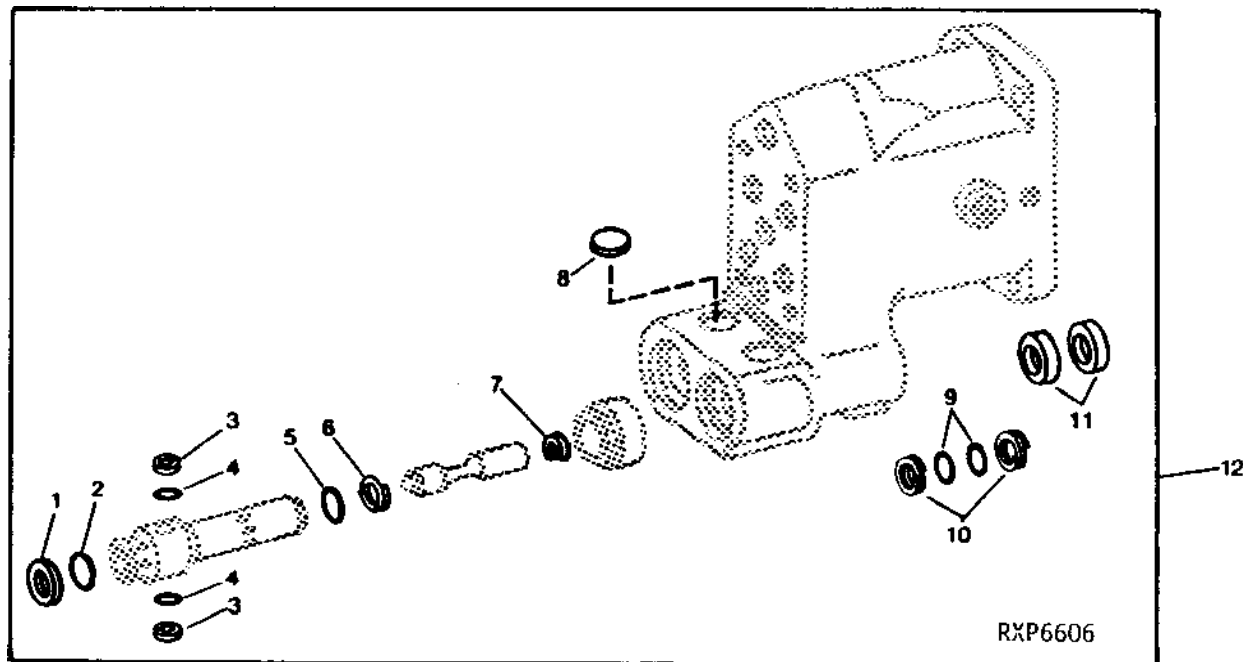
KEY	PART NO.	PART NAME	QTY	SERIAL OR MODEL NO.	REMARKS
1	R59633	WEAR RING	2		(SUB FOR R28204)
2	R28085	GUIDE	2		(SUB AR93819 PRESSURE OR AR93820 RETURN, THIS APPLICATION)
3	R28084	SPRING	2		
4	D2361R	BALL	2		13MM (1/2")
5	R27430	HYD. QUICK-CONNECT COUPLER	1		(PRESSURE) (SUB AR93819)
	R45630	HYD. QUICK-CONNECT COUPLER	1		(RETURN) (SUB AR93820)
6	AR93819	HYD. QUICK-CONNECT COUPLER	1		(PRESSURE) (SUB FOR AR30210)
	AR93820	FITTING	1		(RETURN) (SUB FOR AR47643)
7	R28006	CAP	2		
8	R34399	SNAP RING	2		
9	R32356	SNAP RING	2		
10	R26485	BACK-UP RING	2		
11	R495R	O-RING	2		
12	400R	BALL	12		6MM (1/4")
13	R65286	O-RING	4		(SUB FOR A3917R, THIS APPLICATION)
14	R26484	BACK-UP RING	4		
15	R34397	SOCKET OUTLET	2		
16	R375R	O-RING	2		
17	R26482	RING	2		
18	D2361R	BALL	2		13MM (1/2")
19	R28084	SPRING	2		
20	R34400	PLUG	2		
21	R26483	SNAP RING	2		
22	R34398	SLEEVE	2		
23	R31890	SPRING	2		
24	R72653	SNAP RING	2		(SUB FOR M2396T)
25	30H15	PLUG	2		1-1/8"
26	AR40827	HOUSING	1	-XXXXXX	(MARKED R40499) (SUB AR82572, AR85628 AND R65289)
	AR82572	HOUSING	1	XXXXXX-	(MARKED R65284)
27	A4730R	O-RING	4		
28	R26480	BACK-UP RING	4		
29	R30818	SPRING	1	-XXXXXX	
30	19H1900	CAP SCREW	1	-XXXXXX	5/16" X 3/4"
	12H303	LOCK WASHER	1	-XXXXXX	5/16"
31	R27507	SNAP RING	1		
32	24H1286	WASHER	1		9/32" X 1/2" X 1/16"
33	R49191	SCREW	1		(SUB FOR R45618) (ALSO ORDER R27507, 12H303, 24H1286)
34	12H303	LOCK WASHER	1		5/16"
35	R51285	PLATE	1	-XXXXXX	(SUB FOR R41494) (SUB AR75958)
	AR75958	CAM	1	XXXXXX-	(CAM LATCH)
36	34H244	SPRING PIN	2		1/8" X 9/16"
37	AR99100	LEVER	2		(SUB FOR AR33877 OR AR82576) (SINGLE AND DUAL)
	AR41139	LEVER	1		R.H. (TRIPLE ONLY)
	AR41140	LEVER	1		L.H. (TRIPLE ONLY)
38	R49193	LINK CHAIN	2		(SUB FOR A3184R) (SUB AN163885)
39	R34589	WASHER	2		
40	37H97	SCREW	4		0.242" X 3/4"
41	AR52623	PLUG	2		(SUB FOR AR34059)

# 3F23

HYDRAULICS

RXP6606 -UN-06OCT94

## BREAKAWAY COUPLER OVERHAUL KIT



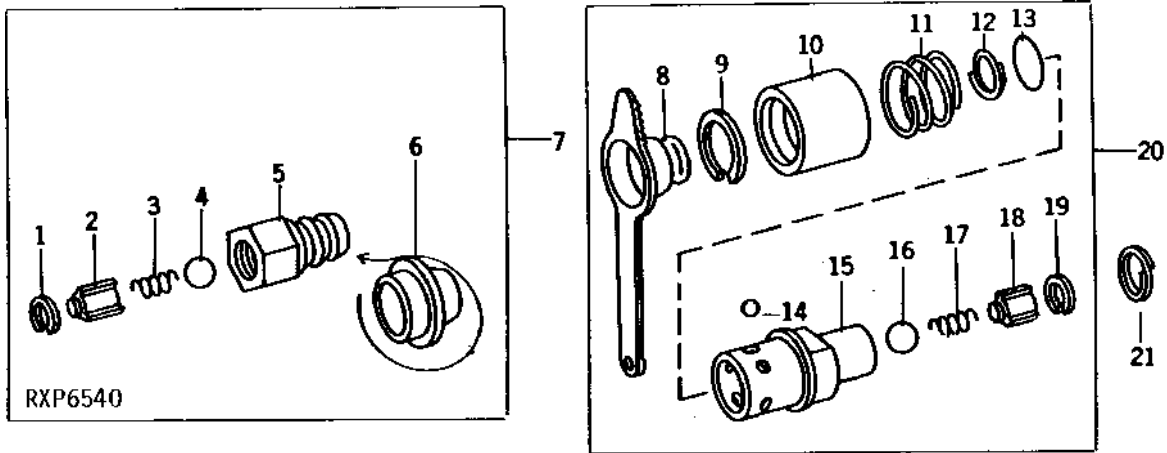
KEY	PART NO.	PART NAME	QTY	SERIAL OR MODEL NO.	REMARKS
1	R26485	BACK-UP RING	2		
2	R59343	RING	2		
3	R26484	BACK-UP RING	4		
4	R65286	O-RING	4		
5	R375R	O-RING	2		
6	R26482	RING	2		
7	R26483	SNAP RING	2		
8	30H15	PLUG	2	1-1/8"	
9	A4730R	O-RING	4	(SUB FOR R74530) (EARLY DESIGN)	
10	R26480	BACK-UP RING	4	(SUB FOR AR30685) (EARLY DESIGN)	
11	R79311	SEAL	4	(SUB FOR R65285 OR R74530) (LATE DESIGN)	
12	AR82570	KIT	1	(SUB FOR AR30685)	

# 3F24

HYDRAULICS

## FLEXIBLE OIL LINE COUPLER

RXP6540 -UN-06OCT94



KEY	PART NO.	PART NAME	QTY	TRACTOR SERIAL NO.	REMARKS
1	R59633	WEAR RING	1		
2	R28085	GUIDE	1		(SUB AR93819 PRESSURE OR AR93820 RETURN, THIS APPLICATION)
3	R28084	SPRING	1		
4	D2361R	BALL	1		13MM (1/2")
5	R27430	HYD. QUICK-CONNECT COUPLER	1		(SUB AR93819) (PRESSURE)
	R45630	HYD. QUICK-CONNECT COUPLER	1		(RETURN) (SUB AR93820)
6	R28006	CAP	1		
7	AR30210	INTERNAL HALF COUPLER	1		(SUB AR93819) (PRESSURE)
	AR47643	BREAKAWAY COUPLER	1		(SUB AR93820) (RETURN)
8	R32419	COVER	1		
9	R32356	SNAP RING	1		
10	R32355	SLEEVE	1		
11	R32354	SPRING	1		
12	R26485	BACK-UP RING	1		
13	R495R	O-RING	1		
14	400R	BALL	6		6MM (1/4")
15	R32353	SOCKET OUTLET	1		
16	D2361R	BALL	1		13MM (1/2")
17	R28084	SPRING	1		
18	R28085	GUIDE	1		(SUB RE15361)
19	R59633	WEAR RING	1		
20	RE15361	COUPLING	1		(SUB FOR AR47331)
21	R36946	SPRING	1		

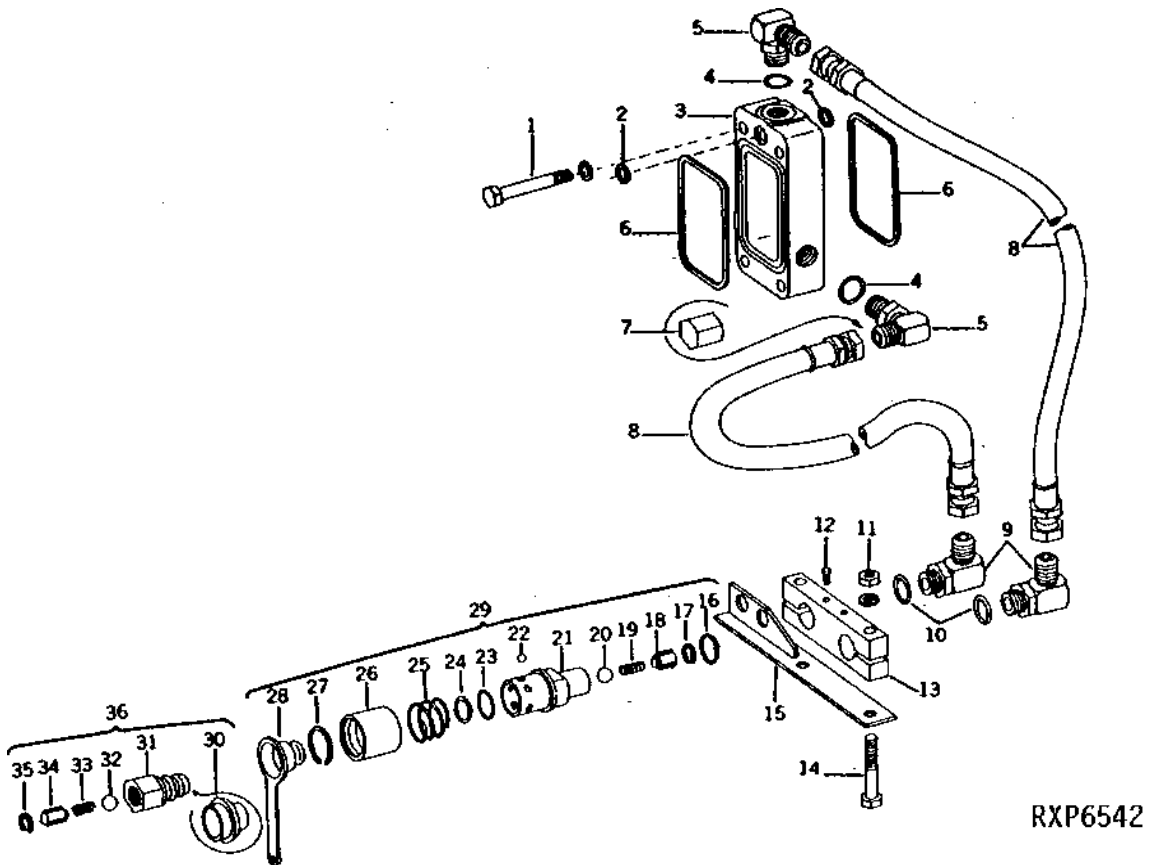
# 3G1

HYDRAULICS

## AUXILIARY OUTLET COUPLER KIT (EARLY DESIGN)

RXP6542

-UN-01JAN94



RXP6542

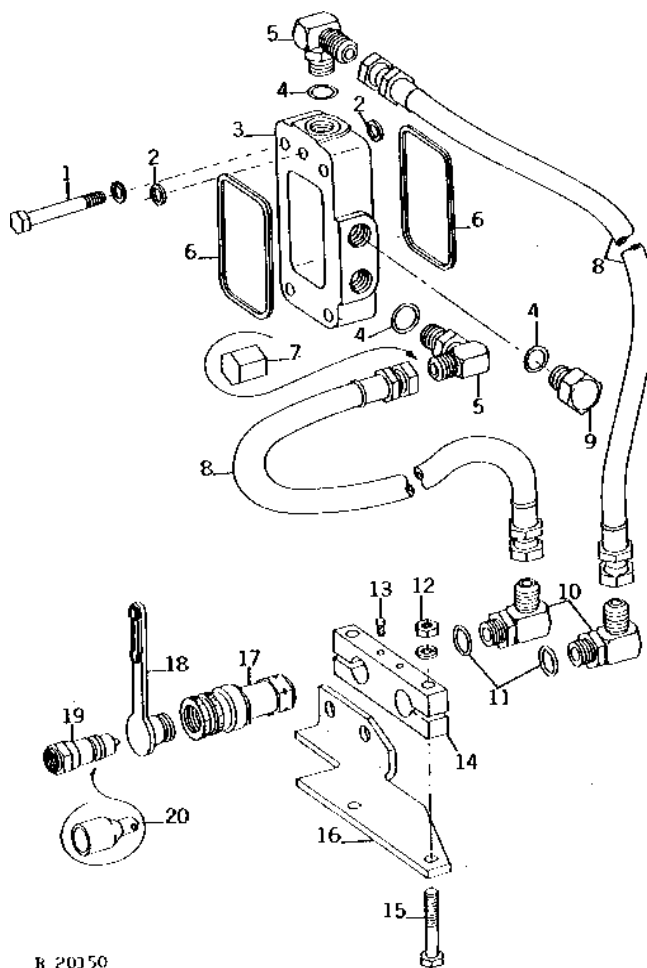


**AUXILIARY OUTLET COUPLER KIT - CONTINUED  
(EARLY DESIGN)**

KEY	PART NO.	PART NAME	QTY	TRACTOR SERIAL NO.	REMARKS
1	19H2106	CAP SCREW	4	7/16" X 2-3/4"	
	12H293	LOCK WASHER	4	7/16"	
2	F2741R	PACKING	2		
3	R54312	MANIFOLD	1	(SUB FOR R47307)	
4	R26375	O-RING	2		
5	AT32332	ELBOW FITTING	1	90°, (SUB FOR AR26763)	
6	R40922	PACKING	2		
7	R31736	FITTING	2		
8	AN140274	HYDRAULIC HOSE	2		
9	AT32332	ELBOW FITTING	2	90°, (SUB FOR AR26763)	
10	R26375	O-RING	2		
11	14H1076	NUT	2	3/8"	
	12H304	LOCK WASHER	2	3/8"	
12	A5748R	STUD	2		
13	N140340	BRACKET	1		
14	19H1726	CAP SCREW	2	3/8" X 2-1/4"	
15	AN140262	SUPPORT	1		
16	R36946	SPRING	2		
17	R59633	WEAR RING	2	(SUB FOR R28204)	
18	R28085	GUIDE	2	(SUB RE15361)	
19	R28084	SPRING	2		
20	D2361R	BALL	2	12.70MM (1/2")	
21	R32353	SOCKET OUTLET	1		
22	400R	BALL	12	6.35MM (1/4")	
23	R495R	O-RING	2		
24	R26485	BACK-UP RING	2		
25	R32354	SPRING	2		
26	R32355	SLEEVE	2		
27	R32356	SNAP RING	2		
28	R32419	COVER	2		
29	RE15361	COUPLING	2	(SUB FOR AR47331)	
30	R28006	CAP	2		
31	R27430	HYD. QUICK-CONNECT COUPLER	1	(SUB AR93819) (PRESSURE)	
	R45630	HYD. QUICK-CONNECT COUPLER	1	(SUB AR93820) (RETURN)	
32	D2361R	BALL	2	12.70MM (1/2")	
33	R28084	SPRING	2		
34	R28085	GUIDE	2	(SUB AR93819 PRESSURE OR AR93820 RETURN, THIS APPLICATION)	
35	R59633	WEAR RING	2	(SUB FOR R28204)	
36	AR93819	HYD. QUICK-CONNECT COUPLER	1	(SUB FOR AR30210) (PRESSURE)	
	AR93820	FITTING	1	(SUB FOR AR47643) (RETURN)	
..	R47308	ROD	1	SINGLE SELECTIVE CONTROL	

## AUXILIARY OUTLET COUPLER KIT (LATE DESIGN)

R20150 -UN-01JAN94



R 20150

KEY	PART NO.	PART NAME	QTY	TRACTOR SERIAL NO.	REMARKS
1	19H2106	CAP SCREW	4	7/16" X 2-3/4"	
	12H293	LOCK WASHER	4	7/16"	
2	F2741R	PACKING	2		
3	R54312	MANIFOLD	1		
4	R26375	O-RING	3		
5	AR27738	ELBOW FITTING	2	90°	
6	R40922	PACKING	2		
7	R31736	FITTING	2		
8	AN140274	HYDRAULIC HOSE	2		
9	R39112	FITTING	1		
10	AT32332	ELBOW FITTING	2	90°, (SUB FOR AR26763)	
11	R26375	O-RING	2		
12	14H1076	NUT	2	3/8"	
	12H304	LOCK WASHER	2	3/8"	
13	A5748R	STUD	2		
14	R49668	BRACKET	1		
15	19H1944	CAP SCREW	2	3/8" X 2-3/4"	
16	R59154	SUPPORT	1	(SUB FOR R49667)	
17	AA15043	HYD. QUICK-CONNECT COUPLER	2		
18	A15899	CAP	2		
19	AA15042	HYD. QUICK-CONNECT COUPLER	2		
20	A15898	CAP	2		
..	R47308	ROD	1		

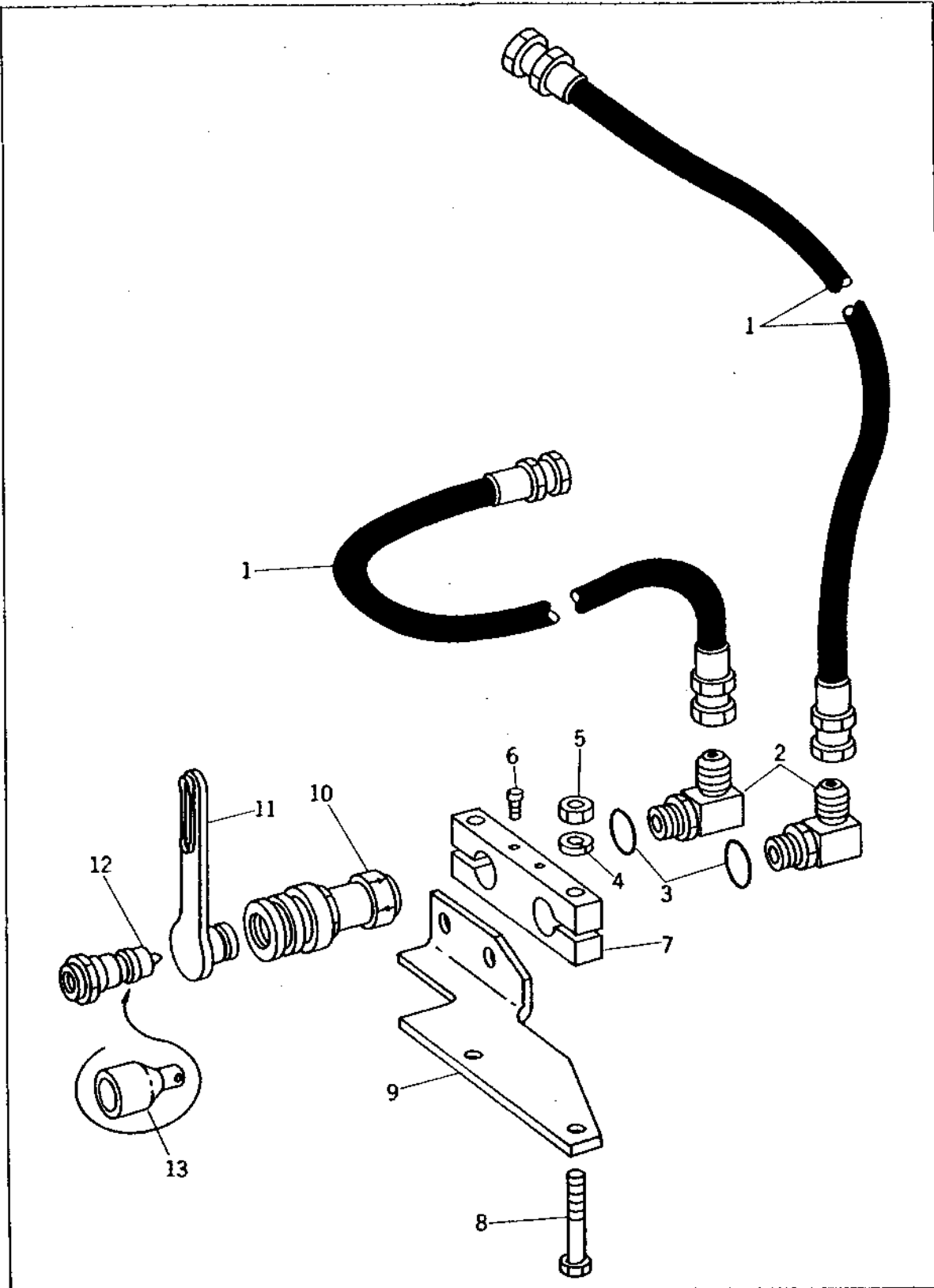
MEMORANDA

# 3G4

R32037

-UN-01JAN94

## AUXILIARY OUTLET COUPLER KIT



R32037F

# 3G5

HYDRAULICS

## AUXILIARY OUTLET COUPLER KIT - CONTINUED

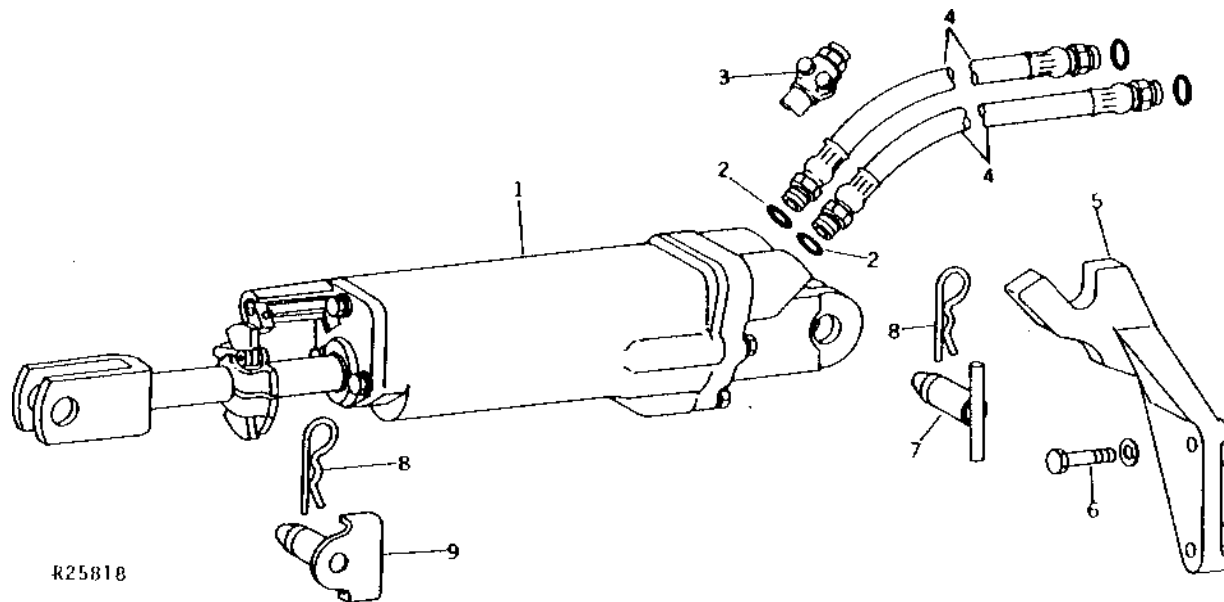
KEY	PART NO.	PART NAME	QTY	TRACTOR SERIAL NO.	REMARKS
1	AN140274	HYDRAULIC HOSE	2		
2	AT32332	ELBOW FITTING	2	90 °	
3	R26375	O-RING	2		
4	12H304	LOCK WASHER	2	3/8"	
5	14H1076	NUT	2	3/8"	
6	A5748R	STUD	2		
7	R49668	BRACKET	1		
8	19H1944	CAP SCREW	2	3/8" X 2-3/4"	
9	R59154	SUPPORT	1		
10	AA15043	HYD. QUICK-CONNECT COUPLER	2		
11	A15899	CAP	2		
12	AA15042	HYD. QUICK-CONNECT COUPLER	2		
13	A15898	CAP	2		
14	AR71332	KIT	1	(SUB FOR AR51451 OR AR53496) (NLA)	

MEMORANDA

# 3G6

R25818 -UN-01JAN94

## REMOTE CYLINDER, HOSES AND ARM



KEY	PART NO.	PART NAME	QTY	TRACTOR SERIAL NO.	REMARKS
1	AR27437	CYLINDER	1		(A) 7.6 X 20CM (3" X 8") (ILLUSTRATED) (ORDER COMPONENT PARTS)
	AR34829	CYLINDER	1		(B) 7.6 X 20CM (3" X 8") (ORDER COMPONENT PARTS)
	AR35261	CYLINDER	1		(A) 8.9 X 20CM (3-1/2" X 8") (ORDER COMPONENT PARTS)
	AR36303	CYLINDER	1		(B) 8.9 X 20CM (3-1/2" X 8")
2	R26375	O-RING	4		
3	AR30784	TEE FITTING	1		
4	AR26407	HYDRAULIC HOSE	2		2.3M (92") (USE WITH 3" X 8" CYLINDER)
	R32183	HYDRAULIC HOSE	2		2.3M (92") (USE WITH 3" X 8" CYLINDER)
	R36795	HYDRAULIC HOSE	2		3M (120") (USE WITH 3-1/2" X 8" CYLINDER)
	AR36158	OIL LINE	2		
5	R32118	ARM	1		L.H.
	R32117	ARM	1		R.H. (DUAL SELECTIVE CONTROL)
6	19H1765	CAP SCREW	2		3/8" X 1-3/4", (4 USED DUAL SELECTIVE CONTROL)
	12H304	LOCK WASHER	2		3/8", (4 USED DUAL SELECTIVE CONTROL)
7	AR47825	PIN	1		(SUB FOR AA6309R) (USE WITH AR27437)
	AR47825	PIN	2		(SUB FOR AA6309R) (USE WITH AR34829, AR35261 AND AR36303)
8	A3581R	SPRING LOCKING PIN	2		
9	AA6307R	PIN	1	-XXXXXX	(USE WITH AR27437) (SUB AR71902)
	AR71902	PIN	1	XXXXXX-	
..	AR36157	CYLINDER	1		(CONSISTS OF AR35261 AND AR36158)
..	AR36301	CYLINDER	1		(CONSISTS OF AR36303 AND AR36158)

(A) HYDRAULIC STOP

(B) MECHANICAL STOP

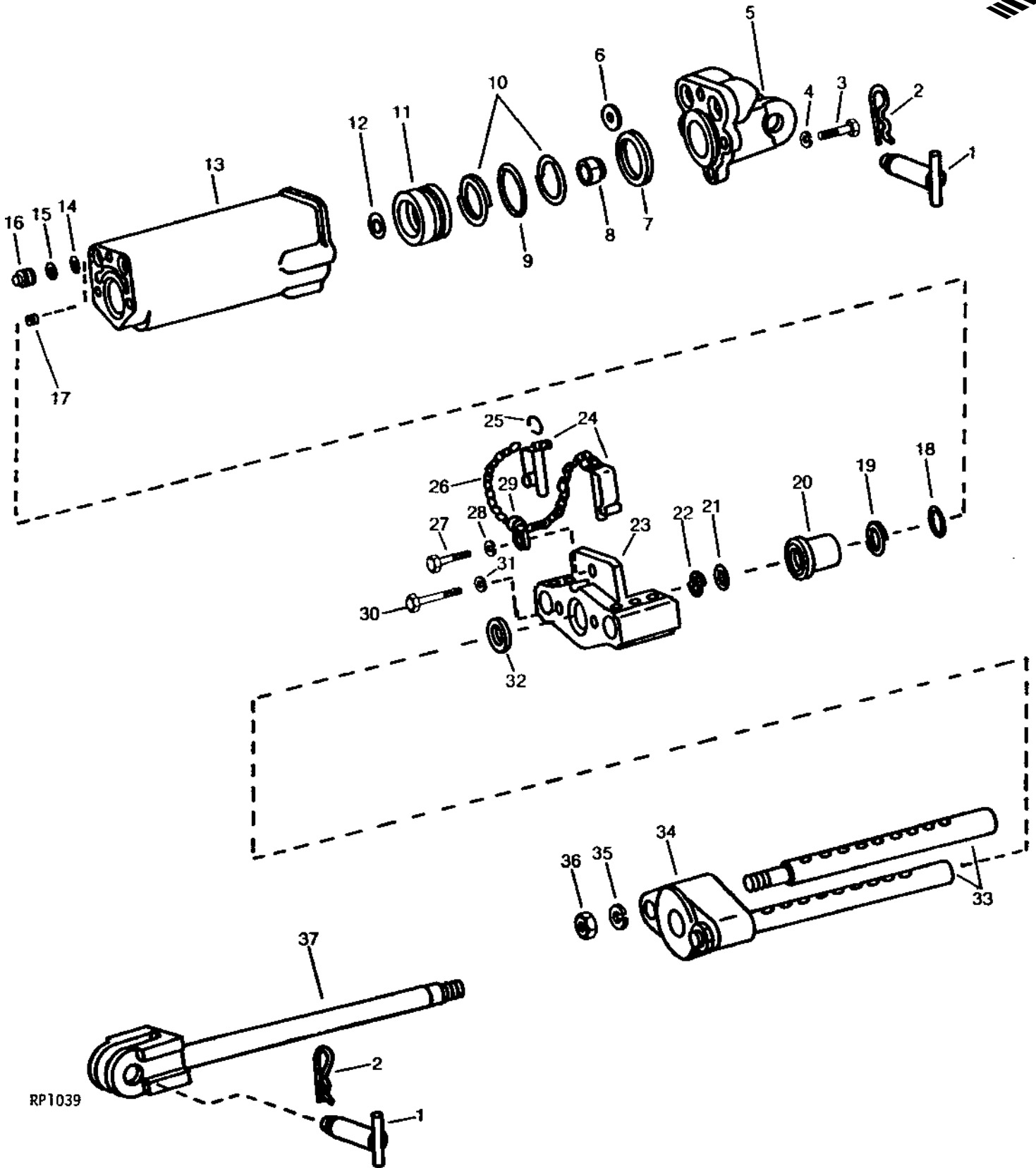
# 3G7

HYDRAULICS

RP1039

-UN-01JAN94

## REMOTE CYLINDER PARTS (3" X 8" MECHANICAL STOP)



RP1039



REMOTE CYLINDER PARTS - CONTINUED  
(3" X 8" MECHANICAL STOP)

KEY	PART NO.	PART NAME	QTY	TRACTOR SERIAL NO.	REMARKS
1	AR47825	PIN	2		
2	A3581R	SPRING LOCKING PIN	2		
3	19H2473	CAP SCREW	4		1/2" X 1-3/4"
4	12H301	LOCK WASHER	4		1/2"
5	R27427	HYDRAULIC CYLINDER CAP	1		
6	A4723R	WASHER	2		
7	A4722R	WASHER	1		
8	R45620	LOCK NUT	1		
9	A4728R	O-RING	1		
10	R27649	BACK-UP RING	2		
11	R44296	PISTON	1		
12	R27564	O-RING	1		
13	R27421	CYLINDER	1		
14	R459R	O-RING	1		
15	R32588	BACK-UP RING	1		
16	R34131	PLUG	1		
17	15H624	PIPE PLUG	1		1/2"
18	R1138R	O-RING	1		
19	R34966	BACK-UP RING	1		
20	R34965	GUIDE	1		
21	A3606R	O-RING	1		
22	R26441	BACK-UP RING	1		
23	R44285	GUIDE	1		
24	AR68145	QUICK LOCK PIN	2		
25	D2913R	LINK	2		
26	R49193	LINK CHAIN	1		(SUB AN163885)
27	19H2552	CAP SCREW	1		3/8" X 1-1/8"
28	12H304	LOCK WASHER	1		3/8"
29	T13073	CLIP	1		
30	19H1726	CAP SCREW	2		3/8" X 2-1/4"
31	12H304	LOCK WASHER	2		3/8"
32	AP19547	SEAL	1		
33	R44287	ROD	2		
34	R36952	STOP	1		
35	12H236	LOCK WASHER	2		3/4"
36	14H905	NUT	2		3/4"
37	AR45545	ROD	1		

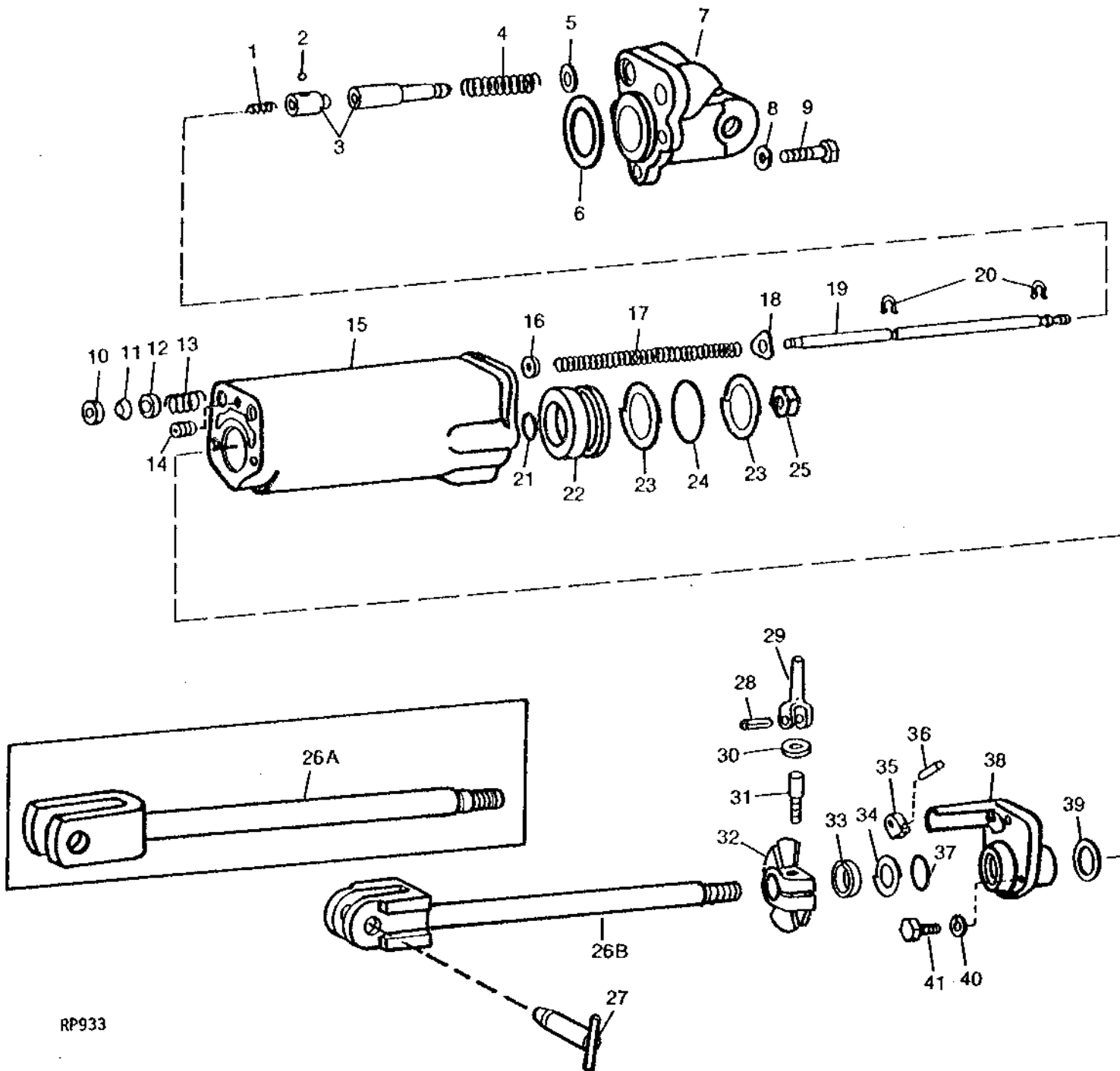
# 3G9

HYDRAULICS

## 3" X 8" REMOTE CYLINDER PARTS (HYDRAULIC STOP)

RP933

-UN-01JAN94



RP933

# 3G10

HYDRAULICS

## 3" X 8" REMOTE CYLINDER PARTS - CONTINUED (HYDRAULIC STOP)

KEY	PART NO.	PART NAME	QTY	MODEL NO.	REMARKS
1	A4741R	SPRING	1	1RC1-1RC2	(FIELD OPTION)
2	A4742R	BALL	1	1RC1-1RC2	(FIELD OPTION)
3	AA5731R	VALVE	1	1RC1-1RC2	(ILLUSTRATED) (FIELD OPTION)
	R39012	VALVE	1	1RC1-1RC2	
4	R49352	SPRING	1	1RC3-	
5	A4723R	WASHER	2		
6	A4722R	WASHER	1		
7	R27427	HYDRAULIC CYLINDER CAP	1		
8	12H301	LOCK WASHER	4		1/2"
9	19H2473	CAP SCREW	4		1/2" X 1-3/4", HS, SAE 8
10	A4746R	ADAPTER	1		
11	A4745R	PACKING	3		
12	A4747R	WASHER	1		
13	A4748R	SPRING ASSEMBLY	1		
14	15H624	PIPE PLUG	1		1/2"
15	R27421	CYLINDER	1		
16	24H1301	WASHER	1		13/32" X 9/16" X 0.065"
17	A4737R	SPRING	1		
18	R57696	WASHER	1		
19	A4736R	ROD	1		
20	A4739R	RING	2		
21	R27564	O-RING	1	1RC2-	
22	R27422	PISTON	1	-1RC1	(SUB R44296)
	R44296	PISTON	1	1RC2-	
23	R27649	BACK-UP RING	2		
24	A4728R	O-RING	1		
25	R45620	LOCK NUT	1		
26A	AR45543	ROD	1	-1RC1	(SUB AR45545 AND AR47825)
26B	AR45545	ROD	1	1RC2-	
27	AR47825	PIN	1		
28	34H264	SPRING PIN	1		5/32" X 7/8"
29	A5302R	YOKE	1		
30	R57696	WASHER	1		(SUB FOR R1870R)
31	A5301R	SCREW	1		
32	R27423	STOP	1		
33	AP19547	SEAL	1		
34	R26441	BACK-UP RING	1		
35	R27426	ARM	1		
36	25H760	GROOVE PIN	1		7/32" X 1-1/4"
37	A3606R	O-RING	1		
38	R40218	GUIDE	1		
39	F1441R	WASHER	1		
40	12H304	LOCK WASHER	3		3/8"
41	19H1731	CAP SCREW	3		3/8" X 1"

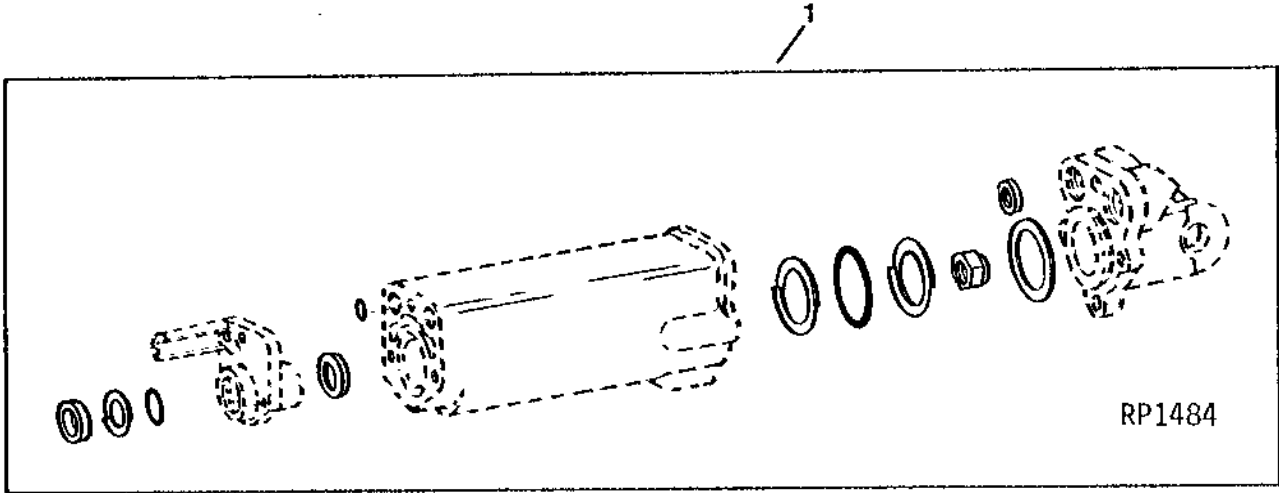
# 3G11

HYDRAULICS

## REMOTE CYLINDER OVERHAUL KIT (3" X 8" HYDRAULIC STOP)

RP1484

-UN-01JAN94



KEY	PART NO.	PART NAME	QTY	TRACTOR SERIAL NO.	REMARKS
1	AR67389	KIT	1		

MEMORANDA

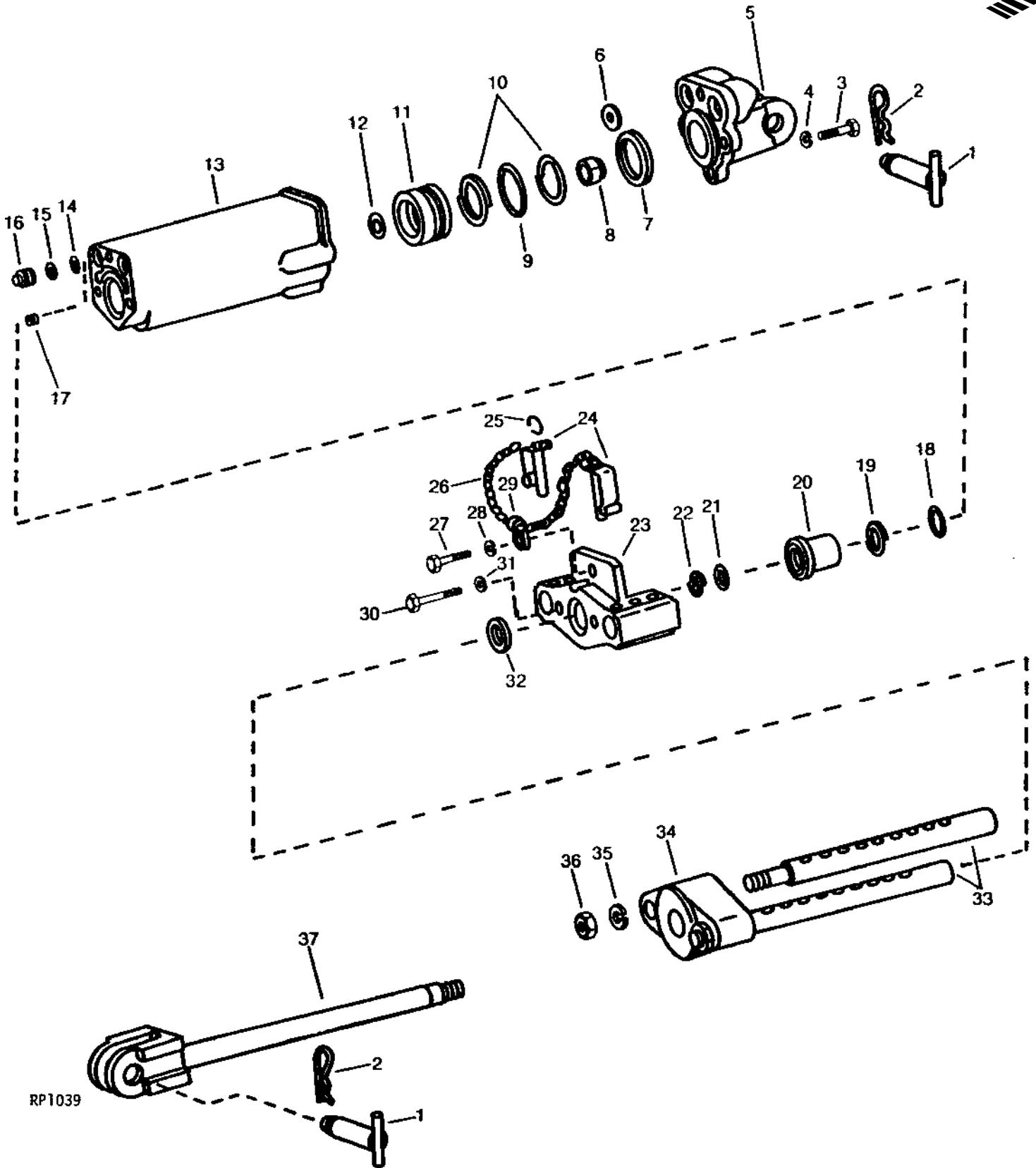
# 3G12

HYDRAULICS

## 3-1/2" X 8" REMOTE CYLINDER PARTS (MECHANICAL STOP)

RP1039

-UN-01JAN94



RP1039

# 3G13

HYDRAULICS

3-1/2" X 8" REMOTE CYLINDER PARTS - CONTINUED  
(MECHANICAL STOP)

KEY	PART NO.	PART NAME	QTY	TRACTOR SERIAL NO.	REMARKS
1	AR47825	PIN	2		
2	A3581R	SPRING LOCKING PIN	2		
3	19H2357	CAP SCREW	4		9/16" X 2"
4	12H317	LOCK WASHER	4		9/16"
5	R35452	CYLINDER HEAD	1		
6	A4723R	WASHER	2		
7	F1427R	WASHER	1		
8	R45620	LOCK NUT	1		
9	F1430R	O-RING	1		
10	R35472	BACK-UP RING	2		
11	R44297	PISTON	1		
12	R27564	O-RING	1		
13	R35447	CYLINDER	1		
14	R459R	O-RING	1		
15	R32588	BACK-UP RING	1		
16	R34131	PLUG	1		
17	15H624	PIPE PLUG	1		1/2"
18	T19687	O-RING	1		(SUB FOR T11220)
19	R35474	BACK-UP RING	1		
20	R36951	GUIDE	1		
21	R29463	O-RING	1		
22	R35473	BACK-UP RING	1		
23	R44286	GUIDE	1		
24	AR68145	QUICK LOCK PIN	2		(SUB FOR AR45536)
25	D2913R	LINK	2		
26	R49193	LINK CHAIN	1		(SUB AN163885)
27	19H2552	CAP SCREW	1		3/8" X 1-1/8"
28	12H304	LOCK WASHER	1		3/8"
29	T13073	CLIP	1		
30	19H1726	CAP SCREW	2		3/8" X 2-1/4"
31	12H304	LOCK WASHER	2		3/8"
32	R35738	SEAL	1		
33	R44287	ROD	2		
34	R36952	STOP	1		
35	12H236	LOCK WASHER	2		3/4"
36	14H905	NUT	2		3/4"
37	AR45544	ROD	1		

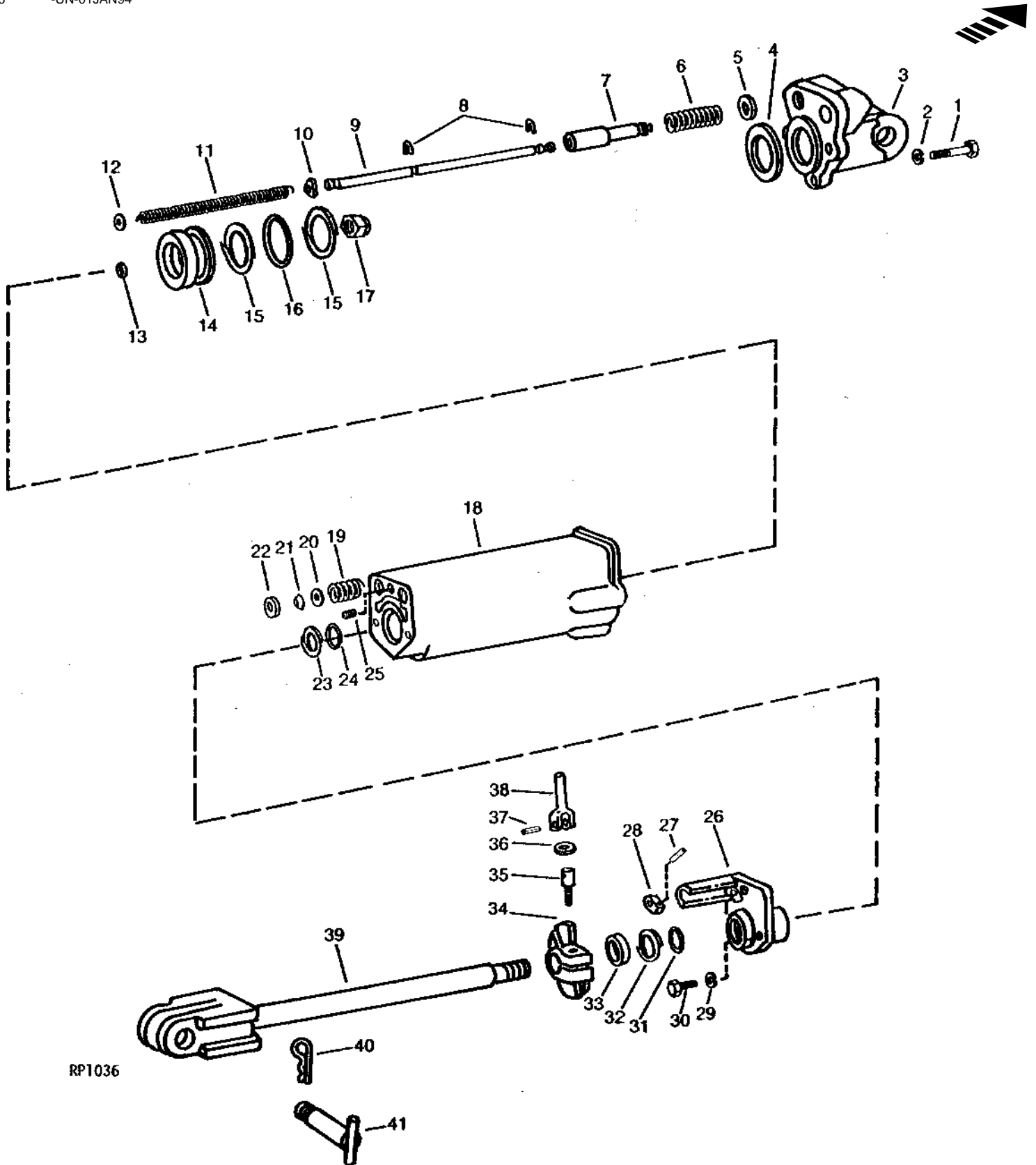
# 3G14

HYDRAULICS

## 3-1/2" X 8" REMOTE CYLINDER PARTS (HYDRAULIC STOP)

RP1036

-UN-01JAN94



RP1036



# 3G15

HYDRAULICS

3-1/2" X 8" REMOTE CYLINDER PARTS - CONTINUED  
(HYDRAULIC STOP)

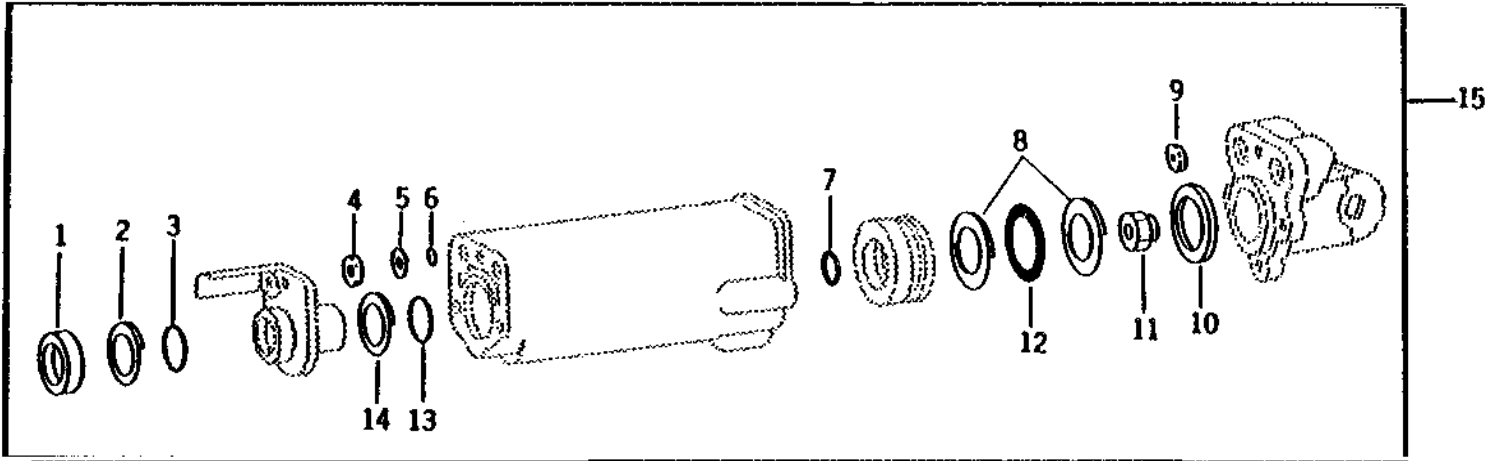
KEY	PART NO.	PART NAME	QTY	TRACTOR SERIAL NO.	REMARKS
1	19H2357	CAP SCREW	4	9/16" X 2"	
2	12H317	LOCK WASHER	4	9/16"	
3	R35452	CYLINDER HEAD	1		
4	F1427R	WASHER	1		
5	A4723R	WASHER	2		
6	R49352	SPRING	1		
7	R39012	VALVE	1		
8	A4739R	RING	2		
9	A4736R	ROD	1		
10	R57696	WASHER	1		
11	A4737R	SPRING	1		
12	24H1301	WASHER	1	13/32" X 9/16" X 0.065"	
13	R27564	O-RING	1		
14	R44297	PISTON	1		
15	R35472	BACK-UP RING	2		
16	F1430R	O-RING	1		
17	R45620	LOCK NUT	1		
18	R35447	CYLINDER	1		
19	A4748R	SPRING ASSEMBLY	1		
20	A4747R	WASHER	1		
21	A4745R	PACKING	3		
22	A4746R	ADAPTER	1		
23	R35474	BACK-UP RING	1		
24	T19687	O-RING	1	(SUB FOR T11220)	
25	15H624	PIPE PLUG	1	1/2"	
26	R40219	GUIDE	1		
27	25H760	GROOVE PIN	1	7/32" X 1-1/4"	
28	A5304R	ARM	1		
29	12H304	LOCK WASHER	3	3/8"	
30	19H1731	CAP SCREW	3	3/8" X 1"	
31	R29463	O-RING	1		
32	R35473	BACK-UP RING	1		
33	R35738	SEAL	1		
34	R35448	STOP	1		
35	A5301R	SCREW	1		
36	R57696	WASHER	1	(SUB FOR R1870R)	
37	34H264	SPRING PIN	1	5/32" X 7/8"	
38	A5302R	YOKE	1		
39	AR45544	ROD	1		
40	A3581R	SPRING LOCKING PIN	2		
41	AR47825	PIN	2		

# 3G16

HYDRAULICS

R32035F -UN-01JAN94

## REMOTE CYLINDER OVERHAUL KIT (3-1/2" X 8" HYDRAULIC OR MECHANICAL STOP)



R32035F

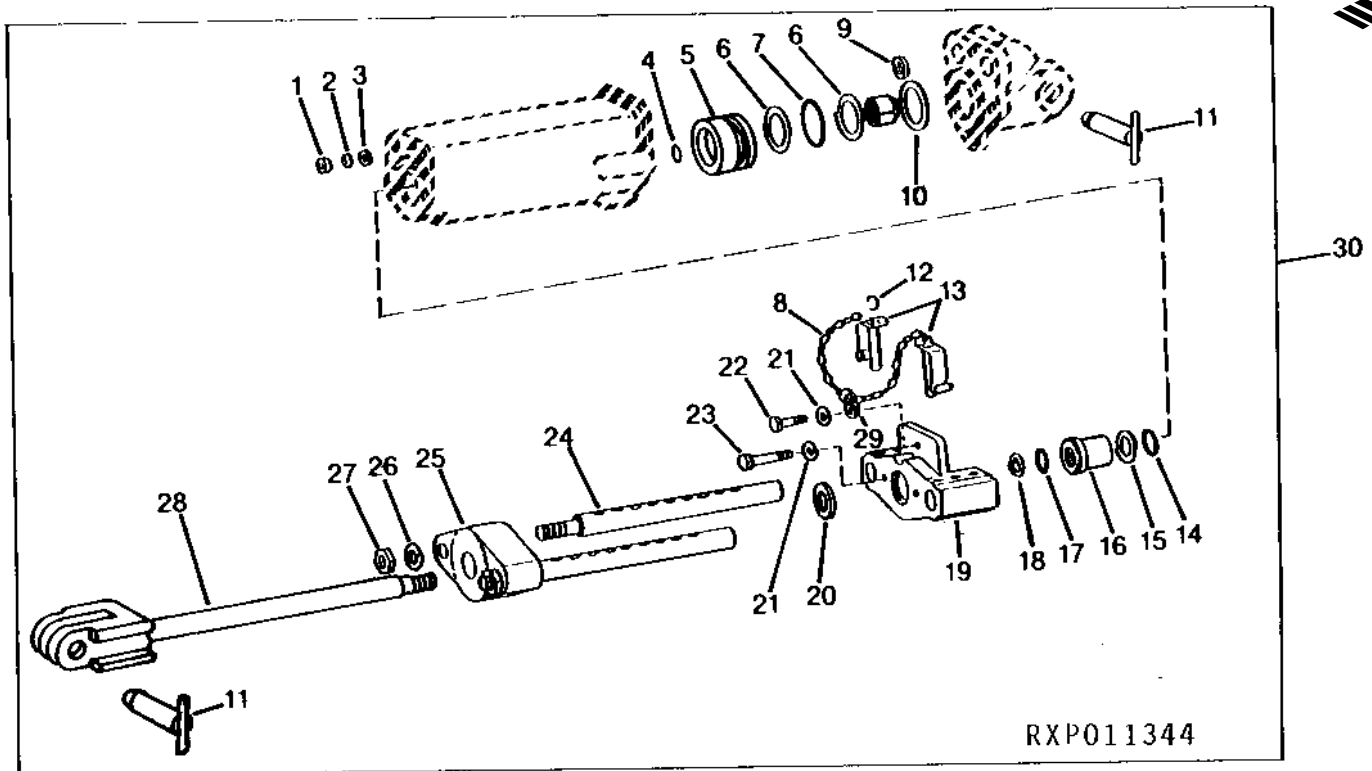
KEY	PART NO.	PART NAME	QTY	TRACTOR SERIAL NO.	REMARKS
1	R35738	SEAL	1		
2	R35473	BACK-UP RING	1		
3	R29463	O-RING	1		
4	A4745R	PACKING	3		(HYDRAULIC STOP)
5	R32588	BACK-UP RING	1		(MECHANICAL STOP)
6	R459R	O-RING	1		(MECHANICAL STOP)
7	R27564	O-RING	1		
8	R35472	BACK-UP RING	2		
9	A4723R	WASHER	2		
10	F1427R	WASHER	1		
11	R45620	LOCK NUT	1		
12	F1430R	O-RING	1		
13	T11220	O-RING	1		
14	R35474	BACK-UP RING	1		
15	AR31945	KIT	1		

# 3G17

HYDRAULICS

## REMOTE CYLINDER CONVERSION KIT (3" X 8" HYDRAULIC STOP TO MECHANICAL STOP)

RXP011344 -UN-12OCT94



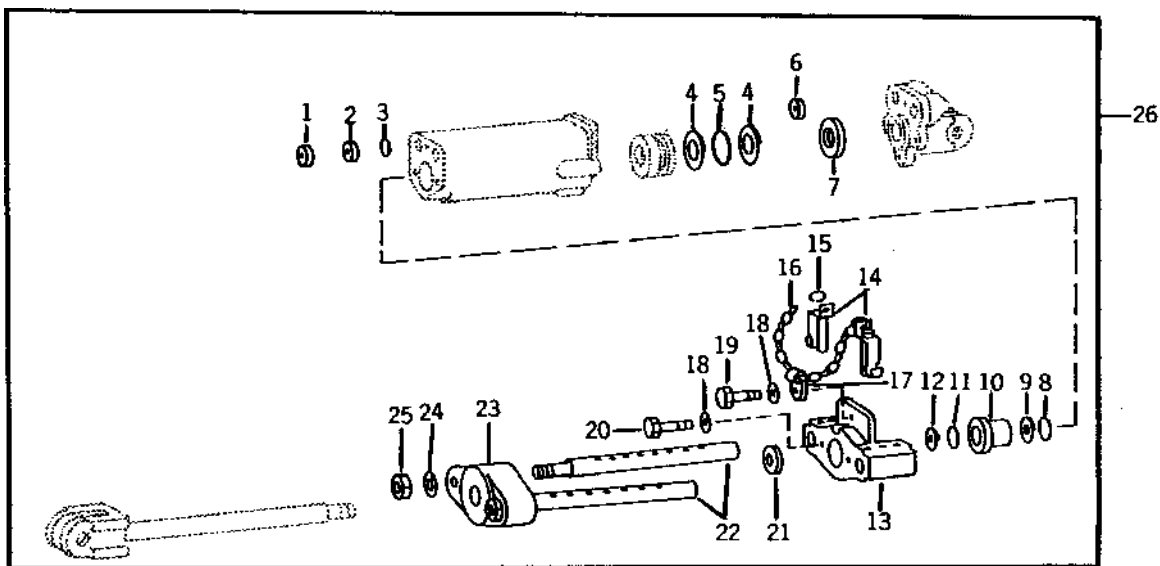
KEY	PART NO.	PART NAME	QTY	TRACTOR SERIAL NO.	REMARKS
1	R34131	PLUG	1		
2	R32588	BACK-UP RING	1		
3	R56464	O-RING	1		
4	R27564	O-RING	1		
5	R44296	PISTON	1		
6	R27649	BACK-UP RING	2		
7	A4728R	O-RING	1		
8	AN163885	LINK CHAIN	1		(SUB FOR R49193)
9	A4723R	WASHER	2		
10	A4722R	WASHER	1		
11	AR47825	PIN	2		
12	D2913R	LINK	2		
13	AR68145	QUICK LOCK PIN	2		
14	R1138R	O-RING	1		
15	R34966	BACK-UP RING	1		
16	R34965	GUIDE	1		
17	A3606R	O-RING	1		
18	R26441	BACK-UP RING	1		
19	R44285	GUIDE	1		
20	AP19547	SEAL	1		
21	12H304	LOCK WASHER	3		3/8"
22	19H2552	CAP SCREW	1		3/8" X 1-1/8"
23	19H1726	CAP SCREW	2		3/8" X 2-1/4"
24	R44287	ROD	2		
25	R36952	STOP	1		
26	12H236	LOCK WASHER	2		3/4"
27	14H905	NUT	2		3/4"
28	AR45545	ROD	1		
29	T13073	CLIP	1		
30	AR45535	KIT	1		(NLA)

# 3G18

HYDRAULICS

## REMOTE CYLINDER CONVERSION KIT (3-1/2" X 8" HYDRAULIC STOP TO MECHANICAL STOP)

R32034F -UN-06OCT94



R32034F

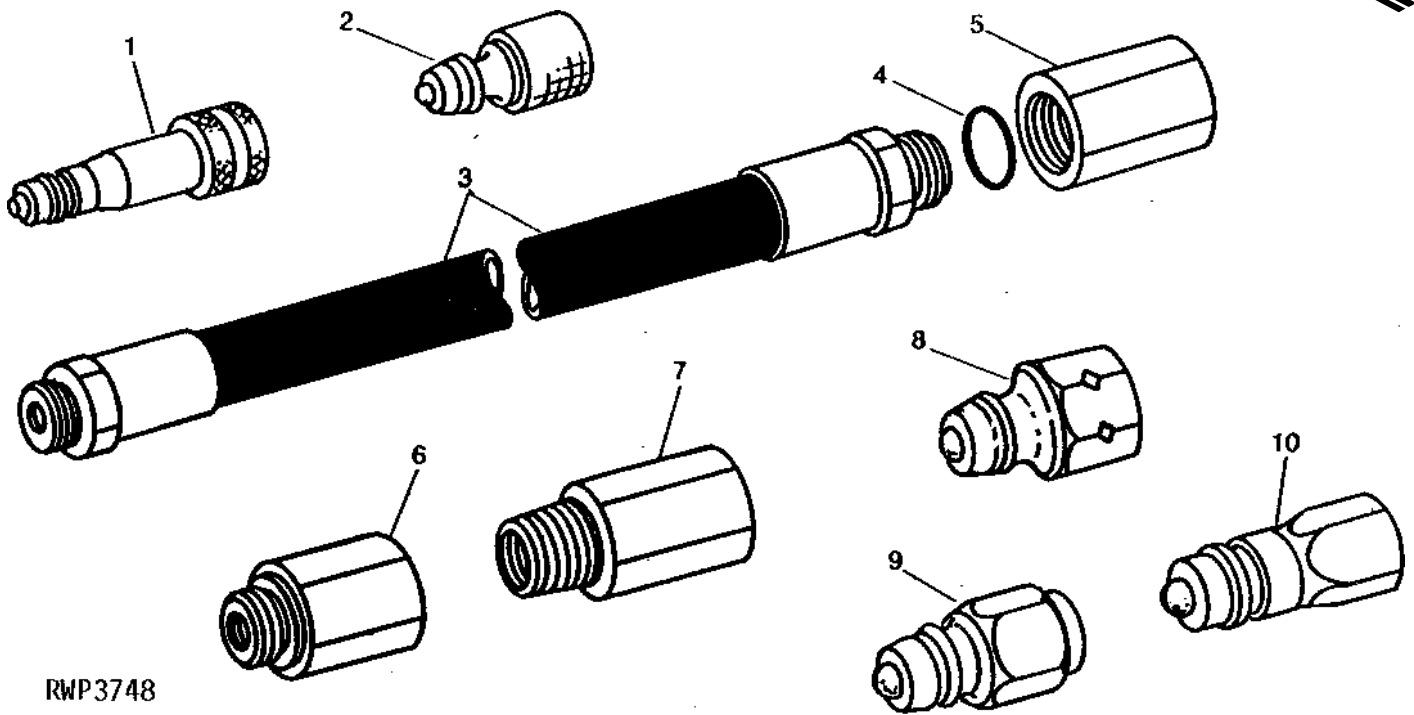
KEY	PART NO.	PART NAME	QTY	TRACTOR SERIAL NO.	REMARKS
1	R34131	PLUG	1		
2	R32588	BACK-UP RING	1		
3	R459R	O-RING	1		
4	R35472	BACK-UP RING	2		
5	F1430R	O-RING	1		
6	A4723R	WASHER	2		
7	F1427R	WASHER	1		
8	T11220	O-RING	1		
9	R35474	BACK-UP RING	1		
10	R36951	GUIDE	1		
11	R29463	O-RING	1		
12	R35473	BACK-UP RING	1		
13	R44286	GUIDE	1		
14	AR68145	QUICK LOCK PIN	2		
15	D2913R	LINK	2		
16	R49193	LINK CHAIN	1	(SUB AN163885)	
17	T13073	CLIP	1		
18	12H304	LOCK WASHER	3	3/8"	
19	19H2552	CAP SCREW	1	3/8" X 1-1/8"	
20	19H1726	CAP SCREW	2	3/8" X 2-1/4"	
21	R35738	SEAL	1		
22	R44287	ROD	2		
23	R36952	STOP	1		
24	12H236	LOCK WASHER	2	3/4"	
25	14H905	NUT	2	3/4"	
26	AR45534	KIT	1		

# 3G19

HYDRAULICS

RWP3748 -UN-01JAN94

## IMPLEMENT HYDRAULIC OIL LINES AND FITTINGS

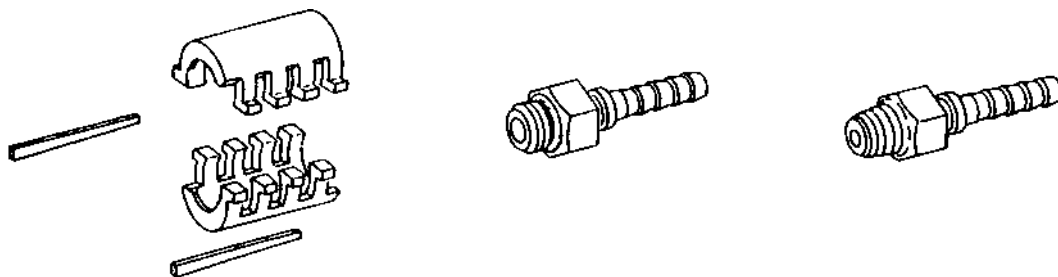


KEY	PART NO.	PART NAME	QTY	TRACTOR SERIAL NO.	REMARKS
1	AR98202	HYD. QUICK-CONNECT COUPLER	1	JOHN DEERE TO ISO	
	R21722	O-RING	1	(INCLUDED IN AR98202)	
	RE11457	ADAPTER	1	IHC TO ISO	
2	U11647	O-RING	1	(INCLUDED IN RE11457)	
	AR98201	HYD. QUICK-CONNECT COUPLER	1	ISO TO JOHN DEERE	
	R21722	O-RING	1	(INCLUDED IN AR98201, RE11458 AND RE11463)	
3	R71387	WASHER	1	(INCLUDED IN AR98201)	
	RE11456	ADAPTER	1	IHC TO JOHN DEERE	
	RE11458	ADAPTER	1	JOHN DEERE TO IHC	
	RE11463	ADAPTER	1	ISO TO IHC	
	AR28754	HYDRAULIC HOSE	1	(SUB TY3018) 10 X 610MM (3/8" X 24")	
4	AR28755	HYDRAULIC HOSE	1	10 X 914MM (3/8" X 36")	
	R36658	HYDRAULIC HOSE	1	13 X 610MM (1/2" X 24")	
	R36659	HYDRAULIC HOSE	1	13 X 914MM (1/2" X 36")	
5	R26375	O-RING	1		
6	R30815	FITTING	1	3/4" THREAD	
7	R30817	ADAPTER	1	3/4"-16UNF MALE X 1/2"-14NPT FEMALE	
	R30816	ADAPTER	1	1/2"-14NPT MALE X 3/4"-16UNF FEMALE	
8	AR93820	FITTING	1	JOHN DEERE, 3/4"-16 UNF	
9	RE11447	FITTING	1	JOHN DEERE, 1/2"-14NPT	
10	AR94522	INTERNAL HALF COUPLER	1	ISO, 3/4"-16UNF	

# 3G20

## BULK FLEXIBLE OIL LINE AND REUSABLE LOK-PIN COUPLINGS

RXP7733 -UN-23SEP94



Oil Line (Length) Approx. 50 ft.)		Set of Ferrules with Pins*	Stem-Straight Thread with O-ring	Stem-Pipe Thread
R 34790	3/8" I.D. — 1 Wire	.....	AR 39635* #	R 39687
R 34791	1/2" I.D. — 1 Wire	.....	AR 39636* #	R 39688
R 34792	3/4" I.D. — 1 Wire	.....	AR 39637#	R 39689
R 34793	3/8" I.D. — 2 Wire	AR 39632	AR 39635* #	R 39687
R 34794	1/2" I.D. — 2 Wire	.....	AR 39636* #	R 39688
R 34795	3/4" I.D. — 2 Wire	.....	AR 39637#	R 39689

\* Each set of ferrules includes two R39681 pins - extra pins may be ordered, packed 20 in a package.  
 \*\*Includes R26375 O-ring.  
 # Includes F3171R O-ring.

## REUSABLE COUPLINGS (Use With Braid Flexible Oil Line)



1 WR Single Wire		2 WR Double Wire		I.D.	Thread
Coupling No.		Coupling No.			
AF 3585 R		AR 21629		3/8"	3/8" — 18 NPTF
AF 3586 R		AR 21630		1/2"	1/2" — 14 NPTF
AF 3587 R		.....		5/8"	3/4" — 14 NPTF
AF 3588 R		AR 21632		3/4"	3/4" — 14 NPTF
		AR 21634		1"	1" — 11-1/2" NPTF
R 34644		.....		3/8"	3/4" — 16 O-ring type thread
R 34646		R 34647		1/2"	3/4" — 16 O-ring type thread

## BULK SINGLE WIRE BRAID FLEXIBLE OIL LINE (Use With Reusable Coupling for Single Wire Braid Flexible Oil Line)

Part No.	I.D.	O.D.	Length
A 5776 R	1/2"	29/32"	Approx. 50 ft.
A 5777 R	5/8"	1-1/32"	Approx. 50 ft.

## BULK DOUBLE WIRE BRAID FLEXIBLE OIL LINE (Use with Reusable Coupling for Double Wire Braid Flexible Oil Line)

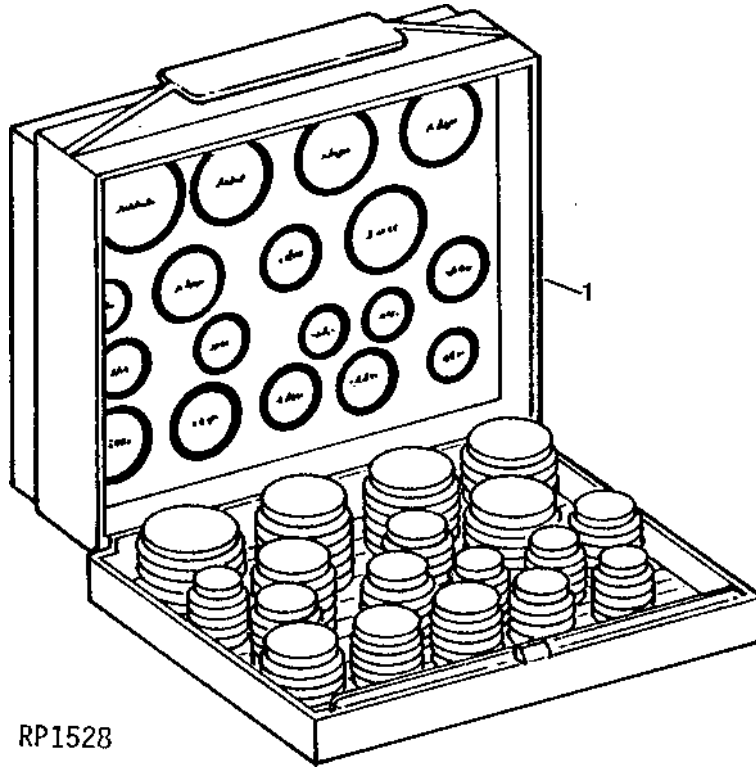
Part No.	I.D.	O.D.	Length
R 21531	3/8"	29/32"	Approx. 50 ft.
R 21532 RXP7733	1/2"	31/32"	Approx. 50 ft.

# 3G21

HYDRAULICS

RP1528 -UN-01JAN94

## O-RING KIT



RP1528

KEY	PART NO.	PART NAME	QTY	TRACTOR SERIAL NO.	REMARKS
1	AR73500	KIT	1	HYDRAULIC	

MEMORANDA

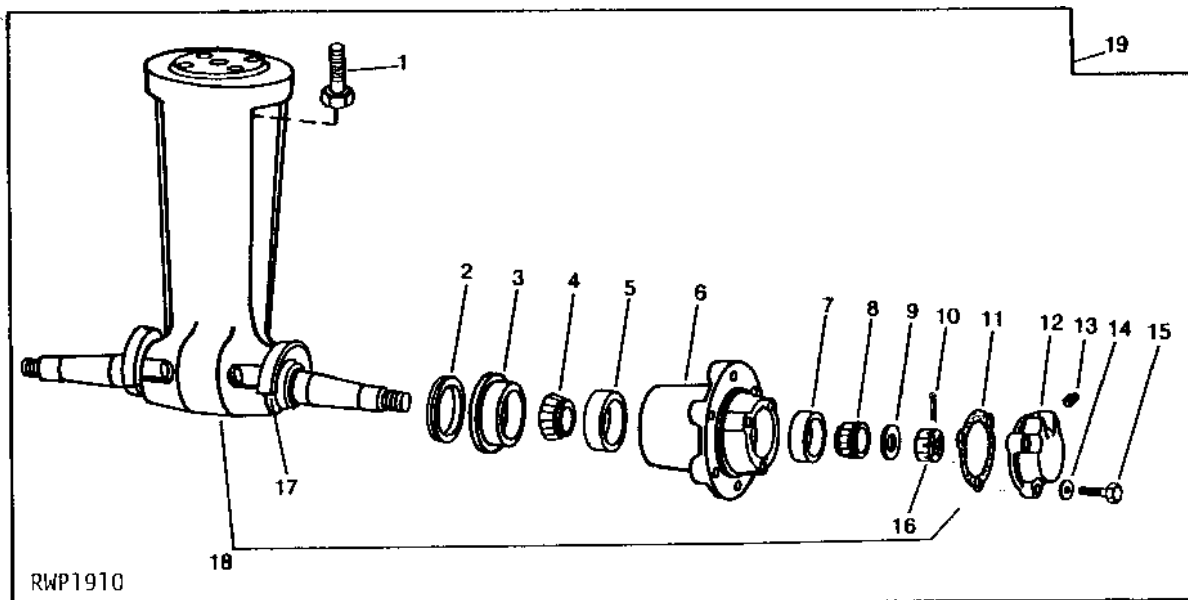


# 3H3

WHEELS, FRONT AXLES, SHEET METAL

## SPINDLE EXTENSION AND HUBS FOR DOUBLE FRONT WHEEL

RWP1910 -UN-06OCT94



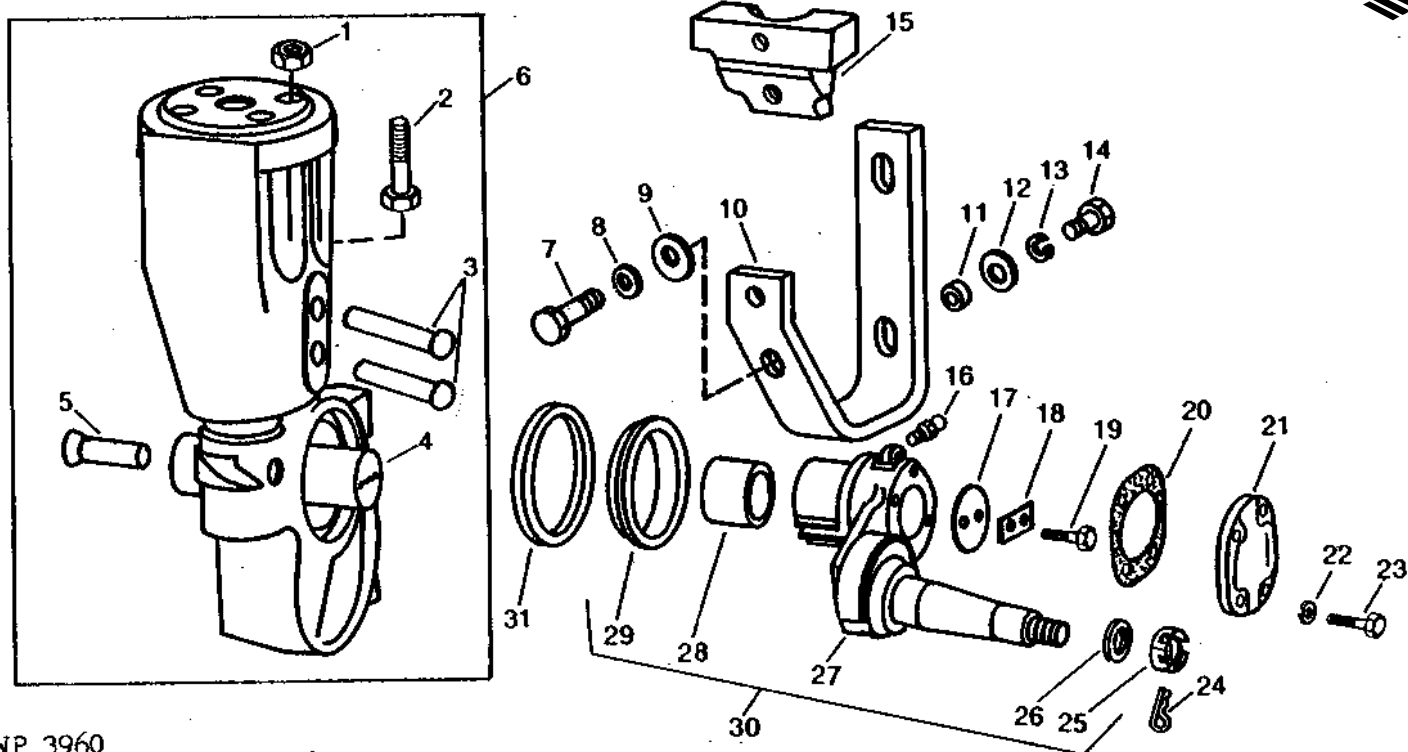
KEY	PART NO.	PART NAME	QTY	TRACTOR SERIAL NO.	REMARKS
1	19H2663	CAP SCREW	4		3/4" X 2-1/8"
2	AR26480	SEAL	2		
3	R26632	BUSHING	2		
4	JD8913	BEARING CONE	2		
5	JD7445	BEARING CUP	2		
6	R26631	HUB	2	-XXXXXX	(SUB R48763 AND (6) JD16)
	R48763	HUB	2	XXXXXX-	
7	JD8251	BEARING CUP	2		
8	JD8929	BEARING CONE	2		
9	R28575	WASHER	2		(SUB FOR A5146R)
10	11M7032	COTTER PIN	2		0.197" X 1.969"
11	A1556R	GASKET	2		
12	A1555R	CAP	2		
13	15H253	PIPE PLUG	2		1/8"
14	24H1136	WASHER	6		11/32" X 11/16" X 0.065"
15	19H1758	CAP SCREW	6		5/16" X 1-1/4"
16	14H540	NUT	2		1"
17	R20255	DUST SHIELD	2		
18	AR26823	EXTENSION	1		(MARKED R26860) (NLA)
19	AR27054	KNUCKLE	1		(NLA)

# 3H4

WHEELS, FRONT AXLES, SHEET METAL

RWP3960 -UN-01JAN94

ROLL-O-MATIC



RWP 3960

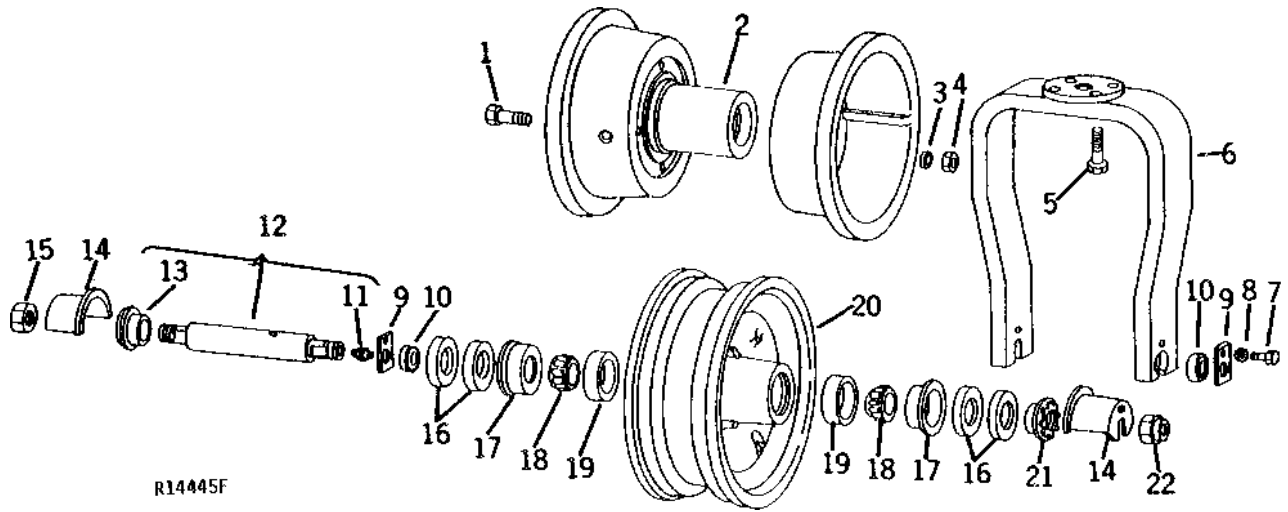
KEY	PART NO.	PART NAME	QTY	TRACTOR SERIAL NO.	REMARKS
1	14H794	NUT	4	3/4"	
2	19H2663	CAP SCREW	4	3/4" X 2-1/8"	
3	17H760	RIVET	2	5/8" X 5"	
4	R20253	DOWEL PIN	1		
5	17H716	RIVET	1	5/8" X 4"	
6	AR28249	EXTENSION	1	(MARKED R28002)	
7	19H1708	CAP SCREW	2	5/8" X 1-3/4"	
8	12H294	LOCK WASHER	2	5/8"	
9	24H1106	WASHER	2	11/16" X 1-3/4" X 0.134"	
10	A4118R	SUPPORT	1		
11	A4119R	SPACER	2		
12	24H1211	WASHER	2	9/16" X 1-3/8" X 0.105"	
13	12H301	LOCK WASHER	2	1/2"	
14	19H2473	CAP SCREW	2	1/2" X 1-3/4"	
15	A4117R	LOCK	1		
16	JD7778	LUBRICATION FITTING	2		
17	R20260	WASHER	2		
18	R20261	PLATE	2		
19	19H1822	CAP SCREW	4	7/16" X 1"	
20	R30392	GASKET	2		
21	R30391	CAP	2		
22	12H304	LOCK WASHER	8	3/8"	
23	19H1732	CAP SCREW	8	3/8" X 1-1/4"	
24	11M7030	COTTER PIN	2	0.197" X 1.575"	
25	14H920	NUT	2	1"	
26	R28575	WASHER	2	(SUB FOR A5146R)	
27	R20255	DUST SHIELD	2		
28	R20942	BUSHING	4		
29	R20256	RETAINER	2		
30	AR27314	KNUCKLE	1	R.H. (MARKED R30387)	
	AR27315	KNUCKLE	1	L.H. (MARKED R30388)	
31	R20259	BUSHING	2		

# 3H5

WHEELS, FRONT AXLES, SHEET METAL

R14445 -UN-01JAN94

## SINGLE FRONT WHEEL



KEY	PART NO.	PART NAME	QTY	TRACTOR SERIAL NO.	REMARKS
1	19H1824	CAP SCREW	4	5/8" X 2-1/4"	
2	R31225	HUB	1	(A) (12 PLY TIRE)	
	R31226	RIM	1		
3	12H294	LOCK WASHER	4	5/8"	
4	14H800	NUT	4	5/8"	
5	19H2663	CAP SCREW	4	3/4" X 2-1/8"	
6	AR28242	YOKE	1	(USE WITH WHEEL FOR 7.50-16" TIRE)	
	AR28243	YOKE	1	(A)	
7	H772R	SET SCREW	1		
8	12H304	LOCK WASHER	1	3/8"	
9	F3126R	PLATE	2		
	R20648	STRAP	2	(A)	
10	F3127R	SPACER	2		
	R20656	SPACER	2	(NLA)	
11	JD7759	LUBRICATION FITTING	1		
12	AB4259R	AXLE	1		
	AR20750	FRONT AXLE	1	(A) (NLA)	
13	B2683R	BUSHING	1		
	R20654	SPACER	1	(A)	
14	H773R	DUST SHIELD	2		
	R20655	DUST SHIELD	2	(A)	
15	14H876	NUT	1	1"	
	14H494	NUT	1	(A) 1-1/4"	
16	B90R	WASHER	4		
	R3R	WASHER	4	(A)	
17	B89R	RETAINER	2		
	R2R	RETAINER	2	(A)	
18	JD7222	BEARING CONE	2		
	JD8913	BEARING CONE	2	(A)	
19	JD7266	BEARING CUP	2		
	JD7445	BEARING CUP	2	(A)	
20	AB3686R	WHEEL	1	(MARKED B2681R) (NLA)	
21	B548R	NUT	1		
	R20653	NUT	1	(A)	
22	B551R	NUT	1		
	14H822	NUT	1	(A) 1-1/4"	
..	AR27087	YOKE	1	(USE WITH 7.50-16" TIRE) (COMPLETE AXLE AND FRONT WHEEL) (NLA)	

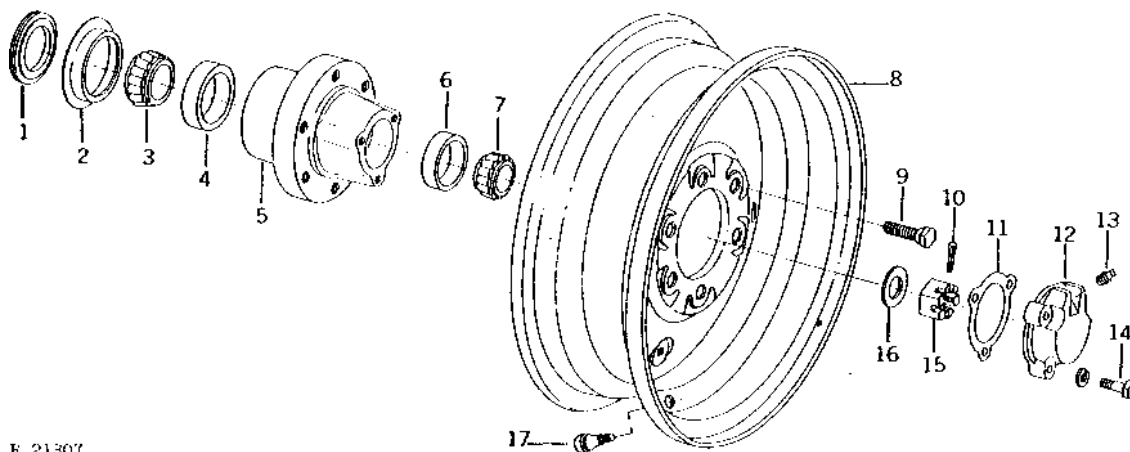
(A) USED WITH 11.00-12" TIRE

# 3H6

WHEELS, FRONT AXLES, SHEET METAL

R21307 -UN-01JAN94

## FRONT WHEELS (EXCEPT SINGLE FRONT WHEEL)



R 21307

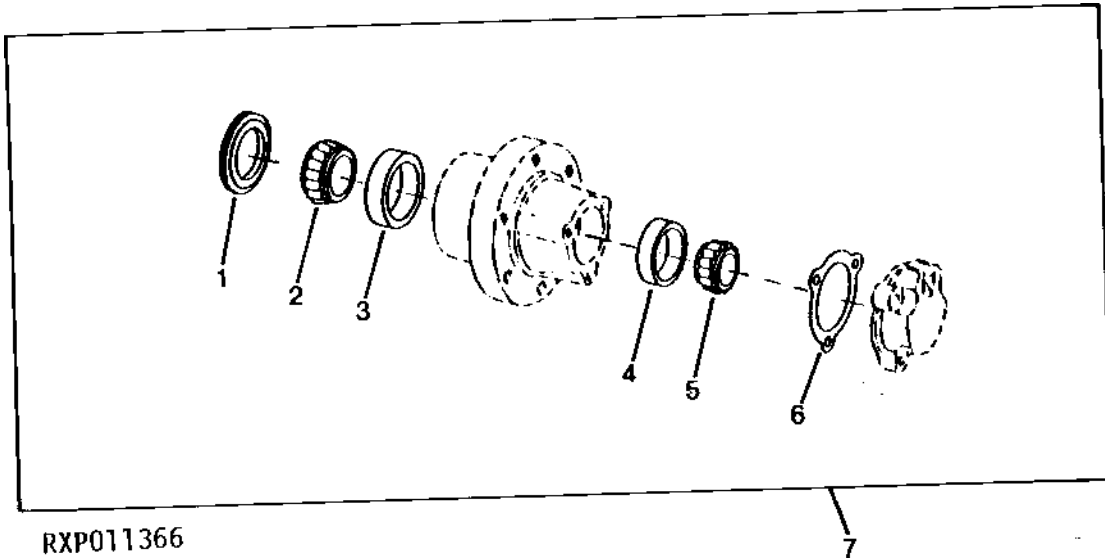
KEY	PART NO.	PART NAME	QTY	TRACTOR SERIAL NO.	REMARKS
1	AR26480	SEAL	1		
2	R26632	BUSHING	1		
3	JD8913	BEARING CONE	1		
4	JD7445	BEARING CUP	1		
5	R26631	HUB	1		(SUB R48763 AND (6) JD16)
	R48763	HUB	1		
6	JD8251	BEARING CUP	1		
7	JD8929	BEARING CONE	1		
8	JD1299	WHEEL	1		(6.00-16",6-PLY RUBBER TIRE)
	JD1091	WHEEL	1		(7.50-15",6-PLY RUBBER TIRE)
	JD3039	WHEEL	1		(SUB FOR JD1293) (FOR 5.50X16",6-PLY RUBBER TIRE) (ROW CROP AND STANDARD)
	JD3211	WHEEL	1		(7.50-18",6-PLY RUBBER TIRE) (STANDARD AND HI-CROP)
	JD1102	WHEEL	1		(9.5L-15",6-PLY RUBBER TIRE)
	JD3219	RIM	1		(11L-15",6-PLY RUBBER TIRE)
	JD3227	RIM	1		(SUB FOR JD1298) (7.50-20",4-PLY RUBBER TIRES) (HI-CROP)
9	JD22	WHEEL BOLT	6		(USE WITH R26631)
	JD16	WHEEL BOLT	6		(USE WITH R48763)
	11M7032	COTTER PIN	1		0.197" X 1.969"
10	A1556R	GASKET	1		
11	A1555R	CAP	1		
12	15H638	PIPE PLUG	1		1/8"
13	19H2915	CAP SCREW	3		5/16" X 1-1/4"
14	24H1136	WASHER	3		11/32" X 11/16" X 0.065"
15	14H920	NUT	1		1"
16	R28575	WASHER	1		(SUB FOR A5146R)
17	AM30347	TIRE VALVE STEM	1		(SUB FOR AR55282) (USE WITH TUBELESS TIRES)

# 3H7

WHEELS, FRONT AXLES, SHEET METAL

RXP011366 -UN-12OCT94

## FRONT WHEEL BEARING KIT



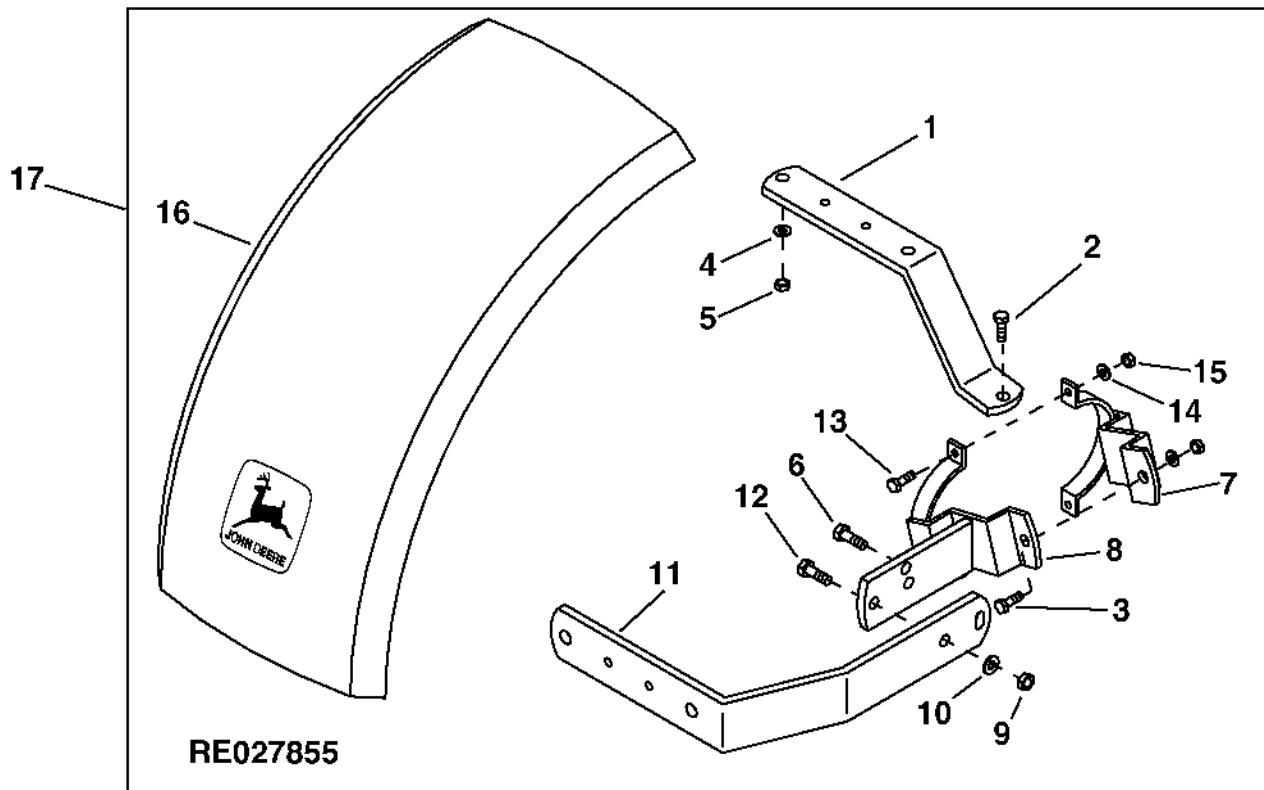
KEY	PART NO.	PART NAME	QTY	TRACTOR SERIAL NO.	REMARKS
1	AR26480	SEAL	1		
2	JD8913	BEARING CONE	1		
3	JD7445	BEARING CUP	1		
4	JD8251	BEARING CUP	1		
5	JD8929	BEARING CONE	1		
6	A1556R	GASKET	1		
7	RE54814	BEARING KIT	1		(USE WITH R48763)

# 3H8

WHEELS, FRONT AXLES, SHEET METAL

## FRONT FENDERS

RE027855 -UN-22APR97



KEY	PART NO.	PART NAME	QTY	TRACTOR SERIAL NO.	REMARKS
1	R132823	SUPPORT	2		
2	19H2969	CAP SCREW	2	5/8" X 3-1/2"	
3	19M7892	CAP SCREW	2	M20 X 80	
4	12H304	LOCK WASHER	8	3/8"	
5	14H1076	NUT	8	3/8"	
6	19H2735	CAP SCREW	2	1/2" X 2"	
7	R133720	PLATE	1		
	R133722	BRACKET	1		
8	RE150015	BRACKET	1	(INCLUDES R132822)	
	RE150014	BRACKET	1		
9	14H1076	NUT	8	3/8"	
10	12H301	LOCK WASHER	4	1/2"	
11	R132824	SUPPORT	2		
12	E57351	SELF-LOCKING SCREW	4		
13	19H3550	CAP SCREW	4	1/2" X 4"	
14	12H301	LOCK WASHER	4	1/2"	
15	14H1040	NUT	4	1/2"	
16	AR86406	FENDER	1		
17	<b>RE67850</b>	<b>KIT</b>	1	<b>(FI)</b>	
	RE68883	KIT	1		

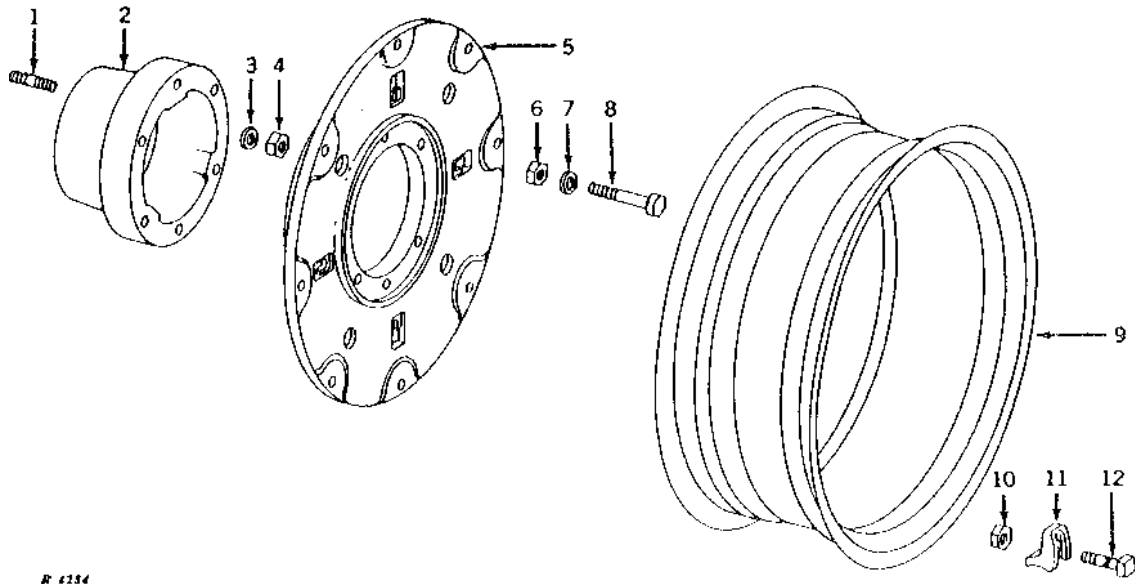
# 3H9

WHEELS, FRONT AXLES, SHEET METAL

## REAR WHEELS (HI-CROP)

R4284

-UN-01JAN94



KEY	PART NO.	PART NAME	QTY	TRACTOR SERIAL NO.	REMARKS
1	A2833R	STUD	6		
2	R28578	HUB	1		
3	12H245	LOCK WASHER	6		7/8"
4	14H1077	NUT	6		7/8"
5	R21110	WHEEL	1		(NLA)
6	14H800	NUT	6		5/8"
7	12H294	LOCK WASHER	6		5/8"
8	19H3353	CAP SCREW	6		5/8" X 5"
9	R31490	RIM	1		(13.6-38" OR 14.9-38" TIRE)
	R31491	RIM	1		(15.5-38" TIRE)
10	14H800	NUT	8		5/8"
11	A4388R	CLAMP	8		
12	A4064R	BOLT	8		5/8" X 2-3/4", (SUB R34801)

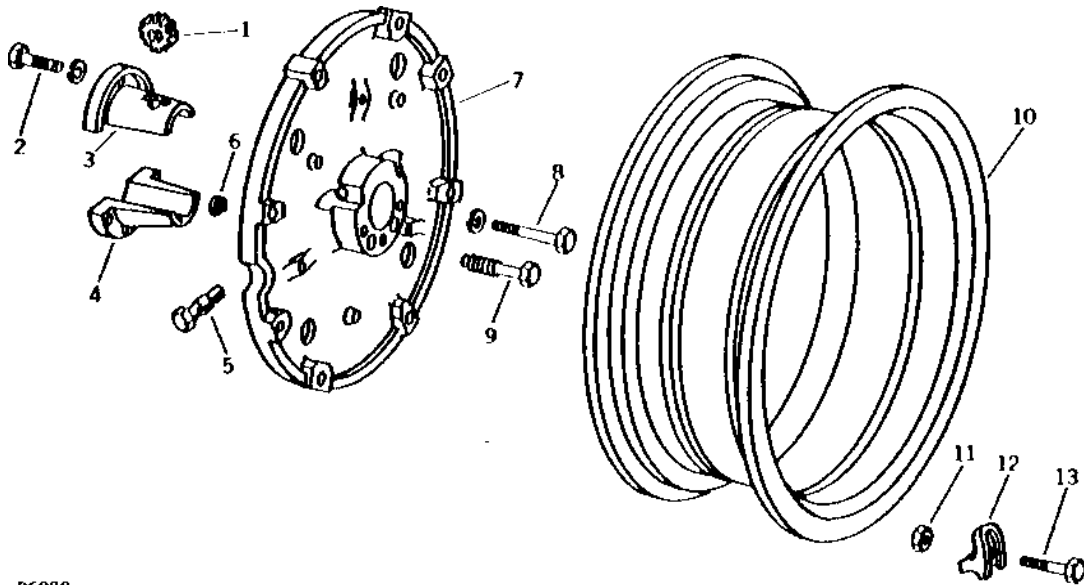
# 3H10

WHEELS, FRONT AXLES, SHEET METAL

## REAR WHEELS (ROW-CROP AND STANDARD)

R6020

-UN-01JAN94



R6020



# 3H11

WHEELS, FRONT AXLES, SHEET METAL

## REAR WHEELS - CONTINUED (ROW-CROP AND STANDARD)

KEY	PART NO.	PART NAME	QTY	TRACTOR SERIAL NO.	REMARKS
1	A4379R	PINION	1		(USE WITH 26" OR 30" WHEELS)
	B3014R	PINION	1		(USE WITH 34" OR 38" WHEELS)
2	19H2600	CAP SCREW	3		3/4" X 2-5/8"
	12H236	LOCK WASHER	3		3/4"
3	A4384R	HALF SLEEVE	1		(USE WITH 26" OR 30" WHEELS)
	R33539	HALF SLEEVE	1		(USE WITH 34" OR 38" WHEELS)
4	R32224	HALF SLEEVE	1		(USE WITH 26" OR 30" WHEELS)
	R33540	HALF SLEEVE	1		(USE WITH 34" OR 38" WHEELS)
5	A4380R	PINION SHAFT	1		
6	A4883R	RING	2		
7	R32230	WHEEL	1		(B) (30") (16.9-30" OR 18.4-30" TIRE AND RIM)
	R48954	WHEEL	1		(A) (SUB FOR R33430) (ALSO ORDER (3) R81272)
					(38") (13.6-38", 14.9-38", OR 15.5-38" TIRE AND RIMS)
	R48955	WHEEL	1		(A) (B) (SUB FOR R33440) (ALSO ORDER (3) R81272) (34") (16.9-34" OR 18.4-34" TIRE AND RIM)
	R33450	DISK	1		(A) (SUB R70309) (38") (SPECIAL OFFSET) (13.6-38", 14.9-38" OR 15.5-38" TIRE AND RIM)
	R32000	WHEEL	1		(26") (FOR 18.4-26" TIRE AND RIM)
8	R34828	CAP SCREW	3		(USE WITH 26" OR 30" WHEELS)
	8H4418	CAP SCREW	3		(A) (B) (USE WITH 34" OR 38" WHEELS)
	12H245	LOCK WASHER	3		7/8", (SUB FOR R34829)
9	R39758	SCREW	2		(USE WITH 26" OR 30" WHEELS)
	R58303	SCREW	2		(SUB FOR R33706) (USE WITH 34" OR 38" WHEELS)
10	R31490	RIM	1		(A) (FOR 13.6-38" OR 14.9-38" TIRE)
	R31491	RIM	1		(A) (15.5-38" TIRE)
	R31943	RIM	1		(B) (18.4-34" TIRE) (EMBOSSER DRIVER)
	R31592	RIM	1		(A) (B) (16.9-34" TIRE)
	R32231	RIM	1		(B) (16.9-30" TIRE) (NO LONGER AVAILABLE)
	R32232	RIM	1		(B) (18.4-30" TIRE)
	R32072	RIM	1		(B) (18.4-34" TIRE) (WELDED DRIVER)
11	14H800	NUT	9		5/8", (26" WHEEL; 10 USED, 30" WHEEL; 12 USED, 34" AND 38" WHEEL)
12	A4388R	CLAMP	9		(26" WHEEL; 10 USED, 30" WHEEL, 12 USED, 34" AND 38" WHEELS)
13	08H4694	BOLT	9		5/8" X 4", (SUB FOR A4389R) (H.S. SAE 8) (26" WHEEL; 10 USED, 30" WHEEL; 12 USED, 34" AND 38" WHEEL)

(A) ROW-CROP

(B) STANDARD TRACTOR

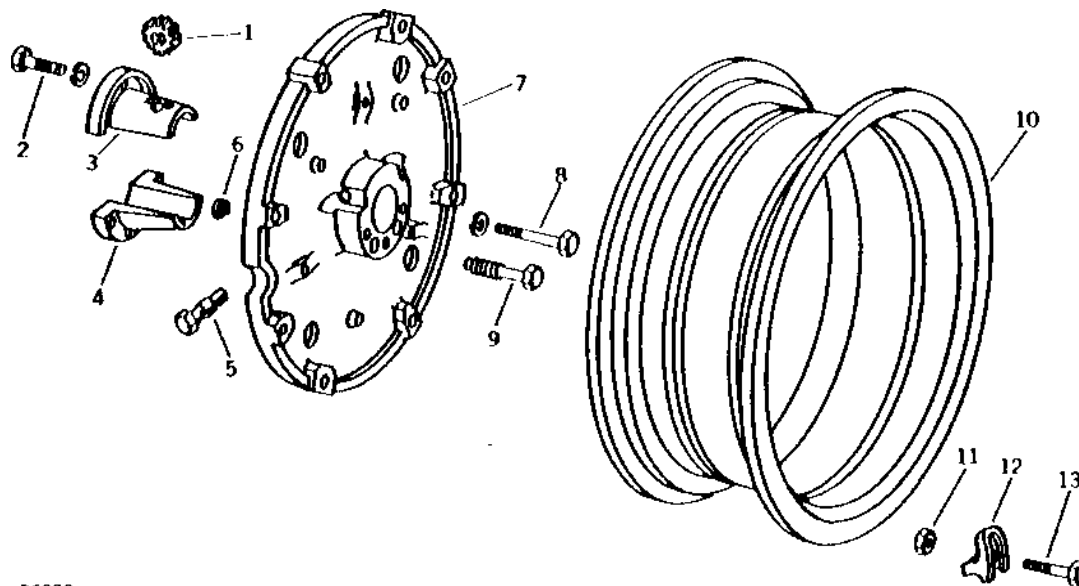
# 3H12

WHEELS, FRONT AXLES, SHEET METAL

R6020

-UN-01JAN94

## REAR WHEELS (HI-CROP)



R6020

KEY	PART NO.	PART NAME	QTY	TRACTOR SERIAL NO.	REMARKS
1	A4379R	PINION	1		
2	19H2600	CAP SCREW	3	3/4" X 2-5/8"	
	12H236	LOCK WASHER	3	3/4"	
3	A4384R	HALF SLEEVE	1		
4	R32224	HALF SLEEVE	1		
5	A4380R	PINION SHAFT	1		
6	A4883R	RING	2		
7	F1500R	WHEEL	1		(13.6-38", 14.9-38", OR 15.5-38" TIRE AND RIM)
	R21480	WHEEL	1		(18.4-34" TIRE AND RIM)
8	R34828	CAP SCREW	3		
	12H245	LOCK WASHER	3	7/8"	
9	R39758	SCREW	2		
10	R31490	RIM	1		(13.6-38" OR 14.9-38" TIRE)
	R31491	RIM	1		(15.5-38" TIRE)
	R32072	RIM	1		(18.4-34" TIRE) (WELDED DRIVER)
11	14H800	NUT	8	5/8"	
12	A4388R	CLAMP	8		(38" WHEEL)
	B634R	CLAMP	8		(34" WHEEL)
13	08H4694	BOLT	8		5/8" X 4", (SUB FOR A4389R) HS, SAE 8
	A4064R	BOLT	8		5/8" X 2-3/4", (SUB R34801) (34" WHEEL)

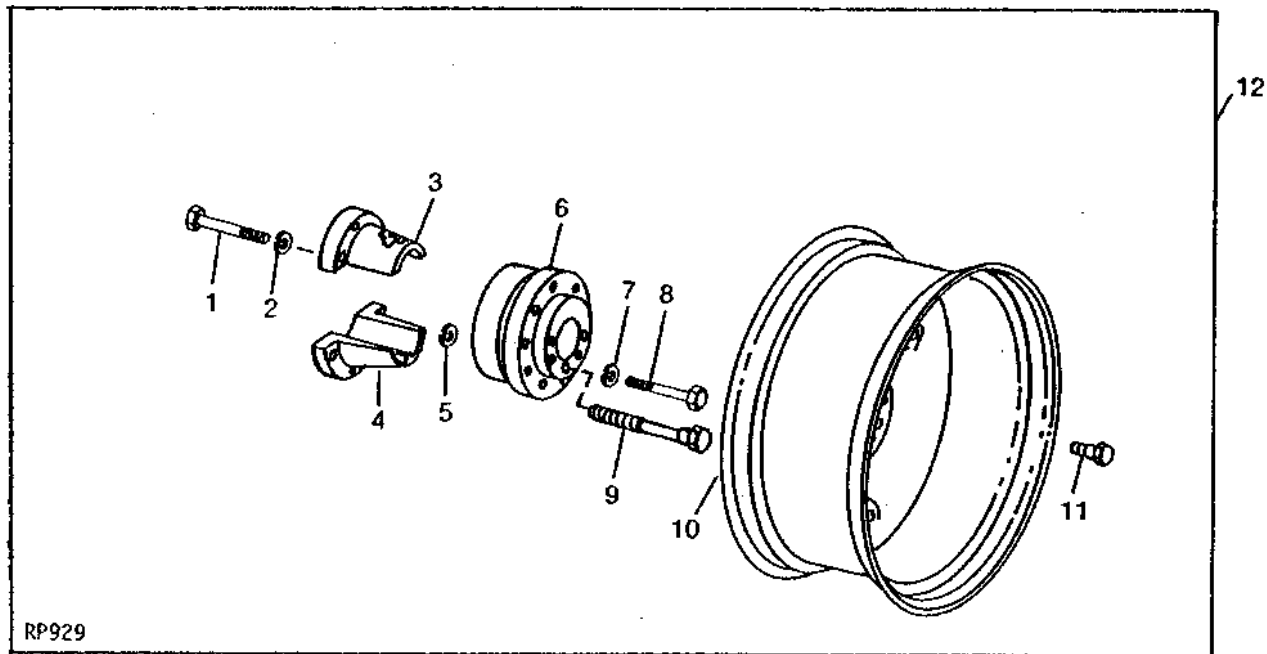
# 3H13

WHEELS, FRONT AXLES, SHEET METAL

## DUAL REAR WHEELS (ROW-CROP)

RP929

-UN-01JAN94



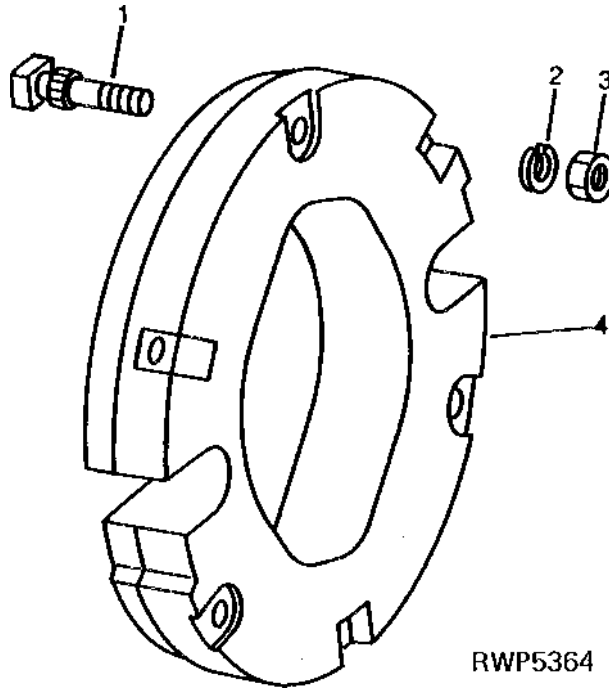
KEY	PART NO.	PART NAME	QTY	TRACTOR SERIAL NO.	REMARKS
1	19H2600	CAP SCREW	3		
2	12H236	LOCK WASHER	3		3/4" X 2-5/8"
3	A4384R	HALF SLEEVE	1		3/4"
4	R32224	HALF SLEEVE	1		
5	A4883R	RING	2		
6	R28490	HUB	1		
7	12H245	LOCK WASHER	3		7/8"
8	R34828	CAP SCREW	3		
9	R39758	SCREW	2		
10	JD3019	WHEEL	1		(13.6-38" TIRE)
	JD3222	WHEEL	1		(15.5-38" TIRE)
11	JD27	SCREW	9		(USE WITH JD3019, JD3222 AND AR50065)
12	AR54680	WHEEL	1		( AR54680 CANCELLED, ORDER COMPONENT PARTS) (15.5-38" TIRE)

# 3H14

WHEELS, FRONT AXLES, SHEET METAL

## REAR WHEEL WEIGHTS (30", 34" AND 38" CAST DISK WHEELS)

RWP5364 -UN-01JAN94



KEY	PART NO.	PART NAME	QTY	TRACTOR SERIAL NO.	REMARKS
1	R34801	BOLT	3		
	R81272	BOLT	3	5/8" X 5-1/4", (USE WITH R48954 OR R48955) (SUB FOR R67235)	
2	12H294	LOCK WASHER	3	5/8" X 3"	
3	14H1039	NUT	3	5/8"	
4	R61524	WEIGHT	1	64KG (140 LBS) (NLA) (34" AND 38" WHEELS)	
	R61727	WEIGHT	1	54KG (120 LBS) (30" WHEELS)	

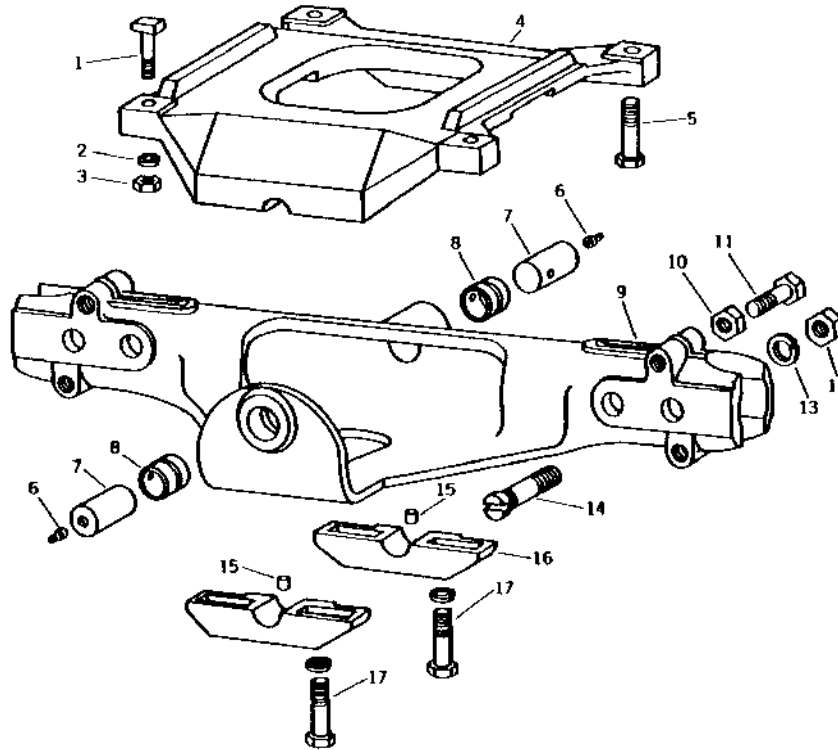
# 3H15

WHEELS, FRONT AXLES, SHEET METAL

R4846

-UN-01JAN94

## FRONT AXLE HOUSING AND PIVOT BRACKET



R4846

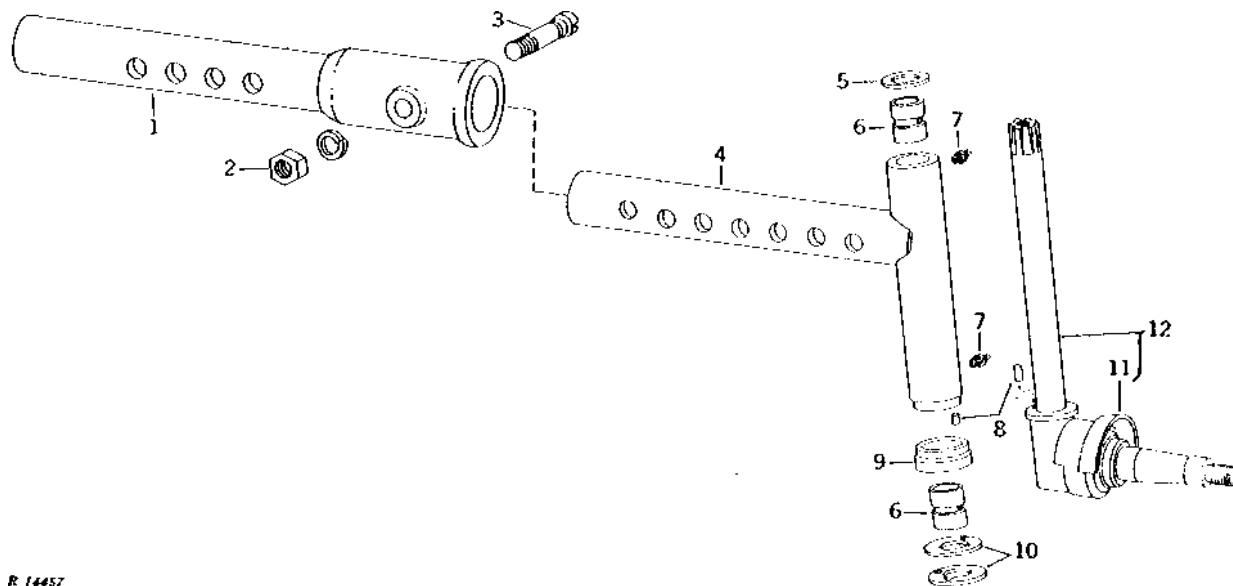
KEY	PART NO.	PART NAME	QTY	TRACTOR SERIAL NO.	REMARKS
1	R27818	BOLT	2	-XXXXXX	(SUB 19H1847 AND R49098)
	19H1847	CAP SCREW	2	XXXXXX-	5/8" X 2-1/2"
	12H294	LOCK WASHER	2		5/8"
3	14H1039	NUT	2	-XXXXXX	5/8"
	R49098	NUT	1	XXXXXX-	
4	AR69836	BRACKET	1		(MARKED R27810 OR R44020) (ALSO ORDER R48659, (2) 12H304 AND (2) 19H1731) (SUB FOR AR28134 OR AR45677)
5	19H1862	CAP SCREW	2		3/4" X 2-1/2"
6	JD7759	LUBRICATION FITTING	2		
7	R27817	PIN	2		
8	A877R	BUSHING	2		
9	AR50865	HOUSING	1		(MARKED R42851, R47735, R47736 OR R51305) (SUB FOR AR45168 OR AR45408)
10	14H794	NUT	4		3/4"
11	19H2026	CAP SCREW	4		3/4" X 4"
12	14H854	NUT	2		1"
13	12H234	LOCK WASHER	2		1"
14	B2694R	BOLT	2		
15	R726R	DOWEL PIN	2		
16	AR30154	CLAMP	2		(MARKED R27809)
17	19H1707	CAP SCREW	4		3/4" X 2-3/4", (ROW-CROP AND STANDARD)
	19H1862	CAP SCREW	2		3/4" X 2-1/2", (HI-CROP)
	12H236	LOCK WASHER	4		3/4"

# 3H16

WHEELS, FRONT AXLES, SHEET METAL

R14457 -UN-01JAN94

## FRONT AXLE KNEE



KEY	PART NO.	PART NAME	QTY	TRACTOR SERIAL NO.	REMARKS
1	R30747	EXTENSION	1	(A)	
2	14H854	NUT	1	(A) 1"	
	12H234	LOCK WASHER	1	(A) 1"	
3	B2694R	BOLT	1		
4	AR50962	AXLE KNEE	2	(A) (SUB FOR AR27434)	
	AR50963	AXLE KNEE	2	(A) (SUB FOR AR30538) (WITH 88" ADJUSTABLE TREAD FRONT AXLE)	
	AR27536	KNUCKLE	2	(B) (SUB AR69835)	
	AR27927	AXLE	2	(C)	
5	D467R	WASHER	2		
	R34757	SHIM	2		
6	A877R	BUSHING	4		
7	JD7759	LUBRICATION FITTING	4		
8	34H308	SPRING PIN	2	1/4" X 1/2"	
9	B2693R	DUST SHIELD	2		
10	A890R	THRUST WASHER	4		
11	R20255	DUST SHIELD	2		
12	AR28050	KNUCKLE	2	-150000	(A) (SUB AR55180, R20135 AND 19H1890)
	AR55180	KNUCKLE	2	150001-	(A) (SUB FOR AR50984) (HEIGHT 15-1/16")
	AR28545	KNUCKLE	2	-150000	(B) (SUB AR55179, R20135 AND 19H1890)
	AR55179	KNUCKLE	2	150001-	(B) (SUB FOR AR50982) (HEIGHT 12-3/4")
	AR28817	KNUCKLE	2	-150000	(C) (SUB AR50981, R20135 AND 19H1890)
	AR50981	KNUCKLE	2	150001-	(C) (HEIGHT 27-7/16")

(A) ROW-CROP

(B) STANDARD

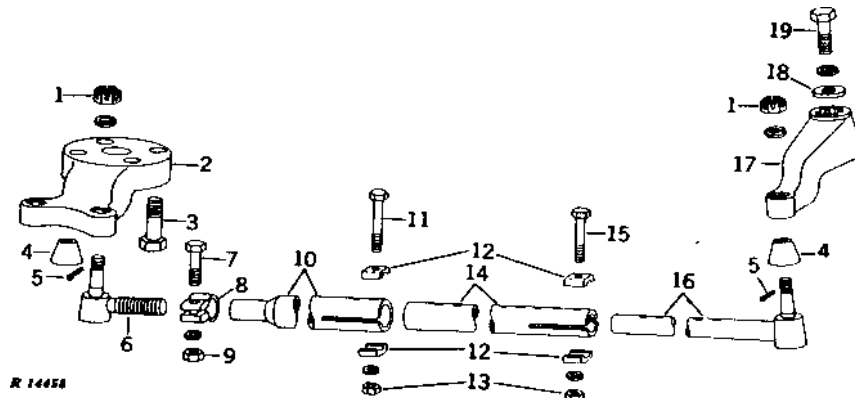
(C) HI-CROP

# 3H17

WHEELS, FRONT AXLES, SHEET METAL

R14458 -UN-01JAN94

## STEERING ARMS AND TIE RODS



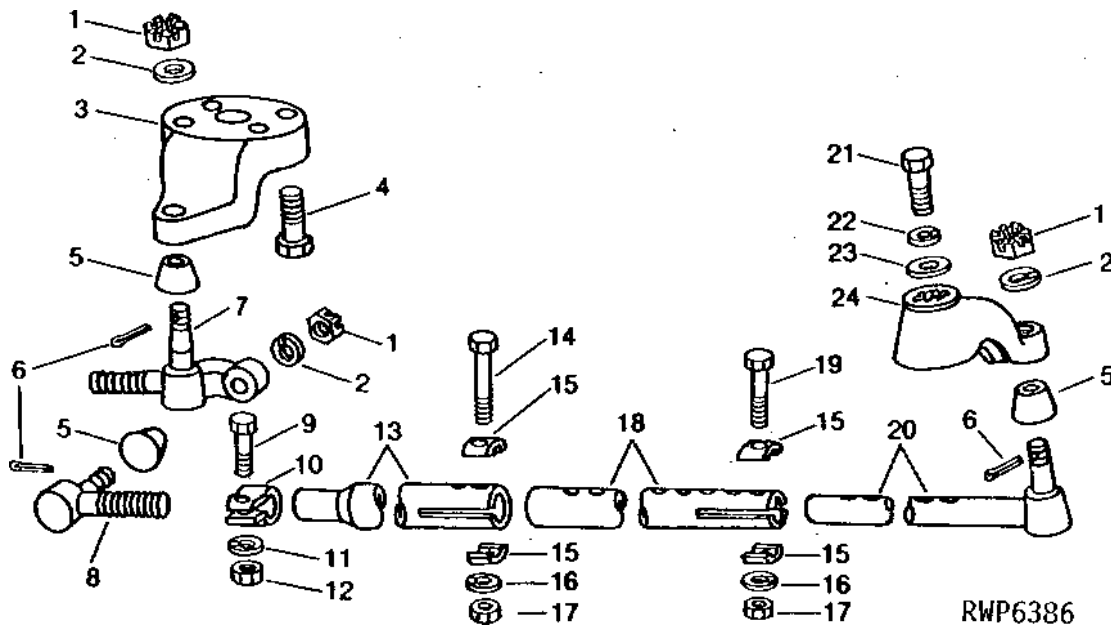
KEY	PART NO.	PART NAME	QTY	TRACTOR SERIAL NO.	REMARKS
1	14H918	NUT	4	5/8"	
	12H294	LOCK WASHER	4	5/8"	
2	R27808	ARM	1		
3	19H2663	CAP SCREW	4	3/4" X 2-1/8"	
4	R40589	COVER	4		
5	11M7015	COTTER PIN	4	3.200 X 25 MM	
6	AR27351	UNIVERSAL JOINT	2		
7	19H1990	CAP SCREW	2	1/2" X 2-1/4"	
8	R28023	CLAMP	2		
9	14H1040	NUT	2	1/2"	
	12H301	LOCK WASHER	2	1/2"	
10	R28021	TUBE	2		(ROW-CROP AND STANDARD)
	R30748	TUBE	1		(USED WITH KNEE EXTENSION ROW-CROP)
	R28743	TUBE	2	-150000	(SUB R47843) (HI-CROP)
	R47843	TUBE	2	150001-	(HI-CROP)
11	19H2128	CAP SCREW	2	3/8" X 3"	
12	R28024	CLAMP	8		
13	T11234	LOCK NUT	4		
	12H304	LOCK WASHER	4	3/8"	
14	R28022	TUBE	2		(ROW-CROP, STANDARD AND HI-CROP)
	R31573	TUBE	2		(ROW-CROP WITH 88" ADJUSTABLE TREAD FRONT AXLE)
15	19H1733	CAP SCREW	2	3/8" X 2-1/2"	
16	AR51584	TIE ROD END	2		(SUB FOR AR27350)
17	R27806	ARM	1	-150000	R.H. (SUB R47765)
	R47765	STEERING ARM	1	150001-	R.H.
	R27807	ARM	1	-150000	L.H. (SUB R47766)
	R47766	STEERING ARM	1	150001-	L.H.
18	B3310R	WASHER	2	-150000	
	R20135	WASHER	2	150001-	
19	19H1798	CAP SCREW	2	-150000	3/4" X 1-3/4"
	19H1890	CAP SCREW	2	150001-	5/8" X 2-3/4"
	12H236	LOCK WASHER	2	-150000	3/4"

# 3H18

WHEELS, FRONT AXLES, SHEET METAL

## ADJUSTABLE FRONT AXLE STEERING ARMS AND TIE RODS (STANDARD WITH SHORT WHEEL BASE)

RWP6386 -UN-01JAN94



KEY	PART NO.	PART NAME	QTY	TRACTOR SERIAL NO.	REMARKS
1	14H918	NUT	4	5/8"	
2	12H294	LOCK WASHER	4	5/8"	
3	R31181	ARM	1		
4	19H2663	CAP SCREW	4	3/4" X 2-1/8"	
5	R40589	COVER	4		
6	11M7015	COTTER PIN	4	3.200 X 25 MM	
7	AR40592	TIE ROD END	1		
8	AR27351	UNIVERSAL JOINT	1		
9	19H1990	CAP SCREW	2	1/2" X 2-1/4"	
10	R28023	CLAMP	2		
11	12H301	LOCK WASHER	2	1/2"	
12	14H1040	NUT	2	1/2"	
13	R28021	TUBE	2		
14	19H2128	CAP SCREW	2	3/8" X 3"	
15	R28024	CLAMP	8		
16	12H304	LOCK WASHER	4	3/8"	
17	T11234	LOCK NUT	4		
18	R28022	TUBE	2		
19	19H1733	CAP SCREW	2	3/8" X 2-1/2"	
20	AR51584	TIE ROD END	2	(SUB FOR AR27350)	
21	19H1798	CAP SCREW	2	-150000 3/4" X 1-3/4"	
	19H1890	CAP SCREW	2	150001- 5/8" X 2-3/4"	
22	12H236	LOCK WASHER	2	-150000 3/4"	
23	B3310R	WASHER	2	-150000	
	R20135	WASHER	2	150001-	
24	R27806	ARM	1	-150000	R.H. (SUB R47765)
	R47765	STEERING ARM	1	150001-	R.H.
	R27807	ARM	1	-150000	L.H. (SUB R47766)
	R47766	STEERING ARM	1		L.H.

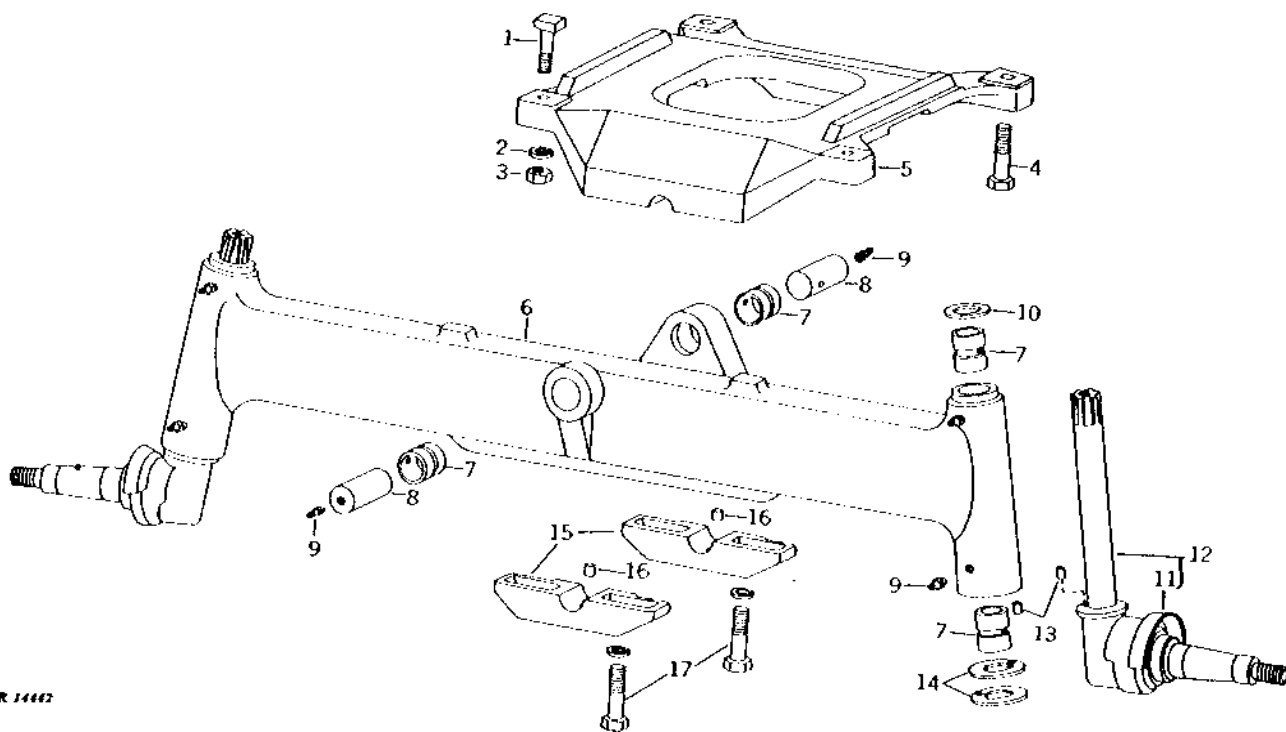


# 3H19

WHEELS, FRONT AXLES, SHEET METAL

R14442 -UN-01JAN94

## FIXED TREAD FRONT AXLE (STANDARD WITH SHORT AND LONG WHEEL BASE)



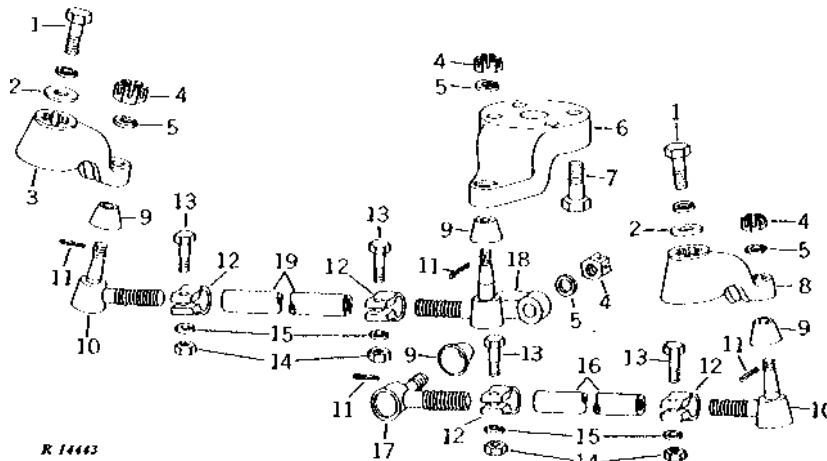
KEY	PART NO.	PART NAME	QTY	TRACTOR SERIAL NO.	REMARKS
1	R27818	BOLT	2	-XXXXXX	(SUB 19H1847 AND R49098)
2	19H1847	CAP SCREW	2	XXXXXX-	5/8" X 2-1/2"
3	12H294	LOCK WASHER	2		5/8"
3	14H1039	NUT	2	-XXXXXX	5/8"
3	R49098	NUT	2	XXXXXX-	
4	19H1862	CAP SCREW	2		3/4" X 2-1/2"
5	AR69836	BRACKET	1		(MARKED R27810 OR R44020) (ALSO ORDER R48659, (2) 12H302 AND (2) 19H1731) (SUB FOR AR28134 OR AR45677)
6	AR27555	FRONT AXLE	1		(MARKED R27950) (NLA)
6	AR27914	FRONT AXLE	1		(MARKED R27690) (LOW PROFILE)
7	A877R	BUSHING	6		
8	R27817	PIN	2		
9	JD7759	LUBRICATION FITTING	6		
10	D467R	WASHER	2		
10	R34757	SHIM	2		
11	R20255	DUST SHIELD	2		
12	AR28545	KNUCKLE	2	-150000	(SUB AR55179, R20135 AND 19H1890)
12	AR55179	KNUCKLE	2	150001-	(SUB FOR AR50982)
13	34H308	SPRING PIN	2		1/4" X 1/2"
14	A890R	THRUST WASHER	2		
15	AR30154	CLAMP	2		(MARKED R27809)
16	R726R	DOWEL PIN	2		
17	19H1425	CAP SCREW	4		3/4" X 2-3/4"
17	12H236	LOCK WASHER	2		3/4"

# 3H20

WHEELS, FRONT AXLES, SHEET METAL

## FIXED TREAD FRONT AXLE STEERING ARMS AND TIE RODS (STANDARD WITH SHORT AND LONG WHEEL BASE)

R14443 -UN-01JAN94



KEY	PART NO.	PART NAME	QTY	TRACTOR SERIAL NO.	REMARKS
1	19H1798	CAP SCREW	2	-150000	3/4" X 1-3/4"
	19H1890	CAP SCREW	2	150001-	5/8" X 2-3/4"
	12H236	LOCK WASHER	2	-150000	3/4"
2	B3310R	WASHER	2	-150000	
	R20135	WASHER	2	150001-	
3	R27807	ARM	1	-150000	(SUB R47766)
	R47766	STEERING ARM	1	150001-	
4	14H918	NUT	4		5/8"
5	12H294	LOCK WASHER	4		5/8"
6	R31181	ARM	1		(SHORT WHEEL BASE) (ILLUSTRATED)
	R27808	ARM	1		(LONG WHEEL BASE)
7	19H2663	CAP SCREW	4		3/4" X 2-1/8"
8	R27806	ARM	1	-150000	(SUB R47765)
	R47765	STEERING ARM	1	150001-	
9	R40589	COVER	4		
10	AR27430	TIE ROD END	2		
11	11M7015	COTTER PIN	4		3.200 X 25 MM
12	R28023	CLAMP	4		
13	19H1990	CAP SCREW	4		1/2" X 2-1/4"
14	14H1040	NUT	4		1/2"
15	12H301	LOCK WASHER	4		1/2"
16	R28114	TUBE	1		
17	AR27351	UNIVERSAL JOINT	1		
18	AR40592	TIE ROD END	1		(SHORT WHEEL BASE) (ILLUSTRATED)
	AR27351	UNIVERSAL JOINT	1		(LONG WHEEL BASE)
19	R28115	TUBE	1		(SHORT WHEEL BASE)
	R28114	TUBE	1		(LONG WHEEL BASE)

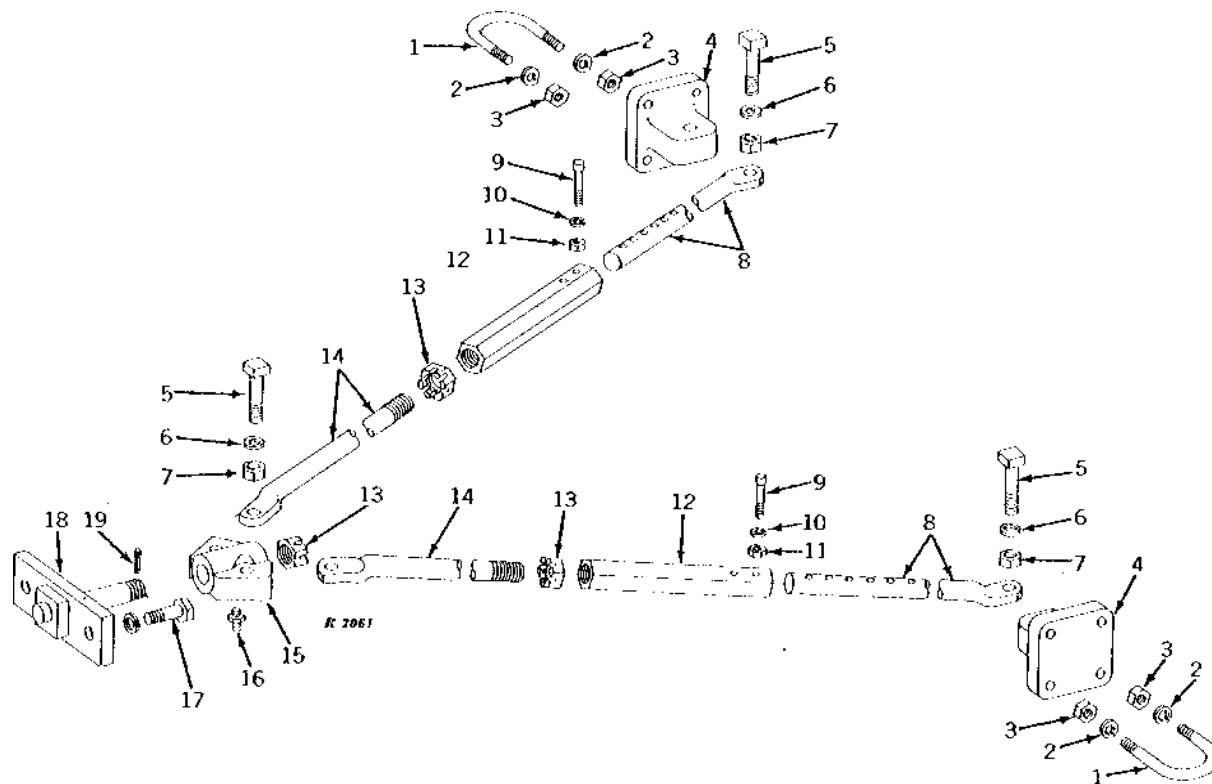
# 3H21

WHEELS, FRONT AXLES, SHEET METAL

R2061

-UN-01JAN94

## RADIUS ROD (HI-CROP)



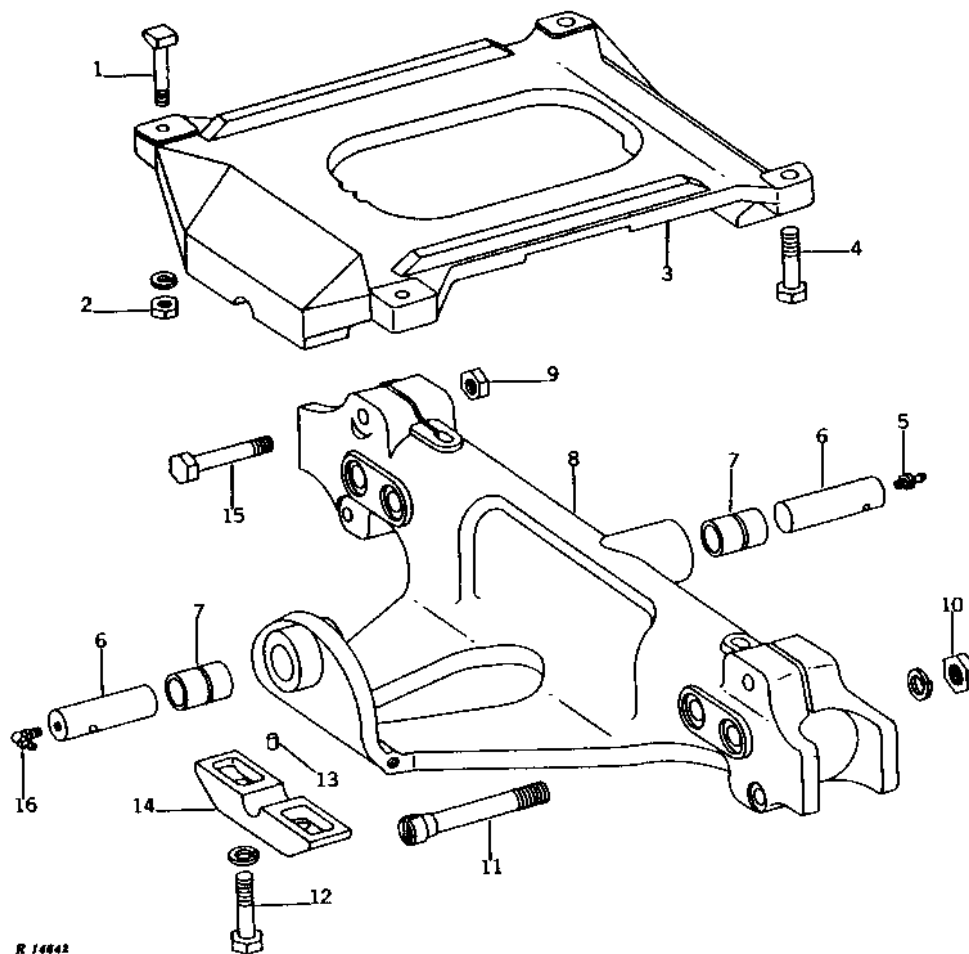
KEY	PART NO.	PART NAME	QTY	TRACTOR SERIAL NO.	REMARKS
1	F1011R	U-BOLT	4		
2	12H294	LOCK WASHER	8	5/8"	
3	14H800	NUT	8	5/8"	
4	R28722	BRACKET	2		
5	19H2113	CAP SCREW	4	3/4" X 3-1/4"	
6	12H236	LOCK WASHER	4	3/4"	
7	14H794	NUT	4	3/4"	
8	R34568	ROD	2		
9	F1008R	BOLT	4		
10	12H293	LOCK WASHER	4	7/16"	
11	14H1047	NUT	4	7/16"	
12	R58040	COUPLING	2	(SUB FOR R34570)	
13	F562R	NUT	3		
14	R34569	ROD	2		
15	F1012R	PIVOT	1		
16	JD7759	LUBRICATION FITTING	1		
17	19H1768	CAP SCREW	2	3/4" X 2"	
	12H236	LOCK WASHER	2	3/4"	
18	AR27904	BRACKET	1		
19	11M7032	COTTER PIN	1	0.197" X 1.969"	

# 3H22

WHEELS, FRONT AXLES, SHEET METAL

## POWER FRONT WHEEL DRIVE FRONT AXLE HOUSING AND PIVOT BRACKET

R14642 -UN-01JAN94



R 14642

KEY	PART NO.	PART NAME	QTY	TRACTOR SERIAL NO.	REMARKS
1	R27818	BOLT	2	-152609	(SUB 19H1847 AND R49098)
	19H1847	CAP SCREW	2	152610-	5/8" X 2-1/2"
2	14H1039	NUT	2	-152609	5/8"
	R49098	NUT	2	152610-	
	12H294	LOCK WASHER	2		5/8"
3	R44020	BRACKET	1		
4	19H1862	CAP SCREW	2		3/4" X 2-1/2"
5	JD7759	LUBRICATION FITTING	1		
6	R27817	PIN	2		
7	A877R	BUSHING	2		
8	AR50865	HOUSING	1		(MARKED R42851 OR R47736) (SUB FOR AR45408) (INCLUDES BUSHINGS)
9	14H794	NUT	2		3/4"
10	14H854	NUT	2		1"
	12H234	LOCK WASHER	2		1"
11	B2694R	BOLT	2		(SUB FOR B2846R)
12	19H2026	CAP SCREW	2		3/4" X 4"
13	R726R	DOWEL PIN	2		
14	AR30154	CLAMP	2		
15	19H1707	CAP SCREW	4		3/4" X 2-3/4"
	12H236	LOCK WASHER	4		3/4"
16	JD7781	LUBRICATION FITTING	1		

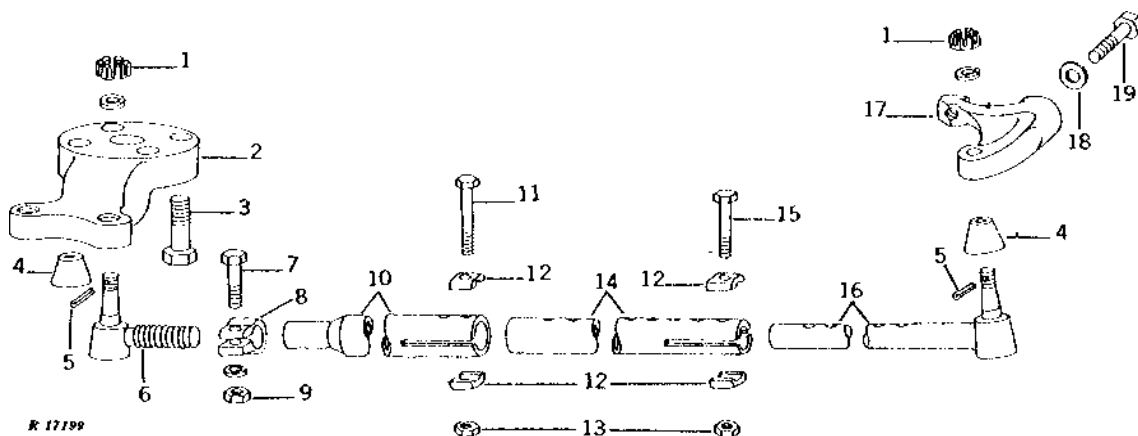
# 3H23

WHEELS, FRONT AXLES, SHEET METAL

## STEERING ARMS AND TIE RODS (POWER FRONT WHEEL DRIVE)

R17199

-UN-01JAN94



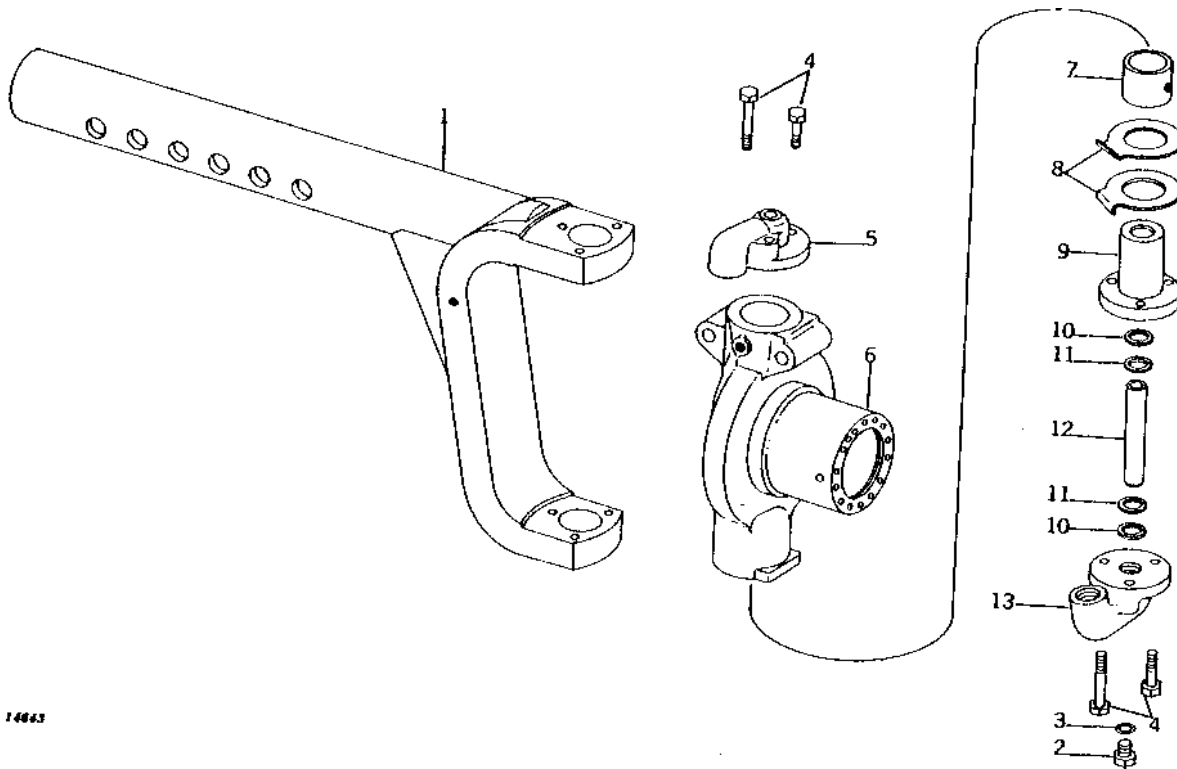
KEY	PART NO.	PART NAME	QTY	TRACTOR SERIAL NO.	REMARKS
1	14H918	NUT	4	5/8"	
	12H294	LOCK WASHER	4	5/8"	
2	R27808	ARM	1		
3	19H2663	CAP SCREW	4	3/4" X 2-1/8"	
4	R40589	COVER	4		
5	11M7015	COTTER PIN	4	3.200 X 25 MM	
6	AR27351	UNIVERSAL JOINT	2		
	JD7806	LUBRICATION FITTING	2		
7	19H1802	CAP SCREW	2	7/16" X 1-7/8"	
8	R28023	CLAMP	2		
9	14H1047	NUT	2	7/16"	
	12H293	LOCK WASHER	2	7/16"	
10	R28021	TUBE	2	(64" TO 82" TREAD)	
	R47843	TUBE	2	(70" TO 88" TREAD)	
11	19H2128	CAP SCREW	4	3/8" X 3"	
12	R28024	CLAMP	16		
13	T11234	LOCK NUT	8		
14	R31573	TUBE	2		
15	19H1733	CAP SCREW	4	3/8" X 2-1/2"	
16	AR51584	TIE ROD END	2	(SUB FOR AR27350)	
	JD7797	LUBRICATION FITTING	2		
17	R44009	ARM	1	R.H.	
	R44010	ARM	1	L.H.	
18	R1836R	WASHER	4		
19	19H2233	CAP SCREW	4	5/8" X 3-1/2"	

# 3H24

WHEELS, FRONT AXLES, SHEET METAL

## KNEE AND MOTOR HOUSING (POWER FRONT WHEEL DRIVE)

R14643 -UN-01JAN94



R 14643

KEY	PART NO.	PART NAME	QTY	TRACTOR SERIAL NO.	REMARKS
1	AR50186	AXLE	1		(SUB FOR AR45155) (64" TO 82" TREAD)
	AR50776	AXLE	1		(70" TO 88" TREAD)
2	R27218	FITTING PLUG	1		
3	R26448	O-RING	1		
4	19H1732	CAP SCREW	2		3/8" X 1-1/4"
	19H1726	CAP SCREW	4		3/8" X 2-1/4"
5	R42885	COVER	2		(UPPER R.H. AND LOWER L.H.)
6	AR86538	HOUSING	1		(MARKED R42332) (ALSO ORDER (2) R66650) (SUB FOR AR45414)
7	R42821	BUSHING	2		
8	R66650	THRUST WASHER	4		(SUB FOR R42973 OR R61514)
9	R42887	PIN	2		
10	R42975	O-RING	4		
11	R44979	BACK-UP RING	4		(SUB R73102)
12	R42974	BUSHING	2		
13	R42886	COVER	2		(UPPER L.H. AND LOWER R.H.)

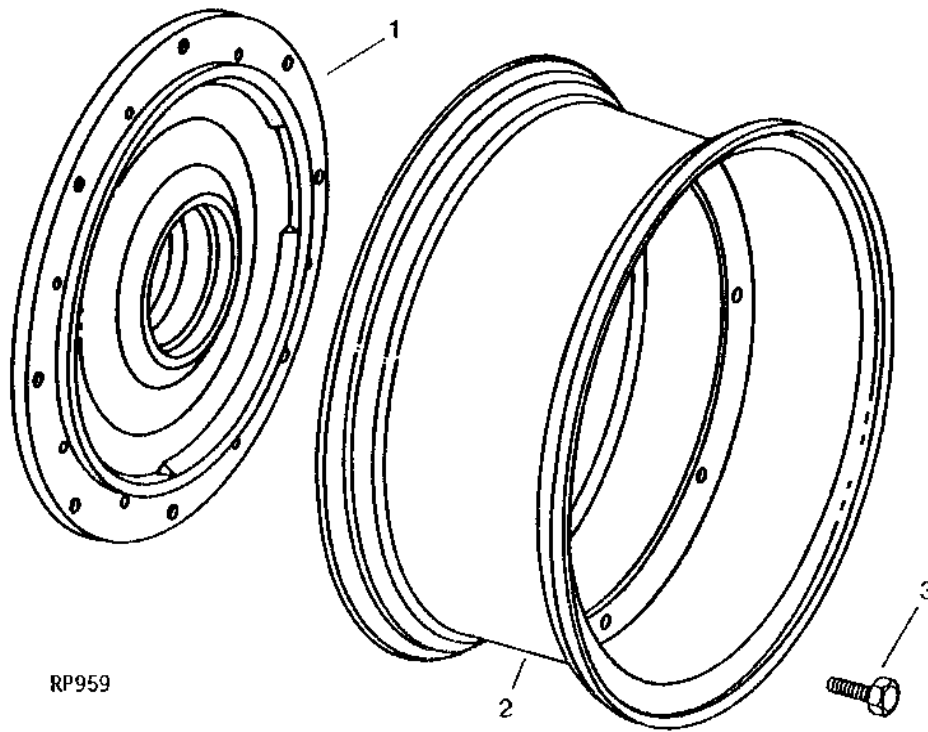
# 3H25

WHEELS, FRONT AXLES, SHEET METAL

RP959

-UN-01JAN94

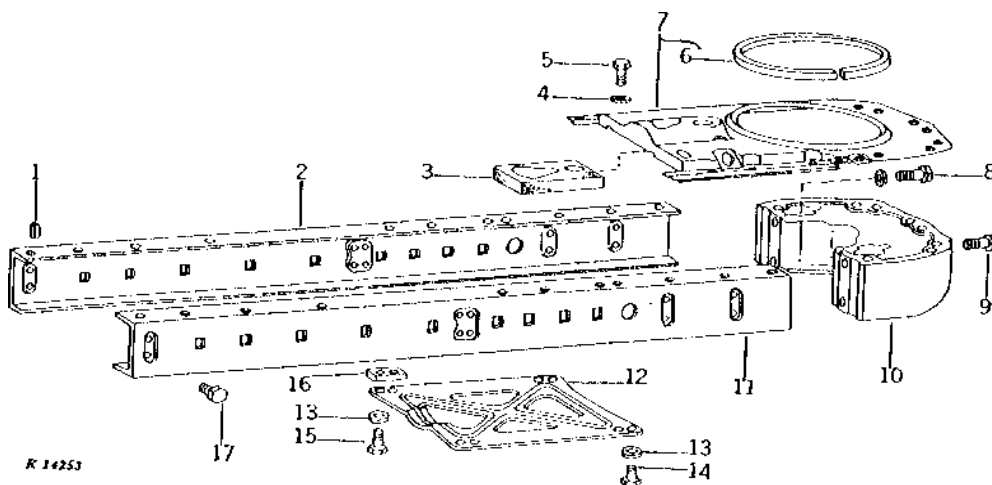
## POWER FRONT WHEEL DRIVE WHEELS



KEY	PART NO.	PART NAME	QTY	TRACTOR SERIAL NO.	REMARKS
1	R41958	HUB	1		
2	AR45318	RIM	1		(11.2-24 OR 12.4-24 TIRE)
3	JD17	WHEEL BOLT	8		

## FRAME AND FRAME PLATES

R14253 -UN-01JAN94



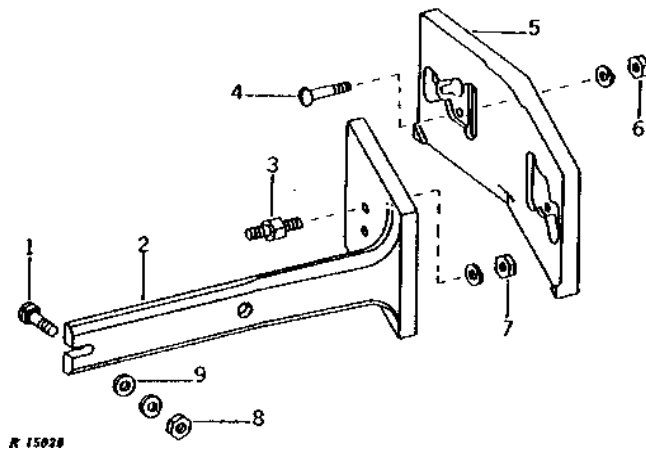
KEY	PART NO.	PART NAME	QTY	TRACTOR SERIAL NO.	REMARKS
1	34H309	SPRING PIN	4	1/4" X 5/8"	
2	AR65369	FRAME	1	L.H. (SUB FOR R27022)	
3	R27898	ISOLATOR	1		
4	R26559	WASHER	8		
5	19H1924	CAP SCREW	8	7/16" X 3/4"	
6	.....	ISOLATOR	1	13 X 25 X 1083MM (1/2" X 1" X 42-5/8") (MAKE FROM R30936)	
7	AR45193	PLATE	1		
	R44720	PLUG	1	(POWER SHIFT)	
8	19H2706	CAP SCREW	4	5/8" X 2", HS, SAE 8	
	12H294	LOCK WASHER	4	5/8"	
9	19H2009	CAP SCREW	2	3/4" X 1-5/8"	
10	R38029	SUPPORT	1	(SUB FOR R41107)	
11	AR65368	FRAME	1	R.H. (SUB FOR R27021)	
12	AR27456	PLATE	1	(A) LOWER (NLA)	
13	24H1325	WASHER	8	(A) 15/32" X 59/64" X 0.065"	
14	19H1924	CAP SCREW	4	(A) 7/16" X 3/4"	
15	19H2964	CAP SCREW	4	(A) 7/16" X 1-1/8"	
16	R27598	STRAP	2	(A)	
17	R31505	BOLT	20		
	R79188	CAP SCREW	8	(USE WITH AR94819)	

(A) EXCEPT TRACTORS EQUIPPED WITH WIDE FRONT AXLES



R15028 -UN-01JAN94

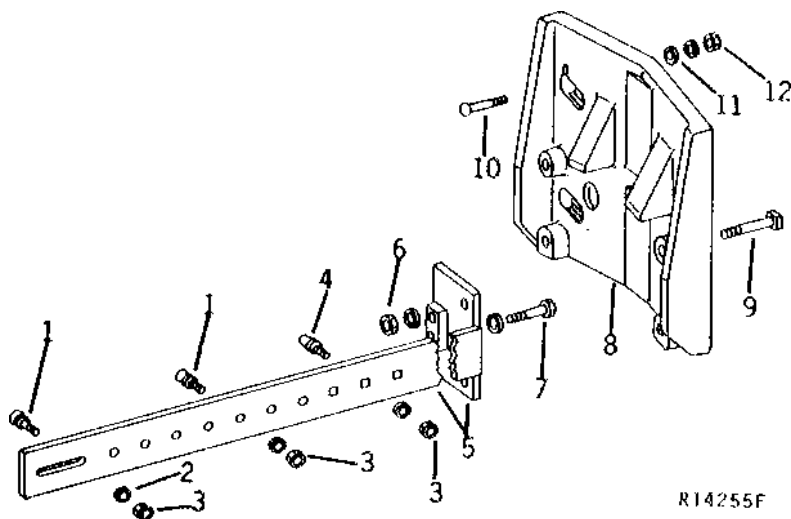
## FRAME SIDE AND FRONT WEIGHTS



KEY	PART NO.	PART NAME	QTY	TRACTOR SERIAL NO.	REMARKS
1	03H1857	BOLT	2	5/8" X 2-3/4"	
2	R54144	WEIGHT	2	(SUB FOR R27642) (NLA)	
3	R27645	STUD	2		
4	03H1857	BOLT	2	5/8" X 2-3/4"	
5	R27643	WEIGHT	1		
6	14H800	NUT	2	5/8"	
7	12H294	LOCK WASHER	2	5/8"	
7	14H794	NUT	2	3/4"	
	12H236	LOCK WASHER	2	3/4"	
8	14H800	NUT	2	5/8"	
	12H294	LOCK WASHER	2	5/8"	
9	F2783R	WASHER	2		

## DOUBLE FRONT WEIGHT

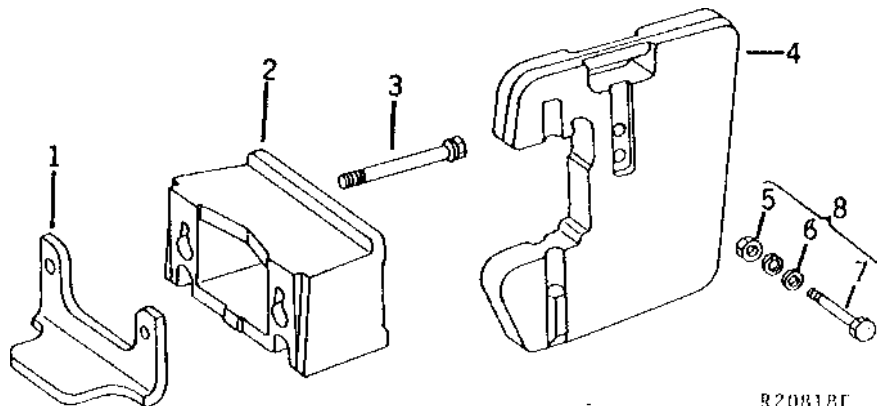
R14255 -UN-01JAN94



KEY	PART NO.	PART NAME	QTY	TRACTOR SERIAL NO.	REMARKS
1	03H1399	BOLT	4	5/8" X 1-3/4"	
2	24H1367	WASHER	2	21/32" X 1-1/4" X 1/4"	
3	14H1039	NUT	6	5/8"	
4	12H294	LOCK WASHER	4	5/8"	
5	03H1399	BOLT	2	5/8" X 1-3/4"	
6	AR58357	SUPPORT	2	(SUB FOR AR46289)	
7	14H794	NUT	4	3/4"	
8	12H236	LOCK WASHER	4	3/4"	
9	19H1909	CAP SCREW	2	3/4" X 3-3/4"	
10	12H236	LOCK WASHER	2	3/4"	
11	R44350	WEIGHT	1		
12	08H4222	BOLT	4	3/4" X 3-3/4"	
..	03H1858	BOLT	4	5/8" X 3-1/2"	
..	R44890	NUT	4		
..	14H1039	NUT	4	5/8"	
..	12H294	LOCK WASHER	4	5/8"	
..	AR46301	WEIGHT	1	(CONSISTS OF (2) AR58357, R44350 AND AR46313) (NLA)	

R20818 -UN-01JAN94

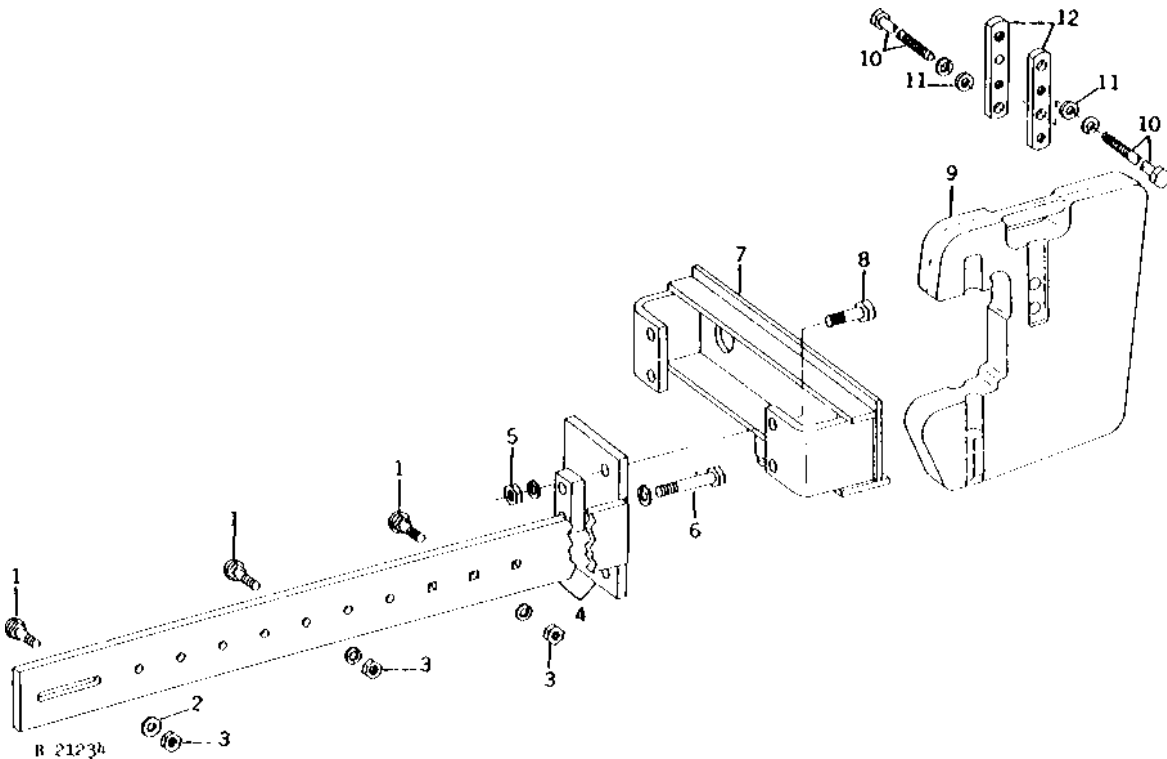
## TWO, FOUR OR SIX QUIK-TATCH FRONT WEIGHTS



KEY	PART NO.	PART NAME	QTY	TRACTOR SERIAL NO.	REMARKS
1	R52914	ADAPTER	1	(NLA)	
2	<b>AR92425</b>	<b>SUPPORT</b>	1	<b>(SUB R70417) (SUB FOR R51679 OR AR58363) (FI)</b>	
3	R52924	SELF-LOCKING SCREW	2		
4	R51680	WEIGHT	1	(NLA)	
5	14H1039	NUT	1	5/8"	
	12H294	LOCK WASHER	1	5/8"	
6	24H1367	WASHER	1	21/32" X 1-1/4" X 1/4"	
7	19H1926	CAP SCREW	1	5/8" X 4-3/4", (USE WITH 2 QUIK-TATCH WEIGHTS)	
	08H4260	CAP SCREW	1	5/8" X 9", (USE WITH 4 QUIK-TATCH WEIGHTS)	
	R51681	CAP SCREW	1	5/8" X 13-3/8", (USE WITH 6 QUIK-TATCH WEIGHTS)	
8	AR58350	BOLT	1	(USE WITH 2 QUIK-TATCH WEIGHTS)	
	AR58351	BOLT	1	(USE WITH 4 QUIK-TATCH WEIGHTS)	
	AR58352	BOLT	1	(USE WITH 6 QUIK-TATCH WEIGHTS)	
..	AR58349	SUPPORT	1	(CONSISTS OF R52914 AND AR92425)	

R21234 -UN-01JAN94

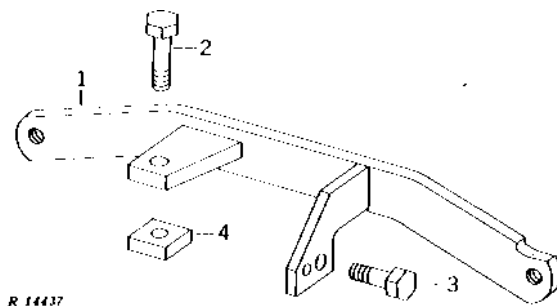
## EIGHT OR TEN QUIK-TATCH FRONT WEIGHTS



KEY	PART NO.	PART NAME	QTY	TRACTOR SERIAL NO.	REMARKS
1	03H1399	BOLT	6		5/8" X 1-3/4"
2	24H1367	WASHER	2		21/32" X 1-1/4" X 1/4"
3	14H1039	NUT	6		5/8"
4	12H294	LOCK WASHER	4		5/8"
4	AR58357	SUPPORT	2		(NLA)
5	14H794	NUT	4		3/4"
6	12H236	LOCK WASHER	4		3/4"
6	19H1909	CAP SCREW	2		3/4" X 3-3/4"
	12H236	LOCK WASHER	2		3/4"
7	AR58361	SUPPORT	1		(NLA)
8	19H1782	CAP SCREW	4		3/4" X 2-1/4"
9	R51680	WEIGHT	1		(NLA)
10	R51681	CAP SCREW	2		
	12H294	LOCK WASHER	2		5/8"
11	24H1367	WASHER	2		21/32" X 1-1/4" X 1/4"
12	AR68801	RETAINER	2		(SUB FOR T32148) (NLA)

R14437 -UN-01JAN94

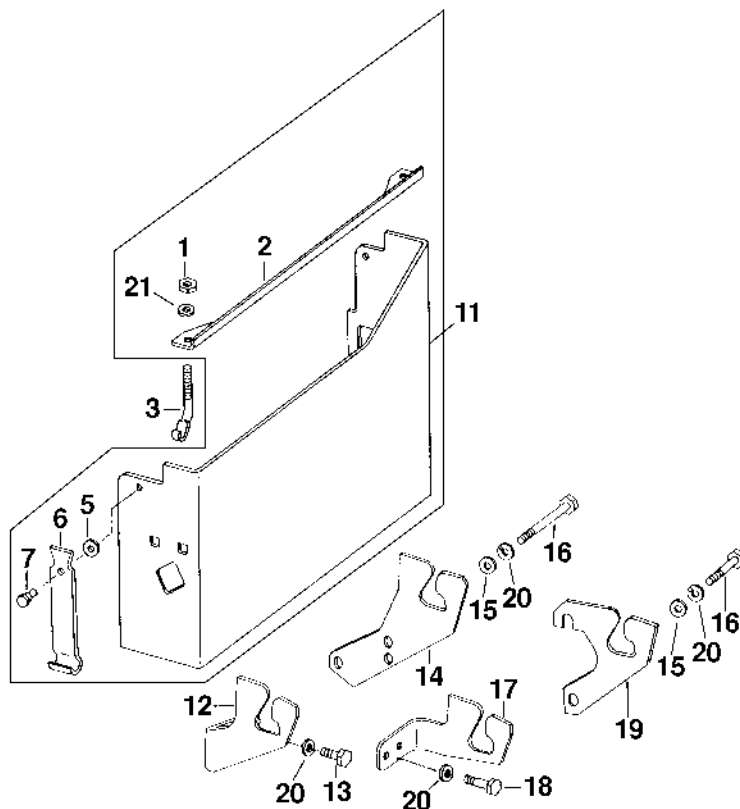
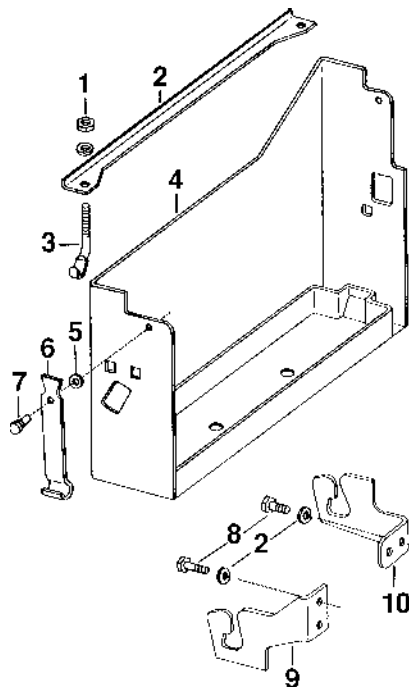
## IMPLEMENT ATTACHING BRACKET



KEY	PART NO.	PART NAME	QTY	TRACTOR SERIAL NO.	REMARKS
1	AR40722	BRACKET	1		(GASOLINE AND LP-GAS)
	AR40724	BRACKET	1		(DIESEL)
2	19H2706	CAP SCREW	1		5/8" X 2", HS, SAE 8
3	19H1756	CAP SCREW	1		5/8" X 1-1/2"
4	R41025	STRAP	1		

RE028265 -UN-25AUG97

## BATTERY BOXES



### RE028265

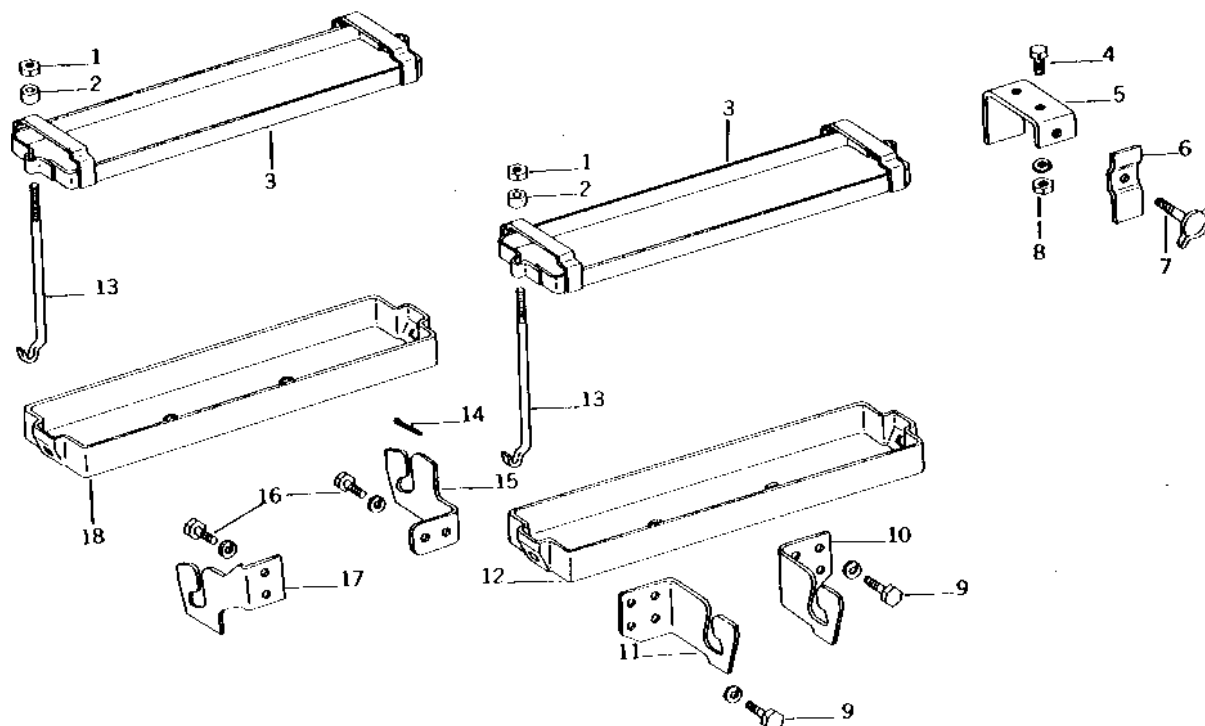
KEY	PART NO.	PART NAME	QTY	TRACTOR SERIAL NO.	REMARKS
1	14H786	NUT	4		1/4"
2	R40423	CLAMP	2		
3	R30805	ROD	4		
4	AR40674	BATTERY BOX	1		
	11M7084	COTTER PIN	2		5 X 25 MM
	24H1283	WASHER	4		7/32" X 1/2" X 0.049"
5	R27084	CLAMP	2		FRONT
6	R34958	LATCH	2		REAR
7	R27085	RIVET	4		
8	19H2284	CAP SCREW	4		3/8" X 7/8", (ROW-CROP AND STANDARD) (2 USED HI-CROP)
	19H1731	CAP SCREW	2		3/8" X 1", (HI-CROP)
9	R40879	SUPPORT	1		
10	R40877	SUPPORT	1		
11	AR40673	BATTERY BOX	1		
12	R40878	SUPPORT	1		
13	19H2284	CAP SCREW	2		3/8" X 7/8"
14	R40843	SUPPORT	1		(B)
15	R1870R	WASHER	2		(B) (SUB R57696) (GASOLINE AND LP-GAS) (4 W/DIESEL)
16	19H3175	CAP SCREW	2		(B) 3/8" X 3-5/8", HS, SAE 8
17	R40841	SUPPORT	1		(A)
18	19H2284	CAP SCREW	2		(A) 3/8" X 7/8"
19	R44002	SUPPORT	1		(B) (POWER FRONT WHEEL DRIVE) (NO LONGER AVAILABLE)
20	12H304	LOCK WASHER	4		(A) 3/8"
21	24H1646	WASHER	2		17/64" X 3/4" X 0.060"

(A) SYNCRO-RANGE TRANSMISSION

(B) POWER SHIFT TRANSMISSION

**BATTERY BOXES**  
(TRACTOR SERIAL NO. 131617- )  
(WITH CAB)

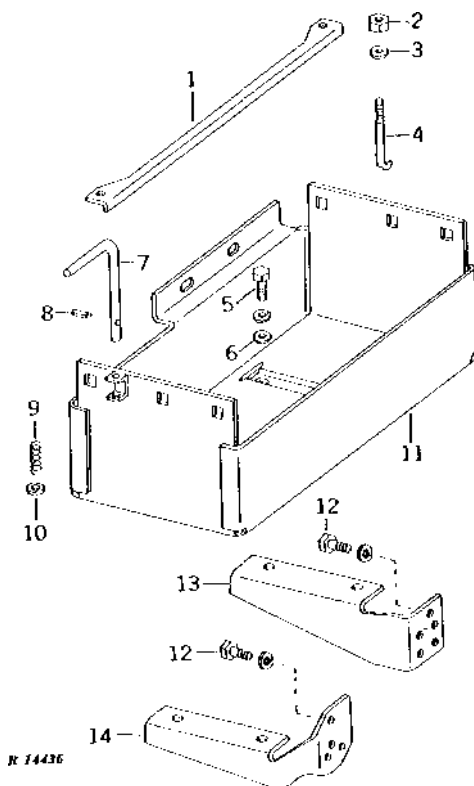
R15551 -UN-01JAN94



KEY	PART NO.	PART NAME	QTY	TRACTOR SERIAL NO.	REMARKS
1	14H786	NUT	4	1/4"	
2	R20522	BUSHING	4		
3	AR26469	HOLD-DOWN CLIP	2		
4	19H1134	CAP SCREW	4	3/8" X 3/4"	
5	AR50921	STOP	2		(SUB FOR AR47941)
6	R46538	CLAMP	2		
7	R45896	WING SCREW	1		
8	14H1076	NUT	4	3/8"	
	12H304	LOCK WASHER	4	3/8"	
9	19H2284	CAP SCREW	4	3/8" X 7/8", (DIESEL)	
	12H304	LOCK WASHER	4	3/8"	
10	R40841	SUPPORT	1		
	R40843	SUPPORT	1		(DIESEL) (POWER SHIFT)
11	R40878	SUPPORT	1		
12	AR47939	BASE	1		
13	R45893	ROD	4		
14	11M7084	COTTER PIN	2	5 X 25 MM	
15	R40877	SUPPORT	1		
16	19H2284	CAP SCREW	4	3/8" X 7/8", (GASOLINE AND LP-GAS)	
	R1870R	WASHER	2		(SUB (4) R57696) (DIESEL)
	12H304	LOCK WASHER	4	3/8"	
17	R40879	SUPPORT	1		
18	AR47940	BASE	1		

R14436 -UN-01JAN94

## BATTERY BOX AND SUPPORTS (STANDARD)



KEY	PART NO.	PART NAME	QTY	TRACTOR SERIAL NO.	REMARKS
1	R40423	CLAMP	1		(GASOLINE AND LP-GAS) (2 USED DIESEL) (SUB T104373)
2	14H786	NUT	2		1/4", (GASOLINE AND LP-GAS) (4 USED DIESEL)
3	24H1821	WASHER	2		9/32" X 47/64" X 1/16", (GASOLINE AND LP-GAS) (4 USED DIESEL)
4	R30805	ROD	2		(GASOLINE AND LP-GAS) (4 USED DIESEL)
5	19H2284	CAP SCREW	4		3/8" X 7/8"
	12H304	LOCK WASHER	4		3/8"
6	24H1305	WASHER	4		13/32" X 13/16" X 0.065"
7	R42893	PIN	1		
8	34H244	SPRING PIN	1		1/8" X 9/16"
9	H26232	SPRING	1		
10	24H1301	WASHER	1		13/32" X 9/16" X 0.065"
11	AR45207	BOX	1		
12	19H2284	CAP SCREW	4		3/8" X 7/8"
	12H304	LOCK WASHER	4		3/8"
13	AR45129	SUPPORT	1		
14	AR45130	SUPPORT	1		



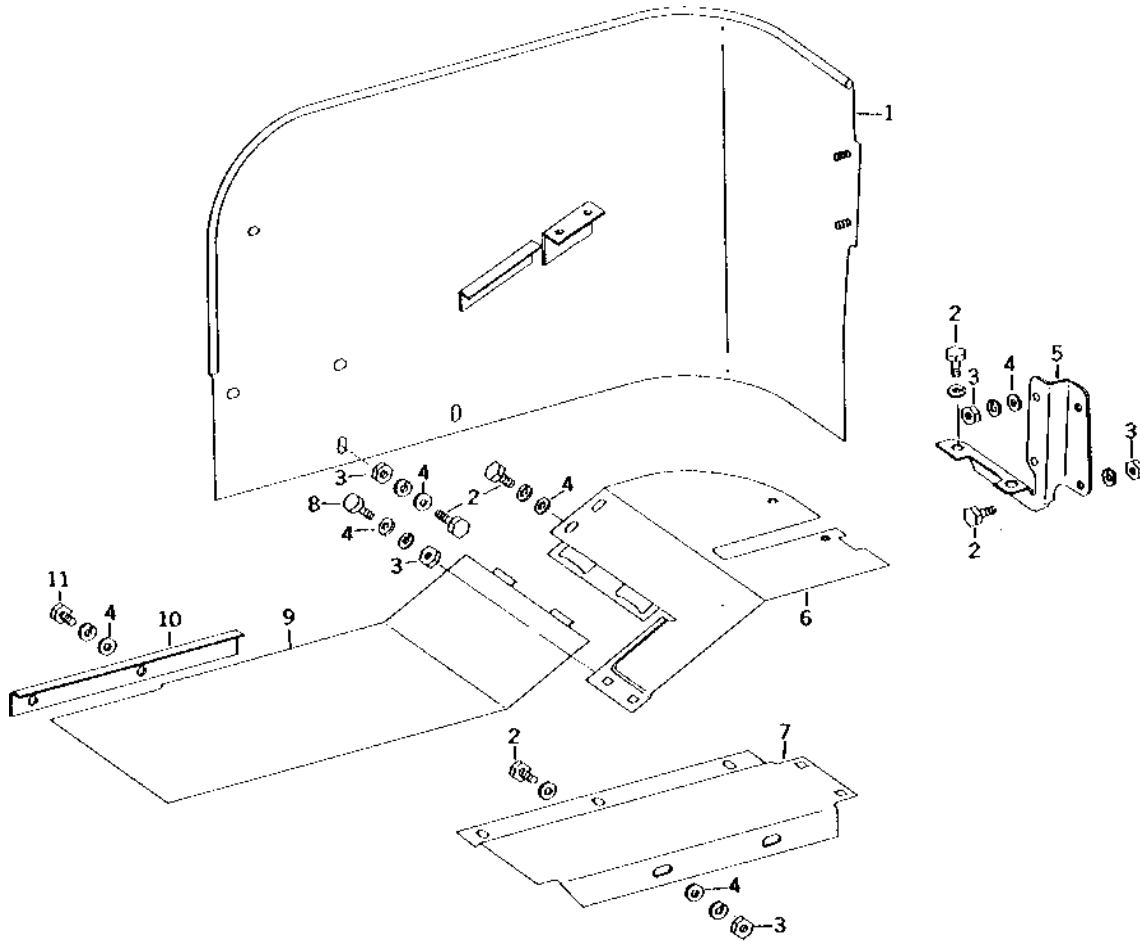
# 3110

WHEELS, FRONT AXLES, SHEET METAL

## OPERATOR SHIELDS, EXTENSIONS AND BATTERY BOX COVER (STANDARD)

R14433

-UN-01JAN94

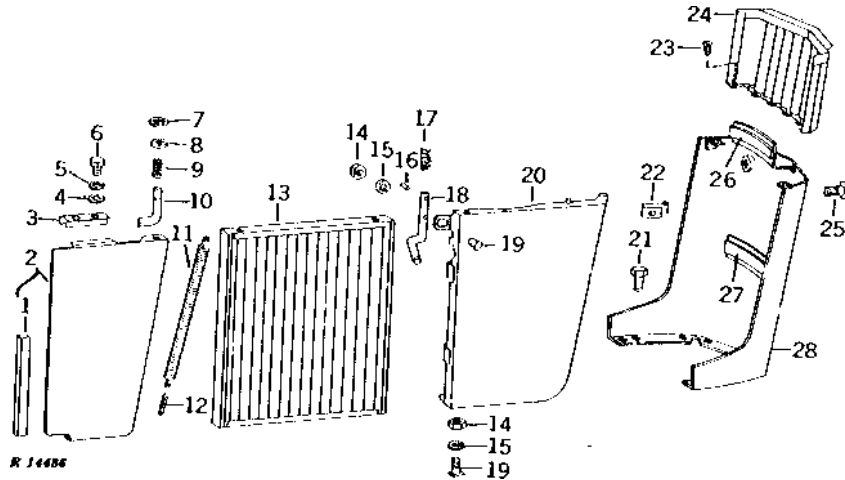


R 14433

KEY	PART NO.	PART NAME	QTY	TRACTOR SERIAL NO.	REMARKS
1	AR41135	SHIELD	1	(NLA)	
	AR41134	SHIELD	1	R.H. (NLA)	
2	19H1936	CAP SCREW	16	3/8" X 3/4"	
	12H304	LOCK WASHER	16	3/8"	
3	14H1076	NUT	11	3/8"	
4	24H1305	WASHER	10	13/32" X 13/16" X 0.065"	
5	AR41105	SUPPORT	1	L.H.	
	AR41104	SUPPORT	1	R.H.	
6	AR45131	EXTENSION	1	-150000	L.H. FRONT, (SUB AR48964)
	AR48964	EXTENSION	1	150001-	L.H. FRONT
	R41253	EXTENSION	1		R.H. FRONT
7	R41451	EXTENSION	1		R.H. SIDE
8	03H1765	BOLT	4	3/8" X 3/4"	
	12H304	LOCK WASHER	4	3/8"	
9	AR42989	COVER	1		
10	AR41174	SUPPORT	1		
11	19H1936	CAP SCREW	2	3/8" X 3/4"	
	12H304	LOCK WASHER	2	3/8"	

R14486 -UN-01JAN94

## SIDE SHIELD, GRILLES, PANELS AND FRONT PLATE



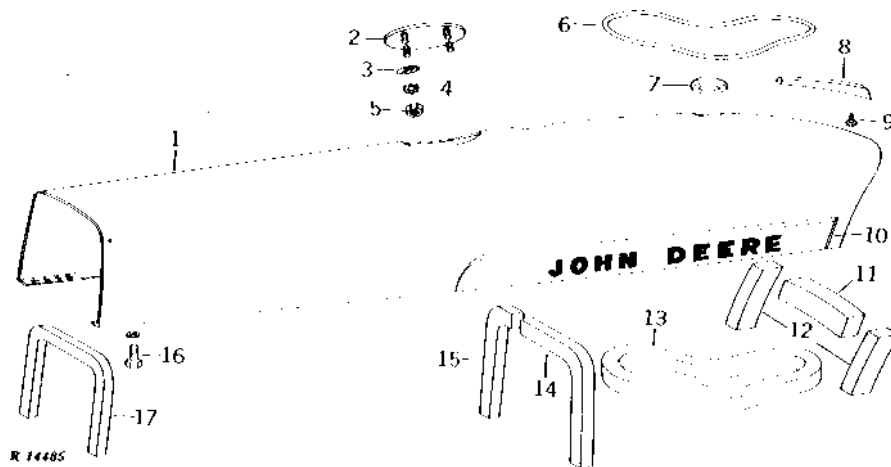
KEY	PART NO.	PART NAME	QTY	TRACTOR SERIAL NO.	REMARKS
1	.....	FOAM PAD	2		13 X 25 X 254MM (1/2" X 1" X 10") (MAKE FROM R30936)
2	AR40777	SHIELD	1		R.H.
	AR40778	SHIELD	1		L.H.
	AR40982	SHIELD	1		R.H. (ROW-CROP) (FRONT MOUNTED ROCKSHAFT)
	AR40983	SHIELD	1		L.H. (ROW-CROP) (FRONT MOUNTED ROCKSHAFT)
	AR46223	SHIELD	1		R.H. (CAB AND HEATER) (NLA)
3	R41983	SPRING	2		
4	24H1286	WASHER	4		9/32" X 1/2" X 1/16"
5	12H302	LOCK WASHER	4		1/4"
6	19H2479	CAP SCREW	4		1/4" X 3/8"
7	R27507	SNAP RING	2		
8	24H1286	WASHER	2		9/32" X 1/2" X 1/16"
9	R28783	SPRING	2		
10	R27506	PIN	2		
11	R26858	SPRING	2		
12	11M7084	COTTER PIN	2		5 X 25 MM
13	AR26849	GRILLE	2		
14	14H812	NUT	4		3/8"
15	12H304	LOCK WASHER	4		3/8"
16	34H387	SPRING PIN	2		3/16" X 3/4"
17	B161R	SPRING	2		
18	R26702	ROD	1		R.H.
	R26703	ROD	1		L.H.
19	03H1765	BOLT	4		3/8" X 3/4"
20	AR26497	PANEL	1		R.H.(NLA)
	AR26498	PANEL	1		L.H.(NLA)
21	19H1815	CAP SCREW	8		1/2" X 1-1/4"
22	R26694	CLIP	6		
23	37H84	SCREW	6		1/4" X 3/4"
24	AR26494	GRILLE	1		
25	19H2009	CAP SCREW	2		3/4" X 1-5/8"
26	.....	ISOLATOR	1		3 X 38 X 292MM (1/8" X 1-1/2" X 11-1/2") (MAKE FROM R21736)
27	.....	ISOLATOR	1		3 X 38 X 264MM (1/8" X 1-1/2" X 10-3/8") (MAKE FROM R21736)
28	AR26493	PLATE	1		

# 3112

WHEELS, FRONT AXLES, SHEET METAL

R14485 -UN-01JAN94

## HOOD AND ASSOCIATED PARTS



KEY	PART NO.	PART NAME	QTY	TRACTOR SERIAL NO.	REMARKS
1	AR41144	HOOD	1	(A) (C)	
	AR41145	HOOD	1	(B)	
2	AR47436	COVER	1	(D)	
3	A471R	CLAMP	4	(D)	
4	12H297	LOCK WASHER	4	(D)	
5	14H786	NUT	4	(D) 1/4"	
6	R28122	ISOLATOR	1	(B)	
7	R39613	GROMMET	1	(A) (C)	
	R28010	GROMMET	1	(B)	
8	AR28047	MEDALLION	1		
9	37M7245	SCREW	2	NO. 10 X 3/8"	
10	AR28048	MOLDING	1	R.H.	
	AR28049	MOLDING	1	L.H.	
	R42662	NUT	10		
11	R26890	FOAM PAD	1		25 X 51 X 406MM (1" X 2" X 16") FRONT GRILLE SCREEN, UPPER
12	.....	FOAM PAD	2		51 X 51 X 203MM (2" X 2" X 8") FRONT GRILLE SCREEN, SIDE, (MAKE FROM R35340)
13	R28123	FOAM PAD	1		(LP-GAS)
14	.....	FOAM PAD	1		25 X 51 X 186MM (1" X 2" X 7-5/16") RADIATOR, R.H. (MAKE FROM R30937)
15	.....	FOAM PAD	1		25 X 51 X 186MM (1" X 2" X 7-5/16") RADIATOR, L.H. (MAKE FROM R30937)
16	19H1936	CAP SCREW	2		3/8" X 3/4"
	12H310	LOCK WASHER	2		3/8"
17	.....	FOAM PAD	1		25 X 51 X 8MM (1" X 2" X 32") HOOD, REAR, (MAKE FROM R30937)

(A) GASOLINE

(B) LP-GAS

(C) DIESEL

(D) REAR MUFFLER

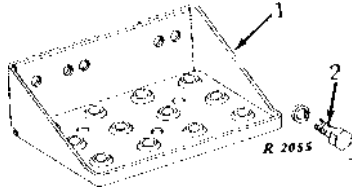
# 3113

WHEELS, FRONT AXLES, SHEET METAL

R2055

-UN-01JAN94

## TRACTOR STEP (ROW-CROP)



KEY	PART NO.	PART NAME	QTY	TRACTOR SERIAL NO.	REMARKS
1	R27883	STEP	2		
2	19H1815	CAP SCREW	4	1/2" X 1-1/4"	
	12H301	LOCK WASHER	4	1/2"	

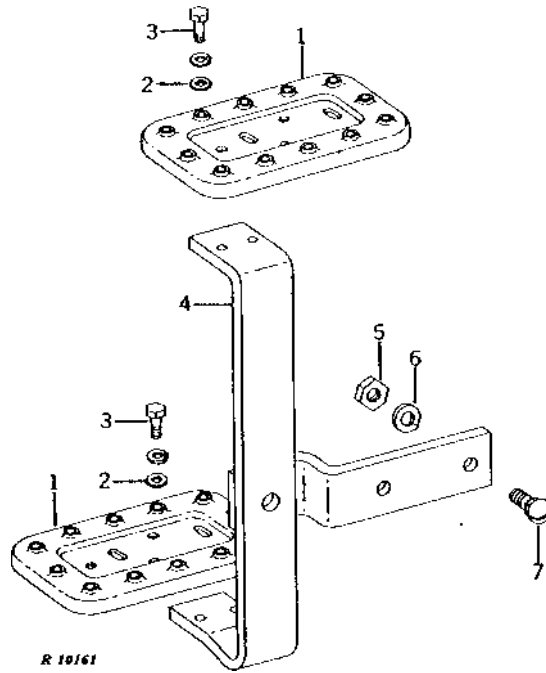
# 3114

WHEELS, FRONT AXLES, SHEET METAL

## TRACTOR STEPS (STANDARD)

R10161

-UN-01JAN94



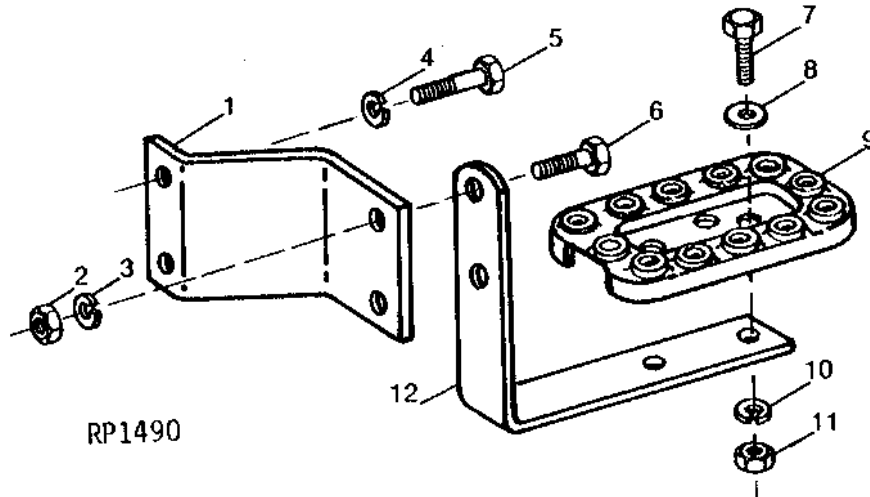
KEY	PART NO.	PART NAME	QTY	TRACTOR SERIAL NO.	REMARKS
1	F3195R	STEP	2		
2	24H1305	WASHER	4	13/32" X 13/16" X 0.065"	
3	19H2284	CAP SCREW	4	3/8" X 7/8"	
	12H304	LOCK WASHER	4	3/8"	
4	AR42594	SUPPORT	1		
5	14H1039	NUT	2	5/8"	
6	12H294	LOCK WASHER	2	5/8"	
7	03H1399	BOLT	2	5/8" X 1-3/4"	

# 3115

WHEELS, FRONT AXLES, SHEET METAL

RP1490 -UN-01JAN94

## TRACTOR STEP (HI-CROP)



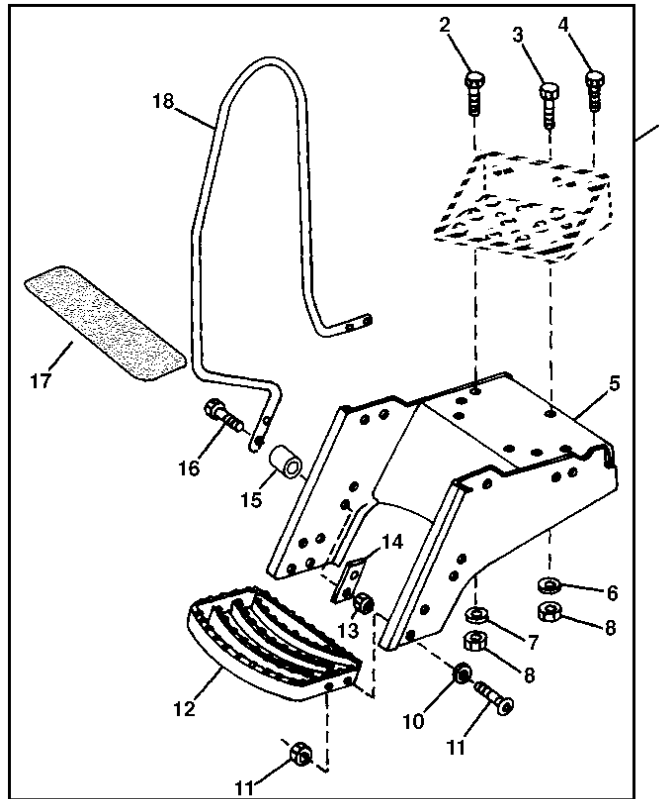
KEY	PART NO.	PART NAME	QTY	TRACTOR SERIAL NO.	REMARKS
1	R51869	BRACKET	1		(SUB FOR R31129)
2	14H1039	NUT	2	5/8"	
3	12H294	LOCK WASHER	2	5/8"	
4	12H236	LOCK WASHER	2	3/4"	
5	19H1782	CAP SCREW	2	3/4" X 2-1/4"	
6	19H1356	CAP SCREW	2	5/8" X 1-3/4"	
7	19H1732	CAP SCREW	2	3/8" X 1-1/4"	
8	24H1305	WASHER	2	13/32" X 13/16" X 0.065"	
9	F3195R	STEP	1		
10	12H304	LOCK WASHER	2	3/8"	
11	14H1076	NUT	2	3/8"	
12	A5234R	SUPPORT	1		

# 3116

WHEELS, FRONT AXLES, SHEET METAL

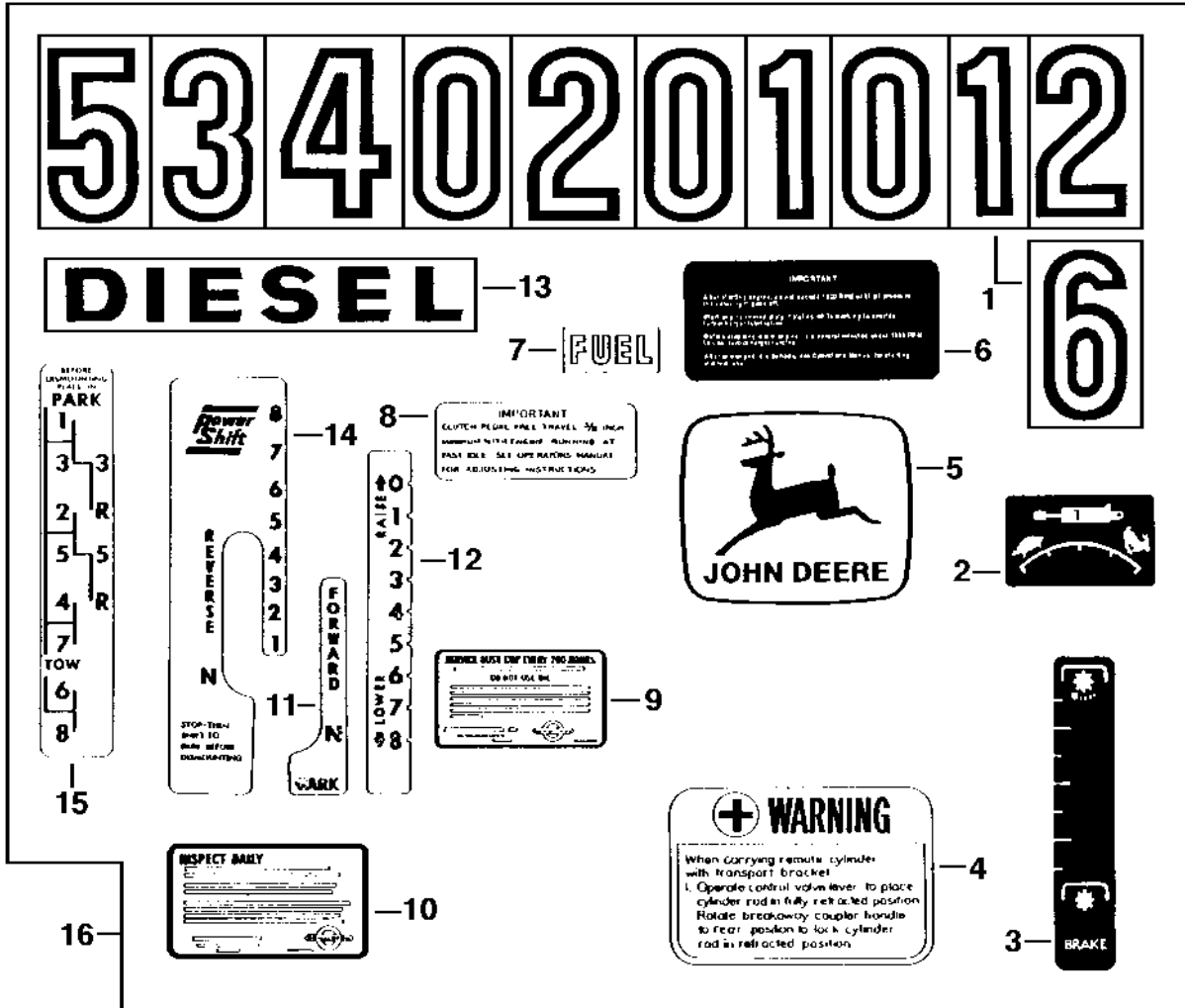
RE028251 -UN-25AUG97

## STEP

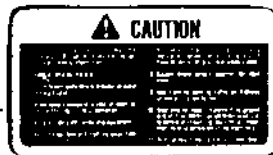


RE028251

KEY	PART NO.	PART NAME	QTY	TRACTOR SERIAL NO.	REMARKS
1	RE62856	KIT	1		
2	03H1522	BOLT	3		1/2" X 1-1/4"
3	03H1399	BOLT	2		5/8" X 1-3/4"
4	03H1558	BOLT	4		3/8" X 1-1/2"
5	RE48040	SUPPORT	1		
6	24M7241	WASHER	2		17 X 34 X 4 MM
7	24H1254	WASHER	6		17/32" X 1-1/8" X 0.105"
8	14H1040	NUT	3		1/2"
9	19H1731	CAP SCREW	12		3/8" X 1"
10	24H1305	WASHER	12		13/32" X 13/16" X 0.065"
11	14H812	NUT	12		3/8"
12	RE49428	STEP	2		
13	14H1039	NUT	2		5/8"
14	R113614	STRAP	2		
15	R34355	BUSHING	1		
16	03H1558	BOLT	4		3/8" X 1-1/2"
17	R65514	STRIP	2		
18	R116468	HANDLE	1		
..	19H1735	CAP SCREW	1		3/4" X 3-1/2"
..	19H2644	CAP SCREW	1		1/2" X 2-1/2"



RXP021480





## DECAL SET - CONTINUED

KEY	PART NO.	PART NAME	QTY	TRACTOR SERIAL NO.	REMARKS
1	R48361	DECAL	2		(SUB FOR R45957)
2	R44315	LABEL	1		R.H. REMOTE CYLINDER
	R41933	LABEL	1		L.H. REMOTE CYLINDER
3	R53293	LABEL	1		(A) PTO, (SUB FOR R44951)
	R53294	LABEL	1		(B) PTO, (SUB FOR R44952)
4	R36689	DECAL	1		REMOTE CYLINDER WARNING
5	JD5234	DECAL	1		SEAT POST
6	R83103	LABEL	1		PTO SAFETY, (SUB FOR R64391) (SUB R120111)
7	R31287	DECAL	1		
8	R34483	LABEL	1		CLUTCH
9	R44710	LABEL	1		AIR CLEANER INDICATOR, (SUB FOR R36756)
	R36756	DECAL	1		AIR CLEANER INDICATOR
10	R34608	DECAL	1		AIR CLEANER, (SUB AR52393)
11	R40505	LABEL	1		(B) PARK
12	R40509	LABEL	1		SELECTIVE CONTROL
13	R30694	DECAL	2		
14	R40504	LABEL	1		(B) QUADRANT
15	R40676	LABEL	1		(A) QUADRANT
16	AR52393	DECAL	1		SAFETY, (SUB FOR R47739, R51821, R69270, R76341 OR R82425)
17	R132720	LABEL	1		
18	R87529	LABEL	1		(SUB FOR AR47091) (ALSO ORDER T84409) (ENGLISH) BYPASS START
	T146106	SAFETY SIGN	1		(SUB FOR T84410) (SPANISH) BYPASS START
	T146104	SAFETY SIGN	1		(SUB FOR T84411) (FRENCH) BYPASS START
	T146515	SAFETY SIGN	1		(SUB FOR T84412) (GERMAN) BYPASS START
	T146516	SAFETY SIGN	1		(SUB FOR T84413) (ITALIAN) BYPASS START
	T146517	SAFETY SIGN	1		(SUB FOR T84578) (ENGLISH/FRENCH) BYPASS START
19	T146102	LABEL	1		(SUB FOR T84409)

(A) SYNCRO-RANGE TRANSMISSION

(B) POWER SHIFT TRANSMISSION

---

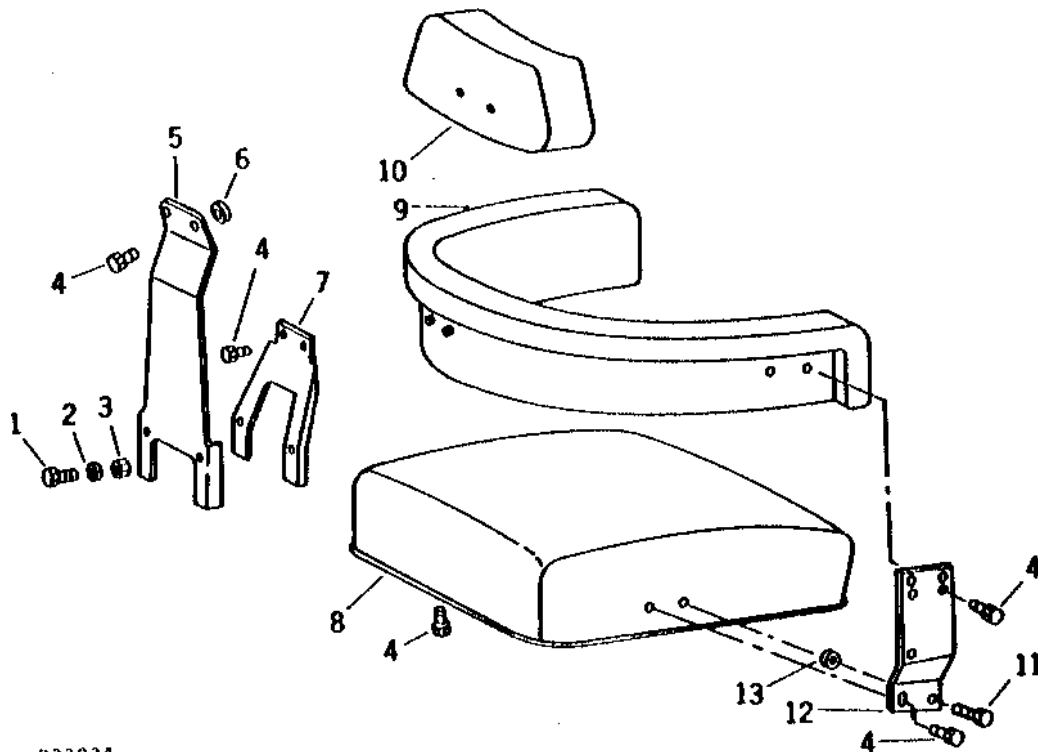
MEMORANDA

# 4B8

OPERATOR'S STATION

R33034 -UN-01JAN94

## DELUXE SEAT



033034

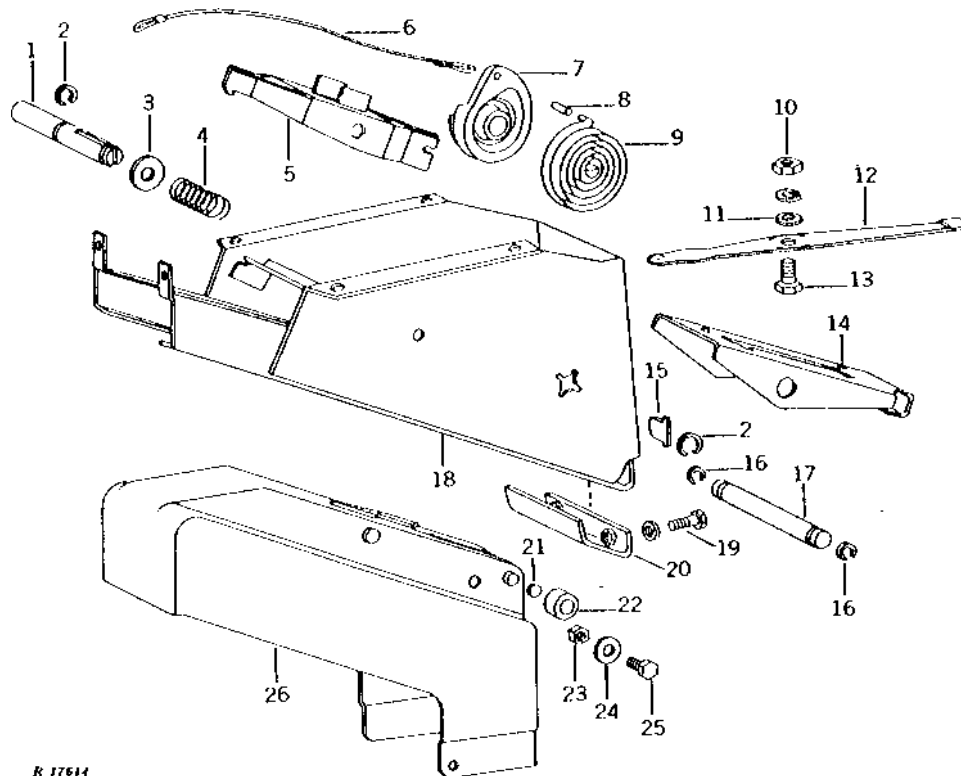
KEY	PART NO.	PART NAME	QTY	TRACTOR SERIAL NO.	REMARKS
1	19H1905	CAP SCREW	2		5/16" X 1"
2	12H303	LOCK WASHER	2		5/16"
3	14H785	NUT	2		5/16"
4	19H1813	CAP SCREW	16		5/16" X 5/8"
5	R34272	SUPPORT	1		
6	24H448	WASHER	2		25/32" X 1-1/8" X 0.090"
7	R27785	SUPPORT	1		
8	AR44763	CUSHION	1		(SUB FOR AR59681) YELLOW
	R32736	COVER	1		(NATURAL CANVAS)
	R34618	CUSHION COVER	1		(YELLOW VINYL)
	R34609	COVER	1		(WHITE CANVAS) (NLA)
	<b>AR21966</b>	<b>CUSHION</b>	<b>1</b>		<b>(YELLOW ECONOMY) (FI)</b>
	<b>AR30181</b>	<b>CUSHION</b>	<b>1</b>		<b>(YELLOW ECONOMY) (FI)</b>
9	AR59680	ARMREST	1		(SUB FOR AR42598) YELLOW
	R34620	CUSHION COVER	1		YELLOW
10	R34267	SEAT BACK	1		(SUB FOR AR59679)
	R34619	CUSHION COVER	1		YELLOW
11	19H2127	CAP SCREW	2		5/16" X 7/8"
12	R57274	SUPPORT	1		R.H. (SUB FOR R41937)
	R57275	SUPPORT	1		L.H. (SUB FOR R41938)
13	24H1517	WASHER	2		1-13/32" X 2-23/32" X 0.036"

# 4B9

OPERATOR'S STATION

R17614 -UN-01JAN94

## DELUXE SEAT SUPPORT



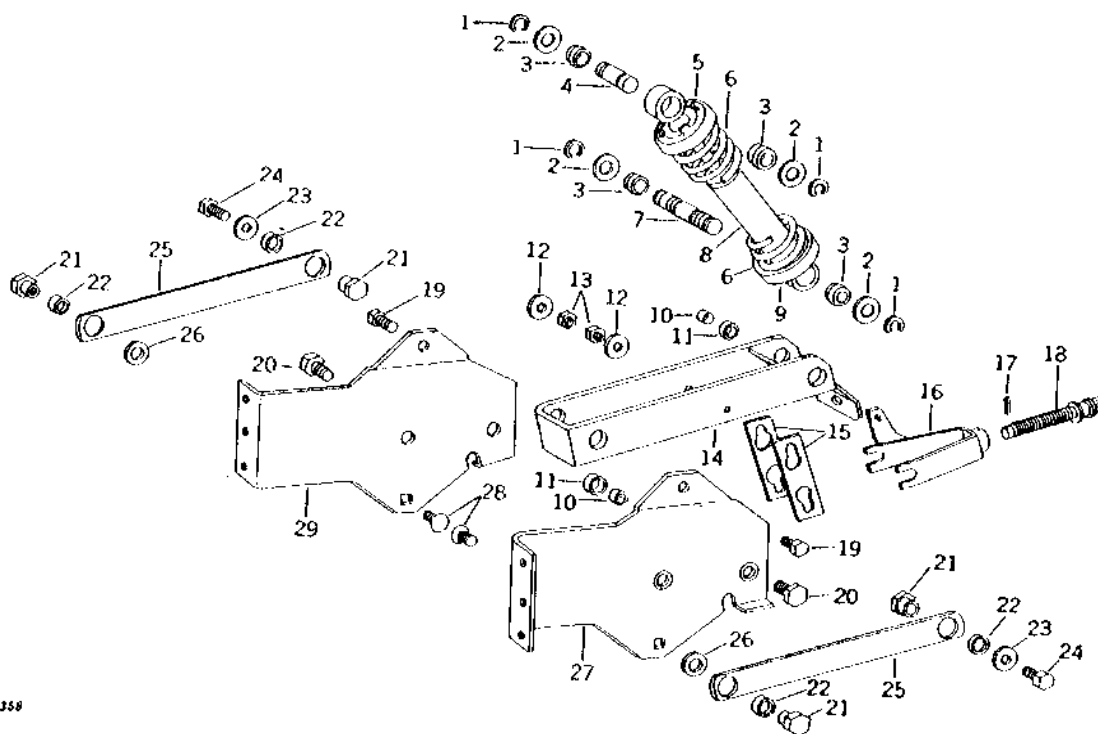
KEY	PART NO.	PART NAME	QTY	TRACTOR SERIAL NO.	REMARKS
1	R26874	SHAFT	1		
2	A369R	SNAP RING	2	(SUB R73380)	
3	24H1395	WASHER	1	25/32" X 1-7/16" X 0.060"	
4	A4744R	SPRING	1		
5	R26828	LATCH	1		
6	R78257	CABLE	1	(SUB FOR AR26403)	
7	R26432	REEL	1		
8	34H282	SPRING PIN	1	3/16" X 1"	
9	R31260	SPRING	1	(SUB FOR R26433)	
10	14H786	NUT	1	1/4"	
	12H302	LOCK WASHER	1	1/4"	
11	24H1287	WASHER	1	9/32" X 5/8" X 0.065"	
12	R27439	LEVER	1		
13	R26431	SCREW	1		
14	R26830	HANDLE	1		
15	R26434	LATCH	1		
16	R26871	SNAP RING	2	(SUB FOR P44982)	
17	R26829	PIN	1		
18	AR36047	SUPPORT	1	(SUB AR68728, A369R, R57572, (2) 24H1384 AND (2) 28H1517)	
19	19H1900	CAP SCREW	2	5/16" X 3/4", (HINSON CAB)	
	12H303	LOCK WASHER	2	5/16", (HINSON CAB)	
20	AR50937	STOP	1	(HINSON CAB) (NLA)	
21	R26872	SHIM	AR	0.25MM (.010")	
	R26873	SHIM	AR	0.51MM (.020")	
22	R26436	ROLLER	4		
23	M63440	LOCK NUT	2	(SUB FOR C744DN) (SUB E50102)	
24	R27441	WASHER	2		
25	19H2552	CAP SCREW	2	3/8" X 1-1/8"	
26	AR26632	FRAME	1		

# 4B10

OPERATOR'S STATION

R14358 -UN-01JAN94

## DELUXE SEAT SUSPENSION



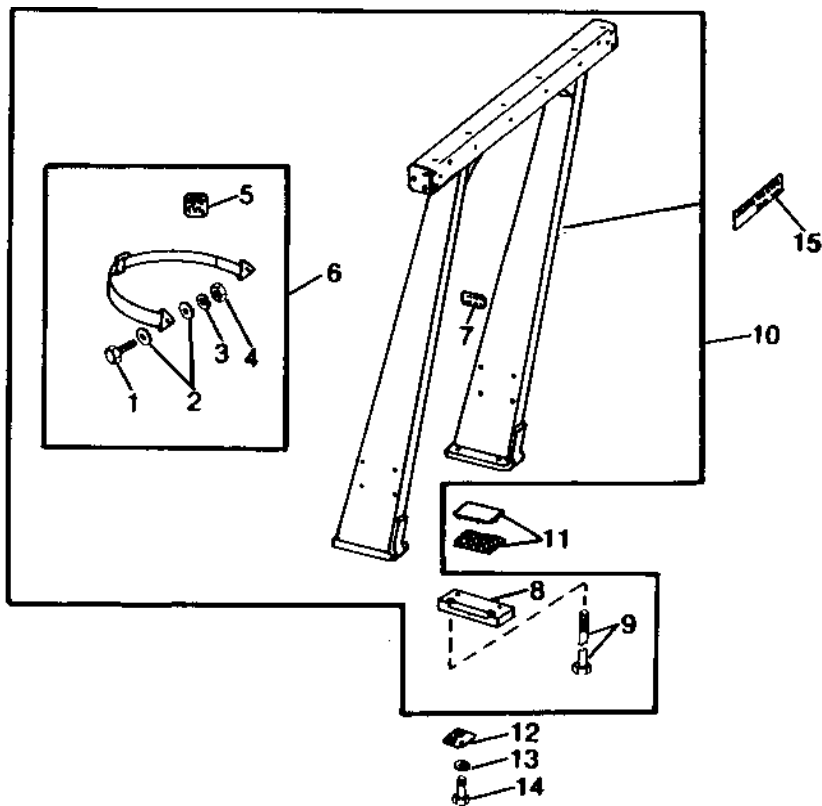
KEY	PART NO.	PART NAME	QTY	TRACTOR SERIAL NO.	REMARKS
1	F2863R	SNAP RING	4		
2	R1836R	WASHER	4		
3	R26832	BUSHING	4		
4	R26875	PIN	1		
5	R27442	CAP	1		
6	R26877	SPRING	1		
7	R26876	SHAFT	1		
8	AR71976	ABSORBER	1	(SUB FOR AR26529)	
9	R26879	CAP	1		
10	R27440	BUSHING	4		
11	R51648	WASHER	4	(SUB FOR R36704)	
12	R27441	WASHER	4		
13	M63440	LOCK NUT	4	(SUB FOR C744DN) (SUB E50102)	
14	AR60029	ARM	1	(SUB FOR AR36048)	
15	R26878	LINK	2		
16	AR69271	YOKE	1	(SUB FOR AR26530)	
17	34H247	SPRING PIN	1	1/8" X 3/4"	
18	R57623	SCREW	1	(SUB FOR R27121) (ALSO ORDER 34H323)	
19	19H1732	CAP SCREW	2	3/8" X 1-1/4"	
20	R31505	BOLT	4	(SUB FOR R26288)	
21	R26880	NUT	4		
22	R51648	WASHER	4	(SUB FOR R36704)	
23	R27441	WASHER	2		
24	19H1936	CAP SCREW	2	3/8" X 3/4"	
25	AR31977	LINK	2		
26	R48450	WASHER	2	(SUB FOR R26113)	
27	R40926	SUPPORT	1		
28	10H1026	BOLT	2	3/8" X 1"	
29	R40927	SUPPORT	1		

# 4B11

OPERATOR'S STATION

RXP6521 -UN-01JAN94

## ROLL-GARD AND SEAT BELT (ROW-CROP AND STANDARD)



RXP6521

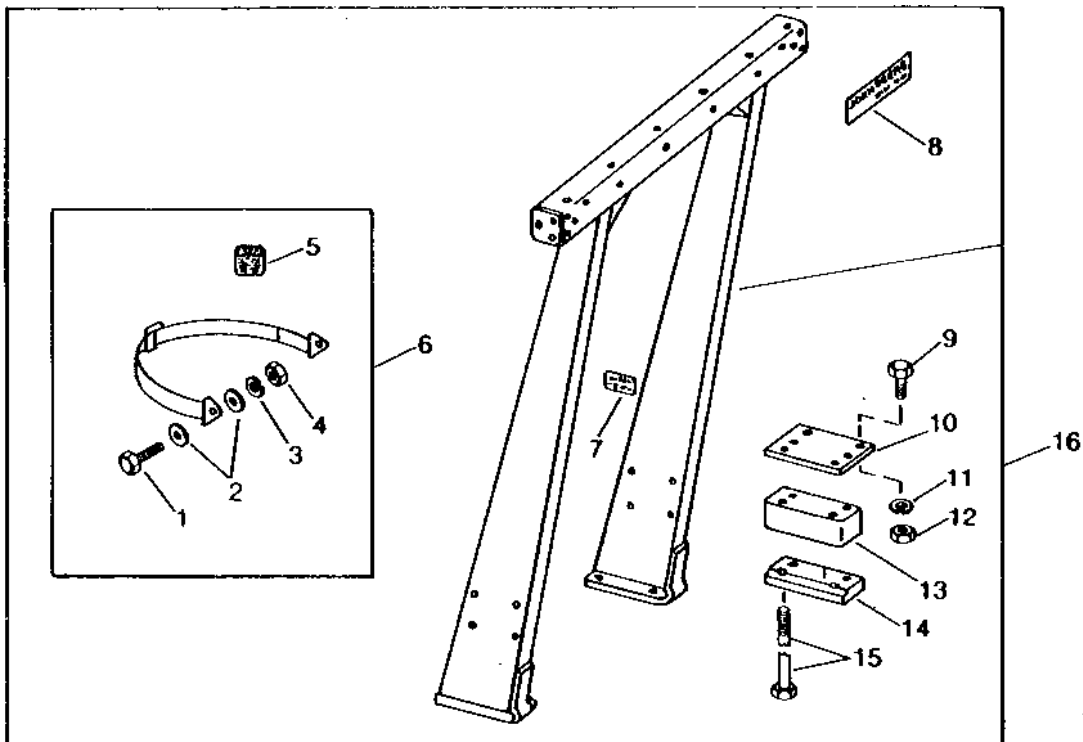
KEY	PART NO.	PART NAME	QTY	TRACTOR SERIAL NO.	REMARKS
1	R41778	BOLT	2		
2	24H1226	WASHER	4	1/2" X 1-1/4" X 0.083"	
3	12H293	LOCK WASHER	2	7/16"	
4	14H807	NUT	2	7/16"	
5	R81424	LABEL	1		(SEAT BELT CAUTION)
6	AR41761	SEAT BELT	1		(USE WITH ROLL-GARD) (2" WIDTH) (ILLUSTRATED)
	AT38518	SEAT BELT	1		(USE WITH ROLL-GARD) (3" WIDTH)
7	R41781	DECAL	1		(ROLL-GARD CAUTION)
8	R41355	PLATE	2		(ROLL-GARD)
	R48343	PLATE	2		(SUB R52051 AND (2) R52052) (CAB)
9	R42439	BOLT	8		
10	AR51416	ROLL-GARD	1		(SUB FOR AR41594 OR AR44776)
11	R48364	FOAM PAD	4	150001-	(CAB ONLY)
12	R48344	PLATE	4	150001-	(CAB ONLY) (NLA)
13	12H301	LOCK WASHER	4	150001-	1/2"
14	19H1815	CAP SCREW	4	150001-	1/2" X 1-1/4"
15	T27155	LABEL	1	-150000	
	R47292	LABEL	1	150001-	

# 4B12

OPERATOR'S STATION

## ROLL-GARD, CANOPY, AND SEAT BELT (HI-CROP)

RWP5711 -UN-01JAN94



RWP5711

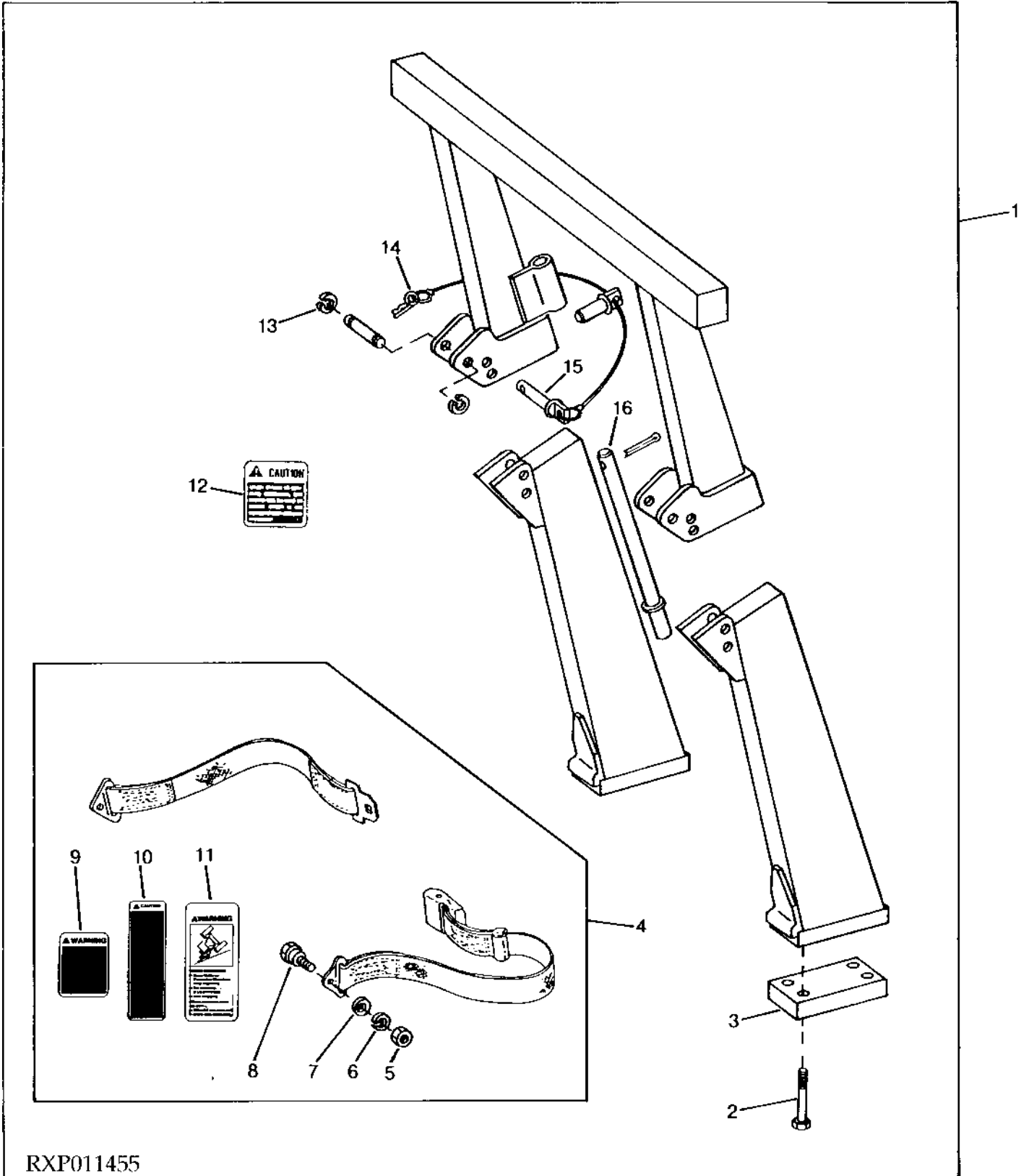
KEY	PART NO.	PART NAME	QTY	TRACTOR SERIAL NO.	REMARKS
1	R41778	BOLT	2		
2	24H1226	WASHER	4		1/2" X 1-1/4" X 0.083"
3	12H293	LOCK WASHER	2		7/16"
4	14H807	NUT	2		7/16"
5	R81424	LABEL	1		(SEAT BELT CAUTION)
6	<b>AR41761</b>	<b>SEAT BELT</b>	1		<b>(USE WITH ROLL-GARD)(2"</b> <b>WIDTH)(ILLUSTRATED)(FI)</b>
	AT38518	SEAT BELT	1		(USE WITH ROLL-GARD) (3" WIDTH)
7	R41781	DECAL	1		
8	T27155	LABEL	1	-150000	
	R47292	LABEL	1	150001-	
9	19H1374	CAP SCREW	4		3/4" X 2"
10	R42580	PLATE	2		
11	12H236	LOCK WASHER	4		3/4"
12	14H794	NUT	4		3/4"
13	R42579	SPACER	2		
14	R41355	PLATE	2		(SUB FOR R42627)
15	R42581	BOLT	8		
16	AR44707	ROLL-GARD	1		

# 4B13

OPERATOR'S STATION

RXP011455 -UN-12DEC94

ROPS W/SEAT BELT



RXP011455



# 4B14

OPERATOR'S STATION

## ROPS W/SEAT BELT - CONTINUED

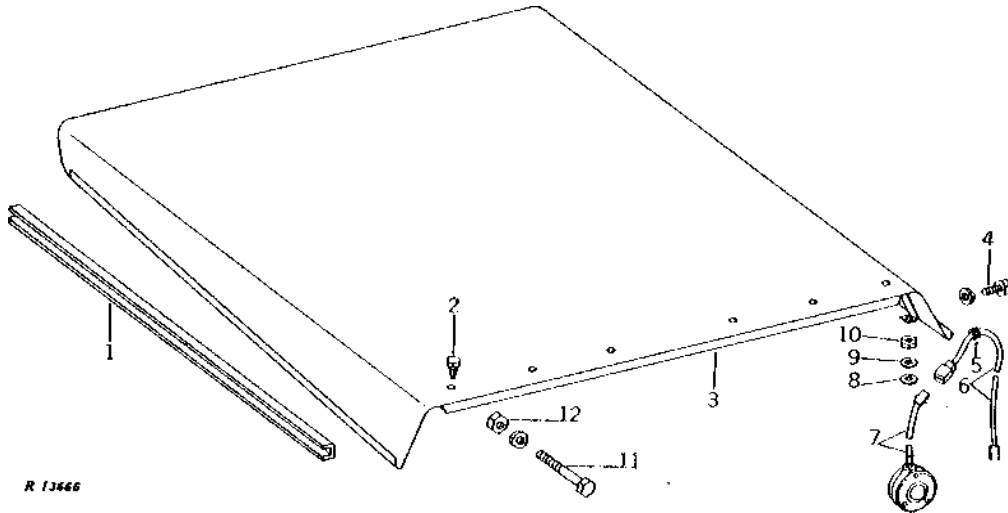
KEY	PART NO.	PART NAME	QTY	CAB SERIAL NO.	REMARKS
1	RE58257	ROLL-GARD	1	(FI)	
2	R42439	BOLT	8		
3	R41355	PLATE	2		
4	AR41762	BELT	1	(FI)	
5	14H807	NUT	2	7/16"	
6	12H293	LOCK WASHER	2	7/16"	
7	24H1226	WASHER	2	1/2" X 1-1/4" X 0.083"	
8	R41778	BOLT	2		
9	R117491	DECAL	1		
10	R120124	LABEL	1		
11	R120128	LABEL	1		
12	R81424	LABEL	1		
13	40M7195	SNAP RING	4		
14	99M7080	SPRING LOCKING PIN	1		
15	RE58679	HINGE	2		
16	RE58612	ROD	2		
..	37M7131	SCREW	1		

# 4B15

OPERATOR'S STATION

R13666 -UN-01JAN94

CANOPY  
(TRACTOR SERIAL NO. -150000)



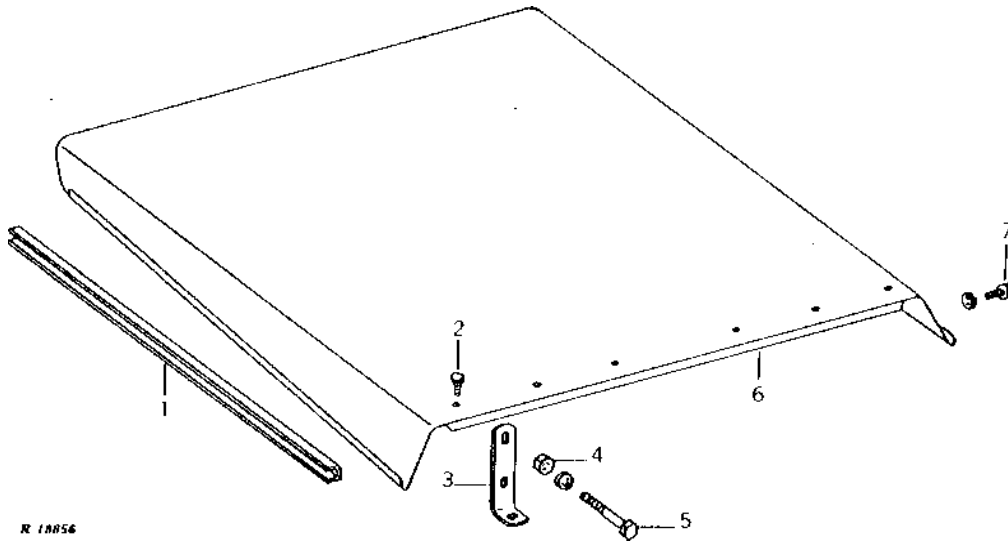
KEY	PART NO.	PART NAME	QTY	TRACTOR SERIAL NO.	REMARKS
1	R41358	ISOLATOR	2		
2	37H27	SCREW	10	5/16" X 7/8"	
3	<b>AR47210</b>	<b>CANOPY</b>	1	<b>(SUB AR51452) (FI)</b>	
	R44477	HEADLINER	1	(STOLPER CAB ONLY)	
	R47197	FOAM PAD	1	(CANOPY ONLY)	
4	19H1731	CAP SCREW	6	3/8" X 1"	
	12H304	LOCK WASHER	6	3/8"	
5	R27583	GROMMET	2		
	R41440	GROMMET	4		
6	AR46411	WIRING LEAD	2		
	T32231	CLAMP	2		
	R45211	CLAMP	2		
7	AT23467	LAMP	2	(SUB FOR AR38456)	
8	R38371	WASHER	2		
9	24H1227	WASHER	2	17/32" X 13/16" X 0.060"	
10	14H856	NUT	2	1/2"	
11	19H2054	CAP SCREW	6	3/8" X 4-3/4"	
12	14H812	NUT	6	3/8"	
	12H304	LOCK WASHER	6	3/8"	

# 4B16

OPERATOR'S STATION

R18856 -UN-01JAN94

CANOPY  
(TRACTOR SERIAL NO. 150001- )



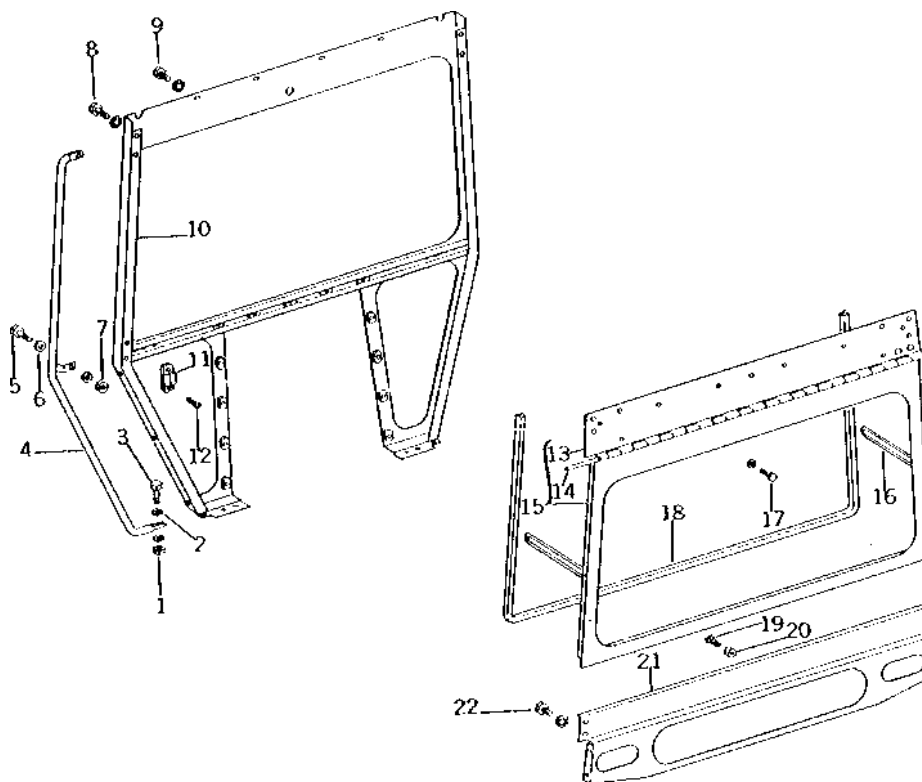
KEY	PART NO.	PART NAME	QTY	TRACTOR SERIAL NO.	REMARKS
1	R41358	ISOLATOR	2		
2	37H27	SCREW	10	5/16" X 7/8"	
3	R52195	BRACKET	2		
4	14H812	NUT	6	3/8"	
	12H304	LOCK WASHER	6	3/8"	
5	19H2054	CAP SCREW	6	3/8" X 4-3/4"	
6	<b>AR51452</b>	<b>CANOPY</b>	1	<b>(FI)</b>	
	R47197	FOAM PAD	1		
7	19H1731	CAP SCREW	6	3/8" X 1"	
	12H304	LOCK WASHER	6	3/8"	

# 4B17

OPERATOR'S STATION

## CAB FRONT AND REAR PANELS (STOLPER)

R14188 -UN-01JAN94



R 14188

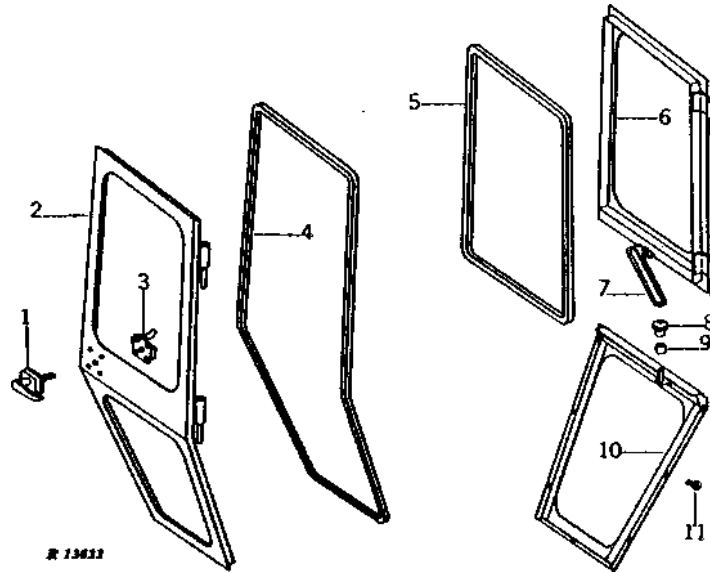
KEY	PART NO.	PART NAME	QTY	CAB SERIAL NO.	REMARKS
1	14H1076	NUT	1	3/8"	
	12H304	LOCK WASHER	1	3/8"	
2	24H1305	WASHER	1	13/32" X 13/16" X 0.065"	
3	19H1765	CAP SCREW	1	3/8" X 1-3/4"	
4	AR46299	HANDLE	1		
5	19H1900	CAP SCREW	1	5/16" X 3/4"	
6	24H1136	WASHER	1	11/32" X 11/16" X 0.065"	
7	14H785	NUT	1	5/16"	
	12H303	LOCK WASHER	1	5/16"	
8	19H1726	CAP SCREW	4	3/8" X 2-1/4"	
	12H310	LOCK WASHER	4	3/8"	
9	19H1731	CAP SCREW	6	3/8" X 1"	
	12H310	LOCK WASHER	6	3/8"	
10	AR45812	PANEL	1		
11	H63952	PLATE	1		
12	21H1210	SCREW	2	1/4" X 3/4"	
13	R44431	PANEL	1		
14	R44432	PIN	1	(NLA)	
15	AR45810	PANEL	1		
16	R44444	ARM	2		
17	19H1905	CAP SCREW	6	5/16" X 1"	
	12M7032	LOCK WASHER	6	0.331"	
18	.....	SEAL	1	2908MM (114-1/2") (MAKE FROM H61993)	
19	R44436	SCREW	1		
20	T101090	BUMPER	1	(SUB FOR R44434)	
21	AR45811	PANEL	1		
22	19H1936	CAP SCREW	4	3/8" X 3/4"	
	12H310	LOCK WASHER	4	3/8"	

# 4B18

OPERATOR'S STATION

## CAB DOOR, RIGHT-HAND LOWER PANEL AND FRONT WINDOW (STOLPER)

R13633 -UN-01JAN94



KEY	PART NO.	PART NAME	QTY	CAB SERIAL NO.	REMARKS
1	AH64758	HANDLE	1		
2	AR45813	DOOR	1		
3	AR45814	LATCH	1		
4	H61993	WEATHERSTRIP	1		
5	.....	WEATHERSTRIP	1	2692MM (106") (MAKE FROM H61993)	
6	AR45815	WINDOW	1		
7	R44444	ARM	1		
8	M117057	KNOB	1	(SUB FOR R44446)	
9	R44445	BUSHING	1		
10	AR45816	PANEL	1		
11	21H1304	SCREW	7	5/16" X 3/4"	

# 4B19

OPERATOR'S STATION

**CAB SEALING (STOLPER)  
(NOT ILLUSTRATED)**

KEY	PART NO.	PART NAME	QTY	CAB SERIAL NO.	REMARKS
..	R28123	FOAM PAD	5		CAB SEALING, (SUB FOR AR49418)
..	R53745	TAPE	1		(SUB FOR R46662) (180 FT.) ROLL
..	R46663	SEALING TRIM	1		(60 FT.PER BOX)
..	AR31790	ADHESIVE	1		(5 OZ.) TUBE

# 4B20

OPERATOR'S STATION

SOUND REDUCTION (STOLPER)  
(NOT ILLUSTRATED)

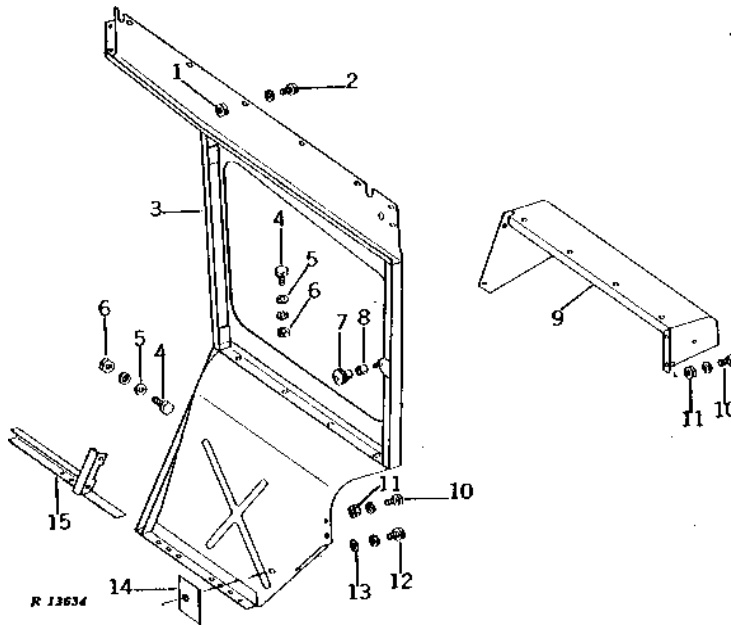
KEY	PART NO.	PART NAME	QTY	CAB SERIAL NO.	REMARKS
..	R47763	COVER	1		CAB FENDER R.H.
..	R47764	COVER	1		CAB FENDER L.H.
..	AR49923	ADHESIVE	1		0.4L (1 PT.) PRESSURIZED CAN

# 4B21

OPERATOR'S STATION

## CAB RIGHT HAND SIDE AND FENDER (STOLPER)

R13634 -UN-01JAN94



KEY	PART NO.	PART NAME	QTY	CAB SERIAL NO.	REMARKS
1	14H1076	NUT	5	3/8"	
2	19H1731	CAP SCREW	6	3/8" X 1"	
	12H310	LOCK WASHER	6	3/8"	
3	AR45821	CAB	1	R.H.	
4	19H1936	CAP SCREW	1	3/8" X 3/4"	
5	24H1305	WASHER	7	13/32" X 13/16" X 0.065"	
6	14H1076	NUT	7	3/8"	
	12H304	LOCK WASHER	7	3/8"	
7	M117057	KNOB	1	(SUB FOR R44446)	
8	R44445	BUSHING	1		
9	AR45819	FENDER	1	R.H.	
10	19H1936	CAP SCREW	4	3/8" X 3/4"	
	12H304	LOCK WASHER	4	3/8"	
11	14H1076	NUT	4	3/8"	
12	19H1815	CAP SCREW	1	1/2" X 1-1/4"	
	12H301	LOCK WASHER	1	1/2"	
13	24H1227	WASHER	1	17/32" X 13/16" X 0.060"	
14	R42567	FOAM PAD	1		
15	AR45817	SILL	1		

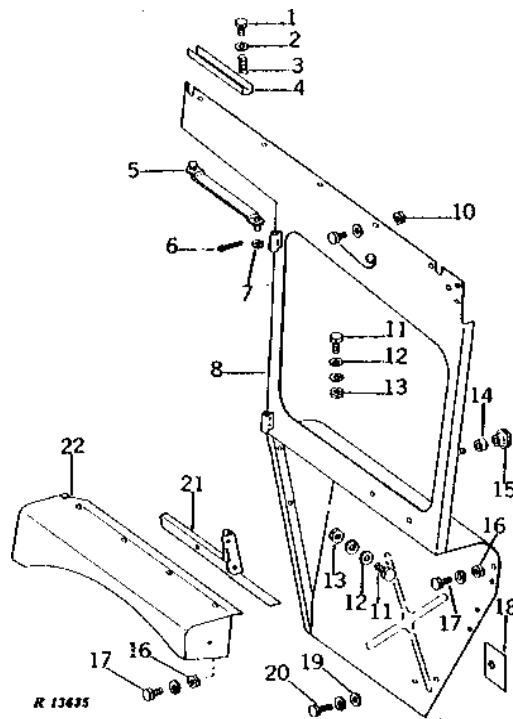


# 4B22

OPERATOR'S STATION

## CAB LEFT HAND SIDE AND FENDER (STOLPER)

R13635 -UN-01JAN94



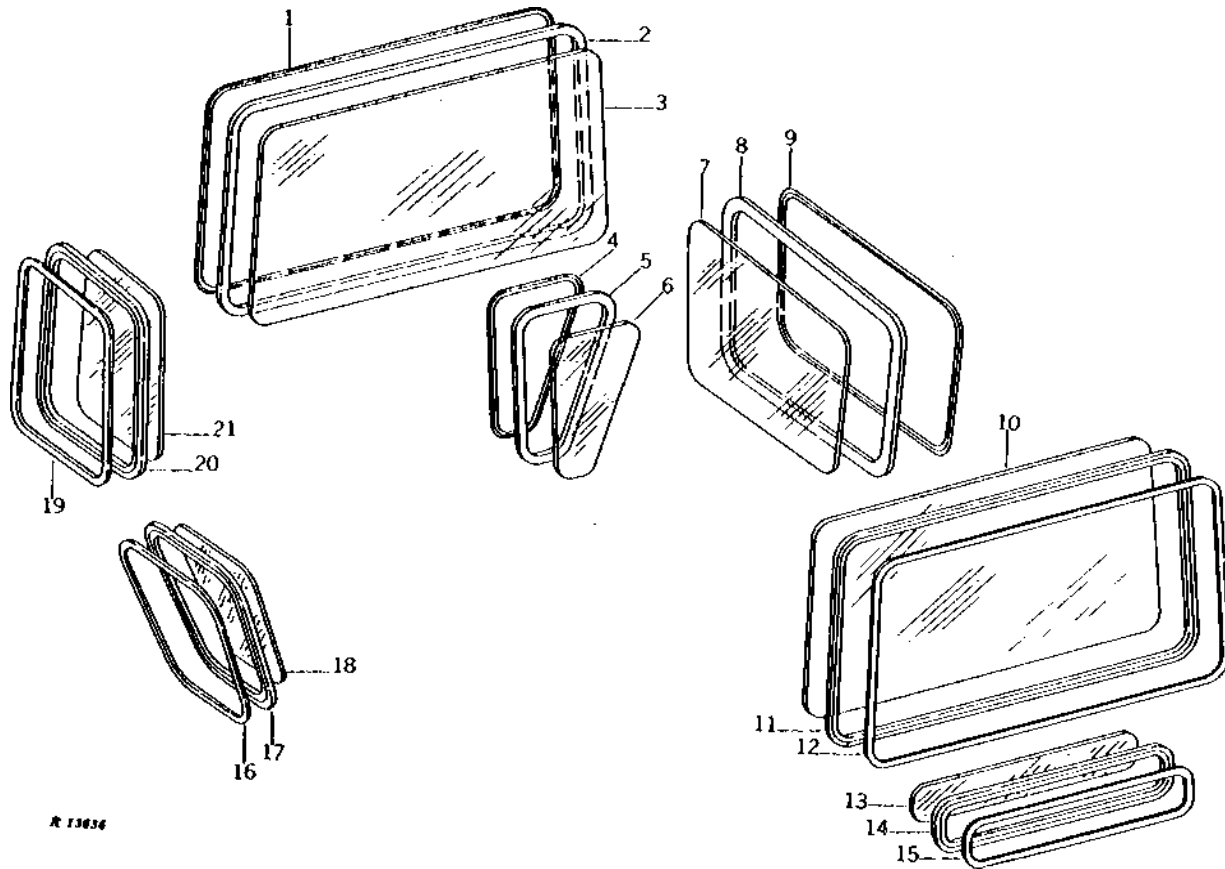
KEY	PART NO.	PART NAME	QTY	CAB SERIAL NO.	REMARKS
1	19H1726	CAP SCREW	2	3/8" X 2-1/4"	
2	24H1305	WASHER	2	13/32" X 13/16" X 0.065"	
3	R44448	SPRING	2		
4	AR45823	STOP	1	(NLA)	
5	AR45824	ROD	1		
6	11M7059	COTTER PIN	1	3.200 X 20 MM	
7	24H1305	WASHER	1	13/32" X 13/16" X 0.065"	
8	AR45822	CAB	1	L.H.	
9	19H1731	CAP SCREW	6	3/8" X 1"	
	12H310	LOCK WASHER	6	3/8"	
10	14H1076	NUT	5	3/8"	
11	19H1936	CAP SCREW	7	3/8" X 3/4"	
12	24H1305	WASHER	7	13/32" X 13/16" X 0.065"	
13	14H812	NUT	7	3/8"	
	12H304	LOCK WASHER	7	3/8"	
14	R44445	BUSHING	1		
15	M117057	KNOB	1	(SUB FOR R44446)	
16	14H1076	NUT	4	3/8"	
17	19H1936	CAP SCREW	4	3/8" X 3/4"	
	12H304	LOCK WASHER	4	3/8"	
18	R42567	FOAM PAD	1		
19	24H1227	WASHER	1	17/32" X 13/16" X 0.060"	
20	19H1815	CAP SCREW	1	1/2" X 1-1/4"	
	12H301	LOCK WASHER	1	1/2"	
21	AR45818	SILL	1	FRONT L.H.	
22	AR45820	FENDER	1	(NLA)	

# 4B23

OPERATOR'S STATION

R13636 -UN-01JAN94

## CAB GLASS (STOLPER)



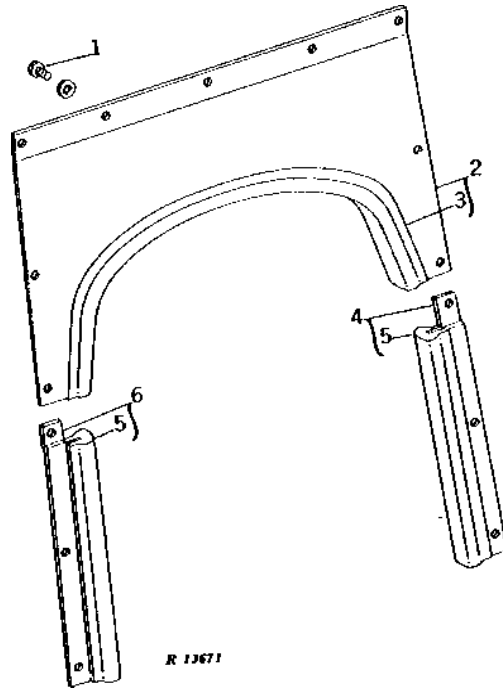
KEY	PART NO.	PART NAME	QTY	CAB SERIAL NO.	REMARKS
1	R44438	ISOLATOR	1		
2	R44437	MOLDING	1		
3	R44439	WINDOWPANE	1		(NLA)
4	.....	MOLDING	2		1632MM (64-1/4") (MAKE FROM R44437)
5	.....	MOLDING	2		1632MM (64-1/4") (MAKE FROM R44437)
6	R44441	WINDOWPANE	2		
7	R44449	WINDOWPANE	2		
8	.....	MOLDING	2		3251MM (128") (MAKE FROM R44437)
9	.....	MOLDING	2		3251MM (128") (MAKE FROM R44438)
10	R44433	WINDOWPANE	1		
11	.....	MOLDING	1		3810MM (150") (MAKE FROM R44437)
12	.....	MOLDING	1		3810MM (150") (MAKE FROM R44438)
13	R44435	WINDOWPANE	1		
14	.....	MOLDING	1		1930MM (76") (MAKE FROM R44437)
15	.....	MOLDING	1		1930MM (76") (MAKE FROM R44438)
16	.....	MOLDING	2		1943MM (76-1/2") (MAKE FROM R44438)
17	.....	MOLDING	2		1943MM (76-1/2") (MAKE FROM R44437)
18	R44443	WINDOWPANE	2		LOWER DOOR AND LOWER R.H.
19	.....	MOLDING	2		2229MM (87-3/4") (MAKE FROM R44438)
20	.....	MOLDING	2		2229MM (87-3/4") (MAKE FROM R44437)
21	R44442	WINDOWPANE	2		UPPER DOOR AND UPPER R.H.

# 4B24

OPERATOR'S STATION

R13671 -UN-01JAN94

## CAB COWL PANELS (STOLPER)



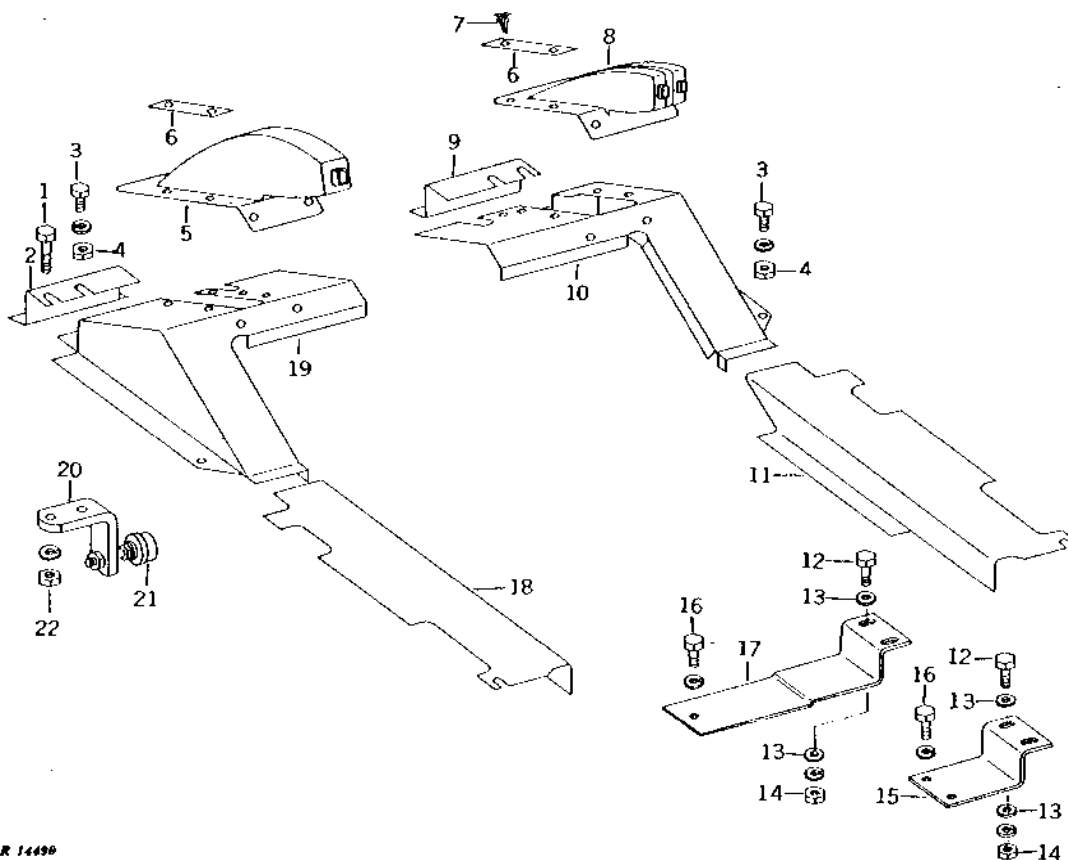
KEY	PART NO.	PART NAME	QTY	CAB SERIAL NO.	REMARKS
1	21H1304	SCREW	13	5/16" X 3/4"	
	12M7032	LOCK WASHER	13	0.331"	
2	AR45012	PANEL	1		
3	R44585	SEAL	1		
4	AR45010	PANEL	1		
5	.....	MOLDING	2	311MM (12-1/4")	(MAKE FROM R44585)
6	AR45011	PANEL	1		

# 4B25

OPERATOR'S STATION

## PLATFORM BRACKETS, EXTENSIONS AND BAFFLES (STOLPER)

R14490 -UN-01JAN94



R 14490

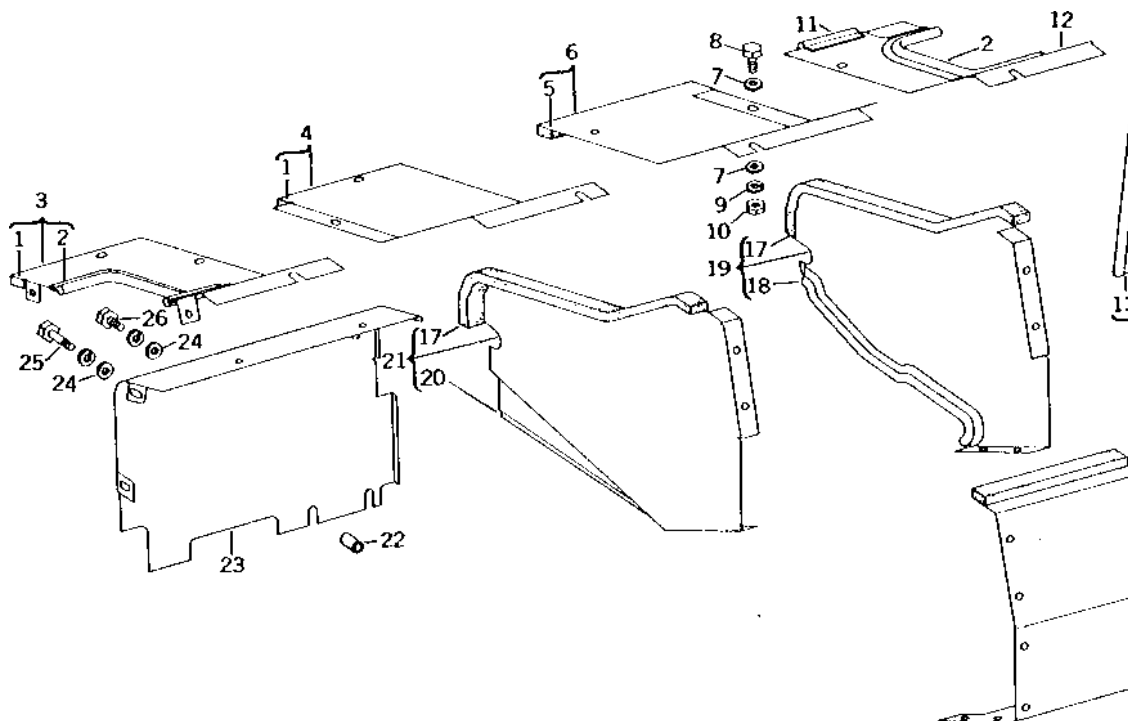
KEY	PART NO.	PART NAME	QTY	CAB SERIAL NO.	REMARKS
1	19H2791	CAP SCREW	1	3/8" X 1-3/4"	
	19H1732	CAP SCREW	3	3/8" X 1-1/4"	
2	R44525	ISOLATOR	1		
3	19H1914	CAP SCREW	6	1/4" X 1"	
	12H302	LOCK WASHER	6	1/4"	
4	14H786	NUT	6	1/4"	
5	R43899	BOOT	1		
6	R43910	STRAP	6		
7	R49043	CLIP	12		(SUB FOR R46038)
8	R43900	BOOT	1		
9	R44524	ISOLATOR	1		
10	AR45893	EXTENSION	1		(NLA)
11	R44522	EXTENSION	1		(NLA)
12	19H1732	CAP SCREW	8	3/8" X 1-1/4"	
13	24H1305	WASHER	16	13/32" X 13/16" X 0.065"	
14	14H1076	NUT	8	3/8"	
	12H304	LOCK WASHER	8	3/8"	
15	R44521	BRACKET	2		(NLA)
16	19H2284	CAP SCREW	6	3/8" X 7/8"	
	12H304	LOCK WASHER	6	3/8"	
17	R44520	BRACKET	2		(NLA)
18	R44523	EXTENSION	1		(NLA)
19	AR45894	EXTENSION	1		
20	R44480	BRACKET	2		
21	AR45718	SCREW	2		(NLA)
	12H301	LOCK WASHER	2	1/2"	
	14H1040	NUT	4	1/2"	
22	14H1076	NUT	4	3/8"	
	12H304	LOCK WASHER	4	3/8"	
..	R46880	PAD	1		FLOOR, (SUB FOR R44535)

# 4C1

OPERATOR'S STATION

R14491 -UN-01JAN94

## HYDRAULIC COVERS (STOLPER)



R 14491

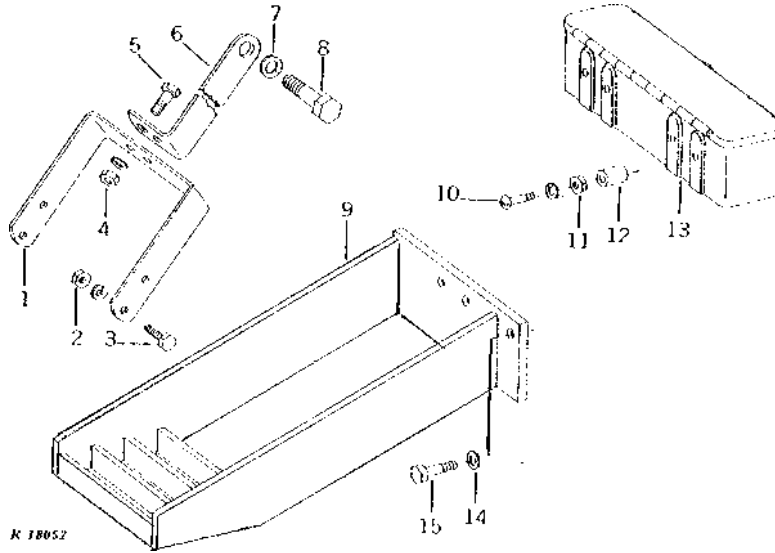
KEY	PART NO.	PART NAME	QTY	CAB SERIAL NO.	REMARKS
1	.....	FOAM PAD	2		12.7 X 25.4 X 178MM (1/2" X 1" X 7") (MAKE FROM R30936)
2	.....	MOLDING	2		406MM (16") (MAKE FROM R44447)
3	AR45898	PANEL	1		
4	AR46373	PANEL	1		(NLA)
	AR44720	SHIELD	1		
5	.....	FOAM PAD	1		12.7 X 25.4 X 219MM (1/2" X 1" X 8-5/8") (MAKE FROM R30936)
					(NLA)
6	AR46372	PANEL	1		
	AR44720	SHIELD	1		
7	24H1136	WASHER	56		11/32" X 11/16" X 0.065"
8	19H1900	CAP SCREW	37		5/16" X 3/4"
9	12H303	LOCK WASHER	37		5/16"
10	14H785	NUT	28		5/16"
11	.....	MOLDING	1		38.1MM (1-1/2") (MAKE FROM R44447)
12	AR45897	PANEL	1		
13	.....	MOLDING	1		279MM (11") (MAKE FROM R44447)
14	AR45902	PANEL	1		
15	.....	FOAM PAD	1		12.7 X 25.4 X 203MM (1/2" X 1" X 8") (MAKE FROM R30936)
					(SUB FOR AR46374)
16	AR52708	PANEL	1		
17	.....	FOAM PAD	2		12.7 X 25.4 X 279MM (1/2" X 1" X 11") (MAKE FROM R30936)
					(MAKE FROM R44447)
18	.....	MOLDING	1		203MM (8") (MAKE FROM R44447)
19	AR45900	ISOLATOR	1		(NLA)
20	.....	MOLDING	1		178MM (7") (MAKE FROM R44447)
21	AR52707	ISOLATOR	1		(SUB FOR AR45901)
22	R27168	BUSHING	1	-XXXXXX	
23	R44533	PANEL	1		
24	24H1305	WASHER	2		13/32" X 13/16" X 0.065"
25	19H1765	CAP SCREW	1	-XXXXXX	3/8" X 1-3/4"
	12H304	LOCK WASHER	1	-XXXXXX	3/8"
26	19H1936	CAP SCREW	1		3/8" X 3/4"
	12H304	LOCK WASHER	1		3/8"

# 4C2

OPERATOR'S STATION

R18052 -UN-01JAN94

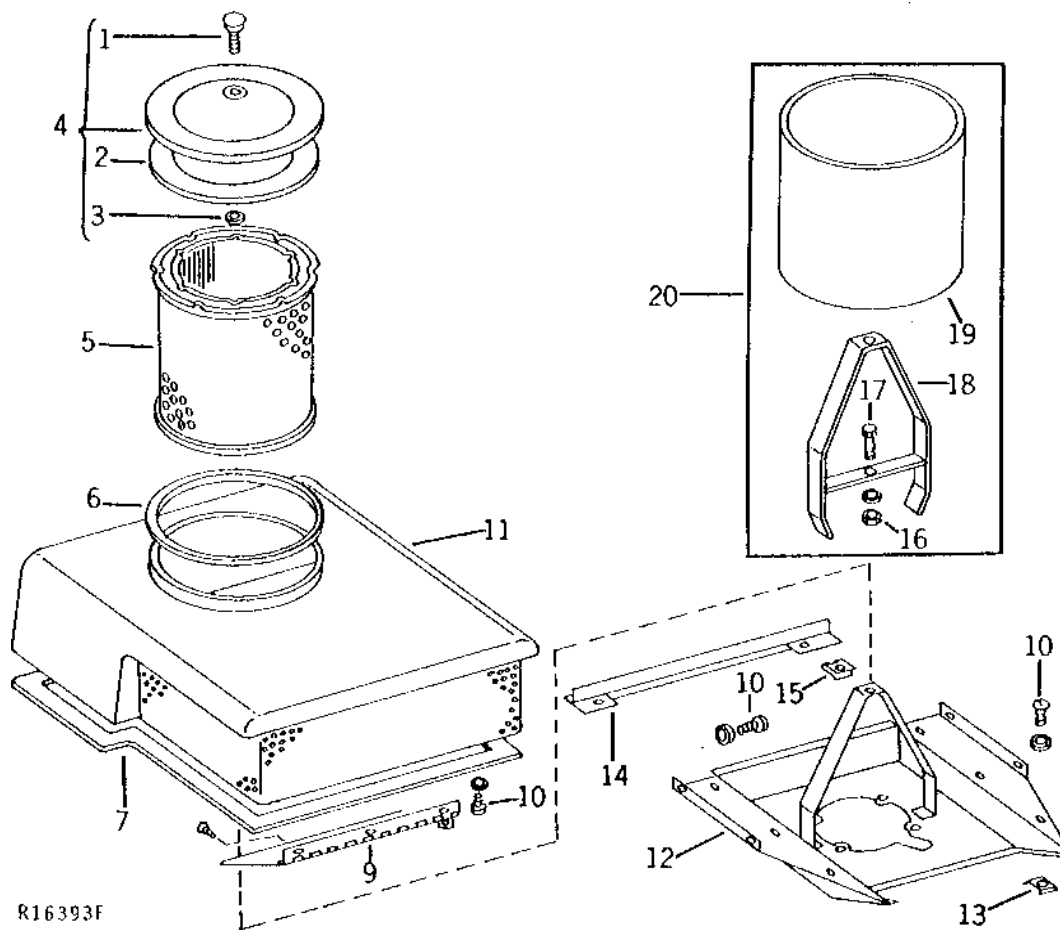
## STEP AND TOOL BOX (STOLPER)



KEY	PART NO.	PART NAME	QTY	CAB SERIAL NO.	REMARKS
1	R50430	SUPPORT	1		
2	14H1076	NUT	4	3/8"	
	12H304	LOCK WASHER	4	3/8"	
3	19H1732	CAP SCREW	4	3/8" X 1-1/4"	
4	14H1040	NUT	2	1/2"	
	12H301	LOCK WASHER	2	1/2"	
5	19H2898	CAP SCREW	2	1/2" X 1-1/4"	
6	R50431	STRAP	1		
7	24H448	WASHER	1	25/32" X 1-1/8" X 0.090"	
8	19H1715	CAP SCREW	1	3/4" X 3"	
9	AR44988	STEP	1	(NLA)	
10	03H1558	BOLT	2	3/8" X 1-1/2"	
11	14H1076	NUT	2	3/8"	
	12H304	LOCK WASHER	2	3/8"	
12	28H1919	BUSHING	2	1/2" X 15/16"	
13	AR34684	TOOLBOX	1		
14	R47172	WASHER	2	(SUB FOR R44044)	
15	19H2993	CAP SCREW	2	1/2" X 1-1/2"	

R16393 -UN-01JAN94

## ROOF VENT, FILTER HOUSING AND ELEMENT (STOLPER)



R16393F

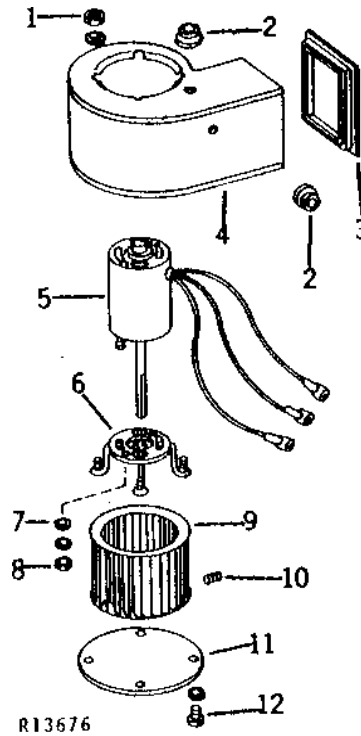
KEY	PART NO.	PART NAME	QTY	CAB SERIAL NO.	REMARKS
1	AR45850	SCREW	1	(NLA)	
2	R44455	GASKET	1	(NLA)	
3	R44456	WASHER	1		
4	AR45830	COVER	1		
5	AR49680	FILTER ELEMENT	1	(SUB FOR AR45831)	
6	R44452	SLAT	1	(2 USED WITH HEAVY-DUTY AIR CLEANER)	
7	R44453	WEATHERSTRIP	1	(NLA)	
8	37H43	SCREW	3	NO. 8 X 3/8"	
9	AR45828	DOOR	1		
10	21H1303	SCREW	12	1/4" X 3/4"	
	12H302	LOCK WASHER	12	1/4"	
11	AR45827	VENT	1	(NLA)	
12	AR45829	HOUSING	1	(NLA)	
13	R44577	NUT	6		
14	R44451	ISOLATOR	1		
15	R72380	NUT	1	(SUB FOR R44454)	
16	14H1049	NUT	1	3/8"	
	12H301	LOCK WASHER	1	1/2"	
17	19H1792	CAP SCREW	1	1/2" X 1"	
18	AR49679	EXTENSION	1	(NLA)	
19	R47137	HOUSING	1		
20	AR49678	KIT	1	HEAVY-DUTY AIR CLEANER (NLA)	

# 4C4

OPERATOR'S STATION

R13676 -UN-01JAN94

## BLOWER HOUSING, MOTOR AND WHEEL (STOLPER)



R13676

KEY	PART NO.	PART NAME	QTY	CAB SERIAL NO.	REMARKS
1	14H786	NUT	4	1/4"	
	12H302	LOCK WASHER	4	1/4"	
2	R44458	GROMMET	2		
3	R44457	SEAL	1		
4	AR45832	HOUSING	1		
5	AR45856	MOTOR	1	(12-VOLT)	
6	AR45834	BRACKET	1		
7	24H1283	WASHER	2	7/32" X 1/2" X 0.049"	
8	14H778	NUT	2	0.190"	
	12M7060	WASHER	2	0.209"	
9	AR45833	WHEEL	1		
10	22H791	SET SCREW	1	1/4" X 3/4"	
11	R44459	COVER	1		
12	21H1301	SCREW	4	0.190" X 1/2"	
	12M7060	WASHER	4	0.209"	

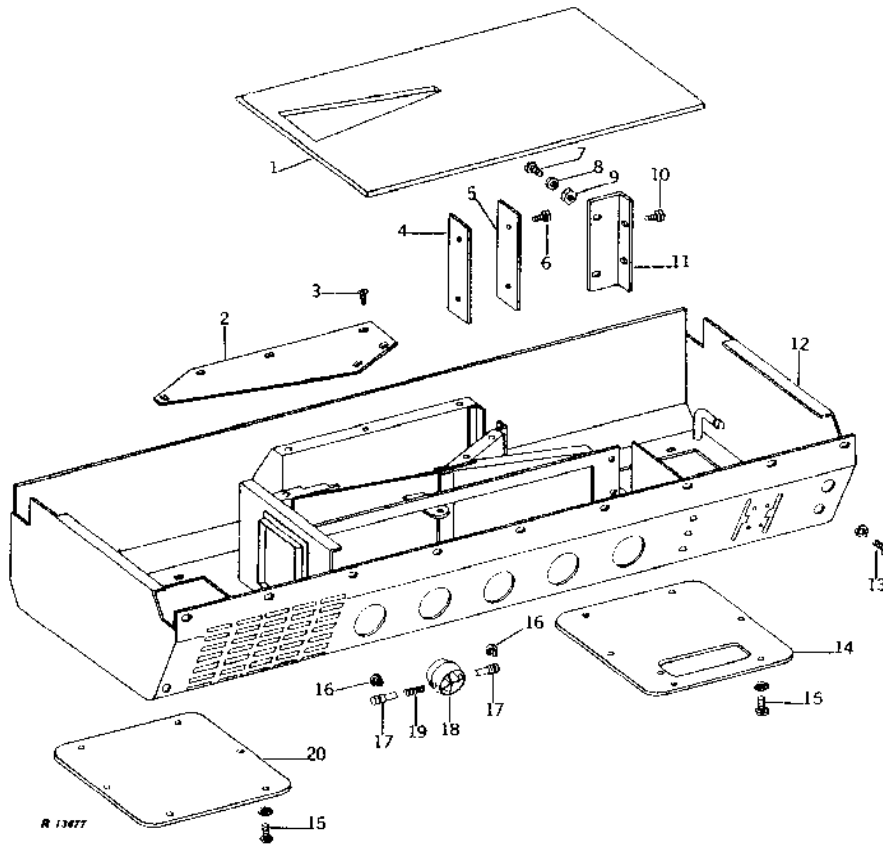


# 4C5

OPERATOR'S STATION

R13677 -UN-01JAN94

## CAB CONSOLE (STOLPER)



KEY	PART NO.	PART NAME	QTY	CAB SERIAL NO.	REMARKS
1	R44476	SEAL	1		
2	R44486	PLATE	1	(NLA)	
3	T10671	CAP SCREW	6		
4	R44485	PLATE	2	(A) (NLA)	
5	R44484	PLATE	2	(A)	
6	37M7245	SCREW	2	NO. 10 X 3/8"	
7	21H1301	SCREW	2	0.190" X 1/2"	
8	24H1283	WASHER	2	7/32" X 1/2" X 0.049"	
9	14H778	NUT	2	0.190"	
10	37M7245	SCREW	2	NO. 10 X 3/8"	
11	R44483	ISOLATOR	1	(NLA)	
12	AR45845	PANEL	1		
13	21H1303	SCREW	9	1/4" X 3/4"	
	12H302	LOCK WASHER	9	1/4"	
14	R44474	PANEL	1		
15	21H1301	SCREW	2	0.190" X 1/2"	
	12M7060	WASHER	12	0.209"	
16	R30828	SNAP RING	10	(SUB FOR R44470)	
17	R44471	PIN	10		
18	R44468	DEFLECTOR	5	(NLA)	
19	R44469	SPRING	5		
20	R44475	PANEL	1		

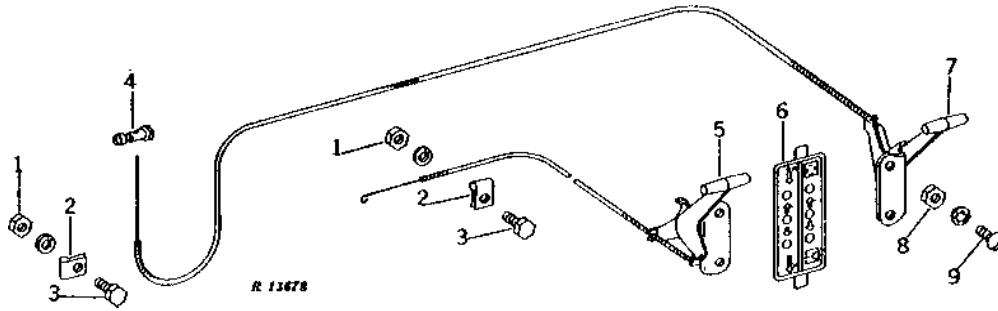
(A) CABS LESS HEATERS

# 4C6

OPERATOR'S STATION

R13678 -UN-01JAN94

## CAB CONTROLS (STOLPER)



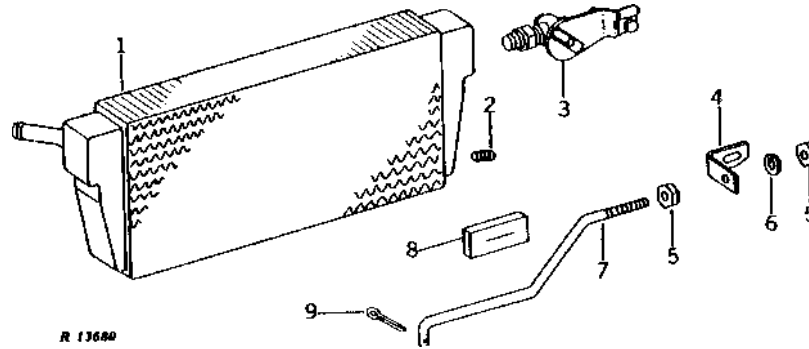
KEY	PART NO.	PART NAME	QTY	CAB SERIAL NO.	REMARKS
1	14H786	NUT	2	1/4"	
	12H302	LOCK WASHER	2	1/4"	
2	R44472	CLIP	2		
3	19H1919	CAP SCREW	2	1/4" X 5/8"	
4	AR45846	SWIVEL	1		
5	AR45836	LEVER	1		HEATER OR DAMPER DOOR
6	R44478	LABEL	1		
7	AR45835	LEVER	1		ROOF VENT DOOR
8	14H778	NUT	4	0.190"	
9	21H1301	SCREW	4	0.190" X 1/2"	
	12M7060	WASHER	4	0.209"	

# 4C7

OPERATOR'S STATION

R13680 -UN-01JAN94

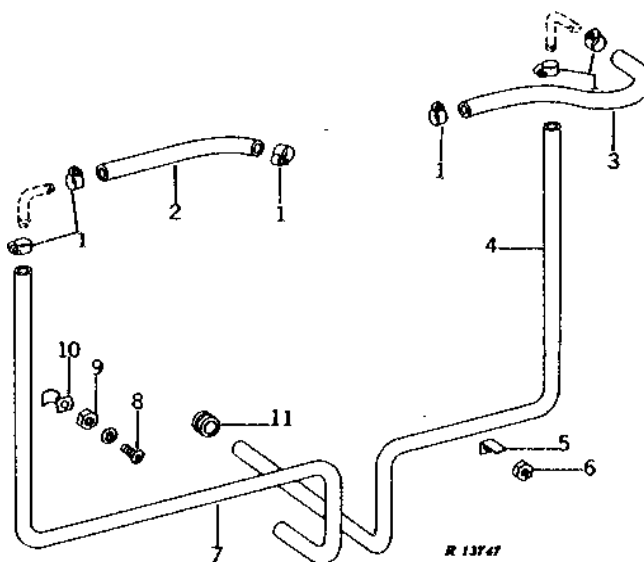
## HEATER (STOLPER)



KEY	PART NO.	PART NAME	QTY	CAB SERIAL NO.	REMARKS
1	AR45857	CORE	1		
2	15H253	PIPE PLUG	1	1/8"	
3	AR45858	VALVE	1		
4	R44489	ANGLE	1		
5	14H786	NUT	2	1/4"	
6	12H302	LOCK WASHER	1	1/4"	
7	R44487	LINK	1		
8	R44473	SEAL	1		
9	11M7077	COTTER PIN	1	0.063" X 0.984"	

R13747 -UN-01JAN94

CAB HEATER HOSE  
(STOLPER)

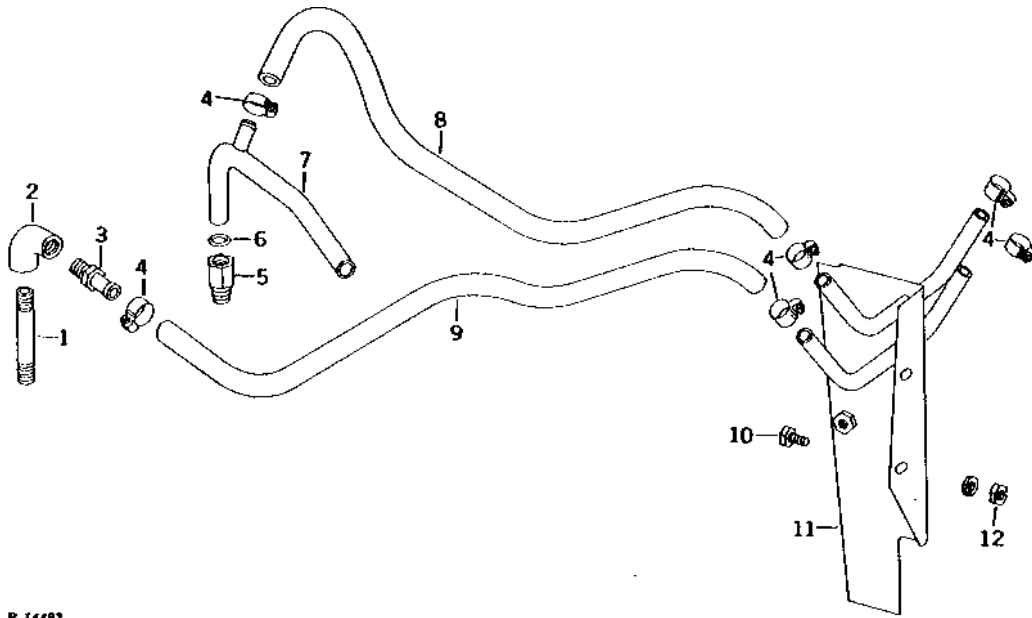


KEY	PART NO.	PART NAME	QTY	CAB SERIAL NO.	REMARKS
1	AR21837	CLAMP	6		
2	.....	HOSE	1		381MM (15") (MAKE FROM TY22328) (SUB FOR R45847)
3	.....	HOSE	1		533MM (21") (MAKE FROM TY22328) (SUB FOR R45847)
4	.....	HOSE	1		1422MM (56") (MAKE FROM TY22328) (SUB FOR R45847)
5	R42771	ANGLE	3		
6	14H785	NUT	1		5/16"
7	.....	HOSE	1		2032MM (80") (MAKE FROM TY22328) (SUB FOR R45847)
8	19H1227	CAP SCREW	2		1/4" X 1/2"
	12H297	LOCK WASHER	2		1/4"
9	14H786	NUT	2		1/4"
10	R44488	CLAMP	2		
11	H23197	GROMMET	2		

# 4C9

R14492 -UN-01JAN94

## TRACTOR HEATER HOSE (STOLPER)



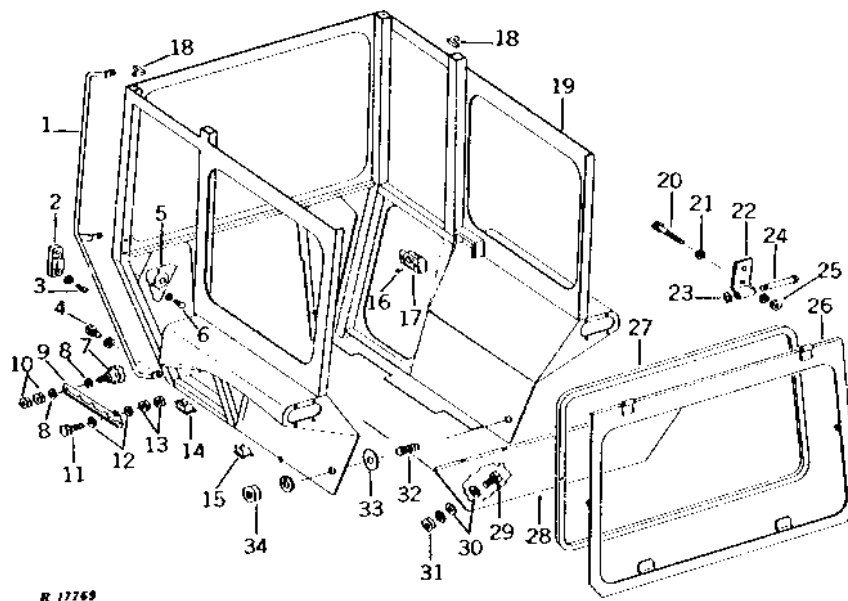
KEY	PART NO.	PART NAME	QTY	CAB SERIAL NO.	REMARKS
1	29H636	THREADED NIPPLE	1		
2	15H596	ELBOW FITTING	1		3/4" X 4" 90°
3	R42312	HOSE FITTING	1		
4	AR21837	CLAMP	6		
5	R41285	ADAPTER	1		
6	T13119	O-RING	1		
7	AR44603	TUBE	1		(GASOLINE AND LP-GAS)
	AR44604	LINE	1		(DIESEL)
8	.....	HOSE	1		762MM (30") (MAKE FROM TY22328) (SUB FOR R45847)
9	.....	HOSE	1		610MM (24") (MAKE FROM TY22328) (SUB FOR R45847)
10	19H2284	CAP SCREW	2		3/8" X 7/8"
11	AR46225	SUPPORT	1		
12	14H1076	NUT	2		3/8"
	12H304	LOCK WASHER	2		3/8"

# 4C10

OPERATOR'S STATION

R17769 -UN-01JAN94

## CAB BODY (HINSON)



KEY	PART NO.	PART NAME	QTY	CAB SERIAL NO.	REMARKS
1	AR52305	HANDLE	1		
2	H63952	PLATE	1		
	R60165	NUT	2		
3	21H1021	SCREW	2	1/4" X 1/2"	
	12H322	LOCK WASHER	2	1/4"	
4	19H1731	CAP SCREW	3	3/8" X 1"	
	12H304	LOCK WASHER	3	3/8"	
5	AR52295	COVER	2		
6	19H1227	CAP SCREW	2	1/4" X 1/2"	
	12H302	LOCK WASHER	2	1/4"	
7	R48872	KNOB	2		
8	24H1136	WASHER	4	11/32" X 11/16" X 0.065"	
9	R44444	ARM	2		
10	14H611	NUT	4	5/16"	
11	19H1919	CAP SCREW	2	1/4" X 5/8"	
12	24H1287	WASHER	4	9/32" X 5/8" X 0.065"	
13	14H850	NUT	4	1/4"	
14	R48890	GROMMET	1		(CABS LESS AIR CONDITIONING) L.H. CORNER POST
	R48904	GROMMET	1		(CABS WITH AIR CONDITIONING) L.H. CORNER POST
	R48891	PLUG	1		(CABS LESS HEATER) R.H. CORNER POST
	R48894	GROMMET	1		(CABS WITH HEATER) R.H. CORNER POST
15	R48892	PLUG	1		(CABS LESS AIR CONDITIONING) L.H. CENTER POST
	R48895	GROMMET	1		(CABS WITH AIR CONDITIONING) L.H. CENTER POST
	R48892	PLUG	1		(CABS LESS HEATER) R.H. CENTER POST
	R48895	GROMMET	1		(CABS WITH HEATER) R.H. CENTER POST
16	37H95	SCREW	2	NO. 8 X 1/2"	
17	AH80057	ASHTRAY	1		
18	.....	MOLDING	4	76MM (3") (MAKE FROM R41358)	
19	AR52306	FRAME	1	(NLA)	
20	19H2345	CAP SCREW	4	3/8" X 5-1/2"	
21	24H1305	WASHER	4	13/32" X 13/16" X 0.065"	
22	R48877	HINGE	2		
23	R11026	SNAP RING	2	-014206	
	T12808	SNAP RING	2	014207-	
24	R48873	PIN	2	-014206	(SUB R55170 AND T12808)
	R55170	PIN	2	014207-	

# 4C11

OPERATOR'S STATION

**CAB BODY - CONTINUED  
(HINSON)**

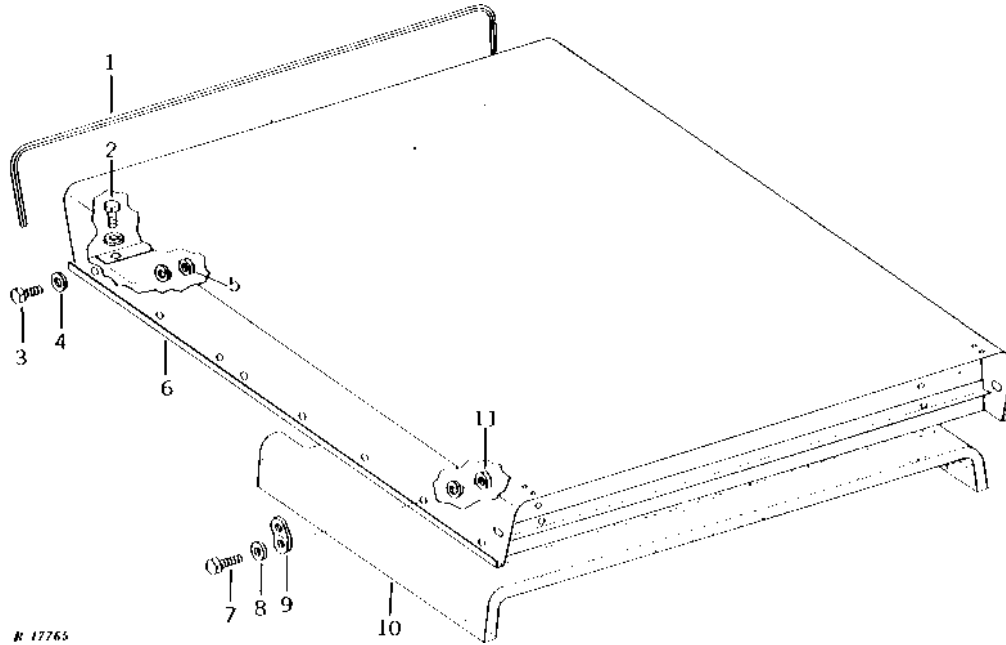
KEY	PART NO.	PART NAME	QTY	CAB SERIAL NO.	REMARKS
25	14H1076	NUT	4	3/8"	
	12H304	LOCK WASHER	3	3/8"	
26	AR52290	PANEL	1		
27	.....	SEAL	1	4216MM (166") (MAKE FROM H61993)	
28	AR52307	PANEL	1	(NLA)	
29	19H1900	CAP SCREW	2	5/16" X 3/4"	
	19H1905	CAP SCREW	2	5/16" X 1"	
30	24H1136	WASHER	8	11/32" X 11/16" X 0.065"	
31	14H785	NUT	4	5/16"	
	12H303	LOCK WASHER	4	5/16"	
32	R32101	STUD	2	1/2" X 1-3/4"	
33	24H1211	WASHER	AR	9/16" X 1-3/8" X 0.105"	
34	14H1040	NUT	2	1/2"	
	12H301	LOCK WASHER	2	1/2"	
..	AR61156	KIT	1	CAB REINFORCEMENT TO PREVENT CRACKING UNDER THE LOWER FRONT	

# 4C12

OPERATOR'S STATION

R17765 -UN-01JAN94

## CAB ROOF (HINSON)



KEY	PART NO.	PART NAME	QTY	CAB SERIAL NO.	REMARKS
1	.....	MOLDING	1	1524MM (60") (MAKE FROM (2) R41358)	
2	19H1227	CAP SCREW	5	1/4" X 1/2"	
	12H302	LOCK WASHER	5	1/4"	
3	19H3552	CAP SCREW	14	5/16" X 1-1/2"	
4	24H1136	WASHER	14	11/32" X 11/16" X 0.065"	
5	14H785	NUT	14	5/16"	
	12H303	LOCK WASHER	14	5/16"	
6	AR68107	ROOF	1	(SUB FOR AR52311)	
7	19H1900	CAP SCREW	4	5/16" X 3/4"	
8	24H1136	WASHER	4	11/32" X 11/16" X 0.065"	
9	R48876	HOOK	4		
10	R48912	HEADLINER	1		
11	14H785	NUT	4	5/16"	
	12H303	LOCK WASHER	4	5/16"	



MEMORANDA

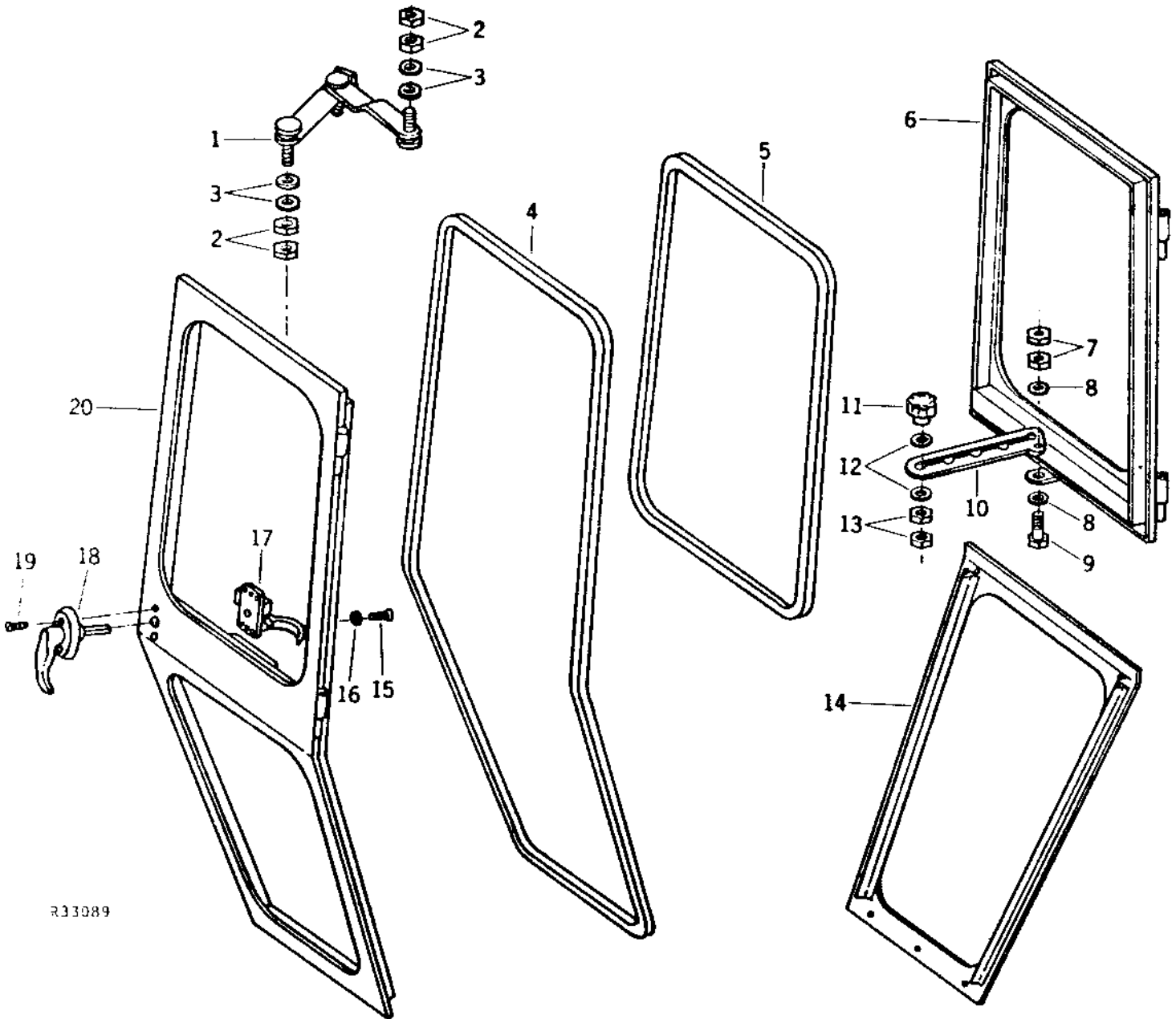
# 4C13

OPERATOR'S STATION

## CAB DOOR AND R.H. FRONT WINDOW PANEL (HINSON)

R33089

-UN-02JAN94



R33089

# 4C14

OPERATOR'S STATION

## CAB DOOR AND R.H. FRONT WINDOW PANEL - CONTINUED (HINSON)

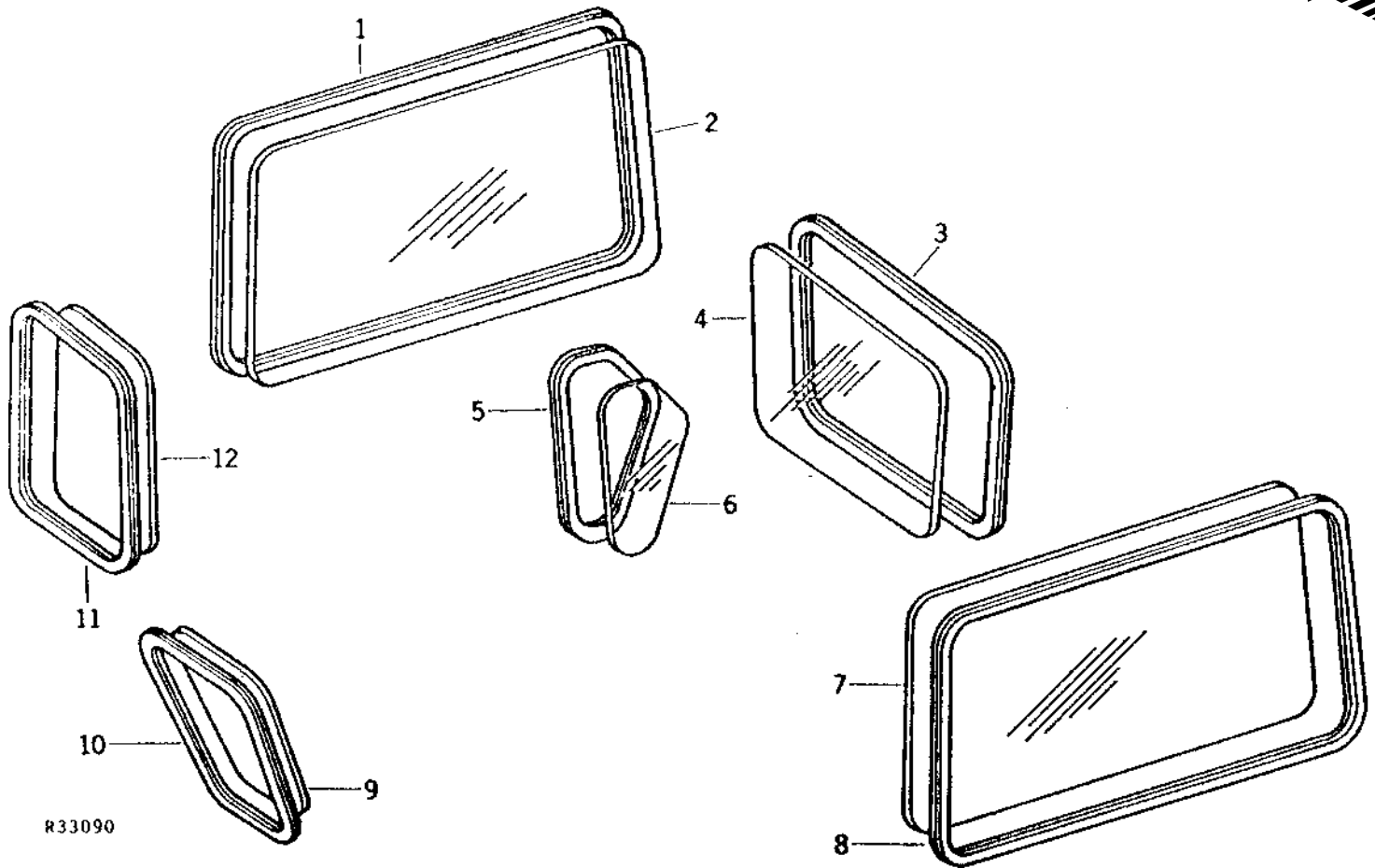
KEY	PART NO.	PART NAME	QTY	CAB SERIAL NO.	REMARKS
1	AR52293	REGULATOR	1		
2	14H611	NUT	2	5/16"	
3	24H1136	WASHER	4	11/32" X 11/16" X 0.065"	
4	.....	SEAL	1	3810MM (150")	(MAKE FROM H61993)
5	.....	SEAL	1	2616MM (103")	(MAKE FROM H61993)
6	AR52289	PANEL	1		
7	14H850	NUT	2	1/4"	
8	24H1287	WASHER	2	9/32" X 5/8" X 0.065"	
9	19H1948	CAP SCREW	1	1/4" X 3/4"	
10	R44444	ARM	1		
11	R48872	KNOB	1		
12	24H1136	WASHER	2	11/32" X 11/16" X 0.065"	
13	14H611	NUT	2	5/16"	
14	AR52803	PANEL	1		
15	21H1301	SCREW	4	0.190" X 1/2"	
16	12H246	LOCK WASHER	4	0.190"	
17	AR52291	LATCH	1		
18	AR55154	HANDLE	1	(SUB FOR AR52292)	
	AR53995	KEY	1		
19	21H1073	SCREW	2	0.190" X 1/2"	
20	AR52304	DOOR	1		

# 4C15

OPERATOR'S STATION

R33090 -UN-01JAN94

## CAB GLASS (HINSON)



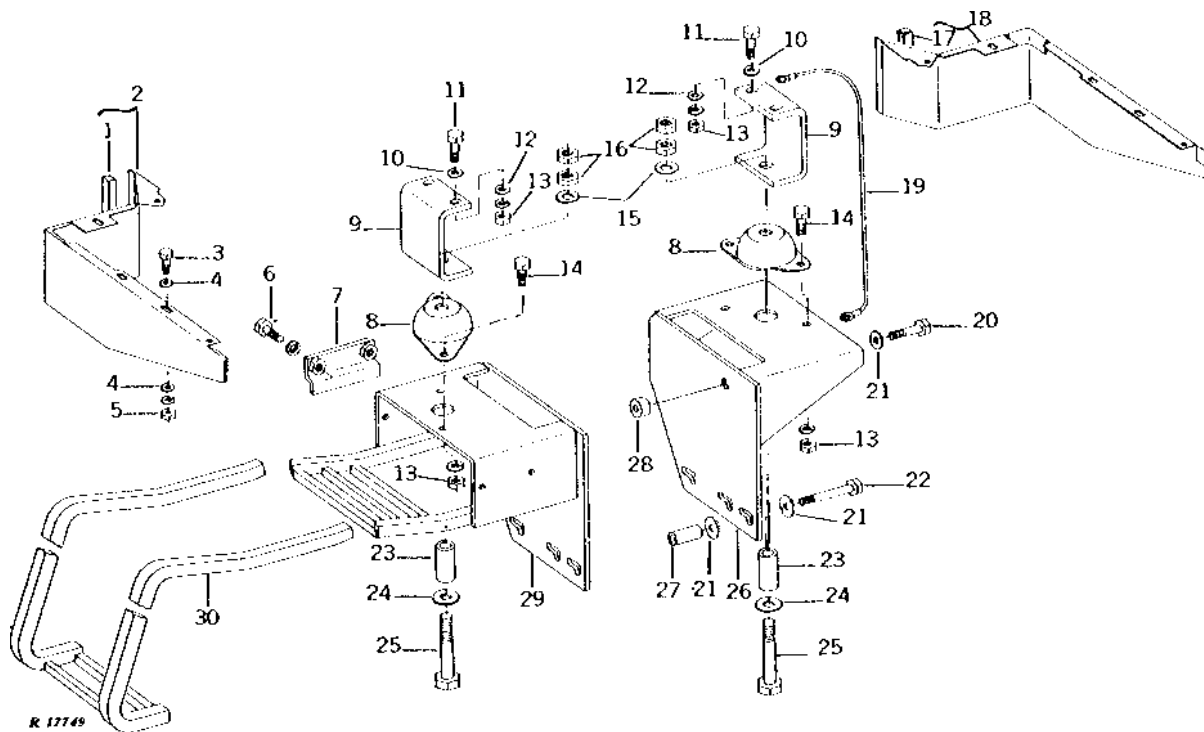
KEY	PART NO.	PART NAME	QTY	CAB SERIAL NO.	REMARKS
1	.....	MOLDING	1		3683MM (145") (MAKE FROM R49857 AND R44438) (SUB FOR R48866)
2	R48867	WINDOWPANE	1		
3	.....	MOLDING	2		2743MM (108") (MAKE FROM R49857 AND R44438) (SUB FOR R48866)
4	R48870	WINDOWPANE	2		
5	.....	MOLDING	2		1397MM (55") (MAKE FROM R49857 AND R44438) (SUB FOR R48866)
6	R48868	WINDOWPANE	2		
7	R48865	WINDOWPANE	1		
8	.....	MOLDING	1		3743MM (147") (SUB FOR R48866) (MAKE FROM R49857 AND R44438)
9	R48869	WINDOWPANE	2		
10	.....	MOLDING	2		1880MM (74") (MAKE FROM R49857 AND R44438) (SUB FOR R48866)
11	.....	MOLDING	2		1994MM (78-1/2") (MAKE FROM R49857 AND R44438) (SUB FOR R48866)
12	R48871	WINDOWPANE	2		

# 4C16

OPERATOR'S STATION

## CAB FRONT SUPPORTS AND STEP (HINSON)

R17749 -UN-01JAN94



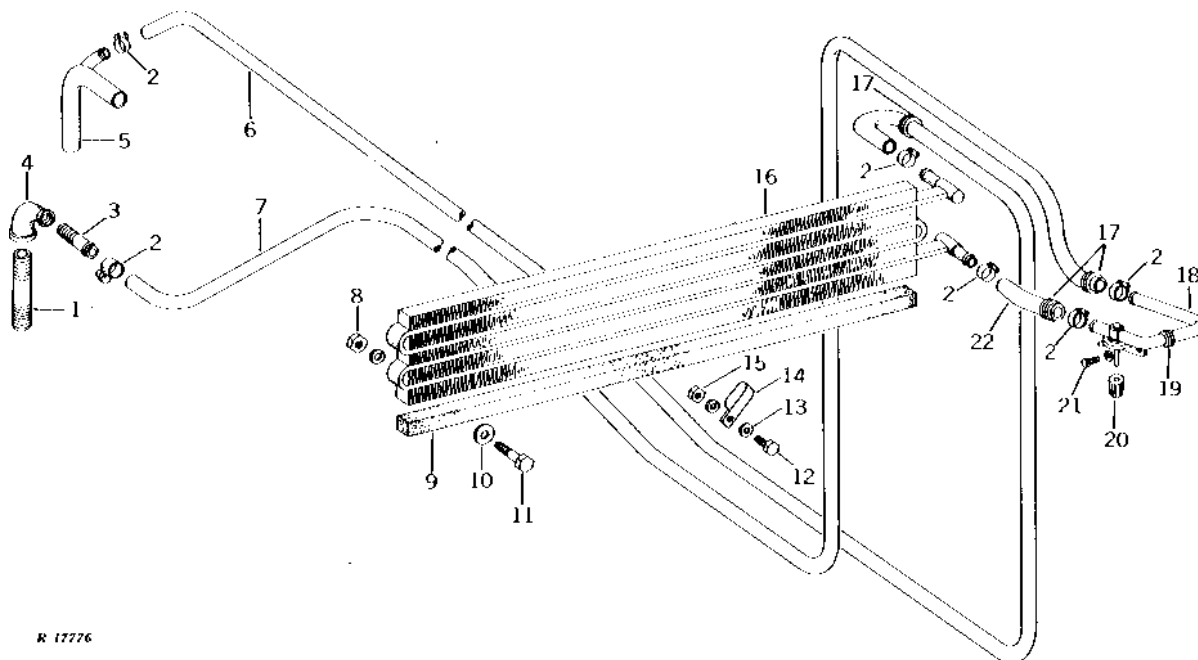
KEY	PART NO.	PART NAME	QTY	CAB SERIAL NO.	REMARKS
1	.....	FOAM PAD	1		12.7 X 12.7 X 111.1MM (1/2" X 1/2" X 4-3/8") (MAKE FROM R47941)
2	AR53138	KIT	1		PANEL, (SUB FOR AR50856)
3	19H1936	CAP SCREW	1		3/8" X 3/4"
4	24H1305	WASHER	2		13/32" X 13/16" X 0.065"
5	14H1076	NUT	1		3/8"
6	12H304	LOCK WASHER	1		3/8"
	19H1731	CAP SCREW	4		3/8" X 1"
	12H304	LOCK WASHER	4		3/8"
7	AR51347	CLAMP	2		
8	AR51810	SUPPORT	2		
9	R47981	BRACKET	2		
10	24H1227	WASHER	4		17/32" X 13/16" X 0.060"
11	19H1815	CAP SCREW	4		1/2" X 1-1/4"
12	D2865R	WASHER	4		(SUB 24H1111)
13	14H1040	NUT	8		1/2"
	12H301	LOCK WASHER	8		1/2"
14	19H1792	CAP SCREW	4		1/2" X 1"
15	24H1396	WASHER	2		25/32" X 1-1/2" X 0.105"
16	R40121	LOCK NUT	4	-XXXXXX	3/4"
	14H794	NUT	2		
17	.....	FOAM PAD	1		12.7 X 12.7 X 111.1MM (1/2" X 1/2" X 4-3/8") (MAKE FROM R47941)
18	AR53137	KIT	1		PANEL, (SUB FOR AR50855)
19	AR46820	WIRING LEAD	1		CAB GROUND
20	19H1831	CAP SCREW	2		1/2" X 2"
21	R63024	WASHER	10		(SUB FOR R26575)
22	19H1781	CAP SCREW	4		1/2" X 3-1/2"
23	R44221	BUSHING	2		(NLA)
24	24H1402	WASHER	2		25/32" X 1-7/8" X 1/4"
25	19H2026	CAP SCREW	2		3/4" X 4"
26	AR50866	SUPPORT	1		
27	28H1620	BUSHING	4		1/2" X 1-13/16"
28	R48168	BUSHING	2		
29	AR50867	SUPPORT	1		
30	AR50870	STEP	1		

# 4C17

OPERATOR'S STATION

## CAB HEATER AND HOSES (HINSON)

R17776 -UN-01JAN94



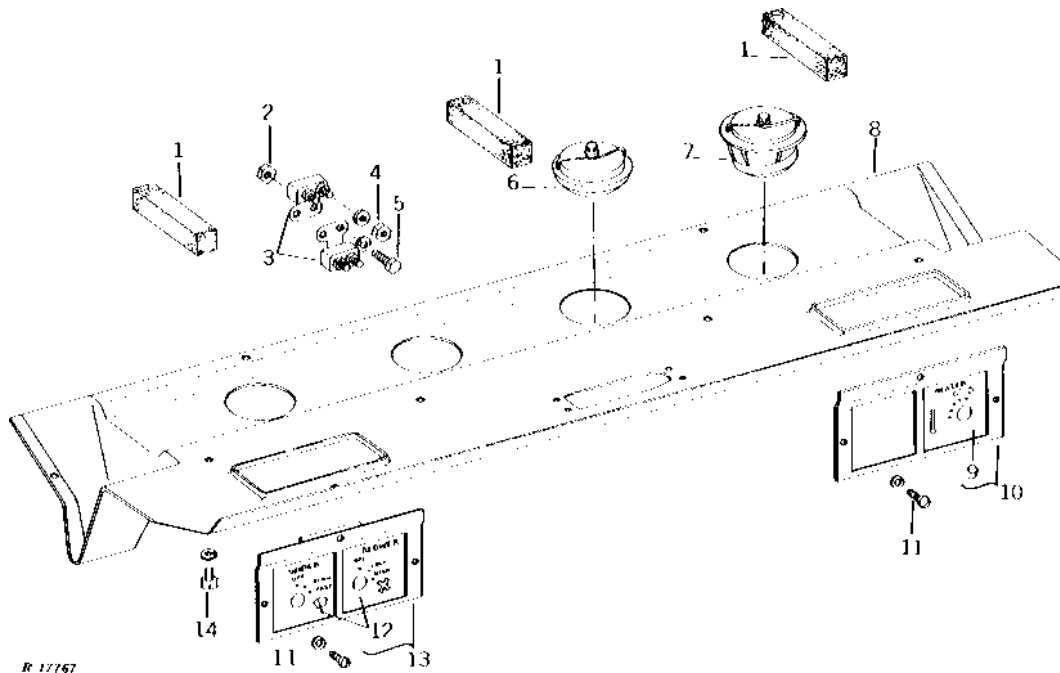
KEY	PART NO.	PART NAME	QTY	CAB SERIAL NO.	REMARKS
1	29H636	THREADED NIPPLE	1	3/4" X 4"	
2	AR21837	CLAMP	6		
3	R42312	HOSE FITTING	1		
4	15H596	ELBOW FITTING	1	90°	
5	AR44603	TUBE	1	(GASOLINE AND LP-GAS)	
	AR44604	LINE	1	(DIESEL)	
6	.....	HOSE	1	(MAKE FROM TY22328) (SUB FOR R45847) (CUT TO LENGTH)	
7	.....	HOSE	1	(MAKE FROM TY22328) (SUB FOR R45847) (CUT TO LENGTH)	
8	14H785	NUT	3	5/16"	
	12H303	LOCK WASHER	3	5/16"	
9	R47468	ISOLATOR	1		
10	24H1291	WASHER	3	21/64" X 1-15/32" X 7/64"	
11	19H3552	CAP SCREW	3	5/16" X 1-1/2"	
12	19H1936	CAP SCREW	1	3/8" X 3/4"	
13	24H1301	WASHER	1	13/32" X 9/16" X 0.065"	
14	A4772R	CLIP	1		
15	14H1076	NUT	1	3/8"	
	12H304	LOCK WASHER	1	3/8"	
16	AR49965	CORE	1		
17	H31207	GROMMET	1		
18	AR49987	VALVE	1		
19	P41858	GROMMET	1		
20	AR69370	KNOB	1	(SUB FOR AR49969)	
21	19H1227	CAP SCREW	2	1/4" X 1/2"	
	12H302	LOCK WASHER	2	1/4"	
22	.....	HOSE	1	203MM (8") (MAKE FROM TY22328) (SUB FOR R45847)	

# 4C18

OPERATOR'S STATION

## REAR CONSOLE COVER AND CONTROL PANEL (HINSON)

R17767 -UN-01JAN94



R 17767

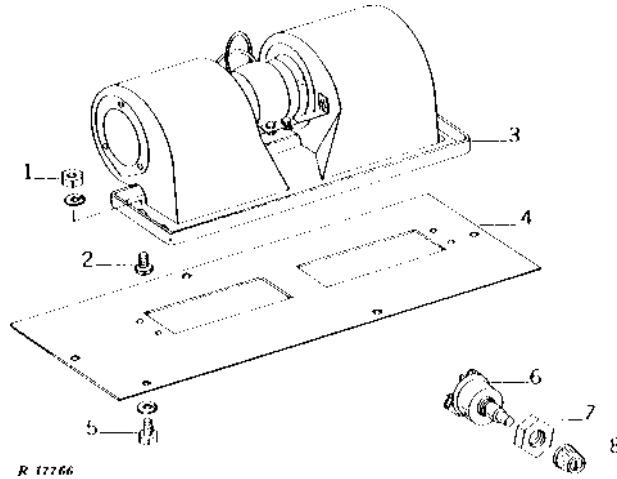
KEY	PART NO.	PART NAME	QTY	CAB SERIAL NO.	REMARKS
1	.....	FOAM PAD	3		25.4 X 25.4 X 127MM (1" X 1" X 5") (MAKE FROM R30937)
2	14H778	NUT	2		0.190"
3	AR52302	CIRCUIT BREAKER	2		
4	14H631	NUT	4		0.190"
	12H246	LOCK WASHER	4		0.190"
5	21H1317	SCREW	2		0.190" X 5/8"
	12H246	LOCK WASHER	2		0.190"
6	AR49952	DEFLECTOR	3		
7	AR49970	DEFLECTOR	1		
8	R48874	COVER	1		
9	R48896	LABEL	1		
10	AR52313	PANEL	1		
	AR52314	PANEL	1		(HEATER)
11	21H1317	SCREW	4		0.190" X 5/8"
	12H246	LOCK WASHER	4		0.190"
12	R48882	LABEL	1		
13	AR52301	PANEL	1		(WIPER AND BLOWER) (NO LONGER AVAILABLE)
14	19H1227	CAP SCREW	11		1/4" X 1/2"
	12H302	LOCK WASHER	11		1/4"
..	R36590	PLUG	2		
..	R36590	PLUG	1		(LESS HEATER)
..	M42229	PLUG	1		(SUB FOR R32234 AND T11708)
..	T13911	PLUG	1		

# 4C19

OPERATOR'S STATION

R17766 -UN-01JAN94

## BLOWER (HINSON)



KEY	PART NO.	PART NAME	QTY	CAB SERIAL NO.	REMARKS
1	14H605	NUT	8	0.164"	
	12H315	LOCK WASHER	8	0.164"	
2	21H1158	SCREW	8	0.164" X 1/2"	
3	AR49968	BLOWER	2	(SUB AR66027 AND R36229)	
	R48886	SEAL	1		
4	R48885	PANEL	2		
5	19H1227	CAP SCREW	4	1/4" X 1/2"	
	12H302	LOCK WASHER	4	1/4"	
6	AR53155	SWITCH	1	(SUB FOR AR49964)	
7	R27296	NUT	1		
8	AR69370	KNOB	1	(SUB FOR AR49969)	

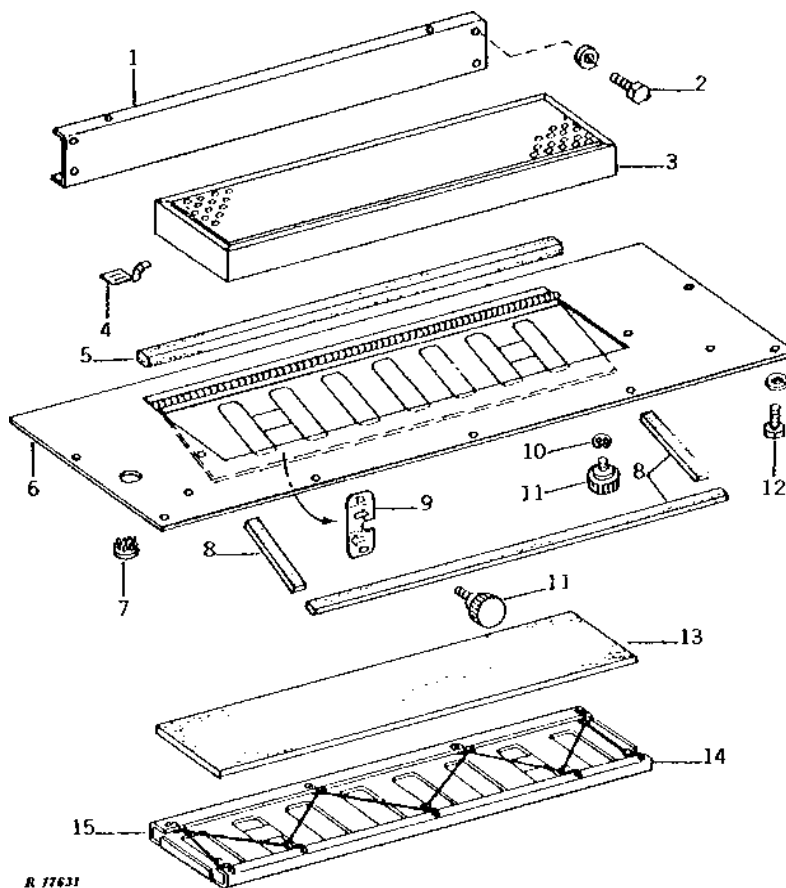


# 4C20

OPERATOR'S STATION

R17631 -UN-01JAN94

## CONSOLE COVER FRONT AND FILTER (HINSON)



R 17631

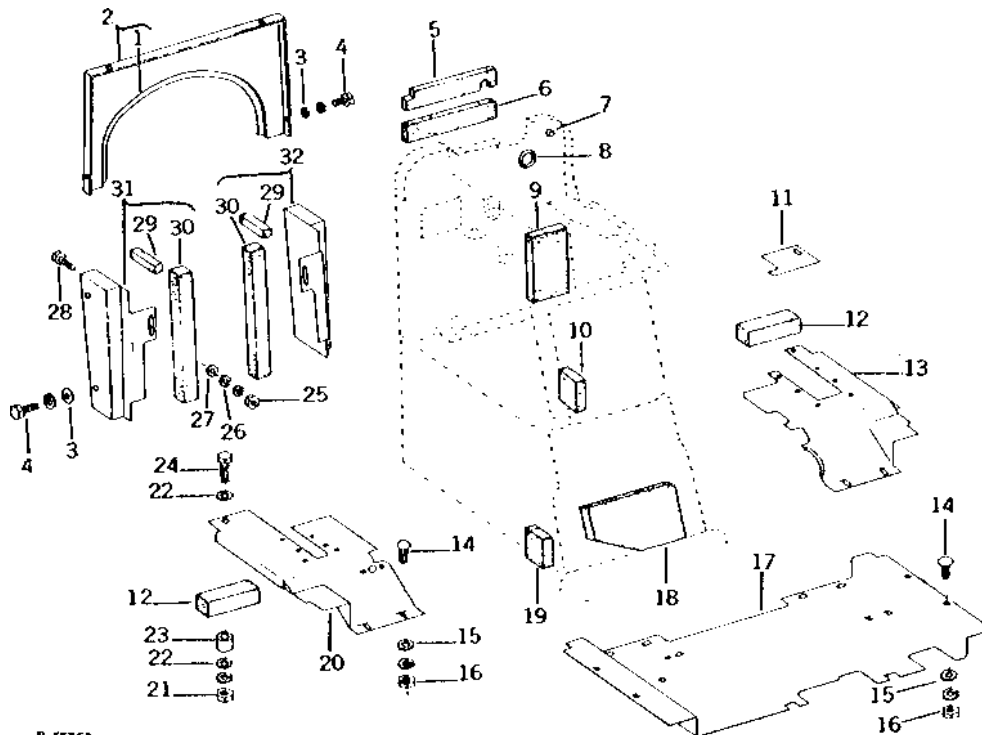
KEY	PART NO.	PART NAME	QTY	CAB SERIAL NO.	REMARKS
1	AR52296	PANEL	1		
2	19H1227	CAP SCREW	7	1/4" X 1/2"	
	12H302	LOCK WASHER	7	1/4"	
3	AR61903	AIR FILTER	1		(SUB FOR AR49986)
4	AR50010	CLIP	4		(SUB FOR AR50009)
5	R48880	WEATHERSTRIP	1		787MM (31")
6	AR52297	COVER	1		
	R48884	WEATHERSTRIP	1		
7	R36590	PLUG	1		
8	R48879	WEATHERSTRIP	1		1270MM (50")
9	R48878	LABEL	1		
10	R27507	SNAP RING	2		
11	AR52300	KNOB	4		
12	19H1227	CAP SCREW	14	1/4" X 1/2"	
	12H302	LOCK WASHER	14	1/4"	
13	R48881	FILTER ELEMENT	1		
14	AR63928	DOOR	1		(SUB FOR AR52298)
15	AR52299	CABLE	1		

# 4C21

OPERATOR'S STATION

## SEALING BAFFLES, COWL PANEL, PLATFORM, AND EXTENSION (HINSON)

R17753 -UN-01JAN94



R 17753

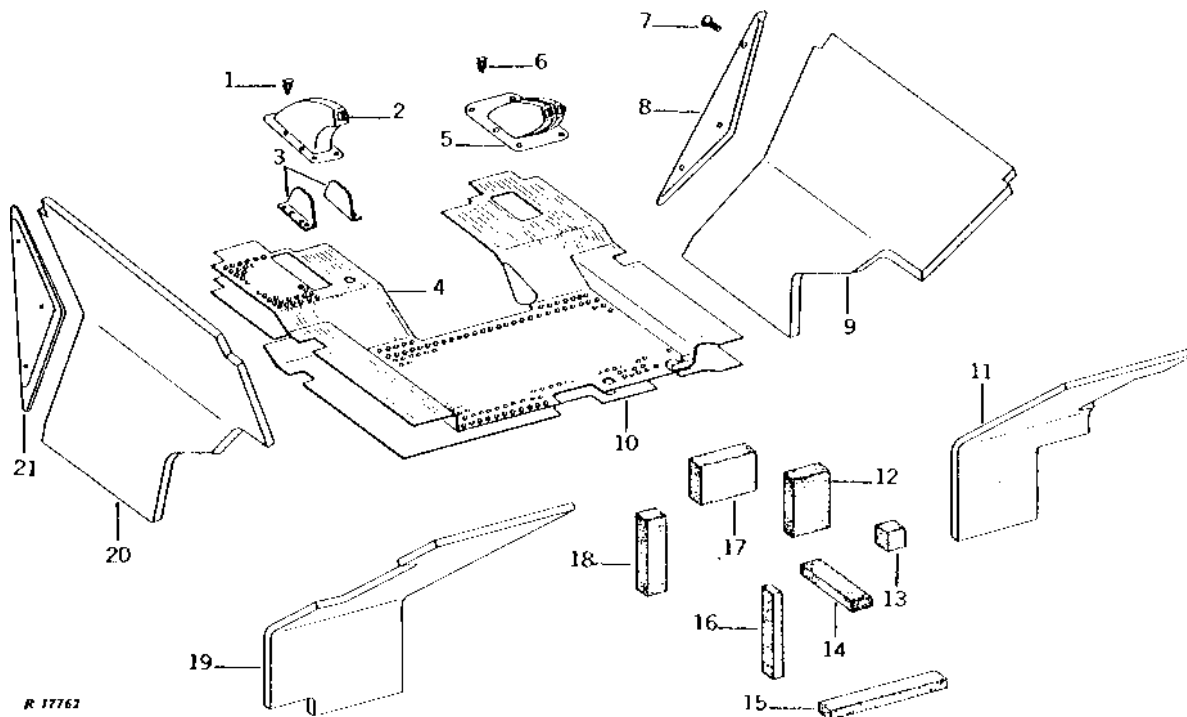
KEY	PART NO.	PART NAME	QTY	CAB SERIAL NO.	REMARKS
1	R44585	SEAL	1		
2	AR51586	PANEL	1		
3	24H1136	WASHER	8	11/32" X 11/16" X 0.065"	
4	19H1900	CAP SCREW	8	5/16" X 3/4"	
	12H303	LOCK WASHER	8	5/16"	
5	R45395	FOAM PAD	1		
6	R45396	FOAM PAD	1	(NLA)	
7	R45401	PLUG	6	(NLA)	
8	R45398	PLUG	1		
9	R48737	FOAM PAD	1		
10	R46904	ISOLATOR	1		
11	R47907	PANEL	1		
12	.....	FOAM PAD	2	38.1 X 50.8 X 139.7MM (1-1/2" X 2" X 5-1/2") (MAKE FROM R35339)	
13	AR53142	EXTENSION	1	(SUB FOR AR50818) (ALSO ORDER 19H1900, 12H303 AND 24H1136)	
14	03H1519	BOLT	10	3/8" X 1"	
15	24H1305	WASHER	10	13/32" X 13/16" X 0.065"	
16	14H812	NUT	10	3/8"	
	12H304	LOCK WASHER	10	3/8"	
17	R47898	PLATFORM	1		
18	R36415	ISOLATOR	1		
19	R46904	ISOLATOR	2		
20	AR53143	EXTENSION	1	(SUB FOR AR50819) (ALSO ORDER 19H1900, 12H303 AND 24H1136) (NLA)	
21	14H1076	NUT	2	3/8"	
	12H304	LOCK WASHER	2	3/8"	
22	24H1305	WASHER	4	13/32" X 13/16" X 0.065"	
23	28H1495	SPACER	2	3/8" X 1"	
24	19H1726	CAP SCREW	2	3/8" X 2-1/4"	
25	14H732	NUT	2	3/8"	
	12H304	LOCK WASHER	2	3/8"	
26	24H1305	WASHER	2	13/32" X 13/16" X 0.065"	
27	R48378	WASHER	2		
28	19H2791	CAP SCREW	2	3/8" X 1-3/4"	
29	.....	FOAM PAD	2	19.0 X 19.0 X 95.2MM (3/4" X 3/4" X 3-3/4") (MAKE FROM R47941)	
30	R47941	ISOLATOR	2		
31	AR50854	PANEL	1		
32	AR50853	PANEL	1		

# 4C22

OPERATOR'S STATION

## CAB FLOOR MAT, UPHOLSTERING, AND BAFFLES (HINSON)

R17762 -UN-01JAN94



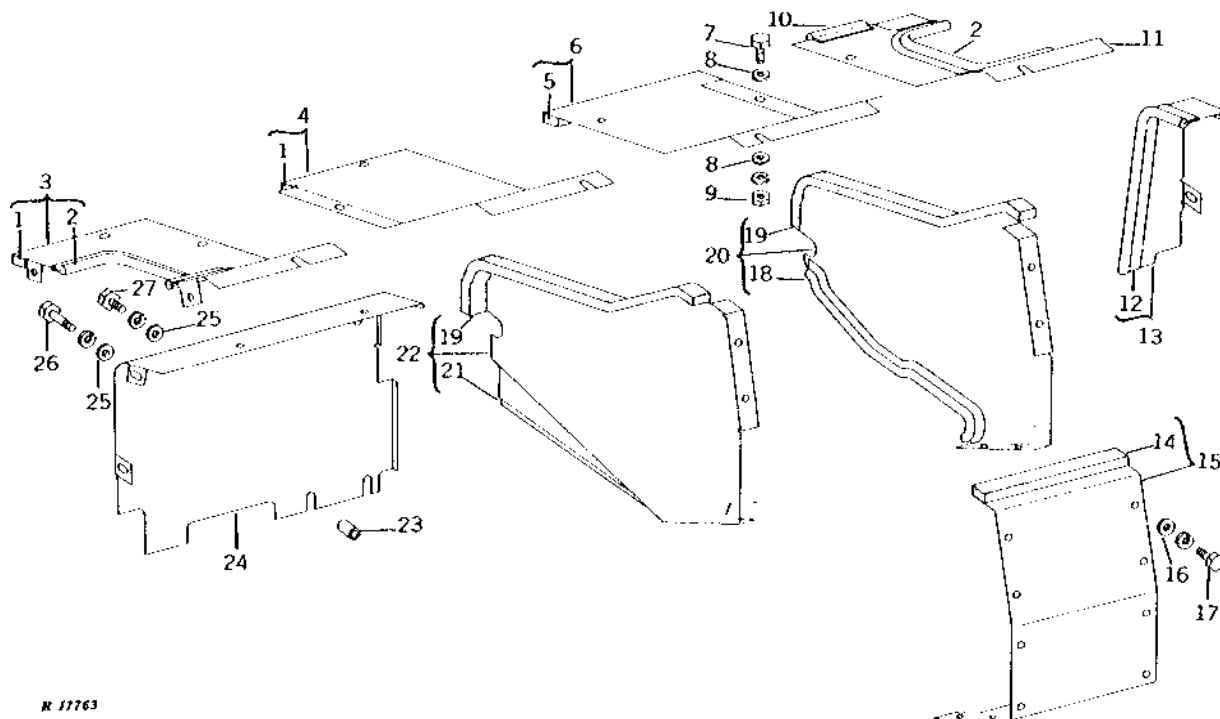
KEY	PART NO.	PART NAME	QTY	CAB SERIAL NO.	REMARKS
1	R49043	CLIP	6		
2	R48150	BOOT	1		
3	R49042	SUPPORT	2		
4	R48305	MAT	1	(NLA)	
5	R48151	BOOT	1		
6	R49043	CLIP	6	(SUB FOR R46038)	
7	37H79	SCREW	6	1/4" X 5/8"	
8	R48279	COVER	1		
9	R53203	FOAM PAD	1	(SUB FOR R48281)	
10	R48308	FOAM PAD	1		
11	R47288	FOAM PAD	1		
12	R46632	ISOLATOR	1	(HYDRAULIC CONTROL CONSOLE)	
13	.....	ISOLATOR	1	50.8 X 50.8 X 50.8MM (2" X 2" X 2") (MAKE FROM R35340) (HYDRAULIC CONTROL LEVER CONSOLE)	
14	.....	ISOLATOR	1	25.4 X 50.8 X 228.6MM (1" X 2" X 9") (R.H. PANEL TO CONTROL VALVE HOUSING) (MAKE FOR R28123)	
15	.....	ISOLATOR	1	25.4 X 50.8 X 330.2MM (1" X 2" X 13") (REAR OF ROCKSHAFT HOUSING TO REAR PANEL) (MAKE FROM R28123)	
16	.....	ISOLATOR	1	25.4 X 50.8 X 228.6MM (1" X 2" X 9") (ROCKSHAFT HOUSING TO CONTROL VALVE HOUSING) (MAKE FROM R28123)	
17	R46632	ISOLATOR	1	TRANSMISSION OIL FILLER TUBE	
18	.....	ISOLATOR	1	50.8 X 50.8 X 203MM (2" X 2" X 8") (MAKE FROM R35340) (L.H. SIDE OF ROCKSHAFT HOUSING TO L.H. PANEL)	
19	R47289	FOAM PAD	1		
20	R53204	FOAM PAD	1	(SUB FOR R48282)	
21	R48280	COVER	1		
..	R53745	TAPE	1	(SUB FOR R46662) 54.86M (180 FT.) ROLL	
..	R46663	SEALING TRIM	1	18.29M (60 FT.) PER BOX	

# 4C23

OPERATOR'S STATION

## CAB REAR FILLER PANELS (HINSON)

R17763 -UN-01JAN94



R 17763

KEY	PART NO.	PART NAME	QTY	CAB SERIAL NO.	REMARKS
1	.....	ISOLATOR	2		12.7 X 25.4 X 178MM (1/2" X 1" X 7") (MAKE FROM R30936)
	.....	SEAL	2		406MM (16") (MAKE FROM R44447)
3	AR45898	PANEL	1		
4	AR46373	PANEL	1		(NLA)
5	.....	ISOLATOR	1		12.7 X 25.4 X 219MM (1/2" X 1" X 8-5/8") (MAKE FROM R30936)
6	AR46372	PANEL	1		(NLA)
	R50605	BRACE	1		
7	19H1900	CAP SCREW	20		5/16" X 3/4"
8	24H1136	WASHER	40		11/32" X 11/16" X 0.065"
9	14H785	NUT	20		5/16"
	12H303	LOCK WASHER	20		5/16"
10	.....	SEAL	1		38.1MM (1-1/2") (MAKE FROM R44447)
11	AR45897	PANEL	1		
12	.....	SEAL	1		279MM (11") (MAKE FROM R44447)
13	AR45902	PANEL	1		
14	.....	ISOLATOR	1		12.7 X 25.4 X 203MM (1/2" X 1" X 8") (MAKE FROM R30936)
15	AR46374	PANEL	1	-XXXXXX	(SUB AR52708)
	AR52708	PANEL	1	XXXXXX-	
16	24H1136	WASHER	8		11/32" X 11/16" X 0.065"
17	19H1900	CAP SCREW	8		5/16" X 3/4"
	12H303	LOCK WASHER	8		5/16"
18	.....	SEAL	1		203MM (8") (MAKE FROM R44447)
19	.....	ISOLATOR	2		12.7 X 25.4 X 279MM (1/2" X 1" X 11") (MAKE FROM R30936)
20	AR45900	ISOLATOR	1		(NLA)
21	.....	SEAL	1		178MM (7") (MAKE FROM R44447)
22	AR45901	ISOLATOR	1	-XXXXX	(SUB AR52707 AND AR52708)
	AR52707	ISOLATOR	1	XXXXX-	(ALSO ORDER AR52708)
23	R27168	BUSHING	1		
24	R44533	PANEL	1		
25	24H1305	WASHER	2		13/32" X 13/16" X 0.065"
26	19H1765	CAP SCREW	1		3/8" X 1-3/4"
	12H304	LOCK WASHER	1		3/8"
27	19H1936	CAP SCREW	1		3/8" X 3/4"
	12H304	LOCK WASHER	1		3/8"

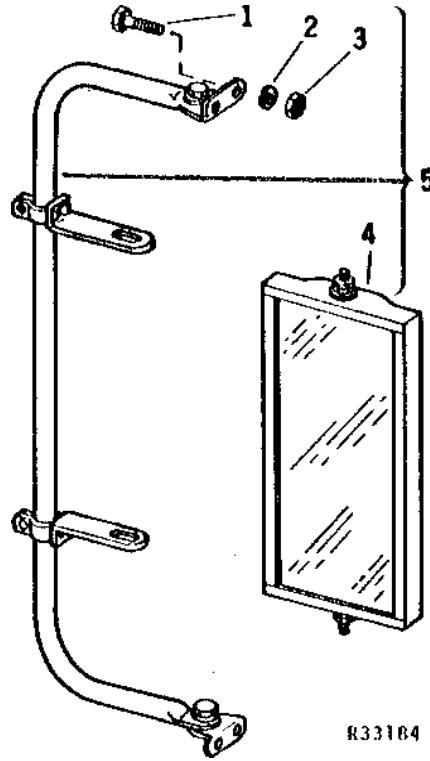
# 4C24

OPERATOR'S STATION

R33184

-UN-01JAN94

## OUTSIDE MIRROR



KEY	PART NO.	PART NAME	QTY	CAB SERIAL NO.	REMARKS
1	19H1948	CAP SCREW	1	1/4" X 3/4"	
2	12H302	LOCK WASHER	1	1/4"	
3	14H786	NUT	1	1/4"	
4	AR52555	REAR VIEW MIRROR	1		
5	AR52554	REAR VIEW MIRROR	1		

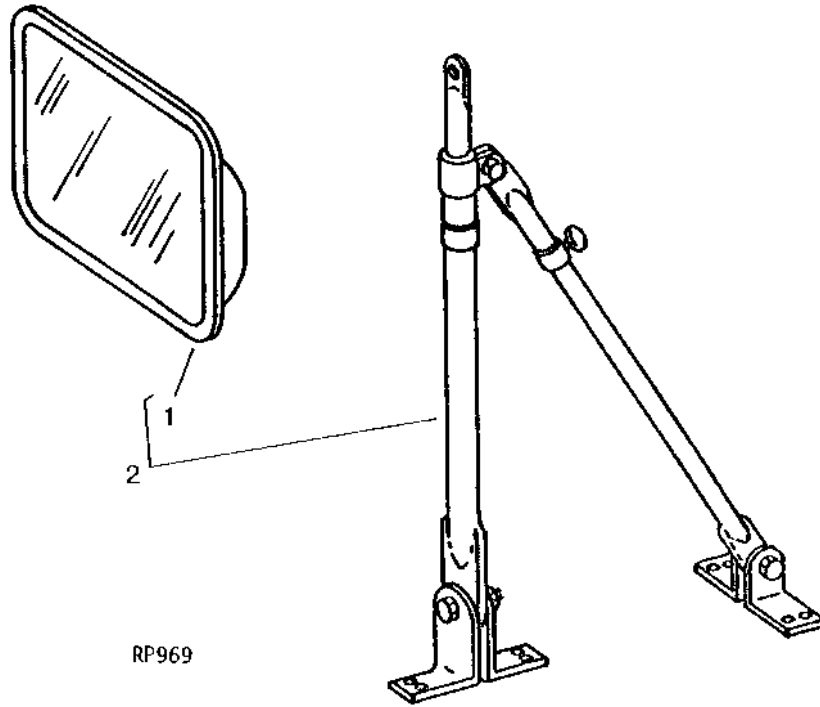
# 4C25

OPERATOR'S STATION

RP969

-UN-01JAN94

## REAR VIEW MIRROR



RP969

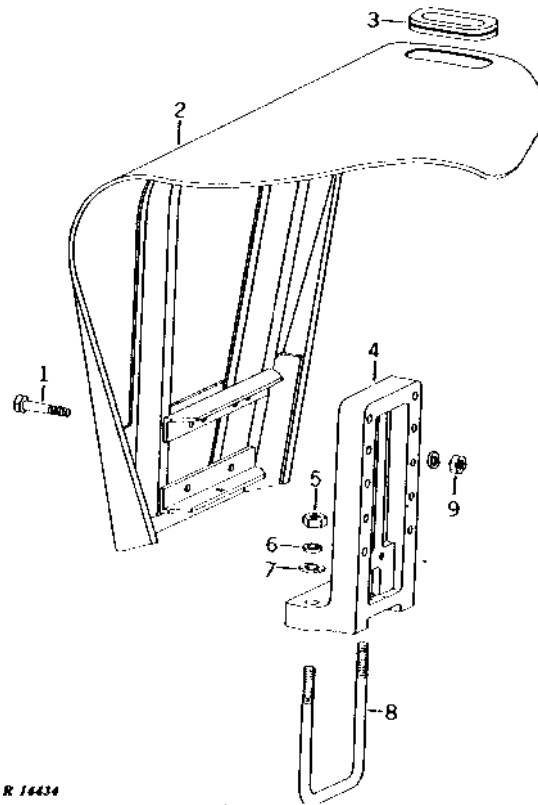
KEY	PART NO.	PART NAME	QTY	TRACTOR SERIAL NO.	REMARKS
1	AR89137	REAR VIEW MIRROR	1		(SUB FOR AR44255 OR AH16186)
2	AR44254	REAR VIEW MIRROR	1		(SUB AH85483, AR89137 AND H78354)

# 4D1

OPERATOR'S STATION

R14434 -UN-01JAN94

## FENDERS (ROW-CROP)



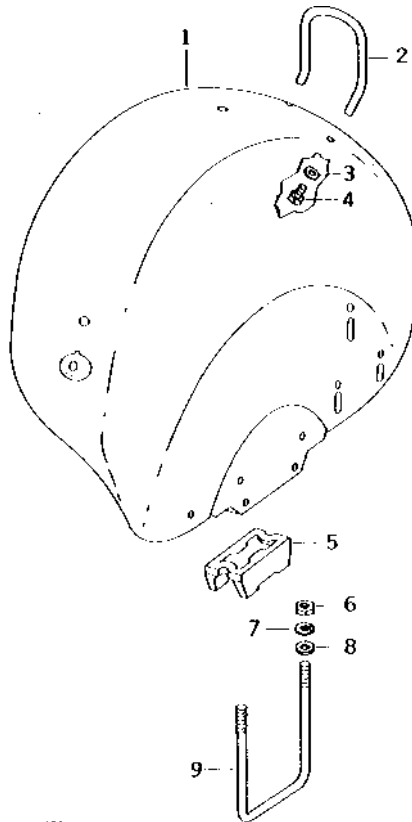
R 14434

KEY	PART NO.	PART NAME	QTY	TRACTOR SERIAL NO.	REMARKS
1	19H1974	CAP SCREW	4		1/2" X 2-3/4"
	19H1820	CAP SCREW	4		1/2" X 3", (ROLL-GARD)
	12H301	LOCK WASHER	4		1/2", (ROLL-GARD)
2	AR26595	FENDER	1	-150000	R.H. (SUB AR48872)
	AR48872	FENDER	1	150001-	R.H.
	AR45453	FENDER	1	-150000	L.H. (SUB AR48873)
	AR48873	FENDER	1	150001-	L.H.
	R87529	LABEL	1	150001-	L.H. FENDER, (SUB FOR R47739, R51821 OR R69270)
3	R20759	GROMMET	1		
4	R70588	SUPPORT	1		(SUB FOR R41296, R54541, R64540 OR R67410)
5	14H1039	NUT	2		5/8"
6	12H294	LOCK WASHER	2		5/8"
7	24H1139	WASHER	2		11/16" X 1-1/4" X 0.105"
8	R26992	U-BOLT	1		
9	14H1040	NUT	4		1/2"
	12H301	LOCK WASHER	4		1/2"

# 4D2

R14435 -UN-01JAN94

## FENDERS (STANDARD)



R 14435

KEY	PART NO.	PART NAME	QTY	TRACTOR SERIAL NO.	REMARKS
1	AR41276	FENDER	1	-150000	R.H. (SUB AR48982)
	AR48982	FENDER	1	150001-	R.H.
	AR41277	FENDER	1	-150000	L.H. (SUB AR48983)
	AR48983	FENDER	1	150001-	L.H.
	R87529	LABEL	1	150001-	L.H. FENDER, (SUB FOR R47739, R51821 OR R69270)
2	R34308	GRIP	1		L.H.
3	24H1305	WASHER	2		13/32" X 13/16" X 0.065"
4	19H1731	CAP SCREW	2		3/8" X 1"
5	R39766	SPACER	2		(18.4-34" TIRES) (NLA)
6	14H1039	NUT	4		5/8"
7	12H294	LOCK WASHER	4		5/8"
8	24H1139	WASHER	4		11/16" X 1-1/4" X 0.105"
9	R39767	U-BOLT	2		

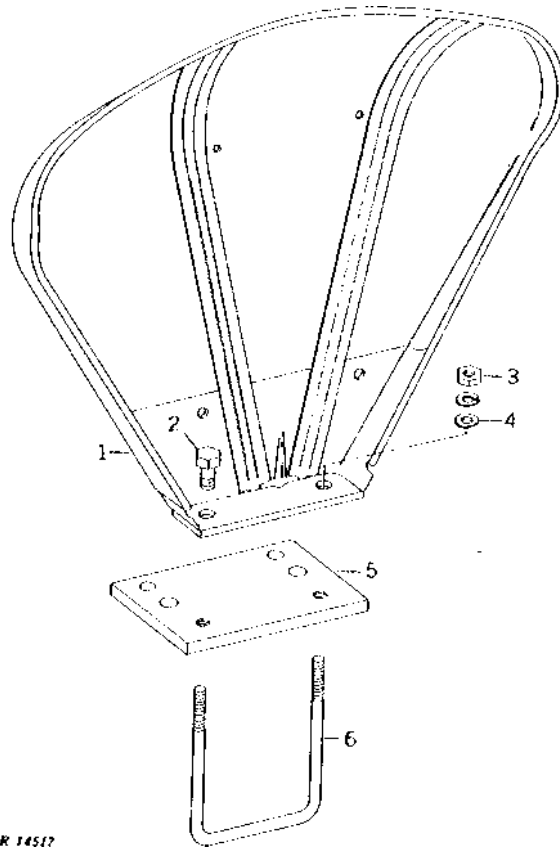


# 4D3

OPERATOR'S STATION

R14517 -UN-01JAN94

## FENDERS (HI-CROP)



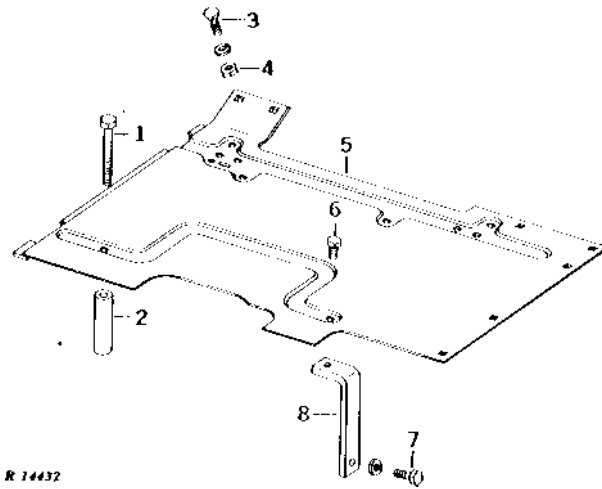
R 14517

KEY	PART NO.	PART NAME	QTY	TRACTOR SERIAL NO.	REMARKS
1	AR48976	FENDER	1	-150000	R.H. (SUB AR48976) (SUB FOR AR31939)
		FENDER	1	150001-	R.H.
		FENDER	1	-150000	L.H. (SUB AR48977) (SUB FOR AR45477)
2	AR48977	FENDER	1	150001-	L.H.
	R69270	LABEL	1	150001-	L.H. FENDER, (SUB FOR R47739 OR R51821)
3	19H2369	CAP SCREW	4		3/4" X 1"
	14H1039	NUT	4		5/8"
4	12H294	LOCK WASHER	4		5/8"
	24H1139	WASHER	4		11/16" X 1-1/4" X 0.105"
5	R42580	PLATE	2		(ROLL-GARD)
6	R26992	U-BOLT	2		(LESS ROLL-GARD)

# 4D4

R14432 -UN-01JAN94

## PLATFORM (STANDARD)



KEY	PART NO.	PART NAME	QTY	TRACTOR SERIAL NO.	REMARKS
1	19H1925	CAP SCREW	2	(A) 3/8" X 4-1/4", (4 USED SYNCRO-RANGE)	
2	28H3292	BUSHING	2	(A) (4 USED SYNCRO-RANGE)	
3	03H1765	BOLT	4	3/8" X 3/4"	
	12H304	LOCK WASHER	4	3/8"	
4	14H812	NUT	4	3/8"	
5	AR40871	PLATFORM	1	(A)	
6	19H2021	CAP SCREW	2	(A) 3/8" X 5/8"	
7	19H1731	CAP SCREW	2	(A) 3/8" X 1"	
	12H304	LOCK WASHER	2	(A) 3/8"	
8	R40823	ANGLE	2	(A)	

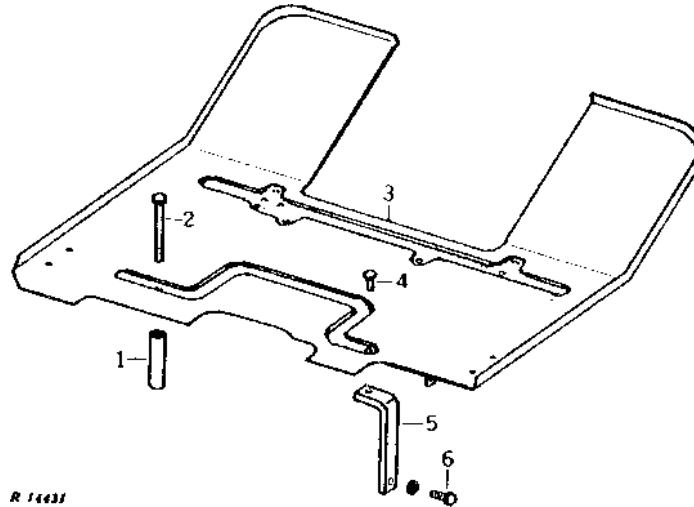
(A) POWER SHIFT TRANSMISSION

# 4D5

OPERATOR'S STATION

R14431 -UN-01JAN94

## PLATFORM (ROW-CROP AND HI-CROP)



KEY	PART NO.	PART NAME	QTY	TRACTOR SERIAL NO.	REMARKS
1	28H3292	BUSHING	2	(B) (4 USED SYNCRO-RANGE)	
2	19H1925	CAP SCREW	2	(B) 3/8" X 4-1/4", (4 USED SYNCRO-RANGE)	
3	AR48727	PLATFORM	1	(C) (SUB FOR AR40672 OR AR48004)	
4	19H2021	CAP SCREW	2	(B) 3/8" X 5/8"	
5	R40823	ANGLE	2	(B)	
6	19H1731	CAP SCREW	2	(B) 3/8" X 1"	
	12H304	LOCK WASHER	2	(B) 3/8"	
..	R44185	STOP	4	(C)	
..	19H2127	CAP SCREW	4	(C) 5/16" X 7/8"	
..	24H1136	WASHER	4	(C) 11/32" X 11/16" X 0.065"	
..	14H611	NUT	4	(C) 5/16"	

(A) SYNCRO-RANGE TRANSMISSION

(B) POWER SHIFT TRANSMISSION

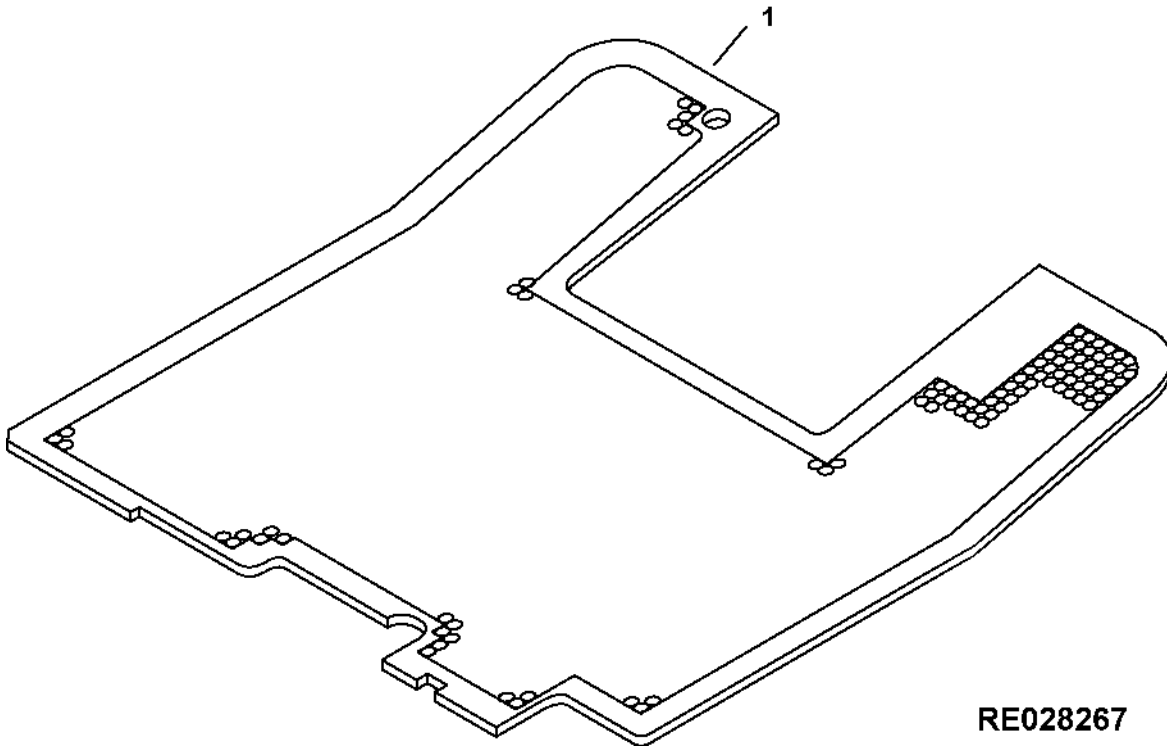
(C) STOLPER CAB

# 4D6

OPERATOR'S STATION

RE028267 -UN-18SEP97

PLATFORM MAT  
(NOT ILLUSTRATED)

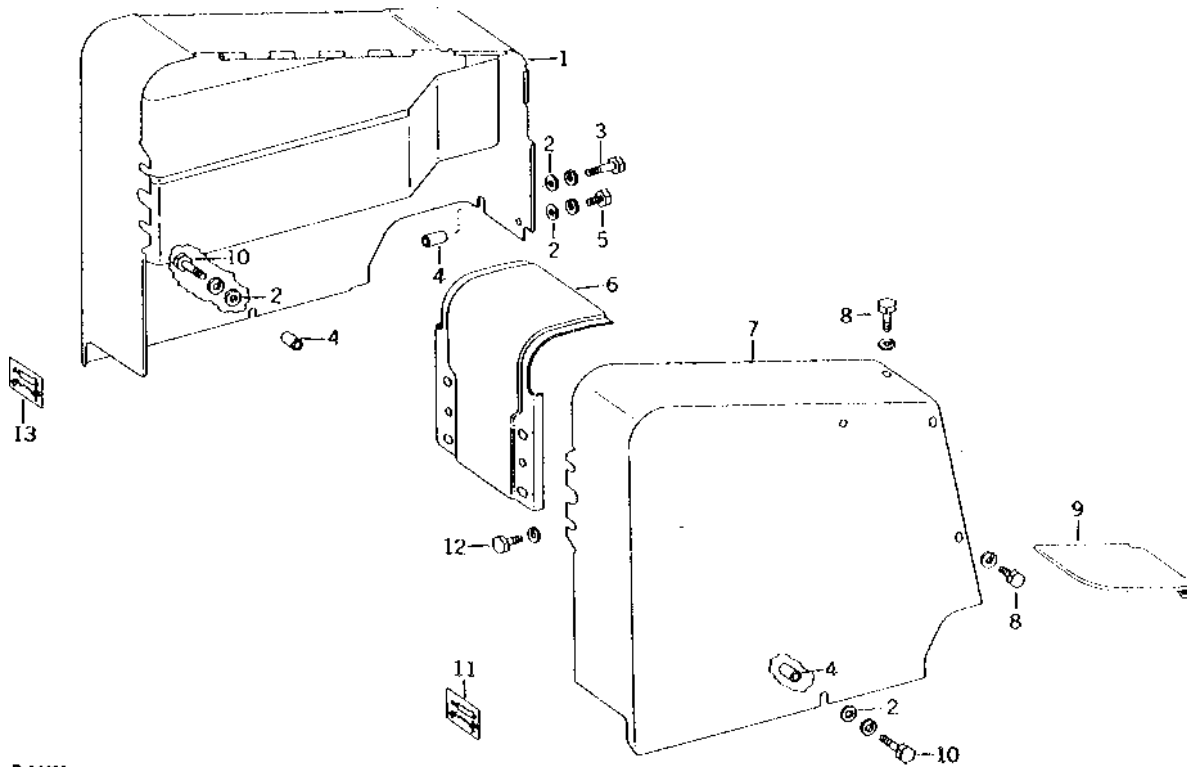


KEY	PART NO.	PART NAME	QTY	TRACTOR SERIAL NO.	REMARKS
1	R44960	MAT	1		(ROW-CROP)
	R44966	MAT	1		(STANDARD)
	AR49184	MAT	1		(SUB FOR AR45899 OR AR49183) (STOLPER CAB)
	R46880	PAD	1		(NLA) (SUB FOR R44535) (STOLPER CAB)

# 4D7

R14461 -UN-01JAN94

## HYDRAULIC COVERS



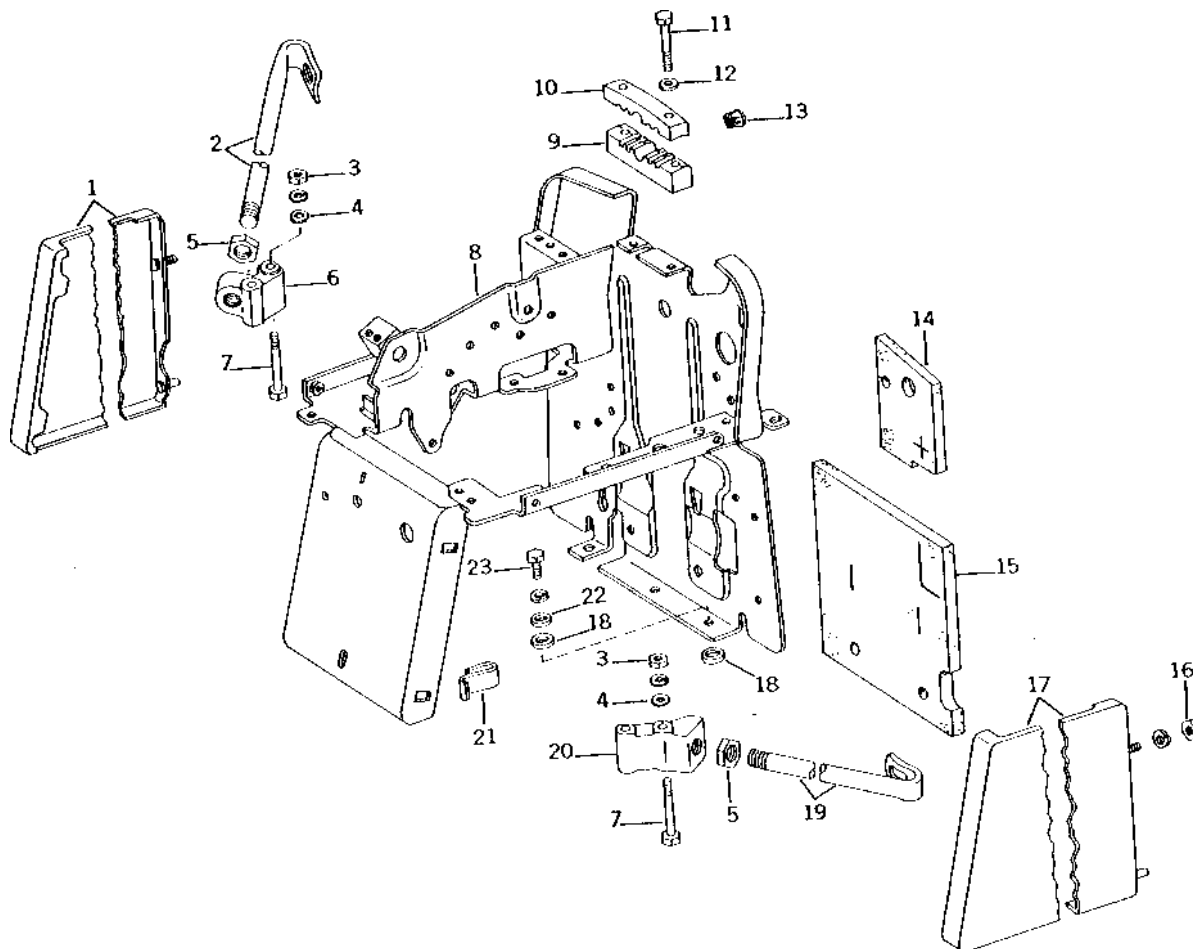
R 14461

KEY	PART NO.	PART NAME	QTY	TRACTOR SERIAL NO.	REMARKS
1	AR40817	COVER	1		
2	24H1305	WASHER	4	13/32" X 13/16" X 0.065"	
3	19H1765	CAP SCREW	1	3/8" X 1-3/4"	
	12H304	LOCK WASHER	1	3/8"	
4	R27168	BUSHING	3		
5	19H2038	CAP SCREW	1	3/8" X 1/2"	
	12H304	LOCK WASHER	1	3/8"	
6	R41231	SUPPORT	1		
7	AR41599	COVER	1		
8	19H1900	CAP SCREW	4	5/16" X 3/4"	
	12H303	LOCK WASHER	4	5/16"	
9	R41663	SHIELD	1	(NLA)	
10	19H1765	CAP SCREW	2	3/8" X 1-3/4"	
	12H304	LOCK WASHER	2	3/8"	
11	R44315	LABEL	1	R.H. (REMOTE CYLINDER)	
12	19H1936	CAP SCREW	4	3/8" X 3/4"	
	12H304	LOCK WASHER	4	3/8"	
13	R41933	LABEL	1	L.H. (REMOTE CYLINDER)	

# 4D8

R17615 -UN-01JAN94

## CONTROL SUPPORT AND COVERS



R 17615

KEY	PART NO.	PART NAME	QTY	TRACTOR SERIAL NO.	REMARKS
1	AR40585	COVER	1		
2	R33767	SUPPORT	1	(A)	
3	14H1076	NUT	2	(A) 3/8"	
4	12H304	LOCK WASHER	4	(A) 3/8"	
5	24H1305	WASHER	1	(A) 13/32" X 13/16" X 0.065"	
6	C985R	NUT	2	(A)	
7	R34743	BRACKET	1	(A)	
8	19H1944	CAP SCREW	4	(A) 3/8" X 2-3/4"	
9	AR51071	SUPPORT	1	(SUB FOR AR42629 OR AR50516) (NLA)	
10	R41442	CLAMP	1	(GASOLINE AND DIESEL)	
11	R41443	CLAMP	1	(LP-GAS)	
12	R41438	CLAMP	1		
13	19H2334	CAP SCREW	2	1/4" X 2-1/2"	
14	24H1287	WASHER	2	9/32" X 5/8" X 0.065"	
15	R36590	PLUG	1		
16	R41435	FOAM PAD	1		
17	R41436	FOAM PAD	1		
18	14H785	NUT	2	5/16"	
19	12H303	LOCK WASHER	2	5/16"	
20	AR40584	COVER	1		
21	.....	FOAM PAD	1	25 X 25 X 102MM (1" X 1" X 4") (MAKE FROM R30937)	
22	R48378	WASHER	10	150001-	(B)
23	R27941	SUPPORT	1	(A)	
24	R38341	BRACKET	1	(A)	
25	R42275	CLIP	4		
26	24H1305	WASHER	5	150001-	13/32" X 13/16" X 0.065"
27	A4624R	WASHER	5	150001-	(B)

# 4D9

OPERATOR'S STATION

## CONTROL SUPPORT AND COVERS - CONTINUED

KEY	PART NO.	PART NAME	QTY	TRACTOR SERIAL NO.	REMARKS
23	19H1936	CAP SCREW	5		(C) 3/8" X 3/4"
	R41041	CAP SCREW	5	150001-	(B)
	12H304	LOCK WASHER	5		(C) 3/8"
..	R45395	FOAM PAD	1		(B) UPPER BULK HEAD
..	R45396	FOAM PAD	1		(B) CENTER BULKHEAD (NLA)
..	R45397	INSULATOR	1		(B) THROTTLE ROD
..	R45398	PLUG	1		(B) CONTROL SUPPORT
..	R45401	PLUG	1		(B) CONTROL SUPPORT (NLA)

(A) HI-CROP

(B) WITH CAB

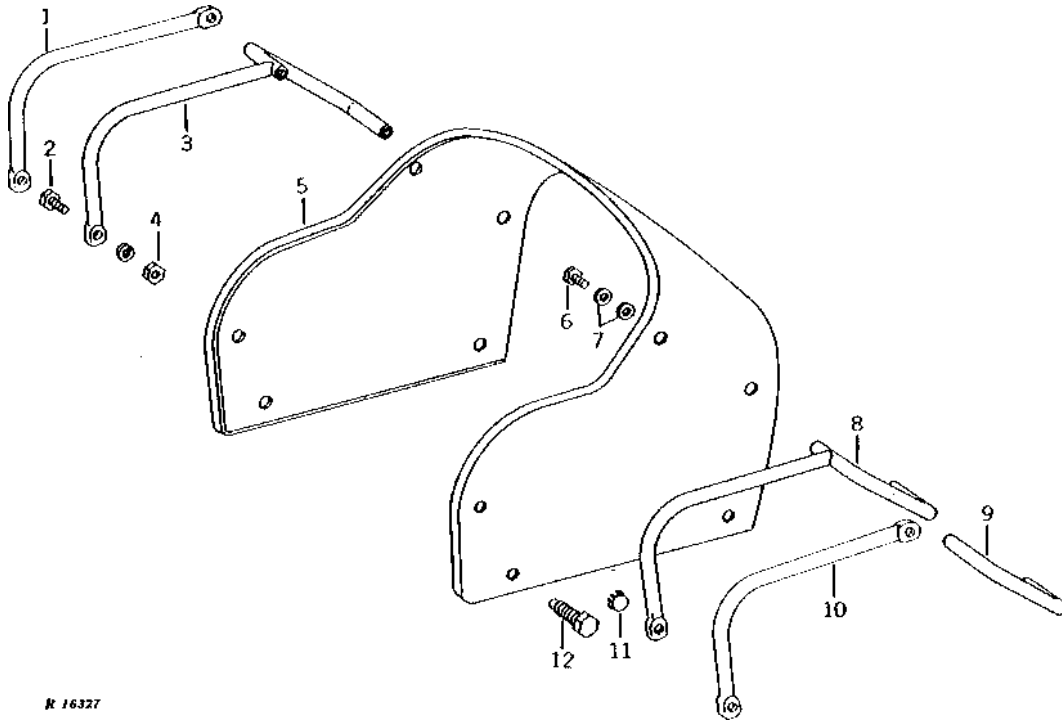
(C) LESS CAB

# 4D10

OPERATOR'S STATION

R16327 -UN-01JAN94

COWL



KEY	PART NO.	PART NAME	QTY	TRACTOR SERIAL NO.	REMARKS
1	R45540	ARMREST	1		(PTO AND CAB) (SUB AR45370)
2	19H1731	CAP SCREW	1		3/8" X 1"
3	AR45370	HANDLE	1		(PTO LESS CAB)
4	14H1076	NUT	1		3/8"
	12H304	LOCK WASHER	1		3/8"
5	AR41584	COWL	1		(SUB FOR AR45371)
6	19H1936	CAP SCREW	4		3/8" X 3/4"
7	24H1305	WASHER	8		13/32" X 13/16" X 0.065"
8	AR45369	HANDLE	1		(POWER SHIFT)
9	R31618	HANDLE	1		(SYNCRO-RANGE)
10	R45439	ARMREST	1		(POWER SHIFT) (WITH CAB) (SUB AR45369)
11	R42451	PLUG	1		
12	AR26568	SCREW	4		(SUB 19H900 AND 24H1136)

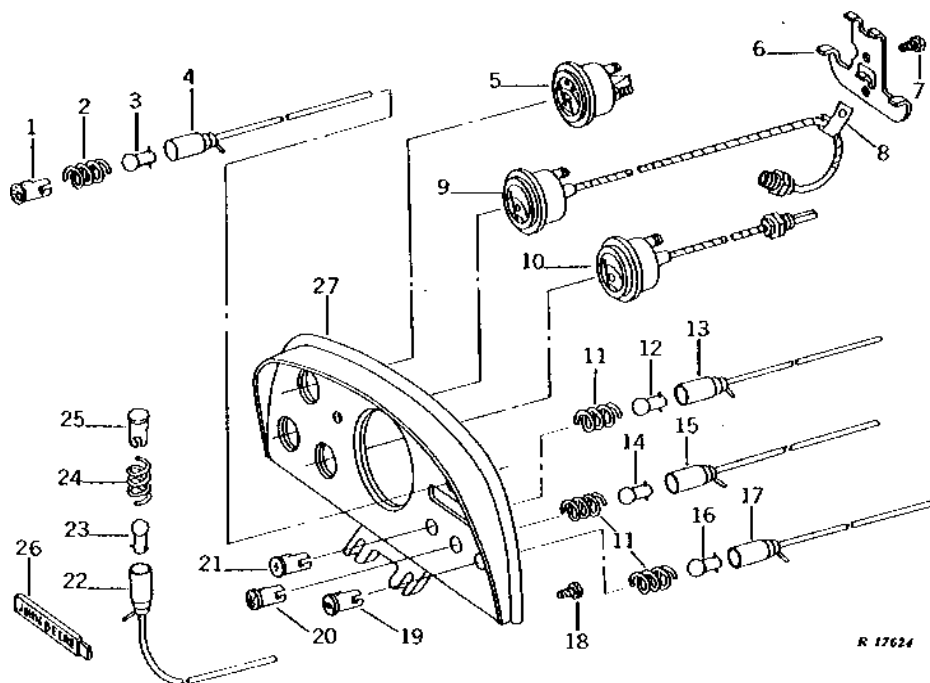


# 4D11

OPERATOR'S STATION

R17624 -UN-01JAN94

## INSTRUMENT PANEL, INSTRUMENTS AND INDICATOR LAMPS



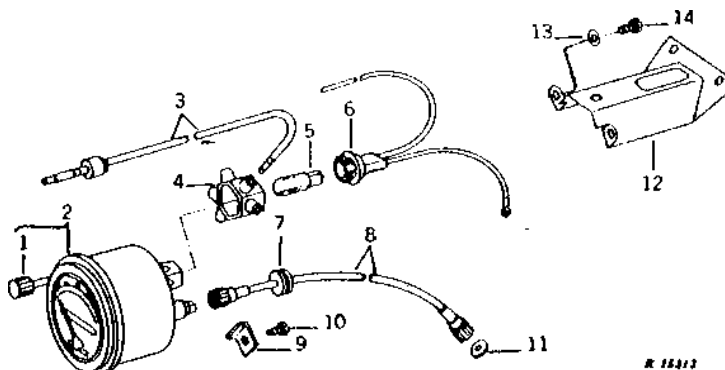
KEY	PART NO.	PART NAME	QTY	TRACTOR SERIAL NO.	REMARKS
1	AR47916	LENS	1	150001-	
2	R30378	SPRING	1	150001-	
3	AR50440	LAMP	1	150001-	
4	AR50508	INDICATOR LIGHT	1	150001-	(HIGH-BEAM LIGHT INDICATOR)
5	AR45436	GAUGE	1		(GASOLINE AND DIESEL)
	AR46271	GAUGE	1		(LP-GAS)
6	R44198	CLAMP	1		
7	37M7210	SCREW	2		NO. 10 X 7/8", (SYNCRO-RANGE, 1 USED POWER SHIFT)
	37M7191	SCREW	2		NO. 10 X 1", (POWER SHIFT)
8	B1986R	CLIP	1		
9	AR46979	PYROMETER	1		(TRANSMISSION OIL TEMPERATURE)
10	AR48640	TEMPERATURE GAUGE	1		(ENGINE COOLANT TEMPERATURE) (SUB FOR AR45435)
11	R30378	SPRING	3		
12	AR55694	BULB	1	-150000	(SUB FOR R30379)
	AR50439	LAMP	1	150001-	
13	AR48034	INDICATOR LIGHT	1		(ALTERNATOR INDICATOR) (SUB AR55694, AT44165, AT48673 AND R30378)
14	AR55694	BULB	1	-150000	(SUB FOR R30379)
	AR50439	LAMP	1	150001-	
15	AR48033	INDICATOR LIGHT	1		(AIR CLEANER RESTRICTION INDICATOR) (SUB AR45439, AR55694, AT44165 AND R30378)
16	AR55694	BULB	1		(SUB FOR R30379)
17	AR48035	INDICATOR LIGHT	1		(ENGINE OIL PRESSURE) (SUB AR55694, AT48674, AT44165 AND R30378)
18	37M7245	SCREW	4		NO. 10 X 3/8"
19	AT48674	LENS	1		(ENGINE OIL PRESSURE) (SUB FOR AR45437)
20	AR45439	LENS	1		(AIR CLEANER RESTRICTION INDICATOR)
21	AT48673	LENS	1		(ALTERNATOR INDICATOR) (SUB FOR AR45438)
22	AR48032	INDICATOR LIGHT	1		(POWER SHIFT) (HYDRAULIC OIL FILTER RESTRICTION INDICATOR) (SUB AR45446, AR55694, AT44165 AND R30378)
23	AR55694	BULB	1		(SUB FOR R30379) (POWER SHIFT)
24	R30378	SPRING	1		(POWER SHIFT)
25	AR45446	LENS	1		(POWER SHIFT) (HYDRAULIC OIL FILTER RESTRICTION INDICATOR)
26	AR45440	IDENTIFICATION PLATE	1		
27	R46520	INSTRUMENT PANEL	1	-150000	(SUB FOR R41705) (SUB AR68199 AND T16738)
	AR68199	INSTRUMENT PANEL	1	150001-	(SUB FOR AR51160)
	R49025	LABEL	1	150001-	(SET OF 8)
	T16738	PLUG	1		(HIGH-BEAM INDICATOR HOLE)

# 4D12

OPERATOR'S STATION

R15313 -UN-01JAN94

## SPEED-HOUR METER



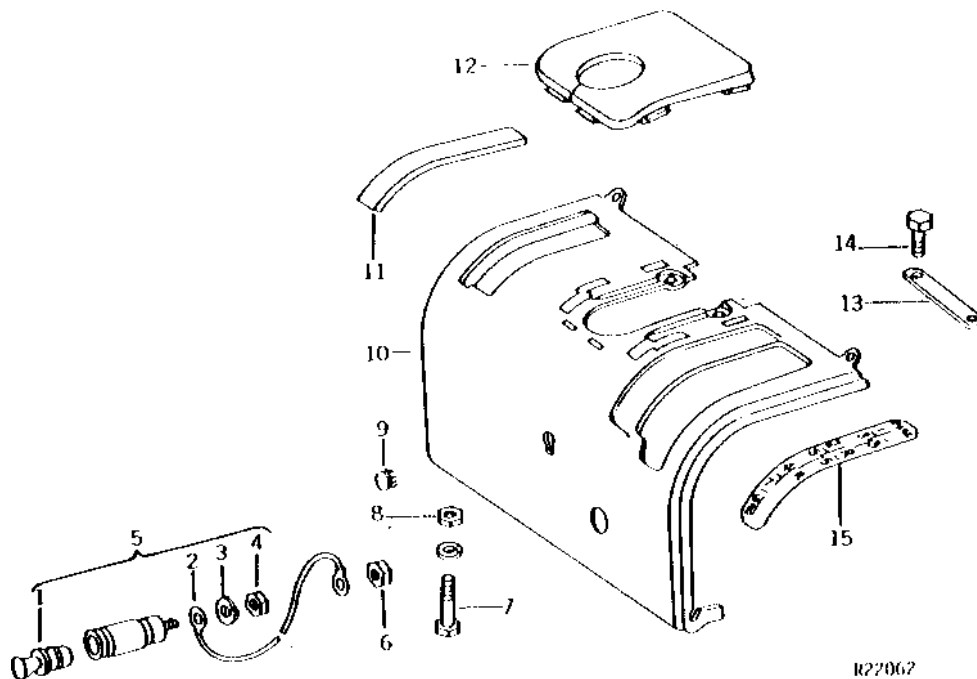
KEY	PART NO.	PART NAME	QTY	TRACTOR SERIAL NO.	REMARKS
1	AR40802	KNOB	1		
2	AR48019	TACHOMETER	1	-150000	(SUB AR50404) (SYNCRO-RANGE)
	AR50404	TACHOMETER	1	150001-	(SUB FOR AR45442 OR AR50400) (USE WITH (3) AR48016) (SYNCRO-RANGE)
	AR48020	TACHOMETER	1	-150000	(SUB FOR AR45443) (USE WITH (3) AR48016) (SUB AR50405) (POWER SHIFT)
3	AR50405	TACHOMETER	1	150001-	(SUB FOR AR50401) (POWER SHIFT)
	AR47793	WIRING LEAD	3		(USE WITH R44909) (SUB FOR AR46340)
	AR48016	WIRING LEAD	3		(USE WITH SPEED-HOUR METER WITH FIBER OPTIC LEADS LAMP HOUSING)
4	RE24041	KIT	1		(USE WITH SPEED-HOUR METERS LESS FIBER OPTIC LEADS LAMP HOUSING) (SUB FOR R44909)
5	AR48015	BULB	1		(SUB FOR R45196)
6	AR48031	SOCKET	1	-150000	(SUB AR50838)
	AR50838	WIRING HARNESS	1	150001-	
7	R41440	GROMMET	1		
8	AR26721	CABLE	1		(SUB FOR AR28588 AND AR28589)
	R34206	CLAMP	2		
10	37H98	SCREW	2		NO. 10 X 7/8"
	37H41	SCREW	2		NO. 10 X 1"
11	B3285R	WASHER	1		
12	R41706	SUPPORT	1		
13	24H1283	WASHER	2		7/32" X 1/2" X 0.049"
14	37H121	SCREW	2		NO. 10 X 5/8"

# 4D13

OPERATOR'S STATION

R22062 -UN-01JAN94

## DASH AND COVER



KEY	PART NO.	PART NAME	QTY	TRACTOR SERIAL NO.	REMARKS
1	AR60937	LIGHTER	1		(SUB FOR AA5787R)
2	AR94130	WIRING LEAD	1		
3	12M7084	LOCK WASHER	1	0.169"	
4	14H605	NUT	1	0.164"	
5	AR48643	LIGHTER	1		(12-VOLT) (SUB FOR AR46079)
6	14H631	NUT	1	0.190"	
7	19H2284	CAP SCREW	2	3/8" X 7/8"	
	12H304	LOCK WASHER	2	3/8"	
8	14H1076	NUT	2	3/8"	
9	M42229	PLUG	1		(A) (B) (SUB FOR T11708)
10	AR49632	INSTRUMENT PANEL	1		(D) (SUB FOR AR40825)
	AR49631	INSTRUMENT PANEL	1		(E) (SUB FOR AR40826)
	R32289	GROMMET	1		(E) (LESS DISCONNECT CLUTCH LINKAGE)
11	R45405	ISOLATOR	1		(LESS PTO)
	R53293	LABEL	1		(D) (SUB FOR R44951)
	R53294	LABEL	1		(E) (SUB FOR R44952)
12	R41604	COVER	1		(A) (C)
	R41605	COVER	1		(B)
13	R40925	PLATE	1		
14	19H1900	CAP SCREW	2	5/16" X 3/4"	
15	R40676	LABEL	1		(D)
	R40504	LABEL	1		(E)
	R40505	LABEL	1		(E)

(A) GASOLINE

(B) LP-GAS

(C) DIESEL

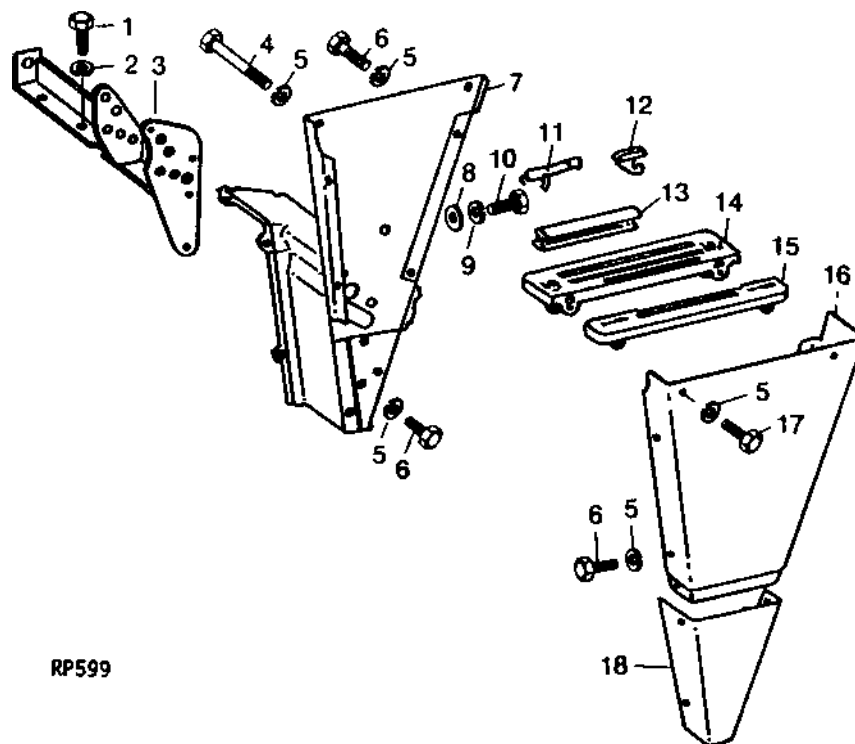
(D) SYNCRO-RANGE TRANSMISSION

(E) POWER SHIFT TRANSMISSION

# 4D14

OPERATOR'S STATION

RP599 -UN-01JAN94 ROCKSHAFT AND SELECTIVE CONTROL CONSOLE



RP599

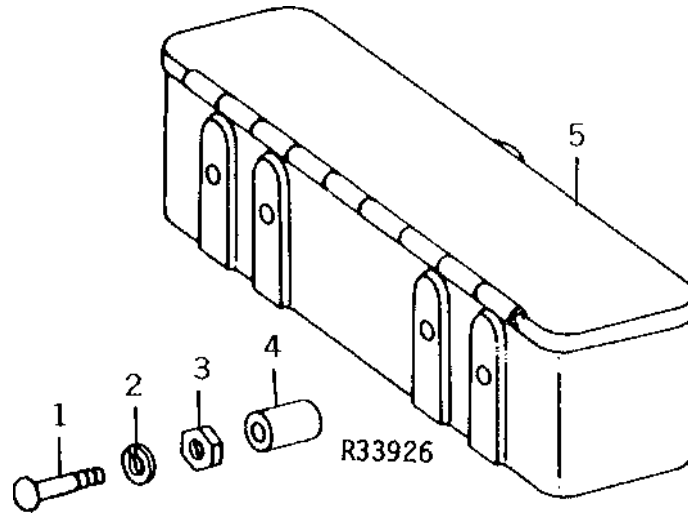
KEY	PART NO.	PART NAME	QTY	TRACTOR SERIAL NO.	REMARKS
1	19H1815	CAP SCREW	2		1/2" X 1-1/4"
2	12H301	LOCK WASHER	2		1/2"
3	AR40806	BRACKET	1		
4	19H1921	CAP SCREW	2		5/16" X 3-1/4"
5	12H303	LOCK WASHER	16		5/16"
6	19H1900	CAP SCREW	12		5/16" X 3/4"
7	AR40809	COVER	1		
8	24H1305	WASHER	2		13/32" X 13/16" X 0.065"
9	12H304	LOCK WASHER	2		3/8"
10	19H1936	CAP SCREW	1		3/8" X 3/4"
	19H2038	CAP SCREW	1		3/8" X 1/2"
11	R51302	SPRING	1		(SUB FOR AR55421)
12	AR53792	STRAP	1		(SUB AR93948)
13	AR62598	STRAP	1		(SUB R54533)
14	R41194	GUIDE	1		
15	R41760	GUIDE	1		
16	AR40812	COVER	1		(NLA)
	AR47752	COVER	1		(POWER WEIGHT TRANSFER HITCH)
17	19H2020	CAP SCREW	2		5/16" X 1/2"
18	AR41602	COVER	1		(NLA)

# 4D15

OPERATOR'S STATION

R33926 -UN-01JAN94

TOOLBOX  
(HINSON)



KEY	PART NO.	PART NAME	QTY	CAB SERIAL NO.	REMARKS
1	03H1558	BOLT	2		3/8" X 1-1/2"
2	12H304	LOCK WASHER	2		3/8"
3	14H1076	NUT	2		3/8"
4	28H1919	BUSHING	1		
5	AR34684	TOOLBOX	1		

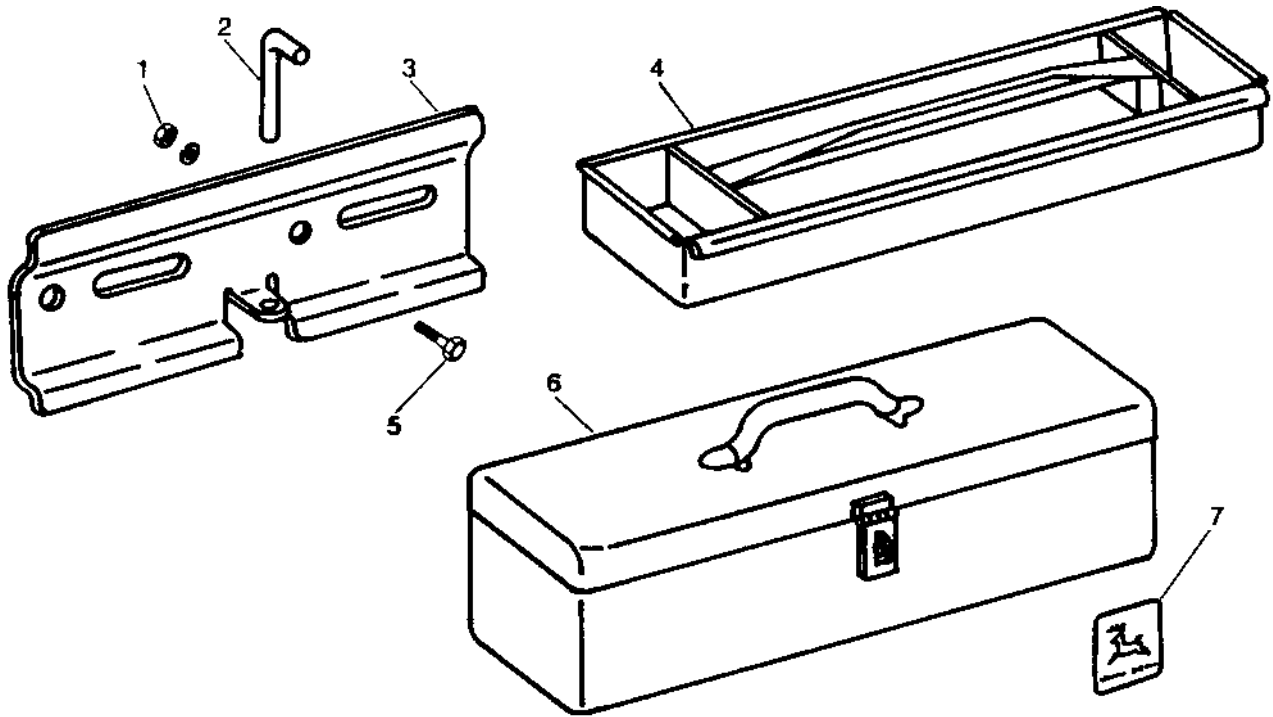
# 4D16

OPERATOR'S STATION

RP670

-UN-01JAN94

## TOOLBOX AND SUPPORTS



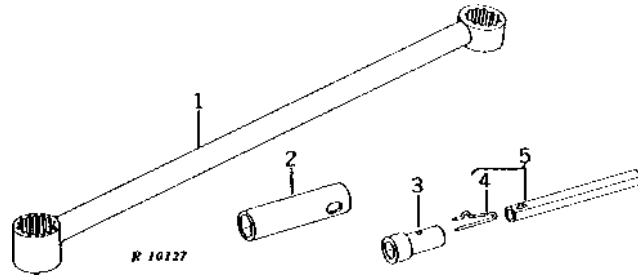
KEY	PART NO.	PART NAME	QTY	TRACTOR SERIAL NO.	REMARKS
1	14H1039	NUT	2	5/8"	
	12H294	LOCK WASHER	2	5/8"	
2	T23027	PIN	1		
3	T23033	BRACKET	1		
4	AT22073	HOLDER	1		
5	19H2706	CAP SCREW	2	5/8" X 2", HS, SAE 8	
6	AT22070	TOOLBOX	1		
7	JD5272	LABEL	1	-XXXXXX	
	JD5602	LABEL	1	XXXXXX-	

# 4D17

OPERATOR'S STATION

R10127 -UN-01JAN94

## TOOLS



KEY	PART NO.	PART NAME	QTY	TRACTOR SERIAL NO.	REMARKS
1	R34827	WRENCH	1		
2	F3338R	WRENCH	1		
3	AR39683	WRENCH	1		
4	R39739	SPRING LOCKING PIN	1		
5	AR39682	EXTENSION	1		

# 4D18

OPERATOR'S STATION

R32259 -UN-01JAN94

## LOCTITE SEALANT



R32259F

KEY	PART NO.	PART NAME	QTY	TRACTOR SERIAL NO.	REMARKS
1	T43514	GASKET	1	NO.277 (50 ML)	
	TY6304	SEALANT	1	NO.515 (50 ML)	
	TY9370	ADHESIVE	1	NO.242 (6 ML)	
	T43512	SEALANT	1	NO.242 (50 ML)	
	TY9371	ADHESIVE	1	(SUB FOR AT14264, AT14927 OR AT24538)	
	T43513	ADHESIVE	1	NO.271 (50 ML)	
	TY9374	SEALANT	1	NO.592	
	TY9375	SEALANT	1	NO.592	
	TY8311	ADHESIVE	1	NO.660	
	TY15969	ADHESIVE	1	NO.635	
	TY21517	ADHESIVE	1	NO.454	
	TY15435	ADHESIVE	1	NO.445	
	TY16285	PRIMER	1	NO.764	
	TY15941	ADHESIVE	1		

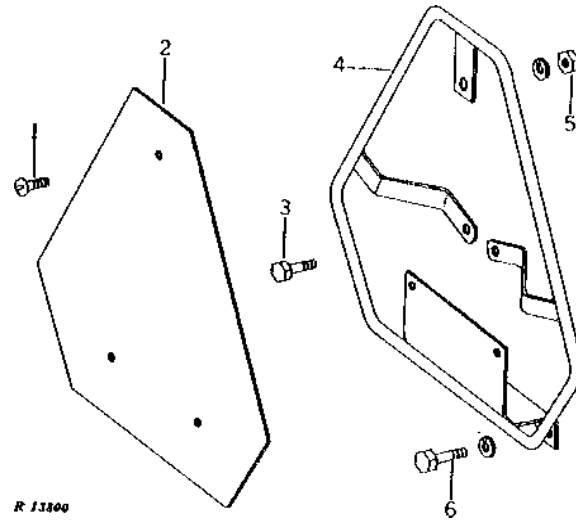


# 4D19

OPERATOR'S STATION

R13800 -UN-01JAN94

## SLOW MOVING VEHICLE EMBLEM



R 13800

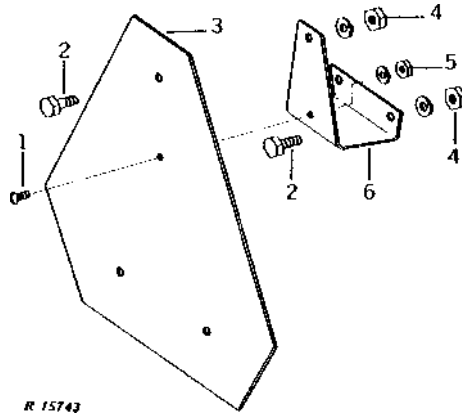
KEY	PART NO.	PART NAME	QTY	TRACTOR SERIAL NO.	REMARKS
1	21H1301	SCREW	3	0.190" X 1/2"	
2	JD5403	SMV EMBLEM	1		
3	19H1900	CAP SCREW	2	5/16" X 3/4"	
4	AR46282	SUPPORT	1		
5	14H778	NUT	3	0.190"	
	12H246	LOCK WASHER	3	0.190"	
6	19H1849	CAP SCREW	2	5/16" X 1-1/4"	
	12H303	LOCK WASHER	2	5/16"	

# 4D20

OPERATOR'S STATION

R15743 -UN-01JAN94

## SLOW MOVING VEHICLE EMBLEM (STOLPER CAB)



KEY	PART NO.	PART NAME	QTY	TRACTOR SERIAL NO.	REMARKS
1	21H1301	SCREW	1	0.190" X 1/2"	
2	19H2644	CAP SCREW	3	1/2" X 2-1/2"	
3	JD5403	SMV EMBLEM	1		
4	14H785	NUT	3	5/16"	
	12H303	LOCK WASHER	3	5/16"	
5	14H778	NUT	1	0.190"	
	12H246	LOCK WASHER	1	0.190"	
6	AR47859	BRACKET	1		

# 4D21

OPERATOR'S STATION

**PARTS FOR WEATHERSHIELDS  
(NOT ILLUSTRATED)**

KEY	PART NO.	PART NAME	QTY	TRACTOR SERIAL NO.	REMARKS
..	AR20143	WINDOWPANE	2	(A) (B)	R.H.
..	AR30516	WINDOW	1	(A) (B)	L.H.
..	R20123	WINDSHIELD	1	(A) (B)	
..	R20124	FRAME	1		

(A) ROW-CROP

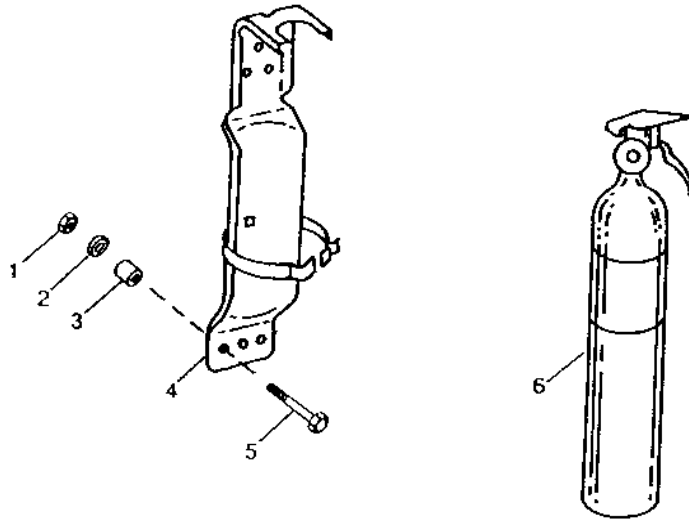
(B) STANDARD

# 4D22

OPERATOR'S STATION

RWP2787 -UN-01JAN94

## FIRE EXTINGUISHER



**RWP2787**

KEY	PART NO.	PART NAME	QTY	SG BODY SERIAL NO.	REMARKS
1	14H786	NUT	2	1/4"	
2	24H1287	WASHER	2	9/32" X 5/8" X 0.065"	
3	28H3423	BUSHING	2	0.364" X 0.540" X 7/8" 1/4" X 7/8"	
4	AT62019	BRACKET	1		
5	21H1035	SCREW	2	1/4" X 1-1/2"	
6	AT81764	FIRE EXTINGUISHER	1	(SUB FOR AT62018)	

## NUMERICAL INDEX

PART NO.	GRID	KEY	PAGE	PART NO.	GRID	KEY	PAGE	PART NO.	GRID	KEY	PAGE
AA14850	3F13	20	70 - 82	AF2907R	2G2	19	50 - 10	AR101549	1D7	6	20 - 48
AA15042	3G3	19	70 - 96	AF3147R	3E21	12	70 - 63	AR101549	1D7	7	20 - 48
AA15042	3G5	12	70 - 99	AF3147R	3E22	..	70 - 64	AR101549	1D7	8	20 - 48
AA15043	3G3	17	70 - 96	AF316R	2I17	11	50 - 76	AR101632	3D4	28	70 - 19
AA15043	3G5	10	70 - 99	AF3583R	1D16	12	30 - 1	AR101632	3D6	6	70 - 21
AA32178	2D6	..	40 - 51	AF3892R	2D9	12	40 - 54	AR101712	2I14	10	50 - 73
AA3495R	2D8	9	40 - 53	AH10620	1E16	35	30 - 25	AR101807	3C13	1	70 - 3
AA3495R	2D8	14	40 - 53	AH117788	2C2	13	40 - 20	AR101807	3C17	16	70 - 7
AA3495R	2D9	9	40 - 54	AH16186	4C25	1	90 - 44	AR101807	3C17	..	70 - 7
AA3495R	2D9	14	40 - 54	AH19848	1D18	7	30 - 3	AR101807	3D2	..	70 - 17
AA34967	2D6	3	40 - 51	AH19848	1G18	5	30 - 78	AR102454	2D22	12	40 - 68
AA34968	2D6	23	40 - 51	AH20854	1D18	5	30 - 3	AR10301	1E11	9	30 - 20
AA35686	2F4	2	40 - 97B	AH20857	1D18	10	30 - 3	AR10302	1E11	14	30 - 20
AA4053R	2C5	5	40 - 23	AH20858	1D18	10	30 - 3	AR103337	2G1	5	50 - 9
AA41337	2F2	17	40 - 97	AH62341	2B16	10	40 - 8	AR103811	1B12	4	20 - 6
AA41337	2F2	20	40 - 97	AH62341	2B17	6	40 - 9	AR104119	2D15	2	40 - 60
AA41337	2F4	1	40 - 97B	AH64758	4B18	1	90 - 11	AR104119	2D19	2	40 - 65
AA5302R	1G12	11	30 - 72	AH80057	4C10	17	90 - 28	AR104119	2D19	30	40 - 65
AA5692R	2E21	12	40 - 92	AH85483	4C25	2	90 - 44	AR11001	2C23	15	40 - 43
AA5731R	3G10	3	70 - 105	AH93625	2D6	12	40 - 51	AR11051	2D2	7	40 - 47
AA5787R	4D13	1	90 - 57	AL14896	2D24	6	40 - 70	AR11104	2C12	15	40 - 30
AA6001R	1E20	24	30 - 29	AL23523	3C4	15	60 - 23	AR11105	2C13	6	40 - 31
AA6002R	1E20	27	30 - 29	AL2691T	1C24	9	20 - 40	AR111058	2F2	20	40 - 97
AA6028R	1E22	9	30 - 32	AL2769T	1C24	9	20 - 40	AR111058	2F4	10	40 - 97B
AA6057R	1E20	28	30 - 29	AL2976T	2F8	20	40 - 101	AR11106	2C13	5	40 - 31
AA6059R	1E20	22	30 - 29	AL37364	1D16	12	30 - 1	AR11107	2C12	2	40 - 30
AA6059R	1E20	23	30 - 29	AL67715	2B25	12	40 - 17	AR11107	2C14	2	40 - 32
AA6060R	1E20	25	30 - 29	AM30347	3H6	17	80 - 4	AR11108	2C12	24	40 - 30
AA6086R	1E9	5	30 - 18	AM373T	2C5	17	40 - 23	AR11124	2C23	17	40 - 43
AA6307R	3G6	9	70 - 101	AM3983T	2F21	14	50 - 4	AR11126	2C21	21	40 - 41
AA6309R	3G6	7	70 - 101	AM791T	2C5	17	40 - 23	AR11127	2C21	2	40 - 41
AA6332R	2C5	5	40 - 23	AN140262	3G2	15	70 - 95	AR11128	2C21	14	40 - 41
AA6606R	2I15	7	50 - 74	AN140274	3G2	8	70 - 95	AR11131	2C19	16	40 - 38
AB3453R	1D10	13	20 - 51	AN140274	3G3	8	70 - 96	AR11132	2C21	28	40 - 41
AB3686R	3H5	20	80 - 3	AN140274	3G5	1	70 - 99	AR11140	2C23	24	40 - 43
AB4259R	3H5	12	80 - 3	AN163885	3F22	38	70 - 91	AR11145	2C5	8	40 - 23
AB4847R	1E20	28	30 - 29	AN163885	3G8	26	70 - 103	AR11160	2C8	1	40 - 26
AD2062R	2D6	2	40 - 51	AN163885	3G13	26	70 - 109	AR11160	2C12	..	40 - 30
AD2062R	2D8	2	40 - 53	AN163885	3G17	8	70 - 113	AR11160	2C13	..	40 - 31
AD2062R	2D8	7	40 - 53	AN163885	3G18	16	70 - 114	AR11161	2C8	1	40 - 26
AD2062R	2D8	18	40 - 53	AN212996	3F6	6	70 - 74	AR11161	2C15	..	40 - 33
AD2062R	2D9	2	40 - 54	AP19547	3G8	32	70 - 103	AR11161	2C16	..	40 - 34
AD2062R	2D9	7	40 - 54	AP19547	3G10	33	70 - 105	AR11162	2C5	8	40 - 23
AD2062R	2D9	18	40 - 54	AP19547	3G17	20	70 - 113	AR11162	2C7	..	40 - 25
AD2062R	2D10	5	40 - 55	AR100161	2D4	1	40 - 49	AR11162	2C8	1	40 - 26
AD2062R	2D12	8	40 - 57	AR10094	1E23	11	30 - 33	AR11300	2C12	7	40 - 30
AD2062R	2D15	16	40 - 60	AR10095	1E11	8	30 - 20	AR11300	2C12	..	40 - 30
AD2062R	2D19	15	40 - 65	AR10096	1E11	6	30 - 20	AR11305	2C8	1	40 - 26
AE23861	2B18	2	40 - 10	AR10101	1E9	14	30 - 18	AR13016	1E15	7	30 - 24
AF1155R	2I17	..	50 - 76	AR10104	1E10	31	30 - 19	AR13017	1E15	13	30 - 24
AF1156R	2I15	14	50 - 74	AR10108	1E11	29	30 - 20	AR13019	1E15	22	30 - 24
AF1160R	2I17	19	50 - 76	AR10109	1E14	1	30 - 23	AR13022	1E16	4	30 - 25
AF1395R	1E25	3	30 - 35	AR10112	1E11	28	30 - 20	AR13024	1E15	23	30 - 24
AF1396R	1E25	5	30 - 35	AR101236	3C15	2	70 - 5	AR13026	1E16	19	30 - 25
AF1397R	1E25	8	30 - 35	AR101236	3C15	3	70 - 5	AR13027	1E16	11	30 - 25
AF1398R	1E25	11	30 - 35	AR101236	3C17	2	70 - 7	AR13028	1E16	13	30 - 25
AF1399R	1E25	12	30 - 35	AR101236	3C17	3	70 - 7	AR13030	1E16	5	30 - 25
AF1690R	2I17	..	50 - 76	AR101236	3C23	23	70 - 13	AR13031	1E16	34	30 - 25
AF1691R	2I17	..	50 - 76	AR101236	3C25	3	70 - 15	AR13033	1E18	1	30 - 27
AF1692R	2I17	..	50 - 76	AR101236	3D2	3	70 - 17	AR14019	2C5	5	40 - 23
AF2057R	1D3	3	20 - 44	AR101236	3D8	28	70 - 23	AR14021	2C5	5	40 - 23
AF2057R	1D5	7	20 - 46	AR101245	2E4	4	40 - 75	AR20143	4D21	..	90 - 65
AF2643R	3D25	1	70 - 40	AR101245	2E4	5	40 - 75	AR20235	2D22	10	40 - 68
AF2710R	3E19	13	70 - 61	AR101245	2E6	3	40 - 77	AR20750	3H5	12	80 - 3
AF2710R	3E20	20	70 - 62	AR101245	2E8	4	40 - 79	AR21024	2E2	1	40 - 73
AF2711R	3E19	13	70 - 61	AR101549	1D3	3	20 - 44	AR21024	2E2	2	40 - 73
AF2711R	3E20	20	70 - 62	AR101549	1D7	5	20 - 48	AR21059	2D8	12	40 - 53

## NUMERICAL INDEX - CONTINUED

PART NO.	GRID	KEY	PAGE	PART NO.	GRID	KEY	PAGE	PART NO.	GRID	KEY	PAGE
AR21059	2D8	19	40-53	AR26360	2H22	15	50-56	AR26635	1D1	1	20-42
AR21059	2D9	12	40-54	AR26375	2H2	23	50-35	AR26635	1D5	10	20-46
AR21059	2D9	19	40-54	AR26375	2H23	18	50-57	AR26636	1C20	3	20-36
AR21059	2D19	30	40-65	AR26380	1D3	12	20-44	AR26645	1B17	17	20-12
AR21601	2I17	17	50-76	AR26389	1C25	28	20-41	AR26646	3C19	21	70-9
AR21690	1E19	12	30-28	AR26389	1D1	22	20-42	AR26649	1F1	5	30-36
AR21737	2D8	2	40-53	AR26390	1D1	7A	20-42	AR26674	1E7	7	30-16
AR21737	2D9	2	40-54	AR26390	1D1	9	20-42	AR26674	1F2	2	30-37
AR21739	2D8	7	40-53	AR26391	1D1	4	20-42	AR26674	1F3	7	30-38
AR21739	2D21	4	40-67	AR26402	3B12	5	60-7	AR26674	1F7	15	30-42
AR21790	1D16	8	30-1	AR26403	4B9	6	90-2	AR26674	1F8	13	30-43
AR21823	2D22	10	40-68	AR26407	3G6	4	70-101	AR26674	1F16	24	30-51
AR21823	2D23	3	40-69	AR26418	1C24	4	20-40	AR26679	3B15	15	60-10
AR21823	2D24	2	40-70	AR26420	1C25	22	20-41	AR26695	1E19	19	30-28
AR21836	3B15	18	60-10	AR26421	1C24	12	20-40	AR26701	2H5	14	50-38
AR21837	1C21	1	20-37	AR26422	1D4	19	20-45	AR26701	2I2	14	50-61
AR21837	2D25	2	40-71	AR26426	1C13	10	20-31	AR26705	1C23	29	20-39
AR21837	3D24	7	70-39	AR26428	1C13	10	20-31	AR26707	2H3	3	50-36
AR21837	4C8	1	90-26	AR26436	1E19	8	30-28	AR26707	2I1	3	50-60
AR21837	4C9	4	90-27	AR26437	1E24	4	30-34	AR26708	1E22	6	30-32
AR21837	4C17	2	90-36	AR26437	1E25	..	30-35	AR26708	1E22	11	30-32
AR21839	1C21	1	20-37	AR26437	1G5	4	30-65	AR26721	4D12	8	90-56
AR21839	1E22	18	30-32	AR26438	1C19	6	20-35	AR26723	3D15	4	70-30
AR21839	3D14	8	70-29	AR26445	1B15	17	20-10	AR26724	3D15	16	70-30
AR21839	3D16	2	70-31	AR26446	1B15	13	20-10	AR26725	3B8	21	60-3
AR21839	3D17	7	70-32	AR26446	1B17	13	20-12	AR26725	3B11	1	60-6
AR21839	3D18	6	70-33	AR26448	3B12	2	60-7	AR26725	3B11	23	60-6
AR21839	3D19	1	70-34	AR26459	1C23	27	20-39	AR26725	3B15	2	60-10
AR21839	3D21	1	70-36	AR26460	1C23	27	20-39	AR26736	1E6	4	30-15
AR21839	3D21	6	70-36	AR26462	3F5	8	70-73	AR26736	1E19	14	30-28
AR21839	3D24	36	70-39	AR26462	3F7	7	70-76	AR26736	1F1	8	30-36
AR21839	3E19	13	70-61	AR26462	3F8	7	70-77	AR26737	1E6	6	30-15
AR21839	3E20	20	70-62	AR26462	3F9	7	70-78	AR26737	1E19	16	30-28
AR21840	1D2	1	20-43	AR26469	2C5	5	40-23	AR26737	1F1	10	30-36
AR21840	1D19	1	30-4	AR26469	3I8	3	80-31	AR26746	2I11	11	50-70
AR21840	1E6	12	30-15	AR26480	3H3	2	80-1	AR26746	2I13	10	50-72
AR21840	1F1	16	30-36	AR26480	3H6	1	80-4	AR26746	3C1	2	60-20
AR21840	3B16	1	60-11	AR26480	3H7	1	80-5	AR26746	3C2	7	60-21
AR21841	1D17	16	30-2	AR26486	1C13	4	20-31	AR26746	3D15	11	70-30
AR21841	1D20	3	30-5	AR26493	3I11	28	80-34	AR26746	3D15	14	70-30
AR21841	1D21	3	30-6	AR26494	3I11	24	80-34	AR26746	3D20	11	70-35
AR21966	4B8	8	90-1	AR26497	3I11	20	80-34	AR26747	3D10	11	70-25
AR21969	1B9	..	20-2	AR26498	3I11	20	80-34	AR26747	3D15	9	70-30
AR21969	3B15	..	60-10	AR26508	1E22	10	30-32	AR26747	3D20	9	70-35
AR21999	1D17	3	30-2	AR26508	1E23	..	30-33	AR26758	3C15	12	70-5
AR21999	1D19	4	30-4	AR26514	1B15	1	20-10	AR26758	3C17	12	70-7
AR21999	1D20	1	30-5	AR26514	1B15	4	20-10	AR26761	3E5	12	70-45
AR21999	1D21	1	30-6	AR26514	1B15	8	20-10	AR26763	2G14	8	50-22
AR26327	1C9	6	20-27	AR26514	1B17	1	20-12	AR26763	3D24	1	70-39
AR26328	1C2	10	20-19	AR26514	1B17	4	20-12	AR26763	3F13	11	70-82
AR26328	1C11	6	20-29	AR26514	1B17	8	20-12	AR26763	3G2	5	70-95
AR26336	1B16	25	20-11	AR26515	1B12	3	20-6	AR26763	3G2	9	70-95
AR26337	1B18	25	20-13	AR26517	1C23	29	20-39	AR26763	3G3	10	70-96
AR26338	1C25	37	20-41	AR26529	4B10	8	90-3	AR26771	2I10	10	50-69
AR26338	2F18	8	50-1	AR26530	4B10	16	90-3	AR26771	2I12	16	50-71
AR26339	1C24	14	20-40	AR26532	2H8	29	50-41	AR26771	3B11	6	60-6
AR26339	1D1	11	20-42	AR26532	2I4	4	50-63	AR26771	3B15	14	60-10
AR26341	1C24	19	20-40	AR26543	2C5	5	40-23	AR26771	3B17	6	60-12
AR26341	1D1	16	20-42	AR26544	2C5	5	40-23	AR26771	3D22	17	70-37
AR26342	1C25	42	20-41	AR26545	2C5	5	40-23	AR26782	2H3	1	50-36
AR26347	1C23	21	20-39	AR26556	3E16	8	70-57	AR26782	2I1	1	50-60
AR26350	1C23	5	20-39	AR26556	3E17	2	70-58	AR26786	1D24	23	30-9
AR26350	1G18	3	30-78	AR26568	4D10	12	90-54	AR26786	1E2	17	30-11
AR26351	1D10	9	20-51	AR26571	2E21	1	40-92	AR26786	1E4	22	30-13
AR26353	1D10	16	20-51	AR26595	4D1	2	90-45	AR26811	1D16	13	30-1
AR26355	1B15	18	20-10	AR26602	2H8	33	50-41	AR26812	3B15	3	60-10
AR26356	1B17	18	20-12	AR26632	4B9	26	90-2	AR26813	3B15	5	60-10

## NUMERICAL INDEX - CONTINUED

PART NO.	GRID	KEY	PAGE	PART NO.	GRID	KEY	PAGE	PART NO.	GRID	KEY	PAGE
AR26814	3B15	12	60 - 10	AR27629	1C11	7	20 - 29	AR28482	1D2	6	20 - 43
AR26815	3B15	17	60 - 10	AR27631	1C16	1	20 - 33	AR28487	3B19	2	60 - 14
AR26823	3H3	18	80 - 1	AR27632	1C16	1	20 - 33	AR28487	3B19	8	60 - 14
AR26828	3D10	7	70 - 25	AR27634	1C16	1	20 - 33	AR28545	3H16	12	80 - 14
AR26828	3D12	7	70 - 27	AR27636	1C16	1	20 - 33	AR28545	3H19	12	80 - 17
AR26828	3D13	15	70 - 28	AR27640	1C9	7	20 - 27	AR28570	3E21	11	70 - 63
AR26840	2H8	17	50 - 41	AR27640	1C11	7	20 - 29	AR28588	4D12	8	90 - 56
AR26845	2H9	30	50 - 42	AR27642	1C9	7	20 - 27	AR28589	4D12	8	90 - 56
AR26849	3I11	13	80 - 34	AR27642	1C11	7	20 - 29	AR28602	1G2	1	30 - 62
AR26905	1D24	21	30 - 9	AR27645	3E22	2	70 - 64	AR28602	1G5	1	30 - 65
AR26905	1E2	15	30 - 11	AR27646	3E22	2	70 - 64	AR28621	1E19	19	30 - 28
AR26905	1E3	20	30 - 12	AR27649	3E22	7	70 - 64	AR28754	3F13	26	70 - 82
AR26906	1D24	25	30 - 9	AR27650	3E22	7	70 - 64	AR28754	3G19	3	70 - 115
AR26906	1E2	19	30 - 11	AR27653	3B15	12	60 - 10	AR28755	3F13	26	70 - 82
AR26906	1E4	24	30 - 13	AR27654	3B15	17	60 - 10	AR28755	3G19	3	70 - 115
AR26906	1E4	26	30 - 13	AR27702	1B12	4	20 - 6	AR28756	1C24	8	20 - 40
AR26929	1D16	3	30 - 1	AR27703	1C20	4	20 - 36	AR28817	3H16	12	80 - 14
AR26967	1E20	29	30 - 29	AR27720	2G3	5	50 - 11	AR30012	1C23	21	20 - 39
AR26981	3B18	12	60 - 13	AR27738	3G3	5	70 - 96	AR30012	1C23	26	20 - 39
AR27033	3F9	13	70 - 78	AR27746	2I16	12	50 - 75	AR30012	1C23	27	20 - 39
AR27054	3H3	19	80 - 1	AR27749	1E20	31	30 - 29	AR30038	1D23	6	30 - 8
AR27087	3H5	..	80 - 3	AR27749	1E24	5	30 - 34	AR30039	1E2	5	30 - 11
AR27090	1D24	27	30 - 9	AR27790	3E22	20	70 - 64	AR30154	3H15	16	80 - 13
AR27090	1E2	21	30 - 11	AR27814	1G13	1	30 - 73	AR30154	3H19	15	80 - 17
AR27090	1E4	26	30 - 13	AR27814	1G14	1	30 - 74	AR30154	3H22	14	80 - 20
AR27093	3E25	22	70 - 67	AR27851	1C9	8	20 - 27	AR30181	4B8	8	90 - 1
AR27093	3F1	28	70 - 68	AR27852	1C11	8	20 - 29	AR30189	1E4	22	30 - 13
AR27093	3F3	41	70 - 71	AR27904	3H21	18	80 - 19	AR30191	1E3	20	30 - 12
AR27139	2E2	1	40 - 73	AR27914	3H19	6	80 - 17	AR30210	3F22	6	70 - 91
AR27158	1D16	9	30 - 1	AR27927	3H16	4	80 - 14	AR30210	3F24	7	70 - 93
AR27232	1C4	65	20 - 21	AR27931	1D5	8	20 - 46	AR30210	3G2	36	70 - 95
AR27232	1C23	21	20 - 39	AR27933	1D5	8	20 - 46	AR30288	3E22	4	70 - 64
AR27245	1C25	34	20 - 41	AR27940	1G13	6	30 - 73	AR30297	3B8	33	60 - 3
AR27251	1C23	36	20 - 39	AR27940	1G14	6	30 - 74	AR30297	3B8	37	60 - 3
AR27254	3B15	16	60 - 10	AR27940	1G17	4	30 - 77	AR30298	3B8	33	60 - 3
AR27290	1B20	8	20 - 15	AR27977	1B22	39	20 - 15B	AR30303	1C5	3	20 - 23
AR27314	3H4	30	80 - 2	AR28034	2I15	17	50 - 74	AR30382	1C19	6	20 - 35
AR27315	3H4	30	80 - 2	AR28047	3I12	8	80 - 35	AR30411	1C13	2	20 - 31
AR27350	3H17	16	80 - 15	AR28048	3I12	10	80 - 35	AR30411	1C13	4	20 - 31
AR27350	3H18	20	80 - 16	AR28049	3I12	10	80 - 35	AR30412	1C13	2	20 - 31
AR27350	3H23	16	80 - 21	AR28050	3H16	12	80 - 14	AR30412	1C13	4	20 - 31
AR27351	3H17	6	80 - 15	AR28052	1C13	4	20 - 31	AR30444	1C24	14	20 - 40
AR27351	3H18	8	80 - 16	AR28060	2C5	3	40 - 23	AR30444	1D1	11	20 - 42
AR27351	3H20	17	80 - 18	AR28073	1D16	10	30 - 1	AR30445	1C24	4	20 - 40
AR27351	3H20	18	80 - 18	AR28110	1C23	5	20 - 39	AR30450	1D1	2	20 - 42
AR27351	3H23	6	80 - 21	AR28110	1G18	3	30 - 78	AR30474	2I16	8	50 - 75
AR27354	1C20	1	20 - 36	AR28134	3H15	4	80 - 13	AR30516	4D21	..	90 - 65
AR27371	3E8	19	70 - 48	AR28134	3H19	5	80 - 17	AR30519	1D5	6	20 - 46
AR27371	3E10	3	70 - 51	AR28141	3F8	15	70 - 77	AR30538	3H16	4	80 - 14
AR27430	3H20	10	80 - 18	AR28166	2D8	10	40 - 53	AR30544	1C5	..	20 - 23
AR27434	3H16	4	80 - 14	AR28166	2D12	2	40 - 57	AR30544	1C7	5	20 - 25
AR27437	3G6	1	70 - 101	AR28167	2D8	22	40 - 53	AR30589	3B10	8	60 - 5
AR27437	3G6	7	70 - 101	AR28167	2D9	22	40 - 54	AR30590	3B10	8	60 - 5
AR27437	3G6	9	70 - 101	AR28167	2D12	5	40 - 57	AR30685	3F23	10	70 - 92
AR27446	2I14	3	50 - 73	AR28167	2D13	11	40 - 58	AR30685	3F23	12	70 - 92
AR27446	2I17	16	50 - 76	AR28191	1C9	10	20 - 27	AR30736	1G2	2	30 - 62
AR27456	3I1	12	80 - 24	AR28192	1C11	10	20 - 29	AR30736	1G5	2	30 - 65
AR27472	2H9	12	50 - 42	AR28242	3H5	6	80 - 3	AR30762	2H11	7	50 - 44
AR27536	3H16	4	80 - 14	AR28243	3H5	6	80 - 3	AR30762	3B9	4	60 - 4
AR27555	3H19	6	80 - 17	AR28249	3H4	6	80 - 2	AR30762	3B17	19	60 - 12
AR27581	3F8	29	70 - 77	AR28271	1G18	1	30 - 78	AR30784	3G6	3	70 - 101
AR27621	1C14	1	20 - 32	AR28271	2H2	11	50 - 35	AR30795	2F24	16	50 - 7
AR27622	1C14	1	20 - 32	AR28271	2H24	11	50 - 58	AR30828	1C25	34	20 - 41
AR27624	1C14	1	20 - 32	AR28403	2B16	4	40 - 8	AR30852	1E5	8	30 - 14
AR27628	1C9	7	20 - 27	AR28403	2B17	9	40 - 9	AR30853	1E5	8	30 - 14
AR27628	1C11	7	20 - 29	AR28403	2E21	10	40 - 92	AR31016	3B21	31	60 - 15
AR27629	1C9	7	20 - 27	AR28403	2E24	19	40 - 95	AR31119	1D23	16	30 - 8

## NUMERICAL INDEX - CONTINUED

PART NO.	GRID	KEY	PAGE	PART NO.	GRID	KEY	PAGE	PART NO.	GRID	KEY	PAGE
AR31120	1E3	12	30-12	AR32247	1C13	4	20-31	AR34376	1B24	..	20-17
AR31150	3D17	9	70-32	AR32440	2H4	11	50-37	AR34377	1B24	..	20-17
AR31152	3D21	6	70-36	AR32440	2I3	11	50-62	AR34378	1B24	..	20-17
AR31178	1F21	10	30-56	AR32441	3B19	9	60-14	AR34394	1C9	8	20-27
AR31213	1C21	5	20-37	AR32450	1E19	10	30-28	AR34415	1E8	4	30-17
AR31262	1D3	12	20-44	AR32451	1E7	8	30-16	AR34415	1F4	4	30-39
AR31264	1D5	8	20-46	AR32451	1F2	3	30-37	AR34450	1D4	19	20-45
AR31536	1C20	3	20-36	AR32462	2F19	2	50-2	AR34450	1D5	19	20-46
AR31537	1C20	3	20-36	AR32462	2F24	22	50-7	AR34568	2I12	6	50-71
AR31547	3D21	6	70-36	AR32462	2G1	14	50-9	AR34569	2I12	5	50-71
AR31547	3E19	13	70-61	AR32469	2H8	31	50-41	AR34569	2I13	17	50-72
AR31547	3E20	20	70-62	AR32469	2I4	2	50-63	AR34612	1F24	..	30-59
AR31611	3F13	25	70-82	AR32483	3B19	5	60-14	AR34612	1F25	..	30-60
AR31649	2H22	28	50-56	AR32495	3F5	20	70-73	AR34612	1G1	..	30-61
AR31681	1B14	19	20-9	AR32531	3E19	25	70-61	AR34612	1G2	..	30-62
AR31684	1B14	4	20-9	AR32531	3E20	14	70-62	AR34612	1G3	..	30-63
AR31684	1B14	5	20-9	AR32547	3E21	3	70-63	AR34612	1G4	..	30-64
AR31684	1B14	18	20-9	AR32548	3E21	3	70-63	AR34612	1G5	..	30-65
AR31684	1B14	..	20-9	AR32562	1B20	8	20-15	AR34612	1G7	1	30-67
AR31684	1C23	27	20-39	AR32562	1B20	9	20-15	AR34663	2G17	13	50-25
AR31685	1C23	27	20-39	AR32573	2I2	20	50-61	AR34682	1C19	6	20-35
AR31703	3E5	35	70-45	AR32638	1E8	4	30-17	AR34684	4C2	13	90-20
AR31710	3C19	37	70-9	AR32638	1F4	4	30-39	AR34684	4D15	5	90-59
AR31742	1C9	..	20-27	AR32640	1E7	6	30-16	AR34712	1F16	6	30-51
AR31744	1C11	..	20-29	AR32693	2H21	13	50-55	AR34712	1F21	5	30-56
AR31745	1C11	..	20-29	AR32694	1C21	7	20-37	AR34713	1F16	5	30-51
AR31790	4B19	..	90-12	AR32695	1C21	10	20-37	AR34713	1F21	4	30-56
AR31814	2C7	16	40-25	AR32696	1C21	23	20-37	AR34714	1F16	3	30-51
AR31882	1C20	1	20-36	AR32713	2I2	9	50-61	AR34714	1F21	3	30-56
AR31884	1C23	36	20-39	AR32729	1B14	1	20-9	AR34715	1F16	1	30-51
AR31885	1C4	71	20-21	AR32729	1B14	4	20-9	AR34715	1F21	2	30-56
AR31885	1C23	36	20-39	AR32729	1B14	18	20-9	AR34722	2I6	10	50-65
AR31894	1D3	12	20-44	AR32730	1B14	1	20-9	AR34722	2I7	27	50-66
AR31895	1D5	8	20-46	AR32730	1B14	14	20-9	AR34723	2G15	1	50-23
AR31895	1D6	25	20-47	AR32730	1B14	19	20-9	AR34723	2I6	11	50-65
AR31896	1D3	2	20-44	AR32922	1B22	29	20-15B	AR34723	2I7	28	50-66
AR31897	1D5	6	20-46	AR32923	1B22	29	20-15B	AR34735	2H17	1	50-51
AR31903	2H20	17	50-54	AR33249	3C19	6	70-9	AR34735	2I6	10	50-65
AR31903	2H21	7	50-55	AR33793	3D13	8	70-28	AR34735	2I7	27	50-66
AR31906	2H8	5	50-41	AR33821	3C15	4	70-5	AR34736	2G15	1	50-23
AR31934	1C20	3	20-36	AR33877	3F22	37	70-91	AR34736	2I6	11	50-65
AR31939	4D3	1	90-47	AR33890	2G17	8	50-25	AR34736	2I7	28	50-66
AR31945	3G16	15	70-112	AR33930	3B19	5	60-14	AR34754	2I7	9	50-66
AR31946	3B23	13	60-17	AR33950	3E23	30	70-65	AR34806	1F16	4	30-51
AR31977	4B10	25	90-3	AR33952	3E22	10	70-64	AR34806	1F21	1	30-56
AR32100	2I14	10	50-73	AR33954	3E22	15	70-64	AR34823	2I7	23	50-66
AR32126	2G14	9	50-22	AR33955	3E22	15	70-64	AR34824	3B18	18	60-13
AR32127	2F24	8	50-7	AR33974	2I7	11	50-66	AR34825	3B18	15	60-13
AR32128	2G3	2	50-11	AR33994	1C9	8	20-27	AR34829	3G6	1	70-101
AR32136	2G1	2	50-9	AR33995	1C11	8	20-29	AR34829	3G6	7	70-101
AR32140	2F21	11	50-4	AR33998	2H5	9	50-38	AR34855	1D3	12	20-44
AR32141	2F21	16	50-4	AR34005	1D17	9	30-2	AR34856	1D5	8	20-46
AR32154	2G22	7	50-30	AR34005	1D18	5	30-3	AR34882	1E22	8	30-32
AR32155	2G22	10	50-30	AR34018	1C5	3	20-23	AR34916	1B20	8	20-15
AR32156	1D23	6	30-8	AR34059	3F22	41	70-91	AR34918	1B20	8	20-15
AR32162	3D15	17	70-30	AR34071	2I5	..	50-64	AR34990	2D8	8	40-53
AR32165	2H5	20	50-38	AR34172	3B8	9	60-3	AR34990	2D9	8	40-54
AR32190	2H20	5	50-54	AR34208	3E20	15	70-62	AR34990	2D10	7	40-55
AR32191	2H20	3	50-54	AR34238	1C13	4	20-31	AR34990	2D11	10	40-56
AR32194	1C9	10	20-27	AR34239	1C13	4	20-31	AR34990	2D12	6	40-57
AR32195	1C11	10	20-29	AR34240	1B12	3	20-6	AR34990	2D13	10	40-58
AR32196	2H21	3	50-55	AR34293	1B15	17	20-10	AR34990	2D14	3	40-59
AR32197	2H21	5	50-55	AR34293	1B17	17	20-12	AR35223	2H11	11	50-44
AR32237	2H17	6	50-51	AR34294	1B15	13	20-10	AR35223	2H12	22	50-45
AR32246	1C13	2	20-31	AR34294	1B17	13	20-12	AR35261	3G6	1	70-101
AR32246	1C13	4	20-31	AR34350	3E13	9	70-54	AR35261	3G6	7	70-101
AR32247	1C13	2	20-31	AR34368	1F9	..	30-44	AR35261	3G6	..	70-101



## NUMERICAL INDEX - CONTINUED

PART NO.	GRID	KEY	PAGE	PART NO.	GRID	KEY	PAGE	PART NO.	GRID	KEY	PAGE
AR35710	2I11	21	50-70	AR39784	3F1	1	70-68	AR40592	3H20	18	80-18
AR35710	2I13	4	50-72	AR39786	3F1	12	70-68	AR40615	1C11	12	20-29
AR35712	2G17	16	50-25	AR39798	1D18	7	30-3	AR40616	1C9	9	20-27
AR35712	3D15	16	70-30	AR39798	1G18	5	30-78	AR40636	1B22	29	20-15B
AR35725	3B9	4	60-4	AR39823	2I12	6	50-71	AR40637	1B22	29	20-15B
AR35725	3B17	19	60-12	AR39831	1E11	17	30-20	AR40653	2I12	17	50-71
AR36047	4B9	18	90-2	AR39833	1E9	28	30-18	AR40655	1B22	29	20-15B
AR36048	4B10	14	90-3	AR39859	1C11	9	20-29	AR40669	2H23	17	50-57
AR36157	3G6	..	70-101	AR39860	1C11	8	20-29	AR40670	2H23	8	50-57
AR36158	3G6	4	70-101	AR40008	1E15	26	30-24	AR40671	2F20	12	50-3
AR36158	3G6	..	70-101	AR40145	1C11	8	20-29	AR40672	4D5	3	90-49
AR36301	3G6	..	70-101	AR40148	1D4	18	20-45	AR40673	3I7	11	80-30
AR36303	3G6	1	70-101	AR40154	1C9	10	20-27	AR40674	3I7	4	80-30
AR36303	3G6	7	70-101	AR40154	1C9	11	20-27	AR40675	3E7	9	70-47
AR36303	3G6	..	70-101	AR40155	1C9	9	20-27	AR40676	3E7	6	70-47
AR36694	1C4	66	20-21	AR40155	1C9	10	20-27	AR40677	3D25	6	70-40
AR36694	1C23	21	20-39	AR40155	1C9	11	20-27	AR40677	3E14	3	70-55
AR36694	1C23	29	20-39	AR40155	1C11	10	20-29	AR40678	3F16	2A	70-85
AR37017	3D24	5	70-39	AR40155	1C11	11	20-29	AR40679	1B15	18	20-10
AR37017	3F13	17	70-82	AR40163	1B18	24	20-13	AR40680	1B17	18	20-12
AR38168	2H4	11	50-37	AR40174	2D4	1	40-49	AR40683	3E7	44	70-47
AR38168	2I3	11	50-62	AR40194	3F1	12	70-68	AR40684	3F19	18	70-88
AR38297	2G7	14	50-15	AR40218	1C23	29	20-39	AR40686	2F19	16	50-2
AR38403	2G12	16	50-20	AR40254	1C11	9	20-29	AR40687	2H12	3	50-45
AR38453	2B10	9	40-2	AR40258	1E8	4	30-17	AR40688	3F16	31	70-85
AR38456	2D8	18	40-53	AR40258	1F3	..	30-38	AR40689	2H11	7	50-44
AR38456	2D10	5	40-55	AR40258	1F4	4	30-39	AR40689	3B9	4	60-4
AR38456	2D12	8	40-57	AR40259	1E8	4	30-17	AR40689	3B17	18	60-12
AR38456	2D15	16	40-60	AR40259	1F3	..	30-38	AR40694	2F20	1	50-3
AR38456	2D17	22	40-63	AR40259	1F4	4	30-39	AR40698	1D3	3	20-44
AR38456	2D19	15	40-65	AR40306	1B11	3	20-5	AR40698	1D5	7	20-46
AR38456	2D20	14	40-66	AR40307	1B11	3	20-5	AR40702	1G10	11	30-70
AR38456	4B15	7	90-8	AR40309	1B11	3	20-5	AR40703	1G10	17	30-70
AR38459	2C2	13	40-20	AR40387	3E9	11	70-49	AR40704	1G11	15	30-71
AR38565	2B12	7	40-4	AR40387	3E9	12	70-49	AR40705	1G12	21	30-72
AR38565	2B14	2	40-6	AR40405	1D1	7A	20-42	AR40706	1G13	12	30-73
AR38714	3C19	31	70-9	AR40405	1D1	7B	20-42	AR40710	2E21	13	40-92
AR389R	2H20	19	50-54	AR40405	1D1	10	20-42	AR40722	3I6	1	80-29
AR389R	2H21	9	50-55	AR40407	1F3	2	30-38	AR40724	3I6	1	80-29
AR39026	3C15	25	70-5	AR40408	2B14	3	40-6	AR40739	2I8	6	50-67
AR39520	1C9	..	20-27	AR40418	2C10	5	40-28	AR40744	3F16	8A	70-85
AR39521	1C11	..	20-29	AR40420	2C2	12	40-20	AR40751	1B20	8	20-15
AR39535	1D20	4	30-5	AR40420	2C3	..	40-21	AR40751	1B20	9	20-15
AR39535	1D21	4	30-6	AR40465	3F13	13	70-82	AR40753	3E7	12	70-47
AR39561	3D15	5	70-30	AR40465	3F13	29	70-82	AR40754	3E7	7	70-47
AR39585	3B14	34	60-9	AR40470	1D18	12	30-3	AR40757	3B24	26	60-18
AR39586	1E6	2	30-15	AR40475	2I10	13	50-69	AR40758	3B24	27	60-18
AR39586	1F1	6	30-36	AR40475	2I12	15	50-71	AR40767	3F4	1	70-72
AR39640	1F1	1	30-36	AR40482	1F3	8	30-38	AR40767	3F4	2	70-72
AR39681	3E19	21	70-61	AR40482	1F3	..	30-38	AR40767	3F4	15	70-72
AR39681	3E20	13	70-62	AR40483	1C13	10	20-31	AR40767	3F4	16	70-72
AR39682	4D17	5	90-61	AR40485	1C4	74	20-21	AR40768	3E23	10	70-65
AR39683	4D17	3	90-61	AR40485	1C4	77	20-21	AR40777	3I11	2	80-34
AR39694	3C13	1	70-3	AR40485	1C13	10	20-31	AR40778	3I11	2	80-34
AR39694	3C17	..	70-7	AR40510	1B20	8	20-15	AR40783	2F25	13	50-8
AR39695	3C13	1	70-3	AR40510	1B20	9	20-15	AR40785	3E8	7	70-48
AR39695	3C15	..	70-5	AR40512	1B20	8	20-15	AR40786	3B8	16	60-3
AR39696	3C15	16	70-5	AR40518	2G12	18	50-20	AR40788	2G25	3	50-33
AR39764	1C9	9	20-27	AR40562	1C13	4	20-31	AR40789	2H1	16	50-34
AR39765	1C9	9	20-27	AR40563	1C13	4	20-31	AR40790	2G25	22	50-33
AR39768	1C11	9	20-29	AR40564	1C13	2	20-31	AR40792	2G25	9	50-33
AR39769	1C9	9	20-27	AR40564	1C13	4	20-31	AR40793	2H1	6	50-34
AR39770	1C9	9	20-27	AR40565	1C13	2	20-31	AR40794	2G2	20	50-10
AR39771	1C9	9	20-27	AR40565	1C13	4	20-31	AR40794	2G3	1	50-11
AR39773	2H6	20	50-39	AR40584	4D8	17	90-52	AR40795	2G4	30	50-12
AR39783	3F1	25	70-68	AR40585	4D8	1	90-52	AR40800	2G8	4	50-16
AR39783	3F10	2	70-79	AR40592	3H18	7	80-16	AR40802	4D12	1	90-56

## NUMERICAL INDEX - CONTINUED

PART NO.	GRID	KEY	PAGE	PART NO.	GRID	KEY	PAGE	PART NO.	GRID	KEY	PAGE
AR40806	4D14	3	90-58	AR41551	1F10	5	30-45	AR41767	2H14	7	50-48
AR40809	4D14	7	90-58	AR41552	1F9	3	30-44	AR41770	2G5	7	50-13
AR40812	4D14	16	90-58	AR41552	1F10	3	30-45	AR41785	1B9	..	20-2
AR40817	4D7	1	90-51	AR41553	1F9	2	30-44	AR41794	2H9	27	50-42
AR40820	1F16	24	30-51	AR41553	1F10	2	30-45	AR41885	2H2	32	50-35
AR40825	4D13	10	90-57	AR41554	1F9	1	30-44	AR41933	3F1	14	70-68
AR40826	4D13	10	90-57	AR41554	1F10	1	30-45	AR41947	3C4	7	60-23
AR40827	3F16	12	70-85	AR41555	1F9	4	30-44	AR41947	3C6	7	60-25
AR40827	3F19	4	70-88	AR41555	1F10	4	30-45	AR41948	2H23	11	50-57
AR40827	3F22	26	70-91	AR41556	1F6	1	30-41	AR41950	2E4	7	40-75
AR40831	1D2	9	20-43	AR41562	1C2	4	20-19	AR41950	2E6	8	40-77
AR40865	3F1	24	70-68	AR41562	1C11	12	20-29	AR41950	2E8	8	40-79
AR40865	3F10	1	70-79	AR41563	1C2	3	20-19	AR41950	2E9	3	40-80
AR40871	4D4	5	90-48	AR41563	1C11	8	20-29	AR41951	2E4	6	40-75
AR40897	1D9	13	20-50	AR41565	1G10	3	30-70	AR41951	2E6	7	40-77
AR40898	1D8	3	20-49	AR41584	4D10	5	90-54	AR41951	2E8	7	40-79
AR40902	1D8	6	20-49	AR41594	4B11	10	90-4	AR41951	2E9	2	40-80
AR40903	1D8	8	20-49	AR41599	4D7	7	90-51	AR41969	3F19	15	70-88
AR40923	1D5	8	20-46	AR41602	4D14	18	90-58	AR41970	3F19	15	70-88
AR40929	2F22	15	50-5	AR41624	1F10	23	30-45	AR41973	3D25	4	70-40
AR40929	2G3	8	50-11	AR41625	1F9	23	30-44	AR41975	3E14	1	70-55
AR40939	3F16	6A	70-85	AR41625	1F10	23	30-45	AR41976	3E5	14	70-45
AR40940	2H11	4	50-44	AR41625	1F11	..	30-46	AR41984	3B17	17	60-12
AR40947	2E4	4	40-75	AR41625	1F15	9	30-50	AR41985	3B25	22	60-19
AR40947	2E4	5	40-75	AR41683	2B10	8	40-2	AR41987	3B9	4	60-4
AR40964	2I12	12	50-71	AR41684	2B10	1	40-2	AR41987	3B17	18	60-12
AR40976	3E3	5	70-43	AR41684	2D10	1	40-55	AR42005	2I14	12	50-73
AR40977	3E3	2	70-43	AR41684	2D12	1	40-57	AR42008	2D20	8	40-66
AR40982	3I11	2	80-34	AR41687	2B10	4	40-2	AR42009	3B8	17	60-3
AR40983	3I11	2	80-34	AR41688	2B10	4	40-2	AR42009	3B9	3	60-4
AR40985	2G12	23	50-20	AR41690	1B18	24	20-13	AR42009	3B9	18	60-4
AR40988	3E12	14	70-53	AR41691	1D7	5	20-48	AR42093	2F25	21	50-8
AR40989	3F14	12	70-83	AR41694	2B10	9	40-2	AR42109	2I10	9	50-69
AR40990	3F14	15	70-83	AR41695	2D10	8	40-55	AR42120	2D19	29	40-65
AR40991	3F14	23	70-83	AR41695	2D12	9	40-57	AR42121	2D19	29	40-65
AR41003	2H7	14	50-40	AR41695	2D14	1	40-59	AR42121	2D20	3	40-66
AR41004	2F18	17	50-1	AR41696	2D10	4	40-55	AR42121	2D20	7	40-66
AR41006	1B18	25	20-13	AR41699	2D10	6	40-55	AR42125	2H8	24	50-41
AR41016	3B16	2	60-11	AR41699	2D11	9	40-56	AR42126	2H8	24	50-41
AR41104	3I10	5	80-33	AR41699	2D12	7	40-57	AR42152	3D14	7	70-29
AR41105	3I10	5	80-33	AR41702	2D10	6	40-55	AR42221	2H6	10	50-39
AR41108	1D10	9	20-51	AR41702	2D11	9	40-56	AR42223	2H6	10	50-39
AR41124	3D20	1	70-35	AR41702	2D12	10	40-57	AR42287	3E12	33	70-53
AR41125	3D20	8	70-35	AR41702	2D13	9	40-58	AR42295	3D17	6	70-32
AR41126	3B17	5	60-12	AR41702	2D14	4	40-59	AR42326	2D25	14	40-71
AR41127	3D15	8	70-30	AR41719	3D14	13	70-29	AR42392	3B25	6	60-19
AR41128	3D15	1	70-30	AR41719	3D17	13	70-32	AR42393	3B25	13	60-19
AR41129	3D13	6	70-28	AR41726	1F2	1	30-37	AR42398	3C1	3	60-20
AR41130	3B17	7	60-12	AR41726	1F6	8	30-41	AR42400	3B21	27	60-15
AR41131	3B17	5	60-12	AR41743	3E23	27	70-65	AR42431	2E6	3	40-77
AR41134	3I10	1	80-33	AR41744	3E23	3	70-65	AR42432	2E6	21	40-77
AR41135	3I10	1	80-33	AR41746	2G14	15	50-22	AR42594	3I14	4	80-37
AR41139	3F22	37	70-91	AR41752	2H4	2	50-37	AR42598	4B8	9	90-1
AR41140	3F22	37	70-91	AR41752	2I3	2	50-62	AR42608	1C9	9	20-27
AR41144	3I12	1	80-35	AR41754	2E9	8	40-80	AR42609	1C9	9	20-27
AR41145	3I12	1	80-35	AR41756	2E4	2	40-75	AR42612	1C9	8	20-27
AR41171	1E4	22	30-13	AR41756	2E6	2	40-77	AR42613	2I12	3	50-71
AR41172	1D24	23	30-9	AR41756	2E8	2	40-79	AR42613	2I13	19	50-72
AR41172	1E2	17	30-11	AR41756	2E9	1	40-80	AR42629	4D8	8	90-52
AR41174	3I10	10	80-33	AR41758	2E4	1	40-75	AR42642	1B22	29	20-15B
AR41210	2H9	15	50-42	AR41758	2E6	1	40-77	AR42648	1D9	20	20-50
AR41276	4D2	1	90-46	AR41758	2E8	1	40-79	AR42665	1B22	29	20-15B
AR41277	4D2	1	90-46	AR41758	2E9	10	40-80	AR42883	2D25	14	40-71
AR41287	2B21	10	40-13	AR41760	2E4	3	40-75	AR42989	3I10	9	80-33
AR41287	2B22	9	40-14	AR41761	4B11	6	90-4	AR42991	2D25	14	40-71
AR41288	2D5	13	40-50	AR41761	4B12	6	90-5	AR43559	3B10	10	60-5
AR41551	1F9	5	30-44	AR41762	4B14	4	90-7	AR43559	3B11	10	60-6

## NUMERICAL INDEX - CONTINUED

PART NO.	GRID	KEY	PAGE	PART NO.	GRID	KEY	PAGE	PART NO.	GRID	KEY	PAGE
AR43594	1B14	8	20-9	AR44700	2C21	12	40-41	AR45237	2B24	23	40-16
AR43594	1C2	38	20-19	AR44707	4B12	16	90-5	AR45238	2B24	23	40-16
AR43609	2B11	9	40-3	AR44712	2H3	6	50-36	AR45240	2H22	10	50-56
AR43742	2D20	12	40-66	AR44713	2I1	6	50-60	AR45249	3D20	13	70-35
AR43743	2D20	17	40-66	AR44720	4C1	4	90-19	AR45250	3D15	13	70-30
AR43809	3B10	10	60-5	AR44720	4C1	6	90-19	AR45251	3B24	20	60-18
AR43809	3B11	10	60-6	AR44763	4B8	8	90-1	AR45251	3C1	4	60-20
AR43986	2B11	4	40-3	AR44765	3E3	6	70-43	AR45251	3D20	14	70-35
AR43987	2B11	4	40-3	AR44776	4B11	10	90-4	AR45252	3B24	20	60-18
AR44030	2G4	10	50-12	AR44820	3F7	24	70-76	AR45252	3C1	7	60-20
AR44035	1B11	..	20-5	AR44840	1D8	14	20-49	AR45252	3D15	14	70-30
AR44035	1D12	26	20-53	AR44847	1C25	34	20-41	AR45255	2G23	22	50-31
AR44037	1B11	..	20-5	AR44847	1C25	36	20-41	AR45256	1C4	51	20-21
AR44037	1D11	29	20-52	AR44864	2C7	16	40-25	AR45256	1C23	27	20-39
AR44050	1E21	17	30-31	AR44883	3B9	9	60-4	AR45266	3D15	17	70-30
AR44052	1E22	4	30-32	AR44895	1E21	12	30-31	AR45268	3D15	16	70-30
AR44061	1B24	..	20-17	AR44896	1E21	24	30-31	AR45282	2I25	6	50-84
AR44063	1B24	..	20-17	AR44897	1E21	6	30-31	AR45283	3D12	7	70-27
AR44065	1B24	..	20-17	AR44988	4C2	9	90-20	AR45292	1C21	5	20-37
AR44077	1F6	17	30-41	AR44989	2D19	16	40-65	AR45297	1C24	4	20-40
AR44077	1G18	2	30-78	AR44989	2D20	16	40-66	AR45299	1C24	4	20-40
AR44093	1C9	9	20-27	AR44996	2D20	15	40-66	AR45300	1D19	3	30-4
AR44094	1C9	9	20-27	AR44997	2H18	6	50-52	AR45304	1E3	3	30-12
AR44189	3F4	3	70-72	AR44999	2B21	6	40-13	AR45306	1C24	14	20-40
AR44254	4C25	2	90-44	AR44999	2B22	3	40-14	AR45312	2B24	1	40-16
AR44255	4C25	1	90-44	AR45010	4B24	4	90-17	AR45312	2B25	1	40-17
AR44283	3D14	14	70-29	AR45011	4B24	6	90-17	AR45314	2G22	7	50-30
AR44283	3D17	9	70-32	AR45012	4B24	2	90-17	AR45315	2G22	10	50-30
AR44283	3D18	11	70-33	AR45013	2E6	4	40-77	AR45316	2B24	15	40-16
AR44283	3D19	15	70-34	AR45014	2E6	17	40-77	AR45317	2B25	12	40-17
AR44356	3E2	8	70-42	AR45015	2E6	20	40-77	AR45318	3H25	2	80-23
AR44376	2I21	24	50-80	AR45016	3D24	32	70-39	AR45330	1D3	12	20-44
AR44378	1D3	12	20-44	AR45034	2I21	1	50-80	AR45332	1D5	8	20-46
AR44379	1D5	8	20-46	AR45099	2D15	22	40-60	AR45341	2I25	7	50-84
AR44382	1B20	1	20-15	AR45099	2D19	16	40-65	AR45341	2J1	16	50-85
AR44384	2J1	10	50-85	AR45099	2D19	28	40-65	AR45342	2H22	16	50-56
AR44384	3D24	33	70-39	AR45099	2D20	16	40-66	AR45369	4D10	8	90-54
AR44386	3D12	11	70-27	AR45104	3F7	18	70-76	AR45369	4D10	10	90-54
AR44390	1C20	3	20-36	AR45105	3F7	18	70-76	AR45370	4D10	1	90-54
AR44392	1B14	1	20-9	AR45129	3I9	13	80-32	AR45370	4D10	3	90-54
AR44392	1B14	4	20-9	AR45130	3I9	14	80-32	AR45371	4D10	5	90-54
AR44392	1B14	5	20-9	AR45131	3I10	6	80-33	AR45381	2G2	20	50-10
AR44393	1B14	1	20-9	AR45155	3H24	1	80-22	AR45381	2G3	1	50-11
AR44393	1B14	2	20-9	AR45157	3C4	30	60-23	AR45389	2B24	27	40-16
AR44393	1B14	3	20-9	AR45159	1E9	7	30-18	AR45390	2B24	19	40-16
AR44393	1C2	43	20-19	AR45159	1E10	..	30-19	AR45390	2B25	5	40-17
AR44402	1B9	1	20-2	AR45159	1E11	1	30-20	AR45391	2B25	11	40-17
AR44423	2G13	5	50-21	AR45159	1E12	..	30-21	AR45392	2B25	4	40-17
AR44430	3C1	9	60-20	AR45168	3H15	9	80-13	AR45408	3H15	9	80-13
AR44430	3C2	9	60-21	AR45170	2I4	16	50-63	AR45408	3H22	8	80-20
AR44552	2G16	2	50-24	AR45184	1D17	5	30-2	AR45414	2I21	6	50-80
AR44553	2G16	1	50-24	AR45184	1D18	1	30-3	AR45414	3H24	6	80-22
AR44554	2G16	15	50-24	AR45193	3I1	7	80-24	AR45435	4D11	10	90-55
AR44556	1B22	29	20-15B	AR45198	3D24	17	70-39	AR45436	4D11	5	90-55
AR44557	1B22	29	20-15B	AR45204	1D17	6	30-2	AR45437	4D11	19	90-55
AR44568	3E17	3	70-58	AR45204	1D18	2	30-3	AR45438	4D11	21	90-55
AR44603	4C9	7	90-27	AR45207	3I9	11	80-32	AR45439	4D11	15	90-55
AR44603	4C17	5	90-36	AR45218	1C14	1	20-32	AR45439	4D11	20	90-55
AR44604	4C9	7	90-27	AR45219	1C16	1	20-33	AR45440	4D11	26	90-55
AR44604	4C17	5	90-36	AR45220	1C16	1	20-33	AR45442	4D12	2	90-56
AR44616	2H10	13	50-43	AR45230	3D24	26	70-39	AR45443	4D12	2	90-56
AR44624	1C16	1	20-33	AR45231	3D24	25	70-39	AR45446	4D11	22	90-55
AR44625	1C4	78	20-21	AR45232	3D24	29	70-39	AR45446	4D11	25	90-55
AR44625	1C14	1	20-32	AR45233	2I25	9	50-84	AR45450	2B14	6	40-6
AR44635	3D22	1	70-37	AR45233	2J4	19	50-88	AR45450	2B15	1	40-7
AR44698	2C21	32	40-41	AR45234	3D24	14	70-39	AR45453	4D1	2	90-45
AR44699	2C23	2	40-43	AR45235	3D24	16	70-39	AR45477	4D3	1	90-47

## NUMERICAL INDEX - CONTINUED

PART NO.	GRID	KEY	PAGE	PART NO.	GRID	KEY	PAGE	PART NO.	GRID	KEY	PAGE
AR45483	1D8	1	20-49	AR45836	4C6	5	90-24	AR45953	1D10	15	20-51
AR45483	1D8	3	20-49	AR45837	2E14	20	40-85	AR45953	1D10	16	20-51
AR45483	1D8	4	20-49	AR45838	2E14	15	40-85	AR45964	1C9	9	20-27
AR45484	1D8	7	20-49	AR45839	2E12	27	40-83	AR45966	1C9	8	20-27
AR45485	1D8	9	20-49	AR45839	2E13	13	40-84	AR45974	2D25	1	40-71
AR45498	1C9	6	20-27	AR45839	2E15	28	40-86	AR45975	2B13	6	40-5
AR45516	2B10	3	40-2	AR45840	2E14	14	40-85	AR46016	1D2	9	20-43
AR45517	2B10	3	40-2	AR45841	2E14	12	40-85	AR46042	2H22	3	50-56
AR45518	2B10	3	40-2	AR45842	2E14	7	40-85	AR46062	2B24	5	40-16
AR45519	2B10	3	40-2	AR45843	2E12	3	40-83	AR46063	2B24	12	40-16
AR45528	1E7	8	30-16	AR45843	2E14	21	40-85	AR46064	2C5	17	40-23
AR45528	1F2	3	30-37	AR45843	2E15	3	40-86	AR46078	3D15	13	70-30
AR45530	1B12	4	20-6	AR45844	2E12	12	40-83	AR46078	3D20	13	70-35
AR45534	3G18	26	70-114	AR45844	2E14	22	40-85	AR46079	4D13	5	90-57
AR45535	3G17	30	70-113	AR45844	2E15	4	40-86	AR46081	2D12	11	40-57
AR45536	3G13	24	70-109	AR45845	4C5	12	90-23	AR46081	2D20	11	40-66
AR45537	3D24	10	70-39	AR45846	4C6	4	90-24	AR46113	2H12	14	50-45
AR45539	3D24	6	70-39	AR45847	2D20	6	40-66	AR46113	2H12	..	50-45
AR45540	3D24	3	70-39	AR45849	2E13	11	40-84	AR46115	2B14	1	40-6
AR45542	2H25	9	50-59	AR45850	4C3	1	90-21	AR46115	2B15	1	40-7
AR45543	3G10	26A	70-105	AR45851	2E13	16	40-84	AR46117	1G12	24A	30-72
AR45544	3G13	37	70-109	AR45852	2E13	20	40-84	AR46146	3B21	6	60-15
AR45544	3G15	39	70-111	AR45853	2E13	9	40-84	AR46147	1D18	3	30-3
AR45545	3G8	37	70-103	AR45854	2E13	14	40-84	AR46148	1D18	3	30-3
AR45545	3G10	26A	70-105	AR45856	4C4	5	90-22	AR46223	3I11	2	80-34
AR45545	3G10	26B	70-105	AR45857	4C7	1	90-25	AR46225	4C9	11	90-27
AR45545	3G17	28	70-113	AR45858	4C7	3	90-25	AR46256	3F10	12	70-79
AR45626	3D18	5	70-33	AR45859	2E13	5	40-84	AR46257	1F6	3	30-41
AR45647	3F16	17	70-85	AR45860	2E13	19	40-84	AR46264	1C11	9	20-29
AR45677	3H15	4	80-13	AR45893	4B25	10	90-18	AR46265	1C11	8	20-29
AR45677	3H19	5	80-17	AR45894	4B25	19	90-18	AR46265	1C11	9	20-29
AR45678	1F6	15	30-41	AR45897	4C1	12	90-19	AR46268	1E6	11	30-15
AR45679	1D17	7	30-2	AR45897	4C23	11	90-42	AR46268	1F1	15	30-36
AR45718	4B25	21	90-18	AR45898	4C1	3	90-19	AR46271	4D11	5	90-55
AR45723	1C2	6	20-19	AR45898	4C23	3	90-42	AR46273	2C5	..	40-23
AR45723	1C9	7	20-27	AR45899	4D6	1	90-50	AR46274	2C5	..	40-23
AR45723	1C11	7	20-29	AR45900	4C1	19	90-19	AR46278	2C5	..	40-23
AR45734	2B24	20	40-16	AR45900	4C23	20	90-42	AR46279	2C5	..	40-23
AR45734	2B25	6	40-17	AR45901	4C1	21	90-19	AR46280	2C5	..	40-23
AR45735	1G12	3	30-72	AR45901	4C23	22	90-42	AR46282	4D19	4	90-63
AR45781	2I22	9	50-81	AR45902	4C1	14	90-19	AR46289	3I3	5	80-26
AR45782	2I22	13	50-81	AR45902	4C23	13	90-42	AR46298	3E20	9	70-62
AR45788	2H12	14	50-45	AR45915	1D22	1	30-7	AR46299	4B17	4	90-10
AR45810	4B17	15	90-10	AR45916	1D24	27	30-9	AR46301	3I3	..	80-26
AR45811	4B17	21	90-10	AR45916	1E2	21	30-11	AR46313	3I3	..	80-26
AR45812	4B17	10	90-10	AR45916	1E4	26	30-13	AR46323	1E3	17	30-12
AR45813	4B18	2	90-11	AR45917	1E2	19	30-11	AR46323	1E3	20	30-12
AR45814	4B18	3	90-11	AR45917	1E2	20	30-11	AR46333	2D20	10	40-66
AR45815	4B18	6	90-11	AR45917	1E4	24	30-13	AR46334	2B16	9	40-8
AR45816	4B18	10	90-11	AR45917	1E4	25	30-13	AR46334	2B17	4	40-9
AR45817	4B21	15	90-14	AR45918	1D22	1	30-7	AR46335	2D20	9	40-66
AR45818	4B22	21	90-15	AR45921	2B13	6	40-5	AR46340	4D12	3	90-56
AR45819	4B21	9	90-14	AR45923	2B12	2	40-4	AR46357	1D24	27	30-9
AR45820	4B22	22	90-15	AR45923	2B12	5	40-4	AR46357	1E2	21	30-11
AR45821	4B21	3	90-14	AR45923	2B13	2	40-5	AR46372	4C1	6	90-19
AR45822	4B22	8	90-15	AR45923	2B14	3	40-6	AR46372	4C23	6	90-42
AR45823	4B22	4	90-15	AR45924	2B12	5	40-4	AR46373	4C1	4	90-19
AR45824	4B22	5	90-15	AR45924	2B14	7	40-6	AR46373	4C23	4	90-42
AR45827	4C3	11	90-21	AR45925	2B12	7	40-4	AR46374	4C1	16	90-19
AR45828	4C3	9	90-21	AR45925	2B13	6	40-5	AR46374	4C23	15	90-42
AR45829	4C3	12	90-21	AR45926	2B12	5	40-4	AR46395	1C9	7	20-27
AR45830	4C3	4	90-21	AR45926	2B13	2	40-5	AR46395	1C11	7	20-29
AR45831	4C3	5	90-21	AR45926	2B14	3	40-6	AR46396	1C9	7	20-27
AR45832	4C4	4	90-22	AR45927	2B13	5	40-5	AR46396	1C11	7	20-29
AR45833	4C4	9	90-22	AR45952	1D10	15	20-51	AR46397	1C9	7	20-27
AR45834	4C4	6	90-22	AR45952	1D10	16	20-51	AR46397	1C11	7	20-29
AR45835	4C6	7	90-24	AR45953	1D10	2	20-51	AR46398	1C9	7	20-27

## NUMERICAL INDEX - CONTINUED

PART NO.	GRID	KEY	PAGE	PART NO.	GRID	KEY	PAGE	PART NO.	GRID	KEY	PAGE
AR46398	1C11	7	20-29	AR47304	1F3	13	30-38	AR48016	4D12	3	90-56
AR46399	1C14	1	20-32	AR47331	3F24	20	70-93	AR48019	4D12	2	90-56
AR46400	1C14	1	20-32	AR47331	3G2	29	70-95	AR48020	4D12	2	90-56
AR46401	1C14	1	20-32	AR47335	1C4	51	20-21	AR48031	4D12	6	90-56
AR46402	1C14	1	20-32	AR47335	1C23	27	20-39	AR48032	4D11	22	90-55
AR46403	1C16	1	20-33	AR47357	1B24	..	20-17	AR48033	4D11	15	90-55
AR46404	1C16	1	20-33	AR47358	1B24	..	20-17	AR48034	4D11	13	90-55
AR46405	1C16	1	20-33	AR47359	1B24	..	20-17	AR48035	4D11	17	90-55
AR46406	1C16	1	20-33	AR47374	2D23	1	40-69	AR48040	2D15	21	40-60
AR46407	1C16	1	20-33	AR47374	2D24	1	40-70	AR48040	2D19	27	40-65
AR46411	4B15	6	90-8	AR47436	3I12	2	80-35	AR48041	2D6	22	40-51
AR46481	1D17	11	30-2	AR47458	2D5	12	40-50	AR48041	2D15	20	40-60
AR46481	1G18	5	30-78	AR47459	2D5	12	40-50	AR48041	2D19	26	40-65
AR46726	3B17	17	60-12	AR47486	3F13	2	70-82	AR48110	3F1	24	70-68
AR46727	3D14	3	70-29	AR47490	3F11	1	70-80	AR48110	3F3	34	70-71
AR46728	2B10	6	40-2	AR47547	2B10	3	40-2	AR48110	3F10	1	70-79
AR46729	2B10	6	40-2	AR47547	2B11	..	40-3	AR48111	3F1	25	70-68
AR46730	2B11	5	40-3	AR47548	2B10	..	40-2	AR48111	3F3	35	70-71
AR46730	2D23	4	40-69	AR47548	2B11	..	40-3	AR48111	3F10	2	70-79
AR46730	2D24	3	40-70	AR47567	3F10	11	70-79	AR48219	1F22	7	30-57
AR46820	4C16	19	90-35	AR47580	3C15	16	70-5	AR48219	1F23	18	30-58
AR46828	3F10	3	70-79	AR47580	3C17	16	70-7	AR48521	1D9	13	20-50
AR46839	1F11	22	30-46	AR47603	3F13	15	70-82	AR48522	1B22	29	20-15B
AR46839	1F12	22	30-47	AR47611	2G4	25	50-12	AR48522	1D9	13	20-50
AR46839	1F13	21	30-48	AR47643	3F22	6	70-91	AR48527	2I23	16	50-82
AR46839	1F14	5	30-49	AR47643	3F24	7	70-93	AR48589	2G24	8	50-32
AR46839	1F15	8	30-50	AR47643	3G2	36	70-95	AR48594	2B10	9	40-2
AR46840	1F11	14	30-46	AR47740	1E11	32	30-20	AR48594	2B11	12	40-3
AR46843	1F14	12	30-49	AR47741	1E11	25	30-20	AR48594	2D5	9	40-50
AR46846	1F9	14	30-44	AR47742	1E14	2	30-23	AR48623	1B24	..	20-17
AR46846	1F10	14	30-45	AR47743	1E9	24	30-18	AR48625	1B22	29	20-15B
AR46846	1G8	3	30-68	AR47748	1E21	22	30-31	AR48629	1B22	29	20-15B
AR46957	2J1	6	50-85	AR47752	4D14	16	90-58	AR48629	1B24	..	20-17
AR46957	3D24	35	70-39	AR47753	3F13	5	70-82	AR48629	1C4	81	20-21
AR46959	3D24	37	70-39	AR47785	1D22	1	30-7	AR48640	4D11	10	90-55
AR46975	1D17	13	30-2	AR47793	4D12	3	90-56	AR48643	4D13	5	90-57
AR46977	1F11	..	30-46	AR47802	3C13	1	70-3	AR48647	2B10	3	40-2
AR46977	1F18	1	30-53	AR47802	3C17	..	70-7	AR48647	2B10	..	40-2
AR46978	3F17	1	70-86	AR47803	3D24	24	70-39	AR48679	2G14	15	50-22
AR46979	4D11	9	90-55	AR47805	3B21	6	60-15	AR48682	1F9	23	30-44
AR46983	2E4	21	40-75	AR47825	3G6	7	70-101	AR48682	1F10	23	30-45
AR46983	2E8	22	40-79	AR47825	3G8	1	70-103	AR48682	1F11	..	30-46
AR46984	2E4	20	40-75	AR47825	3G10	26A	70-105	AR48682	1F13	2	30-48
AR46984	2E8	21	40-79	AR47825	3G10	27	70-105	AR48682	1F15	9	30-50
AR46985	2E4	18	40-75	AR47825	3G13	1	70-109	AR48682	1F15	11	30-50
AR46985	2E8	19	40-79	AR47825	3G15	41	70-111	AR48687	1C2	5	20-19
AR46986	2E4	3	40-75	AR47825	3G17	11	70-113	AR48687	1C9	11	20-27
AR46986	2E4	4	40-75	AR47835	2I7	9	50-66	AR48687	1C11	11	20-29
AR46986	2E6	3	40-77	AR47855	2B10	8	40-2	AR48689	2F22	15	50-5
AR46986	2E8	4	40-79	AR47856	2B10	3	40-2	AR48689	2G3	5	50-11
AR46986	2E8	5	40-79	AR47857	2B10	3	40-2	AR48689	2G3	8	50-11
AR47066	1B11	3	20-5	AR47858	2B10	6	40-2	AR48690	2G3	5	50-11
AR47086	2B12	3	40-4	AR47859	4D20	6	90-64	AR48717	2E4	4	40-75
AR47086	2B13	3	40-5	AR47891	1C20	1	20-36	AR48717	2E4	5	40-75
AR47087	2B12	3	40-4	AR47916	4D11	1	90-55	AR48721	2D9	10	40-54
AR47087	2B13	3	40-5	AR47939	3I8	12	80-31	AR48721	2D11	5	40-56
AR47091	3I18	18	80-41	AR47940	3I8	18	80-31	AR48721	2D13	5	40-58
AR47092	2D25	..	40-71	AR47941	3I8	5	80-31	AR48721	2D14	7	40-59
AR47093	2D22	12	40-68	AR48004	4D5	3	90-49	AR48722	2D9	10	40-54
AR47137	2I21	11	50-80	AR48006	3E15	4	70-56	AR48722	2D11	6	40-56
AR47170	3C15	16	70-5	AR48007	3E5	14	70-45	AR48722	2D13	6	40-58
AR47178	2J4	6	50-88	AR48007	3E9	11	70-49	AR48723	2D9	12	40-54
AR47179	2J4	14	50-88	AR48007	3E9	12	70-49	AR48723	2D15	28	40-60
AR47210	4B15	3	90-8	AR48007	3E9	13	70-49	AR48724	2D5	13	40-50
AR47235	2D5	12	40-50	AR48007	3E9	14	70-49	AR48725	2D7	1	40-52
AR47290	3B8	16	60-3	AR48015	4D12	5	90-56	AR48726	2B17	11	40-9
AR47293	3B9	9	60-4	AR48016	4D12	2	90-56	AR48727	4D5	3	90-49

## NUMERICAL INDEX - CONTINUED

PART NO.	GRID	KEY	PAGE	PART NO.	GRID	KEY	PAGE	PART NO.	GRID	KEY	PAGE
AR48728	1C20	1	20-36	AR49297	3D24	26	70-39	AR50088	3E5	7	70-45
AR48734	3F19	18	70-88	AR49342	2B24	27	40-16	AR50118	2G25	9	50-33
AR48872	4D1	2	90-45	AR49349	2B10	8	40-2	AR50119	2G25	9	50-33
AR48873	4D1	2	90-45	AR49352	2E24	17	40-95	AR50119	2G25	22	50-33
AR48898	2F24	16	50-7	AR49416	2B10	7	40-2	AR50140	1E7	3	30-16
AR48901	2I25	9	50-84	AR49418	4B19	..	90-12	AR50140	1E7	6	30-16
AR48901	2J4	19	50-88	AR49420	2J1	16	50-85	AR50141	1E7	2	30-16
AR48903	2J4	14	50-88	AR49427	3C12	4	70-2	AR50141	1G18	4	30-78
AR48904	2J3	13	50-87	AR49430	1F12	22	30-47	AR50142	1E7	1	30-16
AR48911	2B12	2	40-4	AR49430	1F13	21	30-48	AR50144	1F16	23	30-51
AR48912	2B12	5	40-4	AR49430	1F14	5	30-49	AR50144	1F20	28	30-55
AR48912	2B14	7	40-6	AR49430	1F15	8	30-50	AR50144	1G3	..	30-63
AR48933	3F16	2A	70-85	AR49457	2H22	28	50-56	AR50144	1G4	..	30-64
AR48936	2B11	11	40-3	AR49479	2B25	4	40-17	AR50144	1G5	..	30-65
AR48937	2B11	1	40-3	AR49532	2G12	18	50-20	AR50171	2G19	8	50-27
AR48938	2D11	3	40-56	AR49535	3B10	8	60-5	AR50180	2G19	21	50-27
AR48939	2D11	3	40-56	AR49536	3B10	8	60-5	AR50186	3H24	1	80-22
AR48939	2D13	3	40-58	AR49542	1F22	5	30-57	AR50260	2D21	6	40-67
AR48940	1C16	1	20-33	AR49542	1F24	37	30-59	AR50261	1F2	1	30-37
AR48963	2H12	14	50-45	AR49543	1F23	28	30-58	AR50261	1F8	14	30-43
AR48964	3I10	6	80-33	AR49578	3F12	1	70-81	AR50264	1F8	4	30-43
AR48976	4D3	1	90-47	AR49602	2B16	3	40-8	AR50270	2C5	3	40-23
AR48977	4D3	1	90-47	AR49602	2B20	1	40-12	AR50332	1F11	22	30-46
AR48982	4D2	1	90-46	AR49602	2D17	17	40-63	AR50332	1F12	22	30-47
AR48983	4D2	1	90-46	AR49615	2D11	..	40-56	AR50332	1F13	21	30-48
AR49025	1C2	20	20-19	AR49615	2D13	..	40-58	AR50332	1F14	5	30-49
AR49025	1C20	1	20-36	AR49622	3F12	8	70-81	AR50332	1F15	8	30-50
AR49032	2D22	12	40-68	AR49631	4D13	10	90-57	AR50340	3E12	20	70-53
AR49036	2D24	6	40-70	AR49632	4D13	10	90-57	AR50353	1B22	29	20-15B
AR49038	2B11	7	40-3	AR49650	1C19	6	20-35	AR50368	3F3	38	70-71
AR49038	2D24	4	40-70	AR49651	1C19	6	20-35	AR50372	3F3	22	70-71
AR49052	1C11	12	20-29	AR49678	4C3	20	90-21	AR50373	3F3	22	70-71
AR49142	1B14	1	20-9	AR49679	4C3	18	90-21	AR50374	3F3	15	70-71
AR49142	1B14	4	20-9	AR49680	1G18	6	30-78	AR50387	3C4	27	60-23
AR49142	1B14	5	20-9	AR49680	4C3	5	90-21	AR50399	2E1	4	40-72
AR49143	1B14	1	20-9	AR49709	2G17	8	50-25	AR50400	4D12	2	90-56
AR49143	1B14	14	20-9	AR49751	3D17	9	70-32	AR50401	4D12	2	90-56
AR49143	1B14	15	20-9	AR49751	3D18	5	70-33	AR50404	4D12	2	90-56
AR49173	2I13	6	50-72	AR49751	3D19	5	70-34	AR50405	4D12	2	90-56
AR49174	2I13	3	50-72	AR49789	3B17	9	60-12	AR50411	2E1	5	40-72
AR49175	2I13	16	50-72	AR49789	3D22	14	70-37	AR50439	4D11	12	90-55
AR49180	3C1	3	60-20	AR49797	2E16	1	40-87	AR50439	4D11	14	90-55
AR49182	3B24	27	60-18	AR49798	2E16	1	40-87	AR50440	4D11	3	90-55
AR49183	4D6	1	90-50	AR49907	1F16	..	30-51	AR50489	1D17	1	30-2
AR49184	4D6	1	90-50	AR49907	1F21	11	30-56	AR50490	1D17	7	30-2
AR49202	3E25	19	70-67	AR49923	4B20	..	90-13	AR50495	1G14	..	30-74
AR49206	3E25	14	70-67	AR49952	4C18	6	90-37	AR50508	4D11	4	90-55
AR49226	1F10	14	30-45	AR49964	4C19	6	90-38	AR50514	3B17	14	60-12
AR49226	1G8	3	30-68	AR49965	4C17	16	90-36	AR50516	4D8	8	90-52
AR49232	1C16	1	20-33	AR49968	4C19	3	90-38	AR50518	2E1	8	40-72
AR49233	1C16	1	20-33	AR49969	2E12	29	40-83	AR50580	2D9	18	40-54
AR49234	1C16	1	20-33	AR49969	2E15	27	40-86	AR50580	2D11	1	40-56
AR49235	1C16	1	20-33	AR49969	4C17	20	90-36	AR50580	2D13	1	40-58
AR49236	1C16	1	20-33	AR49969	4C19	8	90-38	AR50580	2D14	2	40-59
AR49237	1C16	1	20-33	AR49970	4C18	7	90-37	AR50591	3D17	9	70-32
AR49238	1C16	1	20-33	AR49971	2E15	17	40-86	AR50591	3D18	5	70-33
AR49239	1C16	1	20-33	AR49972	2E15	15	40-86	AR50591	3D19	11	70-34
AR49240	1C16	1	20-33	AR49986	4C20	3	90-39	AR50599	3D15	17	70-30
AR49241	1C16	1	20-33	AR49987	4C17	18	90-36	AR50638	1B22	29	20-15B
AR49242	1C16	1	20-33	AR50009	4C20	4	90-39	AR50700	2H7	14	50-40
AR49243	1C14	1	20-32	AR50010	4C20	4	90-39	AR50708	2H14	7	50-48
AR49244	1C14	1	20-32	AR50040	1F7	6	30-42	AR50709	2G5	7	50-13
AR49245	1C14	1	20-32	AR50040	1F8	7	30-43	AR50770	3D24	16	70-39
AR49246	1C14	1	20-32	AR50041	1F7	3	30-42	AR50776	3H24	1	80-22
AR49247	1C14	1	20-32	AR50041	1F8	8	30-43	AR50779	2E16	2	40-87
AR49295	3D24	25	70-39	AR50041	1G18	2	30-78	AR50780	2E16	2	40-87
AR49296	3D24	29	70-39	AR50065	3H13	11	80-11	AR50781	1F9	14	30-44

## NUMERICAL INDEX - CONTINUED

PART NO.	GRID	KEY	PAGE	PART NO.	GRID	KEY	PAGE	PART NO.	GRID	KEY	PAGE
AR50781	1F10	14	30-45	AR51452	4B15	3	90-8	AR52290	4C11	26	90-29
AR50781	1F16	15	30-51	AR51452	4B16	6	90-9	AR52291	4C14	17	90-33
AR50781	1G8	3	30-68	AR51481	2D5	7	40-50	AR52292	4C14	18	90-33
AR50781	1G9	3	30-69	AR51483	2E6	21	40-77	AR52293	4C14	1	90-33
AR50786	1C9	9	20-27	AR51584	3H17	16	80-15	AR52294	2E12	18	40-83
AR50818	4C21	13	90-40	AR51584	3H18	20	80-16	AR52295	4C10	5	90-28
AR50819	4C21	20	90-40	AR51584	3H23	16	80-21	AR52296	4C20	1	90-39
AR50824	2B11	6	40-3	AR51586	4C21	2	90-40	AR52297	4C20	6	90-39
AR50825	2B11	6	40-3	AR51706	1G1	16	30-61	AR52298	4C20	14	90-39
AR50829	2B11	13	40-3	AR51706	1G4	16	30-64	AR52299	4C20	15	90-39
AR50833	2B11	10	40-3	AR51708	1F23	1	30-58	AR52300	4C20	11	90-39
AR50834	2D11	8	40-56	AR51708	1G2	10	30-62	AR52301	4C18	13	90-37
AR50834	2D11	..	40-56	AR51708	1G5	10	30-65	AR52302	4C18	3	90-37
AR50834	2D13	8	40-58	AR51711	1F20	31	30-55	AR52303	2D17	15	40-63
AR50834	2D13	..	40-58	AR51713	1F24	..	30-59	AR52304	4C14	20	90-33
AR50834	2E24	8	40-95	AR51713	1F25	..	30-60	AR52305	4C10	1	90-28
AR50835	2D14	8	40-59	AR51713	1G1	..	30-61	AR52306	4C10	19	90-28
AR50836	2D14	5	40-59	AR51713	1G2	..	30-62	AR52307	4C11	28	90-29
AR50838	2B11	3	40-3	AR51713	1G3	..	30-63	AR52311	4C12	6	90-30
AR50838	4D12	6	90-56	AR51713	1G4	..	30-64	AR52313	4C18	10	90-37
AR50853	4C21	32	90-40	AR51713	1G5	..	30-65	AR52314	4C18	10	90-37
AR50854	4C21	31	90-40	AR51713	1G7	1	30-67	AR52335	2G24	12	50-32
AR50855	4C16	18	90-35	AR51714	1G5	12	30-65	AR52392	2E18	4	40-89
AR50856	4C16	2	90-35	AR51745	3C19	9	70-9	AR52393	3I18	10	80-41
AR50865	3H15	9	80-13	AR51796	1F24	..	30-59	AR52393	3I18	16	80-41
AR50865	3H22	8	80-20	AR51799	1C11	8	20-29	AR52394	3F16	2A	70-85
AR50866	4C16	26	90-35	AR51799	1C11	12	20-29	AR52394	3F16	6A	70-85
AR50867	4C16	29	90-35	AR51801	3B19	5	60-14	AR52394	3F16	26	70-85
AR50870	4C16	30	90-35	AR51810	4C16	8	90-35	AR52394	3F16	..	70-85
AR50874	1F20	20	30-55	AR51867	3F3	6	70-71	AR52449	1E9	7	30-18
AR50874	1F22	5	30-57	AR51922	1D17	2	30-2	AR52449	1E10	..	30-19
AR50921	3I8	5	80-31	AR51968	2D17	..	40-63	AR52449	1E11	1	30-20
AR50926	2E18	14	40-89	AR51973	2E8	4	40-79	AR52449	1E12	..	30-21
AR50927	2E16	20	40-87	AR52016	3B18	23	60-13	AR52449	1E15	..	30-24
AR50927	2E18	20	40-89	AR52099	3C15	25	70-5	AR52449	1E16	..	30-25
AR50928	2E16	18	40-87	AR52158	1E8	4	30-17	AR52451	1E16	30	30-25
AR50929	2E18	19	40-89	AR52158	1F4	4	30-39	AR52452	1E16	25	30-25
AR50930	2E18	15	40-89	AR52159	1E8	4	30-17	AR52453	1E15	15	30-24
AR50931	2E18	23	40-89	AR52159	1F3	6	30-38	AR52454	1E18	2	30-27
AR50937	4B9	20	90-2	AR52159	1F3	10	30-38	AR52467	2B11	10	40-3
AR50962	3H16	4	80-14	AR52159	1F3	13	30-38	AR52478	2E4	28	40-75
AR50963	3H16	4	80-14	AR52159	1F3	15	30-38	AR52478	2E8	29	40-79
AR50964	2E14	7	40-85	AR52159	1F3	..	30-38	AR52494	3C21	9	70-11
AR50964	2E14	8	40-85	AR52159	1F4	4	30-39	AR52497	3B21	6	60-15
AR50965	2E14	7	40-85	AR52163	2H7	14	50-40	AR52544	1C9	12	20-27
AR50966	2E14	4	40-85	AR52164	2F18	17	50-1	AR52545	1C9	12	20-27
AR50981	3H16	12	80-14	AR52167	3C2	3	60-21	AR52548	1C9	12	20-27
AR50982	3H16	12	80-14	AR52168	3C2	2	60-21	AR52549	1C9	12	20-27
AR50982	3H19	12	80-17	AR52168	3D20	15	70-35	AR52554	4C24	5	90-43
AR50984	3H16	12	80-14	AR52180	2G23	22	50-31	AR52555	4C24	4	90-43
AR51071	4D8	8	90-52	AR52224	3C15	7	70-5	AR52556	1E8	6	30-17
AR51092	3C4	30	60-23	AR52224	3C17	7	70-7	AR52556	1F4	6	30-39
AR51160	4D11	27	90-55	AR52224	3C23	19	70-13	AR52604	2D17	..	40-63
AR51190	2F24	16	50-7	AR52224	3C25	7	70-15	AR52607	3D14	3	70-29
AR51193	2F21	16	50-4	AR52224	3D2	7	70-17	AR52623	3F22	41	70-91
AR51335	2D15	27	40-60	AR52224	3D8	23	70-23	AR52629	3F16	17	70-85
AR51335	2D17	4	40-63	AR52231	1B24	..	20-17	AR52630	2H25	9	50-59
AR51347	4C16	7	90-35	AR52239	1B22	29	20-15B	AR52707	4C1	21	90-19
AR51372	2B25	12	40-17	AR52251	2G24	8	50-32	AR52707	4C23	22	90-42
AR51373	2B25	11	40-17	AR52253	1C9	8	20-27	AR52708	4C1	16	90-19
AR51394	2B12	2	40-4	AR52254	3C19	37	70-9	AR52708	4C23	15	90-42
AR51394	2B13	2	40-5	AR52254	3D4	33	70-19	AR52708	4C23	22	90-42
AR51395	2B12	7	40-4	AR52260	2I14	3	50-73	AR52720	1G9	6	30-69
AR51395	2B13	6	40-5	AR52260	2I17	16	50-76	AR52731	2B11	6	40-3
AR51395	2B14	2	40-6	AR52271	1F11	..	30-46	AR52765	1E24	4	30-34
AR51416	4B11	10	90-4	AR52280	3D15	17	70-30	AR52765	1E25	..	30-35
AR51451	3G5	14	70-99	AR52289	4C14	6	90-33	AR52766	1E25	2	30-35

## NUMERICAL INDEX - CONTINUED

PART NO.	GRID	KEY	PAGE	PART NO.	GRID	KEY	PAGE	PART NO.	GRID	KEY	PAGE
AR52766	1E25	3	30-35	AR54328	3E9	11	70-49	AR55619	1D6	27	20-47
AR52767	1E25	19	30-35	AR54328	3E9	12	70-49	AR55620	1D7	10	20-48
AR52785	3C15	25	70-5	AR54328	3E9	13	70-49	AR55630	1C2	3	20-19
AR52785	3C17	21	70-7	AR54328	3E9	14	70-49	AR55630	1C11	8	20-29
AR52796	3E7	19	70-47	AR54329	3E5	14	70-45	AR55638	2C8	1	40-26
AR52796	3E9	4	70-49	AR54331	3F19	15	70-88	AR55638	2C21	..	40-41
AR52797	3E7	17	70-47	AR54332	3F19	15	70-88	AR55638	2C23	..	40-43
AR52797	3E9	2	70-49	AR54445	2D5	3	40-50	AR55638	2D2	..	40-47
AR52798	3F4	1	70-72	AR54473	3D16	3	70-31	AR55649	2B17	11	40-9
AR52803	4C14	14	90-33	AR54484	2B16	9	40-8	AR55661	2H8	24	50-41
AR52804	1C9	9	20-27	AR54484	2B17	4	40-9	AR55694	2E16	24	40-87
AR52927	2C2	13	40-20	AR54487	2H4	11	50-37	AR55694	4D11	12	90-55
AR52929	2G12	23	50-20	AR54487	2I3	11	50-62	AR55694	4D11	13	90-55
AR53029	1C9	12	20-27	AR54489	1F2	1	30-37	AR55694	4D11	14	90-55
AR53030	1B11	..	20-5	AR54489	1F8	14	30-43	AR55694	4D11	15	90-55
AR53030	1D11	29	20-52	AR54490	1F8	4	30-43	AR55694	4D11	16	90-55
AR53031	1D11	30	20-52	AR54680	3H13	12	80-11	AR55694	4D11	17	90-55
AR53034	1B11	..	20-5	AR54702	1B22	29	20-15B	AR55694	4D11	22	90-55
AR53034	1D12	26	20-53	AR54702	1C2	34	20-19	AR55694	4D11	23	90-55
AR53035	1C4	..	20-21	AR54703	1B24	..	20-17	AR55711	3C4	34	60-23
AR53035	1C11	12	20-29	AR54732	1C2	3	20-19	AR55888	2D8	8	40-53
AR53035	1D12	27	20-53	AR54732	1C11	8	20-29	AR55888	2D9	8	40-54
AR53036	2G10	1	50-18	AR54749	1B9	4	20-2	AR55947	2C24	15	40-44
AR53036	2G12	..	50-20	AR54878	1C9	9	20-27	AR55947	2C24	18	40-44
AR53046	2I25	9	50-84	AR54879	1C9	8	20-27	AR55948	2D3	9	40-48
AR53046	2J4	19	50-88	AR54904	1B15	17	20-10	AR55949	2D3	15	40-48
AR53047	2J4	16	50-88	AR54904	1B17	17	20-12	AR56014	3F8	29	70-77
AR53119	3D17	9	70-32	AR54905	1B15	13	20-10	AR56022	3E23	27	70-65
AR53119	3D19	..	70-34	AR54905	1B17	13	20-12	AR56023	3E23	3	70-65
AR53137	4C16	18	90-35	AR54944	3E15	4	70-56	AR56076	1D23	6	30-8
AR53138	4C16	2	90-35	AR54975	2D15	16	40-60	AR56084	1E14	1	30-23
AR53142	4C21	13	90-40	AR54990	2C24	4	40-44	AR56120	3F16	17	70-85
AR53143	4C21	20	90-40	AR54992	2C24	7	40-44	AR56161	3C13	1	70-3
AR53155	4C19	6	90-38	AR54993	2C24	9	40-44	AR56161	3C17	..	70-7
AR53157	2D17	15	40-63	AR54993	2C24	15	40-44	AR56783	1D22	1	30-7
AR53208	2F23	1	50-6	AR54994	2C24	20	40-44	AR57094	2C12	22	40-30
AR53209	2F23	1	50-6	AR54994	2D1	1	40-46	AR57094	2C12	24	40-30
AR53212	2G11	1	50-19	AR54994	2D1	2	40-46	AR57094	2C15	26	40-33
AR53213	2F24	..	50-7	AR54994	2D1	3	40-46	AR57094	2C15	28	40-33
AR53301	3C15	12	70-5	AR54996	2C25	1	40-45	AR57094	2C17	26	40-36
AR53301	3C17	12	70-7	AR54997	2D1	4	40-46	AR57156	2E8	4	40-79
AR53301	3C25	10	70-15	AR55061	2B21	4	40-13	AR57157	2E4	4	40-75
AR53301	3D2	10	70-17	AR55061	2B22	2	40-14	AR57157	2E4	5	40-75
AR53302	1B24	..	20-17	AR55154	4C14	18	90-33	AR58126	2D5	12	40-50
AR53303	1B24	..	20-17	AR55155	2E12	3	40-83	AR58171	2H8	9	50-41
AR53307	1B24	..	20-17	AR55179	3H16	12	80-14	AR58171	2H13	7	50-47
AR53308	1B24	..	20-17	AR55179	3H19	12	80-17	AR58236	3E7	51	70-47
AR53371	1F18	1	30-53	AR55180	3H16	12	80-14	AR58349	3I4	..	80-27
AR53379	1C13	4	20-31	AR55186	3C15	4	70-5	AR58350	3I4	8	80-27
AR53380	1C13	4	20-31	AR55186	3C17	4	70-7	AR58351	3I4	8	80-27
AR53447	3D24	17	70-39	AR55210	3E9	16	70-49	AR58352	3I4	8	80-27
AR53452	2D5	12	40-50	AR55216	2H4	11	50-37	AR58357	3I3	5	80-26
AR53496	3G5	14	70-99	AR55216	2I3	11	50-62	AR58357	3I3	..	80-26
AR53560	2J1	6	50-85	AR55220	1F6	3	30-41	AR58357	3I5	4	80-28
AR53560	3D24	35	70-39	AR55220	1F7	20	30-42	AR58361	3I5	7	80-28
AR53567	1E8	4	30-17	AR55221	1F6	3	30-41	AR58363	3I4	2	80-27
AR53567	1F4	4	30-39	AR55221	1F7	20	30-42	AR58474	3E7	27	70-47
AR53792	4D14	12	90-58	AR55224	1F7	13	30-42	AR58474	3E7	29	70-47
AR53840	2G22	10	50-30	AR55225	1F7	13	30-42	AR58474	3E7	55	70-47
AR53841	2G22	7	50-30	AR55227	1F7	1	30-42	AR58572	2H12	..	50-45
AR53842	2G22	10	50-30	AR55228	1F7	1	30-42	AR59419	1C2	10	20-19
AR53842	2G22	13	50-30	AR55282	3H6	17	80-4	AR59419	1C11	6	20-29
AR53842	2G23	19	50-31	AR55421	4D14	11	90-58	AR59444	2E12	26	40-83
AR53843	2G22	7	50-30	AR55423	2G12	18	50-20	AR59444	2E12	27	40-83
AR53938	2B24	1	40-16	AR55616	1D4	21	20-45	AR59444	2E14	20	40-85
AR53938	2B25	1	40-17	AR55617	1D6	26	20-47	AR59444	2E15	17	40-86
AR53995	4C14	18	90-33	AR55618	1D4	22	20-45	AR59444	2E15	28	40-86



# 1K6

3020 - TRACTOR (TRACTOR SERIAL NO. 123,000- )

## NUMERICAL INDEX - CONTINUED

PART NO.	GRID	KEY	PAGE	PART NO.	GRID	KEY	PAGE	PART NO.	GRID	KEY	PAGE
AR59651	1C25	42	20-41	AR63608	2H13	15	50-47	AR68304	2C14	11	40-32
AR59663	2E10	2	40-81	AR63865	1C4	57	20-21	AR68304	2C17	11	40-36
AR59679	4B8	10	90-1	AR63865	1C23	19	20-39	AR68304	2C19	1	40-38
AR59680	4B8	9	90-1	AR63865	1C23	21	20-39	AR68304	2C19	7	40-38
AR59681	4B8	8	90-1	AR63906	3D22	10	70-37	AR68304	2C19	11	40-38
AR60029	4B10	14	90-3	AR63928	4C20	14	90-39	AR68304	2C19	..	40-38
AR60085	2C8	1	40-26	AR63943	2C17	2	40-36	AR68309	1C4	65	20-21
AR60085	2C17	..	40-36	AR63967	1C11	12	20-29	AR68309	1C23	21	20-39
AR60085	2C18	..	40-37	AR63979	1B8	1	20-1	AR68361	2E4	4	40-75
AR60331	3E12	20	70-53	AR64120	1E8	4	30-17	AR68361	2E4	5	40-75
AR60372	3E21	1	70-63	AR64120	1F3	6	30-38	AR68362	2E4	4	40-75
AR60372	3E23	19	70-65	AR64120	1F3	10	30-38	AR68362	2E4	5	40-75
AR60372	3F10	5	70-79	AR64120	1F3	15	30-38	AR68430	2C24	9	40-44
AR60372	3F10	6	70-79	AR64120	1F3	..	30-38	AR68430	2C24	15	40-44
AR60519	2G19	8	50-27	AR64120	1F4	4	30-39	AR68650	1C2	4	20-19
AR60937	4D13	1	90-57	AR64992	2E12	26	40-83	AR68650	1C11	12	20-29
AR61156	4C11	..	90-29	AR64992	2E12	27	40-83	AR68728	4B9	18	90-2
AR61609	2G3	5	50-11	AR64992	2E14	20	40-85	AR68801	3I5	12	80-28
AR61656	3F7	24	70-76	AR64992	2E15	17	40-86	AR69154	2H18	6	50-52
AR61903	1G18	6	30-78	AR64992	2E15	28	40-86	AR69271	4B10	16	90-3
AR61903	4C20	3	90-39	AR65005	2F12	1	40-105	AR69315	3E22	7	70-64
AR62149	3E16	20	70-57	AR65006	2F12	2	40-105	AR69316	3E22	7	70-64
AR62149	3E17	12	70-58	AR65235	1C16	1	20-33	AR69317	3E22	4	70-64
AR62151	3E19	20	70-61	AR65236	1C16	1	20-33	AR69349	2I7	11	50-66
AR62151	3E20	12	70-62	AR65237	1C16	1	20-33	AR69370	2E12	29	40-83
AR62151	3E21	2	70-63	AR65238	1C16	1	20-33	AR69370	2E15	27	40-86
AR62151	3E22	11	70-64	AR65239	1C16	1	20-33	AR69370	4C17	20	90-36
AR62151	3E22	25	70-64	AR65240	1C16	1	20-33	AR69370	4C19	8	90-38
AR62151	3E23	20	70-65	AR65368	3I1	11	80-24	AR69408	1F9	23	30-44
AR62151	3E25	17	70-67	AR65369	3I1	2	80-24	AR69408	1F10	23	30-45
AR62151	3F3	7	70-71	AR65492	2H21	13	50-55	AR69408	1F11	22	30-46
AR62151	3F5	22	70-73	AR65571	1C11	10	20-29	AR69408	1F11	..	30-46
AR62151	3F7	30	70-76	AR65572	1C11	10	20-29	AR69408	1F12	16	30-47
AR62152	3E16	8	70-57	AR66027	4C19	3	90-38	AR69408	1F12	22	30-47
AR62152	3E17	2	70-58	AR66778	2C24	20	40-44	AR69408	1F13	21	30-48
AR62267	2C8	1	40-26	AR66778	2D1	1	40-46	AR69408	1F14	5	30-49
AR62267	2C21	..	40-41	AR66778	2D1	2	40-46	AR69408	1F15	8	30-50
AR62267	2C23	..	40-43	AR66778	2D1	3	40-46	AR69408	1F21	11	30-56
AR62267	2D2	..	40-47	AR67346	2D17	15	40-63	AR69412	1F9	23	30-44
AR62293	2E11	8	40-82	AR67389	3G11	1	70-106	AR69412	1F10	23	30-45
AR62293	2E11	17	40-82	AR67467	1C23	21	20-39	AR69412	1F11	22	30-46
AR62294	2E11	1	40-82	AR67718	3C23	25	70-13	AR69412	1F11	..	30-46
AR62294	2E11	17	40-82	AR67778	3C4	30	60-23	AR69412	1F12	16	30-47
AR62295	2E11	2	40-82	AR67778	3C6	28	60-25	AR69412	1F12	22	30-47
AR62296	2E11	3	40-82	AR67783	3B8	17	60-3	AR69412	1F13	21	30-48
AR62359	2E20	1	40-91	AR67783	3B9	3	60-4	AR69412	1F14	5	30-49
AR62360	2E17	1	40-88	AR67783	3B9	18	60-4	AR69412	1F15	8	30-50
AR62598	4D14	13	90-58	AR67783	3B14	6	60-9	AR69412	1F16	21	30-51
AR62933	1D3	2	20-44	AR67783	3B14	28	60-9	AR69412	1F16	23	30-51
AR62933	1D3	3	20-44	AR67783	3B14	29	60-9	AR69412	1F20	28	30-55
AR62933	1D5	6	20-46	AR67827	2C24	9	40-44	AR69412	1F24	..	30-59
AR62933	1D5	7	20-46	AR67827	2C24	15	40-44	AR69412	1F25	..	30-60
AR62934	1D7	7	20-48	AR67855	2E22	9	40-93	AR69412	1G1	..	30-61
AR62963	2C21	36	40-41	AR67855	2E24	2	40-95	AR69412	1G2	..	30-62
AR62964	2C21	34	40-41	AR67855	2F6	14	40-99	AR69418	1G2	12	30-62
AR62965	2C17	19	40-36	AR67880	3E19	21	70-61	AR69420	1F16	21	30-51
AR62966	2C17	4	40-36	AR67880	3E20	13	70-62	AR69420	1F21	9	30-56
AR62967	2C17	22	40-36	AR67881	3F1	1	70-68	AR69444	3C11	1	70-1
AR63095	1C2	45	20-19	AR67881	3F3	6	70-71	AR69445	3C11	1	70-1
AR63095	1C19	6	20-35	AR68107	4C12	6	90-30	AR69835	3H16	4	80-14
AR63218	1B8	1	20-1	AR68145	3G8	24	70-103	AR69836	3H15	4	80-13
AR63219	1B8	1	20-1	AR68145	3G13	24	70-109	AR69836	3H19	5	80-17
AR63222	1B8	1	20-1	AR68145	3G17	13	70-113	AR69980	2B9	4	40-1
AR63608	2H8	9	50-41	AR68145	3G18	14	70-114	AR69984	1C20	1	20-36
AR63608	2H8	..	50-41	AR68147	2H20	5	50-54	AR69984	1C20	3	20-36
AR63608	2H9	..	50-42	AR68199	4D11	27	90-55	AR69988	3F10	16	70-79
AR63608	2H12	..	50-45	AR68304	2C12	11	40-30	AR70645	1C2	5	20-19

## NUMERICAL INDEX - CONTINUED

PART NO.	GRID	KEY	PAGE	PART NO.	GRID	KEY	PAGE	PART NO.	GRID	KEY	PAGE
AR70645	1C9	11	20-27	AR75603	1G18	1	30-78	AR77754	1C16	1	20-33
AR70645	1C11	11	20-29	AR75603	2H2	11	50-35	AR77754	1C18	5	20-33B
AR70645	1C11	12	20-29	AR75603	2H24	11	50-58	AR77755	1C16	1	20-33
AR70856	2D8	8	40-53	AR75694	2E22	10	40-93	AR77755	1C18	5	20-33B
AR70909	1C9	6	20-27	AR75694	2E24	21	40-95	AR77756	1C16	1	20-33
AR70910	1C2	10	20-19	AR75695	2E22	2	40-93	AR77756	1C18	5	20-33B
AR70910	1C11	6	20-29	AR75696	2E22	8	40-93	AR77757	1C16	1	20-33
AR70920	2I25	9	50-84	AR75958	3F22	35	70-91	AR77757	1C18	5	20-33B
AR70921	2J4	6	50-88	AR76277	3E5	14	70-45	AR77758	1C16	1	20-33
AR70922	2J4	16	50-88	AR76279	3E15	4	70-56	AR77758	1C18	5	20-33B
AR71188	3F19	15	70-88	AR76340	3E5	14	70-45	AR77814	2H18	..	50-52
AR71189	3F19	15	70-88	AR76545	1C4	71	20-21	AR77814	2H19	13	50-53
AR71256	2D3	9	40-48	AR76545	1C23	36	20-39	AR77817	2H19	4	50-53
AR71332	3G5	14	70-99	AR76546	1C23	36	20-39	AR77818	2H18	..	50-52
AR71824	2G1	5	50-9	AR76762	3C15	4	70-5	AR77819	2H19	2	50-53
AR71902	3G6	9	70-101	AR76762	3C17	4	70-7	AR77821	2H18	..	50-52
AR71976	4B10	8	90-3	AR76762	3C25	4	70-15	AR77821	2H19	12	50-53
AR72292	3E7	12	70-47	AR76762	3D2	4	70-17	AR77821	2H20	5	50-54
AR72292	3E7	13	70-47	AR76841	2C21	12	40-41	AR78052	2E24	21	40-95
AR72293	3E7	51	70-47	AR77224	2I21	11	50-80	AR78303	2I20	..	50-79
AR72293	3E7	53	70-47	AR77254	2C8	1	40-26	AR78303	2I21	30	50-80
AR72294	3E7	51	70-47	AR77254	2C24	..	40-44	AR78303	2I21	34	50-80
AR723R	1E9	9	30-18	AR77254	2C25	..	40-45	AR78303	2I21	..	50-80
AR723R	1E16	6	30-25	AR77254	2D1	..	40-46	AR78337	3E8	19	70-48
AR72318	1C2	16	20-19	AR77254	2D3	10	40-48	AR78382	2B18	7	40-10
AR72319	1C2	22	20-19	AR77324	2D8	2	40-53	AR78384	2B18	3	40-10
AR72998	1C18	3	20-33B	AR77324	2D9	2	40-54	AR78384	2B19	1	40-11
AR73212	2I21	1	50-80	AR77325	2D8	2	40-53	AR78386	2B18	6	40-10
AR73212	2I22	9	50-81	AR77325	2D8	8	40-53	AR78483	3E5	35	70-45
AR73212	2I22	14	50-81	AR77325	2D9	2	40-54	AR78825	2D15	21	40-60
AR73213	2I22	9	50-81	AR77325	2D9	8	40-54	AR78825	2D15	22	40-60
AR73214	2I22	10	50-81	AR77326	2D8	7	40-53	AR78825	2D17	20	40-63
AR73271	1C18	3	20-33B	AR77326	2D8	8	40-53	AR78825	2D19	16	40-65
AR73272	1C18	3	20-33B	AR77326	2D9	2	40-54	AR78825	2D19	27	40-65
AR73273	1C18	3	20-33B	AR77326	2D9	7	40-54	AR78825	2D19	28	40-65
AR73274	1C18	3	20-33B	AR77326	2D9	8	40-54	AR78825	2D20	15	40-66
AR73275	1C18	2	20-33B	AR77326	2D10	7	40-55	AR78825	2D20	16	40-66
AR73276	1C18	2	20-33B	AR77326	2D11	10	40-56	AR79505	3E7	12	70-47
AR73311	2E10	1	40-81	AR77326	2D12	6	40-57	AR79505	3E7	13	70-47
AR73500	3G21	1	70-117	AR77326	2D13	10	40-58	AR79711	3D15	13	70-30
AR73579	2D24	6	40-70	AR77326	2D14	3	40-59	AR79711	3D20	13	70-35
AR73580	2B11	7	40-3	AR77700	3E8	7	70-48	AR79712	3D15	13	70-30
AR73580	2D24	4	40-70	AR77747	1C4	80	20-21	AR79712	3D20	13	70-35
AR73828	1F25	10	30-60	AR77747	1C16	1	20-33	AR80294	1B20	2	20-15
AR73828	1G3	10	30-63	AR77747	1C18	2	20-33B	AR80564	1E16	25	30-25
AR73829	1F25	10	30-60	AR77747	1C18	3	20-33B	AR81175	2I25	9	50-84
AR73829	1G3	10	30-63	AR77747	1C18	4	20-33B	AR81175	2J4	16	50-88
AR74078	2H21	13	50-55	AR77748	1C4	79	20-21	AR81175	2J4	19	50-88
AR74411	2B16	10	40-8	AR77748	1C16	1	20-33	AR81176	2J4	6	50-88
AR74411	2B17	6	40-9	AR77748	1C18	3	20-33B	AR81176	2J4	10	50-88
AR74411	2B19	3	40-11	AR77748	1C18	5	20-33B	AR81178	2D22	12	40-68
AR74411	2E24	11	40-95	AR77749	1C16	1	20-33	AR81179	2D22	8	40-68
AR74673	3F1	24	70-68	AR77749	1C18	3	20-33B	AR81571	2G16	15	50-24
AR74673	3F1	25	70-68	AR77749	1C18	5	20-33B	AR81614	1B11	3	20-5
AR74673	3F3	34	70-71	AR77750	1C16	1	20-33	AR81783	3E7	7	70-47
AR74673	3F10	1	70-79	AR77750	1C18	3	20-33B	AR81936	2I25	7	50-84
AR74673	3F10	2	70-79	AR77750	1C18	5	20-33B	AR81936	2J1	16	50-85
AR74748	2H20	5	50-54	AR77751	1C16	1	20-33	AR82570	3F23	12	70-92
AR74814	1C4	78	20-21	AR77751	1C18	3	20-33B	AR82571	3F17	1	70-86
AR74814	1C14	1	20-32	AR77751	1C18	5	20-33B	AR82572	3F16	12	70-85
AR74815	1C14	1	20-32	AR77752	1C16	1	20-33	AR82572	3F19	4	70-88
AR74816	1C14	1	20-32	AR77752	1C18	3	20-33B	AR82572	3F22	26	70-91
AR74817	1C14	1	20-32	AR77752	1C18	5	20-33B	AR82576	3F22	37	70-91
AR74818	1C14	1	20-32	AR77753	1C16	1	20-33	AR82909	2E24	16	40-95
AR75601	1G18	1	30-78	AR77753	1C18	2	20-33B	AR82910	2E24	4	40-95
AR75601	2H2	11	50-35	AR77753	1C18	3	20-33B	AR82911	2E24	7	40-95
AR75601	2H24	11	50-58	AR77753	1C18	4	20-33B	AR82912	2E24	6	40-95

## NUMERICAL INDEX - CONTINUED

PART NO.	GRID	KEY	PAGE	PART NO.	GRID	KEY	PAGE	PART NO.	GRID	KEY	PAGE
AR83396	3E16	8	70-57	AR90459	3C13	1	70-3	AR95904	2G23	22	50-31
AR83396	3E17	2	70-58	AR90459	3C15	..	70-5	AR96321	3D8	29	70-23
AR83425	2D5	14	40-50	AR90577	3F6	5	70-74	AR96613	3C15	25	70-5
AR83425	2F12	8	40-105	AR90577	3F6	..	70-74	AR96613	3C17	21	70-7
AR84006	2E13	8	40-84	AR90578	3F6	5	70-74	AR96613	3C25	19	70-15
AR84048	1C11	12	20-29	AR90578	3F6	..	70-74	AR96613	3D2	19	70-17
AR84791	3E8	19	70-48	AR90579	3F6	6	70-74	AR96625	3D4	6	70-19
AR85323	2B25	9	40-17	AR90581	3F6	6	70-74	AR96625	3D4	9	70-19
AR85323	2G17	12	50-25	AR90583	3F6	6	70-74	AR97872	3C13	1	70-3
AR85323	2G19	10	50-27	AR90601	1F20	22	30-55	AR97872	3C15	16	70-5
AR85323	2H20	12	50-54	AR90601	1F22	2	30-57	AR97872	3C15	..	70-5
AR85407	2D4	1	40-49	AR90601	1F23	22	30-58	AR97872	3C25	..	70-15
AR85578	2D22	8	40-68	AR90601	1F23	23	30-58	AR98146	2G3	5	50-11
AR85628	3F16	12	70-85	AR90601	1F23	24	30-58	AR98201	3G19	2	70-115
AR85628	3F16	31	70-85	AR90601	1F23	26	30-58	AR98202	3G19	1	70-115
AR85628	3F18	7	70-87	AR90826	2C13	5	40-31	AR98564	1D7	10	20-48
AR85628	3F19	4	70-88	AR90826	2C13	6	40-31	AR99100	3F22	37	70-91
AR85628	3F22	26	70-91	AR90850	2F24	8	50-7	AR99336	3F10	3	70-79
AR85759	2B25	11	40-17	AR91166	2B16	9	40-8	AR99909	2B16	10	40-8
AR86406	3H8	16	80-6	AR91166	2B17	4	40-9	AR99909	2B17	6	40-9
AR86535	3F16	17	70-85	AR91166	2B18	7	40-10	AT10177	1E23	12	30-33
AR86538	2I21	6	50-80	AR91166	2B19	5	40-11	AT10177	1E23	13	30-33
AR86538	3H24	6	80-22	AR91167	2B19	1	40-11	AT10177	1E23	14	30-33
AR86595	1E4	22	30-13	AR91548	1G2	4	30-62	AT10177	1E23	16	30-33
AR86596	1D22	1	30-7	AR91548	1G5	4	30-65	AT10177	1E23	17	30-33
AR86775	3E7	27	70-47	AR91599	2F23	1	50-6	AT10177	1E23	18	30-33
AR86775	3E7	29	70-47	AR91600	2F23	1	50-6	AT10177	1E23	19	30-33
AR86775	3E7	55	70-47	AR92425	3I4	2	80-27	AT10557	1E15	5	30-24
AR86807	1D24	27	30-9	AR93259	3C4	27	60-23	AT10599	1E23	25	30-33
AR86807	1E2	21	30-11	AR93259	3C6	24	60-25	AT10635	1F3	4	30-38
AR86969	2D8	7	40-53	AR937R	3F10	16	70-79	AT10638	1F3	1	30-38
AR86969	2D9	7	40-54	AR93819	3F22	2	70-91	AT10845	1E23	6	30-33
AR86969	2D21	4	40-67	AR93819	3F22	5	70-91	AT10845	1E23	8	30-33
AR86981	1C2	10	20-19	AR93819	3F22	6	70-91	AT11520	1G2	1	30-62
AR86981	1C11	6	20-29	AR93819	3F24	2	70-93	AT11520	1G5	1	30-65
AR86982	1C9	6	20-27	AR93819	3F24	5	70-93	AT11524	1F22	7	30-57
AR87068	1F22	7	30-57	AR93819	3F24	7	70-93	AT11524	1F23	15	30-58
AR87115	2G19	8	50-27	AR93819	3G2	31	70-95	AT12431	2I5	26	50-64
AR87813	2H17	6	50-51	AR93819	3G2	34	70-95	AT13380	2D8	10	40-53
AR88016	2C13	5	40-31	AR93819	3G2	36	70-95	AT13380	2D10	3	40-55
AR88016	2C13	6	40-31	AR93820	3F22	2	70-91	AT13381	2D8	10	40-53
AR88040	2G2	20	50-10	AR93820	3F22	5	70-91	AT13381	2D10	2	40-55
AR88040	2G3	1	50-11	AR93820	3F22	6	70-91	AT13381	2D12	2	40-57
AR88880	2C21	12	40-41	AR93820	3F24	2	70-93	AT13740	1B20	1	20-15
AR89132	2G5	20	50-13	AR93820	3F24	5	70-93	AT13740	1D2	20	20-43
AR89132	2H14	17	50-48	AR93820	3F24	7	70-93	AT13740	1E6	7	30-15
AR89132	3E8	17	70-48	AR93820	3G2	31	70-95	AT13740	1F1	11	30-36
AR89132	3E10	6	70-51	AR93820	3G2	34	70-95	AT14264	4D18	1	90-62
AR89137	4C25	1	90-44	AR93820	3G2	36	70-95	AT14321	1E21	10	30-31
AR89137	4C25	2	90-44	AR93820	3G19	8	70-115	AT14468	2C7	17	40-25
AR89691	2B25	9	40-17	AR93948	4D14	12	90-58	AT14927	4D18	1	90-62
AR89691	2G17	12	50-25	AR94130	4D13	2	90-57	AT15138	2C14	19	40-32
AR89691	2G19	10	50-27	AR94165	3E5	14	70-45	AT15138	2C17	16	40-36
AR89691	2H20	12	50-54	AR94165	3E5	24	70-45	AT15140	2C12	24	40-30
AR89854	2G11	1	50-19	AR94522	3G19	10	70-115	AT15140	2C15	28	40-33
AR90070	2D3	10	40-48	AR94559	1C5	3	20-23	AT15146	2C19	7	40-38
AR90071	2D3	9	40-48	AR94559	1C6	3	20-24	AT15147	2C12	8	40-30
AR90081	3D24	16	70-39	AR94559	1C6	9	20-24	AT15147	2C14	8	40-32
AR90082	3E22	4	70-64	AR94666	1C6	3	20-24	AT15147	2C17	9	40-36
AR90340	1F20	..	30-55	AR94668	1C6	3	20-24	AT16288	2D8	8	40-53
AR90340	1F22	7	30-57	AR94669	1C6	3	20-24	AT16288	2D9	7	40-54
AR90340	1F23	15	30-58	AR94669	1C6	9	20-24	AT16288	2D9	8	40-54
AR90340	1F23	18	30-58	AR94819	1B24	..	20-17	AT16288	2D10	7	40-55
AR90340	1F23	28	30-58	AR94819	1C4	81	20-21	AT16288	2D11	10	40-56
AR90340	1F24	..	30-59	AR94819	3I1	17	80-24	AT16288	2D12	6	40-57
AR90378	3C19	30	70-9	AR94839	1B22	29	20-15B	AT16288	2D13	10	40-58
AR90378	3D4	48	70-19	AR94839	1C2	34	20-19	AT16288	2D14	3	40-59

## NUMERICAL INDEX - CONTINUED

PART NO.	GRID	KEY	PAGE	PART NO.	GRID	KEY	PAGE	PART NO.	GRID	KEY	PAGE
AT16431	2H4	26	50-37	AT35121	3B15	2	60-10	A1556R	3H7	6	80-5
AT16431	2I3	26	50-62	AT361T	2C5	8	40-23	A15898	3G3	20	70-96
AT16887	2I5	4	50-64	AT38518	4B11	6	90-4	A15898	3G5	13	70-99
AT17366	2C5	8	40-23	AT38518	4B12	6	90-5	A15899	3G3	18	70-96
AT18674	1D18	9	30-3	AT39043	2D22	9	40-68	A15899	3G5	11	70-99
AT20911	1E6	16	30-15	AT39043	2D23	9	40-69	A1651R	2H6	19	50-39
AT20911	1F1	20	30-36	AT42311	3C12	6	70-2	A2530R	3E23	8	70-65
AT22070	4D16	6	90-60	AT44165	2E16	23	40-87	A2743R	2D12	5	40-57
AT22073	4D16	4	90-60	AT44165	4D11	13	90-55	A2743R	2D12	6	40-57
AT23188	2C3	23	40-21	AT44165	4D11	15	90-55	A2743R	2D14	3	40-59
AT23189	2C3	19	40-21	AT44165	4D11	17	90-55	A2833R	2I17	20	50-76
AT23467	2D8	18	40-53	AT44165	4D11	22	90-55	A2833R	3H9	1	80-7
AT23467	2D10	5	40-55	AT46795	1G11	15	30-71	A2899R	2D8	6	40-53
AT23467	2D12	8	40-57	AT48673	2E16	26	40-87	A2899R	2D8	11	40-53
AT23467	2D15	16	40-60	AT48673	4D11	13	90-55	A2899R	2D9	6	40-54
AT23467	2D17	22	40-63	AT48673	4D11	21	90-55	A2899R	2D9	11	40-54
AT23467	2D19	15	40-65	AT48674	4D11	17	90-55	A3030R	1E19	2	30-28
AT23467	2D20	14	40-66	AT48674	4D11	19	90-55	A3098	1D10	9	20-51
AT23467	4B15	7	90-8	AT48763	2H1	16	50-34	A3184R	3F22	38	70-91
AT24209	1F14	24	30-49	AT49331	3C13	1	70-3	A3411R	2D10	4	40-55
AT24538	4D18	1	90-62	AT49331	3D10	7	70-25	A3411R	2D10	6	40-55
AT25266	1G14	15	30-74	AT514T	2C13	18	40-31	A3439R	1F6	9	30-41
AT25266	1G15	1	30-75	AT514T	2C16	20	40-34	A350R	3F10	18A	70-79
AT25266	1G16	6	30-76	AT514T	2C18	20	40-37	A3539R	2C5	7	40-23
AT25266	1G17	14	30-77	AT515T	2C13	8	40-31	A354R	1C21	17	20-37
AT27128	2C3	2	40-21	AT516T	2C13	10	40-31	A3581R	3E22	22	70-64
AT29855	2E12	26	40-83	AT516T	2C16	10	40-34	A3581R	3E23	4	70-65
AT29855	2E12	27	40-83	AT516T	2C18	10	40-37	A3581R	3F5	21	70-73
AT29855	2E15	17	40-86	AT517T	2C13	20	40-31	A3581R	3G6	8	70-101
AT29855	2E15	28	40-86	AT54179	1D18	12	30-3	A3581R	3G8	2	70-103
AT30175	1E14	1	30-23	AT55441	2D6	25	40-51	A3581R	3G13	2	70-109
AT30178	1E9	24	30-18	AT58209	2E12	13	40-83	A3581R	3G15	40	70-111
AT32331	3D15	4	70-30	AT62018	4D22	6	90-66	A3606R	2H2	27	50-35
AT32332	2G14	8	50-22	AT62019	4D22	4	90-66	A3606R	3B8	19	60-3
AT32332	3D24	1	70-39	AT65316	2D5	3	40-50	A3606R	3B9	1	60-4
AT32332	3F13	11	70-82	AT66481	2E12	26	40-83	A3606R	3B14	8	60-9
AT32332	3G2	5	70-95	AT66481	2E12	27	40-83	A3606R	3B14	26	60-9
AT32332	3G2	9	70-95	AT66481	2E14	20	40-85	A3606R	3B23	1	60-17
AT32332	3G3	10	70-96	AT66481	2E15	17	40-86	A3606R	3B24	10	60-18
AT32332	3G5	2	70-99	AT66481	2E15	28	40-86	A3606R	3G8	21	70-103
AT32333	2I10	10	50-69	AT66482	2E12	26	40-83	A3606R	3G10	37	70-105
AT32333	2I12	16	50-71	AT66482	2E14	20	40-85	A3606R	3G17	17	70-113
AT32333	3B11	6	60-6	AT66482	2E15	17	40-86	A364R	2H5	23	50-38
AT32333	3B15	14	60-10	AT66865	1B9	4	20-2	A364R	2I2	23	50-61
AT32333	3B17	6	60-12	AT81764	4D22	6	90-66	A369R	2G2	1	50-10
AT32333	3D22	17	70-37	AT85153	2B25	9	40-17	A369R	2H9	11	50-42
AT32335	2I11	11	50-70	AT85174	1B22	39	20-15B	A369R	3E23	23	70-65
AT32335	2I13	10	50-72	AU42026	2E12	12	40-83	A369R	3F7	25	70-76
AT32335	3C1	2	60-20	AU43852	2E12	13	40-83	A369R	4B9	2	90-2
AT32335	3C2	7	60-21	AU43853	2E15	12	40-86	A369R	4B9	18	90-2
AT32335	3D10	8	70-25	AU43854	2E12	22	40-83	A3750R	2I15	12	50-74
AT32335	3D12	8	70-27	AU43854	2E15	21	40-86	A3815R	2F24	21	50-7
AT32335	3D15	11	70-30	AU43855	2E15	14	40-86	A3910R	2G17	22	50-25
AT32335	3D15	14	70-30	AU43857	2E12	21	40-83	A3910R	2G19	27	50-27
AT32335	3D20	11	70-35	AU43857	2E15	20	40-86	A3917R	1F13	10	30-48
AT32337	3D24	5	70-39	AU43954	2E12	19	40-83	A3917R	1F14	14	30-49
AT32337	3F13	17	70-82	AU43954	2E15	19	40-86	A3917R	1F20	1	30-55
AT32338	3D10	7	70-25	A120R	1B11	12	20-5	A3917R	2H12	5	50-45
AT32338	3D13	15	70-28	A120R	2G5	6	50-13	A3917R	2H23	16	50-57
AT33285	2I7	9	50-66	A120R	2H14	6	50-48	A3917R	3C19	33	70-9
AT344T	2H4	26	50-37	A147R	3F4	1	70-72	A3917R	3F16	14	70-85
AT344T	2I3	26	50-62	A147R	3F4	5	70-72	A3917R	3F22	13	70-91
AT35120	3D24	5	70-39	A15532	3F13	19	70-82	A3959R	2I17	..	50-76
AT35120	3F13	17	70-82	A1555R	3H3	12	80-1	A39716	2D6	1	40-51
AT35121	3B8	21	60-3	A1555R	3H6	12	80-4	A4064R	3H9	12	80-7
AT35121	3B11	1	60-6	A1556R	3H3	11	80-1	A4064R	3H12	13	80-10
AT35121	3B11	23	60-6	A1556R	3H6	11	80-4	A4117R	3H4	15	80-2

# 1K10

3020 - TRACTOR (TRACTOR SERIAL NO. 123,000- )

## NUMERICAL INDEX - CONTINUED

PART NO.	GRID	KEY	PAGE	PART NO.	GRID	KEY	PAGE	PART NO.	GRID	KEY	PAGE
A4118R	3H4	10	80-2	A4741R	3G10	1	70-105	A655R	1C23	23	20-39
A4119R	3H4	11	80-2	A4742R	2H18	9	50-52	A767R	1D1	26	20-42
A4157R	2C5	11	40-23	A4742R	3G10	2	70-105	A776R	2G5	11	50-13
A4159R	2C5	19	40-23	A4744R	4B9	4	90-2	A776R	2H14	9	50-48
A4365R	1E8	5	30-17	A4745R	3G10	11	70-105	A877R	3H15	8	80-13
A4365R	1F4	5	30-39	A4745R	3G15	21	70-111	A877R	3H16	6	80-14
A4365R	3B10	21	60-5	A4745R	3G16	4	70-112	A877R	3H19	7	80-17
A4365R	3B14	19	60-9	A4746R	3G10	10	70-105	A877R	3H22	7	80-20
A4365R	3C19	3	70-9	A4746R	3G15	22	70-111	A890R	3H16	10	80-14
A4365R	3C23	3	70-13	A4747R	3G10	12	70-105	A890R	3H19	14	80-17
A4365R	3C23	12	70-13	A4747R	3G15	20	70-111	BA26064	2F4	10	40-97B
A4365R	3D4	3	70-19	A4748R	3G10	13	70-105	BA6064	2F2	20	40-97
A4365R	3D8	2	70-23	A4748R	3G15	19	70-111	BP12232	1E19	1	30-28
A4365R	3E1	7	70-41	A4772R	4C17	14	90-36	B11182	3E19	20	70-61
A4379R	3H11	1	80-9	A4806R	2H2	21	50-35	B11182	3E21	2	70-63
A4379R	3H12	1	80-10	A4806R	2H23	20	50-57	B11182	3E22	11	70-64
A4380R	3H11	5	80-9	A4808R	2H2	22	50-35	B11182	3E22	25	70-64
A4380R	3H12	5	80-10	A4808R	2H23	19	50-57	B11182	3E23	20	70-65
A4384R	3H11	3	80-9	A4816R	3B8	36	60-3	B11182	3E25	17	70-67
A4384R	3H12	3	80-10	A4816R	3B21	28	60-15	B11182	3F3	7	70-71
A4384R	3H13	3	80-11	A4827R	1C5	7	20-23	B11182	3F5	22	70-73
A4388R	3H9	11	80-7	A4827R	2G5	22	50-13	B11182	3F7	30	70-76
A4388R	3H11	12	80-9	A4827R	2H14	19	50-48	B1402R	2G14	22	50-22
A4388R	3H12	12	80-10	A4827R	2H20	14	50-54	B1569R	1D18	4	30-3
A4389R	3H11	13	80-9	A4827R	2H21	15	50-55	B161R	3I11	17	80-34
A4389R	3H12	13	80-10	A4827R	2I5	10	50-64	B1664R	2H1	11	50-34
A4580R	2F20	8	50-3	A4827R	2I6	7	50-75	B1664R	3E5	5	70-45
A4624R	1D23	8	30-8	A48331	2D6	3	40-51	B169R	1D9	7	20-50
A4624R	2B12	6	40-4	A48332	2D6	23	40-51	B169R	2F21	12	50-4
A4624R	2G6	3	50-14	A4847R	3C19	32	70-9	B169R	2G16	8	50-24
A4624R	2H15	5	50-49	A4883R	2H1	10	50-34	B169R	3B8	6	60-3
A4624R	4D8	22	90-52	A4883R	3H11	6	80-9	B177R	3B24	25	60-18
A4646R	1D23	1	30-8	A4883R	3H12	6	80-10	B178R	2F21	4	50-4
A4655R	2D5	4	40-50	A4883R	3H13	5	80-11	B1789R	2I15	11	50-74
A4656R	2D25	10	40-71	A4928R	1E19	9	30-28	B190R	2H5	25	50-38
A471R	3I12	3	80-35	A4928R	1E22	7	30-32	B190R	2I2	25	50-61
A4722R	3G8	7	70-103	A4928R	1E24	2	30-34	B1986R	1G13	13	30-73
A4722R	3G10	6	70-105	A4929R	1E20	30	30-29	B1986R	1G14	14	30-74
A4722R	3G17	10	70-113	A4930R	1E24	11	30-34	B1986R	2B10	8	40-2
A4723R	3G8	6	70-103	A4931R	1E24	10	30-34	B1986R	4D11	8	90-55
A4723R	3G10	5	70-105	A4932R	1E24	9	30-34	B2342R	2I17	9	50-76
A4723R	3G13	6	70-109	A49845	2F4	8	40-97B	B2477R	3E21	5	70-63
A4723R	3G15	5	70-111	A4993R	1E20	28	30-29	B2641R	1C4	72	20-21
A4723R	3G16	9	70-112	A4995R	1E20	28	30-29	B2641R	1C13	6	20-31
A4723R	3G17	9	70-113	A4996R	1E20	21	30-29	B2641R	1C25	23	20-41
A4723R	3G18	6	70-114	A4997R	1E20	23	30-29	B2641R	1D1	9	20-42
A4728R	3C4	14	60-23	A4997R	1E20	25	30-29	B2641R	2I24	6	50-83
A4728R	3C4	15	60-23	A4998R	1E20	26	30-29	B2641R	3E22	6	70-64
A4728R	3C4	34	60-23	A4999R	1E19	3	30-28	B2681R	3H5	20	80-3
A4728R	3C4	35	60-23	A5108R	1E23	7	30-33	B2683R	3H5	13	80-3
A4728R	3C6	25	60-25	A5141R	1E19	17	30-28	B2693R	3H16	9	80-14
A4728R	3D25	3	70-40	A5141R	1E19	19	30-28	B2694R	3H15	14	80-13
A4728R	3G8	9	70-103	A5146R	3H3	9	80-1	B2694R	3H16	3	80-14
A4728R	3G10	24	70-105	A5146R	3H4	26	80-2	B2694R	3H22	11	80-20
A4728R	3G17	7	70-113	A5146R	3H6	16	80-4	B2762R	1C21	24	20-37
A4730R	1B20	9	20-15	A5234R	3I15	12	80-38	B2762R	2G16	12	50-24
A4730R	2G5	10	50-13	A5297R	1E20	20	30-29	B2762R	2H23	2	50-57
A4730R	3D25	7	70-40	A5301R	3G10	31	70-105	B2762R	2H25	3	50-59
A4730R	3E14	4	70-55	A5301R	3G15	35	70-111	B2762R	3B10	15	60-5
A4730R	3F22	27	70-91	A5302R	3G10	29	70-105	B2762R	3B14	17	60-9
A4730R	3F23	9	70-92	A5302R	3G15	38	70-111	B2762R	3D15	7	70-30
A4736R	3G10	19	70-105	A5304R	3G15	28	70-111	B2762R	3D20	5	70-35
A4736R	3G15	9	70-111	A5334R	1C21	26	20-37	B2762R	3F16	4	70-85
A4737R	3G10	17	70-105	A5518R	2H9	28	50-42	B2846R	3H22	11	80-20
A4737R	3G15	11	70-111	A5748R	3G2	12	70-95	B3014R	3H11	1	80-9
A4739R	3G10	20	70-105	A5748R	3G3	13	70-96	B3285R	4D12	11	90-56
A4739R	3G15	8	70-111	A5748R	3G5	6	70-99	B3310R	2G14	32	50-22

## NUMERICAL INDEX - CONTINUED

PART NO.	GRID	KEY	PAGE	PART NO.	GRID	KEY	PAGE	PART NO.	GRID	KEY	PAGE
B3310R	3H17	18	80 - 15	D2865R	3E21	8	70 - 63	F1743R	1D9	12	20 - 50
B3310R	3H18	23	80 - 16	D2865R	4C16	12	90 - 35	F1743R	1D10	15	20 - 51
B3310R	3H20	2	80 - 18	D2913R	3G8	25	70 - 103	F1743R	1D10	16	20 - 51
B350R	2I15	3	50 - 74	D2913R	3G13	25	70 - 109	F2084R	2D20	8	40 - 66
B3586R	1C7	3	20 - 25	D2913R	3G17	12	70 - 113	F2206R	3F1	16	70 - 68
B3586R	1C23	4	20 - 39	D2913R	3G18	15	70 - 114	F2206R	3F3	23	70 - 71
B3586R	1D11	16	20 - 52	D467R	3H16	5	80 - 14	F2208R	3E21	4	70 - 63
B3586R	1D12	11	20 - 53	D467R	3H19	10	80 - 17	F2208R	3F1	19	70 - 68
B3595R	2G2	18	50 - 10	E10118	1E16	8	30 - 25	F2208R	3F3	31	70 - 71
B367R	1B16	26	20 - 11	E10121	1E16	18	30 - 25	F2253R	2I14	20	50 - 73
B367R	1B18	26	20 - 13	E16050	2E16	16	40 - 87	F228R	2I17	10	50 - 76
B3685R	3B18	20	60 - 13	E17421	2H20	4	50 - 54	F2367R	2G14	29	50 - 22
B3686R	3E1	4	70 - 41	E17421	2H21	4	50 - 55	F2367R	2H5	4	50 - 38
B3686R	3F1	13	70 - 68	E50102	3C12	1	70 - 2	F2367R	2H5	22	50 - 38
B3690R	3B8	2	60 - 3	E50102	4B9	23	90 - 2	F2367R	2I2	4	50 - 61
B423R	3E7	49	70 - 47	E50102	4B10	13	90 - 3	F2367R	2I2	22	50 - 61
B427R	1D10	9	20 - 51	E55662	1C23	1	20 - 39	F2370R	2F24	18	50 - 7
B474R	3F16	1	70 - 85	E55662	1D23	20	30 - 8	F2411R	1D2	16	20 - 43
B548R	3H5	21	80 - 3	E55662	1D24	24	30 - 9	F2632R	2C5	13	40 - 23
B551R	3H5	22	80 - 3	E55662	1E2	14	30 - 11	F2680R	3E19	9	70 - 61
B634R	3H12	12	80 - 10	E55662	1E2	18	30 - 11	F2680R	3E20	16	70 - 62
B89R	3H5	17	80 - 3	E55662	1E2	21	30 - 11	F2681R	3E19	9	70 - 61
B90R	3H5	16	80 - 3	E55662	1E3	18	30 - 12	F2681R	3E20	16	70 - 62
CH17453	2F25	17	50 - 8	E55662	1E4	23	30 - 13	F2681R	3E25	1	70 - 67
CH17453	2H6	2	50 - 39	E55662	2C2	16	40 - 20	F2681R	3F1	2	70 - 68
C1067R	2F22	7	50 - 5	E55662	2C5	9	40 - 23	F2681R	3F3	8	70 - 71
C1067R	2G2	12	50 - 10	E55662	2C5	10	40 - 23	F2684R	3E21	12	70 - 63
C1067R	2G25	15	50 - 33	E55662	2C15	33	40 - 33	F2684R	3E22	1	70 - 64
C1067R	2H10	9	50 - 43	E55662	2C17	30	40 - 36	F2685R	3E21	12	70 - 63
C1067R	2H22	21	50 - 56	E55662	2C19	14	40 - 38	F2685R	3E22	1	70 - 64
C1104R	2H9	5	50 - 42	E55662	2C19	15	40 - 38	F2693R	3E21	9	70 - 63
C1220R	2F18	21	50 - 1	E55662	2C21	6	40 - 41	F2695R	3E21	7	70 - 63
C1220R	2G5	15	50 - 13	E57351	3H8	12	80 - 6	F2741	2H24	8	50 - 58
C1220R	2H7	18	50 - 40	F1000R	2I16	13	50 - 75	F2741	2H24	9	50 - 58
C1220R	2H14	14	50 - 48	F1008R	3H21	9	80 - 19	F2741R	2H2	8	50 - 35
C14757	2I11	19	50 - 70	F1011R	3H21	1	80 - 19	F2741R	2H2	9	50 - 35
C1919R	2H4	24	50 - 37	F1012R	3H21	15	80 - 19	F2741R	3D25	25	70 - 40
C1919R	2I3	24	50 - 62	F1024R	2I16	9	50 - 75	F2741R	3E1	12	70 - 41
C2175R	2C21	6	40 - 41	F1024R	3F8	19	70 - 77	F2741R	3E14	21	70 - 55
C284R	2G2	11	50 - 10	F1056R	3B19	12	60 - 14	F2741R	3F19	12	70 - 88
C284R	2H22	22	50 - 56	F1126R	1E25	7	30 - 35	F2741R	3G2	2	70 - 95
C744DN	3C12	1	70 - 2	F1127R	1E25	6	30 - 35	F2741R	3G3	2	70 - 96
C744DN	4B9	23	90 - 2	F1129R	1E25	13	30 - 35	F2762R	2F22	17	50 - 5
C744DN	4B10	13	90 - 3	F1130R	1E25	14	30 - 35	F2783R	2H22	2	50 - 56
C985R	4D8	5	90 - 52	F1334R	2H4	23	50 - 37	F2783R	3I2	9	80 - 25
DA5883A	3E16	20	70 - 57	F1334R	2I3	23	50 - 62	F2821R	3E19	8	70 - 61
DA5883A	3E17	12	70 - 58	F1373R	2F25	14	50 - 8	F2822R	3E19	7	70 - 61
DS0251	1B9	..	20 - 2	F1373R	2H6	1	50 - 39	F2822R	3E20	7	70 - 62
DS0557	1B9	..	20 - 2	F1427R	3G13	7	70 - 109	F2823R	3E19	5	70 - 61
D1761R	3B19	4	60 - 14	F1427R	3G15	4	70 - 111	F2823R	3E20	5	70 - 62
D1761R	3B19	7	60 - 14	F1427R	3G16	10	70 - 112	F2824R	3E19	3	70 - 61
D2361	2G21	17	50 - 29	F1427R	3G18	7	70 - 114	F2824R	3E20	3	70 - 62
D2361R	2G17	5	50 - 25	F1430R	3G13	9	70 - 109	F2846R	2G4	5	50 - 12
D2361R	2G17	23	50 - 25	F1430R	3G15	16	70 - 111	F2846R	2H25	20	50 - 59
D2361R	2G19	5	50 - 27	F1430R	3G16	12	70 - 112	F2847R	2G4	6	50 - 12
D2361R	3F22	4	70 - 91	F1430R	3G18	5	70 - 114	F2847R	2H25	21	50 - 59
D2361R	3F22	18	70 - 91	F1441R	3G10	39	70 - 105	F2861R	2G25	10	50 - 33
D2361R	3F24	4	70 - 93	F1463R	3E8	3	70 - 48	F2861R	3F1	5	70 - 68
D2361R	3F24	16	70 - 93	F1483R	2I17	4	50 - 76	F2863R	3E12	25	70 - 53
D2361R	3G2	20	70 - 95	F1484R	2I17	5	50 - 76	F2863R	3E19	11	70 - 61
D2361R	3G2	32	70 - 95	F1500R	3H12	7	80 - 10	F2863R	4B10	1	90 - 3
D2420R	1C5	2	20 - 23	F1649R	2D25	14	40 - 71	F2912R	2F22	2	50 - 5
D2420R	1C6	2	20 - 24	F1682R	1E20	33	30 - 29	F2912R	2H10	4	50 - 43
D2420R	1C23	10	20 - 39	F1682R	1E24	7	30 - 34	F2935R	2D10	2	40 - 55
D2425R	1D10	12	20 - 51	F1743R	1B11	2	20 - 5	F2935R	2D10	3	40 - 55
D2865R	2D14	7	40 - 59	F1743R	1B20	15	20 - 15	F2935R	2D11	5	40 - 56
D2865R	2E11	6	40 - 82	F1743R	1C2	21	20 - 19	F2935R	2D11	6	40 - 56

# 1K12

3020 - TRACTOR (TRACTOR SERIAL NO. 123,000- )

## NUMERICAL INDEX - CONTINUED

PART NO.	GRID	KEY	PAGE	PART NO.	GRID	KEY	PAGE	PART NO.	GRID	KEY	PAGE
F2935R	2D11	..	40-56	F3542R	3F7	4	70-76	JD22	3H6	9	80-4
F2935R	2D12	2	40-57	F3542R	3F8	4	70-77	JD27	3H13	11	80-11
F2935R	2D13	5	40-58	F3542R	3F9	4	70-78	JD3019	3H13	10	80-11
F2935R	2D13	6	40-58	F534R	1B14	16	20-9	JD3019	3H13	11	80-11
F2935R	2D13	..	40-58	F562R	3H21	13	80-19	JD3039	3H6	8	80-4
F2935R	2D14	7	40-59	F785R	2I17	14	50-76	JD3211	3H6	8	80-4
F2935R	2D15	25	40-60	F991R	2I15	13	50-74	JD3219	3H6	8	80-4
F2935R	2D17	8	40-63	F997R	2I17	2	50-76	JD3222	3H13	10	80-11
F304R	3F10	17A	70-79	F998R	2I17	3	50-76	JD3222	3H13	11	80-11
F304R	3F10	18B	70-79	F999R	2I16	14	50-75	JD3227	3H6	8	80-4
F3126R	3H5	9	80-3	H20923	1E15	25	30-24	JD5234	3I18	5	80-41
F3127R	3H5	10	80-3	H20925	1E15	16	30-24	JD5272	4D16	7	90-60
F3128R	2G5	21	50-13	H20926	1E16	33	30-25	JD5403	4D19	2	90-63
F3128R	2H14	18	50-48	H20927	1E16	28	30-25	JD5403	4D20	3	90-64
F3128R	2I16	6	50-75	H20954	1E15	24	30-24	JD5602	4D16	7	90-60
F3171R	1B20	17	20-15	H20988	1E16	31	30-25	JD7145	2F24	19	50-7
F3171R	1C2	19	20-19	H21000	1E16	36	30-25	JD7222	3H5	18	80-3
F3171R	1C21	21	20-37	H21033	1E16	29	30-25	JD7266	3H5	19	80-3
F3171R	2G4	8	50-12	H21048	1E16	14	30-25	JD7403	2I21	14	50-80
F3171R	2H25	7	50-59	H21058	1E16	26	30-25	JD7418	2I5	6	50-64
F3171R	2I19	7	50-78	H22548	1E9	19	30-18	JD7421	2H18	20	50-52
F3171R	2J1	8	50-85	H23193	2C16	24	40-34	JD7430	2H17	19	50-51
F3171R	2J3	11	50-87	H23193	2C18	24	40-37	JD7438	2I5	19	50-64
F3171R	3C13	1	70-3	H23197	4C8	11	90-26	JD7444	2I17	7	50-76
F3171R	3C15	14	70-5	H26232	3I9	9	80-32	JD7445	3H3	5	80-1
F3171R	3C17	14	70-7	H294R	1C4	53	20-21	JD7445	3H5	19	80-3
F3171R	3C19	20	70-9	H294R	1C21	18	20-37	JD7445	3H6	4	80-4
F3171R	3C21	6	70-11	H294R	1C23	24	20-39	JD7445	3H7	3	80-5
F3171R	3D4	36	70-19	H31207	4C17	17	90-36	JD7446	2I15	6	50-74
F3171R	3D6	8	70-21	H61993	4B17	18	90-10	JD7448	2I17	12	50-76
F3171R	3D10	6	70-25	H61993	4B18	4	90-11	JD7449	2H18	2	50-52
F3171R	3D10	10	70-25	H61993	4B18	5	90-11	JD7502	2G14	31	50-22
F3171R	3D12	6	70-27	H61993	4C11	27	90-29	JD7537	2H5	21	50-38
F3171R	3D12	10	70-27	H61993	4C14	4	90-33	JD7537	2I2	21	50-61
F3171R	3D14	1	70-29	H61993	4C14	5	90-33	JD7552	2G14	30	50-22
F3171R	3D15	3	70-30	H63858	1E25	15	30-35	JD7557	2H4	3	50-37
F3171R	3D17	1	70-32	H63952	4B17	11	90-10	JD7557	2I3	3	50-62
F3171R	3D20	3	70-35	H63952	4C10	2	90-28	JD7759	2I17	18	50-76
F3171R	3D24	22	70-39	H772R	3H5	7	80-3	JD7759	2I21	7	50-80
F3171R	3D24	23	70-39	H773R	3H5	14	80-3	JD7759	3E17	6	70-58
F3171R	3D24	31	70-39	H78354	4C25	2	90-44	JD7759	3E21	10	70-63
F3171R	3E5	26	70-45	H826R	1C4	56	20-21	JD7759	3F7	23	70-76
F3171R	3E15	12	70-56	H826R	1C23	11	20-39	JD7759	3H5	11	80-3
F3171R	3F12	4	70-81	H837R	3D21	10	70-36	JD7759	3H15	6	80-13
F3171R	3F13	28	70-82	H851R	2G5	2	50-13	JD7759	3H16	7	80-14
F3173R	3E2	13	70-42	H851R	2H14	2	50-48	JD7759	3H19	9	80-17
F3195R	3I14	1	80-37	H851R	3F13	18	70-82	JD7759	3H21	16	80-19
F3195R	3I15	9	80-38	H858R	2I8	8	50-67	JD7759	3H22	5	80-20
F3220R	3F12	5	70-81	H858R	2I9	5	50-68	JD7778	2H9	33	50-42
F3221R	2G23	17	50-31	H871R	2G12	4	50-20	JD7778	3E13	4	70-54
F3338R	4D17	2	90-61	H871R	2H6	11	50-39	JD7778	3H4	16	80-2
F3353R	1E22	14	30-32	H871R	2I23	11	50-82	JD7781	2I21	4	50-80
F3353R	2I11	2	50-70	H871R	3B8	35	60-3	JD7781	3H22	16	80-20
F3357R	2I16	3	50-75	H987R	2E13	15	40-84	JD7797	3E16	4	70-57
F3358R	2I16	5	50-75	H987R	2E16	19	40-87	JD7797	3H23	16	80-21
F3392R	2F20	11	50-3	IPSKIT1	1B9	..	20-2	JD7806	3H23	6	80-21
F3396R	2F20	2	50-3	JD1091	3H6	8	80-4	JD7838	2B25	11	40-17
F3500R	1E25	19	30-35	JD1102	3H6	8	80-4	JD8112	2I17	13	50-76
F3539R	3F5	6	70-73	JD126	2D6	10	40-51	JD8130	2I15	15	50-74
F3539R	3F7	5	70-76	JD126	2E16	10	40-87	JD8135	2I5	18	50-64
F3539R	3F8	5	70-77	JD1293	3H6	8	80-4	JD8149	2I17	6	50-76
F3539R	3F9	5	70-78	JD1298	3H6	8	80-4	JD8152	2I14	14	50-73
F3541R	3F5	4	70-73	JD1299	3H6	8	80-4	JD8159	2I6	18	50-65
F3541R	3F7	3	70-76	JD16	3H3	6	80-1	JD8159	2I7	29	50-66
F3541R	3F8	3	70-77	JD16	3H6	5	80-4	JD8167	2I14	6	50-73
F3541R	3F9	3	70-78	JD16	3H6	9	80-4	JD8190	2H18	3	50-52
F3542R	3F5	5	70-73	JD17	3H25	3	80-23	JD8192	3C15	27	70-5

## NUMERICAL INDEX - CONTINUED

PART NO.	GRID	KEY	PAGE	PART NO.	GRID	KEY	PAGE	PART NO.	GRID	KEY	PAGE
JD8192	3C17	23	70-7	JD9279	2F25	17	50-8	M3636T	1E2	7	30-11
JD8192	3C25	21	70-15	JD9279	2H6	2	50-39	M3636T	1E9	1	30-18
JD8192	3D2	21	70-17	JD9281	2F19	17	50-2	M3636T	1E15	1	30-24
JD8207	2I14	13	50-73	JD9281	2H8	25	50-41	M3636T	2C5	12	40-23
JD8210	2I6	19	50-65	JD9292	2F25	15	50-8	M3636T	2C8	9	40-26
JD8210	2I7	30	50-66	JD9292	2H6	4	50-39	M3636T	2C12	29	40-30
JD8214	2I14	7	50-73	JD9320	2H4	25	50-37	M3636T	2C15	33	40-33
JD8223	3C15	26	70-5	JD9320	2I3	25	50-62	M3636T	2C17	30	40-36
JD8223	3C17	22	70-7	JD9345	2H5	24	50-38	M3636T	2C21	6	40-41
JD8223	3C25	20	70-15	JD9345	2I2	24	50-61	M3649T	2G14	23	50-22
JD8223	3D2	20	70-17	JD9355	1D3	9	20-44	M42229	4C18	..	90-37
JD8237	2G14	11	50-22	JD9355	1D5	16	20-46	M42229	4D13	9	90-57
JD8246	2G15	3	50-23	JD9449	2C3	23	40-21	M42830	1D1	1	20-42
JD8247	2I5	25	50-64	JD9449	2F19	17	50-2	M42830	1D5	10	20-46
JD8251	2H16	8	50-50	JD9449	2H8	25	50-41	M60409	3F1	7	70-68
JD8251	3H3	7	80-1	JD9812	2G16	10	50-24	M63431	1F20	21	30-55
JD8251	3H6	6	80-4	JD9817	3B18	17	60-13	M63431	1F22	1	30-57
JD8251	3H7	4	80-5	JD9848	3E16	12	70-57	M63440	3C12	1	70-2
JD8258	2G15	9	50-23	JD9849	3E16	11	70-57	M63440	4B9	23	90-2
JD8259	2I6	4	50-65	J17817	2I22	4	50-81	M63440	4B10	13	90-3
JD8259	2I7	4	50-66	J17817	3F4	12	70-72	M72490	1C23	19	20-39
JD8264	2H17	3	50-51	K3083R	1B20	14	20-15	M72490	1C23	20	20-39
JD8267	2H16	1	50-50	K40001	2F4	3	40-97B	M72490	1D23	2	30-8
JD8268	2G14	20	50-22	K40003	1G10	13	30-70	M886T	3E5	10	70-45
JD8292	2I21	16	50-80	L29014	3C4	15	60-23	N107859	2I22	4	50-81
JD8293	2I19	19	50-78	L29015	3C4	13	60-23	N107859	3F4	12	70-72
JD8518	2G14	24	50-22	L29015	3C4	15	60-23	N140340	3G2	13	70-95
JD8535	2C3	23	40-21	L29015	3C4	34	60-23	N31772	2J3	9	50-87
JD8537	2H5	18	50-38	L29015	3C6	13	60-25	N31772	2J4	8	50-88
JD8537	2I2	18	50-61	L300T	2F21	2	50-4	PM797NA	2F13	1	40-106
JD8623	2I15	2	50-74	L324T	2F22	9	50-5	PT1293	2D6	3	40-51
JD8723	2I4	6	50-63	L324T	2G25	14	50-33	PT1294	2D6	7	40-51
JD8725	2H5	5	50-38	L324T	2H10	11	50-43	PT1296	2D6	14	40-51
JD8725	2I2	5	50-61	L4299T	1C24	9	20-40	PT1297	2D6	25	40-51
JD8856	2G16	11	50-24	L64456	2H3	1	50-36	PT1624	2D6	5	40-51
JD8862	1C25	38	20-41	L65000	2F2	10	40-97	PT18180	2D6	5	40-51
JD8867	1E9	11	30-18	L851T	1D23	16	30-8	PT18181	2D6	17	40-51
JD8867	1E15	10	30-24	L851T	1D23	17	30-8	PT9318	2D6	7	40-51
JD8867	1E21	5	30-31	L851T	1E3	13	30-12	PT9319	2D6	5	40-51
JD8902	2G14	12	50-22	L851T	1E5	11	30-14	PT9320	2D6	17	40-51
JD8910	2H18	21	50-52	L852T	1E5	9	30-14	PT9390	2D6	6	40-51
JD8913	3H3	4	80-1	M115827	3E19	20	70-61	P41858	4C17	19	90-36
JD8913	3H5	18	80-3	M115827	3E20	12	70-62	P44982	1G11	13	30-71
JD8913	3H6	3	80-4	M115827	3E21	2	70-63	P44982	1G12	17	30-72
JD8913	3H7	2	80-5	M115827	3E22	11	70-64	P44982	3E7	42	70-47
JD8922	2I5	24	50-64	M115827	3E22	25	70-64	P44982	3E12	13	70-53
JD8929	2H16	7	50-50	M115827	3E23	20	70-65	P44982	3E12	26	70-53
JD8929	3H3	8	80-1	M115827	3E25	17	70-67	P44982	4B9	16	90-2
JD8929	3H6	7	80-4	M115827	3F3	7	70-71	P46051	2I19	2	50-78
JD8929	3H7	5	80-5	M115827	3F5	22	70-73	P46051	3F16	27	70-85
JD8942	2I15	5	50-74	M115827	3F7	30	70-76	P47908	2J1	2	50-85
JD8954	2I6	5	50-65	M117057	4B18	8	90-11	P47908	2J3	1	50-87
JD8954	2I7	5	50-66	M117057	4B21	7	90-14	P47908	3C13	1	70-3
JD8969	2I5	13	50-64	M117057	4B22	15	90-15	P47908	3C23	22	70-13
JD8970	2H17	2	50-51	M1895T	2D17	19	40-63	P47908	3D8	26	70-23
JD8971	2G15	10	50-23	M2071T	3E23	5	70-65	P47908	3D10	3	70-25
JD8973	2G15	2	50-23	M2206T	2I5	20	50-64	P47908	3D12	3	70-27
JD8974	2G14	19	50-22	M2267T	1E22	2	30-32	P48347	1F20	17	30-55
JD8979	2H16	2	50-50	M2396T	1G11	1	30-71	P48347	1F23	12	30-58
JD8980	2H17	18	50-51	M2396T	3E7	10	70-47	P48347	2I21	33	50-80
JD8982	2I5	5	50-64	M2396T	3E7	52	70-47	P48347	3B11	22	60-6
JD9028	2I21	15	50-80	M2396T	3E12	1	70-53	P50631	2H4	4	50-37
JD9029	2I21	13	50-80	M2396T	3F14	2	70-83	P50631	2I3	4	50-62
JD9030	2I19	20	50-78	M2396T	3F14	20	70-83	RE10712	3C19	43	70-9
JD9212	1D3	9	20-44	M2396T	3F22	24	70-91	RE10712	3C19	44	70-9
JD9212	1D5	16	20-46	M3636T	1B20	3	20-15	RE10712	3D4	40	70-19
JD9257	1D7	9	20-48	M3636T	1D23	9	30-8	RE10924	3F17	1	70-86



## NUMERICAL INDEX - CONTINUED

PART NO.	GRID	KEY	PAGE	PART NO.	GRID	KEY	PAGE	PART NO.	GRID	KEY	PAGE
RE11410	1B18	25	20 - 13	RE16370	2G16	2	50 - 24	RE23172	1C11	8	20 - 29
RE11447	3G19	9	70 - 115	RE17282	2E22	10	40 - 93	RE23172	1C11	12	20 - 29
RE11456	3G19	2	70 - 115	RE17282	2E24	21	40 - 95	RE23173	1B24	..	20 - 17
RE11457	3G19	1	70 - 115	RE17352	1C2	45	20 - 19	RE23173	1C11	9	20 - 29
RE11458	3G19	2	70 - 115	RE17352	1C19	5	20 - 35	RE23173	1C11	10	20 - 29
RE11463	3G19	2	70 - 115	RE19075	2D15	2	40 - 60	RE23173	1C11	12	20 - 29
RE11777	3C25	24	70 - 15	RE19075	2D15	6	40 - 60	RE23182	1B9	2	20 - 2
RE11777	3D2	24	70 - 17	RE19075	2D17	1	40 - 63	RE23382	3C15	16	70 - 5
RE11804	3C25	14	70 - 15	RE19075	2D17	23	40 - 63	RE23382	3C15	25	70 - 5
RE11804	3D2	14	70 - 17	RE19075	2D17	26	40 - 63	RE23382	3C17	21	70 - 7
RE11956	3C4	30	60 - 23	RE19075	2D19	2	40 - 65	RE23382	3C25	19	70 - 15
RE11956	3C6	28	60 - 25	RE19075	2D19	6	40 - 65	RE23382	3D2	19	70 - 17
RE12162	2G16	15	50 - 24	RE19075	2D19	29	40 - 65	RE24041	4D12	4	90 - 56
RE12330	2F10	14	40 - 103	RE19075	2D19	30	40 - 65	RE24561	1G13	1	30 - 73
RE12330	3C21	20	70 - 11	RE19075	2D20	1	40 - 66	RE24561	1G14	1	30 - 74
RE12330	3D6	..	70 - 21	RE19075	2D20	3	40 - 66	RE24647	3D6	21	70 - 21
RE12331	2F10	12	40 - 103	RE19075	2D20	7	40 - 66	RE25125	2D9	12	40 - 54
RE12332	2F10	18	40 - 103	RE19080	2D9	10	40 - 54	RE25125	2D15	28	40 - 60
RE12333	2F10	21	40 - 103	RE19080	2D11	6	40 - 56	RE25126	2D9	10	40 - 54
RE12334	2F10	8	40 - 103	RE19080	2D11	..	40 - 56	RE25126	2D11	5	40 - 56
RE12362	2F10	4	40 - 103	RE19080	2D13	6	40 - 58	RE25126	2D13	5	40 - 58
RE12363	2F10	11	40 - 103	RE19080	2D13	..	40 - 58	RE25126	2D14	7	40 - 59
RE12363	2F10	12	40 - 103	RE19993	2G3	2	50 - 11	RE25126	2D17	4	40 - 63
RE12364	2F10	16	40 - 103	RE20662	3F5	23	70 - 73	RE25127	2D9	10	40 - 54
RE12365	2F10	20	40 - 103	RE20662	3F7	12	70 - 76	RE25127	2D11	5	40 - 56
RE12366	2F10	25	40 - 103	RE20662	3F8	12	70 - 77	RE25127	2D13	5	40 - 58
RE12470	3D4	28	70 - 19	RE20730	2I4	16	50 - 63	RE25127	2D14	7	40 - 59
RE12518	2I7	11	50 - 66	RE20731	2H6	20	50 - 39	RE25621	2E20	1	40 - 91
RE12793	1G18	6	30 - 78	RE20832	2G19	8	50 - 27	RE26739	3F6	6	70 - 74
RE13181	2H4	26	50 - 37	RE21096	2F2	11	40 - 97	RE26740	3F6	6	70 - 74
RE13181	2I3	26	50 - 62	RE21112	2F6	3	40 - 99	RE27099	2D8	22	40 - 53
RE13194	3E17	1	70 - 58	RE21113	2F6	10	40 - 99	RE27099	2D9	22	40 - 54
RE13271	3D4	15	70 - 19	RE21230	1F11	..	30 - 46	RE27099	2D12	5	40 - 57
RE13561	3F20	2	70 - 89	RE21230	1F18	1	30 - 53	RE27099	2D13	11	40 - 58
RE13561	3F20	3	70 - 89	RE21304	2G23	18	50 - 31	RE27667	1E8	4	30 - 17
RE13562	3F20	2	70 - 89	RE21305	2G23	22	50 - 31	RE27667	1F4	4	30 - 39
RE13562	3F20	3	70 - 89	RE21439	1F25	13	30 - 60	RE28790	3C15	7	70 - 5
RE13722	2C8	1	40 - 26	RE21439	1G3	13	30 - 63	RE28790	3C17	7	70 - 7
RE13722	2C24	..	40 - 44	RE21510	2F2	20	40 - 97	RE28790	3C23	19	70 - 13
RE13722	2C25	..	40 - 45	RE21730	2F12	5	40 - 105	RE28790	3C25	7	70 - 15
RE13722	2D1	..	40 - 46	RE21732	2F12	6	40 - 105	RE28790	3D2	7	70 - 17
RE13731	2C25	1	40 - 45	RE21738	2F6	15	40 - 99	RE28790	3D8	23	70 - 23
RE13732	2D3	10	40 - 48	RE21790	1G14	15	30 - 74	RE29103	3C23	25	70 - 13
RE13733	2D3	9	40 - 48	RE21790	1G15	1	30 - 75	RE29107	3D8	29	70 - 23
RE14069	2C1	5	40 - 18	RE21790	1G16	6	30 - 76	RE29408	2E1	4	40 - 72
RE14868	3C21	20	70 - 11	RE21790	1G17	14	30 - 77	RE29408	2E1	7	40 - 72
RE14953	1C2	45	20 - 19	RE22319	2G22	10	50 - 30	RE29607	2F19	16	50 - 2
RE14953	1C19	5	20 - 35	RE22319	2G22	13	50 - 30	RE29610	2H8	17	50 - 41
RE150014	3H8	8	80 - 6	RE22319	2G23	19	50 - 31	RE29774	2H8	24	50 - 41
RE150015	3H8	8	80 - 6	RE22320	2G22	7	50 - 30	RE30174	1G13	1	30 - 73
RE15058	2D3	15	40 - 48	RE22320	2G23	14	50 - 31	RE30174	1G14	1	30 - 74
RE15361	3F13	25	70 - 82	RE22320	2G23	18	50 - 31	RE31701	2I14	3	50 - 73
RE15361	3F24	18	70 - 93	RE22589	2F6	2	40 - 99	RE31701	2I17	16	50 - 76
RE15361	3F24	20	70 - 93	RE22764	1C2	45	20 - 19	RE32529	3C21	19	70 - 11
RE15361	3G2	18	70 - 95	RE22764	1C19	5	20 - 35	RE32529	3D6	20	70 - 21
RE15361	3G2	29	70 - 95	RE22764	1C19	6	20 - 35	RE32969	3B20	2	60 - 14A
RE15417	3C13	1	70 - 3	RE23000	2F25	3	50 - 8	RE33636	1G13	1	30 - 73
RE15417	3D12	7	70 - 27	RE23000	2G1	3	50 - 9	RE33636	1G14	1	30 - 74
RE15427	1D2	7	20 - 43	RE23000	2G7	22	50 - 15	RE35992	1B9	3	20 - 2
RE16151	1G15	3	30 - 75	RE23165	1C2	4	20 - 19	RE36170	2H19	2	50 - 53
RE16151	1G15	4	30 - 75	RE23165	1C11	12	20 - 29	RE36657	3B20	4	60 - 14A
RE16181	1G13	10	30 - 73	RE23168	1C2	4	20 - 19	RE37089	1F20	..	30 - 55
RE16181	1G13	12	30 - 73	RE23168	1C11	12	20 - 29	RE37089	1F22	7	30 - 57
RE16181	1G16	3	30 - 76	RE23170	1B24	..	20 - 17	RE37091	1F20	22	30 - 55
RE16181	1G16	7	30 - 76	RE23170	1C11	9	20 - 29	RE37091	1F20	..	30 - 55
RE16182	1G14	..	30 - 74	RE23170	1C11	10	20 - 29	RE37091	1F22	2	30 - 57
RE16182	1G17	17	30 - 77	RE23170	1C11	12	20 - 29	RE37091	1F22	7	30 - 57

# 1K15

3020 - TRACTOR (TRACTOR SERIAL NO. 123,000- )

## NUMERICAL INDEX - CONTINUED

PART NO.	GRID	KEY	PAGE	PART NO.	GRID	KEY	PAGE	PART NO.	GRID	KEY	PAGE
RE37996	2C1	4	40-18	RE47805	2I3	11	50-62	R10194	1E21	4	30-31
RE38361	2G22	7	50-30	RE48040	3I16	5	80-39	R10198	1E12	37	30-21
RE38361	2G22	10	50-30	RE49428	3I16	12	80-39	R10202	1E9	27	30-18
RE38361	2G23	14	50-31	RE50113	2G15	1	50-23	R10203	1E9	28	30-18
RE38361	2G23	18	50-31	RE50113	2I6	11	50-65	R10204	1E11	19	30-20
RE38390	2B25	9	40-17	RE50113	2I7	28	50-66	R10206	1E10	29	30-19
RE38390	2C1	6	40-18	RE50139	1G14	11	30-74	R10207	1E11	23	30-20
RE38390	2G19	10	50-27	RE50139	1G14	13	30-74	R10209	1E11	20	30-20
RE38390	2G21	19	50-29	RE50139	1G15	4	30-75	R10211	1E12	33	30-21
RE38391	2B9	7	40-1	RE50139	1G17	11	30-77	R10215	1E11	30	30-20
RE38391	2B21	6	40-13	RE54814	3H7	7	80-5	R10217	1E11	31	30-20
RE38391	2B22	3	40-14	RE55584	2G14	15	50-22	R10218	1E12	35	30-21
RE38391	2B23	7	40-15	RE56322	2I12	16	50-71	R10221	1E12	36	30-21
RE38707	2F2	11	40-97	RE58257	4B14	1	90-7	R10222	1E10	30	30-19
RE39063	2C11	10	40-29	RE58612	4B14	16	90-7	R10223	1E11	24	30-20
RE39064	2C8	1	40-26	RE58679	4B14	15	90-7	R10300	1E10	32	30-19
RE39064	2C11	13	40-29	RE62240	1F22	7	30-57	R10300	1E21	3	30-31
RE39838	2C8	1	40-26	RE62856	3I16	1	80-39	R104592	1B20	22	20-15
RE39838	2C9	9	40-27	RE66845	2F2	17	40-97	R104592	1D23	7	30-8
RE39838	2C10	6	40-28	RE67830	1G18	6	30-78	R104592	1E2	4	30-11
RE39838	2C12	..	40-30	RE67850	3H8	17	80-6	R104592	1F7	19	30-42
RE40463	3C21	20	70-11	RE68883	3H8	17	80-6	R104592	1F8	6	30-43
RE40463	3D6	21	70-21	RE69223	2D15	16	40-60	R105583	3C15	13	70-5
RE40564	1C11	12	20-29	RE71409	2F2	20	40-97	R105583	3C17	13	70-7
RE40566	1C11	8	20-29	RE71409	2F4	12	40-97B	R105583	3C25	11	70-15
RE40566	1C11	12	20-29	RG17898	1B24	..	20-17	R105583	3D2	11	70-17
RE41287	2B9	7	40-1	RG17899	1B24	..	20-17	R105813	3E12	33	70-53
RE41287	2B23	7	40-15	RG17900	1B24	..	20-17	R105814	1G10	14	30-70
RE41875	2C8	1	40-26	RG23361	1B22	29	20-15B	R105942	2F2	10	40-97
RE41875	2C24	..	40-44	RG23361	1B24	..	20-17	R106715	2H4	11	50-37
RE41875	2C25	17	40-45	RG23361	1C4	81	20-21	R106715	2I3	11	50-62
RE41875	2C25	..	40-45	RG23362	1B24	..	20-17	R106866	2H4	11	50-37
RE41875	2D1	..	40-46	RG23362	1C4	81	20-21	R106866	2I3	11	50-62
RE41875	2D3	10	40-48	RG23430	1B24	..	20-17	R109478	2H21	11	50-55
RE42182	2B10	3	40-2	RG23431	1B24	..	20-17	R11000	2C23	9	40-43
RE42183	2B10	3	40-2	RG23432	1B24	..	20-17	R11003	2C23	1	40-43
RE42185	2B10	8	40-2	RG26787	1B24	..	20-17	R11016	2C21	20	40-41
RE42186	2B10	8	40-2	RV695A	3E22	19	70-64	R11026	2C21	22	40-41
RE42211	1E8	2	30-17	RW26466	2F2	20	40-97	R11026	4C10	23	90-28
RE42211	1E8	4	30-17	RW26466	2F4	10	40-97B	R11032	2E14	10	40-85
RE42211	1F4	2	30-39	R100232	2F24	1	50-7	R11039	2C19	19	40-38
RE42211	1F4	4	30-39	R100308	2G19	3	50-27	R11039	2D2	20	40-47
RE43025	2F2	17	40-97	R100380	2C11	3	40-29	R11058	2C23	3	40-43
RE43025	2F4	1	40-97B	R100641	1D11	19	20-52	R11059	2C23	4	40-43
RE43273	1E8	2	30-17	R10083	1E9	6	30-18	R11066	2C19	9	40-38
RE43273	1E8	4	30-17	R10083	1E21	25	30-31	R11066	2D2	8	40-47
RE43273	1F4	2	30-39	R10093	2G4	24	50-12	R11080	2C12	28	40-30
RE43273	1F4	4	30-39	R10093	3D24	18	70-39	R11080	2C15	32	40-33
RE43274	1E8	2	30-17	R10104	1E9	15	30-18	R11080	2C17	29	40-36
RE43274	1E8	4	30-17	R10104	1E21	20	30-31	R11085	2C12	31	40-30
RE43274	1F4	2	30-39	R101055	2G5	7	50-13	R11085	2C15	35	40-33
RE43274	1F4	4	30-39	R101055	2H14	7	50-48	R11087	2C13	1	40-31
RE44536	2B9	10	40-1	R101055	2I7	9	50-66	R11087	2C16	1	40-34
RE44657	2E18	28	40-89	R10160	1E25	20	30-35	R11087	2C18	1	40-37
RE46317	2F2	11	40-97	R10170	1E11	22	30-20	R11087	2C23	6	40-43
RE46330	3B19	5	60-14	R10181	1E9	8	30-18	R11095	2C12	20	40-30
RE46330	3B19	9	60-14	R10182	1E9	13	30-18	R11095	2C15	24	40-33
RE46330	3B20	4	60-14A	R10182	1E21	19	30-31	R11095	2C17	23	40-36
RE46335	3B19	5	60-14	R10183	1E11	7	30-20	R11095	2C21	13	40-41
RE46335	3B19	9	60-14	R10184	1E11	4	30-20	R11096	2C12	14	40-30
RE46335	3B20	2	60-14A	R10185	1E11	2	30-20	R11096	2C14	18	40-32
RE46414	2F2	12	40-97	R10186	1E11	16	30-20	R11096	2C17	15	40-36
RE46459	2G19	8	50-27	R10187	1E11	15	30-20	R11096	2C21	31	40-41
RE46459	2G21	19	50-29	R10188	1E11	13	30-20	R11097	2C13	3	40-31
RE46684	3D4	26	70-19	R10188	1E16	23	30-25	R11108	2C12	30	40-30
RE46684	3D6	4	70-21	R10190	1E11	21	30-20	R11108	2C15	34	40-33
RE47805	2H4	11	50-37	R10194	1E9	12	30-18	R111122	3B19	2	60-14

# 1K16

3020 - TRACTOR (TRACTOR SERIAL NO. 123,000- )

## NUMERICAL INDEX - CONTINUED

PART NO.	GRID	KEY	PAGE	PART NO.	GRID	KEY	PAGE	PART NO.	GRID	KEY	PAGE
R111122	3B19	8	60-14	R11291	2C21	33	40-41	R133722	3H8	7	80-6
R11116	2C12	26	40-30	R11292	2C21	29	40-41	R15019	2C2	11	40-20
R11116	2C15	30	40-33	R11292	2D2	1	40-47	R15019	2C3	28	40-21
R11116	2C17	27	40-36	R11292	2D2	..	40-47	R15023	2C3	8	40-21
R11117	2C12	27	40-30	R11293	2D2	4	40-47	R15024	2C3	10	40-21
R11117	2C15	31	40-33	R11294	2D2	11	40-47	R15026	2C3	2	40-21
R11117	2C17	28	40-36	R11295	2D2	5	40-47	R15027	2C3	27	40-21
R11117	2C21	8	40-41	R11296	2C23	11	40-43	R15028	2C3	19	40-21
R11118	2C12	21	40-30	R11298	2C23	30	40-43	R15029	2C3	22	40-21
R11118	2C15	25	40-33	R11299	2C7	2	40-25	R15030	2C3	11	40-21
R11118	2C17	24	40-36	R11300	2C7	24	40-25	R15033	2C3	24	40-21
R11118	2C21	11	40-41	R11301	2C7	23	40-25	R15035	2C3	7	40-21
R11126	2C21	25	40-41	R11302	2C7	25	40-25	R15036	2C3	6	40-21
R11127	2C21	26	40-41	R113614	3I16	14	80-39	R15038	2C3	26	40-21
R11128	2C21	24	40-41	R1138R	3G8	18	70-103	R15045	2C3	3	40-21
R11129	2C21	23	40-41	R1138R	3G17	14	70-113	R1529R	1D3	8	20-44
R11191	2C13	3	40-31	R114130	1C2	12	20-19	R1529R	1D5	15	20-46
R11192	2C12	10	40-30	R115050	1C19	3	20-35	R1548R	2H7	3	50-40
R11192	2C14	10	40-32	R116468	3I16	18	80-39	R1548R	2I16	4	50-75
R11194	2C19	12	40-38	R117129	1G11	9	30-71	R1612R	1B20	18	20-15
R11197	2D2	2	40-47	R117491	4B14	9	90-7	R1612R	1C2	23	20-19
R11198	2C19	3	40-38	R1190R	3E12	24	70-53	R1612R	2F18	7	50-1
R11198	2D2	3	40-47	R119275	3F1	20	70-68	R1612R	2G5	4	50-13
R11201	2C21	20	40-41	R119275	3F3	30	70-71	R1612R	2H14	4	50-48
R11209	2C23	19	40-43	R119276	3F1	21	70-68	R1742R	2G4	15	50-12
R11212	2C21	35	40-41	R119276	3F3	32	70-71	R1742R	2H25	17	50-59
R11215	2C21	16	40-41	R120106	2F2	10	40-97	R1800R	2H1	4	50-34
R11221	2C21	27	40-41	R120107	2F2	10	40-97	R1836R	3H23	18	80-21
R11222	2C21	15	40-41	R120108	2F2	10	40-97	R1836R	4B10	2	90-3
R11223	2C21	17	40-41	R120109	3C6	34	60-25	R1870R	3G10	30	70-105
R11225	2C12	22	40-30	R120110	3C6	34	60-25	R1870R	3G15	36	70-111
R11225	2C15	26	40-33	R120111	3I18	6	80-41	R1870R	3I7	15	80-30
R11233	2C23	16	40-43	R120124	4B14	10	90-7	R1870R	3I8	16	80-31
R11236	2C16	3	40-34	R120128	4B14	11	90-7	R1888R	1C23	20	20-39
R11236	2C18	3	40-37	R122848	2C2	10	40-20	R1888R	1C23	31	20-39
R11237	2C16	5	40-34	R125027	1C19	3	20-35	R1888R	2G12	2	50-20
R11237	2C18	5	40-37	R13020	1E16	3	30-25	R1888R	2G14	2	50-22
R11238	2C16	23	40-34	R13021	1E15	21	30-24	R2R	3H5	17	80-3
R11238	2C18	23	40-37	R13025	1E16	2	30-25	R20123	4D21	..	90-65
R11239	2C16	18	40-34	R13027	1E15	14	30-24	R20124	4D21	..	90-65
R11239	2C18	18	40-37	R13031	1E16	27	30-25	R20135	3E13	2	70-54
R11240	2C12	11	40-30	R13035	1E15	9	30-24	R20135	3H16	12	80-14
R11240	2C14	11	40-32	R13036	1E15	20	30-24	R20135	3H17	18	80-15
R11240	2C17	11	40-36	R13038	1E15	6	30-24	R20135	3H18	23	80-16
R11240	2C19	1	40-38	R13039	1E15	11	30-24	R20135	3H19	12	80-17
R11240	2C19	..	40-38	R13040	1E15	12	30-24	R20135	3H20	2	80-18
R11243	2C16	26	40-34	R13041	1E15	27	30-24	R20136	3E2	2	70-42
R11243	2C18	26	40-37	R13042	1E16	32	30-25	R20152	2F19	11	50-2
R11253	2C23	5	40-43	R13043	1E15	18	30-24	R20253	3H4	4	80-2
R11256	2C7	4	40-25	R13044	1E15	19	30-24	R20255	3H3	17	80-1
R11257	2C7	12	40-25	R13046	1E15	17	30-24	R20255	3H4	27	80-2
R11260	2C7	13	40-25	R13050	1E15	28	30-24	R20255	3H16	11	80-14
R11263	2C7	19	40-25	R13051	1E15	8	30-24	R20255	3H19	11	80-17
R11264	2C7	14	40-25	R13052	1E16	1	30-25	R20256	3H4	29	80-2
R11269	2C5	18	40-23	R13055	1E16	12	30-25	R20259	3H4	31	80-2
R11269	2C7	22	40-25	R13056	1E16	16	30-25	R20260	3H4	17	80-2
R11270	2C7	5	40-25	R13057	1E16	17	30-25	R20261	3H4	18	80-2
R11276	2D23	9	40-69	R13058	1E16	10	30-25	R20423	1C24	4	20-40
R11278	2D22	1	40-68	R13060	1E16	20	30-25	R20498	1F6	6	30-41
R11278	2D23	6	40-69	R13064	1E16	9	30-25	R20522	3I8	2	80-31
R11278	2D24	6	40-70	R13065	1E16	7	30-25	R20648	3H5	9	80-3
R112882	2I6	1	50-65	R13075	1E16	24	30-25	R20653	3H5	21	80-3
R112882	2I7	1	50-66	R132720	3I18	17	80-41	R20654	3H5	13	80-3
R11290	2C13	14	40-31	R132822	3H8	8	80-6	R20655	3H5	14	80-3
R11290	2C16	16	40-34	R132823	3H8	1	80-6	R20656	3H5	10	80-3
R11290	2C18	16	40-37	R132824	3H8	11	80-6	R20758	2D10	2	40-55
R11290	2C23	20	40-43	R133720	3H8	7	80-6	R20758	2D10	3	40-55

## NUMERICAL INDEX - CONTINUED

PART NO.	GRID	KEY	PAGE	PART NO.	GRID	KEY	PAGE	PART NO.	GRID	KEY	PAGE
R20758	2D11	6	40-56	R26081	1B17	4	20-12	R26147	1C4	62	20-21
R20758	2D11	..	40-56	R26081	1B17	7	20-12	R26147	1C23	13	20-39
R20758	2D12	2	40-57	R26084	1C20	2	20-36	R26149	1C4	61	20-21
R20758	2D13	6	40-58	R26084	1D11	12	20-52	R26149	1C23	14	20-39
R20758	2D13	..	40-58	R26084	1D12	13	20-53	R26149	1G13	3	30-73
R20759	4D1	3	90-45	R26087	1C9	7	20-27	R26149	1G14	3	30-74
R20878	2E2	1	40-73	R26087	1C11	7	20-29	R26149	1G17	3	30-77
R20878	2E2	3	40-73	R26088	1C9	2	20-27	R26149	3C19	35	70-9
R20922	1C21	26	20-37	R26089	1C9	8	20-27	R26149	3E5	4	70-45
R20942	3H4	28	80-2	R26089	1C9	9	20-27	R26149	3E15	3	70-56
R21110	3H9	5	80-7	R26089	1C9	12	20-27	R26149	3F16	22	70-85
R21157	2D23	1	40-69	R26090	1C9	8	20-27	R26150	1B14	17	20-9
R21157	2D23	2	40-69	R26090	1C9	9	20-27	R26150	1B14	18	20-9
R21342	3E22	21	70-64	R26091	1C11	8	20-29	R26150	1B15	18	20-10
R21480	3H12	7	80-10	R26091	1C11	9	20-29	R26150	1B15	19	20-10
R21551	2D10	4	40-55	R26092	1C11	2	20-29	R26150	1B20	8	20-15
R21551	2D11	3	40-56	R26093	1C2	1	20-19	R26150	1B22	29	20-15B
R21551	2D17	25	40-63	R26093	1C11	1	20-29	R26150	1B24	..	20-17
R21551	3D15	12	70-30	R26108	1B16	21	20-11	R26150	1C9	9	20-27
R21551	3D20	12	70-35	R26109	1B16	20	20-11	R26150	1C9	10	20-27
R21560	1E19	11	30-28	R26110	1B16	22	20-11	R26150	1C9	11	20-27
R21630	1B20	22	20-15	R26111	1B16	24	20-11	R26150	1C9	12	20-27
R21630	1C2	28	20-19	R26113	4B10	26	90-3	R26150	1C9	..	20-27
R21630	2G5	4	50-13	R26114	1B14	20	20-9	R26150	1C14	..	20-32
R21630	2H7	21	50-40	R26115	1B20	26	20-15	R26150	1E8	1	30-17
R21630	2H14	4	50-48	R26115	1C2	32	20-19	R26150	1F4	1	30-39
R21644	1D16	6	30-1	R26116	1B20	7	20-15	R26151	1C4	59	20-21
R21645	1D16	7	30-1	R26117	1C2	12	20-19	R26151	1C23	16	20-39
R21722	3G19	1	70-115	R26117	1D23	9	30-8	R26151	3B10	19	60-5
R21722	3G19	2	70-115	R26117	1E2	7	30-11	R26152	1C4	55	20-21
R21736	3I11	26	80-34	R26117	2C5	12	40-23	R26152	1C21	16	20-37
R21736	3I11	27	80-34	R26118	1C9	10	20-27	R26152	1C23	22	20-39
R227R	3B21	19	60-15	R26119	1C9	11	20-27	R26153	1C4	52	20-21
R228R	2I16	16	50-75	R26120	1C11	10	20-29	R26153	1C23	25	20-39
R229R	2I16	15	50-75	R26121	1C9	11	20-27	R26154	1C23	27	20-39
R2579R	2D17	3	40-63	R26123	1B18	21	20-13	R26155	1C23	27	20-39
R26006	2H6	17	50-39	R26124	1B18	20	20-13	R26160	1B14	17	20-9
R26006	2I4	10	50-63	R26125	1B18	22	20-13	R26160	1B14	19	20-9
R26006	2I4	13	50-63	R26126	1B18	24	20-13	R26160	1B17	18	20-12
R26022	2H6	7	50-39	R26127	1C24	4	20-40	R26160	1B18	19	20-13
R26022	2H6	10	50-39	R26127	1C24	5	20-40	R26160	1B20	7	20-15
R26025	2I14	24	50-73	R26127	1D1	3	20-42	R26160	1B20	8	20-15
R26026	2I14	25	50-73	R26128	1C25	36	20-41	R26160	1B22	29	20-15B
R26042	2I6	6	50-65	R26129	1C24	7	20-40	R26160	1B24	..	20-17
R26042	2I7	6	50-66	R26131	1C24	13	20-40	R26160	1B24	..	20-17
R26043	2I6	6	50-65	R26133	1C24	14	20-40	R26160	1C11	9	20-29
R26043	2I7	6	50-66	R26133	1D1	11	20-42	R26160	1C11	10	20-29
R26046	1C9	6	20-27	R26135	1C24	18	20-40	R26160	1C11	11	20-29
R26047	1C11	6	20-29	R26135	1D1	15	20-42	R26160	1C11	12	20-29
R26049	1C4	76	20-21	R26136	1C24	19	20-40	R26160	1C11	..	20-29
R26049	1C13	9	20-31	R26136	1D1	16	20-42	R26160	1C14	..	20-32
R26054	1C13	3	20-31	R26137	3C15	6	70-5	R26160	1D9	13	20-50
R26056	1C16	1	20-33	R26137	3C17	6	70-7	R26160	1E8	1	30-17
R26057	1C19	1	20-35	R26137	3C25	6	70-15	R26160	1F4	1	30-39
R26057	1C19	3	20-35	R26137	3D2	6	70-17	R26163	1C7	4	20-25
R26058	1C2	46	20-19	R26138	1C25	24	20-41	R26163	1C23	34	20-39
R26058	1C19	4	20-35	R26138	1D1	18	20-42	R26163	1D11	17	20-52
R26058	1D11	15	20-52	R26141	1C24	6	20-40	R26163	1D12	12	20-53
R26058	1D12	10	20-53	R26141	1D1	6	20-42	R26166	1C23	8	20-39
R26070	1C9	12	20-27	R26142	1C24	17	20-40	R26167	1D10	9	20-51
R26072	2H17	15	50-51	R26142	1D1	14	20-42	R26168	1D10	9	20-51
R26077	1B14	8	20-9	R26143	1C23	21	20-39	R26169	1D10	7	20-51
R26078	1B14	17	20-9	R26144	1C4	64	20-21	R26169	2G13	3	50-21
R26079	1B15	10	20-10	R26144	1C23	17	20-39	R26170	1D10	16	20-51
R26079	1B17	10	20-12	R26145	1C9	1	20-27	R26171	1D10	2	20-51
R26081	1B15	4	20-10	R26146	1C4	63	20-21	R26172	1D10	4	20-51
R26081	1B15	7	20-10	R26146	1C23	12	20-39	R26173	1D10	5	20-51

## NUMERICAL INDEX - CONTINUED

PART NO.	GRID	KEY	PAGE	PART NO.	GRID	KEY	PAGE	PART NO.	GRID	KEY	PAGE
R26173	1D11	5	20-52	R26286	3B14	12	60-9	R26326	1D4	..	20-45
R26173	1D12	3	20-53	R26286	3B14	33	60-9	R26328	1D3	2	20-44
R26174	1D10	1	20-51	R26286	3B15	13	60-10	R26329	1D4	17	20-45
R26174	1D11	4	20-52	R26286	3B17	1	60-12	R26329	1D5	17	20-46
R26174	1D12	4	20-53	R26286	3B17	8	60-12	R26331	1D3	1	20-44
R26177	1B20	9	20-15	R26286	3B21	7	60-15	R26331	1D11	27	20-52
R26182	2H22	9	50-56	R26286	3B23	5	60-17	R26332	1C13	12	20-31
R26185	2H22	15	50-56	R26286	3B25	3	60-19	R26333	1C13	13	20-31
R26186	2H22	14	50-56	R26286	3B25	25	60-19	R26334	1D4	18	20-45
R26187	2H22	11	50-56	R26286	3C4	2	60-23	R26334	1D5	18	20-46
R26187	2H22	15	50-56	R26286	3C4	25	60-23	R26337	1D5	8	20-46
R26202	2H20	16	50-54	R26286	3C4	28	60-23	R26337	1D5	16	20-46
R26202	2H21	10	50-55	R26286	3D22	13	70-37	R26337	1D6	26	20-47
R26203	2H20	15	50-54	R26286	3D25	10	70-40	R26338	1D5	6	20-46
R26203	2H21	14	50-55	R26286	3E14	7	70-55	R26340	1D5	4	20-46
R26206	2H19	11	50-53	R26286	3F20	3	70-89	R26341	1D5	1	20-46
R26206	2H20	2	50-54	R26287	1F7	7	30-42	R26341	1D7	2	20-48
R26206	2H21	2	50-55	R26287	1F8	11	30-43	R26341	1D12	16	20-53
R26207	2H19	10	50-53	R26287	2G23	22	50-31	R26342	1B14	18	20-9
R26207	2H20	1	50-54	R26287	2H7	5	50-40	R26342	1B14	19	20-9
R26207	2H21	1	50-55	R26287	2H11	12	50-44	R26342	1B15	19	20-10
R26218	2H18	26	50-52	R26287	2H12	16	50-45	R26342	1B18	19	20-13
R26220	2H18	1	50-52	R26287	2H12	21	50-45	R26343	1D5	5	20-46
R26221	2H18	1	50-52	R26287	2I11	10	50-70	R26343	1D7	3	20-48
R26222	2H18	1	50-52	R26287	2I13	11	50-72	R26343	1D12	25	20-53
R26223	2H18	1	50-52	R26287	2I19	10	50-78	R26354	1C7	2	20-25
R26227	2G15	4	50-23	R26287	2I19	31	50-78	R26354	1C23	9	20-39
R26227	2H17	4	50-51	R26287	2I19	34	50-78	R26354	1D11	3	20-52
R26227	2I6	10	50-65	R26287	2I20	38A	50-79	R26354	1D12	1	20-53
R26227	2I7	27	50-66	R26287	2I21	23	50-80	R26360	1D23	18	30-8
R26228	2G15	4	50-23	R26287	3B8	32	60-3	R26360	1E2	13	30-11
R26228	2H17	4	50-51	R26287	3B11	9	60-6	R26360	1E3	11	30-12
R26228	2I6	10	50-65	R26287	3B17	15	60-12	R26361	1D23	19	30-8
R26228	2I7	27	50-66	R26287	3B21	14	60-15	R26361	1E2	12	30-11
R26241	1B20	10	20-15	R26287	3B21	17	60-15	R26361	1E3	10	30-12
R26246	2H16	3	50-50	R26287	3B24	19	60-18	R26364	3B19	11	60-14
R26253	2H17	12	50-51	R26287	3B25	17	60-19	R26364	3B20	6	60-14A
R26255	2H17	23	50-51	R26287	3C1	1	60-20	R26369	3B21	5	60-15
R26260	1D9	20	20-50	R26287	3C1	5	60-20	R26372	3B21	25	60-15
R26264	2H17	7	50-51	R26287	3C1	6	60-20	R26373	2H12	19	50-45
R26265	2H17	13	50-51	R26287	3C2	1	60-21	R26373	2H13	13	50-47
R26266	2H17	24	50-51	R26287	3C2	5	60-21	R26373	2I11	9	50-70
R26277	3B18	10	60-13	R26287	3C2	6	60-21	R26373	3B10	24	60-5
R26278	3B18	22	60-13	R26287	3C4	37	60-23	R26373	3C4	11	60-23
R26280	3B18	4	60-13	R26287	3C19	23	70-9	R26375	2G3	22	50-11
R26281	3B18	2	60-13	R26287	3C23	4	70-13	R26375	2G3	25	50-11
R26282	3B18	6	60-13	R26287	3C23	16	70-13	R26375	2G4	19	50-12
R26283	3B18	3	60-13	R26287	3D8	22	70-23	R26375	2G14	7	50-22
R26285	3B18	11	60-13	R26287	3D10	9	70-25	R26375	2H12	6	50-45
R26286	1F6	26	30-41	R26287	3D12	9	70-27	R26375	2H25	9	50-59
R26286	2F18	23	50-1	R26287	3D15	10	70-30	R26375	2H25	13	50-59
R26286	2G2	16	50-10	R26287	3D20	10	70-35	R26375	2I19	12	50-78
R26286	2G4	26	50-12	R26287	3D22	3	70-37	R26375	2I19	26	50-78
R26286	2G5	16	50-13	R26287	3F20	3	70-89	R26375	2I23	17	50-82
R26286	2G17	9	50-25	R26288	4B10	20	90-3	R26375	2J1	6	50-85
R26286	2G19	11	50-27	R26290	3B18	5	60-13	R26375	3B11	18	60-6
R26286	2H11	8	50-44	R26291	1D11	25	20-52	R26375	3B14	24	60-9
R26286	2H25	6	50-59	R26291	1D23	10	30-8	R26375	3B21	20	60-15
R26286	2I10	2	50-69	R26291	1E2	6	30-11	R26375	3B23	8	60-17
R26286	2I11	14	50-70	R26294	1D19	2	30-4	R26375	3B25	16	60-19
R26286	2I11	20	50-70	R26297	1D12	15	20-53	R26375	3C19	27	70-9
R26286	2I12	8	50-71	R26297	1E3	4	30-12	R26375	3C21	16	70-11
R26286	2I13	1	50-72	R26323	1C9	3	20-27	R26375	3D4	23	70-19
R26286	3B9	5	60-4	R26325	1C2	9	20-19	R26375	3D4	45	70-19
R26286	3B11	5	60-6	R26325	1C11	3	20-29	R26375	3D6	7	70-21
R26286	3B11	7	60-6	R26326	1D3	2	20-44	R26375	3D6	17	70-21
R26286	3B14	11	60-9	R26326	1D3	12	20-44	R26375	3D8	3	70-23

## NUMERICAL INDEX - CONTINUED

PART NO.	GRID	KEY	PAGE	PART NO.	GRID	KEY	PAGE	PART NO.	GRID	KEY	PAGE
R26375	3D8	10	70-23	R26448	3B8	22	60-3	R26546	3F16	3	70-85
R26375	3D24	2	70-39	R26448	3B11	2	60-6	R26547	3B14	25	60-9
R26375	3D24	35	70-39	R26448	3B11	24	60-6	R26551	2I4	19	50-63
R26375	3E5	9	70-45	R26448	3B14	5	60-9	R26551	3B14	20	60-9
R26375	3F12	6	70-81	R26448	3B15	1	60-10	R26552	2G21	6	50-29
R26375	3F13	12	70-82	R26448	3C19	2	70-9	R26552	2I21	32	50-80
R26375	3F13	21	70-82	R26448	3C19	8	70-9	R26552	3B11	13	60-6
R26375	3F19	2	70-88	R26448	3C21	1	70-11	R26553	3B12	7	60-7
R26375	3F19	21	70-88	R26448	3C23	1	70-13	R26554	3B12	1	60-7
R26375	3G2	4	70-95	R26448	3D4	2	70-19	R26559	1B15	15	20-10
R26375	3G2	10	70-95	R26448	3D4	8	70-19	R26559	1B17	15	20-12
R26375	3G3	4	70-96	R26448	3D8	1	70-23	R26559	3I1	4	80-24
R26375	3G3	11	70-96	R26448	3D8	8	70-23	R26565	3B10	5	60-5
R26375	3G5	3	70-99	R26448	3D24	4	70-39	R26565	3E5	39	70-45
R26375	3G6	2	70-101	R26448	3D24	13	70-39	R26566	3E5	6	70-45
R26375	3G19	4	70-115	R26448	3D24	20	70-39	R26574	2F22	5	50-5
R26376	3B21	18	60-15	R26448	3E5	2	70-45	R26574	2H10	16	50-43
R26384	3B24	17	60-18	R26448	3F13	16	70-82	R26575	4C16	21	90-35
R26385	2I8	12	50-67	R26448	3H24	3	80-22	R26584	3F5	9	70-73
R26385	2I9	11	50-68	R26457	3E1	5	70-41	R26584	3F7	8	70-76
R26385	3B24	24	60-18	R26458	3E1	2	70-41	R26584	3F8	8	70-77
R26386	2I8	11	50-67	R26469	1D8	16	20-49	R26584	3F9	8	70-78
R26386	2I9	10	50-68	R26472	1D2	22	20-43	R26593	1E6	3	30-15
R26386	3B24	22	60-18	R26475	1D2	2	20-43	R26593	1E19	13	30-28
R26398	2H20	20	50-54	R26477	3F12	12	70-81	R26593	1F1	7	30-36
R26399	1C25	28	20-41	R26480	3F22	28	70-91	R26594	1E6	5	30-15
R26399	1D1	22	20-42	R26480	3F23	10	70-92	R26594	1E19	15	30-28
R26401	1C25	27	20-41	R26482	3F22	17	70-91	R26594	1F1	9	30-36
R26401	1D1	21	20-42	R26482	3F23	6	70-92	R26604	1C16	1	20-33
R26402	1C25	30	20-41	R26483	3F22	21	70-91	R26606	1D3	16	20-44
R26402	1D1	24	20-42	R26483	3F23	7	70-92	R26607	1D6	21	20-47
R26403	1C25	26	20-41	R26484	3F16	13	70-85	R26608	3E22	8	70-64
R26403	1D1	20	20-42	R26484	3F22	14	70-91	R26609	3E22	12	70-64
R26405	1B12	2	20-6	R26484	3F23	3	70-92	R26609	3E22	24	70-64
R26407	1D1	10	20-42	R26485	3B14	31	60-9	R26618	3E16	21	70-57
R26408	1D1	4	20-42	R26485	3F22	10	70-91	R26618	3E17	13	70-58
R26409	1E7	4	30-16	R26485	3F23	1	70-92	R26621	3C19	34	70-9
R26409	2C5	2	40-23	R26485	3F24	12	70-93	R26625	3E1	8	70-41
R26409	2D10	6	40-55	R26485	3G2	24	70-95	R26626	3E2	14	70-42
R26409	2D11	9	40-56	R26493	1C4	58	20-21	R26628	3E8	5	70-48
R26409	2D12	10	40-57	R26493	1C21	15	20-37	R26631	3H3	6	80-1
R26409	2D14	4	40-59	R26493	1C23	18	20-39	R26631	3H6	5	80-4
R26413	1D2	19	20-43	R26499	1D11	14	20-52	R26631	3H6	9	80-4
R26417	1D2	17	20-43	R26499	1E9	4	30-18	R26632	3H3	3	80-1
R26418	3B15	11	60-10	R26499	1E15	4	30-24	R26632	3H6	2	80-4
R26421	2I19	29	50-78	R26499	1E21	7	30-31	R26637	2F19	7	50-2
R26425	3B11	11	60-6	R26500	1C25	47	20-41	R26637	2H8	20	50-41
R26431	4B9	13	90-2	R26501	1C25	45	20-41	R26639	2H8	7	50-41
R26432	4B9	7	90-2	R26503	3E23	13	70-65	R26641	2H7	7	50-40
R26433	4B9	9	90-2	R26503	3F4	7	70-72	R26642	2H7	8	50-40
R26434	4B9	15	90-2	R26512	1C24	4	20-40	R26643	2F25	18	50-8
R26436	4B9	22	90-2	R26517	1C24	1	20-40	R26647	1C2	10	20-19
R26441	3B8	18	60-3	R26518	1C25	43	20-41	R26650	2G12	15	50-20
R26441	3B9	2	60-4	R26521	1C4	74	20-21	R26652	2H9	6	50-42
R26441	3B14	7	60-9	R26521	1C13	7	20-31	R26656	2H8	26	50-41
R26441	3B14	27	60-9	R26523	1C25	46	20-41	R26659	2H8	16	50-41
R26441	3G8	22	70-103	R26524	1C25	44	20-41	R26663	2H7	4	50-40
R26441	3G10	34	70-105	R26524	1C25	45	20-41	R26670	1G10	8	30-70
R26441	3G17	18	70-113	R26524	1G12	16	30-72	R26686	2H2	17	50-35
R26448	2C1	2	40-18	R26530	1C13	10	20-31	R26686	2H25	12	50-59
R26448	2G2	21	50-10	R26531	1D19	2	30-4	R26694	3I11	22	80-34
R26448	2G17	20	50-25	R26531	1E6	13	30-15	R26702	3I11	18	80-34
R26448	2G19	25	50-27	R26531	1F1	17	30-36	R26703	3I11	18	80-34
R26448	2G21	11	50-29	R26540	1C13	10	20-31	R26708	3E13	8	70-54
R26448	2G23	22	50-31	R26543	3E2	5	70-42	R26710	3E13	19	70-54
R26448	2I11	16	50-70	R26546	3B10	16	60-5	R26711	3E13	22	70-54
R26448	2I13	13	50-72	R26546	3B14	16	60-9	R26720	1C13	4	20-31

# 1K20

3020 - TRACTOR (TRACTOR SERIAL NO. 123,000- )

## NUMERICAL INDEX - CONTINUED

PART NO.	GRID	KEY	PAGE	PART NO.	GRID	KEY	PAGE	PART NO.	GRID	KEY	PAGE
R26726	1F16	16	30-51	R26890	3I12	11	80-35	R27084	3I7	6	80-30
R26726	1F20	3	30-55	R26892	1D1	3	20-42	R27085	3I7	7	80-30
R26726	1G1	8	30-61	R26892	1D3	5	20-44	R27087	3B8	15	60-3
R26726	1G4	8	30-64	R26905	3D14	16	70-29	R27089	3B9	14	60-4
R26726	1G13	17	30-73	R26905	3D16	6	70-31	R27091	3B9	11	60-4
R26727	1C5	6	20-23	R26905	3D17	8	70-32	R27094	2F18	24	50-1
R26727	2I5	9	50-64	R26905	3D18	10	70-33	R27094	2G2	15	50-10
R26738	1D11	7	20-52	R26905	3D19	2	70-34	R27094	2G4	27	50-12
R26738	1E22	15	30-32	R26905	3D21	17	70-36	R27094	2G5	17	50-13
R26745	1B12	5	20-6	R26906	2G17	17	50-25	R27094	2G17	10	50-25
R26745	1D11	28	20-52	R26906	2G19	13	50-27	R27094	2G19	12	50-27
R26745	1D12	24	20-53	R26906	2G21	9	50-29	R27094	2G21	12	50-29
R26747	1B14	18	20-9	R26906	3C13	1	70-3	R27094	2I10	1	50-69
R26747	1B14	19	20-9	R26906	3C19	10	70-9	R27094	2I11	13	50-70
R26748	1B15	16	20-10	R26906	3C21	2	70-11	R27094	3C4	1	60-23
R26748	1B17	16	20-12	R26906	3C23	2	70-13	R27094	3C6	1	60-25
R26753	2F24	17	50-7	R26906	3C23	15	70-13	R27094	3D25	11	70-40
R26754	3E2	6	70-42	R26906	3D4	16	70-19	R27094	3E14	8	70-55
R26755	3B9	10	60-4	R26906	3D6	1	70-21	R27095	3B15	10	60-10
R26760	3C4	8	60-23	R26906	3D8	6	70-23	R27096	1D9	15	20-50
R26762	3B12	4	60-7	R26906	3D8	26	70-23	R27097	1D9	6	20-50
R26769	3D25	19	70-40	R26906	3D10	2	70-25	R27098	1D9	14	20-50
R26769	3E14	14	70-55	R26906	3D10	6	70-25	R27099	1D9	14	20-50
R26784	3E13	21	70-54	R26906	3D12	2	70-27	R27102	1C25	48	20-41
R26804	2H8	10	50-41	R26906	3D12	6	70-27	R27116	2F20	10	50-3
R26811	3E19	26	70-61	R26906	3D13	1	70-28	R27121	4B10	18	90-3
R26813	3E19	6	70-61	R26906	3D13	16	70-28	R27127	3E8	2	70-48
R26813	3E20	6	70-62	R26906	3D15	15	70-30	R27137	3B21	8	60-15
R26823	2H10	18	50-43	R26906	3D22	11	70-37	R27137	3B23	6	60-17
R26825	1B22	35	20-15B	R26906	3E1	3	70-41	R27139	3C1	8	60-20
R26826	1B22	34	20-15B	R26906	3E5	11	70-45	R27139	3C2	4	60-21
R26826	1D11	9	20-52	R26906	3F12	16	70-81	R27145	3C15	31	70-5
R26826	1D12	8	20-53	R26919	1F6	24	30-41	R27145	3C17	27	70-7
R26828	4B9	5	90-2	R26919	1F6	25	30-41	R27147	3C15	9	70-5
R26829	4B9	17	90-2	R26919	2H9	14	50-42	R27148	3C15	10	70-5
R26830	4B9	14	90-2	R26919	2H13	12	50-47	R27149	3B21	9	60-15
R26832	4B10	3	90-3	R26933	3B8	8	60-3	R27149	3B23	7	60-17
R26841	3D25	13	70-40	R26934	1B20	20	20-15	R27149	3C15	11	70-5
R26842	3D25	2	70-40	R26934	1E8	1	30-17	R27149	3C17	11	70-7
R26844	1D9	23	20-50	R26934	1F4	1	30-39	R27149	3C23	20	70-13
R26845	1D9	9	20-50	R26936	2D12	3	40-57	R27149	3C25	9	70-15
R26846	1D9	8	20-50	R26936	2D12	4	40-57	R27149	3D2	9	70-17
R26847	1D9	9	20-50	R26936	2D12	7	40-57	R27149	3D8	24	70-23
R26848	1D9	8	20-50	R26936	2D13	9	40-58	R27150	3C15	5	70-5
R26850	1D9	13	20-50	R26941	2D12	11	40-57	R27150	3C17	5	70-7
R26858	3I11	11	80-34	R26941	2D14	8	40-59	R27150	3C25	5	70-15
R26860	3H3	18	80-1	R26941	2D20	2	40-66	R27150	3D2	5	70-17
R26861	2C5	4	40-23	R26941	3B15	19	60-10	R27154	3C15	18	70-5
R26862	2C5	1	40-23	R26958	1G10	12	30-70	R27155	3C15	17	70-5
R26863	3B19	12	60-14	R26969	3B19	2	60-14	R27157	3C15	20	70-5
R26863	3B20	7	60-14A	R26973	3B19	11	60-14	R27159	3C19	18	70-9
R26863	3D25	12	70-40	R26990	2H17	22	50-51	R27166	3C19	14	70-9
R26869	3E8	6	70-48	R26992	4D1	8	90-45	R27166	3C19	43	70-9
R26871	1G11	13	30-71	R26992	4D3	6	90-47	R27166	3C19	44	70-9
R26871	3E7	42	70-47	R27000	2H5	3	50-38	R27166	3C21	5	70-11
R26871	3E12	13	70-53	R27000	2I2	3	50-61	R27166	3C23	6	70-13
R26871	3E12	26	70-53	R27018	2G5	20	50-13	R27166	3D4	42	70-19
R26871	4B9	16	90-2	R27018	2H14	17	50-48	R27166	3D6	10	70-21
R26872	4B9	21	90-2	R27018	3E8	18	70-48	R27166	3D8	14	70-23
R26873	4B9	21	90-2	R27021	3I1	11	80-24	R27166	3E5	21	70-45
R26874	4B9	1	90-2	R27022	3I1	2	80-24	R27166	3E9	11	70-49
R26875	4B10	4	90-3	R27033	2H8	19	50-41	R27166	3E15	10	70-56
R26876	4B10	7	90-3	R27035	2H7	14	50-40	R27166	3F16	20	70-85
R26877	4B10	6	90-3	R27035	2H7	20	50-40	R27166	3F18	5	70-87
R26878	4B10	15	90-3	R27042	2H8	32	50-41	R27167	3C19	16	70-9
R26879	4B10	9	90-3	R27058	1E22	12	30-32	R27168	4C1	22	90-19
R26880	4B10	21	90-3	R27075	1G10	1	30-70	R27168	4C23	23	90-42

## NUMERICAL INDEX - CONTINUED

PART NO.	GRID	KEY	PAGE	PART NO.	GRID	KEY	PAGE	PART NO.	GRID	KEY	PAGE
R27168	4D7	4	90-51	R27272	2H25	5	50-59	R27460	2D8	15	40-53
R27170	3C19	19	70-9	R27272	2I10	17	50-69	R27460	2D9	15	40-54
R27171	3C19	5	70-9	R27272	2I12	7	50-71	R27460	2D15	8	40-60
R27172	3C19	11	70-9	R27272	2I13	2	50-72	R27460	2D19	8	40-65
R27173	3C19	17	70-9	R27272	3B17	2	60-12	R27471	3C19	44	70-9
R27174	3C19	15	70-9	R27272	3B25	5	60-19	R27472	3C19	43	70-9
R27174	3C23	7	70-13	R27272	3B25	24	60-19	R27474	2G21	10	50-29
R27175	1B20	16	20-15	R27272	3C4	29	60-23	R27474	3F12	15	70-81
R27175	3C15	15	70-5	R27284	1F6	11	30-41	R27475	3C19	1	70-9
R27175	3C17	15	70-7	R27284	1F7	12	30-42	R27475	3D4	1	70-19
R27175	3E5	25	70-45	R27284	1F8	15	30-43	R27476	3C19	13	70-9
R27175	3E15	13	70-56	R27285	1B22	30	20-15B	R27478	3C15	33	70-5
R27180	1G17	13	30-77	R27285	1D11	10	20-52	R27478	3C17	29	70-7
R27180	2D13	3	40-58	R27285	1D12	9	20-53	R27478	3C21	12	70-11
R27180	2D17	6	40-63	R27285	1E8	2	30-17	R27478	3C25	28	70-15
R27180	2D20	12	40-66	R27285	1F3	17	30-38	R27478	3D2	28	70-17
R27180	2D20	17	40-66	R27285	1F4	2	30-39	R27478	3D6	15	70-21
R27181	1E6	10	30-15	R27286	1B22	31	20-15B	R27479	3C15	33	70-5
R27181	1F1	14	30-36	R27296	3B11	4	60-6	R27479	3C17	29	70-7
R27184	1E19	6	30-28	R27296	3B25	2	60-19	R27479	3C21	13	70-11
R27205	1C24	10	20-40	R27296	4C19	7	90-38	R27479	3C25	28	70-15
R27206	1D1	25	20-42	R27299	3B8	10	60-3	R27479	3D2	28	70-17
R27207	1C25	49	20-41	R27305	2H9	4	50-42	R27479	3D6	16	70-21
R27207	1D1	5	20-42	R27319	3B8	26	60-3	R27483	2G5	1	50-13
R27209	1D2	5	20-43	R27320	2F21	10	50-4	R27483	2H14	1	50-48
R27210	3D25	16	70-40	R27320	3B8	13	60-3	R27490	2I21	8	50-80
R27210	3E14	11	70-55	R27323	3B15	7	60-10	R27506	3I11	10	80-34
R27216	2G23	22	50-31	R27324	3B15	8	60-10	R27507	1E11	5	30-20
R27216	2H7	6	50-40	R27329	2H3	2	50-36	R27507	3E7	36	70-47
R27216	2H12	17	50-45	R27329	2H4	9	50-37	R27507	3E8	10	70-48
R27216	2I19	9	50-78	R27329	2H5	12	50-38	R27507	3E25	6C	70-67
R27216	2I19	32	50-78	R27329	2I1	2	50-60	R27507	3F3	3	70-71
R27216	2I19	33	50-78	R27329	2I2	12	50-61	R27507	3F22	31	70-91
R27216	2I20	38A	50-79	R27329	2I3	9	50-62	R27507	3F22	33	70-91
R27216	2I21	22	50-80	R27346	1E9	25	30-18	R27507	3I11	7	80-34
R27216	3B21	16	60-15	R27346	1F6	2	30-41	R27507	4C20	10	90-39
R27216	3C19	24	70-9	R27346	1F7	4	30-42	R27527	3B11	8	60-6
R27218	2G2	22	50-10	R27346	1F8	5	30-43	R27527	3C1	8	60-20
R27218	2G5	19	50-13	R27354	1E22	13	30-32	R27527	3C2	4	60-21
R27218	2G17	19	50-25	R27370	2D25	11	40-71	R27527	3C2	8	60-21
R27218	2G19	24	50-27	R27404	1D23	16	30-8	R27527	3D22	2	70-37
R27218	2G21	13	50-29	R27405	1E2	11	30-11	R27529	1B15	3	20-10
R27218	2G23	22	50-31	R27406	1E3	12	30-12	R27529	1B17	3	20-12
R27218	2H14	15	50-48	R27407	1D23	6	30-8	R27533	2D17	11	40-63
R27218	3C19	7	70-9	R27408	1E2	5	30-11	R27533	3D13	14	70-28
R27218	3D4	7	70-19	R27409	1E3	3	30-12	R27534	3D13	10	70-28
R27218	3D4	9	70-19	R27420	1E19	4	30-28	R27539	2I13	15	50-72
R27218	3H24	2	80-22	R27421	3G8	13	70-103	R27546	3D13	11	70-28
R27233	3F19	5	70-88	R27421	3G10	15	70-105	R27547	1D5	8	20-46
R27243	2H21	11	50-55	R27422	3G10	22	70-105	R27547	1D5	16	20-46
R27251	3D13	12	70-28	R27423	3G10	32	70-105	R27547	1D6	26	20-47
R27261	1C23	3	20-39	R27426	3G10	35	70-105	R27548	1C21	11	20-37
R27267	1C2	18	20-19	R27427	3G8	5	70-103	R27548	1D3	10	20-44
R27267	1C21	22	20-37	R27427	3G10	7	70-105	R27548	1D6	24	20-47
R27267	2G4	7	50-12	R27430	3F22	5	70-91	R27564	3C19	12	70-9
R27267	2H25	8	50-59	R27430	3F24	5	70-93	R27564	3C21	4	70-11
R27267	2J1	9	50-85	R27430	3G2	31	70-95	R27564	3C23	5	70-13
R27267	3D14	2	70-29	R27434	2F20	15	50-3	R27564	3D4	43	70-19
R27267	3D15	2	70-30	R27439	4B9	12	90-2	R27564	3D6	11	70-21
R27267	3D17	2	70-32	R27440	4B10	10	90-3	R27564	3D8	15	70-23
R27267	3D20	2	70-35	R27441	4B9	24	90-2	R27564	3E5	17	70-45
R27267	3D24	21	70-39	R27441	4B10	12	90-3	R27564	3E9	14	70-49
R27267	3D24	30	70-39	R27441	4B10	23	90-3	R27564	3E15	6	70-56
R27270	2G19	14	50-27	R27442	4B10	5	90-3	R27564	3G8	12	70-103
R27270	3D13	2	70-28	R27443	1B15	11	20-10	R27564	3G10	21	70-105
R27270	3D22	12	70-37	R27443	1B17	11	20-12	R27564	3G13	12	70-109
R27270	3D22	15	70-37	R27453	3B8	11	60-3	R27564	3G15	13	70-111



## NUMERICAL INDEX - CONTINUED

PART NO.	GRID	KEY	PAGE	PART NO.	GRID	KEY	PAGE	PART NO.	GRID	KEY	PAGE
R27564	3G16	7	70-112	R27898	3I1	3	80-24	R28057	3F8	12	70-77
R27564	3G17	4	70-113	R27899	3E23	29	70-65	R28061	3E19	11	70-61
R27583	2D20	2	40-66	R27906	3B25	1	60-19	R28061	3F7	29	70-76
R27583	2E4	19	40-75	R27919	1C4	65	20-21	R28084	3F22	3	70-91
R27583	2E8	20	40-79	R27919	1C23	21	20-39	R28084	3F22	19	70-91
R27583	4B15	5	90-8	R27919	1C23	27	20-39	R28084	3F24	3	70-93
R27598	2I25	5	50-84	R27922	1C24	3	20-40	R28084	3F24	17	70-93
R27598	3I1	16	80-24	R27923	1C25	35	20-41	R28084	3G2	19	70-95
R27610	1D23	3	30-8	R27926	3D10	4	70-25	R28084	3G2	33	70-95
R27611	1D23	4	30-8	R27926	3D12	4	70-27	R28085	3F22	2	70-91
R27612	1D23	5	30-8	R27926	3D18	13	70-33	R28085	3F24	2	70-93
R27640	2H7	31	50-40	R27927	3D10	1	70-25	R28085	3F24	18	70-93
R27642	3I2	2	80-25	R27927	3D10	5	70-25	R28085	3G2	18	70-95
R27643	3I2	5	80-25	R27927	3D12	1	70-27	R28085	3G2	34	70-95
R27645	3I2	3	80-25	R27927	3D12	5	70-27	R28107	1C9	8	20-27
R27649	3C4	15	60-23	R27928	3C23	22	70-13	R28110	2H2	24	50-35
R27649	3C4	16	60-23	R27928	3D8	26	70-23	R28114	3H20	16	80-18
R27649	3C4	34	60-23	R27928	3D10	3	70-25	R28114	3H20	19	80-18
R27649	3C6	27	60-25	R27928	3D12	3	70-27	R28115	3H20	19	80-18
R27649	3G8	10	70-103	R27928	3D16	12	70-31	R28122	3I12	6	80-35
R27649	3G10	23	70-105	R27928	3E7	20	70-47	R28123	3I12	13	80-35
R27649	3G17	6	70-113	R27928	3E9	5	70-49	R28123	4B19	..	90-12
R27660	2H9	12	50-42	R27930	3D18	9	70-33	R28123	4C22	14	90-41
R27665	2H9	29	50-42	R27930	3D19	14	70-34	R28123	4C22	15	90-41
R27688	1C4	67	20-21	R27930	3D21	2	70-36	R28123	4C22	16	90-41
R27688	1C23	21	20-39	R27941	4D8	19	90-52	R28124	3B10	7	60-5
R27688	1C23	30	20-39	R27949	1C21	19	20-37	R28127	2I14	5	50-73
R27689	1C23	37	20-39	R27950	3H19	6	80-17	R28128	2I14	4	50-73
R27690	3H19	6	80-17	R27962	3B16	10	60-11	R28128	2I17	15	50-76
R27693	1C5	10	20-23	R27963	2D5	3	40-50	R28169	2I15	17	50-74
R27729	2H18	7	50-52	R27975	1B16	28	20-11	R28194	3F8	30	70-77
R27730	2H18	8	50-52	R27976	1B16	23	20-11	R28195	3F8	22	70-77
R27730	2I21	31	50-80	R27976	1D11	22	20-52	R28196	3F8	32	70-77
R27730	3E5	33	70-45	R27976	1D12	19	20-53	R28197	3F8	18	70-77
R27781	1F9	15	30-44	R27976	2C23	27	40-43	R28199	3F8	23	70-77
R27781	1F10	15	30-45	R27997	3E25	18	70-67	R28201	3F8	26	70-77
R27781	1F16	2	30-51	R27998	3E25	20	70-67	R28203	3F8	25	70-77
R27782	1F9	15	30-44	R27998	3F1	26	70-68	R28204	3F22	1	70-91
R27782	1F10	15	30-45	R27998	3F3	40	70-71	R28204	3G2	17	70-95
R27782	1F16	2	30-51	R27999	3E25	21	70-67	R28204	3G2	35	70-95
R27783	1F9	15	30-44	R27999	3F1	27	70-68	R28226	1C9	7	20-27
R27783	1F10	15	30-45	R27999	3F3	39	70-71	R28226	1C11	7	20-29
R27783	1F16	2	30-51	R28002	3H4	6	80-2	R28228	1C9	7	20-27
R27785	4B8	7	90-1	R28006	3F22	7	70-91	R28228	1C11	7	20-29
R27806	3H17	17	80-15	R28006	3F24	6	70-93	R28230	1C9	7	20-27
R27806	3H18	24	80-16	R28006	3G2	30	70-95	R28230	1C11	7	20-29
R27806	3H20	8	80-18	R28007	1G10	9	30-70	R28232	1C16	1	20-33
R27807	3H17	17	80-15	R28009	1G10	6	30-70	R28233	1C16	1	20-33
R27807	3H18	24	80-16	R28010	3I12	7	80-35	R28236	1C16	1	20-33
R27807	3H20	3	80-18	R28015	1D2	8	20-43	R28237	1C16	1	20-33
R27808	3H17	2	80-15	R28021	3H17	10	80-15	R28240	1C16	1	20-33
R27808	3H20	6	80-18	R28021	3H18	13	80-16	R28241	1C16	1	20-33
R27808	3H23	2	80-21	R28021	3H23	10	80-21	R28255	3E22	2	70-64
R27809	3H15	16	80-13	R28022	3H17	14	80-15	R28256	3E22	2	70-64
R27809	3H19	15	80-17	R28022	3H18	18	80-16	R28272	3E22	23	70-64
R27810	3H15	4	80-13	R28023	3H17	8	80-15	R28359	2F18	9	50-1
R27810	3H19	5	80-17	R28023	3H18	10	80-16	R28359	2G3	5	50-11
R27817	3H15	7	80-13	R28023	3H20	12	80-18	R28361	2F18	10	50-1
R27817	3H19	8	80-17	R28023	3H23	8	80-21	R28381	3E23	1	70-65
R27817	3H22	6	80-20	R28024	3H17	12	80-15	R28401	2G3	4	50-11
R27818	3H15	1	80-13	R28024	3H18	15	80-16	R28401	2G3	6	50-11
R27818	3H19	1	80-17	R28024	3H23	12	80-21	R28473	2D5	6	40-50
R27818	3H22	1	80-20	R28029	1C13	1	20-31	R28482	1E5	..	30-14
R27819	3E13	11	70-54	R28040	3F4	1	70-72	R28490	3H13	6	80-11
R27830	2H22	24	50-56	R28040	3F4	5	70-72	R28538	3D24	11	70-39
R27880	2F24	13	50-7	R28057	3F5	23	70-73	R28575	3H3	9	80-1
R27883	3I13	1	80-36	R28057	3F7	12	70-76	R28575	3H4	26	80-2

## NUMERICAL INDEX - CONTINUED

PART NO.	GRID	KEY	PAGE	PART NO.	GRID	KEY	PAGE	PART NO.	GRID	KEY	PAGE
R28575	3H6	16	80-4	R30181	2D15	7	40-60	R30732	1G2	3	30-62
R28578	2I17	21	50-76	R30181	2D19	7	40-65	R30732	1G5	3	30-65
R28578	3H9	2	80-7	R30182	2D8	1	40-53	R30735	1G1	5	30-61
R28583	1G13	15	30-73	R30182	2D8	13	40-53	R30735	1G4	5	30-64
R28583	1G14	17	30-74	R30182	2D9	1	40-54	R30737	1G1	3	30-61
R28583	1G16	4	30-76	R30182	2D9	13	40-54	R30737	1G4	3	30-64
R28583	1G17	16	30-77	R30200	2E1	6	40-72	R30747	3H16	1	80-14
R28584	1G13	14	30-73	R30319	2H4	16	50-37	R30748	3H17	10	80-15
R28593	2H2	8	50-35	R30319	2I3	16	50-62	R30759	1E19	19	30-28
R28593	2H24	8	50-58	R30323	3B11	21	60-6	R30784	1D9	10	20-50
R28594	2H2	9	50-35	R30323	3B14	23	60-9	R30805	3I7	3	80-30
R28594	2H24	9	50-58	R30378	2E16	25	40-87	R30805	3I9	4	80-32
R28612	2I16	8	50-75	R30378	4D11	2	90-55	R30815	3G19	5	70-115
R28633	1D17	8	30-2	R30378	4D11	11	90-55	R30816	3G19	7	70-115
R28633	1D18	4	30-3	R30378	4D11	13	90-55	R30817	3G19	6	70-115
R28671	2G7	13	50-15	R30378	4D11	15	90-55	R30818	3F22	29	70-91
R28671	2I19	14	50-78	R30378	4D11	17	90-55	R30828	1G10	4	30-70
R28671	2I23	15	50-82	R30378	4D11	22	90-55	R30828	4C5	16	90-23
R28676	3B18	8	60-13	R30378	4D11	24	90-55	R30854	2H8	30	50-41
R28677	3B18	9	60-13	R30379	4D11	12	90-55	R30854	2I4	3	50-63
R28722	3H21	4	80-19	R30379	4D11	14	90-55	R30877	2H7	29	50-40
R28743	3H17	10	80-15	R30379	4D11	16	90-55	R30903	2I12	1	50-71
R28744	3F19	8A	70-88	R30379	4D11	23	90-55	R30903	2I13	21	50-72
R28744	3F19	16	70-88	R30387	3H4	30	80-2	R30903	3B21	30	60-15
R28745	1C23	30	20-39	R30388	3H4	30	80-2	R30903	3B23	10	60-17
R28745	1C23	31	20-39	R30391	3H4	21	80-2	R30903	3B24	5	60-18
R28745	1C23	32	20-39	R30392	3H4	20	80-2	R30929	1C9	5	20-27
R28746	1D3	11	20-44	R30399	2I5	2	50-64	R30936	1D2	13	20-43
R28746	1D6	25	20-47	R30410	1F3	9	30-38	R30936	3I1	6	80-24
R28755	3E13	16	70-54	R30587	2G1	1	50-9	R30936	3I11	1	80-34
R28774	3B21	22	60-15	R30596	1D17	10	30-2	R30936	4C1	1	90-19
R28776	2I19	25	50-78	R30596	1D18	6	30-3	R30936	4C1	5	90-19
R28776	3B21	24	60-15	R30596	3D14	12	70-29	R30936	4C1	15	90-19
R28776	3B23	9	60-17	R30596	3D17	12	70-32	R30936	4C1	17	90-19
R28781	3C19	39	70-9	R30596	3D18	4	70-33	R30936	4C23	1	90-42
R28781	3D4	35	70-19	R30596	3D19	10	70-34	R30936	4C23	5	90-42
R28782	3C19	38	70-9	R30597	1D2	4	20-43	R30936	4C23	14	90-42
R28782	3C23	9	70-13	R30597	3D17	14	70-32	R30936	4C23	19	90-42
R28782	3D4	34	70-19	R30694	3I18	13	80-41	R30937	1D2	18	20-43
R28782	3D8	11	70-23	R30712	1C25	29	20-41	R30937	3I12	14	80-35
R28783	3I11	9	80-34	R30712	1D1	23	20-42	R30937	3I12	15	80-35
R28789	1D23	12	30-8	R30713	1C24	16	20-40	R30937	3I12	17	80-35
R28789	1E2	3	30-11	R30713	1C24	20	20-40	R30937	4C18	1	90-37
R28794	1D16	11	30-1	R30713	1D1	13	20-42	R30937	4D8	17	90-52
R28798	1D16	1	30-1	R30713	1D1	17	20-42	R30939	1C2	7	20-19
R28810	1C13	4	20-31	R30713	2G14	14	50-22	R30939	1C11	5	20-29
R28811	1C13	3	20-31	R30714	1F23	2	30-58	R30964	2B12	1	40-4
R28914	2G4	18	50-12	R30718	1G2	1	30-62	R30964	2B13	1	40-5
R28914	2H25	22	50-59	R30718	1G5	1	30-65	R30964	2B14	5	40-6
R28961	3E8	20	70-48	R30719	1G2	1	30-62	R31R	2I16	10	50-75
R28961	3E10	4	70-51	R30719	1G5	1	30-65	R31026	2H18	14	50-52
R28970	1C9	2	20-27	R30725	1G1	16	30-61	R31027	2H18	5	50-52
R28971	1C9	2	20-27	R30725	1G4	16	30-64	R31028	2H18	15	50-52
R28972	1C11	2	20-29	R30727	1G1	16	30-61	R31053	1D11	19	20-52
R28973	1C11	2	20-29	R30727	1G4	16	30-64	R31053	1D23	4	30-8
R28999	1C13	5	20-31	R30728	1F11	19	30-46	R31129	3I15	1	80-38
R29463	3G13	21	70-109	R30728	1G1	11	30-61	R31131	2H8	3	50-41
R29463	3G15	31	70-111	R30728	1G4	11	30-64	R31136	3E1	6	70-41
R29463	3G16	3	70-112	R30729	1F11	19	30-46	R31142	1E3	14	30-12
R29463	3G18	11	70-114	R30729	1G1	11	30-61	R31181	3H18	3	80-16
R29936	3D8	21	70-23	R30729	1G4	11	30-64	R31181	3H20	6	80-18
R29936	3D8	25	70-23	R30730	1F11	19	30-46	R31198	2G12	25	50-20
R3R	3H5	16	80-3	R30730	1G1	11	30-61	R31198	2H8	8	50-41
R30181	2D8	9	40-53	R30730	1G4	11	30-64	R31201	3B8	34	60-3
R30181	2D8	14	40-53	R30731	1F11	19	30-46	R31202	3B8	31	60-3
R30181	2D9	9	40-54	R30731	1G1	11	30-61	R31217	3B12	4	60-7
R30181	2D9	14	40-54	R30731	1G4	11	30-64	R31221	1C5	3	20-23

# 1K24

3020 - TRACTOR (TRACTOR SERIAL NO. 123,000- )

## NUMERICAL INDEX - CONTINUED

PART NO.	GRID	KEY	PAGE	PART NO.	GRID	KEY	PAGE	PART NO.	GRID	KEY	PAGE
R31225	3H5	2	80-3	R31542	1C25	49	20-41	R32016	2D12	3	40-57
R31226	3H5	2	80-3	R31561	3B18	14	60-13	R32016	2D12	4	40-57
R31250	2D8	1	40-53	R31573	3H17	14	80-15	R32016	2D12	12	40-57
R31250	2D8	13	40-53	R31573	3H23	14	80-21	R32016	2D13	12	40-58
R31250	2D9	1	40-54	R31592	3H11	10	80-9	R32016	2D13	13	40-58
R31250	2D9	13	40-54	R31602	3B24	30	60-18	R32016	2D15	3	40-60
R31260	4B9	9	90-2	R31618	4D10	9	90-54	R32016	2D17	24	40-63
R31271	1G10	19	30-70	R31631	2G23	22	50-31	R32016	2D19	3	40-65
R31271	3B24	6	60-18	R31631	2H7	6	50-40	R32016	2F8	10	40-101
R31273	3B24	23	60-18	R31631	2H12	17	50-45	R32017	2F8	11	40-101
R31278	3B11	19	60-6	R31631	2I19	9	50-78	R32018	1E24	3	30-34
R31287	3I18	7	80-41	R31631	2I21	22	50-80	R32018	2B9	8	40-1
R31337	1C24	14	20-40	R31631	3B21	16	60-15	R32018	2B10	2	40-2
R31337	1D1	11	20-42	R31632	2H12	7	50-45	R32018	2B10	3	40-2
R31338	1C24	4	20-40	R31632	3C4	22	60-23	R32018	2B10	5	40-2
R31340	1C24	6	20-40	R31632	3C6	19	60-25	R32018	2B11	2	40-3
R31340	1D1	6	20-42	R31638	1C13	4	20-31	R32018	2B16	5	40-8
R31340	1D11	1	20-52	R31654	2H11	9	50-44	R32018	2B20	2	40-12
R31346	1D1	4	20-42	R31654	2I12	13	50-71	R32018	2B23	4	40-15
R31349	1E3	3	30-12	R31654	2I13	8	50-72	R32018	2D17	2	40-63
R31359	2G1	17	50-9	R31654	3B25	9	60-19	R32018	2D21	..	40-67
R31374	2H7	9	50-40	R31655	2H11	3	50-44	R32018	2E15	26	40-86
R31378	2E1	2	40-72	R31655	2I12	11	50-71	R32018	2E24	9	40-95
R31378	3D21	15	70-36	R31655	2I13	7	50-72	R32018	2E24	15	40-95
R31400	3E23	25	70-65	R31655	3B25	8	60-19	R32018	2F8	12	40-101
R31403	3E13	7	70-54	R31680	1B14	18	20-9	R32019	2E21	7	40-92
R31404	2F25	3	50-8	R31692	2F24	16	50-7	R32019	2E21	11	40-92
R31404	2G1	3	50-9	R31695	2F24	12	50-7	R32019	2F8	13	40-101
R31404	2G7	22	50-15	R31698	2I11	17	50-70	R32020	1B14	17	20-9
R31406	1D24	23	30-9	R31711	2F19	9	50-2	R32020	1B14	19	20-9
R31406	1E2	17	30-11	R31713	2F19	13	50-2	R32020	1B17	18	20-12
R31407	1E4	22	30-13	R31725	2G3	28	50-11	R32020	1B18	19	20-13
R31425	1D3	2	20-44	R31736	3G2	7	70-95	R32020	1B20	1	20-15
R31427	1D5	6	20-46	R31736	3G3	7	70-96	R32020	1B20	6	20-15
R31438	3E23	12	70-65	R31744	1D23	16	30-8	R32020	1B20	8	20-15
R31438	3F4	6	70-72	R31744	1D23	17	30-8	R32020	1B22	29	20-15B
R31454	3B21	16	60-15	R31745	1E3	12	30-12	R32020	1B24	..	20-17
R31454	3B21	17	60-15	R31754	1E5	1	30-14	R32020	1B24	..	20-17
R31454	3B21	27	60-15	R31769	1D23	16	30-8	R32020	1C4	81	20-21
R31455	3B23	2	60-17	R31769	1D23	17	30-8	R32020	1C11	9	20-29
R31455	3B24	14	60-18	R31769	1E3	12	30-12	R32020	1C11	11	20-29
R31457	3B24	9	60-18	R31769	1E3	13	30-12	R32020	1C11	12	20-29
R31458	3B24	7	60-18	R31769	1E5	5	30-14	R32020	1C11	..	20-29
R31459	3B24	4	60-18	R31772	1E5	6	30-14	R32020	1C14	..	20-32
R31464	3B21	36	60-15	R31781	3C19	41	70-9	R32020	1D9	13	20-50
R31465	3B21	34	60-15	R31781	3D4	38	70-19	R32020	1D9	20	20-50
R31467	3B21	35	60-15	R31877	2G13	6	50-21	R32021	2E24	14	40-95
R31468	3B21	32	60-15	R31890	3F22	23	70-91	R32021	2F8	14	40-101
R31468	3B23	11	60-17	R31892	2D12	6	40-57	R32022	2B19	1	40-11
R31469	3B21	33	60-15	R31892	2D14	3	40-59	R32022	2D17	18	40-63
R31469	3B23	12	60-17	R31931	3D21	6	70-36	R32022	2F8	15	40-101
R31486	1B20	9	20-15	R31932	3D21	9	70-36	R32023	2D13	12	40-58
R31488	3B14	13	60-9	R31933	3D21	8	70-36	R32023	2F8	16	40-101
R31489	3B14	30	60-9	R31934	3D21	13	70-36	R32024	1E10	..	30-19
R31490	3H9	9	80-7	R31935	3D21	12	70-36	R32024	2B10	3	40-2
R31490	3H11	10	80-9	R31936	3D21	14	70-36	R32024	2B10	5	40-2
R31490	3H12	10	80-10	R31937	3D21	16	70-36	R32024	2B11	8	40-3
R31491	3H9	9	80-7	R31939	3D21	7	70-36	R32024	2D11	2	40-56
R31491	3H11	10	80-9	R31943	3H11	10	80-9	R32024	2D13	2	40-58
R31491	3H12	10	80-10	R32000	3H11	7	80-9	R32024	2D13	13	40-58
R31493	2F18	19	50-1	R32007	1E24	3	30-34	R32024	2D20	4	40-66
R31493	2H7	16	50-40	R32007	2B16	5	40-8	R32024	2D23	5	40-69
R31494	2F18	18	50-1	R32007	2B20	2	40-12	R32024	2E13	8	40-84
R31494	2H7	15	50-40	R32007	2E15	26	40-86	R32024	2E15	26	40-86
R31505	3B18	19	60-13	R32011	2F8	1	40-101	R32024	2E24	9	40-95
R31505	3I1	17	80-24	R32016	2D8	3	40-53	R32024	2F12	3	40-105
R31505	4B10	20	90-3	R32016	2D9	3	40-54	R32025	1E10	..	30-19

# 1K25

3020 - TRACTOR (TRACTOR SERIAL NO. 123,000- )

## NUMERICAL INDEX - CONTINUED

PART NO.	GRID	KEY	PAGE	PART NO.	GRID	KEY	PAGE	PART NO.	GRID	KEY	PAGE
R32025	1E24	3	30-34	R32101	2H5	6	50-38	R32427	1C23	27	20-39
R32025	2B10	2	40-2	R32101	2H7	14	50-40	R32428	1B14	14	20-9
R32025	2B10	5	40-2	R32101	2H7	27	50-40	R32428	1B14	15	20-9
R32025	2B11	2	40-3	R32101	2H14	5	50-48	R32428	1B14	19	20-9
R32025	2B11	8	40-3	R32101	2I2	6	50-61	R32428	1B14	..	20-9
R32025	2D11	2	40-56	R32101	2I3	13	50-62	R32428	1C23	35	20-39
R32025	2D12	3	40-57	R32101	3D25	15	70-40	R32428	1C23	36	20-39
R32025	2D12	4	40-57	R32101	3E14	10	70-55	R32507	2H2	10	50-35
R32025	2D12	12	40-57	R32101	4C11	32	90-29	R32507	2H24	10	50-58
R32025	2D13	2	40-58	R32110	1F6	12	30-41	R32588	2H9	19	50-42
R32025	2D17	2	40-63	R32117	3G6	5	70-101	R32588	2H13	9	50-47
R32025	2D21	..	40-67	R32118	3G6	5	70-101	R32588	3B10	3	60-5
R32025	2D23	5	40-69	R32119	3E19	16	70-61	R32588	3B14	15	60-9
R32025	2E24	14	40-95	R32122	1C21	5	20-37	R32588	3G8	15	70-103
R32025	2F12	4	40-105	R32123	1C21	6	20-37	R32588	3G13	15	70-109
R32026	2D20	4	40-66	R32123	1D11	13	20-52	R32588	3G16	5	70-112
R32026	2E15	26	40-86	R32123	1D12	5	20-53	R32588	3G17	2	70-113
R32026	2F8	17	40-101	R32135	1C21	2	20-37	R32588	3G18	2	70-114
R32027	1E10	..	30-19	R32136	1F16	25	30-51	R32592	1B12	5	20-6
R32027	1E24	3	30-34	R32164	2H9	31	50-42	R32592	1D11	28	20-52
R32027	2B9	5	40-1	R32183	3G6	4	70-101	R32592	1D12	24	20-53
R32027	2B10	2	40-2	R32186	3B8	14	60-3	R32622	1D3	3	20-44
R32027	2B10	3	40-2	R32192	1C13	2	20-31	R32622	1D5	7	20-46
R32027	2B10	5	40-2	R32192	2F19	15	50-2	R32628	2H21	7	50-55
R32027	2B11	2	40-3	R32214	1D9	2	20-50	R32629	2H20	4	50-54
R32027	2B11	8	40-3	R32222	2H9	32	50-42	R32631	2H8	2	50-41
R32027	2D11	2	40-56	R32224	3H11	4	80-9	R32632	2H8	23	50-41
R32027	2D12	3	40-57	R32224	3H12	4	80-10	R32639	1F9	24	30-44
R32027	2D12	4	40-57	R32224	3H13	4	80-11	R32639	1F10	24	30-45
R32027	2D12	12	40-57	R32230	3H11	7	80-9	R32641	3D24	8	70-39
R32027	2D13	2	40-58	R32231	3H11	10	80-9	R32642	1C21	2	20-37
R32027	2D13	13	40-58	R32232	3H11	10	80-9	R32704	1E5	..	30-14
R32027	2D17	2	40-63	R32234	4C18	..	90-37	R32705	1E5	..	30-14
R32027	2D20	4	40-66	R32235	1E3	16	30-12	R32731	3B14	2	60-9
R32027	2D21	..	40-67	R32235	1E3	20	30-12	R32736	4B8	8	90-1
R32027	2D23	5	40-69	R32236	1E3	17	30-12	R33008	2G12	22	50-20
R32027	2E13	8	40-84	R32276	2E16	..	40-87	R33011	2G12	5	50-20
R32027	2E15	26	40-86	R32276	2E18	11	40-89	R33021	2I14	19	50-73
R32027	2E24	5	40-95	R32289	4D13	10	90-57	R33022	2I14	16	50-73
R32027	2E24	9	40-95	R32306	1G13	4	30-73	R33024	2I14	15	50-73
R32027	2E24	14	40-95	R32306	1G14	4	30-74	R33024	2I15	9	50-74
R32027	2F8	18	40-101	R32306	1G17	2	30-77	R33024	3B19	1	60-14
R32028	2B19	1	40-11	R32313	2F25	4	50-8	R33028	2H4	18	50-37
R32028	2E21	7	40-92	R32313	2G7	21	50-15	R33028	2I3	18	50-62
R32028	2F8	19	40-101	R32344	3C19	42	70-9	R33028	2I14	17	50-73
R32029	2D20	5	40-66	R32353	3F24	15	70-93	R33032	2I14	18	50-73
R32029	2E15	25	40-86	R32353	3G2	21	70-95	R33033	2I14	21	50-73
R32029	2F8	20	40-101	R32354	3F24	11	70-93	R33035	2G10	10	50-18
R32030	1C11	..	20-29	R32354	3G2	25	70-95	R33045	2G8	3	50-16
R32034	1B18	20	20-13	R32355	3F24	10	70-93	R33051	2G9	10	50-17
R32035	1B18	21	20-13	R32355	3G2	26	70-95	R33053	2G7	9	50-15
R32042	2G5	8	50-13	R32356	3F22	9	70-91	R33053	2G8	12	50-16
R32042	2G6	7	50-14	R32356	3F24	9	70-93	R33053	2G9	8	50-17
R32050	1C11	10	20-29	R32356	3G2	27	70-95	R33053	2G10	4	50-18
R32072	3H11	10	80-9	R32376	3B24	29	60-18	R33054	2G7	8	50-15
R32072	3H12	10	80-10	R32396	2H22	27	50-56	R33054	2G8	11	50-16
R32073	1C11	8	20-29	R32409	1F23	14	30-58	R33054	2G9	7	50-17
R32073	1C11	9	20-29	R32419	3F13	24	70-82	R33058	2G12	9	50-20
R32087	3D16	10	70-31	R32419	3F24	8	70-93	R33058	2G14	3	50-22
R32090	3B21	4	60-15	R32419	3G2	28	70-95	R33058	2I11	7	50-70
R32091	3B21	3	60-15	R32424	1B14	18	20-9	R33061	2F24	4	50-7
R32092	3B21	1	60-15	R32424	1B14	19	20-9	R33073	2F25	12	50-8
R32092	3B23	3	60-17	R32426	1B14	19	20-9	R33076	2G17	8	50-25
R32100	1C21	24	20-37	R32426	1C2	50	20-19	R33077	2G24	12	50-32
R32101	2F18	29	50-1	R32426	1C23	35	20-39	R33078	2I6	8	50-65
R32101	2G5	5	50-13	R32426	1D10	2	20-51	R33081	2G12	24	50-20
R32101	2H4	13	50-37	R32426	1D10	16	20-51	R33082	2G12	3	50-20

## NUMERICAL INDEX - CONTINUED

PART NO.	GRID	KEY	PAGE	PART NO.	GRID	KEY	PAGE	PART NO.	GRID	KEY	PAGE
R33087	2G12	7	50-20	R33189	1D23	6	30-8	R33273	2G19	1	50-27
R33088	2G12	10	50-20	R33190	1B14	17	20-9	R33274	2G17	3	50-25
R33088	2G12	17	50-20	R33190	1B14	18	20-9	R33274	2G19	3	50-27
R33089	2G12	14	50-20	R33190	1B15	18	20-10	R33275	2G21	8	50-29
R33091	2G12	20	50-20	R33190	1B15	19	20-10	R33275	2G22	11	50-30
R33097	2G15	6	50-23	R33190	1B20	1	20-15	R33276	2G24	3	50-32
R33098	2G14	27	50-22	R33190	1B20	6	20-15	R33277	2G17	6	50-25
R33099	2G14	18	50-22	R33190	1B20	8	20-15	R33277	2G19	6	50-27
R33104	2G14	16	50-22	R33190	1B22	29	20-15B	R33277	2G19	8	50-27
R33105	2G14	10	50-22	R33190	1B24	..	20-17	R33277	2G21	4	50-29
R33106	2G14	9	50-22	R33190	1C9	9	20-27	R33280	2G24	9	50-32
R33106	2G14	10	50-22	R33190	1C9	10	20-27	R33282	2G24	11	50-32
R33109	2F25	20	50-8	R33190	1C9	12	20-27	R33282	2H2	19	50-35
R33111	2G10	12	50-18	R33190	1C14	..	20-32	R33282	2I21	29	50-80
R33112	2G12	11	50-20	R33192	2G1	15	50-9	R33282	3C4	17	60-23
R33114	2G1	16	50-9	R33194	2F21	13	50-4	R33284	2G24	5	50-32
R33116	2F24	6	50-7	R33195	2F21	11	50-4	R33287	2G22	13	50-30
R33118	2F25	19	50-8	R33196	2F21	16	50-4	R33287	2G23	14	50-31
R33121	2G15	7	50-23	R33197	1C9	9	20-27	R33290	2G22	4	50-30
R33122	2G14	4	50-22	R33197	1C9	10	20-27	R33291	2G22	1	50-30
R33125	2G15	5	50-23	R33212	2H5	9	50-38	R33294	2G24	10	50-32
R33126	2G14	25	50-22	R33216	2F18	27	50-1	R33294	2H2	18	50-35
R33128	2G16	7	50-24	R33216	2H7	25	50-40	R33304	2G17	2	50-25
R33131	2G14	13	50-22	R33217	1E3	3	30-12	R33304	2G19	2	50-27
R33133	2F24	4	50-7	R33219	2G15	11	50-23	R33306	2G24	6	50-32
R33133	2F24	8	50-7	R33227	2G13	13	50-21	R33307	2G24	2	50-32
R33135	2F19	6	50-2	R33228	2G13	11	50-21	R33320	2H4	14	50-37
R33136	2G3	21	50-11	R33236	2F18	28	50-1	R33320	2I3	14	50-62
R33137	2G3	15	50-11	R33236	2H5	8	50-38	R33321	2H5	17	50-38
R33138	2G3	23	50-11	R33236	2H7	26	50-40	R33321	2I2	17	50-61
R33138	2G3	24	50-11	R33236	2I2	8	50-61	R33322	2H5	19	50-38
R33138	2G4	20	50-12	R33240	2G13	19	50-21	R33322	2I2	19	50-61
R33138	2G16	8	50-24	R33244	2G7	4	50-15	R33325	2H5	1	50-38
R33138	2H25	14	50-59	R33244	2G9	3	50-17	R33325	2I2	1	50-61
R33145	2G3	3	50-11	R33244	2G10	8	50-18	R33330	2H6	6	50-39
R33145	2G3	7	50-11	R33245	2G7	5	50-15	R33330	2H6	10	50-39
R33154	2F21	9	50-4	R33245	2G8	8	50-16	R33335	2H6	16	50-39
R33156	2G2	17	50-10	R33245	2G9	4	50-17	R33336	2H5	2	50-38
R33157	2G2	7	50-10	R33245	2G10	7	50-18	R33337	2G5	29	50-13
R33162	2G4	17	50-12	R33246	2F25	11	50-8	R33337	2H4	12	50-37
R33162	2H2	16	50-35	R33246	2G1	10	50-9	R33337	2H14	26	50-48
R33162	2H25	11	50-59	R33246	2G7	15	50-15	R33337	2I3	12	50-62
R33162	2H25	15	50-59	R33247	2F25	7	50-8	R33338	2H5	7	50-38
R33162	2H25	23	50-59	R33247	2G1	6	50-9	R33338	2I2	7	50-61
R33162	2H25	25	50-59	R33247	2G7	18	50-15	R33339	2H4	20	50-37
R33163	2G4	14	50-12	R33248	2G14	6	50-22	R33339	2I3	20	50-62
R33163	2H25	18	50-59	R33259	1F13	17	30-48	R33344	2H4	19	50-37
R33164	2G3	13	50-11	R33259	1F25	14	30-60	R33344	2I3	19	50-62
R33164	2G4	12	50-12	R33259	1G3	14	30-63	R33345	2I4	8	50-63
R33165	2G2	9	50-10	R33259	2G4	17	50-12	R33347	2H17	16	50-51
R33167	2F24	2	50-7	R33259	2G4	34	50-12	R33347	2I4	14	50-63
R33168	2F19	1	50-2	R33259	2G13	12	50-21	R33348	2H3	7	50-36
R33168	2F24	23	50-7	R33259	2H2	16	50-35	R33348	2I1	7	50-60
R33168	2G1	13	50-9	R33259	2H12	18	50-45	R33362	2H2	32	50-35
R33169	2G1	11	50-9	R33259	2H12	..	50-45	R33363	2H2	31	50-35
R33171	2F24	1	50-7	R33259	2H25	9	50-59	R33364	2H2	30	50-35
R33173	2G3	17	50-11	R33259	2H25	11	50-59	R33364	3D24	27	70-39
R33173	2G4	33	50-12	R33259	2H25	15	50-59	R33372	1C9	8	20-27
R33174	2G3	18	50-11	R33259	2H25	23	50-59	R33372	1C9	9	20-27
R33175	2G3	19	50-11	R33259	2H25	25	50-59	R33372	1C9	12	20-27
R33177	2G3	14	50-11	R33261	2G7	6	50-15	R33374	1C9	8	20-27
R33177	2G4	13	50-12	R33261	2G9	5	50-17	R33374	1C9	9	20-27
R33178	2G3	12	50-11	R33261	2G10	6	50-18	R33383	2H18	25	50-52
R33178	2G4	11	50-12	R33268	2G23	22	50-31	R33386	2H17	21	50-51
R33180	1C11	..	20-29	R33271	2G23	19	50-31	R33413	2G15	8	50-23
R33183	2G1	5	50-9	R33272	2G23	18	50-31	R33413	2H17	20	50-51
R33188	2F25	2	50-8	R33273	2G17	1	50-25	R33413	2I6	10	50-65

## NUMERICAL INDEX - CONTINUED

PART NO.	GRID	KEY	PAGE	PART NO.	GRID	KEY	PAGE	PART NO.	GRID	KEY	PAGE
R33413	2I7	27	50-66	R33578	2I4	7	50-63	R34028	2G4	23	50-12
R33414	2G15	8	50-23	R33579	2I4	5	50-63	R34045	2D10	1	40-55
R33414	2H17	20	50-51	R33580	2I4	1	50-63	R34045	2D12	1	40-57
R33414	2I6	10	50-65	R33587	2G22	12	50-30	R34046	2B10	1	40-2
R33414	2I7	27	50-66	R33588	2G12	21	50-20	R34046	2B11	1	40-3
R33415	2G15	8	50-23	R33610	2H25	4	50-59	R34056	2I2	26	50-61
R33415	2H17	20	50-51	R33610	3D15	6	70-30	R34108	1C21	10	20-37
R33430	3H11	7	80-9	R33610	3D20	4	70-35	R34109	1C21	9	20-37
R33440	3H11	7	80-9	R33634	1B11	15	20-5	R34109	1D11	6	20-52
R33443	2H20	9	50-54	R33689	2I14	2	50-73	R34109	1D12	7	20-53
R33444	2H20	5	50-54	R33693	2I14	2	50-73	R34110	1C21	14	20-37
R33445	2H20	3	50-54	R33703	2G5	9	50-13	R34110	1D11	8	20-52
R33449	2H20	8	50-54	R33703	2G8	6	50-16	R34110	1D12	6	20-53
R33449	2H21	6	50-55	R33706	3H11	9	80-9	R34116	1C21	25	20-37
R33450	3H11	7	80-9	R33713	2H15	1	50-49	R34119	3B10	10	60-5
R33451	2H21	3	50-55	R33714	2H15	2	50-49	R34119	3B10	23	60-5
R33452	2H21	5	50-55	R33731	2H20	10	50-54	R34119	3B10	24	60-5
R33461	2H16	9	50-50	R33732	3B18	7	60-13	R34119	3B11	10	60-6
R33462	2H16	9	50-50	R33733	3B15	20	60-10	R34121	3B9	15	60-4
R33463	2H16	9	50-50	R33735	2G14	17	50-22	R34122	3B10	20	60-5
R33467	2H18	18	50-52	R33767	4D8	2	90-52	R34123	3B10	17	60-5
R33468	2H18	18	50-52	R33771	2H21	13	50-55	R34125	3B8	28	60-3
R33469	2H18	18	50-52	R33772	2H21	18	50-55	R34129	3B10	22	60-5
R33470	2H18	19	50-52	R33777	1B14	12	20-9	R34129	3B14	18	60-9
R33471	2H18	19	50-52	R33777	1B14	18	20-9	R34131	3B10	9	60-5
R33472	2H18	19	50-52	R33777	1B14	19	20-9	R34131	3G8	16	70-103
R33473	2H18	19	50-52	R33777	1C23	35	20-39	R34131	3G13	16	70-109
R33474	2H17	10	50-51	R33777	1D10	2	20-51	R34131	3G17	1	70-113
R33475	2H18	10	50-52	R33791	2I2	2	50-61	R34131	3G18	1	70-114
R33476	2H18	12	50-52	R33793	2I4	9	50-63	R34147	3D18	15	70-33
R33479	2H18	4	50-52	R33794	2I4	12	50-63	R34154	3E1	11	70-41
R33480	2H18	11	50-52	R33795	2H17	17	50-51	R34154	3E14	16	70-55
R33486	2I2	9	50-61	R33795	2I4	11	50-63	R34165	2H5	26	50-38
R33487	2H4	11	50-37	R33813	3B19	5	60-14	R34175	2G24	4	50-32
R33487	2I3	11	50-62	R33815	3B19	6	60-14	R34182	1C23	37	20-39
R33489	2G5	28	50-13	R33816	3B19	6	60-14	R34182	1D9	24	20-50
R33489	2H14	25	50-48	R33831	3F5	21	70-73	R34183	1C23	37	20-39
R33491	2I6	15	50-65	R33837	2F18	13	50-1	R34183	1D9	24	20-50
R33492	2I6	20	50-65	R33837	2G2	5	50-10	R34183	1D9	..	20-50
R33493	2I6	2	50-65	R33852	2H4	15	50-37	R34184	2I14	11	50-73
R33493	2I7	2	50-66	R33852	2I3	15	50-62	R34184	2I15	8	50-74
R33494	2I14	26	50-73	R33853	2H4	17	50-37	R34206	4D12	9	90-56
R33498	2G5	24	50-13	R33853	2I3	17	50-62	R34212	2F18	14	50-1
R33498	2H14	21	50-48	R33871	2G7	7	50-15	R34213	1C13	2	20-31
R33499	2H16	6	50-50	R33871	2G8	10	50-16	R34222	2H6	18	50-39
R33500	2H16	4	50-50	R33871	2G9	6	50-17	R34253	3F4	5	70-72
R33501	2H17	6	50-51	R33871	2G10	5	50-18	R34255	1D2	3	20-43
R33503	2H17	25	50-51	R33872	2G8	13	50-16	R34267	4B8	10	90-1
R33510	2H17	9	50-51	R33872	2G9	9	50-17	R34272	4B8	5	90-1
R33511	2H17	11	50-51	R33872	2G10	3	50-18	R34295	2F24	20	50-7
R33512	2H18	23	50-52	R33873	2F25	4	50-8	R34308	4D2	2	90-46
R33514	2H18	17	50-52	R33873	2G1	4	50-9	R34324	3B8	1	60-3
R33515	2H16	10	50-50	R33873	2G7	21	50-15	R34328	2H5	15	50-38
R33516	2H17	5	50-51	R33877	2I14	23	50-73	R34328	2I2	15	50-61
R33518	2F25	8	50-8	R33883	3E8	17	70-48	R34336	3B10	23	60-5
R33518	2G1	7	50-9	R33883	3E23	16	70-65	R34340	1C11	..	20-29
R33518	2G7	19	50-15	R33883	3F4	10	70-72	R34347	3C15	16	70-5
R33520	2F25	6	50-8	R33894	2H7	1	50-40	R34348	3C17	26	70-7
R33521	2G3	16	50-11	R33901	1D20	2	30-5	R34349	3C15	28	70-5
R33521	2G4	21	50-12	R33901	1D21	2	30-6	R34349	3C17	24	70-7
R33525	2F18	3	50-1	R33908	2F18	1	50-1	R34353	3C15	1	70-5
R33526	2F18	2	50-1	R33911	2H2	25	50-35	R34354	3C15	14	70-5
R33528	2F18	6	50-1	R33914	2H2	28	50-35	R34354	3C15	15	70-5
R33530	1C13	4	20-31	R33927	2H8	28	50-41	R34354	3C15	16	70-5
R33539	3H11	3	80-9	R33962	2F21	8	50-4	R34355	3I16	15	80-39
R33540	3H11	4	80-9	R33963	2F18	15	50-1	R34358	3C12	9	70-2
R33550	2H8	9	50-41	R33963	2F21	7	50-4	R34359	3C12	6	70-2

## NUMERICAL INDEX - CONTINUED

PART NO.	GRID	KEY	PAGE	PART NO.	GRID	KEY	PAGE	PART NO.	GRID	KEY	PAGE
R34360	3C12	3	70-2	R34609	4B8	8	90-1	R34766	1F9	8	30-44
R34360	3C12	5	70-2	R34613	2G7	11	50-15	R34766	1F10	8	30-45
R34362	3C12	2	70-2	R34614	2G7	12	50-15	R34766	1F16	9	30-51
R34363	3C12	11	70-2	R34615	1C5	1	20-23	R34767	1F9	12	30-44
R34366	1C13	12	20-31	R34615	1C7	1	20-25	R34767	1F10	12	30-45
R34373	3F7	26	70-76	R34617	1C9	9	20-27	R34767	1G8	2	30-68
R34374	3F7	14	70-76	R34618	4B8	8	90-1	R34801	3H9	12	80-7
R34375	3F7	16	70-76	R34619	4B8	10	90-1	R34801	3H12	13	80-10
R34376	3F7	27	70-76	R34620	4B8	9	90-1	R34801	3H14	1	80-12
R34388	1G13	11	30-73	R34622	1F25	13	30-60	R34802	3D4	12	70-19
R34388	1G14	12	30-74	R34622	1G3	13	30-63	R34806	2I7	23	50-66
R34394	1G13	7	30-73	R34623	1F25	12	30-60	R34807	2I7	7	50-66
R34394	1G14	7	30-74	R34623	1G3	12	30-63	R34807	2I7	9	50-66
R34394	1G16	1	30-76	R34624	1F25	21	30-60	R34812	1E9	22	30-18
R34394	1G17	6	30-77	R34624	1G3	21	30-63	R34812	1F20	26	30-55
R34395	1G13	8	30-73	R34625	1F25	15	30-60	R34812	1F23	29	30-58
R34395	1G14	8	30-74	R34625	1G3	15	30-63	R34812	1G2	7	30-62
R34395	1G17	7	30-77	R34627	1F25	18	30-60	R34812	1G5	7	30-65
R34397	3F22	15	70-91	R34627	1G3	18	30-63	R34812	3F16	30	70-85
R34398	3F22	22	70-91	R34630	1F25	9	30-60	R34815	2I8	13	50-67
R34399	3E23	18	70-65	R34630	1G3	9	30-63	R34819	2I13	14	50-72
R34399	3F22	8	70-91	R34631	1F25	7	30-60	R34827	4D17	1	90-61
R34400	3F22	20	70-91	R34631	1G3	7	30-63	R34828	3H11	8	80-9
R34404	1F20	17	30-55	R34632	1F25	16	30-60	R34828	3H12	8	80-10
R34404	1F23	12	30-58	R34632	1G3	16	30-63	R34828	3H13	8	80-11
R34404	2I21	33	50-80	R34639	1F11	20	30-46	R34829	3H11	8	80-9
R34404	3B11	22	60-6	R34640	1G1	6	30-61	R34838	1F1	3	30-36
R34404	3B14	22	60-9	R34640	1G4	6	30-64	R34844	2H20	13	50-54
R34447	1F7	7	30-42	R34641	1G1	6	30-61	R34863	2I7	10	50-66
R34447	1F8	11	30-43	R34641	1G4	6	30-64	R34873	2H17	1	50-51
R34465	2I15	1	50-74	R34650	2F24	14	50-7	R34873	2I6	10	50-65
R34466	2I15	4	50-74	R34656	1E6	8	30-15	R34873	2I7	27	50-66
R34467	3B19	5	60-14	R34656	1F1	12	30-36	R34874	2G15	1	50-23
R34470	2I15	10	50-74	R34701	2D23	8	40-69	R34874	2I6	11	50-65
R34474	3E23	30	70-65	R34710	1C25	48	20-41	R34874	2I7	28	50-66
R34477	3E23	6	70-65	R34712	1E5	7	30-14	R34875	2G15	1	50-23
R34483	2H9	1	50-42	R34733	2H2	4	50-35	R34875	2H17	1	50-51
R34483	3I18	8	80-41	R34733	2H24	4	50-58	R34875	2I6	10	50-65
R34487	3E2	4	70-42	R34733	3B10	1	60-5	R34875	2I6	11	50-65
R34492	2I10	7	50-69	R34733	3B12	6	60-7	R34875	2I7	27	50-66
R34495	2I10	16	50-69	R34733	3B14	10	60-9	R34875	2I7	28	50-66
R34505	3F5	14	70-73	R34743	4D8	6	90-52	R34958	3I7	6	80-30
R34513	2I7	26	50-66	R34747	3B24	11	60-18	R34965	3G8	20	70-103
R34517	2I7	13	50-66	R34748	3B18	13	60-13	R34965	3G17	16	70-113
R34520	2I7	12	50-66	R34757	3H16	5	80-14	R34966	3G8	19	70-103
R34522	2I8	10	50-67	R34757	3H19	10	80-17	R34966	3G17	15	70-113
R34526	2I7	19	50-66	R34760	1F9	10	30-44	R34976	1D3	2	20-44
R34529	2I7	31	50-66	R34760	1F10	10	30-45	R34976	1D3	12	20-44
R34537	3E12	19	70-53	R34760	1F16	11	30-51	R34976	1D4	..	20-45
R34557	2D20	12	40-66	R34761	1F9	11	30-44	R34977	1D5	8	20-46
R34557	2D20	17	40-66	R34761	1F10	11	30-45	R34977	1D5	16	20-46
R34557	3F13	9	70-82	R34761	1F16	12	30-51	R34977	1D6	26	20-47
R34568	3H21	8	80-19	R34762	1F9	7	30-44	R34980	3B18	18	60-13
R34569	3H21	14	80-19	R34762	1F10	7	30-45	R34981	1D3	2	20-44
R34570	3H21	12	80-19	R34762	1F16	8	30-51	R34981	1D3	12	20-44
R34571	1C5	3	20-23	R34763	1F9	6	30-44	R34981	1D4	..	20-45
R34579	3E23	7	70-65	R34763	1F10	6	30-45	R34982	1D5	8	20-46
R34581	2I8	2	50-67	R34763	1F16	7	30-51	R34982	1D5	16	20-46
R34582	2H6	13	50-39	R34764	1F9	13	30-44	R34982	1D6	26	20-47
R34582	2I10	3	50-69	R34764	1F10	13	30-45	R34985	1D3	10	20-44
R34583	2G12	1	50-20	R34764	1F16	14	30-51	R34986	1D5	11	20-46
R34589	3F22	39	70-91	R34764	1G8	1	30-68	R34987	1D3	11	20-44
R34593	1B11	15	20-5	R34764	1G9	1	30-69	R34987	1D5	12	20-46
R34594	2I5	28	50-64	R34765	1F9	9	30-44	R34988	1D8	3	20-49
R34603	3D16	10	70-31	R34765	1F10	9	30-45	R34989	1D8	3	20-49
R34604	1D16	2	30-1	R34765	1F16	10	30-51	R35046	3E23	2	70-65
R34608	3I18	10	80-41	R34765	1G9	7	30-69	R35075	2F21	15	50-4

## NUMERICAL INDEX - CONTINUED

PART NO.	GRID	KEY	PAGE	PART NO.	GRID	KEY	PAGE	PART NO.	GRID	KEY	PAGE
R35128	1B14	11	20-9	R36402	3F6	2	70-74	R38220	2H4	6	50-37
R35128	1C4	69	20-21	R36415	4C21	18	90-40	R38220	2I3	6	50-62
R35128	1C19	2	20-35	R36439	3F1	17	70-68	R38221	2H4	1	50-37
R35128	1C23	31	20-39	R36440	3F1	21	70-68	R38221	2I3	1	50-62
R35152	1B20	6	20-15	R36590	4C18	..	90-37	R38224	2H4	5	50-37
R35155	2G24	7	50-32	R36590	4C20	7	90-39	R38224	2I3	5	50-62
R35155	2G24	8	50-32	R36590	4D8	13	90-52	R38236	2G7	23	50-15
R35256	1B14	7	20-9	R36609	3F10	17A	70-79	R38237	2G7	20	50-15
R35256	1C2	36	20-19	R36613	3F1	20	70-68	R38238	2G7	14	50-15
R35339	4C21	12	90-40	R36658	3F13	26	70-82	R38245	2G7	2	50-15
R35340	3I12	12	80-35	R36658	3G19	3	70-115	R38323	3D20	6	70-35
R35340	4C22	13	90-41	R36659	3F13	26	70-82	R38341	4D8	20	90-52
R35340	4C22	18	90-41	R36659	3G19	3	70-115	R38344	2G5	3	50-13
R35377	2G14	21	50-22	R36666	2G8	2	50-16	R38344	2H14	3	50-48
R35437	1D2	10	20-43	R36666	2G10	11	50-18	R38371	2D10	5	40-55
R35447	3G13	13	70-109	R36666	2I21	9	50-80	R38371	2D12	8	40-57
R35447	3G15	18	70-111	R36689	3I18	4	80-41	R38371	2D15	15	40-60
R35448	3G15	34	70-111	R36704	4B10	11	90-3	R38371	2D19	14	40-65
R35452	3G13	5	70-109	R36704	4B10	22	90-3	R38371	4B15	8	90-8
R35452	3G15	3	70-111	R36715	1C4	54	20-21	R38374	2C3	12	40-21
R35472	3G13	10	70-109	R36715	1C23	23	20-39	R38376	1G10	7	30-70
R35472	3G15	15	70-111	R36732	2E18	24	40-89	R38377	1G10	5	30-70
R35472	3G16	8	70-112	R36742	3B17	16	60-12	R38393	2F25	16	50-8
R35472	3G18	4	70-114	R36742	3B21	15	60-15	R38393	2H6	3	50-39
R35473	2I21	27	50-80	R36742	3B25	18	60-19	R38531	3C15	19	70-5
R35473	3G13	22	70-109	R36742	3C4	36	60-23	R38543	3F12	20	70-81
R35473	3G15	32	70-111	R36756	3I18	9	80-41	R38545	2H12	15	50-45
R35473	3G16	2	70-112	R36795	3G6	4	70-101	R38546	2H12	14	50-45
R35473	3G18	12	70-114	R36846	1D8	13	20-49	R38614	2G5	7	50-13
R35474	3G13	19	70-109	R36847	1D8	13	20-49	R38614	2H14	7	50-48
R35474	3G15	23	70-111	R36882	2H12	13	50-45	R38614	2I7	7	50-66
R35474	3G16	14	70-112	R36943	2H25	26	50-59	R38614	2I7	9	50-66
R35474	3G18	9	70-114	R36945	3F13	27	70-82	R39012	3G10	3	70-105
R35479	3F10	10	70-79	R36946	3F13	23	70-82	R39012	3G15	7	70-111
R35680	3C4	33	60-23	R36946	3F24	21	70-93	R39067	3C15	13	70-5
R35684	3C4	5	60-23	R36946	3G2	16	70-95	R39067	3C17	13	70-7
R35684	3C4	7	60-23	R36951	3G13	20	70-109	R39067	3C25	11	70-15
R35684	3C6	5	60-25	R36951	3G18	10	70-114	R39067	3D2	11	70-17
R35684	3C6	7	60-25	R36952	3G8	34	70-103	R39074	3C17	17	70-7
R35726	3D13	4	70-28	R36952	3G13	34	70-109	R39112	2H25	9	50-59
R35738	3G13	32	70-109	R36952	3G17	25	70-113	R39112	2I19	11	50-78
R35738	3G15	33	70-111	R36952	3G18	23	70-114	R39112	2I23	18	50-82
R35738	3G16	1	70-112	R37139	1F23	21	30-58	R39112	2J1	6	50-85
R35738	3G18	21	70-114	R37426	3B8	20	60-3	R39112	3B11	17	60-6
R35827	3C23	22	70-13	R375R	3F12	11	70-81	R39112	3D24	35	70-39
R35827	3D10	2	70-25	R375R	3F22	16	70-91	R39112	3E5	8	70-45
R35827	3D12	2	70-27	R375R	3F23	5	70-92	R39112	3F19	1	70-88
R35827	3D17	9	70-32	R38029	3I1	10	80-24	R39112	3G3	9	70-96
R35827	3D18	5	70-33	R38089	3E13	3	70-54	R39174	3C15	23	70-5
R35827	3D19	13	70-34	R38093	3E13	20	70-54	R39174	3C17	19	70-7
R35839	3F7	15	70-76	R38126	1G11	13	30-71	R39175	3C15	24	70-5
R35871	3F12	18	70-81	R38143	1G11	9	30-71	R39175	3C17	20	70-7
R36123	1F21	7	30-56	R38148	2G10	2	50-18	R39215	3D10	1	70-25
R36123	1G12	24B	30-72	R38149	2G8	14	50-16	R39215	3D12	1	70-27
R36229	4C19	3	90-38	R38181	2H21	16	50-55	R39215	3D17	9	70-32
R36235	2D10	6	40-55	R38185	2H8	21	50-41	R39215	3D18	5	70-33
R36235	2D12	10	40-57	R38193	2G12	6	50-20	R39215	3D19	12	70-34
R36235	2D14	4	40-59	R38193	2G12	19	50-20	R39228	3C15	22	70-5
R36235	2E16	22	40-87	R38195	2G12	8	50-20	R39228	3C17	18	70-7
R36265	2B25	9	40-17	R38196	2G12	13	50-20	R39228	3C25	16	70-15
R36265	2G17	12	50-25	R38197	2G12	12	50-20	R39228	3D2	16	70-17
R36265	2G19	10	50-27	R38198	2G10	13	50-18	R39249	3D24	12	70-39
R36265	2H20	12	50-54	R38200	2G9	11	50-17	R39325	2F25	4	50-8
R36295	2H5	16	50-38	R38218	2H4	11	50-37	R39325	2G7	21	50-15
R36295	2I2	16	50-61	R38218	2I3	11	50-62	R394R	2H2	2	50-35
R36358	3D4	11	70-19	R38219	2H4	22	50-37	R394R	2H2	7	50-35
R36364	2G23	15	50-31	R38219	2I3	22	50-62	R394R	2H24	2	50-58



## NUMERICAL INDEX - CONTINUED

PART NO.	GRID	KEY	PAGE	PART NO.	GRID	KEY	PAGE	PART NO.	GRID	KEY	PAGE
R394R	2H24	7	50-58	R39843	3C15	30	70-5	R40505	4D13	15	90-57
R394R	2I4	20	50-63	R39857	2C13	8	40-31	R40509	3I18	12	80-41
R394R	3B14	21	60-9	R39874	1E11	18	30-20	R40510	2F18	17	50-1
R394R	3E7	16	70-47	R39876	2F24	15	50-7	R40516	3E21	1	70-63
R394R	3E7	21	70-47	R39877	2C14	15	40-32	R40516	3E23	19	70-65
R394R	3E7	33	70-47	R39877	2C17	13	40-36	R40516	3F10	5	70-79
R394R	3E9	6	70-49	R39885	1G8	5	30-68	R40519	1D19	5	30-4
R394R	3F19	20	70-88	R39886	1G8	4	30-68	R40530	1B11	3	20-5
R39504	1D8	10	20-49	R39886	1G9	4	30-69	R40531	3B9	13	60-4
R39512	3F5	13	70-73	R39887	1G8	6	30-68	R40540	1B11	3	20-5
R39513	3F5	13	70-73	R39888	1G8	7	30-68	R40540	1B11	4	20-5
R39517	1D2	10	20-43	R39889	1G8	9	30-68	R40541	3E5	14	70-45
R39520	1B20	9	20-15	R39890	1G8	8	30-68	R40541	3E5	20	70-45
R39534	1G13	2	30-73	R39892	2F19	10	50-2	R40541	3E5	21	70-45
R39534	1G14	2	30-74	R39893	2F19	4	50-2	R40541	3E5	22	70-45
R39549	2D23	1	40-69	R39895	1E6	14	30-15	R40541	3E15	4	70-56
R39586	2H2	15	50-35	R39895	1F1	18	30-36	R40541	3E15	9	70-56
R39587	2G4	4	50-12	R39927	1C11	8	20-29	R40541	3E15	10	70-56
R39587	2H25	19	50-59	R39927	1C11	9	20-29	R40541	3E15	11	70-56
R39597	2I12	2	50-71	R39954	1C24	17	20-40	R40545	2C21	38	40-41
R39597	2I13	20	50-72	R39954	1D1	14	20-42	R40546	2D2	6	40-47
R39613	3I12	7	80-35	R39980	3B24	8	60-18	R40548	2D2	10	40-47
R39615	1E6	15	30-15	R39981	3B24	3	60-18	R40562	3D22	9	70-37
R39615	1F1	19	30-36	R39981	3F12	2	70-81	R40565	1F3	3	30-38
R39623	1D20	5	30-5	R39982	3B24	2	60-18	R40567	3B8	30	60-3
R39623	1D21	5	30-6	R39985	1G10	14	30-70	R40567	3B14	9	60-9
R39725	2H1	16	50-34	R40072	3D22	7	70-37	R40570	1C4	77	20-21
R39726	2H1	16	50-34	R40121	3F10	20A	70-79	R40570	1C13	10	20-31
R39727	2H1	16	50-34	R40121	4C16	16	90-35	R40580	2G5	7	50-13
R39729	3C15	9	70-5	R40147	2H2	21	50-35	R40589	3H17	4	80-15
R39729	3C17	9	70-7	R40147	2H23	20	50-57	R40589	3H18	5	80-16
R39729	3C23	17	70-13	R40149	3B9	12	60-4	R40589	3H20	9	80-18
R39730	2I10	6	50-69	R40211	1D4	18	20-45	R40589	3H23	4	80-21
R39731	2I10	5	50-69	R40211	1D5	18	20-46	R40590	2H14	7	50-48
R39732	2I10	4	50-69	R40218	3G10	38	70-105	R40595	3B11	12	60-6
R39739	4D17	4	90-61	R40219	3G15	26	70-111	R40596	3B11	15	60-6
R39741	1B20	4	20-15	R40223	1B18	24	20-13	R40597	3B11	16	60-6
R39741	1C2	13	20-19	R40224	1C16	1	20-33	R40614	1C9	10	20-27
R39741	3C13	1	70-3	R40225	1C16	1	20-33	R40617	2I12	9	50-71
R39741	3C15	15	70-5	R40235	2I7	7	50-66	R40617	2I13	5	50-72
R39741	3C17	15	70-7	R40261	2I14	2	50-73	R40629	2I10	15	50-69
R39741	3C25	13	70-15	R40336	2H6	22	50-39	R40633	3E19	18	70-61
R39741	3D2	13	70-17	R40337	2C12	30	40-30	R40633	3E20	24	70-62
R39741	3E15	14	70-56	R40337	2C15	34	40-33	R40634	1B14	12	20-9
R39758	3H11	9	80-9	R40337	2C17	31	40-36	R40634	1B24	..	20-17
R39758	3H12	9	80-10	R40337	2C21	4	40-41	R40636	2H23	11	50-57
R39758	3H13	9	80-11	R40337	2C23	26	40-43	R40638	2I19	6	50-78
R39759	3E19	22	70-61	R40338	3B11	3	60-6	R40640	2H7	14	50-40
R39766	4D2	5	90-46	R40350	1B18	19	20-13	R40660	3D25	4	70-40
R39767	4D2	9	90-46	R40423	3I7	2	80-30	R40662	1D4	17	20-45
R39794	2H2	3	50-35	R40423	3I9	1	80-32	R40662	1D5	17	20-46
R39795	2H2	1	50-35	R40424	3F1	22	70-68	R40664	2H25	9	50-59
R39795	2H24	1	50-58	R40424	3F3	25	70-71	R40676	3I18	15	80-41
R39796	2H2	13	50-35	R40425	3F1	30	70-68	R40676	4D13	15	90-57
R39796	2H24	3	50-58	R40425	3F3	29	70-71	R40690	1B14	5	20-9
R39797	2H2	12	50-35	R40445	2D11	9	40-56	R40690	1B15	19	20-10
R39800	2C3	14	40-21	R40445	2D20	13	40-66	R40690	1B22	29	20-15B
R39801	2C3	20	40-21	R40445	2E24	3	40-95	R40690	1C9	9	20-27
R39802	2C3	9	40-21	R40499	3F16	12	70-85	R40690	1C9	10	20-27
R39803	2C3	18	40-21	R40499	3F16	26	70-85	R40690	1C14	..	20-32
R39808	2G4	16	50-12	R40499	3F16	31	70-85	R40700	1B18	19	20-13
R39808	2H25	16	50-59	R40499	3F19	4	70-88	R40700	1B22	29	20-15B
R39814	3F1	6	70-68	R40499	3F22	26	70-91	R40700	1B24	..	20-17
R39815	3F1	10	70-68	R40504	3I18	14	80-41	R40700	1B24	..	20-17
R39825	1D17	12	30-2	R40504	4D13	15	90-57	R40700	1C11	12	20-29
R39825	1D18	8	30-3	R40505	3E15	4	70-56	R40700	1C14	..	20-32
R39826	1D18	12	30-3	R40505	3I18	11	80-41	R40720	1C13	10	20-31

## NUMERICAL INDEX - CONTINUED

PART NO.	GRID	KEY	PAGE	PART NO.	GRID	KEY	PAGE	PART NO.	GRID	KEY	PAGE
R40726	1C13	4	20-31	R40850	1C4	81	20-21	R40920	1B22	29	20-15B
R40727	1C13	4	20-31	R40850	1C11	9	20-29	R40920	1C9	9	20-27
R40728	1C13	4	20-31	R40850	1C11	11	20-29	R40920	1C9	10	20-27
R40729	1C13	4	20-31	R40850	1C11	12	20-29	R40920	1C9	11	20-27
R40731	1C13	2	20-31	R40850	1C11	..	20-29	R40920	1C9	12	20-27
R40731	2H8	27	50-41	R40850	1C14	..	20-32	R40920	1C14	..	20-32
R40757	3B11	14	60-6	R40850	1D9	13	20-50	R40920	1E8	1	30-17
R40760	3E14	1	70-55	R40850	1D9	20	20-50	R40920	1F4	1	30-39
R40761	3B18	21	60-13	R40877	3I7	10	80-30	R40922	3D25	22	70-40
R40776	1C24	17	20-40	R40877	3I8	15	80-31	R40922	3E9	1	70-49
R40776	1D1	14	20-42	R40878	3I7	12	80-30	R40922	3E14	22	70-55
R40777	1C24	17	20-40	R40878	3I8	11	80-31	R40922	3F19	11	70-88
R40777	1D1	14	20-42	R40879	3I7	9	80-30	R40922	3G2	6	70-95
R40777	1D11	11	20-52	R40879	3I8	17	80-31	R40922	3G3	6	70-96
R40778	1C9	9	20-27	R40881	3E5	1	70-45	R40923	3F14	17	70-83
R40791	2D17	14	40-63	R40885	3E7	8	70-47	R40925	4D13	13	90-57
R40791	2D25	10	40-71	R40886	3E7	27	70-47	R40926	4B10	27	90-3
R40794	2H9	20	50-42	R40887	3E2	11	70-42	R40927	4B10	29	90-3
R40794	2H13	8	50-47	R40888	3E8	8	70-48	R40928	3E23	21	70-65
R40795	1C9	9	20-27	R40888	3E9	10	70-49	R40928	3F4	13	70-72
R40795	1C9	12	20-27	R40889	3E8	12	70-48	R40930	1C9	12	20-27
R40796	1C9	9	20-27	R40891	3E8	13	70-48	R40933	2H9	8	50-42
R40803	2I10	9	50-69	R40892	3E7	37	70-47	R40937	3F16	28	70-85
R40806	2F19	12	50-2	R40893	3E5	29	70-45	R40938	3E8	11	70-48
R40809	2H9	26	50-42	R40894	3E5	34	70-45	R40939	3D25	21	70-40
R40811	2H12	12	50-45	R40895	3E5	32	70-45	R40939	3E14	15	70-55
R40812	2H12	1	50-45	R40896	3E5	23	70-45	R40943	3E8	15	70-48
R40813	2H12	4	50-45	R40896	3E9	15	70-49	R40944	3E7	29	70-47
R40815	2I4	18	50-63	R40896	3E15	17	70-56	R40945	3E5	22	70-45
R40823	4D4	8	90-48	R40897	3E1	10	70-41	R40945	3E15	11	70-56
R40823	4D5	5	90-49	R40897	3E14	17	70-55	R40948	2F22	3	50-5
R40824	2H23	10	50-57	R40898	3F19	8A	70-88	R40948	2H10	1	50-43
R40827	2H23	7	50-57	R40899	3F16	31	70-85	R40948	3E7	45	70-47
R40828	2H23	13	50-57	R40900	1C9	12	20-27	R40949	3E7	1	70-47
R40829	2H23	14	50-57	R40903	3F16	10	70-85	R40952	2C2	1	40-20
R40833	2H23	12	50-57	R40906	1B15	19	20-10	R40953	2C2	6	40-20
R40835	2H16	11	50-50	R40906	1B18	19	20-13	R40970	2F20	5	50-3
R40835	2H18	16	50-52	R40906	1C2	42	20-19	R40971	2F20	7	50-3
R40835	2I4	15	50-63	R40910	1B14	12	20-9	R40972	2F20	9	50-3
R40837	2G13	10	50-21	R40910	1B17	18	20-12	R40978	1D3	2	20-44
R40840	1B14	17	20-9	R40910	1B18	19	20-13	R40978	1D3	3	20-44
R40840	1B14	18	20-9	R40910	1B20	8	20-15	R40979	1D5	6	20-46
R40840	1B15	18	20-10	R40910	1B24	..	20-17	R40979	1D5	7	20-46
R40840	1B15	19	20-10	R40910	1B24	..	20-17	R40979	1D7	4	20-48
R40840	1B20	1	20-15	R40910	1C11	9	20-29	R40982	1G10	16	30-70
R40840	1B20	6	20-15	R40910	1C11	10	20-29	R40983	1G10	14	30-70
R40840	1B20	8	20-15	R40910	1C11	11	20-29	R40984	1G10	18	30-70
R40840	1B22	29	20-15B	R40910	1C11	12	20-29	R40985	1G11	2	30-71
R40840	1B24	..	20-17	R40910	1C14	..	20-32	R40986	1G11	3	30-71
R40840	1C9	10	20-27	R40911	2G6	5	50-14	R40987	1G11	5	30-71
R40840	1C9	12	20-27	R40912	2G6	6	50-14	R40988	1G11	8	30-71
R40840	1C14	..	20-32	R40915	3E7	40	70-47	R40989	1G11	12	30-71
R40841	3I7	17	80-30	R40916	3E7	39	70-47	R40989	1G12	8	30-72
R40841	3I8	10	80-31	R40917	3E12	4	70-53	R40991	1G11	11	30-71
R40843	3I7	14	80-30	R40918	3F14	3	70-83	R40994	1G12	9	30-72
R40843	3I8	10	80-31	R40919	1E8	1	30-17	R40999	3D13	7	70-28
R40845	2F20	12	50-3	R40919	1F4	1	30-39	R40999	3D22	6	70-37
R40850	1B14	17	20-9	R40920	1B14	5	20-9	R41001	3D22	10	70-37
R40850	1B14	19	20-9	R40920	1B14	12	20-9	R41003	2G25	20	50-33
R40850	1B17	18	20-12	R40920	1B15	18	20-10	R41004	2G25	18	50-33
R40850	1B18	19	20-13	R40920	1B15	19	20-10	R41005	2I8	5	50-67
R40850	1B20	1	20-15	R40920	1B17	18	20-12	R41006	2H23	3	50-57
R40850	1B20	6	20-15	R40920	1B18	19	20-13	R41006	2H23	9	50-57
R40850	1B20	8	20-15	R40920	1B20	1	20-15	R41007	2H23	6	50-57
R40850	1B22	29	20-15B	R40920	1B20	7	20-15	R41007	2H23	22	50-57
R40850	1B24	..	20-17	R40920	1B20	8	20-15	R41008	2H23	4	50-57
R40850	1B24	..	20-17	R40920	1B20	28	20-15	R41009	2H23	21	50-57

## NUMERICAL INDEX - CONTINUED

PART NO.	GRID	KEY	PAGE	PART NO.	GRID	KEY	PAGE	PART NO.	GRID	KEY	PAGE
R41018	2I7	20	50-66	R41140	2G25	11	50-33	R41321	1D3	2	20-44
R41019	2I7	21	50-66	R41141	2G25	23	50-33	R41334	2C2	10	40-20
R41025	3I6	4	80-29	R41142	2H1	6	50-34	R41338	3F16	33	70-85
R41035	2F24	3	50-7	R41144	2H23	1	50-57	R41339	3F16	29	70-85
R41036	2G1	12	50-9	R41145	2H23	15	50-57	R41341	2H8	22	50-41
R41039	2G1	18	50-9	R41146	2G4	34	50-12	R41342	2H8	18	50-41
R41041	2F24	9	50-7	R41147	2G4	31	50-12	R41343	2H8	15	50-41
R41041	4D9	23	90-53	R41147	3E12	37	70-53	R41354	2I6	1	50-65
R41048	2I6	7	50-65	R41148	2G4	32	50-12	R41354	2I7	1	50-66
R41048	2I7	22	50-66	R41149	3F16	26	70-85	R41355	4B11	8	90-4
R41049	2I6	1	50-65	R41151	2G2	20	50-10	R41355	4B12	14	90-5
R41049	2I6	17	50-65	R41151	2G3	1	50-11	R41355	4B14	3	90-7
R41049	2I7	1	50-66	R41152	2G2	20	50-10	R41358	4B15	1	90-8
R41049	3E8	16	70-48	R41152	2G3	1	50-11	R41358	4B16	1	90-9
R41050	2I6	16	50-65	R41153	2G2	20	50-10	R41358	4C10	18	90-28
R41050	2I7	25	50-66	R41153	2G3	1	50-11	R41358	4C12	1	90-30
R41055	3F16	5	70-85	R41154	3F16	24	70-85	R41361	3E3	5	70-43
R41055	3F16	18	70-85	R41155	3F19	22	70-88	R41370	2F22	4	50-5
R41057	3C19	43	70-9	R41156	3F16	19	70-85	R41370	2H10	2	50-43
R41057	3C19	44	70-9	R41160	2F25	9	50-8	R41372	2H10	17	50-43
R41057	3C21	7	70-11	R41160	2G7	17	50-15	R41373	2G12	23	50-20
R41057	3D4	41	70-19	R41161	2G9	1	50-17	R41378	2G8	9	50-16
R41057	3D6	9	70-21	R41162	2G8	4	50-16	R41379	2G8	7	50-16
R41057	3D8	13	70-23	R41164	2G13	14	50-21	R41383	3E12	21	70-53
R41057	3E5	20	70-45	R41166	2F25	10	50-8	R41384	3E12	22	70-53
R41057	3E9	12	70-49	R41166	2G1	9	50-9	R41385	3E12	15	70-53
R41057	3E15	9	70-56	R41166	2G7	16	50-15	R41386	3E12	29	70-53
R41057	3F16	21	70-85	R41168	2G7	10	50-15	R41387	3F14	14	70-83
R41057	3F18	4	70-87	R41179	2H8	14	50-41	R41392	3F14	19	70-83
R41058	3F14	21	70-83	R41180	2H9	9	50-42	R41404	2G4	10	50-12
R41070	1B20	7	20-15	R41194	4D14	14	90-58	R41406	1C19	1	20-35
R41070	1C2	15	20-19	R41228	2H9	1	50-42	R41406	1C19	3	20-35
R41071	1B11	14	20-5	R41231	4D7	6	90-51	R41412	1B18	24	20-13
R41071	2D25	3	40-71	R41253	3I10	6	80-33	R41413	1B16	21	20-11
R41076	3E7	41	70-47	R41269	1D9	13	20-50	R41414	1B16	20	20-11
R41076	3E12	11	70-53	R41269	1D9	20	20-50	R41415	1B16	24	20-11
R41076	3F14	16	70-83	R41271	1D9	18	20-50	R41421	2H7	11	50-40
R41077	3E7	13	70-47	R41272	1D9	9	20-50	R41422	2H7	12	50-40
R41078	3E8	14	70-48	R41273	1D9	8	20-50	R41435	4D8	14	90-52
R41079	3E7	11	70-47	R41274	1D9	17	20-50	R41436	4D8	15	90-52
R41080	3B24	15	60-18	R41275	1D9	14	20-50	R41438	4D8	10	90-52
R41081	3B24	26	60-18	R41276	1D9	9	20-50	R41439	2B9	2	40-1
R41082	3B24	27	60-18	R41277	1D9	8	20-50	R41439	2B12	4	40-4
R41088	3E23	15	70-65	R41278	1D9	17	20-50	R41439	2B13	4	40-5
R41088	3F4	9	70-72	R41279	1D9	14	20-50	R41439	2B14	4	40-6
R41090	3F4	1	70-72	R41283	1D8	10	20-49	R41439	2B24	27	40-16
R41100	3E23	10	70-65	R41284	1D8	10	20-49	R41439	2D10	6	40-55
R41104	2F25	13	50-8	R41285	1D3	7	20-44	R41439	2D11	3	40-56
R41105	2G1	8	50-9	R41285	1D5	13	20-46	R41439	2D20	13	40-66
R41106	2F25	5	50-8	R41285	1D8	12	20-49	R41439	2E18	13	40-89
R41107	3I1	10	80-24	R41285	4C9	5	90-27	R41439	3B15	4	60-10
R41108	3E7	3	70-47	R41295	1E24	13	30-34	R41439	3F13	6	70-82
R41115	3E7	15	70-47	R41296	4D1	4	90-45	R41440	4B15	5	90-8
R41117	3E7	35	70-47	R41303	3E16	17	70-57	R41440	4D12	7	90-56
R41118	3E7	25	70-47	R41303	3E17	9	70-58	R41441	1G12	4	30-72
R41119	3E7	28	70-47	R41313	1D3	2	20-44	R41442	4D8	9	90-52
R41120	3E1	10	70-41	R41313	1D4	22	20-45	R41443	4D8	9	90-52
R41121	3E8	7	70-48	R41313	1D4	..	20-45	R41444	3E5	3	70-45
R41122	3E12	10	70-53	R41315	1D5	8	20-46	R41444	3E15	2	70-56
R41122	3F14	22	70-83	R41315	1D5	16	20-46	R41445	3F19	15	70-88
R41123	3E12	3	70-53	R41317	1D3	2	20-44	R41446	3D25	23	70-40
R41124	3B8	16	60-3	R41317	1D3	12	20-44	R41446	3E14	20	70-55
R41128	2G25	22	50-33	R41317	1D4	22	20-45	R41448	3F19	15	70-88
R41131	2G16	13	50-24	R41317	1D4	..	20-45	R41451	3I10	7	80-33
R41132	2H1	2	50-34	R41318	1D5	8	20-46	R41452	1D10	9	20-51
R41133	2G25	13	50-33	R41318	1D5	16	20-46	R41453	1D10	11	20-51
R41134	2G25	12	50-33	R41318	1D6	27	20-47	R41463	2H25	10	50-59

## NUMERICAL INDEX - CONTINUED

PART NO.	GRID	KEY	PAGE	PART NO.	GRID	KEY	PAGE	PART NO.	GRID	KEY	PAGE
R41465	3D14	5	70-29	R41720	1F6	23	30-41	R42007	3B21	27	60-15
R41465	3D16	5	70-31	R41721	1F6	22	30-41	R42008	3B21	21	60-15
R41465	3D17	4	70-32	R41722	1F6	25	30-41	R42008	3B25	15	60-19
R41477	3B16	8	60-11	R41723	1F6	27	30-41	R42009	2H14	11	50-48
R41478	3B16	7	60-11	R41724	3B10	2	60-5	R42009	3B25	12	60-19
R41494	3F22	35	70-91	R41731	3D14	10	70-29	R42014	2H4	21	50-37
R41501	2F22	11	50-5	R41744	2H6	14	50-39	R42014	2I3	21	50-62
R41502	2G3	26	50-11	R41749	3E23	27	70-65	R42054	1C23	3	20-39
R41503	2G3	29	50-11	R41750	3E23	3	70-65	R42057	2G4	33	50-12
R41511	2H9	17	50-42	R41751	2F25	22	50-8	R42057	2H25	24	50-59
R41511	2H13	11	50-47	R41760	4D14	15	90-58	R42090	2F22	13	50-5
R41515	2H9	15	50-42	R41763	3E23	17	70-65	R42091	2F22	12	50-5
R41528	3E16	23	70-57	R41763	3F4	11	70-72	R42093	3F14	10	70-83
R41528	3E17	15	70-58	R41776	3E5	30	70-45	R42094	3F14	9	70-83
R41531	3E16	16	70-57	R41777	3E5	31	70-45	R42110	2F19	5	50-2
R41532	3E17	8	70-58	R41778	4B11	1	90-4	R42126	2H22	17	50-56
R41533	3E16	5	70-57	R41778	4B12	1	90-5	R42127	2H22	8	50-56
R41534	3E16	14	70-57	R41778	4B14	8	90-7	R42128	2H22	6	50-56
R41535	3E16	13	70-57	R41781	4B11	7	90-4	R42129	2H22	18	50-56
R41536	3E16	10	70-57	R41781	4B12	7	90-5	R42149	1B16	20	20-11
R41537	3E16	2	70-57	R41785	2H9	13	50-42	R42150	1B16	20	20-11
R41538	3E16	1	70-57	R41850	2G4	22	50-12	R42151	1B16	20	20-11
R41539	3E16	15	70-57	R41851	2H2	32	50-35	R42152	1B16	21	20-11
R41541	3E16	6	70-57	R41853	1D8	14	20-49	R42153	1B16	21	20-11
R41543	3E17	5	70-58	R41858	3D25	8	70-40	R42154	1B16	21	20-11
R41544	3E16	7	70-57	R41858	3E14	5	70-55	R42163	1C25	46	20-41
R41544	3E17	1	70-58	R41859	3D25	8	70-40	R42166	1E22	17	30-32
R41545	3E16	23	70-57	R41859	3E14	5	70-55	R42185	1C9	8	20-27
R41545	3E17	15	70-58	R41861	3F1	32	70-68	R42185	1C9	9	20-27
R41549	3F16	25	70-85	R41861	3F3	37	70-71	R42186	1C9	8	20-27
R41562	2H7	30	50-40	R41877	3C4	12	60-23	R42186	1C9	9	20-27
R41564	1G10	13	30-70	R41877	3C6	12	60-25	R42186	1C9	12	20-27
R41565	3E2	3	70-42	R41878	3C4	27	60-23	R42187	1C9	8	20-27
R41566	3E2	3	70-42	R41879	2E4	5	40-75	R42225	3B19	10	60-14
R41567	3E2	3	70-42	R41879	2E6	6	40-77	R42260	3C19	40	70-9
R41569	1C25	48	20-41	R41880	2E4	12	40-75	R42260	3D4	37	70-19
R41569	1G12	15	30-72	R41880	2E6	13	40-77	R42275	4D8	21	90-52
R41571	1G12	18	30-72	R41880	2E8	13	40-79	R42282	3E12	6	70-53
R41573	1G12	26	30-72	R41880	2E9	4	40-80	R42282	3F14	5	70-83
R41604	4D13	12	90-57	R41883	1B20	6	20-15	R42290	2H11	6	50-44
R41605	4D13	12	90-57	R41891	3C4	31	60-23	R42299	3E2	7	70-42
R41608	1B11	16	20-5	R41892	2F21	1	50-4	R42312	4C9	3	90-27
R41608	1D11	18	20-52	R41902	2I6	9	50-65	R42312	4C17	3	90-36
R41613	3F16	11	70-85	R41902	2I7	24	50-66	R42328	2I23	1	50-82
R41613	3F16	15	70-85	R41920	1C4	57	20-21	R42332	2I21	6	50-80
R41614	1G10	3	30-70	R41920	1C23	19	20-39	R42332	3H24	6	80-22
R41623	2G13	17	50-21	R41920	1C25	49	20-41	R42333	2I23	9	50-82
R41627	1D3	16	20-44	R41920	1D1	5	20-42	R42339	1B14	20	20-9
R41627	1D6	21	20-47	R41929	2I10	9	50-69	R42339	1C2	44	20-19
R41627	2C2	7	40-20	R41931	3F19	6	70-88	R42340	1B20	10	20-15
R41628	1D6	21	20-47	R41932	3F19	17	70-88	R42340	1C2	17	20-19
R41628	2C2	7	40-20	R41933	3F16	31	70-85	R42351	1B14	3	20-9
R41661	3E7	26	70-47	R41933	3I18	2	80-41	R42351	1B14	5	20-9
R41663	4D7	9	90-51	R41933	4D7	13	90-51	R42351	1C2	43	20-19
R41680	1F9	17	30-44	R41934	1C4	73	20-21	R42355	1B14	12	20-9
R41680	1F10	17	30-45	R41934	1C13	5	20-31	R42355	1C2	40	20-19
R41680	1F15	9	30-50	R41937	4B8	12	90-1	R42357	3B17	3	60-12
R41681	1D6	21	20-47	R41938	4B8	12	90-1	R42357	3B25	20	60-19
R41705	4D11	27	90-55	R41954	2H6	8	50-39	R42364	1B11	5	20-5
R41706	4D12	12	90-56	R41954	2H6	10	50-39	R42379	2G13	1	50-21
R41707	1C9	1	20-27	R41956	2H6	9	50-39	R42408	2D8	8	40-53
R41710	1B11	16	20-5	R41956	2H6	10	50-39	R42420	1B16	21	20-11
R41710	1D12	14	20-53	R41958	2I21	19	50-80	R42423	1C5	1	20-23
R41716	1F6	18	30-41	R41958	3H25	1	80-23	R42423	1C7	1	20-25
R41717	1F6	20	30-41	R41966	3E12	34	70-53	R42423	1D11	2	20-52
R41718	1F6	21	30-41	R41968	3E12	33	70-53	R42423	1D12	2	20-53
R41719	1F6	19	30-41	R41983	3I11	3	80-34	R42439	4B11	9	90-4

## NUMERICAL INDEX - CONTINUED

PART NO.	GRID	KEY	PAGE	PART NO.	GRID	KEY	PAGE	PART NO.	GRID	KEY	PAGE
R42439	4B14	2	90-7	R42679	1E22	3	30-32	R42851	3H15	9	80-13
R42440	3F5	17	70-73	R42681	1E22	5	30-32	R42851	3H22	8	80-20
R42443	2I6	14	50-65	R42684	3B21	23	60-15	R42877	2I21	21	50-80
R42443	2I7	16	50-66	R42689	2D15	1	40-60	R42878	2I19	15	50-78
R42445	2I6	13	50-65	R42689	2D19	1	40-65	R42879	2I19	23	50-78
R42445	2I7	17	50-66	R42693	1D8	15	20-49	R42880	2I19	21	50-78
R42447	2I7	15	50-66	R42693	1D11	21	20-52	R42881	2I21	5	50-80
R42451	4D10	11	90-54	R42693	1D12	21	20-53	R42882	2I19	16	50-78
R42453	3E22	24	70-64	R42694	1D8	20	20-49	R42883	2I23	13	50-82
R42467	3C15	29	70-5	R42694	1D11	24	20-52	R42884	2I24	4	50-83
R42467	3C17	25	70-7	R42694	1D12	22	20-53	R42885	3H24	5	80-22
R42468	2I19	13	50-78	R42695	3F7	18	70-76	R42886	3H24	13	80-22
R42483	1G2	11	30-62	R42696	3F7	18	70-76	R42887	3H24	9	80-22
R42483	1G5	11	30-65	R42697	2G17	7	50-25	R42893	3I9	7	80-32
R42485	2G16	5	50-24	R42697	2G19	7	50-27	R42900	2I14	22	50-73
R42487	2G16	2	50-24	R42697	2G19	8	50-27	R42924	2I20	38A	50-79
R42491	2G16	9	50-24	R42697	2G21	5	50-29	R42925	2I19	27	50-78
R42492	2G13	18	50-21	R42707	3B9	9	60-4	R42926	2I19	24	50-78
R42493	1B20	13	20-15	R42709	1E21	2	30-31	R42926	2J3	5	50-87
R42494	1B20	13	20-15	R42710	1E21	16	30-31	R42926	2J4	1	50-88
R42495	3E19	14	70-61	R42711	1E21	29	30-31	R42927	2I21	28	50-80
R42495	3E20	10	70-62	R42712	1E21	12	30-31	R42928	2I24	7	50-83
R42507	2H10	19	50-43	R42712	1E21	13	30-31	R42929	2I24	3	50-83
R42508	2H10	25	50-43	R42713	1E21	8	30-31	R42930	2I24	5	50-83
R42509	2H10	24	50-43	R42713	1E21	12	30-31	R42931	2I23	10	50-82
R42511	2H10	23	50-43	R42716	1E21	30	30-31	R42932	2I23	12	50-82
R42512	2H10	28	50-43	R42717	1E21	11	30-31	R42944	3E23	11	70-65
R42516	2I23	4	50-82	R42720	2H6	12	50-39	R42944	3F4	2	70-72
R42517	2I23	3	50-82	R42727	1B11	4	20-5	R42951	1D20	4	30-5
R42518	2I23	14	50-82	R42727	1B11	5	20-5	R42955	1D19	5	30-4
R42519	2I24	8	50-83	R42728	1B11	4	20-5	R42956	1D20	5	30-5
R42521	1C16	1	20-33	R42729	1C4	57	20-21	R42957	1D19	5	30-4
R42524	1C16	1	20-33	R42729	1D23	2	30-8	R42961	1D2	10	20-43
R42525	1B20	25	20-15	R42729	2I21	18	50-80	R42968	2I24	11	50-83
R42526	1B20	25	20-15	R42729	2I23	6	50-82	R42969	2I21	25	50-80
R42567	4B21	14	90-14	R42729	2I24	12	50-83	R42973	3H24	8	80-22
R42567	4B22	18	90-15	R42733	2I24	2	50-83	R42974	3H24	12	80-22
R42574	2C23	21	40-43	R42734	2I24	1	50-83	R42975	3H24	10	80-22
R42579	4B12	13	90-5	R42735	2I21	12	50-80	R42984	2B24	10	40-16
R42580	4B12	10	90-5	R42762	2I23	2	50-82	R42985	2B24	9	40-16
R42580	4D3	5	90-47	R42763	2I21	26	50-80	R42986	2B24	11	40-16
R42581	4B12	15	90-5	R42764	2I24	10	50-83	R42987	2B24	14	40-16
R42583	2H3	6	50-36	R42765	2I21	20	50-80	R42988	2B24	18	40-16
R42584	2I1	6	50-60	R42766	2I21	20	50-80	R42989	2G23	22	50-31
R42585	2H3	4	50-36	R42771	4C8	5	90-26	R42992	1C16	1	20-33
R42585	2I1	4	50-60	R42773	3E2	10	70-42	R42993	1C16	1	20-33
R42620	2I7	15	50-66	R42777	2D19	18	40-65	R42994	1C16	1	20-33
R42624	1C25	35	20-41	R42778	2D19	20	40-65	R42995	1C16	1	20-33
R42627	4B12	14	90-5	R42779	2D19	17	40-65	R43216	2G12	7	50-20
R42629	3B8	7	60-3	R42784	2B21	4	40-13	R43418	2H8	13	50-41
R42635	1D18	11	30-3	R42799	2E8	3	40-79	R43444	3E25	9	70-67
R42636	1D17	14	30-2	R42799	2E9	9	40-80	R43444	3F3	20	70-71
R42636	1D18	11	30-3	R42800	2E6	5	40-77	R43498	2B12	5	40-4
R42639	3E12	30	70-53	R42801	2E6	18	40-77	R43634	1B20	28	20-15
R42640	3E12	16	70-53	R42802	2E6	19	40-77	R43634	1C2	33	20-19
R42641	3E12	17	70-53	R42817	2I21	2	50-80	R43662	2D8	16	40-53
R42643	3E3	6	70-43	R42818	2I19	22	50-78	R43662	2D9	16	40-54
R42644	1D8	14	20-49	R42819	2I19	17	50-78	R43662	2D15	9	40-60
R42644	3E3	3	70-43	R42820	2I19	18	50-78	R43679	1B18	21	20-13
R42660	3F7	13	70-76	R42821	3H24	7	80-22	R43680	1B11	15	20-5
R42661	3B10	18	60-5	R42849	2F24	5	50-7	R43681	1B11	15	20-5
R42662	3I12	10	80-35	R42849	2G14	5	50-22	R43682	1B11	15	20-5
R42663	3C19	31	70-9	R42849	2G19	28	50-27	R43683	1B11	15	20-5
R42666	2D15	16	40-60	R42849	2G21	16	50-29	R43684	2G2	4	50-10
R42666	2D19	15	40-65	R42849	3B11	20	60-6	R43721	3B10	10	60-5
R42667	2D15	16	40-60	R42849	3B21	26	60-15	R43721	3B10	23	60-5
R42667	2D19	15	40-65	R42849	3B25	4	60-19	R43721	3B10	24	60-5

## NUMERICAL INDEX - CONTINUED

PART NO.	GRID	KEY	PAGE	PART NO.	GRID	KEY	PAGE	PART NO.	GRID	KEY	PAGE
R43721	3B11	10	60-6	R44140	3D18	8	70-33	R44302	2B25	..	40-17
R43737	3D10	1	70-25	R44141	3D18	7	70-33	R44302	2C1	1	40-18
R43737	3D12	1	70-27	R44141	3D19	6	70-34	R44302	2C5	6	40-23
R43737	3D16	11	70-31	R44161	1C2	2	20-19	R44302	2C9	3	40-27
R43737	3D18	14	70-33	R44161	1C11	2	20-29	R44302	2C10	4	40-28
R43742	1B14	8	20-9	R44162	1C11	2	20-29	R44302	2C11	7	40-29
R43742	1C2	38	20-19	R44163	1C11	2	20-29	R44302	2D6	24	40-51
R43752	2F24	2	50-7	R44164	2G2	20	50-10	R44302	2D25	4	40-71
R43754	1B14	8	20-9	R44164	2G3	1	50-11	R44302	2E18	12	40-89
R43754	1B14	9	20-9	R44165	2E12	28	40-83	R44302	2E21	6	40-92
R43754	1C2	37	20-19	R44165	2E13	12	40-84	R44302	2E24	20	40-95
R43787	1B18	21	20-13	R44174	1B18	20	20-13	R44302	2F6	1	40-99
R43788	1B18	21	20-13	R44175	1B18	21	20-13	R44310	3F16	18	70-85
R43789	1B18	21	20-13	R44185	4D5	..	90-49	R44313	3E12	38	70-53
R43883	1B18	20	20-13	R44198	4D11	6	90-55	R44314	3E12	39	70-53
R43899	4B25	5	90-18	R44204	2H12	8	50-45	R44315	3F16	31	70-85
R43900	4B25	8	90-18	R44214	1B11	9	20-5	R44315	3I18	2	80-41
R43910	4B25	6	90-18	R44215	1B11	7	20-5	R44315	4D7	11	90-51
R43962	3B10	10	60-5	R44216	1B11	8	20-5	R44327	2I7	21	50-66
R43962	3B10	23	60-5	R44221	4C16	23	90-35	R44331	1F6	14	30-41
R43962	3B10	24	60-5	R44233	1D8	3	20-49	R44342	2D5	8	40-50
R43962	3B10	25	60-5	R44234	1D8	3	20-49	R44350	3I3	8	80-26
R43962	3B11	10	60-6	R44237	1D8	19	20-49	R44350	3I3	..	80-26
R44002	3I7	19	80-30	R44252	3C4	10	60-23	R44361	2I5	11	50-64
R44006	2H25	9	50-59	R44254	3B10	23	60-5	R44372	2I5	11	50-64
R44007	2I6	8	50-65	R44254	3B21	12	60-15	R44373	1D11	26	20-52
R44008	2C2	14	40-20	R44254	3C4	20	60-23	R44373	1D12	23	20-53
R44009	3H23	17	80-21	R44254	3C4	39	60-23	R44373	1D23	18	30-8
R44010	3H23	17	80-21	R44254	3C6	17	60-25	R44373	1E2	13	30-11
R44011	2I18	3	50-77	R44255	3B10	25	60-5	R44373	1E3	11	30-12
R44012	2I18	1	50-77	R44255	3B21	10	60-15	R44374	1D11	20	20-52
R44013	2I24	9	50-83	R44255	3C4	41	60-23	R44374	1D12	17	20-53
R44016	2B24	21	40-16	R44256	3B10	24	60-5	R44374	1D23	19	30-8
R44017	2B24	24	40-16	R44256	3B21	11	60-15	R44374	1E2	12	30-11
R44020	3H15	4	80-13	R44256	3C4	19	60-23	R44374	1E3	10	30-12
R44020	3H19	5	80-17	R44256	3C4	40	60-23	R44378	1C2	6	20-19
R44020	3H22	3	80-20	R44256	3C6	16	60-25	R44378	1C9	7	20-27
R44025	2B24	6	40-16	R44257	1C9	6	20-27	R44378	1C11	7	20-29
R44030	2G23	22	50-31	R44277	2H9	8	50-42	R44395	2G2	3	50-10
R44032	1C4	51	20-21	R44285	3G8	23	70-103	R44406	2I22	2	50-81
R44032	1C23	27	20-39	R44285	3G17	19	70-113	R44407	2I22	12	50-81
R44040	3F4	12	70-72	R44286	3G13	23	70-109	R44408	2I22	11	50-81
R44044	4C2	14	90-20	R44286	3G18	13	70-114	R44409	2I22	6	50-81
R44055	2B25	8	40-17	R44287	3G8	33	70-103	R44411	2I22	10	50-81
R44065	1C21	2	20-37	R44287	3G13	33	70-109	R44412	2I22	8	50-81
R44078	1C24	4	20-40	R44287	3G17	24	70-113	R44414	2I22	5	50-81
R44079	1C24	4	20-40	R44287	3G18	22	70-114	R44415	2I22	1	50-81
R44083	1C24	14	20-40	R44293	3D24	9	70-39	R44416	2I22	7	50-81
R44084	1E3	3	30-12	R44296	3G8	11	70-103	R44417	2I22	3	50-81
R44094	2B24	4	40-16	R44296	3G10	22	70-105	R44431	4B17	13	90-10
R44094	2B25	13	40-17	R44296	3G17	5	70-113	R44432	4B17	14	90-10
R44096	2B24	2	40-16	R44297	3G13	11	70-109	R44433	4B23	10	90-16
R44096	2B25	2	40-17	R44297	3G15	14	70-111	R44434	4B17	20	90-10
R44097	2B24	3	40-16	R44298	3E5	36	70-45	R44435	4B23	13	90-16
R44097	2B25	3	40-17	R44299	3E5	37	70-45	R44436	4B17	19	90-10
R44101	1F6	13	30-41	R44300	3E7	4	70-47	R44437	4B23	2	90-16
R44104	2H9	25	50-42	R44302	1G15	2	30-75	R44437	4B23	4	90-16
R44116	1D3	12	20-44	R44302	1G16	2	30-76	R44437	4B23	5	90-16
R44116	1D4	22	20-45	R44302	1G17	12	30-77	R44437	4B23	8	90-16
R44116	1D4	..	20-45	R44302	2B9	1	40-1	R44437	4B23	11	90-16
R44119	1D3	2	20-44	R44302	2B10	4	40-2	R44437	4B23	14	90-16
R44119	1D3	12	20-44	R44302	2B10	9	40-2	R44437	4B23	17	90-16
R44119	1D4	22	20-45	R44302	2B11	6	40-3	R44437	4B23	20	90-16
R44119	1D4	..	20-45	R44302	2B12	7	40-4	R44438	4B23	1	90-16
R44122	1D5	8	20-46	R44302	2B13	..	40-5	R44438	4B23	9	90-16
R44122	1D5	16	20-46	R44302	2B14	3	40-6	R44438	4B23	12	90-16
R44122	1D6	27	20-47	R44302	2B24	27	40-16	R44438	4B23	15	90-16

## NUMERICAL INDEX - CONTINUED

PART NO.	GRID	KEY	PAGE	PART NO.	GRID	KEY	PAGE	PART NO.	GRID	KEY	PAGE
R44438	4B23	16	90-16	R44484	4C5	5	90-23	R44918	3E20	18	70-62
R44438	4B23	19	90-16	R44485	4C5	4	90-23	R44918	3E25	3	70-67
R44438	4C15	1	90-34	R44486	4C5	2	90-23	R44925	1C9	7	20-27
R44438	4C15	3	90-34	R44487	4C7	7	90-25	R44925	1C11	7	20-29
R44438	4C15	5	90-34	R44488	4C8	10	90-26	R44926	1C9	7	20-27
R44438	4C15	8	90-34	R44489	4C7	4	90-25	R44926	1C11	7	20-29
R44438	4C15	10	90-34	R44520	4B25	17	90-18	R44927	1C9	7	20-27
R44438	4C15	11	90-34	R44521	4B25	15	90-18	R44927	1C11	7	20-29
R44439	4B23	3	90-16	R44522	4B25	11	90-18	R44928	1C9	7	20-27
R44441	4B23	6	90-16	R44523	4B25	18	90-18	R44928	1C11	7	20-29
R44442	4B23	21	90-16	R44524	4B25	9	90-18	R44937	1C16	1	20-33
R44443	4B23	18	90-16	R44525	4B25	2	90-18	R44938	1C16	1	20-33
R44444	4B17	16	90-10	R44533	4C1	23	90-19	R44939	1C16	1	20-33
R44444	4B18	7	90-11	R44533	4C23	24	90-42	R44940	1C16	1	20-33
R44444	4C10	9	90-28	R44535	4B25	..	90-18	R44945	1C16	1	20-33
R44444	4C14	10	90-33	R44535	4D6	1	90-50	R44946	1C16	1	20-33
R44445	4B18	9	90-11	R44536	3E5	7	70-45	R44951	3I18	3	80-41
R44445	4B21	8	90-14	R44577	4C3	13	90-21	R44951	4D13	11	90-57
R44445	4B22	14	90-15	R44585	4B24	3	90-17	R44952	3I18	3	80-41
R44446	4B18	8	90-11	R44585	4B24	5	90-17	R44952	4D13	11	90-57
R44446	4B21	7	90-14	R44585	4C21	1	90-40	R44960	4D6	1	90-50
R44446	4B22	15	90-15	R44605	2B12	6	40-4	R44966	4D6	1	90-50
R44447	4C1	2	90-19	R44605	2B14	3	40-6	R44979	3H24	11	80-22
R44447	4C1	11	90-19	R44605	2B14	7	40-6	R45003	1B18	20	20-13
R44447	4C1	13	90-19	R44639	2H18	22	50-52	R45004	1B18	20	20-13
R44447	4C1	18	90-19	R44640	2H18	13	50-52	R45005	1B18	20	20-13
R44447	4C1	20	90-19	R44643	2D25	19	40-71	R45016	3F16	10	70-85
R44447	4C23	1	90-42	R44686	1F9	22	30-44	R45037	1F11	16	30-46
R44447	4C23	10	90-42	R44686	1F10	22	30-45	R45037	1F12	16	30-47
R44447	4C23	12	90-42	R44686	1F11	1	30-46	R45038	1F9	25	30-44
R44447	4C23	18	90-42	R44686	1F12	1	30-47	R45038	1F10	25	30-45
R44447	4C23	21	90-42	R44686	1F16	22	30-51	R45039	1F11	13	30-46
R44448	4B22	3	90-15	R44695	3F14	13	70-83	R45039	1F12	13	30-47
R44449	4B23	7	90-16	R44710	3I18	9	80-41	R45040	1F11	11	30-46
R44451	4C3	14	90-21	R44720	3I1	7	80-24	R45041	1F11	12	30-46
R44452	4C3	6	90-21	R44777	1F6	3	30-41	R45042	1F11	2	30-46
R44453	4C3	7	90-21	R44778	3D24	19	70-39	R45043	1F11	8	30-46
R44454	4C3	15	90-21	R44802	3C19	31	70-9	R45045	1F13	32	30-48
R44455	4C3	2	90-21	R44815	2G8	7	50-16	R45045	1F25	10	30-60
R44456	4C3	3	90-21	R44816	2G7	4	50-15	R45045	1G3	10	30-63
R44457	4C4	3	90-22	R44816	2G9	3	50-17	R45048	1F14	1	30-49
R44458	4C4	2	90-22	R44816	2G10	8	50-18	R45053	1F14	18	30-49
R44459	4C4	11	90-22	R44817	2G7	5	50-15	R45092	1D17	17	30-2
R44460	2E14	16	40-85	R44817	2G8	8	50-16	R45106	3F13	22	70-82
R44461	2E14	6	40-85	R44817	2G9	4	50-17	R45126	2H4	6	50-37
R44462	2E14	11	40-85	R44817	2G10	7	50-18	R45126	2I3	6	50-62
R44463	2E14	9	40-85	R44819	3E1	10	70-41	R45128	1D17	15	30-2
R44464	2E14	4	40-85	R44823	3C15	10	70-5	R45132	1B14	..	20-9
R44465	2E14	3	40-85	R44823	3C17	10	70-7	R45134	1B14	2	20-9
R44466	2E14	1	40-85	R44840	3F12	10	70-81	R45134	1B14	3	20-9
R44467	2E14	5	40-85	R44845	3B9	9	60-4	R45134	1C2	43	20-19
R44468	4C5	18	90-23	R44846	3B8	16	60-3	R45134	1C4	51	20-21
R44469	4C5	19	90-23	R44848	3F10	4	70-79	R45134	1C23	27	20-39
R44470	4C5	16	90-23	R44853	1D10	1	20-51	R45134	1C23	36	20-39
R44471	4C5	17	90-23	R44853	1D11	4	20-52	R45136	2E4	16	40-75
R44472	4C6	2	90-24	R44853	1D12	4	20-53	R45136	2E8	17	40-79
R44473	4C7	8	90-25	R44890	3I3	11	80-26	R45137	2E4	17	40-75
R44474	4C5	14	90-23	R44898	1G11	18	30-71	R45137	2E8	18	40-79
R44475	4C5	20	90-23	R44899	1C25	46	20-41	R45160	1B11	3	20-5
R44476	4C5	1	90-23	R44904	2H9	2	50-42	R45160	1B11	4	20-5
R44477	4B15	3	90-8	R44909	4D12	3	90-56	R45161	1B11	3	20-5
R44478	4C6	6	90-24	R44909	4D12	4	90-56	R45161	1B11	4	20-5
R44479	2E13	1	40-84	R44917	3E19	10	70-61	R45161	1B11	5	20-5
R44480	4B25	20	90-18	R44917	3E19	11	70-61	R45176	2J1	5	50-85
R44481	2E13	18	40-84	R44917	3E20	18	70-62	R45177	2J1	13	50-85
R44482	2E13	10	40-84	R44917	3F7	29	70-76	R45178	2J1	18	50-85
R44483	4C5	11	90-23	R44918	3E19	11	70-61	R45179	2J1	1	50-85

## NUMERICAL INDEX - CONTINUED

PART NO.	GRID	KEY	PAGE	PART NO.	GRID	KEY	PAGE	PART NO.	GRID	KEY	PAGE
R45181	2J1	15	50-85	R45439	4D10	10	90-54	R459R	2G5	13	50-13
R45182	2J1	12	50-85	R45447	3F11	3	70-80	R459R	2G7	3	50-15
R45183	2J1	4	50-85	R45513	2G5	20	50-13	R459R	2G8	5	50-16
R45184	2J1	11	50-85	R45513	2H14	17	50-48	R459R	2G9	2	50-17
R45186	2J3	6	50-87	R45513	3E8	17	70-48	R459R	2I10	8	50-69
R45186	2J4	2	50-88	R45514	2G5	20	50-13	R459R	3B10	4	60-5
R45187	2J3	7	50-87	R45514	2H14	17	50-48	R459R	3B14	14	60-9
R45187	2J4	3	50-88	R45514	3E8	17	70-48	R459R	3B21	2	60-15
R45189	3F12	17	70-81	R45540	4D10	1	90-54	R459R	3B23	4	60-17
R45192	1B11	9	20-5	R45542	1F11	16	30-46	R459R	3G8	14	70-103
R45193	1B11	7	20-5	R45542	1F12	16	30-47	R459R	3G13	14	70-109
R45194	1B11	8	20-5	R45569	2I21	10	50-80	R459R	3G16	6	70-112
R45195	1B11	4	20-5	R45582	2H12	11	50-45	R459R	3G18	3	70-114
R45196	4D12	5	90-56	R45582	2H13	3	50-47	R45924	3E5	19	70-45
R45209	2F22	13	50-5	R45592	1F15	15	30-50	R45924	3E15	8	70-56
R45211	2B10	4	40-2	R45598	2G14	18	50-22	R45925	3E5	18	70-45
R45211	2B10	6	40-2	R45618	3F22	33	70-91	R45925	3E9	13	70-49
R45211	2B11	6	40-3	R45620	3G8	8	70-103	R45925	3E15	7	70-56
R45211	2D10	1	40-55	R45620	3G10	25	70-105	R45926	3B24	15	60-18
R45211	2D12	1	40-57	R45620	3G13	8	70-109	R45929	3B24	11	60-18
R45211	2D20	12	40-66	R45620	3G15	17	70-111	R45929	3B24	15	60-18
R45211	2D20	17	40-66	R45620	3G16	11	70-112	R45936	2D15	18	40-60
R45211	4B15	6	90-8	R45621	2F24	4	50-7	R45936	2D19	24	40-65
R45215	3F12	19	70-81	R45622	2G1	12	50-9	R45937	2D15	19	40-60
R45227	3C15	14	70-5	R45630	3F22	5	70-91	R45937	2D19	25	40-65
R45227	3C15	15	70-5	R45630	3F24	5	70-93	R45957	3I18	1	80-41
R45227	3C15	16	70-5	R45630	3G2	31	70-95	R45975	3E5	14	70-45
R45227	3C17	14	70-7	R45638	2J3	8	50-87	R45975	3E5	17	70-45
R45227	3C17	15	70-7	R45638	2J4	4	50-88	R45975	3E5	18	70-45
R45227	3C17	16	70-7	R45642	2C9	4	40-27	R45975	3E5	19	70-45
R45228	3C15	14	70-5	R45651	2G25	11	50-33	R45975	3E5	20	70-45
R45228	3C15	15	70-5	R45661	2I18	..	50-77	R45975	3E5	21	70-45
R45228	3C15	16	70-5	R45662	1E9	18	30-18	R45975	3E5	22	70-45
R45228	3C17	14	70-7	R45664	1E9	20	30-18	R45975	3E15	4	70-56
R45228	3C17	15	70-7	R45665	1E11	10	30-20	R45975	3E15	6	70-56
R45228	3C17	16	70-7	R45666	1E21	23	30-31	R45975	3E15	7	70-56
R45231	2B10	..	40-2	R45669	3F13	1	70-82	R45975	3E15	8	70-56
R45231	2B16	..	40-8	R45670	3F13	3	70-82	R45975	3E15	9	70-56
R45231	2B17	..	40-9	R45672	3F12	..	70-81	R45975	3E15	10	70-56
R45231	2D20	..	40-66	R45694	2I8	5	50-67	R46038	4B25	7	90-18
R45250	2J4	10	50-88	R45792	3B8	1	60-3	R46038	4C22	6	90-41
R45251	2J4	11	50-88	R45811	3B10	10	60-5	R46042	2G19	3	50-27
R45356	2I19	3	50-78	R45811	3B10	23	60-5	R46042	2G19	8	50-27
R45357	2I19	1	50-78	R45811	3B10	24	60-5	R46092	2D5	3	40-50
R45358	2I19	4	50-78	R45811	3B10	25	60-5	R46162	2I6	1	50-65
R45359	2I19	5	50-78	R45811	3B11	10	60-6	R46162	2I7	1	50-66
R45361	2D5	7	40-50	R45822	3C12	4	70-2	R46192	1B22	34	20-15B
R45377	2C2	15	40-20	R45832	2G25	8	50-33	R46192	1D11	9	20-52
R45378	2I23	5	50-82	R45832	2G25	23	50-33	R46192	1D12	8	20-53
R45395	4C21	5	90-40	R45847	2B9	6	40-1	R46285	2H22	12	50-56
R45395	4D9	..	90-53	R45847	2D25	4	40-71	R46303	2H22	24	50-56
R45396	4C21	6	90-40	R45847	2D25	5	40-71	R46313	2H10	25	50-43
R45396	4D9	..	90-53	R45847	4C8	2	90-26	R46323	2I6	6	50-65
R45397	4D9	..	90-53	R45847	4C8	3	90-26	R46323	2I7	6	50-66
R45398	4C21	8	90-40	R45847	4C8	4	90-26	R46324	2I6	6	50-65
R45398	4D9	..	90-53	R45847	4C8	7	90-26	R46324	2I7	6	50-66
R45401	4C21	7	90-40	R45847	4C9	8	90-27	R46345	3C12	3	70-2
R45401	4D9	..	90-53	R45847	4C9	9	90-27	R46350	1B14	12	20-9
R45405	4D13	11	90-57	R45847	4C17	6	90-36	R46350	1B14	15	20-9
R45422	3C25	26	70-15	R45847	4C17	7	90-36	R46350	1B17	18	20-12
R45422	3D2	26	70-17	R45847	4C17	22	90-36	R46350	1B18	19	20-13
R45425	3C25	22A	70-15	R45874	3C15	32	70-5	R46350	1B20	1	20-15
R45425	3D2	22A	70-17	R45874	3C17	28	70-7	R46350	1B20	7	20-15
R45438	3C15	1	70-5	R45891	1C21	2	20-37	R46350	1B20	8	20-15
R45438	3C17	1	70-7	R45893	3I8	13	80-31	R46350	1B20	28	20-15
R45438	3C25	1	70-15	R45896	3I8	7	80-31	R46350	1B22	29	20-15B
R45438	3D2	1	70-17	R459R	1F6	16	30-41	R46350	1B24	..	20-17



## NUMERICAL INDEX - CONTINUED

PART NO.	GRID	KEY	PAGE	PART NO.	GRID	KEY	PAGE	PART NO.	GRID	KEY	PAGE
R46350	1B24	..	20-17	R46662	4C22	..	90-41	R46987	3C6	7	60-25
R46350	1C4	81	20-21	R46663	4B19	..	90-12	R47016	3F12	3	70-81
R46350	1C9	11	20-27	R46663	4C22	..	90-41	R47018	3F12	7	70-81
R46350	1C11	9	20-29	R46669	1F10	23	30-45	R47044	3F10	21	70-79
R46350	1C11	10	20-29	R46669	1F11	..	30-46	R47045	2G12	18	50-20
R46350	1C11	11	20-29	R46669	1F15	11	30-50	R47049	1F23	23	30-58
R46350	1C11	12	20-29	R46675	1G8	8	30-68	R47049	1F23	26	30-58
R46350	1C14	..	20-32	R46701	2J4	5	50-88	R47072	3E19	16	70-61
R46350	1E8	1	30-17	R46702	2J3	10	50-87	R47073	2G17	3	50-25
R46350	1F4	1	30-39	R46702	2J4	9	50-88	R47073	2G19	3	50-27
R46373	2F18	6	50-1	R46722	3F16	1	70-85	R47074	1C2	49	20-19
R46391	2F25	4	50-8	R46722	3F16	2A	70-85	R47074	1C19	1	20-35
R46391	2G1	4	50-9	R46723	1C16	1	20-33	R47074	1C19	2	20-35
R46391	2G7	21	50-15	R46732	2H12	14	50-45	R47077	1F20	12	30-55
R46414	2C11	12	40-29	R46735	2G13	10	50-21	R47077	1F22	3	30-57
R46425	2H8	14	50-41	R46774	3C12	9	70-2	R47077	1F23	25	30-58
R46426	2G4	31	50-12	R46790	2D24	8	40-70	R47080	2H14	7	50-48
R46427	1B14	5	20-9	R46799	2G5	20	50-13	R47083	3B18	21	60-13
R46427	1B14	12	20-9	R46799	2H14	17	50-48	R47085	3C4	10	60-23
R46427	1B14	15	20-9	R46799	3E8	17	70-48	R47085	3C6	10	60-25
R46427	1C23	35	20-39	R46807	2F19	12	50-2	R47086	3C4	11	60-23
R46427	1D10	2	20-51	R46815	2G3	14	50-11	R47086	3C6	11	60-25
R46430	1B14	12	20-9	R46815	2G4	13	50-12	R47087	3C4	9	60-23
R46430	1B14	15	20-9	R46816	2G3	12	50-11	R47087	3C6	9	60-25
R46430	1B17	18	20-12	R46816	2G4	11	50-12	R47090	2G5	7	50-13
R46430	1B18	19	20-13	R46817	2G17	1	50-25	R47092	1B20	2	20-15
R46430	1B20	1	20-15	R46817	2G19	1	50-27	R47095	3F12	14	70-81
R46430	1B20	7	20-15	R46818	2G17	3	50-25	R47113	1G14	10	30-74
R46430	1B20	8	20-15	R46818	2G19	3	50-27	R47137	4C3	19	90-21
R46430	1B20	28	20-15	R46819	2I11	5	50-70	R47141	2I23	1	50-82
R46430	1B22	29	20-15B	R46825	2D25	..	40-71	R47141	2I23	5	50-82
R46430	1B24	..	20-17	R46841	1F11	13	30-46	R47142	2I23	1	50-82
R46430	1B24	..	20-17	R46844	1F15	9	30-50	R47159	2G17	8	50-25
R46430	1C4	81	20-21	R46855	2I11	18	50-70	R47160	1G14	16	30-74
R46430	1C9	11	20-27	R46856	2I11	15	50-70	R47160	1G16	5	30-76
R46430	1C11	9	20-29	R46856	2I13	12	50-72	R47160	1G17	15	30-77
R46430	1C11	10	20-29	R46862	2I11	3	50-70	R47172	4C2	14	90-20
R46430	1C11	11	20-29	R46863	2I11	1	50-70	R47197	4B15	3	90-8
R46430	1C11	12	20-29	R46865	2I9	8	50-68	R47197	4B16	6	90-9
R46430	1C14	..	20-32	R46866	2I9	14	50-68	R47203	2H22	15	50-56
R46430	1D9	13	20-50	R46867	2I9	2	50-68	R47288	4C22	11	90-41
R46430	1D9	20	20-50	R46868	2I9	7	50-68	R47289	4C22	19	90-41
R46430	1E8	1	30-17	R46880	4B25	..	90-18	R47292	4B11	15	90-4
R46430	1F4	1	30-39	R46880	4D6	1	90-50	R47292	4B12	8	90-5
R46431	3C4	36	60-23	R46881	3B24	27	60-18	R47300	3E12	22	70-53
R46443	3E8	2	70-48	R46889	3E25	13	70-67	R47301	3E7	31	70-47
R46451	2F24	13	50-7	R46890	3E25	10	70-67	R47301	3E12	22	70-53
R46485	3D18	7	70-33	R46893	3E25	15	70-67	R47301	3E12	27	70-53
R46485	3D19	6	70-34	R46901	2I11	4	50-70	R47307	3G2	3	70-95
R46498	1C13	10	20-31	R46902	2I9	9	50-68	R47308	3F14	3	70-83
R465R	2G5	5	50-13	R46903	1B14	20	20-9	R47308	3G2	..	70-95
R465R	2H14	7	50-48	R46903	1B20	27	20-15	R47308	3G3	..	70-96
R46505	2E4	5	40-75	R46903	1C2	31	20-19	R47319	2G19	16	50-27
R46520	4D11	27	90-55	R46903	1C2	44	20-19	R47321	2G19	20	50-27
R46527	3F14	3	70-83	R46904	4C21	10	90-40	R47358	1F7	2	30-42
R46528	3F14	1	70-83	R46904	4C21	19	90-40	R47358	1F8	9	30-43
R46528	3F14	3	70-83	R46921	1C16	1	20-33	R47393	2G24	9	50-32
R46538	3I8	6	80-31	R46922	1C16	1	20-33	R47409	2G25	9	50-33
R46567	2G12	25	50-20	R46923	1C16	1	20-33	R47409	2G25	13	50-33
R46567	2H8	8	50-41	R46924	1C16	1	20-33	R47410	2G25	22	50-33
R46567	2H9	16	50-42	R46925	1C16	1	20-33	R47421	1E7	5	30-16
R46568	1F6	24	30-41	R46927	1C16	1	20-33	R47443	2F18	4	50-1
R46568	1F6	25	30-41	R46929	1C16	1	20-33	R47444	2G24	5	50-32
R46618	1F14	3	30-49	R46930	1C16	1	20-33	R47445	2G19	19	50-27
R46632	4C22	12	90-41	R46931	1C16	1	20-33	R47448	2G19	26	50-27
R46632	4C22	17	90-41	R46987	3C4	7	60-23	R47449	2G19	17	50-27
R46662	4B19	..	90-12	R46987	3C6	3	60-25	R47450	2G19	18	50-27

## NUMERICAL INDEX - CONTINUED

PART NO.	GRID	KEY	PAGE	PART NO.	GRID	KEY	PAGE	PART NO.	GRID	KEY	PAGE
R47468	4C17	9	90-36	R47816	2G17	4	50-25	R48240	2H14	7	50-48
R47474	2E4	17	40-75	R47816	2G19	4	50-27	R48240	3B19	10	60-14
R47474	2E8	18	40-79	R47826	2H14	7	50-48	R48240	3B20	5	60-14A
R47507	2H4	11	50-37	R47826	3E8	11	70-48	R48279	4C22	8	90-41
R47507	2I3	11	50-62	R47828	2H14	7	50-48	R48280	4C22	21	90-41
R47508	2H4	11	50-37	R47828	2H23	15	50-57	R48281	4C22	9	90-41
R47508	2I3	11	50-62	R47831	2D11	1	40-56	R48282	4C22	20	90-41
R47509	2G3	26	50-11	R47831	2D13	1	40-58	R48292	1B11	16	20-5
R47520	1B18	19	20-13	R47831	2D14	2	40-59	R48292	1D12	14	20-53
R47520	1B22	29	20-15B	R47832	2B25	8	40-17	R48293	2D15	1	40-60
R47520	1B24	..	20-17	R47843	3H17	10	80-15	R48293	2D15	29	40-60
R47520	1C11	12	20-29	R47843	3H23	10	80-21	R48293	2D19	1	40-65
R47520	1C14	..	20-32	R47859	2E18	1	40-89	R48305	4C22	4	90-41
R47524	3E19	26	70-61	R47860	2E16	9	40-87	R48308	4C22	10	90-41
R47524	3E20	11	70-62	R47861	2E16	9	40-87	R48343	4B11	8	90-4
R47577	3F3	36	70-71	R47863	1C9	9	20-27	R48344	4B11	12	90-4
R47578	3F3	21	70-71	R47863	1C9	12	20-27	R48361	3I18	1	80-41
R47581	3F3	24	70-71	R47886	2D21	5	40-67	R48364	4B11	11	90-4
R47590	3F1	17	70-68	R47887	3E20	11	70-62	R48370	2G22	3	50-30
R47590	3F3	33	70-71	R47898	4C21	17	90-40	R48378	4C21	27	90-40
R47605	3C4	24	60-23	R47907	4C21	11	90-40	R48378	4D8	18	90-52
R47605	3C6	21	60-25	R47941	4C16	1	90-35	R48399	1E8	3	30-17
R47606	3C4	23	60-23	R47941	4C16	17	90-35	R48399	1F4	3	30-39
R47606	3C6	20	60-25	R47941	4C21	29	90-40	R48430	1B18	19	20-13
R47607	3C4	26	60-23	R47941	4C21	30	90-40	R48430	1B22	29	20-15B
R47607	3C6	23	60-25	R47981	4C16	9	90-35	R48430	1B24	..	20-17
R47624	1C13	12	20-31	R47998	3B8	1	60-3	R48430	1B24	..	20-17
R47626	3F4	15	70-72	R48000	1F9	12	30-44	R48430	1C11	12	20-29
R47667	1D19	5	30-4	R48000	1F10	12	30-45	R48430	1C14	..	20-32
R47668	1D21	5	30-6	R48000	1F16	13	30-51	R48450	4B10	26	90-3
R47671	1D21	4	30-6	R48000	1G8	2	30-68	R48454	2E15	22	40-86
R47673	1F21	6	30-56	R48000	1G9	2	30-69	R48464	2G13	10	50-21
R47673	1G12	26	30-72	R48013	2G24	10	50-32	R48495	1G1	16	30-61
R47678	3F1	21	70-68	R48013	2H2	18	50-35	R48496	1F25	3	30-60
R47678	3F3	32	70-71	R48013	3C4	18	60-23	R48496	1G3	3	30-63
R47679	3F1	20	70-68	R48026	2E16	..	40-87	R48497	1F25	4	30-60
R47679	3F3	30	70-71	R48027	2E16	..	40-87	R48497	1G3	4	30-63
R47687	3B17	12	60-12	R48028	2E16	28	40-87	R48498	1F25	2	30-60
R47690	2H7	14	50-40	R48048	2E16	17	40-87	R48498	1G3	2	30-63
R47692	2E1	1	40-72	R48049	2E16	27	40-87	R48499	1G2	14	30-62
R47693	2E1	3	40-72	R48071	1F7	8	30-42	R48499	1G5	14	30-65
R47694	3B9	16	60-4	R48071	1F8	12	30-43	R48500	1G2	4	30-62
R47694	3B14	31	60-9	R48072	2E14	6	40-85	R48500	1G5	4	30-65
R47700	2F18	17	50-1	R48073	2E14	5	40-85	R48501	1G1	14	30-61
R47706	1F7	11	30-42	R48074	2E14	3	40-85	R48501	1G4	14	30-64
R47706	1F8	1	30-43	R48075	2E14	1	40-85	R48526	1G2	19	30-62
R47711	2I7	7	50-66	R48084	3D19	4	70-34	R48526	1G5	19	30-65
R47711	2I7	9	50-66	R48101	2H10	22	50-43	R48571	1F23	10	30-58
R47731	1G9	5	30-69	R48102	2H10	7	50-43	R48576	3B19	5	60-14
R47735	3H15	9	80-13	R48150	4C22	2	90-41	R48594	2F18	5	50-1
R47736	3H15	9	80-13	R48151	4C22	5	90-41	R48632	1D17	17	30-2
R47736	3H22	8	80-20	R48163	3E25	7	70-67	R48632	1D18	..	30-3
R47739	3I18	16	80-41	R48163	3F3	1	70-71	R48647	2G24	6	50-32
R47739	4D1	2	90-45	R48164	3E25	8	70-67	R48649	2F24	4	50-7
R47739	4D2	1	90-46	R48164	3F3	5	70-71	R48659	3H15	4	80-13
R47739	4D3	1	90-47	R48168	4C16	28	90-35	R48659	3H19	5	80-17
R47756	3D19	17	70-34	R48174	2F24	16	50-7	R48663	2D11	5	40-56
R47760	2H7	14	50-40	R48176	2F24	12	50-7	R48663	2D13	5	40-58
R47763	4B20	..	90-13	R48178	2F21	16	50-4	R48663	2D14	7	40-59
R47764	4B20	..	90-13	R48235	2G7	7	50-15	R48663	2D15	26	40-60
R47765	3H17	17	80-15	R48235	2G8	10	50-16	R48663	2D17	5	40-63
R47765	3H18	24	80-16	R48235	2G9	6	50-17	R48664	2D9	18	40-54
R47765	3H20	8	80-18	R48235	2G10	5	50-18	R48665	2D9	18	40-54
R47766	3H17	17	80-15	R48236	2G8	13	50-16	R48685	1B11	12	20-5
R47766	3H18	24	80-16	R48236	2G9	9	50-17	R48685	2G5	6	50-13
R47766	3H20	3	80-18	R48236	2G10	3	50-18	R48685	2H14	6	50-48
R47770	2F18	17	50-1	R48240	2G5	7	50-13	R48737	4C21	9	90-40

## NUMERICAL INDEX - CONTINUED

PART NO.	GRID	KEY	PAGE	PART NO.	GRID	KEY	PAGE	PART NO.	GRID	KEY	PAGE
R48738	3C15	23	70-5	R48954	3H14	1	80-12	R49297	3C25	15	70-15
R48738	3C17	19	70-7	R48955	3H11	7	80-9	R49297	3D2	15	70-17
R48738	3C25	17	70-15	R48955	3H14	1	80-12	R49298	3C15	24	70-5
R48738	3D2	17	70-17	R48957	3C4	4	60-23	R49298	3C17	20	70-7
R48742	1D4	22	20-45	R48957	3C4	7	60-23	R49332	3E7	24	70-47
R48755	1B20	20	20-15	R48957	3C6	4	60-25	R49332	3E9	8	70-49
R48755	1C2	24	20-19	R48957	3C6	7	60-25	R49333	3E7	18	70-47
R48755	1E8	1	30-17	R48976	2C15	30	40-33	R49333	3E9	3	70-49
R48755	1F3	18	30-38	R48976	2C17	27	40-36	R49336	3E8	8	70-48
R48755	1F4	1	30-39	R48976	2C21	9	40-41	R49336	3E9	10	70-49
R48758	2G23	22	50-31	R48978	3F16	8B	70-85	R49345	3C4	34	60-23
R48763	3H3	6	80-1	R48979	3F16	2B	70-85	R49345	3C4	35	60-23
R48763	3H6	5	80-4	R48980	3F16	6B	70-85	R49346	1G4	16	30-64
R48763	3H6	9	80-4	R48981	3F16	7	70-85	R49347	1C9	9	20-27
R48763	3H7	7	80-5	R49018	3B9	4	60-4	R49352	3G10	4	70-105
R48767	1C2	5	20-19	R49018	3B17	19	60-12	R49352	3G15	6	70-111
R48769	2G24	8	50-32	R49019	2H14	12	50-48	R49370	2G12	22	50-20
R48783	3B10	13	60-5	R49025	4D11	27	90-55	R49371	2G12	23	50-20
R48784	3B10	12	60-5	R49042	4C22	3	90-41	R49372	2G12	22	50-20
R48795	1F23	16	30-58	R49043	4B25	7	90-18	R49393	2C19	11	40-38
R48811	2I21	20	50-80	R49043	4C22	1	90-41	R49394	2C19	10	40-38
R48825	2B16	..	40-8	R49043	4C22	6	90-41	R49411	3E12	14	70-53
R48825	2B17	..	40-9	R49056	2E4	22	40-75	R49411	3E12	34	70-53
R48825	2B20	..	40-12	R49056	2E8	23	40-79	R49420	2I25	7	50-84
R48865	4C15	7	90-34	R49071	3C19	25	70-9	R49427	2I14	26	50-73
R48866	4C15	1	90-34	R49071	3C19	27	70-9	R495R	1B12	1	20-6
R48866	4C15	3	90-34	R49071	3C19	28	70-9	R495R	1C4	70	20-21
R48866	4C15	5	90-34	R49071	3C19	29	70-9	R495R	1C23	33	20-39
R48866	4C15	8	90-34	R49071	3C19	30	70-9	R495R	1D11	23	20-52
R48866	4C15	10	90-34	R49071	3C19	31	70-9	R495R	1D12	18	20-53
R48866	4C15	11	90-34	R49071	3C21	9	70-11	R495R	3B9	17	60-4
R48867	4C15	2	90-34	R49072	3C19	26	70-9	R495R	3B14	32	60-9
R48868	4C15	6	90-34	R49072	3C21	14	70-11	R495R	3C15	2	70-5
R48869	4C15	9	90-34	R49098	3H15	1	80-13	R495R	3C17	2	70-7
R48870	4C15	4	90-34	R49098	3H15	3	80-13	R495R	3F12	13	70-81
R48871	4C15	12	90-34	R49098	3H19	1	80-17	R495R	3F22	11	70-91
R48872	4C10	7	90-28	R49098	3H19	3	80-17	R495R	3F24	13	70-93
R48872	4C14	11	90-33	R49098	3H22	1	80-20	R495R	3G2	23	70-95
R48873	4C10	24	90-28	R49098	3H22	2	80-20	R49510	1B14	5	20-9
R48874	4C18	8	90-37	R49106	3F5	16	70-73	R49510	1B15	19	20-10
R48875	2E12	23	40-83	R49139	1E8	5	30-17	R49510	1B22	29	20-15B
R48876	4C12	9	90-30	R49139	1F4	5	30-39	R49510	1B24	..	20-17
R48877	4C10	22	90-28	R49187	3F18	2	70-87	R49510	1C9	9	20-27
R48878	4C20	9	90-39	R49191	3F22	33	70-91	R49510	1C9	10	20-27
R48879	4C20	8	90-39	R49193	3F22	38	70-91	R49510	1C14	..	20-32
R48880	4C20	5	90-39	R49193	3G8	26	70-103	R49527	2F19	3	50-2
R48881	4C20	13	90-39	R49193	3G13	26	70-109	R49528	1C13	4	20-31
R48882	4C18	12	90-37	R49193	3G17	8	70-113	R49529	1C13	4	20-31
R48883	2D17	27	40-63	R49193	3G18	16	70-114	R49540	1B14	5	20-9
R48884	4C20	6	90-39	R49197	2H25	11	50-59	R49540	1B14	12	20-9
R48885	4C19	4	90-38	R49197	2H25	15	50-59	R49540	1B15	18	20-10
R48886	4C19	3	90-38	R49198	2G4	34	50-12	R49540	1B15	19	20-10
R48887	2D17	15	40-63	R49199	2H25	9	50-59	R49540	1B17	18	20-12
R48888	2D17	15	40-63	R49200	2H25	9	50-59	R49540	1B18	19	20-13
R48890	4C10	14	90-28	R49209	1F25	18	30-60	R49540	1B20	1	20-15
R48891	4C10	14	90-28	R49209	1G3	18	30-63	R49540	1B20	7	20-15
R48892	4C10	15	90-28	R49221	3F19	10	70-88	R49540	1B20	8	20-15
R48894	4C10	14	90-28	R49285	1E25	2	30-35	R49540	1B20	28	20-15
R48895	4C10	15	90-28	R49285	1E25	3	30-35	R49540	1B22	29	20-15B
R48896	4C18	9	90-37	R49287	1E25	18	30-35	R49540	1B24	..	20-17
R48897	1G11	5	30-71	R49288	1E25	16	30-35	R49540	1C9	9	20-27
R48904	4C10	14	90-28	R49289	1E25	17	30-35	R49540	1C9	10	20-27
R48912	4C12	10	90-30	R49294	2F24	1	50-7	R49540	1C9	11	20-27
R48952	3C4	33	60-23	R49295	2F24	6	50-7	R49540	1C14	..	20-32
R48952	3C4	34	60-23	R49296	2D9	18	40-54	R49540	1D9	13	20-50
R48952	3C4	35	60-23	R49297	3C15	21	70-5	R49540	1D9	20	20-50
R48954	3H11	7	80-9	R49297	3C17	17	70-7	R49540	1E8	1	30-17

## NUMERICAL INDEX - CONTINUED

PART NO.	GRID	KEY	PAGE	PART NO.	GRID	KEY	PAGE	PART NO.	GRID	KEY	PAGE
R49540	1F4	1	30-39	R50894	2D3	11	40-48	R51494	2G5	18	50-13
R49579	2H8	23	50-41	R50897	2C24	10	40-44	R51494	2H14	16	50-48
R49667	3G3	16	70-96	R50899	2C25	11	40-45	R51494	2I12	4	50-71
R49668	3G3	14	70-96	R50899	2D3	17	40-48	R51494	2I13	18	50-72
R49668	3G5	7	70-99	R50900	2C24	1	40-44	R51524	3E20	11	70-62
R49708	3F16	31	70-85	R50901	2C24	21	40-44	R51525	3E20	11	70-62
R49758	2H25	10	50-59	R50902	2C24	5	40-44	R51573	2G3	12	50-11
R49784	2B24	18	40-16	R50903	2C24	6	40-44	R51573	2G4	11	50-12
R49785	2B24	14	40-16	R50904	2C24	9	40-44	R51609	2I17	3	50-76
R49816	2G22	10	50-30	R50905	2C24	24	40-44	R51648	4B10	11	90-3
R49816	2G22	13	50-30	R50906	2C24	19	40-44	R51648	4B10	22	90-3
R49816	2G23	19	50-31	R50907	2C25	5	40-45	R51659	2D1	7	40-46
R49817	2G22	7	50-30	R50909	2C25	12	40-45	R51660	2D1	5	40-46
R49817	2G22	10	50-30	R50910	2D3	18	40-48	R51661	2C24	23	40-44
R49817	2G23	14	50-31	R50912	2D1	8	40-46	R51663	2C25	20	40-45
R49817	2G23	18	50-31	R50913	2C25	2	40-45	R51664	2C25	19	40-45
R49819	2G22	7	50-30	R50914	2C25	7	40-45	R51665	2C24	15	40-44
R49819	2G22	10	50-30	R50915	2C25	8	40-45	R51665	2C24	17	40-44
R49819	2G22	13	50-30	R50916	2C25	3	40-45	R51666	2C24	15	40-44
R49819	2G23	14	50-31	R50917	2C25	10	40-45	R51666	2C24	16	40-44
R49819	2G23	18	50-31	R50918	2C25	14	40-45	R51667	2C24	8	40-44
R49819	2G23	19	50-31	R50919	2C25	15	40-45	R51668	2D3	1	40-48
R49857	4C15	1	90-34	R50920	2C25	9	40-45	R51669	2D3	14	40-48
R49857	4C15	3	90-34	R50921	2C25	18	40-45	R51671	2C8	3	40-26
R49857	4C15	5	90-34	R50922	2C25	16	40-45	R51671	2D3	5	40-48
R49857	4C15	8	90-34	R50923	2D1	1	40-46	R51679	3I4	2	80-27
R49857	4C15	10	90-34	R50924	2D1	2	40-46	R51680	3I4	4	80-27
R49857	4C15	11	90-34	R50925	2D1	3	40-46	R51680	3I5	9	80-28
R49865	1B12	5	20-6	R50927	2D1	14	40-46	R51681	3I4	7	80-27
R49865	1D11	28	20-52	R50928	2D1	17	40-46	R51681	3I5	10	80-28
R49865	1D12	24	20-53	R50929	2D1	15	40-46	R51718	2G12	24	50-20
R49921	2B12	6	40-4	R50930	2D1	12	40-46	R51748	3B12	7	60-7
R49921	2B14	3	40-6	R50931	2C25	20	40-45	R51778	3E23	27	70-65
R49921	2B14	7	40-6	R50931	2D1	9	40-46	R51779	3E23	3	70-65
R49988	3D25	15	70-40	R51025	3E7	11	70-47	R51821	3I18	16	80-41
R49988	3E14	10	70-55	R51066	2G16	7	50-24	R51821	4D1	2	90-45
R50034	3B24	30	60-18	R51114	1G10	2	30-70	R51821	4D2	1	90-46
R50065	3E5	3	70-45	R51130	3E2	3	70-42	R51821	4D3	1	90-47
R50065	3E15	2	70-56	R51195	3E8	15	70-48	R51851	3C6	31	60-25
R50066	3F19	15	70-88	R51196	2G15	8	50-23	R51865	2H9	22	50-42
R50067	3F19	15	70-88	R51197	2G15	8	50-23	R51865	2H9	25	50-42
R50235	3D16	9	70-31	R51198	2G15	8	50-23	R51865	2H13	4	50-47
R50317	1F7	14	30-42	R51199	2G15	8	50-23	R51869	3I15	1	80-38
R50317	1F8	19	30-43	R51200	2G15	1	50-23	R51906	2H23	5	50-57
R50365	2H17	16	50-51	R51200	2G15	11	50-23	R51906	2H23	12	50-57
R50365	2I4	14	50-63	R51200	2I6	11	50-65	R51906	2H23	13	50-57
R50367	2H18	13	50-52	R51200	2I7	28	50-66	R51944	1C5	6	20-23
R50430	4C2	1	90-20	R51201	2G24	5	50-32	R52051	4B11	8	90-4
R50431	4C2	6	90-20	R51285	3F22	35	70-91	R52052	4B11	8	90-4
R50566	2G17	2	50-25	R51302	4D14	11	90-58	R52057	2H12	10	50-45
R50566	2G19	2	50-27	R51303	2G12	18	50-20	R52057	2H13	2	50-47
R50567	2G17	1	50-25	R51305	3H15	9	80-13	R52168	3B24	7	60-18
R50567	2G19	1	50-27	R51392	2H8	22	50-41	R52169	3B24	9	60-18
R50568	2G17	3	50-25	R51409	3F16	10	70-85	R52195	4B16	3	90-9
R50568	2G19	3	50-27	R51409	3F16	11	70-85	R52246	3D25	16	70-40
R50575	2G16	5	50-24	R51409	3F16	15	70-85	R52246	3E14	11	70-55
R50605	4C23	6	90-42	R51410	3F16	10	70-85	R52330	2I14	22	50-73
R50610	1B22	29	20-15B	R51411	3F16	9	70-85	R52385	2D3	10	40-48
R50610	1B24	..	20-17	R51411	3F16	10	70-85	R52386	2C25	13	40-45
R50610	1C11	12	20-29	R51412	3F19	8A	70-88	R52387	2C24	12	40-44
R50610	1C14	..	20-32	R51412	3F19	8B	70-88	R52408	2E8	6	40-79
R50879	3B24	29	60-18	R51413	3F19	7	70-88	R52417	2H9	20	50-42
R50891	2C24	2	40-44	R51413	3F19	8A	70-88	R52417	2H13	8	50-47
R50891	2C24	4	40-44	R51414	3F19	6	70-88	R52498	2H18	7	50-52
R50891	2D1	13	40-46	R51414	3F19	8A	70-88	R52499	2H18	5	50-52
R50892	2C24	3	40-44	R51415	3F19	8A	70-88	R52499	2H18	7	50-52
R50893	2C24	13	40-44	R51415	3F19	17	70-88	R52548	3F16	26	70-85

## NUMERICAL INDEX - CONTINUED

PART NO.	GRID	KEY	PAGE	PART NO.	GRID	KEY	PAGE	PART NO.	GRID	KEY	PAGE
R52549	3F16	24	70 - 85	R53604	2G19	8	50 - 27	R55398	3F16	2B	70 - 85
R52549	3F16	26	70 - 85	R53605	1D17	17	30 - 2	R55398	3F16	7	70 - 85
R52589	2G4	14	50 - 12	R53637	2I14	2	50 - 73	R55428	2I14	5	50 - 73
R52589	2H25	18	50 - 59	R53638	2I14	2	50 - 73	R55453	1C2	5	20 - 19
R52634	2I6	17	50 - 65	R53657	2I14	1	50 - 73	R55596	1C16	1	20 - 33
R52634	3E8	16	70 - 48	R53657	2I14	2	50 - 73	R55597	1C16	1	20 - 33
R52736	2H9	24	50 - 42	R53745	4B19	..	90 - 12	R55737	1C16	1	20 - 33
R52736	2H13	6	50 - 47	R53745	4C22	..	90 - 41	R55738	1C16	1	20 - 33
R52737	2H9	23	50 - 42	R53762	3E19	16	70 - 61	R55739	1C16	1	20 - 33
R52737	2H13	5	50 - 47	R53762	3E19	26	70 - 61	R55740	1C16	1	20 - 33
R52773	1B14	1	20 - 9	R53762	3E20	21	70 - 62	R55741	1C16	1	20 - 33
R52773	1B14	3	20 - 9	R54059	3B24	3	60 - 18	R55742	1C16	1	20 - 33
R52773	1B14	5	20 - 9	R54059	3F12	2	70 - 81	R55743	1C16	1	20 - 33
R52773	1B14	..	20 - 9	R54063	3B14	4	60 - 9	R55744	1C16	1	20 - 33
R52773	1B15	19	20 - 10	R54064	3F10	17A	70 - 79	R55745	1C16	1	20 - 33
R52773	1B18	19	20 - 13	R54064	3F10	17B	70 - 79	R55746	1C16	1	20 - 33
R52773	1C2	42	20 - 19	R54065	3F10	20B	70 - 79	R55851	1C11	10	20 - 29
R52823	3E7	50	70 - 47	R54141	3F7	15	70 - 76	R55910	2H21	11	50 - 55
R52824	3E7	47	70 - 47	R54144	3I2	2	80 - 25	R56012	2C2	10	40 - 20
R52828	3E7	54	70 - 47	R54170	3E16	21	70 - 57	R56038	3F3	10	70 - 71
R52835	1E5	..	30 - 14	R54170	3E17	13	70 - 58	R56039	3E25	5	70 - 67
R52882	2H22	6	50 - 56	R54173	2I20	38A	50 - 79	R56175	3E2	3	70 - 42
R52914	3I4	1	80 - 27	R54173	2I20	38B	50 - 79	R56462	2H23	2	50 - 57
R52924	3I4	3	80 - 27	R54174	2I19	36	50 - 78	R56463	3C15	2	70 - 5
R52971	2G19	19	50 - 27	R54174	2I20	38A	50 - 79	R56463	3C17	2	70 - 7
R53014	1B22	40	20 - 15B	R54178	2H7	1	50 - 40	R56463	3C23	24	70 - 13
R53031	1C13	12	20 - 31	R54312	3G2	3	70 - 95	R56463	3C25	2	70 - 15
R53033	3E7	4	70 - 47	R54312	3G3	3	70 - 96	R56463	3D2	2	70 - 17
R53108	2C8	1	40 - 26	R54380	3F7	17	70 - 76	R56463	3D8	27	70 - 23
R53108	2C21	3	40 - 41	R54440	1G17	8	30 - 77	R56464	2H9	18	50 - 42
R53169	2H2	23	50 - 35	R54442	2E11	13	40 - 82	R56464	2H13	10	50 - 47
R53169	2H23	18	50 - 57	R54443	2E11	9	40 - 82	R56464	3G17	3	70 - 113
R53196	3E19	8	70 - 61	R54445	2E11	10	40 - 82	R56481	1B20	3	20 - 15
R53196	3E20	8	70 - 62	R54446	2E11	5	40 - 82	R56481	1C2	11	20 - 19
R53202	2I6	12	50 - 65	R54447	2E11	4	40 - 82	R56481	1D23	6	30 - 8
R53202	2I7	14	50 - 66	R54467	2E16	15	40 - 87	R56481	1D23	9	30 - 8
R53202	2I7	18	50 - 66	R54533	4D14	13	90 - 58	R56481	1E2	7	30 - 11
R53203	4C22	9	90 - 41	R54541	4D1	4	90 - 45	R56481	2C5	12	40 - 23
R53204	4C22	20	90 - 41	R54563	1B15	1	20 - 10	R56481	2C8	10	40 - 26
R53237	2H12	9	50 - 45	R54563	1B15	6	20 - 10	R56481	2C15	33	40 - 33
R53237	2H13	1	50 - 47	R54563	1B15	8	20 - 10	R56481	2C17	30	40 - 36
R53247	2H22	15	50 - 56	R54563	1B17	1	20 - 12	R56481	2C21	6	40 - 41
R53284	1C9	4	20 - 27	R54563	1B17	6	20 - 12	R56483	1F11	18	30 - 46
R53284	1C9	6	20 - 27	R54563	1B17	8	20 - 12	R56483	1G1	10	30 - 61
R53285	1C2	10	20 - 19	R54565	1B15	3	20 - 10	R56483	1G4	10	30 - 64
R53285	1C11	6	20 - 29	R54565	1B15	4	20 - 10	R56504	2G5	7	50 - 13
R53289	1C9	3	20 - 27	R54565	1B15	6	20 - 10	R56504	2H14	7	50 - 48
R53290	1C11	3	20 - 29	R54565	1B15	8	20 - 10	R56504	2I7	9	50 - 66
R53291	1C9	4	20 - 27	R54565	1B17	3	20 - 12	R56504	3E7	46	70 - 47
R53292	1C2	8	20 - 19	R54565	1B17	4	20 - 12	R56505	3E19	2	70 - 61
R53292	1C11	4	20 - 29	R54565	1B17	6	20 - 12	R56505	3E20	2	70 - 62
R53293	3I18	3	80 - 41	R54565	1B17	8	20 - 12	R56506	3E19	1	70 - 61
R53293	4D13	11	90 - 57	R54584	2C17	20	40 - 36	R56506	3E20	1	70 - 62
R53294	3I18	3	80 - 41	R54585	2C17	21	40 - 36	R56603	1C4	65	20 - 21
R53294	4D13	11	90 - 57	R54750	2H2	1	50 - 35	R56603	1C23	21	20 - 39
R53295	3F3	18	70 - 71	R54750	2H24	1	50 - 58	R56728	3F4	1	70 - 72
R53296	3E19	11	70 - 61	R54751	2H2	12	50 - 35	R56749	3C15	3	70 - 5
R53296	3E20	18	70 - 62	R54962	2H2	15	50 - 35	R56749	3C17	3	70 - 7
R53296	3E25	3	70 - 67	R55079	3D25	16	70 - 40	R56749	3C25	3	70 - 15
R53409	2E10	1	40 - 81	R55079	3E14	11	70 - 55	R56751	3C23	8	70 - 13
R53410	2E10	3	40 - 81	R55081	2H12	13	50 - 45	R56751	3C23	21	70 - 13
R53475	3E12	16	70 - 53	R55162	2C17	8	40 - 36	R56751	3D4	19	70 - 19
R53562	3E21	1	70 - 63	R55170	4C10	24	90 - 28	R56751	3D6	2	70 - 21
R53562	3E23	19	70 - 65	R55183	3B9	8	60 - 4	R56751	3D8	7	70 - 23
R53562	3F10	5	70 - 79	R55396	1C2	12	20 - 19	R56751	3D8	12	70 - 23
R53585	2H8	32	50 - 41	R55396	2C8	9	40 - 26	R56751	3D8	20	70 - 23
R53604	2G19	3	50 - 27	R55397	3F16	2B	70 - 85	R56751	3D8	21	70 - 23

## NUMERICAL INDEX - CONTINUED

PART NO.	GRID	KEY	PAGE	PART NO.	GRID	KEY	PAGE	PART NO.	GRID	KEY	PAGE
R56751	3D8	25	70 - 23	R57559	2H25	25	50 - 59	R59860	2H18	8	50 - 52
R56753	3C15	8	70 - 5	R57560	2G4	34	50 - 12	R59860	2I21	31	50 - 80
R56753	3C17	8	70 - 7	R57561	2H25	9	50 - 59	R60007	2I6	13	50 - 65
R56753	3C23	18	70 - 13	R57561	2H25	11	50 - 59	R60007	2I7	17	50 - 66
R56754	3C19	35	70 - 9	R57561	2H25	15	50 - 59	R60008	2I7	15	50 - 66
R56755	3C19	32	70 - 9	R57572	4B9	18	90 - 2	R60033	2I14	24	50 - 73
R56755	3C21	10	70 - 11	R57584	1C4	78	20 - 21	R60038	3C4	8	60 - 23
R56755	3C23	10	70 - 13	R57584	1C14	1	20 - 32	R60038	3C6	8	60 - 25
R56755	3D4	29	70 - 19	R57623	4B10	18	90 - 3	R60161	3E23	2	70 - 65
R56755	3D6	13	70 - 21	R57696	3G10	18	70 - 105	R60165	4C10	2	90 - 28
R56755	3D8	9	70 - 23	R57696	3G10	30	70 - 105	R60455	3F1	5	70 - 68
R56756	3C19	33	70 - 9	R57696	3G15	10	70 - 111	R60458	2G25	10	50 - 33
R56756	3C21	3	70 - 11	R57696	3G15	36	70 - 111	R60472	1C14	1	20 - 32
R56756	3C23	12	70 - 13	R57696	3I7	15	80 - 30	R60473	1C14	1	20 - 32
R56757	3C19	34	70 - 9	R57696	3I8	16	80 - 31	R60474	1C14	1	20 - 32
R56757	3C21	11	70 - 11	R57725	2H16	11	50 - 50	R60475	1C14	1	20 - 32
R56757	3C23	11	70 - 13	R57725	2H18	16	50 - 52	R60476	1C18	3	20 - 33B
R56757	3D4	31	70 - 19	R57725	2I4	15	50 - 63	R60477	1C18	3	20 - 33B
R56757	3D6	14	70 - 21	R57725	3D25	17	70 - 40	R60478	1C18	3	20 - 33B
R56757	3D8	18	70 - 23	R57725	3E14	12	70 - 55	R60479	1C18	3	20 - 33B
R56792	2D3	2	40 - 48	R57778	1C18	2	20 - 33B	R60480	1C18	3	20 - 33B
R56793	2D3	3	40 - 48	R57779	1C18	3	20 - 33B	R60481	1C18	3	20 - 33B
R56802	2C25	13	40 - 45	R57780	1C18	3	20 - 33B	R60482	1C18	3	20 - 33B
R56821	3E7	47	70 - 47	R57915	2F24	6	50 - 7	R60483	1C18	3	20 - 33B
R56902	1D17	17	30 - 2	R58040	3H21	12	80 - 19	R60484	1C18	2	20 - 33B
R56902	1D18	..	30 - 3	R58203	3F3	24	70 - 71	R60495	2I21	12	50 - 80
R56916	3E5	12	70 - 45	R58260	3E16	7	70 - 57	R60730	3E7	4	70 - 47
R56931	3E16	17	70 - 57	R58260	3E17	1	70 - 58	R60731	2D19	18	40 - 65
R56931	3E17	9	70 - 58	R58261	3E21	1	70 - 63	R60732	3C15	29	70 - 5
R56956	2H20	5	50 - 54	R58261	3E23	19	70 - 65	R60732	3C17	25	70 - 7
R57025	2C14	15	40 - 32	R58261	3F10	5	70 - 79	R60746	1G9	1	30 - 69
R57025	2C17	13	40 - 36	R58262	3E19	11	70 - 61	R61106	2H21	13	50 - 55
R57034	3B12	7	60 - 7	R58262	3E20	18	70 - 62	R61133	2C19	10	40 - 38
R57103	3C4	15	60 - 23	R58262	3F7	29	70 - 76	R61134	2C19	11	40 - 38
R57103	3C4	34	60 - 23	R58268	3E25	18	70 - 67	R61289	1C4	78	20 - 21
R57103	3C6	26	60 - 25	R58303	3H11	9	80 - 9	R61289	1C14	1	20 - 32
R57158	1B20	25	20 - 15	R58422	1G2	5	30 - 62	R61349	3E5	29	70 - 45
R57158	1C2	30	20 - 19	R58422	1G5	5	30 - 65	R61350	3E5	29	70 - 45
R57159	1B20	25	20 - 15	R58499	3C19	44	70 - 9	R61462	3D24	18	70 - 39
R57159	1C2	30	20 - 19	R58879	1C9	6	20 - 27	R61462	3D24	19	70 - 39
R57258	1F7	2	30 - 42	R58880	1C2	10	20 - 19	R61463	3D24	18	70 - 39
R57258	1F8	9	30 - 43	R58880	1C11	6	20 - 29	R61463	3D24	19	70 - 39
R57269	2I14	4	50 - 73	R58884	2J4	6	50 - 88	R61514	3H24	8	80 - 22
R57269	2I17	15	50 - 76	R58884	2J4	10	50 - 88	R61524	3H14	4	80 - 12
R57269	2I17	16	50 - 76	R59080	3E5	3	70 - 45	R61563	2H19	12	50 - 53
R57274	4B8	12	90 - 1	R59080	3E15	2	70 - 56	R61563	2H20	5	50 - 54
R57275	4B8	12	90 - 1	R59081	3F19	15	70 - 88	R61564	2H19	13	50 - 53
R57300	3D14	16	70 - 29	R59082	3E5	3	70 - 45	R61564	2H20	5	50 - 54
R57300	3D16	6	70 - 31	R59082	3E15	2	70 - 56	R61564	2H20	6	50 - 54
R57300	3D16	10	70 - 31	R59082	3F19	15	70 - 88	R61565	2H19	13	50 - 53
R57300	3D17	8	70 - 32	R59083	3E5	37	70 - 45	R61565	2H20	5	50 - 54
R57300	3D18	10	70 - 33	R59084	3F19	15	70 - 88	R61565	2H20	7	50 - 54
R57300	3D18	15	70 - 33	R59154	3G3	16	70 - 96	R61608	1C14	1	20 - 32
R57300	3D19	2	70 - 34	R59154	3G5	9	70 - 99	R61609	1C14	1	20 - 32
R57300	3D21	6	70 - 36	R59343	3F23	2	70 - 92	R61610	1C14	1	20 - 32
R57300	3D21	17	70 - 36	R59478	3F1	32	70 - 68	R61611	1C14	1	20 - 32
R57300	3E19	13	70 - 61	R59478	3F3	37	70 - 71	R61727	3H14	4	80 - 12
R57300	3E20	20	70 - 62	R59494	2G1	12	50 - 9	R61762	3D25	17	70 - 40
R57345	2F25	4	50 - 8	R59536	2H18	13	50 - 52	R61762	3E14	12	70 - 55
R57345	2G7	21	50 - 15	R59629	3F16	31	70 - 85	R61775	2E22	7	40 - 93
R57452	2C19	11	40 - 38	R59629	3F18	1	70 - 87	R61776	2E22	3	40 - 93
R57549	3B17	12	60 - 12	R59633	3F22	1	70 - 91	R61932	2C16	22	40 - 34
R57559	2G4	17	50 - 12	R59633	3F24	1	70 - 93	R61932	2C18	22	40 - 37
R57559	2H2	16	50 - 35	R59633	3F24	19	70 - 93	R61932	2C23	23	40 - 43
R57559	2H25	11	50 - 59	R59633	3G2	17	70 - 95	R61955	3D16	4	70 - 31
R57559	2H25	15	50 - 59	R59633	3G2	35	70 - 95	R61967	3F5	21	70 - 73
R57559	2H25	23	50 - 59	R59766	3E5	33	70 - 45	R62152	3E5	14	70 - 45

## NUMERICAL INDEX - CONTINUED

PART NO.	GRID	KEY	PAGE	PART NO.	GRID	KEY	PAGE	PART NO.	GRID	KEY	PAGE
R62152	3E15	4	70-56	R65243	3F3	24	70-71	R65609	2F8	8	40-101
R62418	1B11	5	20-5	R65284	3F16	12	70-85	R65610	2F8	9	40-101
R62418	1B11	9	20-5	R65284	3F16	26	70-85	R65741	2I6	12	50-65
R62419	1B11	5	20-5	R65284	3F16	31	70-85	R65741	2I6	13	50-65
R62419	1B11	7	20-5	R65284	3F19	4	70-88	R65741	2I7	14	50-66
R62420	1B11	5	20-5	R65284	3F22	26	70-91	R65741	2I7	15	50-66
R62420	1B11	8	20-5	R65285	3F23	11	70-92	R65741	2I7	17	50-66
R62421	1B11	4	20-5	R65286	3F16	14	70-85	R65741	2I7	18	50-66
R62421	1B11	5	20-5	R65286	3F22	13	70-91	R65892	2H2	8	50-35
R62512	2I19	1	50-78	R65286	3F23	4	70-92	R65892	2H2	9	50-35
R62513	2I19	1	50-78	R65289	3F16	12	70-85	R65892	2H24	8	50-58
R62652	3F16	33	70-85	R65289	3F16	26	70-85	R65892	2H24	9	50-58
R62806	2H18	..	50-52	R65289	3F19	4	70-88	R66064	2H2	5	50-35
R62806	2H19	9	50-53	R65289	3F22	26	70-91	R66064	2H24	5	50-58
R62931	3E8	7	70-48	R653R	2G25	21	50-33	R66117	2C11	9	40-29
R62986	1C4	80	20-21	R653R	2H1	3	50-34	R66197	2G12	7	50-20
R62986	1C18	4	20-33B	R65478	2G8	7	50-16	R662R	3E12	7	70-53
R62987	1C4	79	20-21	R65479	2G7	4	50-15	R662R	3F14	6	70-83
R62987	1C18	5	20-33B	R65479	2G9	3	50-17	R66319	2B10	2	40-2
R62988	1C4	79	20-21	R65479	2G10	8	50-18	R66319	2B10	3	40-2
R62988	1C18	5	20-33B	R65480	2G7	5	50-15	R66319	2B10	5	40-2
R63002	1C18	5	20-33B	R65480	2G8	8	50-16	R66319	2B11	2	40-3
R63003	1C18	5	20-33B	R65480	2G9	4	50-17	R66319	2B11	8	40-3
R63004	1C18	5	20-33B	R65480	2G10	7	50-18	R66319	2D8	3	40-53
R63005	1C18	5	20-33B	R65501	3F16	17	70-85	R66319	2D9	3	40-54
R63006	1C18	5	20-33B	R65501	3F16	18	70-85	R66319	2D11	2	40-56
R63007	1C18	5	20-33B	R65501	3F18	3	70-87	R66319	2D12	3	40-57
R63008	1C18	5	20-33B	R65502	3F16	18	70-85	R66319	2D12	4	40-57
R63009	1C18	5	20-33B	R65502	3F18	3	70-87	R66319	2D12	12	40-57
R63024	4C16	21	90-35	R65514	3I16	17	80-39	R66319	2D13	2	40-58
R63069	2H19	3	50-53	R65527	3F5	14	70-73	R66319	2D13	12	40-58
R63070	2H19	1	50-53	R65543	2I14	15	50-73	R66319	2D13	13	40-58
R63072	2H19	8	50-53	R65543	2I15	9	50-74	R66319	2D15	3	40-60
R63073	2H19	5	50-53	R65543	3B19	1	60-14	R66319	2D17	2	40-63
R63074	2H19	6	50-53	R65543	3B20	1	60-14A	R66319	2D17	18	40-63
R63075	2H19	7	50-53	R65563	2F22	7	50-5	R66319	2D17	24	40-63
R63077	2H19	12	50-53	R65563	2G2	12	50-10	R66319	2D19	3	40-65
R63077	2H20	5	50-54	R65563	2G25	15	50-33	R66319	2D19	3	40-65
R63112	2I14	19	50-73	R65563	2H10	9	50-43	R66319	2D20	4	40-66
R63326	1C4	74	20-21	R65563	2H22	21	50-56	R66319	2D21	..	40-67
R63326	1C13	7	20-31	R65591	2G8	9	50-16	R66319	2D23	5	40-69
R63431	1D23	5	30-8	R65592	2G8	9	50-16	R66319	2E24	1	40-95
R63431	1D23	6	30-8	R65592	2G7	6	50-15	R66319	2E24	9	40-95
R63691	2I5	15	50-64	R65592	2G9	5	50-17	R66319	2E24	14	40-95
R63691	2I5	21	50-64	R65592	2G10	6	50-18	R66319	2E24	15	40-95
R63692	2I5	15	50-64	R65593	2B9	5	40-1	R66319	2F8	3	40-101
R63692	2I5	21	50-64	R65593	2B9	8	40-1	R66320	2F8	7	40-101
R63736	3F1	30	70-68	R65593	2B23	4	40-15	R66321	2E21	7	40-92
R63736	3F3	29	70-71	R65593	2F8	4	40-101	R66321	2E21	11	40-92
R63845	1D23	14	30-8	R65594	2F8	2	40-101	R66321	2F8	6	40-101
R63845	1E2	9	30-11	R65595	2F8	21	40-101	R66416	3F16	19	70-85
R63845	1E3	7	30-12	R65596	2F8	22	40-101	R66432	3E19	10	70-61
R64170	3D15	13	70-30	R65597	2F8	23	40-101	R66432	3E20	19	70-62
R64170	3D20	13	70-35	R65598	2F8	24	40-101	R66432	3E21	12	70-63
R64296	3E7	1	70-47	R65599	2B9	5	40-1	R66432	3E22	1	70-64
R64391	3I18	6	80-41	R65599	2B9	8	40-1	R66433	3E19	10	70-61
R64540	4D1	4	90-45	R65599	2B23	4	40-15	R66433	3E20	19	70-62
R64697	2J4	12	50-88	R65599	2F8	25	40-101	R66433	3E21	12	70-63
R64698	2J4	11	50-88	R65600	2E21	7	40-92	R66433	3E22	1	70-64
R64700	2D22	7	40-68	R65600	2F8	26	40-101	R66452	1B24	..	20-17
R64829	3E12	3	70-53	R65601	2F8	27	40-101	R66452	1C2	9	20-19
R64843	3E7	7	70-47	R65602	2F8	28	40-101	R66452	1C11	3	20-29
R64845	3E7	7	70-47	R65603	2F8	29	40-101	R66454	1C9	3	20-27
R65192	3C19	44	70-9	R65604	2F8	30	40-101	R66454	1C9	6	20-27
R65194	3C19	43	70-9	R65605	2F8	31	40-101	R66593	1F22	5	30-57
R65242	3F1	17	70-68	R65606	2F8	32	40-101	R66593	1F24	37	30-59
R65242	3F3	33	70-71	R65607	2F8	33	40-101	R66612	2G1	17	50-9
				R65608	2F8	5	40-101	R66650	2I21	6	50-80

## NUMERICAL INDEX - CONTINUED

PART NO.	GRID	KEY	PAGE	PART NO.	GRID	KEY	PAGE	PART NO.	GRID	KEY	PAGE
R66650	3H24	6	80-22	R69279	3D6	12	70-21	R72506	3D2	27	70-17
R66650	3H24	8	80-22	R69279	3D8	17	70-23	R72507	3C25	23	70-15
R66683	1D24	27	30-9	R69408	3F6	3	70-74	R72507	3D2	23	70-17
R66683	1E2	21	30-11	R69409	3F6	3	70-74	R726R	1D9	11	20-50
R66684	1D24	25	30-9	R69445	2I14	22	50-73	R726R	3H15	15	80-13
R66684	1D24	27	30-9	R69585	2F24	1	50-7	R726R	3H19	16	80-17
R66684	1E2	19	30-11	R69586	2F24	4	50-7	R726R	3H22	13	80-20
R66684	1E2	21	30-11	R69587	2F24	6	50-7	R72653	1G11	1	30-71
R66684	1E4	24	30-13	R69588	2F24	4	50-7	R72653	3E7	10	70-47
R66684	1E4	25	30-13	R69588	2G1	12	50-9	R72653	3E7	52	70-47
R66821	1F7	2	30-42	R69589	2F24	8	50-7	R72653	3E12	1	70-53
R66821	1F8	9	30-43	R69642	3E2	14	70-42	R72653	3F14	2	70-83
R66894	3E7	3	70-47	R699R	2G5	12	50-13	R72653	3F14	20	70-83
R66895	3E5	14	70-45	R699R	2H1	18	50-34	R72653	3F22	24	70-91
R66895	3E5	24	70-45	R70236	2I6	16	50-65	R72660	3E12	7	70-53
R66901	3E25	6B	70-67	R70236	2I7	25	50-66	R72660	3F14	6	70-83
R66901	3F3	4	70-71	R70309	3H11	7	80-9	R72853	2B9	3	40-1
R66916	3F18	6	70-87	R70351	3C19	13	70-9	R72858	3B14	1	60-9
R66923	1C2	10	20-19	R70417	3I4	2	80-27	R72858	3B14	3	60-9
R66923	1C11	6	20-29	R70513	1F14	9	30-49	R72886	3C15	24	70-5
R67037	2G19	3	50-27	R70513	1F20	34	30-55	R72886	3C17	20	70-7
R67037	2G19	8	50-27	R70559	3C19	43	70-9	R72886	3C25	18	70-15
R67235	3H14	1	80-12	R70588	4D1	4	90-45	R72886	3D2	18	70-17
R67410	4D1	4	90-45	R70617	3D4	9	70-19	R73102	3H24	11	80-22
R67423	2H17	6	50-51	R708R	3B19	3	60-14	R73142	2C5	21	40-23
R67840	2F25	8	50-8	R70832	1B15	4	20-10	R73228	3C25	25A	70-15
R67840	2G1	7	50-9	R70832	1B15	5	20-10	R73380	2G2	1	50-10
R67840	2G7	19	50-15	R70832	1B15	6	20-10	R73380	2H9	11	50-42
R67905	2I23	9	50-82	R70832	1B15	8	20-10	R73380	3E23	23	70-65
R67982	2B16	10	40-8	R70832	1B17	4	20-12	R73380	3F7	25	70-76
R67982	2B17	6	40-9	R70832	1B17	5	20-12	R73380	4B9	2	90-2
R67982	2B19	2	40-11	R70832	1B17	6	20-12	R73444	2H21	11	50-55
R67989	2F18	18	50-1	R70832	1B17	8	20-12	R73445	1C6	8	20-24
R67989	2H7	15	50-40	R70867	3D4	21	70-19	R73736	3D4	24	70-19
R68222	2D3	8	40-48	R70868	3D4	22	70-19	R73737	3B8	20	60-3
R68224	2D3	1	40-48	R71208	1B15	2	20-10	R73741	3C25	14	70-15
R68252	3C25	24	70-15	R71208	1B15	9	20-10	R73741	3D2	14	70-17
R68252	3D2	24	70-17	R71208	1B17	2	20-12	R73989	2G6	5	50-14
R68347	2I6	9	50-65	R71208	1B17	9	20-12	R74022	3C6	14	60-25
R68347	2I7	24	50-66	R71321	3C19	42	70-9	R74417	2I11	18	50-70
R68424	3E10	1	70-51	R71321	3D4	39	70-19	R74418	2I11	17	50-70
R68425	3E10	5	70-51	R71387	3G19	2	70-115	R74418	2I11	18	50-70
R68426	3E10	5	70-51	R71459	1D6	21	20-47	R74472	1G2	15	30-62
R68427	3E10	5	70-51	R71459	2C2	7	40-20	R74472	1G5	15	30-65
R68428	3E10	2	70-51	R715R	2I10	14	50-69	R74530	3F23	9	70-92
R68648	2I11	1	50-70	R71598	3D2	25A	70-17	R74530	3F23	11	70-92
R68700	2D24	6	40-70	R71851	1F20	28	30-55	R74695	3F16	31	70-85
R68817	2G17	1	50-25	R71908	1C6	3	20-24	R74852	2G7	8	50-15
R68817	2G19	1	50-27	R71917	1C5	1	20-23	R74852	2G8	11	50-16
R68818	2G17	3	50-25	R71917	1C6	1	20-24	R74852	2G9	7	50-17
R68818	2G19	3	50-27	R71917	1C7	1	20-25	R74868	2I6	12	50-65
R68819	2G19	3	50-27	R71917	1D11	2	20-52	R74868	2I6	13	50-65
R68820	2G19	19	50-27	R71917	1D12	2	20-53	R74868	2I7	17	50-66
R68821	2G24	3	50-32	R72127	1B22	29	20-15B	R74868	2I7	18	50-66
R69109	2E18	1	40-89	R72127	1B24	..	20-17	R74869	2I7	14	50-66
R69166	3E16	8	70-57	R72127	1B24	..	20-17	R74869	2I7	15	50-66
R69210	2I14	24	50-73	R72127	1C2	34	20-19	R74993	2B23	3	40-15
R69214	2H17	21	50-51	R72127	1C4	81	20-21	R75362	2I14	10	50-73
R69262	3C19	44	70-9	R72127	1C11	12	20-29	R75376	3D4	26	70-19
R69270	3I18	16	80-41	R72127	1C14	..	20-32	R75376	3D6	4	70-21
R69270	4D1	2	90-45	R72380	4C3	15	90-21	R75564	3D4	18	70-19
R69270	4D2	1	90-46	R72408	2G19	3	50-27	R75642	3D4	17	70-19
R69270	4D3	1	90-47	R72411	2G22	1	50-30	R75833	2D22	2	40-68
R69279	3C19	35	70-9	R72415	2G21	15	50-29	R75833	2D24	6	40-70
R69279	3C21	15	70-11	R72433	3F10	17A	70-79	R75866	3C6	15	60-25
R69279	3C23	13	70-13	R72433	3F10	20B	70-79	R75879	3D4	5	70-19
R69279	3D4	30	70-19	R72506	3C25	27	70-15	R75938	3D4	44	70-19



## NUMERICAL INDEX - CONTINUED

PART NO.	GRID	KEY	PAGE	PART NO.	GRID	KEY	PAGE	PART NO.	GRID	KEY	PAGE
R75938	3D8	16	70-23	R78155	2I7	12	50-66	R82239	2F2	13	40-97
R76126	1B11	5	20-5	R78156	2I7	13	50-66	R82243	2F2	18	40-97
R76126	2I14	10	50-73	R78257	4B9	6	90-2	R82331	2G23	22	50-31
R76341	3I18	16	80-41	R78293	3C15	10	70-5	R82337	3C6	28	60-25
R76477	2C9	2	40-27	R78293	3C15	16	70-5	R82337	3C6	34	60-25
R76477	2C10	3	40-28	R78293	3C17	10	70-7	R82355	2F2	4	40-97
R76477	2C11	6	40-29	R78293	3C25	8	70-15	R82423	2F6	8	40-99
R76477	2C11	8	40-29	R78293	3D2	8	70-17	R82425	3I18	16	80-41
R76494	2H25	4	50-59	R78432	3B19	5	60-14	R82439	1F25	20	30-60
R76494	3D15	6	70-30	R78432	3B19	9	60-14	R82439	1G3	20	30-63
R76494	3D20	4	70-35	R78432	3B20	3	60-14A	R82766	3E12	6	70-53
R76578	1F13	15	30-48	R78452	3E2	3	70-42	R82766	3F14	5	70-83
R77145	2I6	12	50-65	R78453	3E2	3	70-42	R83020	1D11	26	20-52
R77145	2I7	14	50-66	R78742	2G19	3	50-27	R83020	1D12	23	20-53
R77145	2I7	18	50-66	R79135	2I9	9	50-68	R83020	1D23	18	30-8
R77175	3F20	1	70-89	R79150	3C25	22B	70-15	R83020	1E2	13	30-11
R77461	2F4	2	40-97B	R79150	3C25	25A	70-15	R83020	1E3	11	30-12
R77464	2F4	2	40-97B	R79150	3C25	25B	70-15	R83021	1D11	20	20-52
R77489	2F6	13	40-99	R79151	3C25	22B	70-15	R83021	1D12	17	20-53
R77611	3C25	24	70-15	R79151	3C25	25A	70-15	R83021	1D23	19	30-8
R77611	3D2	24	70-17	R79151	3D2	22B	70-17	R83021	1E2	12	30-11
R77611	3D8	19	70-23	R79151	3D2	25A	70-17	R83021	1E3	10	30-12
R77673	3C6	2	60-25	R79152	3D2	22B	70-17	R83055	2F6	9	40-99
R77673	3C6	22	60-25	R79152	3D2	25A	70-17	R83103	3I18	6	80-41
R77712	3D4	27	70-19	R79152	3D2	25B	70-17	R83109	2F6	11	40-99
R77712	3D4	28	70-19	R79188	1B22	29	20-15B	R83508	3C15	24	70-5
R77712	3D4	45	70-19	R79188	3I1	17	80-24	R83508	3C17	20	70-7
R77712	3D4	46	70-19	R79266	3D4	10	70-19	R83508	3C25	18	70-15
R77712	3D4	47	70-19	R79267	3D4	14	70-19	R83508	3D2	18	70-17
R77712	3D4	48	70-19	R79268	3D4	13	70-19	R83569	1D9	21	20-50
R77712	3D6	6	70-21	R79311	3F23	11	70-92	R84158	2F6	13	40-99
R77714	3D4	28	70-19	R79673	3B20	2	60-14A	R84270	2H2	25	50-35
R77867	3C4	7	60-23	R79917	3E17	1	70-58	R85027	1B17	18	20-12
R77867	3C6	3	60-25	R79985	2G16	5	50-24	R85041	2G7	12	50-15
R77867	3C6	7	60-25	R80558	3C25	27	70-15	R86162	2I11	1	50-70
R77903	3C25	22A	70-15	R80558	3D2	27	70-17	R86192	3C6	6	60-25
R77903	3D2	22A	70-17	R80752	3C6	28	60-25	R86192	3C6	7	60-25
R78047	2F10	3	40-103	R80752	3C6	34	60-25	R86767	2I11	5	50-70
R78048	2F10	10	40-103	R80753	3C6	28	60-25	R87529	3I18	18	80-41
R78049	2F10	15	40-103	R80753	3C6	34	60-25	R87529	4D1	2	90-45
R78050	2F10	19	40-103	R80754	3C6	28	60-25	R87529	4D2	1	90-46
R78051	2F10	24	40-103	R80754	3C6	34	60-25	R87627	1B18	23	20-13
R78052	2F10	5	40-103	R80813	2F25	4	50-8	R87627	1D11	22	20-52
R78053	2F10	13	40-103	R81R	2I17	8	50-76	R87627	1D12	19	20-53
R78054	2F10	17	40-103	R81176	2C12	9	40-30	R88042	1B11	4	20-5
R78055	2F10	22	40-103	R81176	2C14	9	40-32	R88042	1B11	20	20-5
R78056	2F10	26	40-103	R81176	2C17	10	40-36	R88043	1B11	9	20-5
R78057	2F10	2	40-103	R81272	3H11	7	80-9	R88043	1B11	19	20-5
R78058	2F10	23	40-103	R81272	3H14	1	80-12	R88044	1B11	7	20-5
R78059	2F10	1	40-103	R81424	4B11	5	90-4	R88044	1B11	18	20-5
R78060	2F10	2	40-103	R81424	4B12	5	90-5	R88045	1B11	8	20-5
R78060	2F10	9	40-103	R81424	4B14	12	90-7	R88045	1B11	17	20-5
R78060	2F10	12	40-103	R81494	2G7	6	50-15	R88397	1D8	15	20-49
R78061	2F10	6	40-103	R81494	2G9	5	50-17	R88397	1D11	21	20-52
R78061	2F10	23	40-103	R81494	2G10	6	50-18	R88397	1D12	21	20-53
R78062	2F10	1	40-103	R81576	3F5	23	70-73	R91558	2H7	29	50-40
R78063	2F10	1	40-103	R81576	3F7	12	70-76	R92474	2G21	3	50-29
R78063	2F10	7	40-103	R81576	3F8	12	70-77	R92474	2G24	3	50-32
R78063	2F10	12	40-103	R82024	2G21	7	50-29	R93219	2F12	7	40-105
R78064	2F4	13	40-97B	R82024	2G22	1	50-30	R93220	2F12	7	40-105
R78064	2F10	27	40-103	R82133	2I11	17	50-70	R93221	2F12	7	40-105
R78101	3C4	7	60-23	R82133	2I11	18	50-70	R93222	2F12	7	40-105
R78101	3C6	3	60-25	R82134	2I11	17	50-70	R93623	2I7	18	50-66
R78101	3C6	7	60-25	R82134	2I11	18	50-70	R94130	2H4	5	50-37
R78124	1C2	47	20-19	R82236	2F2	16	40-97	R94321	2G19	1	50-27
R78124	1C19	1	20-35	R82237	2F2	14	40-97	R94321	2G21	1	50-29
R78124	1C19	3	20-35	R82238	2F2	15	40-97	R94322	2G19	3	50-27

## NUMERICAL INDEX - CONTINUED

PART NO.	GRID	KEY	PAGE	PART NO.	GRID	KEY	PAGE	PART NO.	GRID	KEY	PAGE
R94322	2G21	2	50-29	TY22043	3C11	2	70-1	TY6617	2C25	..	40-45
R94331	2G3	14	50-11	TY22044	3C11	2	70-1	TY6617	2D1	..	40-46
R94331	2G4	13	50-12	TY22063	3C11	2	70-1	TY6617	2D3	10	40-48
R96420	3F4	1	70-72	TY22064	1B8	1	20-1	TY6667	2C8	1	40-26
R96420	3F4	5	70-72	TY22065	1B8	1	20-1	TY6667	2D2	..	40-47
R97350	1B22	30	20-15B	TY22066	1B8	1	20-1	TY6690	2C12	11	40-30
R97350	1D11	10	20-52	TY22067	1B8	1	20-1	TY6690	2C14	11	40-32
R97350	1D12	9	20-53	TY22068	1B8	1	20-1	TY6690	2C17	11	40-36
R97350	1E8	2	30-17	TY22069	1B8	1	20-1	TY6690	2C19	1	40-38
R97350	1E8	4	30-17	TY22070	1B8	1	20-1	TY6690	2C19	7	40-38
R97350	1F4	2	30-39	TY22073	1B8	1	20-1	TY6690	2C19	11	40-38
R97350	1F4	4	30-39	TY22074	1B8	1	20-1	TY6690	2C19	..	40-38
R98912	2I16	3	50-75	TY22327	3D24	8	70-39	TY6691	2C8	1	40-26
R98926	2G3	12	50-11	TY22328	2B9	6	40-1	TY6691	2C12	2	40-30
R98929	2G19	19	50-27	TY22328	2D25	4	40-71	TY6691	2C12	..	40-30
R98929	2G21	14	50-29	TY22328	2D25	5	40-71	TY6691	2C13	2	40-31
R99556	2H20	10	50-54	TY22328	4C8	2	90-26	TY6691	2C13	..	40-31
TY1430	2C2	12	40-20	TY22328	4C8	3	90-26	TY6694	2C8	1	40-26
TY1430	2C3	..	40-21	TY22328	4C8	4	90-26	TY6694	2C15	..	40-33
TY1435	2C8	1	40-26	TY22328	4C8	7	90-26	TY6694	2C16	2	40-34
TY1435	2C12	..	40-30	TY22328	4C9	8	90-27	TY6694	2C16	..	40-34
TY1435	2C13	..	40-31	TY22328	4C9	9	90-27	TY6710	2C8	1	40-26
TY1456	2C8	1	40-26	TY22328	4C17	6	90-36	TY6710	2C21	..	40-41
TY1456	2C15	..	40-33	TY22328	4C17	7	90-36	TY6710	2C23	7	40-43
TY1456	2C16	..	40-34	TY22328	4C17	22	90-36	TY6710	2C23	..	40-43
TY15155	2E4	4	40-75	TY22418	1F10	24	30-45	TY6710	2D2	..	40-47
TY15155	2E6	3	40-77	TY22425	3D17	9	70-32	TY6713	2C8	1	40-26
TY15155	2E8	4	40-79	TY22425	3D18	5	70-33	TY6713	2C24	..	40-44
TY15263	2D6	26	40-51	TY22425	3D19	6	70-34	TY6713	2C25	17	40-45
TY15269	1E25	8	30-35	TY22425	3D19	17	70-34	TY6713	2C25	..	40-45
TY15269	3E25	19	70-67	TY22467	1C21	1	20-37	TY6713	2D1	..	40-46
TY15269	3F1	4	70-68	TY22473	1D17	16	30-2	TY6713	2D3	10	40-48
TY15269	3F1	32	70-68	TY22473	1D20	3	30-5	TY6722	2C8	1	40-26
TY15269	3F3	38	70-71	TY22473	1D21	3	30-6	TY6722	2C17	2	40-36
TY15276	2E8	4	40-79	TY24307	2C2	12	40-20	TY6722	2C17	..	40-36
TY15435	4D18	1	90-62	TY24307	2C3	..	40-21	TY6722	2C18	..	40-37
TY15857	2C5	8	40-23	TY3018	3F13	26	70-82	TY6740	1D5	8	20-46
TY15857	2C5	18	40-23	TY3018	3G19	3	70-115	TY8311	4D18	1	90-62
TY15857	2C7	..	40-25	TY6073	2C5	5	40-23	TY9305	2D6	26	40-51
TY15941	4D18	1	90-62	TY6074	2C5	5	40-23	TY9321	2D6	25	40-51
TY15969	4D18	1	90-62	TY6118	2B14	6	40-6	TY9370	4D18	1	90-62
TY1597	2C8	1	40-26	TY6118	2B15	1	40-7	TY9371	4D18	1	90-62
TY1597	2D2	..	40-47	TY6121	2B14	1	40-6	TY9374	4D18	1	90-62
TY16004	1B9	2	20-2	TY6121	2B15	1	40-7	TY9375	4D18	1	90-62
TY16005	1B9	3	20-2	TY6280	1B8	1	20-1	T101090	4B17	20	90-10
TY16005	1B9	..	20-2	TY6297	1B8	1	20-1	T10255	1E23	23	30-33
TY16042	1E25	8	30-35	TY6298	1B8	1	20-1	T10256	1E23	2	30-33
TY16042	3E25	19	70-67	TY6300	1B8	1	20-1	T10257	1E23	28	30-33
TY16055	2D6	26	40-51	TY6301	1B8	1	20-1	T10258	1E23	31	30-33
TY16069	2F8	7	40-101	TY6304	4D18	1	90-62	T10259	1E23	16	30-33
TY16285	4D18	1	90-62	TY6311	1B8	1	20-1	T10260	1E23	5	30-33
TY16423	1B9	..	20-2	TY6312	1B8	1	20-1	T10262	1E23	21	30-33
TY2066	1B8	1	20-1	TY6313	1B8	1	20-1	T10263	1E23	12	30-33
TY21517	4D18	1	90-62	TY6359	1B8	1	20-1	T10264	1E23	9	30-33
TY21725	2C5	5	40-23	TY6360	1B8	1	20-1	T10265	1E23	17	30-33
TY21733	2B14	1	40-6	TY6361	1B8	1	20-1	T10265	1E23	32	30-33
TY21733	2B15	1	40-7	TY6364	1B8	1	20-1	T10266	1E23	30	30-33
TY21737	2B14	6	40-6	TY6389	1B8	2	20-1	T10267	1E23	26	30-33
TY21737	2B15	1	40-7	TY6390	1B8	1	20-1	T10268	1E23	24	30-33
TY22007	1B8	2	20-1	TY6390	1B8	2	20-1	T10269	1E23	29	30-33
TY22008	1B8	2	20-1	TY6391	1B8	1	20-1	T10270	1E23	3	30-33
TY22009	1B8	1	20-1	TY6391	1B8	2	20-1	T10273	1E23	22	30-33
TY22010	1B8	1	20-1	TY6392	1B8	2	20-1	T10274	1E23	15	30-33
TY22010	1B8	2	20-1	TY6393	1B8	2	20-1	T10275	1E23	20	30-33
TY22011	1B8	2	20-1	TY6394	1B8	2	20-1	T10276	1E23	13	30-33
TY22041	1B8	..	20-1	TY6617	2C8	1	40-26	T10277	1E23	14	30-33
TY22042	1B8	..	20-1	TY6617	2C24	..	40-44	T10278	1E23	34	30-33

## NUMERICAL INDEX - CONTINUED

PART NO.	GRID	KEY	PAGE	PART NO.	GRID	KEY	PAGE	PART NO.	GRID	KEY	PAGE
T10279	1E23	4	30-33	T11889	1G4	1	30-64	T13073	3G17	29	70-113
T10280	1E23	6	30-33	T11890	1G1	2	30-61	T13073	3G18	17	70-114
T10281	1E23	10	30-33	T11890	1G4	2	30-64	T13119	1D4	..	20-45
T10397	2C13	17	40-31	T11891	1F11	15	30-46	T13119	1D6	..	20-47
T104373	3I9	1	80-32	T11891	1G1	15	30-61	T13119	1D7	1	20-48
T10514	1E25	2	30-35	T11891	1G4	15	30-64	T13119	1D8	11	20-49
T10671	4C5	3	90-23	T11894	1F25	8	30-60	T13119	4C9	6	90-27
T10702	1E16	21	30-25	T11894	1G3	8	30-63	T13325	2I5	7	50-64
T10804	1F3	14	30-38	T11899	1F14	7	30-49	T13326	2I5	8	50-64
T11220	2H6	21	50-39	T11899	1F25	17	30-60	T13329	2I5	22	50-64
T11220	3G13	18	70-109	T11899	1G3	17	30-63	T13330	2I5	21	50-64
T11220	3G15	24	70-111	T11900	1F25	19	30-60	T13331	2I5	17	50-64
T11220	3G16	13	70-112	T11900	1G3	19	30-63	T13332	2I5	17	50-64
T11220	3G18	8	70-114	T11906	1F23	29	30-58	T13333	2I5	17	50-64
T11234	3H17	13	80-15	T11906	1G2	7	30-62	T13341	2I5	11	50-64
T11234	3H18	17	80-16	T11907	1G5	5	30-65	T134452	2C9	10	40-27
T11234	3H23	13	80-21	T11909	1G2	16	30-62	T134452	2C10	1	40-28
T11290	1F20	18	30-55	T11909	1G5	16	30-65	T134452	2C11	1	40-29
T11290	1F23	13	30-58	T11911	1G2	24	30-62	T134453	2C9	10	40-27
T11292	1F15	12	30-50	T11911	1G5	24	30-65	T134453	2C10	1	40-28
T11334	1E23	27	30-33	T11913	1G2	22	30-62	T134453	2C11	1	40-29
T11672	2C12	3	40-30	T11913	1G5	22	30-65	T134454	2C9	10	40-27
T11672	2C14	3	40-32	T11914	1G2	23	30-62	T134454	2C10	1	40-28
T11672	2C17	3	40-36	T11914	1G5	23	30-65	T134454	2C11	1	40-29
T11674	2C12	7	40-30	T11915	1F13	15	30-48	T134455	2C9	10	40-27
T11675	2C12	9	40-30	T11918	1F20	19	30-55	T134455	2C10	1	40-28
T11675	2C14	9	40-32	T11918	1F23	20	30-58	T134455	2C11	1	40-29
T11675	2C17	10	40-36	T11921	1F20	24	30-55	T134456	2C9	10	40-27
T11680	2C16	6	40-34	T11921	1F20	29	30-55	T134456	2C10	1	40-28
T11680	2C18	6	40-37	T11921	1F23	31	30-58	T134456	2C11	1	40-29
T11682	2C14	5	40-32	T11923	1G2	9	30-62	T134459	2C9	1	40-27
T11682	2C17	5	40-36	T11923	1G5	9	30-65	T134459	2C10	2	40-28
T11683	2C15	21	40-33	T11924	1G2	21	30-62	T134459	2C11	5	40-29
T11684	2C15	20	40-33	T11924	1G5	21	30-65	T13471	2I5	16	50-64
T11684	2C15	21	40-33	T11925	1G2	17	30-62	T13857	1B14	11	20-9
T11708	4C18	..	90-37	T11925	1G5	17	30-65	T13857	1D9	5	20-50
T11708	4D13	9	90-57	T11926	1G1	16	30-61	T138822	2F4	13	40-97B
T11739	2C16	22	40-34	T11926	1G4	16	30-64	T13911	4C18	..	90-37
T11739	2C18	22	40-37	T11930	1F11	9	30-46	T14050	1E7	9	30-16
T11739	2C23	23	40-43	T11930	1F23	4	30-58	T14050	1F2	4	30-37
T11743	2C21	1	40-41	T11931	1G2	13	30-62	T14264	2D20	12	40-66
T11875	1F23	5	30-58	T11931	1G5	13	30-65	T14264	2D20	17	40-66
T11876	1F23	9	30-58	T11932	1G2	6	30-62	T14264	2E18	8	40-89
T11877	1F23	33	30-58	T11932	1G5	6	30-65	T14587	2J1	3	50-85
T11877	1F25	1	30-60	T11934	1F13	2	30-48	T14587	2J3	2	50-87
T11877	1G3	1	30-63	T11934	1F13	8	30-48	T146102	2C9	1	40-27
T11878	1F11	10	30-46	T11934	1F13	17	30-48	T146102	2C10	2	40-28
T11878	1F12	10	30-47	T11934	1F25	14	30-60	T146102	2C11	5	40-29
T11878	1F23	3	30-58	T11934	1G3	14	30-63	T146102	3I18	19	80-41
T11882	1F20	9	30-55	T11934	2G13	12	50-21	T146104	2C9	10	40-27
T11882	1F23	7	30-58	T11934	2H12	18	50-45	T146104	2C10	1	40-28
T11883	1F20	8	30-55	T11935	1F23	17	30-58	T146104	2C11	1	40-29
T11883	1F23	6	30-58	T11936	1F23	22	30-58	T146104	3I18	18	80-41
T11884	1F20	10	30-55	T11937	1F22	6	30-57	T146106	2C9	10	40-27
T11884	1F23	8	30-58	T11937	1F23	19	30-58	T146106	2C10	1	40-28
T11885	1F11	18	30-46	T11938	1F23	24	30-58	T146106	2C11	1	40-29
T11885	1F12	18	30-47	T11941	1F20	30	30-55	T146106	3I18	18	80-41
T11885	1G4	10	30-64	T11943	1G2	8	30-62	T146515	2C9	10	40-27
T11886	1F11	17	30-46	T11943	1G5	8	30-65	T146515	2C10	1	40-28
T11886	1G1	9	30-61	T12637	3E8	15	70-48	T146515	2C11	1	40-29
T11886	1G4	9	30-64	T12637	3E8	16	70-48	T146515	3I18	18	80-41
T11887	1F11	21	30-46	T12808	4C10	23	90-28	T146516	2C9	10	40-27
T11887	1G1	12	30-61	T12808	4C10	24	90-28	T146516	2C10	1	40-28
T11887	1G4	12	30-64	T12860	1F23	12	30-58	T146516	2C11	1	40-29
T11888	1G1	13	30-61	T12860	3B11	22	60-6	T146516	3I18	18	80-41
T11888	1G4	13	30-64	T13073	3G8	29	70-103	T146517	2C9	10	40-27
T11889	1G1	1	30-61	T13073	3G13	29	70-109	T146517	2C10	1	40-28

## NUMERICAL INDEX - CONTINUED

PART NO.	GRID	KEY	PAGE	PART NO.	GRID	KEY	PAGE	PART NO.	GRID	KEY	PAGE
T146517	2C11	1	40-29	T19604	2C19	6	40-38	T26230	1F11	4	30-46
T146517	3I18	18	80-41	T19606	2C19	2	40-38	T26238	1F25	11	30-60
T15329	2H1	5	50-34	T19606	2C19	5	40-38	T26238	1G3	11	30-63
T15539	1B20	24	20-15	T19607	2D2	22	40-47	T26256	1F13	10	30-48
T15539	1C2	29	20-19	T19608	2C14	14	40-32	T26256	1F14	14	30-49
T15539	1C14	2	20-32	T19609	2C19	11	40-38	T26256	1F20	1	30-55
T15539	1C18	6	20-33B	T19610	2C14	17	40-32	T26256	1F25	6	30-60
T15699	1G2	1	30-62	T19610	2C17	14	40-36	T26256	1G3	6	30-63
T15699	1G5	1	30-65	T19687	3G13	18	70-109	T26396	1E21	26	30-31
T15712	1F20	4	30-55	T19687	3G15	24	70-111	T26399	1E21	27	30-31
T15715	1F20	27	30-55	T19854	1F20	16	30-55	T26407	1E21	1	30-31
T15715	1F24	36	30-59	T19854	1F23	11	30-58	T26565	2F18	21	50-1
T15721	1F20	28	30-55	T19859	1F14	9	30-49	T26565	2G5	15	50-13
T15721	1F23	34	30-58	T19909	2C21	30	40-41	T26565	2H7	14	50-40
T16068	3E16	19	70-57	T19977	1F23	27	30-58	T26565	2H7	18	50-40
T16068	3E17	11	70-58	T19977	2B24	8	40-16	T26565	2H14	14	50-48
T16106	1E21	15	30-31	T20055	1D12	20	20-53	T27155	4B11	15	90-4
T16109	1E21	9	30-31	T20055	1F9	18	30-44	T27155	4B12	8	90-5
T16109	1E21	12	30-31	T20055	1F10	18	30-45	T27261	1D7	6	20-48
T16122	1E21	14	30-31	T20055	1F15	10	30-50	T27860	1C2	48	20-19
T16601	1G2	15	30-62	T20055	1F16	17	30-51	T27860	1C19	2	20-35
T16601	1G5	15	30-65	T20055	1F20	2	30-55	T27860	1C19	3	20-35
T16602	1G2	18	30-62	T20055	1G1	7	30-61	T28582	1F11	5	30-46
T16602	1G5	18	30-65	T20055	1G4	7	30-64	T28582	1F12	5	30-47
T16738	4D11	27	90-55	T20055	1G13	16	30-73	T28583	2D14	6	40-59
T16911	2B25	10	40-17	T20077	1B16	26	20-11	T28583	2D17	7	40-63
T16911	2C1	3	40-18	T20077	1B18	26	20-13	T28583	2F8	34	40-101
T16911	2G17	11	50-25	T20129	1B18	27	20-13	T28585	2D11	4	40-56
T16911	2G19	9	50-27	T20287	1B16	25	20-11	T28585	2D11	7	40-56
T16911	2H20	11	50-54	T22228	3E7	2	70-47	T28585	2D11	..	40-56
T17051	1F23	29	30-58	T22381	3D14	15	70-29	T28585	2D13	4	40-58
T17058	2C12	10	40-30	T22381	3D18	12	70-33	T28585	2D13	7	40-58
T17058	2C14	10	40-32	T22381	3D19	16	70-34	T28585	2D13	..	40-58
T17148	3B8	4	60-3	T22534	1G17	5	30-77	T28585	2D17	7	40-63
T17947	1F20	25	30-55	T22645	2D25	8	40-71	T28585	2E21	7	40-92
T17947	1F23	30	30-58	T22875	3B8	5	60-3	T28585	2F8	35	40-101
T17948	1F14	26	30-49	T22958	1E22	19	30-32	T29164	1F14	13	30-49
T17949	1F14	11	30-49	T22958	3D14	9	70-29	T29242	2I5	8	50-64
T17949	1F20	32	30-55	T22958	3D16	1	70-31	T30607	1F25	5	30-60
T17950	1F14	10	30-49	T22958	3F13	14	70-82	T30607	1G3	5	30-63
T17950	1F20	33	30-55	T23027	4D16	2	90-60	T30738	1F2	2	30-37
T17951	2I21	8	50-80	T23033	4D16	3	90-60	T30738	1F3	7	30-38
T17952	1G2	20	30-62	T23519	2H17	8	50-51	T30738	1F6	7	30-41
T17952	1G5	20	30-65	T23531	1E21	5	30-31	T30738	1F7	15	30-42
T17953	1F20	23	30-55	T23610	2C3	25	40-21	T30738	1F8	13	30-43
T17953	1F23	32	30-58	T23656	2G14	28	50-22	T30738	1F16	24	30-51
T17987	2C12	1	40-30	T23688	1G12	5	30-72	T30890	2E13	11	40-84
T17987	2C14	1	40-32	T23695	3D19	14	70-34	T30938	1E7	7	30-16
T17987	2C17	1	40-36	T23925	2E2	1	40-73	T31157	1E9	26	30-18
T18098	2C23	14	40-43	T25050	1G11	14	30-71	T31164	1E9	20	30-18
T18105	2C19	8	40-38	T25142	1F25	20	30-60	T31783	2F24	11	50-7
T18105	2D2	9	40-47	T25142	1G3	20	30-63	T31784	2F24	9	50-7
T18106	2D2	16	40-47	T25151	1E9	23	30-18	T31785	2F24	10	50-7
T18107	2D2	12	40-47	T25152	1E9	21	30-18	T31800	2H17	8	50-51
T18109	2C19	10	40-38	T25317	3F7	17	70-76	T32148	3I5	12	80-28
T18113	2C12	7	40-30	T25343	2C3	26	40-21	T32231	2D20	8	40-66
T18113	2C14	7	40-32	T25476	1E21	11	30-31	T32231	2E21	5	40-92
T18113	2C17	7	40-36	T25879	3F6	4	70-74	T32231	4B15	6	90-8
T18353	2C13	3	40-31	T26209	1F12	10	30-47	T32255	2E12	16	40-83
T18354	2C19	4	40-38	T26209	1F13	5	30-48	T32255	2E15	11	40-86
T18717	2I5	15	50-64	T26209	1F13	7	30-48	T32554	1E9	23	30-18
T18718	2I5	3	50-64	T26217	1F15	16	30-50	T32876	2H16	6	50-50
T18810	2D2	2	40-47	T26223	1G1	4	30-61	T33483	2H1	14	50-34
T18996	2I5	2	50-64	T26223	1G4	4	30-64	T33745	2D19	18	40-65
T19086	1E22	1	30-32	T26226	1F11	7	30-46	T33745	2D19	20	40-65
T19088	2C7	15	40-25	T26227	1F11	6	30-46	T34236	2I7	7	50-66
T19178	2D19	9	40-65	T26229	1F11	3	30-46	T34236	2I7	9	50-66

## NUMERICAL INDEX - CONTINUED

PART NO.	GRID	KEY	PAGE	PART NO.	GRID	KEY	PAGE	PART NO.	GRID	KEY	PAGE
T35695	3D18	9	70-33	T84411	3I18	18	80-41	1838436	2C15	26	40-33
T35695	3D21	2	70-36	T84412	2C9	10	40-27	1873796	2C12	25	40-30
T36366	3B16	7	60-11	T84412	2C10	1	40-28	1873796	2C15	29	40-33
T36523	3C12	6	70-2	T84412	2C11	1	40-29	1873796	2C17	25	40-36
T40167	1E22	19	30-32	T84412	3I18	18	80-41	1873796	2C21	10	40-41
T40167	3D14	9	70-29	T84413	2C9	10	40-27	1881371	2C7	1	40-25
T40167	3D16	1	70-31	T84413	2C10	1	40-28	1909206	2C5	20	40-23
T40167	3F13	14	70-82	T84413	2C11	1	40-29	1909273	2C7	8	40-25
T40308	3C19	28	70-9	T84413	3I18	18	80-41	31415	2H6	5	50-39
T40308	3C21	17	70-11	T84578	2C9	10	40-27	31603	3E22	17	70-64
T40308	3D4	46	70-19	T84578	2C10	1	40-28	32240	2J1	14	50-85
T40308	3D6	18	70-21	T84578	2C11	1	40-29	32240	2J3	4	50-87
T40308	3D8	4	70-23	T84578	3I18	18	80-41	37517	2C12	23	40-30
T43512	4D18	1	90-62	U10136	3C4	3	60-23	37517	2C15	27	40-33
T43513	4D18	1	90-62	U10136	3C6	3	60-25	400R	2H12	20	50-45
T43514	4D18	1	90-62	U11647	3G19	1	70-115	400R	2H13	14	50-47
T44604	1F13	15	30-48	U12198	2H2	20	50-35	400R	2H25	9	50-59
T50222	2D2	16	40-47	U12331	3C4	6	60-23	400R	2I11	8	50-70
T519	3E7	7	70-47	U12331	3C4	7	60-23	400R	2I19	28	50-78
T519T	3E7	32	70-47	U12547	2I25	8	50-84	400R	2I20	37	50-79
T519T	3E12	22	70-53	U12547	2J4	13	50-88	400R	2I20	38A	50-79
T519T	3E12	28	70-53	U13639	1B20	5	20-15	400R	3B8	12	60-3
T54033	3E12	6	70-53	U13639	1C2	14	20-19	400R	3B10	6	60-5
T54033	3F14	5	70-83	U13639	3C13	1	70-3	400R	3B21	13	60-15
T55501	2D22	11	40-68	U13639	3C15	14	70-5	400R	3B21	29	60-15
T55501	2D23	1	40-69	U13639	3C17	14	70-7	400R	3C4	21	60-23
T55501	2D23	2	40-69	U13639	3C23	14	70-13	400R	3C4	38	60-23
T55501	2D24	1	40-70	U13639	3C25	12	70-15	400R	3C6	18	60-25
T57374	3C19	29	70-9	U13639	3D2	12	70-17	400R	3E5	38	70-45
T57374	3C21	18	70-11	U13639	3D8	21	70-23	400R	3F22	12	70-91
T57374	3D4	47	70-19	U13639	3E7	14	70-47	400R	3F24	14	70-93
T57374	3D6	19	70-21	U13639	3E7	22	70-47	400R	3G2	22	70-95
T57374	3D8	5	70-23	U13639	3E9	7	70-49	8H4418	3H11	8	80-9
T61939	3D18	9	70-33	U13639	3E15	15	70-56	810074	2C7	6	40-25
T61939	3D19	14	70-34	U17409	2J1	7	50-85	810620	2C13	20	40-31
T61939	3D21	2	70-36	U17409	2J3	12	50-87	811912	2C7	3	40-25
T67029	2G3	14	50-11	U17409	3D24	34	70-39	811912	2C7	7	40-25
T67029	2G4	13	50-12	U40727	2J1	17	50-85	820148	2C12	16	40-30
T735T	2C13	16	40-31	U40727	2J3	3	50-87	820148	2C15	20	40-33
T736T	2C13	19	40-31	U46370	2F8	36	40-101	820149	2C12	17	40-30
T736T	2C16	21	40-34	U46506	2E12	17	40-83	820149	2C15	21	40-33
T736T	2C18	21	40-37	U46506	2E15	10	40-86				
T738T	2C13	15	40-31	U46507	2E12	11	40-83				
T738T	2C16	17	40-34	U46507	2E15	13	40-86				
T738T	2C18	17	40-37	U46508	2E12	20	40-83				
T738T	2C23	18	40-43	U46508	2E15	18	40-86				
T739T	2C13	14	40-31	U46509	2E12	8	40-83				
T739T	2C16	16	40-34	U46509	2E15	9	40-86				
T739T	2C18	16	40-37	U46510	2E12	7	40-83				
T740T	2C13	13	40-31	U46510	2E15	8	40-86				
T740T	2C16	15	40-34	U46511	2E12	6	40-83				
T740T	2C18	15	40-37	U46511	2E15	7	40-86				
T741T	2C13	21	40-31	U46512	2E12	5	40-83				
T743T	2C13	7	40-31	U46512	2E15	6	40-86				
T80380	2H17	8	50-51	U46513	2E12	4	40-83				
T84409	2C9	1	40-27	U46513	2E15	5	40-86				
T84409	2C10	2	40-28	U46514	2E12	1	40-83				
T84409	2C11	5	40-29	U46514	2E14	1	40-85				
T84409	3I18	18	80-41	U46514	2E15	1	40-86				
T84409	3I18	19	80-41	U46515	2E15	23	40-86				
T84410	2C9	10	40-27	U46662	2F6	12	40-99				
T84410	2C10	1	40-28	U46662	2F8	37	40-101				
T84410	2C11	1	40-29	U46663	2F8	38	40-101				
T84410	3I18	18	80-41	U46664	2F8	39	40-101				
T84411	2C9	10	40-27	1107578	2C16	..	40-34				
T84411	2C10	1	40-28	15A86	1E21	28	30-31				
T84411	2C11	1	40-29	1838436	2C12	22	40-30				