

1A2

TRACTOR - 4000 AND 4020 (SERIAL NO. 201000-) TRACTORS

RWP3931 -UN-01JAN94



JOHN DEERE 4020 ROW-CROP TRACTOR

RWP3932 -UN-01JAN94



JOHN DEERE 4020 STANDARD TRACTOR

(SPECIFICATIONS AND DESIGN SUBJECT TO CHANGE WITHOUT NOTICE)

COPYRIGHT (C) 1996, DEERE & COMPANY, MOLINE, ILLINOIS. ALL RIGHTS RESERVED.

1A3

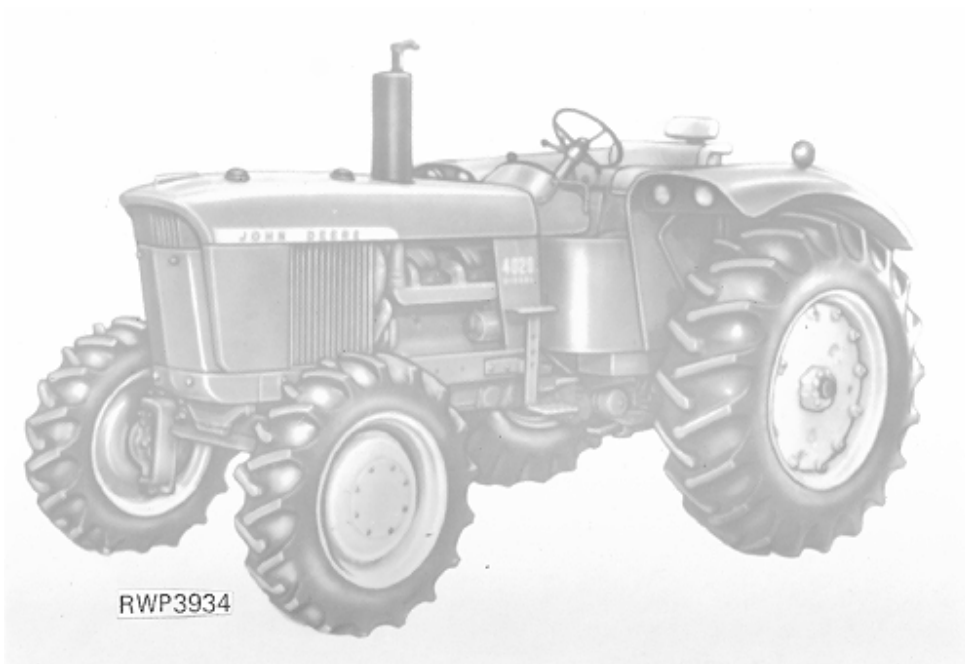
TRACTOR - 4000 AND 4020 (SERIAL NO. 201000-) TRACTORS

RWP3933 -UN-01JAN94



JOHN DEERE 4020 HI-CROP TRACTOR

RWP3934 -UN-01JAN94



JOHN DEERE 4020 POWER FRONT WHEEL DRIVE STANDARD TRACTOR

1A4

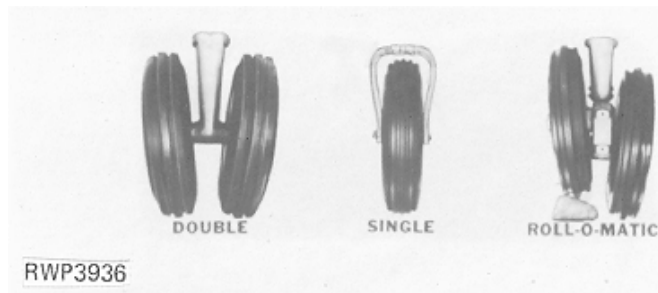
TRACTOR - 4000 AND 4020 (SERIAL NO. 201000-) TRACTORS

RWP3935 -UN-01JAN94

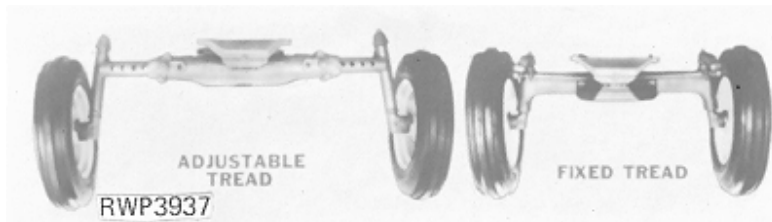


JOHN DEERE 4000 TRACTOR

RWP3936 -UN-01JAN94



RWP3937 -UN-01JAN94



FRONT END EQUIPMENT

1A5

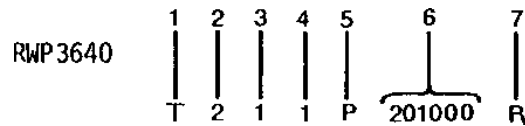
TRACTOR - 4000 AND 4020 (SERIAL NO. 201000-) TRACTORS

SERIAL NUMBERS

EACH 4000 OR 4020 TRACTOR HAS THE FOLLOWING SERIAL NUMBER PLATES: BASIC TRACTOR AND ENGINE.

BASIC TRACTOR SERIAL NUMBER

RWP3640 -UN-01JAN94



1. DESIGNATES TYPE OF UNIT
2. DESIGNATES MODEL SERIES
3. DESIGNATES CHASSIS DESIGN

4. DESIGNATES ENGINE FUEL TYPE

5. DESIGNATES TRANSMISSION TYPE

6. DESIGNATES TRACTOR SERIAL NUMBER
7. DESIGNATES TRACTOR MANUFACTURER

T - TRACTOR

2 - 4020

1 - ROW-CROP

2 - STANDARD

3 - HI-CROP

1 - GASOLINE

2 - LP-GAS

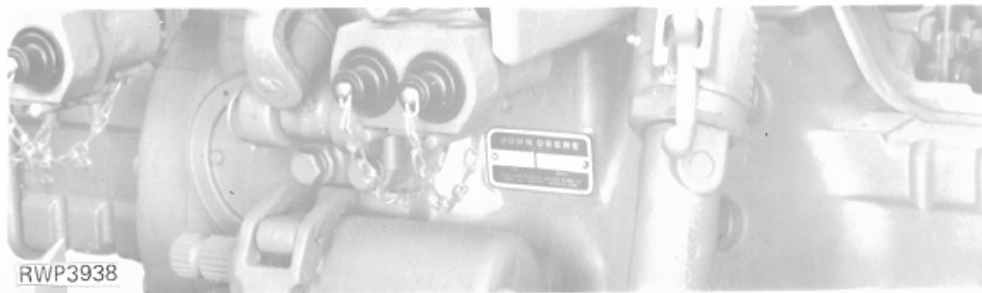
3 - DIESEL

P - POWER SHIFT

S - SYNCRO-RANGE

R - JOHN DEERE TRACTOR WORKS

RWP3938 -UN-01JAN94



THE BASIC TRACTOR SERIAL NUMBER PLATE IS LOCATED IN THE UPPER RIGHT-HAND CORNER AT THE REAR OF THE TRANSMISSION CASE.

1A6

TRACTOR - 4000 AND 4020 (SERIAL NO. 201000-) TRACTORS

ENGINE SERIAL NUMBER

RWP3642 -UN-01JAN94

RWP3642

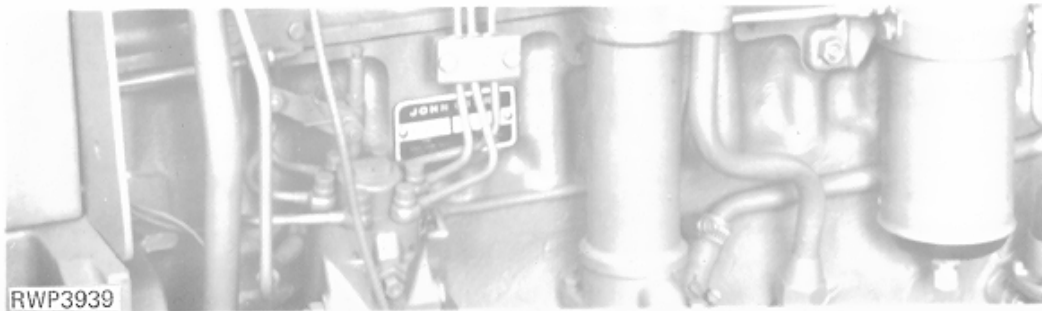
| | | | | | | |
|---|---|---|---|---|--------|---|
| 1 | 2 | 3 | 4 | 5 | 6 | 7 |
| | | | | | | |
| M | 2 | 1 | R | O | 215000 | R |

1. DESIGNATES UNIT
2. DESIGNATES SERIES
3. DESIGNATES FUEL TYPE

4. DESIGNATES UNIT APPLICATION
5. DESIGNATES VARIATION
6. DESIGNATES ENGINE SERIAL NUMBER
7. DESIGNATES ENGINE MANUFACTURER

- M - ENGINE
2 - SERIES 2
1 - GASOLINE
2 - LP-GAS
3 - DIESEL
R - JOHN DEERE TRACTOR WORKS
O - BEGINNING
R - JOHN DEERE TRACTOR WORKS

RWP3939 -UN-01JAN94



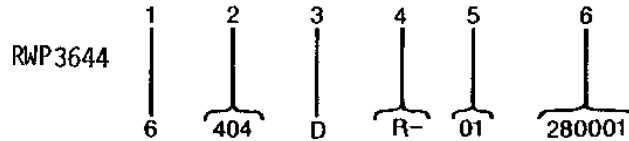
THE ENGINE SERIAL NUMBER PLATE IS LOCATED ON THE RIGHT-HAND SIDE OF THE ENGINE.

1A7

TRACTOR - 4000 AND 4020 (SERIAL NO. 201000-) TRACTORS

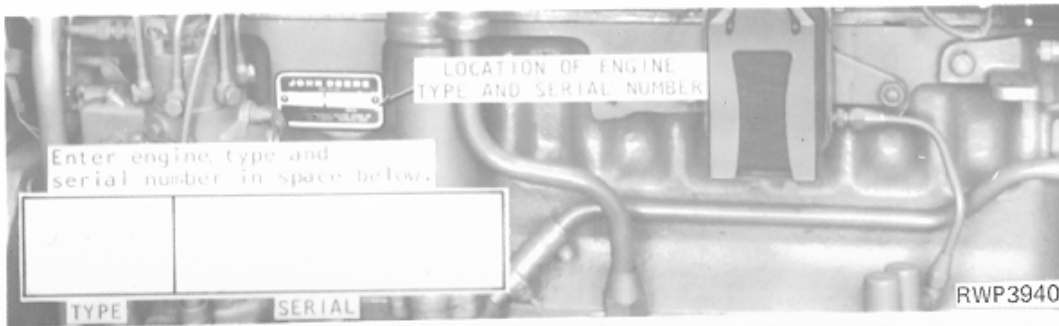
ENGINE SERIAL NUMBER

RWP3644 -UN-01JAN94



- | | |
|---------------------------------------|-------------------------------------|
| 1. DESIGNATES NUMBER OF CYLINDERS | 6 - SIX CYLINDERS |
| 2. DESIGNATES CUBIC INCH DISPLACEMENT | 404 CUBIC INCH |
| 3. DESIGNATES FUEL TYPE | D - DIESEL G - GAS L - LP-GAS |
| 4. DESIGNATES USER FACTORY | R - JOHN DEERE TRACTOR WORKS |
| 5. DESIGNATES VARIATION | 01- FIRST |
| 6. DESIGNATES ENGINE SERIAL NUMBER | |
| 7. DESIGNATES MANUFACTURER | R - JOHN DEERE TRACTOR WORKS |

RWP3940 -UN-01JAN94



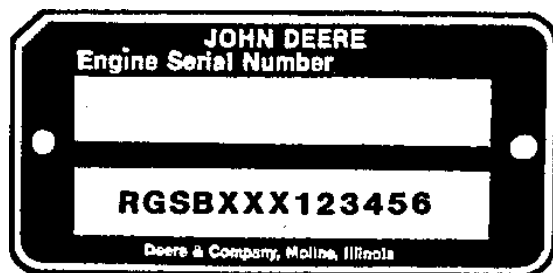
THE ENGINE SERIAL NUMBER PLATE IS LOCATED ON THE RIGHT-HAND SIDE OF THE CYLINDER BLOCK TO THE REAR OF THE ENGINE OIL COOLER.

1A8

TRACTOR - 4000 AND 4020 (SERIAL NO. 201000-) TRACTORS

SHORT BLOCK SERIAL NUMBER PLATE (NO LONGER INSTALLED) (DIESEL)

RGP2856 -UN-01JAN94



RGP2856

A SHORT BLOCK SERIAL NUMBER PLATE PLUS 2-37H44 DRIVE SCREWS ARE USED TO ATTACH TO REPLACEMENT SHORT BLOCK ASSEMBLIES. THIS NUMBER WILL BE REFERRED TO WHEN NEW PARTS AFFECT THE SHORT BLOCK ASSEMBLY. THE PREVIOUS ENGINE SERIAL NUMBER SHOULD BE STAMPED INTO THE BLANK SPACE PROVIDED, AS A REFERENCE FOR YOUR DEALER.

- | | |
|---------------------------------------|----------------------------|
| 1. DESIGNATES ENGINE MANUFACTURER | RG - WATERLOO ENGINE WORKS |
| 2. DESIGNATES REPLACEMENT SHORT BLOCK | SB |
| 3. DESIGNATES CUBIC INCH | XXX- 404 |
| 4. DESIGNATES THE PRODUCTION DATE | 1234 |
| 5. DESIGNATES COMPONENT SEQUENCE | 56 |

1A9

TRACTOR - 4000 AND 4020 (SERIAL NO. 201000-) TRACTORS

SERIAL NUMBER LISTING INFORMATION

SERIAL NUMBER INFORMATION IS LISTED TO SHOW ON WHICH MACHINES EACH PART CAN BE USED; FOR EXAMPLE:

- THE PART CAN BE USED ON ALL MACHINES.
- 000000- THE PART CAN BE USED ON ALL MACHINES BEGINNING WITH THE SERIAL NUMBER LISTED.
- 000000 THE PART CAN BE USED ON ALL MACHINES UP TO AND INCLUDING THE SERIAL NUMBER LISTED.
- 000000-000000 THE PART CAN BE USED ON ALL MACHINES BETWEEN AND INCLUDING THE SERIAL NUMBERS LISTED.

- 15BV1- WHEN A MODEL NUMBER BEGINS WITH 15BV, 14HA, 15PP, 25SC, 2RC, 4RC, 15RS, 3CY, 2SP, OR 31SV, IT REFERS TO THE MODEL NUMBER OF THE BRAKE VALVE, HYDRAULIC ACCUMULATOR, HYDRAULIC PUMP, REMOTE CYLINDER SELECTIVE CONTROL VALVE FOR NO ROCKSHAFT, REMOTE CYLINDER SELECTIVE CONTROL VALVES, REMOTE CYLINDERS, REMOTE CYLINDERS WITH MECHANICAL STOPS, ROCKSHAFT CONTROL VALVE, STEERING CYLINDER, STEERING METERING PUMP, OR STEERING VALVE.

WHEN XXXXXX'S ARE LISTED IN PLACE OF A SERIAL NUMBER, A SERIAL NUMBER CHANGE WAS MADE BUT THE EXACT SERIAL NUMBER WAS NOT AVAILABLE WHEN THE CATALOG WAS PRODUCED.

MODEL NUMBERS

THE FOLLOWING COMPONENTS HAVE MODEL NUMBERS:

| | |
|---|-------|
| BRAKE VALVE | 15BV1 |
| HYDRAULIC ACCUMULATOR | 14HA2 |
| HYDRAULIC PUMP (100 CM3 (6 IN3)) | 1 |
| REMOTE CYLINDER SELECTIVE CONTROL VALVE FOR NO ROCKSHAFT - TRIPLE OR QUAD | 39SC1 |
| REMOTE CYLINDER SELECTIVE CONTROL VALVE FOR ROCKSHAFT - TRIPLE OR QUAD | 41SC1 |
| REMOTE CYLINDER (89 X 203 MM (3-1/2" X 8")) | 2RC4 |
| REMOTE CYLINDER WITH MECHANICAL STOP (89 X 203 MM (3-1/2" X 8")) | 4RC3 |
| ROCKSHAFT CONTROL VALVE | 1 |
| STEERING CYLINDER | 3CY1 |
| STEERING METERING PUMP | 2SP1 |
| STEERING VALVE | 31SV1 |

EACH OF THE ABOVE COMPONENTS HAS A MODEL NUMBER. WHEN THE DESIGN OF ONE OF THESE COMPONENTS IS CHANGED, THE MODEL NUMBER FOR THE NEWLY DESIGNED COMPONENT IS CHANGED.

1A10

TRACTOR - 4000 AND 4020 (SERIAL NO. 201000-) TRACTORS

DIRECTION ARROW

ARROWS ARE USED WITH ILLUSTRATIONS TO INDICATE THE FRONT OF THE UNIT. "RIGHT-HAND" AND "LEFT-HAND" SIDES ARE DETERMINED BY FACING IN THE DIRECTION OF MACHINE FORWARD TRAVEL.

BOX-ENCLOSED ILLUSTRATIONS

A KEY NUMBER, SHOWN IN THE PARTS LIST, IS ASSIGNED TO A BOX ENCLOSING ALL PARTS SOLD AS A SERVICE ASSEMBLY.

BOLT AND CAP SCREW STRENGTH IDENTIFICATION

U.S. CUSTOMARY DIMENSIONED PRODUCT: BOLTS AND CAP SCREWS REQUIRED TO HAVE HIGH-STRENGTH QUALITIES EQUIVALENT TO SAE GRADE 8 ARE IDENTIFIED THROUGHOUT THIS CATALOG BY THE DESCRIPTION HS SAE 8. ALL STANDARD BOLTS AND CAP SCREWS ARE SAE GRADE 5 OR LOWER.

METRIC DIMENSIONED PRODUCT: BOLTS AND CAP SCREWS REQUIRED TO HAVE HIGH-STRENGTH QUALITIES EQUIVALENT TO PROPERTY CLASS 10.9 ARE IDENTIFIED THROUGHOUT THIS CATALOG BY THE DESCRIPTION HS 10.9. ALL STANDARAD BOLTS AND CAP SCREWS ARE PROPERTY CLASS 8.8 OR LOWER.

JDM REMANUFACTURED COMPONENTS

THE SERVICE PARTS LISTED IN THIS CATALOG ARE INTENDED FOR THE REPAIR OF ORIGINAL EQUIPMENT COMPONENTS. ALTHOUGH MOST SERVICE PARTS MAY BE USED TO REPAIR REMANUFACTURED COMPONENTS, THE REMANUFACTURING PROCESS MAY CHANGE PARTS SUFFICIENTLY SO THAT SERVICE PARTS ARE INADEQUATE OR NOT USABLE.

TRADEMARKS

THROUGHOUT THIS PARTS CATALOG, YOU WILL FIND THE FOLLOWING DEERE AND COMPANY TRADEMARKS:

HYDRACUSHIONED™
INVESTIGATOR™ II
PERSONAL-POSTURE™
QUAD-RANGE™

ROLL-GARD®
SOUND-GARD®
TORQ-GARD SUPREME®
HY-GARD®
QUIK-TATCH®

CHANGE INDICATOR LINE (MICROFICHE CATALOGS ONLY)

CHANGES AFFECTING THE ORDERING OF PARTS ARE IDENTIFIED BY VERTICAL LINES MARKED IN THE LEFT-HAND MARGIN OF REVISED PARTS LISTING IMAGES. A LINE IS ALSO AT THE LEFT-HAND EDGE OF THE SAME PART NUMBER IN THE NUMERICAL INDEX TO SHOW THE LOCATION OF REVISED INFORMATION.

1A11

TRACTOR - 4000 AND 4020 (SERIAL NO. 201000-) TRACTORS

QUANTITY COLUMN OR REMARKS COLUMN

GENERALLY THE QUANTITY SHOWN IS FOR THE ENTIRE TRACTOR AT ANY GIVEN LOCATION. THERE ARE EXCEPTIONS AS IN WHEEL HARDWARE WHERE ONLY ENOUGH IS SHOWN FOR ONE WHEEL.

THE FOLLOWING ABBREVIATIONS ARE USED IN THE REMARKS COLUMN:

NLR - NO LONGER REQUIRED

NA - NOT APPLICABLE

NLA - NO LONGER AVAILABLE

FI - FIELD INSTALLED

CA - CONVENIENCE ASSEMBLY

CA AND FI ARE OPTIONS THAT MUST BE ORDERED DIRECT FROM THE PRODUCING FACTORY.

1A12

TRACTOR - 4000 AND 4020 (SERIAL NO. 201000-) TRACTORS

SECTION INDEX

| | |
|--|----|
| GENERAL INFORMATION | 10 |
| ENGINE | 20 |
| FUEL AND AIR | 30 |
| ELECTRICAL | 40 |
| POWER TRAIN | 50 |
| STEERING AND BRAKES | 60 |
| HYDRAULICS | 70 |
| WHEELS, FRONT AXLES, SHEET METAL | 80 |
| OPERATOR'S STATION | 90 |
| NUMERICAL INDEX | 95 |

1A13

TRACTOR - 4000 AND 4020 (SERIAL NO. 201000-) TRACTORS

ALPHABETICAL INDEX

| GRID | | PAGE | GRID | | PAGE |
|----------|---|--------|----------|--|--------|
| A | | | | | |
| 5C4 | ABSORBER, SHOCK, SEAT SUPPORT..... | 90-25 | 2D12 | ARMATURE (GASOLINE AND LP-GAS) | 40-60 |
| 3G20 | ACCUMULATOR PISTON | 60-28 | 2E2 | ARMATURE, STARTER | 40-75 |
| 3D19 | ACCUMULATOR PISTON (POWER SHIFT)..... | 50-64 | 2D16 | ARMATURE, STARTER..... | 40-64 |
| 3G18 | ACCUMULATOR, BRAKE | 60-26 | 2D20 | ARMATURE, STARTER..... | 40-68 |
| 3G20 | ACCUMULATOR, BRAKE | 60-28 | 2F13 | AUXILIARY ELECTRICAL OUTLET, 7-TERMINAL..... | 40-113 |
| 5C22 | ACOUSTICAL CONTROL KIT | 90-43 | 4F19 | AUXILIARY OUTLET COUPLER | 70-124 |
| 1G3 | ADAPTER, COLD WEATHER STARTING AID (EARLY DESIGN)..... | 30-68 | 4F21 | AUXILIARY OUTLET COUPLER | 70-126 |
| 1G5 | ADAPTER, COLD WEATHER STARTING AID (LATE DESIGN) | 30-69 | 4H15 | AXLE HOUSING (FRONT WHEEL DRIVE) | 80-22 |
| 4E6 | ADAPTER, IMPLEMENT QUICK COUPLER..... | 70-82 | 4G20 | AXLE, FRONT | 80-1 |
| 4E10 | ADAPTER, IMPLEMENT QUICK COUPLER..... | 70-87 | 4G21 | AXLE, FRONT | 80-2 |
| 4E11 | ADAPTER, IMPLEMENT QUICK COUPLER..... | 70-88 | 4H3 | AXLE, FRONT | 80-9 |
| 4G22 | ADJUSTABLE TREAD FRONT AXLE KIT | 80-3 | 4H4 | AXLE, FRONT | 80-10 |
| 1G3 | AID, COLD WEATHER STARTING (EARLY DESIGN)..... | 30-68 | 4H8 | AXLE, FRONT | 80-14 |
| 1G5 | AID, COLD WEATHER STARTING (LATE DESIGN) | 30-69 | 4G25 | AXLE, FRONT (FIXED TREAD) | 80-6 |
| 1D14 | AIR CLEANER ELEMENT CLEANING GUN..... | 30-5 | 3E22 | AXLE, REAR..... | 50-94 |
| 1D12 | AIR CLEANER, DRY | 30-3 | B | | |
| 1D13 | AIR CLEANER, DRY | 30-4 | 5C2 | BACK, SEAT..... | 90-23 |
| 5B10 | AIR CONDITIONER LINES (STOLPER) | 90-5 | 4I8 | BAFFLE, HOOD | 80-40 |
| 5B10 | AIR CONDITIONER PIPES (STOLPER) | 90-5 | 5D22 | BAFFLES (HINSON)..... | 90-68 |
| 1D16 | AIR INTAKE PIPES (DIESEL) | 30-7 | 2C12 | BATTERY | 40-31 |
| 1D17 | AIR INTAKE PIPES (DIESEL) | 30-8 | 4I1 | BATTERY BOX..... | 80-33 |
| 1D18 | AIR INTAKE PIPES (DIESEL) | 30-9 | 4H25 | BATTERY BOX (ROW-CROP)..... | 80-32 |
| 1D15 | AIR INTAKE PIPES (GAS)..... | 30-6 | 4I2 | BATTERY BOXES (STANDARD) | 80-34 |
| 5B20 | AIR SCOOP AND CANOPY (STOLPER) | 90-16 | 2C13 | BATTERY CABLES (ROW-CROP) | 40-32 |
| 2D3 | ALTERNATOR (DELCO-REMY)(72 AMP)..... | 40-50 | 2C14 | BATTERY CABLES (ROW-CROP) | 40-33 |
| 2D2 | ALTERNATOR (MOTOROLA) (AIR CONDITIONING) | 40-49 | 2C15 | BATTERY CABLES (STANDARD)..... | 40-34 |
| 2C25 | ALTERNATOR (MOTOROLA) (12-VOLT, 35 AMP) | 40-47 | 4I2 | BATTERY CABLES (STANDARD)..... | 80-34 |
| 2D1 | ALTERNATOR (MOTOROLA) (12-VOLT, 72 AMP) | 40-48 | 4I2 | BATTERY CLAMPS (STANDARD) | 80-34 |
| 2C20 | ALTERNATOR (35 AND 55 AMP)..... | 40-41 | 4H5 | BEARING CONE | 80-11 |
| 2C21 | ALTERNATOR (72 AMP) | 40-42 | 1B22 | BEARING KIT, MAIN (UNDERSIZE) (EARLY DESIGN)..... | 20-17 |
| 2C22 | ALTERNATOR (72 AMP) (LATE MODEL) | 40-44 | 1B25 | BEARING KIT, US MAIN BEARING CRANKSHAFT (LATE DESIGN) | 20-20 |
| 2D3 | ALTERNATOR DIODE | 40-50 | 1B19 | BEARING, CONNECTING ROD (DIESEL) | 20-14 |
| 2D3 | ALTERNATOR FAN | 40-50 | 1B18 | BEARING, CONNECTING ROD (GAS)..... | 20-13 |
| 2C24 | ALTERNATOR PARTS (55 AMP) (MOTOROLA) | 40-46 | 1C2 | BEARING, MAIN THRUST..... | 20-22 |
| 2D3 | ALTERNATOR PULLEY | 40-50 | 1B22 | BEARINGS, CONNECTING ROD (UNDERSIZE) (EARLY DESIGN)..... | 20-17 |
| 2D3 | ALTERNATOR RECTIFIER | 40-50 | 1C4 | BEARINGS, MAIN..... | 20-24 |
| 2D3 | ALTERNATOR ROTOR | 40-50 | 2C21 | BELT, ALTERNATOR AND FAN DRIVE (72 AMP) | 40-42 |
| 2D3 | ALTERNATOR STATOR | 40-50 | 2C22 | BELT, ALTERNATOR AND FAN DRIVE (72 AMP) (LATE MODEL) | 40-44 |
| 2D3 | ALTERNATOR(REMANUFACTURED)(CHAMPION)(72 AMP)..... | 40-50 | 1C15 | BELT, FAN AND ALTERNATOR DRIVE (W/O AIR)..... | 20-36 |
| 2D5 | ALTERNATOR(78 AMP)..... | 40-52 | 1C16 | BELT, FAN AND ALTERNATOR DRIVE (AIR)..... | 20-37 |
| 3E14 | ANTI-FRICTION DIFFERENTIAL KIT | 50-86 | 1C13 | BELT, FAN AND ALTERNATOR DRIVE (GAS) | 20-34 |
| 3E11 | ANTI-FRICTION NO LOCK DIFFERENTIAL KIT (AR103363)..... | 50-82 | 2C20 | BELT, FAN AND ALTERNATOR DRIVE (35 AND 55 AMP) | 40-41 |
| 4E20 | ARM, CENTER LINK | 70-98 | 3F18 | BELT, PULLEY..... | 50-116 |
| 1G18 | ARM, FOOT SPEED CONTROL | 30-79 | 5C10 | BELT, SEAL (W/O HI CROP) | 90-31A |
| 4D16 | ARM, FRONT ROCKSHAFT | 70-65 | 5C8 | BELT, SEAT | 90-30 |
| 4D8 | ARM, IMPLEMENT..... | 70-55 | 5C9 | BELT, SEAT (ROW-CROP AND STANDARD) | 90-31 |
| 4D7 | ARM, LIFT..... | 70-54 | 3B20 | BEVEL GEAR, DIFFERENTIAL | 50-16 |
| 4D17 | ARM, LOAD CONTROL | 70-66 | 3E13 | BEVEL GEAR, DIFFERENTIAL | 50-84 |
| 4F24 | ARM, REMOTE CYLINDER TRANSPORT | 70-130 | 3B20 | BEVEL PINION, DIFFERENTIAL | 50-16 |
| 1B10 | ARM, ROCKER..... | 20-5 | 3E10 | BEVEL PINION, DIFFERENTIAL | 50-80 |
| 4D7 | ARM, ROCKSHAFT CRANK | 70-54 | 3E13 | BEVEL PINION, DIFFERENTIAL | 50-84 |
| 3B23 | ARM, SPEED CHANGE SHIFTER | 50-19 | 3D15 | BEVEL, GEAR, DIFFERENTIAL | 50-59 |
| 3B21 | ARM, SPEED RANGE SHIFTER..... | 50-17 | 3D15 | BEVEL, PINION, DIFFERENTIAL | 50-59 |
| 4G23 | ARM, STEERING | 80-4 | 1B13 | BLOCK, CYLINDER | 20-8 |
| 4G24 | ARM, STEERING | 80-5 | 4E13 | BLOCK, SWAY CONTROL | 70-90 |
| 4H1 | ARM, STEERING | 80-7 | 3F7 | BLOCK, CYLINDER (POWER FRONT WHEEL DRIVE) | 50-105 |
| 3D23 | ARM, TRANSMISSION CONTROL VALVE..... | 50-68 | 3C1 | BLOCKERS, TRANSMISSION (SYNCHRO-RANGE) | 50-22 |
| 2D10 | ARMATURE (GASOLINE AND LP-GAS) | 40-58 | | | |

1A14

TRACTOR - 4000 AND 4020 (SERIAL NO. 201000-) TRACTORS

ALPHABETICAL INDEX - CONTINUED

| <i>GRID</i> | | <i>PAGE</i> | <i>GRID</i> | | <i>PAGE</i> |
|-------------|---|-------------|-------------|---|-------------|
| 3C3 | BLOCKERS, TRANSMISSION (SYNCRO-RANGE) | 50-24 | 5C17 | CAB SILL, FRONT, R.H. (STOLPER) | 90-38 |
| 5B18 | BLOWER MOTOR | 90-14 | 5D10 | CAB WINDOW ADJUSTER (HINSON) | 90-56 |
| 5D16 | BLOWER MOTOR (HINSON) | 90-62 | 5C17 | CAB WINDOW ADJUSTER (STOLPER)..... | 90-38 |
| 5D16 | BLOWER, CAB (HINSON) | 90-62 | 5C18 | CAB WINDOW ADJUSTER (STOLPER)..... | 90-39 |
| 5D8 | BODY, CAB (HINSON)..... | 90-54 | 2B24 | CAB WIRING (AIR CONDITIONING)..... | 40-18 |
| 4I1 | BOX, BATTERY | 80-33 | 5C16 | CAB, ADJUSTER WINDOW (STOLPER) | 90-37 |
| 4H25 | BOX, BATTERY (ROW-CROP) | 80-32 | 5B17 | CAB, HEATER | 90-13 |
| 4I2 | BOX, BATTERY (STANDARD) | 80-34 | 2C10 | CAB, LAMP PARTS | 40-29 |
| 5E16 | BOX, TOOL..... | 90-87 | 1G19 | CABLE, CHOKE | 30-80 |
| 5D19 | BOX, TOOL (HINSON)..... | 90-65 | 2B12 | CABLE, SPEED-HOUR METER | 40-6 |
| 2F7 | BRACKET, ELECTRICAL REMOTE CONTROL | 40-106 | 2C13 | CABLES, BATTERY (ROW-CROP) | 40-32 |
| 5E17 | BRACKET, FIRE EXTINGUISHER..... | 90-88 | 2C14 | CABLES, BATTERY (ROW-CROP)..... | 40-33 |
| 4I10 | BRACKET, IMPLEMENT ATTACHING | 80-42 | 2C15 | CABLES, BATTERY (STANDARD) | 40-34 |
| 5D12 | BRACKET, PLATFORM (HINSON) | 90-58 | 2C16 | CABLES, SPARK PLUG | 40-36 |
| 5C23 | BRACKET, PLATFORM (STOLPER)..... | 90-44 | 1B10 | CAM FOLLOWERS | 20-5 |
| 2F1 | BRACKET, RADIO FENDER | 40-100 | 1B11 | CAMSHAFT..... | 20-6 |
| 5B6 | BRACKETS, COMPRESSOR MOUNTING (STOLPER) | 90-1 | 1B11 | CAMSHAFT FOLLOWER | 20-6 |
| 5B21 | BRACKETS, COMPRESSOR AND MOUNTING (HINSON) | 90-17 | 5C13 | CANOPY | 90-34 |
| 3G18 | BRAKE ACCUMULATOR | 60-26 | 5C14 | CANOPY | 90-35 |
| 3G20 | BRAKE ACCUMULATOR | 60-28 | 1E1 | CAP, FUEL FILLER (GAS) | 30-17 |
| 3G9 | BRAKE FACING | 60-15 | 1E18 | CAP, FUEL TANK (DIESEL) | 30-32 |
| 3G8 | BRAKE FACINGS | 60-14 | 1C21 | CAP, RADIATOR | 20-42 |
| 3G13 | BRAKE OIL PRESSURE LINES | 60-20 | 2C18 | CAP, DISTRIBUTOR | 40-38 |
| 3G15 | BRAKE OIL RETURN LINES | 60-22 | 2F1 | CAPACITOR, RADIO NOISE SUPPRESSOR..... | 40-100 |
| 3G16 | BRAKE PEDALS | 60-24 | 2C18 | CAPACITOR, DISTRIBUTOR | 40-38 |
| 3G8 | BRAKE PLATES | 60-14 | 1E5 | CARBURETOR (GAS) | 30-21 |
| 3G9 | BRAKE PLATES | 60-15 | 1E13 | CARBURETOR (GAS) | 30-28 |
| 3G11 | BRAKE VALVE | 60-18 | 1E14 | CARBURETOR (GAS) | 30-30 |
| 3G12 | BRAKE VALVE OVERHAUL KIT | 60-19 | 1E4 | CARBURETOR (GAS) (MARVEL-SCHEBLER)..... | 30-20 |
| 3D10 | BRAKE, FIRST PLANETARY..... | 50-54 | 1E9 | CARBURETOR (GAS) (ZENITH) | 30-26 |
| 3D7 | BRAKE, FOURTH PLANETARY | 50-51 | 1G10 | CARBURETOR (LP-GAS) | 30-71 |
| 3D9 | BRAKE, SECOND PLANETARY | 50-53 | 1G11 | CARBURETOR (LP-GAS) | 30-72 |
| 3D8 | BRAKE, THIRD PLANETARY | 50-52 | 1E6 | CARBURETOR GASKET KIT | 30-22 |
| 4F11 | BREAKAWAY COUPLER..... | 70-116 | 1E8 | CARBURETOR GASKET KIT (ZENITH) | 30-24 |
| 4F15 | BREAKAWAY COUPLER (ISO CONVERSION KIT) | 70-120 | 1E9 | CARBURETOR GASKET KIT (ZENITH) | 30-26 |
| 4F14 | BREAKAWAY COUPLER (ISO)..... | 70-119 | 1E11 | CARBURETOR GASKET KIT (ZENITH) | 30-27A |
| 4F13 | BREAKAWAY COUPLER OVERHAUL KIT..... | 70-118 | 1E6 | CARBURETOR REPAIR KIT | 30-22 |
| 2E14 | BREAKER, CIRCUIT | 40-88 | 1E11 | CARBURETOR REPAIR KIT (ZENITH)..... | 30-27A |
| 2E15 | BREAKER, CIRCUIT | 40-89 | 1E16 | CARBURETOR, ZENITH, GASOLINE | 30-31A |
| 5B24 | BREAKER, CIRCUIT (HINSON)..... | 90-20 | 1E17 | CARBURETOR, ZENITH, GASOLINE | 30-31B |
| 2F12 | BREAKER, ELECTRICAL OUTLET CIRCUIT | 40-112 | 3E22 | CARRIER, PLANET PINION | 50-94 |
| 2F9 | BREAKER, ELECTRICAL REMOTE CONTROL WIRING..... | 40-108 | 3D11 | CARRIER, PLANETARY (POWER SHIFT) | 50-55 |
| 5C15 | BUMPER, RUBBER, SEAT (STOLPER) | 90-36 | 3D4 | CASE, TRANSMISSION (POWER SHIFT) | 50-48 |
| 4D19 | BUSHING KIT, LOAD CONTROL SHAFT..... | 70-68 | 3B16 | CASE, TRANSMISSION (SYNCRO-RANGE) | 50-12 |
| 1B19 | BUSHING, CONNECTING ROD (DIESEL) | 20-14 | 4H10 | CAST DISK WHEELS | 80-16 |
| 1B18 | BUSHING, CONNECTING ROD (GAS)..... | 20-13 | 4D20 | CENTER LINK | 70-70 |
| 4C21 | BYPASS VALVE, HYDRAULIC OIL COOLER | 70-42 | 4D23 | CENTER LINK | 70-73 |
| 4C19 | BYPASS VALVE, THERMOSTATIC | 70-40 | 4D24 | CENTER LINK | 70-74 |
| | | | 4D22 | CENTER LINK KIT | 70-72 |
| | | | 4E19 | CHAIN, IMPLEMENT SAFETY | 70-97 |
| | | | 5C18 | CHECK, DOOR (STOLPER) | 90-39 |
| | | | 1G19 | CHOKE CABLE | 30-80 |
| | | | 5E3 | CIGAR LIGHTER | 90-74 |
| | | | 5B24 | CIRCUIT BREAKER (HINSON) | 90-20 |
| | | | 2F12 | CIRCUIT BREAKER, ELECTRICAL OUTLET | 40-112 |
| | | | 2F14 | CIRCUIT BREAKER, SUPPLEMENTARY WIRING | 40-114 |
| | | | 2E14 | CIRCUIT BREAKERS | 40-88 |
| | | | 2E15 | CIRCUIT BREAKERS | 40-89 |
| | | | 5B14 | CIRCUIT BREAKERS, CONDENSER (STOLPER)..... | 90-10 |
| | | | 4H25 | CLAMP, BATTERY (ROW-CROP)..... | 80-32 |
| | | | 4I2 | CLAMP, BATTERY (STANDARD) | 80-34 |
| | | | 1D12 | CLEANER, DRY AIR | 30-3 |
| | | | 1D13 | CLEANER, DRY AIR | 30-4 |
| | | | 3C21 | CLUTCH ASSEMBLY, TRANSMISSION (PTO) | 50-42 |
| | | | 3C18 | CLUTCH CONTROL, PTO (POWER SHIFT) | 50-39 |
| | | | 3B10 | CLUTCH CONTROL, TRANSMISSION (SYNCRO- RANGE) | 50-4 |

C

1A15

TRACTOR - 4000 AND 4020 (SERIAL NO. 201000-) TRACTORS

ALPHABETICAL INDEX - CONTINUED

| GRID | PAGE | GRID | PAGE | | |
|------|--|--------|------|---|--------|
| 3C16 | CLUTCH CONTROL, TRANSMISSION DISCONNECT | 50-37 | 5D14 | CONTROL COVER, REAR | 90-60 |
| 3C13 | CLUTCH DISK (POWER SHIFT)..... | 50-34 | 5E1 | CONTROL SUPPORT | 90-72 |
| 3B8 | CLUTCH DISK (SYNCRO-RANGE)..... | 50-2 | 4D9 | CONTROL VALVE HOUSING, ROCKSHAFT | 70-56 |
| 3C19 | CLUTCH DRUM (POWER SHIFT)..... | 50-40 | 3F12 | CONTROL VALVE OVERHAUL KIT (PFWD) | 50-110 |
| 3C20 | CLUTCH DRUM (POWER SHIFT)..... | 50-41 | 5C24 | CONTROL, BLOWER (STOLPER) | 90-45 |
| 3C17 | CLUTCH FORK (POWER SHIFT) | 50-38 | 4D11 | CONTROL, LOAD SELECTOR | 70-58 |
| 3B10 | CLUTCH FORK (SYNCRO-RANGE) | 50-4 | 3C18 | CONTROL, PTO CLUTCH (POWER SHIFT) | 50-39 |
| 3C12 | CLUTCH HOUSING (POWER SHIFT) | 50-33 | 4D14 | CONTROL, ROCKSHAFT, LEVER | 70-62 |
| 3B7 | CLUTCH HOUSING (SYNCRO-RANGE)..... | 50-1 | 4D14 | CONTROL, ROCKSHAFT, VALVE | 70-62 |
| 3B12 | CLUTCH LEVER LINKAGE, PTO | 50-6 | 3C16 | CONTROL, TRANSMISSION DISCONNECT CLUTCH | 50-37 |
| 3C12 | CLUTCH OIL ACCUMULATOR PISTON..... | 50-33 | 3E2 | CONTROL, TRANSMISSION PARK LOCK..... | 50-72 |
| 3D19 | CLUTCH OIL ACCUMULATOR PISTON..... | 50-64 | 3B24 | CONTROL, TRANSMISSION SHIFTER | 50-20 |
| 3C14 | CLUTCH OIL MANIFOLD (POWER SHIFT) | 50-35 | 4G1 | CONVERSION KIT, REMOTE CYLINDER | 70-132 |
| 3C25 | CLUTCH PEDAL (POWER SHIFT) | 50-44 | 4G13 | CONVERSION KIT, REMOTE CYLINDER | 70-146 |
| 3C14 | CLUTCH SHAFT (POWER SHIFT) | 50-35 | 1G13 | CONVERTER, FUEL (LP-GAS)..... | 30-74 |
| 3B8 | CLUTCH SHAFT (SYNCRO-RANGE) | 50-2 | 1G12 | CONVERTOR, FUEL (LP-GAS)..... | 30-73 |
| 3C19 | CLUTCH VALVE, PTO (POWER SHIFT) | 50-40 | 1D3 | COOLANT HEATER, ENGINE..... | 20-48 |
| 3B10 | CLUTCH, PEDAL (SYNCRO-RANGE) | 50-4 | 1D5 | COOLANT HEATER, ENGINE..... | 20-50 |
| 3B8 | CLUTCH, PTO (SYNCRO-RANGE)..... | 50-2 | 1C12 | COOLER, ENGINE OIL | 20-32 |
| 3B13 | CLUTCH, PTO, OIL LINES (SYNCRO-RANGE)..... | 50-7 | 4C12 | COOLER, HYDRAULIC OIL..... | 70-33 |
| 3C13 | CLUTCH, TRANSMISSION DISCONNECT..... | 50-34 | 4C13 | COOLER, HYDRAULIC OIL..... | 70-34 |
| 3C20 | CLUTCH, TRANSMISSION, PACK | 50-41 | 4C15 | COOLER, HYDRAULIC OIL..... | 70-36 |
| 3B14 | CLUTCH, VALVE, PTO (SYNCRO-RANGE)..... | 50-9 | 4C18 | COOLER, HYDRAULIC OIL (POWER SHIFT) | 70-39 |
| 2E3 | COIL STARTER | 40-76 | 5C1 | CORE, HEATER (HINSON) | 90-22 |
| 2C16 | COIL,ELECTRICAL..... | 40-36 | 5C25 | CORE, HEATER (STOLPER) | 90-46 |
| 1G3 | COLD WEATHER STARTING AID (EARLY DESIGN)..... | 30-68 | 3B19 | COUNTERSHAFT, TRANSMISSION | 50-15 |
| 1G5 | COLD WEATHER STARTING AID (LATE DESIGN) | 30-69 | 3B15 | COUNTERWEIGHTED PTO CLUTCH OPERATING KIT | 50-10 |
| 3B10 | COLLAR, CLUTCH RELEASE BEARING (SYNCRO- RANGE) | 50-4 | 4F17 | COUPLER OVERHAUL KIT (ISO)..... | 70-122 |
| 3C1 | COLLAR, SYNCHRONIZER DRIVE | 50-22 | 4F19 | COUPLER, AUXILIARY OUTLET | 70-124 |
| 3C3 | COLLAR, SYNCHRONIZER DRIVE | 50-24 | 4F21 | COUPLER, AUXILIARY OUTLET | 70-126 |
| 2E4 | COMMUTATOR END FRAME, STARTER | 40-77 | 4F11 | COUPLER, BREAKAWAY | 70-116 |
| 5B21 | COMPRESSOR (HINSON)..... | 90-17 | 4F15 | COUPLER, BREAKAWAY (ISO CONVERSION KIT) | 70-120 |
| 5B6 | COMPRESSOR (STOLPER) | 90-1 | 4F14 | COUPLER, BREAKAWAY (ISO) | 70-119 |
| 5B22 | COMPRESSOR CLUTCH (HINSON)..... | 90-18 | 4G14 | COUPLER, FLEXIBLE OIL LINE | 70-147 |
| 5B7 | COMPRESSOR CLUTCH (STOLPER) | 90-2 | 4E6 | COUPLER, IMPLEMENT QUICK..... | 70-82 |
| 5B22 | COMPRESSOR COIL (HINSON)..... | 90-18 | 4E10 | COUPLER, IMPLEMENT QUICK..... | 70-87 |
| 5B7 | COMPRESSOR COIL (STOLPER) | 90-2 | 4E11 | COUPLER, IMPLEMENT QUICK..... | 70-88 |
| 5B21 | COMPRESSOR MOUNTING BRACKETS (HINSON)..... | 90-17 | 4F15 | COUPLER, ISO CONVERSION KIT | 70-120 |
| 5B22 | COMPRESSOR PULLEY (HINSON) | 90-18 | 4B8 | COUPLER, MAIN PUMP DRIVE | 70-2 |
| 5B7 | COMPRESSOR PULLEY (STOLPER)..... | 90-2 | 4F1 | COUPLER, POWER WEIGHT TRANSFER | 70-104 |
| 5B9 | COMPRESSOR VALVE KIT..... | 90-4 | 4E8 | COUPLER, QUICK, THREE-POINT HITCH | 70-84 |
| 5B8 | COMPRESSOR, AIR, HOSES (STOLPER) | 90-3 | 4G16 | COUPLINGS, REUSABLE | 70-149 |
| 5B8 | COMPRESSOR, AIR, MANIFOLD (STOLPER)..... | 90-3 | 4F8 | COVER SELECTIVE CONTROL VALVE | 70-112 |
| 5D16 | CONDENSATE TRAY (HINSON)..... | 90-62 | 4I6 | COVER, BATTERY BOX | 80-38 |
| 5B23 | CONDENSER (HINSON) | 90-19 | 3B7 | COVER, CLUTCH INSPECTION (SYNCRO-RANGE) | 50-1 |
| 5B13 | CONDENSER (STOLPER)..... | 90-9 | 5D13 | COVER, CONDENSER (HINSON)..... | 90-59 |
| 5B14 | CONDENSER CIRCUIT BREAKERS (STOLPER) | 90-10 | 5E1 | COVER, CONTROL SUPPORT..... | 90-72 |
| 5D13 | CONDENSER COVER (HINSON) | 90-59 | 4F23 | COVER, DUST (DIAGNOSTIC RECEPTACLE) | 70-129 |
| 5B24 | CONDENSER FAN MOTOR (HINSON) | 90-20 | 4F11 | COVER, DUST, BREAKAWAY COUPLER | 70-116 |
| 5B14 | CONDENSER FANS (STOLPER) | 90-10 | 4G14 | COVER, DUST, BREAKAWAY COUPLER | 70-147 |
| 5B14 | CONDENSER MOTORS (STOLPER) | 90-10 | 1D25 | COVER, MUFFLER | 30-16 |
| 1B22 | CONNECTING ROD BEARINGS (UNDERSIZE) (EARLY DESIGN)..... | 20-17 | 1B9 | COVER, ROCKER ARM | 20-4 |
| 1B19 | CONNECTING RODS (DIESEL) | 20-14 | 4D5 | COVER, ROCKSHAFT HOUSING..... | 70-52 |
| 1B18 | CONNECTING RODS (GAS)..... | 20-13 | 4D4 | COVER, SELECTIVE CONTROL VALVE | 70-51 |
| 2G7 | CONNECTORS, ELECTRICAL, DEUTSCH..... | 40-130 | 1C7 | COVER, TIMING GEAR..... | 20-27 |
| 2G9 | CONNECTORS, ELECTRICAL, SUPPLEMENTARY | 40-133 | 3B18 | COVER, TRANSMISSION CASE (SYNCRO-RANGE) | 50-14 |
| 2G5 | CONNECTORS, ELECTRICAL, WEATHERPACK | 40-128 | 3D23 | COVER, TRANSMISSION CONTROL VALVE | 50-68 |
| 4C6 | CONNECTORS, HYDRAULIC PUMP (LESS PFWD)..... | 70-26 | 4D3 | COVER, TRANSMISSION REAR | 70-50 |
| 4C8 | CONNECTORS, HYDRAULIC PUMP (PFWD) | 70-28 | 3D6 | COVER, TRANSMISSION, FRONT | 50-50 |
| 5D7 | CONSOLE (STOLPER) | 90-53 | 5D23 | COVERS, HYDRAULIC | 90-69 |
| 5B16 | CONSOLE HOUSING (STOLPER) | 90-12 | 5D3 | COVERS, HYDRAULIC (STOLPER) | 90-49 |
| 5D24 | CONSOLE, ROCKSHAFT | 90-70 | 5E4 | COWL | 90-75 |
| 5D24 | CONSOLE, SELECTIVE CONTROL | 90-70 | 5C20 | COWL PANELS (STOLPER) | 90-41 |
| | | | 4D7 | CRANK, ROCKSHAFT | 70-54 |
| | | | 1C5 | CRANKSHAFT | 20-25 |
| | | | 1B20 | CRANKSHAFT (EARLY DESIGN)..... | 20-15 |

1A16

TRACTOR - 4000 AND 4020 (SERIAL NO. 201000-) TRACTORS

ALPHABETICAL INDEX - CONTINUED

| GRID | | PAGE | GRID | | PAGE |
|----------|---|--------|----------|---|--------|
| 1B21 | CRANKSHAFT (LATE DESIGN) | 20-16 | 3B8 | DISK, PTO CLUTCH (SYNCRO-RANGE) | 50-2 |
| 1B22 | CRANKSHAFT AND BEARING KIT (UNDERSIZE) (EARLY DESIGN)..... | 20-17 | 3C1 | DISK, TRANSMISSION SYNCHRONIZER | 50-22 |
| 1B23 | CRANKSHAFT KIT, UNDERSIZE (LATE DESIGN) | 20-18 | 3C3 | DISK, TRANSMISSION SYNCHRONIZER | 50-24 |
| 1C6 | CRANKSHAFT OIL SEAL, REAR | 20-26 | 2C16 | DISTRIBUTOR | 40-36 |
| 1C6 | CRANKSHAFT REAR OIL SEAL HOUSING..... | 20-26 | 2C18 | DISTRIBUTOR CAP | 40-38 |
| 1C7 | CRANKSHAFT REAR OIL SEAL HOUSING..... | 20-27 | 2C18 | DISTRIBUTOR CAPACITOR | 40-38 |
| 1B24 | CRANKSHAFT, UNDERSIZE MAIN BEARING (EARLY DESIGN)..... | 20-19 | 2C18 | DISTRIBUTOR ROTOR | 40-38 |
| 5C2 | CUSHION, SEAT | 90-23 | 2C9 | DOVE LIGHT (HINSON) | 40-28 |
| 5C5 | CUSHION, SEAT (4000) | 90-26 | 2C10 | DOVE LIGHT (STOLPER)..... | 40-29 |
| 5C2 | CUSHION, SEAT BACK..... | 90-23 | 5D10 | DOOR, CAB (HINSON) | 90-56 |
| 5C5 | CUSHION, SEAT BACK (4000)..... | 90-26 | 5C16 | DOOR, L.H. (STOLPER) | 90-37 |
| 1B13 | CYLINDER BLOCK..... | 20-8 | 4H22 | DOUBLE FRONT WEIGHT | 80-29 |
| 3F7 | CYLINDER BLOCK (POWER FRONT WHEEL DRIVE) | 50-105 | 4D24 | DRAFT LINK | 70-74 |
| 1B8 | CYLINDER HEAD | 20-3 | 4E20 | DRAFT LINK SUPPORT | 70-98 |
| 1B8 | CYLINDER HEAD GASKET..... | 20-3 | 4D25 | DRAFT LINK, HITCH | 70-75 |
| 1B13 | CYLINDER LINERS | 20-8 | 4E2 | DRAFT LINK, HITCH | 70-77 |
| 4F24 | CYLINDER, REMOTE | 70-130 | 4E1 | DRAFT LINKS (4000 SERIES) | 70-76 |
| 4G5 | CYLINDER, REMOTE (HYDRAULIC STOP)..... | 70-136 | 4E17 | DRAWBAR (HI-CROP)..... | 70-94 |
| 4G8 | CYLINDER, REMOTE (HYDRAULIC STOP)..... | 70-140 | 4E14 | DRAWBAR CLEVIS PIN KIT | 70-91 |
| 4G3 | CYLINDER, REMOTE (MECHANICAL STOP) | 70-134 | 4E21 | DRAWBAR FRONT SUPPORT | 70-99 |
| 4G11 | CYLINDER, REMOTE (MECHANICAL STOP) | 70-144 | 4E22 | DRAWBAR FRONT SUPPORT | 70-100 |
| 4G7 | CYLINDER, REMOTE, OVERHAUL KIT | 70-138 | 4E13 | DRAWBAR, REGULAR | 70-90 |
| 3F22 | CYLINDER, STEERING VALVE | 60-2 | 4E15 | DRAWBAR, WIDE SWING..... | 70-92 |
| D | | | | | |
| 1B20 | DAMPENER | 20-15 | 1B21 | DRIVE GEAR, OIL PUMP | 20-16 |
| 1B20 | DAMPENER WITH PULLEY | 20-15 | 1C5 | DRIVE GEAR, OIL PUMP | 20-25 |
| 1B20 | DAMPER, CRANKSHAFT | 20-15 | 4H19 | DRIVE WHEELS (POWER FRONT WHEEL DRIVE)..... | 80-26 |
| 5E3 | DASH ASSEMBLY | 90-74 | 4B8 | DRIVE, HYDRAULIC PUMP..... | 70-2 |
| 2B12 | DASH LAMP | 40-6 | 3C19 | DRUM, CLUTCH (POWER SHIFT) | 50-40 |
| 2C11 | DASH LAMP (4000) | 40-30 | 3C20 | DRUM, CLUTCH (POWER SHIFT) | 50-41 |
| 5E3 | DASH SUPPORT | 90-74 | 2E20 | DUAL HORN..... | 40-94 |
| 2F4 | DECAL, BLOWER SWITCH (STOLPER) | 40-103 | 4H12 | DUAL REAR WHEELS..... | 80-18 |
| 5C24 | DECAL, CONTROL LEVER (STOLPER)..... | 90-45 | 4F11 | DUST COVER, BREAKAWAY COUPLER..... | 70-116 |
| 4I16 | DECALS | 80-46 | 4G14 | DUST COVER, BREAKAWAY COUPLER..... | 70-147 |
| 5C2 | DELUXE SEAT..... | 90-23 | E | | |
| 5C3 | DELUXE SEAT SUPPORT | 90-24 | 4C5 | ELECTRIC DESTROKE KIT, HYDRAULIC PUMP | 70-25 |
| 4H10 | DEMOUNTABLE RIMS..... | 80-16 | 1F4 | ELECTRIC SHUT OFF, FUEL INJECTION PUMP..... | 30-43 |
| 2G7 | DEUTSCH TERMINALS AND CONNECTORS..... | 40-130 | 2C16 | ELECTRICAL COIL | 40-36 |
| 4F23 | DIAGNOSTIC RECEPTACLE..... | 70-129 | 2D18 | ELECTRICAL COIL,STARTER..... | 40-66 |
| 3B20 | DIFFERENTIAL DRIVE SHAFT | 50-16 | 2G10 | ELECTRICAL CONNECTOR AND TERMINAL KIT | 40-134 |
| 3D15 | DIFFERENTIAL DRIVE SHAFT | 50-59 | 2G1 | ELECTRICAL CONNECTORS | 40-124 |
| 3E10 | DIFFERENTIAL DRIVE SHAFT | 50-80 | 2G3 | ELECTRICAL CONNECTORS | 40-126 |
| 3E13 | DIFFERENTIAL DRIVE SHAFT | 50-84 | 2G7 | ELECTRICAL CONNECTORS, DEUTSCH | 40-130 |
| 3E14 | DIFFERENTIAL KIT, ANTI-FRICTION..... | 50-86 | 2G9 | ELECTRICAL CONNECTORS, SUPPLEMENTARY | 40-133 |
| 3E20 | DIFFERENTIAL LOCK OIL PIPES | 50-92 | 2F12 | ELECTRICAL OUTLET CIRCUIT BREAKER | 40-112 |
| 3E21 | DIFFERENTIAL LOCK OIL PIPES | 50-93 | 2F12 | ELECTRICAL OUTLET PLUG | 40-112 |
| 3E16 | DIFFERENTIAL LOCK PEDAL | 50-88 | 2F12 | ELECTRICAL OUTLET SOCKET | 40-112 |
| 3E17 | DIFFERENTIAL LOCK PEDAL | 50-89 | 2F16 | ELECTRICAL OUTLET SOCKET | 40-116 |
| 3E16 | DIFFERENTIAL LOCK RELEASE LINK | 50-88 | 2F13 | ELECTRICAL OUTLET SOCKET, 7-TERMINAL..... | 40-113 |
| 3E17 | DIFFERENTIAL LOCK RELEASE LINK | 50-89 | 2F9 | ELECTRICAL REMOT CONTROL WIRING | 40-108 |
| 3E18 | DIFFERENTIAL LOCK VALVE..... | 50-90 | 2F7 | ELECTRICAL REMOTE CONTROL | 40-106 |
| 3E19 | DIFFERENTIAL LOCK VALVE..... | 50-91 | 2F7 | ELECTRICAL REMOTE CONTROL BRACKETS | 40-106 |
| 2B11 | DIMMER SWITCH | 40-5 | 2F8 | ELECTRICAL REMOTE CONTROL KIT | 40-107 |
| 2D3 | DIODE,ALTERNATOR | 40-50 | 2F7 | ELECTRICAL REMOTE CONTROL SWITCH..... | 40-106 |
| 1B13 | DIPSTICK, ENGINE OIL | 20-8 | 2F9 | ELECTRICAL REMOTE CONTROL WIRING BREAKER..... | 40-108 |
| 4D3 | DIPSTICK, TRANSMISSION | 70-50 | 2F10 | ELECTRICAL REMOTE CONTROL WIRING KIT..... | 40-110 |
| 4D5 | DIPSTICK, TRANSMISSION | 70-52 | 2F9 | ELECTRICAL REMOTE CONTROL WIRING RELAY..... | 40-108 |
| 3F10 | DIRECTIONAL CONTROL VALVE (PFWD) | 50-108 | 2G1 | ELECTRICAL TERMINALS | 40-124 |
| 3G9 | DISK, BRAKE | 60-15 | 2G3 | ELECTRICAL TERMINALS | 40-126 |
| 3C13 | DISK, CLUTCH (POWER SHIFT) | 50-34 | 2G5 | ELECTRICAL TERMINALS AND CONNECTORS, WEATHERPACK | 40-128 |
| | | | 2G7 | ELECTRICAL TERMINALS, DEUTSCH..... | 40-130 |
| | | | 2G9 | ELECTRICAL TERMINALS, SUPPLEMENTARY | 40-133 |
| | | | 5D5 | ELEMENT, CAB FILTER (STOLPER) | 90-51 |

1A17

TRACTOR - 4000 AND 4020 (SERIAL NO. 201000-) TRACTORS

ALPHABETICAL INDEX - CONTINUED

| GRID | | PAGE | GRID | | PAGE |
|------|--|--------|------|--|--------|
| 1D5 | ELEMENT, ENGINE COLLANT HEATER | 20-50 | 1C10 | FILTER, ENGINE OIL..... | 20-30 |
| 5D15 | ELEMENT, FILTER (HINSON)..... | 90-61 | 1E20 | FILTER, FUEL (DIESEL) | 30-34 |
| 1E20 | ELEMENT, FUEL FILTER (DIESEL) | 30-34 | 1E22 | FILTER, FUEL (DIESEL) | 30-36 |
| 1E22 | ELEMENT, FUEL FILTER (DIESEL) | 30-36 | 1E3 | FILTER, FUEL (GAS)..... | 30-19 |
| 3C6 | ELEMENT, OIL FILTER, TRANSMISSION | 50-27 | 3C6 | FILTER, TRANSMISSION HYDRAULIC | 50-27 |
| 3E3 | ELEMENT, OIL FILTER, TRANSMISSION | 50-73 | 3E3 | FILTER, TRANSMISSION HYDRAULIC OIL..... | 50-73 |
| 5E10 | EMBLEM, SLOW MOVING VEHICLE | 90-81 | 1G15 | FILTERS | 30-76 |
| 5E12 | EMBLEM, SLOW MOVING VEHICLE | 90-83 | 5B19 | FILTERS (STOLPER)..... | 90-15 |
| 5E11 | EMBLEM, SLOW MOVING VEHICLE (CAB) | 90-82 | 3E24 | FINAL DRIVE KIT..... | 50-96 |
| 3F22 | EMBLEM, STEERING WHEEL | 60-2 | 3E25 | FINAL DRIVE KIT..... | 50-97 |
| 2E4 | END FRAME, STARTER COMMUTATOR | 40-77 | 3F2 | FINAL DRIVE SHAFT AND HOUSING (HI-CROP)..... | 50-100 |
| 2D18 | END FRAME,STARTER | 40-66 | 3F1 | FINAL DRIVE SHAFT AND SUN PINION..... | 50-99 |
| 4G23 | END, TIE ROD | 80-4 | 5E17 | FIRE EXTINGUISHER | 90-88 |
| 4G24 | END, TIE ROD | 80-5 | 3D10 | FIRST PLANETARY BRAKE | 50-54 |
| 4H1 | END, TIE ROD | 80-7 | 4C6 | FITTINGS, HYDRAULIC PUMP (LESS PFWD) | 70-26 |
| 1D3 | ENGINE COOLANT HEATER | 20-48 | 4C8 | FITTINGS, HYDRAULIC PUMP (PFWD)..... | 70-28 |
| 1D5 | ENGINE COOLANT HEATER | 20-50 | 2B10 | FLASHER, LAMP | 40-4 |
| 1B6 | ENGINE OIL | 20-1 | 2B8 | FLASHER, WARNING LAMP..... | 40-2 |
| 1C12 | ENGINE OIL COOLER..... | 20-32 | 4G14 | FLEXIBLE OIL LINE COUPLER | 70-147 |
| 1C10 | ENGINE OIL FILTER | 20-30 | 4G16 | FLEXIBLE OIL LINE, BULK | 70-149 |
| 1C8 | ENGINE OIL PUMP | 20-28 | 2B14 | FLOOD LAMP AND FASTENINGS KIT..... | 40-8 |
| 1B15 | ENGINE OVERHAUL KIT (DIESEL) | 20-10 | 2B22 | FLOOD LAMP KIT (UPPER FRONT) | 40-16 |
| 1C1 | ENGINE UNDERHAUL KIT (6404) | 20-21 | 5D22 | FLOOR MAT (HINSON)..... | 90-68 |
| 1G8 | ETHER STARTING AID KIT | 30-69D | 1G3 | FLUID, STARTING (EARLY DESIGN)..... | 30-68 |
| 5B25 | EVAPORATOR (HINSON) | 90-21 | 1G5 | FLUID, STARTING (LATE DESIGN) | 30-69 |
| 5B15 | EVAPORATOR (STOLPER)..... | 90-11 | 1B20 | FLYWHEEL | 20-15 |
| 5B16 | EVAPORATOR SUPPORT (STOLPER) | 90-12 | 1B10 | FOLLOWER, CAM | 20-5 |
| 1D22 | EXHAUST GASKET (DIESEL)..... | 30-13 | 1B11 | FOLLOWER, CAMSHAFT | 20-6 |
| 1D21 | EXHAUST MANIFOLD (DIESEL)..... | 30-12 | 1G18 | FOOT SPEED CONTROL LINKAGE..... | 30-79 |
| 1D22 | EXHAUST MANIFOLD (DIESEL) (4000 - LOW PROFILE)..... | 30-13 | 3C17 | FORK, CLUTCH (POWER SHIFT) | 50-38 |
| 1D19 | EXHAUST MANIFOLD (GAS) | 30-10 | 3B10 | FORK, CLUTCH (SNYCRO-RANGE) | 50-4 |
| 1D20 | EXHAUST MANIFOLD (LP-GAS) | 30-11 | 3D7 | FOURTH PLANETARY BRAKE (POWER SHIFT) | 50-51 |
| 1D21 | EXHAUST MANIFOLD GASKETS (DIESEL)..... | 30-12 | 4H21 | FRAME WEIGHTS | 80-28 |
| 1D19 | EXHAUST MANIFOLD GASKETS (GAS) | 30-10 | 4H20 | FRAME, FRONT..... | 80-27 |
| 1D20 | EXHAUST MANIFOLD GASKETS (LP-GAS) | 30-11 | 5C18 | FRAME, L.H. SIDE (STOLPER) | 90-39 |
| 1B10 | EXHAUST VALVE | 20-5 | 5C17 | FRAME, R.H. SIDE (STOLPER) | 90-38 |
| 4I3 | EXTENSION, BATTERY BOX | 80-35 | 4H8 | FRONT AXLE | 80-14 |
| 1D23 | EXTENSION, MUFFLER | 30-14 | 4G20 | FRONT AXLE HOUSING | 80-1 |
| 4I6 | EXTENSION, PLATFORM | 80-38 | 4G21 | FRONT AXLE KNEE | 80-2 |
| 4H3 | EXTENSION, SPINDLE, FRONT WHEEL..... | 80-9 | 4H2 | FRONT AXLE KNEE | 80-8 |
| 5D20 | EXTENSIONS, PLATFORM (HINSON) | 90-66 | 4G25 | FRONT AXLE, FIXED TREAD..... | 80-6 |
| 5C23 | EXTENSIONS, PLATFORM (STOLPER)..... | 90-44 | 2B22 | FRONT FLOOD LAMP KIT | 40-16 |
| 5E17 | EXTINGUISHER, FIRE..... | 90-88 | 4H20 | FRONT FRAME | 80-27 |
| | | | 2B15 | FRONT LAMPS..... | 40-9 |
| | | | 2B17 | FRONT LAMPS..... | 40-11 |
| | | | 2B19 | FRONT LAMPS..... | 40-13 |
| | | | 2B25 | FRONT LAMPS..... | 40-19 |
| | | | 4D16 | FRONT MOUNTED ROCKSHAFT..... | 70-65 |
| | | | 4I5 | FRONT PLATE | 80-37 |
| | | | 4H22 | FRONT WEIGHTS | 80-29 |
| | | | 4H24 | FRONT WEIGHTS | 80-31 |
| | | | 4H21 | FRONT WEIGHTS, FRAME..... | 80-28 |
| | | | 4H23 | FRONT WEIGHTS, QUIK-TATCH | 80-30 |
| | | | 4H5 | FRONT WHEEL BEARING KIT | 80-11 |
| | | | 4H6 | FRONT WHEEL YOKE..... | 80-12 |
| | | | 4H6 | FRONT WHEEL, SINGLE | 80-12 |
| | | | 4H8 | FRONT WHEEL, SINGLE | 80-14 |
| | | | 4H9 | FRONT WHEELS | 80-15 |
| | | | 1G13 | FUEL CONVERTER (LP-GAS) | 30-74 |
| | | | 1G12 | FUEL CONVERTOR (LP-GAS) | 30-73 |
| | | | 1E3 | FUEL FILTER (GAS) | 30-19 |
| | | | 1E20 | FUEL FILTERS (DIESEL)..... | 30-34 |
| | | | 1E22 | FUEL FILTERS (DIESEL)..... | 30-36 |
| | | | 2B9 | FUEL GAUGE..... | 40-3 |
| | | | 1E18 | FUEL GAUGE SENDER (DIESEL) | 30-32 |
| | | | 1E1 | FUEL GAUGE SENDER (GAS)..... | 30-17 |
| | | | 1F2 | FUEL INJECTION LINES AND MISC. ITEMS KIT | 30-41 |

F

| | | |
|------|-----------------------------------|-------|
| 3G9 | FACING, BRAKE | 60-15 |
| 3G8 | FACINGS, BRAKE | 60-14 |
| 1C16 | FAN (DIESEL) (AIR)..... | 20-37 |
| 1C15 | FAN (DIESEL) (W/O AIR) | 20-36 |
| 1C13 | FAN (GAS) | 20-34 |
| 1C16 | FAN BELT (DIESEL) (AIR) | 20-37 |
| 1C15 | FAN BELT (DIESEL) (W/O AIR) | 20-36 |
| 1C13 | FAN BELT (GAS) | 20-34 |
| 1C21 | FAN SHROUD | 20-42 |
| 2D3 | FAN,ALTERNATOR | 40-50 |
| 5B14 | FANS, CONDENSER (STOLPER)..... | 90-10 |
| 5C18 | FENDER, L.H. (STOLPER) | 90-39 |
| 5C17 | FENDER, R.H. (STOLPER) | 90-38 |
| 5E7 | FENDERS (HI-CROP) | 90-78 |
| 5E5 | FENDERS (ROW-CROP) | 90-76 |
| 5E6 | FENDERS (STANDARD) | 90-77 |
| 2D22 | FIELD WINDING COIL,STARTER | 40-70 |
| 5D15 | FILTER, BLOWER (HINSON) | 90-61 |
| 5D5 | FILTER, BLOWER (STOLPER) | 90-51 |

1A18

TRACTOR - 4000 AND 4020 (SERIAL NO. 201000-) TRACTORS

ALPHABETICAL INDEX - CONTINUED

| GRID | PAGE | GRID | PAGE |
|----------|--|--------|------|
| 1E23 | FUEL INJECTION PUMP | 30-37 | |
| 1E24 | FUEL INJECTION PUMP | 30-38 | |
| 1E25 | FUEL INJECTION PUMP | 30-39 | |
| 1F1 | FUEL INJECTION PUMP | 30-40 | |
| 1F3 | FUEL INJECTION PUMP | 30-42 | |
| 1F5 | FUEL INJECTION PUMP | 30-44 | |
| 1F11 | FUEL INJECTION PUMP | 30-50 | |
| 1F12 | FUEL INJECTION PUMP | 30-51 | |
| 1F13 | FUEL INJECTION PUMP | 30-52 | |
| 1F15 | FUEL INJECTION PUMP | 30-54 | |
| 1F16 | FUEL INJECTION PUMP | 30-55 | |
| 1F17 | FUEL INJECTION PUMP | 30-56 | |
| 1F18 | FUEL INJECTION PUMP | 30-58 | |
| 1F20 | FUEL INJECTION PUMP | 30-60 | |
| 1F22 | FUEL INJECTION PUMP | 30-62 | |
| 1F23 | FUEL INJECTION PUMP | 30-63 | |
| 1F4 | FUEL INJECTION PUMP ELECTRIC SHUT-OFF | 30-43 | |
| 1F24 | FUEL INJECTION PUMP GOVERNOR | 30-64 | |
| 1F7 | FUEL INJECTION PUMP OVERHAUL GASKET KIT | 30-46 | |
| 1F9 | FUEL INJECTION PUMP OVERHAUL GASKET KIT | 30-48 | |
| 1G2 | FUEL PUMP | 30-67 | |
| 1E19 | FUEL PUMP (DIESEL) | 30-33 | |
| 1E2 | FUEL PUMP (GAS) | 30-18 | |
| 1E3 | FUEL PUMP (GAS) | 30-19 | |
| 1G14 | FUEL STRAINER (LP-GAS) | 30-75 | |
| 1G16 | FUEL STRAINER (LP-GAS) | 30-77 | |
| 1E18 | FUEL TANK (DIESEL) | 30-32 | |
| 1E1 | FUEL TANK (GAS) | 30-17 | |
| 1G9 | FUEL TANK (LP-GAS) | 30-70 | |
| G | | | |
| 1E9 | GASKET KIT, CARBURETOR (ZENITH) | 30-26 | |
| 1E11 | GASKET KIT, CARBURETOR (ZENITH) | 30-27A | |
| 1F7 | GASKET KIT, FUEL INJECTION PUMP OVERHAUL | 30-46 | |
| 1D1 | GASKET SET (DIESEL) | 20-46 | |
| 1C23 | GASKET SET (GASOLINE AND LP-GAS) | 20-44 | |
| 1B8 | GASKET, CYLINDER HEAD | 20-3 | |
| 1D22 | GASKET, INTAKE & EXHAUST (DIESEL) | 30-13 | |
| 1B17 | GASKET, OIL PAN | 20-12 | |
| 1B9 | GASKET, ROCKER ARM COVER | 20-4 | |
| 1D21 | GASKETS, EXHAUST MANIFOLD (DIESEL) | 30-12 | |
| 1D19 | GASKETS, EXHAUST MANIFOLD (GAS) | 30-10 | |
| 1D20 | GASKETS, EXHAUST MANIFOLD (LP-GAS) | 30-11 | |
| 1D21 | GASKETS, INTAKE MANIFOLD (DIESEL) | 30-12 | |
| 1D19 | GASKETS, INTAKE MANIFOLD (GAS) | 30-10 | |
| 1D20 | GASKETS, INTAKE MANIFOLD (LP-GAS) | 30-11 | |
| 2B9 | GAUGE, FUEL | 40-3 | |
| 2B9 | GAUGE, OIL TEMPERATURE | 40-3 | |
| 4E25 | GAUGE, POWER WEIGHT TRANSFER HITCH | 70-103 | |
| 2B9 | GAUGE, WATER TEMPERATURE | 40-3 | |
| 3B24 | GEAR SHIFT LEVER (SYNCRO-RANGE) | 50-20 | |
| 3B24 | GEAR SHIFTER (SYNCRO-RANGE) | 50-20 | |
| 3D15 | GEAR, BEVEL, DIFFERENTIAL | 50-59 | |
| 3E10 | GEAR, BEVEL, DIFFERENTIAL | 50-80 | |
| 3E13 | GEAR, BEVEL, DIFFERENTIAL | 50-84 | |
| 3E17 | GEAR, BEVEL, DIFFERENTIAL | 50-89 | |
| 1B11 | GEAR, CAMSHAFT | 20-6 | |
| 3B19 | GEAR, COUNTERSHAFT (SYNCRO-RANGE) | 50-15 | |
| 1B22 | GEAR, CRANKSHAFT (UNDERSIZE) (EARLY DESIGN) | 20-17 | |
| 1B21 | GEAR, OIL PUMP DRIVE | 20-16 | |
| 1C5 | GEAR, OIL PUMP DRIVE | 20-25 | |
| 3C5 | GEAR, OIL PUMP DRIVE (SYNCRO-RANGE) | 50-26 | |
| 3E7 | GEAR, PTO COUNTERSHAFT (POWER SHIFT) | 50-77 | |
| 3C10 | GEAR, PTO COUNTERSHAFT (SYNCRO-RANGE) | 50-31 | |
| 3E7 | GEAR, PTO DRIVE (POWER SHIFT) | 50-77 | |
| 3E8 | GEAR, PTO DRIVE (POWER SHIFT) | 50-78 | |
| 3C10 | GEAR, PTO DRIVE (SYNCRO-RANGE) | 50-31 | |
| 3C8 | GEAR, PTO IDLER (SYNCRO-RANGE) | 50-29 | |
| 3C9 | GEAR, REAR PTO DRIVE (SYNCRO-RANGE) | 50-30 | |
| 3E13 | GEAR, SPIRAL BEVEL | 50-84 | |
| 1B20 | GEAR, STARTER | 20-15 | |
| 1C8 | GEARS, ENGINE OIL PUMP | 20-28 | |
| 3E6 | GEARS, PTO DRIVE (POWER SHIFT) | 50-76 | |
| 3D14 | GEARS, TRANSMISSION (POWER SHIFT) | 50-58 | |
| 3B20 | GEARS, TRANSMISSION (SYNCRO-RANGE) | 50-16 | |
| 3E1 | GEARSHIFT LEVER | 50-71 | |
| 5D11 | GLASS, CAB (HINSON) | 90-57 | |
| 5C19 | GLASS, CAB (STOLPER) | 90-40 | |
| 1C11 | GOVERNOR (GAS) | 20-31 | |
| 1F24 | GOVERNOR, FUEL INJECTION PUMP | 30-64 | |
| 4I5 | GRILLE | 80-37 | |
| 3C10 | GUARD, FRONT PTO (SYNCRO-RANGE) | 50-31 | |
| 3E8 | GUARD, MID PTO (POWER SHIFT) | 50-78 | |
| 4H16 | GUARD, POWER FRONT WHEEL DRIVE OIL LINE | 80-23 | |
| 3C11 | GUARD, PTO (SYNCRO-RANGE) | 50-32 | |
| 3E9 | GUARD, REAR PTO (POWER SHIFT) | 50-79 | |
| 1D14 | GUN, AIR CLEANER ELEMENT CLEANING | 30-5 | |
| H | | | |
| 1G17 | HAND SPEED CONTROL LINKAGE | 30-78 | |
| 4D20 | HANDLE, CENTER LINK ADJUSTING | 70-70 | |
| 4D23 | HANDLE, CENTER LINK ADJUSTING | 70-73 | |
| 5D10 | HANDLE, DOOR (HINSON) | 90-56 | |
| 5C16 | HANDLE, DOOR (STOLPER) | 90-37 | |
| 4E4 | HANDLE, LIFT LINK ADJUSTING | 70-80 | |
| 5D8 | HANDLE, MOUNTING (HINSON) | 90-54 | |
| 5C15 | HANDLE, MOUNTING (STOLPER) | 90-36 | |
| 5E4 | HANDLE, TRACTOR MOUNTING | 90-75 | |
| 2B20 | HARNES, WIRING (HINSON) | 40-14 | |
| 2B21 | HARNES, WIRING (STOLPER) | 40-15 | |
| 2F14 | HARNES,WIRING, SUPPLEMENTARY WIRING KIT | 40-114 | |
| 2B7 | HARNESSES, WIRING | 40-1 | |
| 1B8 | HEAD, CYLINDER | 20-3 | |
| 2F2 | HEADPHONES, RADIO | 40-101 | |
| 1D19 | HEAT MANIFOLD VALVE (GAS) | 30-10 | |
| 5C1 | HEATER CORE (HINSON) | 90-22 | |
| 5C25 | HEATER CORE (STOLPER) | 90-46 | |
| 5D1 | HEATER HOSE, CAB (STOLPER) | 90-47 | |
| 5D2 | HEATER HOSE, TRACTOR (STOLPER) | 90-48 | |
| 1D5 | HEATER, ENGINE COLLANT | 20-50 | |
| 1D3 | HEATER, ENGINE COOLANT | 20-48 | |
| 1D4 | HEATER, OIL | 20-49 | |
| 4D25 | HITCH DRAFT LINK | 70-75 | |
| 4E2 | HITCH DRAFT LINK SUPPORT | 70-77 | |
| 4E2 | HITCH DRAFT LINKS | 70-77 | |
| 4E2 | HITCH 3-POINT DRAFT LINK | 70-77 | |
| 4E3 | HITCH 3-POINT LIFT LINKS (L.H.) | 70-78 | |
| 4E4 | HITCH 3-POINT LIFT LINKS (R.H.) | 70-80 | |
| 4E6 | HITCH, 3-POINT IMPLEMENT QUICK COUPLER | 70-82 | |
| 4E10 | HITCH, 3-POINT IMPLEMENT QUICK COUPLER | 70-87 | |
| 4E11 | HITCH, 3-POINT IMPLEMENT QUICK COUPLER | 70-88 | |
| 4D23 | HITCH, 3-POINT, CENTER LINK | 70-73 | |
| 4E1 | HITCH, 3-POINT, DRAFT LINKS | 70-76 | |
| 4I8 | HOOD | 80-40 | |
| 2E18 | HORN | 40-92 | |
| 2E20 | HORN, DUAL | 40-94 | |
| 4G17 | HOSE IDENTIFICATION KIT, REMOTE CYLINDER | 70-150 | |

1A20

TRACTOR - 4000 AND 4020 (SERIAL NO. 201000-) TRACTORS

ALPHABETICAL INDEX - CONTINUED

| GRID | | PAGE | GRID | | PAGE |
|------|--|--------|------|--|--------|
| 1E6 | KIT, CARBURETOR GASKET | 30-22 | 5D8 | KNOB, WINDOW ADJUSTER (HINSON) | 90-54 |
| 1E8 | KIT, CARBURETOR GASKET (ZENITH) | 30-24 | 5D10 | KNOB, WINDOW ADJUSTER (HINSON) | 90-56 |
| 1E9 | KIT, CARBURETOR GASKET (ZENITH) | 30-26 | 5C16 | KNOB, WINDOW ADJUSTER (STOLPER)..... | 90-37 |
| 1E6 | KIT, CARBURETOR REPAIR | 30-22 | 4H4 | KNUCKLE, FRONT AXLE | 80-10 |
| 4D22 | KIT, CENTER LINK | 70-72 | 4H4 | KNUCKLE, ROLL-O-MATIC | 80-10 |
| 4G13 | KIT, CONVERSION, REMOTE CYLINDER | 70-146 | | | |
| 4E14 | KIT, DRAWBAR CLEVIS PIN | 70-91 | | L | |
| 2F8 | KIT, ELECTRICAL REMOTE CONTROL | 40-107 | | | |
| 2F10 | KIT, ELECTRICAL REMOTE CONTROL WIRING | 40-110 | 5D15 | LABEL, CONTROL LEVER (HINSON) | 90-61 |
| 1G8 | KIT, ETHER STARTING AID | 30-69D | 5C24 | LABEL, CONTROL LEVER (STOLPER) | 90-45 |
| 1G4 | KIT, ETHER STARTING TUBE | 30-68A | 2D15 | LABEL,STARTER SOLENOID COVER | 40-63 |
| 1G6 | KIT, ETHER STARTING TUBE | 30-69A | 2E6 | LABEL,STARTER SOLENOID SAFETY | 40-79 |
| 3E24 | KIT, FINAL DRIVE | 50-96 | 2E1 | LABEL,STARTER SOLENOID START | 40-74 |
| 3E25 | KIT, FINAL DRIVE | 50-97 | 2B10 | LAMP FLASHER..... | 40-4 |
| 2B14 | KIT, FLOOD LAMP AND FASTENINGS | 40-8 | 2B18 | LAMP WIRING (HI-CROP)..... | 40-12 |
| 4H5 | KIT, FRONT WHEEL BEARING | 80-11 | 2B13 | LAMP WIRING (ROW-CROP) | 40-7 |
| 5D5 | KIT, HEAVY DUTY AIR CLEANER (STOLPER)..... | 90-51 | 2B16 | LAMP WIRING (STANDARD) | 40-10 |
| 4B16 | KIT, HYDRAULIC PUMP ELECTRIC DESTROKE | 70-10 | 2B12 | LAMP, DASH | 40-6 |
| 4C1 | KIT, HYDRAULIC PUMP ELECTRIC DESTROKE | 70-20 | 2C11 | LAMP, DASH (4000) | 40-30 |
| 4C5 | KIT, HYDRAULIC PUMP ELECTRIC DESTROKE | 70-25 | 2B15 | LAMP, FRONT | 40-9 |
| 4B18 | KIT, HYDRAULIC PUMP OVERHAUL | 70-12 | 2B17 | LAMP, FRONT | 40-11 |
| 4C3 | KIT, HYDRAULIC PUMP OVERHAUL..... | 70-22 | 2B19 | LAMP, FRONT | 40-13 |
| 3E5 | KIT, INCREASED OIL FILTRATION (SYNCRO- RANGE) | 50-75 | 2B25 | LAMP, FRONT | 40-19 |
| 4D19 | KIT, LOAD CONTROL SHAFT BUSHING..... | 70-68 | 2B9 | LAMP, INDICATOR | 40-3 |
| 1E21 | KIT, MASTER FUEL FILTER (DIESEL)..... | 30-35 | 2B15 | LAMP, REAR | 40-9 |
| 3B22 | KIT, NEUTRAL START SWITCH..... | 50-18 | 2B17 | LAMP, REAR | 40-11 |
| 3D18 | KIT, NEUTRAL START SWITCH..... | 50-62 | 2B19 | LAMP, REAR | 40-13 |
| 4C10 | KIT, O-RING | 70-31 | 2B25 | LAMP, REAR | 40-19 |
| 4G10 | KIT, OVERHAUL, REMOTE CYLINDER | 70-142 | 2B15 | LAMP, WARNING..... | 40-9 |
| 3F16 | KIT, PFWD IMPROVEMENT | 50-114 | 2B17 | LAMP, WARNING..... | 40-11 |
| 1C20 | KIT, RADIATOR BAFFLES AND FOAM PAD..... | 20-41 | 2B19 | LAMP, WARNING..... | 40-13 |
| 2B20 | KIT, REAR CENTER FLOOD LAMPS..... | 40-14 | 2B25 | LAMP, WARNING..... | 40-19 |
| 4G1 | KIT, REMOTE CYLINDER CONVERSION | 70-132 | 2C6 | LAMP, WARNING (FLASHING)..... | 40-25 |
| 4G17 | KIT, REMOTE CYLINDER HOSE IDENTIFICATION | 70-150 | 2B20 | LAMPS CAB (HINSON) | 40-14 |
| 4G7 | KIT, REMOTE CYLINDER OVERHAUL | 70-138 | 2C2 | LAMPS, CAB (HINSON)..... | 40-21 |
| 4D13 | KIT, REVERSE SIGNAL LOCKOUT | 70-61 | 2B21 | LAMPS, CAB (STOLPER) | 40-15 |
| 4F7 | KIT, SELECTIVE CONTROL VALVE DETENT..... | 70-111 | 2C3 | LAMPS, CAB (STOLPER) | 40-22 |
| 4F4 | KIT, SELECTIVE CONTROL VALVE OVERHAUL | 70-108 | 2C1 | LAMPS, TRACTOR | 40-20 |
| 4F6 | KIT, SELECTIVE CONTROL VALVE OVERHAUL | 70-110 | 2E16 | LEADS, WIRING (CAB) | 40-90 |
| 5C22 | KIT, SOUND REDUCTION..... | 90-43 | 2E17 | LEADS, WIRING (CAB) | 40-91 |
| 1G7 | KIT, STARTING FLUID TUBE | 30-69B | 2C3 | LENS, REFLECTOR (STOLPER) | 40-22 |
| 2D19 | KIT, STARTING MOTOR SEALING | 40-67 | 3B24 | LEVER, GEARSHIFT (SYNCRO-RANGE)..... | 50-20 |
| 3G6 | KIT, STEERING PISTON VALVE OVERHAUL..... | 60-12 | 4D11 | LEVER, LOAD SELECTOR CONTROL..... | 70-58 |
| 3F22 | KIT, STEERING VALVE OVERHAUL | 60-2 | 3C18 | LEVER, PTO CLUTCH (POWER SHIFT) | 50-39 |
| 4B14 | KIT, STROKE CONTROL VALVE SHUT-OFF | 70-8 | 3B12 | LEVER, PTO CLUTCH (SYNCRO-RANGE) | 50-6 |
| 4B24 | KIT, STROKE CONTROL VALVE SHUT-OFF | 70-18 | 4D14 | LEVER, ROCKSHAFT CONTROL | 70-62 |
| 2F14 | KIT, SUPPLEMENTARY WIRING | 40-114 | 5C24 | LEVER, ROOF DOOR VENT (STOLPER) | 90-45 |
| 4C19 | KIT, THERMOSTATIC BYPASS VALVE | 70-40 | 3C13 | LEVER, TRANSMISSION DISCONNECT CLUTCH | 50-34 |
| 3D21 | KIT, TRANSMISSION CONTROL VALVE | 50-66 | 3C16 | LEVER, TRANSMISSION DISCONNECT SHIFTER | 50-37 |
| 1C1 | KIT, UNDERHAUL ENGINE (6404)..... | 20-21 | 3D13 | LEVER, TRANSMISSION DISCONNECT SHIFTER..... | 50-57 |
| 2B22 | KIT, UPPER FRONT FLOOD LAMP | 40-16 | 3E1 | LEVER, TRANSMISSION SHIFTER CONTROL | 50-71 |
| 2B20 | KIT, UPPER FRONT FLOOD LAMPS..... | 40-14 | 4F3 | LEVERS, SELECTIVE CONTROL | 70-107 |
| 2G10 | KIT,ELECTRICAL CONNECTOR AND TERMINAL..... | 40-134 | 3G2 | LEVERS, STEERING VALVE OPERATING | 60-7 |
| 1F2 | KIT,FUEL INJECTION LINES AND MISC. ITEMS | 30-41 | 4E3 | LIFT LINKS (LEFT-HAND) | 70-78 |
| 2E1 | KIT,STARTER SOLENOID COVER..... | 40-74 | 4E4 | LIFT LINKS (RIGHT-HAND)..... | 70-80 |
| 2E6 | KIT,STARTER SOLENOID COVER..... | 40-79 | 2B10 | LIGHT SWITCH | 40-4 |
| 2D15 | KIT,STARTER SOLENOID COVER(GAS AND LP-GAS) | 40-63 | 2C9 | LIGHT, DOME (HINSON)..... | 40-28 |
| 2E13 | KIT,STARTING CIRCUIT RELAY | 40-86 | 2C10 | LIGHT, DOME (STOLPER) | 40-29 |
| 2E12 | KIT,STARTING CIRCUIT RELAY(12-VOLT) | 40-85A | 5E3 | LIGHTER, CIGAR..... | 90-74 |
| 4F10 | KITS, SELECTIVE CONTROL VALVE | 70-115 | 4C17 | LINE, HYDRAULIC PUMP SEAL DRAIN | 70-38 |
| 4H18 | KNEE (POWER FRONT WHEEL DRIVE)..... | 80-25 | 4C23 | LINE, HYDRAULIC PUMP SEAL DRAIN | 70-44 |
| 4G21 | KNEE, FRONT AXLE | 80-2 | 1C18 | LINE, WATER BYPASS | 20-39 |
| 4G25 | KNEE, FRONT AXLE (FIXED TREAD)..... | 80-6 | 1B13 | LINER, CYLINDER | 20-8 |
| 1G17 | KNOB, HAND SPEED CONTROL LINKAGE | 30-78 | 5B10 | LINES, AIR CONDITIONER (STOLPER) | 90-5 |
| | | | 1E19 | LINES, FUEL (DIESEL) | 30-33 |
| | | | 1E2 | LINES, FUEL (GAS) (EARLY DESIGN) | 30-18 |

1A21

TRACTOR - 4000 AND 4020 (SERIAL NO. 201000-) TRACTORS

ALPHABETICAL INDEX - CONTINUED

| GRID | | PAGE | GRID | | PAGE |
|------|---|--------|------|---|--------|
| 1E3 | LINES, FUEL (GAS) (LATE DESIGN) | 30-19 | 2B12 | METER, SPEED-HOUR | 40-6 |
| 1E23 | LINES, FUEL INJECTION PUMP | 30-37 | 2F19 | MINI-MONITOR, PERFORMANCE TRAK II | 40-120 |
| 1E24 | LINES, FUEL INJECTION PUMP | 30-38 | 5E8 | MIRROR, OUTSIDE | 90-79 |
| 1E25 | LINES, FUEL INJECTION PUMP | 30-39 | 5E9 | MIRROR, REAR VIEW | 90-80 |
| 1F1 | LINES, FUEL INJECTION PUMP | 30-40 | 2F19 | MONITOR, MINI (PERFORMANCE TRAK II) | 40-120 |
| 3G13 | LINES, OIL, BRAKE PRESSURE | 60-20 | 3F6 | MOTOR HOUSING (POWER FRONT WHEEL DRIVE) | 50-104 |
| 3G15 | LINES, OIL, BRAKE RETURN | 60-22 | 4H18 | MOTOR HOUSING (POWER FRONT WHEEL DRIVE) | 80-25 |
| 4D1 | LINES, OIL, FRONT WHEEL DRIVE | 70-48 | 5B24 | MOTOR, CONDENSER FAN (HINSON) | 90-20 |
| 4C12 | LINES, OIL, HYDRAULIC RETURN | 70-33 | 3F7 | MOTOR, POWER FRONT WHEEL DRIVE | 50-105 |
| 4C17 | LINES, OIL, HYDRAULIC RETURN | 70-38 | 2D7 | MOTOR, STARTING | 40-55 |
| 4C18 | LINES, OIL, HYDRAULIC RETURN | 70-39 | 3F21 | MOTOR, STEERING | 60-1 |
| 4C23 | LINES, OIL, HYDRAULIC RETURN | 70-44 | 2F3 | MOTOR, WIPER (HINSON) | 40-102 |
| 4G15 | LINES, OIL, IMPLEMENT HYDRAULIC | 70-148 | 2F5 | MOTOR, WIPER (STOLPER) | 40-104 |
| 4C11 | LINES, OIL, MAIN HYDRAULIC | 70-32 | 5D6 | MOTOR, 12-VOLT BLOWER (STOLPER) | 90-52 |
| 4C12 | LINES, OIL, MAIN HYDRAULIC | 70-33 | 5B14 | MOTORS, CONDENSER (STOLPER) | 90-10 |
| 4C18 | LINES, OIL, MAIN HYDRAULIC | 70-39 | 5B6 | MOUNTING BRACKETS, COMPRESSOR (STOLPER) | 90-1 |
| 3G3 | LINES, OIL, STEERING VALVE | 60-8 | 5E4 | MOUNTING HANDLE | 90-75 |
| 3G5 | LINES, OIL, SUPPORT | 60-11 | 1D23 | MUFFLER | 30-14 |
| 4E25 | LINES, POWER WEIGHT TRANSFER HITCH | 70-103 | 1D25 | MUFFLER COVER | 30-16 |
| 3G4 | LINES, STEERING OIL | 60-9 | 1D23 | MUFFLER EXTENSION | 30-14 |
| 4D20 | LINK, CENTER | 70-70 | 1D24 | MUFFLER, REAR | 30-15 |
| 4D23 | LINK, CENTER | 70-73 | | | |
| 3E16 | LINK, DIFFERENTIAL LOCK RELEASE | 50-88 | N | | |
| 3E17 | LINK, DIFFERENTIAL LOCK RELEASE | 50-89 | 4I8 | NAME PLATE | 80-40 |
| 4E1 | LINK, DRAFT (4000 SERIES) | 70-76 | 3B22 | NEUTRAL START SWITCH KIT | 50-18 |
| 4D24 | LINK, DRAFT AND CENTER | 70-74 | 3D18 | NEUTRAL START SWITCH KIT | 50-62 |
| 4D25 | LINK, HITCH DRAFT | 70-75 | 1F1 | NOZZLE, FUEL INJECTION PUMP | 30-40 |
| 4E2 | LINK, HITCH DRAFT | 70-77 | 1E23 | NOZZLE, INJECTOR | 30-37 |
| 4E3 | LINK, LIFT (LEFT-HAND) | 70-78 | 1E24 | NOZZLE, INJECTOR | 30-38 |
| 4E4 | LINK, LIFT (RIGHT-HAND) | 70-80 | 1E25 | NOZZLE, INJECTOR | 30-39 |
| 4F2 | LINK, POWER WEIGHT TRANSFER HITCH | 70-105 | 1F25 | NOZZLE, INJECTOR (EARLY DESIGN) | 30-65 |
| 4D11 | LINKAGE, ROCKSHAFT CONTROL | 70-58 | 1G1 | NOZZLE, INJECTOR (LATE DESIGN) | 30-66 |
| 4F3 | LINKAGE, SELECTIVE CONTROL | 70-107 | | | |
| 1G17 | LINKAGE, SPEED CONTROL | 30-78 | O | | |
| 1G18 | LINKAGE, SPEED CONTROL | 30-79 | 4C10 | O-RING PACKING KIT | 70-31 |
| 3C16 | LINKAGE, TRANSMISSION DISCONNECT | 50-37 | 1C12 | OIL COOLER, ENGINE | 20-32 |
| 4D17 | LOAD CONTROL | 70-66 | 4C12 | OIL COOLER, HYDRAULIC | 70-33 |
| 4D19 | LOAD CONTROL SHAFT BUSHING KIT | 70-68 | 4C13 | OIL COOLER, HYDRAULIC | 70-34 |
| 4D11 | LOAD SELECTOR CONTROL | 70-58 | 4C15 | OIL COOLER, HYDRAULIC | 70-36 |
| 3D16 | LOCK, TRANSMISSION PARK (POWER SHIFT) | 50-60 | 4C18 | OIL COOLER, HYDRAULIC (POWER SHIFT) | 70-39 |
| 5E15 | LOCTITE SEALANT | 90-86 | 3C6 | OIL FILTER COVER | 50-27 |
| 5B19 | LOUVERS (STOLPER) | 90-15 | 3E3 | OIL FILTER COVER | 50-73 |
| | | | 3C6 | OIL FILTER ELEMENT, TRANSMISSION | 50-27 |
| M | | | 3E3 | OIL FILTER ELEMENT, TRANSMISSION | 50-73 |
| 1B22 | MAIN BEARING KIT (UNDERSIZE) (EARLY DESIGN) | 20-17 | 3C7 | OIL FILTER RELIEF VALVE | 50-28 |
| 1C4 | MAIN BEARINGS | 20-24 | 1C10 | OIL FILTER, ENGINE | 20-30 |
| 2E3 | MAIN FRAME, STARTER | 40-76 | 1D4 | OIL HEATER | 20-49 |
| 1C2 | MAIN THRUST BEARING | 20-22 | 3G5 | OIL LINES SUPPORT | 60-11 |
| 5B25 | MANIFOLD (HINSON) | 90-21 | 3G13 | OIL LINES, BRAKE PRESSURE | 60-20 |
| 5B8 | MANIFOLD, AIR COMPRESSOR (STOLPER) | 90-3 | 3G15 | OIL LINES, BRAKE RETURN | 60-22 |
| 3C14 | MANIFOLD, CLUTCH OIL (POWER SHIFT) | 50-35 | 4D1 | OIL LINES, FRONT WHEEL DRIVE | 70-48 |
| 1D21 | MANIFOLD, INTAKE AND EXHAUST (DIESEL) | 30-12 | 4C17 | OIL LINES, HYDRAULIC RETURN | 70-38 |
| 1D22 | MANIFOLD, INTAKE AND EXHAUST (DIESEL) (4000 - LOW PROFILE) | 30-13 | 4C23 | OIL LINES, HYDRAULIC RETURN | 70-44 |
| 1D19 | MANIFOLD, INTAKE AND EXHAUST (GAS) | 30-10 | 4C11 | OIL LINES, HYDRAULIC SYSTEM | 70-32 |
| 1D20 | MANIFOLD, INTAKE AND EXHAUST (LP-GAS) | 30-11 | 4C12 | OIL LINES, HYDRAULIC SYSTEM | 70-33 |
| 1C18 | MANIFOLD, WATER OUTLET | 20-39 | 4C18 | OIL LINES, HYDRAULIC SYSTEM | 70-39 |
| 3F4 | MANIFOLD, WHEEL (POWER FRONT WHEEL DRIVE) | 50-102 | 4C19 | OIL LINES, HYDRAULIC SYSTEM | 70-40 |
| 1E21 | MASTER FUEL FILTER KIT (DIESEL) | 30-35 | 4C11 | OIL LINES, HYDRAULIC, AND FITTINGS | 70-32 |
| 3C11 | MASTER SHIELD (SYNCRO-RANGE) | 50-32 | 4C12 | OIL LINES, HYDRAULIC, AND FITTINGS | 70-33 |
| 5D22 | MAT, FLOOR (HINSON) | 90-68 | 4C18 | OIL LINES, HYDRAULIC, AND FITTINGS | 70-39 |
| 4I3 | MAT, PLATFORM | 80-35 | 4G15 | OIL LINES, HYDRAULIC, IMPLEMENT | 70-148 |
| 4I4 | MAT, PLATFORM (STANDARD) | 80-36 | 4E25 | OIL LINES, POWER WEIGHT TRANSFER | 70-103 |
| | | | 4C11 | OIL LINES, ROCKSHAFT PRESSURE | 70-32 |

1A22

TRACTOR - 4000 AND 4020 (SERIAL NO. 201000-) TRACTORS

ALPHABETICAL INDEX - CONTINUED

| GRID | PAGE | GRID | PAGE | | |
|----------|---|--------|------|---|--------|
| 3G4 | OIL LINES, STEERING | 60-9 | 1B18 | PIN, PISTON (GAS) | 20-13 |
| 3G3 | OIL LINES, STEERING VALVE | 60-8 | 3B20 | PINION, BEVEL, DIFFERENTIAL | 50-16 |
| 1B17 | OIL PAN | 20-12 | 3D15 | PINION, BEVEL, DIFFERENTIAL | 50-59 |
| 1B17 | OIL PAN GASKET | 20-12 | 3E10 | PINION, BEVEL, DIFFERENTIAL | 50-80 |
| 3E20 | OIL PIPES, DIFFERENTIAL LOCK | 50-92 | 3E13 | PINION, BEVEL, DIFFERENTIAL | 50-84 |
| 3E21 | OIL PIPES, DIFFERENTIAL LOCK | 50-93 | 3C1 | PINION, HIGH RANGE (SYNCRO-RANGE) | 50-22 |
| 3B13 | OIL PIPES, PTO CLUTCH (SYNCRO-RANGE) | 50-7 | 3C3 | PINION, HIGH RANGE (SYNCRO-RANGE) | 50-24 |
| 1B12 | OIL PRESSURE REGULATOR HOUSING | 20-7 | 3C1 | PINION, LOW RANGE (SYNCRO-RANGE) | 50-22 |
| 1B21 | OIL PUMP DRIVE GEAR | 20-16 | 3C3 | PINION, LOW RANGE (SYNCRO-RANGE) | 50-24 |
| 1C5 | OIL PUMP DRIVE GEAR | 20-25 | 3E22 | PINION, PLANET | 50-94 |
| 3C5 | OIL PUMP TRANSMISSION (SYNCRO-RANGE) | 50-26 | 3F8 | PINION, PLANET (POWER FRONT WHEEL DRIVE) | 50-106 |
| 1C8 | OIL PUMP, ENGINE | 20-28 | 3F9 | PINION, PLANET (POWER FRONT WHEEL DRIVE) | 50-107 |
| 3C14 | OIL PUMP, TRANSMISSION CLUTCH | 50-35 | 1D24 | PIPE, EXHAUST | 30-15 |
| 3C15 | OIL PUMP, TRANSMISSION CLUTCH | 50-36 | 3F14 | PIPE, RELIEF VALVE BYPASS (PFWD) | 50-112 |
| 1C7 | OIL SEAL, CRANKSHAFT (FRONT AND REAR) | 20-27 | 5D2 | PIPE, WATER BYPASS, HEATER (STOLPER) | 90-48 |
| 1C6 | OIL SEAL, REAR CRANKSHAFT | 20-26 | 5B10 | PIPES, AIR CONDITIONER (STOLPER) | 90-5 |
| 1B6 | OIL, ENGINE | 20-1 | 1D16 | PIPES, AIR INTAKE (DIESEL) | 30-7 |
| 4B7 | OIL, HYDRAULIC AND TRANSMISSION | 70-1 | 1D17 | PIPES, AIR INTAKE (DIESEL) | 30-8 |
| 4I6 | OPERATOR SHIELDS | 80-38 | 1D18 | PIPES, AIR INTAKE (DIESEL) | 30-9 |
| 4I8 | ORNAMENT, HOOD | 80-40 | 1D15 | PIPES, AIR INTAKE (GAS) | 30-6 |
| 4E5 | OUTTEXT | 70-81 | 1G12 | PIPES, FUEL CONVERTOR (LP-GAS) | 30-73 |
| 4E18 | OUTTEXT | 70-95 | 3E20 | PIPES, OIL, DIFFERENTIAL LOCK | 50-92 |
| 4F9 | OUTTEXT | 70-113 | 3E21 | PIPES, OIL, DIFFERENTIAL LOCK | 50-93 |
| 1F9 | OVERHAUL GASKET KIT, FUEL INJECTION PUMP | 30-48 | 3B13 | PIPES, OIL, PTO CLUTCH (SYNCRO-RANGE) | 50-7 |
| 4F13 | OVERHAUL KIT, BREAKAWAY COUPLER | 70-118 | 3G18 | PISTON ACCUMULATOR | 60-26 |
| 3F12 | OVERHAUL KIT, CONTROL VALVE (PFWD) | 50-110 | 4D6 | PISTON COVER, ROCKSHAFT | 70-53 |
| 1B15 | OVERHAUL KIT, ENGINE (DIESEL) | 20-10 | 1B19 | PISTON RINGS (DIESEL) | 20-14 |
| 4B18 | OVERHAUL KIT, HYDRAULIC PUMP | 70-12 | 1B18 | PISTON RINGS (GAS) | 20-13 |
| 4C3 | OVERHAUL KIT, HYDRAULIC PUMP | 70-22 | 3G20 | PISTON, ACCUMULATOR | 60-28 |
| 4F17 | OVERHAUL KIT, ISO COUPLER | 70-122 | 3C12 | PISTON, CLUTCH OIL ACCUMULATOR | 50-33 |
| 4G10 | OVERHAUL KIT, REMOTE CYLINDER | 70-142 | 3D19 | PISTON, CLUTCH OIL ACCUMULATOR | 50-64 |
| 4F6 | OVERHAUL KIT, SELECTIVE CONTROL VALVE | 70-110 | 1B19 | PISTON, ENGINE (DIESEL) | 20-14 |
| 1C17 | OVERHAUL KIT, WATER PUMP (DIESEL) | 20-38 | 1B18 | PISTON, ENGINE (GAS) | 20-13 |
| 1C14 | OVERHAUL KIT, WATER PUMP (GASOLINE AND LP) | 20-35 | 3C20 | PISTON, HIGH RANGE CLUTCH (POWER SHIFT) | 50-41 |
| 4D19 | OVERSIZE BUSHING KIT, LOAD CONTROL SHAFT | 70-68 | 3C19 | PISTON, LOW RANGE CLUTCH (POWER SHIFT) | 50-40 |
| P | | | | | |
| 3D7 | PACK, CLUTCH (POWER SHIFT) | 50-51 | 4D7 | PISTON, ROCKSHAFT | 70-54 |
| 3C19 | PACK, TRANSMISSION CLUTCH (POWER SHIFT) | 50-40 | 3F22 | PISTON, STEERING VALVE | 60-2 |
| 1B17 | PAN, OIL | 20-12 | 3F8 | PLANET PINION (POWER FRONT WHEEL DRIVE) | 50-106 |
| 5D20 | PANEL, BAFFLE (HINSON) | 90-66 | 3F9 | PLANET PINION (POWER FRONT WHEEL DRIVE) | 50-107 |
| 5D14 | PANEL, CAB CONTROL | 90-60 | 3E22 | PLANET PINION CARRIER | 50-94 |
| 5C15 | PANEL, CAB FRAME (STOLPER) | 90-36 | 3D10 | PLANETARY BRAKE, FIRST | 50-54 |
| 5D7 | PANEL, CONSOLE (STOLPER) | 90-53 | 3D9 | PLANETARY BRAKE, SECOND | 50-53 |
| 5D15 | PANEL, FRONT (HINSON) | 90-61 | 3D8 | PLANETARY BRAKE, THIRD | 50-52 |
| 2B9 | PANEL, INSTRUMENT | 40-3 | 3D7 | PLANETARY BRAKES AND CLUTCH PACK | 50-51 |
| 5C16 | PANEL, LOWER, R.H. (STOLPER) | 90-37 | 3D11 | PLANETARY CARRIER (POWER SHIFT) | 50-55 |
| 5D21 | PANEL, REAR FILLER (HINSON) | 90-67 | 3D12 | PLANETARY, TRANSMISSION | 50-56 |
| 5D8 | PANEL, REAR LOWER (HINSON) | 90-54 | 3G9 | PLATE, BRAKE FACING AND PRESSURE | 60-15 |
| 5D8 | PANEL, REAR WINDOW (HINSON) | 90-54 | 3C13 | PLATE, CLUTCH DRIVE (POWER SHIFT) | 50-34 |
| 4I5 | PANEL, SIDE | 80-37 | 4I5 | PLATE, FRONT | 80-37 |
| 5C20 | PANELS, COWL (STOLPER) | 90-41 | 4H20 | PLATE, FRONT FRAME | 80-27 |
| 3E2 | PARK LOCK CONTROL | 50-72 | 3C1 | PLATE, SYNCHRONIZER (SYNCRO-RANGE) | 50-22 |
| 3D16 | PARK LOCK, TRANSMISSION (POWER SHIFT) | 50-60 | 3G8 | PLATES, BRAKE | 60-14 |
| 3G16 | PEDAL, BRAKE | 60-24 | 4I3 | PLATFORM | 80-35 |
| 3C25 | PEDAL, CLUTCH (POWER SHIFT) | 50-44 | 5D20 | PLATFORM (HINSON) | 90-66 |
| 3B10 | PEDAL, CLUTCH (SYNCRO-RANGE) | 50-4 | 4I4 | PLATFORM (STANDARD) | 80-36 |
| 3E16 | PEDAL, DIFFERENTIAL LOCK | 50-88 | 5C23 | PLATFORM SUPPORT (STOLPER) | 90-44 |
| 3E17 | PEDAL, DIFFERENTIAL LOCK | 50-89 | 5D12 | PLATFORM, SUPPORT (HINSON) | 90-58 |
| 1G18 | PEDAL, FOOT SPEED | 30-79 | 4H15 | POWER FRONT WHEEL DRIVE AXLE HOUSING | 80-22 |
| 3F16 | PFWD IMPROVEMENT KIT | 50-114 | 3F8 | POWER FRONT WHEEL DRIVE BRAKE PLATE | 50-106 |
| 4E13 | PIN, DRAWBAR | 70-90 | 3F9 | POWER FRONT WHEEL DRIVE CARRIER | 50-107 |
| 4E15 | PIN, DRAWBAR | 70-92 | 4C25 | POWER FRONT WHEEL DRIVE CONTROL VALVE | 70-46 |
| 1B19 | PIN, PISTON (DIESEL) | 20-14 | 4H18 | POWER FRONT WHEEL DRIVE KNEE | 80-25 |
| | | | 3F6 | POWER FRONT WHEEL DRIVE MOTOR HOUSING | 50-104 |
| | | | 4H18 | POWER FRONT WHEEL DRIVE MOTOR HOUSING | 80-25 |
| | | | 4D1 | POWER FRONT WHEEL DRIVE OIL LINES | 70-48 |

1A24

TRACTOR - 4000 AND 4020 (SERIAL NO. 201000-) TRACTORS

ALPHABETICAL INDEX - CONTINUED

| GRID | PAGE | GRID | PAGE | | |
|------|---|--------|------|---|--------|
| 2E14 | RELAY, INDICATOR LAMP | 40-88 | 1C6 | SEAL, CRANKSHAFT REAR OIL | 20-26 |
| 2E10 | RELAY, STARTING CIRCUIT | 40-84 | 1C7 | SEAL, OIL, CRANKSHAFT (FRONT AND REAR) | 20-27 |
| 2E11 | RELAY, STARTING CIRCUIT | 40-85 | 1B20 | SEAL, REAR OIL | 20-15 |
| 2F14 | RELAY, SUPPLEMENTARY WIRING | 40-114 | 5D7 | SEAL, ROOL (STOLPER) | 90-53 |
| 2F9 | RELAY,ELECTRICAL REMOTE CONTROL WIRING | 40-108 | 5D8 | SEAL, RUBBER WINDOW (HINSON) | 90-54 |
| 2E13 | RELAY,STARTING CIRCUIT | 40-86 | 5D10 | SEAL, RUBBER WINDOW (HINSON) | 90-56 |
| 2E12 | RELAY,STARTING CIRCUIT KIT(12-VOLT) | 40-85A | 5C19 | SEAL, RUBBER WINDOW (STOLPER) | 90-40 |
| 3F15 | RELIEF VALVE | 50-113 | 1C16 | SEAL, WATER PUMP (DIESEL) (AIR) | 20-37 |
| 3C7 | RELIEF VALVE, OIL FILTER | 50-28 | 1C15 | SEAL, WATER PUMP (DIESEL) (W/O AIR) | 20-36 |
| 3F14 | RELIEF VALVE, PRESSURE (PFWD) | 50-112 | 1C13 | SEAL, WATER PUMP (GAS) | 20-34 |
| 2F8 | REMOTE CONTROL KIT, ELECTRICAL | 40-107 | 5E15 | SEALANT, LOCTITE | 90-86 |
| 2F10 | REMOTE CONTROL WIRING KIT, ELECTRICAL | 40-110 | 5D20 | SEALING BAFFLES (HINSON) | 90-66 |
| 2F7 | REMOTE CONTROL, ELECTRICAL | 40-106 | 5C21 | SEALING, CAB (STOLPER) | 90-42 |
| 4F24 | REMOTE CYLINDER | 70-130 | 5C5 | SEAT (4000) | 90-26 |
| 4G5 | REMOTE CYLINDER (HYDRAULIC STOP) | 70-136 | 5C2 | SEAT BACK | 90-23 |
| 4G8 | REMOTE CYLINDER (HYDRAULIC STOP) | 70-140 | 5C2 | SEAT BACK CUSHION | 90-23 |
| 4G3 | REMOTE CYLINDER (MECHANICAL STOP) | 70-134 | 5C8 | SEAT BELT | 90-30 |
| 4G11 | REMOTE CYLINDER (MECHANICAL STOP) | 70-144 | 5C12 | SEAT BELT (HI-CROP) | 90-33 |
| 4G1 | REMOTE CYLINDER CONVERSION KIT | 70-132 | 5C9 | SEAT BELT (ROW-CROP AND STANDARD) | 90-31 |
| 4G13 | REMOTE CYLINDER CONVERSION KIT | 70-146 | 5C10 | SEAT BELT (W/O HI CROP) | 90-31A |
| 4G17 | REMOTE CYLINDER HOSE IDENTIFICATION KIT | 70-150 | 5C2 | SEAT CUSHION | 90-23 |
| 4G7 | REMOTE CYLINDER OVERHAUL KIT | 70-138 | 5C3 | SEAT SUPPORT, DELUXE | 90-24 |
| 4G10 | REMOTE CYLINDER OVERHAUL KIT | 70-142 | 5C4 | SEAT SUSPENSION | 90-25 |
| 1E11 | REPAIR KIT, CARBURETOR (ZENITH) | 30-27A | 5C6 | SEAT SUSPENSION (4000) | 90-28 |
| 4B9 | REPLACEMENT HYDRAULIC PUMP ASSEMBLY | 70-3 | 3D9 | SECOND PLANETARY BRAKE | 50-53 |
| 4B20 | REPLACEMENT PUMP, HYDRAULIC (3 IN3) | 70-14 | 5D24 | SELECTIVE CONTROL CONSOLE | 90-70 |
| 4B22 | REPLACEMENT PUMP, HYDRAULIC (4 IN3) | 70-16 | 4F3 | SELECTIVE CONTROL LEVERS | 70-107 |
| 3F15 | REPLACEMENT RELIEF VALVE | 50-113 | 4F4 | SELECTIVE CONTROL VALVE | 70-108 |
| 4C13 | RESERVOIR, HYDRAULIC OIL | 70-34 | 4F11 | SELECTIVE CONTROL VALVE | 70-116 |
| 4C15 | RESERVOIR, HYDRAULIC OIL | 70-36 | 4F7 | SELECTIVE CONTROL VALVE DETENT KIT | 70-111 |
| 4D13 | REVERSE SIGNAL LOCKOUT, KIT | 70-61 | 4F8 | SELECTIVE CONTROL VALVE HOUSING | 70-112 |
| 4H10 | RIM, DEMOUNTABLE | 80-16 | 4F10 | SELECTIVE CONTROL VALVE KITS | 70-115 |
| 1B19 | RINGS, PISTON (DIESEL) | 20-14 | 4F6 | SELECTIVE CONTROL VALVE OVERHAUL KIT | 70-110 |
| 1B18 | RINGS, PISTON (GAS) | 20-13 | 4D4 | SELECTIVE CONTROL VALVE SUPPORT | 70-51 |
| 1B9 | ROCKER ARM COVER | 20-4 | 1E18 | SENDER, FUEL GAUGE (DIESEL) | 30-32 |
| 1B10 | ROCKER ARMS | 20-5 | 1E1 | SENDER, FUEL GAUGE (GAS) | 30-17 |
| 5D24 | ROCKSHAFT CONSOLE | 90-70 | 1G9 | SENDER, FUEL GAUGE (LP-GAS) | 30-70 |
| 4D14 | ROCKSHAFT CONTROL LEVER | 70-62 | 2F17 | SENSOR,RADAR | 40-118 |
| 4D9 | ROCKSHAFT CONTROL VALVE HOUSING | 70-56 | 4H6 | SET, DECAL | 80-46 |
| 4D7 | ROCKSHAFT CRANK | 70-54 | 1D1 | SET, GASKET (DIESEL) | 20-46 |
| 4D5 | ROCKSHAFT HOUSING | 70-52 | 1C23 | SET, GASKET (GASOLINE AND LP-GAS) | 20-44 |
| 4D7 | ROCKSHAFT LIFT ARMS | 70-54 | 3F18 | SHAFT, BELT PULLEY | 50-116 |
| 4D11 | ROCKSHAFT LINKAGE AND CONTROL | 70-58 | 3C13 | SHAFT, CLUTCH (POWER SHIFT) | 50-34 |
| 4C11 | ROCKSHAFT OIL LINES | 70-32 | 3B8 | SHAFT, CLUTCH (SYNCRO-RANGE) | 50-2 |
| 4D7 | ROCKSHAFT PISTON | 70-54 | 3C17 | SHAFT, CLUTCH FORK (POWER SHIFT) | 50-38 |
| 4D6 | ROCKSHAFT PISTON COVER | 70-53 | 3B12 | SHAFT, CLUTCH FORK (SYNCRO-RANGE) | 50-6 |
| 4D16 | ROCKSHAFT, FRONT MOUNTED | 70-65 | 3F1 | SHAFT, DRIVE AND PINION (HI-CROP) | 50-99 |
| 1B10 | ROD, PUSH | 20-5 | 4D17 | SHAFT, LOAD CONTROL | 70-66 |
| 1G19 | ROD, SPEED CONTROL | 30-80 | 3E22 | SHAFT, PLANET PINION | 50-94 |
| 1B19 | RODS, CONNECTING (DIESEL) | 20-14 | 3E6 | SHAFT, PTO DRIVE (POWER SHIFT) | 50-76 |
| 1B18 | RODS, CONNECTING (GAS) | 20-13 | 3E7 | SHAFT, PTO DRIVE (POWER SHIFT) | 50-77 |
| 4H2 | RODS, RADIUS (HI-CROP) | 80-8 | 3E8 | SHAFT, PTO DRIVE (POWER SHIFT) | 50-78 |
| 4H17 | RODS, TIE (POWER FRONT WHEEL DRIVE) | 80-24 | 3C8 | SHAFT, PTO DRIVE (SYNCRO-RANGE) | 50-29 |
| 5C12 | ROLL-GARD (HI-CROP) | 90-33 | 3C9 | SHAFT, PTO DRIVE (SYNCRO-RANGE) | 50-30 |
| 5C9 | ROLL-GARD (ROW-CROP AND STANDARD) | 90-31 | 3E22 | SHAFT, REAR AXLE | 50-94 |
| 5C10 | ROLL-GARD (W/O HI CROP) | 90-31A | 3F3 | SHAFT, REAR AXLE (HI-CROP) | 50-101 |
| 5C8 | ROLL-GARD AND SEAT BELT | 90-30 | 3C9 | SHAFT, REAR PTO (SYNCRO-RANGE) | 50-30 |
| 4H4 | ROLL-O-MATIC | 80-10 | 1B10 | SHAFT, ROCKER ARM | 20-5 |
| 5D13 | ROOF, CAB (HINSON) | 90-59 | 3F22 | SHAFT, STEERING | 60-2 |
| 1B10 | ROTATOR, EXHAUST VALVE | 20-5 | 3C1 | SHAFT, TRANSMISSION DRIVE (SYNCRO-RANGE) | 50-22 |
| 2D3 | ROTOR,ALTERNATOR | 40-50 | 3C3 | SHAFT, TRANSMISSION DRIVE (SYNCRO-RANGE) | 50-24 |
| 2C18 | ROTOR,DISTRIBUTOR | 40-38 | 3B21 | SHAFTS, SHIFTER (SYNCRO-RANGE) | 50-17 |
| | | | 3B23 | SHAFTS, SHIFTER (SYNCRO-RANGE) | 50-19 |
| | | | 2C20 | SHIELD, ALTERNATOR (35 AND 55 AMP) | 40-41 |
| | | | 2C21 | SHIELD, ALTERNATOR (72 AMP) | 40-42 |

S

1A25

TRACTOR - 4000 AND 4020 (SERIAL NO. 201000-) TRACTORS

ALPHABETICAL INDEX - CONTINUED

| GRID | PAGE | GRID | PAGE | | |
|------|--|--------|------|--|--------|
| 2C22 | SHIELD, ALTERNATOR (72 AMP) (LATE MODEL) | 40-44 | 2E3 | STARTER MAIN FRAME | 40-76 |
| 4H16 | SHIELD, HYDRAULIC LINE (PFWD)..... | 80-23 | 2E1 | STARTER SOLENOID COVER KIT | 40-74 |
| 4H16 | SHIELD, OIL LINE (POWER FRONT WHEEL DRIVE) | 80-23 | 2E6 | STARTER SOLENOID COVER KIT | 40-79 |
| 4I6 | SHIELD, OPERATOR..... | 80-38 | 2D15 | STARTER SOLENOID COVER KIT(GAS AND LP-GAS) | 40-63 |
| 3E9 | SHIELD, PTO MASTER (POWER SHIFT) | 50-79 | 2D15 | STARTER SOLENOID COVER SAFTEY LABEL | 40-63 |
| 3C11 | SHIELD, PTO MASTER (SYNCRO-RANGE) | 50-32 | 2E6 | STARTER SOLENOID SAFTEY LABEL | 40-79 |
| 4I5 | SHIELD, SIDE..... | 80-37 | 2E1 | STARTER SOLENOID SAFTEY START LABEL | 40-74 |
| 5B11 | SHIELDS, TUBE (STOLPER) | 90-6 | 2D16 | STARTER SOLENOID SWITCH | 40-64 |
| 3D25 | SHIFT VALVE, TRANSMISSION | 50-70 | 2D20 | STARTER SOLENOID SWITCH | 40-68 |
| 3B21 | SHIFTER SHAFTS (SYNCRO-RANGE) | 50-17 | 2E5 | STARTER SOLENOID SWITCH | 40-78 |
| 3B23 | SHIFTER SHAFTS (SYNCRO-RANGE) | 50-19 | 2D24 | STARTER SOLENOID SWITCH (DIESEL) | 40-72 |
| 5C4 | SHOCK ABSORBER | 90-25 | 2D25 | STARTER SOLENOID SWITCH(DIESEL)..... | 40-73 |
| 1C21 | SHROUD, FAN..... | 20-42 | 2E3 | STARTER, COIL..... | 40-76 |
| 1F4 | SHUT-OFF, FUEL INJECTION PUMP ELECTRIC | 30-43 | 1G8 | STARTING AID KIT, ETHER | 30-69D |
| 4H20 | SIDE FRAME | 80-27 | 1G4 | STARTING AID TUBE KIT..... | 30-68A |
| 4I5 | SIDE PANEL..... | 80-37 | 1G6 | STARTING AID TUBE KIT..... | 30-69A |
| 4H6 | SINGLE FRONT WHEEL | 80-12 | 2E13 | STARTING CIRCUIT RELAY | 40-86 |
| 4H8 | SINGLE FRONT WHEEL | 80-14 | 2E13 | STARTING CIRCUIT RELAY KIT | 40-86 |
| 5E10 | SLOW MOVING VEHICLE EMBLEM..... | 90-81 | 2E12 | STARTING CIRCUIT RELAY KIT(12-VOLT) | 40-85A |
| 5E12 | SLOW MOVING VEHICLE EMBLEM..... | 90-83 | 1G3 | STARTING FLUID (EARLY DESIGN) | 30-68 |
| 5E11 | SLOW MOVING VEHICLE EMBLEM (CAB) | 90-82 | 1G5 | STARTING FLUID (LATE DESIGN) | 30-69 |
| 2F12 | SOCKET, ELECTRICAL OUTLET | 40-112 | 1G4 | STARTING FLUID TUBE KIT | 30-68A |
| 2F13 | SOCKET, ELECTRICAL OUTLET, 7-TERMINAL | 40-113 | 1G6 | STARTING FLUID TUBE KIT | 30-69A |
| 3F11 | SOLENOID (POWER FRONT WHEEL DRIVE) | 50-109 | 1G7 | STARTING FLUID TUBE KIT | 30-69B |
| 2D12 | SOLENOID SWITCH (GASOLINE AND LP-GAS)..... | 40-60 | 2D7 | STARTING MOTOR | 40-55 |
| 2D14 | SOLENOID SWITCH (GASOLINE AND LP-GAS)..... | 40-62 | 2E7 | STARTING MOTOR SEALING KIT | 40-81 |
| 2E5 | SOLENOID SWITCH, STARTER..... | 40-78 | 2D3 | STATOR,ALTERNATOR..... | 40-50 |
| 4C25 | SOLENOID VALVE (FRONT WHEEL DRIVE) | 70-46 | 4G23 | STEERING ARM..... | 80-4 |
| 5C22 | SOUND REDUCTION KIT | 90-43 | 4G24 | STEERING ARM..... | 80-5 |
| 2C16 | SPARK PLUG | 40-36 | 4H1 | STEERING ARM..... | 80-7 |
| 2C16 | SPARK PLUG CABLES | 40-36 | 4H17 | STEERING ARMS (POWER FRONT WHEEL DRIVE)..... | 80-24 |
| 3B23 | SPEED CHANGE ARM (SYNCRO-RANGE)..... | 50-19 | 3G6 | STEERING CYLINDER OVERHAUL KIT | 60-12 |
| 1G17 | SPEED CONTROL LINKAGE | 30-78 | 3F21 | STEERING MOTOR | 60-1 |
| 1G18 | SPEED CONTROL LINKAGE | 30-79 | 3G4 | STEERING OIL LINES..... | 60-9 |
| 1G19 | SPEED CONTROL RODS | 30-80 | 3G6 | STEERING PISTON OVERHAUL KIT | 60-12 |
| 3B21 | SPEED RANGE ARM (SYNCRO-RANGE) | 50-17 | 3F25 | STEERING VALVE | 60-5 |
| 2B12 | SPEED-HOUR METER..... | 40-6 | 3G1 | STEERING VALVE | 60-6 |
| 1B12 | SPEED-HOUR METER DRIVE | 20-7 | 3F22 | STEERING VALVE CYLINDER | 60-2 |
| 4H3 | SPINDLE EXTENSION, FRONT WHEEL | 80-9 | 3G2 | STEERING VALVE OPERATING LEVERS..... | 60-7 |
| 1B10 | SPRINGS, VALVE | 20-5 | 3G6 | STEERING VALVE OVERHAUL KIT..... | 60-12 |
| 2D16 | STARTER | 40-64 | 3F22 | STEERING VALVE PISTON | 60-2 |
| 2D18 | STARTER | 40-66 | 3F22 | STEERING WHEEL | 60-2 |
| 2D20 | STARTER | 40-68 | 3F22 | STEERING WHEEL EMBLEM | 60-2 |
| 2D22 | STARTER | 40-70 | 5D12 | STEP (HINSON)..... | 90-58 |
| 2D19 | STARTER (DIESEL)..... | 40-67 | 5D4 | STEP (STOLPER)..... | 90-50 |
| 2D10 | STARTER (GASOLINE AND LP-GAS) | 40-58 | 4I13 | STEP, TRACTOR (HI-CROP) | 80-45 |
| 2D12 | STARTER (GASOLINE AND LP-GAS) | 40-60 | 4I11 | STEP, TRACTOR (ROW-CROP) | 80-43 |
| 2D8 | STARTER (GASOLINE) | 40-56 | 4I12 | STEP, TRACTOR (STANDARD) | 80-44 |
| 2D9 | STARTER (GASOLINE) | 40-57 | 4I14 | STEPS (KIT) | 80-45A |
| 2D11 | STARTER (LP-GAS)..... | 40-59 | 1G14 | STRAINER, FUEL (LP-GAS) | 30-75 |
| 2D13 | STARTER (LP-GAS)..... | 40-61 | 1G16 | STRAINER, FUEL (LP-GAS) | 30-77 |
| 2D16 | STARTER ARMATURE | 40-64 | 4C3 | STROKE CONTROL VALVE OVERHAUL KIT | 70-22 |
| 2D20 | STARTER ARMATURE | 40-68 | 4B14 | STROKE CONTROL VALVE SHUT-OFF KIT | 70-8 |
| 2E2 | STARTER ARMATURE | 40-75 | 4B24 | STROKE CONTROL VALVE SHUT-OFF KIT | 70-18 |
| 2E10 | STARTER CIRCUIT RELAY..... | 40-84 | 4B14 | STROKE CONTROL VALVE, HYDRAULIC PUMP..... | 70-8 |
| 2E11 | STARTER CIRCUIT RELAY..... | 40-85 | 4B24 | STROKE CONTROL VALVE, HYDRAULIC PUMP..... | 70-18 |
| 2D18 | STARTER COIL | 40-66 | 2F13 | SUPPLEMENTARY OUTLET, 7-TERMINAL | 40-113 |
| 2E4 | STARTER COMMUTATOR END FRAME | 40-77 | 2G8 | SUPPLEMENTARY TERMINALS AND CONNECTORS..... | 40-132 |
| 2D20 | STARTER DRIVE END HOUSING | 40-68 | 2G9 | SUPPLEMENTARY TERMINALS AND CONNECTORS..... | 40-133 |
| 2D16 | STARTER DRIVE HOUSING | 40-64 | 2F14 | SUPPLEMENTARY WIRING KIT..... | 40-114 |
| 2E2 | STARTER DRIVE HOUSING | 40-75 | 5E1 | SUPPORT, CONTROL | 90-72 |
| 2D18 | STARTER END FRAME..... | 40-66 | 5E3 | SUPPORT, DASH..... | 90-74 |
| 2D22 | STARTER FIELD WINDING COIL..... | 40-70 | 4E20 | SUPPORT, DRAWBAR FRONT..... | 70-98 |
| 1B20 | STARTER GEAR | 20-15 | 4E21 | SUPPORT, DRAWBAR FRONT..... | 70-99 |
| 2D22 | STARTER MAIN FRAME | 40-70 | 4E22 | SUPPORT, DRAWBAR FRONT..... | 70-100 |
| | | | 4E17 | SUPPORT, DRAWBAR FRONT (HI-CROP) | 70-94 |

1B1

TRACTOR - 4000 AND 4020 (SERIAL NO. 201000-) TRACTORS

ALPHABETICAL INDEX - CONTINUED

| GRID | PAGE | GRID | PAGE | | | |
|----------|---|--------|----------|---|--------|--|
| 5B16 | SUPPORT, EVAPORATOR (STOLPER)..... | 90-12 | 2B13 | TRACTOR LAMP WIRING (ROW-CROP)..... | 40-7 | |
| 4E2 | SUPPORT, HITCH DRAFT LINK..... | 70-77 | 2B16 | TRACTOR LAMP WIRING (STANDARD)..... | 40-10 | |
| 3G5 | SUPPORT, HYDRAULIC OIL LINE..... | 60-11 | 2C1 | TRACTOR LAMPS..... | 40-20 | |
| 4B8 | SUPPORT, HYDRAULIC PUMP..... | 70-2 | 4I13 | TRACTOR STEP (HI-CROP)..... | 80-45 | |
| 4D17 | SUPPORT, LOAD CONTROL..... | 70-66 | 4I11 | TRACTOR STEP (ROW-CROP)..... | 80-43 | |
| 4D4 | SUPPORT, SELECTIVE CONTROL VALVE..... | 70-51 | 4I12 | TRACTOR STEP (STANDARD)..... | 80-44 | |
| 5E16 | SUPPORT, TOOL BOX..... | 90-87 | 3D4 | TRANSMISSION CASE (POWER SHIFT)..... | 50-48 | |
| 2C4 | SUPPORT, WARNING LAMP..... | 40-23 | 3B16 | TRANSMISSION CASE (SYNCRO-RANGE)..... | 50-12 | |
| 5C6 | SUSPENSION, SEAT (4000)..... | 90-28 | 3B18 | TRANSMISSION CASE COVER (SYNCRO-RANGE)..... | 50-14 | |
| 4E13 | SWAY CONTROL BLOCKS..... | 70-90 | 3C21 | TRANSMISSION CLUTCH ASSEMBLY (PTO)..... | 50-42 | |
| 2F4 | SWITCH, BLOWER (STOLPER)..... | 40-103 | 3C14 | TRANSMISSION CLUTCH OIL PUMP..... | 50-35 | |
| 2B11 | SWITCH, DIMMER..... | 40-5 | 3C15 | TRANSMISSION CLUTCH OIL PUMP..... | 50-36 | |
| 2F7 | SWITCH, ELECTRICAL REMOTE CONTROL..... | 40-106 | 3C19 | TRANSMISSION CLUTCH PACK (POWER SHIFT)..... | 50-40 | |
| 1B13 | SWITCH, ENGINE OIL PRESSURE..... | 20-8 | 3C20 | TRANSMISSION CLUTCH PACK (POWER SHIFT)..... | 50-41 | |
| 2E18 | SWITCH, HORN..... | 40-92 | 3D1 | TRANSMISSION CLUTCH REGULATING VALVE..... | 50-45 | |
| 2B10 | SWITCH, IGNITION KEY..... | 40-4 | 3C25 | TRANSMISSION CLUTCH VALVE (POWER SHIFT)..... | 50-44 | |
| 2B10 | SWITCH, LIGHT..... | 40-4 | 3D2 | TRANSMISSION CLUTCH VALVE (POWER SHIFT)..... | 50-46 | |
| 4C18 | SWITCH, PRESSURE, TRANSMISSION LUBE OIL..... | 70-39 | 3D23 | TRANSMISSION CONTROL VALVE..... | 50-68 | |
| 2D14 | SWITCH, SOLENOID (GASOLINE AND LP-GAS)..... | 40-62 | 3D21 | TRANSMISSION CONTROL VALVE KIT..... | 50-66 | |
| 3D17 | SWITCH, START-SAFETY (POWER SHIFT)..... | 50-61 | 3B19 | TRANSMISSION COUNTERSHAFT..... | 50-15 | |
| 3B21 | SWITCH, START-SAFETY (SYNCRO-RANGE)..... | 50-17 | 3D6 | TRANSMISSION COVER, FRONT..... | 50-50 | |
| 2E5 | SWITCH, STARTER SOLENOID..... | 40-78 | 3D15 | TRANSMISSION DIFFERENTIAL DRIVE..... | 50-59 | |
| 1D12 | SWITCH, VACUUM INDICATOR..... | 30-3 | 3D13 | TRANSMISSION DISCONNECT (POWER SHIFT)..... | 50-57 | |
| 1D13 | SWITCH, VACUUM INDICATOR..... | 30-4 | 3C13 | TRANSMISSION DISCONNECT CLUTCH..... | 50-34 | |
| 2F3 | SWITCH, WIPER (HINSON)..... | 40-102 | 3C16 | TRANSMISSION DISCONNECT CLUTCH CONTROL..... | 50-37 | |
| 2F4 | SWITCH, WIPER (STOLPER)..... | 40-103 | 3C1 | TRANSMISSION DRIVE SHAFT (SYNCRO-RANGE)..... | 50-22 | |
| 2D20 | SWITCH, SOLENOID STARTER..... | 40-68 | 3C3 | TRANSMISSION DRIVE SHAFT (SYNCRO-RANGE)..... | 50-24 | |
| 2D16 | SWITCH, STARTER SOLENOID..... | 40-64 | 3D14 | TRANSMISSION GEAR REDUCTION..... | 50-58 | |
| 2D24 | SWITCH, STARTER SOLENOID (DIESEL)..... | 40-72 | 3D14 | TRANSMISSION IDLER GEAR AND SHAFT..... | 50-58 | |
| 2D25 | SWITCH, STARTER SOLENOID (DIESEL)..... | 40-73 | 3D16 | TRANSMISSION LOCK (POWER SHIFT)..... | 50-60 | |
| 2C7 | SWITCHES, ELECTRICAL (FRONT WHEEL DRIVE)..... | 40-26 | 3E2 | TRANSMISSION LOCK CONTROL..... | 50-72 | |
| 2C8 | SWITCHES, ELECTRICAL (FRONT WHEEL DRIVE)..... | 40-27 | 4B7 | TRANSMISSION OIL..... | 70-1 | |
| 3C3 | SYNCHRONIZER DRUM (SYNCRO-RANGE)..... | 50-24 | 3D12 | TRANSMISSION PLANETARY..... | 50-56 | |
| 3C1 | SYNCHRONIZER, DRUM (SYNCRO-RANGE)..... | 50-22 | 4D3 | TRANSMISSION REAR COVER..... | 70-50 | |
| T | | | | | | |
| 1E18 | TANK, FUEL (DIESEL)..... | 30-32 | 3D25 | TRANSMISSION SHIFT VALVE (POWER SHIFT)..... | 50-70 | |
| 1E1 | TANK, FUEL (GAS)..... | 30-17 | 3E1 | TRANSMISSION SHIFTER CONTROL..... | 50-71 | |
| 1G9 | TANK, FUEL (LP-GAS)..... | 30-70 | 3C1 | TRANSMISSION SYNCHRONIZER DISK..... | 50-22 | |
| 2F21 | TERMINAL AND WIRING..... | 40-122 | 3C3 | TRANSMISSION SYNCHRONIZER DISK..... | 50-24 | |
| 2F21 | TERMINAL TOOL..... | 40-122 | 5D16 | TRAY, CONDENSATE (HINSON)..... | 90-62 | |
| 2G7 | TERMINALS, ELECTRICAL, DEUTSCH..... | 40-130 | U | | | |
| 2G9 | TERMINALS, ELECTRICAL, SUPPLEMENTARY..... | 40-133 | 1C1 | UNDERHAUL KIT, ENGINE (6404)..... | 20-21 | |
| 2G5 | TERMINALS, ELECTRICAL, WEATHERPACK..... | 40-128 | 1B23 | UNDERSIZE CRANKSHAFT KIT (LATE DESIGN)..... | 20-18 | |
| 1C19 | THERMOSTAT HOUSING..... | 20-40 | 1B24 | UNDERSIZE MAIN BEARING CRANKSHAFT (EARLY DESIGN)..... | 20-19 | |
| 4C19 | THERMOSTATIC BYPASS VALVE..... | 70-40 | 5D22 | UPHOLSTERING (HINSON)..... | 90-68 | |
| 1C19 | THERMOSTATS..... | 20-40 | 1B25 | US MAIN BEARING CRANKSHAFT AND BEARING KIT (LATE DESIGN)..... | 20-20 | |
| 3D8 | THIRD PLANETARY BRAKE..... | 50-52 | V | | | |
| 4E10 | THREE-POINT HITCH..... | 70-87 | 4D9 | VALVE HOUSING, ROCKSHAFT CONTROL..... | 70-56 | |
| 4E11 | THREE-POINT HITCH..... | 70-88 | 5B9 | VALVE KIT, COMPRESSOR..... | 90-4 | |
| 4E20 | THREE-POINT HITCH..... | 70-98 | 3G11 | VALVE, BRAKE..... | 60-18 | |
| 4E8 | THREE-POINT HITCH QUICK COUPLER..... | 70-84 | 3F12 | VALVE, CONTROL, OVERHAUL KIT (PFWD)..... | 50-110 | |
| 4G23 | TIE RODS..... | 80-4 | 3E18 | VALVE, DIFFERENTIAL LOCK..... | 50-90 | |
| 4G24 | TIE RODS..... | 80-5 | 3E19 | VALVE, DIFFERENTIAL LOCK..... | 50-91 | |
| 4H1 | TIE RODS..... | 80-7 | 3F10 | VALVE, DIRECTIONAL CONTROL (PFWD)..... | 50-108 | |
| 4H17 | TIE RODS (POWER FRONT WHEEL DRIVE)..... | 80-24 | 1D19 | VALVE, HEAT MANIFOLD (GAS)..... | 30-10 | |
| 1C7 | TIMING GEAR COVER..... | 20-27 | 5C1 | VALVE, HEATER SHUT-OFF (HINSON)..... | 90-22 | |
| 5E16 | TOOL BOX..... | 90-87 | 4C21 | VALVE, HYDRAULIC OIL COOLER BYPASS..... | 70-42 | |
| 5D19 | TOOL BOX (HINSON)..... | 90-65 | 1B10 | VALVE, INTAKE AND EXHAUST..... | 20-5 | |
| 5D4 | TOOL BOX (STOLPER)..... | 90-50 | 3C7 | VALVE, OIL FILTER RELIEF..... | 50-28 | |
| 2F21 | TOOL, TERMINAL..... | 40-122 | | | | |
| 5E14 | TOOLS..... | 90-85 | | | | |
| 2B18 | TRACTOR LAMP WIRING (HI-CROP)..... | 40-12 | | | | |

1B2

TRACTOR - 4000 AND 4020 (SERIAL NO. 201000-) TRACTORS

ALPHABETICAL INDEX - CONTINUED

| <i>GRID</i> | | <i>PAGE</i> | <i>GRID</i> | | <i>PAGE</i> |
|-------------|---|-------------|-------------|---|-------------|
| 4E24 | VALVE, POWER WEIGHT TRANSFER HITCH | 70-102 | 2B8 | WIRING HARNESS | 40-2 |
| 4C11 | VALVE, PRESSURE CONTROL | 70-32 | 2F19 | WIRING HARNESS, MINI-MONITOR (PERFORMANCE TRAK II) | 40-120 |
| 4C24 | VALVE, PRESSURE CONTROL | 70-45 | 2B7 | WIRING HARNESSES | 40-1 |
| 3F14 | VALVE, PRESSURE RELIEF (PFWD) | 50-112 | 2E8 | WIRING KIT, ACCESSORY RELAY | 40-82 |
| 3B14 | VALVE, PTO CLUTCH (SYNCRO-RANGE) | 50-9 | 2E9 | WIRING KIT, ACCESSORY RELAY | 40-83 |
| 3F15 | VALVE, RELIEF | 50-113 | 2F10 | WIRING KIT, ELECTRICAL REMOTE CONTROL | 40-110 |
| 4F4 | VALVE, SELECTIVE CONTROL | 70-108 | 2E16 | WIRING LEADS (CAB)..... | 40-90 |
| 3D25 | VALVE, SHIFT (POWER SHIFT)..... | 50-70 | 2E17 | WIRING LEADS (CAB)..... | 40-91 |
| 4C25 | VALVE, SOLENOID (FRONT WHEEL DRIVE)..... | 70-46 | 2B24 | WIRING, CAB (AIR CONDITIONING) | 40-18 |
| 3F25 | VALVE, STEERING | 60-5 | 2B21 | WIRING, CAB LAMP (STOLPER) | 40-15 |
| 3G1 | VALVE, STEERING | 60-6 | 2F13 | WIRING, ELECTRICAL OUTLET, 7-TERMINAL | 40-113 |
| 4C19 | VALVE, THERMOSTATIC BYPASS | 70-40 | 2B20 | WIRING, LAMP (HINSON)..... | 40-14 |
| 3D17 | VALVE, TRANSMISSION CONTROL | 50-61 | 2F14 | WIRING, SUPPLEMENTARY | 40-114 |
| 3C25 | VALVE, TRANSMISSION CLUTCH (POWER SHIFT) | 50-44 | 2B15 | WIRING, TRACTOR LAMP | 40-9 |
| 3D2 | VALVE, TRANSMISSION CLUTCH (POWER SHIFT) | 50-46 | 2B18 | WIRING, TRACTOR LAMP (HI-CROP)..... | 40-12 |
| 3D1 | VALVE, TRANSMISSION CLUTCH REGULATING | 50-45 | 2B13 | WIRING, TRACTOR LAMP (ROW-CROP) | 40-7 |
| 3D19 | VALVE, TRANSMISSION CONTROL | 50-64 | 2B16 | WIRING, TRACTOR LAMP (STANDARD)..... | 40-10 |
| 3D23 | VALVE, TRANSMISSION CONTROL | 50-68 | 2F9 | WIRING, ELECTRICAL REMOTE CONTROL | 40-108 |
| 1G9 | VALVES, FUEL (LP-GAS) | 30-70 | | | |
| 5D5 | VENT, ROOF (STOLPER) | 90-51 | | | |

Y

| | | |
|-----|-------------------------|-------|
| 4H6 | YOKE, FRONT WHEEL | 80-12 |
|-----|-------------------------|-------|

W

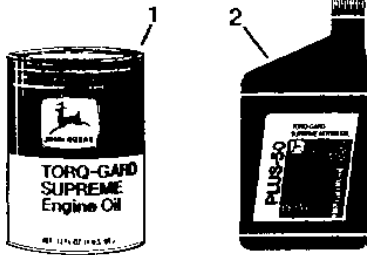
| | | |
|------|---|--------|
| 2B15 | WARNING LAMP | 40-9 |
| 2B17 | WARNING LAMP | 40-11 |
| 2B19 | WARNING LAMP | 40-13 |
| 2B25 | WARNING LAMP | 40-19 |
| 2C6 | WARNING LAMP (FLASHING) | 40-25 |
| 2B10 | WARNING LAMP FLASHER | 40-4 |
| 2C4 | WARNING LAMP SUPPORT | 40-23 |
| 5D18 | WASHER, WINDSHIELD | 90-64 |
| 1C18 | WATER OUTLET MANIFOLD | 20-39 |
| 1C16 | WATER PUMP (DIESEL) (AIR) | 20-37 |
| 1C15 | WATER PUMP (DIESEL) (W/O AIR)..... | 20-36 |
| 1C13 | WATER PUMP (GAS) | 20-34 |
| 2B9 | WATER TEMPERATURE GAUGE..... | 40-3 |
| 2G5 | WEATHERPACK CONNECTORS | 40-128 |
| 2G5 | WEATHERPACK TERMINALS..... | 40-128 |
| 5E13 | WEATHERSHIELD | 90-84 |
| 4H21 | WEIGHT, FRAME | 80-28 |
| 4H22 | WEIGHT, FRONT | 80-29 |
| 4H23 | WEIGHT, FRONT, QUIK-TATCH..... | 80-30 |
| 4H24 | WEIGHT, FRONT, QUIK-TATCH..... | 80-31 |
| 4H13 | WEIGHTS, REAR WHEEL (30", 34" AND 38")..... | 80-19 |
| 4H14 | WEIGHTS, REAR WHEEL (34" AND 38") | 80-21 |
| 3F4 | WHEEL MANIFOLD (POWER FRONT WHEEL DRIVE) | 50-102 |
| 5D6 | WHEEL, BLOWER (STOLPER)..... | 90-52 |
| 4H6 | WHEEL, SINGLE FRONT | 80-12 |
| 3F22 | WHEEL, STEERING..... | 60-2 |
| 4H19 | WHEELS (POWER FRONT WHEEL DRIVE) | 80-26 |
| 4H9 | WHEELS, FRONT..... | 80-15 |
| 4H10 | WHEELS, REAR..... | 80-16 |
| 4H12 | WHEELS, REAR..... | 80-18 |
| 4E15 | WIDE SWING DRAWBAR | 70-92 |
| 5D10 | WINDOW, FRONT, R.H. (HINSON) | 90-56 |
| 5C16 | WINDOW, FRONT, R.H. (STOLPER) | 90-37 |
| 5D18 | WINDSHIELD WASHER..... | 90-64 |
| 2F6 | WINDSHIELD WIPER..... | 40-105 |
| 2F3 | WINDSHIELD WIPER (HINSON)..... | 40-102 |
| 2F5 | WINDSHIELD WIPER (STOLPER) | 40-104 |
| 2F6 | WIPER, WINDSHIELD | 40-105 |
| 2F3 | WIPER, WINDSHIELD (HINSON) | 40-102 |
| 2F5 | WIPER, WINDSHIELD (STOLPER)..... | 40-104 |

1B6

ENGINE

TORQ-GARD SUPREME AND PLUS-50 ENGINE OIL

RGP3291 -UN-01JAN94



RGP 3291

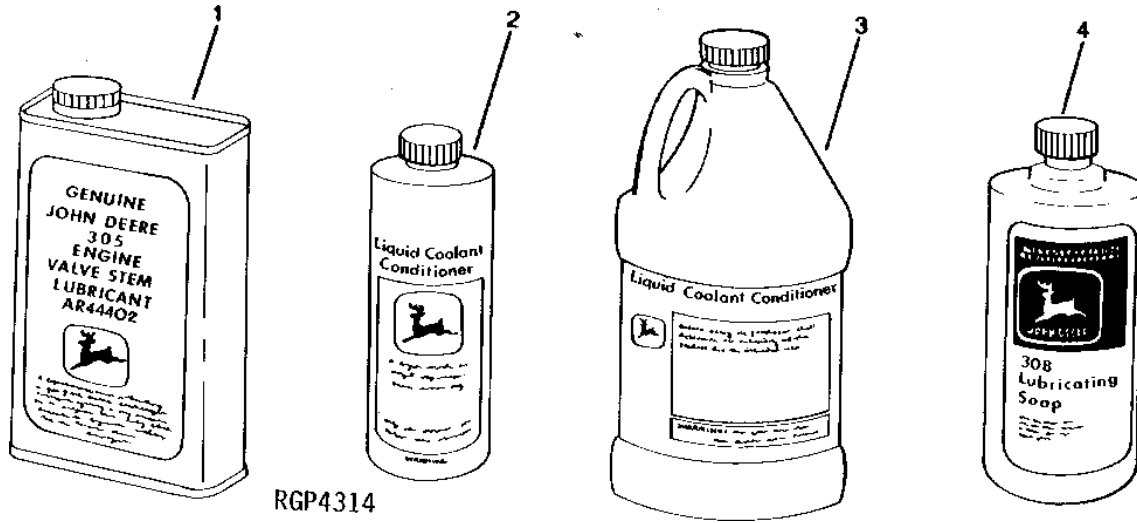
| KEY | PART NO. | PART NAME | QTY | ENGINE SERIAL NO. | REMARKS |
|-----|----------|-----------|-----|---|---------|
| 1 | TY6359 | OIL | 1 | (SAE 5W/30), 0.9 L (1 QT) | |
| | TY6360 | OIL | 1 | (SAE 5W/30), 19 L (5 GAL) | |
| | TY6361 | OIL | 1 | (SAE 5W/30), 208 L (55 GAL) | |
| | TY6364 | OIL | 1 | (SAE 10W/30), 0.9 L (1 QT) (BREAKIN) | |
| | TY6297 | OIL | 1 | (SAE 15W/40), 0.9 L (1 QT) | |
| | TY6298 | OIL | 1 | (SAE 15W/40), 19 L (5 GAL) | |
| | TY6300 | OIL | 1 | (SAE 15W/40), 114 L (30 GAL) \ | |
| | TY6301 | OIL | 1 | (SAE 15W/40), 208 L (55 GAL) | |
| | TY6311 | OIL | 1 | (SAE 10W), 0.9 L (1 QT) | |
| | TY22009 | OIL | 1 | (SAE 10W), 3.8 L (1 GAL) | |
| | TY6312 | OIL | 1 | (SAE 10W), 19 L (5 GAL) | |
| | TY6313 | OIL | 1 | (SAE 10W), 208 L (55 GAL) | |
| | AR63979 | OIL | 1 | (SAE 30W), 0.2 L (.25) | |
| | AR63218 | OIL | 1 | (SAE 30W), 0.9 L (.25) | |
| | AR63219 | OIL | 1 | (SAE 30W), 19 L (5 GAL) | |
| | TY6280 | OIL | 1 | (SAE 30W), 114 L (30 GAL) | |
| | AR63222 | OIL | 1 | (SAE 30W), 208 L (55 GAL) | |
| | TY6389 | OIL | 1 | (SAE 15W/40), 0.9 L (1 QT) | |
| 2 | TY22008 | OIL | 1 | (SAE 15W/40), 3.8 L (1 GAL) | |
| | TY6390 | OIL | 1 | (SAE 15W/40), 19 L (5 GAL) | |
| | TY22010 | OIL | 1 | (SAE 15W/40), 113.6 L (30 GAL) | |
| | TY6391 | OIL | 1 | (SAE 15W/40), 208 L (55 GAL) | |
| | TY6392 | OIL | 1 | (SAE 30W), 0.9 L (1 QT) | |
| | TY22007 | OIL | 1 | (SAE 30W), 3.8 L (1 GAL) | |
| | TY6393 | OIL | 1 | (SAE 30W), 19 L (5 GAL) | |
| | TY22011 | OIL | 1 | (SAE 30W), 113.6 L (30 GAL) | |
| | TY6394 | OIL | 1 | (SAE 30W), 208 L (55 GAL) | |
| | TY22041 | OIL | 1 | (SAE 10W/30), 3.8 L (1 GALLON) (BREAK-IN) | |
| .. | TY22042 | OIL | 1 | (SAE 10W/30), 208 L (55 GAL) (BREAK-IN) | |

1B7

ENGINE

ACCESSORY PARTS

RGP4314 -UN-01JAN94



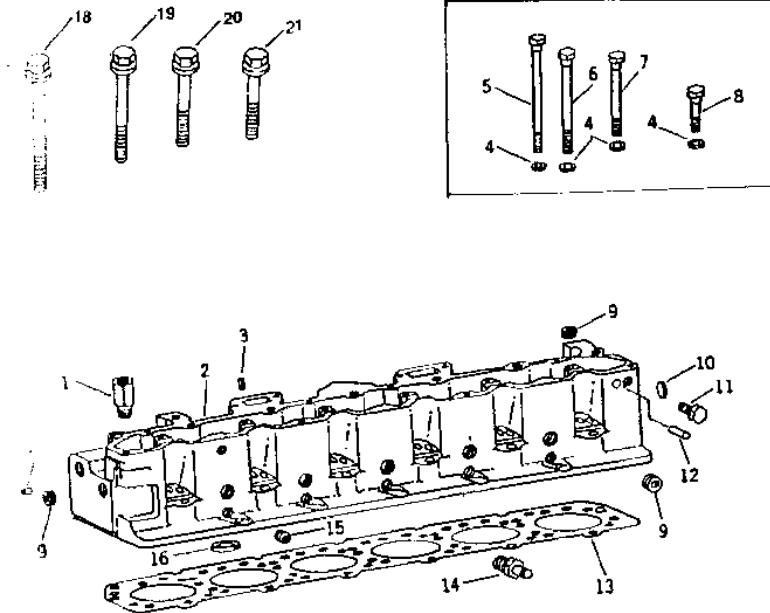
| KEY | PART NO. | PART NAME | QTY | ENGINE SERIAL NO. | REMARKS |
|-----|----------|----------------------------|-----|-------------------|---|
| 1 | AR44402 | OIL | 1 | | .473 ML (32 OZ.) |
| 2 | RE23182 | ENGINE COOLANT CONDITIONER | 1 | | 0.473 L (16 OZ.) (PHOSPHATE - FREE) (SUB TY16004) |
| 3 | TY16004 | ENGINE COOLANT CONDITIONER | 1 | | 0.472 L (16 OZ.) |
| | RE35992 | ENGINE COOLANT CONDITIONER | 1 | | 3.8 L (1 GAL.) (PHOSPHATE - FREE) (SUB TY16005) |
| 4 | TY16005 | ENGINE COOLANT CONDITIONER | 1 | | 1.9 L (1/2 GAL.) |
| | AR54749 | LUBRICANT | 1 | | .9 L (1 QT.) |
| .. | AR21969 | KIT | 1 | | (DUST CAP/COVER KIT) |

1B8

ENGINE

RGP3609 -UN-01JAN94

CYLINDER HEAD AND GASKET



RGP3609

| KEY | PART NO. | PART NAME | QTY | ENGINE SERIAL NO. | REMARKS |
|-----|----------|-------------------|-----|-------------------|--|
| 1 | R41285 | ADAPTER | 1 | | |
| 2 | AR48182 | CYLINDER HEAD | 1 | | (A) (MARKED R40550, R45180 OR R46080) (SUB FOR AR40311, AR40312, AR47067 OR AR47068) |
| | AR48183 | CYLINDER HEAD | 1 | | (B) (MARKED R40560 OR R46090) (SUB FOR AR40314) |
| 3 | 34H387 | SPRING PIN | 1 | | 3/16" X 3/4" |
| 4 | R76126 | WASHER | 26 | | |
| 5 | R62420 | SCREW | 7 | | (SUB FOR R44216 OR R45194) (SUB R88045) |
| 6 | R62419 | SCREW | 8 | | (SUB FOR R44215 OR R45193) (SUB R88044) |
| 7 | R62418 | SCREW | 5 | | (SUB FOR R44214 OR R45192) (SUB R88043) |
| 8 | R42727 | CAP SCREW | 6 | -215991 | (A) 60.45 MM (2.38") |
| | R45161 | CAP SCREW | 6 | 215992- | (A) 69.85 MM (2.75") |
| | R62421 | SCREW | 6 | | (B) 85.85 MM (3.38") (SUB FOR R42728 OR R45195) |
| 9 | 15H690 | PIPE PLUG | 12 | | 3/4" |
| 10 | 30H37 | PLUG | 1 | | (A) 1", (NLA) |
| 11 | R45692 | CAP SCREW | 2 | | |
| 12 | R20423 | DOWEL PIN | 1 | | |
| 13 | R41609 | GASKET | 1 | | (A) |
| | R48291 | GASKET | 1 | | (B) (SUB FOR R41609) (MARKED R48291) |
| 14 | R41071 | FITTING | 1 | | |
| 15 | 15H624 | PIPE PLUG | 5 | | (A) 1/2" |
| 16 | R34593 | VALVE SEAT INSERT | AR | | 0.25MM (.010") EXHAUST, OS (LP-GAS) |
| | R43681 | VALVE SEAT INSERT | AR | | (B) EXHAUST, STD |
| | R43683 | VALVE SEAT INSERT | AR | | (B) 0.25MM (.010") EXHAUST, OS |
| | R43680 | VALVE SEAT INSERT | AR | | (B) INTAKE, STD |
| | R43682 | VALVE SEAT INSERT | AR | | (B) 0.25MM (0.10") INTAKE, OS |
| | R33634 | VALVE SEAT INSERT | 6 | | (A) EXHAUST, STD, (USE WITH R46080 OR R46090) |
| 17 | F1743R | DOWEL PIN | 1 | | |
| 18 | R88045 | SCREW | 7 | | |
| 19 | R88044 | SCREW | 8 | | |
| 20 | R88043 | SCREW | 5 | | |
| 21 | R88042 | SCREW | 6 | | (B) |

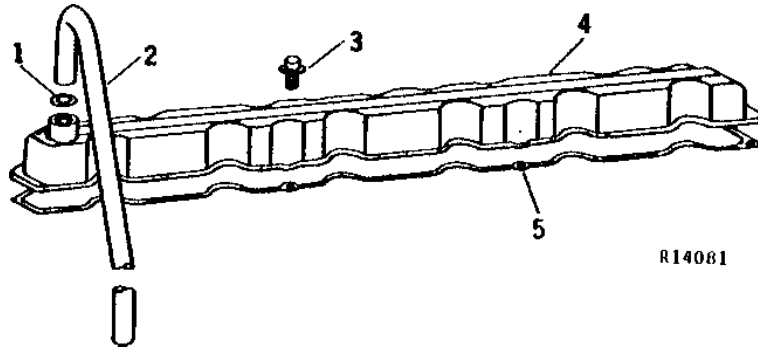
(A) GASOLINE AND LP-GAS
(B) DIESEL

1B9

ENGINE

R14081 -UN-01JAN94

ROCKER ARM COVER



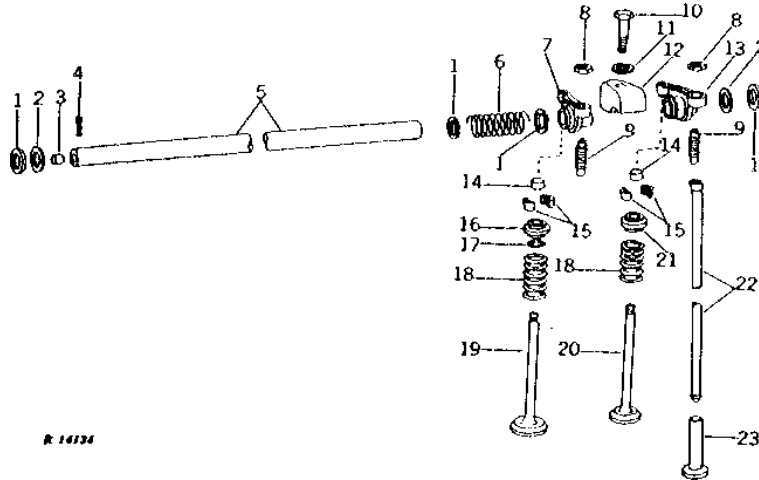
| KEY | PART NO. | PART NAME | QTY | ENGINE SERIAL NO. | REMARKS |
|-----|----------|--------------------|-----|-------------------|----------------------------|
| 1 | R495R | O-RING | 1 | | |
| 2 | R26405 | LINE | 1 | | |
| 3 | AR103811 | SCREW, WITH WASHER | 8 | | (SUB FOR AR45530) |
| 4 | AR26516 | COVER | 1 | | |
| 5 | R49866 | GASKET | 1 | | (SUB FOR R26356 OR R32593) |

1B10

ENGINE

R14124 -UN-01JAN94

ROCKER ARMS, SHAFT, AND VALVES



| KEY | PART NO. | PART NAME | QTY | ENGINE SERIAL NO. | REMARKS |
|-----|----------|------------------|-----|-------------------|------------------------------------|
| 1 | 24H1384 | WASHER | 12 | | 49/64" X 1-1/16" X 0.036" |
| 2 | R26081 | WASHER | 2 | | |
| 3 | R27529 | PLUG | 2 | | |
| 4 | 11M7082 | COTTER PIN | 2 | | 2.500 X 25 MM |
| 5 | AR26444 | ROCKER ARM SHAFT | 1 | | (SUB R70826 AND (2) R54565) |
| | R70826 | ROCKER ARM SHAFT | 1 | | (NOT SHOWN) |
| | R54565 | PLUG | 2 | | (NOT SHOWN) |
| 6 | R26079 | SPRING | 5 | | |
| 7 | AR54905 | ROCKER ARM | 6 | | (SUB FOR AR34294) |
| 8 | 14H846 | NUT | 12 | | 3/8" |
| 9 | R27443 | SET SCREW | 12 | | |
| 10 | 19H1740 | CAP SCREW | 6 | | 7/16" X 1-3/4" |
| 11 | R26559 | WASHER | 6 | | |
| 12 | R26748 | CLAMP | 6 | | |
| 13 | AR54904 | ROCKER ARM | 6 | | (SUB FOR AR34293) |
| 14 | T20129 | CAP | 12 | | (DIESEL) |
| 15 | T20077 | RETAINER | 24 | | |
| 16 | R41415 | CAP | 6 | | (GASOLINE) |
| | R41415 | CAP | 12 | | (LP-GAS) |
| | R41412 | CAP | 6 | | (DIESEL) (SUB RE11410) |
| 17 | R87627 | O-RING | 6 | | (SUB FOR R27976, THIS APPLICATION) |
| 18 | R26125 | SPRING | 12 | | |
| 19 | R41414 | INTAKE VALVE | 6 | | STD (GASOLINE AND LP-GAS) |
| | R42149 | INTAKE VALVE | 6 | | (A) 0.08MM (.003") (NLA) |
| | R42150 | INTAKE VALVE | 6 | | (A) 0.38MM (.015") (NLA) |
| | R42151 | INTAKE VALVE | 6 | | (A) 0.76MM (.030") (NLA) |
| | R43883 | INTAKE VALVE | 6 | | STD STEM (DIESEL) |
| | R45003 | INTAKE VALVE | 6 | | (B) 0.08MM (.003") |
| | R45004 | INTAKE VALVE | 6 | | (B) 0.38MM (.015") |
| | R45005 | INTAKE VALVE | 6 | | (B) 0.76MM (.030") |
| 20 | R41413 | EXHAUST VALVE | 6 | | STD STEM (GASOLINE AND LP-GAS) |
| | R42152 | EXHAUST VALVE | 6 | | (A) 0.08MM (.003") (NLA) |
| | R42153 | EXHAUST VALVE | 6 | | (A) 0.38MM (.015") (NLA) |
| | R42154 | EXHAUST VALVE | 6 | | (A) 0.76MM (.030") (NLA) |
| | R43679 | EXHAUST VALVE | 6 | | STD STEM (DIESEL) |
| | R43787 | EXHAUST VALVE | 6 | | (B) 0.08MM (.003") |
| | R43788 | EXHAUST VALVE | 6 | | (B) 0.38MM (.015") |
| | R43789 | EXHAUST VALVE | 6 | | (B) 0.76MM (.030") |
| 21 | T20287 | ROTATOR | 6 | | (GASOLINE) |
| | RE11410 | ROTATOR | 6 | | (DIESEL) (SUB FOR AR41006) |
| 22 | AR40679 | PUSH ROD | 12 | | (GASOLINE AND LP-GAS) |
| | R85027 | PUSH ROD | 12 | | (DIESEL) (SUB FOR AR40680) |
| 23 | R52773 | CAM FOLLOWER | 12 | | (SUB FOR R40906) |
| .. | AR44402 | OIL | 1 | | 0.9L (1 QT.) |

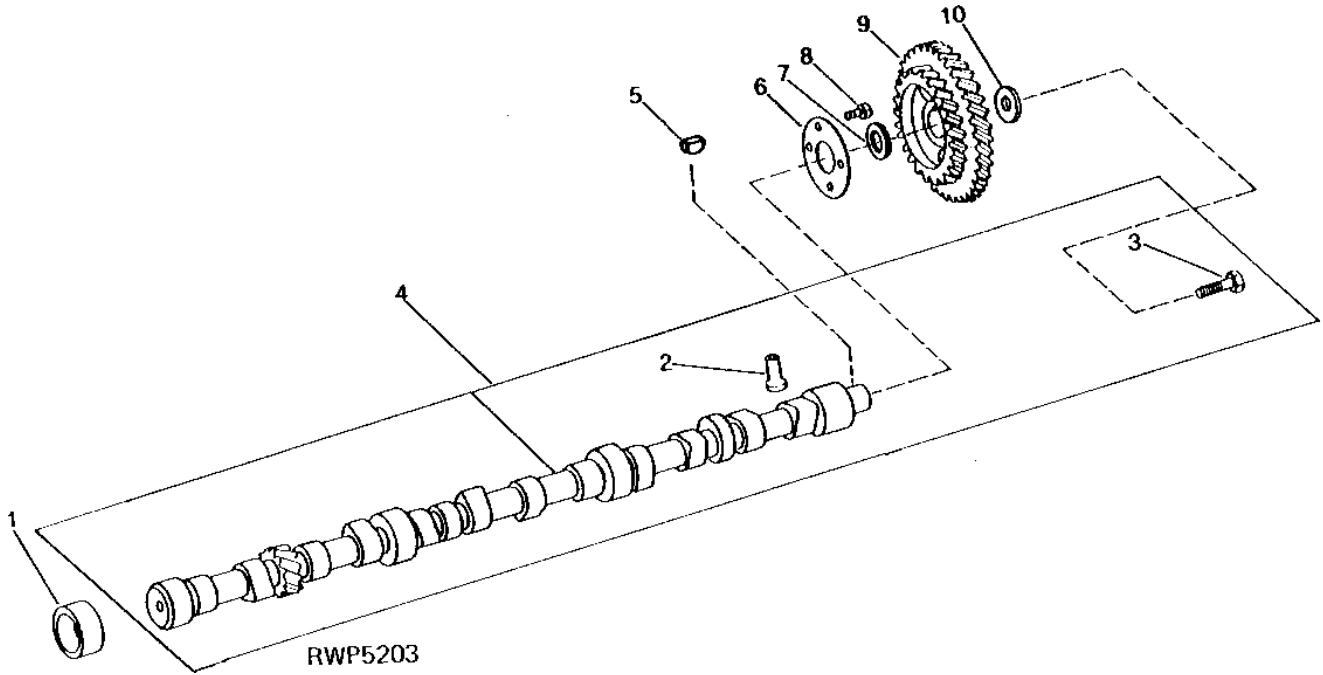
(A) OVERSIZE STEM (GASOLINE AND LP-GAS)
 (B) OVERSIZE STEM (DIESEL)

1B11

ENGINE

RWP5203 -UN-01JAN94

CAMSHAFT AND GEAR



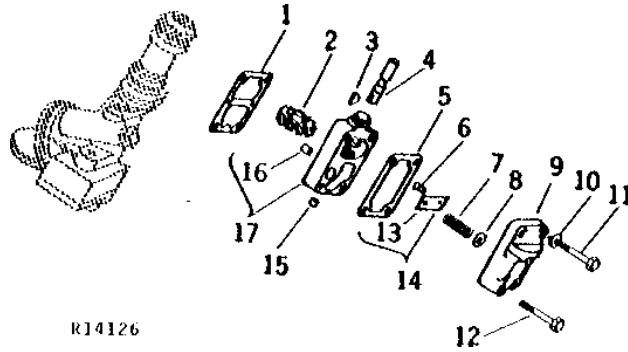
| KEY | PART NO. | PART NAME | QTY | ENGINE SERIAL NO. | REMARKS |
|-----|--------------------|-----------------------|--------|---|---------|
| 1 | R46903 | BUSHING | 4 | (SUB FOR R42339) | |
| 2 | R52773 | CAM FOLLOWER | 12 | | |
| 3 | 19H1721 | CAP SCREW | 1 | 1/2" X 1-1/2", (USE WITH R42352, R43677, R57289, R61150 OR R59420) | |
| 4 | 19H1831 RE15727 | CAP SCREW CAMSHAFT | 1 1 | 1/2" X 2", (USE WITH R71529 OR R71531) (MARKED R42352, R43677, R57289, R59420, R61150 OR R71531) (SUB FOR AR44394, AR44395, AR63280 OR AR71709) (ALSO ORDER 19H2473) (SUB FOR AR74144 OR AR100384, THIS APPLICATION) | |
| 5 | AR100386 26H72 | CAMSHAFT SHAFT KEY | 1 1 | (MARKED R65565 OR R71530) (SUB FOR AR84064) 1/8" X 5/8" | |
| 6 | R42355 | THRUST WASHER | 1 | | |
| 7 | R42356 | WASHER | 1 | | |
| 8 | 19H1813 | CAP SCREW | 4 | 5/16" X 5/8" | |
| 9 | AR43594 | GEAR | 1 | (MARKED R42354 OR R43742) | |
| 10 | R35256 | WASHER | 1 | | |

1B12

ENGINE

R14126 -UN-01JAN94

OIL PRESSURE REGULATOR AND SPEED-HOUR METER DRIVE



R14126

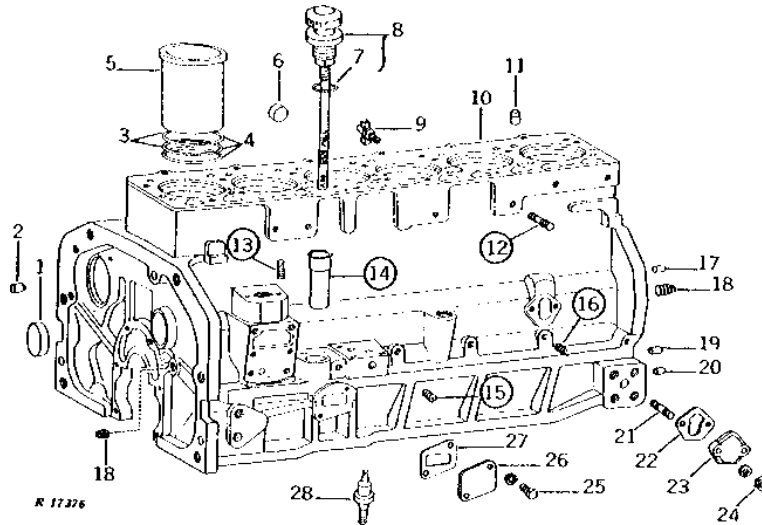
| KEY | PART NO. | PART NAME | QTY | ENGINE SERIAL NO. | REMARKS |
|-----|----------|-------------|-----|------------------------------------|---------|
| 1 | R44853 | GASKET | 1 | | |
| 2 | R32426 | GEAR | 1 | | |
| 3 | 26H3 | SHAFT KEY | 1 | 3/32" X 3/8" | |
| 4 | R26172 | SHAFT | 1 | | |
| 5 | R26173 | GASKET | 1 | | |
| 6 | 16H644 | RIVET | 1 | 1/4" X 1/2" | |
| 7 | R26169 | SPRING | 1 | | |
| 8 | 24M7096 | WASHER | AR | 0.413" X 0.709" X 0.063" | |
| 9 | AR41108 | HOUSING | 1 | (MARKED R41452) | |
| 10 | 24M7096 | WASHER | 3 | 0.413" X 0.709" X 0.063" | |
| 11 | 19H2549 | CAP SCREW | 3 | 3/8" X 1-7/8" | |
| 12 | R41453 | BOLT | 1 | (SUB 19H2733 AND 24M7096) | |
| | 19H2733 | CAP SCREW | 1 | 3/8" X 2-3/8" | |
| | 24M7096 | WASHER | 1 | 10.500 X 18 X 1.600 MM | |
| 13 | D2425R | PIN | 1 | | |
| 14 | AB3453R | LEAF SPRING | 1 | | |
| 15 | 15H559 | PIPE PLUG | 1 | 1/4" | |
| 16 | F1743R | DOWEL PIN | 2 | -XXXXXX | |
| 17 | AR45953 | HOUSING | 1 | (MARKED AR45953) (SUB FOR AR45952) | |

1B13

ENGINE

R17376 -UN-01JAN94

CYLINDER BLOCK, LINERS AND DIPSTICK



| KEY | PART NO. | PART NAME | QTY | ENGINE SERIAL NO. | REMARKS |
|-----|----------|----------------|-----|-------------------|---|
| 1 | R26115 | CAP | 1 | | |
| 2 | R43634 | DOWEL PIN | 1 | | |
| 3 | AR70645 | O-RING KIT | 6 | | (B) (SUB FOR AR48687) (USE WITH R40610 OR R40620) |
| 4 | AR65507 | O-RING KIT | 6 | | (C) (USE WITH R45950, R47170 OR R48440) |
| 5 | R40614 | CYLINDER LINER | 6 | | (B) |
| 6 | AR80294 | PLUG | 1 | 280001- | (SUB FOR R47092) |
| 7 | A4730R | O-RING | 2 | | |
| 8 | AR40750 | DIPSTICK | 1 | | (SUB FOR AR52624) (USE WITH R40930, R40940 OR R49550) |
| 9 | AR52563 | DIPSTICK | 1 | | |
| | AR44382 | DRAIN VALVE | 1 | | 3/8" |
| | AT13740 | DRAIN VALVE | 1 | | 1/4" |
| 10 | AR53324 | CYLINDER BLOCK | 1 | | (B) (MARKED R40670, R40680, R49520 OR R49530) (SUB FOR AR42425 AND AR53323) (NLA) |
| | AR42250 | CYLINDER BLOCK | 1 | -280000 | (C) (MARKED R40610 OR R40620) (NLA) |
| | AR50306 | CYLINDER BLOCK | 1 | -280000 | (C) (MARKED R45950) (NLA) (AIR CONDITIONING) |
| | AR52240 | CYLINDER BLOCK | 1 | 280001- | (C) (MARKED R47170 OR R48440) (NLA) |
| 11 | R42340 | BUSHING | 2 | | |
| 12 | A5689R | STUD | 2 | -280000 | (C) 7/16" X 3-3/8" |
| | F2884R | STUD | 2 | 280001- | (C) 7/16" X 3-3/8" |
| 13 | R56481 | STUD | 2 | | (B) 3/8" X 1-1/2", (SUB FOR M3636T) |
| 14 | R41070 | TUBE | 1 | | |
| 15 | 15H243 | ADAPTER | 2 | | (C) 2-1/2" |
| 16 | 15H558 | PIPE PLUG | AR | | 1/8", (5 USED GASOLINE AND LP-GAS) (7 USED DIESEL) (SUB FOR R21630) |
| 17 | R39253 | DOWEL PIN | 1 | | (B) |
| 18 | 15H624 | PIPE PLUG | 2 | | 1/2" |
| 19 | R1612R | DOWEL PIN | 2 | | |
| 20 | F1743R | DOWEL PIN | 2 | | |
| 21 | R48755 | STUD | 2 | | 5/16" X 1-1/2", (SUB FOR R26934) |
| 22 | R97350 | GASKET | 1 | | (SUB FOR R27285) |
| 23 | R27286 | COVER | 1 | | (LP-GAS) |
| 24 | 14H785 | NUT | 2 | | 5/16" |
| | 12H303 | LOCK WASHER | 2 | | 5/16" |

1B14

ENGINE

CYLINDER BLOCK, LINERS AND DIPSTICK - CONTINUED

| KEY | PART NO. | PART NAME | QTY | ENGINE SERIAL NO. | REMARKS |
|-----|----------|----------------------|-----|-------------------|--|
| 25 | 19H2284 | CAP SCREW | 2 | | 3/8" X 7/8" |
| | 12H304 | LOCK WASHER | 2 | | 3/8" |
| 26 | R26825 | COVER | 1 | | |
| 27 | R46192 | GASKET | 1 | | (SUB FOR R26826) |
| 28 | AT85174 | SWITCH | 1 | | (SUB FOR AR27977) |
| .. | AR63935 | SHORT BLOCK ASSEMBLY | 1 | | (A) (GASOLINE) (SUB FOR AR44067 OR AR53304) (NLA) |
| .. | AR53305 | SHORT BLOCK ASSEMBLY | 1 | | (A) (LP-GAS) (SUB FOR AR44069) (MARKED R49530) (NLA) |
| .. | AR44071 | SHORT BLOCK ASSEMBLY | 1 | -280000 | (A) (C) (SUB RE53471, AR48289, R32617, R46158 AND AR53103) (NLA) |
| .. | AR50298 | SHORT BLOCK ASSEMBLY | 1 | -280000 | (A) (C) (AIR CONDITIONING) (SUB RE53471 AND AR53103) (NLA) |
| .. | AR52232 | SHORT BLOCK ASSEMBLY | 1 | 280001- | (A) (C) (SUB RE53471 AND AR53103) (MARKED R48440 OR R47170) (NLA) |
| .. | RE13466 | SHORT BLOCK ASSEMBLY | 1 | | (C) (MARKED R48440) (SUB FOR AR52232) (ALSO ORDER AR53103) (SUB RE53471) (NLA) |
| .. | RE53471 | SHORT BLOCK ASSEMBLY | 1 | | (C) 0.9L (1QT.) (MARKED R48440) (SUB FOR AR52232 OR RE13466) (NLA) |

(A) CONSISTS OF BLOCK, CRANKSHAFT, OIL PUMP, CONNECTING RODS, PISTONS, LINERS, CAMSHAFT, BEARINGS, MISC. PARTS, AND NECESSARY GASKETS FOR INSTALLATION.

(B) GASOLINE AND LP-GAS

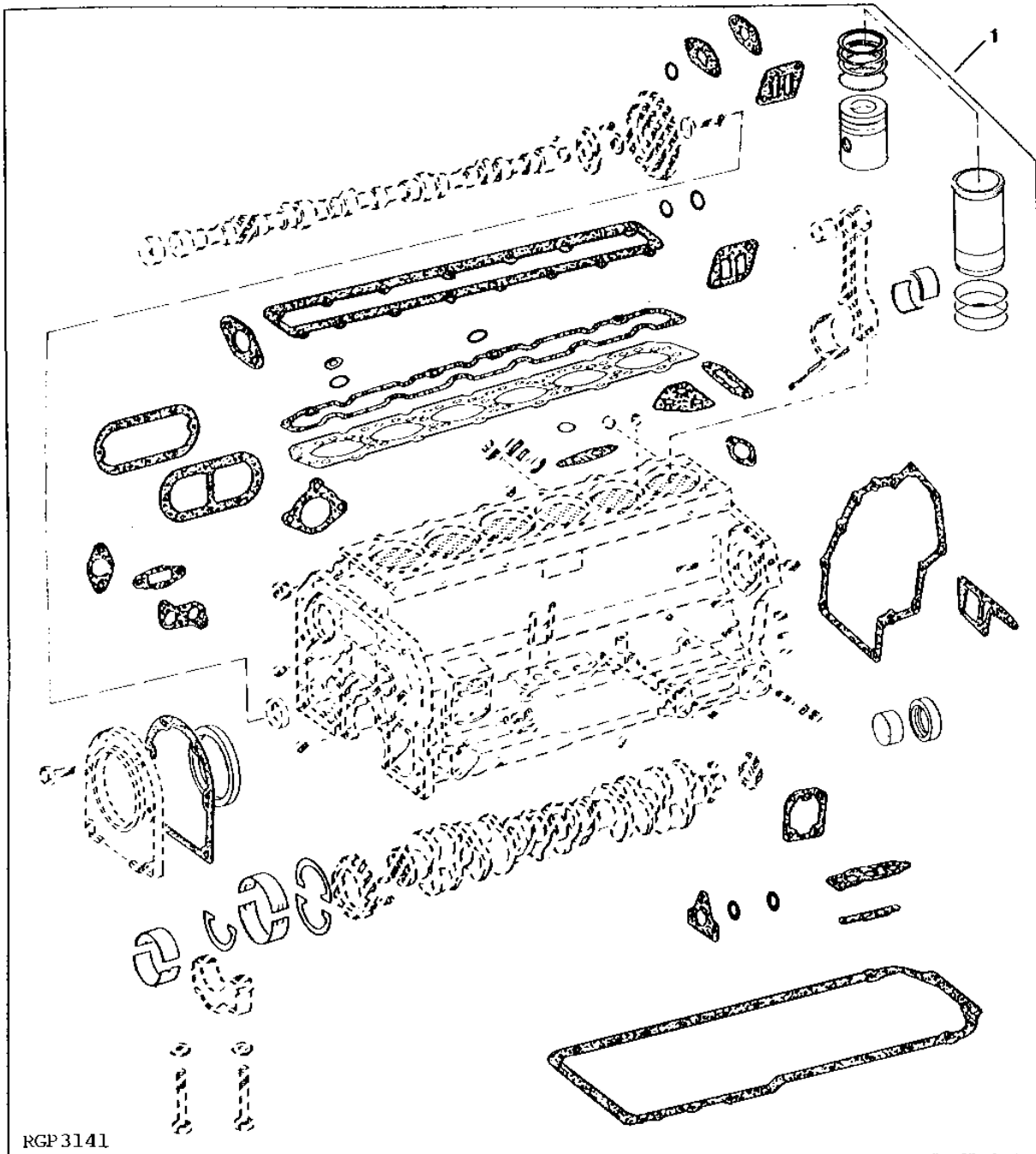
(C) DIESEL

1B15

ENGINE

ENGINE OVERHAUL KIT (DIESEL)

RGP3141 -UN-01JAN94



RGP 3141

1B16

ENGINE

ENGINE OVERHAUL KIT - CONTINUED

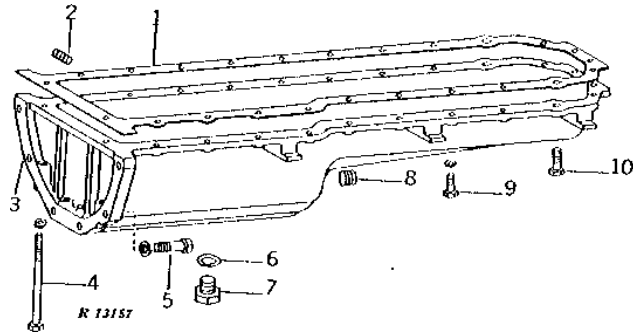
| KEY | PART NO. | PART NAME | QTY | ENGINE SERIAL NO. | REMARKS |
|-----|----------|---------------------|-----|----------------------|---|
| 1 | RG17903 | ENGINE OVERHAUL KIT | 1 | | (CONTAINS (6) RE23165 PISTON LINERS, GASKET KIT, STD BEARINGS, FRONT AND REAR SEALS) (USE WITH R40610, R40620, R45950, R47170 OR R48440) (ALSO ORDER (12) R66452 ROD BOLTS) |
| | RG22862 | ENGINE OVERHAUL KIT | 1 | | (.010" US MAIN BRG KIT) (CONTAINS (6) RE23165 PISTON LINERS, GASKET KIT, US MAIN BEARINGS FRONT & REAR SEALS) (ALSO ORDER (12) R66452 ROD BOLTS) |

1B17

ENGINE

R13157 -UN-01JAN94

OIL PAN



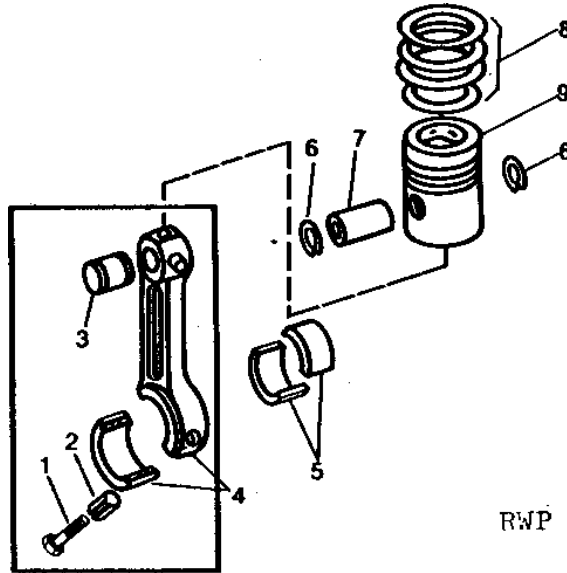
| KEY | PART NO. | PART NAME | QTY | ENGINE SERIAL NO. | REMARKS |
|-----|----------|-------------|-----|-------------------|--|
| 1 | R71918 | GASKET | 1 | | (SUB FOR R42424 OR R53282) |
| 2 | D2420R | STUD | 4 | | |
| 3 | AR34405 | OIL PAN | 1 | | (MARKED R27185 OR R34737) (GASOLINE AND LP-GAS) (NLA) |
| | AR63193 | OIL PAN | 1 | | (MARKED R44419 OR R53741) (SUB FOR AR45787) (SUB R53741 AND (4) D2420R) (DIESEL) (NLA) |
| | AR28646 | OIL PAN | 1 | | (MARKED R28720) (HI-CROP EQUIPPED WITH RADIUS ROD) (NLA) |
| 4 | 19H2205 | CAP SCREW | 2 | | 3/8" X 6" |
| | 12H304 | LOCK WASHER | 2 | | 3/8" |
| 5 | 19H2473 | CAP SCREW | 6 | | 1/2" X 1-3/4" |
| | 12H301 | LOCK WASHER | 6 | | 1/2" |
| 6 | A4827R | WASHER | 1 | | |
| 7 | R26727 | DRAIN PLUG | 1 | | (SUB FOR R51944, APPL) |
| 8 | 15H690 | PIPE PLUG | 1 | | 3/4" |
| 9 | 19H2552 | CAP SCREW | 20 | | 3/8" X 1-1/8" |
| | 12H304 | LOCK WASHER | 20 | | 3/8" |
| 10 | R27693 | SCREW | 2 | | |

1B18

ENGINE

PISTONS, RINGS AND CONNECTING RODS (GASOLINE AND LP-GAS)

RWP1792 -UN-01JAN94



RWP 1792

| KEY | PART NO. | PART NAME | QTY | ENGINE SERIAL NO. | REMARKS |
|-----|----------|----------------|-----|-------------------|--|
| 1 | R66454 | CAP SCREW | 12 | | (SUB FOR R26323 OR R53289) |
| 2 | R53291 | SLEEVE | 12 | | |
| 3 | R30929 | BUSHING | 6 | | |
| 4 | AR86982 | CONNECTING ROD | 6 | | (MARKED R44257, R58879 OR R66924) (SUB FOR AR45498 OR AR70909) |
| 5 | AR45723 | BEARING | 6 | | (PKG (2) R44378) |
| | AR46395 | BEARING | 6 | | 0.05MM (.002") US (PKG (2) R44925) |
| | AR46396 | BEARING | 6 | | 0.25MM (.010") US (PKG (2) R44926) |
| | AR46397 | BEARING | 6 | | 0.51MM (.020") US (PKG (2) R44927) |
| | AR46398 | BEARING | 6 | | 0.76MM (.030") US (PKG (2) R44928) |
| 6 | R41707 | SNAP RING | 12 | | |
| 7 | R26088 | PISTON PIN | 6 | | |
| | R28970 | PISTON PIN | 6 | | 0.076MM (.003") OS (YELLOW) (NLA) |
| | R28971 | PISTON PIN | 6 | | 0.13MM (.005") OS (RED) |
| 8 | AR42612 | PISTON RING | 6 | -280294 | (GASOLINE) |
| | AR54879 | PISTON RING | 6 | 280295- | (GASOLINE) (SUB FOR AR52253) |
| | AR42612 | PISTON RING | 6 | | (LP-GAS) |
| 9 | AR42608 | PISTON | 6 | -280294 | (A) (GASOLINE) (MARKED R40795) (SUB AR54878) |
| | AR54878 | PISTON | 6 | 280295- | (A) (GASOLINE) (MARKED R47863) (SUB FOR AR50786) |
| | AR52804 | PISTON | 6 | | (A) (LP-GAS) (MARKED R40796 OR R49347) (SUB FOR AR42609) |

(A) INCLUDES PISTON RINGS

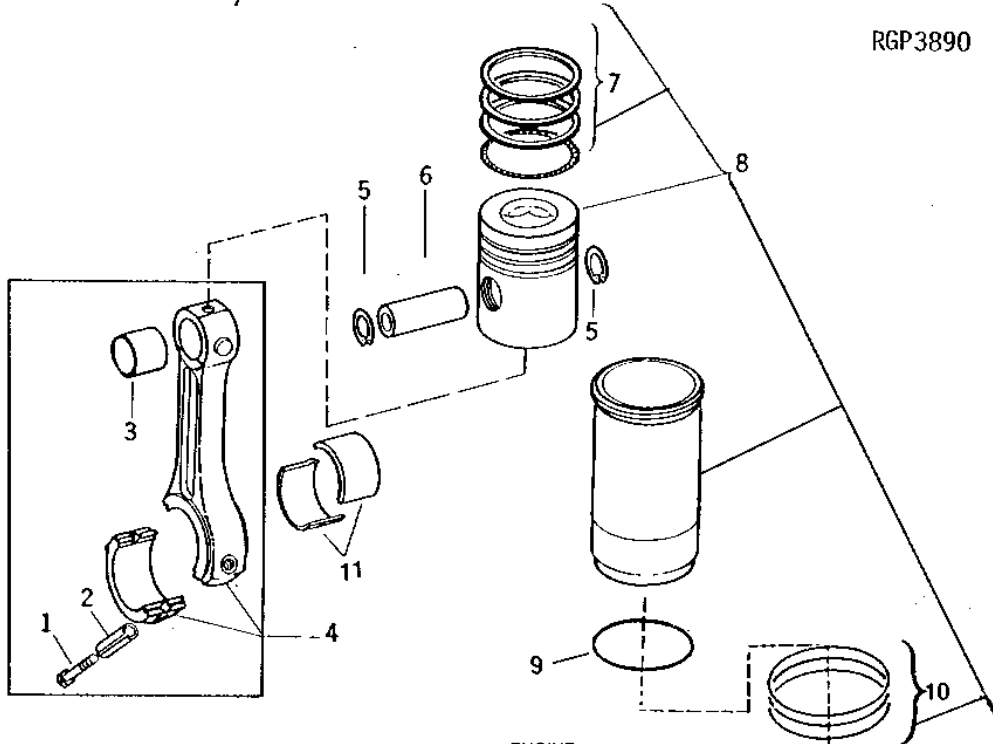
1B19

ENGINE

PISTONS, RINGS AND CONNECTING RODS (DIESEL)

RGP3890 -UN-01JAN94

RGP3890



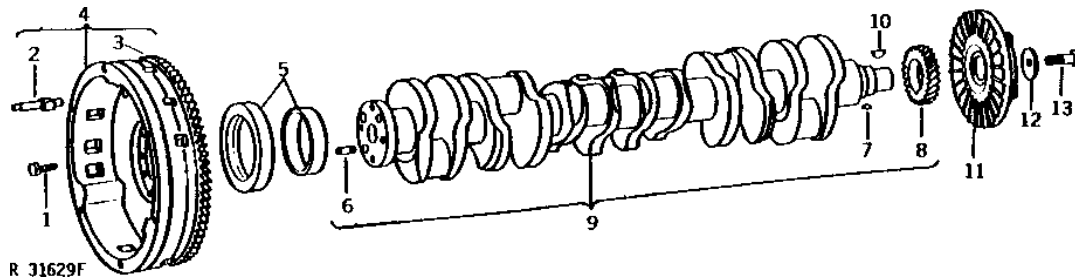
| KEY | PART NO. | PART NAME | QTY | ENGINE SERIAL NO. | REMARKS |
|-----|----------|------------------|-----|-------------------|---|
| 1 | R66452 | CAP SCREW | 12 | | (SUB FOR R26325 OR R53290) (USE WITH AR86981) |
| 2 | R53292 | SLEEVE | 12 | | |
| 3 | R30939 | BUSHING | 6 | | |
| 4 | AR86981 | CONNECTING ROD | 6 | | (MARKED R26047, R58880 OR R66923) (SUB FOR AR26328 OR AR70910) |
| 5 | R26093 | SNAP RING | 12 | | |
| 6 | R44161 | PISTON PIN | 6 | | |
| | R44162 | PISTON PIN | 6 | | 0.076MM (.003") OS (YELLOW) |
| | R44163 | PISTON PIN | 6 | | 0.13MM (.005") OS (RED) |
| 7 | AR55630 | PISTON RING KIT | 6 | | (USE WITH RE23168, AR41564, AR48743, AR51799 OR RE40563) |
| 8 | AR63965 | PISTON-LINER KIT | 1 | | (NLA) (SUB (6) RE23165 AND AR53631) |
| | RE23165 | KIT | 6 | | (MARKED AR41564, AR48743, AR51799, RE23168, RE40564 OR RE40563) (SUB FOR AR41562, AR48742, AR51800 OR AR68650) (CONTAINS AR55630) |
| 9 | R116253 | SHIM | AR | | |
| 10 | AR70645 | O-RING KIT | 6 | | (USE WITH R40610 OR R40620) (2 O-RINGS) |
| | AR65507 | O-RING KIT | 6 | | (USE WITH R45950, R47170 OR R48440) (3 O-RINGS) (CONTAINED IN RE23165) |
| 11 | AR45723 | BEARING | 6 | | STD (PKG (2) R44378) |
| | AR46395 | BEARING | 6 | | 0.05MM (.002") US (PKG (2) R44925) |
| | AR46396 | BEARING | 6 | | 0.25MM (.010") US (PKG (2) R44926) |
| | AR46397 | BEARING | 6 | | 0.51MM (.020") US (PKG (2) R44927) |
| | AR46398 | BEARING | 6 | | 0.76MM (.030") US (PKG (2) R44928) |

1B20

ENGINE

R31629 -UN-01JAN94

CRANKSHAFT (EARLY DESIGN) AND FLYWHEEL



| KEY | PART NO. | PART NAME | QTY | ENGINE SERIAL NO. | REMARKS |
|-----|----------|-----------------------|-----|--|---------|
| 1 | 19H3385 | CAP SCREW | 4 | 1/2" X 1-1/8" | |
| 2 | R40731 | DOWEL PIN | 3 | (A) (ILLUSTRATED) | |
| | R32192 | DOWEL PIN | 3 | (B) | |
| 3 | R26054 | GEAR | 1 | (C) | |
| | R28811 | GEAR | 1 | (D) | |
| 4 | AR40564 | FLYWHEEL | 1 | (A) (C) (MARKED R40726) | |
| | AR53379 | FLYWHEEL | 1 | (B) (C) (MARKED R40728 OR R49528) (SUB FOR AR40562) (NLA) | |
| | AR40565 | FLYWHEEL | 1 | (A) (D) (MARKED R40727) | |
| | AR53380 | FLYWHEEL | 1 | (B) (D) (MARKED R40729 OR R49529) (SUB FOR AR40563) | |
| 5 | RE22764 | SEAL | 1 | (NOT AS SHOWN) (SUB FOR AR34682, AR49650, AR63095, RE14953 OR RE17352) | |
| 6 | R41934 | DOWEL PIN | 1 | | |
| 7 | 26H9 | SHAFT KEY | 1 | 1/8" X 5/8" | |
| 8 | R26049 | GEAR | 1 | (USE WITH R56979, R63451 OR R40740) | |
| 9 | AR40486 | CRANKSHAFT | 1 | (C) (MARKED R40730) (NLA) | |
| | AR96189 | CRANKSHAFT | 1 | (D) (MARKED R40740 OR R63451) (SUB FOR AR40487 OR AR74624) (SUB RE53422) | |
| 10 | 26H85 | SHAFT KEY | 1 | 1/4" X 1" | |
| 11 | AR58172 | ABSORBER | 1 | (D) (ILLUSTRATED) (SUB FOR R34364 OR AR50392) | |
| | AR58176 | PULLEY, WITH DAMPENER | 1 | (D) (AIR CONDITIONING) (SUB FOR AR48191 OR AR50394) | |
| | R34366 | PULLEY | 1 | -280000 (C) (SUB R53031) | |
| | R53031 | PULLEY | 1 | 280001- (C) (SUB FOR R47624) | |
| 12 | R26333 | WASHER | 1 | | |
| 13 | 19H2706 | CAP SCREW | 1 | 5/8" X 2" | |

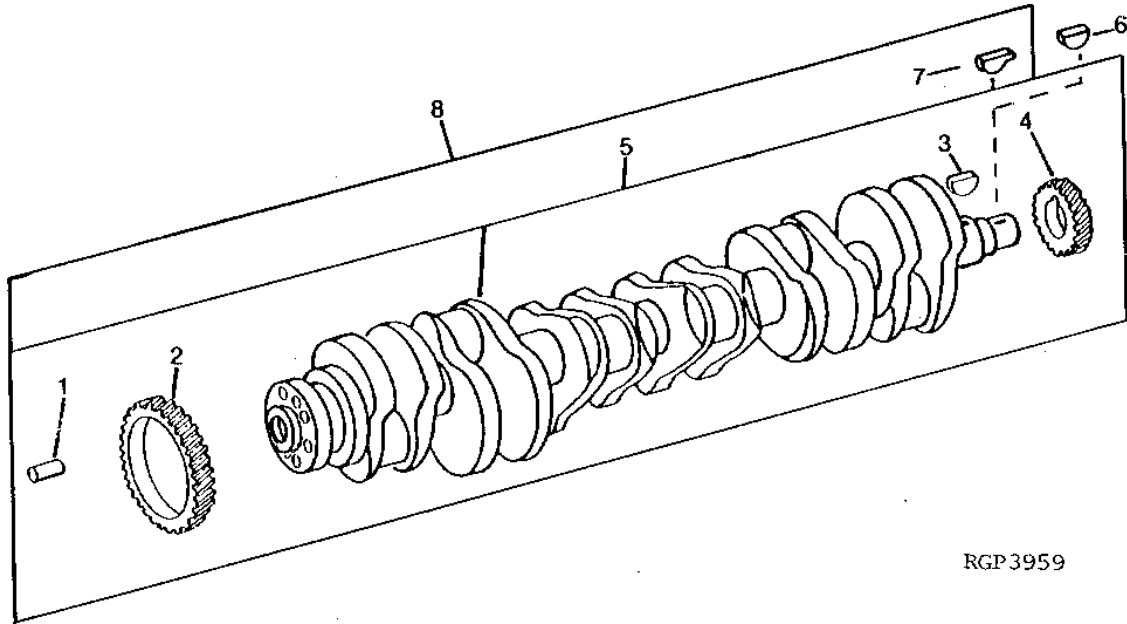
- (A) SYNCRO-RANGE
- (B) POWER SHIFT
- (C) GASOLINE AND LP-GAS
- (D) DIESEL

1B21

ENGINE

CRANKSHAFT (LATE DESIGN)

RGP3959 -UN-01JAN94



RGP 3959

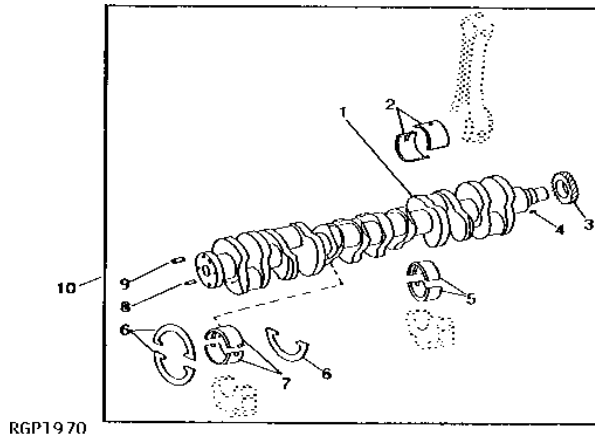
| KEY | PART NO. | PART NAME | QTY | ENGINE SERIAL NO. | REMARKS |
|-----|----------|------------|-----|-------------------|---|
| 1 | R41934 | DOWEL PIN | 1 | | |
| 2 | R63326 | GEAR | 1 | | (NOT USED THIS APPLICATION) |
| 3 | 26H72 | SHAFT KEY | 1 | | 1/8" X 5/8" |
| 4 | R26049 | GEAR | 1 | | (USE WITH R56979 OR R63451) |
| | R105488 | GEAR | 1 | | (USE WITH RE42675 OR RE53203) |
| 5 | AR96189 | CRANKSHAFT | 1 | | (MARKED R63451) (SUB FOR AR74624) (SUB RE53422) |
| | RE42671 | CRANKSHAFT | 1 | | (MARKED RE42675) (SUB RE53422) |
| 6 | 26H85 | SHAFT KEY | 1 | | 1/4" X 1", (USE WITH RE42675 OR R63451) |
| 7 | R116311 | KEY | 1 | | (USE WITH RE53203) |
| 8 | RE53422 | CRANKSHAFT | 1 | | (MARKED RE53203) |

1B22

ENGINE

UNDERSIZE CONNECTING ROD JOURNAL CRANKSHAFT AND BEARING KIT (EARLY DESIGN)

RGP1970 -UN-01JAN94



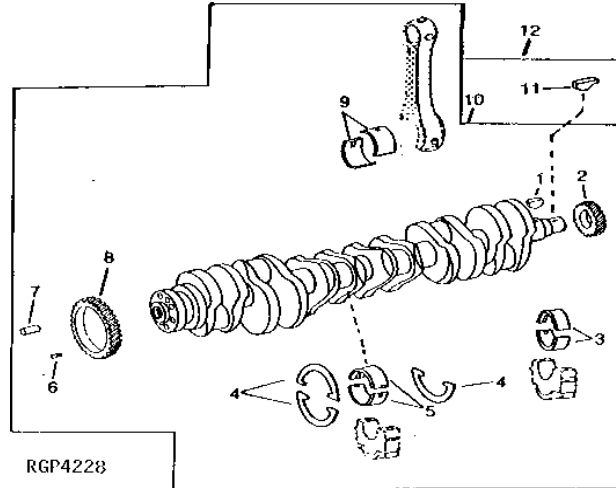
| KEY | PART NO. | PART NAME | QTY | ENGINE SERIAL NO. | REMARKS |
|-----|----------|----------------|-----|-------------------|--|
| 1 | | CRANKSHAFT | 1 | | 0.25MM (.010") US, (MARKED R78102) (SUB RE53424) |
| 2 | AR46396 | BEARING | 6 | | 0.25MM (.010") US (PKG (2) R44926) |
| 3 | R26049 | GEAR | 1 | | (USE W/ R78102, APPL) |
| | R105488 | GEAR | 1 | | (USE W/ RE42675 OR RE53203, APPL) |
| 4 | 26H72 | SHAFT KEY | 1 | | 1/8" X 5/8" |
| 5 | AR74814 | BEARING | 6 | | STD (PKG R57584 AND R61289) |
| 6 | AR77747 | THRUST WASHER | 1 | | STD (PKG (3) R62986) |
| 7 | AR77748 | THRUST BEARING | 1 | | STD (PKG R62987 AND R62988) |
| 8 | 22H821 | SET SCREW | 2 | | 1/2" X 1/2", (SUB FOR R61292) |
| 9 | R41934 | DOWEL PIN | 1 | | |
| 10 | RE12434 | CRANKSHAFT | 1 | | (MARKED R78102) (SUB RE53424) |

1B23

ENGINE

UNDERSIZE CONNECTING ROD JOURNAL CRANKSHAFT AND BEARING KIT (LATE DESIGN)

RGP4228 -UN-01JAN94



| KEY | PART NO. | PART NAME | QTY | ENGINE SERIAL NO. | REMARKS |
|-----|----------|----------------|-----|-------------------|---|
| 1 | 26H72 | SHAFT KEY | 1 | | (SHOWN) (USE WITH RE42679) |
| 2 | R105488 | GEAR | 1 | | (USE WITH RE42679, THIS APPLICATION) |
| 3 | AR74814 | BEARING | 6 | | STD. (PKG R57584 AND R61289) |
| 4 | AR77747 | THRUST WASHER | 1 | | STD. (PKG (3) R62986) |
| 5 | AR77748 | THRUST BEARING | 1 | | STD. (PKG R62987 AND R62988) |
| 6 | 22H821 | SET SCREW | 2 | | 1/2" X 1/2" |
| 7 | R41934 | DOWEL PIN | 1 | | |
| 8 | R63326 | GEAR | 1 | | (NOT USED APPL) |
| 9 | AR46396 | BEARING | 6 | | 0.25MM (.010") US, (PKG (2) R44926) |
| 10 | RE42673 | CRANKSHAFT | 1 | | 0.25MM (.010") US, (MARKED RE42679) (SUB RE53424) |
| 11 | R116311 | KEY | 1 | | (DAMPER KEY) (USE WITH RE53205) |
| 12 | RE53424 | CRANKSHAFT | 1 | | (A) 0.25MM (.010") US, (MARKED RE53205) |

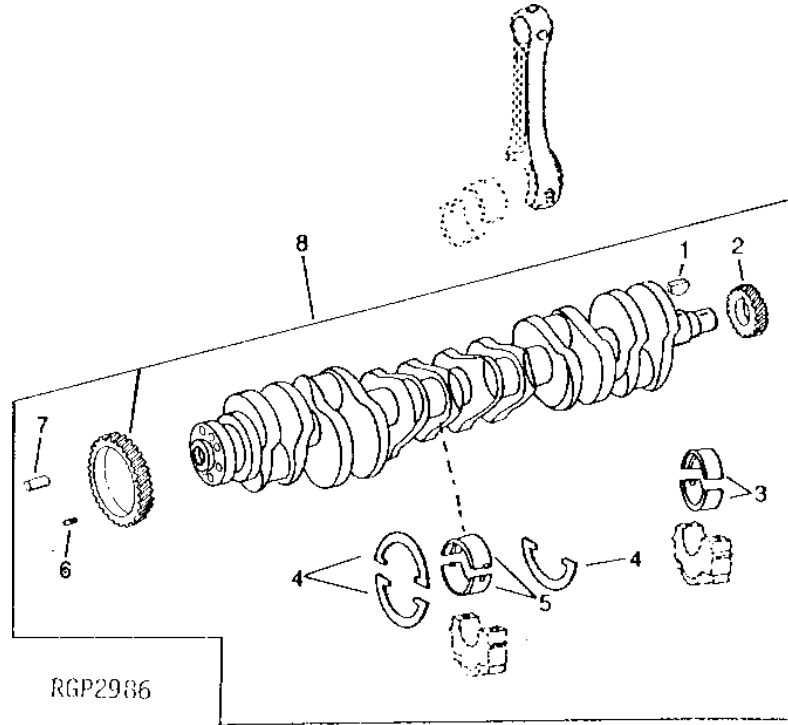
(A) RE53425 MAY BE USED IF RE53424 NOT AVAILABLE.

1B24

ENGINE

UNDERSIZE MAIN BEARING CRANKSHAFT AND BEARING KIT (EARLY DESIGN)

RGP2986 -UN-01JAN94



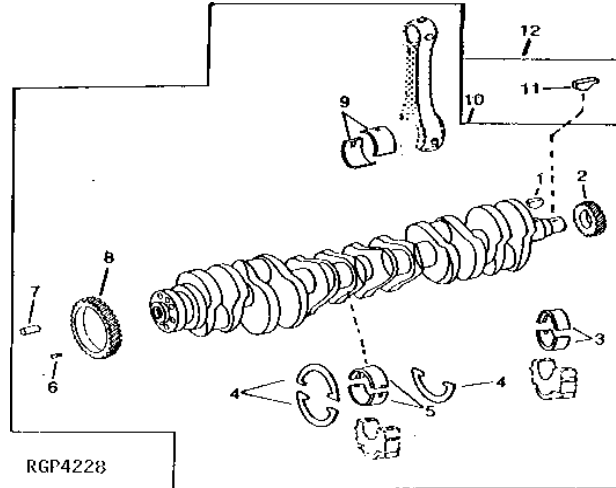
| KEY | PART NO. | PART NAME | QTY | ENGINE SERIAL NO. | REMARKS |
|-----|----------|----------------|-----|-------------------|--|
| 1 | 26H9 | SHAFT KEY | 1 | | 1/8" X 5/8" |
| 2 | R26049 | GEAR | 1 | | |
| 3 | AR74816 | BEARING | 6 | | 0.25MM (.010") US. (PKG R61909 AND R60473) |
| 4 | AR77753 | THRUST WASHER | 1 | | 0.18MM (.007") OS FLANGE (PKG (2) R63010 AND R62986) |
| 5 | AR77750 | THRUST BEARING | 1 | | 0.25MM (.010") US. (PKG R63003 AND R63007) |
| 6 | 22H821 | SET SCREW | 2 | | 1/2" X 1/2" |
| 7 | R41934 | DOWEL PIN | 1 | | |
| 8 | RE36416 | CRANKSHAFT | 1 | | 0.25MM (.010") US. (MARKED R96460) (SUB FOR RE33622) (SUB RE53425) |

1B25

ENGINE

UNDERSIZE MAIN BEARING CRANKSHAFT AND BEARING KIT (LATE DESIGN)

RGP4228 -UN-01JAN94



| KEY | PART NO. | PART NAME | QTY | ENGINE SERIAL NO. | REMARKS |
|-----|----------|----------------|-----|---|---------|
| 1 | 26H72 | SHAFT KEY | 1 | 1/8" X 5/8" | |
| 2 | R105488 | GEAR | 1 | (USE WITH RE42678 OR RE53204, APPL) | |
| 3 | AR74816 | BEARING | 6 | 0.25MM (.010") US. (PKG R61909 AND R60473) | |
| 4 | AR77753 | THRUST WASHER | 1 | 0.18MM (.007") OS FLANGE (PKG (2) R63010 AND R62986) | |
| 5 | AR77750 | THRUST BEARING | 1 | 0.25MM (.010") US. (PKG R63003 AND R63007) | |
| 6 | 22H821 | SET SCREW | 1 | 1/2" X 1/2" | |
| 7 | R41934 | DOWEL PIN | 1 | | |
| 8 | R63326 | GEAR | 1 | (NOT USED APPL) | |
| 9 | AR45723 | BEARING | 6 | STD (PKG (2) R44378) | |
| 10 | RE42672 | CRANKSHAFT | 1 | 0.25MM (.010") US. (MARKED RE42678) (SUB FOR RE36416) (SUB RE53425) | |
| 11 | R116311 | KEY | 1 | (USE WITH RE53204) | |
| 12 | RE53425 | CRANKSHAFT | 1 | (A) 0.25MM (.010") US. (MARKED RE53204) | |

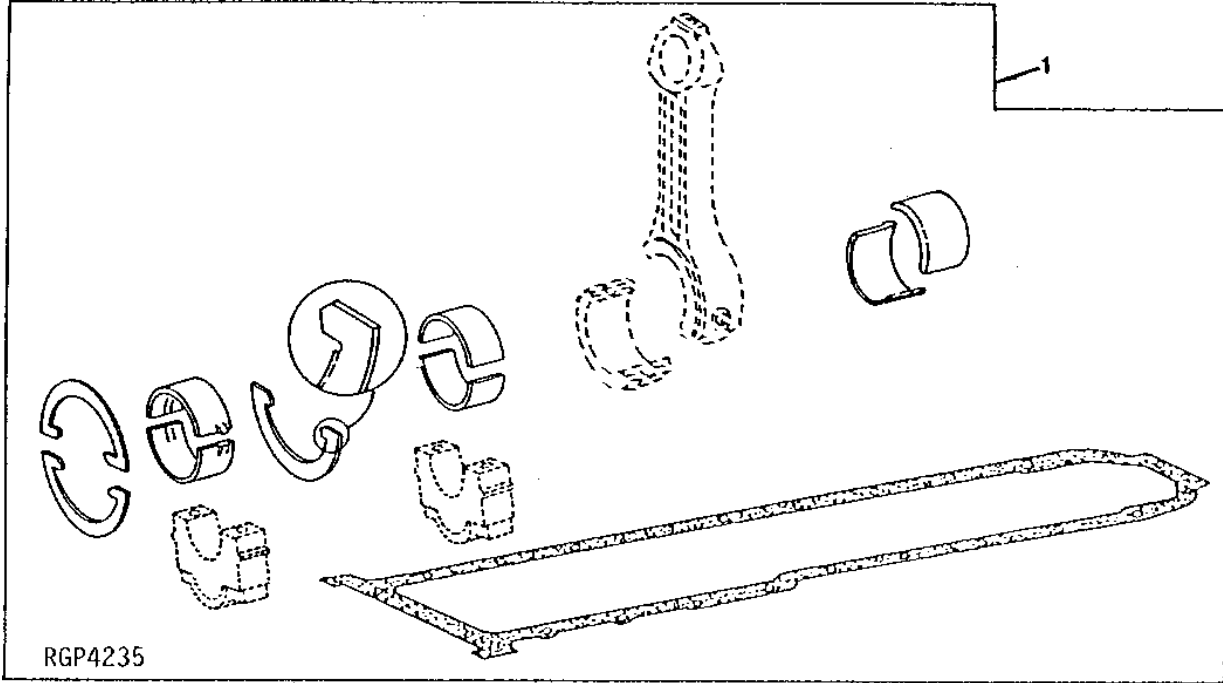
(A) RE53424 MAY BE USED IF RE53425 NOT AVAILABLE.

1C1

ENGINE

RGP4235 -UN-01JAN94

ENGINE UNDERHAUL KIT



| KEY | PART NO. | PART NAME | QTY | ENGINE SERIAL NO. | REMARKS |
|-----|----------|-----------|-----|-------------------|---------|
| 1 | RG22790 | KIT | 1 | (6404) | |

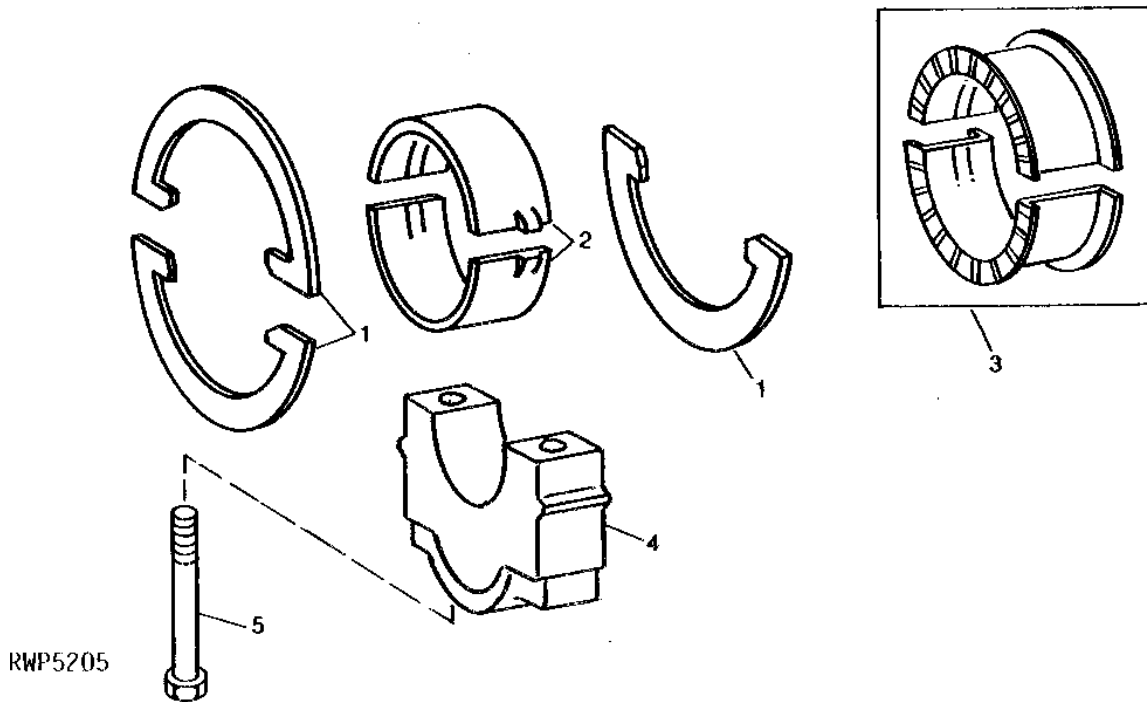
1C2

ENGINE

RWP5205

-UN-01JAN94

MAIN THRUST BEARING



RWP5205

1C3

ENGINE

MAIN THRUST BEARING - CONTINUED

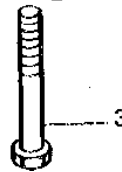
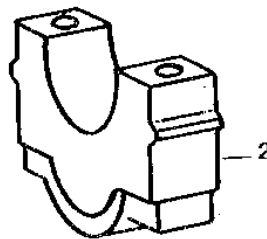
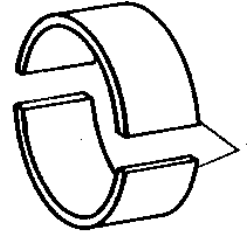
| KEY | PART NO. | PART NAME | QTY | ENGINE SERIAL NO. | REMARKS |
|-----|----------|----------------|-------------|-------------------|---|
| 1 | AR77747 | THRUST WASHER | 1 | 444688- | (PKG (3) R62986) |
| | AR77753 | THRUST WASHER | 1 | 444688- | 0.18MM (.007") OS FLANGE, (PKG (2) R63010 AND R62986) |
| 2 | AR77748 | THRUST BEARING | 1 | 444688- | (PKG R62987 AND (1) R62988) |
| | AR77749 | THRUST BEARING | 1 | 444688- | 0.08MM (.002") US, (PKG R63002 AND R63006) |
| | AR77750 | THRUST BEARING | 1 | 444688- | 0.24MM (.010") US, (PKG R63003 AND R63007) |
| | AR77751 | THRUST BEARING | 1 | 444688- | 0.51MM (.020") US, (PKG R63004 AND R63008) |
| 3 | AR77752 | THRUST BEARING | 1 | 444688- | 0.76MM (.030") US, (PKG R63005 AND R63009) |
| | AR65235 | THRUST BEARING | 1 | -XXXXXX | (SUB FOR AR48940 OR AR44624) (SUB AR77748 AND AR77747 OR AR77753) (PKG R55596 AND R55597) |
| | AR65236 | THRUST BEARING | 1 | -XXXXXX | 0.05MM (.002") US STD FLANGE, (SUB FOR AR49232 OR AR46403) (SUB AR77749 AND AR77747) (PKG R55737 AND R55738) |
| | AR65237 | THRUST BEARING | 1 | -XXXXXX | 0.25MM (.010") US STD FLANGE, (SUB FOR AR49233 OR AR46404) (SUB AR77750 AND AR77747 OR AR77753) (PKG R55739 AND R55740) |
| | AR65238 | THRUST BEARING | 1 | -XXXXXX | 0.51MM (.020") US STD FLANGE, (SUB FOR AR49234 OR AR46405) (SUB AR77751 AND AR77747 OR AR77753) (PKG R55741 AND R55742) |
| | AR65239 | THRUST BEARING | 1 | -XXXXXX | 0.76MM (.030") US STD FLANGE, (SUB FOR AR49235 OR AR46406) (SUB AR77752 AND AR77747 OR AR77753) (PKG R55743 AND R55744) |
| | AR65240 | THRUST BEARING | 1 | -XXXXXX | 0.25MM (.010") US, OS FLANGE, (SUB FOR AR49236 OR AR46407) (SUB AR77752 AND AR77753) (PKG R55745 AND R55746) |
| | 4 | R57159 | BEARING CAP | 1 | |
| | R57158 | BEARING CAP | 3 | | (MAIN) (6362) |
| | R57158 | BEARING CAP | 6 | | (MAIN) (6404) |
| 5 | T15539 | BOLT | 2 | | |

1C4

ENGINE

RWP5204 -UN-01JAN94

MAIN BEARINGS



RWP5204

| KEY | PART NO. | PART NAME | QTY | ENGINE SERIAL NO. | REMARKS |
|-----|----------|-------------|-------------------|---|---------|
| 1 | AR74814 | BEARING | AR | (A) (SUB FOR AR44625) (PKG R61289 AND R57584) | |
| | AR74815 | BEARING | AR | (A) 0.05MM (.002") US (PKG R61608 AND R60472) | |
| | | | | (SUB FOR AR46399) | |
| | AR74816 | BEARING | AR | (A) 0.25MM (.010") US (PKG R61609 AND R60473) | |
| | AR74817 | BEARING | AR | (A) 0.51MM (.020") US (PKG R61610 AND R60474) | |
| | | | (SUB FOR AR46401) | | |
| | AR74818 | BEARING | AR | (A) 0.76MM (.030") US (PKG R61611 AND R60475) | |
| | | | | (SUB FOR AR46402) | |
| 2 | R57158 | BEARING CAP | 6 | (MAIN) (6404) | |
| | R57159 | BEARING CAP | 1 | (THRUST) (6404 OR 6362) | |
| | R57158 | BEARING CAP | 3 | (MAIN) (6362) | |
| 3 | T15539 | BOLT | 14 | | |

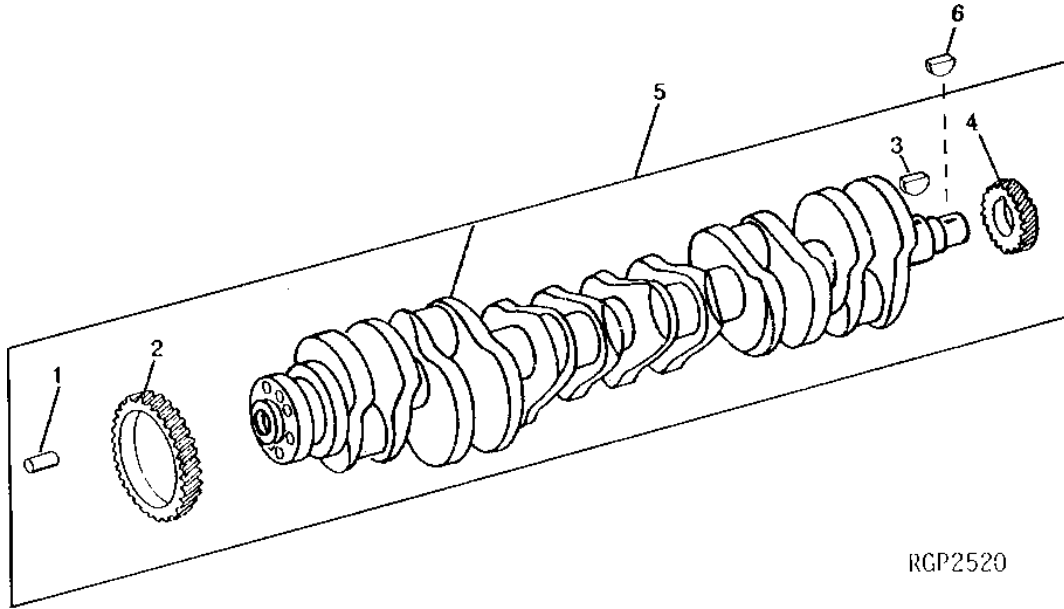
(A) 3 PKGS USED GASOLINE AND LP-GAS, 6 PKGS USED DIESEL

1C5

ENGINE

RGP2520 -UN-01JAN94

CRANKSHAFT



RGP2520

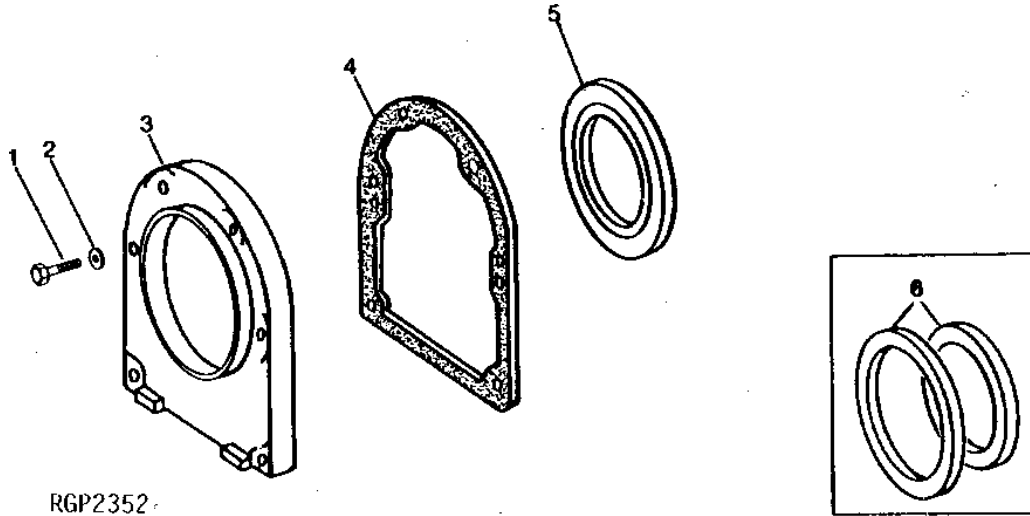
| KEY | PART NO. | PART NAME | QTY | ENGINE SERIAL NO. | REMARKS |
|-----|----------|------------|-----|-------------------|-----------------------------------|
| 1 | R41934 | DOWEL PIN | 1 | | |
| 2 | R63326 | GEAR | 1 | | (NOT USED THIS APPLICATION) |
| 3 | 26H9 | SHAFT KEY | 1 | | 1/8" X 5/8" |
| 4 | R26049 | GEAR | 1 | | |
| 5 | AR96189 | CRANKSHAFT | 1 | | (MARKED R63451) (SUB FOR AR74624) |
| 6 | 26H85 | SHAFT KEY | 1 | | 1/4" X 1" |

1C6

ENGINE

RGP2352 -UN-01JAN94

CRANKSHAFT REAR OIL SEAL AND HOUSING



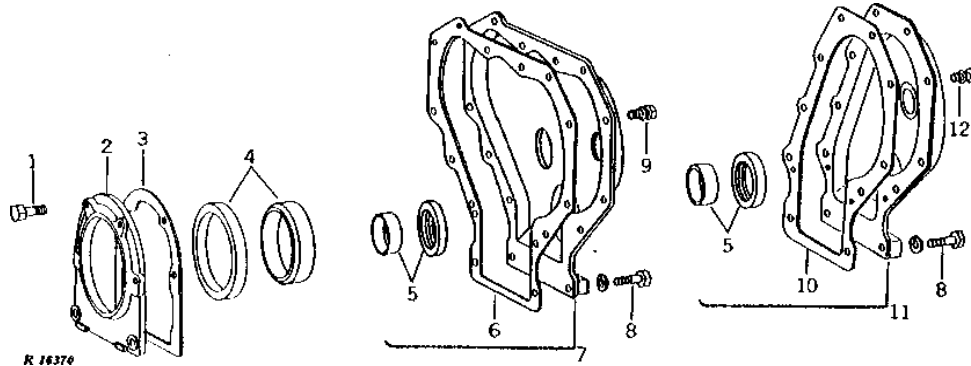
| KEY | PART NO. | PART NAME | QTY | ENGINE SERIAL NO. | REMARKS |
|-----|----------|-----------|-----|-------------------|---|
| 1 | R47074 | CAP SCREW | 6 | | 7.925 X 28.448 MM (5/16" X 1.120") |
| 2 | T27860 | WASHER | 6 | 243506- | 11/32" X 11/16" X 0.065", (USE WITH R78124, R115050 OR R125027) |
| 3 | R41406 | HOUSING | 1 | -243505 | (SUB R125027 AND (6) T27860) |
| | R78124 | HOUSING | 1 | 243506- | (SUB R125027 AND (6) T27860) |
| | R125027 | HOUSING | 1 | | (SUB FOR R41406, R78124 OR R115050) |
| 4 | R26058 | GASKET | 1 | | |
| 5 | RE22764 | SEAL | 1 | | (SUB FOR RE14953 OR RE17352) |
| 6 | AR63095 | SEAL | 1 | | (SUB RE22764) |

1C7

ENGINE

R16370 -UN-01JAN94

CRANKSHAFT REAR OIL SEAL HOUSING, TIMING GEAR COVER, AND OIL SEAL



| KEY | PART NO. | PART NAME | QTY | ENGINE SERIAL NO. | REMARKS |
|-----|----------|-------------|-----|-------------------|---|
| 1 | R47074 | CAP SCREW | 6 | | |
| 2 | R41406 | HOUSING | 1 | | (SUB R78124 AND (6) T27860) |
| 3 | R26058 | GASKET | 1 | | |
| 4 | RE22764 | SEAL | 1 | | (NOT AS SHOWN) (REAR) (SUB FOR AR34682, AR49650, AR63095, RE14953 OR RE17352) |
| 5 | AR49025 | SEAL | 1 | | (FRONT) (SUB FOR AR44949 OR AR48728) |
| | R32617 | SLEEVE | 1 | | (CONTAINED IN AR49025) |
| 6 | R26084 | GASKET | 1 | | (A) |
| | R26084 | GASKET | 1 | -280000 | (B) |
| 7 | AR44390 | COVER | 1 | | (A) (SUB AR69984) |
| | AR44390 | COVER | 1 | -280000 | (B) (SUB AR69984) |
| | AR69984 | COVER | 1 | | (A) (B) |
| 8 | 19H2661 | CAP SCREW | 2 | | 5/16" X 1-3/8" |
| | 12H303 | LOCK WASHER | 2 | | 5/16" |
| 9 | AR27703 | SCREW | 11 | | (A) |
| | AR27703 | SCREW | 11 | -280000 | (B) |
| 10 | R46158 | GASKET | 1 | 280001- | (B) (USE WITH R45950) |
| 11 | AR48262 | COVER | 1 | 280001- | (B) (SUB AR48289, R32617 AND R46158) (USE WITH R45950) |
| | AR48289 | COVER | 1 | | (B) (GASKET NOT INCLUDED) |
| 12 | AR27703 | SCREW | 8 | 280001- | (B) (USE WITH R45950) |

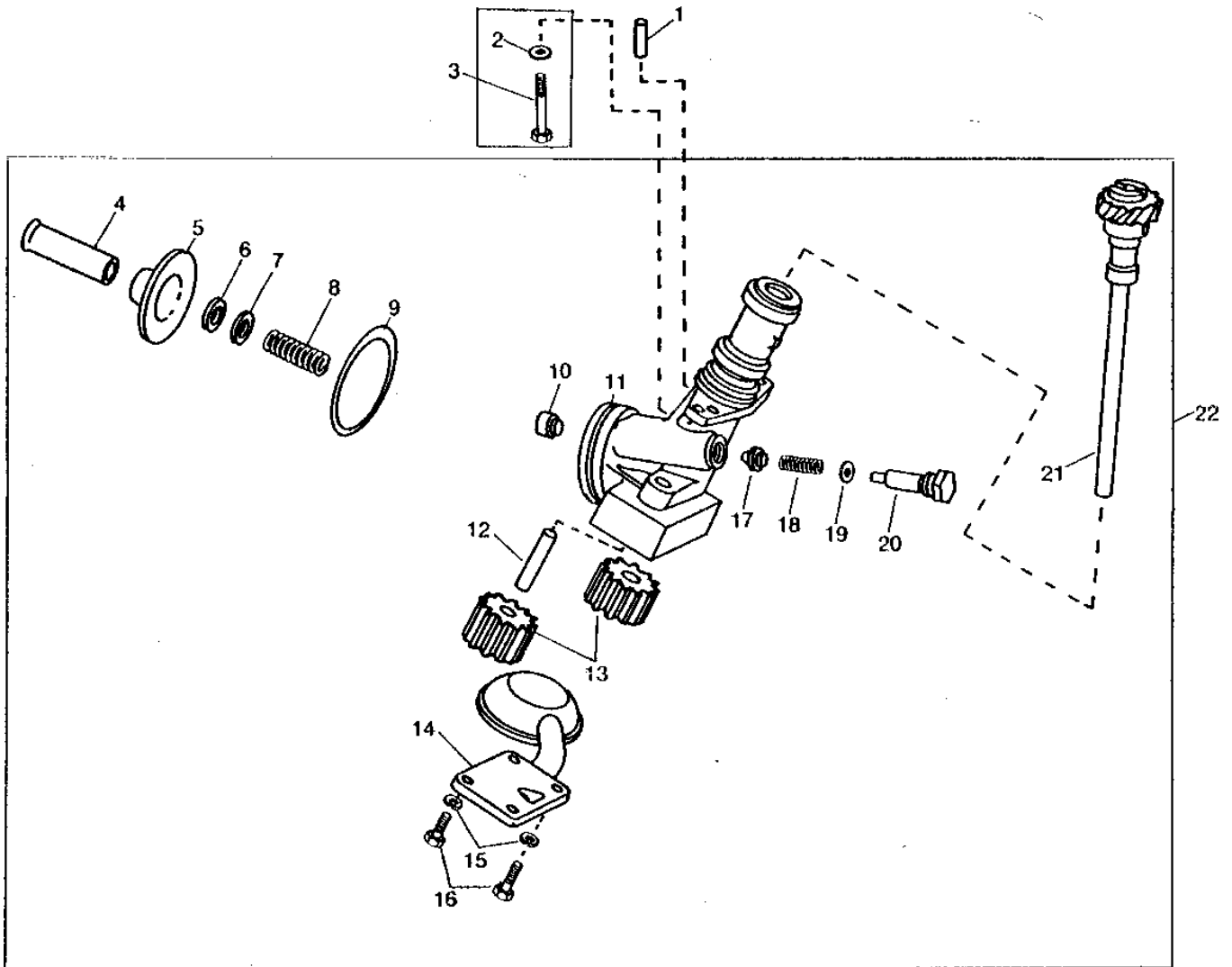
(A) GASOLINE AND LP-GAS
(B) DIESEL

1C8

ENGINE

RP605 -UN-01JAN94

ENGINE OIL PUMP



RP605

1C9

ENGINE

ENGINE OIL PUMP - CONTINUED

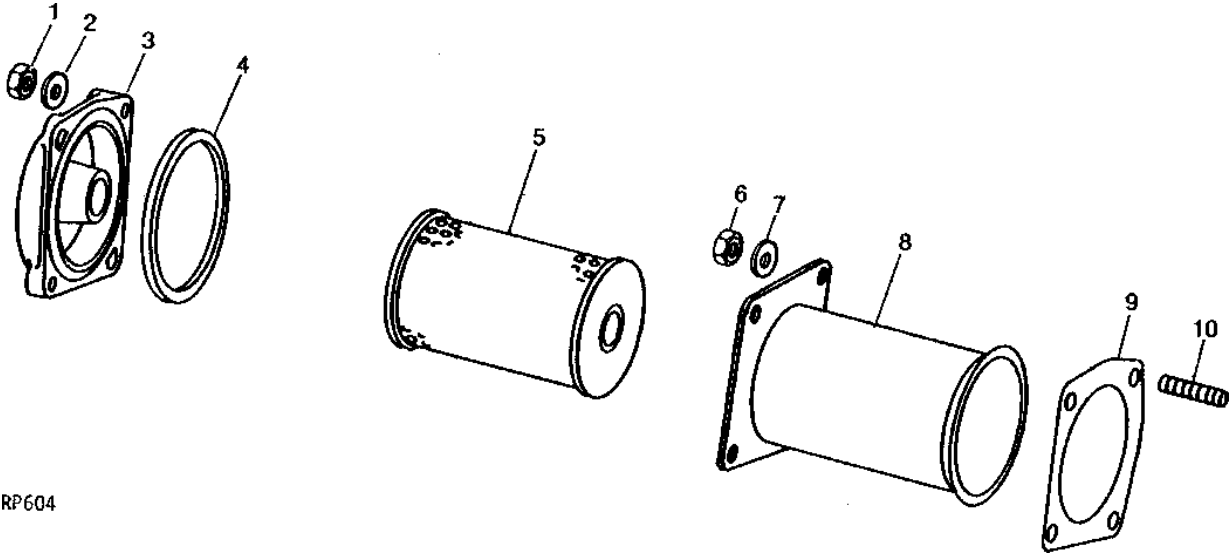
| KEY | PART NO. | PART NAME | QTY | ENGINE SERIAL NO. | REMARKS |
|-----|----------|-----------------|-----|-------------------|---|
| 1 | H826R | DOWEL PIN | 1 | | |
| 2 | M72490 | WASHER | 2 | | (SUB FOR R42729) (USE WITH AR67467) |
| 3 | AR63865 | KIT | 1 | | |
| | R41920 | CAP SCREW | 2 | | (USE WITH AR67467) |
| 4 | R26146 | TUBE | 1 | | |
| 5 | R26147 | PLATE | 1 | | |
| 6 | R26149 | PACKING | 1 | | |
| 7 | 24H1388 | WASHER | 1 | | 25/32" X 15/16" X 0.036" |
| 8 | R26151 | SPRING | 1 | | |
| 9 | R26163 | O-RING | 1 | | |
| 10 | R26493 | BUSHING | 1 | | |
| 11 | AR68309 | HOUSING | 1 | | (MARKED R27919 OR R56603) (SUB AR67467, (2) R41920 AND (2) M72490) (SUB FOR AR27232) |
| | AR67467 | HOUSING | 1 | | (MARKED R56603) |
| 12 | R26144 | SHAFT | 1 | | |
| 13 | AR36694 | GEAR | 1 | | |
| 14 | AR55866 | OIL PUMP INTAKE | 1 | | (SUB FOR AR26660, AR47097 OR AR53107) (ALSO ORDER (4) 19H1900 AND (4) 12M7032) |
| 15 | 12M7032 | LOCK WASHER | 4 | 238930- | 0.331" |
| 16 | 19H2127 | CAP SCREW | 2 | -238929 | 5/16" X 7/8" |
| | 19H1849 | CAP SCREW | 2 | -238929 | 5/16" X 1-1/4" |
| | R35128 | LOCK PLATE | 4 | -238929 | |
| | 19H1900 | CAP SCREW | 4 | 238930- | 5/16" X 3/4" |
| 17 | R26152 | VALVE | 1 | | |
| 18 | R36715 | SPRING | 1 | | |
| 19 | H294R | WASHER | 1 | | |
| 20 | R26153 | FITTING | 1 | | |
| 21 | AR31684 | GEAR | 1 | | (GASOLINE AND LP-GAS) (NOT AS SHOWN) (MARKED R32427) |
| | R45134 | GEAR | 1 | | (DIESEL) (AS SHOWN) (SUB FOR AR47335) (20 TOOTH) (ONE PIECE) |
| 22 | AR53102 | OIL PUMP | 1 | | (GASOLINE AND LP-GAS) (SUB FOR AR31886) |
| | AR53103 | OIL PUMP | 1 | | (DIESEL) (SUB FOR AR31887) |

1C10

ENGINE

RP604 -UN-01JAN94

ENGINE OIL FILTER



RP604

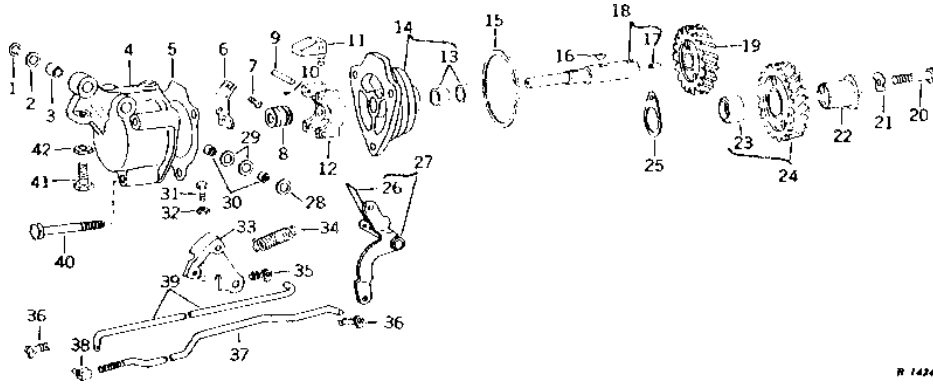
| KEY | PART NO. | PART NAME | QTY | ENGINE SERIAL NO. | REMARKS |
|-----|----------|------------|-----|-------------------|-------------------------|
| 1 | E55662 | FLANGE NUT | 4 | | |
| 2 | 24H1301 | WASHER | 4 | | 13/32" X 9/16" X 0.065" |
| 3 | R42054 | COVER | 1 | | |
| 4 | B3586R | WASHER | 1 | | |
| 5 | AR26350 | OIL FILTER | 1 | | (SUB FOR AR28110) |
| 6 | 14H732 | NUT | 2 | | 3/8" |
| 7 | 24H1652 | WASHER | 2 | | 13/32" X 11/16" X 7/64" |
| 8 | R26166 | HOUSING | 1 | | |
| 9 | R26354 | GASKET | 1 | | |
| 10 | D2420R | STUD | 4 | | 3/8" X 1-7/8" |

1C11

ENGINE

R14249 -UN-01JAN94

GOVERNOR (GASOLINE AND LP-GAS)



R 14249

| KEY | PART NO. | PART NAME | QTY | ENGINE SERIAL NO. | REMARKS |
|-----|----------|----------------|-----|--------------------------|--|
| 1 | R26517 | SNAP RING | 1 | | |
| 2 | 24H1325 | WASHER | 1 | 15/32" X 59/64" X 0.065" | |
| 3 | R27922 | BUSHING | 1 | | |
| 4 | AR45297 | HOUSING | 1 | | (MARKED R44078 OR R44079) (SUB AR45299, R20423 AND R26127) |
| 5 | R31340 | GASKET | 1 | | |
| 6 | R26129 | LEVER | 1 | | |
| 7 | AR28756 | SCREW | 2 | | (SUB 19H1227 AND 12H356) |
| 8 | AL2691T | THRUST BEARING | 1 | | (SUB AL2769T AND (2) L4299T) |
| 9 | R27205 | PIN | 2 | | |
| 10 | 11M7086 | COTTER PIN | 2 | 2.500 X 50 MM | |
| 11 | AR26421 | WEIGHT | 2 | | |
| 12 | R26131 | CRADLE | 1 | | |
| 13 | R30713 | BUSHING | 2 | | |
| 14 | AR45306 | HOUSING | 1 | | (MARKED R44083) |
| 15 | R40776 | WASHER | 1 | | |
| 16 | 26H70 | SHAFT KEY | 2 | 1/8" X 1/2" | |
| 17 | B2641R | DOWEL PIN | 1 | | |
| 18 | AR26420 | SHAFT | 1 | | |
| 19 | R26138 | GEAR | 1 | | |
| 20 | 19H1819 | CAP SCREW | 1 | 3/8" X 2-1/8" | |
| 21 | R26403 | LOCK PLATE | 1 | | |
| 22 | R26401 | SHAFT | 1 | | |
| 23 | R30712 | BUSHING | 1 | | |
| 24 | AR26389 | GEAR | 1 | | (MARKED R26399) |
| 25 | R26402 | WASHER | 1 | | |
| 26 | R42624 | STRAP | 1 | | |
| | 16H97 | RIVET | 2 | 1/8" X 3/8" | |
| 27 | AR44848 | ARM | 1 | | |
| 28 | AR26338 | SEAL | 1 | | |
| 29 | 24H1227 | WASHER | 2 | 17/32" X 13/16" X 0.060" | |
| 30 | JD8862 | NEEDLE BEARING | 2 | | |
| 31 | 19H1914 | CAP SCREW | 1 | 1/4" X 1" | |
| 32 | 14H850 | NUT | 1 | 1/4" | |
| 33 | AR59651 | ARM | 1 | | (SUB FOR AR26342) (NLA) |
| 34 | R26518 | SPRING | 1 | | |
| 35 | R26524 | CLIP | 1 | R.H. | |
| 36 | R26501 | CLIP | 2 | (A) R.H. | |
| | R26501 | CLIP | 1 | (B) L.H. | |
| | R26524 | CLIP | 1 | (B) R.H. | |
| 37 | R44900 | ROD | 1 | (A) (NLA) | |
| | R44901 | ROD | 1 | (B) (NLA) | |
| 38 | R26500 | SWIVEL | 1 | | |
| 39 | R41572 | ROD | 1 | (NLA) | |
| 40 | R31542 | BOLT | 3 | | |
| 41 | 19H2831 | CAP SCREW | 1 | 5/16" X 1-1/2" | |
| 42 | 14H611 | NUT | 1 | 5/16" | |

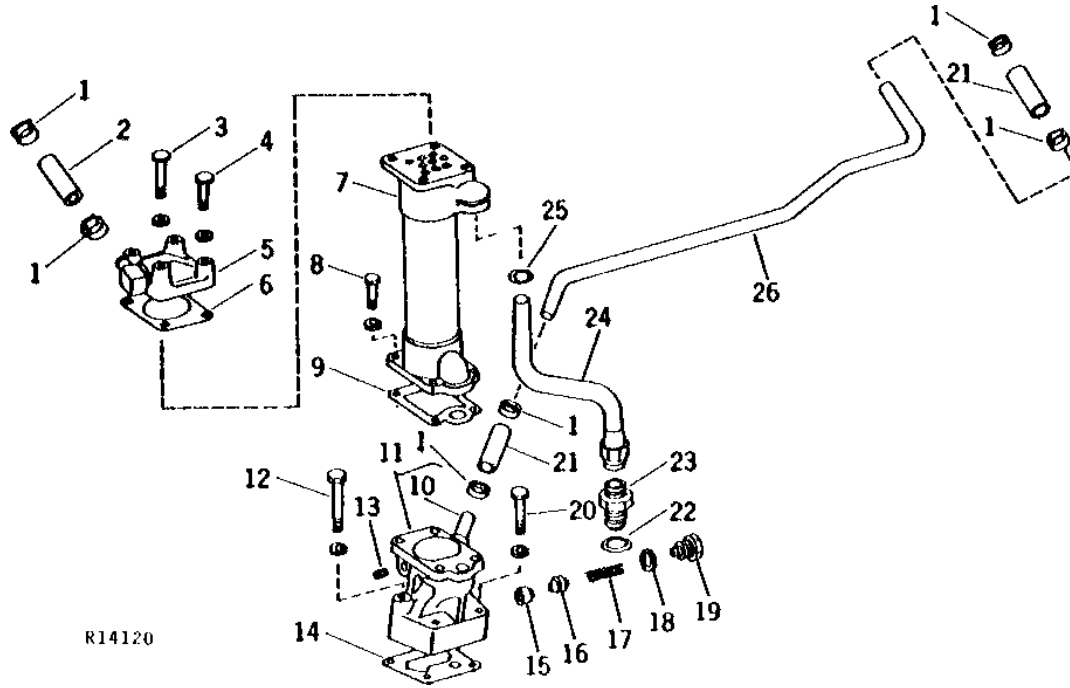
(A) GASOLINE
(B) LP-GAS

1C12

ENGINE

R14120 -UN-01JAN94

ENGINE OIL COOLER



| KEY | PART NO. | PART NAME | QTY | ENGINE SERIAL NO. | REMARKS |
|-----|----------|-------------|-----|-------------------|--------------------------------------|
| 1 | AR21839 | CLAMP | 6 | | (SUB FOR AR21837) |
| 2 | | HOSE | 1 | | (A) 64MM (2-1/2") (MAKE FROM R20922) |
| | R44065 | HOSE | 1 | | (B) |
| 3 | 19H1901 | CAP SCREW | 1 | | 5/16" X 2" |
| | 12H303 | LOCK WASHER | 1 | | 5/16" |
| 4 | 19H3552 | CAP SCREW | 3 | | 5/16" X 1-1/2" |
| | 12H303 | LOCK WASHER | 3 | | 5/16" |
| 5 | AR49982 | CAP | 1 | | (A) (MARKED R32122) |
| | | CAP | 1 | | (B) (MARKED R32122) (AR45292 NLA) |
| 6 | R32123 | GASKET | 1 | | |
| 7 | AR32694 | OIL COOLER | 1 | | |
| 8 | 19H2127 | CAP SCREW | 4 | | 5/16" X 7/8" |
| | 12H303 | LOCK WASHER | 4 | | 5/16" |
| 9 | R34109 | GASKET | 1 | | |
| 10 | R27548 | TUBE | 1 | | |
| 11 | AR32695 | HOUSING | 1 | | (MARKED R34108) |
| 12 | 19H1733 | CAP SCREW | 1 | | 3/8" X 2-1/2" |
| | 12H304 | LOCK WASHER | 1 | | 3/8" |
| 13 | 15H559 | PIPE PLUG | 1 | | 1/4" |
| 14 | R34110 | GASKET | 1 | | |
| 15 | R26493 | BUSHING | 1 | | |
| 16 | R26152 | VALVE | 1 | | |
| 17 | A354R | SPRING | 1 | | |
| 18 | H294R | WASHER | 1 | | |
| 19 | R27949 | DRAIN PLUG | 1 | | |
| 20 | 19H3181 | CAP SCREW | 2 | | 3/8" X 2" |
| | 12H304 | LOCK WASHER | 2 | | 3/8" |
| 21 | | HOSE | 2 | | 64MM (2-1/2") (MAKE FROM R20922) |
| 22 | F3171R | O-RING | 1 | | |
| 23 | R27267 | FITTING | 1 | | |
| 24 | AR32696 | OIL LINE | 1 | | |
| 25 | B2762R | O-RING | 1 | | |
| 26 | R33352 | LINE | 1 | | (A) |
| | R44067 | LINE | 1 | | (B) (NLA) |

(A) DIESEL
(B) GASOLINE AND LP-GAS

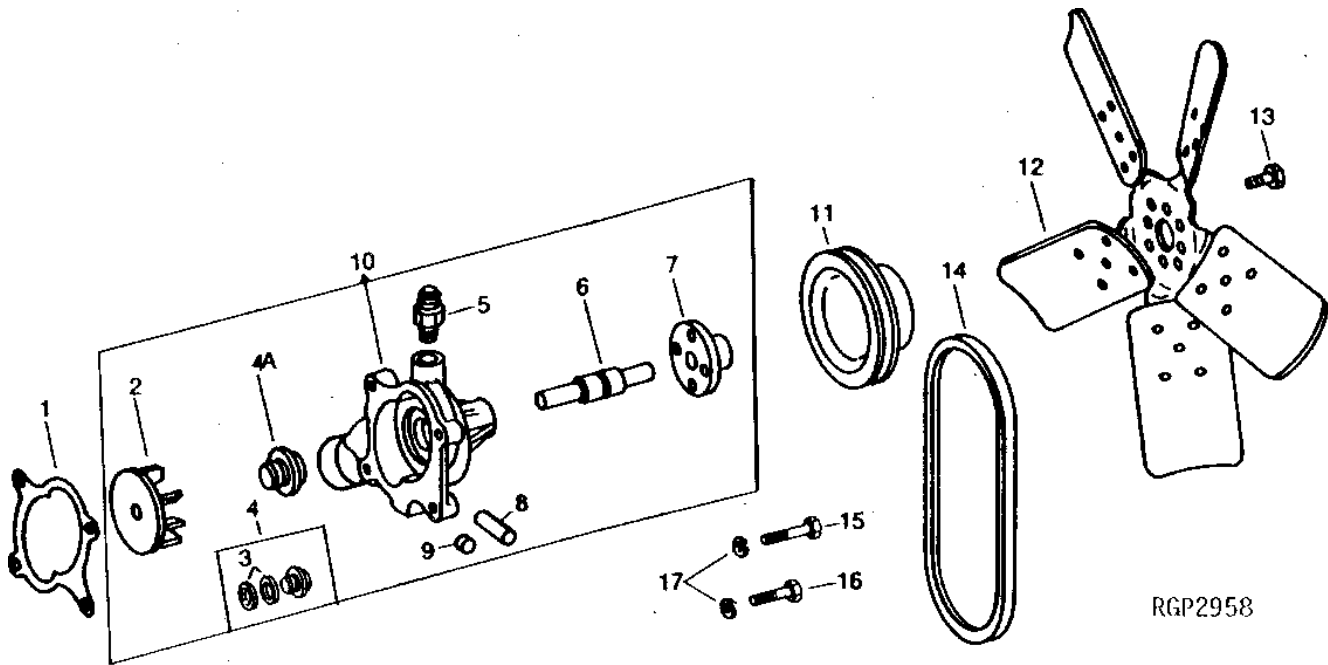
MEMORANDA

1C13

ENGINE

RGP2958 -UN-01JAN94

FAN AND WATER PUMP (GASOLINE AND LP-GAS)



RGP2958

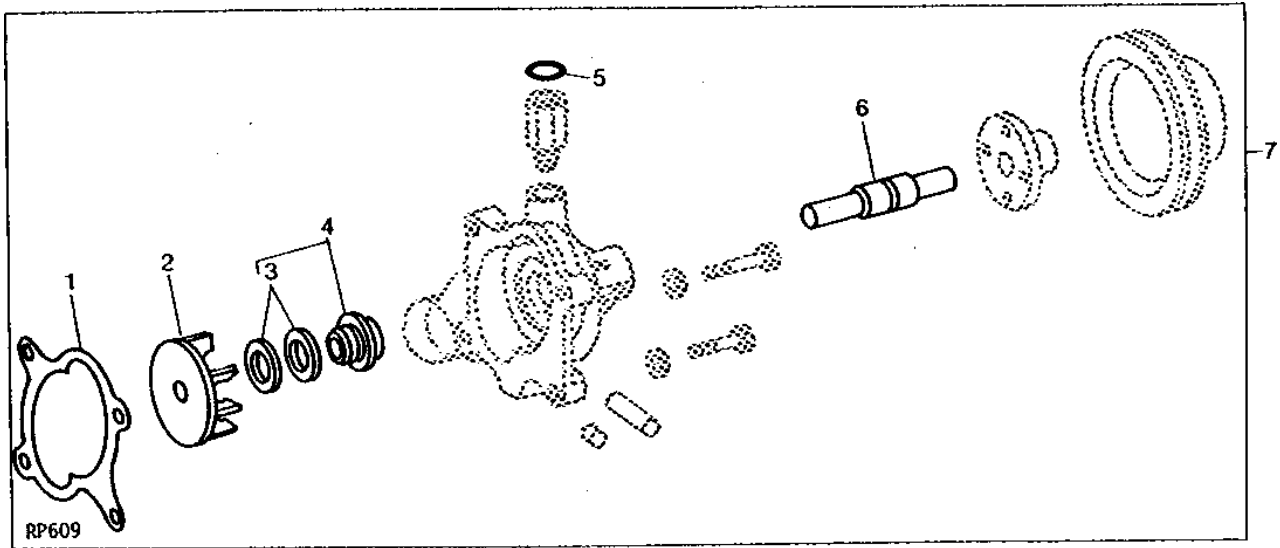
| KEY | PART NO. | PART NAME | QTY | ENGINE SERIAL NO. | REMARKS |
|-----|----------|--------------|-----|-------------------|------------------------------|
| 1 | R26331 | GASKET | 1 | | |
| 2 | R41321 | IMPELLER | 1 | | |
| 3 | AR41691 | INSERT | 1 | | (SUB AR101549) |
| 4 | AR62933 | SEAL KIT | 1 | | (SUB FOR AR40698) |
| 4A | AR101549 | SEAL KIT | 1 | | |
| 5 | R26892 | FITTING | 1 | | |
| | R39503 | HOSE FITTING | 1 | | |
| 6 | JD9355 | BEARING | 1 | | |
| 7 | R40662 | HUB | 1 | | |
| 8 | R27548 | TUBE | 1 | | |
| 9 | R28746 | CAP | 1 | | |
| 10 | AR45330 | WATER PUMP | 1 | | (MARKED R44116 OR R44119) |
| 11 | R40212 | SHEAVE | 1 | | (GASOLINE) (SUB FOR AR40149) |
| | R40211 | PULLEY | 1 | | (LP-GAS) (SUB FOR AR40148) |
| 12 | AR34451 | FAN | 1 | | |
| 13 | 19H2284 | CAP SCREW | 4 | | 3/8" X 7/8" |
| 14 | R41681 | BELT | 1 | | |
| 15 | 19H1800 | CAP SCREW | 3 | | 3/8" X 1-1/2" |
| 16 | 19H3181 | CAP SCREW | 1 | | 3/8" X 2" |
| 17 | 12H304 | LOCK WASHER | 4 | | 3/8" |

1C14

ENGINE

RP609 -UN-01JAN94

WATER PUMP OVERHAUL KIT (GASOLINE AND LP GAS)



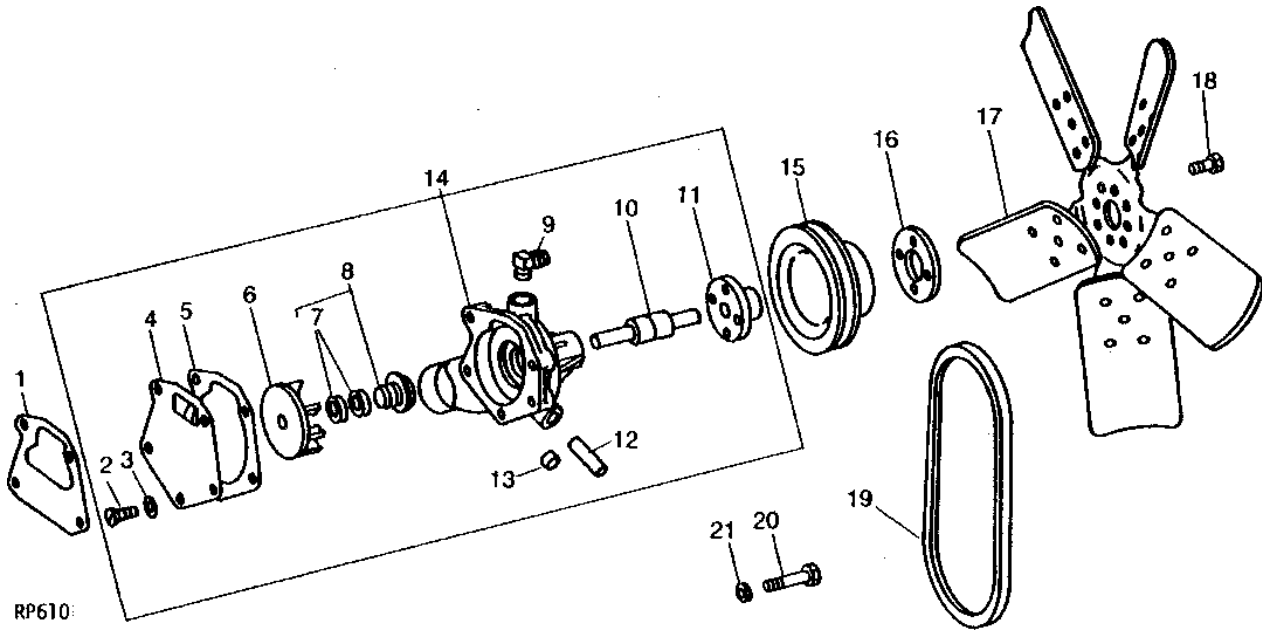
| KEY | PART NO. | PART NAME | QTY | ENGINE SERIAL NO. | REMARKS |
|-----|----------|-----------|-----|-------------------|-------------------|
| 1 | R26331 | GASKET | 1 | | |
| 2 | R41321 | IMPELLER | 1 | | |
| 3 | AR41691 | INSERT | 1 | | (SUB AR101549) |
| 4 | AR62933 | SEAL KIT | 1 | | (SUB FOR AR40698) |
| 5 | T13119 | O-RING | 1 | | |
| 6 | JD9355 | BEARING | 1 | | |
| 7 | AR55618 | KIT | 1 | | |

1C15

ENGINE

RP610 -UN-01JAN94

FAN AND WATER PUMP (DIESEL)



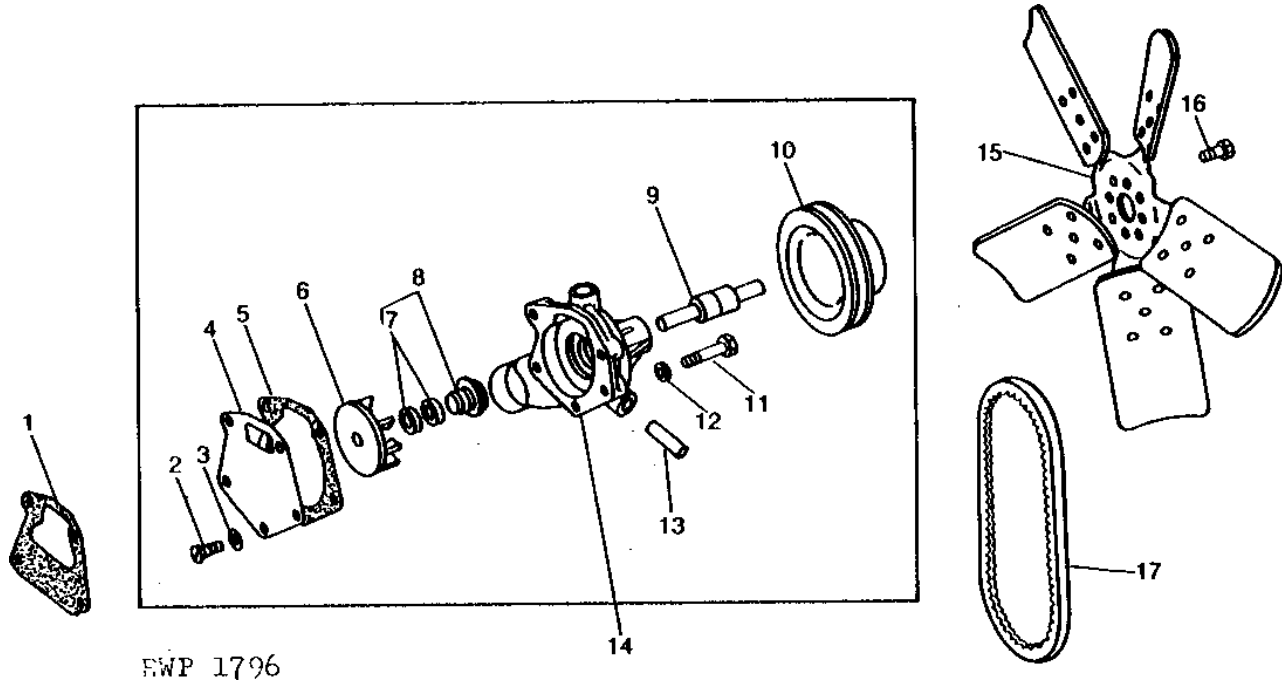
| KEY | PART NO. | PART NAME | QTY | ENGINE SERIAL NO. | REMARKS |
|-----|----------|---------------|-----|---------------------------|---------|
| 1 | R26341 | GASKET | 1 | | |
| 2 | 21H1225 | SCREW | 1 | 5/16" X 3/4" | |
| 3 | 12H323 | LOCK WASHER | 1 | 5/16" | |
| 4 | R26340 | COVER | 1 | | |
| 5 | R26343 | GASKET | 1 | | |
| 6 | R40979 | IMPELLER | 1 | | |
| 7 | AR62933 | SEAL KIT | 1 | (SUB FOR AR40698) | |
| 8 | AR101549 | SEAL KIT | 1 | (SUB FOR AR41691) | |
| 9 | M42830 | ELBOW FITTING | 1 | (SUB FOR AR26635) | |
| | R39503 | HOSE FITTING | 1 | | |
| 10 | JD9355 | BEARING | 1 | | |
| 11 | R40662 | HUB | 1 | | |
| 12 | R27548 | TUBE | 1 | | |
| 13 | R28746 | CAP | 1 | | |
| 14 | AR45332 | WATER PUMP | 1 | (MARKED R41315 OR R44122) | |
| | TY6740 | WATER PUMP | 1 | REMANUFACTURED | |
| 15 | R40212 | SHEAVE | 1 | (SUB FOR AR40149) | |
| 16 | R52833 | WASHER | 1 | (4000-LOW PROFILE) (NLA) | |
| 17 | AR34451 | FAN | 1 | | |
| 18 | 19H2284 | CAP SCREW | 4 | 3/8" X 7/8" | |
| | 19H1731 | CAP SCREW | 4 | 3/8" X 1" | |
| 19 | R71459 | BELT | 1 | (SUB FOR R41682) | |
| | R71459 | BELT | 1 | (SUB R41681 FOR 4020) | |
| | R41681 | BELT | 1 | | |
| 20 | 19H3485 | CAP SCREW | 4 | 3/8" X 2" | |
| | 19H1765 | CAP SCREW | 4 | 3/8" X 1-3/4" | |
| 21 | 12H304 | LOCK WASHER | 5 | 3/8" | |

1C16

ENGINE

FAN AND WATER PUMP (DIESEL) (AIR CONDITIONING)
(ENGINE SERIAL NO. 257272-)

RWP1796 -UN-01JAN94



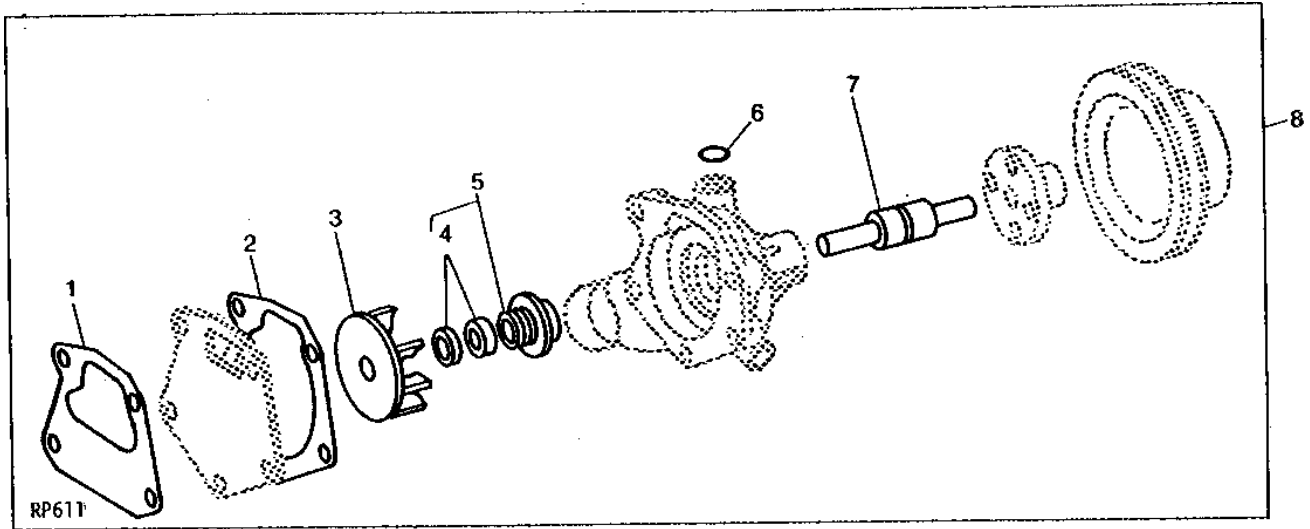
| KEY | PART NO. | PART NAME | QTY | ENGINE SERIAL NO. | REMARKS |
|-----|----------|-------------|-----|--|---------|
| 1 | R26341 | GASKET | 1 | | |
| 2 | 21H1225 | SCREW | 1 | 5/16" X 3/4" | |
| 3 | 12H323 | LOCK WASHER | 1 | 5/16" | |
| 4 | R26340 | COVER | 1 | | |
| 5 | R26343 | GASKET | 1 | | |
| 6 | R40979 | IMPELLER | 1 | | |
| 7 | AR41691 | INSERT | 1 | | |
| 8 | AR62933 | SEAL KIT | 1 | (SUB FOR AR40698) | |
| 9 | JD9355 | BEARING | 1 | | |
| 10 | R46571 | SHEAVE | 1 | | |
| 11 | 19H3485 | CAP SCREW | 4 | 3/8" X 2" | |
| 12 | 12H304 | LOCK WASHER | 4 | 3/8" | |
| 13 | R27548 | TUBE | 1 | | |
| 14 | RE20026 | WATER PUMP | 1 | (MARKED R41315 OR R48743) (SUB FOR AR48782) (ALSO ORDER R26343) (NLA) | |
| 15 | AR44969 | FAN | 1 | (NLA) | |
| 16 | 19H2284 | CAP SCREW | 4 | 3/8" X 7/8" | |
| 17 | R52507 | BELT | 1 | (SUB FOR R46570) | |

1C17

ENGINE

RP611 -UN-01JAN94

WATER PUMP OVERHAUL KIT (DIESEL)



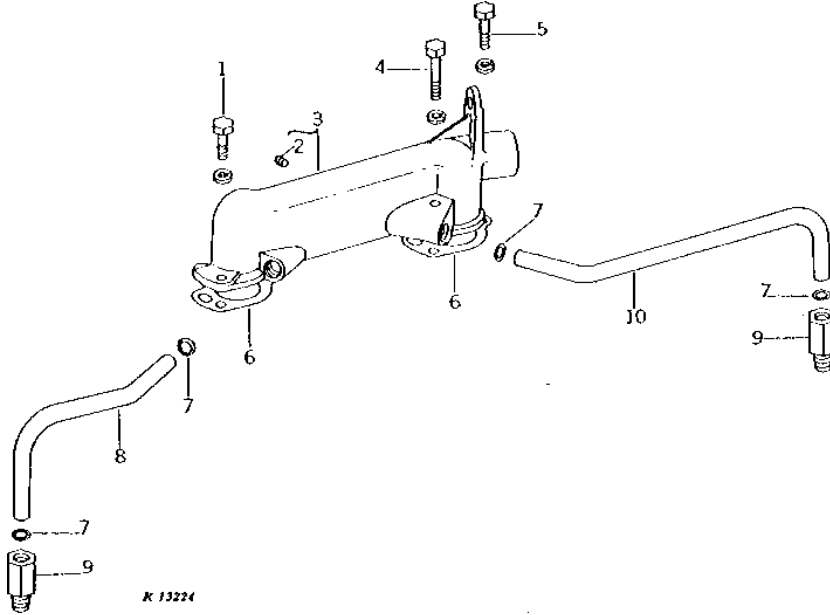
| KEY | PART NO. | PART NAME | QTY | ENGINE SERIAL NO. | REMARKS |
|-----|----------|-----------|-----|-------------------|---------|
| 1 | R26341 | GASKET | 1 | | |
| 2 | R26343 | GASKET | 1 | | |
| 3 | R40979 | IMPELLER | 1 | | |
| 4 | AR41691 | INSERT | 1 | (SUB AR101549) | |
| 5 | AR62933 | SEAL KIT | 1 | (SUB FOR AR40698) | |
| 6 | T13119 | O-RING | 1 | | |
| 7 | JD9355 | BEARING | 1 | | |
| 8 | AR55619 | KIT | 1 | | |

1C18

ENGINE

R13224 -UN-01JAN94

WATER OUTLET MANIFOLD AND BYPASS LINES



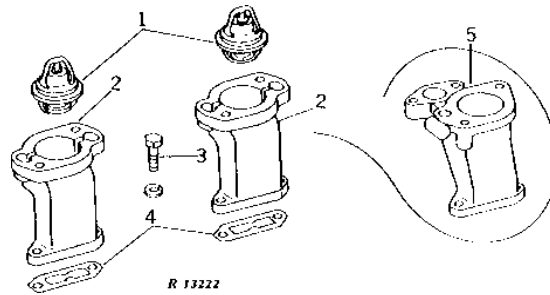
| KEY | PART NO. | PART NAME | QTY | ENGINE SERIAL NO. | REMARKS |
|-----|----------|-------------|-----|---|---------|
| 1 | 19H1732 | CAP SCREW | 2 | 3/8" X 1-1/4" | |
| | 12H304 | LOCK WASHER | 6 | 3/8" | |
| 2 | 15H559 | PIPE PLUG | 1 | 1/4" | |
| 3 | AR40910 | MANIFOLD | 1 | (MARKED R41289, R41291 OR R41293) (NLA) (SUB R41293 AND 15H559) | |
| | R41293 | MANIFOLD | 1 | (NLA) | |
| 4 | 19H1801 | CAP SCREW | 1 | 3/8" X 2" | |
| | 12H304 | LOCK WASHER | 1 | 3/8" | |
| 5 | 19H1765 | CAP SCREW | 1 | 3/8" X 1-3/4" | |
| | 12H304 | LOCK WASHER | 1 | 3/8" | |
| 6 | R42694 | GASKET | 2 | | |
| 7 | T13119 | O-RING | 4 | | |
| 8 | R41287 | LINE | 1 | | |
| 9 | R41285 | ADAPTER | 2 | | |
| 10 | R41286 | LINE | 1 | (GASOLINE AND LP-GAS) | |
| | R41288 | LINE | 1 | (DIESEL) | |

1C19

ENGINE

R13222 -UN-01JAN94

THERMOSTAT HOUSING AND THERMOSTATS



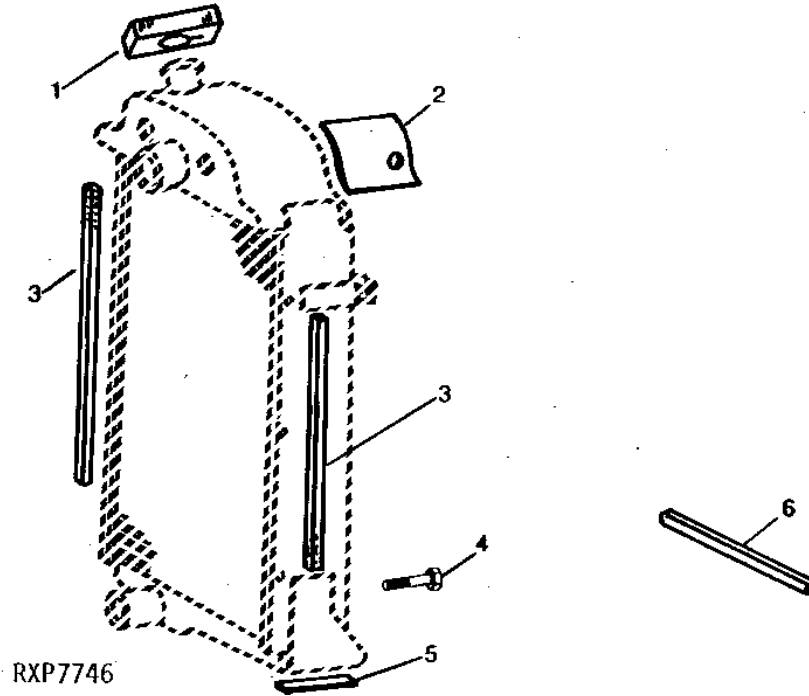
| KEY | PART NO. | PART NAME | QTY | ENGINE SERIAL NO. | REMARKS |
|-----|----------|-------------|-----|-------------------|--|
| 1 | R36847 | THERMOSTAT | 2 | | 71°-83°C (160°-182°F) (GASOLINE AND LP-GAS) |
| | R36846 | THERMOSTAT | 2 | | 82°-94°C (180°-202°F) |
| 2 | AR44840 | HOUSING | 2 | | (GASOLINE AND DIESEL) (MARKED R41853 OR R42664) |
| | AR44840 | HOUSING | 1 | | REAR (LP-GAS) (MARKED R41853 OR R42664) |
| 3 | 19H1732 | CAP SCREW | AR | | 3/8" X 1-1/4", (4 USED GASOLINE AND DIESEL) |
| | 19H1731 | CAP SCREW | 2 | | (2 USED LP-GAS) |
| | 24M7096 | WASHER | AR | | 3/8" X 1", (LP-GAS) |
| | | | | | 0.413" X 0.709" X 0.063", (4 USED GASOLINE AND DIESEL) (2 USED LP-GAS) |
| | 12H304 | LOCK WASHER | 2 | | 3/8", (LP-GAS) |
| 4 | R88397 | GASKET | 2 | | (SUB FOR R42693) |
| 5 | R26469 | HOUSING | 1 | | FRONT (LP-GAS) (NLA) |

1C20

ENGINE

RXP7746 -UN-01JAN94

RADIATOR BAFFLES AND FOAM PAD KIT



| KEY | PART NO. | PART NAME | QTY | TRACTOR SERIAL NO. | REMARKS |
|-----|----------|-----------|-----|--------------------|--|
| 1 | R28015 | FOAM PAD | 1 | | |
| 2 | | FOAM PAD | 1 | | 3.2 X 101.6 X 127MM (1/8" X 4" X 5") (MAKE FROM R30597) |
| 3 | | ISOLATOR | 2 | -067999 | 12.7 X 19.0 X 495.3MM (1/2" X 3/4" X 19-1/2") (MAKE FROM R30936) |
| 4 | 37H79 | SCREW | 6 | | |
| 5 | R26413 | STRAP | 2 | | |
| 6 | | ISOLATOR | 1 | | 12.7 X 12.7 X 400MM (1/2" X 1/2" X 5-3/4") (MAKE FROM R30877) |

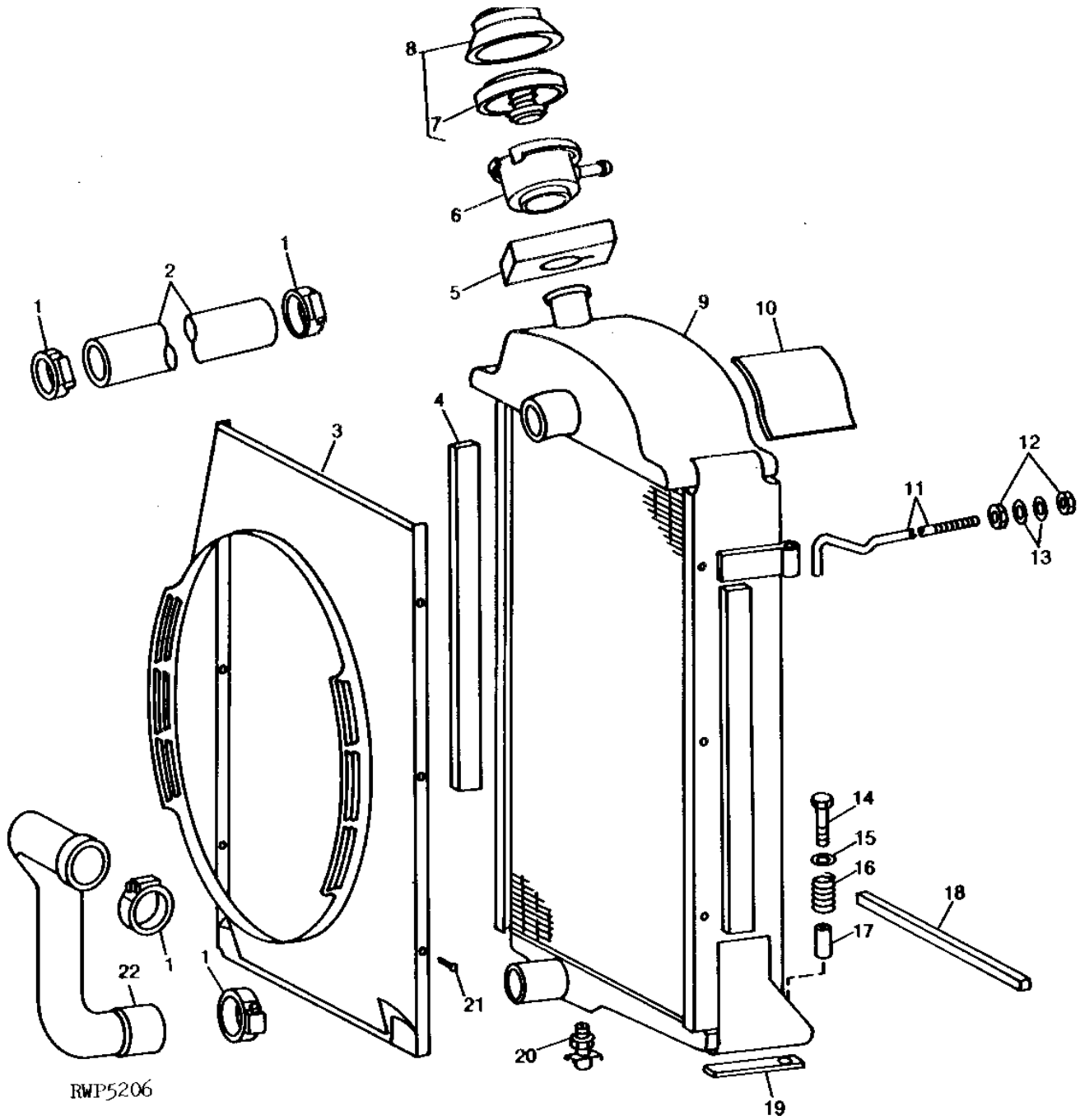
1C21

ENGINE

RWP5206

-UN-01JAN94

RADIATOR



RWP5206

1C22

ENGINE

RADIATOR - CONTINUED

| KEY | PART NO. | PART NAME | QTY | TRACTOR SERIAL NO. | REMARKS |
|-----|----------|-------------|-----|-----------------------|--|
| 1 | AR21840 | CLAMP | 4 | | |
| 2 | R26475 | HOSE | 1 | | UPPER |
| 3 | R34090 | SHROUD | 1 | | |
| 4 | R42946 | SHROUD | 1 | | (AIR CONDITIONING) |
| 4 | | FOAM PAD | 2 | | 12.7 X 25.4 X 495MM (1/2" X 1" X 19-1/2") RADIATOR SIDE, (MAKE FROM R30936) |
| 5 | R28015 | FOAM PAD | 1 | | |
| 6 | RE15427 | FILLER NECK | 1 | | (USE WITH AR48090) |
| 7 | R27209 | COVER | 1 | | (SUB AR28482) |
| 8 | AR28482 | CAP | 1 | | |
| 9 | AR49454 | RADIATOR | 1 | | (SUB FOR AR46434) |
| 9 | AR48090 | RADIATOR | 1 | | (AIR CONDITIONING) |
| 10 | | FOAM PAD | 1 | | 3.2 X 101.6 X 140MM (1/8" X 4" X 5-1/2") (MAKE FROM R30597) |
| 11 | R39516 | ROD | 1 | | R.H. |
| 11 | R42962 | ROD | 1 | | L.H. |
| 12 | 14H1076 | NUT | 4 | | 3/8" |
| 13 | 24H1305 | WASHER | 4 | | 13/32" X 13/16" X 0.065" |
| 14 | 19H2549 | CAP SCREW | 2 | | 3/8" X 1-7/8" |
| 15 | 24H1309 | WASHER | 2 | | 13/32" X 1-1/16" X 0.120" |
| 16 | F2411R | SPRING | 2 | | |
| 17 | R26417 | SPACER | 2 | | |
| 18 | | FOAM PAD | 1 | | 19 X 25.4 X 406MM (3/4" X 1" X 16") RADIATOR LOWER, (MAKE FROM R30937) |
| 19 | R26413 | STRAP | 2 | | |
| 20 | AT13740 | DRAIN VALVE | 1 | | |
| 21 | 37H79 | SCREW | 6 | | 1/4" X 5/8" |
| 22 | R26472 | HOSE | 1 | | LOWER |
| .. | R45982 | HOSE | 1 | | LOWER, (AIR CONDITIONING) |
| .. | R45526 | DEFLECTOR | 1 | | (LP-GAS) |

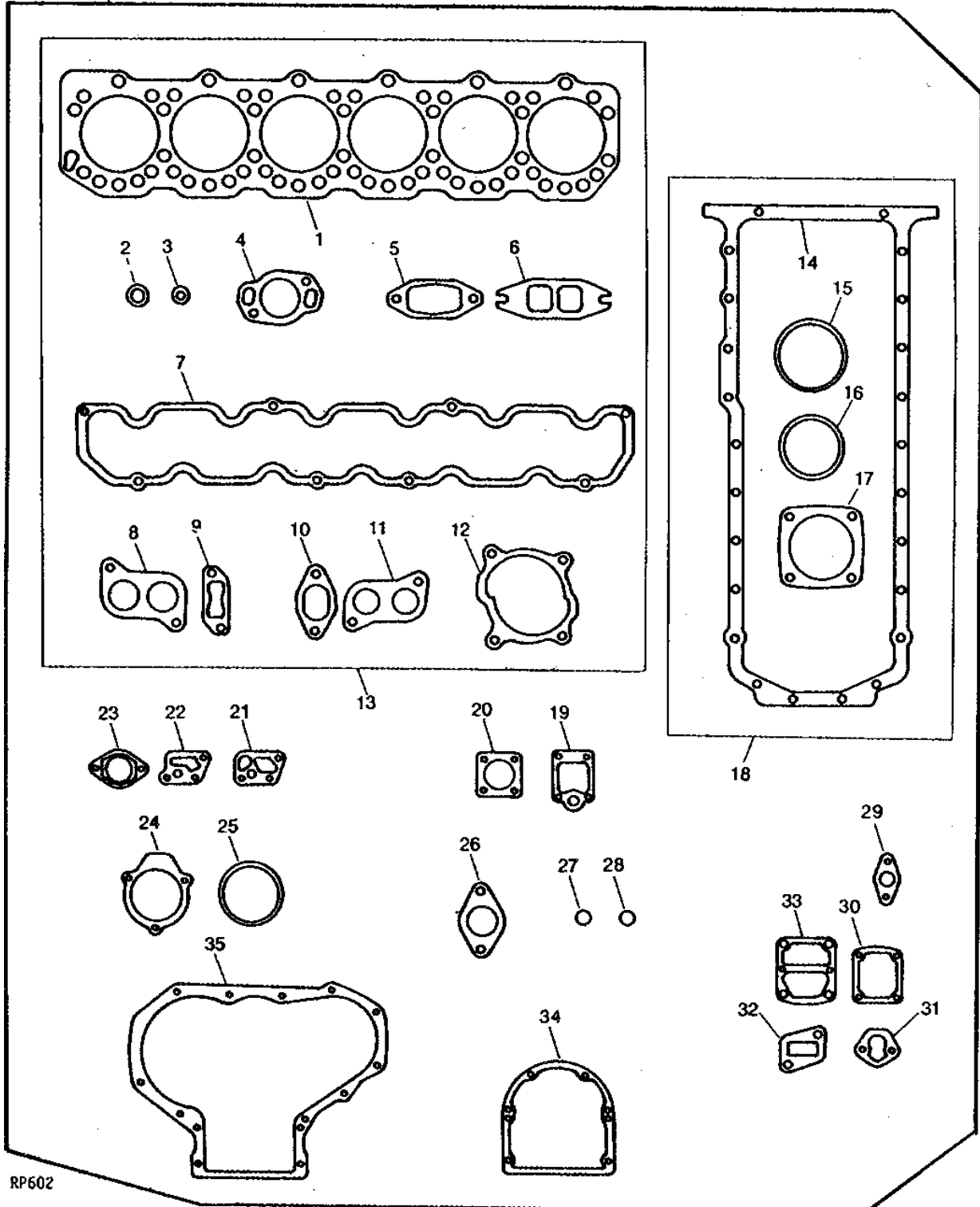
1C23

ENGINE

RP602

-UN-01JAN94

GASKET SET (GASOLINE AND LP-GAS)



RP602

1C24

ENGINE

GASKET SET (GASOLINE AND LP-GAS) - CONTINUED

| KEY | PART NO. | PART NAME | QTY | ENGINE SERIAL NO. | REMARKS |
|-----|----------|------------|-----|-------------------|------------------------------------|
| 1 | R41609 | GASKET | 1 | | |
| 2 | R495R | O-RING | 1 | | |
| 3 | R27976 | O-RING | 6 | | |
| 4 | R42694 | GASKET | 2 | | |
| 5 | R27574 | GASKET | 1 | | |
| 6 | R26296 | GASKET | 1 | | |
| 7 | R49866 | GASKET | 1 | | (SUB FOR R26356 OR R32593) |
| 8 | R26291 | GASKET | 3 | | |
| 9 | R42693 | GASKET | 2 | | |
| 10 | R83021 | GASKET | 2 | | (SUB FOR R44374) OUTER |
| 11 | R83020 | GASKET | 2 | | (SUB FOR R44373) INNER |
| 12 | R26331 | GASKET | 1 | | |
| 13 | AR53627 | GASKET | 1 | | (SUB FOR R44036) (CYLINDER HEAD) |
| 14 | R71918 | GASKET | 1 | | (SUB FOR R42424 OR R53282) |
| 15 | B3586R | WASHER | 1 | | |
| 16 | R26163 | O-RING | 1 | | |
| 17 | R26354 | GASKET | 1 | | |
| 18 | AR30547 | GASKET KIT | 1 | | (OIL PAN) |
| 19 | R34109 | GASKET | 1 | | |
| 20 | R32123 | GASKET | 1 | | |
| 21 | R34753 | GASKET | 1 | | |
| 22 | R34110 | GASKET | 1 | | |
| 23 | R41855 | GASKET | 1 | | |
| 24 | R31340 | GASKET | 1 | | |
| 25 | R40777 | WASHER | 1 | | |
| 26 | R26499 | GASKET | 1 | | |
| 27 | B2762R | O-RING | 1 | | |
| 28 | T13119 | O-RING | 4 | | |
| 29 | R26738 | GASKET | 1 | | |
| 30 | R26173 | GASKET | 1 | | |
| 31 | R27285 | GASKET | 1 | | |
| 32 | R46192 | GASKET | 1 | | (SUB FOR R26826) |
| 33 | R44853 | GASKET | 1 | | |
| 34 | R26058 | GASKET | 1 | | |
| 35 | R26084 | GASKET | 1 | | |
| 36 | AR63939 | GASKET | 1 | | (SUB FOR AR53628) (ENGINE REBUILD) |
| .. | R53108 | GASKET | 1 | | |

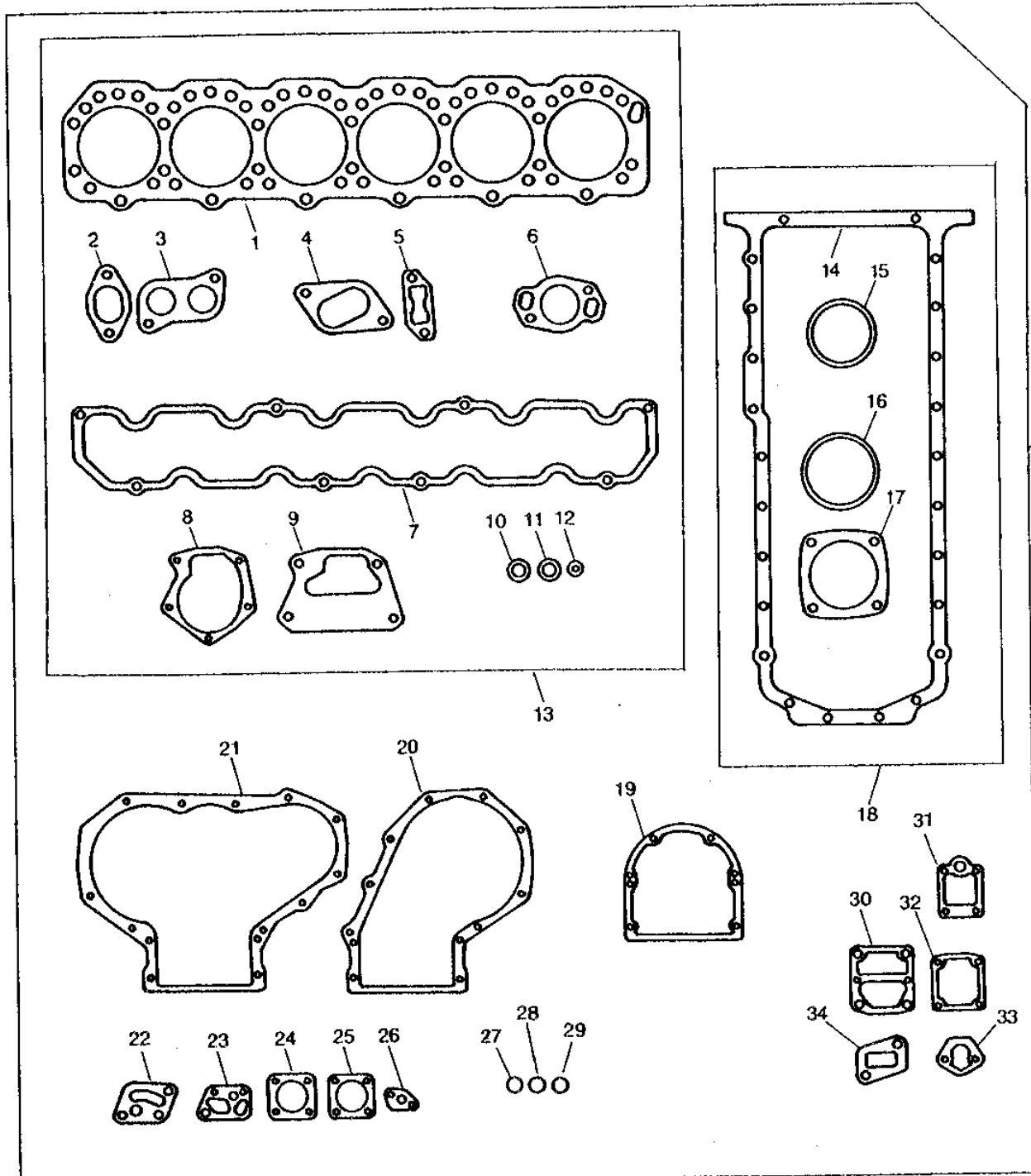
1D1

ENGINE

RP603

-UN-01JAN94

GASKET SET (DIESEL)



RP603

1D2

ENGINE

GASKET SET (DIESEL) - CONTINUED

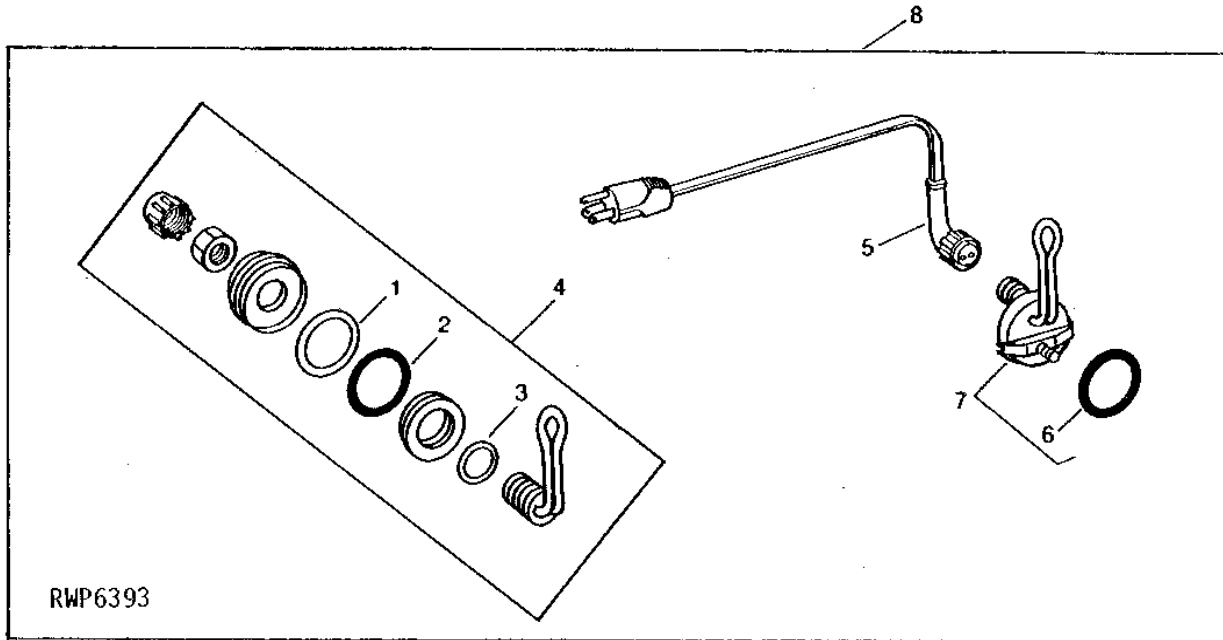
| KEY | PART NO. | PART NAME | QTY | ENGINE SERIAL NO. | REMARKS |
|-----|----------|------------|-----|-------------------|----------------------------------|
| 1 | R48291 | GASKET | 1 | | (SUB FOR R41709) (MARKED R48291) |
| 2 | R83021 | GASKET | 2 | | (SUB FOR R44374) |
| 3 | R83020 | GASKET | 2 | | (SUB FOR R44373) |
| 4 | R26297 | GASKET | 3 | | |
| 5 | R88397 | GASKET | 2 | | (SUB FOR R42693) |
| 6 | R42694 | GASKET | 2 | | |
| 7 | R49866 | GASKET | 1 | | (SUB FOR R26356) |
| 8 | R26343 | GASKET | 1 | | |
| 9 | R26341 | GASKET | 1 | | |
| 10 | R495R | O-RING | 1 | | |
| 11 | R27976 | O-RING | 6 | | |
| 12 | T20055 | WASHER | 12 | | |
| 13 | AR53630 | GASKET KIT | 1 | | (CYLINDER HEAD) |
| 14 | R71918 | GASKET | 1 | | (SUB FOR R42424 OR R53282) |
| 15 | R26163 | O-RING | 1 | | |
| 16 | B3586R | WASHER | 1 | | |
| 17 | R26354 | GASKET | 1 | | |
| 18 | AR30547 | GASKET KIT | 1 | | (OIL PAN) |
| 19 | R26058 | GASKET | 1 | | |
| 20 | R46158 | GASKET | 1 | | |
| 21 | R26084 | GASKET | 1 | | |
| 22 | R34110 | GASKET | 1 | | |
| 23 | R34753 | GASKET | 1 | | |
| 24 | R32123 | GASKET | 1 | | |
| 25 | R27948 | GASKET | 2 | | |
| 26 | R27951 | GASKET | 2 | | |
| 27 | B2762R | O-RING | 1 | | (SUB FOR R32100) |
| 28 | B2762R | O-RING | 1 | | |
| 29 | T13119 | O-RING | 4 | | |
| 30 | R44853 | GASKET | 1 | | |
| 31 | R34109 | GASKET | 1 | | |
| 32 | R26173 | GASKET | 1 | | |
| 33 | R97350 | GASKET | 1 | | (SUB FOR R27285) |
| 34 | R46192 | GASKET | 1 | | (SUB FOR R26826) |
| 35 | AR53631 | GASKET | 1 | | (ENGINE REBUILD KIT) |

1D3

ENGINE

RWP6393 -UN-01JAN94

ENGINE COOLANT HEATER



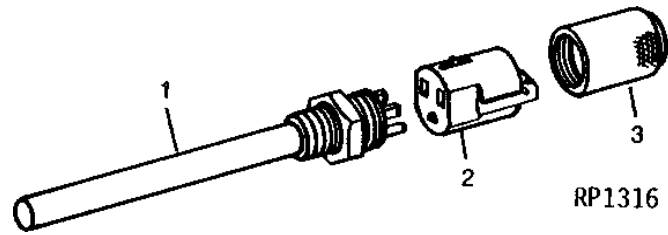
| KEY | PART NO. | PART NAME | QTY | ENGINE SERIAL NO. | REMARKS |
|-----|----------|----------------|-----|-------------------|---------|
| 1 | R47692 | RING | 1 | | |
| 2 | R31378 | O-RING | 1 | | |
| 3 | R47693 | GASKET | 1 | | |
| 4 | AR50399 | HEATER | 1 | (SUB RE29408) | |
| 5 | AR50411 | WIRING LEAD | 1 | | |
| 6 | R30200 | O-RING | 1 | | |
| 7 | RE29408 | COOLANT HEATER | 1 | | |
| 8 | AR50518 | COOLANT HEATER | 1 | | |

1D4

ENGINE

RP1316 -UN-01JAN94

OIL HEATER



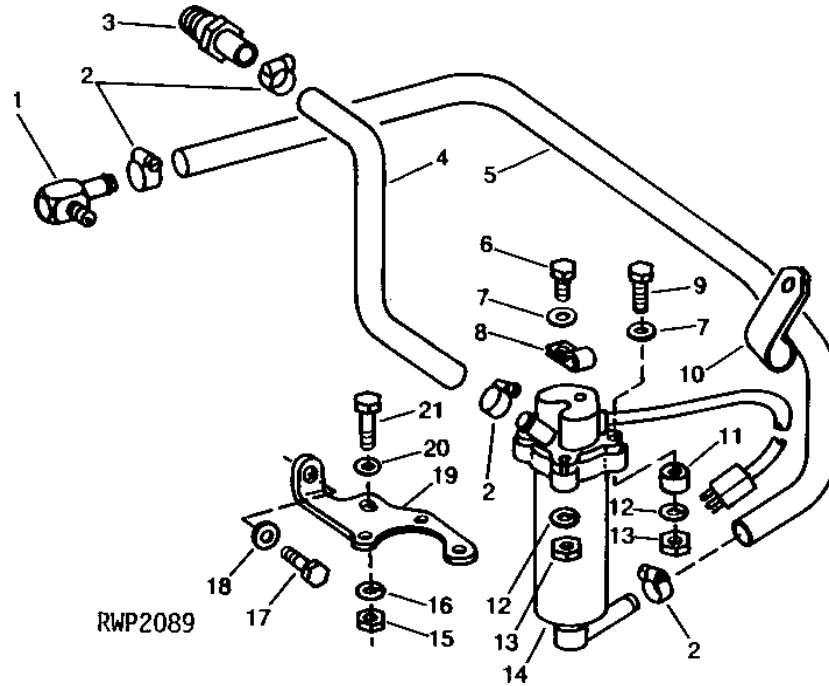
| KEY | PART NO. | PART NAME | QTY | ENGINE SERIAL NO. | REMARKS |
|-----|----------|-----------------|-----|-------------------|---------|
| 1 | AR27139 | HEATING ELEMENT | 1 | | |
| 2 | AR21024 | FITTING | 1 | | |
| 3 | R20878 | PLUG | 1 | | |

1D5

ENGINE

ENGINE COOLANT HEATER (ENGINE SERIAL NO. 215000 - 280000)

RWP2089 -UN-01JAN94



| KEY | PART NO. | PART NAME | QTY | ENGINE SERIAL NO. | REMARKS |
|-----|----------|----------------|-----|-------------------|--|
| 1 | AR45974 | FITTING | 1 | 90° | |
| 2 | AR21837 | CLAMP | 4 | | |
| 3 | R41071 | FITTING | 1 | | |
| 4 | | HOSE | 1 | | 483MM (19") (GASOLINE AND LP-GAS) (MAKE FROM TY22328) (SUB FOR R45847) |
| | | HOSE | 1 | | (B) 724MM (28-1/2") (MAKE FROM TY22328) (SUB FOR R45847) |
| 5 | R44302 | TIE BAND | 1 | | |
| | | HOSE | 1 | | 1041MM (41") (MAKE FROM TY22328) (SUB FOR R45847) |
| 6 | 19H1898 | CAP SCREW | 1 | | 1/4" X 1-1/2" |
| 7 | 24H1287 | WASHER | 4 | | 9/32" X 5/8" X 0.065" |
| 8 | T22645 | CLIP | 1 | | |
| 9 | 19H1738 | CAP SCREW | 3 | | 1/4" X 2" |
| 10 | R40791 | CLAMP | 1 | | (SUB FOR A4656R) |
| 11 | R27370 | WASHER | 3 | | |
| 12 | 12H302 | LOCK WASHER | 4 | | 1/4" |
| 13 | 14H786 | NUT | 4 | | 1/4" |
| 14 | AR55171 | COOLANT HEATER | 1 | -252320 | (A) (B) |
| | AR42326 | HEATER | 1 | 252321- | (A) (B) |
| | AR55171 | COOLANT HEATER | 1 | -257456 | (A) (C) |
| | AR42326 | HEATER | 1 | 257457- | (A) (C) |
| | AR55171 | COOLANT HEATER | 1 | -257608 | (A) (D) |
| | AR42326 | HEATER | 1 | 257609- | (A) (D) |
| | AR55172 | FILTER ELEMENT | 1 | -252320 | (B) |
| | AR42883 | COOLANT HEATER | 1 | 252321- | (B) |
| | AR55172 | FILTER ELEMENT | 1 | -257456 | (C) |
| | AR42883 | COOLANT HEATER | 1 | 257457- | (C) |
| | AR55172 | FILTER ELEMENT | 1 | -257608 | (D) |
| | AR42883 | COOLANT HEATER | 1 | 257609- | (D) |
| | AR42991 | HOUSING | 1 | | |
| | F1649R | O-RING | 1 | | |

1D6

ENGINE

ENGINE COOLANT HEATER - CONTINUED
(ENGINE SERIAL NO. 215000-280000)

| KEY | PART NO. | PART NAME | QTY | ENGINE SERIAL NO. | REMARKS |
|-----|----------|-------------|-----|-------------------|--------------------------|
| 15 | 14H812 | NUT | 1 | | 3/8" |
| 16 | 12H304 | LOCK WASHER | 1 | | 3/8" |
| 17 | 19H1978 | CAP SCREW | 1 | | 7/16" X 1-1/2" |
| 18 | 24H1325 | WASHER | 1 | | 15/32" X 59/64" X 0.065" |
| 19 | R44643 | BRACKET | 1 | | |
| 20 | 24H1305 | WASHER | 1 | | 13/32" X 13/16" X 0.065" |
| 21 | 19H1732 | CAP SCREW | 1 | | 3/8" X 1-1/4" |
| .. | AR47092 | HEATER | 1 | | (A) |
| .. | R46825 | DECAL | 1 | | |

- (A) COMPLETE
- (B) DIESEL
- (C) GASOLINE
- (D) LP-GAS

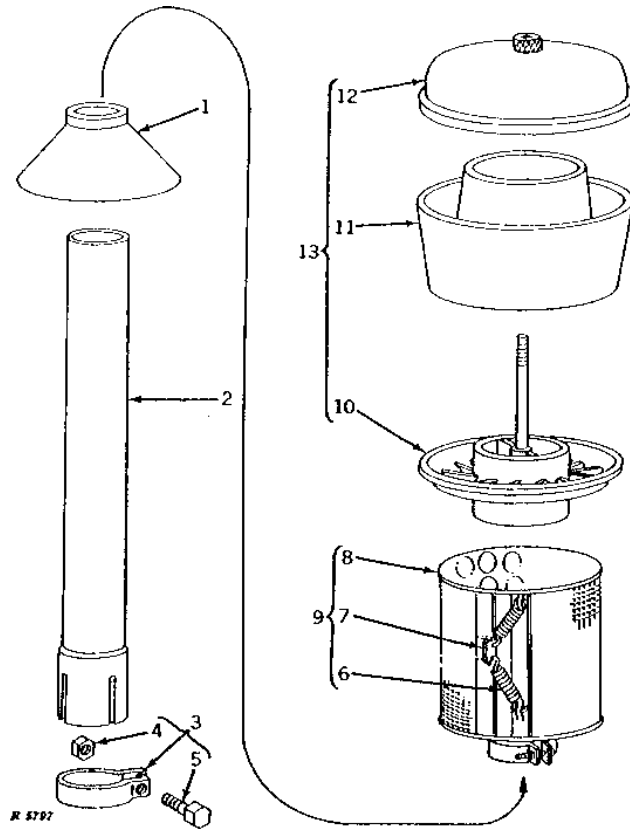
MEMORANDA

1D10

FUEL AND AIR

PRE-CLEANER AND PRE-SCREENER (GASOLINE AND LP-GAS)

R5797 -UN-01JAN94



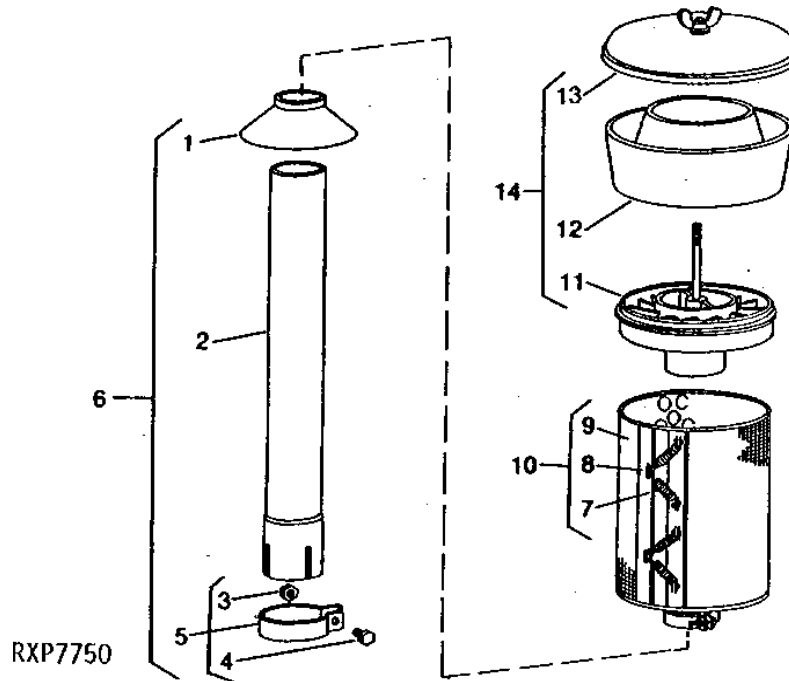
| KEY | PART NO. | PART NAME | QTY | TRACTOR SERIAL NO. | REMARKS |
|-----|----------|------------------|-----|--------------------|---------|
| 1 | R28798 | SEAL | 1 | | |
| 2 | R34604 | AIR INTAKE STACK | 1 | | |
| 3 | AR26929 | CLAMP | 1 | | |
| 4 | 14H1076 | NUT | 1 | 3/8" | |
| 5 | 19H2461 | CAP SCREW | 1 | 3/8" X 1-1/4" | |
| 6 | R21644 | SPRING | 2 | | |
| 7 | R21645 | RETAINER | 1 | | |
| 8 | AR21790 | SCREEN | 1 | | |
| 9 | AR27158 | PRESCREENER | 1 | | |
| 10 | AR28073 | BASE | 1 | | |
| 11 | R28794 | DUST BOWL | 1 | (SUB AL37364) | |
| 12 | AF3583R | COVER | 1 | | |
| 13 | AR26811 | PRESCREENER | 1 | | |

1D11

FUEL AND AIR

PRE-CLEANER AND PRE-SCREENER (DIESEL)

RXP7750 -UN-01JAN94



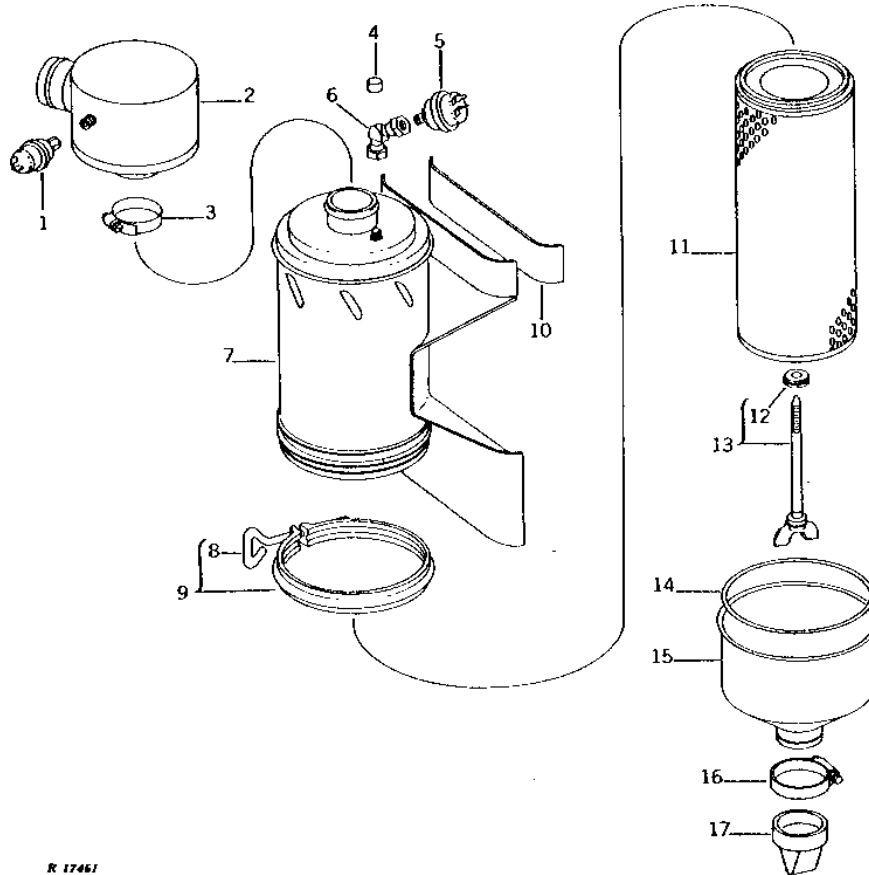
| KEY | PART NO. | PART NAME | QTY | TRACTOR SERIAL NO. | REMARKS |
|-----|----------|------------------|-----|--------------------|-------------------|
| 1 | R57119 | SEAL | 1 | | (SUB FOR R28799) |
| 2 | AR78485 | AIR INTAKE STACK | 1 | | (SUB FOR R40529) |
| 3 | 14H1076 | NUT | 1 | | 3/8" |
| 4 | 19H1800 | CAP SCREW | 1 | | 3/8" X 1-1/2" |
| 5 | AR26930 | CLAMP | 1 | | |
| 6 | AR40386 | AIR DUCT | 1 | | |
| 7 | R21644 | SPRING | 4 | | |
| 8 | R21645 | RETAINER | 2 | | |
| 9 | AR27808 | SCREEN | 1 | | |
| 10 | AR27160 | PRESCREENER | 1 | | |
| 11 | AR28040 | BASE | 1 | | |
| 12 | R28795 | DUST BOWL | 1 | | |
| 13 | AR1729R | COVER | 1 | | |
| 14 | AT170918 | PRESCREENER | 1 | | (SUB FOR AR26417) |

1D12

FUEL AND AIR

DRY AIR CLEANER (FOR LESS PRE-CLEANER) (GASOLINE AND DIESEL)

R17461 -UN-01JAN94



R 17461

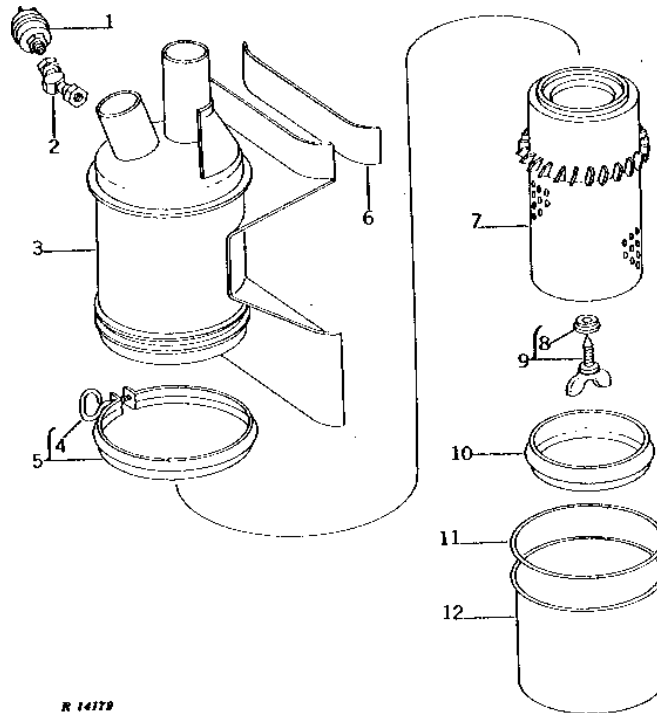
| KEY | PART NO. | PART NAME | QTY | TRACTOR SERIAL NO. | REMARKS |
|-----|----------|----------------|-----|--------------------|--|
| 1 | AR50489 | SWITCH | 1 | 250001- | |
| 2 | AR51923 | AIR CLEANER | 1 | 250001- | |
| 3 | AR21999 | CLAMP | 1 | 250001- | |
| 4 | 15H21 | FITTING | 1 | 250001- | 1/8" |
| 5 | AR45184 | SWITCH | 1 | -250000 | |
| 6 | AR45204 | ADAPTER | 1 | -250000 | 45° |
| 7 | AR45681 | AIR CLEANER | 1 | | COMPLETE |
| 8 | R28633 | BOLT | 1 | | |
| 9 | AR30575 | CLAMP | 1 | | |
| 10 | | FOAM PAD | 1 | | 2 X 51 X 356MM (1/16" X 2" X 14") (MAKE FROM R30596) |
| 11 | AR46976 | FILTER ELEMENT | 1 | | |
| 12 | R39825 | SEAL | 1 | | |
| 13 | AR46975 | BOLT | 1 | | |
| 14 | R42637 | O-RING | 1 | | |
| 15 | AR46980 | DUST BOWL | 1 | | |
| 16 | AR21841 | CLAMP | 1 | | (SUB TY22473) |
| 17 | R45096 | VALVE | 1 | | |
| .. | R56902 | LABEL | 1 | -XXXXXX | (SUB FOR R48632) |

1D13

FUEL AND AIR

DRY AIR CLEANER (FOR PRE-CLEANER)

R14179 -UN-01JAN94



| KEY | PART NO. | PART NAME | QTY | TRACTOR SERIAL NO. | REMARKS |
|-----|----------|----------------|-----|---|---------|
| 1 | AR45184 | SWITCH | 1 | | |
| 2 | AR45204 | ADAPTER | 1 | 45° SWIVEL | |
| 3 | AR46149 | AIR CLEANER | 1 | (A) | |
| | AR46150 | AIR CLEANER | 1 | (B) (SUB AR46175 AND 15H21) | |
| | AR46151 | AIR CLEANER | 1 | (C) (SUB AR46176 AND 15H21) | |
| 4 | R28633 | BOLT | 1 | (D) | |
| | B1569R | BOLT | 1 | (B) | |
| 5 | AR34005 | CLAMP | 1 | (A) | |
| | AH20854 | CLAMP | 1 | (B) | |
| | AR30575 | CLAMP | 1 | (C) | |
| 6 | | FOAM PAD | 2 | (D) 1.6 X 50.8 X 356MM (1/16" X 2" X 14") (MAKE FROM R30596) | |
| | | FOAM PAD | 2 | (B) 1.6 X 50.8 X 152MM (1/16" X 2" X 6") (MAKE FROM R30596) | |
| 7 | AR39798 | FILTER ELEMENT | 1 | (A) | |
| | AR44774 | FILTER ELEMENT | 1 | (B) | |
| | AT33363 | FILTER ELEMENT | 1 | (C) (SUB FOR AR39799) | |
| 8 | R39825 | SEAL | 1 | | |
| 9 | AT18674 | BOLT | 1 | (D) | |
| | AR44775 | BOLT | 1 | (B) | |
| 10 | AH20858 | ISOLATOR | 1 | (A) | |
| | AH20857 | ISOLATOR | 1 | (B) | |
| | R39828 | ISOLATOR | 1 | (C) | |
| 11 | R42636 | O-RING | 1 | (A) | |
| | R42637 | O-RING | 1 | (C) | |
| 12 | R39826 | DUST BOWL | 1 | (A) (SUB AT54179) | |
| | R42645 | DUST BOWL | 1 | (B) | |
| | R39827 | DUST BOWL | 1 | (C) | |
| .. | R56902 | LABEL | 1 | -XXXXXX (SUB FOR R48632) | |

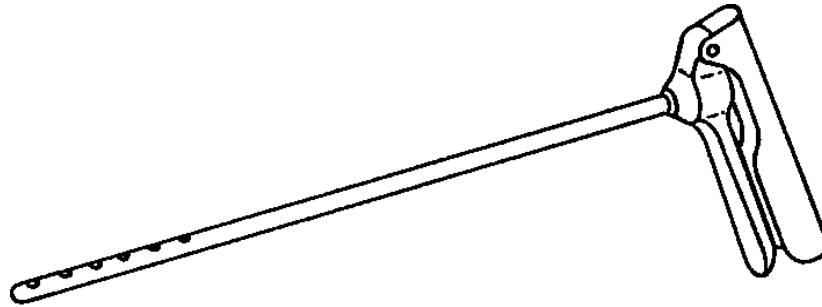
- (A) GASOLINE
- (B) LP-GAS
- (C) DIESEL
- (D) GASOLINE AND DIESEL

1D14

FUEL AND AIR

RP474 -UN-01JAN94

DRY AIR CLEANER ELEMENT CLEANING GUN



RP474

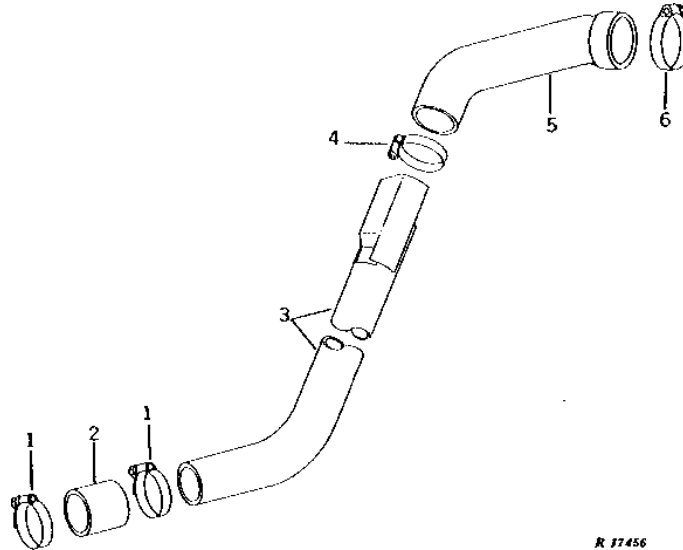
| KEY | PART NO. | PART NAME | QTY | TRACTOR SERIAL NO. | REMARKS |
|-----|----------|-------------|-----|--------------------|--|
| .. | AR62322 | GREASE GUN | 1 | | (MARKED R42726) (SUB FOR AR45035 OR AR62377) |
| .. | R36757 | AIR CLEANER | 1 | | (NLA) |

1D15

FUEL AND AIR

R17456 -UN-01JAN94

AIR INTAKE PIPE AND HOSES (GASOLINE AND LP-GAS)



R 17456

| KEY | PART NO. | PART NAME | QTY | TRACTOR SERIAL NO. | REMARKS |
|-----|----------|-----------|-----|--------------------|-------------------|
| 1 | AR21840 | CLAMP | 2 | | |
| 2 | R26531 | HOSE | 1 | | (SUB FOR R26294) |
| 3 | AR45301 | PIPE | 1 | | (A) |
| | AR48138 | PIPE | 1 | | (B) |
| 4 | AR21999 | CLAMP | 1 | | |
| 5 | R42958 | HOSE | 1 | -250000 | (A) |
| | R47669 | HOSE | 1 | 250001- | (A) (ILLUSTRATED) |
| | R40522 | HOSE | 1 | | (A) (C) |
| | R40524 | HOSE | 1 | | (B) (C) |
| 6 | AR21841 | CLAMP | 1 | | (SUB TY22473) |
| | AR21999 | CLAMP | 1 | | (C) |

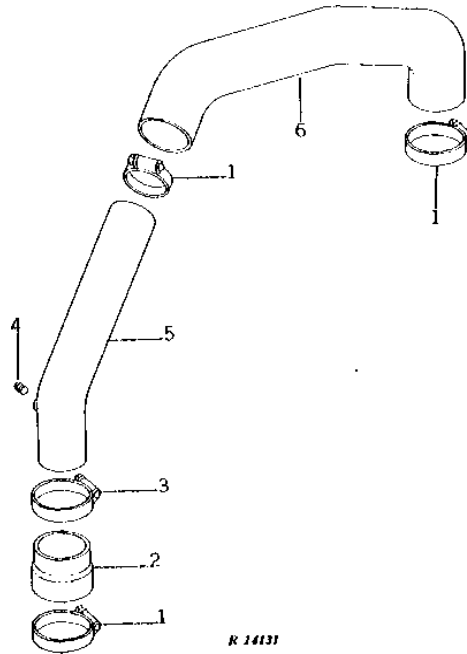
- (A) GASOLINE
- (B) LP-GAS
- (C) AIR CLEANER WITH PRE-CLEANER

1D16

FUEL AND AIR

**AIR INTAKE PIPE AND HOSES
(DIESEL)
(TRACTOR SERIAL NO. 201000-250000)**

R14131 -UN-01JAN94



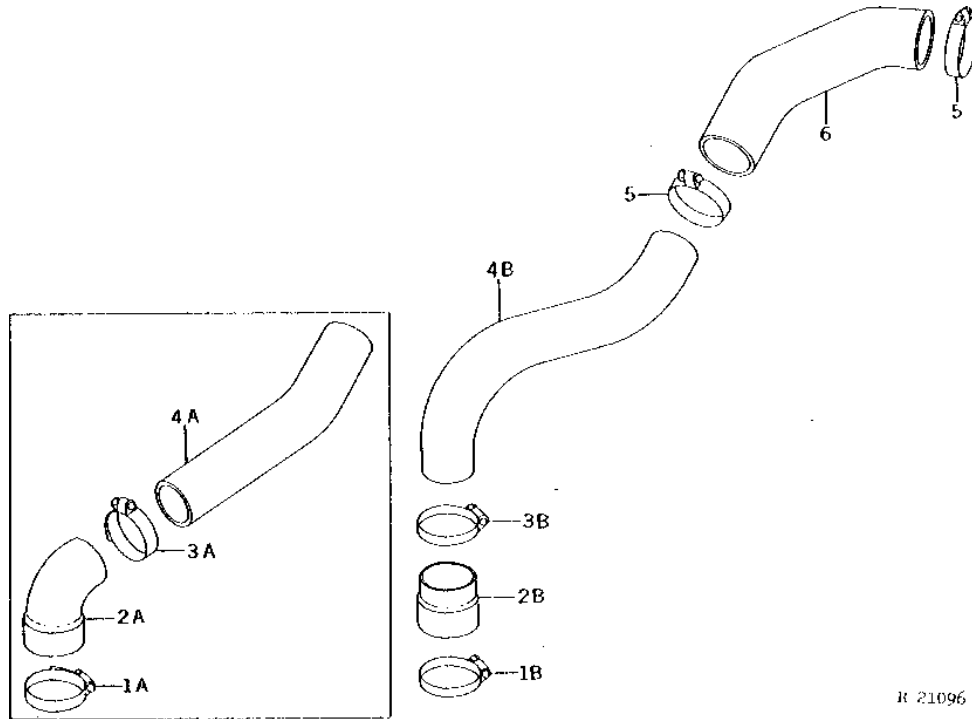
| KEY | PART NO. | PART NAME | QTY | TRACTOR SERIAL NO. | REMARKS |
|-----|----------|-----------|-----|--------------------------------|---------|
| 1 | AR21841 | CLAMP | 3 | (SUB TY22473) | |
| 2 | R26299 | HOSE | 1 | (SUB R62892) | |
| 3 | AR21999 | CLAMP | 1 | | |
| 4 | 15H558 | PIPE PLUG | 1 | 1/8" | |
| 5 | AR39541 | PIPE | 1 | | |
| 6 | R42959 | HOSE | 1 | | |
| | R39710 | HOSE | 1 | (AIR CLEANER WITH PRE-CLEANER) | |

1D17

FUEL AND AIR

AIR INTAKE PIPE AND HOSES (DIESEL) (TRACTOR SERIAL NO. 250001-)

R21096 -UN-01JAN94



R 21096

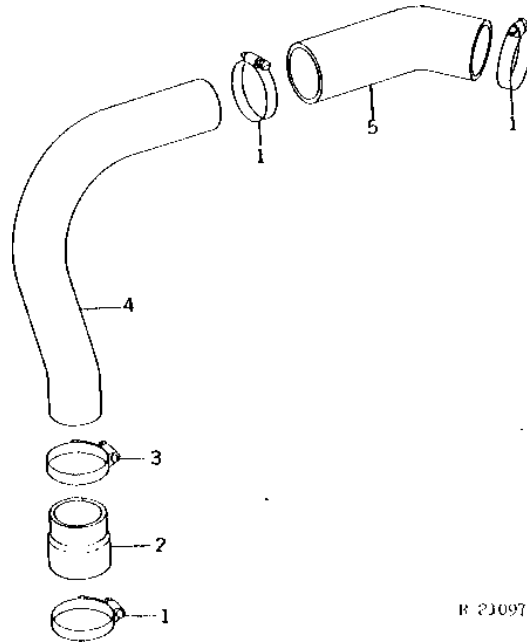
| KEY | PART NO. | PART NAME | QTY | TRACTOR SERIAL NO. | REMARKS |
|-----|----------|-----------|-----|--------------------|--------------------------------|
| 1A | AR21841 | CLAMP | 1 | -261048 | (SUB TY22473) |
| 1B | AR62936 | CLAMP | 1 | 261049- | |
| 2A | R47774 | HOSE | 1 | -261048 | (SUB R50078 AND R51099) |
| 2B | R50078 | HOSE | 1 | 261049- | |
| 3A | AR21999 | CLAMP | 1 | -261048 | |
| 3B | AR62936 | CLAMP | 1 | 261049- | |
| 4A | R47672 | PIPE | 1 | -261048 | (SUB R50078 AND R51099) |
| 4B | R51099 | PIPE | 1 | 261049- | |
| 5 | AR21841 | CLAMP | 2 | | (SUB TY22473) |
| 6 | R47670 | HOSE | 1 | | |
| | R39710 | HOSE | 1 | | (AIR CLEANER WITH PRE-CLEANER) |

1D18

FUEL AND AIR

AIR INTAKE PIPE AND HOSES (DIESEL) (4000-LOW PROFILE)

R21097 -UN-01JAN94



R 21097

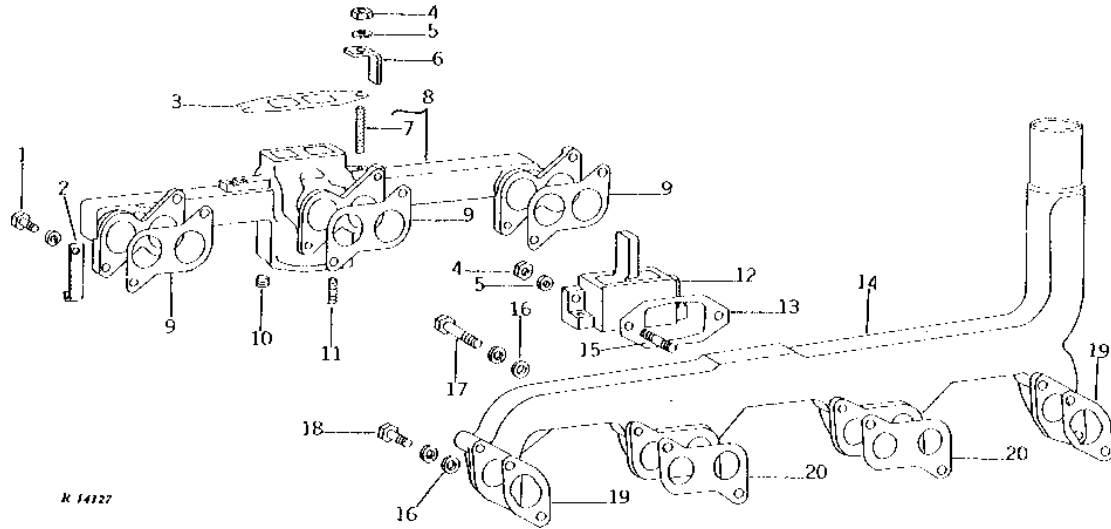
| KEY | PART NO. | PART NAME | QTY | TRACTOR SERIAL NO. | REMARKS |
|-----|----------|-----------|-----|-----------------------|---------|
| 1 | AR21841 | CLAMP | 3 | (SUB TY22473) | |
| 2 | R26299 | HOSE | 1 | (SUB R62892) | |
| 3 | AR21999 | CLAMP | 1 | | |
| 4 | R52837 | PIPE | 1 | (NO LONGER AVAILABLE) | |
| 5 | R47670 | HOSE | 1 | (SUB FOR R52836) | |

1D19

FUEL AND AIR

R14127 -UN-01JAN94

MANIFOLDS (GASOLINE)



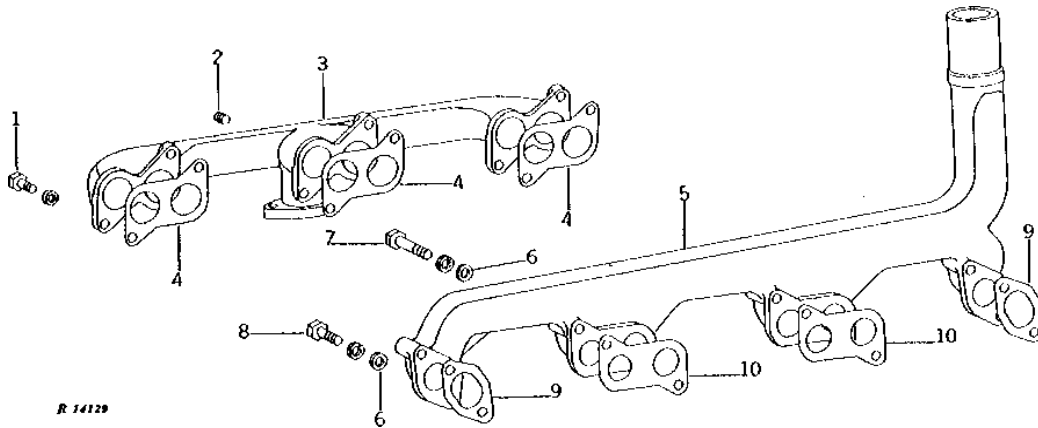
| KEY | PART NO. | PART NAME | QTY | ENGINE SERIAL NO. | REMARKS |
|-----|----------|------------------|-----|---------------------------------|---|
| 1 | 19H1732 | CAP SCREW | 6 | 3/8" X 1-1/4" | |
| | 12H304 | LOCK WASHER | 6 | 3/8" | |
| 2 | R28789 | CLIP | 1 | | |
| 3 | R26296 | GASKET | 1 | | |
| 4 | A4646R | NUT | 4 | 3/8" | |
| 5 | 24M7096 | WASHER | 4 | 10.500 X 18 X 1.600 MM | |
| 6 | R27575 | ANGLE | 2 | | |
| 7 | R699R | STUD | 2 | 3/8" X 2-1/2" | |
| 8 | AR28062 | INTAKE MANIFOLD | 1 | | (MARKED R26967) (SUB INDIVIDUAL PARTS) |
| 9 | R26291 | GASKET | 3 | | |
| 10 | R104592 | PIPE PLUG | 1 | | |
| | 15H624 | PIPE PLUG | 2 | 1/2" | |
| 11 | R56481 | STUD | 2 | 3/8" X 1-1/2", (SUB FOR M3636T) | |
| 12 | R39878 | VALVE | 1 | | |
| 13 | R27574 | GASKET | 1 | | |
| 14 | AR28061 | EXHAUST MANIFOLD | 1 | | (MARKED R26358) (SUB R26358 AND (2) R20443) |
| | R26358 | EXHAUST MANIFOLD | 1 | | |
| 15 | R20443 | STUD | 2 | 3/8" X 3-3/8" | |
| 16 | 24M7096 | WASHER | 8 | 10.500 X 18 X 1.600 MM | |
| 17 | 19H2128 | CAP SCREW | 4 | 3/8" X 3" | |
| | 12H304 | LOCK WASHER | 4 | 3/8" | |
| 18 | 19H1765 | CAP SCREW | 4 | 3/8" X 1-3/4" | |
| | 12H304 | LOCK WASHER | 4 | 3/8" | |
| 19 | R83021 | GASKET | 2 | | (SUB FOR R44374) |
| 20 | R83020 | GASKET | 2 | | (SUB FOR R44373) |

1D20

FUEL AND AIR

R14129 -UN-01JAN94

MANIFOLDS (LP-GAS)



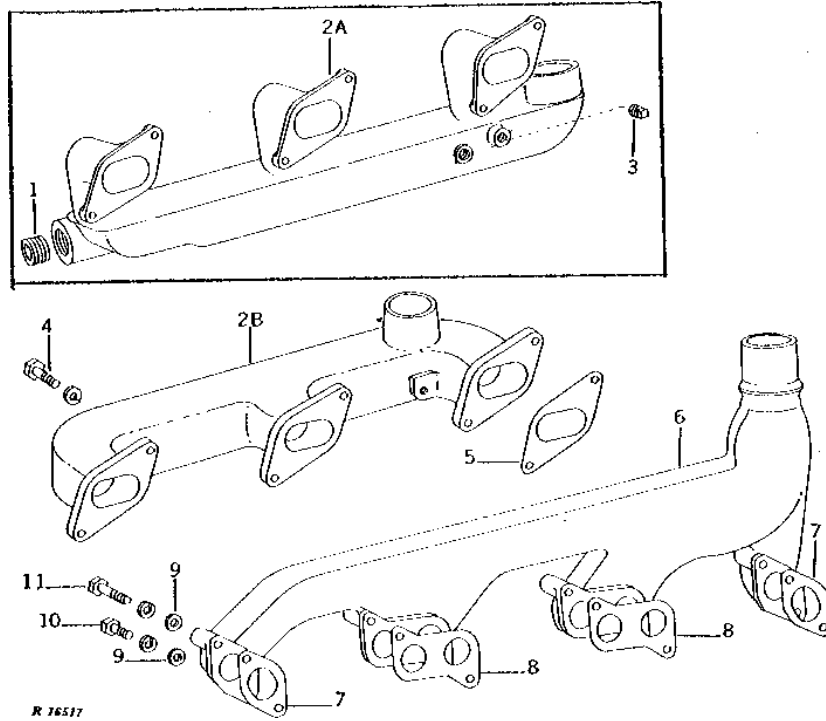
| KEY | PART NO. | PART NAME | QTY | ENGINE SERIAL NO. | REMARKS |
|-----|----------|------------------|-----|-------------------|------------------------|
| 1 | 19H1732 | CAP SCREW | 6 | | 3/8" X 1-1/4" |
| | 12H304 | LOCK WASHER | 6 | | 3/8" |
| 2 | R104592 | PIPE PLUG | 1 | | |
| 3 | AR40573 | INTAKE MANIFOLD | 1 | | (MARKED R40737) (NLA) |
| 4 | R26291 | GASKET | 3 | | |
| 5 | R26359 | EXHAUST MANIFOLD | 1 | | |
| 6 | 24M7096 | WASHER | 8 | | 10.500 X 18 X 1.600 MM |
| 7 | 19H2128 | CAP SCREW | 4 | | 3/8" X 3" |
| | 12H304 | LOCK WASHER | 4 | | 3/8" |
| 8 | 19H1765 | CAP SCREW | 4 | | 3/8" X 1-3/4" |
| | 12H304 | LOCK WASHER | 4 | | 3/8" |
| 9 | R83021 | GASKET | 2 | | (SUB FOR R44374) |
| 10 | R83020 | GASKET | 2 | | (SUB FOR R44373) |

1D21

FUEL AND AIR

R16517 -UN-01JAN94

MANIFOLDS (DIESEL)



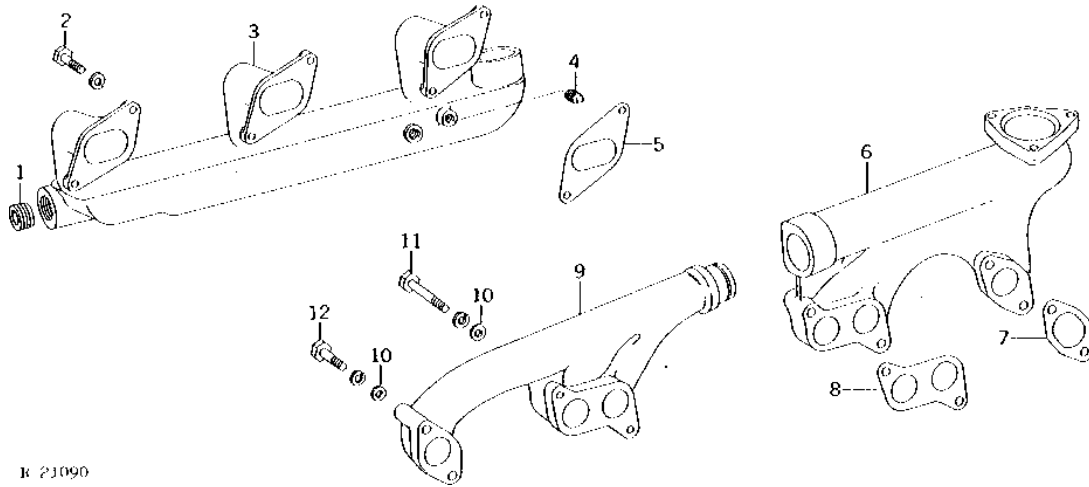
| KEY | PART NO. | PART NAME | QTY | ENGINE SERIAL NO. | REMARKS |
|-----|----------|------------------|-----|-------------------|---------------------------------|
| 1 | 15H280 | PIPE PLUG | 1 | -280000 | 1-1/4" |
| 2A | AR45275 | INTAKE MANIFOLD | 1 | -280000 | (MARKED R42293 OR R44085) (NLA) |
| 2B | R46411 | INTAKE MANIFOLD | 1 | 280001- | |
| 3 | 15H604 | PIPE PLUG | 1 | -280000 | 1/4" |
| 4 | 19H1732 | CAP SCREW | 6 | | 3/8" X 1-1/4" |
| | 12H304 | LOCK WASHER | 14 | | 3/8" |
| 5 | R26297 | GASKET | 3 | | |
| 6 | R26362 | EXHAUST MANIFOLD | 1 | | |
| 7 | R83021 | GASKET | 2 | | (SUB FOR R44374) |
| 8 | R83020 | GASKET | 2 | | (SUB FOR R44373) |
| 9 | R63845 | WASHER | 8 | | |
| 10 | 19H1765 | CAP SCREW | 4 | | 3/8" X 1-3/4" |
| 11 | 19H2128 | CAP SCREW | 4 | | 3/8" X 3" |

1D22

FUEL AND AIR

MANIFOLDS (DIESEL) (4000-LOW PROFILE)

R21090 -UN-01JAN94



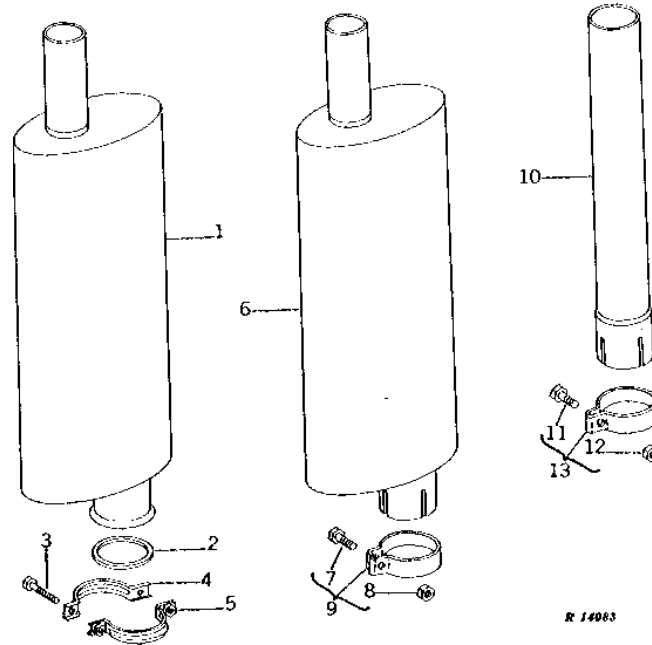
| KEY | PART NO. | PART NAME | QTY | ENGINE SERIAL NO. | REMARKS |
|-----|----------|------------------|-----|------------------------|-----------------------|
| 1 | 15H280 | PIPE PLUG | 1 | 1-1/4" | |
| 2 | 19H1732 | CAP SCREW | 6 | 3/8" X 1-1/4" | |
| | 12H304 | LOCK WASHER | 6 | 3/8" | |
| 3 | AR45275 | INTAKE MANIFOLD | 1 | | (MARKED R42293) (NLA) |
| 4 | 15H604 | PIPE PLUG | 1 | 1/4" | |
| 5 | R26297 | GASKET | 3 | | |
| 6 | R47528 | EXHAUST MANIFOLD | 1 | | |
| 7 | R83021 | GASKET | 2 | | (SUB FOR R44374) |
| 8 | R83020 | GASKET | 2 | | (SUB FOR R44373) |
| 9 | R43167 | EXHAUST MANIFOLD | 1 | | |
| 10 | 24M7096 | WASHER | 8 | 10.500 X 18 X 1.600 MM | |
| 11 | 19H2128 | CAP SCREW | 4 | 3/8" X 3" | |
| | 12H304 | LOCK WASHER | 4 | 3/8" | |
| 12 | 19H1765 | CAP SCREW | 4 | 3/8" X 1-3/4" | |
| | 12H304 | LOCK WASHER | 4 | 3/8" | |

1D23

FUEL AND AIR

R14083 -UN-01JAN94

MUFFLER AND EXTENSION



| KEY | PART NO. | PART NAME | QTY | TRACTOR SERIAL NO. | REMARKS |
|-----|----------|-------------------|-----|--|---------|
| 1 | AR86595 | MUFFLER | 1 | (A) (SUB FOR AR41171) | |
| 2 | R31142 | SEALING WASHER | 1 | (A) | |
| 3 | 19H1849 | CAP SCREW | 2 | 5/16" X 1-1/4" | |
| 4 | R32235 | CLAMP | 1 | (A) | |
| 5 | AR46323 | CLAMP | 1 | (A) | |
| 6 | AR41172 | MUFFLER | 1 | (B) | |
| 7 | 19H1800 | CAP SCREW | 1 | 3/8" X 1-1/2" | |
| 8 | 14H1076 | NUT | 1 | 3/8" | |
| 9 | AR26905 | CLAMP | 1 | (B) | |
| 10 | AR45916 | MUFFLER EXTENSION | 1 | (SUB AR27090) | |
| 11 | 19H1800 | CAP SCREW | 1 | 3/8" X 1-1/2" | |
| 12 | 14H1076 | NUT | 1 | 3/8" | |
| 13 | AR45917 | CLAMP | 1 | (SUB RE54186, 19H1732 AND 14H1076) | |
| .. | AR86807 | EXHAUST PIPE | 1 | (STOLPER CAB) (SUB FOR AR46357) (SUB RE54186 AND R66683) | |
| .. | R31406 | MUFFLER | 1 | (B) (HORIZONTAL) | |
| .. | R31407 | MUFFLER | 1 | (A) (HORIZONTAL) | |

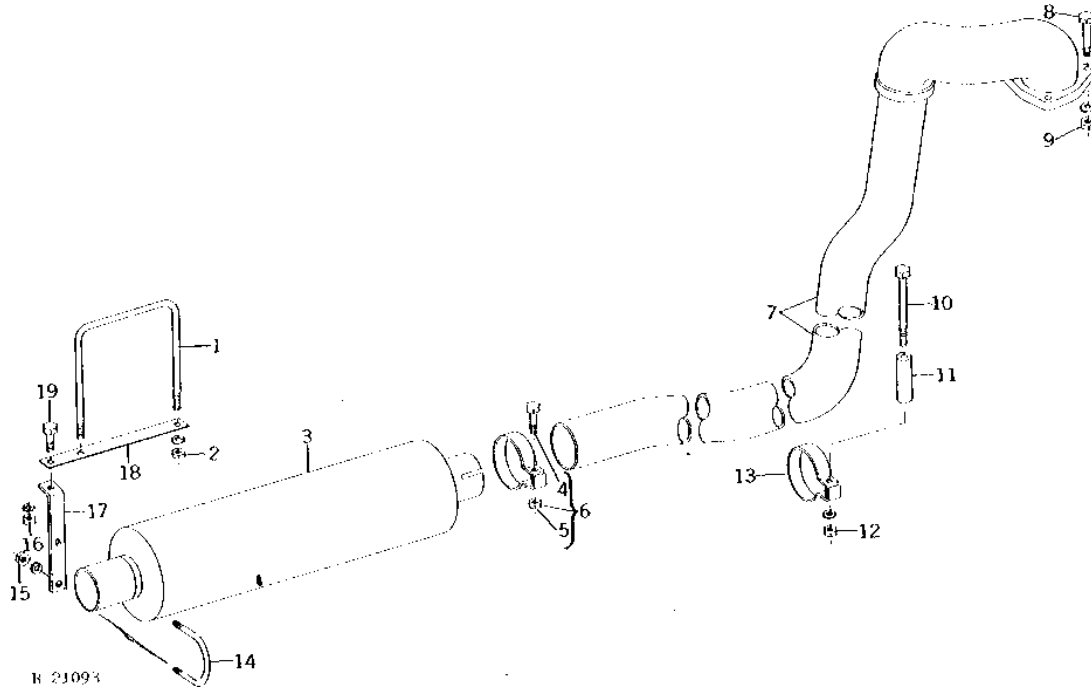
(A) DIESEL
(B) GASOLINE AND LP-GAS

1D24

FUEL AND AIR

REAR MUFFLER AND EXHAUST PIPE (4000-LOW PROFILE)

R21093 -UN-01JAN94



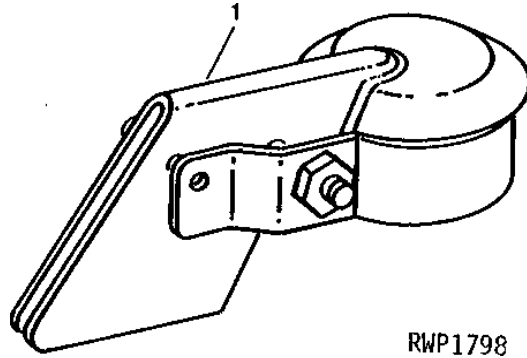
| KEY | PART NO. | PART NAME | QTY | TRACTOR SERIAL NO. | REMARKS |
|-----|----------|--------------|-----|--------------------|---------|
| 1 | R28482 | U-BOLT | 1 | | |
| 2 | 14H1076 | NUT | 2 | 3/8" | |
| | 12H304 | LOCK WASHER | 2 | 3/8" | |
| 3 | AR26640 | MUFFLER | 1 | | |
| 4 | 19H1800 | CAP SCREW | 1 | 3/8" X 1-1/2" | |
| 5 | 14H1076 | NUT | 1 | 3/8" | |
| 6 | AR26905 | CLAMP | 1 | | |
| 7 | AR58209 | EXHAUST PIPE | 1 | | |
| 8 | 19H1726 | CAP SCREW | 3 | 3/8" X 2-1/4" | |
| 9 | A4646R | NUT | 3 | | |
| | 12H304 | LOCK WASHER | 3 | 3/8" | |
| 10 | 19H2054 | CAP SCREW | 1 | 3/8" X 4-3/4" | |
| 11 | 28H211 | BUSHING | 1 | 3/8" X 2-11/16" | |
| 12 | 14H1076 | NUT | 1 | 3/8" | |
| | 12H304 | LOCK WASHER | 1 | 3/8" | |
| 13 | AR26906 | CLAMP | 1 | | |
| 14 | F1452R | U-BOLT | 1 | | |
| 15 | 14H785 | NUT | 2 | 5/16" | |
| | 12H303 | LOCK WASHER | 2 | 5/16" | |
| 16 | 14H1076 | NUT | 1 | 3/8" | |
| | 12H304 | LOCK WASHER | 1 | 3/8" | |
| 17 | R52835 | HANGER | 1 | | |
| 18 | R32704 | STRAP | 1 | | |
| 19 | 19H1731 | CAP SCREW | 1 | 3/8" X 1" | |

1D25

FUEL AND AIR

RWP1798 -UN-01JAN94

MUFFLER COVER



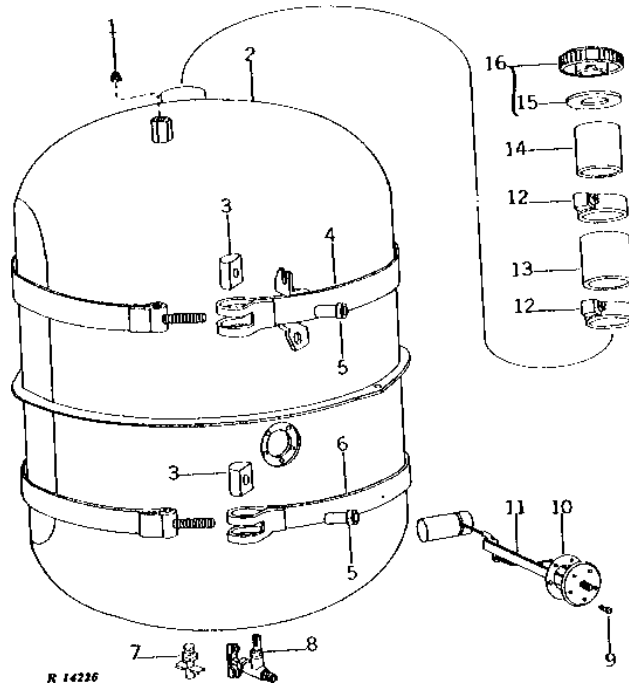
| KEY | PART NO. | PART NAME | QTY | TRACTOR SERIAL NO. | REMARKS |
|-----|----------|-----------|-----|---------------------------------------|---------|
| 1 | AR86596 | CAP | 1 | (SUB FOR AR45915, AR45918 OR AR56783) | |

1E1

FUEL AND AIR

R14226 -UN-01JAN94

FUEL TANK (GASOLINE)



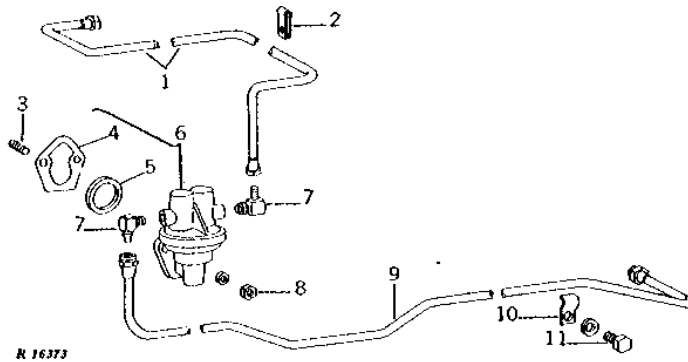
| KEY | PART NO. | PART NAME | QTY | TRACTOR SERIAL NO. | REMARKS |
|-----|----------|----------------|-----|--------------------|--------------|
| 1 | 15H559 | PIPE PLUG | 1 | | 1/4" |
| 2 | AR39587 | FUEL TANK | 1 | | |
| 3 | R26593 | GUIDE | 2 | | |
| 4 | AR32217 | STRAP | 1 | | |
| 5 | R26594 | NUT | 2 | | |
| 6 | AR32218 | STRAP | 1 | | |
| 7 | AT13740 | DRAIN VALVE | 1 | | |
| 8 | R34656 | SHUT-OFF VALVE | 1 | | |
| 9 | 37H95 | SCREW | 5 | | NO. 8 X 1/2" |
| | 12M7084 | LOCK WASHER | 5 | | 0.169" |
| 10 | R27181 | GASKET | 1 | | |
| 11 | AR46268 | SENDER | 1 | | |
| 12 | AR21840 | CLAMP | 2 | | |
| 13 | R26531 | HOSE | 1 | | |
| 14 | R39895 | FILLER NECK | 1 | | |
| 15 | R39615 | WASHER | 1 | | |
| 16 | AT20911 | FILLER CAP | 1 | | |

1E2

FUEL AND AIR

FUEL PUMP AND FUEL LINES (GASOLINE) (ENGINE SERIAL NO. 215000-280000)

R16373 -UN-01JAN94



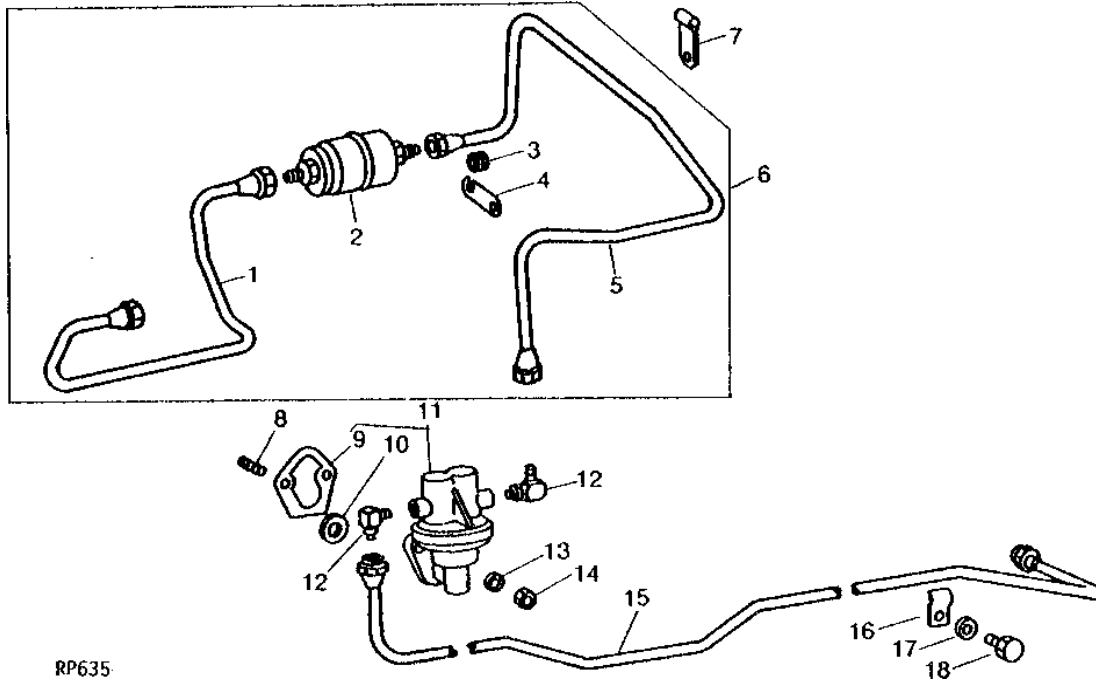
| KEY | PART NO. | PART NAME | QTY | ENGINE SERIAL NO. | REMARKS |
|-----|----------|---------------|-----|-------------------|--|
| 1 | AR50139 | KIT | 1 | | (SUB FOR AR32637) (SUB AR50140, AR50141, AR50143, R26409 AND R47421) (FUEL PUMP TO CARBURETOR) |
| 2 | R27284 | CLIP | 1 | | |
| 3 | R48755 | STUD | 2 | | 5/16" X 1-1/2", (SUB FOR R26934) |
| 4 | R97350 | GASKET | 1 | | (SUB FOR R27285) |
| 5 | R48399 | WASHER | 1 | | |
| 6 | RE42211 | FUEL PUMP | 1 | | (SUB FOR AR40258, AR52158, AR64120, AR52159 OR RE27667) (ALSO ORDER R97350) |
| 7 | AR26674 | ELBOW FITTING | 2 | | 90° |
| 8 | 14H785 | NUT | 2 | | 5/16" |
| | 12H303 | LOCK WASHER | 2 | | 5/16" |
| 9 | AR45529 | FUEL LINE | 1 | | (ALSO ORDER T29527) (SUB FOR AR32199) |
| 10 | T29527 | CLAMP | 1 | | (SUB FOR T14050) |
| 11 | 19H1936 | CAP SCREW | 1 | | 3/8" X 3/4" |
| | 12H304 | LOCK WASHER | 1 | | 3/8" |

1E3

FUEL AND AIR

FUEL PUMP, FUEL LINES, AND FILTER (GASOLINE) (ENGINE SERIAL NO. 280001-)

RP635 -UN-01JAN94



RP635

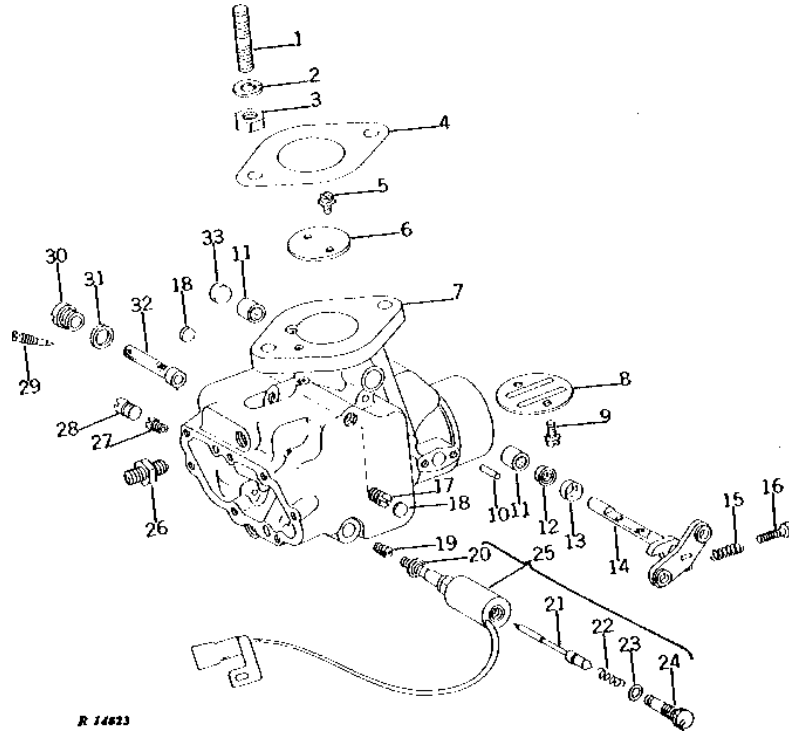
| KEY | PART NO. | PART NAME | QTY | ENGINE SERIAL NO. | REMARKS |
|-----|----------|---------------|-----|-------------------|--|
| 1 | AR50143 | FUEL LINE | 1 | | |
| 2 | AR50141 | FUEL FILTER | 1 | | |
| 3 | R26409 | GROMMET | 1 | | |
| 4 | R47421 | CLIP | 1 | | |
| 5 | AR50140 | FUEL LINE | 1 | | |
| 6 | AR50139 | KIT | 1 | | (SUB INDIVIDUAL PARTS) |
| 7 | R27284 | CLIP | 1 | | |
| 8 | R48755 | STUD | 2 | 5/16" X 1-1/2" | |
| 9 | R97350 | GASKET | 1 | (SUB FOR R27285) | |
| 10 | R48399 | WASHER | 1 | | |
| 11 | RE42211 | FUEL PUMP | 1 | | (SUB FOR AR52158, AR64120, AR52159 OR RE27667) (ALSO ORDER R97350) |
| 12 | AR26674 | ELBOW FITTING | 2 | 90° | |
| 13 | 12H303 | LOCK WASHER | 2 | 5/16" | |
| 14 | 14H785 | NUT | 2 | 5/16" | |
| 15 | AR45529 | FUEL LINE | 1 | | |
| 16 | T29527 | CLAMP | 1 | (SUB FOR T14050) | |
| 17 | 12H304 | LOCK WASHER | 1 | 3/8" | |
| 18 | 19H1936 | CAP SCREW | 1 | 3/8" X 3/4" | |

1E4

FUEL AND AIR

R14623 -UN-01JAN94

CARBURETOR (MARVEL-SCHEBLER) (GASOLINE)



R 14623

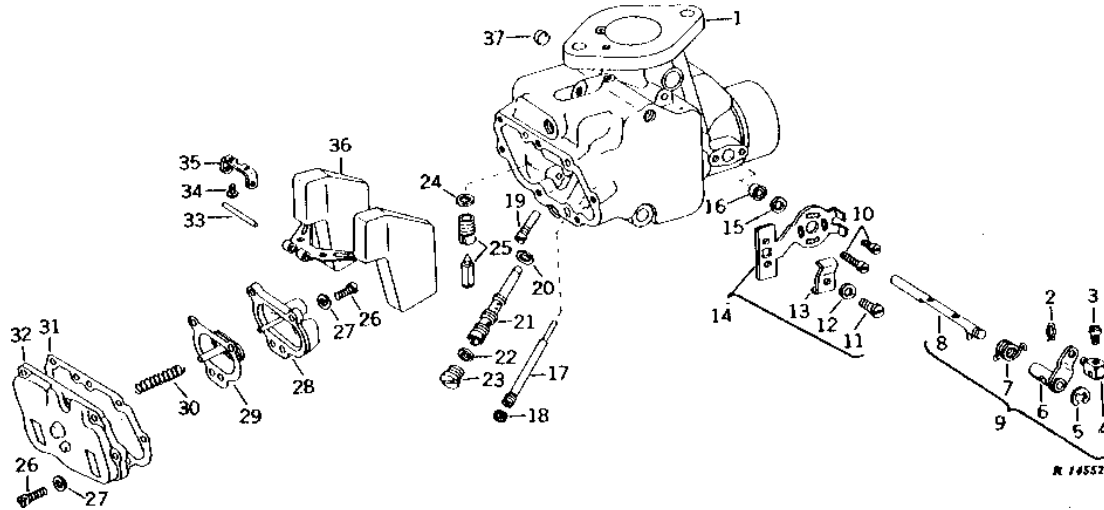
| KEY | PART NO. | PART NAME | QTY | ENGINE SERIAL NO. | REMARKS |
|-----|----------|----------------|-----|--|---------|
| 1 | R56481 | STUD | 2 | 3/8" X 1-1/2" | |
| 2 | 12H304 | LOCK WASHER | 2 | 3/8" | |
| 3 | 14H1076 | NUT | 2 | 3/8" | |
| 4 | R26499 | GASKET | 1 | | |
| 5 | AA6086R | SCREW | 2 | | |
| 6 | R10083 | DISK | 1 | | |
| 7 | AR45160 | CARBURETOR | 1 | (MARVEL-SCHEBLER MODEL USX-45SL) (SUB AR45162) | |
| 8 | R10181 | FAN | 1 | | |
| 9 | AR723R | SCREW | 2 | | |
| 10 | 34H387 | SPRING PIN | 1 | 3/16" X 3/4" | |
| 11 | JD8867 | NEEDLE BEARING | 2 | | |
| 12 | R10194 | PACKING | 1 | | |
| 13 | R10182 | RETAINER | 1 | | |
| 14 | AR10116 | SHAFT | 1 | | |
| 15 | R10104 | SPRING | 1 | | |
| 16 | 21H1315 | SCREW | 1 | 0.164" X 3/4" | |
| 17 | R10226 | NOZZLE | 1 | | |
| 18 | 30H34 | PLUG | 2 | 3/8" | |
| 19 | R45663 | SEAT | 1 | | |
| 20 | H22548 | GASKET | 1 | | |
| 21 | T31164 | NEEDLE | 1 | (SUB FOR R45664) | |
| 22 | T25152 | SPRING | 1 | | |
| 23 | R34812 | O-RING | 1 | (SUB FOR T25154) | |
| 24 | T32554 | SCREW | 1 | (SUB FOR T25151) | |
| 25 | AT30178 | SOLENOID | 1 | (SUB FOR AR47743) | |
| 26 | R27346 | FITTING | 1 | | |
| 27 | T31157 | SET SCREW | 1 | | |
| 28 | R10202 | SET SCREW | 1 | | |
| 29 | AR39833 | NEEDLE | 1 | (SUB FOR R10203) | |
| 30 | R10206 | PLUG | 1 | | |
| 31 | R10222 | GASKET | 1 | | |
| 32 | AR10104 | FUEL FILTER | 1 | | |
| 33 | R10300 | CAP | 1 | | |
| .. | | WIRING LEAD | 1 | 254MM (10") (MAKE FROM R32007, R32024, R32025 AND R32027) (FROM AR84006) | |

1E5

FUEL AND AIR

CARBURETOR (MARVEL-SCHEBLER) (GASOLINE)

R14552 -UN-01JAN94



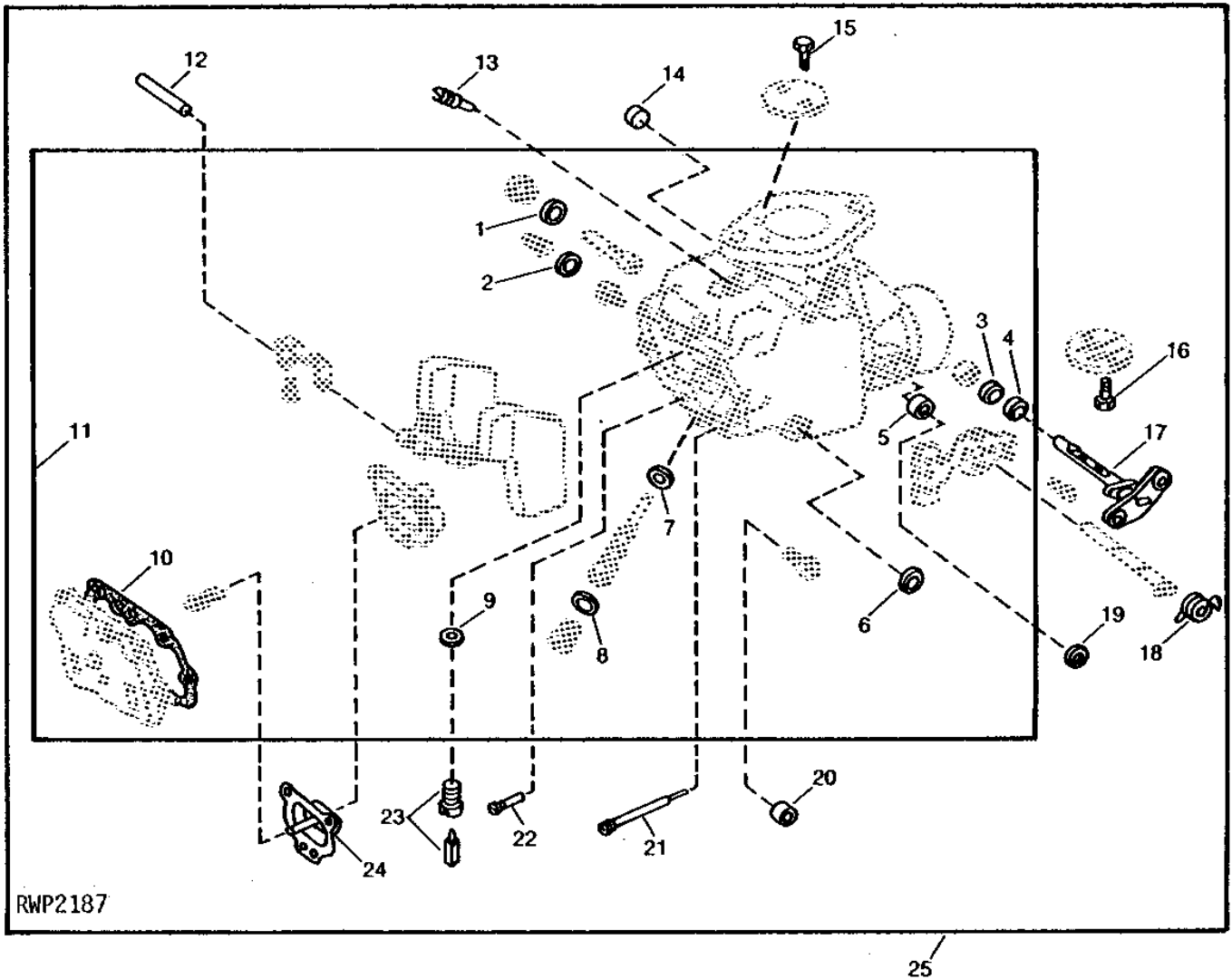
| KEY | PART NO. | PART NAME | QTY | ENGINE SERIAL NO. | REMARKS |
|-----|----------|----------------|-----|-------------------|--|
| 1 | AR45160 | CARBURETOR | 1 | | (COMPLETE) (MARVEL-SCHEBLER MODEL USX-48SL) (SUB AR45162) |
| 2 | R10185 | SPRING PIN | 1 | | |
| 3 | 21H1293 | SCREW | 1 | 0.164" X 5/16" | |
| 4 | R10184 | SWIVEL | 1 | | |
| 5 | R72654 | SNAP RING | 1 | | (SUB FOR R27507) |
| 6 | AR10096 | LEVER | 1 | | |
| 7 | R10183 | TORSION SPRING | 1 | | |
| 8 | AR10095 | SHAFT | 1 | | |
| | 34H227 | SPRING PIN | 1 | 3/32" X 1/2" | |
| 9 | AR10301 | SHAFT | 1 | | |
| 10 | 21H1299 | SCREW | 1 | 0.164" X 3/8" | |
| | R45665 | SCREW | 1 | | |
| | 12M7084 | LOCK WASHER | 2 | 0.169" | |
| 11 | 21H1293 | SCREW | 1 | 0.164" X 5/16" | |
| 12 | 12H315 | LOCK WASHER | 1 | 0.164" | |
| 13 | R10188 | CLIP | 1 | | |
| 14 | AR10302 | BRACKET | 1 | | |
| 15 | R10187 | SHIM | 1 | | |
| 16 | R10186 | SEAL | 1 | | |
| 17 | AR39831 | JET | 1 | | |
| 18 | R39874 | FILTER | 1 | | |
| 19 | R10204 | NOZZLE | 1 | | |
| 20 | R10209 | WASHER | 1 | | |
| 21 | R10190 | NOZZLE | 1 | | |
| 22 | R10170 | GASKET | 1 | | |
| 23 | R10207 | PLUG | 1 | | |
| 24 | R10223 | GASKET | 1 | | |
| 25 | AR47741 | VALVE | 1 | | |
| 26 | 21H1158 | SCREW | 10 | 0.164" X 1/2" | |
| 27 | 12H315 | LOCK WASHER | 10 | 0.164" | |
| 28 | AR39832 | HOUSING | 1 | | (SUB AR52450) |
| 29 | AR10108 | DIAPHRAGM | 1 | | |
| 30 | R10215 | SPRING | 1 | | |
| 31 | R10217 | GASKET | 1 | | |
| 32 | AR47745 | COVER | 1 | | |
| 33 | R10211 | SHAFT | 1 | | |
| 34 | R59433 | SCREW | 2 | | |
| 35 | R10218 | BRACKET | 1 | | |
| 36 | R10221 | FLOAT | 1 | | |
| 37 | R10198 | CAP | 1 | | |

1E6

FUEL AND AIR

RWP2187 -UN-01JAN94

CARBURETOR REPAIR KIT (MARVEL-SCHEBLER)



1E7

FUEL AND AIR

**CARBURETOR REPAIR KIT - CONTINUED
(MARVEL-SCHEBLER)**

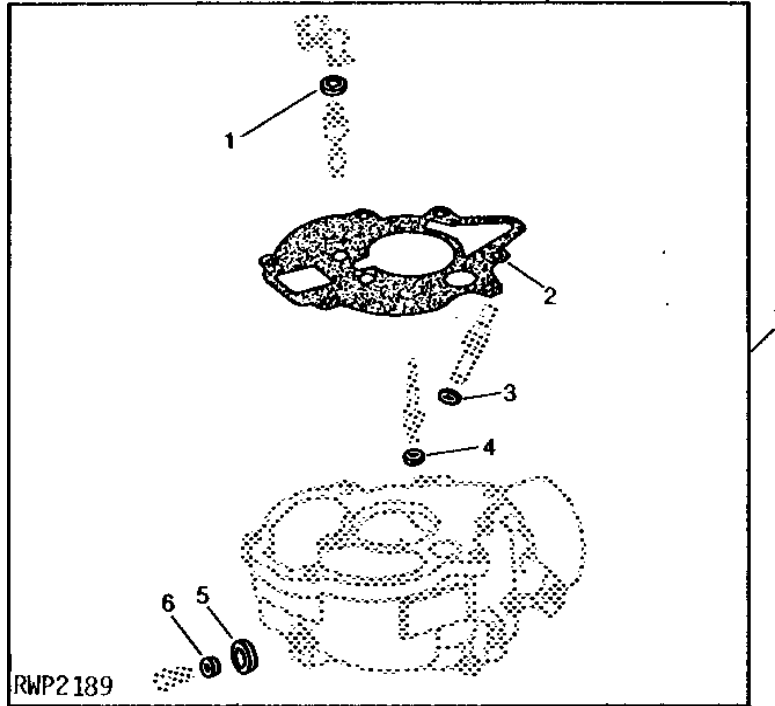
| KEY | PART NO. | PART NAME | QTY | ENGINE SERIAL NO. | REMARKS |
|-----|----------|----------------|-----|----------------------|------------------|
| 1 | R10222 | GASKET | 1 | | |
| 2 | T17951 | O-RING | 1 | | (SUB FOR R27490) |
| 3 | R10194 | PACKING | 1 | | |
| 4 | R10182 | RETAINER | 1 | | |
| 5 | R10186 | SEAL | 1 | | |
| 6 | H22548 | GASKET | 1 | | |
| 7 | R10209 | WASHER | 1 | | |
| 8 | R10170 | GASKET | 1 | | |
| 9 | R10223 | GASKET | 1 | | |
| 10 | R10217 | GASKET | 1 | | |
| 11 | AR10109 | GASKET KIT | 1 | | |
| 12 | R10211 | SHAFT | 1 | | |
| 13 | AR39833 | NEEDLE | 1 | | (SUB FOR R10203) |
| 14 | R10198 | CAP | 1 | | |
| 15 | AA6086R | SCREW | 2 | | |
| 16 | AR723R | SCREW | 2 | | |
| 17 | AR10116 | SHAFT | 1 | | |
| 18 | R10183 | TORSION SPRING | 1 | | |
| 19 | R10187 | SHIM | 1 | | |
| 20 | R45663 | SEAT | 1 | | |
| 21 | AR39831 | JET | 1 | | |
| 22 | R10204 | NOZZLE | 1 | | |
| 23 | AR47741 | VALVE | 1 | | |
| 24 | AR10108 | DIAPHRAGM | 1 | | |
| 25 | AR47746 | KIT | 1 | | |

1E8

FUEL AND AIR

RWP2189 -UN-01JAN94

CARBURETOR GASKET KIT (ZENITH) (GASOLINE)



| KEY | PART NO. | PART NAME | QTY | ENGINE SERIAL NO. | REMARKS |
|-----|----------|------------|-----|-------------------|---------|
| 1 | H20925 | WASHER | 1 | | |
| 2 | R13052 | GASKET | 1 | | |
| 3 | R13020 | WASHER | 1 | | |
| 4 | H20926 | WASHER | 1 | | |
| 5 | H21058 | WASHER | 1 | | |
| 6 | H20927 | WASHER | 1 | | |
| 7 | AR40003 | GASKET KIT | 1 | | |

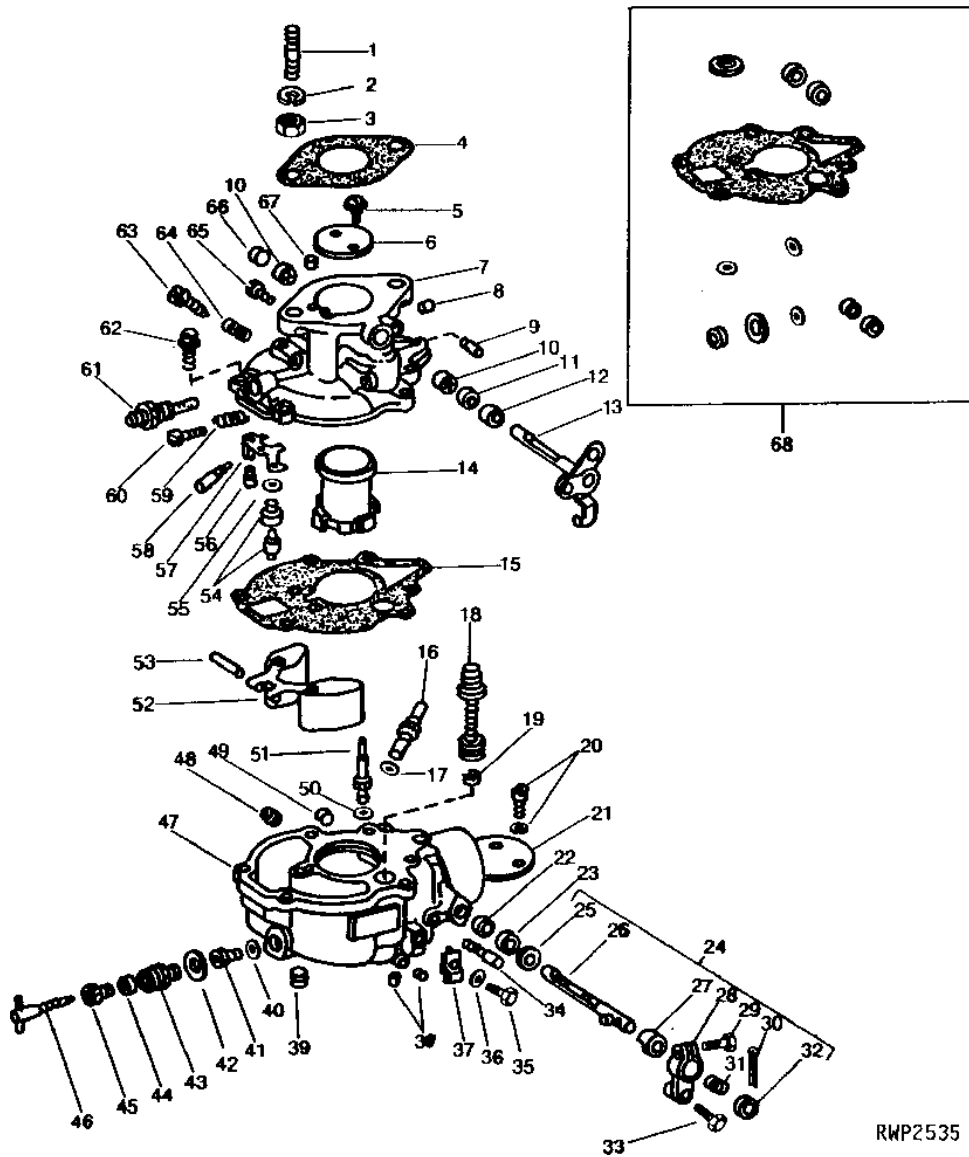
MEMORANDA

1E9

FUEL AND AIR

RWP2535 -UN-06OCT94

CARBURETOR
(ZENITH)
(GASOLINE)



RWP2535

1E10

FUEL AND AIR

**CARBURETOR - CONTINUED
(ZENITH)
(GASOLINE)**

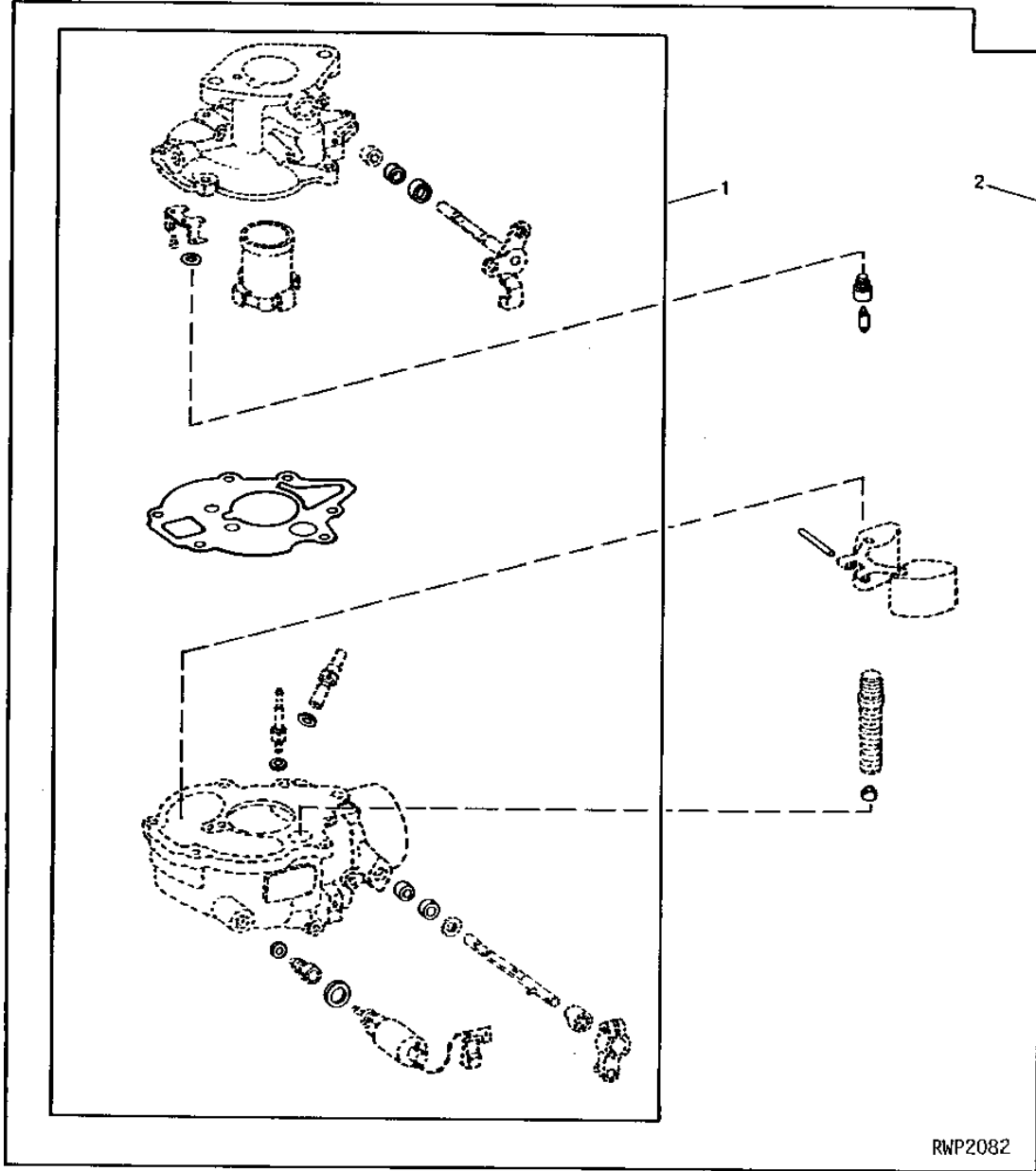
| KEY | PART NO. | PART NAME | QTY | ENGINE SERIAL NO. | REMARKS |
|-----|----------|--------------------|-----|----------------------|-------------------------------|
| 1 | R56481 | STUD | 2 | | |
| 2 | 12H304 | LOCK WASHER | 2 | 3/8" X 1-1/2", (NLA) | |
| 3 | 14H1076 | NUT | 2 | 3/8" | |
| 4 | R26499 | GASKET | 1 | | |
| 5 | AT10557 | SCREW, WITH WASHER | 2 | | |
| 6 | R13038 | DISK | 1 | | |
| 7 | AR13018 | HOUSING | 1 | | |
| 8 | R13051 | PLUG | 1 | | |
| 9 | R13035 | PIN | 1 | | |
| 10 | JD8867 | NEEDLE BEARING | 2 | | |
| 11 | R13039 | SEAL | 1 | | |
| 12 | R13040 | RETAINER | 1 | | |
| 13 | AR13020 | SHAFT | 1 | | |
| 14 | R13027 | VENTURI | 1 | | |
| 15 | R13052 | GASKET | 1 | | |
| 16 | H20985 | TUBE | 1 | | |
| 17 | R13020 | WASHER | 1 | | |
| 18 | AR13035 | PUMP | 1 | | |
| 19 | AR13030 | CHECK VALVE | 1 | | |
| 20 | AR723R | SCREW | 2 | | |
| 21 | R13065 | DISK | 1 | | |
| 22 | GWT48-9 | WASHER | 1 | | (SUB FOR E10118) |
| 23 | R13064 | RETAINER | 1 | | |
| 24 | AR13026 | SHAFT | 1 | | |
| 25 | R13058 | WASHER | 1 | | |
| 26 | AR13027 | SHAFT | 1 | | |
| 27 | R13055 | BUSHING | 1 | | |
| 28 | AR13028 | LEVER | 1 | | |
| 29 | H21048 | SCREW | 1 | | (NO LONGER AVAILABLE) |
| 30 | 11M7077 | COTTER PIN | 1 | | 0.063" X 0.984" |
| 31 | R13056 | SPRING | 1 | | |
| 32 | R13057 | RETAINER | 1 | | |
| 33 | GWT8S8-8 | SCREW | 1 | | (SUB FOR E10121) |
| 34 | R13060 | PIN | 1 | | |
| 35 | T10702 | CAP SCREW | 1 | | |
| 36 | 12H315 | LOCK WASHER | 1 | | 0.164" |
| 37 | R10188 | CLIP | 1 | | |
| 38 | R13075 | PLUG | 2 | | CHANNEL (NO LONGER AVAILABLE) |
| 39 | H21033 | PIPE PLUG | 1 | | (SUB R47038) |
| 40 | H20927 | WASHER | 1 | | |
| 41 | R13028 | NOZZLE | 1 | | |
| 42 | H21058 | WASHER | 1 | | |
| 43 | R13068 | HOUSING | 1 | | (SUB AR46109) |
| 44 | R13069 | PACKING | 1 | | |
| 45 | R13070 | NUT | 1 | | (SUB AR46109) |
| 46 | AR46109 | INJECTION NOZZLE | 1 | | (SUB FOR AR13029) |
| 47 | AR13025 | HOUSING | 1 | | |
| 48 | R13030 | VENT | 1 | | |
| 49 | R13042 | CAP | 1 | | |
| 50 | H20926 | WASHER | 1 | | |
| 51 | AR13037 | JET | 1 | | |
| 52 | AH10620 | FLOAT | 1 | | |
| 53 | H21000 | DOWEL PIN | 1 | | |
| 54 | AH10612 | SHUT-OFF VALVE | 1 | | (SUB AH80032) |
| 55 | H20925 | WASHER | 1 | | |
| 56 | R13046 | SCREW | 2 | | |
| 57 | R13043 | BRACKET | 1 | | |
| 58 | R13044 | NOZZLE | 1 | | |
| 59 | R13036 | SPRING | 1 | | |
| 60 | R13021 | SCREW | 1 | | |
| 61 | AR13019 | STRAINER | 1 | | |
| 62 | AR13024 | SCREW | 6 | | |
| 63 | H20954 | NEEDLE | 1 | | |
| 64 | H20923 | SPRING | 1 | | |
| 65 | AR13023 | SCREW | 1 | | |
| 66 | R13041 | CAP | 1 | | |
| 67 | R13050 | PLUG | 1 | | |
| 68 | AR13033 | GASKET KIT | 1 | | |
| .. | AR45162 | CARBURETOR | 1 | | (SUB FOR AR34243 OR AR52450) |
| .. | AR80564 | SOLENOID | 1 | | (USE WITH AR52450) |

1E11

FUEL AND AIR

CARBURETOR GASKET AND OVERHAUL KITS (ZENITH)

RWP2082 -UN-06OCT94



RWP2082

1E12

FUEL AND AIR

**CARBURETOR GASKET AND OVERHAUL KITS - CONTINUED
(ZENITH)**

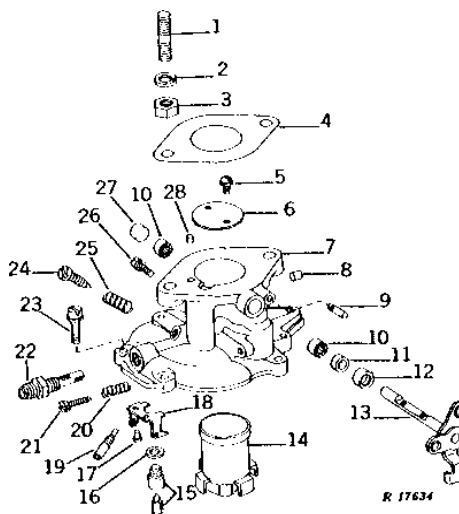
| KEY | PART NO. | PART NAME | QTY | ENGINE SERIAL NO. | REMARKS |
|-----|----------|------------|-----|----------------------|---------|
| 1 | AR13033 | GASKET KIT | 1 | | |
| 2 | AR52454 | KIT | 1 | | |

1E13

FUEL AND AIR

**CARBURETOR
(ZENITH MARKED AR48663)
(GASOLINE)**

R17634 -UN-01JAN94



| KEY | PART NO. | PART NAME | QTY | ENGINE SERIAL NO. | REMARKS |
|-----|----------|--------------------|-----|---------------------------------|---------|
| 1 | R56481 | STUD | 2 | 3/8" X 1-1/2" | |
| 2 | 12H304 | LOCK WASHER | 2 | 3/8" | |
| 3 | 14H1076 | NUT | 2 | 3/8" | |
| 4 | R26499 | GASKET | 1 | | |
| 5 | AT10557 | SCREW, WITH WASHER | 2 | | |
| 6 | R13038 | DISK | 1 | | |
| 7 | AR13018 | HOUSING | 1 | | |
| 8 | R13051 | PLUG | 1 | | |
| 9 | R13035 | PIN | 1 | | |
| 10 | JD8867 | NEEDLE BEARING | 2 | | |
| 11 | R13039 | SEAL | 1 | | |
| 12 | R13040 | RETAINER | 1 | | |
| 13 | AR13020 | SHAFT | 1 | | |
| 14 | R13027 | VENTURI | 1 | | |
| 15 | AH10612 | SHUT-OFF VALVE | 1 | (SUB AH80032) | |
| 16 | H20925 | WASHER | 1 | | |
| 17 | R13046 | SCREW | 2 | | |
| 18 | R13043 | BRACKET | 1 | | |
| 19 | R13044 | NOZZLE | 1 | | |
| 20 | R13036 | SPRING | 1 | | |
| 21 | R13021 | SCREW | 1 | | |
| 22 | AR13019 | STRAINER | 1 | | |
| 23 | AR13024 | SCREW | 6 | | |
| 24 | H20954 | NEEDLE | 1 | | |
| 25 | H20923 | SPRING | 1 | | |
| 26 | AR40008 | SCREW, WITH WASHER | 1 | (NO LONGER AVAILABLE) | |
| 27 | R13041 | CAP | 1 | | |
| 28 | R13050 | PLUG | 1 | | |
| .. | AR48663 | CARBURETOR | 1 | COMPLETE (ZENITH) (SUB AR45162) | |

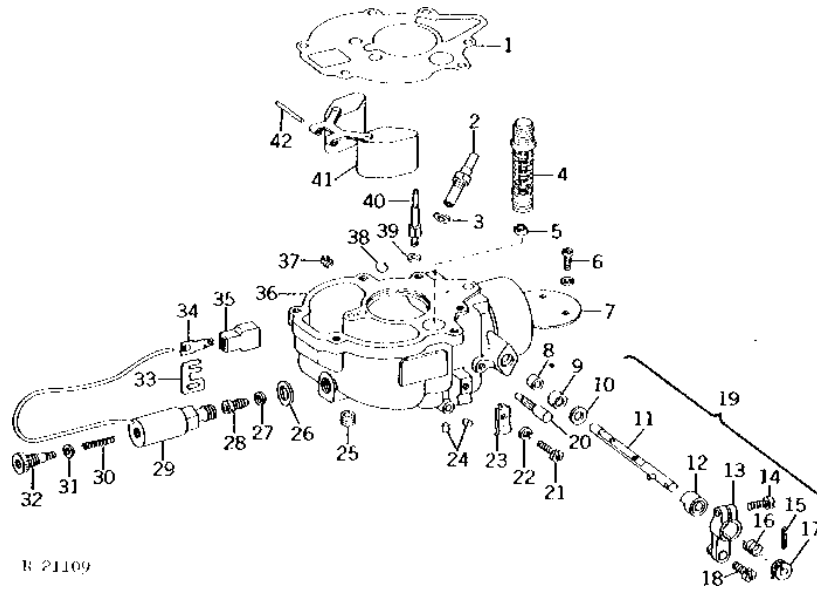
MEMORANDA

1E14

FUEL AND AIR

**CARBURETOR
(ZENITH MARKED AR48663)
(GASOLINE)**

R21109 -UN-01JAN94



R 21109

| KEY | PART NO. | PART NAME | QTY | ENGINE SERIAL NO. | REMARKS |
|-----|----------|-------------|-----|-------------------|-----------------------|
| 1 | R13052 | GASKET | 1 | | |
| 2 | H20985 | TUBE | 1 | | |
| 3 | R13020 | WASHER | 1 | | |
| 4 | AR13035 | PUMP | 1 | | |
| 5 | AR13030 | CHECK VALVE | 1 | | |
| 6 | AR723R | SCREW | 2 | | |
| 7 | R13065 | DISK | 1 | | |
| 8 | E10118 | WASHER | 1 | | |
| 9 | R13064 | RETAINER | 1 | | |
| 10 | R13058 | WASHER | 1 | | |
| 11 | AR13027 | SHAFT | 1 | | |
| 12 | R13055 | BUSHING | 1 | | |
| 13 | AR13028 | LEVER | 1 | | |
| 14 | H21048 | SCREW | 1 | | (NO LONGER AVAILABLE) |
| 15 | 11M7077 | COTTER PIN | 1 | | 0.063" X 0.984" |
| 16 | R13056 | SPRING | 1 | | |
| 17 | R13057 | RETAINER | 1 | | |
| 18 | E10121 | SCREW | 1 | | (NO LONGER AVAILABLE) |
| 19 | AR13026 | SHAFT | 1 | | (GWT8-58-8) |
| 20 | R13060 | PIN | 1 | | |
| 21 | T10702 | CAP SCREW | 1 | | |
| 22 | 12H315 | LOCK WASHER | 1 | | 0.164" |
| 23 | R10188 | CLIP | 1 | | |
| 24 | R13075 | PLUG | 2 | | (NO LONGER AVAILABLE) |
| 25 | H21033 | PIPE PLUG | 1 | | |
| 26 | H21058 | WASHER | 1 | | |
| 27 | H20927 | WASHER | 1 | | |
| 28 | R13024 | JET | 1 | | |
| 29 | AT25578 | SOLENOID | 1 | | |
| 30 | T25152 | SPRING | 1 | | |
| 31 | R34812 | O-RING | 1 | | (SUB FOR T25154) |
| 32 | T32554 | SCREW | 1 | | (SUB FOR T25151) |
| 33 | T25153 | CLIP | 1 | | |

1E15

FUEL AND AIR

**CARBURETOR - CONTINUED
(ZENITH MARKED AR48663)
(GASOLINE)**

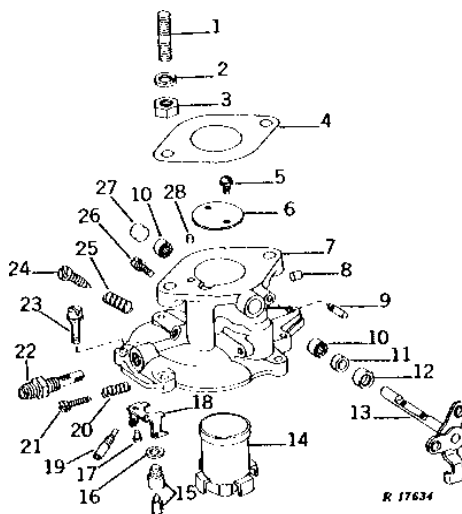
| KEY | PART NO. | PART NAME | QTY | ENGINE SERIAL NO. | REMARKS |
|-----|----------|------------|-----|----------------------|-----------------------------------|
| 34 | T25156 | TERMINAL | 1 | | MALE |
| 35 | T25155 | CONNECTOR | 1 | | |
| 36 | AR13025 | HOUSING | 1 | | |
| 37 | R13030 | VENT | 1 | | |
| 38 | R13042 | CAP | 1 | | |
| 39 | H20926 | WASHER | 1 | | |
| 40 | AR13037 | JET | 1 | | |
| 41 | AH10620 | FLOAT | 1 | | |
| 42 | H21000 | DOWEL PIN | 1 | | |
| .. | AR48663 | CARBURETOR | 1 | | (ZENITH) (COMPLETE) (SUB AR45162) |

1E16

FUEL AND AIR

CARBURETOR (ZENITH MARKED AR52450) (GASOLINE)

R17634 -UN-01JAN94



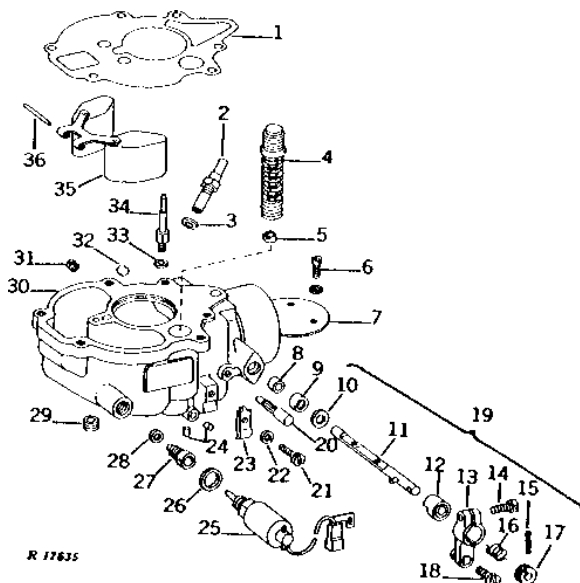
| KEY | PART NO. | PART NAME | QTY | ENGINE SERIAL NO. | REMARKS |
|-----|----------|--------------------|-----|-------------------|-----------------------|
| 1 | M3636T | STUD | 2 | 3/8" X 1-1/2" | |
| 2 | 12H304 | LOCK WASHER | 2 | 3/8" | |
| 3 | 14H1076 | NUT | 2 | 3/8" | |
| 4 | R26499 | GASKET | 1 | | |
| 5 | AT10557 | SCREW, WITH WASHER | 2 | | |
| 6 | R13038 | DISK | 1 | | |
| 7 | AR13018 | HOUSING | 1 | | |
| 8 | R13051 | PLUG | 1 | | |
| 9 | R13035 | PIN | 1 | | |
| 10 | JD8867 | NEEDLE BEARING | 2 | | |
| 11 | R13039 | SEAL | 1 | | |
| 12 | R13040 | RETAINER | 1 | | |
| 13 | AR13020 | SHAFT | 1 | | |
| 14 | R13027 | VENTURI | 1 | | |
| 15 | AH80032 | VALVE | 1 | | |
| 16 | H20926 | WASHER | 1 | | |
| 17 | R13046 | SCREW | 2 | | |
| 18 | R13043 | BRACKET | 1 | | |
| 19 | R13044 | NOZZLE | 1 | | |
| 20 | R13036 | SPRING | 1 | | |
| 21 | R13021 | SCREW | 1 | | |
| 22 | AR13019 | STRAINER | 1 | | |
| 23 | AR13024 | SCREW | 6 | | |
| 24 | H20954 | NEEDLE | 1 | | |
| 25 | H20923 | SPRING | 1 | | (NO LONGER AVAILABLE) |
| 26 | AR40008 | SCREW, WITH WASHER | 1 | | (NO LONGER AVAILABLE) |
| 27 | R13041 | CAP | 1 | | |
| 28 | R13050 | PLUG | 1 | | |
| .. | AR52450 | CARBURETOR | 1 | | (SUB AR45162) |
| .. | AR13033 | GASKET KIT | 1 | | |
| .. | AR52454 | KIT | 1 | | (SUB FOR AR52456) |

1E17

FUEL AND AIR

CARBURETOR (ZENITH MARKED AR52450) (GASOLINE)

R17635 -UN-01JAN94



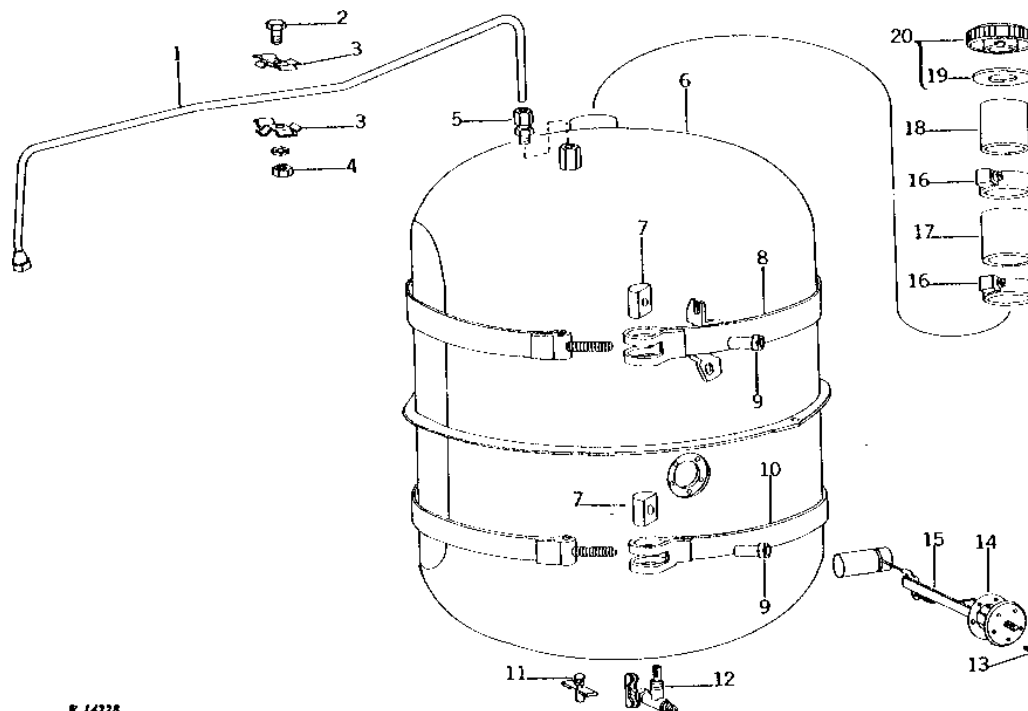
| KEY | PART NO. | PART NAME | QTY | ENGINE SERIAL NO. | REMARKS |
|-----|----------|-------------|-----|-------------------|-----------------------|
| 1 | R13052 | GASKET | 1 | | |
| 2 | H20985 | TUBE | 1 | | |
| 3 | R13020 | WASHER | 1 | | |
| 4 | AR13035 | PUMP | 1 | | |
| 5 | AR13030 | CHECK VALVE | 1 | | |
| 6 | AR723R | SCREW | 2 | | |
| 7 | R13065 | DISK | 1 | | |
| 8 | E10118 | WASHER | 1 | | |
| 9 | R13064 | RETAINER | 1 | | |
| 10 | R13058 | WASHER | 1 | | |
| 11 | AR13027 | SHAFT | 1 | | |
| 12 | R13055 | BUSHING | 1 | | |
| 13 | AR13028 | LEVER | 1 | | |
| 14 | H21048 | SCREW | 1 | | (NO LONGER AVAILABLE) |
| 15 | 11M7077 | COTTER PIN | 1 | | 0.063" X 0.984" |
| 16 | R13056 | SPRING | 1 | | |
| 17 | R13057 | RETAINER | 1 | | |
| 18 | E10121 | SCREW | 1 | | (NO LONGER AVAILABLE) |
| 19 | AR13028 | LEVER | 1 | | |
| 20 | R13060 | PIN | 1 | | |
| 21 | T10702 | CAP SCREW | 1 | | |
| 22 | 12H315 | LOCK WASHER | 1 | | 0.164" |
| 23 | R10188 | CLIP | 1 | | |
| 24 | R13075 | PLUG | 2 | | (NO LONGER AVAILABLE) |
| 25 | AR80564 | SOLENOID | 1 | | (SUB FOR AR52452) |
| 26 | H21058 | WASHER | 1 | | |
| 27 | R13024 | JET | 1 | | |
| 28 | H20927 | WASHER | 1 | | |
| 29 | H21033 | PIPE PLUG | 1 | | |
| 30 | AR52456 | KIT | 1 | | |
| 31 | R13030 | VENT | 1 | | |
| 32 | R13042 | CAP | 1 | | |
| 33 | H20926 | WASHER | 1 | | |
| 34 | AR13037 | JET | 1 | | |
| 35 | AH10620 | FLOAT | 1 | | |
| 36 | H21000 | DOWEL PIN | 1 | | |
| .. | AR52450 | CARBURETOR | 1 | | (SUB AR45162) |
| .. | AR13033 | GASKET KIT | 1 | | |
| .. | AR52454 | KIT | 1 | | (SUB FOR AR52456) |

1E18

FUEL AND AIR

R14228 -UN-01JAN94

FUEL TANK (DIESEL)



R 14228

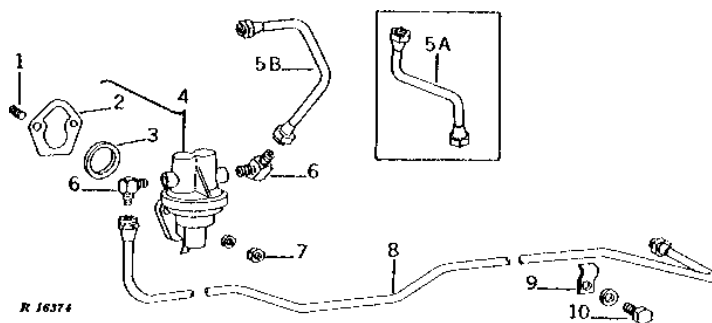
| KEY | PART NO. | PART NAME | QTY | TRACTOR SERIAL NO. | REMARKS |
|-----|----------|----------------|-----|-----------------------|---------|
| 1 | AR44474 | FUEL LINE | 1 | | |
| 2 | 19H1948 | CAP SCREW | 1 | 1/4" X 3/4" | |
| 3 | R34838 | CLAMP | 2 | | |
| 4 | 14H786 | NUT | 1 | 1/4" | |
| | 12H302 | LOCK WASHER | 1 | 1/4" | |
| 5 | AR26649 | FITTING | 1 | | |
| 6 | AR39587 | FUEL TANK | 1 | | |
| 7 | R26593 | GUIDE | 2 | | |
| 8 | AR32217 | STRAP | 1 | | |
| 9 | R26594 | NUT | 2 | | |
| 10 | AR32218 | STRAP | 1 | | |
| 11 | AT13740 | DRAIN VALVE | 1 | | |
| 12 | R34656 | SHUT-OFF VALVE | 1 | | |
| 13 | 37H95 | SCREW | 5 | NO. 8 X 1/2" | |
| | 12M7084 | LOCK WASHER | 1 | 0.169" | |
| 14 | R27181 | GASKET | 1 | | |
| 15 | AR46268 | SENDER | 1 | | |
| 16 | AR21840 | CLAMP | 2 | | |
| 17 | R26531 | HOSE | 1 | | |
| 18 | R39895 | FILLER NECK | 1 | | |
| 19 | R39615 | WASHER | 1 | | |
| 20 | AT20911 | FILLER CAP | 1 | | |

1E19

FUEL AND AIR

R16374 -UN-01JAN94

FUEL PUMP AND FUEL LINES (DIESEL)



| KEY | PART NO. | PART NAME | QTY | ENGINE SERIAL NO. | REMARKS |
|-----|----------|---------------|-----|-------------------|--|
| 1 | R48755 | STUD | 2 | | 5/16" X 1-1/2", (SUB FOR R26934) |
| 2 | R97350 | GASKET | 1 | | (SUB FOR R27285) |
| 3 | R48399 | WASHER | 1 | | |
| 4 | RE42211 | FUEL PUMP | 1 | | (SUB FOR AR40259, AR52159 OR RE27667) (ALSO ORDER R97350) |
| 5A | AR31551 | FUEL LINE | 1 | -280000 | (A) |
| 5B | AR50262 | FUEL LINE | 1 | 280001- | (A) |
| 6 | AR26674 | ELBOW FITTING | 2 | | 90° |
| 7 | 14H785 | NUT | 2 | | 5/16" |
| | 12H303 | LOCK WASHER | 2 | | 5/16" |
| 8 | AR45529 | FUEL LINE | 1 | | (ALSO ORDER T29527) (SUB FOR AR32199) (FUEL TANK TO FUEL PUMP) |
| 9 | T29527 | CLAMP | 1 | | (SUB FOR T14050) |
| 10 | 19H1936 | CAP SCREW | 1 | | 3/8" X 3/4" |
| | 12H304 | LOCK WASHER | 1 | | 3/8" |

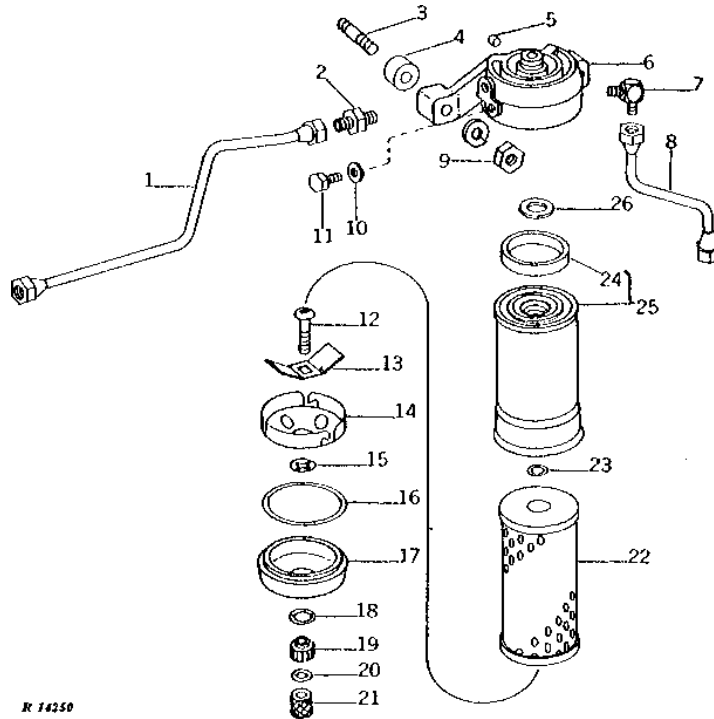
(A) FUEL PUMP TO FUEL FILTER

1E20

FUEL AND AIR

FUEL FILTERS (DIESEL) (ENGINE SERIAL NO. 215000-280000)

R14250 -UN-01JAN94



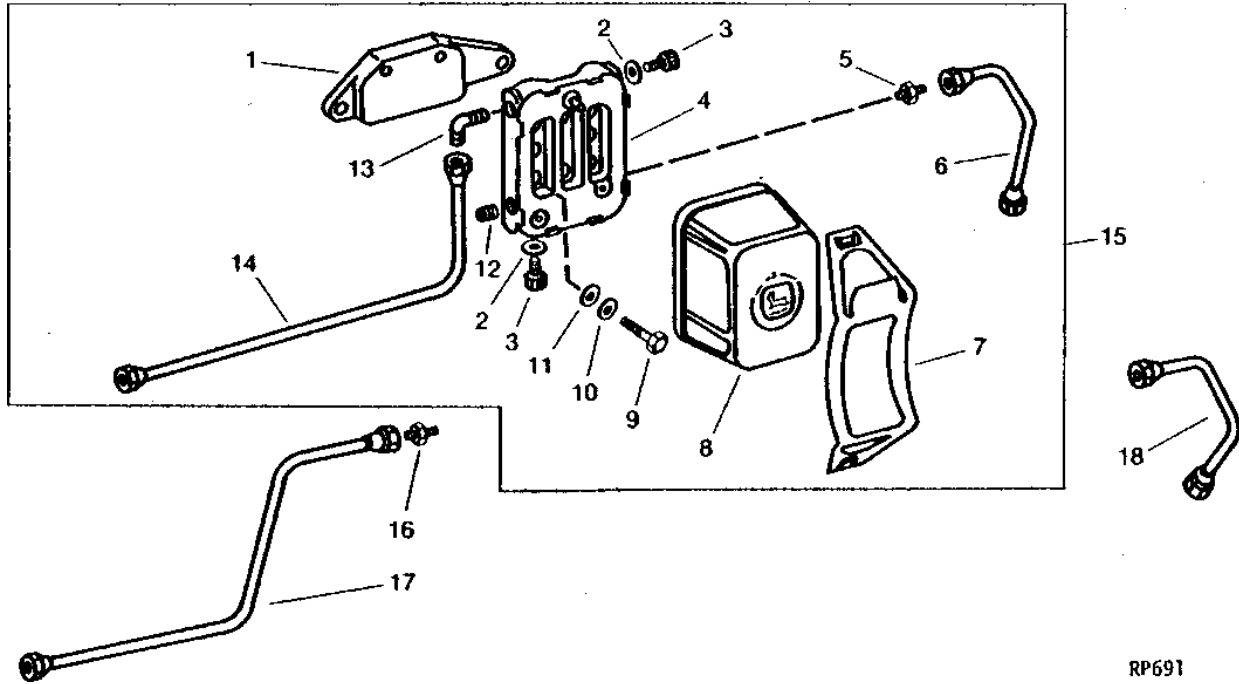
| KEY | PART NO. | PART NAME | QTY | ENGINE SERIAL NO. | REMARKS |
|-----|----------|----------------|-----|-------------------|---|
| 1 | AR41549 | LINE | 1 | | (FUEL FILTER TO FUEL INJECTION PUMP) (NLA) |
| 2 | R27346 | FITTING | 1 | | |
| 3 | A5689R | STUD | 2 | | 7/16" X 2-3/8" (NLA) |
| 4 | R45175 | BUSHING | 2 | | |
| 5 | R27074 | DOWEL PIN | 1 | | (NLA) |
| 6 | AR46144 | HOUSING | 1 | | (MARKED AR46145) (SUB AR59140, THIS APPLICATION) |
| 7 | AR26674 | ELBOW FITTING | 1 | | 90° |
| 8 | AR31551 | FUEL LINE | 1 | | (FUEL PUMP TO FUEL FILTER) |
| 9 | 14H1047 | NUT | 2 | | 7/16" |
| | 12H293 | LOCK WASHER | 2 | | 7/16" |
| 10 | R20498 | WASHER | 1 | | |
| 11 | 19H2485 | CAP SCREW | 1 | | 5/16" X 7/16" |
| 12 | R41716 | SCREW | 2 | | (NLA) |
| 13 | R41719 | LEAF SPRING | 2 | | (NLA) |
| 14 | R41717 | RETAINER | 2 | | (NLA) |
| 15 | R41718 | SNAP RING | 2 | | (NLA) |
| 16 | R41721 | O-RING | 2 | | |
| 17 | R41720 | BOWL | 2 | | |
| 18 | R375R | O-RING | 2 | | (USE WITH R41722) |
| | R26919 | WASHER | 2 | | (ALSO ORDER R46568) (UNLESS PREVIOUSLY INSTALLED) |
| 19 | R46568 | NUT | 2 | | (ALSO ORDER R26919) (SUB FOR R41722) |
| 20 | R26286 | O-RING | 2 | | |
| 21 | R41723 | NUT | 2 | | |
| 22 | AR44077 | FILTER ELEMENT | 2 | | |
| 23 | R459R | O-RING | 2 | | |
| 24 | R44331 | BUSHING | 2 | | |
| 25 | AR45678 | CASE | 2 | | |
| 26 | R44101 | WASHER | 2 | | |

1E21

FUEL AND AIR

**MASTER FUEL FILTER KIT (DIESEL)
(ENGINE SERIAL NO. 215000-280000)**

RP691 -UN-01JAN94



RP691

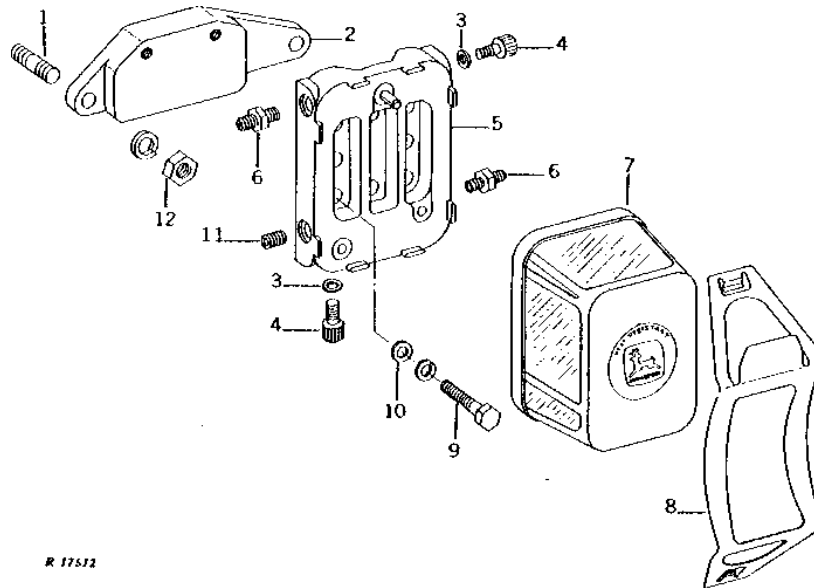
| KEY | PART NO. | PART NAME | QTY | ENGINE SERIAL NO. | REMARKS |
|-----|----------|---------------|-----|--|---------|
| 1 | R47433 | SUPPORT | 1 | | |
| 2 | R26287 | O-RING | 2 | (SUB FOR R34447) | |
| 3 | R48071 | DRAIN PLUG | 2 | | |
| 4 | AR50040 | HOUSING | 1 | | |
| 5 | R27346 | FITTING | 1 | | |
| 6 | AR61292 | FUEL LINE | 1 | | |
| 7 | R66821 | CLAMP | 1 | (SUB FOR R47358 OR R57258) | |
| 8 | AR50041 | FUEL FILTER | 1 | | |
| 9 | 19H1905 | CAP SCREW | 2 | 5/16" X 1" | |
| 10 | 12H303 | LOCK WASHER | 2 | 5/16" | |
| 11 | 24H1289 | WASHER | 2 | 21/64" X 5/8" X 0.049" | |
| 12 | R104592 | PIPE PLUG | 1 | (SUB FOR 15H558 OR 15H638, THIS APPLICATION) | |
| 13 | T30738 | ELBOW FITTING | 1 | 90° | |
| 14 | AR61293 | FUEL LINE | 1 | | |
| 15 | AR59140 | KIT | 1 | (SUB FOR AR55223) | |
| 16 | R27346 | FITTING | 1 | | |
| 17 | | FUEL LINE | 1 | (OPTIONAL DESIGN) (AR55229 NO LONGER AVAILABLE) | |
| 18 | AR61965 | FUEL LINE | 1 | (OPTIONAL DESIGN) | |

1E22

FUEL AND AIR

FUEL FILTER (DIESEL)
(ENGINE SERIAL NO. 280001-)

R17512 -UN-01JAN94



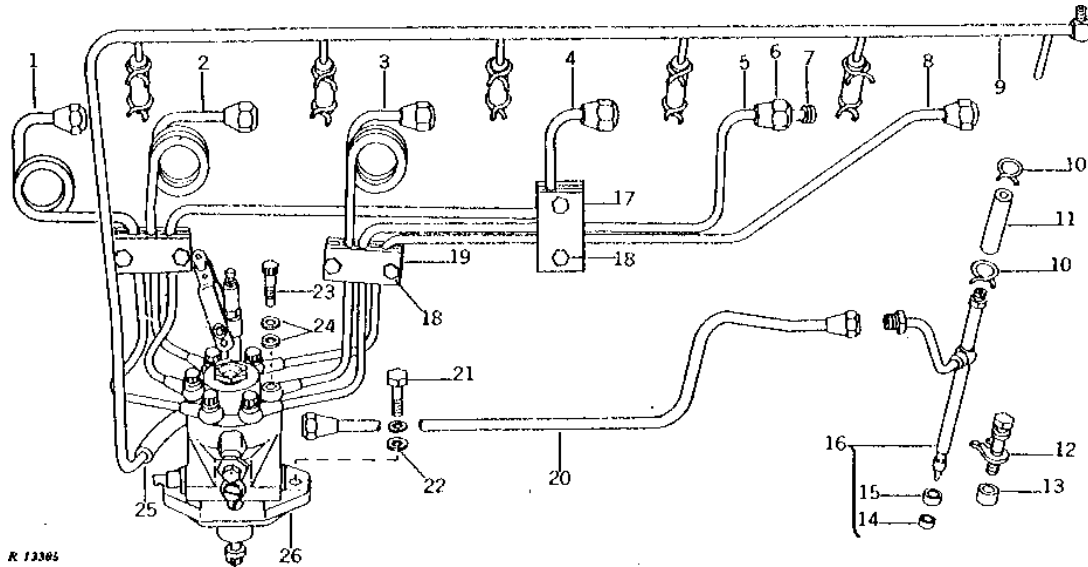
| KEY | PART NO. | PART NAME | QTY | ENGINE SERIAL NO. | REMARKS |
|-----|----------|-------------|-----|--|---------|
| 1 | F2884R | STUD | 2 | 7/16" X 1-1/2" | |
| 2 | R47433 | SUPPORT | 1 | | |
| 3 | R26287 | O-RING | 2 | (SUB FOR R34447) | |
| 4 | R48071 | DRAIN PLUG | 2 | | |
| 5 | AR50040 | HOUSING | 1 | | |
| 6 | R27346 | FITTING | 2 | | |
| 7 | AR50041 | FUEL FILTER | 1 | | |
| 8 | R66821 | CLAMP | 1 | (SUB FOR R47358 OR R57258) | |
| 9 | 19H1905 | CAP SCREW | 2 | 5/16" X 1" | |
| | 12H303 | LOCK WASHER | 2 | 5/16" | |
| 10 | 24H1289 | WASHER | 2 | 21/64" X 5/8" X 0.049" | |
| 11 | R104592 | PIPE PLUG | 1 | (SUB FOR 15H558 OR 15H638, THIS APPLICATION) | |
| 12 | 14H1047 | NUT | 2 | 7/16" | |
| | 12H293 | LOCK WASHER | 2 | 7/16" | |

1E23

FUEL AND AIR

FUEL INJECTION PUMP, NOZZLES, AND FUEL LINES (POWER SHIFT ESN 215000-246722) (SYNCRO ESN 215000-253763)

R13305 -UN-01JAN94



| KEY | PART NO. | PART NAME | QTY | ENGINE SERIAL NO. | REMARKS |
|-----|----------|---------------------|-----|-------------------|---|
| 1 | AR41547 | FUEL LINE | 1 | | NO. 6 (NLA) |
| 2 | AR41546 | FUEL LINE | 1 | | NO. 5 |
| 3 | AR41545 | FUEL LINE | 1 | | NO. 4 |
| 4 | AR41544 | FUEL LINE | 1 | | NO. 3 |
| 5 | AR41543 | FUEL LINE | 1 | | NO. 2 |
| 6 | R34763 | FITTING | 6 | | |
| 7 | R34762 | SLEEVE | 6 | | |
| 8 | AR41542 | FUEL LINE | 1 | | NO. 1 |
| 9 | AR41548 | FUEL LINE | 1 | | |
| 10 | R34766 | CLAMP | 12 | | |
| 11 | R34765 | BOOT | 6 | | |
| 12 | R34760 | CLAMP | 6 | | |
| 13 | R34761 | SPACER | 6 | | |
| 14 | R48000 | WASHER | 6 | | (SUB FOR R34767) |
| 15 | R34764 | WASHER | 6 | | |
| 16 | AR46846 | INJECTION NOZZLE | 6 | -253472 | 9.52MM, (SUB AR50781) (ROOSA-MASTER NO. I-18270) |
| | AR49226 | NOZZLE | 6 | 253473- | 9.52MM, (SUB AR50781) (ROOSA-MASTER NO. I-18646) |
| 17 | R27781 | STRAP | 1 | | |
| | R27782 | STRAP | 1 | | |
| | R27783 | CUSHION | 1 | | |
| 18 | 19H1914 | CAP SCREW | 6 | | 1/4" X 1" |
| 19 | R26728 | STRAP | 2 | | (SUB FOR R34785) |
| | R26789 | STRAP | 2 | | (SUB FOR R34786) |
| | R26790 | CUSHION | 2 | | (SUB FOR R34787) |
| 20 | AR41549 | LINE | 1 | | (NLA) |
| 21 | 19H1905 | CAP SCREW | 2 | | 5/16" X 1" |
| | 12H303 | LOCK WASHER | 2 | | 5/16" |
| 22 | 24H1136 | WASHER | 2 | | 11/32" X 11/16" X 0.065" |
| 23 | R41680 | SCREW | 6 | | |
| 24 | T20055 | WASHER | 12 | | SOFT STEEL |
| 25 | | HOSE | 1 | | 6.67CM, (MAKE FROM R32639) |
| 26 | AR41626 | FUEL INJECTION PUMP | 1 | -246722 | (A) (SUB AR69413 AND AR69409) (ROOSA-MASTER NO. CBC633-18AL) (POWER SHIFT) |
| | AR41626 | FUEL INJECTION PUMP | 1 | -253763 | (A) (SUB AR69413 AND AR69409) (ROOSA-MASTER NO. CBC633-18AL) (SYNCRO-RANGE) |
| .. | AR34368 | PLUG | 1 | | (SUB AR21969) |

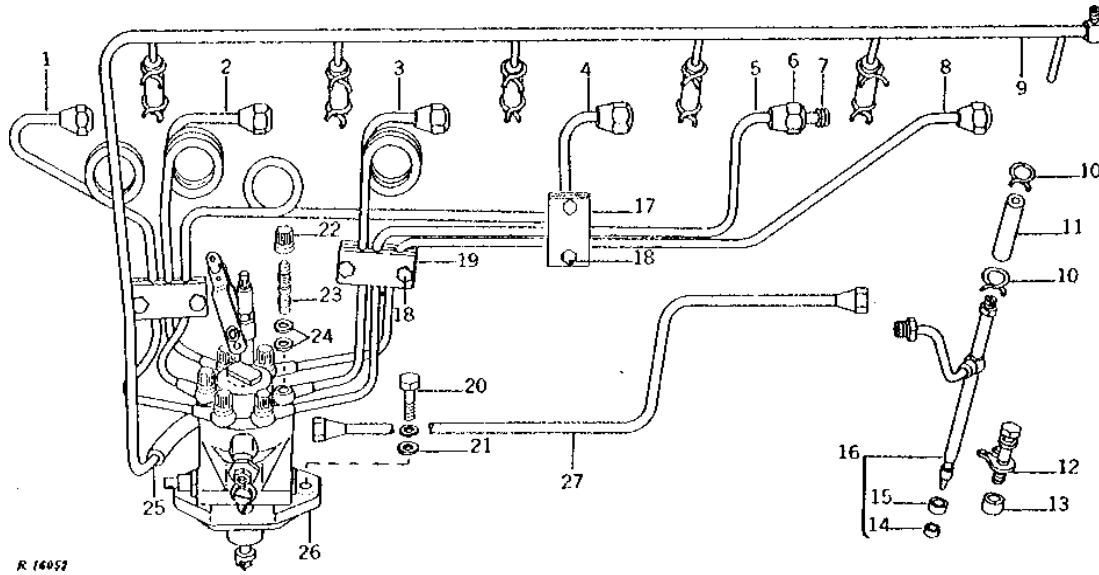
(A) "SEE YOUR AUTHORIZED PUMP REPAIR STATION FOR PARTS NOT LISTED (NA)."

1E24

FUEL AND AIR

FUEL INJECTION PUMP, NOZZLES, AND FUEL LINES (POWER SHIFT ESN 246723-280000) (SYNCRO ESN 253764-280000)

R16052 -UN-01JAN94



| KEY | PART NO. | PART NAME | QTY | ENGINE SERIAL NO. | REMARKS |
|-----|----------|---------------------|-----|--------------------------|--|
| 1 | AR41547 | FUEL LINE | 1 | NO. 6 (NLA) | |
| 2 | AR41546 | FUEL LINE | 1 | NO. 5 | |
| 3 | AR41545 | FUEL LINE | 1 | NO. 4 | |
| 4 | AR41544 | FUEL LINE | 1 | NO. 3 | |
| 5 | AR41543 | FUEL LINE | 1 | NO. 2 | |
| 6 | R34763 | FITTING | 6 | | |
| 7 | R34762 | SLEEVE | 6 | | |
| 8 | AR41542 | FUEL LINE | 1 | NO. 1 | |
| 9 | AR41548 | FUEL LINE | 1 | | |
| 10 | R34766 | CLAMP | 12 | | |
| 11 | R34765 | BOOT | 6 | | |
| 12 | R34760 | CLAMP | 6 | | |
| 13 | R34761 | SPACER | 6 | | |
| 14 | R48000 | WASHER | 6 | | (SUB FOR R34767) |
| 15 | R34764 | WASHER | 6 | | |
| 16 | AR49226 | NOZZLE | 6 | | 9.52MM, (SUB AR50781) (ROOSA-MASTER NO. I-18646) |
| 17 | R27781 | STRAP | 1 | | |
| | R27782 | STRAP | 1 | | |
| | R27783 | CUSHION | 1 | | |
| 18 | 19H1914 | CAP SCREW | 6 | 1/4" X 1" | |
| 19 | R26728 | STRAP | 2 | | (SUB FOR R34785) |
| | R26789 | STRAP | 2 | | (SUB FOR R34786) |
| | R26790 | CUSHION | 2 | | (SUB FOR R34787) |
| 20 | 19H1905 | CAP SCREW | 2 | 5/16" X 1" | |
| | 12H303 | LOCK WASHER | 2 | 5/16" | |
| 21 | 24H1136 | WASHER | 2 | 11/32" X 11/16" X 0.065" | |
| 22 | R46669 | NUT | 6 | | |
| 23 | R46844 | SCREW | 6 | | |
| 24 | T20055 | WASHER | 12 | | |
| 25 | | HOSE | 1 | | 67MM, (MAKE FROM R32639) |
| 26 | AR48803 | FUEL INJECTION PUMP | 1 | 246723- | (A) (SUB AR69414, AR69409 AND R32136) (ROOSA-MASTER NO. CBC633-28AL) (PWR SHFT) |
| | AR69414 | FUEL INJECTION PUMP | 1 | | (A) (ROOSA-MASTER NO. JDB633AL2719) |
| | AR48684 | FUEL INJECTION PUMP | 1 | 253764- | (A) (SUB AR69413, AR69409 AND R32136) (ROOSA-MASTER NO. CBC633-24AL) (SYNCRO-RANGE) |
| 27 | AR41549 | LINE | 1 | | (FUEL FILTER TO FUEL INJECTION PUMP) (NLA) |
| .. | AR34368 | PLUG | 1 | | (SUB AR21969) (ASSORTMENT FOR FUEL INJECTION OVERHAUL) |

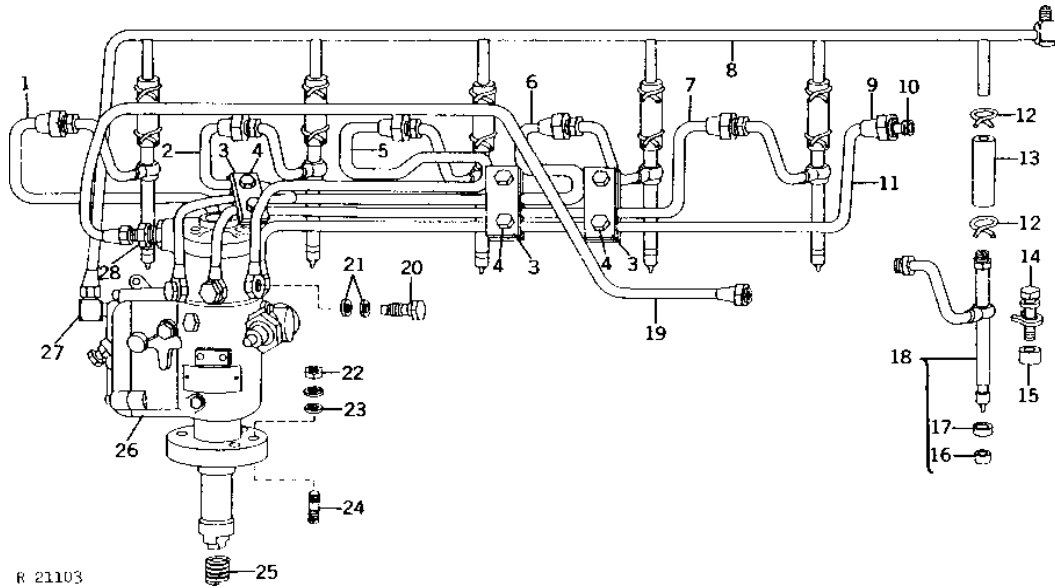
(A) "SEE YOUR AUTHORIZED PUMP REPAIR STATION FOR PARTS NOT LISTED (NA)."

1E25

FUEL AND AIR

FUEL INJECTION PUMP, NOZZLES, AND FUEL LINES (POWER SHIFT ESN 280001-) (SYNCRO ESN 280001-)

R21103 -UN-01JAN94



R 21103

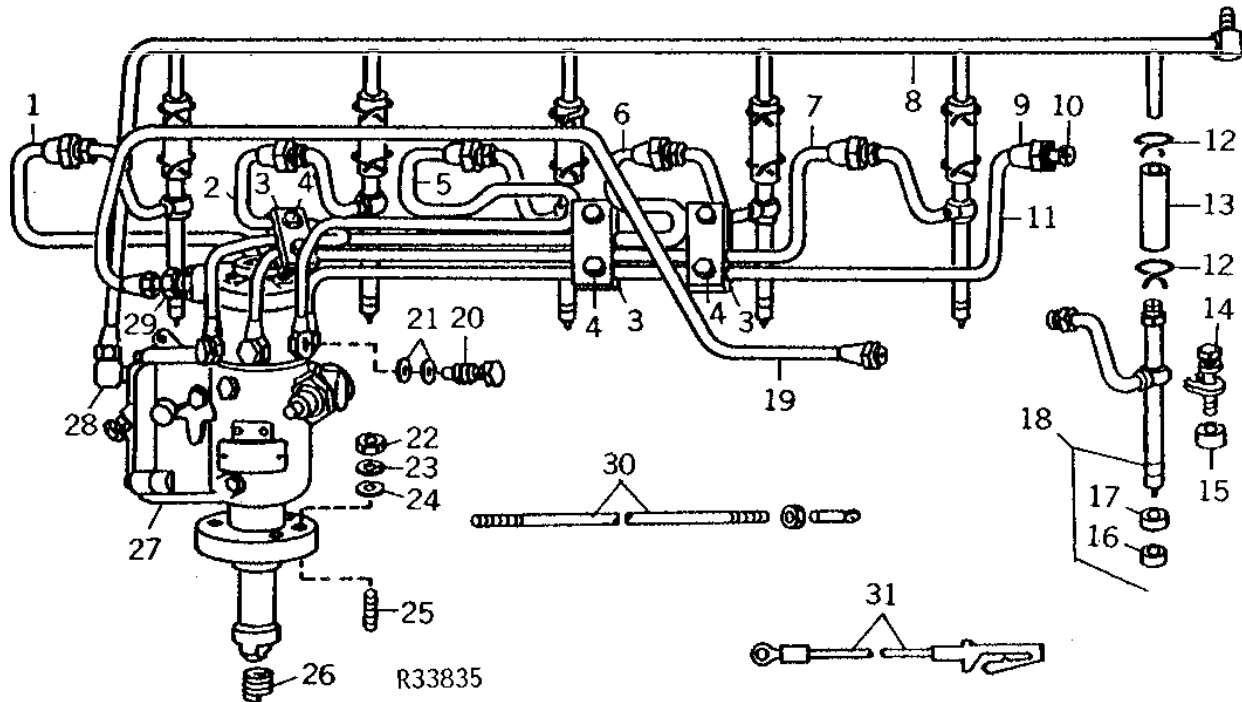
| KEY | PART NO. | PART NAME | QTY | ENGINE SERIAL NO. | REMARKS |
|-----|----------|---------------------|-----|--|---------|
| 1 | AR51199 | FUEL LINE | 1 | NO. 6 | |
| 2 | AR51198 | FUEL LINE | 1 | NO. 5 | |
| 3 | R26728 | STRAP | 3 | | |
| | R26789 | STRAP | 3 | | |
| | R26790 | CUSHION | 3 | | |
| 4 | 19H1914 | CAP SCREW | 6 | 1/4" X 1" | |
| 5 | AR51197 | FUEL LINE | 1 | NO. 4 | |
| 6 | AR51196 | FUEL LINE | 1 | NO. 3 | |
| 7 | AR51195 | FUEL LINE | 1 | NO. 2 | |
| 8 | AR34807 | FUEL LINE | 1 | | |
| 9 | R34763 | FITTING | 6 | | |
| 10 | R34762 | SLEEVE | 6 | | |
| 11 | AR51194 | FUEL LINE | 1 | NO. 1 | |
| 12 | R34766 | CLAMP | 12 | | |
| 13 | R34765 | BOOT | 6 | | |
| 14 | R34760 | CLAMP | 6 | | |
| 15 | R34761 | SPACER | 6 | | |
| 16 | R48000 | WASHER | 6 | | |
| 17 | R34764 | WASHER | 6 | | |
| 18 | AR50781 | NOZZLE | 6 | 9.52MM, (ROOSA-MASTER NO. I-8767) | |
| 19 | AR50265 | FUEL LINE | 1 | (FUEL INJECTION PUMP TO FUEL FILTER) | |
| 20 | R26726 | FITTING | 6 | | |
| 21 | T20055 | WASHER | 12 | | |
| 22 | E55662 | FLANGE NUT | 2 | (SUB FOR R32511) | |
| | 12H304 | LOCK WASHER | 2 | 3/8" | |
| 23 | 24M7096 | WASHER | 2 | 10.500 X 18 X 1.600 MM | |
| 24 | R56481 | STUD | 2 | | |
| 25 | R44686 | SPRING | 1 | | |
| 26 | AR50145 | FUEL INJECTION PUMP | 1 | (ROOSA-MASTER NO. JDB633AL2402) | |
| | | | | (SYNCRO-RANGE) | |
| | AR50147 | FUEL INJECTION PUMP | 1 | (ROOSA-MASTER NO. JDB633AL2404) (POWER SHIFT) | |
| | | | | (NO LONGER AVAILABLE) | |
| 27 | AR40820 | ELBOW FITTING | 1 | 90° | |
| 28 | R32136 | FITTING | 1 | | |
| .. | AR34368 | PLUG | 1 | (SUB AR21969) (ASSORTMENT FOR FUEL INJECTION OVERHAUL) | |

1F1

FUEL AND AIR

FUEL INJECTION PUMP, NOZZLES AND FUEL LINES
(ROOSA-MASTER NOS. JDB633AL2721 AND JDB633AL2719)

R33835 -UN-01JAN94



| KEY | PART NO. | PART NAME | QTY | ENGINE SERIAL NO. | REMARKS |
|-----|----------|---------------------|-----|--|---------|
| 1 | AR51199 | FUEL LINE | 1 | NO. 6 | |
| 2 | AR51198 | FUEL LINE | 1 | NO. 5 | |
| 3 | R26728 | STRAP | 3 | | |
| | R26789 | STRAP | 3 | | |
| | R26790 | CUSHION | 3 | | |
| 4 | 19H1914 | CAP SCREW | 6 | 1/4" X 1" | |
| 5 | AR51197 | FUEL LINE | 1 | NO. 4 | |
| 6 | AR51196 | FUEL LINE | 1 | NO. 3 | |
| 7 | AR51195 | FUEL LINE | 1 | NO. 2 | |
| 8 | AR34807 | FUEL LINE | 1 | | |
| 9 | R34763 | FITTING | 6 | | |
| 10 | R34762 | SLEEVE | 6 | | |
| 11 | AR51194 | FUEL LINE | 1 | NO. 1 | |
| 12 | R34766 | CLAMP | 12 | | |
| 13 | R34765 | BOOT | 6 | | |
| 14 | R34760 | CLAMP | 6 | | |
| 15 | R34761 | SPACER | 6 | | |
| 16 | R48000 | WASHER | 6 | | |
| 17 | R34764 | WASHER | 6 | | |
| 18 | AR50781 | NOZZLE | 1 | 9.52MM, (ROOSA-MASTER NO. 18767) | |
| 19 | AR31553 | FUEL LINE | 1 | | |
| 20 | R26726 | FITTING | 1 | | |
| 21 | T20055 | WASHER | 1 | (SOFT STEEL) | |
| 22 | E55662 | FLANGE NUT | 2 | (SUB FOR R32511) | |
| 23 | 12H304 | LOCK WASHER | 2 | 3/8" | |
| 24 | 24M7096 | WASHER | 2 | 10.500 X 18 X 1.600 MM | |
| 25 | R56481 | STUD | 2 | | |
| 26 | R44686 | SPRING | 1 | | |
| 27 | AR69413 | FUEL INJECTION PUMP | 1 | (A) (ROOSA-MASTER NO. JDB633AL2721 AND JDB633AL2719) | |
| 28 | AR40820 | ELBOW FITTING | 1 | | |
| 29 | R32136 | FITTING | 1 | | |
| 30 | R47673 | STUD | 1 | | |
| 31 | AR49907 | WIRING LEAD | 1 | | |

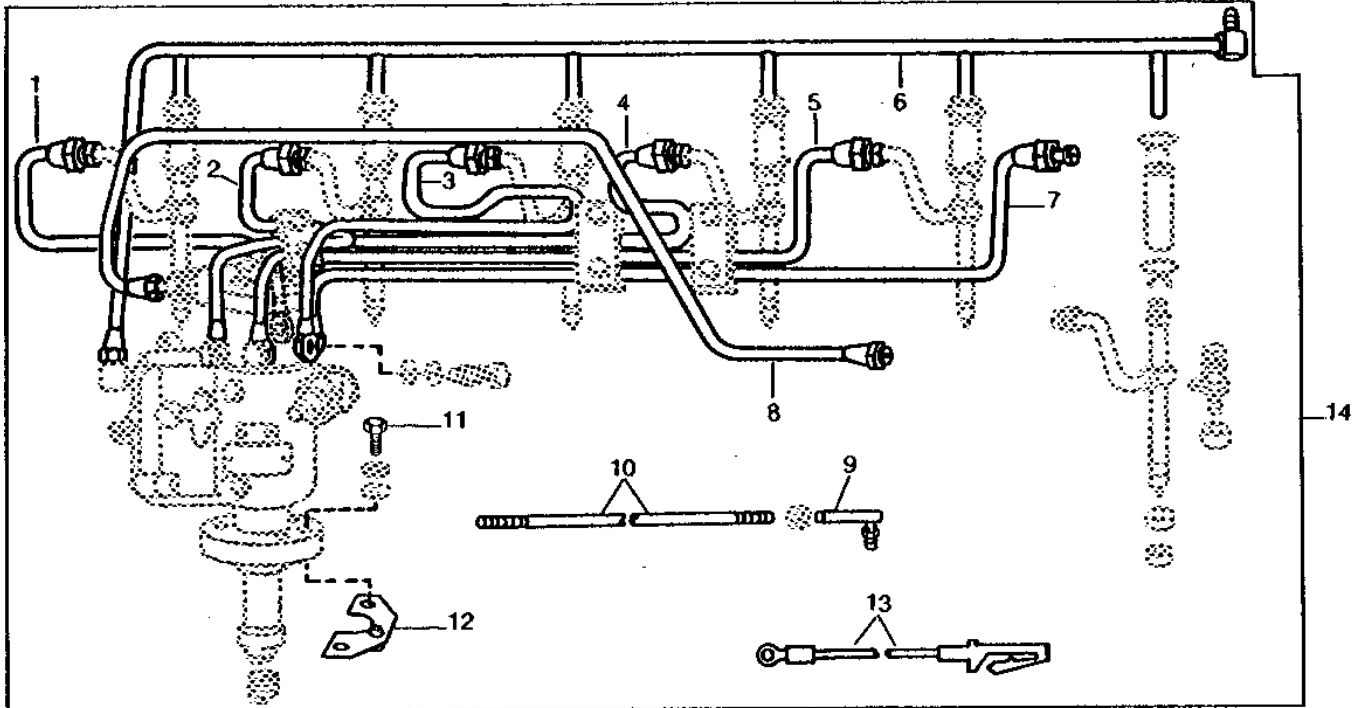
(A) "SEE YOUR AUTHORIZED PUMP REPAIR STATION FOR PARTS NOT LISTED (NA)."

1F2

FUEL AND AIR

RWP3732 -UN-01JAN94

FUEL INJECTION LINES AND MISCELLANEOUS ITEMS KIT



RWP3732

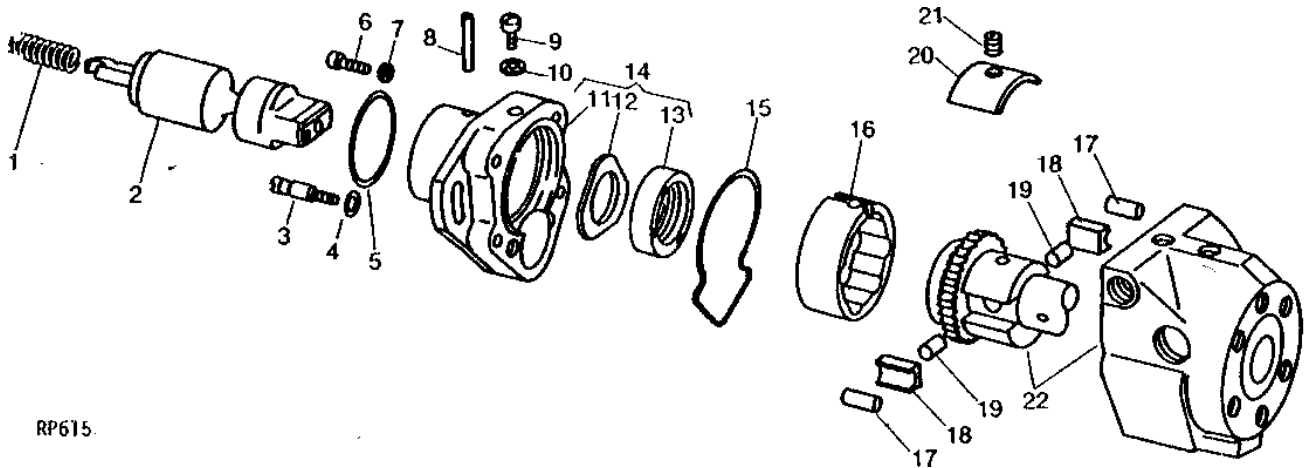
| KEY | PART NO. | PART NAME | QTY | ENGINE SERIAL NO. | REMARKS |
|-----|----------|-------------|-----|--------------------------------------|---------|
| 1 | AR51199 | FUEL LINE | 1 | NO. 6 | |
| 2 | AR51198 | FUEL LINE | 1 | NO. 5 | |
| 3 | AR51197 | FUEL LINE | 1 | NO. 4 | |
| 4 | AR51196 | FUEL LINE | 1 | NO. 3 | |
| 5 | AR51195 | FUEL LINE | 1 | NO. 2 | |
| 6 | AR34807 | FUEL LINE | 1 | LEAK OFF | |
| 7 | AR51194 | FUEL LINE | 1 | NO. 1 | |
| 8 | AR31553 | FUEL LINE | 1 | (FUEL INJECTION PUMP TO FUEL FILTER) | |
| 9 | R36123 | BALL JOINT | 1 | | |
| 10 | R47673 | STUD | 1 | | |
| 11 | 19H1849 | CAP SCREW | 2 | 5/16" X 1-1/4" | |
| 12 | AR69420 | CLAMP | 1 | (NOT AS SHOWN) | |
| 13 | AR49907 | WIRING LEAD | 1 | | |
| 14 | AR69409 | KIT | 1 | | |

1F3

FUEL AND AIR

FUEL INJECTION PUMP HEAD, DRIVE SHAFT, AND DRIVE HOUSING (ROOSA-MASTER NO. CBC633-18AL)

RP615 -UN-01JAN94



RP615.

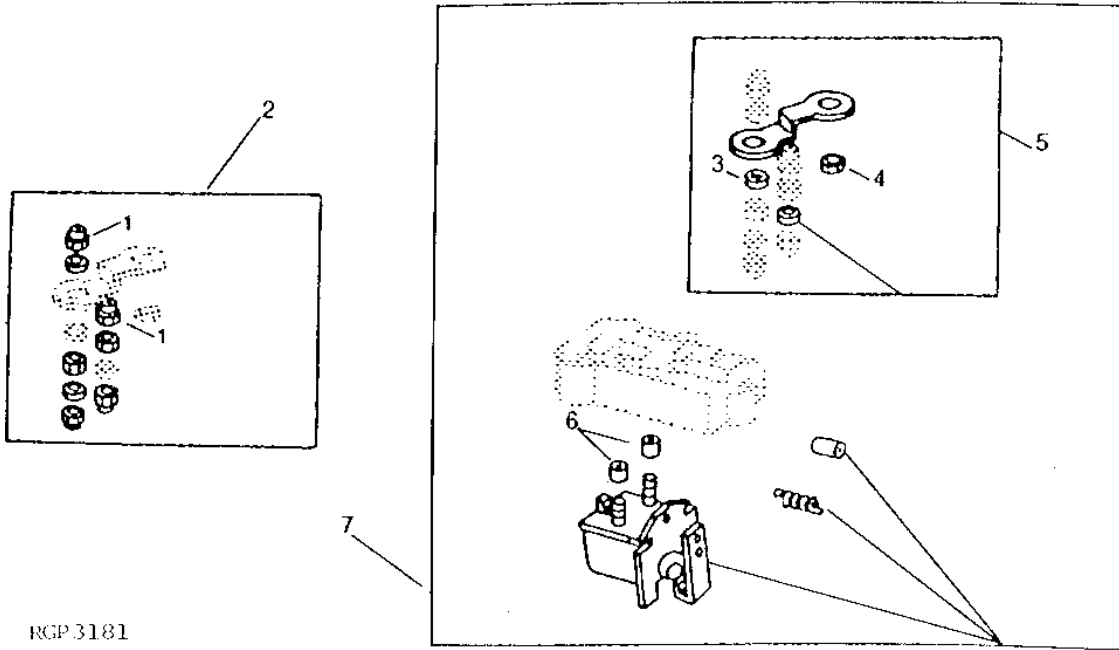
| KEY | PART NO. | PART NAME | QTY | ENGINE SERIAL NO. | REMARKS |
|-----|----------|---------------|-----|-------------------|---|
| 1 | R44686 | SPRING | 1 | | |
| 2 | R45062 | SHAFT | 1 | | |
| 3 | T26229 | PLUG | 1 | | |
| 4 | T26230 | O-RING | 1 | | |
| 5 | T28582 | O-RING | 1 | | |
| 6 | T26227 | SCREW | 4 | | |
| 7 | T26226 | WASHER | 4 | | |
| 8 | R45043 | SPRING PIN | 1 | | |
| 9 | T11930 | SCREW | 1 | | |
| 10 | T11878 | WASHER | 1 | | |
| 11 | R45040 | HOUSING | 1 | | |
| 12 | R45041 | GUIDE | 1 | | |
| 13 | | SEAL | 1 | | (R45039 NO LONGER AVAILABLE) (SUB (2) R46841) |
| 14 | AR46840 | HOUSING | 1 | | |
| 15 | T11891 | O-RING | 1 | | |
| 16 | R45543 | RING | 1 | | (SUB AR69413 AND AR69409) |
| 17 | T11886 | NEEDLE ROLLER | NA | | |
| 18 | R56483 | SHOE | NA | | (SUB FOR T11885) |
| 19 | R36547 | PLUNGER | NA | | (ROTOR A) |
| | R36548 | PLUNGER | NA | | (ROTOR B) |
| | R36549 | PLUNGER | NA | | (ROTOR C) |
| | R36550 | PLUNGER | 2 | | (ROTOR D) |
| 20 | T11888 | LEAF SPRING | NA | | |
| 21 | T11887 | SCREW | NA | | |
| 22 | AR50333 | KIT | 1 | | (SUB FOR AR46844) (SUB AR69413 AND AR69409) |

1F4

FUEL AND AIR

RGP3181 -UN-01JAN94

FUEL INJECTION PUMP ELECTRIC SHUT-OFF KIT



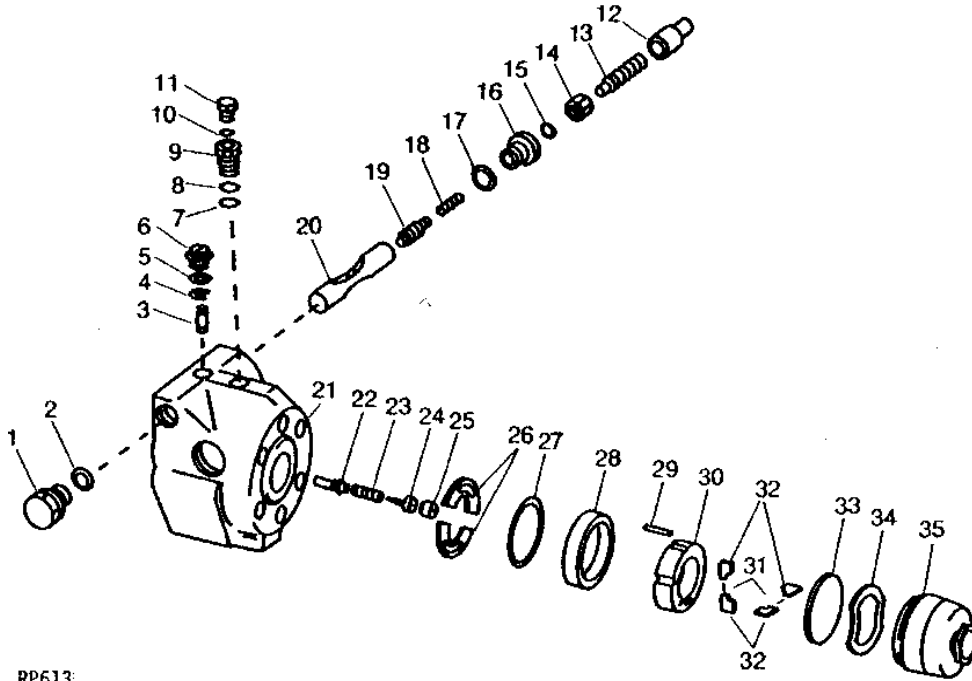
| KEY | PART NO. | PART NAME | QTY | ENGINE SERIAL NO. | REMARKS |
|-----|----------|-------------|-----|-------------------|--|
| 1 | M63431 | LOCK NUT | 2 | | (SUB FOR T19977) |
| 2 | AR90601 | KIT | 1 | | (STANADYNE NO. 22270 OR 26431) (SUB RE37091) |
| 3 | R47077 | LOCK WASHER | 1 | | |
| 4 | 12M7060 | WASHER | 1 | 0.209" | |
| 5 | AR50874 | KIT | 1 | | (SUB FOR AR49542 OR R66593) |
| 6 | T11937 | INSULATOR | 2 | | |
| 7 | AR90340 | KIT | 1 | | (SUB FOR AR48219 OR AT11524) (SUB RE37089 AND RE37091) |

1F5

FUEL AND AIR

INJECTION PUMP ADVANCE PISTON, DELIVERY VALVE, AND TRANSFER PUMP (ROOSA-MASTER NO. CBC633-18AL)

RP613 -UN-01JAN94



RP613:

| KEY | PART NO. | PART NAME | QTY | ENGINE SERIAL NO. | REMARKS |
|-----|----------|------------|-----|-------------------|---|
| 1 | T26265 | DRAIN PLUG | 1 | | |
| 2 | R33259 | O-RING | 1 | | (SUB FOR T11934) |
| 3 | T27306 | PIN | 1 | | |
| 4 | T27300 | SNAP RING | 1 | | |
| 5 | T26209 | RING | 1 | | |
| 6 | T26263 | PLUG | 1 | | |
| 7 | T26209 | RING | 1 | | |
| 8 | R33259 | O-RING | 1 | | (SUB FOR T11934) |
| 9 | R45036 | PLUG | 1 | | |
| 10 | A3917R | O-RING | 1 | | (SUB FOR T26256) |
| 11 | T30607 | DRAIN PLUG | 1 | | |
| 12 | T17117 | CAP | NA | | |
| 13 | T26267 | SET SCREW | 1 | | |
| 14 | T17122 | NUT | 1 | | |
| 15 | T44604 | O-RING | 1 | | (SUB FOR T11915 AND R76578) |
| 16 | T27307 | ADAPTER | 1 | | |
| 17 | R33259 | O-RING | 1 | | (SUB FOR T11934) |
| 18 | R45059 | SPRING | NA | | (RED AND BLACK) |
| 19 | AT25325 | PISTON | NA | | |
| 20 | T26268 | PISTON | 1 | | |
| 21 | AR50333 | KIT | 1 | | (SUB FOR AR46844) (SUB AR69413 AND AR69409) |
| 22 | R36551 | VALVE | NA | | |
| 23 | R30735 | SPRING | NA | | |
| 24 | T26223 | STOP | NA | | |
| 25 | R30737 | SCREW | NA | | |
| 26 | T26222 | RETAINER | 2 | | |
| 27 | T26236 | O-RING | 1 | | |
| 28 | R45044 | WASHER | 1 | | |
| 29 | T26239 | DOWEL PIN | 1 | | |
| 30 | T26238 | SLEEVE | NA | | |
| 31 | R34630 | SPRING | NA | | |

1F6

FUEL AND AIR

INJECTION PUMP ADVANCE PISTON, DELIVERY VALVE, AND TRANSFER PUMP - CONTINUED
(ROOSA-MASTER NO. CBC633-18AL)

| KEY | PART NO. | PART NAME | QTY | ENGINE SERIAL NO. | REMARKS |
|-----|----------|-----------|-----|----------------------|------------------------------|
| 32 | AR73828 | KIT | 1 | | (SUB FOR R45045) (PKG. OF 4) |
| | AR73829 | KIT | 1 | | (SUB FOR R45045) (PKG. OF 4) |
| 33 | T27304 | PLATE | 1 | | |
| 34 | R45046 | WASHER | 1 | | (NLA) |
| 35 | R45047 | CAP | 1 | | |

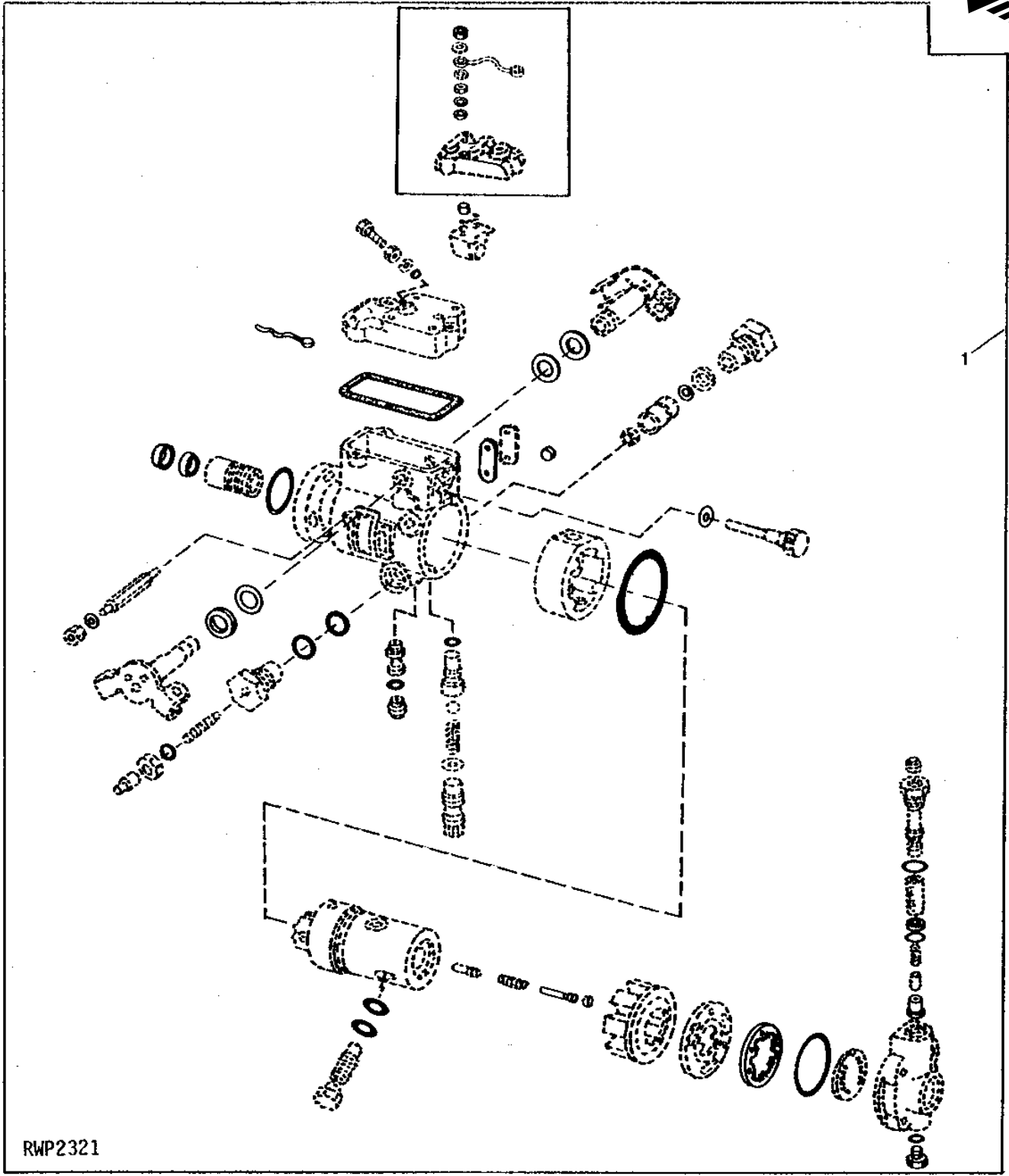
1F7

FUEL AND AIR

RWP2321

-UN-01JAN94

FUEL INJECTION PUMP OVERHAUL GASKET KIT



RWP2321

1F8

FUEL AND AIR

FUEL INJECTION PUMP OVERHAUL GASKET KIT - CONTINUED

| KEY | PART NO. | PART NAME | QTY | ENGINE SERIAL NO. | REMARKS |
|-----|----------|------------|-----|----------------------|---------|
| 1 | AR34612 | GASKET KIT | NA | (NLA) | |

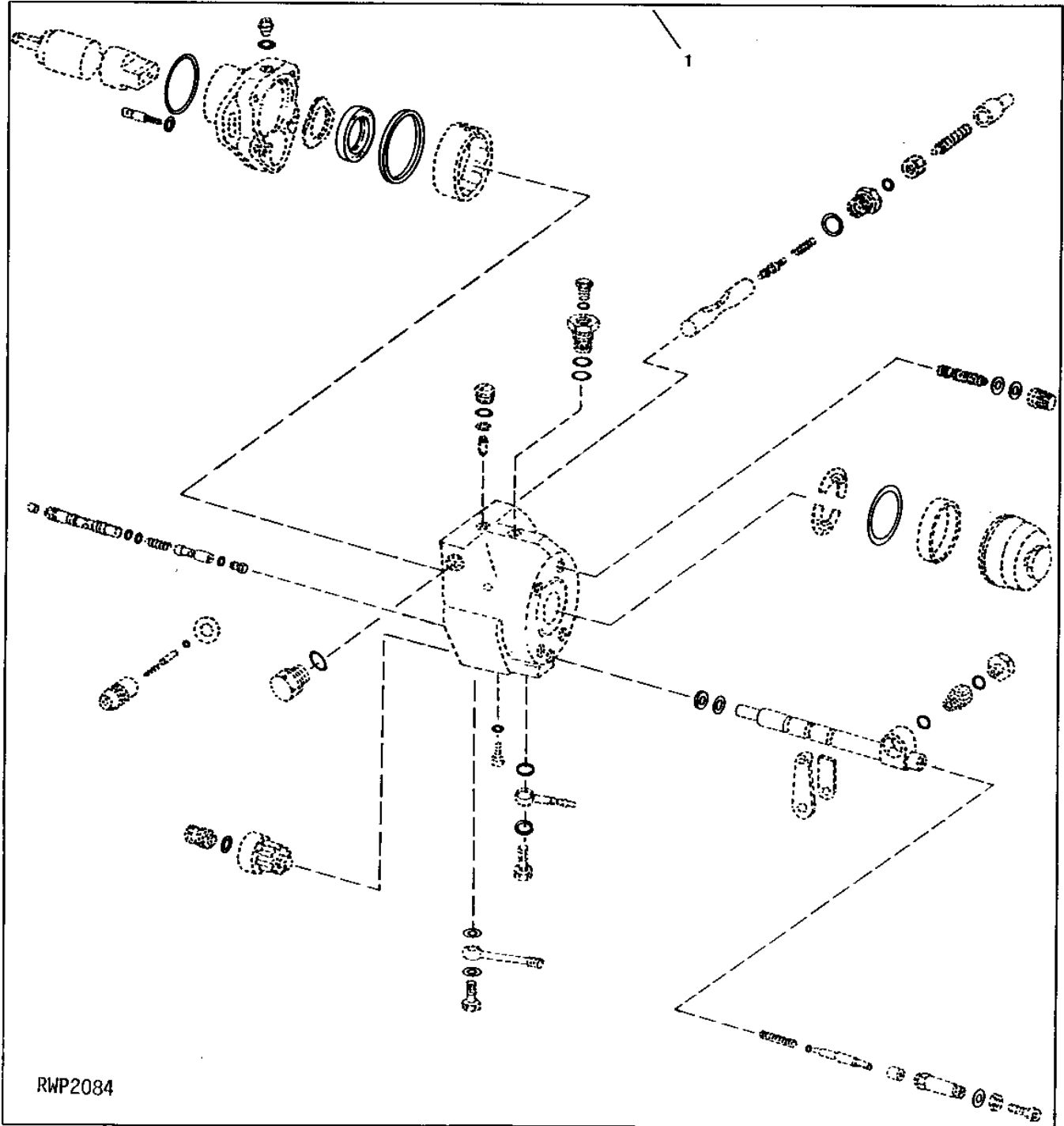
1F9

FUEL AND AIR

RWP2084

-UN-01JAN94

FUEL INJECTION PUMP OVERHAUL GASKET KIT



RWP2084

1F10

FUEL AND AIR

FUEL INJECTION PUMP OVERHAUL GASKET KIT - CONTINUED

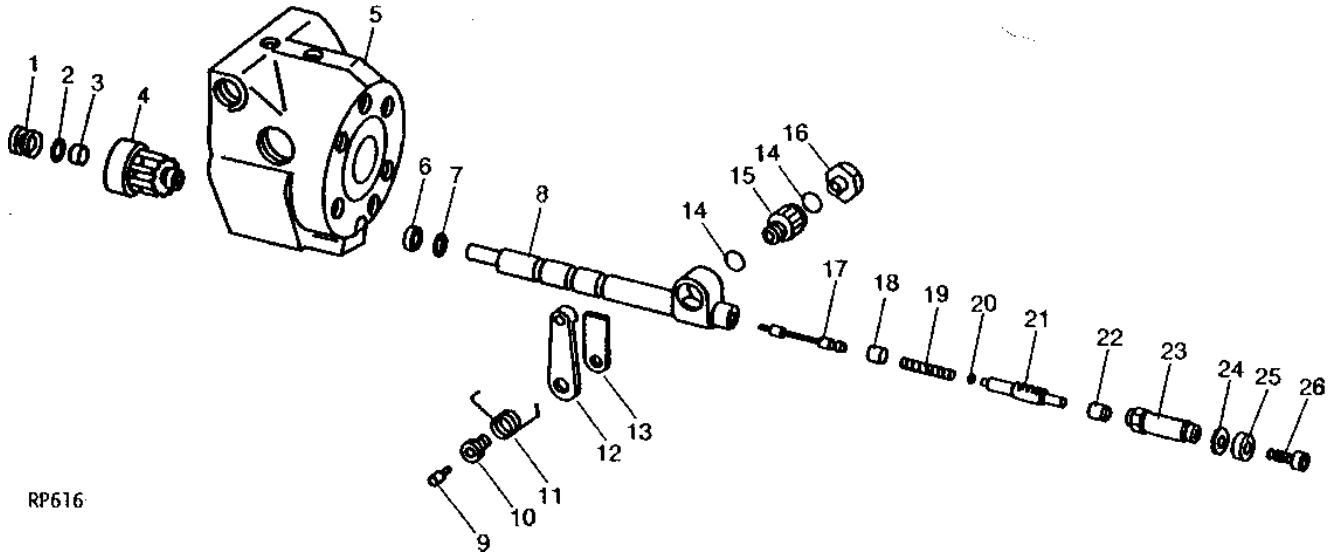
| KEY | PART NO. | PART NAME | QTY | ENGINE SERIAL NO. | REMARKS |
|-----|----------|-----------|-----|------------------------------|---------|
| 1 | RE21230 | KIT | NA | (SUB FOR AR46977 OR AR52271) | (NLA) |

1F11

FUEL AND AIR

FUEL INJECTION PUMP GOVERNOR AND THROTTLE CONTROL (ROOSA-MASTER NO. CBC633-18AL)

RP616 -UN-01JAN94



RP616

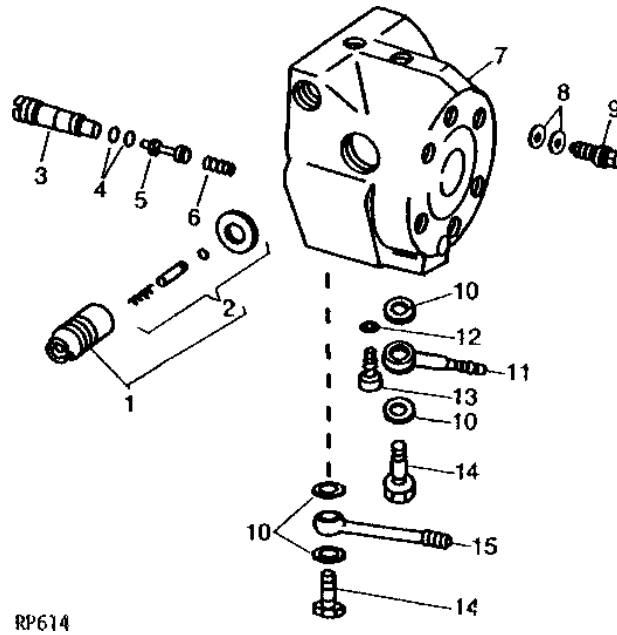
| KEY | PART NO. | PART NAME | QTY | ENGINE SERIAL NO. | REMARKS |
|-----|----------|-----------|-----|-------------------|---|
| 1 | R46618 | SCREW | 1 | | (SUB FOR R45048) |
| 2 | T26243 | O-RING | 1 | | |
| 3 | R45051 | INSERT | 1 | | (SUB R46618) |
| 4 | AR46841 | GOVERNOR | NA | | |
| 5 | AR50333 | KIT | 1 | | (SUB AR69413 AND AR69409) (SUB FOR AR46844) |
| 6 | R45052 | WASHER | 1 | | |
| 7 | T11899 | O-RING | 1 | | |
| 8 | AR46842 | SLEEVE | 1 | | |
| 9 | R70513 | SCREW | 1 | | (SUB FOR T19859) |
| 10 | T17950 | RETAINER | 1 | | |
| 11 | T17949 | SPRING | 1 | | |
| 12 | AR46843 | LEVER | 1 | | |
| 13 | T29164 | LEVER | 1 | | |
| 14 | A3917R | O-RING | 2 | | (SUB FOR T26256) |
| 15 | R45054 | GEAR | NA | | |
| 16 | R45058 | NUT | 1 | | |
| 17 | R45049 | VALVE | NA | | |
| 18 | R46619 | WASHER | NA | | (SUB FOR R45053) |
| 19 | R45063 | SPRING | NA | | |
| 20 | T26257 | O-RING | 1 | | |
| 21 | R45055 | ROD | NA | | |
| 22 | R45057 | NUT | 1 | | |
| 23 | R45056 | CAP | NA | | (NLA) |
| 24 | AT24209 | SEAL | 1 | | |
| 25 | R42192 | NUT | NA | | (NLA) |
| 26 | T17948 | SCREW | 1 | | |

1F12

FUEL AND AIR

FUEL INJECTION PUMP SHUT-OFF SOLENOID AND FITTINGS (ROOSA-MASTER NO. CBC633-18AL)

RP614 -UN-01JAN94



RP614

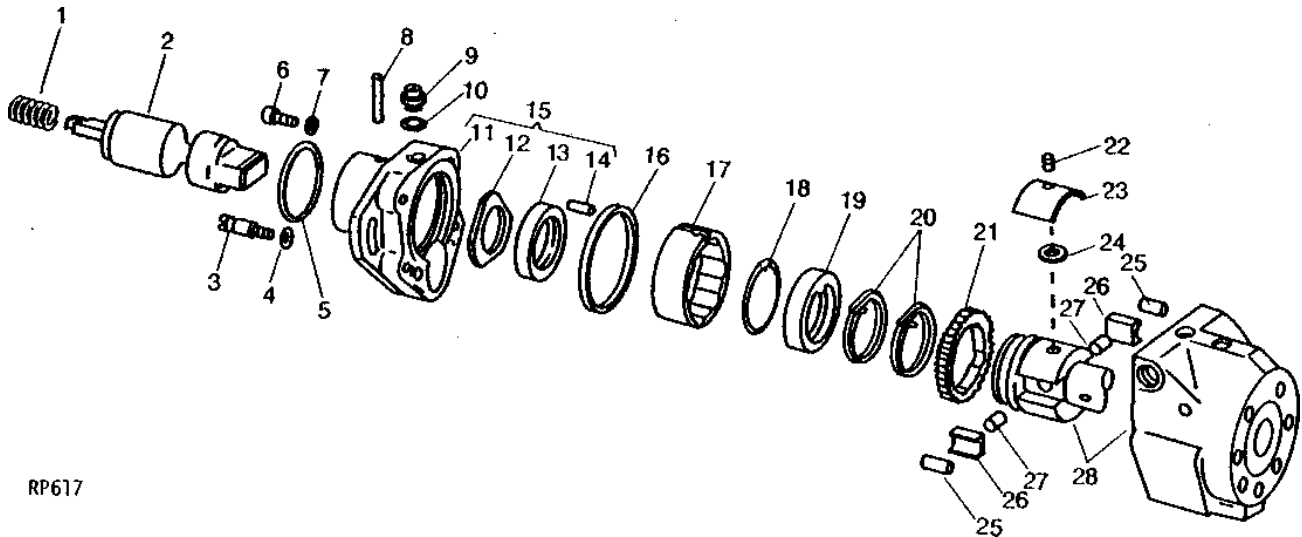
| KEY | PART NO. | PART NAME | QTY | ENGINE SERIAL NO. | REMARKS |
|-----|----------|-----------|-----|-------------------|---|
| 1 | AT28951 | KIT | NA | | SOLENOID REPLACEMENT |
| 2 | AT28952 | KIT | NA | | SOLENOID REPAIR (NLA) |
| 3 | T26211 | SLEEVE | 1 | | |
| 4 | T26212 | O-RING | 2 | | |
| 5 | T26213 | PISTON | 1 | | |
| 6 | T29115 | SPRING | 1 | | |
| 7 | AR50333 | KIT | 1 | | (SUB FOR AR46844) (SUB AR69413 AND AR69409) |
| 8 | T20055 | WASHER | 12 | | (SOFT STEEL) |
| 9 | R41680 | SCREW | 6 | | |
| 10 | T11292 | WASHER | 4 | | (SOFT STEEL) |
| 11 | R45592 | FITTING | 1 | | RETURN |
| 12 | T26215 | O-RING | NA | | |
| 13 | T26216 | SCREW | 1 | | |
| 14 | T26217 | FITTING | 2 | | |
| 15 | R45038 | FITTING | NA | | (NLA) |

1F13

FUEL AND AIR

FUEL INJECTION PUMP HEAD, DRIVE SHAFT AND DRIVE HOUSING (ROOSA-MASTER NOS. CBC633-24AL AND CBC633-28AL)

RP617 -UN-01JAN94



RP617

| KEY | PART NO. | PART NAME | QTY | ENGINE SERIAL NO. | REMARKS |
|-----|----------|---------------|-----|-------------------|---|
| 1 | R44686 | SPRING | 1 | | |
| 2 | R45062 | SHAFT | 1 | | |
| 3 | T26229 | PLUG | 1 | | |
| 4 | T26230 | O-RING | 1 | | |
| 5 | T28582 | O-RING | 1 | | |
| 6 | T26227 | SCREW | 4 | | |
| 7 | T26226 | WASHER | 4 | | |
| 8 | R45043 | SPRING PIN | 1 | | |
| 9 | T26263 | PLUG | 1 | | |
| 10 | T26209 | RING | 1 | | |
| 11 | R46840 | HOUSING | 1 | | |
| 12 | R45041 | GUIDE | 1 | | |
| 13 | R46841 | SEAL | 2 | | |
| 14 | R46842 | SPRING PIN | 1 | | |
| 15 | AR49113 | HOUSING | 1 | | |
| 16 | R46843 | WASHER | 1 | | |
| 17 | R45543 | RING | 1 | | (SUB FOR AR48803) (SUB AR69414 AND AR69409) |
| | R45543 | RING | 1 | | (SUB FOR AR48684) (SUB AR69413 AND AR69409) |
| 18 | R46830 | SNAP RING | 1 | | |
| 19 | R46838 | RING | 1 | | |
| 20 | R46831 | RING | 2 | | |
| 21 | R46832 | GEAR | 1 | | |
| 22 | T11887 | SCREW | NA | | |
| 23 | T11888 | LEAF SPRING | NA | | |
| 24 | T31124 | SHIM | AR | 0.13MM (.005") | |
| | T31125 | SHIM | AR | 0.15MM (.006") | |
| | T31126 | SHIM | AR | 0.18MM (.007") | |
| | T31127 | SHIM | AR | 0.20MM (.008") | |
| | T31128 | SHIM | AR | 0.23MM (.009") | |
| 25 | T11886 | NEEDLE ROLLER | NA | | |

1F14

FUEL AND AIR

FUEL INJECTION PUMP HEAD, DRIVE SHAFT AND DRIVE HOUSING - CONTINUED
(ROOSA-MASTER NOS. CBC633-24AL AND CBC633-28AL)

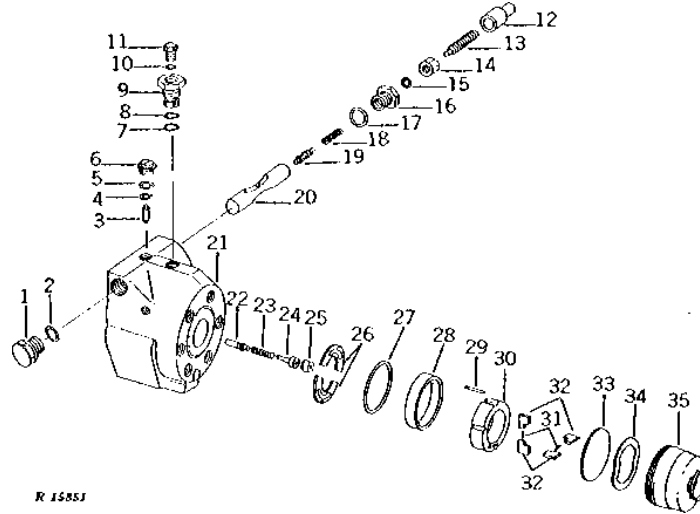
| KEY | PART NO. | PART NAME | QTY | ENGINE SERIAL NO. | REMARKS |
|-----|----------|-----------|-----|----------------------|--|
| 26 | R56483 | SHOE | NA | | (SUB FOR T11885) |
| 27 | R36547 | PLUNGER | NA | | (ROTOR A) |
| | R36548 | PLUNGER | NA | | (ROTOR B) |
| | R36549 | PLUNGER | NA | | (ROTOR C) |
| | R36550 | PLUNGER | 2 | | (ROTOR D) |
| 28 | AR49112 | ROTOR | 1 | | (SUB AR69413 AND AR69409 - (SYNCRO-RANGE) (SUB AR69414 AND AR69409 - POWER SHIFT) |

1F15

FUEL AND AIR

FUEL INJECTION PUMP ADVANCE PISTON, DELIVERY VALVE, AND TRANSFER PUMP (ROOSA-MASTER NOS. CBC633-24AL AND CBC633-28AL)

R15851 -UN-01JAN94



R 15851

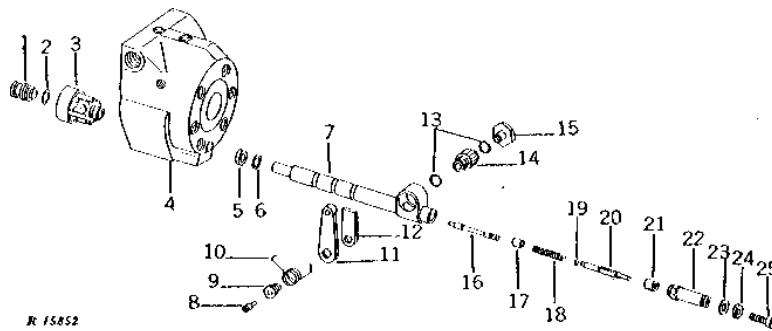
| KEY | PART NO. | PART NAME | QTY | ENGINE SERIAL NO. | REMARKS |
|-----|----------|------------|-----|-------------------|--|
| 1 | | DRAIN PLUG | NA | | |
| 2 | R33259 | O-RING | 1 | | (SUB FOR T11934) |
| 3 | | PIN | NA | | |
| 4 | | SNAP RING | NA | | |
| 5 | T26209 | RING | 1 | | |
| 6 | | PLUG | NA | | |
| 7 | T26209 | RING | 1 | | |
| 8 | R33259 | O-RING | 1 | | (SUB FOR T11934) |
| 9 | | PLUG | NA | | |
| 10 | A3917R | O-RING | 1 | | |
| 11 | | DRAIN PLUG | NA | | |
| 12 | | CAP | NA | | |
| 13 | | SET SCREW | NA | | |
| 14 | | NUT | NA | | |
| 15 | T44604 | O-RING | 1 | | (SUB FOR T11915 AND R76578) |
| 16 | | ADAPTER | NA | | |
| 17 | R33259 | O-RING | 1 | | (SUB FOR T11934) |
| 18 | | SPRING | NA | | (BLUE) |
| 19 | | PISTON | NA | | ADVANCE SERVO |
| 20 | | PISTON | NA | | ADVANCE |
| 21 | AR49112 | ROTOR | 1 | | (SUB AR69413 AND AR69409 - SYNCRO-RANGE) (SUB AR69414 AND AR69409 - POWER-SHIFT) |
| 22 | | VALVE | NA | | DELIVERY |
| 23 | | SPRING | NA | | |
| 24 | | STOP | NA | | |
| 25 | | SCREW | NA | | |
| 26 | | RETAINER | NA | | |
| 27 | | O-RING | NA | | |
| 28 | R45044 | WASHER | 1 | | |
| 29 | | DOWEL PIN | NA | | |
| 30 | | SLEEVE | NA | | |
| 31 | | SPRING | NA | | |
| 32 | | KIT | NA | | (SUB FOR R45045) (PKG. OF 4) |
| 33 | | KIT | NA | | OS, (SUB FOR R45045) (PKG. OF 4) |
| 34 | | PLATE | NA | | |
| 35 | | WASHER | NA | | |
| 35 | | CAP | NA | | |

1F16

FUEL AND AIR

FUEL INJECTION PUMP GOVERNOR AND THROTTLE CONTROL (ROOSA-MASTER NOS. CBC633-24AL AND CBC633-28AL)

R15852 -UN-01JAN94



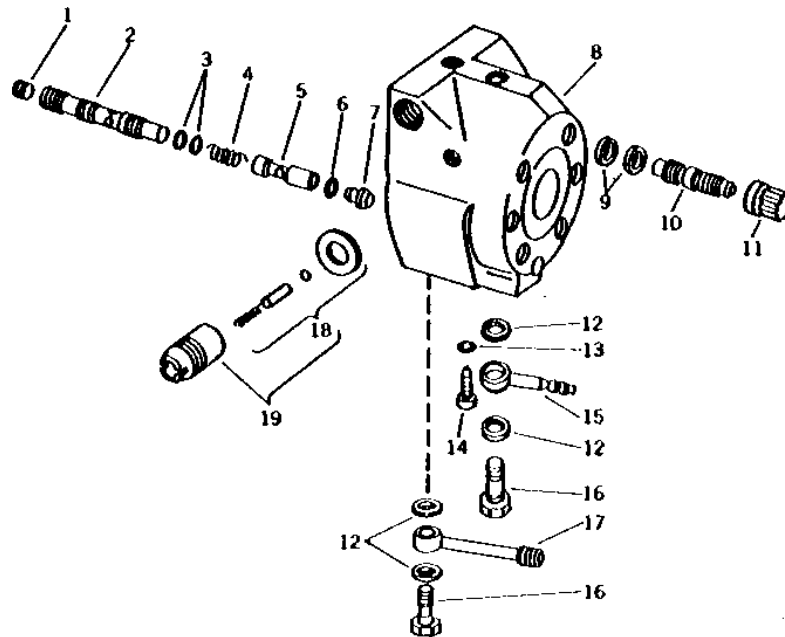
| KEY | PART NO. | PART NAME | QTY | ENGINE SERIAL NO. | REMARKS |
|-----|----------|-----------|-----|-------------------|--|
| 1 | | SCREW | NA | | |
| 2 | | O-RING | NA | | |
| 3 | | GOVERNOR | NA | | (SUB FOR AR49114) |
| 4 | AR49112 | ROTOR | 1 | | (SUB AR69413 AND AR69409 - SYNCRO-RANGE) (SUB AR69414 AND AR69409 - POWER-SHIFT) |
| 5 | | WASHER | NA | | |
| 6 | T11899 | O-RING | 1 | | |
| 7 | | SLEEVE | NA | | |
| 8 | R70513 | SCREW | 1 | | (SUB FOR T19859) |
| 9 | T17950 | RETAINER | 1 | | |
| 10 | T17949 | SPRING | 1 | | |
| 11 | AR46843 | LEVER | 1 | | |
| 12 | T29164 | LEVER | 1 | | |
| 13 | A3917R | O-RING | 2 | | (SUB FOR T26256) |
| 14 | | GEAR | NA | | |
| 15 | | NUT | NA | | |
| 16 | | VALVE | NA | | |
| 17 | | WASHER | NA | | |
| 18 | | SPRING | NA | | |
| 19 | | O-RING | NA | | |
| 20 | | ROD | NA | | |
| 21 | | NUT | NA | | |
| 22 | | CAP | NA | | |
| 23 | AT24209 | SEAL | 1 | | |
| 24 | | NUT | NA | | |
| 25 | T17948 | SCREW | 1 | | |

1F17

FUEL AND AIR

FUEL INJECTION PUMP SHUT-OFF SOLENOID AND FITTINGS (ROOSA-MASTER NOS. CBC633-24AL AND CBC633-28AL)

R15853 -UN-01JAN94



R15853

| KEY | PART NO. | PART NAME | QTY | ENGINE SERIAL NO. | REMARKS |
|-----|----------|-----------|-----|-------------------|--|
| 1 | | PLUG | NA | | |
| 2 | | SLEEVE | NA | | |
| 3 | | O-RING | NA | | |
| 4 | | SPRING | NA | | |
| 5 | | PISTON | NA | | |
| 6 | | O-RING | NA | | |
| 7 | | PLUG | NA | | |
| 8 | AR49112 | ROTOR | 1 | | (SUB AR69413 AND AR69409 - SYNCRO-RANGE) (SUB AR69414 AND AR69409 - POWER-SHIFT) |
| 9 | T20055 | WASHER | 12 | | (SOFT STEEL) |
| 10 | R46844 | SCREW | 6 | | |
| 11 | R46669 | NUT | 6 | | |
| 12 | T11292 | WASHER | 4 | | (SOFT STEEL) |
| 13 | | O-RING | NA | | |
| 14 | | SCREW | NA | | |
| 15 | R45592 | FITTING | 1 | | |
| 16 | | FITTING | NA | | |
| 17 | | FITTING | NA | | |
| 18 | | KIT | NA | | SOLENOID REPAIR |
| 19 | | KIT | NA | | SOLENOID REPLACEMENT |

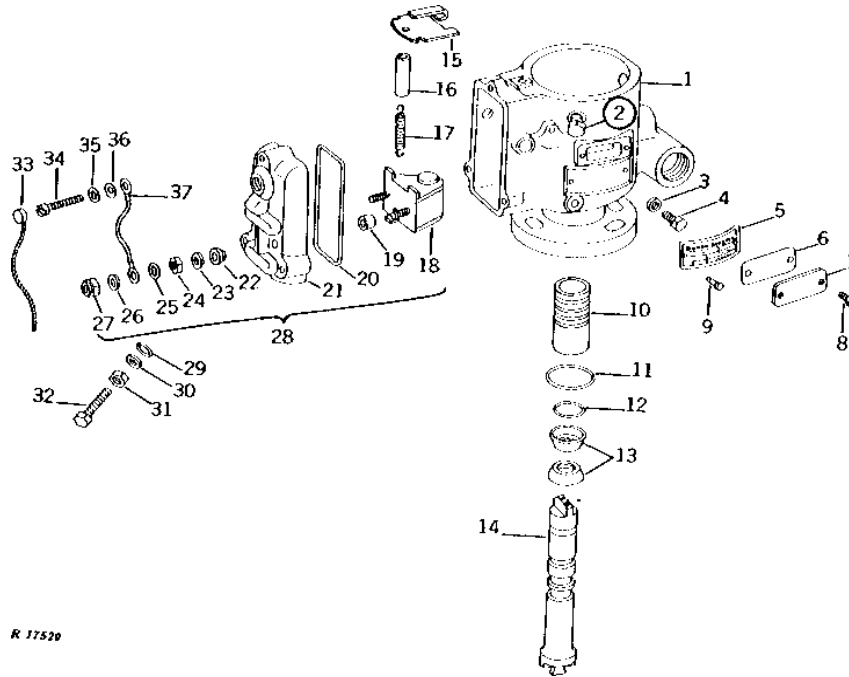
MEMORANDA

1F18

FUEL AND AIR

R17520 -UN-01JAN94

INJECTION PUMP HOUSING, DRIVE SHAFT AND ELECTRICAL SHUT-OFF



| KEY | PART NO. | PART NAME | QTY | ENGINE SERIAL NO. | REMARKS |
|-----|----------|----------------------|-----|-------------------|---|
| 1 | AR51708 | HOUSING | 1 | | (ROOSA-MASTER NOS. JDB633AL2402, JDB633AL2404, JDB633AL2721 AND JDB633AL2719) |
| 2 | R30714 | BOLT | NA | | |
| 3 | T11878 | WASHER | 2 | | |
| 4 | T11930 | SCREW | 2 | | |
| 5 | T11875 | IDENTIFICATION PLATE | 1 | | |
| 6 | T11883 | GASKET | 2 | | |
| 7 | T11882 | COVER | 2 | | |
| 8 | T11884 | SCREW | 4 | | |
| 9 | T11876 | SCREW | 2 | | |
| 10 | R48571 | TUBE | 1 | | |
| 11 | T19854 | O-RING | 1 | | |
| 12 | P48347 | O-RING | 1 | | (SUB FOR T12860) (SUB FOR R34404, THIS APPLICATION) |
| 13 | T11290 | SEAL | 2 | | |
| 14 | R32408 | DRIVE SHAFT | NA | | |
| 15 | AR90340 | KIT | 1 | | (SUB FOR AT11524 OR AR87068) (SUB RE37089 AND RE37091) |
| 16 | R48795 | SLEEVE | 1 | | |
| 17 | T11935 | SPRING | NA | | |
| 18 | AR48219 | SOLENOID | 1 | | (SUB RE37089 AND RE37091) |
| 19 | T11937 | INSULATOR | 2 | | |
| 20 | T11918 | GASKET | 1 | | |
| 21 | R37139 | COVER | NA | | |
| 22 | T11936 | WASHER | 2 | | (SUB RE37091) |
| 23 | R47049 | WASHER | 2 | | (SUB RE37091) |
| 24 | T11938 | NUT | 2 | | (SUB RE37091) |
| 25 | R47077 | LOCK WASHER | 1 | | |
| 26 | R47049 | WASHER | 1 | | (SUB RE37091) |
| 27 | M63431 | LOCK NUT | 2 | | (SUB FOR T19977) |
| 28 | AR84252 | COVER | 1 | | (12-VOLT) (SUB RE37089 AND RE37091) |
| 29 | R34812 | O-RING | 1 | | (SUB FOR T17951 OR T11906) |
| 30 | T17947 | WASHER | 1 | | |
| 31 | T11921 | NUT | 1 | | |

1F19

FUEL AND AIR

INJECTION PUMP HOUSING, DRIVE SHAFT, AND ELECTRICAL SHUT-OFF - CONTINUED

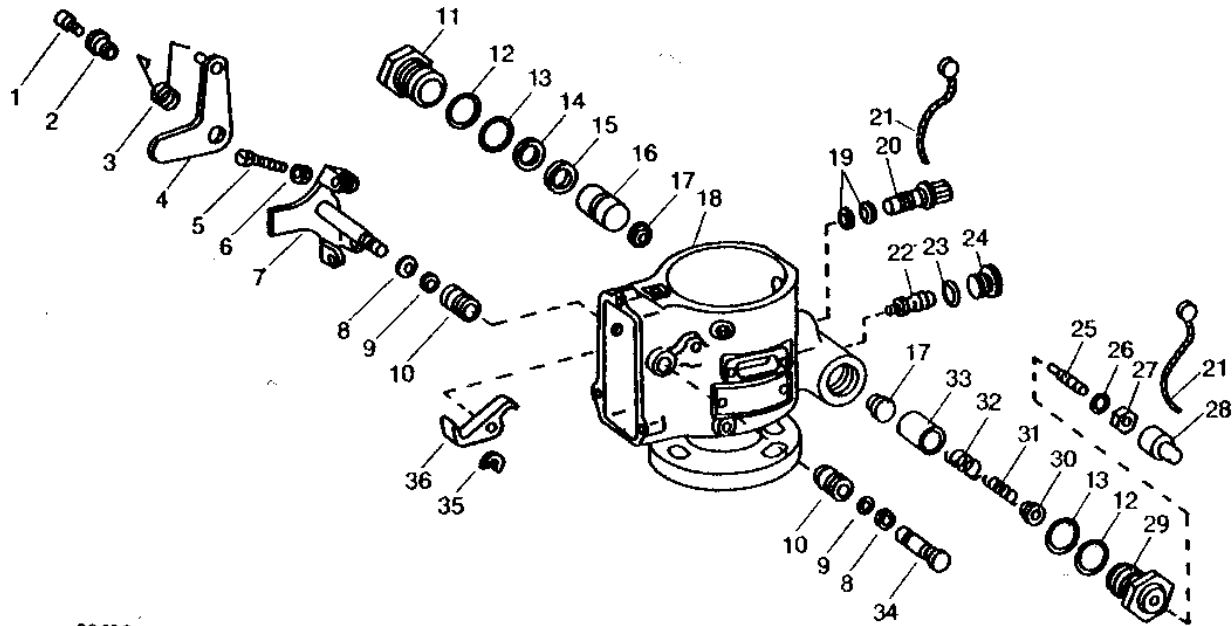
| KEY | PART NO. | PART NAME | QTY | ENGINE SERIAL NO. | REMARKS |
|-----|----------|---------------------|-----|----------------------|---|
| 32 | T17953 | CAP SCREW | 1 | | |
| 33 | T11877 | WIRE | NA | | |
| 34 | T15721 | SCREW | 3 | | |
| 35 | 12M7060 | WASHER | 3 | 0.209" | |
| 36 | T15715 | WASHER | 3 | | |
| 37 | R66593 | STRAP | 1 | | (SUB FOR AR49542) (SUB AR50874) |
| .. | AR69413 | FUEL INJECTION PUMP | 1 | 215000-246722 | COMPLETE, (ROOSA-MASTER JDB633AL2721) (SYNCRO-RANGE) |
| .. | AR69413 | FUEL INJECTION PUMP | 1 | 215000-253763 | COMPLETE, (ROOSA-MASTER JDB633AL2719) (POWER SHIFT) |

1F20

FUEL AND AIR

FUEL INJECTION PUMP AUTOMATIC ADVANCE AND THROTTLE LINKAGE

RP619 -UN-01JAN94



RP619

| KEY | PART NO. | PART NAME | QTY | ENGINE SERIAL NO. | REMARKS |
|-----|----------|-----------|-----|-------------------|--|
| 1 | T17948 | SCREW | 1 | | |
| 2 | T17950 | RETAINER | 1 | | |
| 3 | T17949 | SPRING | 1 | | |
| 4 | AR51711 | LEVER | 1 | | |
| 5 | T11920 | SCREW | NA | | |
| 6 | T19862 | NUT | NA | | |
| 7 | AT16123 | SHAFT | NA | | |
| 8 | T15720 | WASHER | NA | | |
| 9 | T44604 | O-RING | 2 | | (SUB FOR T11915 AND R76578) |
| 10 | R48493 | BUSHING | NA | | |
| 11 | R74310 | PLUG | NA | | (SUB FOR R49212) |
| 12 | R56396 | O-RING | 2 | | |
| 13 | T15710 | O-RING | 2 | | |
| 14 | R49211 | WASHER | NA | | (SUB FOR R36651) |
| 15 | R34635 | WASHER | 1 | | |
| 16 | R34824 | PISTON | NA | | |
| 17 | T15705 | WASHER | 2 | | |
| 18 | AR51708 | HOUSING | 1 | | (ROOSA-MASTER NOS. JDB633AL2402, JDB633AL2404, JDB633AL2721 AND JDB8633AL2719) |
| 19 | T11899 | O-RING | 2 | | |
| 20 | AR51712 | SCREW | 1 | | |
| 21 | T11877 | WIRE | NA | | |
| 22 | R36646 | SCREW | 1 | | |
| 23 | T15712 | O-RING | 1 | | |
| 24 | R40707 | PLUG | 1 | | (SUB FOR T15711) (NO LONGER AVAILABLE) |
| 25 | T17123 | SET SCREW | 1 | | |
| 26 | T44604 | O-RING | 1 | | (SUB FOR T11915) |
| 27 | T17122 | NUT | 1 | | |
| 28 | T17117 | CAP | NA | | |
| 29 | T17126 | PLUG | 1 | | |
| 30 | T17125 | GUIDE | NA | | |
| | T24415 | SPRING | NA | | (RED) |

1F21

FUEL AND AIR

FUEL INJECTION PUMP AUTOMATIC ADVANCE AND THROTTLE LINKAGE - CONTINUED

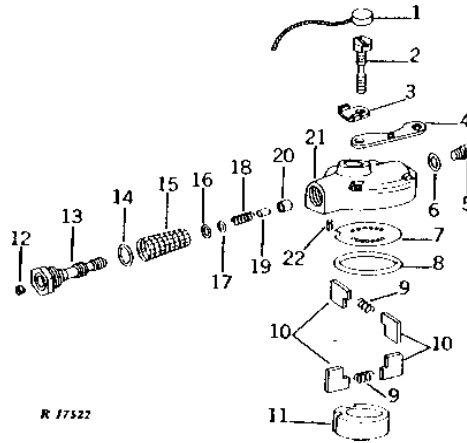
| KEY | PART NO. | PART NAME | QTY | ENGINE SERIAL NO. | REMARKS |
|-----|----------|---------------------|-----|----------------------|---|
| 31 | R36647 | SPRING | NA | | (GREEN AND BLACK) (USE WITH AR50145 OR AR50147) |
| 32 | R36648 | SPRING | NA | | (YELLOW) (USE WITH AR50145 OR AR50147) |
| | R60009 | COMPRESSION SPRING | NA | | (BLUE) (USE WITH AR69413) |
| 33 | R74325 | PISTON | 1 | | (SUB FOR T17120) |
| 34 | T17946 | SHAFT | NA | | |
| 35 | T11929 | CLIP | NA | | |
| 36 | T11927 | LEVER | NA | | |
| .. | AR69413 | FUEL INJECTION PUMP | 1 | 215000-246722 | COMPLETE, (ROOSA-MASTER NO. JDB633AL2721) (SYNCRO-RANGE) |
| .. | AR69413 | FUEL INJECTION PUMP | 1 | 215000-253763 | COMPLETE, (ROOSA-MASTER NO. JDB633AL2719) (POWER SHIFT) |

1F22

FUEL AND AIR

R17522 -UN-01JAN94

FUEL INJECTION PUMP TRANSFER PUMP AND END PLATE



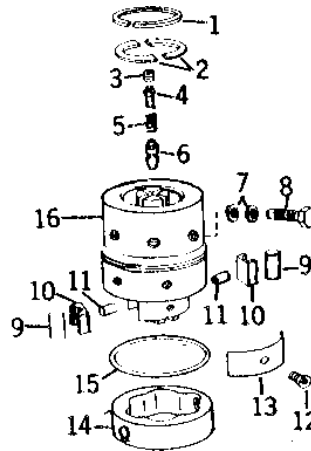
| KEY | PART NO. | PART NAME | QTY | ENGINE SERIAL NO. | REMARKS |
|-----|----------|---------------------|-----|-------------------|---|
| 1 | T11877 | WIRE | NA | | |
| 2 | R48498 | BOLT | NA | | |
| 3 | R48496 | CLIP | 4 | | |
| 4 | R48497 | STRAP | 2 | | |
| 5 | T30607 | DRAIN PLUG | 1 | | |
| 6 | A3917R | O-RING | 1 | | (SUB FOR T26256) |
| 7 | R34631 | PLATE | NA | | |
| 8 | T11894 | O-RING | 1 | | |
| 9 | R34630 | SPRING | NA | | |
| 10 | AR73828 | KIT | NA | | (SUB FOR R45045) (PKG. OF 4) |
| | AR73829 | KIT | 1 | | OS, (SUB FOR R45045) (PKG 4) |
| 11 | T26238 | SLEEVE | NA | | |
| 12 | R34623 | PLUG | NA | | |
| 13 | RE21439 | SLEEVE | 1 | | (SUB FOR R34622) |
| 14 | R33259 | O-RING | 1 | | (SUB FOR T11934) |
| 15 | R34625 | STRAINER | NA | | |
| 16 | R34632 | WASHER | 1 | | |
| 17 | T11899 | O-RING | 1 | | |
| 18 | R49209 | SPRING | NA | | (SUB FOR R34627) |
| 19 | T11900 | DOWEL PIN | NA | | |
| 20 | R82439 | BUSHING | 1 | | (SUB FOR T25142) |
| 21 | R34624 | PLATE | 1 | | (ROOSA-MASTER NOS. JDB633AL2402, JDB633AL2404, JDB633AL2721 AND JDB633AL2719) |
| 22 | 34H240 | SPRING PIN | 1 | | 1/8" X 1/4" |
| .. | AR69413 | FUEL INJECTION PUMP | 1 | 215000-246722 | COMPLETE, (ROOSA-MASTER NO. JDB633AL2721) (SYNCRO-RANGE) |
| .. | AR69413 | FUEL INJECTION PUMP | 1 | 215000-253763 | COMPLETE, (ROOSA-MASTER NO. JDB633AL2719) (POWER SHIFT) |

1F23

FUEL AND AIR

R17523 -UN-01JAN94

FUEL INJECTION PUMP HYDRAULIC HEAD AND ROTOR, AND CAM ROLLER



R 17523

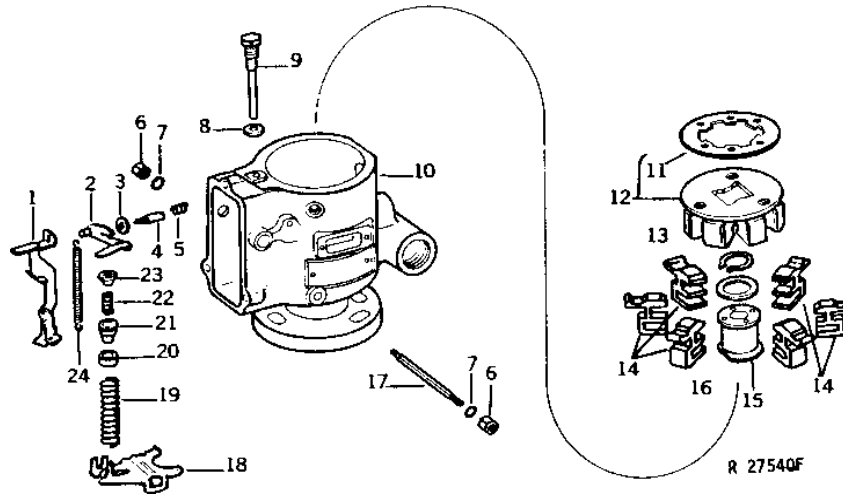
| KEY | PART NO. | PART NAME | QTY | ENGINE SERIAL NO. | REMARKS |
|-----|----------|---------------------------|-----|-------------------|---|
| 1 | T11889 | SNAP RING | NA | | |
| 2 | T11890 | RETAINER | NA | | |
| 3 | R30737 | SCREW | NA | | |
| 4 | T26223 | STOP | NA | | |
| 5 | R30735 | SPRING | NA | | |
| 6 | R36551 | VALVE | NA | | |
| | R36552 | VALVE | NA | (OS) | |
| 7 | T20055 | WASHER | 12 | | |
| 8 | R26726 | FITTING | 6 | | |
| 9 | T11886 | NEEDLE ROLLER | NA | | |
| 10 | R56483 | SHOE | NA | (SUB FOR T11885) | |
| 11 | R36547 | PLUNGER | NA | (ROTOR A) | |
| | R36548 | PLUNGER | NA | (ROTOR B) | |
| | R36549 | PLUNGER | NA | (ROTOR C) | |
| | R36550 | PLUNGER | 2 | (ROTOR D) | |
| 12 | T11887 | SCREW | NA | | |
| 13 | T11888 | LEAF SPRING | NA | | |
| 14 | R48494 | RING | NA | | |
| 15 | T11891 | O-RING | 1 | | |
| 16 | AR51705 | HYDRAULIC HEAD, AND ROTOR | 1 | | (ROOSA-MASTER NOS. JDB633AL2402, JDB633AL2404, JDB633AL2721 AND JDB633AL2719) |
| | R30725 | SCREW | 2 | | |
| | T11926 | SET SCREW | 1 | | |
| | R48495 | WIRE | 1 | | |
| | R30727 | RETAINER | 1 | | |
| .. | AR69413 | FUEL INJECTION PUMP | 1 | 215000-246722 | COMPLETE, (ROOSA-MASTER NO. JDB633AL2721) (SYNCRO-RANGE) |
| .. | AR69413 | FUEL INJECTION PUMP | 1 | 215000-253763 | COMPLETE, (ROOSA-MASTER NO. JDB633AL2719) (POWER SHIFT) |

1F24

FUEL AND AIR

R27540F -UN-01JAN94

FUEL INJECTION PUMP GOVERNOR



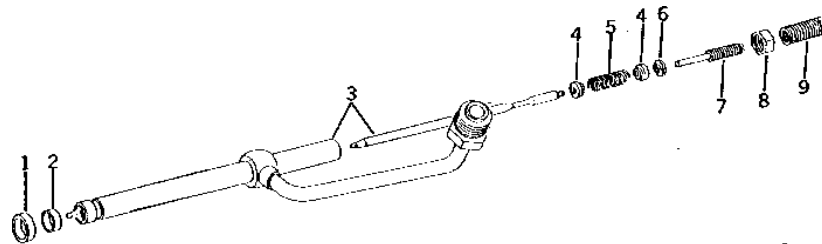
| KEY | PART NO. | PART NAME | QTY | ENGINE SERIAL NO. | REMARKS |
|-----|----------|---------------------|-----|-------------------|---|
| 1 | AT11520 | HOOK | NA | | |
| | T15699 | HOOK | 1 | | |
| | AR28602 | LINK | NA | | |
| | R30718 | SCREW | 1 | | |
| | R30719 | LOCK WASHER | 1 | | |
| 2 | R74312 | ARM | 1 | | (SUB FOR AR30736) |
| 3 | R30732 | SHIM | NA | | |
| 4 | RE17714 | VALVE | NA | | (SUB FOR R48500 AND AR91548) |
| 5 | R58422 | SPRING | NA | | (SUB FOR T11907) |
| 6 | T11932 | NUT | NA | | |
| 7 | R34812 | O-RING | 2 | | (SUB FOR T11906) |
| 8 | T11943 | WASHER | NA | | |
| 9 | T11923 | STUD | 1 | | |
| 10 | AR51708 | HOUSING | 1 | | (ROOSA-MASTER NOS. JDB633AL2402, JDB633AL2404, JDB633AL2721 AND JDB633AL2719) |
| 11 | R42483 | RING | NA | | |
| 12 | AR52509 | RETAINER | NA | | (NO DEGREE MARK) (SUB FOR AR51710) |
| | AR69419 | RETAINER | 1 | | 123.5° |
| 13 | T11931 | RING | NA | | |
| 14 | R48499 | WEIGHT | 6 | | |
| 15 | R74472 | SLEEVE | NA | | (SUB FOR T16601) |
| 16 | T11909 | WASHER | NA | | |
| 17 | T11925 | SHAFT | NA | | |
| 18 | T16602 | ARM | NA | | |
| 19 | R48526 | SPRING | NA | | |
| 20 | T17952 | WASHER | NA | | |
| 21 | T11924 | RETAINER | 1 | | |
| 22 | T11913 | SPRING | NA | | |
| 23 | T11914 | GUIDE | 1 | | |
| 24 | T11911 | SPRING | NA | | |
| .. | AR69413 | FUEL INJECTION PUMP | 1 | 215000-246722 | COMPLETE, (ROOSA-MASTER NO. JDB633AL2721) (SYNCRO-RANGE) |
| .. | AR69413 | FUEL INJECTION PUMP | 1 | 215000-253763 | COMPLETE, (ROOSA-MASTER NO. JDB633AL2719) (POWER SHIFT) |

1F25

FUEL AND AIR

INJECTOR NOZZLE (9.52MM) (ROOSA-MASTER)
(ESN 215000-280000) (TRACTOR SERIAL NO. 201000-)

R14918 -UN-01JAN94



R 14918

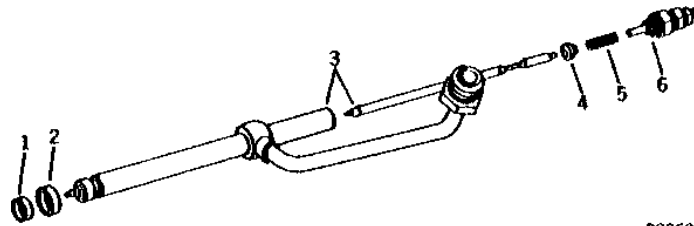
| KEY | PART NO. | PART NAME | QTY | ENGINE SERIAL NO. | REMARKS |
|-----|----------|------------------|-----|-------------------|--|
| 1 | R34764 | WASHER | 1 | | UPPER |
| 2 | R48000 | WASHER | 1 | | (SUB FOR R34767) |
| 3 | AR46846 | INJECTION NOZZLE | 6 | -253742 | (ROOSA-MASTER NO. I-18270) (SUB AR50781) |
| | AR49226 | NOZZLE | 6 | 253743- | (ROOSA-MASTER NO. I-18646) (SUB AR50781) |
| 4 | R39886 | GUIDE | 2 | | |
| 5 | R39885 | SPRING | 1 | | |
| 6 | R39887 | WASHER | 1 | | (NO LONGER AVAILABLE) |
| 7 | R39888 | SCREW | 1 | | (NO LONGER AVAILABLE) |
| 8 | R46675 | NUT | 1 | | (SUB FOR R39890) (NLA) |
| 9 | R39889 | SCREW | 1 | | (NO LONGER AVAILABLE) |

1G1

FUEL AND AIR

INJECTOR NOZZLE (9.52MM) (ROOSA-MASTER)
(ESN 280001-) (TRACTOR SERIAL NO. 201000-)

R20683 -UN-01JAN94



R20683

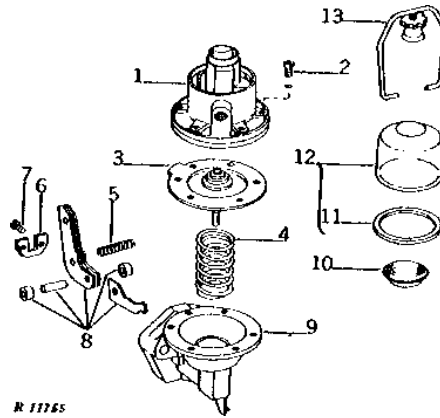
| KEY | PART NO. | PART NAME | QTY | ENGINE SERIAL NO. | REMARKS |
|-----|----------|-----------|-----|-------------------|----------------------------|
| 1 | R48000 | WASHER | 1 | | |
| 2 | R34764 | WASHER | 1 | | |
| 3 | AR50781 | NOZZLE | 1 | | |
| 4 | R39886 | GUIDE | 1 | | |
| 5 | R47731 | SPRING | 1 | | |
| 6 | AR52720 | SCREW | 1 | | |
| | | | | UPPER | (ROOSA-MASTER NO. I-18767) |

1G2

FUEL AND AIR

R11755 -UN-01JAN94

FUEL PUMP PARTS



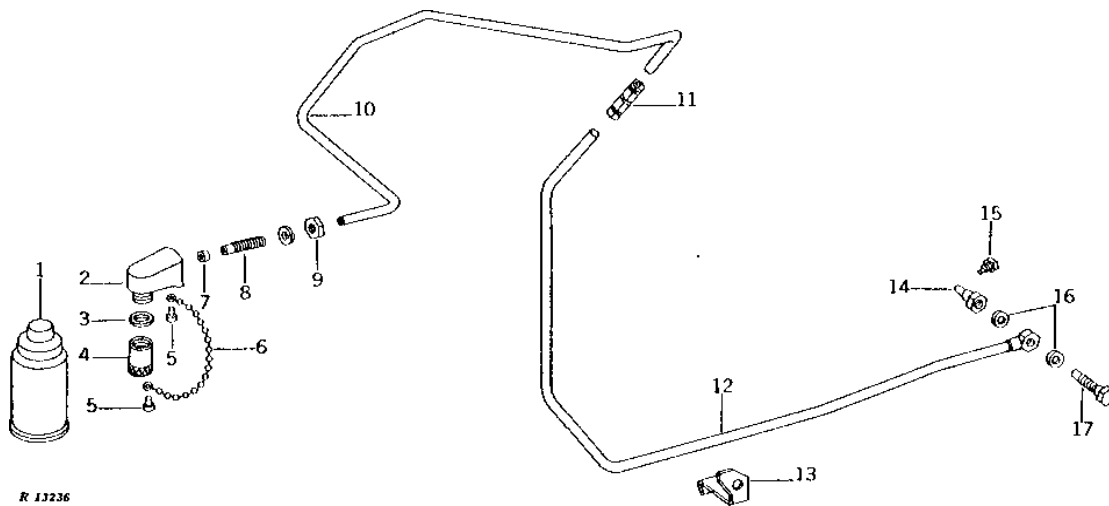
| KEY | PART NO. | PART NAME | QTY | ENGINE SERIAL NO. | REMARKS |
|-----|----------|---------------|-----|-------------------|--|
| 1 | | COVER | 1 | | (SUB RE42211) (ALSO ORDER R97350) |
| 2 | 21H1295 | SCREW | 6 | | 0.190" X 5/8" |
| | 12H246 | LOCK WASHER | 6 | | 0.190" |
| 3 | | DIAPHRAGM | 1 | | (SUB RE38578) |
| 4 | R30410 | SPRING | 1 | | |
| 5 | T10804 | SPRING | 1 | | |
| 6 | | RETAINER | 1 | | (SUB RE42211) |
| 7 | 21H1308 | SCREW | 2 | | 0.138" X 3/8" |
| 8 | RE42211 | FUEL PUMP | 1 | | (SUB FOR AR28330, AR47304, AR52159 OR RE27667) (ALSO ORDER R97350) |
| 9 | | HOUSING | 1 | | (SUB RE42211) (ALSO ORDER R97350) |
| 10 | AT10635 | SCREEN | 1 | | |
| 11 | R40565 | WASHER | 1 | | |
| 12 | AR40407 | SEDIMENT BOWL | 1 | | |
| 13 | AT10638 | BAIL | 1 | | |
| .. | AR40258 | FUEL PUMP | 1 | | COMPLETE (GASOLINE) (SUB RE42211) (ALSO ORDER R97350) |
| .. | AR40259 | FUEL PUMP | 1 | | COMPLETE (DIESEL) (SUB RE42211) (ALSO ORDER R97350) |
| .. | RE38578 | KIT | 1 | | (SUB FOR AR40258, AR40259 AND AR40482) |

1G3

FUEL AND AIR

**COLD WEATHER STARTING AID (DIESEL)
(TRACTOR SERIAL NO. 201000-237795)**

R13236 -UN-01JAN94



R 13236

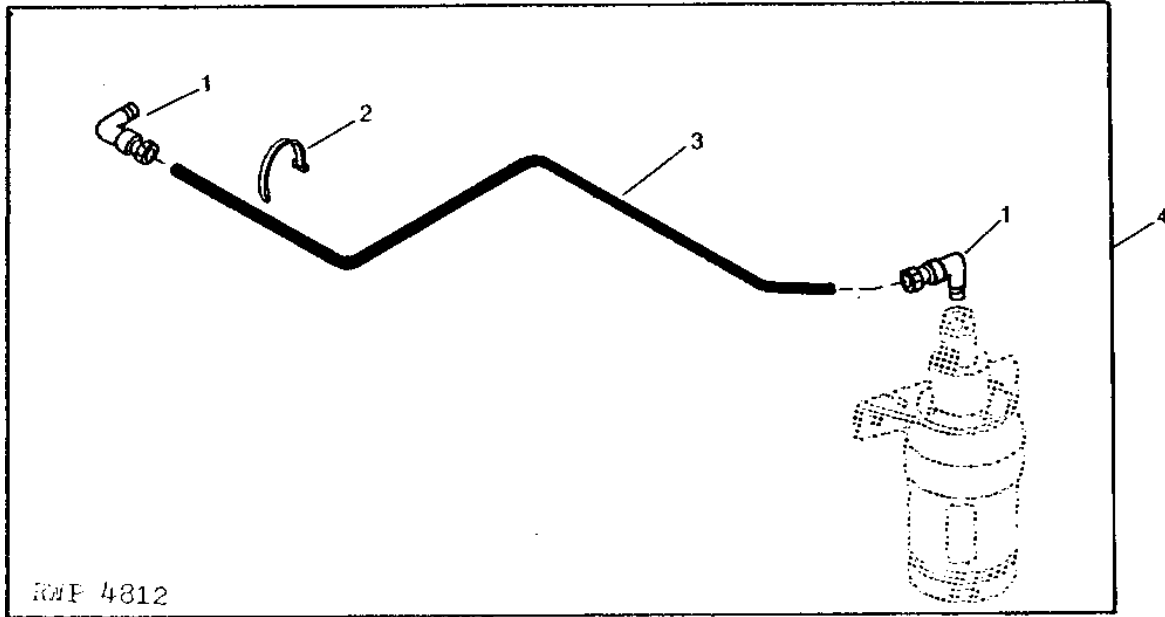
| KEY | PART NO. | PART NAME | QTY | ENGINE SERIAL NO. | REMARKS |
|-----|----------|----------------|-----|-------------------|--|
| 1 | RE33636 | STARTING FLUID | 1 | | (SUB FOR AR27814, RE24561 AND RE30174) |
| 2 | R39534 | ADAPTER | 1 | | |
| 3 | R26149 | PACKING | 1 | | |
| 4 | R32306 | CAP | 1 | | |
| 5 | 37H44 | SCREW | 2 | 0.151" X 3/8" | |
| 6 | AR27940 | LINK CHAIN | 1 | | |
| 7 | R34394 | WASHER | 1 | | |
| 8 | R34395 | ADAPTER | 1 | | |
| 9 | 14H1040 | NUT | 1 | 1/2" | |
| | 12H301 | LOCK WASHER | 1 | 1/2" | |
| 10 | | TUBE | 1 | | (ORDER RE16151) |
| 11 | R34388 | UNION FITTING | 1 | | |
| 12 | | TUBE | 1 | | (ORDER RE16181) |
| 13 | R39571 | CLAMP | 1 | | (NLA) |
| 14 | R28584 | FITTING | 1 | | |
| 15 | R28583 | NOZZLE | 1 | | |
| 16 | T20055 | WASHER | 2 | | (SOFT STEEL) |
| 17 | R26726 | FITTING | 1 | | |

1G4

FUEL AND AIR

RWP4812 -UN-01JAN94

STARTING FLUID TUBE KIT



| KEY | PART NO. | PART NAME | QTY | TRACTOR SERIAL NO. | REMARKS |
|-----|----------|---------------|-----|--------------------|-------------------|
| 1 | RE21790 | ELBOW FITTING | 2 | | (SUB FOR AT25266) |
| 2 | R44302 | TIE BAND | 5 | | |
| 3 | | TUBE | 1 | | (ORDER RE16151) |
| 4 | RE50139 | KIT | 1 | | (SUB FOR RE16151) |

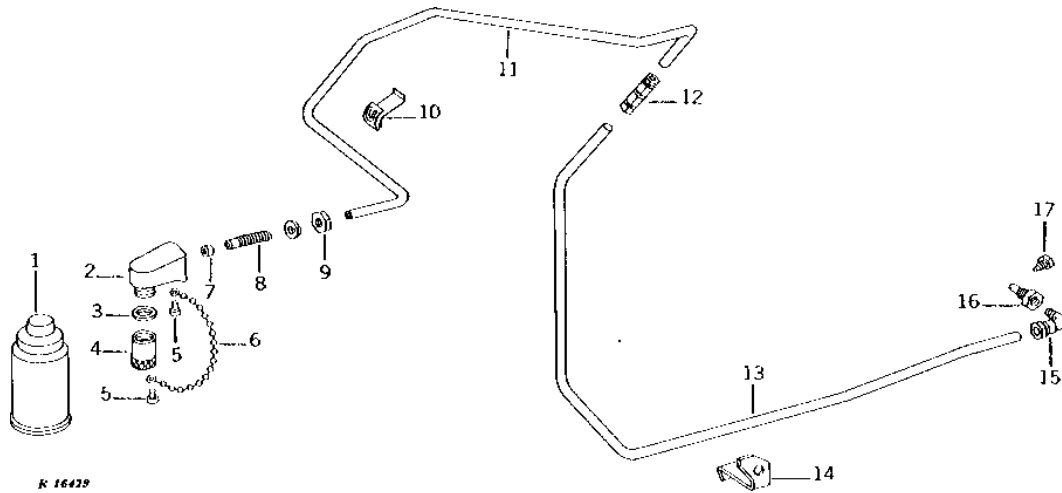
MEMORANDA

1G5

FUEL AND AIR

COLD WEATHER STARTING AID (DIESEL) (TRACTOR SERIAL NO. 237796-)

R16429 -UN-01JAN94



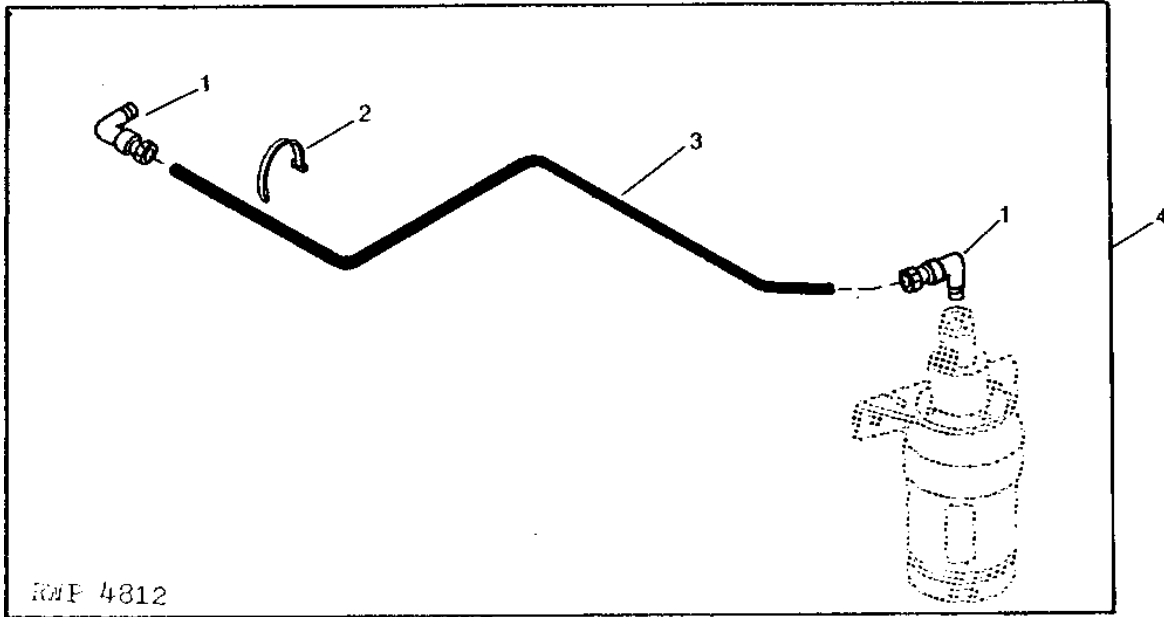
| KEY | PART NO. | PART NAME | QTY | TRACTOR SERIAL NO. | REMARKS |
|-----|----------|----------------|-----|--------------------|--|
| 1 | RE33636 | STARTING FLUID | 1 | | (SUB FOR AR27814, RE24561 AND RE30174) |
| 2 | R39534 | ADAPTER | 1 | | |
| 3 | R26149 | PACKING | 1 | | |
| 4 | R32306 | CAP | 1 | | |
| 5 | 37H44 | SCREW | 2 | 0.151" X 3/8" | |
| 6 | AR27940 | LINK CHAIN | 1 | | |
| 7 | R34394 | WASHER | 1 | | |
| 8 | R34395 | ADAPTER | 1 | | |
| 9 | 14H1040 | NUT | 1 | 1/2" | |
| | 12H301 | LOCK WASHER | 1 | 1/2" | |
| 10 | R47113 | CLIP | 1 | | |
| 11 | | TUBE | 1 | | (ORDER RE16151) |
| 12 | R34388 | UNION FITTING | 1 | | |
| 13 | | TUBE | 1 | | (ORDER RE16151) |
| 14 | B1986R | CLIP | 1 | | |
| 15 | RE21790 | ELBOW FITTING | 1 | | (SUB FOR AT25266) |
| 16 | R47160 | NOZZLE HOLDER | 1 | | |
| 17 | R28583 | NOZZLE | 1 | | |
| .. | AR50497 | STARTING AID | 1 | 250001- | (SUB RE16182) |

1G6

FUEL AND AIR

RWP4812 -UN-01JAN94

STARTING FLUID TUBE KIT



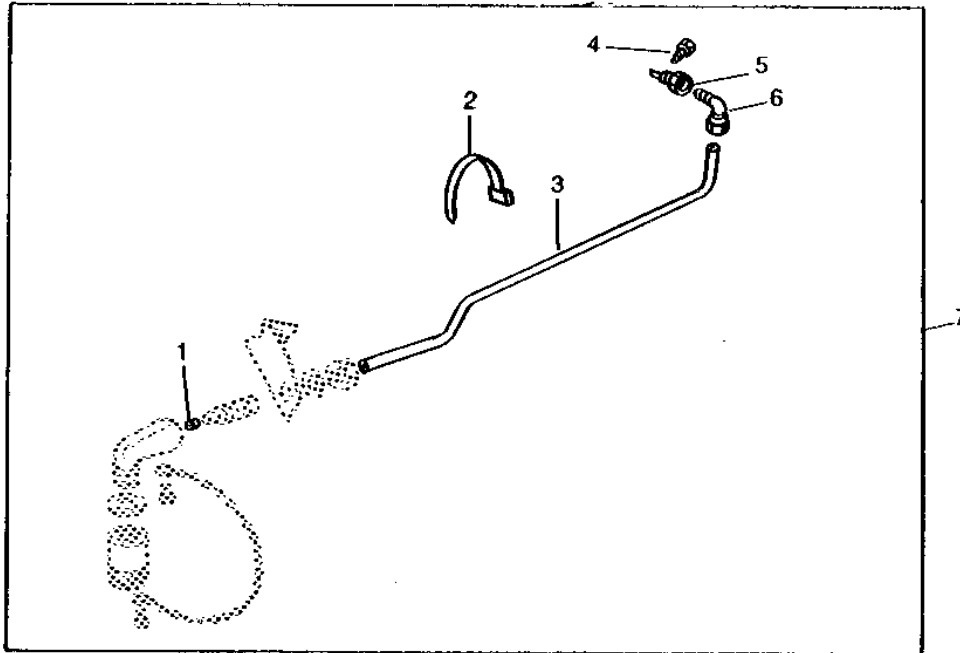
| KEY | PART NO. | PART NAME | QTY | TRACTOR SERIAL NO. | REMARKS |
|-----|----------|---------------|-----|--------------------|-----------------|
| 1 | AT25266 | ELBOW FITTING | 2 | | (SUB RE21790) |
| 2 | R44302 | TIE BAND | 5 | | |
| 3 | | TUBE | 1 | | (ORDER RE16151) |
| 4 | RE16151 | KIT | 1 | | |

1G7

FUEL AND AIR

RWP5037 -UN-01JAN94

STARTING FLUID TUBE KIT



RWP5037

| KEY | PART NO. | PART NAME | QTY | TRACTOR SERIAL NO. | REMARKS |
|-----|----------|---------------|-----|--------------------|-----------------|
| 1 | R34394 | WASHER | 1 | | |
| 2 | R44302 | TIE BAND | 5 | | |
| 3 | | TUBE | 1 | | (ORDER RE16181) |
| 4 | R28583 | NOZZLE | 1 | | |
| 5 | R47160 | NOZZLE HOLDER | 1 | | |
| 6 | AT25266 | ELBOW FITTING | 1 | | (SUB RE21790) |
| 7 | RE16181 | KIT | 1 | | |

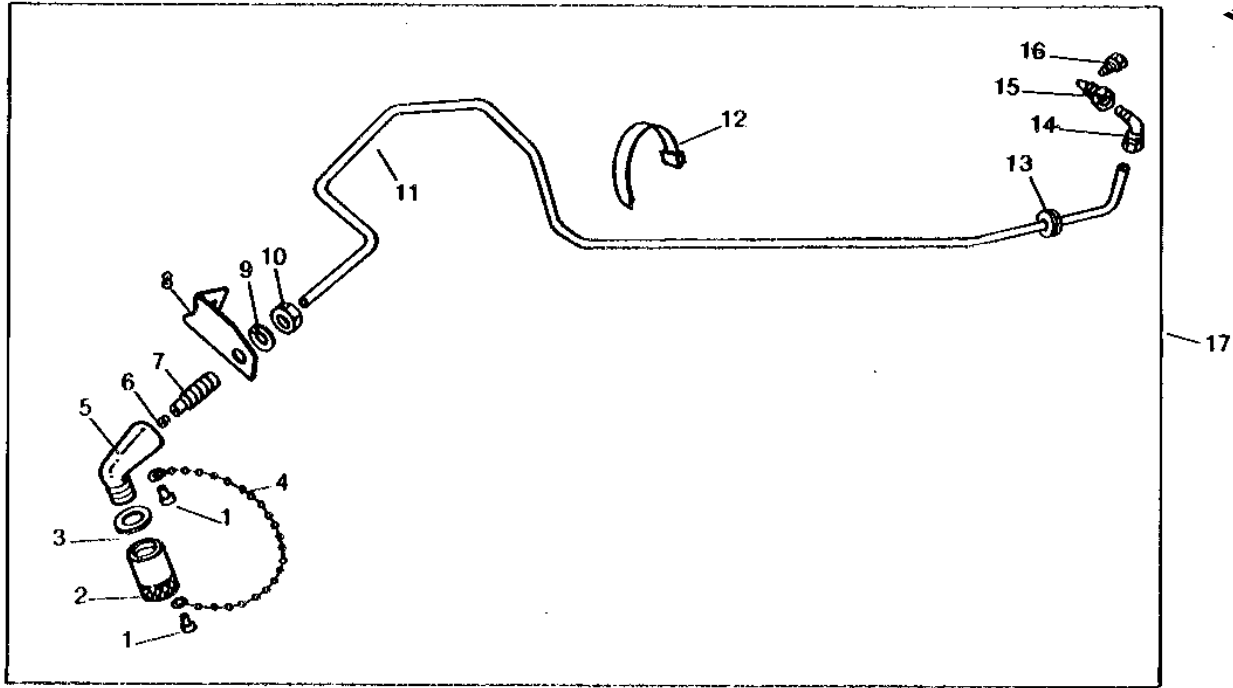
MEMORANDA

1G8

FUEL AND AIR

RWP5158 -UN-01JAN94

ETHER STARTING AID KIT



RWP5158

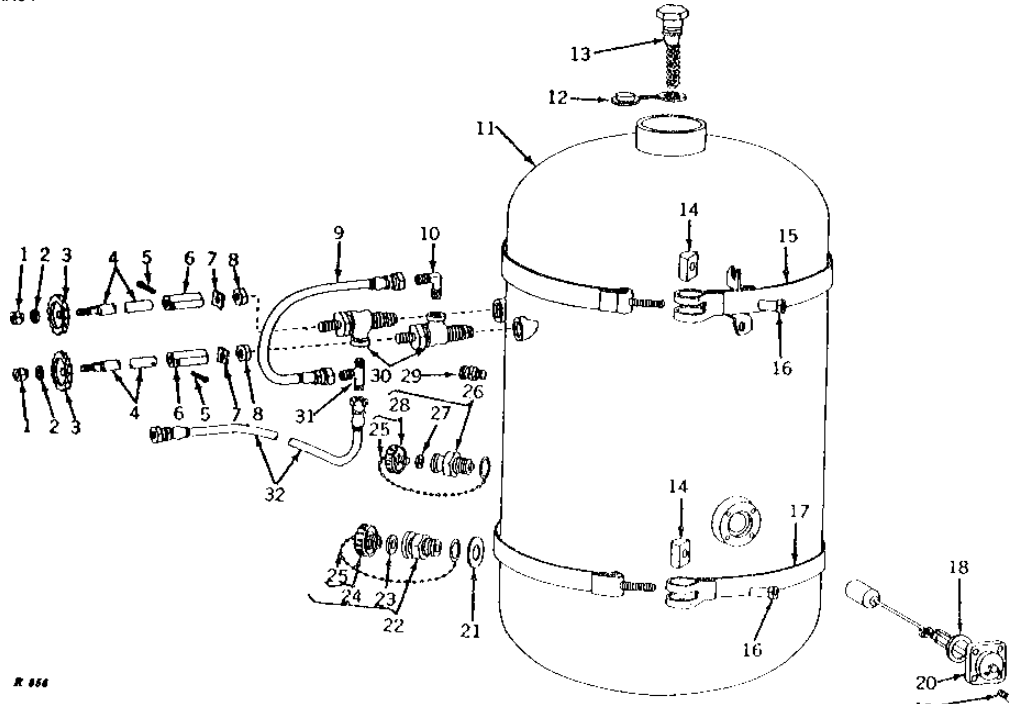
| KEY | PART NO. | PART NAME | QTY | TRACTOR SERIAL NO. | REMARKS |
|-----|----------|---------------|-----|--------------------|-----------------|
| 1 | 37H44 | SCREW | 2 | | 0.151" X 3/8" |
| 2 | R32306 | CAP | 1 | | |
| 3 | R26149 | PACKING | 1 | | |
| 4 | AR27940 | LINK CHAIN | 1 | | |
| 5 | T22534 | ADAPTER | 1 | | |
| 6 | R34394 | WASHER | 1 | | |
| 7 | R34395 | ADAPTER | 1 | | |
| 8 | R54440 | BRACKET | 1 | | |
| 9 | 12H301 | LOCK WASHER | 1 | | 1/2" |
| 10 | 14H1040 | NUT | 1 | | 1/2" |
| 11 | | TUBE | 1 | | (ORDER RE16181) |
| 12 | R44302 | TIE BAND | 4 | | |
| 13 | R27180 | GROMMET | 1 | | |
| 14 | AT25266 | ELBOW FITTING | 1 | | (SUB RE21790) |
| 15 | R47160 | NOZZLE HOLDER | 1 | | |
| 16 | R28583 | NOZZLE | 1 | | |
| 17 | RE16182 | KIT | 1 | | |

1G9

FUEL AND AIR

R856 -UN-01JAN94

FUEL TANK AND VALVES (LP-GAS)



R 856

| KEY | PART NO. | PART NAME | QTY | TRACTOR SERIAL NO. | REMARKS |
|-----|----------|-------------------|-----|--|---------|
| 1 | BP12232 | LOCK NUT | 2 | | |
| 2 | A3030R | WASHER | 2 | | |
| 3 | A4999R | HANDLE | 2 | | |
| 4 | R26532 | ROD | 2 | | |
| 5 | 11M7030 | COTTER PIN | 2 | 0.197" X 1.575" | |
| 6 | R27184 | ADAPTER | 2 | | |
| 7 | R27257 | PLATE | 2 | (NOT REQUIRED) | |
| 8 | 14H971 | NUT | 2 | 1/2" | |
| 9 | AR26436 | HOSE | 1 | | |
| 10 | A4928R | ELBOW FITTING | 1 | 45° | |
| 11 | AR32858 | FUEL TANK | 1 | (A) 170L (45 GAL.) | |
| | AR26468 | FUEL TANK | 1 | (A) 148L (39 GAL.) (NO LONGER AVAILABLE) | |
| 12 | R21560 | CAP | 1 | | |
| 13 | AR21690 | RELIEF VALVE | 1 | | |
| 14 | R26593 | GUIDE | 2 | | |
| 15 | AR40378 | STRAP | 1 | | |
| 16 | R26594 | NUT | 2 | | |
| 17 | AR40379 | STRAP | 1 | | |
| 18 | A5141R | WASHER | 1 | | |
| 19 | 21H1170 | SCREW | 4 | 5/16" X 7/8" | |
| 20 | AR26696 | SENDER | 1 | (ALSO ORDER RE62788) | |
| | AR28621 | SENDER | 1 | | |
| | R30759 | SCREW | 2 | | |
| 21 | A5297R | REINFORCEMENT | 1 | | |
| 22 | AA6001R | VALVE | 1 | | |
| 23 | A4996R | WASHER | 1 | | |
| 24 | AA6059R | CAP | 1 | | |
| | A4997R | SCREW | 1 | | |
| 25 | AA6058R | LINK CHAIN | 2 | (SUB AA6060R) (NO LONGER FURNISHED) | |
| 26 | AA6002R | VALVE | 1 | | |
| 27 | A4998R | WASHER | 1 | | |
| 28 | AA6060R | CAP | 1 | | |
| | A4997R | SCREW | 1 | | |
| 29 | AB4847R | GAUGE | 1 | | |
| | AA6057R | VALVE | 1 | | |
| | A4993R | INSTRUCTION PLATE | 1 | | |
| | A4995R | SNAP RING | 1 | | |
| 30 | AR26967 | VALVE | 2 | | |
| 31 | A4929R | TEE FITTING | 1 | 45° | |
| 32 | AR27749 | HOSE | 1 | | |

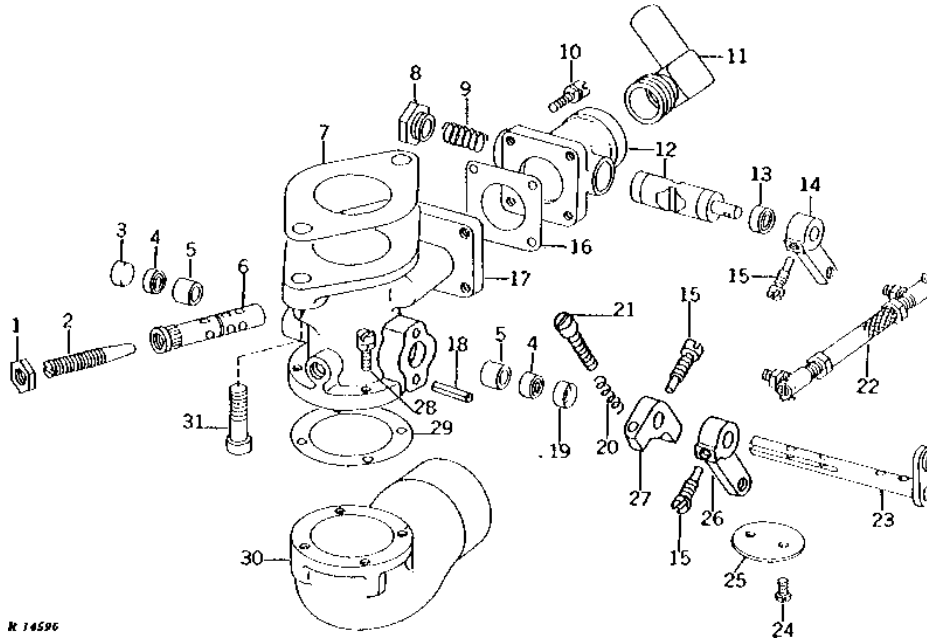
(A) COMPLETE WITH VALVES

1G10

FUEL AND AIR

AR46261 CARBURETOR (LP-GAS)

R14596 -UN-01JAN94



R 14596

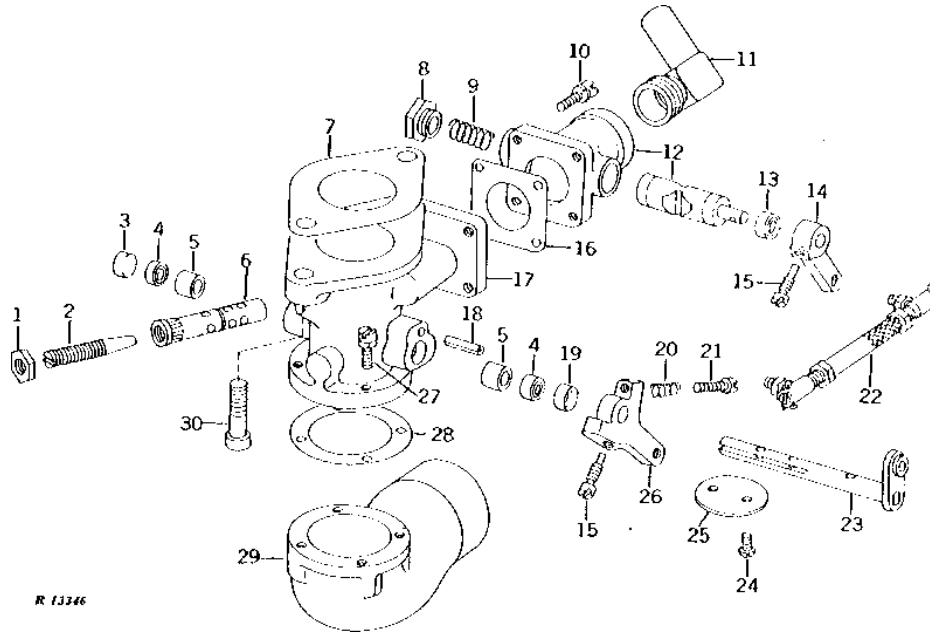
| KEY | PART NO. | PART NAME | QTY | ENGINE SERIAL NO. | REMARKS |
|-----|----------|----------------|-----|--------------------------------------|---------|
| 1 | T26407 | NUT | 1 | | |
| 2 | R45667 | SCREW | 1 | | |
| 3 | R10300 | CAP | 1 | | |
| 4 | R10194 | PACKING | 2 | | |
| 5 | T23531 | NEEDLE BEARING | 2 | (SUB JD8867) | |
| 6 | AR47750 | BAR | 1 | | |
| 7 | R26499 | GASKET | 1 | | |
| 8 | R42713 | FITTING | 1 | | |
| 9 | T16109 | SPRING | 1 | | |
| 10 | AT14321 | SCREW | 4 | (NO LONGER AVAILABLE) | |
| 11 | R42714 | ELBOW FITTING | 1 | | |
| 12 | AR44895 | VALVE | 1 | (INCLUDES R42712, R42713 AND T16109) | |
| 13 | R42712 | SEAL | 1 | | |
| 14 | T16122 | LEVER | 2 | | |
| 15 | T16106 | SET SCREW | 3 | | |
| 16 | R42710 | GASKET | 1 | | |
| 17 | AR46261 | CARBURETOR | 1 | COMPLETE, (SUB AR44053) | |
| 18 | 34H387 | SPRING PIN | 1 | 3/16" X 3/4" | |
| 19 | R10182 | RETAINER | 1 | | |
| 20 | R10104 | SPRING | 1 | | |
| 21 | 21H1315 | SCREW | 1 | 0.164" X 3/4" | |
| 22 | AR47748 | DRAG LINK | 1 | | |
| 23 | AR47749 | SHAFT | 1 | | |
| 24 | T26396 | SCREW | 2 | | |
| 25 | R10083 | DISK | 1 | | |
| 26 | R45666 | LEVER | 1 | (THROTTLE END) | |
| 27 | R45697 | STOP | 1 | | |
| 28 | 15A86 | SCREW | 4 | (NO LONGER AVAILABLE) | |
| 29 | R42711 | GASKET | 1 | | |
| 30 | R42716 | HORN | 1 | | |
| 31 | 19H2929 | SCREW | 2 | 3/8" X 1.120" | |

1G11

FUEL AND AIR

AR44053 CARBURETOR (LP-GAS)

R13346 -UN-01JAN94



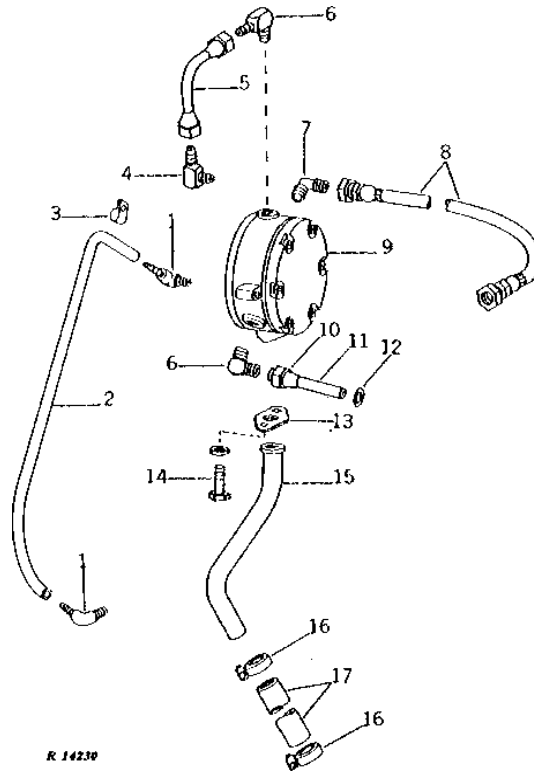
| KEY | PART NO. | PART NAME | QTY | ENGINE SERIAL NO. | REMARKS |
|-----|----------|----------------|-----|--------------------------------------|---------|
| 1 | T26407 | NUT | 1 | | |
| 2 | R42709 | SCREW | 1 | | |
| 3 | R10300 | CAP | 1 | | |
| 4 | R10194 | PACKING | 2 | | |
| 5 | T23531 | NEEDLE BEARING | 2 | (SUB JD8867) | |
| 6 | AR44894 | BAR | 1 | | |
| 7 | R26499 | GASKET | 1 | | |
| 8 | R42713 | FITTING | 1 | | |
| 9 | T16109 | SPRING | 1 | | |
| 10 | AT14321 | SCREW | 4 | (NO LONGER AVAILABLE) | |
| 11 | R42714 | ELBOW FITTING | 1 | | |
| 12 | AR44895 | VALVE | 1 | (INCLUDES R42712, R42713 AND T16109) | |
| 13 | R42712 | SEAL | 1 | | |
| 14 | T16122 | LEVER | 1 | | |
| 15 | T16106 | SET SCREW | 2 | | |
| 16 | R42710 | GASKET | 1 | | |
| 17 | AR44053 | CARBURETOR | 1 | | |
| 18 | 34H387 | SPRING PIN | 1 | 3/16" X 3/4" | |
| 19 | R10182 | RETAINER | 1 | | |
| 20 | R10104 | SPRING | 1 | | |
| 21 | 21H1315 | SCREW | 1 | 0.164" X 3/4" | |
| 22 | AR72010 | DRAG LINK | 1 | (SUB FOR AR44921) | |
| 23 | AR44893 | SHAFT | 1 | | |
| 24 | T26396 | SCREW | 2 | | |
| 25 | R10083 | DISK | 1 | | |
| 26 | R42715 | LEVER | 1 | | |
| 27 | 15A86 | SCREW | 4 | (NO LONGER AVAILBLE) | |
| 28 | R42711 | GASKET | 1 | | |
| 29 | R42716 | HORN | 1 | | |
| 30 | 19H2929 | SCREW | 2 | 3/8" X 1.120" | |

1G12

FUEL AND AIR

FUEL CONVERTOR, FLEXIBLE FUEL LINE, AND PIPES (LP-GAS)

R14230 -UN-01JAN94



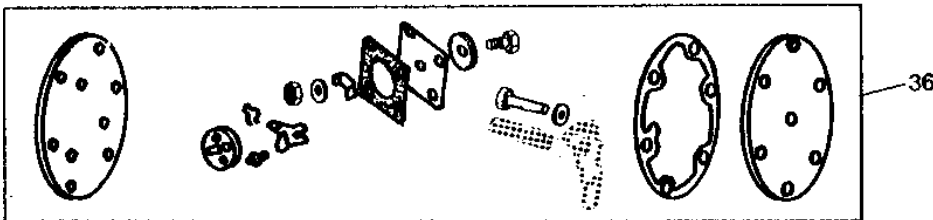
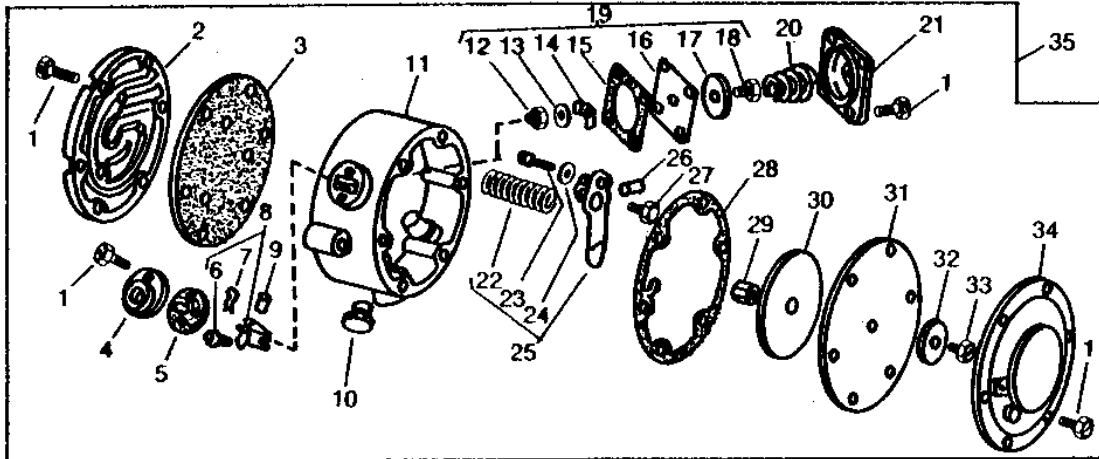
| KEY | PART NO. | PART NAME | QTY | ENGINE SERIAL NO. | REMARKS |
|-----|----------|---------------|-----|---|-----------------------|
| 1 | T19086 | HOSE FITTING | 2 | 90° | |
| 2 | R42679 | HOSE | 1 | | |
| 3 | M2267T | CLIP | 1 | | (NO LONGER AVAILABLE) |
| 4 | M42830 | ELBOW FITTING | 1 | 90°, (SUB FOR AR26635) | |
| 5 | AR40904 | LINE | 1 | | |
| 6 | AR26708 | FITTING | 2 | 90° | |
| 7 | A4928R | ELBOW FITTING | 1 | 45° | |
| 8 | AA6028R | HOSE | 1 | | |
| 9 | AR26508 | CONVERTER | 1 | | |
| 10 | R27058 | FITTING PLUG | 1 | | |
| 11 | R27354 | FUEL LINE | 1 | | |
| 12 | F3353R | O-RING | 1 | | |
| 13 | R26738 | GASKET | 1 | | |
| 14 | 19H1849 | CAP SCREW | 2 | 5/16" X 1-1/4" | |
| | 12H303 | LOCK WASHER | 2 | 5/16" | |
| 15 | R42168 | TUBE | 1 | | |
| 16 | AR21839 | CLAMP | 2 | | |
| 17 | | HOSE | 1 | 19 X 86MM (3/4" X 3-11/32") (MAKE FROM R57300) (SUB FOR R42304 OR R34147) | |

1G13

FUEL AND AIR

RWP2544 -UN-01JAN94

FUEL CONVERTER (LP-GAS)



RWP2544

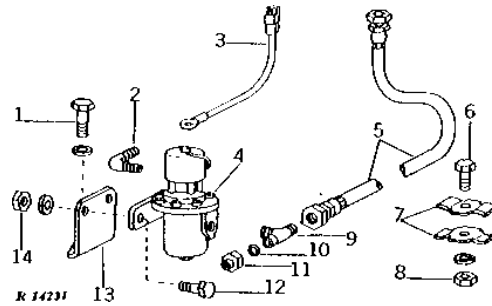
| KEY | PART NO. | PART NAME | QTY | ENGINE SERIAL NO. | REMARKS |
|-----|----------|-------------------|-----|-----------------------|---------|
| 1 | 21H981 | SCREW | 21 | 0.190" X 1/2" | |
| 2 | T10256 | COVER | 1 | (NO LONGER AVAILABLE) | |
| 3 | T10270 | GASKET | 1 | | |
| 4 | T10279 | COVER | 1 | | |
| 5 | T10260 | GASKET | 1 | | |
| 6 | T10280 | VALVE SEAT INSERT | 1 | (SUB AT10845) | |
| 7 | A5108R | SPRING PIN | 1 | (NO LONGER AVAILABLE) | |
| 8 | AT10845 | LEVER | 1 | | |
| 9 | T10264 | DOWEL PIN | 1 | | |
| 10 | T10281 | PIPE PLUG | 1 | (NO LONGER AVAILABLE) | |
| 11 | AR10094 | HOUSING | 1 | | |
| 12 | T10263 | LINK | 1 | (SUB AT10177) | |
| 13 | T10276 | WASHER | 1 | (SUB AT10177) | |
| 14 | T10277 | ABSORBER | 1 | (SUB AT10177) | |
| 15 | T10274 | GASKET | 1 | (SUB AT10177) | |
| 16 | T10259 | DIAPHRAGM | 1 | (SUB AT10177) | |
| 17 | T10265 | PLATE | 1 | (SUB AT10177) | |
| 18 | 21H1167 | SCREW | 1 | 0.190" X 1/4" | |
| 19 | AT10177 | DIAPHRAGM | 1 | | |
| 20 | T10275 | SPRING | 1 | | |
| 21 | T10262 | COVER | 1 | (NO LONGER AVAILABLE) | |
| 22 | T10273 | SPRING | 1 | | |
| 23 | T10255 | PIN | 1 | | |
| 24 | T10268 | WASHER | 1 | | |
| 25 | AT10599 | LEVER | 1 | | |
| 26 | T10267 | DOWEL PIN | 1 | (NO LONGER AVAILABLE) | |
| 27 | T11334 | SCREW | 2 | (NO LONGER AVAILABLE) | |
| 28 | T10257 | GASKET | 1 | | |
| 29 | T10269 | PUSH BUTTON | 1 | | |
| 30 | T10266 | PLATE | 1 | (NO LONGER AVAILABLE) | |
| 31 | T10258 | DIAPHRAGM | 1 | | |
| 32 | T10265 | PLATE | 1 | (NO LONGER AVAILABLE) | |
| 33 | 21H1167 | SCREW | 1 | 0.190" X 1/4" | |
| 34 | T10278 | COVER | 1 | | |
| 35 | AR26508 | CONVERTER | 1 | | |
| 36 | AT12031 | KIT | 1 | | |

1G14

FUEL AND AIR

FUEL STRAINER, BRACKET AND FLEXIBLE FUEL LINE (LP-GAS)

R14231 -UN-01JAN94



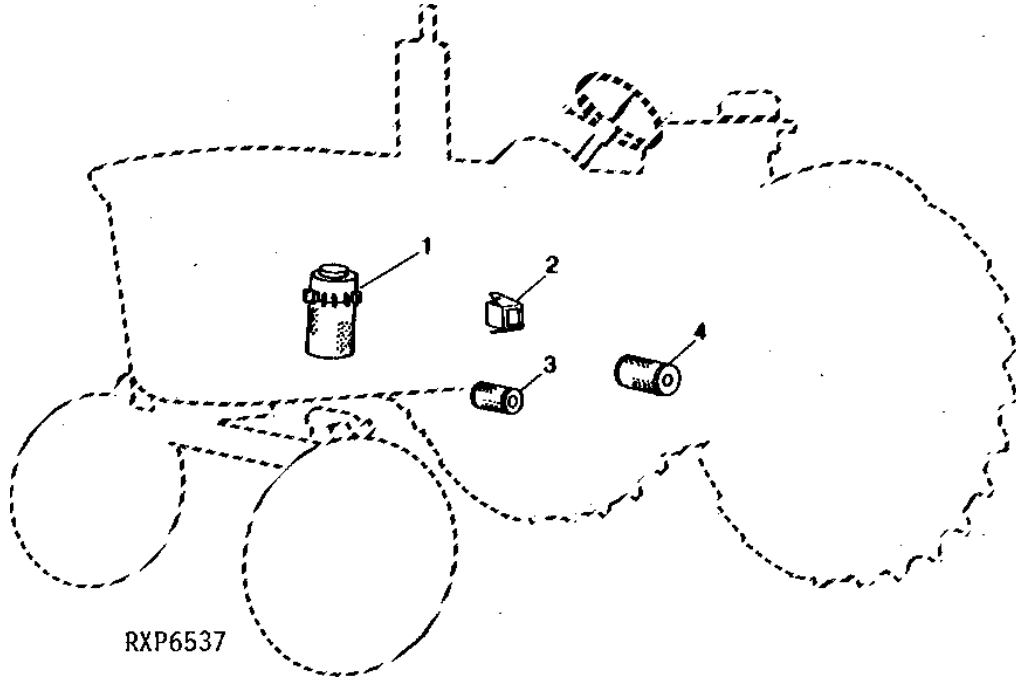
| KEY | PART NO. | PART NAME | QTY | ENGINE SERIAL NO. | REMARKS |
|-----|----------|---------------|-----|--|---------|
| 1 | 19H1801 | CAP SCREW | 1 | 3/8" X 2" | |
| | 12H304 | LOCK WASHER | 1 | 3/8" | |
| 2 | A4928R | ELBOW FITTING | 1 | 45° | |
| 3 | | WIRING LEAD | 1 | (MAKE FROM R32007, R32025, R32018 AND R32027) (FROM AR84006) (SUB FOR AR26437) | |
| 4 | AR52765 | STRAINER | 1 | | |
| 5 | AR27749 | HOSE | 1 | | |
| 6 | 19H1905 | CAP SCREW | 1 | 5/16" X 1" | |
| 7 | F1682R | HALF CLAMP | 2 | | |
| 8 | 14H785 | NUT | 1 | 5/16" | |
| | 12H303 | LOCK WASHER | 1 | 5/16" | |
| 9 | A4932R | TEE FITTING | 1 | 45° (NLA) | |
| 10 | A4931R | GASKET | 1 | COPPER (NLA) | |
| 11 | A4930R | FITTING | 1 | 45° (NLA) | |
| 12 | 19H1948 | CAP SCREW | 2 | 1/4" X 3/4" | |
| 13 | R41295 | BRACKET | 1 | (NLA) | |
| 14 | 14H786 | NUT | 2 | 1/4" | |
| | 12H302 | LOCK WASHER | 2 | 1/4" | |

1G15

FUEL AND AIR

RXP6537 -UN-01JAN94

FILTERS



RXP6537

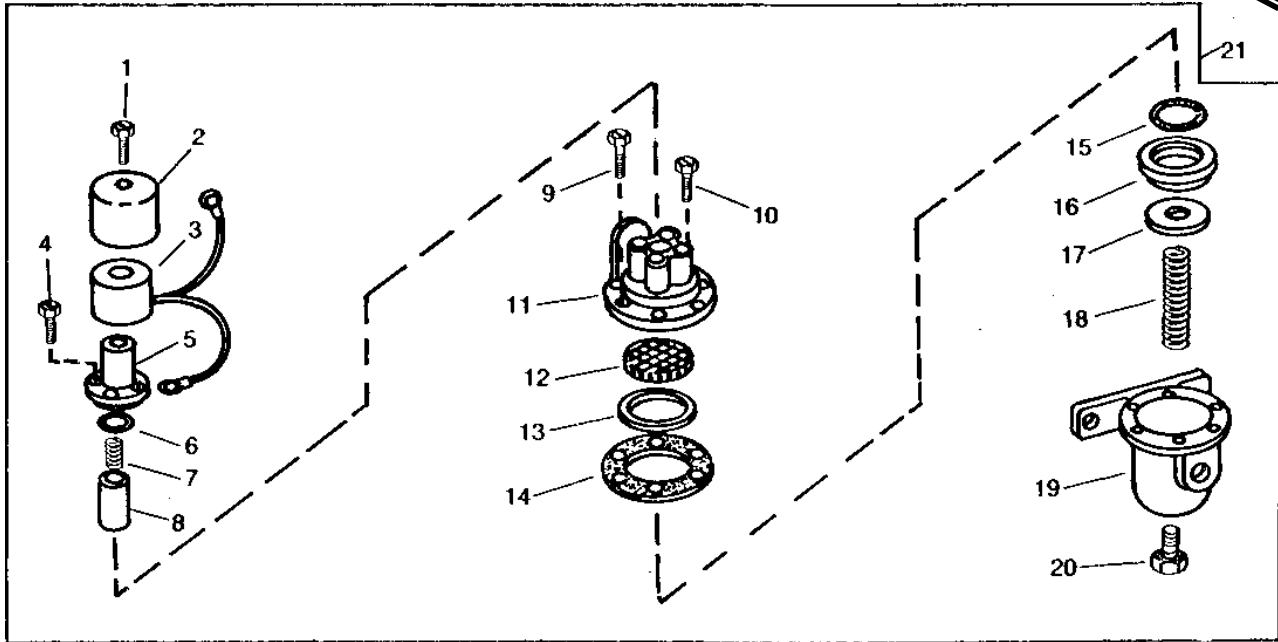
| KEY | PART NO. | PART NAME | QTY | ENGINE SERIAL NO. | REMARKS |
|-----|----------|----------------|-----|-------------------|--|
| 1 | AR39798 | FILTER ELEMENT | 1 | | GASOLINE (PRE-CLEANER) |
| | AR44774 | FILTER ELEMENT | 1 | | LP-GAS (PRE-CLEANER) |
| | AT33363 | FILTER ELEMENT | 1 | | DIESEL (PRE-CLEANER) |
| | AR46976 | FILTER ELEMENT | 1 | | GASOLINE AND DIESEL (LESS PRE-CLEANER) |
| 2 | AR44077 | FILTER ELEMENT | 2 | 215000-280000 | FUEL (DIESEL) |
| | AR50041 | FUEL FILTER | 1 | 280001- | FUEL (DIESEL) |
| 3 | AR26350 | OIL FILTER | 1 | | ENGINE |
| 4 | AR75603 | FILTER ELEMENT | 1 | | TRANSMISSION (SYNCRO-RANGE) |
| | AR75603 | FILTER ELEMENT | 2 | | TRANSMISSION (POWER SHIFT) |

1G16

FUEL AND AIR

FUEL STRAINER PARTS (LP-GAS)

RWP2543 -UN-01JAN94



RWP2543

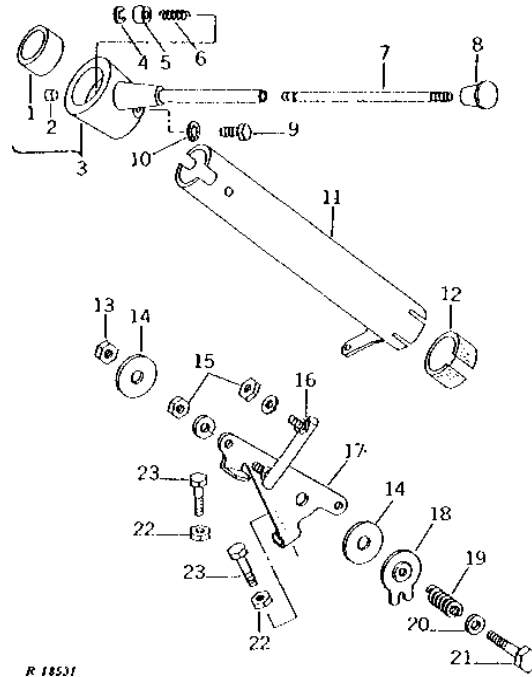
| KEY | PART NO. | PART NAME | QTY | ENGINE SERIAL NO. | REMARKS |
|-----|----------|-----------------|-----|-------------------|--------------------------|
| 1 | 21H1167 | SCREW | 1 | | 0.190" X 1/4" |
| 2 | T10514 | CASE | 1 | -280569 | (SUB R49285 AND AR52766) |
| | R49285 | CASE | 1 | 280570- | |
| 3 | AF1395R | ELECTRICAL COIL | 1 | -280569 | (SUB AR52766 AND R49285) |
| | AR52766 | ELECTRICAL COIL | 1 | 280570- | |
| 4 | 21H1073 | SCREW | 4 | | 0.190" X 1/2" |
| 5 | AF1396R | HOUSING | 1 | | |
| 6 | F1127R | O-RING | 1 | | |
| 7 | F1126R | SPRING | 1 | | |
| 8 | AF1397R | PLUNGER | 1 | | (NLA) |
| 9 | 21H1301 | SCREW | 6 | | 0.190" X 1/2" |
| 10 | 21H1292 | SCREW | 1 | | 0.164" X 1/4" |
| 11 | AF1398R | COVER | 1 | | |
| 12 | AF1399R | FILTER | 1 | | |
| 13 | F1129R | WASHER | 1 | | |
| 14 | F1130R | GASKET | 1 | -280569 | |
| 15 | H63858 | O-RING | 1 | 280570- | |
| 16 | R49288 | RETAINER | 1 | 280570- | |
| 17 | R49289 | WASHER | 1 | 280570- | |
| 18 | R49287 | SPRING | 1 | 280570- | |
| 19 | F3500R | HOUSING | 1 | -280569 | (SUB AR52767) |
| | AR52767 | HOUSING | 1 | 280570- | |
| 20 | R10160 | PIPE PLUG | 1 | | |
| 21 | AR26437 | STRAINER | 1 | -280569 | (SUB AR52765) |
| | AR52765 | STRAINER | 1 | 280570- | |

1G17

FUEL AND AIR

R18531 -UN-01JAN94

HAND SPEED CONTROL LINKAGE



R 18531

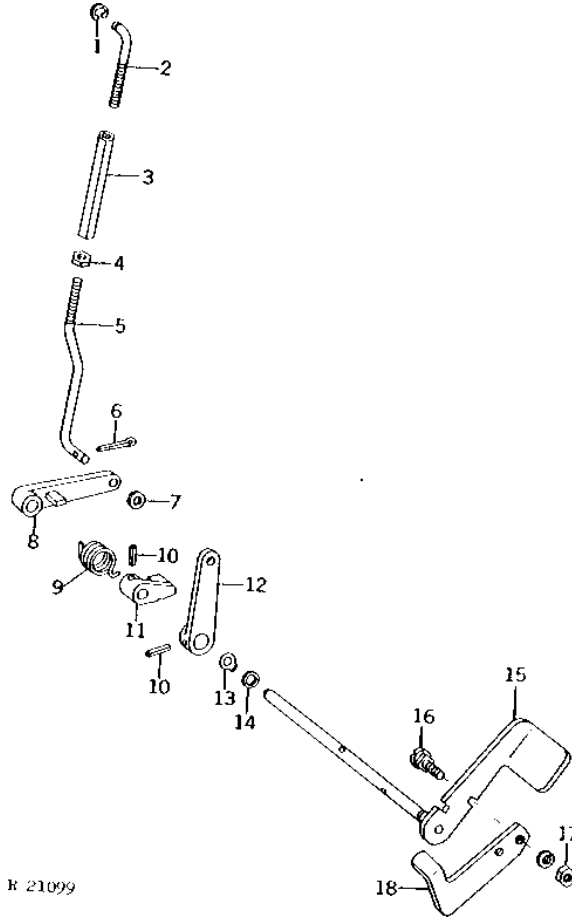
| KEY | PART NO. | PART NAME | QTY | TRACTOR SERIAL NO. | REMARKS |
|-----|----------|-------------|-----|--------------------------|--|
| 1 | R27075 | BUSHING | 1 | | |
| 2 | R51114 | DOWEL PIN | 1 | | |
| 3 | AR41565 | HUB | 1 | | (MARKED R41614) |
| 4 | R30828 | SNAP RING | 1 | | |
| 5 | R38377 | WASHER | 1 | | |
| 6 | R28009 | SPRING | 1 | | |
| 7 | R38376 | LEVER | 1 | | |
| 8 | R26670 | KNOB | 1 | | |
| 9 | R28007 | BOLT | 1 | | |
| 10 | 12H310 | LOCK WASHER | 1 | 3/8" | |
| 11 | AR40702 | TUBE | 1 | | |
| | AR58203 | TUBE | 1 | | (4000-LOW PROFILE) |
| 12 | R26958 | ISOLATOR | 1 | | |
| 13 | K40003 | LOCK NUT | 1 | | (SUB FOR R41564) |
| 14 | R39985 | WASHER | 2 | | (SUB FOR R40983) (SUB R105814, THIS APPLICATION) |
| 15 | 14H649 | NUT | 2 | 1/4" | |
| | 12H302 | LOCK WASHER | 2 | 1/4" | |
| 16 | R40982 | BALL JOINT | 1 | | |
| 17 | AR40703 | LEVER | 1 | | |
| 18 | R40984 | PLATE | 1 | | |
| 19 | R31271 | SPRING | 1 | | |
| 20 | 24H1305 | WASHER | 1 | 13/32" X 13/16" X 0.065" | |
| 21 | 19H1726 | CAP SCREW | 1 | 3/8" X 2-1/4" | |
| 22 | 14H611 | NUT | 2 | 5/16" | |
| 23 | 19H2831 | CAP SCREW | 2 | 5/16" X 1-1/2" | |

1G18

FUEL AND AIR

R21099 -UN-01JAN94

FOOT SPEED CONTROL LINKAGE



R 21099

| KEY | PART NO. | PART NAME | QTY | TRACTOR SERIAL NO. | REMARKS |
|-----|----------|-------------|-----|----------------------------|------------------|
| 1 | R72653 | SNAP RING | 1 | | (SUB FOR M2396T) |
| 2 | R40985 | BOLT | 1 | | |
| 3 | R40986 | TURNBUCKLE | 1 | | |
| 4 | 14H611 | NUT | 1 | 5/16" | |
| 5 | R48897 | ROD | 1 | (SUB FOR R40987) | |
| 6 | 11M7079 | COTTER PIN | 1 | 0.098" X 0.472" | |
| 7 | 24H1136 | WASHER | 1 | 11/32" X 11/16" X 0.065" | |
| 8 | R40988 | ARM | 1 | | |
| 9 | R38143 | SPRING | 1 | (SUB RE54186) | |
| 10 | 34H282 | SPRING PIN | 2 | 3/16" X 1" | |
| 11 | R40991 | ARM | 1 | | |
| 12 | R40989 | LEVER | 1 | | |
| 13 | P44982 | PISTON RING | 1 | (SUB FOR R38126 OR R26871) | |
| 14 | T25050 | WASHER | 1 | | |
| 15 | AT46795 | PEDAL | 1 | (SUB FOR AR40704) | |
| 16 | 03H1778 | BOLT | 2 | (A) 1/4" X 5/8" | |
| 17 | 14H850 | NUT | 2 | (A) 1/4" | |
| | 12H302 | LOCK WASHER | 2 | (A) 1/4" | |
| 18 | R44898 | PEDAL | 1 | (A) | |

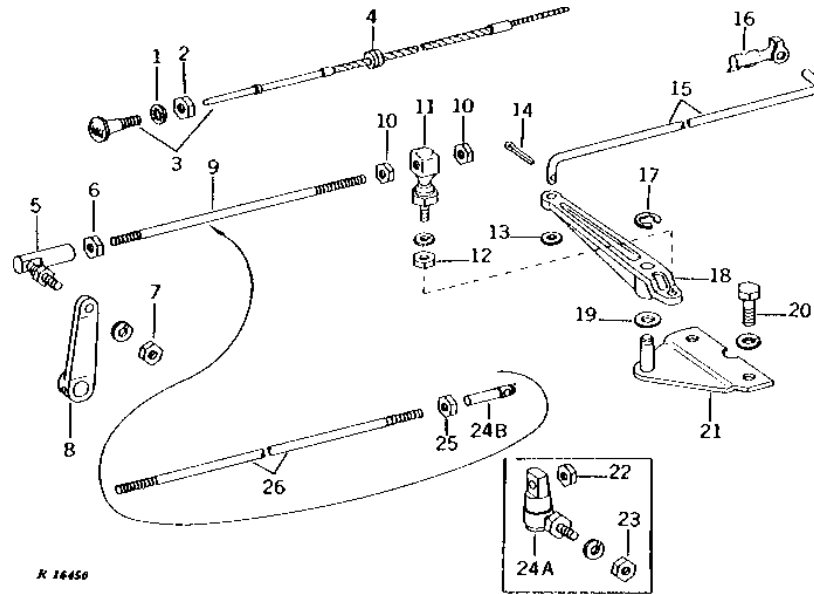
(A) GASOLINE AND LP-GAS

1G19

FUEL AND AIR

R16450 -UN-01JAN94

SPEED CONTROL RODS AND CHOKE CABLE



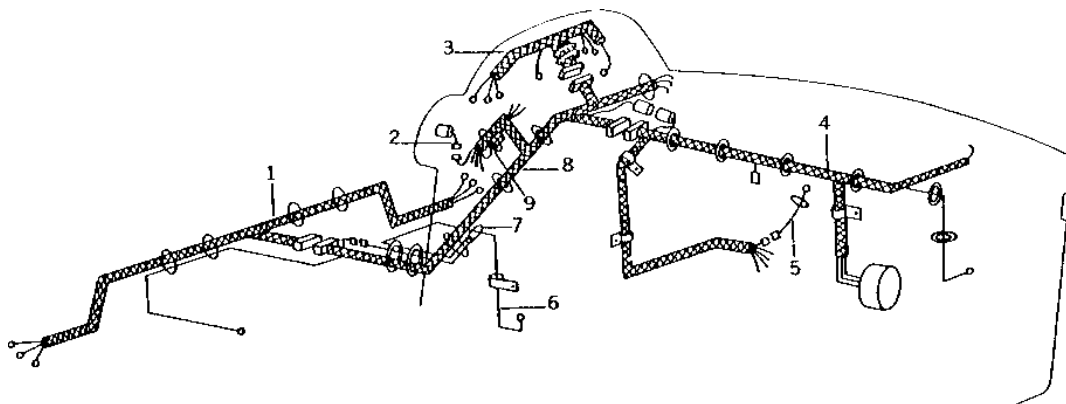
| KEY | PART NO. | PART NAME | QTY | TRACTOR SERIAL NO. | REMARKS |
|-----|----------|-----------------|-----|------------------------------|---------|
| 1 | 12H310 | LOCK WASHER | 1 | (A) 3/8" | |
| 2 | 14H774 | NUT | 1 | (A) 3/8" | |
| 3 | AR50707 | PUSH PULL CABLE | 1 | (A) (SUB FOR AR45736) | |
| 4 | R41441 | GROMMET | 1 | (A) | |
| 5 | T23688 | BALL JOINT | 1 | | |
| 6 | 14H649 | NUT | 1 | 1/4" | |
| 7 | 14H649 | NUT | 1 | 1/4" | |
| | 12H302 | LOCK WASHER | 1 | 1/4" | |
| 8 | R40989 | LEVER | 1 | | |
| 9 | R40994 | STUD | 1 | (B) | |
| 10 | 14H850 | NUT | 2 | (B) 1/4" | |
| 11 | AA5302R | BALL JOINT | 1 | (B) | |
| 12 | 14H649 | NUT | 1 | (B) 1/4" | |
| | 12H302 | LOCK WASHER | 1 | (B) 1/4" | |
| 13 | 24H1287 | WASHER | 1 | (B) 9/32" X 5/8" X 0.065" | |
| 14 | 11M7082 | COTTER PIN | 1 | (B) 2.500 X 25 MM | |
| 15 | R41572 | ROD | 1 | (B) FRONT | |
| 16 | R26524 | CLIP | 1 | (B) R.H. | |
| 17 | P44982 | PISTON RING | 1 | (B) (SUB FOR R26871) | |
| 18 | R41571 | CRANK | 1 | (B) | |
| 19 | 24H1341 | WASHER | 1 | (B) 17/32" X 15/16" X 0.060" | |
| 20 | 19H1731 | CAP SCREW | 2 | (B) 3/8" X 1" | |
| | 12H304 | LOCK WASHER | 2 | (B) 3/8" | |
| 21 | AR40705 | BRACKET | 1 | (B) | |
| 22 | 14H649 | NUT | 1 | -250000 (C) 1/4" | |
| 23 | 14H649 | NUT | 1 | -250000 (C) 1/4" | |
| | 12H302 | LOCK WASHER | 1 | -250000 (C) 1/4" | |
| 24A | AR46117 | BALL JOINT | 1 | -250000 (C) | |
| 24B | R36123 | BALL JOINT | 1 | 250001- (C) | |
| 25 | 14H649 | NUT | 1 | (C) 1/4" | |
| 26 | R41573 | STUD | 1 | -250000 (C) | |
| | R47673 | STUD | 1 | 250001- (C) | |

(A) GASOLINE
 (B) GASOLINE AND LP-GAS
 (C) DIESEL

2B7

ELECTRICAL

WIRING HARNESS
(TRACTOR SERIAL NO. -250000)
 R17642 -UN-01JAN94



R 17642

| KEY | PART NO. | PART NAME | QTY | TRACTOR SERIAL NO. | REMARKS |
|-----|----------|----------------|-----|--------------------|--|
| 1 | AR41684 | WIRING HARNESS | 1 | | |
| | R34046 | COVER | 1 | | |
| 2 | | WIRING LEAD | 1 | | (MAKE FROM R32007, R32018, R32025 AND R32027) |
| 3 | AR45516 | WIRING HARNESS | 1 | -222918 | (A) (ALSO ORDER AR48647) (SUB RE42183) |
| | AR47856 | WIRING HARNESS | 1 | 222919- | (A) (SUB RE42182) |
| | AR45517 | WIRING HARNESS | 1 | -222918 | (B) (ALSO ORDER AR48647) (NLA) |
| | AR47857 | WIRING HARNESS | 1 | 222919- | (B) (SUB RE61109) |
| | AR45518 | DIODE | 1 | -213025 | (SUB AR48647) |
| | | WIRING LEAD | 1 | 213026- | (MAKE FROM R32007, R32018, R32024 AND R32027) |
| | AR45519 | WIRING LEAD | 1 | -216083 | (SUB AR48647) |
| | AR47547 | WIRING LEAD | 1 | 216084- | |
| 4 | AR41685 | WIRING HARNESS | 1 | | (GASOLINE AND LP-GAS)(NLA) |
| | AR41686 | WIRING HARNESS | 1 | | (DIESEL) |
| | AR49351 | WIRING HARNESS | 1 | | (AIR CONDITIONING)(NLA) |
| | R44302 | TIE BAND | AR | | |
| | R72853 | CLAMP | 2 | | |
| 5 | | WIRING LEAD | 1 | | 190.5MM (7-1/2") (MAKE FROM R32007, R32018, R32025 AND R32027) FUELOCK (LP-GAS) |
| | | WIRING LEAD | 1 | | 254MM (10") (MAKE FROM R32007, R32025, R32024 AND R32027) FUEL SHUT-OFF (GASOLINE) |
| 6 | AR46729 | WIRING LEAD | 1 | -222918 | (B) 1118MM (44") (NLA) |
| | AR47858 | WIRING HARNESS | 1 | 222919- | (B) |
| | AR46728 | WIRING LEAD | 1 | -222918 | (B) (NLA) |
| | R45211 | CLAMP | 1 | | |
| 7 | AR49416 | WIRING LEAD | 1 | 222919- | (A) |
| 8 | AR41683 | WIRING HARNESS | 1 | -222918 | (SUB RE42185) |
| | AR47855 | WIRING HARNESS | 1 | 222919-229459 | (SUB RE42186) |
| | AR49349 | WIRING HARNESS | 1 | 229460- | (SUB RE42186) |
| | B1986R | CLIP | 2 | | |
| 9 | AR48594 | FLASHER | 1 | | (ALSO ORDER (2) R44302) (SUB FOR AR38453) |
| | AR41694 | WIRING LEAD | 1 | | (NLA) |
| .. | AR48647 | KIT | 1 | | (INCLUDES FUSEHOLDER AND LEAD) |
| .. | AR47548 | FUSE | 1 | | |
| .. | R45231 | LABEL | 1 | | |

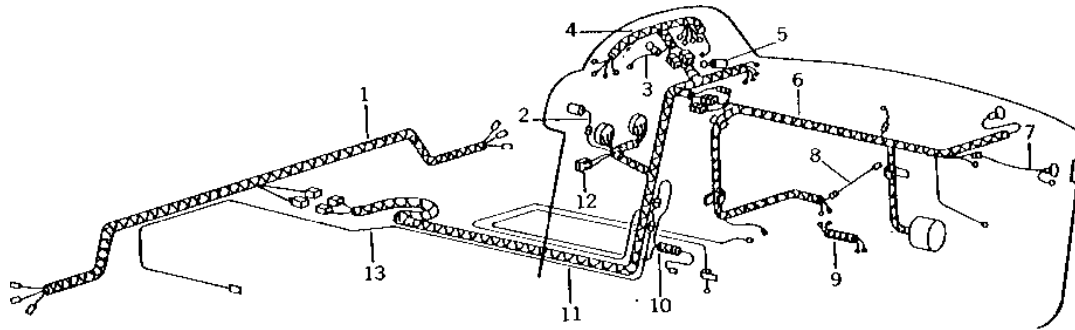
(A) SYNCRO-RANGE

(B) POWER SHIFT

2B8

ELECTRICAL

WIRING HARNESS
 (TRACTOR SERIAL NO. 250001-)
 R17643 -UN-01JAN94



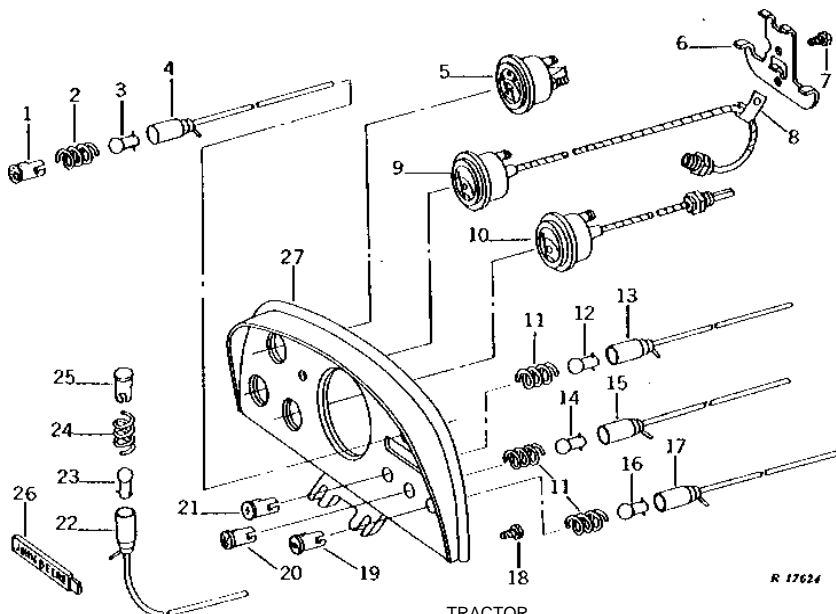
R 17643

| KEY | PART NO. | PART NAME | QTY | TRACTOR SERIAL NO. | REMARKS |
|-----|----------|----------------|-----|--------------------|---|
| 1 | AR48937 | WIRING HARNESS | 1 | | |
| | R34046 | COVER | 1 | | |
| 2 | | WIRING LEAD | 1 | | (MAKE FROM R32007, R32018, R32025 AND R32027) |
| 3 | AR50838 | WIRING HARNESS | 1 | | |
| 4 | AR43986 | WIRING HARNESS | 1 | | (SYNCRO-RANGE) |
| | AR43987 | WIRING HARNESS | 1 | | (POWER SHIFT) |
| 5 | AR46730 | WIRING HARNESS | 1 | | |
| 6 | AR50827 | WIRING HARNESS | 1 | | (GASOLINE AND LP-GAS) (ALTERNATOR TO MAIN)(NLA) |
| | AR52733 | WIRING HARNESS | 1 | | (DIESEL) (ALTERNATOR TO MAIN) (MAKE LEAD 191MM (7-1/2") FROM R32007, R32018, R32025, AND R32027) (ALTERNATOR HARNESS TO INJECTION PUMP) |
| | AR55283 | WIRING HARNESS | 1 | 263482- | (ALTERNATOR ADAPTER) |
| | R44302 | TIE BAND | AR | | |
| | R45211 | CLAMP | 3 | | |
| 7 | AR73580 | WIRING HARNESS | 1 | | (SUB FOR AR49038) |
| 8 | | WIRING LEAD | 1 | | 254MM (10") (GASOLINE) (MAKE FROM R32007, R32024, R32025 AND R32027) |
| | | WIRING LEAD | 1 | | 191MM (7-1/2") (LP-GAS) (MAKE FROM R32007, R32018, R32025 AND R32027) |
| 9 | AR43609 | WIRING HARNESS | 1 | | (DIESEL) (RELAY TO STARTER) |
| 10 | AR52467 | WIRING HARNESS | 1 | | |
| 11 | AR48936 | WIRING HARNESS | 1 | | (MAIN) |
| 12 | AR48594 | FLASHER | 1 | | |
| 13 | AR50829 | WIRING HARNESS | 1 | | |
| .. | AR47547 | WIRING LEAD | 1 | | |
| .. | AR47548 | FUSE | 1 | | |

2B9

ELECTRICAL

INSTRUMENT PANEL, INSTRUMENTS, AND INDICATOR LAMPS
R17624 -UN-01JAN94



| KEY | PART NO. | PART NAME | QTY | TRACTOR SERIAL NO. | REMARKS |
|-----|----------|----------------------|-----|--------------------|---|
| 1 | AR47916 | LENS | 1 | 250001- | |
| 2 | R30378 | SPRING | 1 | 250001- | |
| 3 | AR50440 | LAMP | 1 | 250001- | |
| 4 | AR50508 | INDICATOR LIGHT | 1 | 250001- | (HIGH-BEAM LIGHT) |
| 5 | AR45436 | GAUGE | 1 | | (LP-GAS) |
| | RE53664 | GAUGE | 1 | | (SUB FOR AR46271) (GASOLINE & DIESEL) |
| | AR47545 | GAUGE | 1 | | (B) |
| 6 | R44198 | CLAMP | 1 | | (B) (NLA) |
| | R46160 | BUSHING | 1 | | (B) (NLA) |
| 7 | 37H98 | SCREW | AR | | NO. 10 X 7/8", (2 USED SYNCRO-RANGE) (1 USED POWER SHIFT) |
| | 37H41 | SCREW | 2 | | (A) NO. 10 X 1" |
| 8 | B1986R | CLIP | 1 | | |
| 9 | AR46979 | PYROMETER | 1 | | TRANSMISSION OIL |
| 10 | AR48640 | TEMPERATURE GAUGE | 1 | | WATER, (SUB FOR AR45435) |
| | AT27152 | PYROMETER | 1 | | (B) WATER |
| 11 | R30378 | SPRING | 3 | | |
| 12 | AR55694 | BULB | 1 | -250000 | (SUB FOR R30379) |
| | AR50439 | LAMP | 1 | 250001- | |
| 13 | AR48034 | INDICATOR LIGHT | 1 | | (SUB AT48673, R30378, AR55694 AND AT44165) |
| 14 | AR55694 | BULB | 1 | -250000 | (SUB FOR R30379) |
| | AR50439 | LAMP | 1 | 250001- | |
| 15 | AR48033 | INDICATOR LIGHT | 1 | | (SUB AR45439, AR55694, AT44165 AND R30378) |
| 16 | AR55694 | BULB | 1 | | (SUB FOR R30379) |
| 17 | AR48035 | INDICATOR LIGHT | 1 | | (SUB AT48674, AR55694, AT44165 AND R30378) |
| 18 | 37M7245 | SCREW | 4 | | NO. 10 X 1" |
| 19 | AT48674 | LENS | 1 | | (SUB FOR AR45437) |
| 20 | AR45439 | LENS | 1 | | |
| 21 | AT48673 | LENS | 1 | | (SUB FOR AR45438) |
| 22 | AR48032 | INDICATOR LIGHT | 1 | | (A) (SUB AT44165, AR55694, AR45446 AND R30378) |
| 23 | AR55694 | BULB | 1 | | (A) (SUB FOR R30379) |
| 24 | R30378 | SPRING | 1 | | (A) |
| 25 | AR45446 | LENS | 1 | | (A) |
| 26 | AR45440 | IDENTIFICATION PLATE | 1 | | |
| 27 | AR68199 | INSTRUMENT PANEL | 1 | -250000 | (ALSO ORDER T16738) (SUB FOR R41705 OR R46520) (SUB R56320) |
| | AR51160 | INSTRUMENT PANEL | 1 | 250001- | (SUB R56320) |
| | R49025 | LABEL | 1 | 250001- | |
| | T16738 | PLUG | 1 | | |
| | M61266 | PLUG | 1 | | (B) (SUB FOR R34337) |
| | R28473 | PLUG | 1 | | (B) |

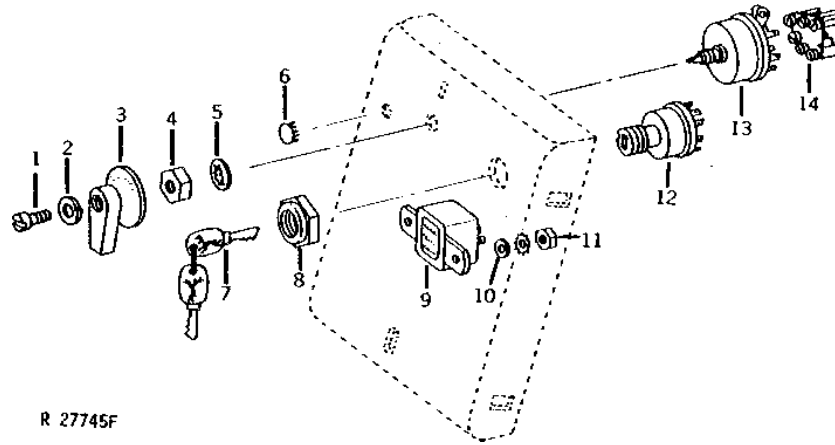
(A) POWER SHIFT

(B) 4000 SERIES

2B10

ELECTRICAL

LIGHT AND STARTER SWITCHES AND LAMP FLASHER
R27745 -UN-01JAN94



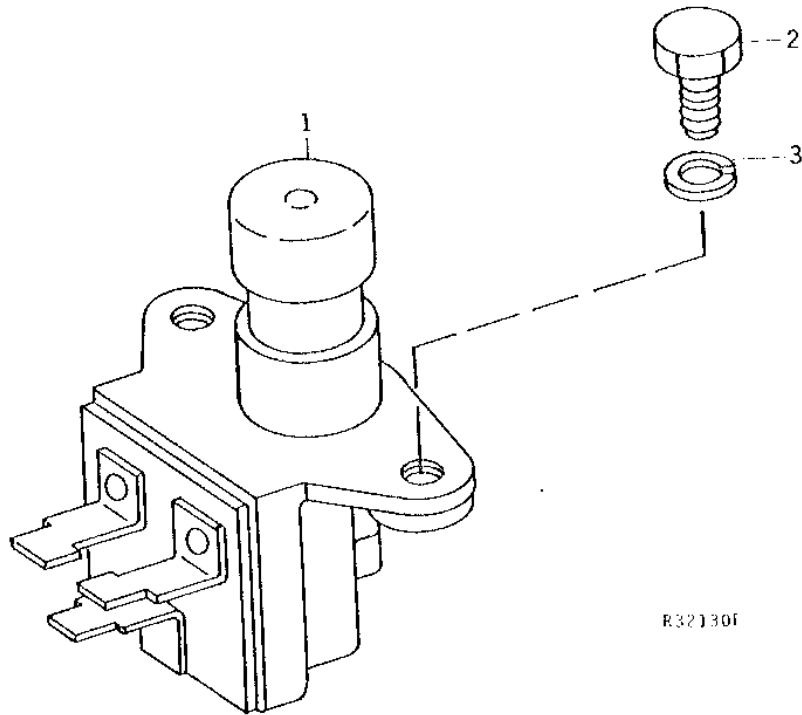
R 27745F

| KEY | PART NO. | PART NAME | QTY | TRACTOR SERIAL NO. | REMARKS |
|-----|----------|---------------------------|-----|--------------------|---|
| 1 | 21H1299 | SCREW | 1 | | 0.164" X 3/8" |
| 2 | 12H315 | LOCK WASHER | 1 | | 0.164" |
| 3 | AT65316 | KNOB | 1 | -250000 | (SUB FOR R27963) |
| | AR54445 | KNOB | 1 | 250001- | (SUB FOR R46092) |
| 4 | A4655R | NUT | 1 | | |
| 5 | 12H292 | LOCK WASHER | 1 | | 1/2" |
| 6 | R28473 | PLUG | 1 | | (LP-GAS AND DIESEL) |
| 7 | R45361 | KEY | 1 | -255776 | (SUB AR51481) |
| | AR51481 | KEY | 1 | 255777- | |
| 8 | R44342 | NUT | 1 | | |
| 9 | AR48594 | FLASHER | 1 | 221573- | (ALSO ORDER (2) R44302) (SUB FOR AR38453) |
| 10 | 24H1283 | WASHER | 2 | 221573- | 7/32" X 1/2" X 0.049" |
| 11 | 14H631 | NUT | 2 | 221573- | 0.190" |
| | 12M7060 | WASHER | 2 | 221573- | 0.209" |
| 12 | AR58126 | KEY SWITCH | 1 | | (SUB FOR AR47235, AR47458 OR AR53452) |
| | AR47459 | CYLINDER | 1 | | (USE WITH AR47458) |
| 13 | AR41288 | SWITCH | 1 | -250000 | |
| | AR48724 | LIGHT SWITCH | 1 | 250001- | |
| 14 | AR83425 | RECEPTACLE CONNECTOR BODY | 1 | | |

2B11

ELECTRICAL

DIMMER SWITCH
 (TRACTOR SERIAL NO. 250001-)
 R32130F -UN-01JAN94



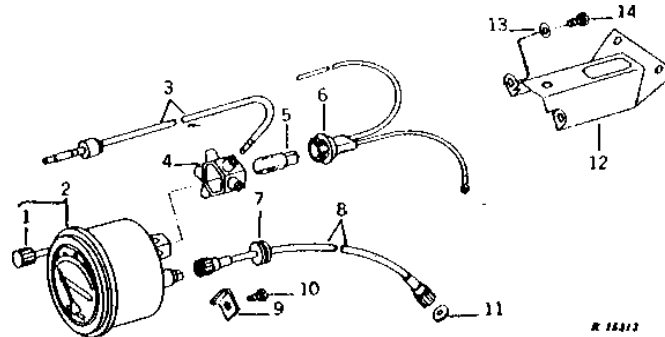
R32130f

| KEY | PART NO. | PART NAME | QTY | TRACTOR SERIAL NO. | REMARKS |
|-----|----------|---------------|-----|--------------------|---------|
| 1 | AR48725 | DIMMER SWITCH | 1 | | |
| 2 | 19H1919 | CAP SCREW | 2 | 1/4" X 5/8" | |
| 3 | 12H302 | LOCK WASHER | 2 | 1/4" | |

2B12

ELECTRICAL

SPEED-HOUR METER
R15313 -UN-01JAN94



| KEY | PART NO. | PART NAME | QTY | TRACTOR SERIAL NO. | REMARKS |
|-----|----------|----------------|-----|--------------------|--|
| 1 | AR40802 | KNOB | 1 | | |
| 2 | AR48021 | TACHOMETER | 1 | -250000 | (A) (ALSO ORDER (3) AR48016) (SUB AR50406) |
| | AR50406 | TACHOMETER | 1 | 250001- | (A) (ALSO ORDER (3) AR48016) (SUB FOR AR45444) |
| | AR50407 | TACHOMETER | 1 | -250000 | (B) (SUB FOR AR48022) |
| | AR50405 | TACHOMETER | 1 | 250001- | (B) (SUB FOR AR50401) |
| | AR47910 | TACHOMETER | 1 | | (4000 SERIES) (SUB AR50410) |
| | AR50410 | TACHOMETER | 1 | 250001- | (4000 SERIES) |
| 3 | AR47793 | WIRING LEAD | 3 | | (USE WITH R44909) (SUB FOR AR46340) |
| | AR48016 | WIRING LEAD | 3 | | |
| 4 | RE24041 | KIT | 1 | | (METER LESS FIBER OPTIO LEADS LAMP HOUSING) (SUB FOR R44909) |
| 5 | AR48015 | BULB | 1 | | (SUB FOR R45196) |
| 6 | AR48031 | SOCKET | 1 | -250000 | (SUB AR50838) |
| | AR50838 | WIRING HARNESS | 1 | 250001- | |
| 7 | R41440 | GROMMET | 1 | | |
| 8 | AR26721 | CABLE | 1 | | |
| | AR28589 | CABLE | 1 | | (STEWART WARNER) (INNER CABLE) |
| | AR28588 | CABLE | 1 | | (SUB AR26721) (AC) |
| 9 | R34206 | CLAMP | 2 | | |
| 10 | 37M7245 | SCREW | 2 | | NO. 10 X 3/8" |
| 11 | B3285R | WASHER | 1 | | |
| 12 | R41706 | SUPPORT | 1 | | |
| 13 | 24H1283 | WASHER | 2 | | 7/32" X 1/2" X 0.049" |
| 14 | 37H121 | SCREW | 2 | | NO. 10 X 5/8" |

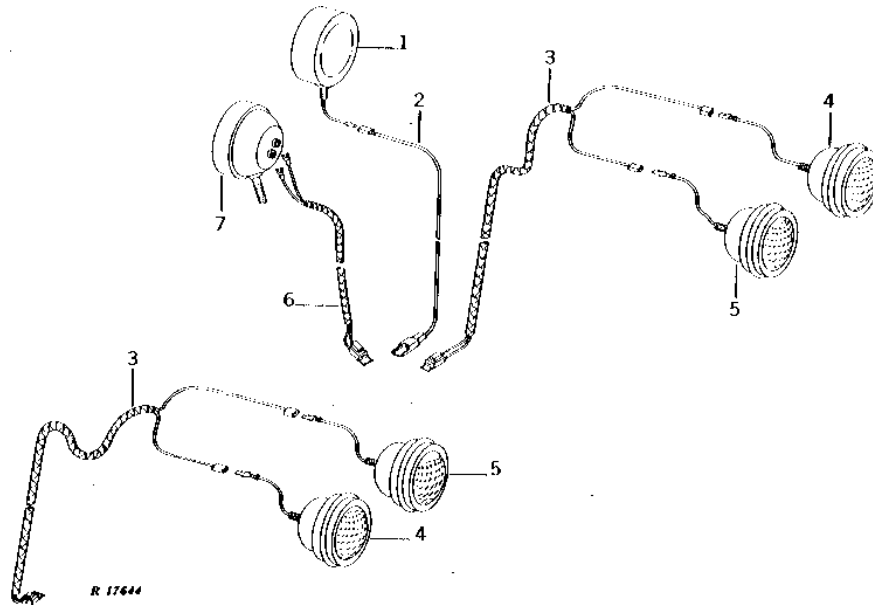
(A) SYNCRO-RANGE

(B) POWER SHIFT

2B13

ELECTRICAL

LAMP WIRING (ROW-CROP)
 (TRACTOR SERIAL NO. 201000-250000)
 R17644 -UN-01JAN94

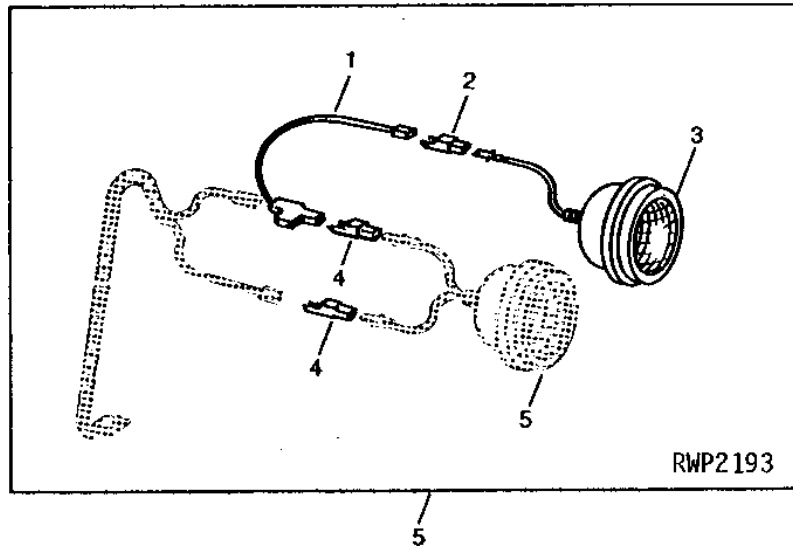


| KEY | PART NO. | PART NAME | QTY | TRACTOR SERIAL NO. | REMARKS |
|-----|----------|----------------|-----|------------------------------|---------|
| 1 | AR38456 | LAMP | 1 | | |
| | AD2062R | BULB | 1 | (12-16 VOLT) | |
| | 12H292 | LOCK WASHER | 1 | 1/2" | |
| | R38371 | WASHER | 1 | | |
| | 14H850 | NUT | 1 | 1/4" | |
| | 24H1227 | WASHER | 1 | 17/32" X 13/16" X 0.060" | |
| 2 | AR41695 | WIRING LEAD | 1 | | |
| 3 | AR41696 | WIRING HARNESS | 2 | | |
| | A3411R | GROMMET | 2 | | |
| 4 | R21551 | CLIP | 3 | | |
| | AT13380 | HEADLIGHT | 2 | (12-VOLT FLOOD) | |
| | R20758 | WASHER | 2 | | |
| 5 | F2935R | WASHER | 2 | | |
| | 12H301 | LOCK WASHER | 2 | 1/2" | |
| | 14H1040 | NUT | 2 | 1/2" | |
| | AT13381 | LAMP | 2 | (12-VOLT) | |
| 6 | R20758 | WASHER | 2 | | |
| | F2935R | WASHER | 2 | | |
| | 12H301 | LOCK WASHER | 2 | 1/2" | |
| | 14H1040 | NUT | 2 | 1/2" | |
| 7 | AR41699 | WIRING HARNESS | 1 | | |
| | AR41702 | WIRING HARNESS | 1 | (ROLL-GARD) | |
| | R40445 | GROMMET | 1 | (ROLL-GARD) | |
| | R26409 | GROMMET | 1 | | |
| 7 | AR77326 | FLOODLAMP | 1 | (SUB FOR AT16288 OR AR34990) | |
| | 12H301 | LOCK WASHER | 1 | 1/2" | |
| | 14H1040 | NUT | 1 | 1/2" | |

2B14

ELECTRICAL

LAMP WIRING - FLOOD LAMP AND FASTENINGS KIT
RWP2193 -UN-01JAN94

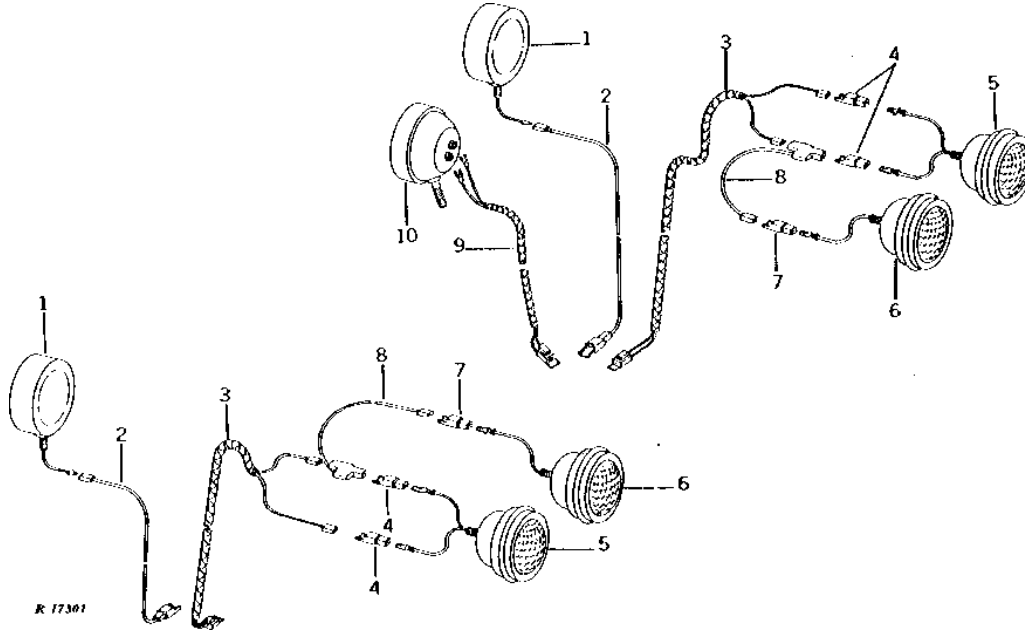


| KEY | PART NO. | PART NAME | QTY | TRACTOR SERIAL NO. | REMARKS |
|-----|----------|-------------|-----|--------------------|--|
| 1 | AR50834 | WIRING LEAD | 2 | | |
| 2 | T28585 | TERMINAL | 2 | | |
| 3 | RE19080 | LAMP | 2 | | (SUB FOR AR48722) (12-VOLT FLOOD) INNER |
| | R20758 | WASHER | 2 | | |
| | F2935R | WASHER | 2 | | |
| | 12H301 | LOCK WASHER | 2 | 1/2" | |
| | 14H1040 | NUT | 2 | 1/2" | |
| 4 | T28585 | TERMINAL | 4 | | |
| 5 | AR49615 | LAMP | 1 | | (SUB (2) AR50834, (2) F2935R, (2) RE19080, (2) R20758, (2) T28585, (2) 12H301 AND (2) 14H1040) |

2B15

ELECTRICAL

LAMP WIRING
(TRACTOR SERIAL NO. 250001-) (ROW CROP)
R17301 -UN-01JAN94

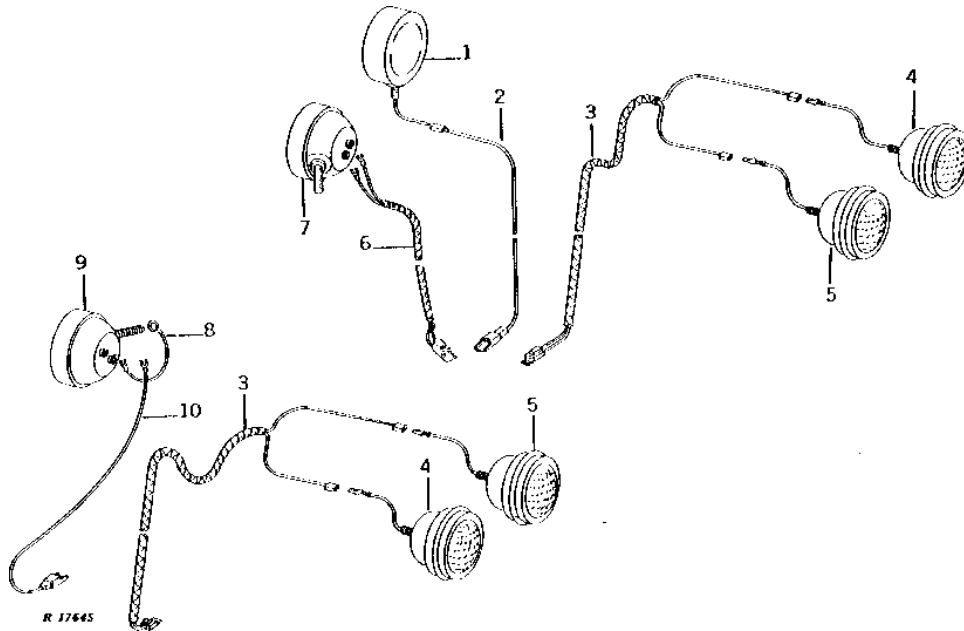


| KEY | PART NO. | PART NAME | QTY | TRACTOR SERIAL NO. | REMARKS |
|-----|----------|----------------|-----|--------------------|---|
| 1 | AR50580 | LAMP | 2 | | |
| | R47831 | WASHER | 2 | | |
| | 14H856 | NUT | 2 | 1/2" | |
| | 12H292 | LOCK WASHER | 2 | 1/2" | |
| | R48664 | LENS | 1 | (RED) | |
| | R48665 | LENS | 1 | (AMBER) | |
| 2 | | WIRING LEAD | 2 | | 686MM (27") (MAKE FROM R32007, R32024, R32025 AND (2) R32027) WARNING LAMP TO MAIN LIGHTING HARNESS |
| | | WIRING LEAD | 2 | | 1041MM (41") (MAKE FROM R32007, R32024, R32025 AND (2) R32027) WARNING LAMP TO MAIN LIGHTING HARNESS (18.4-38, 20.8-34, OR 23.1-30 TIRES) |
| 3 | AR48938 | WIRING HARNESS | 2 | | |
| | AR48939 | WIRING HARNESS | 2 | | (18.4-38,20.8-34 OR 23.1-30 TIRES) |
| | R40445 | GROMMET | 2 | | |
| | R21551 | CLIP | 3 | | |
| 4 | T28585 | TERMINAL | 4 | | |
| 5 | AR48721 | LAMP | 2 | | (12-VOLT DUAL BEAM) (SUB RE25126 R.H. AND RE25127 L.H, THIS APPLICATION) |
| | R48663 | WASHER | 2 | | |
| | F2935R | WASHER | 2 | | |
| | 12H301 | LOCK WASHER | 2 | 1/2" | |
| | 14H1040 | NUT | 2 | 1/2" | |
| 6 | RE19080 | LAMP | 2 | | (SUB FOR AR48722) (12-VOLT FLOOD) INNER |
| | R20758 | WASHER | 2 | | |
| | F2935R | WASHER | 2 | | |
| | 12H301 | LOCK WASHER | 2 | 1/2" | |
| | 14H1040 | NUT | 2 | 1/2" | |
| 7 | T28585 | TERMINAL | 2 | | |
| 8 | AR50834 | WIRING LEAD | 2 | | |
| 9 | AR41699 | WIRING HARNESS | 1 | | |
| | AR41702 | WIRING HARNESS | 1 | | (ROLL-GARD) (18.4-38, 20.8-34 OR 23.1-30 TIRES) |
| | R40445 | GROMMET | 1 | | |
| | R26409 | GROMMET | 1 | | |
| 10 | AR77326 | FLOODLAMP | 1 | | (SUB FOR AT16288 OR AR34990) |
| | 12H301 | LOCK WASHER | 1 | 1/2" | |
| | 14H1040 | NUT | 1 | 1/2" | |

2B16

ELECTRICAL

LAMP WIRING
(TRACTOR SERIAL NO. 201000-250000)(STANDARD)
R17645 -UN-01JAN94

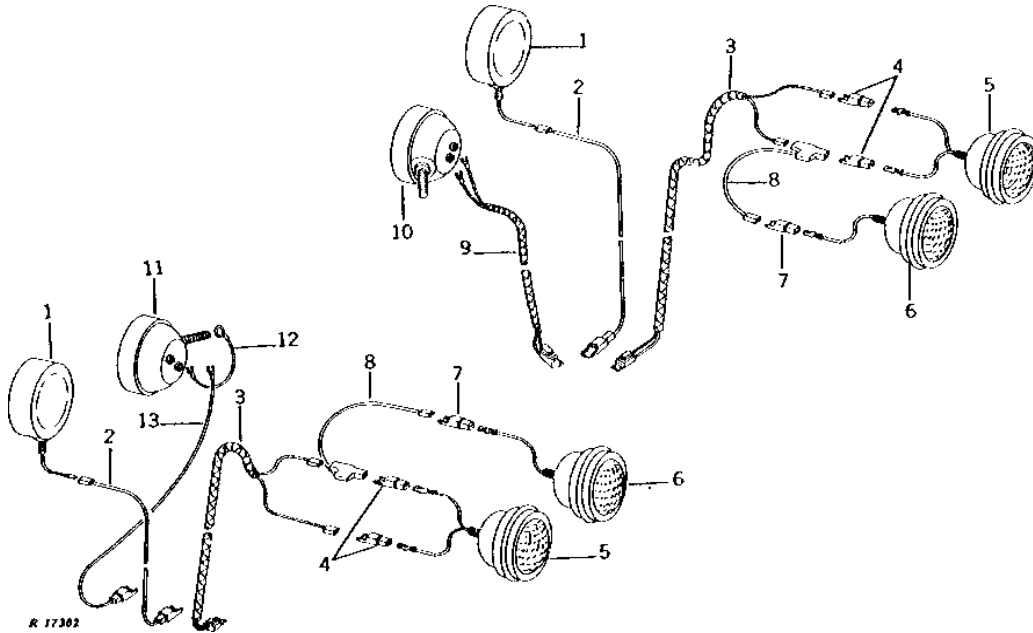


| KEY | PART NO. | PART NAME | QTY | TRACTOR SERIAL NO. | REMARKS |
|-----|----------|----------------|-----|--|---------|
| 1 | AR38456 | LAMP | 1 | | |
| | AD2062R | BULB | 1 | (12-16 VOLT) | |
| | R38371 | WASHER | 1 | | |
| | 14H856 | NUT | 1 | 1/2" | |
| | 24H1227 | WASHER | 1 | 17/32" X 13/16" X 0.060" | |
| 2 | | WIRING LEAD | 1 | 1041MM (41") (MAKE FROM R32007, R32024, R32025 AND (2) R32027) | |
| 3 | AR41701 | WIRING HARNESS | 2 | (NLA) | |
| | R27180 | GROMMET | 4 | | |
| | R21551 | CLIP | 2 | | |
| 4 | AT13380 | HEADLIGHT | 2 | (12-VOLT FLOOD) | |
| | R20758 | WASHER | 2 | | |
| | F2935R | WASHER | 2 | | |
| | 12H301 | LOCK WASHER | 2 | 1/2" | |
| | 14H1040 | NUT | 2 | 1/2" | |
| 5 | AT13381 | LAMP | 2 | (12-VOLT) INNER | |
| | R20758 | WASHER | 2 | | |
| | F2935R | WASHER | 2 | | |
| | 12H301 | LOCK WASHER | 2 | 1/2" | |
| | 14H1040 | NUT | 2 | 1/2" | |
| 6 | AR41702 | WIRING HARNESS | 1 | L.H. | |
| | R26936 | GROMMET | 2 | L.H. | |
| 7 | AR77326 | FLOODLAMP | 1 | (SUB FOR AT16288) | |
| | 12H301 | LOCK WASHER | 1 | 1/2" | |
| | 14H1040 | NUT | 1 | 1/2" | |
| 8 | | WIRING LEAD | 1 | 152.4MM (6") (MAKE FROM R32007, R32016 AND R32023) | |
| 9 | RE27099 | LAMP | 1 | (12-VOLT) (SUB FOR AR35782) | |
| | 12H301 | LOCK WASHER | 1 | 1/2" | |
| | 14H1040 | NUT | 1 | 1/2" | |
| 10 | | WIRING LEAD | 1 | 1181MM (46-1/2") (MAKE FROM R32007, R32016, R32024 AND R32027) | |

2B17

ELECTRICAL

LAMP WIRING
(TRACTOR SERIAL NO. 250001-) (STANDARD)
R17302 -UN-01JAN94

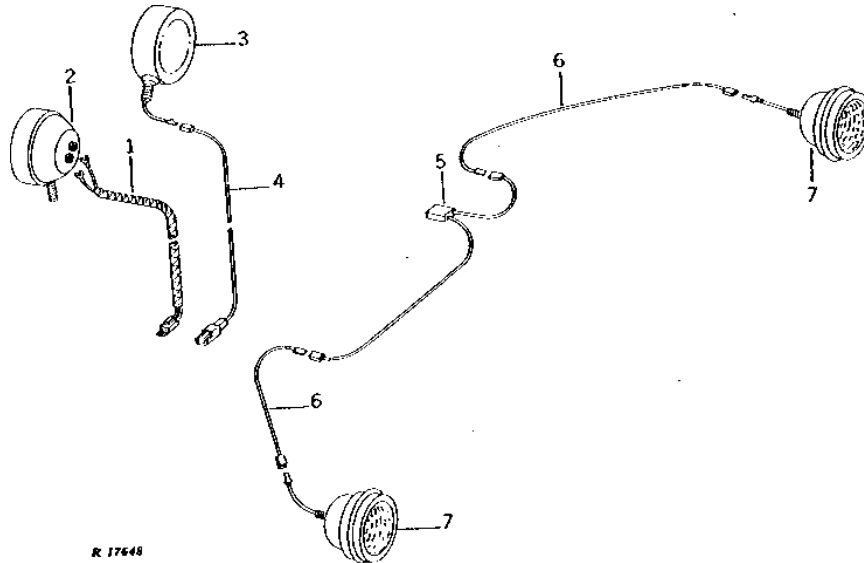


| KEY | PART NO. | PART NAME | QTY | TRACTOR SERIAL NO. | REMARKS |
|-----|----------|----------------|-----|--|---|
| 1 | AR50580 | LAMP | 2 | | |
| | R47831 | WASHER | 2 | | |
| | 14H856 | NUT | 2 | 1/2" | |
| 2 | 12H292 | LOCK WASHER | 2 | 1/2" | |
| | | WIRING LEAD | 2 | 1041MM (41") (MAKE FROM R32007, R32024, R32025 AND (2) R32027) | |
| 3 | AR48939 | WIRING HARNESS | 2 | | |
| | R27180 | GROMMET | 4 | | |
| | R21551 | CLIP | 4 | | |
| 4 | T28585 | TERMINAL | 4 | | (DUAL BEAM) |
| 5 | AR48721 | LAMP | 2 | | (12-VOLT DUAL BEAM) (SUB RE25126 R.H. AND RE25127 L.H., THIS APPLICATION) |
| | R48663 | WASHER | 2 | | |
| | F2935R | WASHER | 2 | | |
| | 12H301 | LOCK WASHER | 2 | 1/2" | |
| | 14H1040 | NUT | 2 | 1/2" | |
| 6 | RE19080 | LAMP | 2 | | (SUB FOR AR48722) (12-VOLT FLOOD) |
| | R20758 | WASHER | 2 | | |
| | F2935R | WASHER | 2 | | |
| | 12H301 | LOCK WASHER | 2 | 1/2" | |
| | 14H1040 | NUT | 2 | 1/2" | |
| 7 | T28585 | TERMINAL | 2 | | |
| 8 | AR50834 | WIRING LEAD | 2 | | |
| 9 | AR41702 | WIRING HARNESS | 1 | | REAR LAMP, L.H. |
| | R26936 | GROMMET | 2 | | REAR LAMP, L.H. |
| 10 | AR77326 | FLOODLAMP | 1 | | (SUB FOR AT16288) |
| | 12H301 | LOCK WASHER | 1 | 1/2" | |
| | 14H1040 | NUT | 1 | 1/2" | |
| 11 | RE27099 | LAMP | 1 | | (12-VOLT) (SUB FOR AR35782) |
| | 12H301 | LOCK WASHER | 1 | 1/2" | |
| | 14H1040 | NUT | 1 | 1/2" | |
| 12 | | WIRING LEAD | 1 | | 152MM (6") (GROUND) (MAKE FROM R32007, R32016 AND R32023) |
| 13 | | WIRING LEAD | 1 | | 1181MM (46-1/2") (MAKE FROM R32007, R32016, R32024 AND R32027) |
| | R26936 | GROMMET | 1 | | |

2B18

ELECTRICAL

LAMP WIRING
 (TRACTOR SERIAL NO. 201000-250000)(HI-CROP)
 R17648 -UN-01JAN94

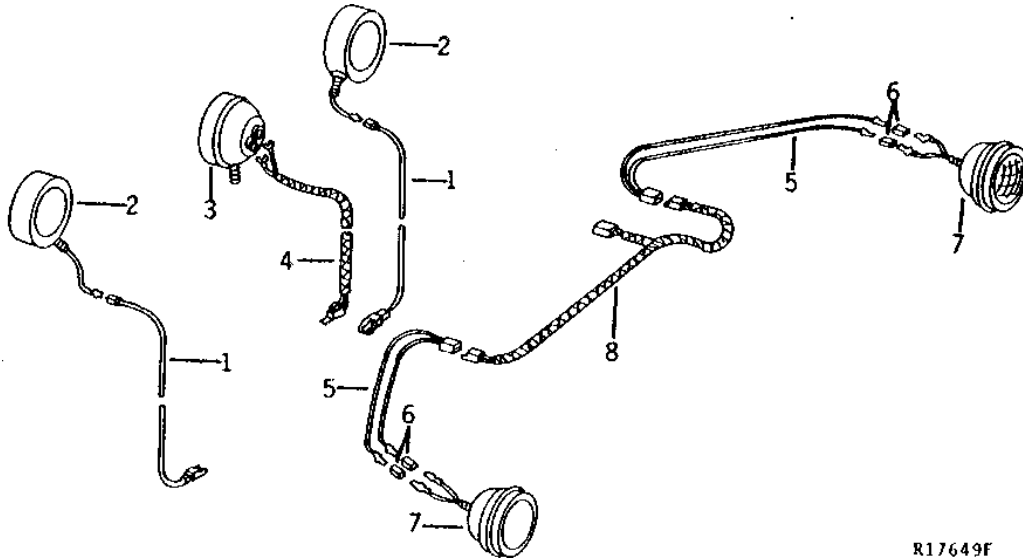


| KEY | PART NO. | PART NAME | QTY | TRACTOR SERIAL NO. | REMARKS |
|-----|----------|----------------|-----|---|---------|
| 1 | AR41702 | WIRING HARNESS | 1 | L.H. | |
| | R26409 | GROMMET | 1 | | |
| | R36235 | GROMMET | 1 | | |
| 2 | AR77326 | FLOODLAMP | 1 | (SUB FOR AT16288 OR AR34990) | |
| | A2743R | WASHER | 1 | (NLA) | |
| | 12H301 | LOCK WASHER | 1 | 1/2" | |
| | 14H1040 | NUT | 1 | 1/2" | |
| 3 | AR38456 | LAMP | 1 | | |
| | AD2062R | BULB | 1 | (12-16 VOLT) (32CP) | |
| | R38371 | WASHER | 1 | | |
| | 24H1227 | WASHER | 1 | 17/32" X 13/16" X 0.060" | |
| | 14H856 | NUT | 1 | 1/2" | |
| | 12H292 | LOCK WASHER | 1 | 1/2" | |
| 4 | AR41695 | WIRING LEAD | 1 | | |
| 5 | AR46081 | WIRING HARNESS | 1 | SIDE LAMP | |
| | R26941 | GROMMET | 1 | | |
| 6 | | WIRING LEAD | 2 | 394MM (15-1/2") (MAKE FROM R32007, R32016, R32025 AND R32027) | |
| 7 | AT13381 | LAMP | 2 | (12-VOLT) | |
| | 24H1111 | WASHER | 2 | | |
| | 14H1040 | NUT | 2 | 1/2" | |
| | 12H301 | LOCK WASHER | 2 | 1/2" | |

2B19

ELECTRICAL

LAMP WIRING
(TRACTOR SERIAL NO. 250001-) (HI-CROP)
R17649 -UN-01JAN94



R17649F

| KEY | PART NO. | PART NAME | QTY | TRACTOR SERIAL NO. | REMARKS |
|-----|----------|----------------|-----|---------------------------|---|
| 1 | AR41695 | WIRING LEAD | 2 | | |
| 2 | AR50580 | LAMP | 2 | | |
| | R47831 | WASHER | 2 | | |
| | 24H1227 | WASHER | 2 | 17/32" X 13/16" X 0.060" | |
| | 14H856 | NUT | 2 | 1/2" | |
| | 12H292 | LOCK WASHER | 2 | 1/2" | |
| 3 | AR77326 | FLOODLAMP | 1 | | (SUB FOR AT16288 OR AR34990) |
| | A2743R | WASHER | 1 | | |
| | 24H1355 | WASHER | 1 | 37/64" X 1-1/8" X 0.120", | (SUB FOR R31892) |
| | 14H1040 | NUT | 1 | 1/2" | |
| | 12H301 | LOCK WASHER | 1 | 1/2" | |
| 4 | AR41702 | WIRING HARNESS | 1 | | L.H. |
| | R26409 | GROMMET | 1 | | |
| | R36235 | GROMMET | 1 | | |
| 5 | AR50836 | WIRING HARNESS | 2 | | (NLA) |
| 6 | T28583 | RECEPTACLE | 4 | | |
| 7 | AR48721 | LAMP | 2 | | (12-VOLT DUAL BEAM) (SUB RE25126 R.H. AND RE25127 L.H., THIS APPLICATION) |
| | R48663 | WASHER | 2 | | |
| | 24H1111 | WASHER | 2 | | |
| | F2935R | WASHER | 2 | | |
| | 14H1040 | NUT | 2 | 1/2" | |
| | 12H301 | LOCK WASHER | 2 | 1/2" | |
| 8 | AR50835 | WIRING HARNESS | 1 | | (NLA) |
| | R26941 | GROMMET | 2 | | |

2B20

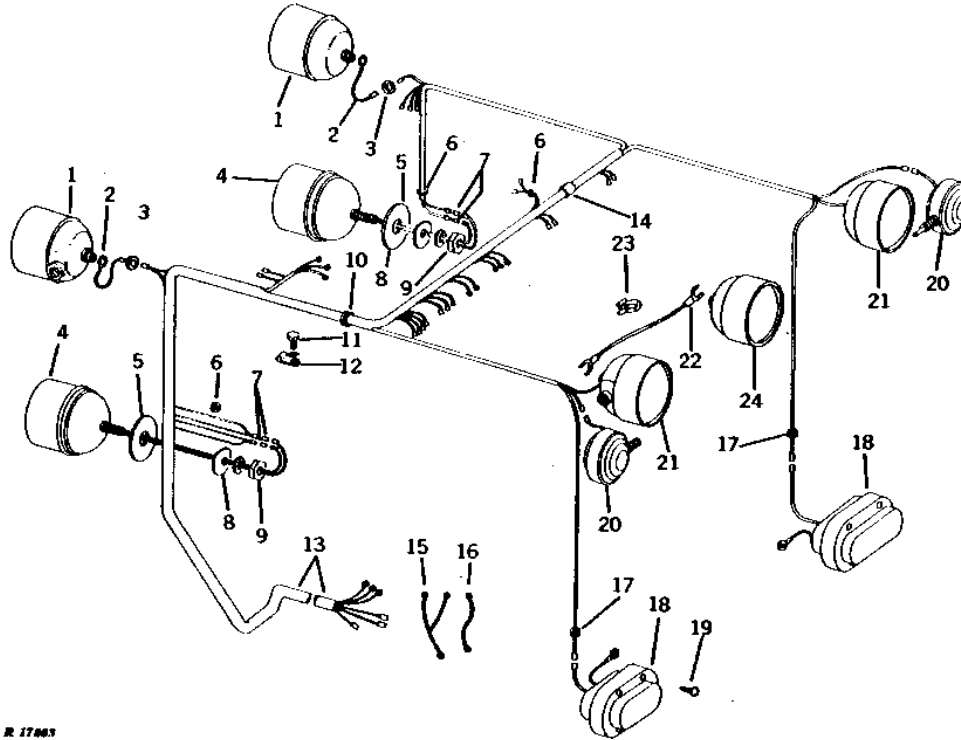
ELECTRICAL

CAB LAMP WIRING

(HINSON)

R17803

-UN-01JAN94



| KEY | PART NO. | PART NAME | QTY | TRACTOR SERIAL NO. | REMARKS |
|-----|----------|----------------|-----|--------------------|---|
| 1 | AR42119 | LAMP | 2 | | (A) (SUB RE19075, THIS APPLICATION) |
| 2 | | WIRING LEAD | 2 | | (MAKE FROM R32007, R32025, R32018 AND R32027) |
| 3 | R2579R | GROMMET | 2 | | |
| 4 | AR51335 | LAMP | 2 | | (NLA) |
| 5 | R48663 | WASHER | 2 | | |
| 6 | R27180 | GROMMET | 3 | | |
| 7 | T28585 | TERMINAL | 4 | | |
| | T28583 | RECEPTACLE | 4 | | |
| 8 | F2935R | WASHER | 2 | | |
| 9 | 14H1040 | NUT | 2 | | 1/2" |
| | 12H301 | LOCK WASHER | 2 | | 1/2" |
| 10 | R27533 | GROMMET | 2 | | |
| 11 | 19H1227 | CAP SCREW | 1 | | 1/4" X 1/2" |
| | 12H302 | LOCK WASHER | 1 | | 1/4" |
| 12 | R40791 | CLAMP | 1 | | |
| 13 | AR67346 | WIRING HARNESS | 1 | | (SUB FOR AR53157) |
| | R48887 | RECEPTACLE | 1 | | |
| | R48888 | FITTING | 1 | | (NLA) |
| 14 | R48883 | CLAMP | 2 | | |
| 15 | AR49602 | WIRING HARNESS | 2 | | |
| 16 | | WIRING LEAD | 1 | | 330MM (13") (MAKE FROM R32007 AND (2) R32022) |
| 17 | M1895T | GROMMET | 4 | | |
| 18 | AR78825 | TAIL LAMP | 2 | | (SUB FOR AR45099) |
| 19 | 37H2 | SCREW | 8 | | 0.164" X 5/8" |
| 20 | AR38456 | LAMP | 2 | -259968 | |
| | AR54975 | LAMP | 2 | 259969- | |
| 21 | AR42119 | LAMP | 1 | | (A) (SUB RE19075, THIS APPLICATION) |
| 22 | | WIRING LEAD | 1 | | (MAKE FROM R32007 AND (2) R32016) |
| 23 | R21551 | CLIP | 2 | | |
| 24 | AR42119 | LAMP | 1 | | (A) (SUB RE19075, THIS APPLICATION) |
| .. | AR54976 | WIRING HARNESS | 2 | 259969- | (USE WITH AR54975) (NLA) |
| .. | AR52604 | KIT | 1 | | REAR CENTER FLOOD LAMP |

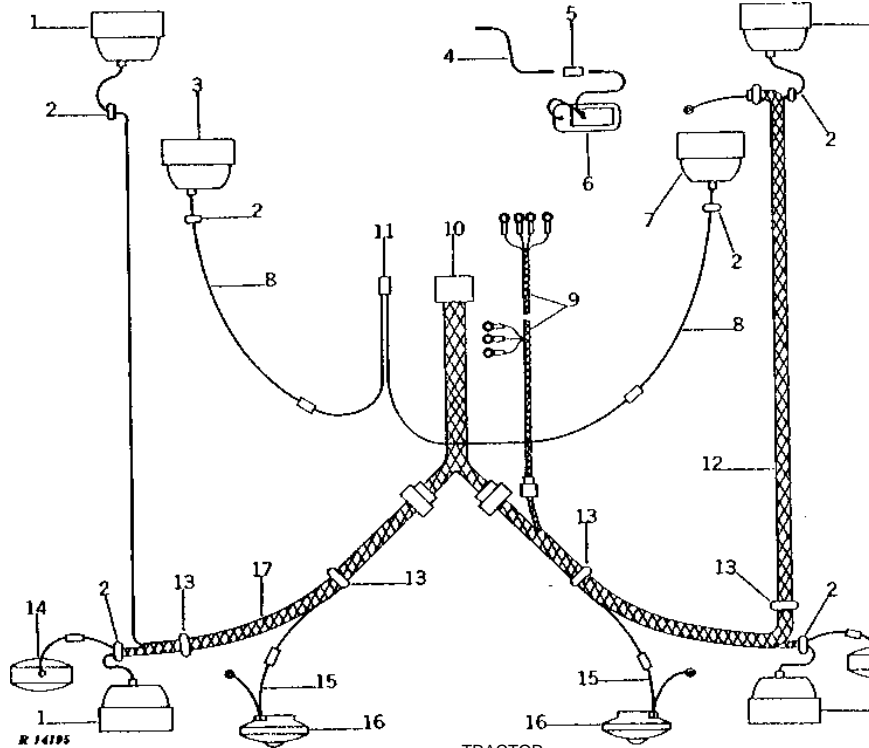
(A) HOBBS OR GUIDE

2B21

ELECTRICAL

**CAB LAMP WIRING
(STOLPER)**

R14195 -UN-01JAN94

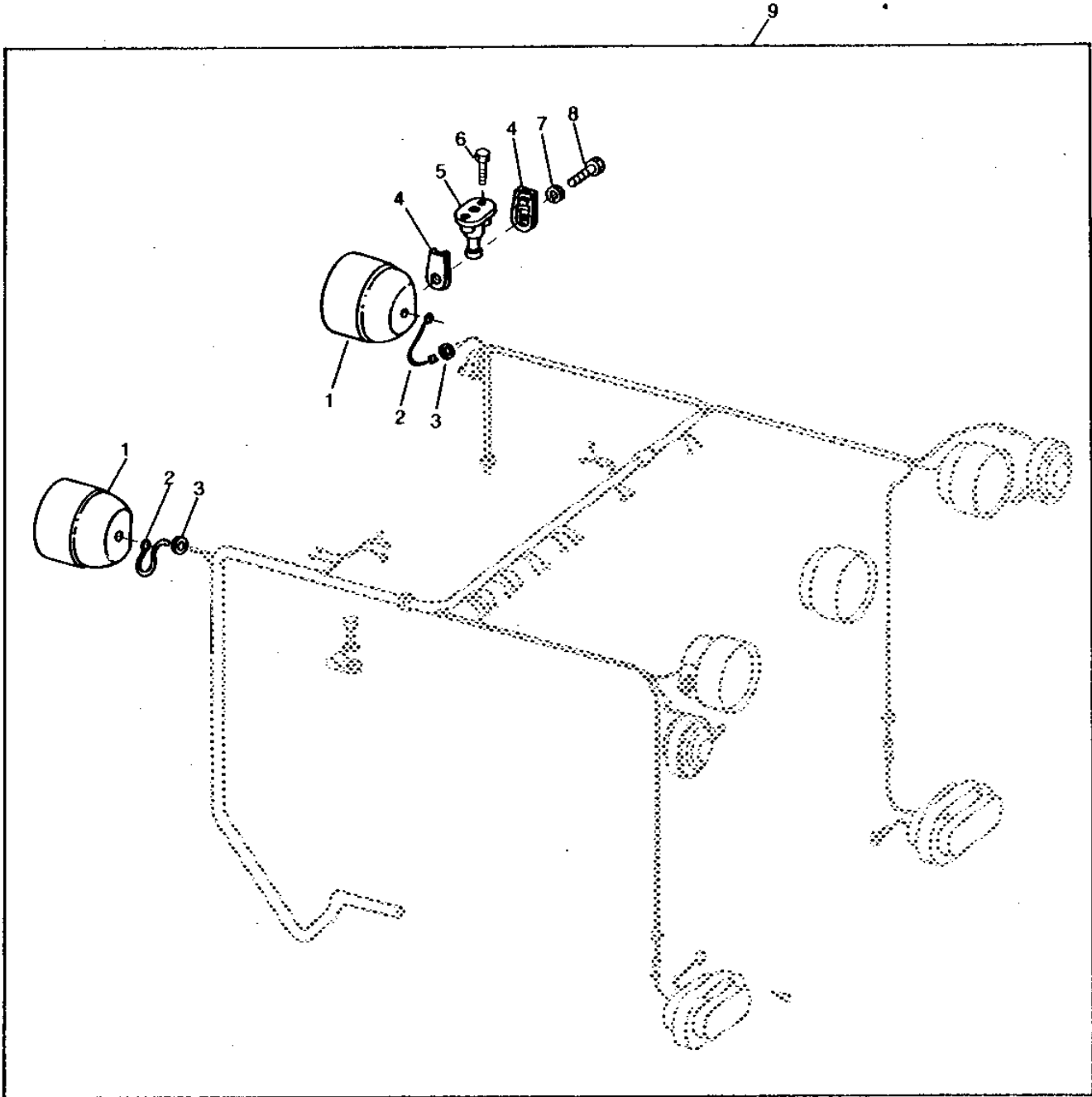


| KEY | PART NO. | PART NAME | QTY | TRACTOR SERIAL NO. | REMARKS |
|-----|----------|----------------|-----|--------------------|---|
| 1 | AR42119 | LAMP | 4 | | (12-VOLT) (UPPER FRONT AND REAR) (HOBBS OR GUIDE) (SUB RE19075, THIS APPLICATION) |
| 2 | R27583 | GROMMET | 6 | | |
| 3 | R26941 | GROMMET | 2 | | |
| 3 | RE19075 | LAMP | 1 | | LOWER, L.H. (SUB FOR AR42121) |
| 4 | | WIRING LEAD | 1 | | (MAKE FROM R32007, R32024, R32026 AND R32027) |
| 5 | R32029 | TERMINAL | 1 | | |
| 6 | AR45847 | LAMP | 1 | | |
| 7 | RE19075 | LAMP | 1 | | (12-VOLT) (SUB FOR AR42120) LOWER, R.H. |
| 8 | AR42008 | WIRING LEAD | 1 | | LOWER(NLA) |
| | R21551 | CLIP | 6 | | (SUB FOR F2084R) |
| 9 | AR46335 | WIRING HARNESS | 1 | | R.H.(NLA) |
| 10 | AR46333 | WIRING HARNESS | 1 | | (NLA) |
| 11 | AR46081 | WIRING HARNESS | 1 | | |
| 12 | AR43742 | WIRING HARNESS | 1 | | (NLA) |
| | T14264 | CLAMP | 1 | | (HARNESS TO ROLL-GARD) |
| | R45211 | CLAMP | 1 | | |
| | R34557 | CLAMP | 1 | | |
| | R27180 | GROMMET | 1 | | |
| 13 | R41439 | GROMMET | 4 | | |
| | R40445 | GROMMET | 1 | | |
| 14 | AR38456 | LAMP | 2 | | |
| 15 | AR44996 | WIRING LEAD | 2 | | (NLA) |
| 16 | AR78825 | TAIL LAMP | 2 | | (SUB FOR AR44989 OR AR45099) |
| 17 | AR43743 | WIRING HARNESS | 1 | | (NLA) |
| | T14264 | CLAMP | 1 | | |
| | R45211 | CLAMP | 1 | | |
| | R34557 | CLAMP | 1 | | |
| | R27180 | GROMMET | 1 | | |
| .. | R45231 | LABEL | 1 | | |

2B22

ELECTRICAL

FLOOD LAMP KIT
(UPPER FRONT)(HINSON)
RWP4369 -UN-01JAN94



RWP4369

2B23

ELECTRICAL

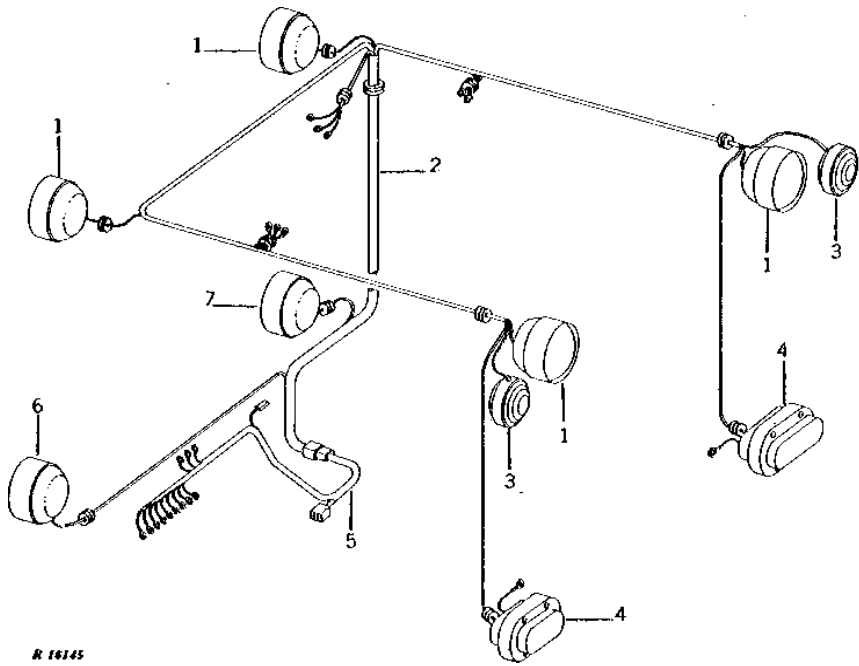
**FLOOD LAMP KIT - CONTINUED
(UPPER FRONT)(HINSON)**

| KEY | PART NO. | PART NAME | QTY | TRACTOR SERIAL NO. | REMARKS |
|-----|----------|-------------|-----|-----------------------|---|
| 1 | AR42119 | LAMP | 2 | | (12-VOLT) (SUB RE19075, THIS APPLICATION) |
| | AR104119 | HEADLIGHT | 2 | | (HALOGEN) (USE WITH RE19075) |
| 2 | | WIRING LEAD | 2 | | (MAKE FROM R32018, R66319 AND R32027) (FROM R32025) |
| 3 | R2579R | GROMMET | 2 | | |
| 4 | R27460 | CLAMP | 4 | | |
| 5 | R43662 | BRACKET | 2 | | |
| 6 | 37H106 | SCREW | 4 | | |
| 7 | 12H301 | LOCK WASHER | 2 | | 1/2" |
| 8 | 19H2644 | CAP SCREW | 2 | | 1/2" X 2-1/2" |
| 9 | AR51968 | KIT | 1 | | (FI) |

2B24

ELECTRICAL

CAB WIRING
 (STOLPER CAB SERIAL NO. 208300-) (AIR CONDITIONING)
 R16145 -UN-01JAN94



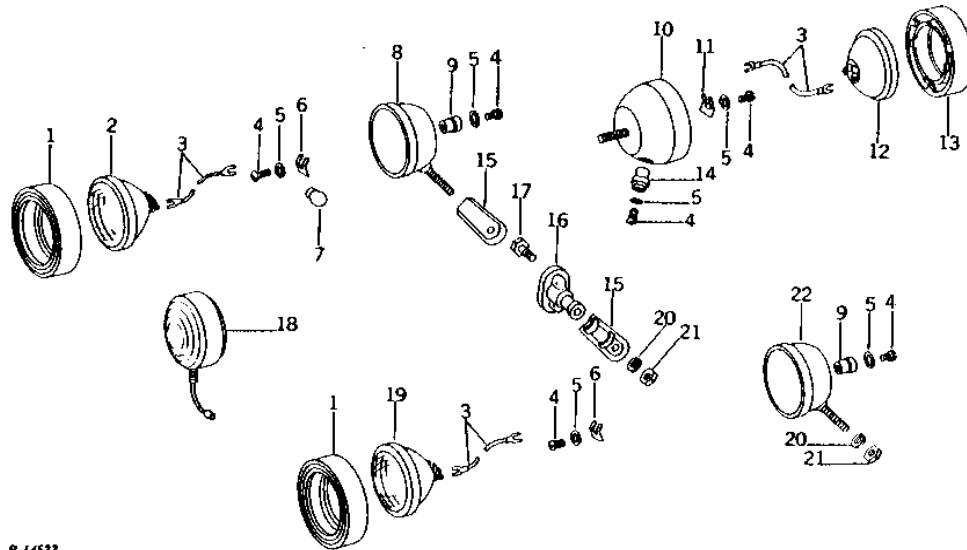
| KEY | PART NO. | PART NAME | QTY | CAB SERIAL NO. | REMARKS |
|-----|----------|----------------|-----|----------------|---|
| 1 | AR42119 | LAMP | 4 | | (A) FRONT AND REAR (HOBBS OR GUIDE) (SUB RE19075, THIS APPLICATION) |
| | R27583 | GROMMET | 4 | | |
| 2 | AR49356 | WIRING HARNESS | 1 | | (NLA) |
| | H23127 | GROMMET | 2 | | |
| | R44458 | GROMMET | 3 | | |
| | R47474 | CLIP | 3 | | |
| 3 | AR38456 | LAMP | 2 | | |
| 4 | AR78825 | TAIL LAMP | 2 | | (SUB FOR AR45099) |
| | R27583 | GROMMET | 2 | | |
| 5 | AR46486 | WIRING HARNESS | 1 | | (NLA) |
| 6 | RE19075 | LAMP | 1 | | (SUB FOR AR42121) (12-VOLT) |
| | R27583 | GROMMET | 1 | | |
| 7 | RE19075 | LAMP | 1 | | (SUB FOR AR42120) (12-VOLT) |
| | R27583 | GROMMET | 1 | | |

2B25

ELECTRICAL

FRONT AND REAR LAMP PARTS AND REAR LAMP BRACKETS (TRACTOR SERIAL NO. 201000-250000)

R14522 -UN-01JAN94



R 14522

| KEY | PART NO. | PART NAME | QTY | TRACTOR SERIAL NO. | REMARKS |
|-----|----------|---------------------|-----|--------------------|---|
| 1 | R30182 | BEZEL | 2 | (A) | |
| | R31250 | BEZEL | 2 | (B) | |
| 2 | AR21737 | LAMP | 1 | -XXXXXX | (12-VOLT) (SUB AR77324, AD2062R AND AR77325) |
| | AR77324 | LAMP | 1 | | (USE WITH AR77326) |
| 3 | | WIRING LEAD | 6 | | 165MM (6-1/2") (MAKE FROM R32007 AND (2) R32016) (FROM AR84006) |
| 4 | 21H1293 | SCREW | 12 | | 0.164" X 5/16" |
| 5 | 12M7084 | LOCK WASHER | 12 | | 0.169" |
| 6 | A2899R | ASSEMBLY LINE PARTS | 2 | | (B) |
| 7 | AR86969 | BULB | 1 | | (12-VOLT) (15 C.P.) (USE WITH AT16288) (SUB FOR AR21739) |
| | AD2062R | BULB | 1 | | (12-VOLT) (USE WITH AR77326) |
| 8 | AR77326 | FLOODLAMP | 1 | | (SUB FOR AT16288 OR AR34990) |
| | AR55888 | SOCKET | 1 | | (A) (USE WITH AT16288) |
| | AR77325 | SOCKET | 1 | | (USE WITH AR77326) |
| 9 | R30181 | PLATE | 4 | (A) | |
| | AA3495R | SUPPORT | 4 | (B) | |
| 10 | AT13381 | LAMP | 2 | | (12-VOLT) INNER OR SIDE LAMP |
| | AT13380 | HEADLIGHT | 2 | | (C) (D) (12-VOLT FLOOD) |
| 11 | A2899R | ASSEMBLY LINE PARTS | 4 | | |
| 12 | AF3892R | HEADLIGHT | 2 | | (12-VOLT) (INNER) |
| | AF3892R | HEADLIGHT | 2 | | (12-VOLT FLOOD) (OUTER) (SUB FOR AR21059) |
| 13 | R30182 | BEZEL | 4 | (A) | |
| | R31250 | BEZEL | 4 | (B) | |
| 14 | R30181 | PLATE | 4 | (A) | |
| | AA3495R | SUPPORT | 4 | (B) | |
| 15 | R27460 | CLAMP | AR | | (4 USED (C)) (2 USED (D) AND (E)) |
| 16 | R43662 | BRACKET | AR | | (2 USED (C)) (1 USED (E)) |
| | T19178 | BRACKET | 2 | (ST) | |
| 17 | 37H106 | SCREW | 1 | | (C) 3/8" X 5/8" |
| 18 | AR38456 | LAMP | 1 | | |
| | AD2062R | BULB | 1 | | (12-16 VOLT) |
| 19 | AF3892R | HEADLIGHT | 1 | | (12-VOLT) (SUB FOR AR21059) |
| 20 | 12H301 | LOCK WASHER | 2 | | 1/2" |
| 21 | 14H1040 | NUT | 2 | | 1/2" |
| 22 | AR35782 | LAMP | 1 | | (D) (12-VOLT) |

(A) HOBBS

(B) GUIDE

(C) ROW-CROP

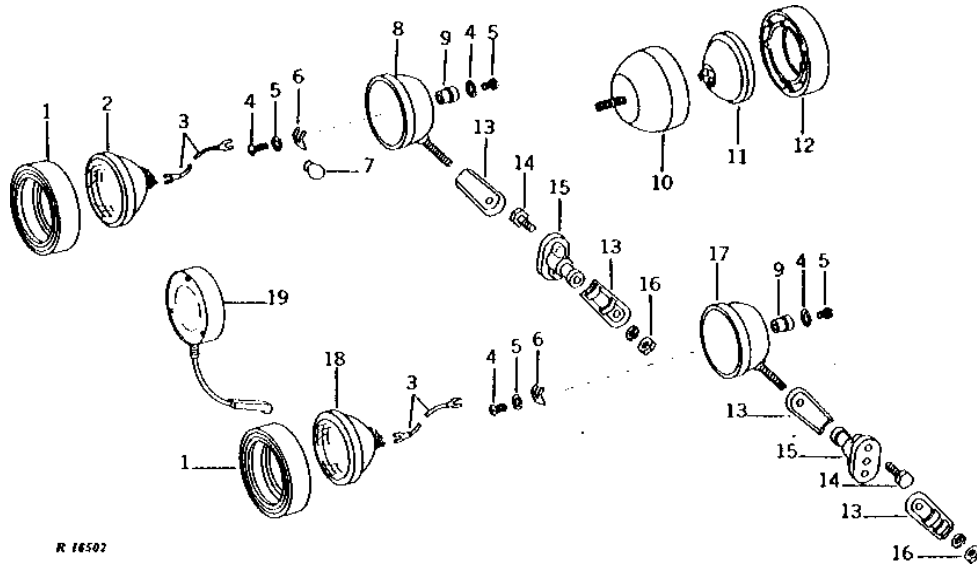
(D) STANDARD

(E) HI-CROP

2C1

ELECTRICAL

LAMP PARTS AND BRACKETS
(TRACTOR SERIAL NO. 250001-)
R16502 -UN-01JAN94



R 16502

| KEY | PART NO. | PART NAME | QTY | TRACTOR SERIAL NO. | REMARKS |
|-----|----------|---------------------|-----|--------------------|---|
| 1 | R30182 | BEZEL | 2 | (A) | |
| | R31250 | BEZEL | 2 | (B) | |
| 2 | AR21737 | LAMP | 1 | -XXXXXX | (SUB AR77324, AD2062R AND AR77325) (12-VOLT) |
| | AR77324 | LAMP | 1 | | (USE WITH AR77326) |
| 3 | | WIRING LEAD | 6 | | (MAKE FROM R32007 AND (2) R32016) |
| 4 | 21H1293 | SCREW | 12 | | 0.164" X 5/16" |
| 5 | 12M7084 | LOCK WASHER | 12 | | 0.169" |
| 6 | A2899R | ASSEMBLY LINE PARTS | 2 | | (B) |
| 7 | AR86969 | BULB | 1 | | (12-VOLT) (15 C.P.) (USE WITH AT16288) (SUB FOR AR21739) |
| 8 | AD2062R | BULB | 1 | | (USE WITH AR77326) (12-VOLT) |
| | AR34990 | LAMP | 1 | | (C) (E) (12-VOLT) (SUB AR77326) |
| | AR77326 | FLOODLAMP | 1 | | (A) (SUB FOR AT16288) |
| | AR55888 | SOCKET | 1 | | (USE WITH AT16288) |
| | AR77325 | SOCKET | 1 | | (A) (USE WITH AR77326) |
| 9 | R30181 | PLATE | 4 | | (A) |
| | AA3495R | SUPPORT | 4 | | (B) |
| 10 | AR48721 | LAMP | 2 | | (12-VOLT DUAL BEAM) OUTER (SUB RE25126 R.H. AND RE25127 L.H., THIS APPLICATION) |
| | RE19080 | LAMP | 2 | | (C) (D) (SUB FOR AR48722) (12-VOLT FLOOD) |
| 11 | AR48723 | HEADLIGHT | 2 | | (12-VOLT DUAL BEAM) (OUTER) |
| | AF3892R | HEADLIGHT | 2 | | (12-VOLT FLOOD) (INNER) (SUB FOR AR21059) |
| 12 | R30182 | BEZEL | 4 | | (A) |
| | R31250 | BEZEL | 4 | | (B) |
| 13 | R27460 | CLAMP | AR | | (4 USED (C) AND (E)) (2 USED (D)) |
| 14 | 37H106 | SCREW | 4 | | 3/8" X 5/8" |
| 15 | R43662 | BRACKET | 1 | | (C) (E) |
| | T19178 | BRACKET | 2 | | (D) |
| 16 | 14H1040 | NUT | 2 | | 1/2" |
| | 12H301 | LOCK WASHER | 2 | | 1/2" |
| 17 | AR35782 | LAMP | 1 | | (D) (12-VOLT) |
| 18 | AF3892R | HEADLIGHT | 1 | | (12-VOLT) (SUB FOR AR21059) |
| 19 | AR50580 | LAMP | 2 | | |
| | AD2062R | BULB | 1 | | (12-16-VOLT) |
| | R48664 | LENS | 1 | | (RED) |
| | R48665 | LENS | 1 | | (AMBER) |

(A) HOBBS

(B) GUIDE

(C) ROW-CROP

(D) STANDARD

(E) HI-CROP

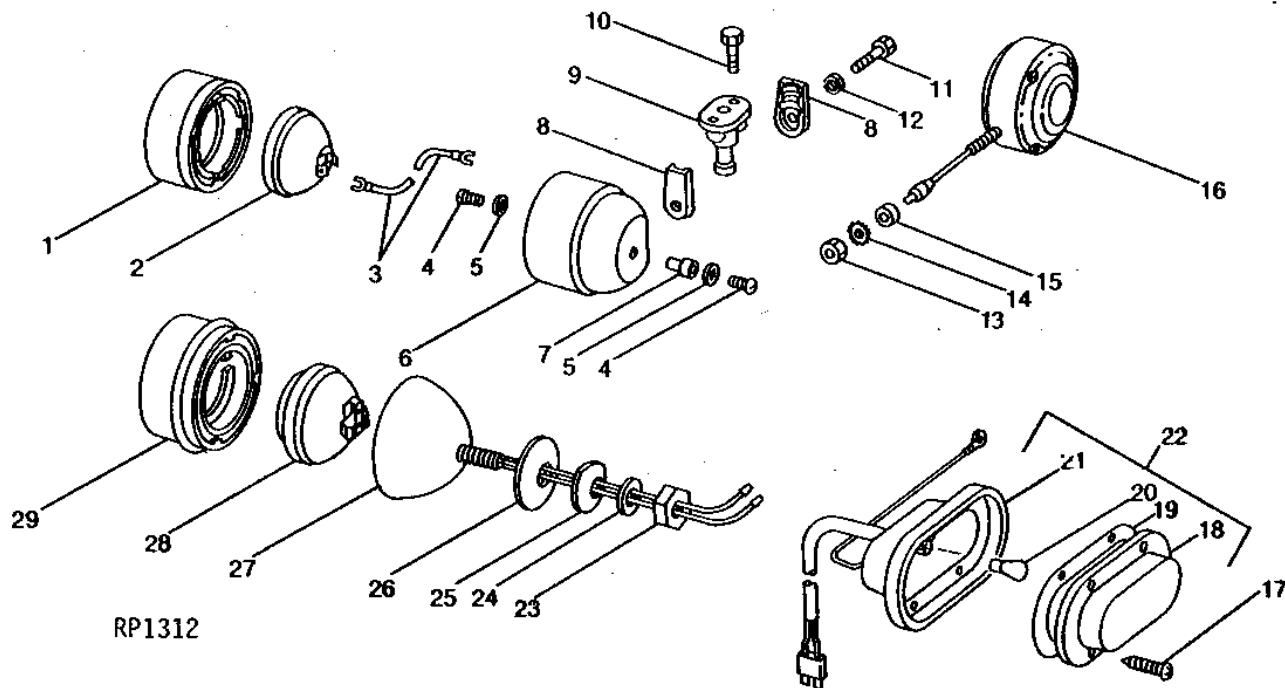
2C2

ELECTRICAL

CAB FRONT AND REAR LAMPS, TAIL LAMP AND WARNING LAMPS

(HINSON)

RP1312 -UN-01JAN94



RP1312

| KEY | PART NO. | PART NAME | QTY | TRACTOR SERIAL NO. | REMARKS |
|-----|----------|-------------|-----|---|-----------------------------------|
| 1 | R42689 | BEZEL | 1 | (HOBBS) | |
| 2 | AF3892R | HEADLIGHT | 1 | (12-VOLT) (FRONT AND REAR) (USE WITH AR42119) | (SUB FOR AR42591) |
| 3 | AR104119 | HEADLIGHT | 1 | (12-VOLT) (FRONT AND REAR) (USE WITH RE19075) | (MAKE FROM R32007 AND (2) R32016) |
| 4 | 21H1293 | SCREW | 2 | | 0.164" X 5/16" |
| 5 | 12M7084 | LOCK WASHER | 2 | | 0.169" |
| 6 | AR42119 | LAMP | 1 | (12-VOLT) (UPPER FRONT AND REAR) (HOBBS OR GUIDE) (SUB RE19075, THIS APPLICATION) | (HOBBS) |
| 7 | R30181 | PLATE | 1 | | |
| 8 | R27460 | CLAMP | 2 | | |
| 9 | R43662 | BRACKET | 1 | | |
| 10 | 37H106 | SCREW | 2 | | 3/8" X 5/8" |
| 11 | 19H2644 | CAP SCREW | 1 | | 1/2" X 2-1/2" |
| 12 | 12H301 | LOCK WASHER | 1 | | 1/2" |
| 13 | 14H856 | NUT | 1 | | 1/2" |
| 14 | 12H292 | LOCK WASHER | 1 | | 1/2" |
| 15 | R38371 | WASHER | 1 | | |
| 16 | AR38456 | LAMP | 1 | -259968 | |
| | AR54975 | LAMP | 1 | 259969- | |
| | AD2062R | BULB | 1 | | (12-16-VOLT) (32 C.P.) |
| | R42666 | LENS | 1 | | (AMBER) |
| | R42667 | LENS | 1 | | (RED) |
| 17 | 37H2 | SCREW | 4 | | 0.164" X 5/8" |
| 18 | R45936 | LENS | 1 | | |
| 19 | R45937 | GASKET | 1 | | |
| 20 | AR48041 | BULB | 1 | | |
| 21 | AR48040 | HOUSING | 1 | | (SUB AR78825) |
| 22 | AR78825 | TAIL LAMP | 1 | | (SUB FOR AR45099) |
| 23 | 14H1040 | NUT | 1 | | 1/2" |
| 24 | 12H301 | LOCK WASHER | 1 | | 1/2" |
| 25 | F2935R | WASHER | 1 | | |
| 26 | R48663 | WASHER | 1 | | |
| 27 | AR51335 | LAMP | 1 | | (FRONT, LOWER)(NLA) |
| 28 | AR48723 | HEADLIGHT | 1 | | (12-VOLT) (FRONT, LOWER) |
| 29 | R48293 | BEZEL | 1 | | (GUIDE) |
| | R48293 | BEZEL | 1 | | (GUIDE) |

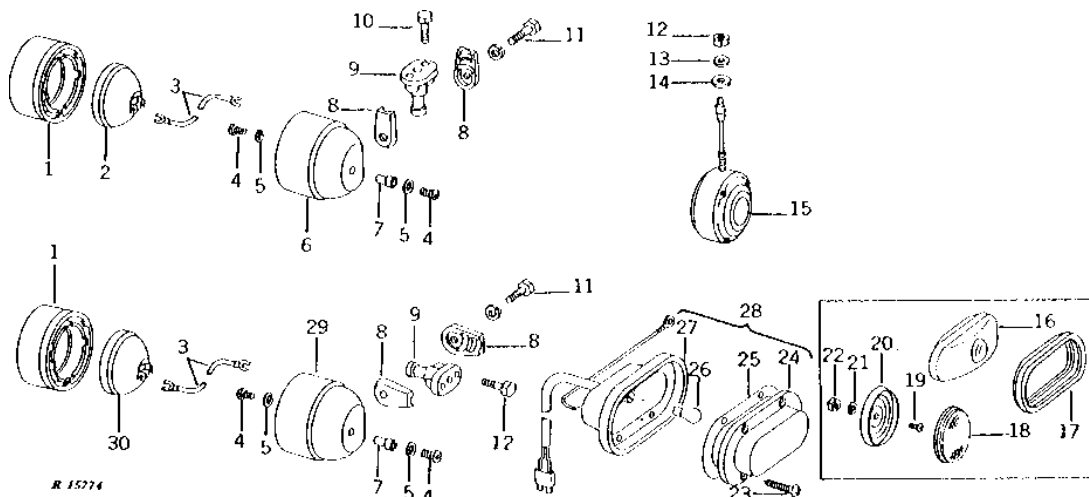
2C3

ELECTRICAL

CAB LAMP PARTS, WARNING LAMP AND REFLECTOR

(STOLPER)

R15774 -UN-01JAN94



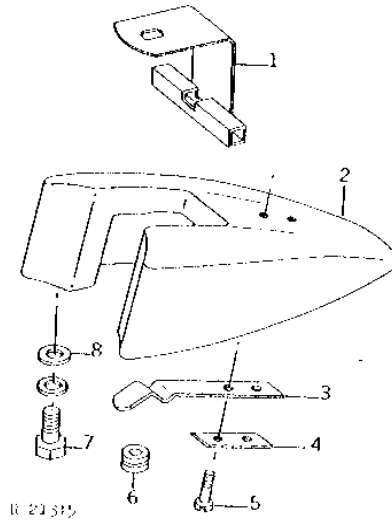
| KEY | PART NO. | PART NAME | QTY | TRACTOR SERIAL NO. | REMARKS |
|-----|----------|-------------|-----|---|--|
| 1 | R42689 | BEZEL | 6 | (HOBBS) | |
| | R48293 | BEZEL | 6 | (GUIDE) | |
| 2 | AF3892R | HEADLIGHT | 4 | (A) (UPPER FRONT AND REAR) (USE WITH RE42119) | |
| | AR104119 | HEADLIGHT | 4 | (SUB FOR AR42591) | |
| 3 | | WIRING LEAD | 1 | (A) (UPPER FRONT AND REAR) (USE WITH RE19075) | |
| 4 | 21H1293 | SCREW | 12 | (MAKE FROM R32007 AND (2) R32016) | |
| 5 | 12M7084 | LOCK WASHER | 12 | 0.164" X 5/16" | |
| 6 | AR42119 | LAMP | 4 | 0.169" | (A) (HOBBS OR GUIDE) (SUB RE19075, THIS APPLICATION) |
| 7 | R30181 | PLATE | 6 | (HOBBS) | |
| 8 | R27460 | CLAMP | 12 | | |
| 9 | T19178 | BRACKET | 6 | | |
| 10 | 37H106 | SCREW | 12 | 3/8" X 5/8" | |
| 11 | 19H2644 | CAP SCREW | 6 | 1/2" X 2-1/2" | |
| | 12H301 | LOCK WASHER | 6 | 1/2" | |
| 12 | 14H856 | NUT | 2 | 1/2" | |
| 13 | 24H1227 | WASHER | 2 | 17/32" X 13/16" X 0.060" | |
| 14 | R38371 | WASHER | 2 | | |
| 15 | AR38456 | LAMP | 2 | | |
| | AD2062R | BULB | 1 | | |
| | R42666 | LENS | 1 | | |
| | R42667 | LENS | 1 | | |
| 16 | AR78825 | TAIL LAMP | 2 | (SUB FOR AR44989 OR AR45099) | |
| 17 | R42779 | GROMMET | 2 | (NLA) | |
| 18 | T33745 | REFLECTOR | 2 | (RED) (SUB FOR R42777 OR R60731) | |
| 19 | 21H1335 | SCREW | 2 | 0.190" X 5/16" | |
| 20 | T33745 | REFLECTOR | 2 | (SUB FOR R42778 OR R60731) | |
| 21 | 12M7060 | WASHER | 2 | 0.209" | |
| 22 | 14H631 | NUT | 2 | 0.190" | |
| 23 | 37H2 | SCREW | 8 | 0.164" X 5/8" | |
| 24 | R45936 | LENS | 2 | | |
| 25 | R45937 | GASKET | 2 | | |
| 26 | AR48041 | BULB | 2 | | |
| 27 | AR48040 | HOUSING | 2 | (SUB AR78825) | |
| 28 | AR78825 | TAIL LAMP | 2 | (SUB FOR AR45099) | |
| 29 | RE19075 | LAMP | 1 | (SUB FOR AR42121) | |
| | RE19075 | LAMP | 1 | (SUB FOR AR42120) | |
| 30 | AF3892R | HEADLIGHT | 2 | (A) | |
| | AR104119 | HEADLIGHT | 2 | (USE WITH RE19075) | |

(A) 12-VOLT

2C4

ELECTRICAL

WARNING LAMP SUPPORT
(4000-LOW PROFILE)
 R21315 -UN-01JAN94

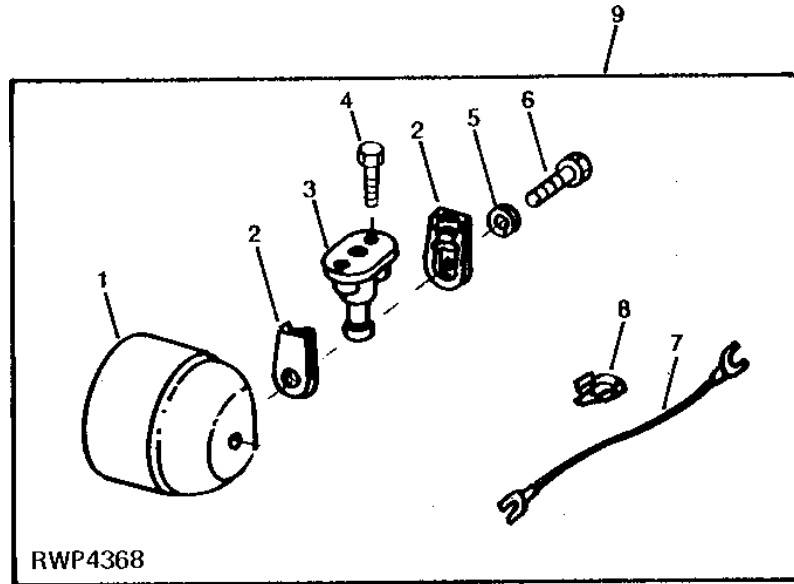


| KEY | PART NO. | PART NAME | QTY | TRACTOR SERIAL NO. | REMARKS |
|-----|----------|-------------|-----|--------------------------|---------|
| 1 | AT27425 | BRACKET | 1 | | |
| 2 | R52916 | SUPPORT | 1 | | |
| 3 | T10379 | CLAMP | 2 | | |
| 4 | T10381 | STRAP | 2 | | |
| 5 | 21H1345 | SCREW | 4 | 0.164" X 5/8" | |
| 6 | R26409 | GROMMET | 1 | | |
| 7 | 19H2021 | CAP SCREW | 3 | 3/8" X 5/8" | |
| | 12H304 | LOCK WASHER | 3 | 3/8" | |
| 8 | 24H1305 | WASHER | 3 | 13/32" X 13/16" X 0.065" | |

2C5

ELECTRICAL

FLOOD LAMP KIT (REAR CENTER)
RWP4368 -UN-01JAN94



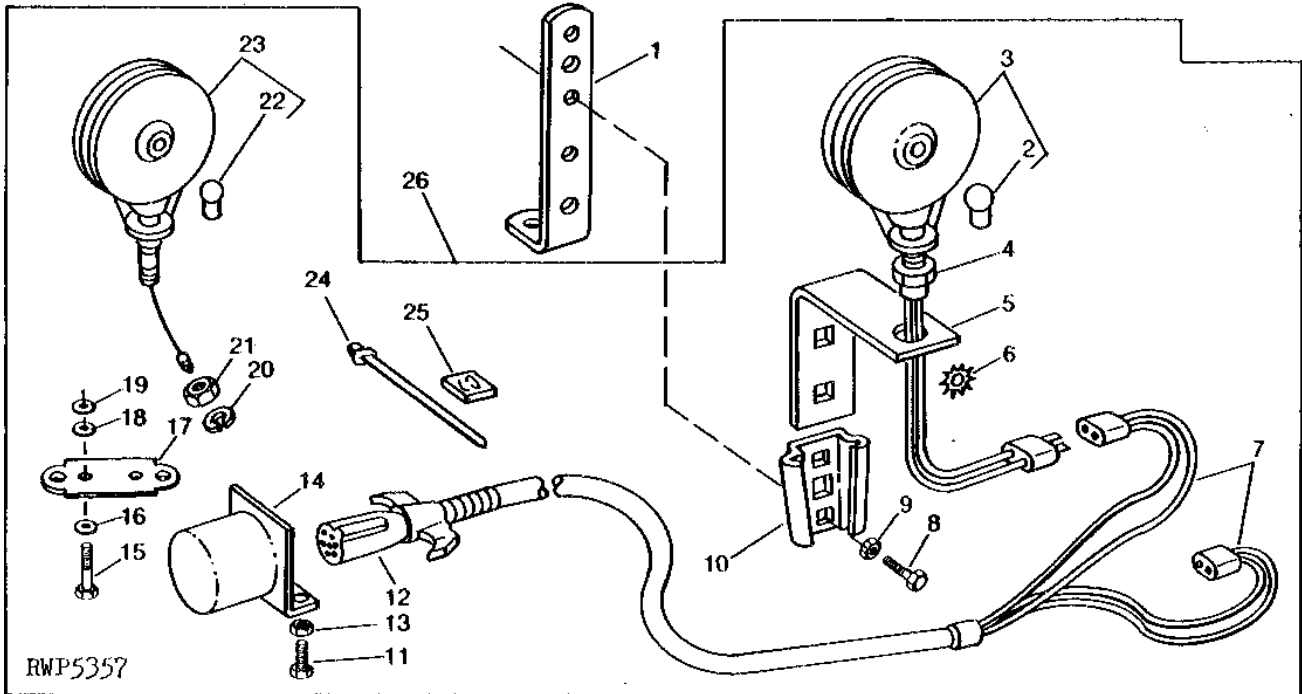
| KEY | PART NO. | PART NAME | QTY | TRACTOR SERIAL NO. | REMARKS |
|-----|----------|-------------|-----|--------------------|---|
| 1 | AR42119 | LAMP | 1 | | (SUB RE19075, THIS APPLICATION) (12-VOLT) |
| 2 | R27460 | CLAMP | 2 | | |
| 3 | R43662 | BRACKET | 1 | | |
| 4 | 37H106 | SCREW | 2 | | |
| 5 | 12H301 | LOCK WASHER | 2 | 1/2" | |
| 6 | 19H2644 | CAP SCREW | 2 | 1/2" X 2-1/2" | |
| 7 | | WIRING LEAD | 1 | | (MAKE FROM (2) AR32016 AND R66319) |
| 8 | R21551 | CLIP | 1 | | |
| 9 | AR52604 | KIT | 1 | | |

2C6

ELECTRICAL

**WARNING LAMP
(FLASHING)**

RWP5357 -UN-01JAN94



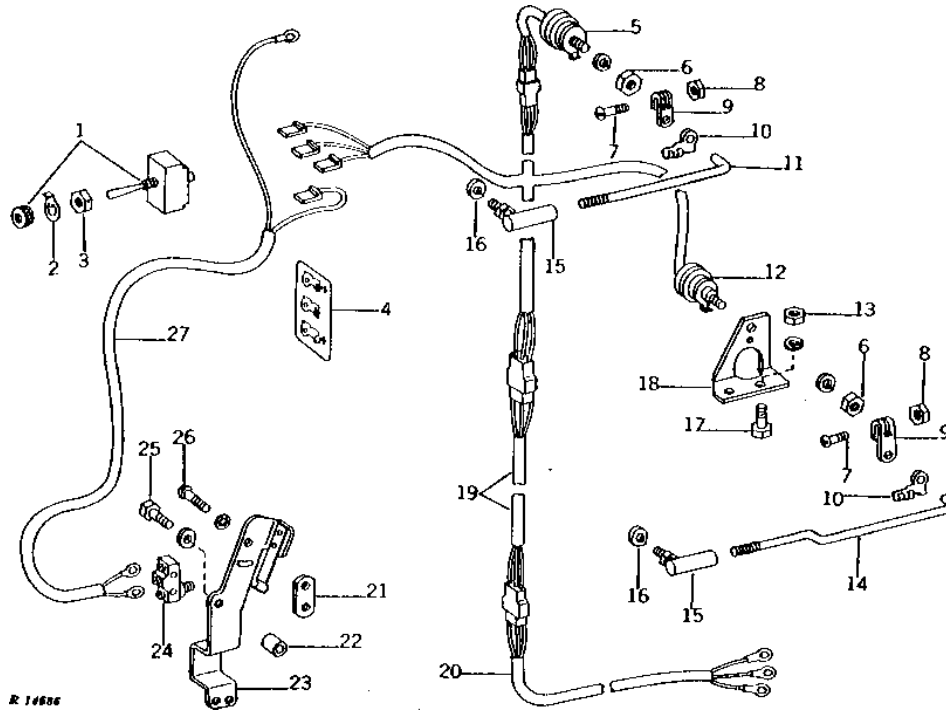
| KEY | PART NO. | PART NAME | QTY | TRACTOR SERIAL NO. | REMARKS |
|-----|----------|-------------------|-----|--------------------|--------------------------------|
| 1 | A39716 | BRACKET | 2 | | |
| 2 | AD2062R | BULB | 2 | | |
| 3 | AA34967 | LAMP | 2 | | (SUB FOR PT1293) |
| 4 | A48331 | LENS | 2 | | |
| | 12H301 | LOCK WASHER | 2 | | 1/2" |
| | 14H856 | NUT | 2 | | 1/2" |
| 5 | PT9319 | BRACKET | 2 | | (SUB FOR PT1624) |
| 6 | PT9390 | WASHER | 1 | | |
| 7 | PT9318 | WIRING HARNESS | 2 | | (2-CONDUCTOR) (SUB FOR PT1294) |
| 8 | 37H57 | SCREW | 4 | | 5/16" X 3/4" |
| 9 | 14H785 | NUT | 4 | | 5/16" |
| 10 | JD126 | SOCKET | 2 | | |
| 11 | 37H3 | SCREW | 4 | | 1/4" X 5/8" |
| 12 | AH93625 | PLUG | 1 | | (7-PIN) |
| 13 | 14H786 | NUT | 4 | | 1/4" |
| 14 | PT1296 | BRACKET | 1 | | (STORING, 7-PIN PLUG) |
| 15 | 37H57 | SCREW | 5 | | 5/16" X 3/4" |
| 16 | 24H1822 | WASHER | 1 | | 11/32" X 7/8" X 1/16" |
| 17 | PT18181 | BRACKET | 1 | | (SUB FOR PT9320) |
| 18 | 24H1822 | WASHER | 5 | | 11/32" X 7/8" X 1/16" |
| 19 | 14H1080 | NUT | 5 | | 3/8" |
| 20 | 12H301 | LOCK WASHER | 1 | | 1/2" |
| 21 | 14H856 | NUT | 1 | | 1/2" |
| 22 | AR48041 | BULB | 1 | | |
| 23 | AA34968 | TAIL LAMP | 1 | | |
| | A48332 | LENS | 1 | | |
| 24 | R44302 | TIE BAND | AR | | |
| 25 | AT55441 | BASE | AR | | (SUB FOR PT1297 OR PT9321) |
| 26 | TY15263 | WARNING LIGHT KIT | 1 | | (SUB FOR TY9305) (SUB TY16055) |
| .. | AA32178 | WIRING LEAD | 1 | | ACCESSORY |

2C7

ELECTRICAL

POWER FRONT WHEEL DRIVE ELECTRICAL SWITCHES AND WIRING

(SYNCRO-RANGE)
R14686 -UN-01JAN94



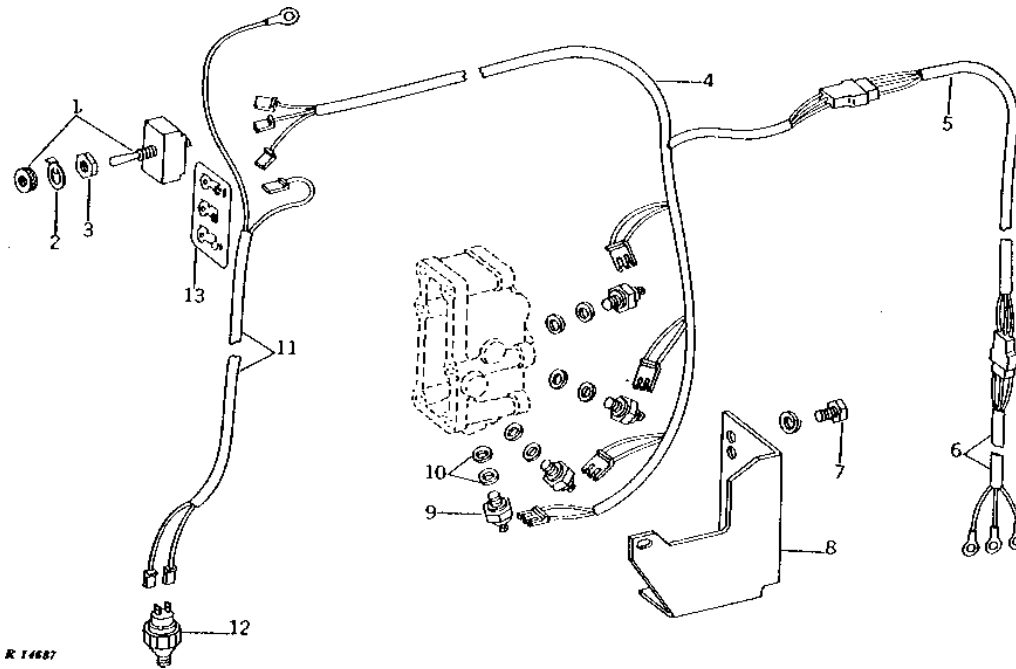
| KEY | PART NO. | PART NAME | QTY | TRACTOR SERIAL NO. | REMARKS |
|-----|----------|----------------|-----|--------------------|-------------------------|
| 1 | AR53938 | TOGGLE SWITCH | 1 | | (SUB FOR AR45312) |
| 2 | R44096 | LOCK PLATE | 1 | | |
| 3 | R44097 | NUT | 1 | | |
| 4 | R44094 | LABEL | 1 | | (NLA) |
| 5 | AR46062 | SWITCH | 1 | -258409 | ROTARY(NLA) |
| | AR49433 | SWITCH | 1 | 258410- | ROTARY(NLA) |
| 6 | R44025 | NUT | 2 | | |
| | 12H292 | LOCK WASHER | 2 | | 1/2" |
| 7 | 21H1315 | SCREW | 2 | | 0.164" X 3/4" |
| 8 | T19977 | LOCK NUT | 2 | | NO. 8 |
| 9 | R42985 | ARM | 2 | | |
| 10 | R42984 | CLIP | 2 | | |
| 11 | R42986 | BOLT | 1 | | (NLA) |
| 12 | AR46063 | SWITCH | 1 | -258409 | |
| | AR49432 | SWITCH | 1 | 258410- | (NLA) |
| 13 | 14H1076 | NUT | 2 | | 3/8" |
| | 12H304 | LOCK WASHER | 2 | | 3/8" |
| 14 | R49785 | ROD | 1 | | (SUB FOR R42987) (NLA) |
| 15 | AR45316 | BALL JOINT | 2 | | |
| 16 | 12H246 | LOCK WASHER | 2 | | 0.190" |
| 17 | 19H2284 | CAP SCREW | 2 | | 3/8" X 7/8" |
| 18 | R49784 | BRACKET | 1 | | (SUB FOR R42988) (NLA) |
| 19 | AR45390 | WIRING HARNESS | 1 | | (NLA) |
| 20 | AR45734 | WIRING HARNESS | 1 | | |
| | A5172R | CLIP | 1 | | |
| | R41439 | GROMMET | 1 | | |
| 21 | R44016 | STRAP | 1 | | |
| 22 | | SPACER | 1 | | |
| 23 | AR49281 | BRACKET | 1 | | (SUB FOR AR45238) (NLA) |
| 24 | R44017 | SWITCH | 1 | | |
| 25 | 19H1800 | CAP SCREW | 1 | | 3/8" X 1-1/2" |
| | 12H304 | LOCK WASHER | 1 | | 3/8" |
| 26 | 21H1348 | SCREW | 2 | | 0.138" X 1-1/8" |
| | 12H321 | WASHER | 2 | | 0.138" |
| 27 | AR49342 | WIRING HARNESS | 1 | | (SUB FOR AR45389) (NLA) |
| | R41439 | GROMMET | 1 | | |
| .. | R44302 | TIE BAND | AR | | |

2C8

ELECTRICAL

**POWER FRONT WHEEL DRIVE ELECTRICAL SWITCHES AND WIRING
(POWER SHIFT)**

R14687 -UN-01JAN94



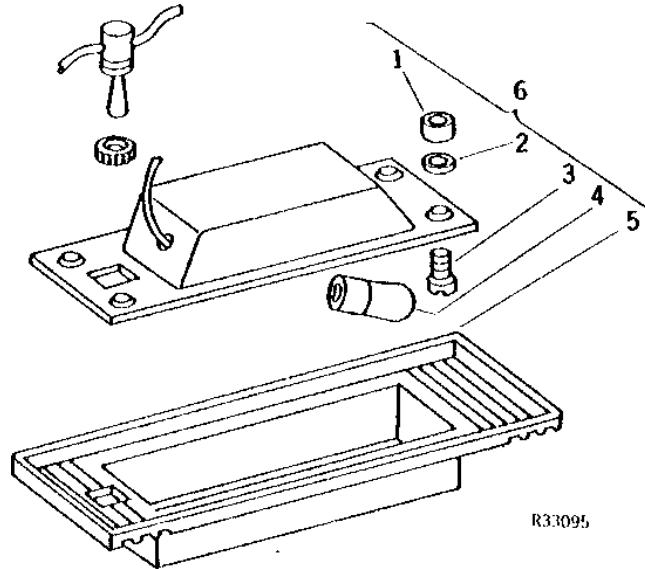
| KEY | PART NO. | PART NAME | QTY | TRACTOR SERIAL NO. | REMARKS |
|-----|----------|----------------|-----|--------------------|--------------------------------------|
| 1 | AR53938 | TOGGLE SWITCH | 1 | | (SUB FOR AR45312) |
| 2 | R44096 | LOCK PLATE | 1 | | |
| 3 | R44097 | NUT | 1 | | |
| 4 | AR49479 | WIRING HARNESS | 1 | | (SUB FOR AR45392) |
| 5 | AR45390 | WIRING HARNESS | 1 | | |
| 6 | AR45734 | WIRING HARNESS | 1 | | |
| 7 | 19H2473 | CAP SCREW | 1 | | 1/2" X 1-3/4" |
| | 12H301 | LOCK WASHER | 1 | | 1/2" |
| 8 | R44055 | SHIELD | 1 | -250000 | (SUB R47832, 19H3330 AND 28H1635) |
| | R47832 | SHIELD | 1 | 250001- | (NLA) |
| 9 | RE38390 | SWITCH | 4 | | (SUB FOR R36265, AR85323 OR AR89691) |
| 10 | T16911 | SHIM | 8 | | |
| 11 | AR45391 | WIRING HARNESS | 1 | -250000 | (SUB RE51373) |
| | AR51373 | WIRING HARNESS | 1 | 250001- | (NLA) |
| 12 | AR45317 | SWITCH | 1 | -250000 | (SUB AL67715) |
| | AR51372 | SWITCH | 1 | 250001- | (SUB AL67715) |
| | 15H639 | PIPE BUSHING | 1 | 250001- | 1/4" X 1/8" |
| 13 | R44094 | LABEL | 1 | | |
| .. | R44302 | TIE BAND | AR | | |

2C9

ELECTRICAL

**DOME LIGHT
(HINSON)**

R33095 -UN-01JAN94

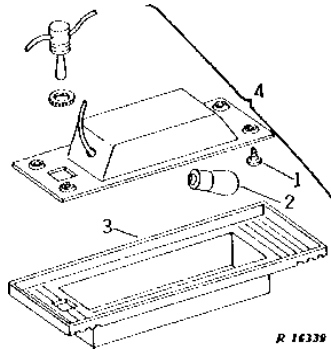


| KEY | PART NO. | PART NAME | QTY | CAB SERIAL NO. | REMARKS |
|-----|----------|-------------|-----|---------------------------------------|---------|
| 1 | 14H1026 | NUT | 4 | 0.138" | |
| 2 | 12H314 | LOCK WASHER | 4 | 0.138" | |
| 3 | 21H1353 | SCREW | 4 | 0.138" X 3/4" | |
| 4 | AR86969 | BULB | 1 | NO. 1003 (15 C.P.) (SUB FOR AR21739) | |
| 5 | R47886 | LENS | 1 | | |
| 6 | AR50260 | LAMP | 1 | COMPLETE | |
| .. | | WIRING LEAD | 1 | (MAKE FROM R32007, R32025 AND R32018) | |
| .. | | WIRING LEAD | 1 | (MAKE FROM R32007 AND R32025) | |

2C10

ELECTRICAL

DOME LIGHT
 (STOLPER CAB SERIAL NO. 208300-)
 R16339 -UN-01JAN94



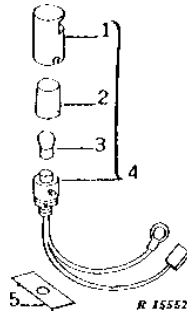
| KEY | PART NO. | PART NAME | QTY | CAB SERIAL NO. | REMARKS |
|-----|----------|-------------|-----|-------------------|---------------------------------------|
| 1 | 37H15 | SCREW | 4 | | NO. 6 X 1/4" |
| 2 | AR86969 | BULB | 1 | | NO. 1003 (15 C.P.) (SUB FOR AR21739) |
| 3 | R47886 | LENS | 1 | | |
| 4 | AR50260 | LAMP | 1 | | COMPLETE |
| | | WIRING LEAD | 1 | | (MAKE FROM R32007, R32028 AND R32018) |

2C11

ELECTRICAL

**DASH LAMP
(4000 SERIES)**

R15552 -UN-01JAN94

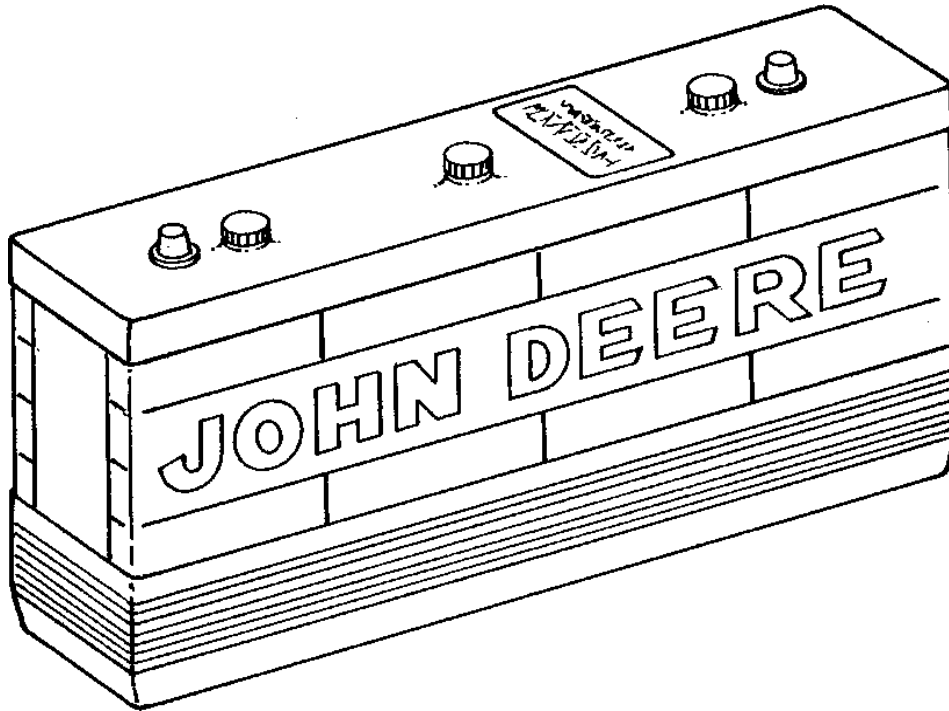


| KEY | PART NO. | PART NAME | QTY | TRACTOR SERIAL NO. | REMARKS |
|-----|----------|-----------|-----|--------------------|-----------------------|
| 1 | R40192 | COVER | 1 | | |
| 2 | AR33479 | LAMP | 1 | | (SUB FOR R28792) |
| 3 | AT12948 | BULB | 1 | | (12-14-VOLT) (6 C.P.) |
| 4 | AR47954 | LAMP | 1 | | (NLA) |
| 5 | R45912 | STRAP | 1 | | (NLA) |

2C12

ELECTRICAL

BATTERY
RP1315 -UN-01JAN94



RP1315

| KEY | PART NO. | PART NAME | QTY | TRACTOR SERIAL NO. | REMARKS |
|-----|----------|-----------|-----|--------------------|---|
| .. | TY21733 | BATTERY | 1 | | (SUB FOR AR46115) (12-VOLT) 430 COLD CRANKING AMPS AT -18°C (0°F), 130 MINUTE RESERVE CAPACITY AT 25 AMPS (GASOLINE AND LP-GAS) (DO NOT ACTIVATE UNTIL PLACED IN SERVICE) |
| .. | TY21737 | BATTERY | 2 | | (SUB FOR AR45450 OR TY6118) (6-VOLT) 830 COLD CRANKING AMPS AT -18°C (0°F), 360 MINUTE RESERVE CAPACITY AT 25 AMPS (DIESEL) (DO NOT ACTIVATE UNTIL PLACED IN SERVICE) (ILLUSTRATED) |

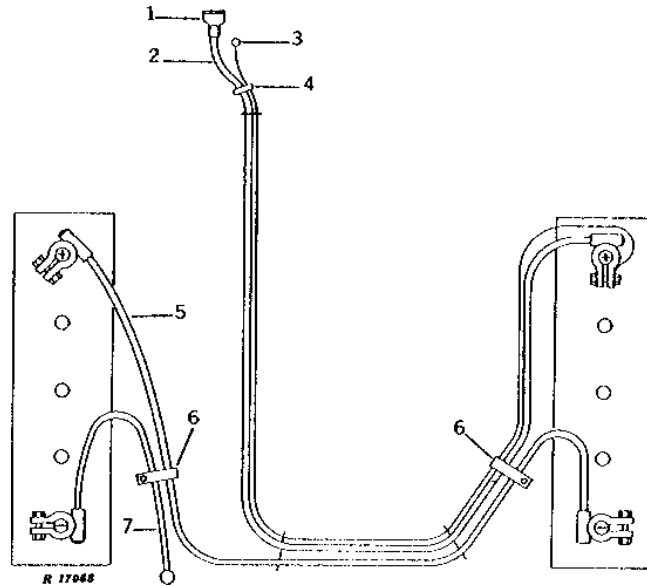
2C13

ELECTRICAL

BATTERY CABLES

(TRACTOR SERIAL NO. R17068 -UN-01JAN94)

-250000)(ROW-CROP)



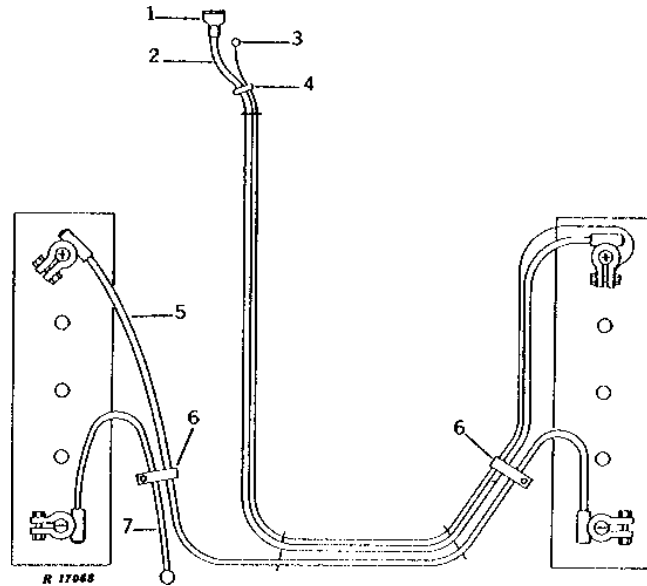
| KEY | PART NO. | PART NAME | QTY | TRACTOR SERIAL NO. | REMARKS |
|-----|----------|-------------|-----|--|--------------------------------------|
| 1 | R30964 | COVER | 1 | | |
| 2 | AR45923 | CABLE | 1 | (A) 1778MM (70") (W/O CAB) | |
| | AR51394 | CABLE | 1 | (A) 1219MM (48") (SUB FOR AR48911) (WITH CAB) | (AIR CONDITIONING WITH SYNCRO-RANGE) |
| | AR45926 | CABLE | 1 | (A) 1422MM (56") (AIR CONDITIONING WITH POWER SHIFT) (4000 SERIES) | |
| | R41439 | GROMMET | 1 | | |
| | AR45926 | CABLE | 1 | 1422MM (56") (GASOLINE AND LP-GAS) | |
| | R46414 | CLAMP | 1 | | |
| | R43498 | SUPPORT | 1 | (NLA) | |
| | 19H1765 | CAP SCREW | 1 | 3/8" X 1-3/4" | |
| | 12H304 | LOCK WASHER | 1 | 3/8" | |
| | 14H812 | NUT | 1 | 3/8" | |
| | 24M7096 | WASHER | 1 | 10.500 X 18 X 1.600 MM | |
| 3 | AR47086 | WIRING LEAD | 1 | | |
| | AR47087 | WIRING LEAD | 1 | (W/CAB) (4000 SERIES) | |
| | R27583 | GROMMET | 1 | | |
| 4 | R41439 | GROMMET | 1 | | |
| 5 | AR45924 | CABLE | 1 | (A) 1219MM (48") (SUB AR48912) (W/O CAB) | |
| | AR48912 | CABLE | 1 | (A) 1016MM (40") (W/CAB) | |
| 6 | R49921 | CLAMP | 2 | (SUB FOR R44605) | |
| | 19H3445 | CAP SCREW | 2 | 3/8" X 3-3/4" | |
| | 12H304 | LOCK WASHER | 2 | 3/8" | |
| | 24H1305 | WASHER | 2 | 13/32" X 13/16" X 0.065" | |
| | 28H1535 | SPACER | 2 | 3/8" X 2-3/4" | |
| 7 | AR51395 | CABLE | 1 | 483MM (19") (SUB FOR AR45925) | |
| .. | R44302 | TIE BAND | AR | | |

(A) DIESEL

2C14

ELECTRICAL

BATTERY CABLES
 (TRACTOR SERIAL NO. 250001-) (ROW-CROP)
 R17068 -UN-01JAN94



| KEY | PART NO. | PART NAME | QTY | TRACTOR SERIAL NO. | REMARKS |
|-----|----------|-------------|-----|--------------------|--|
| 1 | R30964 | COVER | 1 | | |
| 2 | AR45923 | CABLE | 1 | -XXXXX | 1778MM (70") (W/O CAB) |
| | AR51394 | CABLE | 1 | XXXXX- | 1270MM (50") (W/O CAB) |
| | AR45926 | CABLE | 1 | | (E) 1422MM (56") (GASOLINE AND LP-GAS W/CAB) |
| | AR51394 | CABLE | 1 | | (C) 1270MM (50") |
| | R46414 | CLAMP | 1 | -XXXXXX | |
| | AH78125 | CLIP | 1 | XXXXXX- | |
| | 19H1765 | CAP SCREW | 1 | | 3/8" X 1-3/4" |
| | 12H304 | LOCK WASHER | 1 | | 3/8" |
| | 14H1076 | NUT | 1 | | 3/8" |
| | 24M7096 | WASHER | 1 | | 10.500 X 18 X 1.600 MM |
| 3 | AR47086 | WIRING LEAD | 1 | | |
| | AR47087 | WIRING LEAD | 1 | | (E) (W/CAB) |
| | R27583 | GROMMET | 1 | | |
| 4 | R41439 | GROMMET | 1 | | |
| 5 | AR45924 | CABLE | 1 | | (D) 1219MM (48") (SUB AR48912) |
| | AR48912 | CABLE | 1 | | (C) (E) 1016MM (40") |
| 6 | R49921 | CLAMP | 2 | | (SUB FOR R44605) |
| | 19H2855 | CAP SCREW | 2 | | 3/8" X 3-1/4" |
| | 12H304 | LOCK WASHER | 2 | | 3/8" |
| | 24H1305 | WASHER | 2 | | 13/32" X 13/16" X 0.065" |
| | 28H1527 | SPACER | 2 | | (A) 3/8" X 1" X 1-3/8" (POWER SHIFT) |
| | 28H1635 | SPACER | 2 | | (B) 3/8" X 2-1/8" |
| | 28H1496 | SPACER | 2 | | (A) 3/8" X 1-1/8", (SYNCRO-RANGE) |
| 7 | AR45925 | CABLE | 1 | | (D) 483MM (19") (GASOLINE AND LP-GAS) |
| | AR51395 | CABLE | 1 | | (C) (E) 355MM (14") |
| .. | R44302 | TIE BAND | AR | | |

(A) L.H. CLAMP TO TRANSMISSION COVER

(B) R.H. CLAMP TO TRANSMISSION COVER

(C) DIESEL W/ CAB

(D) DIESEL W/O CAB

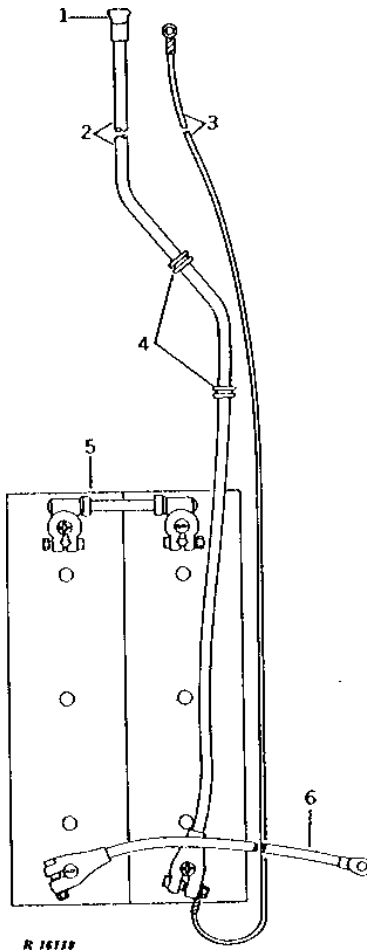
(E) 4000 SERIES

2C15

ELECTRICAL

**BATTERY CABLES
(STANDARD)**

R16118 -UN-01JAN94



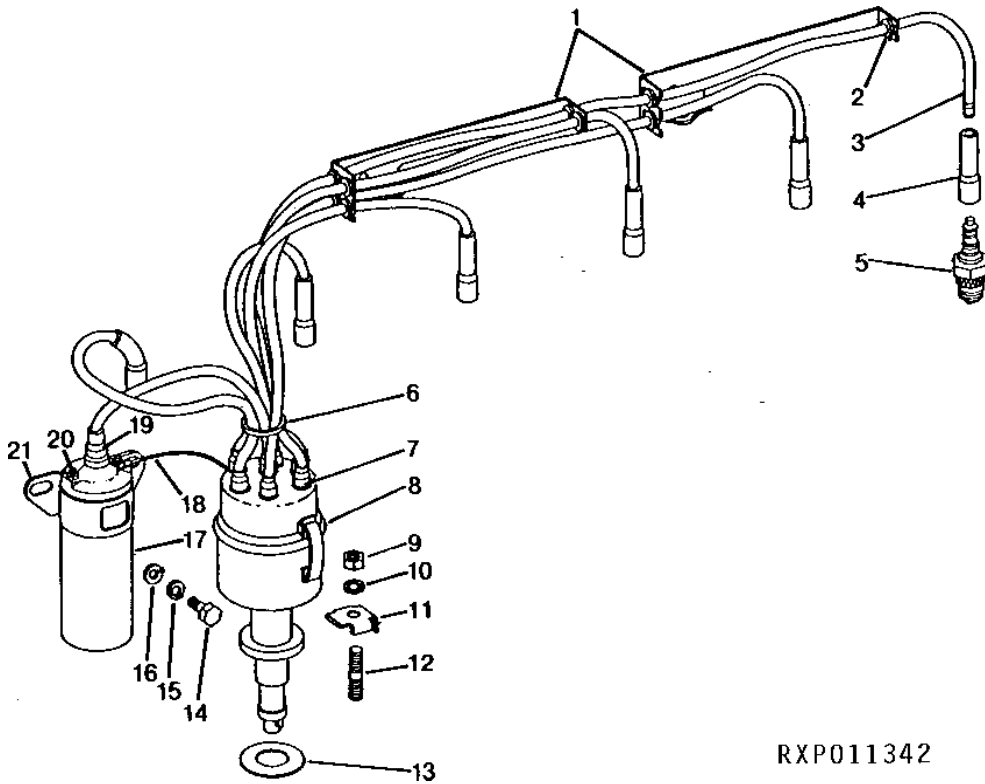
| KEY | PART NO. | PART NAME | QTY | TRACTOR SERIAL NO. | REMARKS |
|-----|----------|-------------|-----|---------------------------------|---------|
| 1 | R30964 | COVER | 1 | | |
| 2 | AR45926 | CABLE | 1 | 1433MM (56") | |
| | R46414 | CLAMP | 1 | | |
| | 19H1765 | CAP SCREW | 1 | 3/8" X 1-3/4" | |
| | 12H304 | LOCK WASHER | 1 | 3/8" | |
| | 14H1076 | NUT | 1 | 3/8" | |
| | 24M7096 | WASHER | 1 | 10.500 X 18 X 1.600 MM | |
| 3 | AR47087 | WIRING LEAD | 1 | (DIESEL) | |
| | R27583 | GROMMET | 1 | | |
| 4 | R41439 | GROMMET | 2 | | |
| 5 | AR45927 | CABLE | 1 | 10.16CM (4") (DIESEL) | |
| 6 | AR69238 | CABLE | 1 | 406.4MM (16") (SUB FOR AR45975) | |
| .. | R44302 | TIE BAND | AR | | |

MEMORANDA

2C16

ELECTRICAL

DISTRIBUTOR, COIL, SPARK PLUG CABLES AND SPARK PLUGS
RXP011342 -UN-12OCT94



RXP011342

2C17

ELECTRICAL

DISTRIBUTOR, COIL, SPARK PLUG CABLES, AND SPARK PLUGS - CONTINUED

| KEY | PART NO. | PART NAME | QTY | ENGINE SERIAL NO. | REMARKS |
|-----|----------|----------------------|-----|-------------------|---|
| 1 | R26862 | BRACKET | 2 | | (NLA) |
| 2 | R26409 | GROMMET | 9 | | |
| 3 | AR26624 | CABLE | 1 | -280000 | (SET OF 7) (SUB AR50271) |
| | AR50271 | CABLE | 1 | 280001- | (SET OF 7) |
| | AR46275 | CABLE | 1 | | (SUB AR46276, AR46277, AR46278, AR46279, AR46280 AND R44302) (SET OF 6) |
| | AR46273 | CABLE | 1 | | (SUB AR46276 AND A5188R) (IGNITION SECONDARY) (MAY BE CUT TO LENGTH) |
| 4 | R26861 | BOOT | 6 | -280000 | |
| 5 | AA4053R | SPARK PLUG | 6 | | (CHAMPION) (GASOLINE) |
| | AR26543 | SPARK PLUG | 6 | | (AC) (GASOLINE)(NLA) |
| | TY21725 | SPARK PLUG | 6 | | (PRESTOLITE) (GASOLINE/LP-GAS) (SUB FOR AR14019, AR14021, TY6073 OR TY6074) |
| | AR26544 | SPARK PLUG | 6 | | (CHAMPION) (LP-GAS) |
| | AR26545 | SPARK PLUG | 6 | | (AC) (LP-GAS) (NLA) |
| 6 | R1662R | WASHER | 1 | -280000 | |
| | R44302 | TIE BAND | 1 | 280001- | |
| 7 | A3539R | TERMINAL NIPPLE | 7 | -280000 | |
| 8 | AR11146 | IGNITION DISTRIBUTOR | 1 | -280000 | (A) (B) (DELCO-REMY NO. 1112624) (SUB TY15857) |
| | AR47947 | IGNITION DISTRIBUTOR | 1 | 280001- | (A) (B) (SUB TY15857) (DELCO-REMY NO. 1112466) |
| | TY15857 | IGNITION DISTRIBUTOR | 1 | | (A) (B) (SUB FOR AR11146 OR AR47947) (REMANUFACTURED) |
| 9 | 14H1076 | NUT | 2 | | 3/8" |
| 10 | 12H304 | LOCK WASHER | 2 | | 3/8" |
| 11 | A4157R | CLAMP | 2 | | (NLA) |
| 12 | R56481 | STUD | 2 | | 3/8" X 1-1/2", (SUB FOR M3636T) |
| 13 | F2632R | GASKET | 1 | | (A) (NLA) |
| 14 | 19H1813 | CAP SCREW | 2 | | 5/16" X 5/8" |
| 15 | 12H303 | LOCK WASHER | 2 | | 5/16" |
| 16 | 24H1136 | WASHER | 2 | | 11/32" X 11/16" X 0.065" |
| 17 | AR46064 | ELECTRICAL COIL | 1 | | (6-VOLT) (SUB FOR AM373T) |
| 18 | R11269 | WIRING LEAD | 1 | | (SUB TY15857) |
| 19 | A4159R | BOOT | 1 | -280000 | (NLA) |
| 20 | 14H631 | NUT | 2 | | 0.190" |
| | 12H246 | LOCK WASHER | 2 | | 0.190" |
| 21 | R73142 | BRACKET | 1 | | |

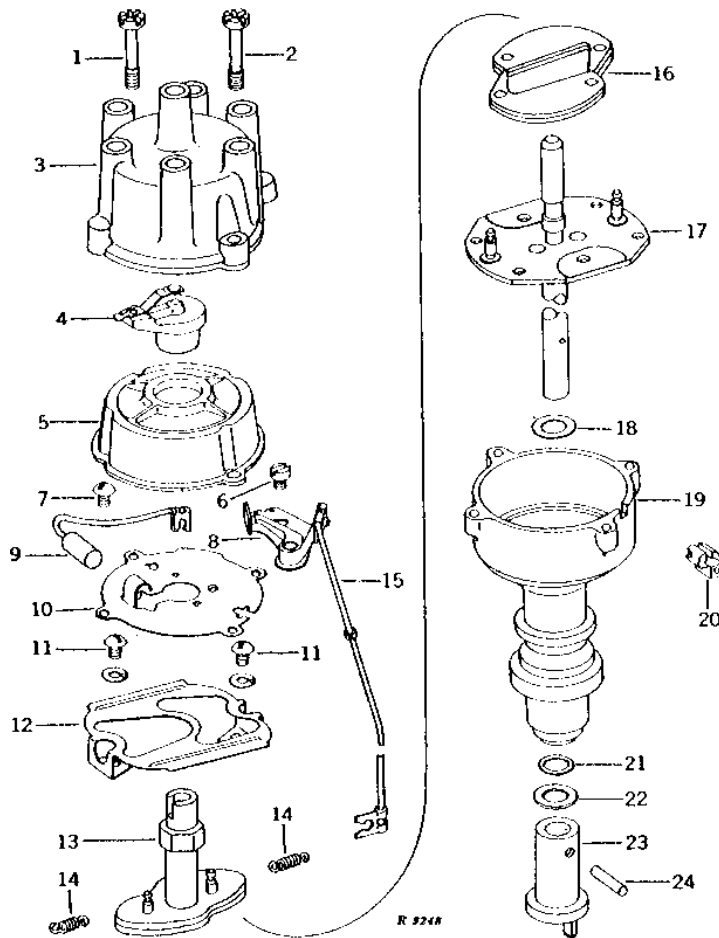
(A) REFER TO MARKETING PARTS BULLETIN AG91-26 AUG. 8, 1991

(B) RETURN CUSTOMERS CORE TO SUPPLIER FOR REMANUFACTURED

2C18

ELECTRICAL

DISTRIBUTOR PARTS
R9248 -UN-01JAN94



2C19

ELECTRICAL

DISTRIBUTOR PARTS - CONTINUED

| KEY | PART NO. | PART NAME | QTY | ENGINE SERIAL NO. | REMARKS |
|-----|----------|----------------------|-----|-------------------|---|
| 1 | 21H1319 | SCREW | 1 | | 0.164" X 7/8" |
| 2 | 21H1282 | SCREW | 1 | | 0.190" X 7/8" |
| 3 | R11271 | DISTRIBUTOR CAP | 1 | | |
| 4 | R11260 | ROTOR | 1 | | |
| 5 | R11264 | COVER | 1 | | (A) (B) (NLA) |
| 6 | T19088 | SCREW | 1 | | |
| 7 | 21H1299 | SCREW | 2 | | 0.164" X 3/8" |
| 8 | AR31814 | POINT | 1 | -280000 | |
| | AR44864 | CONTACT | 1 | | (HEAVY-DUTY) |
| 9 | AT14468 | CAPACITOR | 1 | | |
| 10 | R11263 | PLATE | 1 | | (SUB TY15857) |
| 11 | 21H1292 | SCREW | 2 | | 0.164" X 1/4" |
| | 12H315 | LOCK WASHER | 2 | | 0.164" |
| 12 | R11268 | PLATE | 1 | | (A) (B) (NLA) |
| 13 | R11272 | CAM | 1 | | |
| 14 | 1904292 | SPRING | 2 | | |
| 15 | R11269 | WIRING LEAD | 1 | | (SUB TY15857) |
| 16 | 1881371 | WEIGHT | 4 | | ADVANCE |
| 17 | R11261 | PLATE | 1 | | (A) (B) (NLA) |
| 18 | 811912 | WASHER | 1 | | |
| 19 | R11256 | HOUSING | 1 | | (A) (B) (NLA) |
| 20 | R11270 | GROMMET | 1 | | (SUB TY15857) |
| 21 | 810074 | WASHER | AR | | (A) (B) (NLA) |
| 22 | R68625 | WASHER | 1 | | (SUB FOR 811912) |
| 23 | 1909273 | COUPLING | 1 | | |
| 24 | 34H279 | SPRING PIN | 1 | | 3/16" X 13/16" |
| .. | AR11146 | IGNITION DISTRIBUTOR | 1 | -280000 | (A) (B) (DELCO-REMY NO. 1112624) (SUB TY15857) |
| .. | AR47947 | IGNITION DISTRIBUTOR | 1 | 280001- | (A) (B) (SUB TY15857) (DELCO-REMY NO. 1112466) |
| .. | TY15857 | IGNITION DISTRIBUTOR | 1 | | (A) (B) (SUB FOR AR11146 OR AR47947) (REMANUFACTURED) |

(A) REFER TO MARKETING PARTS BULLETIN AG91-26 DATED AUG.8,1991

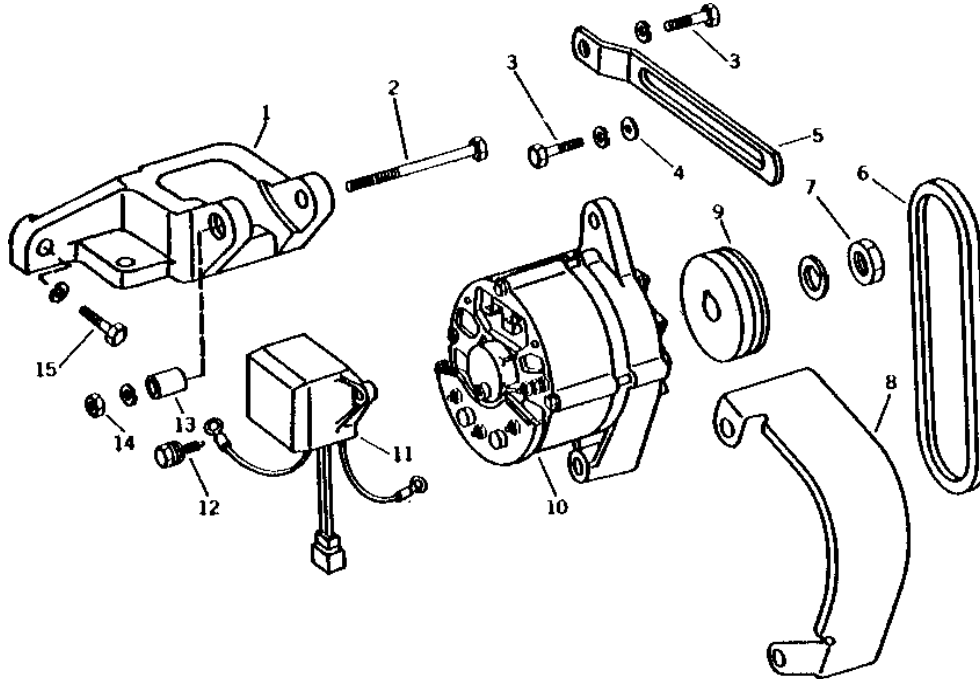
(B) RETURN CUSTOMERS CORE TO SUPPLIER FOR REMANUFACTURED

MEMORANDA

2C20

ELECTRICAL

ALTERNATOR, REGULATOR, AND MOUNTING BRACKETS
R14440 -UN-01JAN94



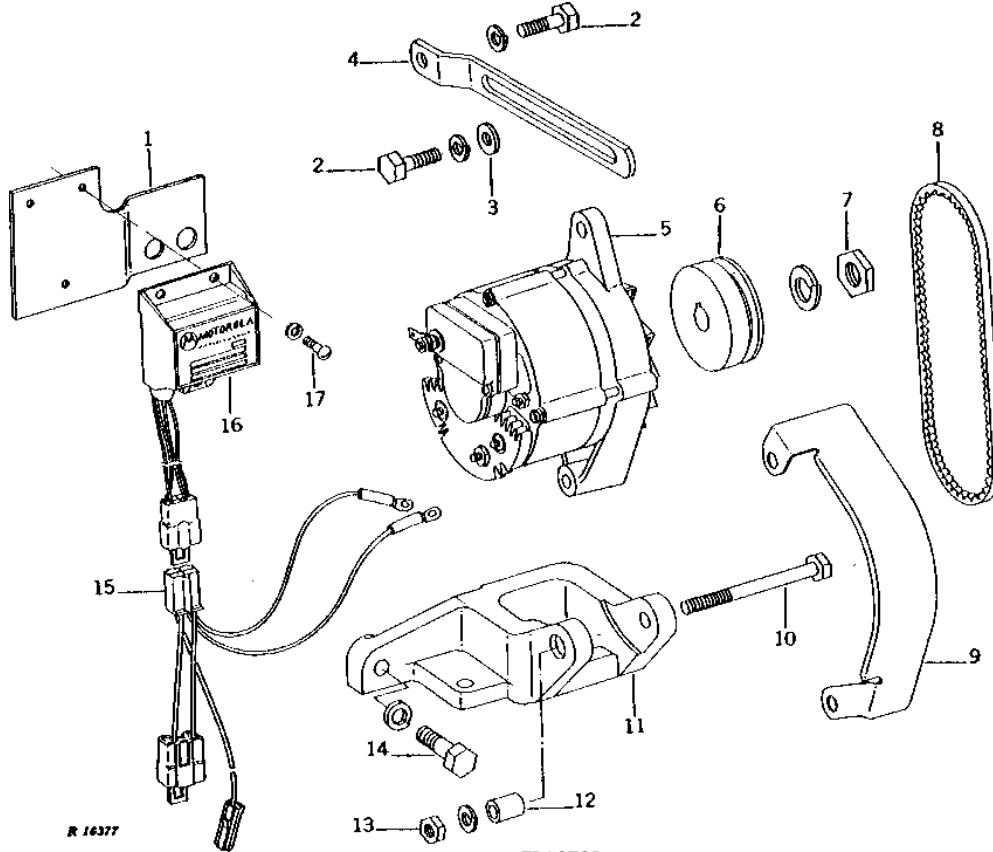
R14440

| KEY | PART NO. | PART NAME | QTY | TRACTOR SERIAL NO. | REMARKS |
|-----|----------|-------------------|-----|---|---------|
| 1 | R40952 | BRACKET | 1 | | |
| 2 | 19H1854 | CAP SCREW | 1 | 3/8" X 3-3/4" | |
| 3 | 19H1900 | CAP SCREW | 2 | 5/16" X 3/4" | |
| | 12H303 | LOCK WASHER | 2 | 5/16" | |
| 4 | 24H1292 | WASHER | 1 | 11/32" X 3/4" X 0.120" | |
| 5 | R40953 | STRAP | 1 | | |
| 6 | R41681 | BELT | 1 | (GASOLINE AND LP-GAS) | |
| | R41682 | BELT | 1 | (DIESEL) (SUB R71459) | |
| 7 | 14H866 | NUT | 1 | 5/8" | |
| | 12H294 | LOCK WASHER | 1 | 5/8" | |
| 8 | R56012 | SHIELD | 1 | (SUB FOR R41334) | |
| 9 | R15019 | SHEAVE | 1 | | |
| 10 | AR40420 | ALTERNATOR | 1 | (12-VOLT) (55 AMP) (MOTOROLA) | |
| | TY1430 | ALTERNATOR | 1 | (12-VOLT) (55 AMP) (REMANUFACTURED) | |
| | AR38458 | ALTERNATOR | 1 | (12-VOLT) (35 AMP) (MOTOROLA) (4000 SERIES) | |
| | TY1427 | ALTERNATOR | 1 | (SUB TY1427) | |
| | TY1427 | ALTERNATOR | 1 | (12-VOLT) (SUB FOR AR38458) (35 AMP) | |
| | TY1427 | ALTERNATOR | 1 | (REMANUFACTURED)(4000 SERIES) | |
| 11 | AR78298 | VOLTAGE REGULATOR | 1 | (12-VOLT) (MOTOROLA) (SUB FOR AR38459 OR AR52927) | |
| 12 | R44008 | SCREW | 3 | | |
| 13 | R45377 | SPACER | 1 | | |
| 14 | E55662 | FLANGE NUT | 1 | | |
| | 12H304 | LOCK WASHER | 1 | 3/8", (NOT REQUIRED W/E55662) | |
| 15 | 19H2731 | CAP SCREW | 2 | 7/16" X 1-3/8" | |
| | 12H293 | LOCK WASHER | 2 | 7/16" | |

2C21

ELECTRICAL

ALTERNATOR, REGULATOR, AND MOUNTING BRACKETS
(TRACTOR SERIAL NO. 229460-250001)(AIR CONDITIONING)
R16377 -UN-01JAN94



R 16377

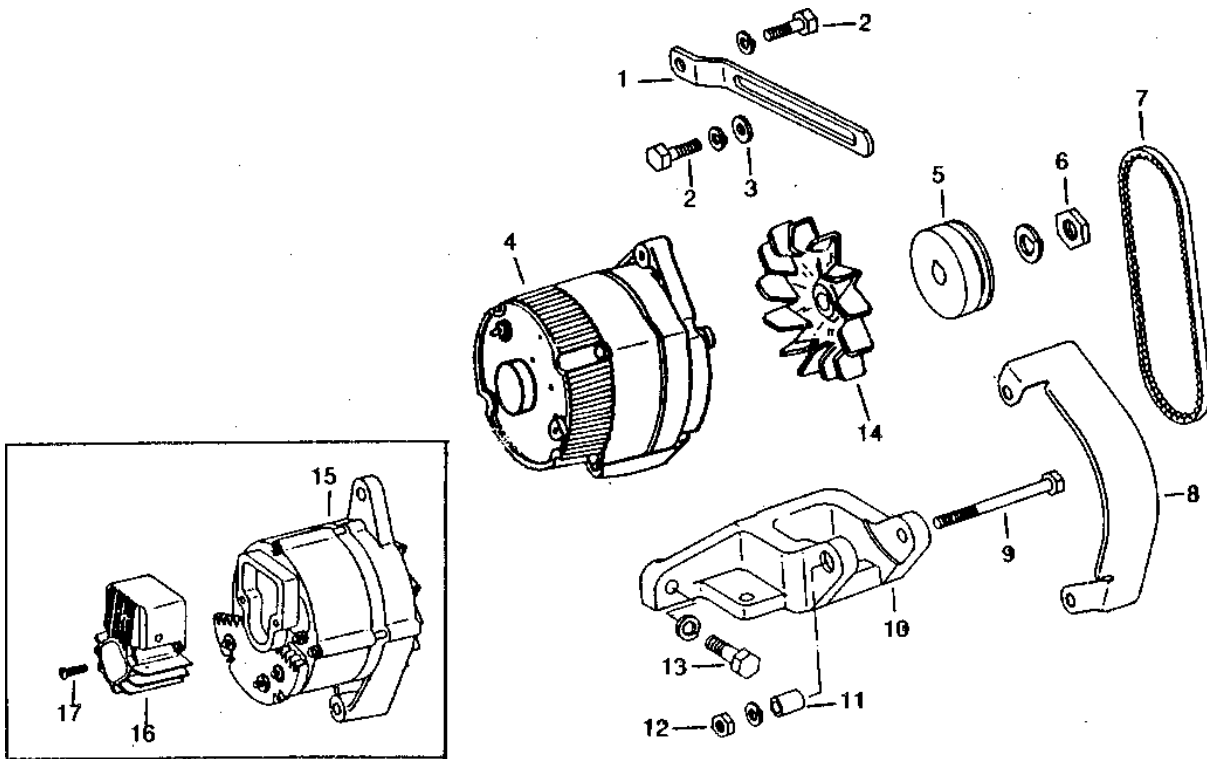
| KEY | PART NO. | PART NAME | QTY | TRACTOR SERIAL NO. | REMARKS |
|-----|----------|-------------------|-----|--|---------|
| 1 | R46159 | SUPPORT | 1 | (NLA) | |
| 2 | 19H1900 | CAP SCREW | 2 | 5/16" X 3/4" | |
| | 12H303 | LOCK WASHER | 2 | 5/16" | |
| 3 | 24H1292 | WASHER | 1 | 11/32" X 3/4" X 0.120" | |
| 4 | R40953 | STRAP | 1 | | |
| 5 | AR52077 | ALTERNATOR | 1 | (12-VOLT) (72 AMP) (MOTOROLA) (SUB FOR AR43989) | |
| | TY6603 | ALTERNATOR | 1 | (SUB FOR AR43989 OR AR52077) (12-VOLT)(72 AMP)(REMANUFACTURED)(MOTOROLA) | |
| 6 | R46775 | PULLEY | 1 | | |
| 7 | 14H866 | NUT | 1 | 5/8" | |
| | 12H294 | LOCK WASHER | 1 | 5/8" | |
| 8 | R52507 | BELT | 1 | | |
| 9 | R56012 | SHIELD | 1 | (SUB FOR R41334) | |
| 10 | 19H1854 | CAP SCREW | 1 | 3/8" X 3-3/4" | |
| 11 | R40952 | BRACKET | 1 | | |
| 12 | R45377 | SPACER | 1 | | |
| 13 | E55662 | FLANGE NUT | 1 | 3/8" | |
| | 12H304 | LOCK WASHER | 1 | 3/8", (NOT REQUIRED W/E55662) | |
| 14 | 19H2731 | CAP SCREW | 2 | 7/16" X 1-3/8" | |
| | 12H293 | LOCK WASHER | 2 | 7/16" | |
| 15 | AR48267 | WIRING HARNESS | 1 | (NLA) | |
| 16 | AR77485 | VOLTAGE REGULATOR | 1 | (12-VOLT) (MOTOROLA) (SUB FOR AR48266) | |
| 17 | 21H1316 | SCREW | 3 | 0.190" X 1/2" | |
| | 12M7060 | WASHER | 3 | 0.209" | |

MEMORANDA

2C22

ELECTRICAL

ALTERNATOR, REGULATOR, AND MOUNTING BRACKETS
(TRACTOR SERIAL NO. 250001-) (AIR CONDITIONING)
RGP2956 -UN-01JAN94



RGP2956

2C23

ELECTRICAL

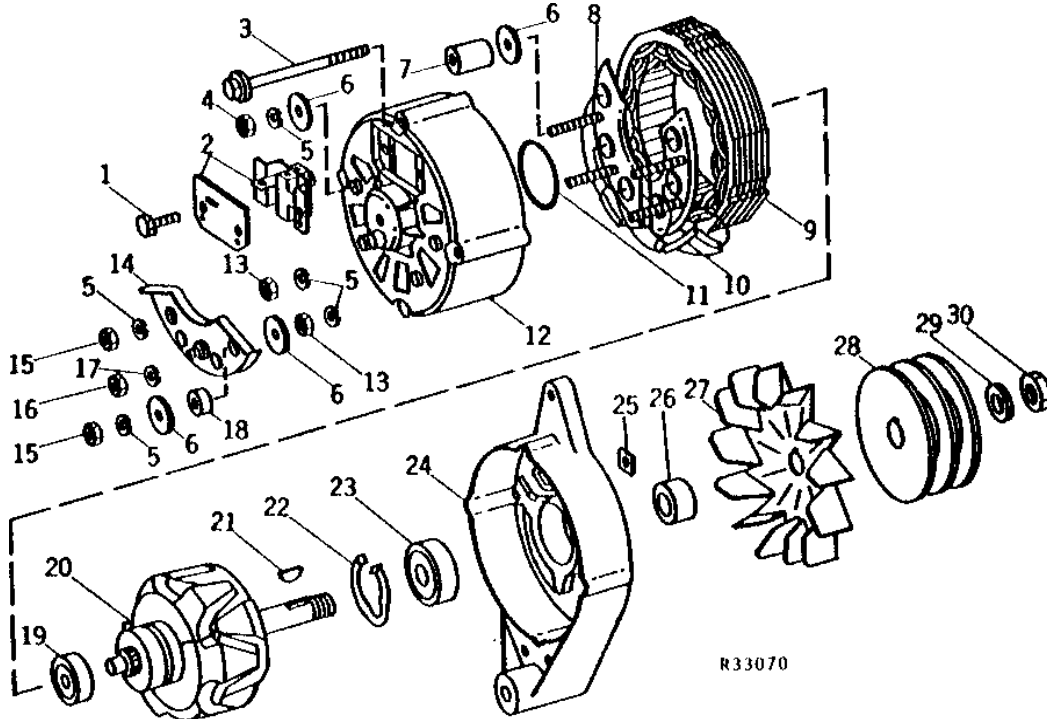
ALTERNATOR, REGULATOR, AND MOUNTING BRACKETS - CONTINUED
(TRACTOR SERIAL NO. 250001-) (AIR CONDITIONING)

| KEY | PART NO. | PART NAME | QTY | TRACTOR SERIAL NO. | REMARKS |
|-----|----------|-------------|-----|--------------------|--|
| 1 | R40953 | STRAP | 1 | | |
| 2 | 19H1900 | CAP SCREW | 2 | | 5/16" X 3/4" |
| | 12H303 | LOCK WASHER | 2 | | 5/16" |
| 3 | 24H1292 | WASHER | 1 | | 11/32" X 3/4" X 0.120" |
| 4 | RE27109 | ALTERNATOR | 1 | 263482- | (12-VOLT) (78 AMP) (DELCO-REMY) (SUB FOR AR54793, AR84306, AR93446, RE13797 OR RE27109) (ALSO ORDER 14M7165, 12M7006, 12M7065 AND 19M7163) (SUB RE31694) |
| | TY6686 | ALTERNATOR | 1 | 263482- | (12-VOLT) (78 AMP) (REMANUFACTURED)(CHAMPION) |
| 5 | R46775 | PULLEY | 1 | -263481 | |
| | R50660 | PULLEY | 1 | 263482- | |
| 6 | 14H866 | NUT | 1 | -263481 | 5/8" |
| | 12H294 | LOCK WASHER | 1 | -263481 | 5/8" |
| | R11049 | NUT | 1 | 263482- | |
| | T10745 | WASHER | 1 | 263482- | |
| 7 | R52507 | BELT | 1 | | (SUB FOR R46570) |
| 8 | R56012 | SHIELD | 1 | | (SUB FOR R41334) |
| 9 | 19H1854 | CAP SCREW | 1 | | 3/8" X 3-3/4" |
| 10 | R40952 | BRACKET | 1 | | |
| 11 | R45377 | SPACER | 1 | | |
| 12 | E55662 | FLANGE NUT | 1 | | 3/8" |
| | 12H304 | LOCK WASHER | 1 | | 3/8", (NOT REQUIRED W/E55662) |
| 13 | 19H2731 | CAP SCREW | 2 | | 7/16" X 1-3/8" |
| | 12H293 | LOCK WASHER | 2 | | 7/16" |
| 14 | R87764 | FAN | 1 | | (USE WITH RE27109 OR RE31694) |
| 15 | AR52077 | ALTERNATOR | 1 | -263481 | (SUB TY6603) (12-VOLT) (72 AMP) (MOTOROLA) |
| | TY6603 | ALTERNATOR | 1 | -263481 | (12-VOLT) (SUB FOR AR52077) (72 AMP)(REMANUFACTURED)(MOTOROLA) |
| 16 | AT56592 | REGULATOR | 1 | -263481 | (12-VOLT) (MOTOROLA) (SUB FOR AR52079) |
| 17 | T31308 | SCREW | 2 | -263481 | |

2C24

ELECTRICAL

ALTERNATOR(55 AMP)(MOTOROLA)
(12-VOLT)
R33070 -UN-01JAN94

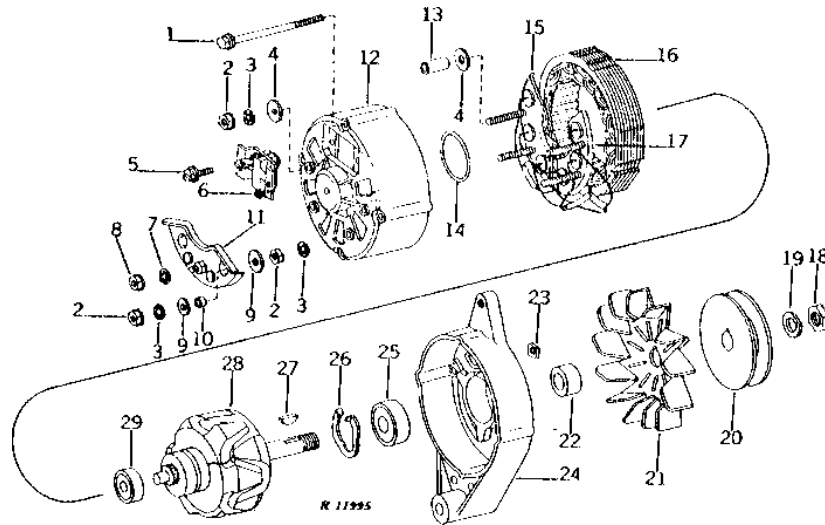


| KEY | PART NO. | PART NAME | QTY | TRACTOR SERIAL NO. | REMARKS |
|-----|----------|--------------|-----|-----------------------------|---------|
| 1 | 37H10 | SCREW | 2 | 0.164" X 3/8" | |
| 2 | AT27128 | HOLDER | 1 | (SUB FOR R15026) | |
| 3 | R15045 | BOLT | 4 | | |
| 4 | 14H778 | NUT | 2 | 0.190" | |
| 5 | 12M7060 | WASHER | 6 | 0.209" | |
| 6 | R15036 | WASHER | 6 | | |
| 7 | R15035 | SLEEVE | 2 | | |
| 8 | R15023 | DIODE | 1 | POSITIVE | |
| 9 | R39802 | STATOR | 1 | | |
| 10 | R15024 | DIODE | 1 | NEGATIVE | |
| 11 | R15030 | O-RING | 1 | | |
| 12 | R38374 | HOUSING | 1 | | |
| 13 | 14H778 | NUT | 2 | 0.190" | |
| 14 | R39800 | DIODE | 1 | DUAL | |
| 15 | 14H778 | NUT | 2 | 0.190" | |
| 16 | 14H786 | NUT | 1 | 1/4" | |
| 17 | 12H297 | LOCK WASHER | 2 | 1/4" | |
| 18 | R39803 | WASHER | 1 | | |
| 19 | AT23189 | BALL BEARING | 1 | (SUB FOR R15028) | |
| 20 | R39801 | ROTOR | 1 | | |
| 21 | 26H72 | SHAFT KEY | 1 | 1/8" X 5/8" | |
| 22 | R15029 | RETAINER | 1 | | |
| 23 | JD9449 | BALL BEARING | 1 | (SUB FOR JD8535 OR AT23188) | |
| 24 | R15033 | HOUSING | 1 | | |
| 25 | T23610 | NUT | 4 | | |
| 26 | T25343 | BUSHING | 1 | (SUB FOR R15038) | |
| 27 | R15027 | FAN | 1 | | |
| 28 | R15019 | SHEAVE | 1 | (NOT AS ILLUSTRATED) | |
| 29 | 12H294 | LOCK WASHER | 1 | 5/8" | |
| 30 | 14H866 | NUT | 1 | 5/8" | |
| .. | AR40420 | ALTERNATOR | 1 | | |
| .. | TY1430 | ALTERNATOR | 1 | (REMANUFACTURED) | |

2C25

ELECTRICAL

ALTERNATOR(35 AMP)(MOTOROLA)
 (12-VOLT) (4000 SERIES)
 R11995 -UN-01JAN94

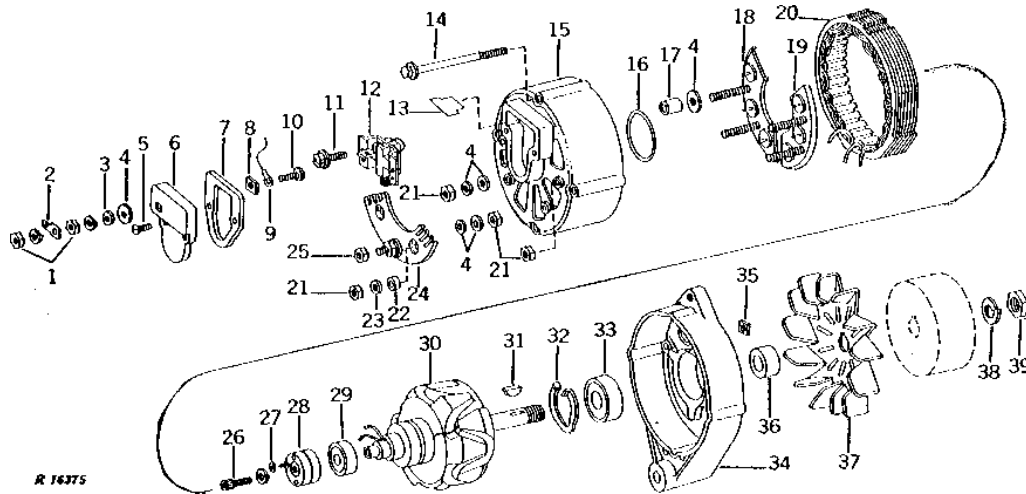


| KEY | PART NO. | PART NAME | QTY | TRACTOR SERIAL NO. | REMARKS |
|-----|----------|--------------|-----|--------------------|------------------|
| 1 | T23598 | SCREW | 4 | | |
| 2 | 14H778 | NUT | 6 | 0.190" | |
| 3 | 12M7060 | WASHER | 6 | 0.209" | |
| 4 | R15036 | WASHER | 4 | | |
| 5 | 37H95 | SCREW | 2 | NO. 8 X 1/2" | |
| 6 | R15026 | BRUSH | 1 | (SUB AT27128) | |
| 7 | 12H297 | LOCK WASHER | 1 | 1/4" | |
| 8 | 14H786 | NUT | 1 | 1/4" | |
| 9 | R15036 | WASHER | 2 | (SUB FOR R39804) | |
| 10 | R39803 | WASHER | 1 | | |
| 11 | R39800 | DIODE | 1 | (SUB FOR AR38461) | SINGLE |
| 12 | R38374 | HOUSING | 1 | | |
| 13 | R15035 | SLEEVE | 2 | | |
| 14 | R15030 | O-RING | 1 | | |
| 15 | R15023 | DIODE | 1 | POSITIVE | |
| 16 | AT21161 | STATOR | 1 | | |
| 17 | R15024 | DIODE | 1 | NEGATIVE | |
| 18 | 14H866 | NUT | 1 | 5/8" | |
| 19 | 12H294 | LOCK WASHER | 1 | 5/8" | |
| 20 | R15019 | SHEAVE | 1 | | |
| 21 | R15027 | FAN | 1 | | |
| 22 | T25343 | BUSHING | 1 | (SUB FOR R15038) | |
| 23 | T23610 | NUT | 4 | | |
| 24 | R15033 | HOUSING | 1 | | |
| 25 | JD9449 | BALL BEARING | 1 | (SUB FOR AT23188) | |
| 26 | R15029 | RETAINER | 1 | | |
| 27 | 26H72 | SHAFT KEY | 1 | 1/8" X 5/8" | |
| 28 | AT21160 | ROTOR | 1 | | |
| 29 | AT23189 | BALL BEARING | 1 | REAR | |
| .. | TY1427 | ALTERNATOR | 1 | (SUB FOR AR38458) | (REMANUFACTURED) |

2D1

ELECTRICAL

ALTERNATOR(72 AMP)(12-VOLT)(MOTOROLA)
 (TRACTOR SERIAL NO. 229460-250000)(AIR CONDITIONING)
 R16375 -UN-01JAN94

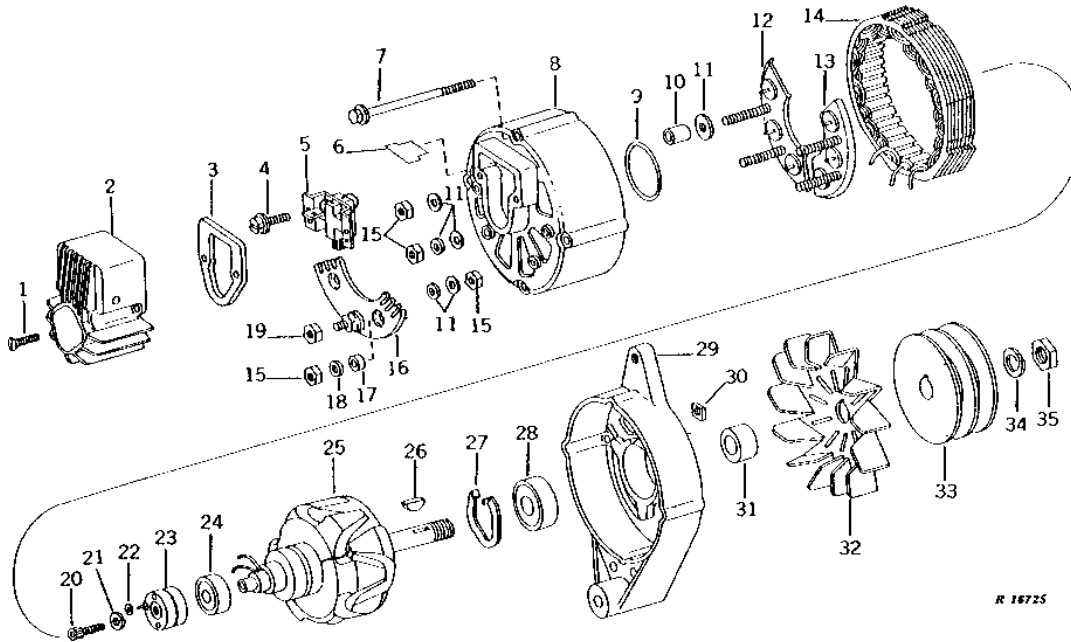


| KEY | PART NO. | PART NAME | QTY | TRACTOR SERIAL NO. | REMARKS |
|-----|----------|--------------|-----|---|---------|
| 1 | 14H778 | NUT | 2 | 0.190" | |
| | 12M7060 | WASHER | 2 | 0.209" | |
| 2 | T26041 | TERMINAL | 1 | (NLA) | |
| 3 | 24H1283 | WASHER | 1 | 7/32" X 1/2" X 0.049" | |
| 4 | R15036 | WASHER | 8 | | |
| 5 | 37H78 | SCREW | 2 | 0.164" X 3/4" | |
| 6 | T29098 | COVER | 1 | (NLA) | |
| 7 | T29100 | GASKET | 1 | | |
| 8 | T25350 | INSULATOR | 1 | (NLA) | |
| 9 | T29101 | WIRING LEAD | 1 | (NLA) | |
| 10 | T25349 | SCREW | 1 | | |
| 11 | 37H10 | SCREW | 2 | 0.164" X 3/8" | |
| 12 | AT27128 | HOLDER | 1 | | |
| 13 | T46862 | ISOLATOR | 1 | (SUB FOR T25357) | |
| 14 | R47460 | BOLT | 4 | | |
| 15 | T31307 | HOUSING | 1 | | |
| 16 | T29105 | RETAINER | 1 | (NLA) | |
| 17 | T25353 | BUSHING | 2 | | |
| 18 | AH103067 | PLATE | 1 | POSITIVE, (SUB FOR AT27123) | |
| 19 | AH103068 | PLATE | 1 | NEGATIVE, (SUB FOR AT27124) | |
| 20 | AR50226 | STATOR | 1 | | |
| 21 | 14H778 | NUT | 8 | 0.190" | |
| 22 | R39803 | WASHER | 1 | | |
| 23 | R15036 | WASHER | 1 | (SUB FOR R39804) | |
| 24 | AR50229 | DIODE | 1 | | |
| 25 | 14H786 | NUT | 1 | 1/4" | |
| | 12H297 | LOCK WASHER | 1 | 1/4" | |
| 26 | T17948 | SCREW | 1 | (SUB FOR T29102) | |
| | 12H246 | LOCK WASHER | 1 | 0.190" | |
| 27 | R47461 | INSULATOR | 1 | | |
| 28 | AT27127 | RING | 1 | (NLA) | |
| 29 | JD9449 | BALL BEARING | 1 | (SUB FOR AT23188) | |
| 30 | AR50227 | ROTOR | 1 | (SUB TY6603) | |
| 31 | 26H72 | SHAFT KEY | 1 | 1/8" X 5/8" | |
| 32 | R15029 | RETAINER | 1 | | |
| 33 | JD9449 | BALL BEARING | 1 | (SUB FOR AT23188) | |
| 34 | R15033 | HOUSING | 1 | FRONT | |
| 35 | T23610 | NUT | 4 | | |
| 36 | T25343 | BUSHING | 1 | | |
| 37 | R15027 | FAN | 1 | | |
| 38 | 12H294 | LOCK WASHER | 1 | 5/8" | |
| 39 | 14H866 | NUT | 1 | 5/8" | |
| .. | AR43989 | ALTERNATOR | 1 | (SUB TY6603) | |
| .. | TY6603 | ALTERNATOR | 1 | (SUB FOR AR43989 OR AR52077) (REMANUFACTURED) | |

2D2

ELECTRICAL

ALTERNATOR(72 AMP)(12-VOLT)(MOTOROLA)
 (TRACTOR SERIAL NO. 250001-263481)(AIR CONDITIONING)
 R16725 -UN-01JAN94

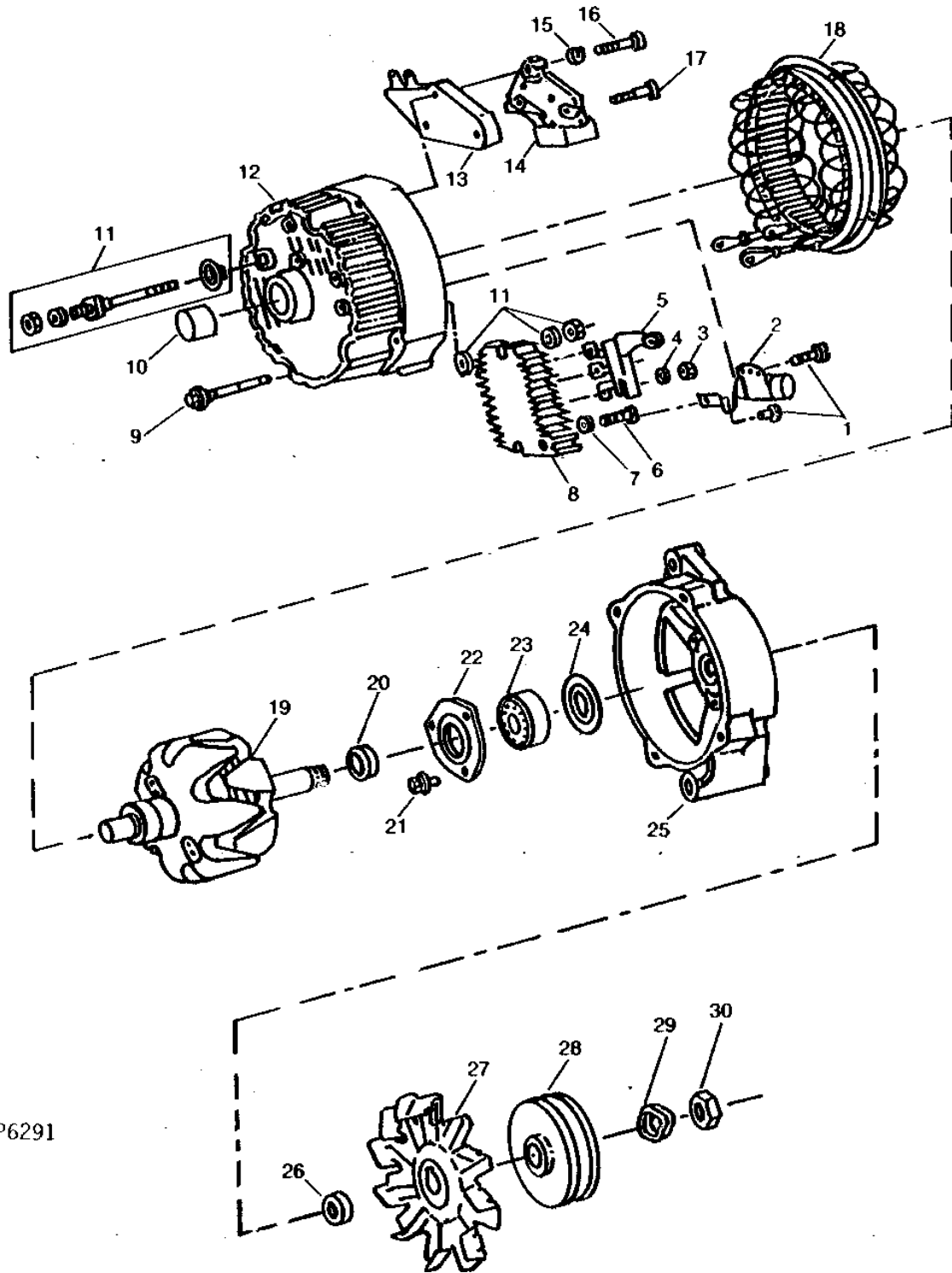


| KEY | PART NO. | PART NAME | QTY | TRACTOR SERIAL NO. | REMARKS |
|-----|----------|--------------|-----|--------------------|---|
| 1 | T31308 | SCREW | 2 | | |
| 2 | AT56592 | REGULATOR | 1 | | (SUB FOR AR52079) |
| 3 | T29100 | GASKET | 1 | | |
| 4 | 37H10 | SCREW | 2 | | 0.164" X 3/8" |
| 5 | AT27128 | HOLDER | 1 | | |
| 6 | T46862 | ISOLATOR | 1 | | (SUB FOR T25357) |
| 7 | R47460 | BOLT | 4 | | |
| 8 | R63977 | HOUSING | 1 | | (SUB FOR R48728) |
| 9 | T29105 | RETAINER | 1 | | |
| 10 | T25353 | BUSHING | 2 | | |
| 11 | R15036 | WASHER | 7 | | |
| 12 | AH103067 | PLATE | 1 | | POSITIVE, (SUB FOR AT27123) |
| 13 | AH103068 | PLATE | 1 | | NEGATIVE, (SUB FOR AT27124) |
| 14 | AR50226 | STATOR | 1 | | |
| 15 | 14H778 | NUT | 6 | | 0.190" |
| 16 | 12H246 | LOCK WASHER | 4 | | 0.190" |
| 17 | AR50229 | DIODE | 1 | | |
| 18 | R39803 | WASHER | 1 | | |
| 19 | R15036 | WASHER | 1 | | |
| 20 | 14H786 | NUT | 1 | | 1/4" |
| 21 | 12H297 | LOCK WASHER | 1 | | 1/4" |
| 22 | T17948 | SCREW | 1 | | (SUB FOR T20102) |
| 23 | 12H246 | LOCK WASHER | 1 | | 0.190" |
| 24 | R47461 | INSULATOR | 1 | | |
| 25 | AT27127 | RING | 1 | | (NLA) |
| 26 | JD9449 | BALL BEARING | 1 | | (SUB FOR AT23188) |
| 27 | AR50227 | ROTOR | 1 | | (SUB TY6603) |
| 28 | 26H72 | SHAFT KEY | 1 | | 1/8" X 5/8" |
| 29 | R15029 | RETAINER | 1 | | |
| 30 | JD9449 | BALL BEARING | 1 | | (SUB FOR AT23188) |
| 31 | R15033 | HOUSING | 1 | | |
| 32 | T23610 | NUT | 4 | | |
| 33 | T25343 | BUSHING | 1 | | |
| 34 | R15027 | FAN | 1 | | |
| 35 | R46775 | PULLEY | 1 | | (NOT AS ILLUSTRATED) |
| .. | 12H294 | LOCK WASHER | 1 | | 5/8" |
| .. | 14H866 | NUT | 1 | | 5/8" |
| .. | AR52077 | ALTERNATOR | 1 | | (SUB TY6603) |
| .. | TY6603 | ALTERNATOR | 1 | | (SUB FOR AR43989 OR AR52077) (REMANUFACTURED) |

2D3

ELECTRICAL

ALTERNATOR(12-VOLT)(72 AMP)(90 AMP)(DELCO-REMY)
(TRACTOR SERIAL NO. 263482-) (AIR CONDITIONING)
RWP6291 -UN-01JAN94



RWP6291

2D4

ELECTRICAL

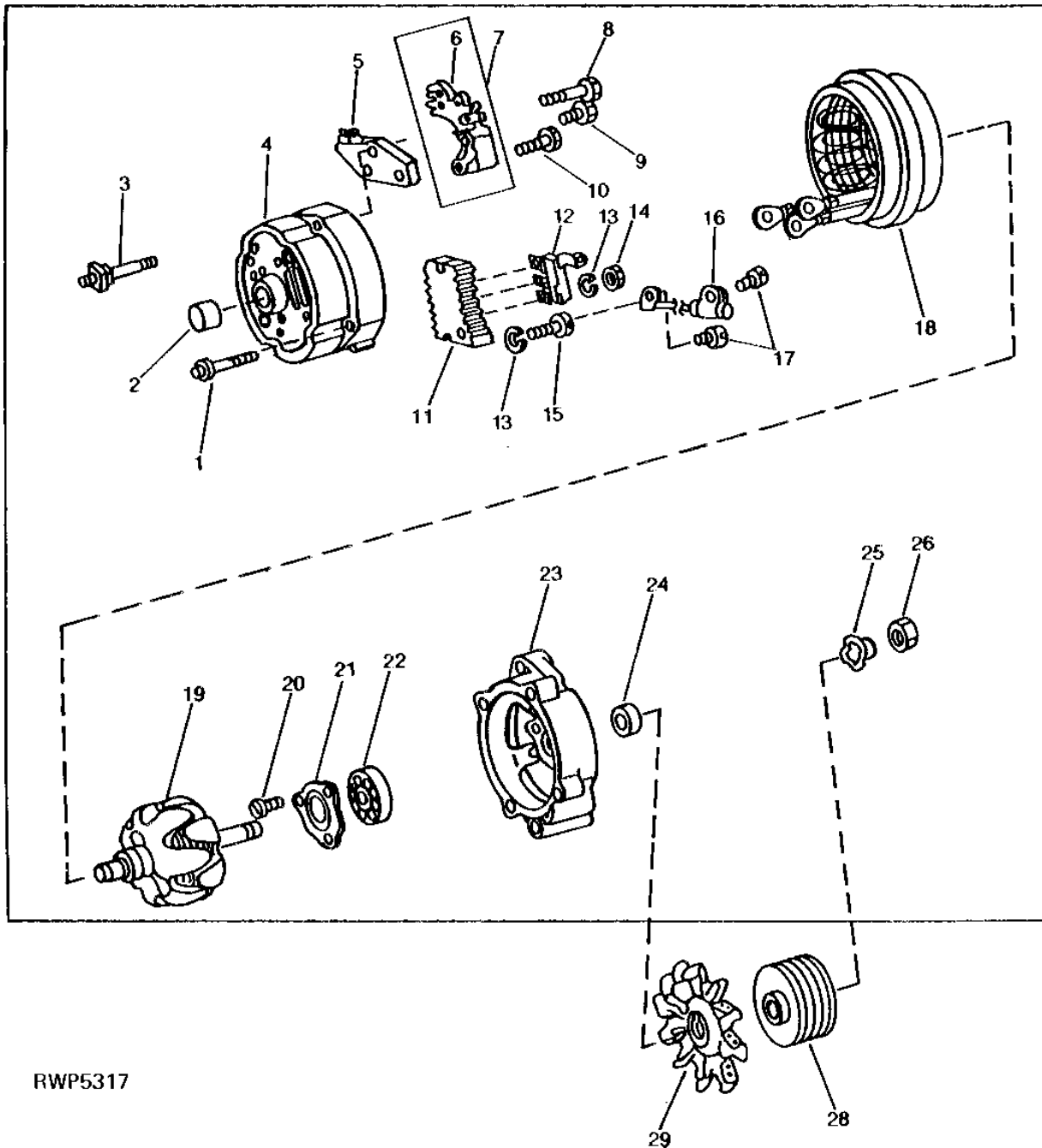
ALTERNATOR(12-VOLT)(72 AMP)(90 AMP)(DELCO-REMY) - CONTINUED
(TRACTOR SERIAL NO. 263482-) (AIR CONDITIONING)

| KEY | PART NO. | PART NAME | QTY | TRACTOR SERIAL NO. | REMARKS |
|-----|----------|--------------------------|-----|--------------------|---|
| 1 | 37H2 | SCREW | 2 | | 0.164" X 5/8" |
| 2 | AR55835 | CAPACITOR | 1 | | |
| 3 | 14H605 | NUT | 3 | | 0.164" |
| 4 | 12M7084 | LOCK WASHER | 3 | | 0.169" |
| 5 | RE13798 | DIODE | 1 | | (SUB FOR AR55831) |
| 6 | 21H1319 | SCREW | 1 | | 0.164" X 7/8" |
| 7 | 12M7084 | LOCK WASHER | 1 | | 0.169" |
| 8 | AR55832 | RECTIFIER | 1 | | |
| 9 | R51535 | BOLT | 4 | | |
| 10 | AR77851 | ROLLER BEARING | 1 | | (SUB FOR AR55830) |
| 11 | AR55834 | TERMINAL | 1 | | (SUB AR93945 AND 14M7165) |
| 12 | R51529 | HOUSING | 1 | | |
| 13 | AR55827 | VOLTAGE REGULATOR | 1 | | |
| 14 | AR69269 | BRUSH | 1 | | (SUB FOR AR55833) |
| 15 | 12M7084 | LOCK WASHER | 1 | | 0.169" |
| 16 | R51531 | SCREW | 1 | | |
| 17 | R51530 | SCREW | 1 | | |
| 18 | AR55837 | STATOR | 1 | | (SUB FOR RE13800) |
| 19 | RE13801 | ROTOR | 1 | | (SUB FOR AR55828 OR AR78093) |
| 20 | R51532 | ECCENTRIC LOCKING COLLAR | 1 | | |
| 21 | 21H1301 | SCREW | 3 | | 0.190" X 1/2" |
| 22 | R11109 | PLATE | 1 | | (SUB FOR R78755 OR AR55836) |
| 23 | JD9449 | BALL BEARING | 1 | | (SUB FOR AT23188) |
| 24 | R51534 | SHIM | 1 | | |
| 25 | R71399 | HOUSING | 1 | | (ALSO ORDER R69645) (SUB FOR R51528 OR R69644) |
| 26 | R51533 | ECCENTRIC LOCKING COLLAR | 1 | | |
| 27 | R50659 | FAN | 1 | | |
| 28 | R50660 | PULLEY | 1 | | |
| 29 | T10745 | WASHER | 1 | | |
| 30 | R11049 | NUT | 1 | | |
| .. | AR93446 | ALTERNATOR | 1 | | (SUB FOR AR54793, AR84306 OR RE13797) (SUB RE31694, 14M7165, 12M7065, 12M7006 AND 19M7163) (72 AMP) |
| .. | TY6772 | ALTERNATOR | 1 | | (SUB FOR TY6600) (USE WITH AR54793, AR54796 OR AR84305) (REMANUFACTURED)(72 AMP) |
| .. | TY6790 | ALTERNATOR | 1 | | (SUB FOR TY6625) (USE WITH AR84306, AR93445, AR93446, RE13797 OR RE17379) (REMANUFACTURED)(90 AMP) |

2D5

ELECTRICAL

ALTERNATOR
(12-VOLT) (78 AMP) (DELCO-REMY)(CHAMPION)
RWP5317 -UN-01JAN94



RWP5317

2D6

ELECTRICAL

**ALTERNATOR - CONTINUED
(12-VOLT) (78 AMP) (DELCO-REMY)(CHAMPION)**

| KEY | PART NO. | PART NAME | QTY | TRACTOR SERIAL NO. | REMARKS |
|-----|----------|---------------------|-----|-----------------------|--|
| 1 | R51535 | BOLT | 4 | | |
| 2 | AR77851 | ROLLER BEARING | 1 | | |
| 3 | AR93945 | TERMINAL | 1 | | |
| 4 | R71400 | HOUSING | 1 | | |
| 5 | AR55827 | VOLTAGE REGULATOR | 1 | | |
| 6 | AR90058 | BRUSH | 2 | | |
| 7 | AR85941 | CARBON BRUSH HOLDER | 1 | | |
| 8 | R76186 | SCREW | 1 | | |
| 9 | R51530 | SCREW | 2 | | |
| 10 | R66302 | SCREW | 1 | | |
| 11 | RE13799 | RECTIFIER | 1 | | |
| 12 | RE13798 | DIODE | 1 | | |
| 13 | 12M7084 | LOCK WASHER | 4 | 0.169" | |
| 14 | 14H605 | NUT | 3 | 0.164" | |
| 15 | 21H1319 | SCREW | 1 | 0.164" X 7/8" | |
| 16 | AR55835 | CAPACITOR | 1 | | |
| 17 | 37H2 | SCREW | 2 | 0.164" X 5/8" | |
| 18 | AR55837 | STATOR | 1 | (SUB FOR RE13800) | |
| 19 | RE13801 | ROTOR | 1 | | |
| 20 | 21H1301 | SCREW | 3 | 0.190" X 1/2" | |
| 21 | R11109 | PLATE | 1 | | |
| 22 | JD9449 | BALL BEARING | 1 | | |
| 23 | R71399 | HOUSING | 1 | | |
| 24 | R69645 | WASHER | 1 | | |
| 25 | T10745 | WASHER | 1 | | |
| 26 | R11049 | NUT | 1 | | |
| 27 | RE27109 | ALTERNATOR | 1 | | (SUB FOR AR54973, AR54796, AR84306, AR93446 OR RE13797) (ALSO ORDER 14M7165, 12M7006, 12M7065 AND 19M7163) (SUB RE31694) |
| | RE31694 | ALTERNATOR | 1 | | (SUB FOR RE27109) (78 AMP) |
| | TY6686 | ALTERNATOR | 1 | | (REMANUFACTURED)(CHAMPION)(78 AMP) |
| 28 | R81507 | PULLEY | 1 | | (SUB FOR R52161) |
| 29 | R87764 | FAN | 1 | | |

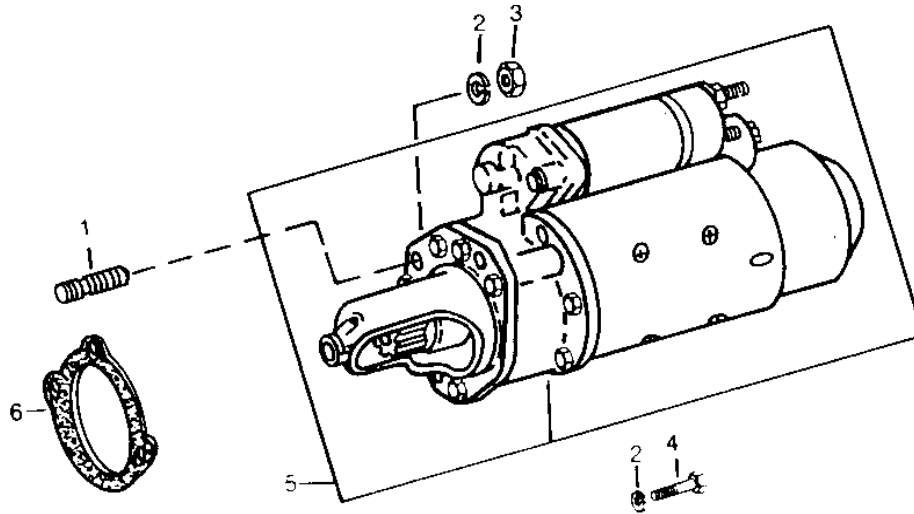
2D7

ELECTRICAL

STARTING MOTOR

(12-VOLT)

RGP3083 -UN-23SEP94



RGP3083

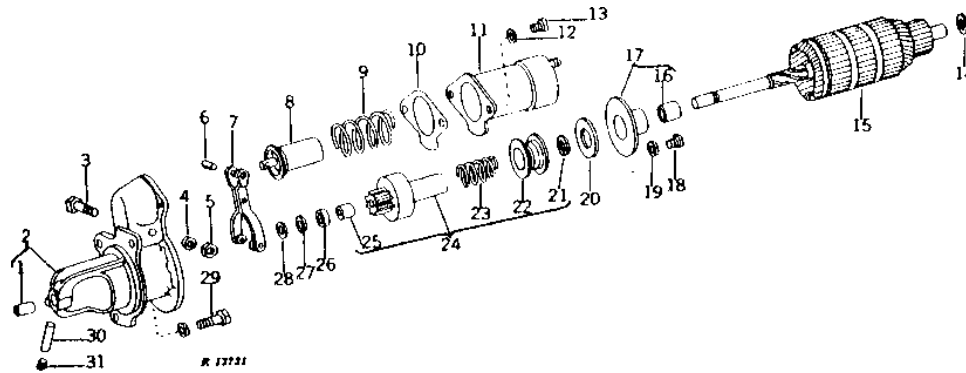
| KEY | PART NO. | PART NAME | QTY | ENGINE SERIAL NO. | REMARKS |
|-----|----------|-------------|-----|-------------------|---|
| 1 | R55396 | STUD | 1 | | 3/8" X 1-11/16" |
| 2 | 12H304 | LOCK WASHER | 3 | | 3/8", (NOT REQUIRED W/E55662) |
| 3 | E55662 | FLANGE NUT | 1 | | 3/8" |
| 4 | 19H3219 | CAP SCREW | 2 | | 3/8" X 1-3/8" |
| 5 | AR11160 | STARTER | 1 | -238810 | (SUB TY6691) (DELCO-REMY NO. 1107350) (GASOLINE) |
| | AR11161 | STARTER | 1 | 238811- | (SUB TY6694) (DELCO-REMY NO. 1109145) (GASOLINE AND LP-GAS) |
| | AR60085 | STARTER | 1 | | (SUB TY6722) (DELCO-REMY NO. 1109147) (GASOLINE AND LP-GAS) |
| | AR62267 | STARTER | 1 | | (SUB TY6710) (DELCO-REMY NO.1113402) |
| | AR78538 | STARTER | 1 | | (DELCO-REMY NO.1113391) (DIESEL) (SUB FOR AR55638) (SUB TY6701) |
| | AR77254 | STARTER | 1 | | (NIPPONDENSO NO.028000-3290 OR 028000-3291)(DIESEL) (SUB FOR AR55639) (SUB TY6713 OR RE41875) |
| | RE13722 | STARTER | 1 | | (SUB RE41875 OR TY6713) (NIPPONDENSO NO.028000-3292)(DIESEL) |
| | RE41875 | STARTER | 1 | | (SUB FOR AR77254 OR RE13722) (CONTAINS RE39064) (JOHN DEERE)(DIESEL) |
| | TY6691 | STARTER | 1 | -238810 | (SUB FOR AR11160 OR TY1435) (REMANUFACTURED)(GASOLINE) |
| | TY6694 | STARTER | 1 | | (SUB FOR AR11161 OR TY1456) (CONTAINS RE39838) (REMANUFACTURED)(GASOLINE AND LP-GAS) |
| | TY6722 | STARTER | 1 | | (SUB FOR AR60085) (CONTAINS RE39838) (REMANUFACTURED)(GASOLINE AND LP-GAS) |
| | TY6701 | STARTER | 1 | | (SUB FOR AR78538 OR TY6618) (CONTAINS RE39838) (REMANUFACTURED)(DIESEL) |
| | TY6710 | STARTER | 1 | | (SUB FOR AR62267 OR TY6667) (CONTAINS RE39838) (REMANUFACTURED)(DIESEL) |
| | TY6713 | STARTER | 1 | | (SUB FOR AR77254, RE13722 OR TY6617) (CONTAINS RE39064) (REMANUFACTURED)(DIESEL) |
| 6 | R53108 | GASKET | 1 | | |

2D8

ELECTRICAL

STARTER DRIVE END HOUSING, SOLENOID SWITCH, AND ARMATURE (12-VOLT) (GASOLINE)(AR11160)

R12721 -UN-01JAN94



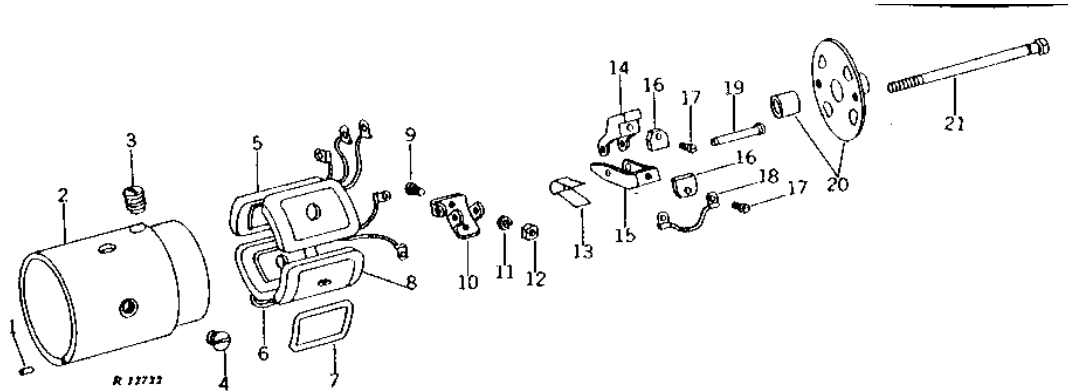
| KEY | PART NO. | PART NAME | QTY | ENGINE SERIAL NO. | REMARKS |
|-----|----------|--------------------|-----|---|---------|
| 1 | T17987 | BUSHING | 1 | | |
| 2 | AR11107 | HOUSING | 1 | | |
| 3 | T11672 | CAP SCREW | 1 | | |
| 4 | 12H303 | LOCK WASHER | 1 | 5/16" | |
| 5 | 14H611 | NUT | 1 | 5/16" | |
| 6 | 34H279 | SPRING PIN | 1 | 3/16" X 13/16" | |
| 7 | T18113 | SHIFTER | 1 | | |
| 8 | AT15147 | PLUNGER | 1 | | |
| 9 | R81176 | COMPRESSION SPRING | 1 | (SUB FOR T11675) | |
| 10 | T17058 | GASKET | 1 | | |
| 11 | AR68304 | SOLENOID | 1 | (SUB FOR R11240) (DELCO-REMY NO. 1114356) | |
| | TY6690 | SOLENOID | 1 | (REMANUFACTURED) | |
| 12 | 12H302 | LOCK WASHER | 2 | 1/4" | |
| 13 | 21H1310 | SCREW | 2 | 1/4" X 1/2" | |
| 14 | R11096 | WASHER | 1 | | |
| 15 | AR11104 | ARMATURE | 1 | | |
| 16 | 820148 | BUSHING | 1 | | |
| 17 | 820149 | BEARING | 1 | (SUB FOR T11683) | |
| 18 | 21H1298 | SCREW | 2 | 0.190" X 3/8" | |
| 19 | 12H246 | LOCK WASHER | 2 | 0.190" | |
| 20 | R11095 | WASHER | 1 | | |
| 21 | R11118 | WIRE | 1 | | |
| 22 | R11225 | LOCKING COLLAR | 1 | (SUB AR57094) (NLA) | |
| 23 | 37517 | SPRING | 1 | | |
| 24 | AR57094 | DRIVE | 1 | (SUB FOR AT15140) | |
| 25 | 1873796 | BUSHING | 1 | | |
| 26 | R11116 | SPACER | 1 | | |
| 27 | R11117 | SNAP RING | 1 | | |
| 28 | R11080 | WASHER | 1 | | |
| 29 | 19H2552 | CAP SCREW | 2 | 3/8" X 1-1/8" | |
| | R56481 | STUD | 1 | | |
| | E55662 | FLANGE NUT | 2 | 3/8" | |
| | 12H304 | LOCK WASHER | 3 | 3/8", (NOT REQUIRED W/E55662) | |
| 30 | R40337 | WICK | 1 | (SUB FOR R11108) | |
| 31 | 15H566 | PIPE PLUG | 1 | 1/8", (SUB FOR R11085) | |

2D9

ELECTRICAL

**STARTER MAIN FRAME, COIL, AND COMMUTATOR END FRAME
(12-VOLT) (GASOLINE)(AR11160)**

R12722 -UN-01JAN94



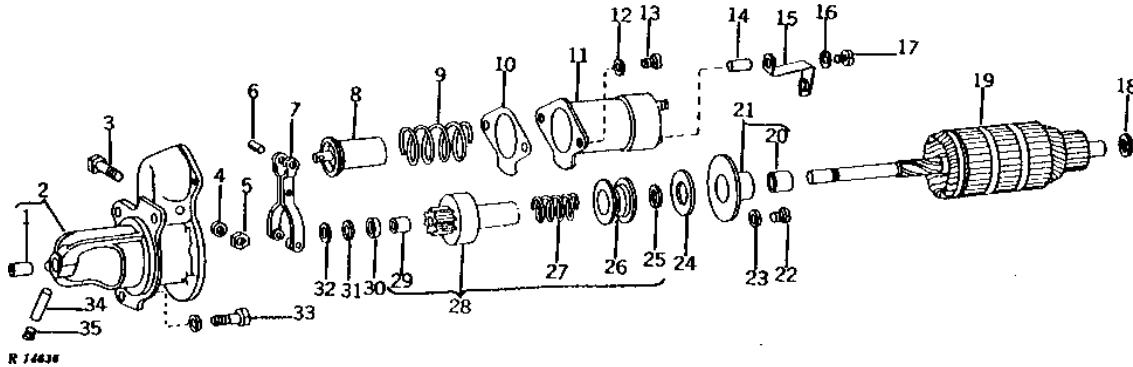
| KEY | PART NO. | PART NAME | QTY | ENGINE SERIAL NO. | REMARKS |
|-----|----------|---------------------|-----|-------------------|------------------------------|
| 1 | R11087 | DOWEL PIN | 1 | | |
| 2 | | FRAME | 1 | | (ORDER TY6691) |
| 3 | R11191 | GROMMET | 1 | | |
| 4 | 21H1280 | SCREW | 4 | | 3/8" X 3/4" |
| 5 | AR90826 | FIELD WINDING COIL | 1 | | (SUB FOR AR11106 OR AR88016) |
| 6 | AR90826 | FIELD WINDING COIL | 1 | | (SUB FOR AR11105 OR AR88016) |
| 7 | T743T | INSULATOR | 4 | | |
| 8 | R39857 | SHOE | 4 | | |
| 9 | 21H1295 | SCREW | 4 | | 0.190" X 5/8" |
| 10 | AT516T | KIT | 2 | | |
| 11 | 12H246 | LOCK WASHER | 4 | | 0.190" |
| 12 | 14H778 | NUT | 4 | | 0.190" |
| 13 | T740T | SPRING | 2 | | |
| 14 | R11290 | CARBON BRUSH HOLDER | 2 | | (SUB FOR T739T) |
| 15 | T738T | HOLDER | 2 | | |
| 16 | T735T | BRUSH | 4 | | |
| 17 | 37H2 | SCREW | 4 | | 0.164" X 5/8" |
| 18 | AT514T | WIRING LEAD | 2 | | |
| 19 | T736T | PIN | 2 | | |
| 20 | AT517T | FRAME | 1 | | |
| | 810620 | BUSHING | 1 | | |
| 21 | T741T | BOLT | 2 | | |

2D10

ELECTRICAL

**STARTER DRIVE END HOUSING, SOLENOID SWITCH, AND ARMATURE
(12-VOLT) (LP-GAS)(AR11161 OR AR60085)**

R14636 -UN-01JAN94



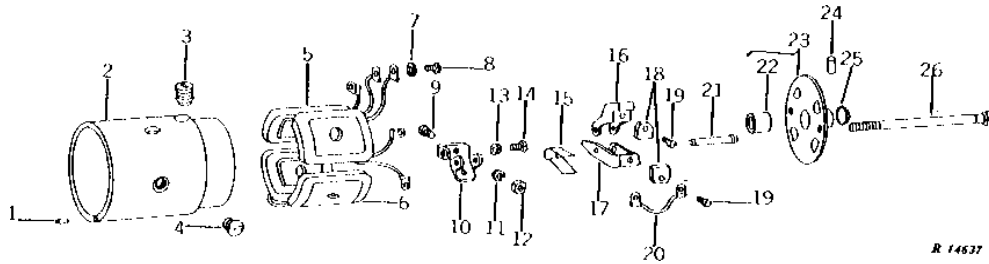
| KEY | PART NO. | PART NAME | QTY | ENGINE SERIAL NO. | REMARKS |
|-----|----------|--------------------|-----|---|---------|
| 1 | T17987 | BUSHING | 1 | | |
| 2 | AR11107 | HOUSING | 1 | | |
| 3 | T11672 | CAP SCREW | 1 | | |
| 4 | 12H303 | LOCK WASHER | 1 | 5/16" | |
| 5 | 14H611 | NUT | 1 | 5/16", (SUB FOR T11682) | |
| 6 | 34H279 | SPRING PIN | 1 | 3/16" X 13/16" | |
| 7 | T18113 | SHIFTER | 1 | | |
| 8 | AT15147 | PLUNGER | 1 | | |
| 9 | R81176 | COMPRESSION SPRING | 1 | (SUB FOR T11675) | |
| 10 | T17058 | GASKET | 1 | | |
| 11 | AR68304 | SOLENOID | 1 | (SUB FOR R11240) (DELCO-REMY NO. 1114356) | |
| | TY6690 | SOLENOID | 1 | (REMANUFACTURED) | |
| 12 | 12H302 | LOCK WASHER | 2 | 1/4" | |
| 13 | 21H1310 | SCREW | 2 | 1/4" X 1/2" | |
| 14 | T19608 | BUSHING | 1 | | |
| 15 | R57025 | FITTING | 1 | (SUB FOR R39877) | |
| 16 | 12M7060 | WASHER | 1 | 0.209" | |
| 17 | T19610 | CAP SCREW | 1 | | |
| 18 | R11096 | WASHER | 1 | | |
| 19 | AT15138 | ARMATURE | 1 | | |
| 20 | | BUSHING | 1 | (SUB 820149) | |
| | 820148 | BUSHING | 1 | | |
| 21 | 820149 | BEARING | 1 | (SUB FOR T11683) | |
| 22 | 21H1127 | SCREW | 2 | 0.190" X 7/16" | |
| 23 | 12H246 | LOCK WASHER | 2 | 0.190" | |
| 24 | R11095 | WASHER | 1 | | |
| 25 | R11118 | WIRE | 1 | | |
| 26 | | LOCKING COLLAR | 1 | (R11225 NO LONGER AVAILABLE) (SUB AR57094) | |
| | 37517 | SPRING | 1 | | |
| 27 | 37517 | SPRING | 1 | | |
| 28 | AR57094 | DRIVE | 1 | (SUB FOR AT15140) | |
| 29 | 1873796 | BUSHING | 1 | | |
| 30 | R11116 | SPACER | 1 | | |
| 31 | R11117 | SNAP RING | 1 | | |
| 32 | R11080 | WASHER | 1 | | |
| 33 | 19H2552 | CAP SCREW | 2 | 3/8" X 1-1/8" | |
| | R56481 | STUD | 1 | | |
| | E55662 | FLANGE NUT | 2 | 3/8" | |
| | 12H304 | LOCK WASHER | 3 | 3/8", (NOT REQUIRED W/E55662) | |
| 34 | R40337 | WICK | 1 | (SUB FOR R11108) | |
| 35 | 15H566 | PIPE PLUG | 2 | 1/8" | |

2D11

ELECTRICAL

STARTER MAIN FRAME, COIL, AND COMMUTATOR END FRAME
(12-VOLT) (LP-GAS)(AR11161 OR AR60085)

R14637 -UN-01JAN94



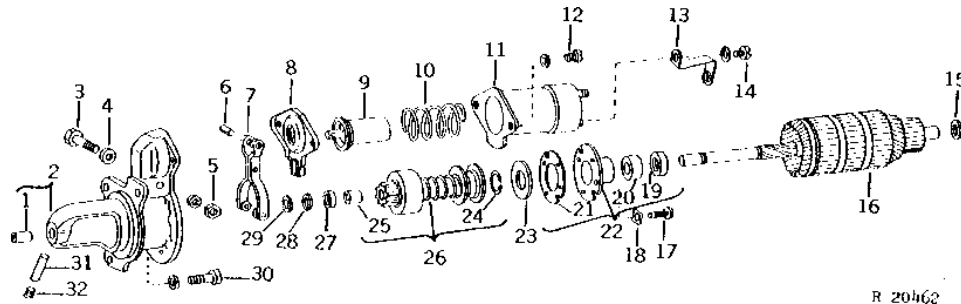
| KEY | PART NO. | PART NAME | QTY | ENGINE SERIAL NO. | REMARKS |
|-----|----------|---------------------|-----|-------------------|---------|
| 1 | R11087 | DOWEL PIN | 1 | | |
| 2 | | FRAME | 1 | | |
| 3 | R11236 | GROMMET | 1 | | |
| 4 | 21H1280 | SCREW | 8 | 3/8" X 3/4" | |
| 5 | R11237 | FIELD WINDING COIL | 1 | | |
| 6 | T11680 | SHOE | 4 | | |
| 7 | 12M7060 | WASHER | 1 | 0.209" | |
| 8 | 21H1298 | SCREW | 1 | 0.190" X 3/8" | |
| 9 | 21H1295 | SCREW | 4 | 0.190" X 5/8" | |
| 10 | AT516T | KIT | 2 | | |
| 11 | 12H246 | LOCK WASHER | 4 | 0.190" | |
| 12 | 14H778 | NUT | 4 | 0.190" | |
| 13 | 12H315 | LOCK WASHER | 1 | 0.164" | |
| 14 | 21H1292 | SCREW | 1 | 0.164" X 1/4" | |
| 15 | T740T | SPRING | 2 | | |
| 16 | R11290 | CARBON BRUSH HOLDER | 2 | (SUB FOR T739T) | |
| 17 | T738T | HOLDER | 2 | | |
| 18 | R11239 | BRUSH | 4 | | |
| 19 | 37H79 | SCREW | 4 | 1/4" X 5/8" | |
| 20 | AT514T | WIRING LEAD | 2 | | |
| 21 | T736T | PIN | 2 | | |
| 22 | R61932 | BUSHING | 1 | (SUB FOR T11739) | |
| 23 | R11238 | END PLATE | 1 | | |
| 24 | H23193 | FELT | 1 | | |
| 25 | 30H9 | PLUG | 1 | 3/4" | |
| 26 | R11243 | CAP SCREW | 2 | | |

2D12

ELECTRICAL

**STARTER DRIVE END HOUSING, SOLENOID SWITCH, AND ARMATURE
(12-VOLT) (DELCO-REMY) (GASOLINE AND LP-GAS)(AR11161 AND AR60085)**

R20462 -UN-01JAN94



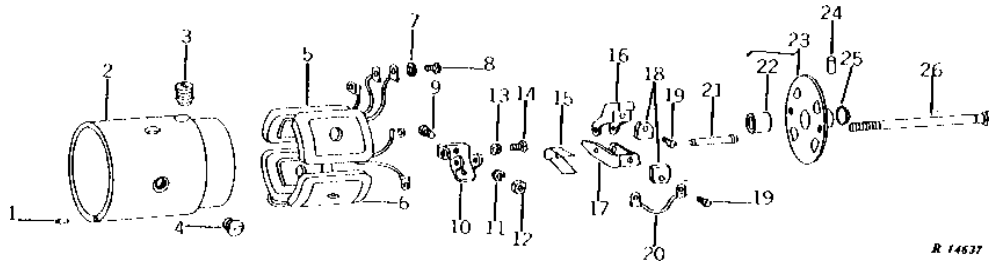
R 20462

| KEY | PART NO. | PART NAME | QTY | ENGINE SERIAL NO. | REMARKS |
|-----|----------|--------------------|-----|---|---------|
| 1 | T17987 | BUSHING | 1 | | |
| 2 | AR63943 | HOUSING | 1 | (NLA) | |
| 3 | T11672 | CAP SCREW | 1 | | |
| 4 | AR62966 | WASHER | 1 | | |
| 5 | 14H611 | NUT | 1 | 5/16", (SUB FOR T11682) | |
| | 12H303 | LOCK WASHER | 1 | 5/16" | |
| 6 | 34H279 | SPRING PIN | 1 | 3/16" X 13/16" | |
| 7 | T18113 | SHIFTER | 1 | | |
| 8 | R55162 | BOOT | 1 | | |
| 9 | AT15147 | PLUNGER | 1 | | |
| 10 | R81176 | COMPRESSION SPRING | 1 | (SUB FOR T11675) | |
| 11 | AR68304 | SOLENOID | 1 | (SUB FOR R11240) (DELCO-REMY NO. 1114356) | |
| | TY6690 | SOLENOID | 1 | (REMANUFACTURED) | |
| 12 | 21H1310 | SCREW | 2 | 1/4" X 1/2" | |
| | 12H302 | LOCK WASHER | 2 | 1/4" | |
| 13 | R57025 | FITTING | 1 | (SUB FOR R39877) | |
| 14 | T19610 | CAP SCREW | 1 | | |
| | 12M7060 | WASHER | 1 | 0.209" | |
| 15 | R11096 | WASHER | 1 | | |
| 16 | AT15138 | ARMATURE | 1 | | |
| 17 | 21H1127 | SCREW | 4 | 0.190" X 7/16" | |
| 18 | 12M7060 | WASHER | 4 | 0.209" | |
| 19 | AR62965 | SEAL | 1 | | |
| 20 | R54584 | BUSHING | 1 | | |
| 21 | R54585 | GASKET | 1 | | |
| 22 | AR62967 | BEARING | 1 | | |
| 23 | R11095 | WASHER | 1 | | |
| 24 | R11118 | WIRE | 1 | | |
| 25 | 1873796 | BUSHING | 1 | | |
| 26 | AR57094 | DRIVE | 1 | | |
| 27 | R11116 | SPACER | 1 | | |
| 28 | R11117 | SNAP RING | 1 | | |
| 29 | R11080 | WASHER | 1 | | |
| 30 | 19H2552 | CAP SCREW | 2 | 3/8" X 1-1/8" | |
| | R56481 | STUD | 1 | | |
| | E55662 | FLANGE NUT | 2 | 3/8" | |
| | 12H304 | LOCK WASHER | 3 | 3/8", (NOT REQUIRED W/E55662) | |
| 31 | R40337 | WICK | 1 | | |
| 32 | 15H566 | PIPE PLUG | 2 | 1/8" | |

2D13

ELECTRICAL

STARTER MAIN FRAME, COIL, AND COMMUTATOR END FRAME
 (12-VOLT) (DELCO-REMY) (GASOLINE AND LP-GAS)(AR11161 AND AR60085)
 R14637 -UN-01JAN94

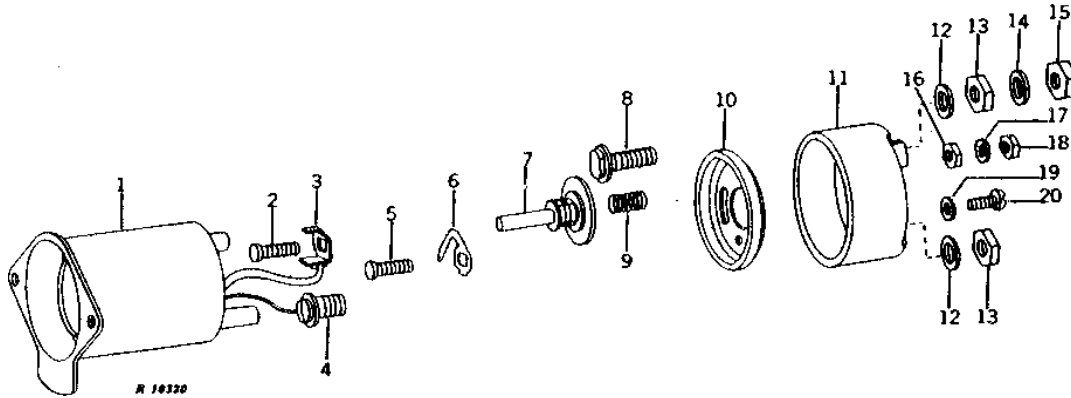


| KEY | PART NO. | PART NAME | QTY | ENGINE SERIAL NO. | REMARKS |
|-----|----------|---------------------|-----|-------------------|---------|
| 1 | R11087 | DOWEL PIN | 1 | | |
| 2 | | FRAME | 1 | | |
| 3 | R11236 | GROMMET | 1 | | |
| 4 | 21H1280 | SCREW | 8 | 3/8" X 3/4" | |
| 5 | R11237 | FIELD WINDING COIL | 1 | | |
| 6 | T11680 | SHOE | 4 | | |
| 7 | 12M7060 | WASHER | 1 | 0.209" | |
| 8 | 21H1298 | SCREW | 1 | 0.190" X 3/8" | |
| 9 | 21H1301 | SCREW | 4 | 0.190" X 1/2" | |
| 10 | AT516T | KIT | 2 | | |
| 11 | 12H246 | LOCK WASHER | 4 | 0.190" | |
| 12 | 14H778 | NUT | 4 | 0.190" | |
| 13 | 12H315 | LOCK WASHER | 1 | 0.164" | |
| 14 | 21H1292 | SCREW | 1 | 0.164" X 1/4" | |
| 15 | T740T | SPRING | 2 | | |
| 16 | R11290 | CARBON BRUSH HOLDER | 2 | (SUB FOR T739T) | |
| 17 | T738T | HOLDER | 2 | | |
| 18 | R11239 | BRUSH | 4 | | |
| 19 | 37H79 | SCREW | 4 | 1/4" X 5/8" | |
| 20 | AT514T | WIRING LEAD | 2 | | |
| 21 | T736T | PIN | 2 | | |
| 22 | R61932 | BUSHING | 1 | (SUB FOR T11739) | |
| 23 | R11238 | END PLATE | 1 | | |
| 24 | H23193 | FELT | 1 | | |
| 25 | 30H9 | PLUG | 1 | 3/4" | |
| 26 | R11243 | CAP SCREW | 2 | | |

2D14

ELECTRICAL

**SOLENOID SWITCH
(12-VOLT) (GASOLINE AND LP-GAS)**
R10320 -UN-01JAN94

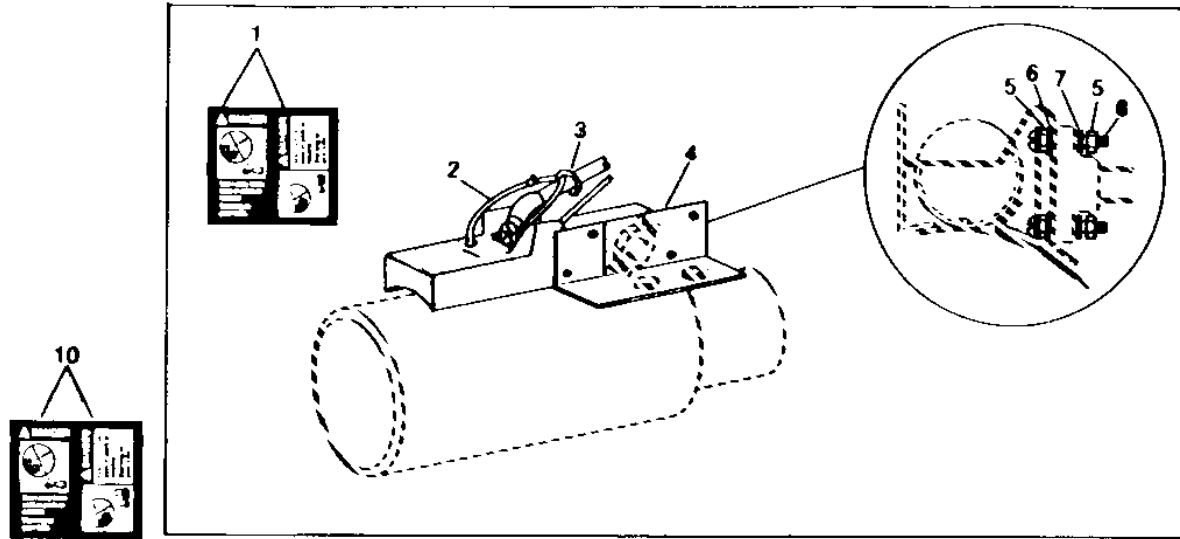


| KEY | PART NO. | PART NAME | QTY | ENGINE SERIAL NO. | REMARKS |
|-----|----------|-------------|-----|-------------------|--|
| 1 | | CASE | 1 | | (ORDER AR68304 OR TY6690) |
| | TY6690 | SOLENOID | 1 | | (REMANUFACTURED) |
| 2 | T19606 | STUD | 1 | | |
| 3 | R11198 | CLIP | 1 | | (NLA) |
| 4 | T18354 | SCREW | 1 | | |
| 5 | T19606 | STUD | 1 | | |
| 6 | T19604 | CONTACT | 1 | | |
| 7 | AT15146 | CONTACT | 1 | | (SUB AR68304 OR TY6690) |
| 8 | T18105 | STUD | 1 | | |
| 9 | R11066 | SPRING | 1 | | |
| 10 | R61133 | GASKET | 1 | | (SUB FOR T18109 OR R49394) |
| 11 | | COVER | 1 | | (ALSO ORDER R61133) (SUB FOR T19609, R49393 OR R57452) (SUB AR68304 OR TY6690) (R61134 NO LONGER AVAILABLE) |
| 12 | R11194 | WASHER | 2 | | |
| 13 | 14H732 | NUT | 2 | | 3/8" |
| 14 | 12H304 | LOCK WASHER | 1 | | 3/8", (NOT REQUIRED W/E55662) |
| 15 | E55662 | FLANGE NUT | 1 | | 3/8" |
| 16 | AR11131 | NUT | 2 | | |
| 17 | 12M7084 | LOCK WASHER | 2 | | 0.169" |
| 18 | 14H605 | NUT | 2 | | 0.164" |
| 19 | R11039 | WASHER | 2 | | |
| 20 | 21H1298 | SCREW | 2 | | 0.190" X 3/8" |
| .. | AR68304 | SOLENOID | 1 | | (DELCO-REMY NO. 1114356) (SUB FOR R11240) |

2D15

ELECTRICAL

STARTER SOLENOID COVER KIT
(GAS AND LP-GAS)(DELCO-REMY)
 RXP9137 -UN-12OCT94



9

RXP9137

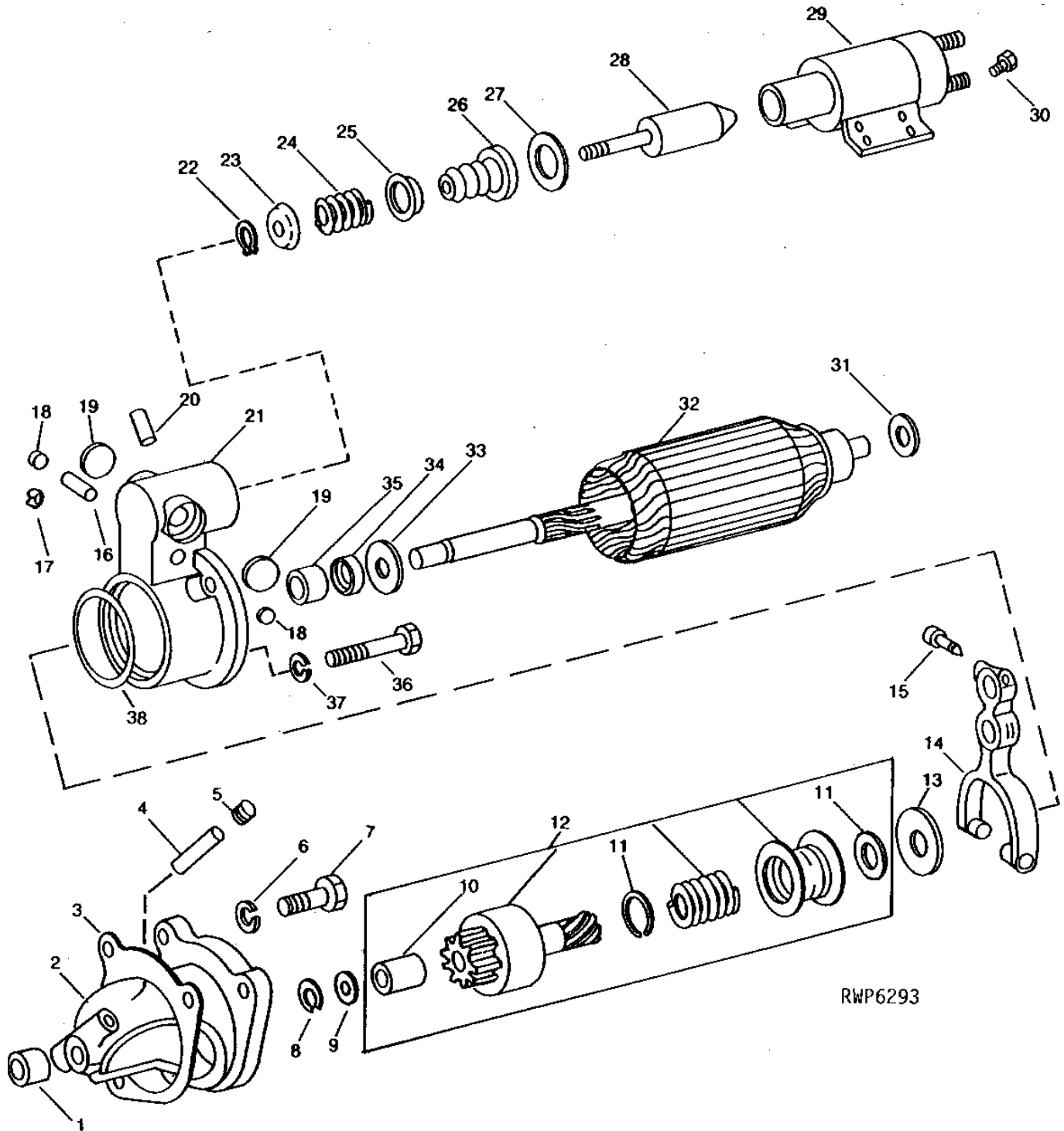
| KEY | PART NO. | PART NAME | QTY | ENGINE SERIAL NO. | REMARKS |
|-----|----------|---------------|-----|-----------------------|---|
| 1 | T146102 | WARNING LABEL | 1 | | (SUB FOR T84409 OR T134459) |
| 2 | R76477 | TIE BAND | 1 | | |
| 3 | R44302 | TIE BAND | 1 | | |
| 4 | R45642 | BRACKET | 1 | | |
| 5 | 14H631 | NUT | 4 | 0.190" | |
| 6 | 24H1283 | WASHER | 4 | 7/32" X 1/2" X 0.049" | |
| 7 | 12H246 | LOCK WASHER | 2 | 0.190" | |
| 8 | 21H981 | SCREW | 2 | 0.190" X 1/2" | |
| 9 | RE39838 | SHIELD | 1 | (A) | |
| 10 | T146106 | WARNING LABEL | 1 | | (SUB FOR T84410 OR T134452) (ESPANOL) |
| | T146104 | WARNING LABEL | 1 | | (SUB FOR T84411 OR T134453) (FRANCAIS) |
| | T146515 | WARNING LABEL | 1 | | (SUB FOR T84412 OR T134454) (DEUTSCH) |
| | T146516 | WARNING LABEL | 1 | | (SUB FOR T84413 OR T134455) (ITALIANO) |
| | T146517 | WARNING LABEL | 1 | | (SUB FOR T84578 OR T134456) (ENGLISH/FRANCAIS) |

(A) USE WITH AR11160,AR11161,AR60085,TY1435,TY1456,TY6691,TY6694 OR TY6722

2D16

ELECTRICAL

STARTER DRIVE HOUSING, SOLENOID SWITCH AND ARMATURE
(12-VOLT)(DELCO-REMY)(DIESEL)(AR62267)
RWP6293 -UN-01JAN94



2D17

ELECTRICAL

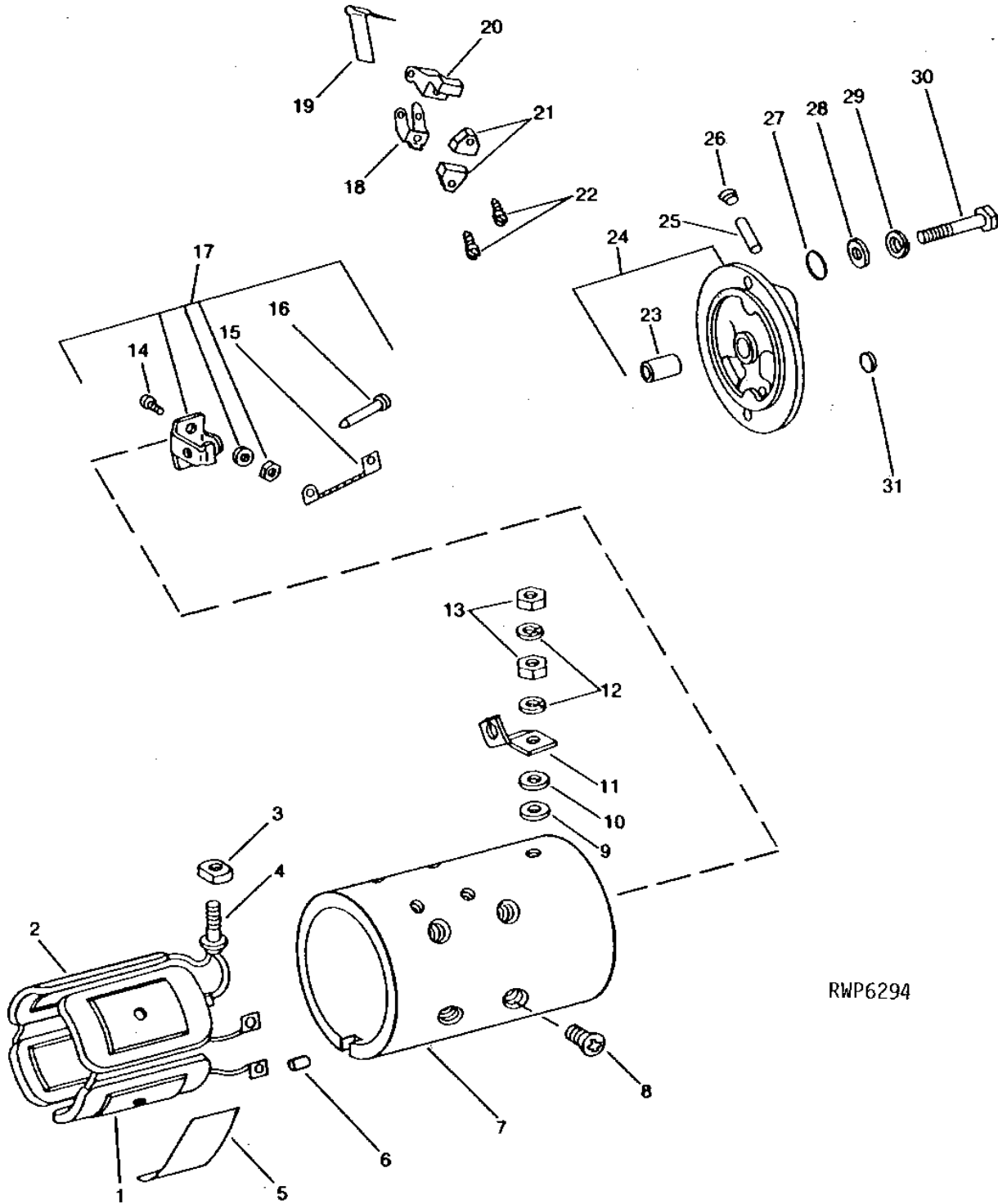
**STARTER DRIVE HOUSING, SOLENOID SWITCH, AND ARMATURE - CONTINUED
(12-VOLT) (DELCO-REMY) (DIESEL)(AR62267)**

| KEY | PART NO. | PART NAME | QTY | ENGINE SERIAL NO. | REMARKS |
|-----|----------|--------------|-----|--|---------|
| 1 | T11743 | BUSHING | 1 | | |
| 2 | AR11127 | HOUSING | 1 | | |
| 3 | R53108 | GASKET | 1 | | |
| 4 | R40337 | WICK | 1 | | |
| 5 | 15H566 | PIPE PLUG | 1 | 1/8" | |
| 6 | 12H304 | LOCK WASHER | 3 | 3/8", (NOT REQUIRED W/E55662) | |
| | R56481 | STUD | 1 | (SUB FOR R26117) | |
| | E55662 | FLANGE NUT | 2 | 3/8" | |
| 7 | 19H2552 | CAP SCREW | 2 | 3/8" X 1-1/8" | |
| 8 | R11117 | SNAP RING | 1 | | |
| 9 | R48976 | STOP | 1 | | |
| 10 | 1873796 | BUSHING | 1 | | |
| 11 | R11118 | WIRE | 1 | | |
| 12 | AR88880 | BENDIX DRIVE | 1 | (SUB FOR AR44700 OR AR76841) | |
| 13 | R11095 | WASHER | 1 | | |
| 14 | AR11128 | LEVER | 1 | | |
| 15 | R11222 | PIN | 1 | | |
| 16 | R11215 | DOWEL PIN | 2 | | |
| 17 | R11223 | RETAINER | 1 | | |
| 18 | 30H7 | PLUG | 2 | 5/8" | |
| 19 | 30H16 | PLUG | 2 | 1-3/16" | |
| 20 | R11201 | WICK | 1 | | |
| | R11016 | PIPE PLUG | 1 | | |
| 21 | AR11126 | HOUSING | 1 | | |
| 22 | R11026 | SNAP RING | 1 | | |
| 23 | R11129 | CAP | 1 | | |
| 24 | R11128 | SPRING | 1 | | |
| 25 | R11126 | RETAINER | 1 | | |
| 26 | R11127 | BOOT | 1 | | |
| 27 | R11221 | WASHER | 1 | | |
| 28 | AR11132 | PLUNGER | 1 | | |
| 29 | R11292 | SWITCH | 1 | (DELCO-REMY NO. 1115510 OR 1115540) | |
| 30 | T19909 | BOLT | 4 | | |
| 31 | R11096 | WASHER | 1 | | |
| 32 | AR44698 | ARMATURE | 1 | | |
| 33 | R11291 | WASHER | 1 | | |
| 34 | AR62964 | SEAL | 1 | | |
| 35 | R11212 | BUSHING | 1 | | |
| 36 | AR62963 | SCREW | 4 | | |
| 37 | 12H303 | LOCK WASHER | 4 | 5/16" | |
| 38 | R40545 | GASKET | 1 | | |
| .. | AR62267 | STARTER | 1 | (SUB TY6710) (SUB FOR AR55638) (DELCO-REMY NO.1113402) | |

2D18

ELECTRICAL

STARTER MAIN FRAME, COIL AND COMMUTATOR END FRAME
(12-VOLT)(DELCO-REMY)(DIESEL)(AR62267)
RWP6294 -UN-01JAN94



RWP6294

2D19

ELECTRICAL

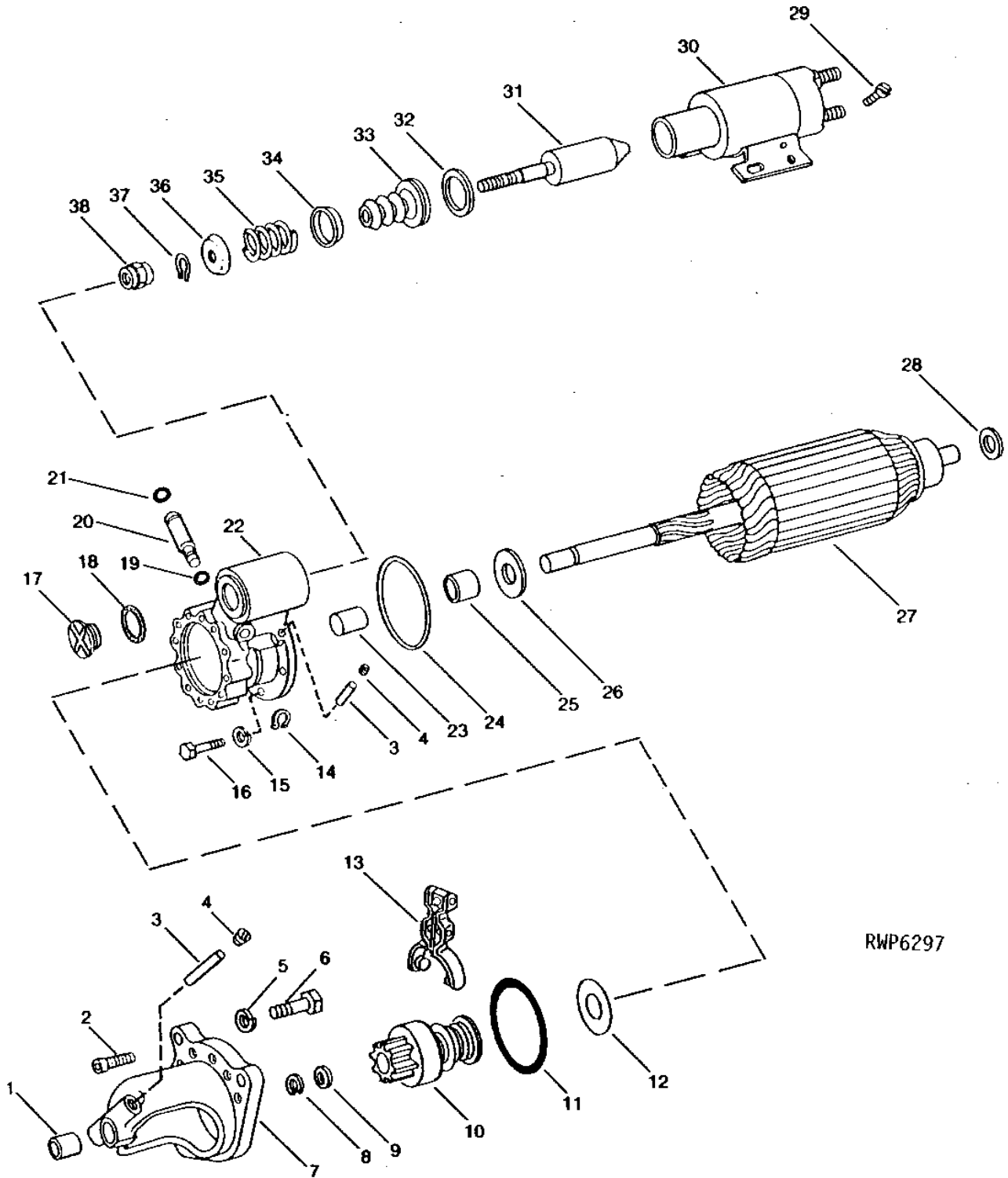
**STARTER MAIN FRAME, COIL, AND COMMUTATOR END FRAME
(12-VOLT) (DELCO-REMY) (DIESEL)(AR62267)**

| KEY | PART NO. | PART NAME | QTY | ENGINE SERIAL NO. | REMARKS |
|-----|----------|---------------------|-----|-------------------|--|
| 1 | R11003 | SHOE | 4 | | |
| 2 | AR44699 | ELECTRICAL COIL | 1 | | |
| 3 | R11058 | BUSHING | 2 | | |
| 4 | R11059 | STUD | 1 | | |
| 5 | R11253 | INSULATOR | 2 | | |
| 6 | R11087 | DOWEL PIN | 1 | | |
| 7 | | FRAME | 1 | | (ORDER TY6710) |
| 8 | 21H1280 | SCREW | 4 | | 3/8" X 3/4" |
| 9 | R11000 | WASHER | 2 | | |
| 10 | 24M7096 | WASHER | 1 | | 10.500 X 18 X 1.600 MM |
| 11 | R11296 | CONNECTOR | 1 | | |
| 12 | 12H304 | LOCK WASHER | 2 | | 3/8" |
| 13 | 14H732 | NUT | 2 | | 3/8" |
| 14 | T18098 | SCREW | 2 | | |
| 15 | AR11001 | WIRING LEAD | 1 | | |
| 16 | R11233 | PIN | 2 | | |
| 17 | AR11124 | SUPPORT | 2 | | |
| 18 | T738T | HOLDER | 2 | | |
| 19 | R11209 | SPRING | 2 | | |
| 20 | R11290 | CARBON BRUSH HOLDER | 2 | | |
| 21 | R42574 | BRUSH | 4 | | |
| 22 | 37H78 | SCREW | 4 | | 0.164" X 3/4" |
| 23 | R61932 | BUSHING | 1 | | (SUB FOR T11739) |
| 24 | AR11140 | FRAME | 1 | | |
| 25 | 15H566 | PIPE PLUG | 1 | | 1/8" |
| 26 | R40337 | WICK | 1 | | |
| 27 | R27976 | O-RING | 2 | | |
| 28 | 24H1136 | WASHER | 2 | | 11/32" X 11/16" X 0.065" |
| 29 | 12H303 | LOCK WASHER | 2 | | 5/16" |
| 30 | R11298 | BOLT | 2 | | |
| 31 | 30H9 | PLUG | 1 | | 3/4" |
| .. | AR62267 | STARTER | 1 | | (SUB TY6710) (SUB FOR AR55638) (DELCO-REMY NO.1113402) |

2D20

ELECTRICAL

STARTER ARMATURE, DRIVE END HOUSING AND DRIVE
(12-VOLT)(DELCO-REMY)(DIESEL)(AR78538)
RWP6297 -UN-01JAN94



RWP6297

2D21

ELECTRICAL

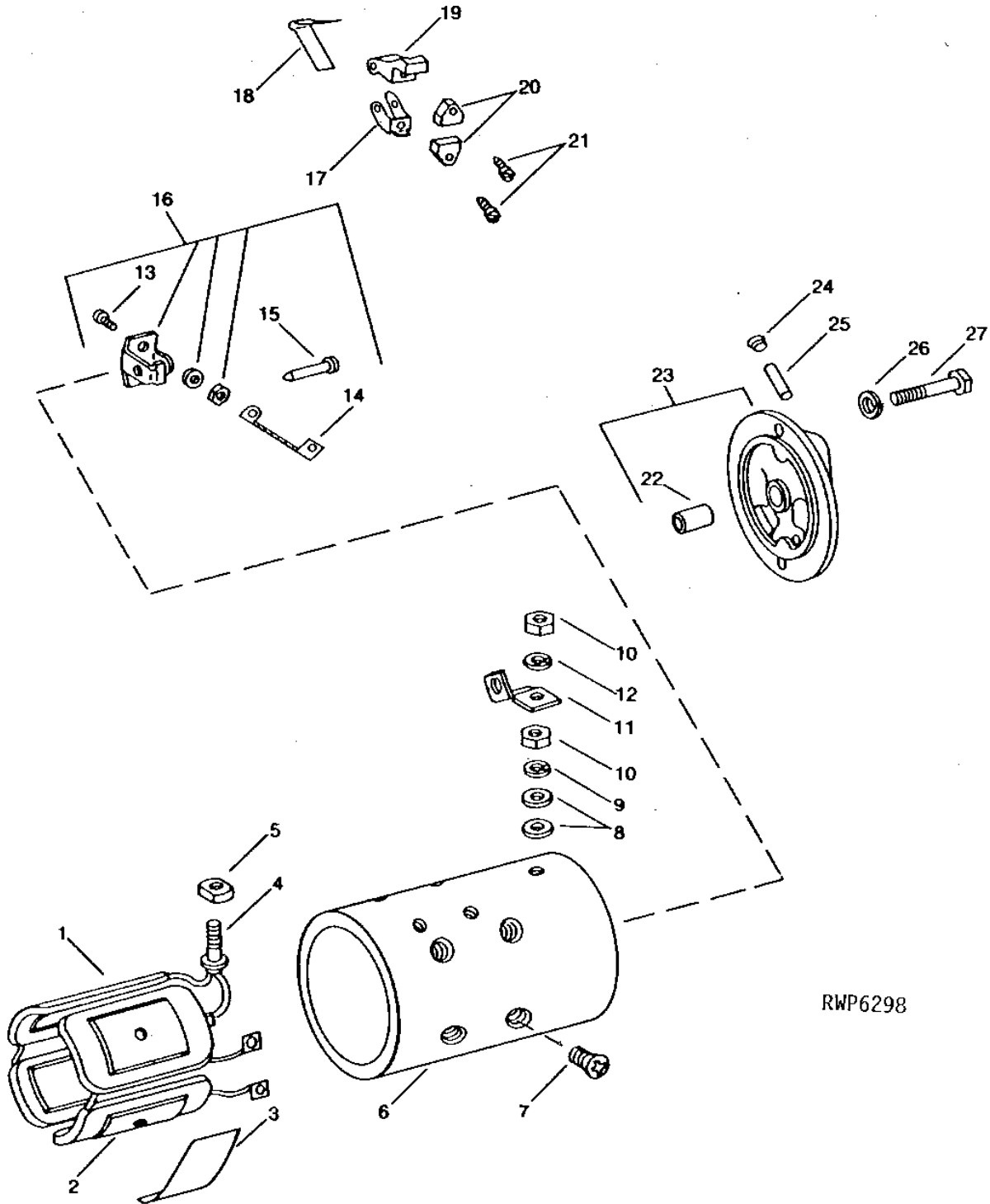
**STARTER ARMATURE,DRIVE END HOUSING AND DRIVE - CONTINUED
(12VOLT)(DELCO-REMY)(DIESEL)(AR78538)**

| KEY | PART NO. | PART NAME | QTY | ENGINE SERIAL NO. | REMARKS |
|-----|----------|--------------|-----|--------------------------------------|---------|
| 1 | T11743 | BUSHING | 1 | | |
| 2 | R62674 | SCREW | 2 | | |
| 3 | R40337 | WICK | 2 | | |
| 4 | 15H566 | PIPE PLUG | 2 | 1/8" | |
| 5 | 12H301 | LOCK WASHER | 3 | 1/2" | |
| 6 | 19H1721 | CAP SCREW | 3 | 1/2" X 1-1/2" | |
| 7 | AR77259 | HOUSING | 1 | | |
| 8 | R11117 | SNAP RING | 1 | | |
| 9 | R48976 | STOP | 1 | | |
| 10 | AR88880 | BENDIX DRIVE | 1 | (SUB FOR AR76841) | |
| 11 | R62673 | O-RING | 1 | | |
| 12 | R11095 | WASHER | 1 | | |
| 13 | AR77261 | LEVER | 1 | | |
| 14 | R11026 | SNAP RING | 1 | | |
| 15 | 12H302 | LOCK WASHER | 5 | 1/4" | |
| 16 | 19H3005 | CAP SCREW | 5 | 1/4" X 1" | |
| 17 | R11133 | PLUG | 1 | | |
| 18 | R11121 | GASKET | 1 | | |
| 19 | A4365R | O-RING | 1 | | |
| 20 | R62670 | SHAFT | 1 | | |
| 21 | A3917R | O-RING | 1 | | |
| 22 | AR77260 | HOUSING | 1 | | |
| 23 | R11212 | BUSHING | 1 | | |
| 24 | R11120 | O-RING | 1 | | |
| 25 | AR62964 | SEAL | 1 | | |
| 26 | R11291 | WASHER | 2 | | |
| 27 | AR77257 | ARMATURE | 1 | | |
| 28 | R11096 | WASHER | 1 | | |
| 29 | T19909 | BOLT | 4 | | |
| 30 | AR77255 | SWITCH | 1 | | |
| 31 | AR77256 | PLUNGER | 1 | | |
| 32 | R11221 | WASHER | 1 | | |
| 33 | R11127 | BOOT | 1 | | |
| 34 | R11126 | RETAINER | 1 | | |
| 35 | R11128 | SPRING | 1 | | |
| 36 | R11129 | CAP | 1 | | |
| 37 | R11026 | SNAP RING | 1 | | |
| 38 | R62671 | LOCK NUT | 1 | | |
| .. | AR78538 | STARTER | 1 | (SUB TY6701) (DELCO-REMY NO.1113391) | |

2D22

ELECTRICAL

STARTER MAIN FRAME, COIL AND COMMUTATOR END FRAME
(12-VOLT)(DELCO-REMY)(DIESEL)(AR78538)
RWP6298 -UN-01JAN94



RWP6298

2D23

ELECTRICAL

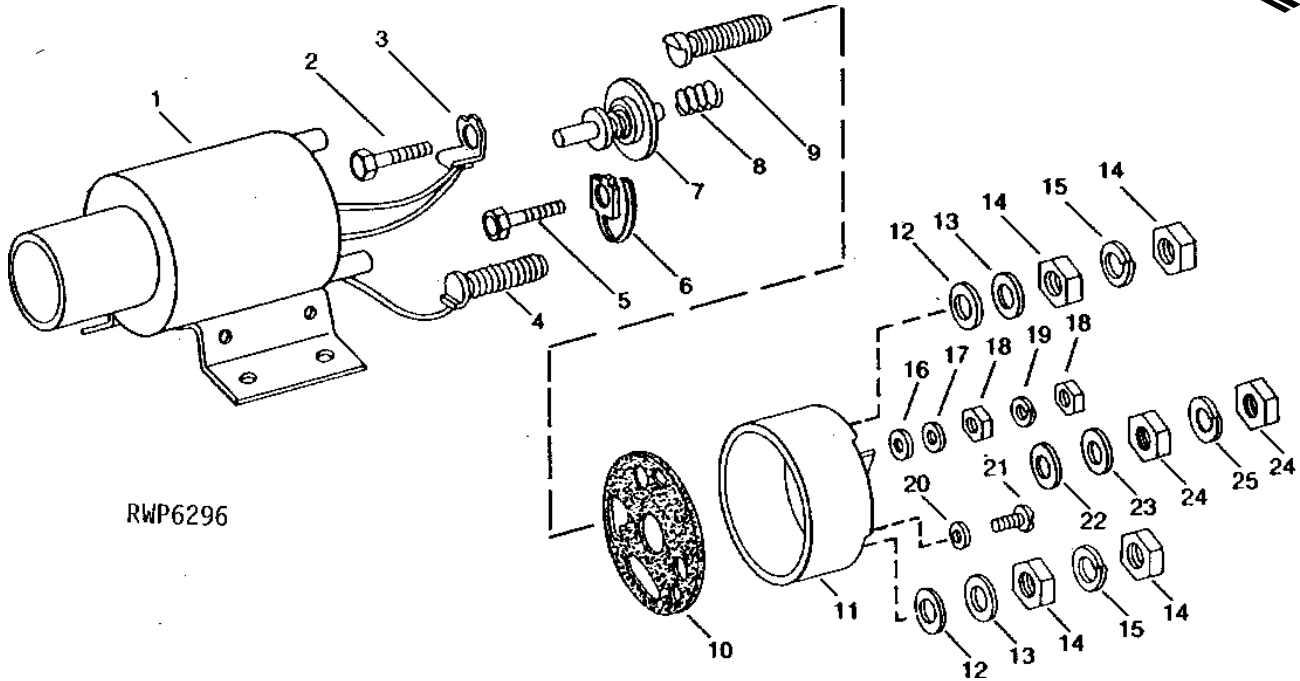
STARTER MAIN FRAME, COIL AND COMMUTATOR END FRAME - CONTINUED

| KEY | PART NO. | PART NAME | QTY | ENGINE SERIAL NO. | REMARKS |
|-----|----------|---------------------|-----|-------------------|--------------------------------------|
| 1 | AR77258 | FIELD WINDING COIL | 1 | | |
| 2 | R11003 | SHOE | 4 | | |
| 3 | R62672 | ISOLATOR | 2 | | |
| 4 | R11146 | SCREW | 1 | | |
| 5 | AR40171 | GROMMET | 1 | | |
| 6 | | FRAME | 1 | | (ORDER TY6701) |
| 7 | 21H1280 | SCREW | 4 | | 3/8" X 3/4" |
| 8 | R11011 | WASHER | 2 | | |
| 9 | R68625 | WASHER | 2 | | (SUB FOR 811912) |
| 10 | 14H971 | NUT | 2 | | 1/2" |
| 11 | R62669 | CONNECTOR | 1 | | |
| 12 | 12H301 | LOCK WASHER | 1 | | 1/2" |
| 13 | T18098 | SCREW | 2 | | |
| | R11250 | RIVET | 2 | | |
| 14 | AR11001 | WIRING LEAD | 1 | | |
| 15 | R61933 | PIN | 2 | | |
| 16 | AR75908 | KIT | 2 | | |
| 17 | T738T | HOLDER | 2 | | |
| 18 | R11209 | SPRING | 2 | | |
| 19 | R11290 | CARBON BRUSH HOLDER | 2 | | |
| 20 | R42574 | BRUSH | 4 | | |
| 21 | 37H78 | SCREW | 4 | | 0.164" X 3/4" |
| 22 | R61932 | BUSHING | 1 | | |
| 23 | AR75905 | FRAME | 1 | | |
| 24 | 15H566 | PIPE PLUG | 1 | | 1/8" |
| 25 | R61934 | WICK | 1 | | |
| 26 | 12H302 | LOCK WASHER | 4 | | 1/4" |
| 27 | 19H3005 | CAP SCREW | 4 | | 1/4" X 1" |
| .. | AR78538 | STARTER | 1 | | (SUB TY6701) (DELCO-REMY NO.1113391) |

2D24

ELECTRICAL

**STARTER SOLENOID SWITCH
(12-VOLT) (DIESEL)**
RWP6296 -UN-01JAN94



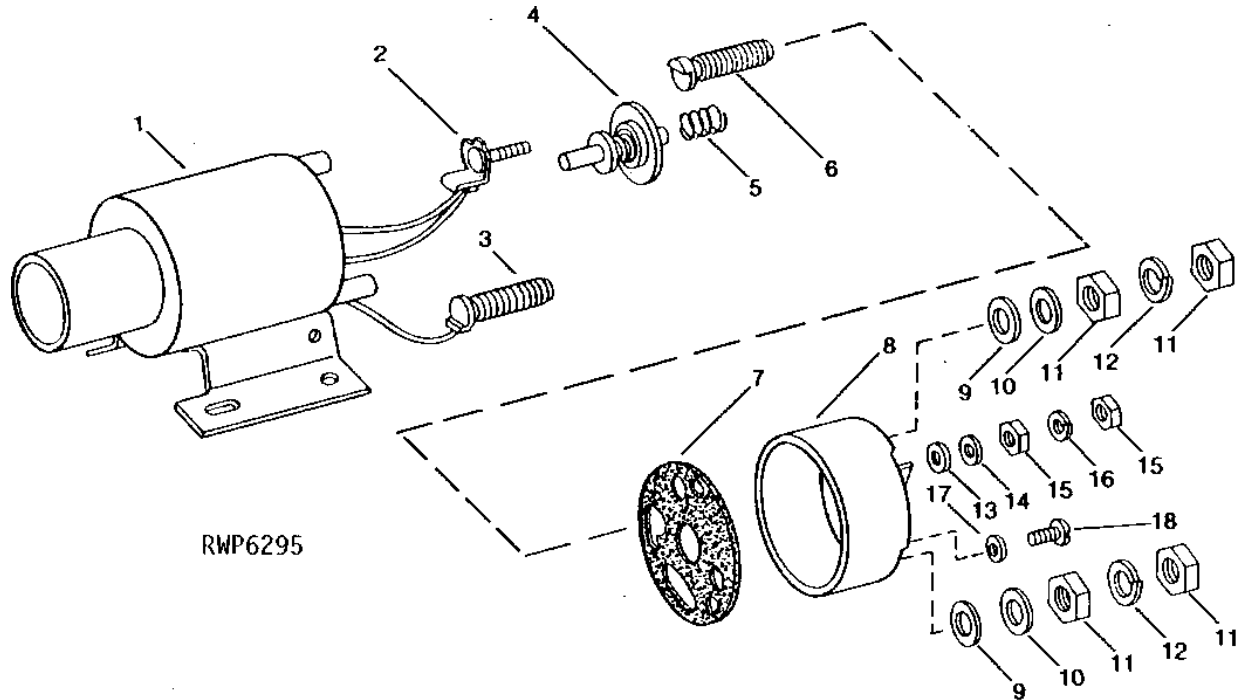
RWP6296

| KEY | PART NO. | PART NAME | QTY | ENGINE SERIAL NO. | REMARKS |
|-----|----------|-------------|-----|--|---------|
| 1 | | CASE | 1 | (SUB R11292) | |
| 2 | R11197 | STUD | 1 | (SUB FOR T18110) | |
| 3 | R11198 | CLIP | 1 | (NLA) | |
| 4 | R11293 | STUD | 1 | | |
| 5 | R11295 | STUD | 1 | | |
| 6 | R40546 | CLIP | 1 | | |
| 7 | AR11051 | CONTACT | 1 | | |
| 8 | R11066 | SPRING | 1 | | |
| 9 | T18105 | STUD | 1 | | |
| 10 | R40548 | GASKET | 1 | | |
| 11 | R11294 | COVER | 1 | | |
| 12 | T18107 | WASHER | 1 | | |
| 13 | 24M7096 | WASHER | 1 | 10.500 X 18 X 1.600 MM | |
| 14 | 14H732 | NUT | 4 | 3/8" | |
| 15 | 12H304 | LOCK WASHER | 2 | 3/8" | |
| 16 | T50222 | WASHER | 1 | (SUB FOR T18106) | |
| 17 | 24H1283 | WASHER | 1 | 7/32" X 1/2" X 0.049" | |
| 18 | 14H631 | NUT | 2 | 0.190" | |
| 19 | 12H246 | LOCK WASHER | 2 | 0.190" | |
| 20 | R11039 | WASHER | 2 | | |
| 21 | 21H1298 | SCREW | 2 | 0.190" X 3/8" | |
| 22 | T19607 | WASHER | 1 | | |
| 23 | 24H1281 | WASHER | 1 | 5/32" X 3/8" X 0.049" | |
| 24 | 14H605 | NUT | 2 | 0.164" | |
| 25 | 12M7084 | LOCK WASHER | 2 | 0.169" | |
| .. | R11292 | SWITCH | 1 | (USE WITH AR62267) (DELCO-REMY NO. 1115510 OR 1115540) | |

2D25

ELECTRICAL

**STARTER SOLENOID SWITCH
(12-VOLT)(DIESEL)**
RWP6295 -UN-01JAN94

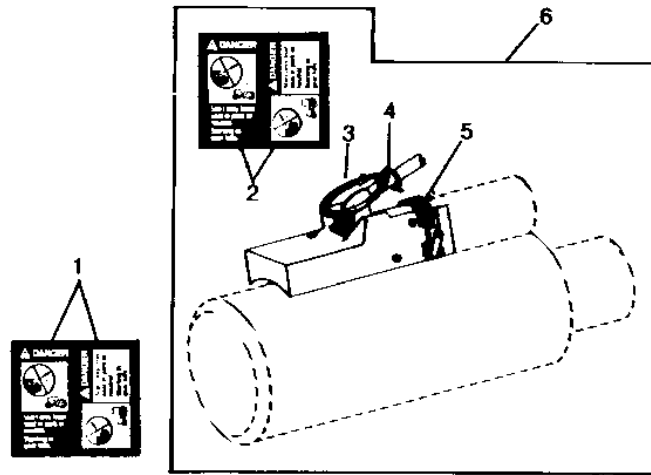


| KEY | PART NO. | PART NAME | QTY | ENGINE SERIAL NO. | REMARKS |
|-----|----------|-------------|-----|------------------------|--|
| 1 | | CASE | 1 | | (ORDER AR77255) |
| 2 | R11197 | STUD | 2 | | (SUB FOR T18110) |
| 3 | R11293 | STUD | 1 | | |
| 4 | AR11051 | CONTACT | 1 | | |
| 5 | R11066 | SPRING | 1 | | |
| 6 | T18105 | STUD | 1 | | (SUB FOR R62667) |
| 7 | R40548 | GASKET | 1 | | |
| 8 | R62668 | COVER | 1 | | |
| 9 | T18107 | WASHER | 2 | | |
| 10 | 24M7096 | WASHER | 2 | 10.500 X 18 X 1.600 MM | |
| 11 | 14H732 | NUT | 4 | 3/8" | |
| 12 | 12H304 | LOCK WASHER | 2 | 3/8" | |
| 13 | T18106 | WASHER | 2 | | |
| 14 | 24H1283 | WASHER | 2 | 7/32" X 1/2" X 0.049" | |
| 15 | 14H631 | NUT | 4 | 0.190" | |
| 16 | 12H246 | LOCK WASHER | 2 | 0.190" | |
| 17 | R11039 | WASHER | 2 | | |
| 18 | 21H1298 | SCREW | 2 | 0.190" X 3/8" | |
| .. | AR77255 | SWITCH | 1 | | (USE WITH AR78538) (DELCO-REMY NO.1115530) |

2E1

ELECTRICAL

STARTER SOLENOID COVER KIT
RXP9139 -UN-12OCT94



RXP9139

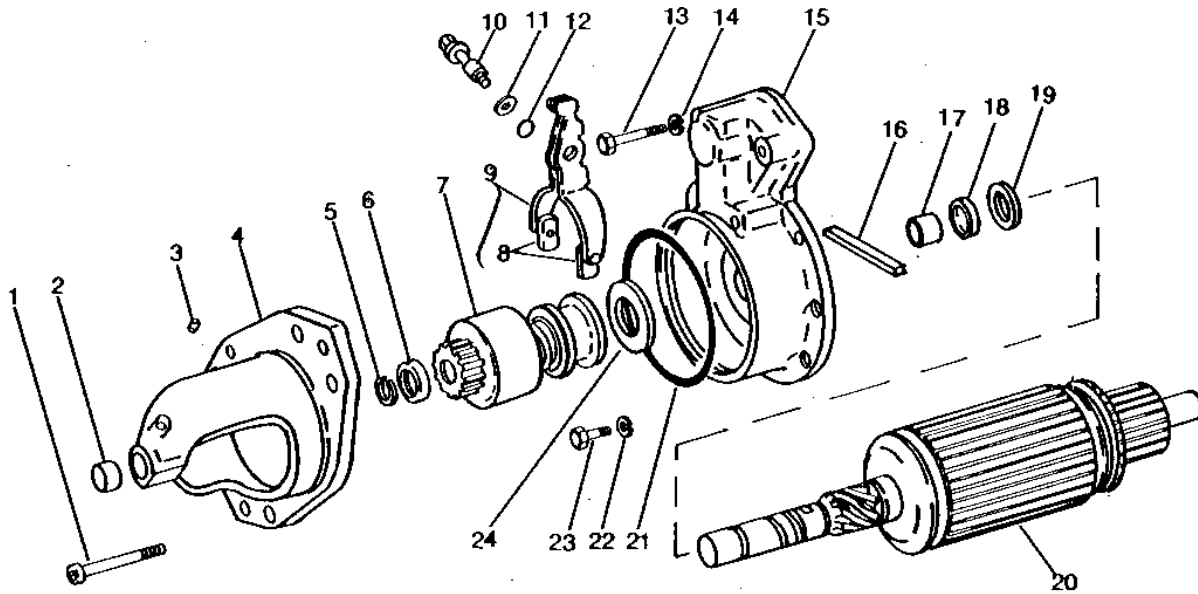
| KEY | PART NO. | PART NAME | QTY | ENGINE SERIAL NO. | REMARKS |
|-----|----------|---------------|-----|-------------------|---|
| 1 | T146106 | WARNING LABEL | 1 | | (SUB FOR T84410 OR T134452) (ESPANOL) |
| | T146104 | WARNING LABEL | 1 | | (SUB FOR T84411 OR T134453) (FRANCAIS) |
| | T146515 | WARNING LABEL | 1 | | (SUB FOR T84412 OR T134454) (DEUTSCH) |
| | T146516 | WARNING LABEL | 1 | | (SUB FOR T84413 OR T134455) (ITALIANO) |
| | T146517 | WARNING LABEL | 1 | | (SUB FOR T84578 OR T134456) (ENGLISH/FRANCAIS) |
| 2 | T146102 | WARNING LABEL | 1 | | (SUB FOR T84409 OR T134459) (ENGLISH) |
| 3 | R76477 | TIE BAND | 1 | | |
| 4 | R44302 | TIE BAND | 1 | | |
| 5 | AR40418 | CLAMP | 1 | | |
| 6 | RE39838 | SHIELD | 1 | | (A) |

(A) USE WITH AR62267,AR78538,TY6618,TY6667,TY6701 OR TY6710

2E2

ELECTRICAL

STARTER DRIVE HOUSING AND ARMATURE(12-VOLT)(DIESEL)
 (JOHN DEERE)(AR77254,RE13722 AND RE41875)
 RGP1947 -UN-01JAN94



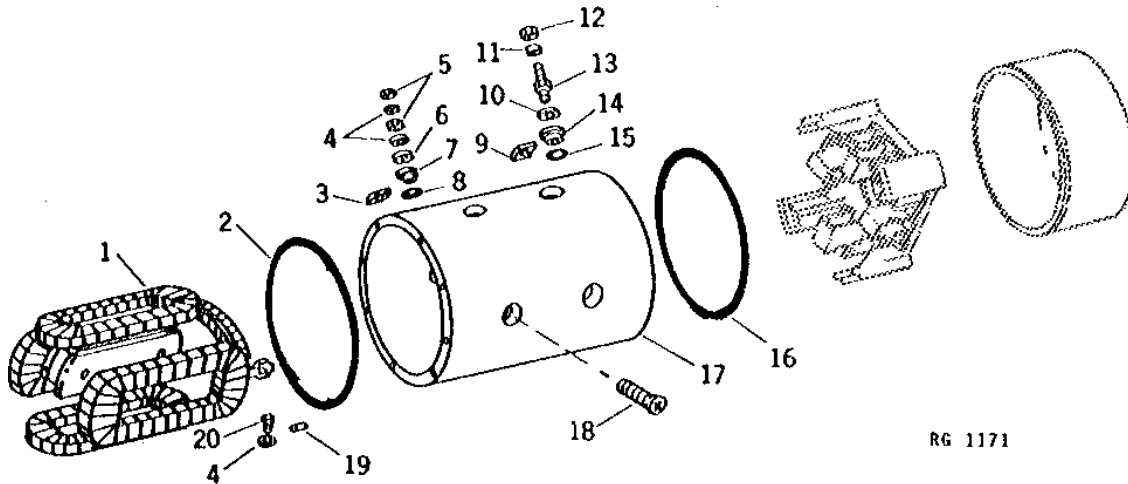
RGP1947

| KEY | PART NO. | PART NAME | QTY | ENGINE SERIAL NO. | REMARKS |
|-----|----------|---------------|-----|-------------------|--|
| 1 | R50900 | SCREW | 6 | | |
| 2 | R50891 | BUSHING | 1 | | |
| 3 | R50892 | PLUG | 1 | | |
| 4 | AR54990 | HOUSING | 1 | | |
| 5 | R50902 | SNAP RING | 1 | | |
| 6 | R50903 | STOP | 1 | | |
| 7 | AR54992 | DRIVE | 1 | | |
| 8 | R51667 | WEAR PLATE | 2 | | |
| 9 | R50904 | LEVER | 1 | | (USE WITH AR54993) (SUB AR67827 AND AR68430) |
| | AR67827 | ARM | 1 | | (STARTER SERIAL NO.11L0233 AND BELOW) (BLACK OXIDE FINISH, USE WITH HOUSING MARKED -J-)(STARTER SERIAL NO.11L0234 AND UP) |
| 10 | R50897 | SHAFT | 1 | | |
| 11 | 24H1289 | WASHER | 1 | | 21/64" X 5/8" X 0.049" |
| 12 | R52387 | O-RING | 1 | | |
| 13 | R50893 | SCREW | 2 | | |
| 14 | 12H302 | LOCK WASHER | 2 | | 1/4" |
| 15 | AR54993 | HOUSING | 1 | | (MARKED -J-)(STARTER SERIAL NO.11L0233 AND BELOW) (SUB AR68430 AND AR67827) |
| | AR68430 | HOUSING | 1 | | (SUB FOR AR54993) (MARKED -J-)(STARTER SERIAL NO.11L0234 AND UP) |
| 16 | R51666 | WICK | 1 | | |
| 17 | R51665 | BUSHING | 1 | | |
| 18 | AR55947 | SEAL | 1 | | |
| 19 | R50906 | THRUST WASHER | 1 | | |
| 20 | AR66778 | ARMATURE | 1 | | (SUB FOR AR54994) |
| 21 | R50901 | WASHER | 1 | | |
| 22 | 12H317 | LOCK WASHER | 2 | | 9/16" |
| 23 | R51661 | SCREW | 2 | | |
| 24 | R50905 | WEAR RING | 1 | | |

2E3

ELECTRICAL

STARTER MAIN HOUSING AND COIL(12-VOLT)(DIESEL)
 (JOHN DEERE)(AR77254,RE13722 AND RE41875)
 RG1171 -UN-01JAN94

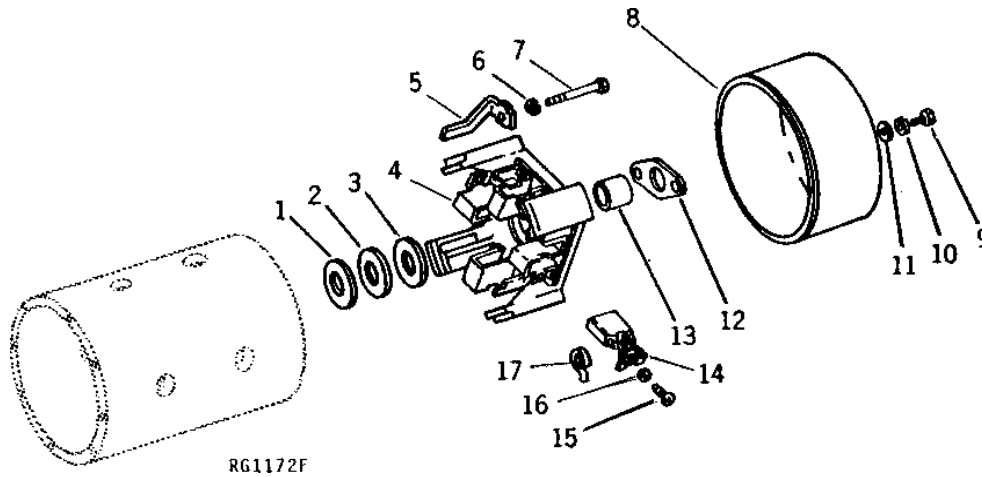


| KEY | PART NO. | PART NAME | QTY | ENGINE SERIAL NO. | REMARKS |
|-----|----------|--------------------|-----|---|---------|
| 1 | AR54996 | FIELD WINDING COIL | 1 | --9U000 | |
| | RE13731 | FIELD WINDING COIL | 1 | 9U0001- | |
| 2 | R50913 | O-RING | 1 | | |
| 3 | R50916 | WASHER | 1 | | |
| 4 | 12H246 | LOCK WASHER | 3 | 0.190" | |
| 5 | R50907 | NUT | 2 | | |
| 6 | 24H1283 | WASHER | 1 | 7/32" X 1/2" X 0.049" | |
| 7 | R50914 | WASHER | 1 | | |
| 8 | R50915 | O-RING | 1 | | |
| 9 | R50920 | BUSHING | 1 | | |
| 10 | R50917 | WASHER | 1 | | |
| 11 | R50899 | LOCK WASHER | 1 | | |
| 12 | R50909 | NUT | 1 | | |
| 13 | R56802 | STUD | 1 | (SUB FOR R52386) | |
| 14 | R50918 | WASHER | 1 | | |
| 15 | R50919 | O-RING | 1 | | |
| 16 | R50922 | O-RING | 1 | | |
| 17 | | FRAME | 1 | (SUB RE41875 OR TY6713, THIS APPLICATION) | |
| 18 | R50921 | SCREW | 8 | | |
| 19 | R51664 | DOWEL PIN | 1 | | |
| 20 | R50931 | SCREW | 1 | (SUB FOR R51663) | |

2E4

ELECTRICAL

STARTER COMMUTATOR END FRAME(12-VOLT)(DIESEL)
 (JOHN DEERE)(AR77254,RE13722 AND RE41875)
 RG1172F -UN-01JAN94

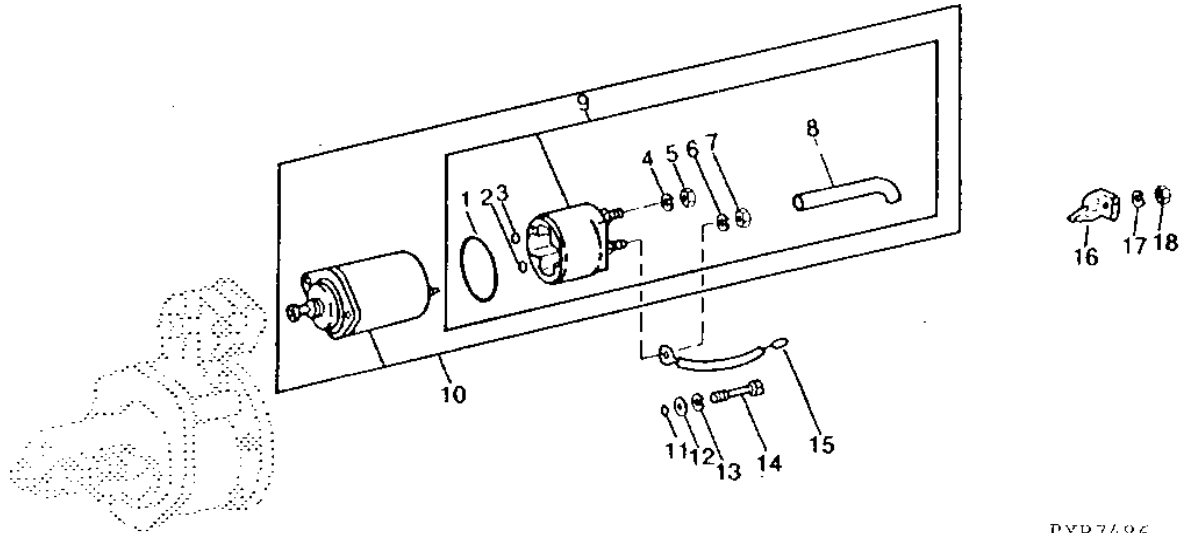


| KEY | PART NO. | PART NAME | QTY | ENGINE SERIAL NO. | REMARKS |
|-----|----------|------------------------|-----|-----------------------|---|
| 1 | R50923 | SHIM | AR | | 0.18MM (.007") (USE WITH AR54994 OR AR66778) (TYPE 1) |
| 2 | R50924 | SHIM | AR | | 0.48MM (.019") (USE WITH AR54994 OR AR66778) (TYPE 1) |
| 3 | R50925 | THRUST WASHER | 1 | | (USE WITH AR54994 OR AR66778) (TYPE 1) |
| 4 | AR54997 | FRAME | 1 | | |
| 5 | R51660 | BRACKET | 2 | | |
| 6 | 12H317 | LOCK WASHER | 2 | 9/16" | |
| 7 | R51659 | SCREW | 2 | | |
| 8 | R50912 | COVER | 1 | | |
| 9 | R50931 | SCREW | 2 | | |
| 10 | 12H246 | LOCK WASHER | 6 | 0.190" | |
| 11 | 24H1283 | WASHER | 2 | 7/32" X 1/2" X 0.049" | |
| 12 | R50930 | GASKET | 1 | | |
| 13 | R50891 | BUSHING | 1 | | |
| 14 | R50927 | CARBON BRUSH CONDUCTOR | 4 | | |
| 15 | R50929 | SCREW | 4 | | |
| 16 | 12H246 | LOCK WASHER | 4 | 0.190" | |
| 17 | R50928 | SPRING | 4 | | |

2E5

ELECTRICAL

STARTER SOLENOID SWITCH
(12-VOLT)(JOHN DEERE)(DIESEL)
 RXP7486 -UN-01JAN94



RXP7486

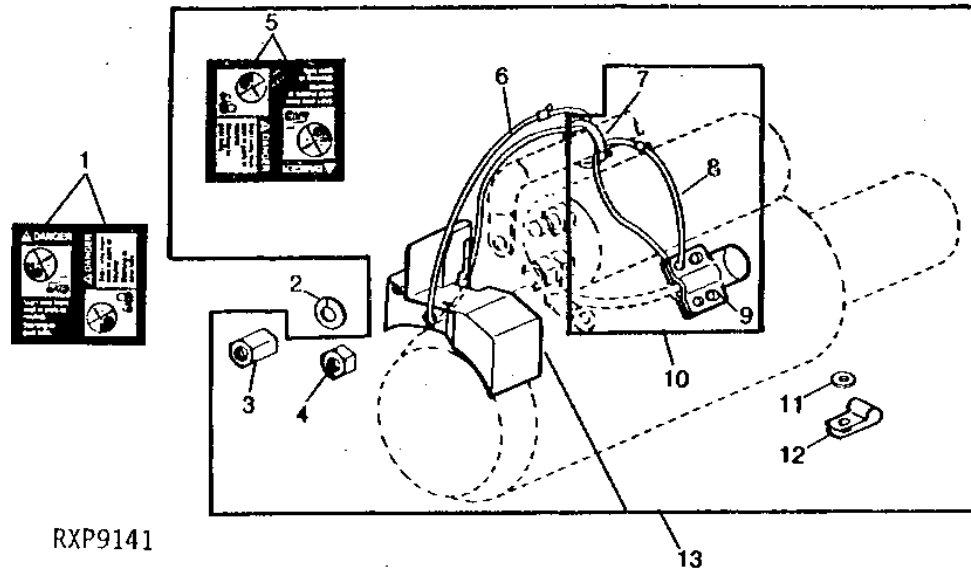
| KEY | PART NO. | PART NAME | QTY | ENGINE SERIAL NO. | REMARKS |
|-----|----------|-------------|-----|--------------------------|---|
| 1 | R68224 | GASKET | 1 | | |
| | R51668 | WASHER | 1 | | (USE ON AR71256 ONLY) |
| 2 | R56792 | WASHER | 1 | | |
| 3 | R56793 | SHIM | 1 | | |
| 4 | 12H303 | LOCK WASHER | 1 | 5/16" | |
| 5 | R51671 | NUT | 1 | | |
| 6 | 12H246 | LOCK WASHER | 1 | 0.190" | |
| 7 | 14H631 | NUT | 2 | 0.190" | |
| 8 | R68222 | HOSE | 1 | | |
| 9 | RE13733 | SWITCH | 1 | | (NIPPONDENSO NO. 028099-3600) (SUB FOR AR55948, AR71256 OR AR90071) |
| 10 | RE13732 | SOLENOID | 1 | | (NIPPONDENSO NO. 028099-3610) (SUB FOR AR90070) |
| | R52385 | BOOT | 1 | | (USE ON AR71256 ONLY) |
| 11 | R50894 | O-RING | 2 | | |
| 12 | 24H1305 | WASHER | 2 | 13/32" X 13/16" X 0.065" | |
| 13 | 24H1283 | WASHER | 2 | 7/32" X 1/2" X 0.049" | |
| 14 | R51669 | SCREW | 2 | | |
| 15 | RE15058 | WIRE | 1 | | (SUB FOR AR55949) |
| 16 | 14H732 | NUT | 2 | 3/8" | |
| 17 | R50899 | LOCK WASHER | 2 | | |
| 18 | R50910 | CONNECTOR | 1 | | |

(B) USE WITH RE13722

2E6

ELECTRICAL

STARTER SOLENOID COVER KIT
RXP9141 -UN-01JAN94



RXP9141

| KEY | PART NO. | PART NAME | QTY | ENGINE SERIAL NO. | REMARKS |
|-----|----------|---------------|-----|-----------------------------|--------------------|
| 1 | T146106 | WARNING LABEL | 1 | (SUB FOR T84410 OR T134452) | (ESPANOL) |
| | T146104 | WARNING LABEL | 1 | (SUB FOR T84411 OR T134453) | (FRANCAIS) |
| | T146515 | WARNING LABEL | 1 | (SUB FOR T84412 OR T134454) | (DEUTSCH) |
| | T146516 | WARNING LABEL | 1 | (SUB FOR T84413 OR T134455) | (ITALIANO) |
| | T146517 | WARNING LABEL | 1 | (SUB FOR T84578 OR T134456) | (ENGLISH/FRANCAIS) |
| 2 | 12H246 | LOCK WASHER | 1 | 0.190" | |
| 3 | R100380 | NUT | 1 | | |
| 4 | 14H732 | NUT | 1 | 3/8" | |
| 5 | T146102 | WARNING LABEL | 1 | (SUB FOR T84409 OR T134459) | (ENGLISH) |
| 6 | R76477 | TIE BAND | 1 | | |
| 7 | R44302 | TIE BAND | 1 | | |
| 8 | R76477 | TIE BAND | 1 | | |
| 9 | R66117 | SCREW | 2 | | |
| 10 | RE39063 | SHIELD | 1 | | |
| 11 | 24H1289 | WASHER | 1 | 21/64" X 5/8" X 0.049" | |
| 12 | R46414 | CLAMP | 1 | | |
| 13 | RE39064 | SHIELD | 1 | (A) | |

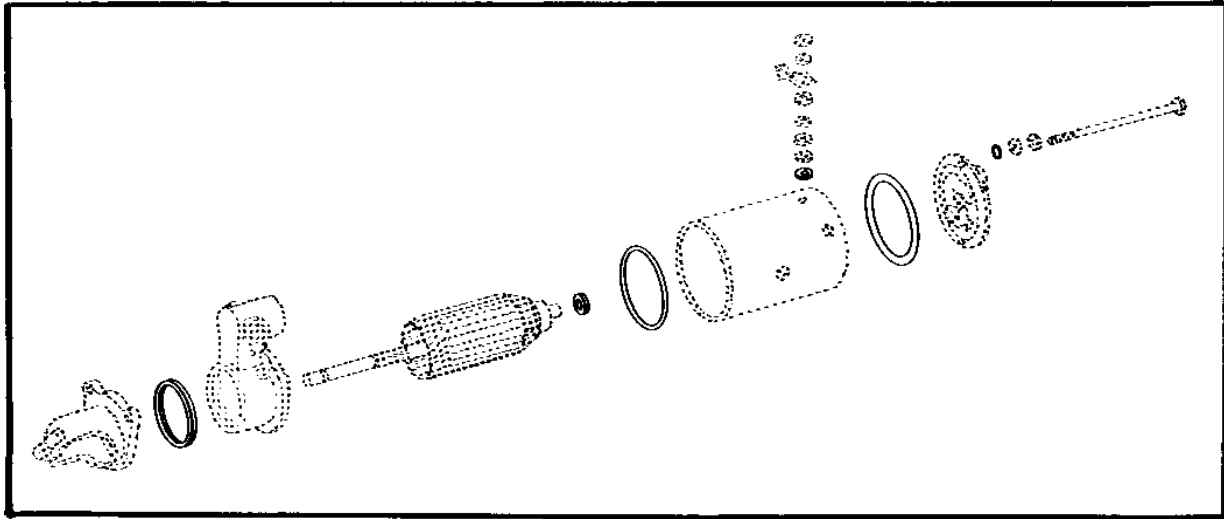
(A) USE WITH AR77254,RE13722,RE41875,TY6617 OR TY6713

MEMORANDA

2E7

ELECTRICAL

STARTING MOTOR SEALING KIT
 (12-VOLT AND 24-VOLT)
 RP1234 -UN-20NOV95



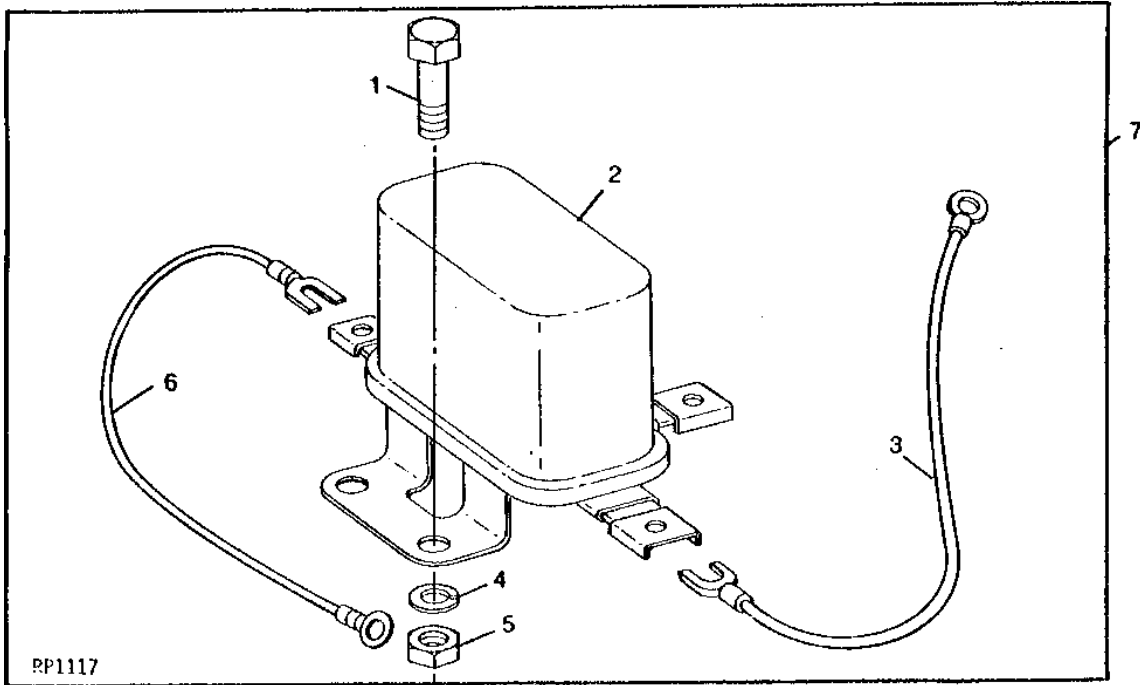
RP1234

| KEY | PART NO. | PART NAME | QTY | ENGINE SERIAL NO. | REMARKS |
|-----|----------|-----------|-----|-------------------|-------------------------------|
| 1 | AR100161 | SEAL KIT | 1 | | (SUB FOR AR40174 AND AR85407) |

2E8

ELECTRICAL

ACCESSORY RELAY WIRING KIT
RP1117 -UN-01JAN94

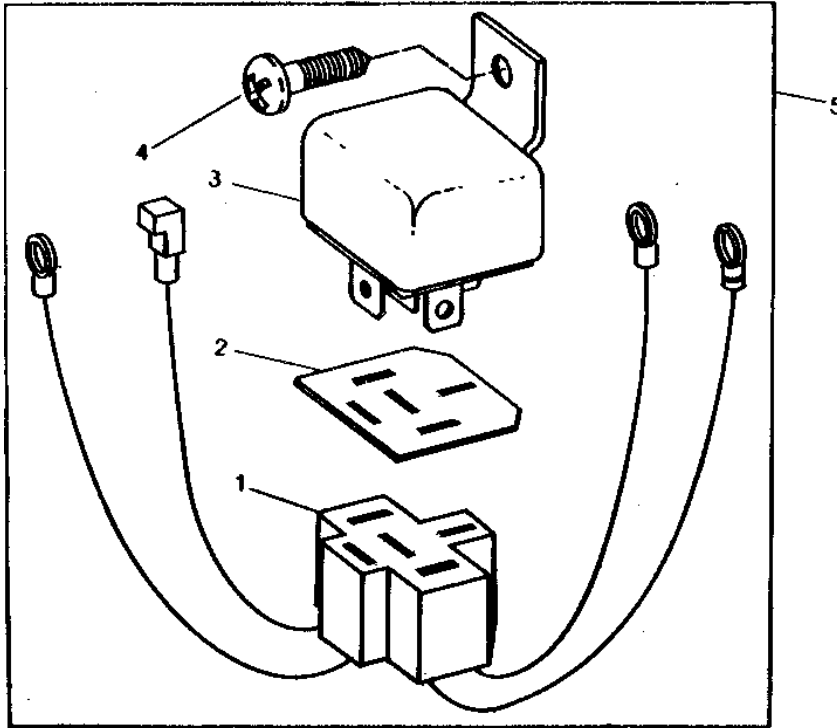


| KEY | PART NO. | PART NAME | QTY | TRACTOR SERIAL NO. | REMARKS |
|-----|----------|-------------|-----|--------------------|---------|
| 1 | 19H1919 | CAP SCREW | 2 | 1/4" X 5/8" | |
| 2 | AE23861 | RELAY | 1 | (SUB AH98337) | |
| 3 | AR78384 | WIRING LEAD | 1 | | |
| 4 | 12H302 | LOCK WASHER | 1 | 1/4" | |
| 5 | 14H786 | NUT | 2 | 1/4" | |
| 6 | AR78386 | WIRING LEAD | 1 | | |
| 7 | AR78382 | KIT | 1 | (SUB AR91166) | |

2E9

ELECTRICAL

ACCESSORY RELAY WIRING KIT
RWP2586 -UN-01JAN94



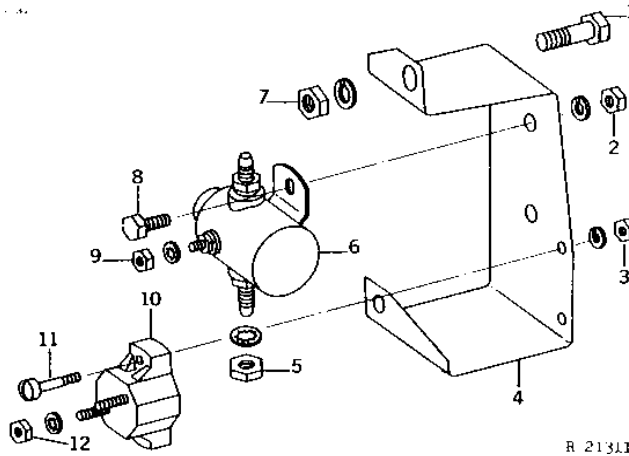
RWP2586

| KEY | PART NO. | PART NAME | QTY | TRACTOR SERIAL NO. | REMARKS |
|-----|----------|----------------|-----|-----------------------|-------------------|
| 1 | AR91167 | WIRING HARNESS | 1 | | |
| | AR78384 | WIRING LEAD | 3 | | |
| | R32022 | TERMINAL | 2 | | |
| | R32028 | TERMINAL | 3 | | |
| 2 | R67982 | COVER | 1 | | |
| 3 | AR74411 | RELAY | 1 | | |
| 4 | 37H52 | SCREW | 1 | 1/4" X 3/8" | |
| | 19H1919 | CAP SCREW | 1 | 1/4" X 5/8" | |
| | 12H302 | LOCK WASHER | 1 | 1/4" | |
| | 14H786 | NUT | 1 | 1/4" | |
| 5 | AR91166 | KIT | 1 | | (SUB FOR AR78382) |

2E10

ELECTRICAL

STARTING CIRCUIT RELAY AND MAIN CIRCUIT BREAKER
 (TRACTOR SERIAL NO. -262145)
 R21311 -UN-01JAN94

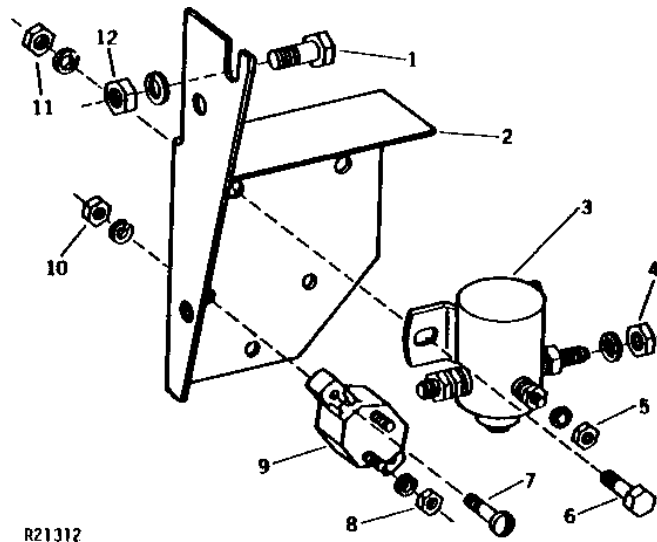


| KEY | PART NO. | PART NAME | QTY | TRACTOR SERIAL NO. | REMARKS |
|-----|----------|-----------------|-----|-----------------------------------|---------|
| 1 | 19H1936 | CAP SCREW | 2 | 3/8" X 3/4" | |
| 2 | 14H786 | NUT | 2 | 1/4" | |
| | 12H302 | LOCK WASHER | 2 | 1/4" | |
| 3 | 14H631 | NUT | 2 | 0.190" | |
| | 12H246 | LOCK WASHER | 2 | 0.190" | |
| 4 | R42784 | SUPPORT | 1 | (SUB AR55061, 19H1948 AND 12H302) | |
| 5 | 14H650 | NUT | 4 | 5/16" | |
| | 12M7032 | LOCK WASHER | 4 | 0.331" | |
| 6 | AR44999 | RELAY | 1 | (SUB RE38391) | |
| 7 | 14H1076 | NUT | 2 | 3/8" | |
| | 12H304 | LOCK WASHER | 2 | 3/8" | |
| 8 | 19H1227 | CAP SCREW | 2 | 1/4" X 1/2" | |
| 9 | 14H605 | NUT | 2 | 0.164" | |
| | 12M7084 | LOCK WASHER | 2 | 0.169" | |
| 10 | AR41287 | CIRCUIT BREAKER | 1 | | |
| 11 | 21H1282 | SCREW | 2 | 0.190" X 7/8" | |
| 12 | 14H631 | NUT | 4 | 0.190" | |
| | 12M7060 | WASHER | 4 | 0.209" | |

2E11

ELECTRICAL

STARTING CIRCUIT RELAY AND MAIN CIRCUIT BREAKER
(TRACTOR SERIAL NO. 262146-)
R21312 -UN-01JAN94

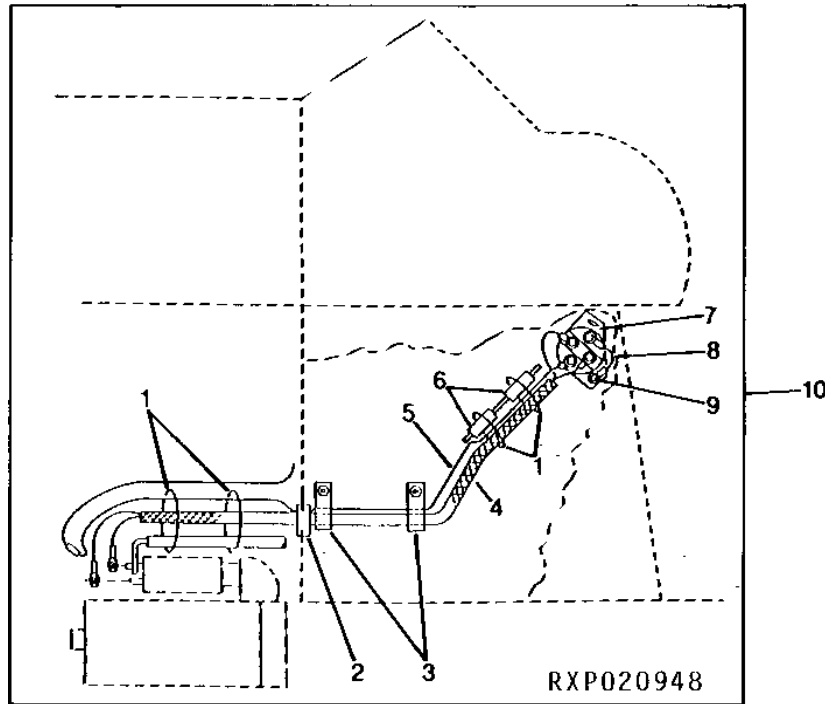


| KEY | PART NO. | PART NAME | QTY | TRACTOR SERIAL NO. | REMARKS |
|-----|----------|-----------------|-----|--------------------|---------|
| 1 | 19H1936 | CAP SCREW | 1 | 3/8" X 3/4" | |
| | 19H2284 | CAP SCREW | 1 | 3/8" X 7/8" | |
| 2 | AR55061 | SUPPORT | 1 | | |
| 3 | AR44999 | RELAY | 1 | (SUB RE38391) | |
| 4 | 14H650 | NUT | 4 | 5/16" | |
| | 12M7032 | LOCK WASHER | 4 | 0.331" | |
| 5 | 14H605 | NUT | 2 | 0.164" | |
| | 12M7084 | LOCK WASHER | 2 | 0.169" | |
| 6 | 19H1227 | CAP SCREW | 2 | 1/4" X 1/2" | |
| 7 | 21H1282 | SCREW | 2 | 0.190" X 7/8" | |
| 8 | 14H631 | NUT | 4 | 0.190" | |
| | 12M7060 | WASHER | 4 | 0.209" | |
| 9 | AR41287 | CIRCUIT BREAKER | 1 | | |
| 10 | 14H631 | NUT | 2 | 0.190" | |
| | 12H246 | LOCK WASHER | 2 | 0.190" | |
| 11 | 14H786 | NUT | 2 | 1/4" | |
| | 12H302 | LOCK WASHER | 2 | 1/4" | |
| 12 | 14H1076 | NUT | 2 | 3/8" | |
| | 12H304 | LOCK WASHER | 2 | 3/8" | |

2E12

ELECTRICAL

STARTING CIRCUIT RELAY KIT
(TRACTOR SERIAL NO. 065000-200999)
 RXP020948 -UN-12OCT94



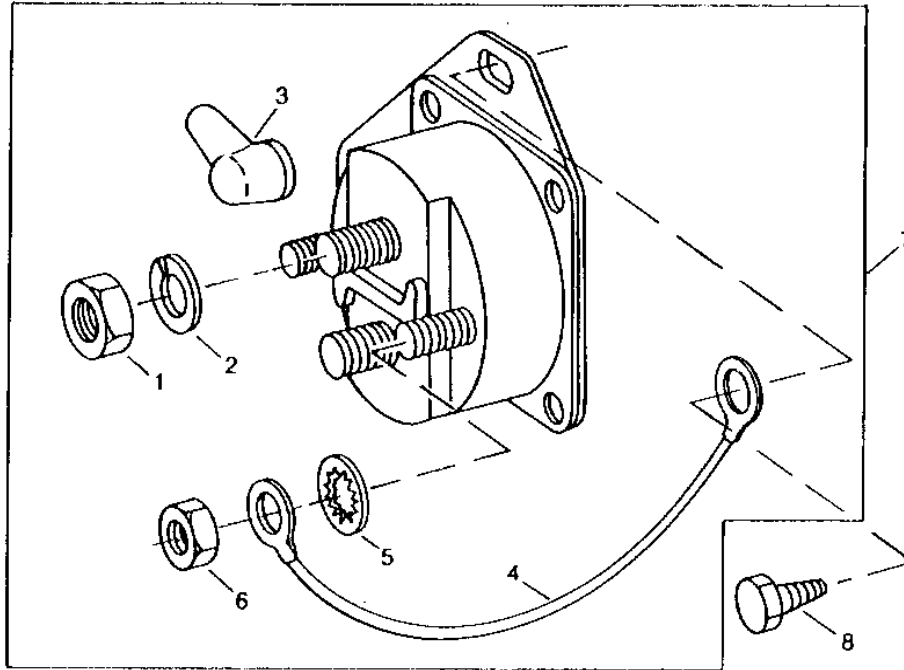
| KEY | PART NO. | PART NAME | QTY | TRACTOR SERIAL NO. | REMARKS |
|-----|----------|----------------|-----|----------------------|--|
| 1 | R44302 | TIE BAND | AR | | |
| 2 | R41439 | GROMMET | 1 | | |
| 3 | R72853 | CLAMP | 2 | | |
| | 19H1919 | CAP SCREW | 2 | 1/4" X 5/8" | |
| | 24H1286 | WASHER | 2 | 9/32" X 1/2" X 1/16" | |
| | 12H297 | LOCK WASHER | 2 | 1/4" | |
| | 14H786 | NUT | 2 | 1/4" | |
| 4 | AR69980 | WIRING HARNESS | 1 | | |
| 5 | | WIRING LEAD | 1 | | (MAKE FROM R65593, R65599 AND R32027) |
| 6 | | HOSE | 2 | | (MAKE FROM TY22328) (SUB FOR R45847) |
| 7 | RE38391 | RELAY | 1 | | (CONTAINS (2) 12H297, (2) 14H786 AND (2) 24H1286) (ALSO ORDER RE41287) (12-VOLT) |
| | AT71088 | RELAY | 1 | | (ALSO ORDER (2) 12H297, (2) 14H786 AND (2) 24H1286) (24-VOLT) |
| 8 | | WIRING LEAD | 1 | | (MAKE FROM R65593, R65599 AND R32018) RELAY GROUND |
| | 19H1919 | CAP SCREW | 2 | 1/4" X 5/8" | |
| | 24H1286 | WASHER | 2 | 9/32" X 1/2" X 1/16" | |
| | 12H297 | LOCK WASHER | 2 | 1/4" | |
| | 14H786 | NUT | 2 | 1/4" | |
| 10 | RE44536 | KIT | 1 | | (FI)(12-VOLT) |
| | RE42639 | KIT | 1 | | (FI)(24-VOLT) |

MEMORANDA

2E13

ELECTRICAL

STARTING CIRCUIT RELAY
RXP7387 -UN-01JAN94



RXP7387

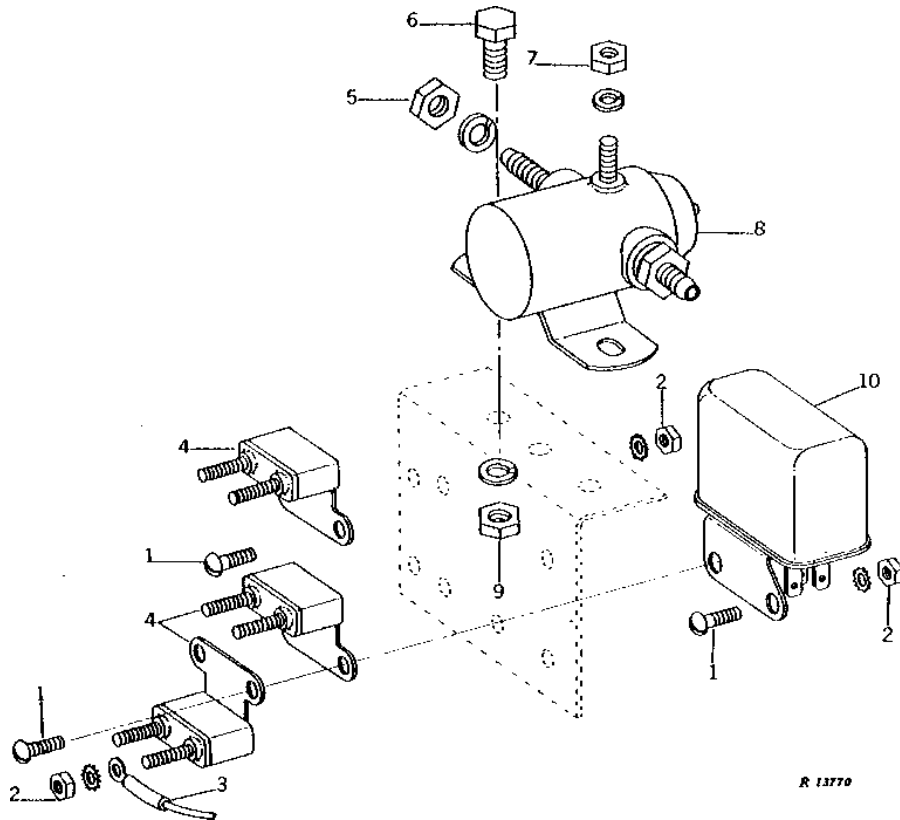
| KEY | PART NO. | PART NAME | QTY | TRACTOR SERIAL NO. | REMARKS |
|-----|----------|-------------|-----|---|---------|
| 1 | 14H785 | NUT | 2 | 5/16" | |
| 2 | 12M7032 | LOCK WASHER | 2 | 0.331" | |
| 3 | R74993 | BOOT | 2 | | |
| 4 | | WIRING LEAD | 1 | 152MM(6") (MAKE FROM R65593, R65599 AND R32018) | |
| 5 | 12M7060 | WASHER | 2 | 0.209" | |
| 6 | 14H631 | NUT | 2 | 0.190" | |
| 7 | RE38391 | RELAY | 1 | (ALSO ORDER RE41287) (SUB FOR AR44999 OR AM53945) | |
| 8 | R52938 | CAP SCREW | 2 | | |

MEMORANDA

2E14

ELECTRICAL

CIRCUIT BREAKERS
 (TRACTOR SERIAL NO. 201000-229459)
 R13770 -UN-01JAN94

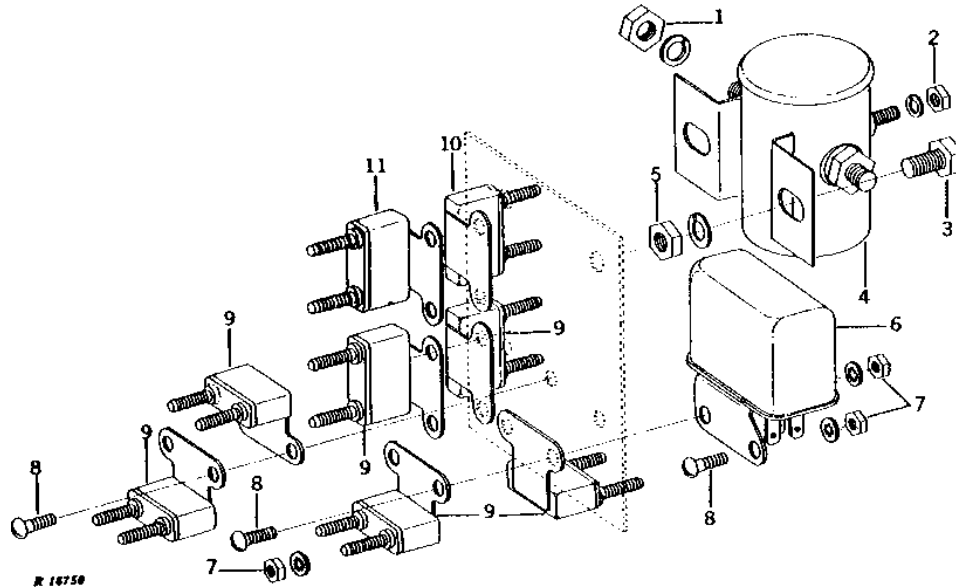


| KEY | PART NO. | PART NAME | QTY | TRACTOR SERIAL NO. | REMARKS |
|-----|----------|-----------------|-----|---|---------|
| 1 | 21H1295 | SCREW | 5 | 0.190" X 5/8" | |
| 2 | 14H631 | NUT | 17 | 0.190" | |
| | 12M7060 | WASHER | 17 | 0.209" | |
| 3 | | WIRING LEAD | 1 | (NOT REQUIRED) | |
| 4 | AR28403 | CIRCUIT BREAKER | 3 | (4 USED WITH CAB) | |
| 5 | 14H650 | NUT | 2 | 5/16" | |
| | 12H303 | LOCK WASHER | 2 | 5/16" | |
| 6 | 19H1227 | CAP SCREW | 2 | 1/4" X 1/2" | |
| 7 | 14H605 | NUT | 1 | 0.164" | |
| | 12H315 | LOCK WASHER | 1 | 0.164" | |
| 8 | AR54484 | RELAY | 1 | (SUB FOR AR46334) (SUB AR91166, THIS APPLICATION) | |
| 9 | 14H786 | NUT | 2 | 1/4" | |
| | 12H302 | LOCK WASHER | 2 | 1/4" | |
| 10 | AH62341 | RELAY | 1 | (POWER SHIFT) (SUB FOR AR46089) (SUB AR74411, AR99909 AND R67982) | |
| .. | R45231 | LABEL | 1 | | |

2E15

ELECTRICAL

CIRCUIT BREAKERS
 (TRACTOR SERIAL NO. 229460-)
 R16750 -UN-01JAN94

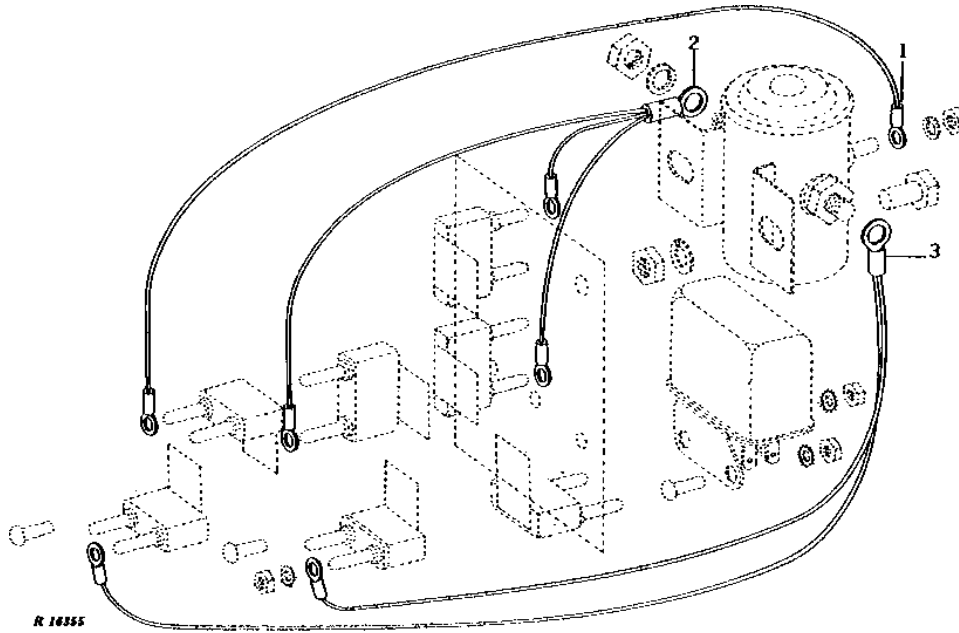


| KEY | PART NO. | PART NAME | QTY | TRACTOR SERIAL NO. | REMARKS |
|-----|----------|-----------------|-----|--------------------|---|
| 1 | 14H650 | NUT | 2 | 5/16" | |
| | 12H303 | LOCK WASHER | 2 | 5/16" | |
| 2 | 14H605 | NUT | 1 | 0.164" | |
| | 12H246 | LOCK WASHER | 1 | 0.190" | |
| 3 | 19H1227 | CAP SCREW | 2 | 1/4" X 1/2" | |
| 4 | AR54484 | RELAY | 1 | | (SUB FOR AR46334) (SUB AR91166, THIS APPLICATION) |
| 5 | 14H786 | NUT | 2 | 1/4" | |
| | 12H297 | LOCK WASHER | 2 | 1/4" | |
| 6 | AH62341 | RELAY | 1 | | (POWER SHIFT) (SUB FOR AR46089) (SUB AR74411, AR99909 AND R67982) |
| 7 | 14H631 | NUT | 17 | 0.190" | |
| | 12M7060 | WASHER | 17 | 0.209" | |
| 8 | 21H1295 | SCREW | 5 | 0.190" X 5/8" | |
| 9 | AR28403 | CIRCUIT BREAKER | 3 | | (5 USED WITH CAB) (6 USED WITH OUTLET SOCKET) |
| 10 | AR49352 | CIRCUIT BREAKER | 1 | | (30 AMP) (AIR CONDITIONING) |
| 11 | AR55649 | CIRCUIT BREAKER | 1 | 250001- | (10 AMP) (SUB FOR AR48726) |
| .. | R45231 | LABEL | 1 | -250000 | |
| .. | R48825 | LABEL | 1 | 250001- | |

2E16

ELECTRICAL

CIRCUIT BREAKER LEADS FOR CAB AND AIR CONDITIONING
 (TRACTOR SERIAL NO. 229460-250000)
 R16355 -UN-01JAN94

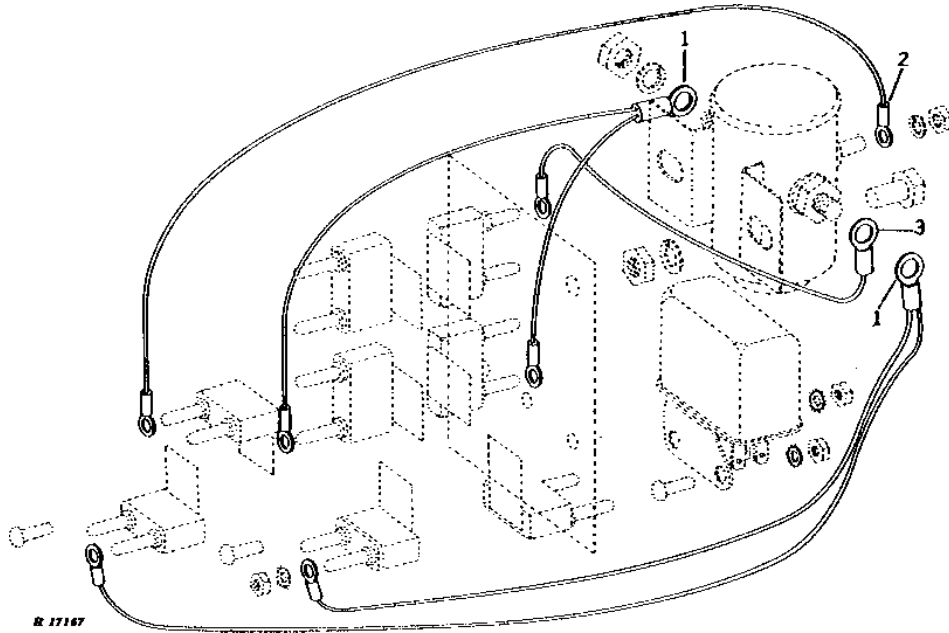


| KEY | PART NO. | PART NAME | QTY | TRACTOR SERIAL NO. | REMARKS |
|-----|----------|----------------|-----|--------------------|---|
| 1 | | WIRING LEAD | 1 | | 152.4MM(6") (MAKE FROM R32007 AND (2) R32018) |
| 2 | AR49603 | WIRING HARNESS | 1 | | (MAKE FROM R32007, (3) R32019 AND R32022) |
| 3 | AR49602 | WIRING HARNESS | 1 | | (AIR CONDITIONING)(NLA) |
| .. | R45231 | LABEL | 1 | | |

2E17

ELECTRICAL

CIRCUIT BREAKER LEADS FOR CAB AND AIR CONDITIONING
 (TRACTOR SERIAL NO. 250001-)
 R17167 -UN-01JAN94

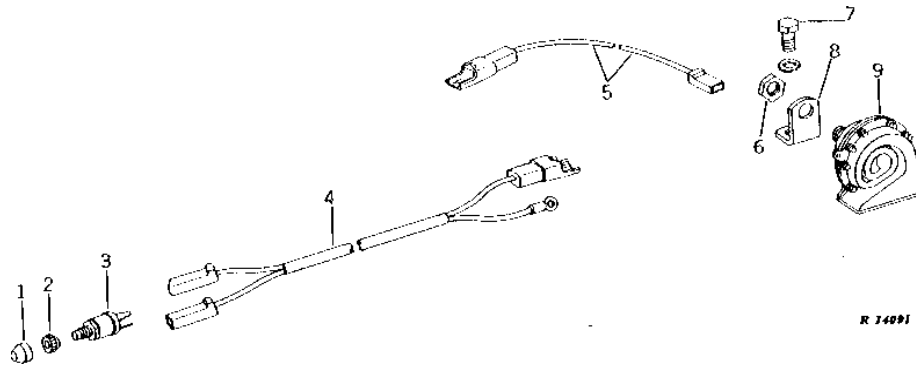


| KEY | PART NO. | PART NAME | QTY | TRACTOR SERIAL NO. | REMARKS |
|-----|----------|----------------|-----|--------------------|---|
| 1 | AR49602 | WIRING HARNESS | 2 | | |
| 2 | | WIRING LEAD | 1 | | 152.4MM (6") (MAKE FROM R32007 AND (2) R32018) |
| 3 | | WIRING LEAD | 1 | | 152.4MM (6") (MAKE FROM R32007, R32019 AND R32022) (AIR CONDITIONING) |
| .. | R48825 | LABEL | 1 | | |

2E18

ELECTRICAL

HORN
 (TRACTOR SERIAL NO. 201000-235043)
 R14091 -UN-01JAN94

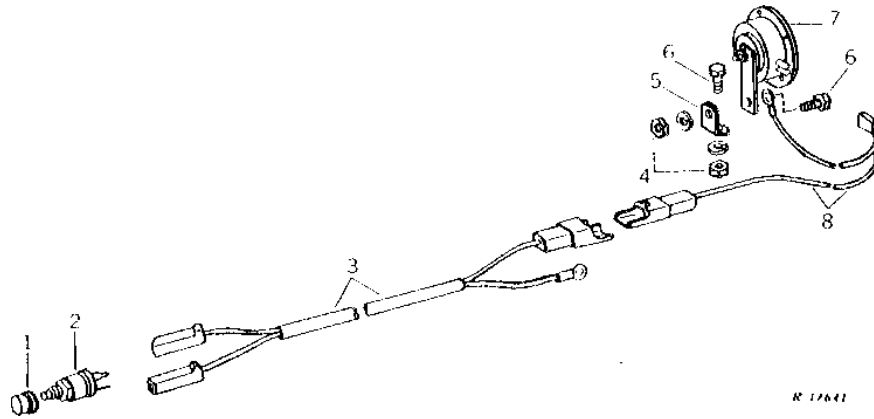


| KEY | PART NO. | PART NAME | QTY | TRACTOR SERIAL NO. | REMARKS |
|-----|----------|----------------|-----|--------------------|--|
| 1 | T55501 | CAP | 1 | | (SUB FOR R39549 OR AR47374, THIS APPLICATION) |
| 2 | R21157 | NUT | 1 | | (SUB T55501) |
| 3 | AR21823 | SWITCH | 1 | | |
| 4 | AR46730 | WIRING HARNESS | 1 | | |
| 5 | | WIRING LEAD | 1 | | 68.6CM (27") (MAKE FROM R32007, R36024, R32025 AND R32027) |
| 6 | R11278 | NUT | 1 | | |
| 7 | 19H2367 | CAP SCREW | 1 | | 5/8" X 3/4" |
| | 12H294 | LOCK WASHER | 1 | | 5/8" |
| 8 | R34701 | BRACKET | 1 | | |
| 9 | AT39043 | HIGH NOTE HORN | 1 | | (12-VOLT) (SUB FOR R11276) |

2E19

ELECTRICAL

HORN
(TRACTOR SERIAL NO. 235044-)
R17641 -UN-01JAN94

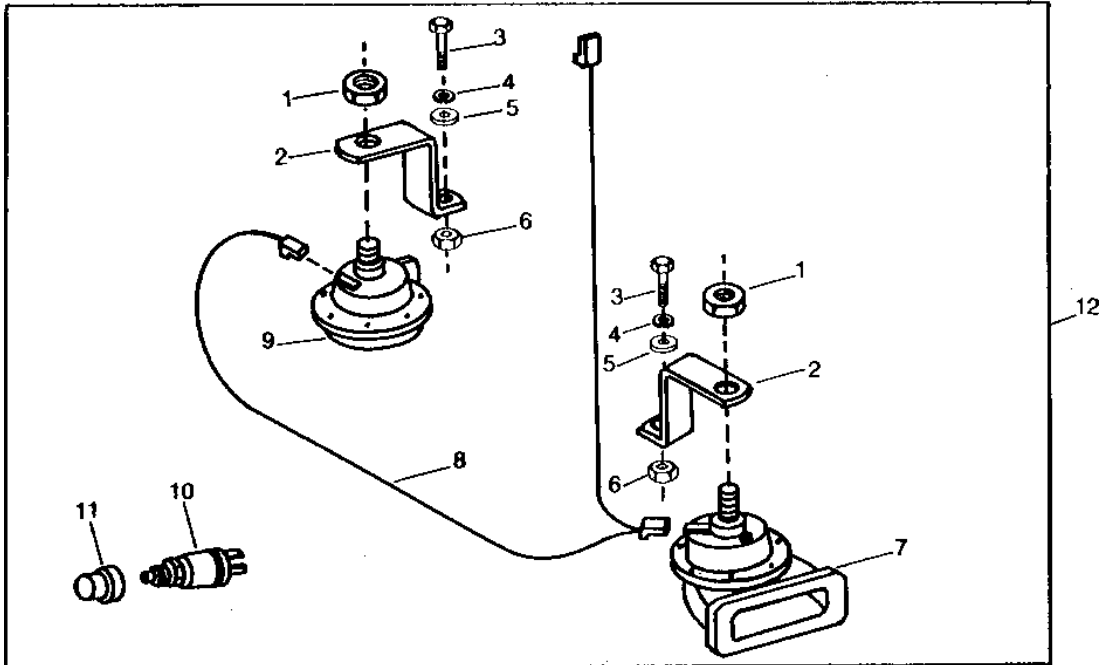


| KEY | PART NO. | PART NAME | QTY | TRACTOR SERIAL NO. | REMARKS |
|-----|----------|----------------|-----|--------------------|--|
| 1 | T55501 | CAP | 1 | | (SUB FOR AR47374, THIS APPLICATION) |
| 2 | AR21823 | SWITCH | 1 | | |
| 3 | AR46730 | WIRING HARNESS | 1 | | |
| 4 | 14H785 | NUT | 2 | 5/16" | |
| | 12H303 | LOCK WASHER | 2 | 5/16" | |
| 5 | R46791 | BRACKET | 1 | | |
| 6 | 19H1813 | CAP SCREW | 2 | 5/16" X 5/8" | |
| 7 | AL14896 | HORN | 1 | | (12-VOLT) (SUB FOR AR49036 OR AR73579) (SUB R64700, R75833, R11278, 12M7032, 14M7273, 19M7139 AND 24M7055) |
| 8 | AR73580 | WIRING HARNESS | 1 | | (SUB FOR AR49038) |

2E20

ELECTRICAL

DUAL HORN ASSEMBLY
RWP4230 -UN-01JAN94



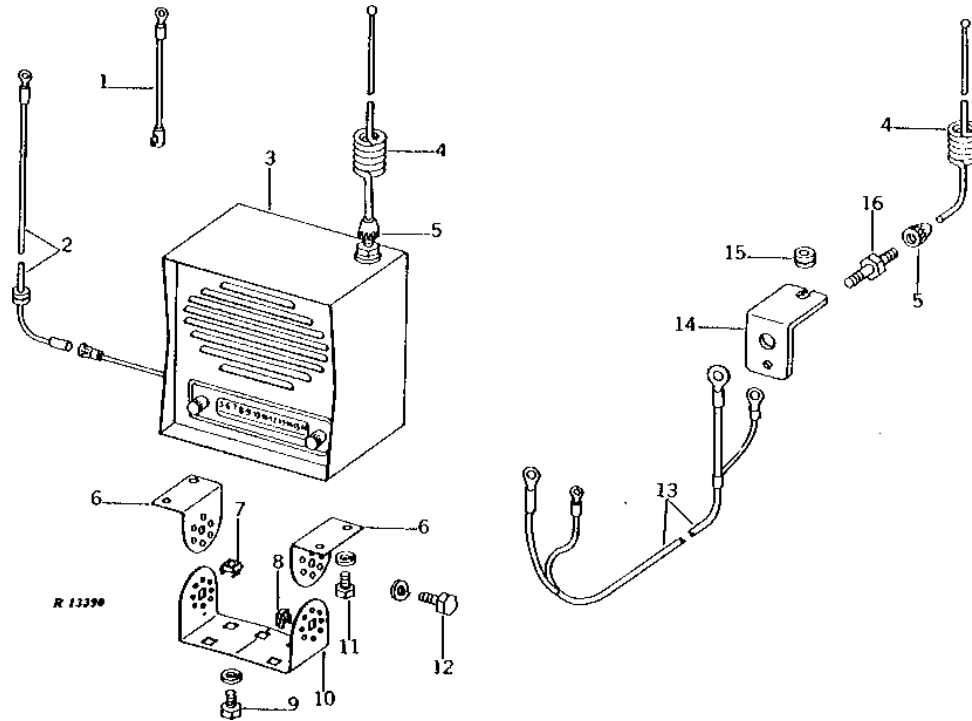
RWP4230

| KEY | PART NO. | PART NAME | QTY | TRACTOR SERIAL NO. | REMARKS |
|-----|----------|----------------|-----|---|---------|
| 1 | R11278 | NUT | 2 | | |
| 2 | 14H785 | NUT | 2 | 5/16" | |
| 3 | R64699 | BRACKET | 2 | (ILLUSRTATED)(USE WITH,THIS APPLICATION) | |
| | R75833 | BRACKET | 2 | (SUB FOR R66069) | |
| 4 | 12H303 | LOCK WASHER | 2 | 5/16" | |
| 5 | 24H1136 | WASHER | 2 | 11/32" X 11/16" X 0.065" | |
| 6 | 19H1849 | CAP SCREW | 2 | 5/16" X 1-1/4" | |
| 7 | R64700 | LOW NOTE HORN | 1 | (12-VOLT) (LOW NOTE) | |
| 8 | AR85578 | WIRING HARNESS | 1 | 508MM(20")(USE WITH,THIS APPLICATION) | |
| | AR81179 | WIRING HARNESS | 1 | 457MM(18") | |
| 9 | AT39043 | HIGH NOTE HORN | 1 | (12-VOLT) (HIGH NOTE) | |
| 10 | AR20235 | SWITCH | 1 | | |
| 11 | T55501 | CAP | 1 | | |
| 12 | AR102454 | HORN | 1 | (SUB FOR AR47093, AR49032 OR AR81178) (NLA) | |

2E21

ELECTRICAL

RADIO
(MOTOROLA)
 R13390 -UN-01JAN94



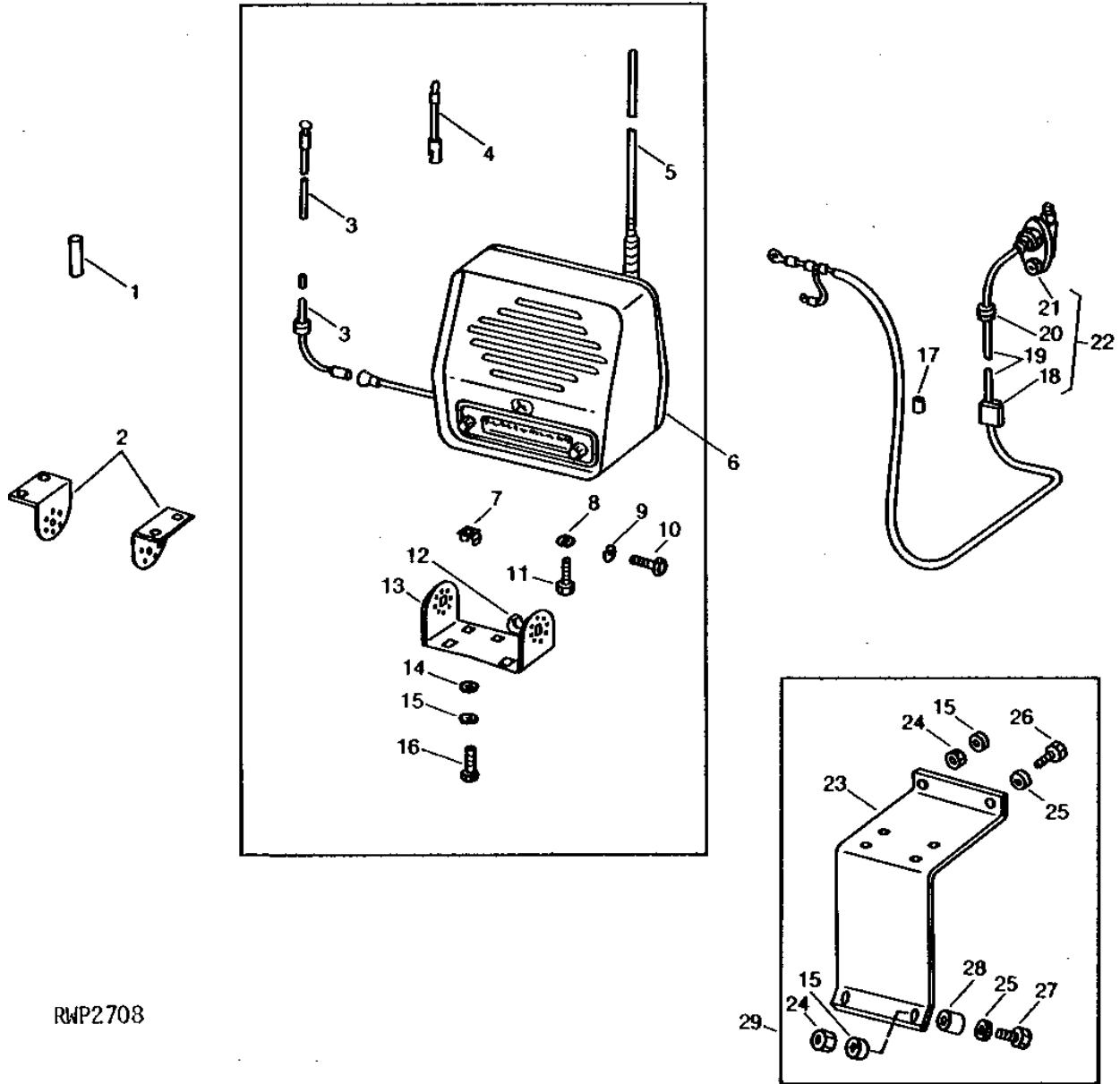
| KEY | PART NO. | PART NAME | QTY | TRACTOR SERIAL NO. | REMARKS |
|-----|----------|-------------|-----|------------------------------|---------|
| 1 | R42799 | RESISTOR | 1 | | |
| 2 | AR41756 | WIRING LEAD | 1 | | |
| 3 | AR42431 | RADIO | 1 | (A) (NLA) | |
| 4 | AR45013 | MAST | 1 | (A) (NLA) | |
| 5 | R42800 | NUT | 1 | | |
| 6 | R41879 | BRACKET | 2 | | |
| 7 | AR41951 | NUT | 4 | 5/16" | |
| 8 | AR41950 | NUT | 2 | 3/8" | |
| 9 | 19H1813 | CAP SCREW | 4 | 5/16" X 5/8" | |
| | 12M7032 | LOCK WASHER | 4 | 0.331" | |
| 10 | R41880 | BRACKET | 1 | | |
| 11 | 19H1227 | CAP SCREW | 4 | 1/4" X 1/2" | |
| | 12H302 | LOCK WASHER | 4 | 1/4" | |
| 12 | 19H1936 | CAP SCREW | 2 | 3/8" X 3/4" | |
| | 12H310 | LOCK WASHER | 2 | 3/8" | |
| 13 | AR45015 | ANTENNA | 1 | (NLA) | |
| 14 | R42802 | BRACKET | 1 | | |
| 15 | R42801 | GROMMET | 1 | (NLA) | |
| 16 | AR45014 | COUPLING | 1 | | |
| .. | AR51483 | BASE | 1 | (SUB FOR AR42432) (WITH CAB) | |

(A) CHECK AUDIOVOX DIRECT-SHIP PROGRAM GUIDE

2E22

ELECTRICAL

RADIO
(MOTOROLA)
RWP2708 -UN-01JAN94



RWP2708

2E23

ELECTRICAL

**RADIO - CONTINUED
(MOTOROLA)**

| KEY | PART NO. | PART NAME | QTY | TRACTOR SERIAL NO. | REMARKS |
|-----|----------|-------------|-----|-----------------------|---|
| 1 | R42799 | RESISTOR | 1 | | (A) (SUB FOR AR57156, AR68361, AR101245 OR TY15155) (NLA) |
| 2 | R52408 | BRACKET | 2 | | |
| 3 | AR41756 | WIRING LEAD | 1 | | |
| 4 | AR41758 | CAPACITOR | 1 | | |
| 5 | AR46986 | ANTENNA | 1 | | |
| 6 | TY15276 | RADIO | 1 | | (A) (SUB FOR AR57156, AR68361, AR101245 OR TY15155) (NLA) |
| 7 | AR41951 | NUT | 3 | | 5/16" |
| 8 | 12H302 | LOCK WASHER | 4 | | 1/4" |
| 9 | 12H310 | LOCK WASHER | 2 | | 3/8" |
| 10 | 19H1936 | CAP SCREW | 2 | | 3/8" X 3/4" |
| 11 | 19H1227 | CAP SCREW | 4 | | 1/4" X 1/2" |
| 12 | AR41950 | NUT | 2 | | 3/8" |
| 13 | R41880 | BRACKET | 1 | | |
| 14 | 24H1294 | WASHER | 3 | | 11/32" X 1-1/8" X 1/16" |
| 15 | 12M7032 | LOCK WASHER | 7 | | 0.331" |
| 16 | 19H1813 | CAP SCREW | 3 | | 5/16" X 5/8" |
| 17 | R45136 | PLUG | 1 | | |
| 18 | R47474 | CLIP | 4 | | |
| 19 | AR51484 | WIRING LEAD | 1 | | |
| 20 | R27583 | GROMMET | 1 | | |
| 21 | AR46984 | BASE | 1 | | |
| 22 | AR51483 | BASE | 1 | | (WITH CAB) |
| 23 | R49056 | BRACKET | 1 | | |
| 24 | 14H785 | NUT | 4 | | 5/16" |
| 25 | 24H1294 | WASHER | 4 | | 11/32" X 1-1/8" X 1/16" |
| 26 | 19H1813 | CAP SCREW | 2 | | 5/16" X 5/8" |
| 27 | 19H1875 | CAP SCREW | 2 | | 5/16" X 1-3/4" |
| 28 | 28H1495 | SPACER | 2 | | 3/8" X 1" |
| 29 | AR52478 | KIT | 1 | | (WITH HINSON CAB)(NLA) |

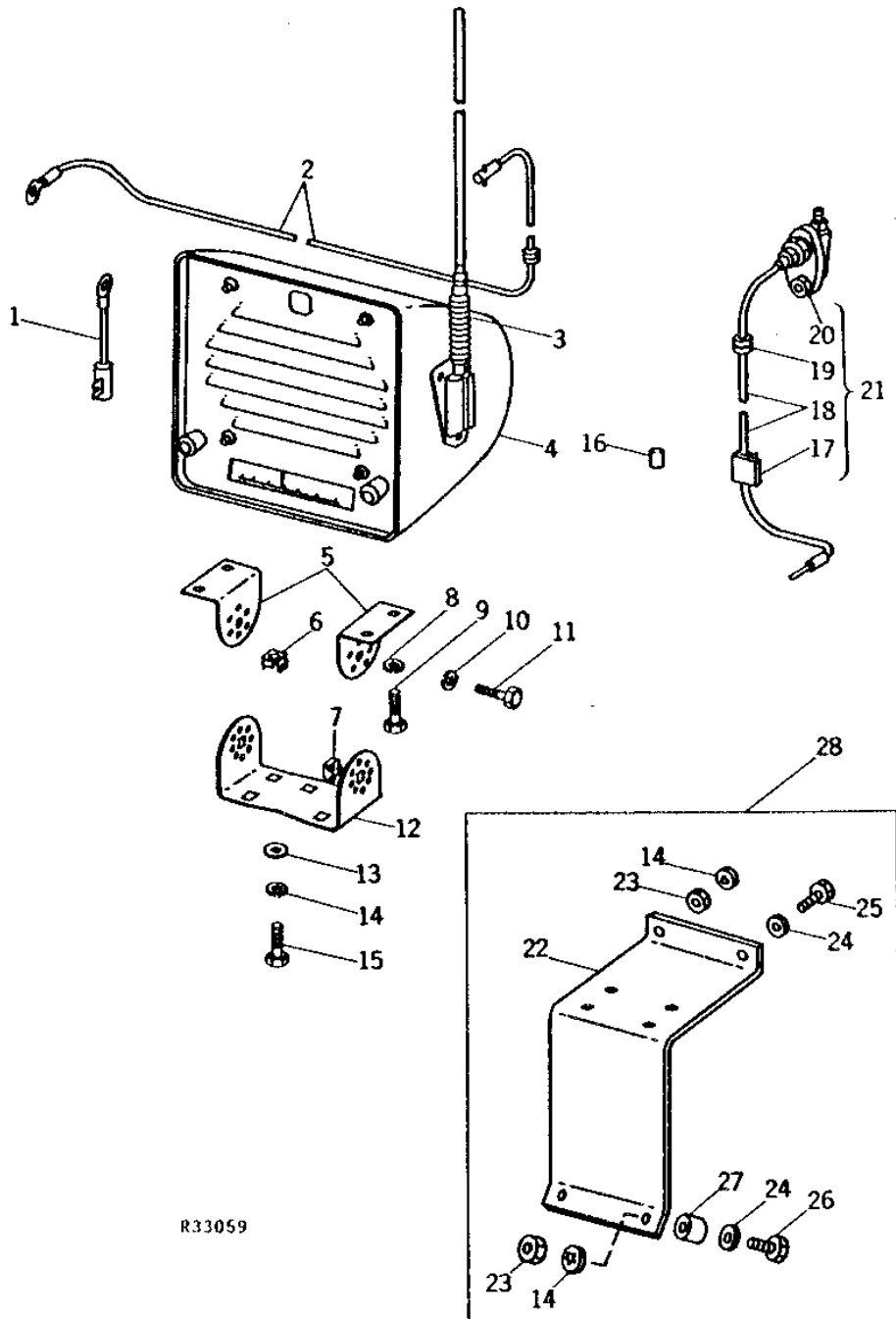
(A) CHECK AUDIOVOX DIRECT-SHIP PROGRAM GUIDE

2E24

ELECTRICAL

RADIO
(BENDIX)
R33059

-UN-01JAN94



R33059

2E25

ELECTRICAL

**RADIO - CONTINUED
(BENDIX)**

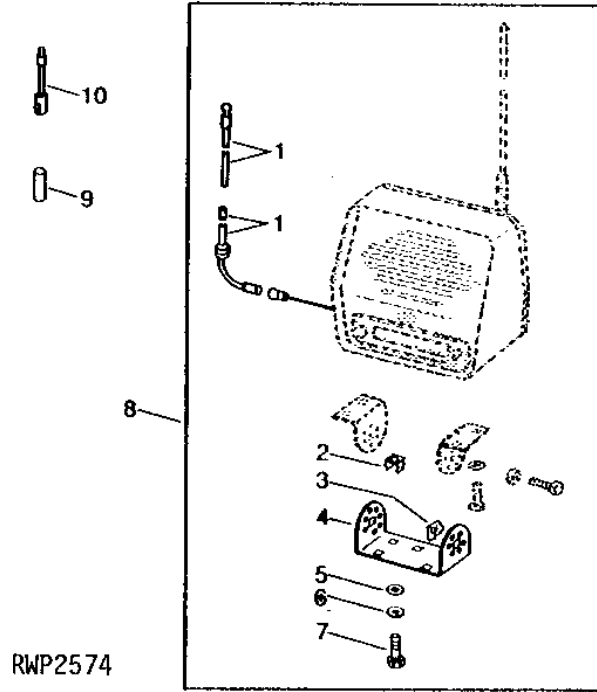
| KEY | PART NO. | PART NAME | QTY | TRACTOR SERIAL NO. | REMARKS |
|-----|----------|-------------|-----|-----------------------|-------------------------|
| 1 | AR41758 | CAPACITOR | 1 | | |
| 2 | AR41756 | WIRING LEAD | 1 | | |
| 3 | AR46986 | ANTENNA | 1 | | (THREADED TYPE) |
| 4 | AR68361 | RADIO | 1 | | (A) (NLA) |
| 5 | R46505 | BRACKET | 2 | | (NLA) |
| 6 | AR41951 | NUT | 4 | | 5/16" |
| 7 | AR41950 | NUT | 2 | | 3/8" |
| 8 | 12H302 | LOCK WASHER | 4 | | 1/4" |
| 9 | 19H1227 | CAP SCREW | 4 | | 1/4" X 1/2" |
| 10 | 12H310 | LOCK WASHER | 2 | | 3/8" |
| 11 | 19H1936 | CAP SCREW | 2 | | 3/8" X 3/4" |
| 12 | R41880 | BRACKET | 1 | | |
| 13 | 24H1294 | WASHER | 4 | | 11/32" X 1-1/8" X 1/16" |
| 14 | 12M7032 | LOCK WASHER | 4 | | 0.331" |
| | 12M7032 | LOCK WASHER | 4 | | 0.331" |
| 15 | 19H1813 | CAP SCREW | 4 | | 5/16" X 5/8" |
| 16 | R45136 | PLUG | 1 | | |
| 17 | R47474 | CLIP | 1 | | |
| 18 | AR46985 | WIRING LEAD | 1 | | |
| 19 | R27583 | GROMMET | 1 | | |
| 20 | AR46984 | BASE | 1 | | |
| 21 | AR46983 | BASE | 1 | | (WITH CAB)(NLA) |
| 22 | R49056 | BRACKET | 1 | | |
| 23 | 14H785 | NUT | 4 | | 5/16" |
| 24 | 24H1294 | WASHER | 4 | | 11/32" X 1-1/8" X 1/16" |
| 25 | 19H1813 | CAP SCREW | 2 | | 5/16" X 5/8" |
| 26 | 19H1875 | CAP SCREW | 2 | | 5/16" X 1-3/4" |
| 27 | 28H1495 | SPACER | 2 | | 3/8" X 1" |
| 28 | AR52478 | KIT | 1 | | (WITH HINSON CAB)(NLA) |

(A) CHECK AUDIOVOX DIRECT-SHIP PROGRAM GUIDE

2F1

ELECTRICAL

RADIO KIT
RWP2574 -UN-01JAN94

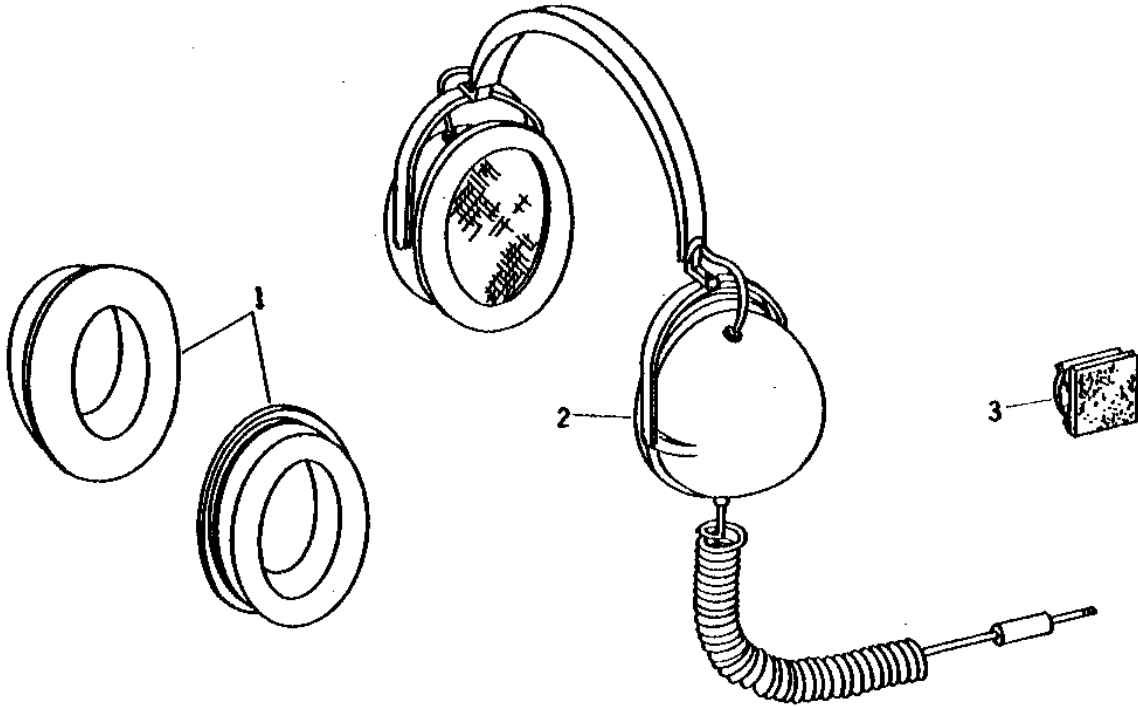


| KEY | PART NO. | PART NAME | QTY | TRACTOR SERIAL NO. | REMARKS |
|-----|----------|-------------|-----|-------------------------|---------|
| 1 | AR41756 | WIRING LEAD | 1 | | |
| 2 | AR41951 | NUT | 3 | 5/16" | |
| 3 | AR41950 | NUT | 2 | 3/8" | |
| 4 | R41880 | BRACKET | 1 | | |
| 5 | 24H1294 | WASHER | 3 | 11/32" X 1-1/8" X 1/16" | |
| 6 | 12M7032 | LOCK WASHER | 3 | 0.331" | |
| 7 | 19H1813 | CAP SCREW | 3 | 5/16" X 5/8" | |
| 8 | AR41754 | KIT | 1 | | |
| 9 | R42799 | RESISTOR | 1 | | |
| 10 | AR41758 | CAPACITOR | 1 | | |

2F2

ELECTRICAL

RADIO HEADPHONES
R33062 -UN-01JAN94



R33062

| KEY | PART NO. | PART NAME | QTY | TRACTOR SERIAL NO. | REMARKS |
|-----|----------|------------|-----|--------------------|------------------|
| 1 | AR73311 | FOAM PAD | 2 | | (SUB FOR R53409) |
| 2 | AR59663 | HEADPHONES | 1 | | (A) (NLA) |
| 3 | R53410 | CLIP | 1 | | |

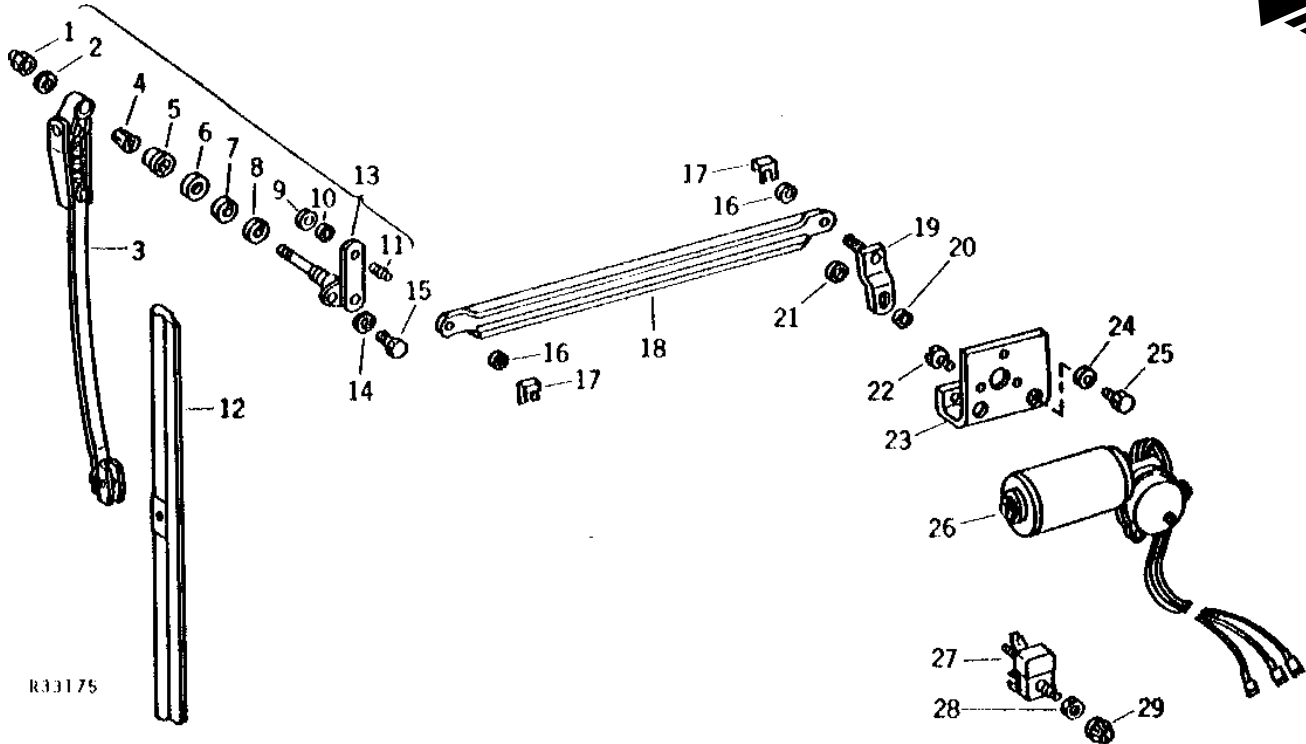
(A) CHECK AUDIOVOX DIRECT-SHIP PROGRAM GUIDE

2F3

ELECTRICAL

**WINDSHIELD WIPER
(HINSON)**

R33175 -UN-01JAN94



R33175

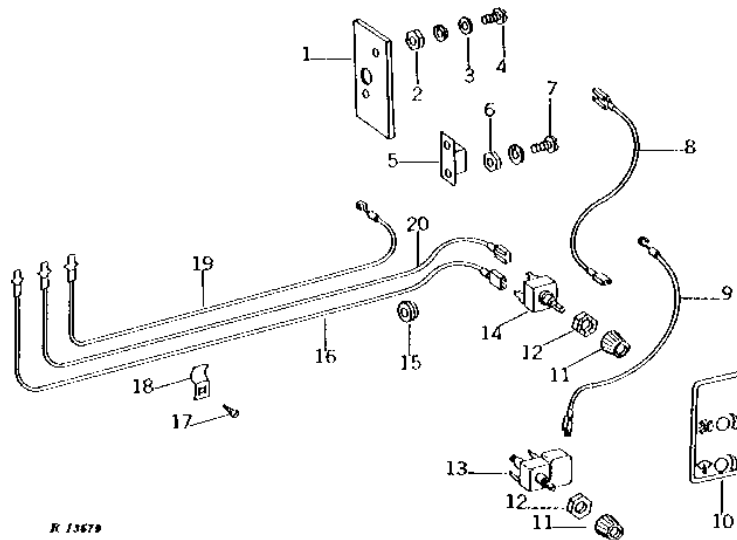
| KEY | PART NO. | PART NAME | QTY | TRACTOR SERIAL NO. | REMARKS |
|-----|----------|------------------|-----|--|---------|
| 1 | U46514 | NUT | 1 | (NLA) | |
| 2 | 12H303 | LOCK WASHER | 1 | 5/16" | |
| 3 | AR45843 | ARM | 1 | -008145 | |
| | AR55155 | ARM | 1 | 008146- | |
| 4 | U46513 | NUT | 1 | (NLA) | |
| 5 | U46512 | CAP | 1 | (NLA) | |
| 6 | U46511 | NUT | 1 | (NLA) | |
| 7 | 24H1362 | WASHER | 1 | (SUB FOR U46510) | |
| 8 | U46509 | WASHER | 1 | (NLA) | |
| 9 | 14H649 | NUT | 1 | 1/4" | |
| 10 | 12H297 | LOCK WASHER | 1 | 1/4" | |
| 11 | U46507 | PIN | 1 | | |
| 12 | AR45844 | WINDSHIELD WIPER | 1 | -008145 | |
| | AU42026 | WIPER BLADE | 1 | 008146- | |
| 13 | AU43852 | SHAFT | 1 | (SUB AT58209) | |
| 14 | 12H246 | LOCK WASHER | 2 | 0.190" | |
| 15 | 21H1317 | SCREW | 2 | 0.190" X 5/8" | |
| 16 | T32255 | SHIM | 2 | | |
| 17 | U46506 | CLIP | 2 | | |
| 18 | AR52294 | LINK | 1 | | |
| 19 | AU43954 | ARM | 1 | | |
| 20 | U46508 | WASHER | 1 | | |
| 21 | AU43857 | LOCK NUT | 1 | | |
| 22 | AU43854 | SCREW | 3 | | |
| 23 | R48875 | BRACKET | 1 | | |
| 24 | 12H302 | LOCK WASHER | 2 | 1/4" | |
| 25 | 19H1227 | CAP SCREW | 2 | 1/4" X 1/2" | |
| 26 | AR59444 | MOTOR | 1 | (ALSO ORDER AR64992) (SUB FOR AT29855) (SUB AT66481 AND AT66482) | |
| 27 | AR45839 | SWITCH | 1 | (USE WITH AT29855) | |
| | AR64992 | WIPER SWITCH | 1 | (USE WITH AR59444) | |
| 28 | R44165 | LOCK NUT | 1 | | |
| 29 | AR69370 | KNOB | 1 | (SUB FOR AR49969) | |

2F4

ELECTRICAL

BLOWER SWITCH, WIPER SWITCH, AND WIRING LEADS (STOLPER)

R13679 -UN-01JAN94



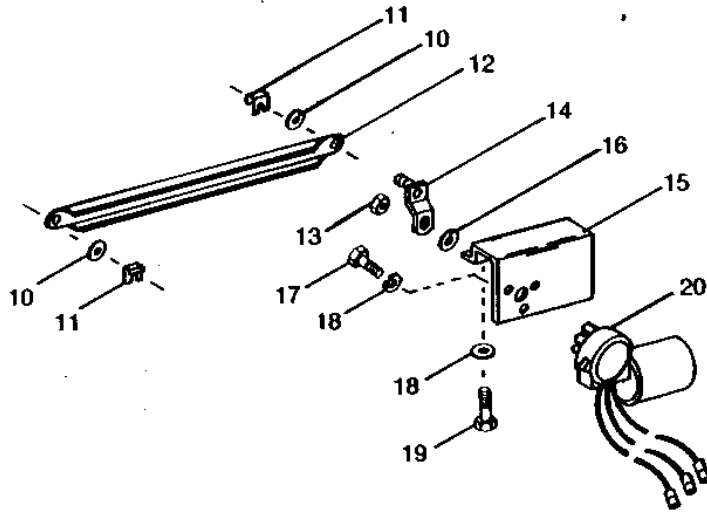
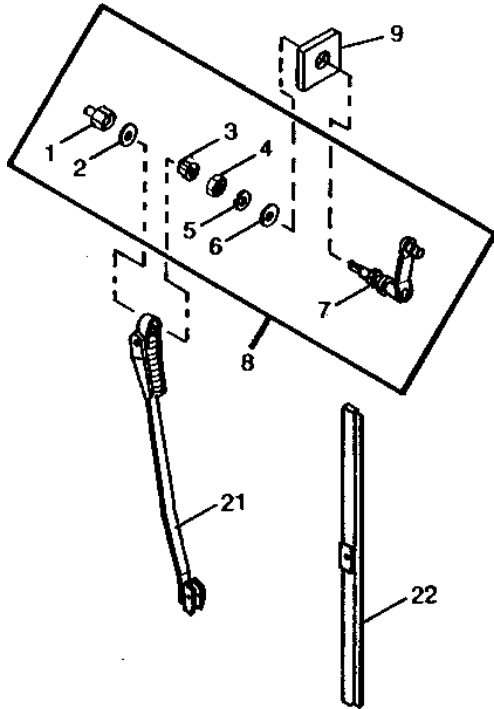
| KEY | PART NO. | PART NAME | QTY | TRACTOR SERIAL NO. | REMARKS |
|-----|----------|-----------------|-----|--|---------|
| 1 | R44479 | FUSE HOLDER | 1 | (NLA) | |
| 2 | 14H605 | NUT | 2 | 0.164" | |
| | 12H315 | LOCK WASHER | 2 | 0.164" | |
| 3 | 24H1283 | WASHER | 2 | 7/32" X 1/2" X 0.049" | |
| 4 | 21H1158 | SCREW | 2 | 0.164" X 1/2" | |
| 5 | AR45859 | CIRCUIT BREAKER | 1 | (A) (NLA) | |
| 6 | 14H778 | NUT | 2 | (A) 0.190" | |
| 7 | 21H1295 | SCREW | 2 | (A) 0.190" X 5/8" | |
| | 12M7060 | WASHER | 2 | (A) 0.209" | |
| 8 | | WIRING LEAD | 1 | 152MM (6") (MAKE FROM (2) R32024 AND R32027) | |
| 9 | AR45853 | WIRING LEAD | 1 | (NLA) | |
| 10 | R44482 | LABEL | 1 | (NLA) | |
| 11 | T30890 | KNOB | 2 | (SUB FOR AR45849) | |
| 12 | R44165 | LOCK NUT | 2 | (NLA) | |
| 13 | AR45839 | SWITCH | 1 | | |
| 14 | AR45854 | SWITCH | 1 | (NLA) | |
| 15 | H987R | GROMMET | 2 | (NLA) | |
| 16 | AR45851 | WIRING LEAD | 1 | | |
| 17 | 37H15 | SCREW | 2 | NO. 6 X 1/4" | |
| 18 | R44481 | CLIP | 2 | (NLA) | |
| 19 | AR45860 | WIRING LEAD | 1 | (A) (NLA) | |
| 20 | AR45852 | WIRING LEAD | 1 | (NLA) | |

(A) DIESEL

2F5

ELECTRICAL

WINDSHIELD WIPER(STOLPER)
 (CAB SERIAL NO. -208299)
 RWP2707 -UN-01JAN94



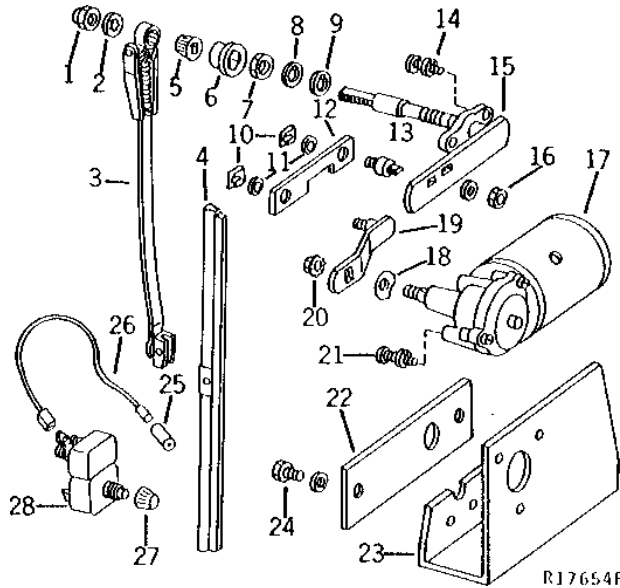
RWP2707

| KEY | PART NO. | PART NAME | QTY | CAB SERIAL NO. | REMARKS |
|-----|----------|------------------|-----|----------------|--|
| 1 | U46514 | NUT | 1 | -142449 | (SUB FOR R44466) |
| | R48075 | NUT | 1 | 142450- | (NLA) |
| 2 | 12M7032 | LOCK WASHER | 1 | -142449 | 0.331" |
| | 12H310 | LOCK WASHER | 1 | 142450- | 3/8" |
| 3 | R44465 | DRIVER | 1 | -142499 | (NLA) |
| | R48074 | DRIVE | 1 | 142450- | (NLA) |
| 4 | R44464 | NUT | 1 | -142499 | (NLA) |
| | AR50966 | NUT | 1 | 142450- | (NLA) |
| 5 | R44467 | SPACER | 1 | -142499 | (NLA) |
| | R48073 | WASHER | 1 | 142450- | (NLA) |
| 6 | R44461 | WASHER | 1 | -142449 | (LEATHER)(NLA) |
| | R48072 | WASHER | 1 | 142450- | (LEATHER)(NLA) |
| 7 | AR45842 | SHAFT | 1 | -142499 | (NLA) |
| | AR50965 | ARM | 1 | 142450- | (SUB AR50964) (NLA) |
| 8 | AR50964 | ARM | 1 | 142450- | (NLA) |
| 9 | R44463 | SEAL | 1 | | (NLA) |
| 10 | R11032 | SHIM | 2 | | (NLA) |
| 11 | R44462 | CLIP | 2 | | |
| 12 | AR45841 | ARM | 1 | | (NLA) |
| 13 | 14H860 | NUT | 1 | | 1/4" |
| | 12H297 | LOCK WASHER | 1 | | 1/4" |
| 14 | AR45840 | ARM | 1 | | (NLA) |
| 15 | AR45838 | BRACKET | 1 | | (NLA) |
| 16 | R44460 | WASHER | 1 | | (NLA) |
| 17 | 19H1948 | CAP SCREW | 3 | | 1/4" X 3/4" |
| 18 | 12H302 | LOCK WASHER | 6 | | 1/4" |
| 19 | 19H1914 | CAP SCREW | 4 | | 1/4" X 1" |
| | 12H302 | LOCK WASHER | 3 | | 1/4" |
| 20 | AR59444 | MOTOR | 1 | | (ALSO ORDER AR64992) (SUB FOR AR45837) (SUB AT66481 AND AT66482) |
| 21 | AR45843 | ARM | 1 | | |
| 22 | AR45844 | WINDSHIELD WIPER | 1 | | |

2F6

ELECTRICAL

WINDSHIELD WIPER(STOLPER)
(CAB SERIAL NO. 208300-)
R17654 -UN-01JAN94



| KEY | PART NO. | PART NAME | QTY | CAB SERIAL NO. | REMARKS |
|-----|----------|------------------|-----|---|---------|
| 1 | U46514 | NUT | 1 | (A) | |
| 2 | 12H303 | LOCK WASHER | 1 | (A) 5/16" | |
| 3 | AR45843 | ARM | 1 | | |
| 4 | AR45844 | WINDSHIELD WIPER | 1 | | |
| 5 | U46513 | NUT | 1 | (A) | |
| 6 | U46512 | CAP | 1 | (A) RUBBER | |
| 7 | U46511 | NUT | 1 | (A) | |
| 8 | U46510 | WASHER | 1 | (A) STEEL | |
| 9 | U46509 | WASHER | 1 | (A) LEATHER | |
| 10 | U46506 | CLIP | 2 | (B) | |
| 11 | T32255 | SHIM | 2 | (B) | |
| 12 | AU43853 | LINK | 1 | (B) | |
| 13 | U46507 | PIN | 1 | (A) | |
| 14 | AU43855 | SCREW | 2 | (B) (SUB 21H1298 AND 12M7060) | |
| 15 | AR49972 | PIVOT | 1 | (NLA) | |
| 16 | 14H649 | NUT | 1 | (A) 1/4" | |
| | 12H297 | LOCK WASHER | 1 | (A) 1/4" | |
| 17 | AR59444 | MOTOR | 1 | (SUB FOR AT29855 OR AR49971) (ALSO ORDER AR64992) (SUB AT66481 AND AT66482) | |
| | AT66481 | MOTOR | 1 | (ALSO ORDER AT66482) (SUB FOR AT29855, AR49971 OR AR59444) | |
| 18 | U46508 | WASHER | 1 | (B) | |
| 19 | AU43954 | ARM | 1 | | |
| 20 | AU43857 | LOCK NUT | 1 | (B) | |
| 21 | AU43854 | SCREW | 3 | (B) | |
| 22 | R48454 | SEAL | 1 | (B) (NLA) | |
| 23 | U46515 | BRACKET | 1 | (B) | |
| 24 | 19H3003 | CAP SCREW | 3 | 1/4" X 1/2" | |
| | 12H302 | LOCK WASHER | 3 | 1/4" | |
| 25 | R32029 | TERMINAL | 3 | | |
| 26 | | WIRING LEAD | 3 | 279MM (11") (MAKE FROM R32024, R32007 AND R32026) | |
| | | WIRING LEAD | 1 | 152MM (6") (MAKE FROM R32018, R32007, R32027 AND R32024) | |
| 27 | AR69370 | KNOB | 1 | (SUB FOR AR49969) | |
| 28 | AR45839 | SWITCH | 1 | (USE WITH AT29855) | |
| | AR64992 | WIPER SWITCH | 1 | (USE WITH AR59444 OR AT66481) | |

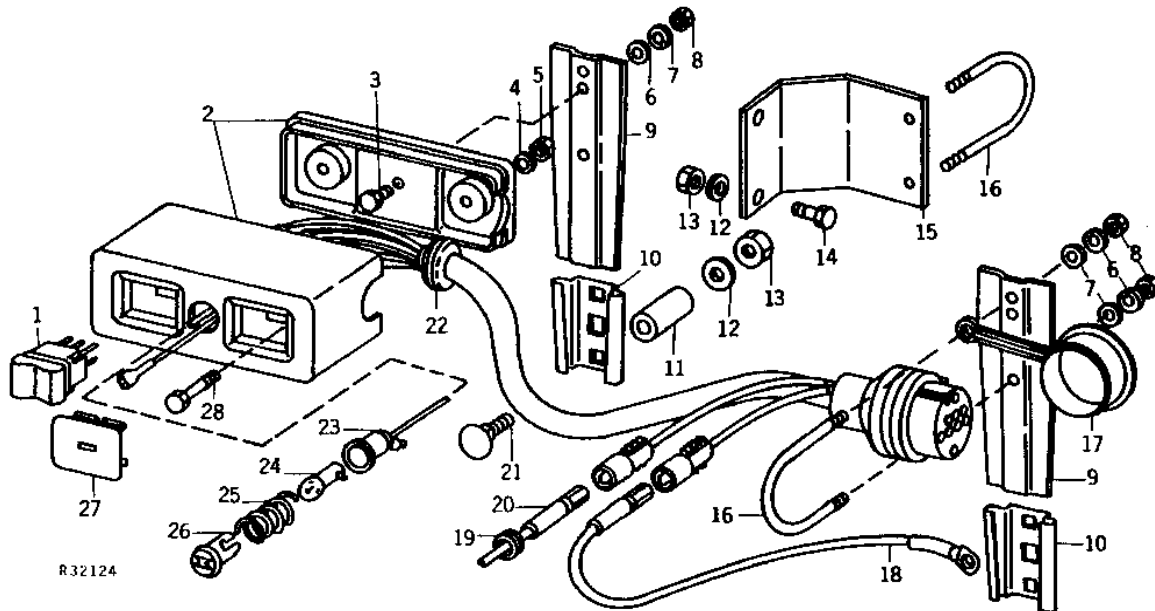
(A) AR49972 CONSISTS OF THESE PARTS

(B) AR49971 CONSISTS OF THESE PARTS

2F7

ELECTRICAL

ELECTRICAL REMOTE CONTROL
R32124 -UN-01JAN94

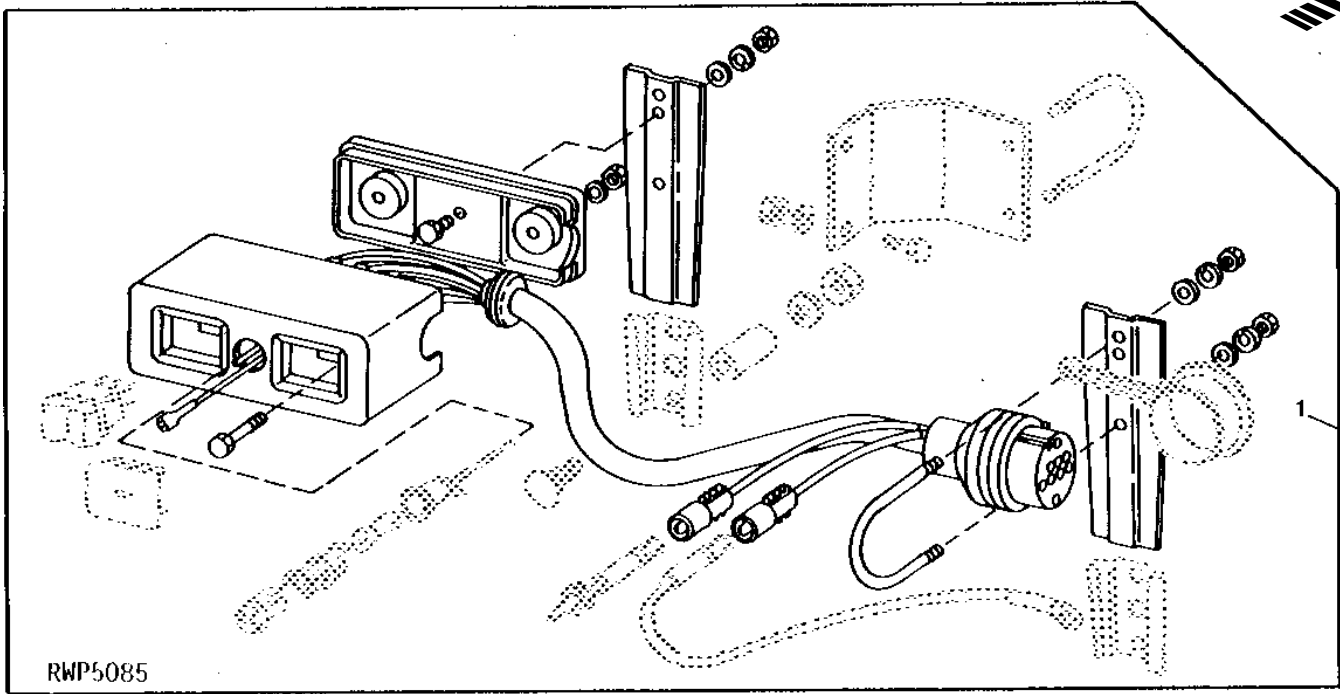


| KEY | PART NO. | PART NAME | QTY | TRACTOR SERIAL NO. | REMARKS |
|-----|----------|----------------|-----|--------------------|--|
| 1 | AR49797 | TOGGLE SWITCH | 1 | | MOMENTARY ROCKER (FI) |
| | AR49798 | ROCKER SWITCH | 1 | | DETENT ROCKER (FI) |
| 2 | AR50779 | WIRING HARNESS | 1 | | TWO SWITCH AND HARNESS |
| | AR50780 | WIRING HARNESS | 1 | | FOUR SWITCH AND HARNESS |
| 3 | 19H1914 | CAP SCREW | 1 | | 1/4" X 1" |
| 4 | 12H315 | LOCK WASHER | 2 | | 0.164" |
| 5 | 14H605 | NUT | 2 | | 0.164" |
| 6 | 24H1821 | WASHER | 3 | | 9/32" X 47/64" X 1/16" |
| 7 | 12H302 | LOCK WASHER | 3 | | 1/4" |
| 8 | 14H786 | NUT | 3 | | 1/4" |
| 9 | R47861 | BRACKET | AR | | (2 USED TWO SWITCH) (1 USED FOUR SWITCH) |
| | R47860 | BRACKET | 1 | | FOUR SWITCH |
| 10 | JD126 | SOCKET | 2 | | |
| 11 | 28H1495 | SPACER | 2 | | 3/8" X 1" |
| 12 | 24M7207 | WASHER | 4 | | 8.400 X 24 X 2 MM |
| 13 | 14H785 | NUT | 4 | | 5/16" |
| 14 | 21H1304 | SCREW | 2 | | 5/16" X 3/4" |
| 15 | R54467 | BRACKET | 1 | | |
| 16 | E16050 | U-BOLT | 1 | | |
| 17 | R48048 | CAP | 1 | | |
| 18 | AR50928 | WIRING LEAD | 1 | | GROUND |
| 19 | H987R | GROMMET | 4 | | |
| 20 | AR50927 | WIRING LEAD | 1 | | TO WIRING RELAY |
| 21 | 03H1515 | BOLT | 2 | | 5/16" X 2" |
| 22 | R36235 | GROMMET | 1 | | |
| 23 | AT44165 | WIRING LEAD | 1 | | |
| 24 | AR55694 | BULB | 1 | | |
| 25 | R30378 | SPRING | 1 | | |
| 26 | AT48673 | LENS | 1 | | |
| 27 | R48049 | PLUG | 1 | | |
| 28 | R48028 | SCREW | 2 | | |
| .. | R48026 | DECAL | 1 | | WARNING |
| .. | R48027 | GROMMET | 1 | | (CAB OPENING) |
| .. | R32276 | PLUG | 1 | | (CAB OPENING) |

2F8

ELECTRICAL

ELECTRICAL REMOTE CONTROL KIT
RWP5085 -UN-01JAN94

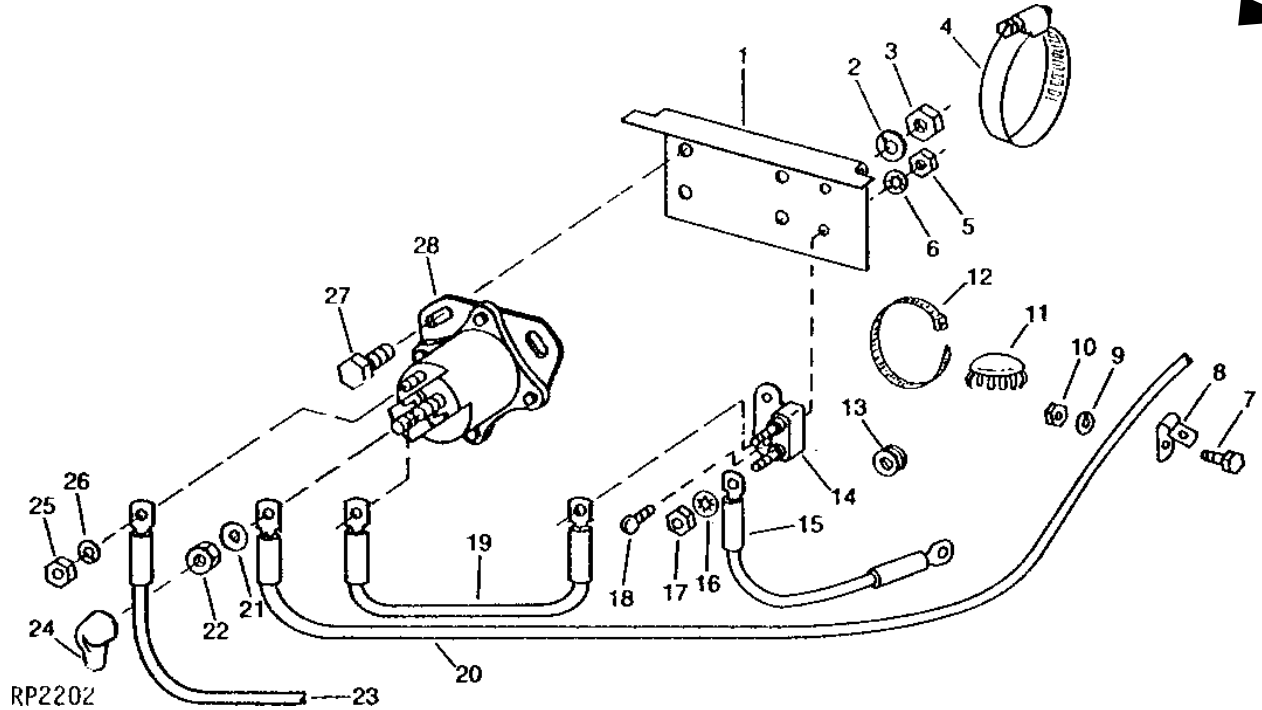


| KEY | PART NO. | PART NAME | QTY | TRACTOR SERIAL NO. | REMARKS |
|-----|----------|-----------|-----|---------------------|---------|
| 1 | AR62360 | KIT | 1 | (TWO SWITCHES) (FI) | |

2F9

ELECTRICAL

ELECTRICAL REMOTE CONTROL WIRING
 RP2202 -UN-01JAN94



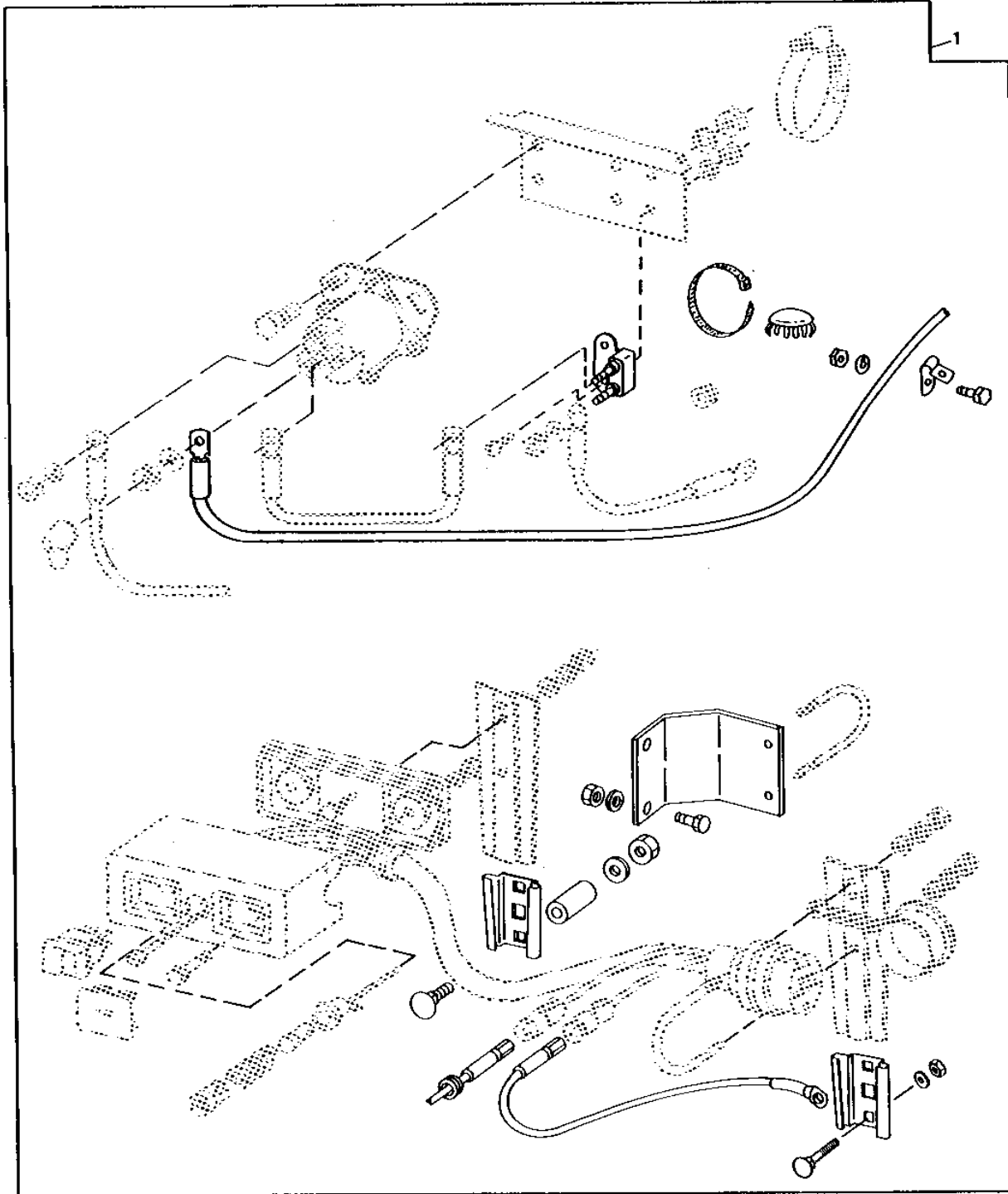
| KEY | PART NO. | PART NAME | QTY | TRACTOR SERIAL NO. | REMARKS |
|-----|----------|-----------------|-----|--------------------------------|---------|
| 1 | R69109 | BRACKET | 1 | (SUB FOR AR47859) | |
| 2 | 12H297 | LOCK WASHER | 2 | 1/4" | |
| 3 | 14H786 | NUT | 2 | 1/4" | |
| 4 | AR52392 | CLAMP | 2 | | |
| 5 | 14H631 | NUT | 2 | 0.190", NO.10 | |
| 6 | 12M7060 | WASHER | 2 | 0.209", NO.10 | |
| 7 | 19H1731 | CAP SCREW | 2 | 3/8" X 1" | |
| 8 | T14264 | CLAMP | 2 | | |
| 9 | 12H304 | LOCK WASHER | 2 | 3/8" | |
| 10 | 14H732 | NUT | 2 | 3/8" | |
| 11 | R32276 | PLUG | 1 | (CAB OPENING) | |
| 12 | R44302 | TIE BAND | AR | | |
| 13 | R41439 | GROMMET | 1 | | |
| 14 | AR50926 | CIRCUIT BREAKER | 1 | | |
| 15 | AR50930 | WIRING LEAD | 1 | (TO STARTER) | |
| 16 | 12M7060 | WASHER | 2 | 0.209", NO.10 | |
| 17 | 14H631 | NUT | 2 | 0.190", NO.10 | |
| 18 | 21H1295 | SCREW | 2 | 0.190" X 5/8", NO.10 | |
| 19 | AH95264 | WIRING LEAD | 1 | (SUB FOR AR50929) | |
| 20 | AR50927 | WIRING LEAD | 1 | (TO SWITCH BOX) | |
| 21 | 12H303 | LOCK WASHER | 2 | 5/16" | |
| 22 | 14H785 | NUT | 2 | 5/16" | |
| 23 | AR50931 | WIRING LEAD | 1 | (TO ACCESSORY CIRCUIT BREAKER) | |
| 24 | R36732 | BOOT | 2 | | |
| 25 | 14H631 | NUT | 1 | 0.190", NO.10 | |
| 26 | 12H246 | LOCK WASHER | 1 | 0.190", NO.10 | |
| 27 | 19H1919 | CAP SCREW | 2 | 1/4" X 5/8" | |
| 28 | RE44657 | RELAY | 1 | (FI) | |

MEMORANDA

2F10

ELECTRICAL

ELECTRICAL REMOTE CONTROL WIRING KIT
RWP5666 -UN-01JAN94



RWP5666

2F11

ELECTRICAL

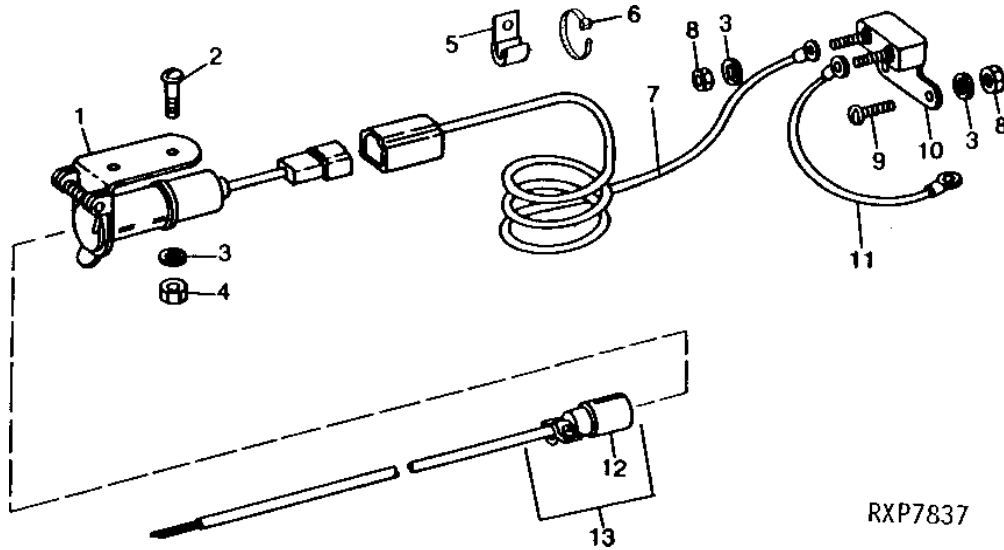
ELECTRICAL REMOTE CONTROL WIRING KIT - CONTINUED

| KEY | PART NO. | PART NAME | QTY | TRACTOR SERIAL NO. | REMARKS |
|-----|----------|-----------|-----|-----------------------|---------|
| 1 | RE25621 | KIT | 1 | (FI) | |

2F12

ELECTRICAL

ELECTRICAL OUTLET SOCKET
RXP7837 -UN-23SEP94



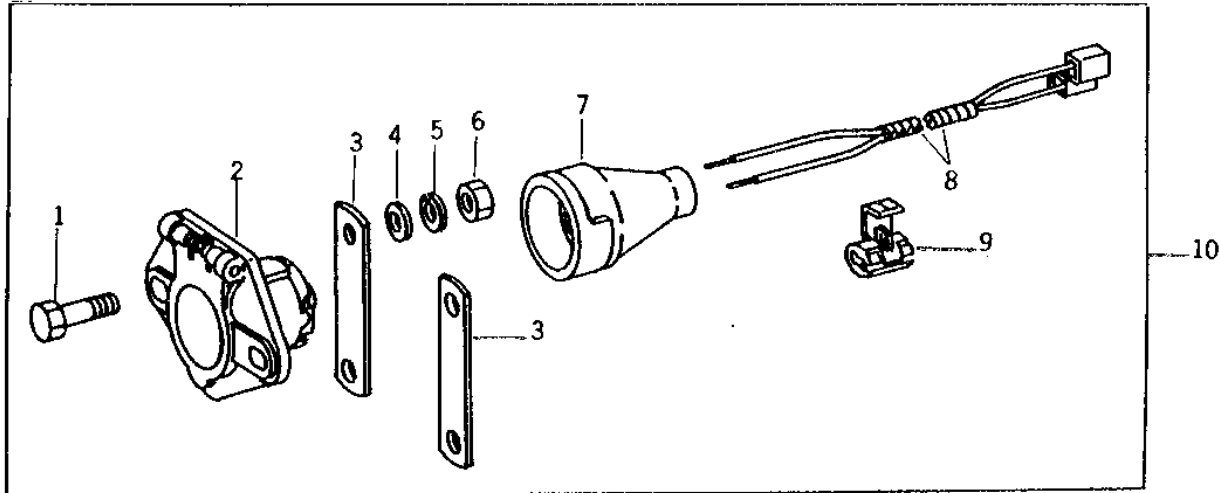
RXP7837

| KEY | PART NO. | PART NAME | QTY | TRACTOR SERIAL NO. | REMARKS |
|-----|----------|-----------------|-----|---|---------|
| 1 | AR26571 | SOCKET | 1 | | |
| 2 | 21H1301 | SCREW | 2 | 0.190" X 1/2" | |
| 3 | 12M7060 | WASHER | 6 | 0.209" | |
| 4 | 14H778 | NUT | 2 | 0.190" | |
| 5 | T32231 | CLAMP | 2 | (SUB FOR R55618) | |
| 6 | R44302 | TIE BAND | 5 | | |
| 7 | | WIRING LEAD | 1 | 4153MM (163-1/2") (MAKE FROM R66321, T28585, R65600, R32019 AND R32028) | |
| 8 | 14H631 | NUT | 4 | 0.190" | |
| 9 | 21H1295 | SCREW | 2 | 0.190" X 5/8" | |
| 10 | AR28403 | CIRCUIT BREAKER | 1 | | |
| 11 | | WIRING LEAD | 1 | 152MM (6") (MAKE FROM R66321 AND (2) R32019 (FROM AR84006) | |
| 12 | AA5692R | ELECTRICAL PLUG | 1 | | |
| 13 | AR40710 | PLUG | 1 | | |

2F13

ELECTRICAL

7-TERMINAL ELECTRICAL OUTLET SOCKET
R32128F -UN-01JAN94



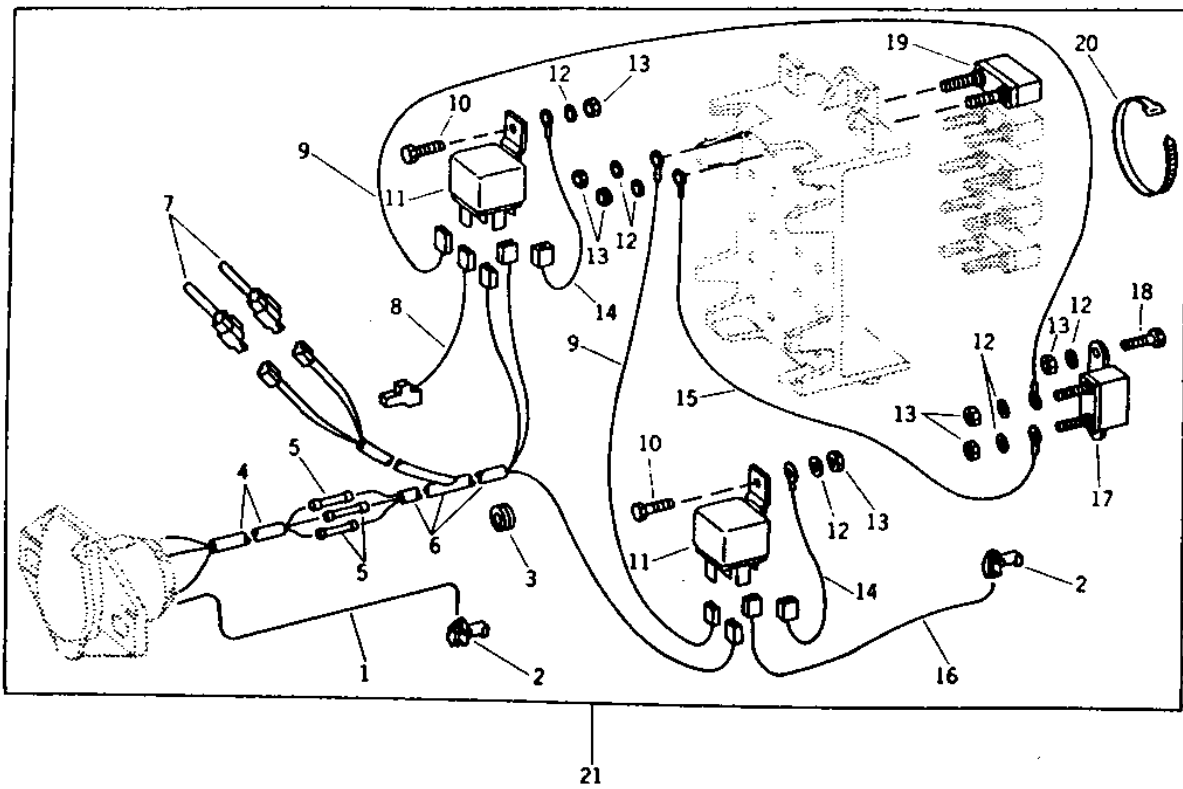
R32128F

| KEY | PART NO. | PART NAME | QTY | TRACTOR SERIAL NO. | REMARKS |
|-----|----------|----------------|-----|--------------------------|---------|
| 1 | 19H1905 | CAP SCREW | 4 | 5/16" X 1" | |
| 2 | AR75695 | SOCKET OUTLET | 1 | | |
| 3 | R61776 | STRAP | 2 | | |
| 4 | 24H1136 | WASHER | 4 | 11/32" X 11/16" X 0.065" | |
| 5 | 12H303 | LOCK WASHER | 4 | 5/16" | |
| 6 | 14H785 | NUT | 2 | 5/16" | |
| 7 | R61775 | BOOT | 1 | | |
| 8 | AR75696 | WIRING HARNESS | 1 | | |
| 9 | AR67855 | CONNECTOR | 4 | | |
| 10 | RE17282 | KIT | 1 | (SUB FOR AR75694) (FI) | |

2F14

ELECTRICAL

7-TERMINAL SOCKET
SUPPLEMENTARY WIRING KIT
R32129 -UN-07JAN91



2F15

ELECTRICAL

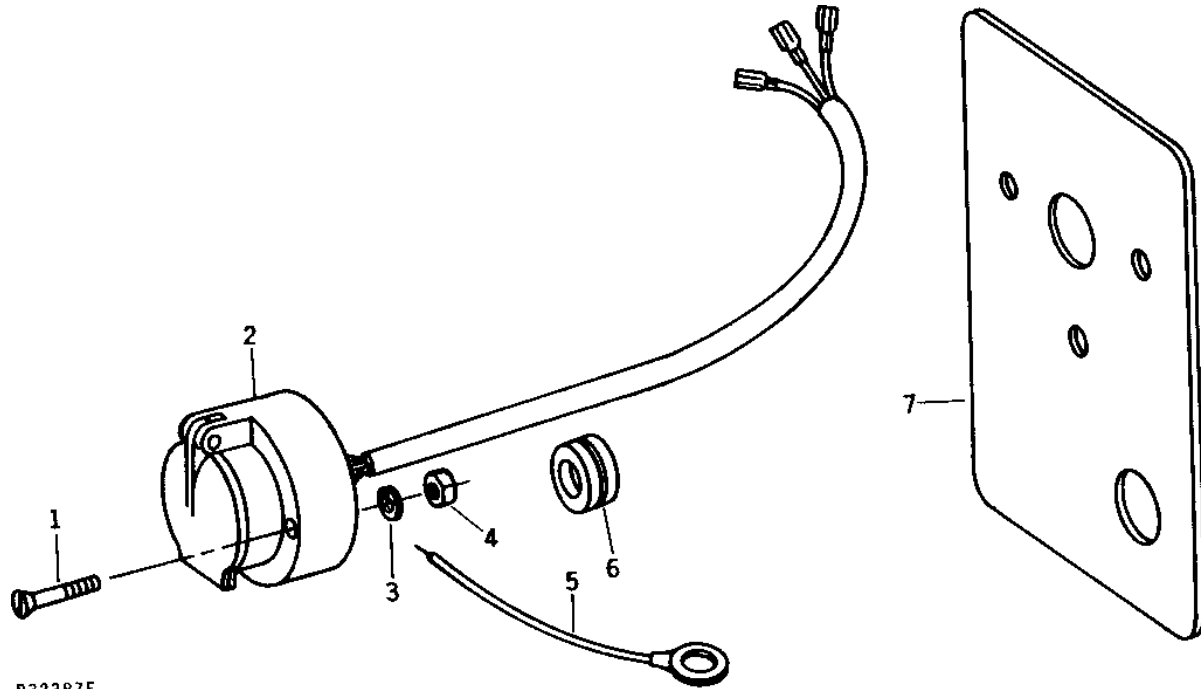
**7-TERMINAL SOCKET - CONTINUED
SUPPLEMENTARY WIRING KIT**

| KEY | PART NO. | PART NAME | QTY | TRACTOR SERIAL NO. | REMARKS |
|-----|----------------|-----------------|-----|-----------------------|--|
| 1 | | WIRING LEAD | 1 | | 3962MM (156") (MAKE FROM R66319) |
| 2 | AR67855 | CONNECTOR | 2 | | WIRE TAP |
| 3 | R40445 | GROMMET | 1 | | |
| 4 | AR82910 | WIRING HARNESS | 1 | | |
| 5 | R32027 | CONNECTOR | 4 | | SPLICE |
| 6 | AR82912 | WIRING HARNESS | 1 | | |
| 7 | AR82911 | WIRING LEAD | 2 | | |
| 8 | AR50834 | WIRING LEAD | 1 | | |
| 9 | | WIRING LEAD | 3 | | 311MM (12-1/4") (MAKE FROM R66319, R32018, R32024 AND R32027) |
| 10 | 21H1282 | SCREW | 2 | | 0.190" X 7/8" |
| 11 | AR74411 | RELAY | 2 | | |
| 12 | 12M7060 | WASHER | 8 | | 0.209" |
| 13 | 14H631 | NUT | 8 | | 0.190" |
| 14 | | WIRING LEAD | 2 | | 152MM (6") (MAKE FROM R66319, R32021, R32025 AND R32027) |
| 15 | | WIRING LEAD | 2 | | 152MM (6") (MAKE FROM R66319 AND (2) R32018) |
| 16 | AR82909 | WIRING LEAD | 1 | | |
| 17 | AR49352 | CIRCUIT BREAKER | 1 | | 30 AMP |
| 18 | 21H1295 | SCREW | 2 | | 0.190" X 5/8" |
| 19 | AR28403 | CIRCUIT BREAKER | 1 | | 20 AMP |
| 20 | R44302 | TIE BAND | AR | | |
| 21 | AR78052 | KIT | 1 | | (USE WITH AR75694 OR RE17282) (FI) |

2F16

ELECTRICAL

ELECTRICAL OUTLET SOCKET
(NOT USED IN U.S. AND CANADA)
 R32387F -UN-01JAN94



R32387F

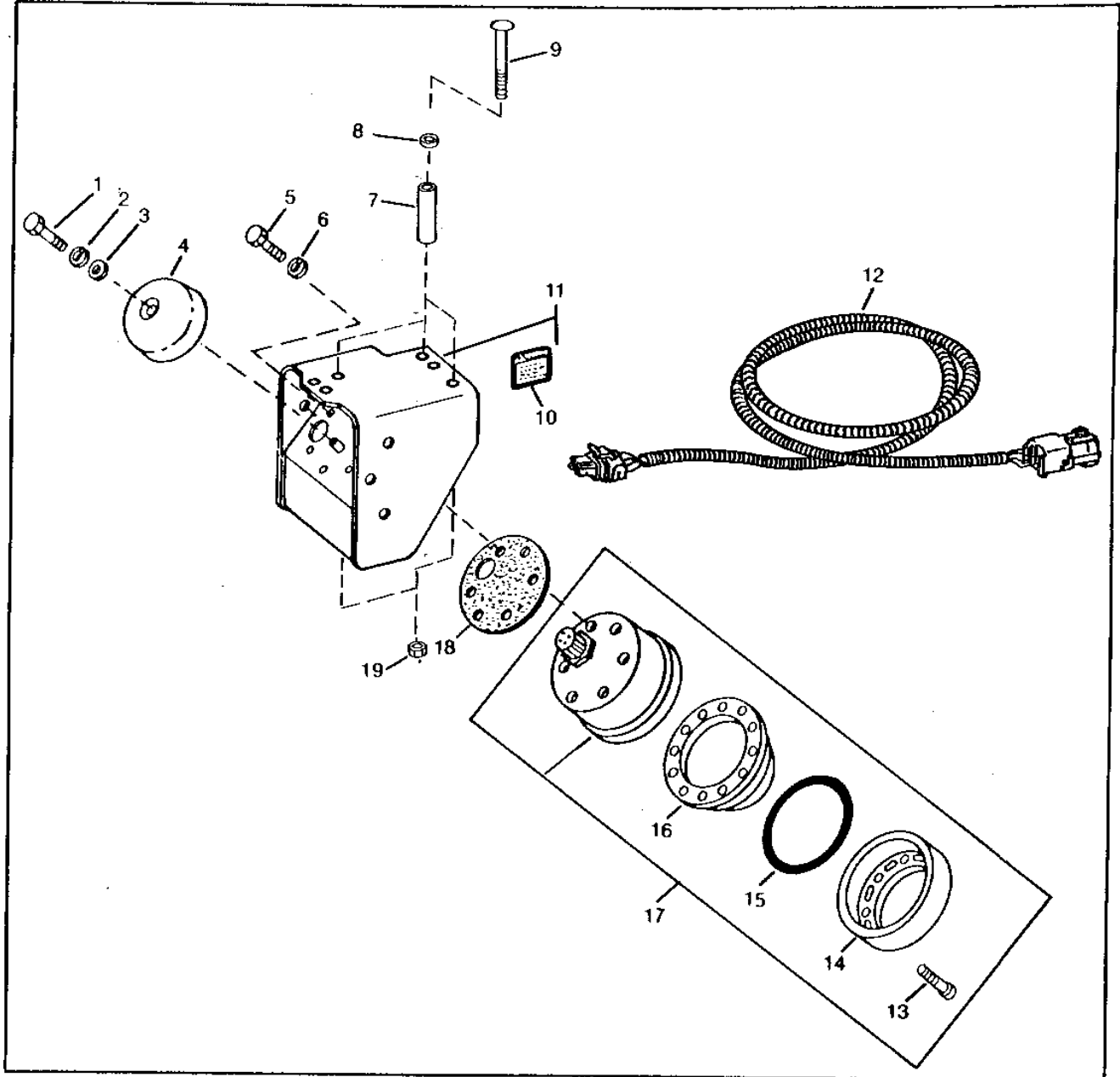
| KEY | PART NO. | PART NAME | QTY | TRACTOR SERIAL NO. | REMARKS |
|-----|----------|---------------|-----|--------------------|---------|
| 1 | 21H1356 | SCREW | 3 | 0.190" X 1-1/4" | |
| 2 | L83677 | SOCKET OUTLET | 1 | | |
| 3 | 12H246 | LOCK WASHER | 3 | 0.190" | |
| 4 | 14H778 | NUT | 3 | 0.190" | |
| 5 | AL17099 | WIRING LEAD | 1 | | |
| 6 | R40445 | GROMMET | 1 | | |
| 7 | L32092 | BRACKET | 1 | (NLA) | |

MEMORANDA

2F17

ELECTRICAL

RADAR SENSOR
RXP9306 -UN-01JAN94



RXP9306

20

2F18

ELECTRICAL

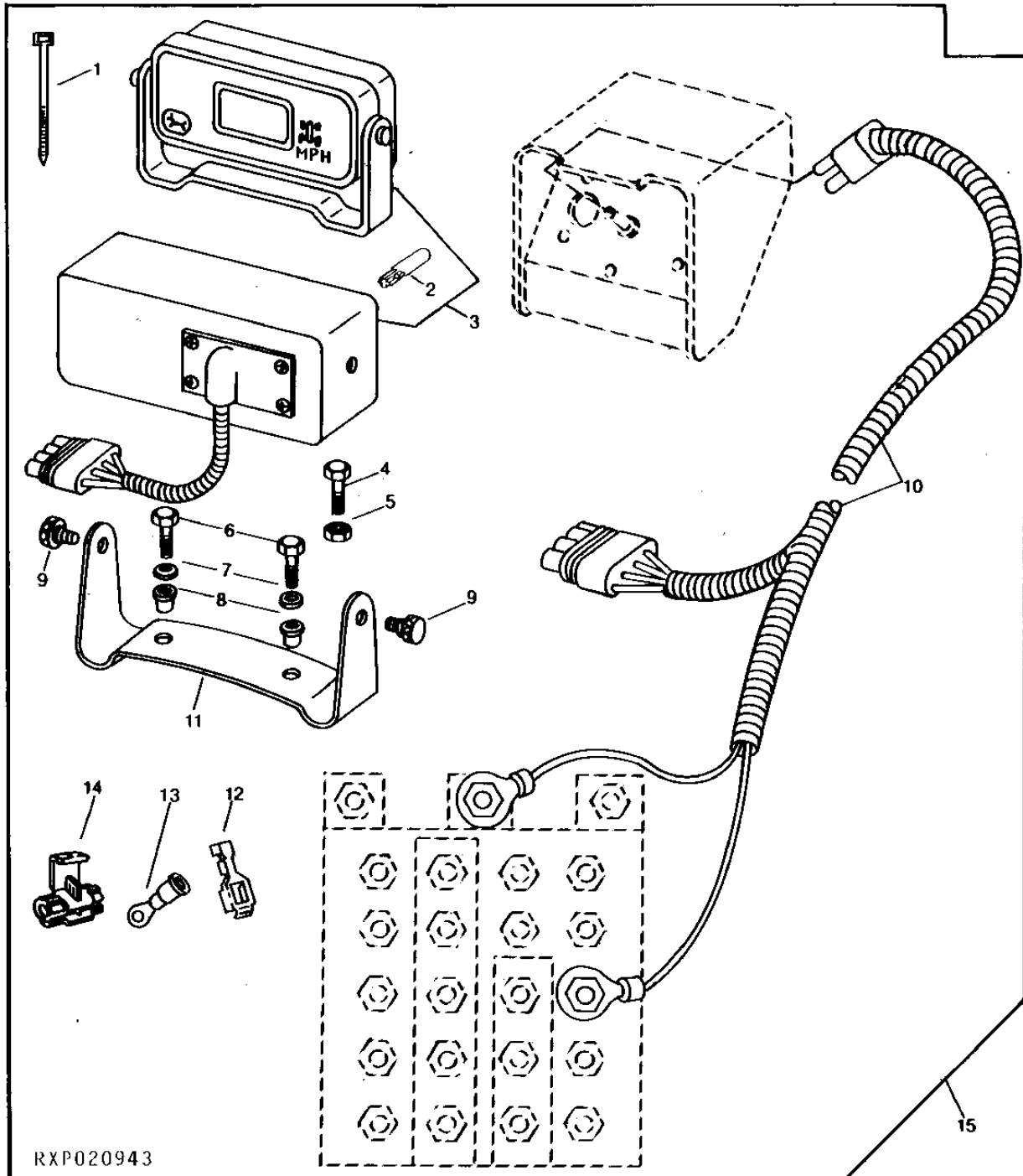
RADAR SENSOR-CONTINUED

| KEY | PART NO. | PART NAME | QTY | TRACTOR SERIAL NO. | REMARKS |
|-----|----------|----------------|-----|-----------------------|-----------------------------------|
| 1 | 19H1813 | CAP SCREW | 1 | | 5/16" X 5/8" |
| 2 | 12H303 | LOCK WASHER | 1 | | 5/16" |
| 3 | 24H1136 | WASHER | 1 | | 11/32" X 11/16" X 0.065" |
| 4 | R82355 | SHIELD | 1 | | |
| 5 | 19H1813 | CAP SCREW | 6 | | 5/16" X 5/8" |
| 6 | 12H303 | LOCK WASHER | 6 | | 5/16" |
| 7 | 28H3343 | BUSHING | 3 | | 0.546" X 0.840" X 5-3/8" |
| 8 | 24H1625 | WASHER | 2 | | 17/32" X 1" X 0.120" |
| 9 | 03H2052 | BOLT | 3 | | 1/2" X 6-1/2" |
| 10 | R120107 | LABEL | 1 | | (ENGLISH) |
| | R120106 | LABEL | 1 | | (FRENCH) |
| | R105942 | LABEL | 1 | | (GERMAN) |
| | R120108 | LABEL | 1 | | (SPANISH) |
| | L65000 | LABEL | 1 | | |
| 11 | RE46317 | BRACKET | 1 | | (SUB FOR RE21096 OR RE38707) |
| 12 | RE46414 | WIRING HARNESS | 1 | | |
| 13 | R82239 | SCREW | 12 | | |
| 14 | R82237 | SNAP RING | 1 | | |
| 15 | R82238 | O-RING | 1 | | |
| 16 | R82236 | COVER | 1 | | |
| 17 | RE43025 | RADAR SENSOR | 1 | | |
| 18 | R82243 | GASKET | 1 | | |
| 19 | 14H1040 | NUT | 3 | | 1/2" |
| 20 | AR111058 | SENSOR | 1 | | (SUB FOR RE21510 OR RW26466) (FI) |

2F19

ELECTRICAL

PERFORMANCE TRAK II MINI-MONITOR
(ANALOG TACHOMETER)
RXP020943 -UN-12OCT94



RXP020943

2F20

ELECTRICAL

**PERFORMANCE TRAK II MINI-MONITOR - CONTINUED
(ANALOG TACHOMETER)**

| KEY | PART NO. | PART NAME | QTY | TRACTOR SERIAL NO. | REMARKS |
|-----|----------|-----------------|-----|-----------------------|---------|
| 1 | R44302 | TIE BAND | AR | | |
| 2 | RE22589 | LAMP | 1 | | |
| 3 | RE21112 | MONITOR CONSOLE | 1 | | |
| 4 | 19H1978 | CAP SCREW | 3 | 7/16" X 1-1/2" | |
| | 12H293 | LOCK WASHER | 3 | 7/16" | |
| 5 | 14H1047 | NUT | 3 | 7/16" | |
| | 14H786 | NUT | 2 | 1/4" | |
| 6 | 19H1914 | CAP SCREW | 2 | 1/4" X 1" | |
| 7 | 24H1287 | WASHER | 4 | 9/32" X 5/8" X 0.065" | |
| 8 | R82423 | NUT | 2 | RUBBER | |
| 9 | R83055 | WING SCREW | 2 | | |
| 10 | RE21113 | WIRING HARNESS | 1 | 3500MM (138") | |
| 11 | R83109 | BRACKET | 1 | | |
| 12 | U46662 | TERMINAL | 1 | | |
| 13 | R77489 | TERMINAL | 1 | | |
| | R84158 | TERMINAL | 1 | | |
| 14 | AR67855 | CONNECTOR | 3 | | |
| 15 | RE21738 | MONITOR CONSOLE | 1 | (FI) | |

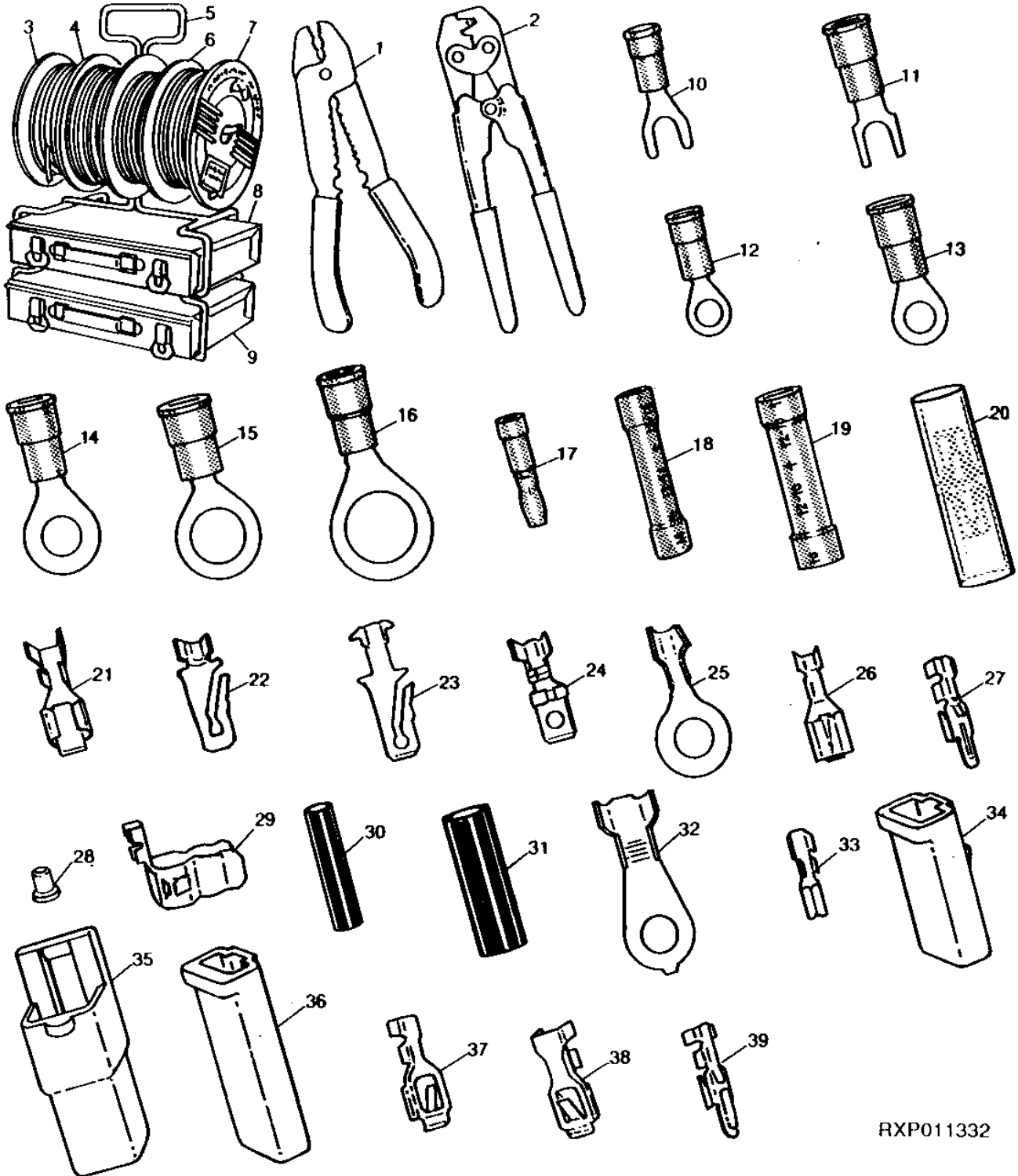
COMPUTER TRAK SENSOR

PERFORMANCE TRAK SENSOR

2F21

ELECTRICAL

TERMINAL AND WIRING
RXP011332 -UN-27SEP94



RXP011332

2F22

ELECTRICAL

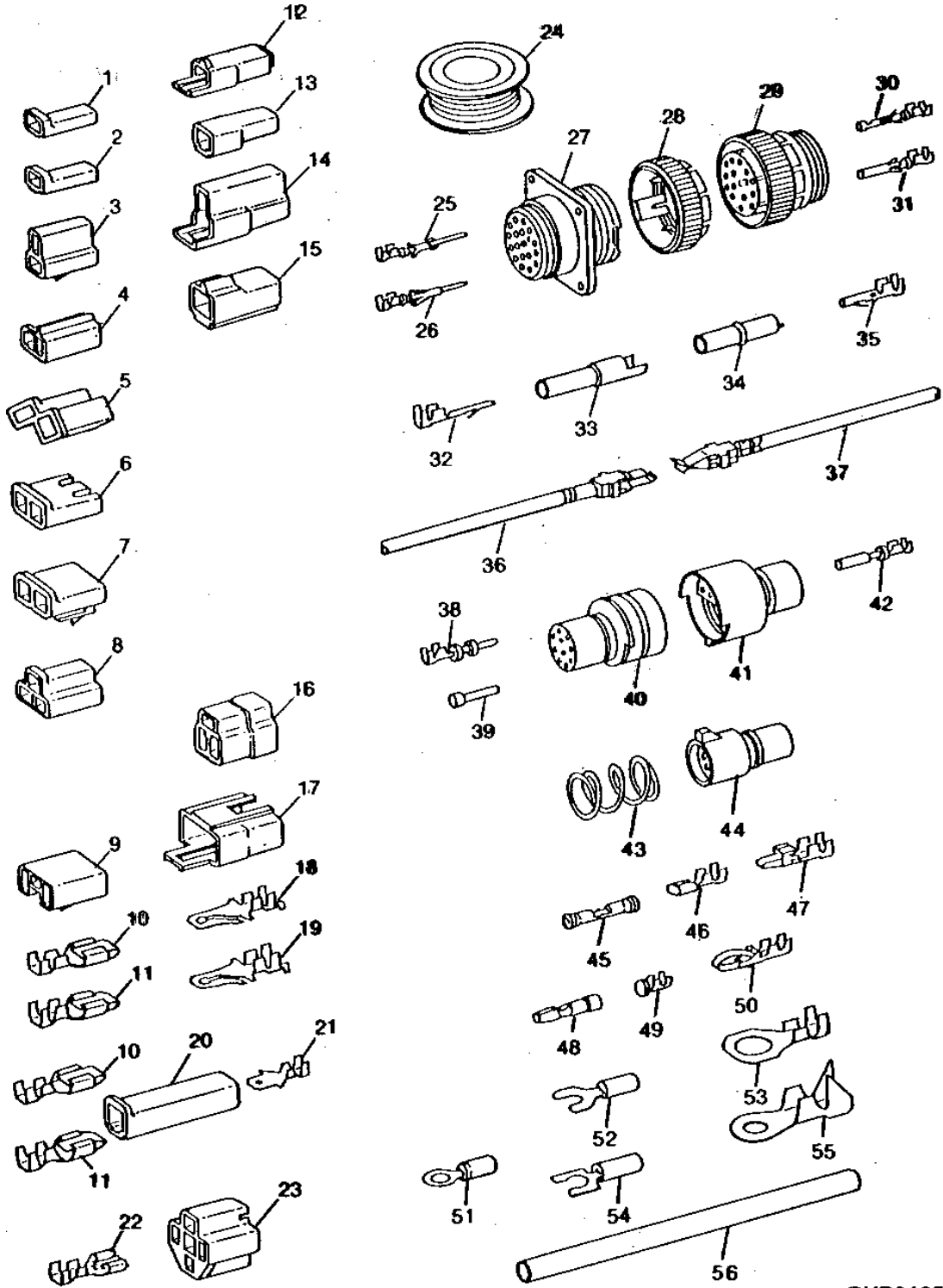
TERMINAL AND WIRING - CONTINUED

| KEY | PART NO. | PART NAME | QTY | TRACTOR SERIAL NO. | REMARKS |
|-----|----------|-------------------|-----|-----------------------|--|
| 1 | R32011 | TOOL | 1 | | |
| 2 | R65594 | TOOL | 1 | | |
| 3 | R66319 | WIRING LEAD | 1 | | 14 GA., 30.5 M (100 FT.) (1 SPOOL) |
| 4 | R65593 | WIRING LEAD | 1 | | 16 GA., 30.5 M (100 FT.) (1 SPOOL) |
| 5 | R65608 | RACK | 1 | | |
| 6 | R66321 | WIRING LEAD | 1 | | 10 GA., 15 M (50 FT.) (1 SPOOL) |
| 7 | R66320 | WIRING LEAD | 1 | | 12 GA., 30.5 M (100 FT.) (1 SPOOL) |
| 8 | R65609 | CONTAINER | 1 | | (NLA) |
| 9 | R65610 | CONTAINER | 1 | | |
| 10 | R32016 | TERMINAL | 1 | | 14-16 GA., NO. 10 SPADE |
| 11 | R32017 | TERMINAL | 1 | | 10-12 GA., NO. 10 SPADE |
| 12 | R32018 | TERMINAL | 1 | | 14-16 GA., NO. 10 EYELET |
| 13 | R32019 | TERMINAL | 1 | | 10-12 GA., NO. 10 EYELET |
| 14 | R32021 | TERMINAL | 1 | | 10-12 GA., 1/4" EYELET |
| 15 | R32022 | TERMINAL | 1 | | 10-12 GA., 3/8" EYELET |
| 16 | R32023 | TERMINAL | 1 | | 10-12 GA., 1/2" EYELET |
| 17 | R32026 | TERMINAL | 1 | | MALE BULLETT |
| 18 | R32027 | CONNECTOR | 1 | | SPLICE, 14-16 GA. |
| 19 | R32028 | TERMINAL | 1 | | SPLICE, 10-12 GA. |
| 20 | AL2976T | CONNECTOR | 1 | | (SUB FOR R32029) |
| 21 | R65595 | TERMINAL | 1 | | FEMALE, 10 GA. |
| 22 | R65596 | TERMINAL | 1 | | MALE, 10 GA. OR TWO 14 GA. CABLES |
| 23 | R65597 | TERMINAL | 1 | | MALE, 14-16 GA. |
| 24 | R65598 | TERMINAL | 1 | | MALE, SHORT, 14-16 GA. |
| 25 | R65599 | TERMINAL | 1 | | 14-16 GA., 1/4" EYELET |
| 26 | R65600 | TERMINAL | 1 | | FEMALE, 14-16 GA. |
| 27 | R65601 | TERMINAL | 1 | | TWIN-LOCK, TWO 16 GA. CABLES |
| 28 | R65602 | SOCKET CONTACT | 1 | | BULB SOCKET, 16-18 GA. |
| 29 | R65603 | TERMINAL NIPPLE | 1 | | FUSE |
| 30 | R65604 | INSULATING SLEEVE | 1 | | 14-18 GA. |
| 31 | R65605 | INSULATING SLEEVE | 1 | | 8-12 GA. |
| 32 | R65606 | TERMINAL | 1 | | 6-8 GA., 1/4" EYELET |
| 33 | R65607 | TERMINAL | 1 | | 18-20 GA. |
| 34 | T28583 | RECEPTACLE | 1 | | ONE CONTACT LOCK-TYPE, MALE |
| 35 | T28585 | TERMINAL | 1 | | ONE CONTACT LOCK-TYPE, FEMALE |
| 36 | U46370 | CONNECTOR | 1 | | CONNECTOR, ONE CONTACT SINGLE BODY, MALE |
| 37 | U46662 | TERMINAL | 1 | | FEMALE |
| 38 | U46663 | TERMINAL | 1 | | FEMALE |
| 39 | U46664 | TERMINAL | 1 | | FEMALE |

2G1

ELECTRICAL

ELECTRICAL CONNECTORS AND TERMINALS
RXP010581 -UN-01JAN94



RXP010581

2G2

ELECTRICAL

ELECTRICAL CONNECTORS AND TERMINALS - CONTINUED

| KEY | PART NO. | PART NAME | QTY | TRACTOR SERIAL NO. | REMARKS |
|-----|----------|-----------------|-----|-------------------------------------|---------|
| 1 | T28583 | RECEPTACLE | 1 | (B) | |
| 2 | M43835 | FLAT CONNECTOR | 1 | (B) | |
| 3 | R77476 | CONNECTOR | 1 | (A) | |
| 4 | R77477 | CONNECTOR | 1 | (A) | |
| 5 | R77479 | CONNECTOR | 1 | (A) | |
| 6 | R77480 | CONNECTOR | 1 | (A) | |
| 7 | R77481 | CONNECTOR | 1 | (A) | |
| 8 | R77482 | CONNECTOR | 1 | | |
| 9 | H104855 | CONNECTOR | 1 | | |
| 10 | U46662 | TERMINAL | 1 | (E) (F) | |
| 11 | N115096 | TERMINAL | 1 | (G) (SUB R65595) (PKG. OF 15) | |
| 12 | T28585 | TERMINAL | 1 | (B) | |
| 13 | R77475 | CONNECTOR | 1 | (B) | |
| 14 | T28586 | CONNECTOR | 1 | (A) | |
| 15 | R77478 | CONNECTOR | 1 | (A) | |
| 16 | R77483 | CONNECTOR | 1 | | |
| 17 | R48887 | RECEPTACLE | 1 | | |
| 18 | T34067 | TERMINAL | 1 | (E) (F) | |
| 19 | R77484 | TERMINAL | 1 | (G) (PKG. OF 15) | |
| 20 | U46370 | CONNECTOR | 1 | (B) | |
| 21 | R77485 | TAB | 1 | (C) (F) | |
| 22 | R77486 | TERMINAL | 1 | (E) (F) | |
| 23 | R77487 | CONNECTOR | 1 | (B) | |
| 24 | R66321 | WIRING LEAD | 1 | 15M (50 FT.) 10 GA. | |
| | R66320 | WIRING LEAD | 1 | 30.5M (100 FT.) 12 GA. | |
| | R77501 | WIRE | 1 | 30.5M (100 FT.) 14 GA. | |
| | R77500 | WIRE | 1 | 30.5M (100 FT.) 16 GA. | |
| | R77499 | WIRE | 1 | 30.5M (100 FT.) 18 GA. | |
| | R77498 | WIRE | 1 | 30.5M (100 FT.) 20 GA. | |
| 25 | R77462 | PIN CONTACT | 1 | (PKG. OF 40) (20-22 OR 24 GA. WIRE) | |
| 26 | R77464 | PIN CONTACT | 1 | (H) (PKG. OF 50) | |
| 27 | R77456 | RECEPTACLE | 1 | (37 WAY) | |
| 28 | R77458 | CONNECTOR | 1 | (A) (SIZE 23) | |
| | R77459 | CONNECTOR | 1 | (A) (SIZE 17) | |
| | R77460 | CONNECTOR | 1 | (A) (SIZE 13) | |
| | R77461 | CONNECTOR | 1 | (A) (SIZE 11) | |
| 29 | R77457 | ELECTRICAL PLUG | 1 | (37 WAY) | |
| 30 | R77463 | SOCKET CONTACT | 1 | (PKG. OF 40) (20-22 OR 24 GA. WIRE) | |
| 31 | R77465 | SOCKET CONTACT | 1 | (H) (PKG. OF 50) | |
| 32 | R77468 | TERMINAL | 1 | (PKG. OF 5) | |
| 33 | R77466 | CONNECTOR | 1 | (A) | |
| 34 | R77467 | CONNECTOR | 1 | (A) | |

(A) PKG. OF 2

(B) PKG. OF 3

(C) PKG. OF 10

(D) PKG. OF 20

(E) PKG. OF 25

(F) 14 OR 16 GA. WIRE

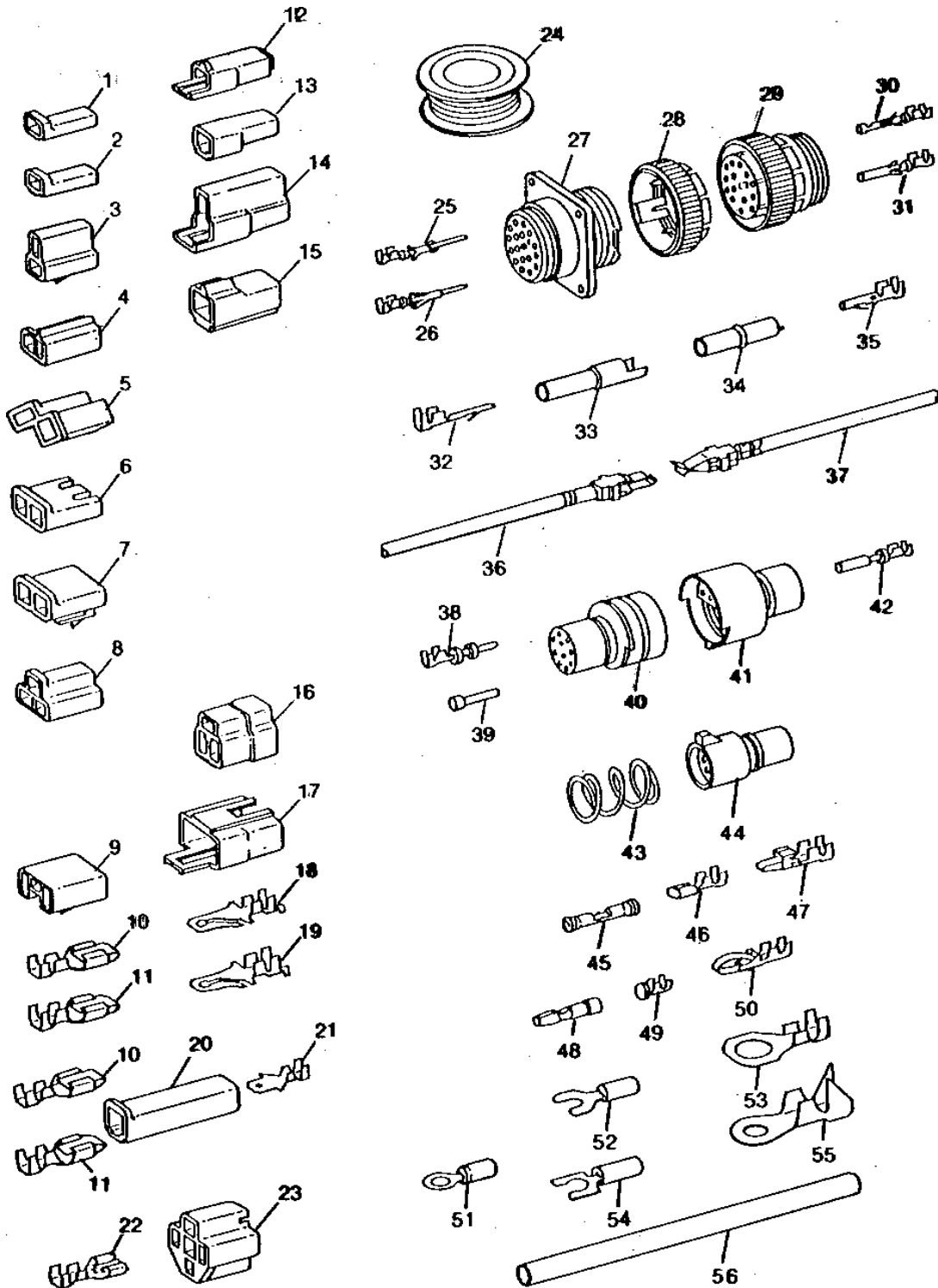
(G) 10 OR 12 GA. WIRE

(H) 14-16 OR 18 GA. WIRE

2G3

ELECTRICAL

ELECTRICAL CONNECTORS AND TERMINALS - CONTINUED
RXP010581 -UN-01JAN94



RXP010581

2G4

ELECTRICAL

ELECTRICAL CONNECTOR SERVICE KIT - CONTINUED

| KEY | PART NO. | PART NAME | QTY | TRACTOR SERIAL NO. | REMARKS |
|-----|----------|-----------------|-----|--------------------|---|
| 35 | R77469 | TERMINAL | 1 | | (PKG. OF 5) |
| 36 | RE11156 | TERMINAL | 1 | | (B) (MALE) |
| 37 | RE11157 | TERMINAL | 1 | | (B) (FEMALE) |
| 38 | R70222 | PIN CONTACT | 1 | | (D) (H) |
| 39 | R70221 | ELECTRICAL PLUG | 1 | | (E) |
| 40 | R70219 | PLUG | 1 | | (A) (10 WAY) |
| | R70217 | PLUG | 1 | | (A) (7 WAY) |
| | R70215 | PLUG | 1 | | (A) (4 WAY) |
| | R70213 | PLUG | 1 | | (A) (3 WAY) |
| 41 | R70211 | CONNECTOR | 1 | | (A) (2 WAY) |
| | R70218 | RECEPTACLE | 1 | | (A) (10 WAY) |
| | R70216 | RECEPTACLE | 1 | | (A) (7 WAY) |
| | R70214 | RECEPTACLE | 1 | | (A) (4 WAY) |
| | R70212 | RECEPTACLE | 1 | | (A) (3 WAY) |
| | R70210 | RECEPTACLE | 1 | | (A) (2 WAY) |
| 42 | AR91793 | SOCKET CONTACT | 1 | | (D) |
| 43 | R30378 | SPRING | 1 | | (C) |
| 44 | R77474 | CONNECTOR | 1 | | (A) (6 WAY) |
| 45 | R77470 | TERMINAL | 1 | | SPLICE (PKG. OF 15) (16-18-20 OR 22 GA. WIRE) |
| | R77471 | TERMINAL | 1 | | (C) (G) SPLICE |
| | R77472 | TERMINAL | 1 | | (A) SPLICE (8 GA. WIRE) |
| | R77473 | TERMINAL | 1 | | (A) SPLICE (6 GA. WIRE) |
| 46 | R65607 | TERMINAL | 1 | | (C) (18 OR 20 GA. WIRE) |
| 47 | U46664 | TERMINAL | 1 | | (C) (F) |
| 48 | R32026 | TERMINAL | 1 | | (D) (F) |
| 49 | R65602 | SOCKET CONTACT | 1 | | (C) (16 OR 18 GA. WIRE) |
| 50 | R70220 | TERMINAL | 1 | | (C) (18 OR 20 GA. WIRE) |
| 51 | R77489 | TERMINAL | 1 | | (D) (14-16-18 OR 20 GA. WIRE) (NO. 10 EYELET) |
| | R77493 | TERMINAL | 1 | | (D) (G) (NO. 10 EYELET) |
| | R77488 | TERMINAL | 1 | | (D) (14-16-18 OR 20 GA. WIRE) (3/8" EYELET) |
| | R77490 | TERMINAL | 1 | | (D) (G) (1/2" EYELET) |
| 52 | R77496 | TERMINAL | 1 | | (D) (F) (NO. 8 SPADE) |
| | R77495 | TERMINAL | 1 | | (D) (18 GA. WIRE) (NO. 10 SPADE) |
| 53 | R77497 | TERMINAL | 1 | | (D) (F) (NO. 6 SPADE) |
| 54 | R77491 | TERMINAL | 1 | | (D) (G) (3/8" EYELET) |
| | R77492 | TERMINAL | 1 | | (D) (G) (1/4" EYELET) |
| 55 | R77494 | TERMINAL | 1 | | (D) (6 OR 8 GA. WIRE) (1/4" EYELET) |
| 56 | R77502 | TUBE | 1 | | (PKG. OF 8) 3/8" (HEAT SHRINK) |
| | R77503 | TUBE | 1 | | (PKG. OF 8) 3/16" (HEAT SHRINK) |

(A) PKG. OF 2

(B) PKG. OF 3

(C) PKG. OF 10

(D) PKG. OF 20

(E) PKG. OF 25

(F) 14 OR 16 GA. WIRE

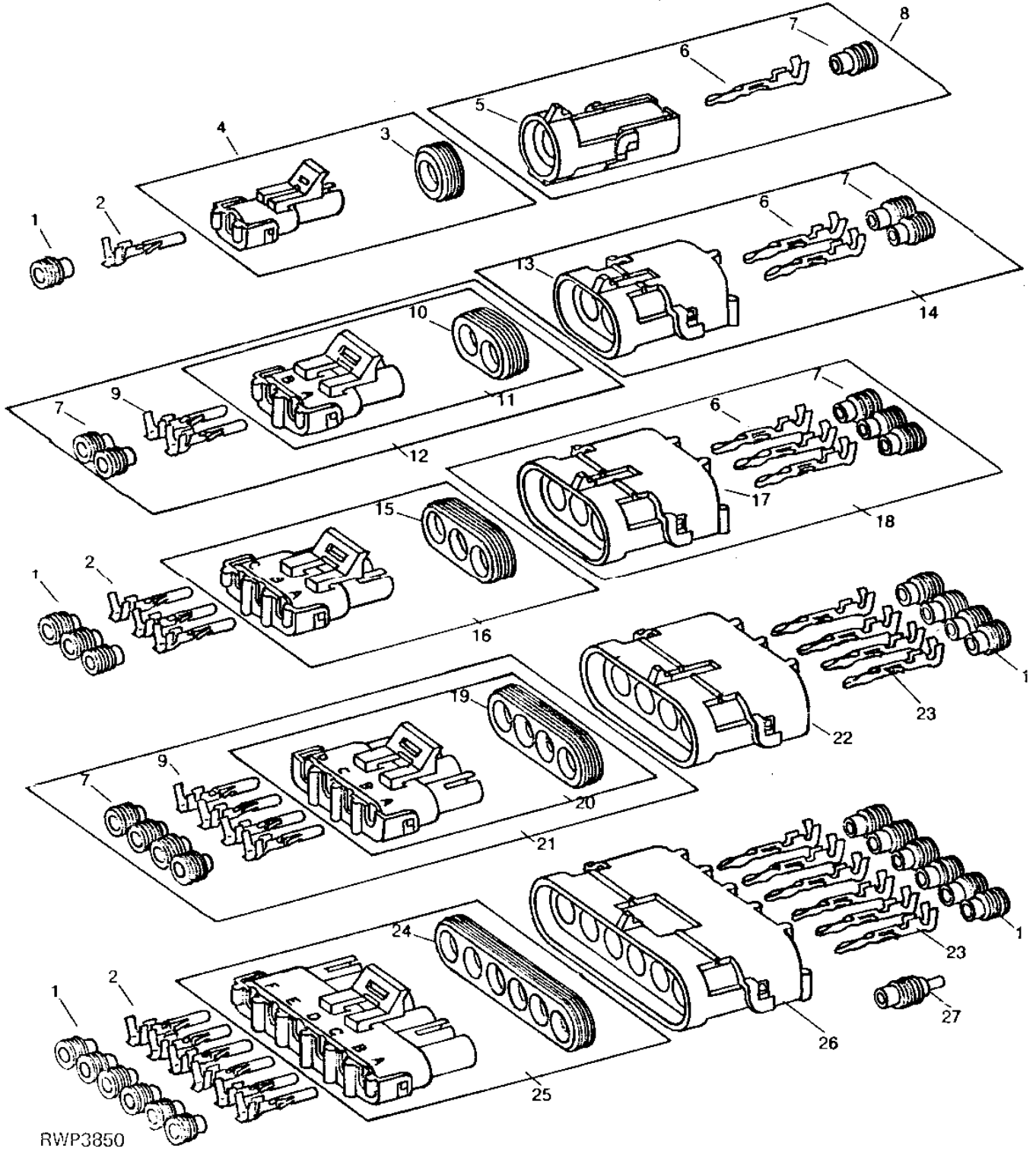
(G) 10 OR 12 GA. WIRE

(H) 14-16 OR 18 GA. WIRE

2G5

ELECTRICAL

WEATHERPACK TERMINALS AND CONNECTORS
RWP3850 -UN-01JAN94



2G6

ELECTRICAL

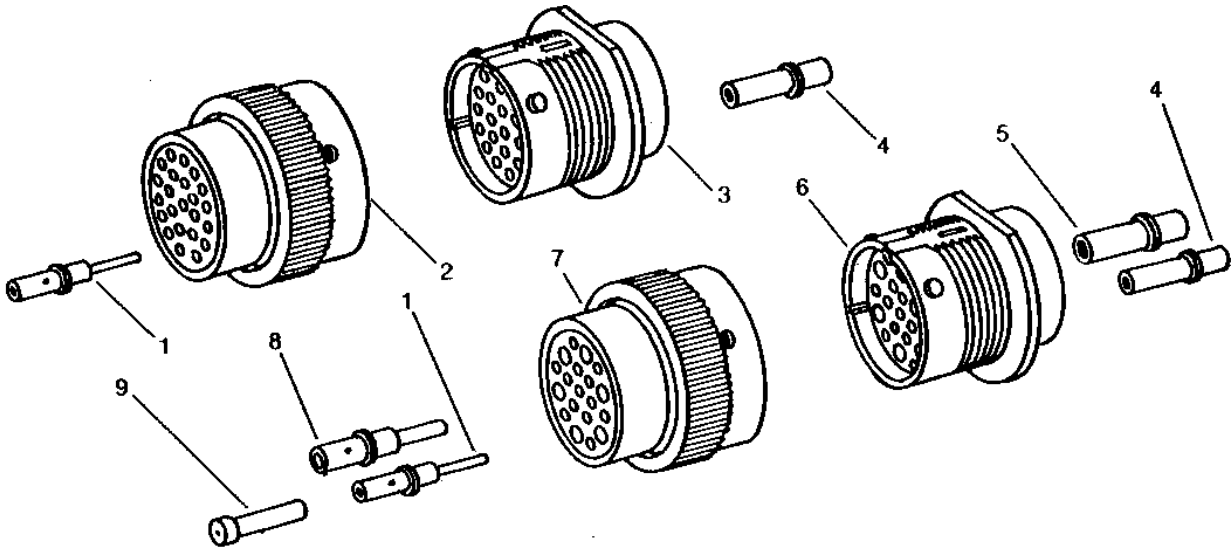
WEATHERPACK TERMINALS AND CONNECTORS - CONTINUED

| KEY | PART NO. | PART NAME | QTY | TRACTOR SERIAL NO. | REMARKS |
|-----|----------|-----------------|-----|-----------------------|---|
| 1 | R78063 | TERMINAL NIPPLE | 1 | | (PKG. OF 40) (16 GA. WIRE) (GRAY) |
| | R78059 | TERMINAL NIPPLE | 1 | | (PKG. OF 40) (18 OR 20 GA. WIRE) (GREEN) |
| | R78062 | TERMINAL NIPPLE | 1 | | (PKG. OF 40) (14 GA. WIRE) (BLUE) |
| 2 | R78057 | SOCKET CONTACT | 1 | | (PKG. OF 40) (18 OR 20 GA. WIRE) (NO. 19) |
| | R78060 | SOCKET CONTACT | 1 | | (PKG. OF 40) (14 OR 16 GA. WIRE) (NO. 15) |
| 3 | R78047 | SEAL | 1 | | (PKG. OF 5) |
| 4 | RE12362 | CONNECTOR | 1 | | (PKG. OF 3) |
| 5 | R78052 | CONNECTOR | 1 | | (PKG. OF 3) |
| 6 | R78061 | PIN CONTACT | 1 | | (PKG. OF 40) (14 OR 16 GA. WIRE) (NO. 15) |
| 7 | R78063 | TERMINAL NIPPLE | 1 | | (PKG. OF 40) (16 GA. WIRE) (GRAY) |
| 8 | RE12334 | CONNECTOR | 1 | | |
| 9 | R78060 | SOCKET CONTACT | 1 | | (PKG. OF 40) (14 OR 16 GA. WIRE) (NO. 15) |
| 10 | R78048 | TERMINAL NIPPLE | 1 | | (PKG. OF 5) |
| 11 | RE12363 | CONNECTOR | 1 | | (PKG. OF 3) |
| 12 | RE12331 | CONNECTOR | 1 | | |
| 13 | R78053 | CONNECTOR | 1 | | (PKG. OF 3) |
| 14 | RE12330 | CONNECTOR | 1 | | |
| 15 | R78049 | SEAL | 1 | | (PKG. OF 5) |
| 16 | RE12364 | CONNECTOR | 1 | | (PKG. OF 3) |
| 17 | R78054 | CONNECTOR | 1 | | (PKG. OF 3) |
| 18 | RE12332 | CONNECTOR | 1 | | |
| 19 | R78050 | SEAL | 1 | | (PKG. OF 5) |
| 20 | RE12365 | CONNECTOR | 1 | | (PKG. OF 2) |
| 21 | RE12333 | CONNECTOR | 1 | | |
| 22 | R78055 | CONNECTOR | 1 | | (PKG. OF 2) |
| 23 | R78061 | PIN CONTACT | 1 | | (PKG. OF 40) (14 OR 16 GA. WIRE) (NO. 15) |
| | R78058 | PIN CONTACT | 1 | | (PKG. OF 40) (18 OR 20 GA. WIRE) (NO. 19) |
| 24 | R78051 | SEAL | 1 | | (PKG. OF 5) |
| 25 | RE12366 | CONNECTOR | 1 | | (PKG. OF 2) |
| 26 | R78056 | CONNECTOR | 1 | | (PKG. OF 2) |
| 27 | R78064 | ELECTRICAL PLUG | 1 | | (PKG. OF 40) |

2G7

ELECTRICAL

DEUTSCH TERMINALS AND CONNECTORS
RWP3855 -UN-01JAN94



RWP 3855

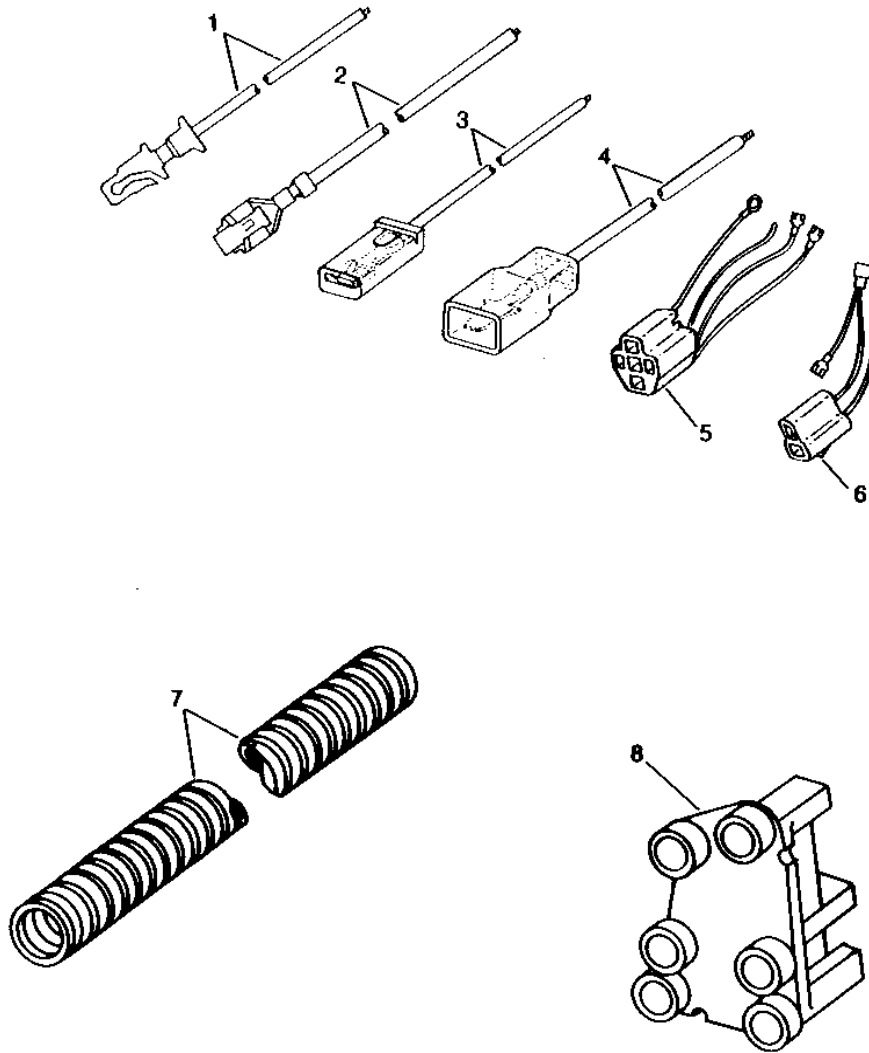
| KEY | PART NO. | PART NAME | QTY | TRACTOR SERIAL NO. | REMARKS |
|-----|----------|-----------------|-----|--------------------|----------------------------------|
| 1 | R78066 | PIN CONTACT | 1 | | (PKG. OF 40) (16 OR 18 GA. WIRE) |
| 2 | RE12369 | ELECTRICAL PLUG | 1 | | (23 WAY) |
| 3 | RE12370 | RECEPTACLE | 1 | | (23 WAY) |
| 4 | R78065 | SOCKET CONTACT | 1 | | (PKG. OF 40) (16 OR 18 GA. WIRE) |
| 5 | R78067 | SOCKET CONTACT | 1 | | (PKG. OF 40) (12 OR 14 GA. WIRE) |
| 6 | RE12368 | RECEPTACLE | 1 | | (19 WAY) |
| 7 | RE12367 | ELECTRICAL PLUG | 1 | | (19 WAY) |
| 8 | R78068 | PIN CONTACT | 1 | | (PKG. OF 40) (12 OR 14 GA. WIRE) |
| 9 | R78069 | TERMINAL NIPPLE | 1 | | (PKG. OF 40) |

MEMORANDA

2G8

ELECTRICAL

SUPPLEMENTARY TERMINALS, CONNECTORS AND REPAIR CONDUIT
RXP8619 -UN-28NOV94



2G9

ELECTRICAL

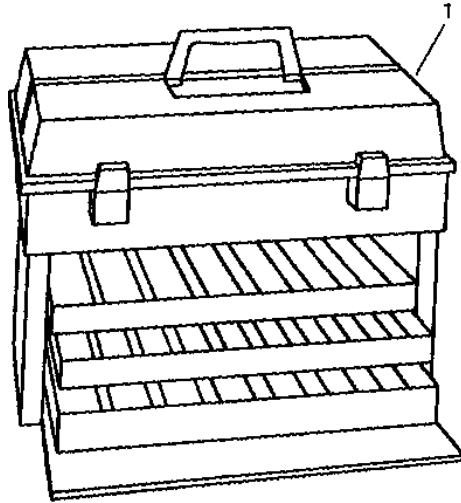
SUPPLEMENTARY TERMINALS, CONNECTORS AND REPAIR CONDUIT

| KEY | PART NO. | PART NAME | QTY | TRACTOR SERIAL NO. | REMARKS |
|-----|----------|---------------------------|-----|-----------------------|-------------------------------|
| 1 | AR65005 | TERMINAL | 1 | | |
| 2 | AR65006 | TERMINAL | 1 | | |
| 3 | R32024 | WIRING LEAD | 1 | | |
| 4 | R32025 | WIRING LEAD | 1 | | |
| 5 | RE21730 | TERMINAL | 1 | | |
| 6 | RE21732 | TERMINAL | 1 | | |
| 7 | R93219 | CONDUIT | 1 | | 6.3 X 3048MM (1/4" X 120") |
| | R93220 | CONDUIT | 1 | | 10.4 X 3048MM (13/32" X 120") |
| | R93221 | CONDUIT | 1 | | 15.9 X 3048MM (5/8" X 120") |
| | R93222 | CONDUIT | 1 | | 25.4 X 3048MM (1" X 120") |
| 8 | AR83425 | RECEPTACLE CONNECTOR BODY | 1 | | (LIGHT SWITCH) |

2G10

ELECTRICAL

ELECTRICAL CONNECTOR AND TERMINAL KIT
RXP010001 -UN-01JAN94



RXP010001

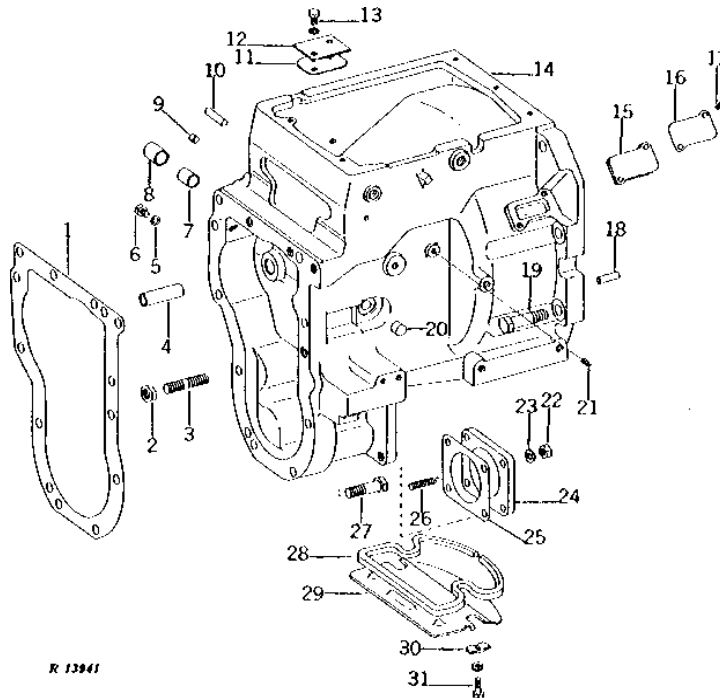
| KEY | PART NO. | PART NAME | QTY | TRACTOR SERIAL NO. | REMARKS |
|---|----------|-----------|-----|--------------------|---------|
| 1 | PM797NA | KIT | 1 | (A) | |
| (A) KIT INCLUDES CONNECTORS,TERMINALS AND TOOLS | | | | | |

3B7

POWER TRAIN

**CLUTCH HOUSING
(SYNCRO-RANGE)**

R13941 -UN-01JAN94

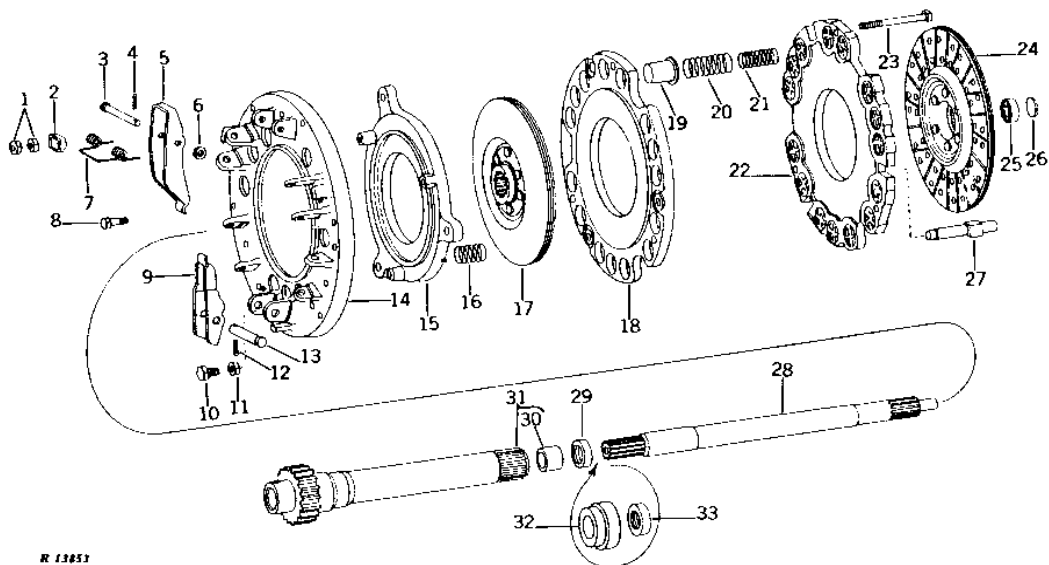


| KEY | PART NO. | PART NAME | QTY | TRACTOR SERIAL NO. | REMARKS |
|-----|----------|-------------|-----|--------------------|---|
| 1 | R64326 | GASKET | 1 | | (SUB FOR R33895 OR R47082) (SUB R99292) |
| 2 | 14H794 | NUT | 1 | | 3/4" |
| 3 | F1549R | STUD | 1 | | |
| 4 | R26663 | DOWEL PIN | 1 | | |
| 5 | R26287 | O-RING | 1 | | |
| 6 | R27216 | DRAIN PLUG | 1 | | (SUB FOR R31631) |
| 7 | R26641 | BUSHING | 1 | | R.H. |
| 8 | R26642 | BUSHING | 1 | | L.H. |
| 9 | R31374 | DOWEL PIN | 1 | | (LESS PTO) |
| 10 | 34H371 | SPRING PIN | 1 | | 1/2" X 2" |
| 11 | R41421 | GASKET | 1 | | (LESS PTO) |
| 12 | R41422 | STRAP | 1 | | (LESS PTO) |
| 13 | 19H2284 | CAP SCREW | 2 | | 3/8" X 7/8" |
| | 12H304 | LOCK WASHER | 2 | | 3/8" |
| 14 | AR48634 | HOUSING | 1 | | (MARKED R40600, R47780 OR R47800) (SUB FOR AR41001 OR AR52165) (NLA) (SUB R67989) |
| 15 | R31494 | GASKET | 1 | | |
| 16 | R31493 | COVER | 1 | | |
| 17 | 21H1318 | SCREW | 2 | | 0.216" X 1/2" |
| 18 | T26565 | DOWEL PIN | 2 | | (SUB FOR C1220R) |
| 19 | 19H1707 | CAP SCREW | 6 | | 3/4" X 2-3/4" |
| 20 | R27035 | CAP | 1 | | |
| 21 | 15H558 | PIPE PLUG | 2 | | 1/8", (SUB FOR R21630) |
| 22 | 14H1040 | NUT | 4 | | 1/2" |
| 23 | 12H301 | LOCK WASHER | 4 | | 1/2" |
| 24 | R33216 | COVER | 1 | | (LESS PTO) |
| 25 | R33236 | GASKET | 1 | | |
| 26 | R32101 | STUD | 4 | | 1/2" X 1-3/4" |
| 27 | 19H1782 | CAP SCREW | 1 | | 3/4" X 2-1/4" |
| | 19H2600 | CAP SCREW | 2 | | 3/4" X 2-5/8" |
| | 19H1715 | CAP SCREW | 5 | | 3/4" X 3" |
| 28 | R91558 | FOAM PAD | 1 | | (SUB FOR R30877) |
| 29 | R33403 | COVER | 1 | | |
| 30 | R27640 | CLAMP | 2 | | |
| 31 | 19H1731 | CAP SCREW | 2 | | 3/8" X 1" |
| | 12H304 | LOCK WASHER | 2 | | 3/8" |

3B8

POWER TRAIN

**TRANSMISSION AND PTO CLUTCH
(SYNCRO-RANGE)**
R13853 -UN-01JAN94



| KEY | PART NO. | PART NAME | QTY | TRACTOR SERIAL NO. | REMARKS |
|-----|----------|--------------------|-----|--------------------|---|
| 1 | 14H774 | NUT | 6 | 3/8" | |
| 2 | R32631 | BAR | 3 | | |
| 3 | R31131 | PIN | 3 | | (SUB R58111, (2) 11M7021 AND (2) 24H1301) |
| 4 | 11M7021 | COTTER PIN | 3 | | 0.157" X 0.984" |
| 5 | AR31906 | LEVER | 3 | | |
| 6 | 24M7096 | WASHER | 3 | | 10.500 X 18 X 1.600 MM |
| 7 | R26639 | SPRING | 3 | | |
| 8 | R46567 | CAP SCREW | 6 | | (SUB FOR R31198) |
| 9 | R33550 | LEVER | 3 | | (A) |
| | AR58171 | LEVER | 3 | | (A) (C) |
| 10 | R26804 | CAP SCREW | 3 | -202237 | (A) |
| | R55184 | SELF-LOCKING SCREW | 3 | 202238- | (A) (SUB FOR R43763) |
| 11 | 14H774 | NUT | 3 | -202237 | (A) 3/8" |
| | 14H934 | NUT | 3 | 202238- | (A) 7/16" |
| | 11M7021 | COTTER PIN | 3 | | (A) 0.157" X 0.984" |
| 13 | R43418 | PIN | 3 | | (A) |
| 14 | R46425 | COVER | 1 | | (SUB FOR R41179) |
| 15 | R41178 | PLATE | 1 | -202237 | (A) (SUB R44831, (3) R55184 AND (3) 14H934) |
| | R44831 | PLATE | 1 | 202238- | (A) REAR |
| 16 | R26659 | SPRING | 3 | | (A) |
| 17 | RE29609 | CLUTCH DISK | 1 | | (A) (SUB FOR AR26688) |
| 18 | R40733 | PLATE | 1 | -223269 | FRONT |
| | R46095 | PLATE | 1 | 223270- | FRONT |
| 19 | R27033 | BUSHING | 1 | | |
| 20 | R26637 | SPRING | 15 | | OUTER |
| 21 | R38185 | SPRING | 15 | | INNER |
| 22 | R40732 | CLUTCH PLATE | 1 | -223269 | (SUB R51391 AND R46095) |
| | R51391 | CLUTCH PLATE | 1 | 223270- | (SUB FOR R46094) |
| 23 | R49579 | BOLT | 3 | | (SUB FOR R32632) |
| 24 | RE29769 | CLUTCH DISK | 1 | | (SUB FOR AR42127) |
| | AR55660 | CLUTCH DISK | 1 | | (HEAVY-DUTY) (SUB FOR AR42128) |
| 25 | JD9449 | BALL BEARING | 1 | | (SUB FOR JD9281) |
| 26 | R26656 | WASHER | 1 | | |
| 27 | R40731 | DOWEL PIN | 3 | | |
| 28 | R34201 | SHAFT | 1 | | |
| 29 | AR26481 | SEAL | 1 | (A) | |

3B9

POWER TRAIN

**TRANSMISSION AND PTO CLUTCH - CONTINUED
(SYNCRO-RANGE)**

| KEY | PART NO. | PART NAME | QTY | TRACTOR SERIAL NO. | REMARKS |
|-----|----------|-----------|-----|-----------------------|--|
| 30 | R30829 | BUSHING | 1 | | (A) |
| 31 | AR32527 | SHAFT | 1 | -238361 | (A) (SUB AR49414 AND JD8731) |
| | AR49414 | SHAFT | 1 | 238362- | (A) |
| 32 | R53585 | QUILL | 1 | | (B) (SUB FOR R27042) |
| 33 | AR26604 | SEAL | 1 | | (B) |
| .. | AR63607 | KIT | 1 | | COUNTERWEIGHT PTO CLUTCH OPERATING LEVER CONVERSION |

(A) PTO

(B) LESS PTO

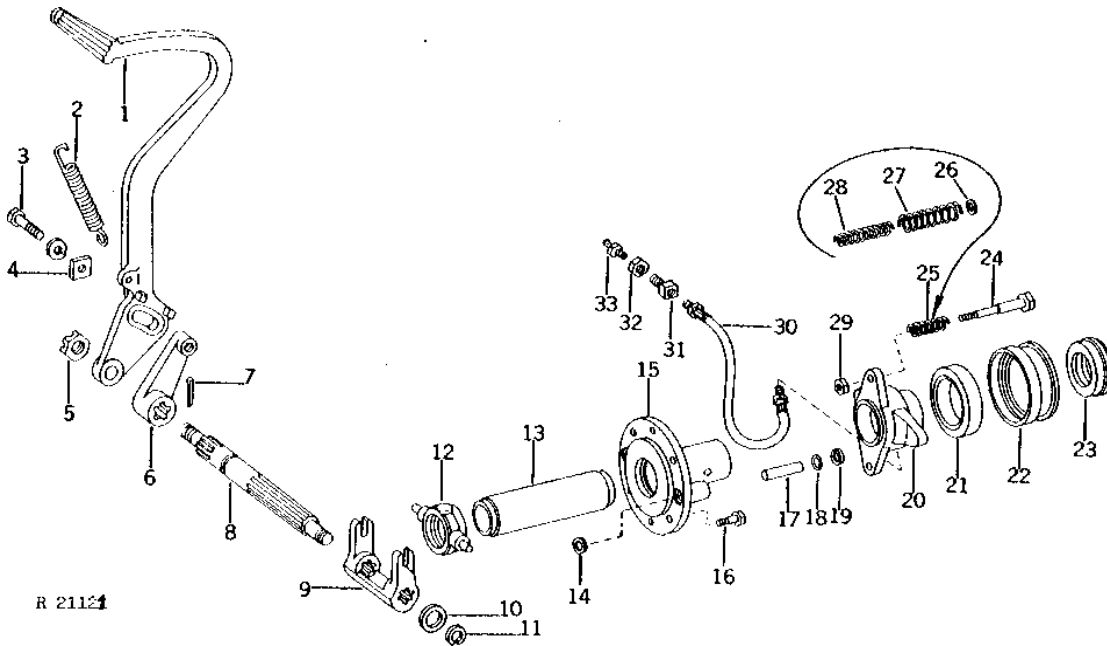
(C) USE ONLY IF AR63607 HAS BEEN PREVIOUSLY INSTALLED

3B10

POWER TRAIN

**TRANSMISSION AND PTO CLUTCH CONTROL
(SYNCRO-RANGE)**

R21121 -UN-01JAN94



R 21121

| KEY | PART NO. | PART NAME | QTY | TRACTOR SERIAL NO. | REMARKS |
|-----|----------|----------------|-----|--------------------|--------------------------|
| 1 | R41228 | PEDAL | 1 | -250000 | |
| | R46861 | PEDAL | 1 | 250001- | |
| | R34483 | LABEL | 1 | | |
| 2 | R44904 | SPRING | 1 | -250000 | |
| | R43684 | SPRING | 1 | 250001- | (NLA) |
| 3 | 19H1721 | CAP SCREW | 1 | | 1/2" X 1-1/2" |
| | 12H301 | LOCK WASHER | 1 | | 1/2" |
| 4 | R27305 | STRAP | 1 | | |
| 5 | C1104R | NUT | 1 | | |
| 6 | R26652 | LEVER | 1 | | |
| 7 | 11M7083 | COTTER PIN | 1 | | 0.126" X 1.969" |
| 8 | R44277 | SHAFT | 1 | -250000 | |
| | R46859 | SHAFT | 1 | 250001- | (NLA) |
| 9 | R41180 | FORK | 1 | -250000 | |
| | R46860 | FORK | 1 | 250001- | |
| 10 | 24H1396 | WASHER | 1 | | 25/32" X 1-1/2" X 0.105" |
| 11 | R73380 | SNAP RING | 1 | | (SUB FOR A369R) |
| 12 | AR32182 | SHIFT COLLAR | 1 | -250000 | (MARKED R33402) |
| | AR49147 | SHIFT COLLAR | 1 | 250001- | (MARKED R46857) |
| 13 | R41872 | TUBE | 1 | -250000 | (SUB R46858) |
| | R46858 | TUBE | 1 | 250001- | |
| 14 | R26919 | WASHER | 2 | | (A) |
| 15 | AR40572 | SUPPORT | 1 | | (MARKED R40734) |
| 16 | R46567 | CAP SCREW | 1 | | (SUB FOR R31198) |
| 17 | R41511 | DOWEL PIN | 2 | | (A) |
| 18 | R56464 | O-RING | 2 | | (A) |
| 19 | R32588 | BACK-UP RING | 2 | | (A) |
| 20 | R52735 | SLEEVE | 1 | | (A) (SUB FOR R40736) |
| 21 | AR27447 | BALL BEARING | 1 | | (A) |
| 22 | R26666 | SHIFT COLLAR | 1 | | (A) |
| 23 | AR41942 | THRUST BEARING | 1 | | |
| 24 | R40809 | BOLT | 2 | | (A) |
| 25 | R51865 | SPRING | 2 | | (A) (SUB FOR R44104) |
| 26 | R52736 | WASHER | 2 | | (A) |
| 27 | R52737 | SPRING | 2 | | (A) |
| 28 | R51865 | SPRING | 2 | | (A) |
| 29 | 14H849 | NUT | 2 | | (A) 7/16" |

3B11

POWER TRAIN

**TRANSMISSION AND PTO CLUTCH CONTROL - CONTINUED
(SYNCRO-RANGE)**

| KEY | PART NO. | PART NAME | QTY | TRACTOR SERIAL NO. | REMARKS |
|-----|----------|---------------------|-----|-----------------------|--|
| 30 | R35644 | HYDRAULIC HOSE | 1 | (A) | |
| 31 | R36311 | FITTING | 1 | (A) | |
| 32 | E12379 | NUT | 1 | (A) | |
| 33 | JD7797 | LUBRICATION FITTING | 1 | (A) | |
| .. | AR63607 | KIT | 1 | (A) | COUNTERWEIGHT PTO CLUTCH OPERATING LEVER CONVERSION |

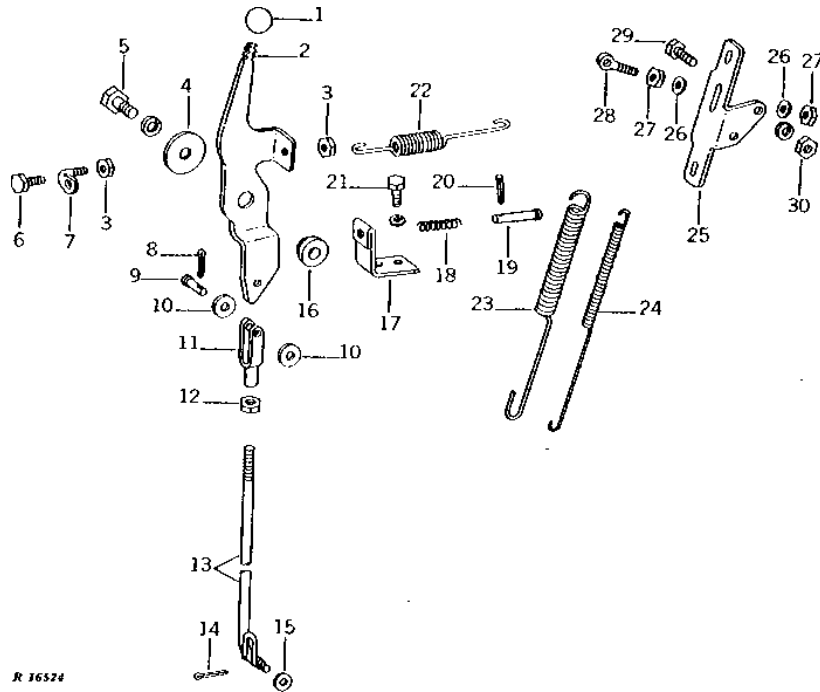
(A) PTO

3B12

POWER TRAIN

PTO CLUTCH VALVE CONTROL LINKAGE (SYNCRO-RANGE)

R16524 -UN-01JAN94



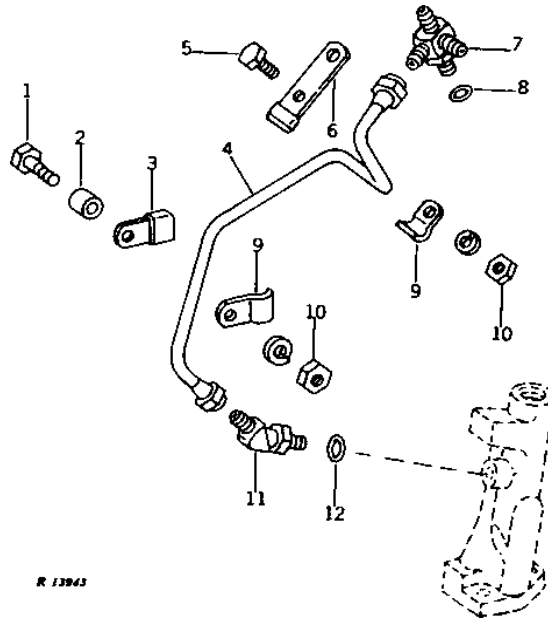
| KEY | PART NO. | PART NAME | QTY | TRACTOR SERIAL NO. | REMARKS |
|-----|----------|-------------|-----|--------------------|---------------------------|
| 1 | R40948 | KNOB | 1 | | |
| 2 | R41370 | LEVER | 1 | | |
| 3 | 14H732 | NUT | 2 | 3/8" | |
| 4 | F2912R | WASHER | 1 | | |
| 5 | 19H2354 | CAP SCREW | 1 | 9/16" X 1-1/4" | |
| | 12H317 | LOCK WASHER | 1 | 9/16" | |
| 6 | 19H2791 | CAP SCREW | 1 | -250000 | 3/8" X 1-3/4" |
| 7 | R48102 | STUD | 1 | 250001- | |
| 8 | 11M7081 | COTTER PIN | 1 | | 0.098" X 0.787" |
| 9 | R65563 | PIN | 1 | | (SUB FOR C1067R) |
| 10 | 24H1309 | WASHER | 2 | | 13/32" X 1-1/16" X 0.120" |
| 11 | M80373 | YOKE | 1 | | |
| 12 | 14H774 | NUT | 1 | 3/8" | |
| 13 | AR44616 | ROD | 1 | (NLA) | |
| 14 | 11M7059 | COTTER PIN | 1 | | 3.200 X 20 MM |
| 15 | 24H1136 | WASHER | 1 | | 11/32" X 11/16" X 0.065" |
| 16 | R26574 | WASHER | 1 | | |
| 17 | R41372 | STOP | 1 | -250000 | (NLA) |
| 18 | R26823 | SPRING | 1 | -250000 | |
| 19 | R42507 | PIN | 1 | -250000 | |
| 20 | 11M7059 | COTTER PIN | 1 | -250000 | 3.200 X 20 MM |
| 21 | 19H1900 | CAP SCREW | 2 | -250000 | 5/16" X 3/4" |
| | 12H303 | LOCK WASHER | 2 | -250000 | 5/16" |
| 22 | R48101 | SPRING | 1 | 250001- | |
| 23 | R42511 | SPRING | 1 | | |
| 24 | R42509 | SPRING | 1 | | |
| 25 | R46313 | BRACKET | 1 | | (SUB FOR R42508) |
| 26 | 24H1305 | WASHER | 2 | | 13/32" X 13/16" X 0.065" |
| 27 | 14H1076 | NUT | 2 | | 3/8" |
| 28 | R42512 | EYEBOLT | 1 | | |
| 29 | 19H2284 | CAP SCREW | 2 | | 3/8" X 7/8" |
| 30 | 14H1076 | NUT | 2 | | 3/8" |
| | 12H304 | LOCK WASHER | 2 | | 3/8" |

3B13

POWER TRAIN

**PTO CLUTCH VALVE OIL PIPE
(SYNCRO-RANGE)**

R13943 -UN-01JAN94



R 13943

| KEY | PART NO. | PART NAME | QTY | TRACTOR SERIAL NO. | REMARKS |
|-----|----------|----------------|-----|--------------------|----------------------------|
| 1 | 19H1765 | CAP SCREW | 1 | | 3/8" X 1-3/4" |
| 2 | 28H1697 | SPACER | 1 | | 3/8" X 3/4", (SUB 28H3383) |
| 3 | R31655 | STRAP | 1 | | |
| 4 | AR40841 | HYDRAULIC LINE | 1 | | |
| 5 | 19H1936 | CAP SCREW | 1 | | 3/8" X 3/4" |
| 6 | R42290 | PLATE | 1 | | |
| 7 | AR40689 | TEE FITTING | 1 | | |
| 8 | R26286 | O-RING | 1 | | |
| 9 | R31654 | CLAMP | 2 | | |
| 10 | 14H1076 | NUT | 2 | | 3/8" |
| | 12H304 | LOCK WASHER | 2 | | 3/8" |
| 11 | AR35223 | ELBOW FITTING | 1 | | 45° |
| 12 | R26287 | O-RING | 1 | | |

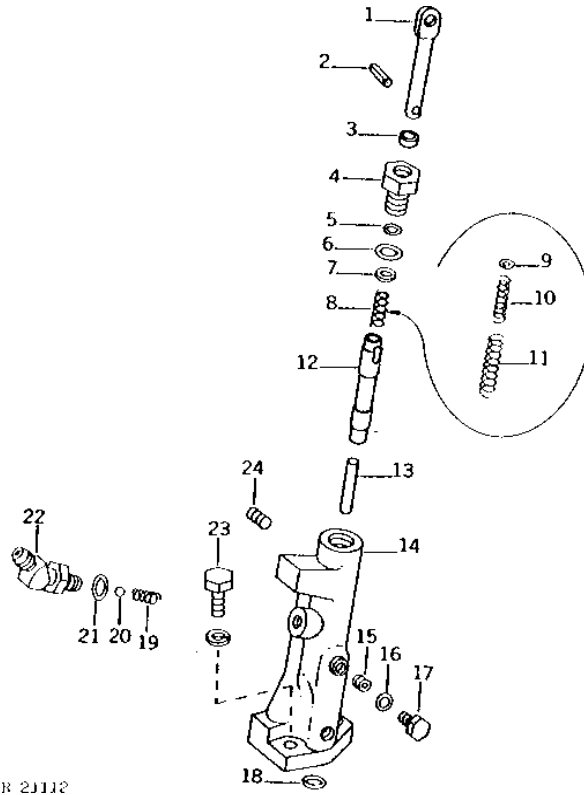
MEMORANDA

3B14

POWER TRAIN

**PTO CLUTCH VALVE
(SYNCRO-RANGE)**

R21112 -UN-01JAN94



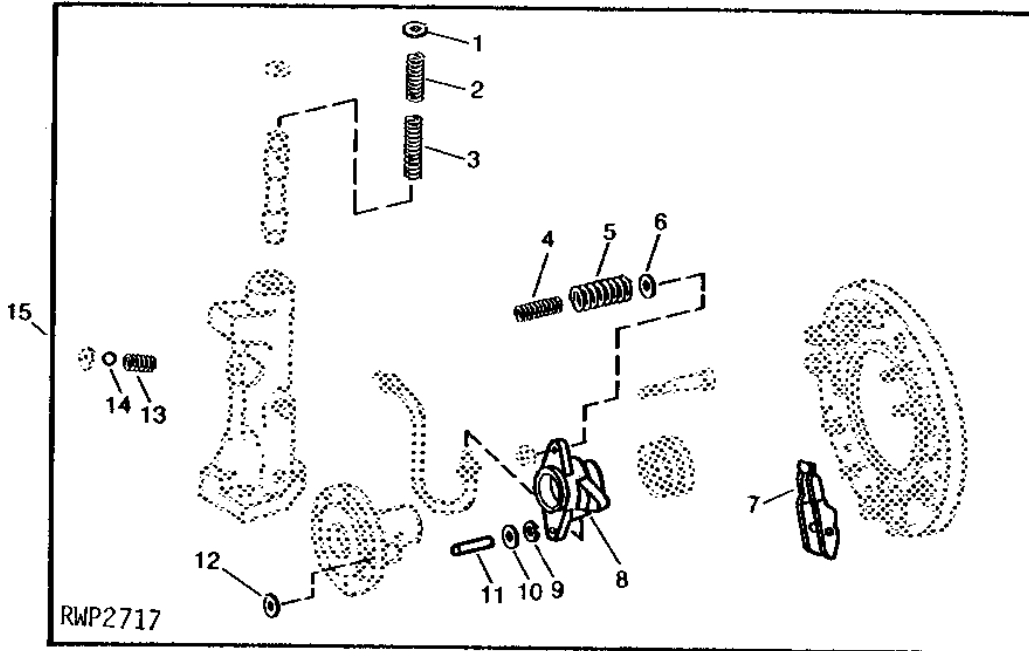
R 21112

| KEY | PART NO. | PART NAME | QTY | TRACTOR SERIAL NO. | REMARKS |
|-----|----------|---------------|-----|--------------------|--|
| 1 | R40812 | SHAFT | 1 | | |
| 2 | 34H260 | SPRING PIN | 1 | 5/32" X 5/8" | |
| 3 | AR40687 | SEAL | 1 | | |
| 4 | R40813 | DRAIN PLUG | 1 | | |
| 5 | A3917R | O-RING | 1 | | |
| 6 | R26375 | O-RING | 1 | | |
| 7 | R31632 | SHIM | 1 | | |
| 8 | R44204 | SPRING | 1 | | |
| 9 | R53237 | SHIM | 1 | | |
| 10 | R52057 | SPRING | 1 | | |
| 11 | R45582 | SPRING | 1 | | |
| 12 | R40811 | CONTROL VALVE | 1 | (NLA) | |
| 13 | R36882 | DOWEL PIN | 1 | (SUB R55081) | |
| 14 | AR45788 | HOUSING | 1 | -225869 | (MARKED R38546) (SUB AR48963) |
| | AR48963 | HOUSING | 1 | 225870-XXXXXX | (MARKED R46732) |
| | AR46113 | HOUSING | 1 | XXXXXX- | |
| 15 | R38545 | SET SCREW | 3 | -225869 | |
| 16 | R26287 | O-RING | 2 | -225869 | |
| | R26287 | O-RING | 1 | 225870- | |
| 17 | R27216 | DRAIN PLUG | 2 | -225869 | (SUB FOR R31631) |
| | R27216 | DRAIN PLUG | 1 | 225870- | (SUB FOR R31631) |
| 18 | R33259 | O-RING | 3 | | (SUB FOR T11934) |
| 19 | R26373 | SPRING | 1 | 267207- | |
| 20 | 400R | BALL | 1 | 267207- | 6MM (1/4") |
| 21 | R26287 | O-RING | 1 | | |
| 22 | AR35223 | ELBOW FITTING | 1 | | |
| 23 | 19H2552 | CAP SCREW | 2 | | 3/8" X 1-1/8" |
| | 12H304 | LOCK WASHER | 2 | | 3/8" |
| 24 | 15H558 | PIPE PLUG | 1 | -225869 | 1/8" |
| | 15H558 | PIPE PLUG | 2 | 225870- | 1/8" |
| .. | AR58572 | HOUSING | 1 | | (SUB AR46113, (3) R33259, (2) 12H304 AND (2) 19H2552) COMPLETE VALVE LESS FITTINGS |
| .. | AR63607 | KIT | 1 | | COUNTER WEIGHT PTO CLUTCH OPERATING LEVER CONVERSION |

3B15

POWER TRAIN

COUNTERWEIGHTED PTO CLUTCH OPERATING KIT
RWP2717 -UN-01JAN94



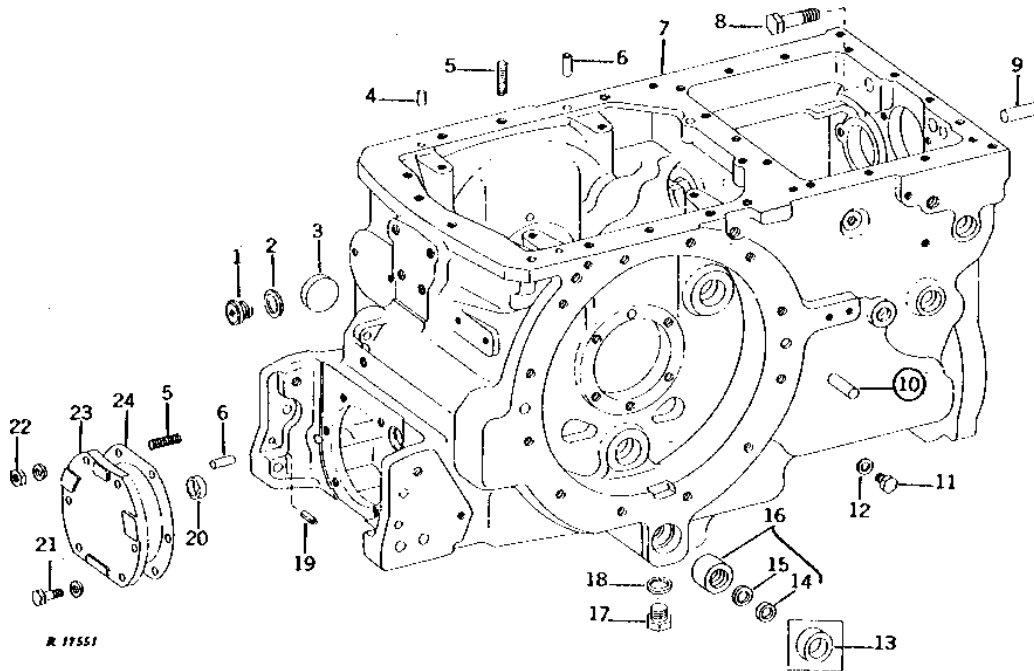
| KEY | PART NO. | PART NAME | QTY | TRACTOR SERIAL NO. | REMARKS |
|-----|----------|--------------|-----|--------------------|------------------|
| 1 | R53237 | SHIM | 1 | | 0.64MM (.025") |
| 2 | R52057 | SPRING | 1 | | INNER |
| 3 | R45582 | SPRING | 1 | | OUTER |
| 4 | R51865 | SPRING | 2 | | |
| 5 | R52737 | SPRING | 2 | | |
| 6 | R52736 | WASHER | 2 | | |
| 7 | AR58171 | LEVER | 3 | | |
| 8 | R52735 | SLEEVE | 1 | | (SUB FOR R40736) |
| 9 | R32588 | BACK-UP RING | 2 | | |
| 10 | R56464 | O-RING | 2 | | |
| 11 | R41511 | DOWEL PIN | 2 | | |
| 12 | R26919 | WASHER | 2 | | |
| 13 | R26373 | SPRING | 1 | | |
| 14 | 400R | BALL | 1 | | 6MM (1/4") |
| 15 | AR63607 | KIT | 1 | | |

MEMORANDA

3B16

POWER TRAIN

**TRANSMISSION CASE
(SYNCRO-RANGE)**
R17551 -UN-01JAN94



| KEY | PART NO. | PART NAME | QTY | TRACTOR SERIAL NO. | REMARKS |
|-----|------------------|------------------------|--------|--------------------|--|
| 1 | R27483 | PLUG | 1 | | |
| 2 | H851R | WASHER | 1 | | |
| 3 | R38344 | CAP | 1 | | (A) |
| 4 | R1612R 15H558 | DOWEL PIN PIPE PLUG | 4 4 | -250000 250001- | 1/8", (SUB FOR R21630) |
| 5 | R32101 | STUD | 6 | | |
| 6 | R48685 | DOWEL PIN | 4 | | (SUB FOR A120R) |
| 7 | AR41773 | TRANSMISSION CASE | 1 | -250000 | (MARKED R40470) (SUB AR50632, R46513 AND (6) R48240) |
| | AR50632 | TRANSMISSION CASE | 1 | 250001- | (MARKED R47340) (ALSO ORDER R51195 AND (3) R112883) (PRIOR TO SERIAL NO. 260022) (NLA) |
| 8 | 19H1782 | CAP SCREW | 3 | | 3/4" X 2-1/4" |
| 9 | A776R | PIN | 2 | | |
| 10 | R54380 | DOWEL PIN | 4 | | (SUB FOR T25317) |
| 11 | R51494 | WASHER | 1 | | (B) |
| 12 | R27218 | FITTING PLUG | 1 | | (B) |
| 13 | R26505 | BUSHING | 2 | -250000 | |
| | R45515 | BUSHING | 2 | -250000 | 0.08MM (.003") OVERSIZE |
| | R45516 | BUSHING | 2 | -250000 | 0.15MM (.006") OVERSIZE |
| | R46801 | BUSHING | 2 | -250000 | 0.76MM (.030") OVERSIZE |
| | R54785 | BUSHING | 2 | 250001- | (C) 0.51MM (.020") OVERSIZE |
| | R53177 | WASHER | 2 | 250001- | (C) |
| | R53180 | O-RING | 2 | 250001- | (C) |
| 14 | R46511 | WASHER | 2 | 250001- | (USE WITH U12037 IN BUSHING WITH .210" WIDE GROOVE) |
| | R53177 | WASHER | 2 | 250001- | (D) (USE WITH R53180 IN BUSHING WITH .300" WIDE GROOVE) |
| 15 | U12037 | O-RING | 2 | 250001- | (USE WITH R46511 IN BUSHING WITH .210" WIDE GROOVE) (SUB FOR R48474) |
| | R53180 | O-RING | 2 | 250001- | (D) (USE WITH R53177 IN BUSHING WITH .300" WIDE GROOVE) |

3B17

POWER TRAIN

**TRANSMISSION CASE - CONTINUED
(SYNCRO-RANGE)**

| KEY | PART NO. | PART NAME | QTY | TRACTOR SERIAL NO. | REMARKS |
|-----|----------|-------------|-----|-----------------------|---------------------------------------|
| 16 | AR54481 | BUSHING | 2 | 250001- | (SUB FOR AR49127, AR53116 OR AR85459) |
| 17 | F3128R | DRAIN PLUG | 1 | | |
| 18 | A4827R | WASHER | 1 | | |
| 19 | 34H348 | SPRING PIN | 2 | | 3/8" X 1" |
| 20 | R33498 | CAP | 1 | | (A) |
| 21 | 19H3385 | CAP SCREW | 4 | | 1/2" X 1-1/8" |
| | 12H301 | LOCK WASHER | 4 | | 1/2" |
| 22 | 14H1040 | NUT | 2 | | 1/2" |
| | 12H301 | LOCK WASHER | 2 | | 1/2" |
| 23 | R33489 | COVER | 1 | | (LESS PTO) |
| 24 | R33337 | GASKET | 1 | | |

(A) 1000 RPM PTO OR LESS PTO

(B) LESS DIFFERENTIAL LOCK

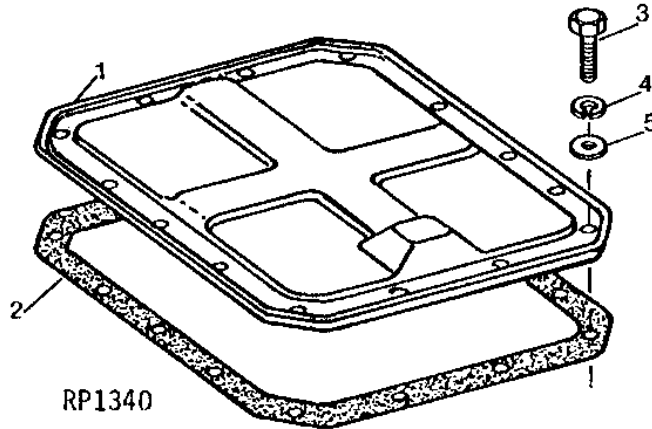
(C) INSTALL ONLY IF CASE IS MARKED "OS20" ON RIGHT SIDE AT LOAD CONTROL SHAFT OPENING.

(D) USE WHEN AR54481 OR AR85459 HAS BEEN INSTALLED

3B18

POWER TRAIN

TRANSMISSION CASE COVER
(SYNCRO-RANGE)
RP1340 -UN-01JAN94



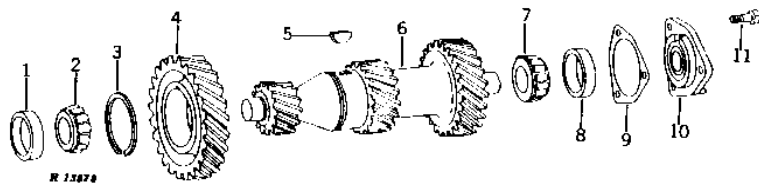
| KEY | PART NO. | PART NAME | QTY | TRACTOR SERIAL NO. | REMARKS |
|-----|----------|-------------|-----|--------------------|---------|
| 1 | R33424 | COVER | 1 | | |
| 2 | R33425 | GASKET | 1 | | |
| 3 | 19H1731 | CAP SCREW | 12 | 3/8" X 1" | |
| 4 | 19H1801 | CAP SCREW | 2 | 3/8" X 2" | |
| 4 | 12H304 | LOCK WASHER | 14 | 3/8" | |
| 5 | A4624R | WASHER | 4 | | |

3B19

POWER TRAIN

**COUNTERSHAFT
(SYNCRO-RANGE)**

R13878 -UN-01JAN94



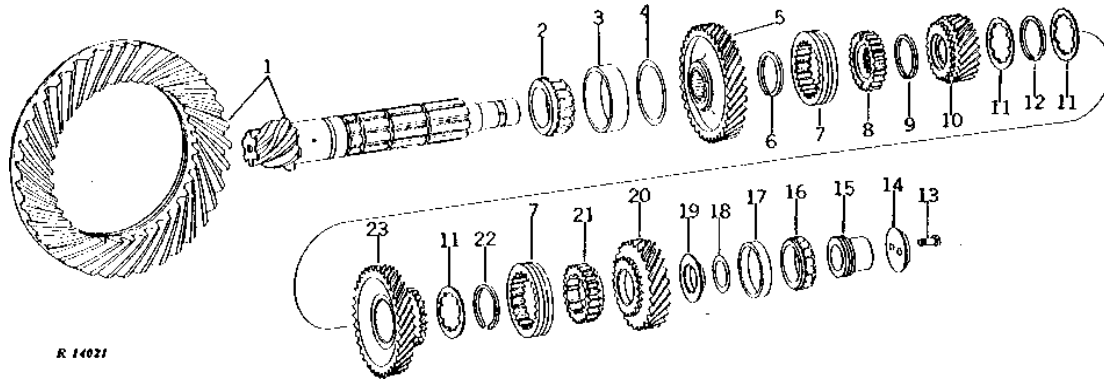
| KEY | PART NO. | PART NAME | QTY | TRACTOR SERIAL NO. | REMARKS |
|-----|----------|--------------|-----|--------------------|---------------------------------|
| 1 | JD7263 | BEARING CUP | 1 | | |
| 2 | JD8976 | BEARING CONE | 1 | | |
| 3 | H631R | SNAP RING | 1 | | (SUB FOR R26210) |
| 4 | R51921 | GEAR | 1 | | (SUB FOR R33366) |
| 5 | 26H89 | SHAFT KEY | 1 | | 1/4" X 1-1/8" |
| 6 | R33365 | COUNTERSHAFT | 1 | | |
| 7 | JD8947 | BEARING CONE | 1 | | (SUB AR94761) |
| 8 | JD8257 | BEARING CUP | 1 | | |
| 9 | R46394 | SHIM | AR | | 0.15MM (.006") (SUB FOR R33407) |
| | R46395 | SHIM | AR | | 0.25MM (.010") (SUB FOR R33408) |
| | R46396 | SHIM | AR | | 0.46MM (.018") |
| 10 | R33385 | RETAINER | 1 | | |
| 11 | R57725 | SCREW | 3 | | (SUB FOR R40835) |

3B20

POWER TRAIN

DIFFERENTIAL DRIVE AND BEVEL PINION ASSEMBLY (SYNCRO-RANGE)

R14021 -UN-01JAN94



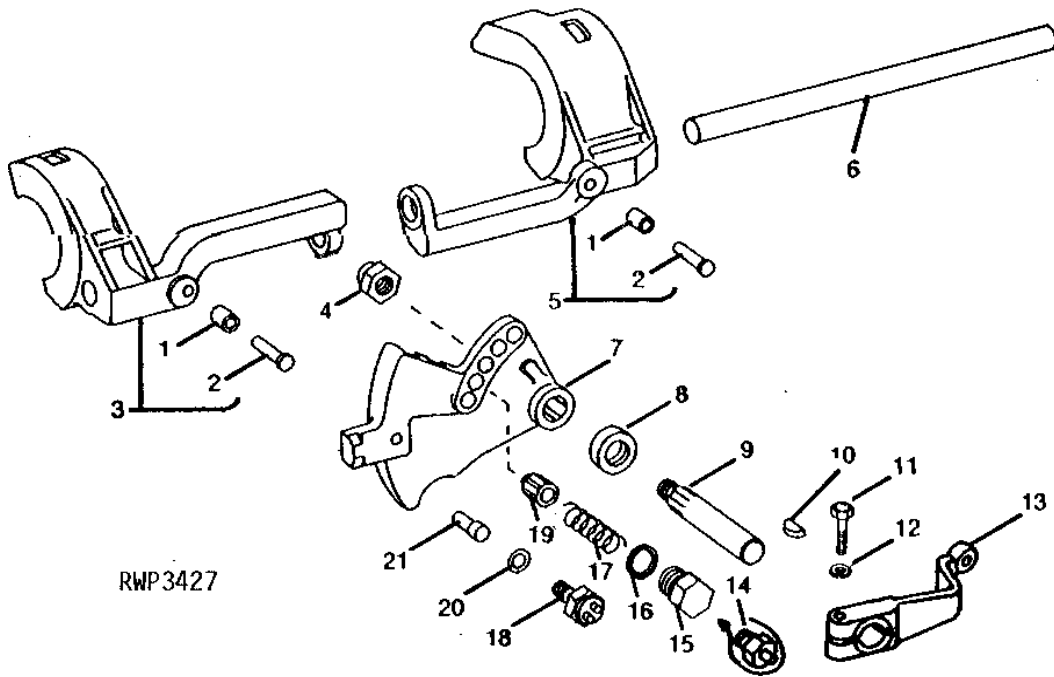
| KEY | PART NO. | PART NAME | QTY | TRACTOR SERIAL NO. | REMARKS |
|-----|----------|------------------|-----|--------------------|---|
| 1 | AR33962 | BEVEL GEAR DRIVE | 1 | | (MATCHED SET) (MARKED R33062 AND R33243) (SUB AR32151, (2) R33410, (3) R33411, (2) R33413 AND (4) R33414) |
| 2 | JD8977 | BEARING CONE | 1 | | |
| 3 | JD8266 | BEARING CUP | 1 | | |
| 4 | R33410 | SHIM | AR | | 0.08MM (.003") |
| | R33411 | SHIM | AR | | 0.13MM (.005") |
| | R33412 | SHIM | AR | | 0.25MM (.010") |
| 5 | AR32168 | GEAR | 1 | | (MARKED R33367) |
| 6 | R46400 | SNAP RING | 1 | | (SUB FOR R26211) |
| 7 | R26066 | SHIFT COLLAR | 2 | | |
| 8 | R33387 | GEAR | 1 | | REAR |
| 9 | R46401 | SNAP RING | 1 | | (SUB FOR R33406) |
| 10 | R33388 | GEAR | 1 | | (6TH AND 8TH SPEED) |
| 11 | R26068 | WASHER | 3 | | |
| 12 | R46402 | SNAP RING | 1 | | (SUB FOR R26212) |
| 13 | R57725 | SCREW | 2 | | (SUB FOR R40835) |
| 14 | R50365 | PLATE | 1 | | (SUB FOR R33347) |
| 15 | R46747 | BEARING RACE | 1 | | (LESS PTO) (SUB FOR R33346) |
| 16 | JD8980 | BEARING CONE | 1 | | |
| 17 | JD7430 | BEARING CUP | 1 | | |
| 18 | R33413 | SHIM | AR | | 0.08MM (.003") |
| | R33414 | SHIM | AR | | 0.13MM (.005") |
| | R33415 | SHIM | AR | | 0.25MM (.010") |
| 19 | R33386 | THRUST WASHER | 1 | | (SUB R69214) |
| 20 | R33370 | GEAR | 1 | | |
| 21 | R46435 | GEAR | 1 | | FRONT |
| 22 | R46403 | SNAP RING | 1 | | (SUB FOR R26213) |
| 23 | R33369 | GEAR | 1 | | (2ND AND 5TH SPEED) |

3B21

POWER TRAIN

**RANGE SHIFTERS AND SHIFTER SHAFTS
(SYNCRO-RANGE)**

RWP3427 -UN-01JAN94



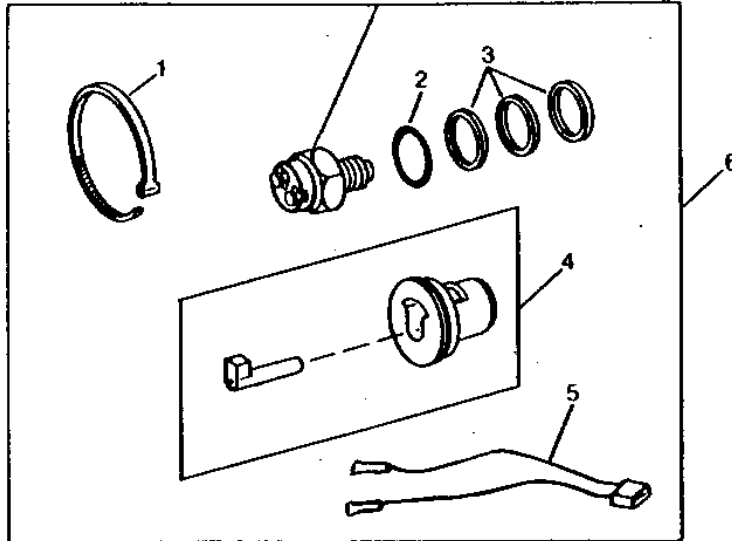
RWP3427

| KEY | PART NO. | PART NAME | QTY | TRACTOR SERIAL NO. | REMARKS |
|-----|----------|-------------|-----|--------------------|---|
| 1 | R26207 | ROLLER | 2 | | |
| 2 | R26206 | PIN | 2 | | |
| 3 | AR32176 | SHIFTER | 1 | | REVERSE RANGE, (MARKED R33394) |
| 4 | AR46768 | LEVER | 1 | | REVERSE RANGE (4000 SERIES) (MARKED R44995) |
| 5 | E17421 | LOCK NUT | 1 | | |
| | AR74749 | SHIFTER | 1 | -XXXXXX | (MARKED R33393 OR R61566) (ALSO ORDER R61567 AND 19H1988) (SUB FOR AR32175) (SUB AR77820) |
| | AR77820 | SHIFTER | 1 | XXXXXX- | (LOW AND HIGH RANGE) (MARKED R63076) |
| 6 | R33730 | DOWEL PIN | 1 | | |
| 7 | R33392 | CAM | 1 | | |
| | R71970 | CAM | 1 | | (4000 SERIES) (SUB FOR R44996) |
| 8 | AR389R | SEAL | 1 | | |
| 9 | AR31904 | SHAFT | 1 | | (SUB R32630 AND E17421) |
| 10 | 26H17 | SHAFT KEY | 1 | | 3/16" X 7/8" |
| 11 | 19H1800 | CAP SCREW | 1 | | 3/8" X 1-1/2" |
| 12 | 12H304 | LOCK WASHER | 1 | | 3/8" |
| 13 | R49207 | ARM | 1 | | (SUB FOR R26497) |
| 14 | R34844 | RETAINER | 1 | 091000- | (DIFFERENTIAL LOCK) |
| 15 | R38181 | FITTING | 1 | | (SUB R34844) |
| 16 | A4827R | WASHER | 1 | | |
| 17 | B207R | SPRING | 1 | | |
| 18 | RE38390 | SWITCH | 1 | | (SUB FOR R36265, AR85323 OR AR89691) |
| 19 | R26202 | PAWL | 1 | | |
| 20 | T16911 | SHIM | AR | | |
| 21 | R99556 | PIN | 1 | | (SUB FOR R33731) |

3B22

POWER TRAIN

**NEUTRAL START SWITCH KIT
(SYNCRO-RANGE)**
RXP8097 -UN-01JAN94



RXP8097

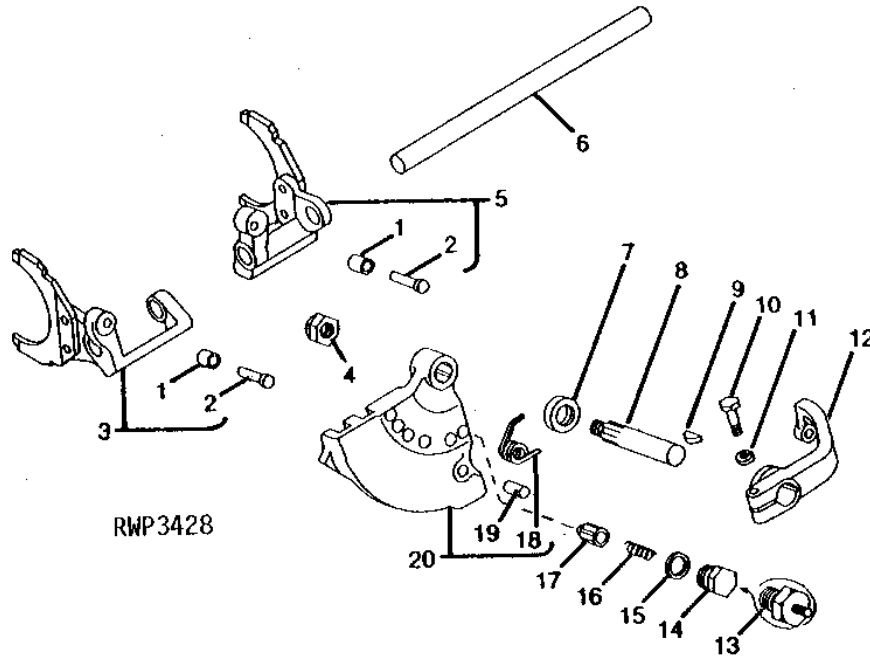
| KEY | PART NO. | PART NAME | QTY | TRACTOR SERIAL NO. | REMARKS |
|-----|----------|----------------|-----|--------------------|------------------------------|
| 1 | R44302 | TIE BAND | 2 | | |
| 2 | R26448 | O-RING | 1 | | |
| 3 | T16911 | SHIM | 3 | | |
| 4 | RE37996 | GAUGE | 1 | | (NEUTRAL START SWITCH ADJ.) |
| 5 | RE14069 | WIRING HARNESS | 1 | | |
| 6 | RE38390 | SWITCH | 1 | | (SUB FOR AR89691 OR AR85153) |

3B23

POWER TRAIN

**GEAR SHIFTERS AND SHIFTER SHAFT
(SYNCRO-RANGE)**

RWP3428 -UN-01JAN94

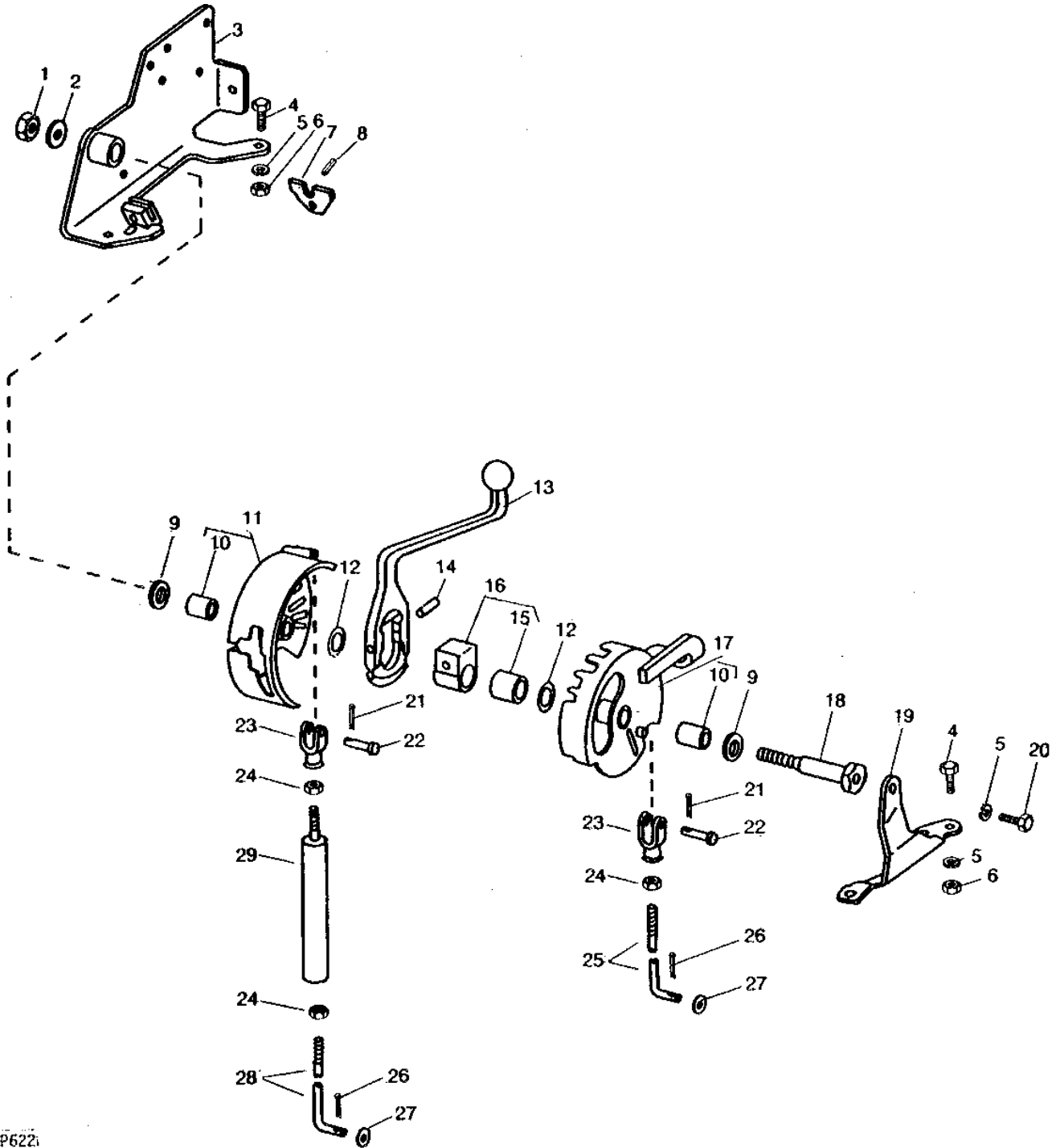


| KEY | PART NO. | PART NAME | QTY | TRACTOR SERIAL NO. | REMARKS |
|-----|----------|-------------|-----|--------------------|--|
| 1 | R26207 | ROLLER | 2 | | |
| 2 | R26206 | PIN | 2 | | |
| 3 | AR32179 | LEVER | 1 | | (1ST AND 3RD, 6TH AND 8TH SPEED) (MARKED R33398) |
| 4 | E17421 | LOCK NUT | 1 | | |
| 5 | AR32180 | SHIFTER | 1 | | (2ND AND 5TH, 4TH AND 7TH SPEED) (MARKED R33399) |
| 6 | R33730 | DOWEL PIN | 1 | | |
| 7 | AR389R | SEAL | 1 | | |
| 8 | AR31904 | SHAFT | 1 | | |
| 9 | 26H17 | SHAFT KEY | 1 | | 3/16" X 7/8" |
| 10 | 19H1800 | CAP SCREW | 1 | | 3/8" X 1-1/2" |
| 11 | 12H304 | LOCK WASHER | 1 | | 3/8" |
| 12 | R33765 | ARM | 1 | | |
| 13 | R34844 | RETAINER | 1 | 091000- | (DIFFERENTIAL LOCK) |
| 14 | R38181 | FITTING | 1 | | (SUB R34844) |
| 15 | A4827R | WASHER | 1 | | |
| 16 | R26203 | SPRING | 1 | | |
| 17 | R26202 | PAWL | 1 | | |
| 18 | R109478 | SPRING | 1 | | (SUB FOR R27243, R73444 OR R55910) |
| 19 | 34H365 | SPRING PIN | 1 | | 1/2" X 7/8" |
| 20 | RE46990 | CAM | 1 | | (MARKED R33400 OR R61107) (SUB FOR AR32692, AR65493, AR74079 OR AR99412) |

3B24

POWER TRAIN

TRANSMISSION SHIFTER CONTROL
(SYNCRO-RANGE)
RP622 -UN-01JAN94



RP622

3B25

POWER TRAIN

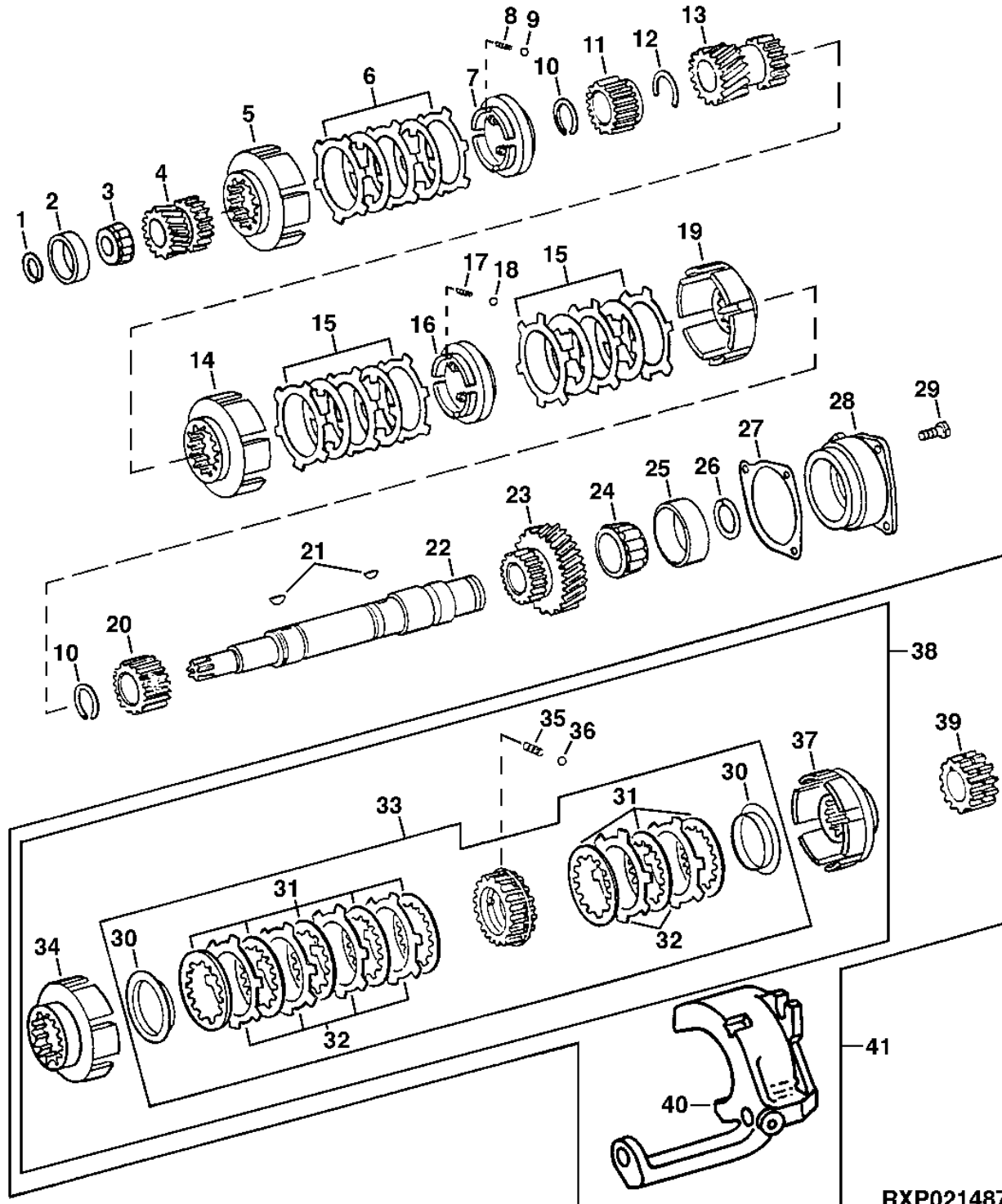
**TRANSMISSION SHIFTER CONTROL - CONTINUED
(SYNCRO-RANGE)**

| KEY | PART NO. | PART NAME | QTY | TRACTOR SERIAL NO. | REMARKS |
|-----|----------|-----------------|-----|-----------------------|---|
| 1 | 14H1039 | NUT | 1 | | 5/8" |
| 2 | F2783R | WASHER | 1 | | |
| 3 | AR46042 | SUPPORT | 1 | | |
| 4 | 19H2284 | CAP SCREW | 5 | | 3/8" X 7/8" |
| 5 | 12H304 | LOCK WASHER | 6 | | 3/8" |
| 6 | 14H1076 | NUT | 5 | | 3/8" |
| 7 | R52882 | LATCH | 1 | | (SUB FOR R42128) |
| 8 | 34H348 | SPRING PIN | 1 | | 3/8" X 1" |
| 9 | R42127 | WASHER | 2 | | |
| 10 | R26182 | BUSHING | 2 | | |
| 11 | AR45240 | QUADRANT | 1 | | |
| 12 | R26187 | WASHER | 2 | -240163 | |
| 13 | R46285 | GEARSHIFT LEVER | 1 | | |
| 14 | 34H314 | SPRING PIN | 2 | | 1/4" X 1-1/4" |
| 15 | R26186 | BUSHING | 1 | -240163 | |
| 16 | AR26360 | PIVOT | 1 | -240163 | (MARKED R26185) (SUB R53247 AND (2) R26187) |
| | R47203 | PIVOT | 1 | 240164- | (SUB R53247 AND R26187) |
| 17 | AR45342 | QUADRANT | 1 | | |
| 18 | R42126 | SHAFT | 1 | | |
| 19 | R42129 | SUPPORT | 1 | | OUTER |
| 20 | 19H2284 | CAP SCREW | 1 | | 3/8" X 7/8" |
| 21 | 11M7081 | COTTER PIN | 2 | | 0.098" X 0.787" |
| 22 | R65563 | PIN | 2 | | (SUB FOR C1067R) |
| 23 | C284R | YOKE | 2 | | |
| 24 | 14H732 | NUT | 3 | | 3/8" |
| 25 | R26194 | HOOK BOLT | 1 | | |
| 26 | 11M7059 | COTTER PIN | 2 | | 3.200 X 20 MM |
| 27 | 24H1302 | WASHER | 2 | | 13/32" X 11/16" X 0.035" |
| 28 | R55559 | HOOK BOLT | 1 | | (SUB FOR R32397) |
| 29 | AR49457 | SPRING ASSEMBLY | 1 | | (SUB FOR AR31649) |

3C1

POWER TRAIN

TRANSMISSION DRIVE SHAFT ASSEMBLY
(SYNCRO-RANGE)
RXP021487 -UN-09APR96



RXP021487

3C2

POWER TRAIN

**TRANSMISSION DRIVE SHAFT ASSEMBLY - CONTINUED
(SYNCRO-RANGE)**

| KEY | PART NO. | PART NAME | QTY | TRACTOR SERIAL NO. | REMARKS |
|-----|----------|--------------------|-----|--------------------|---|
| 1 | R26220 | SNAP RING | 1 | | 1.9MM (.076") |
| | R26221 | SNAP RING | 1 | | 2.0MM (.079") |
| | R26222 | SNAP RING | 1 | | 2.1MM (.082") |
| | R26223 | SNAP RING | 1 | | 2.2MM (.085") |
| 2 | JD7291 | BEARING CUP | 1 | | |
| 3 | JD8978 | BEARING CONE | 1 | | |
| 4 | R65342 | PINION | 1 | | (D) (SUB FOR R44638) |
| 5 | R52499 | DRUM | 1 | | (D) (SUB FOR R31027) |
| 6 | AR69154 | SYNCHRONIZER | 1 | | (SET OF (3) DISKS, WITH FACINGS AND (2) PLATES) (SUB FOR AR44997) (SUB RE37119) |
| 7 | R52498 | STOP | 1 | | (D) (ALSO ORDER R52499) (SUB FOR R27729) |
| 8 | R59860 | SPRING | 4 | | (SUB FOR R27730) |
| 9 | A4742R | BALL | 4 | | 4MM (5/32") |
| 10 | R26218 | SNAP RING | 2 | | |
| 11 | R33382 | SHIFT COLLAR | 1 | | (D) |
| 12 | R33405 | SNAP RING | 1 | | |
| 13 | R59641 | PINION | 1 | | (B) (SUB FOR R44637 OR R51518) |
| 14 | R31026 | DRUM | 1 | | (A) |
| 15 | AR69154 | SYNCHRONIZER | 2 | | (SUB RE37119) (SET OF (3) DISKS, WITH FACINGS AND (2) PLATES) |
| 16 | R31028 | SYNCHRONIZER | 1 | | (A) |
| 17 | R59860 | SPRING | 4 | | (SUB FOR R27730) |
| 18 | A4742R | BALL | 4 | | 4MM (5/32") |
| | R63074 | SPRING | 1 | | |
| 19 | R31026 | DRUM | 1 | | (A) |
| 20 | R33383 | SHIFT COLLAR | 1 | | (A) |
| 21 | 26H77 | SHAFT KEY | 2 | | 3/16" X 3/4" |
| 22 | R33384 | SHAFT | 1 | | |
| 23 | R41218 | PINION | 1 | | (C) |
| 24 | JD8919 | BEARING CONE | 1 | | |
| 25 | JD8223 | BEARING CUP | 1 | | |
| 26 | R26214 | SNAP RING | 1 | | 1.9MM (.076") (SUB R49430) |
| | R26215 | SNAP RING | 1 | | 2.0MM (.079") (SUB R49431) |
| | R26216 | SNAP RING | 1 | | 2.1MM (.082") (SUB R49432) |
| | R26217 | SNAP RING | 1 | | 2.2MM (.085") (SUB R49433) |
| 27 | R26233 | SHIM | AR | | 0.15MM (.006") |
| | R26234 | SHIM | AR | | 0.25MM (.010") |
| 28 | R26076 | HOUSING | 1 | | |
| 29 | R57725 | SCREW | 3 | | (SUB FOR R40835) |
| 30 | R63070 | RETAINER | 2 | | |
| 31 | RE36170 | DISK, INNER SPLINE | 8 | | (SUB FOR AR77819) |
| 32 | R63069 | CLUTCH PLATE | 6 | | |
| 33 | AR77817 | SYNCHRONIZER | 1 | | (A) |
| 34 | R63073 | BRAKE DRUM | 1 | | (B) |
| 35 | R63074 | SPRING | 4 | | |
| 36 | R63075 | BALL | 4 | | 6MM (7/32") |
| 37 | R63072 | DRUM | 1 | | (C) |
| 38 | AR77818 | SYNCHRONIZER | 1 | | |
| 39 | R62806 | SHIFT COLLAR | 1 | | |
| 40 | AR77820 | SHIFTER | 1 | | (A) (MARKED R63076) (INCLUDES R26206 AND R26207) |
| 41 | AR77815 | KIT | 1 | | (A) (ALSO ORDER R61567 AND 19H1988) |

(A) LOW AND HIGH RANGE

(B) LOW RANGE

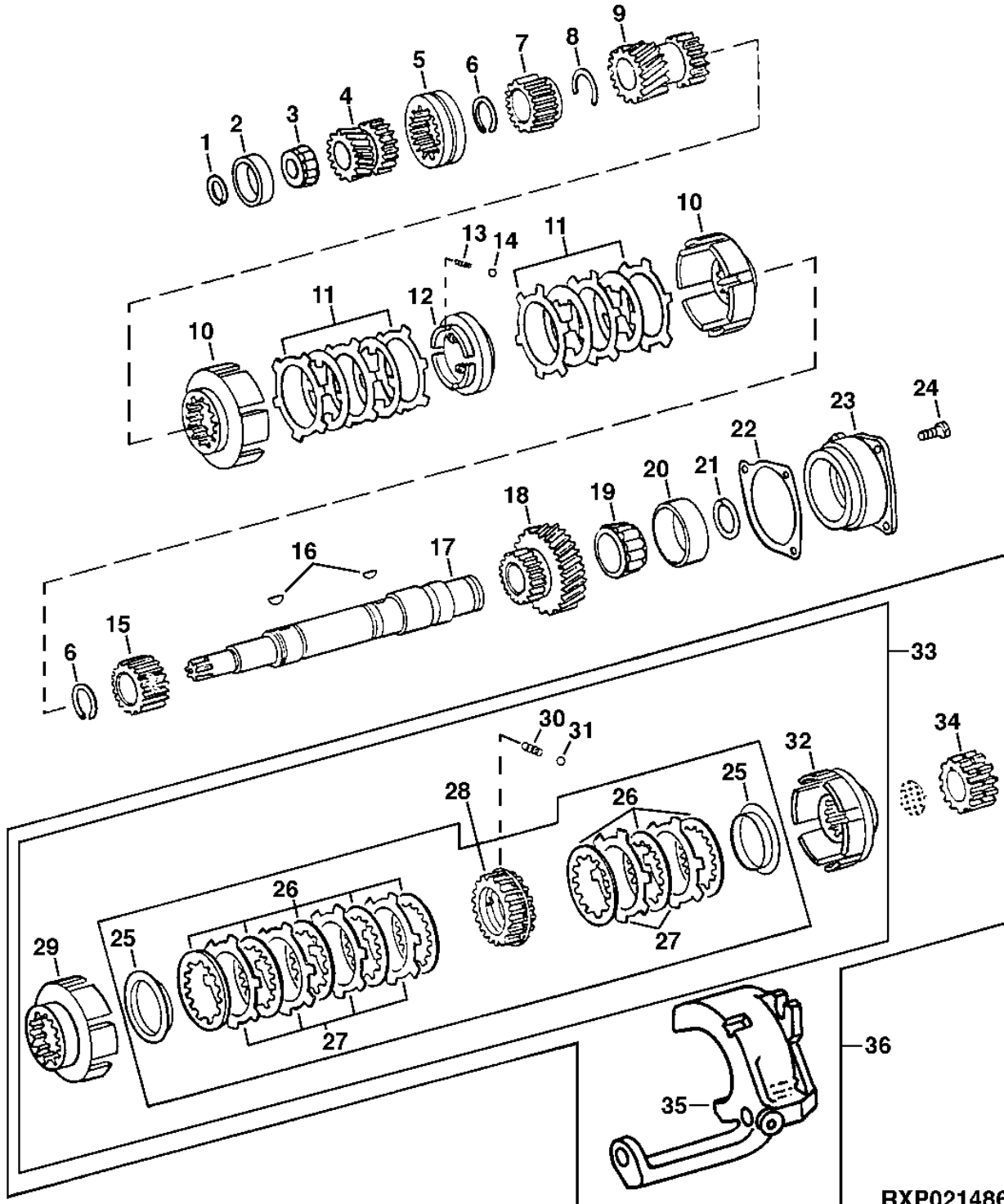
(C) HIGH RANGE

(D) REVERSE RANGE

3C3

POWER TRAIN

TRANSMISSION DRIVE SHAFT ASSEMBLY
(SYNCRO-RANGE WITH COLLAR SHIFT REVERSE) (4000 SERIES)
RXP021486 -UN-09APR96



RXP021486

3C4

POWER TRAIN

**TRANSMISSION DRIVE SHAFT ASSEMBLY - CONTINUED
(SYNCRO-RANGE WITH COLLAR SHIFT REVERSE) (4000 SERIES)**

| KEY | PART NO. | PART NAME | QTY | TRACTOR SERIAL NO. | REMARKS |
|-----|----------|--------------------|-----|-----------------------|--|
| 1 | R26220 | SNAP RING | 1 | | 1.93MM (.076") |
| | R26221 | SNAP RING | 1 | | 2.00MM (.079") |
| | R26222 | SNAP RING | 1 | | 2.08MM (.082") |
| | R26223 | SNAP RING | 1 | | 2.16MM (.085") |
| 2 | JD7291 | BEARING CUP | 1 | | |
| 3 | JD8978 | BEARING CONE | 1 | | |
| 4 | R65342 | PINION | 1 | | REVERSE RANGE, (SUB FOR R44638) |
| 5 | R67387 | SHIFT COLLAR | 1 | | (SUB FOR R26238 OR R62992) |
| 6 | R26218 | SNAP RING | 2 | | |
| 7 | R33711 | SHIFT COLLAR | 1 | | |
| 8 | R33405 | SNAP RING | 1 | | |
| 9 | R59641 | PINION | 1 | | (B) (SUB FOR R44637 OR R51518) |
| 10 | R31026 | DRUM | 2 | | (A) |
| 11 | AR69154 | SYNCHRONIZER | 2 | | (SUB FOR AR44997) (SUB RE37119) (SET OF (3) DISKS, WITH FACINGS AND (2) PLATES) |
| 12 | R31028 | SYNCHRONIZER | 1 | | (A) |
| 13 | R59860 | SPRING | 4 | | (SUB FOR R27730) |
| 14 | A4742R | BALL | 4 | | 4MM (5/32") |
| 15 | R33383 | SHIFT COLLAR | 1 | | (A) |
| 16 | 26H77 | SHAFT KEY | 2 | | 3/16" X 3/4" |
| 17 | R33384 | SHAFT | 1 | | |
| 18 | R41218 | PINION | 1 | | (C) |
| 19 | JD8919 | BEARING CONE | 1 | | |
| 20 | JD8223 | BEARING CUP | 1 | | |
| 21 | R26214 | SNAP RING | 1 | | 1.93MM (.076") (SUB R49430) |
| | R26215 | SNAP RING | 1 | | 2.00MM (.079") (SUB R49431) |
| | R26216 | SNAP RING | 1 | | 2.08MM (.082") (SUB R49432) |
| | R26217 | SNAP RING | 1 | | 2.16MM (.085") (SUB R49433) |
| 22 | R26233 | SHIM | AR | | 0.15MM (.006") |
| | R26234 | SHIM | AR | | 0.25MM (.010") |
| 23 | R26076 | HOUSING | 1 | | |
| 24 | R57725 | SCREW | 3 | | (B) (SUB FOR R40835) |
| 25 | R63070 | RETAINER | 2 | | |
| 26 | RE36170 | DISK, INNER SPLINE | 8 | | (SUB FOR AR77819) |
| 27 | R63069 | CLUTCH PLATE | 6 | | |
| 28 | AR77817 | SYNCHRONIZER | 1 | | (A) |
| 29 | R63073 | BRAKE DRUM | 1 | | |
| 30 | R63074 | SPRING | 4 | | |
| 31 | R63075 | BALL | 4 | | 6MM (7/32") |
| 32 | R63072 | DRUM | 1 | | (C) |
| 33 | AR77818 | SYNCHRONIZER | 1 | | (A) |
| 34 | R62806 | SHIFT COLLAR | 1 | | |
| 35 | AR77820 | SHIFTER | 1 | | (A) (MARKED R63076) (INCLUDES R26206 AND R26207) |
| 36 | AR77815 | KIT | 1 | | (A) (ALSO ORDER R61567 AND 19H1988) |

(A) LOW RANGE AND HIGH RANGE

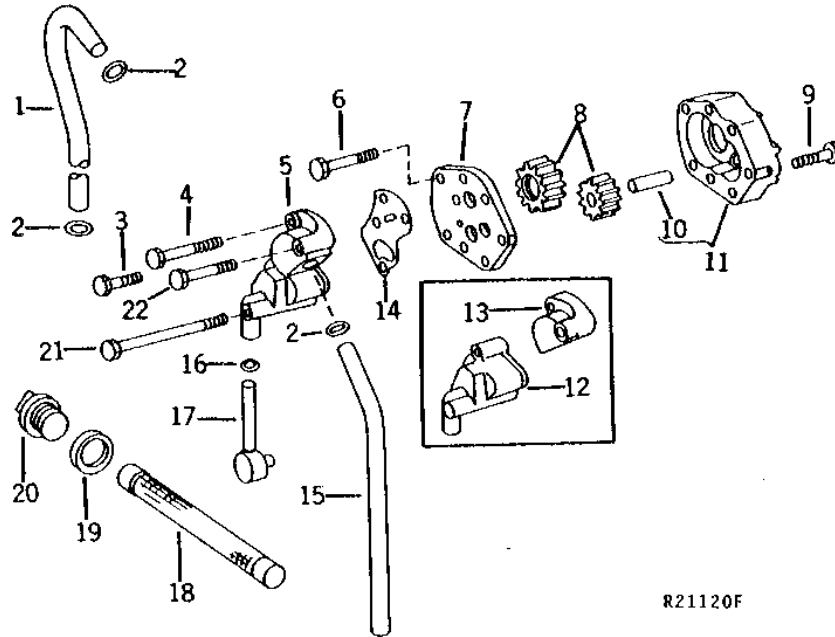
(B) LOW RANGE

(C) HIGH RANGE

3C5

POWER TRAIN

**TRANSMISSION OIL PUMP
(SYNCRO-RANGE)**
R21120 -UN-01JAN94



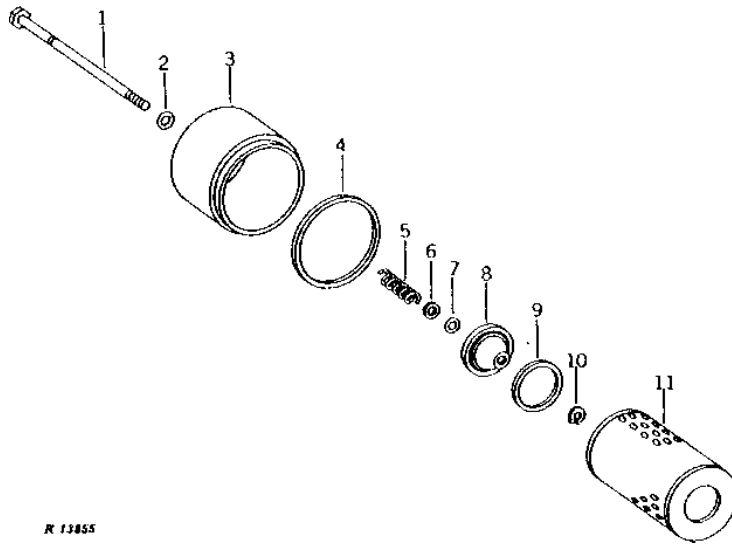
R21120F

| KEY | PART NO. | PART NAME | QTY | TRACTOR SERIAL NO. | REMARKS |
|-----|----------|----------------|-----|--------------------|--------------------------------------|
| 1 | R40832 | HYDRAULIC LINE | 1 | | |
| 2 | R56462 | O-RING | 3 | | (SUB FOR B2762R) |
| 3 | R41006 | CAP SCREW | 1 | | |
| 4 | R41008 | CAP SCREW | 1 | | |
| 5 | R51906 | MANIFOLD | 1 | 263325- | |
| 6 | R41007 | CAP SCREW | 2 | | |
| 7 | R40827 | COVER | 1 | | |
| 8 | AR40670 | GEAR | 1 | | |
| 9 | R112875 | CAP SCREW | 2 | | (SUB FOR R41006) |
| 10 | R40824 | DOWEL PIN | 1 | | |
| 11 | AR41949 | HOUSING | 1 | | (MARKED R40637) |
| 12 | R40833 | VENT | 1 | -263324 | (NO LONGER AVAILABLE) (ORDER R51906) |
| 13 | R40828 | FILLER NECK | 1 | -263324 | (NO LONGER AVAILABLE) (ORDER R51906) |
| 14 | R40829 | GASKET | 1 | | |
| 15 | R40831 | HYDRAULIC LINE | 1 | | |
| 16 | A3917R | O-RING | 1 | | |
| 17 | AR40669 | HYDRAULIC LINE | 1 | | |
| 18 | R53169 | SCREEN | 1 | | NYLON |
| | AR26375 | SCREEN | 1 | | STEEL |
| 19 | A4808R | WASHER | 1 | | ALUMINUM |
| 20 | R40147 | FITTING | 1 | | (SUB FOR A4806R) |
| 21 | R41009 | CAP SCREW | 1 | | |
| 22 | R41007 | CAP SCREW | 1 | | |

3C6

POWER TRAIN

**TRANSMISSION OIL FILTER
(SYNCRO-RANGE)**
R13855 -UN-01JAN94



R 13855

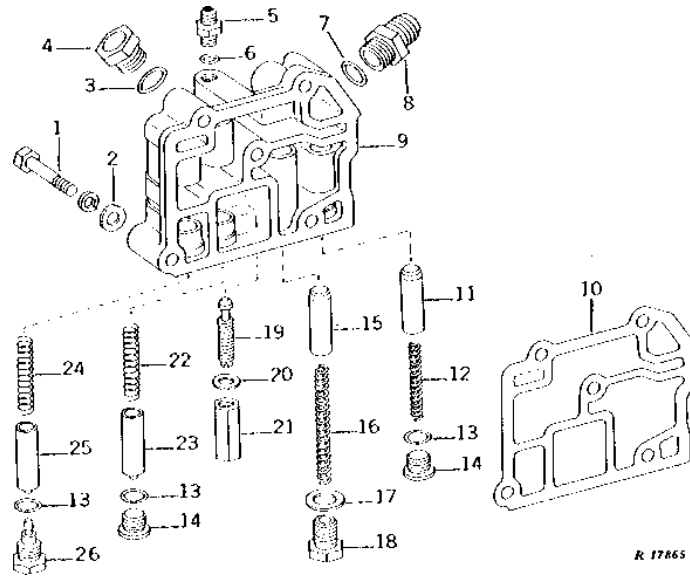
| KEY | PART NO. | PART NAME | QTY | TRACTOR SERIAL NO. | REMARKS |
|-----|----------|----------------|-----|--------------------|------------------------------|
| 1 | R54750 | CAP SCREW | 1 | | (SUB FOR R39795) |
| 2 | R394R | O-RING | 1 | | |
| 3 | R39796 | COVER | 1 | | |
| 4 | R34733 | WASHER | 1 | | |
| 5 | H819R | SPRING | 1 | | |
| 6 | 24H1227 | WASHER | 1 | | 17/32" X 13/16" X 0.060" |
| 7 | R394R | O-RING | 1 | | |
| 8 | R65892 | RETAINER | 1 | | |
| 9 | R28594 | WASHER | 1 | | |
| 10 | R32507 | SNAP RING | 1 | | |
| 11 | AR75603 | FILTER ELEMENT | 1 | | (SUB FOR AR28271 OR AR75601) |

3C7

POWER TRAIN

OIL FILTER RELIEF VALVE HOUSING (SYNCRO-RANGE)

R17865 -UN-01JAN94



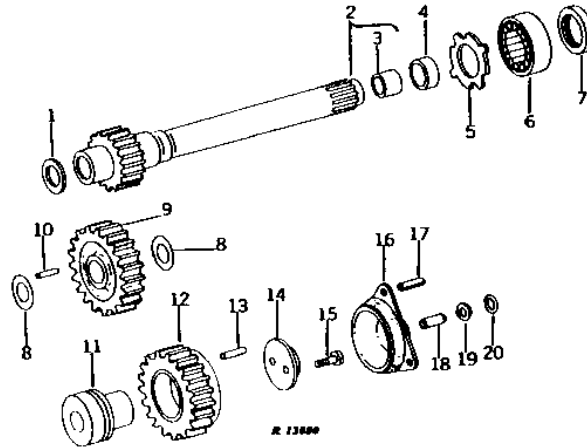
| KEY | PART NO. | PART NAME | QTY | TRACTOR SERIAL NO. | REMARKS |
|-----|----------|--------------|-----|--------------------|--|
| 1 | 19H2731 | CAP SCREW | 1 | | 7/16" X 1-3/8" |
| | 19H1828 | CAP SCREW | 1 | | 7/16" X 4" |
| | 19H2055 | CAP SCREW | 2 | | 7/16" X 2-1/4" |
| | 19H2227 | CAP SCREW | 1 | | 7/16" X 2-1/2" |
| | 12H293 | LOCK WASHER | 5 | | 7/16" |
| 2 | 24H1325 | WASHER | 5 | | 15/32" X 59/64" X 0.065" |
| | | | | | |
| 3 | B2762R | O-RING | 1 | | |
| 4 | R76494 | FITTING | 1 | | (SUB FOR R33610) |
| 5 | R27272 | FITTING | 1 | | |
| 6 | R26286 | O-RING | 1 | | |
| 7 | F3171R | O-RING | 1 | | |
| 8 | R27267 | FITTING | 1 | | |
| 9 | AR45542 | HOUSING | 1 | -258560 | (MARKED R40664 OR R44006) (SUB AR52630, R33259 AND R57561) |
| | AR52630 | HOUSING | 1 | 258561- | (MARKED R49199 OR R49200) |
| | R39112 | FITTING | 1 | | (USE WITH R44006 OR R49200) |
| | R26375 | O-RING | 1 | | (USE WITH R44006 OR R49200) |
| | 400R | BALL | 2 | | 6MM (1/4") (USE WITH R44006 OR R49200) |
| 10 | R49758 | GASKET | 1 | | (SUB FOR R41463) |
| 11 | R33162 | VALVE | 1 | -258560 | (SUB R33259 AND R57559) |
| | R49197 | VALVE | 1 | 258561- | (SUB R33259 AND R57561) |
| | | | | | |
| 12 | R26686 | SPRING | 1 | | |
| 13 | R26375 | O-RING | 3 | | |
| 14 | R33138 | FITTING | 3 | -212353 | |
| | R33138 | FITTING | 2 | 212354- | |
| 15 | R33162 | VALVE | 1 | -258560 | (SUB R33259 AND R57559) |
| | R49197 | VALVE | 1 | 258561- | (SUB R33259 AND R57561) |
| | | | | | |
| 16 | R39808 | SPRING | 1 | | |
| 17 | R1742R | WASHER | 1 | | |
| 18 | R52589 | FITTING PLUG | 1 | | (SUB FOR R33163) |
| 19 | R39587 | SET SCREW | 1 | | |
| 20 | F2846R | WASHER | 1 | | |
| 21 | F2847R | NUT | 1 | | |
| 22 | R28914 | SPRING | 1 | | |
| 23 | R33162 | VALVE | 1 | | (SUB R33259 AND R57559) |
| 24 | R42057 | SPRING | 1 | | |
| 25 | R33162 | VALVE | 1 | | (SUB R33259 AND R57559) |
| 26 | R36943 | FITTING | 1 | 212354- | |

3C8

POWER TRAIN

540 RPM AND 1000 RPM PTO DRIVE SHAFT AND IDLER GEARS

(SYNCRO-RANGE)
R13880 -UN-01JAN94



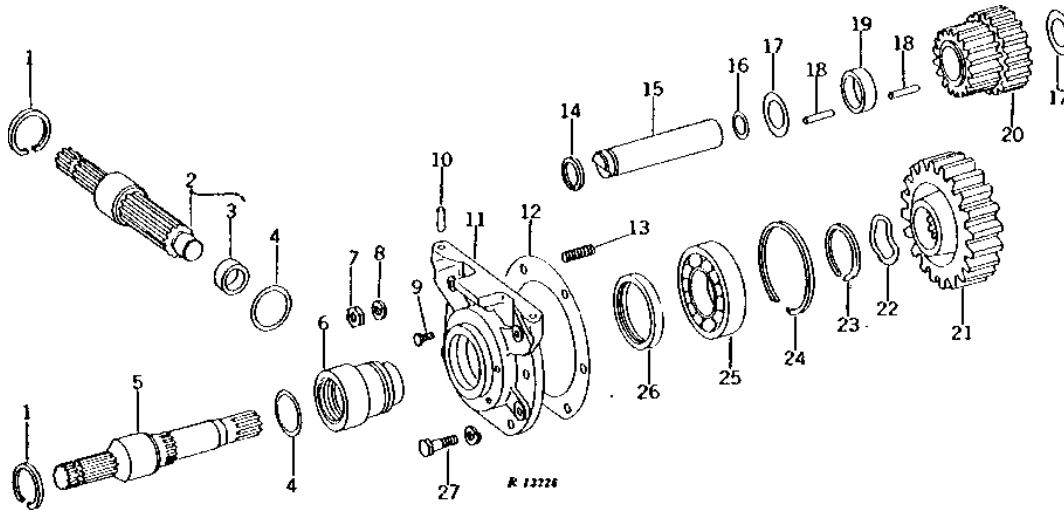
| KEY | PART NO. | PART NAME | QTY | TRACTOR SERIAL NO. | REMARKS |
|-----|----------|----------------|-----|--------------------|--------------------------|
| 1 | R33856 | WASHER | 1 | | |
| 2 | AR32527 | SHAFT | 1 | -238361 | (SUB AR49414 AND JD8731) |
| | AR49414 | SHAFT | 1 | 238362- | |
| 3 | R30829 | BUSHING | 1 | | |
| 4 | AR26481 | SEAL | 1 | | |
| 5 | R33418 | WASHER | 1 | -238361 | (NOT USED WITH AR49414) |
| 6 | JD8722 | ROLLER BEARING | 1 | -238361 | (SUB JD8731) |
| | JD8731 | BEARING RACE | 1 | 238362- | |
| 7 | AR72992 | SEAL | 1 | | (SUB FOR AR26482) |
| 8 | R33345 | THRUST WASHER | 2 | | |
| 9 | R26792 | GEAR | 1 | | (COUNTERSHAFT) |
| 10 | R26006 | NEEDLE ROLLER | 18 | | |
| 11 | R46747 | BEARING RACE | 1 | | (SUB FOR R33346) |
| 12 | R39792 | GEAR | 1 | | (DIFFERENTIAL SHAFT) |
| 13 | R26006 | NEEDLE ROLLER | 33 | | |
| 14 | R50365 | PLATE | 1 | | (SUB FOR R33347) |
| 15 | R57725 | SCREW | 2 | | (SUB FOR R40835) |
| 16 | RE20734 | BRAKE SHOE | 1 | | (SUB FOR AR40666) |
| 17 | 34H349 | SPRING PIN | 3 | | 3/8" X 1-1/4" |
| 18 | R40815 | DOWEL PIN | 1 | | |
| 19 | R26551 | BACK-UP RING | 1 | | |
| 20 | R394R | O-RING | 1 | | |

3C9

POWER TRAIN

540 RPM AND 1000 RPM PTO REAR DRIVE GEAR AND SHAFTS (SYNCRO-RANGE)

R13226 -UN-01JAN94



| KEY | PART NO. | PART NAME | QTY | TRACTOR SERIAL NO. | REMARKS |
|-----|----------|---------------|-----|--------------------|---|
| 1 | R38221 | SNAP RING | 2 | | |
| 2 | AR41752 | SHAFT | 1 | (540 RPM) | |
| 3 | JD7557 | BEARING RACE | 1 | | |
| 4 | P50631 | O-RING | 2 | | |
| 5 | R38224 | SHAFT | 1 | (1000 RPM) | |
| 6 | R45126 | GUIDE | 1 | (SUB FOR R38220) | |
| 7 | 14H1040 | NUT | 2 | 1/2" | |
| 8 | 12H301 | LOCK WASHER | 2 | 1/2" | |
| 9 | R27329 | SCREW | 2 | | |
| 10 | 34H348 | SPRING PIN | 2 | | |
| 11 | AR38168 | QUILL | 1 | | 3/8" X 1" (MARKED R38218 OR R47507) (SUB RE47805, RE13181, R106715 AND R106866) |
| | AR54487 | QUILL | 1 | | (1000 RPM PTO) (MARKED R33487, R47508 OR R50298) (ALSO ORDER AR55216) (SUB FOR AR32440) |
| 12 | R33337 | GASKET | 1 | | |
| 13 | R32101 | STUD | 2 | 1/2" X 1-3/4" | |
| 14 | R33320 | SNAP RING | 1 | | |
| 15 | R33852 | COUNTERSHAFT | 1 | | |
| 16 | R30319 | O-RING | 1 | | |
| 17 | R33853 | THRUST WASHER | 2 | | |
| 18 | R33028 | NEEDLE ROLLER | 48 | | |
| 19 | R33344 | SPACER | 1 | | |
| 20 | R33339 | GEAR | 1 | | |
| 21 | R42014 | GEAR | 1 | (540 RPM) | |
| 22 | R38219 | THRUST WASHER | 1 | | |
| 23 | F1334R | SNAP RING | 1 | | |
| 24 | C1919R | SNAP RING | 1 | | |
| 25 | JD9320 | BALL BEARING | 1 | | |
| 26 | RE13181 | SEAL | 1 | (SUB FOR AT16431) | |
| | AT344T | SEAL | 1 | (1000 RPM PTO) | |
| 27 | 19H1721 | CAP SCREW | 4 | 1/2" X 1-1/2" | |
| | 12H301 | LOCK WASHER | 4 | 1/2" | |

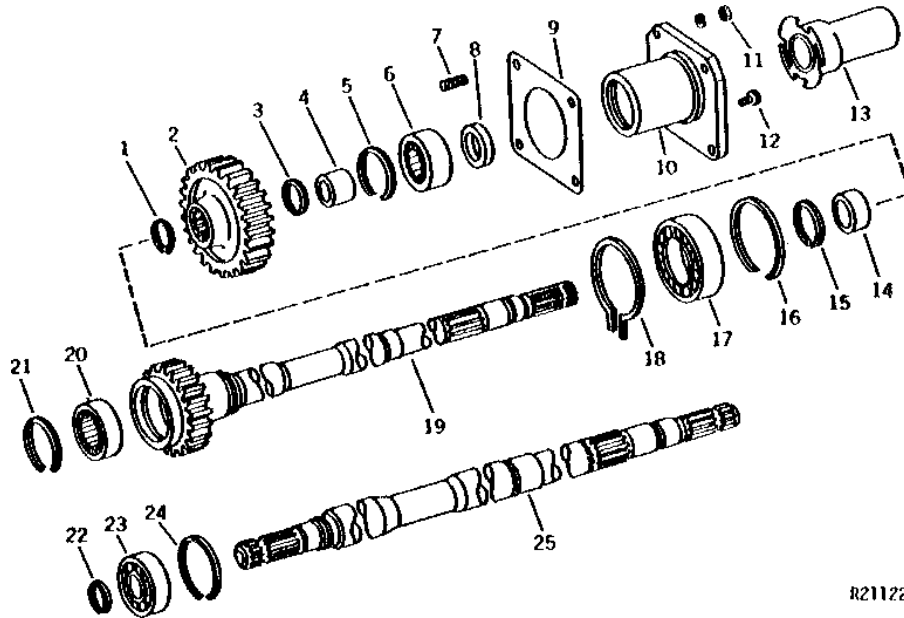
3C10

POWER TRAIN

540 RPM AND 1000 RPM PTO DRIVE GEAR, SHAFTS, AND FRONT GUARD

(SYNCRO-RANGE)

R21122 -UN-01JAN94



R21122

| KEY | PART NO. | PART NAME | QTY | TRACTOR SERIAL NO. | REMARKS |
|-----|----------|----------------|-----|--------------------|------------------------------|
| 1 | R33325 | SNAP RING | 1 | | |
| 2 | R33488 | GEAR | 1 | | |
| 3 | R27000 | SNAP RING | 1 | | |
| 4 | JD7562 | BEARING RACE | 1 | 262667- | (B) INNER, (SUB AR41753) |
| 5 | F2367R | SNAP RING | 1 | | |
| 6 | JD8725 | ROLLER BEARING | 1 | | |
| 7 | R32101 | STUD | 4 | | |
| 8 | R33338 | SEAL | 1 | | (ILLUSTRATED) |
| | R45844 | CAP | 1 | -262666 | (B) |
| 9 | R33236 | GASKET | 1 | | |
| 10 | AR32713 | QUILL | 1 | | (MARKED R33486) |
| | AR32713 | QUILL | 1 | -262666 | (B) (MARKED R33486) |
| | R47634 | QUILL | 1 | 262667- | (B) FRONT (NLA) |
| 11 | 14H1040 | NUT | 4 | | 1/2" |
| | 12H301 | LOCK WASHER | 4 | | 1/2" |
| 12 | R27329 | SCREW | 2 | | |
| 13 | AR26701 | GUARD | 1 | | FRONT |
| 14 | R34328 | BUSHING | 1 | | |
| 15 | R36295 | SNAP RING | 1 | | |
| 16 | BP13615 | SNAP RING | 1 | | (SUB FOR R33321) |
| 17 | JD8537 | BEARING | 1 | | |
| 18 | R33322 | SNAP RING | 1 | | (ILLUSTRATED) |
| 19 | AR41750 | SHAFT | 1 | | (B) (SUB AR51494 AND R47634) |
| | AR48042 | SHAFT | 1 | -262666 | (B) (SUB AR51494 AND R47634) |
| | AR51494 | SHAFT | 1 | 262667- | (B) |
| 20 | JD7537 | ROLLER BEARING | 1 | | |
| 21 | F2367R | SNAP RING | 1 | | |
| 22 | A364R | SNAP RING | 1 | | (A) |
| 23 | JD9345 | BALL BEARING | 1 | | (A) |
| 24 | B190R | SNAP RING | 1 | | (A) |
| 25 | R33485 | SHAFT | 1 | | (A) (NLA) |

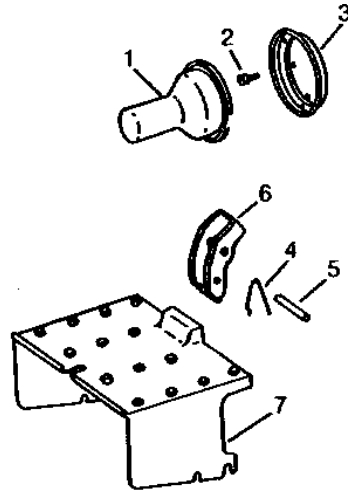
(A) 1000 RPM PTO

(B) 4000 SERIES

3C11

POWER TRAIN

540 RPM AND 1000 RPM PTO MASTER SHIELD AND REAR GUARD
 (SYNCRO-RANGE)
 RXP8623 -UN-01JAN94



RXP8623

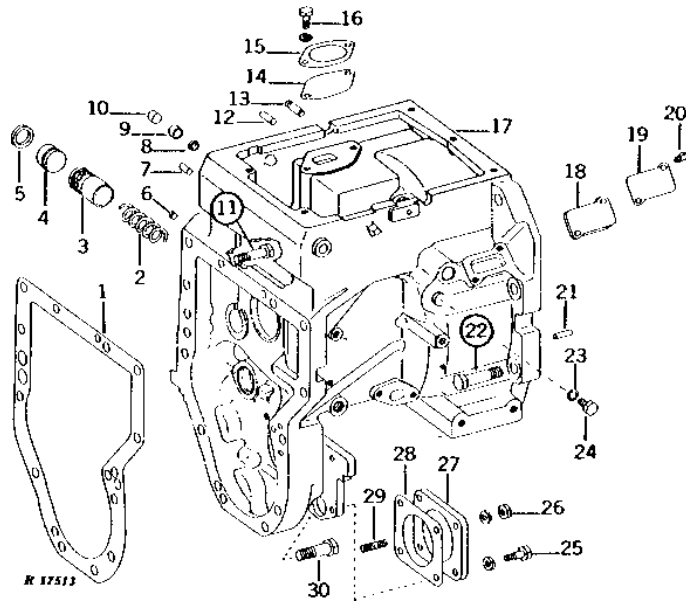
| KEY | PART NO. | PART NAME | QTY | TRACTOR SERIAL NO. | REMARKS |
|-----|----------|------------|-----|--------------------|-------------------|
| 1 | L64456 | GUARD | 1 | | |
| 2 | R27329 | SCREW | 2 | | (SUB FOR AR26782) |
| 3 | AR26707 | RETAINER | 1 | | |
| 4 | R42585 | SPRING | 1 | | |
| 5 | 34H335 | SPRING PIN | 1 | | 5/16" X 2-1/8" |
| 6 | R42584 | RETAINER | 1 | | (SUB FOR AR44713) |
| 7 | R33348 | SHIELD | 1 | | |

3C12

POWER TRAIN

**CLUTCH HOUSING
(POWER SHIFT)**

R17513 -UN-01JAN94



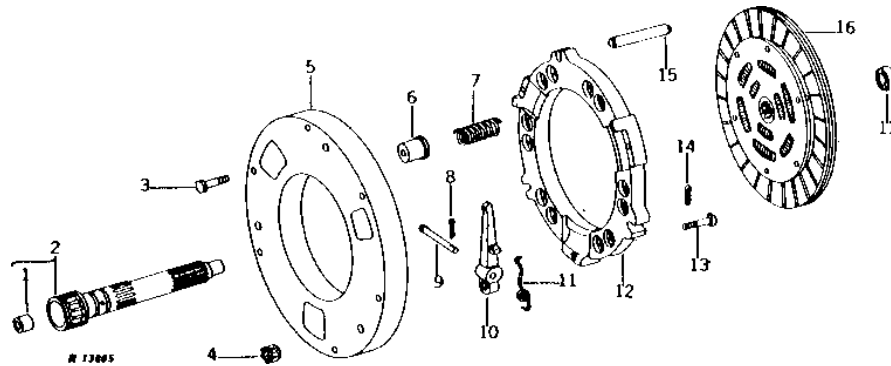
| KEY | PART NO. | PART NAME | QTY | TRACTOR SERIAL NO. | REMARKS |
|-----|----------|-------------|-----|--------------------|--------------------------------|
| 1 | R100632 | GASKET | 1 | | (SUB FOR R33519) |
| 2 | R33526 | SPRING | 1 | -250000 | |
| 3 | R33525 | PISTON | 1 | -250000 | |
| 4 | R47443 | PIN | 1 | 250001- | |
| 5 | R48594 | SEAL | 1 | 250001- | |
| 6 | R46373 | PIPE PLUG | 1 | -250000 | (SUB FOR R33528) |
| 7 | R1612R | DOWEL PIN | 2 | | |
| 8 | AR26338 | SEAL | 1 | | |
| 9 | R28359 | WASHER | 1 | | |
| 10 | R28361 | DOWEL PIN | 1 | | (LESS PTO) |
| 11 | 19H1847 | CAP SCREW | 2 | | 5/8" X 2-1/2" |
| 12 | 34H351 | SPRING PIN | 1 | | 3/8" X 1-1/2", L.H. |
| 13 | R33837 | PIN | 1 | | |
| 14 | R34212 | GASKET | 1 | 250001- | (LESS TRANSMISSION DISCONNECT) |
| 15 | R33963 | CLAMP | 1 | | |
| 16 | 19H2127 | CAP SCREW | 2 | | 5/16" X 7/8" |
| | 12H303 | LOCK WASHER | 2 | | 5/16" |
| 17 | AR41002 | HOUSING | 1 | -250000 | (MARKED R40520) (SUB AR52166) |
| | AR52166 | HOUSING | 1 | 250001- | (MARKED R47790) (NLA) |
| 18 | R67989 | GASKET | 1 | | (SUB FOR R31494) |
| 19 | R31493 | COVER | 1 | | |
| 20 | 21H1318 | SCREW | 2 | | 0.216" X 1/2" |
| 21 | T26565 | DOWEL PIN | 2 | | (SUB FOR C1220R) |
| 22 | 19H1707 | CAP SCREW | 6 | | 3/4" X 2-3/4" |
| 23 | R26286 | O-RING | 1 | | |
| 24 | R27094 | DRAIN PLUG | 1 | | |
| 25 | 19H1721 | CAP SCREW | 2 | | 1/2" X 1-1/2" |
| | 12H301 | LOCK WASHER | 2 | | 1/2" |
| 26 | 14H1040 | NUT | 2 | | 1/2" |
| | 12H301 | LOCK WASHER | 2 | | 1/2" |
| 27 | R33216 | COVER | 1 | | (LESS PTO) |
| 28 | R33236 | GASKET | 1 | | |
| 29 | R32101 | STUD | 2 | | 1/2" X 1-3/4" |
| 30 | 19H1707 | CAP SCREW | 8 | | 3/4" X 2-3/4" |
| | 19H2113 | CAP SCREW | 2 | | 3/4" X 3-1/4" |
| | 19H2174 | CAP SCREW | 8 | | 3/4" X 4-1/4" |

3C13

POWER TRAIN

TRANSMISSION DISCONNECT CLUTCH (POWER SHIFT)

R13805 -UN-01JAN94



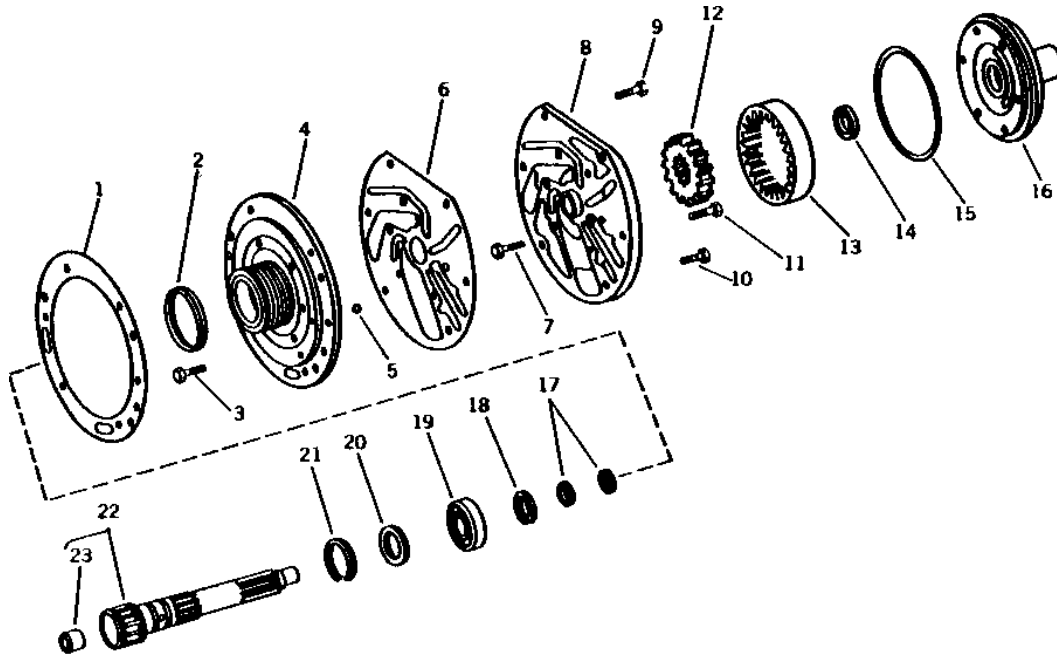
| KEY | PART NO. | PART NAME | QTY | TRACTOR SERIAL NO. | REMARKS |
|-----|----------|--------------|-----|--------------------|------------------------------|
| 1 | R33168 | BUSHING | 1 | | |
| 2 | AR32461 | SHAFT | 1 | | |
| 3 | R112876 | CAP SCREW | 6 | -258107 | (SUB FOR R40808) |
| 4 | R49527 | CAP SCREW | 6 | 258108- | |
| 4 | R39893 | NUT | 3 | | |
| 5 | R42110 | COVER | 1 | | |
| 6 | R33135 | BUSHING | 12 | | |
| 7 | R42058 | SPRING | 12 | | |
| 8 | 11M7059 | COTTER PIN | 3 | | 3.200 X 20 MM |
| 9 | R31711 | PIN | 3 | | |
| 10 | R39892 | LEVER | 3 | | |
| 11 | R20152 | SPRING | 3 | | |
| 12 | R40806 | CLUTCH PLATE | 1 | -250000 | (SUB R46807) |
| | R46807 | CLUTCH PLATE | 1 | 250001- | |
| 13 | R31713 | BOLT | 3 | | |
| 14 | 11M7081 | COTTER PIN | 3 | | 0.098" X 0.787" |
| 15 | R32192 | DOWEL PIN | 3 | | |
| 16 | RE29608 | CLUTCH DISK | 1 | | (SUB FOR AR55655 OR AR40667) |
| 17 | JD9449 | BALL BEARING | 1 | | (SUB FOR JD9281) |

3C14

POWER TRAIN

TRANSMISSION CLUTCH OIL PUMP AND MANIFOLD (POWER SHIFT)

R12622 -UN-01JAN94



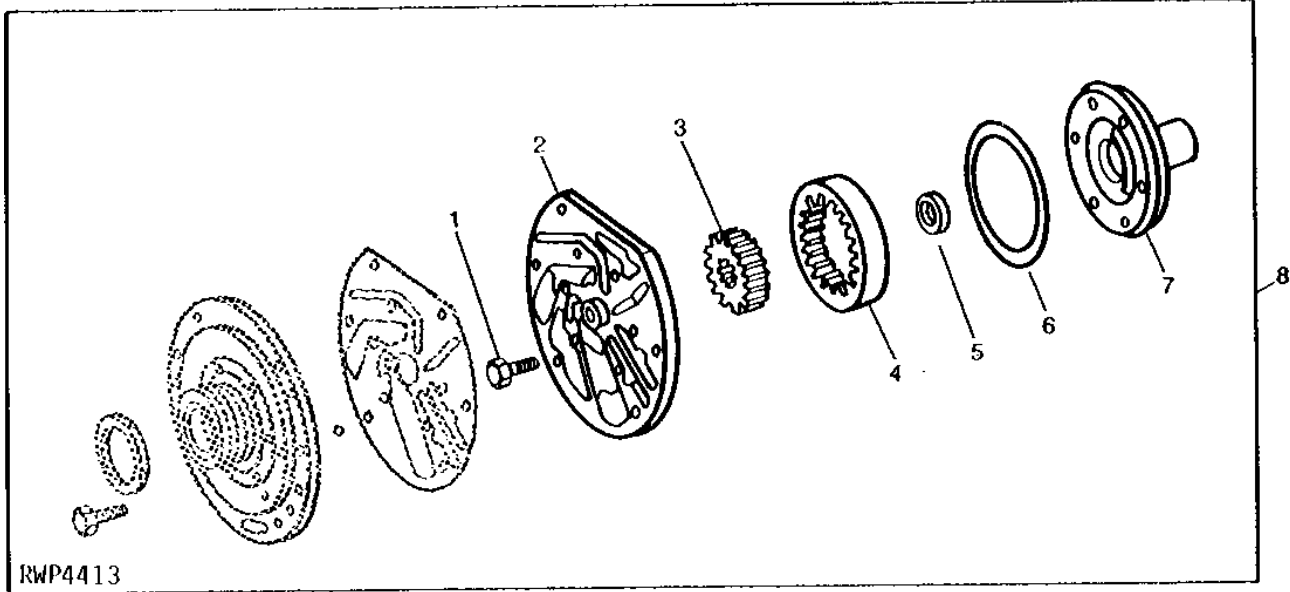
R12622

| KEY | PART NO. | PART NAME | QTY | TRACTOR SERIAL NO. | REMARKS |
|-----|----------|---------------|-----|--------------------|---|
| 1 | R100232 | GASKET | 1 | | (SUB FOR R33171, R49294 OR R69585) |
| 2 | R33167 | RING | 4 | -222225 | (.124 THICK) |
| | R43752 | RING | 4 | 222226- | (.154 THICK) |
| 3 | R112874 | CAP SCREW | 6 | | (SUB FOR RE41035) |
| 4 | R33061 | MANIFOLD | 1 | -222225 | (USE WITH AR32114 OR R41036) |
| | R69586 | MANIFOLD | 1 | 222226-251799 | (SUB FOR R45621) (SUB RE62596) (USE WITH R454622 OR R59494) |
| | R48649 | MANIFOLD | 1 | 251800- | (SUB RE62596) (USE WITH R45622 OR R59494) |
| 5 | R42849 | BALL | 2 | | 10MM (3/8") |
| 6 | R100234 | GASKET | 1 | | (SUB FOR R33166, R49295, R57915, R69587 OR R70251) |
| 7 | 19H1849 | CAP SCREW | 1 | -251799 | 5/16" X 1-1/4" |
| | 19H1900 | CAP SCREW | 1 | 251800- | 5/16" X 3/4" |
| 8 | AR90850 | HOUSING | 1 | | (MARKED R33133 OR R69589) (SUB FOR AR32127) |
| 9 | R41041 | CAP SCREW | 2 | | (SUB FOR T31784) |
| 10 | T31785 | BOLT | 1 | | |
| 11 | R120374 | BOLT | 3 | | |
| 12 | R31695 | GEAR | 1 | -251799 | (.809 THICK) |
| | R48176 | GEAR | 1 | 251800- | (.930 THICK) |
| 13 | R27880 | GEAR | 1 | -251799 | (.809 THICK) |
| | R46451 | GEAR | 1 | 251800- | (.930 THICK) |
| 14 | R34650 | SEAL | 1 | | |
| 15 | R39876 | PACKING | 1 | | |
| 16 | AR48898 | HOUSING | 1 | -251799 | (MARKED R31692) (SUB FOR AR30795) |
| | AR51190 | HOUSING | 1 | 251800- | (MARKED R48174) |
| 17 | R26753 | RING | 2 | | |
| 18 | F2370R | SNAP RING | 1 | | |
| 19 | JD7145 | BALL BEARING | 1 | | |
| 20 | R34295 | THRUST WASHER | 1 | | |
| 21 | A3815R | SNAP RING | 1 | | |
| 22 | AR32461 | SHAFT | 1 | | |
| 23 | R33168 | BUSHING | 1 | | |

3C15

POWER TRAIN

TRANSMISSION CLUTCH OIL PUMP
RWP4413 -UN-01JAN94



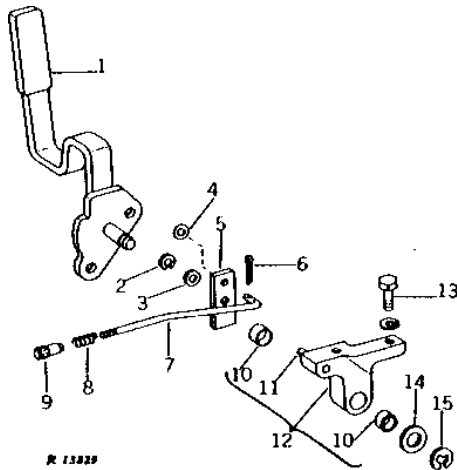
| KEY | PART NO. | PART NAME | QTY | TRACTOR SERIAL NO. | REMARKS |
|-----|----------|-----------|-----|--------------------|-----------------|
| 1 | 19H1900 | CAP SCREW | 1 | | |
| 2 | AR90850 | HOUSING | 1 | | |
| 3 | R48176 | GEAR | 1 | | |
| 4 | R46451 | GEAR | 1 | | |
| 5 | R34650 | SEAL | 1 | | |
| 6 | R39876 | PACKING | 1 | | |
| 7 | AR51190 | HOUSING | 1 | | (MARKED R48174) |
| 8 | AR91607 | OIL PUMP | 1 | | |

3C16

POWER TRAIN

TRANSMISSION DISCONNECT CLUTCH LEVER LINKAGE (POWER SHIFT)

R13829 -UN-01JAN94



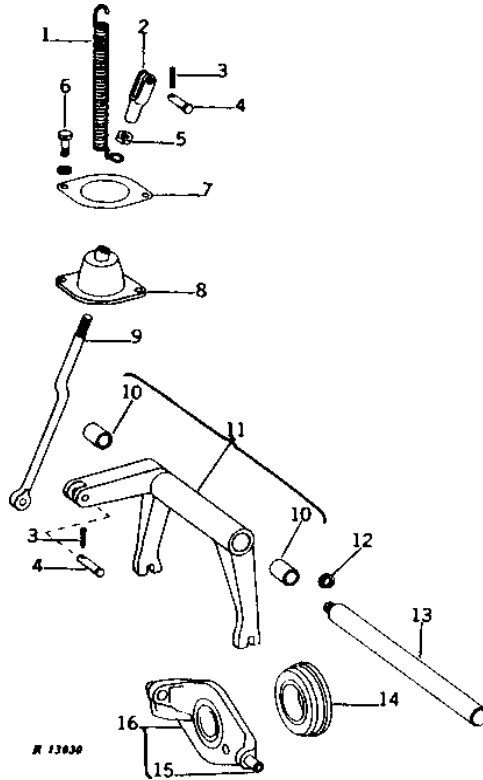
| KEY | PART NO. | PART NAME | QTY | TRACTOR SERIAL NO. | REMARKS |
|-----|----------|-------------|-----|--------------------|---------------------------|
| 1 | AR40694 | LEVER | 1 | | |
| 2 | F3396R | SNAP RING | 1 | | |
| 3 | 24M7096 | WASHER | 1 | | 10.500 X 18 X 1.600 MM |
| 4 | 24H1283 | WASHER | 1 | | 7/32" X 1/2" X 0.049" |
| 5 | R40970 | STRAP | 1 | | |
| 6 | 11M7005 | COTTER PIN | 1 | | 0.063" X 0.394" |
| 7 | R40971 | ROD | 1 | | |
| 8 | A3182R | SPRING | 1 | | |
| 9 | R40972 | PUSH BUTTON | 1 | | |
| 10 | R27116 | BUSHING | 2 | | |
| 11 | F3392R | PIN | 1 | | |
| 12 | AR40671 | SUPPORT | 1 | | (MARKED R40845) |
| 13 | 19H1936 | CAP SCREW | 2 | | 3/8" X 3/4" |
| | 12H304 | LOCK WASHER | 2 | | 3/8" |
| 14 | 24H1395 | WASHER | 1 | | 25/32" X 1-7/16" X 0.060" |
| 15 | R27434 | SNAP RING | 1 | | |

3C17

POWER TRAIN

TRANSMISSION DISCONNECT CLUTCH FORK, SHAFT, AND CONTROL ROD (POWER SHIFT)

R13830 -UN-01JAN94

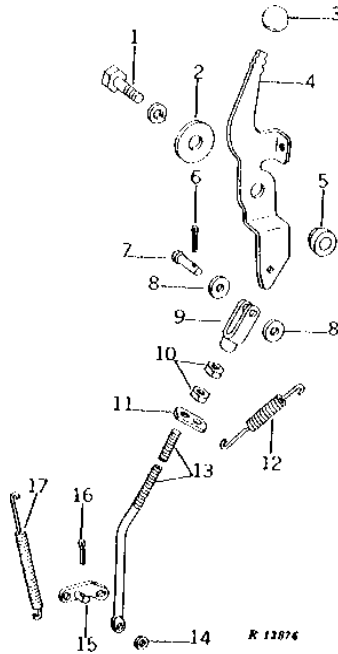


| KEY | PART NO. | PART NAME | QTY | TRACTOR SERIAL NO. | REMARKS |
|-----|----------|----------------|-----|--------------------|-------------------------------|
| 1 | R41892 | SPRING | 1 | | |
| 2 | L300T | YOKE | 1 | | |
| 3 | 11M7015 | COTTER PIN | 2 | | 3.200 X 25 MM |
| 4 | B178R | PIN | 2 | | |
| 5 | 14H934 | NUT | 1 | | 7/16" |
| 6 | 19H2127 | CAP SCREW | 2 | | 5/16" X 7/8" |
| | 12H303 | LOCK WASHER | 2 | | 5/16" |
| 7 | R33963 | CLAMP | 1 | | |
| 8 | R33962 | BOOT | 1 | | |
| 9 | R33154 | ROD | 1 | | (NLA) |
| 10 | R776R | BUSHING | 2 | | |
| 11 | AR32137 | FORK | 1 | | (MARKED R33148) |
| 12 | R33527 | SNAP RING | 2 | | |
| 13 | R33147 | SHAFT | 1 | | (NLA) |
| 14 | AR41942 | THRUST BEARING | 1 | | (SUB FOR AM3983T) |
| 15 | R35075 | QUICK LOCK PIN | 2 | | |
| 16 | AR32129 | CRADLE | 1 | -251799 | (MARKED R33146) (SUB AR51192) |
| | AR51192 | CRADLE | 1 | 251800- | (MARKED R48177) |

3C18

POWER TRAIN

**PTO CLUTCH CONTROL
(POWER SHIFT)**
R13876 -UN-01JAN94



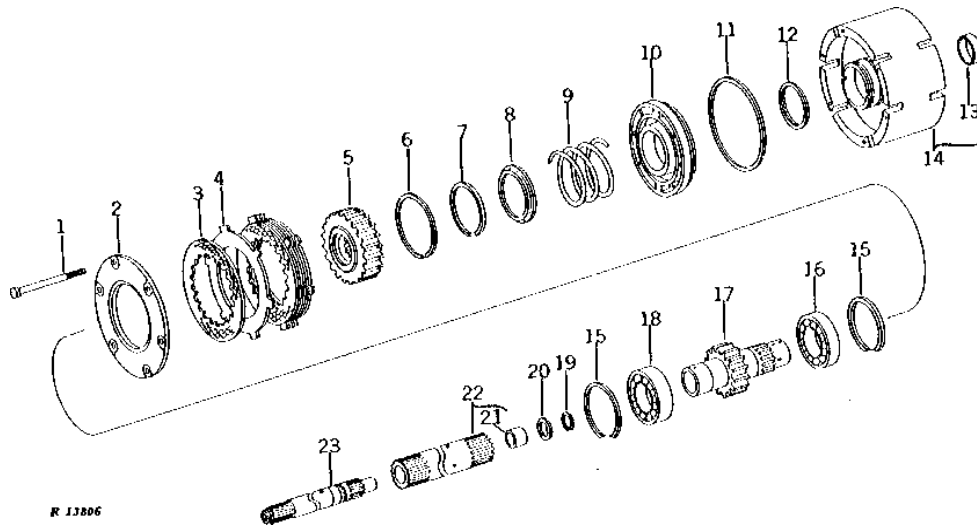
| KEY | PART NO. | PART NAME | QTY | TRACTOR SERIAL NO. | REMARKS |
|-----|----------|-------------|-----|---------------------------|---------|
| 1 | 19H2354 | CAP SCREW | 1 | 9/16" X 1-1/4" | |
| | 12H317 | LOCK WASHER | 1 | 9/16" | |
| 2 | F2912R | WASHER | 1 | | |
| 3 | R40948 | KNOB | 1 | | |
| 4 | R41370 | LEVER | 1 | | |
| 5 | R26574 | WASHER | 1 | | |
| 6 | 11M7081 | COTTER PIN | 1 | 0.098" X 0.787" | |
| 7 | R65563 | PIN | 1 | (SUB FOR C1067R) | |
| 8 | 24H1309 | WASHER | 2 | 13/32" X 1-1/16" X 0.120" | |
| 9 | M80373 | YOKE | 1 | (SUB FOR L324T) | |
| 10 | 14H774 | NUT | 2 | 3/8" | |
| 11 | R41501 | BUSHING | 1 | | |
| 12 | R42091 | SPRING | 1 | | |
| 13 | R42090 | ROD | 1 | (SUB FOR R45209) | |
| 14 | 24H1286 | WASHER | 1 | 9/32" X 1/2" X 1/16" | |
| 15 | AR48689 | ARM | 1 | (SUB FOR AR40929) | |
| 16 | 11M7077 | COTTER PIN | 1 | 0.063" X 0.984" | |
| 17 | F2762R | SPRING | 1 | | |

3C19

POWER TRAIN

TRANSMISSION CLUTCH PACK (REAR) (POWER SHIFT)

R13806 -UN-01JAN94



R 13806

| KEY | PART NO. | PART NAME | QTY | TRACTOR SERIAL NO. | REMARKS |
|-----|----------|---------------|-----|--------------------|---|
| 1 | 19H2704 | CAP SCREW | 6 | | 5/16" X 5-1/4", HS, SAE 8 |
| 2 | R33188 | PLATE | 1 | | |
| 3 | RE27995 | CLUTCH DISK | 4 | | (A) (SUB FOR R31404 OR RE23000) |
| 4 | R80813 | CLUTCH PLATE | 1 | | (A) (FLAT) (SUB FOR R33873 OR R46391, THIS APPLICATION) |
| | R39325 | CLUTCH PLATE | 3 | | (A) (WAVY) (SUB FOR R32313, R39325 OR R57345, THIS APPLICATION) |
| 5 | R41043 | HUB | 1 | | (A) |
| 6 | R33520 | SNAP RING | 1 | | (A) |
| 7 | R33247 | SNAP RING | 1 | | (A) |
| 8 | R33114 | BUSHING | 1 | | (A) |
| 9 | R66612 | SPRING | 1 | | (A) (SUB FOR R31359) |
| 10 | R41039 | PISTON | 1 | | (A) |
| 11 | R120838 | PACKING | 1 | | (A) |
| 12 | R33246 | SEAL | 1 | | (A) |
| 13 | R33073 | BUSHING | 1 | | |
| 14 | AR71822 | DRUM | 1 | | (MARKED R33072 OR R59495) (SUB FOR AR32115) |
| 15 | F1373R | SNAP RING | 2 | | |
| 16 | JD9230 | BALL BEARING | 1 | | (NLA) |
| 17 | R41042 | SHAFT | 1 | | (NLA) |
| 18 | JD8644 | BALL BEARING | 1 | | (SUB FOR JD9265) |
| 19 | R26643 | SNAP RING | 1 | | |
| 20 | R33118 | THRUST WASHER | 1 | | |
| 21 | R33109 | BUSHING | 1 | | |
| 22 | AR46412 | SHAFT | 1 | | |
| 23 | R44814 | SHAFT | 1 | | (SUB FOR R41752) |

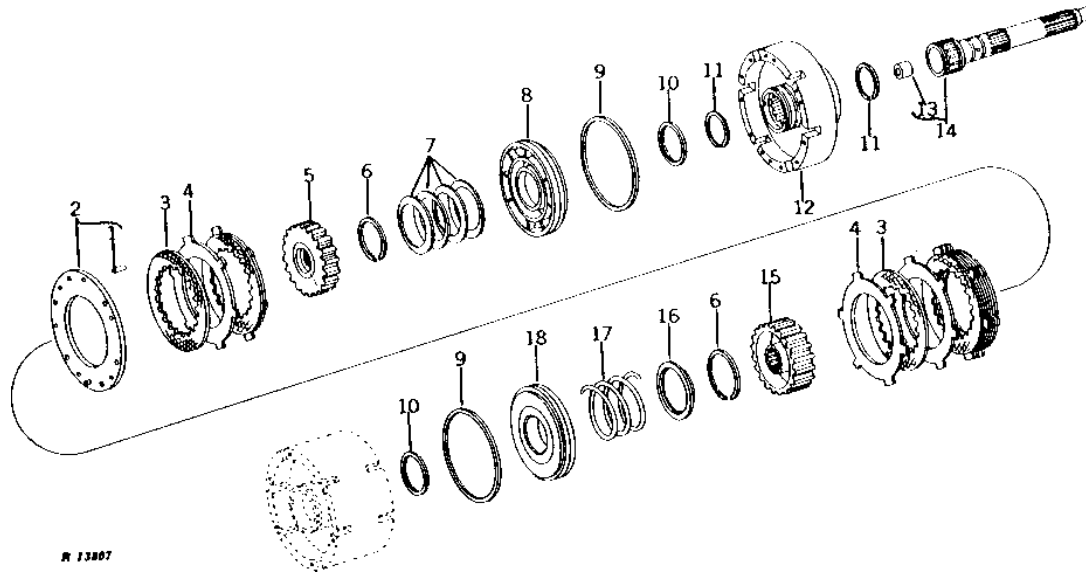
(A) NOT USED ON NO PTO

3C20

POWER TRAIN

TRANSMISSION CLUTCH PACK (FRONT) (POWER SHIFT)

R13807 -UN-01JAN94



| KEY | PART NO. | PART NAME | QTY | TRACTOR SERIAL NO. | REMARKS |
|-----|----------|--------------|-----|--------------------|--|
| 1 | R30587 | DOWEL PIN | 2 | | |
| 2 | AR32136 | PLATE | 1 | | |
| 3 | RE27995 | CLUTCH DISK | 8 | | (SUB FOR R31404 OR RE23000) |
| 4 | R46391 | CLUTCH PLATE | 8 | | (SUB FOR R33873) |
| 5 | AR103337 | HUB | 1 | | (A) (SUB FOR R33183 OR AR71824) |
| 6 | R33247 | SNAP RING | 2 | | |
| 7 | R67840 | DISK SPRING | 4 | | (SUB FOR R33518) |
| 8 | R42850 | PISTON | 1 | | (A) |
| 9 | R120838 | PACKING | 2 | | |
| 10 | R33246 | SEAL | 2 | | |
| 11 | R33169 | SNAP RING | 2 | | |
| 12 | R41036 | DRUM | 1 | -222225 | (USE WITH R33061) |
| | R59494 | DRUM | 1 | 222226- | (SUB FOR R45622) (USE WITH R45621, R69586, R48644 OR R69588) |
| 13 | R33168 | BUSHING | 1 | | |
| 14 | AR32461 | SHAFT | 1 | | |
| 15 | AR103336 | HUB | 1 | | (B) (SUB FOR R33184 OR AR71823) |
| 16 | R33114 | BUSHING | 1 | | |
| 17 | R66612 | SPRING | 1 | | (SUB FOR R31359) |
| 18 | R41039 | PISTON | 1 | | (B) |

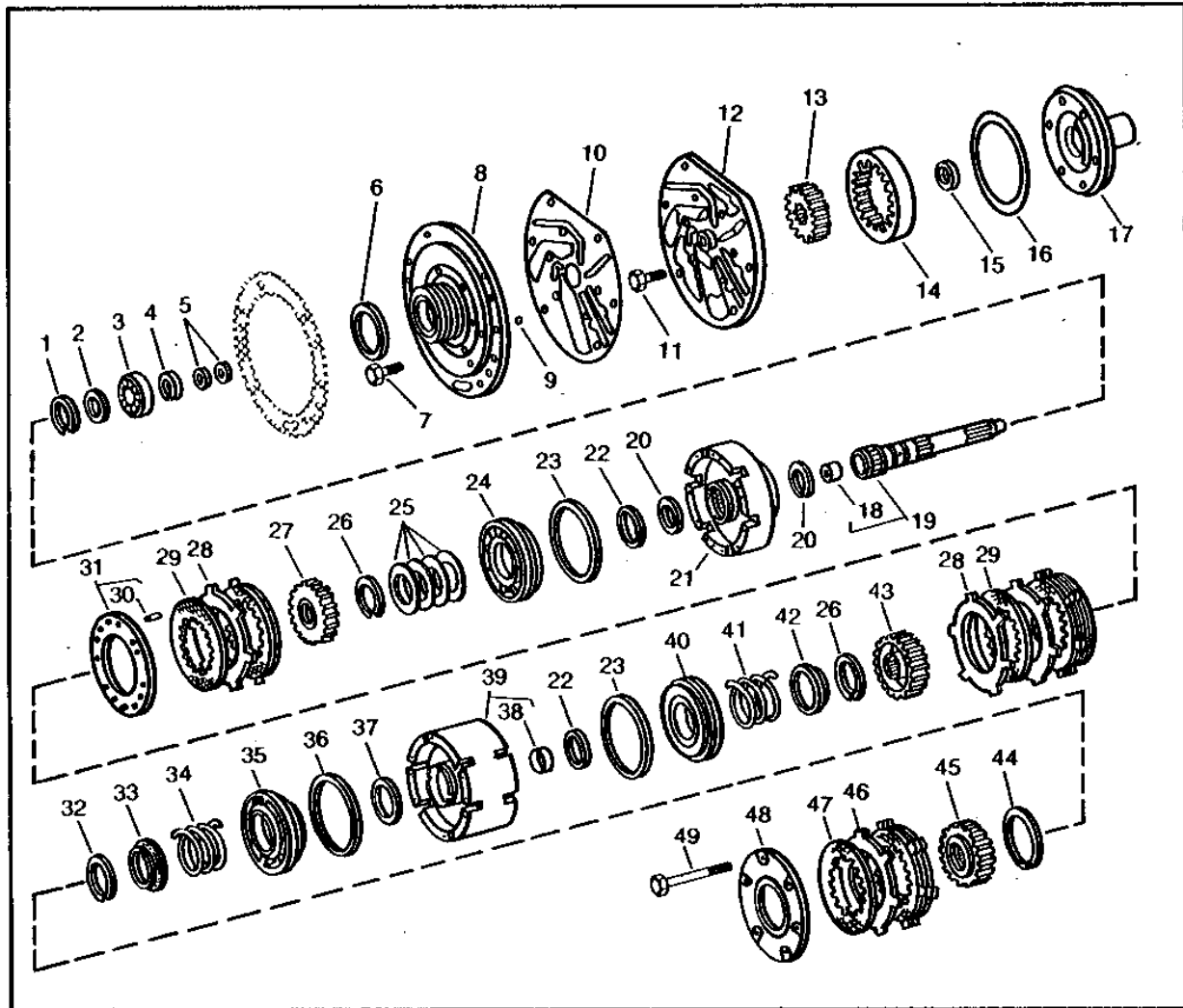
(A) LOW RANGE CLUTCH

(B) HIGH RANGE CLUTCH

3C21

POWER TRAIN

TRANSMISSION CLUTCH ASSEMBLY
(PTO)
RWP2721 -UN-01JAN94



RWP2721

50

3C22

POWER TRAIN

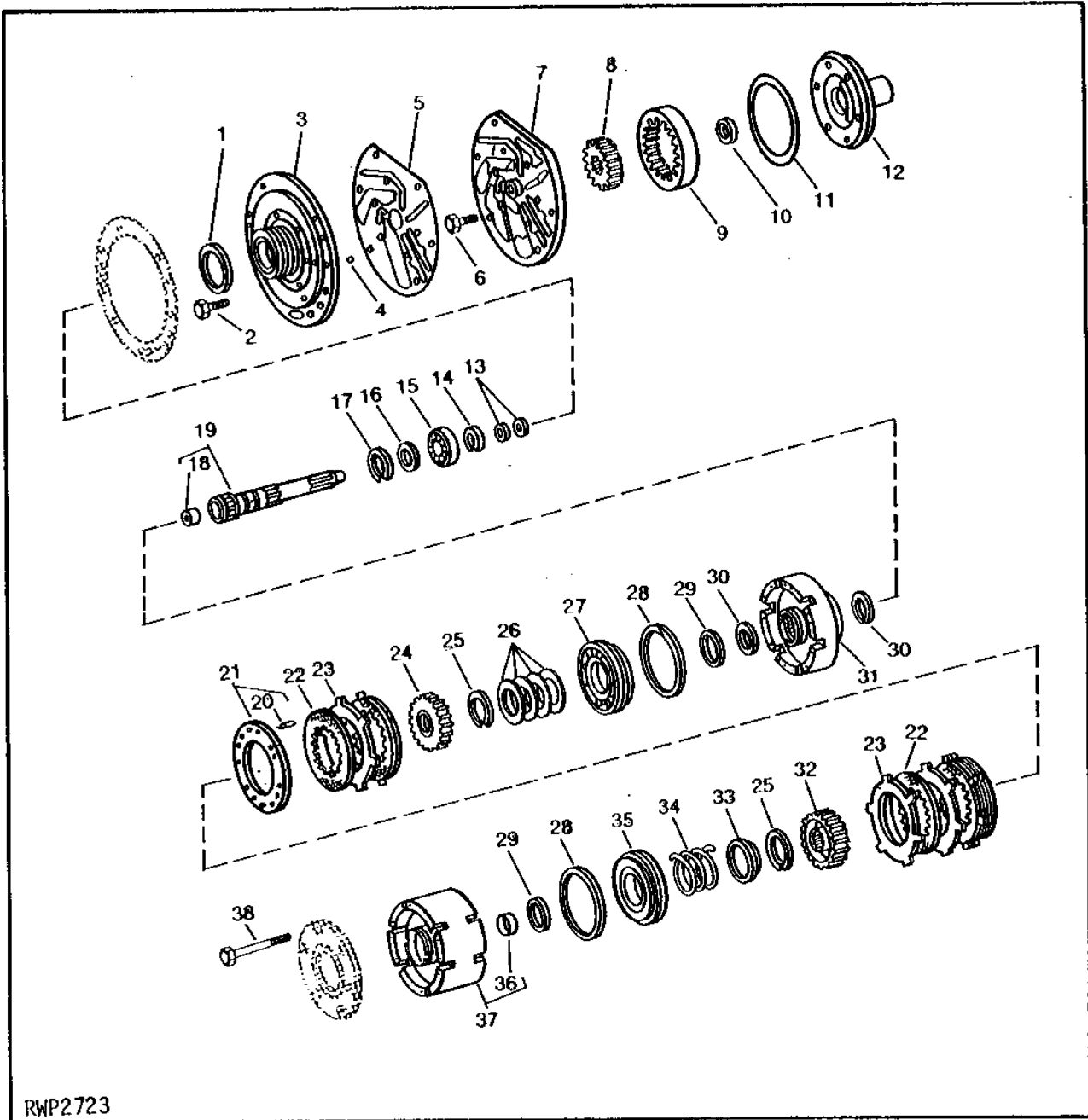
**TRANSMISSION CLUTCH ASSEMBLY - CONTINUED
(PTO)**

| KEY | PART NO. | PART NAME | QTY | TRACTOR SERIAL NO. | REMARKS |
|-----|----------|---------------|-----|-----------------------|---|
| 1 | A3815R | SNAP RING | 1 | | |
| 2 | R34295 | THRUST WASHER | 1 | | |
| 3 | JD7145 | BALL BEARING | 1 | | |
| 4 | F2370R | SNAP RING | 1 | | |
| 5 | R26753 | RING | 2 | | |
| 6 | R33167 | RING | 4 | -222225 | (.124 THICK) |
| | R43752 | RING | 4 | 222226- | (.154 THICK) |
| 7 | R112874 | CAP SCREW | 6 | | |
| 8 | R33061 | MANIFOLD | 1 | -222225 | (USE WITH AR32114 OR R41036) |
| | R69586 | MANIFOLD | 1 | 222226-251799 | (SUB FOR R45621) (SUB RE62596) (USE WITH R45622 OR R59494) |
| | R48649 | MANIFOLD | 1 | 251800- | (SUB RE62596) (USE WITH R45622 OR R59494) |
| 9 | R42849 | BALL | 2 | | 10MM (3/8") |
| 10 | R100234 | GASKET | 1 | | (SUB FOR R33166, R49295, R57915, R69587 OR R70251) |
| 11 | 19H1849 | CAP SCREW | 1 | -251799 | 5/16" X 1-1/4" |
| | 19H1900 | CAP SCREW | 1 | 251800- | 5/16" X 3/4" |
| 12 | AR90850 | HOUSING | 1 | | (MARKED R33133 OR R69589) (SUB FOR AR32127) |
| 13 | R31695 | GEAR | 1 | -251799 | (.809 THICK) |
| | R48176 | GEAR | 1 | 251800- | (.930 THICK) |
| 14 | R27880 | GEAR | 1 | -251799 | (.809 THICK) |
| | R46451 | GEAR | 1 | 251800- | (.930 THICK) |
| 15 | R34650 | SEAL | 1 | | |
| 16 | R39876 | PACKING | 1 | | |
| 17 | AR48898 | HOUSING | 1 | -251799 | (MARKED R31692) (SUB FOR AR30795) |
| | AR51190 | HOUSING | 1 | 251800- | (MARKED R48174) |
| 18 | R33168 | BUSHING | 1 | | |
| 19 | AR32461 | SHAFT | 1 | | |
| 20 | R33169 | SNAP RING | 2 | | |
| 21 | R41036 | DRUM | 1 | -222225 | FRONT, (USE WITH R33061) |
| | R59494 | DRUM | 1 | 222226- | FRONT, (SUB FOR R45622) (USE WITH R45621, R69586 OR R69588) |
| 22 | R33246 | SEAL | 2 | | |
| 23 | R120838 | PACKING | 2 | | |
| 24 | R42850 | PISTON | 1 | | LOW RANGE |
| 25 | R67840 | DISK SPRING | 4 | | (SUB FOR R33518) |
| 26 | R33247 | SNAP RING | 2 | | |
| 27 | AR103337 | HUB | 1 | | (SUB FOR R33183 OR AR71824) |
| 28 | R46391 | CLUTCH PLATE | 8 | | (SUB FOR R33873) |
| 29 | RE27995 | CLUTCH DISK | 8 | | (SUB FOR R31404 OR RE23000) |
| 30 | R30587 | DOWEL PIN | 2 | | |
| 31 | AR32136 | PLATE | 1 | | |
| 32 | R33247 | SNAP RING | 1 | | |
| 33 | R33114 | BUSHING | 1 | | |
| 34 | R66612 | SPRING | 1 | | (SUB FOR R31359) |
| 35 | R41039 | PISTON | 1 | | HIGH RANGE |
| 36 | R120838 | PACKING | 1 | | |
| 37 | R33246 | SEAL | 1 | | |
| 38 | R33073 | BUSHING | 1 | | |
| 39 | AR71822 | DRUM | 1 | | (MARKED R33072 OR R59495) (SUB FOR AR32115) |
| 40 | R41039 | PISTON | 1 | | HIGH RANGE |
| 41 | R66612 | SPRING | 1 | | (SUB FOR R31359) |
| 42 | R33114 | BUSHING | 1 | | |
| 43 | AR103336 | HUB | 1 | | HIGH RANGE, (SUB FOR R33184) |
| 44 | R33520 | SNAP RING | 1 | | |
| 45 | R41043 | HUB | 1 | | PTO CLUTCH |
| 46 | R46391 | CLUTCH PLATE | 1 | | (SUB FOR R33873) |
| | R39325 | CLUTCH PLATE | 3 | | |
| 47 | RE27995 | CLUTCH DISK | 4 | | (SUB FOR R31404 OR RE23000) |
| 48 | R33188 | PLATE | 1 | | |
| 49 | 19H2853 | CAP SCREW | 6 | | 5/16" X 5-1/4", HS, SAE 8 |
| 50 | AR53205 | CLUTCH | 1 | | (ALSO ORDER R41043) (WITH PTO) |

3C23

POWER TRAIN

TRANSMISSION CLUTCH ASSEMBLY
(LESS PTO)
RWP2723 -UN-01JAN94



3C24

POWER TRAIN

**TRANSMISSION CLUTCH ASSEMBLY - CONTINUED
(LESS PTO)**

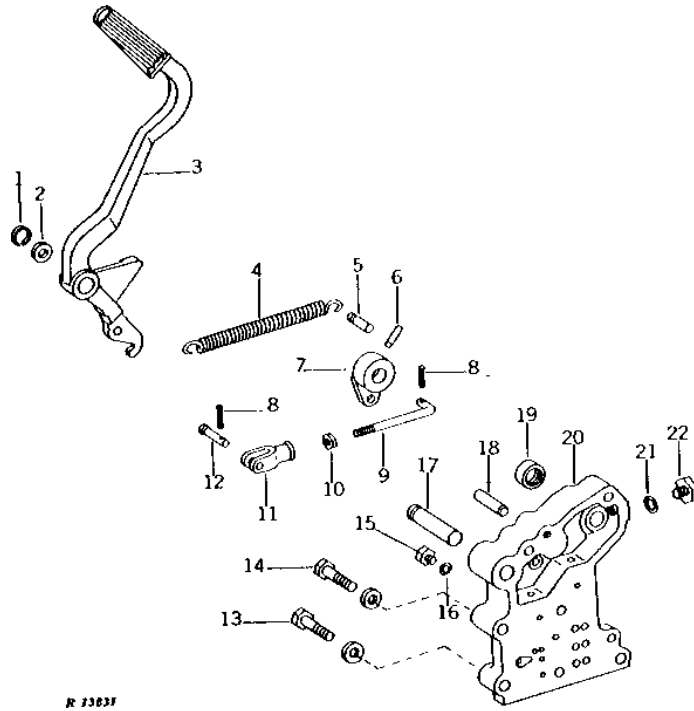
| KEY | PART NO. | PART NAME | QTY | TRACTOR SERIAL NO. | REMARKS |
|-----|----------|---------------|-----|-----------------------|---|
| 1 | R33167 | RING | 4 | -222225 | |
| | R76514 | RING | 4 | 222226- | (SUB FOR R43752) |
| 2 | R41035 | CAP SCREW | 6 | | |
| 3 | R33061 | MANIFOLD | 1 | -222225 | |
| | R69586 | MANIFOLD | 1 | 222226- | (SUB FOR R45621) (SUB R69588) |
| | R48649 | MANIFOLD | 1 | 251800- | (SUB R69588) (USE WITH AR90850) |
| 4 | R42849 | BALL | 2 | | 10MM (3/8") |
| 5 | R70251 | GASKET | 1 | | (SUB FOR R33166, R49295, R57915 OR R69587) (SUB R100234) |
| 6 | 19H1849 | CAP SCREW | 1 | -251799 | 5/16" X 1-1/4" |
| | 19H1900 | CAP SCREW | 1 | 251800- | 5/16" X 3/4" |
| 7 | AR90850 | HOUSING | 1 | | (MARKED R33133 OR R69589) (SUB FOR AR32127) |
| 8 | R31695 | GEAR | 1 | -251799 | |
| | R48176 | GEAR | 1 | 251800- | |
| 9 | R27880 | GEAR | 1 | -251799 | |
| | R46451 | GEAR | 1 | 251800- | |
| 10 | R34650 | SEAL | 1 | | |
| 11 | R39876 | PACKING | 1 | | |
| 12 | AR48898 | HOUSING | 1 | -251799 | (MARKED R31692) (SUB FOR AR30795) |
| | AR51190 | HOUSING | 1 | 251800- | (MARKED R48174) (SUB AR67030) |
| 13 | R26753 | RING | 2 | | |
| 14 | F2370R | SNAP RING | 1 | | |
| 15 | JD7145 | BALL BEARING | 1 | | |
| 16 | R34295 | THRUST WASHER | 1 | | |
| 17 | A3815R | SNAP RING | 1 | | |
| 18 | R33168 | BUSHING | 1 | | |
| 19 | AR32461 | SHAFT | 1 | | |
| 20 | R30587 | DOWEL PIN | 2 | | |
| 21 | AR32136 | PLATE | 1 | | |
| 22 | RE23000 | CLUTCH DISK | 8 | | (SUB FOR R31404) (SUB RE27995) |
| 23 | R46391 | CLUTCH PLATE | 8 | | (SUB FOR R33873) |
| 24 | AR103337 | HUB | 1 | | (SUB FOR R33183 OR AR71824) |
| 25 | R33247 | SNAP RING | 2 | | |
| 26 | R67840 | DISK SPRING | 4 | | (SUB FOR R33518) |
| 27 | R42850 | PISTON | 1 | | LOW RANGE |
| 28 | R41166 | SEAL | 2 | | (SUB R120838) |
| 29 | R33246 | SEAL | 2 | | |
| 30 | R33169 | SNAP RING | 2 | | |
| 31 | R41036 | DRUM | 1 | -222225 | FRONT |
| | R59494 | DRUM | 1 | 222226- | FRONT, (SUB FOR R45622) |
| 32 | AR103336 | HUB | 1 | | HIGH RANGE, (SUB FOR R33184) |
| 33 | R33114 | BUSHING | 1 | | |
| 34 | R66612 | SPRING | 1 | | (SUB FOR R31359) |
| 35 | R41039 | PISTON | 1 | | HIGH RANGE |
| 36 | R33073 | BUSHING | 1 | | |
| 37 | AR71822 | DRUM | 1 | | (MARKED R33072 OR R59495) (SUB FOR AR32115) |
| 38 | 19H2704 | CAP SCREW | 6 | | 5/16" X 5-1/4", HS, SAE 8 |
| 39 | AR53204 | CLUTCH | 1 | | |

3C25

POWER TRAIN

TRANSMISSION CLUTCH VALVE, PEDAL, AND LINKAGE (POWER SHIFT)

R13831 -UN-01JAN94



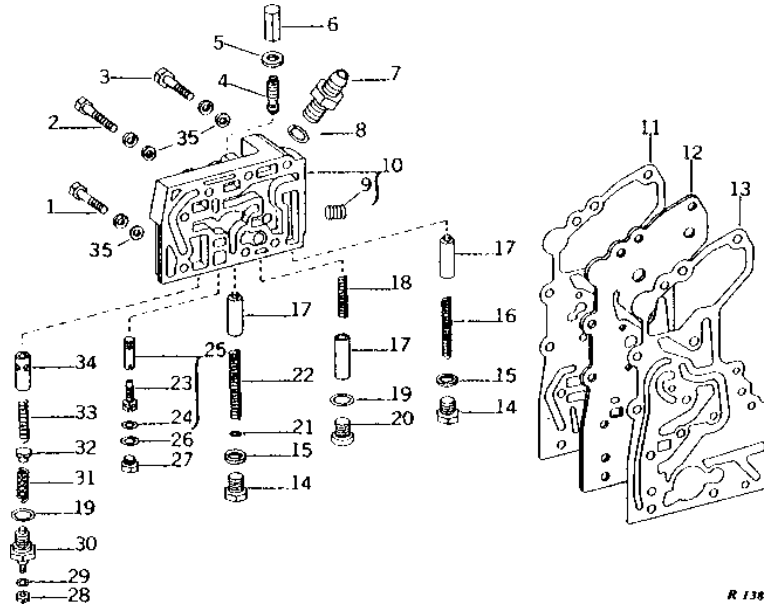
| KEY | PART NO. | PART NAME | QTY | TRACTOR SERIAL NO. | REMARKS |
|-----|----------|--------------|-----|--------------------|---|
| 1 | R73380 | SNAP RING | 1 | | (SUB FOR A369R) |
| 2 | 24H1395 | WASHER | 1 | | 25/32" X 1-7/16" X 0.060" |
| 3 | R44395 | PEDAL | 1 | | |
| 4 | R43684 | SPRING | 1 | | |
| 5 | R33837 | PIN | 1 | | |
| 6 | 34H188 | SPRING PIN | 1 | | 5/16" X 1-3/4" |
| 7 | R33157 | LEVER | 1 | | |
| 8 | 11M7081 | COTTER PIN | 2 | | 0.098" X 0.787" |
| 9 | R33165 | HOOK BOLT | 1 | | |
| 10 | 14H732 | NUT | 1 | | 3/8" |
| 11 | C284R | YOKE | 1 | | |
| 12 | R65563 | PIN | 1 | | (SUB FOR C1067R) |
| 13 | 19H2055 | CAP SCREW | 5 | | 7/16" X 2-1/4" |
| | 12H293 | LOCK WASHER | 5 | | 7/16" |
| 14 | 19H2227 | CAP SCREW | 2 | | 7/16" X 2-1/2" |
| | 12H293 | LOCK WASHER | 2 | | 7/16" |
| 15 | R27094 | DRAIN PLUG | 3 | | |
| 16 | R26286 | O-RING | 3 | | |
| 17 | R33156 | PIN | 1 | | |
| 18 | B3595R | DOWEL PIN | 2 | | |
| 19 | AF2907R | SEAL | 1 | | |
| 20 | AR45381 | HOUSING | 1 | | (MARKED R41151, R41152, R41153 OR R41164) (SUB AR88040 AND 15H558) |
| 21 | R26448 | O-RING | 1 | | |
| 22 | R27218 | FITTING PLUG | 1 | | |

3D1

POWER TRAIN

TRANSMISSION CLUTCH REGULATING VALVE (POWER SHIFT)

R13857 -UN-01JAN94



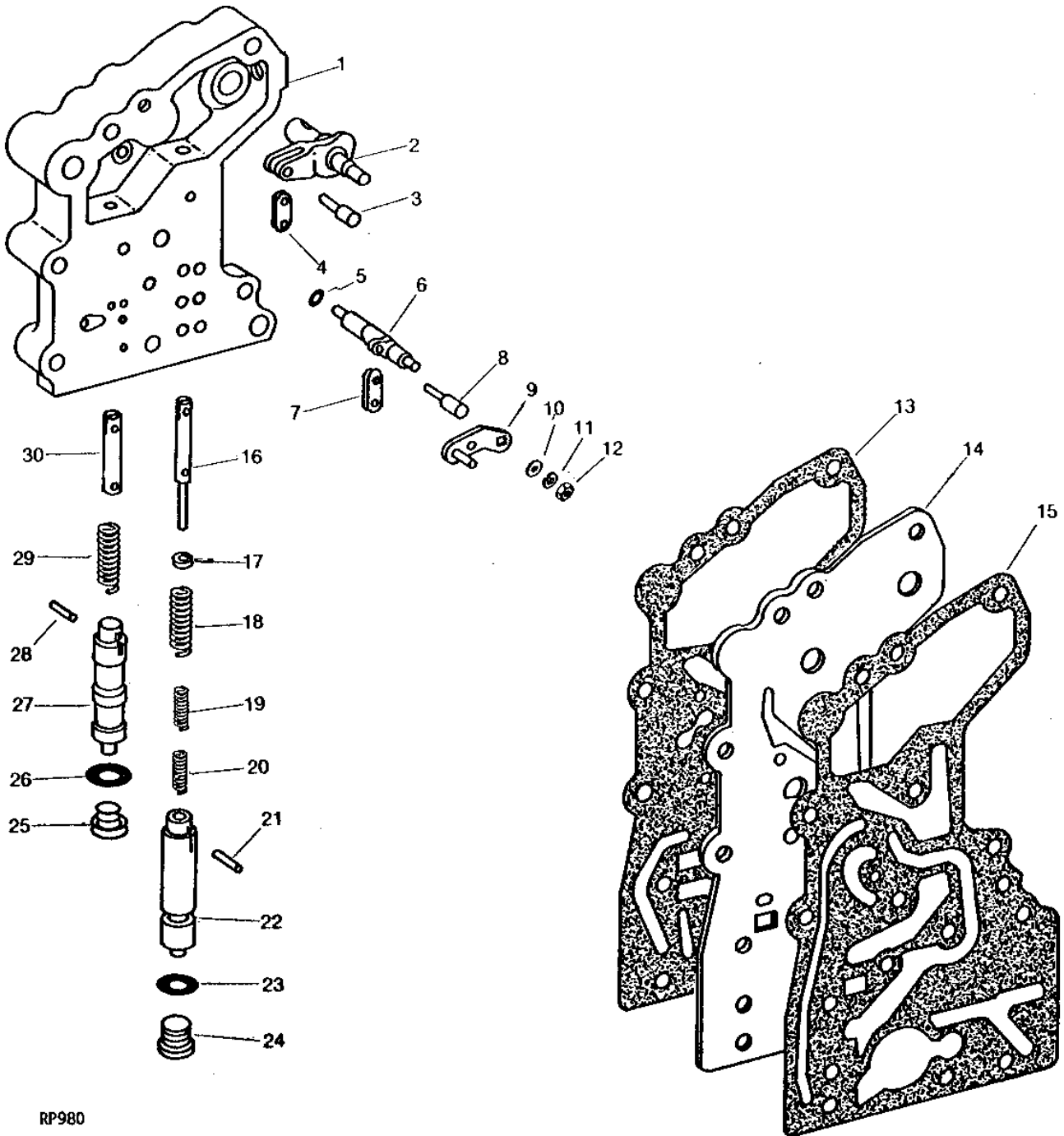
R 13857

| KEY | PART NO. | PART NAME | QTY | TRACTOR SERIAL NO. | REMARKS |
|-----|----------|--------------|-----|--------------------|--------------------------------------|
| 1 | 19H2055 | CAP SCREW | 3 | | 7/16" X 2-1/4" |
| | 12H293 | LOCK WASHER | 4 | | 7/16" |
| 2 | 19H1828 | CAP SCREW | 2 | | 7/16" X 4" |
| | 12H293 | LOCK WASHER | 2 | | 7/16" |
| 3 | 19H2055 | CAP SCREW | 1 | | 7/16" X 2-1/4" |
| | 12H293 | LOCK WASHER | 1 | | 7/16" |
| 4 | R39587 | SET SCREW | 1 | | |
| 5 | F2846R | WASHER | 1 | | |
| 6 | F2847R | NUT | 1 | | |
| 7 | R27267 | FITTING | 1 | | |
| 8 | F3171R | O-RING | 1 | | |
| 9 | 15H624 | PIPE PLUG | 1 | | 1/2" |
| 10 | R41404 | HOUSING | 1 | | (ALSO ORDER 15H225) |
| 11 | R98926 | GASKET | 1 | | (SUB FOR R33178, R46816 OR R51573) |
| 12 | R33164 | PLATE | 1 | | |
| 13 | R94331 | GASKET | 1 | | (SUB FOR R33177, R46815 OR T67029) |
| 14 | R52589 | FITTING PLUG | 2 | | (SUB FOR R33163) |
| 15 | R1742R | WASHER | 2 | | |
| 16 | R39808 | SPRING | 1 | | |
| 17 | R57559 | VALVE | 3 | | (ALSO ORDER R33259) (SUB FOR R33162) |
| 18 | R28914 | SPRING | 1 | | |
| 19 | R26375 | O-RING | 2 | | |
| 20 | R33138 | FITTING | 1 | | |
| 21 | R33521 | SHIM | AR | | 0.76MM (.030") |
| 22 | R41850 | SPRING | 1 | | |
| 23 | R34028 | BOLT | 1 | | |
| 24 | R10093 | O-RING | 1 | | |
| 25 | AR47611 | ORIFICE | 1 | | (SUB R10093, R34028 AND R45573) |
| 26 | R26286 | O-RING | 1 | | |
| 27 | R27094 | DRAIN PLUG | 1 | | |
| 28 | 14H631 | NUT | 1 | | 0.190" |
| 29 | 24H1283 | WASHER | 1 | | 7/32" X 1/2" X 0.049" |
| 30 | AR40795 | TOUCH SWITCH | 1 | | |
| 31 | R41147 | SPRING | 1 | -217900 | |
| | R46426 | SPRING | 1 | 217901- | |
| 32 | R65652 | GUIDE | 1 | | (SUB FOR R41148) |
| 33 | R42057 | SPRING | 1 | | OUTER |
| | R33173 | SPRING | 1 | 217901- | INNER |
| 34 | R41146 | VALVE | 1 | -258560 | |
| | R49198 | VALVE | 1 | 258561- | (SUB R33259 AND R57560) |
| 35 | 24H1325 | WASHER | 7 | | 15/32" X 59/64" X 0.065" |

3D2

POWER TRAIN

TRANSMISSION AND PTO CLUTCH VALVES AND GASKETS
(POWER SHIFT)
RP980 -UN-01JAN94



RP980

3D3

POWER TRAIN

**TRANSMISSION AND PTO CLUTCH VALVES AND GASKETS - CONTINUED
(POWER SHIFT)**

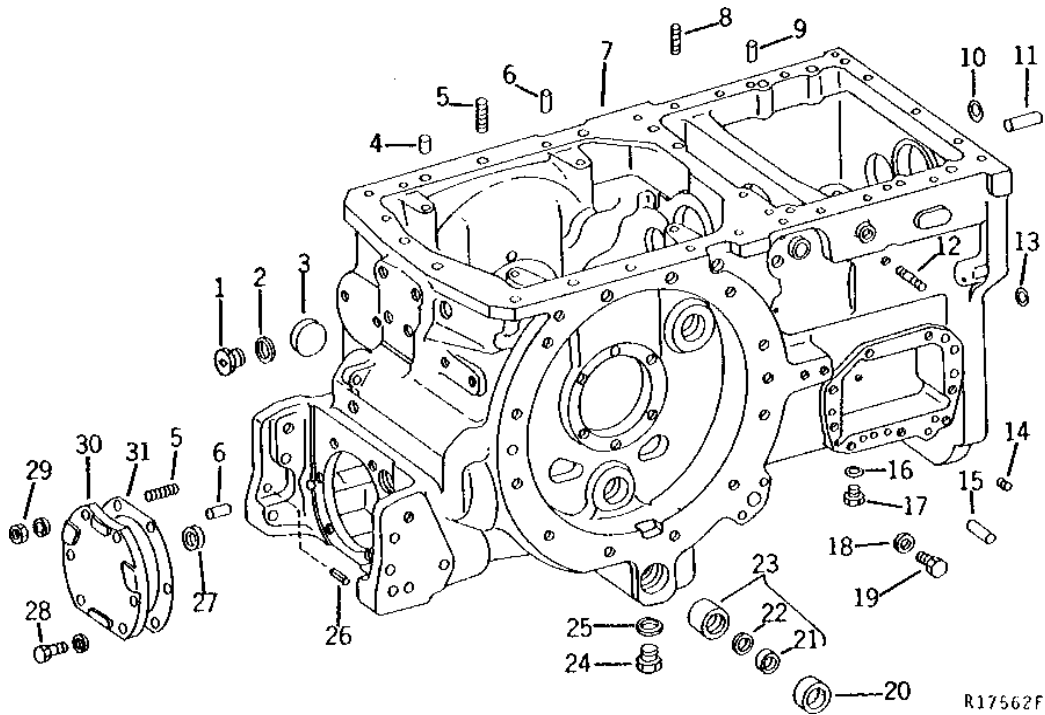
| KEY | PART NO. | PART NAME | QTY | TRACTOR SERIAL NO. | REMARKS |
|-----|----------|-------------|-----|-----------------------|--|
| 1 | AR88040 | HOUSING | 1 | | (MARKED R41151, R41152, R41153 OR R44164) (SUB FOR AR40794 OR AR45381) (ALSO ORDER 15H558) |
| 2 | AR32128 | SHAFT | 1 | | (SUB RE19993) |
| 3 | R33145 | PIN | 2 | | |
| 4 | R28401 | LINK | 1 | | |
| 5 | A3917R | O-RING | 1 | | |
| 6 | AR61609 | SHAFT | 1 | | (A) (SUB FOR AR27720 OR AR48690) (SUB AR98146, (2) R28359 AND A3917R) |
| 7 | R28401 | LINK | 1 | | (A) |
| 8 | R33145 | PIN | 2 | | (A) |
| 9 | AR48689 | ARM | 1 | | (A) (SUB FOR AR40929) |
| 10 | 24H1287 | WASHER | 1 | | (A) 9/32" X 5/8" X 0.065" |
| 11 | 12H302 | LOCK WASHER | 1 | | (A) 1/4" |
| 12 | 14H786 | NUT | 1 | | (A) 1/4" |
| 13 | R98926 | GASKET | 1 | | (SUB FOR R33178, R46816 OR R51573) |
| 14 | R33164 | PLATE | 1 | | |
| 15 | R94331 | GASKET | 1 | | (SUB FOR R33177, R46815 OR T67029) |
| 16 | R33137 | SHAFT | 1 | | |
| 17 | R33521 | SHIM | 1 | | 0.76MM (.30") (SUB R56351, THIS APPLICATION) |
| 18 | R33173 | SPRING | 1 | | |
| 19 | R33174 | SPRING | 1 | | |
| 20 | R33175 | SPRING | 1 | | |
| 21 | 34H245 | SPRING PIN | 1 | | 1/8" X 5/8" |
| 22 | R33136 | VALVE | 1 | | |
| 23 | R26375 | O-RING | 1 | | |
| 24 | R33138 | FITTING | 1 | | |
| 25 | R33138 | FITTING | 1 | | (A) |
| 26 | R26375 | O-RING | 1 | | (A) |
| 27 | R47509 | VALVE | 1 | | (A) (SUB FOR R41502) |
| 28 | 34H260 | SPRING PIN | 1 | | (A) 5/32" X 5/8" |
| 29 | R31725 | SPRING | 1 | | (A) |
| 30 | R41503 | SHAFT | 1 | | |

(A) PTO

3D4

POWER TRAIN

**TRANSMISSION CASE
(POWER SHIFT)**
R17562 -UN-01JAN94



| KEY | PART NO. | PART NAME | QTY | TRACTOR SERIAL NO. | REMARKS |
|-----|------------------|------------------------|--------|--------------------|--|
| 1 | R27483 | PLUG | 1 | | |
| 2 | H851R | WASHER | 1 | | |
| 3 | R38344 | CAP | 1 | | (1000 RPM PTO OR LESS PTO) |
| 4 | R1612R 15H558 | DOWEL PIN PIPE PLUG | 4 4 | -250000 250001- | 1/8", (SUB FOR R21630) |
| 5 | R32101 | STUD | 6 | | |
| 6 | R48685 | DOWEL PIN | 4 | | (SUB FOR A120R) |
| 7 | AR41779 | CASE | 1 | -250000 | (MARKED R40480) (SUB AR50633, R46513 AND (6) R48240) |
| | AR50633 | TRANSMISSION CASE | 1 | 250001- | (MARKED R47350) (NLA) |
| 8 | R32042 | STUD | 3 | | |
| 9 | R33703 | DOWEL PIN | 2 | | |
| 10 | A4730R | O-RING | 2 | | |
| 11 | A776R | PIN | 2 | | |
| 12 | R27612 | STUD | 1 | | |
| 13 | R459R | O-RING | 3 | | |
| 14 | 15H559 | PIPE PLUG | 2 | | 1/4" |
| 15 | R54380 | DOWEL PIN | 4 | | (SUB FOR T25317) |
| 16 | R26286 | O-RING | 6 | | |
| 17 | R27094 | DRAIN PLUG | 6 | | |
| 18 | R51494 | WASHER | 1 | | (LESS DIFFERENTIAL LOCK) |
| 19 | R27218 | FITTING PLUG | 1 | | (LESS DIFFERENTIAL LOCK) |
| 20 | R26505 | BUSHING | 2 | -250000 | |
| | R45515 | BUSHING | 2 | -250000 | 0.08MM (.003") OVERSIZE |
| | R45516 | BUSHING | 2 | -250000 | 0.15MM (.006") OVERSIZE |
| | R46801 | BUSHING | 2 | -250000 | 0.76MM (.030") OVERSIZE |
| 21 | R46511 | WASHER | 2 | 250001- | (USE WITH U12037 IN BUSHING WITH 5.33MM (.210") WIDE GROOVE) |
| | R53177 | WASHER | 2 | 250001- | (USE WHEN AR54481 OR AR85459 HAVE BEEN INSTALLED) (USE WITH R53180 IN BUSHING WITH 7.62MM (.300") WIDE GROOVE) |

3D5

POWER TRAIN

**TRANSMISSION CASE - CONTINUED
(POWER SHIFT)**

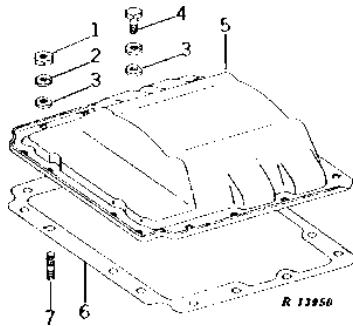
| KEY | PART NO. | PART NAME | QTY | TRACTOR SERIAL NO. | REMARKS |
|-----|----------|-------------|-----|-----------------------|--|
| 22 | U12037 | O-RING | 2 | 250001- | (USE WITH R46511 IN BUSHING WITH 5.33MM (.210") WIDE GROOVE) (SUB FOR R48474) |
| | R53180 | O-RING | 2 | 250001- | (USE WHEN AR54481 OR AR85459 HAVE BEEN INSTALLED) (USE WITH R53177 IN BUSHING WITH 7.62MM (.300") WIDE GROOVE) |
| | | | | | (SUB FOR AR49127, AR53116 OR AR85459) |
| 23 | AR54481 | BUSHING | 2 | 250001- | |
| 24 | F3128R | DRAIN PLUG | 1 | | |
| 25 | A4827R | WASHER | 1 | | ALUMINUM |
| 26 | 34H348 | SPRING PIN | 2 | | 3/8" X 1" |
| 27 | R33498 | CAP | 1 | | (1000 RPM PTO OR LESS PTO) |
| 28 | 19H1815 | CAP SCREW | 4 | | 1/2" X 1-1/4" |
| | 12H301 | LOCK WASHER | 4 | | 1/2" |
| 29 | 14H1040 | NUT | 2 | | 1/2" |
| | 12H301 | LOCK WASHER | 2 | | 1/2" |
| 30 | R33489 | COVER | 1 | | (LESS PTO) |
| 31 | R33337 | GASKET | 1 | | |

3D6

POWER TRAIN

TRANSMISSION CASE COVER (POWER SHIFT)

R13950 -UN-01JAN94



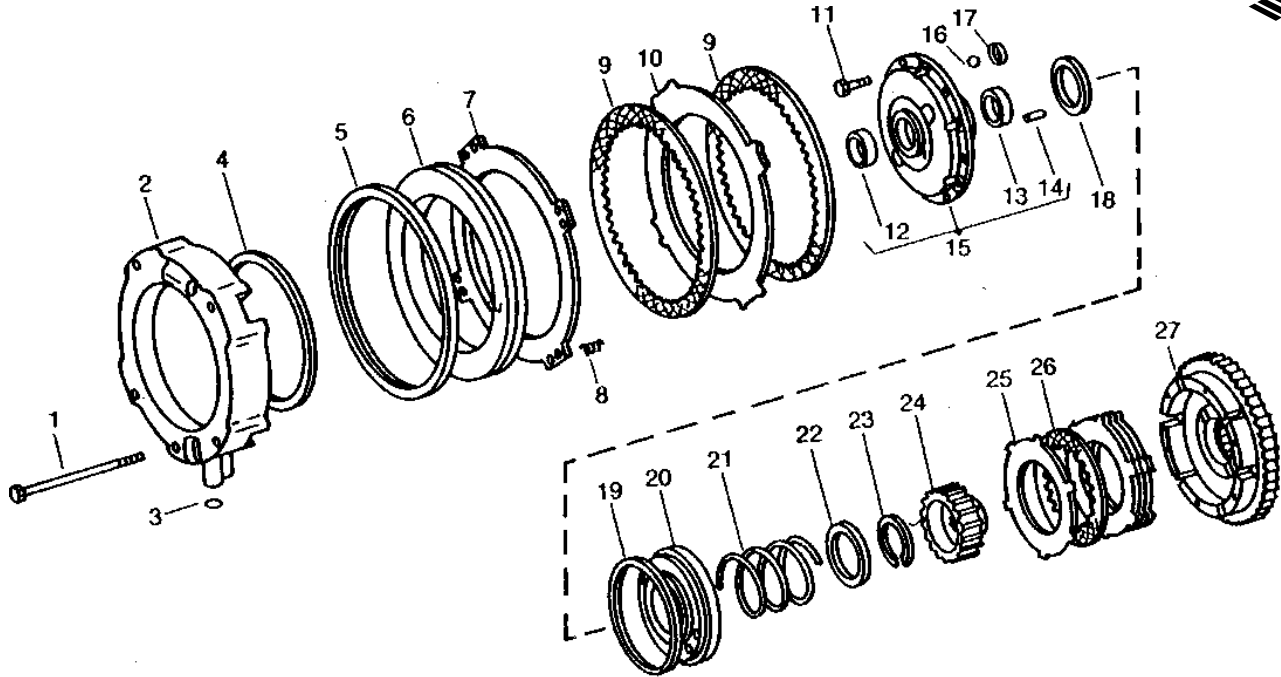
| KEY | PART NO. | PART NAME | QTY | TRACTOR SERIAL NO. | REMARKS |
|-----|----------|-------------|-----|-----------------------|---------|
| 1 | 14H1076 | NUT | 3 | 3/8" | |
| 2 | 12H304 | LOCK WASHER | 3 | 3/8" | |
| 3 | A4624R | WASHER | 11 | | |
| 4 | 19H1731 | CAP SCREW | 8 | 3/8" X 1" | |
| | 12H304 | LOCK WASHER | 8 | 3/8" | |
| 5 | R73989 | COVER | 1 | (SUB FOR R40911) | |
| 6 | R40912 | GASKET | 1 | | |
| 7 | R32042 | STUD | 3 | | |

3D7

POWER TRAIN

FOURTH PLANETARY BRAKE AND CLUTCH PACK (POWER SHIFT)

RP620 -UN-01JAN94



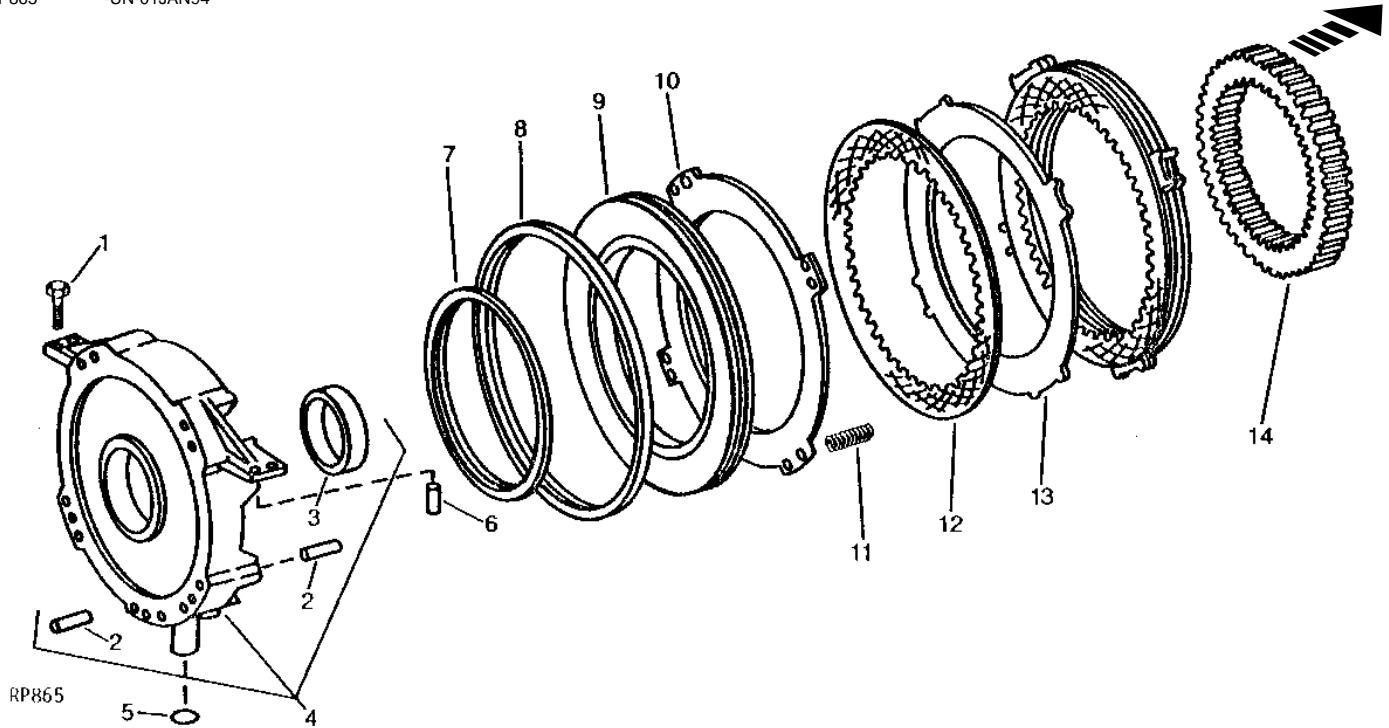
RP620

| KEY | PART NO. | PART NAME | QTY | TRACTOR SERIAL NO. | REMARKS |
|-----|----------|--------------------|-----|-----------------------------------|---------|
| 1 | 19H3394 | CAP SCREW | 5 | 3/8" X 8" | |
| 2 | R33042 | HOUSING | 1 | | |
| 3 | R459R | O-RING | 2 | | |
| 4 | R65479 | PACKING | 1 | (SUB FOR R33244 OR R44816) | |
| 5 | R65480 | PACKING | 1 | (SUB FOR R33245 OR R44817) | |
| 6 | R81494 | PISTON | 1 | (SUB FOR R33261 OR R65592) | |
| 7 | R48235 | PLATE | 1 | (SUB FOR R33871) | |
| 8 | R74852 | SPRING | 8 | (SUB FOR R33054) | |
| 9 | R33053 | DISK, INNER SPLINE | 2 | | |
| 10 | R48236 | PLATE | 1 | (SUB FOR R33872) | |
| 11 | R112872 | CAP SCREW | 6 | (SUB FOR R41168) | |
| 12 | R67876 | BUSHING | 1 | (SUB FOR R34612) (SUB R79078) | |
| 13 | R67875 | BUSHING | 1 | (SUB FOR R34611) (SUB R79077) | |
| 14 | R28671 | DOWEL PIN | 1 | | |
| 15 | AR89865 | HOUSING | 1 | (MARKED R33012) (SUB FOR AR32104) | |
| 16 | 400R | BALL | 1 | | |
| 17 | R40426 | CAP | 1 | | |
| 18 | R33246 | SEAL | 1 | | |
| 19 | R120838 | PACKING | 1 | (SUB FOR R41166) OUTER | |
| 20 | R41039 | PISTON | 1 | | |
| 21 | R66612 | SPRING | 1 | (SUB FOR R31359) | |
| 22 | R33114 | BUSHING | 1 | | |
| 23 | R33247 | SNAP RING | 1 | | |
| 24 | R33263 | HUB | 1 | | |
| 25 | R46391 | CLUTCH PLATE | 4 | (SUB FOR R33873) | |
| 26 | RE27995 | CLUTCH DISK | 4 | (SUB FOR R31404 OR RE23000) | |
| 27 | R41174 | DRUM | 1 | -XXXXXX (24 TEETH) | |
| | R49262 | DRUM | 1 | XXXXXX- (22 TEETH) | |

3D8

POWER TRAIN

THIRD PLANETARY BRAKE
(POWER SHIFT)
RP865 -UN-01JAN94



| KEY | PART NO. | PART NAME | QTY | TRACTOR SERIAL NO. | REMARKS |
|-----|----------|--------------------|-----|---------------------------|----------------------------|
| 1 | 19H1978 | CAP SCREW | 2 | 7/16" X 1-1/2" | |
| 2 | R36666 | DOWEL PIN | 4 | | |
| 3 | R33045 | BUSHING | 1 | | |
| 4 | AR79681 | HOUSING | 1 | (MARKED R41377 OR R64148) | (SUB FOR AR40986) |
| 5 | R459R | O-RING | 1 | | |
| 6 | R33703 | DOWEL PIN | 2 | | |
| 7 | R65478 | PACKING | 1 | | (SUB FOR R41379 OR R44815) |
| 8 | R65480 | PACKING | 1 | | (SUB FOR R33245 OR R44817) |
| 9 | R65591 | PISTON | 1 | | (SUB FOR R41378) |
| 10 | R48235 | PLATE | 1 | | (SUB FOR R33871) |
| 11 | H343R | SPRING | 8 | | |
| 12 | R33053 | DISK, INNER SPLINE | 4 | | |
| 13 | R48236 | PLATE | 3 | | (SUB FOR R33872) |
| 14 | R33052 | GEAR | 1 | -XXXXXX | |
| | R49261 | GEAR | 1 | XXXXXX- | |

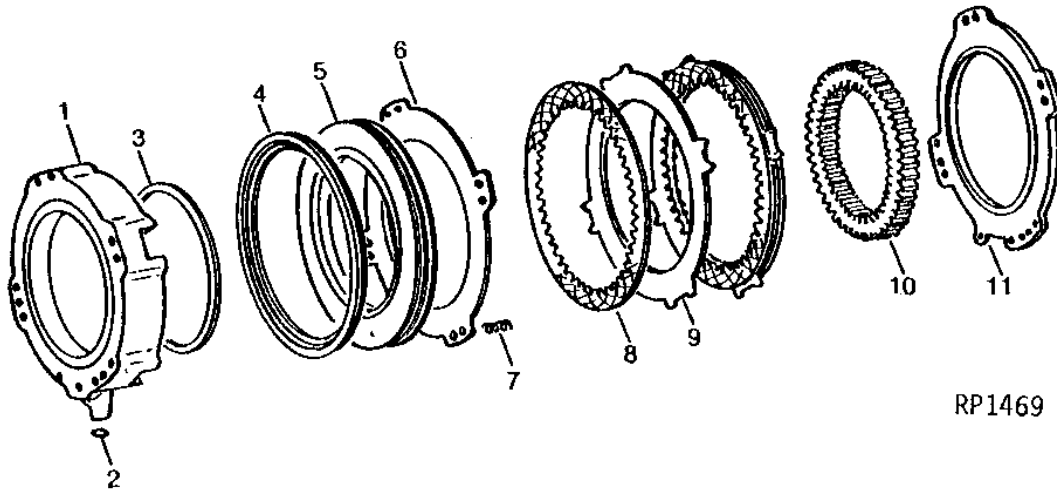
3D9

POWER TRAIN

SECOND PLANETARY BRAKE

(POWER SHIFT)

RP1469 -UN-01JAN94



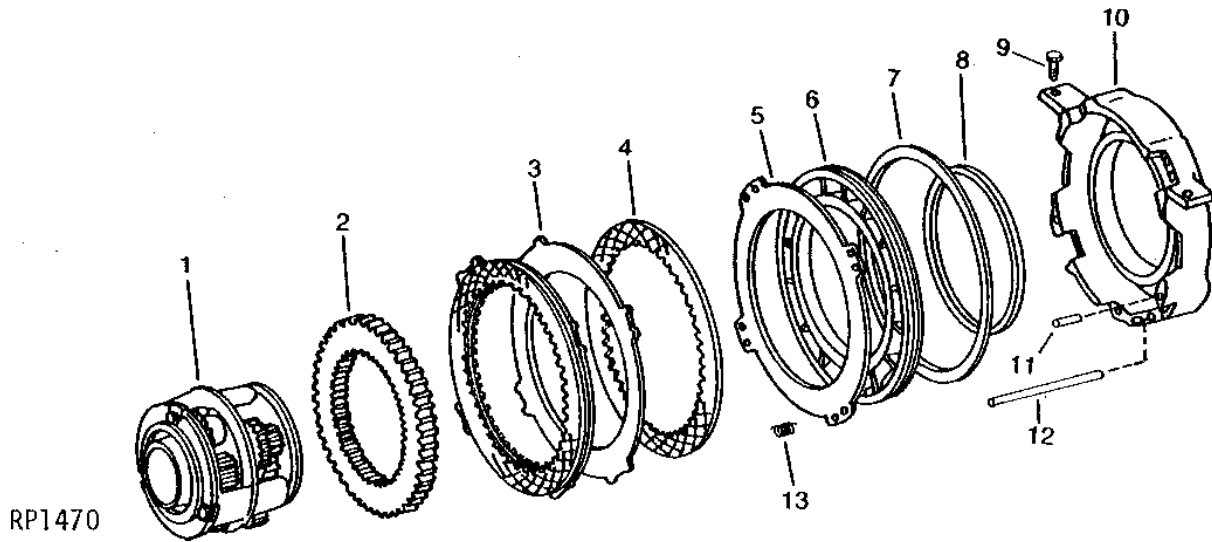
RP1469

| KEY | PART NO. | PART NAME | QTY | TRACTOR SERIAL NO. | REMARKS |
|-----|----------|--------------------|-----|--------------------|----------------------------|
| 1 | R33040 | HOUSING | 1 | | |
| 2 | R459R | O-RING | 1 | | |
| 3 | R65479 | PACKING | 1 | | (SUB FOR R33244 OR R44816) |
| 4 | R65480 | PACKING | 1 | | (SUB FOR R33245 OR R44817) |
| 5 | R81494 | PISTON | 1 | | (SUB FOR R33261 OR R65592) |
| 6 | R48235 | PLATE | 1 | | (SUB FOR R33871) |
| 7 | R74852 | SPRING | 8 | | (SUB FOR R33054) |
| 8 | R33053 | DISK, INNER SPLINE | 3 | | |
| 9 | R48236 | PLATE | 2 | | (SUB FOR R33872) |
| 10 | R33051 | RING GEAR | 1 | | |
| 11 | R33047 | PLATE | 1 | | |

3D10

POWER TRAIN

FIRST PLANETARY BRAKE
(POWER SHIFT)
RP1470 -UN-01JAN94



| KEY | PART NO. | PART NAME | QTY | TRACTOR SERIAL NO. | REMARKS |
|-----|----------|--------------------|-----|--------------------|----------------------------|
| 1 | AR53038 | GEAR | 1 | | |
| 2 | R51304 | GEAR | 1 | | (SUB FOR R33050) |
| 3 | R48236 | PLATE | 2 | | (SUB FOR R33872) |
| 4 | R33053 | DISK, INNER SPLINE | 3 | | |
| 5 | R48235 | PLATE | 1 | | (SUB FOR R33871) |
| 6 | R81494 | PISTON | 1 | | (SUB FOR R33261 OR R65592) |
| 7 | R65480 | PACKING | 1 | | (SUB FOR R33245 OR R44817) |
| 8 | R65479 | PACKING | 1 | | (SUB FOR R33244 OR R44816) |
| 9 | 19H1978 | CAP SCREW | 2 | | 7/16" X 1-1/2" |
| 10 | R33039 | HOUSING | 1 | | |
| 11 | R36666 | DOWEL PIN | 2 | | |
| 12 | R33111 | PIN | 4 | | |
| 13 | R74852 | SPRING | 8 | | (SUB FOR R33054) |

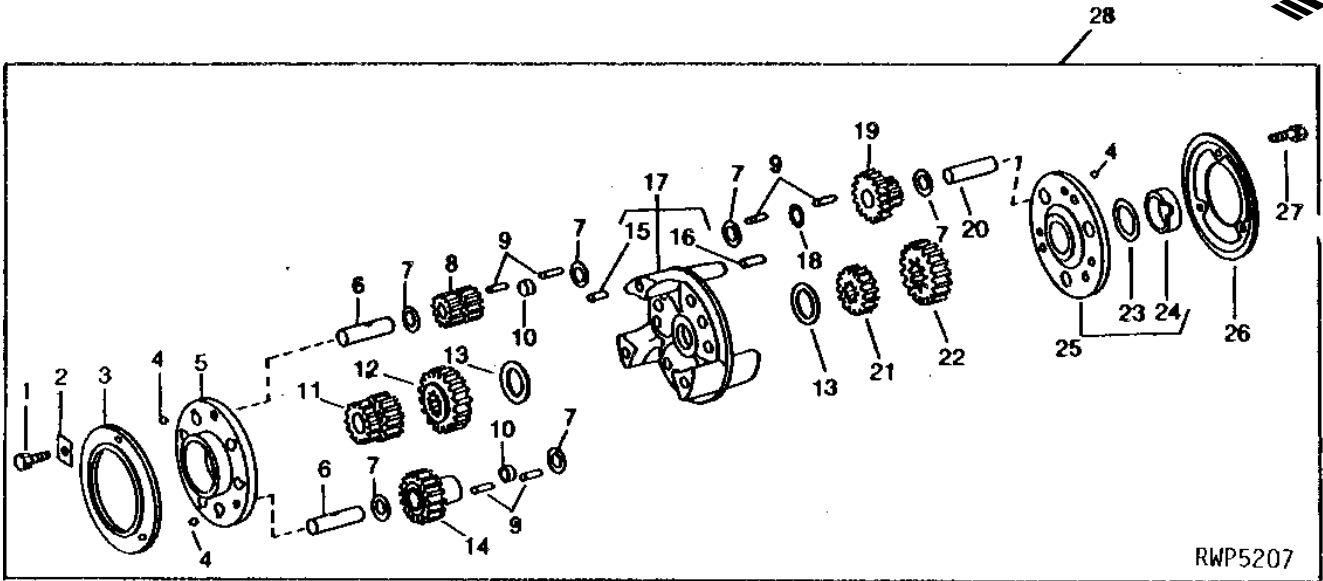
3D11

POWER TRAIN

PLANETARY CARRIER ASSEMBLY

(POWER SHIFT)

RWP5207 -UN-01JAN94



RWP5207

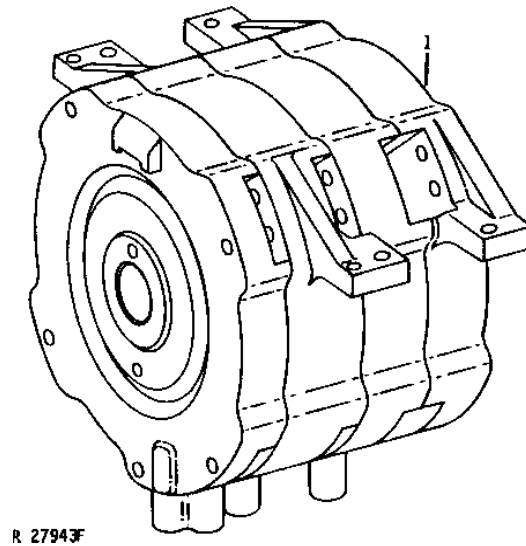
| KEY | PART NO. | PART NAME | QTY | TRACTOR SERIAL NO. | REMARKS |
|-----|----------|-----------------------|-----|--------------------|--|
| 1 | R34583 | CAP SCREW | 3 | | |
| 2 | R1888R | STRAP | 3 | | |
| 3 | R33082 | RETAINER | 1 | | REAR |
| 4 | H871R | BALL | 9 | | STEEL |
| 5 | R33011 | COVER | 1 | | REAR |
| 6 | R33093 | SHAFT | 6 | | |
| 7 | R66197 | THRUST WASHER | 18 | | (SUB FOR R33087 OR R43216) |
| 8 | R33085 | PINION | 3 | -XXXXXX | 3RD PLANET |
| | R49259 | PINION | 3 | XXXXXX- | 3RD PLANET |
| 9 | R33058 | NEEDLE ROLLER | 558 | | |
| 10 | R33094 | WASHER | 6 | | |
| 11 | R33112 | PINION | 1 | -XXXXXX | 4TH PLANET SUN (24 TEETH) (USE WITH AR53386) |
| | R49258 | PINION | 1 | XXXXXX- | 4TH PLANET SUN (22 TEETH) (USE WITH AR52637) |
| 12 | R48109 | PLANET PINION | 1 | -XXXXXX | 3RD PLANET SUN, (SUB FOR R33092) |
| | AR52728 | PINION | 1 | XXXXXX- | 3RD PLANET SUN, (SUB AR103343) |
| 13 | R33083 | WASHER | 2 | | |
| 14 | R33086 | PINION | 3 | -XXXXXX | 4TH PLANET |
| | R49260 | PINION | 3 | XXXXXX- | 4TH PLANET |
| 15 | R33089 | BUSHING | 3 | | |
| 16 | R26650 | DOWEL PIN | 3 | | |
| 17 | AR34043 | PLANET PINION CARRIER | 1 | -XXXXXX | (SUB R33009) (ALSO ORDER (3) R26650 AND (3) R33089) |
| | R49263 | PLANET PINION CARRIER | 1 | XXXXXX- | |
| 18 | R33088 | WASHER | 3 | | |
| 19 | R51303 | PINION | 1 | | 1ST AND 2ND PLANET, (SUB FOR AR40518, AR55423 OR AR49532) (SET OF (3) R33084, R47045, OR R51303) |
| 20 | R38193 | SHAFT | 3 | | |
| 21 | R33091 | PLANET PINION | 1 | | 2ND PLANET SUN |
| 22 | R33588 | PLANET PINION | 1 | | 1ST PLANET SUN |
| 23 | R49370 | WASHER | 1 | 257876- | |
| 24 | R33008 | BUSHING | 1 | -257875 | (SUB R49372) |
| | R49372 | BUSHING | 1 | 257876- | |
| 25 | AR40985 | COVER | 1 | -257875 | (MARKED R41373) (SUB AR52929) |
| | AR52929 | COVER | 1 | 257876- | (MARKED R49371) |
| 26 | R51718 | RETAINER | 1 | | (SUB FOR R33081) |
| 27 | R46567 | CAP SCREW | 3 | | (SUB FOR R31198) |
| 28 | AR53038 | GEAR | 1 | -XXXXXX | |
| | AR70160 | PLANETARY ASSEMBLY | 1 | XXXXXX- | |

NOTE: APPROPRIATE PLANETARY TRANSMISSION MAY BE DETERMINED BY NUMBER OF TEETH FOR KEY 11.

3D12

POWER TRAIN

TRANSMISSION PLANETARY
(POWER SHIFT)
R27943 -UN-01JAN94



R 27943F

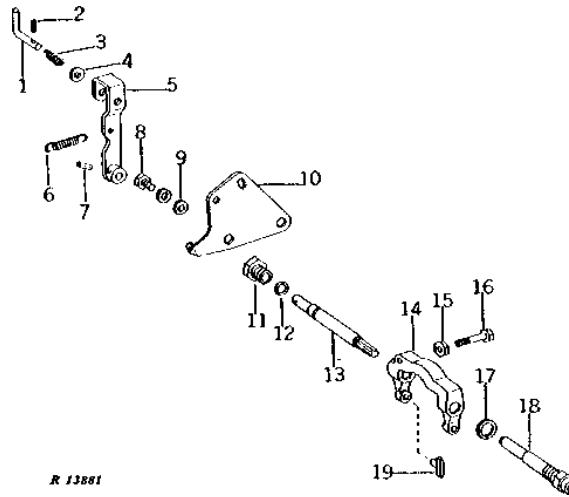
| KEY | PART NO. | PART NAME | QTY | TRACTOR SERIAL NO. | REMARKS |
|-----|----------|--------------|-----|---------------------------------------|---------|
| 1 | AR89858 | TRANSMISSION | 1 | (SUB FOR AR53386, AR52637 OR AR83522) | |

3D13

POWER TRAIN

TRANSMISSION DISCONNECT SHIFTER LEVER AND YOKE (POWER SHIFT)

R13881 -UN-01JAN94



R 13881

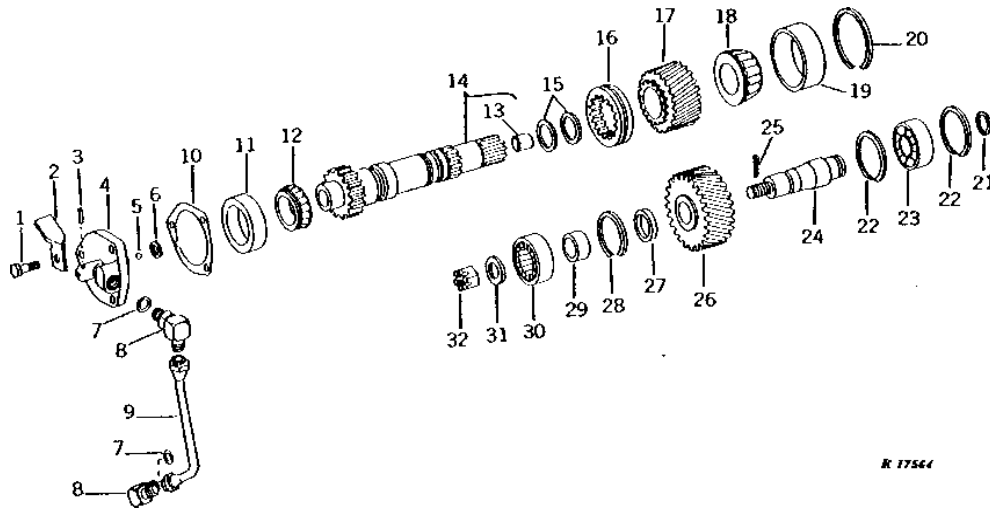
| KEY | PART NO. | PART NAME | QTY | TRACTOR SERIAL NO. | REMARKS |
|-----|----------|-------------|-----|--------------------|--------------------------|
| 1 | R42379 | PIN | 1 | | |
| 2 | 34H245 | SPRING PIN | 1 | | 1/8" X 5/8" |
| 3 | R26169 | SPRING | 1 | | |
| 4 | 24M7096 | WASHER | 1 | | 10.500 X 18 X 1.600 MM |
| 5 | AR44423 | LEVER | 1 | | |
| 6 | R31877 | SPRING | 1 | | |
| 7 | 34H312 | SPRING PIN | 1 | | 1/4" X 1" |
| 8 | 19H2284 | CAP SCREW | 2 | | 3/8" X 7/8" |
| | 12H304 | LOCK WASHER | 2 | | 3/8" |
| 9 | 24H1305 | WASHER | 2 | | 13/32" X 13/16" X 0.065" |
| 10 | R40837 | STRAP | 1 | -227236 | (SUB R48464) |
| | R48464 | STRAP | 1 | 227237- | (SUB FOR R46735) |
| 11 | R33228 | RETAINER | 1 | | |
| 12 | R33259 | O-RING | 1 | | (SUB FOR T11934) |
| 13 | R33227 | PIN | 1 | | L.H. |
| 14 | R41171 | YOKE | 1 | | |
| 15 | 14H1076 | NUT | 1 | | 3/8" |
| 16 | 19H2791 | CAP SCREW | 1 | | 3/8" X 1-3/4" |
| 17 | R41623 | WASHER | 1 | | ALUMINUM |
| 18 | R42492 | SHAFT | 1 | | R.H. |
| 19 | R33240 | PIN | 2 | | |

3D14

POWER TRAIN

TRANSMISSION GEAR REDUCTION AND IDLER GEAR AND SHAFT (POWER SHIFT)

R17564 -UN-01JAN94



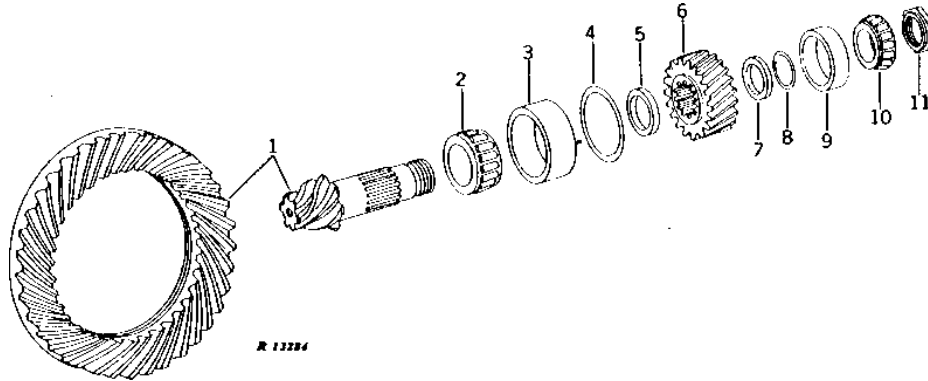
| KEY | PART NO. | PART NAME | QTY | TRACTOR SERIAL NO. | REMARKS |
|-----|----------|----------------|-----|--------------------|---------------------------------|
| 1 | R116064 | CAP SCREW | 3 | | (SUB FOR R40236) |
| 2 | R48261 | ISOLATOR | 1 | 251317- | (NLA) |
| 3 | R33058 | NEEDLE ROLLER | 1 | | |
| 4 | R33241 | RETAINER | 1 | | |
| 5 | R42849 | BALL | 1 | | 10MM (3/8") |
| 6 | R33248 | PISTON RING | 1 | | |
| 7 | R26375 | O-RING | 2 | | |
| 8 | AT32332 | ELBOW FITTING | 2 | | 90°, (SUB FOR AR26763) |
| 9 | AR32149 | HYDRAULIC LINE | 1 | | |
| 10 | R33256 | SHIM | AR | | 0.08MM (.003") |
| | R33257 | SHIM | AR | | 0.13MM (.005") |
| | R33258 | SHIM | AR | | 0.25MM (.010") |
| 11 | JD7282 | BEARING CUP | 1 | | |
| 12 | JD8155 | BEARING CONE | 1 | | |
| 13 | R30713 | BUSHING | 1 | | |
| 14 | AR48680 | SHAFT | 1 | | (SUB FOR AR41747) (SUB RE55585) |
| 15 | R33255 | PISTON RING | 2 | | |
| 16 | R33223 | SHIFT COLLAR | 1 | | |
| 17 | R45600 | GEAR | 1 | | (SUB FOR R33264) |
| 18 | JD8907 | BEARING CONE | 1 | | |
| 19 | JD8268 | BEARING CUP | 1 | | |
| 20 | R35377 | SNAP RING | 1 | | |
| 21 | B1402R | SNAP RING | 1 | | |
| 22 | M3649T | SNAP RING | 2 | | |
| 23 | JD8518 | BALL BEARING | 1 | | |
| 24 | R33218 | SHAFT | 1 | | (NLA) |
| 25 | 11M7086 | COTTER PIN | 1 | | 0.098" X 1.969" |
| 26 | R33913 | GEAR | 1 | | |
| 27 | R33221 | WASHER | 1 | | (NLA) |
| 28 | F2367R | SNAP RING | 1 | | |
| 29 | JD7561 | BEARING RACE | 1 | | |
| 30 | JD7951 | BEARING | 1 | | (SUB AT151388) |
| 31 | B3310R | WASHER | 1 | | |
| 32 | F2664R | NUT | 1 | | |

3D15

POWER TRAIN

**TRANSMISSION DIFFERENTIAL DRIVE
(POWER SHIFT)**

R13284 -UN-01JAN94

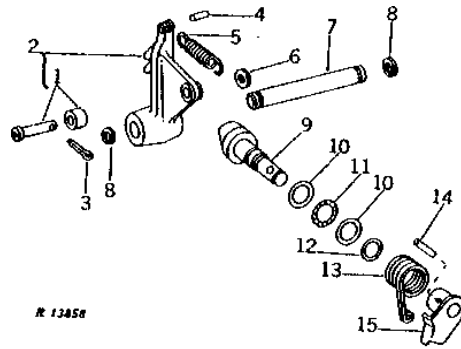


| KEY | PART NO. | PART NAME | QTY | TRACTOR SERIAL NO. | | REMARKS |
|-----|----------|--------------|-----|--------------------|----------------|--|
| 1 | AR32465 | GEAR | 1 | | | (MARKED R33062 AND R33006) (MATCHED SET) |
| 2 | JD8970 | BEARING CONE | 1 | | | |
| 3 | JD8264 | BEARING CUP | 1 | | | |
| 4 | R26227 | SHIM | AR | 0.08MM (.003") | | |
| | R26228 | SHIM | AR | 0.13MM (.005") | | |
| 5 | R38178 | BUSHING | 1 | | | |
| 6 | R33049 | GEAR | 1 | | | |
| 7 | R33121 | WASHER | 1 | | | |
| 8 | R33413 | SHIM | AR | -261081 | 0.08MM (.003") | |
| | R33414 | SHIM | AR | -261081 | 0.13MM (.005") | |
| | R33415 | SHIM | AR | -261081 | 0.25MM (.010") | |
| | R51196 | SHIM | AR | 261082- | 0.18MM (.007") | |
| | R51197 | SHIM | AR | 261082- | 0.25MM (.010") | |
| | R51198 | SHIM | AR | 261082- | 0.30MM (.012") | |
| | R51199 | SHIM | AR | 261082- | 0.38MM (.015") | |
| 9 | JD8258 | BEARING CUP | 1 | | | |
| 10 | JD8971 | BEARING CONE | 1 | | | |
| 11 | R51200 | LOCK NUT | 1 | | | (SUB FOR R33219) |

3D16

POWER TRAIN

**TRANSMISSION LOCK
(POWER SHIFT)**
R13858 -UN-01JAN94

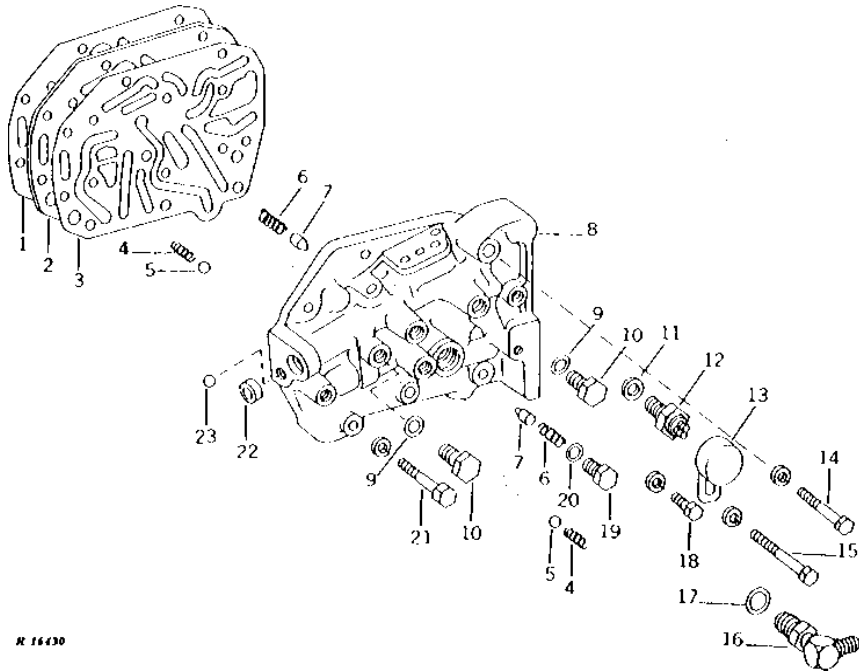


| KEY | PART NO. | PART NAME | QTY | TRACTOR SERIAL NO. | REMARKS |
|-----|----------|----------------|-----|--------------------|---|
| 1 | AR44553 | PIN | 1 | | |
| 2 | AR44551 | PAWL | 1 | | (MARKED R42484) (SUB RE16369) |
| 3 | 11M7021 | COTTER PIN | 1 | | 0.157" X 0.984" |
| 4 | 34H311 | SPRING PIN | 1 | | 1/4" X 7/8" |
| 5 | R76504 | SPRING | 1 | | (SUB FOR R42485 OR R50575) (SUB R79985) |
| 6 | 24H1227 | WASHER | 1 | | 17/32" X 13/16" X 0.060" |
| 7 | AR55157 | SHAFT | 1 | | (SUB FOR R33237) |
| 8 | B169R | SNAP RING | 2 | -262264 | |
| 9 | R42491 | CAM | 1 | | |
| 10 | JD9812 | THRUST BEARING | 2 | | |
| 11 | JD8856 | NEEDLE BEARING | 1 | | |
| 12 | B2762R | O-RING | 1 | | |
| 13 | R41131 | TORSION SPRING | 1 | | |
| 14 | 34H314 | SPRING PIN | 1 | | 1/4" X 1-1/4" |
| 15 | RE12162 | ARM | 1 | | (SUB FOR AR44554 OR AR81571) |

3D17

POWER TRAIN

**TRANSMISSION CONTROL VALVE
(POWER SHIFT) (TRACTOR SERIAL NO. 201000-250000)**
R16430 -UN-01JAN94



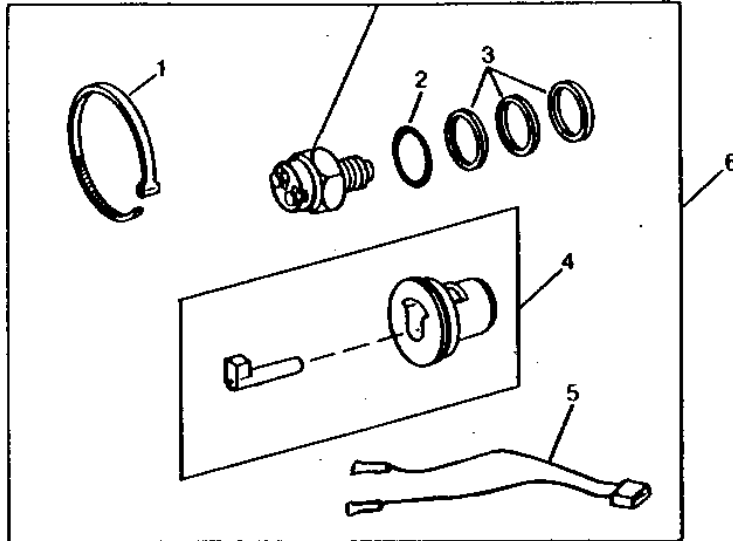
R 16430

| KEY | PART NO. | PART NAME | QTY | TRACTOR SERIAL NO. | REMARKS |
|-----|----------|---------------|-----|--------------------|--|
| 1 | R94321 | GASKET | 1 | | (SUB FOR R33273, R46817, R50567 OR R68817) |
| 2 | R50566 | PLATE | 1 | | (SUB FOR R33304) |
| 3 | R100308 | GASKET | 1 | | (SUB FOR R33274, R46818, R47073, R50568 OR R68818) |
| 4 | R47816 | SPRING | 2 | 235930- | |
| 5 | D2361R | BALL | 2 | 235930- | 13MM (1/2") |
| 6 | R33277 | SPRING | 4 | -235929 | |
| 7 | R33277 | SPRING | 2 | 235930- | |
| 7 | R42697 | DETENT | 4 | -235929 | |
| 8 | R42697 | DETENT | 2 | 235930- | |
| 8 | AR33890 | HOUSING | 1 | -235929 | (MARKED R33076) (SUB AR49709) |
| | AR49709 | HOUSING | 1 | 235930- | (MARKED R47159) |
| 9 | R26286 | O-RING | 2 | | |
| 10 | R27094 | DRAIN PLUG | 2 | | |
| 11 | T16911 | SHIM | AR | | ALUMINUM |
| 12 | RE38390 | SWITCH | 1 | | (SUB FOR R36265, AR85323 OR AR89691) |
| 13 | AR34663 | COVER | 1 | | |
| 14 | 19H2023 | CAP SCREW | 1 | | 3/8" X 3-1/4" |
| | 12H304 | LOCK WASHER | 1 | | 3/8" |
| 15 | 19H2228 | CAP SCREW | 1 | | 3/8" X 4" |
| | 19H1925 | CAP SCREW | 1 | | 3/8" X 4-1/4", (POWER FRONT WHEEL DRIVE) |
| | 12H304 | LOCK WASHER | 1 | | 3/8" |
| 16 | AR35712 | ELBOW FITTING | 1 | | 90° |
| 17 | R26906 | O-RING | 1 | | |
| 18 | 19H1732 | CAP SCREW | 2 | | 3/8" X 1-1/4" |
| | 19H1765 | CAP SCREW | 2 | | 3/8" X 1-3/4" |
| | 12H304 | LOCK WASHER | 4 | | 3/8" |
| 19 | R27218 | FITTING PLUG | 2 | | |
| 20 | R26448 | O-RING | 2 | | |
| 21 | 19H2128 | CAP SCREW | 2 | | 3/8" X 3" |
| | 12H304 | LOCK WASHER | 2 | | 3/8" |
| 22 | A3910R | CAP | 1 | | |
| 23 | D2361R | BALL | 3 | | 13MM (1/2") |

3D18

POWER TRAIN

**NEUTRAL START SWITCH KIT
(POWER SHIFT)**
RXP8097 -UN-01JAN94



RXP8097

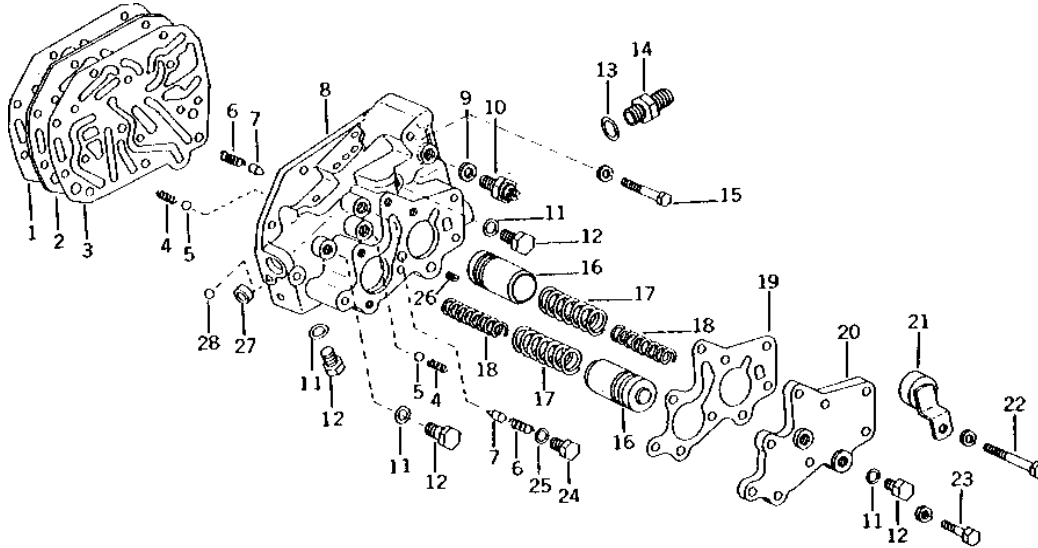
| KEY | PART NO. | PART NAME | QTY | TRACTOR SERIAL NO. | REMARKS |
|-----|----------|----------------|-----|--------------------|------------------------------|
| 1 | R44302 | TIE BAND | 2 | | |
| 2 | R26448 | O-RING | 1 | | |
| 3 | T16911 | SHIM | 3 | | |
| 4 | RE37996 | GAUGE | 1 | | (NEUTRAL START SWITCH ADJ.) |
| 5 | RE14069 | WIRING HARNESS | 1 | | |
| 6 | RE38390 | SWITCH | 1 | | (SUB FOR AR89691 OR AR85153) |

MEMORANDA

3D19

POWER TRAIN

**TRANSMISSION CONTROL VALVE
(POWER SHIFT) (TRACTOR SERIAL NO. 250001-)**
R16436 -UN-01JAN94



R 16436

| KEY | PART NO. | PART NAME | QTY | TRACTOR SERIAL NO. | REMARKS |
|-----|----------|-------------|-----|--------------------|---|
| 1 | R94321 | GASKET | 1 | | (SUB FOR R46817, R50567 OR R68817) |
| 2 | R50566 | PLATE | 1 | | (SUB FOR R33304) |
| 3 | R100308 | GASKET | 1 | | (SUB FOR R46818, R47073, R50568 OR R68818) |
| | R94322 | GASKET | 1 | | (USE WITH R46042 OR R53604) (USE WITH R67037, R72408 OR R78742) (SUB FOR R68819) |
| 4 | R47816 | SPRING | 2 | | |
| 5 | D2361R | BALL | 2 | | 13MM (1/2") |
| 6 | R33277 | SPRING | 2 | | |
| 7 | R42697 | DETENT | 2 | | |
| 8 | AR87115 | HOUSING | 1 | -XXXXXX | (MARKED R46042, R53604 OR R67037) (SUB FOR AR50171 OR AR60519) (SUB RE46459) |
| | AR95903 | HOUSING | 1 | XXXXXX-XXXXXX | (MARKED R72408 OR R78742) (SUB RE46459) (ALSO ORDER (2) R33277 AND (2) R42697) |
| | RE20832 | HOUSING | 1 | XXXXXX- | (MARKED R82100) (SUB RE46459) |
| 9 | T16911 | SHIM | AR | | |
| 10 | RE38390 | SWITCH | 1 | | (SUB FOR R36265 OR AR85323) |
| 11 | R26286 | O-RING | 9 | | |
| 12 | R27094 | DRAIN PLUG | 9 | | |
| 13 | R26906 | O-RING | 1 | | |
| 14 | R27270 | FITTING | 1 | | |
| 15 | 19H1732 | CAP SCREW | 1 | | 3/8" X 1-1/4" |
| | 19H1732 | CAP SCREW | 2 | | 3/8" X 1-1/4", (POWER FRONT WHEEL DRIVE) |
| | 19H1800 | CAP SCREW | 1 | | 3/8" X 1-1/2" |
| | 19H1944 | CAP SCREW | 1 | | 3/8" X 2-3/4" |
| | 19H2023 | CAP SCREW | 1 | | 3/8" X 3-1/4" |
| | 19H1925 | CAP SCREW | 1 | | 3/8" X 4-1/4", (POWER FRONT WHEEL DRIVE) |
| | 12H304 | LOCK WASHER | 4 | | 3/8" |
| 16 | R47319 | PISTON | 2 | | |
| | 24H1312 | WASHER | 2 | | 13/32" X 1-3/8" X 0.105" |
| 17 | R47449 | SPRING | 2 | | |
| 18 | R47450 | SPRING | 2 | | |

3D20

POWER TRAIN

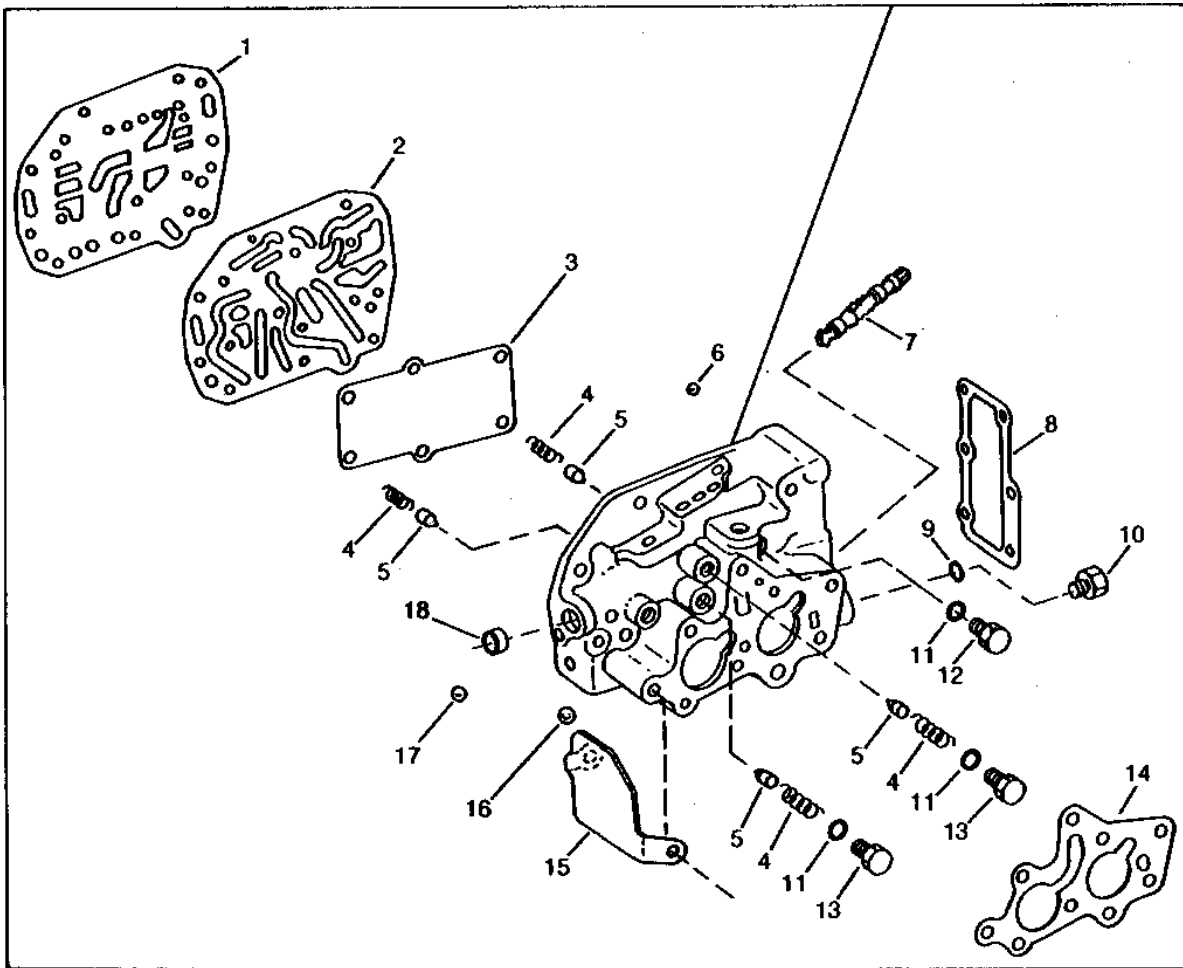
TRANSMISSION CONTROL VALVE - CONTINUED
(POWER SHIFT) (TRACTOR SERIAL NO. 250001-)

| KEY | PART NO. | PART NAME | QTY | TRACTOR SERIAL NO. | REMARKS |
|-----|----------|--------------|-----|-----------------------|---|
| 19 | R98929 | GASKET | 1 | | (SUB FOR R47445, R52971 OR R68820) |
| 20 | R47321 | COVER | 1 | | (SUB R79852, (4) 19H1731 AND (4) 19H2205) |
| 21 | AR50180 | COVER | 1 | | |
| 22 | 19H3180 | CAP SCREW | 4 | | 3/8" X 6-1/4" |
| | 12H304 | LOCK WASHER | 4 | | 3/8" |
| 23 | 19H1732 | CAP SCREW | 4 | | 3/8" X 1-1/4" |
| | 12H304 | LOCK WASHER | 4 | | 3/8" |
| 24 | R27218 | FITTING PLUG | 2 | | |
| 25 | R26448 | O-RING | 2 | | |
| 26 | R47448 | ORIFICE | 2 | | |
| 27 | A3910R | CAP | 1 | | |
| 28 | R42849 | BALL | 1 | | 10MM (3/8") |

3D21

POWER TRAIN

TRANSMISSION CONTROL VALVE KIT
RXP8633 -UN-01JAN94



RXP8633

19

3D22

POWER TRAIN

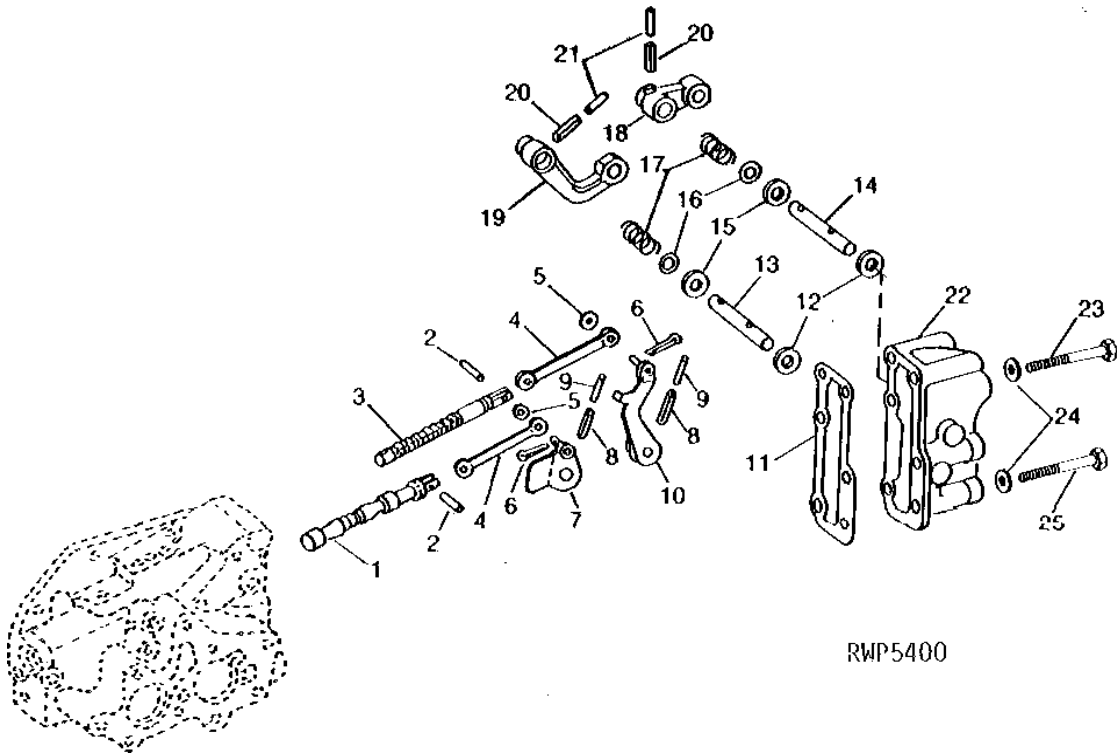
TRANSMISSION CONTROL VALVE KIT - CONTINUED

| KEY | PART NO. | PART NAME | QTY | TRACTOR SERIAL NO. | REMARKS |
|-----|----------|--------------|-----|---|---------|
| 1 | R94321 | GASKET | 1 | | |
| 2 | R94322 | GASKET | 1 | | |
| 3 | R92474 | GASKET | 1 | | |
| 4 | R33277 | SPRING | 4 | | |
| 5 | R42697 | DETENT | 4 | | |
| 6 | R26552 | BALL | 5 | | |
| 7 | R82024 | VALVE | 1 | | |
| 8 | R33275 | GASKET | 1 | | |
| 9 | R26906 | O-RING | 1 | | |
| 10 | R27474 | DRAIN PLUG | 1 | | |
| 11 | R26448 | O-RING | 7 | | |
| 12 | R27094 | DRAIN PLUG | 7 | | |
| 13 | R27218 | FITTING PLUG | 2 | | |
| 14 | R98929 | GASKET | 1 | | |
| 15 | R72415 | SHIELD | 1 | | |
| 16 | R42849 | BALL | 1 | | |
| 17 | D2361 | BALL | 2 | | |
| 18 | 30H13 | PLUG | AR | 1", 1" | |
| 19 | RE46459 | KIT | 1 | (ALSO ORDER RE38390) (SUB FOR AR87115, AR95903 OR RE20832) | |

3D23

POWER TRAIN

TRANSMISSION CONTROL VALVE COVER, CONTROL VALVES AND ARMS
(POWER SHIFT)
RWP5400 -UN-01JAN94



RWP5400

3D24

POWER TRAIN

**TRANSMISSION CONTROL VALVE COVER, CONTROL VALVES AND ARMS - CONTINUED
(POWER SHIFT)**

| KEY | PART NO. | PART NAME | QTY | TRACTOR SERIAL NO. | REMARKS |
|-----|----------|------------|-----|--------------------|---|
| 1 | R82024 | VALVE | 1 | | (SUB FOR R33291 OR R72411) |
| 2 | 34H309 | SPRING PIN | 2 | | 1/4" X 5/8" |
| 3 | R48370 | VALVE | 1 | | |
| 4 | R33290 | LINK | 2 | | |
| 5 | 24H753 | WASHER | 2 | | 9/32" X 5/8" X 0.049" |
| 6 | 11M7077 | COTTER PIN | 2 | | 0.063" X 0.984" |
| 7 | AR32154 | ARM | 1 | -261035 | (SUB RE22320, R49817, R49819, 34H251, 34H252, 34H297 AND 34H299) |
| | RE22320 | ARM | 1 | 261036- | (SUB FOR AR53841) |
| | AR45314 | ARM | 1 | -261035 | (A) (SUB RE38361, R49817, R49819, 34H251, 34H252, 34H297 AND 34H299) |
| | AR53843 | ARM | 1 | 261036- | (A) (SUB RE38361) |
| 8 | 34H282 | SPRING PIN | 2 | -261035 | 3/16" X 1" |
| | 34H297 | SPRING PIN | 2 | 261036- | 7/32" X 1" |
| 9 | 34H251 | SPRING PIN | 2 | 261036- | 1/8" X 1" |
| 10 | AR32155 | ARM | 1 | -261035 | (SUB RE21304, R49816, R49819, 34H251, 34H252, 34H297 AND 34H299) |
| | RE21304 | ARM | 1 | 261036- | (SUB FOR AR53840) |
| | AR45315 | ARM | 1 | -261035 | (A) (SUB AR53842, R49816, R49819, 34H251, 34H252, 34H297 AND 34H299) |
| | AR53842 | ARM | 1 | 261036- | (A) (NO LONGER AVAILABLE) |
| 11 | R33275 | GASKET | 1 | | |
| 12 | R33587 | SEAL | 2 | | (SUB AR103873) |
| 13 | R33287 | SHAFT | 1 | -261035 | (SUB RE21304, R49816, R49819, 34H251, 34H252, 34H297 AND 34H299) |
| | R49819 | PIN | 1 | 261036- | |
| | R33287 | SHAFT | 1 | -261035 | (A) (ORDER AR53842, R49816, R49819, 34H251, 34H252, 34H297 AND 34H299) |
| 14 | R49819 | PIN | 1 | 261036- | (A) |
| | R33287 | SHAFT | 1 | -261035 | (SUB RE22320, R49816, R49819, 34H251, 34H252, 34H297 AND 34H299) |
| | R49819 | PIN | 1 | 261036- | |
| | R33287 | SHAFT | 1 | -261035 | (A) (SUB RE38361, R49817, R49819, 34H251, 34H252, 34H297 AND 34H299) |
| 15 | R49819 | PIN | 1 | 261036- | (A) |
| | R36364 | WASHER | 2 | | |
| 16 | 24H1359 | WASHER | 2 | | 5/8" X 7/8" X 0.060" |
| 17 | F3221R | SPRING | 2 | | |
| 18 | R33272 | ARM | 1 | -261035 | (ORDER RE22320, R49817, R49819, 34H251, 34H252, 34H297, 34H299) |
| | R49817 | LEVER | 1 | 261036- | |
| | R33272 | ARM | 1 | -261035 | (A) (SUB RE38361, R49817, R49819, 34H251, 34H252, 34H297 AND 34H299) |
| 19 | R49817 | LEVER | 1 | 261036- | (A) |
| | R33271 | ARM | 1 | -261035 | (ORDER RE21304, R49816, R49819, 34H251, 34H252, 34H297 AND 34H299) |
| | R49816 | LEVER | 1 | 261036- | |
| | R33271 | ARM | 1 | -261035 | (A) (ORDER AR53842, R49816, R49819, 34H251, 34H252, 34H297 AND 34H299) |
| 20 | R49816 | LEVER | 1 | 261036- | (A) |
| | 34H299 | SPRING PIN | 2 | | 7/32" X 1-1/4" |
| 21 | 34H252 | SPRING PIN | 2 | 261036- | 1/8" X 1-1/4" |
| 22 | AR45255 | COVER | 1 | | (SUB R33268 OR R44030) |
| | R82331 | COVER | 1 | | (A) (SUB FOR AR52180, AR95904 OR RE21305) (ALSO ORDER R26287, (5) R26448, R27216 AND R27218) (NLA) |
| 23 | 19H2023 | CAP SCREW | 5 | | 3/8" X 3-1/4" |
| 24 | 24M7096 | WASHER | 6 | | 10.500 X 18 X 1.600 MM |
| 25 | 19H1854 | CAP SCREW | 1 | | 3/8" X 3-3/4" |

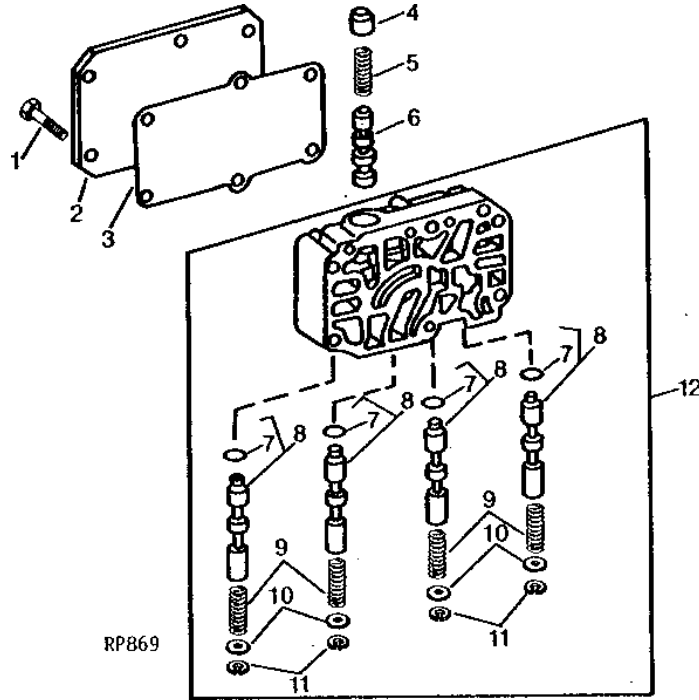
(A) POWER FRONT WHEEL DRIVE

3D25

POWER TRAIN

TRANSMISSION SHIFT VALVE (POWER SHIFT)

RP869 -UN-01JAN94



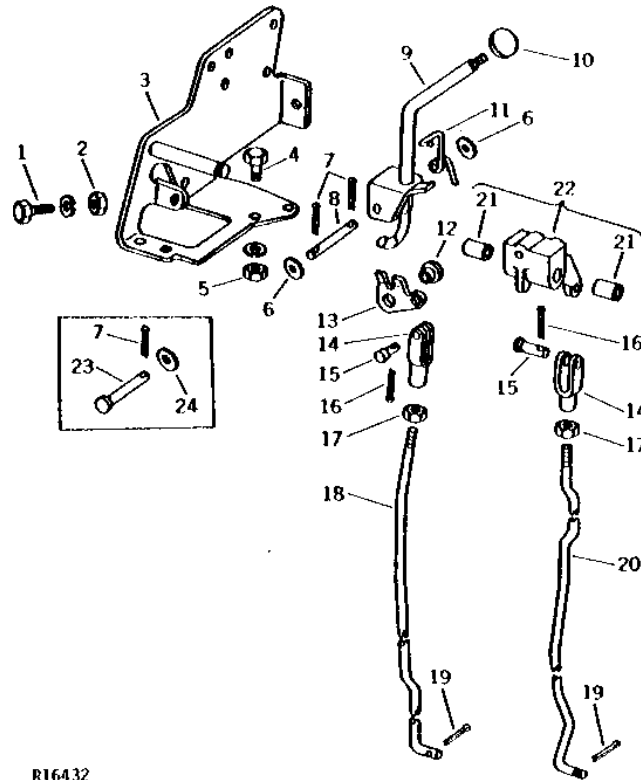
| KEY | PART NO. | PART NAME | QTY | TRACTOR SERIAL NO. | REMARKS |
|-----|----------|-----------|-----|--------------------|---------------------------------------|
| 1 | 19H1949 | CAP SCREW | 6 | 5/16" X 2-1/2" | |
| 2 | R33307 | COVER | 1 | | |
| 3 | R92474 | GASKET | 1 | | (SUB FOR R33276 OR R68821) |
| 4 | R34175 | BOLT | 1 | | |
| 5 | R51201 | SPRING | 1 | -250000 | (SUB FOR R33284) |
| | R47444 | SPRING | 1 | 250001- | |
| 6 | R48647 | VALVE | 1 | | |
| 7 | R35155 | O-RING | 4 | 225340- | |
| 8 | R33293 | VALVE | 4 | -225339 | (SUB AR52251) (SUB R48769 AND R35155) |
| | AR48589 | VALVE | 4 | 225340-251799 | (SUB AR52251) (SUB R48769 AND R35155) |
| | AR52251 | VALVE | 4 | 251800- | (SUB R48769 AND R35155) |
| 9 | R47393 | SPRING | 4 | -250000 | (SUB FOR R33280) |
| | R47393 | SPRING | 4 | 250001- | |
| 10 | R33294 | WASHER | 4 | -250000 | (SUB R48013) |
| | R48013 | WASHER | 4 | 250001- | |
| 11 | R33282 | SNAP RING | 4 | | |
| 12 | AR52335 | HOUSING | 1 | | (MARKED R33077) |

3E1

POWER TRAIN

**TRANSMISSION SHIFTER CONTROL
(POWER SHIFT)**

R16432 -UN-01JAN94



R16432

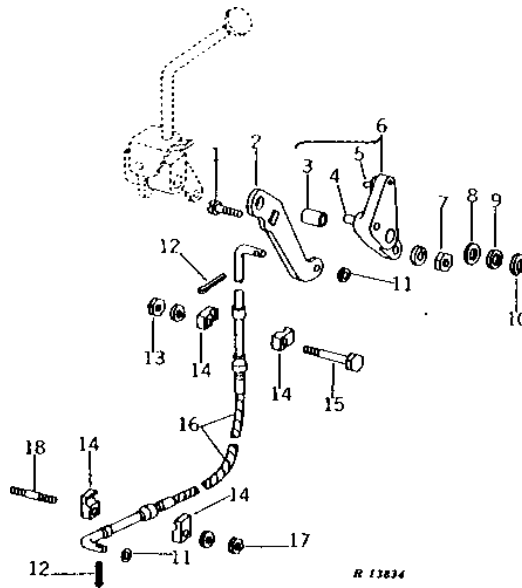
| KEY | PART NO. | PART NAME | QTY | TRACTOR SERIAL NO. | REMARKS |
|-----|----------|-------------|-----|--------------------|---|
| 1 | 19H2552 | CAP SCREW | 1 | | 3/8" X 1-1/8" |
| | 12H304 | LOCK WASHER | 1 | | 3/8" |
| 2 | 14H1076 | NUT | 1 | | 3/8" |
| 3 | AR40788 | SUPPORT | 1 | | (NLA) |
| 4 | 19H2284 | CAP SCREW | 5 | | 3/8" X 7/8" |
| 5 | 14H1076 | NUT | 5 | | 3/8" |
| | 12H304 | LOCK WASHER | 5 | | 3/8" |
| 6 | 24H1289 | WASHER | 2 | | 21/64" X 5/8" X 0.049" |
| 7 | 11M7079 | COTTER PIN | 2 | | 0.098" X 0.472" |
| 8 | R45832 | PIN | 1 | | |
| 9 | AR40792 | LEVER | 1 | -250376 | (SUB AR50118, AR50119 AND R47409) |
| | AR50118 | LEVER | 1 | 250377- | |
| | AR58210 | LEVER | 1 | | (4000-LOW PROFILE) (NLA) |
| 10 | R60458 | KNOB | 1 | | (SUB FOR F2861R) |
| 11 | R45651 | SPRING | 1 | | (SUB FOR R41140) |
| 12 | R41134 | BUSHING | 1 | | |
| 13 | R41133 | FULCRUM | 1 | -250376 | |
| | R47409 | FULCRUM | 1 | 250377- | |
| 14 | M80373 | YOKE | 2 | | (SUB FOR L324T) |
| 15 | R65563 | PIN | 2 | | (SUB FOR C1067R) |
| 16 | 11M7081 | COTTER PIN | 2 | | 0.098" X 0.787" |
| 17 | 14H774 | NUT | 2 | | 3/8" |
| 18 | R41135 | ROD | 1 | | (NLA) |
| 19 | 11M7059 | COTTER PIN | 2 | | 3.200 X 20 MM |
| 20 | R33302 | ROD | 1 | | |
| 21 | R653R | BUSHING | 2 | | |
| 22 | AR40790 | PIVOT | 1 | -250376 | (MARKED R41128) |
| | AR50119 | PIVOT | 1 | 250377- | (MARKED R47410) |
| 23 | R41141 | PIN | 1 | | (SUB R45832, (2) 24H1289 AND (2) 11M7079) |
| 24 | 24H1136 | WASHER | 1 | | 11/32" X 11/16" X 0.065" |

3E2

POWER TRAIN

TRANSMISSION LOCK CONTROL (POWER SHIFT)

R13834 -UN-01JAN94



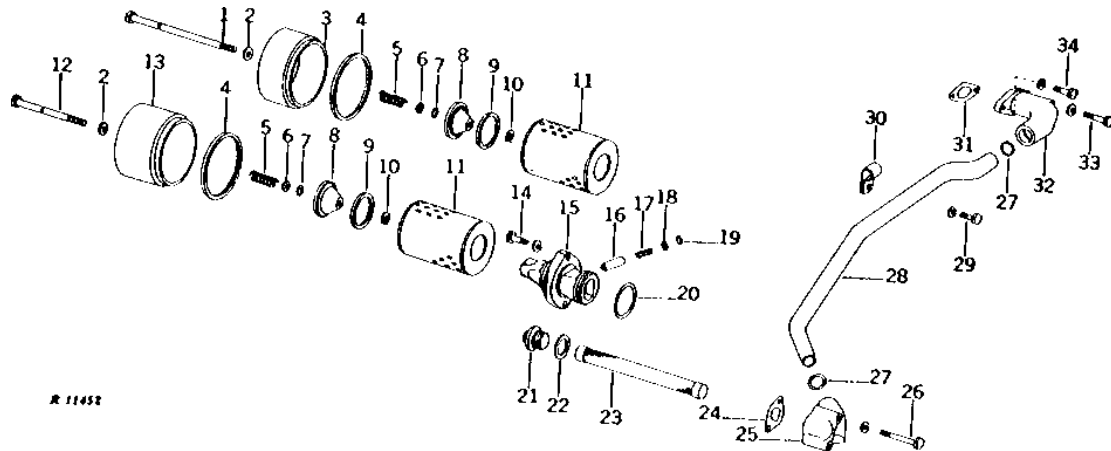
| KEY | PART NO. | PART NAME | QTY | TRACTOR SERIAL NO. | REMARKS |
|-----|----------|---------------|-----|--------------------------|---------|
| 1 | 03H1480 | BOLT | 1 | 3/8" X 1-1/4" | |
| 2 | R41132 | ARM | 1 | | |
| 3 | R653R | BUSHING | 1 | | |
| 4 | R1800R | DOWEL PIN | 1 | | |
| 5 | R51966 | NEEDLE ROLLER | 1 | (SUB FOR T15329) | |
| 6 | AR40793 | HUB | 1 | (MARKED R41142) | |
| 7 | 14H1076 | NUT | 1 | 3/8" | |
| | 12H304 | LOCK WASHER | 1 | 3/8" | |
| 8 | 24H1366 | WASHER | AR | 21/32" X 1-1/8" X 0.036" | |
| 9 | 24H1658 | WASHER | AR | 21/32" X 1" X 0.060" | |
| 10 | A4883R | RING | 1 | | |
| 11 | B1664R | SHIM | 2 | | |
| 12 | 11M7079 | COTTER PIN | 2 | 0.098" X 0.472" | |
| 13 | 14H1076 | NUT | 1 | 3/8" | |
| | 12H304 | LOCK WASHER | 1 | 3/8" | |
| 14 | T33483 | CLAMP | 4 | | |
| 15 | 19H1733 | CAP SCREW | 1 | 3/8" X 2-1/2" | |
| 16 | AT48763 | CABLE | 1 | (SUB FOR AR40789) | |
| | R39725 | SEAL | 2 | | |
| | R39726 | SEAL | 1 | BOTTOM | |
| | R39727 | SEAL | 1 | TOP | |
| 17 | 14H1076 | NUT | 1 | 3/8" | |
| | 12H304 | LOCK WASHER | 1 | 3/8" | |
| 18 | R27612 | STUD | 1 | | |

3E3

POWER TRAIN

OIL FILTERS AND TRANSMISSION OIL PUMP INTAKE (POWER SHIFT)

R11452 -UN-01JAN94



| KEY | PART NO. | PART NAME | QTY | TRACTOR SERIAL NO. | REMARKS |
|-----|----------|----------------|-----|--------------------|--------------------------------------|
| 1 | R54750 | CAP SCREW | 1 | | (PFWD) (SUB FOR R39795) |
| 2 | R394R | O-RING | 2 | | |
| 3 | R39794 | COVER | 1 | | |
| 4 | R34733 | WASHER | 2 | | |
| 5 | H819R | SPRING | 2 | | |
| 6 | 24H1227 | WASHER | 2 | | 17/32" X 13/16" X 0.060" |
| 7 | R394R | O-RING | 2 | | |
| 8 | R65892 | RETAINER | 1 | | |
| 9 | R28594 | WASHER | 2 | | |
| 10 | R32507 | SNAP RING | 2 | | |
| 11 | AR75603 | FILTER ELEMENT | 2 | | (SUB FOR AR28271 OR AR75601) |
| 12 | R54751 | CAP SCREW | 1 | | (SUB FOR R39797) |
| 13 | R39796 | COVER | 1 | | |
| 14 | 19H1800 | CAP SCREW | 2 | | 3/8" X 1-1/2" |
| | 12H304 | LOCK WASHER | 2 | | 3/8" |
| 15 | R54962 | HOUSING | 1 | | (SUB FOR R39586) |
| 16 | R57559 | VALVE | 1 | | (ALSO ORDER R33259) (SUB FOR R33162) |
| 17 | R26686 | SPRING | 1 | | |
| 18 | R48013 | WASHER | 1 | | (SUB FOR R33294) |
| 19 | R33282 | SNAP RING | 1 | | |
| 20 | U12198 | O-RING | 1 | | |
| 21 | R40147 | FITTING | 1 | | (SUB FOR A4806R) |
| 22 | A4808R | WASHER | 1 | | ALUMINUM |
| 23 | R53169 | SCREEN | 1 | | NYLON |
| | AR26375 | SCREEN | 1 | | STEEL |
| 24 | R28110 | GASKET | 1 | | |
| 25 | R33911 | ADAPTER | 1 | | (SUB R84270 AND R28110) |
| | R84270 | ADAPTER | 1 | | (SUB FOR R33911) |
| 26 | 19H1944 | CAP SCREW | 2 | | 3/8" X 2-3/4" |
| | 12H304 | LOCK WASHER | 2 | | 3/8" |
| 27 | A3606R | O-RING | 2 | | |
| 28 | R33361 | HYDRAULIC LINE | 1 | | |
| 29 | 19H1936 | CAP SCREW | 1 | | 3/8" X 3/4" |
| | 12H304 | LOCK WASHER | 1 | | 3/8" |
| 30 | R33364 | CLAMP | 1 | | |
| 31 | R33363 | GASKET | 1 | | |
| 32 | AR41885 | ADAPTER | 1 | | (MARKED R33362 OR R41851) |
| | 15H624 | PIPE PLUG | 1 | | 1/2" |
| 33 | 19H1765 | CAP SCREW | 1 | | 3/8" X 1-3/4" |
| | 12H304 | LOCK WASHER | 1 | | 3/8" |
| 34 | 19H1732 | CAP SCREW | 1 | | 3/8" X 1-1/4" |
| | 12H304 | LOCK WASHER | 1 | | 3/8" |

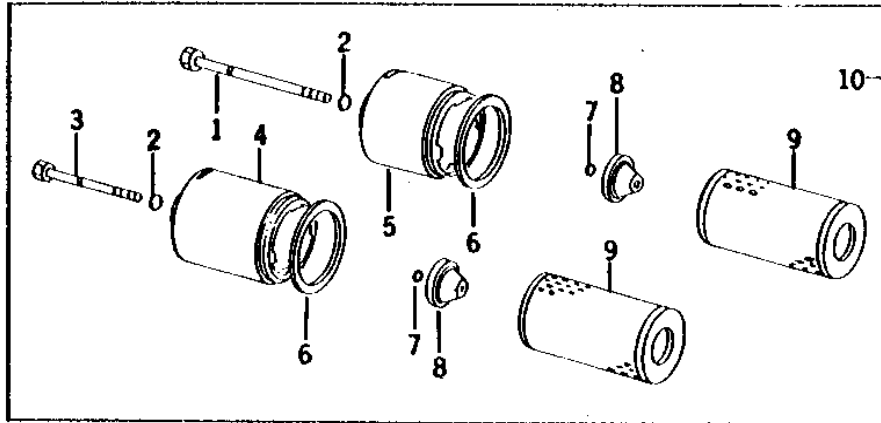
3E4

POWER TRAIN

INCREASED OIL FILTRATION KIT

(POWER SHIFT)

R29364 -UN-01JAN94



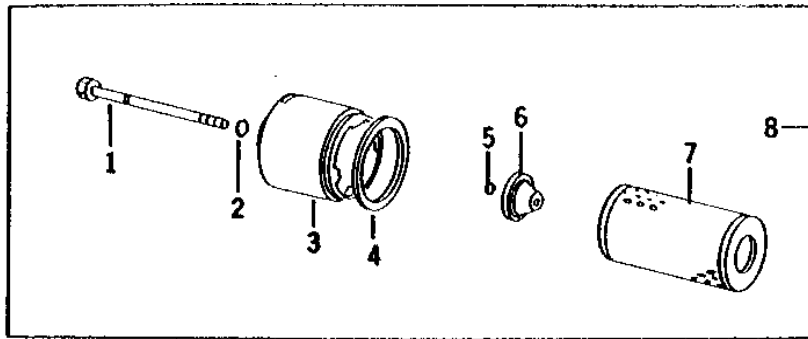
R29364

| KEY | PART NO. | PART NAME | QTY | TRACTOR SERIAL NO. | REMARKS |
|-----|----------|----------------|-----|--------------------|---------|
| 1 | R65894 | CAP SCREW | 1 | | |
| 2 | R394R | O-RING | 2 | | |
| 3 | R54750 | CAP SCREW | 1 | | |
| 4 | R58652 | COVER | 1 | | |
| 5 | R63093 | COVER | 1 | | |
| 6 | R34733 | WASHER | 2 | | |
| 7 | F2741R | PACKING | 2 | | |
| 8 | R65892 | RETAINER | 2 | | |
| 9 | AR98098 | FILTER ELEMENT | 2 | | |
| 10 | AR85272 | KIT | 1 | | |

3E5

POWER TRAIN

**INCREASED OIL FILTRATION KIT
(DUAL FILTER) (SYNCRO-RANGE)**
R29363 -UN-01JAN94



R29363

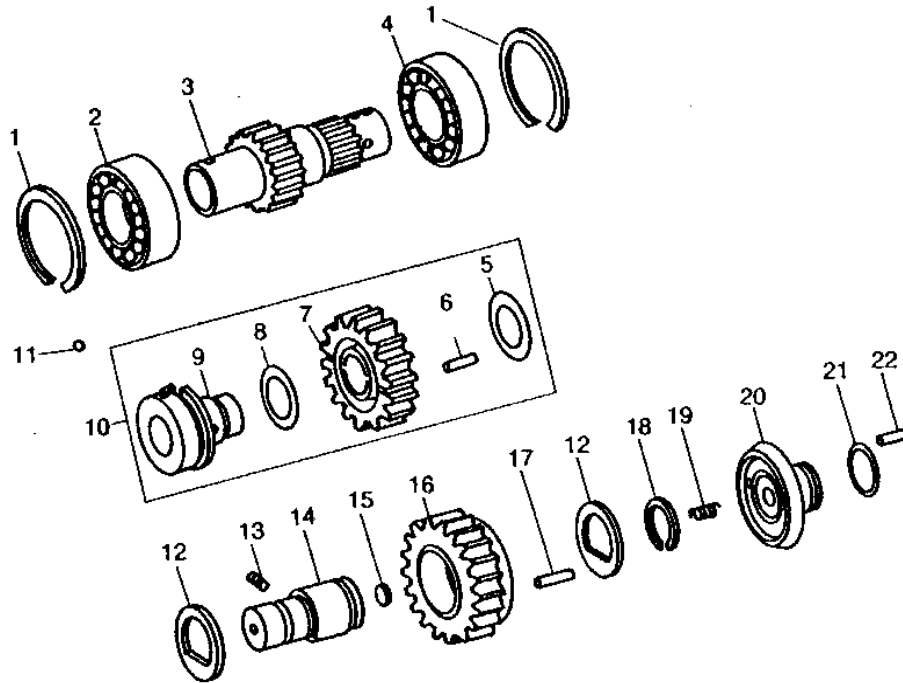
| KEY | PART NO. | PART NAME | QTY | TRACTOR SERIAL NO. | REMARKS |
|-----|----------|----------------|-----|--------------------|---------|
| 1 | R65894 | CAP SCREW | 1 | | |
| 2 | R394R | O-RING | 1 | | |
| 3 | R63093 | COVER | 1 | | |
| 4 | R34733 | WASHER | 1 | | |
| 5 | F2741R | PACKING | 1 | | |
| 6 | R65892 | RETAINER | 1 | | |
| 7 | AR98098 | FILTER ELEMENT | 1 | (SUB FOR AR70506) | |
| 8 | AR85271 | KIT | 1 | | |

3E6

POWER TRAIN

**540 RPM AND 1000 RPM PTO DRIVE SHAFT AND IDLER GEARS
(SINGLE FILTER) (POWER SHIFT)**

RP630 -UN-01JAN94



RP630

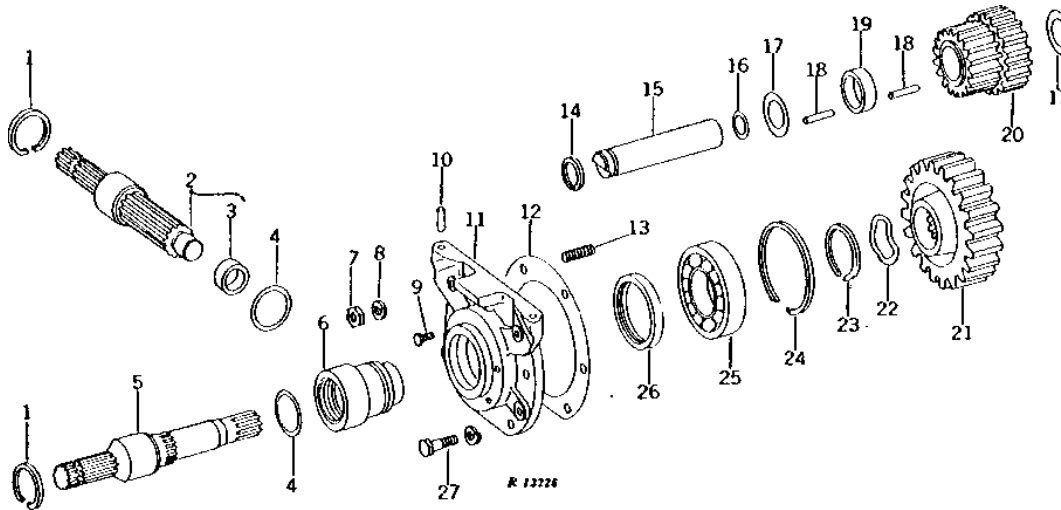
| KEY | PART NO. | PART NAME | QTY | TRACTOR SERIAL NO. | REMARKS |
|-----|----------|---------------|-----|--------------------|---------|
| 1 | F1373R | SNAP RING | 2 | | |
| 2 | JD9279 | BALL BEARING | 1 | (SUB CH17453) | |
| 3 | R41042 | SHAFT | 1 | (NLA) | |
| 4 | JD8644 | BALL BEARING | 1 | (SUB FOR JD9265) | |
| 5 | R42042 | WASHER | 1 | | |
| 6 | R26022 | NEEDLE ROLLER | 30 | | |
| 7 | R42039 | GEAR | 1 | UPPER | |
| 8 | R42043 | WASHER | 1 | | |
| 9 | AR42535 | QUILL | 1 | | |
| 10 | AR42533 | KIT | 1 | | |
| 11 | H871R | BALL | 1 | 5MM (3/16") | |
| 12 | R42721 | THRUST WASHER | 2 | | |
| 13 | R34582 | SET SCREW | 1 | | |
| 14 | R41745 | SHAFT | 1 | LOWER | |
| 15 | 30H9 | PLUG | 1 | 3/4" | |
| 16 | R39792 | GEAR | 1 | LOWER | |
| 17 | R26006 | NEEDLE ROLLER | 33 | | |
| 18 | R33232 | SNAP RING | 1 | | |
| 19 | A1651R | SPRING | 1 | | |
| 20 | RE20733 | BRAKE SHOE | 1 | (SUB FOR AR39774) | |
| 21 | R31378 | O-RING | 1 | | |
| 22 | R40336 | DOWEL PIN | 1 | | |

3E7

POWER TRAIN

540 RPM AND 1000 RPM PTO REAR DRIVE GEAR AND SHAFTS (POWER SHIFT)

R13226 -UN-01JAN94



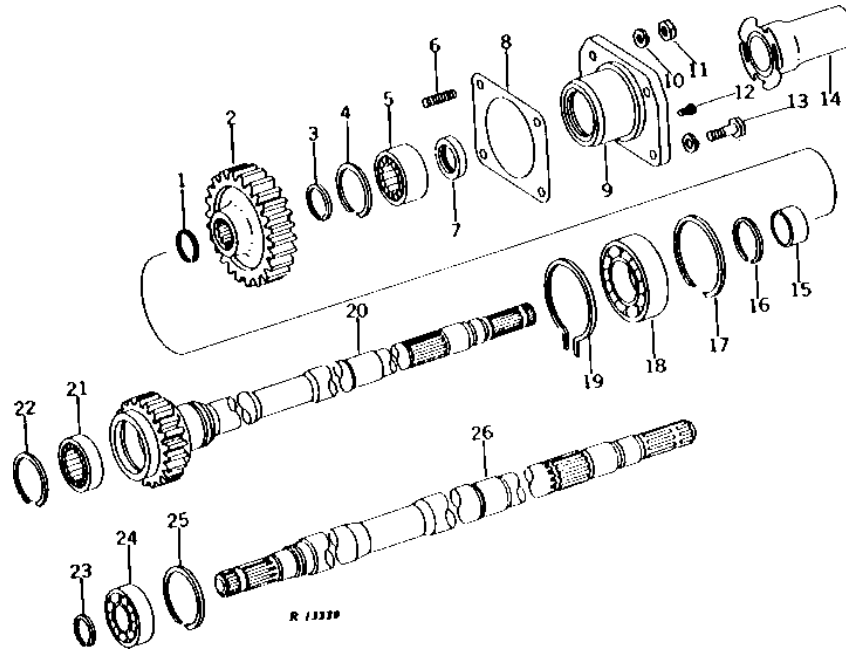
| KEY | PART NO. | PART NAME | QTY | TRACTOR SERIAL NO. | REMARKS |
|-----|----------|---------------|-----|--------------------|---|
| 1 | R38221 | SNAP RING | 2 | | |
| 2 | AR41752 | SHAFT | 1 | | REAR (540 RPM) |
| 3 | JD7557 | BEARING RACE | 1 | | |
| 4 | P50631 | O-RING | 2 | | |
| 5 | R38224 | SHAFT | 1 | | REAR (1000 RPM) |
| 6 | R45126 | GUIDE | 1 | | (SUB FOR R38220) |
| 7 | 14H1040 | NUT | 2 | | 1/2" |
| 8 | 12H301 | LOCK WASHER | 2 | | 1/2" |
| 9 | R27329 | SCREW | 2 | | |
| 10 | 34H348 | SPRING PIN | 2 | | 3/8" X 1" |
| 11 | AR38168 | QUILL | 1 | | (MARKED R38218 OR R47507) (SUB RE47805, RE13181, R106866 AND R106715) |
| | AR54487 | QUILL | 1 | | (1000 RPM) (MARKED R33487 OR R47508 OR R50298) (ALSO ORDER AR55216) (SUB FOR AR32440) |
| 12 | R33337 | GASKET | 1 | | |
| 13 | R32101 | STUD | 2 | | |
| 14 | R33320 | SNAP RING | 1 | | |
| 15 | R33852 | COUNTERSHAFT | 1 | | |
| 16 | R30319 | O-RING | 1 | | |
| 17 | R33853 | THRUST WASHER | 2 | | |
| 18 | R33028 | NEEDLE ROLLER | 48 | | |
| 19 | R33344 | SPACER | 1 | | |
| 20 | R33339 | GEAR | 1 | | |
| 21 | R42014 | GEAR | 1 | | (540 RPM) |
| 22 | R38219 | THRUST WASHER | 1 | | |
| 23 | F1334R | SNAP RING | 1 | | |
| 24 | C1919R | SNAP RING | 1 | | |
| 25 | JD9320 | BALL BEARING | 1 | | |
| 26 | AT16431 | SEAL | 1 | | (SUB RE13181) |
| | AT344T | SEAL | 1 | | (1000 RPM) |
| 27 | 19H1721 | CAP SCREW | 4 | | 1/2" X 1-1/2" |
| | 12H301 | LOCK WASHER | 4 | | 1/2" |

3E8

POWER TRAIN

540 RPM AND 1000 RPM PTO DRIVE GEAR, SHAFTS, AND FRONT GUARD (POWER SHIFT)

R13229 -UN-01JAN94



| KEY | PART NO. | PART NAME | QTY | TRACTOR SERIAL NO. | REMARKS |
|-----|----------|----------------|-----|---------------------|---------|
| 1 | R33325 | SNAP RING | 1 | | |
| 2 | R33488 | GEAR | 1 | | |
| 3 | R27000 | SNAP RING | 1 | | |
| 4 | F2367R | SNAP RING | 1 | | |
| 5 | JD8725 | ROLLER BEARING | 1 | | |
| 6 | R32101 | STUD | 2 | | |
| 7 | R33338 | SEAL | 1 | (ILLUSTRATED) | |
| | R45844 | CAP | 1 | (4000 SERIES) | |
| 8 | R33236 | GASKET | 1 | | |
| 9 | AR33998 | QUILL | 1 | (MARKED R33212) | |
| 10 | 12H301 | LOCK WASHER | 2 | 1/2" | |
| 11 | 14H1040 | NUT | 2 | 1/2" | |
| 12 | R27329 | SCREW | 2 | | |
| 13 | 19H1721 | CAP SCREW | 2 | 1/2" X 1-1/2" | |
| | 12H301 | LOCK WASHER | 2 | 1/2" | |
| 14 | AR26701 | GUARD | 1 | | |
| 15 | R34328 | BUSHING | 1 | | |
| 16 | R36295 | SNAP RING | 1 | | |
| 17 | BP13615 | SNAP RING | 1 | (SUB FOR R33321) | |
| 18 | JD8537 | BEARING | 1 | | |
| 19 | R33322 | SNAP RING | 1 | | |
| 20 | AR41749 | SHAFT | 1 | (ILLUSTRATED) (NLA) | |
| | AR48043 | SHAFT | 1 | (4000 SERIES) (NLA) | |
| 21 | JD7537 | ROLLER BEARING | 1 | | |
| 22 | F2367R | SNAP RING | 1 | | |
| 23 | A364R | SNAP RING | 1 | (A) | |
| 24 | JD9345 | BALL BEARING | 1 | (A) | |
| 25 | B190R | SNAP RING | 1 | (A) | |
| 26 | R34166 | SHAFT | 1 | (A) (NLA) | |

(A) 1000 RPM PTO

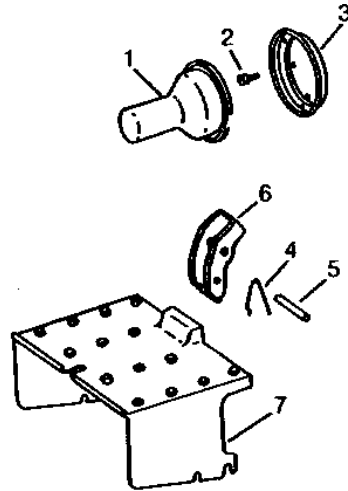
3E9

POWER TRAIN

540 RPM AND 1000 RPM PTO MASTER SHIELD AND REAR GUARD

(POWER SHIFT)

RXP8623 -UN-01JAN94



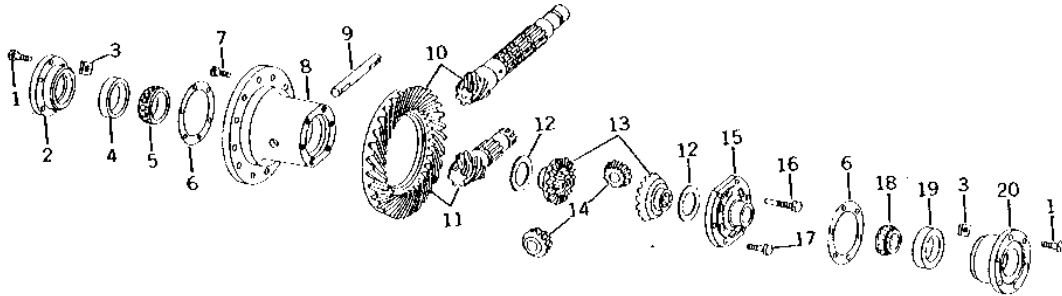
RXP8623

| KEY | PART NO. | PART NAME | QTY | TRACTOR SERIAL NO. | REMARKS |
|-----|----------|------------|-----|--------------------|-------------------|
| 1 | AR26782 | GUARD | 1 | | |
| 2 | R27329 | SCREW | 2 | | |
| 3 | AR26707 | RETAINER | 1 | | |
| 4 | R42585 | SPRING | 1 | | |
| 5 | 34H335 | SPRING PIN | 1 | | 5/16" X 2-1/8" |
| 6 | R42584 | RETAINER | 1 | | (SUB FOR AR44713) |
| 7 | R33348 | SHIELD | 1 | | |

3E10

POWER TRAIN

**DIFFERENTIAL
(LESS DIFFERENTIAL LOCK)**
R21222 -UN-01JAN94



R 21222

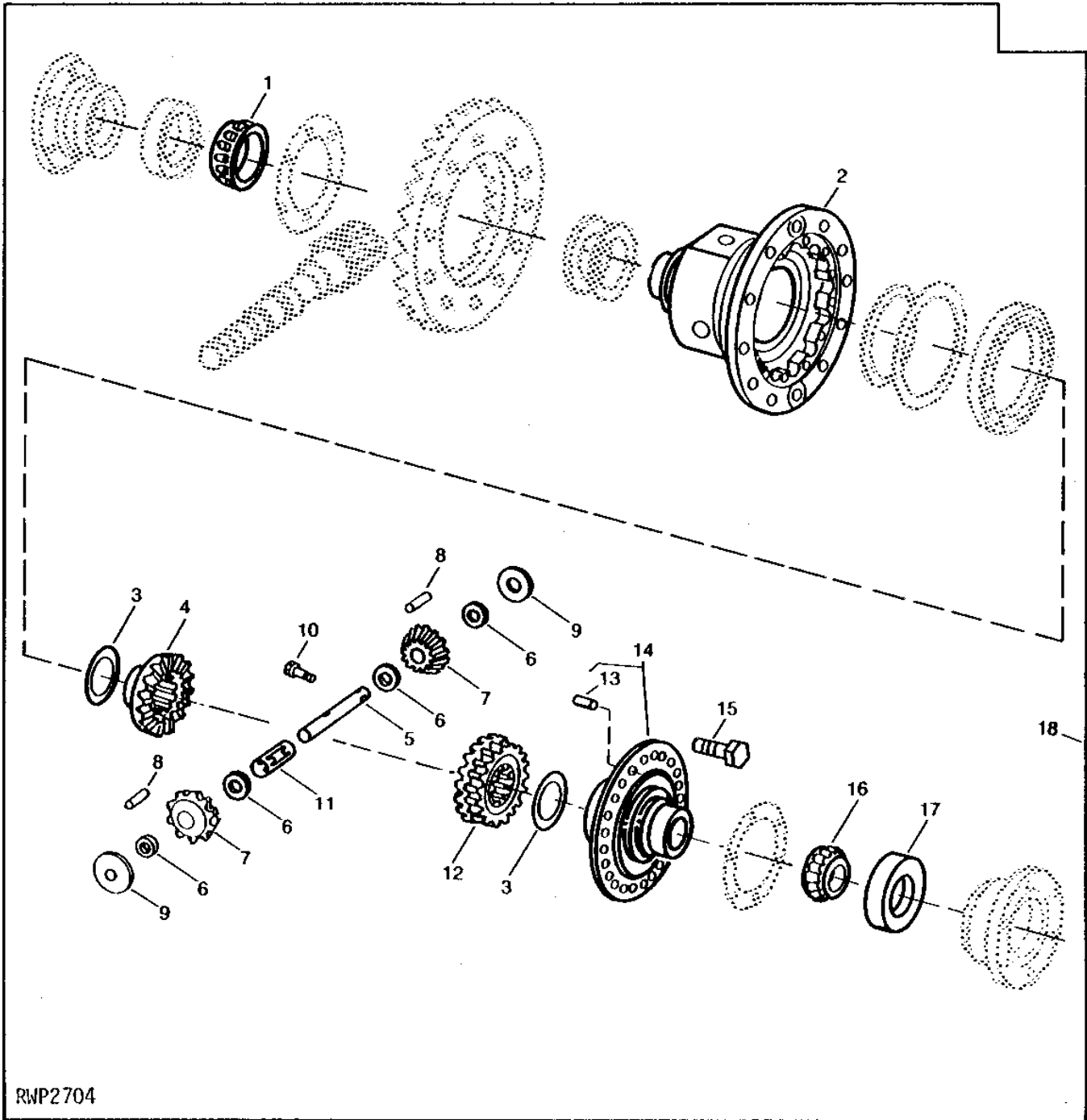
| KEY | PART NO. | PART NAME | QTY | TRACTOR SERIAL NO. | REMARKS |
|-----|----------|------------------|-----|--|---------|
| 1 | R46162 | SCREW | 12 | (SUB FOR T20139) (SUB R112882) | |
| 2 | R31190 | QUILL | 1 | L.H. | |
| 3 | 14H823 | NUT | 2 | 1/2" | |
| 4 | JD8259 | BEARING CUP | 1 | | |
| 5 | JD8954 | BEARING CONE | 1 | | |
| 6 | R46323 | SHIM | AR | 0.08MM (.003") (SUB FOR R26042) | |
| | R46324 | SHIM | AR | 0.13MM (.005") (SUB FOR R26043) | |
| 7 | R41048 | CAP SCREW | 12 | | |
| 8 | R31189 | HOUSING | 1 | (SUB AR103363) (ALSO ORDER R34856) | |
| 9 | R58425 | SHAFT | 1 | (SUB FOR R41903 OR R53740) | |
| 10 | AR33962 | BEVEL GEAR DRIVE | 1 | (MATCHED SET) (SYNCRO-RANGE) | |
| 11 | AR32465 | GEAR | 1 | (MATCHED SET) (POWER SHIFT) | |
| 12 | R77145 | WASHER | 2 | (USE WITH R63477) (SUB FOR R53202 OR R65741) (SUB R93623) | |
| 13 | R42446 | GEAR | 2 | (SUB (2) R63477 AND (2) R77145) | |
| 14 | R42444 | PINION | 2 | | |
| 15 | R31195 | COVER | 1 | | |
| 16 | R70236 | CAP SCREW | 1 | (SUB FOR R41050) | |
| 17 | R41049 | CAP SCREW | 5 | | |
| 18 | JD8159 | BEARING CONE | 1 | | |
| 19 | JD8210 | BEARING CUP | 1 | | |
| 20 | R31196 | QUILL | 1 | R.H. (SUB R34856 WHEN AR103363 IS USED) | |

MEMORANDA

3E11

POWER TRAIN

AR103363 ANTI-FRICTION NO LOCK DIFFERENTIAL KIT
RWP2704 -UN-01JAN94



3E12

POWER TRAIN

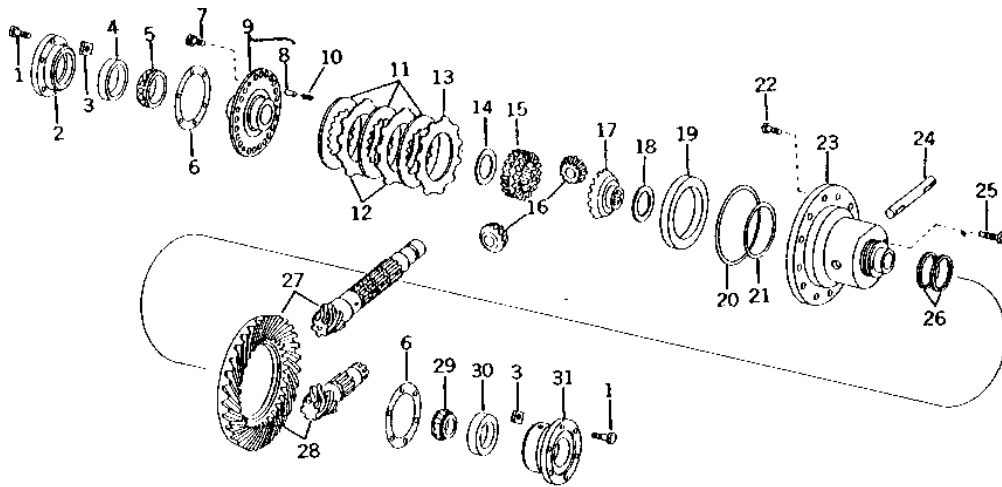
AR103363 ANTI-FRICTION NO LOCK DIFFERENTIAL KIT - CONTINUED

| KEY | PART NO. | PART NAME | QTY | TRACTOR SERIAL NO. | REMARKS |
|-----|----------|---------------|-----|-----------------------|--|
| 1 | JD8954 | BEARING CONE | 1 | | |
| 2 | AR93094 | HOUSING | 1 | | (MARKED R70838) |
| 3 | R77145 | WASHER | 2 | | |
| 4 | R66715 | BEVEL GEAR | 1 | | |
| 5 | R68173 | SHAFT | 1 | | |
| 6 | R68167 | WASHER | 4 | | |
| 7 | R68170 | PINION | 2 | | |
| 8 | R68171 | NEEDLE ROLLER | 46 | | |
| 9 | R59460 | THRUST WASHER | 2 | | |
| 10 | R70236 | CAP SCREW | 1 | | |
| 11 | R74675 | RETAINER | 1 | | |
| 12 | R63477 | BEVEL GEAR | 1 | | |
| 13 | 34H100 | SPRING PIN | 3 | | 1/4" X 7/8" |
| 14 | AR44614 | COVER | 1 | | (MARKED R42505) (SUB R101054 AND (3) 34H311) |
| 15 | R40236 | CAP SCREW | 12 | | (SUB R116064) |
| 16 | JD8159 | BEARING CONE | 1 | | |
| 17 | JD8210 | BEARING CUP | 1 | | |
| 18 | AR103363 | KIT | 1 | | (ALSO ORDER R34856) UNLESS PREVIOUSLY INSTALLED |

3E13

POWER TRAIN

**DIFFERENTIAL
(DIFFERENTIAL LOCK)**
R21223 -UN-01JAN94



R 21223

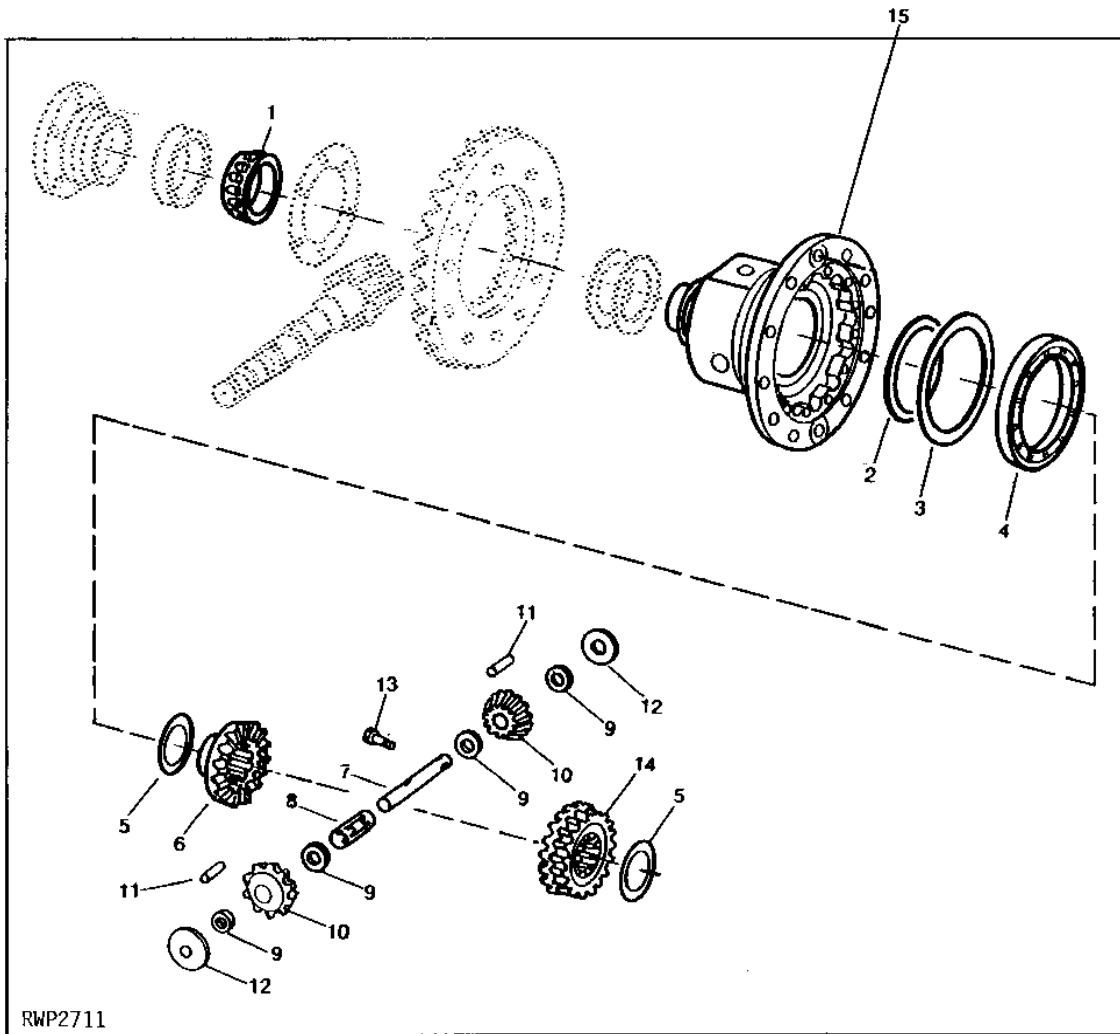
| KEY | PART NO. | PART NAME | QTY | TRACTOR SERIAL NO. | REMARKS |
|-----|----------|--------------------|-----|---|---------|
| 1 | R46162 | SCREW | 2 | (SUB FOR T20139) (SUB R112882) | |
| 2 | R31190 | QUILL | 1 | L.H. | |
| 3 | 14H823 | NUT | 2 | 1/2" | |
| 4 | JD8259 | BEARING CUP | 1 | | |
| 5 | JD8954 | BEARING CONE | 1 | | |
| 6 | R46323 | SHIM | AR | 0.08MM (.003") (SUB FOR R26042) | |
| | R46324 | SHIM | AR | 0.13MM (.005") (SUB FOR R26043) | |
| 7 | R116064 | CAP SCREW | 12 | (SUB FOR R40236) | |
| 8 | 34H311 | SPRING PIN | 3 | 1/4" X 7/8" | |
| 9 | AR44614 | COVER | 1 | (MARKED R34800 AND R42505) (SUB R101054 AND (3) 34H311) | |
| 10 | R34863 | SPRING | 3 | | |
| 11 | AR86454 | DISK, INNER SPLINE | 3 | (SUB FOR AR34705 OR AR70154) (SUB (3) RE29428, R34857 AND (2) R34858) | |
| 12 | R34858 | CLUTCH PLATE | 2 | | |
| 13 | R34857 | CLUTCH PLATE | 1 | | |
| 14 | R77145 | WASHER | 1 | (SUB FOR R53202, R65741 OR R72587) (SUB R93623) (USE WITH R63477 AND R66715 ONLY) | |
| 15 | R42448 | GEAR | 1 | (SUB R63477, R66715 AND (2) R77145) | |
| 16 | R42444 | PINION | 2 | | |
| 17 | R42446 | GEAR | 1 | (SUB R63477, R66715 AND (2) R77145) | |
| 18 | R77145 | WASHER | 1 | (SUB FOR R53202, R65741 OR R72587) (SUB R93623) (USE WITH R63477 AND R66715 ONLY) | |
| 19 | R34855 | PISTON | 1 | | |
| 20 | R41017 | WASHER | 1 | | |
| 21 | R44328 | WASHER | 1 | (SUB FOR R41016) | |
| 22 | R41048 | CAP SCREW | 12 | | |
| 23 | AR39651 | HOUSING | 1 | (MARKED R34799) (SUB AR101616) | |
| 24 | R58425 | SHAFT | 1 | (SUB FOR R41903 OR R53740) | |
| 25 | R70236 | CAP SCREW | 1 | (SUB FOR R41050) | |
| 26 | R34513 | RING | 2 | | |
| 27 | AR33962 | BEVEL GEAR DRIVE | 1 | (MATCHED SET) (SYNCRO-RANGE) | |
| 28 | AR32465 | GEAR | 1 | (MATCHED SET) (POWER SHIFT) | |
| 29 | JD8159 | BEARING CONE | 1 | | |
| 30 | JD8210 | BEARING CUP | 1 | | |
| 31 | R34856 | QUILL | 1 | R.H. | |

MEMORANDA

3E14

POWER TRAIN

AR101616 ANTI-FRICTION WITH DIFFERENTIAL LOCK KIT
RWP2711 -UN-06OCT94



3E15

POWER TRAIN

AR101616 ANTI-FRICTION WITH DIFFERENTIAL LOCK KIT - CONTINUED

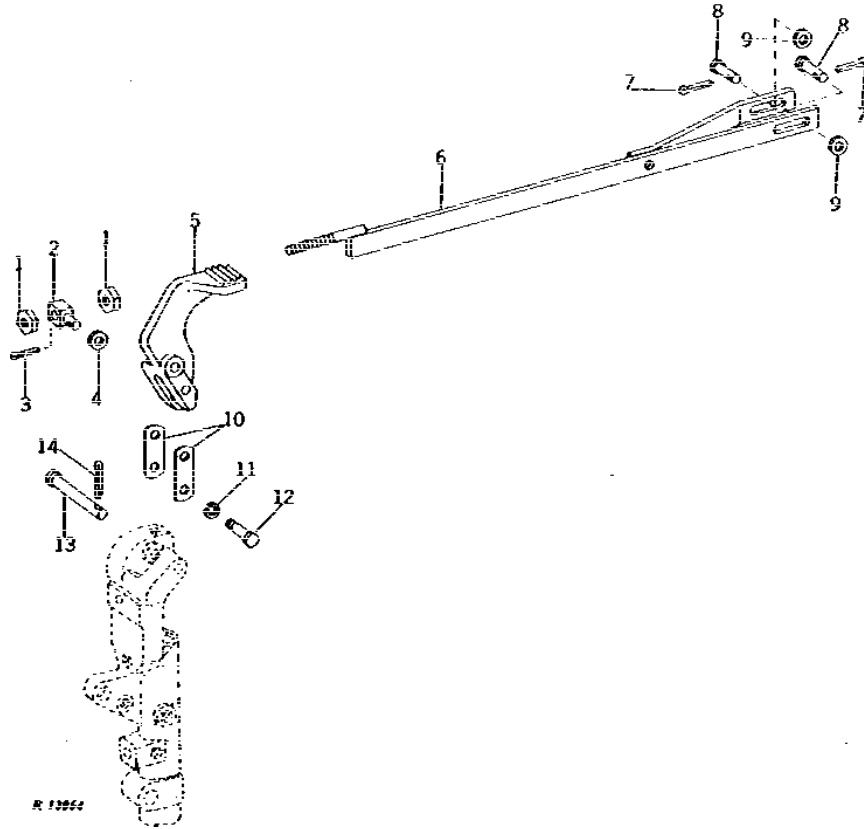
| KEY | PART NO. | PART NAME | QTY | TRACTOR SERIAL NO. | REMARKS |
|-----|----------|---------------|-----|-----------------------|---------|
| 1 | JD8159 | BEARING CONE | 1 | | |
| 2 | R44328 | WASHER | 1 | | |
| 3 | R41017 | WASHER | 1 | | |
| 4 | R34855 | PISTON | 1 | | |
| 5 | R77145 | WASHER | 2 | | |
| 6 | R63477 | BEVEL GEAR | 1 | | |
| 7 | R68173 | SHAFT | 1 | | |
| 8 | R74675 | RETAINER | 1 | | |
| 9 | R68167 | WASHER | 4 | | |
| 10 | R68170 | PINION | 2 | | |
| 11 | R68171 | NEEDLE ROLLER | 46 | | |
| 12 | R59460 | THRUST WASHER | 2 | | |
| 13 | R70236 | CAP SCREW | 1 | | |
| 14 | R66715 | BEVEL GEAR | 1 | | |
| 15 | AR101616 | KIT | 1 | | |

3E16

POWER TRAIN

DIFFERENTIAL LOCK VALVE PEDAL AND RELEASE LINK (TRACTOR SERIAL NO. 201000-250000)

R13954 -UN-01JAN94

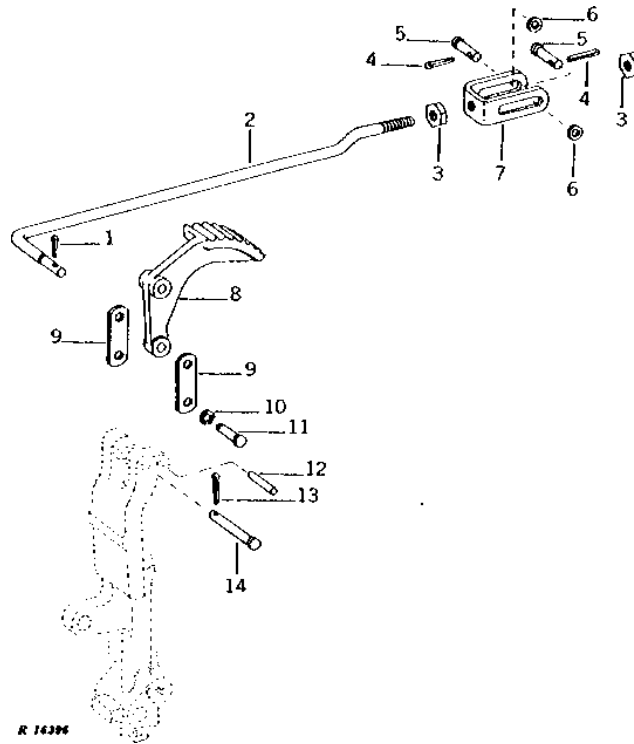


| KEY | PART NO. | PART NAME | QTY | TRACTOR SERIAL NO. | REMARKS |
|-----|----------|------------|-----|--------------------------|---------|
| 1 | 14H1076 | NUT | 2 | 3/8" | |
| 2 | R34581 | SWIVEL | 1 | | |
| 3 | 11M7059 | COTTER PIN | 1 | 3.200 X 20 MM | |
| 4 | 24M7096 | WASHER | 1 | 10.500 X 18 X 1.600 MM | |
| 5 | R45694 | PEDAL | 1 | (SUB FOR R41005) (NLA) | |
| 6 | AR40739 | LINK | 1 | | |
| 7 | 11M7079 | COTTER PIN | 2 | 0.098" X 0.472" | |
| 8 | H858R | PIN | 2 | | |
| 9 | 24H1136 | WASHER | 2 | 11/32" X 11/16" X 0.065" | |
| 10 | R34522 | STRAP | 2 | | |
| 11 | R26386 | SNAP RING | 2 | | |
| 12 | R26385 | PIN | 2 | | |
| 13 | R34815 | PIN | 1 | | |
| 14 | 11M7059 | COTTER PIN | 1 | 3.200 X 20 MM | |

3E17

POWER TRAIN

DIFFERENTIAL LOCK CONTROL PEDAL AND LINKAGE
(TRACTOR SERIAL NO. 250001-)
R16396 -UN-01JAN94

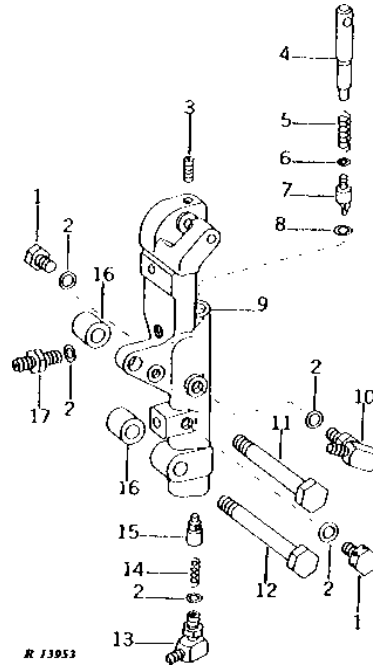


| KEY | PART NO. | PART NAME | QTY | TRACTOR SERIAL NO. | REMARKS |
|-----|----------|------------|-----|--------------------------|---------|
| 1 | 11M7081 | COTTER PIN | 1 | 0.098" X 0.787" | |
| 2 | R46867 | ROD | 1 | | |
| 3 | 14H1076 | NUT | 2 | 3/8" | |
| 4 | 11M7079 | COTTER PIN | 2 | 0.098" X 0.472" | |
| 5 | H858R | PIN | 2 | | |
| 6 | 24H1136 | WASHER | 2 | 11/32" X 11/16" X 0.065" | |
| 7 | R46868 | YOKE | 1 | (NLA) | |
| 8 | R46865 | PEDAL | 1 | | |
| 9 | R46902 | STRAP | 2 | (SUB R79135) | |
| 10 | R26386 | SNAP RING | 1 | | |
| 11 | R26385 | PIN | 1 | | |
| 12 | 34H331 | SPRING PIN | 1 | 5/16" X 1-1/2" | |
| 13 | 11M7059 | COTTER PIN | 1 | 3.200 X 20 MM | |
| 14 | R46866 | PIN | 1 | | |

3E18

POWER TRAIN

DIFFERENTIAL LOCK VALVE
(TRACTOR SERIAL NO. 201000-250000)
 R13953 -UN-01JAN94

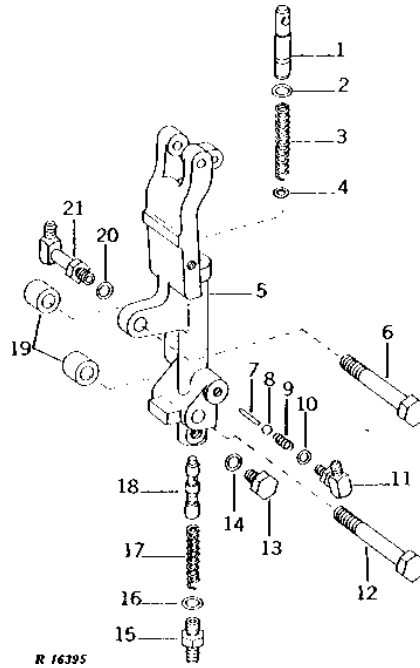


| KEY | PART NO. | PART NAME | QTY | TRACTOR SERIAL NO. | REMARKS |
|-----|----------|---------------|-----|---------------------------|---------|
| 1 | R27094 | DRAIN PLUG | 2 | | |
| 2 | R26286 | O-RING | 5 | | |
| 3 | R34582 | SET SCREW | 1 | | |
| 4 | R39732 | VALVE | 1 | | |
| 5 | R39731 | SPRING | 1 | | |
| 6 | R39730 | SHIM | AR | 0.13MM (.005") | |
| 7 | R34492 | VALVE | 1 | | |
| 8 | R459R | O-RING | 1 | | |
| 9 | AR40742 | HOUSING | 1 | (MARKED R41044 OR R41052) | |
| 10 | AT32333 | ELBOW FITTING | 1 | 90°, (SUB FOR AR26771) | |
| 11 | 19H2133 | CAP SCREW | 1 | 5/8" X 4-1/2" | |
| 12 | 19H3353 | CAP SCREW | 1 | 5/8" X 5" | |
| 13 | AR40475 | ELBOW FITTING | 1 | 90° | |
| 14 | R715R | SPRING | 1 | | |
| 15 | R40629 | VALVE | 1 | | |
| 16 | R34495 | SPACER | 2 | (ROW-CROP AND STANDARD) | |
| | R34868 | BUSHING | 2 | (HI-CROP) (NLA) | |
| 17 | R27272 | FITTING | 1 | | |

3E19

POWER TRAIN

DIFFERENTIAL LOCK VALVE
 (TRACTOR SERIAL NO. 250001-)
 R16395 -UN-01JAN94

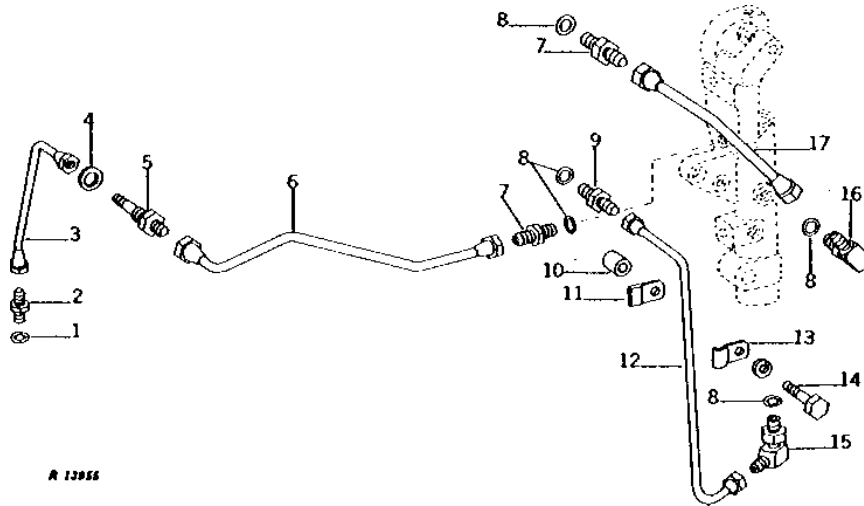


| KEY | PART NO. | PART NAME | QTY | TRACTOR SERIAL NO. | REMARKS |
|-----|----------|---------------|-----|--------------------|---|
| 1 | R86162 | PLUNGER | 1 | | (SUB FOR R46863 OR R68648) |
| 2 | F3353R | O-RING | 1 | | |
| 3 | R46862 | SPRING | 1 | | |
| 4 | R82133 | SHIM | AR | | 0.51MM (.020") (SUB FOR R46901) |
| 5 | R64503 | HOUSING | 1 | | (ALSO ORDER R26287) (SUB FOR R46821 OR R79133) (SUB R86770 OR R27216) |
| 6 | 19H2133 | CAP SCREW | 1 | | 5/8" X 4-1/2" |
| 7 | R33058 | NEEDLE ROLLER | 1 | | |
| 8 | 400R | BALL | 1 | | 6MM (1/4") |
| 9 | R26373 | SPRING | 1 | | |
| 10 | R26287 | O-RING | 1 | | |
| 11 | AT32335 | ELBOW FITTING | 1 | | 90°, (SUB FOR AR26746) |
| 12 | 19H3256 | CAP SCREW | 1 | | 5/8" X 6" |
| 13 | R27094 | DRAIN PLUG | 1 | | |
| 14 | R26286 | O-RING | 1 | | |
| 15 | R46856 | FITTING | 1 | | |
| 16 | R26448 | O-RING | 1 | | |
| 17 | R31698 | SPRING | 1 | | (SUB R74418, R82134 AND (11) R82133) |
| 18 | R74417 | VALVE | 1 | | (ALSO ORDER R74418) (SUB FOR R46855) (SUB R82134 AND (11) R82133) |
| 19 | R34495 | SPACER | 2 | | (ROW-CROP AND STANDARD) |
| | B13540 | BUSHING | 2 | | (HI-CROP) (NO LONGER AVAILABLE) |
| 20 | R26286 | O-RING | 1 | | |
| 21 | AR35710 | ELBOW FITTING | 1 | | 90° |

3E20

POWER TRAIN

DIFFERENTIAL LOCK VALVE OIL PIPES
(TRACTOR SERIAL NO. 201000-250000)
R13955 -UN-01JAN94



| KEY | PART NO. | PART NAME | QTY | TRACTOR SERIAL NO. | REMARKS |
|-----|----------|----------------|-----|------------------------|---------|
| 1 | R30903 | O-RING | 1 | | |
| 2 | R39597 | ADAPTER | 1 | | |
| 3 | AR34697 | HYDRAULIC LINE | 1 | INNER | |
| 4 | R51494 | WASHER | 1 | ALUMINUM | |
| 5 | AR34569 | FITTING | 1 | | |
| 6 | AR34698 | OIL LINE | 1 | (A) (B) OUTER | |
| | AR39824 | LINE | 1 | (C) OUTER (NLA) | |
| 7 | R27272 | FITTING | 2 | | |
| 8 | R26286 | O-RING | 5 | | |
| 9 | R40617 | FITTING | 1 | | |
| 10 | 28H1697 | SPACER | 1 | 3/8" X 3/4" | |
| 11 | R31655 | STRAP | 1 | | |
| 12 | AR40963 | HYDRAULIC LINE | 1 | | |
| 13 | R31654 | CLAMP | 1 | | |
| 14 | 19H1800 | CAP SCREW | 1 | 3/8" X 1-1/2" | |
| | 12H304 | LOCK WASHER | 1 | 3/8" | |
| 15 | AR40475 | ELBOW FITTING | 1 | 90° | |
| 16 | AT32333 | ELBOW FITTING | 1 | 90°, (SUB FOR AR26771) | |
| 17 | AR40740 | HYDRAULIC LINE | 1 | | |

(A) ROW-CROP

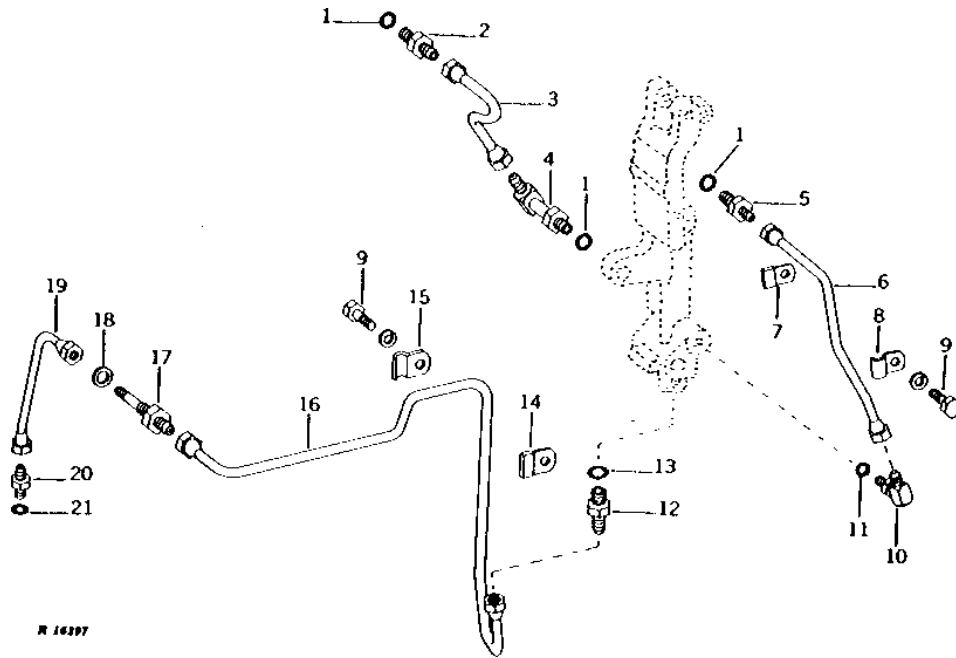
(B) STANDARD

(C) HI-CROP

3E21

POWER TRAIN

DIFFERENTIAL LOCK VALVE OIL PIPES
(TRACTOR SERIAL NO. 250001-)
R16397 -UN-01JAN94

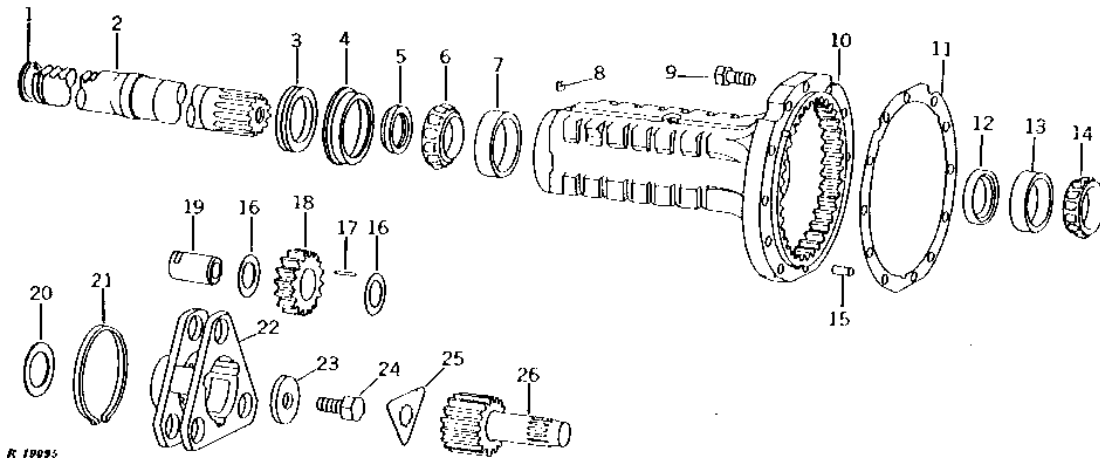


| KEY | PART NO. | PART NAME | QTY | TRACTOR SERIAL NO. | REMARKS |
|-----|----------|----------------|-----|------------------------|---------|
| 1 | R26286 | O-RING | 3 | | |
| 2 | R27272 | FITTING | 1 | | |
| 3 | AR49174 | HYDRAULIC LINE | 1 | | |
| 4 | AR35710 | ELBOW FITTING | 1 | 90° | |
| 5 | R40617 | FITTING | 1 | | |
| 6 | AR49173 | HYDRAULIC LINE | 1 | | |
| 7 | R31655 | STRAP | 1 | | |
| 8 | R31654 | CLAMP | 1 | | |
| 9 | 19H1936 | CAP SCREW | 2 | 3/8" X 3/4" | |
| | 12H304 | LOCK WASHER | 2 | 3/8" | |
| 10 | AT32335 | ELBOW FITTING | 1 | 90°, (SUB FOR AR26746) | |
| 11 | R26287 | O-RING | 1 | | |
| 12 | R46856 | FITTING | 1 | | |
| 13 | R26448 | O-RING | 1 | | |
| 14 | R34819 | PLATE | 1 | | |
| 15 | R27539 | CLAMP | 1 | | |
| 16 | AR49176 | HYDRAULIC LINE | 1 | OUTER | |
| 17 | AR34569 | FITTING | 1 | | |
| 18 | R51494 | WASHER | 1 | | |
| 19 | AR34697 | HYDRAULIC LINE | 1 | INNER | |
| 20 | R39597 | ADAPTER | 1 | | |
| 21 | R30903 | O-RING | 1 | | |

3E22

POWER TRAIN

PLANETARY AND REAR AXLE
R19095 -UN-01JAN94



| KEY | PART NO. | PART NAME | QTY | TRACTOR SERIAL NO. | REMARKS |
|-----|----------|--------------|-----|--------------------|---|
| 1 | R53658 | SNAP RING | 1 | | |
| | R53657 | SNAP RING | 1 | (A) | |
| 2 | R60077 | SHAFT | 1 | | (AXLE LENGTH, 860MM (33-7/8")) (TREAD, 2311MM (91")) (ALSO ORDER R53658) (SUB FOR R33015 OR R53641) |
| | R60076 | SHAFT | 1 | | (AXLE LENGTH, 941MM (37-1/16")) (TREAD, 2642MM (104")) (ALSO ORDER R53658) (SUB FOR R40262 OR R53643) |
| | R59935 | SHAFT | 1 | | (AXLE LENGTH, 1043MM (41-1/16")) (TREAD, 2845MM (112")) (ALSO ORDER R53658) (SUB FOR R33018 OR R53642) |
| | R60078 | SHAFT | 1 | | (AXLE LENGTH, 1159MM (45-5/8")) (SPECIAL DUAL) (ALSO ORDER R53658) (SUB FOR R41845 OR R53644) |
| | R53639 | SHAFT | 1 | | (A) (REGULATOR AXLE) (AXLE LENGTH, 867MM (34-1/8")) (ALSO ORDER R53657) (SUB FOR R45274) (SUB R53640) (NLA) |
| | R53640 | SHAFT | 1 | | (A) (LONG AXLE) (AXLE LENGTH, 946MM (37-1/4")) (ALSO ORDER R53657) (SUB FOR R46994) (NLA) |
| 3 | R33026 | SEAL | 1 | | |
| | RE31701 | SEAL | 1 | | (A) (SUB FOR AR52260 OR AR27446) (ALSO ORDER R57269) |
| 4 | R57269 | OIL CUP | 1 | | (SUB FOR R28128) |
| 5 | R65648 | SPACER | 1 | | (SUB FOR R33020, R63105 OR R61175) |
| | R55428 | SPACER | 1 | | (A) (SUB FOR R28127) |
| 6 | JD8191 | BEARING CONE | 1 | | |
| | JD8167 | BEARING CONE | 1 | | (A) |
| | JD10002 | BEARING CONE | 1 | | (UNDERSIZE) |
| 7 | JD8214 | BEARING CUP | 1 | | |
| 8 | 15H559 | PIPE PLUG | 1 | | 1/4" |
| 9 | 19H1863 | CAP SCREW | 12 | | 5/8" X 3" |
| 10 | AR54736 | HOUSING | 1 | | (MARKED R34940, R50160 OR R64791) (SUB FOR AR34755) (SUB AR105556) |
| | AR47878 | HOUSING | 1 | | (A) (MARKED R45340) (NLA) |
| | R76845 | PINION | 1 | | |

3E23

POWER TRAIN

PLANETARY AND REAR AXLE - CONTINUED

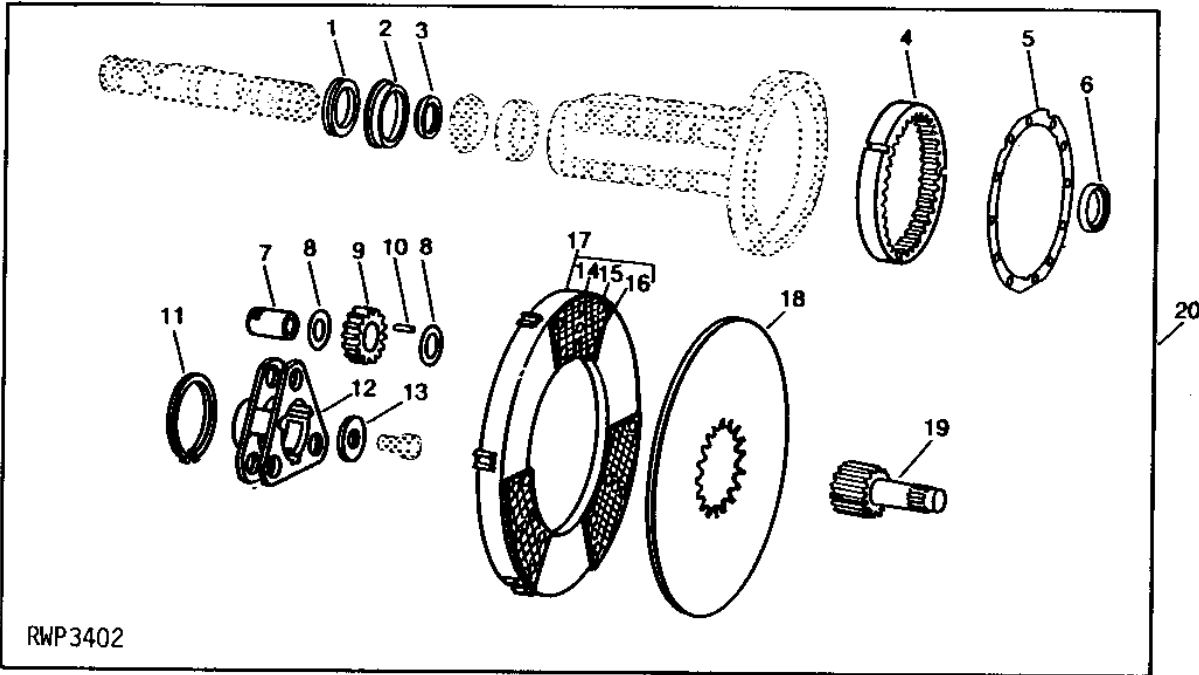
| KEY | PART NO. | PART NAME | QTY | TRACTOR SERIAL NO. | REMARKS |
|-----|----------|-----------------------|-----|--------------------|---|
| 11 | R100637 | GASKET | 1 | | (SUB FOR R34848) |
| 12 | R33027 | SEAL | 1 | | |
| | AR42005 | SEAL | 1 | | (A) |
| 13 | JD8213 | BEARING CUP | 1 | | |
| | JD8207 | BEARING CUP | 1 | | (A) |
| 14 | JD8177 | BEARING CONE | 1 | | |
| | JD8152 | BEARING CONE | 1 | | (A) |
| 15 | R65543 | DOWEL PIN | 3 | | (SUB FOR R33024) |
| 16 | R33022 | THRUST WASHER | 6 | | |
| 17 | R33028 | NEEDLE ROLLER | 99 | | |
| | R61033 | NEEDLE ROLLER | 72 | | |
| 18 | R33004 | PINION | 3 | | |
| | R108996 | PLANET PINION | 3 | | 51MM (2") (SUB FOR R63112) (SUB R116821) |
| 19 | R63112 | PINION SHAFT | 3 | | (SUB FOR R33021) |
| | R97998 | SHAFT | 1 | | (SUB FOR R59930) |
| 20 | R42101 | SHIM | 1 | | |
| | F2253R | SHIM | 1 | | (A) |
| 21 | R33029 | SNAP RING | 1 | | |
| 22 | R82916 | PLANET PINION CARRIER | 1 | | (SUB FOR R42901) |
| | R45842 | PLANET PINION CARRIER | 1 | | (A) (NLA) |
| 23 | R72169 | SPACER | 1 | | (SUB FOR R33023) (SUB FOR R48460, THIS APPLICATION) |
| | R26009 | WASHER | 1 | | (A) (NLA) |
| 24 | R82175 | CAP SCREW | 1 | | HS, SAE 8, (SUB FOR R26011 OR R60032) |
| 25 | R26012 | LOCK PLATE | 1 | | |
| 26 | R45779 | SHAFT | 1 | | (SUB FOR R33431) |

(A) 4000 SERIES

3E24

POWER TRAIN

FINAL DRIVE KIT
51MM (2") WIDE
RWP3402 -UN-01JAN94



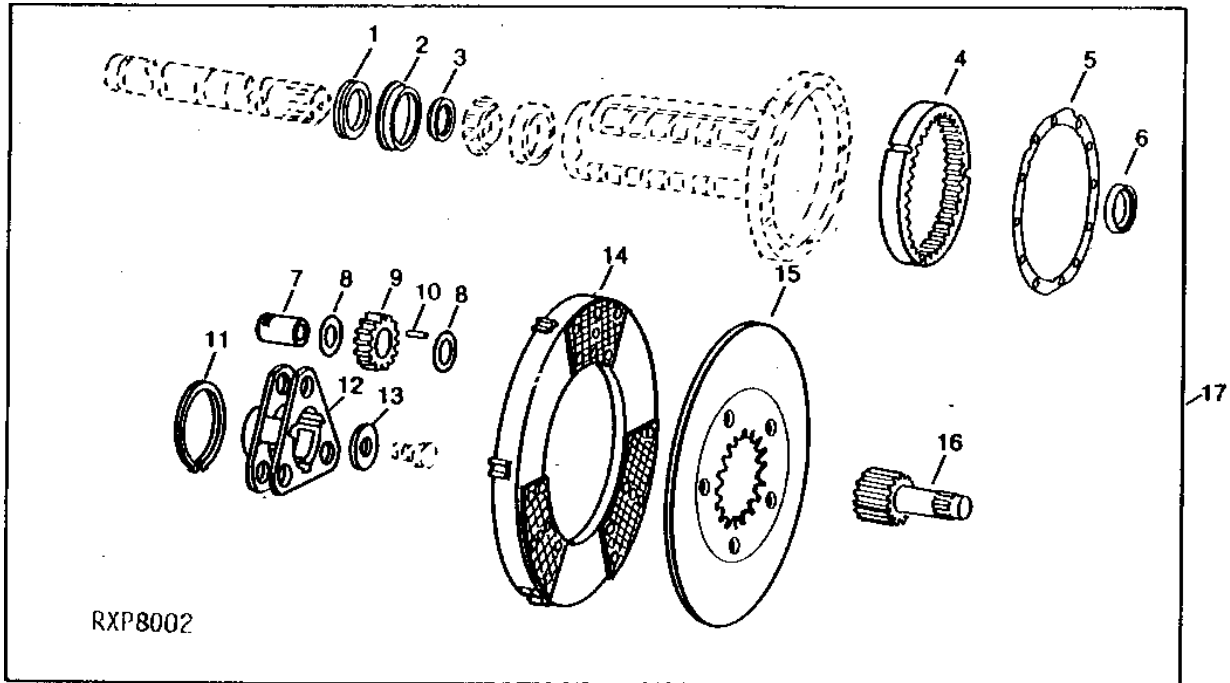
| KEY | PART NO. | PART NAME | QTY | TRACTOR SERIAL NO. | REMARKS |
|-----|----------|-----------------------|-----|--------------------|--|
| 1 | R33026 | SEAL | 2 | | |
| 2 | R57269 | OIL CUP | 2 | | (SUB FOR R28128) |
| 3 | R65648 | SPACER | 2 | | (SUB FOR R33020 OR R61175) |
| 4 | R56733 | GEAR | 2 | | (SUB FOR RE13477 OR R61176) |
| 5 | R100637 | GASKET | 2 | | (SUB FOR R34848) |
| 6 | R33027 | SEAL | 2 | | |
| 7 | R97998 | SHAFT | 6 | | (SUB FOR R59930) |
| 8 | R33022 | THRUST WASHER | 12 | | |
| 9 | R59929 | PINION | 6 | | |
| 10 | R61033 | NEEDLE ROLLER | 144 | | |
| 11 | R33029 | SNAP RING | 2 | | |
| 12 | R59933 | PLANET PINION CARRIER | 2 | | |
| 13 | R72169 | SPACER | 2 | | (SUB FOR R33023) |
| 14 | R90086 | BRAKE SHOE | 6 | | 76MM (3") (USE WITH R34833 OR R40153 AND RE32243) (SUB FOR AR28488) (SUB FOR AR40024) (SUB RE46332, (3) RE46328 AND R113739) |
| 15 | R708R | RIVET | 18 | | (A) |
| 16 | D1761R | RIVET | 18 | | (A) |
| 17 | AR72373 | PLATE | 2 | | (A) (MARKED R40152, R40153, R50585, R59931 OR R79409) |
| 18 | R85029 | BRAKE DISK | 2 | | (A) (SUB FOR R56734 OR R62686) (SUB RE46332, (3) RE46328 AND R113739) |
| 19 | R59928 | SHAFT | 2 | | (SUB R62685 AND R85029) |
| 20 | RE41241 | KIT | 1 | | (4020) (SUB FOR AR80300 OR RE13476) (SUB RE47883) |

(A) ROW-CROP AND STANDARD

3E25

POWER TRAIN

FINAL DRIVE KIT
51MM (2") WIDE
RXP8002 -UN-01JAN94



| KEY | PART NO. | PART NAME | QTY | TRACTOR SERIAL NO. | REMARKS |
|-----|----------|-----------------------|-----|---|---------|
| 1 | R33026 | SEAL | 2 | | |
| 2 | R57269 | OIL CUP | 2 | | |
| 3 | R65648 | SPACER | 2 | | |
| 4 | R56733 | GEAR | 2 | | |
| 5 | R100637 | GASKET | 2 | | |
| 6 | R33027 | SEAL | 2 | | |
| 7 | R97998 | SHAFT | 6 | | |
| 8 | R33022 | THRUST WASHER | 12 | | |
| 9 | R59929 | PINION | 6 | | |
| 10 | R61033 | NEEDLE ROLLER | 144 | | |
| 11 | R33029 | SNAP RING | 2 | | |
| 12 | R59933 | PLANET PINION CARRIER | 2 | | |
| 13 | R72169 | SPACER | 2 | | |
| 14 | RE33013 | PLATE | 6 | (MARKED R40152, R40153, R50585, R59931 OR R97786) | |
| 15 | R97799 | BRAKE DISK | 18 | | |
| 16 | R62685 | SHAFT | 2 | | |
| 17 | RE41241 | KIT | 1 | (ALSO ORDER (6) R32681) (SUB RE47883) UNLESS PREVIOUSLY INSTALLED | |

(A) ROW-CROP AND STANDARD

MEMORANDA

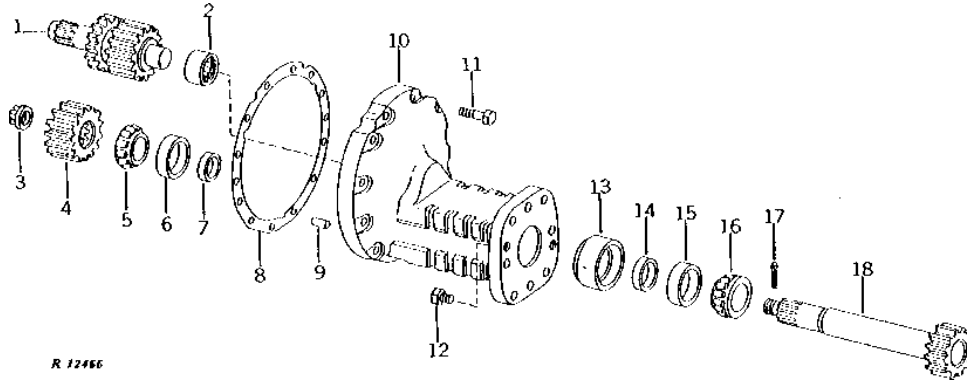
3F1

POWER TRAIN

DRIVE SHAFT AND DRIVE SHAFT HOUSING

(HI-CROP)

R12466 -UN-01JAN94



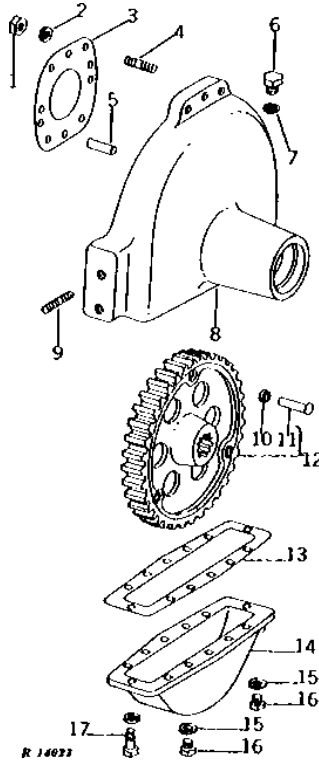
| KEY | PART NO. | PART NAME | QTY | TRACTOR SERIAL NO. | REMARKS |
|-----|----------|----------------|-----|--------------------|---------|
| 1 | R34832 | SHAFT | 1 | | |
| 2 | JD8726 | ROLLER BEARING | 1 | | |
| 3 | B350R | NUT | 1 | | |
| 4 | R28171 | GEAR | 1 | (NLA) | |
| 5 | JD9012 | BEARING CONE | 1 | | |
| 6 | JD8286 | BEARING CUP | 1 | | |
| 7 | AR40737 | SEAL | 1 | | |
| 8 | R100637 | GASKET | 1 | (SUB FOR R34848) | |
| 9 | R65500 | DOWEL PIN | 3 | (SUB FOR R26013) | |
| 10 | R41040 | HOUSING | 1 | (NLA) | |
| 11 | 19H1847 | CAP SCREW | 12 | 5/8" X 2-1/2" | |
| 12 | A3750R | FITTING | 2 | | |
| 13 | F991R | ADAPTER | 1 | | |
| 14 | AF1156R | SEAL | 1 | | |
| 15 | JD7446 | BEARING CUP | 1 | | |
| 16 | JD8130 | BEARING CONE | 1 | | |
| 17 | 11M7032 | COTTER PIN | 1 | 0.197" X 1.969" | |
| 18 | AR34590 | SHAFT | 1 | (MARKED R34831) | |

3F2

POWER TRAIN

FINAL DRIVE GEAR HOUSING, GEAR, AND COVER
(HI-CROP)

R14022 -UN-01JAN94



| KEY | PART NO. | PART NAME | QTY | TRACTOR SERIAL NO. | REMARKS |
|-----|----------|-------------|-----|--------------------|-------------------------|
| 1 | 14H858 | NUT | 6 | | |
| 2 | 12H236 | LOCK WASHER | 6 | | 3/4" |
| 3 | R98912 | GASKET | 1 | | (SUB FOR F3357R) |
| 4 | R1548R | STUD | 6 | | |
| 5 | F3358R | DOWEL PIN | 2 | | |
| 6 | F3128R | DRAIN PLUG | 1 | | |
| 7 | A4827R | WASHER | 1 | | |
| 8 | AR30474 | HOUSING | 1 | | (MARKED R28612) (NLA) |
| 9 | F1024R | STUD | 2 | | |
| 10 | R31R | WASHER | 6 | | (NLA) |
| 11 | 16H1175 | RIVET | 3 | | 5/16" X 2-1/2" |
| 12 | AR34605 | GEAR | 1 | | (USE WITH F1443R) (NLA) |
| 13 | F1000R | GASKET | 1 | | |
| 14 | F999R | COVER | 1 | | (NLA) |
| 15 | R229R | WASHER | 2 | | |
| 16 | R228R | FITTING | 2 | | |
| 17 | 19H1978 | CAP SCREW | 12 | | 7/16" X 1-1/2" |
| | 12H293 | LOCK WASHER | 12 | | 7/16" |

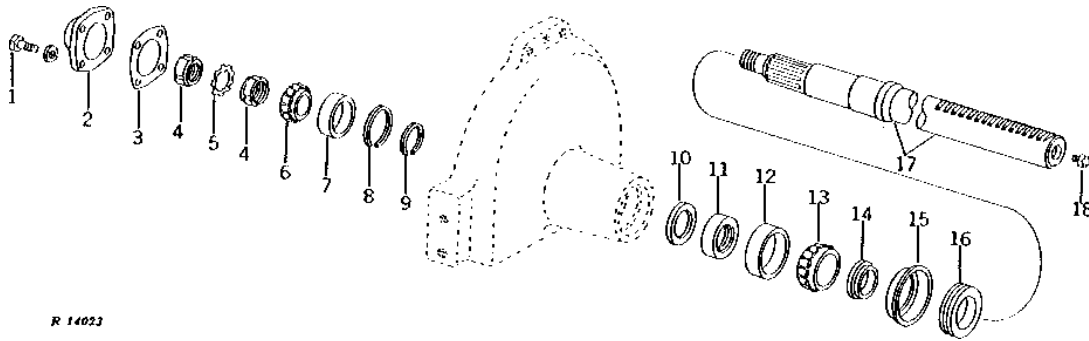
3F3

POWER TRAIN

REAR AXLE SHAFT, BEARINGS, AND OIL SEALS

(HI-CROP)

R14023 -UN-01JAN94



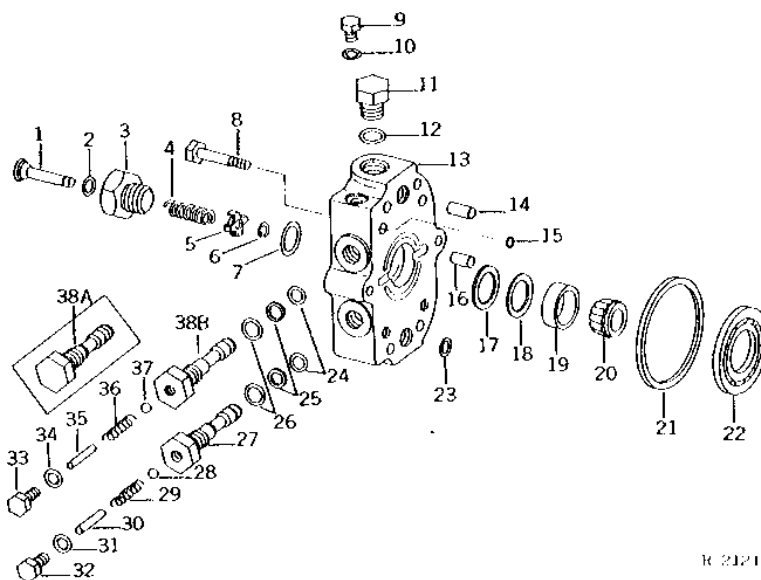
R 14023

| KEY | PART NO. | PART NAME | QTY | TRACTOR SERIAL NO. | REMARKS |
|-----|----------|---------------------|-----|--|---------|
| 1 | 19H1732 | CAP SCREW | 4 | 3/8" X 1-1/4" | |
| | 12H304 | LOCK WASHER | 4 | 3/8" | |
| 2 | R51608 | COVER | 1 | (SUB FOR F997R) (NLA) | |
| 3 | R51609 | GASKET | 1 | (SUB FOR F998R) | |
| 4 | F1483R | NUT | 2 | | |
| 5 | F1484R | LOCK WASHER | 1 | | |
| 6 | JD8149 | BEARING CONE | 1 | | |
| 7 | JD7444 | BEARING CUP | 1 | | |
| 8 | R81R | SNAP RING | 1 | | |
| 9 | B2342R | SNAP RING | 1 | | |
| 10 | F228R | WASHER | 1 | | |
| 11 | AF316R | SEAL | 1 | | |
| 12 | JD7448 | BEARING CUP | 1 | | |
| 13 | JD8112 | BEARING CONE | 1 | | |
| 14 | F785R | SPACER | 1 | | |
| 15 | R57269 | OIL CUP | 1 | (SUB FOR R28128) | |
| 16 | RE31701 | SEAL | 1 | (SUB AR52260 OR AR27446) (ALSO ORDER R57269) | |
| 17 | AR21601 | SHAFT | 1 | | |
| 18 | JD7759 | LUBRICATION FITTING | 1 | | |
| .. | AF1690R | ADAPTER | 1 | (NLA) | |
| .. | A3959R | DOWEL PIN | 2 | | |
| .. | AF1155R | SEAL | 1 | (NLA) | |
| .. | AF1691R | FLANGE | 1 | (NLA) | |
| .. | AF1692R | COVER | 1 | (NLA) | |
| .. | F1489R | GASKET | 1 | (NLA) | |
| .. | 19H1847 | CAP SCREW | 1 | 5/8" X 2-1/2" | |
| .. | 12H294 | LOCK WASHER | 1 | 5/8" | |

3F4

POWER TRAIN

**WHEEL MANIFOLD
(POWER FRONT WHEEL DRIVE)**
R21218 -UN-01JAN94



R 21218

| KEY | PART NO. | PART NAME | QTY | TRACTOR SERIAL NO. | REMARKS |
|-----|----------|-------------------------|-----|--------------------|-------------------------|
| 1 | R45357 | VALVE | 1 | | (SUB R62512 AND R62513) |
| 2 | P46051 | O-RING | 1 | | |
| 3 | R45356 | PRESSURE RELIEF FITTING | 1 | | |
| 4 | R45358 | SPRING | 1 | | |
| 5 | R45359 | RETAINER | 1 | | |
| 6 | R40638 | SNAP RING | 1 | | |
| 7 | F3171R | O-RING | 1 | | |
| 8 | 19H3181 | CAP SCREW | 6 | 3/8" X 2" | |
| 9 | R27216 | DRAIN PLUG | 1 | (SUB FOR R31631) | |
| 10 | R26287 | O-RING | 1 | | |
| 11 | R39112 | FITTING | 2 | | |
| 12 | R26375 | O-RING | 2 | | |
| 13 | R42468 | MANIFOLD | 1 | | |
| 14 | R28671 | DOWEL PIN | 2 | | |
| 15 | R42878 | WASHER | 1 | | |
| 16 | R42882 | DOWEL PIN | 1 | | |
| 17 | R42819 | SHIM | AR | 0.08MM (.003") | |
| 18 | R42820 | SHIM | AR | 0.25MM (.010") | |
| 19 | JD8293 | BEARING CUP | 1 | | |
| 20 | JD9030 | BEARING CONE | 1 | | |
| 21 | R42880 | PACKING | 1 | | |
| 22 | R42818 | PLATE | 1 | | |
| 23 | R42879 | WASHER | 2 | | |
| 24 | R42926 | BACK-UP RING | 2 | | |
| 25 | R28776 | O-RING | 2 | | |
| 26 | R26375 | O-RING | 2 | | |
| 27 | R42925 | HOUSING | 1 | | |
| 28 | 400R | BALL | 1 | 6MM (1/4") | |
| 29 | R26421 | SPRING | 1 | | |
| 30 | 34H252 | SPRING PIN | 1 | 1/8" X 1-1/4" | |
| 31 | R26287 | O-RING | 1 | | |
| 32 | R27216 | DRAIN PLUG | 1 | | |
| 33 | R27216 | DRAIN PLUG | 1 | | |

3F5

POWER TRAIN

**WHEEL MANIFOLD - CONTINUED
(POWER FRONT WHEEL DRIVE)**

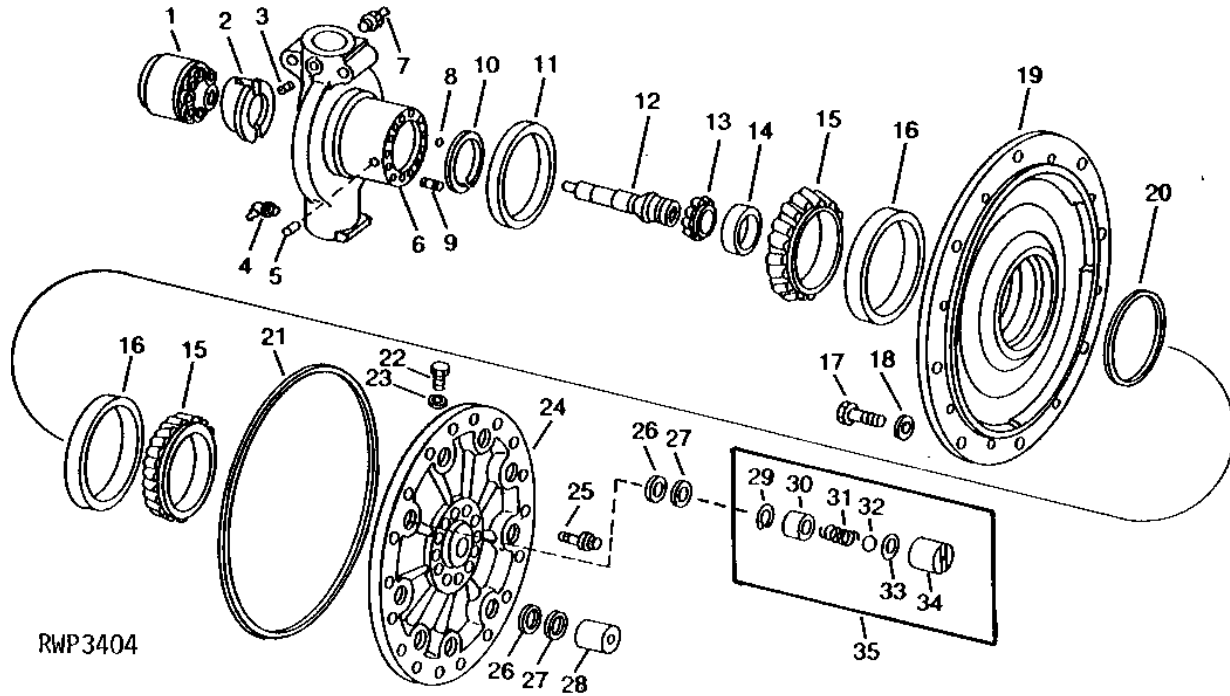
| KEY | PART NO. | PART NAME | QTY | TRACTOR SERIAL NO. | REMARKS |
|-----|----------|------------|-----|-----------------------|--|
| 34 | R26287 | O-RING | 1 | | |
| 35 | 34H252 | SPRING PIN | 1 | | 1/8" X 1-1/4" |
| 36 | R54174 | SPRING | 1 | | |
| 37 | 400R | BALL | 1 | | 6MM (1/4") |
| 38A | R42924 | PLUG | 1 | | (SUB 400R, R26287, R27216, R54173, R54174 AND 34H252) |
| 38B | R54173 | HOUSING | 1 | | UPPER |

3F6

POWER TRAIN

**WHEEL HUB, MOTOR, AND HOUSING
(POWER FRONT WHEEL DRIVE)**

RWP3404 -UN-01JAN94

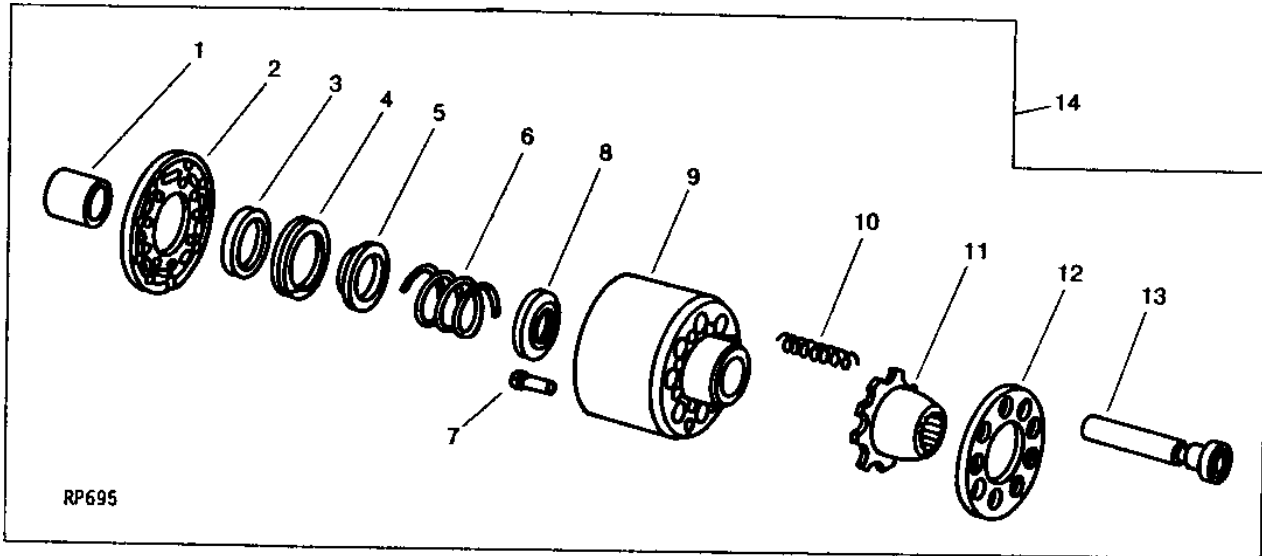


| KEY | PART NO. | PART NAME | QTY | TRACTOR SERIAL NO. | REMARKS |
|-----|----------|---------------------|-----|--------------------|---|
| 1 | AR73212 | CYLINDER BLOCK | 1 | | (SUB FOR AR45034) |
| 2 | R42817 | SWASH PLATE | 1 | | |
| 3 | 15H558 | PIPE PLUG | 1 | 1/8" | |
| 4 | JD7781 | LUBRICATION FITTING | 1 | 90° | |
| 5 | R42881 | DOWEL PIN | 1 | | |
| 6 | AR86538 | HOUSING | 1 | | (MARKED R42332 OR R66649) (ALSO ORDER (2) R66650) (SUB FOR AR45414) |
| 7 | JD7759 | LUBRICATION FITTING | 1 | | |
| 8 | T17951 | O-RING | 1 | | (SUB FOR R27490) |
| 9 | R36666 | DOWEL PIN | 2 | | |
| 10 | R45569 | SNAP RING | 1 | | |
| 11 | AR77224 | SEAL | 1 | | (SUB FOR AR47137) |
| 12 | R42735 | SHAFT | 1 | | |
| 13 | JD9029 | BEARING CONE | 1 | | |
| 14 | JD7403 | BEARING CUP | 1 | | |
| 15 | JD9028 | BEARING CONE | 2 | | |
| 16 | JD8292 | BEARING CUP | 2 | | |
| 17 | 19H1800 | CAP SCREW | 8 | 3/8" X 1-1/2" | |
| 18 | R42729 | WASHER | 8 | | |
| 19 | R41958 | HUB | 1 | | |
| 20 | R42765 | SHIM | AR | 0.08MM (.003") | |
| | R48811 | SHIM | AR | 0.13MM (.005") | |
| | R42766 | SHIM | AR | 0.25MM (.010") | |
| 21 | R42877 | PACKING | 1 | | |
| 22 | R27216 | DRAIN PLUG | 1 | | (SUB FOR R31631) |
| 23 | R26287 | O-RING | 1 | | |
| 24 | AR44376 | HOUSING | 1 | | |
| 25 | R42969 | BOLT | 12 | | |
| 26 | R29354 | O-RING | 9 | | (SUB FOR R42763) |
| 27 | R35473 | BACK-UP RING | 9 | | |
| 28 | R42927 | PISTON | 9 | | |
| 29 | R33282 | SNAP RING | 1 | | |
| 30 | R54172 | PLUNGER | 1 | | (SUB AR78303) |
| 31 | R59860 | SPRING | 1 | | (SUB FOR R27730) |
| 32 | R26552 | BALL | 1 | 8MM (5/16") | |
| 33 | P48347 | O-RING | 1 | | (SUB FOR R34404) |
| 34 | R54171 | PISTON | 1 | | (SUB AR78303) |
| 35 | AR78303 | PISTON | 1 | | KIT, PISTON PLANET BRAKE BLEED VALVE |

3F7

POWER TRAIN

**MOTOR CYLINDER BLOCK PARTS
(POWER FRONT WHEEL DRIVE)**
RP695 -UN-01JAN94



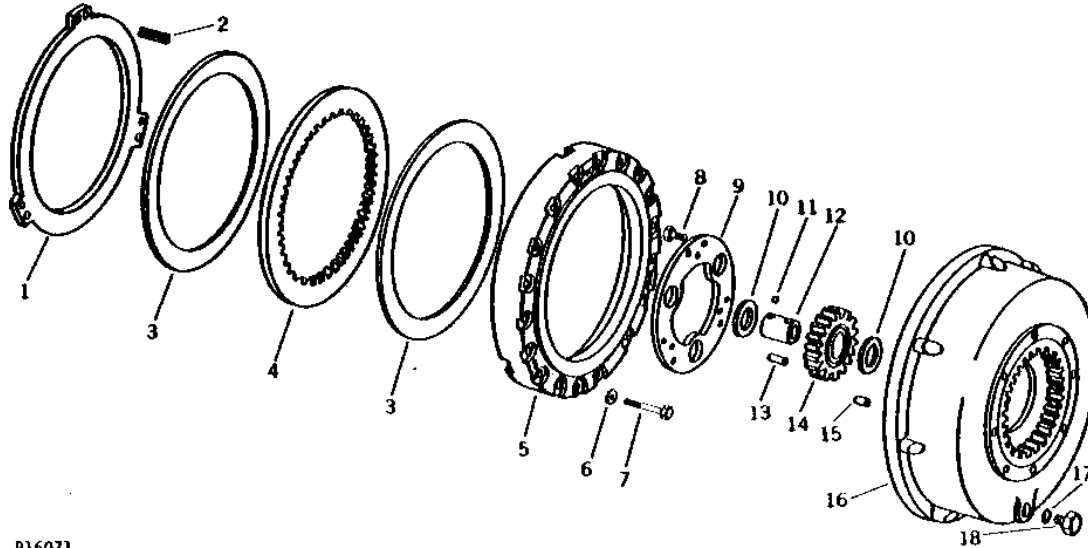
| KEY | PART NO. | PART NAME | QTY | TRACTOR SERIAL NO. | REMARKS |
|-----|----------|----------------|-----|--------------------|---------------------------------|
| 1 | R44415 | BUSHING | 1 | | |
| 2 | R44406 | PLATE | 1 | | |
| 3 | R44417 | WASHER | 1 | | |
| 4 | N107859 | SNAP RING | 1 | | |
| 5 | R44414 | RETAINER | 1 | | |
| 6 | R44409 | SPRING | 1 | | |
| 7 | R44416 | DOWEL PIN | 1 | | |
| 8 | R44412 | SEAT | 1 | | |
| 9 | AR73212 | CYLINDER BLOCK | 1 | | (SUB FOR AR45781 OR AR73213) |
| 10 | AR73214 | SPRING | 1 | | (PACKAGE OF 6) (SUB FOR R44411) |
| 11 | R44408 | GUIDE | 1 | | |
| 12 | R44407 | RETAINER | 1 | | |
| 13 | AR45782 | PISTON | 9 | | |
| 14 | AR73212 | CYLINDER BLOCK | 1 | | (SUB FOR AR45034) |

3F8

POWER TRAIN

SECOND PLANET PINION, PLANETARY HOUSING, AND BRAKE PLATES (POWER FRONT WHEEL DRIVE)

R16071 -UN-01JAN94



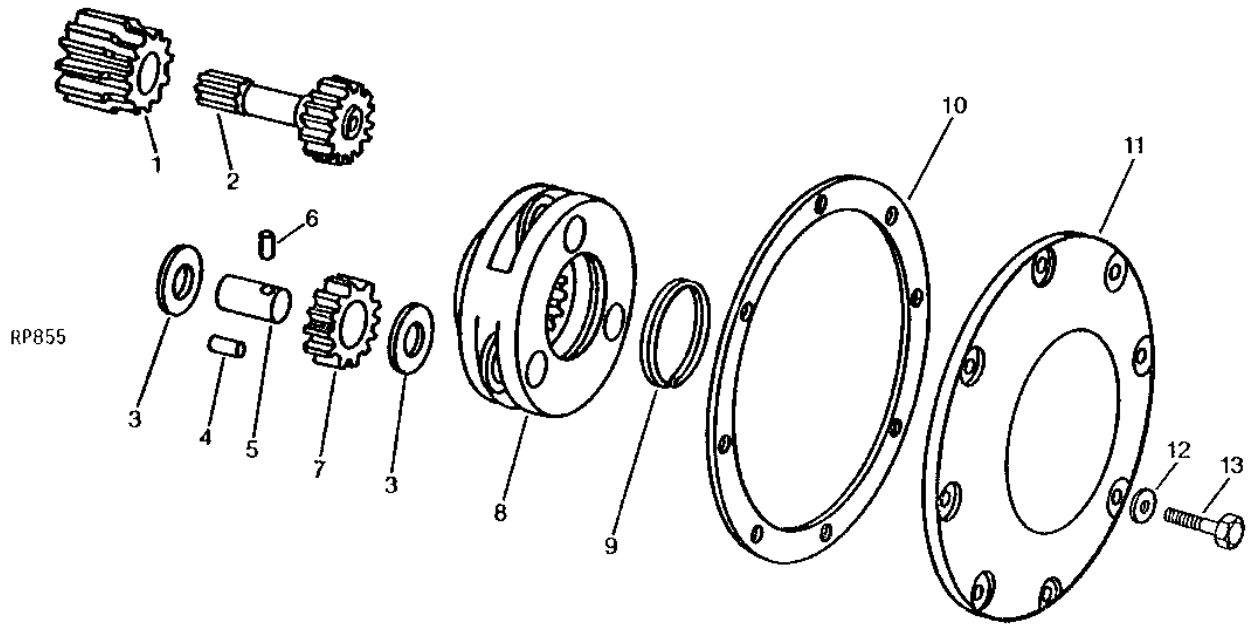
R16071

| KEY | PART NO. | PART NAME | QTY | TRACTOR SERIAL NO. | REMARKS |
|-----|----------|---------------|-----|--------------------|------------------|
| 1 | R42328 | PLATE | 1 | -258409 | |
| | R47142 | PLATE | 1 | 258410- | |
| 2 | R42762 | SPRING | 6 | | |
| 3 | R42517 | DISK | 2 | -258409 | |
| 4 | R42516 | GEAR | 1 | | |
| 5 | R45378 | PLATE | 1 | -258409 | |
| | R47141 | PLATE | 1 | 258410- | |
| 6 | R42729 | WASHER | 18 | | |
| 7 | 19H1733 | CAP SCREW | 18 | | 3/8" X 2-1/2" |
| 8 | 19H2284 | CAP SCREW | 6 | | 3/8" X 7/8" |
| 9 | R67905 | RETAINER | 1 | | (SUB FOR R42333) |
| 10 | R42931 | THRUST WASHER | 6 | | |
| 11 | H871R | BALL | 6 | | 5MM (3/16") |
| 12 | R42932 | PIN | 3 | | |
| 13 | R42883 | NEEDLE ROLLER | 66 | | |
| 14 | R42518 | PINION | 3 | | |
| 15 | R28671 | DOWEL PIN | 3 | | |
| 16 | AR44377 | HOUSING | 1 | -258409 | |
| | AR48527 | HOUSING | 1 | 258410- | |
| 17 | R26375 | O-RING | 1 | | |
| 18 | R39112 | FITTING | 1 | | |

3F9

POWER TRAIN

POWER FRONT WHEEL DRIVE FIRST PLANET PINION, CARRIER, AND COVER
 RP855 -UN-01JAN94

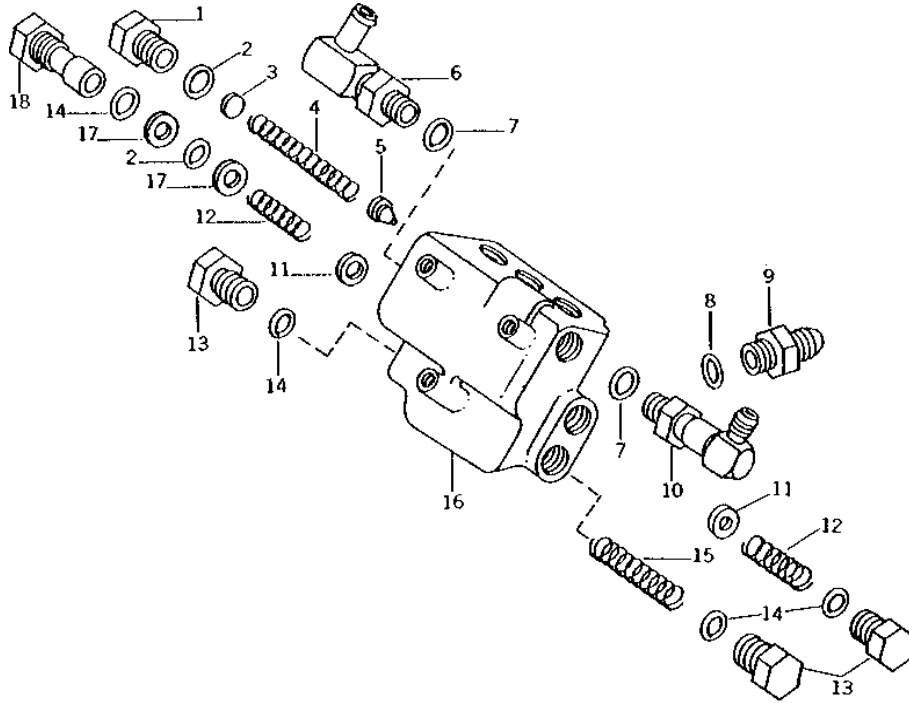


| KEY | PART NO. | PART NAME | QTY | TRACTOR SERIAL NO. | REMARKS |
|-----|----------|-----------------------|-----|--------------------|-----------------------------|
| 1 | R42734 | PINION | 1 | | SECOND PLANET SUN |
| 2 | R42733 | PINION | 1 | -258409 | FIRST PLANET SUN (23 TEETH) |
| | R46708 | PINION | 1 | 258410- | FIRST PLANET SUN (14 TEETH) |
| 3 | R42929 | THRUST WASHER | 6 | | |
| 4 | R42884 | NEEDLE ROLLER | 51 | | |
| 5 | R42930 | PIN | 3 | | |
| 6 | B2641R | DOWEL PIN | 3 | | |
| 7 | R42928 | PINION | 3 | -258409 | FIRST PLANET |
| | R46709 | PINION | 3 | 258410- | FIRST PLANET |
| 8 | R42519 | PLANET PINION CARRIER | 1 | | |
| 9 | R44013 | SNAP RING | 1 | | |
| 10 | R42764 | GASKET | 1 | | |
| 11 | R42968 | COVER | 1 | | |
| 12 | R42729 | WASHER | 8 | | |
| 13 | 19H2552 | CAP SCREW | 8 | | 3/8" X 1-1/8" |

3F10

POWER TRAIN

**CONTROL VALVE PARTS
(POWER FRONT WHEEL DRIVE)**
R16418 -UN-01JAN94



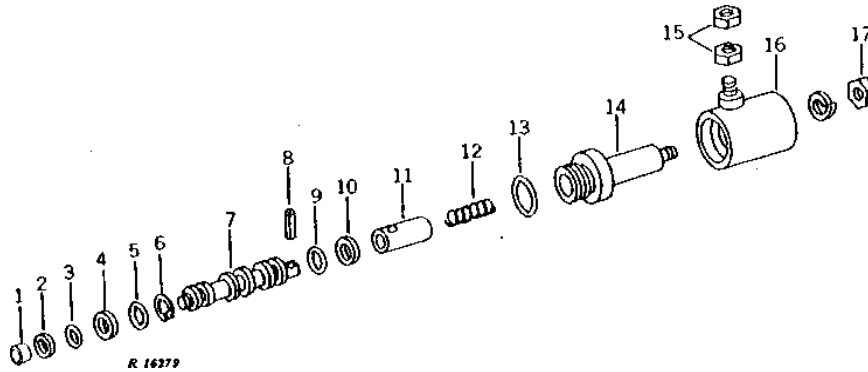
R 16418

| KEY | PART NO. | PART NAME | QTY | TRACTOR SERIAL NO. | REMARKS |
|-----|----------|---------------|-----|--------------------|---------------------------------------|
| 1 | R45179 | FITTING | 1 | | |
| 2 | P47908 | O-RING | 2 | | |
| 3 | T14587 | SHIM | AR | 0.61MM (.024") | |
| 4 | R45183 | SPRING | 1 | | |
| 5 | R45176 | ORIFICE | 1 | | |
| 6 | AR46957 | ELBOW FITTING | 1 | -258409 | 90°, (SUB AR53560, R26375 AND R39112) |
| 7 | AR53560 | FITTING | 1 | 258410- | 90° (NLA) |
| 8 | U17409 | O-RING | 2 | | |
| 9 | F3171R | O-RING | 4 | | |
| 10 | R27267 | FITTING | 4 | | |
| 11 | AR44384 | ELBOW FITTING | 1 | -258409 | 90° (ILLUSTRATED) |
| 12 | AR53562 | TEE FITTING | 1 | 258410- | (NLA) |
| 13 | R45184 | WASHER | 2 | | |
| 14 | R45182 | SPRING | 2 | | |
| 15 | R45177 | FITTING | 3 | | |
| 16 | 32240 | O-RING | 4 | | |
| 17 | R45181 | SPRING | 1 | | |
| 18 | AR81936 | VALVE | 1 | | (SUB FOR AR45341 OR AR49420) |
| 19 | U40727 | BACK-UP RING | 2 | | |
| 20 | R45178 | PLUG | 1 | | (NLA) |

3F11

POWER TRAIN

SOLENOID PARTS
(POWER FRONT WHEEL DRIVE)
 R16279 -UN-01JAN94

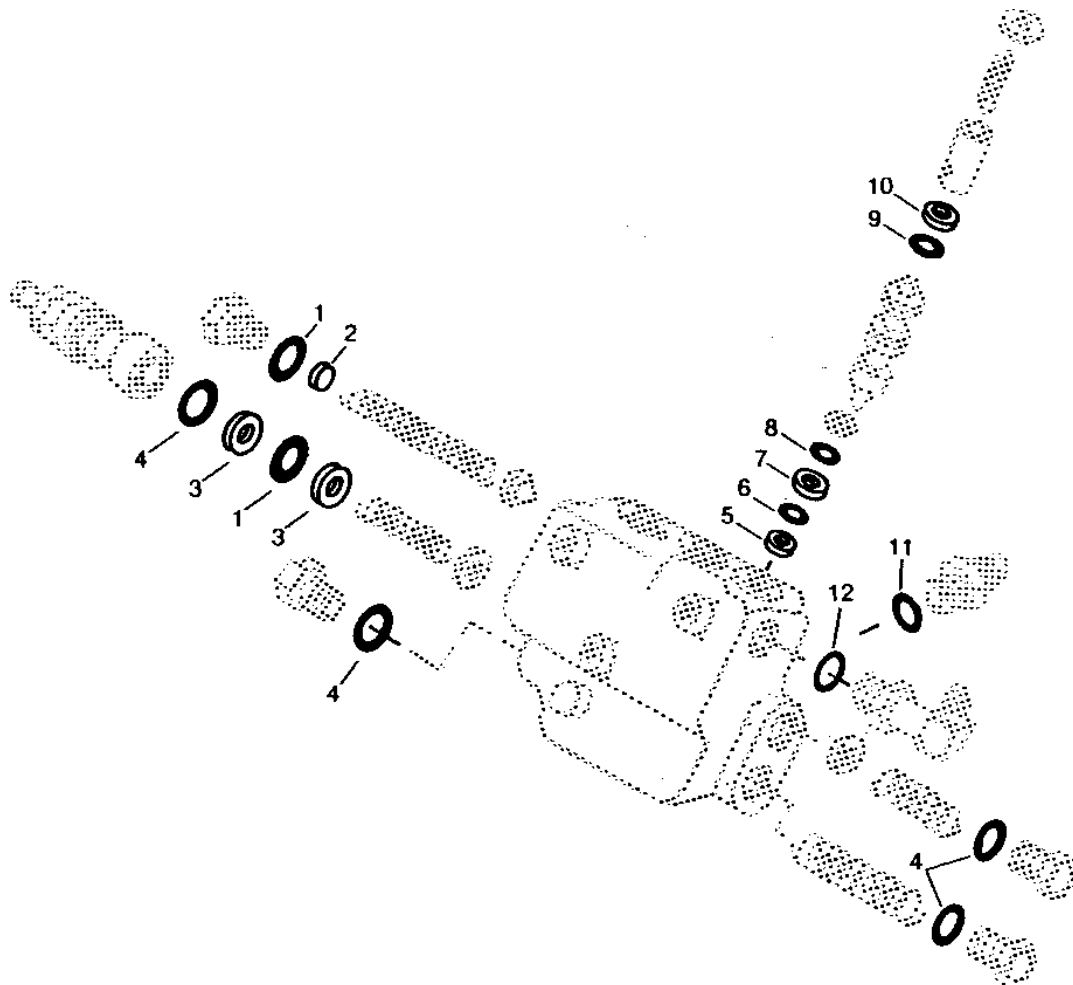


| KEY | PART NO. | PART NAME | QTY | TRACTOR SERIAL NO. | REMARKS |
|-----|----------|-----------------|-----|--------------------|---|
| 1 | R45790 | CAGE | 1 | -227427 | (SUB AR81176, R58884, AR48903, R46702 AND N31772) |
| 2 | R42926 | BACK-UP RING | 1 | | |
| 3 | T77857 | O-RING | 1 | | (SUB FOR R45186) |
| 4 | R45187 | BACK-UP RING | 1 | | |
| 5 | R45638 | O-RING | 1 | | |
| 6 | R46701 | SNAP RING | 1 | 227428- | |
| 7 | AR47178 | SLEEVE | 1 | -227427 | (SUB AR81176, R58884, AR48903, R46701, R46702 AND N31772) |
| | AR48902 | SLEEVE | 1 | 227428- | (SUB AR81176 AND R58884) |
| 8 | 34H227 | SPRING PIN | 1 | | 3/32" X 1/2" |
| 9 | R45638 | O-RING | 1 | -227427 | |
| | N31772 | O-RING | 1 | 227428- | |
| 10 | R45187 | BACK-UP RING | 1 | -227427 | |
| | R46702 | BACK-UP RING | 1 | 227428- | |
| 11 | R45250 | PLUNGER | 1 | | (SUB AR81176 AND R58884) |
| 12 | R45251 | SPRING | 1 | | (SUB R64697 AND R64698) |
| 13 | U12547 | O-RING | 1 | | (A) (C) |
| 14 | AR47179 | GUIDE | 1 | -227427 | (SUB AR48902, AR48903, R46701, R46702 AND N31772) |
| | AR48903 | GUIDE | 1 | 227428- | |
| 15 | 14H605 | NUT | 2 | | 0.164" |
| 16 | AR47180 | ELECTRICAL COIL | 1 | -254055 | (SUB AR70922) |
| | AR70922 | ELECTRICAL COIL | 1 | 254056- | (SUB FOR AR53047) |
| 17 | 14H786 | NUT | 1 | | 1/4" |
| | 12H302 | LOCK WASHER | 1 | | 1/4" |
| .. | AR45233 | VALVE | 1 | -227427 | (SUB AR81175) |
| .. | AR48901 | SOLENOID VALVE | 1 | 227428-254055 | (SUB AR81175) |
| .. | AR53046 | SOLENOID VALVE | 1 | 254056- | (SUB AR81175) |

3F12

POWER TRAIN

CONTROL VALVE OVERHAUL KIT
(POWER FRONT WHEEL DRIVE)
RWP6372 -UN-12OCT94



RWP6372

3F13

POWER TRAIN

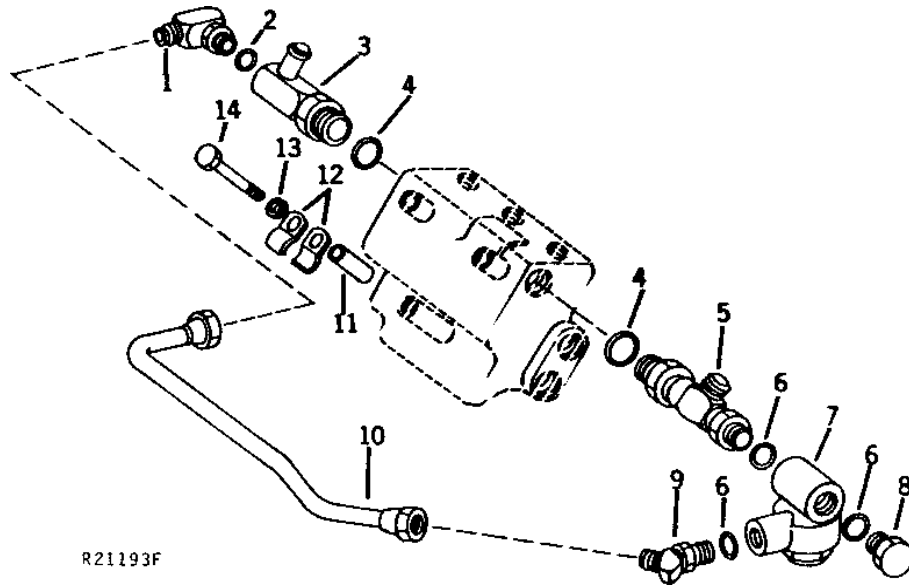
**CONTROL VALVE OVERHAUL KIT - CONTINUED
(POWER FRONT WHEEL DRIVE)**

| KEY | PART NO. | PART NAME | QTY | TRACTOR SERIAL NO. | REMARKS |
|-----|----------|--------------|-----|-----------------------|---------|
| 1 | P47908 | O-RING | 2 | | |
| 2 | T14587 | SHIM | 1 | 0.61MM (.024") | |
| 3 | U40727 | BACK-UP RING | 2 | | |
| 4 | 32240 | O-RING | 4 | | |
| 5 | R42926 | BACK-UP RING | 1 | | |
| 6 | T77857 | O-RING | 1 | (SUB FOR R45186) | |
| 7 | R45187 | BACK-UP RING | 1 | | |
| 8 | R45638 | O-RING | 1 | | |
| 9 | N31772 | O-RING | 1 | | |
| 10 | R46702 | BACK-UP RING | 1 | | |
| 11 | F3171 | O-RING | 4 | | |
| 12 | U17409 | O-RING | 2 | | |
| 13 | AR48904 | KIT | 1 | | |

3F14

POWER TRAIN

PRESSURE RELIEF VALVE AND BYPASS PIPE
(POWER FRONT WHEEL DRIVE) (TRACTOR SERIAL NO. 258410-)
 R21193F -UN-01JAN94

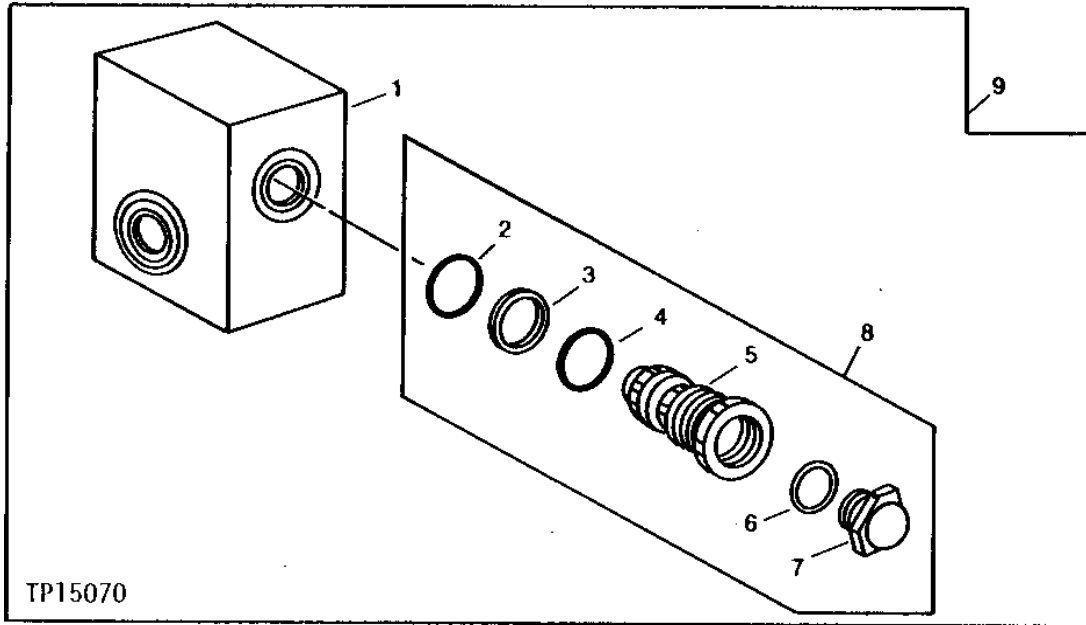


| KEY | PART NO. | PART NAME | QTY | TRACTOR SERIAL NO. | REMARKS |
|-----|----------|---------------|-----|--------------------|------------------------|
| 1 | AR30110 | ELBOW FITTING | 1 | | 90° |
| 2 | R26375 | O-RING | 1 | | |
| 3 | AR53560 | FITTING | 1 | | 90° (NLA) |
| 4 | U17409 | O-RING | 2 | | |
| 5 | AR53562 | TEE FITTING | 1 | | (NLA) |
| 6 | R26906 | O-RING | 3 | | |
| 7 | AT30373 | RELIEF VALVE | 1 | | |
| 8 | R27474 | DRAIN PLUG | 1 | | |
| 9 | AT32338 | FITTING | 1 | | 45°, (SUB FOR AR26828) |
| 10 | AR53564 | OIL LINE | 1 | | (NLA) |
| 11 | 28H3380 | SPACER | 1 | | 3/8" X 1-5/8" |
| 12 | R35726 | CLAMP | 2 | | |
| 13 | 24M7096 | WASHER | 1 | | 10.500 X 18 X 1.600 MM |
| 14 | 19H1944 | CAP SCREW | 1 | | 3/8" X 2-3/4" |

3F15

POWER TRAIN

REPLACEMENT RELIEF VALVE
 (POWER FRONT WHEEL DRIVE) (TRACTOR SERIAL NO. 258410-)
 TP15070 -UN-01JAN94

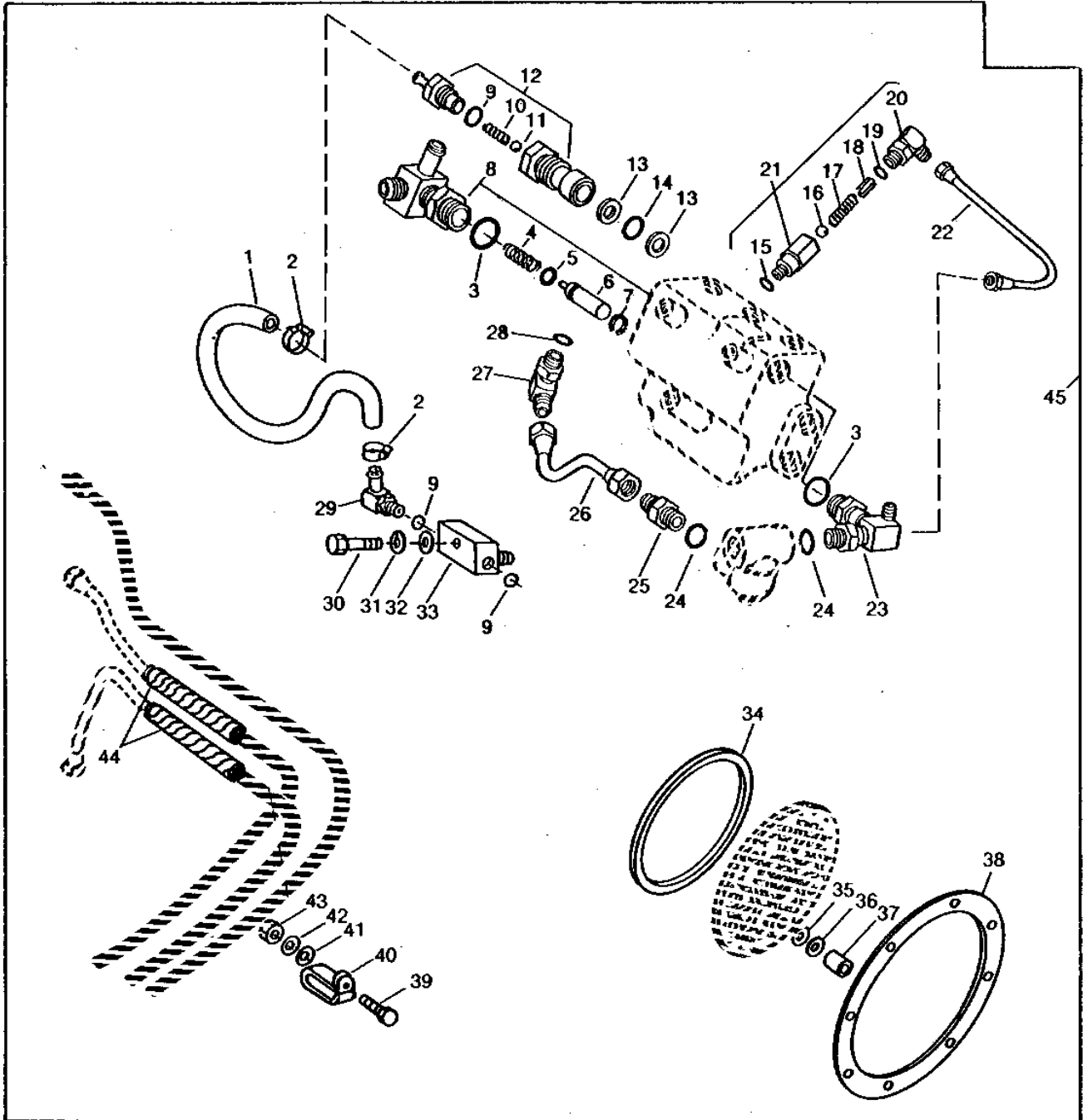


| KEY | PART NO. | PART NAME | QTY | SERIAL NO. | REMARKS |
|-----|----------|--------------|-----|---------------|---------|
| 1 | | VALVE | 1 | (SUB AT30373) | |
| 2 | T77072 | O-RING | 1 | | |
| 3 | T75972 | BACK-UP RING | 1 | | |
| 4 | U15242 | O-RING | 1 | | |
| 5 | | RELIEF VALVE | 1 | (SUB AT80421) | |
| 6 | W19903 | O-RING | 1 | | |
| 7 | | CAP | 1 | (SUB AT80421) | |
| 8 | AT80421 | VALVE | 1 | | |
| 9 | AT30373 | RELIEF VALVE | 1 | | |

3F16

POWER TRAIN

POWER FRONT WHEEL DRIVE IMPROVEMENT KIT
RXP8621 -UN-01JAN94



RXP8621

3F17

POWER TRAIN

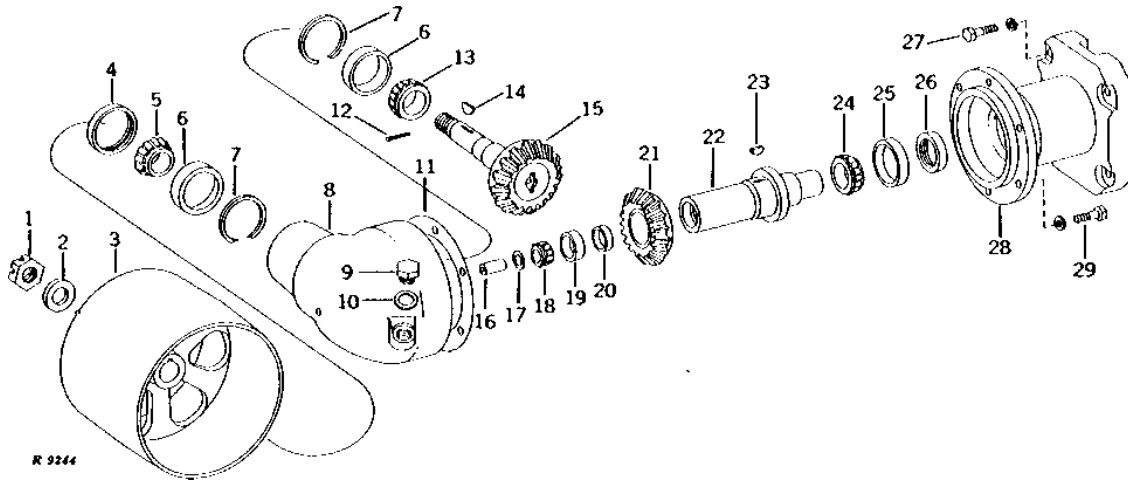
POWER FRONT WHEEL DRIVE IMPROVEMENT KIT - CONTINUED

| KEY | PART NO. | PART NAME | QTY | TRACTOR SERIAL NO. | REMARKS |
|-----|----------|----------------|-----|--------------------------------|---------|
| 1 | R66067 | HYDRAULIC HOSE | 1 | | |
| 2 | AR48236 | CLAMP | 2 | | |
| 3 | U17409 | O-RING | 2 | | |
| 4 | F3463R | SPRING | 1 | | |
| 5 | R45638 | O-RING | 1 | | |
| 6 | R64491 | VALVE | 1 | | |
| 7 | B474R | SNAP RING | 1 | | |
| 8 | AR80591 | TEE FITTING | 1 | | |
| 9 | R26448 | O-RING | 3 | | |
| 10 | A4816R | SPRING | 1 | | |
| 11 | R26552 | BALL | 1 | | |
| 12 | AR81968 | BLEED VALVE | 1 | | |
| 13 | U40727 | BACK-UP RING | 2 | | |
| 14 | P47908 | O-RING | 1 | | |
| 15 | R26286 | O-RING | 1 | | |
| 16 | R42849 | BALL | 1 | | |
| 17 | R227R | SPRING | 1 | | |
| 18 | R55458 | GUIDE | 1 | | |
| 19 | R26448 | O-RING | 1 | | |
| 20 | AR58184 | ELBOW FITTING | 1 | | |
| 21 | AR85464 | CHECK VALVE | 1 | | |
| 22 | AR85463 | LINE | 1 | | |
| 23 | AR81935 | TEE FITTING | 1 | (SUB FOR AR86975) | |
| 24 | R26906 | O-RING | 2 | | |
| 25 | R31665 | FITTING | 1 | | |
| 26 | AR56611 | HYDRAULIC LINE | 1 | | |
| 27 | AT32332 | ELBOW FITTING | 1 | | |
| 28 | R26375 | O-RING | 1 | | |
| 29 | AR85574 | ELBOW FITTING | 1 | | |
| 30 | 19H1765 | CAP SCREW | 1 | 3/8" X 1-3/4" | |
| 31 | 12H304 | LOCK WASHER | 1 | 3/8" | |
| 32 | 24M7096 | WASHER | 1 | 10.500 X 18 X 1.600 MM | |
| 33 | AR80595 | FITTING | 1 | | |
| 34 | R42877 | PACKING | 2 | | |
| 35 | R29354 | O-RING | 18 | (SUB FOR R42763) | |
| 36 | R35473 | BACK-UP RING | 18 | (SUB R73101, THIS APPLICATION) | |
| 37 | R42927 | PISTON | 2 | | |
| 38 | R42764 | GASKET | 2 | | |
| 39 | 19H2021 | CAP SCREW | 4 | 3/8" X 5/8" | |
| 40 | R65207 | CLAMP | 4 | | |
| 41 | 12H304 | LOCK WASHER | 4 | 3/8" | |
| 42 | 24H1305 | WASHER | 4 | 13/32" X 13/16" X 0.065" | |
| 43 | 14H1076 | NUT | 4 | 3/8" | |
| 44 | R72341 | HOSE GUARD | 4 | | |
| 45 | | KIT | 1 | (NO LONGER AVAILABLE) | |

3F18

POWER TRAIN

BELT PULLEY
(1000-RPM PTO)
 R9244 -UN-01JAN94

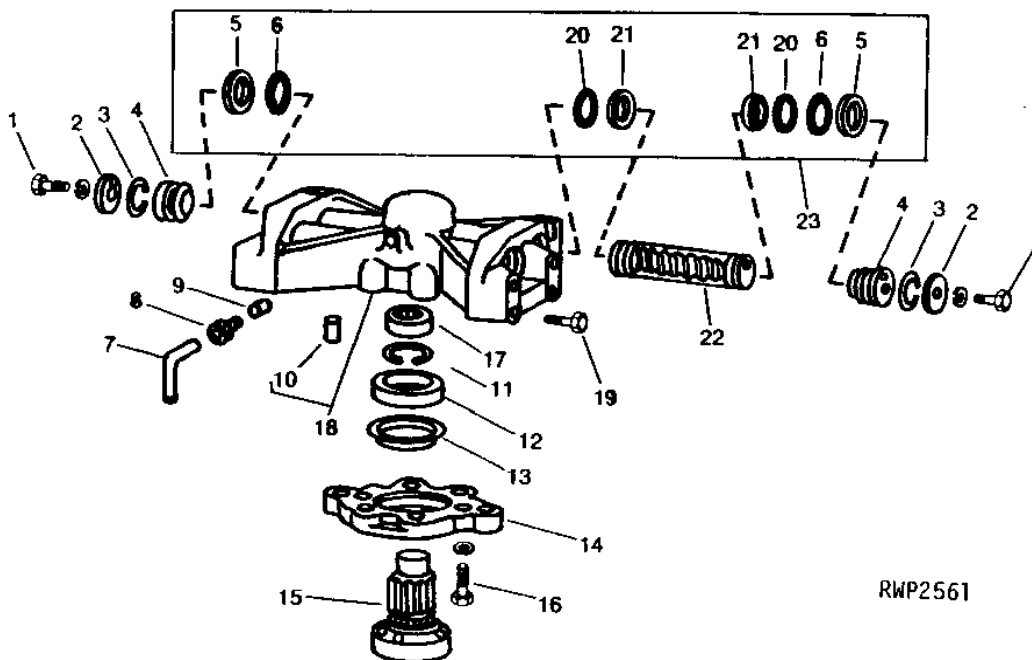


| KEY | PART NO. | PART NAME | QTY | TRACTOR SERIAL NO. | REMARKS |
|-----|----------|--------------|-----|--------------------------------------|---------|
| 1 | 14H920 | NUT | 1 | 1" | |
| 2 | R30399 | WASHER | 1 | (SUB FOR T18996) | |
| 3 | T18718 | PULLEY | 1 | | |
| 4 | AT16887 | SEAL | 1 | | |
| 5 | JD8982 | BEARING CONE | 1 | | |
| 6 | JD7418 | BEARING CUP | 2 | | |
| 7 | T13325 | SNAP RING | 2 | | |
| 8 | T29242 | CASE | 1 | (SUB FOR T13326) | |
| 9 | R26727 | DRAIN PLUG | 1 | | |
| 10 | A4827R | WASHER | 1 | | |
| 11 | R44372 | SHIM | AR | 0.13MM (.005") PAPER | |
| | R44361 | SHIM | AR | 0.13MM (.005") | |
| | T13341 | SHIM | AR | 0.25MM (.010") | |
| 12 | 11M7032 | COTTER PIN | 1 | 0.197" X 1.969" | |
| 13 | JD8969 | BEARING CONE | 1 | | |
| 14 | 26H93 | SHAFT KEY | 1 | 1/4" X 1-1/4" | |
| 15 | R63691 | SHAFT | 1 | (ALSO ORDER R63692) (SUB FOR T18717) | |
| 16 | T13471 | PIN | 1 | | |
| 17 | T13331 | SHIM | AR | 0.08MM (.003") | |
| | T13332 | SHIM | AR | 0.13MM (.005") | |
| | T13333 | SHIM | AR | 0.25MM (.010") | |
| 18 | JD8135 | BEARING CONE | 1 | | |
| 19 | JD7438 | BEARING CUP | 1 | | |
| 20 | M2206T | CAP | 1 | | |
| 21 | R63692 | GEAR | 1 | (ALSO ORDER R63691) (SUB FOR T13330) | |
| 22 | T13329 | HUB | 1 | | |
| 23 | 26H85 | SHAFT KEY | 1 | 1/4" X 1" | |
| 24 | JD8922 | BEARING CONE | 1 | (SUB JD10527) | |
| 25 | JD8247 | BEARING CUP | 1 | | |
| 26 | AT12431 | SEAL | 1 | | |
| 27 | 19H1831 | CAP SCREW | 4 | 1/2" X 2" | |
| | 12H301 | LOCK WASHER | 4 | 1/2" | |
| 28 | R34594 | QUILL | 1 | (NLA) | |
| 29 | 19H3579 | CAP SCREW | 6 | 1/2" X 1-3/8" | |
| | 12H301 | LOCK WASHER | 6 | 1/2" | |

3F21

STEERING AND BRAKES

STEERING MOTOR
RWP2561 -UN-01JAN94



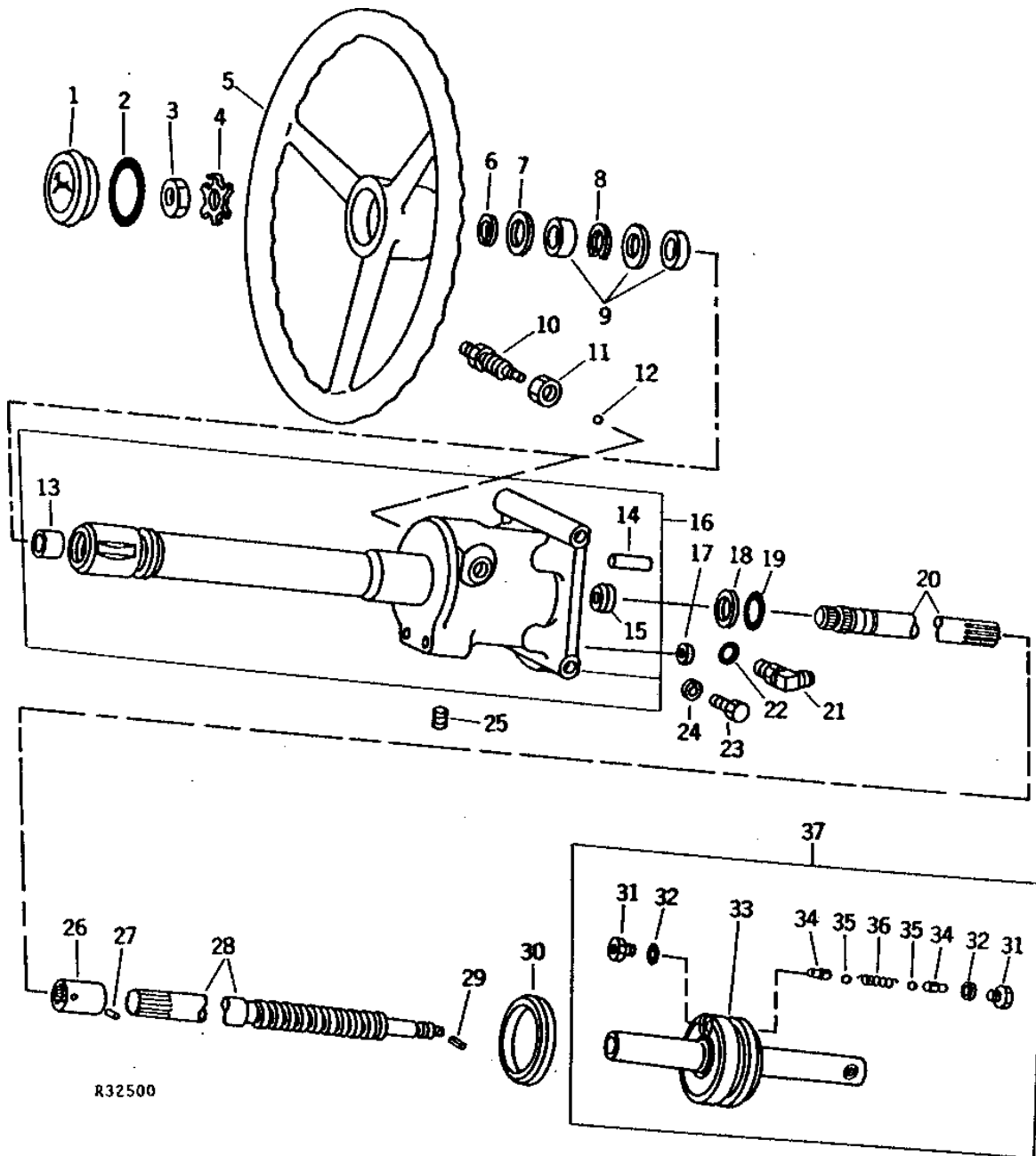
RWP2561

| KEY | PART NO. | PART NAME | QTY | TRACTOR SERIAL NO. | REMARKS |
|-----|----------|----------------|-----|--------------------|------------------|
| 1 | 19H1732 | CAP SCREW | 4 | | |
| | 12H304 | LOCK WASHER | 4 | 3/8" X 1-1/4" | |
| 2 | R26281 | WASHER | 4 | 3/8" | |
| 3 | R26283 | SNAP RING | 4 | | |
| 4 | R26280 | PLUG | 4 | | |
| 5 | R26290 | BACK-UP RING | 4 | | |
| 6 | R26282 | O-RING | 4 | | |
| 7 | R33732 | OIL TUBE | 1 | | |
| 8 | R28676 | FITTING | 1 | | |
| 9 | R28677 | SLEEVE | 1 | | |
| 10 | R26277 | DOWEL PIN | 2 | | |
| 11 | R26285 | SNAP RING | 1 | | |
| 12 | AR26981 | BALL BEARING | 1 | | |
| 13 | R34748 | SEAL | 1 | | |
| 14 | R31561 | RETAINER | 1 | | |
| 15 | AR34825 | SPINDLE | 1 | | |
| 16 | 19H2510 | CAP SCREW | 6 | 1/2" X 1-5/8" | |
| | 12H301 | LOCK WASHER | 6 | 1/2" | |
| 17 | JD9817 | NEEDLE BEARING | 1 | | |
| 18 | AR34824 | HOUSING | 1 | | (MARKED R34980) |
| 19 | R31505 | BOLT | 8 | | |
| 20 | B3685R | O-RING | 4 | | |
| 21 | R47083 | BACK-UP RING | 4 | | (SUB FOR R40761) |
| 22 | R26278 | PISTON | 2 | | |
| 23 | AR52016 | O-RING KIT | 1 | | |

3F22

STEERING AND BRAKES

STEERING VALVE CYLINDER, SHAFT AND PISTON
R32500 -UN-01JAN94



3F23

STEERING AND BRAKES

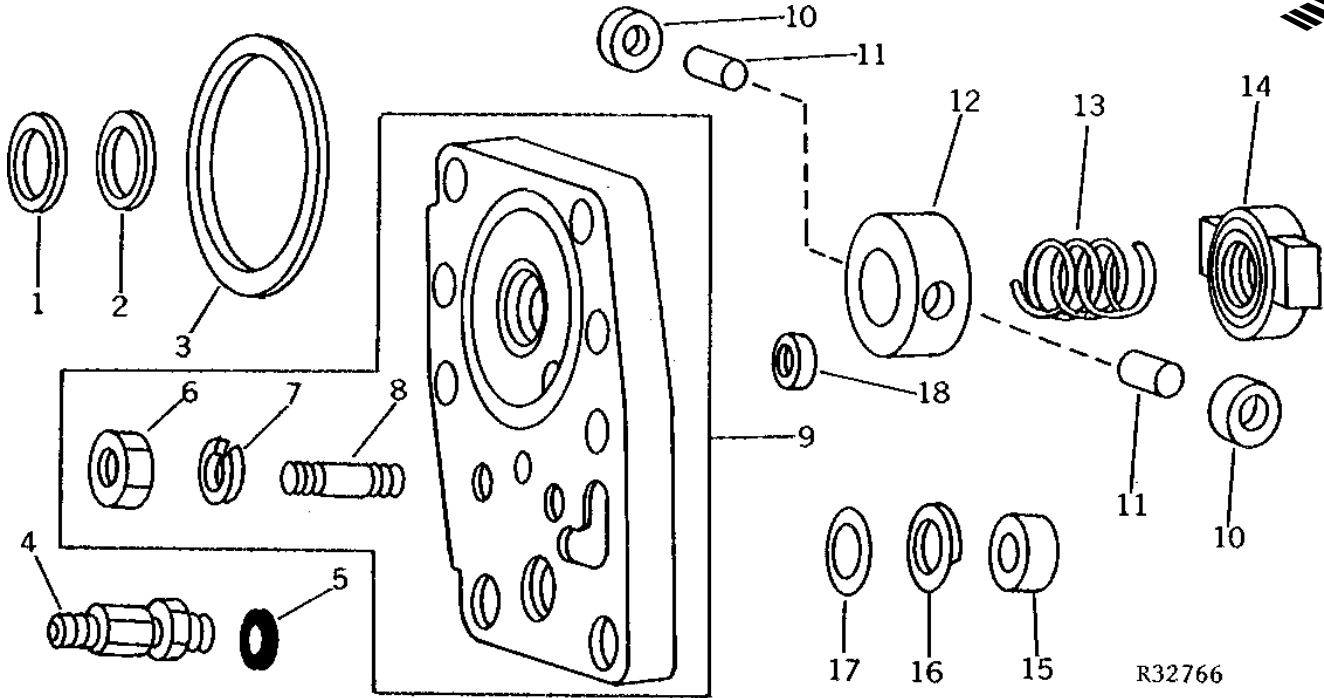
STEERING VALVE CYLINDER, SHAFT AND PISTON - CONTINUED

| KEY | PART NO. | PART NAME | QTY | SERIAL OR MODEL NO. | REMARKS |
|-----|----------|------------------|-----|------------------------|--------------------------------------|
| 1 | R47998 | CAP | 1 | | (SUB FOR R45792) |
| 2 | B3690R | O-RING | 1 | | |
| 3 | 14H904 | NUT | 1 | | 3/4" |
| 4 | T17148 | LOCK WASHER | 1 | | |
| 5 | T22875 | STEERING WHEEL | 1 | | |
| 6 | B169R | SNAP RING | 1 | | |
| 7 | R42629 | WASHER | 1 | | |
| 8 | R26933 | SNAP RING | 1 | | |
| 9 | AR34172 | SEAL KIT | 1 | | (SUB (2) R72858 AND R32731) |
| 10 | R27299 | SCREW | 1 | | |
| 11 | R27453 | NUT | 1 | | |
| 12 | 400R | BALL | 1 | | 6MM (1/4") |
| 13 | R27320 | BUSHING | 1 | | |
| 14 | R32186 | DOWEL PIN | 2 | | |
| 15 | R27087 | WASHER | 1 | | |
| 16 | AR40786 | CYLINDER | 1 | 9SV1- | (MARKED R41124) (SUB AR47290) |
| | AR47290 | CYLINDER | 1 | 9SV2- | (MARKED R44846) |
| | AR32699 | CYLINDER | 1 | | (MARKED R34117) (4000 - LOW PROFILE) |
| 17 | AR67783 | O-RING KIT | 1 | | (SUB FOR AR42009) |
| 18 | R26441 | BACK-UP RING | 1 | | |
| 19 | A3606R | O-RING | 1 | | |
| 20 | R73737 | SHAFT | 1 | | (SUB FOR R37426) |
| 21 | AT35121 | ELBOW FITTING | 1 | | 90°, (SUB FOR AR26725) |
| 22 | R26448 | O-RING | 1 | | |
| 23 | 19H1732 | CAP SCREW | 4 | | 3/8" X 1-1/4" |
| 24 | 12H304 | LOCK WASHER | 4 | | 3/8" |
| 25 | 15H558 | PIPE PLUG | 1 | | 1/8" |
| 26 | R27319 | SPLINED COUPLING | 1 | | |
| 27 | 34H282 | SPRING PIN | 1 | | 3/16" X 1" |
| 28 | R34125 | SHAFT | 1 | | |
| 29 | 34H282 | SPRING PIN | 1 | | 3/16" X 1" |
| 30 | R40567 | WASHER | 1 | | |
| 31 | R31202 | VALVE | 2 | | |
| 32 | R26287 | O-RING | 2 | | |
| 33 | AR30297 | PISTON | 1 | | (SUB FOR AR30298) |
| 34 | R31201 | SHAFT | 2 | | |
| 35 | H871R | BALL | 2 | | 5MM (3/16") |
| 36 | A4816R | SPRING | 1 | | |
| 37 | AR30297 | PISTON | 1 | | |

3F24

STEERING AND BRAKES

STEERING VALVE CYLINDER COVER
R32766 -UN-01JAN94



R32766

| KEY | PART NO. | PART NAME | QTY | SERIAL OR MODEL NO. | REMARKS |
|-----|----------|----------------|-----|---------------------|---|
| 1 | A3606R | O-RING | 1 | | |
| 2 | R26441 | BACK-UP RING | 1 | | |
| 3 | AR67783 | O-RING KIT | 1 | | (SUB FOR AR42009) |
| 4 | AR41987 | TEE FITTING | 1 | -250092 | (POWER SHIFT) (SUB AM31410) |
| | R49018 | FITTING | 1 | 250093- | (POWER SHIFT) (SUB FOR AR35725) (ILLUSTRATED) |
| | AR41987 | TEE FITTING | 1 | -250092 | (A) (SUB AM31410) |
| | R49018 | FITTING | 1 | 250093- | (A) (SUB FOR AR35725) |
| | AR40689 | TEE FITTING | 1 | -250092 | (B) |
| | AR30762 | TEE FITTING | 1 | 250093- | (B) |
| 5 | R26286 | O-RING | 1 | | |
| 6 | 14H1047 | NUT | 2 | 9SV2- | 7/16" |
| 7 | 12H293 | LOCK WASHER | 2 | 9SV2- | 7/16" |
| 8 | R55183 | STUD | 2 | 9SV2- | 7/16" X 2-3/8", (SUB FOR R45298) |
| 9 | AR44883 | COVER | 1 | -9SV1 | (MARKED R42707) |
| | AR47293 | COVER | 1 | 9SV2- | (MARKED R44845) |
| 10 | R26755 | WASHER | 2 | | |
| 11 | R27091 | PIN | 2 | | |
| 12 | R40149 | LOCKING COLLAR | 1 | | |
| 13 | R40531 | SPRING | 1 | | |
| 14 | R27089 | NUT | 1 | | |
| 15 | R34121 | PISTON | 1 | | |
| 16 | R47694 | BACK-UP RING | 1 | | |
| 17 | R495R | O-RING | 1 | | |
| 18 | AR67783 | O-RING KIT | 1 | | (SUB FOR AR42009) |

(A) SYNCRO-RANGE LESS PTO

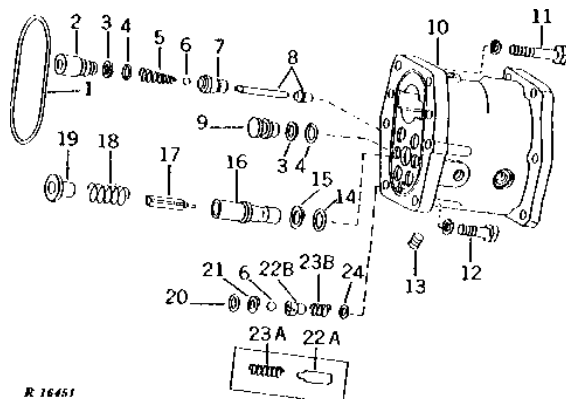
(B) SYNCRO-RANGE WITH PTO

3F25

STEERING AND BRAKES

STEERING VALVE

R16451 -UN-01JAN94



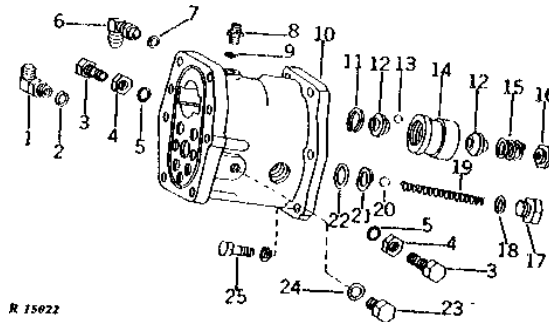
| KEY | PART NO. | PART NAME | QTY | SERIAL OR MODEL NO. | REMARKS |
|-----|----------|--------------|-----|---------------------|---|
| 1 | R34733 | WASHER | 1 | | |
| 2 | R41724 | PLUG | 4 | | |
| 3 | R32588 | BACK-UP RING | 6 | | |
| 4 | R459R | O-RING | 6 | | |
| 5 | R26565 | SPRING | 4 | | |
| 6 | 400R | BALL | 5 | | 6MM (1/4") |
| 7 | R28124 | VALVE | 4 | | (SUB R59083) |
| 8 | AR49535 | SHAFT | 2 | | UPPER, (SUB FOR AR30589) |
| | AR49536 | SHAFT | 2 | | LOWER, (SUB FOR AR30590) |
| 9 | R34131 | PLUG | 2 | | |
| 10 | AR43559 | HOUSING | 1 | -9SV1 | (MARKED R34119 OR R43721) (SUB AR43809) |
| | AR43809 | HOUSING | 1 | 9SV2- | (MARKED R43962 OR R45811) |
| 11 | 19H1990 | CAP SCREW | 4 | | 1/2" X 2-1/4", (SUB FOR R48784) |
| | 12H301 | LOCK WASHER | 4 | | 1/2" |
| 12 | R48783 | CAP SCREW | 2 | | |
| | 12H301 | LOCK WASHER | 2 | | 1/2" |
| 13 | 15H558 | PIPE PLUG | 1 | | 1/8" |
| 14 | B2762R | O-RING | 1 | | |
| 15 | R26546 | BACK-UP RING | 1 | | |
| 16 | R34123 | VALVE SEAT | 1 | | |
| 17 | R42661 | SEAT | 1 | | |
| 18 | R26151 | SPRING | 1 | | |
| 19 | R34122 | STOP | 1 | | |
| 20 | A4365R | O-RING | 1 | | |
| 21 | R34129 | BACK-UP RING | 1 | | |
| 22A | R34336 | GUIDE | 1 | -9SV1 | (USE WITH R34119 OR R43721) |
| 22B | R44254 | GUIDE | 1 | 9SV2- | (USE WITH R43962 OR R45811) |
| 23A | R26373 | SPRING | 1 | -9SV1 | (USE WITH R34119 OR R43721) |
| 23B | R44256 | SPRING | 1 | 9SV2- | (USE WITH R43962 OR R45811) |
| 24 | R44255 | WASHER | 1 | 9SV2- | (USE WITH R43962 OR R45811) |

3G1

STEERING AND BRAKES

STEERING VALVE

R15022 -UN-01JAN94

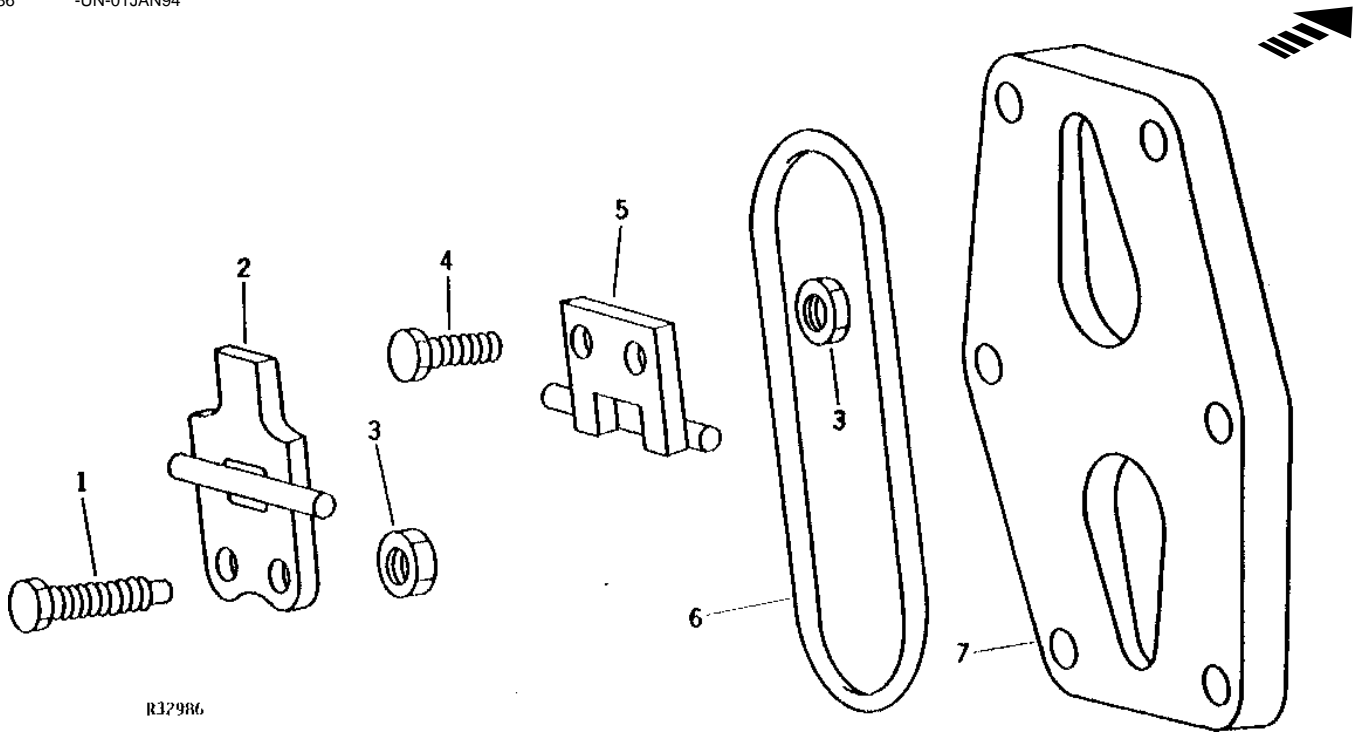


| KEY | PART NO. | PART NAME | QTY | SERIAL OR MODEL NO. | REMARKS |
|-----|----------|---------------|-----|---------------------|---|
| 1 | AT35121 | ELBOW FITTING | 1 | | 90°, (SUB FOR AR26725) |
| 2 | R26448 | O-RING | 1 | | |
| 3 | R40338 | DRAIN PLUG | 2 | | |
| 4 | R27296 | NUT | 2 | | |
| 5 | R26286 | O-RING | 2 | | |
| 6 | AT32333 | ELBOW FITTING | 1 | | 90°, (SUB FOR AR26771) |
| 7 | R26286 | O-RING | 1 | | |
| 8 | R27527 | ADAPTER | 1 | | |
| 9 | R26287 | O-RING | 1 | | |
| 10 | AR43559 | HOUSING | 1 | -9SV1 | (MARKED R34119 OR R43721) (SUB AR43809) |
| | AR43809 | HOUSING | 1 | 9SV2- | (MARKED R43962 OR R45811) |
| 11 | R26425 | SNAP RING | 1 | | |
| 12 | R40595 | BEARING RACE | 2 | | |
| 13 | R26552 | BALL | 13 | | |
| 14 | R40757 | BUSHING | 1 | | |
| 15 | R40596 | SPRING | 1 | | |
| 16 | R40597 | LOCK NUT | 1 | | |
| 17 | R39112 | FITTING | 1 | | |
| 18 | R26375 | O-RING | 1 | | |
| 19 | R31278 | SPRING | 1 | | |
| 20 | R42849 | BALL | 1 | | 10MM (3/8") |
| 21 | R30323 | BACK-UP RING | 1 | | |
| 22 | P48347 | O-RING | 1 | | (SUB FOR T12860 OR R34404) |
| 23 | R27218 | FITTING PLUG | 1 | | |
| 24 | R26448 | O-RING | 1 | | |
| 25 | 19H2552 | CAP SCREW | 4 | | 3/8" X 1-1/8" |
| | 19H1765 | CAP SCREW | 4 | | 3/8" X 1-3/4" |
| | 19H1800 | CAP SCREW | 4 | | 3/8" X 1-1/2" |
| | 12H304 | LOCK WASHER | 6 | | 3/8" |

3G2

STEERING AND BRAKES

STEERING VALVE COVER AND VALVE OPERATING LEVERS
R32986 -UN-01JAN94



R32986

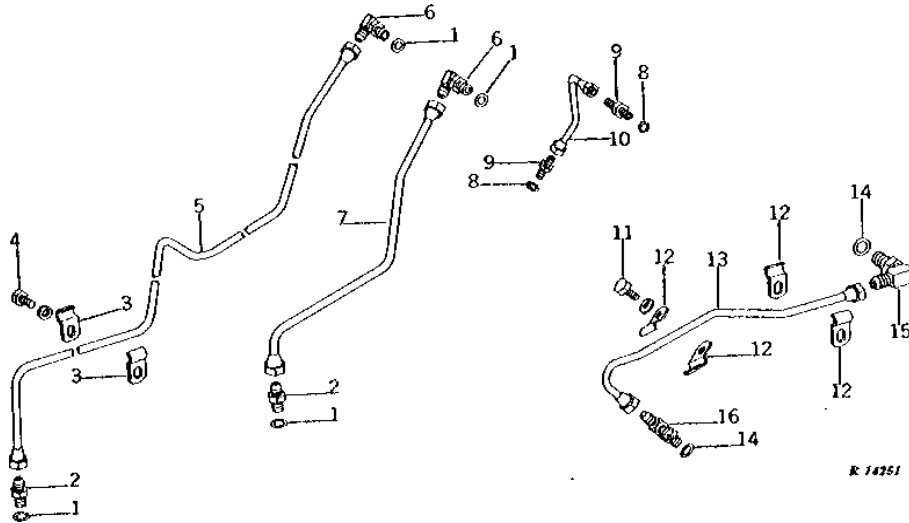
| KEY | PART NO. | PART NAME | QTY | TRACTOR SERIAL NO. | REMARKS |
|-----|----------|-----------|-----|--------------------|------------------------------------|
| 1 | R26554 | SET SCREW | 2 | | |
| 2 | AR26448 | LEVER | 1 | | |
| 3 | 14H649 | NUT | 4 | 1/4" | |
| 4 | R31217 | SCREW | 2 | | (SUB FOR R26762, THIS APPLICATION) |
| 5 | AR26402 | LEVER | 1 | | |
| 6 | R34733 | WASHER | 1 | | |
| 7 | R57034 | COVER | 1 | | (SUB FOR R26553 OR R51748) |

3G3

STEERING AND BRAKES

STEERING VALVE OIL PRESSURE, OIL RETURN, AND OIL BLEED LINES

R14251 -UN-01JAN94



| KEY | PART NO. | PART NAME | QTY | TRACTOR SERIAL NO. | REMARKS |
|-----|----------|----------------|-----|--------------------|--|
| 1 | R26286 | O-RING | 2 | | |
| 2 | R27272 | FITTING | 1 | | |
| 3 | R42357 | CLAMP | 2 | | (A) |
| 4 | R46949 | CAP SCREW | 1 | | (NLA) |
| | 12H310 | LOCK WASHER | 1 | | 3/8" |
| 5 | AR41119 | OIL LINE | 1 | -250000 | (A) (SUB AR49280) |
| | AR49280 | HYDRAULIC LINE | 1 | | (A) |
| 6 | AT32333 | ELBOW FITTING | 1 | | 90°, (SUB FOR AR26771) |
| 7 | AR41131 | HYDRAULIC LINE | 1 | | (B) |
| 8 | R26287 | O-RING | 2 | | |
| 9 | R27527 | ADAPTER | 2 | | |
| 10 | AR44635 | HYDRAULIC LINE | 1 | | |
| 11 | 19H1936 | CAP SCREW | 1 | | 3/8" X 3/4" |
| | 12H304 | LOCK WASHER | 1 | | 3/8" |
| 12 | R42357 | CLAMP | 4 | | |
| 13 | AR41130 | HYDRAULIC LINE | 1 | | (PRESSURE CONTROL VALVE TO STEERING VALVE) |
| 14 | R26286 | O-RING | 1 | | |
| 15 | AT32333 | ELBOW FITTING | 1 | -250092 | 90° (ILLUSTRATED) (SUB FOR AR26771) |
| | AR49789 | TEE FITTING | 1 | 250093- | 90° |
| 16 | AR41987 | TEE FITTING | 1 | -250092 | (B) (ILLUSTRATED) (SUB AM31410) |
| | R49018 | FITTING | 1 | 250093- | (B) (SUB FOR AR35725) |
| | AR41987 | TEE FITTING | 1 | -250092 | (C) (SUB AM31410) |
| | R49018 | FITTING | 1 | 250093- | (C) (SUB FOR AR35725) |
| | AR40689 | TEE FITTING | 1 | -250092 | (D) |
| | AR30762 | TEE FITTING | 1 | 250093- | (D) |
| .. | AR21969 | KIT | 1 | | CAP PLUG |

(A) SYNCRO-RANGE

(B) POWER SHIFT

(C) SYNCRO-RANGE LESS PTO

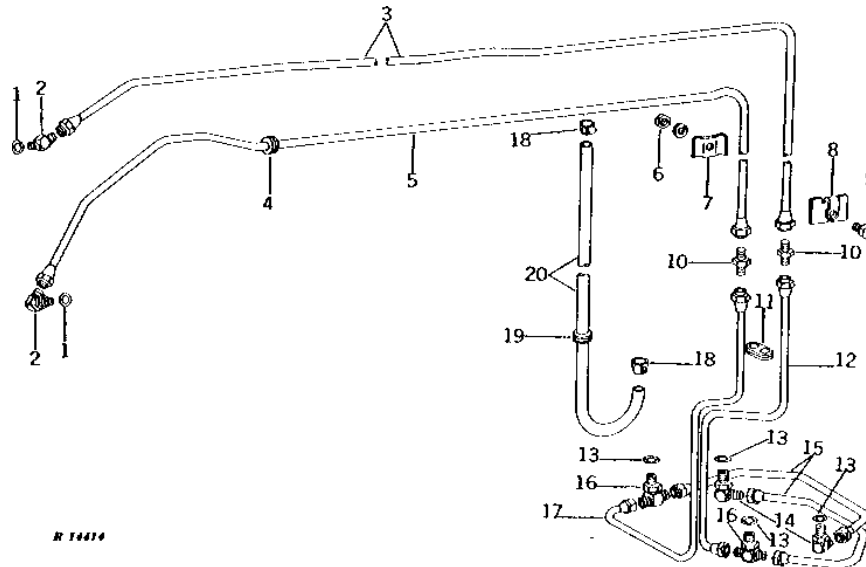
(D) SYNCRO-RANGE WITH PTO

3G4

STEERING AND BRAKES

STEERING MOTOR OIL LINES

R14414 -UN-01JAN94



| KEY | PART NO. | PART NAME | QTY | TRACTOR SERIAL NO. | REMARKS |
|-----|----------|----------------|-----|--------------------|---------------------------------------|
| 1 | R26448 | O-RING | 2 | | |
| 2 | AT35121 | ELBOW FITTING | 2 | | 90°, (SUB FOR AR26725) |
| 3 | AR26693 | HYDRAULIC LINE | 1 | | TOP, R.H. |
| 4 | R41439 | GROMMET | 1 | | |
| 5 | AR32308 | HYDRAULIC LINE | 1 | | TOP, L.H. |
| 6 | 14H786 | NUT | 1 | | 1/4" |
| | 12H302 | LOCK WASHER | 1 | | 1/4" |
| 7 | R27323 | CLAMP | 1 | | |
| 8 | R27324 | CLIP | 1 | | |
| 9 | 19H1914 | CAP SCREW | 1 | | 1/4" X 1" |
| 10 | R27095 | FITTING | 2 | | |
| 11 | R26418 | GROMMET | 1 | | (A) (B) BOTTOM, R.H. |
| 12 | AR32309 | HYDRAULIC LINE | 1 | | (A) (B) BOTTOM, R.H. |
| | AR32538 | HYDRAULIC LINE | 1 | | (A) BOTTOM, R.H. |
| | AR27653 | LINE | 1 | | BOTTOM, R.H. (4000-LOW PROFILE) (NLA) |
| 13 | R26286 | O-RING | 4 | | |
| 14 | AT32333 | ELBOW FITTING | 2 | | 90°, (SUB FOR AR26771) |
| 15 | AR26679 | OIL LINE | 2 | | |
| 16 | AR27254 | TEE FITTING | 2 | | |
| 17 | AR26496 | HYDRAULIC LINE | 1 | | (A) (B) |
| | AR27706 | HYDRAULIC LINE | 1 | | (A) |
| | AR27654 | LINE | 1 | | BOTTOM, L.H. (4000-LOW PROFILE) (NLA) |
| 18 | AR21836 | CLAMP | 2 | | |
| 19 | R26941 | GROMMET | 1 | | |
| 20 | R33733 | HOSE | 1 | | |
| .. | AR21969 | KIT | 1 | | CAP PLUG |

(A) STANDARD - EQUIPPED WITH LONG WHEEL BASE ADJUSTABLE OR FIXED TREAD FRONT AXLES

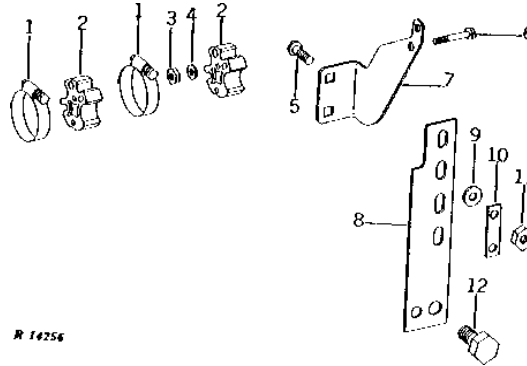
(B) ROW-CROP AND HI-CROP

MEMORANDA

3G5

STEERING AND BRAKES

HYDRAULIC AND STEERING OIL LINES SUPPORT
R14256 -UN-01JAN94

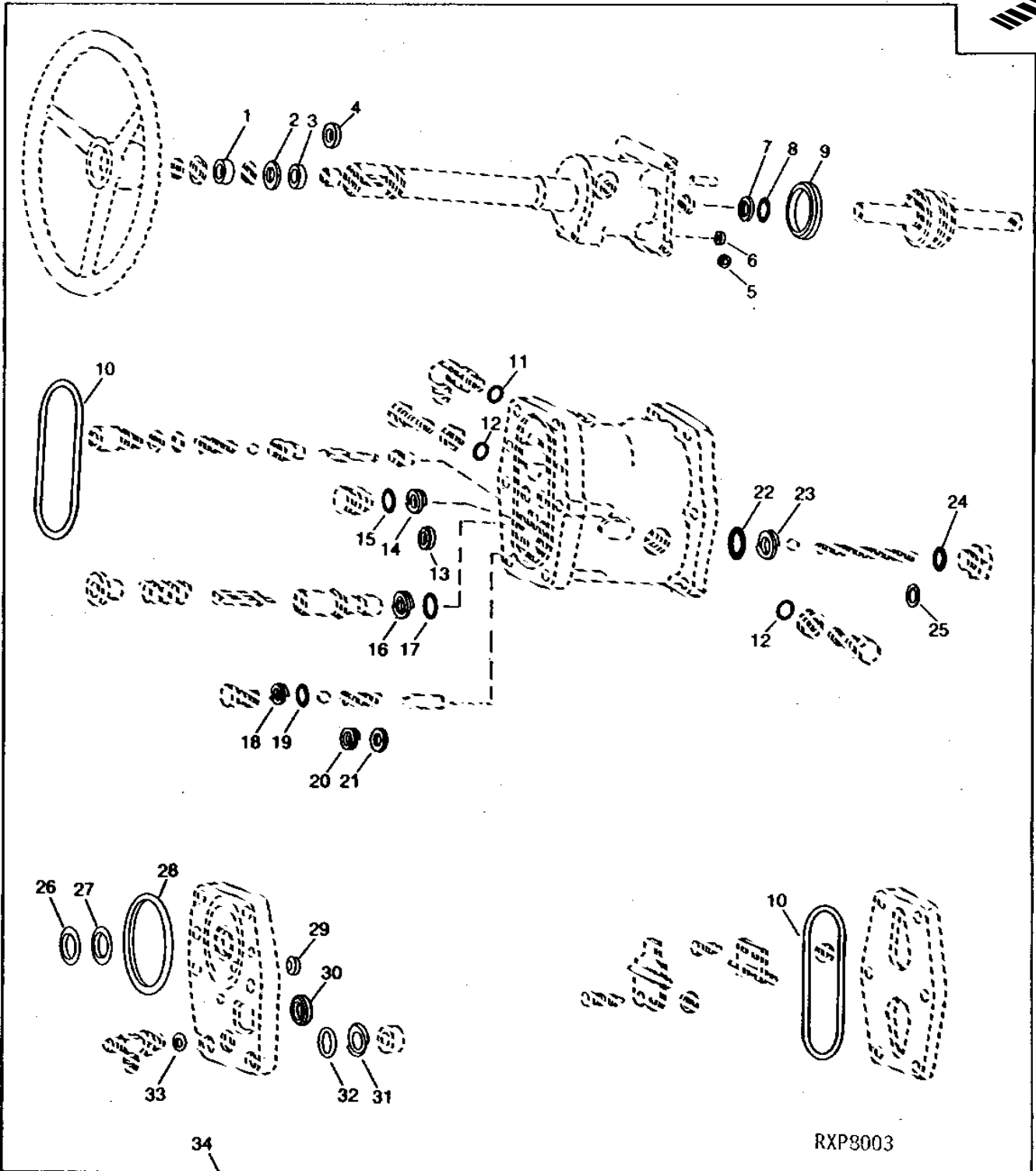


| KEY | PART NO. | PART NAME | QTY | TRACTOR SERIAL NO. | REMARKS |
|-----|----------|-----------|-----|--------------------------|---------|
| 1 | AR21840 | CLAMP | 2 | | |
| 2 | AR41016 | SPACER | 2 | | |
| 3 | 14H786 | NUT | 2 | 1/4" | |
| 4 | 24H1287 | WASHER | 2 | 9/32" X 5/8" X 0.065" | |
| 5 | 03H1519 | BOLT | 2 | 3/8" X 1" | |
| 6 | 19H1898 | CAP SCREW | 2 | 1/4" X 1-1/2" | |
| 7 | T36366 | SUPPORT | 1 | (SUB FOR R41478) | |
| 8 | R41477 | BRACKET | 1 | | |
| 9 | 24H1305 | WASHER | 2 | 13/32" X 13/16" X 0.065" | |
| 10 | R27962 | STRAP | 1 | | |
| 11 | 14H1076 | NUT | 2 | 3/8" | |
| 12 | 19H1916 | CAP SCREW | 1 | 5/8" X 1" | |

3G6

STEERING AND BRAKES

STEERING CYLINDER AND VALVE OVERHAUL KIT
RXP8003 -UN-01JAN94



3G7

STEERING AND BRAKES

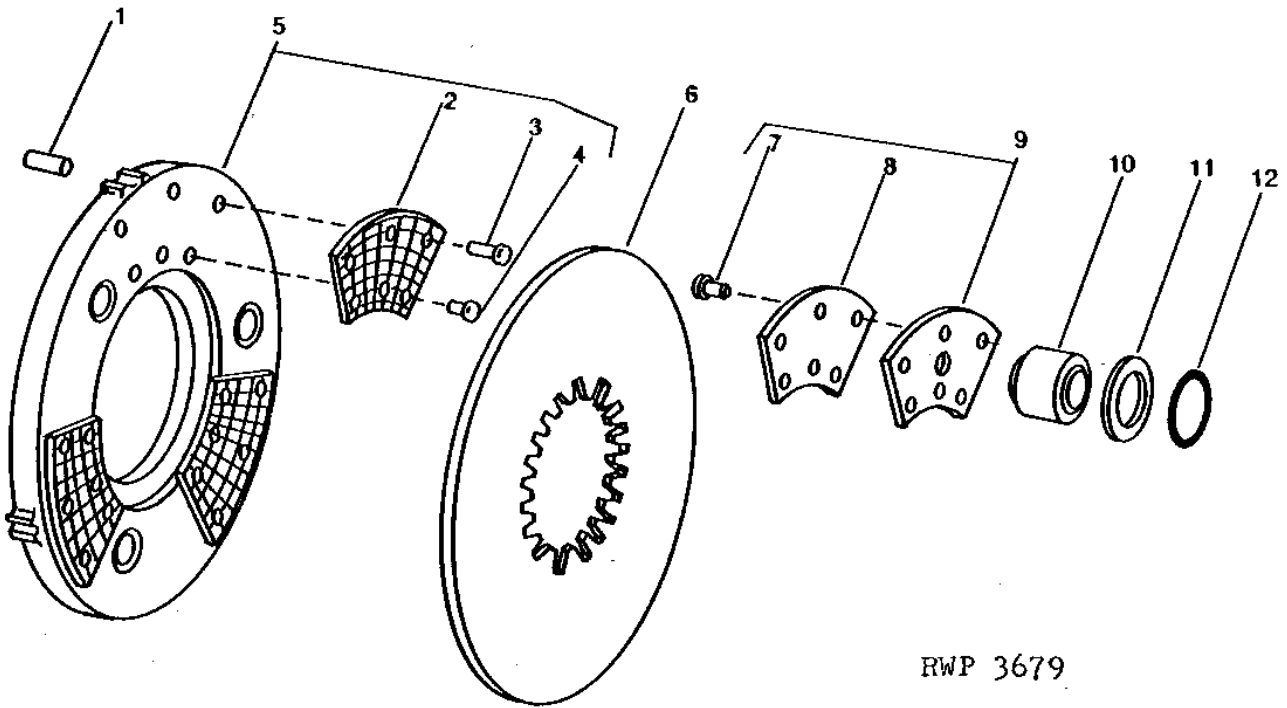
STEERING CYLINDER AND VALVE OVERHAUL KIT - CONTINUED

| KEY | PART NO. | PART NAME | QTY | TRACTOR SERIAL NO. | REMARKS |
|-----|----------|--------------|-----|-----------------------|---------|
| 1 | R72858 | SEAL | 1 | | |
| 2 | R32731 | WASHER | 1 | | |
| 3 | R72858 | SEAL | 1 | | |
| 4 | R54063 | SEAL | 1 | (A) | |
| 5 | R26448 | O-RING | 2 | | |
| 6 | AR67783 | O-RING KIT | 1 | | |
| 7 | R26441 | BACK-UP RING | 1 | | |
| 8 | A3606R | O-RING | 2 | | |
| 9 | R40567 | WASHER | 1 | | |
| 10 | R34733 | WASHER | 2 | | |
| 11 | R26286 | O-RING | 1 | | |
| 12 | R26286 | O-RING | 2 | | |
| 13 | R31488 | WASHER | 2 | (A) | |
| 14 | R459R | O-RING | 6 | | |
| 15 | R32588 | BACK-UP RING | 6 | | |
| 16 | R26546 | BACK-UP RING | 2 | | |
| 17 | B2762R | O-RING | 2 | | |
| 18 | R34129 | BACK-UP RING | 1 | | |
| 19 | A4365R | O-RING | 1 | | |
| 20 | R26551 | BACK-UP RING | 1 | (A) | |
| 21 | R394R | O-RING | 1 | | |
| 22 | R34404 | O-RING | 1 | | |
| 23 | R30323 | BACK-UP RING | 1 | | |
| 24 | R26375 | O-RING | 1 | | |
| 25 | R26547 | WASHER | 2 | (A) | |
| 26 | A3606R | O-RING | 2 | | |
| 27 | R26441 | BACK-UP RING | 1 | | |
| 28 | AR67783 | O-RING KIT | 1 | | |
| 29 | AR67783 | O-RING KIT | 1 | | |
| 30 | R31489 | WASHER | 1 | (A) | |
| 31 | R47694 | BACK-UP RING | 1 | | |
| | R26485 | BACK-UP RING | 1 | (A) | |
| 32 | R495R | O-RING | 1 | | |
| 33 | R26286 | O-RING | 1 | | |
| 34 | AR39585 | KIT | 1 | (A) | |

(A)EARLY DESIGN

3G8

BRAKE PLATES AND FACINGS
RWP3679 -UN-01JAN94



3G9

STEERING AND BRAKES

BRAKE PLATES AND FACINGS

| KEY | PART NO. | PART NAME | QTY | TRACTOR SERIAL NO. | REMARKS |
|-----|----------|------------|-----|--------------------|--|
| 1 | R65543 | DOWEL PIN | 6 | | (SUB FOR R33024) |
| 2 | R90085 | BRAKE SHOE | 12 | | 62MM (2-7/16") (SUB FOR AR28487) (SUB R111122) |
| | R90086 | BRAKE SHOE | 12 | | 76MM (3") (USE WITH R34833 AND R40153) (SUB FOR AR28488) (SUB R110464) |
| 3 | R708R | RIVET | 18 | | (A) (B) 1-11/64" |
| | R26301 | RIVET | 18 | | (C) 1-11/32" |
| 4 | D1761R | RIVET | 18 | | (A) (B) 31/64" |
| | D2593R | RIVET | 18 | | (C) 43/64" |
| 5 | AR66749 | BRAKE DISK | 2 | | (A) (B) (MARKED R40152, R40153, R50585 OR R59931) (SUB FOR AR40024 OR AR72373) (SUB RE46332, (3) RE46328 AND R85708) |
| | AR34591 | PLATE | 2 | | (C) (MARKED R34833) (SUB RE46339, (3) RE46328 AND R78429) |
| | AR66749 | BRAKE DISK | 2 | | (A) (B) (D) (MARKED R40152, R40153, R50585 OR R59931) (SUB RE46332, (3) RE46328 AND R113739) |
| 6 | R78430 | DISK | 2 | | (A) (B) (SUB FOR R33819, R45780, R48476 OR R45781) (SUB RE46332, (3) RE46328 AND R85708) |
| | R78429 | BRAKE DISK | 2 | | (C) (SUB FOR R26767 OR R32399) (SUB RE46339, (3) RE46328 AND R78429) |
| | R85029 | BRAKE DISK | 2 | | (A) (B) (D) (SUB FOR R56734 OR R62686) (SUB RE46332, (3) RE46328 AND R113739) |
| 7 | D1761R | RIVET | 36 | | 31/64" |
| 8 | AR28487 | LINING | 4 | | 62MM (2-7/16") WIDE (SET OF 3) (SUB (3) R90085) |
| | AR28488 | LINING | 4 | | 76MM (3") WIDE (SET OF 3) (USE WITH AR32243) (SUB (3) R90086) |
| 9 | AR32243 | PLATE | 6 | | (A) (B) (INCLUDES R90086) (SUB RE46332, (3) RE46328 AND R85708) |
| | AR32243 | PLATE | 6 | | (C) (INCLUDES R90086) (SUB RE46339, (3) RE46328 AND R78429) |
| | AR32243 | PLATE | 6 | | (A) (B) (D) (INCLUDES R90086) (SUB RE46332, (3) RE46328 AND R113739) |
| | AR32441 | PLATE | 6 | | (A) (B) (INCLUDES R90085) (SUB RE46332, (3) RE46328 AND R85708) |
| | AR32441 | PLATE | 6 | | (C) (INCLUDES R90085) (SUB RE46339, (3) RE46328 AND R78429) |
| | AR32441 | PLATE | 6 | | (A) (B) (D) (INCLUDES R90085) (SUB RE46332, (3) RE46328 AND R113739) |
| 10 | R42225 | PISTON | 6 | -250000 | |
| | R48240 | PISTON | 6 | 250001- | |
| 11 | R26973 | WASHER | 6 | -250000 | PAPER |
| | R26364 | WASHER | 6 | 250001- | PAPER |
| 12 | F1056R | O-RING | 6 | -250000 | |
| | R26863 | O-RING | 6 | 250001- | |

(A) ROW-CROP

(B) STANDARD

(C) HI-CROP

(D) 51 MM FINAL DRIVE

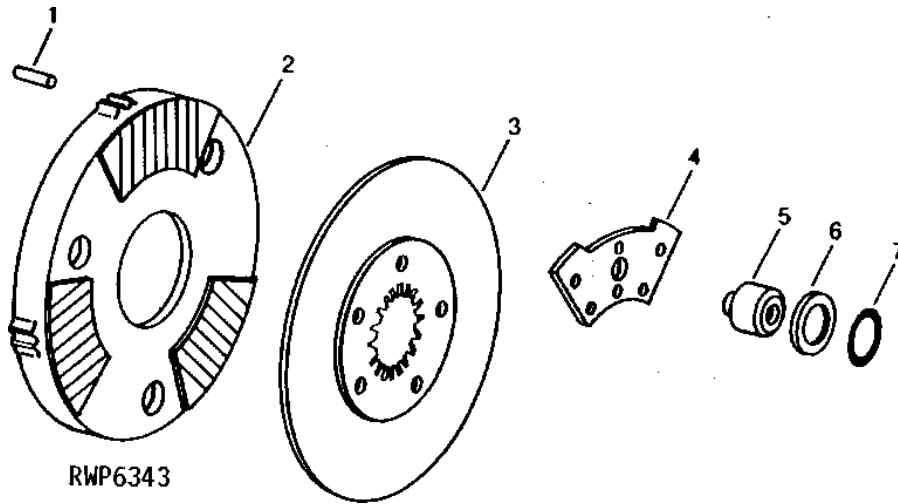
NOTE: THREE PART SUBS ARE DUE TO INTRODUCTION OF NON-ASBESTOS LININGS.

MEMORANDA

3G10

STEERING AND BRAKES

BRAKE DISK
RWP6343 -UN-01JAN94



| KEY | PART NO. | PART NAME | QTY | TRACTOR SERIAL NO. | REMARKS |
|-----|----------|------------|-----|--------------------|---------------------------------------|
| 1 | R65543 | DOWEL PIN | 6 | | |
| 2 | RE46332 | PLATE | 2 | | (MARKED R97786) (SUB FOR RE33013) |
| | RE46339 | PLATE | 2 | | (A) (MARKED R34833) (SUB FOR RE39951) |
| 3 | R85708 | BRAKE DISK | 2 | | |
| | R78429 | BRAKE DISK | 2 | | (A) |
| | R113739 | BRAKE DISK | 2 | | (B) (SUB FOR R97799) |
| 4 | RE46328 | PLATE | 6 | | (SUB FOR RE32681) |
| 5 | R48240 | PISTON | 6 | | |
| 6 | R26364 | WASHER | 6 | | |
| 7 | R72560 | O-RING | 6 | | (SUB FOR R26863) |

(A)HI-CROP

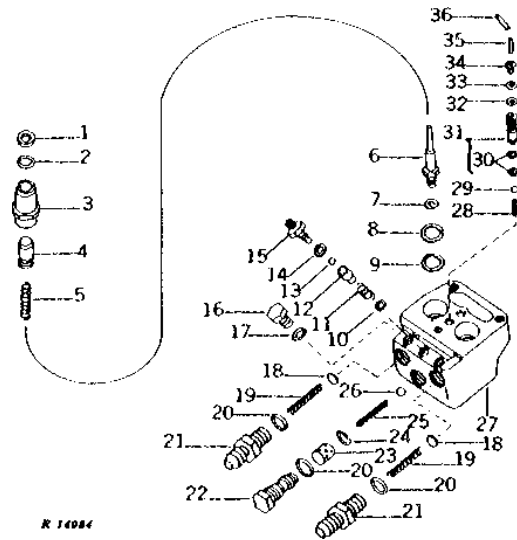
(B)51 MM FINAL DRIVE

3G11

STEERING AND BRAKES

BRAKE VALVE

R14084 -UN-01JAN94

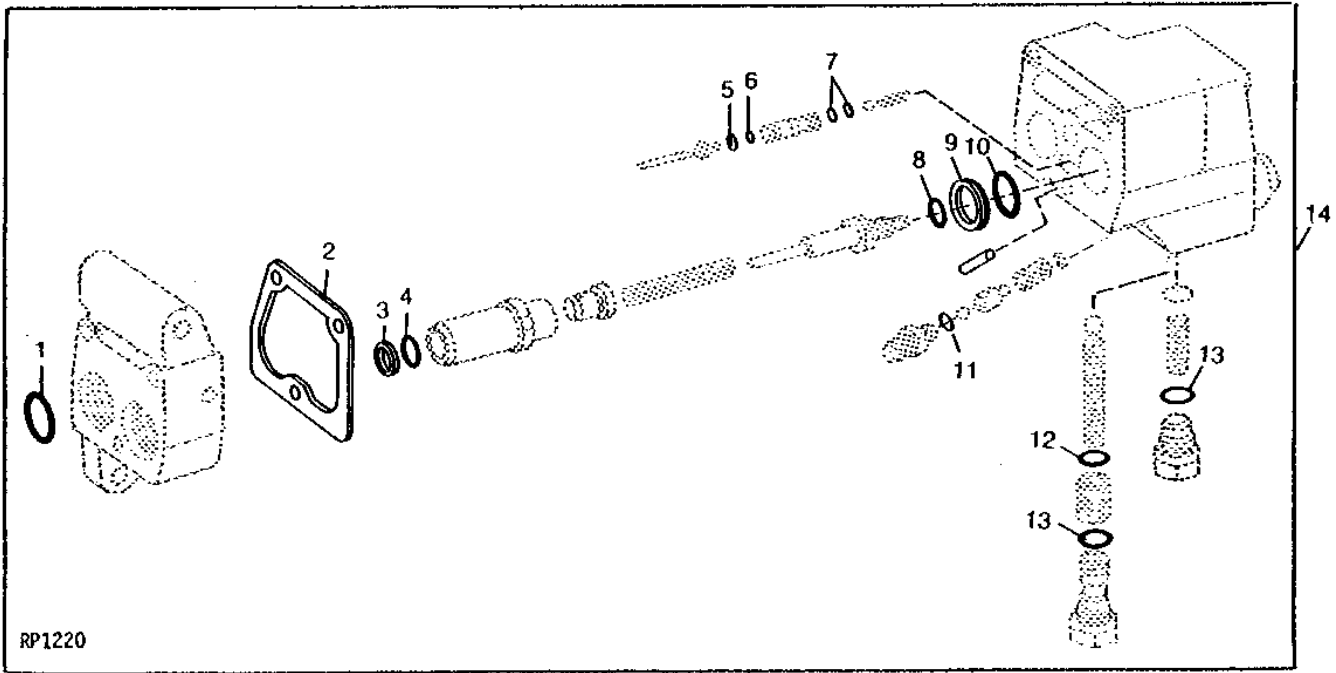


| KEY | PART NO. | PART NAME | QTY | TRACTOR SERIAL NO. | REMARKS |
|-----|----------|--------------|-----|--------------------|------------------------------------|
| 1 | R32092 | WASHER | 2 | | |
| 2 | R459R | O-RING | 2 | | |
| 3 | R32091 | PISTON | 2 | | |
| 4 | R32090 | PLUNGER | 2 | | |
| 5 | R26369 | SPRING | 2 | | |
| 6 | AR52497 | VALVE | 2 | | (SUB FOR AR46146 OR AR47805) |
| 7 | R26286 | O-RING | 2 | | |
| 8 | R27137 | BACK-UP RING | 2 | | |
| 9 | R27149 | O-RING | 2 | | |
| 10 | R44255 | WASHER | 1 | | |
| 11 | R44256 | SPRING | 1 | | |
| 12 | R44254 | GUIDE | 1 | | |
| 13 | 400R | BALL | 1 | 6MM (1/4") | |
| 14 | R26287 | O-RING | 1 | | |
| 15 | R36742 | COUPLING | 1 | | |
| 16 | R27216 | DRAIN PLUG | 2 | | (SUB FOR R31631) (USE WITH R31454) |
| 17 | R26287 | O-RING | 2 | | (USE WITH R31454) |
| 18 | R26376 | DISK | 2 | | |
| 19 | R227R | SPRING | 2 | | |
| 20 | R26375 | O-RING | 3 | | |
| 21 | R42008 | FITTING | 2 | | |
| 22 | R28774 | FITTING | 1 | | |
| 23 | R42684 | STRAINER | 1 | | |
| 24 | R28776 | O-RING | 1 | | |
| 25 | R26372 | SPRING | 1 | | |
| 26 | R42849 | BALL | 1 | 10MM (3/8") | |
| 27 | AR42400 | HOUSING | 1 | | (MARKED R31454 OR R42007) |
| 28 | A4816R | SPRING | 2 | | |
| 29 | 400R | BALL | 2 | 6MM | |
| 30 | R30903 | O-RING | 4 | | |
| 31 | AR31016 | GUIDE | 2 | | |
| 32 | R31468 | O-RING | 2 | | |
| 33 | R31469 | SHIM | 2 | | |
| 34 | R31465 | SLEEVE | 2 | | |
| 35 | R31467 | PIN | 2 | | |
| 36 | R31464 | PIN | 2 | | |

3G12

STEERING AND BRAKES

BRAKE VALVE OVERHAUL KIT
 RP1220 -UN-01JAN94

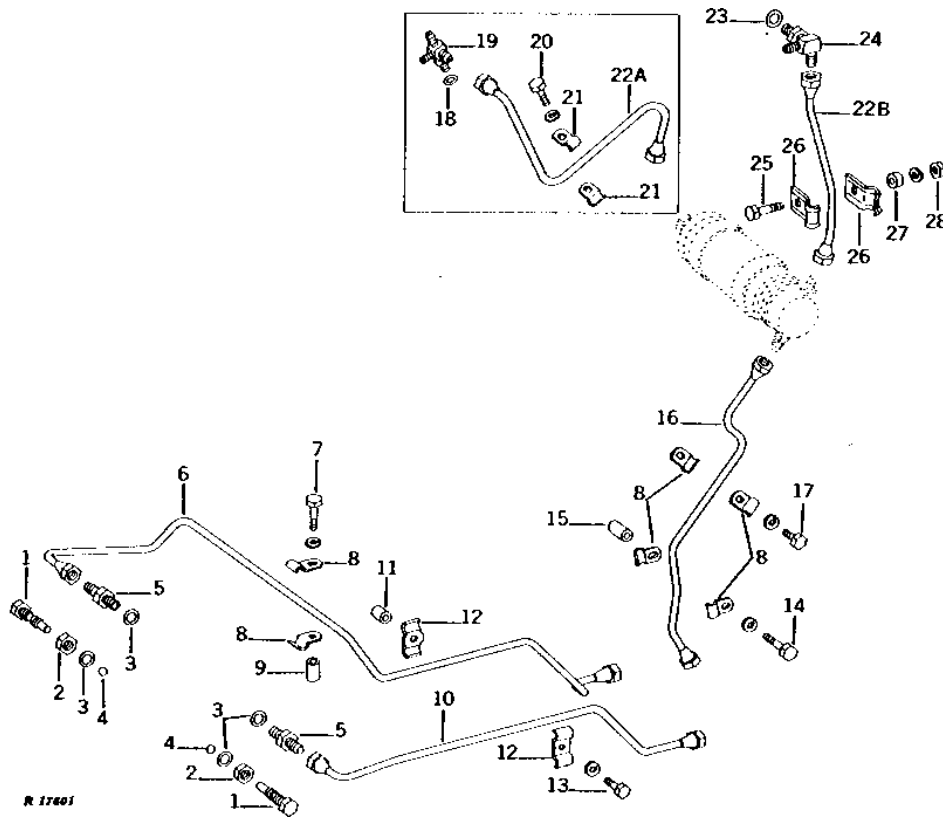


| KEY | PART NO. | PART NAME | QTY | MODEL NO. | REMARKS |
|-----|----------|--------------|-----|-----------|---------|
| 1 | A3606R | O-RING | 2 | | |
| 2 | R31455 | GASKET | 1 | | |
| 3 | R32092 | WASHER | 2 | | |
| 4 | R495R | O-RING | 2 | | |
| 5 | R31469 | SHIM | 2 | | |
| 6 | R31468 | O-RING | 2 | | |
| 7 | R30903 | O-RING | 4 | | |
| 8 | R26286 | O-RING | 2 | | |
| 9 | R27137 | BACK-UP RING | 2 | | |
| 10 | R27149 | O-RING | 2 | | |
| 11 | R26287 | O-RING | 1 | | |
| 12 | R28776 | O-RING | 1 | | |
| 13 | R26375 | O-RING | 3 | | |
| 14 | AR31946 | KIT | 1 | | |

3G13

STEERING AND BRAKES

BRAKE OIL PRESSURE LINES
R17601 -UN-01JAN94



3G14

STEERING AND BRAKES

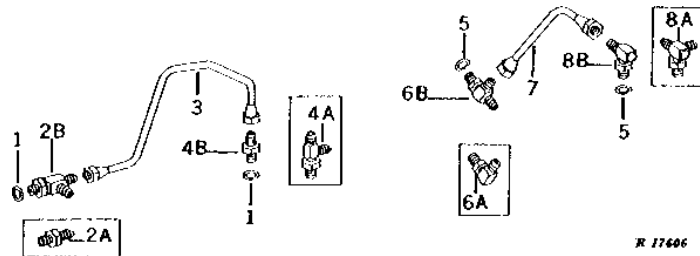
BRAKE OIL PRESSURE LINES - CONTINUED

| KEY | PART NO. | PART NAME | QTY | TRACTOR SERIAL NO. | REMARKS |
|-----|----------|----------------|-----|-----------------------|--|
| 1 | R27906 | SCREW | 2 | | |
| 2 | R27296 | NUT | 2 | | |
| 3 | R26286 | O-RING | 4 | | |
| 4 | R42849 | BALL | 2 | 10MM (3/8") | |
| 5 | R27272 | FITTING | 2 | | |
| 6 | AR58191 | HYDRAULIC LINE | 1 | | L.H. (SUB FOR AR42395) |
| 7 | 19H1801 | CAP SCREW | 2 | | 3/8" X 2" |
| | 12H304 | LOCK WASHER | 2 | | 3/8" |
| 8 | R42357 | CLAMP | 8 | | |
| 9 | 28H1495 | SPACER | 1 | | 3/8" X 1" |
| 10 | AR42394 | HYDRAULIC LINE | 1 | | R.H. |
| 11 | 28H1524 | SPACER | 1 | | 3/8" X 7/8" |
| 12 | R42009 | CLAMP | 2 | | |
| 13 | 19H1765 | CAP SCREW | 1 | | 3/8" X 1-3/4" |
| | 12H304 | LOCK WASHER | 1 | | 3/8" |
| 14 | 19H1801 | CAP SCREW | 1 | | 3/8" X 2" |
| | 12H304 | LOCK WASHER | 1 | | 3/8" |
| 15 | 28H1938 | BUSHING | 1 | | 3/8" X 1-3/16" |
| 16 | AR41986 | HYDRAULIC LINE | 1 | | |
| 17 | 19H1936 | CAP SCREW | 1 | | 3/8" X 3/4" |
| | 12H304 | LOCK WASHER | 1 | | 3/8" |
| 18 | R26286 | O-RING | 1 | -250092 | |
| 19 | AR40689 | TEE FITTING | 1 | -250092 | (SYNCRO-RANGE WITH PTO) (ILLUSTRATED) |
| | AR41987 | TEE FITTING | 1 | -250092 | (SUB AM31410) (POWER SHIFT AND SYNCRO-RANGE LESS PTO) |
| 20 | 19H1800 | CAP SCREW | 1 | -250092 | 3/8" X 1-1/2" |
| | 12H304 | LOCK WASHER | 1 | -250092 | 3/8" |
| 21 | R42357 | CLAMP | 2 | -250092 | |
| 22A | AR46726 | HYDRAULIC LINE | 1 | -250092 | (ALSO ORDER 28H1862) (SUB FOR AR41984) |
| 22B | AR50514 | HYDRAULIC LINE | 1 | 250093- | |
| 23 | R26286 | O-RING | 1 | 250093- | |
| 24 | AR49789 | TEE FITTING | 1 | 250093- | 90° |
| 25 | 19H1800 | CAP SCREW | 1 | 250093- | 3/8" X 1-1/2" |
| 26 | R47687 | CLAMP | 2 | 250093- | (SUB R57549) |
| 27 | 28H1862 | WASHER | 1 | 250093- | 3/8" X 7/32" |
| 28 | 14H1076 | NUT | 1 | 250093- | 3/8" |
| | 12H304 | LOCK WASHER | 1 | 250093- | 3/8" |

3G15

STEERING AND BRAKES

BRAKE OIL RETURN LINES
R17606 -UN-01JAN94



| KEY | PART NO. | PART NAME | QTY | TRACTOR SERIAL NO. | REMARKS |
|-----|----------|----------------|-----|--------------------|----------------------------|
| 1 | R26287 | O-RING | 2 | | (A) |
| 2A | R27527 | ADAPTER | 1 | -251628 | (A) |
| 2B | AR45251 | TEE FITTING | 1 | 251629- | (A) |
| 3 | AR49181 | LINE | 1 | -251628 | (A) (SUB FOR AR42399) |
| | AR52170 | HYDRAULIC LINE | 1 | 251629- | (A) |
| 4A | AR45251 | TEE FITTING | 1 | -251628 | (A) |
| 4B | R27527 | ADAPTER | 1 | 251629- | (A) |
| 5 | R26287 | O-RING | 2 | | (B) |
| 6A | AT32335 | ELBOW FITTING | 1 | -251628 | (B) 90°, (SUB FOR AR26746) |
| 6B | AR45251 | TEE FITTING | 1 | 251629- | (B) |
| 7 | AR32240 | LINE | 1 | -251628 | (B) (SUB AR52171) |
| | AR52171 | HYDRAULIC LINE | 1 | | (B) |
| 8A | AR45252 | TEE FITTING | 1 | -251628 | (B) |
| 8B | AT32335 | ELBOW FITTING | 1 | 251629- | (B) 90°, (SUB FOR AR26746) |

(A) SYNCRO-RANGE

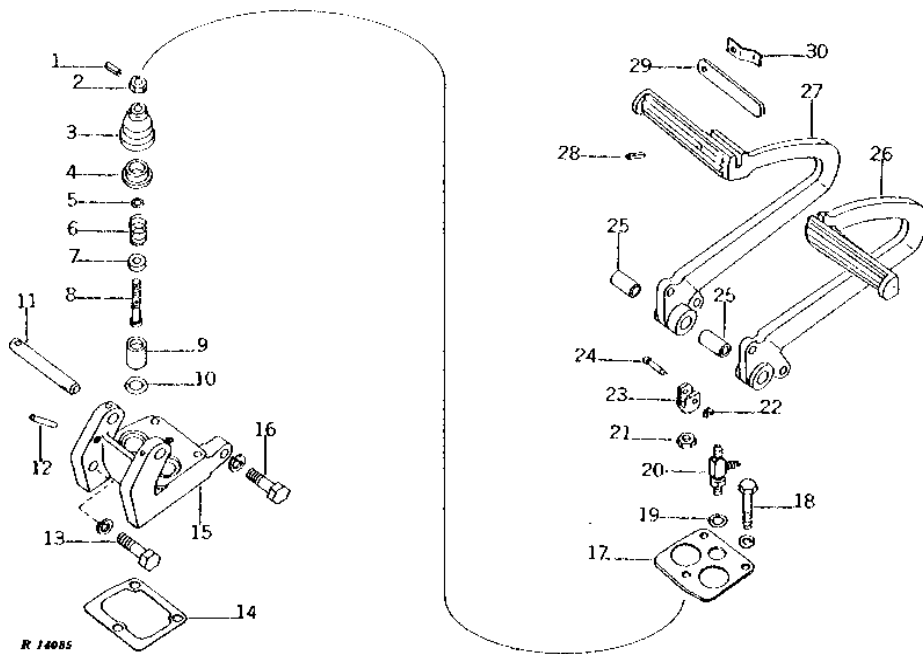
(B) POWER SHIFT

MEMORANDA

3G16

STEERING AND BRAKES

BRAKE PEDALS AND BRACKET
R14085 -UN-01JAN94



3G17

STEERING AND BRAKES

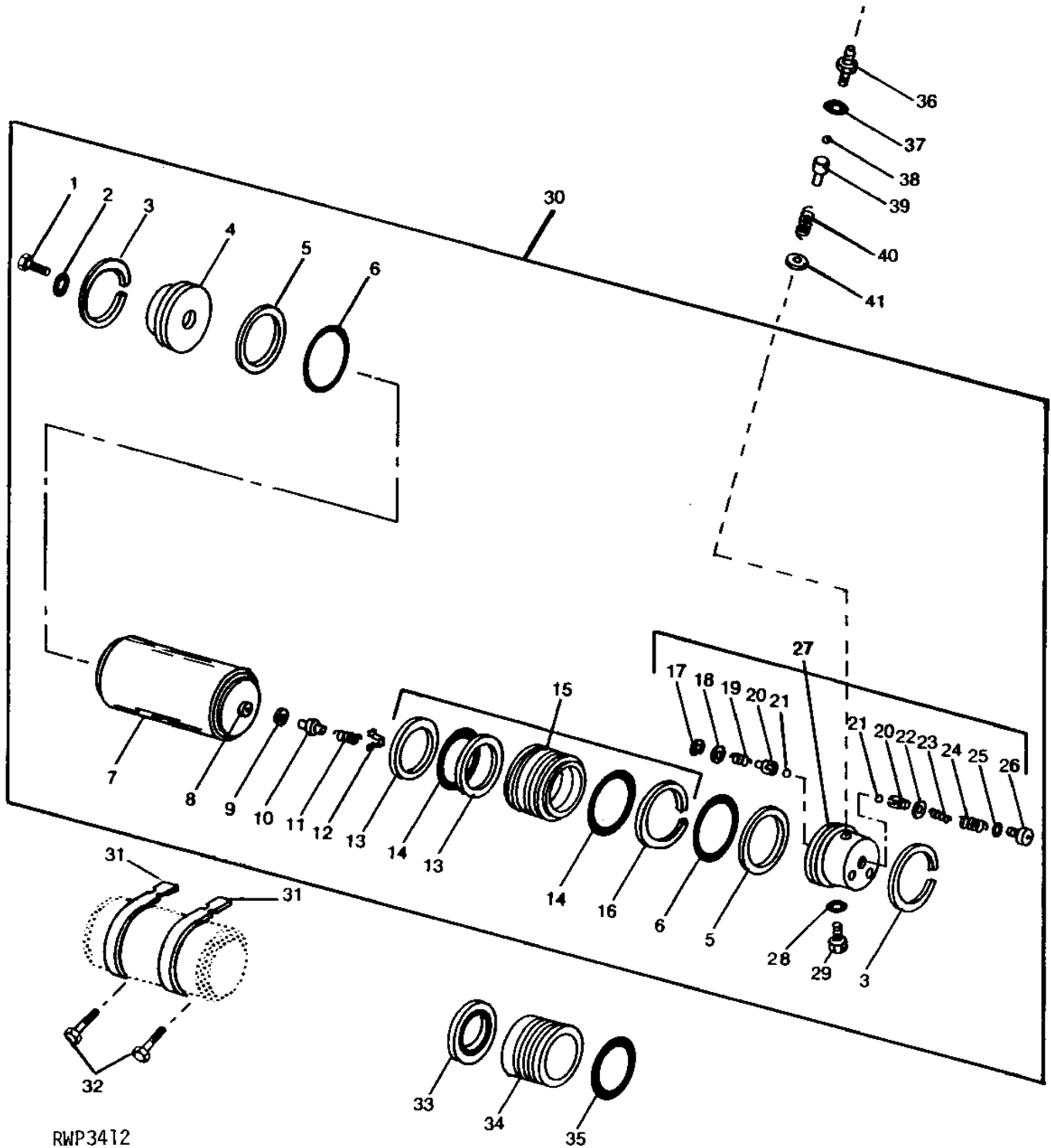
BRAKE PEDALS AND BRACKET - CONTINUED

| KEY | PART NO. | PART NAME | QTY | TRACTOR SERIAL NO. | REMARKS |
|-----|----------|---------------|-----|-----------------------|---|
| 1 | 34H245 | SPRING PIN | 2 | | 1/8" X 5/8" |
| 2 | R39982 | NUT | 2 | | |
| 3 | R54059 | BOOT | 2 | | (SUB FOR R39981) |
| 4 | R31459 | RETAINER | 2 | | |
| 5 | R30903 | O-RING | 2 | | |
| 6 | R31271 | SPRING | 2 | | |
| 7 | R52168 | STOP | 2 | | (SUB FOR R31458) |
| 8 | R39980 | BOLT | 2 | | |
| 9 | R52169 | GUIDE | 2 | | (SUB FOR R31457) |
| 10 | A3606R | O-RING | 2 | | |
| 11 | R34747 | GROOVE PIN | 1 | 8BV1- | |
| | R45929 | GROOVE PIN | 1 | 8BV2- | |
| 12 | 34H252 | SPRING PIN | 1 | 8BV1- | 1/8" X 1-1/4" |
| | 34H286 | SPRING PIN | 1 | 8BV2- | 3/16" X 1-1/2" |
| 13 | 19H2550 | CAP SCREW | 1 | | 1/2" X 1-5/8" |
| | 12H301 | LOCK WASHER | 1 | | 1/2" |
| 14 | R31455 | GASKET | 1 | | |
| 15 | R41080 | BRACKET | 1 | 8BV1- | (SUB R45926, R45929 AND 34H286) |
| | R45926 | BRACKET | 1 | 8BV2- | |
| 16 | 19H3579 | CAP SCREW | 1 | | 1/2" X 1-3/8" |
| | 12H301 | LOCK WASHER | 1 | | 1/2" |
| 17 | R26384 | RETAINER | 1 | | |
| 18 | 19H1733 | CAP SCREW | 3 | | 3/8" X 2-1/2" |
| | 12H304 | LOCK WASHER | 3 | | 3/8" |
| 19 | R26287 | O-RING | 1 | | |
| 20 | AR45251 | TEE FITTING | 1 | -251628 | (SYNCRO-RANGE) (ILLUSTRATED) |
| | AR45252 | TEE FITTING | 1 | -251628 | 90°, (POWER SHIFT) |
| | R27527 | ADAPTER | 1 | 251629- | (SYNCRO-RANGE) |
| | AT32335 | ELBOW FITTING | 1 | 251629- | 90° (POWER SHIFT) (SUB FOR AR26746) |
| 21 | 14H732 | NUT | 2 | | 3/8" |
| 22 | R26386 | SNAP RING | 1 | | |
| 23 | R31273 | YOKE | 2 | | |
| 24 | R26385 | PIN | 2 | | |
| 25 | B177R | BUSHING | 2 | | |
| 26 | AR40757 | PEDAL | 1 | | R.H. (MARKED R41081) |
| 27 | AR49182 | PEDAL | 1 | | L.H. (MARKED R41082 OR R46881) (SUB FOR AR40758) |
| 28 | 34H313 | SPRING PIN | 1 | | 1/4" X 1-1/8" |
| 29 | R50879 | ARM | 1 | | (SUB FOR R32376) |
| 30 | R50034 | LEAF SPRING | 1 | | (SUB FOR R31602) |

3G18

STEERING AND BRAKES

ACCUMULATOR
RWP3412 -UN-01JAN94



RWP3412

3G19

STEERING AND BRAKES

ACCUMULATOR - CONTINUED

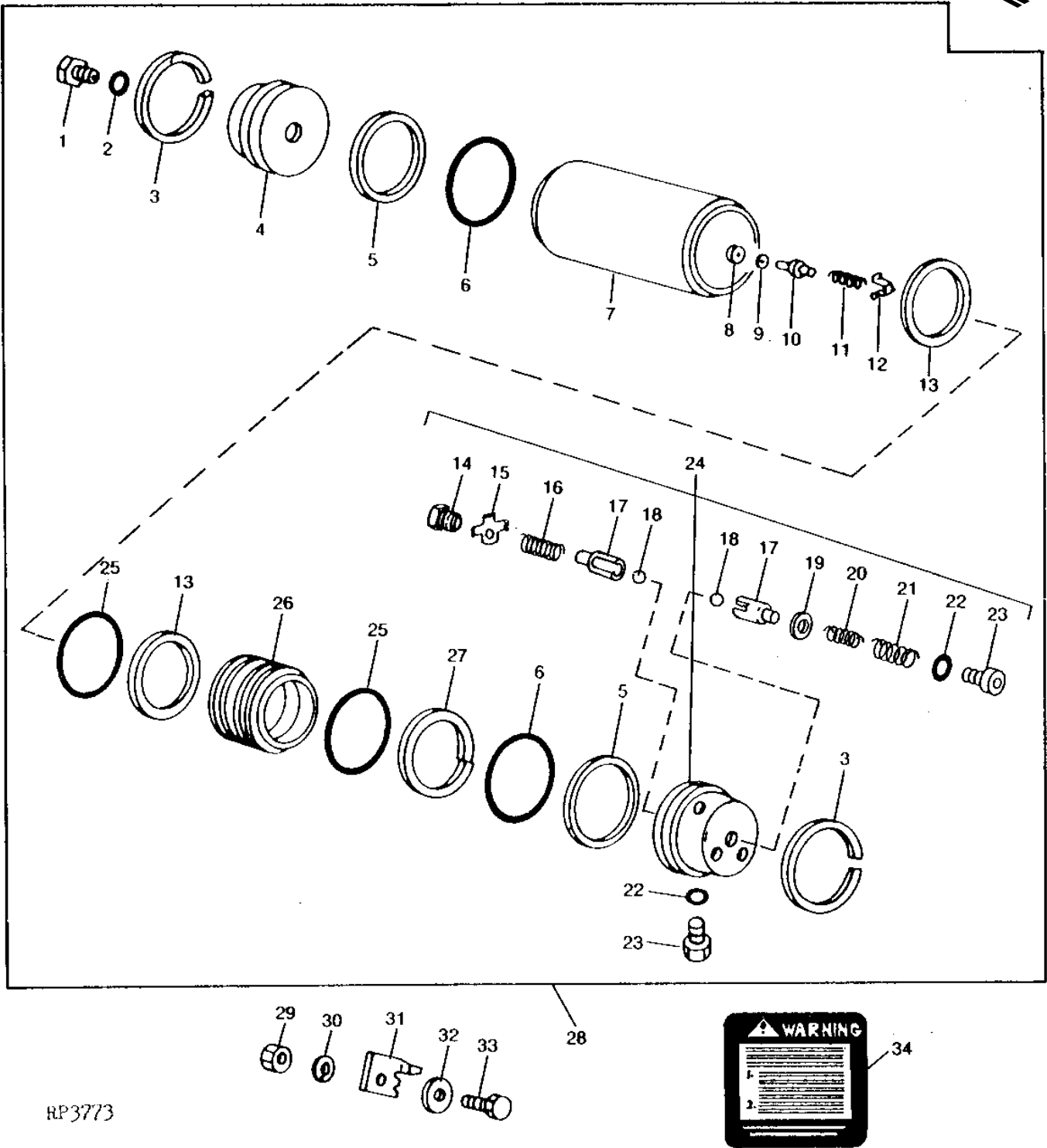
| KEY | PART NO. | PART NAME | QTY | MODEL NO. | REMARKS |
|-----|----------|---------------------------|-----|-----------|---|
| 1 | R27094 | DRAIN PLUG | 1 | | |
| 2 | R26286 | O-RING | 1 | | |
| 3 | U10136 | SNAP RING | 2 | | |
| 4 | R48957 | END | 1 | | |
| 5 | R35684 | BACK-UP RING | 2 | | |
| 6 | U12331 | O-RING | 2 | | |
| 7 | R46987 | HYDRAULIC CYLINDER BARREL | 1 | | (ALSO ORDER R48957, R35684, R60038, R41877, R47085, R47086, R47087, U10136 AND U12331) (SUB FOR AR41947) (SUB R77867 AND (2) R78101) (SUB FOR R26760) |
| 8 | R60038 | PACKING | 1 | | |
| 9 | R47087 | WASHER | 1 | 4HA2- | |
| 10 | R44252 | VALVE | 1 | -4HA1 | |
| | R47085 | VALVE | 1 | 4HA2- | |
| 11 | R26373 | SPRING | 1 | -4HA1 | |
| | R47086 | SPRING | 1 | 4HA2- | |
| 12 | R41877 | GUIDE | 1 | | |
| 13 | L29015 | BACK-UP RING | 2 | 10HA2- | |
| 14 | A4728R | O-RING | 2 | 10HA2- | |
| 15 | AL23523 | BEARING | 1 | 10HA2- | (MARKED L29014) (SUB R57103, (2) A4728R, (2) L29015 AND R27649) |
| 16 | R27649 | BACK-UP RING | 1 | 10HA2- | |
| 17 | R33282 | SNAP RING | 1 | 10HA1- | |
| 18 | R48013 | WASHER | 1 | 10HA1- | |
| 19 | R44256 | SPRING | 1 | 10HA1- | |
| 20 | R44254 | GUIDE | 2 | 10HA1- | |
| 21 | 400R | BALL | 2 | 10HA1- | 6MM (1/4") |
| 22 | R31632 | SHIM | 2 | 10HA1- | |
| 23 | R47606 | SPRING | 1 | 10HA1- | INNER |
| 24 | R47605 | SPRING | 1 | 10HA1- | OUTER |
| 25 | R26286 | O-RING | 1 | 10HA1- | |
| 26 | R47607 | PIPE PLUG | 1 | 10HA1- | |
| 27 | R41878 | CAP | 1 | -4HA2 | (SUB AR93259) |
| | AR50387 | CAP | 1 | 10HA1- | (SUB AR93259) |
| 28 | R26286 | O-RING | 1 | | |
| 29 | R27272 | FITTING | 1 | | |
| 30 | AR67778 | ACCUMULATOR | 1 | | (SUB FOR AR45157 OR AR51092) (SUB RE11956) |
| 31 | R41891 | STRAP | 2 | | |
| 32 | 19H2284 | CAP SCREW | 2 | | 3/8" X 7/8" |
| 33 | R35680 | SEAL | 1 | -10HA1 | (USE WITH R48952) |
| 34 | R48952 | PISTON | 1 | -10HA1 | (SUB (2) A4728R, (2) L29015, R27649 AND R57103) |
| | AR55711 | PISTON | 1 | | (MARKED R49345) (SUB (2) A4728R, (2) L29015, R27649 AND R57103) |
| 35 | A4728R | O-RING | AR | -10HA1 | (1 USED WITH R48952) (2 USED WITH R49345) |
| 36 | R36742 | COUPLING | 1 | | |
| | R46431 | ADAPTER | 1 | | (A) (NLA) |
| 37 | R26287 | O-RING | 1 | | |
| 38 | 400R | BALL | 1 | | (A) 6MM (1/4") |
| 39 | R44254 | GUIDE | 1 | | (A) |
| 40 | R44256 | SPRING | 1 | | (A) |
| 41 | R44255 | WASHER | 1 | | (A) |

(A) POWER FRONT WHEEL DRIVE

3G20

STEERING AND BRAKES

ACCUMULATOR
RP3773 -UN-01JAN94



RP3773

3G21

STEERING AND BRAKES

ACCUMULATOR - CONTINUED

| KEY | PART NO. | PART NAME | QTY | TRACTOR SERIAL NO. | REMARKS |
|-----|----------|---------------------------|-----|-----------------------|---|
| 1 | R27094 | DRAIN PLUG | 1 | | |
| 2 | R26286 | O-RING | 1 | | |
| 3 | U10136 | SNAP RING | 2 | | (USE WITH R46987) |
| | R78101 | SNAP RING | 2 | | (USE WITH R77867) |
| 4 | R48957 | END | 1 | | |
| 5 | R35684 | BACK-UP RING | 2 | | |
| 6 | U12331 | O-RING | 2 | | (SUB FOR R86192) |
| 7 | R46987 | HYDRAULIC CYLINDER BARREL | 1 | | (SUB R77867 AND (2) R78101) |
| 8 | R60038 | PACKING | 1 | | |
| 9 | R47087 | WASHER | 1 | | |
| 10 | R47085 | VALVE | 1 | | |
| 11 | R47086 | SPRING | 1 | | |
| 12 | R41877 | GUIDE | 1 | | |
| 13 | L29015 | BACK-UP RING | 2 | | |
| 14 | R74022 | RETAINER | 1 | | |
| 15 | R75866 | LOCK PLATE | 1 | | |
| 16 | R44256 | SPRING | 1 | | |
| 17 | R44254 | GUIDE | 2 | | |
| 18 | 400R | BALL | 2 | | 6MM (1/4") |
| 19 | R31632 | SHIM | AR | | |
| 20 | R47606 | SPRING | 1 | | |
| 21 | R47605 | SPRING | 1 | | |
| 22 | R26286 | O-RING | 2 | | |
| 23 | R47607 | PIPE PLUG | 2 | | |
| 24 | AR93259 | CAP | 1 | | |
| 25 | A4728R | O-RING | 2 | | |
| 26 | R57103 | PISTON | 1 | | |
| 27 | R27649 | BACK-UP RING | 1 | | |
| 28 | RE11956 | ACCUMULATOR | 1 | | (ALSO ORDER R120109, R120110, R80754 OR R82337) (SUB FOR AR67778) |
| 29 | 14H785 | NUT | 1 | | 5/16" |
| 30 | 12H303 | LOCK WASHER | 1 | | 5/16" |
| 31 | R51851 | CLIP | 1 | | |
| 32 | 24H1299 | WASHER | 1 | | 3/8" X 1-1/4" X 0.065" |
| 33 | 19H1905 | CAP SCREW | 1 | | 5/16" X 1" |
| 34 | R120109 | LABEL | 1 | | (SUB FOR R80752) WARNING (ENGLISH) |
| | R120110 | LABEL | 1 | | (SUB FOR R80753) WARNING (SPANISH) |
| | R80754 | LABEL | 1 | | WARNING (FRENCH) |
| | R82337 | LABEL | 1 | | WARNING (GERMAN) |

MEMORANDA

4B7

HYDRAULICS

TRANSMISSION AND HYDRAULIC OIL
RE026740 -UN-20FEB96



RE026740

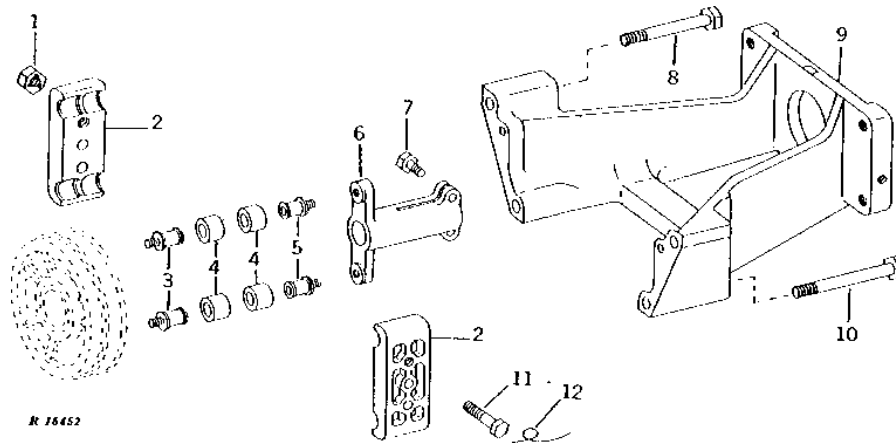


| KEY | PART NO. | PART NAME | QTY | TRACTOR SERIAL NO. | REMARKS |
|-----|----------|-----------|-----|--------------------|--|
| 1 | AR69444 | HY-GARD | 1 | | 19L (5 GAL) |
| | AR69445 | HY-GARD | 1 | | 208L (55 GAL) (EMPTY DRUMS NOT RETURNABLE) |
| 2 | TY22043 | OIL | 1 | | (1 GAL) |
| | TY22044 | OIL | 1 | | 19 L (5 GAL) |
| | TY22063 | OIL | 1 | | 208 L (55 GAL) |

4B8

HYDRAULICS

HYDRAULIC PUMP DRIVE AND SUPPORT
R16452 -UN-01JAN94

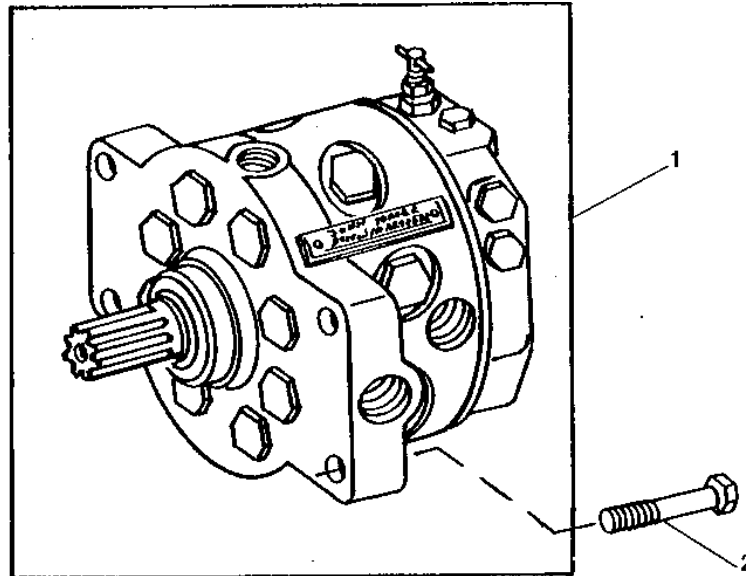


| KEY | PART NO. | PART NAME | QTY | TRACTOR SERIAL NO. | REMARKS |
|-----|----------|-----------------------|-----|--------------------|---|
| 1 | M63440 | LOCK NUT | 2 | 254022- | (SUB E50102) |
| 2 | R34362 | EXTERNAL HALF COUPLER | 2 | | |
| 3 | R34360 | SCREW | 2 | -250000 | |
| | R46345 | SCREW | 2 | 250001- | |
| 4 | R45822 | BUSHING | 4 | | (SUB FOR R34098 OR AR49427) |
| 5 | R34360 | SCREW | 2 | | |
| 6 | R34359 | DRIVE SHAFT | 1 | -210231 | |
| | R43829 | SHAFT | 1 | 210232- | (SUB (2) R34360, (2) R45822 AND T36523) |
| 7 | 19H1732 | CAP SCREW | 2 | | 3/8" X 1-1/4" |
| 8 | 19H1868 | CAP SCREW | 2 | | 1/2" X 3-3/4" |
| 9 | R46774 | SUPPORT | 1 | | (SUB FOR R34358) |
| 10 | 19H3544 | CAP SCREW | 2 | | 1/2" X 4-1/2" HS, SAE 8 |
| 11 | R34363 | CAP SCREW | 2 | -254021 | (SUB 19H2116 AND E50102) |
| | 19H2116 | CAP SCREW | 2 | 254022- | 3/8" X 2-1/2" |
| 12 | | WIRE | 1 | -254021 | 305MM (12") |

4B9

HYDRAULICS

REPLACEMENT HYDRAULIC PUMP ASSEMBLY
RP3196 -UN-01JAN94



RP3196

| KEY | PART NO. | PART NAME | QTY | TRACTOR SERIAL NO. | REMARKS |
|-----|----------|----------------|-----|--------------------|---|
| 1 | AR94660 | HYDRAULIC PUMP | 1 | 201000-250000 | (A) 50 CM3 (3 IN.3) (MODEL GA1) (ALSO ORDER AT33033, P47908 AND F3171R) (SUB FOR AR39694, AR47802 OR AR56161) |
| | AR94660 | HYDRAULIC PUMP | 1 | 250001- | (A) 50 CM3 (3 IN.3) (MODEL GA1) (ALSO ORDER AT33033, R26906 AND F3171R) (SUB FOR AR39694, AR47802 OR AR56161) |
| | AR94660 | HYDRAULIC PUMP | 1 | 201000-250000 | (A) (C) 50 CM3 (3 IN.3) (MODEL GA1) (ALSO ORDER AR53565, P47908 AND F3171R) (SUB FOR AR39694, AR47802 OR AR56161) |
| | AR94660 | HYDRAULIC PUMP | 1 | 250001-258409 | (A) (C) 50 CM3 (3 IN.3) (MODEL GA1) (ALSO ORDER AR53565, R26906 AND F3171R) (SUB FOR AR39694, AR47802 OR AR56161) |
| | AR94661 | HYDRAULIC PUMP | 1 | 258410- | (A) (C) 65 CM3 (4 IN.3) (MODEL JA1) (ALSO ORDER R26906 AND F3171R) (SUB FOR AR46246, AR73106, AR70722 OR AR99839) |
| | AR101807 | HYDRAULIC PUMP | 1 | 201000- | (B) 50 CM3 (3 IN.3) (MODEL GH1) (ALSO ORDER AT33033, P47908 AND F3171R) (SUB FOR AR39694, AR45345, AR47802, AR56160 OR AR56161) |
| | AR94660 | HYDRAULIC PUMP | 1 | 201000-258409 | (B) (C) 50 CM3 (3 IN.3) (MODEL GA1) (ALSO ORDER AR53565, P47908 AND F3171R) (SUB FOR AR39694, AR47802 OR AR56161) |
| | AR94661 | HYDRAULIC PUMP | 1 | 258410- | (B) (C) 65 CM3 (4 IN.3) (MODEL JA1) (ALSO ORDER P47908 AND F3171R) (SUB FOR AR46246, AR73106, AR70722 OR AR99839) |
| 2 | 19H1990 | CAP SCREW | 4 | | 1/2" X 2-1/4" |

(A) SYNCRO-RANGE TRANSMISSION

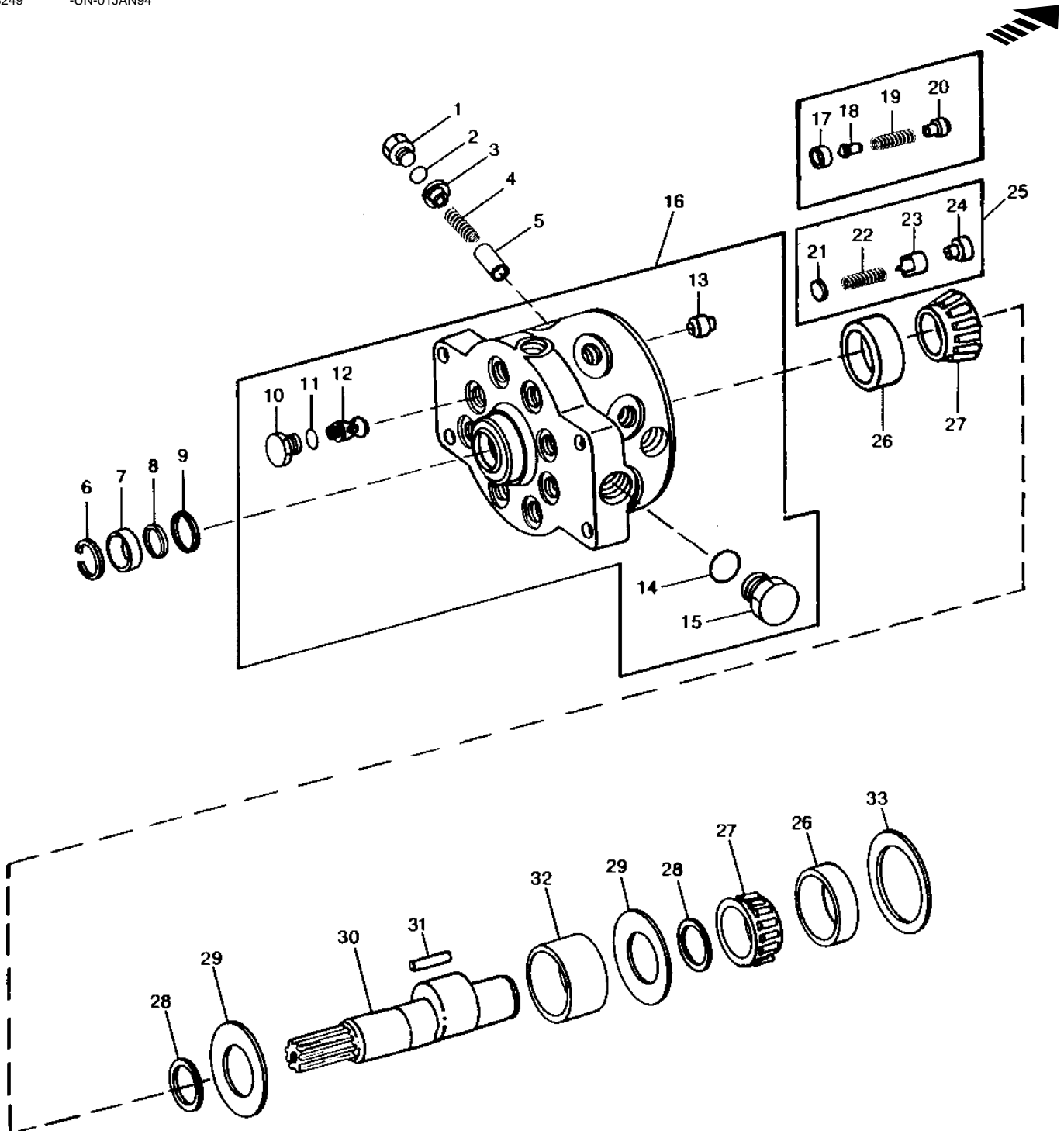
(B) POWER SHIFT TRANSMISSION

(C) POWER FRONT WHEEL DRIVE

4B10

HYDRAULICS

HYDRAULIC PUMP (49 CM3 (3 IN.3))
(LESS SERIAL PLATE)
RP3249 -UN-01JAN94



RP3249

4B11

HYDRAULICS

**HYDRAULIC PUMP (49 CM3 (3 IN.3)) - CONTINUED
(LESS SERIAL PLATE)**

| KEY | PART NO. | PART NAME | QTY | MODEL NO. | REMARKS |
|-----|----------|----------------|-----|-----------|---|
| 1 | R45438 | FITTING | 8 | | (SUB FOR R34353) |
| 2 | R495R | O-RING | 8 | -XXXXXX | (SUB R56463 AND AR101236) |
| | R56463 | O-RING | 8 | XXXXXX- | |
| 3 | AR101236 | SHIELD | 1 | XXXXXX- | (SET OF 8) (SUB FOR R56749) |
| 4 | AR76762 | SPRING | 1 | | (SET OF 8) (SUB FOR AR33821 OR AR55186) |
| 5 | R27150 | PISTON | 8 | | |
| 6 | R26137 | SNAP RING | 1 | | |
| 7 | RE28790 | SEAL | 1 | | (SUB FOR AR40398 OR AR52224) |
| 8 | R56753 | SHIM | 1 | XXXXXX- | |
| 9 | R39729 | O-RING | 1 | | |
| 10 | R78293 | FITTING | 8 | | (SUB FOR R27148 OR R44823) |
| 11 | R27149 | O-RING | 8 | | |
| 12 | AR53301 | VALVE | 8 | | (INLET) (SUB FOR AR26758) |
| 13 | R105583 | SEAT | 8 | 3PP2- | (SUB FOR R39067) |
| 14 | U13639 | O-RING | 1 | | (USE WITH R34354 OR R45228) |
| | F3171R | O-RING | 1 | | (USE WITH R45227) |
| 15 | R39741 | DRAIN PLUG | 1 | | 1-5/8", (USE WITH R34354 OR R45228) |
| | R27175 | DRAIN PLUG | 1 | | 1-1/16", (USE WITH R45227) |
| 16 | AR47580 | HOUSING | 1 | -3PP1 | (A) (B) (MARKED R34347 OR R34354) (ALSO ORDER (8) RE23382) (SUB FOR AR39696) (SUB AR101807) |
| | AR47580 | HOUSING | 1 | 3PP2- | (A) (B) (MARKED R45227 OR R45228) (SUB FOR AR39696 OR AR47170) (SUB AR101807) |
| 17 | R27155 | WASHER | 8 | -3PP1 | |
| 18 | R27154 | POPPET | 8 | -3PP1 | |
| 19 | R38531 | SPRING | 8 | -3PP1 | (SUB FOR R27156) |
| 20 | R27157 | GUIDE | 8 | -3PP1 | |
| 21 | R49297 | DISK | 8 | 3PP2- | (SUB FOR R39074) |
| 22 | R39228 | SPRING | 8 | 3PP2- | |
| 23 | R48738 | GUIDE | 8 | 3PP2- | (SUB FOR R39174) |
| 24 | R83508 | STOP | 8 | 3PP2- | (SUB FOR R39175, R48298 OR R72886) |
| 25 | RE23382 | VALVE | 8 | 3PP2- | (OUTLET) (SUB FOR AR39026, AR52099, AR52785 OR AR96613) |
| 26 | JD8223 | BEARING CUP | 2 | | |
| 27 | JD8192 | BEARING CONE | 2 | | |
| 28 | R34349 | WASHER | 2 | | |
| 29 | R60732 | WASHER | 2 | | (SUB FOR R42467) |
| 30 | R34348 | SHAFT | 1 | | |
| 31 | R27145 | NEEDLE ROLLER | 36 | | |
| 32 | R45874 | BEARING RACE | 1 | | (SUB FOR R27146) |
| 33 | R27478 | SHIM | AR | | 0.15MM (.006") |
| | R27479 | SHIM | AR | | 0.25MM (.010") |
| .. | AR39694 | HYDRAULIC PUMP | 1 | | (NLA) |
| .. | AR47802 | HYDRAULIC PUMP | 1 | | (NLA) |
| .. | AR56161 | HYDRAULIC PUMP | 1 | | (A) (C) (SUB AR94660, AT33033, R26906 AND F3171R) |
| .. | AR56161 | HYDRAULIC PUMP | 1 | | (B) (C) (SUB AR101807, AT33033, P47908 AND F3171R) |
| .. | AR56161 | HYDRAULIC PUMP | 1 | | (A) (D) (SUB AR94660, AR53565, R26906 AND F3171R) |
| .. | AR56161 | HYDRAULIC PUMP | 1 | | (B) (D) (SUB AR94660, AR53565, P47908 AND F3171R) |

(A) SYNCRO-RANGE TRANSMISSION

(B) POWER SHIFT TRANSMISSION

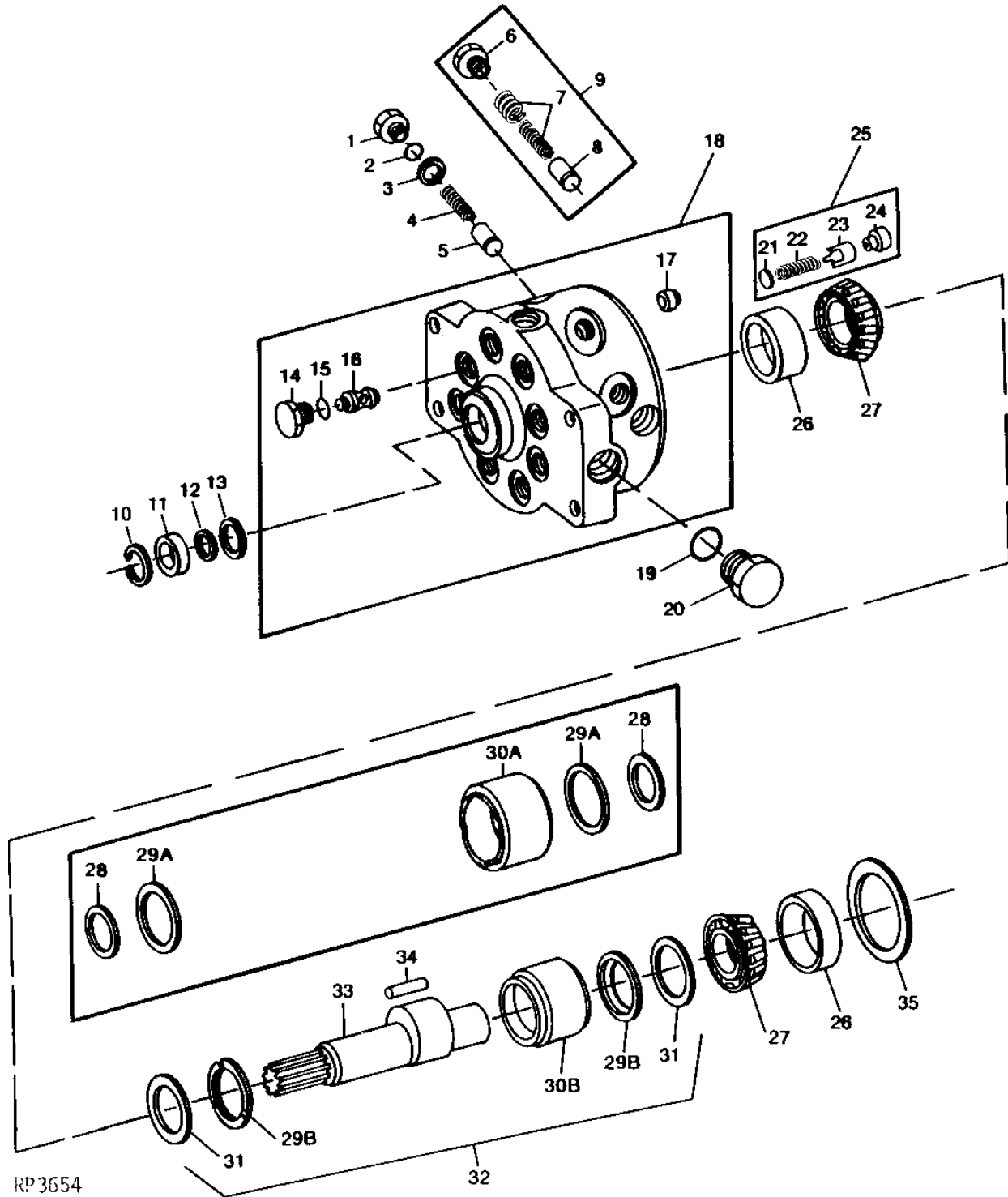
(C) W/O POWER FRONT WHEEL DRIVE

(D)W/ POWER FRONT WHEEL DRIVE

4B12

HYDRAULICS

HYDRAULIC PUMP (66 CM³ (4 IN.³))
(TRACTOR SERIAL NO. 258410-) (LESS SERIAL PLATE) (PFWD)
RP3654 -UN-12OCT94



4B13

HYDRAULICS

HYDRAULIC PUMP (66 CM3 (4 IN.3)) - CONTINUED
(TRACTOR SERIAL NO. 258410-) (LESS SERIAL PLATE) (PFWD)

| KEY | PART NO. | PART NAME | QTY | TRACTOR SERIAL NO. | REMARKS |
|-----|----------|----------------|-----|--------------------|--|
| 1 | R75642 | DRAIN PLUG | 8 | | (SUB FOR R44745) |
| 2 | F3171R | O-RING | 8 | -XXXXXX | (SUB R56751 AND AR101237) |
| | R56751 | O-RING | 8 | XXXXXX- | |
| 3 | AR101237 | SHIELD | 1 | XXXXXX- | (SET OF 8) (SUB FOR R56750) |
| 4 | AR55330 | SPRING | 1 | | (SET OF 8) |
| 5 | R51827 | PISTON | 8 | | (SUB RE11814) |
| 6 | R70648 | DRAIN PLUG | 8 | | |
| 7 | AR96408 | SPRING | 1 | | (SET OF 16) |
| 8 | R70976 | PISTON | 8 | | |
| 9 | RE11814 | KIT | 1 | | |
| 10 | R26137 | SNAP RING | 1 | | |
| 11 | RE28790 | SEAL | 1 | | (SUB FOR AR52224) |
| 12 | R56753 | SHIM | 1 | XXXXXX- | |
| 13 | R39729 | O-RING | 1 | | |
| 14 | R78293 | FITTING | 8 | | (SUB FOR R44823) |
| 15 | R27149 | O-RING | 8 | | |
| 16 | AR53301 | VALVE | 8 | | (INLET) |
| 17 | R105583 | SEAT | 8 | | (SUB FOR R39067) |
| 18 | AR70723 | HOUSING | 1 | | (A) (B) (MARKED R44801, R55010 OR R58773) (SUB AR94661) (SUB FOR AR48770) |
| 19 | U13639 | O-RING | 1 | | (USE WITH R44801) |
| | F3171R | O-RING | 1 | | (USE WITH R58773) |
| 20 | R39741 | DRAIN PLUG | 1 | | 1-5/8", (USE WITH R44801) |
| | R27175 | DRAIN PLUG | 1 | | 1-1/16", (USE WITH R58773) |
| 21 | R49297 | DISK | 8 | | |
| 22 | R39228 | SPRING | 8 | | |
| 23 | R48738 | GUIDE | 8 | | |
| 24 | R83508 | STOP | 8 | | (SUB FOR R49298 OR R72886) |
| 25 | RE23382 | VALVE | 8 | | (SUB FOR AR52785 OR AR96613) |
| 26 | JD8223 | BEARING CUP | 2 | | |
| 27 | JD8192 | BEARING CONE | 2 | | |
| 28 | R45423 | WASHER | 2 | -XXXXXX | (SUB RE12038) (ALSO ORDER RE11814) |
| 29A | R72429 | WASHER | 2 | -XXXXXX | (SUB RE12038) (ALSO ORDER RE11814) (SUB FOR R45424) |
| 29B | R72507 | THRUST WASHER | 2 | XXXXXX- | |
| 30A | R44744 | BEARING RACE | 1 | -XXXXXX | (SUB RE12038) (ALSO ORDER RE11814) |
| 30B | R80558 | BEARING RACE | 1 | XXXXXX- | (SUB FOR R72509) |
| 31 | R77903 | WASHER | 2 | | (SUB FOR R45425) |
| 32 | RE12038 | KIT | 1 | | (ALSO ORDER RE11814) (SUB FOR AR95470) |
| 33 | R44743 | SHAFT | 1 | | (C) (SUB R79156 AND (2) R79151) |
| 34 | R45422 | NEEDLE ROLLER | 25 | | (SUB FOR R77904) (SUB R116712) |
| 35 | R27478 | SHIM | AR | | 0.15MM (0.006") |
| | R27479 | SHIM | AR | | 0.25MM (0.010") |
| .. | AR46246 | HYDRAULIC PUMP | 1 | | (A) (B) (SUB AR94661) |
| .. | AR70722 | HYDRAULIC PUMP | 1 | | (A) (B) (SUB AR94661) (SUB FOR AR46246 OR AR73106) |
| .. | AR99839 | HYDRAULIC PUMP | 1 | | (A) (B) (SUB AR94661) (SUB FOR AR46246, AR70722 OR AR73106) |

(A) SYNCRO-RANGE TRANSMISSION - (ALSO ORDER R26906 AND F3171R)

(B) POWER SHIFT TRANSMISSION - (ALSO ORDER P47908 AND F3171R)

(C) ALSO ORDER R80558 AND (2) R72507 IF RE12038 KIT HAS NOT BEEN PREVIOUSLY INSTALLED

4B15

HYDRAULICS

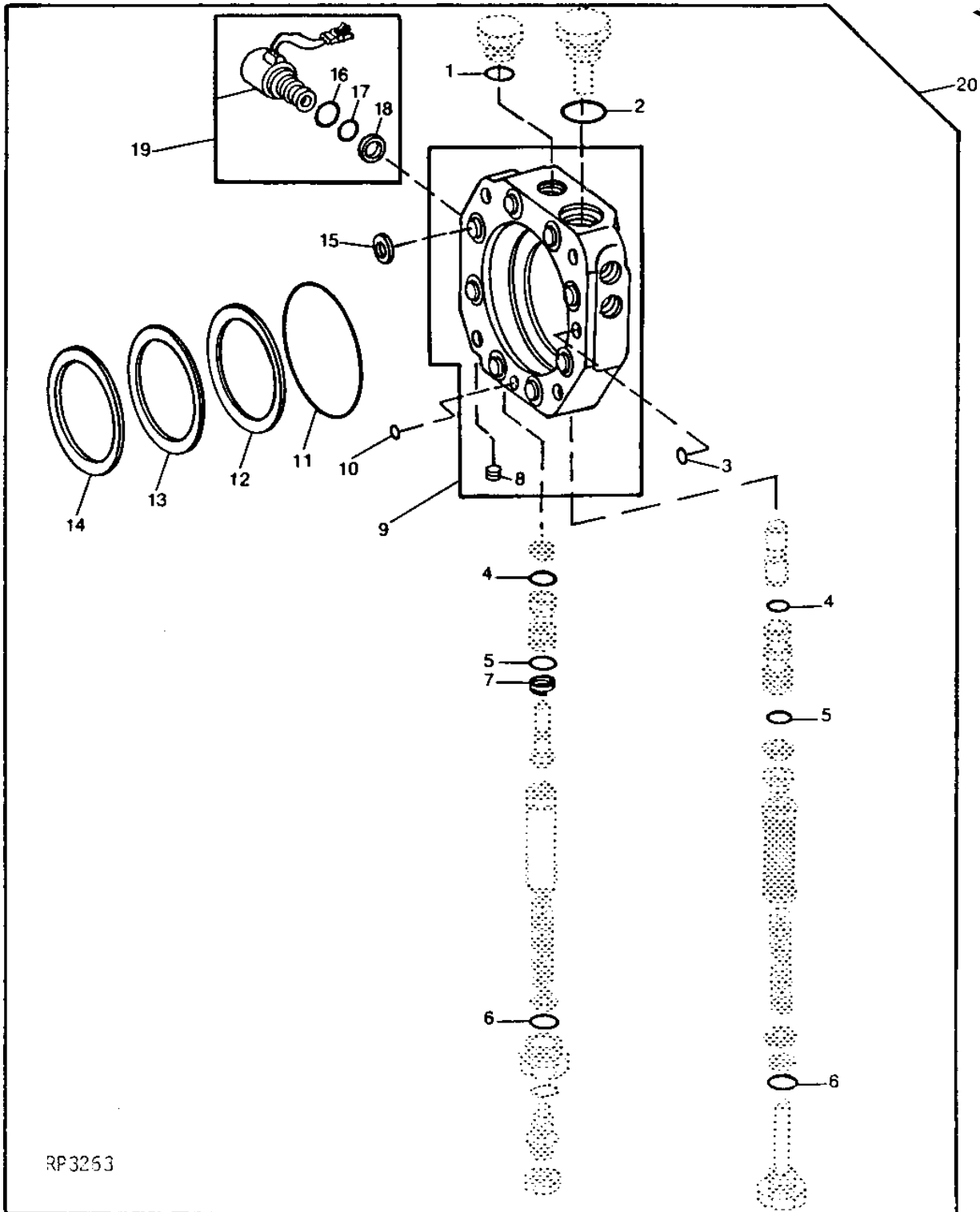
**HYDRAULIC PUMP STROKE CONTROL VALVE - CONTINUED
(49 CM3 (3 IN.3) - 66 CM3 (4 IN.3) (PUMP LESS SERIAL PLATE))**

| KEY | PART NO. | PART NAME | QTY | TRACTOR SERIAL NO. | REMARKS |
|-----|----------|----------------|-----|--------------------------|---|
| 1 | R27475 | FITTING | 1 | | |
| 2 | R26448 | O-RING | 1 | | |
| 3 | A4365R | O-RING | 1 | | |
| 4 | 34H254 | SPRING PIN | 1 | 1/8" X 1-1/2" | |
| 5 | R27171 | SCREW | 1 | | |
| 6 | AR33249 | SCREW | 1 | | (MANUAL DESTROKE) |
| 7 | R27218 | FITTING PLUG | 1 | | (LESS MANUAL DESTROKE) |
| 8 | R26448 | O-RING | 1 | | (LESS MANUAL DESTROKE) |
| 9 | AR51745 | DRAIN PLUG | 1 | | |
| 10 | R26906 | O-RING | 1 | | |
| 11 | R27172 | VALVE | 1 | | |
| 12 | R27564 | O-RING | 2 | | |
| 13 | R70351 | SLEEVE | 1 | | (SUB FOR R27476) |
| 14 | R27166 | O-RING | 2 | | |
| 15 | R27174 | PACKING | 2 | | |
| 16 | R27167 | GUIDE | 1 | | |
| 17 | R27173 | FILTER ELEMENT | 1 | | |
| 18 | R27159 | SPRING | 1 | | |
| 19 | R27170 | SHIM | AR | 0.010" | |
| | 24H1298 | WASHER | AR | 0.030" | |
| 20 | R56751 | O-RING | 2 | | |
| 21 | AR26646 | DRAIN PLUG | 1 | | |
| 22 | 19H3520 | CAP SCREW | 4 | 1/2" X 3-1/4" | |
| 23 | R26287 | O-RING | 2 | | |
| 24 | R27216 | DRAIN PLUG | 2 | | |
| 25 | 15H560 | PIPE PLUG | 1 | 1/16", (USE WITH R49071) | |
| 26 | R49072 | WASHER | 1 | | (NOT USED IN ALL APPLICATIONS) |
| 27 | R26375 | O-RING | 1 | | (USE WITH R49071) |
| 28 | T40308 | O-RING | 1 | | (USE WITH R49071) |
| 29 | T57374 | BACK-UP RING | 1 | | (USE WITH R49071) |
| 30 | AR90378 | PLUG | 1 | | (USE WITH R49071) |
| 31 | AR38714 | HOUSING | 1 | | (MARKED R42663, R44802 OR R49071) |
| 32 | R56755 | WASHER | 1 | | |
| 33 | R56756 | O-RING | 1 | | (SUB R63548) |
| 34 | R56757 | O-RING | 1 | | |
| 35 | R69279 | WASHER | 8 | | (SUB FOR R56754) (SUB R107239) |
| 36 | 14H1021 | NUT | 1 | 7/16" | |
| 37 | AR52254 | SET SCREW | 1 | | |
| 38 | R28782 | O-RING | 1 | | |
| 39 | R28781 | FITTING | 1 | | |
| 40 | R42260 | WASHER | 1 | | |
| 41 | R31781 | SPRING | 1 | | |
| 42 | R71321 | GUIDE | 1 | | (SUB FOR R32344) |
| 43 | R70559 | CONTROL VALVE | 1 | | (SUB RE10712, R27166 AND R41057) (SUB FOR R27472 OR R65194) |
| 44 | R69262 | SLEEVE | 1 | | (SUB RE10712, R27166 AND R41057) (SUB FOR R27471, R58499 OR R65192) |

4B16

HYDRAULICS

HYDRAULIC PUMP ELECTRIC DESTROKE KIT
(49 CM3 (3 IN.3) - 66 CM3 (4 IN.3)) (PUMP LESS SERIAL PLATE)
RP3263 -UN-01JAN94



RP3263

4B17

HYDRAULICS

HYDRAULIC PUMP ELECTRIC DESTROKE KIT - CONTINUED
(49 CM3 (3 IN.3) - 66 CM3 (4 IN.3)) (PUMP LESS SERIAL PLATE)

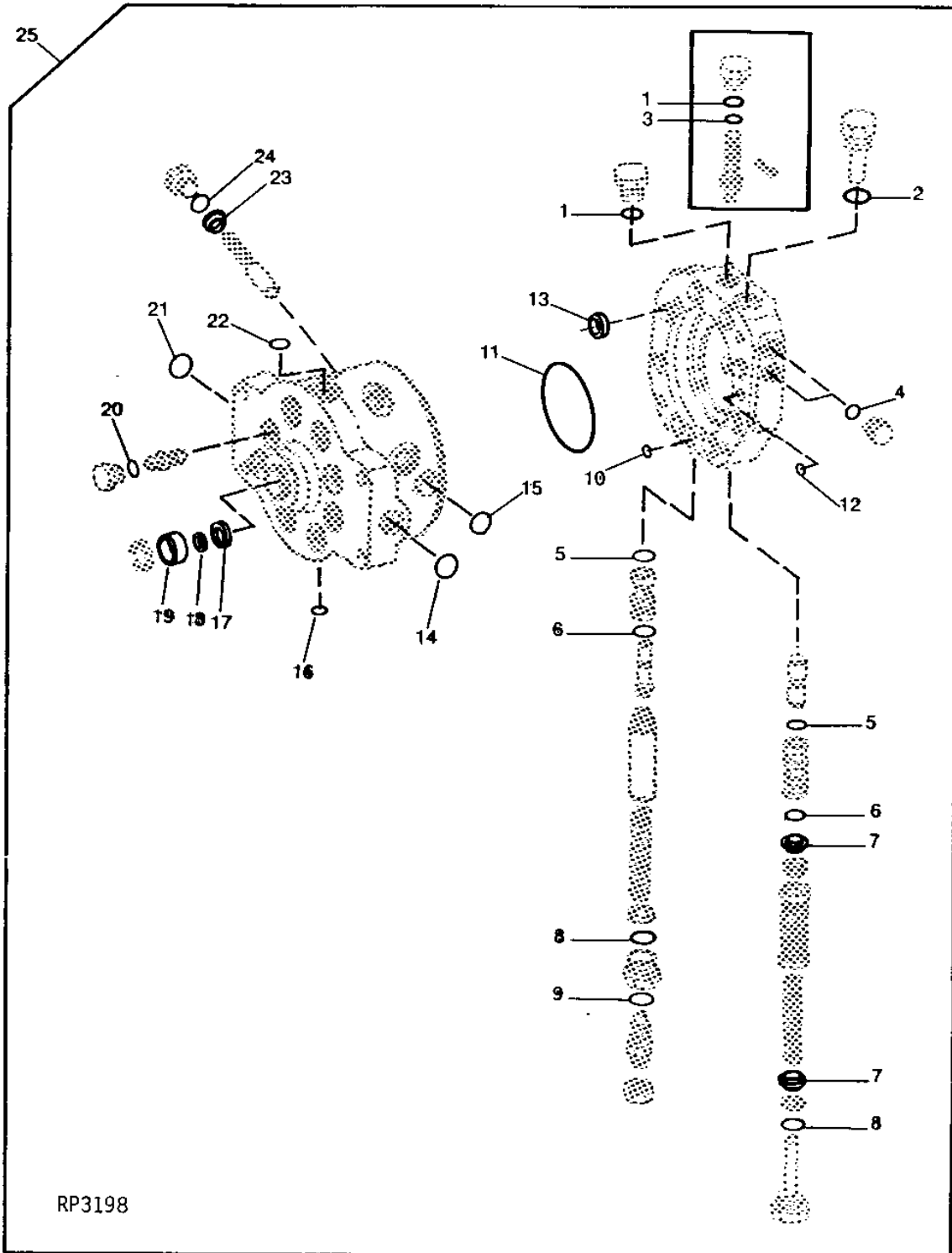
| KEY | PART NO. | PART NAME | QTY | TRACTOR SERIAL NO. | REMARKS |
|-----|----------|----------------|-----|-----------------------|--------------------------------|
| 1 | R26448 | O-RING | 1 | | |
| 2 | R26906 | O-RING | 1 | | |
| 3 | R63548 | O-RING | 1 | | (SUB FOR R56756) |
| 4 | R27564 | O-RING | 2 | | |
| 5 | R27166 | O-RING | 2 | | |
| 6 | F3171R | O-RING | 2 | | |
| 7 | R41057 | BACK-UP RING | 1 | | |
| 8 | 15H560 | PIPE PLUG | 1 | | 1/16" |
| 9 | AR52494 | HOUSING | 1 | | (MARKED R49071) |
| 10 | R56755 | WASHER | 1 | | |
| 11 | R56757 | O-RING | 1 | | |
| 12 | R27478 | SHIM | 2 | | 0.15MM (.006") |
| 13 | R27479 | SHIM | 2 | | 0.25MM (.010") |
| 14 | R49072 | WASHER | 1 | | (NOT USED IN ALL APPLICATIONS) |
| 15 | R107239 | PACKING | 8 | | (SUB FOR R69279) |
| 16 | R26375 | O-RING | 1 | | |
| 17 | T40308 | O-RING | 1 | | |
| 18 | T57374 | BACK-UP RING | 1 | | |
| 19 | RE32529 | SOLENOID VALVE | 1 | | |
| 20 | RE14868 | KIT | 1 | | (A) (SUB RE40463) |

(A) INCLUDES RE12330 WIRE CONNECTORS

4B18

HYDRAULICS

HYDRAULIC PUMP AND STROKE CONTROL VALVE OVERHAUL KIT
(49 CM3 (3 IN.3) - 66 CM3 (4 IN.3)) (PUMP LESS SERIAL PLATE)
RP3198 -UN-01JAN94



RP3198

4B19

HYDRAULICS

HYDRAULIC PUMP AND STROKE CONTROL VALVE OVERHAUL KIT - CONTINUED
(49 CM3 (3 IN.3) - 66 CM3 (4 IN.3)) (PUMP LESS SERIAL PLATE)

| KEY | PART NO. | PART NAME | QTY | TRACTOR SERIAL NO. | REMARKS |
|-----|----------|-----------|-----|--------------------|---------------------------------------|
| 1 | R26448 | O-RING | 1 | | |
| 2 | R26906 | O-RING | 1 | | |
| 3 | A4365R | O-RING | 1 | | |
| 4 | R26287 | O-RING | 2 | | |
| 5 | R27564 | O-RING | 2 | | |
| 6 | R27166 | O-RING | 2 | | |
| 7 | R27174 | PACKING | 2 | | |
| 8 | R56751 | O-RING | 2 | | |
| 9 | R28782 | O-RING | 1 | | |
| 10 | R56755 | WASHER | 1 | | |
| 11 | R56757 | O-RING | 1 | | |
| 12 | R63548 | O-RING | 1 | | (SUB FOR R56756) |
| 13 | R107239 | PACKING | 8 | | (SUB FOR R69279) |
| 14 | U13639 | O-RING | 1 | | |
| 15 | R26906 | O-RING | 1 | | (B) |
| | R56751 | O-RING | 1 | | (C) |
| 16 | R26287 | O-RING | 1 | | |
| 17 | R39729 | O-RING | 1 | | |
| 18 | R56753 | SHIM | 1 | | |
| 19 | RE28790 | SEAL | 1 | | (SUB FOR AR52224) |
| 20 | R27149 | O-RING | 8 | | |
| 21 | R56751 | O-RING | 1 | | |
| | R29936 | O-RING | 1 | | (A) (C) |
| 22 | R27928 | O-RING | 2 | | (A) (TOP) |
| | P47908 | O-RING | 1 | | (A) (BOTTOM) |
| | R35827 | WASHER | 1 | | (A) (B) |
| 23 | AR101236 | SHIELD | 1 | | (B) (SET OF 8) |
| | AR101237 | SHIELD | 1 | | (C) (SET OF 8) |
| 24 | R56463 | O-RING | 8 | | (B) |
| | R56751 | O-RING | 8 | | (C) |
| 25 | RE29103 | KIT | 1 | | (D) 49 CM3 (3 IN.3) (SUB FOR AR67718) |
| | RE29104 | KIT | 1 | | (D) 66 CM3 (4 IN.3) (SUB FOR AR67720) |

(A) UNIVERSAL KIT - APPLICATIONS WILL VARY

(B) INCLUDED IN RE29103

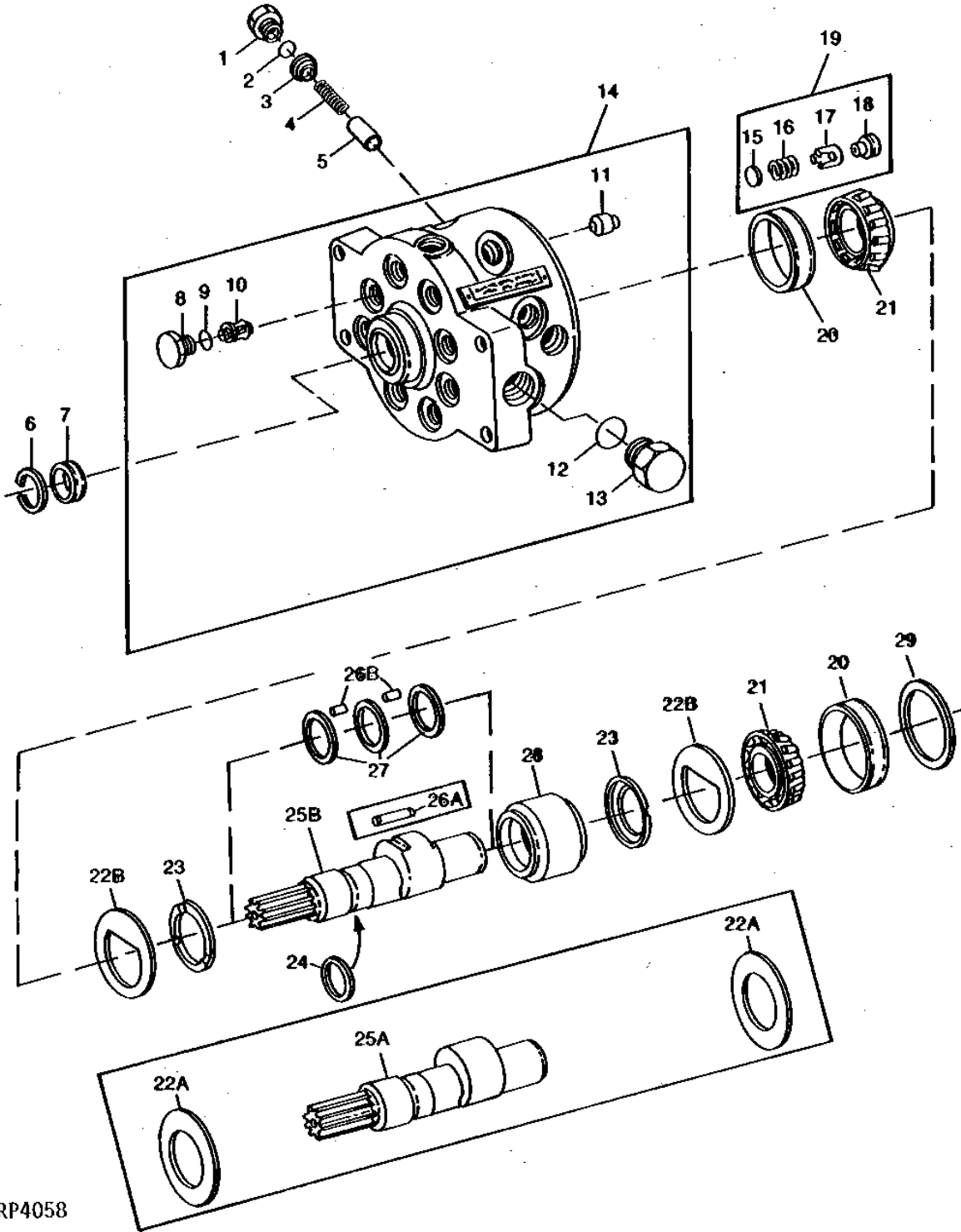
(C) INCLUDED IN RE29104

(D) ALSO ORDER (2) R27166 AND (2) R41057 IF STROKE CONTROL VALVE HAS BEEN REPLACED

4B20

HYDRAULICS

HYDRAULIC PUMP - MODEL GA1-GH1
(50 CM3 (3 IN.3)) (REPLACEMENT PUMP WITH SERIAL PLATE)
RP4058 -UN-01JAN94



RP4058

4B21

HYDRAULICS

**HYDRAULIC PUMP - MODEL GA1-GH1 - CONTINUED
(50 CM3 (3 IN.3)) (REPLACEMENT PUMP WITH SERIAL PLATE)**

| KEY | PART NO. | PART NAME | QTY | PUMP SERIAL NO. | REMARKS |
|-----|----------|----------------|-----|--------------------|--|
| 1 | R45438 | FITTING | 8 | | |
| 2 | R56463 | O-RING | 8 | | |
| 3 | AR101236 | SHIELD | 1 | | (SET OF 8) |
| 4 | AR76762 | SPRING | 1 | | (SET OF 8) |
| 5 | R27150 | PISTON | 8 | | |
| 6 | R26137 | SNAP RING | 1 | | |
| 7 | RE28790 | SEAL | 1 | | (SUB FOR AR52224) |
| 8 | R78293 | FITTING | 8 | | |
| 9 | R27149 | O-RING | 8 | | |
| 10 | AR53301 | VALVE | 8 | | (INLET) |
| 11 | R105583 | SEAT | 8 | | (SUB FOR R39067) |
| 12 | F3171R | O-RING | 1 | | (USE WITH R71586) |
| | U13639 | O-RING | 1 | | (USE WITH R73741) |
| 13 | R27175 | DRAIN PLUG | 1 | | 1-1/16", (USE WITH R71586) |
| | R39741 | DRAIN PLUG | 1 | | 1-5/8", (USE WITH R73741) |
| 14 | RE11804 | HOUSING | 1 | | (MODEL PJ1) (MARKED R71586 OR R73741) |
| 15 | R49297 | DISK | 1 | | |
| 16 | R39228 | SPRING | 1 | | |
| 17 | R48738 | GUIDE | 1 | | |
| 18 | R83508 | STOP | 1 | | (SUB FOR R72886) |
| 19 | RE23382 | VALVE | 1 | | (OUTLET) (SUB FOR AR96613) |
| 20 | JD8223 | BEARING CUP | 2 | | |
| 21 | JD8192 | BEARING CONE | 2 | | |
| 22A | R77903 | WASHER | 2 | -023628 | (A) |
| | R77903 | WASHER | 2 | -004674 | (B) |
| 22B | R79151 | LOCK WASHER | 2 | 023629- | (A) (USE WITH R79152) |
| | R79151 | LOCK WASHER | 2 | 004675- | (B) (USE WITH R79152) |
| 23 | R72507 | THRUST WASHER | 2 | | |
| 24 | R77611 | RING | 1 | | (SEALING) (SUB FOR RE11777) |
| 25A | R71598 | SHAFT | 1 | -023628 | (A) (SUB R79152) (ALSO ORDER (2) R79151) |
| | R71598 | SHAFT | 1 | -004674 | (B) (SUB R79152) (ALSO ORDER (2) R79151) |
| 25B | R79152 | SHAFT | 1 | 023629- | (A) |
| | R79152 | SHAFT | 1 | 004675- | (B) |
| 26A | R45422 | NEEDLE ROLLER | 25 | | (A) (SUB R116712) |
| | R45422 | NEEDLE ROLLER | 25 | -009896 | (B) (SUB (50) R116713 AND (3) R85557) |
| 26B | R85558 | NEEDLE ROLLER | 50 | 009897- | (B) (SUB R116713) |
| 27 | R85557 | WASHER | 3 | 009897- | (B) |
| 28 | R80558 | BEARING RACE | 1 | | |
| 29 | R27478 | SHIM | AR | | 0.15MM (.006") |
| | R27479 | SHIM | AR | | 0.25MM (.010") |
| .. | AR94660 | HYDRAULIC PUMP | 1 | | (A) |
| .. | AR101807 | HYDRAULIC PUMP | 1 | | (B) |

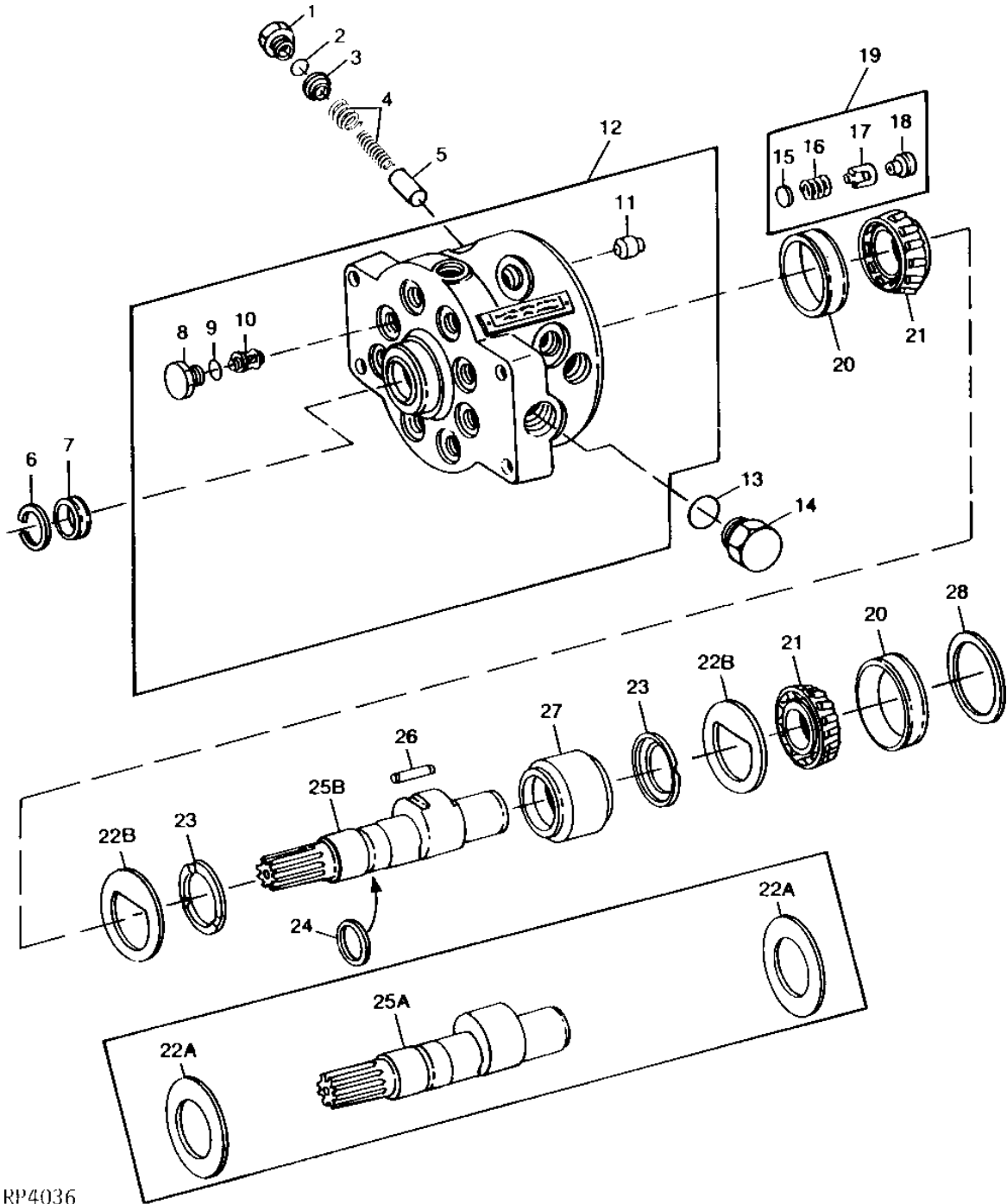
(A) MODEL GA1 - REPLACEMENT PUMP LESS ELECTRIC DESTROKE SOLENOID PORT

(B) MODEL GH1 - REPLACEMENT PUMP WITH ELECTRIC DESTROKE SOLENOID PORT

4B22

HYDRAULICS

HYDRAULIC PUMP - MODEL JA1
(65 CM3 (4 IN.3)) (REPLACEMENT PUMP WITH SERIAL PLATE)
RP4036 -UN-23SEP94



RP4036

4B23

HYDRAULICS

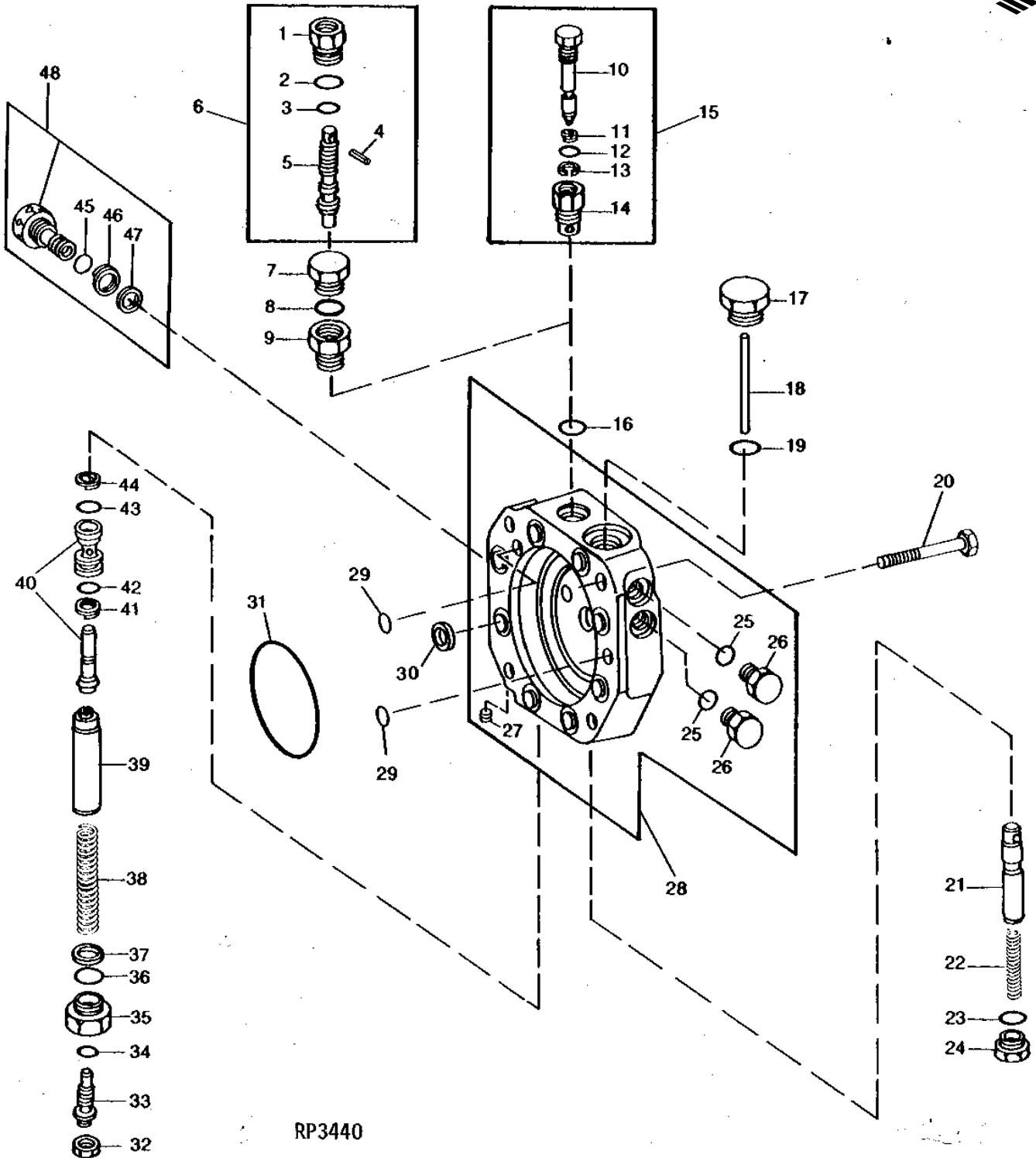
**HYDRAULIC PUMP - MODEL JA1 - CONTINUED
(REPLACEMENT PUMP WITH SERIAL PLATE)**

| KEY | PART NO. | PART NAME | QTY | PUMP SERIAL NO. | REMARKS |
|-----|----------|----------------|-----|--------------------|---------------------------------------|
| 1 | R70648 | DRAIN PLUG | 8 | | |
| 2 | R56751 | O-RING | 8 | | |
| 3 | AR101237 | SHIELD | 1 | | (SET OF 8) |
| 4 | AR96408 | SPRING | 1 | | (SET OF 16) |
| 5 | R70976 | PISTON | 8 | | |
| 6 | R26137 | SNAP RING | 1 | | |
| 7 | RE28790 | SEAL | 1 | | (SUB FOR AR52224) |
| 8 | R78293 | FITTING | 8 | | |
| 9 | R27149 | O-RING | 8 | | |
| 10 | AR53301 | VALVE | 8 | | (INLET) |
| 11 | R105583 | SEAT | 8 | | (SUB FOR R39067) |
| 12 | RE11810 | HOUSING | 1 | | (MODEL TG1) (MARKED R71587) |
| 13 | F3171R | O-RING | 1 | | |
| 14 | R27175 | DRAIN PLUG | 1 | | |
| 15 | R49297 | DISK | 8 | | |
| 16 | R39228 | SPRING | 8 | | |
| 17 | R48738 | GUIDE | 8 | | |
| 18 | R83508 | STOP | 8 | | (SUB FOR R49298 OR R72886) |
| 19 | RE23382 | VALVE | 8 | | (OUTLET) (SUB FOR AR96613) |
| 20 | JD8223 | BEARING CUP | 2 | | |
| 21 | JD8192 | BEARING CONE | 2 | | |
| 22A | R77903 | WASHER | 2 | -010138 | (SUB FOR R45425) |
| 22B | R79151 | LOCK WASHER | 2 | 010139- | (USE WITH R79154) |
| 23 | R72507 | THRUST WASHER | 2 | | |
| 24 | R77611 | RING | 1 | | (SEALING) (SUB FOR R68252 OR RE11777) |
| 25A | R71599 | SHAFT | 1 | -010138 | (SUB R79154) (ALSO ORDER (2) R79151) |
| 25B | R79154 | SHAFT | 1 | 010139- | |
| 26 | R45422 | NEEDLE ROLLER | 25 | | (SUB R116712) |
| 27 | R80558 | BEARING RACE | 1 | | (SUB FOR R72509) |
| 28 | R27478 | SHIM | AR | | 0.15MM (.006") |
| | R27479 | SHIM | AR | | 0.25MM (.010") |
| .. | AR94661 | HYDRAULIC PUMP | 1 | | |

4B24

HYDRAULICS

HYDRAULIC PUMP STROKE CONTROL VALVE
(50 CM3 (3 IN.3) - 65 CM3 (4 IN.3)) (REPLACEMENT PUMP WITH SERIAL PLATE)
RP3440 -UN-01JAN94



4B25

HYDRAULICS

HYDRAULIC PUMP STROKE CONTROL VALVE - CONTINUED
(50 CM3 (3 IN.3) - 65 CM3 (4 IN.3)) (REPLACEMENT PUMP WITH SERIAL PLATE)

| KEY | PART NO. | PART NAME | QTY | PUMP SERIAL NO. | REMARKS |
|-----|----------|----------------|-----|--------------------|--|
| 1 | R27475 | FITTING | 1 | | |
| 2 | R26448 | O-RING | 1 | | |
| 3 | A4365R | O-RING | 1 | | |
| 4 | 34H254 | SPRING PIN | 1 | 1/8" X 1-1/2" | |
| 5 | R75879 | SCREW | 1 | | |
| 6 | AR96625 | SCREW | 1 | | (A) (MANUAL DESTROKE) |
| 7 | R27218 | FITTING PLUG | 1 | | (LESS MANUAL DESTROKE) |
| 8 | R26448 | O-RING | 1 | | (LESS MANUAL DESTROKE) |
| 9 | R70617 | PIPE PLUG | 1 | | |
| 10 | R79266 | SCREW | 1 | | |
| 11 | R36358 | BACK-UP RING | 1 | | |
| 12 | R34802 | O-RING | 1 | | |
| 13 | R79268 | SNAP RING | 1 | | |
| 14 | R79267 | PLUG | 1 | | |
| 15 | RE13271 | SCREW | 1 | | (A) (MANUAL DESTROKE) |
| 16 | R26906 | O-RING | 1 | | |
| 17 | R75642 | DRAIN PLUG | 1 | | |
| 18 | R75564 | PIN | 1 | | |
| 19 | R56751 | O-RING | 1 | | |
| 20 | 19H3520 | CAP SCREW | 4 | 1/2" X 3-1/4" | |
| 21 | R70867 | VALVE | 1 | | |
| 22 | R70868 | SPRING | 1 | | |
| 23 | R26375 | O-RING | 1 | | |
| 24 | R73736 | PLUG | 1 | | |
| 25 | R26448 | O-RING | 2 | | |
| 26 | R75376 | DRAIN PLUG | 2 | | |
| 27 | 15H560 | PIPE PLUG | 1 | | 1/16", (USE WITH R77712) |
| 28 | AR101632 | HOUSING | 1 | | (MARKED R77712) (MODEL GH1) (INCLUDES (2) R26448, (2) R75376 AND 15H560) |
| | RE12470 | HOUSING | 1 | | (MARKED R77714) (MODEL GA1-JA1) (INCLUDES (2) R26448 AND (2) R75376) (LESS ELECTRIC DESTROKE PORT) |
| 29 | R56755 | WASHER | 2 | | |
| 30 | R107239 | PACKING | 8 | | (SUB FOR R69279) |
| 31 | R56757 | O-RING | 1 | | |
| 32 | 14H1021 | NUT | 1 | 7/16" | |
| 33 | AR52254 | SET SCREW | 1 | | |
| 34 | R28782 | O-RING | 1 | | |
| 35 | R28781 | FITTING | 1 | | |
| 36 | F3171R | O-RING | 1 | | |
| 37 | R42260 | WASHER | 1 | | |
| 38 | R31781 | SPRING | 1 | | |
| 39 | R71321 | GUIDE | 1 | | |
| 40 | RE10712 | CONTROL VALVE | 1 | | |
| 41 | R41057 | BACK-UP RING | 1 | | |
| 42 | R27166 | O-RING | 1 | | |
| 43 | R27564 | O-RING | 1 | | |
| 44 | R75938 | WASHER | 1 | | |
| 45 | R26375 | O-RING | 1 | | (USE WITH R77712) |
| 46 | T40308 | O-RING | 1 | | (USE WITH R77712) |
| 47 | T57374 | BACK-UP RING | 1 | | (USE WITH R77712) |
| 48 | AR90378 | PLUG | 1 | | (USE WITH R77712) |
| .. | AR94660 | HYDRAULIC PUMP | 1 | | (MODEL GA1) |
| .. | AR101807 | HYDRAULIC PUMP | 1 | | (MODEL GH1) |
| .. | AR94661 | HYDRAULIC PUMP | 1 | | (MODEL JA1) |

(A) DESIGNS INTERCHANGEABLE

4C2

HYDRAULICS

HYDRAULIC PUMP ELECTRIC DESTROKE KIT - CONTINUED
(50 CM3 (3 IN.3) - 65 CM3 (4 IN.3)) (REPLACEMENT PUMP WITH SERIAL PLATE)

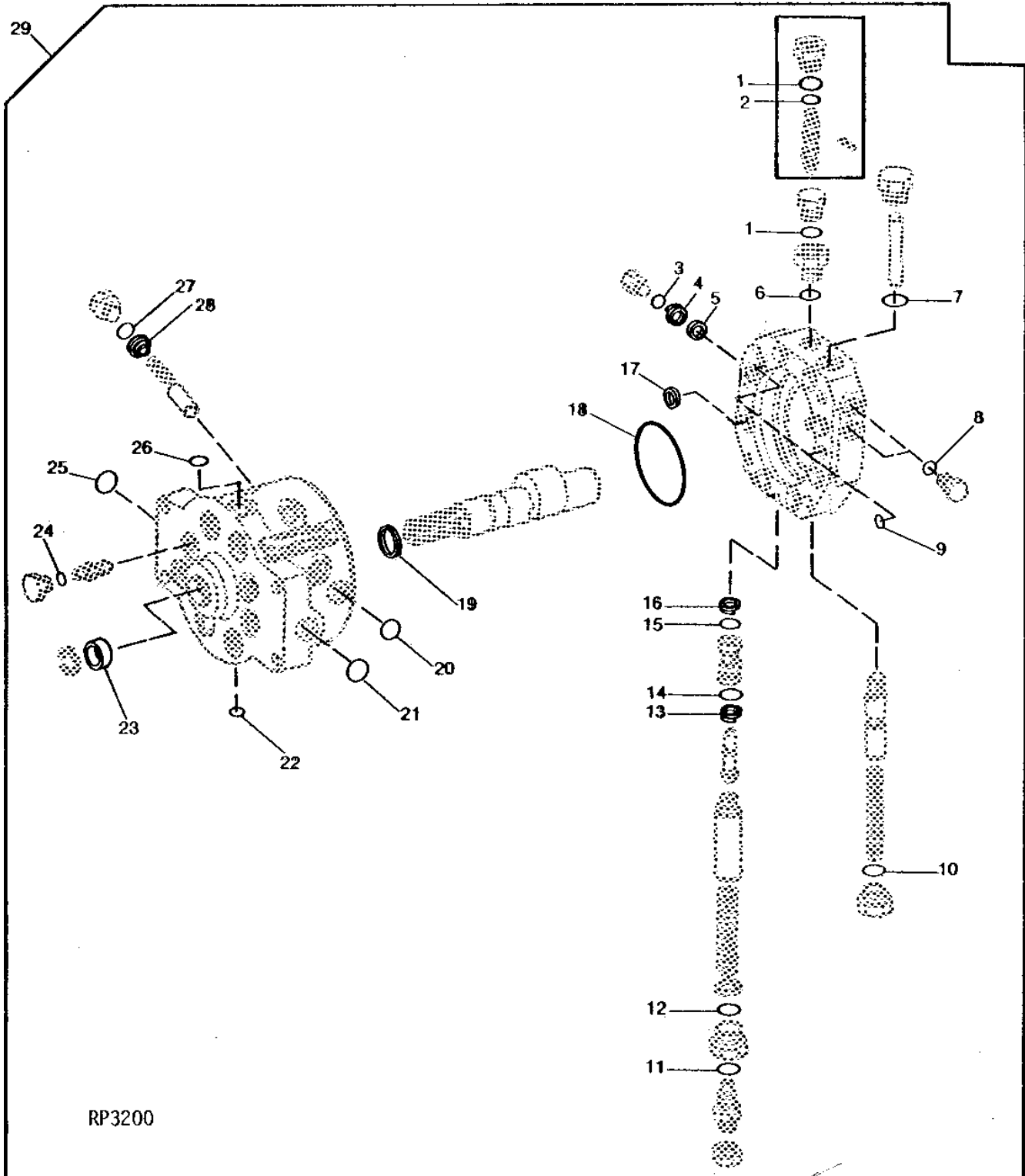
| KEY | PART NO. | PART NAME | QTY | PUMP SERIAL NO. | REMARKS |
|-----|----------|----------------|-----|--------------------|---------|
| 1 | R26906 | O-RING | 1 | | |
| 2 | R56751 | O-RING | 1 | | |
| 3 | R26448 | O-RING | 2 | | |
| 4 | R75376 | DRAIN PLUG | 2 | | |
| 5 | 15H560 | PIPE PLUG | 1 | 1/16" | |
| 6 | AR101632 | HOUSING | 1 | (MARKED R77712) | |
| 7 | R26375 | O-RING | 1 | | |
| 8 | F3171R | O-RING | 1 | | |
| 9 | R41057 | BACK-UP RING | 1 | | |
| 10 | R27166 | O-RING | 1 | | |
| 11 | R27564 | O-RING | 1 | | |
| 12 | R107239 | PACKING | 8 | (SUB FOR R69279) | |
| 13 | R56755 | WASHER | 2 | | |
| 14 | R56757 | O-RING | 1 | | |
| 15 | R27478 | SHIM | 2 | 0.15MM (.006") | |
| 16 | R27479 | SHIM | 2 | 0.25MM (.010") | |
| 17 | R26375 | O-RING | 1 | | |
| 18 | T40308 | O-RING | 1 | | |
| 19 | T57374 | BACK-UP RING | 1 | | |
| 20 | RE32529 | SOLENOID VALVE | 1 | | |
| 21 | RE24647 | KIT | 1 | (A) (SUB RE40463) | |

(A) INCLUDES RE12330 WIRE CONNECTORS

4C3

HYDRAULICS

HYDRAULIC PUMP AND STROKE CONTROL VALVE OVERHAUL KIT
(50 CM3 (3 IN.3) - 65 CM3 (4 IN.3)) (REPLACEMENT PUMP WITH SERIAL PLATE)
RP3200 -UN-01JAN94



4C4

HYDRAULICS

**HYDRAULIC PUMP AND STROKE CONTROL VALVE OVERHAUL KIT - CONTINUED
(50 CM3 (3 IN.3) - 65 CM3 (4 IN.3)) (REPLACEMENT PUMP WITH SERIAL PLATE)**

| KEY | PART NO. | PART NAME | QTY | PUMP SERIAL NO. | REMARKS |
|-----|----------|--------------|-----|---------------------------------------|---------|
| 1 | R26448 | O-RING | 1 | | |
| 2 | A4365R | O-RING | 1 | | |
| 3 | R26375 | O-RING | 1 | (A) | |
| 4 | T40308 | O-RING | 1 | (A) | |
| 5 | T57374 | BACK-UP RING | 1 | (A) | |
| 6 | R26906 | O-RING | 1 | | |
| 7 | R56751 | O-RING | 1 | | |
| 8 | R26448 | O-RING | 2 | | |
| | R26287 | O-RING | 2 | (A) (C) | |
| 9 | R56755 | WASHER | 2 | | |
| 10 | R26375 | O-RING | 1 | | |
| 11 | R28782 | O-RING | 1 | | |
| 12 | R56751 | O-RING | 1 | | |
| 13 | R41057 | BACK-UP RING | 1 | | |
| 14 | R27166 | O-RING | 1 | | |
| 15 | R27564 | O-RING | 1 | | |
| 16 | R75938 | WASHER | 1 | | |
| 17 | R107239 | PACKING | 8 | (SUB FOR R69279) | |
| 18 | R56757 | O-RING | 1 | | |
| 19 | R77611 | RING | 1 | (SEALING) | |
| 20 | R56751 | O-RING | 1 | | |
| 21 | U13639 | O-RING | 1 | (A) | |
| | R56751 | O-RING | 1 | (A) | |
| | R29936 | O-RING | 1 | (A) | |
| 22 | R26287 | O-RING | 1 | | |
| 23 | RE28790 | SEAL | 1 | (SUB FOR AR52224) | |
| 24 | R27149 | O-RING | 8 | | |
| 25 | R56751 | O-RING | 1 | (A) | |
| | R29936 | O-RING | 1 | (A) | |
| 26 | R27928 | O-RING | 1 | (A) TOP | |
| | P47908 | O-RING | 1 | (A) BOTTOM | |
| | R26906 | O-RING | 1 | (A) | |
| 27 | R56463 | O-RING | 8 | (B) | |
| | R56751 | O-RING | 8 | (C) | |
| 28 | AR101236 | SHIELD | 1 | (B) (SET OF 8) | |
| | AR101237 | SHIELD | 1 | (C) (SET OF 8) | |
| 29 | RE29107 | KIT | 1 | (A) 50 CM3 (3 IN.3) (SUB FOR AR96321) | |
| | RE29109 | KIT | 1 | (A) 65 CM3 (4 IN.3) (SUB FOR AR96323) | |

(A) UNIVERSAL KIT - APPLICATIONS WILL VARY

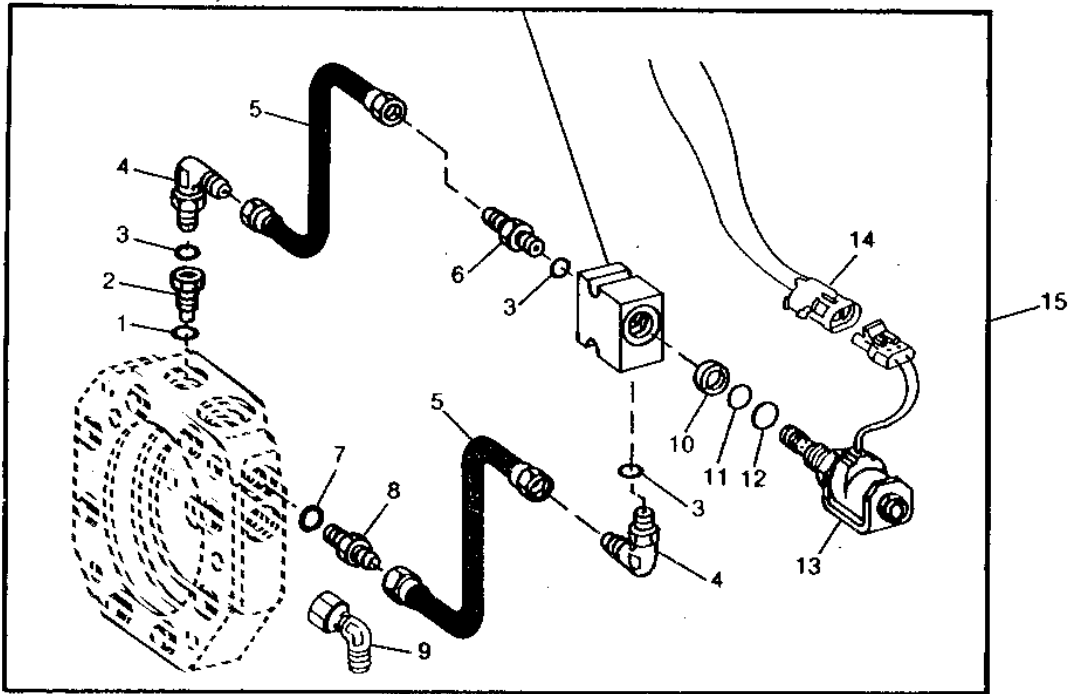
(B) INCLUDED IN RE29107

(C) INCLUDED IN RE28109

4C5

HYDRAULICS

HYDRAULIC PUMP ELECTRIC DESTROKE KIT
RXP9501 -UN-01JAN94



RXP9501

| KEY | PART NO. | PART NAME | QTY | TRACTOR SERIAL NO. | REMARKS |
|-----|----------|----------------|-----|-----------------------------|---------|
| 1 | R26906 | O-RING | 1 | | |
| 2 | R70617 | PIPE PLUG | 1 | | |
| 3 | R26448 | O-RING | 4 | | |
| 4 | AT35121 | ELBOW FITTING | 2 | | |
| 5 | AN250096 | HYDRAULIC HOSE | 2 | | |
| 6 | R27212 | FITTING | 1 | | |
| 7 | R26287 | O-RING | 1 | (A) | |
| | R26448 | O-RING | 1 | (B) | |
| 8 | T43535 | FITTING | 1 | (A) | |
| | Z36276 | ADAPTER | 1 | (B) | |
| 9 | AE24616 | ELBOW FITTING | 1 | (USE WITH T43535 OR Z36276) | |
| 10 | T57374 | BACK-UP RING | 1 | | |
| 11 | T40308 | O-RING | 1 | | |
| 12 | R26375 | O-RING | 1 | | |
| 13 | RE32529 | SOLENOID VALVE | 1 | | |
| 14 | RE50017 | WIRING HARNESS | 1 | | |
| 15 | RE40463 | KIT | 1 | | |

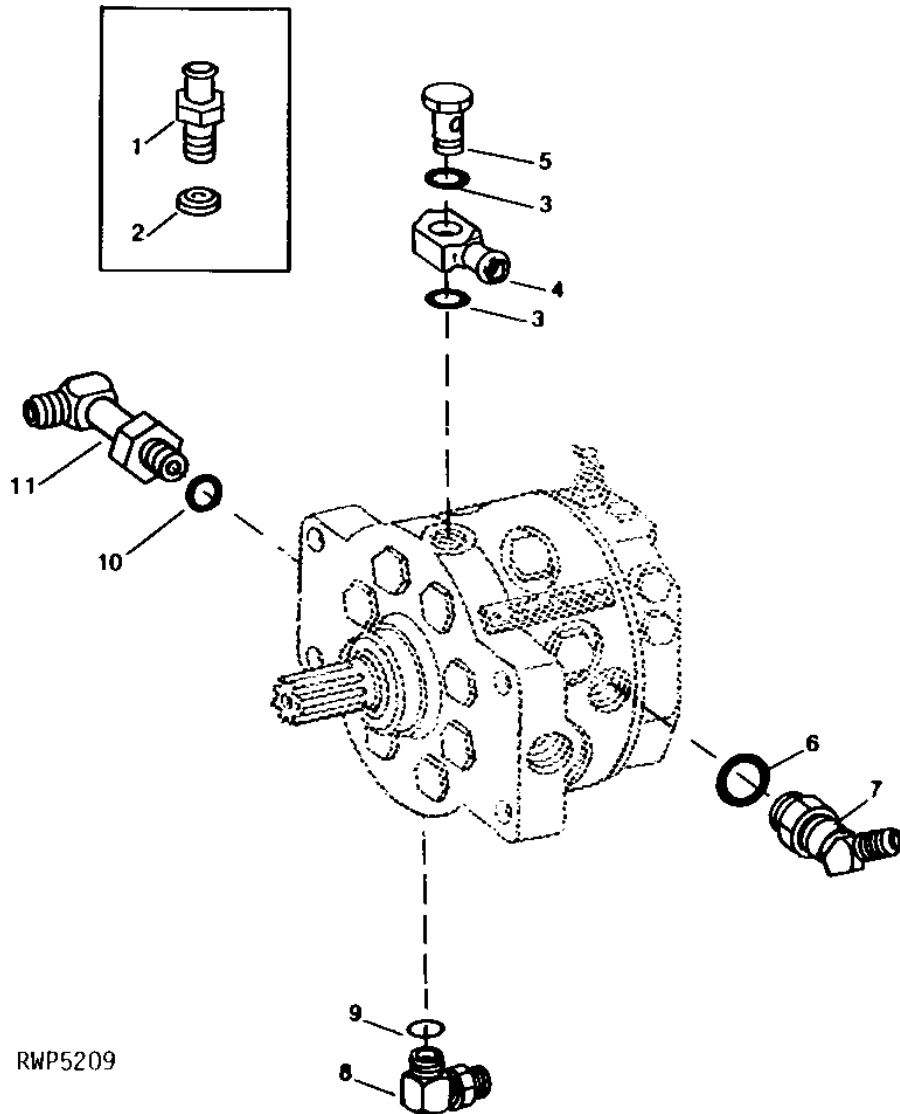
(A)NON-SERIALIZED PUMP

(B)SERIALIZED PUMP

4C6

HYDRAULICS

HYDRAULIC PUMP CONNECTORS
(49 CM3 (3 IN.3) PUMP) (LESS POWER FRONT WHEEL DRIVE)
RWP5209 -UN-01JAN94



4C7

HYDRAULICS

HYDRAULIC PUMP CONNECTORS - CONTINUED
(49 CM3 (3 IN.3) PUMP) (LESS POWER FRONT WHEEL DRIVE)

| KEY | PART NO. | PART NAME | QTY | TRACTOR SERIAL NO. | REMARKS |
|-----|----------|---------------|-----|-----------------------|------------------------|
| 1 | R43737 | FITTING | 1 | -250000 | (A) |
| | R39215 | FITTING | 1 | 250001- | (A) |
| 2 | R35827 | WASHER | 1 | 250001- | (A) |
| | R26906 | O-RING | 1 | 250001- | (A) (REPLACEMENT PUMP) |
| 3 | R27928 | O-RING | 2 | -250000 | (A) (C) |
| | R27928 | O-RING | 2 | | (B) (C) |
| 4 | R27926 | FITTING | 1 | -250000 | (A) |
| | R27926 | FITTING | 1 | | (B) |
| 5 | R27927 | HOLLOW SCREW | 1 | | (B) |
| 6 | R26906 | O-RING | 1 | | (REPLACEMENT PUMP) |
| | F3171R | O-RING | 1 | | (REPLACEMENT PUMP) |
| 7 | AR26744 | ELBOW FITTING | 1 | | (REPLACEMENT PUMP) |
| | AT33033 | FITTING | 1 | | (REPLACEMENT PUMP) |
| 8 | AT32335 | ELBOW FITTING | 1 | | (SUB FOR AR26746) |
| 9 | R26287 | O-RING | 1 | | |
| 10 | F3171R | O-RING | 1 | | |
| 11 | AR26747 | ELBOW FITTING | 1 | | |

(A) SYNCRO-RANGE

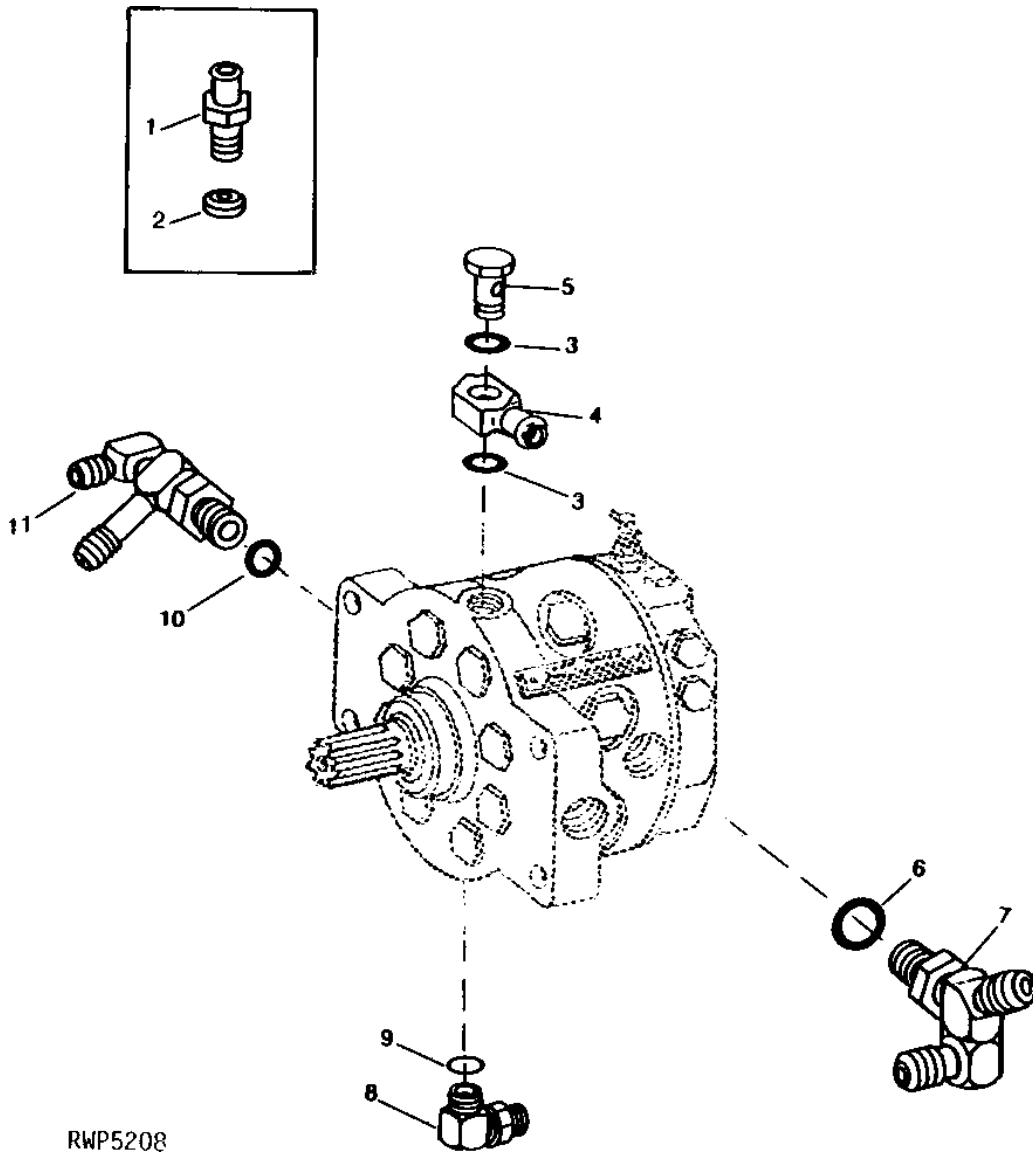
(B) POWER SHIFT

(C) ALSO ORDER P47908 FOR REPLACEMENT PUMP

4C8

HYDRAULICS

HYDRAULIC PUMP CONNECTORS
(49 CM3 (3 IN.3) - 66 CM3 (4 IN.3) PUMP) (POWER FRONT WHEEL DRIVE)
RWP5208 -UN-01JAN94



RWP5208

4C9

HYDRAULICS

HYDRAULIC PUMP CONNECTORS - CONTINUED
(49 CM3 (3 IN.3) - 66 CM3 (4 IN.3) PUMP) (POWER FRONT WHEEL DRIVE)

| KEY | PART NO. | PART NAME | QTY | TRACTOR SERIAL NO. | REMARKS |
|-----|----------|---------------|-----|--------------------|--|
| 1 | R43737 | FITTING | 1 | -250000 | (A) (C) |
| | R39215 | FITTING | 1 | 250001- | (A) (C) |
| | R39215 | FITTING | 1 | | (A) (D) |
| 2 | R35827 | WASHER | 1 | 250001- | (A) (C) (E) |
| | R35827 | WASHER | 1 | | (A) (D) (E) |
| 3 | R27928 | O-RING | 2 | -250000 | (A) (C) (E) |
| | R27928 | O-RING | 2 | | (B) (ALSO ORDER P47908 FOR REPLACEMENT PUMP) |
| 4 | R27926 | FITTING | 1 | -250000 | (A) (C) (E) |
| | R27926 | FITTING | 1 | | (B) |
| 5 | R27927 | HOLLOW SCREW | 1 | | (B) |
| 6 | R26906 | O-RING | 1 | | (C) |
| | F3171R | O-RING | 1 | | (D) |
| 7 | F3171R | O-RING | 1 | | (C) (D) (REPLACEMENT PUMP) |
| | AR44388 | TEE FITTING | 1 | | (C) (NLA) |
| | AR53565 | TEE FITTING | 1 | | (D) |
| 8 | AR53565 | TEE FITTING | 1 | | (C) (D) (REPLACEMENT PUMP) |
| | AT32335 | ELBOW FITTING | 1 | | (SUB FOR AR26746) |
| 9 | R26287 | O-RING | 1 | | |
| 10 | R56751 | O-RING | 1 | | |
| 11 | AR45285 | TEE FITTING | 1 | | (NLA) |

(A) SYNCRO-RANGE

(B) POWER SHIFT

(C) 49 CM3 (3 IN.3) PUMP

(D) 66 CM3 (4 IN.3) PUMP

(E) (FOR REPLACEMENT PUMPS ALSO ORDER P47908 FOR TRACTOR SERIAL NO. -250000 OR

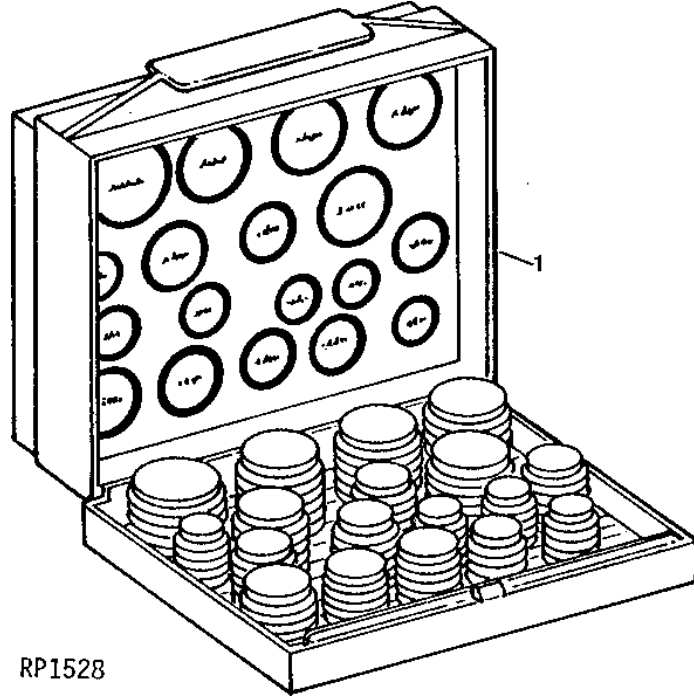
OR R26906 FOR TRACTOR SERIAL NO. 250001-)

MEMORANDA

4C10

HYDRAULICS

O-RING KIT
RP1528 -UN-01JAN94



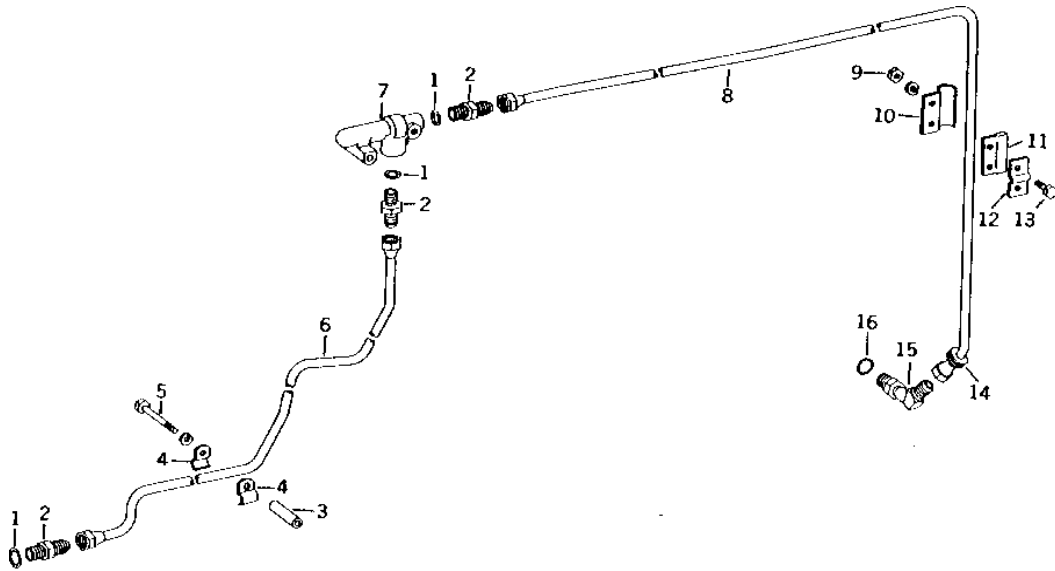
RP1528

| KEY | PART NO. | PART NAME | QTY | TRACTOR SERIAL NO. | REMARKS |
|-----|----------|-----------|-----|--------------------|---------|
| 1 | AR73500 | KIT | 1 | | |

4C11

HYDRAULICS

HYDRAULIC OIL PRESSURE LINES
R14483 -UN-01JAN94



R 14483

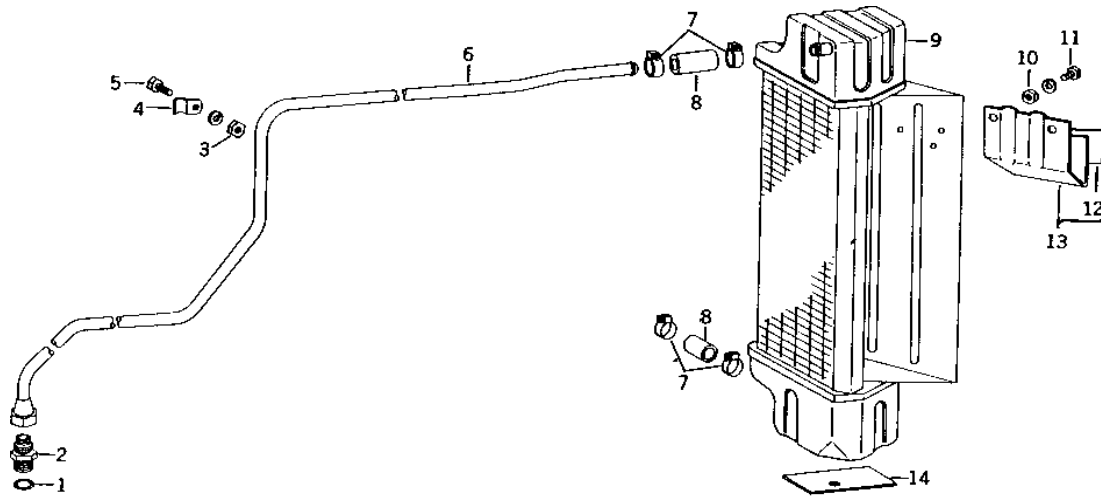
| KEY | PART NO. | PART NAME | QTY | TRACTOR SERIAL NO. | REMARKS |
|-----|----------|----------------|-----|--------------------|---------|
| 1 | R26906 | O-RING | 3 | | |
| 2 | R27270 | FITTING | 3 | | |
| 3 | 28H1535 | SPACER | 1 | 3/8" X 2-3/4" | |
| 4 | R35726 | CLAMP | 2 | | |
| 5 | 19H1912 | CAP SCREW | 1 | 3/8" X 3-1/2" | |
| | 12H304 | LOCK WASHER | 1 | 3/8" | |
| 6 | AR41129 | HYDRAULIC LINE | 1 | | |
| 7 | R40999 | HOUSING | 1 | | |
| 8 | AR32935 | HYDRAULIC LINE | 1 | | |
| 9 | 14H786 | NUT | 2 | 1/4" | |
| | 12H302 | LOCK WASHER | 2 | 1/4" | |
| 10 | R27534 | CLAMP | 1 | | |
| 11 | R27546 | PLATE | 1 | | |
| 12 | R27251 | CLAMP | 1 | | |
| 13 | 19H1914 | CAP SCREW | 2 | 1/4" X 1" | |
| 14 | R27533 | GROMMET | 1 | | |
| 15 | AR26744 | ELBOW FITTING | 1 | 45° | |
| 16 | R26906 | O-RING | 1 | | |

4C12

HYDRAULICS

HYDRAULIC OIL COOLER AND OIL RETURN LINE (SYNCRO-RANGE)

R14471 -UN-01JAN94



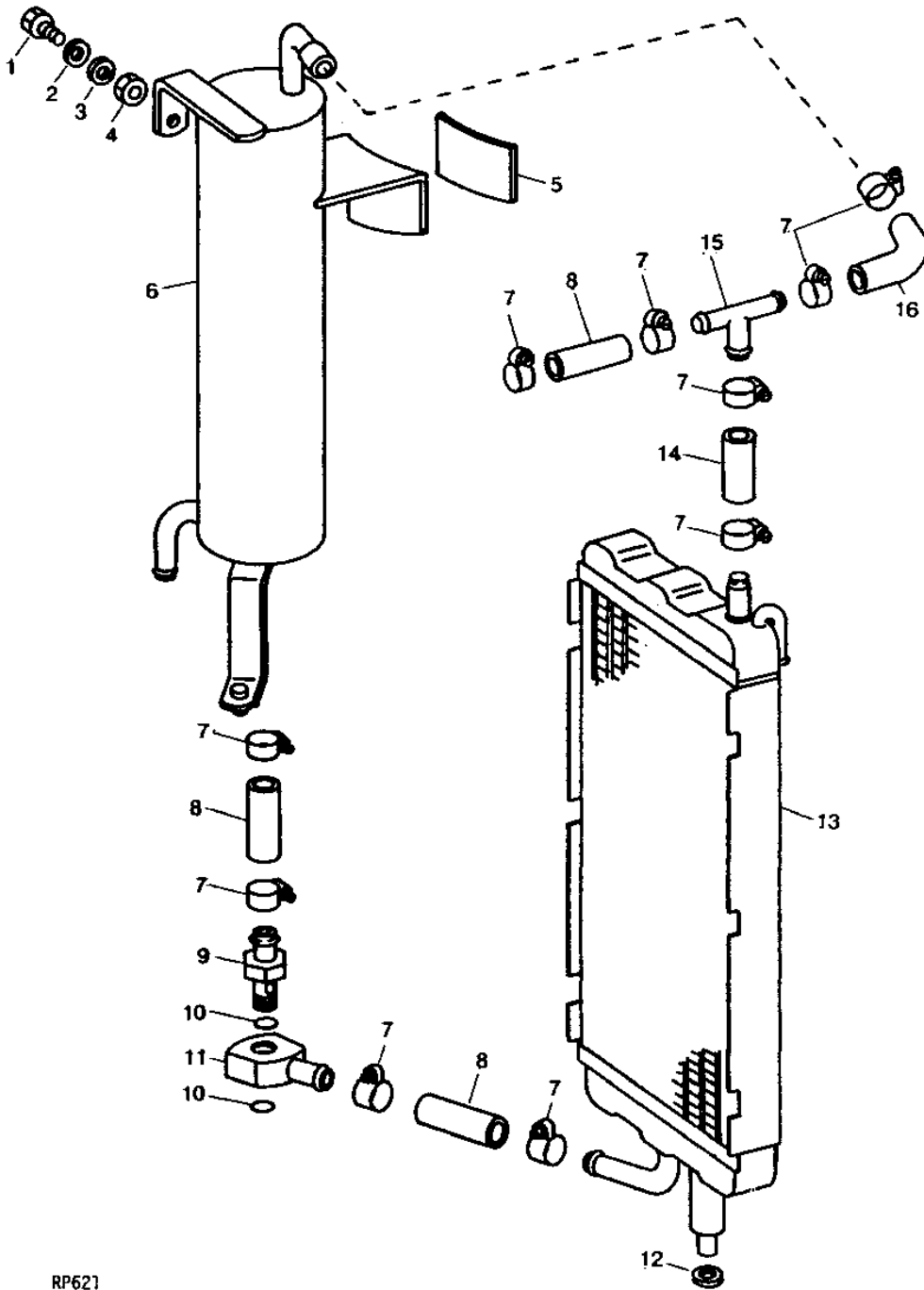
R 14471

| KEY | PART NO. | PART NAME | QTY | TRACTOR SERIAL NO. | REMARKS |
|-----|----------|----------------|-----|----------------------------------|--|
| 1 | F3171R | O-RING | 1 | | |
| 2 | R27267 | FITTING | 1 | | |
| 3 | 14H1076 | NUT | 1 | 3/8" | |
| | 12H304 | LOCK WASHER | 1 | 3/8" | |
| 4 | R41465 | CLAMP | 1 | | |
| 5 | 19H1936 | CAP SCREW | 1 | 3/8" X 3/4" | |
| 6 | AR42296 | HYDRAULIC LINE | 1 | | |
| 7 | AR21839 | CLAMP | 4 | | |
| 8 | | HOSE | 3 | 64MM (2-1/2") (MAKE FROM R57300) | |
| 9 | AR31151 | OIL COOLER | 1 | -217838 | (SUB AR44284, AR49751, AR50592, AR53119, R35827, R39215 AND TY22425) |
| 10 | 14H785 | NUT | 2 | -217838 | 5/16" |
| | 12H303 | LOCK WASHER | 2 | -217838 | 5/16" |
| 11 | 19H2020 | CAP SCREW | 2 | -217838 | 5/16" X 1/2" |
| 12 | | FOAM PAD | 1 | -217838 | 2 X 51 X 102MM (1/16" X 2" X 4") (MAKE FROM R30596) |
| 13 | AR41722 | BRACKET | 1 | -217838 | |
| 14 | | FOAM PAD | 1 | | 2 X 102 X 140MM (1/8" X 4" X 5-1/2") (MAKE FROM R30597) |

4C13

HYDRAULICS

HYDRAULIC OIL COOLER AND RESERVOIR
(SYNCRO-RANGE) (TRACTOR SERIAL NO. 217839-250000)
RP621 -UN-01JAN94



RP621

4C14

HYDRAULICS

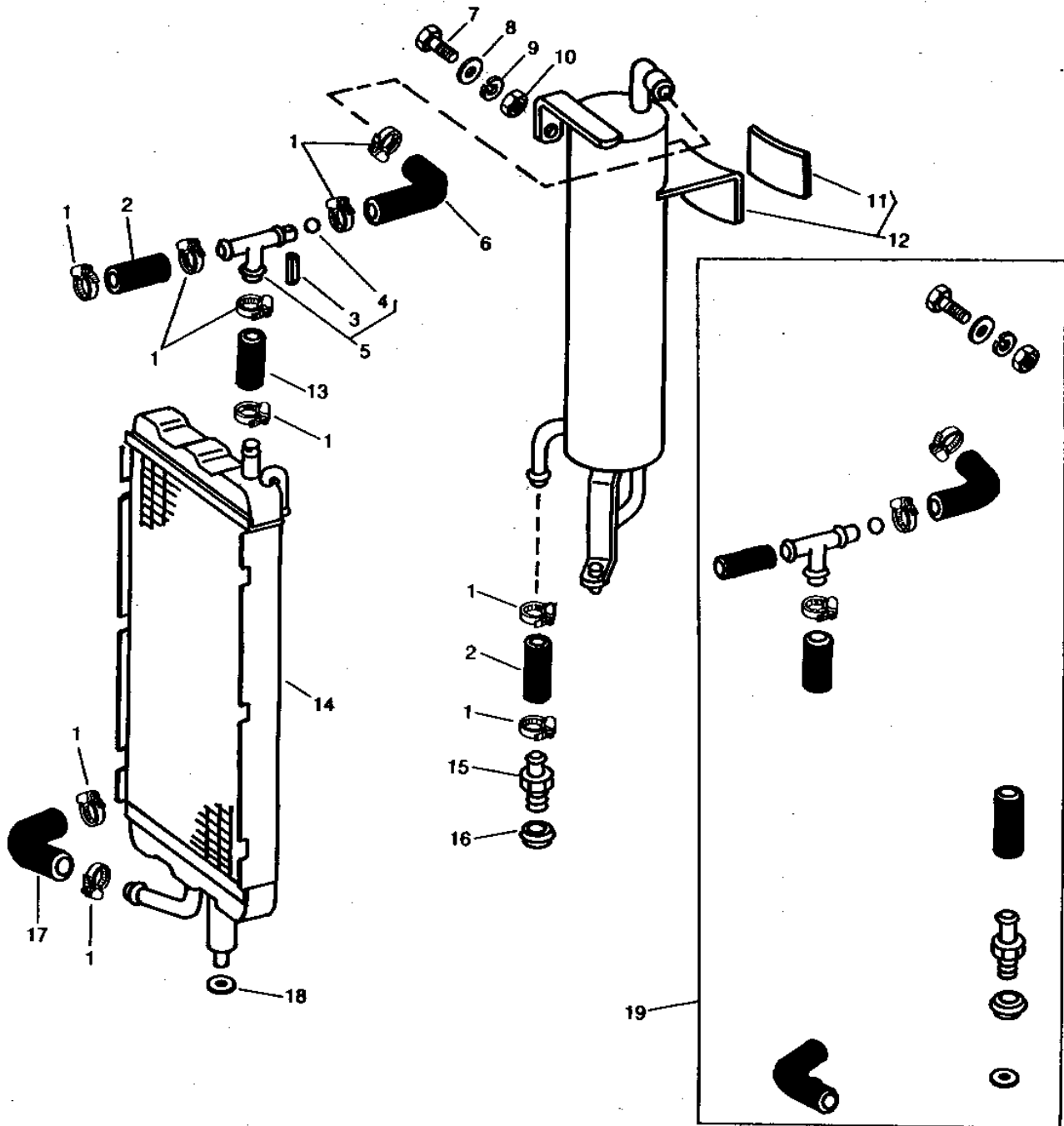
**HYDRAULIC OIL COOLER AND RESERVOIR - CONTINUED
(SYNCRO-RIANGE) (TRACTOR SERIAL NO. 217839-250000)**

| KEY | PART NO. | PART NAME | QTY | TRACTOR SERIAL NO. | REMARKS |
|-----|----------|-------------|-----|-----------------------|--|
| 1 | 19H2127 | CAP SCREW | 1 | | 5/16" X 7/8" |
| 2 | 24H1136 | WASHER | 1 | | 11/32" X 11/16" X 0.065" |
| 3 | 12H303 | LOCK WASHER | 1 | | 5/16" |
| 4 | 14H785 | NUT | 1 | | 5/16" |
| 5 | | FOAM PAD | 1 | | 2 X 51 X 102MM (1/16" X 2" X 4") (ANTI-SQUEAK WEBBING) (MAKE FROM R30936) |
| 6 | AR45627 | RESERVOIR | 1 | | (SUB AR49751, AR50592, R35827, R39215 AND TY22425) |
| 7 | AR21839 | CLAMP | 10 | | |
| 8 | | HOSE | 2 | | 64MM (2-1/2") (MAKE FROM R57300) |
| 9 | R43737 | FITTING | 1 | | |
| 10 | R27928 | O-RING | 2 | | |
| 11 | R27926 | FITTING | 1 | | |
| 12 | T22381 | WASHER | 1 | | |
| 13 | AR44284 | OIL COOLER | 1 | | |
| 14 | | HOSE | 1 | | 57MM (2-1/4") (SUB FOR R27930 OR T35695) (MAKE FROM T61939) |
| 15 | R44140 | TEE FITTING | 1 | | |
| 16 | TY22425 | HOSE | 1 | | (SUB FOR R44141 OR R46485) |

4C15

HYDRAULICS

HYDRAULIC OIL COOLER AND RESERVOIR
(SYNCRO-RANGE) (TRACTOR SERIAL NO. 250001-)
RWP2549 -UN-01JAN94



RWP2549

4C16

HYDRAULICS

**HYDRAULIC OIL COOLER AND RESERVOIR - CONTINUED
(SYNCRO-RANGE) (TRACTOR SERIAL NO. 250001-)**

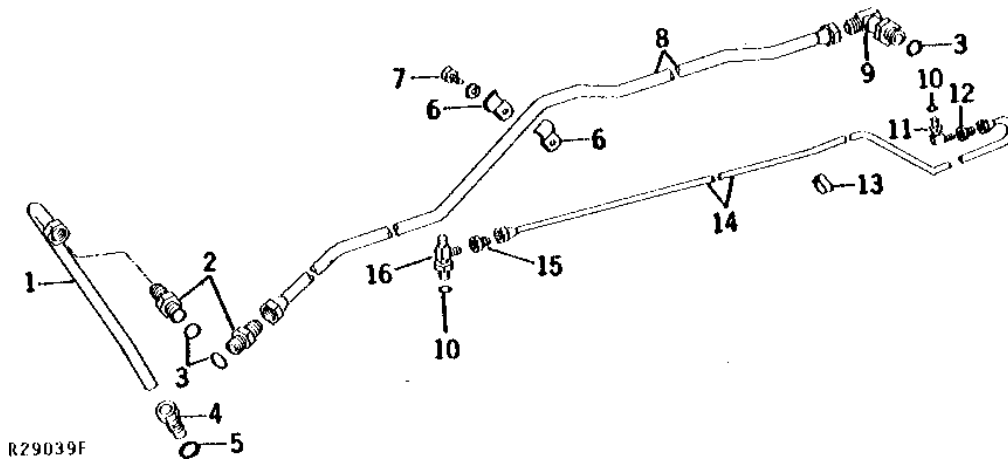
| KEY | PART NO. | PART NAME | QTY | TRACTOR SERIAL NO. | REMARKS |
|-----|----------|-------------|-----|-----------------------|--|
| 1 | AR21839 | CLAMP | 10 | | |
| 2 | | HOSE | 2 | | (MAKE FROM R57300) |
| 3 | 34H231 | SPRING PIN | 1 | | 3/32" X 3/4" |
| 4 | R48084 | BALL | 1 | | |
| 5 | AR49751 | CHECK VALVE | 1 | | |
| 6 | TY22425 | HOSE | 1 | | (SUB FOR R44141 OR R46485) |
| 7 | 19H2127 | CAP SCREW | 1 | | 5/16" X 7/8" |
| 8 | 24H1136 | WASHER | 1 | | 11/32" X 11/16" X 0.065" |
| 9 | 12H303 | LOCK WASHER | 1 | | 5/16" |
| 10 | 14H785 | NUT | 1 | | 5/16" |
| 11 | | FOAM PAD | 1 | | 2 X 51 X 102MM (1/16" X 2" X 4") (MAKE FROM R30596) |
| 12 | AR50591 | RESERVOIR | 1 | | |
| 13 | | HOSE | 1 | | 64MM (2-1/2") (SUB FOR R27930 OR T35695) (MAKE FROM T61939) |
| 14 | AR44283 | OIL COOLER | 1 | | |
| 15 | R39215 | FITTING | 1 | | |
| 16 | R35827 | WASHER | 1 | | |
| 17 | TY22425 | HOSE | 1 | | (SUB FOR R47756) |
| 18 | T22381 | WASHER | 1 | | |
| 19 | AR53119 | KIT | 1 | | |

4C17

HYDRAULICS

HYDRAULIC OIL RETURN LINES (SYNCRO-RANGE)

R29039 -UN-01JAN94



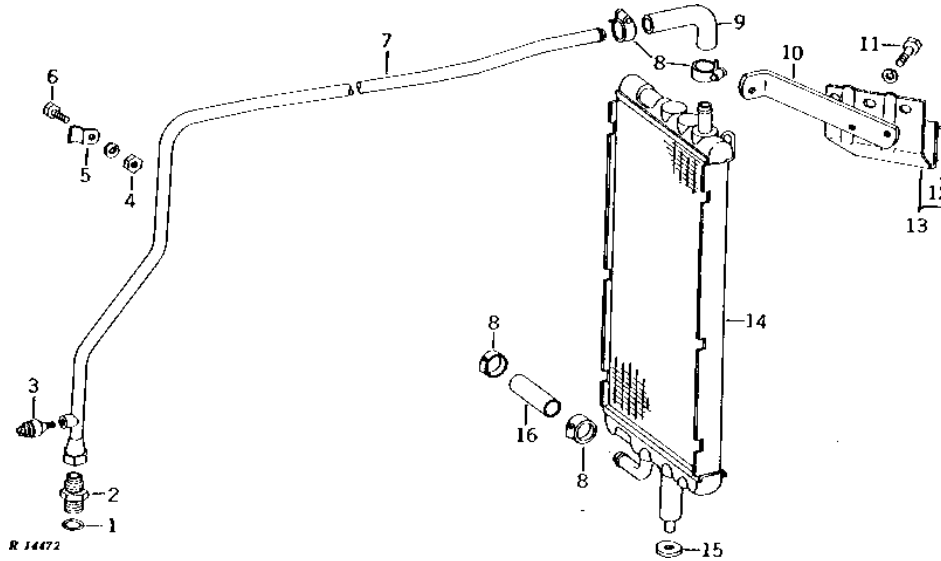
| KEY | PART NO. | PART NAME | QTY | TRACTOR SERIAL NO. | REMARKS |
|-----|----------|----------------|-----|--------------------|--|
| 1 | AR74312 | HYDRAULIC LINE | 1 | | (SUB FOR AR41117) |
| 2 | R27267 | FITTING | 2 | | |
| 3 | F3171R | O-RING | 3 | | |
| 4 | R33610 | FITTING | 1 | | |
| 5 | B2762R | O-RING | 1 | | |
| 6 | R27531 | CLAMP | 2 | | |
| 7 | 19H1936 | CAP SCREW | 1 | | 3/8" X 3/4" |
| | 12H304 | LOCK WASHER | 1 | | 3/8" |
| 8 | AR41118 | HYDRAULIC LINE | 1 | | |
| 9 | AR26747 | ELBOW FITTING | 1 | | 90° |
| 10 | R26287 | O-RING | 2 | | |
| 11 | AT32335 | ELBOW FITTING | 1 | | 90°, (SUB FOR AR26746) |
| 12 | R64170 | ADAPTER | 1 | XXXXXX- | |
| 13 | R21551 | CLIP | 1 | | |
| 14 | AR79711 | HYDRAULIC LINE | 1 | -251628 | (ALSO ORDER (2) R64170) (SUB FOR AR45249) |
| | AR79709 | OIL LINE | 1 | 251629- | (ALSO ORDER (2) R64170) (SUB FOR AR52626) (SUB AR87534) |
| 15 | R64170 | ADAPTER | 1 | XXXXXX- | |
| 16 | AR45251 | TEE FITTING | 1 | | |

4C18

HYDRAULICS

HYDRAULIC OIL COOLER AND OIL RETURN LINE (POWER SHIFT)

R14472 -UN-01JAN94

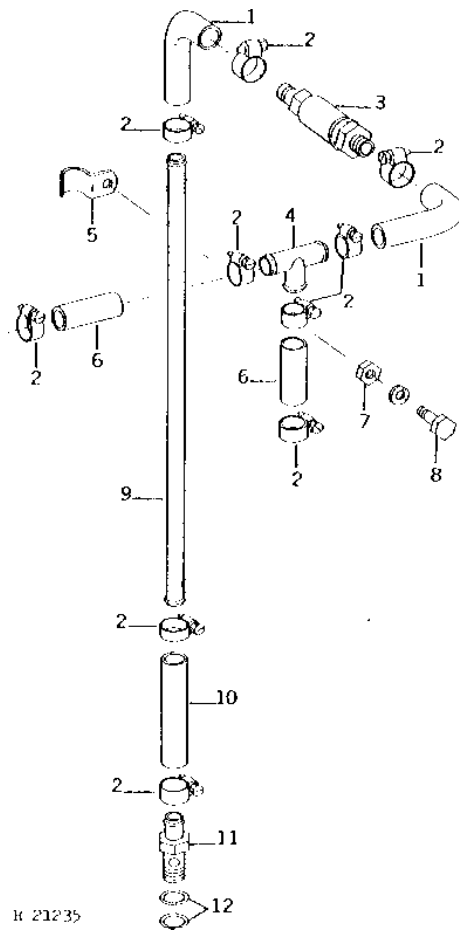


| KEY | PART NO. | PART NAME | QTY | TRACTOR SERIAL NO. | REMARKS |
|-----|----------|--------------|-----|--------------------|---|
| 1 | F3171R | O-RING | 1 | | |
| 2 | R27267 | FITTING | 1 | | |
| 3 | AR52607 | TOUCH SWITCH | 1 | | (SUB FOR AR46727) |
| 4 | 14H1076 | NUT | 1 | 3/8" | |
| | 12H304 | LOCK WASHER | 1 | 3/8" | |
| 5 | R41465 | CLAMP | 1 | | |
| 6 | 19H1936 | CAP SCREW | 1 | 3/8" X 3/4" | |
| 7 | AR42297 | OIL LINE | 1 | | (NLA) |
| 8 | AR21839 | CLAMP | 4 | | |
| 9 | T22958 | HOSE | 1 | | (SUB FOR T40167) (SUB L35843) |
| 10 | R41731 | SUPPORT | 1 | | |
| 11 | 19H2485 | CAP SCREW | 3 | 5/16" X 7/16" | |
| | 12H303 | LOCK WASHER | 3 | 5/16" | |
| 12 | | FOAM PAD | 1 | | 2 X 51 X 102MM (1/16" X 2" X 4") (MAKE FROM R30596) |
| 13 | AR41722 | BRACKET | 1 | | |
| 14 | AR44284 | OIL COOLER | 1 | | |
| 15 | T22381 | WASHER | 1 | | |
| 16 | | HOSE | 1 | | 64MM (2-1/2") (MAKE FROM R57300) |

4C19

HYDRAULICS

THERMOSTATIC BYPASS VALVE
(POWER SHIFT)
R21235 -UN-01JAN94



4C20

HYDRAULICS

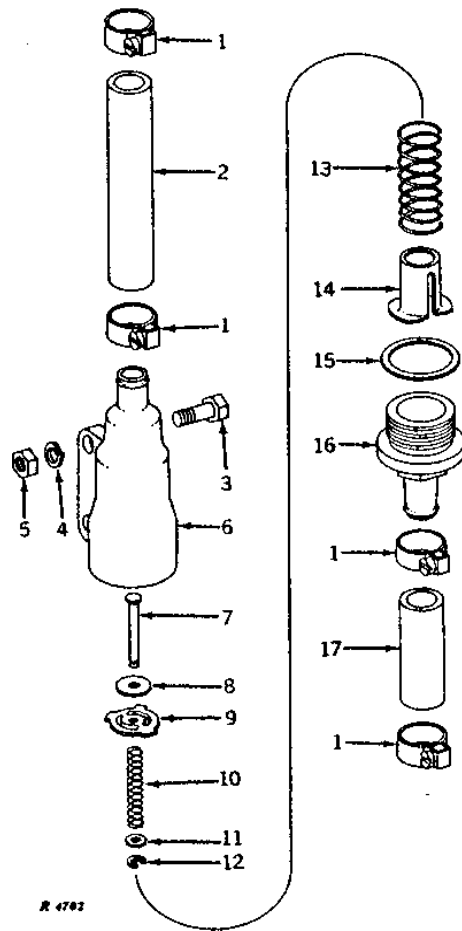
**THERMOSTATIC BYPASS VALVE - CONTINUED
(POWER SHIFT)**

| KEY | PART NO. | PART NAME | QTY | TRACTOR SERIAL NO. | REMARKS |
|-----|----------|-------------|-----|-----------------------|--|
| 1 | T22958 | HOSE | 2 | | (SUB FOR T40167) (SUB L35843) |
| 2 | AR21839 | CLAMP | 10 | | |
| 3 | AR54473 | VALVE | 1 | | (NLA) |
| 4 | R61955 | TEE FITTING | 1 | | (SUB FOR R44140) |
| 5 | R41465 | CLAMP | 1 | | |
| 6 | | HOSE | 2 | | 64MM (2-1/2") (MAKE FROM R57300) |
| 7 | 14H785 | NUT | 1 | | 5/16" |
| 8 | 19H2790 | CAP SCREW | 1 | | 1/4" X 2", (NLA) |
| | 12H303 | LOCK WASHER | 1 | | 5/16" |
| 9 | R50235 | TUBE | 1 | | (NLA) |
| 10 | | HOSE | 1 | | 19MM (3/4") (MAKE FROM R57300) (SUB FOR R34603 OR R32087) |
| 11 | R43737 | FITTING | 1 | | |
| 12 | R27928 | O-RING | 2 | | |

4C21

HYDRAULICS

HYDRAULIC OIL COOLER BYPASS VALVE
(SYNCRO-RANGE) (TRACTOR SERIAL NO. -217838)
R4702 -UN-01JAN94



R 4702

4C22

HYDRAULICS

HYDRAULIC OIL COOLER BYPASS VALVE - CONTINUED
(SYNCRO-RANGE) (TRACTOR SERIAL NO. -217838)

| KEY | PART NO. | PART NAME | QTY | TRACTOR SERIAL NO. | REMARKS |
|-----|----------|-------------|-----|--------------------|--|
| 1 | AR21839 | CLAMP | 4 | | |
| 2 | | HOSE | 1 | | 19MM (3/4") (MAKE FROM R57300) (SUB FOR R32087) |
| 3 | 19H2284 | CAP SCREW | 2 | | 3/8" X 7/8" |
| 4 | 12H304 | LOCK WASHER | 2 | | 3/8" |
| 5 | 14H812 | NUT | 2 | | 3/8" |
| 6 | AR31152 | HOUSING | 1 | | (MARKED R31931) (SUB AR31547, (4) AR21839, R57300, (2) 12H304, (2) 14H812 AND (2) 19H2284) |
| 7 | R31939 | PIN | 1 | | |
| 8 | R31933 | WASHER | 1 | | |
| 9 | R31932 | VALVE | 1 | | |
| 10 | H837R | SPRING | 1 | | |
| 11 | 24H1283 | WASHER | 1 | | 7/32" X 1/2" X 0.049" |
| 12 | R31935 | SNAP RING | 1 | | |
| 13 | R31934 | SPRING | 1 | | |
| 14 | R31936 | GUIDE | 1 | | |
| 15 | R31378 | O-RING | 1 | | |
| 16 | R31937 | FITTING | 1 | | |
| 17 | | HOSE | 1 | | 64MM (2-1/2") (MAKE FROM R57300) |

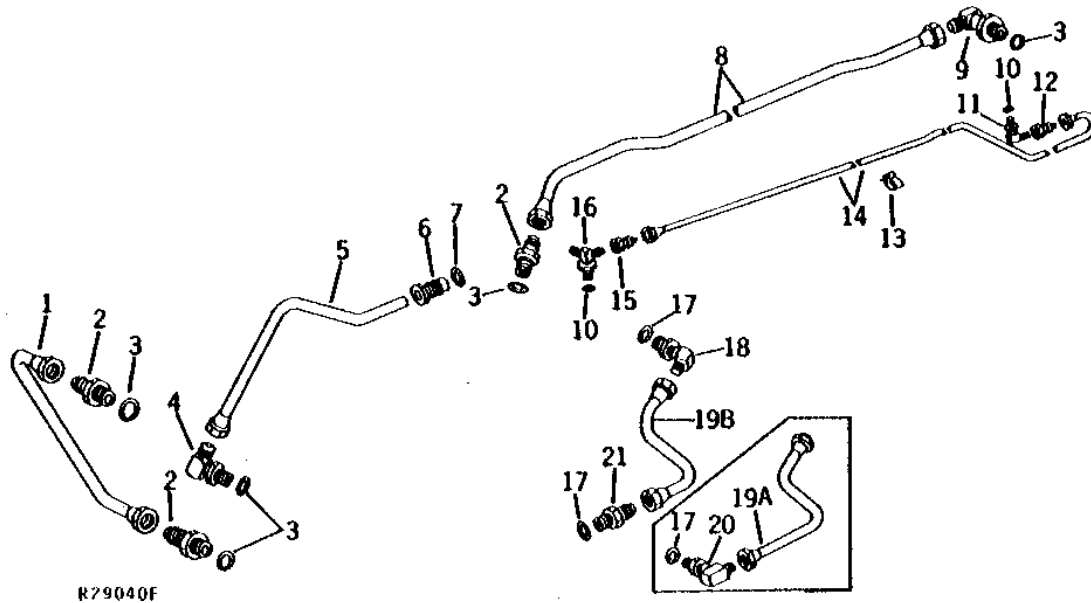
4C23

HYDRAULICS

HYDRAULIC OIL RETURN LINES

(POWER SHIFT)

R29040 -UN-01JAN94



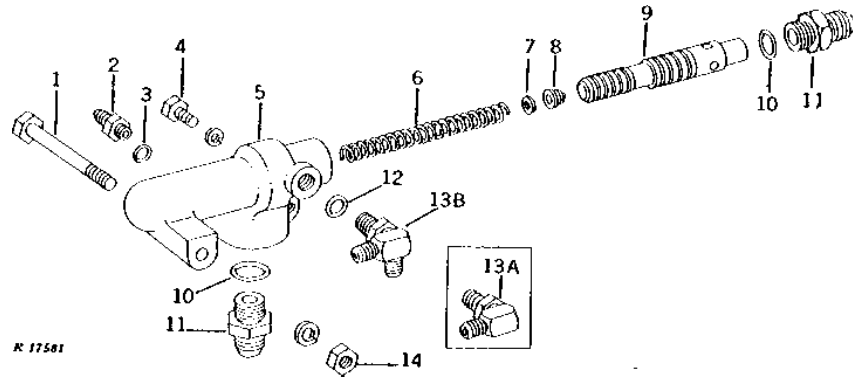
| KEY | PART NO. | PART NAME | QTY | TRACTOR SERIAL NO. | REMARKS |
|-----|----------|----------------|-----|--------------------|--|
| 1 | AR32345 | HYDRAULIC LINE | 1 | | |
| 2 | R27267 | FITTING | 3 | | |
| 3 | F3171R | O-RING | 4 | | |
| 4 | AT32331 | ELBOW FITTING | 1 | | 90°, (SUB FOR AR26723) |
| 5 | AR39562 | HYDRAULIC LINE | 1 | | |
| 6 | R33610 | FITTING | 1 | | |
| 7 | B2762R | O-RING | 1 | | |
| 8 | AR41132 | HYDRAULIC LINE | 1 | | (CLUTCH OIL PRESSURE REGULATING VALVE TO HYDRAULIC PUMP) |
| 9 | AR26747 | ELBOW FITTING | 1 | | 90° |
| 10 | R26287 | O-RING | 2 | | |
| 11 | AT32335 | ELBOW FITTING | 1 | | 90°, (SUB FOR AR26746) |
| 12 | R64170 | ADAPTER | 1 | XXXXXX- | |
| 13 | R21551 | CLIP | 1 | | |
| 14 | AR45249 | OIL LINE | 1 | -251628 | (SUB AR79711 AND (2) R64170) |
| | AR79709 | OIL LINE | 1 | 251629- | (ALSO ORDER (2) R64170) (SUB FOR AR52626) (SUB AR87534) |
| 15 | R64170 | ADAPTER | 1 | XXXXXX- | |
| 16 | AR45252 | TEE FITTING | 1 | -251628 | (ILLUSTRATED) |
| | AR45251 | TEE FITTING | 1 | 251629- | |
| 17 | R26906 | O-RING | 2 | | |
| 18 | AR35712 | ELBOW FITTING | 1 | | 90°, (ILLUSTRATED) |
| | AT32338 | FITTING | 1 | | 45° (POWER FRONT WHEEL DRIVE) (SUB FOR AR26828) |
| 19A | AR32159 | HYDRAULIC LINE | 1 | -250000 | (A) (ILLUSTRATED) |
| | AR45267 | OIL LINE | 1 | -250000 | (A) (POWER FRONT WHEEL DRIVE) |
| 19B | AR52282 | HYDRAULIC LINE | 1 | 250001- | (A) (ILLUSTRATED) (NLA) |
| | AR52281 | OIL LINE | 1 | 250001- | (A) (POWER FRONT WHEEL DRIVE) |
| 20 | AR35712 | ELBOW FITTING | 1 | -250000 | 90° |
| 21 | R27270 | FITTING | 1 | 250001- | |

(A) TRANSMISSION CONTROL VALVE HOUSING TO CLUTCH HOUSING

4C24

HYDRAULICS

PRESSURE CONTROL VALVE PARTS
R17581 -UN-01JAN94

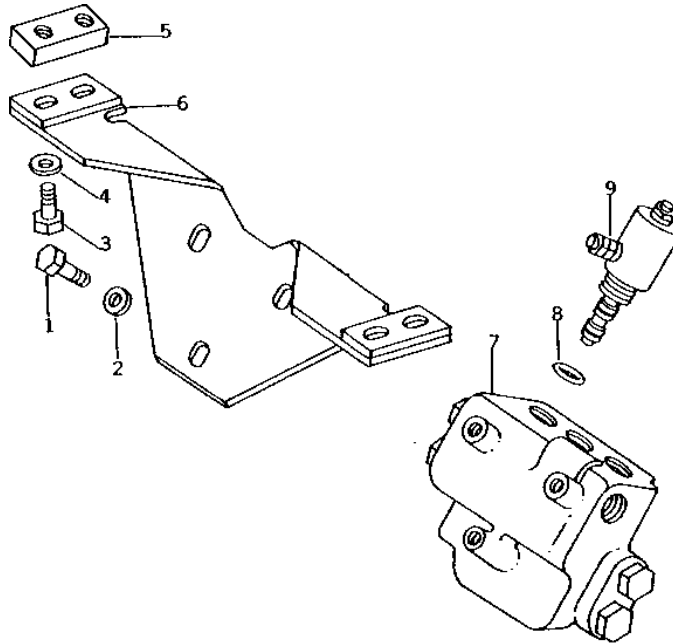


| KEY | PART NO. | PART NAME | QTY | TRACTOR SERIAL NO. | REMARKS |
|-----|----------|---------------|-----|--------------------|-------------------------|
| 1 | 19H3175 | CAP SCREW | 1 | | 3/8" X 3-5/8" HS, SAE 8 |
| 2 | R27527 | ADAPTER | 1 | | |
| 3 | R26287 | O-RING | 1 | | |
| 4 | 19H1731 | CAP SCREW | 1 | | 3/8" X 1" |
| | 12H304 | LOCK WASHER | 1 | | 3/8" |
| 5 | R40999 | HOUSING | 1 | | |
| 6 | R40072 | SPRING | 1 | | |
| 7 | R33521 | SHIM | AR | | 0.76MM (.030") |
| 8 | R40562 | APERTURE | 1 | | |
| 9 | AR63906 | VALVE | 1 | | (SUB FOR R41001) |
| 10 | R26906 | O-RING | 2 | | |
| 11 | R27270 | FITTING | 2 | | |
| 12 | R26286 | O-RING | 1 | | |
| 13A | AT32333 | ELBOW FITTING | 1 | -250092 | 90°, (SUB FOR AR26771) |
| 13B | AR49789 | TEE FITTING | 1 | 250093- | 90° |
| 14 | 14H1076 | NUT | 1 | | 3/8" |
| | 12H304 | LOCK WASHER | 1 | | 3/8" |

4C25

HYDRAULICS

POWER FRONT WHEEL DRIVE CONTROL VALVE AND SUPPORT
R14634 -UN-01JAN94



R 14634

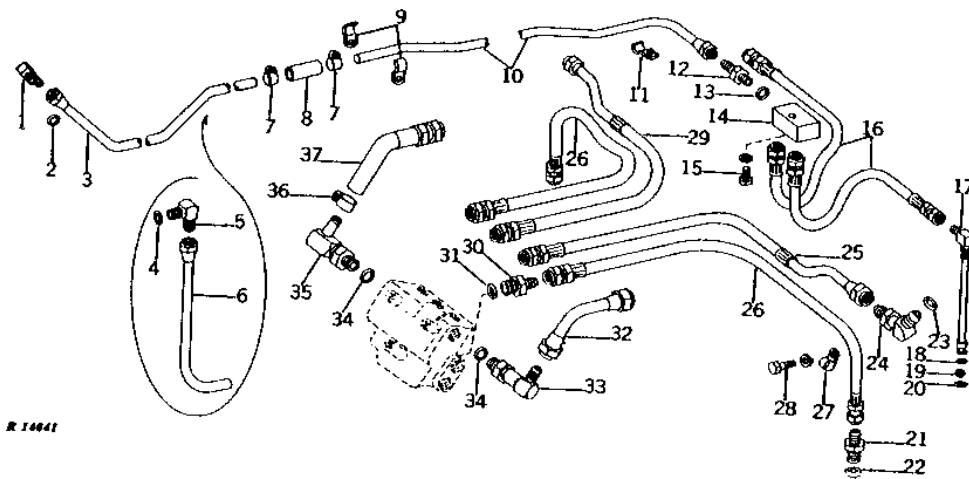
| KEY | PART NO. | PART NAME | QTY | TRACTOR SERIAL NO. | REMARKS |
|-----|----------|----------------|-----|--------------------|------------------------------|
| 1 | 19H2284 | CAP SCREW | 3 | -258409 | 3/8" X 7/8" |
| | 19H2284 | CAP SCREW | 2 | 258410- | 3/8" X 7/8" |
| | 19H1944 | CAP SCREW | 3 | 258410- | 3/8" X 2-3/4" |
| 2 | 24H1309 | WASHER | 3 | | 13/32" X 1-1/16" X 0.120" |
| 3 | 19H2770 | CAP SCREW | 4 | | 1/2" X 1-1/2" |
| 4 | 24M7043 | WASHER | 4 | | 12 X 25 X 3 MM |
| 5 | R27598 | STRAP | 2 | | |
| 6 | AR45282 | BRACKET | 1 | | |
| 7 | AR81936 | VALVE | 1 | | (SUB FOR AR45341 OR AR49420) |
| 8 | U12547 | O-RING | 3 | | |
| 9 | AR45233 | VALVE | 3 | -227427 | (SUB AR81175) |
| | AR48901 | SOLENOID VALVE | 3 | 227428-254055 | (SUB AR81175) |
| | AR53046 | SOLENOID VALVE | 3 | 254056- | (SUB AR81175) |

MEMORANDA

4D1

HYDRAULICS

POWER FRONT WHEEL DRIVE HYDRAULIC LINES
R14641 -UN-01JAN94



R 14641

4D2

HYDRAULICS

POWER FRONT WHEEL DRIVE HYDRAULIC LINES - CONTINUED

| KEY | PART NO. | PART NAME | QTY | TRACTOR SERIAL NO. | REMARKS |
|-----|----------|----------------|-----|--------------------|--|
| 1 | AT32332 | ELBOW FITTING | 1 | | (C) 90°, (SUB FOR AR26763) |
| 2 | R26375 | O-RING | 1 | | (C) |
| 3 | AR45541 | LINE | 1 | | (C) (NLA) |
| 4 | R26448 | O-RING | 1 | | (D) |
| 5 | AT35120 | ELBOW FITTING | 1 | | (D) 90°, (SUB FOR AR37017 OR AT32337) |
| 6 | AR45539 | LINE | 1 | | (D) (NLA) |
| 7 | AR21837 | CLAMP | 2 | | |
| 8 | | HOSE | 1 | | 54MM (2-1/8") (MAKE FROM TY22327) (SUB FOR R32641) |
| 9 | R44293 | CLAMP | 2 | | (NLA) |
| 10 | AR45538 | OIL LINE | 1 | | (NLA) |
| 11 | R28538 | CLAMP | 1 | | |
| 12 | R39249 | ADAPTER | 1 | | |
| 13 | R26448 | O-RING | 1 | | |
| 14 | AR45234 | FITTING | 1 | | |
| 15 | 19H1800 | CAP SCREW | 1 | | 3/8" X 1-1/2" |
| | 12H304 | LOCK WASHER | 1 | | 3/8" |
| 16 | AR45235 | HYDRAULIC HOSE | 2 | | (A) |
| | AR90081 | HYDRAULIC HOSE | 2 | | (B) (SUB FOR AR50770) |
| 17 | AR53447 | ELBOW FITTING | 1 | | 90°, (SUB FOR AR45198) |
| 18 | R10093 | O-RING | 2 | | |
| 19 | R44778 | BACK-UP RING | 2 | | (SUB R61462 AND R61463) |
| 20 | R26448 | O-RING | 2 | | |
| 21 | R27267 | FITTING | 2 | | |
| 22 | F3171R | O-RING | 2 | | |
| 23 | F3171R | O-RING | 2 | | |
| 24 | AR47803 | ELBOW FITTING | 2 | | 60° |
| 25 | AR45231 | HYDRAULIC HOSE | 1 | | (A) UPPER (NLA) |
| | AR49295 | HOSE | 1 | | (B) UPPER (NLA) |
| 26 | AR45230 | HYDRAULIC HOSE | 2 | | (A) |
| | AR49297 | HYDRAULIC HOSE | 2 | | (B) (NLA) |
| 27 | R33364 | CLAMP | 2 | | |
| 28 | 19H1936 | CAP SCREW | 2 | | 3/8" X 3/4" |
| | 12H304 | LOCK WASHER | 2 | | 3/8" |
| 29 | AR45232 | HYDRAULIC HOSE | 1 | | (A) UPPER (NLA) |
| | AR49296 | HOSE | 1 | | (B) UPPER (NLA) |
| 30 | R27267 | FITTING | 4 | | |
| 31 | F3171R | O-RING | 4 | | |
| 32 | AR45018 | OIL LINE | 1 | | (NLA) |
| 33 | AR44384 | ELBOW FITTING | 1 | -258409 | 90° |
| | AR53562 | TEE FITTING | 1 | 258410- | |
| 34 | U17409 | O-RING | 2 | | |
| 35 | AR46957 | ELBOW FITTING | 1 | -258409 | 90°, (SUB AR53560, R26375 AND R39112) |
| | AR53560 | FITTING | 1 | 258410- | 90° |
| 36 | AR21839 | CLAMP | 1 | | |
| 37 | AR46960 | HYDRAULIC HOSE | 1 | | (NLA) |

(A) 1626MM (64") TO 2083MM (82") TREAD

(B) 1778MM (70") TO 2235MM (88") TREAD

(C) SYNCRO-RANGE

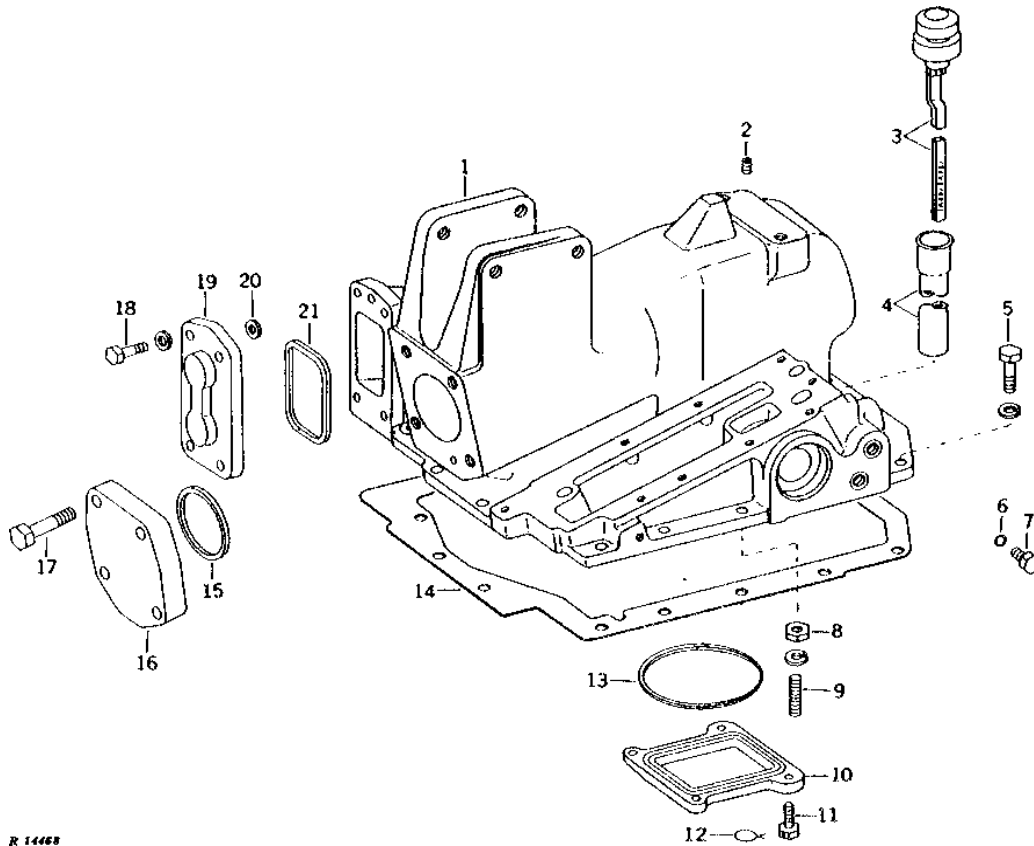
(D) POWER SHIFT

4D3

HYDRAULICS

TRANSMISSION REAR COVER (LESS ROCKSHAFT)

R14468 -UN-01JAN94



R 14468

| KEY | PART NO. | PART NAME | QTY | TRACTOR SERIAL NO. | REMARKS |
|-----|----------|-------------|-----|---------------------------------|---------|
| 1 | AR41974 | COVER | 1 | (MARKED R40790) (NLA) | |
| 2 | 15H559 | PIPE PLUG | 1 | 1/4" | |
| 3 | AR40677 | DIPSTICK | 1 | | |
| 4 | R41858 | LINE | 1 | (SYNCRO-RANGE) | |
| | R41859 | LINE | 1 | (POWER SHIFT) | |
| 5 | 19H3579 | CAP SCREW | 6 | 1/2" X 1-3/8" | |
| | 19H1815 | CAP SCREW | 6 | 1/2" X 1-1/4" | |
| | 19H1990 | CAP SCREW | 6 | 1/2" X 2-1/4" | |
| | 12H301 | LOCK WASHER | 8 | 1/2" | |
| 6 | R26286 | O-RING | 2 | (A) | |
| 7 | R27094 | DRAIN PLUG | 2 | (A) | |
| 8 | 14H1040 | NUT | 4 | 1/2" | |
| | 12H301 | LOCK WASHER | 4 | 1/2" | |
| 9 | R32101 | STUD | 4 | 1/2" X 1-3/4", (SUB FOR R49988) | |
| 10 | R55079 | COVER | 1 | (SUB FOR R27210 OR R52246) | |
| 11 | R57725 | SCREW | 4 | (SUB FOR R61762) (DRILLED) | |
| 12 | | WIRE | 2 | -XXXXXX 16 GAUGE X 12" (305MM) | |
| 13 | R26769 | WASHER | 1 | | |
| 14 | R92411 | GASKET | 1 | (SUB FOR R40947 OR R80965) | |
| 15 | R34154 | WASHER | 1 | | |
| 16 | R40897 | CAP | 1 | (NLA) | |
| 17 | 19H3244 | CAP SCREW | 4 | 5/8" X 2-1/4" | |
| 18 | 19H2500 | CAP SCREW | 4 | 7/16" X 1-3/8" | |
| | 12H293 | LOCK WASHER | 4 | 7/16" | |
| 19 | R41446 | COVER | 1 | (B) | |
| 20 | F2741R | PACKING | 1 | (B) | |
| 21 | R40922 | PACKING | 1 | (B) | |

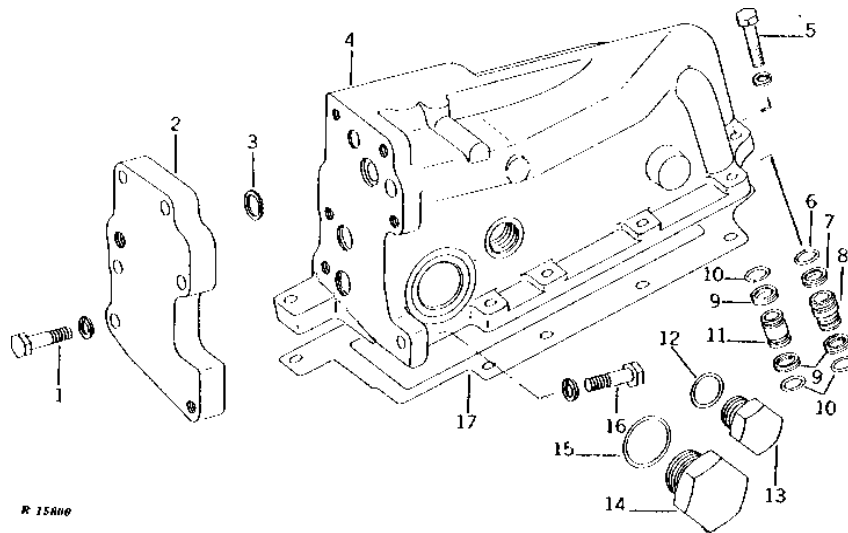
(A) LESS DIFFERENTIAL LOCK
(B) LESS SELECTIVE CONTROL

4D4

HYDRAULICS

SELECTIVE CONTROL VALVE SUPPORT (LESS ROCKSHAFT)

R15800 -UN-01JAN94

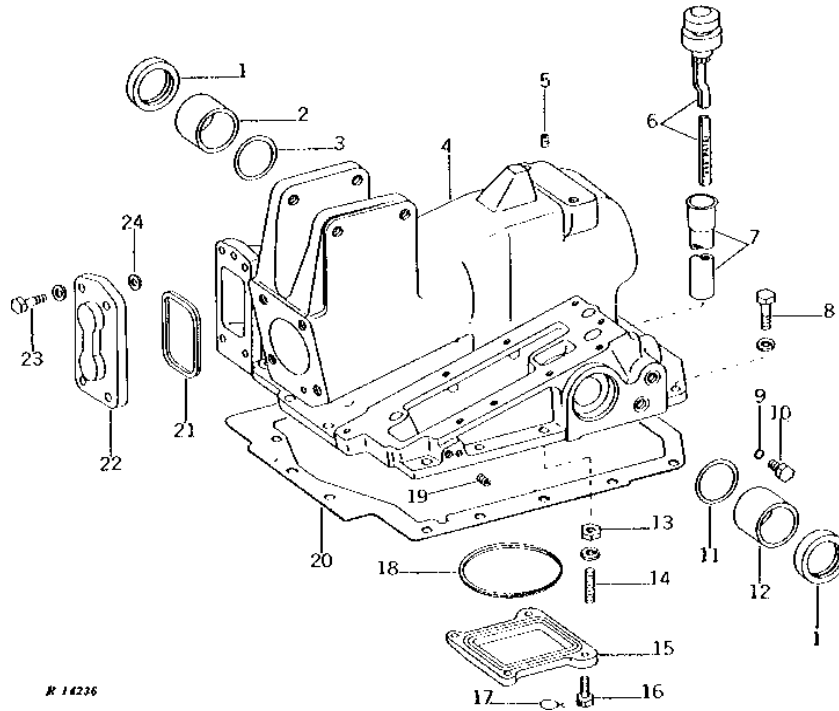


| KEY | PART NO. | PART NAME | QTY | TRACTOR SERIAL NO. | REMARKS |
|-----|----------|--------------|-----|--------------------|--|
| 1 | 19H1978 | CAP SCREW | 5 | | 7/16" X 1-1/2" |
| | 19H2500 | CAP SCREW | 5 | | 7/16" X 1-3/8" |
| | 12H293 | LOCK WASHER | 6 | | 7/16" |
| 2 | R50065 | VALVE COVER | 1 | | (SUB FOR R41444) (SUB R59080 AND (2) R59082) |
| 3 | R26149 | PACKING | 6 | -224531 | |
| | R26149 | PACKING | 5 | 224532- | |
| 4 | AR76279 | SUPPORT | 1 | | (MARKED AR40387, AR48008, AR54820, AR76278 OR AR94166) (SUB FOR AR40505, AR48006 OR AR54944) (ALSO ORDER 19H2128, 19H1925, 19H2054 AND (2) 12H304) (NLA) |
| 5 | 19H1732 | CAP SCREW | 9 | | 3/8" X 1-1/4" |
| | 12H304 | LOCK WASHER | 9 | | 3/8" |
| 6 | R27564 | O-RING | 1 | | (USE WITH AR48008 OR AR54820) |
| 7 | R45925 | BACK-UP RING | 1 | | (USE WITH AR48008 OR AR54820) |
| 8 | R45924 | BUSHING | 1 | | (USE WITH AR48008 OR AR54820) |
| 9 | R41057 | BACK-UP RING | AR | | (2 USED WITH AR40387) (1 USED WITH AR48008 OR AR54820) |
| 10 | R27166 | O-RING | AR | | (2 USED WITH AR40387) (1 USED WITH AR48008 OR AR54820) |
| 11 | R40945 | VALVE | 1 | | (USE WITH AR40387) |
| 12 | F3171R | O-RING | 1 | | |
| 13 | R27175 | DRAIN PLUG | 1 | | |
| 14 | R39741 | DRAIN PLUG | 1 | | |
| 15 | U13639 | O-RING | 1 | | |
| 16 | 19H2500 | CAP SCREW | 1 | | 7/16" X 1-3/8" |
| | 12H293 | LOCK WASHER | 1 | | 7/16" |
| 17 | R40896 | GASKET | 1 | | |

4D5

HYDRAULICS

ROCKSHAFT HOUSING WITH BUSHINGS AND OIL SEALS
R14236 -UN-01JAN94



| KEY | PART NO. | PART NAME | QTY | TRACTOR SERIAL NO. | REMARKS |
|-----|----------|-------------|-----|---------------------------------|---------|
| 1 | AF2643R | SEAL | 2 | | |
| 2 | R26842 | BUSHING | 1 | L.H. | |
| 3 | A4728R | O-RING | 1 | | |
| 4 | AR41972 | HOUSING | 1 | (MARKED R40630) (NLA) | |
| 5 | 15H559 | PIPE PLUG | 1 | 1/4" | |
| 6 | AR40677 | DIPSTICK | 1 | | |
| 7 | R41858 | LINE | 1 | (SYNCRO-RANGE) | |
| | R41859 | LINE | 1 | (POWER SHIFT) | |
| 8 | 19H3579 | CAP SCREW | 6 | 1/2" X 1-3/8" | |
| | 19H1815 | CAP SCREW | 6 | 1/2" X 1-1/4" | |
| | 19H1990 | CAP SCREW | 6 | 1/2" X 2-1/4" | |
| | 12H301 | LOCK WASHER | 8 | 1/2" | |
| 9 | R26286 | O-RING | 2 | (A) | |
| 10 | R27094 | DRAIN PLUG | 2 | (A) | |
| 11 | R26863 | O-RING | 1 | | |
| 12 | R26841 | BUSHING | 1 | R.H. | |
| 13 | 14H1040 | NUT | 4 | 1/2" | |
| | 12H301 | LOCK WASHER | 4 | 1/2" | |
| 14 | R32101 | STUD | 4 | 1/2" X 1-3/4", (SUB FOR R49988) | |
| 15 | R55079 | COVER | 1 | (SUB FOR R27210 OR R52246) | |
| 16 | D459R | BOLT | 4 | (DRILLED) | |
| 17 | | WIRE | 2 | | |
| 18 | R26769 | WASHER | 1 | | |
| 19 | 15H558 | PIPE PLUG | 1 | 1/8" | |
| 20 | R92411 | GASKET | 1 | (SUB FOR R40947 OR R80965) | |
| 21 | R40922 | PACKING | 1 | (B) | |
| 22 | R41446 | COVER | 1 | (B) | |
| 23 | 19H2500 | CAP SCREW | 4 | 7/16" X 1-3/8" | |
| | 12H293 | LOCK WASHER | 4 | 7/16" | |
| 24 | F2741R | PACKING | 1 | (B) | |

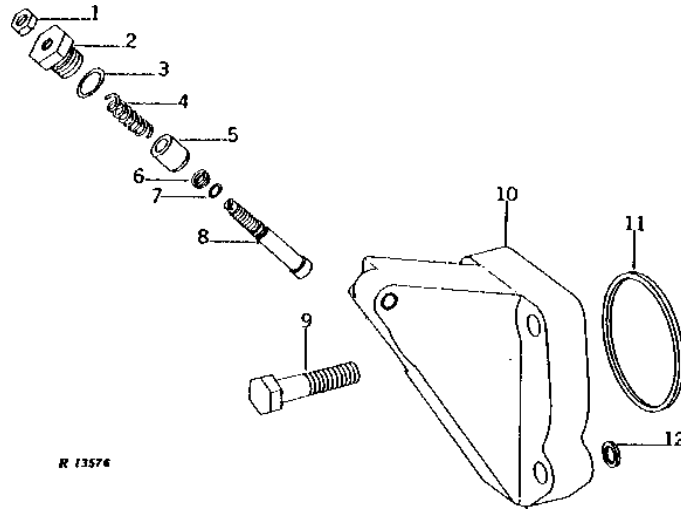
(A) LESS DIFFERENTIAL LOCK

(B) LESS SELECTIVE CONTROL

4D6

HYDRAULICS

ROCKSHAFT PISTON COVER AND ASSOCIATED PARTS
R13576 -UN-01JAN94

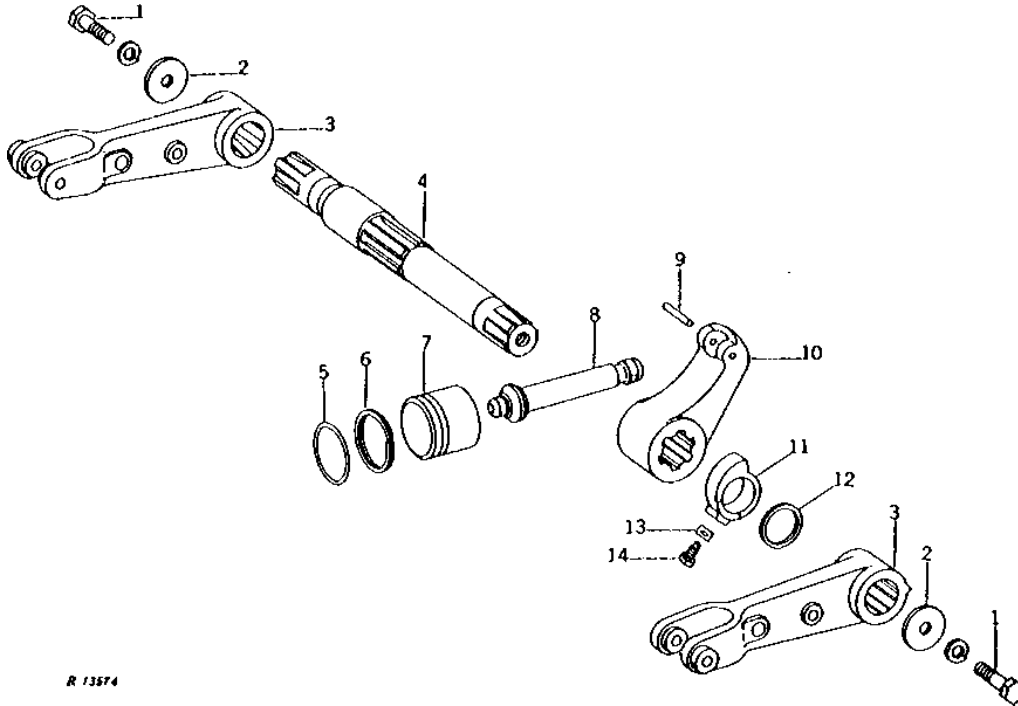


| KEY | PART NO. | PART NAME | QTY | TRACTOR SERIAL NO. | REMARKS |
|-----|----------|--------------|-----|-------------------------------|---------|
| 1 | 14H774 | NUT | 1 | 3/8" | |
| 2 | R26458 | FITTING | 1 | | |
| 3 | R26906 | O-RING | 1 | | |
| 4 | B3686R | SPRING | 1 | | |
| 5 | R26457 | VALVE | 1 | (SUB R59684) | |
| 6 | R31136 | BACK-UP RING | 1 | | |
| 7 | A4365R | O-RING | 1 | | |
| 8 | R26625 | SHAFT | 1 | | |
| 9 | 19H1824 | CAP SCREW | 4 | 5/8" X 2-1/4" | |
| 10 | R41120 | COVER | 1 | | |
| | R44819 | COVER | 1 | (POWER WEIGHT TRANSFER HITCH) | |
| 11 | R34154 | WASHER | 1 | | |
| 12 | F2741R | PACKING | 1 | | |

4D7

HYDRAULICS

ROCKSHAFT, ROCKSHAFT PISTON, AND LIFT ARMS
R13574 -UN-01JAN94



R 13574

| KEY | PART NO. | PART NAME | QTY | TRACTOR SERIAL NO. | REMARKS |
|-----|----------|----------------|-----|-------------------------------------|---------|
| 1 | 19H1782 | CAP SCREW | 2 | 3/4" X 2-1/4" | |
| | 12H236 | LOCK WASHER | 2 | 3/4" | |
| 2 | R20136 | WASHER | 2 | | |
| 3 | R56175 | LIFT ARM | 2 | (A) (B) (SUB FOR R41565 AND R51130) | |
| | R78452 | ARM | 1 | (C) R.H. | |
| | R78453 | ARM | 1 | (C) L.H. | |
| 4 | R34487 | SHAFT | 1 | | |
| 5 | R59964 | SEALING WASHER | 1 | (SUB FOR R36424, THIS APPLICATION) | |
| 6 | R59965 | WEAR RING | 1 | (SUB FOR R34304, THIS APPLICATION) | |
| 7 | R34152 | PISTON | 1 | | |
| 8 | AR44356 | ROD | 1 | | |
| 9 | 34H322 | SPRING PIN | 1 | 1/4" X 2-3/4" | |
| 10 | R42773 | ARM | 1 | | |
| 11 | R40887 | CAM | 1 | | |
| 12 | 24H1602 | WASHER | AR | 2-17/64" X 2-3/4" X 0.060" | |
| 13 | F3173R | LOCK PLATE | 1 | | |
| 14 | R69642 | CAP SCREW | 1 | (SUB FOR R26626) | |

(A) ROW-CROP

(B) STANDARD

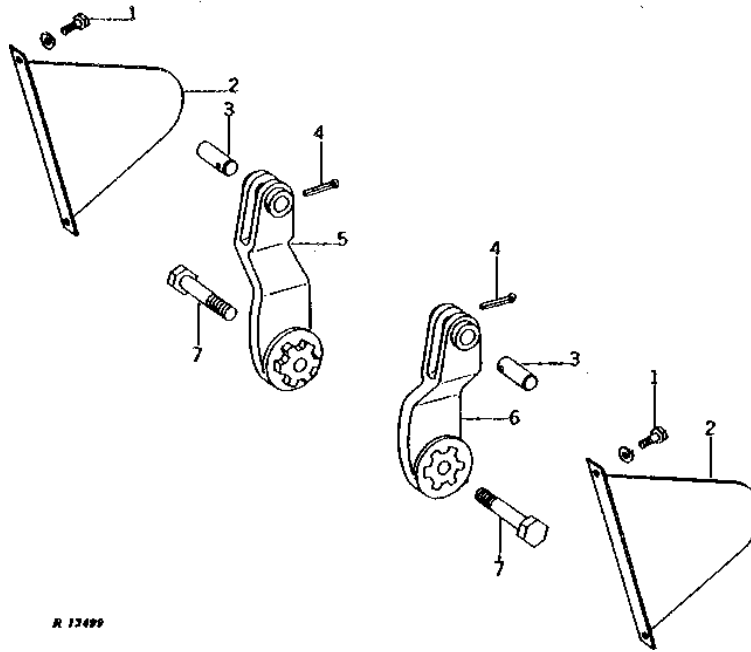
(C) HI-CROP

4D8

HYDRAULICS

IMPLEMENT ARMS

R12499 -UN-01JAN94

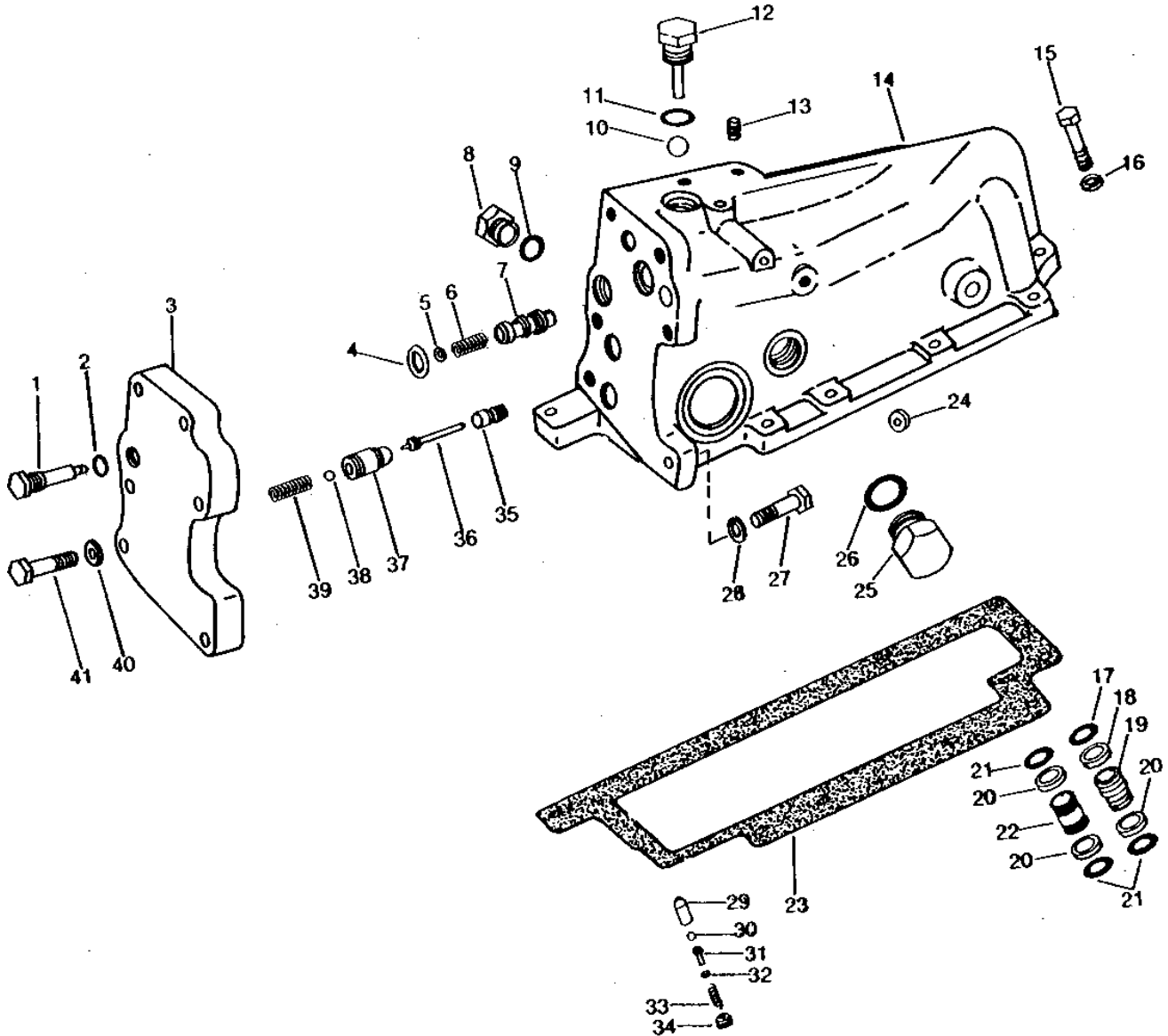


| KEY | PART NO. | PART NAME | QTY | TRACTOR SERIAL NO. | REMARKS |
|-----|----------|-------------|-----|---|---------|
| 1 | 19H1900 | CAP SCREW | 4 | 5/16" X 3/4" | |
| | 12H303 | LOCK WASHER | 4 | 5/16" | |
| 2 | AR40977 | GUARD | 2 | (NLA) | |
| 3 | R42644 | PIN | 2 | (NLA) | |
| 4 | 11M7096 | COTTER PIN | 2 | 5 X 80 MM | |
| 5 | AR40976 | ARM | 1 | L.H. (MARKED R41361) | |
| 6 | AR44765 | ARM | 1 | R.H. (MARKED R42643) (NLA) | |
| 7 | 19H2113 | CAP SCREW | 2 | 3/4" X 3-1/4" | |
| .. | AR44872 | ARM | 1 | (LESS ROLL-GARD) (NLA) | |
| .. | | ARM | 1 | (ROLL-GARD) (ORDER AR44872 AND AR47483) (NLA) | |

4D9

HYDRAULICS

ROCKSHAFT CONTROL VALVE HOUSING
RWP2752 -UN-01JAN94



RWP2752

4D10

HYDRAULICS

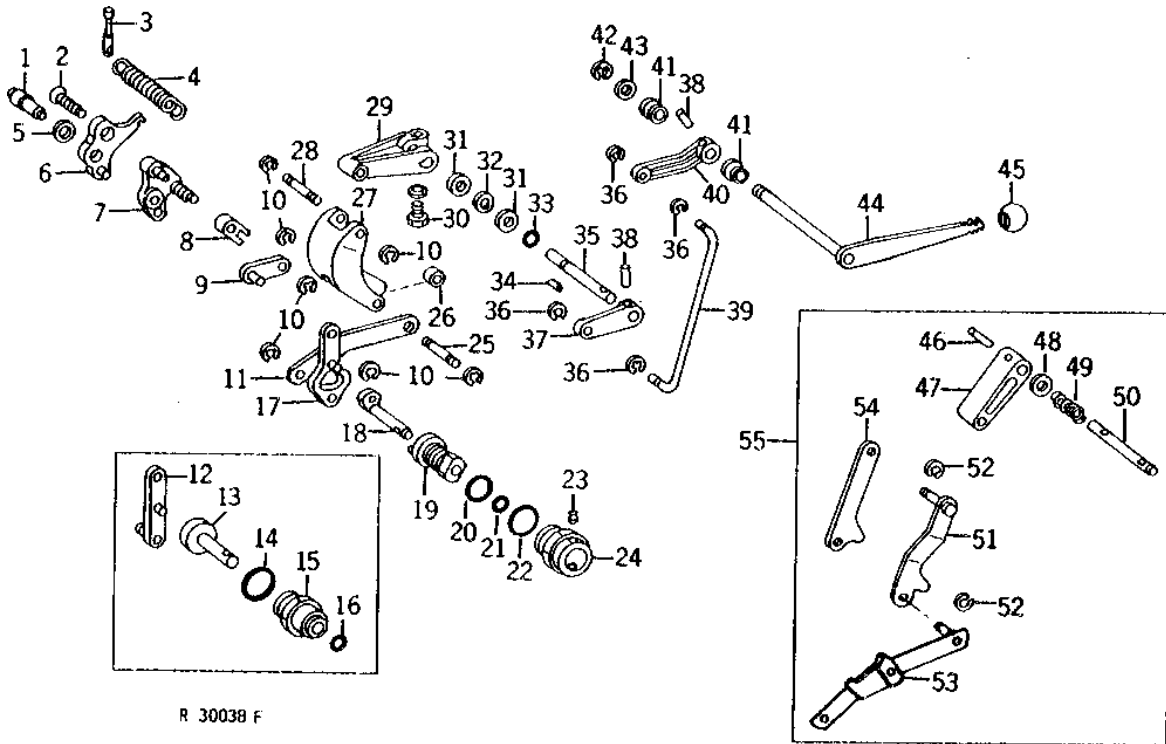
ROCKSHAFT CONTROL VALVE HOUSING - CONTINUED

| KEY | PART NO. | PART NAME | QTY | TRACTOR SERIAL NO. | REMARKS |
|-----|----------|-------------------|-----|--------------------|---|
| 1 | R40881 | FITTING | 1 | | |
| 2 | R26448 | O-RING | 1 | | |
| 3 | R50065 | VALVE COVER | 1 | | (SINGLE AND LESS SELECTIVE CONTROL) (SUB FOR R41444) (SUB R59080 AND (2) R59082) (ILLUSTRATED) |
| | AR71188 | COVER | 1 | | (DUAL) (ALSO ORDER (2) R59082) (SUB FOR AR41969 OR AR54331) (MARKED R41445, R50066 OR R59081) |
| | AR71189 | COVER | 1 | | (TRIPLE) (ALSO ORDER (2) R59082) (SUB FOR AR41970 OR AR54332) (MARKED R41488, R50067 OR R59084) |
| 4 | R26149 | PACKING | 6 | -224531 | |
| | R26149 | PACKING | 5 | 224532- | |
| 5 | B1664R | SHIM | AR | | |
| 6 | R26566 | SPRING | 1 | | |
| 7 | AR50088 | VALVE | 1 | | (SUB FOR R44536) |
| 8 | R39112 | FITTING | 1 | | |
| 9 | R26375 | O-RING | 1 | | |
| 10 | M886T | BALL | 1 | | 16MM (5/8") (SUB FOR A174R) |
| 11 | R26906 | O-RING | 1 | | |
| 12 | R56916 | PLUG | 1 | | (SUB FOR AR26761) |
| 13 | 15H558 | PIPE PLUG | 3 | | 1/8" |
| 14 | AR76340 | HOUSING | 1 | | (MARKED AR40387, AR48007, AR54328, AR76341, AR76277 OR AR94165) (SUB FOR AR41976, AR48005 OR AR54329) |
| 15 | 19H1732 | CAP SCREW | 9 | | 3/8" X 1-1/4" |
| 16 | 12H304 | LOCK WASHER | 8 | | 3/8" |
| 17 | R27564 | O-RING | 1 | | (USE WITH AR48007 OR AR54328) |
| 18 | R45925 | BACK-UP RING | 1 | | (USE WITH AR48007 OR AR54328) |
| 19 | R45924 | BUSHING | 1 | | (USE WITH AR48007 OR AR54328) |
| 20 | R41057 | BACK-UP RING | AR | | (4 USED WITH AR40387) (3 USED WITH AR48007 OR AR54328) |
| 21 | R27166 | O-RING | AR | | (4 USED WITH AR40387) (3 USED WITH AR48007 OR AR54328) |
| 22 | R40945 | VALVE | AR | | (2 USED WITH AR40387) (1 USED WITH AR48007 OR AR54328) |
| 23 | R40896 | GASKET | 1 | | |
| 24 | R66895 | ORIFICE | 1 | | (USE WITH AR94165) |
| 25 | R27175 | DRAIN PLUG | 1 | | |
| 26 | F3171R | O-RING | 1 | | |
| 27 | 19H2500 | CAP SCREW | 1 | | 7/16" X 1-3/8" |
| 28 | 12H293 | LOCK WASHER | 1 | | 7/16" |
| 29 | R40893 | VALVE SEAT INSERT | 1 | | (SUB R61349 AND R61350) |
| 30 | R41776 | BALL | 1 | | 2.4MM (3/32") |
| 31 | R41777 | PIN | 1 | | |
| 32 | R40895 | SHIM | AR | | 0.51MM (.020") |
| 33 | R59766 | SPRING | 1 | | (SUB FOR R27730) |
| 34 | R40894 | PLUG | 1 | | |
| 35 | AR78483 | GUIDE | 2 | | (SUB FOR AR31703) |
| 36 | R44298 | SHAFT | 2 | | |
| 37 | R59083 | VALVE | 2 | | (SUB FOR R44299) |
| 38 | 400R | BALL | 2 | | 6MM (1/4") |
| 39 | R26565 | SPRING | 2 | | |
| 40 | 12H293 | LOCK WASHER | 5 | | 7/16" |
| 41 | 19H1978 | CAP SCREW | 5 | | 7/16" X 1-1/2" |

4D11

HYDRAULICS

ROCKSHAFT CONTROL LINKAGE AND LOAD SELECTOR CONTROL
R30038 -UN-01JAN94



4D12

HYDRAULICS

ROCKSHAFT CONTROL LINKAGE AND LOAD SELECTOR CONTROL - CONTINUED

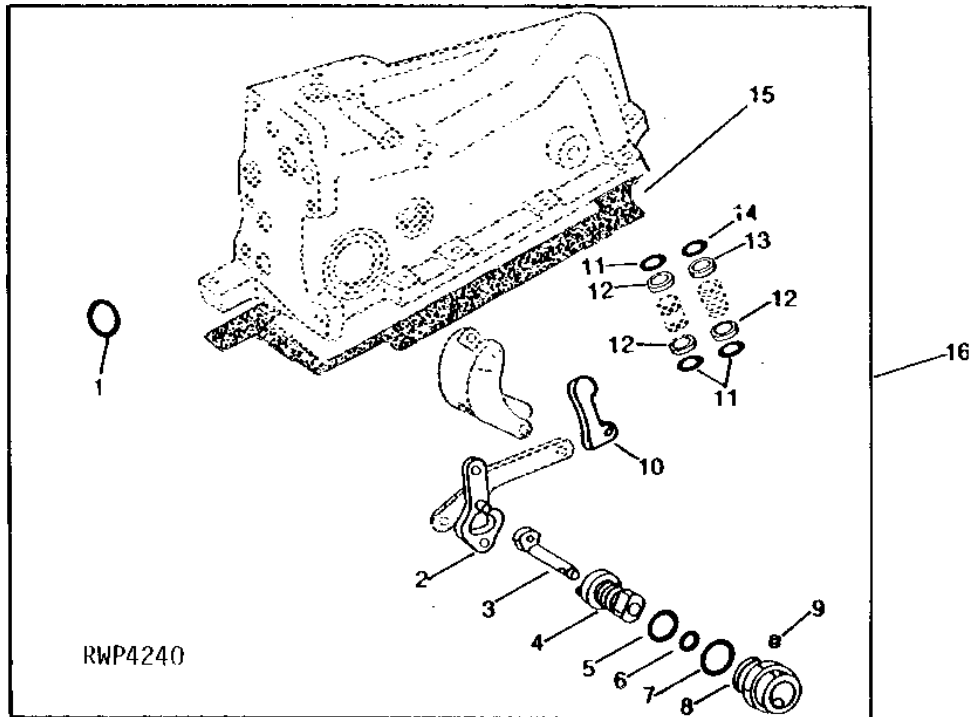
| KEY | PART NO. | PART NAME | QTY | SERIAL OR MODEL NO. | REMARKS |
|-----|----------|-------------|-----|------------------------|---|
| 1 | R64296 | SHAFT | 1 | | (SUB FOR R40949) |
| 2 | T22228 | SCREW | 1 | | |
| 3 | R41108 | PIN | 1 | -XXXXXX | |
| | R66894 | PIN | 1 | | |
| 4 | R60730 | SPRING | 1 | | (SUB FOR R44300 OR R53033) |
| 5 | 24H1321 | SHIM | 1 | | 29/64" X 13/16" X .018" |
| 6 | AR40676 | LEVER | 1 | | |
| 7 | AR40754 | LINK | 1 | | (SUB AR81783, R64845, T519R AND R64843) |
| 8 | R40885 | NUT | 1 | | |
| 9 | AR40675 | LEVER | 1 | | |
| 10 | R72653 | SNAP RING | 7 | | (SUB FOR M2396T) |
| 11 | R51025 | LINK | 1 | | (SUB FOR R41079) |
| 12 | AR40753 | LINK | 1 | -5RS1 | (SUB AR79505 AND AR72292) |
| 13 | R41077 | SHAFT | 1 | -5RS1 | (SUB AR79505 AND AR72292) |
| 14 | U13639 | O-RING | 1 | -5RS1 | |
| 15 | R41115 | QUILL | 1 | -5RS1 | |
| 16 | R394R | O-RING | 1 | -5RS1 | |
| 17 | AR52797 | LINK | 1 | 5RS2- | |
| 18 | R49333 | SHAFT | 1 | 5RS2- | |
| 19 | AR52796 | BUSHING | 1 | 5RS2- | |
| 20 | R27928 | O-RING | 1 | 5RS2- | |
| 21 | R394R | O-RING | 1 | 5RS2- | |
| 22 | U13639 | O-RING | 1 | 5RS2- | |
| 23 | 22H1033 | SET SCREW | 1 | 5RS2- | 5/16" X 3/8" |
| 24 | R49332 | QUILL | 1 | 5RS2- | |
| 25 | R41118 | PIN | 1 | | |
| 26 | R41661 | BUSHING | 1 | | |
| 27 | R40886 | LINK | 1 | | (SUB AR86775) |
| 28 | R41119 | PIN | 1 | | (NLA) |
| 29 | R40944 | ARM | 1 | | (SUB AR86775) |
| 30 | 19H1905 | CAP SCREW | 1 | | 5/16" X 1" |
| | 12H303 | LOCK WASHER | 1 | | 5/16" |
| 31 | R47301 | WASHER | 2 | | |
| 32 | T519T | WASHER | 2 | | |
| 33 | R394R | O-RING | 1 | | |
| 34 | 26H67 | SHAFT KEY | 1 | | 1/8" X 3/8" |
| 35 | R41117 | SHAFT | 1 | | (NLA) |
| 36 | R27507 | SNAP RING | 4 | | |
| 37 | R40892 | LEVER | 1 | | |
| 38 | 34H297 | SPRING PIN | 2 | | 7/32" X 1" |
| 39 | R40916 | PIN | 1 | | |
| 40 | R40915 | LEVER | 1 | | UPPER |
| 41 | R41076 | GROMMET | 2 | | |
| 42 | P44982 | PISTON RING | 1 | | (SUB FOR R26871) |
| 43 | 24H1227 | WASHER | 1 | | 17/32" X 13/16" X 0.060" |
| 44 | AR40683 | LEVER | 1 | | (NLA) |
| 45 | R40948 | KNOB | 1 | | |
| 46 | R56504 | SPRING PIN | 1 | | |
| 47 | R56821 | ARM | 1 | | (SUB FOR R52824) |
| 48 | 24H1341 | WASHER | 1 | | 17/32" X 15/16" X 0.060" |
| 49 | B423R | SPRING | 1 | | |
| 50 | R52823 | SHAFT | 1 | | |
| 51 | AR72294 | LINK | 1 | | OUTER, (ALSO ORDER AR72293) (SUB FOR AR58236) |
| 52 | R72653 | SNAP RING | 2 | | (SUB FOR M2396T) |
| 53 | AR72293 | LINK | 1 | | |
| 54 | R52828 | LINK | 1 | | INNER |
| 55 | AR86775 | KIT | 1 | | (SUB FOR AR58474) |

MEMORANDA

4D13

HYDRAULICS

REVERSE SIGNAL LOCKOUT KIT
(FOR ELIMINATION OF NEGATIVE STOP SCREW)
 RWP4240 -UN-01JAN94

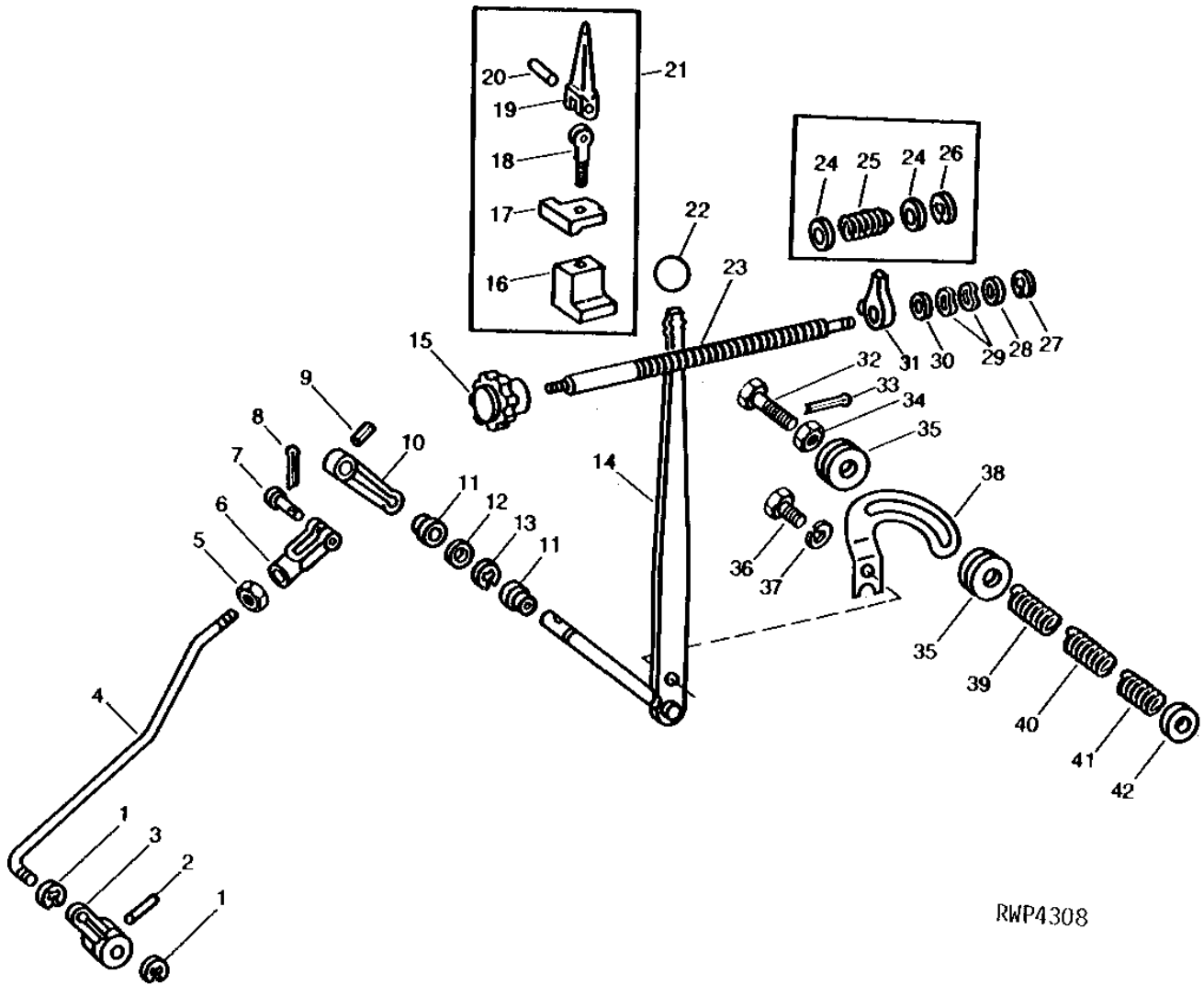


| KEY | PART NO. | PART NAME | QTY | SERIAL OR MODEL NO. | REMARKS |
|-----|----------|--------------|-----|---------------------|--|
| 1 | R40922 | PACKING | 1 | | (LESS SELECTIVE CONTROL) |
| 2 | AR52797 | LINK | 1 | 5RS2- | |
| 3 | R49333 | SHAFT | 1 | 5RS2- | |
| 4 | AR52796 | BUSHING | 1 | 5RS2- | |
| 5 | R27928 | O-RING | 1 | 5RS2- | |
| 6 | R394R | O-RING | 1 | 5RS2- | |
| 7 | U13639 | O-RING | 1 | 5RS2- | |
| 8 | R49332 | QUILL | 1 | 5RS2- | |
| 9 | 22H1033 | SET SCREW | 1 | 5RS2- | 5/16" X 3/8" |
| 10 | R49336 | CAM FOLLOWER | 1 | | (SUB FOR R40888) |
| 11 | R27166 | O-RING | AR | | (3 USED WITH AR48007 OR AR54328) (4 USED WITH AR40387) |
| 12 | R41057 | BACK-UP RING | AR | | (3 USED WITH AR48007 OR AR54328) (4 USED WITH AR40387) |
| 13 | R45925 | BACK-UP RING | 1 | | (USE WITH AR48007 OR AR54328) |
| 14 | R27564 | O-RING | 1 | | (USE WITH AR48007 OR AR54328) |
| 15 | R40896 | GASKET | 1 | | |
| 16 | AR55210 | KIT | 1 | | |

4D14

HYDRAULICS

ROCKSHAFT CONTROL
RWP4308 -UN-01JAN94



RWP4308

4D15

HYDRAULICS

ROCKSHAFT CONTROL - CONTINUED

| KEY | PART NO. | PART NAME | QTY | TRACTOR SERIAL NO. | REMARKS |
|-----|----------------|-------------|-----|--------------------|--|
| 1 | R72653 | SNAP RING | 2 | | (SUB FOR M2396T) |
| 2 | 34H284 | SPRING PIN | 1 | | 3/16" X 1-1/4" |
| 3 | R64829 | ARM | 1 | | LOWER, (SUB FOR R41123) |
| 4 | R40917 | ROD | 1 | | |
| 5 | 14H882 | NUT | 1 | | 5/16" |
| 6 | R42282 | YOKE | 1 | | (SUB R82766 AND T54033) |
| 7 | R72660 | PIN | 1 | | (SUB FOR R662R) |
| 8 | 11M7079 | COTTER PIN | 1 | | 0.098" X 0.472" |
| 9 | 34H297 | SPRING PIN | 1 | | 7/32" X 1" |
| 10 | R41122 | LEVER | 1 | | UPPER |
| 11 | R41076 | GROMMET | 2 | | |
| 12 | 24H1227 | WASHER | 1 | -255507 | (A) 17/32" X 13/16" X 0.060" |
| 13 | R26871 | SNAP RING | 1 | -255507 | (A) (SUB FOR P44982) |
| 14 | AR40988 | LEVER | 1 | -255507 | (A) (ALSO ORDER R49411) |
| | AR40988 | LEVER | 2 | 255508- | (A) |
| | AR58206 | LEVER | 1 | | (4000-LOW PROFILE) (SUB AR40988) |
| 15 | R41385 | KNOB | 1 | | |
| 16 | R53476 | NUT | 1 | | |
| 17 | R53475 | STOP | 1 | | (SUB FOR R42640) |
| 18 | R42641 | EYEBOLT | 1 | | |
| 19 | R34537 | CAM | 1 | | |
| 20 | 34H387 | SPRING PIN | 1 | | 3/16" X 3/4" |
| 21 | AR60331 | STOP | 1 | | (SUB FOR AR50340) (FI) |
| 22 | R41383 | KNOB | 1 | | |
| 23 | R41384 | SCREW | 1 | -239822 | (SUB R47300, (2) R47301 AND (2) T519T) |
| | R47300 | SCREW | 1 | 239823- | (SUB R58204) |
| 24 | 24H1658 | WASHER | 2 | -239822 | 21/32" X 1" X 0.060" |
| 25 | R1190R | SPRING | 1 | -239822 | |
| 26 | F2863R | SNAP RING | 1 | -239822 | |
| 27 | R26871 | SNAP RING | 1 | | (SUB FOR P44982) |
| 28 | 24H1227 | WASHER | 2 | -239822 | 17/32" X 13/16" X 0.060" |
| 29 | R47301 | WASHER | 2 | 239823- | |
| 30 | T519T | WASHER | 2 | 239823- | |
| 31 | R41386 | STOP | 1 | | |
| 32 | R42639 | CAP SCREW | 1 | | |
| 33 | 11M7059 | COTTER PIN | 1 | | 3.200 X 20 MM |
| 34 | 14H732 | NUT | 1 | | 3/8" |
| 35 | AR42287 | WASHER | 2 | | (SUB R105813 AND R41968) |
| 36 | 19H2485 | CAP SCREW | 1 | | 5/16" X 7/16" |
| 37 | 12H303 | LOCK WASHER | 1 | | 5/16" |
| 38 | R41966 | PLATE | 1 | -255507 | (A) (SUB R49411) |
| | R49411 | PLATE | 1 | 255508- | (A) |
| 39 | R41147 | SPRING | 1 | | |
| 40 | R44313 | SPRING | 1 | | |
| 41 | R44314 | SPRING | 1 | | |
| 42 | 24H1299 | WASHER | 1 | | 3/8" X 1-1/4" X 0.065" |

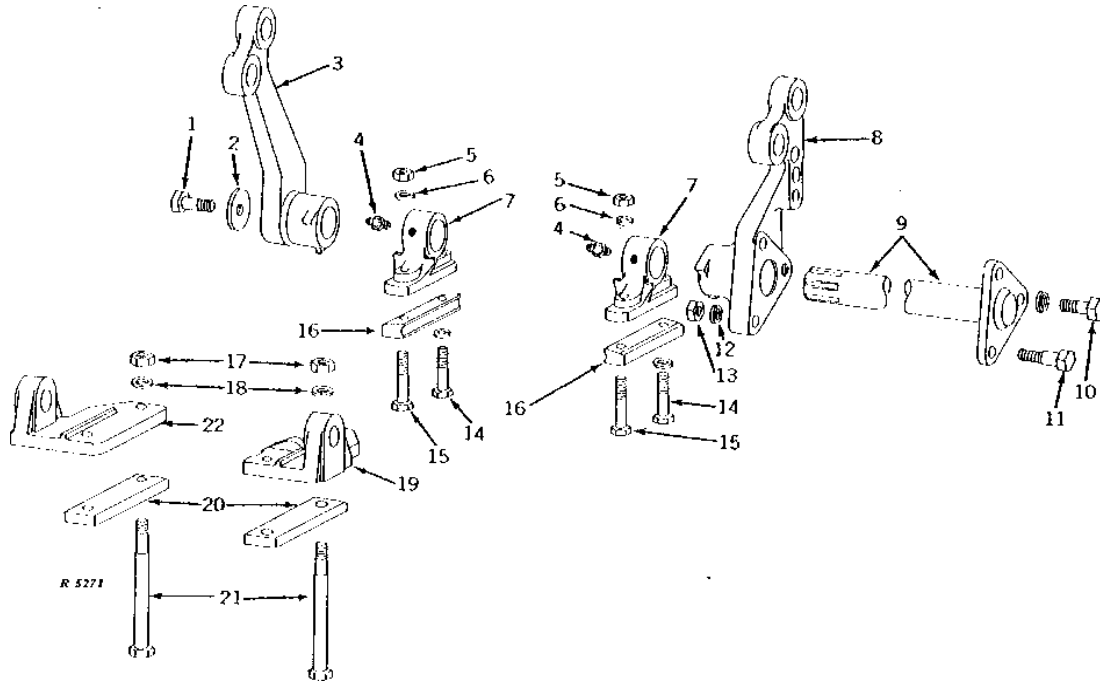
(A) APPROXIMATE SERIAL NUMBER

MEMORANDA

4D16

HYDRAULICS

FRONT MOUNTED ROCKSHAFT
R5271 -UN-01JAN94



| KEY | PART NO. | PART NAME | QTY | TRACTOR SERIAL NO. | REMARKS |
|-----|----------|---------------------|-----|--------------------|---------|
| 1 | 19H1756 | CAP SCREW | 1 | 5/8" X 1-1/2" | |
| 2 | R20135 | WASHER | 1 | | |
| 3 | R38089 | ARM | 1 | L.H. (NLA) | |
| 4 | JD7778 | LUBRICATION FITTING | 2 | 45° | |
| 5 | 14H1040 | NUT | 2 | 1/2" | |
| 6 | 12H301 | LOCK WASHER | 2 | 1/2" | |
| 7 | R31403 | BRACKET | 2 | | |
| 8 | R26708 | ARM | 1 | R.H. (NLA) | |
| 9 | AR34350 | ROCKSHAFT | 1 | | |
| 10 | 19H1756 | CAP SCREW | 1 | 5/8" X 1-1/2" | |
| | 12H294 | LOCK WASHER | 1 | 5/8" | |
| 11 | R27819 | BOLT | 2 | (NLA) | |
| 12 | 12H294 | LOCK WASHER | 2 | 5/8" | |
| 13 | 14H1083 | NUT | 2 | 5/8" | |
| 14 | 19H1990 | CAP SCREW | 2 | 1/2" X 2-1/4" | |
| | 12H301 | LOCK WASHER | 2 | 1/2" | |
| 15 | 19H1974 | CAP SCREW | 2 | 1/2" X 2-3/4" | |
| 16 | R28755 | SUPPORT | 2 | (NLA) | |
| 17 | 14H1039 | NUT | 4 | 5/8" | |
| 18 | 12H294 | LOCK WASHER | 4 | 5/8" | |
| 19 | R26710 | BRACKET | 1 | R.H. (NLA) | |
| 20 | R38093 | STRAP | 2 | (NLA) | |
| 21 | R26784 | BOLT | 4 | (NLA) | |
| 22 | R26711 | BRACKET | 1 | L.H. (NLA) | |

4D18

HYDRAULICS

LOAD CONTROL - CONTINUED

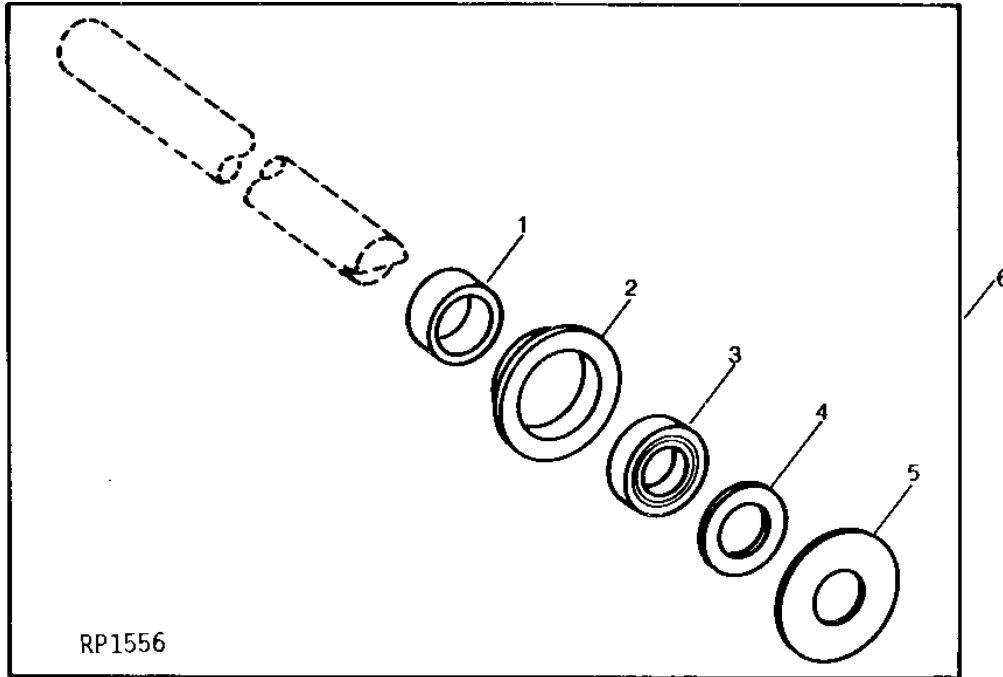
| KEY | PART NO. | PART NAME | QTY | TRACTOR SERIAL NO. | REMARKS |
|-----|----------|--------------|-----|--------------------|--|
| 1 | 14H936 | NUT | 1 | | 3/8" |
| 2 | R46443 | LOCK PLATE | 1 | | (SUB FOR R27127) |
| 3 | F1463R | SPRING | 1 | | |
| 4 | 34H244 | SPRING PIN | 2 | | 1/8" X 9/16" |
| 5 | R26628 | STUD | 1 | | |
| 6 | R26869 | PIN | 1 | | |
| 7 | AR77700 | EXTENSION | 1 | | (MARKED R41121 OR R62931) (SUB FOR AR40785) |
| 8 | R49336 | CAM FOLLOWER | 1 | | (A) (SUB FOR R40888) |
| 9 | 24H1287 | WASHER | 1 | | 9/32" X 5/8" X 0.065" |
| 10 | R27507 | SNAP RING | 1 | | |
| 11 | R40942 | ARM | 1 | | |
| 12 | R40889 | FOLLOWER | 1 | | |
| 13 | R40891 | PIN | 1 | | |
| 14 | R41078 | PIN | 1 | | |
| 15 | R40943 | SUPPORT | 1 | -260021 | (SUB R51195 AND (3) T12637) |
| | R51195 | SUPPORT | 1 | 260022- | |
| 16 | R41049 | CAP SCREW | 3 | -260021 | |
| | T12637 | SCREW | 3 | 260022- | |
| 17 | R33826 | PIN | 1 | -250000 | |
| | R46513 | PIN | 1 | 250001- | |
| 18 | U12037 | O-RING | 2 | 250001- | (SUB FOR R48474) (USE WITH R46511 IN BUSHING WITH .210" WIDE GROOVE) |
| | R53180 | O-RING | 2 | 250001- | (USE WHEN AR54481 OR AR85459 HAVE BEEN INSTALLED) (USE WITH R53177 IN BUSHING WITH .300" WIDE GROOVE) |
| 19 | R46511 | WASHER | 2 | 250001- | (USE WITH U12037 IN BUSHING WITH .210" WIDE GROOVE) |
| | R53177 | WASHER | 2 | 250001- | (USE WHEN AR54481 OR AR85459 BUSHINGS HAVE BEEN INSTALLED) (USE WITH R53180 IN BUSHING WITH .300" WIDE GROOVE) |
| 20 | AR54481 | BUSHING | 2 | 250001- | (SUB FOR AR49127, AR53116 OR AR85459) |
| 21 | R47566 | WASHER | 1 | 237752- | |
| 22 | R28960 | WASHER | 2 | -237751 | (SUB F2674R) |
| | F2674R | WASHER | 2 | 237752-250000 | |
| 23 | AR84792 | SEAL KIT | 1 | -250000 | (SUB FOR AR26414 OR AR78338, THIS APPLICATION) |
| | R47566 | WASHER | AR | | 1.2MM (.048") (USE WITH AR78338) |
| | R47567 | WASHER | AR | | 0.9MM (.036") (USE WITH AR78338) |
| | R47568 | WASHER | AR | | 1.6MM (.062") (USE WITH AR78338) |
| 24 | R26505 | BUSHING | 2 | -250000 | |
| | R45515 | BUSHING | 2 | -250000 | 0.08MM (.003") OVERSIZE |
| | R45516 | BUSHING | 2 | -250000 | 0.15MM (.006") OVERSIZE |
| | R46801 | BUSHING | 2 | -250000 | 0.76MM (.030") OVERSIZE |
| | R54785 | BUSHING | 2 | 250001- | (A) 0.51MM (.020") OVERSIZE |
| | R53177 | WASHER | 2 | 250001- | (A) |
| | R53180 | O-RING | 2 | 250001- | (A) |
| 25 | R47566 | WASHER | 2 | | 1.22MM (.048") |
| | R47567 | WASHER | 1 | | 0.91MM (.036") |
| | R47568 | WASHER | 1 | | 1.57MM (.062") |
| 26 | F2674R | WASHER | 2 | -250000 | |
| 27 | R48682 | BUSHING | 2 | -250000 | |
| 28 | AR84792 | SEAL KIT | 2 | -250000 | (SUB FOR AR26414 OR AR78338, THIS APPLICATION) |
| | R47566 | WASHER | AR | | 1.2MM (.048") (USE WITH AR78338) |
| | R47567 | WASHER | AR | | 0.9MM (.036") (USE WITH AR78338) |
| | R47568 | WASHER | AR | | 1.6MM (.062") (USE WITH AR78338) |
| 29 | R46801 | BUSHING | 2 | -250000 | 0.76MM (.030") OVERSIZE |
| 30 | AR51955 | KIT | 1 | -250000 | |

(A) INSTALL ONLY IF CASE IS MARKED "OS20" ON RIGHT SIDE AT LOAD CONTROL SHAFT OPENING.

4D19

HYDRAULICS

LOAD CONTROL SHAFT BUSHING KIT
 RP1556 -UN-20NOV95



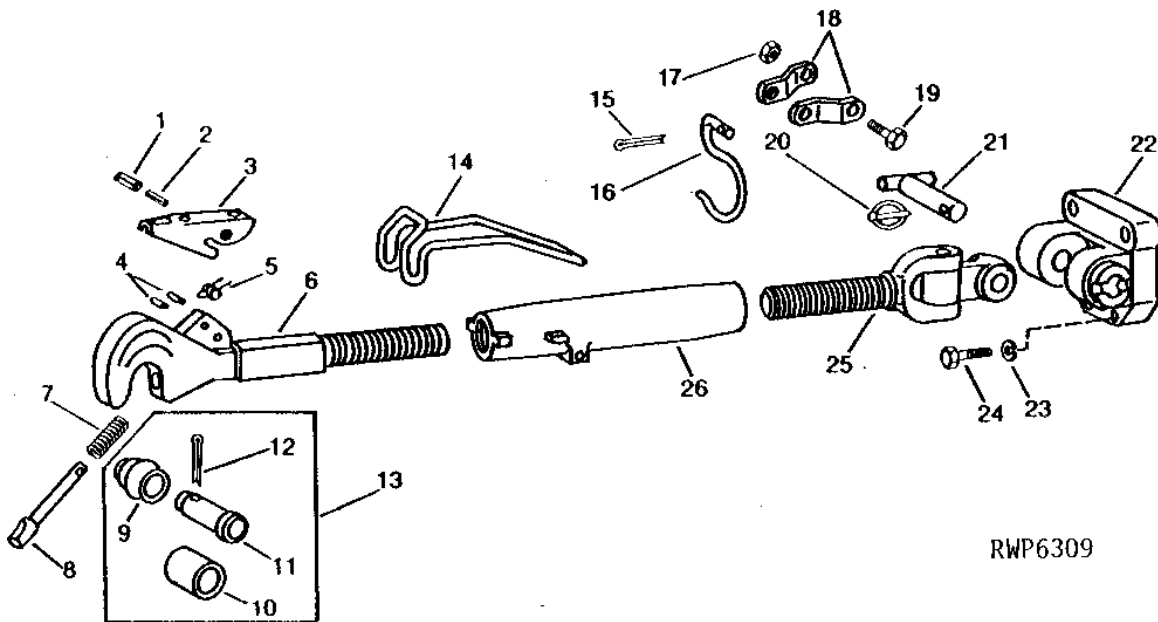
| KEY | PART NO. | PART NAME | QTY | TRACTOR SERIAL NO. | REMARKS |
|-----|----------|-----------|-----|--------------------|------------------------|
| 1 | R46801 | BUSHING | 2 | | 0.8MM (.030") OVERSIZE |
| 2 | R48682 | BUSHING | 2 | | |
| 3 | AR84792 | SEAL KIT | 2 | | |
| 4 | F2674R | WASHER | 2 | | |
| 5 | R47566 | WASHER | AR | | 1.22MM (.048") |
| | R47567 | WASHER | AR | | 0.91MM (.036") |
| | R47568 | WASHER | AR | | 1.57MM (.062") |
| 6 | AR51955 | KIT | 1 | | |

MEMORANDA

4D20

HYDRAULICS

HITCH CENTER LINK
(ROW-CROP AND STANDARD)
RWP6309 -UN-01JAN94



RWP6309

4D21

HYDRAULICS

**HITCH CENTER LINK - CONTINUED
(ROW-CROP AND STANDARD)**

| KEY | PART NO. | PART NAME | QTY | TRACTOR SERIAL NO. | REMARKS |
|-----|----------|-----------------|-----|-----------------------|--|
| 1 | R56506 | SPRING PIN | 1 | | |
| 2 | 34H252 | SPRING PIN | 1 | | 1/8" X 1-1/4", (SUB FOR R56505) |
| 3 | F2824R | HANDLE | 1 | | |
| 4 | 34H283 | SPRING PIN | 2 | | 3/16" X 1-1/8" |
| 5 | F2823R | SPRING | 1 | | |
| 6 | R26813 | HOOK | 1 | | (4000 SERIES) |
| | R26813 | HOOK | 1 | -250000 | |
| | R51616 | HOOK | 1 | 250001- | (SUB FOR R47824) |
| 7 | F2822R | SPRING | 1 | | |
| 8 | R53196 | LATCH | 1 | | (SUB FOR F2821R) |
| 9 | F2680R | BALL STUD | 1 | | (A) |
| | F2681R | BALL | 1 | | (B) |
| 10 | 28H1753 | BUSHING | 1 | | (B) |
| | R66432 | BUSHING | 2 | | (A) |
| | R66433 | BUSHING | 2 | | (A) |
| 11 | R58262 | PIN | 1 | | (A) (SUB FOR R28061 OR R44917) |
| | R53296 | PIN | 1 | | (B) (SUB FOR F2863R OR R44918) |
| 12 | 11M7040 | COTTER PIN | 1 | | (B) 0.248" X 1.969" |
| | 11M7038 | COTTER PIN | 1 | | (A) 0.248" X 1.575" |
| 13 | AF2710R | BALL | 1 | | (A) (INNER DIAMETER, 49/64") (SUB F2680R, R58262, (2) R66432, (2) R66433 AND 11M7038) |
| | AF2711R | BALL | 1 | | (B) (INNER DIAMETER, 1-1/64") |
| 14 | R42495 | HANDLE | 1 | | |
| 15 | 11M7059 | COTTER PIN | 1 | | 3.200 X 20 MM |
| 16 | R32119 | HOOK | 1 | -250000 | (SUB R53762) |
| | R53762 | HOOK | 1 | 250001- | (SUB FOR R47072) |
| 17 | 14H785 | NUT | 2 | 250001- | 5/16", (POWER WEIGHT TRANSFER HITCH) |
| 18 | R40633 | BRACKET | 2 | 250001- | (POWER WEIGHT TRANSFER HITCH) |
| 19 | 19H1901 | CAP SCREW | 1 | 250001- | 5/16" X 2", (POWER WEIGHT TRANSFER HITCH) |
| 20 | AR62151 | QUICK LOCK PIN | 1 | | (SUB FOR B11182) (SUB M115827) |
| 21 | AR39681 | PIN | 1 | | (4000 SERIES) (SUB AR67880) |
| | AR39681 | PIN | 1 | -250000 | (SUB AR67880) |
| | AR51867 | PIN | 1 | 250001- | (SUB AR67881) |
| 22 | R39759 | BRACKET | 1 | | (4000 SERIES) |
| | R39759 | BRACKET | 1 | -250000 | |
| | R47458 | BRACKET | 1 | 250000- | (NLA) |
| | R47458 | BRACKET | 1 | 250000-264433 | (C) (NLA) |
| | R51525 | BRACKET | 1 | 264434- | (C) |
| 23 | 12H294 | LOCK WASHER | 4 | | |
| 24 | 19H1824 | CAP SCREW | 4 | | 5/8" X 2-1/4" |
| | 19H1824 | CAP SCREW | 4 | -264433 | (C) 5/8" X 2-1/4" |
| | 19H3244 | CAP SCREW | 2 | 264434- | (C) 5/8" X 2-1/4", HS, SAE 8 |
| | 19H3208 | CAP SCREW | 2 | 264434- | (C) 5/8" X 3", HS, SAE 8 |
| 25 | AR32531 | CENTER LINK END | 1 | | (4000 SERIES) |
| | AR32531 | CENTER LINK END | 1 | -250000 | |
| | AR50643 | CENTER LINK END | 1 | 250001- | |
| 26 | R47524 | LINK BODY | 1 | -250000 | (ALSO ORDER R53762) (SUB FOR R26811) |
| | R47067 | LINK BODY | 1 | 250001- | |
| | R47887 | LINK BODY | 1 | 250001-264433 | (C) (SUB R51524, R51525, (2) 19H3244 AND (2) 19H3208) |
| | R51524 | LINK BODY | 1 | 264434- | (C) |
| .. | | BALL | 1 | | (A) (ORDER F2680R, R58262 AND 11M7040) (INNER DIAMETER, 49/64") |

(A) CATEGORY I

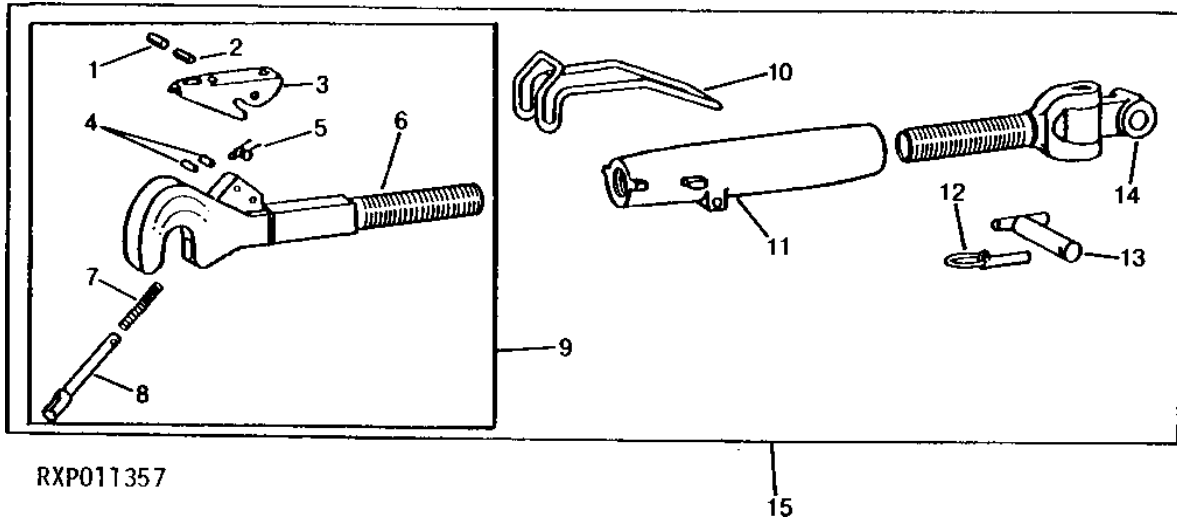
(B) CATEGORY II

(C) 18.4-38, 20.8-34 OR 23.1-30 TIRES

4D22

HYDRAULICS

CENTER LINK KIT (ROW-CROP AND STANDARD)
 (TRACTOR SERIAL NO. 4000 001000- ;4020 001000-250000)
 RXP011357 -UN-12OCT94



| KEY | PART NO. | PART NAME | QTY | TRACTOR SERIAL NO. | REMARKS |
|-----|----------|-----------------|-----|--------------------|---------|
| 1 | R56506 | SPRING PIN | 1 | | |
| 2 | R56505 | SPRING PIN | 1 | | |
| 3 | F2824R | HANDLE | 1 | | |
| 4 | 34H283 | SPRING PIN | 2 | 3/16" X 1-1/8" | |
| 5 | F2823R | SPRING | 1 | | |
| 6 | R26813 | HOOK | 1 | | |
| 7 | F2822R | SPRING | 1 | | |
| 8 | R53196 | LATCH | 1 | | |
| 9 | AR46298 | HOOK | 1 | | |
| 10 | R42495 | HANDLE | 1 | | |
| 11 | R47524 | LINK BODY | 1 | | |
| 12 | AR62151 | QUICK LOCK PIN | 1 | (SUB M115827) | |
| 13 | AR67880 | PIN | 1 | | |
| 14 | AR32531 | CENTER LINK END | 1 | | |
| 15 | AR34208 | LINK | 1 | | |

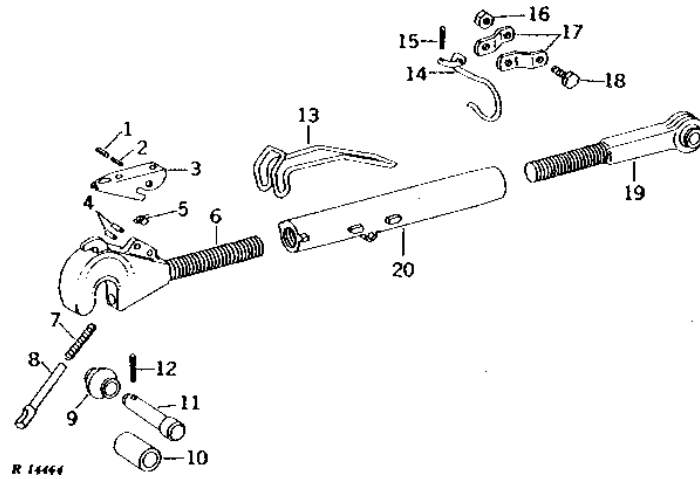
4D23

HYDRAULICS

HITCH CENTER LINK

(HI-CROP)

R14464 -UN-01JAN94



| KEY | PART NO. | PART NAME | QTY | TRACTOR SERIAL NO. | REMARKS |
|-----|----------|------------|-----|--------------------|---|
| 1 | R56506 | SPRING PIN | 1 | | |
| 2 | 34H252 | SPRING PIN | 1 | | 1/8" X 1-1/4", (SUB FOR R56505) |
| 3 | F2824R | HANDLE | 1 | | |
| 4 | 34H283 | SPRING PIN | 2 | | 3/16" X 1-1/8" |
| 5 | F2823R | SPRING | 1 | | |
| 6 | F2820R | HOOK | 1 | | |
| 7 | F2822R | SPRING | 1 | | |
| 8 | R53196 | LATCH | 1 | | (SUB FOR F2821R) |
| 9 | F2680R | BALL STUD | 1 | | (A) |
| | F2681R | BALL | 1 | | (B) |
| 10 | 28H1753 | BUSHING | 1 | | (B) |
| 11 | R58262 | PIN | 1 | | (A) (SUB FOR R28061 OR R44917) |
| | R53296 | PIN | 1 | | (B) (SUB FOR F2683R OR R44918) |
| 12 | 11M7040 | COTTER PIN | 1 | | 6.300 X 50 MM |
| 13 | R42495 | HANDLE | 1 | | |
| 14 | R32119 | HOOK | 1 | -250000 | (SUB R53762) |
| | R53762 | HOOK | 1 | 250001- | (SUB FOR R47072) |
| 15 | 11M7059 | COTTER PIN | 1 | | 3.200 X 20 MM |
| 16 | 14H785 | NUT | 2 | | 5/16" |
| 17 | R40633 | BRACKET | 2 | | |
| 18 | 19H1901 | CAP SCREW | 1 | | 5/16" X 2" |
| 19 | AT11685 | END | 1 | | (NLA) |
| 20 | T12552 | LINK BODY | 1 | | |
| .. | AF2710R | BALL | 1 | | (INNER DIAMETER, 49/64") (SUB F2680R, R58262, (2) R66432, (2) R66433 AND 11M7040) |
| .. | AF2711R | BALL | 1 | | (INNER DIAMETER, 1-1/64") (CONSISTS OF F2681R, R53296, 28H1753 AND 11M7040) |

(A) CATEGORY I

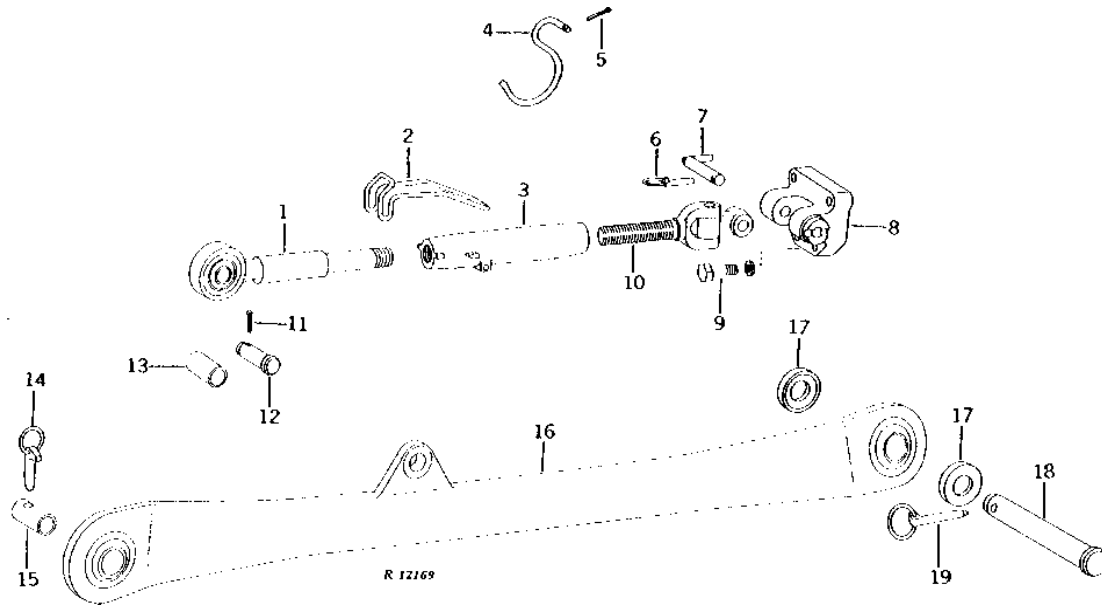
(B) CATEGORY II

4D24

HYDRAULICS

HITCH DRAFT LINKS AND CENTER LINK (NON-TELESCOPING HITCH)

R12169 -UN-01JAN94



| KEY | PART NO. | PART NAME | QTY | TRACTOR SERIAL NO. | REMARKS |
|-----|----------|-----------------|-----|--------------------|--------------------------------|
| 1 | AT11684 | END | 1 | | REAR (NLA) |
| 2 | R42495 | HANDLE | 1 | | |
| 3 | R32429 | LINK BODY | 1 | | (NLA) |
| 4 | R32119 | HOOK | 1 | -250000 | (SUB R53762) |
| | R53762 | HOOK | 1 | 250001- | (SUB FOR R47072) |
| 5 | 11M7059 | COTTER PIN | 1 | | 3.200 X 20 MM |
| 6 | AR62151 | QUICK LOCK PIN | 1 | | (SUB FOR B11182) (SUB M115827) |
| 7 | AR39681 | PIN | 1 | | (SUB AR67880) |
| 8 | R39759 | BRACKET | 1 | | |
| 9 | 19H1824 | CAP SCREW | 4 | | 5/8" X 2-1/4" |
| | 12H294 | LOCK WASHER | 4 | | 5/8" |
| 10 | AR32531 | CENTER LINK END | 1 | | |
| 11 | 11M7040 | COTTER PIN | 1 | | 6.300 X 50 MM |
| 12 | R53296 | PIN | 1 | | (B) (SUB FOR F2863R OR R44918) |
| | R58262 | PIN | 1 | | (A) (SUB FOR R28061 OR R44917) |
| 13 | T12553 | BUSHING | 1 | | (A) |
| 14 | AR62149 | QUICK LOCK PIN | 2 | | (SUB FOR DA5883A) |
| 15 | R66432 | BUSHING | 2 | | (A) (SUB FOR F2684R) |
| | R66433 | BUSHING | 2 | | (B) (SUB FOR F2685R) |
| 16 | AR31485 | DRAFT LINK | 1 | | R.H. (NLA) |
| | AR31486 | DRAFT LINK | 1 | | L.H. (NLA) |
| 17 | R26608 | WASHER | 4 | | |
| 18 | R42452 | PIN | 2 | | (SUB AR60372 AND R53558) |
| 19 | AR62151 | QUICK LOCK PIN | 2 | | (SUB FOR B11182) (SUB M115827) |

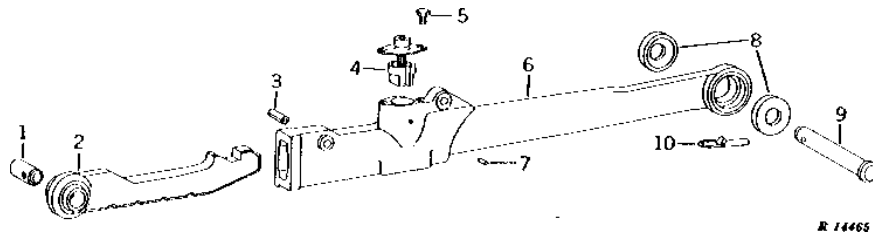
(A) CATEGORY I

(B) CATEGORY II

4D25

HYDRAULICS

**HITCH DRAFT LINKS
(ROW-CROP AND STANDARD)**
R14465 -UN-01JAN94



| KEY | PART NO. | PART NAME | QTY | TRACTOR SERIAL NO. | REMARKS |
|-----|----------|----------------|-----|--------------------|---------------------------------------|
| 1 | R66432 | BUSHING | 2 | | CATEGORY I, (SUB FOR F2684R) |
| | R66433 | BUSHING | 2 | | CATEGORY II, (SUB FOR F2685R) |
| 2 | AR26554 | DRAFT LINK END | 1 | | L.H. (MARKED R26907) (SUB RE44094) |
| | AR26555 | DRAFT LINK END | 1 | | R.H. (MARKED R26911) (SUB RE44093) |
| 3 | 34H371 | SPRING PIN | 2 | | 1/2" X 2" |
| 4 | AR69317 | LATCH | 2 | -XXXXXX | (SUB FOR AR30288) (SUB AR90082) |
| | AR90082 | LOCK | 2 | XXXXXX- | |
| 5 | 19H1227 | CAP SCREW | 4 | | 1/4" X 1/2" |
| | 12H302 | LOCK WASHER | 4 | | 1/4" |
| 6 | AR65381 | LINK BODY | 1 | | R.H. (SUB FOR AR26944) |
| | AR80666 | DRAG LINK | 1 | 250001- | (A) R.H. (SUB FOR AR50955 OR AR65383) |
| | AR65382 | LINK BODY | 1 | | L.H. (SUB FOR AR26945) (NLA) |
| | AR80667 | DRAG LINK | 1 | 250001- | (A) L.H. (SUB FOR AR50956 OR AR65384) |
| 7 | B2641R | DOWEL PIN | 2 | | |
| 8 | R26608 | WASHER | 4 | | |
| 9 | R42452 | PIN | 2 | | (SUB AR60372 AND R53558) |
| 10 | AR62151 | QUICK LOCK PIN | 2 | | (SUB FOR B11182) (SUB M115827) |
| .. | AF3147R | BAR | 1 | | IMPLEMENT HITCH |

(A) 18.4-38, 20.8-34 OR 23.1-30 TIRES

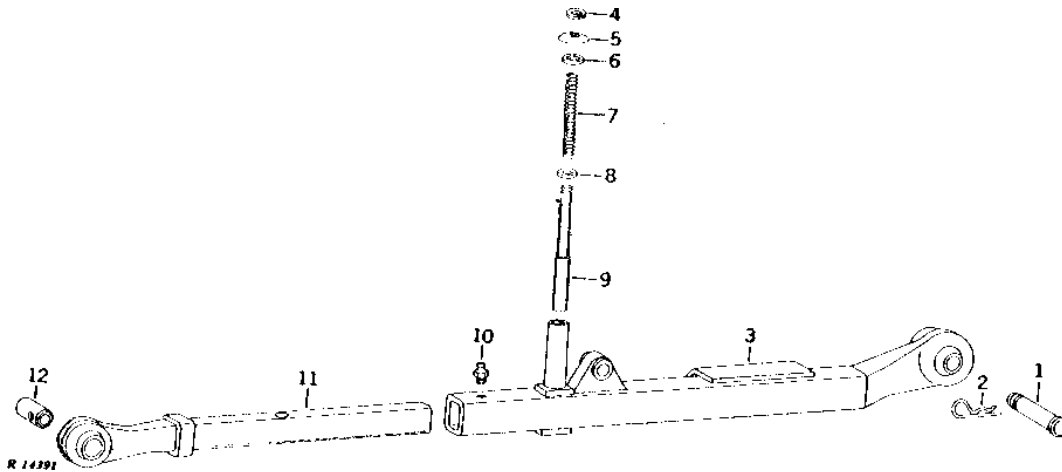
4E1

HYDRAULICS

DRAFT LINKS

(4000 SERIES)

R14391 -UN-01JAN94



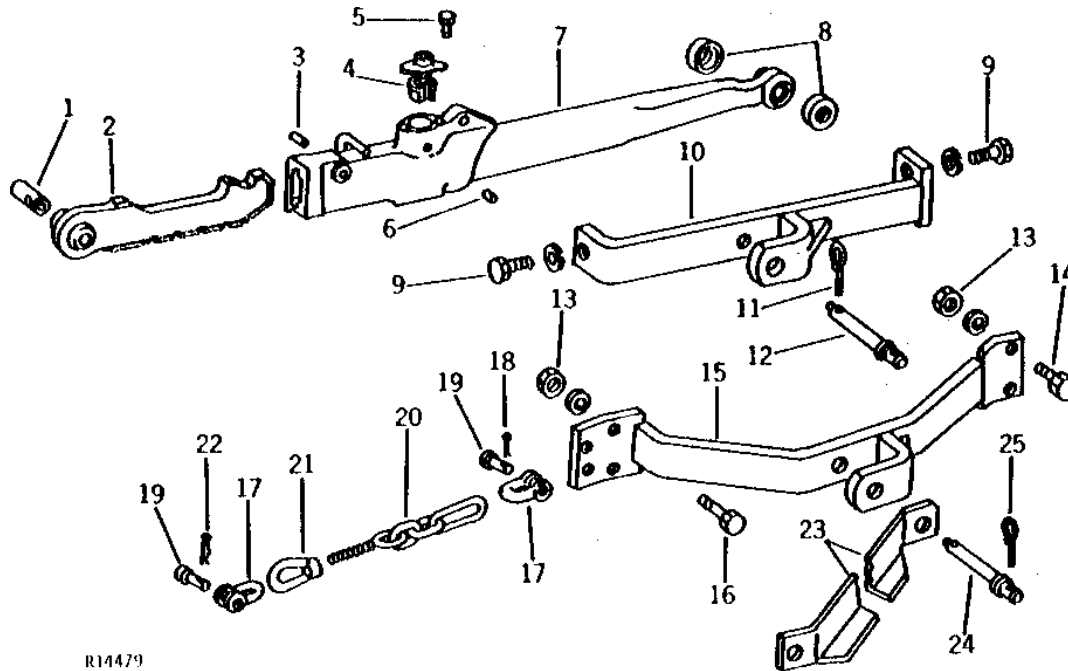
| KEY | PART NO. | PART NAME | QTY | TRACTOR SERIAL NO. | REMARKS |
|-----|----------|---------------------|-----|--------------------------------|---------|
| 1 | R42452 | PIN | 2 | (SUB AR60372 AND R53558) | |
| 2 | AR62151 | QUICK LOCK PIN | 2 | (SUB FOR B11182) (SUB M115827) | |
| 3 | AR47892 | TUBE | 1 | R.H. (NLA) | |
| | AR47893 | TUBE | 1 | L.H. (NLA) | |
| 4 | F2208R | SNAP RING | 2 | | |
| 5 | B2477R | WASHER | 2 | | |
| 6 | F2694R | WASHER | 2 | (NLA) | |
| 7 | F2695R | SPRING | 2 | | |
| 8 | 24H1111 | WASHER | 2 | | |
| 9 | F2693R | PIN | 2 | | |
| 10 | JD7759 | LUBRICATION FITTING | 1 | 1/8" | |
| 11 | AR28570 | BAR | 2 | | |
| 12 | R66432 | BUSHING | 2 | CATEGORY I, (SUB FOR F2684R) | |
| | R66433 | BUSHING | 2 | CATEGORY II, (SUB FOR F2685R) | |

4E2

HYDRAULICS

HITCH DRAFT LINKS AND SUPPORTS (HI-CROP)

R14479 -UN-01JAN94



R14479

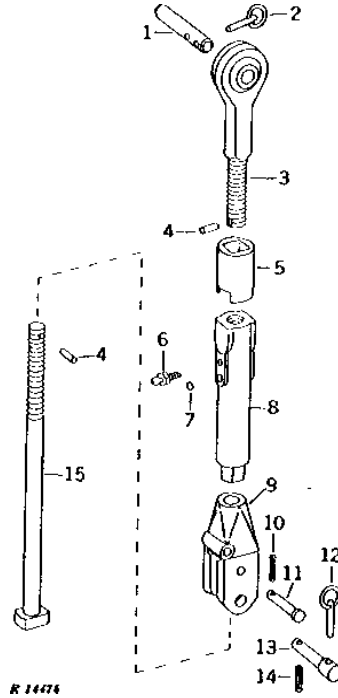
| KEY | PART NO. | PART NAME | QTY | TRACTOR SERIAL NO. | REMARKS |
|-----|----------|--------------------|-----|--------------------|---|
| 1 | R66432 | BUSHING | 2 | | CATEGORY I, (SUB FOR F2684R) |
| | R66433 | BUSHING | 2 | | CATEGORY II, (SUB FOR F2685R) |
| 2 | AR27645 | DRAFT LINK END | 1 | | R.H. (MARKED R28255) |
| | AR27646 | DRAFT LINK END | 1 | | R.H. (MARKED R28256) |
| 3 | 34H371 | SPRING PIN | 2 | | 1/2" X 2" |
| 4 | AR69317 | LATCH | 2 | -XXXXXX | (SUB FOR AR30288) (SUB AR90082) |
| | AR90082 | LOCK | 2 | XXXXXX- | |
| 5 | 19H1227 | CAP SCREW | 4 | | 1/4" X 1/2" |
| 6 | B2641R | DOWEL PIN | 2 | | |
| 7 | AR69315 | LINK BODY | 1 | | R.H. (SUB FOR AR27649) (NLA) |
| | AR69316 | LINK BODY | 1 | | L.H. (SUB FOR AR27650) (NLA) |
| 8 | R26608 | WASHER | 4 | | |
| 9 | 19H2589 | CAP SCREW | 6 | | 3/4" X 1-7/8" |
| | 12H236 | LOCK WASHER | 6 | | 3/4" |
| 10 | AR33952 | SUPPORT | 2 | | (WITH HITCH FOR WIDE CLEARANCE IMPLEMENTS) (NLA) |
| 11 | AR62151 | QUICK LOCK PIN | 1 | | (SUB FOR B11182) (SUB M115827) |
| 12 | R26609 | PIN | 2 | | |
| 13 | 14H794 | NUT | 8 | | 3/4" |
| | 12H236 | LOCK WASHER | 8 | | 3/4" |
| 14 | 19H1782 | CAP SCREW | 4 | | 3/4" X 2-1/4" |
| 15 | AR33954 | SUPPORT | 1 | | (A) R.H. (NLA) |
| | AR33955 | SUPPORT | 1 | | (A) L.H. (NLA) |
| 16 | 19H1715 | CAP SCREW | 4 | | 3/4" X 3" |
| 17 | 31603 | CLEVIS | 4 | | (NLA) |
| 18 | 11M7084 | COTTER PIN | 2 | | 5 X 25 MM |
| 19 | RV695A | PIN | 4 | | (SUB FOR DA4560A) |
| 20 | AR27790 | LINK CHAIN | 2 | | (NLA) |
| 21 | R21342 | NUT | 2 | | |
| 22 | A3581R | SPRING LOCKING PIN | 2 | | |
| 23 | R28272 | BRACE | 2 | | (NLA) |
| 24 | R28271 | PIN | 2 | | (NLA) |
| 25 | AR62151 | QUICK LOCK PIN | 2 | | (SUB FOR B11182) (SUB M115827) |
| .. | AF3147R | BAR | 1 | | IMPLEMENT HITCH |

(A) HITCH FOR MODIFIED CATEGORY I OR II IMPLEMENTS

4E3

HYDRAULICS

HITCH LEFT-HAND LIFT LINK
R14476 -UN-01JAN94



| KEY | PART NO. | PART NAME | QTY | TRACTOR SERIAL NO. | REMARKS |
|-----|----------|---------------------|-----|---|---|
| 1 | R58260 | PIN | 1 | (SUB FOR R41544) | |
| | RE13194 | PIN | 2 | (A) (SUB R79917) | |
| 2 | AR83396 | QUICK LOCK PIN | 1 | (SUB FOR AR26556 OR AR62152) (SUB R69166 AND 11M7059, THIS APPLICATION) | |
| 3 | AR44568 | END | 1 | UPPER | |
| 4 | 34H282 | SPRING PIN | 2 | 3/16" X 1" | |
| 5 | R41543 | LOCK | 1 | L.H. | |
| 6 | JD7759 | LUBRICATION FITTING | 1 | | |
| 7 | 30H6 | PLUG | 2 | 9/16" | |
| 8 | R41532 | LINK BODY | 1 | UPPER | |
| 9 | R56931 | YOKE | 1 | (SUB FOR R41303) (SUB R109981) | |
| 10 | 11M7021 | COTTER PIN | 1 | 0.157" X 0.984" | |
| 11 | T16068 | PIN | 1 | | |
| 12 | AR62149 | QUICK LOCK PIN | 1 | (SUB FOR DA5883A) | |
| 13 | R54170 | PIN | 1 | (SUB FOR R26618) | |
| 14 | 11M7030 | COTTER PIN | 1 | 0.197" X 1.575" | |
| 15 | R41528 | LIFT LINK | 1 | (B) | |
| | R47888 | LIFT LINK | 1 | 250001- | (B) (WITH 18.4-38, 20.8-34, OR 23.1-30 TIRES) |
| | R41545 | LIFT LINK | 1 | | (A) (NLA) |

(A) HI-CROP

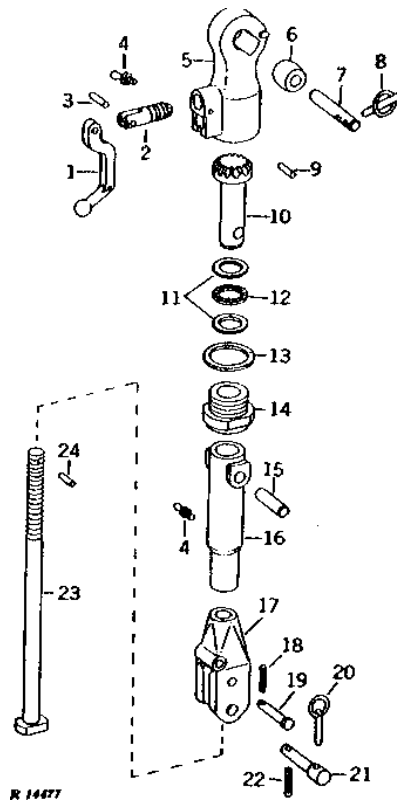
(B) ROW-CROP AND STANDARD

MEMORANDA

4E4

HYDRAULICS

HITCH RIGHT-HAND LIFT LINK
R14477 -UN-01JAN94



4E5

HYDRAULICS

HITCH RIGHT-HAND LIFT LINK - CONTINUED

| KEY | PART NO. | PART NAME | QTY | TRACTOR SERIAL NO. | REMARKS |
|-----|----------|---------------------|-----|--|--|
| 1 | R41538 | CRANK | 1 | (NLA) | |
| 2 | R41537 | PINION | 1 | (NLA) | |
| 3 | 34H297 | SPRING PIN | 1 | 7/32" X 1" | |
| 4 | JD7797 | LUBRICATION FITTING | 2 | (NLA) | |
| 5 | R41533 | HOUSING | 1 | | |
| 6 | R41541 | BALL | 1 | | |
| 7 | R58260 | PIN | 1 | (SUB FOR R41544) | |
| 8 | AR83396 | QUICK LOCK PIN | 1 | (SUB FOR AR26556 OR AR62152) (SUB R69166 AND 11M7059, THIS APPLICATION) | |
| 9 | 34H316 | SPRING PIN | 1 | 1/4" X 1-1/2" | |
| 10 | R41536 | PINION SHAFT | 1 | (NLA) | |
| 11 | JD9849 | THRUST BEARING | 2 | | |
| 12 | JD9848 | THRUST BEARING | 1 | | |
| 13 | R41535 | WASHER | 1 | (NLA) | |
| 14 | R41534 | BUSHING | 1 | (NLA) | |
| 15 | R41539 | DOWEL PIN | 1 | (NLA) | |
| 16 | R41531 | LINK BODY | 1 | UPPER (NLA) | |
| 17 | R56931 | YOKE | 1 | (SUB FOR R41303) | |
| 18 | 11M7021 | COTTER PIN | 1 | 0.157" X 0.984" | |
| 19 | T16068 | PIN | 1 | | |
| 20 | AR62149 | QUICK LOCK PIN | 1 | (SUB FOR DA5883A) | |
| 21 | R54170 | PIN | 1 | (SUB FOR R26618) | |
| 22 | 11M7030 | COTTER PIN | 1 | 0.197" X 1.575" | |
| 23 | R41528 | LIFT LINK | 1 | (A) | |
| | R47888 | LIFT LINK | 1 | 250001- | (A) 18.4-38, 20.8-34 OR 23.1-30 TIRES) |
| | R41545 | LIFT LINK | 1 | | (B) |
| 24 | 34H282 | SPRING PIN | 1 | | 3/16" X 1" |

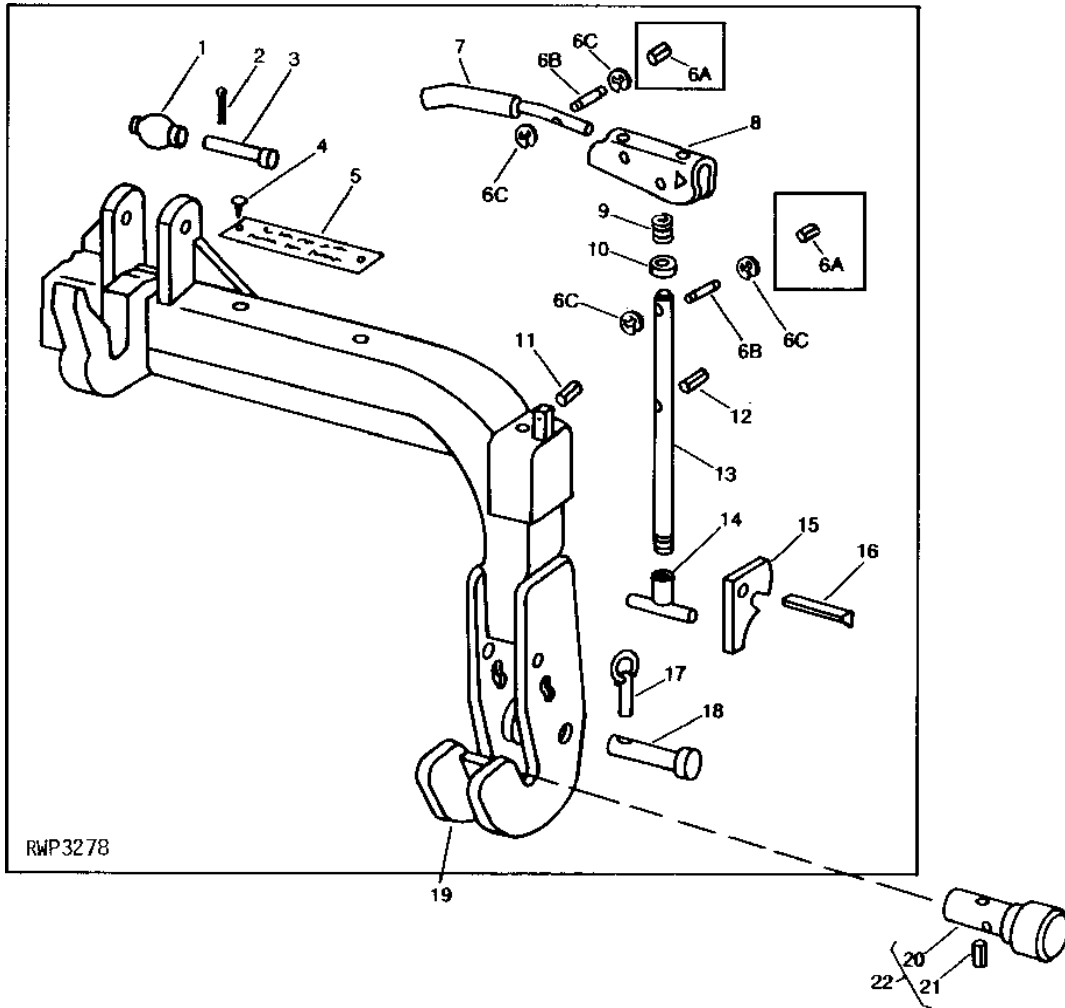
(A) ROW-CROP AND STANDARD

(B) HI-CROP

4E6

HYDRAULICS

REGULAR-DUTY IMPLEMENT QUICK COUPLER
RWP3278 -UN-06OCT94



4E7

HYDRAULICS

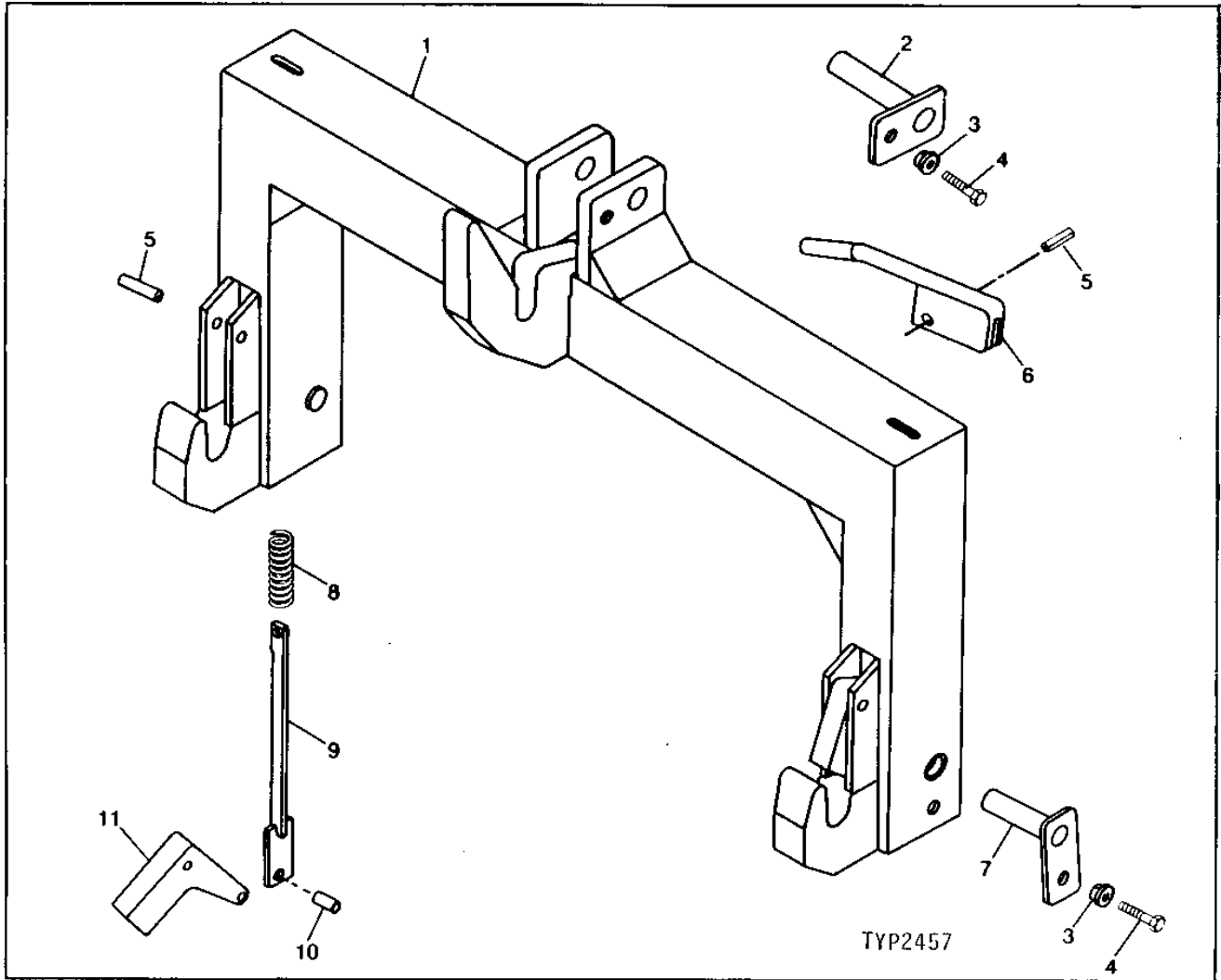
REGULAR-DUTY IMPLEMENT QUICK COUPLER - CONTINUED

| KEY | PART NO. | PART NAME | QTY | TRACTOR SERIAL NO. | REMARKS |
|-----|----------|----------------|-----|-----------------------|--|
| 1 | F2681R | BALL | 1 | | |
| 2 | 11M7040 | COTTER PIN | 1 | | 6.300 X 50 MM |
| 3 | R53296 | PIN | 1 | | (SUB FOR R44918) |
| 4 | R55427 | RIVET | 2 | | (SUB R125955) |
| 5 | R83535 | LABEL | 1 | | (SUB FOR R56039) (NLA) |
| 6A | 34H311 | SPRING PIN | 2 | -XXXXXX | 1/4" X 7/8" |
| 6B | R66901 | SPRING PIN | 2 | XXXXXX- | |
| 6C | R27507 | SNAP RING | 2 | XXXXXX- | |
| 7 | R48163 | HANDLE | 2 | | |
| 8 | R48164 | LEVER | 2 | | |
| 9 | R43444 | SPRING | 2 | | |
| 10 | R46890 | SLEEVE | 2 | | |
| 11 | 34H311 | SPRING PIN | 2 | | 1/4" X 7/8", (SUB R66901 AND (2) R27507) |
| 12 | 34H277 | SPRING PIN | 2 | | 3/16" X 5/8" |
| 13 | R46889 | STUD | 2 | | |
| 14 | AR49206 | PIN | 2 | | |
| 15 | R46893 | LATCH | 2 | | |
| 16 | 34H373 | SPRING PIN | 2 | | 1/2" X 2-1/2" |
| 17 | AR62151 | QUICK LOCK PIN | 2 | | (SUB FOR B11182) (SUB M115827) |
| 18 | R58268 | PIN | 2 | | (SUB FOR R27997) |
| 19 | AR49202 | QUICK COUPLER | 1 | | (SUB TY16042) |
| 20 | R27998 | HALF SLEEVE | 2 | | |
| 21 | R27999 | SPRING PIN | 2 | | |
| 22 | AR27093 | ADAPTER | 1 | | |

4E8

HYDRAULICS

3-POINT HITCH QUICK COUPLER
TYP2457 -UN-01JAN94



4E9

HYDRAULICS

3-POINT HITCH QUICK COUPLER - CONTINUED

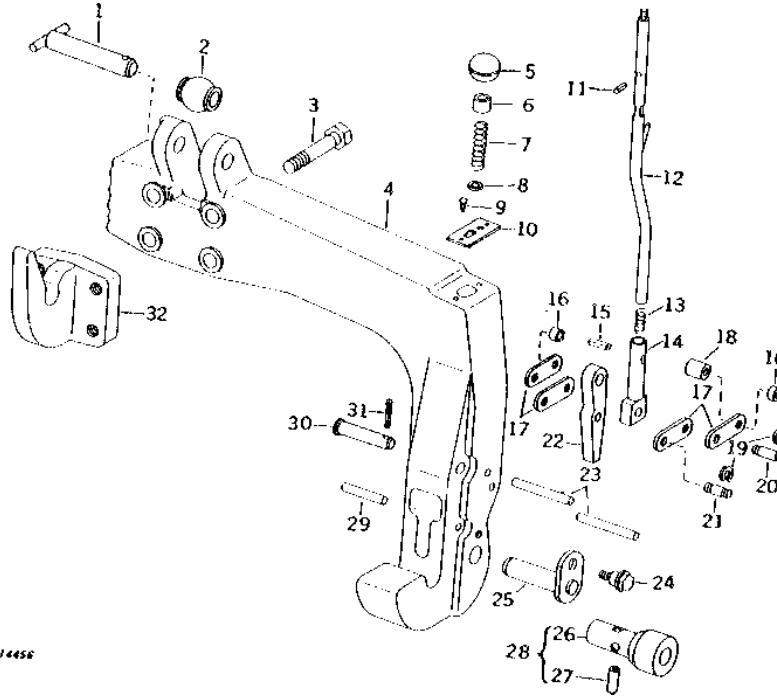
| KEY | PART NO. | PART NAME | QTY | SERIAL NO. OR YEAR | REMARKS |
|-----|----------|------------|-----|-----------------------|---------------------------------|
| 1 | | FRAME | 1 | | (ORDER TY16042) |
| 2 | PT9287 | PIN | 1 | | |
| 3 | PT9290 | BUSHING | 3 | | |
| 4 | 19H2632 | CAP SCREW | 3 | 1/2" X 1-1/8" | |
| 5 | 34H371 | SPRING PIN | 4 | 1/2" X 2" | |
| 6 | PT9281 | HANDLE | 2 | | |
| 7 | PT9286 | PIN | 2 | | |
| 8 | PT9284 | SPRING | 2 | | |
| 9 | PT9283 | BAR | 2 | | |
| 10 | 34H327 | SPRING PIN | 2 | 5/16" X 1" | |
| 11 | PT9282 | LUG | 2 | | |
| 12 | TY16042 | HITCH | 1 | | (CATEGORY II) (SUB FOR TY15269) |
| .. | PT9292 | DECAL KIT | 1 | | |

MEMORANDA

4E10

HYDRAULICS

HEAVY-DUTY IMPEMENT QUICK COUPLER
R14456 -UN-01JAN94

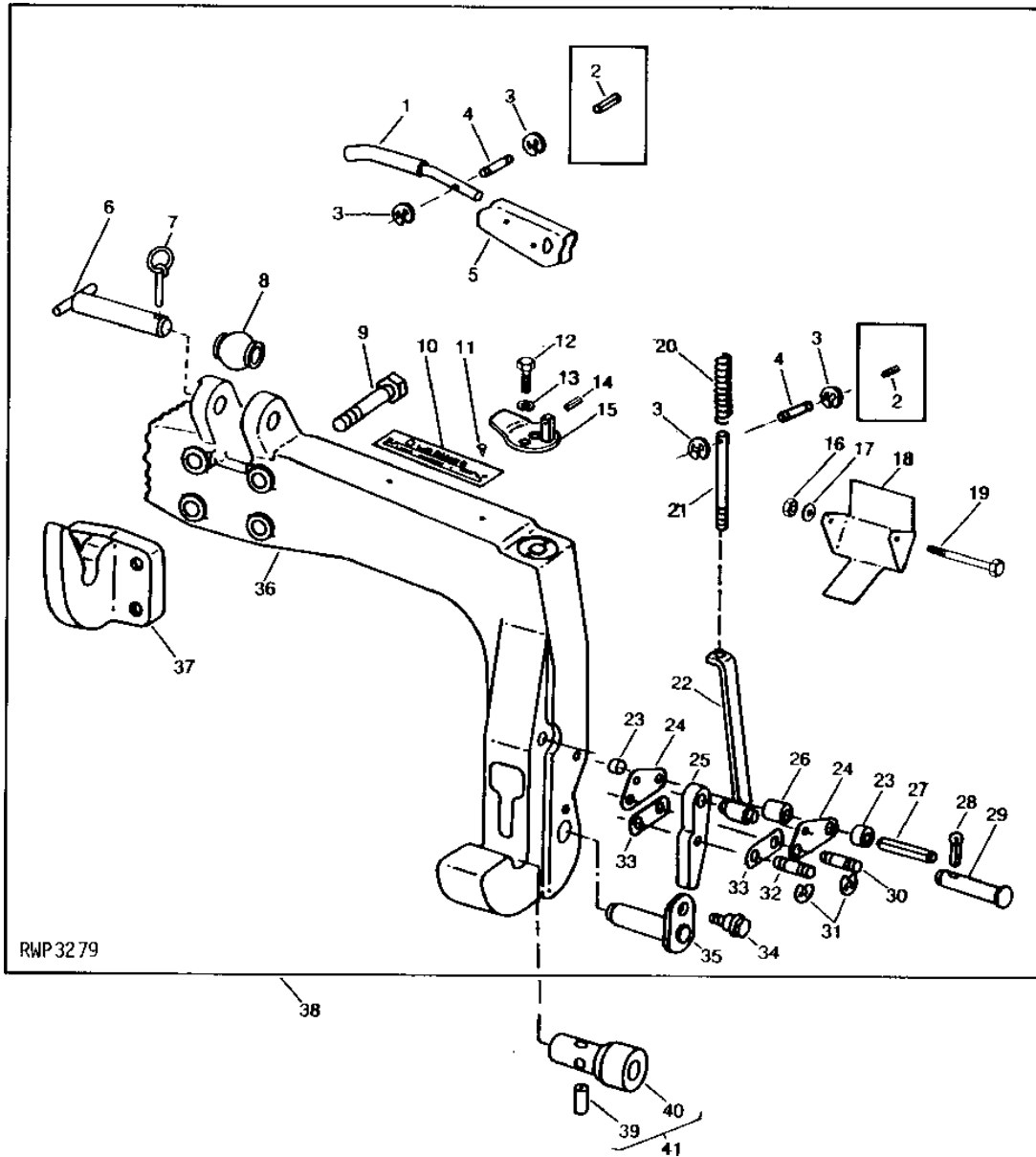


| KEY | PART NO. | PART NAME | QTY | TRACTOR SERIAL NO. | REMARKS |
|-----|----------|-------------|-----|--------------------|---|
| 1 | AR67881 | PIN | 1 | | (SUB FOR AR39784) |
| 2 | F2681R | BALL | 1 | | |
| 3 | 19H2026 | CAP SCREW | 4 | | 3/4" X 4" |
| 4 | | FRAME | 1 | | (ORDER TY16042) |
| 5 | R60458 | KNOB | 2 | | (SUB FOR F2861R) |
| 6 | R39814 | SLEEVE | 2 | | |
| 7 | M60409 | SPRING | 2 | | |
| 8 | 24H1658 | WASHER | 2 | | 21/32" X 1" X 0.060" |
| 9 | 37H71 | SCREW | 4 | | NO. 12 X 5/8" |
| 10 | R39815 | BRACKET | 2 | | |
| 11 | 34H279 | SPRING PIN | 2 | | 3/16" X 13/16" |
| 12 | AR40194 | ROD | 1 | | R.H. (NLA) |
| | AR39786 | ROD | 1 | | L.H. (NLA) |
| 13 | B3686R | SPRING | 2 | | |
| 14 | AR41933 | END | 2 | | (NLA) |
| 15 | 34H282 | SPRING PIN | 2 | | 3/16" X 1" |
| 16 | F2206R | WASHER | 4 | | |
| 17 | R65242 | STRAP | 8 | | (SUB FOR R36439 OR R47590) |
| 18 | 28H1919 | BUSHING | 2 | | 1/2" X 15/16" |
| 19 | F2208R | SNAP RING | 8 | | |
| 20 | R119275 | PIN | 2 | | (SUB FOR R36613 OR R47679) |
| 21 | R119276 | PIN | 2 | | (SUB FOR R36440 OR R47678) |
| 22 | R40424 | LATCH | 2 | | |
| 23 | 34H377 | SPRING PIN | 4 | | 1/2" X 3-1/2" |
| 24 | AR40865 | CAP SCREW | 2 | | (SUB AR74673) (USE WITH PIN WITH 1/4" THICK HANDLE) |
| | AR74673 | CAP SCREW | 2 | | (SUB FOR AR48110) (USE WITH PIN WITH 3/8" THICK HANDLE) |
| | | | | | (ALSO ORDER AR74673) (SUB FOR AR39783) |
| 25 | AR48111 | PIN | 2 | | |
| 26 | R27998 | HALF SLEEVE | 2 | | |
| 27 | R27999 | SPRING PIN | 2 | | |
| 28 | AR27093 | ADAPTER | 1 | | |
| 29 | 34H373 | SPRING PIN | 2 | | 1/2" X 2-1/2" |
| 30 | R63736 | PIN | 2 | | (SUB FOR R40425) |
| 31 | 11M7087 | COTTER PIN | 2 | | 0.157" X 1.575" |
| 32 | R41861 | HOOK | 1 | | (SUB R59478) |
| .. | AR39781 | KIT | 1 | | COMPLETE, (SUB TY16042) |

4E11

HYDRAULICS

HEAVY-DUTY IMPLEMENT QUICK COUPLER
(TRACTOR SERIAL NO 150001-)
RWP3279 -UN-06OCT94



RWP 3279

4E12

HYDRAULICS

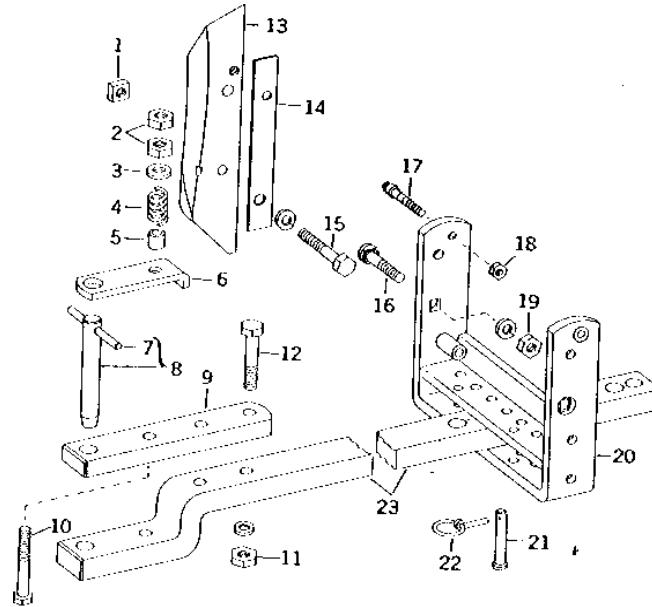
HEAVY-DUTY IMPLEMENT QUICK COUPLER - CONTINUED
(TRACTOR SERIAL NO. 150001-)

| KEY | PART NO. | PART NAME | QTY | TRACTOR SERIAL NO. | REMARKS |
|-----|----------|----------------|-----|--------------------|-------------------------------------|
| 1 | R48163 | HANDLE | 2 | | |
| 2 | 34H311 | SPRING PIN | 4 | -XXXXXX | 1/4" X 7/8" |
| 3 | R72654 | SNAP RING | 8 | XXXXXX- | (SUB FOR R27507) |
| 4 | R66901 | SPRING PIN | 4 | XXXXXX- | |
| 5 | R48164 | LEVER | 2 | | |
| 6 | AR67881 | PIN | 1 | | (SUB FOR AR51867) |
| 7 | AR62151 | QUICK LOCK PIN | 1 | | (SUB FOR B11182) (SUB M115827) |
| 8 | F2681R | BALL | 1 | | |
| 9 | 19H2026 | CAP SCREW | 4 | | 3/4" X 4" |
| 10 | R122428 | LABEL | 1 | | (SUB FOR R56038, R83531 OR R120103) |
| 11 | 37H44 | SCREW | 2 | | 0.151" X 3/8" |
| 12 | 19H1731 | CAP SCREW | 4 | | 3/8" X 1" |
| 13 | 12H304 | LOCK WASHER | 4 | | 3/8" |
| 14 | 34H311 | SPRING PIN | 4 | | 1/4" X 7/8" |
| 15 | AR50374 | BRACKET | 2 | | |
| 16 | 14H786 | NUT | 2 | | 1/4" |
| 17 | 12H302 | LOCK WASHER | 2 | | 1/4" |
| 18 | R53295 | SHIELD | 2 | | |
| 19 | 19H2338 | CAP SCREW | 2 | | 1/4" X 4-1/2" |
| 20 | R43444 | SPRING | 2 | | |
| 21 | R47578 | STUD | 2 | | |
| 22 | AR50372 | BAR | 1 | | R.H. |
| | AR50373 | BAR | 1 | | L.H. |
| 23 | F2206R | WASHER | 4 | | |
| 24 | R65243 | LINK | 4 | | (SUB FOR R47581 OR R58203) |
| 25 | R40424 | LATCH | 2 | | |
| 26 | 28H1919 | BUSHING | 2 | | 1/2" X 15/16" |
| 27 | 34H377 | SPRING PIN | 2 | | 1/2" X 3-1/2" |
| 28 | 11M7087 | COTTER PIN | 2 | | 0.157" X 1.575" |
| 29 | R63736 | PIN | 2 | | (SUB FOR R40425) |
| 30 | R119275 | PIN | 2 | | (SUB FOR R47679) |
| 31 | F2208R | SNAP RING | 8 | | |
| 32 | R119276 | PIN | 2 | | (SUB FOR R47678) |
| 33 | R65242 | STRAP | 4 | | (SUB FOR R47590) |
| 34 | AR74673 | CAP SCREW | 2 | | (SUB FOR AR48110) |
| 35 | AR48111 | PIN | 2 | | |
| 36 | R47577 | FRAME | 1 | | |
| 37 | R41861 | HOOK | 1 | | (SUB R59478) |
| 38 | AR50368 | QUICK COUPLER | 1 | | (SUB TY16042) |
| 39 | R27999 | SPRING PIN | 2 | | |
| 40 | R27998 | HALF SLEEVE | 2 | | |
| 41 | AR27093 | ADAPTER | 1 | | |

4E13

HYDRAULICS

**REGULAR DRAWBAR
(ROW-CROP AND STANDARD)**
R14475 -UN-01JAN94



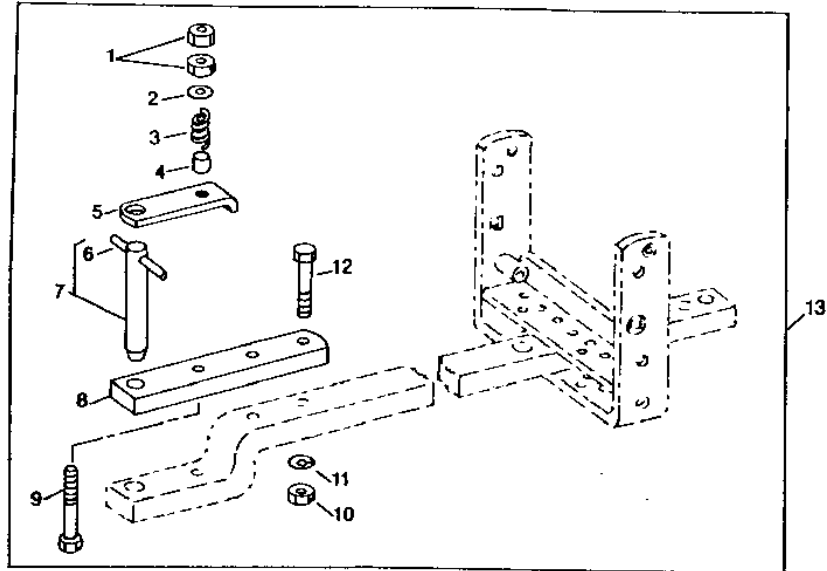
R 14475

| KEY | PART NO. | PART NAME | QTY | TRACTOR SERIAL NO. | REMARKS |
|-----|----------|----------------|-----|--|---------|
| 1 | 14H893 | NUT | 2 | 5/8" | |
| 2 | 14H1039 | NUT | 2 | 5/8" | |
| 3 | 24H1372 | WASHER | 1 | 21/32" X 1-1/2" X 0.060" | |
| 4 | F3541R | SPRING | 1 | | |
| 5 | F3542R | BUSHING | 1 | | |
| 6 | F3539R | RETAINER | 1 | | |
| 7 | 34H363 | SPRING PIN | 1 | 3/8" X 4" | |
| 8 | AR26462 | PIN | 1 | | |
| 9 | R26584 | STRAP | 1 | | |
| 10 | 19H2124 | CAP SCREW | 1 | 5/8" X 4-1/4" | |
| 11 | 24H1625 | WASHER | 2 | 17/32" X 1" X 0.120" | |
| | 12H236 | LOCK WASHER | 2 | 3/4" | |
| 12 | 19H3027 | CAP SCREW | 2 | 3/4" X 3-1/2", HS, SAE 8 | |
| 13 | R39512 | SWAY BLOCK | 1 | R.H. | |
| | R39513 | SWAY BLOCK | 1 | L.H. | |
| 14 | R65527 | WASHER | 2 | (SUB FOR R34505) | |
| 15 | 19H2233 | CAP SCREW | 2 | 5/8" X 3-1/2" | |
| | 12H294 | LOCK WASHER | 2 | 5/8" | |
| 16 | R101202 | BOLT | 2 | 5/8" X 3 1/4", (SUB FOR R49106) | |
| 17 | R42440 | CAP SCREW | 2 | | |
| 18 | 14H1040 | NUT | 2 | 1/2" | |
| 19 | 14H1039 | NUT | 2 | 5/8" | |
| | 12H294 | LOCK WASHER | 2 | 5/8" | |
| 20 | AR33911 | SUPPORT | 1 | | |
| 21 | R33831 | PIN | 2 | (SUB R61967 AND A15146) | |
| 22 | AR62151 | QUICK LOCK PIN | 2 | (SUB FOR B11182) (SUB M115827) | |
| 23 | R34448 | DRAWBAR | 1 | (SUB RE20663) | |
| | R80842 | DRAWBAR | 1 | (HEAVY-DUTY) (NOT DRILLED FOR STRAP) | |
| .. | AR46810 | KIT | 1 | (FOR CONVERTING REGULAR TO WIDE SWING) | |

4E14

HYDRAULICS

DRAWBAR CLEVIS PIN KIT
RWP1907 -UN-06OCT94



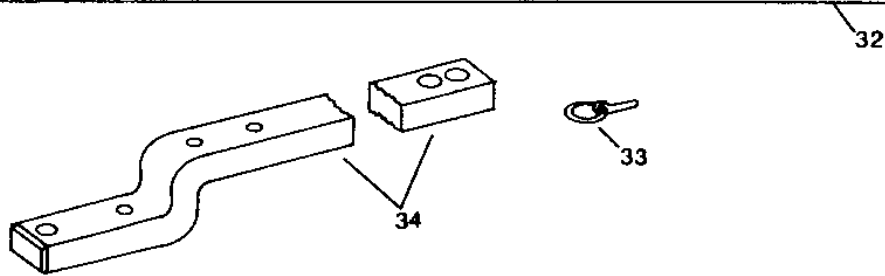
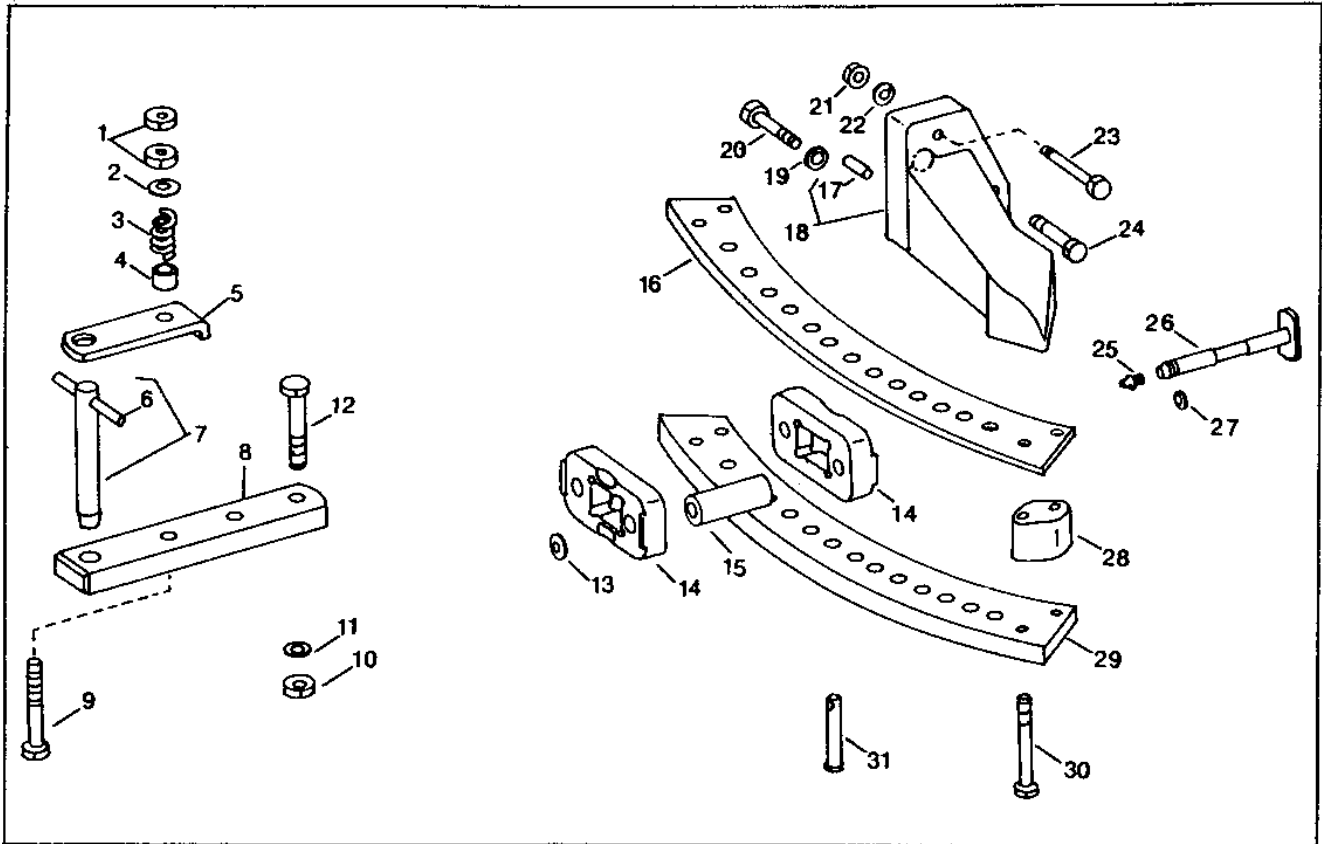
RWP1907

| KEY | PART NO. | PART NAME | QTY | TRACTOR SERIAL NO. | REMARKS |
|-----|----------|-------------|-----|--------------------------|---------|
| 1 | 14H263 | NUT | 2 | 5/8" | |
| 2 | 24H1372 | WASHER | 1 | 21/32" X 1-1/2" X 0.060" | |
| 3 | F3541R | SPRING | 1 | | |
| 4 | F3542R | BUSHING | 1 | | |
| 5 | F3539R | RETAINER | 1 | | |
| 6 | 34H363 | SPRING PIN | 1 | 3/8" X 4" | |
| 7 | AR26462 | PIN | 1 | | |
| 8 | R26584 | STRAP | 1 | | |
| 9 | 19H2124 | CAP SCREW | 1 | 5/8" X 4-1/4" | |
| 10 | 14H794 | NUT | 2 | 3/4" | |
| 11 | 12H236 | LOCK WASHER | 2 | 3/4" | |
| 12 | 19H2113 | CAP SCREW | 2 | 3/4" X 3-1/4" | |
| 13 | AR27033 | CLEVIS | 1 | | |

4E15

HYDRAULICS

WIDE SWING DRAWBAR
RWP1906 -UN-01JAN94



RWP1906

4E16

HYDRAULICS

WIDE SWING DRAWBAR - CONTINUED

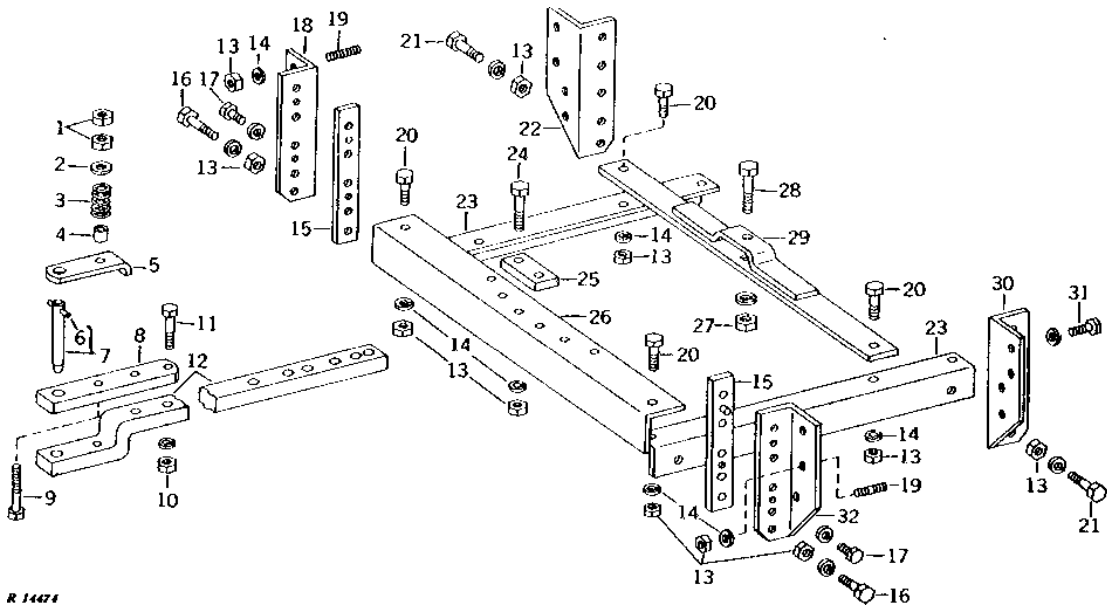
| KEY | PART NO. | PART NAME | QTY | TRACTOR SERIAL NO. | REMARKS |
|-----|----------|---------------------|-----|---|---------|
| 1 | 14H1039 | NUT | 2 | 5/8" | |
| 2 | 24H1372 | WASHER | 1 | 21/32" X 1-1/2" X 0.060" | |
| 3 | F3541R | SPRING | 1 | | |
| 4 | F3542R | BUSHING | 1 | | |
| 5 | F3539R | RETAINER | 1 | | |
| 6 | 34H363 | SPRING PIN | 1 | 3/8" X 4" | |
| 7 | AR26462 | PIN | 1 | | |
| 8 | R26584 | STRAP | 1 | | |
| 9 | 19H2124 | CAP SCREW | 1 | 5/8" X 4-1/4" | |
| 10 | 14H794 | NUT | 2 | 3/4" | |
| 11 | 12H236 | LOCK WASHER | 2 | 3/4" | |
| 12 | 19H3027 | CAP SCREW | 2 | 3/4" X 3-1/2", HS, SAE 8 | |
| 13 | 24M7353 | WASHER | 2 | 20 X 34 X 3 MM, (SUB FOR R42660) | |
| 14 | R34450 | HANGER | 2 | | |
| 15 | R54141 | BUSHING | 2 | | |
| 16 | R34375 | STRAP | 1 | | |
| 17 | R54380 | DOWEL PIN | 2 | | |
| 18 | AR45104 | SUPPORT | 1 | R.H. (MARKED R42695) | |
| | AR45105 | SUPPORT | 1 | L.H. (MARKED R42696) | |
| 19 | 12H294 | LOCK WASHER | 4 | 5/8" | |
| 20 | 19H1890 | CAP SCREW | 4 | 5/8" X 2-3/4" | |
| 21 | 14H1040 | NUT | 2 | 1/2" | |
| 22 | 12H301 | LOCK WASHER | 2 | 1/2" | |
| 23 | 19H1868 | CAP SCREW | 2 | 1/2" X 3-3/4" | |
| 24 | 19H1847 | CAP SCREW | 2 | 5/8" X 2-1/2" | |
| 25 | JD7759 | LUBRICATION FITTING | 2 | | |
| 26 | AR61656 | PIN | 2 | | |
| 27 | R73380 | SNAP RING | 2 | (SUB FOR A369R) | |
| 28 | R34373 | SPACER | 2 | | |
| 29 | R34376 | SUPPORT | 1 | | |
| 30 | 19H2124 | CAP SCREW | 4 | 5/8" X 4-1/4" | |
| 31 | R58262 | PIN | 2 | | |
| 32 | AR46810 | KIT | 1 | (CONVERT REGULAR DRAWBAR TO WIDE SWING) | |
| 33 | AR62151 | QUICK LOCK PIN | 2 | (SUB M115827) | |
| 34 | R34448 | DRAWBAR | 1 | (SUB RE20663) | |
| | R80842 | DRAWBAR | 1 | (HEAVY-DUTY) (NOT DRILLED FOR STRAP) | |

4E17

HYDRAULICS

DRAWBAR
(HI-CROP)
R14474

-UN-01JAN94



4E18

HYDRAULICS

**DRAWBAR - CONTINUED
(HI-CROP)**

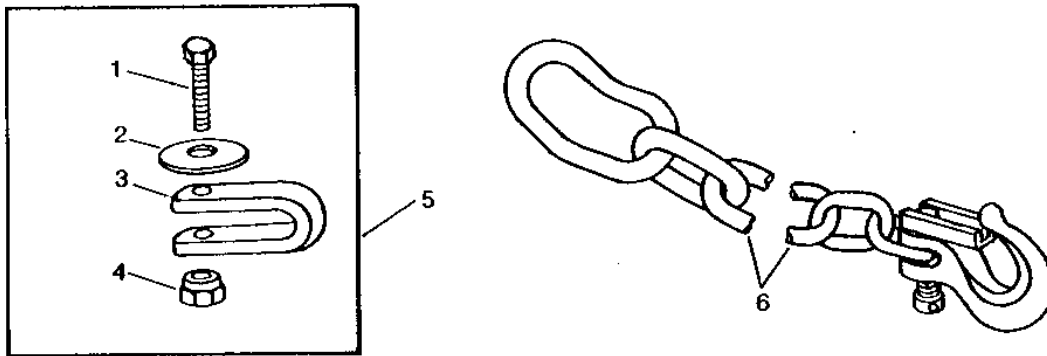
| KEY | PART NO. | PART NAME | QTY | TRACTOR SERIAL NO. | REMARKS |
|-----|----------|-------------|-----|--------------------------------------|---------|
| 1 | 14H1039 | NUT | 2 | 5/8" | |
| 2 | 24H1372 | WASHER | 1 | 21/32" X 1-1/2" X 0.060" | |
| 3 | F3541R | SPRING | 1 | | |
| 4 | F3542R | BUSHING | 1 | | |
| 5 | F3539R | RETAINER | 1 | | |
| 6 | 34H363 | SPRING PIN | 1 | 3/8" X 4" | |
| 7 | AR26462 | PIN | 1 | | |
| 8 | R26584 | STRAP | 1 | | |
| 9 | 19H2124 | CAP SCREW | 1 | 5/8" X 4-1/4" | |
| 10 | 14H794 | NUT | 2 | 3/4" | |
| | 12H236 | LOCK WASHER | 2 | 3/4" | |
| 11 | 19H3027 | CAP SCREW | 2 | 3/4" X 3-1/2", HS, SAE 8 | |
| 12 | R28057 | DRAWBAR | 1 | (SUB RE20662) | |
| | R81576 | DRAWBAR | 1 | (HEAVY-DUTY) (NOT DRILLED FOR STRAP) | |
| 13 | 14H794 | NUT | 14 | 3/4" | |
| 14 | 12H236 | LOCK WASHER | 10 | 3/4" | |
| 15 | AR28141 | SWAY BLOCK | 2 | | |
| 16 | 19H1715 | CAP SCREW | 2 | 3/4" X 3" | |
| | 12H236 | LOCK WASHER | 2 | 3/4" | |
| 17 | 19H1721 | CAP SCREW | 2 | 1/2" X 1-1/2" | |
| | 12H301 | LOCK WASHER | 2 | 1/2" | |
| 18 | R28197 | SUPPORT | 1 | (NLA) | |
| 19 | F1024R | STUD | 4 | 3/4" X 2-3/4" | |
| 20 | 19H1768 | CAP SCREW | 4 | 3/4" X 2" | |
| 21 | 19H1768 | CAP SCREW | 2 | 3/4" X 2" | |
| | 12H236 | LOCK WASHER | 2 | 3/4" | |
| 22 | R28195 | SUPPORT | 1 | (NLA) | |
| 23 | R28199 | DRAWBAR | 2 | (NLA) | |
| 24 | 19H2113 | CAP SCREW | 2 | 3/4" X 3-1/4" | |
| 25 | R28203 | STRAP | 1 | (NLA) | |
| 26 | R28201 | DRAWBAR | 1 | (NLA) | |
| 27 | 14H854 | NUT | 1 | 1" | |
| | 12H234 | LOCK WASHER | 1 | 1" | |
| 28 | 19H2421 | CAP SCREW | 1 | 1" X 3-3/4" | |
| 29 | AR56014 | DRAWBAR | 1 | (SUB FOR AR27581) (NLA) | |
| 30 | R28194 | SUPPORT | 1 | (NLA) | |
| 31 | 19H2589 | CAP SCREW | 2 | 3/4" X 1-7/8" | |
| | 12H236 | LOCK WASHER | 2 | 3/4" | |
| 32 | R28196 | SUPPORT | 1 | (NLA) | |

MEMORANDA

4E19

HYDRAULICS

IMPLEMENT SAFETY CHAIN
RWP5796 -UN-01JAN94



RWP5796

| KEY | PART NO. | PART NAME | QTY | TRACTOR SERIAL NO. | REMARKS |
|-----|----------|--------------------------|-----|--------------------|---|
| 1 | 19H1768 | CAP SCREW | 1 | (A) (B) | |
| | 19H2084 | CAP SCREW | 1 | (A) 3/4" X 4-1/2" | |
| | 19H2174 | CAP SCREW | 1 | (B) 3/4" X 4-1/4" | |
| 2 | R36402 | WASHER | 1 | | |
| 3 | R69408 | CLEVIS | 1 | (A) | |
| | R69409 | CLEVIS | 1 | (B) | |
| 4 | T25879 | NUT | 2 | | |
| 5 | AR90577 | SAFETY CHAIN ADAPTER KIT | 1 | | CATEGORY IV DRAWBARS |
| | AR90578 | CHAIN KIT | 1 | | CATEGORY II AND III DRAWBARS |
| 6 | RE26739 | LINK CHAIN | 1 | | 61 LINKS 6.4 MM (1/4") DIA CHAIN (6,000 LB) |
| | AR90581 | LINK CHAIN | 1 | | 61 LINKS 6.4 MM (1/4") DIA CHAIN (10,000 LB) |
| | AR90579 | LINK CHAIN | 1 | | 42 LINKS 9.5 MM (3/8") DIA CHAIN |
| | AR90583 | LINK CHAIN | 1 | | 43 LINKS 11.1 MM (7/16") DIA CHAIN |
| | AN212996 | LINK CHAIN | 1 | | (SUB FOR RE26740) 42 LINKS 12.7 MM (1/2") DIA CHAIN |

(A)INCLUDED IN AR90577

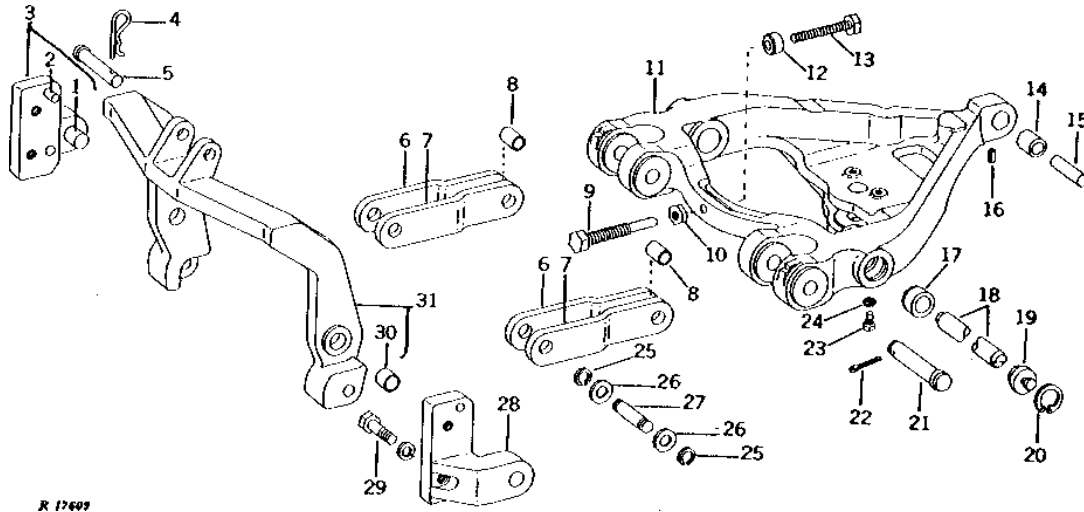
(B)INCLUDED IN AR90578

4E20

HYDRAULICS

HITCH DRAFT CENTER LINK SUPPORT ASSEMBLY (HI-CROP)

R17609 -UN-01JAN94



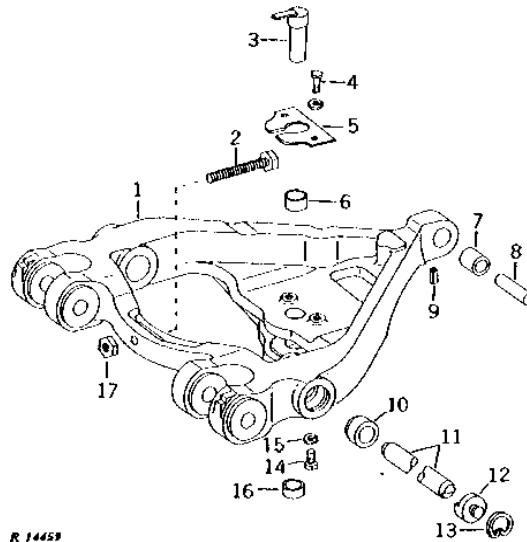
R 17609

| KEY | PART NO. | PART NAME | QTY | TRACTOR SERIAL NO. | REMARKS |
|-----|----------|--------------------|-----|--------------------|--|
| 1 | R28381 | PIN | 2 | | |
| 2 | R60161 | DOWEL PIN | 2 | | (SUB FOR R35046) |
| 3 | AR56023 | SUPPORT | 1 | | (MARKED R41750 OR R51779) (SUB FOR AR41744) |
| 4 | A3581R | SPRING LOCKING PIN | 1 | | |
| 5 | M2071T | PIN | 1 | | |
| 6 | R41655 | DRAFT LINK | 2 | | L.H. |
| 7 | R41654 | DRAFT LINK | 2 | | R.H. |
| 8 | 28H473 | BUSHING | 2 | | 1" X 1-3/8" |
| 9 | AR52606 | KIT | 1 | 250001-259739 | (SUB FOR R47542) |
| 10 | 14H1039 | NUT | 1 | -250000 | 5/8" |
| | 14H793 | NUT | 1 | 250001-259739 | 3/4" |
| 11 | AR40771 | SUPPORT | 1 | -250000 | (MARKED R41087) (SUB AR83604) |
| | AR83604 | SUPPORT | 1 | 250001- | (MARKED R47647 OR R53571) (SUB FOR AR50460 OR AR60947) |
| 12 | AR52606 | KIT | 1 | 250001-259739 | (SUB FOR R47543) |
| 13 | AR51576 | KIT | 1 | -250000 | (SUB FOR R44039) (SUB R48452, R48453 AND 14H831) |
| 14 | R31438 | BUSHING | 1 | | |
| 15 | R26503 | DOWEL PIN | 1 | | |
| 16 | 34H309 | SPRING PIN | 1 | | 1/4" X 5/8" |
| 17 | R71476 | BUSHING | 2 | | (SUB FOR R41084) |
| 18 | R33826 | PIN | 1 | -250000 | |
| | R46513 | PIN | 1 | 250001- | |
| 19 | R41763 | RETAINER | 2 | -250000 | |
| | R46514 | RETAINER | 2 | 250001- | |
| 20 | N107859 | SNAP RING | 2 | | (SUB FOR R44040 OR J17817) |
| 21 | R42452 | PIN | 2 | | (SUB AR60372 AND R53558) |
| 22 | 11M7038 | COTTER PIN | 2 | | 0.248" X 1.575" |
| 23 | R40928 | BOLT | 2 | -250000 | |
| | 19H2020 | CAP SCREW | 2 | 250001- | 5/16" X 1/2" |
| 24 | 12H303 | LOCK WASHER | 2 | -250000 | 5/16" |
| 25 | R73380 | SNAP RING | 4 | | (SUB FOR A369R) |
| 26 | 24H1396 | WASHER | 4 | | 25/32" X 1-1/2" X 0.105" |
| 27 | R31400 | PIN | 2 | | |
| 28 | AR56022 | SUPPORT | 1 | | (MARKED R41749 OR R51778) (SUB FOR AR41743) |
| 29 | 19H2602 | CAP SCREW | 4 | | 5/8" X 2-5/8" |
| | 12H294 | LOCK WASHER | 4 | | 5/8" |
| 30 | R27899 | BUSHING | 2 | | |
| 31 | AR33950 | ARM | 1 | | (MARKED R34474) (NLA) |

4E21

HYDRAULICS

FRONT DRAWBAR SUPPORT
(ROW-CROP AND STANDARD) (TRACTOR SERIAL NO. 201000-250000)
 R14459 -UN-01JAN94



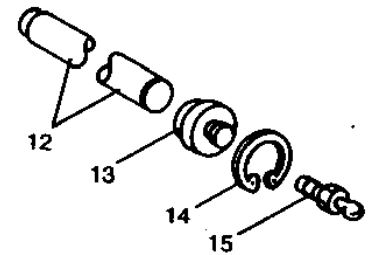
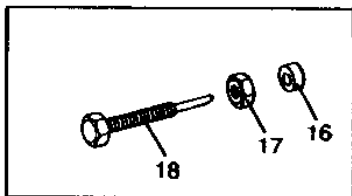
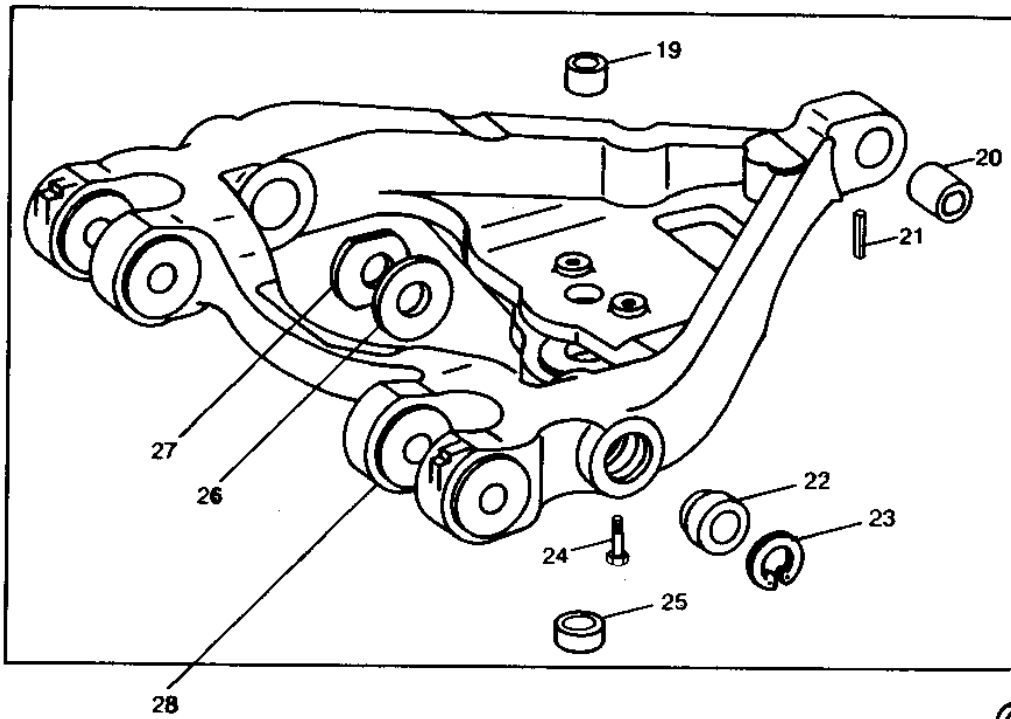
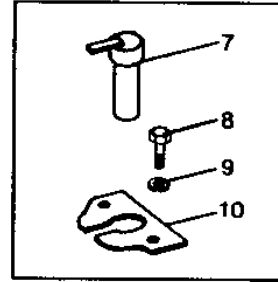
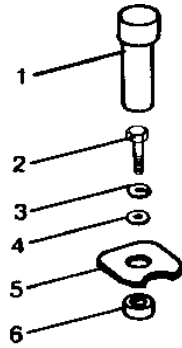
R 14459

| KEY | PART NO. | PART NAME | QTY | TRACTOR SERIAL NO. | REMARKS |
|-----|----------|-------------|-----|---------------------------|---|
| 1 | AR40770 | SUPPORT | 1 | (MARKED R41083 OR R41086) | (SUB AR83603 AND AR55210) |
| 2 | AR51576 | KIT | 1 | (SUB FOR R44039) | (SUB R48452, R48453 AND 14H821) |
| 3 | AR44189 | PIN | 1 | | |
| 4 | 19H2284 | CAP SCREW | 2 | 3/8" X 7/8" | |
| 5 | 12H304 | LOCK WASHER | 2 | 3/8" | |
| 5 | R34253 | RETAINER | 1 | | (SUB R96420, R28040, A147R, 12H304 AND 19H1732) |
| 6 | R40557 | BUSHING | 1 | | |
| 7 | R31438 | BUSHING | 1 | | |
| 8 | R26503 | DOWEL PIN | 1 | | |
| 9 | 34H309 | SPRING PIN | 1 | 1/4" X 5/8" | |
| 10 | R71476 | BUSHING | 2 | | (SUB FOR R41084) |
| 11 | R33826 | PIN | 1 | | |
| 12 | R41763 | RETAINER | 2 | | |
| 13 | N107859 | SNAP RING | 2 | | (SUB FOR R44040 OR J17817) |
| 14 | R40928 | BOLT | 2 | | |
| 15 | 12H303 | LOCK WASHER | 2 | 5/16" | |
| 16 | R40558 | BUSHING | 1 | | |
| 17 | 14H1039 | NUT | 1 | 5/8" | |

4E22

HYDRAULICS

FRONT DRAWBAR SUPPORT
(ROW-CROP AND STANDARD) (TRACTOR SERIAL NO. 250001-)
RWP3426 -UN-01JAN94



RWP3426

4E23

HYDRAULICS

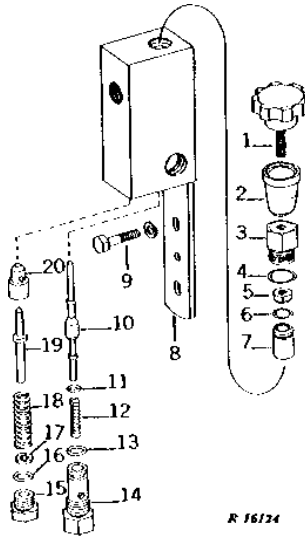
FRONT DRAWBAR SUPPORT - CONTINUED
(ROW-CROP AND STANDARD) (TRACTOR SERIAL NO. 250001-)

| KEY | PART NO. | PART NAME | QTY | TRACTOR SERIAL NO. | REMARKS |
|-----|----------|---------------------|-----|---|---------------------------|
| 1 | R56728 | DOWEL PIN | 1 | | |
| 2 | 19H1732 | CAP SCREW | 1 | 3/8" X 1-1/4" | |
| 3 | 12H304 | LOCK WASHER | 1 | 3/8" | |
| 4 | A147R | LOCK WASHER | 1 | | |
| 5 | R56729 | RETAINER | 1 | (SUB FOR R34253) (SUB R96420) | |
| 6 | R28040 | WASHER | 1 | | |
| 7 | AR44189 | PIN | 1 | | |
| 8 | 19H2284 | CAP SCREW | 2 | 3/8" X 7/8" | |
| 9 | 12H304 | LOCK WASHER | 2 | 3/8" | |
| 10 | R34253 | RETAINER | 1 | (SUB R96420) | |
| 11 | R26503 | DOWEL PIN | 1 | | |
| 12 | R46513 | PIN | 1 | | |
| 13 | R46514 | RETAINER | 2 | (SUB R65531 AND JD7759) | |
| 14 | N107859 | SNAP RING | 2 | (SUB FOR J17817) | |
| 15 | JD7759 | LUBRICATION FITTING | 2 | | |
| 16 | AR52606 | KIT | 1 | -259739 (SUB FOR R47543) | |
| 17 | 14H793 | NUT | 1 | -259739 3/4" | |
| 18 | AR52606 | KIT | 1 | -259739 (SUB FOR R47542) | |
| 19 | R40557 | BUSHING | 1 | | |
| 20 | R31438 | BUSHING | 1 | | |
| 21 | 34H309 | SPRING PIN | 1 | 1/4" X 5/8" | |
| 22 | R71476 | BUSHING | 2 | (SUB FOR R41084) | |
| 23 | L1610N | SNAP RING | 2 | | |
| 24 | 19H2020 | CAP SCREW | 2 | 5/16" X 1/2" | |
| 25 | R40558 | BUSHING | 1 | | |
| 26 | R47567 | WASHER | AR | 0.91MM (.036") | |
| | R47566 | WASHER | AR | 1.22MM (.048") | |
| | R47568 | WASHER | AR | 1.58MM (.062") | |
| 27 | R47566 | WASHER | 1 | 1.22MM (.048") | |
| 28 | AR50459 | SUPPORT | 1 | -259739 (MARKED R46508, R46509, R47648 OR R53561) | |
| | | | | | (SUB AR83603 AND AR55210) |
| | AR83603 | BRACKET | 1 | 259740- | FRONT, (MARKED R53561) |

4E24

HYDRAULICS

POWER WEIGHT TRANSFER CONTROL VALVE
R16124 -UN-01JAN94



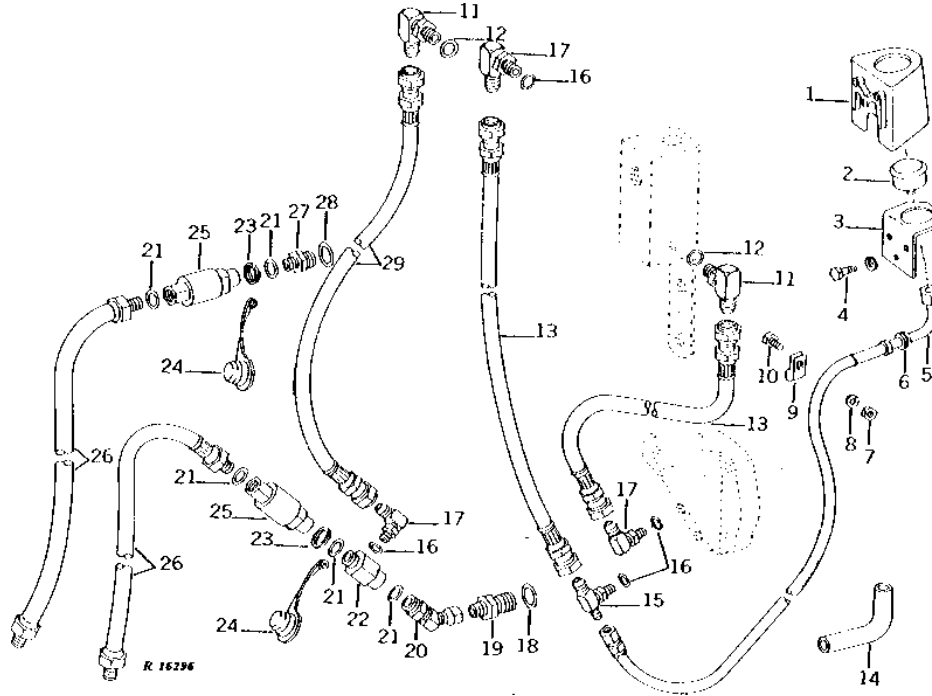
R 16124

| KEY | PART NO. | PART NAME | QTY | TRACTOR SERIAL NO. | REMARKS |
|-----|----------|-------------|-----|--------------------|------------------|
| 1 | AR49578 | KNOB | 1 | | |
| 2 | R54059 | BOOT | 1 | | (SUB FOR R39981) |
| 3 | R47016 | ADAPTER | 1 | | |
| 4 | F3171R | O-RING | 1 | | |
| 5 | F3220R | LOCK NUT | 1 | | |
| 6 | R26375 | O-RING | 1 | | |
| 7 | R47018 | SHAFT | 1 | | |
| 8 | AR49622 | HOUSING | 1 | | |
| 9 | 19H2284 | CAP SCREW | 2 | 3/8" X 7/8" | |
| | 12H304 | LOCK WASHER | 2 | 3/8" | |
| 10 | R44840 | VALVE | 1 | | |
| 11 | R375R | O-RING | 1 | | |
| 12 | R26477 | SPRING | 1 | | |
| 13 | R495R | O-RING | 1 | | |
| 14 | R47095 | PLUG | 1 | | |
| 15 | R27474 | DRAIN PLUG | 1 | | |
| 16 | R26906 | O-RING | 1 | | |
| 17 | R45189 | SHIM | AR | 51MM (.020") | |
| 18 | R35871 | SPRING | 1 | | |
| 19 | R45215 | GUIDE | 1 | | |
| 20 | R38543 | VALVE | 1 | | |

4E25

HYDRAULICS

POWER WEIGHT TRANSFER HYDRAULIC OIL PRESSURE GAUGE AND LINES
R16296 -UN-01JAN94

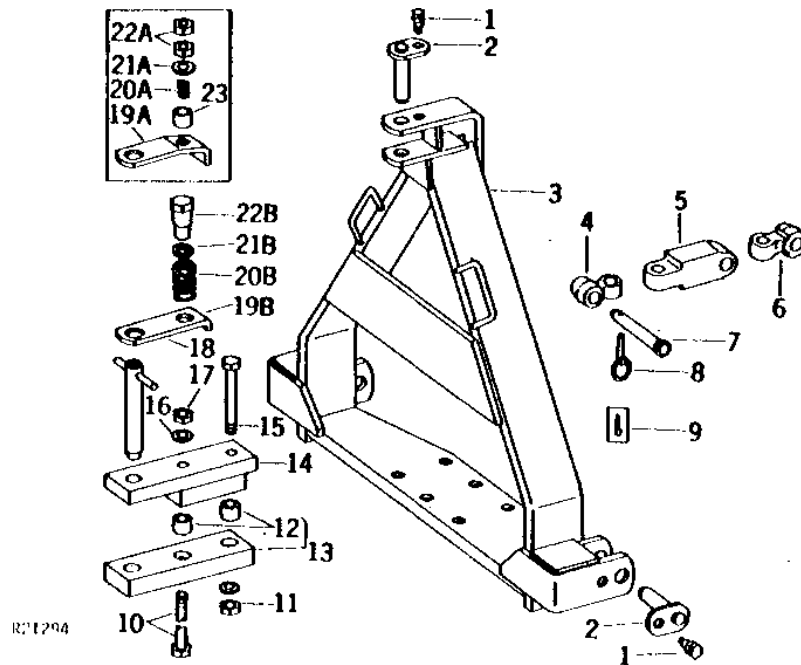


| KEY | PART NO. | PART NAME | QTY | TRACTOR SERIAL NO. | REMARKS |
|-----|----------|----------------|-----|---|---------|
| 1 | R45669 | COVER | 1 | | |
| 2 | AR47486 | PRESSURE GAUGE | 1 | (NLA) | |
| 3 | R45670 | SUPPORT | 1 | (NLA) | |
| 4 | 19H1849 | CAP SCREW | 3 | 5/16" X 1-1/4" | |
| 5 | 12H303 | LOCK WASHER | 3 | 5/16" | |
| 6 | R41439 | GROMMET | 1 | | |
| 7 | 14H785 | NUT | 1 | 5/16" | |
| 8 | 12H303 | LOCK WASHER | 1 | 5/16" | |
| 9 | R34557 | CLAMP | 4 | | |
| 10 | 19H1813 | CAP SCREW | 1 | 5/16" X 5/8" | |
| 11 | AT32332 | ELBOW FITTING | 2 | 90°, (SUB FOR AR26763) | |
| 12 | R26375 | O-RING | 2 | | |
| 13 | AR40465 | HYDRAULIC HOSE | 2 | 527MM (20-3/4") | |
| 14 | T22958 | HOSE | 1 | (SUB FOR R42281 OR T40167) (SUB L35843) | |
| 15 | AR47603 | TEE FITTING | 1 | (NLA) | |
| 16 | R26448 | O-RING | 4 | | |
| 17 | AT35120 | ELBOW FITTING | 3 | (SUB FOR AR37017 OR AT32337) | |
| 18 | H851R | WASHER | 1 | | |
| 19 | A15532 | ADAPTER | 1 | | |
| 20 | AA14850 | ELBOW FITTING | 1 | 45° | |
| 21 | R26375 | O-RING | 5 | | |
| 22 | R45106 | FITTING | 1 | | |
| 23 | R36946 | SPRING | 2 | | |
| 24 | R32419 | COVER | 2 | (SUB R80324) | |
| 25 | AR31611 | COUPLING | 2 | (SUB RE15361) | |
| 26 | | HOSE | 1 | | |
| 27 | R36945 | FITTING | 1 | | |
| 28 | F3171R | O-RING | 1 | | |
| 29 | AR40465 | HYDRAULIC HOSE | 1 | 527MM (20-3/4") | |

4F1

HYDRAULICS

POWER WEIGHT TRANSFER COUPLER
R21294 -UN-01JAN94

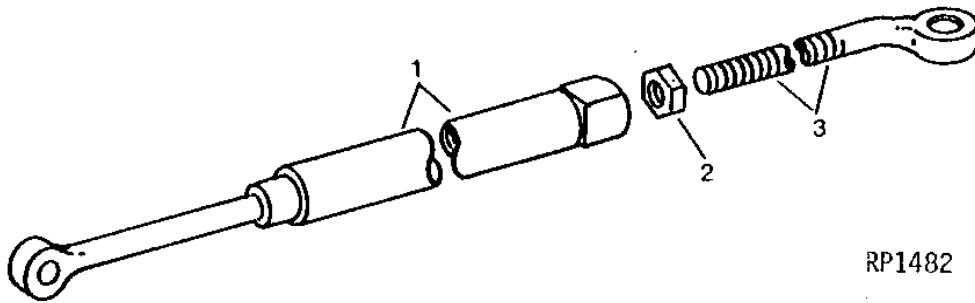


| KEY | PART NO. | PART NAME | QTY | TRACTOR SERIAL NO. | REMARKS |
|-----|----------|----------------|-----|--------------------|---|
| 1 | AR40865 | CAP SCREW | 3 | | (SUB AR74673) (USE WITH PIN WITH 1/4" THICK HANDLE) |
| | AR74673 | CAP SCREW | 3 | | (SUB FOR AR48110) (USE WITH PIN WITH 3/8" THICK HANDLE) |
| 2 | AR48111 | PIN | 3 | | (ALSO ORDER AR74673) (SUB FOR AR39783) |
| 3 | AR46828 | COUPLING | 1 | | (SUB AR99336) |
| 4 | R44848 | PIVOT | 1 | | |
| 5 | R54143 | PIVOT | 1 | | (SUB FOR R48226) (WITH 18.4-38, 20.8-34 OR 23.1-30 TIRES) |
| 6 | R44848 | PIVOT | 1 | -250000 | (NLA) |
| | R48299 | PIVOT | 1 | 250001- | (NLA) |
| 7 | R58261 | PIN | 1 | | (ALSO ORDER AR60372) (SUB FOR R40516 OR R53562) |
| 8 | AR60372 | QUICK LOCK PIN | 1 | XXXXXX- | |
| 9 | 11M7038 | COTTER PIN | 1 | -XXXXXX | 0.248" X 1.575" |
| 10 | 19H3234 | CAP SCREW | 1 | -XXXXXX | 3/4" X 8-1/2" |
| | 19H1988 | CAP SCREW | 1 | XXXXXX- | 3/4" X 6" |
| 11 | 14H794 | NUT | 1 | | 3/4" |
| | 12H236 | LOCK WASHER | 1 | | 3/4" |
| 12 | R35479 | BUSHING | 2 | | |
| 13 | AR47567 | DRAWBAR | 1 | | |
| 14 | AR46256 | STRAP | 1 | | |
| 15 | 19H1988 | CAP SCREW | 1 | | 3/4" X 6" |
| 16 | 12H236 | LOCK WASHER | 1 | | 3/4" |
| 17 | 14H794 | NUT | 1 | -XXXXXX | 3/4" |
| 18 | AR69988 | PIN | 1 | | (SUB FOR AR937R) |
| 19A | R36609 | RETAINER | 1 | -XXXXXX | (SUB R54064, R72433, F304R, 19H1988 AND 24H1513) |
| 19B | R54064 | RETAINER | 1 | XXXXXX- | |
| 20A | A350R | SPRING | 1 | -XXXXXX | |
| 20B | F304R | SPRING | 1 | XXXXXX- | |
| 21A | 24H1395 | WASHER | 1 | -XXXXXX | 25/32" X 1-7/16" X 0.060" |
| 21B | 24H1513 | WASHER | 1 | XXXXXX- | 1-13/32" X 2" X 0.060" |
| 22A | R40121 | LOCK NUT | 2 | -XXXXXX | |
| 22B | R54065 | NUT | 1 | XXXXXX- | (SUB R72433) |
| 23 | R47044 | BUSHING | 1 | -XXXXXX | (NLA) |

4F2

HYDRAULICS

POWER WEIGHT TRANSFER IMPLEMENT LINK
RP1482 -UN-01JAN94



RP1482

| KEY | PART NO. | PART NAME | QTY | TRACTOR SERIAL NO. | REMARKS |
|-----|----------|-----------|-----|-----------------------|---------|
| 1 | AR47490 | LINK | 1 | | |
| 2 | 14H887 | NUT | 1 | 1-1/8" | |
| 3 | R45447 | EYEBOLT | 1 | | |

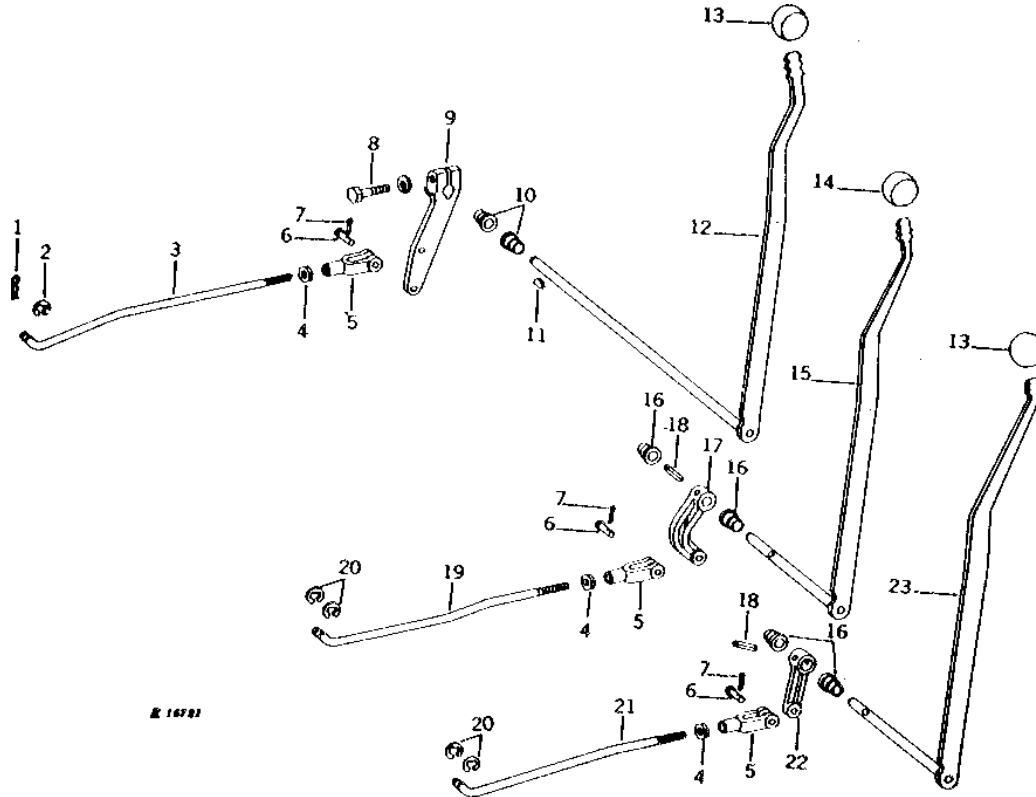
MEMORANDA

4F3

HYDRAULICS

SELECTIVE CONTROL LEVERS AND LINKAGE

R16781 -UN-01JAN94

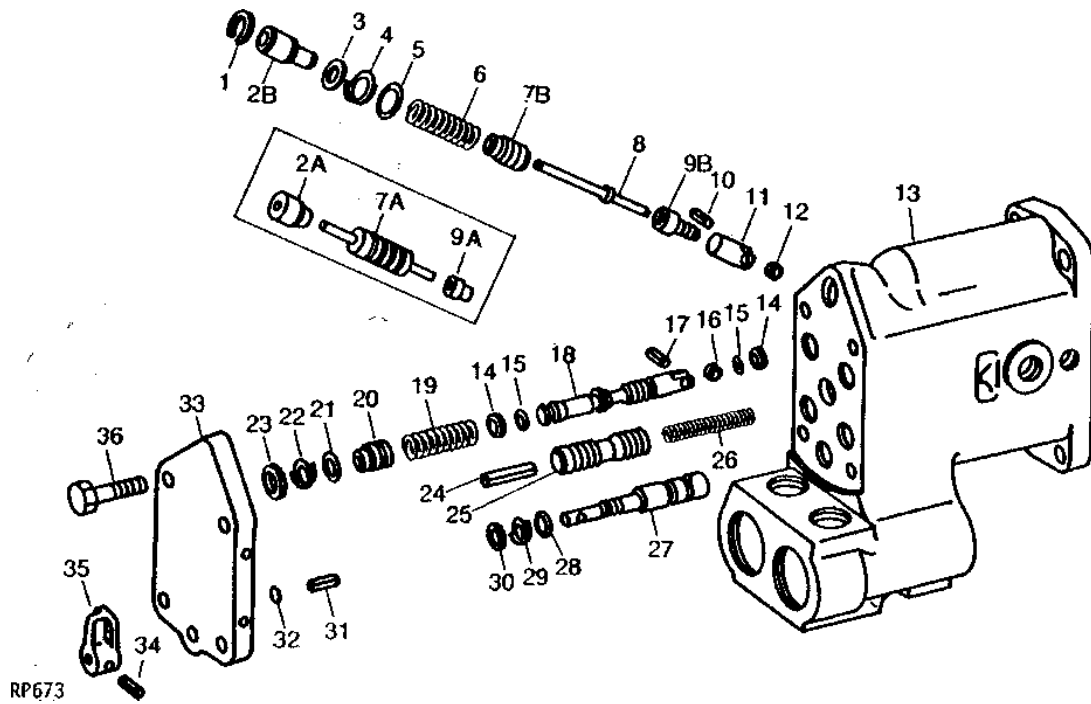


| KEY | PART NO. | PART NAME | QTY | TRACTOR SERIAL NO. | REMARKS |
|-----|----------|--------------------|-----|--------------------|--|
| 1 | R46528 | SPRING LOCKING PIN | 1 | 231113- | |
| 2 | R72653 | SNAP RING | 2 | -231112 | (SUB FOR M2396T) |
| | R72653 | SNAP RING | 1 | 231113- | (SUB FOR M2396T) |
| 3 | R40918 | ROD | 1 | -231112 | (SUB R46527 AND R46528) |
| | R46527 | ROD | 1 | 231113- | |
| | R47308 | ROD | 1 | | (USE WHEN AUXILIARY HYDRAULIC OUTLET HAS BEEN INSTALLED) |
| 4 | 14H882 | NUT | 1 | 5/16" | |
| 5 | R42282 | YOKE | 1 | | (SUB R82766 AND T54033) |
| 6 | R72660 | PIN | 1 | | (SUB FOR R662R) |
| 7 | 11M7079 | COTTER PIN | 1 | 0.098" X 0.472" | |
| 8 | 19H1732 | CAP SCREW | 1 | 3/8" X 1-1/4" | |
| | 12H304 | LOCK WASHER | 1 | 3/8" | |
| 9 | R42094 | ARM | 1 | | |
| 10 | R42093 | GROMMET | 2 | | |
| 11 | 26H15 | SHAFT KEY | 1 | 1/4" X 3/4" | |
| 12 | AR40989 | LEVER | 1 | | |
| | AR58207 | LEVER | 1 | | (4000-LOW PROFILE) (SUB AR40989) |
| 13 | R44695 | KNOB | 1 | | |
| 14 | R41387 | KNOB | 1 | | |
| 15 | AR40990 | LEVER | 1 | | |
| | AR58208 | LEVER | 1 | | (4000-LOW PROFILE) (SUB AR40990 AND AR40989) |
| 16 | R41076 | GROMMET | 2 | | |
| 17 | R40923 | ARM | 1 | | |
| 18 | 34H297 | SPRING PIN | 1 | 7/32" X 1" | |
| 19 | R41392 | ROD | 1 | | |
| 20 | R72653 | SNAP RING | 2 | | (SUB FOR M2396T) |
| 21 | R41058 | ROD | 1 | | |
| 22 | R41122 | LEVER | 1 | | |
| 23 | AR40991 | LEVER | 1 | | |

4F4

HYDRAULICS

SELECTIVE CONTROL VALVE HOUSING AND VALVES
RP673 -UN-01JAN94



4F5

HYDRAULICS

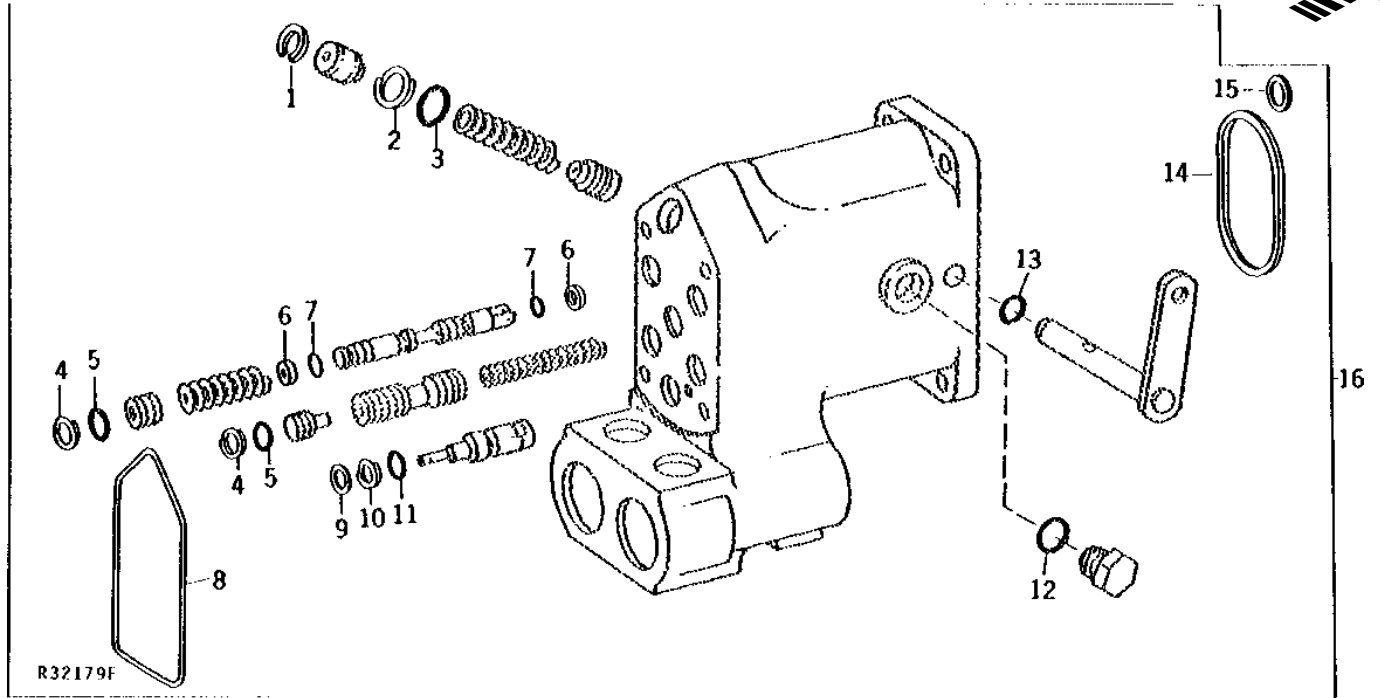
SELECTIVE CONTROL VALVE HOUSING AND VALVES - CONTINUED

| KEY | PART NO. | PART NAME | QTY | SERIAL OR MODEL NO. | REMARKS |
|-----|----------|----------------|-----|------------------------|---|
| 1 | B474R | SNAP RING | 1 | -228269 | |
| | R46722 | SNAP RING | 1 | 228270- | |
| 2A | AR40678 | GUIDE | 1 | -18SC1 | (SUB AR52394 AND R46722) |
| | AR48933 | GUIDE | 1 | -18SC2 | (SUB AR52394) |
| 2B | R55397 | GUIDE | 1 | 18SC3- | (ALSO ORDER R55398) (SUB FOR R48979) |
| 3 | T20229 | WASHER | 1 | | |
| 4 | R26546 | BACK-UP RING | 1 | | |
| 5 | B2762R | O-RING | 1 | | |
| 6 | R41055 | SPRING | 1 | 18SC3- | |
| 7A | AR40939 | PISTON | 1 | -18SC2 | (SUB AR52394) |
| 7B | R48980 | PISTON | 1 | 18SC3- | |
| 8 | R55398 | PIN | 1 | 18SC3- | (SUB FOR R48981) |
| 9A | AR40744 | GUIDE | 1 | -18SC2 | |
| 9B | R48978 | GUIDE | 1 | 18SC3- | |
| 10 | 34H241 | SPRING PIN | 1 | -18SC3 | 1/8" X 3/8" |
| | R51411 | PIN | 1 | 18SC4- | |
| 11 | R45016 | FOLLOWER | 1 | -18SC3 | (SUB FOR R40903) (SUB R51410, R51409 AND R51411) |
| | R51410 | CAM FOLLOWER | 1 | 18SC4- | |
| 12 | R41613 | WASHER | 1 | -18SC3 | (SUB R51409) |
| | R51409 | SPACER | 1 | 18SC4- | |
| 13 | AR40827 | HOUSING | 1 | -XXXXXX | (MARKED R40499) (SUB AR82572, R59629, R27166, R41057, (2) R65501, (2) R65502, R66916, R74695 AND R65289) |
| 14 | R26484 | BACK-UP RING | 6 | | |
| 15 | A3917R | O-RING | 6 | | |
| 16 | R41613 | WASHER | 4 | -18SC3 | (SUB R51409) |
| | R51409 | SPACER | 4 | 18SC4- | |
| 17 | 34H242 | SPRING PIN | 4 | | 1/8" X 7/16" |
| 18 | AR45647 | VALVE | 4 | -18SC2 | (SUB AR86535 AND R65501) |
| | AR52629 | VALVE | 4 | -18SC3 | (SUB AR86535 AND R65501) |
| | AR86535 | VALVE | 4 | 18SC4- | (SUB FOR AR56120 OR AR78396) |
| 19 | R65501 | SPRING | 2 | | (RETURN) |
| | R65502 | SPRING | 2 | | (PRESSURE) (SUB FOR R44310) |
| 20 | R66416 | BUSHING | 4 | | (SUB FOR R41156) |
| 21 | R27166 | O-RING | 4 | | |
| 22 | R41057 | BACK-UP RING | 4 | | |
| 23 | R26149 | PACKING | 6 | | |
| 24 | 34H284 | SPRING PIN | 1 | | 3/16" X 1-1/4" |
| 25 | R41154 | VALVE | 1 | -18SC3 | (SUB R52549) |
| | R52549 | SHUT-OFF VALVE | 1 | 18SC4- | |
| 26 | R41549 | SPRING | 1 | | |
| 27 | R41149 | VALVE | 1 | -18SC3 | (SUB R52548 AND R52549) |
| | R52548 | VALVE | 1 | 18SC4- | (USE WITH R40499) |
| | R65289 | VALVE | 1 | | (USE WITH R65284) |
| 28 | P46051 | O-RING | 1 | | |
| 29 | R40937 | BACK-UP RING | 1 | | |
| 30 | R41339 | SHIM | 1 | | |
| 31 | 34H275 | SPRING PIN | 1 | | 3/16" X 1/2" |
| 32 | R34812 | O-RING | 1 | | |
| 33 | AR40688 | COVER | 1 | | (MARKED R40899 OR R49708) (USE WITH R40499) |
| | AR85628 | COVER | 1 | | (MARKED R59629) (USE WITH R65284) (SUB R59629, R27166, R41057, (2) R65501, (2) R65502, R66916 AND R74695) |
| | R74695 | WASHER | 1 | | (USE WITH R59629) (SUB FOR R49187) |
| 34 | 34H231 | SPRING PIN | 1 | | 3/32" X 3/4" |
| 35 | R41338 | ARM | 1 | | (SUB R62652) |
| 36 | 19H1732 | CAP SCREW | 4 | | 3/8" X 1-1/4" |

4F6

HYDRAULICS

SELECTIVE CONTROL VALVE OVERHAUL KIT
R32179 -UN-01JAN94

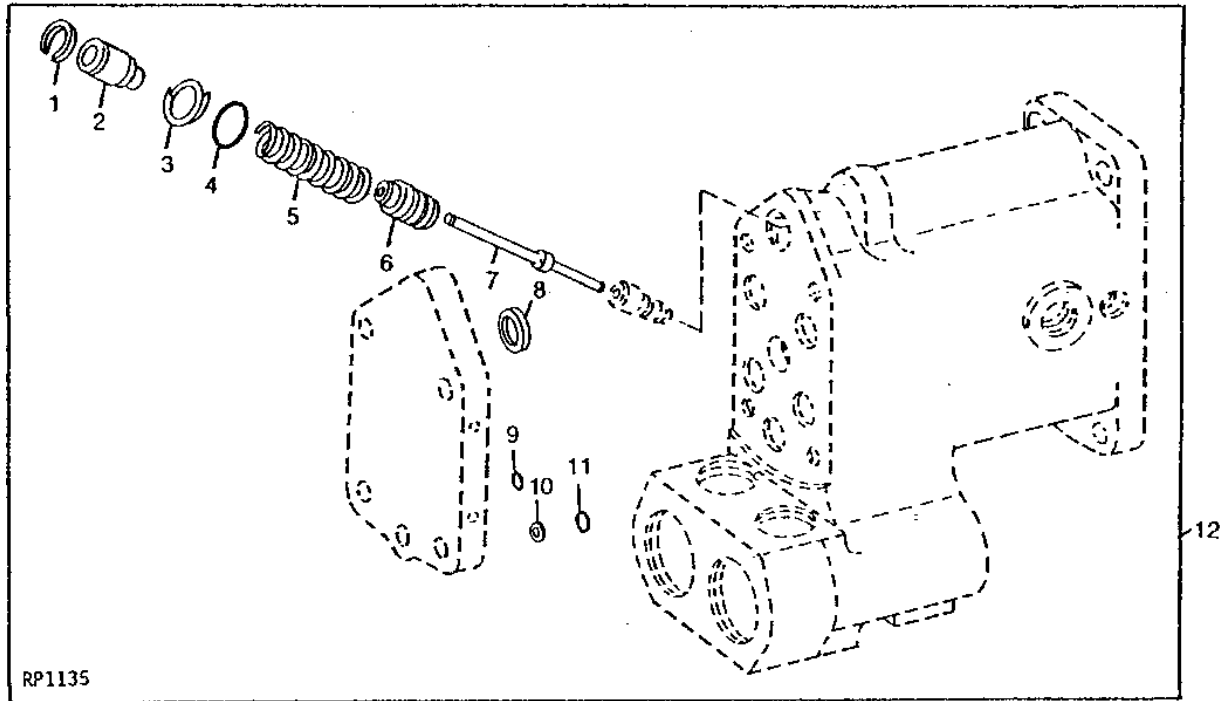


| KEY | PART NO. | PART NAME | QTY | TRACTOR SERIAL NO. | REMARKS |
|-----|----------|--------------|-----|--------------------|---------------------------------|
| 1 | R46722 | SNAP RING | 1 | | |
| 2 | R26546 | BACK-UP RING | 1 | | |
| 3 | B2762R | O-RING | 1 | | |
| 4 | R41057 | BACK-UP RING | 5 | | |
| 5 | R27166 | O-RING | 5 | | |
| 6 | R26484 | BACK-UP RING | 6 | | (4 PRESSURE, 2 RETURN) |
| 7 | A3917R | O-RING | 6 | | (4 PRESSURE, 2 RETURN) |
| 8 | R49187 | WASHER | 1 | | (SUB R74695) |
| 9 | R41339 | SHIM | 1 | | |
| 10 | R40937 | BACK-UP RING | 1 | | |
| 11 | P46051 | O-RING | 1 | | |
| 12 | R26375 | O-RING | 2 | | |
| 13 | R394R | O-RING | 2 | | (SUB FOR R65287) |
| 14 | R40922 | PACKING | 1 | | |
| 15 | F2741R | PACKING | 1 | | |
| 16 | AR82571 | KIT | 1 | | (SUB FOR AR46978) (SUB RE10924) |

4F7

HYDRAULICS

SELECTIVE CONTROL VALVE DETENT KIT
 RP1135 -UN-01JAN94

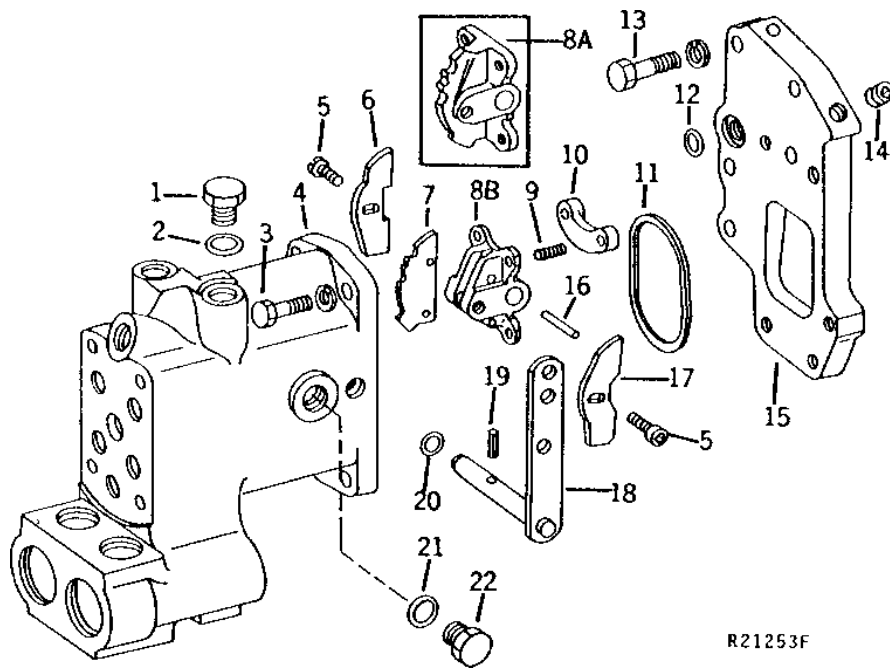


| KEY | PART NO. | PART NAME | QTY | TRACTOR SERIAL NO. | REMARKS |
|-----|----------|--------------|-----|--------------------|---------------------|
| 1 | R46722 | SNAP RING | 1 | | |
| 2 | R55397 | GUIDE | 1 | | (ALSO ORDER R55398) |
| 3 | R26546 | BACK-UP RING | 1 | | |
| 4 | B2762R | O-RING | 1 | | |
| 5 | R41055 | SPRING | 1 | | |
| 6 | R48980 | PISTON | 1 | | |
| 7 | R55398 | PIN | 1 | | |
| 8 | R26149 | PACKING | 6 | | |
| 9 | R34812 | O-RING | 1 | | |
| 10 | R40937 | BACK-UP RING | 1 | | |
| 11 | P46051 | O-RING | 1 | | |
| 12 | AR52394 | KIT | 1 | -002316 | (INCLUDES R49187) |

4F8

HYDRAULICS

SELECTIVE CONTROL VALVE HOUSING
R21253 -UN-01JAN94



R21253F

4F9

HYDRAULICS

SELECTIVE CONTROL VALVE HOUSING - CONTINUED

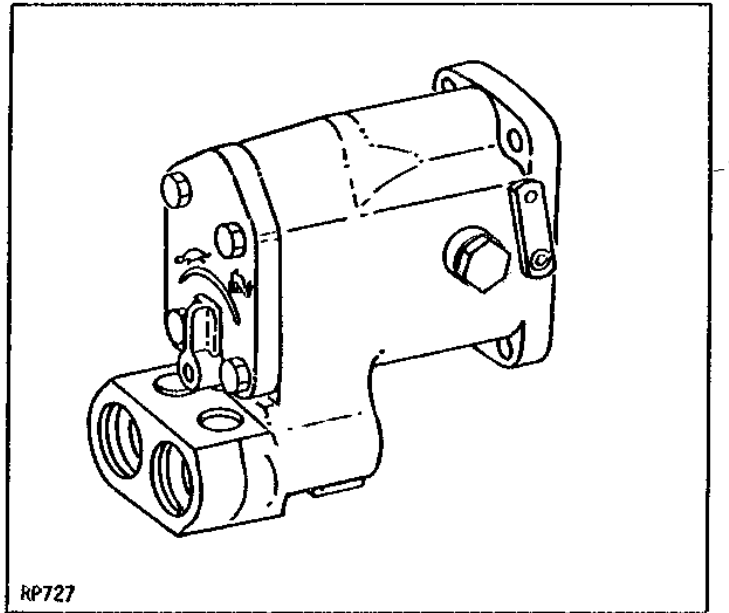
| KEY | PART NO. | PART NAME | QTY | SERIAL OR MODEL NO. | REMARKS |
|-----|----------|-------------|-----|------------------------|--|
| 1 | R39112 | FITTING | AR | | |
| 2 | R26375 | O-RING | AR | | |
| 3 | 19H2500 | CAP SCREW | AR | | 7/16" X 1-3/8", (4 USED SINGLE) (7 USED DUAL) (11 USED TRIPLE) |
| | 19H2055 | CAP SCREW | 1 | | 7/16" X 2-1/4", (DUAL AND TRIPLE) |
| | 12H293 | LOCK WASHER | 4 | | 7/16" |
| 4 | AR40827 | HOUSING | 1 | -XXXXXX | (MARKED R40499) (SUB AR82572, R59629, R27166, R41057, (2) R65501, (2) R65502, R66916, R74695 AND R65289) |
| | AR82572 | HOUSING | 1 | XXXXXX- | (MARKED R65284) |
| 5 | R27233 | SCREW | 2 | | |
| 6 | R41931 | CAM | 1 | -18SC3 | UPPER, (SUB R51414) |
| | R51414 | CAM | 1 | 18SC4- | REGULAR |
| 7 | R51413 | CAM | 1 | 18SC4- | |
| 8A | R40898 | ROCKER | 1 | -18SC3 | (SUB R51412, R51413, R51414, R51415 AND (2) R28744) |
| 8B | R51412 | ROCKER | 1 | 18SC4- | |
| 9 | 22H1025 | SET SCREW | 4 | | 1/4" X 7/8" |
| 10 | R49221 | RETAINER | 2 | | |
| 11 | R40922 | PACKING | 1 | | |
| 12 | F2741R | PACKING | 1 | | |
| 13 | 19H1978 | CAP SCREW | 4 | | 7/16" X 1-1/2" |
| | 19H2500 | CAP SCREW | 4 | | 7/16" X 1-3/8" |
| | 12H293 | LOCK WASHER | 5 | | 7/16" |
| 14 | 15H559 | PIPE PLUG | AR | | 1/4", (1 USED DUAL) (2 USED TRIPLE) |
| | 15H558 | PIPE PLUG | 1 | | 1/8" |
| 15 | AR71188 | COVER | 1 | | (DUAL) (ALSO ORDER (2) R59082) (SUB FOR AR41969 OR AR54331) (MARKED R41445, R50066 OR R59081) |
| | AR71189 | COVER | 1 | | (TRIPLE) (ALSO ORDER (2) R59082) (SUB FOR AR41970 OR AR54332) (MARKED R41488, R50067 OR R59084) |
| 16 | R28744 | PIN | 2 | 18SC4- | |
| 17 | R41932 | CAM | 1 | -18SC3 | LOWER, (SUB R51415) |
| | R51415 | CAM | 1 | 18SC4- | |
| 18 | AR48734 | ARM | 1 | | (SUB FOR AR40684) |
| 19 | 34H297 | SPRING PIN | 1 | | 7/32" X 1" |
| 20 | R394R | O-RING | 1 | | |
| 21 | R26375 | O-RING | 2 | | |
| 22 | R41155 | PLUG | 2 | | |

MEMORANDA

4F10

HYDRAULICS

SELECTIVE CONTROL VALVE KITS
RP727 -UN-01JAN94



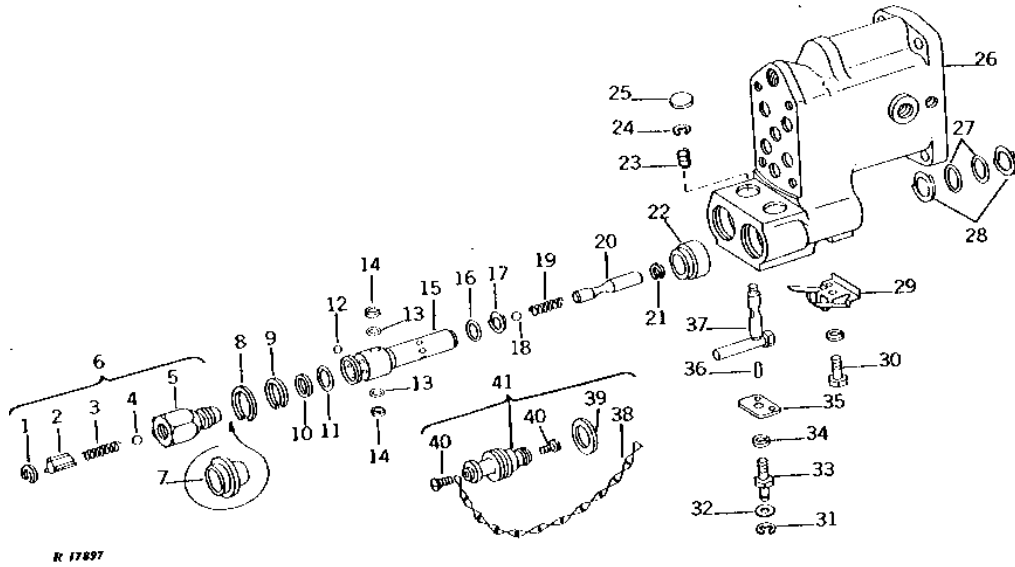
| KEY | PART NO. | PART NAME | QTY | TRACTOR SERIAL NO. | REMARKS |
|-----|----------|-----------|-----|--------------------|---------|
| 1 | AR44129 | VALVE | 1 | (A) (SINGLE) | |
| | AR44129 | VALVE | 1 | (A) (DUAL) | |
| | AR44130 | VALVE | 1 | (A) (TRIPLE) | |

(A) LEVER NOT INCLUDED

4F11

HYDRAULICS

BREAKAWAY COUPLER
R17897 -UN-01JAN94



4F12

HYDRAULICS

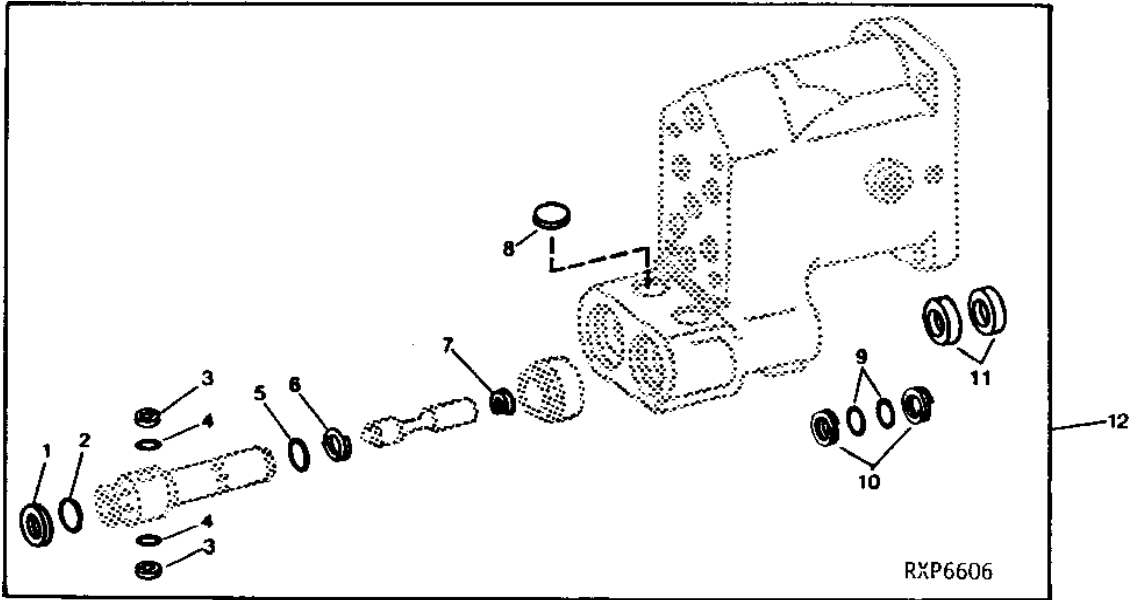
BREAKAWAY COUPLER - CONTINUED

| KEY | PART NO. | PART NAME | QTY | TRACTOR SERIAL NO. | REMARKS |
|-----|----------|----------------------------|-----|-----------------------|--|
| 1 | R59633 | WEAR RING | 2 | | (SUB FOR R28204) |
| 2 | R28085 | GUIDE | 2 | | (SUB AR93819 OR AR93820, THIS APPLICATION) |
| 3 | R28084 | SPRING | 2 | | |
| 4 | D2361R | BALL | 2 | | 13MM (1/2") |
| 5 | R27430 | HYD. QUICK-CONNECT COUPLER | 1 | | (SUB AR93819) (PRESSURE) |
| | R45630 | HYD. QUICK-CONNECT COUPLER | 1 | | (SUB AR93820) (RETURN) |
| 6 | AR93819 | HYD. QUICK-CONNECT COUPLER | 1 | | (SUB FOR AR30210) (PRESSURE) (COMPLETE) |
| | AR93820 | FITTING | 1 | | (SUB FOR AR47643) (RETURN) (COMPLETE) |
| | R28006 | CAP | 2 | | |
| 8 | R34399 | SNAP RING | 2 | | |
| 9 | R32356 | SNAP RING | 2 | | |
| 10 | R26485 | BACK-UP RING | 2 | | |
| 11 | R495R | O-RING | 2 | | |
| 12 | 400R | BALL | 12 | | 6MM (1/4") |
| 13 | A3917R | O-RING | 4 | | |
| 14 | R26484 | BACK-UP RING | 4 | | |
| 15 | R34397 | SOCKET OUTLET | 2 | | |
| 16 | R375R | O-RING | 2 | | |
| 17 | R26482 | RING | 2 | | |
| 18 | D2361R | BALL | 2 | | 13MM (1/2") |
| 19 | R28084 | SPRING | 2 | | |
| 20 | R34400 | PLUG | 2 | | |
| 21 | R26483 | SNAP RING | 2 | | |
| 22 | R34398 | SLEEVE | 2 | | |
| 23 | R31890 | SPRING | 2 | | |
| 24 | R72653 | SNAP RING | 2 | | (SUB FOR M2396T) |
| 25 | 30H15 | PLUG | 2 | | 1-1/8" |
| 26 | AR40827 | HOUSING | 1 | -XXXXXX | (MARKED R40499) (SUB AR82572, R59629, R27166, R41057, (2) R65501, (2) R65502, R66916, R74695 AND R65289) |
| | AR82572 | HOUSING | 1 | XXXXXX- | (MARKED R65284) |
| 27 | A4730R | O-RING | 4 | | |
| 28 | R26480 | BACK-UP RING | 4 | | |
| 29 | R30818 | SPRING | 1 | -213468 | |
| 30 | 19H1900 | CAP SCREW | 1 | -213468 | 5/16" X 3/4" |
| | 12H303 | LOCK WASHER | 1 | -213468 | 5/16" |
| 31 | R27507 | SNAP RING | 1 | | |
| 32 | 24H1286 | WASHER | 1 | | 9/32" X 1/2" X 1/16" |
| 33 | R49191 | SCREW | 1 | | (ALSO ORDER R27507, 12H303 AND 24H1286) (SUB FOR R45618) |
| 34 | 12H303 | LOCK WASHER | 1 | | 5/16" |
| 35 | R51285 | PLATE | 1 | -XXXXXX | (SUB FOR R41494) (SUB R61957) |
| | AR75958 | CAM | 1 | XXXXXX- | (SUB R61957) |
| 36 | 34H244 | SPRING PIN | 2 | | 1/8" X 9/16" |
| 37 | AR99100 | LEVER | 2 | | (SUB FOR AR33877 OR AR82576) (SINGLE AND DUAL) |
| | AR41139 | LEVER | 1 | | R.H. (TRIPLE) |
| | AR41140 | LEVER | 1 | | L.H. (TRIPLE) |
| 38 | AN163885 | LINK CHAIN | 2 | | (SUB FOR A3184R OR R49193) |
| 39 | R34589 | WASHER | 2 | | |
| 40 | 37H97 | SCREW | 4 | | 0.242" X 3/4" |
| 41 | AR52623 | PLUG | 2 | | (SUB FOR AR34059) |

4F13

HYDRAULICS

BREAKAWAY COUPLER OVERHAUL KIT
 RXP6606 -UN-06OCT94

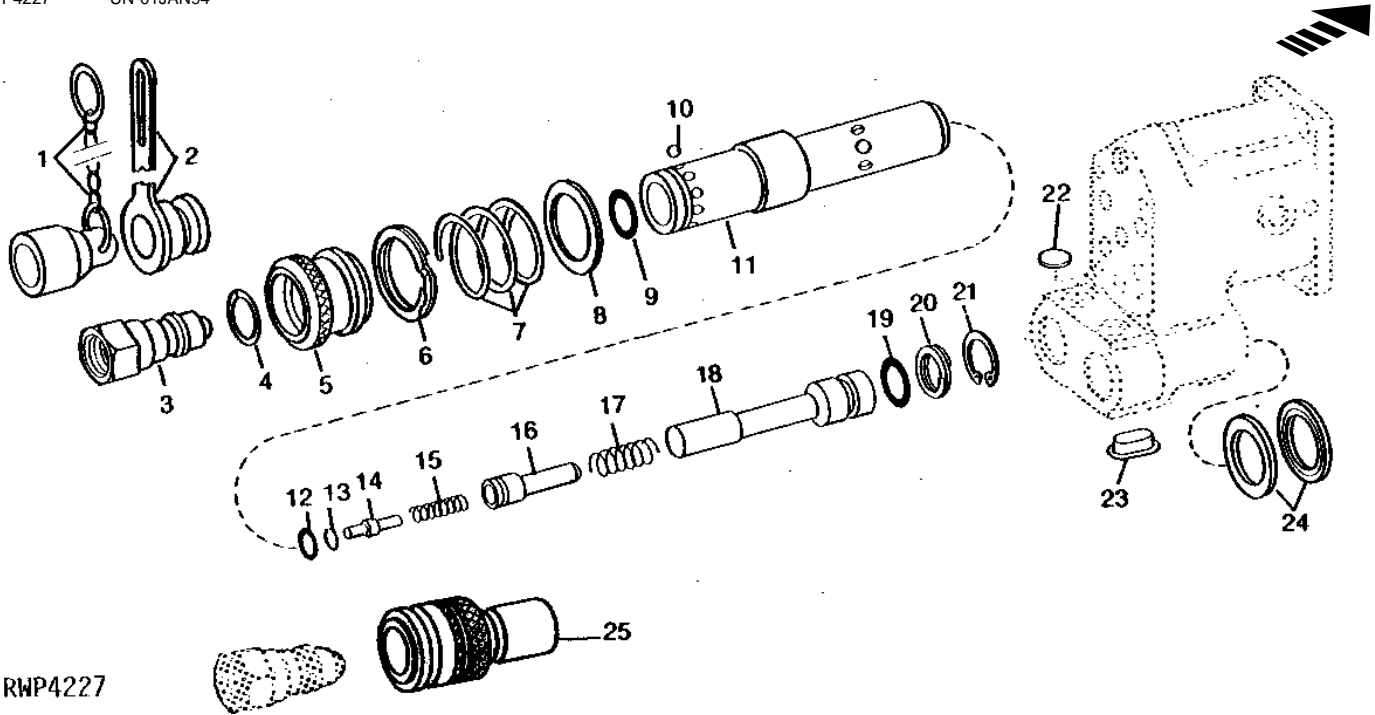


| KEY | PART NO. | PART NAME | QTY | TRACTOR SERIAL NO. | REMARKS |
|-----|----------|--------------|-----|--------------------|-------------------|
| 1 | R26485 | BACK-UP RING | 2 | | |
| 2 | R59343 | RING | 2 | | |
| 3 | R26484 | BACK-UP RING | 4 | | |
| 4 | A3917R | O-RING | 4 | | |
| 5 | R375R | O-RING | 2 | | |
| 6 | R26482 | RING | 2 | | |
| 7 | R26483 | SNAP RING | 2 | | |
| 8 | 30H15 | PLUG | 2 | 1-1/8" | |
| 9 | A4730R | O-RING | 4 | | (EARLY DESIGN) |
| 10 | R26480 | BACK-UP RING | 4 | | (EARLY DESIGN) |
| 11 | R79311 | SEAL | 4 | | (CURRENT DESIGN) |
| 12 | AR82570 | KIT | 1 | | (SUB FOR AR30685) |

4F14

HYDRAULICS

ISO BREAKAWAY COUPLER
(SERVICE PARTS FOR AR80911)
RWP4227 -UN-01JAN94



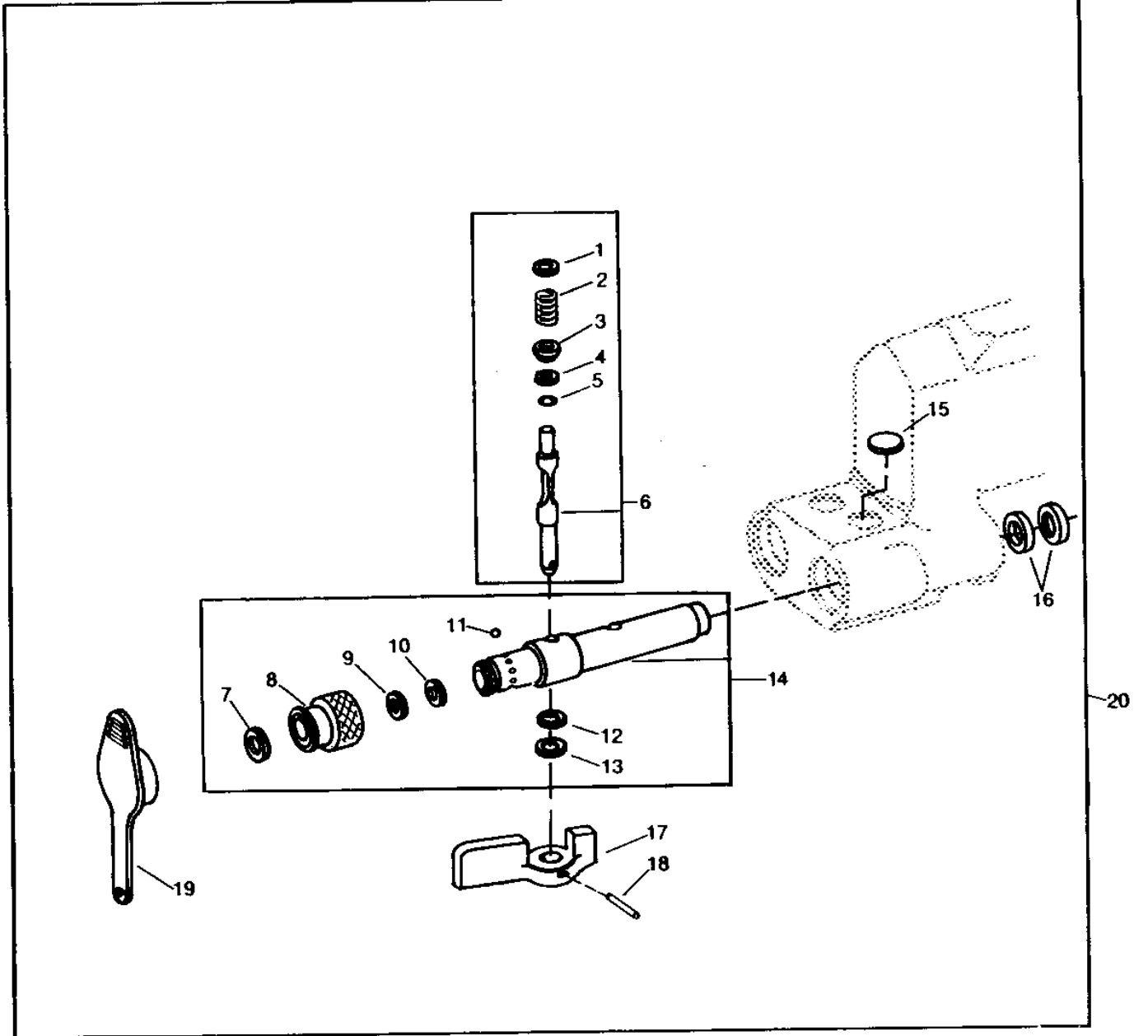
RWP4227

| KEY | PART NO. | PART NAME | QTY | TRACTOR SERIAL NO. | REMARKS |
|-----|----------|-----------------------|-----|--------------------|--|
| 1 | A15898 | CAP | 1 | | |
| 2 | A15899 | CAP | 1 | | |
| 3 | AR94522 | INTERNAL HALF COUPLER | 1 | | (SUB FOR AL26973) |
| 4 | R64617 | SNAP RING | 1 | | (SUB RE12121, R34399, R49191, R61957 AND 12H303) |
| 5 | R64618 | SLEEVE | 1 | | (SUB RE12121, R34399, R49191, R61957 AND 12H303) |
| 6 | R64615 | SNAP RING | 1 | | (SUB RE12121, R34399, R49191, R61957 AND 12H303) |
| 7 | R64609 | SPRING | 1 | | (SUB RE12121, R34399, R49191, R61957 AND 12H303) |
| 8 | R64608 | WASHER | 1 | | (SUB RE12121, R34399, R49191, R61957 AND 12H303) |
| 9 | R21722 | O-RING | 1 | | |
| 10 | H871R | BALL | 8 | | 5MM (3/16") |
| 11 | R64605 | EXTERNAL HALF COUPLER | 1 | | (SUB RE12121, R34399, R49191, R61957 AND 12H303) |
| 12 | T77613 | O-RING | 1 | | (SUB FOR R64613) |
| 13 | R64614 | SNAP RING | 1 | | (SUB RE12121, R34399, R49191, R61957 AND 12H303) |
| 14 | R64612 | PIN | 1 | | (SUB RE12121, R34399, R49191, R61957 AND 12H303) |
| 15 | R64611 | SPRING | 1 | | (SUB RE12121, R34399, R49191, R61957 AND 12H303) |
| 16 | R64610 | POPPET | 1 | | (SUB RE12121, R34399, R49191, R61957 AND 12H303) |
| 17 | R64607 | SPRING | 1 | | |
| 18 | R64606 | GUIDE | 1 | | (SUB RE12121, R34399, R49191, R61957 AND 12H303) |
| 19 | R375R | O-RING | 1 | | |
| 20 | R26482 | RING | 1 | | |
| 21 | U15969 | SNAP RING | 1 | | |
| 22 | 30H15 | PLUG | 1 | | 1-1/8" |
| 23 | R64561 | PLUG | 1 | | |
| 24 | R74530 | SEAL | 2 | | (SUB R79311) |
| 25 | AL26972 | EXTERNAL HALF COUPLER | 1 | | |

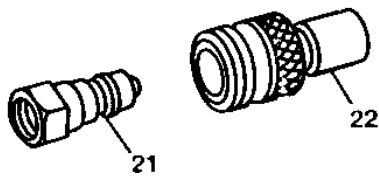
4F15

HYDRAULICS

JOHN DEERE TO ISO COUPLER CONVERSION KIT
RWP4194 -UN-12OCT94



RWP4194



4F16

HYDRAULICS

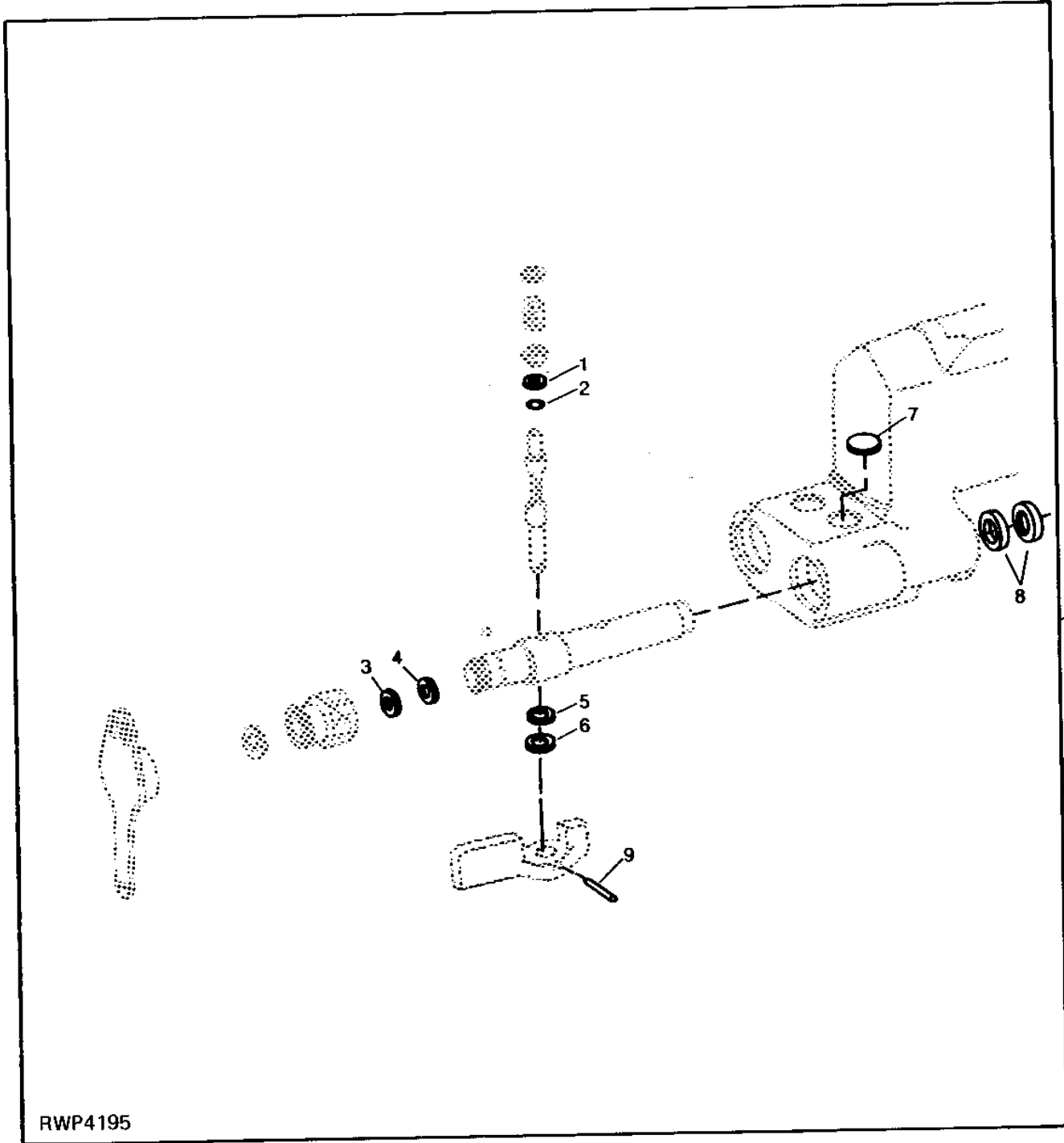
JOHN DEERE TO ISO COUPLER CONVERSION KIT - CONTINUED

| KEY | PART NO. | PART NAME | QTY | TRACTOR SERIAL NO. | REMARKS |
|-----|----------|-----------------------|-----|-----------------------|---------------|
| 1 | R54242 | SNAP RING | 2 | | |
| 2 | R78767 | SPRING | 2 | | |
| 3 | R48698 | WASHER | 2 | | |
| 4 | R31136 | BACK-UP RING | 2 | | |
| 5 | R10093 | O-RING | 2 | | |
| 6 | RE13814 | SHAFT | 2 | | |
| 7 | 40M4378 | SNAP RING | 2 | | |
| 8 | R78765 | SLEEVE | 2 | | |
| 9 | R71387 | WASHER | 2 | | |
| 10 | R74210 | O-RING | 2 | | |
| 11 | H871R | BALL | 16 | | |
| 12 | P51212 | O-RING | 2 | | |
| 13 | R78766 | BACK-UP RING | 2 | | |
| 14 | RE13813 | RECEPTACLE | 2 | | |
| 15 | 30H15 | PLUG | 2 | | 1-1/8" |
| 16 | R74530 | SEAL | 2 | | (SUB R79311) |
| 17 | R78769 | HANDLE | 2 | | |
| 18 | 34H247 | SPRING PIN | 2 | | 1/8" X 3/4" |
| 19 | R78768 | COVER | 2 | | |
| 20 | RE12121 | RECEIVER | 1 | | |
| 21 | AR94522 | INTERNAL HALF COUPLER | AR | | (SUB AR94522) |
| 22 | AL26972 | EXTERNAL HALF COUPLER | AR | | |

4F17

HYDRAULICS

ISO COUPLER OVERHAUL KIT
RWP4195 -UN-12OCT94



RWP4195

4F18

HYDRAULICS

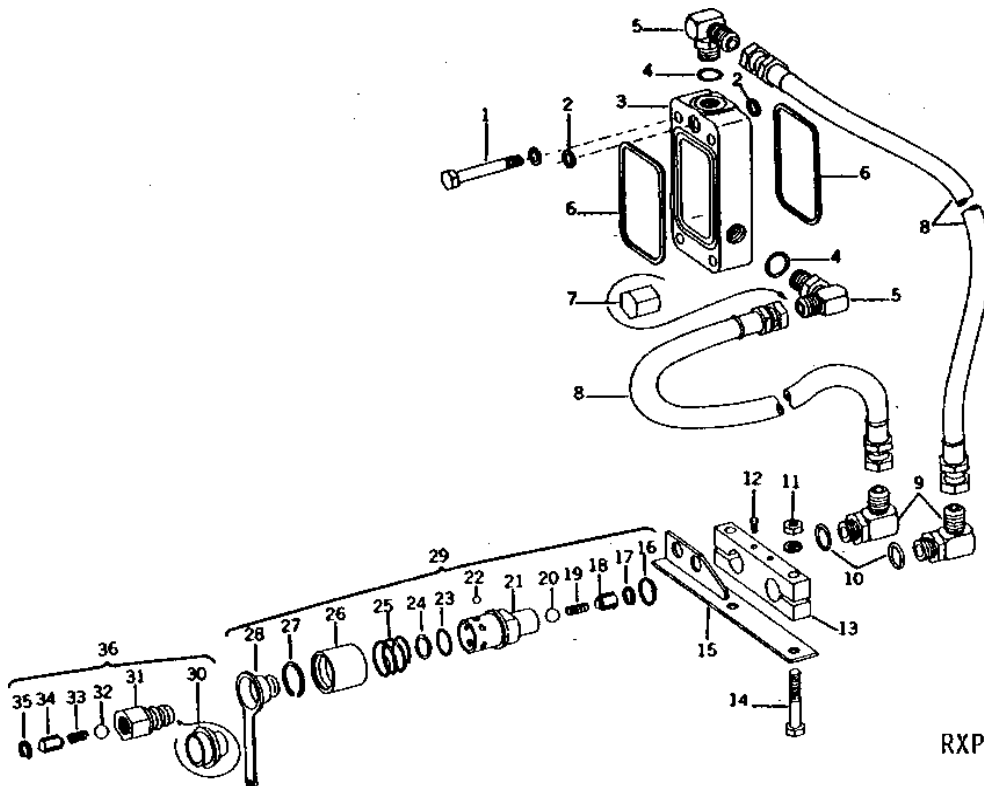
ISO COUPLER OVERHAUL KIT - CONTINUED

| KEY | PART NO. | PART NAME | QTY | TRACTOR SERIAL NO. | REMARKS |
|-----|----------|--------------|-----|-----------------------|---------|
| 1 | R31136 | BACK-UP RING | 2 | | |
| 2 | R10093 | O-RING | 2 | | |
| 3 | R71387 | WASHER | 2 | | |
| 4 | R74210 | O-RING | 16 | | |
| 5 | P51212 | O-RING | 2 | | |
| 6 | R78766 | BACK-UP RING | 2 | | |
| 7 | 30H15 | PLUG | 2 | 1-1/8" | |
| 8 | R74530 | SEAL | 4 | (SUB R79311) | |
| 9 | 37H41 | SCREW | 2 | | |
| 10 | RE13815 | KIT | 1 | | |

4F19

HYDRAULICS

AUXILIARY OUTLET COUPLER
(EARLY DESIGN)
RXP6542 -UN-01JAN94



RXP6542

4F20

HYDRAULICS

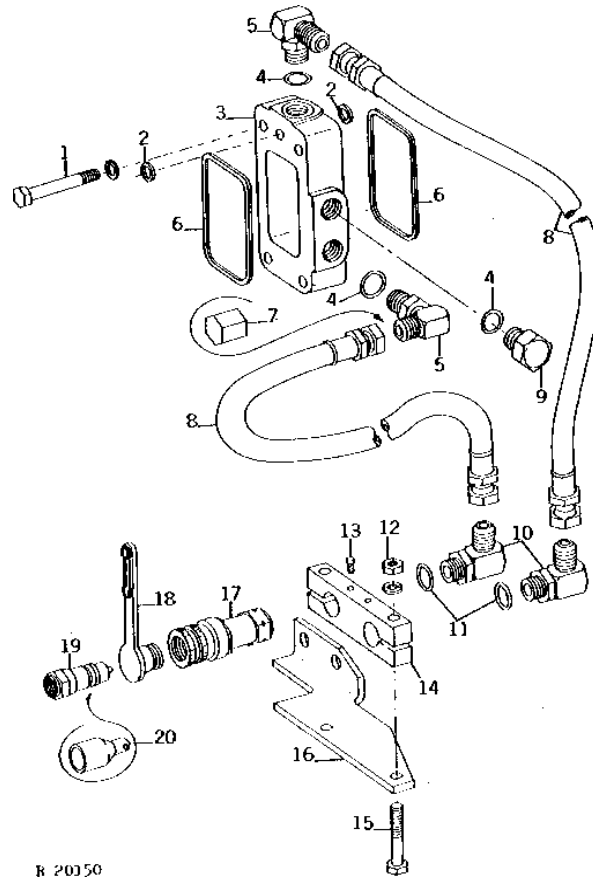
**AUXILIARY OUTLET COUPLER - CONTINUED
(EARLY DESIGN)**

| KEY | PART NO. | PART NAME | QTY | TRACTOR SERIAL NO. | REMARKS |
|-----|----------|----------------------------|-----|-----------------------|--|
| 1 | 19H2106 | CAP SCREW | 4 | | 7/16" X 2-3/4" |
| | 12H293 | LOCK WASHER | 4 | | 7/16" |
| 2 | F2741R | PACKING | 2 | | |
| 3 | R54312 | MANIFOLD | 1 | | (SUB FOR R47307) |
| 4 | R26375 | O-RING | 2 | | |
| 5 | AR27738 | ELBOW FITTING | 1 | | 90° |
| 6 | R40922 | PACKING | 2 | | |
| 7 | R31736 | FITTING | 2 | | |
| 8 | AN140274 | HYDRAULIC HOSE | 2 | | |
| 9 | AT32332 | ELBOW FITTING | 2 | | 90°, (SUB FOR AR26763) |
| 10 | R26375 | O-RING | 2 | | |
| 11 | 14H1076 | NUT | 2 | | 3/8" |
| | 12H304 | LOCK WASHER | 2 | | 3/8" |
| 12 | A5748R | STUD | 2 | | |
| 13 | N140340 | BRACKET | 1 | | (NLA) |
| 14 | 19H1726 | CAP SCREW | 2 | | 3/8" X 2-1/4" |
| 15 | AN140262 | SUPPORT | 1 | | (NLA) |
| 16 | R36946 | SPRING | 2 | | |
| 17 | R59633 | WEAR RING | 2 | | (SUB FOR R28204) |
| 18 | R28085 | GUIDE | 2 | | (SUB RE15361) |
| 19 | R28084 | SPRING | 2 | | |
| 20 | D2361R | BALL | 2 | | 13MM (1/2") |
| 21 | R32353 | SOCKET OUTLET | 1 | | (SUB RE15361) |
| 22 | 400R | BALL | 12 | | 6MM (1/4") |
| 23 | R495R | O-RING | 2 | | |
| 24 | R26485 | BACK-UP RING | 2 | | |
| 25 | R32354 | SPRING | 2 | | (SUB RE15361) |
| 26 | R32355 | SLEEVE | 2 | | (SUB RE15361) |
| 27 | R32356 | SNAP RING | 2 | | |
| 28 | R32419 | COVER | 2 | | (SUB R80324) |
| 29 | AR47331 | SOCKET OUTLET | 2 | | (SUB RE15361) |
| 30 | R28006 | CAP | 2 | | |
| 31 | R27430 | HYD. QUICK-CONNECT COUPLER | 1 | | (SUB AR93819) (PRESSURE) |
| | R45630 | HYD. QUICK-CONNECT COUPLER | 1 | | (SUB AR93820) (RETURN) |
| 32 | D2361R | BALL | 2 | | 13MM (1/2") |
| 33 | R28084 | SPRING | 2 | | |
| 34 | R28085 | GUIDE | 2 | | (SUB AR93819 OR AR93820, THIS APPLICATION) |
| 35 | R59633 | WEAR RING | 2 | | (SUB FOR R28204) |
| 36 | AR93819 | HYD. QUICK-CONNECT COUPLER | 1 | | (SUB FOR AR30210) (PRESSURE) |
| | AR93820 | FITTING | 1 | | (SUB FOR AR47643) (RETURN) |
| .. | R47308 | ROD | 1 | | SCV LEVER |

4F21

HYDRAULICS

AUXILIARY OUTLET COUPLER
(LATE DESIGN)
R20150 -UN-01JAN94



R 20150

4F22

HYDRAULICS

**AUXILIARY OUTLET COUPLER - CONTINUED
(LATE DESIGN)**

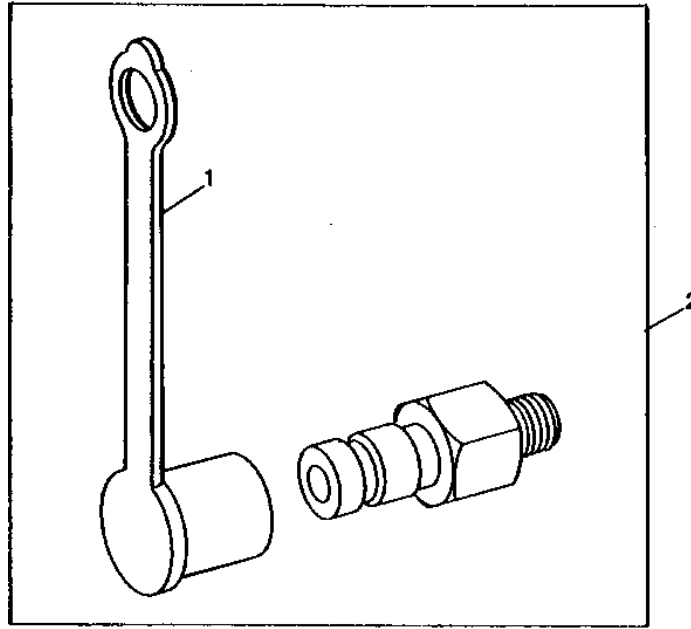
| KEY | PART NO. | PART NAME | QTY | TRACTOR SERIAL NO. | REMARKS |
|-----|----------|----------------------------|-----|-----------------------|------------------------|
| 1 | 19H2106 | CAP SCREW | 4 | | 7/16" X 2-3/4" |
| | 12H293 | LOCK WASHER | 4 | | 7/16" |
| 2 | F2741R | PACKING | 2 | | |
| 3 | R54312 | MANIFOLD | 1 | | |
| 4 | R26375 | O-RING | 3 | | |
| 5 | AR27738 | ELBOW FITTING | 2 | | 90° |
| 6 | R40922 | PACKING | 2 | | |
| 7 | R31736 | FITTING | 2 | | |
| 8 | AN140274 | HYDRAULIC HOSE | 2 | | |
| 9 | R39112 | FITTING | 1 | | |
| 10 | AT32332 | ELBOW FITTING | 2 | | 90°, (SUB FOR AR26763) |
| 11 | R26375 | O-RING | 2 | | |
| 12 | 14H1076 | NUT | 2 | | 3/8" |
| | 12H304 | LOCK WASHER | 2 | | 3/8" |
| 13 | A5748R | STUD | 2 | | |
| 14 | R49668 | BRACKET | 1 | | |
| 15 | 19H1944 | CAP SCREW | 2 | | 3/8" X 2-3/4" |
| 16 | R59154 | SUPPORT | 1 | | (SUB FOR R49667) |
| 17 | AA15043 | HYD. QUICK-CONNECT COUPLER | 2 | | |
| 18 | A15899 | CAP | 2 | | |
| 19 | AA15042 | HYD. QUICK-CONNECT COUPLER | 2 | | |
| 20 | A15898 | CAP | 2 | | |
| .. | R47308 | ROD | 1 | | SCV LEVER |

MEMORANDA

4F23

HYDRAULICS

DIAGNOSTIC RECEPTACLE
RWP5202 -UN-01JAN94



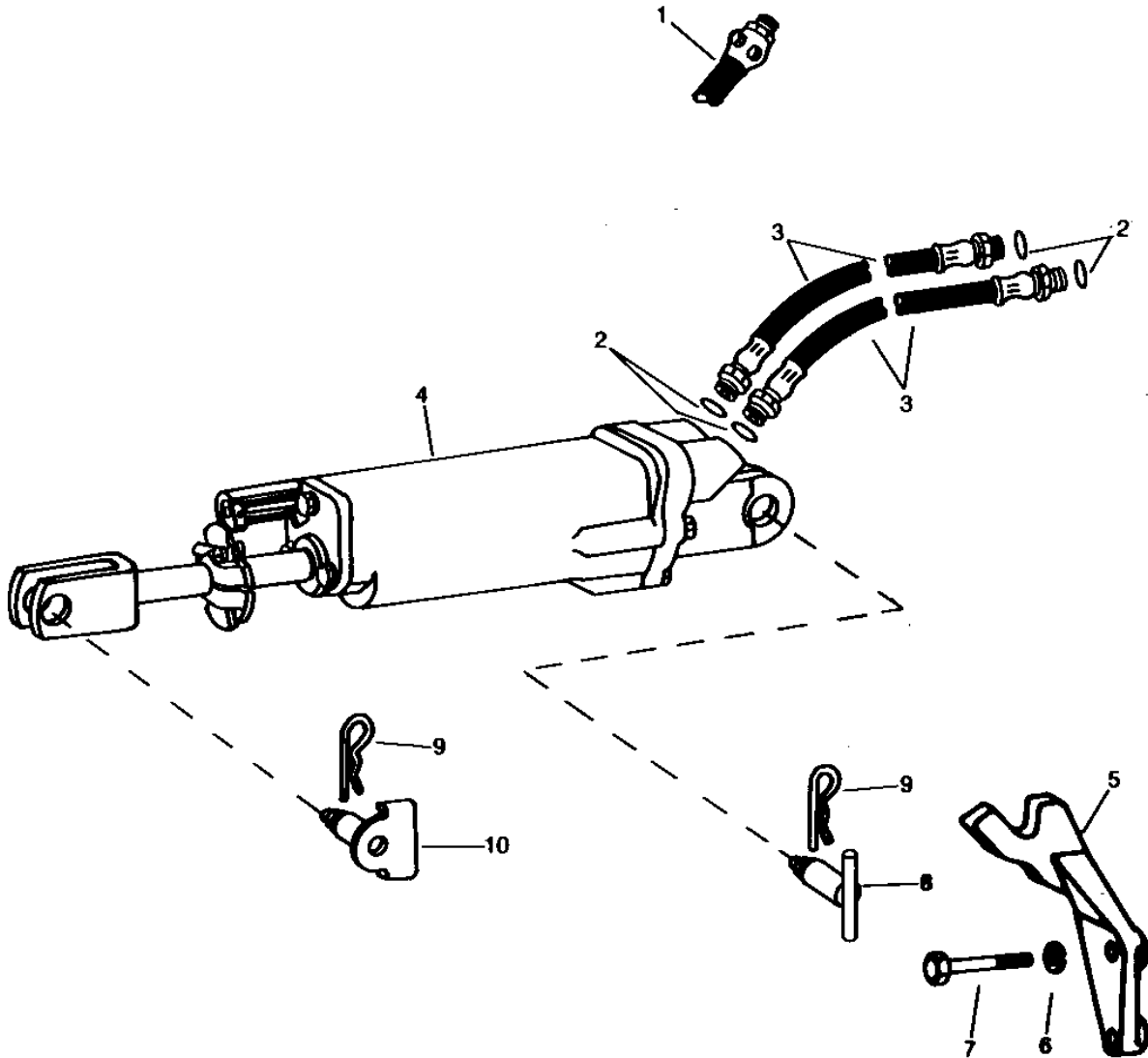
RWP5202

| KEY | PART NO. | PART NAME | QTY | TRACTOR SERIAL NO. | REMARKS |
|-----|----------|------------|-----|--------------------|---------------------|
| 1 | R77175 | COVER | 1 | | |
| 2 | RE13561 | RECEPTACLE | 1 | | 12.7MM (1/2") PORT |
| | RE13562 | RECEPTACLE | 1 | | 9.525MM (3/8") PORT |

4F24

HYDRAULICS

REMOTE CYLINDER, HOSES AND ARM
RXP011359 -UN-12OCT94



RXP011359

4F25

HYDRAULICS

REMOTE CYLINDER, HOSES AND ARM - CONTINUED

| KEY | PART NO. | PART NAME | QTY | TRACTOR SERIAL NO. | REMARKS |
|-----|----------|--------------------|-----|---|---------|
| 1 | AR30784 | TEE FITTING | 1 | | |
| 2 | R26375 | O-RING | 4 | | |
| 3 | AR26407 | HYDRAULIC HOSE | 2 | 2337MM (92") | |
| | R32183 | HYDRAULIC HOSE | 2 | 2337MM (92") | |
| | R36795 | HYDRAULIC HOSE | 2 | 3048MM (120") | |
| 4 | AR27437 | CYLINDER | 1 | (A) 76 X 202MM (3" X 8") (ILLUSTRATED) (NLA) | |
| | AR34829 | CYLINDER | 1 | (B) 76 X 202MM (3" X 8") (NLA) | |
| | AR35261 | CYLINDER | 1 | (A) 89 X 202MM (3-1/2" X 8") (ORDER AR35261 AND AR36158) | |
| | AR36303 | CYLINDER | 1 | (B) 89 X 202MM (3-1/2" X 8") (ORDER AR36303 AND AR36158) | |
| 5 | R32118 | ARM | 1 | L.H., (SINGLE OR DUAL) (NLA) | |
| | R32117 | ARM | 1 | R.H. (SINGLE OR DUAL) | |
| 6 | 12H304 | LOCK WASHER | AR | 3/8", (2 USED SINGLE) (4 USED DUAL) | |
| 7 | 19H1765 | CAP SCREW | AR | 3/8" X 1-3/4", (2 USED SINGLE) (4 USED DUAL) | |
| 8 | AR47825 | PIN | 1 | (SUB FOR AA6309R) (USE WITH AR27437) | |
| | AR47825 | PIN | 2 | (SUB FOR AA6309R) (USE WITH AR34829, AR35261 AND AR36303) | |
| 9 | A3581R | SPRING LOCKING PIN | 2 | | |
| 10 | AA6307R | PIN | 1 | -XXXXXX (USE WITH AR27437) (SUB AR71902) | |
| | AR71902 | PIN | 1 | XXXXXX- | |
| .. | | CYLINDER | 1 | (A) 76 X 202 MM (3" X 8") (NLA) | |
| .. | | CYLINDER | 1 | (B) 76 X 202 MM (3" X 8") (NLA) | |
| .. | | CYLINDER | 1 | (A) 89 X 202 MM (3-1/2" X 8") (ORDER AR35261 AND AR36158) | |
| .. | | CYLINDER | 1 | (B) 89 X 202 MM (3-1/2" X 8") (ORDER AR36303 AND AR36158) | |

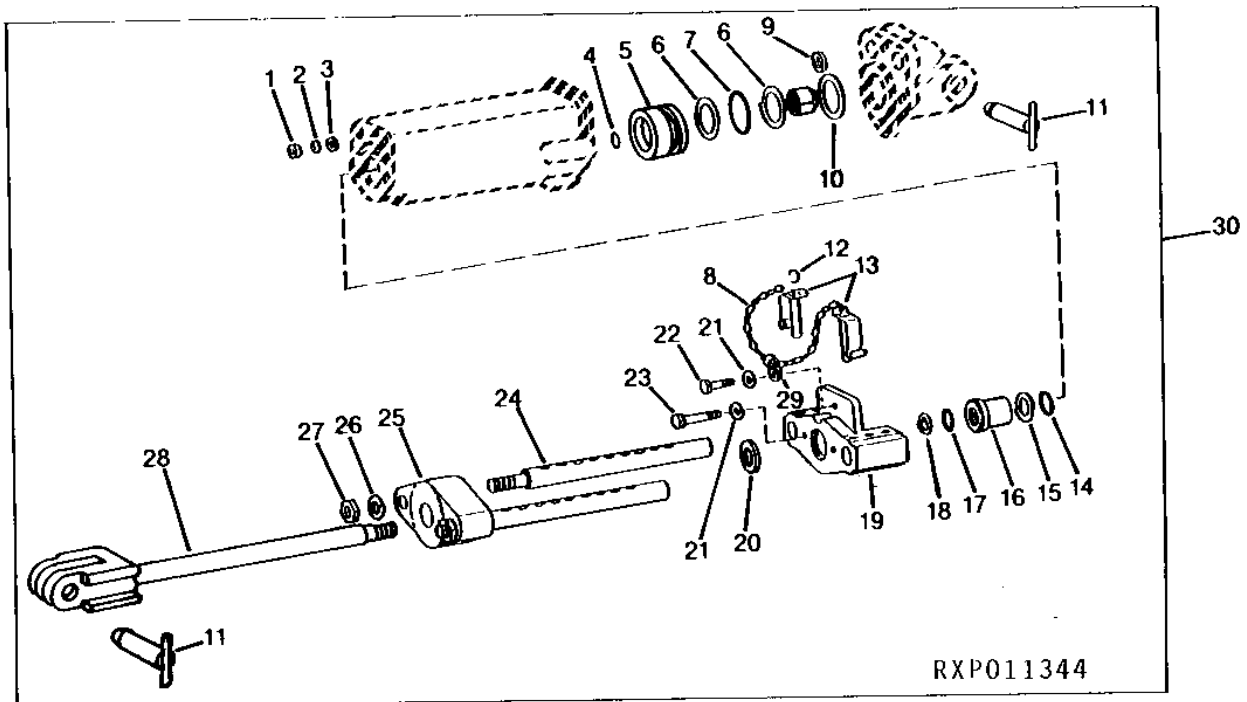
(A) HYDRUALIC STOP

(B) MECHANICAL STOP

4G1

HYDRAULICS

REMOTE CYLINDER CONVERSION KIT
(3" X 8" HYDRAULIC STOP TO MECHANICAL STOP)
RXP011344 -UN-12OCT94



4G2

HYDRAULICS

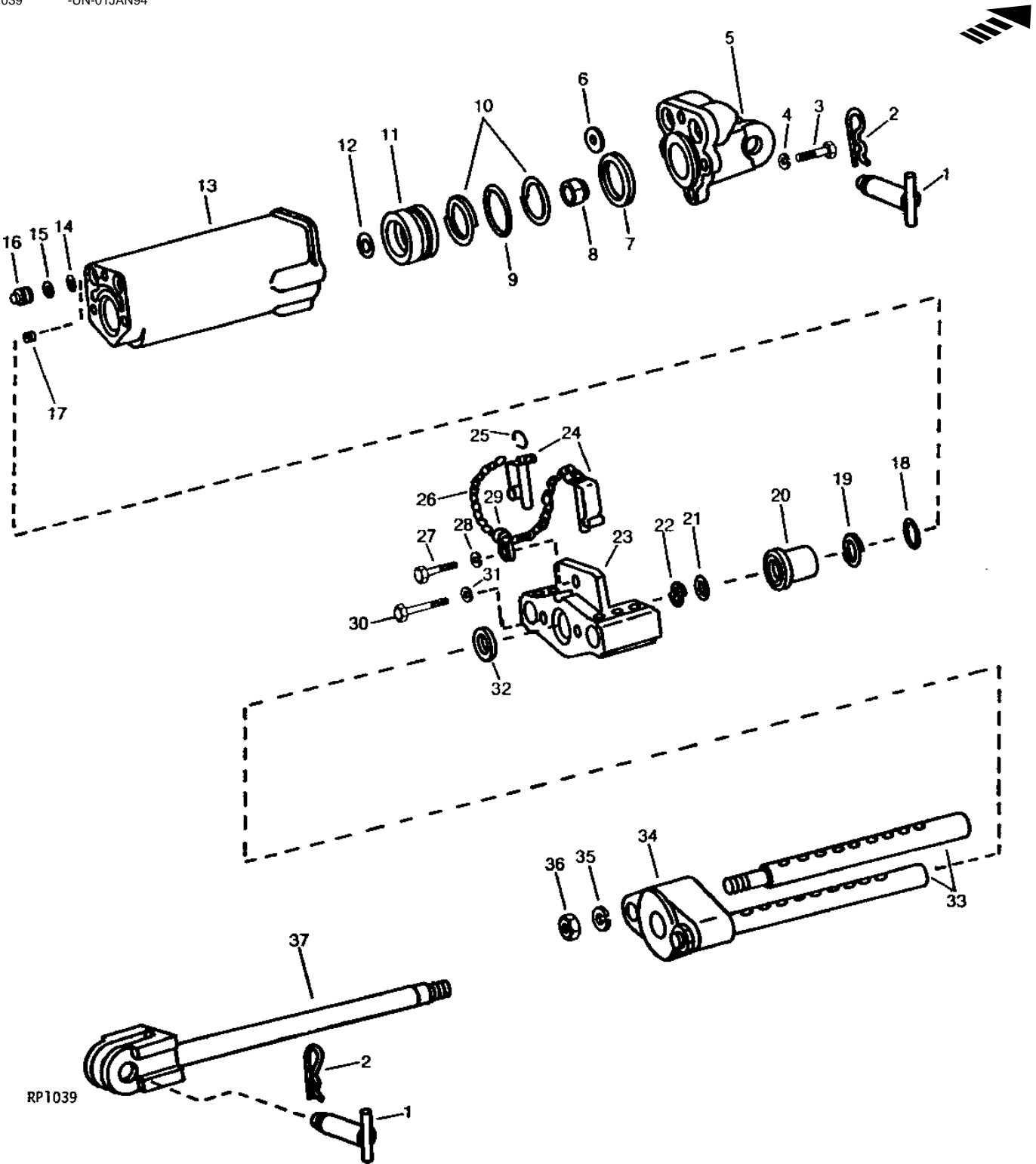
**REMOTE CYLINDER CONVERSION KIT - CONTINUED
(3" X 8" HYDRAULIC STOP TO MECHANICAL STOP)**

| KEY | PART NO. | PART NAME | QTY | TRACTOR SERIAL NO. | REMARKS |
|-----|----------|----------------|-----|-----------------------|------------------|
| 1 | R34131 | PLUG | 1 | | |
| 2 | R32588 | BACK-UP RING | 1 | | |
| 3 | R56464 | O-RING | 1 | | |
| 4 | R27564 | O-RING | 1 | | |
| 5 | R44296 | PISTON | 1 | | |
| 6 | R27649 | BACK-UP RING | 2 | | |
| 7 | A4728R | O-RING | 1 | | |
| 8 | AN163885 | LINK CHAIN | 1 | | (SUB FOR R49193) |
| 9 | A4723R | WASHER | 2 | | |
| 10 | A4722R | WASHER | 1 | | |
| 11 | AR47825 | PIN | 2 | | |
| 12 | D2913R | LINK | 2 | | |
| 13 | AR68145 | QUICK LOCK PIN | 2 | | |
| 14 | R1138R | O-RING | 1 | | |
| 15 | R34966 | BACK-UP RING | 1 | | |
| 16 | R34965 | GUIDE | 1 | | |
| 17 | A3606R | O-RING | 1 | | |
| 18 | R26441 | BACK-UP RING | 1 | | |
| 19 | R44285 | GUIDE | 1 | | |
| 20 | AP19547 | SEAL | 1 | | |
| 21 | 12H304 | LOCK WASHER | 3 | | 3/8" |
| 22 | 19H2552 | CAP SCREW | 1 | | 3/8" X 1-1/8" |
| 23 | 19H1726 | CAP SCREW | 2 | | 3/8" X 2-1/4" |
| 24 | R44287 | ROD | 2 | | |
| 25 | R36952 | STOP | 1 | | |
| 26 | 12H236 | LOCK WASHER | 2 | | 3/4" |
| 27 | 14H905 | NUT | 2 | | 3/4" |
| 28 | AR45545 | ROD | 1 | | |
| 29 | T13073 | CLIP | 1 | | |
| 30 | AR45535 | KIT | 1 | | (FI) |

4G3

HYDRAULICS

3" X 8" REMOTE CYLINDER PARTS
(MECHANICAL STOP)
RP1039 -UN-01JAN94



4G4

HYDRAULICS

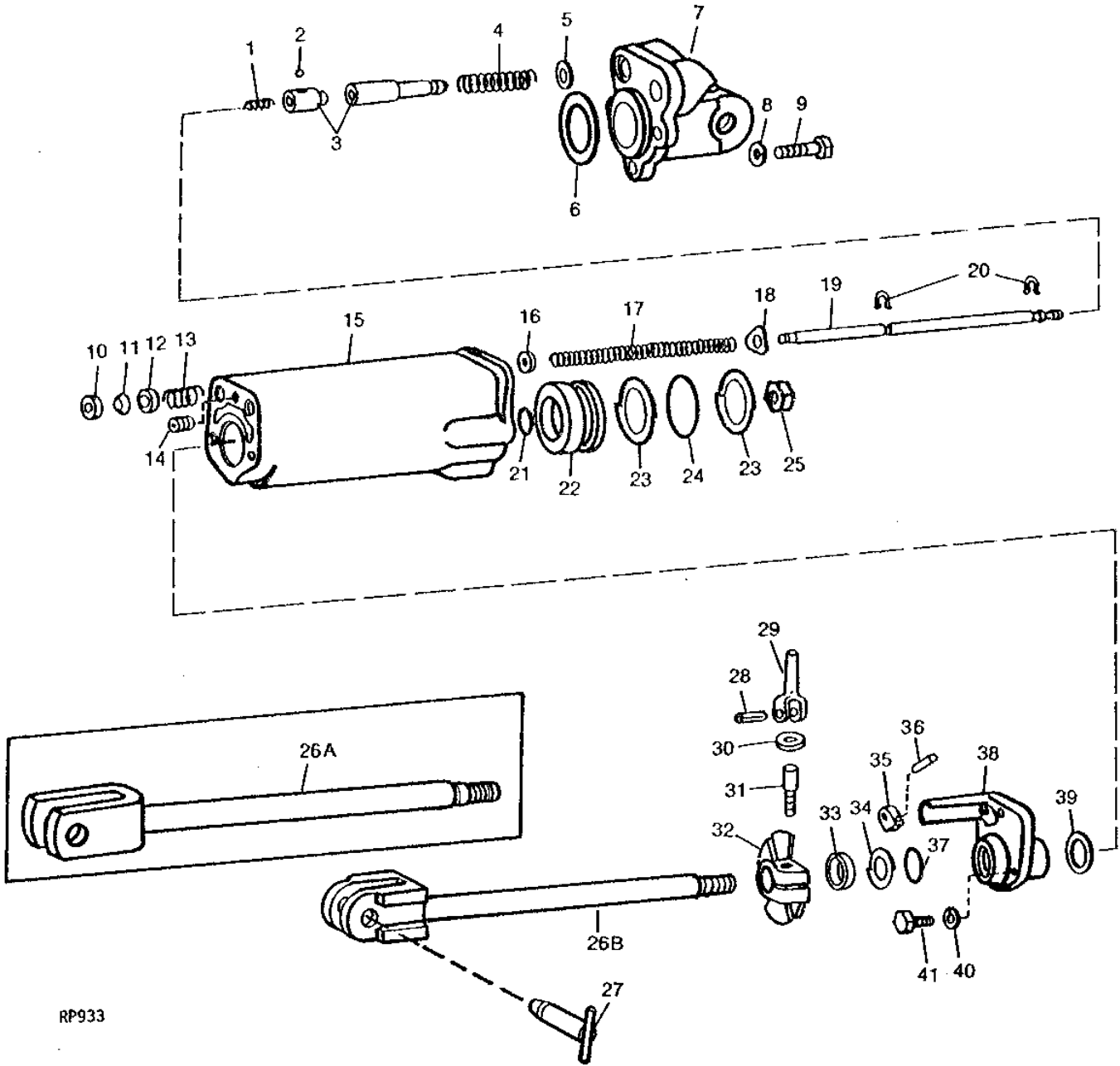
**3" X 8" REMOTE CYLINDER PARTS - CONTINUED
(MECHANICAL STOP)**

| KEY | PART NO. | PART NAME | QTY | MODEL NO. | REMARKS |
|-----|----------|------------------------|-----|-----------|--|
| 1 | AR47825 | PIN | 2 | | (SUB FOR AA6309R) |
| 2 | A3581R | SPRING LOCKING PIN | 2 | | |
| 3 | 19H2473 | CAP SCREW | 4 | | 1/2" X 1-3/4" |
| 4 | 12H301 | LOCK WASHER | 4 | | 1/2" |
| 5 | R27427 | HYDRAULIC CYLINDER CAP | 1 | | |
| 6 | A4723R | WASHER | 2 | | |
| 7 | A4722R | WASHER | 1 | | |
| 8 | R45620 | LOCK NUT | 1 | | (SUB FOR F2439R OR R41198) |
| 9 | A4728R | O-RING | 1 | | |
| 10 | R27649 | BACK-UP RING | 2 | | |
| 11 | R27422 | PISTON | 1 | 3RC1- | (SUB R44296) |
| | R44296 | PISTON | 1 | 3RC2- | |
| 12 | R27564 | O-RING | 1 | 3RC2- | |
| 13 | R27421 | CYLINDER | 1 | | |
| 14 | R459R | O-RING | 1 | | |
| 15 | R32588 | BACK-UP RING | 1 | | |
| 16 | R34131 | PLUG | 1 | | |
| 17 | 15H624 | PIPE PLUG | 1 | | 1/2" |
| 18 | R1138R | O-RING | 1 | | |
| 19 | R34966 | BACK-UP RING | 1 | | |
| 20 | R34965 | GUIDE | 1 | | |
| 21 | A3606R | O-RING | 1 | | |
| 22 | R26441 | BACK-UP RING | 1 | | |
| 23 | R34963 | GUIDE | 1 | 3RC1- | (SUB R44285, (2) R44287 AND (2) AR68145) |
| | R44285 | GUIDE | 1 | 3RC2- | |
| 24 | AR68146 | PIN | 2 | 3RC1- | (SUB FOR AR36308) (NLA) |
| | AR68145 | QUICK LOCK PIN | 2 | 3RC2- | (SUB FOR AR45536) |
| 25 | D2913R | LINK | 2 | | |
| 26 | AN163885 | LINK CHAIN | 1 | | (SUB FOR A3184R OR R49193) |
| 27 | 19H2552 | CAP SCREW | 1 | | 3/8" X 1-1/8" |
| 28 | 12H304 | LOCK WASHER | 1 | | 3/8" |
| 29 | T13073 | CLIP | 1 | | |
| 30 | 19H1726 | CAP SCREW | 2 | | 3/8" X 2-1/4" |
| 31 | 12H304 | LOCK WASHER | 2 | | 3/8" |
| 32 | AP19547 | SEAL | 1 | | |
| 33 | R36954 | ROD | 2 | 3RC1- | (NLA) |
| | R44287 | ROD | 2 | 3RC2- | |
| 34 | R36952 | STOP | 1 | | |
| 35 | 12H236 | LOCK WASHER | 2 | | 3/4" |
| 36 | 14H905 | NUT | 2 | | 3/4" |
| 37 | AR34838 | ROD | 1 | 3RC1- | (SUB AR45545) |
| | AR45545 | ROD | 1 | 3RC2- | |

4G5

HYDRAULICS

3" X 8" REMOTE CYLINDER PARTS
(HYDRAULIC STOP)
RP933 -UN-01JAN94



RP933

4G6

HYDRAULICS

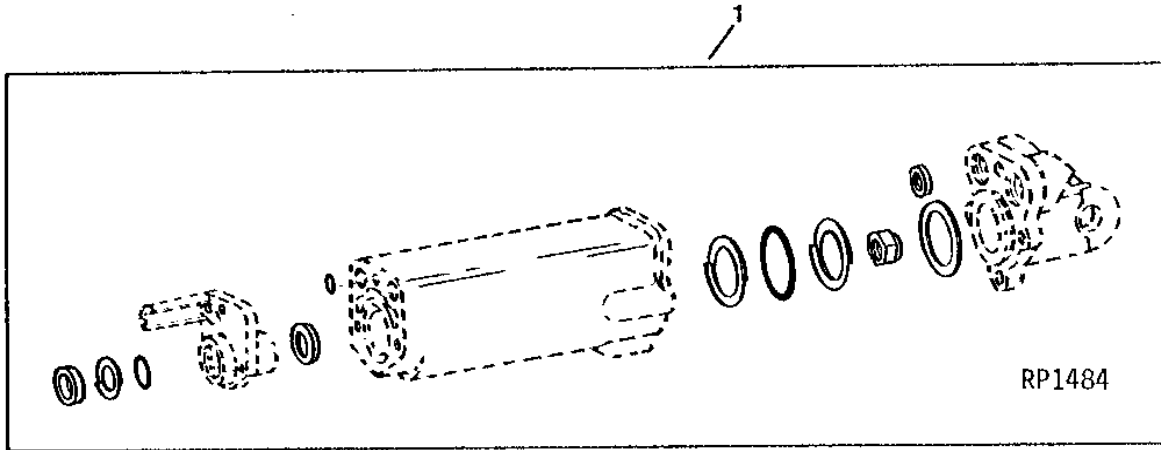
**3" X 8" REMOTE CYLINDER PARTS - CONTINUED
(HYDRAULIC STOP)**

| KEY | PART NO. | PART NAME | QTY | MODEL NO. | REMARKS |
|-----|----------|------------------------|-----|-----------|----------------------------|
| 1 | A4741R | SPRING | 1 | | |
| 2 | A4742R | BALL | 1 | -1RC2 | |
| 3 | AA5731R | VALVE | 1 | -1RC2 | |
| | R39012 | VALVE | 1 | 1RC3- | |
| 4 | R49352 | SPRING | 1 | | |
| | A4744R | SPRING | 1 | | |
| 5 | A4723R | WASHER | 2 | | |
| 6 | A4722R | WASHER | 1 | | |
| 7 | R27427 | HYDRAULIC CYLINDER CAP | 1 | | |
| 8 | 12H301 | LOCK WASHER | 4 | | 1/2" |
| 9 | 19H2473 | CAP SCREW | 4 | | 1/2" X 1-3/4" |
| 10 | A4746R | ADAPTER | 1 | | |
| 11 | A4745R | PACKING | 3 | | |
| 12 | A4747R | WASHER | 1 | | |
| 13 | A4748R | SPRING ASSEMBLY | 1 | | |
| 14 | 15H624 | PIPE PLUG | 1 | | 1/2" |
| 15 | R27421 | CYLINDER | 1 | | |
| 16 | 24H1301 | WASHER | 1 | | 13/32" X 9/16" X 0.065" |
| 17 | A4737R | SPRING | 1 | | |
| 18 | R57696 | WASHER | 1 | | (SUB FOR A4738R) |
| 19 | A4736R | ROD | 1 | | |
| 20 | A4739R | RING | 2 | | |
| 21 | R27564 | O-RING | 1 | 1RC2- | |
| 22 | R27422 | PISTON | 1 | 1RC1- | (SUB R44296) |
| | R44296 | PISTON | 1 | 1RC2- | |
| 23 | R27649 | BACK-UP RING | 2 | | |
| 24 | A4728R | O-RING | 1 | | |
| 25 | R45620 | LOCK NUT | 1 | | (SUB FOR F2439R OR R41198) |
| 26A | AF2331R | STEM | 1 | 1RC1- | (SUB AR45545 AND AR47825) |
| | AR45543 | ROD | 1 | 1RC2- | (SUB AR45545 AND AR47825) |
| 26B | AR45545 | ROD | 1 | | |
| 27 | AR47825 | PIN | 1 | | |
| 28 | 34H264 | SPRING PIN | 1 | | 5/32" X 7/8" |
| 29 | A5302R | YOKE | 1 | | |
| 30 | A147R | LOCK WASHER | 1 | | |
| 31 | A5301R | SCREW | 1 | | |
| 32 | R27423 | STOP | 1 | | |
| 33 | AP19547 | SEAL | 1 | | |
| 34 | R26441 | BACK-UP RING | 1 | | |
| 35 | R27426 | ARM | 1 | | |
| 36 | 25H760 | GROOVE PIN | 1 | | 7/32" X 1-1/4" |
| 37 | A3606R | O-RING | 1 | | |
| 38 | R40218 | GUIDE | 1 | | (SUB FOR R27424) |
| 39 | F1441R | WASHER | 1 | | |
| 40 | 12H304 | LOCK WASHER | 3 | | 3/8" |
| 41 | 19H1731 | CAP SCREW | 3 | | 3/8" X 1" |

4G7

HYDRAULICS

REMOTE CYLINDER OVERHAUL KIT
(3" X 8" HYDRAULIC STOP)
RP1484 -UN-01JAN94



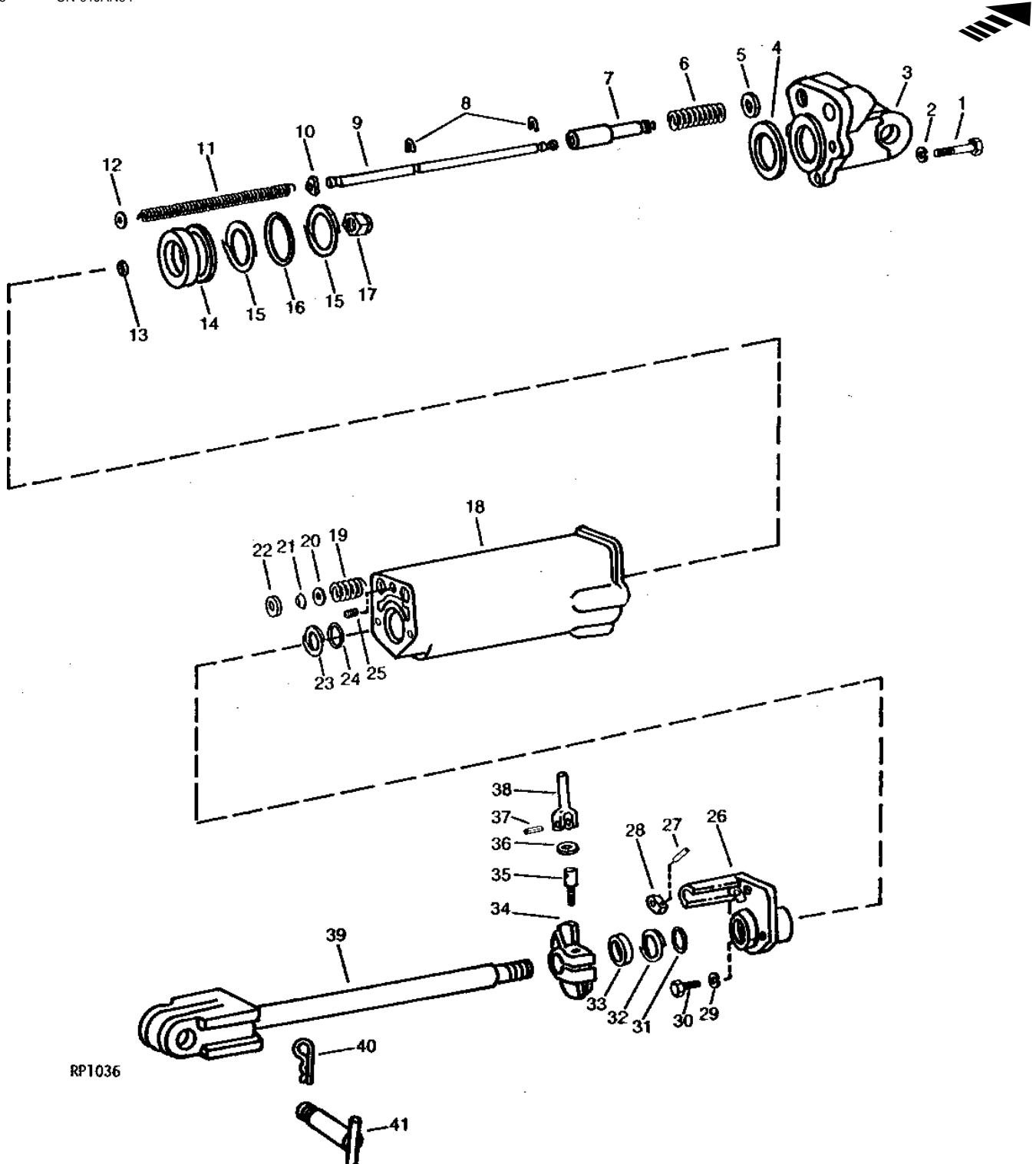
| KEY | PART NO. | PART NAME | QTY | MODEL NO. | REMARKS |
|-----|----------|-----------|-----|-------------------|---------|
| 1 | AR67389 | KIT | 1 | (SUB FOR AR30686) | |

MEMORANDA

4G8

HYDRAULICS

3-1/2" X 8" REMOTE CYLINDER PARTS
(HYDRAULIC STOP)
RP1036 -UN-01JAN94



RP1036

4G9

HYDRAULICS

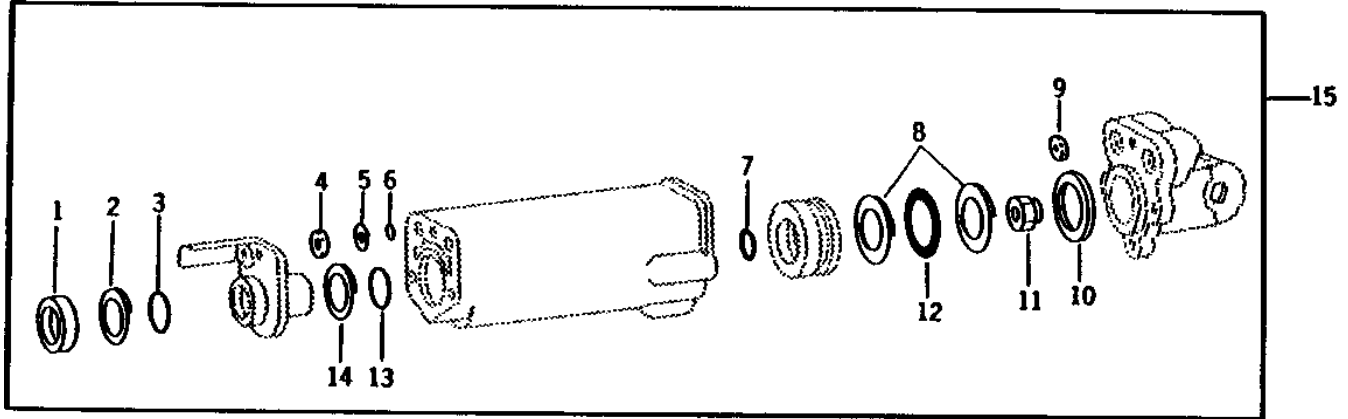
**3-1/2" X 8" REMOTE CYLINDER PARTS - CONTINUED
(HYDRAULIC STOP)**

| KEY | PART NO. | PART NAME | QTY | MODEL NO. | REMARKS |
|-----|----------|--------------------|-----|-----------|-------------------------|
| 1 | 19H2357 | CAP SCREW | 4 | | 9/16" X 2" |
| 2 | 12H317 | LOCK WASHER | 4 | | 9/16" |
| 3 | R35452 | CYLINDER HEAD | 1 | | |
| 4 | F1427R | WASHER | 1 | | |
| 5 | A4723R | WASHER | 2 | | |
| 6 | R49352 | SPRING | 1 | | |
| 7 | R39012 | VALVE | 1 | | |
| 8 | A4739R | RING | 2 | | |
| 9 | A4736R | ROD | 1 | | |
| 10 | R57696 | WASHER | 1 | | (SUB FOR A4738R) |
| 11 | A4737R | SPRING | 1 | | |
| 12 | 24H1301 | WASHER | 1 | | 13/32" X 9/16" X 0.065" |
| 13 | R27564 | O-RING | 1 | | |
| 14 | R44297 | PISTON | 1 | | |
| 15 | R35472 | BACK-UP RING | 2 | | |
| 16 | F1430R | O-RING | 1 | | |
| 17 | R45620 | LOCK NUT | 1 | | |
| 18 | R35447 | CYLINDER | 1 | | |
| 19 | A4748R | SPRING ASSEMBLY | 1 | | |
| 20 | A4747R | WASHER | 1 | | |
| 21 | A4745R | PACKING | 3 | | |
| 22 | A4746R | ADAPTER | 1 | | |
| 23 | R35474 | BACK-UP RING | 1 | | |
| 24 | T19687 | O-RING | 1 | | (SUB FOR T11220) |
| 25 | 15H624 | PIPE PLUG | 1 | | 1/2" |
| 26 | R40219 | GUIDE | 1 | | |
| 27 | 25H760 | GROOVE PIN | 1 | | 7/32" X 1-1/4" |
| 28 | A5304R | ARM | 1 | | |
| 29 | 12H304 | LOCK WASHER | 3 | | 3/8" |
| 30 | 19H1731 | CAP SCREW | 3 | | 3/8" X 1" |
| 31 | R29463 | O-RING | 1 | | |
| 32 | R35473 | BACK-UP RING | 1 | | |
| 33 | R35738 | SEAL | 1 | | |
| 34 | R35448 | STOP | 1 | | |
| 35 | A5301R | SCREW | 1 | | |
| 36 | R1870R | WASHER | 1 | | (SUB R57696) |
| 37 | 34H264 | SPRING PIN | 1 | | 5/32" X 7/8" |
| 38 | A5302R | YOKE | 1 | | |
| 39 | AR45544 | ROD | 1 | | |
| 40 | A3581R | SPRING LOCKING PIN | 2 | | |
| 41 | AR47825 | PIN | 2 | | |

4G10

HYDRAULICS

REMOTE CYLINDER OVERHAUL KIT
 (3-1/2" X 8" HYDRAULIC OR MECHANICAL STOP)
 R32035 -UN-23SEP94



R32035F

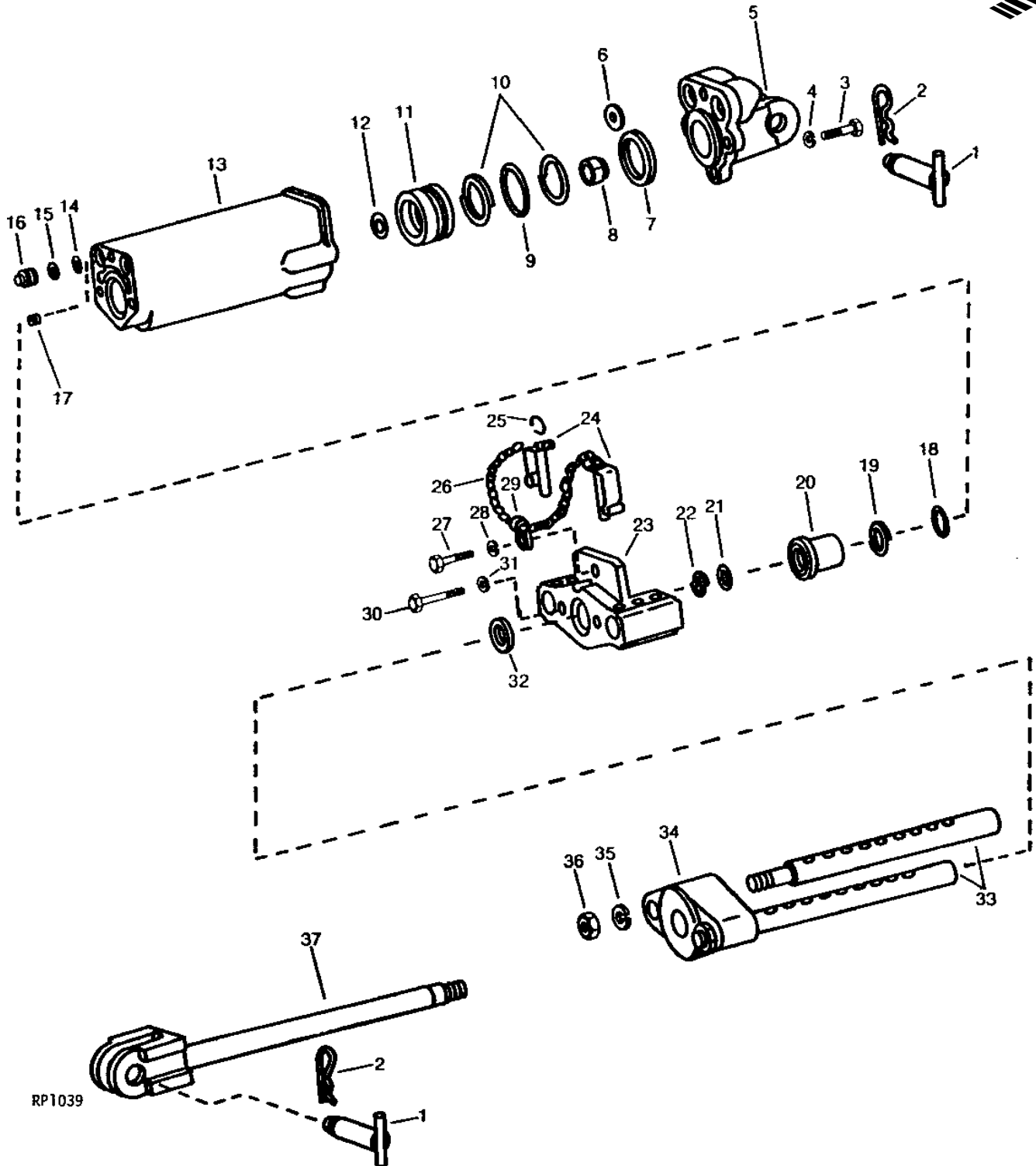
| KEY | PART NO. | PART NAME | QTY | TRACTOR SERIAL NO. | REMARKS |
|-----|----------|--------------|-----|--------------------|-------------------|
| 1 | R35738 | SEAL | 1 | | |
| 2 | R35473 | BACK-UP RING | 1 | | |
| 3 | R29463 | O-RING | 1 | | |
| 4 | A4745R | PACKING | 3 | | (HYDRAULIC STOP) |
| 5 | R32588 | BACK-UP RING | 1 | | (MECHANICAL STOP) |
| 6 | R459R | O-RING | 1 | | (MECHANICAL STOP) |
| 7 | R27564 | O-RING | 1 | | |
| 8 | R35472 | BACK-UP RING | 2 | | |
| 9 | A4723R | WASHER | 2 | | |
| 10 | F1427R | WASHER | 1 | | |
| 11 | R45620 | LOCK NUT | 1 | | (SUB FOR R45620) |
| 12 | F1430R | O-RING | 1 | | |
| 13 | T11220 | O-RING | 1 | | |
| 14 | R35474 | BACK-UP RING | 1 | | |
| 15 | AR31945 | KIT | 1 | | |

MEMORANDA

4G11

HYDRAULICS

3-1/2" X 8" REMOTE CYLINDER PARTS
(MECHANICAL STOP)
RP1039 -UN-01JAN94



4G12

HYDRAULICS

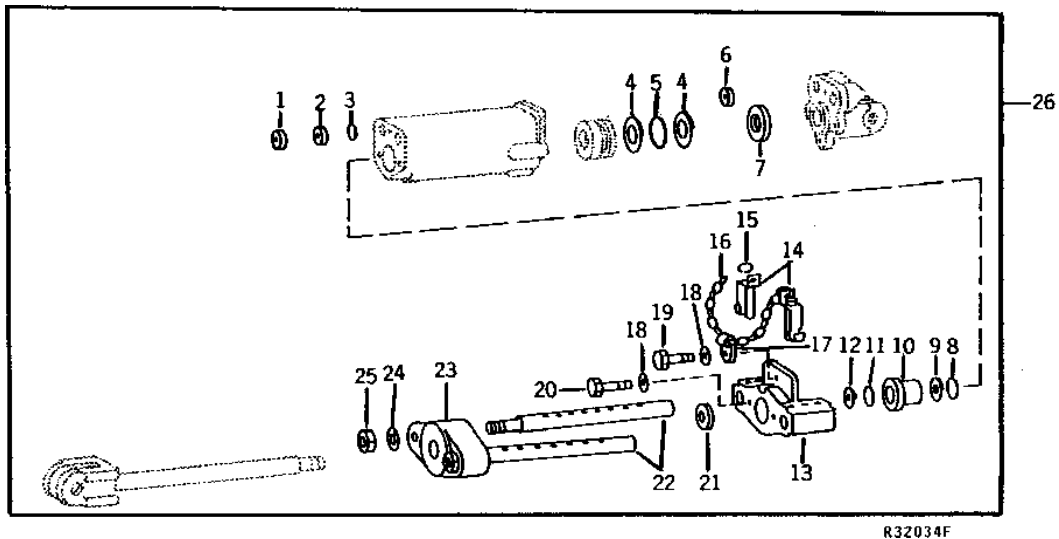
**3-1/2" X 8" REMOTE CYLINDER PARTS - CONTINUED
(MECHANICAL STOP)**

| KEY | PART NO. | PART NAME | QTY | MODEL NO. | REMARKS |
|-----|----------|--------------------|-----|-----------|----------------------------|
| 1 | AR47825 | PIN | 2 | | |
| 2 | A3581R | SPRING LOCKING PIN | 2 | | |
| 3 | 19H2357 | CAP SCREW | 4 | | 9/16" X 2" |
| 4 | 12H317 | LOCK WASHER | 2 | | 9/16" |
| 5 | R35452 | CYLINDER HEAD | 1 | | |
| 6 | A4723R | WASHER | 2 | | |
| 7 | F1427R | WASHER | 1 | | |
| 8 | R45620 | LOCK NUT | 1 | | |
| 9 | F1430R | O-RING | 1 | | |
| 10 | R35472 | BACK-UP RING | 2 | | |
| 11 | R44297 | PISTON | 1 | | |
| 12 | R27564 | O-RING | 1 | | |
| 13 | R35447 | CYLINDER | 1 | | |
| 14 | R459R | O-RING | 1 | | |
| 15 | R32588 | BACK-UP RING | 1 | | |
| 16 | R34131 | PLUG | 1 | | |
| 17 | 15H624 | PIPE PLUG | 1 | | 1/2" |
| 18 | T11220 | O-RING | 1 | | |
| 19 | R35474 | BACK-UP RING | 1 | | |
| 20 | R36951 | GUIDE | 1 | | |
| 21 | R29463 | O-RING | 1 | | |
| 22 | R35473 | BACK-UP RING | 1 | | |
| 23 | R44286 | GUIDE | 1 | | |
| 24 | AR68145 | QUICK LOCK PIN | 2 | | (SUB FOR AR45536) |
| 25 | D2913R | LINK | 2 | | |
| 26 | AN163885 | LINK CHAIN | 1 | | (SUB FOR A3184R OR R49193) |
| 27 | 19H2552 | CAP SCREW | 1 | | 3/8" X 1-1/8" |
| 28 | 12H304 | LOCK WASHER | 1 | | 3/8" |
| 29 | T13073 | CLIP | 1 | | |
| 30 | 19H1726 | CAP SCREW | 2 | | 3/8" X 2-1/4" |
| 31 | 12H304 | LOCK WASHER | 2 | | 3/8" |
| 32 | R35738 | SEAL | 1 | | |
| 33 | R44287 | ROD | 2 | | |
| 34 | R36952 | STOP | 1 | | |
| 35 | 12H236 | LOCK WASHER | 2 | | 3/4" |
| 36 | 14H905 | NUT | 2 | | 3/4" |
| 37 | AR45544 | ROD | 1 | | |

4G13

HYDRAULICS

REMOTE CYLINDER CONVERSION KIT
 (3-1/2" X 8" HYDRAULIC STOP TO MECHANICAL STOP)
 R32034F -UN-06OCT94



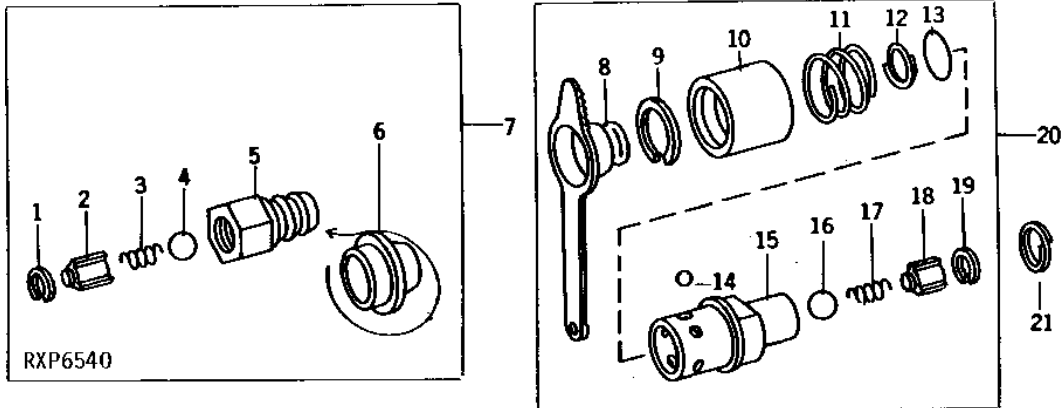
R32034F

| KEY | PART NO. | PART NAME | QTY | TRACTOR SERIAL NO. | REMARKS |
|-----|----------|----------------|-----|--------------------|------------------|
| 1 | R34131 | PLUG | 1 | | |
| 2 | R32588 | BACK-UP RING | 1 | | |
| 3 | R459R | O-RING | 1 | | |
| 4 | R35472 | BACK-UP RING | 2 | | |
| 5 | F1430R | O-RING | 1 | | |
| 6 | A4723R | WASHER | 2 | | |
| 7 | F1427R | WASHER | 1 | | |
| 8 | T11220 | O-RING | 1 | | |
| 9 | R35474 | BACK-UP RING | 1 | | |
| 10 | R36951 | GUIDE | 1 | | |
| 11 | R29463 | O-RING | 1 | | |
| 12 | R35473 | BACK-UP RING | 1 | | |
| 13 | R44286 | GUIDE | 1 | | |
| 14 | AR68145 | QUICK LOCK PIN | 2 | | |
| 15 | D2913R | LINK | 2 | | |
| 16 | AN163885 | LINK CHAIN | 1 | | (SUB FOR R49193) |
| 17 | T13073 | CLIP | 1 | | |
| 18 | 12H304 | LOCK WASHER | 3 | | 3/8" |
| 19 | 19H2552 | CAP SCREW | 1 | | 3/8" X 1-1/8" |
| 20 | 19H1726 | CAP SCREW | 2 | | 3/8" X 2-1/4" |
| 21 | R35738 | SEAL | 1 | | |
| 22 | R44287 | ROD | 2 | | |
| 23 | R36952 | STOP | 1 | | |
| 24 | 12H236 | LOCK WASHER | 2 | | 3/4" |
| 25 | 14H905 | NUT | 2 | | 3/4" |
| 26 | AR45534 | KIT | 1 | | |

4G14

HYDRAULICS

FLEXIBLE OIL LINE COUPLER
RXP6540 -UN-06OCT94



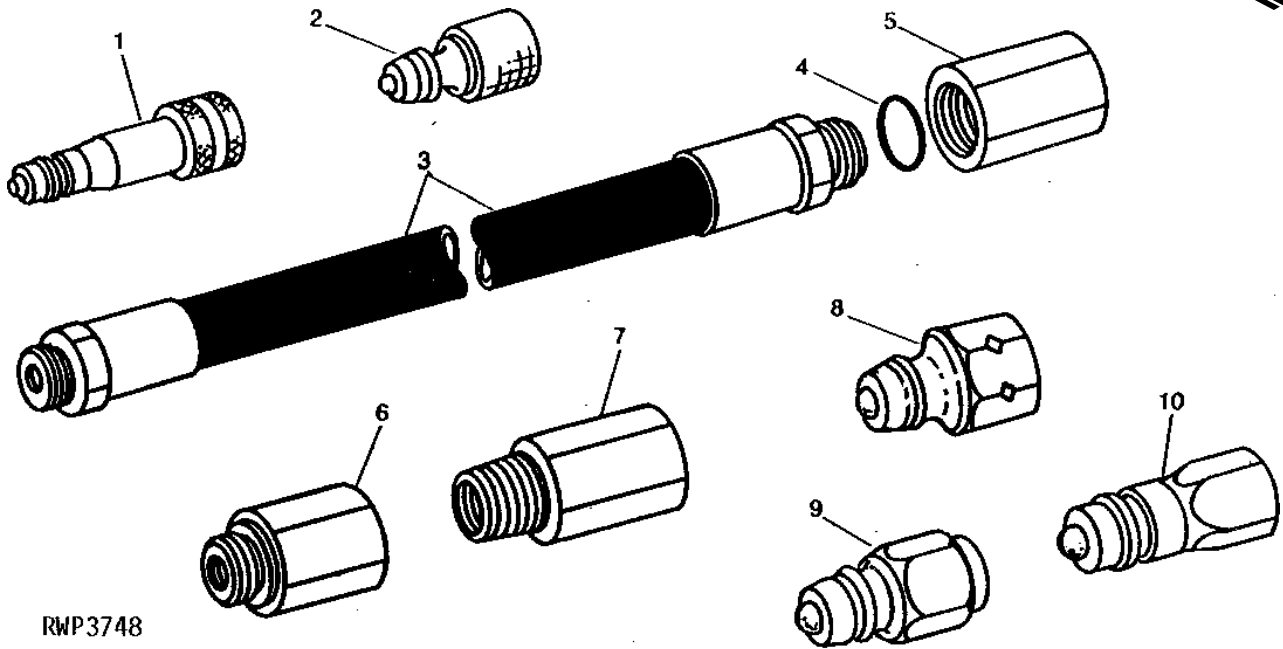
| KEY | PART NO. | PART NAME | QTY | TRACTOR SERIAL NO. | REMARKS |
|-----|----------|----------------------------|-----|--------------------|------------------------------|
| 1 | R59633 | WEAR RING | 1 | | (SUB FOR R28204) |
| 2 | R28085 | GUIDE | 1 | | (SUB AR93819 OR AR93820) |
| 3 | R28084 | SPRING | 1 | | |
| 4 | D2361R | BALL | 1 | | 13MM (1/2") |
| 5 | R27430 | HYD. QUICK-CONNECT COUPLER | 1 | | (PRESSURE) (SUB AR93819) |
| | R45630 | HYD. QUICK-CONNECT COUPLER | 1 | | (RETURN) (SUB AR93820) |
| 6 | R28006 | CAP | 1 | | |
| 7 | AR93819 | HYD. QUICK-CONNECT COUPLER | 1 | | (PRESSURE) (SUB FOR AR30210) |
| | AR93820 | FITTING | 1 | | (RETURN) (SUB FOR AR47643) |
| 8 | R32419 | COVER | 1 | | (SUB R80324) |
| 9 | R32356 | SNAP RING | 1 | | |
| 10 | R32355 | SLEEVE | 1 | | (SUB RE15361) |
| 11 | R32354 | SPRING | 1 | | (SUB RE15361) |
| 12 | R26485 | BACK-UP RING | 1 | | |
| 13 | R495R | O-RING | 1 | | |
| 14 | 400R | BALL | 6 | | 6MM (1/4") |
| 15 | R32353 | SOCKET OUTLET | 1 | | (SUB RE15361) |
| 16 | D2361R | BALL | 1 | | 13MM (1/2") |
| 17 | R28084 | SPRING | 1 | | |
| 18 | R28085 | GUIDE | 1 | | (SUB RE15361) |
| 19 | R59633 | WEAR RING | 1 | | (SUB FOR R28204) |
| 20 | AR47331 | SOCKET OUTLET | 1 | | (SUB RE15361) |
| 21 | R36946 | SPRING | 1 | | |

4G15

HYDRAULICS

IMPLEMENT HYDRAULIC OIL LINES AND FITTINGS

RWP3748 -UN-01JAN94



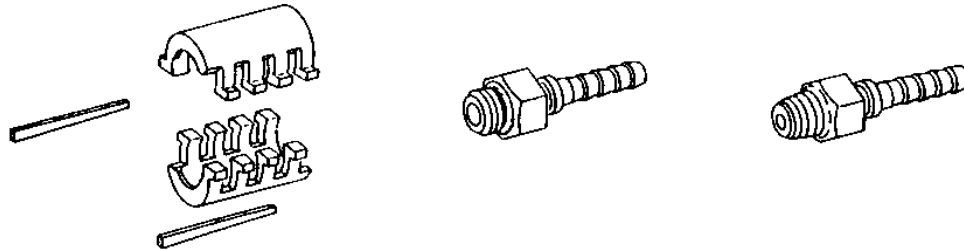
RWP3748

| KEY | PART NO. | PART NAME | QTY | TRACTOR SERIAL NO. | REMARKS |
|-----|----------|----------------------------|-----|--|---------|
| 1 | AR98202 | HYD. QUICK-CONNECT COUPLER | 1 | JOHN DEERE TO ISO | |
| | R21722 | O-RING | 1 | (INCLUDED IN AR98202) | |
| | RE11457 | ADAPTER | 1 | IHC TO ISO | |
| | U11647 | O-RING | 1 | (INCLUDED IN RE11457) | |
| 2 | AR98201 | HYD. QUICK-CONNECT COUPLER | 1 | ISO TO JOHN DEERE | |
| | R21722 | O-RING | 1 | (INCLUDED IN AR98201, RE11458 AND RE11463) | |
| | R71387 | WASHER | 1 | (INCLUDED IN AR98201) | |
| | RE11456 | ADAPTER | 1 | IHC TO JOHN DEERE | |
| | RE11458 | ADAPTER | 1 | JOHN DEERE TO IHC | |
| | RE11463 | ADAPTER | 1 | ISO TO IHC | |
| 3 | AR28754 | HYDRAULIC HOSE | 1 | 10 X 610MM (3/8" X 24") (SUB TY3018) | |
| | AR28755 | HYDRAULIC HOSE | 1 | 10 X 914MM (3/8" X 36") (SUB TY3019) | |
| | R36658 | HYDRAULIC HOSE | 1 | 13 X 610MM (1/2" X 24") | |
| | R36659 | HYDRAULIC HOSE | 1 | 13 X 914MM (1/2" X 36") | |
| 4 | R26375 | O-RING | 1 | | |
| 5 | R30815 | FITTING | 1 | 3/4" THREAD | |
| 6 | R30817 | ADAPTER | 1 | 3/4"-16UNF MALE X 1/2"-14NPT FEMALE | |
| 7 | R30816 | ADAPTER | 1 | 1/2"-14NPT MALE X 3/4"-16UNF FEMALE | |
| 8 | AR93820 | FITTING | 1 | JOHN DEERE, 3/4"-16 UNF | |
| 9 | RE11447 | FITTING | 1 | JOHN DEERE, 1/2"-14NPT | |
| 10 | AR94522 | INTERNAL HALF COUPLER | 1 | ISO, 3/4"-16UNF | |

4G16

HYDRAULICS

BULK FLEXIBLE OIL LINE AND REUSABLE LOK-PIN COUPLINGS
RXP7733 -UN-23SEP94



| Oil Line (Length) Approx. 50 ft.) | | Set of Ferrules with Pins* | Stem-Straight Thread with O-ring | Stem-Pipe Thread |
|--------------------------------------|--------------------|-------------------------------|-------------------------------------|---------------------|
| R 34790 | 3/8" I.D. — 1 Wire | | AR 39635* * | R 39687 |
| R 34791 | 1/2" I.D. — 1 Wire | | AR 39636* * | R 39688 |
| R 34792 | 3/4" I.D. — 1 Wire | | AR 39637# | R 39689 |
| R 34793 | 3/8" I.D. — 2 Wire | AR 39632 | AR 39635* * | R 39687 |
| R 34794 | 1/2" I.D. — 2 Wire | | AR 39636* * | R 39688 |
| R 34795 | 3/4" I.D. — 2 Wire | | AR 39637# | R 39689 |

* Each set of ferrules includes two R39681 pins - extra pins may be ordered, packed 20 in a package.
**Includes R26375 O-ring.
Includes F3171R O-ring.

REUSABLE COUPLINGS (Use With Braid Flexible Oil Line)



| 1 WR Single Wire | | 2 WR Double Wire | | I.D. | Thread |
|---------------------|---|---------------------|--|------|-----------------------|
| <i>Coupling No.</i> | | <i>Coupling No.</i> | | | |
| AF 3585 | R | AR 21629 | | 3/8" | 18 NPTF |
| AF 3586 | R | AR 21630 | | 1/2" | 14 NPTF |
| AF 3587 | R | | | 5/8" | 14 NPTF |
| AF 3588 | R | AR 21632 | | 3/4" | 14 NPTF |
| R 34644 | | AR 21634 | | 1" | 11-1/2" NPTF |
| R 34646 | | R 34647 | | 3/8" | 16 O-ring type thread |
| | | | | 1/2" | 16 O-ring type thread |

BULK SINGLE WIRE BRAID FLEXIBLE OIL LINE (Use With Reusable Coupling for Single Wire Braid Flexible Oil Line)

| Part No. | I.D. | O.D. | Length |
|----------|------|---------|----------------|
| A 5776 R | 1/2" | 29/32" | Approx. 50 ft. |
| A 5777 R | 5/8" | 1-1/32" | Approx. 50 ft. |

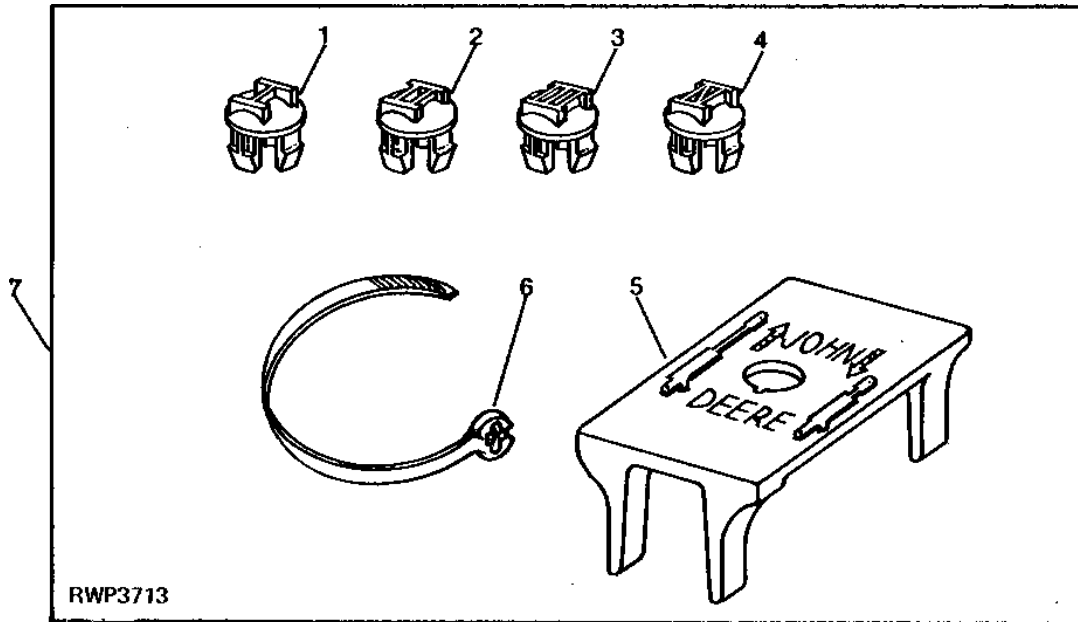
BULK DOUBLE WIRE BRAID FLEXIBLE OIL LINE (Use with Reusable Coupling for Double Wire Braid Flexible Oil Line)

| Part No. | I.D. | O.D. | Length |
|-----------------|------|--------|----------------|
| R 21531 | 3/8" | 29/32" | Approx. 50 ft. |
| R 21532 RXP7733 | 1/2" | 31/32" | Approx. 50 ft. |

4G17

HYDRAULICS

REMOTE CYLINDER HOSE IDENTIFICATION KIT
RWP3713 -UN-01JAN94



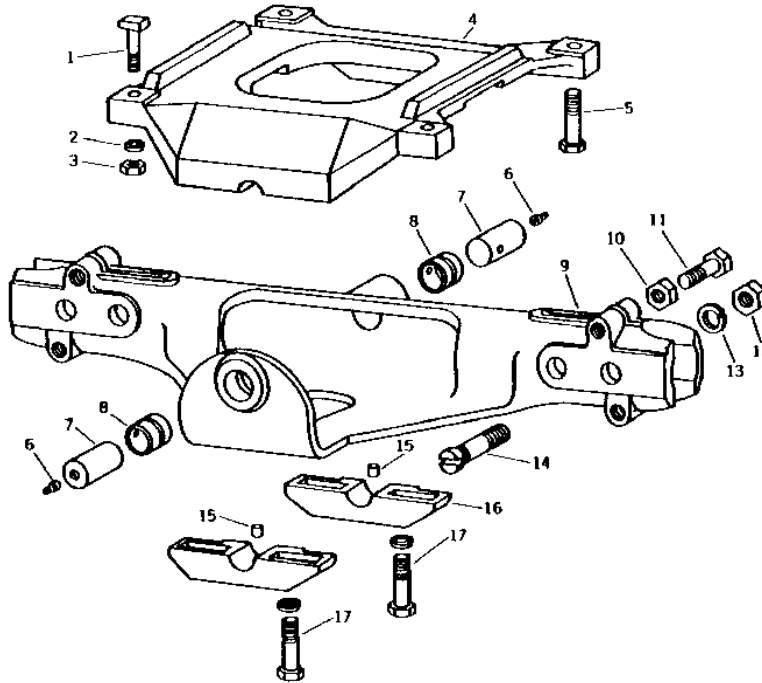
| KEY | PART NO. | PART NAME | QTY | TRACTOR SERIAL NO. | REMARKS |
|-----|----------|-----------|-----|--------------------|---------|
| 1 | R74242 | PLUG | 1 | | |
| 2 | R74243 | PLUG | 1 | | |
| 3 | R74244 | PLUG | 1 | | |
| 4 | R74246 | PLUG | 1 | | |
| 5 | R76459 | TAG | 1 | | |
| 6 | R76477 | TIE BAND | 1 | | |
| 7 | AR103808 | KIT | 1 | | |

4G20

WHEELS, FRONT AXLES, SHEET METAL

FRONT AXLE HOUSING AND PIVOT BRACKET

R4846 -UN-01JAN94



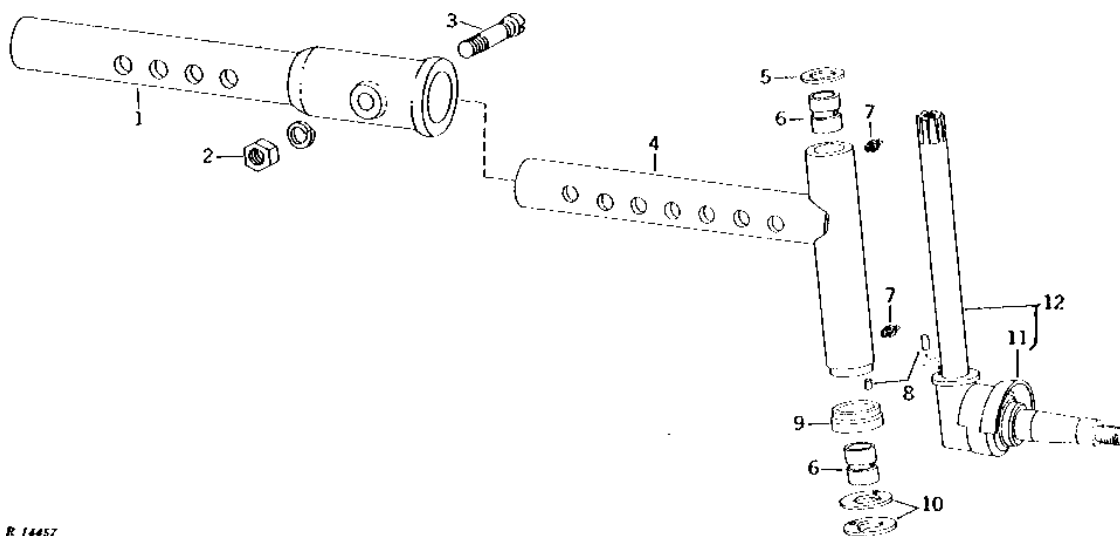
R4846

| KEY | PART NO. | PART NAME | QTY | TRACTOR SERIAL NO. | REMARKS |
|-----|----------|---------------------|-----|--------------------|--|
| 1 | R27818 | BOLT | 2 | -256903 | (SUB 19H1847 AND R49098) |
| | 19H1847 | CAP SCREW | 2 | 256904- | 5/8" X 2-1/2" |
| 2 | 12H294 | LOCK WASHER | 2 | | 5/8" |
| 3 | 14H1039 | NUT | 2 | -256903 | 5/8" |
| | R49098 | NUT | 1 | 256904- | |
| 4 | AR69836 | BRACKET | 1 | | (MARKED R27810, R44020 OR R47180) (ALSO ORDER R48659, (2) 19H1731 AND (2) 12H304) (SUB FOR AR28134 OR AR45677) |
| 5 | 19H1862 | CAP SCREW | 2 | | 3/4" X 2-1/2" |
| 6 | JD7759 | LUBRICATION FITTING | 2 | | |
| 7 | R27817 | PIN | 2 | | |
| 8 | A877R | BUSHING | 2 | | |
| 9 | AR50865 | HOUSING | 1 | | (MARKED R27820, R42851, R47736 OR R51305) (SUB FOR AR45168 OR AR45408) |
| 10 | 14H794 | NUT | 4 | | 3/4" |
| 11 | 19H2026 | CAP SCREW | 4 | | 3/4" X 4" |
| 12 | 14H854 | NUT | 2 | | 1" |
| 13 | 12H234 | LOCK WASHER | 2 | | 1" |
| 14 | B2694R | BOLT | 2 | | |
| 15 | R726R | DOWEL PIN | 2 | | |
| 16 | AR30154 | CLAMP | 2 | | (MARKED R27809) |
| 17 | 19H1707 | CAP SCREW | 4 | | 3/4" X 2-3/4" |
| | 12H236 | LOCK WASHER | 4 | | 3/4" |

4G21

WHEELS, FRONT AXLES, SHEET METAL

FRONT AXLE KNEE
R14457 -UN-01JAN94



| KEY | PART NO. | PART NAME | QTY | TRACTOR SERIAL NO. | REMARKS |
|-----|----------|---------------------|-----|---|---------|
| 1 | R30747 | EXTENSION | 1 | (A) | |
| 2 | 14H854 | NUT | 1 | (A) 1" | |
| | 12H234 | LOCK WASHER | 1 | (A) 1" | |
| 3 | B2694R | BOLT | 1 | | |
| 4 | AR27434 | AXLE | 2 | (A) (SUB AR50962) | |
| | AR50963 | AXLE KNEE | 2 | (A) (88" ADJUSTABLE TREAD FRONT AXLE) (SUB FOR AR30538) | |
| | AR27536 | KNUCKLE | 2 | (B) (SUB AR69835) | |
| | AR27927 | AXLE | 2 | (C) | |
| | AR27604 | AXLE | 2 | (4000-LOW PROFILE) (NLA) (SUB AR69834) | |
| 5 | D467R | WASHER | 2 | | |
| | R34757 | SHIM | 2 | | |
| 6 | A877R | BUSHING | 4 | | |
| 7 | JD7759 | LUBRICATION FITTING | 4 | | |
| 8 | 34H308 | SPRING PIN | 2 | 1/4" X 1/2" | |
| 9 | B2693R | DUST SHIELD | 2 | | |
| 10 | A890R | THRUST WASHER | 4 | | |
| 11 | R20255 | DUST SHIELD | 2 | | |
| 12 | AR28050 | KNUCKLE | 2 | -250000 (A) 381MM (15") (SUB AR55180, R20135 AND 19H1890) | |
| | AR55180 | KNUCKLE | 2 | 250001- (A) 381MM (15") (SUB FOR AR50984) | |
| | AR28545 | KNUCKLE | 2 | -250000 (B) 324MM (12-3/4") (SUB AR55179, R20135 AND 19H1890) | |
| | AR55179 | KNUCKLE | 2 | 250001- (B) 324MM (12-3/4") (SUB FOR AR50982) | |
| | AR28817 | KNUCKLE | 2 | -250000 (C) 697MM (27.44") (SUB AR50981, R20135 AND 19H1890) | |
| | AR50981 | KNUCKLE | 2 | 250001- (C) 697MM (27.44") | |
| | AR50983 | KNUCKLE | 2 | 273MM (10-3/4") (4000-LOW PROFILE) | |

(A) ROW-CROP

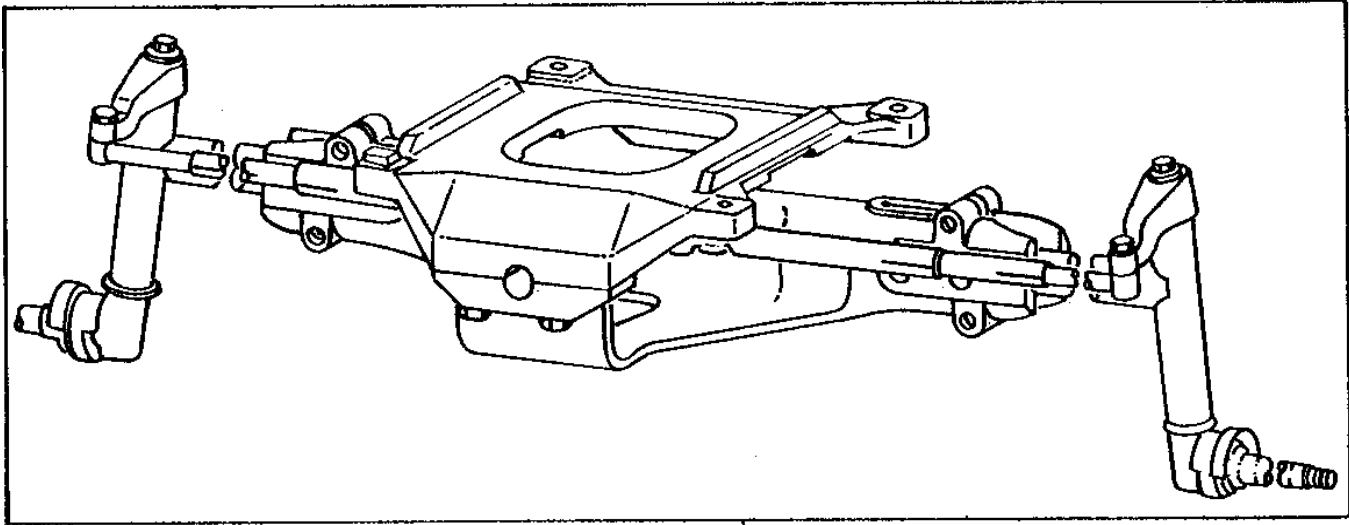
(B) STANDARD

(C) HI-CROP

4G22

WHEELS, FRONT AXLES, SHEET METAL

ADJUSTABLE TREAD FRONT AXLE KIT
RWP2570 -UN-01JAN94



RWP2570

1

| KEY | PART NO. | PART NAME | QTY | TRACTOR SERIAL NO. | REMARKS |
|-----|----------|-----------|-----|--------------------|---------|
| 1 | | KIT | 1 | (NLA) | |

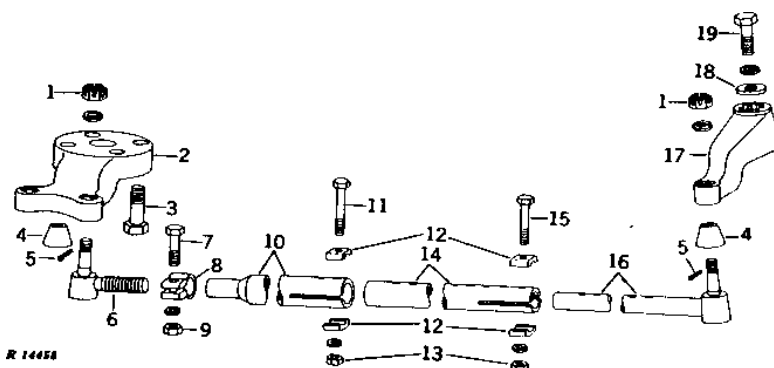
4G23

WHEELS, FRONT AXLES, SHEET METAL

STEERING ARMS AND TIE RODS

(ROW-CROP, STANDARD, WITH LONG WHEEL BASE AND HI-CROP)

R14458 -UN-01JAN94



| KEY | PART NO. | PART NAME | QTY | TRACTOR SERIAL NO. | REMARKS |
|-----|----------|-----------------|-----|--------------------|--|
| 1 | 14H918 | NUT | 4 | | 5/8" |
| | 12H294 | LOCK WASHER | 4 | | 5/8" |
| 2 | R27808 | ARM | 1 | | |
| 3 | 19H2663 | CAP SCREW | 4 | | 3/4" X 2-1/8" |
| 4 | R40589 | COVER | 4 | | |
| 5 | 11M7015 | COTTER PIN | 4 | | 3.200 X 25 MM |
| 6 | AR27351 | UNIVERSAL JOINT | 2 | | INNER |
| 7 | 19H1990 | CAP SCREW | 2 | | 1/2" X 2-1/4" |
| 8 | R28023 | CLAMP | 2 | | |
| 9 | 14H1047 | NUT | 2 | | 7/16" |
| | 12H301 | LOCK WASHER | 2 | | 1/2" |
| 10 | R28021 | TUBE | 2 | | (A) (B) OUTER |
| | R30748 | TUBE | 1 | | (A) OUTER (KNEE EXTENSION)(NLA) |
| | R28743 | TUBE | 2 | -250459 | (C) OUTER, (SUB R47843) |
| | R47843 | TUBE | 2 | 250460- | (C) OUTER |
| 11 | 19H2128 | CAP SCREW | 2 | | 3/8" X 3" |
| 12 | R28024 | CLAMP | 8 | | |
| 13 | E50102 | LOCK NUT | 4 | | (SUB FOR M63440) |
| | 12H304 | LOCK WASHER | 4 | | 3/8" |
| 14 | R28022 | TUBE | 2 | | (A) (C) INNER |
| | R31573 | TUBE | 2 | | (A) INNER, (88" ADJUSTABLE TREAD FRONT AXLE) |
| 15 | 19H1733 | CAP SCREW | 2 | | 3/8" X 2-1/2" |
| 16 | AR51584 | TIE ROD END | 2 | | OUTER, (SUB FOR AR27350) |
| 17 | R27806 | ARM | 1 | -250000 | R.H. (SUB R47765) |
| | R47765 | STEERING ARM | 1 | 250001- | R.H. |
| | R27807 | ARM | 1 | -250000 | L.H. (SUB R47766) |
| | R47766 | STEERING ARM | 1 | 250001- | L.H. |
| 18 | B3310R | WASHER | 2 | -250000 | |
| | R20135 | WASHER | 2 | 250001- | |
| 19 | 19H1798 | CAP SCREW | 2 | -250000 | 3/4" X 1-3/4" |
| | 19H1890 | CAP SCREW | 2 | 250001- | 5/8" X 2-3/4" |
| | 12H236 | LOCK WASHER | 2 | -250000 | 3/4" |

(A) ROW-CROP

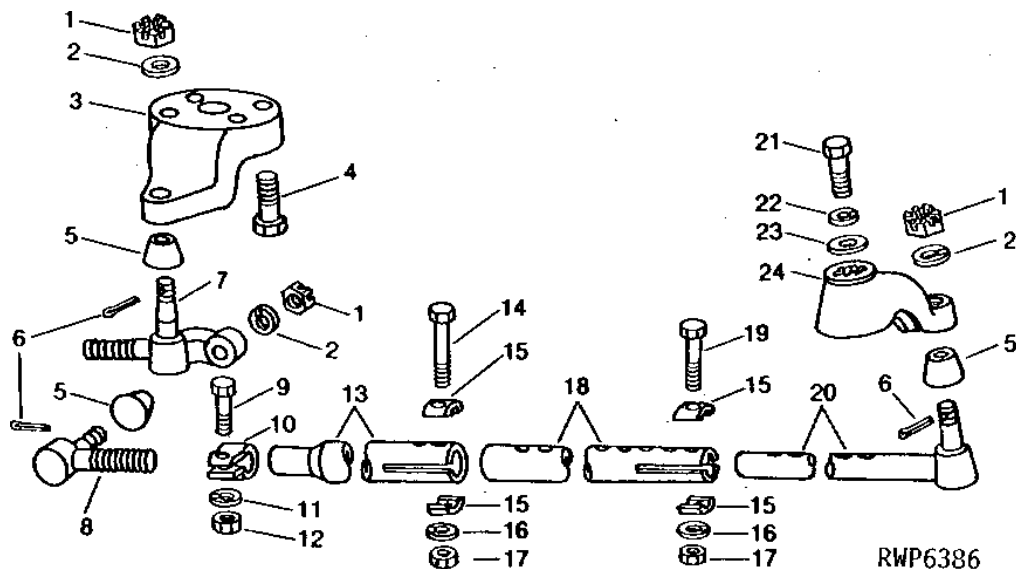
(B) STANDARD

(C) HI-CROP

4G24

WHEELS, FRONT AXLES, SHEET METAL

ADJUSTABLE FRONT AXLE STEERING ARMS AND TIE RODS
(STANDARD WITH SHORT WHEEL BASE AND 4000-LOW PROFILE)
RWP6386 -UN-01JAN94



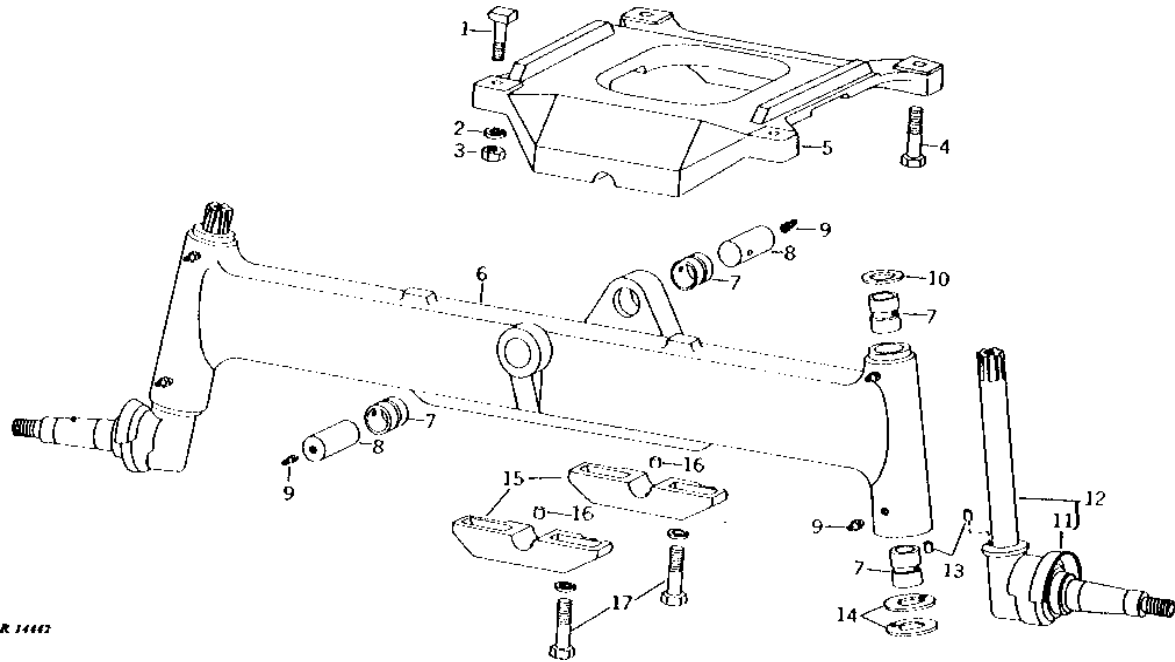
| KEY | PART NO. | PART NAME | QTY | TRACTOR SERIAL NO. | REMARKS |
|-----|----------|-----------------|-----|--------------------|-----------------------------------|
| 1 | 14H918 | NUT | 4 | | 5/8" |
| 2 | 12H294 | LOCK WASHER | 4 | | 5/8" |
| 3 | R31181 | ARM | 1 | | |
| 4 | 19H2663 | CAP SCREW | 4 | | 3/4" X 2-1/8" |
| 5 | R40589 | COVER | 4 | | |
| 6 | 11M7015 | COTTER PIN | 4 | | 3.200 X 25 MM |
| 7 | AR40592 | TIE ROD END | 1 | | INNER, L.H. |
| 8 | AR27351 | UNIVERSAL JOINT | 1 | | INNER, R.H. |
| 9 | 19H2719 | CAP SCREW | 2 | | 7/16" X 1-7/8", (SUB FOR 19H1802) |
| 10 | R28023 | CLAMP | 2 | | |
| 11 | 12H293 | LOCK WASHER | 2 | | 7/16" |
| 12 | 14H1047 | NUT | 2 | | 7/16" |
| 13 | R28021 | TUBE | 2 | | |
| 14 | 19H2128 | CAP SCREW | 2 | | 3/8" X 3" |
| 15 | R28024 | CLAMP | 8 | | |
| 16 | 12H304 | LOCK WASHER | 4 | | 3/8" |
| 17 | M63440 | LOCK NUT | 4 | | (SUB E50102) |
| 18 | R28022 | TUBE | 2 | | INNER |
| 19 | 19H1733 | CAP SCREW | 2 | | 3/8" X 2-1/2" |
| 20 | AR51584 | TIE ROD END | 2 | | OUTER, (SUB FOR AR27350) |
| 21 | 19H1798 | CAP SCREW | 2 | -250000 | 3/4" X 1-3/4" |
| | 19H1890 | CAP SCREW | 2 | 250001- | 5/8" X 2-3/4" |
| 22 | 12H236 | LOCK WASHER | 2 | -250000 | 3/4" |
| 23 | B3310R | WASHER | 2 | -250000 | |
| | R20135 | WASHER | 2 | 250001- | |
| 24 | R27806 | ARM | 1 | -250000 | R.H. (SUB R47765) |
| | R47765 | STEERING ARM | 1 | 250001- | R.H. |
| | R27807 | ARM | 1 | -250000 | L.H. (SUB R47766) |
| | R47766 | STEERING ARM | 1 | | L.H. |

4G25

WHEELS, FRONT AXLES, SHEET METAL

FIXED TREAD FRONT AXLE (STANDARD WITH SHORT AND LONG WHEEL BASE AND 4000-LOW PROFILE)

R14442 -UN-01JAN94



R 14442

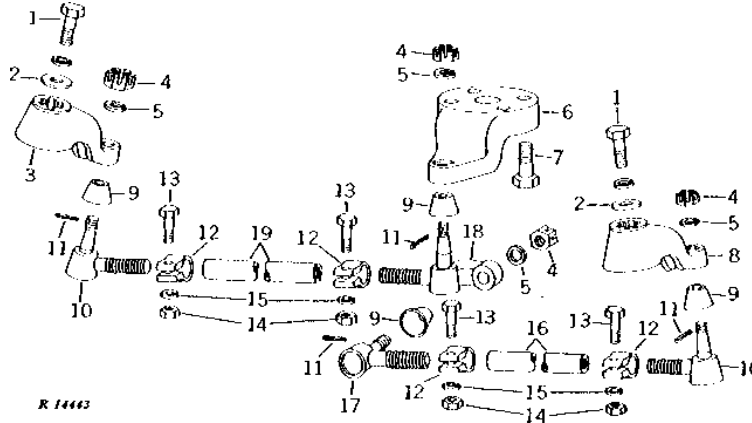
| KEY | PART NO. | PART NAME | QTY | TRACTOR SERIAL NO. | REMARKS |
|-----|----------|---------------------|-----|--------------------|--|
| 1 | R27818 | BOLT | 2 | -256903 | (SUB 19H1890 AND R49098) |
| | 19H1890 | CAP SCREW | 2 | 256904- | 5/8" X 2-3/4" |
| 2 | 12H294 | LOCK WASHER | 2 | | 5/8" |
| 3 | 14H1039 | NUT | 2 | -256903 | 5/8" |
| | R49098 | NUT | 2 | 256904- | |
| 4 | 19H1862 | CAP SCREW | 2 | | 3/4" X 2-1/2" |
| 5 | AR69836 | BRACKET | 1 | | (MARKED R27810, R44020 OR R47180) (SUB FOR AR28134 OR AR45677) (ALSO ORDER R48659, (2) 19H1731 AND (2) 12H304) |
| 6 | AR27555 | FRONT AXLE | 1 | | (MARKED R27905) |
| | AR27914 | FRONT AXLE | 1 | | (4000-LOW PROFILE) (MARKED R27690) |
| 7 | A877R | BUSHING | 6 | | |
| 8 | R27817 | PIN | 2 | | |
| 9 | JD7759 | LUBRICATION FITTING | 6 | | |
| 10 | D467R | WASHER | 2 | | |
| | R34757 | SHIM | 2 | | |
| 11 | R20255 | DUST SHIELD | 2 | | |
| 12 | AR28545 | KNUCKLE | 2 | -250000 | (SUB AR55179, R20135 AND 19H1890) |
| | AR55179 | KNUCKLE | 2 | 250001- | (SUB FOR AR50982) |
| | AR50983 | KNUCKLE | 2 | | 273 MM (10-3/4")(4000-LOW PROFILE) |
| 13 | 34H308 | SPRING PIN | 2 | | 1/4" X 1/2" |
| 14 | A890R | THRUST WASHER | 2 | | |
| 15 | AR30154 | CLAMP | 2 | | (MARKED R27809) |
| 16 | R726R | DOWEL PIN | 2 | | |
| 17 | 19H1707 | CAP SCREW | 4 | | 3/4" X 2-3/4" |
| | 12H236 | LOCK WASHER | 2 | | 3/4" |

4H1

WHEELS, FRONT AXLES, SHEET METAL

**FIXED TREAD FRONT AXLE STEERING ARMS AND TIE RODS
(STANDARD WITH SHORT AND LONG WHEEL BASE AND 4000-LOW PROFILE)**

R14443 -UN-01JAN94



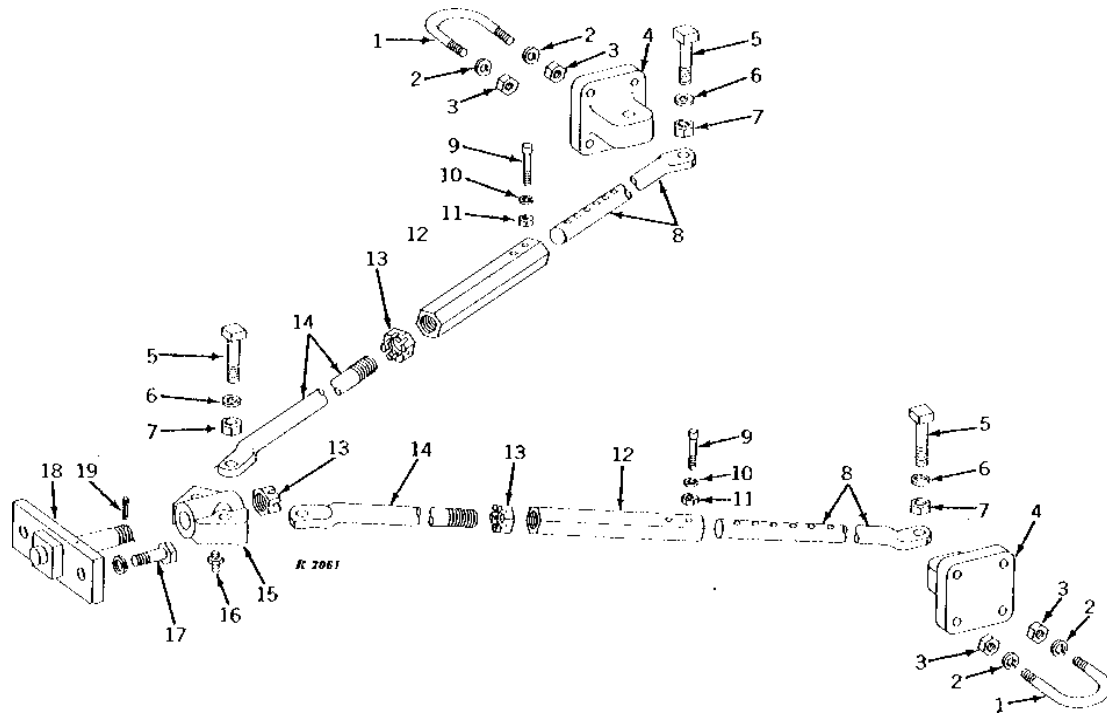
| KEY | PART NO. | PART NAME | QTY | TRACTOR SERIAL NO. | REMARKS |
|-----|----------|-----------------|-----|--------------------|---------------------------------------|
| 1 | 19H1798 | CAP SCREW | 2 | -250000 | 3/4" X 1-3/4" |
| | 19H1890 | CAP SCREW | 2 | 250001- | 5/8" X 2-3/4" |
| | 12H236 | LOCK WASHER | 2 | -250000 | 3/4" |
| 2 | B3310R | WASHER | 2 | -250000 | |
| | R20135 | WASHER | 2 | 250001- | |
| 3 | R27807 | ARM | 1 | -250000 | L.H. (SUB R47766) |
| | R47766 | STEERING ARM | 1 | 250001- | L.H. |
| 4 | 14H918 | NUT | 4 | | 5/8" |
| 5 | 12H294 | LOCK WASHER | 4 | | 5/8" |
| 6 | R31181 | ARM | 1 | | (SHORT WHEEL BASE) (ILLUSTRATED) |
| | R27808 | ARM | 1 | | (LONG WHEEL BASE) |
| 7 | 19H2663 | CAP SCREW | 4 | | 3/4" X 2-1/8" |
| 8 | R27806 | ARM | 1 | -250000 | R.H. (SUB R47765) |
| | R47765 | STEERING ARM | 1 | 250001- | R.H. |
| 9 | R40589 | COVER | 4 | | |
| 10 | AR27430 | TIE ROD END | 2 | | OUTER |
| 11 | 11M7015 | COTTER PIN | 4 | | 3.200 X 25 MM |
| 12 | R28023 | CLAMP | 4 | | |
| 13 | 19H1802 | CAP SCREW | 4 | | 7/16" X 1-7/8" |
| 14 | 14H1047 | NUT | 4 | | 7/16" |
| 15 | 12H293 | LOCK WASHER | 4 | | 7/16" |
| 16 | R28114 | TUBE | 1 | | R.H. |
| 17 | AR27351 | UNIVERSAL JOINT | 1 | | INNER, R.H. |
| | AR40592 | TIE ROD END | 1 | | L.H. (SHORT WHEEL BASE) (ILLUSTRATED) |
| 18 | AR27351 | UNIVERSAL JOINT | 1 | | INNER, L.H. |
| | R28115 | TUBE | 1 | | L.H. |
| 19 | R28114 | TUBE | 1 | | L.H. |

4H2

WHEELS, FRONT AXLES, SHEET METAL

RADIUS ROD (HI-CROP)

R2061 -UN-01JAN94



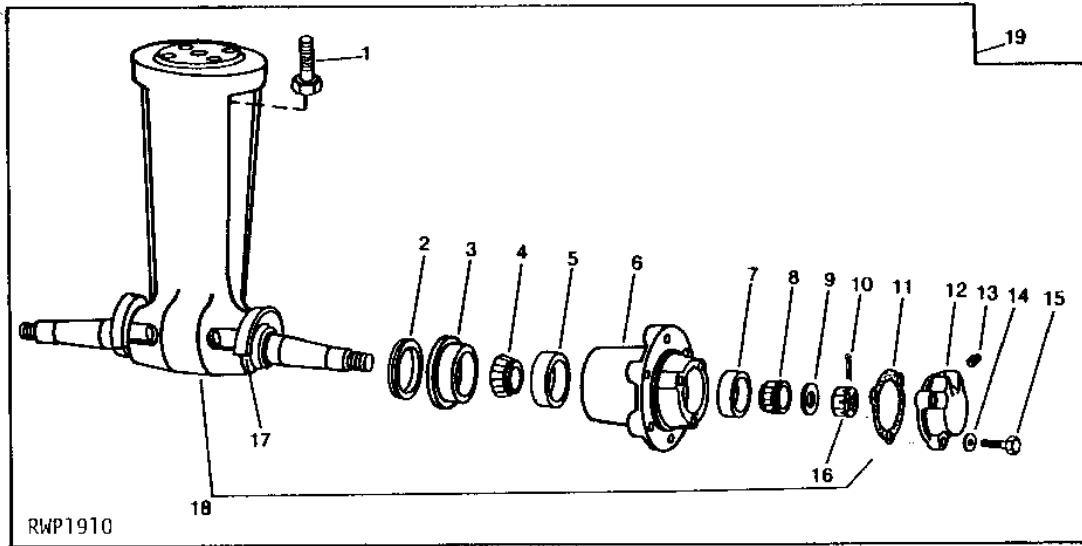
| KEY | PART NO. | PART NAME | QTY | TRACTOR SERIAL NO. | REMARKS |
|-----|----------|---------------------|-----|--------------------|---------|
| 1 | F1011R | U-BOLT | 4 | | |
| 2 | 12H294 | LOCK WASHER | 8 | 5/8" | |
| 3 | 14H800 | NUT | 8 | 5/8" | |
| 4 | R28722 | BRACKET | 2 | | |
| 5 | 19H2113 | CAP SCREW | 4 | 3/4" X 3-1/4" | |
| 6 | 12H236 | LOCK WASHER | 4 | 3/4" | |
| 7 | 14H794 | NUT | 4 | 3/4" | |
| 8 | R28718 | ROD | 2 | (NLA) | |
| 9 | F1008R | BOLT | 4 | | |
| 10 | 12H293 | LOCK WASHER | 4 | 7/16" | |
| 11 | 14H1047 | NUT | 4 | 7/16" | |
| 12 | R58040 | COUPLING | 2 | (SUB FOR R34570) | |
| 13 | F562R | NUT | 3 | | |
| 14 | R28719 | ROD | 2 | | |
| 15 | F1012R | PIVOT | 1 | | |
| 16 | JD7759 | LUBRICATION FITTING | 1 | | |
| 17 | 19H1768 | CAP SCREW | 2 | 3/4" X 2" | |
| | 12H236 | LOCK WASHER | 2 | 3/4" | |
| 18 | AR27904 | BRACKET | 1 | | |
| 19 | 11M7032 | COTTER PIN | 1 | 0.197" X 1.969" | |

4H3

WHEELS, FRONT AXLES, SHEET METAL

SPINDLE EXTENSION AND HUBS FOR DOUBLE FRONT WHEEL

RWP1910 -UN-06OCT94

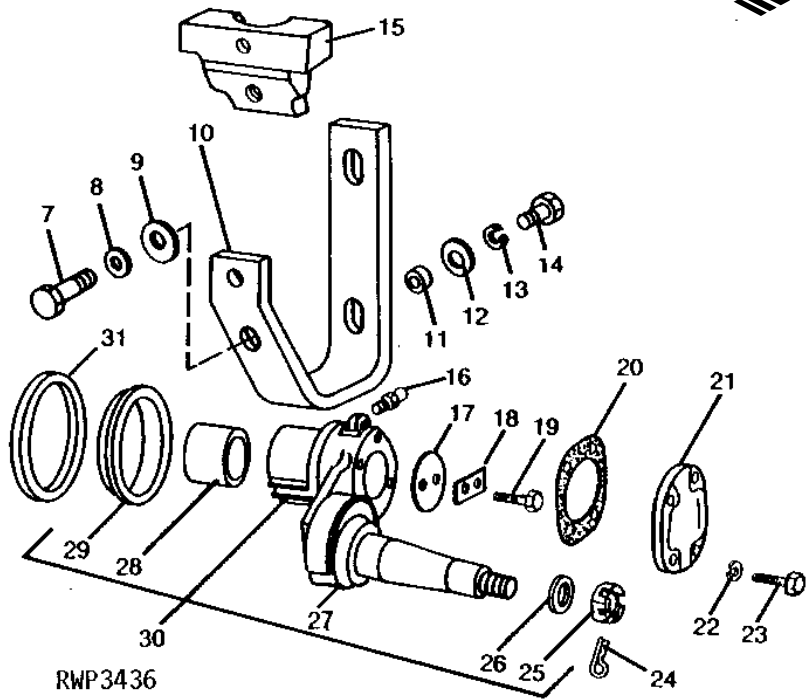
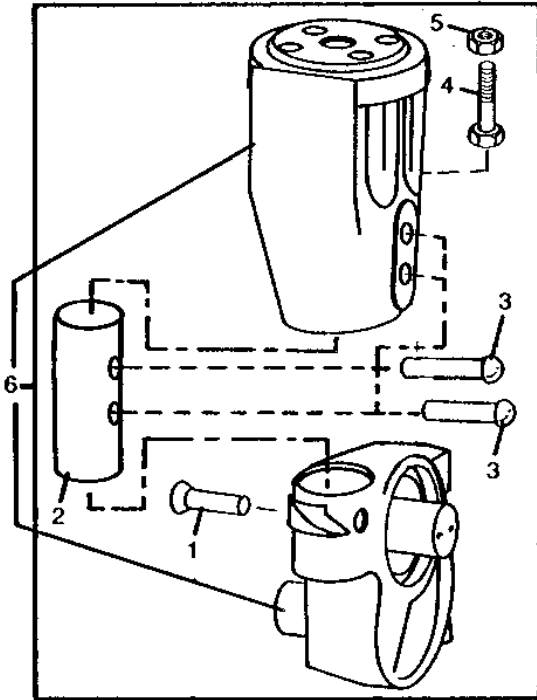


| KEY | PART NO. | PART NAME | QTY | TRACTOR SERIAL NO. | REMARKS |
|-----|----------|--------------|-----|--------------------|-----------------------------------|
| 1 | 19H2663 | CAP SCREW | 4 | | 3/4" X 2-1/8" |
| 2 | AR26480 | SEAL | 2 | | |
| 3 | R26632 | BUSHING | 2 | | |
| 4 | JD8913 | BEARING CONE | 2 | | |
| 5 | JD7445 | BEARING CUP | 2 | | |
| 6 | R26631 | HUB | 2 | -263456 | (SUB R48763 AND (6) JD16) |
| | R48763 | HUB | 2 | 263457- | |
| 7 | JD8251 | BEARING CUP | 2 | | |
| 8 | JD8929 | BEARING CONE | 2 | | |
| 9 | R28575 | WASHER | 2 | | (SUB FOR A5146R) |
| 10 | 11M7030 | COTTER PIN | 2 | | 0.197" X 1.575" |
| 11 | A1556R | GASKET | 2 | | |
| 12 | A1555R | CAP | 2 | | |
| 13 | 15H638 | PIPE PLUG | 2 | | 1/8" |
| 14 | 24H1136 | WASHER | 6 | | 11/32" X 11/16" X 0.065" |
| 15 | 19H1849 | CAP SCREW | 6 | | 5/16" X 1-1/4", (SUB FOR 19H2915) |
| 16 | 14H920 | NUT | 2 | | 1" |
| 17 | R20255 | DUST SHIELD | 2 | | |
| 18 | AR26823 | EXTENSION | 1 | | (MARKED R26860) |
| 19 | AR27054 | KNUCKLE | 1 | | (FI) |

4H4

WHEELS, FRONT AXLES, SHEET METAL

ROLL-O-MATIC
RWP3436 -UN-01JAN94



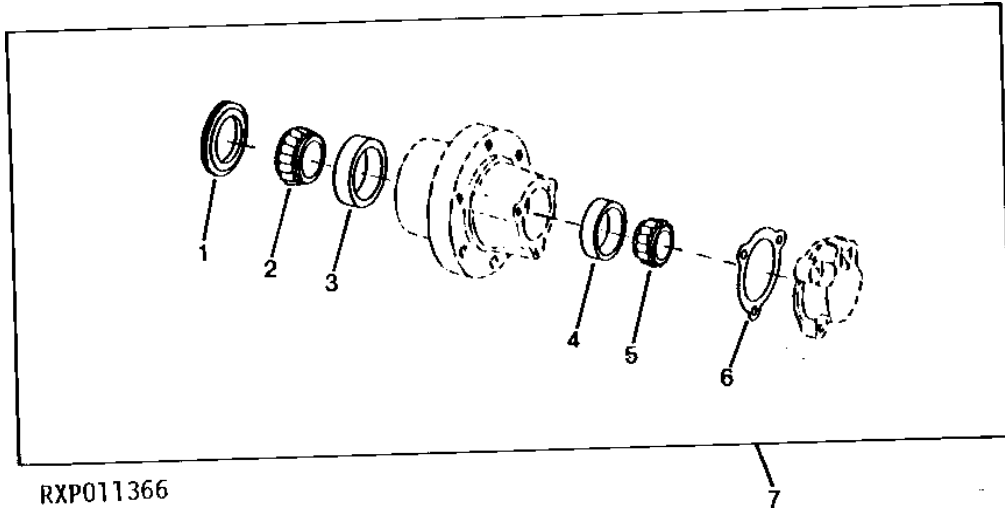
| KEY | PART NO. | PART NAME | QTY | TRACTOR SERIAL NO. | REMARKS |
|-----|----------|---------------------|-----|--------------------------|---------|
| 1 | 17H716 | RIVET | 1 | 5/8" X 4", (NLA) | |
| 2 | R20253 | DOWEL PIN | 1 | (A) | |
| 3 | 17H760 | RIVET | 2 | (A) 5/8" X 5" | |
| 4 | 19H2663 | CAP SCREW | 4 | 3/4" X 2-1/8" | |
| 5 | 14H1058 | NUT | 4 | 3/4" | |
| 6 | AR28249 | EXTENSION | 1 | (A) (MARKED R28002) | |
| 7 | 19H1708 | CAP SCREW | 2 | 5/8" X 1-3/4" | |
| 8 | 12H294 | LOCK WASHER | 2 | 5/8" | |
| 9 | 24H1106 | WASHER | 2 | 11/16" X 1-3/4" X 0.134" | |
| 10 | A4118R | SUPPORT | 1 | | |
| 11 | A4119R | SPACER | 2 | | |
| 12 | 24H1211 | WASHER | 2 | 9/16" X 1-3/8" X 0.105" | |
| 13 | 12H301 | LOCK WASHER | 2 | 1/2" | |
| 14 | 19H2473 | CAP SCREW | 2 | 1/2" X 1-3/4" | |
| 15 | A4117R | LOCK | 1 | | |
| 16 | JD7778 | LUBRICATION FITTING | 2 | | |
| 17 | R20260 | WASHER | 2 | (A) | |
| 18 | R20261 | PLATE | 2 | (A) | |
| 19 | 19H1822 | CAP SCREW | 4 | (A) 7/16" X 1" | |
| 20 | R30392 | GASKET | 2 | (A) | |
| 21 | R30391 | CAP | 2 | (A) | |
| 22 | 12H304 | LOCK WASHER | 8 | (A) 3/8" | |
| 23 | 19H2461 | CAP SCREW | 8 | 3/8" X 1-1/4" | |
| 24 | 11M7030 | COTTER PIN | 2 | 0.197" X 1.575" | |
| 25 | 14H920 | NUT | 2 | 1" | |
| 26 | R28575 | WASHER | 2 | (SUB FOR A5146R) | |
| 27 | R20255 | DUST SHIELD | 2 | | |
| 28 | A3481R | BUSHING | 4 | (SUB FOR AA4074R) | |
| | R20942 | BUSHING | 4 | (A) | |
| 29 | A3475R | ASSEMBLY LINE PARTS | 2 | | |
| | R20256 | RETAINER | 2 | (A) | |
| 30 | AR27314 | KNUCKLE | 1 | (A) R.H. (MARKED R30387) | |
| | AR27315 | KNUCKLE | 1 | (A) L.H. (MARKED R30388) | |

(A) HEAVY-DUTY

4H5

WHEELS, FRONT AXLES, SHEET METAL

FRONT WHEEL BEARING KIT
RXP011366 -UN-12OCT94

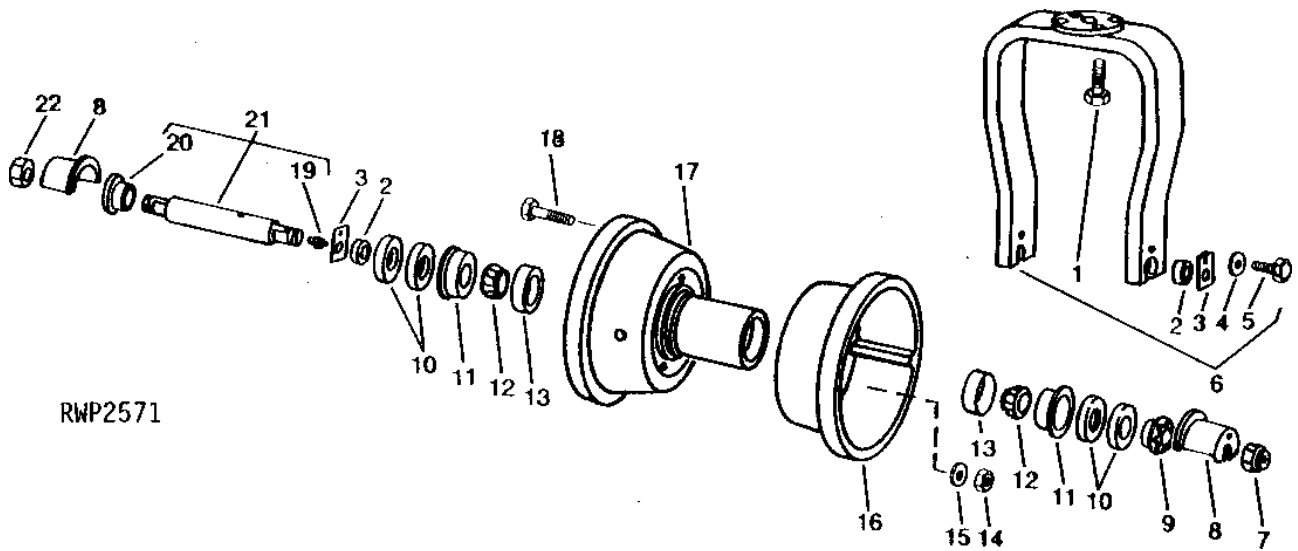


| KEY | PART NO. | PART NAME | QTY | TRACTOR SERIAL NO. | REMARKS |
|-----|----------|--------------|-----|--------------------|---------|
| 1 | AR26480 | SEAL | 1 | | |
| 2 | JD8913 | BEARING CONE | 1 | | |
| 3 | JD7445 | BEARING CUP | 1 | | |
| 4 | JD8251 | BEARING CUP | 1 | | |
| 5 | JD8929 | BEARING CONE | 1 | | |
| 6 | A1556R | GASKET | 1 | | |
| 7 | RE54814 | BEARING KIT | 1 | | |

4H6

WHEELS, FRONT AXLES, SHEET METAL

SINGLE FRONT WHEEL
(11.00" X 12" TIRE)
RWP2571 -UN-01JAN94



4H7

WHEELS, FRONT AXLES, SHEET METAL

SINGLE FRONT WHEEL - CONTINUED
(11.00" X 12" TIRE)

| KEY | PART NO. | PART NAME | QTY | TRACTOR SERIAL NO. | REMARKS |
|-----|----------|---------------------|-----|-----------------------|----------------------|
| 1 | 19H2663 | CAP SCREW | 4 | | 3/4" X 2-1/8" |
| 2 | F3127R | SPACER | 2 | | |
| | R20656 | SPACER | 2 | | (NLA) |
| 3 | F3126R | PLATE | 2 | | |
| | R20648 | STRAP | 2 | | |
| 4 | 12H304 | LOCK WASHER | 1 | | 3/8" |
| 5 | H772R | SET SCREW | 1 | | |
| 6 | AR28243 | YOKE | 1 | | (NLA) |
| 7 | B551R | NUT | 1 | | |
| | 14H822 | NUT | 1 | | 1-1/4" |
| 8 | H773R | DUST SHIELD | 2 | | (NLA) |
| | R20655 | DUST SHIELD | 2 | | |
| 9 | B548R | NUT | 1 | | |
| | R20653 | NUT | 1 | | (NLA) |
| 10 | B90R | WASHER | 4 | | |
| | R3R | WASHER | 4 | | |
| 11 | B89R | RETAINER | 2 | | |
| | R2R | RETAINER | 2 | | |
| 12 | JD7222 | BEARING CONE | 2 | | |
| | JD8913 | BEARING CONE | 2 | | |
| 13 | JD7266 | BEARING CUP | 2 | | |
| | JD7445 | BEARING CUP | 2 | | |
| 14 | 14H800 | NUT | 4 | | 5/8" |
| 15 | 12H294 | LOCK WASHER | 4 | | 5/8" |
| 16 | R31226 | RIM | 1 | | |
| 17 | R31225 | HUB | 1 | | (NLA) |
| 18 | 19H2706 | CAP SCREW | 4 | | 5/8" X 2", HS, SAE 8 |
| | 19H1824 | CAP SCREW | 4 | | 5/8" X 2-1/4" |
| 19 | JD7759 | LUBRICATION FITTING | 1 | | 1/8" |
| 20 | B2683R | BUSHING | 1 | | |
| | R20654 | SPACER | 1 | | |
| 21 | AB4259R | AXLE | 1 | | |
| | AR20750 | FRONT AXLE | 1 | | (NLA) |
| 22 | 14H876 | NUT | 1 | | 1" |
| | 14H494 | NUT | 1 | | 1-1/4" |

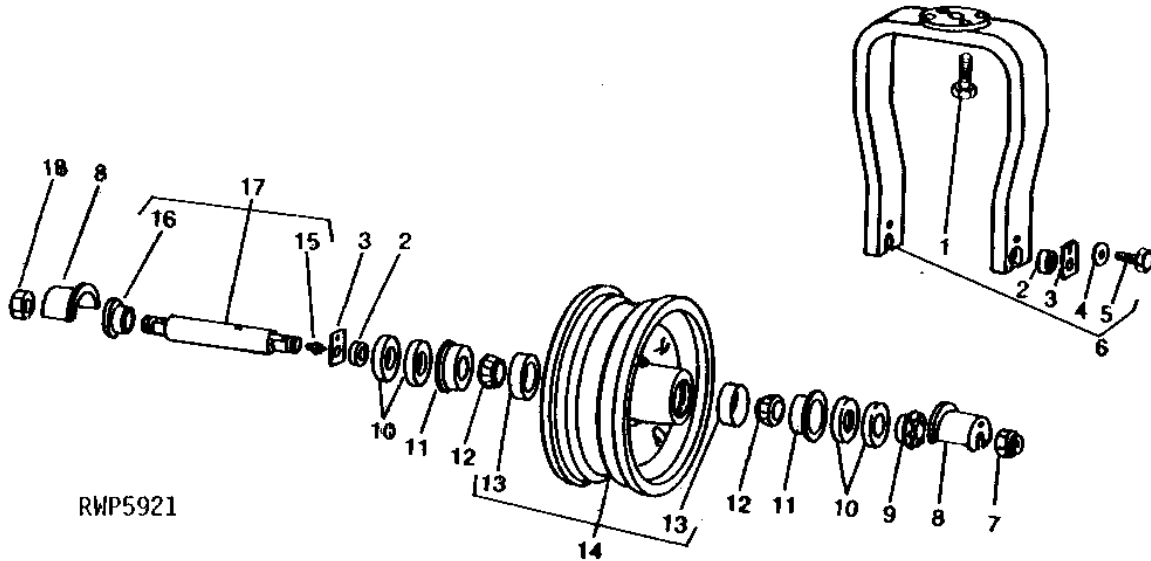
4H8

WHEELS, FRONT AXLES, SHEET METAL

SINGLE FRONT WHEEL

(7.50" X 16" TIRE)

RWP5921 -UN-01JAN94



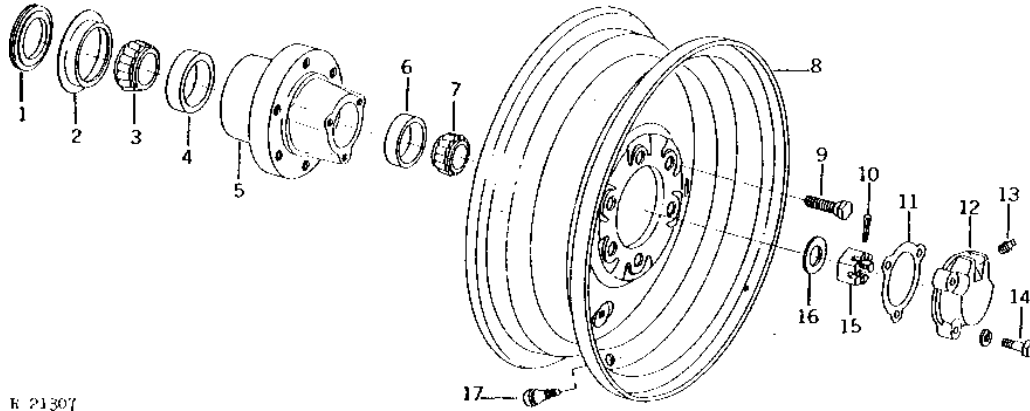
| KEY | PART NO. | PART NAME | QTY | TRACTOR SERIAL NO. | REMARKS |
|-----|----------|---------------------|-----|---|---------|
| 1 | 19H2663 | CAP SCREW | 4 | 3/4" X 2-1/8" | |
| 2 | F3127R | SPACER | 2 | | |
| | R20656 | SPACER | 2 | (NLA) | |
| 3 | F3126R | PLATE | 2 | | |
| | R20648 | STRAP | 2 | | |
| 4 | 12H304 | LOCK WASHER | 1 | 3/8" | |
| 5 | H772R | SET SCREW | 1 | | |
| 6 | AR28242 | YOKE | 1 | | |
| 7 | B551R | NUT | 1 | | |
| | 14H822 | NUT | 1 | 1-1/4" | |
| 8 | H773R | DUST SHIELD | 2 | | |
| | R20655 | DUST SHIELD | 2 | | |
| 9 | B548R | NUT | 1 | | |
| | R20653 | NUT | 1 | | |
| 10 | B90R | WASHER | 4 | | |
| | R3R | WASHER | 4 | | |
| 11 | B89R | RETAINER | 2 | | |
| | R2R | RETAINER | 2 | | |
| 12 | JD7222 | BEARING CONE | 2 | | |
| | JD8913 | BEARING CONE | 2 | | |
| 13 | JD7266 | BEARING CUP | 2 | | |
| | JD7445 | BEARING CUP | 2 | | |
| 14 | AB3686R | WHEEL | 1 | (NLA) | |
| 15 | JD7759 | LUBRICATION FITTING | 1 | 1/8" | |
| 16 | B2683R | BUSHING | 1 | | |
| | R20654 | SPACER | 1 | | |
| 17 | AB4259R | AXLE | 1 | | |
| | AR20750 | FRONT AXLE | 1 | (NLA) | |
| 18 | 14H876 | NUT | 1 | 1" | |
| | 14H494 | NUT | 1 | 1-1/4" | |
| 19 | | YOKE | 1 | (AR27087 CANCELLED, ORDER COMPONENT PARTS) KIT | |

4H9

WHEELS, FRONT AXLES, SHEET METAL

FRONT WHEELS

R21307 -UN-01JAN94



R 21307

| KEY | PART NO. | PART NAME | QTY | TRACTOR SERIAL NO. | REMARKS |
|-----|----------|-----------------|-----|--------------------|--|
| 1 | AR26480 | SEAL | 1 | | |
| 2 | R26632 | BUSHING | 1 | | |
| 3 | JD8913 | BEARING CONE | 1 | | |
| 4 | JD7445 | BEARING CUP | 1 | | |
| 5 | R26631 | HUB | 1 | -263456 | (SUB R48763 AND (6) JD16) |
| | R48763 | HUB | 1 | 263457- | (DOUBLE FRONT WHEEL OR ROLL-O-MATIC) |
| | R52287 | HUB | 1 | 263457- | (ADJUSTABLE FRONT AXLE OR FIXED TREAD FRONT AXLE) ((A) (B) SUB R49839, JD7418 AND R50992) ((C) SUB R48763) |
| 6 | JD8251 | BEARING CUP | 1 | | |
| 7 | JD8929 | BEARING CONE | 1 | | |
| 8 | JD1102 | WHEEL | 1 | | (9.5L-15", 6 PLY TIRE) (4000 SERIES) |
| | JD1299 | WHEEL | 1 | | (6.00-16", 6-PLY TIRE) |
| | JD1091 | WHEEL | 1 | | (7.50-15", 6-PLY TIRE) |
| | JD3039 | WHEEL | 1 | | (A) (B) (6.50-16" OR 7.50-16", 6-PLY TIRE) |
| | | | | | (SUB FOR JD1293) |
| | JD3211 | WHEEL | 1 | | (A) (C) (7.50-18", 6-PLY TIRE) |
| | JD3210 | WHEEL | 1 | | (A) (B) (9.00-16", 10.00-16", OR 11.00-16", 8-PLY TIRE) |
| | JD3219 | RIM | 1 | | (11.00L-15", 6-PLY TIRE) |
| | JD3227 | RIM | 1 | | (C) (7.50-20", 4-PLY TIRE) (SUB FOR JD1298) |
| 9 | JD22 | WHEEL BOLT | 6 | -263456 | |
| | JD16 | WHEEL BOLT | 6 | 263457- | |
| 10 | 11M7032 | COTTER PIN | 1 | | 0.197" X 1.969" |
| 11 | A1556R | GASKET | 1 | | |
| 12 | A1555R | CAP | 1 | | |
| 13 | 15H638 | PIPE PLUG | 1 | | 1/8" |
| 14 | 19H2915 | CAP SCREW | 3 | | 5/16" X 1-1/4" |
| | 24H1136 | WASHER | 3 | | 11/32" X 11/16" X 0.065" |
| | 14H920 | NUT | 1 | | 1" |
| 15 | R28575 | WASHER | 1 | | (SUB FOR A5146R) |
| 16 | R28575 | WASHER | 1 | | (SUB FOR A5146R) |
| 17 | AM30347 | TIRE VALVE STEM | 1 | | (TUBELESS TIRES) (SUB FOR AR55282) |

(A) ROW-CROP

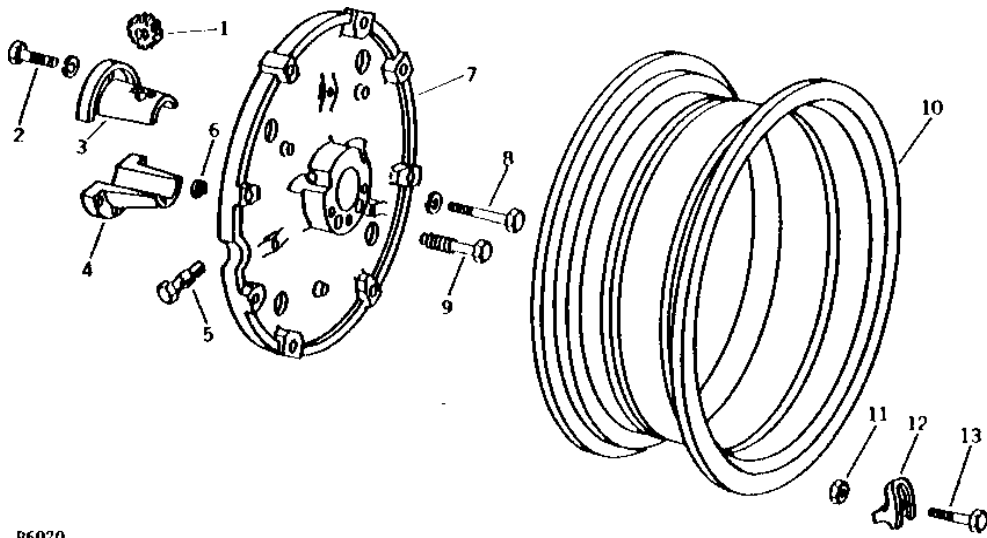
(B) STANDARD

(C) HI-CROP

4H10

WHEELS, FRONT AXLES, SHEET METAL

REAR WHEELS
R6020 -UN-01JAN94



R6020

4H11

WHEELS, FRONT AXLES, SHEET METAL

REAR WHEELS - CONTINUED

| KEY | PART NO. | PART NAME | QTY | TRACTOR SERIAL NO. | REMARKS |
|-----|--|--|--------------------------------------|---|---------|
| 1 | A4379R A4379R B3014R | PINION PINION PINION | 1 1 1 | (A) (B) (D) (E) ((C) AND 4000 SERIES) | |
| 2 | 19H2600 12H236 | CAP SCREW LOCK WASHER | 3 3 | 3/4" X 2-5/8" 3/4" | |
| 3 | R33531 R33539 A4384R | HALF SLEEVE HALF SLEEVE HALF SLEEVE | 1 1 1 | (A) (B) (SUB R93955) ((C) AND 4000 SERIES) (D) (E) | |
| 4 | R33532 R33540 R32224 | HALF SLEEVE HALF SLEEVE HALF SLEEVE | 1 1 1 | (A) (B) ((C) AND 4000 SERIES) (D) (E) | |
| 5 | A4380R | PINION SHAFT | 1 | (SUB R83588 AND A369R) | |
| 6 | A4883R | RING | 2 | | |
| 7 | R32000 R32230 R48955 | WHEEL WHEEL WHEEL | 1 1 1 | (E) (18.4-26 TIRE AND RIM) (E) (18.4-30 TIRE AND RIM)(NLA) ((A) (B) AND 4000 SERIES) (16.9-34, 18.4-34, OR 20.8-34 TIRE AND RIM) (ALSO ORDER (3) R81272) (SUB FOR R33440) | |
| | R52160 | WHEEL | 1 | (SPECIAL OFFSET) (16.9-34, 18.4-34 OR 20.8-34 TIRE AND RIM) | |
| | R48954 | WHEEL | 1 | ((A) (C) AND 4000 SERIES) (15.5-38 OR 18.4-38 TIRE AND RIM) (SUB FOR R33430) | |
| | R33450 | DISK | 1 | ((A) AND 4000 SERIES) (SPECIAL OFFSET) (15.5-38, 16.9-38, OR 18.4-38 TIRE AND RIM) (SUB R70309) | |
| | R34680 R21480 | WHEEL WHEEL | 1 1 | (A) (B) (23.1-30 TIRE AND RIM) ((C) AND 4000 SERIES)(NO LONGER REQUIRED) (18.4-34 TIRE AND RIM) | |
| 8 | 08H4419 R34828 12H245 | CAP SCREW CAP SCREW LOCK WASHER | 3 3 3 | 7/8" X 6-1/2" ((A) (B) (C) AND 4000 SERIES) (D) (E) 7/8" | |
| 9 | R33706 R39758 | SCREW SCREW | 2 2 | ((A) (B) (C) AND 4000 SERIES) (SUB R58303) (D) (E) | |
| 10 | R31993 R32232 R31490 R31491 AR649R R31592 R41846 R31943 | RIM RIM RIM RIM RIM RIM RIM RIM | 1 1 1 1 1 1 1 1 | (E) (18.4-26 TIRE) (E) (18.4-30 TIRE) (A) (13.6-38 TIRE) ((A) (C) AND 4000 SERIES) (15.5-38 TIRE) (4000 SERIES) (16.9-34 TIRE) (A) (16.9-34 TIRE) ((A) AND 4000 SERIES) (16.9-38 TIRE) ((A) (C) AND 4000 SERIES) (18.4-34 TIRE) (EMBOSSED DRIVER) | |
| | R32072 | RIM | 1 | ((C) WITH R21480) (18.4-34 TIRE) (WELDED DRIVER) | |
| | R41012 | WHEEL | 1 | (A) (C) (18.4-38 TIRE) (SUB R80306) | |
| | R48146 | RIM | 1 | (A) (C) (20.8-34 TIRE) | |
| | R34659 | RIM | 1 | (A) (C) (23.1-30 TIRE) | |
| 11 | 14H800 | NUT | AR | 5/8", (8 USED WITH R34680 AND R21480) (9 USED WITH R32000) (10 USED WITH R32230) (12 USED WITH R33430, R33440, R48954, R48955 AND R52160) | |
| 12 | A4388R | CLAMP | AR | (9 USED WITH R32000) (10 USED WITH R32230) (12 USED WITH R33430, R33440, R33450, R48954, R48955 AND R52160) | |
| | B634R | CLAMP | 9 | (USE WITH R34680 AND R21480) | |
| 13 | 08H4694 | BOLT | 9 | 5/8" X 4" HS, SAE 8 (9 USED WITH R32000) (10 USED WITH R32230) (12 USED WITH R33430, R33440, R33450, R48954, R48955 AND R52160) (SUB FOR A4389R) | |
| | A4064R | BOLT | 8 | (SUB R34801) (USE WITH R34680 AND R21480) | |

(A) ROW-CROP

(B) STANDARD

(C) HI-CROP

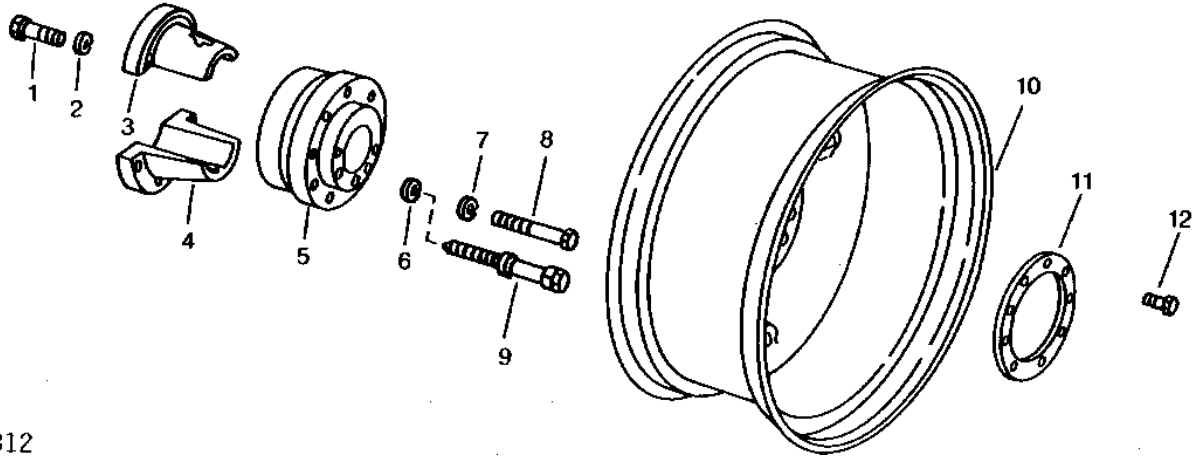
(D) HI-CROP AND 4000 SERIES WITH R21480 WHEEL

(E) 4000-LOW PROFILE

4H12

WHEELS, FRONT AXLES, SHEET METAL

**DUAL REAR WHEELS
(ROW-CROP)**
RWP6312 -UN-01JAN94



RWP6312

| KEY | PART NO. | PART NAME | QTY | TRACTOR SERIAL NO. | REMARKS |
|-----|----------|-------------|-----|--------------------|---|
| 1 | 19H2600 | CAP SCREW | 3 | | 3/4" X 2-5/8" |
| 2 | 12H236 | LOCK WASHER | 3 | | 3/4" |
| 3 | R33533 | HALF SLEEVE | 1 | | |
| 4 | A4384R | HALF SLEEVE | 1 | | (A) |
| | R33534 | SLEEVE | 1 | | |
| | R32224 | HALF SLEEVE | 1 | | (A) |
| 5 | R28490 | HUB | 1 | | |
| 6 | A4883R | RING | 2 | | |
| 7 | 12H245 | LOCK WASHER | 3 | | 7/8" |
| 8 | R34828 | CAP SCREW | 3 | | |
| 9 | R39758 | SCREW | 2 | | |
| 10 | JD3222 | WHEEL | 1 | | (A) (B) (15.5-38 TIRE) |
| | AR50065 | WHEEL | 1 | | (A) (16.9-34 TIRE)(NLA) |
| | JD3223 | WHEEL | 1 | | (A) (B) (16.9-38 TIRE) |
| | JD3224 | WHEEL | 1 | | (A) (B) (18.4-34 TIRE) |
| | JD3225 | WHEEL | 1 | | (B) (18.4-38 TIRE) |
| | JD3226 | WHEEL | 1 | | (B) (20.8-34 TIRE) |
| 11 | R54983 | WHEEL RING | 1 | | (USE WITH JD3223, JD3224, JD3225 AND JD3226) |
| 12 | JD27 | SCREW | 9 | | (USE WITH JD3019, JD3222 AND AR50065) |
| | 19H2672 | CAP SCREW | 9 | | 5/8" X 2", (USE WITH JD3223, JD3224, JD3225 AND JD3226) |

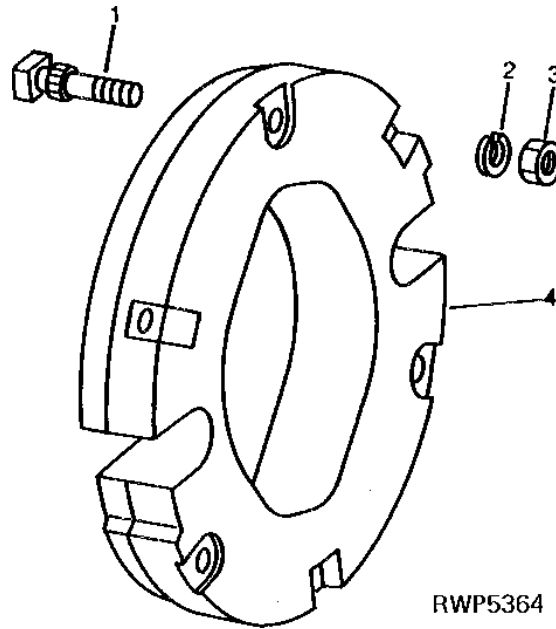
(A) 4000 SERIES

(B) ROW-CROP

4H13

WHEELS, FRONT AXLES, SHEET METAL

REAR WHEEL WEIGHTS
(30", 34" AND 38" CAST DISK WHEELS)
 RWP5364 -UN-01JAN94



| KEY | PART NO. | PART NAME | QTY | TRACTOR SERIAL NO. | REMARKS |
|-----|----------|-------------|-----|--|---------|
| 1 | R34801 | BOLT | 3 | 5/8" X 3" | |
| | R81272 | BOLT | 3 | 5/8" X 5-1/4", (USE WITH R48954 OR R48955) (SUB FOR R48956 OR R67235) | |
| | R21302 | WHEEL BOLT | 3 | 5/8" X 3-1/2" (4000-LOW PROFILE) (USE WITH R32000) | |
| 2 | 12H294 | LOCK WASHER | 3 | 5/8" | |
| 3 | 14H1039 | NUT | 3 | 5/8" | |
| 4 | R61524 | WEIGHT | 2 | 64KG (140 LBS) (34" AND 38" WHEELS) | |
| | R61727 | WEIGHT | 2 | 54KG (120 LBS)(F1) (30" WHEELS) | |
| | T21689 | WEIGHT | 2 | | |

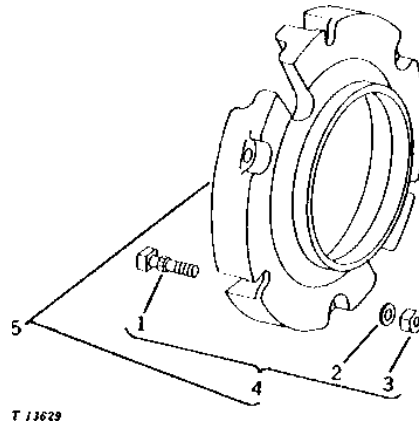
MEMORANDA

4H14

WHEELS, FRONT AXLES, SHEET METAL

REAR WHEEL WEIGHTS FOR 34" AND 38" CAST DISK WHEELS

T13629 -UN-01JAN94



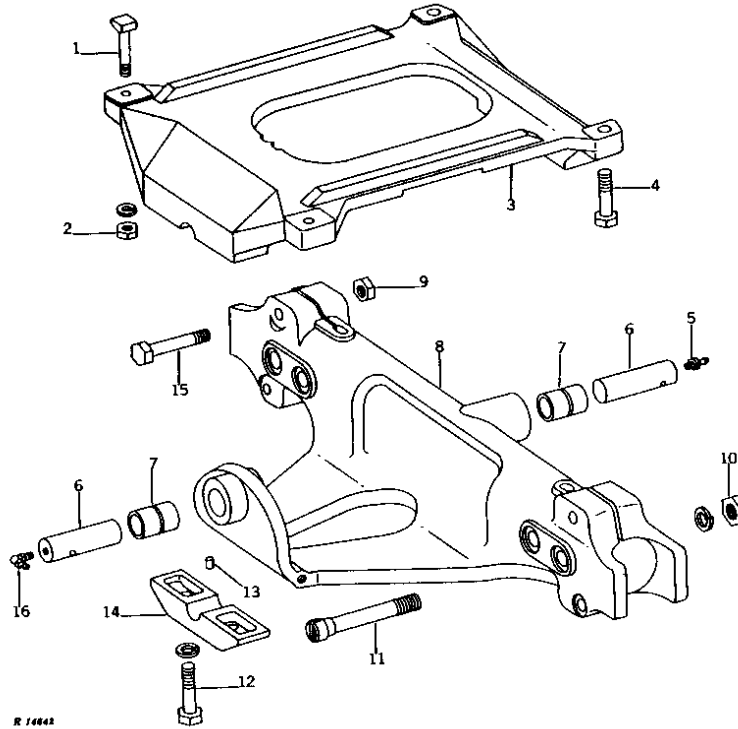
| KEY | PART NO. | PART NAME | QTY | TRACTOR SERIAL NO. | REMARKS |
|-----|----------|----------------|-----|--------------------|--|
| 1 | R34801 | BOLT | 3 | | |
| 2 | 12H294 | LOCK WASHER | 3 | 5/8" | |
| 3 | 14H1039 | NUT | 3 | 5/8" | |
| 4 | | MOUNTING PARTS | 1 | | (AA4029R CANCELLED, ORDER COMPONENT PARTS) (FIRST AND ADDITIONAL WEIGHTS TO WHEEL) |
| 5 | | WEIGHT | 1 | | 54KG (120 LBS) (AT15585 CANCELLED, ORDER COMPONENT PARTS) (FIRST AND ADDITIONAL WEIGHTS TO WHEEL) |

4H15

WHEELS, FRONT AXLES, SHEET METAL

POWER FRONT WHEEL DRIVE FRONT AXLE HOUSING AND PIVOT BRACKET

R14642 -UN-01JAN94

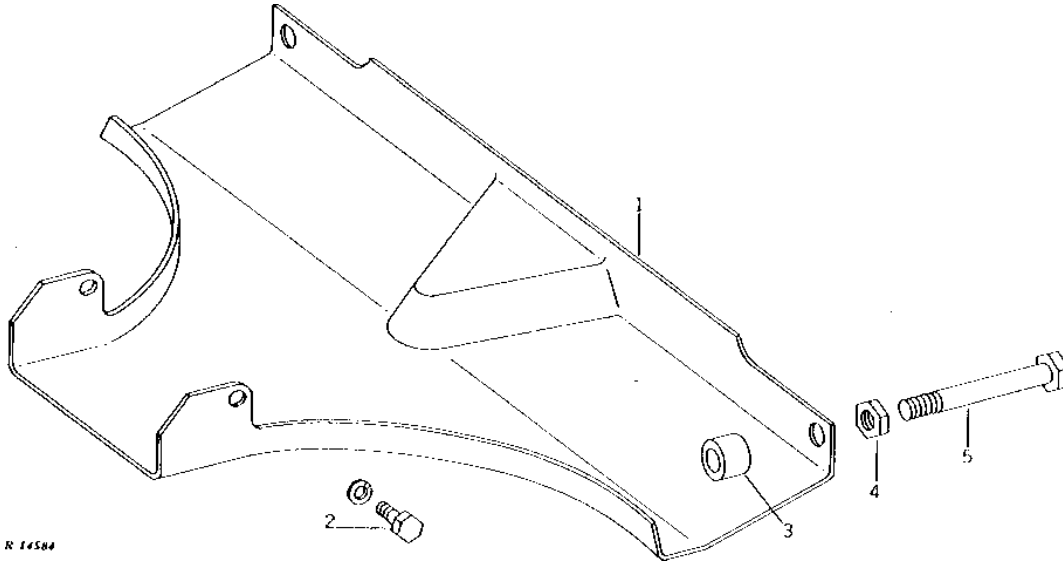


| KEY | PART NO. | PART NAME | QTY | TRACTOR SERIAL NO. | REMARKS |
|-----|----------|---------------------|-----|--------------------|---|
| 1 | R27818 | BOLT | 2 | -256903 | (SUB 19H1890 AND R49098) |
| | 19H1890 | CAP SCREW | 2 | 256904- | 5/8" X 2-3/4" |
| 2 | 14H1039 | NUT | 2 | -256903 | 5/8" |
| | R49098 | NUT | 2 | 256904- | |
| | 12H294 | LOCK WASHER | 2 | | 5/8" |
| 3 | AR69836 | BRACKET | 1 | | (MARKED R44020 OR R47180) (ALSO ORDER R48659, (2) 19H1731 AND (2) 12H304) (SUB FOR AR45677) |
| 4 | 19H1862 | CAP SCREW | 2 | | 3/4" X 2-1/2" |
| 5 | JD7759 | LUBRICATION FITTING | 1 | | |
| 6 | R27817 | PIN | 2 | | |
| 7 | A877R | BUSHING | 2 | | |
| 8 | AR50865 | HOUSING | 1 | | (MARKED R42851, R47736 OR R51305) (SUB FOR AR45408) |
| 9 | 14H794 | NUT | 2 | | 3/4" |
| 10 | 14H854 | NUT | 2 | | 1" |
| | 12H234 | LOCK WASHER | 2 | | 1" |
| 11 | B2694R | BOLT | 2 | | |
| 12 | 19H1707 | CAP SCREW | 1 | | 3/4" X 2-3/4" |
| | 12H236 | LOCK WASHER | 4 | | 3/4" |
| 13 | R726R | DOWEL PIN | 2 | | |
| 14 | AR30154 | CLAMP | 2 | | (MARKED R27809) |
| 15 | 19H2026 | CAP SCREW | 4 | | 3/4" X 4" |
| | 12H236 | LOCK WASHER | 4 | | 3/4" |
| 16 | JD7781 | LUBRICATION FITTING | 1 | | |

4H16

WHEELS, FRONT AXLES, SHEET METAL

**HYDRAULIC LINE SHIELD
(POWER FRONT WHEEL DRIVE)**
R14584 -UN-01JAN94

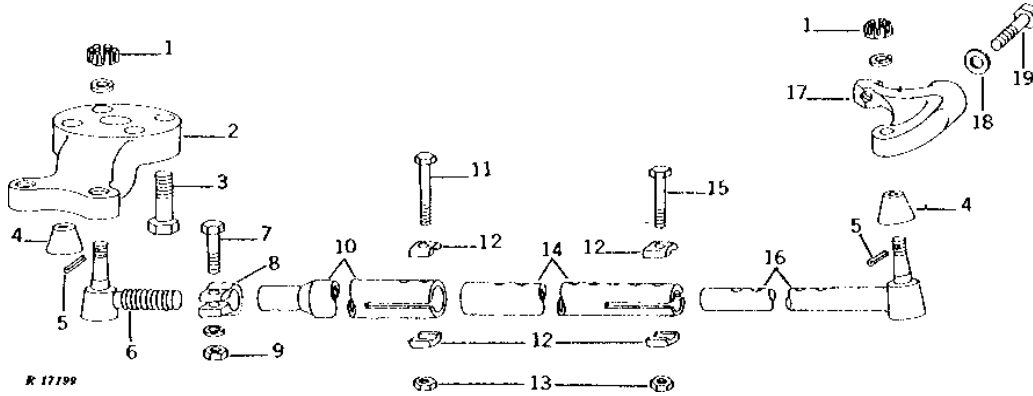


| KEY | PART NO. | PART NAME | QTY | TRACTOR SERIAL NO. | REMARKS |
|-----|----------|-------------|-----|-----------------------|---------|
| 1 | R44012 | GUARD | 1 | | |
| 2 | 19H2548 | CAP SCREW | 2 | 1/2" X 7/8" | |
| | 12H301 | LOCK WASHER | 2 | 1/2" | |
| 3 | R44011 | BUSHING | 2 | | |
| 4 | 14H794 | NUT | 2 | 3/4" | |
| 5 | 19H3210 | CAP SCREW | 2 | 3/4" X 5-1/4" | |
| .. | R45661 | CLIP | 2 | | |

4H17

WHEELS, FRONT AXLES, SHEET METAL

**STEERING ARMS AND TIE RODS
(POWER FRONT WHEEL DRIVE)**
R17199 -UN-01JAN94

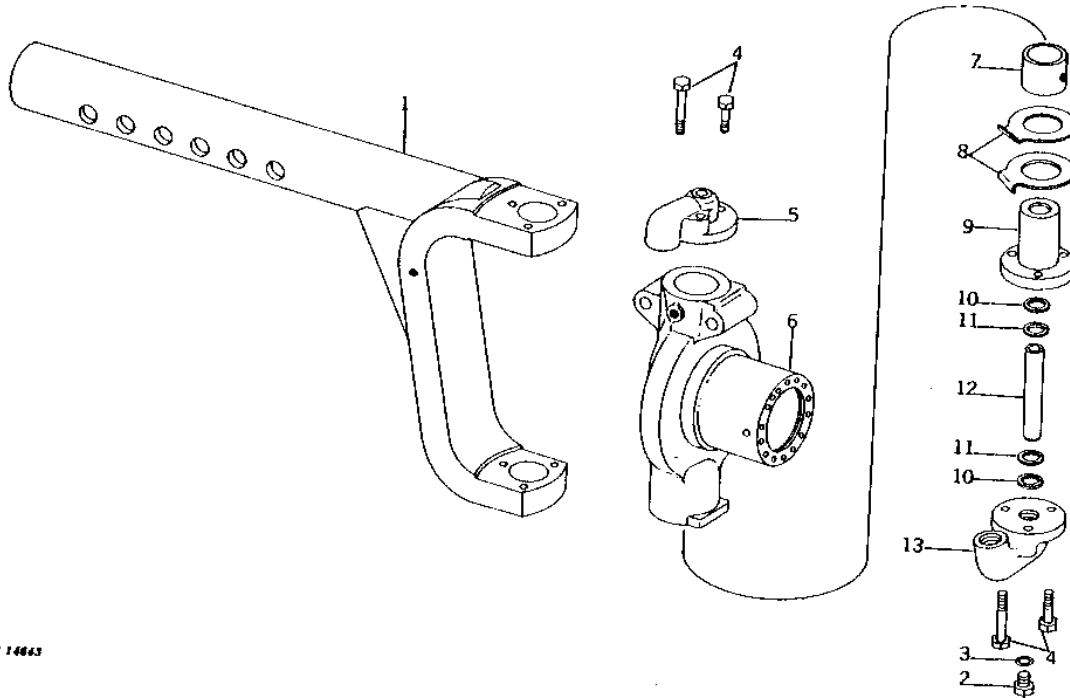


| KEY | PART NO. | PART NAME | QTY | TRACTOR SERIAL NO. | REMARKS |
|-----|----------|---------------------|-----|------------------------------------|---------|
| 1 | 14H918 | NUT | 4 | 5/8" | |
| | 12H294 | LOCK WASHER | 4 | 5/8" | |
| 2 | R27808 | ARM | 1 | | |
| 3 | 19H2663 | CAP SCREW | 4 | 3/4" X 2-1/8" | |
| 4 | R40589 | COVER | 4 | | |
| 5 | 11M7015 | COTTER PIN | 4 | 3.200 X 25 MM | |
| 6 | AR27351 | UNIVERSAL JOINT | 2 | INNER | |
| | JD7806 | LUBRICATION FITTING | 2 | | |
| 7 | 19H1990 | CAP SCREW | 2 | 1/2" X 2-1/4" | |
| 8 | R28023 | CLAMP | 2 | | |
| 9 | 14H1040 | NUT | 2 | 1/2" | |
| | 12H301 | LOCK WASHER | 2 | 1/2" | |
| 10 | R28021 | TUBE | 2 | 1626MM (64") TO 2083MM (82") TREAD | |
| | R47843 | TUBE | 2 | 1778MM (70") TO 2235MM (88") TREAD | |
| 11 | 19H2128 | CAP SCREW | 4 | 3/8" X 3" | |
| 12 | R28024 | CLAMP | 16 | | |
| 13 | T11234 | LOCK NUT | 8 | | |
| 14 | R31573 | TUBE | 2 | INNER | |
| 15 | 19H1733 | CAP SCREW | 4 | 3/8" X 2-1/2" | |
| 16 | AR51584 | TIE ROD END | 2 | OUTER, (SUB FOR AR27350) | |
| | JD7797 | LUBRICATION FITTING | 2 | | |
| 17 | R44009 | ARM | 1 | R.H. | |
| | R44010 | ARM | 1 | L.H. | |
| 18 | R1836R | WASHER | 4 | | |
| 19 | 19H2233 | CAP SCREW | 4 | 5/8" X 3-1/2" | |

4H18

WHEELS, FRONT AXLES, SHEET METAL

**KNEE AND MOTOR HOUSING
(POWER FRONT WHEEL DRIVE)**
R14643 -UN-01JAN94

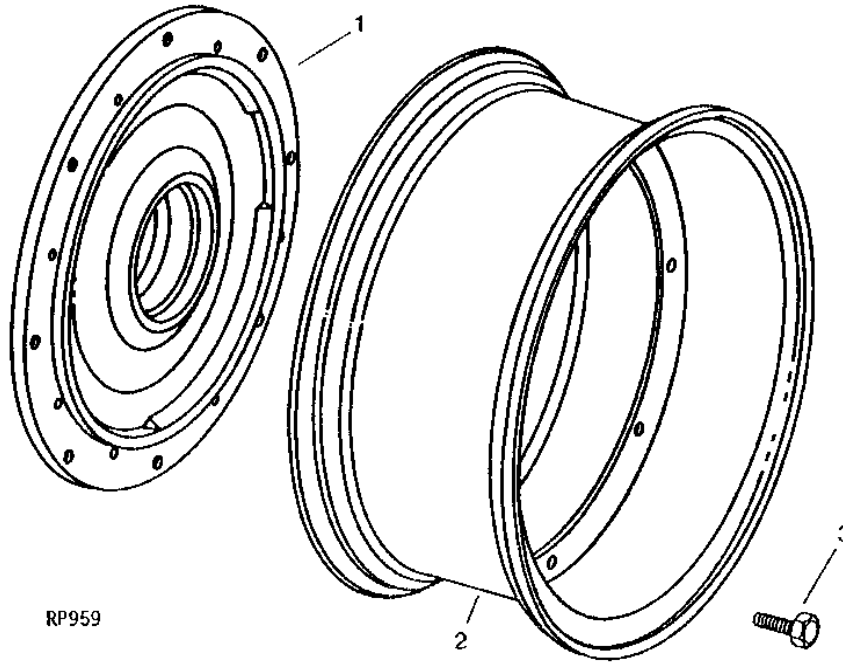


| KEY | PART NO. | PART NAME | QTY | TRACTOR SERIAL NO. | REMARKS |
|-----|----------|---------------|-----|--|---------|
| 1 | AR50186 | AXLE | 1 | 1626MM (64") TO 2083MM (82") TREAD (NLA) (SUB FOR AR45155) | |
| | AR50776 | AXLE | 1 | 1778MM (70") TO 2235MM (88") TREAD | |
| 2 | R27218 | FITTING PLUG | 1 | | |
| 3 | R26448 | O-RING | 1 | | |
| 4 | 19H1732 | CAP SCREW | 2 | 3/8" X 1-1/4" | |
| | 19H1726 | CAP SCREW | 4 | 3/8" X 2-1/4" | |
| 5 | R42885 | COVER | 2 | (UPPER R.H.AND LOWER L.H.) | |
| 6 | AR86538 | HOUSING | 1 | (MARKED R42332) (ALSO ORDER (2) R66650) (SUB FOR AR45414) | |
| 7 | R42821 | BUSHING | 2 | | |
| 8 | R61514 | THRUST WASHER | 4 | (SUB FOR R42973) | |
| 9 | R42887 | PIN | 2 | | |
| 10 | R42975 | O-RING | 4 | (SUB U11647) | |
| 11 | R44979 | BACK-UP RING | 4 | (SUB R73102) | |
| 12 | R42974 | BUSHING | 2 | | |
| 13 | R42886 | COVER | 2 | (UPPER L.H.AND LOWER R.H.) | |

4H19

WHEELS, FRONT AXLES, SHEET METAL

FRONT WHEELS
(POWER FRONT WHEEL DRIVE)
 RP959 -UN-01JAN94



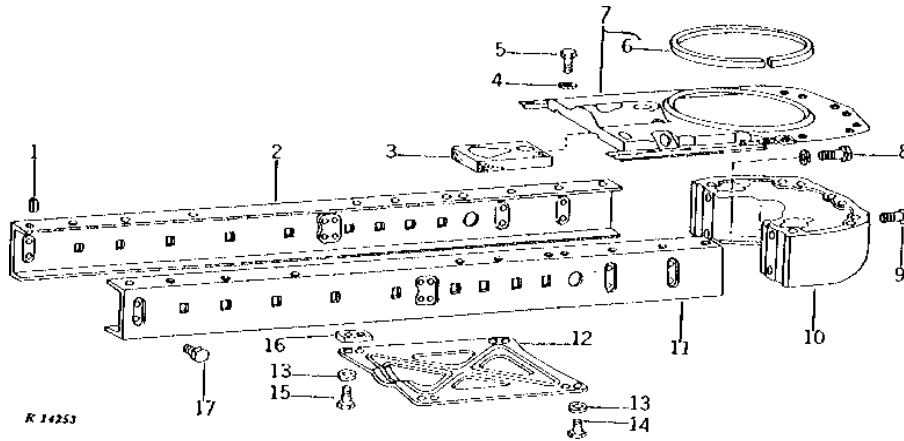
| KEY | PART NO. | PART NAME | QTY | TRACTOR SERIAL NO. | REMARKS |
|-----|----------|------------|-----|--------------------|---|
| 1 | R41958 | HUB | 1 | | |
| 2 | AR45318 | RIM | 1 | | (SUB RE19433) (11.2X24 OR 12.4X24 TIRE) |
| 3 | JD17 | WHEEL BOLT | 8 | | |

4H20

WHEELS, FRONT AXLES, SHEET METAL

FRAME AND FRAME PLATES

R14253 -UN-01JAN94



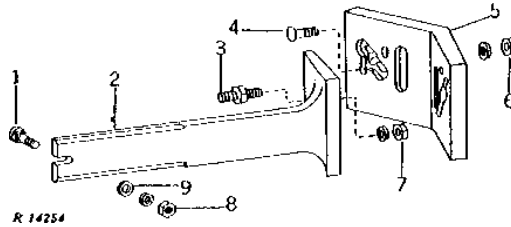
| KEY | PART NO. | PART NAME | QTY | TRACTOR SERIAL NO. | REMARKS |
|-----|----------|-------------|-----|---|---------|
| 1 | 34H309 | SPRING PIN | 4 | 1/4" X 5/8" | |
| 2 | R34114 | FRAME | 1 | | |
| 3 | R27898 | ISOLATOR | 1 | | |
| 4 | 24H1325 | WASHER | 8 | 15/32" X 59/64" X 0.065" | |
| 5 | 19H1924 | CAP SCREW | 8 | 7/16" X 3/4" | |
| 6 | | FOAM PAD | 1 | 13 X 25 X 1083MM (1/2" X 1" X 42-5/8") (MAKE FROM R30936) | |
| 7 | AR45460 | PLATE | 1 | | |
| | R44720 | PLUG | 1 | (POWER SHIFT) | |
| 8 | 19H2706 | CAP SCREW | 4 | 5/8" X 2", HS, SAE 8 | |
| | 12H294 | LOCK WASHER | 4 | 5/8" | |
| 9 | 19H2009 | CAP SCREW | 2 | 3/4" X 1-5/8" | |
| 10 | R41110 | SUPPORT | 1 | | |
| | R45882 | SUPPORT | 1 | (4000 SERIES) | |
| 11 | R34113 | FRAME | 1 | | |
| 12 | AR27456 | PLATE | 1 | (A) (NO LONGER AVAILABLE) | |
| 13 | 24H1325 | WASHER | 8 | (A) 15/32" X 59/64" X 0.065" | |
| 14 | 19H1924 | CAP SCREW | 4 | (A) 7/16" X 3/4" | |
| 15 | 19H2964 | CAP SCREW | 4 | (A) 7/16" X 1-1/8" | |
| 16 | R27598 | STRAP | 2 | (A) | |
| 17 | R31505 | BOLT | 20 | | |

(A) EXCEPT TRACTORS WITH WIDE FRONT AXLES

4H21

WHEELS, FRONT AXLES, SHEET METAL

FRAME SIDE AND FRONT WEIGHTS
R14254 -UN-01JAN94

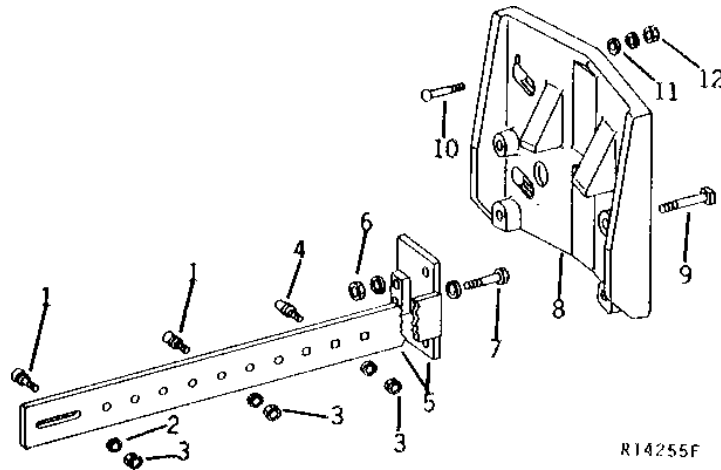


| KEY | PART NO. | PART NAME | QTY | TRACTOR SERIAL NO. | REMARKS |
|-----|----------|-------------|-----|----------------------------|---------|
| 1 | 03H1857 | BOLT | 2 | 5/8" X 2-3/4" | |
| 2 | R54144 | WEIGHT | 2 | (NLA) (SUB FOR R27642) | |
| 3 | R27645 | STUD | 2 | | |
| 4 | 03H1857 | BOLT | 2 | 5/8" X 2-3/4" | |
| 5 | R27643 | WEIGHT | 1 | | |
| 6 | 14H800 | NUT | 2 | 5/8" | |
| | 12H294 | LOCK WASHER | 2 | 5/8" | |
| 7 | 14H794 | NUT | 2 | 3/4" | |
| | 12H236 | LOCK WASHER | 2 | 3/4" | |
| 8 | 14H800 | NUT | 2 | 5/8" | |
| | 12H294 | LOCK WASHER | 2 | 5/8" | |
| 9 | F2783R | WASHER | 2 | | |
| .. | | WEIGHT | 1 | (ORDER R27643 AND AR26822) | |

4H22

WHEELS, FRONT AXLES, SHEET METAL

DOUBLE FRONT WEIGHT
R14255 -UN-01JAN94

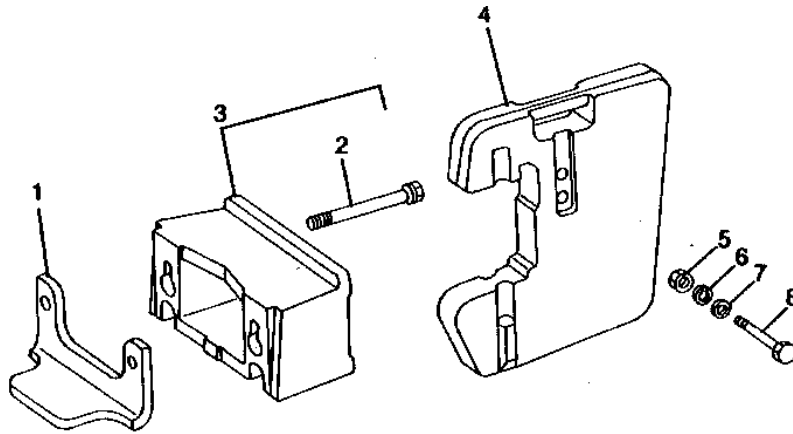


| KEY | PART NO. | PART NAME | QTY | TRACTOR SERIAL NO. | REMARKS |
|-----|----------|-------------|-----|--|---------|
| 1 | 03H1399 | BOLT | 4 | 5/8" X 1-3/4" | |
| 2 | 24H1367 | WASHER | 2 | 21/32" X 1-1/4" X 1/4" | |
| 3 | 14H1039 | NUT | 6 | 5/8" | |
| | 12H294 | LOCK WASHER | 4 | 5/8" | |
| 4 | 03H1399 | BOLT | 2 | 5/8" X 1-3/4" | |
| 5 | AR46289 | SUPPORT | 2 | (NO LONGER AVAILABLE) | |
| 6 | 14H794 | NUT | 4 | 3/4" | |
| | 12H236 | LOCK WASHER | 4 | 3/4" | |
| 7 | 19H1909 | CAP SCREW | 2 | 3/4" X 3-3/4" | |
| | 12H236 | LOCK WASHER | 2 | 3/4" | |
| 8 | | WEIGHT | 1 | (R44350 CANCELLED, ORDER COMPONENT PARTS) | |
| 9 | 08H4222 | BOLT | 4 | 3/4" X 3-3/4" | |
| 10 | 03H1858 | BOLT | 4 | 5/8" X 3-1/2" | |
| 11 | R44890 | NUT | 4 | | |
| 12 | 14H1039 | NUT | 4 | 5/8" | |
| | 12H294 | LOCK WASHER | 4 | 5/8" | |
| .. | | WEIGHT | 1 | (ORDER (2) AR58357, R44350 AND R46313) | |

4H23

WHEELS, FRONT AXLES, SHEET METAL

TWO, FOUR, OR SIX QUIK-TATCH FRONT WEIGHTS
 RXP6601 -UN-01JAN94



RXP6601

| KEY | PART NO. | PART NAME | QTY | TRACTOR SERIAL NO. | REMARKS |
|-----|----------|--------------------|-----|--------------------|--|
| 1 | R52914 | ADAPTER | 1 | | |
| 2 | R52924 | SELF-LOCKING SCREW | 2 | | |
| 3 | AR92425 | SUPPORT | 1 | | (SUB FOR AR58363 OR R51679) (SUB R70417) |
| 4 | R51680 | WEIGHT | 1 | | (NLA) |
| 5 | 14H1039 | NUT | 1 | | 5/8" |
| 6 | 12H294 | LOCK WASHER | 1 | | 5/8" |
| 7 | 24H1367 | WASHER | 1 | | 21/32" X 1-1/4" X 1/4" |
| 8 | 19H1926 | CAP SCREW | 1 | | (A) 5/8" X 4-3/4" |
| | 08H4260 | CAP SCREW | 1 | | (B) 5/8" X 9" |
| | R51681 | CAP SCREW | 1 | | (C) |
| .. | AR58349 | SUPPORT | 1 | | (INCLUDES R52914) |

(A) USE WITH 2 QUIK-TATCH WEIGHTS

(B) USE WITH 4 QUIK-TATCH WEIGHTS

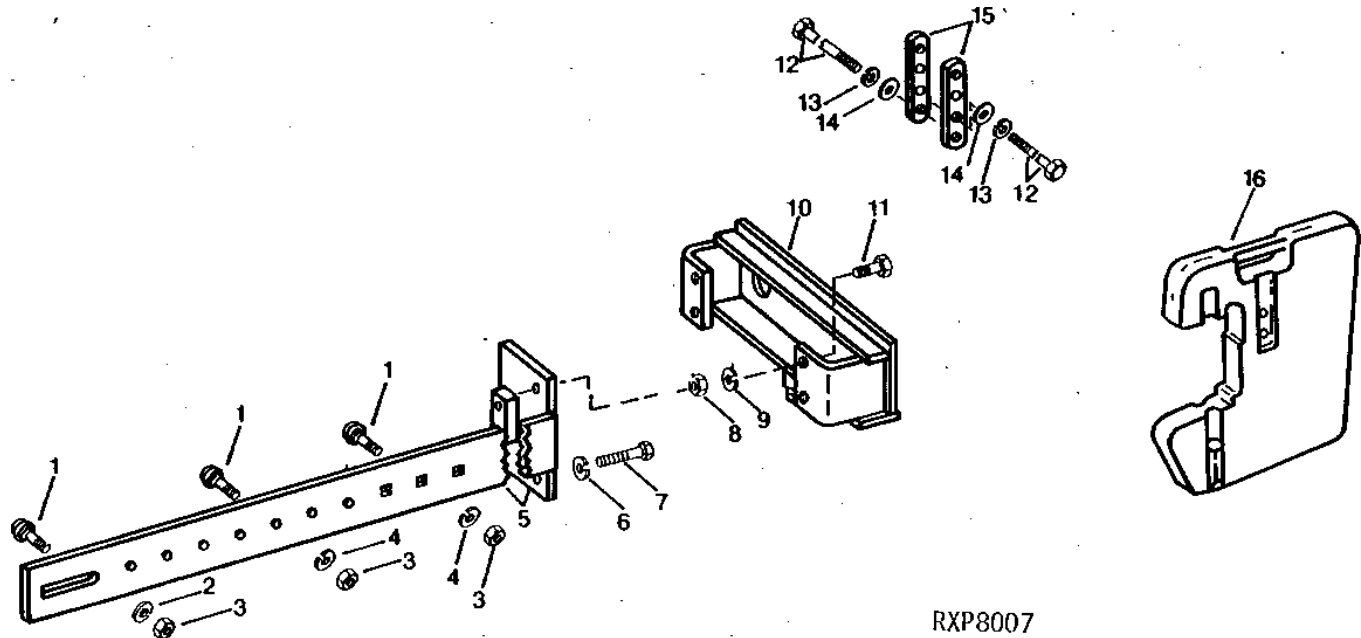
(C) USE WITH 6 QUIK-TATCH WEIGHTS

4H24

WHEELS, FRONT AXLES, SHEET METAL

EIGHT OR TEN QUIK-TATCH FRONT WEIGHTS

RXP8007 -UN-01JAN94



RXP8007

| KEY | PART NO. | PART NAME | QTY | TRACTOR SERIAL NO. | REMARKS |
|-----|----------|-------------|-----|--|---------|
| 1 | 03H1399 | BOLT | 6 | 5/8" X 1-3/4" | |
| 2 | 24H1367 | WASHER | 2 | 21/32" X 1-1/4" X 1/4" | |
| 3 | 14H1039 | NUT | 6 | 5/8" | |
| 4 | 12H294 | LOCK WASHER | 4 | 5/8", (INCLUDES R27084, R27085, E34958 AND 24H1283) | |
| 5 | | SUPPORT | 2 | (NLA) | |
| 6 | 12H236 | LOCK WASHER | 2 | 3/4" | |
| 7 | 19H1909 | CAP SCREW | 2 | 3/4" X 3-3/4" | |
| 8 | 14H794 | NUT | 4 | 3/4" | |
| 9 | 12H236 | LOCK WASHER | 4 | 3/4" | |
| 10 | AR72132 | SUPPORT | 1 | (NLA) | |
| 11 | 19H1782 | CAP SCREW | 4 | 3/4" X 2-1/4", (INCLUDES R27084, R27085, R34958 AND 24H1283) | |
| 12 | | BRACKET | 1 | (NLA) | |
| 13 | R51681 | CAP SCREW | 2 | | |
| 14 | 12H294 | LOCK WASHER | 2 | 5/8" | |
| 15 | 24H1367 | WASHER | 2 | 21/32" X 1-1/4" X 1/4" | |
| 16 | AR68801 | RETAINER | 2 | (SUB FOR T32148) (NLA) | |
| 17 | | SUPPORT | 1 | (NLA) | |
| 18 | R51680 | WEIGHT | 1 | (NLA) | |

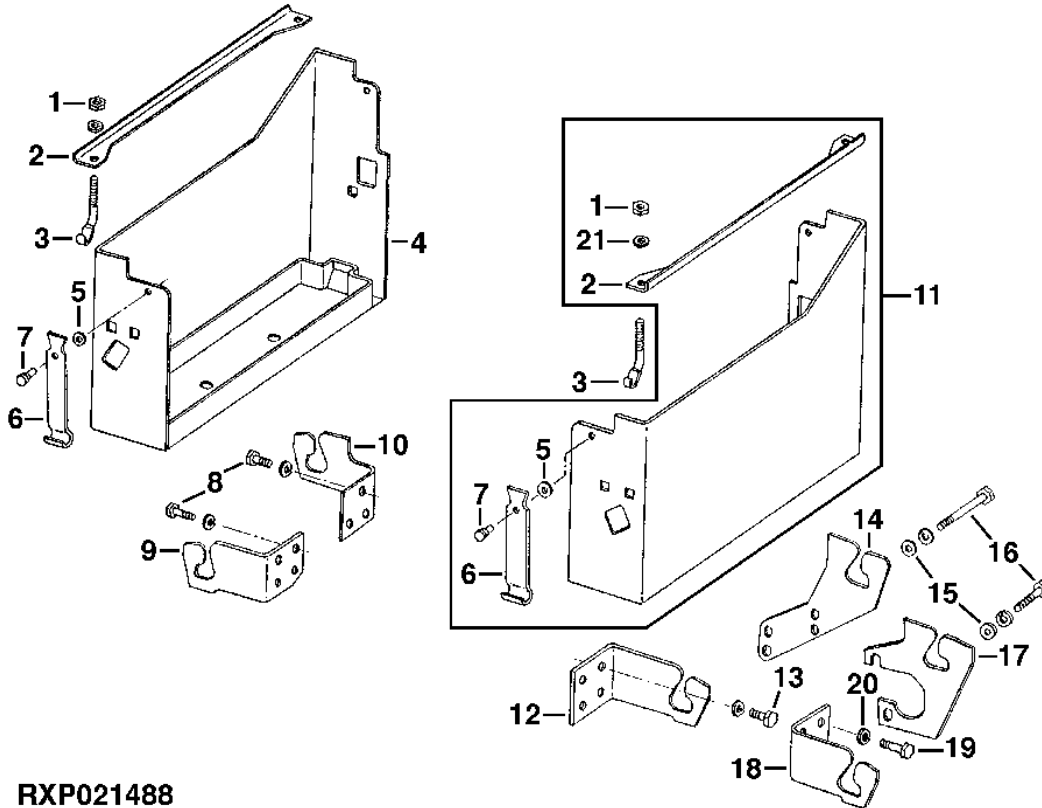
4H25

WHEELS, FRONT AXLES, SHEET METAL

BATTERY BOXES

(ROW-CROP)

RXP021488 -UN-09APR96



RXP021488

| KEY | PART NO. | PART NAME | QTY | TRACTOR SERIAL NO. | REMARKS |
|-----|----------|-------------|-----|---|---------|
| 1 | 14H786 | NUT | 4 | 1/4" | |
| 2 | R40423 | CLAMP | 2 | | |
| 3 | R30805 | ROD | 4 | | |
| 4 | AR40674 | BATTERY BOX | 1 | L.H. | |
| 5 | 24H1283 | WASHER | 4 | 7/32" X 1/2" X 0.049" | |
| 6 | R27084 | CLAMP | 2 | FRONT | |
| | R34958 | LATCH | 2 | (INCLUDES R27084, R27085, R34958 AND 24H1283) | REAR |
| 7 | R27085 | RIVET | 4 | | |
| 8 | 19H2284 | CAP SCREW | 4 | 3/8" X 7/8" | |
| | 12H304 | LOCK WASHER | 4 | 3/8" | |
| 9 | R40876 | SUPPORT | 1 | REAR, L.H. | |
| 10 | R40875 | SUPPORT | 1 | FRONT, L.H. | |
| 11 | AR40673 | BATTERY BOX | 1 | R.H. | |
| 12 | R40876 | SUPPORT | 1 | REAR, R.H. | |
| 13 | 19H2284 | CAP SCREW | 2 | 3/8" X 7/8" | |
| | 12H304 | LOCK WASHER | 2 | 3/8" | |
| 14 | R40844 | SUPPORT | 1 | (B) FRONT, R.H. (NLA) | |
| 15 | R57696 | WASHER | 2 | (B) | |
| 16 | 19H3175 | CAP SCREW | 2 | (B) 3/8" X 3-5/8", HS, SAE 8 | |
| | 12H304 | LOCK WASHER | 2 | (B) 3/8", (SUB FOR R1870R) | |
| 17 | R44003 | SUPPORT | 1 | (B) FRONT, R.H. (POWER FRONT WHEEL DRIVE) (NO LONGER AVAILABLE) | |
| 18 | R40842 | SUPPORT | 1 | (A) FRONT, R.H. | |
| 19 | 19H2284 | CAP SCREW | 2 | (A) 3/8" X 7/8" | |
| 20 | 12H304 | LOCK WASHER | 2 | (A) 3/8" | |
| 21 | 24H1821 | WASHER | 4 | 9/32" X 47/64" X 1/16" | |

(A) SYNCRO-RANGE

(B) POWER SHIFT

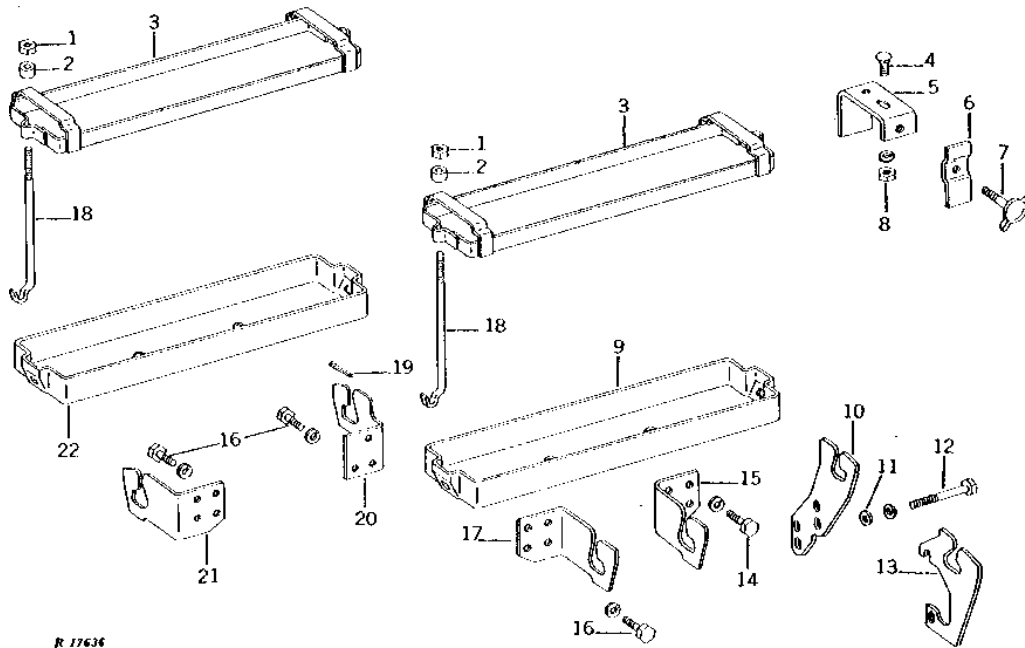
411

WHEELS, FRONT AXLES, SHEET METAL

BATTERY BOXES

(4020 SERIES WITH CAB SERIAL NO. 226751-)

R17636 -UN-01JAN94



| KEY | PART NO. | PART NAME | QTY | TRACTOR SERIAL NO. | REMARKS |
|-----|----------|----------------|-----|---|---------|
| 1 | 14H786 | NUT | 4 | 1/4" | |
| 2 | R20522 | BUSHING | 4 | | |
| 3 | AR26469 | HOLD-DOWN CLIP | 2 | | |
| 4 | 03H1519 | BOLT | 4 | 3/8" X 1" | |
| 5 | AR50921 | STOP | 2 | (SUB FOR AR47941) | |
| 6 | R46538 | CLAMP | 2 | (SUB FOR R45895) | |
| 7 | R45896 | WING SCREW | 1 | | |
| 8 | 14H1076 | NUT | 4 | 3/8" | |
| | 12H304 | LOCK WASHER | 4 | 3/8" | |
| 9 | AR47939 | BASE | 1 | R.H. | |
| 10 | R40844 | SUPPORT | 1 | (B) FRONT, R.H. | |
| 11 | R57696 | WASHER | 2 | (B) (SUB FOR R1870R) | |
| 12 | 19H3175 | CAP SCREW | 2 | (B) 3/8" X 3-5/8", HS, SAE 8 | |
| | 12H304 | LOCK WASHER | 2 | (B) 3/8" | |
| 13 | R44003 | SUPPORT | 1 | (B) FRONT, R.H. (POWER FRONT WHEEL DRIVE) (NO LONGER AVAILABLE) | |
| 14 | 19H2284 | CAP SCREW | 2 | (A) 3/8" X 7/8" | |
| | 12H304 | LOCK WASHER | 2 | (A) 3/8" | |
| 15 | R40842 | SUPPORT | 1 | (A) FRONT, R.H. | |
| 16 | 19H2284 | CAP SCREW | 6 | 3/8" X 7/8" | |
| | 12H304 | LOCK WASHER | 6 | 3/8" | |
| 17 | R40876 | SUPPORT | 1 | REAR, R.H. | |
| 18 | R45893 | ROD | 4 | | |
| 19 | 11M7084 | COTTER PIN | 2 | 5 X 25 MM | |
| 20 | R40875 | SUPPORT | 1 | FRONT, L.H. | |
| 21 | R40876 | SUPPORT | 1 | REAR, L.H. | |
| 22 | AR47940 | BASE | 1 | L.H. | |

(A) SYNCRO-RANGE

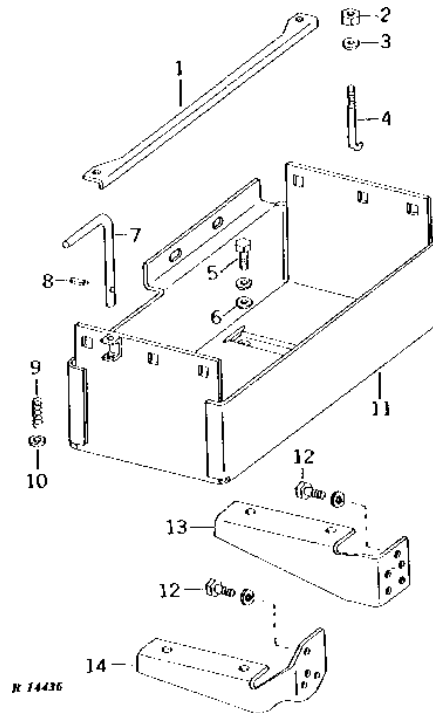
(B) POWER SHIFT

412

WHEELS, FRONT AXLES, SHEET METAL

BATTERY BOX AND SUPPORTS (STANDARD)

R14436 -UN-01JAN94



| KEY | PART NO. | PART NAME | QTY | TRACTOR SERIAL NO. | REMARKS |
|-----|----------|-------------|-----|----------------------------|---------|
| 1 | R40423 | CLAMP | AR | (A) | |
| 2 | 14H786 | NUT | AR | (B) 1/4" | |
| 3 | 24H1821 | WASHER | AR | (B) 9/32" X 47/64" X 1/16" | |
| 4 | R30805 | ROD | AR | (B) | |
| 5 | 19H2284 | CAP SCREW | 4 | 3/8" X 7/8" | |
| | 12H304 | LOCK WASHER | 4 | 3/8" | |
| 6 | 24H1305 | WASHER | 4 | 13/32" X 13/16" X 0.065" | |
| 7 | R42893 | PIN | 1 | | |
| 8 | 34H244 | SPRING PIN | 1 | 1/8" X 9/16" | |
| 9 | H26232 | SPRING | 1 | | |
| 10 | 24H1301 | WASHER | 1 | 13/32" X 9/16" X 0.065" | |
| 11 | AR45207 | BOX | 1 | | |
| 12 | 19H2284 | CAP SCREW | 4 | 3/8" X 7/8" | |
| | 12H304 | LOCK WASHER | 4 | 3/8" | |
| 13 | AR45129 | SUPPORT | 1 | | |
| 14 | AR45130 | SUPPORT | 1 | | |

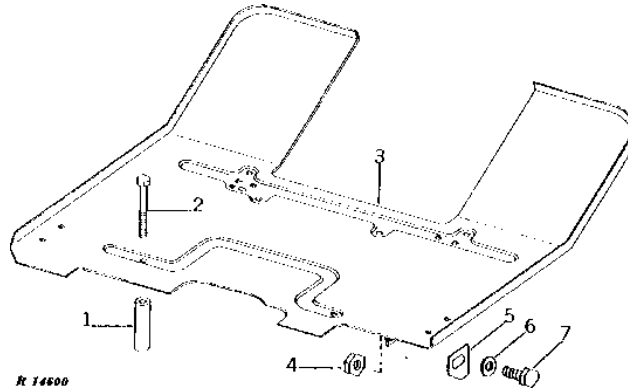
(A) 1 USED GASOLINE AND LP-GAS, 2 USED DIESEL

(B) 2 USED GASOLINE AND LP-GAS, 4 USED DIESEL

413

WHEELS, FRONT AXLES, SHEET METAL

PLATFORM
(ROW-CROP AND HI-CROP)
 R14600 -UN-01JAN94



| KEY | PART NO. | PART NAME | QTY | TRACTOR SERIAL NO. | REMARKS |
|-----|----------|-----------|-----|--------------------|------------------------------|
| 1 | 28H3292 | BUSHING | 4 | | 3/8" X 3-1/2" |
| 2 | 19H1925 | CAP SCREW | 4 | | 3/8" X 4-1/4" |
| 3 | AR48727 | PLATFORM | 1 | | (SUB FOR AR40672 OR AR48004) |
| 4 | 14H611 | NUT | 4 | | (A) 5/16" |
| 5 | R44185 | STOP | 4 | | (A) |
| 6 | 24H1136 | WASHER | 4 | | (A) 11/32" X 11/16" X 0.065" |
| 7 | 19H2127 | CAP SCREW | 4 | | (A) 5/16" X 7/8" |
| .. | R44960 | MAT | 1 | | BLACK RUBBER |

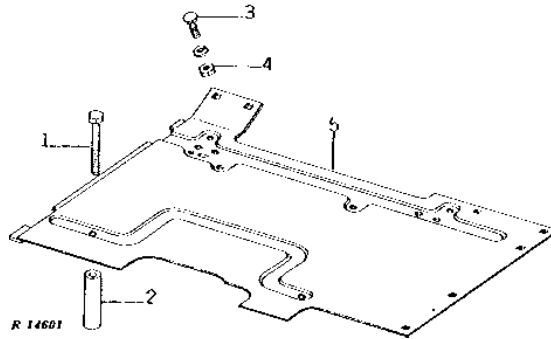
(A) STOLPER CAB

414

WHEELS, FRONT AXLES, SHEET METAL

PLATFORM
(STANDARD)

R14601 -UN-01JAN94

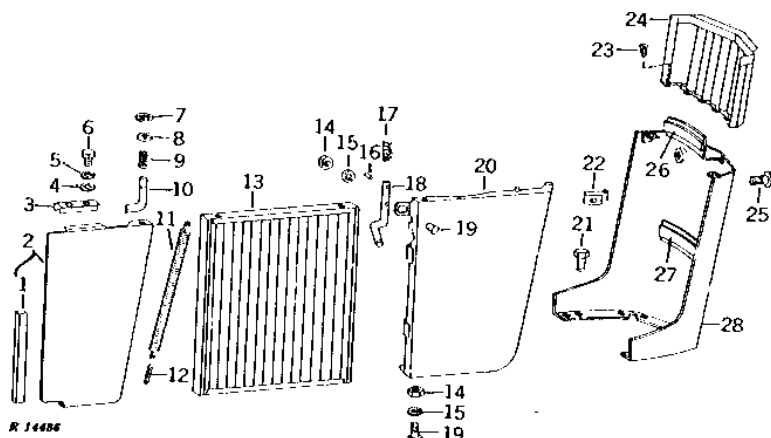


| KEY | PART NO. | PART NAME | QTY | TRACTOR SERIAL NO. | REMARKS |
|-----|----------|-------------|-----|--------------------|---------|
| 1 | 19H1925 | CAP SCREW | 4 | 3/8" X 4-1/4" | |
| 2 | 28H3292 | BUSHING | 4 | 3/8" X 3-1/2" | |
| 3 | 03H1765 | BOLT | 4 | 3/8" X 3/4" | |
| | 12H304 | LOCK WASHER | 4 | 3/8" | |
| 4 | 14H1076 | NUT | 4 | 3/8" | |
| 5 | AR40871 | PLATFORM | 1 | | |
| .. | R44966 | MAT | 1 | BLACK RUBBER | |

415

WHEELS, FRONT AXLES, SHEET METAL

SIDE SHIELD, GRILLES, PANELS, AND FRONT PLATE
R14486 -UN-01JAN94



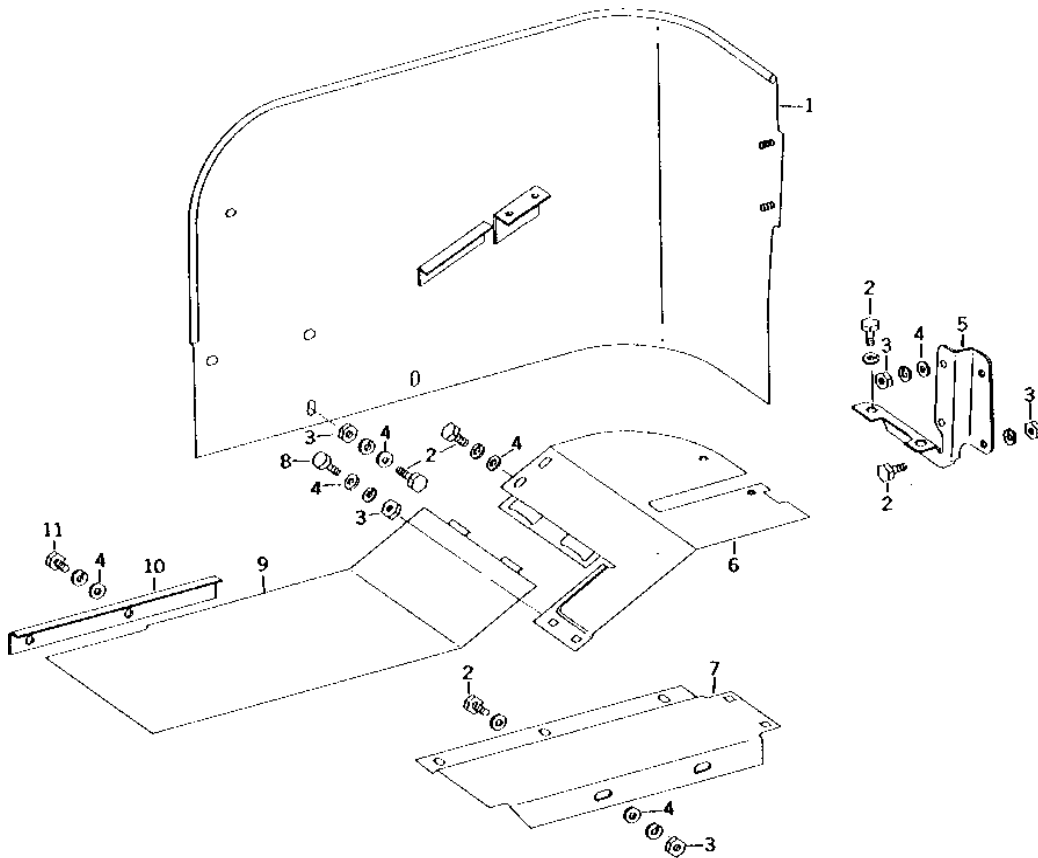
| KEY | PART NO. | PART NAME | QTY | TRACTOR SERIAL NO. | REMARKS |
|-----|----------|-------------|-----|--------------------|---|
| 1 | | STRIP | 2 | | 13 X 25 X 254MM (1/2" X 1" X 10") (MAKE FROM R30936) |
| 2 | AR40773 | SHIELD | 1 | | R.H. |
| | AR40774 | SHIELD | 1 | | L.H. |
| | AR46224 | SHIELD | 1 | | R.H. (STOLPER CAB WITH HEATER) |
| | AR49255 | SHIELD | 1 | | L.H. (STOLPER CAB WITH AIR CONDITIONING) |
| 3 | R41983 | SPRING | 2 | | |
| 4 | 24H1286 | WASHER | 4 | | 9/32" X 1/2" X 1/16" |
| 5 | 12H302 | LOCK WASHER | 4 | | 1/4" |
| 6 | 19H2479 | CAP SCREW | 4 | | 1/4" X 3/8" |
| 7 | R27507 | SNAP RING | 2 | | |
| 8 | 24H1286 | WASHER | 2 | | 9/32" X 1/2" X 1/16" |
| 9 | R28783 | SPRING | 2 | | |
| 10 | R27506 | PIN | 2 | | |
| 11 | R26858 | SPRING | 2 | | |
| 12 | 11M7084 | COTTER PIN | 2 | | 5 X 25 MM |
| 13 | AR32720 | GRILLE | 2 | | |
| 14 | 14H1076 | NUT | 4 | | 3/8" |
| 15 | 12H304 | LOCK WASHER | 4 | | 3/8" |
| 16 | 34H387 | SPRING PIN | 2 | | 3/16" X 3/4" |
| 17 | B161R | SPRING | 2 | | |
| 18 | R26702 | ROD | 1 | | R.H. |
| | R26703 | ROD | 1 | | L.H. |
| 19 | 03H1765 | BOLT | 4 | | 3/8" X 3/4" |
| 20 | AR32689 | PANEL | 1 | | R.H. |
| | AR32690 | PANEL | 1 | | L.H. |
| 21 | 19H1815 | CAP SCREW | 8 | | 1/2" X 1-1/4" |
| 22 | R26694 | CLIP | 6 | | |
| 23 | 37H84 | SCREW | 6 | | 1/4" X 3/4" |
| 24 | AR26477 | GRILLE | 1 | | |
| 25 | 19H2009 | CAP SCREW | 2 | | 3/4" X 1-5/8" |
| 26 | | FOAM PAD | 1 | | 3 X 38 X 267MM (1/8" X 1-1/2" X 10-1/2") (MAKE FROM R21736) |
| 27 | | FOAM PAD | 1 | | 3 X 38 X 267MM (1/8" X 1-1/2" X 10-1/2") (MAKE FROM R21736) |
| 28 | AR32466 | PLATE | 1 | | FRONT |

416

WHEELS, FRONT AXLES, SHEET METAL

OPERATOR SHIELDS, EXTENSIONS AND BATTERY BOX COVER
(STANDARD)

R14433 -UN-01JAN94



R 14433

417

WHEELS, FRONT AXLES, SHEET METAL

**OPERATOR SHIELDS, EXTENSIONS AND BATTERY BOX COVER - CONTINUED
(STANDARD)**

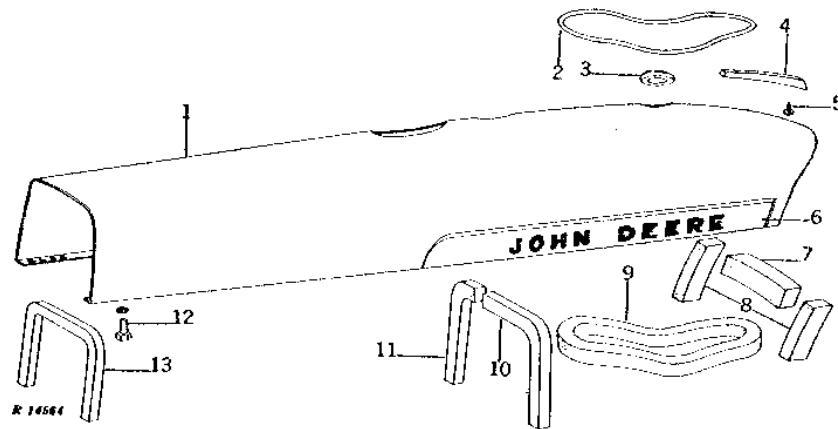
| KEY | PART NO. | PART NAME | QTY | TRACTOR SERIAL NO. | REMARKS |
|-----|----------|-------------|-----|-----------------------|---------------------------|
| 1 | AR41138 | SHIELD | 1 | | L.H. (NLA) |
| | AR41137 | SHIELD | 1 | | R.H. |
| 2 | 19H1936 | CAP SCREW | 16 | | 3/8" X 3/4" |
| | 12H304 | LOCK WASHER | 16 | | 3/8" |
| 3 | 14H1076 | NUT | 11 | | 3/8" |
| 4 | 24H1305 | WASHER | 10 | | 13/32" X 13/16" X 0.065" |
| 5 | AR41098 | SUPPORT | 1 | | L.H. |
| | AR41097 | SUPPORT | 1 | | R.H. |
| 6 | AR45131 | EXTENSION | 1 | -250000 | FRONT, L.H. (SUB AR48964) |
| | AR48964 | EXTENSION | 1 | 250001- | FRONT, L.H. |
| | R41253 | EXTENSION | 1 | | FRONT, R.H. |
| 7 | R41451 | EXTENSION | 1 | | R.H. |
| 8 | 03H1765 | BOLT | 4 | | 3/8" X 3/4" |
| | 12H304 | LOCK WASHER | 4 | | 3/8" |
| 9 | AR42989 | COVER | 1 | | |
| 10 | AR41174 | SUPPORT | 1 | | |
| 11 | 19H1936 | CAP SCREW | 2 | | 3/8" X 3/4" |
| | 12H304 | LOCK WASHER | 2 | | 3/8" |

418

WHEELS, FRONT AXLES, SHEET METAL

HOOD
R14564

-UN-01JAN94



419

WHEELS, FRONT AXLES, SHEET METAL

HOOD-CONTINUED

| KEY | PART NO. | PART NAME | QTY | TRACTOR SERIAL NO. | REMARKS |
|-----|----------|-------------|-----|--------------------|---|
| 1 | AR41158 | HOOD | 1 | -250000 | (A) (SUB AR69059) |
| | AR50503 | HOOD | 1 | 250001- | (A) (SUB AR69059) |
| | AR50503 | HOOD | 1 | 250001- | (B) (ALSO ORDER AR47436, (4) A471R, (4) 12H297 AND (4) 14H786) (SUB AR69059) (4000-LOW PROFILE) |
| | AR41159 | HOOD | 1 | -250000 | (C) (SUB AR69059) |
| | AR69059 | HOOD | 1 | 250001- | (C) (ALSO ORDER R28122 AND (2) R28123) (SUB FOR AR50504) |
| 2 | R28122 | ISOLATOR | 1 | | (C) |
| 3 | R39613 | GROMMET | 1 | | (A) |
| 4 | AR28047 | MEDALLION | 1 | | |
| 5 | 37M7245 | SCREW | 2 | | NO. 10 X 3/8" |
| 6 | AR28048 | MOLDING | 1 | | R.H. |
| | AR28049 | MOLDING | 1 | | L.H. |
| | R42662 | NUT | 10 | | |
| 7 | R26890 | FOAM PAD | 1 | | 25 X 51 X 406MM (1" X 2" X 16") FRONT GRILLE SCREEN, UPPER |
| 8 | | FOAM PAD | 2 | | (C) 51 X 51 X 203MM (2" X 2" X 8") FRONT GRILLE SCREEN, SIDE, (MAKE FROM R35340) |
| 9 | R28123 | FOAM PAD | 1 | | |
| 10 | | FOAM PAD | 1 | | (A) 25 X 25 X 565 (1" X 1" X 22-1/4") RADIATOR, R.H. (MAKE FROM R30937) |
| | | FOAM PAD | 1 | | (C) 25 X 51 X 187MM (1" X 2" X 7-3/8") RADIATOR, R.H. (MAKE FROM R28123) |
| 11 | | FOAM PAD | 1 | | (A) 25 X 25 X 191MM (1" X 1" X 7-1/2") RADIATOR, L.H. (MAKE FROM R30937) |
| | | FOAM PAD | 1 | | (C) 25 X 51 X 187MM (1" X 2" X 7-3/8") RADIATOR, L.H. (MAKE FROM R28123) |
| 12 | 19H1936 | CAP SCREW | 2 | | 3/8" X 3/4" |
| | 12H310 | LOCK WASHER | 2 | | 3/8" |
| 13 | | FOAM PAD | 1 | | (A) 25 X 25 X 737MM (1" X 1" X 29") HOOD, REAR, (MAKE FROM R30937) |
| | | FOAM PAD | 1 | | (C) 25 X 25 X 813MM (1" X 1" X 32") HOOD, REAR, (MAKE FROM R30937) |

(A) GASOLINE AND DIESEL

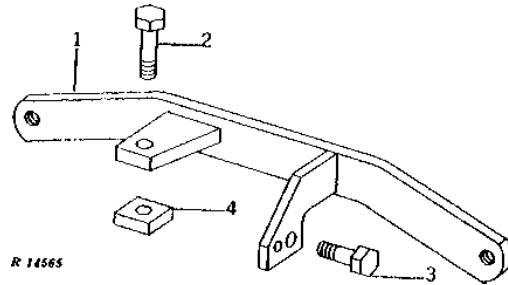
(B) DIESEL

(C) LP-GAS

4110

WHEELS, FRONT AXLES, SHEET METAL

IMPLEMENT ATTACHING BRACKET
R14565 -UN-01JAN94



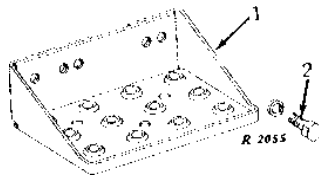
| KEY | PART NO. | PART NAME | QTY | TRACTOR SERIAL NO. | REMARKS |
|-----|----------|-----------|-----|--------------------|----------------------------|
| 1 | AR40716 | BRACKET | 1 | | (GASOLINE AND LP-GAS) |
| | AR40718 | BRACKET | 1 | | (DIESEL) |
| 2 | 19H2706 | CAP SCREW | 1 | | 5/8" X 2", L.H., HS, SAE 8 |
| 3 | R45693 | CAP SCREW | 1 | | R.H. |
| 4 | R41025 | STRAP | 1 | | L.H. |

4111

WHEELS, FRONT AXLES, SHEET METAL

**TRACTOR STEP
(ROW-CROP)**

R2055 -UN-01JAN94



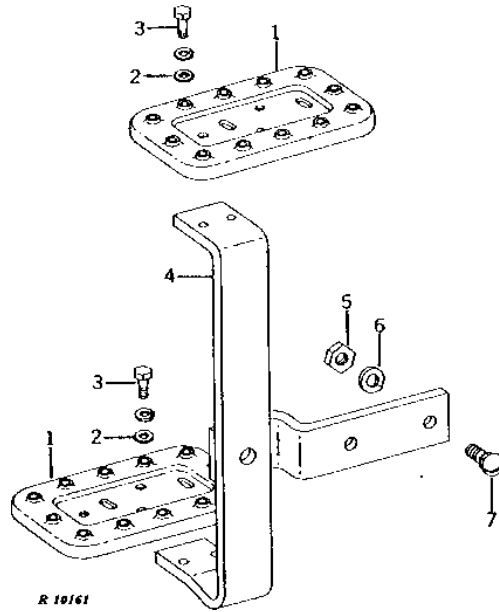
| KEY | PART NO. | PART NAME | QTY | TRACTOR SERIAL NO. | REMARKS |
|-----|----------|-------------|-----|--------------------|---------|
| 1 | R27883 | STEP | 2 | | |
| 2 | 19H1815 | CAP SCREW | 4 | 1/2" X 1-1/4" | |
| | 12H301 | LOCK WASHER | 4 | 1/2" | |

4112

WHEELS, FRONT AXLES, SHEET METAL

**TRACTOR STEPS
(STANDARD)**

R10161 -UN-01JAN94



R 10161

| KEY | PART NO. | PART NAME | QTY | TRACTOR SERIAL NO. | REMARKS |
|-----|----------|-------------|-----|--------------------|--------------------------|
| 1 | F3195R | STEP | 2 | | |
| 2 | 24H1305 | WASHER | 4 | | 13/32" X 13/16" X 0.065" |
| 3 | 19H2284 | CAP SCREW | 4 | | 3/8" X 7/8" |
| | 12H304 | LOCK WASHER | 4 | | 3/8" |
| 4 | AR42594 | SUPPORT | 1 | | |
| 5 | 14H1039 | NUT | 2 | | 5/8" |
| 6 | 12H294 | LOCK WASHER | 2 | | 5/8" |
| 7 | 03H1399 | BOLT | 2 | | 5/8" X 1-3/4" |

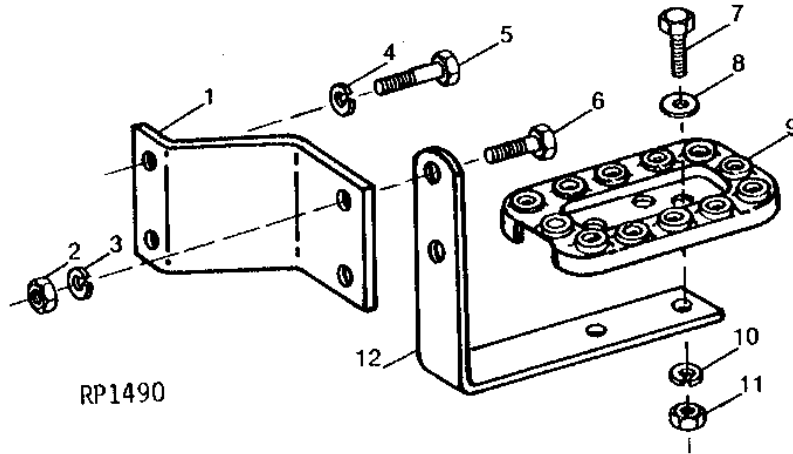
4113

WHEELS, FRONT AXLES, SHEET METAL

TRACTOR STEP

(HI-CROP)

RP1490 -UN-01JAN94

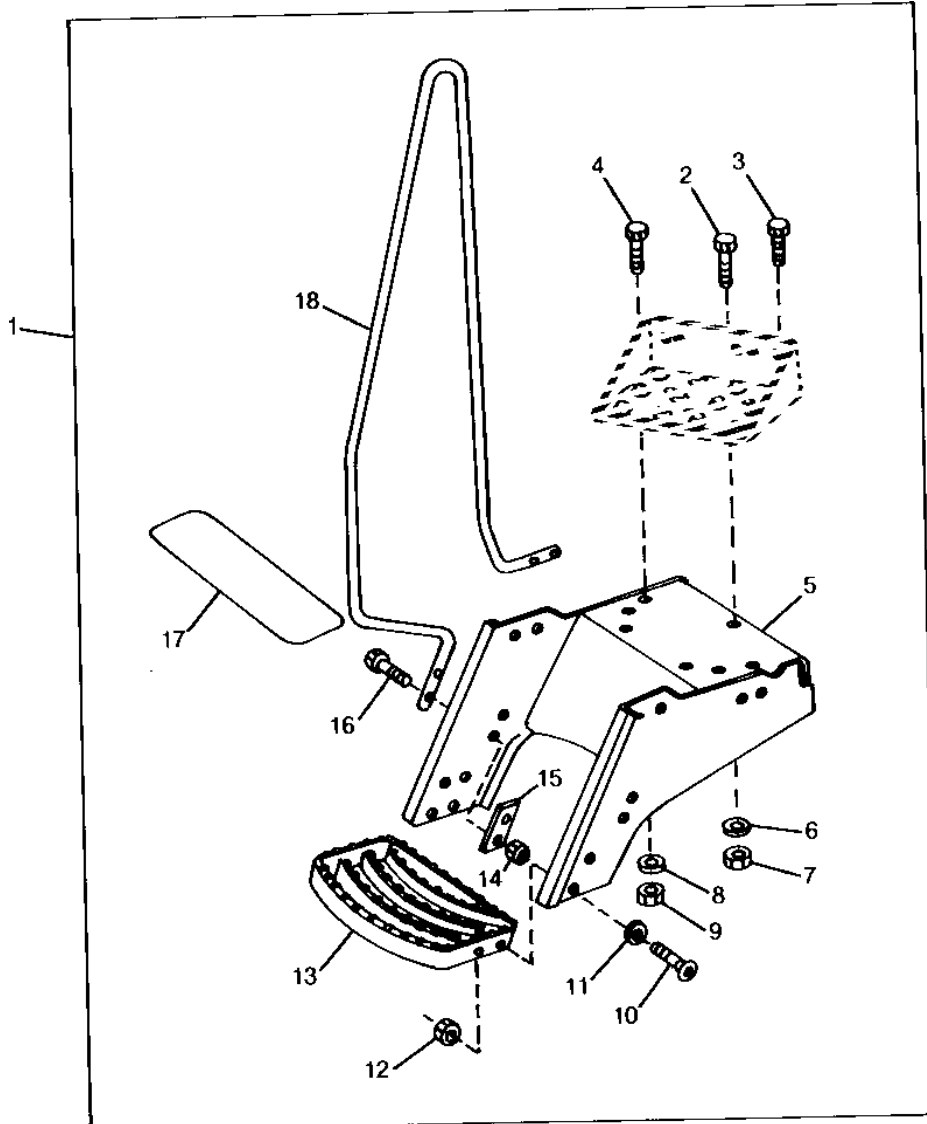


| KEY | PART NO. | PART NAME | QTY | TRACTOR SERIAL NO. | REMARKS |
|-----|----------|-------------|-----|--------------------|--------------------------|
| 1 | R51869 | BRACKET | 1 | | (SUB FOR R31129) (NLA) |
| 2 | 14H1039 | NUT | 2 | | 5/8" |
| 3 | 12H294 | LOCK WASHER | 2 | | 5/8" |
| 4 | 12H236 | LOCK WASHER | 2 | | 3/4" |
| 5 | 19H1782 | CAP SCREW | 2 | | 3/4" X 2-1/4" |
| 6 | 19H1708 | CAP SCREW | 2 | | 5/8" X 1-3/4" |
| 7 | 19H1732 | CAP SCREW | 2 | | 3/8" X 1-1/4" |
| 8 | 24H1305 | WASHER | 2 | | 13/32" X 13/16" X 0.065" |
| 9 | F3195R | STEP | 1 | | |
| 10 | 12H304 | LOCK WASHER | 2 | | 3/8" |
| 11 | 14H1076 | NUT | 2 | | 3/8" |
| 12 | A5234R | SUPPORT | 1 | | |

4114

WHEELS, FRONT AXLES, SHEET METAL

STEPS KIT (AFTER-MARKET)
RXP021106 -UN-27FEB95



RXP021106

4115

WHEELS, FRONT AXLES, SHEET METAL

| KEY | PART NO. | PART NAME | QTY | TRACTOR SERIAL NO. | REMARKS |
|-----|----------|-----------|-----|-----------------------|--------------------------|
| 1 | RE62856 | KIT | 1 | | |
| 2 | 03H1399 | BOLT | 2 | | 5/8" X 1-3/4" |
| 3 | 03H1558 | BOLT | 4 | | 3/8" X 1-1/2" |
| 4 | 03H1522 | BOLT | 3 | | 1/2" X 1-1/4" |
| 5 | RE48040 | SUPPORT | 1 | | |
| 6 | 24M7241 | WASHER | 2 | | 17 X 34 X 4 MM |
| 7 | 14H1039 | NUT | 2 | | 5/8" |
| 8 | 24H1254 | WASHER | 6 | | 17/32" X 1-1/8" X 0.105" |
| 9 | 14H1040 | NUT | 3 | | 1/2" |
| 10 | 19H1731 | CAP SCREW | 12 | | 3/8" X 1" |
| 11 | 24H1305 | WASHER | 2 | | 13/32" X 13/16" X 0.065" |
| 12 | 14H1076 | NUT | 12 | | 3/8" |
| 13 | RE49428 | STEP | 3 | | |
| 14 | 14H1039 | NUT | 2 | | 5/8" |
| 15 | R113614 | STRAP | 2 | | |
| 16 | 03H1558 | BOLT | 4 | | 3/8" X 1-1/2" |
| 17 | R65514 | STRIP | 2 | | |

4116

WHEELS, FRONT AXLES, SHEET METAL

DECAL SET
R25871 -UN-01JAN94



R 25871F

| KEY | PART NO. | PART NAME | QTY | TRACTOR SERIAL NO. | REMARKS |
|-----|----------|-----------|-----|--------------------|--|
| 1 | R48361 | DECAL | 2 | | (SUB FOR R45957) |
| 2 | R44315 | LABEL | 1 | | R.H. |
| | R41933 | LABEL | 1 | | L.H. |
| 3 | R120111 | LABEL | 1 | | PTO SAFETY, (SUB FOR R64391 OR R82425) |
| 4 | R34483 | LABEL | 1 | | |
| 5 | R34608 | DECAL | 1 | | (SUB AR52393) |
| 6 | R36756 | DECAL | 1 | | (SUB AR52393) |
| 7 | JD5234 | DECAL | 1 | | (FOR SEAT POST) |
| 8 | R36689 | DECAL | 1 | | |
| 9 | R87529 | LABEL | 1 | | SAFETY, (SUB FOR R47739, R51821, R69270, R76341 OR R82425) |
| 10 | R30694 | DECAL | 2 | | |
| 11 | R31287 | DECAL | 1 | | |
| 12 | R53293 | LABEL | 1 | | (A) (SUB FOR R44951) |
| | R53294 | LABEL | 1 | | (B) (SUB FOR R44952) |
| 13 | R40505 | LABEL | 1 | | (B) |
| 14 | R40504 | LABEL | 1 | | (B) |
| 15 | R40509 | LABEL | 1 | | |
| 16 | R40676 | LABEL | 1 | | (A) |
| .. | AR52393 | DECAL | 1 | | (SUB FOR AR47091) |

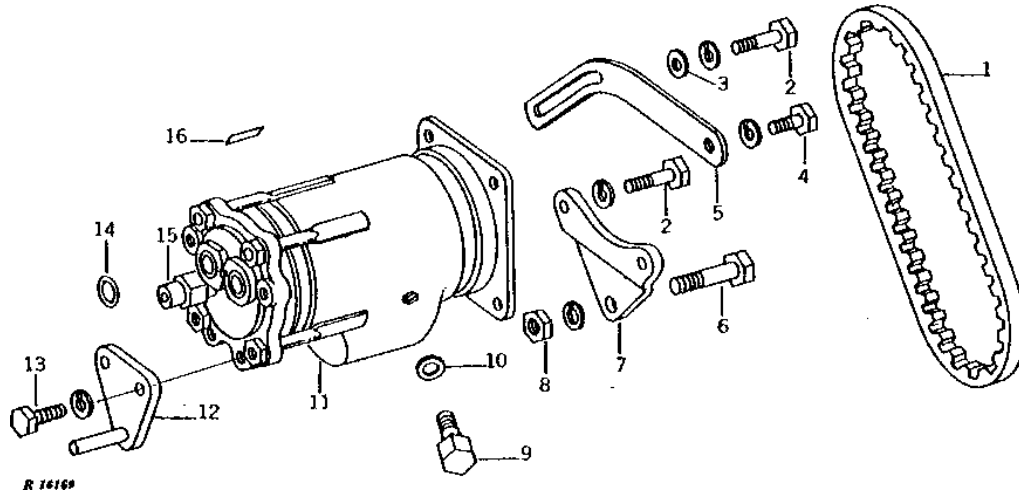
(A) SYNCRO-RANGE

(B) POWER SHIFT

5B6

OPERATOR'S STATION

COMPRESSOR AND MOUNTING BRACKETS
(STOLPER)(CAB SERIAL NO. 208300-)
R16169 -UN-01JAN94

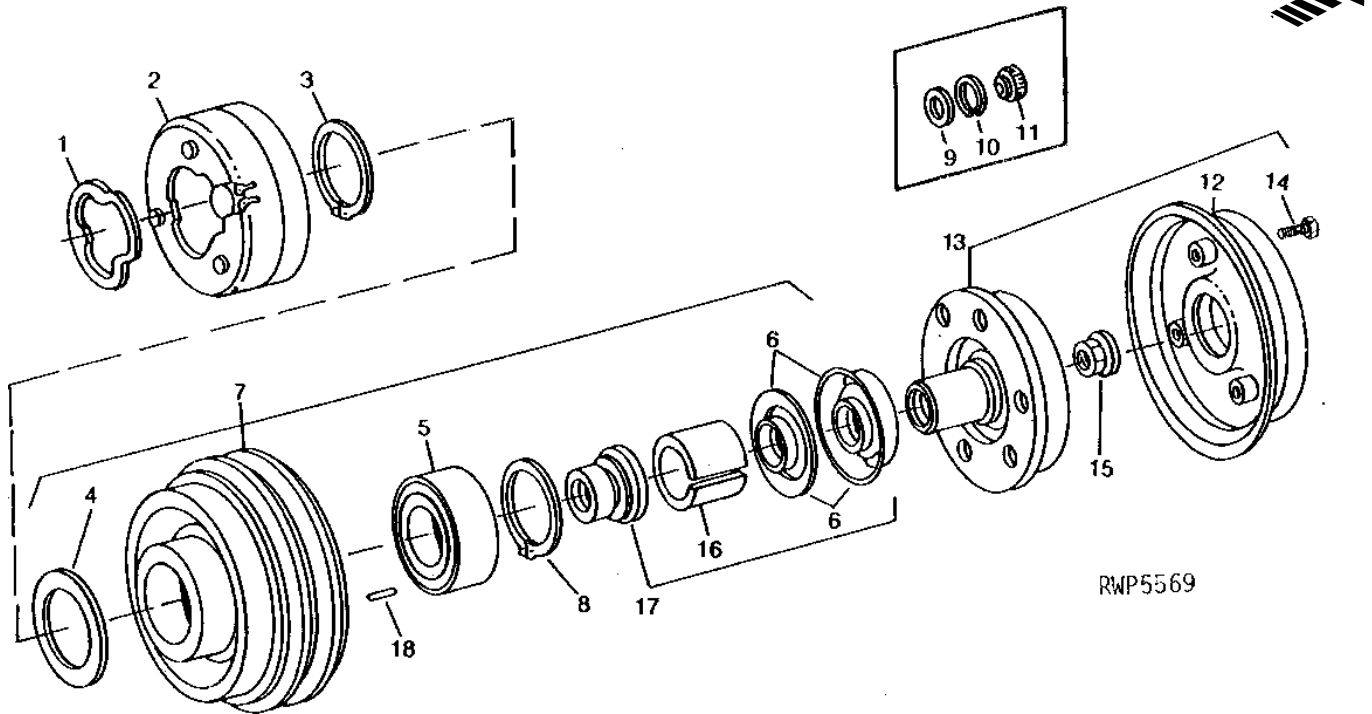


| KEY | PART NO. | PART NAME | QTY | CAB SERIAL NO. | REMARKS |
|-----|----------|-------------|-----|----------------|--|
| 1 | R71603 | BELT | 1 | | (SUB FOR R46098 OR R69562, THIS APPLICATION) |
| 2 | 19H2529 | CAP SCREW | 3 | -XXXXXX | 5/16" X 1" |
| | 12H303 | LOCK WASHER | 3 | -XXXXXX | 5/16" |
| | 19M7163 | CAP SCREW | 3 | XXXXXX- | M8 X 25 |
| | 12M7065 | LOCK WASHER | 3 | XXXXXX- | M8 |
| 3 | 24H1136 | WASHER | 1 | | 11/32" X 11/16" X 0.065" |
| 4 | 19H2284 | CAP SCREW | 1 | | 3/8" X 7/8" |
| | 12H304 | LOCK WASHER | 1 | | 3/8" |
| 5 | R46099 | STRAP | 1 | | |
| 6 | 19H1831 | CAP SCREW | 1 | | 1/2" X 2" |
| 7 | R45981 | BRACKET | 1 | | |
| 8 | 14H1040 | NUT | 1 | | 1/2" |
| | 12H301 | LOCK WASHER | 1 | | 1/2" |
| 9 | R47233 | PLUG | 1 | | |
| 10 | R47234 | WASHER | 1 | | |
| 11 | AR77343 | COMPRESSOR | 1 | -XXXXXX | (SUB FOR AR49799, AR49802, AR60948 OR AR68802) (SUB AR92109, 19M7170, (3) 19M7163, (2) 19M7662, (3) 12M7065 AND (3) 12M7066) (NLA) |
| | AR92109 | COMPRESSOR | 1 | XXXXXX- | (ORDER TY6665) |
| | TY6665 | COMPRESSOR | 1 | | (12-VOLT) (REMANUFACTURED) (SUB FOR TY6601, TY6623 OR TY6628) |
| 12 | AR77342 | SUPPORT | 1 | | (SUB FOR AR49485) (ALSO ORDER R77405) |
| 13 | 19H1731 | CAP SCREW | 2 | -XXXXXX | 3/8" X 1" |
| | 12H304 | LOCK WASHER | 2 | -XXXXXX | 3/8" |
| | 19M7662 | CAP SCREW | 2 | XXXXXX- | M10 X 30 |
| | 12M7066 | LOCK WASHER | 2 | XXXXXX- | M10 |
| 14 | R74210 | O-RING | 2 | | (SUB FOR R47235) |
| 15 | AR49808 | VALVE | 1 | | |
| 16 | R46733 | LABEL | 1 | | |
| .. | R49856 | OIL | 1 | | |

5B7

OPERATOR'S STATION

COMPRESSOR COIL, CLUTCH AND PULLEY
(CAB SERIAL NO. 208300-)
RWP5569 -UN-01JAN94



RWP5569

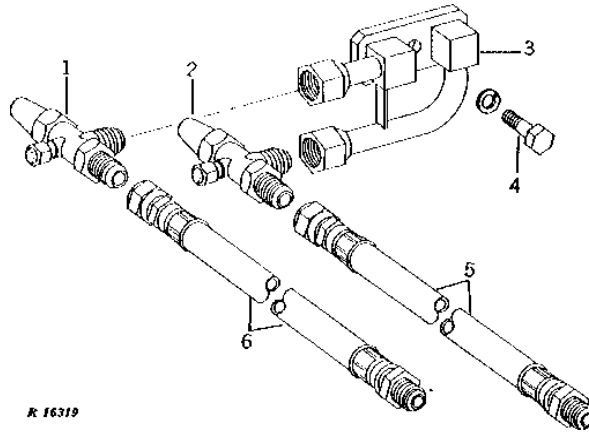
| KEY | PART NO. | PART NAME | QTY | CAB SERIAL NO. | REMARKS |
|-----|----------|-----------------|-----|---|---------|
| 1 | R56246 | GASKET | 1 | (A) | |
| 2 | AR49803 | ELECTRICAL COIL | 1 | (A) | |
| 3 | R47224 | SNAP RING | 1 | (A) | |
| 4 | R54766 | WASHER | 1 | (A) | |
| 5 | AR49805 | BALL BEARING | 1 | (A) (SUB AR71288) | |
| 6 | AR63254 | SHIELD | 1 | -XXXXXX (SUB AR71289) | |
| 7 | AR71289 | SHIELD | 1 | XXXXXX- | |
| 7 | AR71287 | PULLEY | 1 | (A) (SUB FOR AR49804) | |
| 8 | R47226 | SNAP RING | 1 | (A) (ALSO ORDER AR49805) | |
| 9 | R47230 | WASHER | 1 | -XXXXXX (SUB R69297, THIS APPLICATION) | |
| 10 | R47231 | SNAP RING | 1 | -XXXXXX (SUB R69297) | |
| 11 | R47232 | NUT | 1 | -XXXXXX (SUB R69297) | |
| 12 | AR53446 | KIT | 1 | (SUB AR71290) | |
| 13 | AR71286 | CLUTCH | 1 | (SUB FOR AR63255) | |
| 14 | 37H127 | SCREW | 3 | -XXXXXX 0.138" X 5/16" | |
| 15 | 37H32 | SCREW | 3 | XXXXXX- 0.190" X 3/8" | |
| 15 | R69297 | FLANGE NUT | 1 | XXXXXX- | |
| 16 | R47227 | SEAL | 1 | | |
| 17 | R47228 | RETAINER | 1 | -XXXXXX (A) (NOT ILLUSTRATED) (SUB AR71289) | |
| 17 | AR71285 | KIT | 1 | (A) COMPRESSOR SHAFT SEAL WITH PULLEY BEARING FRONT SHIELD, (SUB FOR AR49806) | |
| 18 | R47229 | SHAFT KEY | 1 | | |

(A) ALSO ORDER AR71289

5B8

OPERATOR'S STATION

AIR COMPRESSOR MANIFOLD AND HOSES
 (CAB SERIAL NO. 208300-)
 R16319 -UN-01JAN94

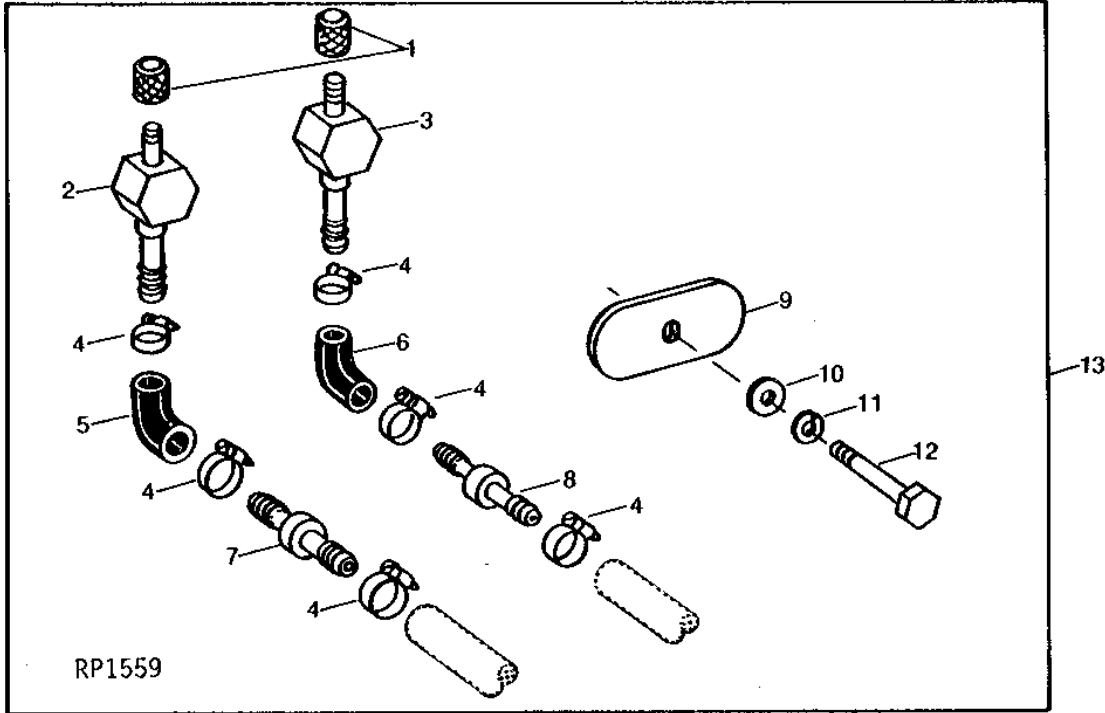


| KEY | PART NO. | PART NAME | QTY | CAB SERIAL NO. | REMARKS |
|-----|----------|-------------|-----|--------------------------|---------|
| 1 | AR49950 | VALVE | 1 | (SUCTION) (SUB AR94973) | |
| 2 | AR49951 | VALVE | 1 | (PRESSURE) (SUB AR94973) | |
| 3 | AR49976 | MANIFOLD | 1 | (SUB AR94973) | |
| 4 | 19H1938 | CAP SCREW | 1 | 3/8" X 13/16" | |
| | 12H304 | LOCK WASHER | 1 | 3/8" | |
| 5 | AR49974 | HOSE | 1 | (PRESSURE)(NLA) | |
| 6 | AR49975 | HOSE | 1 | (SUCTION)(NLA) | |

5B9

OPERATOR'S STATION

COMPRESSOR VALVE KIT
RP1559 -UN-01JAN94

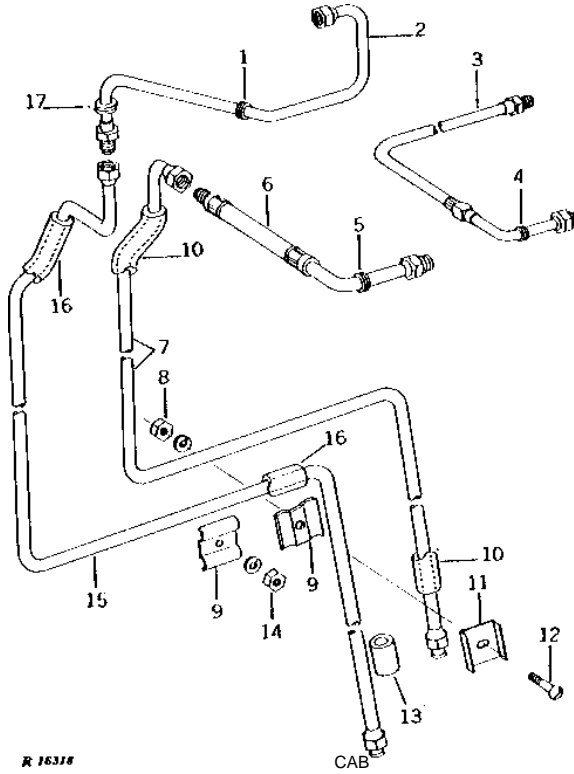


| KEY | PART NO. | PART NAME | QTY | CAB SERIAL NO. | REMARKS |
|-----|----------|-------------|-----|----------------|--------------------------|
| 1 | R60172 | NUT | 2 | | |
| 2 | AR94974 | ADAPTER | 1 | | |
| 3 | AR94975 | ADAPTER | 1 | | |
| 4 | AR21837 | CLAMP | 6 | | |
| 5 | R72229 | HOSE | 1 | | |
| 6 | R72228 | HOSE | 1 | | |
| 7 | R72227 | COUPLING | 1 | | |
| 8 | R72226 | COUPLING | 1 | | |
| 9 | R60171 | STRAP | 1 | | |
| 10 | 24H1884 | WASHER | 1 | | 13/32" X 13/16" X 0.120" |
| 11 | 12H304 | LOCK WASHER | 1 | | 3/8" |
| 12 | 19H2959 | CAP SCREW | 1 | | 3/8" X 2" |
| 13 | AR94973 | FITTING | 1 | | |

5B10

OPERATOR'S STATION

AIR CONDITIONER CAB LINES AND PIPES
(STOLPER)(CAB SERIAL NO. 208300-)
R16318 -UN-01JAN94

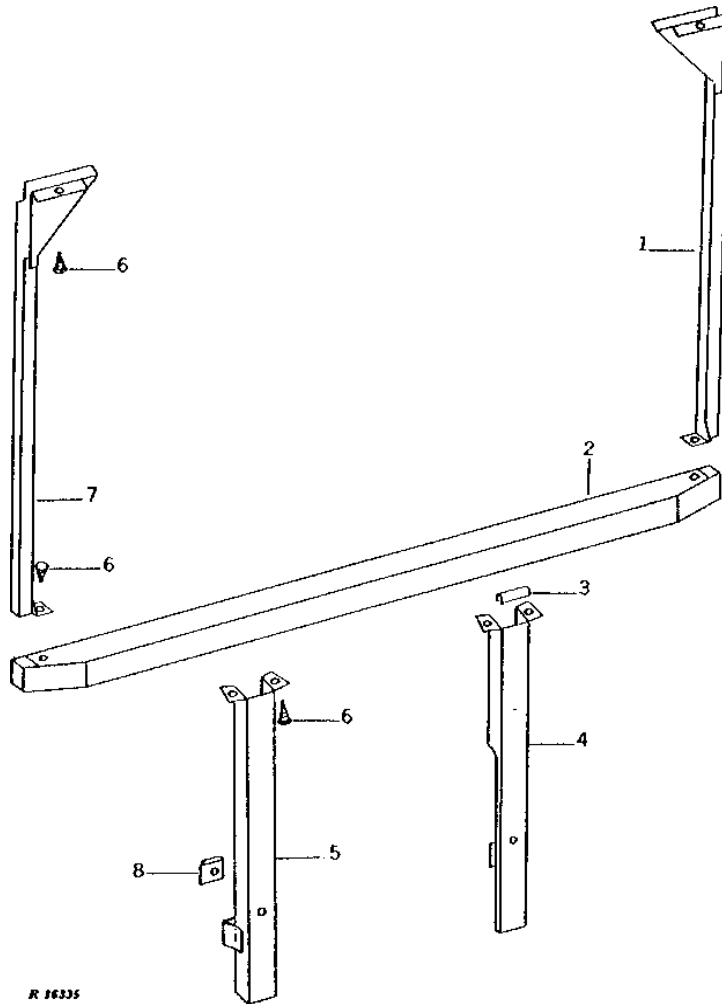


| KEY | PART NO. | PART NAME | QTY | SERIAL NO. | REMARKS |
|-----|----------|-------------|-----|---------------|---------|
| 1 | R26941 | GROMMET | 1 | | |
| 2 | AR49957 | LINE | 1 | (NLA) | |
| 3 | AR49958 | HOSE | 1 | (NLA) | |
| 4 | R44512 | GROMMET | 1 | | |
| 5 | R44494 | GROMMET | 1 | (NLA) | |
| 6 | AR49959 | HOSE | 1 | (NLA) | |
| 7 | AR49956 | LINE | 1 | (NLA) | |
| 8 | 14H608 | NUT | 2 | 0.216" | |
| | 12H296 | WASHER | 2 | 0.216" | |
| 9 | R47330 | CLAMP | 4 | (NLA) | |
| 10 | R47477 | HOSE | 1 | (NLA) | |
| 11 | R47329 | SPACER | 2 | (NLA) | |
| 12 | 21H1318 | SCREW | 2 | 0.216" X 1/2" | |
| 13 | R47476 | HOSE | 1 | (NLA) | |
| 14 | 14H778 | NUT | 2 | 0.190" | |
| | 12H246 | LOCK WASHER | 2 | 0.190" | |
| 15 | AR49955 | LINE | 1 | (NLA) | |
| 16 | R47478 | HOSE | 1 | (NLA) | |
| 17 | B30667 | GROMMET | 1 | | |

5B11

OPERATOR'S STATION

TUBE SHIELDS
(STOLPER)(CAB SERIAL NO. 208300-)
R16335 -UN-01JAN94



5B12

OPERATOR'S STATION

TUBE SHIELDS - CONTINUED
(STOLPER)(CAB SERIAL NO. 208300-)

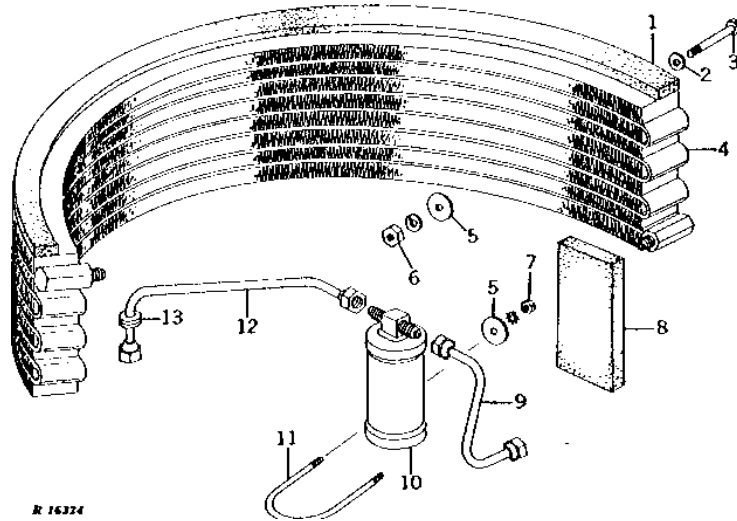
| KEY | PART NO. | PART NAME | QTY | CAB SERIAL NO. | REMARKS |
|-----|----------|-----------|-----|-------------------------------|--------------------|
| 1 | AR50005 | SHIELD | 1 | (NLA) | |
| 2 | R47324 | SHIELD | 1 | (NLA) | |
| 3 | | MOLDING | 1 | 51MM (2") | (MAKE FROM R44452) |
| | | MOLDING | 1 | 76MM (3") | (MAKE FROM R44452) |
| 4 | AR49775 | SHIELD | 1 | (NLA) | |
| | 21H1318 | SCREW | 1 | 0.216" X 1/2" | |
| 5 | AR50004 | SHIELD | 1 | (NLA) | |
| | 21H1318 | SCREW | 1 | 0.216" X 1/2" | |
| 6 | 37H49 | SCREW | 11 | NO. 10 X 1/2" | |
| 7 | AR50006 | SHIELD | 1 | (NLA) | |
| 8 | R72380 | NUT | 2 | (SUB FOR R44454) (SUB R87345) | |

MEMORANDA

5B13

OPERATOR'S STATION

CONDENSER AND RECEIVER-DRYER
(STOLPER)(CAB SERIAL NO. 208300-)
R16324 -UN-01JAN94



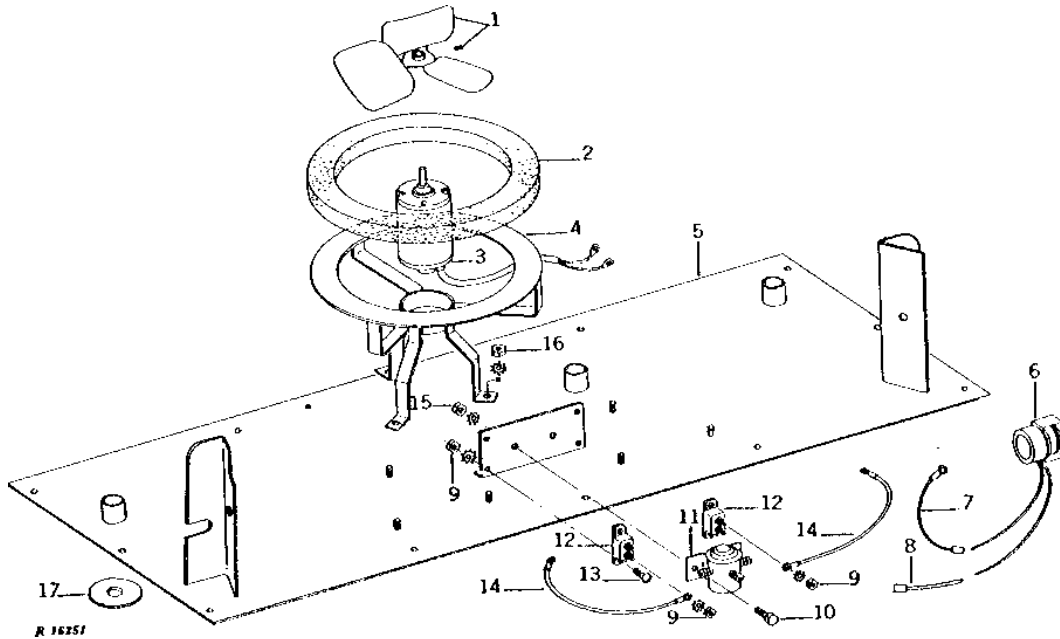
| KEY | PART NO. | PART NAME | QTY | CAB SERIAL NO. | REMARKS |
|-----|----------|-------------|-----|---|---------|
| 1 | R47471 | ISOLATOR | 1 | TOP(NLA) | |
| | R47472 | ISOLATOR | 1 | BOTTOM(NLA) | |
| 2 | 24H1136 | WASHER | 2 | 11/32" X 11/16" X 0.065" | |
| 3 | 19H1904 | CAP SCREW | 2 | 5/16" X 3" | |
| 4 | AR49967 | CORE | 1 | | |
| 5 | 24H1291 | WASHER | 4 | 21/64" X 1-15/32" X 7/64" | |
| 6 | 14H785 | NUT | 2 | 5/16" | |
| | 12H303 | LOCK WASHER | 2 | 5/16" | |
| 7 | 14H786 | NUT | 2 | 1/4" | |
| | 12H302 | LOCK WASHER | 2 | 1/4" | |
| 8 | | FOAM PAD | 1 | 25 X 51 X 152MM (1" X 2" X 6") (MAKE FROM R28123) | |
| 9 | AR49953 | LINE | 1 | (NLA) | |
| 10 | AR45867 | RECEIVER | 1 | | |
| 11 | R47325 | BOLT | 1 | (NLA) | |
| 12 | AR49954 | LINE | 1 | (NLA) | |
| 13 | R26936 | GROMMET | 1 | | |

5B14

OPERATOR'S STATION

CONDENSER FANS, MOTORS, AND CIRCUIT BREAKERS

(CAB SERIAL NO. 208300-)
R16251 -UN-01JAN94

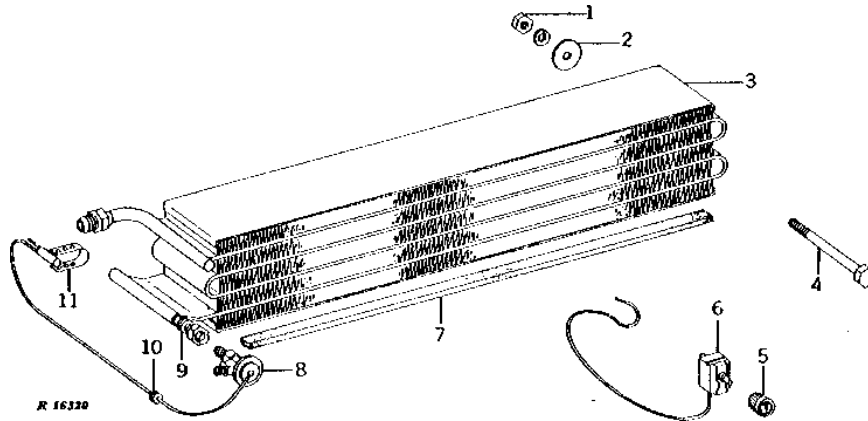


| KEY | PART NO. | PART NAME | QTY | CAB SERIAL NO. | REMARKS |
|-----|----------|-----------------|-----|------------------|--|
| 1 | AR49963 | FAN | 2 | | |
| 2 | R47470 | ISOLATOR | 2 | (NLA) | |
| 3 | AR49962 | MOTOR | 2 | | |
| 4 | AR50021 | SUPPORT | 2 | (NLA) | |
| 5 | AR50020 | PLATE | 1 | (NLA) | |
| 6 | AR45868 | THERMOSTAT | 1 | | |
| 7 | | WIRING LEAD | 1 | | 241MM (9-1/2") THERMOSTAT TO RELAY, (MAKE FROM R32007, R32027 AND R32018) (FROM AR84006) |
| 8 | | WIRING LEAD | 1 | | 178MM (7") (MAKE FROM R32027 AND R32025) (FROM AR84006) |
| 9 | 14H778 | NUT | 8 | 0.190" | |
| | 12H246 | LOCK WASHER | 8 | 0.190" | |
| 10 | 19H1919 | CAP SCREW | 1 | 1/4" X 5/8" | |
| 11 | AR54484 | RELAY | 1 | SUB. FOR AR46334 | |
| 12 | AR49973 | CIRCUIT BREAKER | 2 | (15 AMP) (NLA) | |
| 13 | 21H1148 | SCREW | 4 | 0.190" X 3/4" | |
| 14 | | WIRING LEAD | 1 | | 166MM (6-1/2") CIRCUIT BREAKER TO RELAY, (MAKE FROM R32007 AND (2) R32018) |
| 15 | 14H786 | NUT | 2 | 1/4" | |
| | 12H302 | LOCK WASHER | 2 | 1/4" | |
| 16 | 14H785 | NUT | 6 | 5/16" | |
| | 12H303 | LOCK WASHER | 6 | 5/16" | |
| 17 | R47469 | WASHER | 3 | (NLA) | |
| .. | | SEALANT | 1 | | (USE R46663 AS REQUIRED) |

5B15

OPERATOR'S STATION

EVAPORATOR
 (CAB SERIAL NO. 208300-)
 R16320 -UN-01JAN94

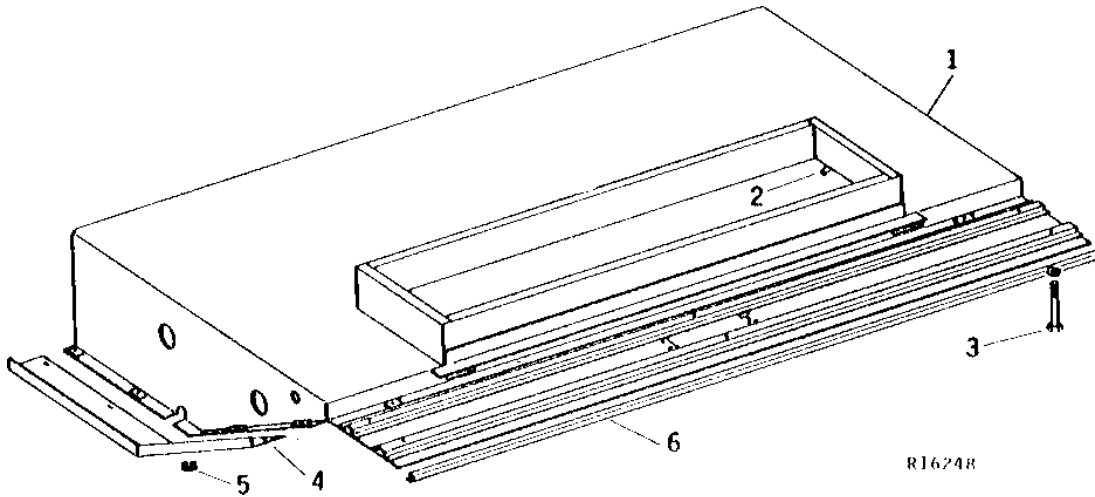


| KEY | PART NO. | PART NAME | QTY | CAB SERIAL NO. | REMARKS |
|-----|----------|-------------|-----|---------------------------|---------|
| 1 | 14H785 | NUT | 3 | 5/16" | |
| | 12H303 | LOCK WASHER | 3 | 5/16" | |
| 2 | 24H1291 | WASHER | 3 | 21/64" X 1-15/32" X 7/64" | |
| 3 | AR49966 | CORE | 1 | | |
| 4 | 19H2342 | CAP SCREW | 3 | 5/16" X 4-1/2" | |
| 5 | AR69370 | KNOB | 1 | (SUB FOR AR49969) | |
| 6 | AR49960 | SWITCH | 1 | (SUB AR59779) | |
| 7 | R47468 | ISOLATOR | 1 | BOTTOM | |
| 8 | AR49961 | VALVE | 1 | | |
| 9 | R44512 | GROMMET | 1 | | |
| 10 | R44458 | GROMMET | 2 | (NLA) | |
| 11 | | CLAMP | 1 | (NOT FURNISHED) | |

5B16

OPERATOR'S STATION

EVAPORATOR SUPPORT AND CONSOLE HOUSING
 (STOLPER)(CAB SERIAL NO. 208300-)
 R16248 -UN-01JAN94

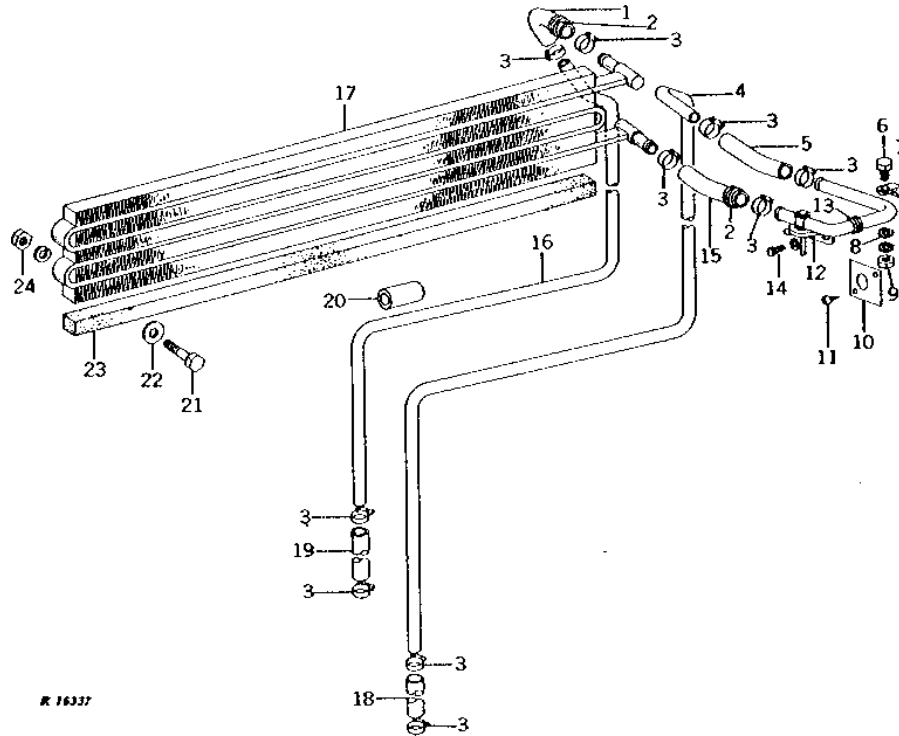


| KEY | PART NO. | PART NAME | QTY | CAB SERIAL NO. | REMARKS |
|-----|----------|-------------|-----|-------------------|---------|
| 1 | AR50008 | HOUSING | 1 | (NLA) | |
| 2 | AR50010 | CLIP | 4 | (SUB FOR AR50009) | |
| 3 | 19H1900 | CAP SCREW | 8 | 5/16" X 3/4" | |
| | 12H303 | LOCK WASHER | 8 | 5/16" | |
| 4 | AR50007 | SHIELD | 1 | L.H. (NLA) | |
| | R47328 | SHIELD | 1 | R.H. (NLA) | |
| 5 | H23124 | PLUG | 1 | (NLA) | |
| 6 | R44452 | SLAT | 1 | (NLA) | |

5B17

OPERATOR'S STATION

HEATER
(STOLPER)(CAB SERIAL NO. 208300)
 R16337 -UN-01JAN94

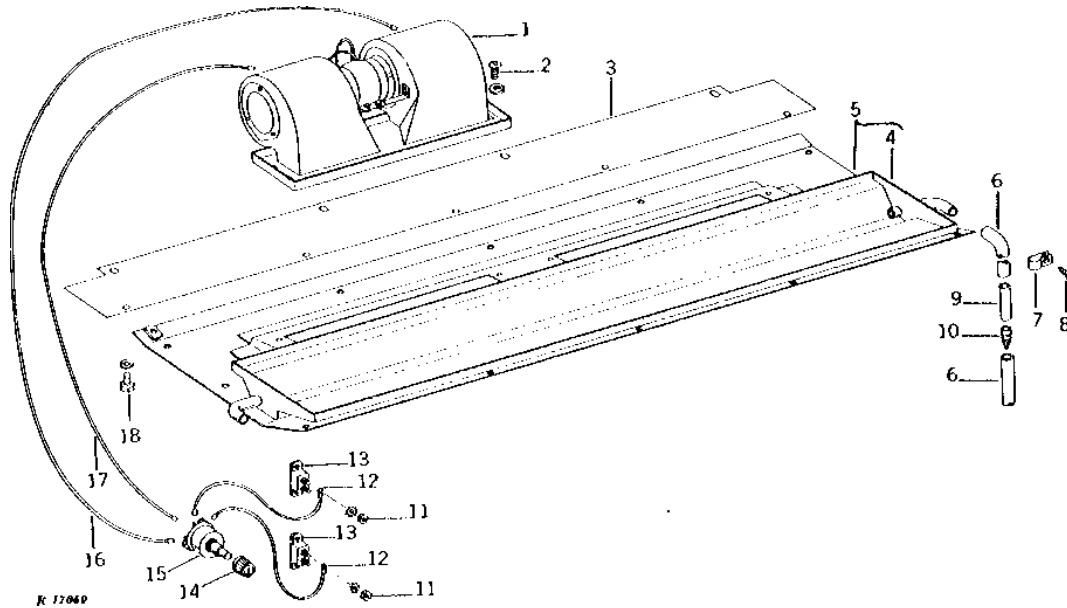


| KEY | PART NO. | PART NAME | QTY | CAB SERIAL NO. | REMARKS |
|-----|----------|-------------|-----|----------------|---|
| 1 | | HOSE | 1 | | 305MM (12") (MAKE FROM TY22328) (SUB FOR R45847) |
| 2 | R44495 | GROMMET | 2 | | |
| 3 | AR21837 | CLAMP | 10 | (NLA) | |
| 4 | R47303 | LINE | 1 | (NLA) | |
| 5 | | HOSE | 1 | | 152MM (6") (MAKE FROM TY22328) (SUB FOR R45847) |
| 6 | 19H1227 | CAP SCREW | 1 | | 1/4" X 1/2" |
| 7 | A5339R | CLIP | 1 | (NLA) | |
| 8 | 24H1285 | WASHER | 1 | | 17/64" X 7/16" X 0.065" |
| 9 | 14H786 | NUT | 1 | | 1/4" |
| | 12H302 | LOCK WASHER | 1 | | 1/4" |
| 10 | R47331 | COVER | 1 | (NLA) | |
| 11 | 37H49 | SCREW | 2 | | NO. 10 X 1/2" |
| 12 | AR49987 | VALVE | 1 | | |
| 13 | P41858 | GROMMET | 1 | | |
| 14 | 19H1227 | CAP SCREW | 2 | | 1/4" X 1/2" |
| | 12H302 | LOCK WASHER | 2 | | 1/4" |
| 15 | | HOSE | 1 | | 200MM (7-7/8") (MAKE FROM TY22328) (SUB FOR R45847) |
| 16 | R47302 | LINE | 1 | | (NLA) |
| 17 | AR49965 | CORE | 1 | | |
| 18 | | HOSE | 1 | | 216MM (8-1/2") (MAKE FROM TY22328) (SUB FOR R45847) |
| 19 | | HOSE | 1 | | 229MM (9") (MAKE FROM TY22328) (SUB FOR R45847) |
| 20 | R47476 | HOSE | 8 | | (NLA) |
| 21 | 19H3552 | CAP SCREW | 2 | | 5/16" X 1-1/2" |
| 22 | 24H1291 | WASHER | 2 | | 21/64" X 1-15/32" X 7/64" |
| 23 | R47468 | ISOLATOR | 1 | | |
| 24 | 14H785 | NUT | 2 | | 5/16" |
| | 12H303 | LOCK WASHER | 2 | | 5/16" |

5B18

OPERATOR'S STATION

PRESSURIZER MOTOR AND EVAPORATOR TRAY
(STOLPER)(CAB SERIAL NO. 208300-)
R17060 -UN-01JAN94

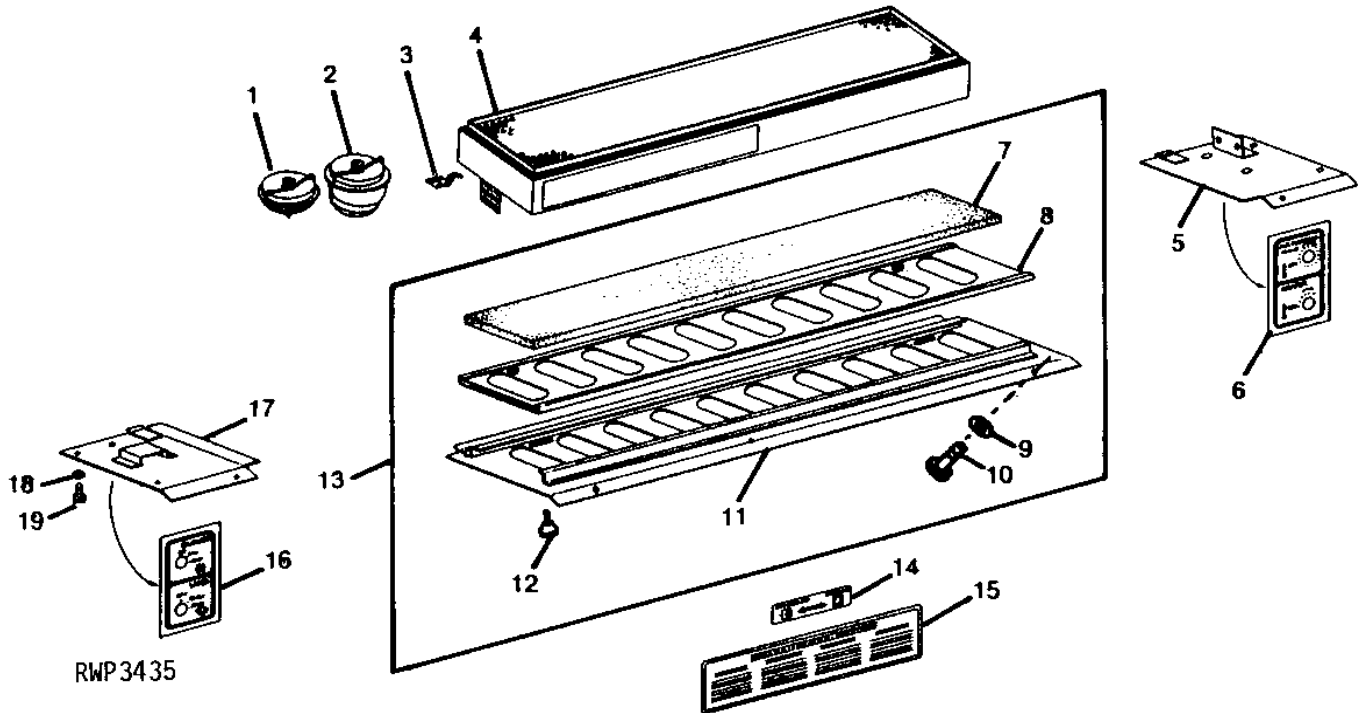


| KEY | PART NO. | PART NAME | QTY | CAB SERIAL NO. | REMARKS |
|-----|----------|-----------------|-----|----------------|---|
| 1 | AR74019 | BLOWER | 2 | | (ALSO ORDER R36229) (SUB FOR AR49968, AR53156, AR62561, AR66027 OR AR68973) |
| 2 | 21H1158 | SCREW | 8 | | 0.164" X 1/2" |
| | 12H315 | LOCK WASHER | 8 | | 0.164" |
| 3 | R47326 | COVER | 1 | | FRONT(NLA) |
| 4 | AR55715 | CONTAINER | 1 | | (ALSO ORDER R48913) (SUB FOR AR50014) (NLA) |
| 5 | AR55713 | PANEL | 1 | | (ALSO ORDER R48913) (SUB FOR AR50013) (NLA) |
| 6 | R47475 | HOSE | 2 | | (NLA) |
| 7 | R44516 | CLAMP | 4 | | (NLA) |
| 8 | 37H49 | SCREW | 4 | | NO. 10 X 1/2" |
| 9 | R47306 | TUBE | 2 | | (NLA) |
| 10 | R47305 | VALVE | 2 | | (SUB R48906, R72853 AND AR21837) |
| 11 | 14H778 | NUT | 4 | | 0.190" |
| | 12H246 | LOCK WASHER | 4 | | 0.190" |
| 12 | | WIRING LEAD | 2 | | 152MM (6") CIRCUIT BREAKER TO BLOWER SWITCH, (MAKE FROM R32018, R32007, R32027 AND R32024) (FROM AR84006) |
| 13 | AR49973 | CIRCUIT BREAKER | 2 | | (15 AMP)(NLA) |
| 14 | AR69370 | KNOB | 1 | | (SUB FOR AR49969) |
| 15 | AR53155 | SWITCH | 1 | | (SUB FOR AR49964) |
| 16 | | WIRING LEAD | 1 | | 1168MM (46") R.H. (MAKE FROM (2) R32024, (2) R32027 AND R32007) (FROM AR84006) |
| 17 | | WIRING LEAD | 1 | | 813MM (32") L.H. (MAKE FROM (2) R32024, (2) R32027 AND R32007) (FROM AR84006) |
| 18 | 19H1227 | CAP SCREW | 15 | | 1/4" X 1/2" |
| | 12H302 | LOCK WASHER | 15 | | 1/4" |

5B19

OPERATOR'S STATION

FILTERS AND LOUVERS
(STOLPER)(CAB SERIAL NO. 208300-)
RWP3435 -UN-01JAN94



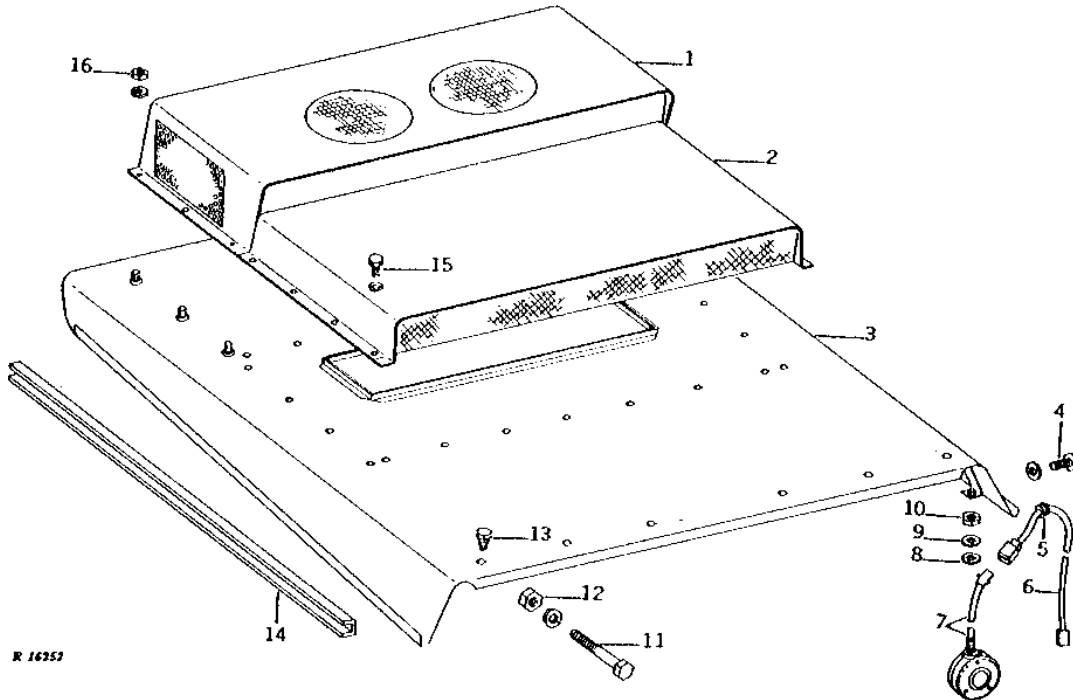
RWP3435

| KEY | PART NO. | PART NAME | QTY | CAB SERIAL NO. | REMARKS |
|-----|----------|----------------|-----|----------------|---------------------------------|
| 1 | AR49952 | DEFLECTOR | 3 | | |
| 2 | AR49970 | DEFLECTOR | 1 | | |
| 3 | | CLIP | 4 | | |
| 4 | AR61903 | AIR FILTER | 1 | | (SUB FOR AR49986) (SUB RE12793) |
| 5 | AR50011 | PANEL | 1 | | (NLA) |
| 6 | R47518 | LABEL | 1 | | (NLA) |
| 7 | R47304 | FILTER ELEMENT | 1 | | (NLA) |
| 8 | AR50018 | DOOR | 1 | | (NLA) |
| 9 | R44456 | WASHER | 2 | | (NLA) |
| 10 | R47323 | SCREW | 2 | | (NLA) |
| 11 | AR50017 | PANEL | 1 | | (NLA) |
| 12 | AR50019 | KNOB | 2 | | (NLA) |
| 13 | AR50016 | PANEL | 1 | | (NLA) |
| 14 | R47334 | LABEL | 1 | | (NLA) |
| 15 | R47333 | LABEL | 1 | | (NLA) |
| 16 | R47517 | LABEL | 1 | | (NLA) |
| 17 | AR50012 | PANEL | 1 | | (NLA) |
| 18 | 12H302 | LOCK WASHER | 12 | | 1/4" |
| 19 | 19H1227 | CAP SCREW | 12 | | 1/4" X 1/2" |

5B20

OPERATOR'S STATION

AIR SCOOP AND CANOPY
 (AIR CONDITION)(STOLPER)(CAB SERIAL NO. 208300-)
 R16252 -UN-01JAN94



| KEY | PART NO. | PART NAME | QTY | CAB SERIAL NO. | REMARKS |
|-----|----------|--------------|-----|--------------------------|---------|
| 1 | AR50022 | COVER | 1 | (NLA) | |
| 2 | AR50023 | COVER | 1 | (NLA) | |
| | R47473 | WEATHERSTRIP | 1 | (NLA) | |
| 3 | AR49225 | CANOPY | 1 | (NLA) | |
| | R47327 | HEADLINER | 1 | (NLA) | |
| | R47332 | EXTENSION | 2 | (NLA) | |
| 4 | 19H1731 | CAP SCREW | 6 | 3/8" X 1" | |
| | 12H304 | LOCK WASHER | 6 | 3/8" | |
| 5 | R27583 | GROMMET | 2 | | |
| 6 | AR46411 | WIRING LEAD | 2 | (NLA) | |
| | T32231 | CLAMP | 2 | (SUB FOR T15737) | |
| | R45211 | CLAMP | 2 | (SUB R72853) | |
| 7 | AR38456 | LAMP | 2 | | |
| 8 | R38371 | WASHER | 2 | | |
| 9 | 24H1227 | WASHER | 2 | 17/32" X 13/16" X 0.060" | |
| 10 | 14H856 | NUT | 2 | 1/2" | |
| 11 | 19H2054 | CAP SCREW | 6 | 3/8" X 4-3/4" | |
| 12 | 14H1076 | NUT | 6 | 3/8" | |
| | 14H1040 | NUT | 6 | 1/2" | |
| 13 | 37H29 | SCREW | 10 | 5/16" X 5/8" | |
| 14 | R41358 | ISOLATOR | 2 | | |
| 15 | 19H1227 | CAP SCREW | 22 | 1/4" X 1/2" | |
| | 12H302 | LOCK WASHER | 22 | 1/4" | |
| 16 | 14H786 | NUT | 15 | 1/4" | |
| | 12H302 | LOCK WASHER | 15 | 1/4" | |

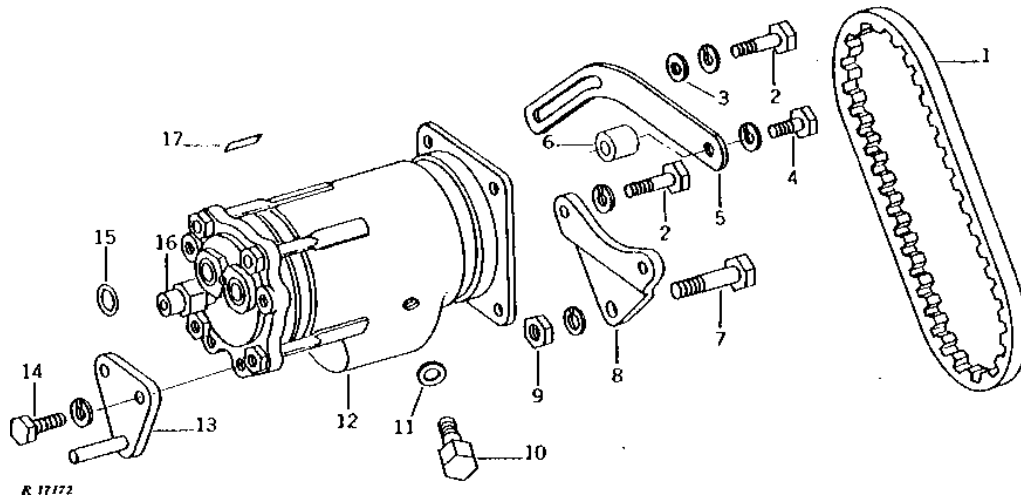
5B21

OPERATOR'S STATION

COMPRESSOR AND MOUNTING BRACKETS

(HINSON)

R17172 -UN-01JAN94

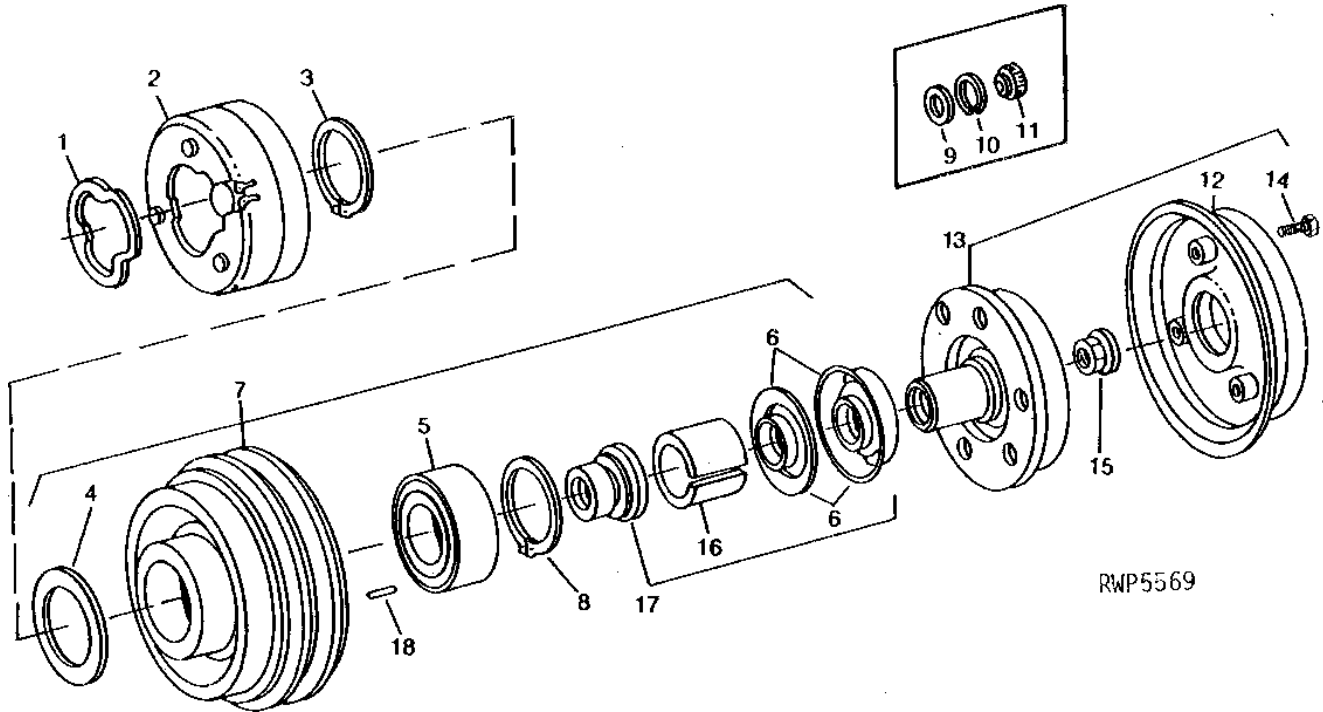


| KEY | PART NO. | PART NAME | QTY | CAB SERIAL NO. | REMARKS |
|-----|----------|-------------|-----|----------------|--|
| 1 | R71603 | BELT | 1 | | (SUB FOR R46098 OR R69562, THIS APPLICATION) |
| 2 | 19H2529 | CAP SCREW | 3 | -XXXXXX | 5/16" X 1" |
| | 12H303 | LOCK WASHER | 3 | -XXXXXX | 5/16" |
| | 19M7163 | CAP SCREW | 3 | XXXXXX- | M8 X 25 |
| | 12M7065 | LOCK WASHER | 3 | XXXXXX- | M8 |
| 3 | 24H1136 | WASHER | 1 | | 11/32" X 11/16" X 0.065" |
| 4 | 19H1800 | CAP SCREW | 1 | | 3/8" X 1-1/2" |
| | 12H304 | LOCK WASHER | 1 | | 3/8" |
| 5 | R46099 | STRAP | 1 | | |
| 6 | 28H3381 | SPACER | 1 | | 3/8" X 5/8" |
| 7 | 19H1831 | CAP SCREW | 1 | | 1/2" X 2" |
| 8 | R45981 | BRACKET | 1 | | |
| 9 | 14H1040 | NUT | 1 | | 1/2" |
| | 12H301 | LOCK WASHER | 1 | | 1/2" |
| 10 | R47233 | PLUG | 1 | | |
| 11 | R47234 | WASHER | 1 | | |
| 12 | AR77343 | COMPRESSOR | 1 | -XXXXXX | (SUB FOR AR49799, AR49802, AR60948 OR AR68802) (SUB AR92109, 19M7170, (3) 19M7163, (2) 19M7662, (3) 12M7065 AND (3) 12M7066) |
| | AR92109 | COMPRESSOR | 1 | XXXXXX- | (SUB TY6665) |
| | TY6665 | COMPRESSOR | 1 | | (12-VOLT) (REMANUFACTURED) (SUB FOR TY6601, TY6623 OR TY6628) |
| 13 | AR77342 | SUPPORT | 1 | | (SUB FOR AR49485) |
| 14 | 19H1731 | CAP SCREW | 2 | -XXXXXX | 3/8" X 1" |
| | 12H304 | LOCK WASHER | 2 | -XXXXXX | 3/8" |
| | 19M7662 | CAP SCREW | 2 | XXXXXX- | M10 X 30 |
| | 12M7066 | LOCK WASHER | 2 | XXXXXX- | M10 |
| 15 | R74210 | O-RING | 2 | | (SUB R74210) |
| 16 | AR49808 | VALVE | 1 | | |
| 17 | R46733 | LABEL | 1 | | |
| .. | R49856 | OIL | 1 | | (SUB TY6384) |

5B22

OPERATOR'S STATION

COMPRESSOR COIL, CLUTCH AND PULLEY
(HINSON)
RWP5569 -UN-01JAN94



RWP5569

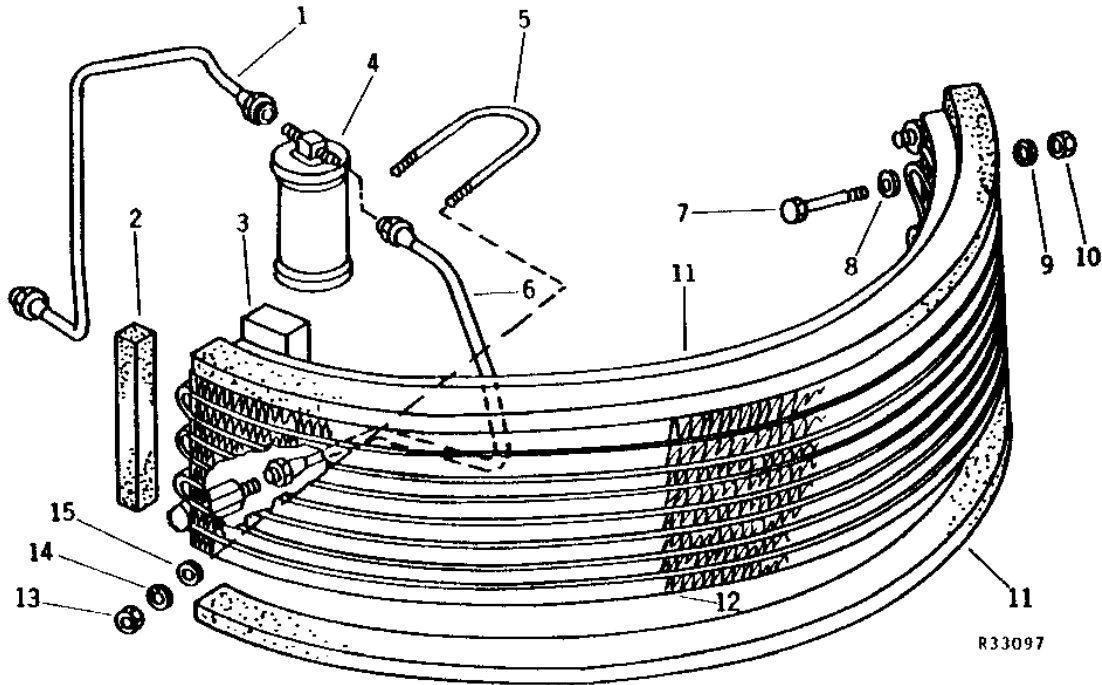
| KEY | PART NO. | PART NAME | QTY | CAB SERIAL NO. | REMARKS |
|-----|----------|-----------------|-----|---|---------|
| 1 | R56246 | GASKET | 1 | (A) | |
| 2 | AR49803 | ELECTRICAL COIL | 1 | (A) | |
| 3 | R47224 | SNAP RING | 1 | (A) | |
| 4 | R54766 | WASHER | 1 | (A) | |
| 5 | AR49805 | BALL BEARING | 1 | (A) (SUB AR71288) | |
| 6 | AR63254 | SHIELD | 1 | -XXXXXX (SUB AR71289) | |
| 7 | AR71289 | SHIELD | 1 | XXXXXX- | |
| 7 | AR71287 | PULLEY | 1 | (A) (SUB FOR AR49804) | |
| 8 | R47226 | SNAP RING | 1 | (A) | |
| 9 | R47230 | WASHER | 1 | -XXXXXX (SUB R69297, THIS APPLICATION) | |
| 10 | R47231 | SNAP RING | 1 | -XXXXXX (SUB R69297) | |
| 11 | R47232 | NUT | 1 | -XXXXXX (SUB R69297) | |
| 12 | AR53446 | KIT | 1 | (SUB AR71290) | |
| 13 | AR71286 | CLUTCH | 1 | (SUB FOR AR63255) | |
| 14 | 37H127 | SCREW | 3 | -XXXXXX 0.138" X 5/16" | |
| 15 | 37H32 | SCREW | 3 | XXXXXX- 0.190" X 3/8" | |
| 15 | R69297 | FLANGE NUT | 1 | XXXXXX- | |
| 16 | R47227 | SEAL | 1 | | |
| 17 | R47228 | RETAINER | 1 | -XXXXXX (A) (NOT ILLUSTRATED) (SUB AR71289) | |
| 17 | AR71285 | KIT | 1 | (A) COMPRESSOR SHAFT SEAL WITH PULLEY BEARING FRONT SHIELD, (SUB AR71285) (SUB FOR AR49806) | |
| 18 | R47229 | SHAFT KEY | 1 | | |

(A) ALSO ORDER AR71289

5B23

OPERATOR'S STATION

CONDENSER AND RECEIVER-DRYER
(HINSON)
R33097 -UN-01JAN94



R33097

| KEY | PART NO. | PART NAME | QTY | CAB SERIAL NO. | REMARKS |
|-----|----------|-------------|-----|----------------|---|
| 1 | AR52319 | LINE PAD | 1 | | |
| 2 | | FOAM PAD | 1 | | 25 X 25 X 203MM (1" X 1" X 8") (MAKE FROM R30937) |
| 3 | | FOAM PAD | 1 | | 25 X 51 X 152MM (1" X 2" X 6") (MAKE FROM R28123) |
| 4 | AR45867 | RECEIVER | 1 | | |
| 5 | R21244 | U-BOLT | 1 | | (NLA) |
| 6 | AR52318 | LINE | 1 | | |
| 7 | 19H1949 | CAP SCREW | 2 | | 5/16" X 2-1/2" |
| 8 | 24H1291 | WASHER | 2 | | 21/64" X 1-15/32" X 7/64" |
| 9 | 12H303 | LOCK WASHER | 2 | | 5/16" |
| 10 | 14H785 | NUT | 2 | | 5/16" |
| 11 | | FOAM PAD | 2 | | 25 X 25 X 50MM (1" X 1" X 50") (MAKE FROM R30937) |
| 12 | AR49967 | CORE | 1 | | |
| 13 | 14H786 | NUT | 2 | | 1/4" |
| 14 | 12H302 | LOCK WASHER | 2 | | 1/4" |
| 15 | 24H1291 | WASHER | 2 | | 21/64" X 1-15/32" X 7/64" |

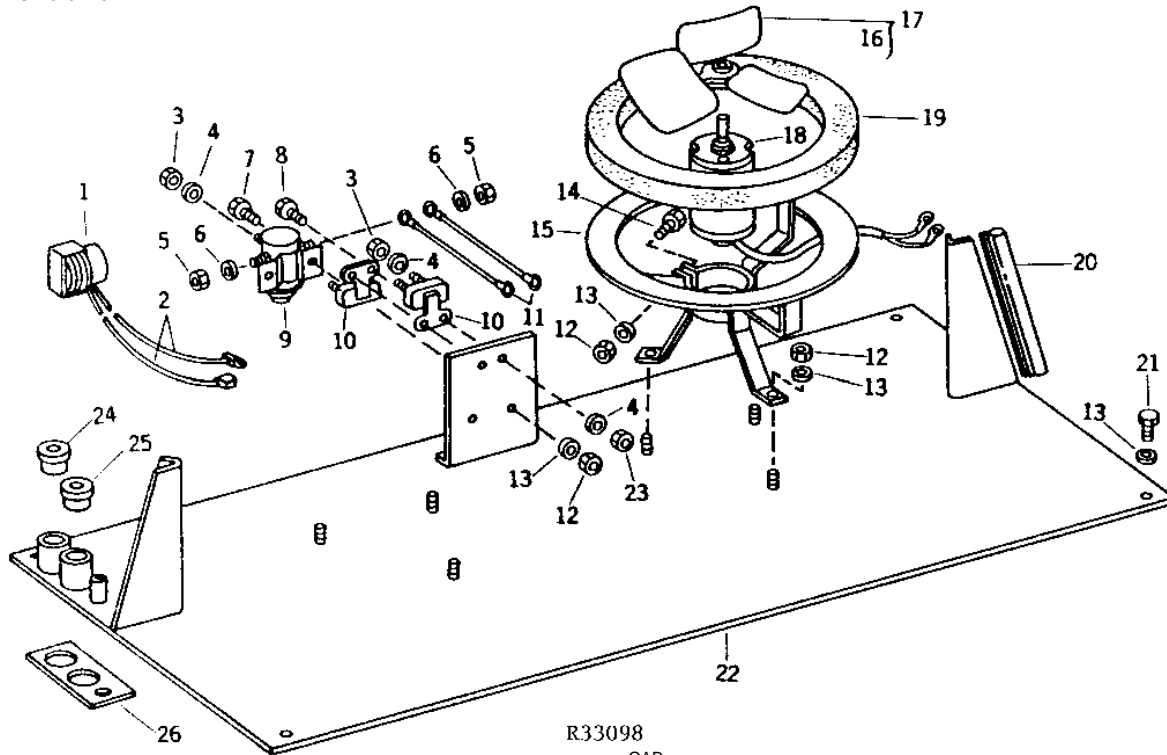
5B24

OPERATOR'S STATION

CONDENSER FAN MOTOR AND CIRCUIT BREAKER

(HINSON)

R33098 -UN-01JAN94



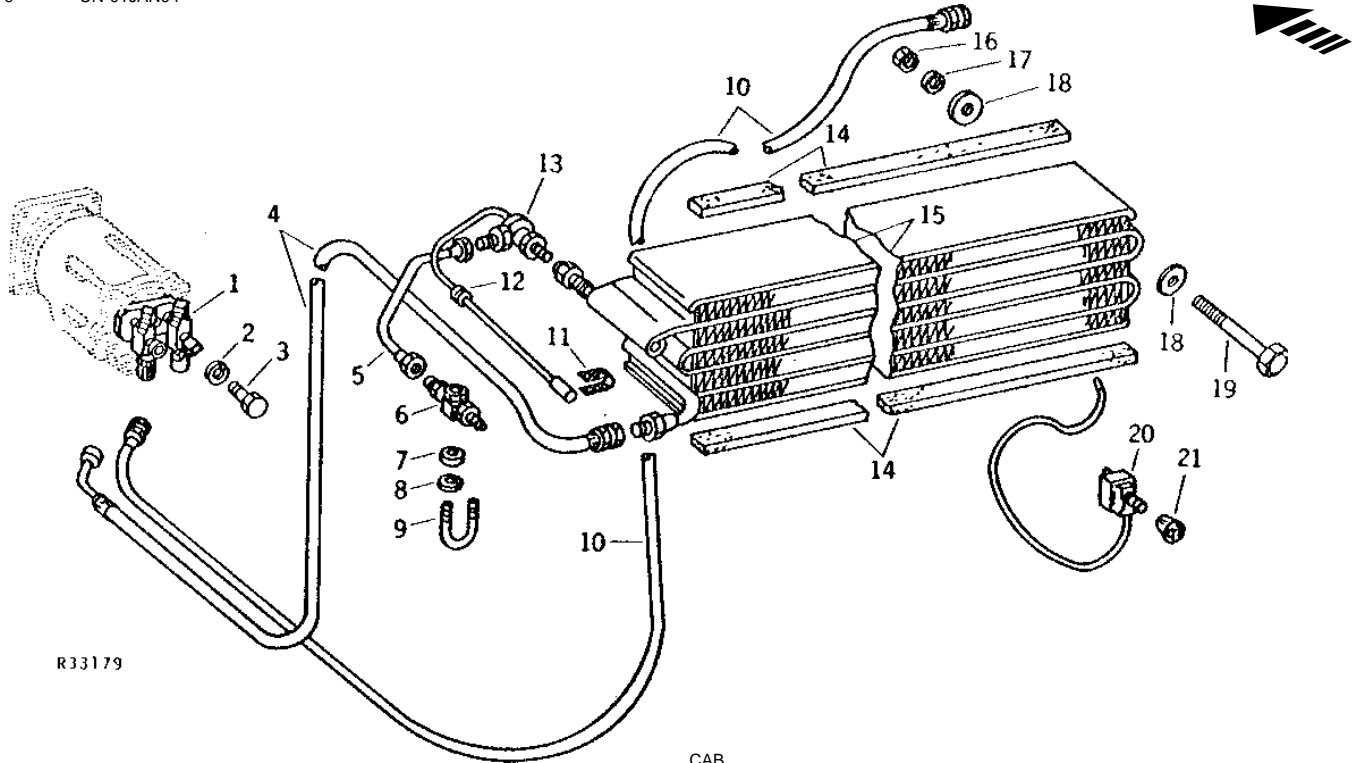
R33098
CAB
SERIAL NO.

| KEY | PART NO. | PART NAME | QTY | REMARKS |
|-----|----------|-----------------|-----|---|
| 1 | AR45868 | THERMOSTAT | 1 | |
| 2 | | WIRING LEAD | 2 | (MAKE FROM R32027 AND R32025) |
| 3 | 14H631 | NUT | 6 | 0.190" |
| 4 | 12H246 | LOCK WASHER | 8 | 0.190" |
| 5 | 14H650 | NUT | 2 | 5/16" |
| 6 | 12H303 | LOCK WASHER | 2 | 5/16" |
| 7 | 19H1919 | CAP SCREW | 2 | 1/4" X 5/8" |
| 8 | 21H1317 | SCREW | 2 | 0.190" X 5/8" |
| 9 | AR54484 | RELAY | 1 | (SUB FOR AR46334) |
| 10 | AR52302 | CIRCUIT BREAKER | 2 | |
| 11 | | WIRING LEAD | 2 | 203MM (8") (MAKE FROM R32007, R32018 AND R32022) (FROM AR84006) |
| 12 | 14H786 | NUT | 8 | 1/4" |
| 13 | 12H302 | LOCK WASHER | 14 | 1/4" |
| 14 | 19H1948 | CAP SCREW | 2 | 1/4" X 3/4" |
| 15 | AR52316 | SUPPORT | 2 | (NLA) |
| 16 | 22H922 | SET SCREW | 2 | 0.190" X 1/4" |
| 17 | AR49963 | FAN | 2 | |
| 18 | AR49962 | MOTOR | 2 | |
| 19 | R47470 | ISOLATOR | 2 | (NLA) |
| 20 | | MOLDING | 2 | 254MM (10") (MAKE FROM R44447) |
| 21 | 19H1227 | CAP SCREW | 6 | 1/4" X 1/2" |
| 22 | AR52315 | PLATE | 1 | (NLA) |
| 23 | 14H778 | NUT | 2 | 0.190" |
| 24 | R48900 | GROMMET | 1 | (NLA) |
| 25 | R48901 | GROMMET | 1 | (NLA) |
| 26 | R48899 | GASKET | 1 | (NLA) |

5B25

OPERATOR'S STATION

EVAPORATOR AND MANIFOLD
(HINSON)
R33179 -UN-01JAN94



R33179

| KEY | PART NO. | PART NAME | QTY | CAB SERIAL NO. | REMARKS |
|-----|----------|-------------|-----|----------------|---------------------------------|
| 1 | AR94973 | FITTING | 1 | | (SUB FOR AR52325) |
| 2 | 12H304 | LOCK WASHER | 1 | -XXXXXX | 3/8" |
| | 12M7066 | LOCK WASHER | 1 | XXXXXX- | M10 |
| 3 | 19H1938 | CAP SCREW | 1 | -XXXXXX | 3/8" X 13/16" |
| | 19M7170 | CAP SCREW | 1 | XXXXXX- | M10 X 50 |
| 4 | AR64088 | HOSE | 1 | | (SUB FOR AR52329) (SUB RE58483) |
| | R27533 | GROMMET | 1 | | |
| 5 | AR52322 | LINE | 1 | | |
| | N31425 | GROMMET | 1 | | |
| 6 | AR52321 | SIGHT PLUG | 1 | | |
| 7 | 14H786 | NUT | 4 | | 1/4" |
| 8 | 12H302 | LOCK WASHER | 4 | | 1/4" |
| 9 | R21230 | U-BOLT | 2 | | |
| 10 | AR64087 | HOSE | 1 | | (SUB FOR AR52328) (SUB RE57318) |
| | R40791 | CLAMP | 1 | | |
| | R42045 | CLIP | 1 | | |
| 11 | | CLAMP | 1 | | (NOT FURNISHED) |
| 12 | R27180 | GROMMET | 1 | | |
| 13 | AR49961 | VALVE | 1 | | |
| 14 | | ISOLATOR | 2 | | 762MM (30") (MAKE FROM R48884) |
| 15 | AR49966 | CORE | 1 | | |
| 16 | 14H785 | NUT | 3 | | 5/16" |
| 17 | 12H303 | LOCK WASHER | 3 | | 5/16" |
| 18 | 24H1291 | WASHER | 6 | | 21/64" X 1-15/32" X 7/64" |
| 19 | 19H2342 | CAP SCREW | 3 | | 5/16" X 4-1/2" |
| 20 | AR52324 | SWITCH | 1 | | |
| | R26409 | GROMMET | 2 | | |
| 21 | AR69370 | KNOB | 1 | | (SUB FOR AR49969) |
| | R76477 | TIE BAND | 1 | | (SUB FOR R45440) |

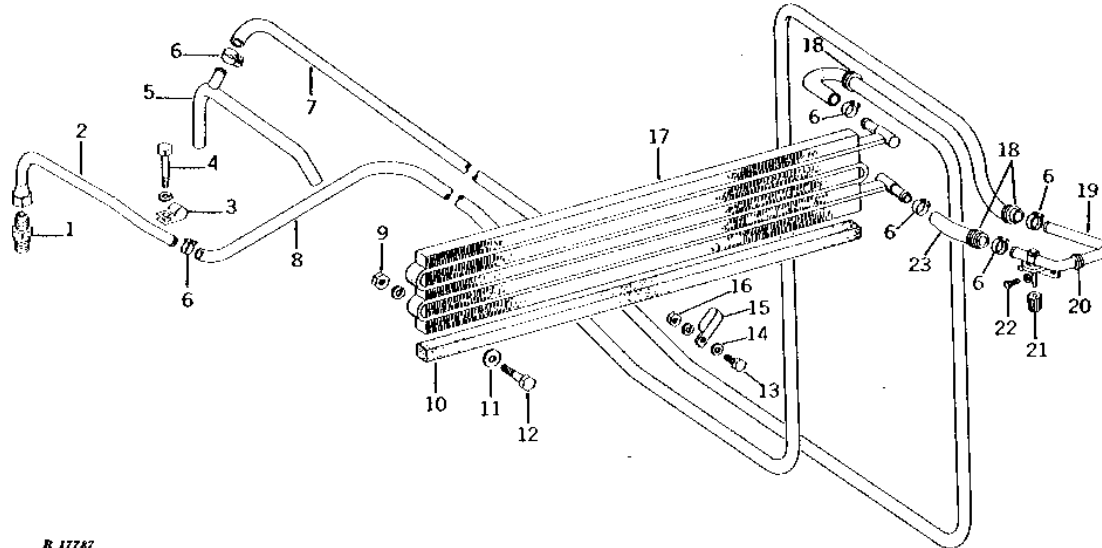
5C1

OPERATOR'S STATION

HEATER AND HOSES

(HINSON)

R17787 -UN-01JAN94



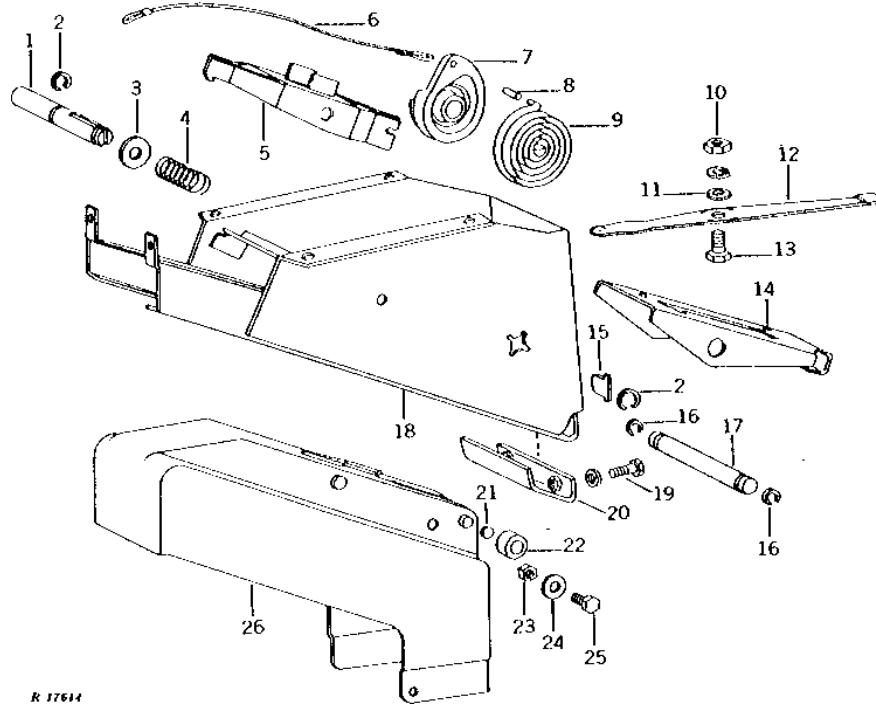
R 17787

| KEY | PART NO. | PART NAME | QTY | CAB SERIAL NO. | REMARKS |
|-----|----------|-------------|-----|-------------------|---|
| 1 | R48384 | FITTING | 1 | | |
| 2 | AR51439 | LINE | 1 | (NLA) | |
| 3 | R46414 | CLAMP | 1 | -XXXXXX | |
| 4 | R46414 | CLAMP | 1 | XXXXXX- | (SUB FOR AH78125) |
| | 19H1819 | CAP SCREW | 1 | | 3/8" X 2-1/8" |
| | 12H304 | LOCK WASHER | 1 | | 3/8" |
| 5 | AR44605 | TUBE | 1 | | (GASOLINE AND LP-GAS)(NLA) |
| | AR44606 | TUBE | 1 | | (DIESEL)(NLA) |
| 6 | AR21837 | CLAMP | 6 | | |
| 7 | | HOSE | 1 | | (MAKE FROM TY22328) (SUB FOR R45847) |
| 8 | | HOSE | 1 | | (MAKE FROM TY22328) (SUB FOR R45847) |
| 9 | 14H785 | NUT | 3 | | 5/16" |
| | 12H303 | LOCK WASHER | 3 | | 5/16" |
| 10 | R47468 | ISOLATOR | 1 | | |
| 11 | 24H1291 | WASHER | 3 | | 21/64" X 1-15/32" X 7/64" |
| 12 | 19H3552 | CAP SCREW | 3 | | 5/16" X 1-1/2" |
| 13 | 19H1936 | CAP SCREW | 1 | | 3/8" X 3/4" |
| 14 | 24H1301 | WASHER | 1 | | 13/32" X 9/16" X 0.065" |
| 15 | R42045 | CLIP | 1 | | |
| 16 | 14H1076 | NUT | 1 | | 3/8" |
| | 12H304 | LOCK WASHER | 1 | | 3/8" |
| 17 | AR49965 | CORE | 1 | | |
| 18 | H31207 | GROMMET | 3 | | |
| 19 | AR49987 | VALVE | 1 | | |
| 20 | P41858 | GROMMET | 1 | | |
| 21 | AR69370 | KNOB | 1 | | (SUB FOR AR49969) |
| 22 | 19H1227 | CAP SCREW | 2 | | 1/4" X 1/2" |
| | 12H302 | LOCK WASHER | 2 | | 1/4" |
| 23 | | HOSE | 1 | | 203MM (8") (MAKE FROM TY22328) (SUB FOR R45847) |
| .. | AR53044 | KIT | 1 | -251815 | HEATER INLET PIPE, (CONSISTS OF R48384 AR51439, R46414 19H1819 AND 12H304)(KIT AND AR51439 NLA) |

5C3

OPERATOR'S STATION

DELUXE SEAT SUPPORT
R17614 -UN-01JAN94

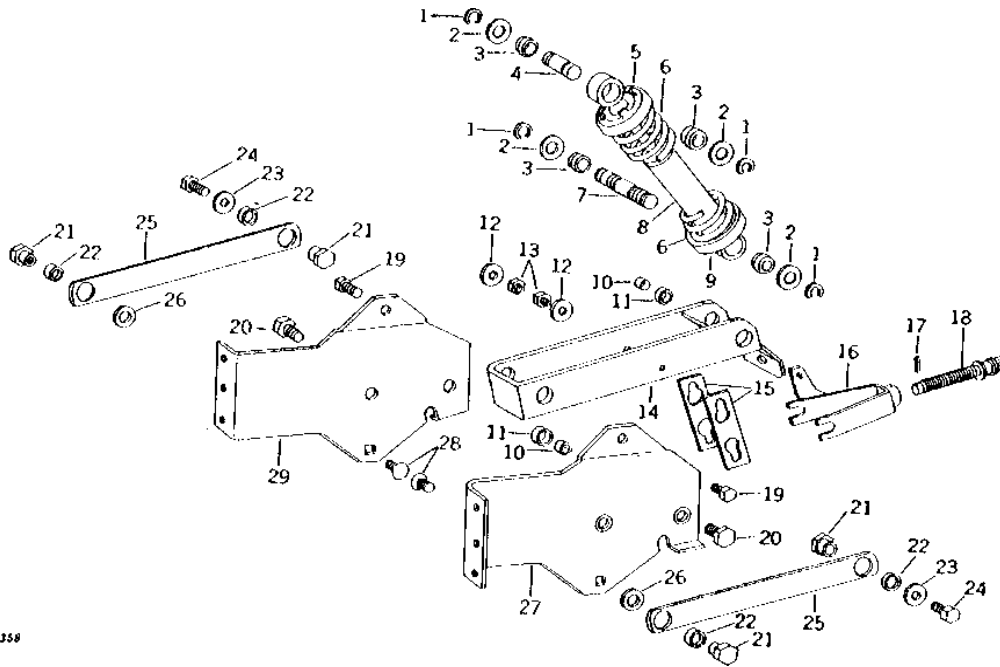


| KEY | PART NO. | PART NAME | QTY | TRACTOR SERIAL NO. | REMARKS |
|-----|----------|-------------|-----|--|---------|
| 1 | R26874 | SHAFT | 1 | | |
| 2 | R73380 | SNAP RING | 2 | (SUB FOR A369R) | |
| 3 | 24H1395 | WASHER | 1 | 25/32" X 1-7/16" X 0.060" | |
| 4 | A4744R | SPRING | 1 | | |
| 5 | R26828 | LATCH | 1 | | |
| 6 | R78257 | CABLE | 1 | (SUB FOR AR26403) | |
| 7 | R26432 | REEL | 1 | | |
| 8 | 34H282 | SPRING PIN | 1 | 3/16" X 1" | |
| 9 | R31260 | SPRING | 1 | (SUB FOR R26433) | |
| 10 | 14H786 | NUT | 1 | 1/4" | |
| | 12H302 | LOCK WASHER | 1 | 1/4" | |
| 11 | 24H1287 | WASHER | 1 | 9/32" X 5/8" X 0.065" | |
| 12 | R27439 | LEVER | 1 | | |
| 13 | R26431 | SCREW | 1 | | |
| 14 | R26830 | HANDLE | 1 | | |
| 15 | R26434 | LATCH | 1 | | |
| 16 | R26871 | SNAP RING | 2 | (SUB FOR P44982) | |
| 17 | R26829 | PIN | 1 | | |
| 18 | AR68728 | SUPPORT | 1 | (ALSO ORDER R57572, R73380 AND (2) 24H1384) (SUB FOR AR36047) | |
| 19 | 19H1900 | CAP SCREW | 2 | 5/16" X 3/4", (HINSON) | |
| | 12H303 | LOCK WASHER | 2 | 5/16", (HINSON) | |
| 20 | AR50937 | STOP | 1 | (HINSON)(NLA) | |
| 21 | R26872 | SHIM | AR | 0.25MM (.010") | |
| | R26873 | SHIM | AR | 0.51MM (.020") | |
| 22 | R26436 | ROLLER | 4 | | |
| 23 | E50102 | LOCK NUT | 2 | (SUB FOR M63440) | |
| 24 | R27441 | WASHER | 2 | | |
| 25 | 19H2552 | CAP SCREW | 2 | 3/8" X 1-1/8" | |
| 26 | AR26632 | FRAME | 1 | | |

5C4

OPERATOR'S STATION

DELUXE SEAT SUSPENSION
R14358 -UN-01JAN94



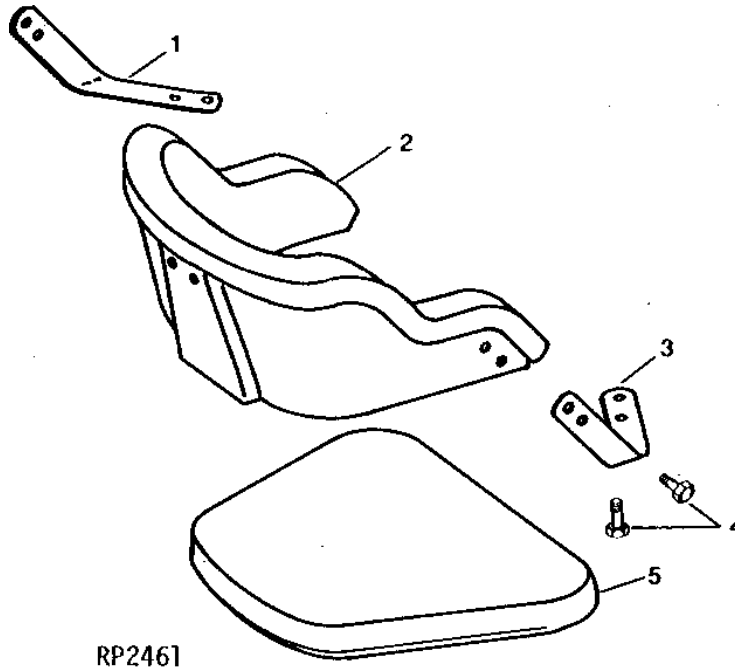
R 14358

| KEY | PART NO. | PART NAME | QTY | TRACTOR SERIAL NO. | REMARKS |
|-----|----------|------------|-----|------------------------------|---------|
| 1 | F2863R | SNAP RING | 4 | | |
| 2 | R1836R | WASHER | 4 | | |
| 3 | R26832 | BUSHING | 4 | | |
| 4 | R26875 | PIN | 1 | UPPER | |
| 5 | R27442 | CAP | 1 | | |
| 6 | R26877 | SPRING | 1 | | |
| 7 | R26876 | SHAFT | 1 | LOWER | |
| 8 | AR71976 | ABSORBER | 1 | (SUB FOR AR26529 OR AR69854) | |
| 9 | R26879 | CAP | 1 | | |
| 10 | R27440 | BUSHING | 4 | | |
| 11 | R51648 | WASHER | 4 | (SUB FOR R36704) | |
| 12 | R27441 | WASHER | 4 | | |
| 13 | E50102 | LOCK NUT | 4 | (SUB FOR M63440) | |
| 14 | AR60029 | ARM | 1 | (SUB FOR AR36048) | |
| 15 | R26878 | LINK | 2 | | |
| 16 | AR69271 | YOKE | 1 | (SUB FOR AR26530) | |
| 17 | 34H247 | SPRING PIN | 1 | 1/8" X 3/4" | |
| 18 | R27121 | SCREW | 1 | (SUB R57623 AND 34H323) | |
| 19 | 19H1732 | CAP SCREW | 2 | 3/8" X 1-1/4" | |
| 20 | R31505 | BOLT | 4 | (SUB FOR R26288) | |
| 21 | R26880 | NUT | 4 | | |
| 22 | R51648 | WASHER | 4 | (SUB FOR R36704) | |
| 23 | R27441 | WASHER | 2 | | |
| 24 | 19H1936 | CAP SCREW | 2 | 3/8" X 3/4" | |
| 25 | AR31977 | LINK | 2 | | |
| 26 | R48450 | WASHER | 2 | (SUB FOR R26113) | |
| 27 | R40926 | SUPPORT | 1 | (NLA) | |
| | R45877 | SUPPORT | 1 | (4000 SERIES)(NLA) | |
| 28 | 10H1026 | BOLT | 2 | 3/8" X 1" | |
| 29 | R40927 | SUPPORT | 1 | | |
| | R45878 | SUPPORT | 1 | (4000 SERIES)(NLA) | |

5C5

OPERATOR'S STATION

SEAT
(YELLOW)(4000-LOW PROFILE)
 RP2461 -UN-01JAN94



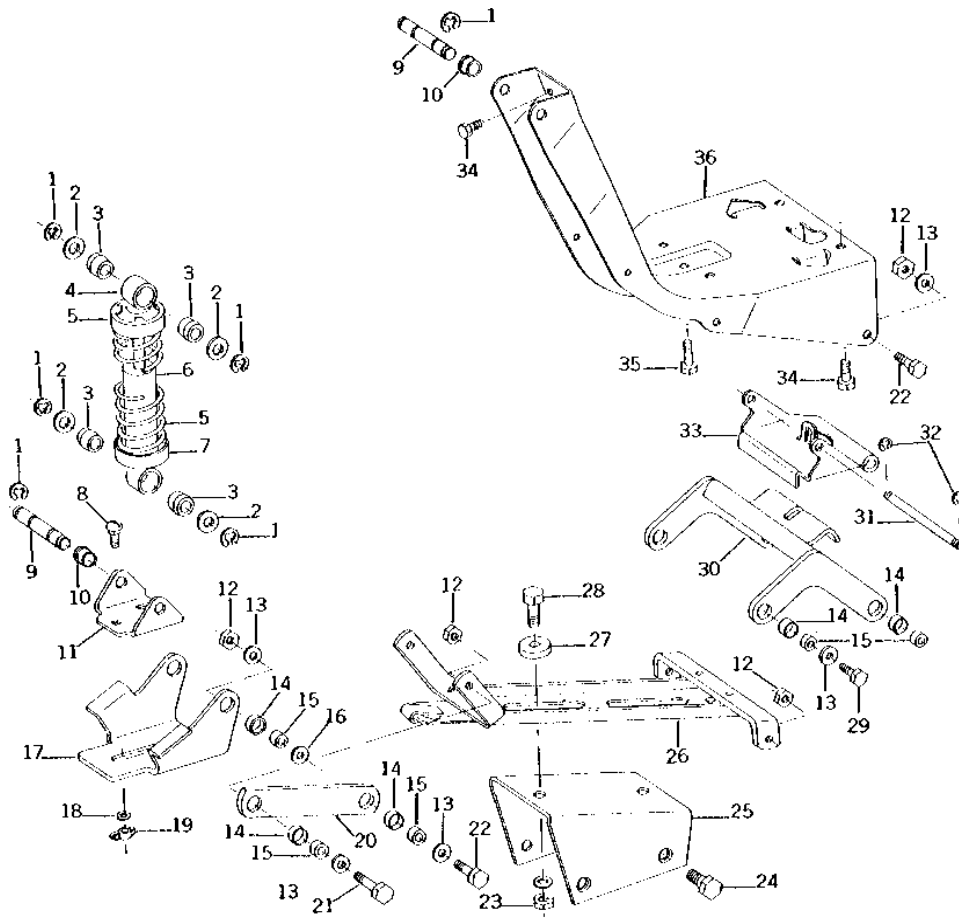
| KEY | PART NO. | PART NAME | QTY | TRACTOR SERIAL NO. | REMARKS |
|-----|----------|-----------|-----|--------------------|-------------------|
| 1 | T27719 | SUPPORT | 1 | | |
| 2 | AR65449 | CUSHION | 1 | | (SUB FOR AT25963) |
| 3 | T27718 | SUPPORT | 1 | | |
| 4 | 19H1936 | CAP SCREW | 8 | | 3/8" X 3/4" |
| 5 | AR65448 | CUSHION | 1 | | (SUB FOR AT20489) |

MEMORANDA

5C6

OPERATOR'S STATION

SEAT SUSPENSION
(4000-LOW PROFILE)
R21267 -UN-01JAN94



R 21267

5C7

OPERATOR'S STATION

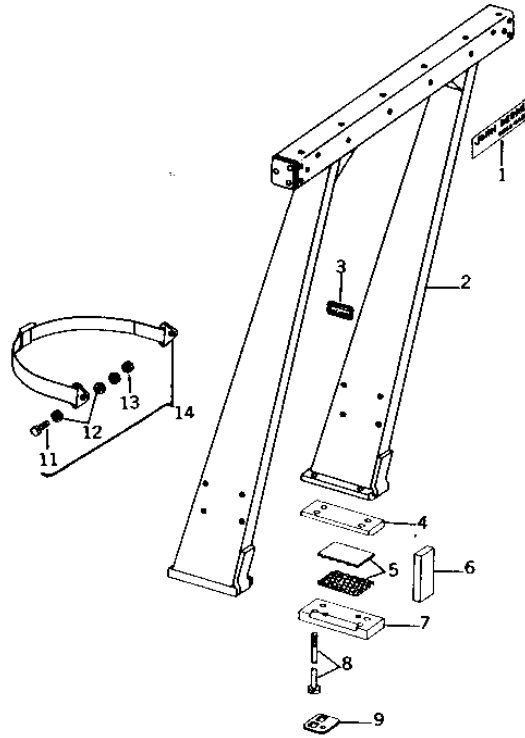
**SEAT SUSPENSION - CONTINUED
(4000-LOW PROFILE)**

| KEY | PART NO. | PART NAME | QTY | TRACTOR SERIAL NO. | REMARKS |
|-----|----------|-------------|-----|-----------------------|-----------------------------------|
| 1 | F2863R | SNAP RING | 8 | | |
| 2 | R1836R | WASHER | 4 | | |
| 3 | R26832 | BUSHING | 4 | | |
| 4 | R27442 | CAP | 1 | | UPPER |
| 5 | R26877 | SPRING | 1 | | |
| 6 | AR71976 | ABSORBER | 1 | | (SUB FOR AR26529 OR AR69854) |
| 7 | R26879 | CAP | 1 | | LOWER |
| 8 | 03H1540 | BOLT | 2 | | 5/16" X 3/4" |
| 9 | T21923 | SHAFT | 2 | | |
| 10 | T21926 | BUSHING | 2 | | |
| 11 | T23237 | SUPPORT | 1 | | (SUB AT20436) |
| 12 | 14H1076 | NUT | 8 | | 3/8" |
| 13 | R27441 | WASHER | 10 | | |
| 14 | R27116 | BUSHING | 10 | | |
| 15 | R27440 | BUSHING | 10 | | |
| 16 | 24H1309 | WASHER | 2 | | 13/32" X 1-1/16" X 0.120" |
| 17 | AT20441 | LINK | 1 | | |
| 18 | 24H1290 | WASHER | 2 | | 21/64" X 3/4" X 0.035" |
| 19 | 14H819 | WING NUT | 2 | | 5/16", (SUB FOR T23238 OR R1069R) |
| 20 | AT20438 | LINK | 2 | | UPPER |
| 21 | 19H1765 | CAP SCREW | 2 | | 3/8" X 1-3/4" |
| 22 | 19H1732 | CAP SCREW | 4 | | 3/8" X 1-1/4" |
| 23 | 14H1040 | NUT | 2 | | 1/2" |
| | 12H301 | LOCK WASHER | 2 | | 1/2" |
| 24 | R31505 | BOLT | 4 | | |
| 25 | R52801 | SUPPORT | 1 | | (NLA) |
| 26 | AT19923 | SUPPORT | 1 | | (SUB T23227 AND AT35094) |
| 27 | M557T | WASHER | 2 | | |
| 28 | 19H1815 | CAP SCREW | 2 | | 1/2" X 1-1/4" |
| 29 | 19H1731 | CAP SCREW | 2 | | 3/8" X 1" |
| 30 | AT26122 | LINK | 1 | | (SUB AT26123 AND R27116) LOWER |
| 31 | T21922 | PIN | 1 | | |
| 32 | R72655 | SNAP RING | 2 | | (SUB FOR T12808) |
| 33 | T27971 | LATCH | 1 | | (SUB AT20436) |
| 34 | 19H1936 | CAP SCREW | 4 | | 3/8" X 3/4" |
| 35 | 19H1732 | CAP SCREW | 1 | | 3/8" X 1-1/4" |
| 36 | T21920 | FRAME | 1 | | |

5C8

OPERATOR'S STATION

**ROLL-GARD AND SEAT BELT
(ROW-CROP AND STANDARD)**
R21317 -UN-01JAN94



| KEY | PART NO. | PART NAME | QTY | TRACTOR SERIAL NO. | REMARKS |
|-----|----------|-------------|-----|--------------------|---|
| 1 | T27155 | LABEL | 1 | -250000 | |
| | R47292 | LABEL | 1 | 250001- | |
| 2 | AR44777 | ROLL-GARD | 1 | -250000 | (SUB AR51416) |
| | AR51417 | ROPS | 1 | 250001- | (SUB AR51416) |
| 3 | R87527 | LABEL | 1 | | (SUB FOR R41781) |
| 4 | R44528 | PLATE | 2 | | (B) (NLA) |
| 5 | R48364 | FOAM PAD | 4 | 250001- | (A) |
| 6 | R52052 | SPACER | 4 | | |
| 7 | R41355 | PLATE | 2 | | (ROLL-GARD OR STOLPER CAB) |
| | R52051 | PLATE | 2 | 250001- | (A) (ALSO ORDER (2) R52052) (SUB FOR R48343) (NLA) |
| 8 | R42439 | BOLT | 8 | | (ROLL-GARD) |
| | R44529 | CAP SCREW | 8 | | (B) |
| 9 | R48344 | PLATE | 4 | 250001- | (A) (NLA) |
| 10 | 19H3385 | CAP SCREW | 4 | 250001- | (A) 1/2" X 1-1/8", HS, SAE 8 |
| | 12H301 | LOCK WASHER | 4 | 250001- | (A) 1/2" |
| 11 | R41778 | BOLT | 2 | | |
| 12 | 24H1226 | WASHER | 4 | | 1/2" X 1-1/4" X 0.083" |
| 13 | 14H807 | NUT | 2 | | 7/16" |
| | 12H293 | LOCK WASHER | 2 | | 7/16" |
| 14 | AR41761 | SEAT BELT | 1 | | (ROLL-GARD AND CAB ONLY) |
| | R81424 | LABEL | 1 | | (SUB FOR R42732) |

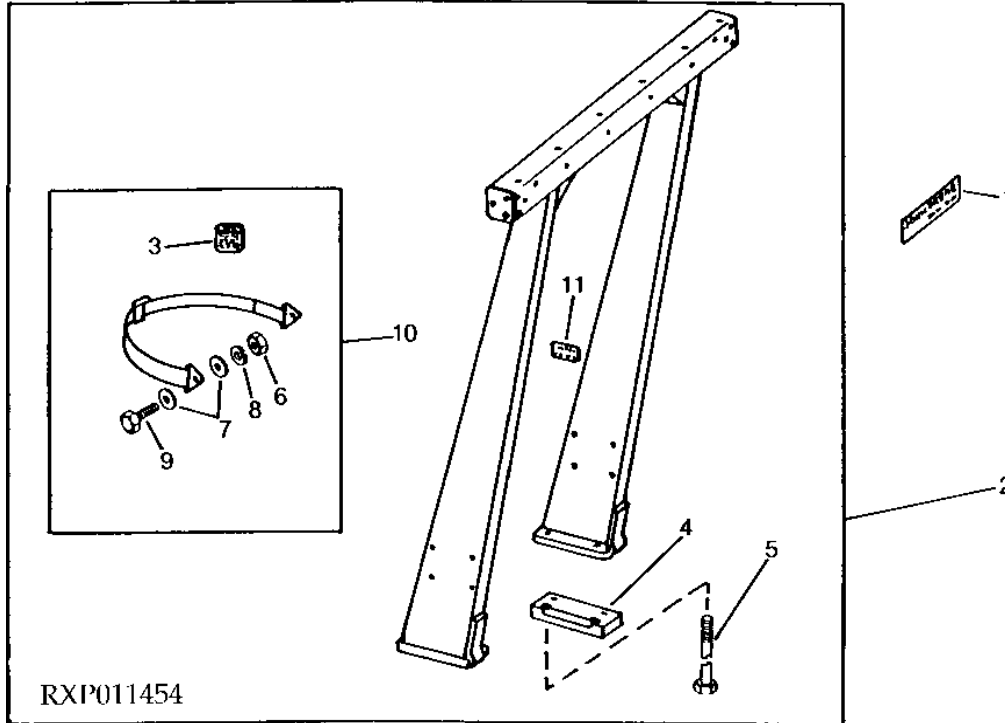
(A) HINSON CAB

(B) CAB

5C9

OPERATOR'S STATION

**ROLL-GARD AND SEAT BELT
(ROW-CROP AND STANDARD)**
RXP011454 -UN-12DEC94

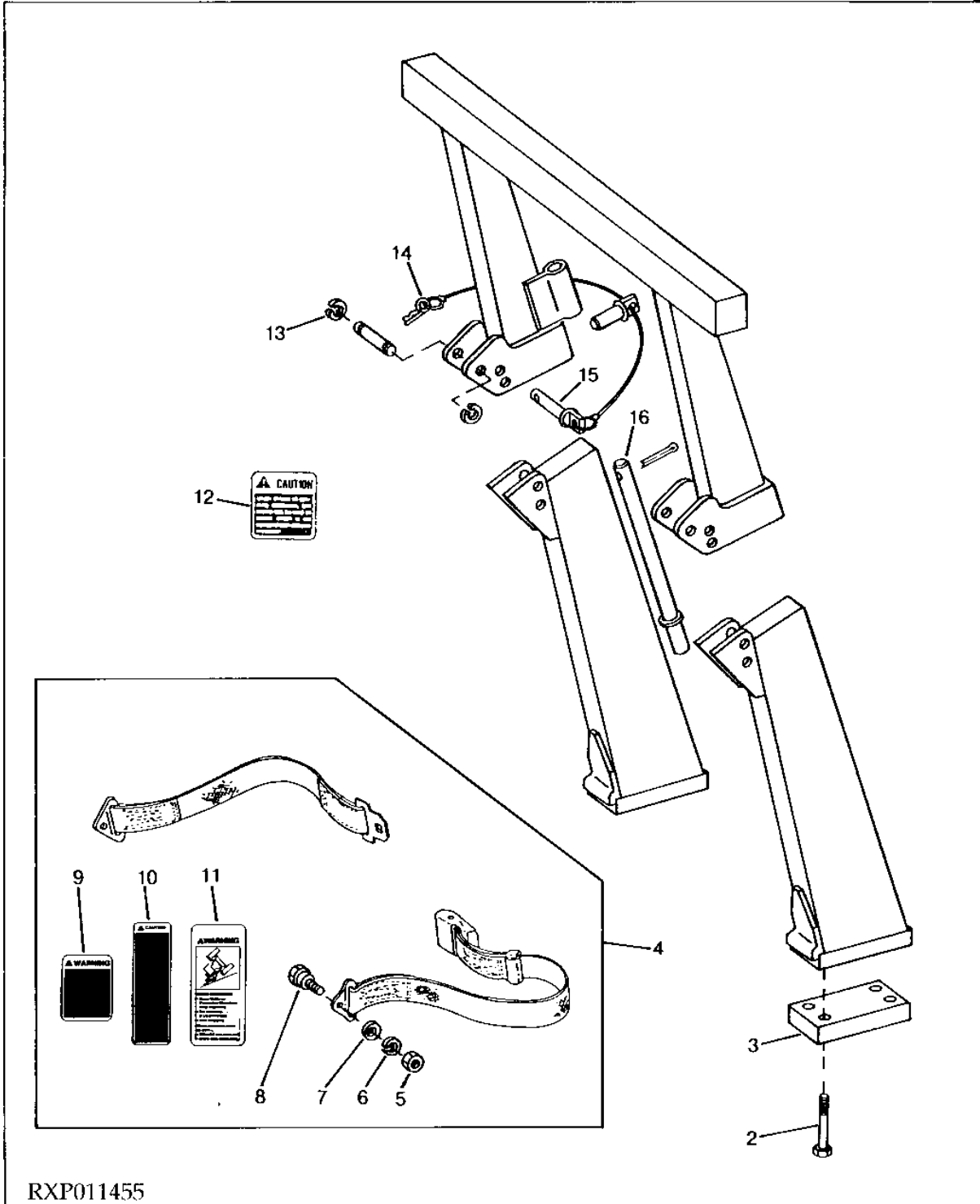


| KEY | PART NO. | PART NAME | QTY | TRACTOR SERIAL NO. | REMARKS |
|-----|----------|-------------|-----|--------------------|---|
| 1 | T27155 | LABEL | 1 | | |
| 2 | AR51416 | ROLL-GARD | 1 | | (CONSISTS OF AR51417, AR41762, R120124, R41355, R42429 AND R44302) (FI) |
| 3 | R81424 | LABEL | 1 | | SEAT BELT CAUTION |
| 4 | R41355 | PLATE | 2 | | |
| 5 | R42439 | BOLT | 8 | | |
| 6 | 14H807 | NUT | 2 | | |
| 7 | 24H1226 | WASHER | 4 | | (SUB R87527) |
| 8 | 12H293 | LOCK WASHER | 2 | | |
| 9 | R41778 | BOLT | 2 | | |
| 10 | AR41761 | SEAT BELT | 1 | | (ROLL-GARD) (2" WIDTH ILLUSTRATED) (FI) |
| 11 | R120124 | LABEL | 1 | | WARNING |

5C10

OPERATOR'S STATION

ROPS W/SEAT BELT
RXP011455 -UN-12DEC94



RXP011455

5C11

OPERATOR'S STATION

ROPS W/SEAT BELT - CONTINUED

| KEY | PART NO. | PART NAME | QTY | CAB SERIAL NO. | REMARKS |
|-----|----------|--------------------|-----|------------------------|---------|
| 1 | RE58257 | ROLL-GARD | 1 | (FI) | |
| 2 | R42439 | BOLT | 8 | | |
| 3 | R41355 | PLATE | 2 | | |
| 4 | AR41762 | BELT | 1 | (FI) | |
| 5 | 14H807 | NUT | 2 | 7/16" | |
| 6 | 12H293 | LOCK WASHER | 2 | 7/16" | |
| 7 | 24H1226 | WASHER | 2 | 1/2" X 1-1/4" X 0.083" | |
| 8 | R41778 | BOLT | 2 | | |
| 9 | R117491 | DECAL | 1 | | |
| 10 | R120124 | LABEL | 1 | | |
| 11 | R120128 | LABEL | 1 | | |
| 12 | R81424 | LABEL | 1 | | |
| 13 | 40M7195 | SNAP RING | 4 | | |
| 14 | 99M7080 | SPRING LOCKING PIN | 1 | | |
| 15 | RE58679 | HINGE | 2 | | |
| 16 | RE58612 | ROD | 2 | | |
| .. | 37M7131 | SCREW | 1 | | |

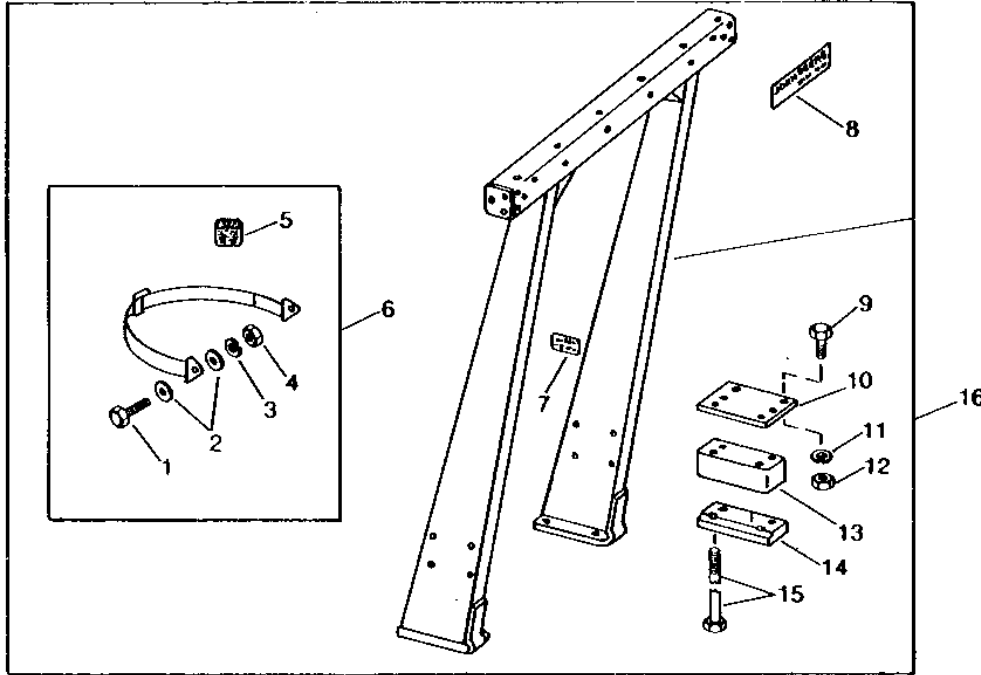
MEMORANDA

5C12

OPERATOR'S STATION

ROLL-GARD AND SEAT BELT (HI-CROP)

RWP5711 -UN-01JAN94



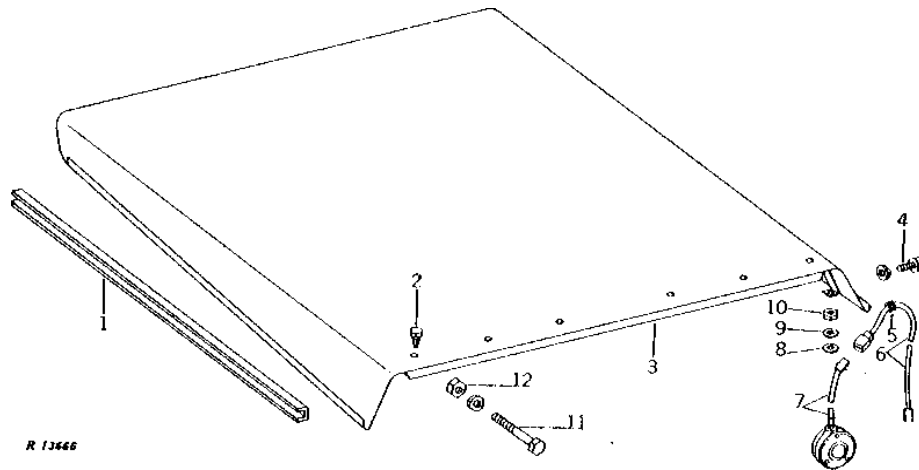
RWP5711

| KEY | PART NO. | PART NAME | QTY | TRACTOR SERIAL NO. | REMARKS |
|-----|----------|-------------|-----|--------------------|------------------------|
| 1 | R41778 | BOLT | 2 | | |
| 2 | 24H1226 | WASHER | 4 | | 1/2" X 1-1/4" X 0.083" |
| 3 | 12H293 | LOCK WASHER | 2 | | 7/16" |
| 4 | 14H807 | NUT | 2 | | 7/16" |
| 5 | R81424 | LABEL | 1 | | (SUB FOR R42732) |
| 6 | AR41761 | SEAT BELT | 1 | | (ROLL-GARD) |
| 7 | R87527 | LABEL | 1 | | (SUB FOR R41781) |
| 8 | T27155 | LABEL | 1 | -250000 | |
| | R47292 | LABEL | 1 | 250001- | |
| 9 | 19H2369 | CAP SCREW | 4 | | 3/4" X 1" |
| 10 | R42580 | PLATE | 2 | | (NLA) |
| 11 | 12H236 | LOCK WASHER | 4 | | 3/4" |
| 12 | 14H794 | NUT | 4 | | 3/4" |
| 13 | R42579 | SPACER | 2 | | |
| 14 | R41355 | PLATE | 2 | | (SUB FOR R42627) |
| 15 | R42581 | BOLT | 8 | | |
| 16 | AR44707 | ROLL-GARD | 1 | | |

5C13

OPERATOR'S STATION

CANOPY
(TRACTOR SERIAL NO. 201000-250000)
R13666 -UN-01JAN94

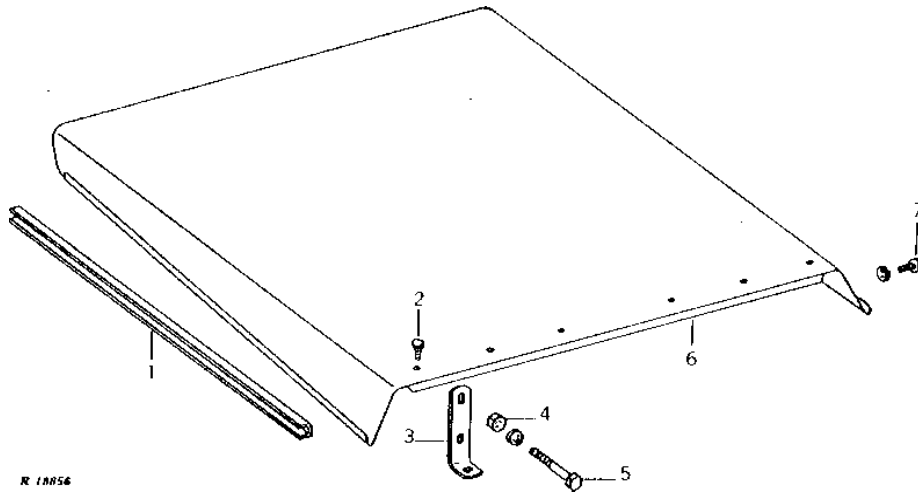


| KEY | PART NO. | PART NAME | QTY | TRACTOR SERIAL NO. | REMARKS |
|-----|----------|-------------|-----|--------------------------|---------|
| 1 | R41358 | ISOLATOR | 2 | | |
| 2 | 37H27 | SCREW | 10 | 5/16" X 7/8" | |
| 3 | AR51452 | CANOPY | 1 | (SUB FOR AR47210) | |
| | R44477 | HEADLINER | 1 | (STOLPER CAB)(NLA) | |
| | R47197 | FOAM PAD | 1 | (CANOPY) | |
| 4 | 19H1731 | CAP SCREW | 6 | 3/8" X 1" | |
| | 12H304 | LOCK WASHER | 6 | 3/8" | |
| 5 | R27583 | GROMMET | 2 | | |
| | R41440 | GROMMET | 4 | | |
| 6 | AR46411 | WIRING LEAD | 2 | (NLA) | |
| | T32231 | CLAMP | 2 | (SUB FOR T15737) | |
| | R45211 | CLAMP | 2 | (SUB R72853) | |
| 7 | AR38456 | LAMP | 2 | | |
| 8 | R38371 | WASHER | 2 | | |
| 9 | 24H1227 | WASHER | 2 | 17/32" X 13/16" X 0.060" | |
| 10 | 14H856 | NUT | 2 | 1/2" | |
| 11 | 19H2054 | CAP SCREW | 6 | 3/8" X 4-3/4" | |
| 12 | 14H1076 | NUT | 6 | 3/8" | |
| | 12H304 | LOCK WASHER | 6 | 3/8" | |

5C14

OPERATOR'S STATION

CANOPY
(TRACTOR SERIAL NO. 250001-)
R18856 -UN-01JAN94



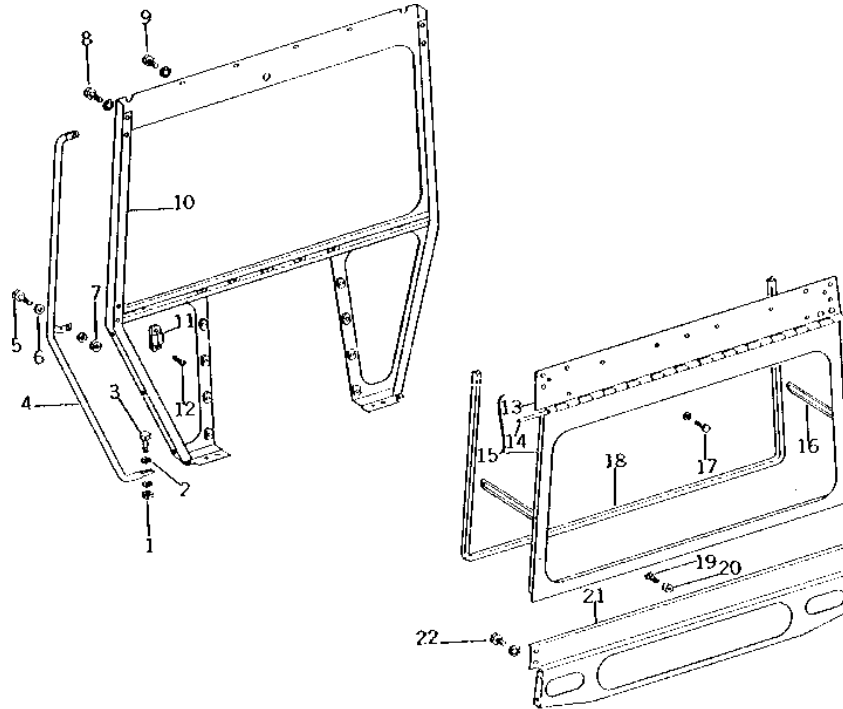
| KEY | PART NO. | PART NAME | QTY | TRACTOR SERIAL NO. | REMARKS |
|-----|----------|-------------|-----|--------------------|---------|
| 1 | R41358 | ISOLATOR | 2 | | |
| 2 | 37H27 | SCREW | 10 | 5/16" X 7/8" | |
| 3 | R52195 | BRACKET | 2 | (NLA) | |
| 4 | 14H1076 | NUT | 6 | 3/8" | |
| | 12H304 | LOCK WASHER | 6 | 3/8" | |
| 5 | 19H2054 | CAP SCREW | 6 | 3/8" X 4-3/4" | |
| 6 | AR51452 | CANOPY | 1 | | |
| | R47197 | FOAM PAD | 1 | | |
| 7 | 19H1731 | CAP SCREW | 6 | 3/8" X 1" | |
| | 12H304 | LOCK WASHER | 6 | 3/8" | |

5C15

OPERATOR'S STATION

**CAB FRONT AND REAR PANELS
(STOLPER)**

R14188 -UN-01JAN94



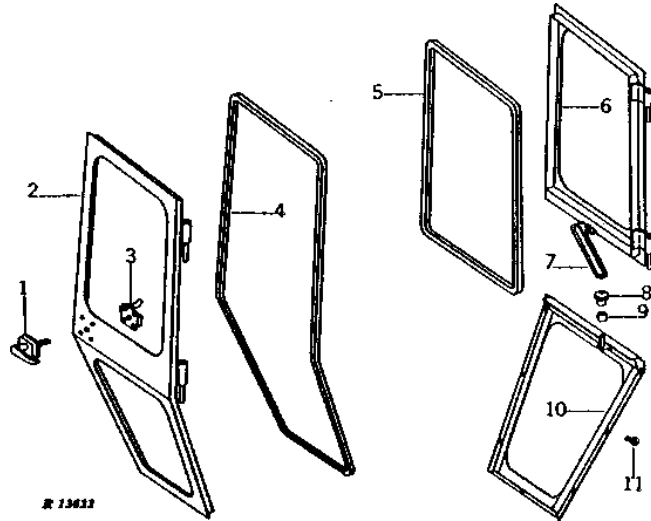
R 14188

| KEY | PART NO. | PART NAME | QTY | CAB SERIAL NO. | REMARKS |
|-----|----------|-------------|-----|----------------|--------------------------------------|
| 1 | 14H1076 | NUT | 1 | | 3/8" |
| | 12H304 | LOCK WASHER | 1 | | 3/8" |
| 2 | 24H1305 | WASHER | 1 | | 13/32" X 13/16" X 0.065" |
| 3 | 19H1765 | CAP SCREW | 1 | | 3/8" X 1-3/4" |
| 4 | AR46299 | HANDLE | 1 | | (NLA) |
| 5 | 19H1900 | CAP SCREW | 1 | | 5/16" X 3/4" |
| 6 | 24H1136 | WASHER | 1 | | 11/32" X 11/16" X 0.065" |
| 7 | 14H785 | NUT | 1 | | 5/16" |
| | 12H303 | LOCK WASHER | 1 | | 5/16" |
| 8 | 19H1726 | CAP SCREW | 4 | | 3/8" X 2-1/4" |
| | 12H310 | LOCK WASHER | 4 | | 3/8" |
| 9 | 19H1731 | CAP SCREW | 6 | | 3/8" X 1" |
| | 12H310 | LOCK WASHER | 6 | | 3/8" |
| 10 | AR45812 | PANEL | 1 | | FRONT(NLA) |
| | AR50024 | PANEL | 1 | 208300- | FRONT, (AIR CONDITIONING)(NLA) |
| 11 | H63952 | PLATE | 1 | | |
| 12 | 21H1210 | SCREW | 2 | | 1/4" X 3/4" |
| 13 | R44431 | PANEL | 1 | | (NLA) |
| 14 | R44432 | PIN | 1 | | (NLA) |
| 15 | AR45810 | PANEL | 1 | | (NLA) |
| 16 | R44444 | ARM | 2 | | |
| 17 | 19H1905 | CAP SCREW | 6 | | 5/16" X 1" |
| | 12M7032 | LOCK WASHER | 6 | | 0.331" |
| 18 | | SEAL | 1 | | 2908MM (114-1/2") (MAKE FROM H61993) |
| 19 | R44436 | SCREW | 1 | | (NLA) |
| 20 | T101090 | BUMPER | 1 | | (SUB FOR R44434) |
| 21 | AR45811 | PANEL | 1 | | (NLA) |
| 22 | 19H1936 | CAP SCREW | 4 | | 3/8" X 3/4" |
| | 12H310 | LOCK WASHER | 4 | | 3/8" |

5C16

OPERATOR'S STATION

CAB DOOR, RIGHT-HAND LOWER PANEL AND FRONT WINDOW (STOLPER)
 R13633 -UN-01JAN94



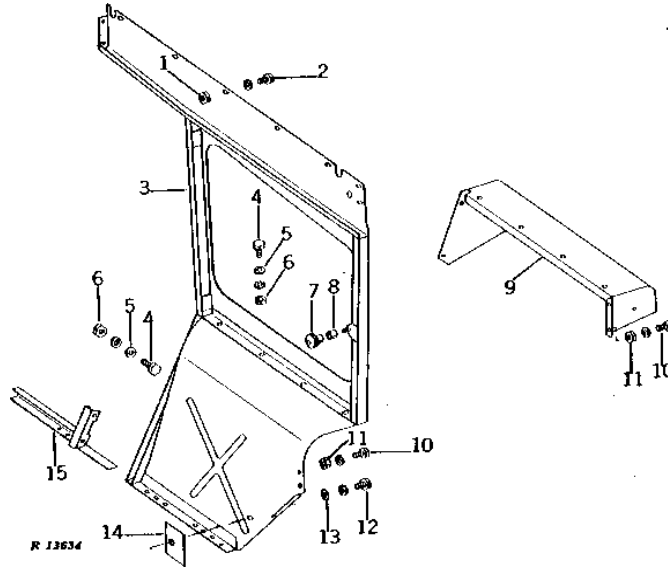
| KEY | PART NO. | PART NAME | QTY | CAB SERIAL NO. | REMARKS |
|-----|----------|--------------|-----|----------------------------------|---------|
| 1 | AH64758 | HANDLE | 1 | | |
| 2 | AR45813 | DOOR | 1 | L.H. | |
| 3 | AR45814 | LATCH | 1 | | |
| 4 | H61993 | WEATHERSTRIP | 1 | | |
| 5 | | SEAL | 1 | 2692MM (106") (MAKE FROM H61993) | |
| 6 | AR45815 | WINDOW | 1 | R.H.(NLA) | |
| 7 | R44444 | ARM | 1 | | |
| 8 | R44446 | KNOB | 1 | | |
| 9 | R44445 | BUSHING | 1 | | |
| 10 | AR45816 | PANEL | 1 | R.H.(NLA) | |
| 11 | 21H1304 | SCREW | 7 | 5/16" X 3/4" | |

5C17

OPERATOR'S STATION

**CAB RIGHT-HAND SIDE AND FENDER
(STOLPER)**

R13634 -UN-01JAN94



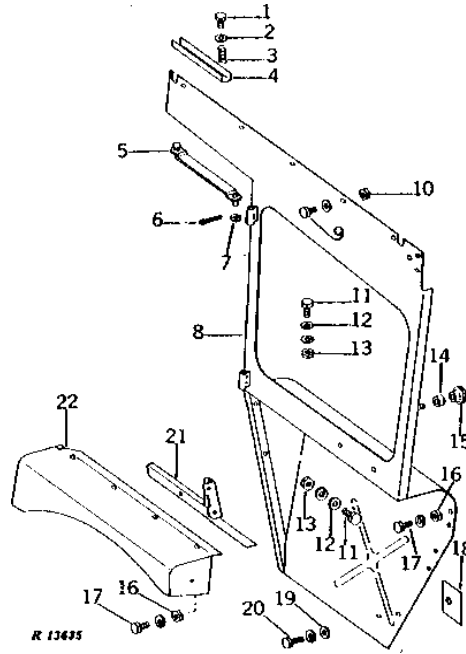
| KEY | PART NO. | PART NAME | QTY | CAB SERIAL NO. | REMARKS |
|-----|----------|-------------|-----|--------------------------|---------|
| 1 | 14H1076 | NUT | 5 | 3/8" | |
| 2 | 19H1731 | CAP SCREW | 6 | 3/8" X 1" | |
| | 12H310 | LOCK WASHER | 6 | 3/8" | |
| 3 | AR45821 | CAB | 1 | R.H.(NLA) | |
| 4 | 19H1936 | CAP SCREW | 1 | 3/8" X 3/4" | |
| 5 | 24H1305 | WASHER | 7 | 13/32" X 13/16" X 0.065" | |
| 6 | 14H1076 | NUT | 7 | 3/8" | |
| | 12H304 | LOCK WASHER | 7 | 3/8" | |
| 7 | R44446 | KNOB | 1 | | |
| 8 | R44445 | BUSHING | 1 | | |
| 9 | AR45819 | FENDER | 1 | R.H.(NLA) | |
| 10 | 19H1936 | CAP SCREW | 4 | 3/8" X 3/4" | |
| | 12H304 | LOCK WASHER | 4 | 3/8" | |
| 11 | 14H1076 | NUT | 4 | 3/8" | |
| 12 | 19H1815 | CAP SCREW | 1 | 1/2" X 1-1/4" | |
| | 12H301 | LOCK WASHER | 1 | 1/2" | |
| 13 | 24H1227 | WASHER | 1 | 17/32" X 13/16" X 0.060" | |
| 14 | R42567 | FOAM PAD | 1 | (NLA) | |
| 15 | AR45817 | SILL | 1 | FRONT, R.H.(NLA) | |

5C18

OPERATOR'S STATION

**CAB LEFT-HAND SIDE AND FENDER
(STOLPER)**

R13635 -UN-01JAN94



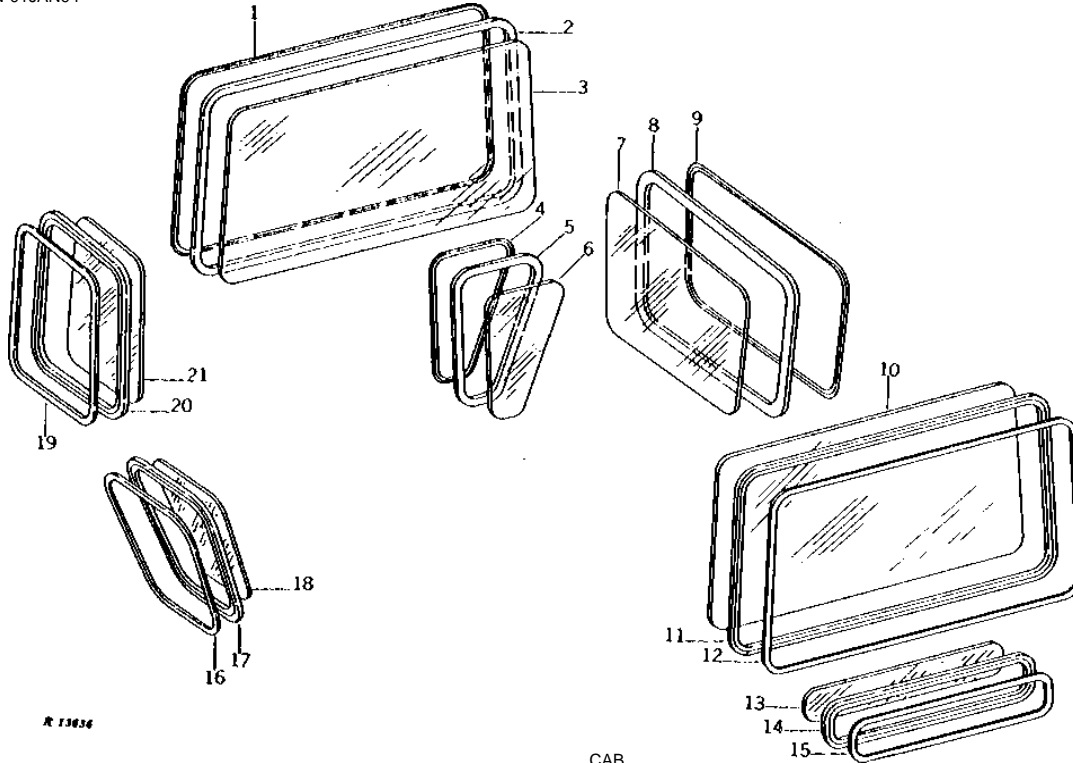
| KEY | PART NO. | PART NAME | QTY | CAB SERIAL NO. | REMARKS |
|-----|----------|-------------|-----|--------------------------|---------|
| 1 | 19H1726 | CAP SCREW | 2 | 3/8" X 2-1/4" | |
| 2 | 24H1305 | WASHER | 2 | 13/32" X 13/16" X 0.065" | |
| 3 | R44448 | SPRING | 2 | (NLA) | |
| 4 | AR45823 | STOP | 1 | (NLA) | |
| 5 | AR45824 | ROD | 1 | | |
| 6 | 11M7059 | COTTER PIN | 1 | 3.200 X 20 MM | |
| 7 | 24H1305 | WASHER | 1 | 13/32" X 13/16" X 0.065" | |
| 8 | AR45822 | CAB | 1 | L.H.(NLA) | |
| 9 | 19H1731 | CAP SCREW | 6 | 3/8" X 1" | |
| | 12H310 | LOCK WASHER | 6 | 3/8" | |
| 10 | 14H1076 | NUT | 5 | 3/8" | |
| 11 | 19H1936 | CAP SCREW | 7 | 3/8" X 3/4" | |
| 12 | 24H1305 | WASHER | 7 | 13/32" X 13/16" X 0.065" | |
| 13 | 14H1076 | NUT | 7 | 3/8" | |
| | 12H304 | LOCK WASHER | 7 | 3/8" | |
| 14 | R44445 | BUSHING | 1 | | |
| 15 | R44446 | KNOB | 1 | | |
| 16 | 14H1076 | NUT | 4 | 3/8" | |
| 17 | 19H1936 | CAP SCREW | 4 | 3/8" X 3/4" | |
| | 12H304 | LOCK WASHER | 4 | 3/8" | |
| 18 | R42567 | FOAM PAD | 1 | RUBBER(NLA) | |
| 19 | 24H1227 | WASHER | 1 | 17/32" X 13/16" X 0.060" | |
| 20 | 19H1815 | CAP SCREW | 1 | 1/2" X 1-1/4" | |
| | 12H301 | LOCK WASHER | 1 | 1/2" | |
| 21 | AR45818 | SILL | 1 | L.H.(NLA) | |
| 22 | AR45820 | FENDER | 1 | L.H. (NLA) | |

5C19

OPERATOR'S STATION

CAB GLASS
(STOLPER)

R13636 -UN-01JAN94



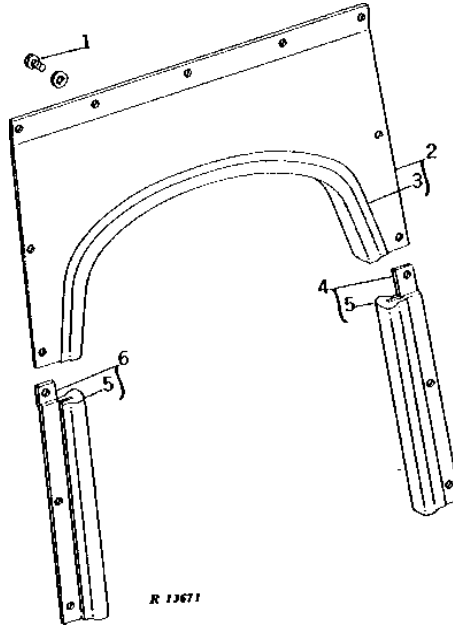
| KEY | PART NO. | PART NAME | QTY | CAB SERIAL NO. | REMARKS |
|-----|----------|------------|-----|---|---------|
| 1 | R44438 | ISOLATOR | 1 | | |
| 2 | R44437 | MOLDING | 1 | (N | |
| 3 | R44439 | WINDOWPANE | 1 | (NLA) | |
| 4 | | ISOLATOR | 2 | 1632MM (64-1/4") (MAKE FROM R44438) (NLA) | |
| 5 | | MOLDING | 2 | 1632MM (64-1/4") (MAKE FROM R44437) | |
| 6 | R44441 | WINDOWPANE | 2 | FRONT, LOWER(NLA) | |
| 7 | R44449 | WINDOWPANE | 2 | (NLA) | |
| 8 | | MOLDING | 2 | 3251MM (128") (MAKE FROM R44437) (NLA) | |
| 9 | | ISOLATOR | 2 | 3251MM (128") (MAKE FROM R44438) | |
| 10 | R44433 | WINDOWPANE | 1 | | |
| 11 | | MOLDING | 1 | 3810MM (150") (MAKE FROM R44437) (NLA) | |
| 12 | | ISOLATOR | 1 | 3810MM (150") (MAKE FROM R44438) | |
| 13 | R44435 | WINDOWPANE | 1 | (NLA) | |
| 14 | | MOLDING | 1 | 1930MM (76") (MAKE FROM R44437) (NLA) | |
| 15 | | ISOLATOR | 1 | 1930MM (76") (MAKE FROM R44438) | |
| 16 | | ISOLATOR | 2 | 1943MM (76-1/2") (MAKE FROM R44438) | |
| 17 | | MOLDING | 2 | 1943MM (76-1/2") (MAKE FROM R44437) (NLA) | |
| 18 | R44443 | WINDOWPANE | 1 | LOWER DOOR, R.H. (NLA) | |
| 19 | | ISOLATOR | 2 | 2229MM (87-3/4") (MAKE FROM R44438) | |
| 20 | | MOLDING | 2 | 2229MM (87-3/4") (MAKE FROM R44437) (NLA) | |
| 21 | R44442 | WINDOWPANE | 1 | UPPER DOOR, R.H. | |

5C20

OPERATOR'S STATION

**CAB COWL PANELS
(STOLPER)**

R13671 -UN-01JAN94



| KEY | PART NO. | PART NAME | QTY | CAB SERIAL NO. | REMARKS |
|-----|----------|-------------|-----|----------------|------------------------------------|
| 1 | 21H1304 | SCREW | 13 | | 5/16" X 3/4" |
| | 12M7032 | LOCK WASHER | 13 | | 0.331" |
| 2 | AR45892 | PANEL | 1 | | (NLA) |
| 3 | R44585 | SEAL | 1 | | |
| 4 | AR45002 | PANEL | 1 | | R.H.(NLA) |
| 5 | | SEAL | 2 | | 311MM (12-1/4") (MAKE FROM R44585) |
| 6 | AR45002 | PANEL | 1 | | L.H.(NLA) |
| | AR50341 | PANEL | 1 | 208300- | L.H. (AIR CONDITIONING)(NLA) |

5C21

OPERATOR'S STATION

**CAB SEALING
(STOLPER)(AIR CONDITIONING)(NOT ILLUSTRATED)**

| KEY | PART NO. | PART NAME | QTY | CAB SERIAL NO. | REMARKS |
|-----|----------|--------------|-----|-------------------|--|
| .. | R53745 | TAPE | 1 | | 54.9M (180 FT.) (SUB FOR R46662) |
| .. | R46663 | SEALING TRIM | 1 | | 18.3M (60 FT.) |
| .. | AR85792 | ADHESIVE | 1 | | 147CC (5 OZ.) (SUB AR31790) |
| .. | R36415 | ISOLATOR | 1 | | 25 X 146 X 235MM (1" X 5-3/4" X 9-1/4") REAR (NLA) |
| .. | R46904 | ISOLATOR | 3 | | 25 X 76 X 76MM (1" X 3" X 3") |
| .. | | ISOLATOR | 4 | | 25 X 25 X 191MM (1" X 1" X 7-1/2") (MAKE FROM R30937) |
| .. | | ISOLATOR | 2 | | 51 X 51 X 51MM (2" X 2" X 2") (MAKE FROM R35340) |
| .. | | ISOLATOR | 1 | | 25 X 51 X 229MM (1" X 2" X 9") (MAKE FROM R28123) |

5C22

OPERATOR'S STATION

**SOUND REDUCTION
(STOLPER)(NOT ILLUSTRATED)**

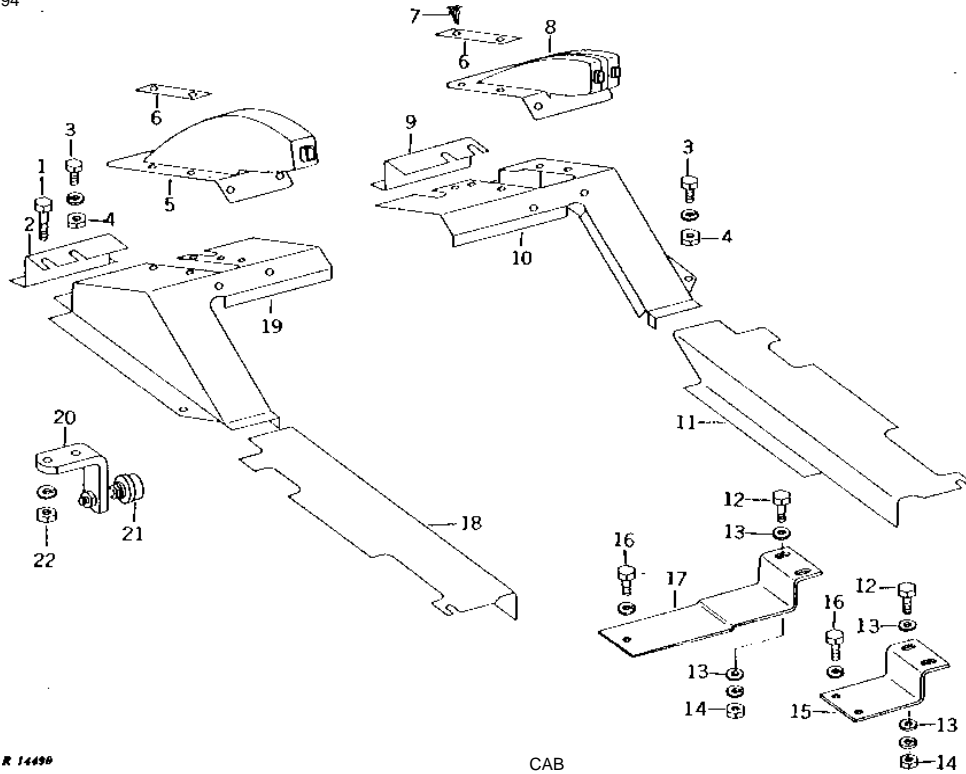
| KEY | PART NO. | PART NAME | QTY | CAB SERIAL NO. | REMARKS |
|-----|----------|-----------|-----|-------------------|---|
| .. | AR49922 | KIT | 1 | | ACOUSTICAL CONTROL, (INCLUDES R47763 AND R47764) (CONTAINS PRECUT FOAM PADS FOR INSIDE OF CAB)(NLA) |
| .. | R47763 | COVER | 1 | | R.H.(NLA) |
| .. | R47764 | COVER | 1 | | L.H.(NLA) |
| .. | AR49923 | ADHESIVE | 1 | | 0.4L (1 PT.) |

5C23

OPERATOR'S STATION

**PLATFORM BRACKETS, EXTENSIONS AND BAFFLES
(STOLPER)**

R14490 -UN-01JAN94



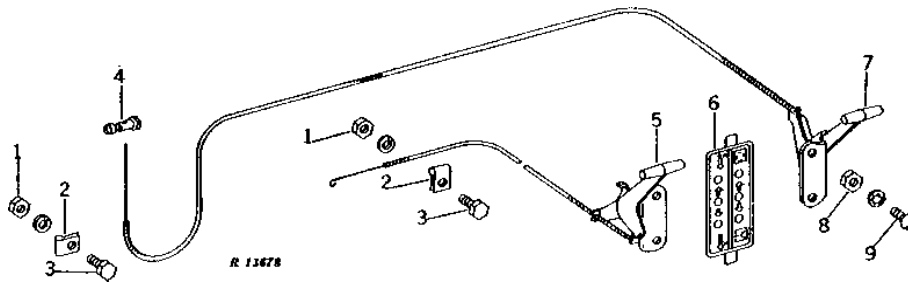
| KEY | PART NO. | PART NAME | QTY | CAB SERIAL NO. | REMARKS |
|-----|----------|-------------|-----|----------------|------------------------|
| 1 | 19H1800 | CAP SCREW | 3 | | 3/8" X 1-1/2" |
| 2 | R44525 | ISOLATOR | 1 | | L.H.(NLA) |
| 3 | 19H1914 | CAP SCREW | 6 | | 1/4" X 1" |
| | 12H302 | LOCK WASHER | 6 | | 1/4" |
| 4 | 14H786 | NUT | 6 | | 1/4" |
| 5 | R43899 | BOOT | 1 | | |
| 6 | R43910 | STRAP | 6 | | |
| 7 | R43911 | CLIP | 12 | | |
| 8 | R43900 | BOOT | 1 | | |
| 9 | R44524 | ISOLATOR | 1 | | R.H.(NLA) |
| 10 | AR45893 | EXTENSION | 1 | | FRONT, R.H.(NLA) |
| 11 | R44522 | EXTENSION | 1 | | REAR, R.H.(NLA) |
| 12 | 19H1731 | CAP SCREW | 8 | | 3/8" X 1" |
| 13 | 24M7096 | WASHER | 16 | | 10.500 X 18 X 1.600 MM |
| 14 | 14H1076 | NUT | 8 | | 3/8" |
| | 12H304 | LOCK WASHER | 8 | | 3/8" |
| 15 | R44521 | BRACKET | 2 | | REAR(NLA) |
| 16 | 19H2284 | CAP SCREW | 6 | | 3/8" X 7/8" |
| | 12H304 | LOCK WASHER | 6 | | 3/8" |
| 17 | R44520 | BRACKET | 2 | | FRONT(NLA) |
| 18 | R44523 | EXTENSION | 1 | | REAR, L.H.(NLA) |
| 19 | AR45894 | EXTENSION | 1 | | FRONT, L.H.(NLA) |
| 20 | R44480 | BRACKET | 2 | | (NLA) |
| 21 | AR45718 | SCREW | 2 | | (NLA) |
| | 12H301 | LOCK WASHER | 2 | | 1/2" |
| | 14H1040 | NUT | 4 | | 1/2" |
| 22 | 14H1076 | NUT | 4 | | 3/8" |
| | 12H304 | LOCK WASHER | 4 | | 3/8" |
| .. | R46880 | PAD | 1 | | (SUB FOR R44535) |

5C24

OPERATOR'S STATION

**CAB CONTROLS
(STOLPER)**

R13678 -UN-01JAN94



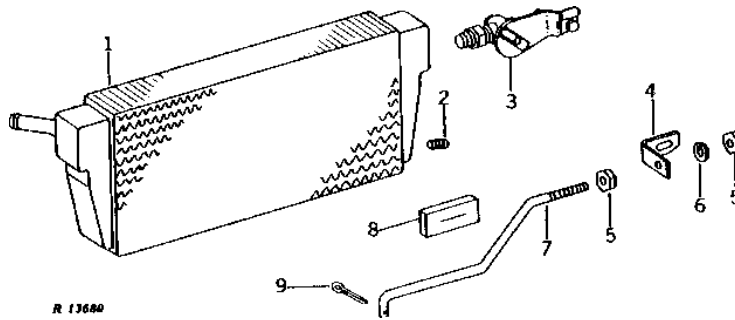
| KEY | PART NO. | PART NAME | QTY | CAB SERIAL NO. | REMARKS |
|-----|----------|-------------|-----|----------------|---------|
| 1 | 14H786 | NUT | 2 | 1/4" | |
| | 12H302 | LOCK WASHER | 2 | 1/4" | |
| 2 | R44472 | CLIP | 2 | (NLA) | |
| 3 | 19H1919 | CAP SCREW | 2 | 1/4" X 5/8" | |
| 4 | AR45846 | SWIVEL | 1 | (NLA) | |
| 5 | AR45836 | LEVER | 1 | (NLA) | |
| 6 | R44478 | LABEL | 1 | (NLA) | |
| 7 | AR45835 | LEVER | 1 | (NLA) | |
| 8 | 14H778 | NUT | 4 | 0.190" | |
| 9 | 21H1295 | SCREW | 4 | 0.190" X 5/8" | |
| | 12M7060 | WASHER | 4 | 0.209" | |

5C25

OPERATOR'S STATION

HEATER
(STOLPER)

R13680 -UN-01JAN94



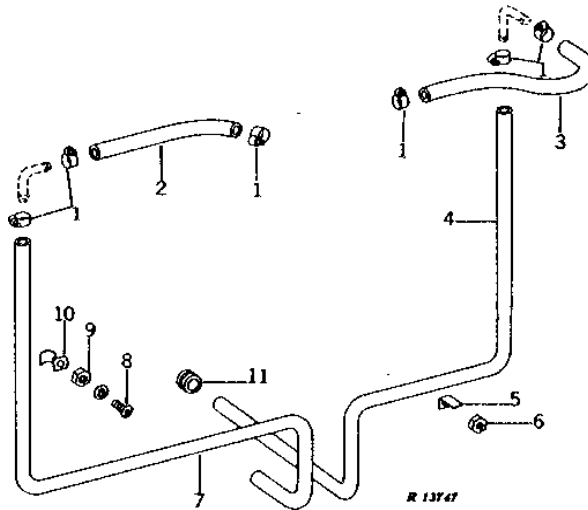
| KEY | PART NO. | PART NAME | QTY | CAB SERIAL NO. | REMARKS |
|-----|----------|-------------|-----|-------------------|---------|
| 1 | AR45857 | CORE | 1 | (NLA) | |
| 2 | 15H253 | PIPE PLUG | 1 | 1/8" | |
| 3 | AR45858 | VALVE | 1 | (NLA) | |
| 4 | R44489 | ANGLE | 1 | (NLA) | |
| 5 | 14H786 | NUT | 2 | 1/4" | |
| 6 | 12H302 | LOCK WASHER | 1 | 1/4" | |
| 7 | R44487 | LINK | 1 | (NLA) | |
| 8 | R44473 | SEAL | 1 | (NLA) | |
| 9 | 11M7077 | COTTER PIN | 1 | 0.063" X 0.984" | |

5D1

OPERATOR'S STATION

**CAB HEATER HOSE
(STOLPER)**

R13747 -UN-01JAN94

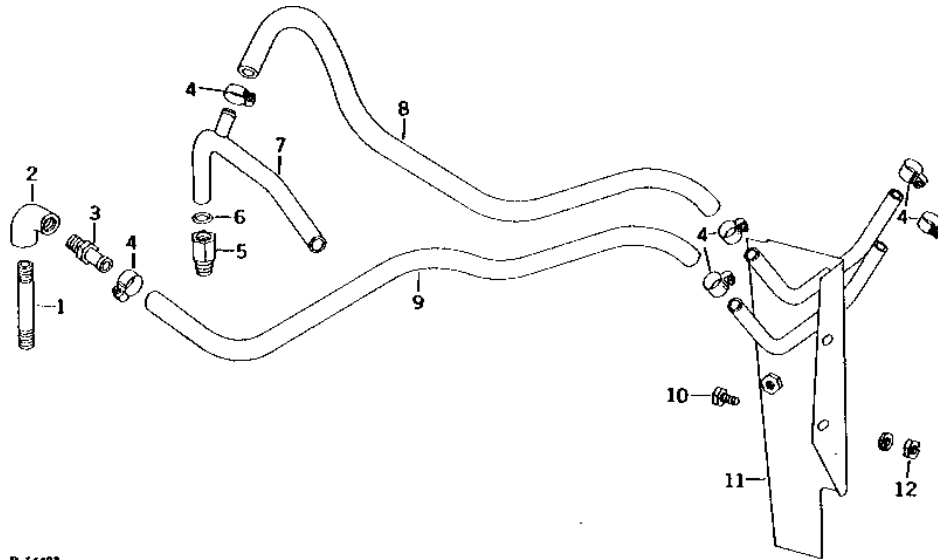


| KEY | PART NO. | PART NAME | QTY | CAB SERIAL NO. | REMARKS |
|-----|----------|-------------|-----|----------------|---|
| 1 | AR21839 | CLAMP | 6 | | |
| 2 | | HOSE | 1 | | 381MM (15") (MAKE FROM TY22328) (SUB FOR R45847) |
| 3 | | HOSE | 1 | | 533MM (21") (MAKE FROM TY22328) (SUB FOR R45847) |
| 4 | | HOSE | 1 | | 1422MM (56") (MAKE FROM TY22328) (SUB FOR R45847) |
| 5 | R42771 | ANGLE | 3 | | (NLA) |
| 6 | 14H785 | NUT | 1 | | 5/16" |
| 7 | | HOSE | 1 | | 2032MM (80") (MAKE FROM TY22328) (SUB FOR R45847) |
| 8 | 21H1302 | SCREW | 2 | | 1/4" X 5/8" |
| | 12H297 | LOCK WASHER | 2 | | 1/4" |
| | 14H786 | NUT | 2 | | 1/4" |
| 10 | R44488 | CLAMP | 2 | | (NLA) |
| 11 | | GROMMET | 1 | | (NOT REQUIRED) |

5D2

OPERATOR'S STATION

**TRACTOR HEATER HOSE
(STOLPER)**
R14492 -UN-01JAN94



R 14492

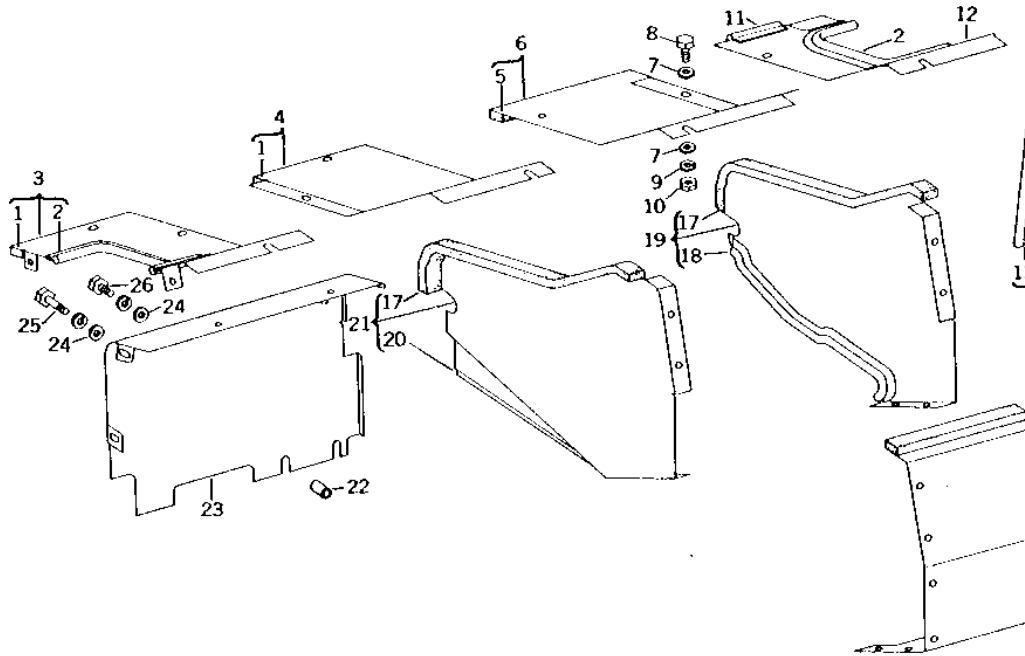
| KEY | PART NO. | PART NAME | QTY | TRACTOR SERIAL NO. | REMARKS |
|-----|----------|-----------------|-----|--|---------|
| 1 | 29H636 | THREADED NIPPLE | 1 | 3/4" X 4" | |
| 2 | 15H596 | ELBOW FITTING | 1 | | |
| 3 | R42312 | HOSE FITTING | 1 | | |
| 4 | AR21837 | CLAMP | 6 | | |
| 5 | R41285 | ADAPTER | 1 | | |
| 6 | T13119 | O-RING | 1 | | |
| 7 | AR44605 | TUBE | 1 | (GASOLINE AND LP-GAS)(NLA) | |
| | AR44606 | TUBE | 1 | (DIESEL)(NLA) | |
| 8 | | HOSE | 1 | 1.04M (41") (MAKE FROM TY22328) (SUB FOR R45847) | |
| 9 | | HOSE | 1 | 91.44CC (36") (MAKE FROM TY22328) (SUB FOR R45847) | |
| 10 | 19H2284 | CAP SCREW | 2 | 3/8" X 7/8" | |
| 11 | AR46225 | SUPPORT | 1 | (NLA) | |
| 12 | 14H1076 | NUT | 2 | 3/8" | |
| | 12H304 | LOCK WASHER | 2 | 3/8" | |

5D3

OPERATOR'S STATION

**HYDRAULIC COVERS
(STOLPER)**

R14491 -UN-01JAN94



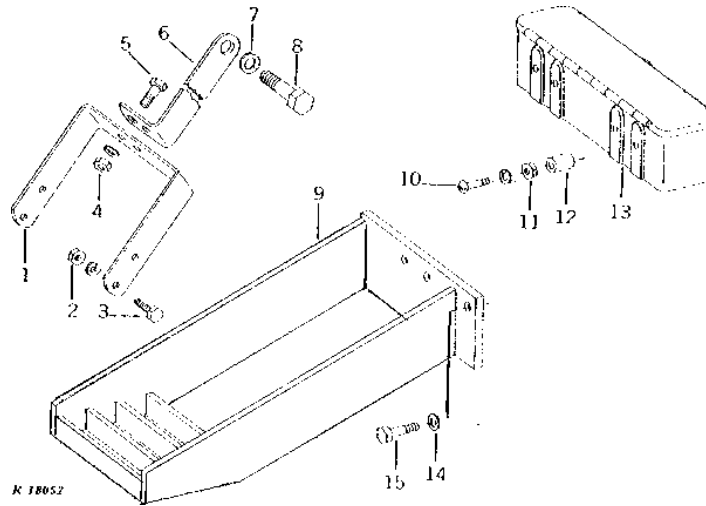
R 14491

| KEY | PART NO. | PART NAME | QTY | CAB SERIAL NO. | REMARKS |
|-----|----------|--------------|-----|----------------|---|
| 1 | | FOAM PAD | 2 | | 13 X 25 X 178MM (1/2" X 1" X 7") (MAKE FROM R30936) |
| 2 | | WEATHERSTRIP | 2 | | 406MM (16") (MAKE FROM R44447) |
| 3 | AR45896 | PANEL | 1 | | OUTER TOP, L.H.(NLA) |
| 4 | AR46376 | PANEL | 1 | | INNER TOP, L.H.(NLA) |
| 5 | | FOAM PAD | 1 | | 13 X 25 X 219MM (1/2" X 1" X 8-5/8") (MAKE FROM R30936) |
| 6 | AR46375 | PANEL | 1 | | INNER, TOP, R.H.(NLA) |
| 7 | 24H1136 | WASHER | 56 | | 11/32" X 11/16" X 0.065" |
| 8 | 19H1900 | CAP SCREW | 37 | | 5/16" X 3/4" |
| 9 | 12H303 | LOCK WASHER | 37 | | 5/16" |
| 10 | 14H785 | NUT | 28 | | 5/16" |
| 11 | | WEATHERSTRIP | 1 | | 38MM (1-1/2") (MAKE FROM R44447) |
| 12 | AR45895 | PANEL | 1 | | OUTER, TOP, R.H.(NLA) |
| 13 | | WEATHERSTRIP | 1 | | 279MM (11") (MAKE FROM R44447) |
| 14 | AR45902 | PANEL | 1 | | FRONT, R.H.(NLA) |
| 15 | | FOAM PAD | 1 | | 13 X 25 X 203MM (1/2" X 1" X 8") (MAKE FROM R30936) |
| 16 | AR46374 | PANEL | 1 | | REAR, (SUB AR52708) (NLA) |
| 17 | | FOAM PAD | 2 | | 13 X 25 X 279MM (1/2" X 1" X 11") (MAKE FROM R30936) |
| 18 | | WEATHERSTRIP | 1 | | 203MM (8") (MAKE FROM R44447) |
| 19 | AR45900 | ISOLATOR | 1 | | R.H.(NLA) |
| 20 | | WEATHERSTRIP | 1 | | 178MM (7") (MAKE FROM R44447) |
| 21 | AR52707 | ISOLATOR | 1 | | L.H. (SUB FOR AR45901) (NLA) |
| 22 | R27168 | BUSHING | 1 | | |
| 23 | R44533 | PANEL | 1 | | FRONT, L.H.(NLA) |
| 24 | 24H1305 | WASHER | 2 | | 13/32" X 13/16" X 0.065" |
| 25 | 19H1765 | CAP SCREW | 1 | | 3/8" X 1-3/4" |
| | 12H304 | LOCK WASHER | 1 | | 3/8" |
| 26 | 19H1936 | CAP SCREW | 1 | | 3/8" X 3/4" |
| | 12H304 | LOCK WASHER | 1 | | 3/8" |

5D4

OPERATOR'S STATION

**STEP AND TOOL BOX
(STOLPER)**
R18052 -UN-01JAN94



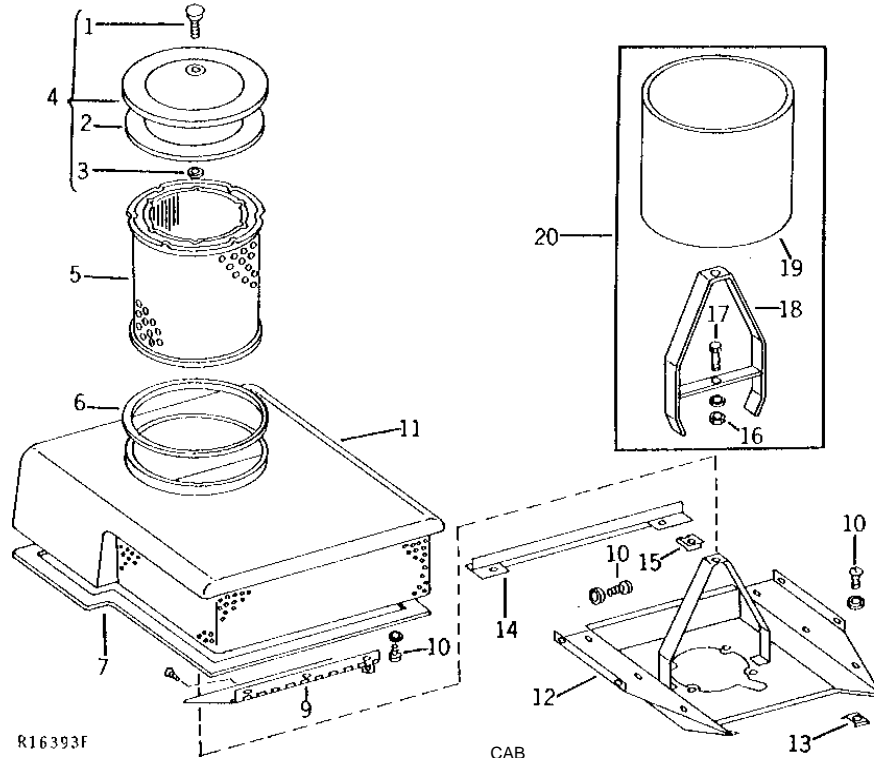
| KEY | PART NO. | PART NAME | QTY | CAB SERIAL NO. | REMARKS |
|-----|----------|---------------|-----|--------------------------|---------|
| 1 | R50430 | SUPPORT | 1 | (NLA) | |
| 2 | 14H1076 | NUT | 4 | 3/8" | |
| | 12H304 | LOCK WASHER | 4 | 3/8" | |
| 3 | 19H1732 | CAP SCREW | 4 | 3/8" X 1-1/4" | |
| 4 | 14H1040 | NUT | 2 | 1/2" | |
| | 12H301 | LOCK WASHER | 2 | 1/2" | |
| 5 | 19H2898 | CAP SCREW | 2 | 1/2" X 1-1/4" | |
| 6 | R50431 | STRAP | 1 | | |
| 7 | 24H448 | WASHER | 1 | 25/32" X 1-1/8" X 0.090" | |
| 8 | 19H1715 | CAP SCREW | 1 | 3/4" X 3" | |
| 9 | AR44988 | STEP | 1 | (NLA) | |
| 10 | 03H1558 | BOLT | 2 | 3/8" X 1-1/2" | |
| 11 | 14H1076 | NUT | 2 | 3/8" | |
| | 12H304 | LOCK WASHER | 2 | 3/8" | |
| 12 | 28H1919 | BUSHING | 2 | 1/2" X 15/16" | |
| 13 | AR34684 | TOOLBOX | 1 | | |
| 14 | R44044 | THRUST WASHER | 2 | (SUB R47172) | |
| 15 | 19H2993 | CAP SCREW | 2 | 1/2" X 1-1/2" | |

5D5

OPERATOR'S STATION

ROOF VENT, FILTER HOUSING AND ELEMENT (STOLPER)

R16393 -UN-01JAN94



R16393F

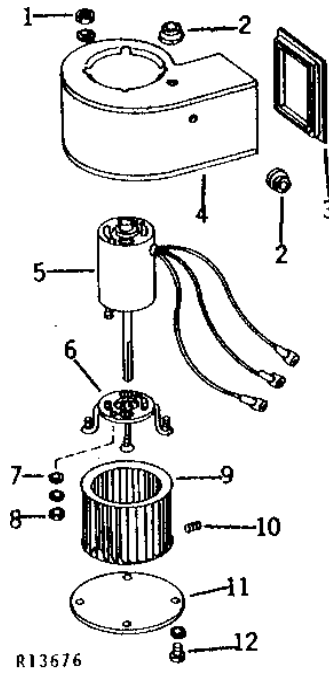
| KEY | PART NO. | PART NAME | QTY | CAB SERIAL NO. | REMARKS |
|-----|----------|----------------|-----|--------------------------------------|---------|
| 1 | AR45850 | SCREW | 1 | (NLA) | |
| 2 | R44455 | GASKET | 1 | (NLA) | |
| 3 | R44456 | WASHER | 1 | (NLA) | |
| 4 | AR45830 | COVER | 1 | | |
| 5 | AR49680 | FILTER ELEMENT | 1 | (SUB FOR AR45831) | |
| 6 | R44452 | SLAT | 1 | (2 USED WITH HEAVY-DUTY AIR CLEANER) | (NLA) |
| 7 | R44453 | WEATHERSTRIP | 1 | (NLA) | |
| 8 | 37H43 | SCREW | 3 | NO. 8 X 3/8" | |
| 9 | AR45828 | DOOR | 1 | (NLA) | |
| 10 | 21H1303 | SCREW | 12 | 1/4" X 3/4" | |
| | 12H302 | LOCK WASHER | 12 | 1/4" | |
| 11 | AR45827 | VENT | 1 | (NLA) | |
| 12 | AR45829 | HOUSING | 1 | (NLA) | |
| 13 | R44577 | NUT | 6 | (NLA) | |
| 14 | R44451 | ISOLATOR | 1 | FRONT(NLA) | |
| 15 | R72380 | NUT | 1 | (SUB FOR R44454) (SUB R87345) | |
| 16 | 14H1040 | NUT | 1 | 1/2" | |
| | 12H301 | LOCK WASHER | 1 | 1/2" | |
| 17 | 19H1792 | CAP SCREW | 1 | 1/2" X 1" | |
| 18 | AR49679 | EXTENSION | 1 | (NLA) | |
| 19 | R47137 | HOUSING | 1 | UPPER | |
| 20 | AR49678 | KIT | 1 | HEAVY-DUTY(NLA) | |

5D6

OPERATOR'S STATION

**BLOWER HOUSING, MOTOR AND WHEEL
(STOLPER)**

R13676 -UN-01JAN94



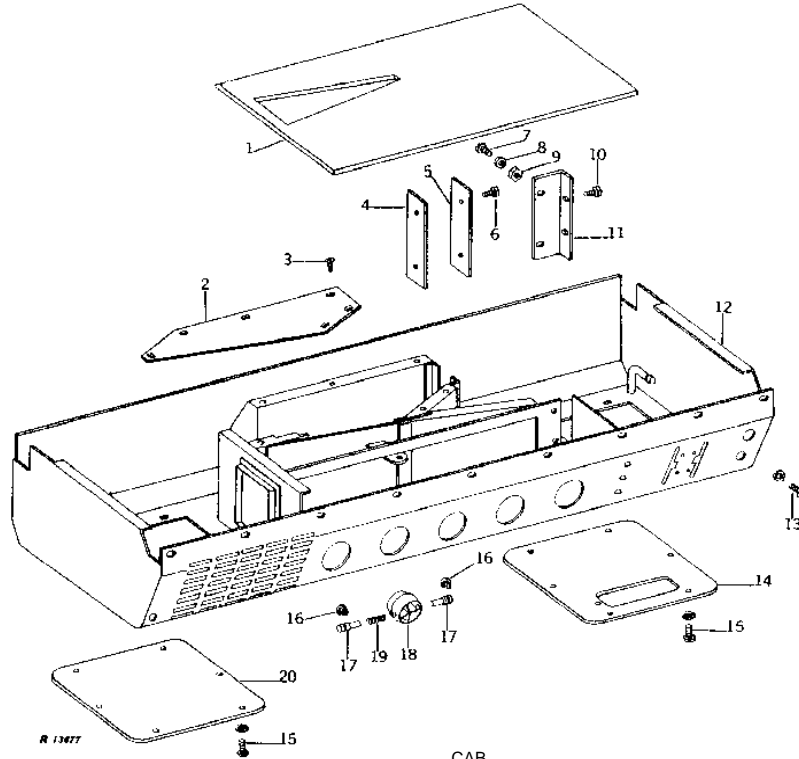
| KEY | PART NO. | PART NAME | QTY | CAB SERIAL NO. | REMARKS |
|-----|----------|-------------|-----|-----------------------|---------|
| 1 | 14H786 | NUT | 4 | 1/4" | |
| | 12H302 | LOCK WASHER | 4 | 1/4" | |
| 2 | R44458 | GROMMET | 2 | (NLA) | |
| 3 | R44457 | SEAL | 1 | (NLA) | |
| 4 | AR45832 | HOUSING | 1 | (NLA) | |
| 5 | AR45856 | MOTOR | 1 | (12-VOLT) | |
| 6 | AR45834 | BRACKET | 1 | | |
| 7 | 24H1283 | WASHER | 2 | 7/32" X 1/2" X 0.049" | |
| 8 | 14H778 | NUT | 2 | 0.190" | |
| | 12M7060 | WASHER | 2 | 0.209" | |
| 9 | AR45833 | WHEEL | 1 | | |
| 10 | 22H1012 | SET SCREW | 1 | 1/4" X 3/4" | |
| 11 | R44459 | COVER | 1 | (NLA) | |
| 12 | 21H1295 | SCREW | 4 | 0.190" X 5/8" | |
| | 12M7060 | WASHER | 4 | 0.209" | |

5D7

OPERATOR'S STATION

**CAB CONSOLE
(STOLPER)**

R13677 -UN-01JAN94



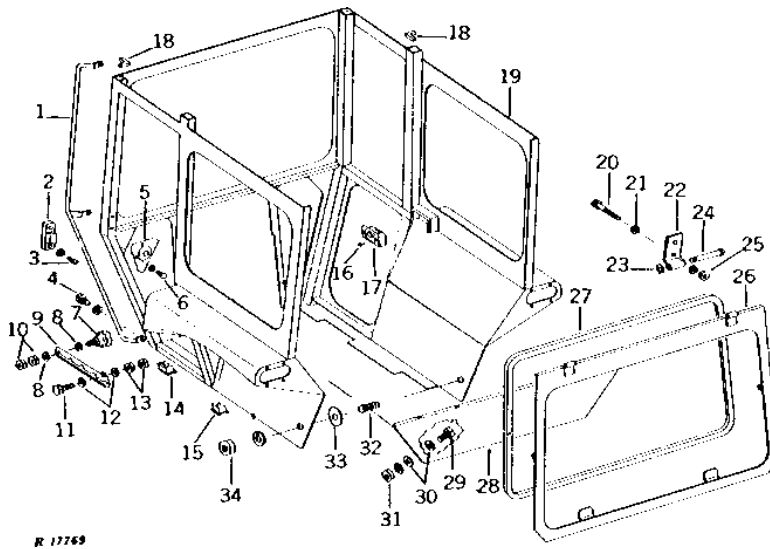
| KEY | PART NO. | PART NAME | QTY | CAB SERIAL NO. | REMARKS |
|-----|----------|-------------|-----|------------------------------|---------|
| 1 | R44476 | SEAL | 1 | (NLA) | |
| 2 | R44486 | PLATE | 1 | (NLA) | |
| 3 | T10671 | CAP SCREW | 6 | | |
| 4 | R44485 | PLATE | 2 | INNER, (LESS HEATER)(NLA) | |
| 5 | R44484 | PLATE | 2 | OUTER, (LESS HEATER)(NLA) | |
| 6 | 37M7245 | SCREW | 2 | NO. 10 X 3/8", (LESS HEATER) | |
| 7 | 21H1295 | SCREW | 2 | 0.190" X 5/8" | |
| 8 | 24H1283 | WASHER | 2 | 7/32" X 1/2" X 0.049" | |
| 9 | 14H778 | NUT | 2 | 0.190" | |
| 10 | 37M7245 | SCREW | 2 | NO. 10 X 3/8" | |
| 11 | R44483 | ISOLATOR | 1 | (NLA) | |
| 12 | AR45845 | PANEL | 1 | (NLA) | |
| 13 | 21H1303 | SCREW | 9 | 1/4" X 3/4" | |
| | 12H302 | LOCK WASHER | 9 | 1/4" | |
| 14 | R44474 | PANEL | 1 | R.H.(NLA) | |
| 15 | 21H1295 | SCREW | 2 | 0.190" X 5/8" | |
| | 12M7060 | WASHER | 12 | 0.209" | |
| 16 | R30828 | SNAP RING | 10 | (SUB FOR R44470) | |
| 17 | R44471 | PIN | 10 | | |
| 18 | R44468 | DEFLECTOR | 5 | (NLA) | |
| 19 | R44469 | SPRING | 5 | (NLA) | |
| 20 | R44475 | PANEL | 1 | L.H.(NLA) | |

5D8

OPERATOR'S STATION

CAB BODY
(HINSON)
R17769

-UN-01JAN94



R 17769

5D9

OPERATOR'S STATION

**CAB BODY - CONTINUED
(HINSON)**

| KEY | PART NO. | PART NAME | QTY | CAB SERIAL NO. | REMARKS |
|-----|----------|--------------|-----|----------------------------------|-------------------------|
| 1 | AR52305 | HANDLE | 1 | (NLA) | |
| 2 | H63952 | PLATE | 1 | | |
| | R60165 | NUT | 2 | | |
| 3 | 21H1021 | SCREW | 2 | 1/4" X 1/2" | |
| | 12H322 | LOCK WASHER | 2 | 1/4" | |
| 4 | 19H1731 | CAP SCREW | 3 | 3/8" X 1" | |
| | 12H304 | LOCK WASHER | 3 | 3/8" | |
| 5 | AR52295 | COVER | 2 | (NLA) | |
| 6 | 19H1227 | CAP SCREW | 2 | 1/4" X 1/2" | |
| | 12H302 | LOCK WASHER | 2 | 1/4" | |
| 7 | R48872 | KNOB | 2 | | |
| 8 | 24H1136 | WASHER | 4 | 11/32" X 11/16" X 0.065" | |
| 9 | R44444 | ARM | 2 | | |
| 10 | 14H611 | NUT | 4 | 5/16" | |
| 11 | 19H1919 | CAP SCREW | 2 | 1/4" X 5/8" | |
| 12 | 24H1287 | WASHER | 4 | 9/32" X 5/8" X 0.065" | |
| 13 | 14H850 | NUT | 4 | 1/4" | |
| 14 | R48890 | GROMMET | 1 | (A) L.H. (NLA) | |
| | R48904 | GROMMET | 1 | (B) L.H. (NLA) | |
| | R48891 | PLUG | 1 | (C) R.H. (NLA) | |
| | R48894 | GROMMET | 1 | (D) R.H. (NLA) | |
| 15 | R48892 | PLUG | 1 | (A) L.H. (NLA) | |
| | R48895 | GROMMET | 1 | (B) L.H. (NLA) | |
| | R48892 | PLUG | 1 | (C) R.H. (NLA) | |
| | R48895 | GROMMET | 1 | (D) R.H. (NLA) | |
| 16 | 37H95 | SCREW | 2 | NO. 8 X 1/2" | |
| 17 | AH80057 | ASHTRAY | 1 | | |
| 18 | | MOLDING | 4 | 76MM (3") (MAKE FROM R41358) | |
| 19 | AR52306 | FRAME | 1 | (NLA) | |
| 20 | 19H2345 | CAP SCREW | 4 | 3/8" X 5-1/2" | |
| 21 | 24H1305 | WASHER | 4 | 13/32" X 13/16" X 0.065" | |
| 22 | R48877 | HINGE | 2 | (NLA) | |
| 23 | R11026 | SNAP RING | 2 | -014206 | |
| | T12808 | SNAP RING | 2 | 014207- | (SUB R72655) |
| 24 | R48873 | PIN | 2 | -014206 | (SUB R55170 AND R72655) |
| | R55170 | PIN | 2 | 014207- | |
| 25 | 14H1076 | NUT | 4 | 3/8" | |
| | 12H304 | LOCK WASHER | 3 | 3/8" | |
| 26 | AR52290 | PANEL | 1 | (NLA) | |
| 27 | | WEATHERSTRIP | 1 | 4216MM (166") (MAKE FROM H61993) | |
| 28 | AR52307 | PANEL | 1 | REAR(NLA) | |
| 29 | 19H1900 | CAP SCREW | 2 | 5/16" X 3/4" | |
| | 19H1905 | CAP SCREW | 2 | 5/16" X 1" | |
| 30 | 24H1136 | WASHER | 8 | 11/32" X 11/16" X 0.065" | |
| 31 | 14H785 | NUT | 4 | 5/16" | |
| | 12H303 | LOCK WASHER | 4 | 5/16" | |
| 32 | R32101 | STUD | 2 | 1/2" X 1-3/4" | |
| 33 | 24H1211 | WASHER | AR | 9/16" X 1-3/8" X 0.105" | |
| 34 | 14H1040 | NUT | 2 | 1/2" | |
| | 12H301 | LOCK WASHER | 2 | 1/2" | |
| .. | AR61156 | KIT | 1 | REINFORCEMENT | |

(A) LESS AIR CONDITIONING

(B) AIR CONDITIONING

(C) LESS HEATER

(D) HEATER

5D10

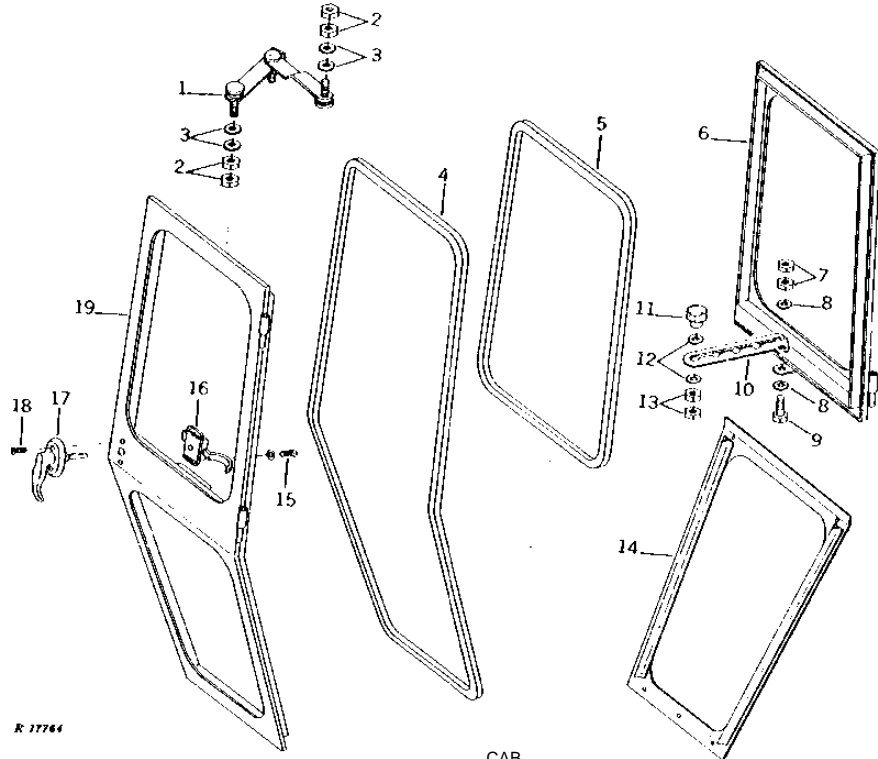
OPERATOR'S STATION

CAB DOOR AND RIGHT-HAND FRONT WINDOW PANEL

(HINSON)

R17764

-UN-01JAN94



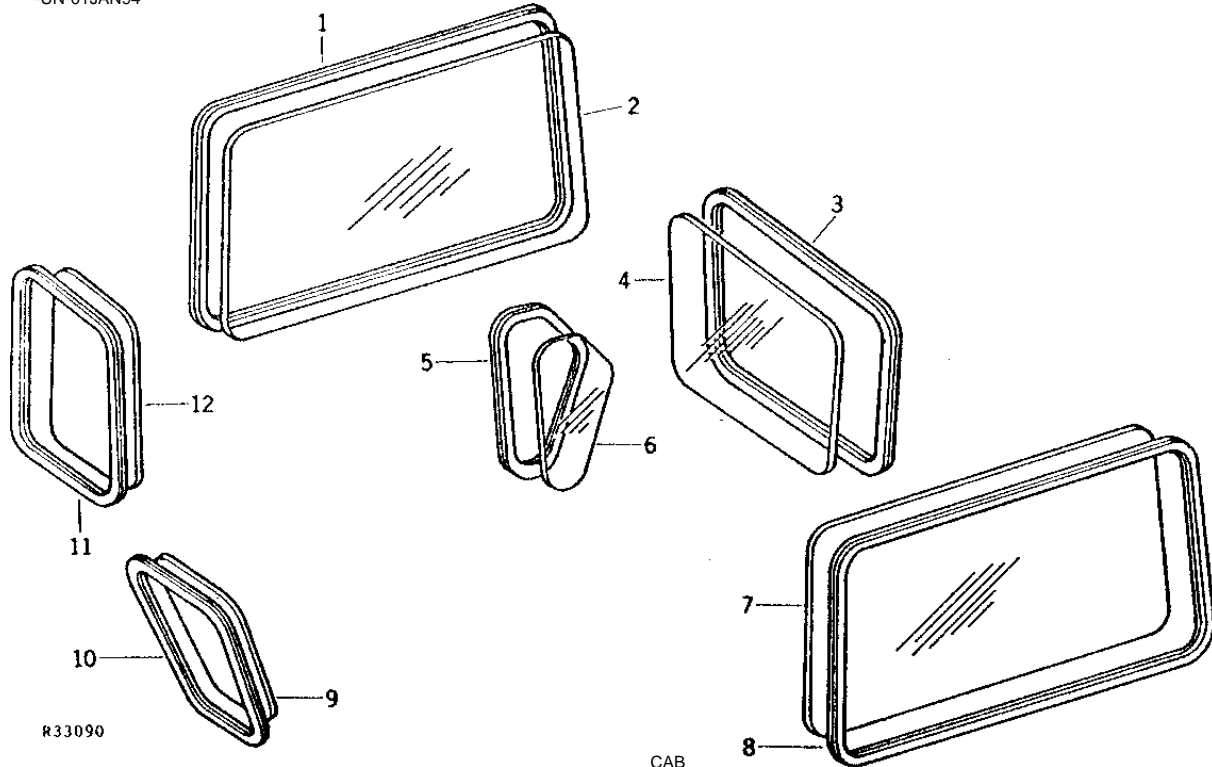
| KEY | PART NO. | PART NAME | QTY | CAB SERIAL NO. | REMARKS |
|-----|----------|--------------|-----|----------------------------------|---------|
| 1 | AR52293 | REGULATOR | 1 | | |
| 2 | 14H611 | NUT | 2 | 5/16" | |
| 3 | 24H1136 | WASHER | 4 | 11/32" X 11/16" X 0.065" | |
| 4 | | WEATHERSTRIP | 1 | 3810MM (150") (MAKE FROM H61993) | |
| 5 | | WEATHERSTRIP | 1 | 2616MM (103") (MAKE FROM H61993) | |
| 6 | AR52289 | PANEL | 1 | R.H.(NLA) | |
| 7 | 14H850 | NUT | 2 | 1/4" | |
| 8 | 24H1287 | WASHER | 2 | 9/32" X 5/8" X 0.065" | |
| 9 | 19H1919 | CAP SCREW | 1 | 1/4" X 5/8" | |
| 10 | R44444 | ARM | 1 | | |
| 11 | R48872 | KNOB | 1 | | |
| 12 | 24H1136 | WASHER | 2 | 11/32" X 11/16" X 0.065" | |
| 13 | 14H611 | NUT | 2 | 5/16" | |
| 14 | AR52803 | PANEL | 1 | LOWER, R.H.(NLA) | |
| 15 | 21H1301 | SCREW | 4 | 0.190" X 1/2" | |
| | 12H246 | LOCK WASHER | 4 | 0.190" | |
| 16 | AR52291 | LATCH | 1 | | |
| 17 | AR55154 | HANDLE | 1 | (SUB FOR AR52292) | |
| | AR51481 | KEY | 1 | | |
| 18 | 21H1073 | SCREW | 2 | 0.190" X 1/2" | |
| 19 | AR52304 | DOOR | 1 | L.H. | |

5D11

OPERATOR'S STATION

CAB GLASS
(HINSON)
R33090

-UN-01JAN94



R33090

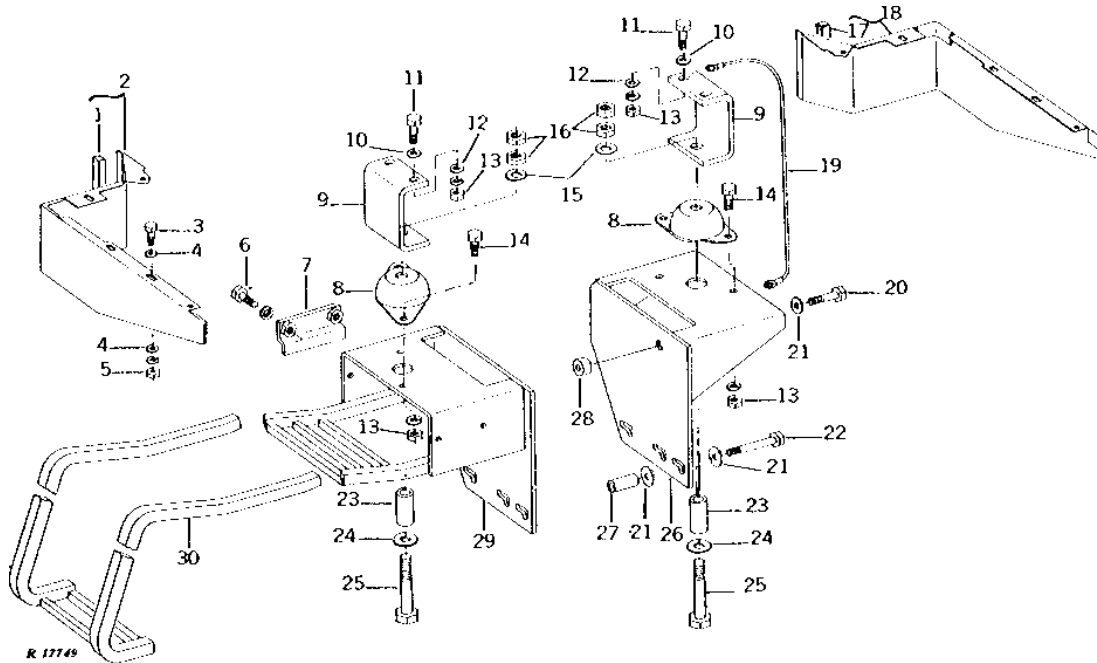
| KEY | PART NO. | PART NAME | QTY | CAB SERIAL NO. | REMARKS |
|-----|----------|------------|-----|----------------|--|
| 1 | | MOLDING | 1 | | 3683MM (145") (MAKE FROM R49857 AND R44438) (SUB FOR R48866) |
| 2 | R48867 | WINDOWPANE | 1 | | |
| 3 | | MOLDING | 2 | | 2743MM (108") (MAKE FROM R49857 AND R44438) (SUB FOR R48866) |
| 4 | R48870 | WINDOWPANE | 2 | | SIDE, REAR |
| 5 | | MOLDING | 2 | | 1397MM (55") (MAKE FROM R49857 AND R44438) (SUB FOR R48866) |
| 6 | R48868 | WINDOWPANE | 2 | | FRONT, LOWER |
| 7 | R48865 | WINDOWPANE | 1 | | REAR |
| 8 | | MOLDING | 1 | | 3734MM (147") (SUB FOR R48866) (MAKE FROM R49857 AND R44438) |
| 9 | R48869 | WINDOWPANE | 2 | | |
| 10 | | MOLDING | 2 | | 1880MM (74") (MAKE FROM R49857 AND R44438) (SUB FOR R48866) |
| 11 | | MOLDING | 2 | | 1994MM (78-1/2") (MAKE FROM R49857 AND R44438) (SUB FOR R48866) |
| 12 | R48871 | WINDOWPANE | 2 | | |

5D12

OPERATOR'S STATION

FRONT SUPPORTS AND STEP (HINSON)

R17749 -UN-01JAN94

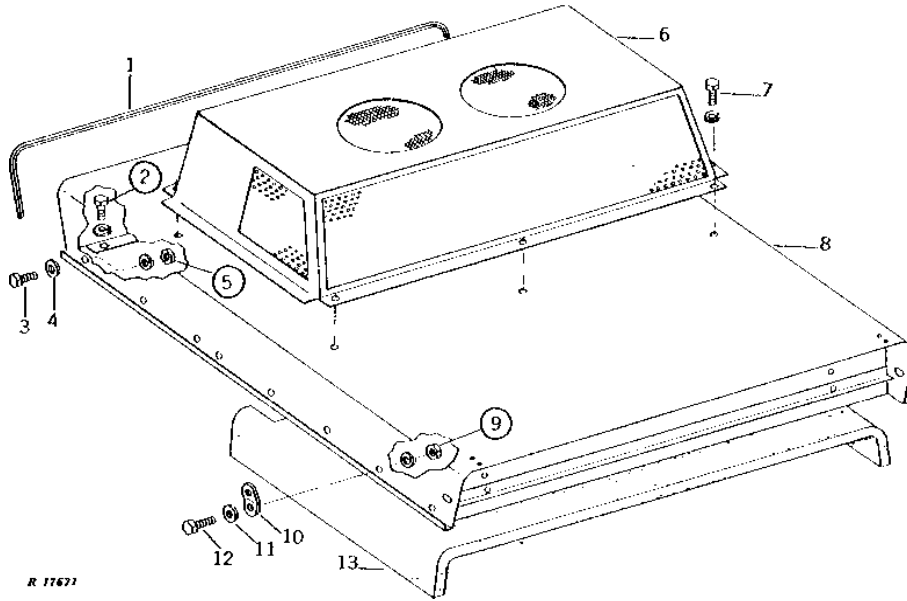


| KEY | PART NO. | PART NAME | QTY | CAB SERIAL NO. | REMARKS |
|-----|----------|-------------|-----|----------------|---|
| 1 | | FOAM PAD | 1 | | 13 X 13 X 111MM (1/2" X 1/2" X 4-3/8") (MAKE FROM R47941) |
| 2 | AR53138 | KIT | 1 | -258537 | LOWER FRONT, L.H. (SUB FOR AR50856) (NLA) |
| | AR53140 | PANEL | 1 | 258538- | LOWER FRONT, L.H.(NLA) |
| | AR53141 | CLIP | 1 | 258538- | |
| 3 | 19H1936 | CAP SCREW | 1 | | 3/8" X 3/4" |
| 4 | 24H1305 | WASHER | 2 | | 13/32" X 13/16" X 0.065" |
| 5 | 14H1076 | NUT | 1 | | 3/8" |
| | 12H304 | LOCK WASHER | 1 | | 3/8" |
| 6 | 19H1731 | CAP SCREW | 4 | | 3/8" X 1" |
| | 12H304 | LOCK WASHER | 4 | | 3/8" |
| 7 | AR51347 | CLAMP | 2 | | (NLA) |
| 8 | AR51810 | SUPPORT | 2 | | |
| 9 | R47982 | BRACKET | 2 | | (NLA) |
| 10 | 24H1227 | WASHER | 4 | | 17/32" X 13/16" X 0.060" |
| 11 | 19H1815 | CAP SCREW | 4 | | 1/2" X 1-1/4" |
| 12 | 24H1111 | WASHER | 4 | | 17/32" X 1-1/16" X 0.090", (SUB FOR D2865R) |
| 13 | 14H1040 | NUT | 8 | | 1/2" |
| | 12H301 | LOCK WASHER | 8 | | 1/2" |
| 14 | 19H1792 | CAP SCREW | 4 | | 1/2" X 1" |
| 15 | 24H1396 | WASHER | 2 | | 25/32" X 1-1/2" X 0.105" |
| 16 | R40121 | LOCK NUT | 4 | -261138 | |
| | 14H794 | NUT | 2 | 261139- | 3/4" |
| 17 | | FOAM PAD | 1 | | 13 X 13 X 111MM (1/2" X 1/2" X 4-3/8") (MAKE FROM R47941) |
| 18 | AR53137 | KIT | 1 | -258537 | LOWER FRONT, R.H. (SUB FOR AR50855) (NLA) |
| | AR53139 | PANEL | 1 | 258538- | LOWER FRONT, R.H.(NLA) |
| | AR53141 | CLIP | 1 | 258538- | (NLA) |
| 19 | AR46820 | WIRING LEAD | 1 | -XXXXXX | |
| | AR56758 | WIRING LEAD | 1 | XXXXXX- | |
| 20 | 19H1831 | CAP SCREW | 2 | | 1/2" X 2" |
| 21 | R63024 | WASHER | 10 | | (SUB FOR R26575) |
| 22 | 19H1781 | CAP SCREW | 4 | | 1/2" X 3-1/2" |
| 23 | R44221 | BUSHING | 2 | | (NLA) |
| 24 | 24H1402 | WASHER | 2 | | 25/32" X 1-7/8" X 1/4" |
| 25 | 19H2026 | CAP SCREW | 2 | | 3/4" X 4" |
| 26 | AR50866 | SUPPORT | 1 | | R.H.(NLA) |
| 27 | 28H1620 | BUSHING | 4 | | 1/2" X 1" X 13/16" |
| 28 | R48168 | BUSHING | 2 | | (NLA) |
| 29 | AR50867 | SUPPORT | 1 | | L.H.(NLA) |
| 30 | AR50870 | STEP | 1 | | LOWER (NLA) |

5D13

OPERATOR'S STATION

**CAB ROOF AND CONDENSER COVER
(HINSON)**
R17621 -UN-01JAN94

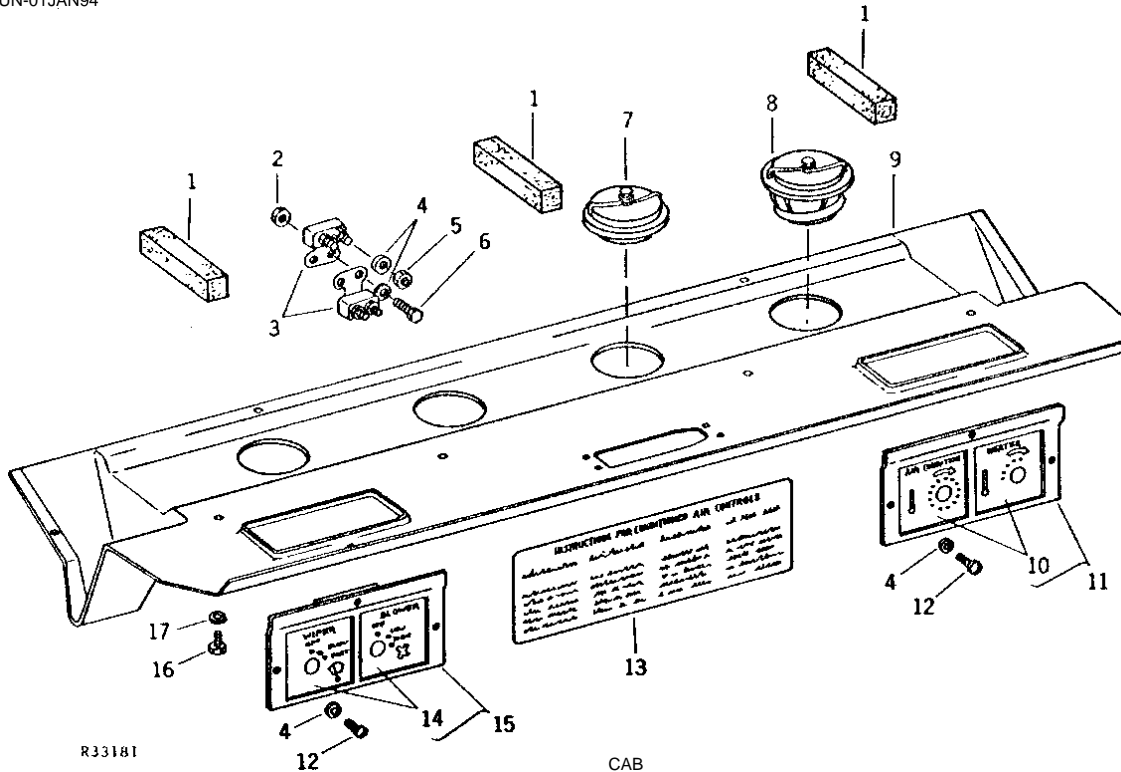


| KEY | PART NO. | PART NAME | QTY | CAB SERIAL NO. | REMARKS |
|-----|----------|-------------|-----|---|---------|
| 1 | | MOLDING | 1 | 1524MM (60") (MAKE FROM (2) R41358) | |
| 2 | 19H1227 | CAP SCREW | 5 | 1/4" X 1/2" | |
| | 12H302 | LOCK WASHER | 5 | 1/4" | |
| 3 | 19H3552 | CAP SCREW | 14 | 5/16" X 1-1/2" | |
| 4 | 24H1136 | WASHER | 14 | 11/32" X 11/16" X 0.065" | |
| 5 | 14H785 | NUT | 14 | 5/16" | |
| | 12H303 | LOCK WASHER | 14 | 5/16" | |
| 6 | AR52320 | COVER | 1 | | |
| 7 | 19H1227 | CAP SCREW | 6 | 1/4" X 1/2" | |
| | 12H302 | LOCK WASHER | 6 | 1/4" | |
| 8 | AR68107 | ROOF | 1 | (PRESSURIZED)(NLA) (SUB FOR AR52311) | |
| | AR68108 | ROOF | 1 | (AIR CONDITIONED) (SUB FOR AR52312) (NLA) | |
| 9 | 14H785 | NUT | 4 | 5/16" | |
| | 12H303 | LOCK WASHER | 4 | 5/16" | |
| 10 | R48876 | HOOK | 4 | LEFT, (NLA) | |
| 11 | 24H1136 | WASHER | 4 | 11/32" X 11/16" X 0.065" | |
| 12 | 19H1900 | CAP SCREW | 4 | 5/16" X 3/4" | |
| 13 | R48912 | HEADLINER | 1 | | |

5D14

OPERATOR'S STATION

REAR CONSOLE COVER AND CONTROL PANEL
(HINSON)
R33181 -UN-01JAN94



| KEY | PART NO. | PART NAME | QTY | CAB SERIAL NO. | REMARKS |
|-----|----------|-----------------|-----|---|---------|
| 1 | | FOAM PAD | 3 | 25 X 25 X 127MM (1" X 1" X 5") (MAKE FROM R30937) | |
| 2 | 14H778 | NUT | 2 | 0.190" | |
| 3 | AR52302 | CIRCUIT BREAKER | 2 | | |
| 4 | 12H246 | LOCK WASHER | 4 | 0.190" | |
| 5 | 14H631 | NUT | 4 | 0.190" | |
| 6 | 21H1317 | SCREW | 2 | 0.190" X 5/8" | |
| | 12H246 | LOCK WASHER | 2 | 0.190" | |
| 7 | AR49952 | DEFLECTOR | 3 | | |
| 8 | AR49970 | DEFLECTOR | 1 | | |
| 9 | R48874 | COVER | 1 | | |
| 10 | R48896 | LABEL | 1 | | |
| | R48908 | LABEL | 1 | (NLA) | |
| | R48911 | LABEL | 1 | (NLA) | |
| 11 | AR52313 | PANEL | 1 | (NLA) | |
| | AR52314 | PANEL | 1 | (HEATER)(NLA) | |
| | AR52326 | PANEL | 1 | (A) (NLA) | |
| | AR52327 | PANEL | 1 | (A) (HEATER)(NLA) | |
| 12 | 21H1317 | SCREW | 4 | 0.190" X 5/8" | |
| | 12H246 | LOCK WASHER | 4 | 0.190" | |
| 13 | R54839 | LABEL | 1 | (A) (AIR CONDITIONING) (SUB FOR R48903) (NLA) | |
| 14 | R48882 | LABEL | 1 | (NLA) | |
| 15 | AR52301 | PANEL | 1 | (WIPER AND BLOWER)(NLA) | |
| 16 | 19H1227 | CAP SCREW | 11 | 1/4" X 1/2" | |
| 17 | 12H302 | LOCK WASHER | 11 | 1/4" | |
| .. | R36590 | PLUG | 1 | (B) | |
| .. | R36590 | PLUG | 1 | (B) | |
| .. | R36590 | PLUG | 1 | (LESS HEATER) | |
| .. | M42229 | PLUG | 1 | (B) (SUB FOR T11708) | |
| .. | T13911 | PLUG | 1 | (B) | |

(A) AIR CONDITIONING

(B) LESS AIR CONDITIONING

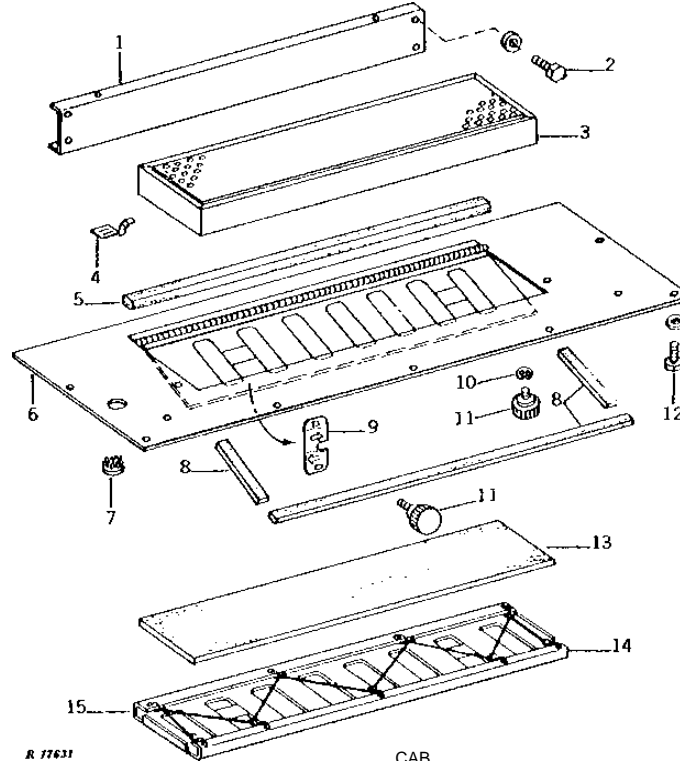
5D15

OPERATOR'S STATION

CONSOLE COVER FRONT AND FILTER

(HINSON)

R17631 -UN-01JAN94

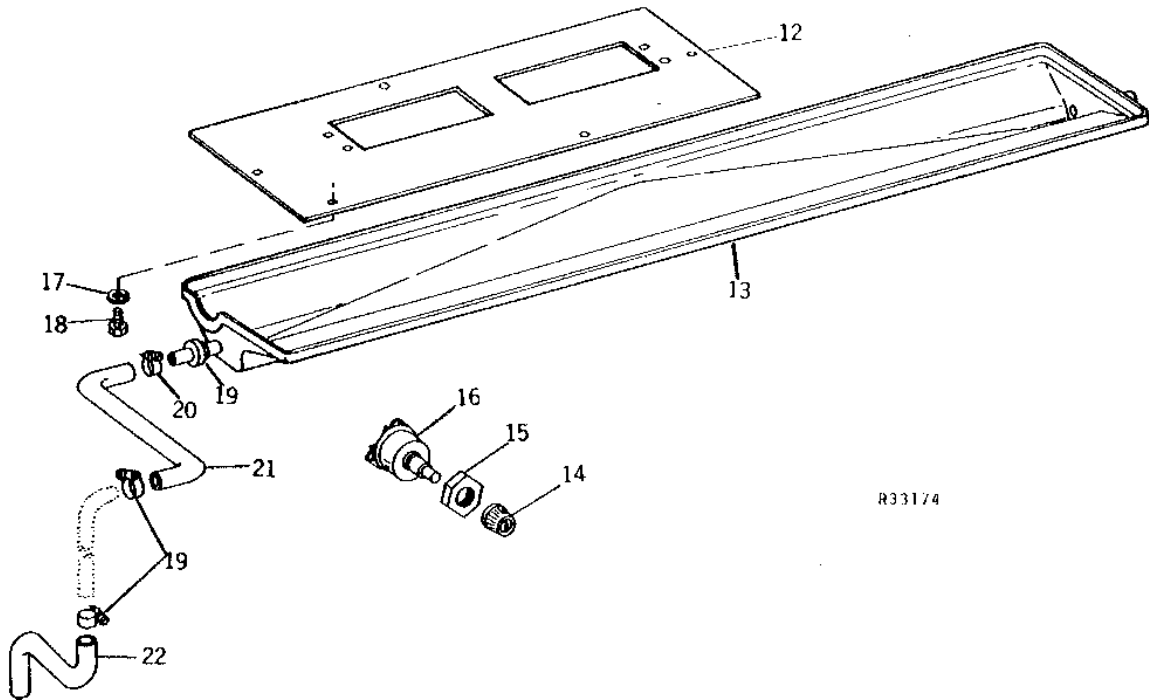
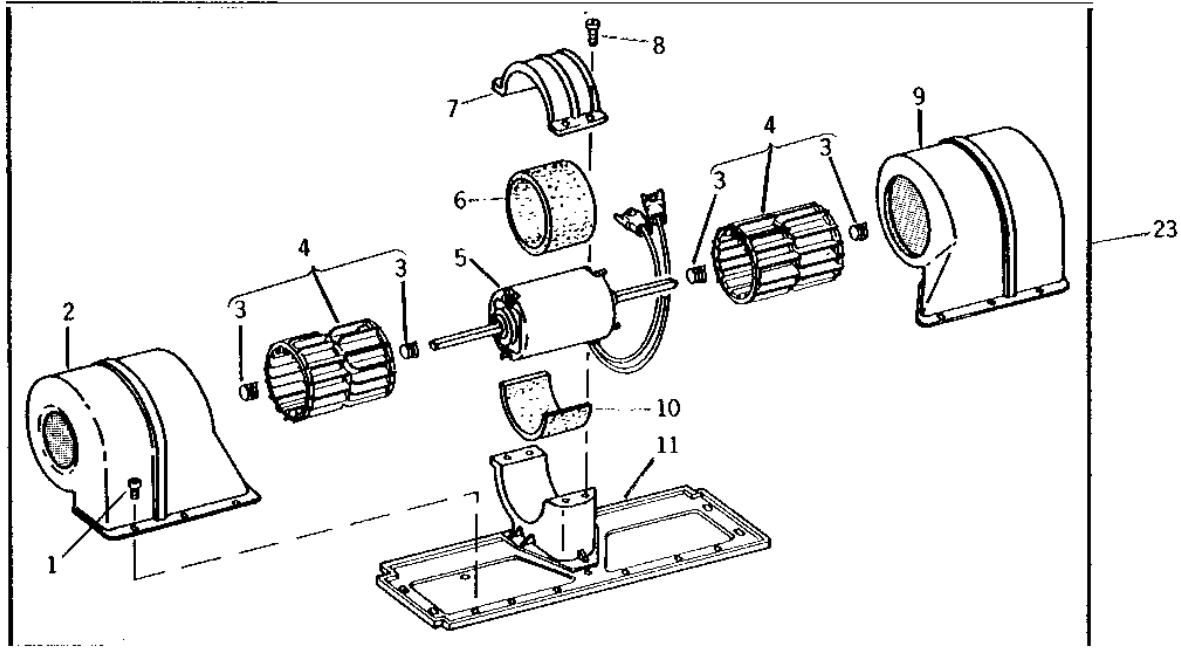


| KEY | PART NO. | PART NAME | QTY | CAB SERIAL NO. | REMARKS |
|-----|----------|----------------|-----|-------------------|---------------|
| 1 | AR52296 | PANEL | 1 | (NLA) | |
| 2 | 19H1227 | CAP SCREW | 7 | 1/4" X 1/2" | |
| | 12H302 | LOCK WASHER | 7 | 1/4" | |
| 3 | AR61903 | AIR FILTER | 1 | (SUB FOR AR49986) | (SUB RE12793) |
| 4 | AR50010 | CLIP | 4 | (SUB FOR AR50009) | |
| 5 | R48880 | WEATHERSTRIP | 1 | 787MM (31") | (NLA) |
| 6 | AR52297 | COVER | 1 | (NLA) | |
| | R48884 | WEATHERSTRIP | 1 | | |
| 7 | R36590 | PLUG | 1 | | |
| 8 | R48879 | WEATHERSTRIP | 1 | 1270MM (50") | |
| 9 | R48878 | LABEL | 1 | (NLA) | |
| 10 | R72654 | SNAP RING | 2 | (SUB FOR R27507) | |
| 11 | AR52300 | KNOB | 4 | | |
| 12 | 19H1227 | CAP SCREW | 14 | 1/4" X 1/2" | |
| | 12H302 | LOCK WASHER | 14 | 1/4" | |
| 13 | R48881 | FILTER ELEMENT | 1 | | |
| 14 | AR63928 | DOOR | 1 | (SUB FOR AR52298) | (NLA) |
| 15 | AR52299 | CABLE | 1 | | |

5D16

OPERATOR'S STATION

BLOWER AND CONDENSATE TRAY
(HINSON)
R33174 -UN-01JAN94



R33174

5D17

OPERATOR'S STATION

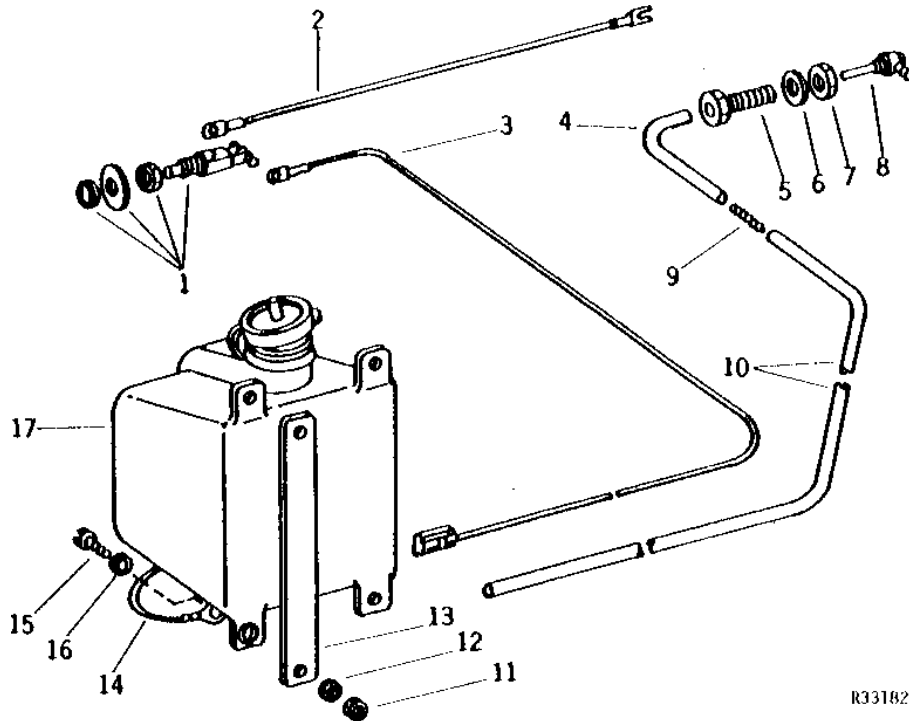
**BLOWER AND CONDENSATE TRAY - CONTINUED
(HINSON)**

| KEY | PART NO. | PART NAME | QTY | CAB SERIAL NO. | REMARKS |
|-----|----------|--------------|-----|-------------------|--|
| 1 | 14H605 | NUT | 8 | -XXXXXX | 0.164" |
| | 12H315 | LOCK WASHER | 8 | -XXXXXX | 0.164" |
| | 21H1158 | SCREW | 8 | -XXXXXX | 0.164" X 1/2" |
| | 37H32 | SCREW | 8 | XXXXXX- | 0.190" X 3/8" |
| 2 | AR69011 | HOUSING | 2 | | |
| 3 | R56101 | CLIP | 4 | | |
| 4 | AR66028 | IMPELLER | 2 | | |
| 5 | AR62497 | MOTOR | 2 | | |
| 6 | R57606 | CUSHION | 1 | | |
| 7 | R59450 | RETAINER | 1 | | |
| 8 | 37H80 | SCREW | 4 | | 0.190" X 1/2" |
| 9 | AR69012 | HOUSING | 2 | | |
| 10 | | CUSHION | 1 | | 10.16CM (4") (MAKE FROM R57606) |
| 11 | AR74020 | BASE | 2 | | (SUB FOR AR68974) |
| 12 | R48885 | PANEL | 2 | | (NLA) |
| 13 | AR52323 | CONTAINER | 1 | | |
| | | WEATHERSTRIP | 1 | | 6 X 13 X 1016MM (1/4" X 1/2" X 40") (MAKE FROM R48884) |
| | | FOAM PAD | 1 | | 6 X 13 X 965MM (1/4" X 1/2" X 38") (MAKE FROM R48884) |
| | | FOAM PAD | 2 | | 6 X 13 X 51MM (1/4" X 1/2" X 2") (MAKE FROM R48884) |
| | R49858 | ISOLATOR | 1 | | (NLA) |
| 14 | AR69370 | KNOB | 1 | | (SUB FOR AR49969) |
| 15 | R27296 | NUT | 1 | | |
| 16 | AR53155 | SWITCH | 1 | | (SUB FOR AR49964) |
| 17 | 12H302 | LOCK WASHER | 4 | | 1/4" |
| 18 | 19H1227 | CAP SCREW | 4 | | 1/4" X 1/2" |
| 19 | R48902 | GROMMET | 2 | | |
| 20 | AR21837 | CLAMP | 6 | | |
| 21 | R48913 | HOSE | 2 | | |
| 22 | R49293 | HOSE | 2 | | (NLA) |
| 23 | AR74019 | BLOWER | 2 | | (ALSO ORDER R36229) (SUB FOR AR49968, AR53156, AR66027 OR AR68973) |
| .. | R44302 | TIE BAND | 1 | | |

5D18

OPERATOR'S STATION

WINDSHIELD WASHER
R33182 -UN-01JAN94



R33182

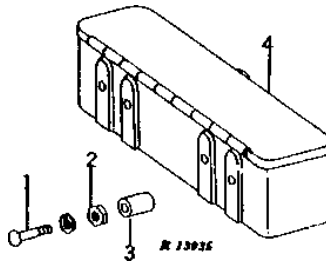
| KEY | PART NO. | PART NAME | QTY | CAB SERIAL NO. | REMARKS |
|-----|----------|---------------------|-----|-------------------|---|
| 1 | AR62294 | WIPER/WASHER SWITCH | 1 | | |
| 2 | AR62295 | WIRING LEAD | 1 | | CIRCUIT BREAKER TO SWITCH (NLA) |
| 3 | AR62296 | WIRING LEAD | 1 | | SWITCH TO MOTOR |
| 4 | | HOSE | 1 | | 152MM (6") (MAKE FROM R54447) |
| 5 | R54446 | BOLT | 1 | | |
| 6 | 24H1111 | WASHER | 1 | | 17/32" X 1-1/16" X 0.090", (SUB FOR D2865R) |
| 7 | 14H1040 | NUT | 1 | | 1/2" |
| 8 | | NOZZLE | 1 | | (ORDER AR62293) |
| 9 | R54443 | HOSE FITTING | 1 | | |
| 10 | R54445 | HOSE | 1 | | 2540MM (100") |
| 11 | 14H786 | NUT | 4 | | 1/4" |
| 12 | 12H302 | LOCK WASHER | 4 | | 1/4" |
| 13 | R54442 | BRACKET | 2 | | (NLA) |
| 14 | | WIRING LEAD | 1 | | |
| 15 | 21H1303 | SCREW | 4 | | 1/4" X 3/4" |
| 16 | 24H1286 | WASHER | 4 | | 9/32" X 1/2" X 1/16" |
| 17 | AR62293 | KIT | 1 | | (INCLUDES AR62294) |

5D19

OPERATOR'S STATION

**TOOLBOX
(HINSON)**
R13935

-UN-01JAN94

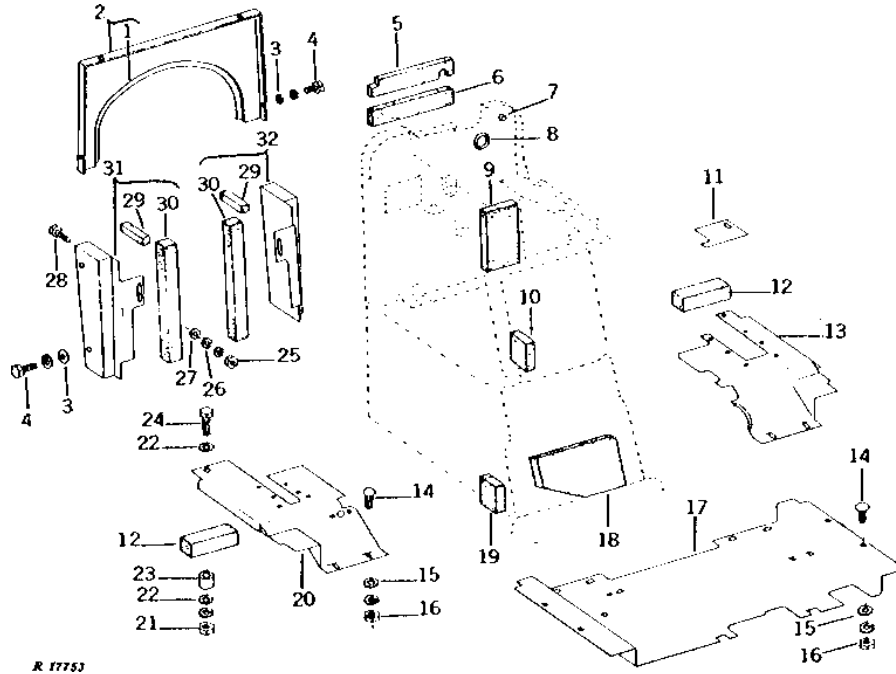


| KEY | PART NO. | PART NAME | QTY | CAB SERIAL NO. | REMARKS |
|-----|----------|-------------|-----|-------------------|---------|
| 1 | 03H1558 | BOLT | 2 | 3/8" X 1-1/2" | |
| | 12H304 | LOCK WASHER | 2 | 3/8" | |
| 2 | 14H1076 | NUT | 2 | 3/8" | |
| 3 | 28H1919 | BUSHING | 2 | 1/2" X 15/16" | |
| 4 | AR34684 | TOOLBOX | 1 | | |

5D20

OPERATOR'S STATION

SEALING Baffles, COWL PANEL, PLATFORM, AND EXTENSION (HINSON)
R17753 -UN-01JAN94



R 17753

| KEY | PART NO. | PART NAME | QTY | CAB SERIAL NO. | REMARKS |
|-----|----------|-------------|-----|---|---------|
| 1 | R44585 | SEAL | 1 | | |
| 2 | AR51587 | PANEL | 1 | | |
| 3 | 24H1136 | WASHER | 8 | 11/32" X 11/16" X 0.065", (NLA) | |
| 4 | 19H1900 | CAP SCREW | 8 | 5/16" X 3/4" | |
| | 12H303 | LOCK WASHER | 8 | 5/16" | |
| 5 | R45395 | FOAM PAD | 1 | UPPER(NLA) | |
| 6 | R45396 | FOAM PAD | 1 | CENTER(NLA) | |
| 7 | R45401 | PLUG | 6 | (NLA) | |
| 8 | R45398 | PLUG | 1 | (NLA) | |
| 9 | R48737 | FOAM PAD | 1 | | |
| 10 | R46904 | ISOLATOR | 1 | | |
| 11 | R47907 | PANEL | 1 | (NLA) | |
| 12 | | FOAM PAD | 2 | 38 X 51 X 140MM (1-1/2" X 2" X 5-1/2") (MAKE FROM R35339) | |
| 13 | AR53142 | EXTENSION | 1 | R.H. (SUB FOR AR50818) (ALSO ORDER 19H1900, 12H303 AND 24H1136) (NLA) | |
| 14 | 03H1519 | BOLT | 10 | 3/8" X 1" | |
| 15 | 24H1305 | WASHER | 10 | 13/32" X 13/16" X 0.065" | |
| 16 | 14H1076 | NUT | 10 | 3/8" | |
| | 12H304 | LOCK WASHER | 10 | 3/8" | |
| 17 | R47898 | PLATFORM | 1 | (NLA) | |
| 18 | R36415 | ISOLATOR | 1 | REAR(NLA) | |
| 19 | R46904 | ISOLATOR | 2 | | |
| 20 | AR53143 | EXTENSION | 1 | (SUB FOR AR50819) (ALSO ORDER 19H1900, 12H303 AND 24H1136) (NLA) | |
| 21 | 14H1076 | NUT | 2 | 3/8" | |
| | 12H304 | LOCK WASHER | 2 | 3/8" | |
| 22 | 24H1305 | WASHER | 4 | 13/32" X 13/16" X 0.065" | |
| 23 | 28H1495 | SPACER | 2 | 3/8" X 1" | |
| 24 | 19H1726 | CAP SCREW | 2 | 3/8" X 2-1/4" | |
| 25 | 14H732 | NUT | 2 | 3/8" | |
| | 12H304 | LOCK WASHER | 2 | 3/8" | |
| 26 | 24H1305 | WASHER | 2 | 13/32" X 13/16" X 0.065" | |
| 27 | R48378 | WASHER | 2 | | |
| 28 | 19H2791 | CAP SCREW | 2 | 3/8" X 1-3/4" | |
| 29 | | FOAM PAD | 2 | 19 X 19 X 95MM (3/4" X 3/4" X 3-3/4") (MAKE FROM R47941) | |
| 30 | R47941 | ISOLATOR | 2 | | |
| 31 | AR50854 | PANEL | 1 | UPPER FRONT, L.H.(NLA) | |
| 32 | AR50853 | PANEL | 1 | UPPER FRONT, R.H.(NLA) | |

5D21

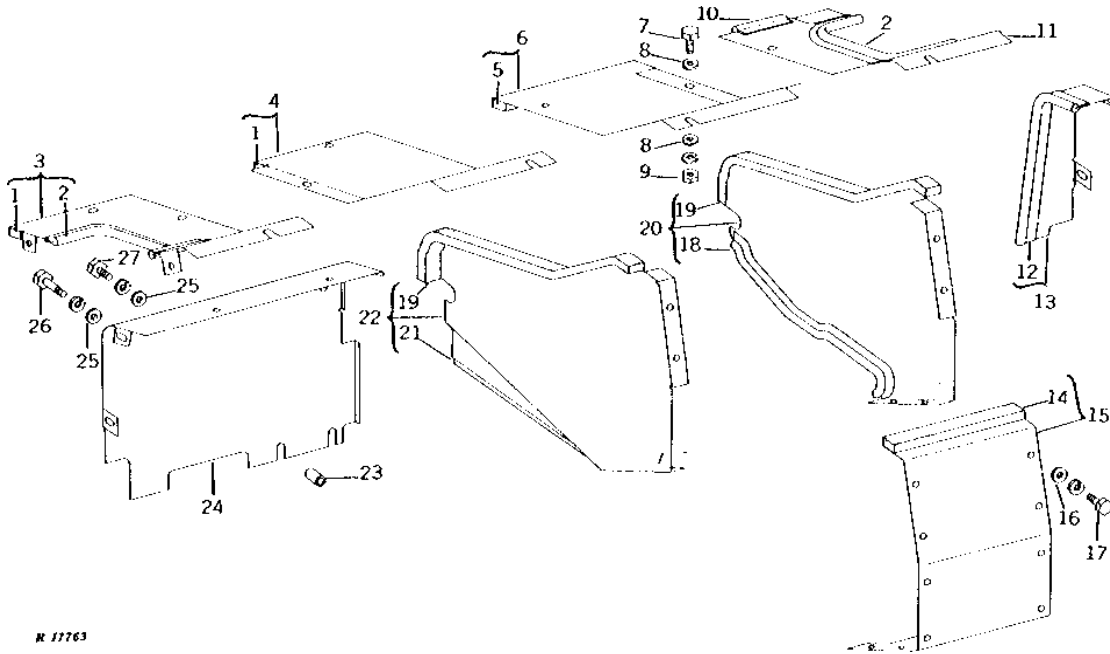
OPERATOR'S STATION

CAB REAR FILLER PANELS

(HINSON)

R17763

-UN-01JAN94



R 17763

| KEY | PART NO. | PART NAME | QTY | CAB SERIAL NO. | REMARKS |
|-----|----------|--------------|-----|----------------|---|
| 1 | | FOAM PAD | 2 | | 13 X 25 X 178MM (1/2" X 1" X 7") (MAKE FROM R30936) |
| 2 | | WEATHERSTRIP | 2 | | 406MM (16") (MAKE FROM R44447) |
| 3 | AR45896 | PANEL | 1 | | OUTER, TOP, L.H.(NLA) |
| 4 | AR46376 | PANEL | 1 | | INNER, TOP, L.H.(NLA) |
| 5 | | FOAM PAD | 1 | | 13 X 25 X 219MM (1/2" X 1" X 8-5/8") (MAKE FROM R30936) |
| 6 | AR46375 | PANEL | 1 | | INNER TOP, R.H.(NLA) |
| | R50605 | BRACE | 1 | | (NLA) |
| 7 | 19H1900 | CAP SCREW | 20 | | 5/16" X 3/4" |
| 8 | 24H1136 | WASHER | 40 | | 11/32" X 11/16" X 0.065" |
| 9 | 14H785 | NUT | 20 | | 5/16" |
| | 12H303 | LOCK WASHER | 20 | | 5/16" |
| 10 | | WEATHERSTRIP | 1 | | 38MM (1-1/2") (MAKE FROM R44447) |
| 11 | AR45895 | PANEL | 1 | | OUTER, TOP, R.H.(NLA) |
| 12 | | WEATHERSTRIP | 1 | | 279MM (11") (MAKE FROM R44447) |
| 13 | AR45902 | PANEL | 1 | | FRONT, R.H.(NLA) |
| 14 | | FOAM PAD | 1 | | 13 X 25 X 203MM (1/2" X 1" X 8") (MAKE FROM R30936) |
| 15 | AR46374 | PANEL | 1 | -252835 | REAR, (SUB AR52708) |
| | AR52708 | PANEL | 1 | 252836- | REAR (NLA) |
| 16 | 24H1136 | WASHER | 8 | | 11/32" X 11/16" X 0.065" |
| 17 | 19H1900 | CAP SCREW | 8 | | 5/16" X 3/4" |
| | 12H303 | LOCK WASHER | 8 | | 5/16" |
| 18 | | WEATHERSTRIP | 1 | | 203MM (8") (MAKE FROM R44447) |
| 19 | | FOAM PAD | 2 | | 13 X 25 X 279MM (1/2" X 1" X 11") (MAKE FROM R30936) |
| 20 | AR45900 | ISOLATOR | 1 | | R.H.(NLA) |
| 21 | | WEATHERSTRIP | 1 | | 178MM (7") (MAKE FROM R44447) |
| 22 | AR45901 | ISOLATOR | 1 | -252835 | L.H. (SUB AR52707) |
| | AR52707 | ISOLATOR | 1 | 252836- | L.H.(NLA) |
| 23 | R27168 | BUSHING | 1 | | |
| 24 | R44533 | PANEL | 1 | | FRONT, L.H.(NLA) |
| 25 | 24H1305 | WASHER | 2 | | 13/32" X 13/16" X 0.065" |
| 26 | 19H1765 | CAP SCREW | 1 | | 3/8" X 1-3/4" |
| | 12H304 | LOCK WASHER | 1 | | 3/8" |
| 27 | 19H1936 | CAP SCREW | 1 | | 3/8" X 3/4" |
| | 12H304 | LOCK WASHER | 1 | | 3/8" |

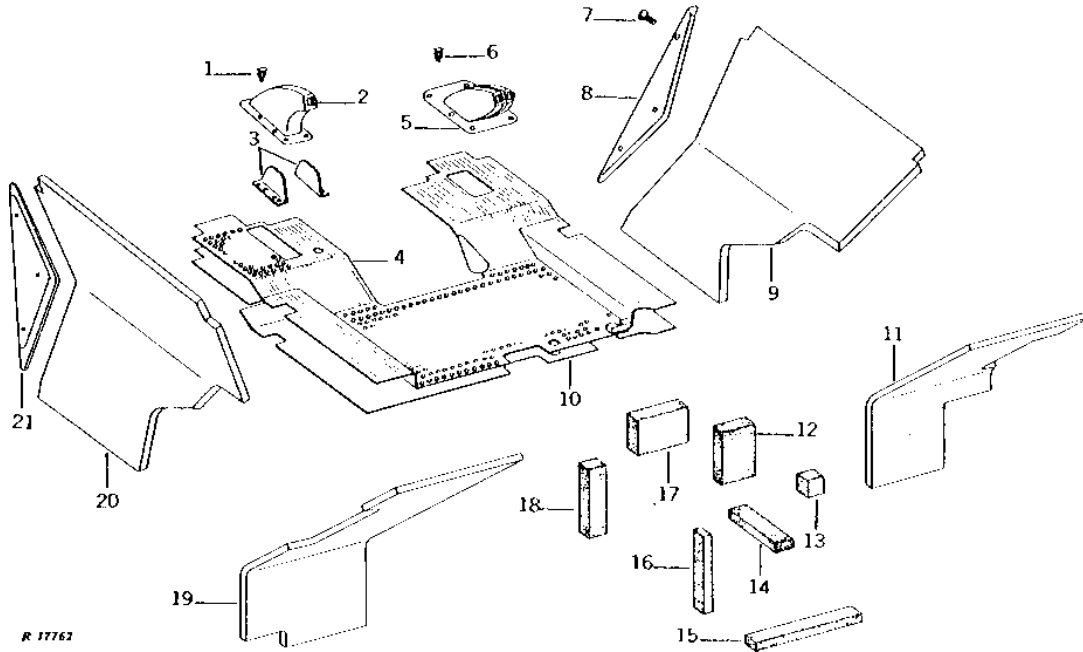
5D22

OPERATOR'S STATION

FLOOR MAT, UPHOLSTERING, AND BAFFLES

(HINSON)

R17762 -UN-01JAN94



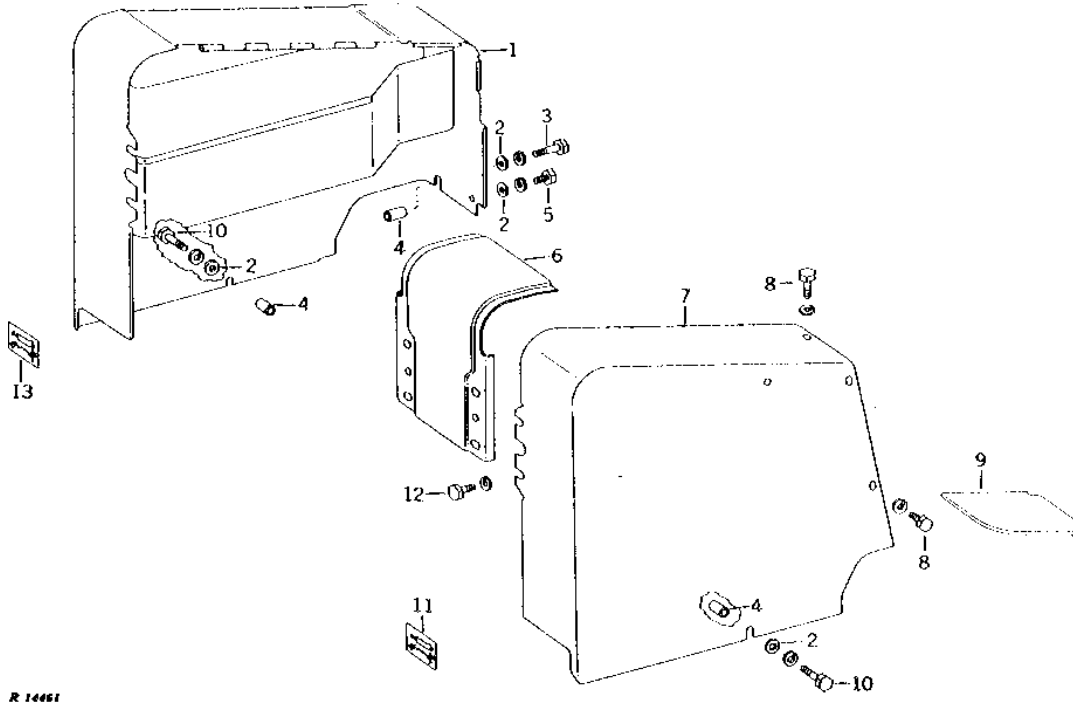
R 17762

| KEY | PART NO. | PART NAME | QTY | CAB SERIAL NO. | REMARKS |
|-----|----------|--------------|-----|----------------|--|
| 1 | R49043 | CLIP | 6 | | |
| 2 | R48150 | BOOT | 1 | | |
| 3 | R49042 | SUPPORT | 2 | | |
| 4 | R48306 | MAT | 1 | | |
| 5 | R48151 | BOOT | 1 | | |
| 6 | R49043 | CLIP | 6 | | (SUB FOR R46038) |
| 7 | 37H79 | SCREW | 6 | | 1/4" X 5/8" |
| 8 | R48279 | COVER | 1 | | |
| 9 | R53203 | FOAM PAD | 1 | | (SUB FOR R48281) |
| 10 | R48308 | FOAM PAD | 1 | | |
| 11 | R47288 | FOAM PAD | 1 | | |
| 12 | R46632 | ISOLATOR | 1 | | R.H. |
| 13 | | FOAM PAD | 1 | | 51 X 51 X 51MM (2" X 2" X 2") (MAKE FROM R35340) |
| 14 | | FOAM PAD | 1 | | 25 X 51 X 229MM (1" X 2" X 9") R.H. (MAKE FROM R28123) |
| 15 | | FOAM PAD | 1 | | 25 X 51 X 330MM (1" X 2" X 13") (MAKE FROM R28123) |
| 16 | | FOAM PAD | 1 | | 25 X 51 X 229MM (1" X 2" X 9") (MAKE FROM R28123) |
| 17 | R46632 | ISOLATOR | 1 | | |
| 18 | | FOAM PAD | 1 | | 51 X 51 X 203MM (2" X 2" X 8") L.H. (MAKE FROM R35340) |
| 19 | R47289 | FOAM PAD | 1 | | |
| 20 | R53204 | FOAM PAD | 1 | | (SUB FOR R48282) |
| 21 | R48280 | COVER | 1 | | |
| .. | R53745 | TAPE | 1 | | 54.86M (180 FT.) (SUB FOR R46662) |
| .. | R46663 | SEALING TRIM | 1 | | 18.29M (60 FT.) |

5D23

OPERATOR'S STATION

HYDRAULIC COVERS
R14461 -UN-01JAN94

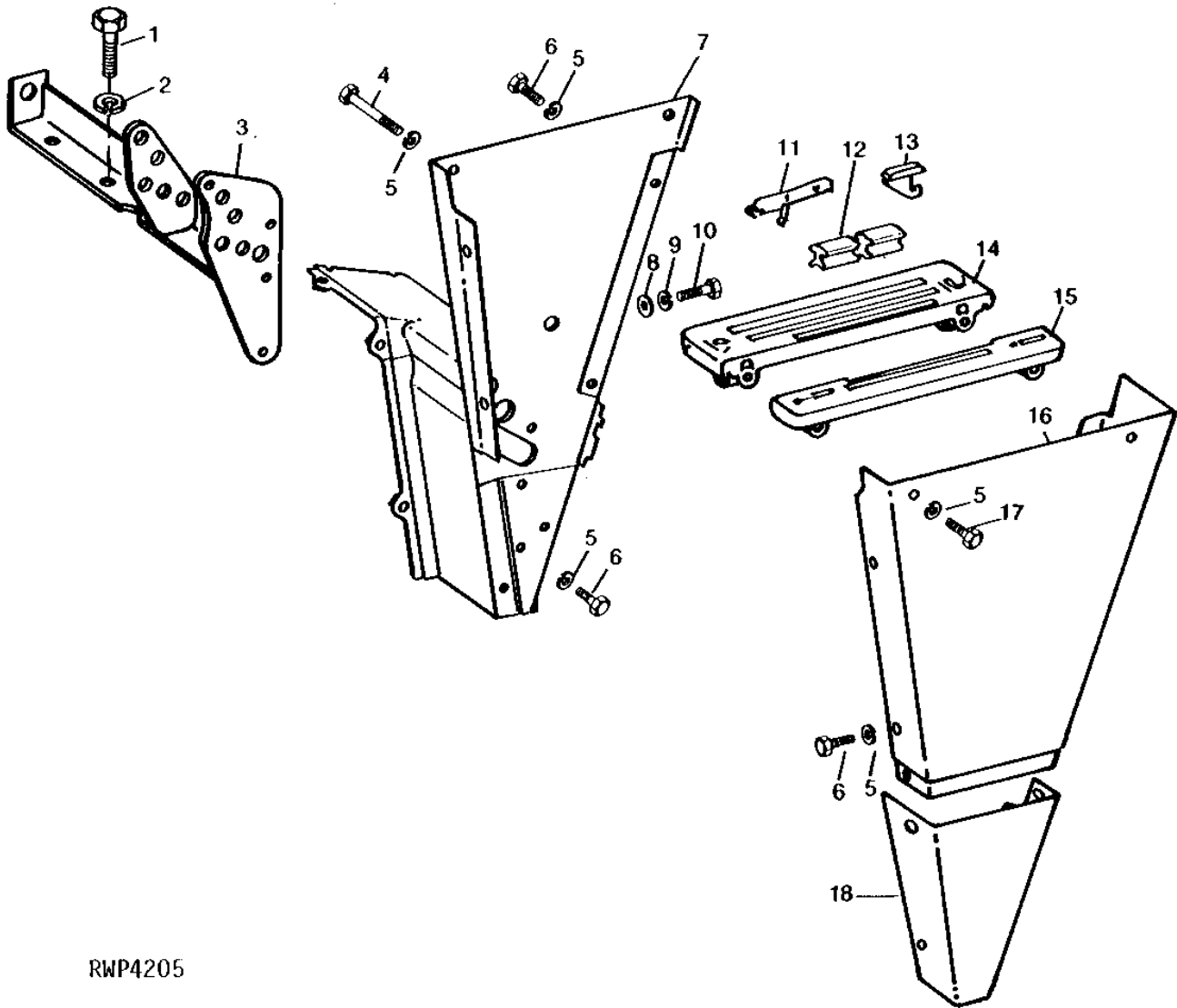


| KEY | PART NO. | PART NAME | QTY | TRACTOR SERIAL NO. | REMARKS |
|-----|----------|-------------|-----|--------------------------|---------|
| 1 | AR40817 | COVER | 1 | L.H. | |
| 2 | 24H1305 | WASHER | 4 | 13/32" X 13/16" X 0.065" | |
| 3 | 19H1800 | CAP SCREW | 1 | 3/8" X 1-1/2" | |
| 4 | 12H304 | LOCK WASHER | 1 | 3/8" | |
| 4 | R27168 | BUSHING | 3 | | |
| 5 | 19H2038 | CAP SCREW | 1 | 3/8" X 1/2" | |
| 6 | 12H304 | LOCK WASHER | 1 | 3/8" | |
| 6 | R41231 | SUPPORT | 1 | | |
| 7 | AR41599 | COVER | 1 | REAR, R.H. | |
| 8 | R45879 | SUPPORT | 1 | (4000 SERIES)(NLA) | |
| 8 | 19H1900 | CAP SCREW | 4 | 5/16" X 3/4" | |
| 8 | 12H303 | LOCK WASHER | 4 | 5/16" | |
| 9 | R41663 | SHIELD | 1 | (NLA) | |
| 10 | 19H1765 | CAP SCREW | 2 | 3/8" X 1-3/4" | |
| 10 | 12H304 | LOCK WASHER | 2 | 3/8" | |
| 11 | R44315 | LABEL | 1 | R.H. | |
| 12 | 19H1936 | CAP SCREW | 4 | 3/8" X 3/4" | |
| 12 | 12H304 | LOCK WASHER | 4 | 3/8" | |
| 13 | R41933 | LABEL | 1 | R.H. | |

5D24

OPERATOR'S STATION

ROCKSHAFT AND SELECTIVE CONTROL CONSOLE
RWP4205 -UN-01JAN94



RWP4205

5D25

OPERATOR'S STATION

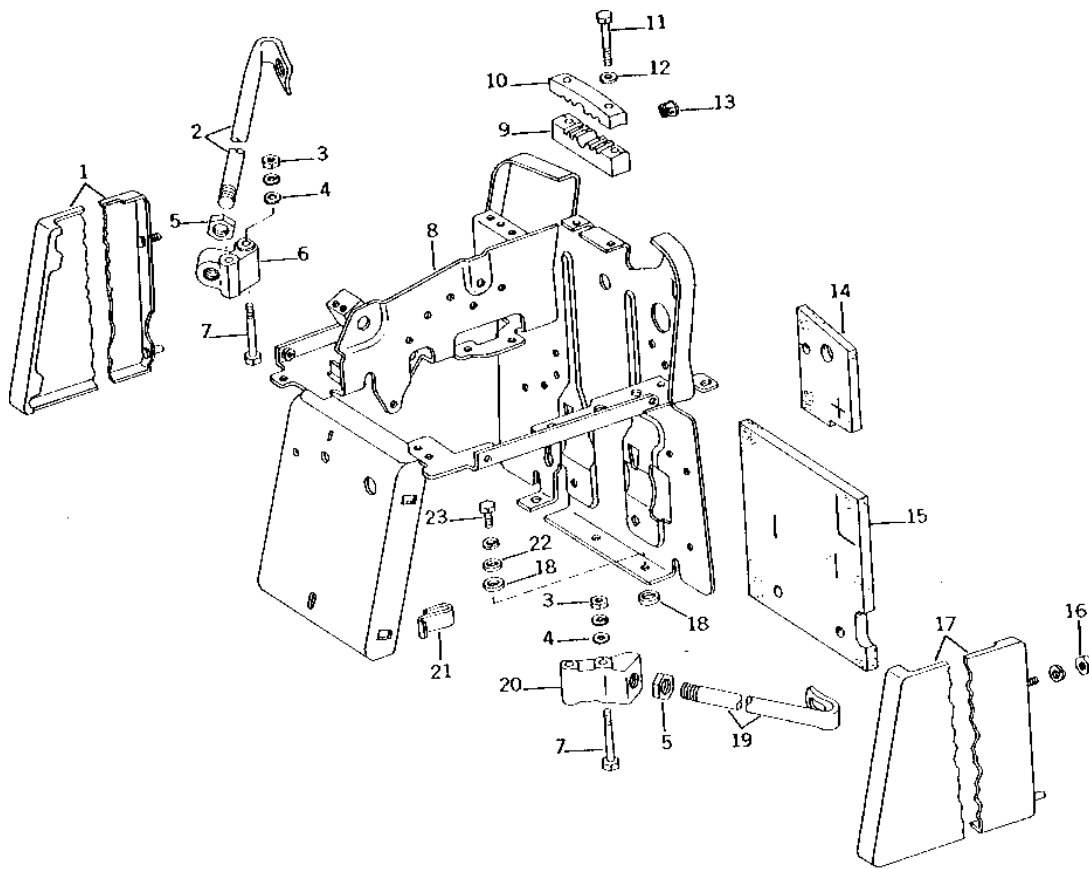
ROCKSHAFT AND SELECTIVE CONTROL CONSOLE - CONTINUED

| KEY | PART NO. | PART NAME | QTY | TRACTOR SERIAL NO. | REMARKS |
|-----|----------|-------------|-----|-----------------------|---|
| 1 | 19H1815 | CAP SCREW | 2 | | 1/2" X 1-1/4" |
| 2 | 12H301 | LOCK WASHER | 2 | | 1/2" |
| 3 | AR40806 | BRACKET | 1 | | (NLA) |
| 4 | 19H1921 | CAP SCREW | 2 | | 5/16" X 3-1/4" |
| 5 | 12H303 | LOCK WASHER | 16 | | 5/16" |
| 6 | 19H1900 | CAP SCREW | 12 | | 5/16" X 3/4" |
| 7 | AR43123 | COVER | 1 | | (NLA) |
| 8 | 24H1305 | WASHER | 2 | | 13/32" X 13/16" X 0.065" |
| 9 | 12H304 | LOCK WASHER | 2 | | 3/8" |
| 10 | 19H1936 | CAP SCREW | 1 | | 3/8" X 3/4" |
| | 19H2038 | CAP SCREW | 1 | | 3/8" X 1/2" |
| 11 | R51302 | SPRING | 1 | | (SUB FOR AR55421) |
| 12 | R54533 | STOP | 1 | | SELECTIVE CONTROL VALVE STOP, (SUB FOR AR62598) |
| 13 | AR53792 | STRAP | 1 | | SELECTIVE CONTROL LEVER STOP(NLA) |
| 14 | R41194 | GUIDE | 1 | | |
| 15 | R41760 | GUIDE | 1 | | |
| 16 | AR40812 | COVER | 1 | | (NLA) |
| | AR47752 | COVER | 1 | | (POWER WEIGHT TRANSFER HITCH)(NLA) |
| 17 | 19H2020 | CAP SCREW | 2 | | 5/16" X 1/2" |
| 18 | AR41602 | COVER | 1 | | (NLA) |

5E1

OPERATOR'S STATION

CONTROL SUPPORT AND COVERS
R17615 -UN-01JAN94



R 17615

5E2

OPERATOR'S STATION

CONTROL SUPPORT AND COVERS - CONTINUED

| KEY | PART NO. | PART NAME | QTY | TRACTOR SERIAL NO. | REMARKS |
|-------|----------|-------------|-----|--------------------|---|
| 1 | AR40585 | COVER | 1 | | L.H. |
| 2 | R33767 | SUPPORT | 1 | | (A) L.H.(NLA) |
| 3 | 14H1076 | NUT | 2 | | (A) 3/8" |
| | 12H304 | LOCK WASHER | 4 | | (A) 3/8" |
| 4 | 24H1305 | WASHER | 4 | | 13/32" X 13/16" X 0.065" |
| 5 | C985R | NUT | 2 | | (A) |
| 6 | R34743 | BRACKET | 1 | | (A) L.H.(NLA) |
| 7 | 19H1944 | CAP SCREW | 4 | | (A) 3/8" X 2-3/4" |
| 8 | AR51071 | SUPPORT | 1 | | (SUB FOR AR42629 OR AR50516) (NLA) |
| 9 | R41442 | CLAMP | 1 | | LOWER, (GASOLINE AND DIESEL) |
| | R41443 | CLAMP | 1 | | LOWER, (LP-GAS)(NLA) |
| 10 | R41438 | CLAMP | 1 | | UPPER |
| 11 | 19H2334 | CAP SCREW | 2 | | 1/4" X 2-1/2" |
| 12 | 24H1287 | WASHER | 2 | | 9/32" X 5/8" X 0.065" |
| 13 | R36590 | PLUG | 1 | | |
| 14 | R41435 | FOAM PAD | 1 | | UPPER, (SUB AR65967) |
| 15 | R41436 | FOAM PAD | 1 | | LOWER, (SUB AR65967) |
| 16 | 14H785 | NUT | 2 | | 5/16" |
| | 12H303 | LOCK WASHER | 2 | | 5/16" |
| 17 | AR40584 | COVER | 1 | | R.H. |
| | | INSULATOR | 1 | | 25 X 25 X 102MM (1" X 1" X 4") (MAKE FROM R30937) |
| 18 | R48378 | WASHER | 10 | 250001- | (B) |
| 19 | R27941 | SUPPORT | 1 | | (A) R.H. |
| 20 | R38341 | BRACKET | 1 | | (A) R.H.(NLA) |
| 21 | R42275 | CLIP | 4 | | |
| 22 | A4624R | WASHER | 5 | | (B) |
| 23 | 19H1936 | CAP SCREW | 5 | | 3/8" X 3/4" |
| | R41041 | CAP SCREW | 5 | 250001- | (B) |
| | 12H304 | LOCK WASHER | 5 | | 3/8" |
| .. | R45395 | FOAM PAD | 1 | | (B) UPPER (NLA) |
| .. | R45396 | FOAM PAD | 1 | | (B) CENTER(NLA) |
| .. | R45397 | INSULATOR | 1 | | (B) |
| .. | R45398 | PLUG | 1 | | (B) (NLA) |
| .. | R45401 | PLUG | 3 | | (B) (NLA) |

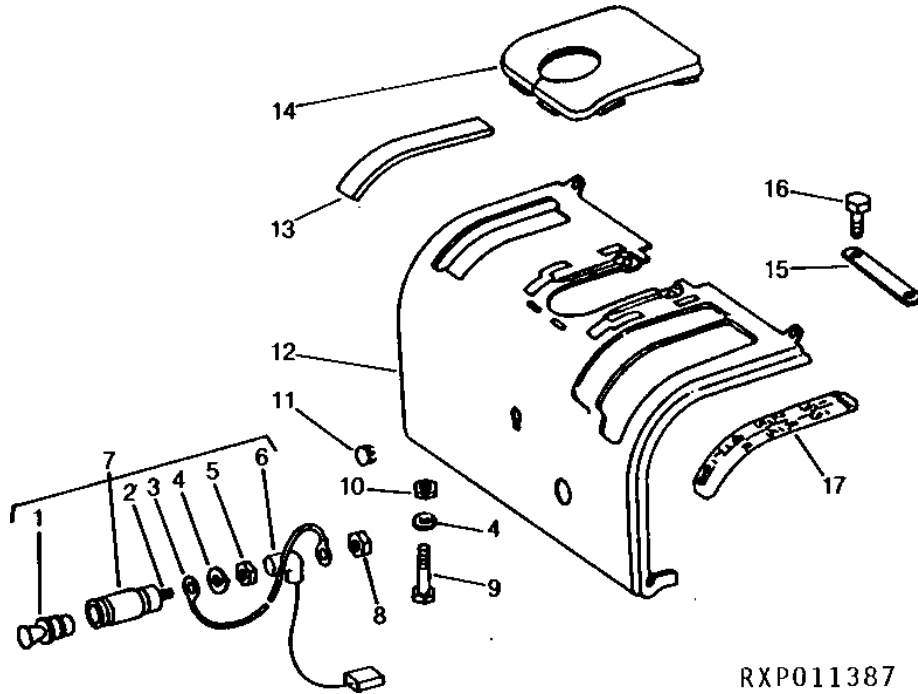
(A) HI-CROP

(B) CAB

5E3

OPERATOR'S STATION

DASH AND COVER
RXP011387 -UN-17OCT94



RXP011387

| KEY | PART NO. | PART NAME | QTY | TRACTOR SERIAL NO. | REMARKS |
|-----|----------|------------------|-----|--------------------|--|
| 1 | AR60937 | LIGHTER | 1 | | (SUB FOR AA5787R) |
| 2 | | CIRCUIT BREAKER | 1 | | (NOT REQUIRED) |
| 3 | | WIRING LEAD | 1 | | 23MM (9") (MAKE FROM R32007, R32018, R32025 AND R32027) (FROM AR84006) |
| 4 | 12M7084 | LOCK WASHER | 1 | | 0.169" |
| 5 | 14H605 | NUT | 1 | | 0.164" |
| 6 | AR94130 | WIRING LEAD | 1 | | |
| 7 | AR48643 | LIGHTER | 1 | | (SUB FOR AR46079) (12-VOLT) |
| 8 | 14H631 | NUT | 1 | | 0.190" |
| 9 | 19H2284 | CAP SCREW | 2 | | 3/8" X 7/8" |
| | 12H304 | LOCK WASHER | 2 | | 3/8" |
| 10 | 14H1076 | NUT | 2 | | 3/8" |
| 11 | M42229 | PLUG | 1 | | (SUB FOR T11708) (GASOLINE AND LP-GAS) |
| 12 | AR49632 | INSTRUMENT PANEL | 1 | | (A) (SUB FOR AR40825) |
| | AR49631 | INSTRUMENT PANEL | 1 | | (B) (SUB FOR AR40826) |
| | R32289 | GROMMET | 1 | | (B) (LESS DISCONNECT CLUTCH LINKAGE) |
| 13 | R45405 | ISOLATOR | 1 | | (LESS PTO) |
| | R53293 | LABEL | 1 | | (A) (SUB FOR R44951) |
| | R53294 | LABEL | 1 | | (B) (SUB FOR R44952) |
| 14 | R41604 | COVER | 1 | | (GASOLINE AND DIESEL) |
| | R41605 | COVER | 1 | | (LP-GAS) |
| | R45262 | COVER | 1 | | (4000 SERIES) |
| 15 | R40925 | PLATE | 1 | | |
| 16 | 19H1900 | CAP SCREW | 2 | | 5/16" X 3/4" |
| 17 | R40676 | LABEL | 1 | | (A) |
| | R40504 | LABEL | 1 | | (B) |
| | R40505 | LABEL | 1 | | (B) |

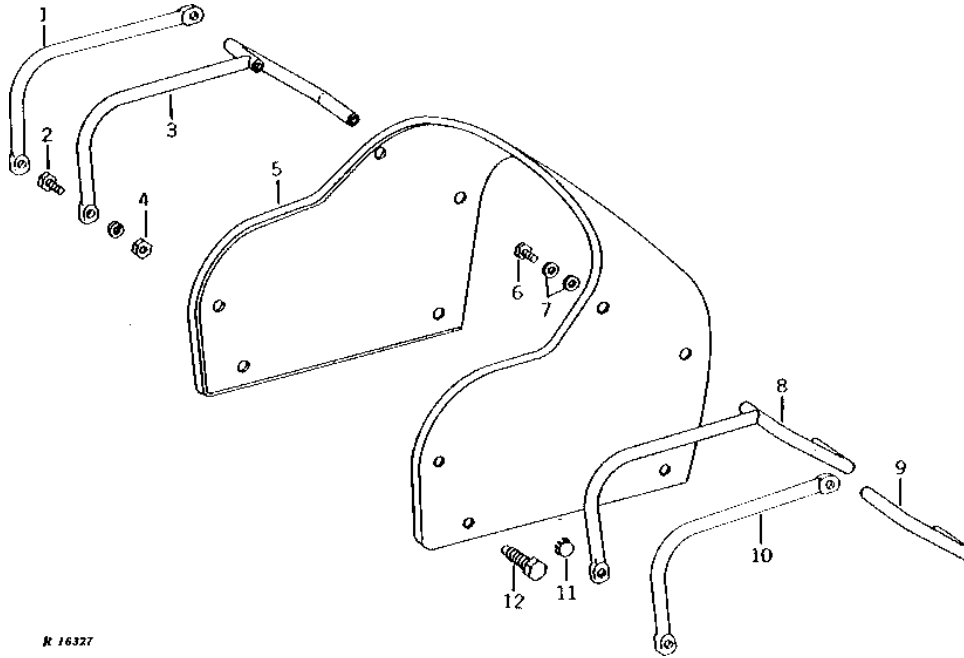
(A) SYNCRO-RANGE

(B) POWER SHIFT

5E4

OPERATOR'S STATION

COWL
R16327 -UN-01JAN94



R 16327

| KEY | PART NO. | PART NAME | QTY | TRACTOR SERIAL NO. | REMARKS |
|-----|----------|-------------|-----|--|---------|
| 1 | R45540 | ARMREST | 1 | (A) L.H. (SUB AR45370) | |
| 2 | 19H1731 | CAP SCREW | 1 | 3/8" X 1" | |
| 3 | AR45370 | HANDLE | 1 | (B) L.H. | |
| 4 | 14H1076 | NUT | 1 | 3/8" | |
| | 12H304 | LOCK WASHER | 1 | 3/8" | |
| 5 | AR41584 | COWL | 1 | (SUB FOR AR45371) | |
| 6 | 19H1936 | CAP SCREW | 4 | 3/8" X 3/4" | |
| 7 | 24H1305 | WASHER | 8 | 13/32" X 13/16" X 0.065" | |
| 8 | AR45369 | HANDLE | 1 | (B) R.H. (POWER SHIFT) | |
| 9 | R31618 | HANDLE | 1 | (B) (SYNCRO-RANGE) | |
| 10 | R45369 | ARMREST | 1 | (A) (POWER SHIFT) (SUB FOR R45439) (NLA) | |
| 11 | R42451 | PLUG | 1 | (SUB T15005) | |
| 12 | AR26568 | SCREW | 4 | | |

(A) CAB

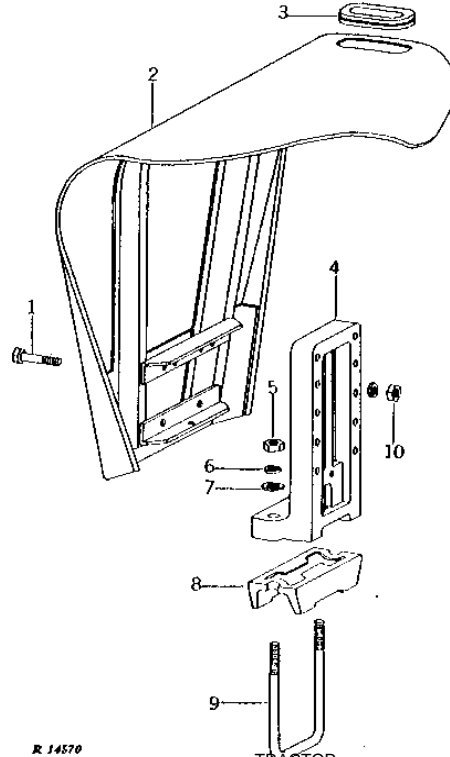
(B) LESS CAB

5E5

OPERATOR'S STATION

**FENDERS
(ROW-CROP)**

R14570 -UN-01JAN94



| KEY | PART NO. | PART NAME | QTY | TRACTOR SERIAL NO. | REMARKS |
|--------|----------|-------------|---------|--|---|
| 1 | 19H1974 | CAP SCREW | 4 | | 1/2" X 2-3/4" |
| | 19H1820 | CAP SCREW | 4 | | 1/2" X 3", (ROLL-GARD) |
| | 12H301 | LOCK WASHER | 4 | | 1/2", (ROLL-GARD) |
| 2 | AR26595 | FENDER | 1 | -250000 | R.H. (SUB AR48872) |
| | AR48872 | FENDER | 1 | 250001- | (SUB RE13878) R.H. |
| | AR51444 | FENDER | 1 | 250001- | (A) R.H. (NLA) |
| | AR51446 | FENDER | 1 | 250001- | (A) R.H. |
| | AR45453 | FENDER | 1 | -250000 | L.H. (SUB AR48873) |
| | AR48873 | FENDER | 1 | 250001- | (SUB RE13879) L.H. |
| | AR51445 | FENDER | 1 | 250001- | (A) L.H.(NLA) |
| | AR51447 | FENDER | 1 | 250001- | (A) L.H.(NLA) |
| R82425 | LABEL | 1 | 250001- | L.H. (SUB FOR R47739, R51821, R76341 OR R69270) (SUB R87529) | |
| 3 | R20759 | GROMMET | 1 | | |
| 4 | R64540 | SUPPORT | 1 | | (SUB FOR R41296 OR R54541) (SUB R70588) |
| | R48397 | SUPPORT | 1 | 250001- | (A) (SUB R70588) |
| 5 | 14H1039 | NUT | 2 | | 5/8" |
| 6 | 12H294 | LOCK WASHER | 2 | | 5/8" |
| 7 | 24H1139 | WASHER | 2 | | 11/16" X 1-1/4" X 0.105" |
| 8 | R39766 | SPACER | 1 | -250000 | (23.1-30 TIRES)(NLA) |
| 9 | R26992 | U-BOLT | 1 | | |
| | R39767 | U-BOLT | 1 | -250000 | (23.1-30 TIRES) |
| 10 | 14H1040 | NUT | 4 | | 1/2" |
| | 12H301 | LOCK WASHER | 4 | | 1/2" |

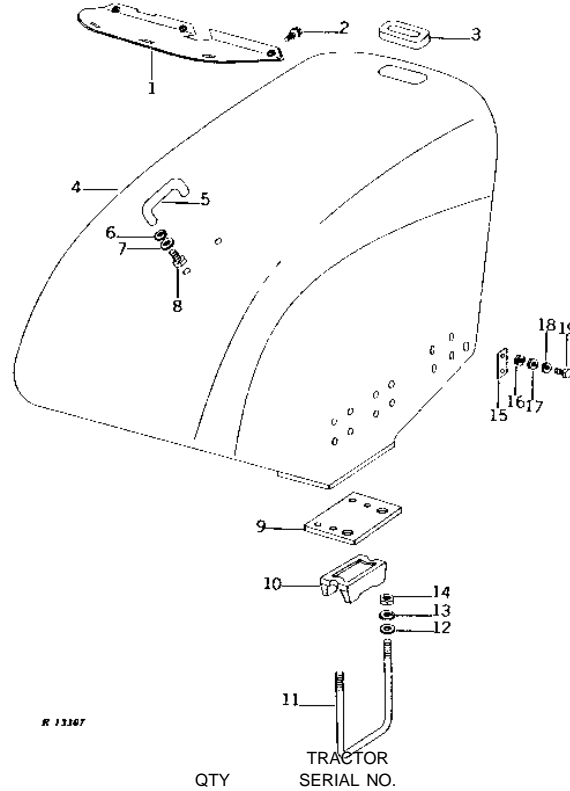
(A) 18.4-38, 20.8-34 OR 23.1-30 TIRES AND NO ROLL-GARD

5E6

OPERATOR'S STATION

**FENDERS
(STANDARD)**

R13307 -UN-01JAN94



| KEY | PART NO. | PART NAME | QTY | TRACTOR SERIAL NO. | REMARKS |
|-----|----------|-------------|-----|--------------------|---|
| 1 | AR35271 | SHIELD | 1 | | L.H.(NLA) |
| | AR35270 | SHIELD | 1 | | R.H. |
| 2 | AR26568 | SCREW | 3 | | |
| 3 | R20759 | GROMMET | 1 | | |
| 4 | AR49063 | FENDER | 1 | | L.H. (SUB FOR AR40998) (NLA) |
| | AR81651 | FENDER | 1 | | (SUB FOR AR40997 OR AR49062) (NLA) |
| | R87529 | LABEL | 1 | 250001- | L.H. (SUB FOR R47739, R51821, R76341, R69270 OR R82425) |
| 5 | R31618 | HANDLE | 1 | | |
| 6 | 24H1309 | WASHER | 2 | | 13/32" X 1-1/16" X 0.120" |
| 7 | R27441 | WASHER | 2 | | |
| 8 | 19H1936 | CAP SCREW | 2 | | 3/8" X 3/4" |
| 9 | R42602 | PLATE | 1 | | (NLA) |
| 10 | R39766 | SPACER | 2 | | (A) (NLA) |
| 11 | R26992 | U-BOLT | 2 | | |
| | R39767 | U-BOLT | 2 | | (A) |
| 12 | 24H1139 | WASHER | 4 | | 11/16" X 1-1/4" X 0.105" |
| 13 | 12H294 | LOCK WASHER | 4 | | 5/8" |
| 14 | 14H1039 | NUT | 4 | | 5/8" |
| 15 | R26789 | STRAP | 1 | | (A) |
| 16 | 14H786 | NUT | 1 | | (A) 1/4" |
| 17 | 12H302 | LOCK WASHER | 1 | | (A) 1/4" |
| 18 | 24H1287 | WASHER | 1 | | (A) 9/32" X 5/8" X 0.065" |
| 19 | 19H1919 | CAP SCREW | 1 | | (A) 1/4" X 5/8" |

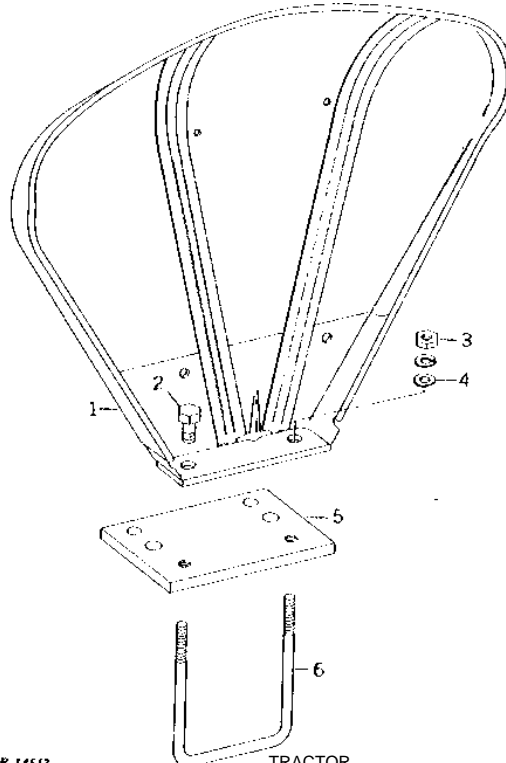
(A) 18.4-38, 20.8-34 OR 23.1-30 TIRES

5E7

OPERATOR'S STATION

**FENDERS
(HI-CROP)**
R14517

-UN-01JAN94

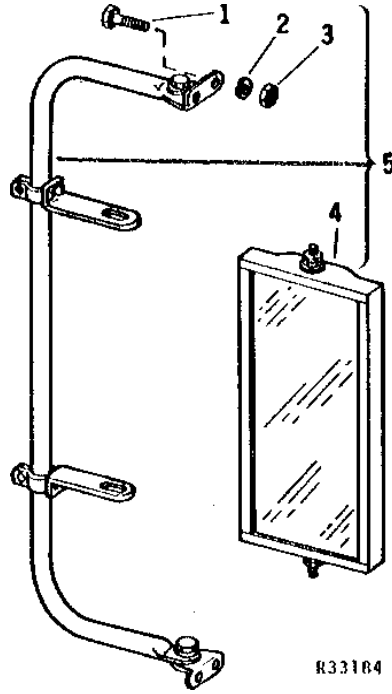


| KEY | PART NO. | PART NAME | QTY | TRACTOR SERIAL NO. | REMARKS |
|-----|----------|-------------|-----|--------------------|---|
| 1 | AR31939 | FENDER | 1 | -250000 | R.H. (SUB AR48976) |
| | AR48976 | FENDER | 1 | 250001- | R.H.(NLA) |
| | AR45477 | FENDER | 1 | -250000 | L.H. (SUB AR48977) |
| | AR48977 | FENDER | 1 | 250001- | L.H.(NLA) |
| | R87529 | LABEL | 1 | 250001- | L.H. (SUB FOR R47739, R51821, R76341, R69270 OR R82425) |
| 2 | 19H2369 | CAP SCREW | 4 | | 3/4" X 1", (ROLL-GARD) |
| 3 | 14H794 | NUT | 4 | | 3/4" |
| | 12H236 | LOCK WASHER | 4 | | 3/4" |
| 4 | 24H1139 | WASHER | 4 | | 11/16" X 1-1/4" X 0.105" |
| 5 | R42580 | PLATE | 2 | | (ROLL-GARD)(NLA) |
| 6 | R26992 | U-BOLT | 2 | | (LESS ROLL-GARD) |

5E8

OPERATOR'S STATION

OUTSIDE MIRROR
R33184 -UN-01JAN94

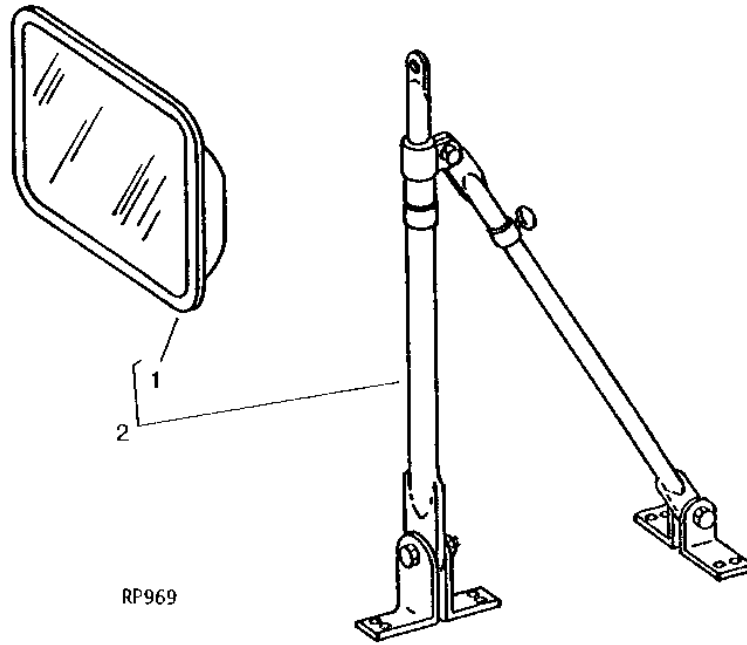


| KEY | PART NO. | PART NAME | QTY | CAB SERIAL NO. | REMARKS |
|-----|----------|------------------|-----|-------------------|---------|
| 1 | 19H1948 | CAP SCREW | 1 | 1/4" X 3/4" | |
| 2 | 12H302 | LOCK WASHER | 1 | 1/4" | |
| 3 | 14H786 | NUT | 1 | 1/4" | |
| 4 | AR52555 | REAR VIEW MIRROR | 1 | | |
| 5 | AR52554 | REAR VIEW MIRROR | 1 | | |

5E9

OPERATOR'S STATION

REAR VIEW MIRROR
RP969 -UN-01JAN94

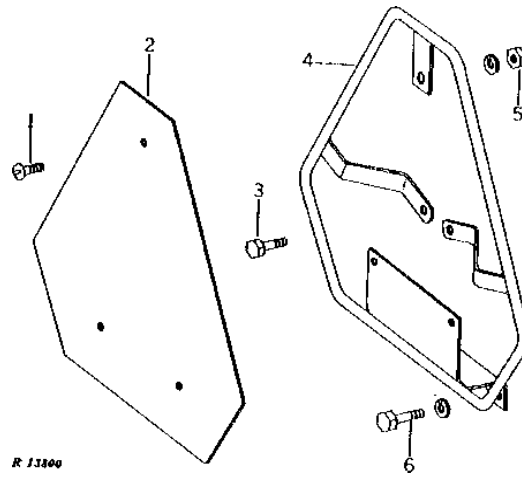


| KEY | PART NO. | PART NAME | QTY | TRACTOR SERIAL NO. | REMARKS |
|-----|----------|------------------|-----|-----------------------------------|---------------|
| 1 | AH16186 | REAR VIEW MIRROR | 1 | (SUB FOR AR44255) | (SUB AH99409) |
| 2 | AR44254 | REAR VIEW MIRROR | 1 | (SUB AH85438, AR89137 AND H78354) | |

5E10

OPERATOR'S STATION

SLOW MOVING VEHICLE EMBLEM
R13800 -UN-01JAN94



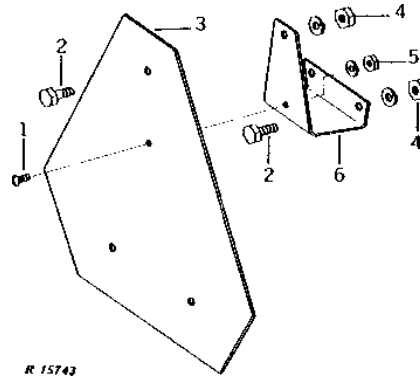
| KEY | PART NO. | PART NAME | QTY | TRACTOR SERIAL NO. | REMARKS |
|-----|----------|-------------|-----|--------------------|---------|
| 1 | 21H1295 | SCREW | 3 | 0.190" X 5/8" | |
| 2 | JD5403 | SMV EMBLEM | 1 | | |
| 3 | 19H1900 | CAP SCREW | 2 | 5/16" X 3/4" | |
| 4 | AR46282 | SUPPORT | 1 | | |
| 5 | 14H778 | NUT | 3 | 0.190" | |
| | 12H246 | LOCK WASHER | 3 | 0.190" | |
| 6 | 19H1849 | CAP SCREW | 2 | 5/16" X 1-1/4" | |
| | 12H303 | LOCK WASHER | 2 | 5/16" | |

5E11

OPERATOR'S STATION

**SLOW MOVING VEHICLE EMBLEM
(WITH CAB)**

R15743 -UN-01JAN94



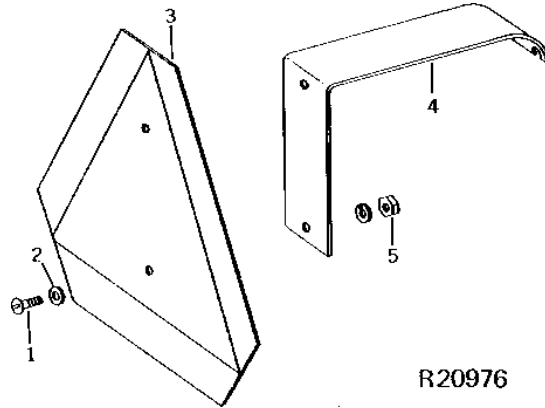
R 15743

| KEY | PART NO. | PART NAME | QTY | TRACTOR SERIAL NO. | REMARKS |
|-----|----------|-------------|-----|--------------------|---------|
| 1 | 21H1295 | SCREW | 1 | 0.190" X 5/8" | |
| 2 | 19H2644 | CAP SCREW | 3 | 1/2" X 2-1/2" | |
| 3 | JD5403 | SMV EMBLEM | 1 | | |
| 4 | 14H785 | NUT | 3 | 5/16" | |
| | 12H303 | LOCK WASHER | 3 | 5/16" | |
| 5 | 14H778 | NUT | 1 | 0.190" | |
| | 12H246 | LOCK WASHER | 1 | 0.190" | |
| 6 | AR47859 | BRACKET | 1 | (NLA) | |

5E12

OPERATOR'S STATION

SLOW MOVING VEHICLE EMBLEM
R20976 -UN-01JAN94



R20976

| KEY | PART NO. | PART NAME | QTY | TRACTOR SERIAL NO. | REMARKS |
|-----|----------|-------------|-----|--------------------|-------------------------|
| 1 | 21H1295 | SCREW | 2 | | 0.190" X 5/8" |
| 2 | 24H1283 | WASHER | 2 | | 7/32" X 1/2" X 0.049" |
| 3 | JD5403 | SMV EMBLEM | 1 | | |
| 4 | R55932 | BRACKET | 1 | | (NLA) |
| 5 | 14H778 | NUT | 2 | | 0.190" |
| | 12H246 | LOCK WASHER | 2 | | 0.190" |
| .. | AR62262 | BRACKET | 1 | | (SUB FOR AT29175) (NLA) |

5E13

OPERATOR'S STATION

**PARTS FOR WEATHERSHIELDS
(NOT ILLUSTRATED)**

| KEY | PART NO. | PART NAME | QTY | TRACTOR SERIAL NO. | REMARKS |
|-----|----------|------------|-----|-----------------------|---------|
| .. | AR20143 | WINDOWPANE | 2 | (A) (NLA) | |
| .. | AR30516 | WINDOW | 2 | (A) (NLA) | |
| .. | R20123 | WINDSHIELD | 1 | (A) | |
| .. | R20124 | FRAME | 2 | (A) (NLA) | |

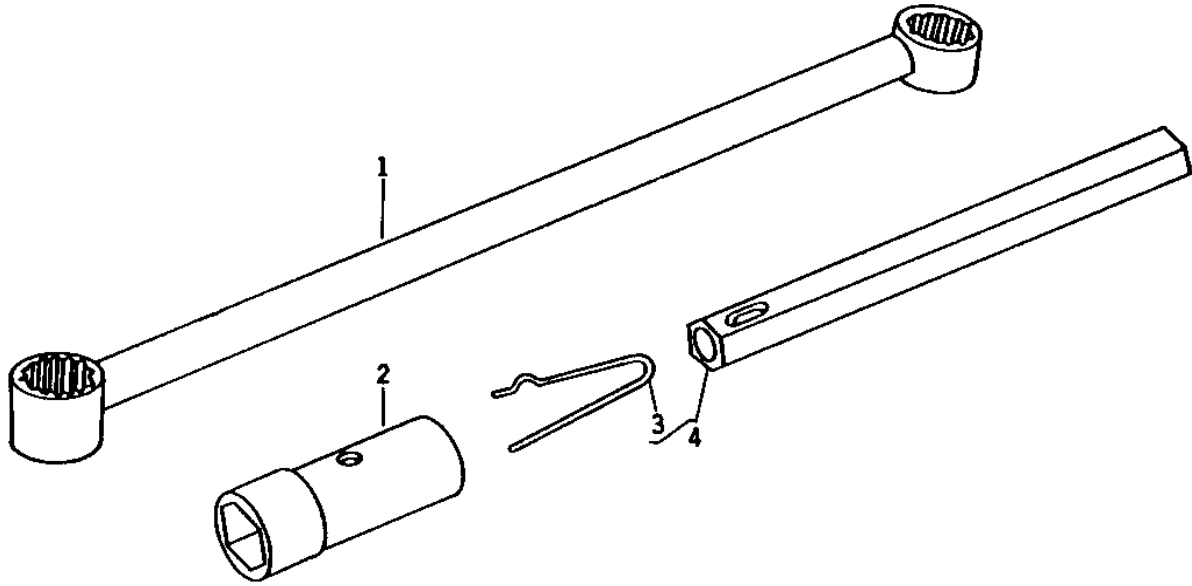
(A) ROW-CROP AND STANDARD

5E14

OPERATOR'S STATION

TOOLS
R32260

-UN-12OCT94



R32260F

| KEY | PART NO. | PART NAME | QTY | TRACTOR SERIAL NO. | REMARKS |
|-----|----------|--------------------|-----|--------------------|---------|
| 1 | R34827 | WRENCH | 1 | | |
| 2 | AR39683 | WRENCH | 1 | | |
| 3 | R39739 | SPRING LOCKING PIN | 1 | | |
| 4 | AR39682 | EXTENSION | 1 | | |

5E15

OPERATOR'S STATION

LOCTITE SEALANT
R32259 -UN-01JAN94



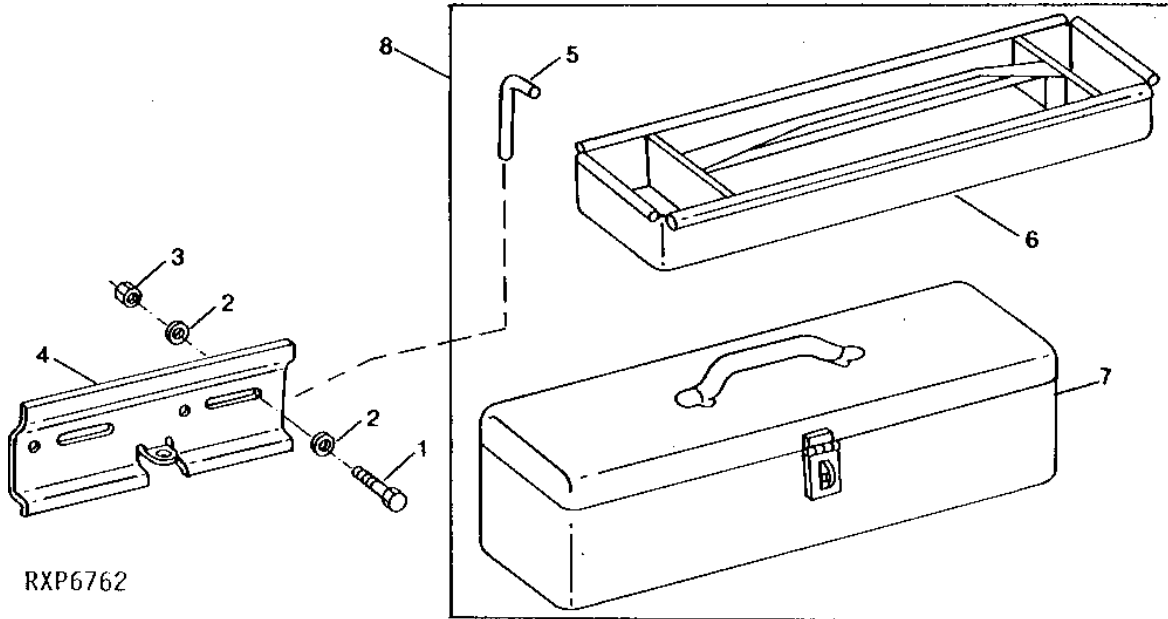
R32259F

| KEY | PART NO. | PART NAME | QTY | TRACTOR SERIAL NO. | REMARKS |
|-----|----------|-----------|-----|--------------------|------------------------------------|
| 1 | TY9371 | ADHESIVE | 1 | | 2CC. (SUB FOR AT14927 AND AT24538) |

5E16

OPERATOR'S STATION

TOOLBOX AND SUPPORTS
RXP6762 -UN-01JAN94



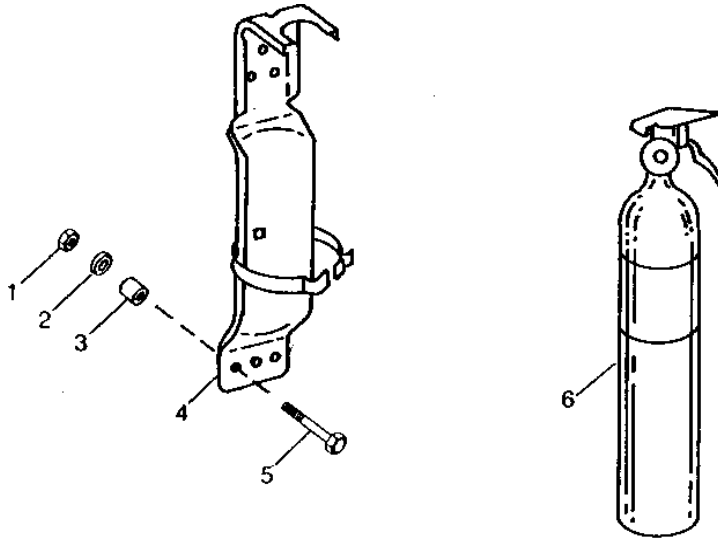
RXP6762

| KEY | PART NO. | PART NAME | QTY | TRACTOR SERIAL NO. | REMARKS |
|-----|----------|-------------|-----|--------------------|---------|
| 1 | 14H1039 | NUT | 2 | 5/8" | |
| 2 | 12H294 | LOCK WASHER | 2 | 5/8" | |
| 3 | T23027 | PIN | 1 | | |
| 4 | T23033 | BRACKET | 1 | | |
| 5 | AT22073 | HOLDER | 1 | | |
| 6 | 03H1855 | BOLT | 2 | 5/8" X 1" | |
| 7 | AT22070 | TOOLBOX | 1 | | |
| 8 | JD5272 | LABEL | 1 | -XXXXXX | |
| | JD5602 | LABEL | 1 | XXXXXX- | |

5E17

OPERATOR'S STATION

FIRE EXTINGUISHER
RWP2787 -UN-01JAN94



RWP2787

| KEY | PART NO. | PART NAME | QTY | SG BODY SERIAL NO. | REMARKS |
|-----|----------|-------------------|-----|--|---------|
| 1 | 14H786 | NUT | 2 | 1/4" | |
| 2 | 24H1287 | WASHER | 2 | 9/32" X 5/8" X 0.065" | |
| 3 | 28H1914 | BUSHING | 2 | | |
| 4 | AT75387 | BRACKET | 1 | (SUB FOR AT62019) | |
| 5 | 21H1035 | SCREW | 2 | 1/4" X 1-1/2" | |
| 6 | AT168165 | FIRE EXTINGUISHER | 1 | (SUB FOR AT62018, AT141924 OR AT81764) | |

1J11

TRACTOR - 4000 AND 4020 (SERIAL NO. 201000-) TRACTORS

NUMERICAL INDEX

| PART NO. | GRID | KEY | PAGE | PART NO. | GRID | KEY | PAGE | PART NO. | GRID | KEY | PAGE |
|----------|------|-----|----------|----------|------|-----|----------|----------|------|-----|----------|
| AA14850 | 4E25 | 20 | 70 - 103 | AF316R | 3F3 | 11 | 50 - 101 | AR100161 | 2E7 | 1 | 40 - 81 |
| AA15042 | 4F22 | 19 | 70 - 127 | AF3583R | 1D10 | 12 | 30 - 1 | AR100384 | 1B11 | 4 | 20 - 6 |
| AA15043 | 4F22 | 17 | 70 - 127 | AF3892R | 2B25 | 12 | 40 - 19 | AR100386 | 1B11 | 4 | 20 - 6 |
| AA32178 | 2C6 | .. | 40 - 25 | AF3892R | 2B25 | 19 | 40 - 19 | AR10094 | 1G13 | 11 | 30 - 74 |
| AA3495R | 2B25 | 9 | 40 - 19 | AF3892R | 2C1 | 11 | 40 - 20 | AR10095 | 1E5 | 8 | 30 - 21 |
| AA3495R | 2B25 | 14 | 40 - 19 | AF3892R | 2C1 | 18 | 40 - 20 | AR10096 | 1E5 | 6 | 30 - 21 |
| AA3495R | 2C1 | 9 | 40 - 20 | AF3892R | 2C2 | 2 | 40 - 21 | AR10104 | 1E4 | 32 | 30 - 20 |
| AA34967 | 2C6 | 3 | 40 - 25 | AF3892R | 2C3 | 2 | 40 - 22 | AR10108 | 1E5 | 29 | 30 - 21 |
| AA34968 | 2C6 | 23 | 40 - 25 | AF3892R | 2C3 | 30 | 40 - 22 | AR10108 | 1E7 | 24 | 30 - 23 |
| AA4029R | 4H14 | 4 | 80 - 21 | AH103067 | 2D1 | 18 | 40 - 48 | AR10109 | 1E7 | 11 | 30 - 23 |
| AA4053R | 2C17 | 5 | 40 - 37 | AH103067 | 2D2 | 12 | 40 - 49 | AR10116 | 1E4 | 14 | 30 - 20 |
| AA4074R | 4H4 | 28 | 80 - 10 | AH103068 | 2D1 | 19 | 40 - 48 | AR10116 | 1E7 | 17 | 30 - 23 |
| AA5302R | 1G19 | 11 | 30 - 80 | AH103068 | 2D2 | 13 | 40 - 49 | AR101236 | 4B11 | 2 | 70 - 5 |
| AA5692R | 2F12 | 12 | 40 - 112 | AH10612 | 1E10 | 54 | 30 - 27 | AR101236 | 4B11 | 3 | 70 - 5 |
| AA5731R | 4G6 | 3 | 70 - 137 | AH10612 | 1E13 | 15 | 30 - 28 | AR101236 | 4B19 | 23 | 70 - 13 |
| AA5787R | 5E3 | 1 | 90 - 74 | AH10620 | 1E10 | 52 | 30 - 27 | AR101236 | 4B21 | 3 | 70 - 15 |
| AA6001R | 1G9 | 22 | 30 - 70 | AH10620 | 1E15 | 41 | 30 - 31 | AR101236 | 4C4 | 28 | 70 - 23 |
| AA6002R | 1G9 | 26 | 30 - 70 | AH10620 | 1E17 | 35 | 30 - 31B | AR101237 | 4B13 | 2 | 70 - 7 |
| AA6028R | 1G12 | 8 | 30 - 73 | AH16186 | 5E9 | 1 | 90 - 80 | AR101237 | 4B13 | 3 | 70 - 7 |
| AA6057R | 1G9 | 29 | 30 - 70 | AH20854 | 1D13 | 5 | 30 - 4 | AR101237 | 4B19 | 23 | 70 - 13 |
| AA6058R | 1G9 | 25 | 30 - 70 | AH20857 | 1D13 | 10 | 30 - 4 | AR101237 | 4B23 | 3 | 70 - 17 |
| AA6059R | 1G9 | 24 | 30 - 70 | AH20858 | 1D13 | 10 | 30 - 4 | AR101237 | 4C4 | 28 | 70 - 23 |
| AA6060R | 1G9 | 25 | 30 - 70 | AH62341 | 2E14 | 10 | 40 - 88 | AR101245 | 2E23 | 1 | 40 - 97 |
| AA6060R | 1G9 | 28 | 30 - 70 | AH62341 | 2E15 | 6 | 40 - 89 | AR101245 | 2E23 | 6 | 40 - 97 |
| AA6086R | 1E4 | 5 | 30 - 20 | AH64758 | 5C16 | 1 | 90 - 37 | AR101549 | 1C13 | 3 | 20 - 34 |
| AA6086R | 1E7 | 15 | 30 - 23 | AH78125 | 2C14 | 2 | 40 - 33 | AR101549 | 1C13 | 4A | 20 - 34 |
| AA6307R | 4F25 | 10 | 70 - 131 | AH78125 | 5C1 | 3 | 90 - 22 | AR101549 | 1C14 | 3 | 20 - 35 |
| AA6309R | 4F25 | 8 | 70 - 131 | AH80032 | 1E10 | 54 | 30 - 27 | AR101549 | 1C15 | 8 | 20 - 36 |
| AA6309R | 4G4 | 1 | 70 - 135 | AH80032 | 1E13 | 15 | 30 - 28 | AR101549 | 1C17 | 4 | 20 - 38 |
| AB3453R | 1B12 | 14 | 20 - 7 | AH80032 | 1E16 | 15 | 30 - 31A | AR101616 | 3E13 | 23 | 50 - 84 |
| AB3686R | 4H8 | 14 | 80 - 14 | AH80057 | 5D9 | 17 | 90 - 55 | AR101616 | 3E15 | 15 | 50 - 87 |
| AB4259R | 4H7 | 21 | 80 - 13 | AH85438 | 5E9 | 2 | 90 - 80 | AR101632 | 4B25 | 28 | 70 - 19 |
| AB4259R | 4H8 | 17 | 80 - 14 | AH93625 | 2C6 | 12 | 40 - 25 | AR101632 | 4C2 | 6 | 70 - 21 |
| AB4847R | 1G9 | 29 | 30 - 70 | AH95264 | 2F9 | 19 | 40 - 108 | AR101807 | 4B9 | 1 | 70 - 3 |
| AD2062R | 2B13 | 1 | 40 - 7 | AH98337 | 2E8 | 2 | 40 - 82 | AR101807 | 4B11 | 16 | 70 - 5 |
| AD2062R | 2B16 | 1 | 40 - 10 | AH99409 | 5E9 | 1 | 90 - 80 | AR101807 | 4B11 | .. | 70 - 5 |
| AD2062R | 2B18 | 3 | 40 - 12 | AL14896 | 2E19 | 7 | 40 - 93 | AR101807 | 4B21 | .. | 70 - 15 |
| AD2062R | 2B25 | 2 | 40 - 19 | AL17099 | 2F16 | 5 | 40 - 116 | AR101807 | 4B25 | .. | 70 - 19 |
| AD2062R | 2B25 | 7 | 40 - 19 | AL23523 | 3G19 | 15 | 60 - 27 | AR102454 | 2E20 | 12 | 40 - 94 |
| AD2062R | 2B25 | 18 | 40 - 19 | AL2691T | 1C11 | 8 | 20 - 31 | AR10301 | 1E5 | 9 | 30 - 21 |
| AD2062R | 2C1 | 2 | 40 - 20 | AL26972 | 4F14 | 25 | 70 - 119 | AR10302 | 1E5 | 14 | 30 - 21 |
| AD2062R | 2C1 | 7 | 40 - 20 | AL26972 | 4F16 | 22 | 70 - 121 | AR103336 | 3C20 | 15 | 50 - 41 |
| AD2062R | 2C1 | 19 | 40 - 20 | AL26973 | 4F14 | 3 | 70 - 119 | AR103336 | 3C22 | 43 | 50 - 43 |
| AD2062R | 2C2 | 16 | 40 - 21 | AL2769T | 1C11 | 8 | 20 - 31 | AR103336 | 3C24 | 32 | 50 - 43B |
| AD2062R | 2C3 | 15 | 40 - 22 | AL2976T | 2F22 | 20 | 40 - 123 | AR103337 | 3C20 | 5 | 50 - 41 |
| AD2062R | 2C6 | 2 | 40 - 25 | AL37364 | 1D10 | 11 | 30 - 1 | AR103337 | 3C22 | 27 | 50 - 43 |
| AE23861 | 2E8 | 2 | 40 - 82 | AL67715 | 2C8 | 12 | 40 - 27 | AR103337 | 3C24 | 24 | 50 - 43B |
| AE24616 | 4C5 | 9 | 70 - 25 | AM30347 | 4H9 | 17 | 80 - 15 | AR103343 | 3D11 | 12 | 50 - 55 |
| AF1155R | 3F3 | .. | 50 - 101 | AM31410 | 3F24 | 4 | 60 - 4 | AR103363 | 3E10 | 8 | 50 - 80 |
| AF1156R | 3F1 | 14 | 50 - 99 | AM31410 | 3G3 | 16 | 60 - 8 | AR103363 | 3E10 | 20 | 50 - 80 |
| AF1395R | 1G16 | 3 | 30 - 77 | AM31410 | 3G14 | 19 | 60 - 21 | AR103363 | 3E12 | 18 | 50 - 83 |
| AF1396R | 1G16 | 5 | 30 - 77 | AM373T | 2C17 | 17 | 40 - 37 | AR103808 | 4G17 | 7 | 70 - 150 |
| AF1397R | 1G16 | 8 | 30 - 77 | AM3983T | 3C17 | 14 | 50 - 38 | AR103811 | 1B9 | 3 | 20 - 4 |
| AF1398R | 1G16 | 11 | 30 - 77 | AM53945 | 2E13 | 7 | 40 - 86 | AR103873 | 3D24 | 12 | 50 - 69 |
| AF1399R | 1G16 | 12 | 30 - 77 | AN140262 | 4F20 | 15 | 70 - 125 | AR104119 | 2B23 | 1 | 40 - 17 |
| AF1690R | 3F3 | .. | 50 - 101 | AN140274 | 4F20 | 8 | 70 - 125 | AR104119 | 2C2 | 2 | 40 - 21 |
| AF1691R | 3F3 | .. | 50 - 101 | AN140274 | 4F22 | 8 | 70 - 127 | AR104119 | 2C3 | 2 | 40 - 22 |
| AF1692R | 3F3 | .. | 50 - 101 | AN163885 | 4F12 | 38 | 70 - 117 | AR104119 | 2C3 | 30 | 40 - 22 |
| AF2331R | 4G6 | 26A | 70 - 137 | AN163885 | 4G2 | 8 | 70 - 133 | AR105556 | 3E22 | 10 | 50 - 94 |
| AF2643R | 4D5 | 1 | 70 - 52 | AN163885 | 4G4 | 26 | 70 - 135 | AR11001 | 2D19 | 15 | 40 - 67 |
| AF2710R | 4D21 | 13 | 70 - 71 | AN163885 | 4G12 | 26 | 70 - 145 | AR11001 | 2D23 | 14 | 40 - 71 |
| AF2710R | 4D23 | .. | 70 - 73 | AN163885 | 4G13 | 16 | 70 - 146 | AR11051 | 2D24 | 7 | 40 - 72 |
| AF2711R | 4D21 | 13 | 70 - 71 | AN212996 | 4E19 | 6 | 70 - 97 | AR11051 | 2D25 | 4 | 40 - 73 |
| AF2711R | 4D23 | .. | 70 - 73 | AN250096 | 4C5 | 5 | 70 - 25 | AR11104 | 2D8 | 15 | 40 - 56 |
| AF2907R | 3C25 | 19 | 50 - 44 | AP19547 | 4G2 | 20 | 70 - 133 | AR11105 | 2D9 | 6 | 40 - 57 |
| AF3147R | 4D25 | .. | 70 - 75 | AP19547 | 4G4 | 32 | 70 - 135 | AR111058 | 2F18 | 20 | 40 - 119 |
| AF3147R | 4E2 | .. | 70 - 77 | AP19547 | 4G6 | 33 | 70 - 137 | AR11106 | 2D9 | 5 | 40 - 57 |

1J12

TRACTOR - 4000 AND 4020 (SERIAL NO. 201000-) TRACTORS

NUMERICAL INDEX - CONTINUED

| PART NO. | GRID | KEY | PAGE | PART NO. | GRID | KEY | PAGE | PART NO. | GRID | KEY | PAGE |
|----------|------|-----|--------|----------|------|-----|--------|----------|------|-----|--------|
| AR11107 | 2D8 | 2 | 40-56 | AR21739 | 2B25 | 7 | 40-19 | AR26417 | 1D11 | 14 | 30-2 |
| AR11107 | 2D10 | 2 | 40-58 | AR21739 | 2C1 | 7 | 40-20 | AR26420 | 1C11 | 18 | 20-31 |
| AR11124 | 2D19 | 17 | 40-67 | AR21739 | 2C9 | 4 | 40-28 | AR26421 | 1C11 | 11 | 20-31 |
| AR11126 | 2D17 | 21 | 40-65 | AR21739 | 2C10 | 2 | 40-29 | AR26436 | 1G9 | 9 | 30-70 |
| AR11127 | 2D17 | 2 | 40-65 | AR21790 | 1D10 | 8 | 30-1 | AR26437 | 1G14 | 4 | 30-75 |
| AR11128 | 2D17 | 14 | 40-65 | AR21823 | 2E18 | 3 | 40-92 | AR26437 | 1G16 | 21 | 30-77 |
| AR11131 | 2D14 | 16 | 40-62 | AR21823 | 2E19 | 2 | 40-93 | AR26444 | 1B10 | 5 | 20-5 |
| AR11132 | 2D17 | 28 | 40-65 | AR21836 | 3G4 | 18 | 60-9 | AR26448 | 3G2 | 2 | 60-7 |
| AR11140 | 2D19 | 24 | 40-67 | AR21837 | 1C12 | 1 | 20-32 | AR26462 | 4E13 | 8 | 70-90 |
| AR11146 | 2C17 | 8 | 40-37 | AR21837 | 1D5 | 2 | 20-50 | AR26462 | 4E14 | 7 | 70-91 |
| AR11146 | 2C19 | .. | 40-39 | AR21837 | 4D2 | 7 | 70-49 | AR26462 | 4E16 | 7 | 70-93 |
| AR11160 | 2D7 | 5 | 40-55 | AR21837 | 5B9 | 4 | 90-4 | AR26462 | 4E18 | 7 | 70-95 |
| AR11161 | 2D7 | 5 | 40-55 | AR21837 | 5B17 | 3 | 90-13 | AR26468 | 1G9 | 11 | 30-70 |
| AR13018 | 1E10 | 7 | 30-27 | AR21837 | 5B18 | 10 | 90-14 | AR26469 | 4I1 | 3 | 80-33 |
| AR13018 | 1E13 | 7 | 30-28 | AR21837 | 5C1 | 6 | 90-22 | AR26477 | 4I5 | 24 | 80-37 |
| AR13018 | 1E16 | 7 | 30-31A | AR21837 | 5D2 | 4 | 90-48 | AR26480 | 4H3 | 2 | 80-9 |
| AR13019 | 1E10 | 61 | 30-27 | AR21837 | 5D17 | 20 | 90-63 | AR26480 | 4H5 | 1 | 80-11 |
| AR13019 | 1E13 | 22 | 30-28 | AR21839 | 1C12 | 1 | 20-32 | AR26480 | 4H9 | 1 | 80-15 |
| AR13019 | 1E16 | 22 | 30-31A | AR21839 | 1G12 | 16 | 30-73 | AR26481 | 3B8 | 29 | 50-2 |
| AR13020 | 1E10 | 13 | 30-27 | AR21839 | 4C12 | 7 | 70-33 | AR26481 | 3C8 | 4 | 50-29 |
| AR13020 | 1E13 | 13 | 30-28 | AR21839 | 4C14 | 7 | 70-35 | AR26482 | 3C8 | 7 | 50-29 |
| AR13020 | 1E16 | 13 | 30-31A | AR21839 | 4C16 | 1 | 70-37 | AR26496 | 3G4 | 17 | 60-9 |
| AR13023 | 1E10 | 65 | 30-27 | AR21839 | 4C18 | 8 | 70-39 | AR26508 | 1G12 | 9 | 30-73 |
| AR13024 | 1E10 | 62 | 30-27 | AR21839 | 4C20 | 2 | 70-41 | AR26508 | 1G13 | 35 | 30-74 |
| AR13024 | 1E13 | 23 | 30-28 | AR21839 | 4C22 | 1 | 70-43 | AR26516 | 1B9 | 4 | 20-4 |
| AR13024 | 1E16 | 23 | 30-31A | AR21839 | 4C22 | 6 | 70-43 | AR26529 | 5C4 | 8 | 90-25 |
| AR13025 | 1E10 | 47 | 30-27 | AR21839 | 4D2 | 36 | 70-49 | AR26529 | 5C7 | 6 | 90-29 |
| AR13025 | 1E15 | 36 | 30-31 | AR21839 | 5D1 | 1 | 90-47 | AR26530 | 5C4 | 16 | 90-25 |
| AR13026 | 1E10 | 24 | 30-27 | AR21840 | 1C22 | 1 | 20-43 | AR26543 | 2C17 | 5 | 40-37 |
| AR13026 | 1E14 | 19 | 30-30 | AR21840 | 1D15 | 1 | 30-6 | AR26544 | 2C17 | 5 | 40-37 |
| AR13027 | 1E10 | 26 | 30-27 | AR21840 | 1E1 | 12 | 30-17 | AR26545 | 2C17 | 5 | 40-37 |
| AR13027 | 1E14 | 11 | 30-30 | AR21840 | 1E18 | 16 | 30-32 | AR26554 | 4D25 | 2 | 70-75 |
| AR13027 | 1E17 | 11 | 30-31B | AR21840 | 3G5 | 1 | 60-11 | AR26555 | 4D25 | 2 | 70-75 |
| AR13028 | 1E10 | 28 | 30-27 | AR21841 | 1D12 | 16 | 30-3 | AR26556 | 4E3 | 2 | 70-78 |
| AR13028 | 1E14 | 13 | 30-30 | AR21841 | 1D15 | 6 | 30-6 | AR26556 | 4E5 | 8 | 70-81 |
| AR13028 | 1E17 | 13 | 30-31B | AR21841 | 1D16 | 1 | 30-7 | AR26568 | 5E4 | 12 | 90-75 |
| AR13028 | 1E17 | 19 | 30-31B | AR21841 | 1D17 | 1A | 30-8 | AR26568 | 5E6 | 2 | 90-77 |
| AR13029 | 1E10 | 46 | 30-27 | AR21841 | 1D17 | 5 | 30-8 | AR26571 | 2F12 | 1 | 40-112 |
| AR13030 | 1E10 | 19 | 30-27 | AR21841 | 1D18 | 1 | 30-9 | AR26595 | 5E5 | 2 | 90-76 |
| AR13030 | 1E14 | 5 | 30-30 | AR21966 | 5C2 | 8 | 90-23 | AR26604 | 3B9 | 33 | 50-3 |
| AR13030 | 1E17 | 5 | 30-31B | AR21969 | 1B7 | .. | 20-2 | AR26624 | 2C17 | 3 | 40-37 |
| AR13033 | 1E10 | 68 | 30-27 | AR21969 | 1E23 | .. | 30-37 | AR26632 | 5C3 | 26 | 90-24 |
| AR13033 | 1E12 | 1 | 30-27B | AR21969 | 1E24 | .. | 30-38 | AR26635 | 1C15 | 9 | 20-36 |
| AR13033 | 1E16 | .. | 30-31A | AR21969 | 1E25 | .. | 30-39 | AR26635 | 1G12 | 4 | 30-73 |
| AR13033 | 1E17 | .. | 30-31B | AR21969 | 3G3 | .. | 60-8 | AR26640 | 1D24 | 3 | 30-15 |
| AR13035 | 1E10 | 18 | 30-27 | AR21969 | 3G4 | .. | 60-9 | AR26646 | 4B15 | 21 | 70-9 |
| AR13035 | 1E14 | 4 | 30-30 | AR21999 | 1D12 | 3 | 30-3 | AR26649 | 1E18 | 5 | 30-32 |
| AR13035 | 1E17 | 4 | 30-31B | AR21999 | 1D15 | 4 | 30-6 | AR26660 | 1C9 | 14 | 20-29 |
| AR13037 | 1E10 | 51 | 30-27 | AR21999 | 1D15 | 6 | 30-6 | AR26674 | 1E2 | 7 | 30-18 |
| AR13037 | 1E15 | 40 | 30-31 | AR21999 | 1D16 | 3 | 30-7 | AR26674 | 1E3 | 12 | 30-19 |
| AR13037 | 1E17 | 34 | 30-31B | AR21999 | 1D17 | 3A | 30-8 | AR26674 | 1E19 | 6 | 30-33 |
| AR14019 | 2C17 | 5 | 40-37 | AR21999 | 1D18 | 3 | 30-9 | AR26674 | 1E20 | 7 | 30-34 |
| AR14021 | 2C17 | 5 | 40-37 | AR26328 | 1B19 | 4 | 20-14 | AR26679 | 3G4 | 15 | 60-9 |
| AR1729R | 1D11 | 13 | 30-2 | AR26338 | 1C11 | 28 | 20-31 | AR26688 | 3B8 | 17 | 50-2 |
| AR20143 | 5E13 | .. | 90-84 | AR26338 | 3C12 | 8 | 50-33 | AR26693 | 3G4 | 3 | 60-9 |
| AR20235 | 2E20 | 10 | 40-94 | AR26342 | 1C11 | 33 | 20-31 | AR26696 | 1G9 | 20 | 30-70 |
| AR20750 | 4H7 | 21 | 80-13 | AR26350 | 1C10 | 5 | 20-30 | AR26701 | 3C10 | 13 | 50-31 |
| AR20750 | 4H8 | 17 | 80-14 | AR26350 | 1G15 | 3 | 30-76 | AR26701 | 3E8 | 14 | 50-78 |
| AR21024 | 1D4 | 2 | 20-49 | AR26360 | 3B25 | 16 | 50-21 | AR26707 | 3C11 | 3 | 50-32 |
| AR21059 | 2B25 | 12 | 40-19 | AR26375 | 3C5 | 18 | 50-26 | AR26707 | 3E9 | 3 | 50-79 |
| AR21059 | 2B25 | 19 | 40-19 | AR26375 | 3E3 | 23 | 50-73 | AR26708 | 1G12 | 6 | 30-73 |
| AR21059 | 2C1 | 11 | 40-20 | AR26389 | 1C11 | 24 | 20-31 | AR26721 | 2B12 | 8 | 40-6 |
| AR21059 | 2C1 | 18 | 40-20 | AR26402 | 3G2 | 5 | 60-7 | AR26723 | 4C23 | 4 | 70-44 |
| AR21601 | 3F3 | 17 | 50-101 | AR26403 | 5C3 | 6 | 90-24 | AR26725 | 3F23 | 21 | 60-3 |
| AR21690 | 1G9 | 13 | 30-70 | AR26407 | 4F25 | 3 | 70-131 | AR26725 | 3G1 | 1 | 60-6 |
| AR21737 | 2B25 | 2 | 40-19 | AR26414 | 4D18 | 23 | 70-67 | AR26725 | 3G4 | 2 | 60-9 |
| AR21737 | 2C1 | 2 | 40-20 | AR26414 | 4D18 | 28 | 70-67 | AR26744 | 4C7 | 7 | 70-27 |

1J13

TRACTOR - 4000 AND 4020 (SERIAL NO. 201000-) TRACTORS

NUMERICAL INDEX - CONTINUED

| PART NO. | GRID | KEY | PAGE | PART NO. | GRID | KEY | PAGE | PART NO. | GRID | KEY | PAGE |
|----------|------|-----|----------|----------|------|-----|----------|----------|------|-----|----------|
| AR26744 | 4C11 | 15 | 70 - 32 | AR27437 | 4F25 | 4 | 70 - 131 | AR28570 | 4E1 | 11 | 70 - 76 |
| AR26746 | 3E19 | 11 | 50 - 91 | AR27437 | 4F25 | 8 | 70 - 131 | AR28588 | 2B12 | 8 | 40 - 6 |
| AR26746 | 3E21 | 10 | 50 - 93 | AR27437 | 4F25 | 10 | 70 - 131 | AR28589 | 2B12 | 8 | 40 - 6 |
| AR26746 | 3G15 | 6A | 60 - 22 | AR27446 | 3E22 | 3 | 50 - 94 | AR28602 | 1F24 | 1 | 30 - 64 |
| AR26746 | 3G15 | 8B | 60 - 22 | AR27446 | 3F3 | 16 | 50 - 101 | AR28621 | 1G9 | 20 | 30 - 70 |
| AR26746 | 3G17 | 20 | 60 - 25 | AR27447 | 3B10 | 21 | 50 - 4 | AR28646 | 1B17 | 3 | 20 - 12 |
| AR26746 | 4C7 | 8 | 70 - 27 | AR27456 | 4H20 | 12 | 80 - 27 | AR28754 | 4G15 | 3 | 70 - 148 |
| AR26746 | 4C9 | 8 | 70 - 29 | AR27536 | 4G21 | 4 | 80 - 2 | AR28755 | 4G15 | 3 | 70 - 148 |
| AR26746 | 4C17 | 11 | 70 - 38 | AR27555 | 4G25 | 6 | 80 - 6 | AR28756 | 1C11 | 7 | 20 - 31 |
| AR26746 | 4C23 | 11 | 70 - 44 | AR27581 | 4E18 | 29 | 70 - 95 | AR28817 | 4G21 | 12 | 80 - 2 |
| AR26747 | 4C7 | 11 | 70 - 27 | AR27604 | 4G21 | 4 | 80 - 2 | AR30110 | 3F14 | 1 | 50 - 112 |
| AR26747 | 4C17 | 9 | 70 - 38 | AR27645 | 4E2 | 2 | 70 - 77 | AR30154 | 4G20 | 16 | 80 - 1 |
| AR26747 | 4C23 | 9 | 70 - 44 | AR27646 | 4E2 | 2 | 70 - 77 | AR30154 | 4G25 | 15 | 80 - 6 |
| AR26758 | 4B11 | 12 | 70 - 5 | AR27649 | 4E2 | 7 | 70 - 77 | AR30154 | 4H15 | 14 | 80 - 22 |
| AR26761 | 4D10 | 12 | 70 - 57 | AR27650 | 4E2 | 7 | 70 - 77 | AR30181 | 5C2 | 8 | 90 - 23 |
| AR26763 | 3D14 | 8 | 50 - 58 | AR27653 | 3G4 | 12 | 60 - 9 | AR30210 | 4F12 | 6 | 70 - 117 |
| AR26763 | 4D2 | 1 | 70 - 49 | AR27654 | 3G4 | 17 | 60 - 9 | AR30210 | 4F20 | 36 | 70 - 125 |
| AR26763 | 4E25 | 11 | 70 - 103 | AR27703 | 1C7 | 9 | 20 - 27 | AR30210 | 4G14 | 7 | 70 - 147 |
| AR26763 | 4F20 | 9 | 70 - 125 | AR27703 | 1C7 | 12 | 20 - 27 | AR30288 | 4D25 | 4 | 70 - 75 |
| AR26763 | 4F22 | 10 | 70 - 127 | AR27706 | 3G4 | 17 | 60 - 9 | AR30288 | 4E2 | 4 | 70 - 77 |
| AR26771 | 3E18 | 10 | 50 - 90 | AR27720 | 3D3 | 6 | 50 - 47 | AR30297 | 3F23 | 33 | 60 - 3 |
| AR26771 | 3E20 | 16 | 50 - 92 | AR27738 | 4F20 | 5 | 70 - 125 | AR30297 | 3F23 | 37 | 60 - 3 |
| AR26771 | 3G1 | 6 | 60 - 6 | AR27738 | 4F22 | 5 | 70 - 127 | AR30298 | 3F23 | 33 | 60 - 3 |
| AR26771 | 3G3 | 6 | 60 - 8 | AR27749 | 1G9 | 32 | 30 - 70 | AR30474 | 3F2 | 8 | 50 - 100 |
| AR26771 | 3G3 | 15 | 60 - 8 | AR27749 | 1G14 | 5 | 30 - 75 | AR30516 | 5E13 | .. | 90 - 84 |
| AR26771 | 3G4 | 14 | 60 - 9 | AR27790 | 4E2 | 20 | 70 - 77 | AR30538 | 4G21 | 4 | 80 - 2 |
| AR26771 | 4C24 | 13A | 70 - 45 | AR27808 | 1D11 | 9 | 30 - 2 | AR30547 | 1C24 | 18 | 20 - 45 |
| AR26782 | 3C11 | 1 | 50 - 32 | AR27814 | 1G3 | 1 | 30 - 68 | AR30547 | 1D2 | 18 | 20 - 47 |
| AR26782 | 3E9 | 1 | 50 - 79 | AR27814 | 1G5 | 1 | 30 - 69 | AR30575 | 1D12 | 9 | 30 - 3 |
| AR26811 | 1D10 | 13 | 30 - 1 | AR27904 | 4H2 | 18 | 80 - 8 | AR30575 | 1D13 | 5 | 30 - 4 |
| AR26822 | 4H21 | .. | 80 - 28 | AR27914 | 4G25 | 6 | 80 - 6 | AR30589 | 3F25 | 8 | 60 - 5 |
| AR26823 | 4H3 | 18 | 80 - 9 | AR27927 | 4G21 | 4 | 80 - 2 | AR30590 | 3F25 | 8 | 60 - 5 |
| AR26828 | 3F14 | 9 | 50 - 112 | AR27940 | 1G3 | 6 | 30 - 68 | AR30685 | 4F13 | 12 | 70 - 118 |
| AR26828 | 4C23 | 18 | 70 - 44 | AR27940 | 1G5 | 6 | 30 - 69 | AR30686 | 4G7 | 1 | 70 - 138 |
| AR26905 | 1D23 | 9 | 30 - 14 | AR27940 | 1G8 | 4 | 30 - 69D | AR30736 | 1F24 | 2 | 30 - 64 |
| AR26905 | 1D24 | 6 | 30 - 15 | AR27977 | 1B14 | 28 | 20 - 9 | AR30762 | 3F24 | 4 | 60 - 4 |
| AR26906 | 1D24 | 13 | 30 - 15 | AR28040 | 1D11 | 11 | 30 - 2 | AR30762 | 3G3 | 16 | 60 - 8 |
| AR26929 | 1D10 | 3 | 30 - 1 | AR28047 | 4I9 | 4 | 80 - 41 | AR30784 | 4F25 | 1 | 70 - 131 |
| AR26930 | 1D11 | 5 | 30 - 2 | AR28048 | 4I9 | 6 | 80 - 41 | AR30795 | 3C14 | 16 | 50 - 35 |
| AR26944 | 4D25 | 6 | 70 - 75 | AR28049 | 4I9 | 6 | 80 - 41 | AR30795 | 3C22 | 17 | 50 - 43 |
| AR26945 | 4D25 | 6 | 70 - 75 | AR28050 | 4G21 | 12 | 80 - 2 | AR30795 | 3C24 | 12 | 50 - 43B |
| AR26967 | 1G9 | 30 | 30 - 70 | AR28061 | 1D19 | 14 | 30 - 10 | AR31016 | 3G11 | 31 | 60 - 18 |
| AR26981 | 3F21 | 12 | 60 - 1 | AR28062 | 1D19 | 8 | 30 - 10 | AR31151 | 4C12 | 9 | 70 - 33 |
| AR27033 | 4E14 | 13 | 70 - 91 | AR28073 | 1D10 | 10 | 30 - 1 | AR31152 | 4C22 | 6 | 70 - 43 |
| AR27054 | 4H3 | 19 | 80 - 9 | AR28110 | 1C10 | 5 | 20 - 30 | AR31485 | 4D24 | 16 | 70 - 74 |
| AR27087 | 4H8 | 19 | 80 - 14 | AR28134 | 4G20 | 4 | 80 - 1 | AR31486 | 4D24 | 16 | 70 - 74 |
| AR27090 | 1D23 | 10 | 30 - 14 | AR28134 | 4G25 | 5 | 80 - 6 | AR31547 | 4C22 | 6 | 70 - 43 |
| AR27093 | 4E7 | 22 | 70 - 83 | AR28141 | 4E18 | 15 | 70 - 95 | AR31551 | 1E19 | 5A | 30 - 33 |
| AR27093 | 4E10 | 28 | 70 - 87 | AR28242 | 4H8 | 6 | 80 - 14 | AR31551 | 1E20 | 8 | 30 - 34 |
| AR27093 | 4E12 | 41 | 70 - 89 | AR28243 | 4H7 | 6 | 80 - 13 | AR31553 | 1F1 | 19 | 30 - 40 |
| AR27139 | 1D4 | 1 | 20 - 49 | AR28249 | 4H4 | 6 | 80 - 10 | AR31553 | 1F2 | 8 | 30 - 41 |
| AR27158 | 1D10 | 9 | 30 - 1 | AR28271 | 3C6 | 11 | 50 - 27 | AR31611 | 4E25 | 25 | 70 - 103 |
| AR27160 | 1D11 | 10 | 30 - 2 | AR28271 | 3E3 | 11 | 50 - 73 | AR31649 | 3B25 | 29 | 50 - 21 |
| AR27232 | 1C9 | 11 | 20 - 29 | AR28330 | 1G2 | 8 | 30 - 67 | AR31684 | 1C9 | 21 | 20 - 29 |
| AR27254 | 3G4 | 16 | 60 - 9 | AR28403 | 2E14 | 4 | 40 - 88 | AR31703 | 4D10 | 35 | 70 - 57 |
| AR27314 | 4H4 | 30 | 80 - 10 | AR28403 | 2E15 | 9 | 40 - 89 | AR31790 | 5C21 | .. | 90 - 42 |
| AR27315 | 4H4 | 30 | 80 - 10 | AR28403 | 2F12 | 10 | 40 - 112 | AR31814 | 2C19 | 8 | 40 - 39 |
| AR27350 | 4G23 | 16 | 80 - 4 | AR28403 | 2F15 | 19 | 40 - 115 | AR31886 | 1C9 | 22 | 20 - 29 |
| AR27350 | 4G24 | 20 | 80 - 5 | AR28482 | 1C22 | 7 | 20 - 43 | AR31887 | 1C9 | 22 | 20 - 29 |
| AR27350 | 4H17 | 16 | 80 - 24 | AR28482 | 1C22 | 8 | 20 - 43 | AR31904 | 3B21 | 9 | 50 - 17 |
| AR27351 | 4G23 | 6 | 80 - 4 | AR28487 | 3G9 | 2 | 60 - 15 | AR31904 | 3B23 | 8 | 50 - 19 |
| AR27351 | 4G24 | 8 | 80 - 5 | AR28487 | 3G9 | 8 | 60 - 15 | AR31906 | 3B8 | 5 | 50 - 2 |
| AR27351 | 4H1 | 17 | 80 - 7 | AR28488 | 3E24 | 14 | 50 - 96 | AR31939 | 5E7 | 1 | 90 - 78 |
| AR27351 | 4H1 | 18 | 80 - 7 | AR28488 | 3G9 | 2 | 60 - 15 | AR31945 | 4G10 | 15 | 70 - 142 |
| AR27351 | 4H17 | 6 | 80 - 24 | AR28488 | 3G9 | 8 | 60 - 15 | AR31946 | 3G12 | 14 | 60 - 19 |
| AR27430 | 4H1 | 10 | 80 - 7 | AR28545 | 4G21 | 12 | 80 - 2 | AR31977 | 5C4 | 25 | 90 - 25 |
| AR27434 | 4G21 | 4 | 80 - 2 | AR28545 | 4G25 | 12 | 80 - 6 | AR32016 | 2C5 | 7 | 40 - 24 |

1J14

TRACTOR - 4000 AND 4020 (SERIAL NO. 201000-) TRACTORS

NUMERICAL INDEX - CONTINUED

| PART NO. | GRID | KEY | PAGE | PART NO. | GRID | KEY | PAGE | PART NO. | GRID | KEY | PAGE |
|----------|------|-----|----------|----------|------|-----|----------|----------|------|-----|----------|
| AR32104 | 3D7 | 15 | 50 - 51 | AR32858 | 1G9 | 11 | 30 - 70 | AR35271 | 5E6 | 1 | 90 - 77 |
| AR32114 | 3C14 | 4 | 50 - 35 | AR32935 | 4C11 | 8 | 70 - 32 | AR35710 | 3E19 | 21 | 50 - 91 |
| AR32114 | 3C22 | 8 | 50 - 43 | AR33249 | 4B15 | 6 | 70 - 9 | AR35710 | 3E21 | 4 | 50 - 93 |
| AR32115 | 3C19 | 14 | 50 - 40 | AR33479 | 2C11 | 2 | 40 - 30 | AR35712 | 3D17 | 16 | 50 - 61 |
| AR32115 | 3C22 | 39 | 50 - 43 | AR33821 | 4B11 | 4 | 70 - 5 | AR35712 | 4C23 | 18 | 70 - 44 |
| AR32115 | 3C24 | 37 | 50 - 43B | AR33877 | 4F12 | 37 | 70 - 117 | AR35712 | 4C23 | 20 | 70 - 44 |
| AR32127 | 3C14 | 8 | 50 - 35 | AR33890 | 3D17 | 8 | 50 - 61 | AR35725 | 3F24 | 4 | 60 - 4 |
| AR32127 | 3C15 | 2 | 50 - 36 | AR33911 | 4E13 | 20 | 70 - 90 | AR35725 | 3G3 | 16 | 60 - 8 |
| AR32127 | 3C22 | 12 | 50 - 43 | AR33950 | 4E20 | 31 | 70 - 98 | AR35782 | 2B16 | 9 | 40 - 10 |
| AR32127 | 3C24 | 7 | 50 - 43B | AR33952 | 4E2 | 10 | 70 - 77 | AR35782 | 2B17 | 11 | 40 - 11 |
| AR32128 | 3D3 | 2 | 50 - 47 | AR33954 | 4E2 | 15 | 70 - 77 | AR35782 | 2B25 | 22 | 40 - 19 |
| AR32129 | 3C17 | 16 | 50 - 38 | AR33955 | 4E2 | 15 | 70 - 77 | AR35782 | 2C1 | 17 | 40 - 20 |
| AR32136 | 3C20 | 2 | 50 - 41 | AR33962 | 3B20 | 1 | 50 - 16 | AR36047 | 5C3 | 18 | 90 - 24 |
| AR32136 | 3C22 | 31 | 50 - 43 | AR33962 | 3E10 | 10 | 50 - 80 | AR36048 | 5C4 | 14 | 90 - 25 |
| AR32136 | 3C24 | 21 | 50 - 43B | AR33962 | 3E13 | 27 | 50 - 84 | AR36158 | 4F25 | 4 | 70 - 131 |
| AR32137 | 3C17 | 11 | 50 - 38 | AR33998 | 3E8 | 9 | 50 - 78 | AR36158 | 4F25 | .. | 70 - 131 |
| AR32149 | 3D14 | 9 | 50 - 58 | AR34005 | 1D13 | 5 | 30 - 4 | AR36303 | 4F25 | 4 | 70 - 131 |
| AR32151 | 3B20 | 1 | 50 - 16 | AR34043 | 3D11 | 17 | 50 - 55 | AR36303 | 4F25 | 8 | 70 - 131 |
| AR32154 | 3D24 | 7 | 50 - 69 | AR34059 | 4F12 | 41 | 70 - 117 | AR36303 | 4F25 | .. | 70 - 131 |
| AR32155 | 3D24 | 10 | 50 - 69 | AR34172 | 3F23 | 9 | 60 - 3 | AR36308 | 4G4 | 24 | 70 - 135 |
| AR32159 | 4C23 | 19A | 70 - 44 | AR34208 | 4D22 | 15 | 70 - 72 | AR36694 | 1C9 | 13 | 20 - 29 |
| AR32168 | 3B20 | 5 | 50 - 16 | AR34243 | 1E10 | .. | 30 - 27 | AR37017 | 4D2 | 5 | 70 - 49 |
| AR32175 | 3B21 | 5 | 50 - 17 | AR34293 | 1B10 | 13 | 20 - 5 | AR37017 | 4E25 | 17 | 70 - 103 |
| AR32176 | 3B21 | 3 | 50 - 17 | AR34294 | 1B10 | 7 | 20 - 5 | AR38168 | 3C9 | 11 | 50 - 30 |
| AR32179 | 3B23 | 3 | 50 - 19 | AR34350 | 4D16 | 9 | 70 - 65 | AR38168 | 3E7 | 11 | 50 - 77 |
| AR32180 | 3B23 | 5 | 50 - 19 | AR34368 | 1E23 | .. | 30 - 37 | AR38453 | 2B7 | 9 | 40 - 1 |
| AR32182 | 3B10 | 12 | 50 - 4 | AR34368 | 1E24 | .. | 30 - 38 | AR38453 | 2B10 | 9 | 40 - 4 |
| AR32199 | 1E2 | 9 | 30 - 18 | AR34368 | 1E25 | .. | 30 - 39 | AR38456 | 2B13 | 1 | 40 - 7 |
| AR32199 | 1E19 | 8 | 30 - 33 | AR34405 | 1B17 | 3 | 20 - 12 | AR38456 | 2B16 | 1 | 40 - 10 |
| AR32217 | 1E1 | 4 | 30 - 17 | AR34451 | 1C13 | 12 | 20 - 34 | AR38456 | 2B18 | 3 | 40 - 12 |
| AR32217 | 1E18 | 8 | 30 - 32 | AR34451 | 1C15 | 17 | 20 - 36 | AR38456 | 2B20 | 20 | 40 - 14 |
| AR32218 | 1E1 | 6 | 30 - 17 | AR34569 | 3E20 | 5 | 50 - 92 | AR38456 | 2B21 | 14 | 40 - 15 |
| AR32218 | 1E18 | 10 | 30 - 32 | AR34569 | 3E21 | 17 | 50 - 93 | AR38456 | 2B24 | 3 | 40 - 18 |
| AR32240 | 3G15 | 7 | 60 - 22 | AR34590 | 3F1 | 18 | 50 - 99 | AR38456 | 2B25 | 18 | 40 - 19 |
| AR32243 | 3G9 | 8 | 60 - 15 | AR34591 | 3G9 | 5 | 60 - 15 | AR38456 | 2C2 | 16 | 40 - 21 |
| AR32243 | 3G9 | 9 | 60 - 15 | AR34605 | 3F2 | 12 | 50 - 100 | AR38456 | 2C3 | 15 | 40 - 22 |
| AR32308 | 3G4 | 5 | 60 - 9 | AR34612 | 1F8 | 1 | 30 - 47 | AR38456 | 5B20 | 7 | 90 - 16 |
| AR32309 | 3G4 | 12 | 60 - 9 | AR34663 | 3D17 | 13 | 50 - 61 | AR38456 | 5C13 | 7 | 90 - 34 |
| AR32345 | 4C23 | 1 | 70 - 44 | AR34682 | 1B20 | 5 | 20 - 15 | AR38458 | 2C20 | 10 | 40 - 41 |
| AR32440 | 3C9 | 11 | 50 - 30 | AR34682 | 1C7 | 4 | 20 - 27 | AR38458 | 2C25 | .. | 40 - 47 |
| AR32440 | 3E7 | 11 | 50 - 77 | AR34684 | 5D4 | 13 | 90 - 50 | AR38459 | 2C20 | 11 | 40 - 41 |
| AR32441 | 3G9 | 9 | 60 - 15 | AR34684 | 5D19 | 4 | 90 - 65 | AR38461 | 2C25 | 11 | 40 - 47 |
| AR32461 | 3C13 | 2 | 50 - 34 | AR34697 | 3E20 | 3 | 50 - 92 | AR38714 | 4B15 | 31 | 70 - 9 |
| AR32461 | 3C14 | 22 | 50 - 35 | AR34697 | 3E21 | 19 | 50 - 93 | AR389R | 3B21 | 8 | 50 - 17 |
| AR32461 | 3C20 | 14 | 50 - 41 | AR34698 | 3E20 | 6 | 50 - 92 | AR389R | 3B23 | 7 | 50 - 19 |
| AR32461 | 3C22 | 19 | 50 - 43 | AR34705 | 3E13 | 11 | 50 - 84 | AR39026 | 4B11 | 25 | 70 - 5 |
| AR32461 | 3C24 | 19 | 50 - 43B | AR34755 | 3E22 | 10 | 50 - 94 | AR39541 | 1D16 | 5 | 30 - 7 |
| AR32465 | 3D15 | 1 | 50 - 59 | AR34807 | 1E25 | 8 | 30 - 39 | AR39562 | 4C23 | 5 | 70 - 44 |
| AR32465 | 3E10 | 11 | 50 - 80 | AR34807 | 1F1 | 8 | 30 - 40 | AR39585 | 3G7 | 34 | 60 - 13 |
| AR32465 | 3E13 | 28 | 50 - 84 | AR34807 | 1F2 | 6 | 30 - 41 | AR39587 | 1E1 | 2 | 30 - 17 |
| AR32466 | 4I5 | 28 | 80 - 37 | AR34824 | 3F21 | 18 | 60 - 1 | AR39587 | 1E18 | 6 | 30 - 32 |
| AR32527 | 3B9 | 31 | 50 - 3 | AR34825 | 3F21 | 15 | 60 - 1 | AR39651 | 3E13 | 23 | 50 - 84 |
| AR32527 | 3C8 | 2 | 50 - 29 | AR34829 | 4F25 | 4 | 70 - 131 | AR39681 | 4D21 | 21 | 70 - 71 |
| AR32531 | 4D21 | 25 | 70 - 71 | AR34829 | 4F25 | 8 | 70 - 131 | AR39681 | 4D24 | 7 | 70 - 74 |
| AR32531 | 4D22 | 14 | 70 - 72 | AR34838 | 4G4 | 37 | 70 - 135 | AR39682 | 5E14 | 4 | 90 - 85 |
| AR32531 | 4D24 | 10 | 70 - 74 | AR34990 | 2B13 | 7 | 40 - 7 | AR39683 | 5E14 | 2 | 90 - 85 |
| AR32538 | 3G4 | 12 | 60 - 9 | AR34990 | 2B15 | 10 | 40 - 9 | AR39694 | 4B9 | 1 | 70 - 3 |
| AR32637 | 1E2 | 1 | 30 - 18 | AR34990 | 2B18 | 2 | 40 - 12 | AR39694 | 4B11 | .. | 70 - 5 |
| AR32689 | 4I5 | 20 | 80 - 37 | AR34990 | 2B19 | 3 | 40 - 13 | AR39696 | 4B11 | 16 | 70 - 5 |
| AR32690 | 4I5 | 20 | 80 - 37 | AR34990 | 2B25 | 8 | 40 - 19 | AR39774 | 3E6 | 20 | 50 - 76 |
| AR32692 | 3B23 | 20 | 50 - 19 | AR34990 | 2C1 | 8 | 40 - 20 | AR39781 | 4E10 | .. | 70 - 87 |
| AR32694 | 1C12 | 7 | 20 - 32 | AR35223 | 3B13 | 11 | 50 - 7 | AR39783 | 4E10 | 25 | 70 - 87 |
| AR32695 | 1C12 | 11 | 20 - 32 | AR35223 | 3B14 | 22 | 50 - 9 | AR39783 | 4F1 | 2 | 70 - 104 |
| AR32696 | 1C12 | 24 | 20 - 32 | AR35261 | 4F25 | 4 | 70 - 131 | AR39784 | 4E10 | 1 | 70 - 87 |
| AR32699 | 3F23 | 16 | 60 - 3 | AR35261 | 4F25 | 8 | 70 - 131 | AR39786 | 4E10 | 12 | 70 - 87 |
| AR32713 | 3C10 | 10 | 50 - 31 | AR35261 | 4F25 | .. | 70 - 131 | AR39798 | 1D13 | 7 | 30 - 4 |
| AR32720 | 4I5 | 13 | 80 - 37 | AR35270 | 5E6 | 1 | 90 - 77 | AR39798 | 1G15 | 1 | 30 - 76 |

1J15

TRACTOR - 4000 AND 4020 (SERIAL NO. 201000-) TRACTORS

NUMERICAL INDEX - CONTINUED

| PART NO. | GRID | KEY | PAGE | PART NO. | GRID | KEY | PAGE | PART NO. | GRID | KEY | PAGE |
|----------|------|-----|----------|----------|------|-----|----------|----------|------|-----|----------|
| AR39799 | 1D13 | 7 | 30 - 4 | AR40673 | 4H25 | 11 | 80 - 32 | AR40871 | 4I4 | 5 | 80 - 36 |
| AR39824 | 3E20 | 6 | 50 - 92 | AR40674 | 4H25 | 4 | 80 - 32 | AR40904 | 1G12 | 5 | 30 - 73 |
| AR39831 | 1E5 | 17 | 30 - 21 | AR40675 | 4D12 | 9 | 70 - 59 | AR40910 | 1C18 | 3 | 20 - 39 |
| AR39831 | 1E7 | 21 | 30 - 23 | AR40676 | 4D12 | 6 | 70 - 59 | AR40929 | 3C18 | 15 | 50 - 39 |
| AR39832 | 1E5 | 28 | 30 - 21 | AR40677 | 4D3 | 3 | 70 - 50 | AR40929 | 3D3 | 9 | 50 - 47 |
| AR39833 | 1E4 | 29 | 30 - 20 | AR40677 | 4D5 | 6 | 70 - 52 | AR40939 | 4F5 | 7A | 70 - 109 |
| AR39833 | 1E7 | 13 | 30 - 23 | AR40678 | 4F5 | 2A | 70 - 109 | AR40963 | 3E20 | 12 | 50 - 92 |
| AR40003 | 1E8 | 7 | 30 - 24 | AR40679 | 1B10 | 22 | 20 - 5 | AR40976 | 4D8 | 5 | 70 - 55 |
| AR40008 | 1E13 | 26 | 30 - 28 | AR40680 | 1B10 | 22 | 20 - 5 | AR40977 | 4D8 | 2 | 70 - 55 |
| AR40008 | 1E16 | 26 | 30 - 31A | AR40683 | 4D12 | 44 | 70 - 59 | AR40985 | 3D11 | 25 | 50 - 55 |
| AR40024 | 3E24 | 14 | 50 - 96 | AR40684 | 4F9 | 18 | 70 - 113 | AR40986 | 3D8 | 4 | 50 - 52 |
| AR40024 | 3G9 | 5 | 60 - 15 | AR40687 | 3B14 | 3 | 50 - 9 | AR40988 | 4D15 | 14 | 70 - 63 |
| AR40148 | 1C13 | 11 | 20 - 34 | AR40688 | 4F5 | 33 | 70 - 109 | AR40989 | 4F3 | 12 | 70 - 107 |
| AR40149 | 1C13 | 11 | 20 - 34 | AR40689 | 3B13 | 7 | 50 - 7 | AR40989 | 4F3 | 15 | 70 - 107 |
| AR40149 | 1C15 | 15 | 20 - 36 | AR40689 | 3F24 | 4 | 60 - 4 | AR40990 | 4F3 | 15 | 70 - 107 |
| AR40171 | 2D23 | 5 | 40 - 71 | AR40689 | 3G3 | 16 | 60 - 8 | AR40991 | 4F3 | 23 | 70 - 107 |
| AR40174 | 2E7 | 1 | 40 - 81 | AR40689 | 3G14 | 19 | 60 - 21 | AR40997 | 5E6 | 4 | 90 - 77 |
| AR40194 | 4E10 | 12 | 70 - 87 | AR40694 | 3C16 | 1 | 50 - 37 | AR40998 | 5E6 | 4 | 90 - 77 |
| AR40258 | 1E2 | 6 | 30 - 18 | AR40698 | 1C13 | 4 | 20 - 34 | AR41001 | 3B7 | 14 | 50 - 1 |
| AR40258 | 1G2 | .. | 30 - 67 | AR40698 | 1C14 | 4 | 20 - 35 | AR41002 | 3C12 | 17 | 50 - 33 |
| AR40259 | 1E19 | 4 | 30 - 33 | AR40698 | 1C15 | 7 | 20 - 36 | AR41006 | 1B10 | 21 | 20 - 5 |
| AR40259 | 1G2 | .. | 30 - 67 | AR40698 | 1C16 | 8 | 20 - 37 | AR41016 | 3G5 | 2 | 60 - 11 |
| AR40311 | 1B8 | 2 | 20 - 3 | AR40698 | 1C17 | 5 | 20 - 38 | AR41097 | 4I7 | 5 | 80 - 39 |
| AR40312 | 1B8 | 2 | 20 - 3 | AR40702 | 1G17 | 11 | 30 - 78 | AR41098 | 4I7 | 5 | 80 - 39 |
| AR40314 | 1B8 | 2 | 20 - 3 | AR40703 | 1G17 | 17 | 30 - 78 | AR41108 | 1B12 | 9 | 20 - 7 |
| AR40378 | 1G9 | 15 | 30 - 70 | AR40704 | 1G18 | 15 | 30 - 79 | AR41117 | 4C17 | 1 | 70 - 38 |
| AR40379 | 1G9 | 17 | 30 - 70 | AR40705 | 1G19 | 21 | 30 - 80 | AR41118 | 4C17 | 8 | 70 - 38 |
| AR40386 | 1D11 | 6 | 30 - 2 | AR40710 | 2F12 | 13 | 40 - 112 | AR41119 | 3G3 | 5 | 60 - 8 |
| AR40387 | 4D4 | 4 | 70 - 51 | AR40716 | 4I10 | 1 | 80 - 42 | AR41129 | 4C11 | 6 | 70 - 32 |
| AR40387 | 4D4 | 9 | 70 - 51 | AR40718 | 4I10 | 1 | 80 - 42 | AR41130 | 3G3 | 13 | 60 - 8 |
| AR40387 | 4D4 | 10 | 70 - 51 | AR40737 | 3F1 | 7 | 50 - 99 | AR41131 | 3G3 | 7 | 60 - 8 |
| AR40387 | 4D4 | 11 | 70 - 51 | AR40739 | 3E16 | 6 | 50 - 88 | AR41132 | 4C23 | 8 | 70 - 44 |
| AR40387 | 4D10 | 14 | 70 - 57 | AR40740 | 3E20 | 17 | 50 - 92 | AR41137 | 4I7 | 1 | 80 - 39 |
| AR40387 | 4D10 | 20 | 70 - 57 | AR40742 | 3E18 | 9 | 50 - 90 | AR41138 | 4I7 | 1 | 80 - 39 |
| AR40387 | 4D10 | 21 | 70 - 57 | AR40744 | 4F5 | 9A | 70 - 109 | AR41139 | 4F12 | 37 | 70 - 117 |
| AR40387 | 4D10 | 22 | 70 - 57 | AR40750 | 1B13 | 8 | 20 - 8 | AR41140 | 4F12 | 37 | 70 - 117 |
| AR40387 | 4D13 | 11 | 70 - 61 | AR40753 | 4D12 | 12 | 70 - 59 | AR41158 | 4I9 | 1 | 80 - 41 |
| AR40398 | 4B11 | 7 | 70 - 5 | AR40754 | 4D12 | 7 | 70 - 59 | AR41159 | 4I9 | 1 | 80 - 41 |
| AR40407 | 1G2 | 12 | 30 - 67 | AR40757 | 3G17 | 26 | 60 - 25 | AR41171 | 1D23 | 1 | 30 - 14 |
| AR40418 | 2E1 | 5 | 40 - 74 | AR40758 | 3G17 | 27 | 60 - 25 | AR41172 | 1D23 | 6 | 30 - 14 |
| AR40420 | 2C20 | 10 | 40 - 41 | AR40770 | 4E21 | 1 | 70 - 99 | AR41174 | 4I7 | 10 | 80 - 39 |
| AR40420 | 2C24 | .. | 40 - 46 | AR40771 | 4E20 | 11 | 70 - 98 | AR41287 | 2E10 | 10 | 40 - 84 |
| AR40465 | 4E25 | 13 | 70 - 103 | AR40773 | 4I5 | 2 | 80 - 37 | AR41287 | 2E11 | 9 | 40 - 85 |
| AR40465 | 4E25 | 29 | 70 - 103 | AR40774 | 4I5 | 2 | 80 - 37 | AR41288 | 2B10 | 13 | 40 - 4 |
| AR40475 | 3E18 | 13 | 50 - 90 | AR40785 | 4D18 | 7 | 70 - 67 | AR41542 | 1E23 | 8 | 30 - 37 |
| AR40475 | 3E20 | 15 | 50 - 92 | AR40786 | 3F23 | 16 | 60 - 3 | AR41542 | 1E24 | 8 | 30 - 38 |
| AR40482 | 1G2 | .. | 30 - 67 | AR40788 | 3E1 | 3 | 50 - 71 | AR41543 | 1E23 | 5 | 30 - 37 |
| AR40486 | 1B20 | 9 | 20 - 15 | AR40789 | 3E2 | 16 | 50 - 72 | AR41543 | 1E24 | 5 | 30 - 38 |
| AR40487 | 1B20 | 9 | 20 - 15 | AR40790 | 3E1 | 22 | 50 - 71 | AR41544 | 1E23 | 4 | 30 - 37 |
| AR40505 | 4D4 | 4 | 70 - 51 | AR40792 | 3E1 | 9 | 50 - 71 | AR41544 | 1E24 | 4 | 30 - 38 |
| AR40518 | 3D11 | 19 | 50 - 55 | AR40793 | 3E2 | 6 | 50 - 72 | AR41545 | 1E23 | 3 | 30 - 37 |
| AR40562 | 1B20 | 4 | 20 - 15 | AR40794 | 3D3 | 1 | 50 - 47 | AR41545 | 1E24 | 3 | 30 - 38 |
| AR40563 | 1B20 | 4 | 20 - 15 | AR40795 | 3D1 | 30 | 50 - 45 | AR41546 | 1E23 | 2 | 30 - 37 |
| AR40564 | 1B20 | 4 | 20 - 15 | AR40802 | 2B12 | 1 | 40 - 6 | AR41546 | 1E24 | 2 | 30 - 38 |
| AR40565 | 1B20 | 4 | 20 - 15 | AR40806 | 5D25 | 3 | 90 - 71 | AR41547 | 1E23 | 1 | 30 - 37 |
| AR40572 | 3B10 | 15 | 50 - 4 | AR40812 | 5D25 | 16 | 90 - 71 | AR41547 | 1E24 | 1 | 30 - 38 |
| AR40573 | 1D20 | 3 | 30 - 11 | AR40817 | 5D23 | 1 | 90 - 69 | AR41548 | 1E23 | 9 | 30 - 37 |
| AR40584 | 5E2 | 17 | 90 - 73 | AR40820 | 1E25 | 27 | 30 - 39 | AR41548 | 1E24 | 9 | 30 - 38 |
| AR40585 | 5E2 | 1 | 90 - 73 | AR40820 | 1F1 | 28 | 30 - 40 | AR41549 | 1E20 | 1 | 30 - 34 |
| AR40592 | 4G24 | 7 | 80 - 5 | AR40825 | 5E3 | 12 | 90 - 74 | AR41549 | 1E23 | 20 | 30 - 37 |
| AR40592 | 4H1 | 18 | 80 - 7 | AR40826 | 5E3 | 12 | 90 - 74 | AR41549 | 1E24 | 27 | 30 - 38 |
| AR40666 | 3C8 | 16 | 50 - 29 | AR40827 | 4F5 | 13 | 70 - 109 | AR41562 | 1B19 | 8 | 20 - 14 |
| AR40667 | 3C13 | 16 | 50 - 34 | AR40827 | 4F9 | 4 | 70 - 113 | AR41564 | 1B19 | 7 | 20 - 14 |
| AR40669 | 3C5 | 17 | 50 - 26 | AR40827 | 4F12 | 26 | 70 - 117 | AR41564 | 1B19 | 8 | 20 - 14 |
| AR40670 | 3C5 | 8 | 50 - 26 | AR40841 | 3B13 | 4 | 50 - 7 | AR41565 | 1G17 | 3 | 30 - 78 |
| AR40671 | 3C16 | 12 | 50 - 37 | AR40865 | 4E10 | 24 | 70 - 87 | AR41584 | 5E4 | 5 | 90 - 75 |
| AR40672 | 4I3 | 3 | 80 - 35 | AR40865 | 4F1 | 1 | 70 - 104 | AR41599 | 5D23 | 7 | 90 - 69 |

1J16

TRACTOR - 4000 AND 4020 (SERIAL NO. 201000-) TRACTORS

NUMERICAL INDEX - CONTINUED

| PART NO. | GRID | KEY | PAGE | PART NO. | GRID | KEY | PAGE | PART NO. | GRID | KEY | PAGE |
|----------|------|-----|----------|----------|------|-----|----------|----------|------|-----|----------|
| AR41602 | 5D25 | 18 | 90 - 71 | AR41970 | 4F9 | 15 | 70 - 113 | AR43987 | 2B8 | 4 | 40 - 2 |
| AR41626 | 1E23 | 26 | 30 - 37 | AR41972 | 4D5 | 4 | 70 - 52 | AR43989 | 2C21 | 5 | 40 - 42 |
| AR41683 | 2B7 | 8 | 40 - 1 | AR41974 | 4D3 | 1 | 70 - 50 | AR43989 | 2D1 | .. | 40 - 48 |
| AR41684 | 2B7 | 1 | 40 - 1 | AR41976 | 4D10 | 14 | 70 - 57 | AR43989 | 2D2 | .. | 40 - 49 |
| AR41685 | 2B7 | 4 | 40 - 1 | AR41984 | 3G14 | 22A | 60 - 21 | AR44053 | 1G10 | 17 | 30 - 71 |
| AR41686 | 2B7 | 4 | 40 - 1 | AR41986 | 3G14 | 16 | 60 - 21 | AR44053 | 1G11 | 17 | 30 - 72 |
| AR41691 | 1C13 | 3 | 20 - 34 | AR41987 | 3F24 | 4 | 60 - 4 | AR44067 | 1B14 | .. | 20 - 9 |
| AR41691 | 1C14 | 3 | 20 - 35 | AR41987 | 3G3 | 16 | 60 - 8 | AR44069 | 1B14 | .. | 20 - 9 |
| AR41691 | 1C15 | 8 | 20 - 36 | AR41987 | 3G14 | 19 | 60 - 21 | AR44071 | 1B14 | .. | 20 - 9 |
| AR41691 | 1C16 | 7 | 20 - 37 | AR42005 | 3E23 | 12 | 50 - 95 | AR44077 | 1E20 | 22 | 30 - 34 |
| AR41691 | 1C17 | 4 | 20 - 38 | AR42008 | 2B21 | 8 | 40 - 15 | AR44077 | 1G15 | 2 | 30 - 76 |
| AR41694 | 2B7 | 9 | 40 - 1 | AR42009 | 3F23 | 17 | 60 - 3 | AR44129 | 4F10 | 1 | 70 - 115 |
| AR41695 | 2B13 | 2 | 40 - 7 | AR42009 | 3F24 | 3 | 60 - 4 | AR44130 | 4F10 | 1 | 70 - 115 |
| AR41695 | 2B18 | 4 | 40 - 12 | AR42009 | 3F24 | 18 | 60 - 4 | AR44189 | 4E21 | 3 | 70 - 99 |
| AR41695 | 2B19 | 1 | 40 - 13 | AR42119 | 2B20 | 1 | 40 - 14 | AR44189 | 4E23 | 7 | 70 - 101 |
| AR41696 | 2B13 | 3 | 40 - 7 | AR42119 | 2B20 | 21 | 40 - 14 | AR44254 | 5E9 | 2 | 90 - 80 |
| AR41699 | 2B13 | 6 | 40 - 7 | AR42119 | 2B20 | 24 | 40 - 14 | AR44255 | 5E9 | 1 | 90 - 80 |
| AR41699 | 2B15 | 9 | 40 - 9 | AR42119 | 2B21 | 1 | 40 - 15 | AR44283 | 4C16 | 14 | 70 - 37 |
| AR41701 | 2B16 | 3 | 40 - 10 | AR42119 | 2B23 | 1 | 40 - 17 | AR44284 | 4C12 | 9 | 70 - 33 |
| AR41702 | 2B13 | 6 | 40 - 7 | AR42119 | 2B24 | 1 | 40 - 18 | AR44284 | 4C14 | 13 | 70 - 35 |
| AR41702 | 2B15 | 9 | 40 - 9 | AR42119 | 2C2 | 2 | 40 - 21 | AR44284 | 4C18 | 14 | 70 - 39 |
| AR41702 | 2B16 | 6 | 40 - 10 | AR42119 | 2C2 | 6 | 40 - 21 | AR44356 | 4D7 | 8 | 70 - 54 |
| AR41702 | 2B17 | 9 | 40 - 11 | AR42119 | 2C3 | 6 | 40 - 22 | AR44376 | 3F6 | 24 | 50 - 104 |
| AR41702 | 2B18 | 1 | 40 - 12 | AR42119 | 2C5 | 1 | 40 - 24 | AR44377 | 3F8 | 16 | 50 - 106 |
| AR41702 | 2B19 | 4 | 40 - 13 | AR42120 | 2B21 | 7 | 40 - 15 | AR44382 | 1B13 | 9 | 20 - 8 |
| AR41722 | 4C12 | 13 | 70 - 33 | AR42120 | 2B24 | 7 | 40 - 18 | AR44384 | 3F10 | 10 | 50 - 108 |
| AR41722 | 4C18 | 13 | 70 - 39 | AR42120 | 2C3 | 29 | 40 - 22 | AR44384 | 4D2 | 33 | 70 - 49 |
| AR41743 | 4E20 | 28 | 70 - 98 | AR42121 | 2B21 | 3 | 40 - 15 | AR44388 | 4C9 | 7 | 70 - 29 |
| AR41744 | 4E20 | 3 | 70 - 98 | AR42121 | 2B24 | 6 | 40 - 18 | AR44390 | 1C7 | 7 | 20 - 27 |
| AR41747 | 3D14 | 14 | 50 - 58 | AR42121 | 2C3 | 29 | 40 - 22 | AR44394 | 1B11 | 4 | 20 - 6 |
| AR41749 | 3E8 | 20 | 50 - 78 | AR42127 | 3B8 | 24 | 50 - 2 | AR44395 | 1B11 | 4 | 20 - 6 |
| AR41750 | 3C10 | 19 | 50 - 31 | AR42128 | 3B8 | 24 | 50 - 2 | AR44402 | 1B7 | 1 | 20 - 2 |
| AR41752 | 3C9 | 2 | 50 - 30 | AR42250 | 1B13 | 10 | 20 - 8 | AR44402 | 1B10 | .. | 20 - 5 |
| AR41752 | 3E7 | 2 | 50 - 77 | AR42287 | 4D15 | 35 | 70 - 63 | AR44423 | 3D13 | 5 | 50 - 57 |
| AR41753 | 3C10 | 4 | 50 - 31 | AR42296 | 4C12 | 6 | 70 - 33 | AR44474 | 1E18 | 1 | 30 - 32 |
| AR41754 | 2F1 | 8 | 40 - 100 | AR42297 | 4C18 | 7 | 70 - 39 | AR44551 | 3D16 | 2 | 50 - 60 |
| AR41756 | 2E21 | 2 | 40 - 95 | AR42326 | 1D5 | 14 | 20 - 50 | AR44553 | 3D16 | 1 | 50 - 60 |
| AR41756 | 2E23 | 3 | 40 - 97 | AR42394 | 3G14 | 10 | 60 - 21 | AR44554 | 3D16 | 15 | 50 - 60 |
| AR41756 | 2E25 | 2 | 40 - 99 | AR42395 | 3G14 | 6 | 60 - 21 | AR44568 | 4E3 | 3 | 70 - 78 |
| AR41756 | 2F1 | 1 | 40 - 100 | AR42399 | 3G15 | 3 | 60 - 22 | AR44605 | 5C1 | 5 | 90 - 22 |
| AR41758 | 2E23 | 4 | 40 - 97 | AR42400 | 3G11 | 27 | 60 - 18 | AR44605 | 5D2 | 7 | 90 - 48 |
| AR41758 | 2E25 | 1 | 40 - 99 | AR42425 | 1B13 | 10 | 20 - 8 | AR44606 | 5C1 | 5 | 90 - 22 |
| AR41758 | 2F1 | 10 | 40 - 100 | AR42431 | 2E21 | 3 | 40 - 95 | AR44606 | 5D2 | 7 | 90 - 48 |
| AR41761 | 5C8 | 14 | 90 - 30 | AR42432 | 2E21 | .. | 40 - 95 | AR44614 | 3E12 | 14 | 50 - 83 |
| AR41761 | 5C9 | 10 | 90 - 31 | AR42533 | 3E6 | 10 | 50 - 76 | AR44614 | 3E13 | 9 | 50 - 84 |
| AR41761 | 5C12 | 6 | 90 - 33 | AR42535 | 3E6 | 9 | 50 - 76 | AR44616 | 3B12 | 13 | 50 - 6 |
| AR41762 | 5C9 | 2 | 90 - 31 | AR42591 | 2C2 | 2 | 40 - 21 | AR44624 | 1C3 | 3 | 20 - 23 |
| AR41762 | 5C11 | 4 | 90 - 31B | AR42591 | 2C3 | 2 | 40 - 22 | AR44625 | 1C4 | 1 | 20 - 24 |
| AR41773 | 3B16 | 7 | 50 - 12 | AR42594 | 4I12 | 4 | 80 - 44 | AR44635 | 3G3 | 10 | 60 - 8 |
| AR41779 | 3D4 | 7 | 50 - 48 | AR42598 | 5C2 | 9 | 90 - 23 | AR44698 | 2D17 | 32 | 40 - 65 |
| AR41885 | 3E3 | 32 | 50 - 73 | AR42608 | 1B18 | 9 | 20 - 13 | AR44699 | 2D19 | 2 | 40 - 67 |
| AR41933 | 4E10 | 14 | 70 - 87 | AR42609 | 1B18 | 9 | 20 - 13 | AR44700 | 2D17 | 12 | 40 - 65 |
| AR41942 | 3B10 | 23 | 50 - 4 | AR42612 | 1B18 | 8 | 20 - 13 | AR44707 | 5C12 | 16 | 90 - 33 |
| AR41942 | 3C17 | 14 | 50 - 38 | AR42629 | 5E2 | 8 | 90 - 73 | AR44713 | 3C11 | 6 | 50 - 32 |
| AR41947 | 3G19 | 7 | 60 - 27 | AR42883 | 1D5 | 14 | 20 - 50 | AR44713 | 3E9 | 6 | 50 - 79 |
| AR41949 | 3C5 | 11 | 50 - 26 | AR42989 | 4I7 | 9 | 80 - 39 | AR44763 | 5C2 | 8 | 90 - 23 |
| AR41950 | 2E21 | 8 | 40 - 95 | AR42991 | 1D5 | 14 | 20 - 50 | AR44765 | 4D8 | 6 | 70 - 55 |
| AR41950 | 2E23 | 12 | 40 - 97 | AR43123 | 5D25 | 7 | 90 - 71 | AR44774 | 1D13 | 7 | 30 - 4 |
| AR41950 | 2E25 | 7 | 40 - 99 | AR43559 | 3F25 | 10 | 60 - 5 | AR44774 | 1G15 | 1 | 30 - 76 |
| AR41950 | 2F1 | 3 | 40 - 100 | AR43559 | 3G1 | 10 | 60 - 6 | AR44775 | 1D13 | 9 | 30 - 4 |
| AR41951 | 2E21 | 7 | 40 - 95 | AR43594 | 1B11 | 9 | 20 - 6 | AR44777 | 5C8 | 2 | 90 - 30 |
| AR41951 | 2E23 | 7 | 40 - 97 | AR43609 | 2B8 | 9 | 40 - 2 | AR44840 | 1C19 | 2 | 20 - 40 |
| AR41951 | 2E25 | 6 | 40 - 99 | AR43742 | 2B21 | 12 | 40 - 15 | AR44848 | 1C11 | 27 | 20 - 31 |
| AR41951 | 2F1 | 2 | 40 - 100 | AR43743 | 2B21 | 17 | 40 - 15 | AR44864 | 2C19 | 8 | 40 - 39 |
| AR41969 | 4D10 | 3 | 70 - 57 | AR43809 | 3F25 | 10 | 60 - 5 | AR44872 | 4D8 | .. | 70 - 55 |
| AR41969 | 4F9 | 15 | 70 - 113 | AR43809 | 3G1 | 10 | 60 - 6 | AR44883 | 3F24 | 9 | 60 - 4 |
| AR41970 | 4D10 | 3 | 70 - 57 | AR43986 | 2B8 | 4 | 40 - 2 | AR44893 | 1G11 | 23 | 30 - 72 |

1J17

TRACTOR - 4000 AND 4020 (SERIAL NO. 201000-) TRACTORS

NUMERICAL INDEX - CONTINUED

| PART NO. | GRID | KEY | PAGE | PART NO. | GRID | KEY | PAGE | PART NO. | GRID | KEY | PAGE |
|----------|------|-----|----------|----------|------|-----|----------|----------|------|-----|----------|
| AR44894 | 1G11 | 6 | 30 - 72 | AR45251 | 3G17 | 20 | 60 - 25 | AR45530 | 1B9 | 3 | 20 - 4 |
| AR44895 | 1G10 | 12 | 30 - 71 | AR45251 | 4C17 | 16 | 70 - 38 | AR45534 | 4G13 | 26 | 70 - 146 |
| AR44895 | 1G11 | 12 | 30 - 72 | AR45251 | 4C23 | 16 | 70 - 44 | AR45535 | 4G2 | 30 | 70 - 133 |
| AR44921 | 1G11 | 22 | 30 - 72 | AR45252 | 3G15 | 8A | 60 - 22 | AR45536 | 4G4 | 24 | 70 - 135 |
| AR44949 | 1C7 | 5 | 20 - 27 | AR45252 | 3G17 | 20 | 60 - 25 | AR45536 | 4G12 | 24 | 70 - 145 |
| AR44969 | 1C16 | 15 | 20 - 37 | AR45252 | 4C23 | 16 | 70 - 44 | AR45538 | 4D2 | 10 | 70 - 49 |
| AR44988 | 5D4 | 9 | 90 - 50 | AR45255 | 3D24 | 22 | 50 - 69 | AR45539 | 4D2 | 6 | 70 - 49 |
| AR44989 | 2B21 | 16 | 40 - 15 | AR45267 | 4C23 | 19A | 70 - 44 | AR45541 | 4D2 | 3 | 70 - 49 |
| AR44989 | 2C3 | 16 | 40 - 22 | AR45275 | 1D21 | 2A | 30 - 12 | AR45542 | 3C7 | 9 | 50 - 28 |
| AR44996 | 2B21 | 15 | 40 - 15 | AR45275 | 1D22 | 3 | 30 - 13 | AR45543 | 4G6 | 26A | 70 - 137 |
| AR44997 | 3C2 | 6 | 50 - 23 | AR45282 | 4C25 | 6 | 70 - 46 | AR45544 | 4G9 | 39 | 70 - 141 |
| AR44997 | 3C4 | 11 | 50 - 25 | AR45285 | 4C9 | 11 | 70 - 29 | AR45544 | 4G12 | 37 | 70 - 145 |
| AR44999 | 2E10 | 6 | 40 - 84 | AR45292 | 1C12 | 5 | 20 - 32 | AR45545 | 4G2 | 28 | 70 - 133 |
| AR44999 | 2E11 | 3 | 40 - 85 | AR45297 | 1C11 | 4 | 20 - 31 | AR45545 | 4G4 | 37 | 70 - 135 |
| AR44999 | 2E13 | 7 | 40 - 86 | AR45299 | 1C11 | 4 | 20 - 31 | AR45545 | 4G6 | 26A | 70 - 137 |
| AR45002 | 5C20 | 4 | 90 - 41 | AR45301 | 1D15 | 3 | 30 - 6 | AR45545 | 4G6 | 26B | 70 - 137 |
| AR45002 | 5C20 | 6 | 90 - 41 | AR45306 | 1C11 | 14 | 20 - 31 | AR45627 | 4C14 | 6 | 70 - 35 |
| AR45013 | 2E21 | 4 | 40 - 95 | AR45312 | 2C7 | 1 | 40 - 26 | AR45647 | 4F5 | 18 | 70 - 109 |
| AR45014 | 2E21 | 16 | 40 - 95 | AR45312 | 2C8 | 1 | 40 - 27 | AR45677 | 4G20 | 4 | 80 - 1 |
| AR45015 | 2E21 | 13 | 40 - 95 | AR45314 | 3D24 | 7 | 50 - 69 | AR45677 | 4G25 | 5 | 80 - 6 |
| AR45018 | 4D2 | 32 | 70 - 49 | AR45315 | 3D24 | 10 | 50 - 69 | AR45677 | 4H15 | 3 | 80 - 22 |
| AR45034 | 3F6 | 1 | 50 - 104 | AR45316 | 2C7 | 15 | 40 - 26 | AR45678 | 1E20 | 25 | 30 - 34 |
| AR45034 | 3F7 | 14 | 50 - 105 | AR45317 | 2C8 | 12 | 40 - 27 | AR45681 | 1D12 | 7 | 30 - 3 |
| AR45035 | 1D14 | .. | 30 - 5 | AR45318 | 4H19 | 2 | 80 - 26 | AR45718 | 5C23 | 21 | 90 - 44 |
| AR45099 | 2B20 | 18 | 40 - 14 | AR45330 | 1C13 | 10 | 20 - 34 | AR45723 | 1B18 | 5 | 20 - 13 |
| AR45099 | 2B21 | 16 | 40 - 15 | AR45332 | 1C15 | 14 | 20 - 36 | AR45723 | 1B19 | 11 | 20 - 14 |
| AR45099 | 2B24 | 4 | 40 - 18 | AR45341 | 3F10 | 16 | 50 - 108 | AR45723 | 1B25 | 9 | 20 - 20 |
| AR45099 | 2C2 | 22 | 40 - 21 | AR45341 | 4C25 | 7 | 70 - 46 | AR45734 | 2C7 | 20 | 40 - 26 |
| AR45099 | 2C3 | 16 | 40 - 22 | AR45342 | 3B25 | 17 | 50 - 21 | AR45734 | 2C8 | 6 | 40 - 27 |
| AR45099 | 2C3 | 28 | 40 - 22 | AR45345 | 4B9 | 1 | 70 - 3 | AR45736 | 1G19 | 3 | 30 - 80 |
| AR45104 | 4E16 | 18 | 70 - 93 | AR45369 | 5E4 | 8 | 90 - 75 | AR45781 | 3F7 | 9 | 50 - 105 |
| AR45105 | 4E16 | 18 | 70 - 93 | AR45370 | 5E4 | 1 | 90 - 75 | AR45782 | 3F7 | 13 | 50 - 105 |
| AR45129 | 4I2 | 13 | 80 - 34 | AR45370 | 5E4 | 3 | 90 - 75 | AR45787 | 1B17 | 3 | 20 - 12 |
| AR45130 | 4I2 | 14 | 80 - 34 | AR45371 | 5E4 | 5 | 90 - 75 | AR45788 | 3B14 | 14 | 50 - 9 |
| AR45131 | 4I7 | 6 | 80 - 39 | AR45381 | 3C25 | 20 | 50 - 44 | AR45810 | 5C15 | 15 | 90 - 36 |
| AR45155 | 4H18 | 1 | 80 - 25 | AR45381 | 3D3 | 1 | 50 - 47 | AR45811 | 5C15 | 21 | 90 - 36 |
| AR45157 | 3G19 | 30 | 60 - 27 | AR45389 | 2C7 | 27 | 40 - 26 | AR45812 | 5C15 | 10 | 90 - 36 |
| AR45160 | 1E4 | 7 | 30 - 20 | AR45390 | 2C7 | 19 | 40 - 26 | AR45813 | 5C16 | 2 | 90 - 37 |
| AR45160 | 1E5 | 1 | 30 - 21 | AR45390 | 2C8 | 5 | 40 - 27 | AR45814 | 5C16 | 3 | 90 - 37 |
| AR45162 | 1E4 | 7 | 30 - 20 | AR45391 | 2C8 | 11 | 40 - 27 | AR45815 | 5C16 | 6 | 90 - 37 |
| AR45162 | 1E5 | 1 | 30 - 21 | AR45392 | 2C8 | 4 | 40 - 27 | AR45816 | 5C16 | 10 | 90 - 37 |
| AR45162 | 1E10 | .. | 30 - 27 | AR45408 | 4G20 | 9 | 80 - 1 | AR45817 | 5C17 | 15 | 90 - 38 |
| AR45162 | 1E13 | .. | 30 - 28 | AR45408 | 4H15 | 8 | 80 - 22 | AR45818 | 5C18 | 21 | 90 - 39 |
| AR45162 | 1E15 | .. | 30 - 31 | AR45414 | 3F6 | 6 | 50 - 104 | AR45819 | 5C17 | 9 | 90 - 38 |
| AR45162 | 1E16 | .. | 30 - 31A | AR45414 | 4H18 | 6 | 80 - 25 | AR45820 | 5C18 | 22 | 90 - 39 |
| AR45162 | 1E17 | .. | 30 - 31B | AR45435 | 2B9 | 10 | 40 - 3 | AR45821 | 5C17 | 3 | 90 - 38 |
| AR45168 | 4G20 | 9 | 80 - 1 | AR45436 | 2B9 | 5 | 40 - 3 | AR45822 | 5C18 | 8 | 90 - 39 |
| AR45184 | 1D12 | 5 | 30 - 3 | AR45437 | 2B9 | 19 | 40 - 3 | AR45823 | 5C18 | 4 | 90 - 39 |
| AR45184 | 1D13 | 1 | 30 - 4 | AR45438 | 2B9 | 21 | 40 - 3 | AR45824 | 5C18 | 5 | 90 - 39 |
| AR45198 | 4D2 | 17 | 70 - 49 | AR45439 | 2B9 | 15 | 40 - 3 | AR45827 | 5D5 | 11 | 90 - 51 |
| AR45204 | 1D12 | 6 | 30 - 3 | AR45439 | 2B9 | 20 | 40 - 3 | AR45828 | 5D5 | 9 | 90 - 51 |
| AR45204 | 1D13 | 2 | 30 - 4 | AR45440 | 2B9 | 26 | 40 - 3 | AR45829 | 5D5 | 12 | 90 - 51 |
| AR45207 | 4I2 | 11 | 80 - 34 | AR45444 | 2B12 | 2 | 40 - 6 | AR45830 | 5D5 | 4 | 90 - 51 |
| AR45230 | 4D2 | 26 | 70 - 49 | AR45446 | 2B9 | 22 | 40 - 3 | AR45831 | 5D5 | 5 | 90 - 51 |
| AR45231 | 4D2 | 25 | 70 - 49 | AR45446 | 2B9 | 25 | 40 - 3 | AR45832 | 5D6 | 4 | 90 - 52 |
| AR45232 | 4D2 | 29 | 70 - 49 | AR45450 | 2C12 | .. | 40 - 31 | AR45833 | 5D6 | 9 | 90 - 52 |
| AR45233 | 3F11 | .. | 50 - 109 | AR45453 | 5E5 | 2 | 90 - 76 | AR45834 | 5D6 | 6 | 90 - 52 |
| AR45233 | 4C25 | 9 | 70 - 46 | AR45460 | 4H20 | 7 | 80 - 27 | AR45835 | 5C24 | 7 | 90 - 45 |
| AR45234 | 4D2 | 14 | 70 - 49 | AR45477 | 5E7 | 1 | 90 - 78 | AR45836 | 5C24 | 5 | 90 - 45 |
| AR45235 | 4D2 | 16 | 70 - 49 | AR45498 | 1B18 | 4 | 20 - 13 | AR45837 | 2F5 | 20 | 40 - 104 |
| AR45238 | 2C7 | 23 | 40 - 26 | AR45516 | 2B7 | 3 | 40 - 1 | AR45838 | 2F5 | 15 | 40 - 104 |
| AR45240 | 3B25 | 11 | 50 - 21 | AR45517 | 2B7 | 3 | 40 - 1 | AR45839 | 2F3 | 27 | 40 - 102 |
| AR45249 | 4C17 | 14 | 70 - 38 | AR45518 | 2B7 | 3 | 40 - 1 | AR45839 | 2F4 | 13 | 40 - 103 |
| AR45249 | 4C23 | 14 | 70 - 44 | AR45519 | 2B7 | 3 | 40 - 1 | AR45839 | 2F6 | 28 | 40 - 105 |
| AR45251 | 3G15 | 2B | 60 - 22 | AR45529 | 1E2 | 9 | 30 - 18 | AR45840 | 2F5 | 14 | 40 - 104 |
| AR45251 | 3G15 | 4A | 60 - 22 | AR45529 | 1E3 | 15 | 30 - 19 | AR45841 | 2F5 | 12 | 40 - 104 |
| AR45251 | 3G15 | 6B | 60 - 22 | AR45529 | 1E19 | 8 | 30 - 33 | AR45842 | 2F5 | 7 | 40 - 104 |

1J18

TRACTOR - 4000 AND 4020 (SERIAL NO. 201000-) TRACTORS

NUMERICAL INDEX - CONTINUED

| PART NO. | GRID | KEY | PAGE | PART NO. | GRID | KEY | PAGE | PART NO. | GRID | KEY | PAGE |
|----------|------|-----|----------|----------|------|-----|----------|----------|------|-----|----------|
| AR45843 | 2F3 | 3 | 40 - 102 | AR46113 | 3B14 | 14 | 50 - 9 | AR46412 | 3C19 | 22 | 50 - 40 |
| AR45843 | 2F5 | 21 | 40 - 104 | AR46113 | 3B14 | .. | 50 - 9 | AR46434 | 1C22 | 9 | 20 - 43 |
| AR45843 | 2F6 | 3 | 40 - 105 | AR46115 | 2C12 | .. | 40 - 31 | AR46486 | 2B24 | 5 | 40 - 18 |
| AR45844 | 2F3 | 12 | 40 - 102 | AR46117 | 1G19 | 24A | 30 - 80 | AR46726 | 3G14 | 22A | 60 - 21 |
| AR45844 | 2F5 | 22 | 40 - 104 | AR46144 | 1E20 | 6 | 30 - 34 | AR46727 | 4C18 | 3 | 70 - 39 |
| AR45844 | 2F6 | 4 | 40 - 105 | AR46145 | 1E20 | 6 | 30 - 34 | AR46728 | 2B7 | 6 | 40 - 1 |
| AR45845 | 5D7 | 12 | 90 - 53 | AR46146 | 3G11 | 6 | 60 - 18 | AR46729 | 2B7 | 6 | 40 - 1 |
| AR45846 | 5C24 | 4 | 90 - 45 | AR46149 | 1D13 | 3 | 30 - 4 | AR46730 | 2B8 | 5 | 40 - 2 |
| AR45847 | 2B21 | 6 | 40 - 15 | AR46150 | 1D13 | 3 | 30 - 4 | AR46730 | 2E18 | 4 | 40 - 92 |
| AR45849 | 2F4 | 11 | 40 - 103 | AR46151 | 1D13 | 3 | 30 - 4 | AR46730 | 2E19 | 3 | 40 - 93 |
| AR45850 | 5D5 | 1 | 90 - 51 | AR46175 | 1D13 | 3 | 30 - 4 | AR46768 | 3B21 | 3 | 50 - 17 |
| AR45851 | 2F4 | 16 | 40 - 103 | AR46176 | 1D13 | 3 | 30 - 4 | AR46810 | 4E13 | .. | 70 - 90 |
| AR45852 | 2F4 | 20 | 40 - 103 | AR46224 | 4I5 | 2 | 80 - 37 | AR46810 | 4E16 | 32 | 70 - 93 |
| AR45853 | 2F4 | 9 | 40 - 103 | AR46225 | 5D2 | 11 | 90 - 48 | AR46820 | 5D12 | 19 | 90 - 58 |
| AR45854 | 2F4 | 14 | 40 - 103 | AR46246 | 4B9 | 1 | 70 - 3 | AR46828 | 4F1 | 3 | 70 - 104 |
| AR45856 | 5D6 | 5 | 90 - 52 | AR46246 | 4B13 | .. | 70 - 7 | AR46840 | 1F3 | 14 | 30 - 42 |
| AR45857 | 5C25 | 1 | 90 - 46 | AR46256 | 4F1 | 14 | 70 - 104 | AR46841 | 1F11 | 4 | 30 - 50 |
| AR45858 | 5C25 | 3 | 90 - 46 | AR46261 | 1G10 | 17 | 30 - 71 | AR46842 | 1F11 | 8 | 30 - 50 |
| AR45859 | 2F4 | 5 | 40 - 103 | AR46268 | 1E1 | 11 | 30 - 17 | AR46843 | 1F11 | 12 | 30 - 50 |
| AR45860 | 2F4 | 19 | 40 - 103 | AR46268 | 1E18 | 15 | 30 - 32 | AR46843 | 1F16 | 11 | 30 - 55 |
| AR45867 | 5B13 | 10 | 90 - 9 | AR46271 | 2B9 | 5 | 40 - 3 | AR46844 | 1F3 | 22 | 30 - 42 |
| AR45867 | 5B23 | 4 | 90 - 19 | AR46273 | 2C17 | 3 | 40 - 37 | AR46844 | 1F5 | 21 | 30 - 44 |
| AR45868 | 5B14 | 6 | 90 - 10 | AR46275 | 2C17 | 3 | 40 - 37 | AR46844 | 1F11 | 5 | 30 - 50 |
| AR45868 | 5B24 | 1 | 90 - 20 | AR46276 | 2C17 | 3 | 40 - 37 | AR46844 | 1F12 | 7 | 30 - 51 |
| AR45892 | 5C20 | 2 | 90 - 41 | AR46277 | 2C17 | 3 | 40 - 37 | AR46846 | 1E23 | 16 | 30 - 37 |
| AR45893 | 5C23 | 10 | 90 - 44 | AR46278 | 2C17 | 3 | 40 - 37 | AR46846 | 1F25 | 3 | 30 - 65 |
| AR45894 | 5C23 | 19 | 90 - 44 | AR46279 | 2C17 | 3 | 40 - 37 | AR46957 | 3F10 | 6 | 50 - 108 |
| AR45895 | 5D3 | 12 | 90 - 49 | AR46280 | 2C17 | 3 | 40 - 37 | AR46957 | 4D2 | 35 | 70 - 49 |
| AR45895 | 5D21 | 11 | 90 - 67 | AR46282 | 5E10 | 4 | 90 - 81 | AR46960 | 4D2 | 37 | 70 - 49 |
| AR45896 | 5D3 | 3 | 90 - 49 | AR46289 | 4H22 | 5 | 80 - 29 | AR46975 | 1D12 | 13 | 30 - 3 |
| AR45896 | 5D21 | 3 | 90 - 67 | AR46298 | 4D22 | 9 | 70 - 72 | AR46976 | 1D12 | 11 | 30 - 3 |
| AR45900 | 5D3 | 19 | 90 - 49 | AR46299 | 5C15 | 4 | 90 - 36 | AR46976 | 1G15 | 1 | 30 - 76 |
| AR45900 | 5D21 | 20 | 90 - 67 | AR46323 | 1D23 | 5 | 30 - 14 | AR46977 | 1F10 | 1 | 30 - 49 |
| AR45901 | 5D3 | 21 | 90 - 49 | AR46333 | 2B21 | 10 | 40 - 15 | AR46978 | 4F6 | 16 | 70 - 110 |
| AR45901 | 5D21 | 22 | 90 - 67 | AR46334 | 2E14 | 8 | 40 - 88 | AR46979 | 2B9 | 9 | 40 - 3 |
| AR45902 | 5D3 | 14 | 90 - 49 | AR46334 | 2E15 | 4 | 40 - 89 | AR46980 | 1D12 | 15 | 30 - 3 |
| AR45902 | 5D21 | 13 | 90 - 67 | AR46334 | 5B24 | 9 | 90 - 20 | AR46983 | 2E25 | 21 | 40 - 99 |
| AR45915 | 1D25 | 1 | 30 - 16 | AR46335 | 2B21 | 9 | 40 - 15 | AR46984 | 2E23 | 21 | 40 - 97 |
| AR45916 | 1D23 | 10 | 30 - 14 | AR46340 | 2B12 | 3 | 40 - 6 | AR46984 | 2E25 | 20 | 40 - 99 |
| AR45917 | 1D23 | 13 | 30 - 14 | AR46357 | 1D23 | .. | 30 - 14 | AR46985 | 2E25 | 18 | 40 - 99 |
| AR45918 | 1D25 | 1 | 30 - 16 | AR46374 | 5D3 | 16 | 90 - 49 | AR46986 | 2E23 | 5 | 40 - 97 |
| AR45923 | 2C13 | 2 | 40 - 32 | AR46374 | 5D21 | 15 | 90 - 67 | AR46986 | 2E25 | 3 | 40 - 99 |
| AR45923 | 2C14 | 2 | 40 - 33 | AR46375 | 5D3 | 6 | 90 - 49 | AR47067 | 1B8 | 2 | 20 - 3 |
| AR45924 | 2C13 | 5 | 40 - 32 | AR46375 | 5D21 | 6 | 90 - 67 | AR47068 | 1B8 | 2 | 20 - 3 |
| AR45924 | 2C14 | 5 | 40 - 33 | AR46376 | 5D3 | 4 | 90 - 49 | AR47086 | 2C13 | 3 | 40 - 32 |
| AR45925 | 2C13 | 7 | 40 - 32 | AR46376 | 5D21 | 4 | 90 - 67 | AR47086 | 2C14 | 3 | 40 - 33 |
| AR45925 | 2C14 | 7 | 40 - 33 | AR46395 | 1B18 | 5 | 20 - 13 | AR47087 | 2C13 | 3 | 40 - 32 |
| AR45926 | 2C13 | 2 | 40 - 32 | AR46395 | 1B19 | 11 | 20 - 14 | AR47087 | 2C14 | 3 | 40 - 33 |
| AR45926 | 2C14 | 2 | 40 - 33 | AR46396 | 1B18 | 5 | 20 - 13 | AR47087 | 2C15 | 3 | 40 - 34 |
| AR45926 | 2C15 | 2 | 40 - 34 | AR46396 | 1B19 | 11 | 20 - 14 | AR47091 | 4I16 | .. | 80 - 46 |
| AR45927 | 2C15 | 5 | 40 - 34 | AR46396 | 1B22 | 2 | 20 - 17 | AR47092 | 1D6 | .. | 20 - 51 |
| AR45952 | 1B12 | 17 | 20 - 7 | AR46396 | 1B23 | 9 | 20 - 18 | AR47093 | 2E20 | 12 | 40 - 94 |
| AR45953 | 1B12 | 17 | 20 - 7 | AR46397 | 1B18 | 5 | 20 - 13 | AR47097 | 1C9 | 14 | 20 - 29 |
| AR45974 | 1D5 | 1 | 20 - 50 | AR46397 | 1B19 | 11 | 20 - 14 | AR47137 | 3F6 | 11 | 50 - 104 |
| AR45975 | 2C15 | 6 | 40 - 34 | AR46398 | 1B18 | 5 | 20 - 13 | AR47170 | 4B11 | 16 | 70 - 5 |
| AR46042 | 3B25 | 3 | 50 - 21 | AR46398 | 1B19 | 11 | 20 - 14 | AR47178 | 3F11 | 7 | 50 - 109 |
| AR46062 | 2C7 | 5 | 40 - 26 | AR46399 | 1C4 | 1 | 20 - 24 | AR47179 | 3F11 | 14 | 50 - 109 |
| AR46063 | 2C7 | 12 | 40 - 26 | AR46400 | 1C4 | 1 | 20 - 24 | AR47180 | 3F11 | 16 | 50 - 109 |
| AR46064 | 2C17 | 17 | 40 - 37 | AR46401 | 1C4 | 1 | 20 - 24 | AR47210 | 5C13 | 3 | 90 - 34 |
| AR46079 | 5E3 | 7 | 90 - 74 | AR46402 | 1C4 | 1 | 20 - 24 | AR47235 | 2B10 | 12 | 40 - 4 |
| AR46081 | 2B18 | 5 | 40 - 12 | AR46403 | 1C3 | 3 | 20 - 23 | AR47290 | 3F23 | 16 | 60 - 3 |
| AR46081 | 2B21 | 11 | 40 - 15 | AR46404 | 1C3 | 3 | 20 - 23 | AR47293 | 3F24 | 9 | 60 - 4 |
| AR46089 | 2E14 | 10 | 40 - 88 | AR46405 | 1C3 | 3 | 20 - 23 | AR47304 | 1G2 | 8 | 30 - 67 |
| AR46089 | 2E15 | 6 | 40 - 89 | AR46406 | 1C3 | 3 | 20 - 23 | AR47331 | 4F20 | 29 | 70 - 125 |
| AR46109 | 1E10 | 43 | 30 - 27 | AR46407 | 1C3 | 3 | 20 - 23 | AR47331 | 4G14 | 20 | 70 - 147 |
| AR46109 | 1E10 | 45 | 30 - 27 | AR46411 | 5B20 | 6 | 90 - 16 | AR47335 | 1C9 | 21 | 20 - 29 |
| AR46109 | 1E10 | 46 | 30 - 27 | AR46411 | 5C13 | 6 | 90 - 34 | AR47374 | 2E18 | 1 | 40 - 92 |

1J19

TRACTOR - 4000 AND 4020 (SERIAL NO. 201000-) TRACTORS

NUMERICAL INDEX - CONTINUED

| PART NO. | GRID | KEY | PAGE | PART NO. | GRID | KEY | PAGE | PART NO. | GRID | KEY | PAGE |
|----------|------|-----|--------|----------|------|-----|--------|----------|------|-----|--------|
| AR47374 | 2E19 | 1 | 40-93 | AR48007 | 4D10 | 22 | 70-57 | AR48721 | 2B15 | 5 | 40-9 |
| AR47436 | 4I9 | 1 | 80-41 | AR48007 | 4D13 | 11 | 70-61 | AR48721 | 2B17 | 5 | 40-11 |
| AR47458 | 2B10 | 12 | 40-4 | AR48007 | 4D13 | 12 | 70-61 | AR48721 | 2B19 | 7 | 40-13 |
| AR47459 | 2B10 | 12 | 40-4 | AR48007 | 4D13 | 13 | 70-61 | AR48721 | 2C1 | 10 | 40-20 |
| AR47483 | 4D8 | .. | 70-55 | AR48007 | 4D13 | 14 | 70-61 | AR48722 | 2B14 | 3 | 40-8 |
| AR47486 | 4E25 | 2 | 70-103 | AR48008 | 4D4 | 4 | 70-51 | AR48722 | 2B15 | 6 | 40-9 |
| AR47490 | 4F2 | 1 | 70-105 | AR48008 | 4D4 | 6 | 70-51 | AR48722 | 2B17 | 6 | 40-11 |
| AR47545 | 2B9 | 5 | 40-3 | AR48008 | 4D4 | 7 | 70-51 | AR48722 | 2C1 | 10 | 40-20 |
| AR47547 | 2B7 | 3 | 40-1 | AR48008 | 4D4 | 8 | 70-51 | AR48723 | 2C1 | 11 | 40-20 |
| AR47547 | 2B8 | .. | 40-2 | AR48008 | 4D4 | 9 | 70-51 | AR48723 | 2C2 | 28 | 40-21 |
| AR47548 | 2B7 | .. | 40-1 | AR48008 | 4D4 | 10 | 70-51 | AR48724 | 2B10 | 13 | 40-4 |
| AR47548 | 2B8 | .. | 40-2 | AR48015 | 2B12 | 5 | 40-6 | AR48725 | 2B11 | 1 | 40-5 |
| AR47567 | 4F1 | 13 | 70-104 | AR48016 | 2B12 | 2 | 40-6 | AR48726 | 2E15 | 11 | 40-89 |
| AR47580 | 4B11 | 16 | 70-5 | AR48016 | 2B12 | 3 | 40-6 | AR48727 | 4I3 | 3 | 80-35 |
| AR47603 | 4E25 | 15 | 70-103 | AR48021 | 2B12 | 2 | 40-6 | AR48728 | 1C7 | 5 | 20-27 |
| AR47611 | 3D1 | 25 | 50-45 | AR48022 | 2B12 | 2 | 40-6 | AR48734 | 4F9 | 18 | 70-113 |
| AR47643 | 4F12 | 6 | 70-117 | AR48031 | 2B12 | 6 | 40-6 | AR48742 | 1B19 | 8 | 20-14 |
| AR47643 | 4F20 | 36 | 70-125 | AR48032 | 2B9 | 22 | 40-3 | AR48743 | 1B19 | 7 | 20-14 |
| AR47643 | 4G14 | 7 | 70-147 | AR48033 | 2B9 | 15 | 40-3 | AR48743 | 1B19 | 8 | 20-14 |
| AR47741 | 1E5 | 25 | 30-21 | AR48034 | 2B9 | 13 | 40-3 | AR48770 | 4B13 | 18 | 70-7 |
| AR47741 | 1E7 | 23 | 30-23 | AR48035 | 2B9 | 17 | 40-3 | AR48782 | 1C16 | 14 | 20-37 |
| AR47743 | 1E4 | 25 | 30-20 | AR48040 | 2C2 | 21 | 40-21 | AR48803 | 1E24 | 26 | 30-38 |
| AR47745 | 1E5 | 32 | 30-21 | AR48040 | 2C3 | 27 | 40-22 | AR48803 | 1F13 | 17 | 30-52 |
| AR47746 | 1E7 | 25 | 30-23 | AR48041 | 2C2 | 20 | 40-21 | AR48872 | 5E5 | 2 | 90-76 |
| AR47748 | 1G10 | 22 | 30-71 | AR48041 | 2C3 | 26 | 40-22 | AR48873 | 5E5 | 2 | 90-76 |
| AR47749 | 1G10 | 23 | 30-71 | AR48041 | 2C6 | 22 | 40-25 | AR48898 | 3C14 | 16 | 50-35 |
| AR47750 | 1G10 | 6 | 30-71 | AR48042 | 3C10 | 19 | 50-31 | AR48898 | 3C22 | 17 | 50-43 |
| AR47752 | 5D25 | 16 | 90-71 | AR48043 | 3E8 | 20 | 50-78 | AR48898 | 3C24 | 12 | 50-43B |
| AR47753 | 4E25 | 5 | 70-103 | AR48090 | 1C22 | 6 | 20-43 | AR48901 | 3F11 | .. | 50-109 |
| AR47793 | 2B12 | 3 | 40-6 | AR48090 | 1C22 | 9 | 20-43 | AR48901 | 4C25 | 9 | 70-46 |
| AR47802 | 4B9 | 1 | 70-3 | AR48110 | 4E10 | 24 | 70-87 | AR48902 | 3F11 | 7 | 50-109 |
| AR47802 | 4B11 | .. | 70-5 | AR48110 | 4E12 | 34 | 70-89 | AR48902 | 3F11 | 14 | 50-109 |
| AR47803 | 4D2 | 24 | 70-49 | AR48110 | 4F1 | 1 | 70-104 | AR48903 | 3F11 | 1 | 50-109 |
| AR47805 | 3G11 | 6 | 60-18 | AR48111 | 4E10 | 25 | 70-87 | AR48903 | 3F11 | 7 | 50-109 |
| AR47825 | 4F25 | 8 | 70-131 | AR48111 | 4E12 | 35 | 70-89 | AR48903 | 3F11 | 14 | 50-109 |
| AR47825 | 4G2 | 11 | 70-133 | AR48111 | 4F1 | 2 | 70-104 | AR48904 | 3F13 | 13 | 50-111 |
| AR47825 | 4G4 | 1 | 70-135 | AR48138 | 1D15 | 3 | 30-6 | AR48911 | 2C13 | 2 | 40-32 |
| AR47825 | 4G6 | 26A | 70-137 | AR48182 | 1B8 | 2 | 20-3 | AR48912 | 2C13 | 5 | 40-32 |
| AR47825 | 4G6 | 27 | 70-137 | AR48183 | 1B8 | 2 | 20-3 | AR48912 | 2C14 | 5 | 40-33 |
| AR47825 | 4G9 | 41 | 70-141 | AR48191 | 1B20 | 11 | 20-15 | AR48933 | 4F5 | 2A | 70-109 |
| AR47825 | 4G12 | 1 | 70-145 | AR48219 | 1F4 | 7 | 30-43 | AR48936 | 2B8 | 11 | 40-2 |
| AR47855 | 2B7 | 8 | 40-1 | AR48219 | 1F18 | 18 | 30-58 | AR48937 | 2B8 | 1 | 40-2 |
| AR47856 | 2B7 | 3 | 40-1 | AR48236 | 3F17 | 2 | 50-115 | AR48938 | 2B15 | 3 | 40-9 |
| AR47857 | 2B7 | 3 | 40-1 | AR48262 | 1C7 | 11 | 20-27 | AR48939 | 2B15 | 3 | 40-9 |
| AR47858 | 2B7 | 6 | 40-1 | AR48266 | 2C21 | 16 | 40-42 | AR48939 | 2B17 | 3 | 40-11 |
| AR47859 | 2F9 | 1 | 40-108 | AR48267 | 2C21 | 15 | 40-42 | AR48940 | 1C3 | 3 | 20-23 |
| AR47859 | 5E11 | 6 | 90-82 | AR48289 | 1B14 | .. | 20-9 | AR48963 | 3B14 | 14 | 50-9 |
| AR47878 | 3E22 | 10 | 50-94 | AR48289 | 1C7 | 11 | 20-27 | AR48964 | 4I7 | 6 | 80-39 |
| AR47892 | 4E1 | 3 | 70-76 | AR48527 | 3F8 | 16 | 50-106 | AR48976 | 5E7 | 1 | 90-78 |
| AR47893 | 4E1 | 3 | 70-76 | AR48589 | 3D25 | 8 | 50-70 | AR48977 | 5E7 | 1 | 90-78 |
| AR47910 | 2B12 | 2 | 40-6 | AR48594 | 2B7 | 9 | 40-1 | AR49025 | 1C7 | 5 | 20-27 |
| AR47916 | 2B9 | 1 | 40-3 | AR48594 | 2B8 | 12 | 40-2 | AR49032 | 2E20 | 12 | 40-94 |
| AR47939 | 4I1 | 9 | 80-33 | AR48594 | 2B10 | 9 | 40-4 | AR49036 | 2E19 | 7 | 40-93 |
| AR47940 | 4I1 | 22 | 80-33 | AR48634 | 3B7 | 14 | 50-1 | AR49038 | 2B8 | 7 | 40-2 |
| AR47941 | 4I1 | 5 | 80-33 | AR48640 | 2B9 | 10 | 40-3 | AR49038 | 2E19 | 8 | 40-93 |
| AR47947 | 2C17 | 8 | 40-37 | AR48643 | 5E3 | 7 | 90-74 | AR49062 | 5E6 | 4 | 90-77 |
| AR47947 | 2C19 | .. | 40-39 | AR48647 | 2B7 | 3 | 40-1 | AR49063 | 5E6 | 4 | 90-77 |
| AR47954 | 2C11 | 4 | 40-30 | AR48647 | 2B7 | .. | 40-1 | AR49112 | 1F14 | 28 | 30-53 |
| AR48004 | 4I3 | 3 | 80-35 | AR48663 | 1E13 | .. | 30-28 | AR49112 | 1F15 | 21 | 30-54 |
| AR48005 | 4D10 | 14 | 70-57 | AR48663 | 1E15 | .. | 30-31 | AR49112 | 1F16 | 4 | 30-55 |
| AR48006 | 4D4 | 4 | 70-51 | AR48680 | 3D14 | 14 | 50-58 | AR49112 | 1F17 | 8 | 30-56 |
| AR48007 | 4D10 | 14 | 70-57 | AR48684 | 1E24 | 26 | 30-38 | AR49113 | 1F13 | 15 | 30-52 |
| AR48007 | 4D10 | 17 | 70-57 | AR48684 | 1F13 | 17 | 30-52 | AR49114 | 1F16 | 3 | 30-55 |
| AR48007 | 4D10 | 18 | 70-57 | AR48687 | 1B13 | 3 | 20-8 | AR49127 | 3B17 | 16 | 50-13 |
| AR48007 | 4D10 | 19 | 70-57 | AR48689 | 3C18 | 15 | 50-39 | AR49127 | 3D5 | 23 | 50-49 |
| AR48007 | 4D10 | 20 | 70-57 | AR48689 | 3D3 | 9 | 50-47 | AR49127 | 4D18 | 20 | 70-67 |
| AR48007 | 4D10 | 21 | 70-57 | AR48690 | 3D3 | 6 | 50-47 | AR49147 | 3B10 | 12 | 50-4 |

1J20

TRACTOR - 4000 AND 4020 (SERIAL NO. 201000-) TRACTORS

NUMERICAL INDEX - CONTINUED

| PART NO. | GRID | KEY | PAGE | PART NO. | GRID | KEY | PAGE | PART NO. | GRID | KEY | PAGE |
|----------|------|-----|----------|----------|------|-----|----------|----------|------|-----|---------|
| AR49173 | 3E21 | 6 | 50 - 93 | AR49789 | 3G14 | 24 | 60 - 21 | AR49982 | 1C12 | 5 | 20 - 32 |
| AR49174 | 3E21 | 3 | 50 - 93 | AR49789 | 4C24 | 13B | 70 - 45 | AR49986 | 5B19 | 4 | 90 - 15 |
| AR49176 | 3E21 | 16 | 50 - 93 | AR49797 | 2F7 | 1 | 40 - 106 | AR49986 | 5D15 | 3 | 90 - 61 |
| AR49181 | 3G15 | 3 | 60 - 22 | AR49798 | 2F7 | 1 | 40 - 106 | AR49987 | 5B17 | 12 | 90 - 13 |
| AR49182 | 3G17 | 27 | 60 - 25 | AR49799 | 5B6 | 11 | 90 - 1 | AR49987 | 5C1 | 19 | 90 - 22 |
| AR49202 | 4E7 | 19 | 70 - 83 | AR49799 | 5B21 | 12 | 90 - 17 | AR50004 | 5B12 | 5 | 90 - 7 |
| AR49206 | 4E7 | 14 | 70 - 83 | AR49802 | 5B6 | 11 | 90 - 1 | AR50005 | 5B12 | 1 | 90 - 7 |
| AR49225 | 5B20 | 3 | 90 - 16 | AR49802 | 5B21 | 12 | 90 - 17 | AR50006 | 5B12 | 7 | 90 - 7 |
| AR49226 | 1E23 | 16 | 30 - 37 | AR49803 | 5B7 | 2 | 90 - 2 | AR50007 | 5B16 | 4 | 90 - 12 |
| AR49226 | 1E24 | 16 | 30 - 38 | AR49803 | 5B22 | 2 | 90 - 18 | AR50008 | 5B16 | 1 | 90 - 12 |
| AR49226 | 1F25 | 3 | 30 - 65 | AR49804 | 5B7 | 7 | 90 - 2 | AR50009 | 5B16 | 2 | 90 - 12 |
| AR49232 | 1C3 | 3 | 20 - 23 | AR49804 | 5B22 | 7 | 90 - 18 | AR50009 | 5D15 | 4 | 90 - 61 |
| AR49233 | 1C3 | 3 | 20 - 23 | AR49805 | 5B7 | 5 | 90 - 2 | AR50010 | 5B16 | 2 | 90 - 12 |
| AR49234 | 1C3 | 3 | 20 - 23 | AR49805 | 5B7 | 8 | 90 - 2 | AR50010 | 5D15 | 4 | 90 - 61 |
| AR49235 | 1C3 | 3 | 20 - 23 | AR49805 | 5B22 | 5 | 90 - 18 | AR50011 | 5B19 | 5 | 90 - 15 |
| AR49236 | 1C3 | 3 | 20 - 23 | AR49806 | 5B7 | 17 | 90 - 2 | AR50012 | 5B19 | 17 | 90 - 15 |
| AR49255 | 4I5 | 2 | 80 - 37 | AR49806 | 5B22 | 17 | 90 - 18 | AR50013 | 5B18 | 5 | 90 - 14 |
| AR49280 | 3G3 | 5 | 60 - 8 | AR49808 | 5B6 | 15 | 90 - 1 | AR50014 | 5B18 | 4 | 90 - 14 |
| AR49281 | 2C7 | 23 | 40 - 26 | AR49808 | 5B21 | 16 | 90 - 17 | AR50016 | 5B19 | 13 | 90 - 15 |
| AR49295 | 4D2 | 25 | 70 - 49 | AR49907 | 1F1 | 31 | 30 - 40 | AR50017 | 5B19 | 11 | 90 - 15 |
| AR49296 | 4D2 | 29 | 70 - 49 | AR49907 | 1F2 | 13 | 30 - 41 | AR50018 | 5B19 | 8 | 90 - 15 |
| AR49297 | 4D2 | 26 | 70 - 49 | AR49922 | 5C22 | .. | 90 - 43 | AR50019 | 5B19 | 12 | 90 - 15 |
| AR49342 | 2C7 | 27 | 40 - 26 | AR49923 | 5C22 | .. | 90 - 43 | AR50020 | 5B14 | 5 | 90 - 10 |
| AR49349 | 2B7 | 8 | 40 - 1 | AR49950 | 5B8 | 1 | 90 - 3 | AR50021 | 5B14 | 4 | 90 - 10 |
| AR49351 | 2B7 | 4 | 40 - 1 | AR49951 | 5B8 | 2 | 90 - 3 | AR50022 | 5B20 | 1 | 90 - 16 |
| AR49352 | 2E15 | 10 | 40 - 89 | AR49952 | 5B19 | 1 | 90 - 15 | AR50023 | 5B20 | 2 | 90 - 16 |
| AR49352 | 2F15 | 17 | 40 - 115 | AR49952 | 5D14 | 7 | 90 - 60 | AR50024 | 5C15 | 10 | 90 - 36 |
| AR49356 | 2B24 | 2 | 40 - 18 | AR49953 | 5B13 | 9 | 90 - 9 | AR50040 | 1E21 | 4 | 30 - 35 |
| AR49414 | 3B9 | 31 | 50 - 3 | AR49954 | 5B13 | 12 | 90 - 9 | AR50040 | 1E22 | 5 | 30 - 36 |
| AR49414 | 3C8 | 2 | 50 - 29 | AR49955 | 5B10 | 15 | 90 - 5 | AR50041 | 1E21 | 8 | 30 - 35 |
| AR49414 | 3C8 | 5 | 50 - 29 | AR49956 | 5B10 | 7 | 90 - 5 | AR50041 | 1E22 | 7 | 30 - 36 |
| AR49416 | 2B7 | 7 | 40 - 1 | AR49957 | 5B10 | 2 | 90 - 5 | AR50041 | 1G15 | 2 | 30 - 76 |
| AR49420 | 3F10 | 16 | 50 - 108 | AR49958 | 5B10 | 3 | 90 - 5 | AR50065 | 4H12 | 10 | 80 - 18 |
| AR49420 | 4C25 | 7 | 70 - 46 | AR49959 | 5B10 | 6 | 90 - 5 | AR50065 | 4H12 | 12 | 80 - 18 |
| AR49427 | 4B8 | 4 | 70 - 2 | AR49960 | 5B15 | 6 | 90 - 11 | AR50088 | 4D10 | 7 | 70 - 57 |
| AR49432 | 2C7 | 12 | 40 - 26 | AR49961 | 5B15 | 8 | 90 - 11 | AR50118 | 3E1 | 9 | 50 - 71 |
| AR49433 | 2C7 | 5 | 40 - 26 | AR49961 | 5B25 | 13 | 90 - 21 | AR50119 | 3E1 | 9 | 50 - 71 |
| AR49454 | 1C22 | 9 | 20 - 43 | AR49962 | 5B14 | 3 | 90 - 10 | AR50119 | 3E1 | 22 | 50 - 71 |
| AR49457 | 3B25 | 29 | 50 - 21 | AR49962 | 5B24 | 18 | 90 - 20 | AR50139 | 1E2 | 1 | 30 - 18 |
| AR49479 | 2C8 | 4 | 40 - 27 | AR49962 | 5B24 | 18 | 90 - 20 | AR50139 | 1E3 | 6 | 30 - 19 |
| AR49485 | 5B6 | 12 | 90 - 1 | AR49963 | 5B24 | 17 | 90 - 20 | AR50140 | 1E2 | 1 | 30 - 18 |
| AR49485 | 5B21 | 13 | 90 - 17 | AR49964 | 5B18 | 15 | 90 - 14 | AR50140 | 1E3 | 5 | 30 - 19 |
| AR49532 | 3D11 | 19 | 50 - 55 | AR49964 | 5D17 | 16 | 90 - 63 | AR50141 | 1E2 | 1 | 30 - 18 |
| AR49535 | 3F25 | 8 | 60 - 5 | AR49965 | 5B17 | 17 | 90 - 13 | AR50141 | 1E3 | 2 | 30 - 19 |
| AR49536 | 3F25 | 8 | 60 - 5 | AR49965 | 5C1 | 17 | 90 - 22 | AR50143 | 1E2 | 1 | 30 - 18 |
| AR49542 | 1F4 | 5 | 30 - 43 | AR49966 | 5B15 | 3 | 90 - 11 | AR50143 | 1E3 | 1 | 30 - 19 |
| AR49542 | 1F19 | 37 | 30 - 59 | AR49966 | 5B25 | 15 | 90 - 21 | AR50145 | 1E25 | 26 | 30 - 39 |
| AR49578 | 4E24 | 1 | 70 - 102 | AR49967 | 5B13 | 4 | 90 - 9 | AR50145 | 1F21 | 31 | 30 - 61 |
| AR49602 | 2B20 | 15 | 40 - 14 | AR49967 | 5B23 | 12 | 90 - 19 | AR50145 | 1F21 | 32 | 30 - 61 |
| AR49602 | 2E16 | 3 | 40 - 90 | AR49968 | 5B18 | 1 | 90 - 14 | AR50147 | 1E25 | 26 | 30 - 39 |
| AR49602 | 2E17 | 1 | 40 - 91 | AR49968 | 5D17 | 23 | 90 - 63 | AR50147 | 1F21 | 31 | 30 - 61 |
| AR49603 | 2E16 | 2 | 40 - 90 | AR49969 | 2F3 | 29 | 40 - 102 | AR50147 | 1F21 | 32 | 30 - 61 |
| AR49615 | 2B14 | 5 | 40 - 8 | AR49969 | 2F6 | 27 | 40 - 105 | AR50171 | 3D19 | 8 | 50 - 64 |
| AR49622 | 4E24 | 8 | 70 - 102 | AR49969 | 5B15 | 5 | 90 - 11 | AR50180 | 3D20 | 21 | 50 - 65 |
| AR49631 | 5E3 | 12 | 90 - 74 | AR49969 | 5B18 | 14 | 90 - 14 | AR50186 | 4H18 | 1 | 80 - 25 |
| AR49632 | 5E3 | 12 | 90 - 74 | AR49969 | 5B25 | 21 | 90 - 21 | AR50226 | 2D1 | 20 | 40 - 48 |
| AR49650 | 1B20 | 5 | 20 - 15 | AR49969 | 5C1 | 21 | 90 - 22 | AR50226 | 2D2 | 14 | 40 - 49 |
| AR49650 | 1C7 | 4 | 20 - 27 | AR49969 | 5D17 | 14 | 90 - 63 | AR50227 | 2D1 | 30 | 40 - 48 |
| AR49678 | 5D5 | 20 | 90 - 51 | AR49970 | 5B19 | 2 | 90 - 15 | AR50227 | 2D2 | 25 | 40 - 49 |
| AR49679 | 5D5 | 18 | 90 - 51 | AR49970 | 5D14 | 8 | 90 - 60 | AR50229 | 2D1 | 24 | 40 - 48 |
| AR49680 | 5D5 | 5 | 90 - 51 | AR49971 | 2F6 | 17 | 40 - 105 | AR50229 | 2D2 | 16 | 40 - 49 |
| AR49709 | 3D17 | 8 | 50 - 61 | AR49972 | 2F6 | 15 | 40 - 105 | AR50260 | 2C9 | 6 | 40 - 28 |
| AR49751 | 4C12 | 9 | 70 - 33 | AR49973 | 5B14 | 12 | 90 - 10 | AR50260 | 2C10 | 4 | 40 - 29 |
| AR49751 | 4C14 | 6 | 70 - 35 | AR49973 | 5B18 | 13 | 90 - 14 | AR50262 | 1E19 | 5B | 30 - 33 |
| AR49751 | 4C16 | 5 | 70 - 37 | AR49974 | 5B8 | 5 | 90 - 3 | AR50265 | 1E25 | 19 | 30 - 39 |
| AR49775 | 5B12 | 4 | 90 - 7 | AR49975 | 5B8 | 6 | 90 - 3 | AR50271 | 2C17 | 3 | 40 - 37 |
| AR49789 | 3G3 | 15 | 60 - 8 | AR49976 | 5B8 | 3 | 90 - 3 | AR50298 | 1B14 | .. | 20 - 9 |

1J21

TRACTOR - 4000 AND 4020 (SERIAL NO. 201000-) TRACTORS

NUMERICAL INDEX - CONTINUED

| PART NO. | GRID | KEY | PAGE | PART NO. | GRID | KEY | PAGE | PART NO. | GRID | KEY | PAGE |
|----------|------|-----|----------|----------|------|-----|----------|----------|------|-----|---------|
| AR50306 | 1B13 | 10 | 20 - 8 | AR50838 | 2B8 | 3 | 40 - 2 | AR51394 | 2C13 | 2 | 40 - 32 |
| AR50333 | 1F3 | 22 | 30 - 42 | AR50838 | 2B12 | 6 | 40 - 6 | AR51394 | 2C14 | 2 | 40 - 33 |
| AR50333 | 1F5 | 21 | 30 - 44 | AR50853 | 5D20 | 32 | 90 - 66 | AR51395 | 2C13 | 7 | 40 - 32 |
| AR50333 | 1F11 | 5 | 30 - 50 | AR50854 | 5D20 | 31 | 90 - 66 | AR51395 | 2C14 | 7 | 40 - 33 |
| AR50333 | 1F12 | 7 | 30 - 51 | AR50855 | 5D12 | 18 | 90 - 58 | AR51416 | 5C8 | 2 | 90 - 30 |
| AR50340 | 4D15 | 21 | 70 - 63 | AR50856 | 5D12 | 2 | 90 - 58 | AR51416 | 5C9 | 2 | 90 - 31 |
| AR50341 | 5C20 | 6 | 90 - 41 | AR50865 | 4G20 | 9 | 80 - 1 | AR51417 | 5C8 | 2 | 90 - 30 |
| AR50368 | 4E12 | 38 | 70 - 89 | AR50865 | 4H15 | 8 | 80 - 22 | AR51417 | 5C9 | 2 | 90 - 31 |
| AR50372 | 4E12 | 22 | 70 - 89 | AR50866 | 5D12 | 26 | 90 - 58 | AR51439 | 5C1 | 2 | 90 - 22 |
| AR50373 | 4E12 | 22 | 70 - 89 | AR50867 | 5D12 | 29 | 90 - 58 | AR51444 | 5E5 | 2 | 90 - 76 |
| AR50374 | 4E12 | 15 | 70 - 89 | AR50870 | 5D12 | 30 | 90 - 58 | AR51445 | 5E5 | 2 | 90 - 76 |
| AR50387 | 3G19 | 27 | 60 - 27 | AR50874 | 1F4 | 5 | 30 - 43 | AR51446 | 5E5 | 2 | 90 - 76 |
| AR50392 | 1B20 | 11 | 20 - 15 | AR50874 | 1F19 | 37 | 30 - 59 | AR51447 | 5E5 | 2 | 90 - 76 |
| AR50394 | 1B20 | 11 | 20 - 15 | AR50921 | 4I1 | 5 | 80 - 33 | AR51452 | 5C13 | 3 | 90 - 34 |
| AR50399 | 1D3 | 4 | 20 - 48 | AR50926 | 2F9 | 14 | 40 - 108 | AR51452 | 5C14 | 6 | 90 - 35 |
| AR50401 | 2B12 | 2 | 40 - 6 | AR50927 | 2F7 | 20 | 40 - 106 | AR51481 | 2B10 | 7 | 40 - 4 |
| AR50405 | 2B12 | 2 | 40 - 6 | AR50927 | 2F9 | 20 | 40 - 108 | AR51481 | 5D10 | 17 | 90 - 56 |
| AR50406 | 2B12 | 2 | 40 - 6 | AR50928 | 2F7 | 18 | 40 - 106 | AR51483 | 2E21 | .. | 40 - 95 |
| AR50407 | 2B12 | 2 | 40 - 6 | AR50929 | 2F9 | 19 | 40 - 108 | AR51483 | 2E23 | 22 | 40 - 97 |
| AR50410 | 2B12 | 2 | 40 - 6 | AR50930 | 2F9 | 15 | 40 - 108 | AR51484 | 2E23 | 19 | 40 - 97 |
| AR50411 | 1D3 | 5 | 20 - 48 | AR50931 | 2F9 | 23 | 40 - 108 | AR51494 | 3C10 | 19 | 50 - 31 |
| AR50439 | 2B9 | 12 | 40 - 3 | AR50937 | 5C3 | 20 | 90 - 24 | AR51576 | 4E20 | 13 | 70 - 98 |
| AR50439 | 2B9 | 14 | 40 - 3 | AR50955 | 4D25 | 6 | 70 - 75 | AR51576 | 4E21 | 2 | 70 - 99 |
| AR50440 | 2B9 | 3 | 40 - 3 | AR50956 | 4D25 | 6 | 70 - 75 | AR51584 | 4G23 | 16 | 80 - 4 |
| AR50459 | 4E23 | 28 | 70 - 101 | AR50962 | 4G21 | 4 | 80 - 2 | AR51584 | 4G24 | 20 | 80 - 5 |
| AR50460 | 4E20 | 11 | 70 - 98 | AR50963 | 4G21 | 4 | 80 - 2 | AR51584 | 4H17 | 16 | 80 - 24 |
| AR50489 | 1D12 | 1 | 30 - 3 | AR50964 | 2F5 | 7 | 40 - 104 | AR51587 | 5D20 | 2 | 90 - 66 |
| AR50497 | 1G5 | .. | 30 - 69 | AR50964 | 2F5 | 8 | 40 - 104 | AR51705 | 1F23 | 16 | 30 - 63 |
| AR50503 | 4I9 | 1 | 80 - 41 | AR50965 | 2F5 | 7 | 40 - 104 | AR51708 | 1F18 | 1 | 30 - 58 |
| AR50504 | 4I9 | 1 | 80 - 41 | AR50966 | 2F5 | 4 | 40 - 104 | AR51708 | 1F20 | 18 | 30 - 60 |
| AR50508 | 2B9 | 4 | 40 - 3 | AR50981 | 4G21 | 12 | 80 - 2 | AR51708 | 1F24 | 10 | 30 - 64 |
| AR50514 | 3G14 | 22B | 60 - 21 | AR50982 | 4G21 | 12 | 80 - 2 | AR51710 | 1F24 | 12 | 30 - 64 |
| AR50516 | 5E2 | 8 | 90 - 73 | AR50982 | 4G25 | 12 | 80 - 6 | AR51711 | 1F20 | 4 | 30 - 60 |
| AR50518 | 1D3 | 8 | 20 - 48 | AR50983 | 4G21 | 12 | 80 - 2 | AR51712 | 1F20 | 20 | 30 - 60 |
| AR50580 | 2B15 | 1 | 40 - 9 | AR50983 | 4G25 | 12 | 80 - 6 | AR51745 | 4B15 | 9 | 70 - 9 |
| AR50580 | 2B17 | 1 | 40 - 11 | AR50984 | 4G21 | 12 | 80 - 2 | AR51799 | 1B19 | 7 | 20 - 14 |
| AR50580 | 2B19 | 2 | 40 - 13 | AR51071 | 5E2 | 8 | 90 - 73 | AR51799 | 1B19 | 8 | 20 - 14 |
| AR50580 | 2C1 | 19 | 40 - 20 | AR51092 | 3G19 | 30 | 60 - 27 | AR51800 | 1B19 | 8 | 20 - 14 |
| AR50591 | 4C16 | 12 | 70 - 37 | AR51160 | 2B9 | 27 | 40 - 3 | AR51810 | 5D12 | 8 | 90 - 58 |
| AR50592 | 4C12 | 9 | 70 - 33 | AR51190 | 3C14 | 16 | 50 - 35 | AR51867 | 4D21 | 21 | 70 - 71 |
| AR50592 | 4C14 | 6 | 70 - 35 | AR51190 | 3C15 | 7 | 50 - 36 | AR51867 | 4E12 | 6 | 70 - 89 |
| AR50632 | 3B16 | 7 | 50 - 12 | AR51190 | 3C22 | 17 | 50 - 43 | AR51923 | 1D12 | 2 | 30 - 3 |
| AR50633 | 3D4 | 7 | 50 - 48 | AR51190 | 3C24 | 12 | 50 - 43B | AR51955 | 4D18 | 30 | 70 - 67 |
| AR50643 | 4D21 | 25 | 70 - 71 | AR51192 | 3C17 | 16 | 50 - 38 | AR51955 | 4D19 | 6 | 70 - 68 |
| AR50707 | 1G19 | 3 | 30 - 80 | AR51194 | 1E25 | 11 | 30 - 39 | AR51968 | 2B23 | 9 | 40 - 17 |
| AR50770 | 4D2 | 16 | 70 - 49 | AR51194 | 1F1 | 11 | 30 - 40 | AR52016 | 3F21 | 23 | 60 - 1 |
| AR50776 | 4H18 | 1 | 80 - 25 | AR51194 | 1F2 | 7 | 30 - 41 | AR52077 | 2C21 | 5 | 40 - 42 |
| AR50779 | 2F7 | 2 | 40 - 106 | AR51195 | 1E25 | 7 | 30 - 39 | AR52077 | 2C23 | 15 | 40 - 45 |
| AR50780 | 2F7 | 2 | 40 - 106 | AR51195 | 1F1 | 7 | 30 - 40 | AR52077 | 2D1 | .. | 40 - 48 |
| AR50781 | 1E23 | 16 | 30 - 37 | AR51195 | 1F2 | 5 | 30 - 41 | AR52077 | 2D2 | .. | 40 - 49 |
| AR50781 | 1E24 | 16 | 30 - 38 | AR51196 | 1E25 | 6 | 30 - 39 | AR52079 | 2C23 | 16 | 40 - 45 |
| AR50781 | 1E25 | 18 | 30 - 39 | AR51196 | 1F1 | 6 | 30 - 40 | AR52079 | 2D2 | 2 | 40 - 49 |
| AR50781 | 1F1 | 18 | 30 - 40 | AR51196 | 1F2 | 4 | 30 - 41 | AR52099 | 4B11 | 25 | 70 - 5 |
| AR50781 | 1F25 | 3 | 30 - 65 | AR51197 | 1E25 | 5 | 30 - 39 | AR52158 | 1E2 | 6 | 30 - 18 |
| AR50781 | 1G1 | 3 | 30 - 66 | AR51197 | 1F1 | 5 | 30 - 40 | AR52158 | 1E3 | 11 | 30 - 19 |
| AR50786 | 1B18 | 9 | 20 - 13 | AR51197 | 1F2 | 3 | 30 - 41 | AR52159 | 1E2 | 6 | 30 - 18 |
| AR50818 | 5D20 | 13 | 90 - 66 | AR51198 | 1E25 | 2 | 30 - 39 | AR52159 | 1E3 | 11 | 30 - 19 |
| AR50819 | 5D20 | 20 | 90 - 66 | AR51198 | 1F1 | 2 | 30 - 40 | AR52159 | 1E19 | 4 | 30 - 33 |
| AR50827 | 2B8 | 6 | 40 - 2 | AR51198 | 1F2 | 2 | 30 - 41 | AR52159 | 1G2 | 8 | 30 - 67 |
| AR50829 | 2B8 | 13 | 40 - 2 | AR51199 | 1E25 | 1 | 30 - 39 | AR52165 | 3B7 | 14 | 50 - 1 |
| AR50834 | 2B14 | 1 | 40 - 8 | AR51199 | 1F1 | 1 | 30 - 40 | AR52166 | 3C12 | 17 | 50 - 33 |
| AR50834 | 2B14 | 5 | 40 - 8 | AR51199 | 1F2 | 1 | 30 - 41 | AR52170 | 3G15 | 3 | 60 - 22 |
| AR50834 | 2B15 | 8 | 40 - 9 | AR51335 | 2B20 | 4 | 40 - 14 | AR52171 | 3G15 | 7 | 60 - 22 |
| AR50834 | 2B17 | 8 | 40 - 11 | AR51335 | 2C2 | 27 | 40 - 21 | AR52180 | 3D24 | 22 | 50 - 69 |
| AR50834 | 2F15 | 8 | 40 - 115 | AR51347 | 5D12 | 7 | 90 - 58 | AR52224 | 4B11 | 7 | 70 - 5 |
| AR50835 | 2B19 | 8 | 40 - 13 | AR51372 | 2C8 | 12 | 40 - 27 | AR52224 | 4B13 | 11 | 70 - 7 |
| AR50836 | 2B19 | 5 | 40 - 13 | AR51373 | 2C8 | 11 | 40 - 27 | AR52224 | 4B19 | 19 | 70 - 13 |

1J22

TRACTOR - 4000 AND 4020 (SERIAL NO. 201000-) TRACTORS

NUMERICAL INDEX - CONTINUED

| PART NO. | GRID | KEY | PAGE | PART NO. | GRID | KEY | PAGE | PART NO. | GRID | KEY | PAGE |
|----------|------|-----|----------|----------|------|-----|----------|----------|------|-----|----------|
| AR52224 | 4B21 | 7 | 70 - 15 | AR52456 | 1E16 | .. | 30 - 31A | AR53140 | 5D12 | 2 | 90 - 58 |
| AR52224 | 4B23 | 7 | 70 - 17 | AR52456 | 1E17 | 30 | 30 - 31B | AR53141 | 5D12 | 2 | 90 - 58 |
| AR52224 | 4C4 | 23 | 70 - 23 | AR52456 | 1E17 | .. | 30 - 31B | AR53141 | 5D12 | 18 | 90 - 58 |
| AR52232 | 1B14 | .. | 20 - 9 | AR52467 | 2B8 | 10 | 40 - 2 | AR53142 | 5D20 | 13 | 90 - 66 |
| AR52240 | 1B13 | 10 | 20 - 8 | AR52478 | 2E23 | 29 | 40 - 97 | AR53143 | 5D20 | 20 | 90 - 66 |
| AR52251 | 3D25 | 8 | 50 - 70 | AR52478 | 2E25 | 28 | 40 - 99 | AR53155 | 5B18 | 15 | 90 - 14 |
| AR52253 | 1B18 | 8 | 20 - 13 | AR52494 | 4B17 | 9 | 70 - 11 | AR53155 | 5D17 | 16 | 90 - 63 |
| AR52254 | 4B15 | 37 | 70 - 9 | AR52497 | 3G11 | 6 | 60 - 18 | AR53156 | 5B18 | 1 | 90 - 14 |
| AR52254 | 4B25 | 33 | 70 - 19 | AR52509 | 1F24 | 12 | 30 - 64 | AR53156 | 5D17 | 23 | 90 - 63 |
| AR52260 | 3E22 | 3 | 50 - 94 | AR52554 | 5E8 | 5 | 90 - 79 | AR53157 | 2B20 | 13 | 40 - 14 |
| AR52260 | 3F3 | 16 | 50 - 101 | AR52555 | 5E8 | 4 | 90 - 79 | AR53204 | 3C24 | 39 | 50 - 43B |
| AR52271 | 1F10 | 1 | 30 - 49 | AR52563 | 1B13 | 8 | 20 - 8 | AR53205 | 3C22 | 50 | 50 - 43 |
| AR52281 | 4C23 | 19B | 70 - 44 | AR52604 | 2B20 | .. | 40 - 14 | AR53301 | 4B11 | 12 | 70 - 7 |
| AR52282 | 4C23 | 19B | 70 - 44 | AR52604 | 2C5 | 9 | 40 - 24 | AR53301 | 4B13 | 16 | 70 - 7 |
| AR52289 | 5D10 | 6 | 90 - 56 | AR52606 | 4E20 | 9 | 70 - 98 | AR53301 | 4B21 | 10 | 70 - 15 |
| AR52290 | 5D9 | 26 | 90 - 55 | AR52606 | 4E20 | 12 | 70 - 98 | AR53301 | 4B23 | 10 | 70 - 17 |
| AR52291 | 5D10 | 16 | 90 - 56 | AR52606 | 4E23 | 16 | 70 - 101 | AR53304 | 1B14 | .. | 20 - 9 |
| AR52292 | 5D10 | 17 | 90 - 56 | AR52606 | 4E23 | 18 | 70 - 101 | AR53305 | 1B14 | .. | 20 - 9 |
| AR52293 | 5D10 | 1 | 90 - 56 | AR52607 | 4C18 | 3 | 70 - 39 | AR53323 | 1B13 | 10 | 20 - 8 |
| AR52294 | 2F3 | 18 | 40 - 102 | AR52623 | 4F12 | 41 | 70 - 117 | AR53324 | 1B13 | 10 | 20 - 8 |
| AR52295 | 5D9 | 5 | 90 - 55 | AR52624 | 1B13 | 8 | 20 - 8 | AR53379 | 1B20 | 4 | 20 - 15 |
| AR52296 | 5D15 | 1 | 90 - 61 | AR52626 | 4C17 | 14 | 70 - 38 | AR53380 | 1B20 | 4 | 20 - 15 |
| AR52297 | 5D15 | 6 | 90 - 61 | AR52626 | 4C23 | 14 | 70 - 44 | AR53386 | 3D11 | 11 | 50 - 55 |
| AR52298 | 5D15 | 14 | 90 - 61 | AR52629 | 4F5 | 18 | 70 - 109 | AR53386 | 3D12 | 1 | 50 - 56 |
| AR52299 | 5D15 | 15 | 90 - 61 | AR52630 | 3C7 | 9 | 50 - 28 | AR53446 | 5B7 | 12 | 90 - 2 |
| AR52300 | 5D15 | 11 | 90 - 61 | AR52637 | 3D11 | 11 | 50 - 55 | AR53446 | 5B22 | 12 | 90 - 18 |
| AR52301 | 5D14 | 15 | 90 - 60 | AR52637 | 3D12 | 1 | 50 - 56 | AR53447 | 4D2 | 17 | 70 - 49 |
| AR52302 | 5B24 | 10 | 90 - 20 | AR52707 | 5D3 | 21 | 90 - 49 | AR53452 | 2B10 | 12 | 40 - 4 |
| AR52302 | 5D14 | 3 | 90 - 60 | AR52707 | 5D21 | 22 | 90 - 67 | AR53560 | 3F10 | 6 | 50 - 108 |
| AR52304 | 5D10 | 19 | 90 - 56 | AR52708 | 5D3 | 16 | 90 - 49 | AR53560 | 3F14 | 3 | 50 - 112 |
| AR52305 | 5D9 | 1 | 90 - 55 | AR52708 | 5D21 | 15 | 90 - 67 | AR53560 | 4D2 | 35 | 70 - 49 |
| AR52306 | 5D9 | 19 | 90 - 55 | AR52720 | 1G1 | 6 | 30 - 66 | AR53562 | 3F10 | 10 | 50 - 108 |
| AR52307 | 5D9 | 28 | 90 - 55 | AR52728 | 3D11 | 12 | 50 - 55 | AR53562 | 3F14 | 5 | 50 - 112 |
| AR52311 | 5D13 | 8 | 90 - 59 | AR52733 | 2B8 | 6 | 40 - 2 | AR53562 | 4D2 | 33 | 70 - 49 |
| AR52312 | 5D13 | 8 | 90 - 59 | AR52765 | 1G14 | 4 | 30 - 75 | AR53564 | 3F14 | 10 | 50 - 112 |
| AR52313 | 5D14 | 11 | 90 - 60 | AR52765 | 1G16 | 21 | 30 - 77 | AR53565 | 4B9 | 1 | 70 - 3 |
| AR52314 | 5D14 | 11 | 90 - 60 | AR52766 | 1G16 | 2 | 30 - 77 | AR53565 | 4B11 | .. | 70 - 5 |
| AR52315 | 5B24 | 22 | 90 - 20 | AR52766 | 1G16 | 3 | 30 - 77 | AR53565 | 4C9 | 7 | 70 - 29 |
| AR52316 | 5B24 | 15 | 90 - 20 | AR52767 | 1G16 | 19 | 30 - 77 | AR53627 | 1C24 | 13 | 20 - 45 |
| AR52318 | 5B23 | 6 | 90 - 19 | AR52785 | 4B11 | 25 | 70 - 5 | AR53628 | 1C24 | 36 | 20 - 45 |
| AR52319 | 5B23 | 1 | 90 - 19 | AR52785 | 4B13 | 25 | 70 - 7 | AR53630 | 1D2 | 13 | 20 - 47 |
| AR52320 | 5D13 | 6 | 90 - 59 | AR52796 | 4D12 | 19 | 70 - 59 | AR53631 | 1B19 | 8 | 20 - 14 |
| AR52321 | 5B25 | 6 | 90 - 21 | AR52796 | 4D13 | 4 | 70 - 61 | AR53631 | 1D2 | 35 | 20 - 47 |
| AR52322 | 5B25 | 5 | 90 - 21 | AR52797 | 4D12 | 17 | 70 - 59 | AR53792 | 5D25 | 13 | 90 - 71 |
| AR52323 | 5D17 | 13 | 90 - 63 | AR52797 | 4D13 | 2 | 70 - 61 | AR53840 | 3D24 | 10 | 50 - 69 |
| AR52324 | 5B25 | 20 | 90 - 21 | AR52803 | 5D10 | 14 | 90 - 56 | AR53841 | 3D24 | 7 | 50 - 69 |
| AR52325 | 5B25 | 1 | 90 - 21 | AR52804 | 1B18 | 9 | 20 - 13 | AR53842 | 3D24 | 10 | 50 - 69 |
| AR52326 | 5D14 | 11 | 90 - 60 | AR52927 | 2C20 | 11 | 40 - 41 | AR53842 | 3D24 | 13 | 50 - 69 |
| AR52327 | 5D14 | 11 | 90 - 60 | AR52929 | 3D11 | 25 | 50 - 55 | AR53842 | 3D24 | 19 | 50 - 69 |
| AR52328 | 5B25 | 10 | 90 - 21 | AR53038 | 3D10 | 1 | 50 - 54 | AR53843 | 3D24 | 7 | 50 - 69 |
| AR52329 | 5B25 | 4 | 90 - 21 | AR53038 | 3D11 | 28 | 50 - 55 | AR53938 | 2C7 | 1 | 40 - 26 |
| AR52335 | 3D25 | 12 | 50 - 70 | AR53044 | 5C1 | .. | 90 - 22 | AR53938 | 2C8 | 1 | 40 - 27 |
| AR52392 | 2F9 | 4 | 40 - 108 | AR53046 | 3F11 | .. | 50 - 109 | AR54328 | 4D10 | 14 | 70 - 57 |
| AR52393 | 4I16 | 5 | 80 - 46 | AR53046 | 4C25 | 9 | 70 - 46 | AR54328 | 4D10 | 17 | 70 - 57 |
| AR52393 | 4I16 | 6 | 80 - 46 | AR53047 | 3F11 | 16 | 50 - 109 | AR54328 | 4D10 | 18 | 70 - 57 |
| AR52393 | 4I16 | .. | 80 - 46 | AR53102 | 1C9 | 22 | 20 - 29 | AR54328 | 4D10 | 19 | 70 - 57 |
| AR52394 | 4F5 | 2A | 70 - 109 | AR53103 | 1B14 | .. | 20 - 9 | AR54328 | 4D10 | 20 | 70 - 57 |
| AR52394 | 4F5 | 7A | 70 - 109 | AR53103 | 1C9 | 22 | 20 - 29 | AR54328 | 4D10 | 21 | 70 - 57 |
| AR52394 | 4F7 | 12 | 70 - 111 | AR53107 | 1C9 | 14 | 20 - 29 | AR54328 | 4D10 | 22 | 70 - 57 |
| AR52450 | 1E5 | 28 | 30 - 21 | AR53116 | 3B17 | 16 | 50 - 13 | AR54328 | 4D13 | 11 | 70 - 61 |
| AR52450 | 1E10 | .. | 30 - 27 | AR53116 | 3D5 | 23 | 50 - 49 | AR54328 | 4D13 | 12 | 70 - 61 |
| AR52450 | 1E16 | .. | 30 - 31A | AR53116 | 4D18 | 20 | 70 - 67 | AR54328 | 4D13 | 13 | 70 - 61 |
| AR52450 | 1E17 | .. | 30 - 31B | AR53119 | 4C12 | 9 | 70 - 33 | AR54328 | 4D13 | 14 | 70 - 61 |
| AR52452 | 1E17 | 25 | 30 - 31B | AR53119 | 4C16 | 19 | 70 - 37 | AR54329 | 4D10 | 14 | 70 - 57 |
| AR52454 | 1E12 | 2 | 30 - 27B | AR53137 | 5D12 | 18 | 90 - 58 | AR54331 | 4D10 | 3 | 70 - 57 |
| AR52454 | 1E16 | .. | 30 - 31A | AR53138 | 5D12 | 2 | 90 - 58 | AR54331 | 4F9 | 15 | 70 - 113 |
| AR52454 | 1E17 | .. | 30 - 31B | AR53139 | 5D12 | 18 | 90 - 58 | AR54332 | 4D10 | 3 | 70 - 57 |

1J23

TRACTOR - 4000 AND 4020 (SERIAL NO. 201000-) TRACTORS

NUMERICAL INDEX - CONTINUED

| PART NO. | GRID | KEY | PAGE | PART NO. | GRID | KEY | PAGE | PART NO. | GRID | KEY | PAGE |
|----------|------|-----|----------|----------|------|-----|----------|----------|------|-----|----------|
| AR54332 | 4F9 | 15 | 70 - 113 | AR55283 | 2B8 | 6 | 40 - 2 | AR58176 | 1B20 | 11 | 20 - 15 |
| AR54445 | 2B10 | 3 | 40 - 4 | AR55330 | 4B13 | 4 | 70 - 7 | AR58184 | 3F17 | 20 | 50 - 115 |
| AR54473 | 4C20 | 3 | 70 - 41 | AR55421 | 5D25 | 11 | 90 - 71 | AR58191 | 3G14 | 6 | 60 - 21 |
| AR54481 | 3B17 | 16 | 50 - 13 | AR55423 | 3D11 | 19 | 50 - 55 | AR58203 | 1G17 | 11 | 30 - 78 |
| AR54481 | 3D4 | 21 | 50 - 48 | AR55618 | 1C14 | 7 | 20 - 35 | AR58206 | 4D15 | 14 | 70 - 63 |
| AR54481 | 3D5 | 22 | 50 - 49 | AR55619 | 1C17 | 8 | 20 - 38 | AR58207 | 4F3 | 12 | 70 - 107 |
| AR54481 | 3D5 | 23 | 50 - 49 | AR55630 | 1B19 | 7 | 20 - 14 | AR58208 | 4F3 | 15 | 70 - 107 |
| AR54481 | 4D18 | 18 | 70 - 67 | AR55630 | 1B19 | 8 | 20 - 14 | AR58209 | 1D24 | 7 | 30 - 15 |
| AR54481 | 4D18 | 19 | 70 - 67 | AR55638 | 2D7 | 5 | 40 - 55 | AR58210 | 3E1 | 9 | 50 - 71 |
| AR54481 | 4D18 | 20 | 70 - 67 | AR55638 | 2D17 | .. | 40 - 65 | AR58236 | 4D12 | 51 | 70 - 59 |
| AR54484 | 2E14 | 8 | 40 - 88 | AR55638 | 2D19 | .. | 40 - 67 | AR58349 | 4H23 | .. | 80 - 30 |
| AR54484 | 2E15 | 4 | 40 - 89 | AR55639 | 2D7 | 5 | 40 - 55 | AR58357 | 4H22 | .. | 80 - 29 |
| AR54484 | 5B14 | 11 | 90 - 10 | AR55649 | 2E15 | 11 | 40 - 89 | AR58363 | 4H23 | 3 | 80 - 30 |
| AR54484 | 5B24 | 9 | 90 - 20 | AR55655 | 3C13 | 16 | 50 - 34 | AR58474 | 4D12 | 55 | 70 - 59 |
| AR54487 | 3C9 | 11 | 50 - 30 | AR55660 | 3B8 | 24 | 50 - 2 | AR58572 | 3B14 | .. | 50 - 9 |
| AR54487 | 3E7 | 11 | 50 - 77 | AR55694 | 2B9 | 12 | 40 - 3 | AR59140 | 1E20 | 6 | 30 - 34 |
| AR54736 | 3E22 | 10 | 50 - 94 | AR55694 | 2B9 | 13 | 40 - 3 | AR59140 | 1E21 | 15 | 30 - 35 |
| AR54749 | 1B7 | 4 | 20 - 2 | AR55694 | 2B9 | 14 | 40 - 3 | AR59444 | 2F3 | 26 | 40 - 102 |
| AR54793 | 2C23 | 4 | 40 - 45 | AR55694 | 2B9 | 15 | 40 - 3 | AR59444 | 2F3 | 27 | 40 - 102 |
| AR54793 | 2D4 | .. | 40 - 51 | AR55694 | 2B9 | 16 | 40 - 3 | AR59444 | 2F5 | 20 | 40 - 104 |
| AR54796 | 2D4 | .. | 40 - 51 | AR55694 | 2B9 | 17 | 40 - 3 | AR59444 | 2F6 | 17 | 40 - 105 |
| AR54796 | 2D6 | 27 | 40 - 53 | AR55694 | 2B9 | 22 | 40 - 3 | AR59444 | 2F6 | 28 | 40 - 105 |
| AR54820 | 4D4 | 4 | 70 - 51 | AR55694 | 2B9 | 23 | 40 - 3 | AR59651 | 1C11 | 33 | 20 - 31 |
| AR54820 | 4D4 | 6 | 70 - 51 | AR55694 | 2F7 | 24 | 40 - 106 | AR59663 | 2F2 | 2 | 40 - 101 |
| AR54820 | 4D4 | 7 | 70 - 51 | AR55711 | 3G19 | 34 | 60 - 27 | AR59679 | 5C2 | 10 | 90 - 23 |
| AR54820 | 4D4 | 8 | 70 - 51 | AR55713 | 5B18 | 5 | 90 - 14 | AR59680 | 5C2 | 9 | 90 - 23 |
| AR54820 | 4D4 | 9 | 70 - 51 | AR55715 | 5B18 | 4 | 90 - 14 | AR59779 | 5B15 | 6 | 90 - 11 |
| AR54820 | 4D4 | 10 | 70 - 51 | AR55827 | 2D4 | 13 | 40 - 51 | AR60029 | 5C4 | 14 | 90 - 25 |
| AR54878 | 1B18 | 9 | 20 - 13 | AR55827 | 2D6 | 5 | 40 - 53 | AR60085 | 2D7 | 5 | 40 - 55 |
| AR54879 | 1B18 | 8 | 20 - 13 | AR55828 | 2D4 | 19 | 40 - 51 | AR60331 | 4D15 | 21 | 70 - 63 |
| AR54904 | 1B10 | 13 | 20 - 5 | AR55830 | 2D4 | 10 | 40 - 51 | AR60372 | 4D24 | 18 | 70 - 74 |
| AR54905 | 1B10 | 7 | 20 - 5 | AR55831 | 2D4 | 5 | 40 - 51 | AR60372 | 4D25 | 9 | 70 - 75 |
| AR54944 | 4D4 | 4 | 70 - 51 | AR55832 | 2D4 | 8 | 40 - 51 | AR60372 | 4E1 | 1 | 70 - 76 |
| AR54973 | 2D6 | 27 | 40 - 53 | AR55833 | 2D4 | 14 | 40 - 51 | AR60372 | 4E20 | 21 | 70 - 98 |
| AR54975 | 2B20 | 20 | 40 - 14 | AR55834 | 2D4 | 11 | 40 - 51 | AR60372 | 4F1 | 7 | 70 - 104 |
| AR54975 | 2B20 | .. | 40 - 14 | AR55835 | 2D4 | 2 | 40 - 51 | AR60372 | 4F1 | 8 | 70 - 104 |
| AR54975 | 2C2 | 16 | 40 - 21 | AR55835 | 2D6 | 16 | 40 - 53 | AR60519 | 3D19 | 8 | 50 - 64 |
| AR54976 | 2B20 | .. | 40 - 14 | AR55836 | 2D4 | 22 | 40 - 51 | AR60937 | 5E3 | 1 | 90 - 74 |
| AR54990 | 2E2 | 4 | 40 - 75 | AR55837 | 2D4 | 18 | 40 - 51 | AR60947 | 4E20 | 11 | 70 - 98 |
| AR54992 | 2E2 | 7 | 40 - 75 | AR55837 | 2D6 | 18 | 40 - 53 | AR60948 | 5B6 | 11 | 90 - 1 |
| AR54993 | 2E2 | 9 | 40 - 75 | AR55866 | 1C9 | 14 | 20 - 29 | AR60948 | 5B21 | 12 | 90 - 17 |
| AR54993 | 2E2 | 15 | 40 - 75 | AR55888 | 2B25 | 8 | 40 - 19 | AR61156 | 5D9 | .. | 90 - 55 |
| AR54994 | 2E2 | 20 | 40 - 75 | AR55888 | 2C1 | 8 | 40 - 20 | AR61292 | 1E21 | 6 | 30 - 35 |
| AR54994 | 2E4 | 1 | 40 - 77 | AR55947 | 2E2 | 18 | 40 - 75 | AR61293 | 1E21 | 14 | 30 - 35 |
| AR54994 | 2E4 | 2 | 40 - 77 | AR55948 | 2E5 | 9 | 40 - 78 | AR61609 | 3D3 | 6 | 50 - 47 |
| AR54994 | 2E4 | 3 | 40 - 77 | AR55949 | 2E5 | 15 | 40 - 78 | AR61656 | 4E16 | 26 | 70 - 93 |
| AR54996 | 2E3 | 1 | 40 - 76 | AR56014 | 4E18 | 29 | 70 - 95 | AR61903 | 5B19 | 4 | 90 - 15 |
| AR54997 | 2E4 | 4 | 40 - 77 | AR56022 | 4E20 | 28 | 70 - 98 | AR61903 | 5D15 | 3 | 90 - 61 |
| AR55061 | 2E10 | 4 | 40 - 84 | AR56023 | 4E20 | 3 | 70 - 98 | AR61965 | 1E21 | 18 | 30 - 35 |
| AR55061 | 2E11 | 2 | 40 - 85 | AR56120 | 4F5 | 18 | 70 - 109 | AR62149 | 4D24 | 14 | 70 - 74 |
| AR55154 | 5D10 | 17 | 90 - 56 | AR56160 | 4B9 | 1 | 70 - 3 | AR62149 | 4E3 | 12 | 70 - 78 |
| AR55155 | 2F3 | 3 | 40 - 102 | AR56161 | 4B9 | 1 | 70 - 3 | AR62149 | 4E5 | 20 | 70 - 81 |
| AR55157 | 3D16 | 7 | 50 - 60 | AR56161 | 4B11 | .. | 70 - 5 | AR62151 | 4D21 | 20 | 70 - 71 |
| AR55171 | 1D5 | 14 | 20 - 50 | AR56611 | 3F17 | 26 | 50 - 115 | AR62151 | 4D22 | 12 | 70 - 72 |
| AR55172 | 1D5 | 14 | 20 - 50 | AR56758 | 5D12 | 19 | 90 - 58 | AR62151 | 4D24 | 6 | 70 - 74 |
| AR55179 | 4G21 | 12 | 80 - 2 | AR56783 | 1D25 | 1 | 30 - 16 | AR62151 | 4D24 | 19 | 70 - 74 |
| AR55179 | 4G25 | 12 | 80 - 6 | AR57094 | 2D8 | 22 | 40 - 56 | AR62151 | 4D25 | 10 | 70 - 75 |
| AR55180 | 4G21 | 12 | 80 - 2 | AR57094 | 2D8 | 24 | 40 - 56 | AR62151 | 4E1 | 2 | 70 - 76 |
| AR55186 | 4B11 | 4 | 70 - 5 | AR57094 | 2D10 | 26 | 40 - 58 | AR62151 | 4E2 | 11 | 70 - 77 |
| AR55210 | 4D13 | 16 | 70 - 61 | AR57094 | 2D10 | 28 | 40 - 58 | AR62151 | 4E2 | 25 | 70 - 77 |
| AR55210 | 4E21 | 1 | 70 - 99 | AR57094 | 2D12 | 26 | 40 - 60 | AR62151 | 4E7 | 17 | 70 - 83 |
| AR55210 | 4E23 | 28 | 70 - 101 | AR57156 | 2E23 | 1 | 40 - 97 | AR62151 | 4E12 | 7 | 70 - 89 |
| AR55216 | 3C9 | 11 | 50 - 30 | AR57156 | 2E23 | 6 | 40 - 97 | AR62151 | 4E13 | 22 | 70 - 90 |
| AR55216 | 3E7 | 11 | 50 - 77 | AR58126 | 2B10 | 12 | 40 - 4 | AR62151 | 4E16 | 33 | 70 - 93 |
| AR55223 | 1E21 | 15 | 30 - 35 | AR58171 | 3B8 | 9 | 50 - 2 | AR62152 | 4E3 | 2 | 70 - 78 |
| AR55229 | 1E21 | 17 | 30 - 35 | AR58171 | 3B15 | 7 | 50 - 10 | AR62152 | 4E5 | 8 | 70 - 81 |
| AR55282 | 4H9 | 17 | 80 - 15 | AR58172 | 1B20 | 11 | 20 - 15 | AR62262 | 5E12 | .. | 90 - 83 |

1J24

TRACTOR - 4000 AND 4020 (SERIAL NO. 201000-) TRACTORS

NUMERICAL INDEX - CONTINUED

| PART NO. | GRID | KEY | PAGE | PART NO. | GRID | KEY | PAGE | PART NO. | GRID | KEY | PAGE |
|----------|------|-----|--------|----------|------|-----|--------|----------|------|-----|--------|
| AR62267 | 2D7 | 5 | 40-55 | AR65236 | 1C3 | 3 | 20-23 | AR68309 | 1C9 | 11 | 20-29 |
| AR62267 | 2D17 | .. | 40-65 | AR65237 | 1C3 | 3 | 20-23 | AR68361 | 2E23 | 1 | 40-97 |
| AR62267 | 2D19 | .. | 40-67 | AR65238 | 1C3 | 3 | 20-23 | AR68361 | 2E23 | 6 | 40-97 |
| AR62267 | 2D24 | .. | 40-72 | AR65239 | 1C3 | 3 | 20-23 | AR68361 | 2E25 | 4 | 40-99 |
| AR62293 | 5D18 | 8 | 90-64 | AR65240 | 1C3 | 3 | 20-23 | AR68430 | 2E2 | 9 | 40-75 |
| AR62293 | 5D18 | 17 | 90-64 | AR65381 | 4D25 | 6 | 70-75 | AR68430 | 2E2 | 15 | 40-75 |
| AR62294 | 5D18 | 1 | 90-64 | AR65382 | 4D25 | 6 | 70-75 | AR68650 | 1B19 | 8 | 20-14 |
| AR62294 | 5D18 | 17 | 90-64 | AR65383 | 4D25 | 6 | 70-75 | AR68728 | 5C3 | 18 | 90-24 |
| AR62295 | 5D18 | 2 | 90-64 | AR65384 | 4D25 | 6 | 70-75 | AR68801 | 4H24 | 16 | 80-31 |
| AR62296 | 5D18 | 3 | 90-64 | AR65448 | 5C5 | 5 | 90-26 | AR68802 | 5B6 | 11 | 90-1 |
| AR62322 | 1D14 | .. | 30-5 | AR65449 | 5C5 | 2 | 90-26 | AR68802 | 5B21 | 12 | 90-17 |
| AR62360 | 2F8 | 1 | 40-107 | AR65493 | 3B23 | 20 | 50-19 | AR68973 | 5B18 | 1 | 90-14 |
| AR62377 | 1D14 | .. | 30-5 | AR65507 | 1B13 | 4 | 20-8 | AR68973 | 5D17 | 23 | 90-63 |
| AR62497 | 5D17 | 5 | 90-63 | AR65507 | 1B19 | 10 | 20-14 | AR68974 | 5D17 | 11 | 90-63 |
| AR62561 | 5B18 | 1 | 90-14 | AR65967 | 5E2 | 14 | 90-73 | AR69011 | 5D17 | 2 | 90-63 |
| AR62598 | 5D25 | 12 | 90-71 | AR65967 | 5E2 | 15 | 90-73 | AR69012 | 5D17 | 9 | 90-63 |
| AR62933 | 1C13 | 4 | 20-34 | AR66027 | 5B18 | 1 | 90-14 | AR69059 | 4I9 | 1 | 80-41 |
| AR62933 | 1C14 | 4 | 20-35 | AR66027 | 5D17 | 23 | 90-63 | AR69154 | 3C2 | 6 | 50-23 |
| AR62933 | 1C15 | 7 | 20-36 | AR66028 | 5D17 | 4 | 90-63 | AR69154 | 3C2 | 15 | 50-23 |
| AR62933 | 1C16 | 8 | 20-37 | AR66749 | 3G9 | 5 | 60-15 | AR69154 | 3C4 | 11 | 50-25 |
| AR62933 | 1C17 | 5 | 20-38 | AR66778 | 2E2 | 20 | 40-75 | AR69238 | 2C15 | 6 | 40-34 |
| AR62936 | 1D17 | 1B | 30-8 | AR66778 | 2E4 | 1 | 40-77 | AR69269 | 2D4 | 14 | 40-51 |
| AR62936 | 1D17 | 3B | 30-8 | AR66778 | 2E4 | 2 | 40-77 | AR69271 | 5C4 | 16 | 90-25 |
| AR62963 | 2D17 | 36 | 40-65 | AR66778 | 2E4 | 3 | 40-77 | AR69315 | 4E2 | 7 | 70-77 |
| AR62964 | 2D17 | 34 | 40-65 | AR67030 | 3C24 | 12 | 50-43B | AR69316 | 4E2 | 7 | 70-77 |
| AR62964 | 2D21 | 25 | 40-69 | AR67346 | 2B20 | 13 | 40-14 | AR69317 | 4D25 | 4 | 70-75 |
| AR62965 | 2D12 | 19 | 40-60 | AR67389 | 4G7 | 1 | 70-138 | AR69317 | 4E2 | 4 | 70-77 |
| AR62966 | 2D12 | 4 | 40-60 | AR67467 | 1C9 | 2 | 20-29 | AR69370 | 2F3 | 29 | 40-102 |
| AR62967 | 2D12 | 22 | 40-60 | AR67467 | 1C9 | 3 | 20-29 | AR69370 | 2F6 | 27 | 40-105 |
| AR63095 | 1B20 | 5 | 20-15 | AR67467 | 1C9 | 11 | 20-29 | AR69370 | 5B15 | 5 | 90-11 |
| AR63095 | 1C6 | 6 | 20-26 | AR67718 | 4B19 | 25 | 70-13 | AR69370 | 5B18 | 14 | 90-14 |
| AR63095 | 1C7 | 4 | 20-27 | AR67720 | 4B19 | 25 | 70-13 | AR69370 | 5B25 | 21 | 90-21 |
| AR63193 | 1B17 | 3 | 20-12 | AR67778 | 3G19 | 30 | 60-27 | AR69370 | 5C1 | 21 | 90-22 |
| AR63218 | 1B6 | 1 | 20-1 | AR67778 | 3G21 | 28 | 60-29 | AR69370 | 5D17 | 14 | 90-63 |
| AR63219 | 1B6 | 1 | 20-1 | AR67783 | 3F23 | 17 | 60-3 | AR69409 | 1E23 | 26 | 30-37 |
| AR63222 | 1B6 | 1 | 20-1 | AR67783 | 3F24 | 3 | 60-4 | AR69409 | 1E24 | 26 | 30-38 |
| AR63254 | 5B7 | 6 | 90-2 | AR67783 | 3F24 | 18 | 60-4 | AR69409 | 1F2 | 14 | 30-41 |
| AR63254 | 5B22 | 6 | 90-18 | AR67783 | 3G7 | 6 | 60-13 | AR69409 | 1F3 | 16 | 30-42 |
| AR63255 | 5B7 | 13 | 90-2 | AR67783 | 3G7 | 28 | 60-13 | AR69409 | 1F3 | 22 | 30-42 |
| AR63255 | 5B22 | 13 | 90-18 | AR67783 | 3G7 | 29 | 60-13 | AR69409 | 1F5 | 21 | 30-44 |
| AR63280 | 1B11 | 4 | 20-6 | AR67827 | 2E2 | 9 | 40-75 | AR69409 | 1F11 | 5 | 30-50 |
| AR63607 | 3B9 | .. | 50-3 | AR67827 | 2E2 | 15 | 40-75 | AR69409 | 1F12 | 7 | 30-51 |
| AR63607 | 3B9 | .. | 50-3 | AR67855 | 2F13 | 9 | 40-113 | AR69409 | 1F13 | 17 | 30-52 |
| AR63607 | 3B11 | .. | 50-5 | AR67855 | 2F15 | 2 | 40-115 | AR69409 | 1F14 | 28 | 30-53 |
| AR63607 | 3B14 | .. | 50-9 | AR67855 | 2F20 | 14 | 40-121 | AR69409 | 1F15 | 21 | 30-54 |
| AR63607 | 3B15 | 15 | 50-10 | AR67880 | 4D21 | 21 | 70-71 | AR69409 | 1F16 | 4 | 30-55 |
| AR63865 | 1C9 | 3 | 20-29 | AR67880 | 4D22 | 13 | 70-72 | AR69409 | 1F17 | 8 | 30-56 |
| AR63906 | 4C24 | 9 | 70-45 | AR67880 | 4D24 | 7 | 70-74 | AR69413 | 1E23 | 26 | 30-37 |
| AR63928 | 5D15 | 14 | 90-61 | AR67880 | 4D24 | 7 | 70-74 | AR69413 | 1E24 | 26 | 30-38 |
| AR63935 | 1B14 | .. | 20-9 | AR67881 | 4D21 | 21 | 70-71 | AR69413 | 1E24 | 26 | 30-38 |
| AR63939 | 1C24 | 36 | 20-45 | AR67881 | 4E10 | 1 | 70-87 | AR69413 | 1F1 | 27 | 30-40 |
| AR63943 | 2D12 | 2 | 40-60 | AR67881 | 4E12 | 6 | 70-89 | AR69413 | 1F3 | 16 | 30-42 |
| AR63965 | 1B19 | 8 | 20-14 | AR68107 | 5D13 | 8 | 90-59 | AR69413 | 1F3 | 22 | 30-42 |
| AR63979 | 1B6 | 1 | 20-1 | AR68108 | 5D13 | 8 | 90-59 | AR69413 | 1F5 | 21 | 30-44 |
| AR64087 | 5B25 | 10 | 90-21 | AR68145 | 4G2 | 13 | 70-133 | AR69413 | 1F11 | 5 | 30-50 |
| AR64088 | 5B25 | 4 | 90-21 | AR68145 | 4G4 | 23 | 70-135 | AR69413 | 1F12 | 7 | 30-51 |
| AR64120 | 1E2 | 6 | 30-18 | AR68145 | 4G4 | 24 | 70-135 | AR69413 | 1F13 | 17 | 30-52 |
| AR64120 | 1E3 | 11 | 30-19 | AR68145 | 4G12 | 24 | 70-145 | AR69413 | 1F14 | 28 | 30-53 |
| AR649R | 4H11 | 10 | 80-17 | AR68145 | 4G13 | 14 | 70-146 | AR69413 | 1F15 | 21 | 30-54 |
| AR64992 | 2F3 | 26 | 40-102 | AR68146 | 4G4 | 24 | 70-135 | AR69413 | 1F16 | 4 | 30-55 |
| AR64992 | 2F3 | 27 | 40-102 | AR68199 | 2B9 | 27 | 40-3 | AR69413 | 1F17 | 8 | 30-56 |
| AR64992 | 2F5 | 20 | 40-104 | AR68304 | 2D8 | 11 | 40-56 | AR69413 | 1F19 | .. | 30-59 |
| AR64992 | 2F6 | 17 | 40-105 | AR68304 | 2D10 | 11 | 40-58 | AR69413 | 1F21 | 32 | 30-61 |
| AR64992 | 2F6 | 28 | 40-105 | AR68304 | 2D12 | 11 | 40-60 | AR69413 | 1F21 | .. | 30-61 |
| AR65005 | 2G9 | 1 | 40-133 | AR68304 | 2D14 | 1 | 40-62 | AR69413 | 1F22 | .. | 30-62 |
| AR65006 | 2G9 | 2 | 40-133 | AR68304 | 2D14 | 7 | 40-62 | AR69413 | 1F23 | .. | 30-63 |
| AR65235 | 1C3 | 3 | 20-23 | AR68304 | 2D14 | 11 | 40-62 | AR69413 | 1F24 | .. | 30-64 |
| | | | | AR68304 | 2D14 | .. | 40-62 | AR69414 | 1E24 | 26 | 30-38 |

1J25

TRACTOR - 4000 AND 4020 (SERIAL NO. 201000-) TRACTORS

NUMERICAL INDEX - CONTINUED

| PART NO. | GRID | KEY | PAGE | PART NO. | GRID | KEY | PAGE | PART NO. | GRID | KEY | PAGE |
|----------|------|-----|----------|----------|------|-----|----------|----------|------|-----|----------|
| AR69414 | 1F13 | 17 | 30 - 52 | AR72293 | 4D12 | 53 | 70 - 59 | AR76278 | 4D4 | 4 | 70 - 51 |
| AR69414 | 1F14 | 28 | 30 - 53 | AR72294 | 4D12 | 51 | 70 - 59 | AR76279 | 4D4 | 4 | 70 - 51 |
| AR69414 | 1F15 | 21 | 30 - 54 | AR723R | 1E4 | 9 | 30 - 20 | AR76340 | 4D10 | 14 | 70 - 57 |
| AR69414 | 1F16 | 4 | 30 - 55 | AR723R | 1E7 | 16 | 30 - 23 | AR76341 | 4D10 | 14 | 70 - 57 |
| AR69414 | 1F17 | 8 | 30 - 56 | AR723R | 1E10 | 20 | 30 - 27 | AR76762 | 4B11 | 4 | 70 - 5 |
| AR69419 | 1F24 | 12 | 30 - 64 | AR723R | 1E14 | 6 | 30 - 30 | AR76762 | 4B21 | 4 | 70 - 15 |
| AR69420 | 1F2 | 12 | 30 - 41 | AR723R | 1E17 | 6 | 30 - 31B | AR76841 | 2D17 | 12 | 40 - 65 |
| AR69444 | 4B7 | 1 | 70 - 1 | AR72373 | 3E24 | 17 | 50 - 96 | AR76841 | 2D21 | 10 | 40 - 69 |
| AR69445 | 4B7 | 1 | 70 - 1 | AR72373 | 3G9 | 5 | 60 - 15 | AR77224 | 3F6 | 11 | 50 - 104 |
| AR69834 | 4G21 | 4 | 80 - 2 | AR72992 | 3C8 | 7 | 50 - 29 | AR77254 | 2D7 | 5 | 40 - 55 |
| AR69835 | 4G21 | 4 | 80 - 2 | AR73106 | 4B9 | 1 | 70 - 3 | AR77255 | 2D21 | 30 | 40 - 69 |
| AR69836 | 4G20 | 4 | 80 - 1 | AR73106 | 4B13 | .. | 70 - 7 | AR77255 | 2D25 | 1 | 40 - 73 |
| AR69836 | 4G25 | 5 | 80 - 6 | AR73212 | 3F6 | 1 | 50 - 104 | AR77255 | 2D25 | .. | 40 - 73 |
| AR69836 | 4H15 | 3 | 80 - 22 | AR73212 | 3F7 | 9 | 50 - 105 | AR77256 | 2D21 | 31 | 40 - 69 |
| AR69854 | 5C4 | 8 | 90 - 25 | AR73212 | 3F7 | 14 | 50 - 105 | AR77257 | 2D21 | 27 | 40 - 69 |
| AR69854 | 5C7 | 6 | 90 - 29 | AR73213 | 3F7 | 9 | 50 - 105 | AR77258 | 2D23 | 1 | 40 - 71 |
| AR69980 | 2E12 | 4 | 40 - 85A | AR73214 | 3F7 | 10 | 50 - 105 | AR77259 | 2D21 | 7 | 40 - 69 |
| AR69984 | 1C7 | 7 | 20 - 27 | AR73311 | 2F2 | 1 | 40 - 101 | AR77260 | 2D21 | 22 | 40 - 69 |
| AR69988 | 4F1 | 18 | 70 - 104 | AR73500 | 4C10 | 1 | 70 - 31 | AR77261 | 2D21 | 13 | 40 - 69 |
| AR70154 | 3E13 | 11 | 50 - 84 | AR73579 | 2E19 | 7 | 40 - 93 | AR77324 | 2B25 | 2 | 40 - 19 |
| AR70160 | 3D11 | 28 | 50 - 55 | AR73580 | 2B8 | 7 | 40 - 2 | AR77324 | 2C1 | 2 | 40 - 20 |
| AR70506 | 3E5 | 7 | 50 - 75 | AR73580 | 2E19 | 8 | 40 - 93 | AR77325 | 2B25 | 2 | 40 - 19 |
| AR70645 | 1B13 | 3 | 20 - 8 | AR73828 | 1F6 | 32 | 30 - 45 | AR77325 | 2B25 | 8 | 40 - 19 |
| AR70645 | 1B19 | 10 | 20 - 14 | AR73828 | 1F22 | 10 | 30 - 62 | AR77325 | 2C1 | 2 | 40 - 20 |
| AR70722 | 4B9 | 1 | 70 - 3 | AR73829 | 1F6 | 32 | 30 - 45 | AR77325 | 2C1 | 8 | 40 - 20 |
| AR70722 | 4B13 | .. | 70 - 7 | AR73829 | 1F22 | 10 | 30 - 62 | AR77326 | 2B13 | 7 | 40 - 7 |
| AR70723 | 4B13 | 18 | 70 - 7 | AR74019 | 5B18 | 1 | 90 - 14 | AR77326 | 2B15 | 10 | 40 - 9 |
| AR70909 | 1B18 | 4 | 20 - 13 | AR74019 | 5D17 | 23 | 90 - 63 | AR77326 | 2B16 | 7 | 40 - 10 |
| AR70910 | 1B19 | 4 | 20 - 14 | AR74020 | 5D17 | 11 | 90 - 63 | AR77326 | 2B17 | 10 | 40 - 11 |
| AR70922 | 3F11 | 16 | 50 - 109 | AR74079 | 3B23 | 20 | 50 - 19 | AR77326 | 2B18 | 2 | 40 - 12 |
| AR71188 | 4D10 | 3 | 70 - 57 | AR74144 | 1B11 | 4 | 20 - 6 | AR77326 | 2B19 | 3 | 40 - 13 |
| AR71188 | 4F9 | 15 | 70 - 113 | AR74312 | 4C17 | 1 | 70 - 38 | AR77326 | 2B25 | 2 | 40 - 19 |
| AR71189 | 4D10 | 3 | 70 - 57 | AR74411 | 2E9 | 3 | 40 - 83 | AR77326 | 2B25 | 7 | 40 - 19 |
| AR71189 | 4F9 | 15 | 70 - 113 | AR74411 | 2E14 | 10 | 40 - 88 | AR77326 | 2B25 | 8 | 40 - 19 |
| AR71256 | 2E5 | 9 | 40 - 78 | AR74411 | 2E15 | 6 | 40 - 89 | AR77326 | 2C1 | 2 | 40 - 20 |
| AR71285 | 5B7 | 17 | 90 - 2 | AR74411 | 2F15 | 11 | 40 - 115 | AR77326 | 2C1 | 7 | 40 - 20 |
| AR71285 | 5B22 | 17 | 90 - 18 | AR74624 | 1B20 | 9 | 20 - 15 | AR77326 | 2C1 | 8 | 40 - 20 |
| AR71286 | 5B7 | 13 | 90 - 2 | AR74624 | 1B21 | 5 | 20 - 16 | AR77342 | 5B6 | 12 | 90 - 1 |
| AR71286 | 5B22 | 13 | 90 - 18 | AR74624 | 1C5 | 5 | 20 - 25 | AR77342 | 5B21 | 13 | 90 - 17 |
| AR71287 | 5B7 | 7 | 90 - 2 | AR74673 | 4E10 | 24 | 70 - 87 | AR77343 | 5B6 | 11 | 90 - 1 |
| AR71287 | 5B22 | 7 | 90 - 18 | AR74673 | 4E10 | 25 | 70 - 87 | AR77343 | 5B21 | 12 | 90 - 17 |
| AR71288 | 5B7 | 5 | 90 - 2 | AR74673 | 4E12 | 34 | 70 - 89 | AR77485 | 2C21 | 16 | 40 - 42 |
| AR71288 | 5B22 | 5 | 90 - 18 | AR74673 | 4F1 | 1 | 70 - 104 | AR77700 | 4D18 | 7 | 70 - 67 |
| AR71289 | 5B7 | 6 | 90 - 2 | AR74673 | 4F1 | 2 | 70 - 104 | AR77747 | 1B22 | 6 | 20 - 17 |
| AR71289 | 5B7 | 16 | 90 - 2 | AR74749 | 3B21 | 5 | 50 - 17 | AR77747 | 1B23 | 4 | 20 - 18 |
| AR71289 | 5B7 | .. | 90 - 2 | AR74814 | 1B22 | 5 | 20 - 17 | AR77747 | 1C3 | 1 | 20 - 23 |
| AR71289 | 5B22 | 6 | 90 - 18 | AR74814 | 1B23 | 3 | 20 - 18 | AR77747 | 1C3 | 3 | 20 - 23 |
| AR71289 | 5B22 | 16 | 90 - 18 | AR74814 | 1C4 | 1 | 20 - 24 | AR77748 | 1B22 | 7 | 20 - 17 |
| AR71289 | 5B22 | .. | 90 - 18 | AR74815 | 1C4 | 1 | 20 - 24 | AR77748 | 1B23 | 5 | 20 - 18 |
| AR71290 | 5B7 | 12 | 90 - 2 | AR74816 | 1B24 | 3 | 20 - 19 | AR77748 | 1C3 | 2 | 20 - 23 |
| AR71290 | 5B22 | 12 | 90 - 18 | AR74816 | 1B25 | 3 | 20 - 20 | AR77748 | 1C3 | 3 | 20 - 23 |
| AR71709 | 1B11 | 4 | 20 - 6 | AR74816 | 1C4 | 1 | 20 - 24 | AR77749 | 1C3 | 2 | 20 - 23 |
| AR71822 | 3C19 | 14 | 50 - 40 | AR74817 | 1C4 | 1 | 20 - 24 | AR77749 | 1C3 | 3 | 20 - 23 |
| AR71822 | 3C22 | 39 | 50 - 43 | AR74818 | 1C4 | 1 | 20 - 24 | AR77750 | 1B24 | 5 | 20 - 19 |
| AR71822 | 3C24 | 37 | 50 - 43B | AR75601 | 3C6 | 11 | 50 - 27 | AR77750 | 1B25 | 5 | 20 - 20 |
| AR71823 | 3C20 | 15 | 50 - 41 | AR75601 | 3E3 | 11 | 50 - 73 | AR77750 | 1C3 | 2 | 20 - 23 |
| AR71824 | 3C20 | 5 | 50 - 41 | AR75603 | 1G15 | 4 | 30 - 76 | AR77750 | 1C3 | 3 | 20 - 23 |
| AR71824 | 3C22 | 27 | 50 - 43 | AR75603 | 3C6 | 11 | 50 - 27 | AR77751 | 1C3 | 2 | 20 - 23 |
| AR71824 | 3C24 | 24 | 50 - 43B | AR75603 | 3E3 | 11 | 50 - 73 | AR77751 | 1C3 | 3 | 20 - 23 |
| AR71902 | 4F25 | 10 | 70 - 131 | AR75694 | 2F13 | 10 | 40 - 113 | AR77752 | 1C3 | 2 | 20 - 23 |
| AR71976 | 5C4 | 8 | 90 - 25 | AR75694 | 2F15 | 21 | 40 - 115 | AR77752 | 1C3 | 3 | 20 - 23 |
| AR71976 | 5C7 | 6 | 90 - 29 | AR75695 | 2F13 | 2 | 40 - 113 | AR77753 | 1B24 | 4 | 20 - 19 |
| AR72010 | 1G11 | 22 | 30 - 72 | AR75696 | 2F13 | 8 | 40 - 113 | AR77753 | 1B25 | 4 | 20 - 20 |
| AR72132 | 4H24 | 10 | 80 - 31 | AR75905 | 2D23 | 23 | 40 - 71 | AR77753 | 1C3 | 1 | 20 - 23 |
| AR72292 | 4D12 | 12 | 70 - 59 | AR75908 | 2D23 | 16 | 40 - 71 | AR77753 | 1C3 | 3 | 20 - 23 |
| AR72292 | 4D12 | 13 | 70 - 59 | AR75958 | 4F12 | 35 | 70 - 117 | AR77815 | 3C2 | 41 | 50 - 23 |
| AR72293 | 4D12 | 51 | 70 - 59 | AR76277 | 4D10 | 14 | 70 - 57 | AR77815 | 3C4 | 36 | 50 - 25 |

1K1

TRACTOR - 4000 AND 4020 (SERIAL NO. 201000-) TRACTORS

NUMERICAL INDEX - CONTINUED

| PART NO. | GRID | KEY | PAGE | PART NO. | GRID | KEY | PAGE | PART NO. | GRID | KEY | PAGE |
|----------|------|-----|----------|----------|------|-----|----------|----------|------|-----|----------|
| AR77817 | 3C2 | 33 | 50 - 23 | AR81968 | 3F17 | 12 | 50 - 115 | AR86596 | 1D25 | 1 | 30 - 16 |
| AR77817 | 3C4 | 28 | 50 - 25 | AR82570 | 4F13 | 12 | 70 - 118 | AR86775 | 4D12 | 27 | 70 - 59 |
| AR77818 | 3C2 | 38 | 50 - 23 | AR82571 | 4F6 | 16 | 70 - 110 | AR86775 | 4D12 | 29 | 70 - 59 |
| AR77818 | 3C4 | 33 | 50 - 25 | AR82572 | 4F5 | 13 | 70 - 109 | AR86775 | 4D12 | 55 | 70 - 59 |
| AR77819 | 3C2 | 31 | 50 - 23 | AR82572 | 4F9 | 4 | 70 - 113 | AR86807 | 1D23 | .. | 30 - 14 |
| AR77819 | 3C4 | 26 | 50 - 25 | AR82572 | 4F12 | 26 | 70 - 117 | AR86969 | 2B25 | 7 | 40 - 19 |
| AR77820 | 3B21 | 5 | 50 - 17 | AR82576 | 4F12 | 37 | 70 - 117 | AR86969 | 2C1 | 7 | 40 - 20 |
| AR77820 | 3C2 | 40 | 50 - 23 | AR82909 | 2F15 | 16 | 40 - 115 | AR86969 | 2C9 | 4 | 40 - 28 |
| AR77820 | 3C4 | 35 | 50 - 25 | AR82910 | 2F15 | 4 | 40 - 115 | AR86969 | 2C10 | 2 | 40 - 29 |
| AR77851 | 2D4 | 10 | 40 - 51 | AR82911 | 2F15 | 7 | 40 - 115 | AR86975 | 3F17 | 23 | 50 - 115 |
| AR77851 | 2D6 | 2 | 40 - 53 | AR82912 | 2F15 | 6 | 40 - 115 | AR86981 | 1B19 | 1 | 20 - 14 |
| AR78052 | 2F15 | 21 | 40 - 115 | AR83396 | 4E3 | 2 | 70 - 78 | AR86981 | 1B19 | 4 | 20 - 14 |
| AR78093 | 2D4 | 19 | 40 - 51 | AR83396 | 4E5 | 8 | 70 - 81 | AR86982 | 1B18 | 4 | 20 - 13 |
| AR78298 | 2C20 | 11 | 40 - 41 | AR83425 | 2B10 | 14 | 40 - 4 | AR87068 | 1F18 | 15 | 30 - 58 |
| AR78303 | 3F6 | 30 | 50 - 104 | AR83425 | 2G9 | 8 | 40 - 133 | AR87115 | 3D19 | 8 | 50 - 64 |
| AR78303 | 3F6 | 34 | 50 - 104 | AR83522 | 3D12 | 1 | 50 - 56 | AR87115 | 3D22 | 19 | 50 - 67 |
| AR78303 | 3F6 | 35 | 50 - 104 | AR83603 | 4E21 | 1 | 70 - 99 | AR87534 | 4C17 | 14 | 70 - 38 |
| AR78338 | 4D18 | 23 | 70 - 67 | AR83603 | 4E23 | 28 | 70 - 101 | AR87534 | 4C23 | 14 | 70 - 44 |
| AR78338 | 4D18 | 28 | 70 - 67 | AR83604 | 4E20 | 11 | 70 - 98 | AR88016 | 2D9 | 5 | 40 - 57 |
| AR78382 | 2E8 | 7 | 40 - 82 | AR84006 | 1E4 | .. | 30 - 20 | AR88016 | 2D9 | 6 | 40 - 57 |
| AR78382 | 2E9 | 5 | 40 - 83 | AR84006 | 1G14 | 3 | 30 - 75 | AR88040 | 3C25 | 20 | 50 - 44 |
| AR78384 | 2E8 | 3 | 40 - 82 | AR84006 | 2B25 | 3 | 40 - 19 | AR88040 | 3D3 | 1 | 50 - 47 |
| AR78384 | 2E9 | 1 | 40 - 83 | AR84006 | 2F12 | 11 | 40 - 112 | AR88880 | 2D17 | 12 | 40 - 65 |
| AR78386 | 2E8 | 6 | 40 - 82 | AR84006 | 5B14 | 7 | 90 - 10 | AR88880 | 2D21 | 10 | 40 - 69 |
| AR78396 | 4F5 | 18 | 70 - 109 | AR84006 | 5B14 | 8 | 90 - 10 | AR89137 | 5E9 | 2 | 90 - 80 |
| AR78483 | 4D10 | 35 | 70 - 57 | AR84006 | 5B18 | 12 | 90 - 14 | AR89691 | 2C8 | 9 | 40 - 27 |
| AR78485 | 1D11 | 2 | 30 - 2 | AR84006 | 5B18 | 16 | 90 - 14 | AR89691 | 3B21 | 18 | 50 - 17 |
| AR78538 | 2D7 | 5 | 40 - 55 | AR84006 | 5B18 | 17 | 90 - 14 | AR89691 | 3B22 | 6 | 50 - 18 |
| AR78538 | 2D21 | .. | 40 - 69 | AR84006 | 5B24 | 11 | 90 - 20 | AR89691 | 3D17 | 12 | 50 - 61 |
| AR78538 | 2D23 | .. | 40 - 71 | AR84006 | 5E3 | 3 | 90 - 74 | AR89691 | 3D18 | 6 | 50 - 62 |
| AR78538 | 2D25 | .. | 40 - 73 | AR84064 | 1B11 | 4 | 20 - 6 | AR89858 | 3D12 | 1 | 50 - 56 |
| AR78825 | 2B20 | 18 | 40 - 14 | AR84252 | 1F18 | 28 | 30 - 58 | AR89865 | 3D7 | 15 | 50 - 51 |
| AR78825 | 2B21 | 16 | 40 - 15 | AR84305 | 2D4 | .. | 40 - 51 | AR90058 | 2D6 | 6 | 40 - 53 |
| AR78825 | 2B24 | 4 | 40 - 18 | AR84306 | 2C23 | 4 | 40 - 45 | AR90070 | 2E5 | 10 | 40 - 78 |
| AR78825 | 2C2 | 21 | 40 - 21 | AR84306 | 2D4 | .. | 40 - 51 | AR90071 | 2E5 | 9 | 40 - 78 |
| AR78825 | 2C2 | 22 | 40 - 21 | AR84306 | 2D6 | 27 | 40 - 53 | AR90081 | 4D2 | 16 | 70 - 49 |
| AR78825 | 2C3 | 16 | 40 - 22 | AR84792 | 4D18 | 23 | 70 - 67 | AR90082 | 4D25 | 4 | 70 - 75 |
| AR78825 | 2C3 | 27 | 40 - 22 | AR84792 | 4D18 | 28 | 70 - 67 | AR90082 | 4E2 | 4 | 70 - 77 |
| AR78825 | 2C3 | 28 | 40 - 22 | AR84792 | 4D19 | 3 | 70 - 68 | AR90340 | 1F4 | 7 | 30 - 43 |
| AR79505 | 4D12 | 12 | 70 - 59 | AR85153 | 3B22 | 6 | 50 - 18 | AR90340 | 1F18 | 15 | 30 - 58 |
| AR79505 | 4D12 | 13 | 70 - 59 | AR85153 | 3D18 | 6 | 50 - 62 | AR90378 | 4B15 | 30 | 70 - 9 |
| AR79681 | 3D8 | 4 | 50 - 52 | AR85271 | 3E5 | 8 | 50 - 75 | AR90378 | 4B25 | 48 | 70 - 19 |
| AR79709 | 4C17 | 14 | 70 - 38 | AR85272 | 3E4 | 10 | 50 - 74 | AR90577 | 4E19 | 5 | 70 - 97 |
| AR79709 | 4C23 | 14 | 70 - 44 | AR85323 | 2C8 | 9 | 40 - 27 | AR90577 | 4E19 | .. | 70 - 97 |
| AR79711 | 4C17 | 14 | 70 - 38 | AR85323 | 3B21 | 18 | 50 - 17 | AR90578 | 4E19 | 5 | 70 - 97 |
| AR79711 | 4C23 | 14 | 70 - 44 | AR85323 | 3D17 | 12 | 50 - 61 | AR90578 | 4E19 | .. | 70 - 97 |
| AR80294 | 1B13 | 6 | 20 - 8 | AR85323 | 3D19 | 10 | 50 - 64 | AR90579 | 4E19 | 6 | 70 - 97 |
| AR80300 | 3E24 | 20 | 50 - 96 | AR85407 | 2E7 | 1 | 40 - 81 | AR90581 | 4E19 | 6 | 70 - 97 |
| AR80564 | 1E10 | .. | 30 - 27 | AR85459 | 3B17 | 16 | 50 - 13 | AR90583 | 4E19 | 6 | 70 - 97 |
| AR80564 | 1E17 | 25 | 30 - 31B | AR85459 | 3D4 | 21 | 50 - 48 | AR90601 | 1F4 | 2 | 30 - 43 |
| AR80591 | 3F17 | 8 | 50 - 115 | AR85459 | 3D5 | 22 | 50 - 49 | AR90826 | 2D9 | 5 | 40 - 57 |
| AR80595 | 3F17 | 33 | 50 - 115 | AR85459 | 3D5 | 23 | 50 - 49 | AR90826 | 2D9 | 6 | 40 - 57 |
| AR80666 | 4D25 | 6 | 70 - 75 | AR85459 | 4D18 | 18 | 70 - 67 | AR90850 | 3C14 | 8 | 50 - 35 |
| AR80667 | 4D25 | 6 | 70 - 75 | AR85459 | 4D18 | 19 | 70 - 67 | AR90850 | 3C15 | 2 | 50 - 36 |
| AR81175 | 3F11 | .. | 50 - 109 | AR85459 | 4D18 | 20 | 70 - 67 | AR90850 | 3C22 | 12 | 50 - 43 |
| AR81175 | 4C25 | 9 | 70 - 46 | AR85463 | 3F17 | 22 | 50 - 115 | AR90850 | 3C24 | 3 | 50 - 43B |
| AR81176 | 3F11 | 1 | 50 - 109 | AR85464 | 3F17 | 21 | 50 - 115 | AR90850 | 3C24 | 7 | 50 - 43B |
| AR81176 | 3F11 | 7 | 50 - 109 | AR85574 | 3F17 | 29 | 50 - 115 | AR91166 | 2E8 | 7 | 40 - 82 |
| AR81176 | 3F11 | 11 | 50 - 109 | AR85578 | 2E20 | 8 | 40 - 94 | AR91166 | 2E9 | 5 | 40 - 83 |
| AR81178 | 2E20 | 12 | 40 - 94 | AR85628 | 4F5 | 33 | 70 - 109 | AR91166 | 2E14 | 8 | 40 - 88 |
| AR81179 | 2E20 | 8 | 40 - 94 | AR85792 | 5C21 | .. | 90 - 42 | AR91166 | 2E15 | 4 | 40 - 89 |
| AR81571 | 3D16 | 15 | 50 - 60 | AR85941 | 2D6 | 7 | 40 - 53 | AR91167 | 2E9 | 1 | 40 - 83 |
| AR81651 | 5E6 | 4 | 90 - 77 | AR86454 | 3E13 | 11 | 50 - 84 | AR91548 | 1F24 | 4 | 30 - 64 |
| AR81783 | 4D12 | 7 | 70 - 59 | AR86535 | 4F5 | 18 | 70 - 109 | AR91607 | 3C15 | 8 | 50 - 36 |
| AR81935 | 3F17 | 23 | 50 - 115 | AR86538 | 3F6 | 6 | 50 - 104 | AR91793 | 2G4 | 42 | 40 - 127 |
| AR81936 | 3F10 | 16 | 50 - 108 | AR86538 | 4H18 | 6 | 80 - 25 | AR92109 | 5B6 | 11 | 90 - 1 |
| AR81936 | 4C25 | 7 | 70 - 46 | AR86595 | 1D23 | 1 | 30 - 14 | AR92109 | 5B21 | 12 | 90 - 17 |

1K2

TRACTOR - 4000 AND 4020 (SERIAL NO. 201000-) TRACTORS

NUMERICAL INDEX - CONTINUED

| PART NO. | GRID | KEY | PAGE | PART NO. | GRID | KEY | PAGE | PART NO. | GRID | KEY | PAGE |
|----------|------|-----|----------|----------|------|-----|----------|----------|------|-----|----------|
| AR92425 | 4H23 | 3 | 80 - 30 | AR96613 | 4B21 | 19 | 70 - 15 | AT16288 | 2B16 | 7 | 40 - 10 |
| AR93094 | 3E12 | 2 | 50 - 83 | AR96613 | 4B23 | 19 | 70 - 17 | AT16288 | 2B17 | 10 | 40 - 11 |
| AR93259 | 3G19 | 27 | 60 - 27 | AR96625 | 4B25 | 6 | 70 - 19 | AT16288 | 2B18 | 2 | 40 - 12 |
| AR93259 | 3G21 | 24 | 60 - 29 | AR98098 | 3E4 | 9 | 50 - 74 | AT16288 | 2B19 | 3 | 40 - 13 |
| AR93445 | 2D4 | .. | 40 - 51 | AR98098 | 3E5 | 7 | 50 - 75 | AT16288 | 2B25 | 7 | 40 - 19 |
| AR93446 | 2C23 | 4 | 40 - 45 | AR98146 | 3D3 | 6 | 50 - 47 | AT16288 | 2B25 | 8 | 40 - 19 |
| AR93446 | 2D4 | .. | 40 - 51 | AR98201 | 4G15 | 2 | 70 - 148 | AT16288 | 2C1 | 7 | 40 - 20 |
| AR93446 | 2D6 | 27 | 40 - 53 | AR98202 | 4G15 | 1 | 70 - 148 | AT16288 | 2C1 | 8 | 40 - 20 |
| AR937R | 4F1 | 18 | 70 - 104 | AR99100 | 4F12 | 37 | 70 - 117 | AT16431 | 3C9 | 26 | 50 - 30 |
| AR93819 | 4F12 | 2 | 70 - 117 | AR99336 | 4F1 | 3 | 70 - 104 | AT16431 | 3E7 | 26 | 50 - 77 |
| AR93819 | 4F12 | 5 | 70 - 117 | AR99412 | 3B23 | 20 | 50 - 19 | AT168165 | 5E17 | 6 | 90 - 88 |
| AR93819 | 4F12 | 6 | 70 - 117 | AR99839 | 4B9 | 1 | 70 - 3 | AT16887 | 3F18 | 4 | 50 - 116 |
| AR93819 | 4F20 | 31 | 70 - 125 | AR99839 | 4B13 | .. | 70 - 7 | AT170918 | 1D11 | 14 | 30 - 2 |
| AR93819 | 4F20 | 34 | 70 - 125 | AR99909 | 2E14 | 10 | 40 - 88 | AT18674 | 1D13 | 9 | 30 - 4 |
| AR93819 | 4F20 | 36 | 70 - 125 | AR99909 | 2E15 | 6 | 40 - 89 | AT19923 | 5C7 | 26 | 90 - 29 |
| AR93819 | 4G14 | 2 | 70 - 147 | AT10177 | 1G13 | 12 | 30 - 74 | AT20436 | 5C7 | 11 | 90 - 29 |
| AR93819 | 4G14 | 5 | 70 - 147 | AT10177 | 1G13 | 13 | 30 - 74 | AT20436 | 5C7 | 33 | 90 - 29 |
| AR93819 | 4G14 | 7 | 70 - 147 | AT10177 | 1G13 | 14 | 30 - 74 | AT20438 | 5C7 | 20 | 90 - 29 |
| AR93820 | 4F12 | 2 | 70 - 117 | AT10177 | 1G13 | 15 | 30 - 74 | AT20441 | 5C7 | 17 | 90 - 29 |
| AR93820 | 4F12 | 5 | 70 - 117 | AT10177 | 1G13 | 16 | 30 - 74 | AT20489 | 5C5 | 5 | 90 - 26 |
| AR93820 | 4F12 | 6 | 70 - 117 | AT10177 | 1G13 | 17 | 30 - 74 | AT20911 | 1E1 | 16 | 30 - 17 |
| AR93820 | 4F20 | 31 | 70 - 125 | AT10177 | 1G13 | 19 | 30 - 74 | AT20911 | 1E18 | 20 | 30 - 32 |
| AR93820 | 4F20 | 34 | 70 - 125 | AT10557 | 1E10 | 5 | 30 - 27 | AT21160 | 2C25 | 28 | 40 - 47 |
| AR93820 | 4F20 | 36 | 70 - 125 | AT10557 | 1E13 | 5 | 30 - 28 | AT21161 | 2C25 | 16 | 40 - 47 |
| AR93820 | 4G14 | 2 | 70 - 147 | AT10557 | 1E16 | 5 | 30 - 31A | AT22070 | 5E16 | 7 | 90 - 87 |
| AR93820 | 4G14 | 5 | 70 - 147 | AT10599 | 1G13 | 25 | 30 - 74 | AT22073 | 5E16 | 5 | 90 - 87 |
| AR93820 | 4G14 | 7 | 70 - 147 | AT10635 | 1G2 | 10 | 30 - 67 | AT23188 | 2C24 | 23 | 40 - 46 |
| AR93820 | 4G15 | 8 | 70 - 148 | AT10638 | 1G2 | 13 | 30 - 67 | AT23188 | 2C25 | 25 | 40 - 47 |
| AR93945 | 2D4 | 11 | 40 - 51 | AT10845 | 1G13 | 6 | 30 - 74 | AT23188 | 2D1 | 29 | 40 - 48 |
| AR93945 | 2D6 | 3 | 40 - 53 | AT10845 | 1G13 | 8 | 30 - 74 | AT23188 | 2D1 | 33 | 40 - 48 |
| AR94130 | 5E3 | 6 | 90 - 74 | AT11520 | 1F24 | 1 | 30 - 64 | AT23188 | 2D2 | 24 | 40 - 49 |
| AR94165 | 4D10 | 14 | 70 - 57 | AT11524 | 1F4 | 7 | 30 - 43 | AT23188 | 2D2 | 28 | 40 - 49 |
| AR94165 | 4D10 | 24 | 70 - 57 | AT11524 | 1F18 | 15 | 30 - 58 | AT23188 | 2D4 | 23 | 40 - 51 |
| AR94166 | 4D4 | 4 | 70 - 51 | AT11684 | 4D24 | 1 | 70 - 74 | AT23189 | 2C24 | 19 | 40 - 46 |
| AR94522 | 4F14 | 3 | 70 - 119 | AT11685 | 4D23 | 19 | 70 - 73 | AT23189 | 2C25 | 29 | 40 - 47 |
| AR94522 | 4F16 | 21 | 70 - 121 | AT12031 | 1G13 | 36 | 30 - 74 | AT24209 | 1F11 | 24 | 30 - 50 |
| AR94522 | 4G15 | 10 | 70 - 148 | AT12431 | 3F18 | 26 | 50 - 116 | AT24209 | 1F16 | 23 | 30 - 55 |
| AR94660 | 4B9 | 1 | 70 - 3 | AT12948 | 2C11 | 3 | 40 - 30 | AT24538 | 5E15 | 1 | 90 - 86 |
| AR94660 | 4B11 | .. | 70 - 5 | AT13380 | 2B13 | 4 | 40 - 7 | AT25266 | 1G4 | 1 | 30 - 68A |
| AR94660 | 4B21 | .. | 70 - 15 | AT13380 | 2B16 | 4 | 40 - 10 | AT25266 | 1G5 | 15 | 30 - 69 |
| AR94660 | 4B25 | .. | 70 - 19 | AT13380 | 2B25 | 10 | 40 - 19 | AT25266 | 1G6 | 1 | 30 - 69A |
| AR94661 | 4B9 | 1 | 70 - 3 | AT13381 | 2B13 | 5 | 40 - 7 | AT25266 | 1G7 | 6 | 30 - 69B |
| AR94661 | 4B13 | 18 | 70 - 7 | AT13381 | 2B16 | 5 | 40 - 10 | AT25266 | 1G8 | 14 | 30 - 69D |
| AR94661 | 4B13 | .. | 70 - 7 | AT13381 | 2B18 | 7 | 40 - 12 | AT25325 | 1F5 | 19 | 30 - 44 |
| AR94661 | 4B23 | .. | 70 - 17 | AT13381 | 2B25 | 10 | 40 - 19 | AT25578 | 1E14 | 29 | 30 - 30 |
| AR94661 | 4B25 | .. | 70 - 19 | AT13740 | 1B13 | 9 | 20 - 8 | AT25963 | 5C5 | 2 | 90 - 26 |
| AR94761 | 3B19 | 7 | 50 - 15 | AT13740 | 1C22 | 20 | 20 - 43 | AT26122 | 5C7 | 30 | 90 - 29 |
| AR94973 | 5B8 | 1 | 90 - 3 | AT13740 | 1E1 | 7 | 30 - 17 | AT26123 | 5C7 | 30 | 90 - 29 |
| AR94973 | 5B8 | 2 | 90 - 3 | AT13740 | 1E18 | 11 | 30 - 32 | AT27123 | 2D1 | 18 | 40 - 48 |
| AR94973 | 5B8 | 3 | 90 - 3 | AT141924 | 5E17 | 6 | 90 - 88 | AT27123 | 2D2 | 12 | 40 - 49 |
| AR94973 | 5B9 | 13 | 90 - 4 | AT14321 | 1G10 | 10 | 30 - 71 | AT27124 | 2D1 | 19 | 40 - 48 |
| AR94973 | 5B25 | 1 | 90 - 21 | AT14321 | 1G11 | 10 | 30 - 72 | AT27124 | 2D2 | 13 | 40 - 49 |
| AR94974 | 5B9 | 2 | 90 - 4 | AT14468 | 2C19 | 9 | 40 - 39 | AT27127 | 2D1 | 28 | 40 - 48 |
| AR94975 | 5B9 | 3 | 90 - 4 | AT14927 | 5E15 | 1 | 90 - 86 | AT27127 | 2D2 | 23 | 40 - 49 |
| AR95470 | 4B13 | 32 | 70 - 7 | AT15138 | 2D10 | 19 | 40 - 58 | AT27128 | 2C24 | 2 | 40 - 46 |
| AR95903 | 3D19 | 8 | 50 - 64 | AT15138 | 2D12 | 16 | 40 - 60 | AT27128 | 2C25 | 6 | 40 - 47 |
| AR95903 | 3D22 | 19 | 50 - 67 | AT151388 | 3D14 | 30 | 50 - 58 | AT27128 | 2D1 | 12 | 40 - 48 |
| AR95904 | 3D24 | 22 | 50 - 69 | AT15140 | 2D8 | 24 | 40 - 56 | AT27128 | 2D2 | 5 | 40 - 49 |
| AR96189 | 1B20 | 9 | 20 - 15 | AT15140 | 2D10 | 28 | 40 - 58 | AT27152 | 2B9 | 10 | 40 - 3 |
| AR96189 | 1B21 | 5 | 20 - 16 | AT15146 | 2D14 | 7 | 40 - 62 | AT27425 | 2C4 | 1 | 40 - 23 |
| AR96189 | 1C5 | 5 | 20 - 25 | AT15147 | 2D8 | 8 | 40 - 56 | AT28951 | 1F12 | 1 | 30 - 51 |
| AR96321 | 4C4 | 29 | 70 - 23 | AT15147 | 2D10 | 8 | 40 - 58 | AT28952 | 1F12 | 2 | 30 - 51 |
| AR96323 | 4C4 | 29 | 70 - 23 | AT15147 | 2D12 | 9 | 40 - 60 | AT29175 | 5E12 | .. | 90 - 83 |
| AR96408 | 4B13 | 7 | 70 - 7 | AT15585 | 4H14 | 5 | 80 - 21 | AT29855 | 2F3 | 26 | 40 - 102 |
| AR96408 | 4B23 | 4 | 70 - 17 | AT16123 | 1F20 | 7 | 30 - 60 | AT29855 | 2F3 | 27 | 40 - 102 |
| AR96613 | 4B11 | 25 | 70 - 5 | AT16288 | 2B13 | 7 | 40 - 7 | AT29855 | 2F6 | 17 | 40 - 105 |
| AR96613 | 4B13 | 25 | 70 - 7 | AT16288 | 2B15 | 10 | 40 - 9 | AT29855 | 2F6 | 28 | 40 - 105 |

1K3

TRACTOR - 4000 AND 4020 (SERIAL NO. 201000-) TRACTORS

NUMERICAL INDEX - CONTINUED

| PART NO. | GRID | KEY | PAGE | PART NO. | GRID | KEY | PAGE | PART NO. | GRID | KEY | PAGE |
|----------|------|-----|----------|----------|------|-----|----------|----------|------|-----|----------|
| AT30178 | 1E4 | 25 | 30 - 20 | AT55441 | 2C6 | 25 | 40 - 25 | A3581R | 4F25 | 9 | 70 - 131 |
| AT30373 | 3F14 | 7 | 50 - 112 | AT56592 | 2C23 | 16 | 40 - 45 | A3581R | 4G4 | 2 | 70 - 135 |
| AT30373 | 3F15 | 1 | 50 - 113 | AT56592 | 2D2 | 2 | 40 - 49 | A3581R | 4G9 | 40 | 70 - 141 |
| AT30373 | 3F15 | 9 | 50 - 113 | AT58209 | 2F3 | 13 | 40 - 102 | A3581R | 4G12 | 2 | 70 - 145 |
| AT32331 | 4C23 | 4 | 70 - 44 | AT62018 | 5E17 | 6 | 90 - 88 | A3606R | 3E3 | 27 | 50 - 73 |
| AT32332 | 3D14 | 8 | 50 - 58 | AT62019 | 5E17 | 4 | 90 - 88 | A3606R | 3F23 | 19 | 60 - 3 |
| AT32332 | 3F17 | 27 | 50 - 115 | AT65316 | 2B10 | 3 | 40 - 4 | A3606R | 3F24 | 1 | 60 - 4 |
| AT32332 | 4D2 | 1 | 70 - 49 | AT66481 | 2F3 | 26 | 40 - 102 | A3606R | 3G7 | 8 | 60 - 13 |
| AT32332 | 4E25 | 11 | 70 - 103 | AT66481 | 2F5 | 20 | 40 - 104 | A3606R | 3G7 | 26 | 60 - 13 |
| AT32332 | 4F20 | 9 | 70 - 125 | AT66481 | 2F6 | 17 | 40 - 105 | A3606R | 3G12 | 1 | 60 - 19 |
| AT32332 | 4F22 | 10 | 70 - 127 | AT66481 | 2F6 | 28 | 40 - 105 | A3606R | 3G17 | 10 | 60 - 25 |
| AT32333 | 3E18 | 10 | 50 - 90 | AT66482 | 2F3 | 26 | 40 - 102 | A3606R | 4G2 | 17 | 70 - 133 |
| AT32333 | 3E20 | 16 | 50 - 92 | AT66482 | 2F5 | 20 | 40 - 104 | A3606R | 4G4 | 21 | 70 - 135 |
| AT32333 | 3G1 | 6 | 60 - 6 | AT66482 | 2F6 | 17 | 40 - 105 | A3606R | 4G6 | 37 | 70 - 137 |
| AT32333 | 3G3 | 6 | 60 - 8 | AT71088 | 2E12 | 7 | 40 - 85A | A364R | 3C10 | 22 | 50 - 31 |
| AT32333 | 3G3 | 15 | 60 - 8 | AT75387 | 5E17 | 4 | 90 - 88 | A364R | 3E8 | 23 | 50 - 78 |
| AT32333 | 3G4 | 14 | 60 - 9 | AT80421 | 3F15 | 5 | 50 - 113 | A369R | 3B10 | 11 | 50 - 4 |
| AT32333 | 4C24 | 13A | 70 - 45 | AT80421 | 3F15 | 7 | 50 - 113 | A369R | 3C25 | 1 | 50 - 44 |
| AT32335 | 3E19 | 11 | 50 - 91 | AT80421 | 3F15 | 8 | 50 - 113 | A369R | 4E16 | 27 | 70 - 93 |
| AT32335 | 3E21 | 10 | 50 - 93 | AT81764 | 5E17 | 6 | 90 - 88 | A369R | 4E20 | 25 | 70 - 98 |
| AT32335 | 3G15 | 6A | 60 - 22 | AT85174 | 1B14 | 28 | 20 - 9 | A369R | 4H11 | 5 | 80 - 17 |
| AT32335 | 3G15 | 8B | 60 - 22 | AU42026 | 2F3 | 12 | 40 - 102 | A369R | 5C3 | 2 | 90 - 24 |
| AT32335 | 3G17 | 20 | 60 - 25 | AU43852 | 2F3 | 13 | 40 - 102 | A3750R | 3F1 | 12 | 50 - 99 |
| AT32335 | 4C7 | 8 | 70 - 27 | AU43853 | 2F6 | 12 | 40 - 105 | A3815R | 3C14 | 21 | 50 - 35 |
| AT32335 | 4C9 | 8 | 70 - 29 | AU43854 | 2F3 | 22 | 40 - 102 | A3815R | 3C22 | 1 | 50 - 43 |
| AT32335 | 4C17 | 11 | 70 - 38 | AU43854 | 2F6 | 21 | 40 - 105 | A3815R | 3C24 | 17 | 50 - 43B |
| AT32335 | 4C23 | 11 | 70 - 44 | AU43855 | 2F6 | 14 | 40 - 105 | A3910R | 3D17 | 22 | 50 - 61 |
| AT32337 | 4D2 | 5 | 70 - 49 | AU43857 | 2F3 | 21 | 40 - 102 | A3910R | 3D20 | 27 | 50 - 65 |
| AT32337 | 4E25 | 17 | 70 - 103 | AU43857 | 2F6 | 20 | 40 - 105 | A3917R | 1F5 | 10 | 30 - 44 |
| AT32338 | 3F14 | 9 | 50 - 112 | AU43954 | 2F3 | 19 | 40 - 102 | A3917R | 1F11 | 14 | 30 - 50 |
| AT32338 | 4C23 | 18 | 70 - 44 | AU43954 | 2F6 | 19 | 40 - 105 | A3917R | 1F15 | 10 | 30 - 54 |
| AT33033 | 4B9 | 1 | 70 - 3 | A120R | 3B16 | 6 | 50 - 12 | A3917R | 1F16 | 13 | 30 - 55 |
| AT33033 | 4B11 | .. | 70 - 5 | A120R | 3D4 | 6 | 50 - 48 | A3917R | 1F22 | 6 | 30 - 62 |
| AT33033 | 4C7 | 7 | 70 - 27 | A147R | 4E21 | 5 | 70 - 99 | A3917R | 2D21 | 21 | 40 - 69 |
| AT33363 | 1D13 | 7 | 30 - 4 | A147R | 4E23 | 4 | 70 - 101 | A3917R | 3B14 | 5 | 50 - 9 |
| AT33363 | 1G15 | 1 | 30 - 76 | A147R | 4G6 | 30 | 70 - 137 | A3917R | 3C5 | 16 | 50 - 26 |
| AT344T | 3C9 | 26 | 50 - 30 | A15146 | 4E13 | 21 | 70 - 90 | A3917R | 3D3 | 5 | 50 - 47 |
| AT344T | 3E7 | 26 | 50 - 77 | A15532 | 4E25 | 19 | 70 - 103 | A3917R | 3D3 | 6 | 50 - 47 |
| AT35094 | 5C7 | 26 | 90 - 29 | A1555R | 4H3 | 12 | 80 - 9 | A3917R | 4F5 | 15 | 70 - 109 |
| AT35120 | 4D2 | 5 | 70 - 49 | A1555R | 4H9 | 12 | 80 - 15 | A3917R | 4F6 | 7 | 70 - 110 |
| AT35120 | 4E25 | 17 | 70 - 103 | A1556R | 4H3 | 11 | 80 - 9 | A3917R | 4F12 | 13 | 70 - 117 |
| AT35121 | 3F23 | 21 | 60 - 3 | A1556R | 4H5 | 6 | 80 - 11 | A3917R | 4F13 | 4 | 70 - 118 |
| AT35121 | 3G1 | 1 | 60 - 6 | A1556R | 4H9 | 11 | 80 - 15 | A3959R | 3F3 | .. | 50 - 101 |
| AT35121 | 3G4 | 2 | 60 - 9 | A15898 | 4F14 | 1 | 70 - 119 | A39716 | 2C6 | 1 | 40 - 25 |
| AT35121 | 4C5 | 4 | 70 - 25 | A15898 | 4F22 | 20 | 70 - 127 | A4064R | 4H11 | 13 | 80 - 17 |
| AT39043 | 2E18 | 9 | 40 - 92 | A15899 | 4F14 | 2 | 70 - 119 | A4117R | 4H4 | 15 | 80 - 10 |
| AT39043 | 2E20 | 9 | 40 - 94 | A15899 | 4F22 | 18 | 70 - 127 | A4118R | 4H4 | 10 | 80 - 10 |
| AT44165 | 2B9 | 13 | 40 - 3 | A1651R | 3E6 | 19 | 50 - 76 | A4119R | 4H4 | 11 | 80 - 10 |
| AT44165 | 2B9 | 15 | 40 - 3 | A174R | 4D10 | 10 | 70 - 57 | A4157R | 2C17 | 11 | 40 - 37 |
| AT44165 | 2B9 | 17 | 40 - 3 | A2743R | 2B18 | 2 | 40 - 12 | A4159R | 2C17 | 19 | 40 - 37 |
| AT44165 | 2B9 | 22 | 40 - 3 | A2743R | 2B19 | 3 | 40 - 13 | A4365R | 2D21 | 19 | 40 - 69 |
| AT44165 | 2F7 | 23 | 40 - 106 | A2899R | 2B25 | 6 | 40 - 19 | A4365R | 3F25 | 20 | 60 - 5 |
| AT46795 | 1G18 | 15 | 30 - 79 | A2899R | 2B25 | 11 | 40 - 19 | A4365R | 3G7 | 19 | 60 - 13 |
| AT48673 | 2B9 | 13 | 40 - 3 | A2899R | 2C1 | 6 | 40 - 20 | A4365R | 4B15 | 3 | 70 - 9 |
| AT48673 | 2B9 | 21 | 40 - 3 | A3030R | 1G9 | 2 | 30 - 70 | A4365R | 4B19 | 3 | 70 - 13 |
| AT48673 | 2F7 | 26 | 40 - 106 | A3182R | 3C16 | 8 | 50 - 37 | A4365R | 4B25 | 3 | 70 - 19 |
| AT48674 | 2B9 | 17 | 40 - 3 | A3184R | 4F12 | 38 | 70 - 117 | A4365R | 4C4 | 2 | 70 - 23 |
| AT48674 | 2B9 | 19 | 40 - 3 | A3184R | 4G4 | 26 | 70 - 135 | A4365R | 4D6 | 7 | 70 - 53 |
| AT48763 | 3E2 | 16 | 50 - 72 | A3184R | 4G12 | 26 | 70 - 145 | A4379R | 4H11 | 1 | 80 - 17 |
| AT514T | 2D9 | 18 | 40 - 57 | A3411R | 2B13 | 3 | 40 - 7 | A4380R | 4H11 | 5 | 80 - 17 |
| AT514T | 2D11 | 20 | 40 - 59 | A3475R | 4H4 | 29 | 80 - 10 | A4384R | 4H11 | 3 | 80 - 17 |
| AT514T | 2D13 | 20 | 40 - 61 | A3481R | 4H4 | 28 | 80 - 10 | A4384R | 4H12 | 3 | 80 - 18 |
| AT516T | 2D9 | 10 | 40 - 57 | A350R | 4F1 | 20A | 70 - 104 | A4388R | 4H11 | 12 | 80 - 17 |
| AT516T | 2D11 | 10 | 40 - 59 | A3539R | 2C17 | 7 | 40 - 37 | A4389R | 4H11 | 13 | 80 - 17 |
| AT516T | 2D13 | 10 | 40 - 61 | A354R | 1C12 | 17 | 20 - 32 | A4624R | 3B18 | 5 | 50 - 14 |
| AT517T | 2D9 | 20 | 40 - 57 | A3581R | 4E2 | 22 | 70 - 77 | A4624R | 3D6 | 3 | 50 - 50 |
| AT54179 | 1D13 | 12 | 30 - 4 | A3581R | 4E20 | 4 | 70 - 98 | A4624R | 5E2 | 22 | 90 - 73 |

1K4

TRACTOR - 4000 AND 4020 (SERIAL NO. 201000-) TRACTORS

NUMERICAL INDEX - CONTINUED

| PART NO. | GRID | KEY | PAGE | PART NO. | GRID | KEY | PAGE | PART NO. | GRID | KEY | PAGE |
|----------|------|-----|----------|----------|------|-----|----------|----------|------|-----|----------|
| A4646R | 1D19 | 4 | 30 - 10 | A48332 | 2C6 | 23 | 40 - 25 | B178R | 3C17 | 4 | 50 - 38 |
| A4646R | 1D24 | 9 | 30 - 15 | A4883R | 3E2 | 10 | 50 - 72 | B190R | 3C10 | 24 | 50 - 31 |
| A4655R | 2B10 | 4 | 40 - 4 | A4883R | 4H11 | 6 | 80 - 17 | B190R | 3E8 | 25 | 50 - 78 |
| A4656R | 1D5 | 10 | 20 - 50 | A4883R | 4H12 | 6 | 80 - 18 | B1986R | 1G5 | 14 | 30 - 69 |
| A471R | 4I9 | 1 | 80 - 41 | A4928R | 1G9 | 10 | 30 - 70 | B1986R | 2B7 | 8 | 40 - 1 |
| A4722R | 4G2 | 10 | 70 - 133 | A4928R | 1G12 | 7 | 30 - 73 | B1986R | 2B9 | 8 | 40 - 3 |
| A4722R | 4G4 | 7 | 70 - 135 | A4928R | 1G14 | 2 | 30 - 75 | B207R | 3B21 | 17 | 50 - 17 |
| A4722R | 4G6 | 6 | 70 - 137 | A4929R | 1G9 | 31 | 30 - 70 | B2342R | 3F3 | 9 | 50 - 101 |
| A4723R | 4G2 | 9 | 70 - 133 | A4930R | 1G14 | 11 | 30 - 75 | B2477R | 4E1 | 5 | 70 - 76 |
| A4723R | 4G4 | 6 | 70 - 135 | A4931R | 1G14 | 10 | 30 - 75 | B2641R | 1C11 | 17 | 20 - 31 |
| A4723R | 4G6 | 5 | 70 - 137 | A4932R | 1G14 | 9 | 30 - 75 | B2641R | 3F9 | 6 | 50 - 107 |
| A4723R | 4G9 | 5 | 70 - 141 | A4993R | 1G9 | 29 | 30 - 70 | B2641R | 4D25 | 7 | 70 - 75 |
| A4723R | 4G10 | 9 | 70 - 142 | A4995R | 1G9 | 29 | 30 - 70 | B2641R | 4E2 | 6 | 70 - 77 |
| A4723R | 4G12 | 6 | 70 - 145 | A4996R | 1G9 | 23 | 30 - 70 | B2683R | 4H7 | 20 | 80 - 13 |
| A4723R | 4G13 | 6 | 70 - 146 | A4997R | 1G9 | 24 | 30 - 70 | B2683R | 4H8 | 16 | 80 - 14 |
| A4728R | 3G19 | 14 | 60 - 27 | A4997R | 1G9 | 28 | 30 - 70 | B2693R | 4G21 | 9 | 80 - 2 |
| A4728R | 3G19 | 15 | 60 - 27 | A4998R | 1G9 | 27 | 30 - 70 | B2694R | 4G20 | 14 | 80 - 1 |
| A4728R | 3G19 | 34 | 60 - 27 | A4999R | 1G9 | 3 | 30 - 70 | B2694R | 4G21 | 3 | 80 - 2 |
| A4728R | 3G19 | 35 | 60 - 27 | A5108R | 1G13 | 7 | 30 - 74 | B2694R | 4H15 | 11 | 80 - 22 |
| A4728R | 3G21 | 25 | 60 - 29 | A5141R | 1G9 | 18 | 30 - 70 | B2762R | 1C12 | 25 | 20 - 32 |
| A4728R | 4D5 | 3 | 70 - 52 | A5146R | 4H3 | 9 | 80 - 9 | B2762R | 1C24 | 27 | 20 - 45 |
| A4728R | 4G2 | 7 | 70 - 133 | A5146R | 4H4 | 26 | 80 - 10 | B2762R | 1D2 | 27 | 20 - 47 |
| A4728R | 4G4 | 9 | 70 - 135 | A5146R | 4H9 | 16 | 80 - 15 | B2762R | 1D2 | 28 | 20 - 47 |
| A4728R | 4G6 | 24 | 70 - 137 | A5172R | 2C7 | 20 | 40 - 26 | B2762R | 3C5 | 2 | 50 - 26 |
| A4730R | 1B13 | 7 | 20 - 8 | A5188R | 2C17 | 3 | 40 - 37 | B2762R | 3C7 | 3 | 50 - 28 |
| A4730R | 3D4 | 10 | 50 - 48 | A5234R | 4I13 | 12 | 80 - 45 | B2762R | 3D16 | 12 | 50 - 60 |
| A4730R | 4F12 | 27 | 70 - 117 | A5297R | 1G9 | 21 | 30 - 70 | B2762R | 3F25 | 14 | 60 - 5 |
| A4730R | 4F13 | 9 | 70 - 118 | A5301R | 4G6 | 31 | 70 - 137 | B2762R | 3G7 | 17 | 60 - 13 |
| A4736R | 4G6 | 19 | 70 - 137 | A5301R | 4G9 | 35 | 70 - 141 | B2762R | 4C17 | 5 | 70 - 38 |
| A4736R | 4G9 | 9 | 70 - 141 | A5302R | 4G6 | 29 | 70 - 137 | B2762R | 4C23 | 7 | 70 - 44 |
| A4737R | 4G6 | 17 | 70 - 137 | A5302R | 4G9 | 38 | 70 - 141 | B2762R | 4F5 | 5 | 70 - 109 |
| A4737R | 4G9 | 11 | 70 - 141 | A5304R | 4G9 | 28 | 70 - 141 | B2762R | 4F6 | 3 | 70 - 110 |
| A4738R | 4G6 | 18 | 70 - 137 | A5339R | 5B17 | 7 | 90 - 13 | B2762R | 4F7 | 4 | 70 - 111 |
| A4738R | 4G9 | 10 | 70 - 141 | A5689R | 1B13 | 12 | 20 - 8 | B3014R | 4H11 | 1 | 80 - 17 |
| A4739R | 4G6 | 20 | 70 - 137 | A5689R | 1E20 | 3 | 30 - 34 | B30667 | 5B10 | 17 | 90 - 5 |
| A4739R | 4G9 | 8 | 70 - 141 | A5748R | 4F20 | 12 | 70 - 125 | B3285R | 2B12 | 11 | 40 - 6 |
| A4741R | 4G6 | 1 | 70 - 137 | A5748R | 4F22 | 13 | 70 - 127 | B3310R | 3D14 | 31 | 50 - 58 |
| A4742R | 3C2 | 9 | 50 - 23 | A776R | 3B16 | 9 | 50 - 12 | B3310R | 4G23 | 18 | 80 - 4 |
| A4742R | 3C2 | 18 | 50 - 23 | A776R | 3D4 | 11 | 50 - 48 | B3310R | 4G24 | 23 | 80 - 5 |
| A4742R | 3C4 | 14 | 50 - 25 | A877R | 4G20 | 8 | 80 - 1 | B3310R | 4H1 | 2 | 80 - 7 |
| A4742R | 4G6 | 2 | 70 - 137 | A877R | 4G21 | 6 | 80 - 2 | B350R | 3F1 | 3 | 50 - 99 |
| A4744R | 4G6 | 4 | 70 - 137 | A877R | 4G25 | 7 | 80 - 6 | B3586R | 1C10 | 4 | 20 - 30 |
| A4744R | 5C3 | 4 | 90 - 24 | A877R | 4H15 | 7 | 80 - 22 | B3586R | 1C24 | 15 | 20 - 45 |
| A4745R | 4G6 | 11 | 70 - 137 | A890R | 4G21 | 10 | 80 - 2 | B3586R | 1D2 | 16 | 20 - 47 |
| A4745R | 4G9 | 21 | 70 - 141 | A890R | 4G25 | 14 | 80 - 6 | B3595R | 3C25 | 18 | 50 - 44 |
| A4745R | 4G10 | 4 | 70 - 142 | BP12232 | 1G9 | 1 | 30 - 70 | B3685R | 3F21 | 20 | 60 - 1 |
| A4746R | 4G6 | 10 | 70 - 137 | BP13615 | 3C10 | 16 | 50 - 31 | B3686R | 4D6 | 4 | 70 - 53 |
| A4746R | 4G9 | 22 | 70 - 141 | BP13615 | 3E8 | 17 | 50 - 78 | B3686R | 4E10 | 13 | 70 - 87 |
| A4747R | 4G6 | 12 | 70 - 137 | B11182 | 4D21 | 20 | 70 - 71 | B3690R | 3F23 | 2 | 60 - 3 |
| A4747R | 4G9 | 20 | 70 - 141 | B11182 | 4D24 | 6 | 70 - 74 | B423R | 4D12 | 49 | 70 - 59 |
| A4748R | 4G6 | 13 | 70 - 137 | B11182 | 4D24 | 19 | 70 - 74 | B474R | 3F17 | 7 | 50 - 115 |
| A4748R | 4G9 | 19 | 70 - 141 | B11182 | 4D25 | 10 | 70 - 75 | B474R | 4F5 | 1 | 70 - 109 |
| A4806R | 3C5 | 20 | 50 - 26 | B11182 | 4E1 | 2 | 70 - 76 | B548R | 4H7 | 9 | 80 - 13 |
| A4806R | 3E3 | 21 | 50 - 73 | B11182 | 4E2 | 11 | 70 - 77 | B548R | 4H8 | 9 | 80 - 14 |
| A4808R | 3C5 | 19 | 50 - 26 | B11182 | 4E2 | 25 | 70 - 77 | B551R | 4H7 | 7 | 80 - 13 |
| A4808R | 3E3 | 22 | 50 - 73 | B11182 | 4E7 | 17 | 70 - 83 | B551R | 4H8 | 7 | 80 - 14 |
| A4816R | 3F17 | 10 | 50 - 115 | B11182 | 4E12 | 7 | 70 - 89 | B634R | 4H11 | 12 | 80 - 17 |
| A4816R | 3F23 | 36 | 60 - 3 | B11182 | 4E13 | 22 | 70 - 90 | B89R | 4H7 | 11 | 80 - 13 |
| A4816R | 3G11 | 28 | 60 - 18 | B13540 | 3E19 | 19 | 50 - 91 | B89R | 4H8 | 11 | 80 - 14 |
| A4827R | 1B17 | 6 | 20 - 12 | B1402R | 3D14 | 21 | 50 - 58 | B90R | 4H7 | 10 | 80 - 13 |
| A4827R | 3B17 | 18 | 50 - 13 | B1569R | 1D13 | 4 | 30 - 4 | B90R | 4H8 | 10 | 80 - 14 |
| A4827R | 3B21 | 16 | 50 - 17 | B161R | 4I5 | 17 | 80 - 37 | CH17453 | 3E6 | 2 | 50 - 76 |
| A4827R | 3B23 | 15 | 50 - 19 | B1664R | 3E2 | 11 | 50 - 72 | C1067R | 3B12 | 9 | 50 - 6 |
| A4827R | 3D5 | 25 | 50 - 49 | B1664R | 4D10 | 5 | 70 - 57 | C1067R | 3B25 | 22 | 50 - 21 |
| A4827R | 3F2 | 7 | 50 - 100 | B169R | 3D16 | 8 | 50 - 60 | C1067R | 3C18 | 7 | 50 - 39 |
| A4827R | 3F18 | 10 | 50 - 116 | B169R | 3F23 | 6 | 60 - 3 | C1067R | 3C25 | 12 | 50 - 44 |
| A48331 | 2C6 | 3 | 40 - 25 | B177R | 3G17 | 25 | 60 - 25 | C1067R | 3E1 | 15 | 50 - 71 |

1K5

TRACTOR - 4000 AND 4020 (SERIAL NO. 201000-) TRACTORS

NUMERICAL INDEX - CONTINUED

| PART NO. | GRID | KEY | PAGE | PART NO. | GRID | KEY | PAGE | PART NO. | GRID | KEY | PAGE |
|----------|------|-----|----------|----------|------|-----|----------|----------|------|-----|----------|
| C1104R | 3B10 | 5 | 50 - 4 | E55662 | 2D14 | 15 | 40 - 62 | F2681R | 4D21 | 9 | 70 - 71 |
| C1220R | 3B7 | 18 | 50 - 1 | E55662 | 2D17 | 6 | 40 - 65 | F2681R | 4D23 | 9 | 70 - 73 |
| C1220R | 3C12 | 21 | 50 - 33 | F1000R | 3F2 | 13 | 50 - 100 | F2681R | 4D23 | .. | 70 - 73 |
| C1919R | 3C9 | 24 | 50 - 30 | F1008R | 4H2 | 9 | 80 - 8 | F2681R | 4E7 | 1 | 70 - 83 |
| C1919R | 3E7 | 24 | 50 - 77 | F1011R | 4H2 | 1 | 80 - 8 | F2681R | 4E10 | 2 | 70 - 87 |
| C284R | 3B25 | 23 | 50 - 21 | F1012R | 4H2 | 15 | 80 - 8 | F2681R | 4E12 | 8 | 70 - 89 |
| C284R | 3C25 | 11 | 50 - 44 | F1024R | 3F2 | 9 | 50 - 100 | F2683R | 4D23 | 11 | 70 - 73 |
| C985R | 5E2 | 5 | 90 - 73 | F1024R | 4E18 | 19 | 70 - 95 | F2684R | 4D24 | 15 | 70 - 74 |
| DA4560A | 4E2 | 19 | 70 - 77 | F1056R | 3G9 | 12 | 60 - 15 | F2684R | 4D25 | 1 | 70 - 75 |
| DA5883A | 4D24 | 14 | 70 - 74 | F1126R | 1G16 | 7 | 30 - 77 | F2684R | 4E1 | 12 | 70 - 76 |
| DA5883A | 4E3 | 12 | 70 - 78 | F1127R | 1G16 | 6 | 30 - 77 | F2684R | 4E2 | 1 | 70 - 77 |
| DA5883A | 4E5 | 20 | 70 - 81 | F1129R | 1G16 | 13 | 30 - 77 | F2685R | 4D24 | 15 | 70 - 74 |
| D1761R | 3E24 | 16 | 50 - 96 | F1130R | 1G16 | 14 | 30 - 77 | F2685R | 4D25 | 1 | 70 - 75 |
| D1761R | 3G9 | 4 | 60 - 15 | F1334R | 3C9 | 23 | 50 - 30 | F2685R | 4E1 | 12 | 70 - 76 |
| D1761R | 3G9 | 7 | 60 - 15 | F1334R | 3E7 | 23 | 50 - 77 | F2685R | 4E2 | 1 | 70 - 77 |
| D2361 | 3D22 | 17 | 50 - 67 | F1373R | 3C19 | 15 | 50 - 40 | F2693R | 4E1 | 9 | 70 - 76 |
| D2361R | 3D17 | 5 | 50 - 61 | F1373R | 3E6 | 1 | 50 - 76 | F2694R | 4E1 | 6 | 70 - 76 |
| D2361R | 3D17 | 23 | 50 - 61 | F1427R | 4G9 | 4 | 70 - 141 | F2695R | 4E1 | 7 | 70 - 76 |
| D2361R | 3D19 | 5 | 50 - 64 | F1427R | 4G10 | 10 | 70 - 142 | F2741R | 3E4 | 7 | 50 - 74 |
| D2361R | 4F12 | 4 | 70 - 117 | F1427R | 4G12 | 7 | 70 - 145 | F2741R | 3E5 | 5 | 50 - 75 |
| D2361R | 4F12 | 18 | 70 - 117 | F1427R | 4G13 | 7 | 70 - 146 | F2741R | 4D3 | 20 | 70 - 50 |
| D2361R | 4F20 | 20 | 70 - 125 | F1430R | 4G9 | 16 | 70 - 141 | F2741R | 4D5 | 24 | 70 - 52 |
| D2361R | 4F20 | 32 | 70 - 125 | F1430R | 4G10 | 12 | 70 - 142 | F2741R | 4D6 | 12 | 70 - 53 |
| D2361R | 4G14 | 4 | 70 - 147 | F1430R | 4G12 | 9 | 70 - 145 | F2741R | 4F6 | 15 | 70 - 110 |
| D2361R | 4G14 | 16 | 70 - 147 | F1430R | 4G13 | 5 | 70 - 146 | F2741R | 4F9 | 12 | 70 - 113 |
| D2420R | 1B17 | 2 | 20 - 12 | F1441R | 4G6 | 39 | 70 - 137 | F2741R | 4F20 | 2 | 70 - 125 |
| D2420R | 1B17 | 3 | 20 - 12 | F1443R | 3F2 | 12 | 50 - 100 | F2741R | 4F22 | 2 | 70 - 127 |
| D2420R | 1C10 | 10 | 20 - 30 | F1452R | 1D24 | 14 | 30 - 15 | F2762R | 3C18 | 17 | 50 - 39 |
| D2425R | 1B12 | 13 | 20 - 7 | F1463R | 4D18 | 3 | 70 - 67 | F2783R | 3B25 | 2 | 50 - 21 |
| D2593R | 3G9 | 4 | 60 - 15 | F1483R | 3F3 | 4 | 50 - 101 | F2783R | 4H21 | 9 | 80 - 28 |
| D2865R | 5D12 | 12 | 90 - 58 | F1484R | 3F3 | 5 | 50 - 101 | F2820R | 4D23 | 6 | 70 - 73 |
| D2865R | 5D18 | 6 | 90 - 64 | F1489R | 3F3 | .. | 50 - 101 | F2821R | 4D21 | 8 | 70 - 71 |
| D2913R | 4G2 | 12 | 70 - 133 | F1549R | 3B7 | 3 | 50 - 1 | F2821R | 4D23 | 8 | 70 - 73 |
| D2913R | 4G4 | 25 | 70 - 135 | F1649R | 1D5 | 14 | 20 - 50 | F2822R | 4D21 | 7 | 70 - 71 |
| D2913R | 4G12 | 25 | 70 - 145 | F1682R | 1G14 | 7 | 30 - 75 | F2822R | 4D22 | 7 | 70 - 72 |
| D2913R | 4G13 | 15 | 70 - 146 | F1743R | 1B8 | 17 | 20 - 3 | F2822R | 4D23 | 7 | 70 - 73 |
| D459R | 4D5 | 16 | 70 - 52 | F1743R | 1B12 | 16 | 20 - 7 | F2823R | 4D21 | 5 | 70 - 71 |
| D467R | 4G21 | 5 | 80 - 2 | F1743R | 1B13 | 20 | 20 - 8 | F2823R | 4D22 | 5 | 70 - 72 |
| D467R | 4G25 | 10 | 80 - 6 | F2084R | 2B21 | 8 | 40 - 15 | F2823R | 4D23 | 5 | 70 - 73 |
| E10118 | 1E10 | 22 | 30 - 27 | F2206R | 4E10 | 16 | 70 - 87 | F2824R | 4D21 | 3 | 70 - 71 |
| E10118 | 1E14 | 8 | 30 - 30 | F2206R | 4E12 | 23 | 70 - 89 | F2824R | 4D22 | 3 | 70 - 72 |
| E10118 | 1E17 | 8 | 30 - 31B | F2208R | 4E1 | 4 | 70 - 76 | F2824R | 4D23 | 3 | 70 - 73 |
| E10121 | 1E10 | 33 | 30 - 27 | F2208R | 4E10 | 19 | 70 - 87 | F2846R | 3C7 | 20 | 50 - 28 |
| E10121 | 1E14 | 18 | 30 - 30 | F2208R | 4E12 | 31 | 70 - 89 | F2846R | 3D1 | 5 | 50 - 45 |
| E10121 | 1E17 | 18 | 30 - 31B | F2253R | 3E23 | 20 | 50 - 95 | F2847R | 3C7 | 21 | 50 - 28 |
| E12379 | 3B11 | 32 | 50 - 5 | F228R | 3F3 | 10 | 50 - 101 | F2847R | 3D1 | 6 | 50 - 45 |
| E16050 | 2F7 | 16 | 40 - 106 | F2367R | 3C10 | 5 | 50 - 31 | F2861R | 3E1 | 10 | 50 - 71 |
| E17421 | 3B21 | 4 | 50 - 17 | F2367R | 3C10 | 21 | 50 - 31 | F2861R | 4E10 | 5 | 70 - 87 |
| E17421 | 3B21 | 9 | 50 - 17 | F2367R | 3D14 | 28 | 50 - 58 | F2863R | 4D15 | 26 | 70 - 63 |
| E17421 | 3B23 | 4 | 50 - 19 | F2367R | 3E8 | 4 | 50 - 78 | F2863R | 4D21 | 11 | 70 - 71 |
| E34958 | 4H24 | 4 | 80 - 31 | F2367R | 3E8 | 22 | 50 - 78 | F2863R | 4D24 | 12 | 70 - 74 |
| E50102 | 4B8 | 1 | 70 - 2 | F2370R | 3C14 | 18 | 50 - 35 | F2863R | 5C4 | 1 | 90 - 25 |
| E50102 | 4B8 | 11 | 70 - 2 | F2370R | 3C22 | 4 | 50 - 43 | F2863R | 5C7 | 1 | 90 - 29 |
| E50102 | 4G23 | 13 | 80 - 4 | F2370R | 3C24 | 14 | 50 - 43B | F2884R | 1B13 | 12 | 20 - 8 |
| E50102 | 4G24 | 17 | 80 - 5 | F2411R | 1C22 | 16 | 20 - 43 | F2884R | 1E22 | 1 | 30 - 36 |
| E50102 | 5C3 | 23 | 90 - 24 | F2439R | 4G4 | 8 | 70 - 135 | F2912R | 3B12 | 4 | 50 - 6 |
| E50102 | 5C4 | 13 | 90 - 25 | F2439R | 4G6 | 25 | 70 - 137 | F2912R | 3C18 | 2 | 50 - 39 |
| E55662 | 1C10 | 1 | 20 - 30 | F2632R | 2C17 | 13 | 40 - 37 | F2935R | 2B13 | 4 | 40 - 7 |
| E55662 | 1E25 | 22 | 30 - 39 | F2664R | 3D14 | 32 | 50 - 58 | F2935R | 2B13 | 5 | 40 - 7 |
| E55662 | 1F1 | 22 | 30 - 40 | F2674R | 4D18 | 22 | 70 - 67 | F2935R | 2B14 | 3 | 40 - 8 |
| E55662 | 2C20 | 14 | 40 - 41 | F2674R | 4D18 | 26 | 70 - 67 | F2935R | 2B14 | 5 | 40 - 8 |
| E55662 | 2C21 | 13 | 40 - 42 | F2674R | 4D19 | 4 | 70 - 68 | F2935R | 2B15 | 5 | 40 - 9 |
| E55662 | 2C23 | 12 | 40 - 45 | F2680R | 4D21 | 9 | 70 - 71 | F2935R | 2B15 | 6 | 40 - 9 |
| E55662 | 2D7 | 3 | 40 - 55 | F2680R | 4D21 | 13 | 70 - 71 | F2935R | 2B16 | 4 | 40 - 10 |
| E55662 | 2D8 | 29 | 40 - 56 | F2680R | 4D21 | .. | 70 - 71 | F2935R | 2B16 | 5 | 40 - 10 |
| E55662 | 2D10 | 33 | 40 - 58 | F2680R | 4D23 | 9 | 70 - 73 | F2935R | 2B17 | 5 | 40 - 11 |
| E55662 | 2D12 | 30 | 40 - 60 | F2680R | 4D23 | .. | 70 - 73 | F2935R | 2B17 | 6 | 40 - 11 |

1K6

TRACTOR - 4000 AND 4020 (SERIAL NO. 201000-) TRACTORS

NUMERICAL INDEX - CONTINUED

| PART NO. | GRID | KEY | PAGE | PART NO. | GRID | KEY | PAGE | PART NO. | GRID | KEY | PAGE |
|----------|------|-----|----------|----------|------|-----|----------|----------|------|-----|----------|
| F2935R | 2B19 | 7 | 40 - 13 | F3542R | 4E18 | 4 | 70 - 95 | H773R | 4H7 | 8 | 80 - 13 |
| F2935R | 2B20 | 8 | 40 - 14 | F562R | 4H2 | 13 | 80 - 8 | H773R | 4H8 | 8 | 80 - 14 |
| F2935R | 2C2 | 25 | 40 - 21 | F785R | 3F3 | 14 | 50 - 101 | H78354 | 5E9 | 2 | 90 - 80 |
| F304R | 4F1 | 19A | 70 - 104 | F991R | 3F1 | 13 | 50 - 99 | H819R | 3C6 | 5 | 50 - 27 |
| F304R | 4F1 | 20B | 70 - 104 | F997R | 3F3 | 2 | 50 - 101 | H819R | 3E3 | 5 | 50 - 73 |
| F3126R | 4H7 | 3 | 80 - 13 | F998R | 3F3 | 3 | 50 - 101 | H826R | 1C9 | 1 | 20 - 29 |
| F3126R | 4H8 | 3 | 80 - 14 | F999R | 3F2 | 14 | 50 - 100 | H837R | 4C22 | 10 | 70 - 43 |
| F3127R | 4H7 | 2 | 80 - 13 | GWT48-9 | 1E10 | 22 | 30 - 27 | H851R | 3B16 | 2 | 50 - 12 |
| F3127R | 4H8 | 2 | 80 - 14 | GWT8S8-8 | 1E10 | 33 | 30 - 27 | H851R | 3D4 | 2 | 50 - 48 |
| F3128R | 3B17 | 17 | 50 - 13 | H104855 | 2G2 | 9 | 40 - 125 | H851R | 4E25 | 18 | 70 - 103 |
| F3128R | 3D5 | 24 | 50 - 49 | H20923 | 1E10 | 64 | 30 - 27 | H858R | 3E16 | 8 | 50 - 88 |
| F3128R | 3F2 | 6 | 50 - 100 | H20923 | 1E13 | 25 | 30 - 28 | H858R | 3E17 | 5 | 50 - 89 |
| F3171 | 3F13 | 11 | 50 - 111 | H20923 | 1E16 | 25 | 30 - 31A | H871R | 3D11 | 4 | 50 - 55 |
| F3171R | 1C12 | 22 | 20 - 32 | H20925 | 1E8 | 1 | 30 - 24 | H871R | 3E6 | 11 | 50 - 76 |
| F3171R | 3C7 | 7 | 50 - 28 | H20925 | 1E10 | 55 | 30 - 27 | H871R | 3F8 | 11 | 50 - 106 |
| F3171R | 3D1 | 8 | 50 - 45 | H20925 | 1E13 | 16 | 30 - 28 | H871R | 3F23 | 35 | 60 - 3 |
| F3171R | 3F4 | 7 | 50 - 102 | H20926 | 1E8 | 4 | 30 - 24 | H871R | 4F14 | 10 | 70 - 119 |
| F3171R | 3F10 | 8 | 50 - 108 | H20926 | 1E10 | 50 | 30 - 27 | H871R | 4F16 | 11 | 70 - 121 |
| F3171R | 4B9 | 1 | 70 - 3 | H20926 | 1E15 | 39 | 30 - 31 | H987R | 2F4 | 15 | 40 - 103 |
| F3171R | 4B11 | 14 | 70 - 5 | H20926 | 1E16 | 16 | 30 - 31A | H987R | 2F7 | 19 | 40 - 106 |
| F3171R | 4B11 | .. | 70 - 5 | H20926 | 1E17 | 33 | 30 - 31B | JD10002 | 3E22 | 6 | 50 - 94 |
| F3171R | 4B13 | 2 | 70 - 7 | H20927 | 1E8 | 6 | 30 - 24 | JD10527 | 3F18 | 24 | 50 - 116 |
| F3171R | 4B13 | 19 | 70 - 7 | H20927 | 1E10 | 40 | 30 - 27 | JD1091 | 4H9 | 8 | 80 - 15 |
| F3171R | 4B13 | .. | 70 - 7 | H20927 | 1E14 | 27 | 30 - 30 | JD1102 | 4H9 | 8 | 80 - 15 |
| F3171R | 4B17 | 6 | 70 - 11 | H20927 | 1E17 | 28 | 30 - 31B | JD126 | 2C6 | 10 | 40 - 25 |
| F3171R | 4B21 | 12 | 70 - 15 | H20954 | 1E10 | 63 | 30 - 27 | JD126 | 2F7 | 10 | 40 - 106 |
| F3171R | 4B23 | 13 | 70 - 17 | H20954 | 1E13 | 24 | 30 - 28 | JD1293 | 4H9 | 8 | 80 - 15 |
| F3171R | 4B25 | 36 | 70 - 19 | H20954 | 1E16 | 24 | 30 - 31A | JD1298 | 4H9 | 8 | 80 - 15 |
| F3171R | 4C2 | 8 | 70 - 21 | H20985 | 1E10 | 16 | 30 - 27 | JD1299 | 4H9 | 8 | 80 - 15 |
| F3171R | 4C7 | 6 | 70 - 27 | H20985 | 1E14 | 2 | 30 - 30 | JD16 | 4H3 | 6 | 80 - 9 |
| F3171R | 4C7 | 10 | 70 - 27 | H20985 | 1E17 | 2 | 30 - 31B | JD16 | 4H9 | 5 | 80 - 15 |
| F3171R | 4C9 | 6 | 70 - 29 | H21000 | 1E10 | 53 | 30 - 27 | JD16 | 4H9 | 9 | 80 - 15 |
| F3171R | 4C12 | 1 | 70 - 33 | H21000 | 1E15 | 42 | 30 - 31 | JD16 | 4H9 | 9 | 80 - 15 |
| F3171R | 4C17 | 3 | 70 - 38 | H21000 | 1E17 | 36 | 30 - 31B | JD17 | 4H19 | 3 | 80 - 26 |
| F3171R | 4C18 | 1 | 70 - 39 | H21033 | 1E10 | 39 | 30 - 27 | JD22 | 4H9 | 9 | 80 - 15 |
| F3171R | 4C23 | 3 | 70 - 44 | H21033 | 1E14 | 25 | 30 - 30 | JD27 | 4H12 | 12 | 80 - 18 |
| F3171R | 4D2 | 22 | 70 - 49 | H21033 | 1E17 | 29 | 30 - 31B | JD3019 | 4H12 | 12 | 80 - 18 |
| F3171R | 4D2 | 23 | 70 - 49 | H21048 | 1E10 | 29 | 30 - 27 | JD3039 | 4H9 | 8 | 80 - 15 |
| F3171R | 4D2 | 31 | 70 - 49 | H21048 | 1E14 | 14 | 30 - 30 | JD3210 | 4H9 | 8 | 80 - 15 |
| F3171R | 4D4 | 12 | 70 - 51 | H21048 | 1E17 | 14 | 30 - 31B | JD3211 | 4H9 | 8 | 80 - 15 |
| F3171R | 4D10 | 26 | 70 - 57 | H21058 | 1E8 | 5 | 30 - 24 | JD3219 | 4H9 | 8 | 80 - 15 |
| F3171R | 4E24 | 4 | 70 - 102 | H21058 | 1E10 | 42 | 30 - 27 | JD3222 | 4H12 | 10 | 80 - 18 |
| F3171R | 4E25 | 28 | 70 - 103 | H21058 | 1E14 | 26 | 30 - 30 | JD3222 | 4H12 | 12 | 80 - 18 |
| F3173R | 4D7 | 13 | 70 - 54 | H21058 | 1E17 | 26 | 30 - 31B | JD3223 | 4H12 | 10 | 80 - 18 |
| F3195R | 4I12 | 1 | 80 - 44 | H22548 | 1E4 | 20 | 30 - 20 | JD3223 | 4H12 | 11 | 80 - 18 |
| F3195R | 4I13 | 9 | 80 - 45 | H22548 | 1E7 | 6 | 30 - 23 | JD3223 | 4H12 | 12 | 80 - 18 |
| F3220R | 4E24 | 5 | 70 - 102 | H23124 | 5B16 | 5 | 90 - 12 | JD3224 | 4H12 | 10 | 80 - 18 |
| F3221R | 3D24 | 17 | 50 - 69 | H23127 | 2B24 | 2 | 40 - 18 | JD3224 | 4H12 | 11 | 80 - 18 |
| F3353R | 1G12 | 12 | 30 - 73 | H23193 | 2D11 | 24 | 40 - 59 | JD3224 | 4H12 | 12 | 80 - 18 |
| F3353R | 3E19 | 2 | 50 - 91 | H26232 | 2D13 | 24 | 40 - 61 | JD3225 | 4H12 | 10 | 80 - 18 |
| F3357R | 3F2 | 3 | 50 - 100 | H294R | 4I2 | 9 | 80 - 34 | JD3225 | 4H12 | 11 | 80 - 18 |
| F3358R | 3F2 | 5 | 50 - 100 | H294R | 1C9 | 19 | 20 - 29 | JD3225 | 4H12 | 12 | 80 - 18 |
| F3392R | 3C16 | 11 | 50 - 37 | H31207 | 1C12 | 18 | 20 - 32 | JD3226 | 4H12 | 10 | 80 - 18 |
| F3396R | 3C16 | 2 | 50 - 37 | H343R | 5C1 | 18 | 90 - 22 | JD3226 | 4H12 | 11 | 80 - 18 |
| F3463R | 3F17 | 4 | 50 - 115 | H61993 | 3D8 | 11 | 50 - 52 | JD3227 | 4H9 | 8 | 80 - 15 |
| F3500R | 1G16 | 19 | 30 - 77 | H61993 | 5C15 | 18 | 90 - 36 | JD5234 | 4I16 | 7 | 80 - 46 |
| F3539R | 4E13 | 6 | 70 - 90 | H61993 | 5C16 | 4 | 90 - 37 | JD5272 | 5E16 | 8 | 90 - 87 |
| F3539R | 4E14 | 5 | 70 - 91 | H61993 | 5C16 | 5 | 90 - 37 | JD5403 | 5E10 | 2 | 90 - 81 |
| F3539R | 4E16 | 5 | 70 - 93 | H61993 | 5D9 | 27 | 90 - 55 | JD5403 | 5E11 | 3 | 90 - 82 |
| F3539R | 4E18 | 5 | 70 - 95 | H61993 | 5D10 | 4 | 90 - 56 | JD5403 | 5E12 | 3 | 90 - 83 |
| F3541R | 4E13 | 4 | 70 - 90 | H61993 | 5D10 | 5 | 90 - 56 | JD5602 | 5E16 | 8 | 90 - 87 |
| F3541R | 4E14 | 3 | 70 - 91 | H631R | 3B19 | 3 | 50 - 15 | JD7145 | 3C14 | 19 | 50 - 35 |
| F3541R | 4E16 | 3 | 70 - 93 | H63858 | 1G16 | 15 | 30 - 77 | JD7145 | 3C22 | 3 | 50 - 43 |
| F3541R | 4E18 | 3 | 70 - 95 | H63952 | 5C15 | 11 | 90 - 36 | JD7145 | 3C24 | 15 | 50 - 43B |
| F3542R | 4E13 | 5 | 70 - 90 | H63952 | 5D9 | 2 | 90 - 55 | JD7222 | 4H7 | 12 | 80 - 13 |
| F3542R | 4E14 | 4 | 70 - 91 | H772R | 4H7 | 5 | 80 - 13 | JD7222 | 4H8 | 12 | 80 - 14 |
| F3542R | 4E16 | 4 | 70 - 93 | H772R | 4H8 | 5 | 80 - 14 | JD7263 | 3B19 | 1 | 50 - 15 |

1K7

TRACTOR - 4000 AND 4020 (SERIAL NO. 201000-) TRACTORS

NUMERICAL INDEX - CONTINUED

| PART NO. | GRID | KEY | PAGE | PART NO. | GRID | KEY | PAGE | PART NO. | GRID | KEY | PAGE |
|----------|------|-----|----------|----------|------|-----|----------|----------|------|-----|----------|
| JD7266 | 4H7 | 13 | 80 - 13 | JD8210 | 3E13 | 30 | 50 - 84 | JD8980 | 3B20 | 16 | 50 - 16 |
| JD7266 | 4H8 | 13 | 80 - 14 | JD8213 | 3E23 | 13 | 50 - 95 | JD8982 | 3F18 | 5 | 50 - 116 |
| JD7282 | 3D14 | 11 | 50 - 58 | JD8214 | 3E22 | 7 | 50 - 94 | JD9012 | 3F1 | 5 | 50 - 99 |
| JD7291 | 3C2 | 2 | 50 - 23 | JD8223 | 3C2 | 25 | 50 - 23 | JD9028 | 3F6 | 15 | 50 - 104 |
| JD7291 | 3C4 | 2 | 50 - 25 | JD8223 | 3C4 | 20 | 50 - 25 | JD9029 | 3F6 | 13 | 50 - 104 |
| JD7403 | 3F6 | 14 | 50 - 104 | JD8223 | 4B11 | 26 | 70 - 5 | JD9030 | 3F4 | 20 | 50 - 102 |
| JD7418 | 3F18 | 6 | 50 - 116 | JD8223 | 4B13 | 26 | 70 - 7 | JD9230 | 3C19 | 16 | 50 - 40 |
| JD7418 | 4H9 | 5 | 80 - 15 | JD8223 | 4B21 | 20 | 70 - 15 | JD9265 | 3C19 | 18 | 50 - 40 |
| JD7430 | 3B20 | 17 | 50 - 16 | JD8223 | 4B23 | 20 | 70 - 17 | JD9265 | 3E6 | 4 | 50 - 76 |
| JD7438 | 3F18 | 19 | 50 - 116 | JD8247 | 3F18 | 25 | 50 - 116 | JD9279 | 3E6 | 2 | 50 - 76 |
| JD7444 | 3F3 | 7 | 50 - 101 | JD8251 | 4H3 | 7 | 80 - 9 | JD9281 | 3B8 | 25 | 50 - 2 |
| JD7445 | 4H3 | 5 | 80 - 9 | JD8251 | 4H5 | 4 | 80 - 11 | JD9281 | 3C13 | 17 | 50 - 34 |
| JD7445 | 4H5 | 3 | 80 - 11 | JD8251 | 4H9 | 6 | 80 - 15 | JD9320 | 3C9 | 25 | 50 - 30 |
| JD7445 | 4H7 | 13 | 80 - 13 | JD8257 | 3B19 | 8 | 50 - 15 | JD9320 | 3E7 | 25 | 50 - 77 |
| JD7445 | 4H8 | 13 | 80 - 14 | JD8258 | 3D15 | 9 | 50 - 59 | JD9345 | 3C10 | 23 | 50 - 31 |
| JD7445 | 4H9 | 4 | 80 - 15 | JD8259 | 3E10 | 4 | 50 - 80 | JD9345 | 3E8 | 24 | 50 - 78 |
| JD7446 | 3F1 | 15 | 50 - 99 | JD8259 | 3E13 | 4 | 50 - 84 | JD9355 | 1C13 | 6 | 20 - 34 |
| JD7448 | 3F3 | 12 | 50 - 101 | JD8264 | 3D15 | 3 | 50 - 59 | JD9355 | 1C14 | 6 | 20 - 35 |
| JD7537 | 3C10 | 20 | 50 - 31 | JD8266 | 3B20 | 3 | 50 - 16 | JD9355 | 1C15 | 10 | 20 - 36 |
| JD7537 | 3E8 | 21 | 50 - 78 | JD8268 | 3D14 | 19 | 50 - 58 | JD9355 | 1C16 | 9 | 20 - 37 |
| JD7557 | 3C9 | 3 | 50 - 30 | JD8286 | 3F1 | 6 | 50 - 99 | JD9355 | 1C17 | 7 | 20 - 38 |
| JD7557 | 3E7 | 3 | 50 - 77 | JD8292 | 3F6 | 16 | 50 - 104 | JD9449 | 2C24 | 23 | 40 - 46 |
| JD7561 | 3D14 | 29 | 50 - 58 | JD8293 | 3F4 | 19 | 50 - 102 | JD9449 | 2C25 | 25 | 40 - 47 |
| JD7562 | 3C10 | 4 | 50 - 31 | JD8518 | 3D14 | 23 | 50 - 58 | JD9449 | 2D1 | 29 | 40 - 48 |
| JD7759 | 3F3 | 18 | 50 - 101 | JD8535 | 2C24 | 23 | 40 - 46 | JD9449 | 2D1 | 33 | 40 - 48 |
| JD7759 | 3F6 | 7 | 50 - 104 | JD8537 | 3C10 | 17 | 50 - 31 | JD9449 | 2D2 | 24 | 40 - 49 |
| JD7759 | 4E1 | 10 | 70 - 76 | JD8537 | 3E8 | 18 | 50 - 78 | JD9449 | 2D2 | 28 | 40 - 49 |
| JD7759 | 4E3 | 6 | 70 - 78 | JD8644 | 3C19 | 18 | 50 - 40 | JD9449 | 2D4 | 23 | 40 - 51 |
| JD7759 | 4E16 | 25 | 70 - 93 | JD8644 | 3E6 | 4 | 50 - 76 | JD9449 | 2D6 | 22 | 40 - 53 |
| JD7759 | 4E23 | 13 | 70 - 101 | JD8722 | 3C8 | 6 | 50 - 29 | JD9449 | 3B8 | 25 | 50 - 2 |
| JD7759 | 4E23 | 15 | 70 - 101 | JD8725 | 3C10 | 6 | 50 - 31 | JD9449 | 3C13 | 17 | 50 - 34 |
| JD7759 | 4G20 | 6 | 80 - 1 | JD8725 | 3E8 | 5 | 50 - 78 | JD9812 | 3D16 | 10 | 50 - 60 |
| JD7759 | 4G21 | 7 | 80 - 2 | JD8726 | 3F1 | 2 | 50 - 99 | JD9817 | 3F21 | 17 | 60 - 1 |
| JD7759 | 4G25 | 9 | 80 - 6 | JD8731 | 3B9 | 31 | 50 - 3 | JD9848 | 4E5 | 12 | 70 - 81 |
| JD7759 | 4H2 | 16 | 80 - 8 | JD8731 | 3C8 | 2 | 50 - 29 | JD9849 | 4E5 | 11 | 70 - 81 |
| JD7759 | 4H7 | 19 | 80 - 13 | JD8731 | 3C8 | 6 | 50 - 29 | J17817 | 4E20 | 20 | 70 - 98 |
| JD7759 | 4H8 | 15 | 80 - 14 | JD8856 | 3D16 | 11 | 50 - 60 | J17817 | 4E21 | 13 | 70 - 99 |
| JD7759 | 4H15 | 5 | 80 - 22 | JD8862 | 1C11 | 30 | 20 - 31 | J17817 | 4E23 | 14 | 70 - 101 |
| JD7778 | 4D16 | 4 | 70 - 65 | JD8867 | 1E4 | 11 | 30 - 20 | K40003 | 1G17 | 13 | 30 - 78 |
| JD7778 | 4H4 | 16 | 80 - 10 | JD8867 | 1E10 | 10 | 30 - 27 | L1610N | 4E23 | 23 | 70 - 101 |
| JD7781 | 3F6 | 4 | 50 - 104 | JD8867 | 1E13 | 10 | 30 - 28 | L29014 | 3G19 | 15 | 60 - 27 |
| JD7781 | 4H15 | 16 | 80 - 22 | JD8867 | 1E16 | 10 | 30 - 31A | L29015 | 3G19 | 13 | 60 - 27 |
| JD7797 | 3B11 | 33 | 50 - 5 | JD8867 | 1G10 | 5 | 30 - 71 | L29015 | 3G19 | 15 | 60 - 27 |
| JD7797 | 4E5 | 4 | 70 - 81 | JD8867 | 1G11 | 5 | 30 - 72 | L29015 | 3G19 | 34 | 60 - 27 |
| JD7797 | 4H17 | 16 | 80 - 24 | JD8907 | 3D14 | 18 | 50 - 58 | L29015 | 3G21 | 13 | 60 - 29 |
| JD7806 | 4H17 | 6 | 80 - 24 | JD8913 | 4H3 | 4 | 80 - 9 | L300T | 3C17 | 2 | 50 - 38 |
| JD7951 | 3D14 | 30 | 50 - 58 | JD8913 | 4H5 | 2 | 80 - 11 | L32092 | 2F16 | 7 | 40 - 116 |
| JD8112 | 3F3 | 13 | 50 - 101 | JD8913 | 4H7 | 12 | 80 - 13 | L324T | 3C18 | 9 | 50 - 39 |
| JD8130 | 3F1 | 16 | 50 - 99 | JD8913 | 4H8 | 12 | 80 - 14 | L324T | 3E1 | 14 | 50 - 71 |
| JD8135 | 3F18 | 18 | 50 - 116 | JD8913 | 4H9 | 3 | 80 - 15 | L35843 | 4C18 | 9 | 70 - 39 |
| JD8149 | 3F3 | 6 | 50 - 101 | JD8919 | 3C2 | 24 | 50 - 23 | L35843 | 4C20 | 1 | 70 - 41 |
| JD8152 | 3E23 | 14 | 50 - 95 | JD8919 | 3C4 | 19 | 50 - 25 | L35843 | 4E25 | 14 | 70 - 103 |
| JD8155 | 3D14 | 12 | 50 - 58 | JD8922 | 3F18 | 24 | 50 - 116 | L4299T | 1C11 | 8 | 20 - 31 |
| JD8159 | 3E10 | 18 | 50 - 80 | JD8929 | 4H3 | 8 | 80 - 9 | L64456 | 3C11 | 1 | 50 - 32 |
| JD8159 | 3E12 | 16 | 50 - 83 | JD8929 | 4H5 | 5 | 80 - 11 | L65000 | 2F18 | 10 | 40 - 119 |
| JD8159 | 3E13 | 29 | 50 - 84 | JD8929 | 4H9 | 7 | 80 - 15 | L83677 | 2F16 | 2 | 40 - 116 |
| JD8159 | 3E15 | 1 | 50 - 87 | JD8947 | 3B19 | 7 | 50 - 15 | M115827 | 4D21 | 20 | 70 - 71 |
| JD8167 | 3E22 | 6 | 50 - 94 | JD8954 | 3E10 | 5 | 50 - 80 | M115827 | 4D22 | 12 | 70 - 72 |
| JD8177 | 3E23 | 14 | 50 - 95 | JD8954 | 3E12 | 1 | 50 - 83 | M115827 | 4D24 | 6 | 70 - 74 |
| JD8191 | 3E22 | 6 | 50 - 94 | JD8954 | 3E13 | 5 | 50 - 84 | M115827 | 4D24 | 19 | 70 - 74 |
| JD8192 | 4B11 | 27 | 70 - 5 | JD8969 | 3F18 | 13 | 50 - 116 | M115827 | 4D25 | 10 | 70 - 75 |
| JD8192 | 4B13 | 27 | 70 - 7 | JD8970 | 3D15 | 2 | 50 - 59 | M115827 | 4E1 | 2 | 70 - 76 |
| JD8192 | 4B21 | 21 | 70 - 15 | JD8971 | 3D15 | 10 | 50 - 59 | M115827 | 4E2 | 11 | 70 - 77 |
| JD8192 | 4B23 | 21 | 70 - 17 | JD8976 | 3B19 | 2 | 50 - 15 | M115827 | 4E2 | 25 | 70 - 77 |
| JD8207 | 3E23 | 13 | 50 - 95 | JD8977 | 3B20 | 2 | 50 - 16 | M115827 | 4E7 | 17 | 70 - 83 |
| JD8210 | 3E10 | 19 | 50 - 80 | JD8978 | 3C2 | 3 | 50 - 23 | M115827 | 4E12 | 7 | 70 - 89 |
| JD8210 | 3E12 | 17 | 50 - 83 | JD8978 | 3C4 | 3 | 50 - 25 | M115827 | 4E13 | 22 | 70 - 90 |

1K8

TRACTOR - 4000 AND 4020 (SERIAL NO. 201000-) TRACTORS

NUMERICAL INDEX - CONTINUED

| PART NO. | GRID | KEY | PAGE | PART NO. | GRID | KEY | PAGE | PART NO. | GRID | KEY | PAGE |
|----------|------|-----|----------|----------|------|-----|----------|----------|------|-----|----------|
| M115827 | 4E16 | 33 | 70 - 93 | PT9320 | 2C6 | 17 | 40 - 25 | RE12121 | 4F14 | 11 | 70 - 119 |
| M1895T | 2B20 | 17 | 40 - 14 | PT9321 | 2C6 | 25 | 40 - 25 | RE12121 | 4F14 | 13 | 70 - 119 |
| M2071T | 4E20 | 5 | 70 - 98 | PT9390 | 2C6 | 6 | 40 - 25 | RE12121 | 4F14 | 14 | 70 - 119 |
| M2206T | 3F18 | 20 | 50 - 116 | P41858 | 5B17 | 13 | 90 - 13 | RE12121 | 4F14 | 15 | 70 - 119 |
| M2267T | 1G12 | 3 | 30 - 73 | P41858 | 5C1 | 20 | 90 - 22 | RE12121 | 4F14 | 16 | 70 - 119 |
| M2396T | 1G18 | 1 | 30 - 79 | P44982 | 1G18 | 13 | 30 - 79 | RE12121 | 4F14 | 18 | 70 - 119 |
| M2396T | 4D12 | 10 | 70 - 59 | P44982 | 1G19 | 17 | 30 - 80 | RE12121 | 4F16 | 20 | 70 - 121 |
| M2396T | 4D12 | 52 | 70 - 59 | P44982 | 4D12 | 42 | 70 - 59 | RE12162 | 3D16 | 15 | 50 - 60 |
| M2396T | 4D15 | 1 | 70 - 63 | P44982 | 4D15 | 13 | 70 - 63 | RE12330 | 2G6 | 14 | 40 - 129 |
| M2396T | 4F3 | 2 | 70 - 107 | P44982 | 4D15 | 27 | 70 - 63 | RE12330 | 4C2 | .. | 70 - 21 |
| M2396T | 4F3 | 20 | 70 - 107 | P44982 | 5C3 | 16 | 90 - 24 | RE12331 | 2G6 | 12 | 40 - 129 |
| M2396T | 4F12 | 24 | 70 - 117 | P46051 | 3F4 | 2 | 50 - 102 | RE12332 | 2G6 | 18 | 40 - 129 |
| M3636T | 1B13 | 13 | 20 - 8 | P46051 | 4F5 | 28 | 70 - 109 | RE12333 | 2G6 | 21 | 40 - 129 |
| M3636T | 1D19 | 11 | 30 - 10 | P46051 | 4F6 | 11 | 70 - 110 | RE12334 | 2G6 | 8 | 40 - 129 |
| M3636T | 1E16 | 1 | 30 - 31A | P46051 | 4F7 | 11 | 70 - 111 | RE12362 | 2G6 | 4 | 40 - 129 |
| M3636T | 2C17 | 12 | 40 - 37 | P47908 | 3F10 | 2 | 50 - 108 | RE12363 | 2G6 | 11 | 40 - 129 |
| M3649T | 3D14 | 22 | 50 - 58 | P47908 | 3F13 | 1 | 50 - 111 | RE12364 | 2G6 | 16 | 40 - 129 |
| M42229 | 5D14 | .. | 90 - 60 | P47908 | 3F17 | 14 | 50 - 115 | RE12365 | 2G6 | 20 | 40 - 129 |
| M42229 | 5E3 | 11 | 90 - 74 | P47908 | 4B9 | 1 | 70 - 3 | RE12366 | 2G6 | 25 | 40 - 129 |
| M42830 | 1C15 | 9 | 20 - 36 | P47908 | 4B11 | .. | 70 - 5 | RE12367 | 2G7 | 7 | 40 - 130 |
| M42830 | 1G12 | 4 | 30 - 73 | P47908 | 4B13 | .. | 70 - 7 | RE12368 | 2G7 | 6 | 40 - 130 |
| M43835 | 2G2 | 2 | 40 - 125 | P47908 | 4B19 | 22 | 70 - 13 | RE12369 | 2G7 | 2 | 40 - 130 |
| M557T | 5C7 | 27 | 90 - 29 | P47908 | 4C4 | 26 | 70 - 23 | RE12370 | 2G7 | 3 | 40 - 130 |
| M60409 | 4E10 | 7 | 70 - 87 | P47908 | 4C7 | .. | 70 - 27 | RE12434 | 1B22 | 10 | 20 - 17 |
| M61266 | 2B9 | 27 | 40 - 3 | P47908 | 4C9 | 3 | 70 - 29 | RE12470 | 4B25 | 28 | 70 - 19 |
| M63431 | 1F4 | 1 | 30 - 43 | P47908 | 4C9 | .. | 70 - 29 | RE12793 | 5B19 | 4 | 90 - 15 |
| M63431 | 1F18 | 27 | 30 - 58 | P48347 | 1F18 | 12 | 30 - 58 | RE12793 | 5D15 | 3 | 90 - 61 |
| M63440 | 4B8 | 1 | 70 - 2 | P48347 | 3F6 | 33 | 50 - 104 | RE13181 | 3C9 | 11 | 50 - 30 |
| M63440 | 4G23 | 13 | 80 - 4 | P48347 | 3G1 | 22 | 60 - 6 | RE13181 | 3C9 | 26 | 50 - 30 |
| M63440 | 4G24 | 17 | 80 - 5 | P50631 | 3C9 | 4 | 50 - 30 | RE13181 | 3E7 | 11 | 50 - 77 |
| M63440 | 5C3 | 23 | 90 - 24 | P50631 | 3E7 | 4 | 50 - 77 | RE13181 | 3E7 | 26 | 50 - 77 |
| M63440 | 5C4 | 13 | 90 - 25 | P51212 | 4F16 | 12 | 70 - 121 | RE13194 | 4E3 | 1 | 70 - 78 |
| M72490 | 1C9 | 2 | 20 - 29 | P51212 | 4F18 | 5 | 70 - 123 | RE13271 | 4B25 | 15 | 70 - 19 |
| M72490 | 1C9 | 11 | 20 - 29 | RE10712 | 4B15 | 43 | 70 - 9 | RE13466 | 1B14 | .. | 20 - 9 |
| M80373 | 3B12 | 11 | 50 - 6 | RE10712 | 4B15 | 44 | 70 - 9 | RE13476 | 3E24 | 20 | 50 - 96 |
| M80373 | 3C18 | 9 | 50 - 39 | RE10712 | 4B25 | 40 | 70 - 19 | RE13477 | 3E24 | 4 | 50 - 96 |
| M80373 | 3E1 | 14 | 50 - 71 | RE10924 | 4F6 | 16 | 70 - 110 | RE13561 | 4F23 | 2 | 70 - 129 |
| M886T | 4D10 | 10 | 70 - 57 | RE11156 | 2G4 | 36 | 40 - 127 | RE13562 | 4F23 | 2 | 70 - 129 |
| N107859 | 3F7 | 4 | 50 - 105 | RE11157 | 2G4 | 37 | 40 - 127 | RE13722 | 2D7 | 5 | 40 - 55 |
| N107859 | 4E20 | 20 | 70 - 98 | RE11410 | 1B10 | 16 | 20 - 5 | RE13722 | 2E5 | .. | 40 - 78 |
| N107859 | 4E21 | 13 | 70 - 99 | RE11410 | 1B10 | 21 | 20 - 5 | RE13731 | 2E3 | 1 | 40 - 76 |
| N107859 | 4E23 | 14 | 70 - 101 | RE11447 | 4G15 | 9 | 70 - 148 | RE13732 | 2E5 | 10 | 40 - 78 |
| N115096 | 2G2 | 11 | 40 - 125 | RE11456 | 4G15 | 2 | 70 - 148 | RE13733 | 2E5 | 9 | 40 - 78 |
| N140340 | 4F20 | 13 | 70 - 125 | RE11457 | 4G15 | 1 | 70 - 148 | RE13797 | 2C23 | 4 | 40 - 45 |
| N31425 | 5B25 | 5 | 90 - 21 | RE11458 | 4G15 | 2 | 70 - 148 | RE13797 | 2D4 | .. | 40 - 51 |
| N31772 | 3F11 | 1 | 50 - 109 | RE11463 | 4G15 | 2 | 70 - 148 | RE13797 | 2D6 | 27 | 40 - 53 |
| N31772 | 3F11 | 7 | 50 - 109 | RE11777 | 4B21 | 24 | 70 - 15 | RE13798 | 2D4 | 5 | 40 - 51 |
| N31772 | 3F11 | 9 | 50 - 109 | RE11777 | 4B23 | 24 | 70 - 17 | RE13798 | 2D6 | 12 | 40 - 53 |
| N31772 | 3F11 | 14 | 50 - 109 | RE11804 | 4B21 | 14 | 70 - 15 | RE13799 | 2D6 | 11 | 40 - 53 |
| N31772 | 3F13 | 9 | 50 - 111 | RE11810 | 4B23 | 12 | 70 - 17 | RE13800 | 2D4 | 18 | 40 - 51 |
| PM797NA | 2G10 | 1 | 40 - 134 | RE11814 | 4B13 | 5 | 70 - 7 | RE13800 | 2D6 | 18 | 40 - 53 |
| PT1293 | 2C6 | 3 | 40 - 25 | RE11814 | 4B13 | 9 | 70 - 7 | RE13801 | 2D4 | 19 | 40 - 51 |
| PT1294 | 2C6 | 7 | 40 - 25 | RE11814 | 4B13 | 28 | 70 - 7 | RE13801 | 2D6 | 19 | 40 - 53 |
| PT1296 | 2C6 | 14 | 40 - 25 | RE11814 | 4B13 | 29A | 70 - 7 | RE13813 | 4F16 | 14 | 70 - 121 |
| PT1297 | 2C6 | 25 | 40 - 25 | RE11814 | 4B13 | 30A | 70 - 7 | RE13814 | 4F16 | 6 | 70 - 121 |
| PT1624 | 2C6 | 5 | 40 - 25 | RE11814 | 4B13 | 32 | 70 - 7 | RE13815 | 4F18 | 10 | 70 - 123 |
| PT18181 | 2C6 | 17 | 40 - 25 | RE11956 | 3G19 | 30 | 60 - 27 | RE13878 | 5E5 | 2 | 90 - 76 |
| PT9281 | 4E9 | 6 | 70 - 85 | RE11956 | 3G21 | 28 | 60 - 29 | RE13879 | 5E5 | 2 | 90 - 76 |
| PT9282 | 4E9 | 11 | 70 - 85 | RE12038 | 4B13 | 28 | 70 - 7 | RE14069 | 3B22 | 5 | 50 - 18 |
| PT9283 | 4E9 | 9 | 70 - 85 | RE12038 | 4B13 | 29A | 70 - 7 | RE14069 | 3D18 | 5 | 50 - 62 |
| PT9284 | 4E9 | 8 | 70 - 85 | RE12038 | 4B13 | 30A | 70 - 7 | RE14868 | 4B17 | 20 | 70 - 11 |
| PT9286 | 4E9 | 7 | 70 - 85 | RE12038 | 4B13 | 32 | 70 - 7 | RE14953 | 1B20 | 5 | 20 - 15 |
| PT9287 | 4E9 | 2 | 70 - 85 | RE12038 | 4B13 | .. | 70 - 7 | RE14953 | 1C6 | 5 | 20 - 26 |
| PT9290 | 4E9 | 3 | 70 - 85 | RE12121 | 4F14 | 4 | 70 - 119 | RE14953 | 1C7 | 4 | 20 - 27 |
| PT9292 | 4E9 | .. | 70 - 85 | RE12121 | 4F14 | 5 | 70 - 119 | RE15058 | 2E5 | 15 | 40 - 78 |
| PT9318 | 2C6 | 7 | 40 - 25 | RE12121 | 4F14 | 7 | 70 - 119 | RE15361 | 4E25 | 25 | 70 - 103 |
| PT9319 | 2C6 | 5 | 40 - 25 | RE12121 | 4F14 | 8 | 70 - 119 | RE15361 | 4F20 | 18 | 70 - 125 |

1K9

TRACTOR - 4000 AND 4020 (SERIAL NO. 201000-) TRACTORS

NUMERICAL INDEX - CONTINUED

| PART NO. | GRID | KEY | PAGE | PART NO. | GRID | KEY | PAGE | PART NO. | GRID | KEY | PAGE |
|----------|------|-----|----------|----------|------|-----|----------|----------|------|-----|----------|
| RE15361 | 4F20 | 21 | 70 - 125 | RE21230 | 1F10 | 1 | 30 - 49 | RE27995 | 3C22 | 47 | 50 - 43 |
| RE15361 | 4F20 | 25 | 70 - 125 | RE21304 | 3D24 | 10 | 50 - 69 | RE27995 | 3C24 | 22 | 50 - 43B |
| RE15361 | 4F20 | 26 | 70 - 125 | RE21304 | 3D24 | 13 | 50 - 69 | RE27995 | 3D7 | 26 | 50 - 51 |
| RE15361 | 4F20 | 29 | 70 - 125 | RE21304 | 3D24 | 19 | 50 - 69 | RE28109 | 4C4 | .. | 70 - 23 |
| RE15361 | 4G14 | 10 | 70 - 147 | RE21305 | 3D24 | 22 | 50 - 69 | RE28790 | 4B11 | 7 | 70 - 5 |
| RE15361 | 4G14 | 11 | 70 - 147 | RE21439 | 1F22 | 13 | 30 - 62 | RE28790 | 4B13 | 11 | 70 - 7 |
| RE15361 | 4G14 | 15 | 70 - 147 | RE21510 | 2F18 | 20 | 40 - 119 | RE28790 | 4B19 | 19 | 70 - 13 |
| RE15361 | 4G14 | 18 | 70 - 147 | RE21730 | 2G9 | 5 | 40 - 133 | RE28790 | 4B21 | 7 | 70 - 15 |
| RE15361 | 4G14 | 20 | 70 - 147 | RE21732 | 2G9 | 6 | 40 - 133 | RE28790 | 4B23 | 7 | 70 - 17 |
| RE15427 | 1C22 | 6 | 20 - 43 | RE21738 | 2F20 | 15 | 40 - 121 | RE28790 | 4C4 | 23 | 70 - 23 |
| RE15727 | 1B11 | 4 | 20 - 6 | RE21790 | 1G4 | 1 | 30 - 68A | RE29103 | 4B19 | 25 | 70 - 13 |
| RE16151 | 1G3 | 10 | 30 - 68 | RE21790 | 1G5 | 15 | 30 - 69 | RE29103 | 4B19 | .. | 70 - 13 |
| RE16151 | 1G4 | 3 | 30 - 68A | RE21790 | 1G6 | 1 | 30 - 69A | RE29104 | 4B19 | 25 | 70 - 13 |
| RE16151 | 1G4 | 4 | 30 - 68A | RE21790 | 1G7 | 6 | 30 - 69B | RE29104 | 4B19 | .. | 70 - 13 |
| RE16151 | 1G5 | 11 | 30 - 69 | RE21790 | 1G8 | 14 | 30 - 69D | RE29107 | 4C4 | 29 | 70 - 23 |
| RE16151 | 1G5 | 13 | 30 - 69 | RE22320 | 3D24 | 7 | 50 - 69 | RE29107 | 4C4 | .. | 70 - 23 |
| RE16151 | 1G6 | 3 | 30 - 69A | RE22320 | 3D24 | 14 | 50 - 69 | RE29109 | 4C4 | 29 | 70 - 23 |
| RE16151 | 1G6 | 4 | 30 - 69A | RE22320 | 3D24 | 18 | 50 - 69 | RE29408 | 1D3 | 4 | 20 - 48 |
| RE16181 | 1G3 | 12 | 30 - 68 | RE22589 | 2F20 | 2 | 40 - 121 | RE29408 | 1D3 | 7 | 20 - 48 |
| RE16181 | 1G7 | 3 | 30 - 69B | RE22764 | 1B20 | 5 | 20 - 15 | RE29428 | 3E13 | 11 | 50 - 84 |
| RE16181 | 1G7 | 7 | 30 - 69B | RE22764 | 1C6 | 5 | 20 - 26 | RE29608 | 3C13 | 16 | 50 - 34 |
| RE16181 | 1G8 | 11 | 30 - 69D | RE22764 | 1C6 | 6 | 20 - 26 | RE29609 | 3B8 | 17 | 50 - 2 |
| RE16182 | 1G5 | .. | 30 - 69 | RE22764 | 1C7 | 4 | 20 - 27 | RE29769 | 3B8 | 24 | 50 - 2 |
| RE16182 | 1G8 | 17 | 30 - 69D | RE23000 | 3C19 | 3 | 50 - 40 | RE30174 | 1G3 | 1 | 30 - 68 |
| RE16369 | 3D16 | 2 | 50 - 60 | RE23000 | 3C20 | 3 | 50 - 41 | RE30174 | 1G5 | 1 | 30 - 69 |
| RE17282 | 2F13 | 10 | 40 - 113 | RE23000 | 3C22 | 29 | 50 - 43 | RE31694 | 2C23 | 4 | 40 - 45 |
| RE17282 | 2F15 | 21 | 40 - 115 | RE23000 | 3C22 | 47 | 50 - 43 | RE31694 | 2C23 | 14 | 40 - 45 |
| RE17352 | 1B20 | 5 | 20 - 15 | RE23000 | 3C24 | 22 | 50 - 43B | RE31694 | 2D4 | .. | 40 - 51 |
| RE17352 | 1C6 | 5 | 20 - 26 | RE23000 | 3D7 | 26 | 50 - 51 | RE31694 | 2D6 | 27 | 40 - 53 |
| RE17352 | 1C7 | 4 | 20 - 27 | RE23165 | 1B16 | 1 | 20 - 11 | RE31701 | 3E22 | 3 | 50 - 94 |
| RE17379 | 2D4 | .. | 40 - 51 | RE23165 | 1B19 | 8 | 20 - 14 | RE31701 | 3F3 | 16 | 50 - 101 |
| RE17714 | 1F24 | 4 | 30 - 64 | RE23165 | 1B19 | 10 | 20 - 14 | RE32243 | 3E24 | 14 | 50 - 96 |
| RE19075 | 2B20 | 1 | 40 - 14 | RE23168 | 1B19 | 7 | 20 - 14 | RE32529 | 4B17 | 19 | 70 - 11 |
| RE19075 | 2B20 | 21 | 40 - 14 | RE23168 | 1B19 | 8 | 20 - 14 | RE32529 | 4C2 | 20 | 70 - 21 |
| RE19075 | 2B20 | 24 | 40 - 14 | RE23182 | 1B7 | 2 | 20 - 2 | RE32529 | 4C5 | 13 | 70 - 25 |
| RE19075 | 2B21 | 1 | 40 - 15 | RE23382 | 4B11 | 16 | 70 - 5 | RE32681 | 3G10 | 4 | 60 - 17 |
| RE19075 | 2B21 | 3 | 40 - 15 | RE23382 | 4B11 | 25 | 70 - 5 | RE33013 | 3E25 | 14 | 50 - 97 |
| RE19075 | 2B21 | 7 | 40 - 15 | RE23382 | 4B13 | 25 | 70 - 7 | RE33013 | 3G10 | 2 | 60 - 17 |
| RE19075 | 2B23 | 1 | 40 - 17 | RE23382 | 4B21 | 19 | 70 - 15 | RE33622 | 1B24 | 8 | 20 - 19 |
| RE19075 | 2B24 | 1 | 40 - 18 | RE23382 | 4B23 | 19 | 70 - 17 | RE33636 | 1G3 | 1 | 30 - 68 |
| RE19075 | 2B24 | 6 | 40 - 18 | RE24041 | 2B12 | 4 | 40 - 6 | RE33636 | 1G5 | 1 | 30 - 69 |
| RE19075 | 2B24 | 7 | 40 - 18 | RE24561 | 1G3 | 1 | 30 - 68 | RE35992 | 1B7 | 3 | 20 - 2 |
| RE19075 | 2C2 | 2 | 40 - 21 | RE24561 | 1G5 | 1 | 30 - 69 | RE36170 | 3C2 | 31 | 50 - 23 |
| RE19075 | 2C2 | 6 | 40 - 21 | RE24647 | 4C2 | 21 | 70 - 21 | RE36170 | 3C4 | 26 | 50 - 25 |
| RE19075 | 2C3 | 2 | 40 - 22 | RE25126 | 2B15 | 5 | 40 - 9 | RE36416 | 1B24 | 8 | 20 - 19 |
| RE19075 | 2C3 | 6 | 40 - 22 | RE25126 | 2B17 | 5 | 40 - 11 | RE36416 | 1B25 | 10 | 20 - 20 |
| RE19075 | 2C3 | 29 | 40 - 22 | RE25126 | 2B19 | 7 | 40 - 13 | RE37089 | 1F4 | 7 | 30 - 43 |
| RE19075 | 2C3 | 30 | 40 - 22 | RE25126 | 2C1 | 10 | 40 - 20 | RE37089 | 1F18 | 15 | 30 - 58 |
| RE19075 | 2C5 | 1 | 40 - 24 | RE25127 | 2B15 | 5 | 40 - 9 | RE37089 | 1F18 | 18 | 30 - 58 |
| RE19080 | 2B14 | 3 | 40 - 8 | RE25127 | 2B17 | 5 | 40 - 11 | RE37089 | 1F18 | 28 | 30 - 58 |
| RE19080 | 2B14 | 5 | 40 - 8 | RE25127 | 2B19 | 7 | 40 - 13 | RE37091 | 1F4 | 2 | 30 - 43 |
| RE19080 | 2B15 | 6 | 40 - 9 | RE25127 | 2C1 | 10 | 40 - 20 | RE37091 | 1F4 | 7 | 30 - 43 |
| RE19080 | 2B17 | 6 | 40 - 11 | RE25621 | 2F11 | 1 | 40 - 111 | RE37091 | 1F18 | 15 | 30 - 58 |
| RE19080 | 2C1 | 10 | 40 - 20 | RE26739 | 4E19 | 6 | 70 - 97 | RE37091 | 1F18 | 18 | 30 - 58 |
| RE19433 | 4H19 | 2 | 80 - 26 | RE26740 | 4E19 | 6 | 70 - 97 | RE37091 | 1F18 | 22 | 30 - 58 |
| RE19993 | 3D3 | 2 | 50 - 47 | RE27099 | 2B16 | 9 | 40 - 10 | RE37091 | 1F18 | 23 | 30 - 58 |
| RE20026 | 1C16 | 14 | 20 - 37 | RE27099 | 2B17 | 11 | 40 - 11 | RE37091 | 1F18 | 24 | 30 - 58 |
| RE20662 | 4E18 | 12 | 70 - 95 | RE27109 | 2C23 | 4 | 40 - 45 | RE37091 | 1F18 | 26 | 30 - 58 |
| RE20663 | 4E13 | 23 | 70 - 90 | RE27109 | 2C23 | 14 | 40 - 45 | RE37091 | 1F18 | 28 | 30 - 58 |
| RE20663 | 4E16 | 34 | 70 - 93 | RE27109 | 2D6 | 27 | 40 - 53 | RE37119 | 3C2 | 6 | 50 - 23 |
| RE20733 | 3E6 | 20 | 50 - 76 | RE27667 | 1E2 | 6 | 30 - 18 | RE37119 | 3C2 | 15 | 50 - 23 |
| RE20734 | 3C8 | 16 | 50 - 29 | RE27667 | 1E3 | 11 | 30 - 19 | RE37119 | 3C4 | 11 | 50 - 25 |
| RE20832 | 3D19 | 8 | 50 - 64 | RE27667 | 1E19 | 4 | 30 - 33 | RE37996 | 3B22 | 4 | 50 - 18 |
| RE20832 | 3D22 | 19 | 50 - 67 | RE27667 | 1G2 | 8 | 30 - 67 | RE37996 | 3D18 | 4 | 50 - 62 |
| RE21096 | 2F18 | 11 | 40 - 119 | RE27995 | 3C19 | 3 | 50 - 40 | RE38361 | 3D24 | 7 | 50 - 69 |
| RE21112 | 2F20 | 3 | 40 - 121 | RE27995 | 3C20 | 3 | 50 - 41 | RE38361 | 3D24 | 14 | 50 - 69 |
| RE21113 | 2F20 | 10 | 40 - 121 | RE27995 | 3C22 | 29 | 50 - 43 | RE38361 | 3D24 | 18 | 50 - 69 |

1K10

TRACTOR - 4000 AND 4020 (SERIAL NO. 201000-) TRACTORS

NUMERICAL INDEX - CONTINUED

| PART NO. | GRID | KEY | PAGE | PART NO. | GRID | KEY | PAGE | PART NO. | GRID | KEY | PAGE |
|----------|------|-----|----------|----------|------|-----|----------|----------|------|-----|----------|
| RE38390 | 2C8 | 9 | 40 - 27 | RE46328 | 3E24 | 18 | 50 - 96 | RV695A | 4E2 | 19 | 70 - 77 |
| RE38390 | 3B21 | 18 | 50 - 17 | RE46328 | 3G9 | 5 | 60 - 15 | RW26466 | 2F18 | 20 | 40 - 119 |
| RE38390 | 3B22 | 6 | 50 - 18 | RE46328 | 3G9 | 6 | 60 - 15 | R100232 | 3C14 | 1 | 50 - 35 |
| RE38390 | 3D17 | 12 | 50 - 61 | RE46328 | 3G9 | 9 | 60 - 15 | R100234 | 3C14 | 6 | 50 - 35 |
| RE38390 | 3D18 | 6 | 50 - 62 | RE46328 | 3G10 | 4 | 60 - 17 | R100234 | 3C22 | 10 | 50 - 43 |
| RE38390 | 3D19 | 10 | 50 - 64 | RE46332 | 3E24 | 14 | 50 - 96 | R100234 | 3C24 | 5 | 50 - 43B |
| RE38390 | 3D22 | 19 | 50 - 67 | RE46332 | 3E24 | 18 | 50 - 96 | R100308 | 3D17 | 3 | 50 - 61 |
| RE38391 | 2E10 | 6 | 40 - 84 | RE46332 | 3G9 | 5 | 60 - 15 | R100308 | 3D19 | 3 | 50 - 64 |
| RE38391 | 2E11 | 3 | 40 - 85 | RE46332 | 3G9 | 6 | 60 - 15 | R100380 | 2E6 | 3 | 40 - 79 |
| RE38391 | 2E12 | 7 | 40 - 85A | RE46332 | 3G9 | 9 | 60 - 15 | R100632 | 3C12 | 1 | 50 - 33 |
| RE38391 | 2E13 | 7 | 40 - 86 | RE46332 | 3G10 | 2 | 60 - 17 | R100637 | 3E23 | 11 | 50 - 95 |
| RE38578 | 1G2 | 3 | 30 - 67 | RE46339 | 3G9 | 5 | 60 - 15 | R100637 | 3E24 | 5 | 50 - 96 |
| RE38578 | 1G2 | .. | 30 - 67 | RE46339 | 3G9 | 6 | 60 - 15 | R100637 | 3E25 | 5 | 50 - 97 |
| RE38707 | 2F18 | 11 | 40 - 119 | RE46339 | 3G9 | 9 | 60 - 15 | R100637 | 3F1 | 8 | 50 - 99 |
| RE39063 | 2E6 | 10 | 40 - 79 | RE46339 | 3G10 | 2 | 60 - 17 | R10083 | 1E4 | 6 | 30 - 20 |
| RE39064 | 2D7 | 5 | 40 - 55 | RE46414 | 2F18 | 12 | 40 - 119 | R10083 | 1G10 | 25 | 30 - 71 |
| RE39064 | 2E6 | 13 | 40 - 79 | RE46459 | 3D19 | 8 | 50 - 64 | R10083 | 1G11 | 25 | 30 - 72 |
| RE39838 | 2D7 | 5 | 40 - 55 | RE46459 | 3D22 | 19 | 50 - 67 | R10093 | 3D1 | 24 | 50 - 45 |
| RE39838 | 2D15 | 9 | 40 - 63 | RE46990 | 3B23 | 20 | 50 - 19 | R10093 | 3D1 | 25 | 50 - 45 |
| RE39838 | 2E1 | 6 | 40 - 74 | RE47805 | 3C9 | 11 | 50 - 30 | R10093 | 4D2 | 18 | 70 - 49 |
| RE39951 | 3G10 | 2 | 60 - 17 | RE47805 | 3E7 | 11 | 50 - 77 | R10093 | 4F16 | 5 | 70 - 121 |
| RE40463 | 4B17 | 20 | 70 - 11 | RE47883 | 3E24 | 20 | 50 - 96 | R10093 | 4F18 | 2 | 70 - 123 |
| RE40463 | 4C2 | 21 | 70 - 21 | RE47883 | 3E25 | 17 | 50 - 97 | R10104 | 1E4 | 15 | 30 - 20 |
| RE40463 | 4C5 | 15 | 70 - 25 | RE48040 | 4I15 | 5 | 80 - 45B | R10104 | 1G10 | 20 | 30 - 71 |
| RE40563 | 1B19 | 7 | 20 - 14 | RE49428 | 4I15 | 13 | 80 - 45B | R10104 | 1G11 | 20 | 30 - 72 |
| RE40563 | 1B19 | 8 | 20 - 14 | RE50017 | 4C5 | 14 | 70 - 25 | R101054 | 3E12 | 14 | 50 - 83 |
| RE40564 | 1B19 | 8 | 20 - 14 | RE50139 | 1G4 | 4 | 30 - 68A | R101054 | 3E13 | 9 | 50 - 84 |
| RE41035 | 3C14 | 3 | 50 - 35 | RE51373 | 2C8 | 11 | 40 - 27 | R101202 | 4E13 | 16 | 70 - 90 |
| RE41241 | 3E24 | 20 | 50 - 96 | RE53203 | 1B21 | 4 | 20 - 16 | R10160 | 1G16 | 20 | 30 - 77 |
| RE41241 | 3E25 | 17 | 50 - 97 | RE53203 | 1B21 | 7 | 20 - 16 | R10170 | 1E5 | 22 | 30 - 21 |
| RE41287 | 2E12 | 7 | 40 - 85A | RE53203 | 1B21 | 8 | 20 - 16 | R10170 | 1E7 | 8 | 30 - 23 |
| RE41287 | 2E13 | 7 | 40 - 86 | RE53203 | 1B22 | 3 | 20 - 17 | R10181 | 1E4 | 8 | 30 - 20 |
| RE41875 | 2D7 | 5 | 40 - 55 | RE53204 | 1B25 | 2 | 20 - 20 | R10182 | 1E4 | 13 | 30 - 20 |
| RE41875 | 2E3 | 17 | 40 - 76 | RE53204 | 1B25 | 11 | 20 - 20 | R10182 | 1E7 | 4 | 30 - 23 |
| RE42119 | 2C3 | 2 | 40 - 22 | RE53204 | 1B25 | 12 | 20 - 20 | R10182 | 1G10 | 19 | 30 - 71 |
| RE42182 | 2B7 | 3 | 40 - 1 | RE53205 | 1B23 | 11 | 20 - 18 | R10182 | 1G11 | 19 | 30 - 72 |
| RE42183 | 2B7 | 3 | 40 - 1 | RE53205 | 1B23 | 12 | 20 - 18 | R10183 | 1E5 | 7 | 30 - 21 |
| RE42185 | 2B7 | 8 | 40 - 1 | RE53422 | 1B20 | 9 | 20 - 15 | R10183 | 1E7 | 18 | 30 - 23 |
| RE42186 | 2B7 | 8 | 40 - 1 | RE53422 | 1B21 | 5 | 20 - 16 | R10184 | 1E5 | 4 | 30 - 21 |
| RE42211 | 1E2 | 6 | 30 - 18 | RE53422 | 1B21 | 8 | 20 - 16 | R10185 | 1E5 | 2 | 30 - 21 |
| RE42211 | 1E3 | 11 | 30 - 19 | RE53422 | 1B22 | 1 | 20 - 17 | R10186 | 1E5 | 16 | 30 - 21 |
| RE42211 | 1E19 | 4 | 30 - 33 | RE53424 | 1B22 | 10 | 20 - 17 | R10186 | 1E7 | 5 | 30 - 23 |
| RE42211 | 1G2 | 1 | 30 - 67 | RE53424 | 1B23 | 10 | 20 - 18 | R10187 | 1E5 | 15 | 30 - 21 |
| RE42211 | 1G2 | 6 | 30 - 67 | RE53424 | 1B23 | 12 | 20 - 18 | R10187 | 1E7 | 19 | 30 - 23 |
| RE42211 | 1G2 | 8 | 30 - 67 | RE53425 | 1B24 | 8 | 20 - 19 | R10188 | 1E5 | 13 | 30 - 21 |
| RE42211 | 1G2 | 9 | 30 - 67 | RE53425 | 1B25 | 10 | 20 - 20 | R10188 | 1E10 | 37 | 30 - 27 |
| RE42211 | 1G2 | .. | 30 - 67 | RE53425 | 1B25 | 12 | 20 - 20 | R10188 | 1E14 | 23 | 30 - 30 |
| RE42639 | 2E12 | 10 | 40 - 85A | RE53471 | 1B14 | .. | 20 - 9 | R10188 | 1E17 | 23 | 30 - 31B |
| RE42671 | 1B21 | 5 | 20 - 16 | RE53664 | 2B9 | 5 | 40 - 3 | R10190 | 1E5 | 21 | 30 - 21 |
| RE42672 | 1B25 | 10 | 20 - 20 | RE54186 | 1D23 | 13 | 30 - 14 | R10194 | 1E4 | 12 | 30 - 20 |
| RE42673 | 1B23 | 10 | 20 - 18 | RE54186 | 1D23 | .. | 30 - 14 | R10194 | 1E7 | 3 | 30 - 23 |
| RE42675 | 1B21 | 4 | 20 - 16 | RE54186 | 1G18 | 9 | 30 - 79 | R10194 | 1G10 | 4 | 30 - 71 |
| RE42675 | 1B21 | 5 | 20 - 16 | RE54814 | 4H5 | 7 | 80 - 11 | R10194 | 1G11 | 4 | 30 - 72 |
| RE42675 | 1B21 | 6 | 20 - 16 | RE55585 | 3D14 | 14 | 50 - 58 | R10198 | 1E5 | 37 | 30 - 21 |
| RE42675 | 1B22 | 3 | 20 - 17 | RE57318 | 5B25 | 10 | 90 - 21 | R10198 | 1E7 | 14 | 30 - 23 |
| RE42678 | 1B25 | 2 | 20 - 20 | RE58257 | 5C11 | 1 | 90 - 31B | R10202 | 1E4 | 28 | 30 - 20 |
| RE42678 | 1B25 | 10 | 20 - 20 | RE58483 | 5B25 | 4 | 90 - 21 | R10203 | 1E4 | 29 | 30 - 20 |
| RE42679 | 1B23 | 1 | 20 - 18 | RE58612 | 5C11 | 16 | 90 - 31B | R10203 | 1E7 | 13 | 30 - 23 |
| RE42679 | 1B23 | 2 | 20 - 18 | RE58679 | 5C11 | 15 | 90 - 31B | R10204 | 1E5 | 19 | 30 - 21 |
| RE42679 | 1B23 | 10 | 20 - 18 | RE61109 | 2B7 | 3 | 40 - 1 | R10204 | 1E7 | 22 | 30 - 23 |
| RE43025 | 2F18 | 17 | 40 - 119 | RE62596 | 3C14 | 4 | 50 - 35 | R10206 | 1E4 | 30 | 30 - 20 |
| RE44093 | 4D25 | 2 | 70 - 75 | RE62596 | 3C22 | 8 | 50 - 43 | R10207 | 1E5 | 23 | 30 - 21 |
| RE44094 | 4D25 | 2 | 70 - 75 | RE62788 | 1G9 | 20 | 30 - 70 | R10209 | 1E5 | 20 | 30 - 21 |
| RE44536 | 2E12 | 10 | 40 - 85A | RE62856 | 4I15 | 1 | 80 - 45B | R10209 | 1E7 | 7 | 30 - 23 |
| RE44657 | 2F9 | 28 | 40 - 108 | RG17903 | 1B16 | 1 | 20 - 11 | R10211 | 1E5 | 33 | 30 - 21 |
| RE46317 | 2F18 | 11 | 40 - 119 | RG22790 | 1C1 | 1 | 20 - 21 | R10211 | 1E7 | 12 | 30 - 23 |
| RE46328 | 3E24 | 14 | 50 - 96 | RG22862 | 1B16 | 1 | 20 - 11 | R10215 | 1E5 | 30 | 30 - 21 |

1K11

TRACTOR - 4000 AND 4020 (SERIAL NO. 201000-) TRACTORS

NUMERICAL INDEX - CONTINUED

| PART NO. | GRID | KEY | PAGE | PART NO. | GRID | KEY | PAGE | PART NO. | GRID | KEY | PAGE |
|----------|------|-----|----------|----------|------|-----|---------|----------|------|-----|----------|
| R10217 | 1E5 | 31 | 30 - 21 | R11087 | 2D9 | 1 | 40 - 57 | R11238 | 2D13 | 23 | 40 - 61 |
| R10217 | 1E7 | 10 | 30 - 23 | R11087 | 2D11 | 1 | 40 - 59 | R11239 | 2D11 | 18 | 40 - 59 |
| R10218 | 1E5 | 35 | 30 - 21 | R11087 | 2D13 | 1 | 40 - 61 | R11239 | 2D13 | 18 | 40 - 61 |
| R10221 | 1E5 | 36 | 30 - 21 | R11087 | 2D19 | 6 | 40 - 67 | R11240 | 2D8 | 11 | 40 - 56 |
| R10222 | 1E4 | 31 | 30 - 20 | R11095 | 2D8 | 20 | 40 - 56 | R11240 | 2D10 | 11 | 40 - 58 |
| R10222 | 1E7 | 1 | 30 - 23 | R11095 | 2D10 | 24 | 40 - 58 | R11240 | 2D12 | 11 | 40 - 60 |
| R10223 | 1E5 | 24 | 30 - 21 | R11095 | 2D12 | 23 | 40 - 60 | R11240 | 2D14 | .. | 40 - 62 |
| R10223 | 1E7 | 9 | 30 - 23 | R11095 | 2D17 | 13 | 40 - 65 | R11243 | 2D11 | 26 | 40 - 59 |
| R10226 | 1E4 | 17 | 30 - 20 | R11095 | 2D21 | 12 | 40 - 69 | R11243 | 2D13 | 26 | 40 - 61 |
| R10300 | 1E4 | 33 | 30 - 20 | R11096 | 2D8 | 14 | 40 - 56 | R11250 | 2D23 | 13 | 40 - 71 |
| R10300 | 1G10 | 3 | 30 - 71 | R11096 | 2D10 | 18 | 40 - 58 | R11253 | 2D19 | 5 | 40 - 67 |
| R10300 | 1G11 | 3 | 30 - 72 | R11096 | 2D12 | 15 | 40 - 60 | R11256 | 2C19 | 19 | 40 - 39 |
| R104592 | 1D19 | 10 | 30 - 10 | R11096 | 2D17 | 31 | 40 - 65 | R11260 | 2C19 | 4 | 40 - 39 |
| R104592 | 1D20 | 2 | 30 - 11 | R11096 | 2D21 | 28 | 40 - 69 | R11261 | 2C19 | 17 | 40 - 39 |
| R104592 | 1E21 | 12 | 30 - 35 | R11108 | 2D8 | 30 | 40 - 56 | R11263 | 2C19 | 10 | 40 - 39 |
| R104592 | 1E22 | 11 | 30 - 36 | R11108 | 2D10 | 34 | 40 - 58 | R11264 | 2C19 | 5 | 40 - 39 |
| R105488 | 1B21 | 4 | 20 - 16 | R11109 | 2D4 | 22 | 40 - 51 | R11268 | 2C19 | 12 | 40 - 39 |
| R105488 | 1B22 | 3 | 20 - 17 | R11109 | 2D6 | 21 | 40 - 53 | R11269 | 2C17 | 18 | 40 - 37 |
| R105488 | 1B23 | 2 | 20 - 18 | R111122 | 3G9 | 2 | 60 - 15 | R11269 | 2C19 | 15 | 40 - 39 |
| R105488 | 1B25 | 2 | 20 - 20 | R11116 | 2D8 | 26 | 40 - 56 | R11270 | 2C19 | 20 | 40 - 39 |
| R105583 | 4B11 | 13 | 70 - 5 | R11116 | 2D10 | 30 | 40 - 58 | R11271 | 2C19 | 3 | 40 - 39 |
| R105583 | 4B13 | 17 | 70 - 7 | R11116 | 2D12 | 27 | 40 - 60 | R11272 | 2C19 | 13 | 40 - 39 |
| R105583 | 4B21 | 11 | 70 - 15 | R11117 | 2D8 | 27 | 40 - 56 | R11276 | 2E18 | 9 | 40 - 92 |
| R105583 | 4B23 | 11 | 70 - 17 | R11117 | 2D10 | 31 | 40 - 58 | R11278 | 2E18 | 6 | 40 - 92 |
| R105813 | 4D15 | 35 | 70 - 63 | R11117 | 2D12 | 28 | 40 - 60 | R11278 | 2E19 | 7 | 40 - 93 |
| R105814 | 1G17 | 14 | 30 - 78 | R11117 | 2D17 | 8 | 40 - 65 | R11278 | 2E20 | 1 | 40 - 94 |
| R105942 | 2F18 | 10 | 40 - 119 | R11117 | 2D21 | 8 | 40 - 69 | R112872 | 3D7 | 11 | 50 - 51 |
| R106715 | 3C9 | 11 | 50 - 30 | R11118 | 2D8 | 21 | 40 - 56 | R112874 | 3C14 | 3 | 50 - 35 |
| R106715 | 3E7 | 11 | 50 - 77 | R11118 | 2D10 | 25 | 40 - 58 | R112874 | 3C22 | 7 | 50 - 43 |
| R106866 | 3C9 | 11 | 50 - 30 | R11118 | 2D12 | 24 | 40 - 60 | R112875 | 3C5 | 9 | 50 - 26 |
| R106866 | 3E7 | 11 | 50 - 77 | R11118 | 2D17 | 11 | 40 - 65 | R112876 | 3C13 | 3 | 50 - 34 |
| R1069R | 5C7 | 19 | 90 - 29 | R11120 | 2D21 | 24 | 40 - 69 | R112882 | 3E10 | 1 | 50 - 80 |
| R107239 | 4B15 | 35 | 70 - 9 | R11121 | 2D21 | 18 | 40 - 69 | R112882 | 3E13 | 1 | 50 - 84 |
| R107239 | 4B17 | 15 | 70 - 11 | R11126 | 2D17 | 25 | 40 - 65 | R112883 | 3B16 | 7 | 50 - 12 |
| R107239 | 4B19 | 13 | 70 - 13 | R11126 | 2D21 | 34 | 40 - 69 | R11290 | 2D9 | 14 | 40 - 57 |
| R107239 | 4B25 | 30 | 70 - 19 | R11127 | 2D17 | 26 | 40 - 65 | R11290 | 2D11 | 16 | 40 - 59 |
| R107239 | 4C2 | 12 | 70 - 21 | R11127 | 2D21 | 33 | 40 - 69 | R11290 | 2D13 | 16 | 40 - 61 |
| R107239 | 4C4 | 17 | 70 - 23 | R11128 | 2D17 | 24 | 40 - 65 | R11290 | 2D19 | 20 | 40 - 67 |
| R108996 | 3E23 | 18 | 50 - 95 | R11128 | 2D21 | 35 | 40 - 69 | R11290 | 2D23 | 19 | 40 - 71 |
| R109478 | 3B23 | 18 | 50 - 19 | R11129 | 2D17 | 23 | 40 - 65 | R11291 | 2D17 | 33 | 40 - 65 |
| R109981 | 4E3 | 9 | 70 - 78 | R11129 | 2D21 | 36 | 40 - 69 | R11291 | 2D21 | 26 | 40 - 69 |
| R11000 | 2D19 | 9 | 40 - 67 | R11133 | 2D21 | 17 | 40 - 69 | R11292 | 2D17 | 29 | 40 - 65 |
| R11003 | 2D19 | 1 | 40 - 67 | R11146 | 2D23 | 4 | 40 - 71 | R11292 | 2D24 | 1 | 40 - 72 |
| R11003 | 2D23 | 2 | 40 - 71 | R11191 | 2D9 | 3 | 40 - 57 | R11292 | 2D24 | .. | 40 - 72 |
| R11011 | 2D23 | 8 | 40 - 71 | R11194 | 2D14 | 12 | 40 - 62 | R11293 | 2D24 | 4 | 40 - 72 |
| R11016 | 2D17 | 20 | 40 - 65 | R11197 | 2D24 | 2 | 40 - 72 | R11293 | 2D25 | 3 | 40 - 73 |
| R11026 | 2D17 | 22 | 40 - 65 | R11197 | 2D25 | 2 | 40 - 73 | R11294 | 2D24 | 11 | 40 - 72 |
| R11026 | 2D21 | 14 | 40 - 69 | R11198 | 2D14 | 3 | 40 - 62 | R11295 | 2D24 | 5 | 40 - 72 |
| R11026 | 2D21 | 37 | 40 - 69 | R11198 | 2D24 | 3 | 40 - 72 | R11296 | 2D19 | 11 | 40 - 67 |
| R11026 | 5D9 | 23 | 90 - 55 | R11201 | 2D17 | 20 | 40 - 65 | R11298 | 2D19 | 30 | 40 - 67 |
| R11032 | 2F5 | 10 | 40 - 104 | R11209 | 2D19 | 19 | 40 - 67 | R113614 | 4I15 | 15 | 80 - 45B |
| R11039 | 2D14 | 19 | 40 - 62 | R11209 | 2D23 | 18 | 40 - 71 | R113739 | 3E24 | 14 | 50 - 96 |
| R11039 | 2D24 | 20 | 40 - 72 | R11212 | 2D17 | 35 | 40 - 65 | R113739 | 3E24 | 18 | 50 - 96 |
| R11039 | 2D25 | 17 | 40 - 73 | R11212 | 2D21 | 23 | 40 - 69 | R113739 | 3G9 | 5 | 60 - 15 |
| R110464 | 3G9 | 2 | 60 - 15 | R11215 | 2D17 | 16 | 40 - 65 | R113739 | 3G9 | 6 | 60 - 15 |
| R11049 | 2C23 | 6 | 40 - 45 | R11221 | 2D17 | 27 | 40 - 65 | R113739 | 3G9 | 9 | 60 - 15 |
| R11049 | 2D4 | 30 | 40 - 51 | R11221 | 2D21 | 32 | 40 - 69 | R113739 | 3G10 | 3 | 60 - 17 |
| R11049 | 2D6 | 26 | 40 - 53 | R11222 | 2D17 | 15 | 40 - 65 | R1138R | 4G2 | 14 | 70 - 133 |
| R11058 | 2D19 | 3 | 40 - 67 | R11223 | 2D17 | 17 | 40 - 65 | R1138R | 4G4 | 18 | 70 - 135 |
| R11059 | 2D19 | 4 | 40 - 67 | R11225 | 2D8 | 22 | 40 - 56 | R115050 | 1C6 | 2 | 20 - 26 |
| R11066 | 2D14 | 9 | 40 - 62 | R11225 | 2D10 | 26 | 40 - 58 | R115050 | 1C6 | 3 | 20 - 26 |
| R11066 | 2D24 | 8 | 40 - 72 | R11233 | 2D19 | 16 | 40 - 67 | R116064 | 3D14 | 1 | 50 - 58 |
| R11066 | 2D25 | 5 | 40 - 73 | R11236 | 2D11 | 3 | 40 - 59 | R116064 | 3E12 | 15 | 50 - 83 |
| R11080 | 2D8 | 28 | 40 - 56 | R11236 | 2D13 | 3 | 40 - 61 | R116064 | 3E13 | 7 | 50 - 84 |
| R11080 | 2D10 | 32 | 40 - 58 | R11237 | 2D11 | 5 | 40 - 59 | R116253 | 1B19 | 9 | 20 - 14 |
| R11080 | 2D12 | 29 | 40 - 60 | R11237 | 2D13 | 5 | 40 - 61 | R116311 | 1B21 | 7 | 20 - 16 |
| R11085 | 2D8 | 31 | 40 - 56 | R11238 | 2D11 | 23 | 40 - 59 | R116311 | 1B23 | 11 | 20 - 18 |

1K12

TRACTOR - 4000 AND 4020 (SERIAL NO. 201000-) TRACTORS

NUMERICAL INDEX - CONTINUED

| PART NO. | GRID | KEY | PAGE | PART NO. | GRID | KEY | PAGE | PART NO. | GRID | KEY | PAGE |
|----------|------|-----|--------|----------|------|-----|--------|----------|------|-----|--------|
| R116311 | 1B25 | 11 | 20-20 | R13040 | 1E16 | 12 | 30-31A | R15029 | 2C24 | 22 | 40-46 |
| R116712 | 4B13 | 34 | 70-7 | R13041 | 1E10 | 66 | 30-27 | R15029 | 2C25 | 26 | 40-47 |
| R116712 | 4B21 | 26A | 70-15 | R13041 | 1E13 | 27 | 30-28 | R15029 | 2D1 | 32 | 40-48 |
| R116712 | 4B23 | 26 | 70-17 | R13041 | 1E16 | 27 | 30-31A | R15029 | 2D2 | 27 | 40-49 |
| R116713 | 4B21 | 26A | 70-15 | R13042 | 1E10 | 49 | 30-27 | R15030 | 2C24 | 11 | 40-46 |
| R116713 | 4B21 | 26B | 70-15 | R13042 | 1E15 | 38 | 30-31 | R15030 | 2C25 | 14 | 40-47 |
| R116821 | 3E23 | 18 | 50-95 | R13042 | 1E17 | 32 | 30-31B | R15033 | 2C24 | 24 | 40-46 |
| R117491 | 5C11 | 9 | 90-31B | R13043 | 1E10 | 57 | 30-27 | R15033 | 2C25 | 24 | 40-47 |
| R1190R | 4D15 | 25 | 70-63 | R13043 | 1E13 | 18 | 30-28 | R15033 | 2D1 | 34 | 40-48 |
| R119275 | 4E10 | 20 | 70-87 | R13043 | 1E16 | 18 | 30-31A | R15033 | 2D2 | 29 | 40-49 |
| R119275 | 4E12 | 30 | 70-89 | R13044 | 1E10 | 58 | 30-27 | R15035 | 2C24 | 7 | 40-46 |
| R119276 | 4E10 | 21 | 70-87 | R13044 | 1E13 | 19 | 30-28 | R15035 | 2C25 | 13 | 40-47 |
| R119276 | 4E12 | 32 | 70-89 | R13044 | 1E16 | 19 | 30-31A | R15036 | 2C24 | 6 | 40-46 |
| R120103 | 4E12 | 10 | 70-89 | R13046 | 1E10 | 56 | 30-27 | R15036 | 2C25 | 4 | 40-47 |
| R120106 | 2F18 | 10 | 40-119 | R13046 | 1E13 | 17 | 30-28 | R15036 | 2C25 | 9 | 40-47 |
| R120107 | 2F18 | 10 | 40-119 | R13046 | 1E16 | 17 | 30-31A | R15036 | 2D1 | 4 | 40-48 |
| R120108 | 2F18 | 10 | 40-119 | R13050 | 1E10 | 67 | 30-27 | R15036 | 2D1 | 23 | 40-48 |
| R120109 | 3G21 | 28 | 60-29 | R13050 | 1E13 | 28 | 30-28 | R15036 | 2D2 | 11 | 40-49 |
| R120109 | 3G21 | 34 | 60-29 | R13050 | 1E16 | 28 | 30-31A | R15036 | 2D2 | 18 | 40-49 |
| R120110 | 3G21 | 28 | 60-29 | R13051 | 1E10 | 8 | 30-27 | R15036 | 2C24 | 26 | 40-46 |
| R120110 | 3G21 | 34 | 60-29 | R13051 | 1E13 | 8 | 30-28 | R15038 | 2C25 | 22 | 40-47 |
| R120111 | 4I16 | 3 | 80-46 | R13051 | 1E16 | 8 | 30-31A | R15045 | 2C24 | 3 | 40-46 |
| R120124 | 5C9 | 2 | 90-31 | R13052 | 1E8 | 2 | 30-24 | R1548R | 3F2 | 4 | 50-100 |
| R120124 | 5C9 | 11 | 90-31 | R13052 | 1E10 | 15 | 30-27 | R1612R | 1B13 | 19 | 20-8 |
| R120124 | 5C11 | 10 | 90-31B | R13052 | 1E14 | 1 | 30-30 | R1612R | 3B16 | 4 | 50-12 |
| R120128 | 5C11 | 11 | 90-31B | R13052 | 1E17 | 1 | 30-31B | R1612R | 3C12 | 7 | 50-33 |
| R120374 | 3C14 | 11 | 50-35 | R13055 | 1E10 | 27 | 30-27 | R1612R | 3D4 | 4 | 50-48 |
| R120838 | 3C19 | 11 | 50-40 | R13055 | 1E14 | 12 | 30-30 | R1662R | 2C17 | 6 | 40-37 |
| R120838 | 3C20 | 9 | 50-41 | R13055 | 1E17 | 12 | 30-31B | R1742R | 3C7 | 17 | 50-28 |
| R120838 | 3C22 | 23 | 50-43 | R13056 | 1E10 | 31 | 30-27 | R1742R | 3D1 | 15 | 50-45 |
| R120838 | 3C22 | 36 | 50-43 | R13056 | 1E14 | 16 | 30-30 | R1800R | 3E2 | 4 | 50-72 |
| R120838 | 3C24 | 28 | 50-43B | R13056 | 1E17 | 16 | 30-31B | R1836R | 4H17 | 18 | 80-24 |
| R120838 | 3D7 | 19 | 50-51 | R13057 | 1E10 | 32 | 30-27 | R1836R | 5C4 | 2 | 90-25 |
| R122428 | 4E12 | 10 | 70-89 | R13057 | 1E14 | 17 | 30-30 | R1836R | 5C7 | 2 | 90-29 |
| R125027 | 1C6 | 2 | 20-26 | R13057 | 1E17 | 17 | 30-31B | R1870R | 4G9 | 36 | 70-141 |
| R125027 | 1C6 | 3 | 20-26 | R13058 | 1E10 | 25 | 30-27 | R1870R | 4H25 | 16 | 80-32 |
| R125955 | 4E7 | 4 | 70-83 | R13058 | 1E14 | 10 | 30-30 | R1870R | 4I1 | 11 | 80-33 |
| R13020 | 1E8 | 3 | 30-24 | R13058 | 1E17 | 10 | 30-31B | R1888R | 3D11 | 2 | 50-55 |
| R13020 | 1E10 | 17 | 30-27 | R13060 | 1E10 | 34 | 30-27 | R2R | 4H7 | 11 | 80-13 |
| R13020 | 1E14 | 3 | 30-30 | R13060 | 1E14 | 20 | 30-30 | R2R | 4H8 | 11 | 80-14 |
| R13020 | 1E17 | 3 | 30-31B | R13060 | 1E17 | 20 | 30-31B | R20123 | 5E13 | .. | 90-84 |
| R13021 | 1E10 | 60 | 30-27 | R13064 | 1E10 | 23 | 30-27 | R20124 | 5E13 | .. | 90-84 |
| R13021 | 1E13 | 21 | 30-28 | R13064 | 1E14 | 9 | 30-30 | R20135 | 4D16 | 2 | 70-65 |
| R13021 | 1E16 | 21 | 30-31A | R13064 | 1E17 | 9 | 30-31B | R20135 | 4G21 | 12 | 80-2 |
| R13024 | 1E14 | 28 | 30-30 | R13065 | 1E10 | 21 | 30-27 | R20135 | 4G23 | 18 | 80-4 |
| R13024 | 1E17 | 27 | 30-31B | R13065 | 1E14 | 7 | 30-30 | R20135 | 4G24 | 23 | 80-5 |
| R13027 | 1E10 | 14 | 30-27 | R13065 | 1E17 | 7 | 30-31B | R20135 | 4G25 | 12 | 80-6 |
| R13027 | 1E13 | 14 | 30-28 | R13068 | 1E10 | 43 | 30-27 | R20135 | 4H1 | 2 | 80-7 |
| R13027 | 1E16 | 14 | 30-31A | R13069 | 1E10 | 44 | 30-27 | R20136 | 4D7 | 2 | 70-54 |
| R13028 | 1E10 | 41 | 30-27 | R13070 | 1E10 | 45 | 30-27 | R20152 | 3C13 | 11 | 50-34 |
| R13030 | 1E10 | 48 | 30-27 | R13075 | 1E10 | 38 | 30-27 | R20253 | 4H4 | 2 | 80-10 |
| R13030 | 1E15 | 37 | 30-31 | R13075 | 1E14 | 24 | 30-30 | R20255 | 4G21 | 11 | 80-2 |
| R13030 | 1E17 | 31 | 30-31B | R13075 | 1E17 | 24 | 30-31B | R20255 | 4G25 | 11 | 80-6 |
| R13035 | 1E10 | 9 | 30-27 | R15019 | 2C20 | 9 | 40-41 | R20255 | 4H3 | 17 | 80-9 |
| R13035 | 1E13 | 9 | 30-28 | R15019 | 2C24 | 28 | 40-46 | R20255 | 4H4 | 27 | 80-10 |
| R13035 | 1E16 | 9 | 30-31A | R15019 | 2C25 | 20 | 40-47 | R20256 | 4H4 | 29 | 80-10 |
| R13036 | 1E10 | 59 | 30-27 | R15023 | 2C24 | 8 | 40-46 | R20260 | 4H4 | 17 | 80-10 |
| R13036 | 1E13 | 20 | 30-28 | R15023 | 2C25 | 15 | 40-47 | R20261 | 4H4 | 18 | 80-10 |
| R13036 | 1E16 | 20 | 30-31A | R15024 | 2C24 | 10 | 40-46 | R20423 | 1B8 | 12 | 20-3 |
| R13038 | 1E10 | 6 | 30-27 | R15024 | 2C25 | 17 | 40-47 | R20423 | 1C11 | 4 | 20-31 |
| R13038 | 1E13 | 6 | 30-28 | R15026 | 2C24 | 2 | 40-46 | R20443 | 1D19 | 14 | 30-10 |
| R13038 | 1E16 | 6 | 30-31A | R15026 | 2C25 | 6 | 40-47 | R20443 | 1D19 | 15 | 30-10 |
| R13039 | 1E10 | 11 | 30-27 | R15027 | 2C24 | 27 | 40-46 | R20498 | 1E20 | 10 | 30-34 |
| R13039 | 1E13 | 11 | 30-28 | R15027 | 2C25 | 21 | 40-47 | R20522 | 4I1 | 2 | 80-33 |
| R13039 | 1E16 | 11 | 30-31A | R15027 | 2D1 | 37 | 40-48 | R20648 | 4H7 | 3 | 80-13 |
| R13040 | 1E10 | 12 | 30-27 | R15027 | 2D2 | 32 | 40-49 | R20648 | 4H8 | 3 | 80-14 |
| R13040 | 1E13 | 12 | 30-28 | R15028 | 2C24 | 19 | 40-46 | R20653 | 4H7 | 9 | 80-13 |

1K13

TRACTOR - 4000 AND 4020 (SERIAL NO. 201000-) TRACTORS

NUMERICAL INDEX - CONTINUED

| PART NO. | GRID | KEY | PAGE | PART NO. | GRID | KEY | PAGE | PART NO. | GRID | KEY | PAGE |
|----------|------|-----|----------|----------|------|-----|----------|----------|------|-----|----------|
| R20653 | 4H8 | 9 | 80 - 14 | R26013 | 3F1 | 9 | 50 - 99 | R26185 | 3B25 | 16 | 50 - 21 |
| R20654 | 4H7 | 20 | 80 - 13 | R26022 | 3E6 | 6 | 50 - 76 | R26186 | 3B25 | 15 | 50 - 21 |
| R20654 | 4H8 | 16 | 80 - 14 | R26042 | 3E10 | 6 | 50 - 80 | R26187 | 3B25 | 12 | 50 - 21 |
| R20655 | 4H7 | 8 | 80 - 13 | R26042 | 3E13 | 6 | 50 - 84 | R26187 | 3B25 | 16 | 50 - 21 |
| R20655 | 4H8 | 8 | 80 - 14 | R26043 | 3E10 | 6 | 50 - 80 | R26194 | 3B25 | 25 | 50 - 21 |
| R20656 | 4H7 | 2 | 80 - 13 | R26043 | 3E13 | 6 | 50 - 84 | R26202 | 3B21 | 19 | 50 - 17 |
| R20656 | 4H8 | 2 | 80 - 14 | R26047 | 1B19 | 4 | 20 - 14 | R26202 | 3B23 | 17 | 50 - 19 |
| R20758 | 2B13 | 4 | 40 - 7 | R26049 | 1B20 | 8 | 20 - 15 | R26203 | 3B23 | 16 | 50 - 19 |
| R20758 | 2B13 | 5 | 40 - 7 | R26049 | 1B21 | 4 | 20 - 16 | R26206 | 3B21 | 2 | 50 - 17 |
| R20758 | 2B14 | 3 | 40 - 8 | R26049 | 1B22 | 3 | 20 - 17 | R26206 | 3B23 | 2 | 50 - 19 |
| R20758 | 2B14 | 5 | 40 - 8 | R26049 | 1B24 | 2 | 20 - 19 | R26206 | 3C2 | 40 | 50 - 23 |
| R20758 | 2B15 | 6 | 40 - 9 | R26049 | 1C5 | 4 | 20 - 25 | R26206 | 3C4 | 35 | 50 - 25 |
| R20758 | 2B16 | 4 | 40 - 10 | R26054 | 1B20 | 3 | 20 - 15 | R26207 | 3B21 | 1 | 50 - 17 |
| R20758 | 2B16 | 5 | 40 - 10 | R26058 | 1C6 | 4 | 20 - 26 | R26207 | 3B23 | 1 | 50 - 19 |
| R20758 | 2B17 | 6 | 40 - 11 | R26058 | 1C7 | 3 | 20 - 27 | R26207 | 3C2 | 40 | 50 - 23 |
| R20759 | 5E5 | 3 | 90 - 76 | R26058 | 1C24 | 34 | 20 - 45 | R26207 | 3C4 | 35 | 50 - 25 |
| R20759 | 5E6 | 3 | 90 - 77 | R26058 | 1D2 | 19 | 20 - 47 | R26210 | 3B19 | 3 | 50 - 15 |
| R20878 | 1D4 | 3 | 20 - 49 | R26066 | 3B20 | 7 | 50 - 16 | R26211 | 3B20 | 6 | 50 - 16 |
| R20922 | 1C12 | 2 | 20 - 32 | R26068 | 3B20 | 11 | 50 - 16 | R26212 | 3B20 | 12 | 50 - 16 |
| R20922 | 1C12 | 21 | 20 - 32 | R26076 | 3C2 | 28 | 50 - 23 | R26213 | 3B20 | 22 | 50 - 16 |
| R20942 | 4H4 | 28 | 80 - 10 | R26076 | 3C4 | 23 | 50 - 25 | R26214 | 3C2 | 26 | 50 - 23 |
| R21157 | 2E18 | 2 | 40 - 92 | R26079 | 1B10 | 6 | 20 - 5 | R26214 | 3C4 | 21 | 50 - 25 |
| R21230 | 5B25 | 9 | 90 - 21 | R26081 | 1B10 | 2 | 20 - 5 | R26215 | 3C2 | 26 | 50 - 23 |
| R21244 | 5B23 | 5 | 90 - 19 | R26084 | 1C7 | 6 | 20 - 27 | R26215 | 3C4 | 21 | 50 - 25 |
| R21302 | 4H13 | 1 | 80 - 19 | R26084 | 1C24 | 35 | 20 - 45 | R26216 | 3C2 | 26 | 50 - 23 |
| R21342 | 4E2 | 21 | 70 - 77 | R26084 | 1D2 | 21 | 20 - 47 | R26216 | 3C4 | 21 | 50 - 25 |
| R21480 | 4H11 | 7 | 80 - 17 | R26088 | 1B18 | 7 | 20 - 13 | R26217 | 3C2 | 26 | 50 - 23 |
| R21480 | 4H11 | 10 | 80 - 17 | R26093 | 1B19 | 5 | 20 - 14 | R26217 | 3C4 | 21 | 50 - 25 |
| R21480 | 4H11 | 11 | 80 - 17 | R26113 | 5C4 | 26 | 90 - 25 | R26218 | 3C2 | 10 | 50 - 23 |
| R21480 | 4H11 | 12 | 80 - 17 | R26115 | 1B13 | 1 | 20 - 8 | R26218 | 3C4 | 6 | 50 - 25 |
| R21480 | 4H11 | 13 | 80 - 17 | R26117 | 2D17 | 6 | 40 - 65 | R26220 | 3C2 | 1 | 50 - 23 |
| R21480 | 4H11 | .. | 80 - 17 | R26125 | 1B10 | 18 | 20 - 5 | R26220 | 3C4 | 1 | 50 - 25 |
| R21551 | 2B13 | 3 | 40 - 7 | R26127 | 1C11 | 4 | 20 - 31 | R26221 | 3C2 | 1 | 50 - 23 |
| R21551 | 2B15 | 3 | 40 - 9 | R26129 | 1C11 | 6 | 20 - 31 | R26221 | 3C4 | 1 | 50 - 25 |
| R21551 | 2B16 | 3 | 40 - 10 | R26131 | 1C11 | 12 | 20 - 31 | R26222 | 3C2 | 1 | 50 - 23 |
| R21551 | 2B17 | 3 | 40 - 11 | R26137 | 4B11 | 6 | 70 - 5 | R26222 | 3C4 | 1 | 50 - 25 |
| R21551 | 2B20 | 23 | 40 - 14 | R26137 | 4B13 | 10 | 70 - 7 | R26223 | 3C2 | 1 | 50 - 23 |
| R21551 | 2B21 | 8 | 40 - 15 | R26137 | 4B21 | 6 | 70 - 15 | R26223 | 3C4 | 1 | 50 - 25 |
| R21551 | 2C5 | 8 | 40 - 24 | R26137 | 4B23 | 6 | 70 - 17 | R26227 | 3D15 | 4 | 50 - 59 |
| R21551 | 4C17 | 13 | 70 - 38 | R26138 | 1C11 | 19 | 20 - 31 | R26228 | 3D15 | 4 | 50 - 59 |
| R21551 | 4C23 | 13 | 70 - 44 | R26144 | 1C9 | 12 | 20 - 29 | R26233 | 3C2 | 27 | 50 - 23 |
| R21560 | 1G9 | 12 | 30 - 70 | R26146 | 1C9 | 4 | 20 - 29 | R26233 | 3C4 | 22 | 50 - 25 |
| R21630 | 1B13 | 16 | 20 - 8 | R26147 | 1C9 | 5 | 20 - 29 | R26234 | 3C2 | 27 | 50 - 23 |
| R21630 | 3B7 | 21 | 50 - 1 | R26149 | 1C9 | 6 | 20 - 29 | R26234 | 3C4 | 22 | 50 - 25 |
| R21630 | 3B16 | 4 | 50 - 12 | R26149 | 1G3 | 3 | 30 - 68 | R26238 | 3C4 | 5 | 50 - 25 |
| R21630 | 3D4 | 4 | 50 - 48 | R26149 | 1G5 | 3 | 30 - 69 | R26277 | 3F21 | 10 | 60 - 1 |
| R21644 | 1D10 | 6 | 30 - 1 | R26149 | 1G8 | 3 | 30 - 69D | R26278 | 3F21 | 22 | 60 - 1 |
| R21644 | 1D11 | 7 | 30 - 2 | R26149 | 4D4 | 3 | 70 - 51 | R26280 | 3F21 | 4 | 60 - 1 |
| R21645 | 1D10 | 7 | 30 - 1 | R26149 | 4D10 | 4 | 70 - 57 | R26281 | 3F21 | 2 | 60 - 1 |
| R21645 | 1D11 | 8 | 30 - 2 | R26149 | 4F5 | 23 | 70 - 109 | R26282 | 3F21 | 6 | 60 - 1 |
| R21722 | 4F14 | 9 | 70 - 119 | R26149 | 4F7 | 8 | 70 - 111 | R26283 | 3F21 | 3 | 60 - 1 |
| R21722 | 4G15 | 1 | 70 - 148 | R26151 | 1C9 | 8 | 20 - 29 | R26285 | 3F21 | 11 | 60 - 1 |
| R21722 | 4G15 | 2 | 70 - 148 | R26151 | 3F25 | 18 | 60 - 5 | R26286 | 1E20 | 20 | 30 - 34 |
| R21736 | 4I5 | 26 | 80 - 37 | R26152 | 1C9 | 17 | 20 - 29 | R26286 | 3B13 | 8 | 50 - 7 |
| R21736 | 4I5 | 27 | 80 - 37 | R26152 | 1C12 | 16 | 20 - 32 | R26286 | 3C7 | 6 | 50 - 28 |
| R227R | 3F17 | 17 | 50 - 115 | R26153 | 1C9 | 20 | 20 - 29 | R26286 | 3C12 | 23 | 50 - 33 |
| R227R | 3G11 | 19 | 60 - 18 | R26163 | 1C9 | 9 | 20 - 29 | R26286 | 3C25 | 16 | 50 - 44 |
| R228R | 3F2 | 16 | 50 - 100 | R26163 | 1C24 | 16 | 20 - 45 | R26286 | 3D1 | 26 | 50 - 45 |
| R229R | 3F2 | 15 | 50 - 100 | R26163 | 1D2 | 15 | 20 - 47 | R26286 | 3D4 | 16 | 50 - 48 |
| R2579R | 2B20 | 3 | 40 - 14 | R26166 | 1C10 | 8 | 20 - 30 | R26286 | 3D17 | 9 | 50 - 61 |
| R2579R | 2B23 | 3 | 40 - 17 | R26169 | 1B12 | 7 | 20 - 7 | R26286 | 3D19 | 11 | 50 - 64 |
| R26006 | 3C8 | 10 | 50 - 29 | R26169 | 1B12 | 7 | 20 - 7 | R26286 | 3E18 | 2 | 50 - 90 |
| R26006 | 3C8 | 13 | 50 - 29 | R26172 | 1B12 | 4 | 20 - 7 | R26286 | 3E19 | 14 | 50 - 91 |
| R26006 | 3E6 | 17 | 50 - 76 | R26173 | 1B12 | 5 | 20 - 7 | R26286 | 3E19 | 20 | 50 - 91 |
| R26009 | 3E23 | 23 | 50 - 95 | R26173 | 1C24 | 30 | 20 - 45 | R26286 | 3E20 | 8 | 50 - 92 |
| R26011 | 3E23 | 24 | 50 - 95 | R26173 | 1D2 | 32 | 20 - 47 | R26286 | 3E21 | 1 | 50 - 93 |
| R26012 | 3E23 | 25 | 50 - 95 | R26182 | 3B25 | 10 | 50 - 21 | R26286 | 3F17 | 15 | 50 - 115 |

1K14

TRACTOR - 4000 AND 4020 (SERIAL NO. 201000-) TRACTORS

NUMERICAL INDEX - CONTINUED

| PART NO. | GRID | KEY | PAGE | PART NO. | GRID | KEY | PAGE | PART NO. | GRID | KEY | PAGE |
|----------|------|-----|----------|----------|------|-----|----------|----------|------|-----|----------|
| R26286 | 3F24 | 5 | 60 - 4 | R26297 | 1D21 | 5 | 30 - 12 | R26375 | 4D2 | 35 | 70 - 49 |
| R26286 | 3G1 | 5 | 60 - 6 | R26297 | 1D22 | 5 | 30 - 13 | R26375 | 4D10 | 9 | 70 - 57 |
| R26286 | 3G1 | 7 | 60 - 6 | R26299 | 1D16 | 2 | 30 - 7 | R26375 | 4E24 | 6 | 70 - 102 |
| R26286 | 3G3 | 1 | 60 - 8 | R26299 | 1D18 | 2 | 30 - 9 | R26375 | 4E25 | 12 | 70 - 103 |
| R26286 | 3G3 | 14 | 60 - 8 | R26301 | 3G9 | 3 | 60 - 15 | R26375 | 4E25 | 21 | 70 - 103 |
| R26286 | 3G4 | 13 | 60 - 9 | R26323 | 1B18 | 1 | 20 - 13 | R26375 | 4F6 | 12 | 70 - 110 |
| R26286 | 3G7 | 11 | 60 - 13 | R26325 | 1B19 | 1 | 20 - 14 | R26375 | 4F9 | 2 | 70 - 113 |
| R26286 | 3G7 | 12 | 60 - 13 | R26331 | 1C13 | 1 | 20 - 34 | R26375 | 4F9 | 21 | 70 - 113 |
| R26286 | 3G7 | 33 | 60 - 13 | R26331 | 1C14 | 1 | 20 - 35 | R26375 | 4F20 | 4 | 70 - 125 |
| R26286 | 3G11 | 7 | 60 - 18 | R26331 | 1C24 | 12 | 20 - 45 | R26375 | 4F20 | 10 | 70 - 125 |
| R26286 | 3G12 | 8 | 60 - 19 | R26333 | 1B20 | 12 | 20 - 15 | R26375 | 4F22 | 4 | 70 - 127 |
| R26286 | 3G14 | 3 | 60 - 21 | R26340 | 1C15 | 4 | 20 - 36 | R26375 | 4F22 | 11 | 70 - 127 |
| R26286 | 3G14 | 18 | 60 - 21 | R26340 | 1C16 | 4 | 20 - 37 | R26375 | 4F25 | 2 | 70 - 131 |
| R26286 | 3G14 | 23 | 60 - 21 | R26341 | 1C15 | 1 | 20 - 36 | R26375 | 4G15 | 4 | 70 - 148 |
| R26286 | 3G19 | 2 | 60 - 27 | R26341 | 1C16 | 1 | 20 - 37 | R26376 | 3G11 | 18 | 60 - 18 |
| R26286 | 3G19 | 25 | 60 - 27 | R26341 | 1C17 | 1 | 20 - 38 | R26384 | 3G17 | 17 | 60 - 25 |
| R26286 | 3G19 | 28 | 60 - 27 | R26341 | 1D2 | 9 | 20 - 47 | R26385 | 3E16 | 12 | 50 - 88 |
| R26286 | 3G21 | 2 | 60 - 29 | R26343 | 1C15 | 5 | 20 - 36 | R26385 | 3E17 | 11 | 50 - 89 |
| R26286 | 3G21 | 22 | 60 - 29 | R26343 | 1C16 | 5 | 20 - 37 | R26385 | 3G17 | 24 | 60 - 25 |
| R26286 | 4C24 | 12 | 70 - 45 | R26343 | 1C16 | 14 | 20 - 37 | R26386 | 3E16 | 11 | 50 - 88 |
| R26286 | 4D3 | 6 | 70 - 50 | R26343 | 1C17 | 2 | 20 - 38 | R26386 | 3E17 | 10 | 50 - 89 |
| R26286 | 4D5 | 9 | 70 - 52 | R26343 | 1D2 | 8 | 20 - 47 | R26386 | 3G17 | 22 | 60 - 25 |
| R26287 | 1E21 | 2 | 30 - 35 | R26354 | 1C10 | 9 | 20 - 30 | R26399 | 1C11 | 24 | 20 - 31 |
| R26287 | 1E22 | 3 | 30 - 36 | R26354 | 1C24 | 17 | 20 - 45 | R26401 | 1C11 | 22 | 20 - 31 |
| R26287 | 3B7 | 5 | 50 - 1 | R26354 | 1D2 | 17 | 20 - 47 | R26402 | 1C11 | 25 | 20 - 31 |
| R26287 | 3B13 | 12 | 50 - 7 | R26356 | 1B9 | 5 | 20 - 4 | R26403 | 1C11 | 21 | 20 - 31 |
| R26287 | 3B14 | 16 | 50 - 9 | R26356 | 1C24 | 7 | 20 - 45 | R26405 | 1B9 | 2 | 20 - 4 |
| R26287 | 3B14 | 21 | 50 - 9 | R26356 | 1D2 | 7 | 20 - 47 | R26409 | 1E2 | 1 | 30 - 18 |
| R26287 | 3D24 | 22 | 50 - 69 | R26358 | 1D19 | 14 | 30 - 10 | R26409 | 1E3 | 3 | 30 - 19 |
| R26287 | 3E19 | 5 | 50 - 91 | R26359 | 1D20 | 5 | 30 - 11 | R26409 | 2B13 | 6 | 40 - 7 |
| R26287 | 3E19 | 10 | 50 - 91 | R26362 | 1D21 | 6 | 30 - 12 | R26409 | 2B15 | 9 | 40 - 9 |
| R26287 | 3E21 | 11 | 50 - 93 | R26364 | 3G9 | 11 | 60 - 15 | R26409 | 2B18 | 1 | 40 - 12 |
| R26287 | 3F4 | 10 | 50 - 102 | R26364 | 3G10 | 6 | 60 - 17 | R26409 | 2B19 | 4 | 40 - 13 |
| R26287 | 3F4 | 31 | 50 - 102 | R26369 | 3G11 | 5 | 60 - 18 | R26409 | 2C4 | 6 | 40 - 23 |
| R26287 | 3F5 | 34 | 50 - 103 | R26372 | 3G11 | 25 | 60 - 18 | R26409 | 2C17 | 2 | 40 - 37 |
| R26287 | 3F5 | 38A | 50 - 103 | R26373 | 3B14 | 19 | 50 - 9 | R26409 | 5B25 | 20 | 90 - 21 |
| R26287 | 3F6 | 23 | 50 - 104 | R26373 | 3B15 | 13 | 50 - 10 | R26413 | 1C20 | 5 | 20 - 41 |
| R26287 | 3F23 | 32 | 60 - 3 | R26373 | 3E19 | 9 | 50 - 91 | R26413 | 1C22 | 19 | 20 - 43 |
| R26287 | 3G1 | 9 | 60 - 6 | R26373 | 3F25 | 23A | 60 - 5 | R26417 | 1C22 | 17 | 20 - 43 |
| R26287 | 3G3 | 8 | 60 - 8 | R26373 | 3G19 | 11 | 60 - 27 | R26418 | 3G4 | 11 | 60 - 9 |
| R26287 | 3G11 | 14 | 60 - 18 | R26375 | 3B14 | 6 | 50 - 9 | R26421 | 3F4 | 29 | 50 - 102 |
| R26287 | 3G11 | 17 | 60 - 18 | R26375 | 3C7 | 9 | 50 - 28 | R26425 | 3G1 | 11 | 60 - 6 |
| R26287 | 3G12 | 11 | 60 - 19 | R26375 | 3C7 | 13 | 50 - 28 | R26431 | 5C3 | 13 | 90 - 24 |
| R26287 | 3G15 | 1 | 60 - 22 | R26375 | 3D1 | 19 | 50 - 45 | R26432 | 5C3 | 7 | 90 - 24 |
| R26287 | 3G15 | 5 | 60 - 22 | R26375 | 3D3 | 23 | 50 - 47 | R26433 | 5C3 | 9 | 90 - 24 |
| R26287 | 3G17 | 19 | 60 - 25 | R26375 | 3D3 | 26 | 50 - 47 | R26434 | 5C3 | 15 | 90 - 24 |
| R26287 | 3G19 | 37 | 60 - 27 | R26375 | 3D14 | 7 | 50 - 58 | R26436 | 5C3 | 22 | 90 - 24 |
| R26287 | 4B15 | 23 | 70 - 9 | R26375 | 3F4 | 12 | 50 - 102 | R26441 | 3F23 | 18 | 60 - 3 |
| R26287 | 4B19 | 4 | 70 - 13 | R26375 | 3F4 | 26 | 50 - 102 | R26441 | 3F24 | 2 | 60 - 4 |
| R26287 | 4B19 | 16 | 70 - 13 | R26375 | 3F8 | 17 | 50 - 106 | R26441 | 3G7 | 7 | 60 - 13 |
| R26287 | 4C4 | 8 | 70 - 23 | R26375 | 3F10 | 6 | 50 - 108 | R26441 | 3G7 | 27 | 60 - 13 |
| R26287 | 4C4 | 22 | 70 - 23 | R26375 | 3F14 | 2 | 50 - 112 | R26441 | 4G2 | 18 | 70 - 133 |
| R26287 | 4C5 | 7 | 70 - 25 | R26375 | 3F17 | 28 | 50 - 115 | R26441 | 4G4 | 22 | 70 - 135 |
| R26287 | 4C7 | 9 | 70 - 27 | R26375 | 3G1 | 18 | 60 - 6 | R26441 | 4G6 | 34 | 70 - 137 |
| R26287 | 4C9 | 9 | 70 - 29 | R26375 | 3G7 | 24 | 60 - 13 | R26448 | 3B22 | 2 | 50 - 18 |
| R26287 | 4C17 | 10 | 70 - 38 | R26375 | 3G11 | 20 | 60 - 18 | R26448 | 3C25 | 21 | 50 - 44 |
| R26287 | 4C23 | 10 | 70 - 44 | R26375 | 3G12 | 13 | 60 - 19 | R26448 | 3D17 | 20 | 50 - 61 |
| R26287 | 4C24 | 3 | 70 - 45 | R26375 | 4B15 | 27 | 70 - 9 | R26448 | 3D18 | 2 | 50 - 62 |
| R26288 | 5C4 | 20 | 90 - 25 | R26375 | 4B17 | 16 | 70 - 11 | R26448 | 3D20 | 25 | 50 - 65 |
| R26290 | 3F21 | 5 | 60 - 1 | R26375 | 4B25 | 23 | 70 - 19 | R26448 | 3D22 | 11 | 50 - 67 |
| R26291 | 1C24 | 8 | 20 - 45 | R26375 | 4B25 | 45 | 70 - 19 | R26448 | 3D24 | 22 | 50 - 69 |
| R26291 | 1D19 | 9 | 30 - 10 | R26375 | 4C2 | 7 | 70 - 21 | R26448 | 3E19 | 16 | 50 - 91 |
| R26291 | 1D20 | 4 | 30 - 11 | R26375 | 4C2 | 17 | 70 - 21 | R26448 | 3E21 | 13 | 50 - 93 |
| R26294 | 1D15 | 2 | 30 - 6 | R26375 | 4C4 | 3 | 70 - 23 | R26448 | 3F17 | 9 | 50 - 115 |
| R26296 | 1C24 | 6 | 20 - 45 | R26375 | 4C4 | 10 | 70 - 23 | R26448 | 3F17 | 19 | 50 - 115 |
| R26296 | 1D19 | 3 | 30 - 10 | R26375 | 4C5 | 12 | 70 - 25 | R26448 | 3F23 | 22 | 60 - 3 |
| R26297 | 1D2 | 4 | 20 - 47 | R26375 | 4D2 | 2 | 70 - 49 | R26448 | 3G1 | 2 | 60 - 6 |

1K15

TRACTOR - 4000 AND 4020 (SERIAL NO. 201000-) TRACTORS

NUMERICAL INDEX - CONTINUED

| PART NO. | GRID | KEY | PAGE | PART NO. | GRID | KEY | PAGE | PART NO. | GRID | KEY | PAGE |
|----------|------|-----|----------|----------|------|-----|----------|----------|------|-----|----------|
| R26448 | 3G1 | 24 | 60 - 6 | R26531 | 1D15 | 2 | 30 - 6 | R26710 | 4D16 | 19 | 70 - 65 |
| R26448 | 3G4 | 1 | 60 - 9 | R26531 | 1E1 | 13 | 30 - 17 | R26711 | 4D16 | 22 | 70 - 65 |
| R26448 | 3G7 | 5 | 60 - 13 | R26531 | 1E18 | 17 | 30 - 32 | R26726 | 1E25 | 20 | 30 - 39 |
| R26448 | 4B15 | 2 | 70 - 9 | R26532 | 1G9 | 4 | 30 - 70 | R26726 | 1F1 | 20 | 30 - 40 |
| R26448 | 4B15 | 8 | 70 - 9 | R26546 | 3F25 | 15 | 60 - 5 | R26726 | 1F23 | 8 | 30 - 63 |
| R26448 | 4B17 | 1 | 70 - 11 | R26546 | 3G7 | 16 | 60 - 13 | R26726 | 1G3 | 17 | 30 - 68 |
| R26448 | 4B19 | 1 | 70 - 13 | R26546 | 4F5 | 4 | 70 - 109 | R26727 | 1B17 | 7 | 20 - 12 |
| R26448 | 4B25 | 2 | 70 - 19 | R26546 | 4F6 | 2 | 70 - 110 | R26727 | 3F18 | 9 | 50 - 116 |
| R26448 | 4B25 | 8 | 70 - 19 | R26546 | 4F7 | 3 | 70 - 111 | R26728 | 1E23 | 19 | 30 - 37 |
| R26448 | 4B25 | 25 | 70 - 19 | R26547 | 3G7 | 25 | 60 - 13 | R26728 | 1E24 | 19 | 30 - 38 |
| R26448 | 4B25 | 28 | 70 - 19 | R26551 | 3C8 | 19 | 50 - 29 | R26728 | 1E25 | 3 | 30 - 39 |
| R26448 | 4C2 | 3 | 70 - 21 | R26551 | 3G7 | 20 | 60 - 13 | R26728 | 1F1 | 3 | 30 - 40 |
| R26448 | 4C4 | 1 | 70 - 23 | R26552 | 3D22 | 6 | 50 - 67 | R26738 | 1C24 | 29 | 20 - 45 |
| R26448 | 4C4 | 8 | 70 - 23 | R26552 | 3F6 | 32 | 50 - 104 | R26738 | 1G12 | 13 | 30 - 73 |
| R26448 | 4C5 | 3 | 70 - 25 | R26552 | 3F17 | 11 | 50 - 115 | R26748 | 1B10 | 12 | 20 - 5 |
| R26448 | 4C5 | 7 | 70 - 25 | R26552 | 3G1 | 13 | 60 - 6 | R26753 | 3C14 | 17 | 50 - 35 |
| R26448 | 4D2 | 4 | 70 - 49 | R26553 | 3G2 | 7 | 60 - 7 | R26753 | 3C22 | 5 | 50 - 43 |
| R26448 | 4D2 | 13 | 70 - 49 | R26554 | 3G2 | 1 | 60 - 7 | R26753 | 3C24 | 13 | 50 - 43B |
| R26448 | 4D2 | 20 | 70 - 49 | R26559 | 1B10 | 11 | 20 - 5 | R26755 | 3F24 | 10 | 60 - 4 |
| R26448 | 4D10 | 2 | 70 - 57 | R26565 | 3F25 | 5 | 60 - 5 | R26760 | 3G19 | 8 | 60 - 27 |
| R26448 | 4E25 | 16 | 70 - 103 | R26565 | 4D10 | 39 | 70 - 57 | R26762 | 3G2 | 4 | 60 - 7 |
| R26448 | 4H18 | 3 | 80 - 25 | R26566 | 4D10 | 6 | 70 - 57 | R26767 | 3G9 | 6 | 60 - 15 |
| R26457 | 4D6 | 5 | 70 - 53 | R26574 | 3B12 | 16 | 50 - 6 | R26769 | 4D3 | 13 | 70 - 50 |
| R26458 | 4D6 | 2 | 70 - 53 | R26574 | 3C18 | 5 | 50 - 39 | R26769 | 4D5 | 18 | 70 - 52 |
| R26469 | 1C19 | 5 | 20 - 40 | R26575 | 5D12 | 21 | 90 - 58 | R26784 | 4D16 | 21 | 70 - 65 |
| R26472 | 1C22 | 22 | 20 - 43 | R26584 | 4E13 | 9 | 70 - 90 | R26789 | 1E23 | 19 | 30 - 37 |
| R26475 | 1C22 | 2 | 20 - 43 | R26584 | 4E14 | 8 | 70 - 91 | R26789 | 1E24 | 19 | 30 - 38 |
| R26477 | 4E24 | 12 | 70 - 102 | R26584 | 4E16 | 8 | 70 - 93 | R26789 | 1E25 | 3 | 30 - 39 |
| R26480 | 4F12 | 28 | 70 - 117 | R26584 | 4E18 | 8 | 70 - 95 | R26789 | 1F1 | 3 | 30 - 40 |
| R26480 | 4F13 | 10 | 70 - 118 | R26593 | 1E1 | 3 | 30 - 17 | R26789 | 5E6 | 15 | 90 - 77 |
| R26482 | 4F12 | 17 | 70 - 117 | R26593 | 1E18 | 7 | 30 - 32 | R26790 | 1E23 | 19 | 30 - 37 |
| R26482 | 4F13 | 6 | 70 - 118 | R26593 | 1G9 | 14 | 30 - 70 | R26790 | 1E24 | 19 | 30 - 38 |
| R26482 | 4F14 | 20 | 70 - 119 | R26594 | 1E1 | 5 | 30 - 17 | R26790 | 1E25 | 3 | 30 - 39 |
| R26483 | 4F12 | 21 | 70 - 117 | R26594 | 1E18 | 9 | 30 - 32 | R26790 | 1F1 | 3 | 30 - 40 |
| R26483 | 4F13 | 7 | 70 - 118 | R26594 | 1G9 | 16 | 30 - 70 | R26792 | 3C8 | 9 | 50 - 29 |
| R26484 | 4F5 | 14 | 70 - 109 | R26608 | 4D24 | 17 | 70 - 74 | R26804 | 3B8 | 10 | 50 - 2 |
| R26484 | 4F6 | 6 | 70 - 110 | R26608 | 4D25 | 8 | 70 - 75 | R26811 | 4D21 | 26 | 70 - 71 |
| R26484 | 4F12 | 14 | 70 - 117 | R26608 | 4E2 | 8 | 70 - 77 | R26813 | 4D21 | 6 | 70 - 71 |
| R26484 | 4F13 | 3 | 70 - 118 | R26609 | 4E2 | 12 | 70 - 77 | R26813 | 4D22 | 6 | 70 - 72 |
| R26485 | 3G7 | 31 | 60 - 13 | R26618 | 4E3 | 13 | 70 - 78 | R26823 | 3B12 | 18 | 50 - 6 |
| R26485 | 4F12 | 10 | 70 - 117 | R26618 | 4E5 | 21 | 70 - 81 | R26825 | 1B14 | 26 | 20 - 9 |
| R26485 | 4F13 | 1 | 70 - 118 | R26625 | 4D6 | 8 | 70 - 53 | R26826 | 1B14 | 27 | 20 - 9 |
| R26485 | 4F20 | 24 | 70 - 125 | R26626 | 4D7 | 14 | 70 - 54 | R26826 | 1C24 | 32 | 20 - 45 |
| R26485 | 4G14 | 12 | 70 - 147 | R26628 | 4D18 | 5 | 70 - 67 | R26826 | 1D2 | 34 | 20 - 47 |
| R26493 | 1C9 | 10 | 20 - 29 | R26631 | 4H3 | 6 | 80 - 9 | R26828 | 5C3 | 5 | 90 - 24 |
| R26493 | 1C12 | 15 | 20 - 32 | R26631 | 4H9 | 5 | 80 - 15 | R26829 | 5C3 | 17 | 90 - 24 |
| R26497 | 3B21 | 13 | 50 - 17 | R26632 | 4H3 | 3 | 80 - 9 | R26830 | 5C3 | 14 | 90 - 24 |
| R26499 | 1C24 | 26 | 20 - 45 | R26632 | 4H9 | 2 | 80 - 15 | R26832 | 5C4 | 3 | 90 - 25 |
| R26499 | 1E4 | 4 | 30 - 20 | R26637 | 3B8 | 20 | 50 - 2 | R26832 | 5C7 | 3 | 90 - 29 |
| R26499 | 1E10 | 4 | 30 - 27 | R26639 | 3B8 | 7 | 50 - 2 | R26841 | 4D5 | 12 | 70 - 52 |
| R26499 | 1E13 | 4 | 30 - 28 | R26641 | 3B7 | 7 | 50 - 1 | R26842 | 4D5 | 2 | 70 - 52 |
| R26499 | 1E16 | 4 | 30 - 31A | R26642 | 3B7 | 8 | 50 - 1 | R26858 | 4I5 | 11 | 80 - 37 |
| R26499 | 1G10 | 7 | 30 - 71 | R26643 | 3C19 | 19 | 50 - 40 | R26860 | 4H3 | 18 | 80 - 9 |
| R26499 | 1G11 | 7 | 30 - 72 | R26650 | 3D11 | 16 | 50 - 55 | R26861 | 2C17 | 4 | 40 - 37 |
| R26500 | 1C11 | 38 | 20 - 31 | R26650 | 3D11 | 17 | 50 - 55 | R26862 | 2C17 | 1 | 40 - 37 |
| R26501 | 1C11 | 36 | 20 - 31 | R26652 | 3B10 | 6 | 50 - 4 | R26863 | 3G9 | 12 | 60 - 15 |
| R26503 | 4E20 | 15 | 70 - 98 | R26656 | 3B8 | 26 | 50 - 2 | R26863 | 3G10 | 7 | 60 - 17 |
| R26503 | 4E21 | 8 | 70 - 99 | R26659 | 3B8 | 16 | 50 - 2 | R26863 | 4D5 | 11 | 70 - 52 |
| R26503 | 4E23 | 11 | 70 - 101 | R26663 | 3B7 | 4 | 50 - 1 | R26869 | 4D18 | 6 | 70 - 67 |
| R26505 | 3B16 | 13 | 50 - 12 | R26666 | 3B10 | 22 | 50 - 4 | R26871 | 1G18 | 13 | 30 - 79 |
| R26505 | 3D4 | 20 | 50 - 48 | R26670 | 1G17 | 8 | 30 - 78 | R26871 | 1G19 | 17 | 30 - 80 |
| R26505 | 4D18 | 24 | 70 - 67 | R26686 | 3C7 | 12 | 50 - 28 | R26871 | 4D12 | 42 | 70 - 59 |
| R26517 | 1C11 | 1 | 20 - 31 | R26686 | 3E3 | 17 | 50 - 73 | R26871 | 4D15 | 13 | 70 - 63 |
| R26518 | 1C11 | 34 | 20 - 31 | R26694 | 4I5 | 22 | 80 - 37 | R26871 | 4D15 | 27 | 70 - 63 |
| R26524 | 1C11 | 35 | 20 - 31 | R26702 | 4I5 | 18 | 80 - 37 | R26871 | 5C3 | 16 | 90 - 24 |
| R26524 | 1C11 | 36 | 20 - 31 | R26703 | 4I5 | 18 | 80 - 37 | R26872 | 5C3 | 21 | 90 - 24 |
| R26524 | 1G19 | 16 | 30 - 80 | R26708 | 4D16 | 8 | 70 - 65 | R26873 | 5C3 | 21 | 90 - 24 |

1K16

TRACTOR - 4000 AND 4020 (SERIAL NO. 201000-) TRACTORS

NUMERICAL INDEX - CONTINUED

| PART NO. | GRID | KEY | PAGE | PART NO. | GRID | KEY | PAGE | PART NO. | GRID | KEY | PAGE |
|----------|------|-----|----------|----------|------|-----|----------|----------|------|-----|----------|
| R26874 | 5C3 | 1 | 90 - 24 | R27035 | 3B7 | 20 | 50 - 1 | R27166 | 4F5 | 33 | 70 - 109 |
| R26875 | 5C4 | 4 | 90 - 25 | R27042 | 3B9 | 32 | 50 - 3 | R27166 | 4F6 | 5 | 70 - 110 |
| R26876 | 5C4 | 7 | 90 - 25 | R27058 | 1G12 | 10 | 30 - 73 | R27166 | 4F9 | 4 | 70 - 113 |
| R26877 | 5C4 | 6 | 90 - 25 | R27074 | 1E20 | 5 | 30 - 34 | R27166 | 4F12 | 26 | 70 - 117 |
| R26877 | 5C7 | 5 | 90 - 29 | R27075 | 1G17 | 1 | 30 - 78 | R27167 | 4B15 | 16 | 70 - 9 |
| R26878 | 5C4 | 15 | 90 - 25 | R27084 | 4H24 | 4 | 80 - 31 | R27168 | 5D3 | 22 | 90 - 49 |
| R26879 | 5C4 | 9 | 90 - 25 | R27084 | 4H24 | 11 | 80 - 31 | R27168 | 5D21 | 23 | 90 - 67 |
| R26879 | 5C7 | 7 | 90 - 29 | R27084 | 4H25 | 6 | 80 - 32 | R27168 | 5D23 | 4 | 90 - 69 |
| R26880 | 5C4 | 21 | 90 - 25 | R27085 | 4H24 | 4 | 80 - 31 | R27170 | 4B15 | 19 | 70 - 9 |
| R26890 | 4I9 | 7 | 80 - 41 | R27085 | 4H24 | 11 | 80 - 31 | R27171 | 4B15 | 5 | 70 - 9 |
| R26892 | 1C13 | 5 | 20 - 34 | R27085 | 4H25 | 6 | 80 - 32 | R27172 | 4B15 | 11 | 70 - 9 |
| R26906 | 3D17 | 17 | 50 - 61 | R27085 | 4H25 | 7 | 80 - 32 | R27173 | 4B15 | 17 | 70 - 9 |
| R26906 | 3D19 | 13 | 50 - 64 | R27087 | 3F23 | 15 | 60 - 3 | R27174 | 4B15 | 15 | 70 - 9 |
| R26906 | 3D22 | 9 | 50 - 67 | R27089 | 3F24 | 14 | 60 - 4 | R27174 | 4B19 | 7 | 70 - 13 |
| R26906 | 3F14 | 6 | 50 - 112 | R27091 | 3F24 | 11 | 60 - 4 | R27175 | 4B11 | 15 | 70 - 5 |
| R26906 | 3F17 | 24 | 50 - 115 | R27094 | 3C12 | 24 | 50 - 33 | R27175 | 4B13 | 20 | 70 - 7 |
| R26906 | 4B9 | 1 | 70 - 3 | R27094 | 3C25 | 15 | 50 - 44 | R27175 | 4B21 | 13 | 70 - 15 |
| R26906 | 4B11 | .. | 70 - 5 | R27094 | 3D1 | 27 | 50 - 45 | R27175 | 4B23 | 14 | 70 - 17 |
| R26906 | 4B13 | .. | 70 - 7 | R27094 | 3D4 | 17 | 50 - 48 | R27175 | 4D4 | 13 | 70 - 51 |
| R26906 | 4B15 | 10 | 70 - 9 | R27094 | 3D17 | 10 | 50 - 61 | R27175 | 4D10 | 25 | 70 - 57 |
| R26906 | 4B17 | 2 | 70 - 11 | R27094 | 3D19 | 12 | 50 - 64 | R27180 | 1G8 | 13 | 30 - 69D |
| R26906 | 4B19 | 2 | 70 - 13 | R27094 | 3D22 | 12 | 50 - 67 | R27180 | 2B16 | 3 | 40 - 10 |
| R26906 | 4B19 | 15 | 70 - 13 | R27094 | 3E18 | 1 | 50 - 90 | R27180 | 2B17 | 3 | 40 - 11 |
| R26906 | 4B25 | 16 | 70 - 19 | R27094 | 3E19 | 13 | 50 - 91 | R27180 | 2B20 | 6 | 40 - 14 |
| R26906 | 4C2 | 1 | 70 - 21 | R27094 | 3G19 | 1 | 60 - 27 | R27180 | 2B21 | 12 | 40 - 15 |
| R26906 | 4C4 | 6 | 70 - 23 | R27094 | 3G21 | 1 | 60 - 29 | R27180 | 2B21 | 17 | 40 - 15 |
| R26906 | 4C4 | 26 | 70 - 23 | R27094 | 4D3 | 7 | 70 - 50 | R27180 | 5B25 | 12 | 90 - 21 |
| R26906 | 4C5 | 1 | 70 - 25 | R27094 | 4D5 | 10 | 70 - 52 | R27181 | 1E1 | 10 | 30 - 17 |
| R26906 | 4C7 | 2 | 70 - 27 | R27095 | 3G4 | 10 | 60 - 9 | R27181 | 1E18 | 14 | 30 - 32 |
| R26906 | 4C7 | 6 | 70 - 27 | R27116 | 3C16 | 10 | 50 - 37 | R27184 | 1G9 | 6 | 30 - 70 |
| R26906 | 4C9 | 6 | 70 - 29 | R27116 | 5C7 | 14 | 90 - 29 | R27185 | 1B17 | 3 | 20 - 12 |
| R26906 | 4C9 | .. | 70 - 29 | R27116 | 5C7 | 30 | 90 - 29 | R27205 | 1C11 | 9 | 20 - 31 |
| R26906 | 4C11 | 1 | 70 - 32 | R27121 | 5C4 | 18 | 90 - 25 | R27209 | 1C22 | 7 | 20 - 43 |
| R26906 | 4C11 | 16 | 70 - 32 | R27127 | 4D18 | 2 | 70 - 67 | R27210 | 4D3 | 10 | 70 - 50 |
| R26906 | 4C23 | 17 | 70 - 44 | R27137 | 3G11 | 8 | 60 - 18 | R27210 | 4D5 | 15 | 70 - 52 |
| R26906 | 4C24 | 10 | 70 - 45 | R27137 | 3G12 | 9 | 60 - 19 | R27212 | 4C5 | 6 | 70 - 25 |
| R26906 | 4D6 | 3 | 70 - 53 | R27145 | 4B11 | 31 | 70 - 5 | R27216 | 3B7 | 6 | 50 - 1 |
| R26906 | 4D10 | 11 | 70 - 57 | R27146 | 4B11 | 32 | 70 - 5 | R27216 | 3B14 | 17 | 50 - 9 |
| R26906 | 4E24 | 16 | 70 - 102 | R27148 | 4B11 | 10 | 70 - 5 | R27216 | 3D24 | 22 | 50 - 69 |
| R26907 | 4D25 | 2 | 70 - 75 | R27149 | 3G11 | 9 | 60 - 18 | R27216 | 3E19 | 5 | 50 - 91 |
| R26911 | 4D25 | 2 | 70 - 75 | R27149 | 3G12 | 10 | 60 - 19 | R27216 | 3F4 | 9 | 50 - 102 |
| R26919 | 1E20 | 18 | 30 - 34 | R27149 | 4B11 | 11 | 70 - 5 | R27216 | 3F4 | 32 | 50 - 102 |
| R26919 | 1E20 | 19 | 30 - 34 | R27149 | 4B13 | 15 | 70 - 7 | R27216 | 3F4 | 33 | 50 - 102 |
| R26919 | 3B10 | 14 | 50 - 4 | R27149 | 4B19 | 20 | 70 - 13 | R27216 | 3F5 | 38A | 50 - 103 |
| R26919 | 3B15 | 12 | 50 - 10 | R27149 | 4B21 | 9 | 70 - 15 | R27216 | 3F6 | 22 | 50 - 104 |
| R26933 | 3F23 | 8 | 60 - 3 | R27149 | 4B23 | 9 | 70 - 17 | R27216 | 3G11 | 16 | 60 - 18 |
| R26934 | 1B13 | 21 | 20 - 8 | R27149 | 4C4 | 24 | 70 - 23 | R27216 | 4B15 | 24 | 70 - 9 |
| R26934 | 1E2 | 3 | 30 - 18 | R27150 | 4B11 | 5 | 70 - 5 | R27218 | 3B16 | 12 | 50 - 12 |
| R26934 | 1E19 | 1 | 30 - 33 | R27150 | 4B21 | 5 | 70 - 15 | R27218 | 3C25 | 22 | 50 - 44 |
| R26936 | 2B16 | 6 | 40 - 10 | R27154 | 4B11 | 18 | 70 - 5 | R27218 | 3D4 | 19 | 50 - 48 |
| R26936 | 2B17 | 9 | 40 - 11 | R27155 | 4B11 | 17 | 70 - 5 | R27218 | 3D17 | 19 | 50 - 61 |
| R26936 | 2B17 | 13 | 40 - 11 | R27156 | 4B11 | 19 | 70 - 5 | R27218 | 3D20 | 24 | 50 - 65 |
| R26936 | 5B13 | 13 | 90 - 9 | R27157 | 4B11 | 20 | 70 - 5 | R27218 | 3D22 | 13 | 50 - 67 |
| R26941 | 2B18 | 5 | 40 - 12 | R27159 | 4B15 | 18 | 70 - 9 | R27218 | 3D24 | 22 | 50 - 69 |
| R26941 | 2B19 | 8 | 40 - 13 | R27166 | 4B15 | 14 | 70 - 9 | R27218 | 3G1 | 23 | 60 - 6 |
| R26941 | 2B21 | 2 | 40 - 15 | R27166 | 4B15 | 43 | 70 - 9 | R27218 | 4B15 | 7 | 70 - 9 |
| R26941 | 3G4 | 19 | 60 - 9 | R27166 | 4B15 | 44 | 70 - 9 | R27218 | 4B25 | 7 | 70 - 19 |
| R26941 | 5B10 | 1 | 90 - 5 | R27166 | 4B17 | 5 | 70 - 11 | R27218 | 4H18 | 2 | 80 - 25 |
| R26958 | 1G17 | 12 | 30 - 78 | R27166 | 4B19 | 6 | 70 - 13 | R27233 | 4F9 | 5 | 70 - 113 |
| R26967 | 1D19 | 8 | 30 - 10 | R27166 | 4B25 | 42 | 70 - 19 | R27243 | 3B23 | 18 | 50 - 19 |
| R26973 | 3G9 | 11 | 60 - 15 | R27166 | 4C2 | 10 | 70 - 21 | R27251 | 4C11 | 12 | 70 - 32 |
| R26992 | 5E5 | 9 | 90 - 76 | R27166 | 4C4 | 14 | 70 - 23 | R27257 | 1G9 | 7 | 30 - 70 |
| R26992 | 5E6 | 11 | 90 - 77 | R27166 | 4D4 | 10 | 70 - 51 | R27267 | 1C12 | 23 | 20 - 32 |
| R26992 | 5E7 | 6 | 90 - 78 | R27166 | 4D10 | 21 | 70 - 57 | R27267 | 3C7 | 8 | 50 - 28 |
| R27000 | 3C10 | 3 | 50 - 31 | R27166 | 4D13 | 11 | 70 - 61 | R27267 | 3D1 | 7 | 50 - 45 |
| R27000 | 3E8 | 3 | 50 - 78 | R27166 | 4F5 | 13 | 70 - 109 | R27267 | 3F10 | 9 | 50 - 108 |
| R27033 | 3B8 | 19 | 50 - 2 | R27166 | 4F5 | 21 | 70 - 109 | R27267 | 4C12 | 2 | 70 - 33 |

1K17

TRACTOR - 4000 AND 4020 (SERIAL NO. 201000-) TRACTORS

NUMERICAL INDEX - CONTINUED

| PART NO. | GRID | KEY | PAGE | PART NO. | GRID | KEY | PAGE | PART NO. | GRID | KEY | PAGE |
|----------|------|-----|----------|----------|------|-----|----------|----------|------|-----|----------|
| R27267 | 4C17 | 2 | 70 - 38 | R27441 | 5E6 | 7 | 90 - 77 | R27564 | 4B25 | 43 | 70 - 19 |
| R27267 | 4C18 | 2 | 70 - 39 | R27442 | 5C4 | 5 | 90 - 25 | R27564 | 4C2 | 11 | 70 - 21 |
| R27267 | 4C23 | 2 | 70 - 44 | R27442 | 5C7 | 4 | 90 - 29 | R27564 | 4C4 | 15 | 70 - 23 |
| R27267 | 4D2 | 21 | 70 - 49 | R27443 | 1B10 | 9 | 20 - 5 | R27564 | 4D4 | 6 | 70 - 51 |
| R27267 | 4D2 | 30 | 70 - 49 | R27453 | 3F23 | 11 | 60 - 3 | R27564 | 4D10 | 17 | 70 - 57 |
| R27270 | 3D19 | 14 | 50 - 64 | R27460 | 2B23 | 4 | 40 - 17 | R27564 | 4D13 | 14 | 70 - 61 |
| R27270 | 4C11 | 2 | 70 - 32 | R27460 | 2B25 | 15 | 40 - 19 | R27564 | 4G2 | 4 | 70 - 133 |
| R27270 | 4C23 | 21 | 70 - 44 | R27460 | 2C1 | 13 | 40 - 20 | R27564 | 4G4 | 12 | 70 - 135 |
| R27270 | 4C24 | 11 | 70 - 45 | R27460 | 2C2 | 8 | 40 - 21 | R27564 | 4G6 | 21 | 70 - 137 |
| R27272 | 3C7 | 5 | 50 - 28 | R27460 | 2C3 | 8 | 40 - 22 | R27564 | 4G9 | 13 | 70 - 141 |
| R27272 | 3E18 | 17 | 50 - 90 | R27460 | 2C5 | 2 | 40 - 24 | R27564 | 4G10 | 7 | 70 - 142 |
| R27272 | 3E20 | 7 | 50 - 92 | R27471 | 4B15 | 44 | 70 - 9 | R27564 | 4G12 | 12 | 70 - 145 |
| R27272 | 3E21 | 2 | 50 - 93 | R27472 | 4B15 | 43 | 70 - 9 | R27574 | 1C24 | 5 | 20 - 45 |
| R27272 | 3G3 | 2 | 60 - 8 | R27474 | 3D22 | 10 | 50 - 67 | R27574 | 1D19 | 13 | 30 - 10 |
| R27272 | 3G14 | 5 | 60 - 21 | R27474 | 3F14 | 8 | 50 - 112 | R27575 | 1D19 | 6 | 30 - 10 |
| R27272 | 3G19 | 29 | 60 - 27 | R27474 | 4E24 | 15 | 70 - 102 | R27583 | 2B21 | 2 | 40 - 15 |
| R27284 | 1E2 | 2 | 30 - 18 | R27475 | 4B15 | 1 | 70 - 9 | R27583 | 2B24 | 1 | 40 - 18 |
| R27284 | 1E3 | 7 | 30 - 19 | R27475 | 4B25 | 1 | 70 - 19 | R27583 | 2B24 | 4 | 40 - 18 |
| R27285 | 1B13 | 22 | 20 - 8 | R27476 | 4B15 | 13 | 70 - 9 | R27583 | 2B24 | 6 | 40 - 18 |
| R27285 | 1C24 | 31 | 20 - 45 | R27476 | 4B11 | 33 | 70 - 5 | R27583 | 2B24 | 7 | 40 - 18 |
| R27285 | 1D2 | 33 | 20 - 47 | R27478 | 4B13 | 35 | 70 - 7 | R27583 | 2C13 | 3 | 40 - 32 |
| R27285 | 1E2 | 4 | 30 - 18 | R27478 | 4B17 | 12 | 70 - 11 | R27583 | 2C14 | 3 | 40 - 33 |
| R27285 | 1E3 | 9 | 30 - 19 | R27478 | 4B21 | 29 | 70 - 15 | R27583 | 2C15 | 3 | 40 - 34 |
| R27285 | 1E19 | 2 | 30 - 33 | R27478 | 4B23 | 28 | 70 - 17 | R27583 | 2E23 | 20 | 40 - 97 |
| R27286 | 1B13 | 23 | 20 - 8 | R27478 | 4C2 | 15 | 70 - 21 | R27583 | 2E25 | 19 | 40 - 99 |
| R27296 | 3G1 | 4 | 60 - 6 | R27479 | 4B11 | 33 | 70 - 5 | R27583 | 5B20 | 5 | 90 - 16 |
| R27296 | 3G14 | 2 | 60 - 21 | R27479 | 4B13 | 35 | 70 - 7 | R27583 | 5C13 | 5 | 90 - 34 |
| R27296 | 5D17 | 15 | 90 - 63 | R27479 | 4B17 | 13 | 70 - 11 | R27598 | 4C25 | 5 | 70 - 46 |
| R27299 | 3F23 | 10 | 60 - 3 | R27479 | 4B21 | 29 | 70 - 15 | R27598 | 4H20 | 16 | 80 - 27 |
| R27305 | 3B10 | 4 | 50 - 4 | R27479 | 4B23 | 28 | 70 - 17 | R27612 | 3D4 | 12 | 50 - 48 |
| R27319 | 3F23 | 26 | 60 - 3 | R27479 | 4C2 | 16 | 70 - 21 | R27612 | 3E2 | 18 | 50 - 72 |
| R27320 | 3F23 | 13 | 60 - 3 | R27483 | 3B16 | 1 | 50 - 12 | R27640 | 3B7 | 30 | 50 - 1 |
| R27323 | 3G4 | 7 | 60 - 9 | R27483 | 3D4 | 1 | 50 - 48 | R27642 | 4H21 | 2 | 80 - 28 |
| R27324 | 3G4 | 8 | 60 - 9 | R27490 | 1E7 | 2 | 30 - 23 | R27643 | 4H21 | 5 | 80 - 28 |
| R27329 | 3C9 | 9 | 50 - 30 | R27490 | 3F6 | 8 | 50 - 104 | R27643 | 4H21 | .. | 80 - 28 |
| R27329 | 3C10 | 12 | 50 - 31 | R27506 | 4I5 | 10 | 80 - 37 | R27645 | 4H21 | 3 | 80 - 28 |
| R27329 | 3C11 | 2 | 50 - 32 | R27507 | 1E5 | 5 | 30 - 21 | R27649 | 3G19 | 15 | 60 - 27 |
| R27329 | 3E7 | 9 | 50 - 77 | R27507 | 4D12 | 36 | 70 - 59 | R27649 | 3G19 | 16 | 60 - 27 |
| R27329 | 3E8 | 12 | 50 - 78 | R27507 | 4D18 | 10 | 70 - 67 | R27649 | 3G19 | 34 | 60 - 27 |
| R27329 | 3E9 | 2 | 50 - 79 | R27507 | 4E7 | 6C | 70 - 83 | R27649 | 3G21 | 27 | 60 - 29 |
| R27346 | 1E4 | 26 | 30 - 20 | R27507 | 4E7 | 11 | 70 - 83 | R27649 | 4G2 | 6 | 70 - 133 |
| R27346 | 1E20 | 2 | 30 - 34 | R27507 | 4E12 | 3 | 70 - 89 | R27649 | 4G4 | 10 | 70 - 135 |
| R27346 | 1E21 | 5 | 30 - 35 | R27507 | 4F12 | 31 | 70 - 117 | R27649 | 4G6 | 23 | 70 - 137 |
| R27346 | 1E21 | 16 | 30 - 35 | R27507 | 4F12 | 33 | 70 - 117 | R27690 | 4G25 | 6 | 80 - 6 |
| R27346 | 1E22 | 6 | 30 - 36 | R27507 | 4I5 | 7 | 80 - 37 | R27693 | 1B17 | 10 | 20 - 12 |
| R27354 | 1G12 | 11 | 30 - 73 | R27507 | 5D15 | 10 | 90 - 61 | R27729 | 3C2 | 7 | 50 - 23 |
| R27370 | 1D5 | 11 | 20 - 50 | R27527 | 3G1 | 8 | 60 - 6 | R27730 | 3C2 | 8 | 50 - 23 |
| R27421 | 4G4 | 13 | 70 - 135 | R27527 | 3G3 | 9 | 60 - 8 | R27730 | 3C2 | 17 | 50 - 23 |
| R27421 | 4G6 | 15 | 70 - 137 | R27527 | 3G15 | 2A | 60 - 22 | R27730 | 3C4 | 13 | 50 - 25 |
| R27422 | 4G4 | 11 | 70 - 135 | R27527 | 3G15 | 4B | 60 - 22 | R27730 | 3F6 | 31 | 50 - 104 |
| R27422 | 4G6 | 22 | 70 - 137 | R27527 | 3G17 | 20 | 60 - 25 | R27730 | 4D10 | 33 | 70 - 57 |
| R27423 | 4G6 | 32 | 70 - 137 | R27527 | 4C24 | 2 | 70 - 45 | R27781 | 1E23 | 17 | 30 - 37 |
| R27424 | 4G6 | 38 | 70 - 137 | R27529 | 1B10 | 3 | 20 - 5 | R27781 | 1E24 | 17 | 30 - 38 |
| R27426 | 4G6 | 35 | 70 - 137 | R27531 | 4C17 | 6 | 70 - 38 | R27782 | 1E23 | 17 | 30 - 37 |
| R27427 | 4G4 | 5 | 70 - 135 | R27533 | 2B20 | 10 | 40 - 14 | R27782 | 1E24 | 17 | 30 - 38 |
| R27427 | 4G6 | 7 | 70 - 137 | R27533 | 4C11 | 14 | 70 - 32 | R27783 | 1E23 | 17 | 30 - 37 |
| R27430 | 4F12 | 5 | 70 - 117 | R27533 | 5B25 | 4 | 90 - 21 | R27783 | 1E24 | 17 | 30 - 38 |
| R27430 | 4F20 | 31 | 70 - 125 | R27534 | 4C11 | 10 | 70 - 32 | R27785 | 5C2 | 7 | 90 - 23 |
| R27430 | 4G14 | 5 | 70 - 147 | R27539 | 3E21 | 15 | 50 - 93 | R27806 | 4G23 | 17 | 80 - 4 |
| R27434 | 3C16 | 15 | 50 - 37 | R27546 | 4C11 | 11 | 70 - 32 | R27806 | 4G24 | 24 | 80 - 5 |
| R27439 | 5C3 | 12 | 90 - 24 | R27548 | 1C12 | 10 | 20 - 32 | R27806 | 4H1 | 8 | 80 - 7 |
| R27440 | 5C4 | 10 | 90 - 25 | R27548 | 1C13 | 8 | 20 - 34 | R27807 | 4G23 | 17 | 80 - 4 |
| R27440 | 5C7 | 15 | 90 - 29 | R27548 | 1C15 | 12 | 20 - 36 | R27807 | 4G24 | 24 | 80 - 5 |
| R27441 | 5C3 | 24 | 90 - 24 | R27548 | 1C16 | 13 | 20 - 37 | R27807 | 4H1 | 3 | 80 - 7 |
| R27441 | 5C4 | 12 | 90 - 25 | R27564 | 4B15 | 12 | 70 - 9 | R27808 | 4G23 | 2 | 80 - 4 |
| R27441 | 5C4 | 23 | 90 - 25 | R27564 | 4B17 | 4 | 70 - 11 | R27808 | 4H1 | 6 | 80 - 7 |
| R27441 | 5C7 | 13 | 90 - 29 | R27564 | 4B19 | 5 | 70 - 13 | R27808 | 4H17 | 2 | 80 - 24 |

1K18

TRACTOR - 4000 AND 4020 (SERIAL NO. 201000-) TRACTORS

NUMERICAL INDEX - CONTINUED

| PART NO. | GRID | KEY | PAGE | PART NO. | GRID | KEY | PAGE | PART NO. | GRID | KEY | PAGE |
|----------|------|-----|----------|----------|------|-----|----------|----------|------|-----|----------|
| R27809 | 4G20 | 16 | 80 - 1 | R28022 | 4G24 | 18 | 80 - 5 | R28381 | 4E20 | 1 | 70 - 98 |
| R27809 | 4G25 | 15 | 80 - 6 | R28023 | 4G23 | 8 | 80 - 4 | R28401 | 3D3 | 4 | 50 - 47 |
| R27809 | 4H15 | 14 | 80 - 22 | R28023 | 4G24 | 10 | 80 - 5 | R28401 | 3D3 | 7 | 50 - 47 |
| R27810 | 4G20 | 4 | 80 - 1 | R28023 | 4H1 | 12 | 80 - 7 | R28473 | 2B9 | 27 | 40 - 3 |
| R27810 | 4G25 | 5 | 80 - 6 | R28023 | 4H17 | 8 | 80 - 24 | R28473 | 2B10 | 6 | 40 - 4 |
| R27817 | 4G20 | 7 | 80 - 1 | R28024 | 4G23 | 12 | 80 - 4 | R28482 | 1D24 | 1 | 30 - 15 |
| R27817 | 4G25 | 8 | 80 - 6 | R28024 | 4G24 | 15 | 80 - 5 | R28490 | 4H12 | 5 | 80 - 18 |
| R27817 | 4H15 | 6 | 80 - 22 | R28024 | 4H17 | 12 | 80 - 24 | R28538 | 4D2 | 11 | 70 - 49 |
| R27818 | 4G20 | 1 | 80 - 1 | R28040 | 4E21 | 5 | 70 - 99 | R28575 | 4H3 | 9 | 80 - 9 |
| R27818 | 4G25 | 1 | 80 - 6 | R28040 | 4E23 | 6 | 70 - 101 | R28575 | 4H4 | 26 | 80 - 10 |
| R27818 | 4H15 | 1 | 80 - 22 | R28057 | 4E18 | 12 | 70 - 95 | R28575 | 4H9 | 16 | 80 - 15 |
| R27819 | 4D16 | 11 | 70 - 65 | R28061 | 4D21 | 11 | 70 - 71 | R28583 | 1G3 | 15 | 30 - 68 |
| R27820 | 4G20 | 9 | 80 - 1 | R28061 | 4D23 | 11 | 70 - 73 | R28583 | 1G5 | 17 | 30 - 69 |
| R27880 | 3C14 | 13 | 50 - 35 | R28061 | 4D24 | 12 | 70 - 74 | R28583 | 1G7 | 4 | 30 - 69B |
| R27880 | 3C22 | 14 | 50 - 43 | R28084 | 4F12 | 3 | 70 - 117 | R28583 | 1G8 | 16 | 30 - 69D |
| R27880 | 3C24 | 9 | 50 - 43B | R28084 | 4F12 | 19 | 70 - 117 | R28584 | 1G3 | 14 | 30 - 68 |
| R27883 | 4I11 | 1 | 80 - 43 | R28084 | 4F20 | 19 | 70 - 125 | R28594 | 3C6 | 9 | 50 - 27 |
| R27898 | 4H20 | 3 | 80 - 27 | R28084 | 4F20 | 33 | 70 - 125 | R28594 | 3E3 | 9 | 50 - 73 |
| R27899 | 4E20 | 30 | 70 - 98 | R28084 | 4G14 | 3 | 70 - 147 | R28612 | 3F2 | 8 | 50 - 100 |
| R27905 | 4G25 | 6 | 80 - 6 | R28084 | 4G14 | 17 | 70 - 147 | R28633 | 1D12 | 8 | 30 - 3 |
| R27906 | 3G14 | 1 | 60 - 21 | R28085 | 4F12 | 2 | 70 - 117 | R28633 | 1D13 | 4 | 30 - 4 |
| R27919 | 1C9 | 11 | 20 - 29 | R28085 | 4F20 | 18 | 70 - 125 | R28671 | 3D7 | 14 | 50 - 51 |
| R27922 | 1C11 | 3 | 20 - 31 | R28085 | 4F20 | 34 | 70 - 125 | R28671 | 3F4 | 14 | 50 - 102 |
| R27926 | 4C7 | 4 | 70 - 27 | R28085 | 4G14 | 2 | 70 - 147 | R28671 | 3F8 | 15 | 50 - 106 |
| R27926 | 4C9 | 4 | 70 - 29 | R28085 | 4G14 | 18 | 70 - 147 | R28676 | 3F21 | 8 | 60 - 1 |
| R27926 | 4C14 | 11 | 70 - 35 | R28110 | 3E3 | 24 | 50 - 73 | R28677 | 3F21 | 9 | 60 - 1 |
| R27927 | 4C7 | 5 | 70 - 27 | R28110 | 3E3 | 25 | 50 - 73 | R28718 | 4H2 | 8 | 80 - 8 |
| R27927 | 4C9 | 5 | 70 - 29 | R28114 | 4H1 | 16 | 80 - 7 | R28719 | 4H2 | 14 | 80 - 8 |
| R27928 | 4B19 | 22 | 70 - 13 | R28114 | 4H1 | 19 | 80 - 7 | R28720 | 1B17 | 3 | 20 - 12 |
| R27928 | 4C4 | 26 | 70 - 23 | R28115 | 4H1 | 19 | 80 - 7 | R28722 | 4H2 | 4 | 80 - 8 |
| R27928 | 4C7 | 3 | 70 - 27 | R28122 | 4I9 | 1 | 80 - 41 | R28743 | 4G23 | 10 | 80 - 4 |
| R27928 | 4C9 | 3 | 70 - 29 | R28122 | 4I9 | 2 | 80 - 41 | R28744 | 4F9 | 8A | 70 - 113 |
| R27928 | 4C14 | 10 | 70 - 35 | R28123 | 4I9 | 1 | 80 - 41 | R28744 | 4F9 | 16 | 70 - 113 |
| R27928 | 4C20 | 12 | 70 - 41 | R28123 | 4I9 | 9 | 80 - 41 | R28746 | 1C13 | 9 | 20 - 34 |
| R27928 | 4D12 | 20 | 70 - 59 | R28123 | 4I9 | 10 | 80 - 41 | R28746 | 1C15 | 13 | 20 - 36 |
| R27928 | 4D13 | 5 | 70 - 61 | R28123 | 4I9 | 11 | 80 - 41 | R28755 | 4D16 | 16 | 70 - 65 |
| R27930 | 4C14 | 14 | 70 - 35 | R28123 | 5B13 | 8 | 90 - 9 | R28774 | 3G11 | 22 | 60 - 18 |
| R27930 | 4C16 | 13 | 70 - 37 | R28123 | 5B23 | 3 | 90 - 19 | R28776 | 3F4 | 25 | 50 - 102 |
| R27941 | 5E2 | 19 | 90 - 73 | R28123 | 5C21 | .. | 90 - 42 | R28776 | 3G11 | 24 | 60 - 18 |
| R27948 | 1D2 | 25 | 20 - 47 | R28123 | 5D22 | 14 | 90 - 68 | R28776 | 3G12 | 12 | 60 - 19 |
| R27949 | 1C12 | 19 | 20 - 32 | R28123 | 5D22 | 15 | 90 - 68 | R28781 | 4B15 | 39 | 70 - 9 |
| R27951 | 1D2 | 26 | 20 - 47 | R28123 | 5D22 | 16 | 90 - 68 | R28781 | 4B25 | 35 | 70 - 19 |
| R27962 | 3G5 | 10 | 60 - 11 | R28124 | 3F25 | 7 | 60 - 5 | R28782 | 4B15 | 38 | 70 - 9 |
| R27963 | 2B10 | 3 | 40 - 4 | R28127 | 3E22 | 5 | 50 - 94 | R28782 | 4B19 | 9 | 70 - 13 |
| R27976 | 1B10 | 17 | 20 - 5 | R28128 | 3E22 | 4 | 50 - 94 | R28782 | 4B25 | 34 | 70 - 19 |
| R27976 | 1C24 | 3 | 20 - 45 | R28128 | 3E24 | 2 | 50 - 96 | R28782 | 4C4 | 11 | 70 - 23 |
| R27976 | 1D2 | 11 | 20 - 47 | R28128 | 3F3 | 15 | 50 - 101 | R28783 | 4I5 | 9 | 80 - 37 |
| R27976 | 2D19 | 27 | 40 - 67 | R28171 | 3F1 | 4 | 50 - 99 | R28789 | 1D19 | 2 | 30 - 10 |
| R27997 | 4E7 | 18 | 70 - 83 | R28194 | 4E18 | 30 | 70 - 95 | R28792 | 2C11 | 2 | 40 - 30 |
| R27998 | 4E7 | 20 | 70 - 83 | R28195 | 4E18 | 22 | 70 - 95 | R28794 | 1D10 | 11 | 30 - 1 |
| R27998 | 4E10 | 26 | 70 - 87 | R28196 | 4E18 | 32 | 70 - 95 | R28795 | 1D11 | 12 | 30 - 2 |
| R27998 | 4E12 | 40 | 70 - 89 | R28197 | 4E18 | 18 | 70 - 95 | R28798 | 1D10 | 1 | 30 - 1 |
| R27999 | 4E7 | 21 | 70 - 83 | R28199 | 4E18 | 23 | 70 - 95 | R28799 | 1D11 | 1 | 30 - 2 |
| R27999 | 4E10 | 27 | 70 - 87 | R28201 | 4E18 | 26 | 70 - 95 | R28811 | 1B20 | 3 | 20 - 15 |
| R27999 | 4E12 | 39 | 70 - 89 | R28203 | 4E18 | 25 | 70 - 95 | R28914 | 3C7 | 22 | 50 - 28 |
| R28002 | 4H4 | 6 | 80 - 10 | R28204 | 4F12 | 1 | 70 - 117 | R28914 | 3D1 | 18 | 50 - 45 |
| R28006 | 4F12 | 7 | 70 - 117 | R28204 | 4F20 | 17 | 70 - 125 | R28960 | 4D18 | 22 | 70 - 67 |
| R28006 | 4F20 | 30 | 70 - 125 | R28204 | 4F20 | 35 | 70 - 125 | R28970 | 1B18 | 7 | 20 - 13 |
| R28006 | 4G14 | 6 | 70 - 147 | R28204 | 4G14 | 1 | 70 - 147 | R28971 | 1B18 | 7 | 20 - 13 |
| R28007 | 1G17 | 9 | 30 - 78 | R28204 | 4G14 | 19 | 70 - 147 | R29354 | 3F6 | 26 | 50 - 104 |
| R28009 | 1G17 | 6 | 30 - 78 | R28255 | 4E2 | 2 | 70 - 77 | R29354 | 3F17 | 35 | 50 - 115 |
| R28015 | 1C20 | 1 | 20 - 41 | R28256 | 4E2 | 2 | 70 - 77 | R29463 | 4G9 | 31 | 70 - 141 |
| R28015 | 1C22 | 5 | 20 - 43 | R28271 | 4E2 | 24 | 70 - 77 | R29463 | 4G10 | 3 | 70 - 142 |
| R28021 | 4G23 | 10 | 80 - 4 | R28272 | 4E2 | 23 | 70 - 77 | R29463 | 4G12 | 21 | 70 - 145 |
| R28021 | 4G24 | 13 | 80 - 5 | R28359 | 3C12 | 9 | 50 - 33 | R29463 | 4G13 | 11 | 70 - 146 |
| R28021 | 4H17 | 10 | 80 - 24 | R28359 | 3D3 | 6 | 50 - 47 | R29936 | 4B19 | 21 | 70 - 13 |
| R28022 | 4G23 | 14 | 80 - 4 | R28361 | 3C12 | 10 | 50 - 33 | R29936 | 4C4 | 21 | 70 - 23 |

1K19

TRACTOR - 4000 AND 4020 (SERIAL NO. 201000-) TRACTORS

NUMERICAL INDEX - CONTINUED

| PART NO. | GRID | KEY | PAGE | PART NO. | GRID | KEY | PAGE | PART NO. | GRID | KEY | PAGE |
|----------|------|-----|----------|----------|------|-----|----------|----------|------|-----|----------|
| R29936 | 4C4 | 25 | 70 - 23 | R30816 | 4G15 | 7 | 70 - 148 | R31225 | 4H7 | 17 | 80 - 13 |
| R3R | 4H7 | 10 | 80 - 13 | R30817 | 4G15 | 6 | 70 - 148 | R31226 | 4H7 | 16 | 80 - 13 |
| R3R | 4H8 | 10 | 80 - 14 | R30818 | 4F12 | 29 | 70 - 117 | R31250 | 2B25 | 1 | 40 - 19 |
| R30181 | 2B25 | 9 | 40 - 19 | R30828 | 1G17 | 4 | 30 - 78 | R31250 | 2B25 | 13 | 40 - 19 |
| R30181 | 2B25 | 14 | 40 - 19 | R30828 | 5D7 | 16 | 90 - 53 | R31250 | 2C1 | 1 | 40 - 20 |
| R30181 | 2C1 | 9 | 40 - 20 | R30829 | 3B9 | 30 | 50 - 3 | R31250 | 2C1 | 12 | 40 - 20 |
| R30181 | 2C2 | 7 | 40 - 21 | R30829 | 3C8 | 3 | 50 - 29 | R31260 | 5C3 | 9 | 90 - 24 |
| R30181 | 2C3 | 7 | 40 - 22 | R30877 | 1C20 | 6 | 20 - 41 | R31271 | 1G17 | 19 | 30 - 78 |
| R30182 | 2B25 | 1 | 40 - 19 | R30877 | 3B7 | 28 | 50 - 1 | R31271 | 3G17 | 6 | 60 - 25 |
| R30182 | 2B25 | 13 | 40 - 19 | R30903 | 3E20 | 1 | 50 - 92 | R31273 | 3G17 | 23 | 60 - 25 |
| R30182 | 2C1 | 1 | 40 - 20 | R30903 | 3E21 | 21 | 50 - 93 | R31278 | 3G1 | 19 | 60 - 6 |
| R30182 | 2C1 | 12 | 40 - 20 | R30903 | 3G11 | 30 | 60 - 18 | R31287 | 4I16 | 11 | 80 - 46 |
| R30200 | 1D3 | 6 | 20 - 48 | R30903 | 3G12 | 7 | 60 - 19 | R31340 | 1C11 | 5 | 20 - 31 |
| R30319 | 3C9 | 16 | 50 - 30 | R30903 | 3G17 | 5 | 60 - 25 | R31340 | 1C24 | 24 | 20 - 45 |
| R30319 | 3E7 | 16 | 50 - 77 | R30929 | 1B18 | 3 | 20 - 13 | R31359 | 3C19 | 9 | 50 - 40 |
| R30323 | 3G1 | 21 | 60 - 6 | R30936 | 1C20 | 3 | 20 - 41 | R31359 | 3C20 | 17 | 50 - 41 |
| R30323 | 3G7 | 23 | 60 - 13 | R30936 | 1C22 | 4 | 20 - 43 | R31359 | 3C22 | 34 | 50 - 43 |
| R30378 | 2B9 | 2 | 40 - 3 | R30936 | 4C14 | 5 | 70 - 35 | R31359 | 3C22 | 41 | 50 - 43 |
| R30378 | 2B9 | 11 | 40 - 3 | R30936 | 4H20 | 6 | 80 - 27 | R31359 | 3C24 | 34 | 50 - 43B |
| R30378 | 2B9 | 13 | 40 - 3 | R30936 | 4I5 | 1 | 80 - 37 | R31359 | 3D7 | 21 | 50 - 51 |
| R30378 | 2B9 | 15 | 40 - 3 | R30936 | 5D3 | 1 | 90 - 49 | R31374 | 3B7 | 9 | 50 - 1 |
| R30378 | 2B9 | 17 | 40 - 3 | R30936 | 5D3 | 5 | 90 - 49 | R31378 | 1D3 | 2 | 20 - 48 |
| R30378 | 2B9 | 22 | 40 - 3 | R30936 | 5D3 | 15 | 90 - 49 | R31378 | 3E6 | 21 | 50 - 76 |
| R30378 | 2B9 | 24 | 40 - 3 | R30936 | 5D3 | 17 | 90 - 49 | R31378 | 4C22 | 15 | 70 - 43 |
| R30378 | 2F7 | 25 | 40 - 106 | R30936 | 5D21 | 1 | 90 - 67 | R31400 | 4E20 | 27 | 70 - 98 |
| R30378 | 2G4 | 43 | 40 - 127 | R30936 | 5D21 | 5 | 90 - 67 | R31403 | 4D16 | 7 | 70 - 65 |
| R30379 | 2B9 | 12 | 40 - 3 | R30936 | 5D21 | 14 | 90 - 67 | R31404 | 3C19 | 3 | 50 - 40 |
| R30379 | 2B9 | 14 | 40 - 3 | R30936 | 5D21 | 19 | 90 - 67 | R31404 | 3C20 | 3 | 50 - 41 |
| R30379 | 2B9 | 16 | 40 - 3 | R30937 | 1C22 | 18 | 20 - 43 | R31404 | 3C22 | 29 | 50 - 43 |
| R30379 | 2B9 | 23 | 40 - 3 | R30937 | 4I9 | 10 | 80 - 41 | R31404 | 3C22 | 47 | 50 - 43 |
| R30387 | 4H4 | 30 | 80 - 10 | R30937 | 4I9 | 11 | 80 - 41 | R31404 | 3C24 | 22 | 50 - 43B |
| R30388 | 4H4 | 30 | 80 - 10 | R30937 | 4I9 | 13 | 80 - 41 | R31404 | 3D7 | 26 | 50 - 51 |
| R30391 | 4H4 | 21 | 80 - 10 | R30937 | 5B23 | 2 | 90 - 19 | R31406 | 1D23 | .. | 30 - 14 |
| R30392 | 4H4 | 20 | 80 - 10 | R30937 | 5B23 | 11 | 90 - 19 | R31407 | 1D23 | .. | 30 - 14 |
| R30399 | 3F18 | 2 | 50 - 116 | R30937 | 5C21 | .. | 90 - 42 | R31438 | 4E20 | 14 | 70 - 98 |
| R30410 | 1G2 | 4 | 30 - 67 | R30937 | 5D14 | 1 | 90 - 60 | R31438 | 4E21 | 7 | 70 - 99 |
| R30587 | 3C20 | 1 | 50 - 41 | R30937 | 5E2 | 17 | 90 - 73 | R31438 | 4E23 | 20 | 70 - 101 |
| R30587 | 3C22 | 30 | 50 - 43 | R30939 | 1B19 | 3 | 20 - 14 | R31454 | 3G11 | 16 | 60 - 18 |
| R30587 | 3C24 | 20 | 50 - 43B | R30964 | 2C13 | 1 | 40 - 32 | R31454 | 3G11 | 17 | 60 - 18 |
| R30596 | 1D12 | 10 | 30 - 3 | R30964 | 2C14 | 1 | 40 - 33 | R31454 | 3G11 | 27 | 60 - 18 |
| R30596 | 1D13 | 6 | 30 - 4 | R30964 | 2C15 | 1 | 40 - 34 | R31455 | 3G12 | 2 | 60 - 19 |
| R30596 | 4C12 | 12 | 70 - 33 | R31R | 3F2 | 10 | 50 - 100 | R31455 | 3G17 | 14 | 60 - 25 |
| R30596 | 4C16 | 11 | 70 - 37 | R31026 | 3C2 | 14 | 50 - 23 | R31457 | 3G17 | 9 | 60 - 25 |
| R30596 | 4C18 | 12 | 70 - 39 | R31026 | 3C2 | 19 | 50 - 23 | R31458 | 3G17 | 7 | 60 - 25 |
| R30597 | 1C20 | 2 | 20 - 41 | R31026 | 3C4 | 10 | 50 - 25 | R31459 | 3G17 | 4 | 60 - 25 |
| R30597 | 1C22 | 10 | 20 - 43 | R31027 | 3C2 | 5 | 50 - 23 | R31464 | 3G11 | 36 | 60 - 18 |
| R30597 | 4C12 | 14 | 70 - 33 | R31028 | 3C2 | 16 | 50 - 23 | R31465 | 3G11 | 34 | 60 - 18 |
| R30694 | 4I16 | 10 | 80 - 46 | R31028 | 3C4 | 12 | 50 - 25 | R31467 | 3G11 | 35 | 60 - 18 |
| R30712 | 1C11 | 23 | 20 - 31 | R31129 | 4I13 | 1 | 80 - 45 | R31468 | 3G11 | 32 | 60 - 18 |
| R30713 | 1C11 | 13 | 20 - 31 | R31131 | 3B8 | 3 | 50 - 2 | R31468 | 3G12 | 6 | 60 - 19 |
| R30713 | 3D14 | 13 | 50 - 58 | R31136 | 4D6 | 6 | 70 - 53 | R31469 | 3G11 | 33 | 60 - 18 |
| R30714 | 1F18 | 2 | 30 - 58 | R31136 | 4F16 | 4 | 70 - 121 | R31469 | 3G12 | 5 | 60 - 19 |
| R30718 | 1F24 | 1 | 30 - 64 | R31136 | 4F18 | 1 | 70 - 123 | R31488 | 3G7 | 13 | 60 - 13 |
| R30719 | 1F24 | 1 | 30 - 64 | R31142 | 1D23 | 2 | 30 - 14 | R31489 | 3G7 | 30 | 60 - 13 |
| R30725 | 1F23 | 16 | 30 - 63 | R31181 | 4G24 | 3 | 80 - 5 | R31490 | 4H11 | 10 | 80 - 17 |
| R30727 | 1F23 | 16 | 30 - 63 | R31181 | 4H1 | 6 | 80 - 7 | R31491 | 4H11 | 10 | 80 - 17 |
| R30732 | 1F24 | 3 | 30 - 64 | R31189 | 3E10 | 8 | 50 - 80 | R31493 | 3B7 | 16 | 50 - 1 |
| R30735 | 1F5 | 23 | 30 - 44 | R31190 | 3E10 | 2 | 50 - 80 | R31493 | 3C12 | 19 | 50 - 33 |
| R30735 | 1F23 | 5 | 30 - 63 | R31190 | 3E13 | 2 | 50 - 84 | R31494 | 3B7 | 15 | 50 - 1 |
| R30737 | 1F5 | 25 | 30 - 44 | R31195 | 3E10 | 15 | 50 - 80 | R31494 | 3C12 | 18 | 50 - 33 |
| R30737 | 1F23 | 3 | 30 - 63 | R31196 | 3E10 | 20 | 50 - 80 | R31505 | 3F21 | 19 | 60 - 1 |
| R30747 | 4G21 | 1 | 80 - 2 | R31198 | 3B8 | 8 | 50 - 2 | R31505 | 4H20 | 17 | 80 - 27 |
| R30748 | 4G23 | 10 | 80 - 4 | R31198 | 3B10 | 16 | 50 - 4 | R31505 | 5C4 | 20 | 90 - 25 |
| R30759 | 1G9 | 20 | 30 - 70 | R31198 | 3D11 | 27 | 50 - 55 | R31505 | 5C7 | 24 | 90 - 29 |
| R30805 | 4H25 | 3 | 80 - 32 | R31201 | 3F23 | 34 | 60 - 3 | R31542 | 1C11 | 40 | 20 - 31 |
| R30805 | 4I2 | 4 | 80 - 34 | R31202 | 3F23 | 31 | 60 - 3 | R31561 | 3F21 | 14 | 60 - 1 |
| R30815 | 4G15 | 5 | 70 - 148 | R31217 | 3G2 | 4 | 60 - 7 | R31573 | 4G23 | 14 | 80 - 4 |

1K20

TRACTOR - 4000 AND 4020 (SERIAL NO. 201000-) TRACTORS

NUMERICAL INDEX - CONTINUED

| PART NO. | GRID | KEY | PAGE | PART NO. | GRID | KEY | PAGE | PART NO. | GRID | KEY | PAGE |
|----------|------|-----|----------|----------|------|-----|----------|----------|------|-----|----------|
| R31573 | 4H17 | 14 | 80 - 24 | R32007 | 2B18 | 6 | 40 - 12 | R32021 | 2F22 | 14 | 40 - 123 |
| R31592 | 4H11 | 10 | 80 - 17 | R32007 | 2B20 | 2 | 40 - 14 | R32022 | 2B20 | 16 | 40 - 14 |
| R31602 | 3G17 | 30 | 60 - 25 | R32007 | 2B20 | 16 | 40 - 14 | R32022 | 2E9 | 1 | 40 - 83 |
| R31618 | 5E4 | 9 | 90 - 75 | R32007 | 2B20 | 22 | 40 - 14 | R32022 | 2E16 | 2 | 40 - 90 |
| R31618 | 5E6 | 5 | 90 - 77 | R32007 | 2B21 | 4 | 40 - 15 | R32022 | 2E17 | 3 | 40 - 91 |
| R31631 | 3B7 | 6 | 50 - 1 | R32007 | 2B25 | 3 | 40 - 19 | R32022 | 2F22 | 15 | 40 - 123 |
| R31631 | 3B14 | 17 | 50 - 9 | R32007 | 2C1 | 3 | 40 - 20 | R32022 | 5B24 | 11 | 90 - 20 |
| R31631 | 3F4 | 9 | 50 - 102 | R32007 | 2C2 | 3 | 40 - 21 | R32023 | 2B16 | 8 | 40 - 10 |
| R31631 | 3F6 | 22 | 50 - 104 | R32007 | 2C3 | 3 | 40 - 22 | R32023 | 2B17 | 12 | 40 - 11 |
| R31631 | 3G11 | 16 | 60 - 18 | R32007 | 2C9 | .. | 40 - 28 | R32023 | 2F22 | 16 | 40 - 123 |
| R31632 | 3B14 | 7 | 50 - 9 | R32007 | 2C10 | 4 | 40 - 29 | R32024 | 1E4 | .. | 30 - 20 |
| R31632 | 3G19 | 22 | 60 - 27 | R32007 | 2E16 | 1 | 40 - 90 | R32024 | 2B7 | 3 | 40 - 1 |
| R31632 | 3G21 | 19 | 60 - 29 | R32007 | 2E16 | 2 | 40 - 90 | R32024 | 2B7 | 5 | 40 - 1 |
| R31654 | 3B13 | 9 | 50 - 7 | R32007 | 2E17 | 2 | 40 - 91 | R32024 | 2B8 | 8 | 40 - 2 |
| R31654 | 3E20 | 13 | 50 - 92 | R32007 | 2E17 | 3 | 40 - 91 | R32024 | 2B15 | 2 | 40 - 9 |
| R31654 | 3E21 | 8 | 50 - 93 | R32007 | 2E18 | 5 | 40 - 92 | R32024 | 2B16 | 2 | 40 - 10 |
| R31655 | 3B13 | 3 | 50 - 7 | R32007 | 2F6 | 26 | 40 - 105 | R32024 | 2B16 | 10 | 40 - 10 |
| R31655 | 3E20 | 11 | 50 - 92 | R32007 | 5B14 | 7 | 90 - 10 | R32024 | 2B17 | 2 | 40 - 11 |
| R31655 | 3E21 | 7 | 50 - 93 | R32007 | 5B14 | 14 | 90 - 10 | R32024 | 2B17 | 13 | 40 - 11 |
| R31665 | 3F17 | 25 | 50 - 115 | R32007 | 5B18 | 12 | 90 - 14 | R32024 | 2B21 | 4 | 40 - 15 |
| R31692 | 3C14 | 16 | 50 - 35 | R32007 | 5B18 | 16 | 90 - 14 | R32024 | 2F4 | 8 | 40 - 103 |
| R31692 | 3C22 | 17 | 50 - 43 | R32007 | 5B18 | 17 | 90 - 14 | R32024 | 2F6 | 26 | 40 - 105 |
| R31692 | 3C24 | 12 | 50 - 43B | R32007 | 5B24 | 11 | 90 - 20 | R32024 | 2F15 | 9 | 40 - 115 |
| R31695 | 3C14 | 12 | 50 - 35 | R32007 | 5E3 | 3 | 90 - 74 | R32024 | 2G9 | 3 | 40 - 133 |
| R31695 | 3C22 | 13 | 50 - 43 | R32011 | 2F22 | 1 | 40 - 123 | R32024 | 5B18 | 12 | 90 - 14 |
| R31695 | 3C24 | 8 | 50 - 43B | R32016 | 2B16 | 8 | 40 - 10 | R32024 | 5B18 | 16 | 90 - 14 |
| R31698 | 3E19 | 17 | 50 - 91 | R32016 | 2B16 | 10 | 40 - 10 | R32024 | 5B18 | 17 | 90 - 14 |
| R31711 | 3C13 | 9 | 50 - 34 | R32016 | 2B17 | 12 | 40 - 11 | R32025 | 1E4 | .. | 30 - 20 |
| R31713 | 3C13 | 13 | 50 - 34 | R32016 | 2B17 | 13 | 40 - 11 | R32025 | 1G14 | 3 | 30 - 75 |
| R31725 | 3D3 | 29 | 50 - 47 | R32016 | 2B18 | 6 | 40 - 12 | R32025 | 2B7 | 2 | 40 - 1 |
| R31736 | 4F20 | 7 | 70 - 125 | R32016 | 2B20 | 22 | 40 - 14 | R32025 | 2B7 | 5 | 40 - 1 |
| R31736 | 4F22 | 7 | 70 - 127 | R32016 | 2B25 | 3 | 40 - 19 | R32025 | 2B8 | 2 | 40 - 2 |
| R31781 | 4B15 | 41 | 70 - 9 | R32016 | 2C1 | 3 | 40 - 20 | R32025 | 2B8 | 6 | 40 - 2 |
| R31781 | 4B25 | 38 | 70 - 19 | R32016 | 2C2 | 3 | 40 - 21 | R32025 | 2B8 | 8 | 40 - 2 |
| R31877 | 3D13 | 6 | 50 - 57 | R32016 | 2C3 | 3 | 40 - 22 | R32025 | 2B15 | 2 | 40 - 9 |
| R31890 | 4F12 | 23 | 70 - 117 | R32016 | 2F22 | 10 | 40 - 123 | R32025 | 2B16 | 2 | 40 - 10 |
| R31892 | 2B19 | 3 | 40 - 13 | R32017 | 2F22 | 11 | 40 - 123 | R32025 | 2B17 | 2 | 40 - 11 |
| R31931 | 4C22 | 6 | 70 - 43 | R32018 | 1G14 | 3 | 30 - 75 | R32025 | 2B18 | 6 | 40 - 12 |
| R31932 | 4C22 | 9 | 70 - 43 | R32018 | 2B7 | 2 | 40 - 1 | R32025 | 2B20 | 2 | 40 - 14 |
| R31933 | 4C22 | 8 | 70 - 43 | R32018 | 2B7 | 3 | 40 - 1 | R32025 | 2C9 | .. | 40 - 28 |
| R31934 | 4C22 | 13 | 70 - 43 | R32018 | 2B7 | 5 | 40 - 1 | R32025 | 2E18 | 5 | 40 - 92 |
| R31935 | 4C22 | 12 | 70 - 43 | R32018 | 2B8 | 2 | 40 - 2 | R32025 | 2F15 | 14 | 40 - 115 |
| R31936 | 4C22 | 14 | 70 - 43 | R32018 | 2B8 | 6 | 40 - 2 | R32025 | 2G9 | 4 | 40 - 133 |
| R31937 | 4C22 | 16 | 70 - 43 | R32018 | 2B8 | 8 | 40 - 2 | R32025 | 5B14 | 8 | 90 - 10 |
| R31939 | 4C22 | 7 | 70 - 43 | R32018 | 2B20 | 2 | 40 - 14 | R32025 | 5B24 | 2 | 90 - 20 |
| R31943 | 4H11 | 10 | 80 - 17 | R32018 | 2B23 | 2 | 40 - 17 | R32025 | 5E3 | 3 | 90 - 74 |
| R31993 | 4H11 | 10 | 80 - 17 | R32018 | 2C9 | .. | 40 - 28 | R32026 | 2B21 | 4 | 40 - 15 |
| R32000 | 4H11 | 7 | 80 - 17 | R32018 | 2C10 | 4 | 40 - 29 | R32026 | 2F6 | 26 | 40 - 105 |
| R32000 | 4H11 | 11 | 80 - 17 | R32018 | 2E12 | 8 | 40 - 85A | R32026 | 2F22 | 17 | 40 - 123 |
| R32000 | 4H11 | 12 | 80 - 17 | R32018 | 2E13 | 4 | 40 - 86 | R32026 | 2G4 | 48 | 40 - 127 |
| R32000 | 4H11 | 13 | 80 - 17 | R32018 | 2E16 | 1 | 40 - 90 | R32027 | 1E4 | .. | 30 - 20 |
| R32000 | 4H13 | 1 | 80 - 19 | R32018 | 2E17 | 2 | 40 - 91 | R32027 | 1G14 | 3 | 30 - 75 |
| R32007 | 1E4 | .. | 30 - 20 | R32018 | 2F6 | 26 | 40 - 105 | R32027 | 2B7 | 2 | 40 - 1 |
| R32007 | 1G14 | 3 | 30 - 75 | R32018 | 2F15 | 9 | 40 - 115 | R32027 | 2B7 | 3 | 40 - 1 |
| R32007 | 2B7 | 2 | 40 - 1 | R32018 | 2F15 | 15 | 40 - 115 | R32027 | 2B7 | 5 | 40 - 1 |
| R32007 | 2B7 | 3 | 40 - 1 | R32018 | 2F22 | 12 | 40 - 123 | R32027 | 2B8 | 2 | 40 - 2 |
| R32007 | 2B7 | 5 | 40 - 1 | R32018 | 5B14 | 7 | 90 - 10 | R32027 | 2B8 | 6 | 40 - 2 |
| R32007 | 2B8 | 2 | 40 - 2 | R32018 | 5B14 | 14 | 90 - 10 | R32027 | 2B8 | 8 | 40 - 2 |
| R32007 | 2B8 | 6 | 40 - 2 | R32018 | 5B18 | 12 | 90 - 14 | R32027 | 2B15 | 2 | 40 - 9 |
| R32007 | 2B8 | 8 | 40 - 2 | R32018 | 5B24 | 11 | 90 - 20 | R32027 | 2B16 | 2 | 40 - 10 |
| R32007 | 2B15 | 2 | 40 - 9 | R32018 | 5E3 | 3 | 90 - 74 | R32027 | 2B16 | 10 | 40 - 10 |
| R32007 | 2B16 | 2 | 40 - 10 | R32019 | 2E16 | 2 | 40 - 90 | R32027 | 2B17 | 2 | 40 - 11 |
| R32007 | 2B16 | 8 | 40 - 10 | R32019 | 2E17 | 3 | 40 - 91 | R32027 | 2B17 | 13 | 40 - 11 |
| R32007 | 2B16 | 10 | 40 - 10 | R32019 | 2F12 | 7 | 40 - 112 | R32027 | 2B18 | 6 | 40 - 12 |
| R32007 | 2B17 | 2 | 40 - 11 | R32019 | 2F12 | 11 | 40 - 112 | R32027 | 2B20 | 2 | 40 - 14 |
| R32007 | 2B17 | 12 | 40 - 11 | R32019 | 2F22 | 13 | 40 - 123 | R32027 | 2B21 | 4 | 40 - 15 |
| R32007 | 2B17 | 13 | 40 - 11 | R32021 | 2F15 | 14 | 40 - 115 | R32027 | 2B23 | 2 | 40 - 17 |

1K21

TRACTOR - 4000 AND 4020 (SERIAL NO. 201000-) TRACTORS

NUMERICAL INDEX - CONTINUED

| PART NO. | GRID | KEY | PAGE | PART NO. | GRID | KEY | PAGE | PART NO. | GRID | KEY | PAGE |
|----------|------|-----|----------|----------|------|-----|----------|----------|------|-----|----------|
| R32027 | 2E12 | 5 | 40 - 85A | R32276 | 2F7 | .. | 40 - 106 | R33022 | 3E23 | 16 | 50 - 95 |
| R32027 | 2E18 | 5 | 40 - 92 | R32276 | 2F9 | 11 | 40 - 108 | R33022 | 3E24 | 8 | 50 - 96 |
| R32027 | 2F4 | 8 | 40 - 103 | R32289 | 5E3 | 12 | 90 - 74 | R33022 | 3E25 | 8 | 50 - 97 |
| R32027 | 2F6 | 26 | 40 - 105 | R32306 | 1G3 | 4 | 30 - 68 | R33023 | 3E23 | 23 | 50 - 95 |
| R32027 | 2F15 | 5 | 40 - 115 | R32306 | 1G5 | 4 | 30 - 69 | R33023 | 3E24 | 13 | 50 - 96 |
| R32027 | 2F15 | 9 | 40 - 115 | R32306 | 1G8 | 2 | 30 - 69D | R33024 | 3E23 | 15 | 50 - 95 |
| R32027 | 2F15 | 14 | 40 - 115 | R32313 | 3C19 | 4 | 50 - 40 | R33024 | 3G9 | 1 | 60 - 15 |
| R32027 | 2F22 | 18 | 40 - 123 | R32344 | 4B15 | 42 | 70 - 9 | R33026 | 3E22 | 3 | 50 - 94 |
| R32027 | 5B14 | 7 | 90 - 10 | R32353 | 4F20 | 21 | 70 - 125 | R33026 | 3E24 | 1 | 50 - 96 |
| R32027 | 5B14 | 8 | 90 - 10 | R32353 | 4G14 | 15 | 70 - 147 | R33026 | 3E25 | 1 | 50 - 97 |
| R32027 | 5B18 | 12 | 90 - 14 | R32354 | 4F20 | 25 | 70 - 125 | R33027 | 3E23 | 12 | 50 - 95 |
| R32027 | 5B18 | 16 | 90 - 14 | R32354 | 4G14 | 11 | 70 - 147 | R33027 | 3E24 | 6 | 50 - 96 |
| R32027 | 5B18 | 17 | 90 - 14 | R32355 | 4F20 | 26 | 70 - 125 | R33027 | 3E25 | 6 | 50 - 97 |
| R32027 | 5B24 | 2 | 90 - 20 | R32355 | 4G14 | 10 | 70 - 147 | R33028 | 3C9 | 18 | 50 - 30 |
| R32027 | 5E3 | 3 | 90 - 74 | R32356 | 4F12 | 9 | 70 - 117 | R33028 | 3E7 | 18 | 50 - 77 |
| R32028 | 2C10 | 4 | 40 - 29 | R32356 | 4F20 | 27 | 70 - 125 | R33028 | 3E23 | 17 | 50 - 95 |
| R32028 | 2E9 | 1 | 40 - 83 | R32356 | 4G14 | 9 | 70 - 147 | R33029 | 3E23 | 21 | 50 - 95 |
| R32028 | 2F12 | 7 | 40 - 112 | R32376 | 3G17 | 29 | 60 - 25 | R33029 | 3E24 | 11 | 50 - 96 |
| R32028 | 2F22 | 19 | 40 - 123 | R32397 | 3B25 | 28 | 50 - 21 | R33029 | 3E25 | 11 | 50 - 97 |
| R32029 | 2B21 | 5 | 40 - 15 | R32399 | 3G9 | 6 | 60 - 15 | R33039 | 3D10 | 10 | 50 - 54 |
| R32029 | 2F6 | 25 | 40 - 105 | R32408 | 1F18 | 14 | 30 - 58 | R33040 | 3D9 | 1 | 50 - 53 |
| R32029 | 2F22 | 20 | 40 - 123 | R32419 | 4E25 | 24 | 70 - 103 | R33042 | 3D7 | 2 | 50 - 51 |
| R32042 | 3D4 | 8 | 50 - 48 | R32419 | 4F20 | 28 | 70 - 125 | R33045 | 3D8 | 3 | 50 - 52 |
| R32042 | 3D6 | 7 | 50 - 50 | R32419 | 4G14 | 8 | 70 - 147 | R33047 | 3D9 | 11 | 50 - 53 |
| R32072 | 4H11 | 10 | 80 - 17 | R32426 | 1B12 | 2 | 20 - 7 | R33049 | 3D15 | 6 | 50 - 59 |
| R32087 | 4C20 | 10 | 70 - 41 | R32427 | 1C9 | 21 | 20 - 29 | R33050 | 3D10 | 2 | 50 - 54 |
| R32087 | 4C22 | 2 | 70 - 43 | R32429 | 4D24 | 3 | 70 - 74 | R33051 | 3D9 | 10 | 50 - 53 |
| R32090 | 3G11 | 4 | 60 - 18 | R32507 | 3C6 | 10 | 50 - 27 | R33052 | 3D8 | 14 | 50 - 52 |
| R32091 | 3G11 | 3 | 60 - 18 | R32507 | 3E3 | 10 | 50 - 73 | R33053 | 3D7 | 9 | 50 - 51 |
| R32092 | 3G11 | 1 | 60 - 18 | R32511 | 1E25 | 22 | 30 - 39 | R33053 | 3D8 | 12 | 50 - 52 |
| R32092 | 3G12 | 3 | 60 - 19 | R32511 | 1F1 | 22 | 30 - 40 | R33053 | 3D9 | 8 | 50 - 53 |
| R32100 | 1D2 | 27 | 20 - 47 | R32588 | 3B10 | 19 | 50 - 4 | R33053 | 3D10 | 4 | 50 - 54 |
| R32101 | 3B7 | 26 | 50 - 1 | R32588 | 3B15 | 9 | 50 - 10 | R33054 | 3D7 | 8 | 50 - 51 |
| R32101 | 3B16 | 5 | 50 - 12 | R32588 | 3F25 | 3 | 60 - 5 | R33054 | 3D9 | 7 | 50 - 53 |
| R32101 | 3C9 | 13 | 50 - 30 | R32588 | 3G7 | 15 | 60 - 13 | R33054 | 3D10 | 13 | 50 - 54 |
| R32101 | 3C10 | 7 | 50 - 31 | R32588 | 4G2 | 2 | 70 - 133 | R33058 | 3D11 | 9 | 50 - 55 |
| R32101 | 3C12 | 29 | 50 - 33 | R32588 | 4G4 | 15 | 70 - 135 | R33058 | 3D14 | 3 | 50 - 58 |
| R32101 | 3D4 | 5 | 50 - 48 | R32588 | 4G10 | 5 | 70 - 142 | R33058 | 3E19 | 7 | 50 - 91 |
| R32101 | 3E7 | 13 | 50 - 77 | R32588 | 4G12 | 15 | 70 - 145 | R33061 | 3C14 | 4 | 50 - 35 |
| R32101 | 3E8 | 6 | 50 - 78 | R32588 | 4G13 | 2 | 70 - 146 | R33061 | 3C20 | 12 | 50 - 41 |
| R32101 | 4D3 | 9 | 70 - 50 | R32593 | 1B9 | 5 | 20 - 4 | R33061 | 3C22 | 8 | 50 - 43 |
| R32101 | 4D5 | 14 | 70 - 52 | R32593 | 1C24 | 7 | 20 - 45 | R33061 | 3C22 | 21 | 50 - 43 |
| R32101 | 5D9 | 32 | 90 - 55 | R32617 | 1B14 | .. | 20 - 9 | R33061 | 3C24 | 3 | 50 - 43B |
| R32117 | 4F25 | 5 | 70 - 131 | R32617 | 1C7 | 5 | 20 - 27 | R33062 | 3B20 | 1 | 50 - 16 |
| R32118 | 4F25 | 5 | 70 - 131 | R32617 | 1C7 | 11 | 20 - 27 | R33062 | 3D15 | 1 | 50 - 59 |
| R32119 | 4D21 | 16 | 70 - 71 | R32630 | 3B21 | 9 | 50 - 17 | R33072 | 3C19 | 14 | 50 - 40 |
| R32119 | 4D23 | 14 | 70 - 73 | R32631 | 3B8 | 2 | 50 - 2 | R33072 | 3C22 | 39 | 50 - 43 |
| R32119 | 4D24 | 4 | 70 - 74 | R32632 | 3B8 | 23 | 50 - 2 | R33072 | 3C24 | 37 | 50 - 43B |
| R32122 | 1C12 | 5 | 20 - 32 | R32639 | 1E23 | 25 | 30 - 37 | R33073 | 3C19 | 13 | 50 - 40 |
| R32123 | 1C12 | 6 | 20 - 32 | R32639 | 1E24 | 25 | 30 - 38 | R33073 | 3C22 | 38 | 50 - 43 |
| R32123 | 1C24 | 20 | 20 - 45 | R32641 | 4D2 | 8 | 70 - 49 | R33073 | 3C24 | 36 | 50 - 43B |
| R32123 | 1D2 | 24 | 20 - 47 | R32681 | 3E25 | 17 | 50 - 97 | R33076 | 3D17 | 8 | 50 - 61 |
| R32136 | 1E24 | 26 | 30 - 38 | R32704 | 1D24 | 18 | 30 - 15 | R33077 | 3D25 | 12 | 50 - 70 |
| R32136 | 1E25 | 28 | 30 - 39 | R32731 | 3F23 | 9 | 60 - 3 | R33081 | 3D11 | 26 | 50 - 55 |
| R32136 | 1F1 | 29 | 30 - 40 | R32731 | 3G7 | 2 | 60 - 13 | R33082 | 3D11 | 3 | 50 - 55 |
| R32183 | 4F25 | 3 | 70 - 131 | R32736 | 5C2 | 8 | 90 - 23 | R33083 | 3D11 | 13 | 50 - 55 |
| R32186 | 3F23 | 14 | 60 - 3 | R33004 | 3E23 | 18 | 50 - 95 | R33084 | 3D11 | 19 | 50 - 55 |
| R32192 | 1B20 | 2 | 20 - 15 | R33006 | 3D15 | 1 | 50 - 59 | R33085 | 3D11 | 8 | 50 - 55 |
| R32192 | 3C13 | 15 | 50 - 34 | R33008 | 3D11 | 24 | 50 - 55 | R33086 | 3D11 | 14 | 50 - 55 |
| R32224 | 4H11 | 4 | 80 - 17 | R33009 | 3D11 | 17 | 50 - 55 | R33087 | 3D11 | 7 | 50 - 55 |
| R32224 | 4H12 | 4 | 80 - 18 | R33011 | 3D11 | 5 | 50 - 55 | R33088 | 3D11 | 18 | 50 - 55 |
| R32230 | 4H11 | 7 | 80 - 17 | R33012 | 3D7 | 15 | 50 - 51 | R33089 | 3D11 | 15 | 50 - 55 |
| R32230 | 4H11 | 11 | 80 - 17 | R33015 | 3E22 | 2 | 50 - 94 | R33089 | 3D11 | 17 | 50 - 55 |
| R32230 | 4H11 | 12 | 80 - 17 | R33018 | 3E22 | 2 | 50 - 94 | R33091 | 3D11 | 21 | 50 - 55 |
| R32230 | 4H11 | 13 | 80 - 17 | R33020 | 3E22 | 5 | 50 - 94 | R33092 | 3D11 | 12 | 50 - 55 |
| R32232 | 4H11 | 10 | 80 - 17 | R33020 | 3E24 | 3 | 50 - 96 | R33093 | 3D11 | 6 | 50 - 55 |
| R32235 | 1D23 | 4 | 30 - 14 | R33021 | 3E23 | 19 | 50 - 95 | R33094 | 3D11 | 10 | 50 - 55 |

1K22

TRACTOR - 4000 AND 4020 (SERIAL NO. 201000-) TRACTORS

NUMERICAL INDEX - CONTINUED

| PART NO. | GRID | KEY | PAGE | PART NO. | GRID | KEY | PAGE | PART NO. | GRID | KEY | PAGE |
|----------|------|-----|----------|----------|------|-----|----------|----------|------|-----|----------|
| R33109 | 3C19 | 21 | 50 - 40 | R33184 | 3C20 | 15 | 50 - 41 | R33261 | 3D10 | 6 | 50 - 54 |
| R33111 | 3D10 | 12 | 50 - 54 | R33184 | 3C22 | 43 | 50 - 43 | R33263 | 3D7 | 24 | 50 - 51 |
| R33112 | 3D11 | 11 | 50 - 55 | R33184 | 3C24 | 32 | 50 - 43B | R33264 | 3D14 | 17 | 50 - 58 |
| R33114 | 3C19 | 8 | 50 - 40 | R33188 | 3C19 | 2 | 50 - 40 | R33268 | 3D24 | 22 | 50 - 69 |
| R33114 | 3C20 | 16 | 50 - 41 | R33188 | 3C22 | 48 | 50 - 43 | R33271 | 3D24 | 19 | 50 - 69 |
| R33114 | 3C22 | 33 | 50 - 43 | R33212 | 3E8 | 9 | 50 - 78 | R33272 | 3D24 | 18 | 50 - 69 |
| R33114 | 3C22 | 42 | 50 - 43 | R33216 | 3B7 | 24 | 50 - 1 | R33273 | 3D17 | 1 | 50 - 61 |
| R33114 | 3C24 | 33 | 50 - 43B | R33216 | 3C12 | 27 | 50 - 33 | R33274 | 3D17 | 3 | 50 - 61 |
| R33114 | 3D7 | 22 | 50 - 51 | R33218 | 3D14 | 24 | 50 - 58 | R33275 | 3D22 | 8 | 50 - 67 |
| R33118 | 3C19 | 20 | 50 - 40 | R33219 | 3D15 | 11 | 50 - 59 | R33275 | 3D24 | 11 | 50 - 69 |
| R33121 | 3D15 | 7 | 50 - 59 | R33221 | 3D14 | 27 | 50 - 58 | R33276 | 3D25 | 3 | 50 - 70 |
| R33133 | 3C14 | 8 | 50 - 35 | R33222 | 3D14 | 16 | 50 - 58 | R33277 | 3D17 | 6 | 50 - 61 |
| R33133 | 3C15 | 2 | 50 - 36 | R33227 | 3D13 | 13 | 50 - 57 | R33277 | 3D19 | 6 | 50 - 64 |
| R33133 | 3C22 | 12 | 50 - 43 | R33228 | 3D13 | 11 | 50 - 57 | R33277 | 3D19 | 8 | 50 - 64 |
| R33133 | 3C24 | 7 | 50 - 43B | R33232 | 3E6 | 18 | 50 - 76 | R33277 | 3D22 | 4 | 50 - 67 |
| R33135 | 3C13 | 6 | 50 - 34 | R33236 | 3B7 | 25 | 50 - 1 | R33280 | 3D25 | 9 | 50 - 70 |
| R33136 | 3D3 | 22 | 50 - 47 | R33236 | 3C10 | 9 | 50 - 31 | R33282 | 3D25 | 11 | 50 - 70 |
| R33137 | 3D3 | 16 | 50 - 47 | R33236 | 3C12 | 28 | 50 - 33 | R33282 | 3E3 | 19 | 50 - 73 |
| R33138 | 3C7 | 14 | 50 - 28 | R33236 | 3E8 | 8 | 50 - 78 | R33282 | 3F6 | 29 | 50 - 104 |
| R33138 | 3D1 | 20 | 50 - 45 | R33237 | 3D16 | 7 | 50 - 60 | R33282 | 3G19 | 17 | 60 - 27 |
| R33138 | 3D3 | 24 | 50 - 47 | R33240 | 3D13 | 19 | 50 - 57 | R33284 | 3D25 | 5 | 50 - 70 |
| R33138 | 3D3 | 25 | 50 - 47 | R33241 | 3D14 | 4 | 50 - 58 | R33287 | 3D24 | 13 | 50 - 69 |
| R33145 | 3D3 | 3 | 50 - 47 | R33243 | 3B20 | 1 | 50 - 16 | R33287 | 3D24 | 14 | 50 - 69 |
| R33145 | 3D3 | 8 | 50 - 47 | R33244 | 3D7 | 4 | 50 - 51 | R33290 | 3D24 | 4 | 50 - 69 |
| R33146 | 3C17 | 16 | 50 - 38 | R33244 | 3D9 | 3 | 50 - 53 | R33291 | 3D24 | 1 | 50 - 69 |
| R33147 | 3C17 | 13 | 50 - 38 | R33244 | 3D10 | 8 | 50 - 54 | R33293 | 3D25 | 8 | 50 - 70 |
| R33148 | 3C17 | 11 | 50 - 38 | R33245 | 3D7 | 5 | 50 - 51 | R33294 | 3D25 | 10 | 50 - 70 |
| R33154 | 3C17 | 9 | 50 - 38 | R33245 | 3D8 | 8 | 50 - 52 | R33294 | 3E3 | 18 | 50 - 73 |
| R33156 | 3C25 | 17 | 50 - 44 | R33245 | 3D9 | 4 | 50 - 53 | R33302 | 3E1 | 20 | 50 - 71 |
| R33157 | 3C25 | 7 | 50 - 44 | R33245 | 3D10 | 7 | 50 - 54 | R33304 | 3D17 | 2 | 50 - 61 |
| R33162 | 3C7 | 11 | 50 - 28 | R33246 | 3C19 | 12 | 50 - 40 | R33304 | 3D19 | 2 | 50 - 64 |
| R33162 | 3C7 | 15 | 50 - 28 | R33246 | 3C20 | 10 | 50 - 41 | R33307 | 3D25 | 2 | 50 - 70 |
| R33162 | 3C7 | 23 | 50 - 28 | R33246 | 3C22 | 22 | 50 - 43 | R33320 | 3C9 | 14 | 50 - 30 |
| R33162 | 3C7 | 25 | 50 - 28 | R33246 | 3C22 | 37 | 50 - 43 | R33320 | 3E7 | 14 | 50 - 77 |
| R33162 | 3D1 | 17 | 50 - 45 | R33246 | 3C24 | 29 | 50 - 43B | R33321 | 3C10 | 16 | 50 - 31 |
| R33162 | 3E3 | 16 | 50 - 73 | R33246 | 3D7 | 18 | 50 - 51 | R33321 | 3E8 | 17 | 50 - 78 |
| R33163 | 3C7 | 18 | 50 - 28 | R33247 | 3C19 | 7 | 50 - 40 | R33322 | 3C10 | 18 | 50 - 31 |
| R33163 | 3D1 | 14 | 50 - 45 | R33247 | 3C20 | 6 | 50 - 41 | R33322 | 3E8 | 19 | 50 - 78 |
| R33164 | 3D1 | 12 | 50 - 45 | R33247 | 3C22 | 26 | 50 - 43 | R33325 | 3C10 | 1 | 50 - 31 |
| R33164 | 3D3 | 14 | 50 - 47 | R33247 | 3C22 | 32 | 50 - 43 | R33325 | 3E8 | 1 | 50 - 78 |
| R33165 | 3C25 | 9 | 50 - 44 | R33247 | 3C24 | 25 | 50 - 43B | R33337 | 3B17 | 24 | 50 - 13 |
| R33166 | 3C14 | 6 | 50 - 35 | R33247 | 3D7 | 23 | 50 - 51 | R33337 | 3C9 | 12 | 50 - 30 |
| R33166 | 3C22 | 10 | 50 - 43 | R33248 | 3D14 | 6 | 50 - 58 | R33337 | 3D5 | 31 | 50 - 49 |
| R33166 | 3C24 | 5 | 50 - 43B | R33255 | 3D14 | 15 | 50 - 58 | R33337 | 3E7 | 12 | 50 - 77 |
| R33167 | 3C14 | 2 | 50 - 35 | R33256 | 3D14 | 10 | 50 - 58 | R33338 | 3C10 | 8 | 50 - 31 |
| R33167 | 3C22 | 6 | 50 - 43 | R33257 | 3D14 | 10 | 50 - 58 | R33338 | 3E8 | 7 | 50 - 78 |
| R33167 | 3C24 | 1 | 50 - 43B | R33258 | 3D14 | 10 | 50 - 58 | R33339 | 3C9 | 20 | 50 - 30 |
| R33168 | 3C13 | 1 | 50 - 34 | R33259 | 1F5 | 2 | 30 - 44 | R33339 | 3E7 | 20 | 50 - 77 |
| R33168 | 3C14 | 23 | 50 - 35 | R33259 | 1F5 | 8 | 30 - 44 | R33344 | 3C9 | 19 | 50 - 30 |
| R33168 | 3C20 | 13 | 50 - 41 | R33259 | 1F5 | 17 | 30 - 44 | R33344 | 3E7 | 19 | 50 - 77 |
| R33168 | 3C22 | 18 | 50 - 43 | R33259 | 1F15 | 2 | 30 - 54 | R33345 | 3C8 | 8 | 50 - 29 |
| R33168 | 3C24 | 18 | 50 - 43B | R33259 | 1F15 | 8 | 30 - 54 | R33346 | 3B20 | 15 | 50 - 16 |
| R33169 | 3C20 | 11 | 50 - 41 | R33259 | 1F15 | 17 | 30 - 54 | R33346 | 3C8 | 11 | 50 - 29 |
| R33169 | 3C22 | 20 | 50 - 43 | R33259 | 1F22 | 14 | 30 - 62 | R33347 | 3B20 | 14 | 50 - 16 |
| R33169 | 3C24 | 30 | 50 - 43B | R33259 | 3B14 | 18 | 50 - 9 | R33347 | 3C8 | 14 | 50 - 29 |
| R33171 | 3C14 | 1 | 50 - 35 | R33259 | 3B14 | .. | 50 - 9 | R33348 | 3C11 | 7 | 50 - 32 |
| R33173 | 3D1 | 33 | 50 - 45 | R33259 | 3C7 | 9 | 50 - 28 | R33348 | 3E9 | 7 | 50 - 79 |
| R33173 | 3D3 | 18 | 50 - 47 | R33259 | 3C7 | 11 | 50 - 28 | R33352 | 1C12 | 26 | 20 - 32 |
| R33174 | 3D3 | 19 | 50 - 47 | R33259 | 3C7 | 15 | 50 - 28 | R33361 | 3E3 | 28 | 50 - 73 |
| R33175 | 3D3 | 20 | 50 - 47 | R33259 | 3C7 | 23 | 50 - 28 | R33362 | 3E3 | 32 | 50 - 73 |
| R33177 | 3D1 | 13 | 50 - 45 | R33259 | 3C7 | 25 | 50 - 28 | R33363 | 3E3 | 31 | 50 - 73 |
| R33177 | 3D3 | 15 | 50 - 47 | R33259 | 3D1 | 17 | 50 - 45 | R33364 | 3E3 | 30 | 50 - 73 |
| R33178 | 3D1 | 11 | 50 - 45 | R33259 | 3D1 | 34 | 50 - 45 | R33364 | 4D2 | 27 | 70 - 49 |
| R33178 | 3D3 | 13 | 50 - 47 | R33259 | 3D13 | 12 | 50 - 57 | R33365 | 3B19 | 6 | 50 - 15 |
| R33183 | 3C20 | 5 | 50 - 41 | R33259 | 3E3 | 16 | 50 - 73 | R33366 | 3B19 | 4 | 50 - 15 |
| R33183 | 3C22 | 27 | 50 - 43 | R33261 | 3D7 | 6 | 50 - 51 | R33367 | 3B20 | 5 | 50 - 16 |
| R33183 | 3C24 | 24 | 50 - 43B | R33261 | 3D9 | 5 | 50 - 53 | R33369 | 3B20 | 23 | 50 - 16 |

1K23

TRACTOR - 4000 AND 4020 (SERIAL NO. 201000-) TRACTORS

NUMERICAL INDEX - CONTINUED

| PART NO. | GRID | KEY | PAGE | PART NO. | GRID | KEY | PAGE | PART NO. | GRID | KEY | PAGE |
|----------|------|-----|----------|----------|------|-----|----------|----------|------|-----|----------|
| R33370 | 3B20 | 20 | 50 - 16 | R33521 | 3D1 | 21 | 50 - 45 | R34090 | 1C22 | 3 | 20 - 43 |
| R33382 | 3C2 | 11 | 50 - 23 | R33521 | 3D3 | 17 | 50 - 47 | R34098 | 4B8 | 4 | 70 - 2 |
| R33383 | 3C2 | 20 | 50 - 23 | R33521 | 4C24 | 7 | 70 - 45 | R34108 | 1C12 | 11 | 20 - 32 |
| R33383 | 3C4 | 15 | 50 - 25 | R33525 | 3C12 | 3 | 50 - 33 | R34109 | 1C12 | 9 | 20 - 32 |
| R33384 | 3C2 | 22 | 50 - 23 | R33526 | 3C12 | 2 | 50 - 33 | R34109 | 1C24 | 19 | 20 - 45 |
| R33384 | 3C4 | 17 | 50 - 25 | R33527 | 3C17 | 12 | 50 - 38 | R34109 | 1D2 | 31 | 20 - 47 |
| R33385 | 3B19 | 10 | 50 - 15 | R33528 | 3C12 | 6 | 50 - 33 | R34110 | 1C12 | 14 | 20 - 32 |
| R33386 | 3B20 | 19 | 50 - 16 | R33531 | 4H11 | 3 | 80 - 17 | R34110 | 1C24 | 22 | 20 - 45 |
| R33387 | 3B20 | 8 | 50 - 16 | R33532 | 4H11 | 4 | 80 - 17 | R34110 | 1D2 | 22 | 20 - 47 |
| R33388 | 3B20 | 10 | 50 - 16 | R33533 | 4H12 | 3 | 80 - 18 | R34113 | 4H20 | 11 | 80 - 27 |
| R33392 | 3B21 | 7 | 50 - 17 | R33534 | 4H12 | 4 | 80 - 18 | R34114 | 4H20 | 2 | 80 - 27 |
| R33393 | 3B21 | 5 | 50 - 17 | R33539 | 4H11 | 3 | 80 - 17 | R34117 | 3F23 | 16 | 60 - 3 |
| R33394 | 3B21 | 3 | 50 - 17 | R33540 | 4H11 | 4 | 80 - 17 | R34119 | 3F25 | 10 | 60 - 5 |
| R33398 | 3B23 | 3 | 50 - 19 | R33550 | 3B8 | 9 | 50 - 2 | R34119 | 3F25 | 22A | 60 - 5 |
| R33399 | 3B23 | 5 | 50 - 19 | R33587 | 3D24 | 12 | 50 - 69 | R34119 | 3F25 | 23A | 60 - 5 |
| R33400 | 3B23 | 20 | 50 - 19 | R33588 | 3D11 | 22 | 50 - 55 | R34119 | 3G1 | 10 | 60 - 6 |
| R33402 | 3B10 | 12 | 50 - 4 | R33610 | 3C7 | 4 | 50 - 28 | R34121 | 3F24 | 15 | 60 - 4 |
| R33403 | 3B7 | 29 | 50 - 1 | R33610 | 4C17 | 4 | 70 - 38 | R34122 | 3F25 | 19 | 60 - 5 |
| R33405 | 3C2 | 12 | 50 - 23 | R33610 | 4C23 | 6 | 70 - 44 | R34123 | 3F25 | 16 | 60 - 5 |
| R33405 | 3C4 | 8 | 50 - 25 | R33634 | 1B8 | 16 | 20 - 3 | R34125 | 3F23 | 28 | 60 - 3 |
| R33406 | 3B20 | 9 | 50 - 16 | R33703 | 3D4 | 9 | 50 - 48 | R34129 | 3F25 | 21 | 60 - 5 |
| R33407 | 3B19 | 9 | 50 - 15 | R33703 | 3D8 | 6 | 50 - 52 | R34129 | 3G7 | 18 | 60 - 13 |
| R33408 | 3B19 | 9 | 50 - 15 | R33706 | 4H11 | 9 | 80 - 17 | R34131 | 3F25 | 9 | 60 - 5 |
| R33410 | 3B20 | 1 | 50 - 16 | R33711 | 3C4 | 7 | 50 - 25 | R34131 | 4G2 | 1 | 70 - 133 |
| R33410 | 3B20 | 4 | 50 - 16 | R33730 | 3B21 | 6 | 50 - 17 | R34131 | 4G4 | 16 | 70 - 135 |
| R33411 | 3B20 | 1 | 50 - 16 | R33730 | 3B23 | 6 | 50 - 19 | R34131 | 4G12 | 16 | 70 - 145 |
| R33411 | 3B20 | 4 | 50 - 16 | R33731 | 3B21 | 21 | 50 - 17 | R34131 | 4G13 | 1 | 70 - 146 |
| R33412 | 3B20 | 4 | 50 - 16 | R33732 | 3F21 | 7 | 60 - 1 | R34147 | 1G12 | 17 | 30 - 73 |
| R33413 | 3B20 | 1 | 50 - 16 | R33733 | 3G4 | 20 | 60 - 9 | R34152 | 4D7 | 7 | 70 - 54 |
| R33413 | 3B20 | 18 | 50 - 16 | R33765 | 3B23 | 12 | 50 - 19 | R34154 | 4D3 | 15 | 70 - 50 |
| R33413 | 3D15 | 8 | 50 - 59 | R33767 | 5E2 | 2 | 90 - 73 | R34154 | 4D6 | 11 | 70 - 53 |
| R33414 | 3B20 | 1 | 50 - 16 | R33819 | 3G9 | 6 | 60 - 15 | R34166 | 3E8 | 26 | 50 - 78 |
| R33414 | 3B20 | 18 | 50 - 16 | R33826 | 4D18 | 17 | 70 - 67 | R34175 | 3D25 | 4 | 50 - 70 |
| R33414 | 3D15 | 8 | 50 - 59 | R33826 | 4E20 | 18 | 70 - 98 | R34201 | 3B8 | 28 | 50 - 2 |
| R33415 | 3B20 | 18 | 50 - 16 | R33826 | 4E21 | 11 | 70 - 99 | R34206 | 2B12 | 9 | 40 - 6 |
| R33415 | 3D15 | 8 | 50 - 59 | R33831 | 4E13 | 21 | 70 - 90 | R34212 | 3C12 | 14 | 50 - 33 |
| R33418 | 3C8 | 5 | 50 - 29 | R33837 | 3C12 | 13 | 50 - 33 | R34253 | 4E21 | 5 | 70 - 99 |
| R33424 | 3B18 | 1 | 50 - 14 | R33837 | 3C25 | 5 | 50 - 44 | R34253 | 4E23 | 5 | 70 - 101 |
| R33425 | 3B18 | 2 | 50 - 14 | R33852 | 3C9 | 15 | 50 - 30 | R34253 | 4E23 | 10 | 70 - 101 |
| R33430 | 4H11 | 7 | 80 - 17 | R33852 | 3E7 | 15 | 50 - 77 | R34267 | 5C2 | 10 | 90 - 23 |
| R33430 | 4H11 | 11 | 80 - 17 | R33853 | 3C9 | 17 | 50 - 30 | R34272 | 5C2 | 5 | 90 - 23 |
| R33430 | 4H11 | 12 | 80 - 17 | R33853 | 3E7 | 17 | 50 - 77 | R34295 | 3C14 | 20 | 50 - 35 |
| R33430 | 4H11 | 13 | 80 - 17 | R33856 | 3C8 | 1 | 50 - 29 | R34295 | 3C22 | 2 | 50 - 43 |
| R33431 | 3E23 | 26 | 50 - 95 | R33871 | 3D7 | 7 | 50 - 51 | R34295 | 3C24 | 16 | 50 - 43B |
| R33440 | 4H11 | 7 | 80 - 17 | R33871 | 3D8 | 10 | 50 - 52 | R34304 | 4D7 | 6 | 70 - 54 |
| R33440 | 4H11 | 11 | 80 - 17 | R33871 | 3D9 | 6 | 50 - 53 | R34328 | 3C10 | 14 | 50 - 31 |
| R33440 | 4H11 | 12 | 80 - 17 | R33871 | 3D10 | 5 | 50 - 54 | R34328 | 3E8 | 15 | 50 - 78 |
| R33440 | 4H11 | 13 | 80 - 17 | R33872 | 3D7 | 10 | 50 - 51 | R34336 | 3F25 | 22A | 60 - 5 |
| R33450 | 4H11 | 7 | 80 - 17 | R33872 | 3D8 | 13 | 50 - 52 | R34337 | 2B9 | 27 | 40 - 3 |
| R33450 | 4H11 | 12 | 80 - 17 | R33872 | 3D9 | 9 | 50 - 53 | R34347 | 4B11 | 16 | 70 - 5 |
| R33450 | 4H11 | 13 | 80 - 17 | R33872 | 3D10 | 3 | 50 - 54 | R34348 | 4B11 | 30 | 70 - 5 |
| R33485 | 3C10 | 25 | 50 - 31 | R33873 | 3C19 | 4 | 50 - 40 | R34349 | 4B11 | 28 | 70 - 5 |
| R33486 | 3C10 | 10 | 50 - 31 | R33873 | 3C20 | 4 | 50 - 41 | R34353 | 4B11 | 1 | 70 - 5 |
| R33487 | 3C9 | 11 | 50 - 30 | R33873 | 3C22 | 28 | 50 - 43 | R34354 | 4B11 | 14 | 70 - 5 |
| R33487 | 3E7 | 11 | 50 - 77 | R33873 | 3C22 | 46 | 50 - 43 | R34354 | 4B11 | 15 | 70 - 5 |
| R33488 | 3C10 | 2 | 50 - 31 | R33873 | 3C24 | 23 | 50 - 43B | R34354 | 4B11 | 16 | 70 - 5 |
| R33488 | 3E8 | 2 | 50 - 78 | R33873 | 3D7 | 25 | 50 - 51 | R34358 | 4B8 | 9 | 70 - 2 |
| R33489 | 3B17 | 23 | 50 - 13 | R33895 | 3B7 | 1 | 50 - 1 | R34359 | 4B8 | 6 | 70 - 2 |
| R33489 | 3D5 | 30 | 50 - 49 | R33911 | 3E3 | 25 | 50 - 73 | R34360 | 4B8 | 3 | 70 - 2 |
| R33498 | 3B17 | 20 | 50 - 13 | R33913 | 3D14 | 26 | 50 - 58 | R34360 | 4B8 | 5 | 70 - 2 |
| R33498 | 3D5 | 27 | 50 - 49 | R33962 | 3C17 | 8 | 50 - 38 | R34360 | 4B8 | 6 | 70 - 2 |
| R33518 | 3C20 | 7 | 50 - 41 | R33963 | 3C12 | 15 | 50 - 33 | R34362 | 4B8 | 2 | 70 - 2 |
| R33518 | 3C22 | 25 | 50 - 43 | R33963 | 3C17 | 7 | 50 - 38 | R34363 | 4B8 | 11 | 70 - 2 |
| R33518 | 3C24 | 26 | 50 - 43B | R34028 | 3D1 | 23 | 50 - 45 | R34364 | 1B20 | 11 | 20 - 15 |
| R33519 | 3C12 | 1 | 50 - 33 | R34028 | 3D1 | 25 | 50 - 45 | R34366 | 1B20 | 11 | 20 - 15 |
| R33520 | 3C19 | 6 | 50 - 40 | R34046 | 2B7 | 1 | 40 - 1 | R34373 | 4E16 | 28 | 70 - 93 |
| R33520 | 3C22 | 44 | 50 - 43 | R34046 | 2B8 | 1 | 40 - 2 | R34375 | 4E16 | 16 | 70 - 93 |

1K24

TRACTOR - 4000 AND 4020 (SERIAL NO. 201000-) TRACTORS

NUMERICAL INDEX - CONTINUED

| PART NO. | GRID | KEY | PAGE | PART NO. | GRID | KEY | PAGE | PART NO. | GRID | KEY | PAGE |
|----------|------|-----|----------|----------|------|-----|----------|----------|------|-----|----------|
| R34376 | 4E16 | 29 | 70 - 93 | R34625 | 1F22 | 15 | 30 - 62 | R34785 | 1E23 | 19 | 30 - 37 |
| R34388 | 1G3 | 11 | 30 - 68 | R34627 | 1F22 | 18 | 30 - 62 | R34785 | 1E24 | 19 | 30 - 38 |
| R34388 | 1G5 | 12 | 30 - 69 | R34630 | 1F5 | 31 | 30 - 44 | R34786 | 1E23 | 19 | 30 - 37 |
| R34394 | 1G3 | 7 | 30 - 68 | R34630 | 1F22 | 9 | 30 - 62 | R34786 | 1E24 | 19 | 30 - 38 |
| R34394 | 1G5 | 7 | 30 - 69 | R34631 | 1F22 | 7 | 30 - 62 | R34787 | 1E23 | 19 | 30 - 37 |
| R34394 | 1G7 | 1 | 30 - 69B | R34632 | 1F22 | 16 | 30 - 62 | R34787 | 1E24 | 19 | 30 - 38 |
| R34394 | 1G8 | 6 | 30 - 69D | R34635 | 1F20 | 15 | 30 - 60 | R34799 | 3E13 | 23 | 50 - 84 |
| R34395 | 1G3 | 8 | 30 - 68 | R34650 | 3C14 | 14 | 50 - 35 | R34800 | 3E13 | 9 | 50 - 84 |
| R34395 | 1G5 | 8 | 30 - 69 | R34650 | 3C15 | 5 | 50 - 36 | R34801 | 4H11 | 13 | 80 - 17 |
| R34395 | 1G8 | 7 | 30 - 69D | R34650 | 3C22 | 15 | 50 - 43 | R34801 | 4H13 | 1 | 80 - 19 |
| R34397 | 4F12 | 15 | 70 - 117 | R34650 | 3C24 | 10 | 50 - 43B | R34801 | 4H14 | 1 | 80 - 21 |
| R34398 | 4F12 | 22 | 70 - 117 | R34656 | 1E1 | 8 | 30 - 17 | R34802 | 4B25 | 12 | 70 - 19 |
| R34399 | 4F12 | 8 | 70 - 117 | R34656 | 1E18 | 12 | 30 - 32 | R34812 | 1E4 | 23 | 30 - 20 |
| R34399 | 4F14 | 4 | 70 - 119 | R34659 | 4H11 | 10 | 80 - 17 | R34812 | 1E14 | 31 | 30 - 30 |
| R34399 | 4F14 | 5 | 70 - 119 | R34680 | 4H11 | 7 | 80 - 17 | R34812 | 1F18 | 29 | 30 - 58 |
| R34399 | 4F14 | 7 | 70 - 119 | R34680 | 4H11 | 11 | 80 - 17 | R34812 | 1F24 | 7 | 30 - 64 |
| R34399 | 4F14 | 8 | 70 - 119 | R34680 | 4H11 | 12 | 80 - 17 | R34812 | 4F5 | 32 | 70 - 109 |
| R34399 | 4F14 | 11 | 70 - 119 | R34680 | 4H11 | 13 | 80 - 17 | R34812 | 4F7 | 9 | 70 - 111 |
| R34399 | 4F14 | 13 | 70 - 119 | R34701 | 2E18 | 8 | 40 - 92 | R34815 | 3E16 | 13 | 50 - 88 |
| R34399 | 4F14 | 14 | 70 - 119 | R34733 | 3C6 | 4 | 50 - 27 | R34819 | 3E21 | 14 | 50 - 93 |
| R34399 | 4F14 | 15 | 70 - 119 | R34733 | 3E3 | 4 | 50 - 73 | R34824 | 1F20 | 16 | 30 - 60 |
| R34399 | 4F14 | 16 | 70 - 119 | R34733 | 3E4 | 6 | 50 - 74 | R34827 | 5E14 | 1 | 90 - 85 |
| R34399 | 4F14 | 18 | 70 - 119 | R34733 | 3E5 | 4 | 50 - 75 | R34828 | 4H11 | 8 | 80 - 17 |
| R34400 | 4F12 | 20 | 70 - 117 | R34733 | 3F25 | 1 | 60 - 5 | R34828 | 4H12 | 8 | 80 - 18 |
| R34404 | 1F18 | 12 | 30 - 58 | R34733 | 3G2 | 6 | 60 - 7 | R34831 | 3F1 | 18 | 50 - 99 |
| R34404 | 3F6 | 33 | 50 - 104 | R34733 | 3G7 | 10 | 60 - 13 | R34832 | 3F1 | 1 | 50 - 99 |
| R34404 | 3G1 | 22 | 60 - 6 | R34737 | 1B17 | 3 | 20 - 12 | R34833 | 3E24 | 14 | 50 - 96 |
| R34404 | 3G7 | 22 | 60 - 13 | R34743 | 5E2 | 6 | 90 - 73 | R34833 | 3G9 | 2 | 60 - 15 |
| R34447 | 1E21 | 2 | 30 - 35 | R34747 | 3G17 | 11 | 60 - 25 | R34833 | 3G9 | 5 | 60 - 15 |
| R34447 | 1E22 | 3 | 30 - 36 | R34748 | 3F21 | 13 | 60 - 1 | R34833 | 3G10 | 2 | 60 - 17 |
| R34448 | 4E13 | 23 | 70 - 90 | R34753 | 1C24 | 21 | 20 - 45 | R34838 | 1E18 | 3 | 30 - 32 |
| R34448 | 4E16 | 34 | 70 - 93 | R34753 | 1D2 | 23 | 20 - 47 | R34844 | 3B21 | 14 | 50 - 17 |
| R34450 | 4E16 | 14 | 70 - 93 | R34757 | 4G21 | 5 | 80 - 2 | R34844 | 3B21 | 15 | 50 - 17 |
| R34474 | 4E20 | 31 | 70 - 98 | R34757 | 4G25 | 10 | 80 - 6 | R34844 | 3B23 | 13 | 50 - 19 |
| R34483 | 3B10 | 1 | 50 - 4 | R34760 | 1E23 | 12 | 30 - 37 | R34844 | 3B23 | 14 | 50 - 19 |
| R34483 | 4I16 | 4 | 80 - 46 | R34760 | 1E24 | 12 | 30 - 38 | R34848 | 3E23 | 11 | 50 - 95 |
| R34487 | 4D7 | 4 | 70 - 54 | R34760 | 1E25 | 14 | 30 - 39 | R34848 | 3E24 | 5 | 50 - 96 |
| R34492 | 3E18 | 7 | 50 - 90 | R34760 | 1F1 | 14 | 30 - 40 | R34848 | 3F1 | 8 | 50 - 99 |
| R34495 | 3E18 | 16 | 50 - 90 | R34761 | 1E23 | 13 | 30 - 37 | R34855 | 3E13 | 19 | 50 - 84 |
| R34495 | 3E19 | 19 | 50 - 91 | R34761 | 1E24 | 13 | 30 - 38 | R34855 | 3E15 | 4 | 50 - 87 |
| R34505 | 4E13 | 14 | 70 - 90 | R34761 | 1E25 | 15 | 30 - 39 | R34856 | 3E10 | 8 | 50 - 80 |
| R34513 | 3E13 | 26 | 50 - 84 | R34761 | 1F1 | 15 | 30 - 40 | R34856 | 3E10 | 20 | 50 - 80 |
| R34522 | 3E16 | 10 | 50 - 88 | R34762 | 1E23 | 7 | 30 - 37 | R34856 | 3E12 | 18 | 50 - 83 |
| R34537 | 4D15 | 19 | 70 - 63 | R34762 | 1E24 | 7 | 30 - 38 | R34856 | 3E13 | 31 | 50 - 84 |
| R34557 | 2B21 | 12 | 40 - 15 | R34762 | 1E25 | 10 | 30 - 39 | R34857 | 3E13 | 11 | 50 - 84 |
| R34557 | 2B21 | 17 | 40 - 15 | R34762 | 1F1 | 10 | 30 - 40 | R34857 | 3E13 | 13 | 50 - 84 |
| R34557 | 4E25 | 9 | 70 - 103 | R34763 | 1E23 | 6 | 30 - 37 | R34858 | 3E13 | 11 | 50 - 84 |
| R34570 | 4H2 | 12 | 80 - 8 | R34763 | 1E24 | 6 | 30 - 38 | R34858 | 3E13 | 12 | 50 - 84 |
| R34581 | 3E16 | 2 | 50 - 88 | R34763 | 1E25 | 9 | 30 - 39 | R34863 | 3E13 | 10 | 50 - 84 |
| R34582 | 3E6 | 13 | 50 - 76 | R34763 | 1F1 | 9 | 30 - 40 | R34868 | 3E18 | 16 | 50 - 90 |
| R34582 | 3E18 | 3 | 50 - 90 | R34764 | 1E23 | 15 | 30 - 37 | R34940 | 3E22 | 10 | 50 - 94 |
| R34583 | 3D11 | 1 | 50 - 55 | R34764 | 1E24 | 15 | 30 - 38 | R34958 | 4H24 | 11 | 80 - 31 |
| R34589 | 4F12 | 39 | 70 - 117 | R34764 | 1E25 | 17 | 30 - 39 | R34958 | 4H25 | 6 | 80 - 32 |
| R34593 | 1B8 | 16 | 20 - 3 | R34764 | 1F1 | 17 | 30 - 40 | R34963 | 4G4 | 23 | 70 - 135 |
| R34594 | 3F18 | 28 | 50 - 116 | R34764 | 1F25 | 1 | 30 - 65 | R34965 | 4G2 | 16 | 70 - 133 |
| R34603 | 4C20 | 10 | 70 - 41 | R34764 | 1G1 | 2 | 30 - 66 | R34965 | 4G4 | 20 | 70 - 135 |
| R34604 | 1D10 | 2 | 30 - 1 | R34765 | 1E23 | 11 | 30 - 37 | R34966 | 4G2 | 15 | 70 - 133 |
| R34608 | 4I16 | 5 | 80 - 46 | R34765 | 1E24 | 11 | 30 - 38 | R34966 | 4G4 | 19 | 70 - 135 |
| R34609 | 5C2 | 8 | 90 - 23 | R34765 | 1E25 | 13 | 30 - 39 | R34980 | 3F21 | 18 | 60 - 1 |
| R34611 | 3D7 | 13 | 50 - 51 | R34765 | 1F1 | 13 | 30 - 40 | R35046 | 4E20 | 2 | 70 - 98 |
| R34612 | 3D7 | 12 | 50 - 51 | R34766 | 1E23 | 10 | 30 - 37 | R35075 | 3C17 | 15 | 50 - 38 |
| R34618 | 5C2 | 8 | 90 - 23 | R34766 | 1E24 | 10 | 30 - 38 | R35128 | 1C9 | 16 | 20 - 29 |
| R34619 | 5C2 | 10 | 90 - 23 | R34766 | 1E25 | 12 | 30 - 39 | R35155 | 3D25 | 7 | 50 - 70 |
| R34620 | 5C2 | 9 | 90 - 23 | R34766 | 1F1 | 12 | 30 - 40 | R35155 | 3D25 | 8 | 50 - 70 |
| R34622 | 1F22 | 13 | 30 - 62 | R34767 | 1E23 | 14 | 30 - 37 | R35256 | 1B11 | 10 | 20 - 6 |
| R34623 | 1F22 | 12 | 30 - 62 | R34767 | 1E24 | 14 | 30 - 38 | R35339 | 5D20 | 12 | 90 - 66 |
| R34624 | 1F22 | 21 | 30 - 62 | R34767 | 1F25 | 2 | 30 - 65 | R35340 | 4I9 | 8 | 80 - 41 |

1K25

TRACTOR - 4000 AND 4020 (SERIAL NO. 201000-) TRACTORS

NUMERICAL INDEX - CONTINUED

| PART NO. | GRID | KEY | PAGE | PART NO. | GRID | KEY | PAGE | PART NO. | GRID | KEY | PAGE |
|----------|------|-----|----------|----------|------|-----|----------|----------|------|-----|----------|
| R35340 | 5C21 | .. | 90 - 42 | R36547 | 1F23 | 11 | 30 - 63 | R38193 | 3D11 | 20 | 50 - 55 |
| R35340 | 5D22 | 13 | 90 - 68 | R36548 | 1F3 | 19 | 30 - 42 | R38218 | 3C9 | 11 | 50 - 30 |
| R35340 | 5D22 | 18 | 90 - 68 | R36548 | 1F14 | 27 | 30 - 53 | R38218 | 3E7 | 11 | 50 - 77 |
| R35377 | 3D14 | 20 | 50 - 58 | R36548 | 1F23 | 11 | 30 - 63 | R38219 | 3C9 | 22 | 50 - 30 |
| R35447 | 4G9 | 18 | 70 - 141 | R36549 | 1F3 | 19 | 30 - 42 | R38219 | 3E7 | 22 | 50 - 77 |
| R35447 | 4G12 | 13 | 70 - 145 | R36549 | 1F14 | 27 | 30 - 53 | R38220 | 3C9 | 6 | 50 - 30 |
| R35448 | 4G9 | 34 | 70 - 141 | R36549 | 1F23 | 11 | 30 - 63 | R38220 | 3E7 | 6 | 50 - 77 |
| R35452 | 4G9 | 3 | 70 - 141 | R36550 | 1F3 | 19 | 30 - 42 | R38221 | 3C9 | 1 | 50 - 30 |
| R35452 | 4G12 | 5 | 70 - 145 | R36550 | 1F14 | 27 | 30 - 53 | R38221 | 3E7 | 1 | 50 - 77 |
| R35472 | 4G9 | 15 | 70 - 141 | R36550 | 1F23 | 11 | 30 - 63 | R38224 | 3C9 | 5 | 50 - 30 |
| R35472 | 4G10 | 8 | 70 - 142 | R36551 | 1F5 | 22 | 30 - 44 | R38224 | 3E7 | 5 | 50 - 77 |
| R35472 | 4G12 | 10 | 70 - 145 | R36551 | 1F23 | 6 | 30 - 63 | R38341 | 5E2 | 20 | 90 - 73 |
| R35472 | 4G13 | 4 | 70 - 146 | R36552 | 1F23 | 6 | 30 - 63 | R38344 | 3B16 | 3 | 50 - 12 |
| R35473 | 3F6 | 27 | 50 - 104 | R36590 | 5D14 | .. | 90 - 60 | R38344 | 3D4 | 3 | 50 - 48 |
| R35473 | 3F17 | 36 | 50 - 115 | R36590 | 5D15 | 7 | 90 - 61 | R38371 | 2B13 | 1 | 40 - 7 |
| R35473 | 4G9 | 32 | 70 - 141 | R36590 | 5E2 | 13 | 90 - 73 | R38371 | 2B16 | 1 | 40 - 10 |
| R35473 | 4G10 | 2 | 70 - 142 | R36609 | 4F1 | 19A | 70 - 104 | R38371 | 2B18 | 3 | 40 - 12 |
| R35473 | 4G12 | 22 | 70 - 145 | R36613 | 4E10 | 20 | 70 - 87 | R38371 | 2C2 | 15 | 40 - 21 |
| R35473 | 4G13 | 12 | 70 - 146 | R36646 | 1F20 | 22 | 30 - 60 | R38371 | 2C3 | 14 | 40 - 22 |
| R35474 | 4G9 | 23 | 70 - 141 | R36647 | 1F21 | 31 | 30 - 61 | R38371 | 5B20 | 8 | 90 - 16 |
| R35474 | 4G10 | 14 | 70 - 142 | R36648 | 1F21 | 32 | 30 - 61 | R38371 | 5C13 | 8 | 90 - 34 |
| R35474 | 4G12 | 19 | 70 - 145 | R36651 | 1F20 | 14 | 30 - 60 | R38374 | 2C24 | 12 | 40 - 46 |
| R35474 | 4G13 | 9 | 70 - 146 | R36658 | 4G15 | 3 | 70 - 148 | R38374 | 2C25 | 12 | 40 - 47 |
| R35479 | 4F1 | 12 | 70 - 104 | R36659 | 4G15 | 3 | 70 - 148 | R38376 | 1G17 | 7 | 30 - 78 |
| R35644 | 3B11 | 30 | 50 - 5 | R36666 | 3D8 | 2 | 50 - 52 | R38377 | 1G17 | 5 | 30 - 78 |
| R35680 | 3G19 | 33 | 60 - 27 | R36666 | 3D10 | 11 | 50 - 54 | R38531 | 4B11 | 19 | 70 - 5 |
| R35684 | 3G19 | 5 | 60 - 27 | R36666 | 3F6 | 9 | 50 - 104 | R38543 | 4E24 | 20 | 70 - 102 |
| R35684 | 3G19 | 7 | 60 - 27 | R36689 | 4I16 | 8 | 80 - 46 | R38545 | 3B14 | 15 | 50 - 9 |
| R35684 | 3G21 | 5 | 60 - 29 | R36704 | 5C4 | 11 | 90 - 25 | R38546 | 3B14 | 14 | 50 - 9 |
| R35726 | 3F14 | 12 | 50 - 112 | R36704 | 5C4 | 22 | 90 - 25 | R39012 | 4G6 | 3 | 70 - 137 |
| R35726 | 4C11 | 4 | 70 - 32 | R36715 | 1C9 | 18 | 20 - 29 | R39012 | 4G9 | 7 | 70 - 141 |
| R35738 | 4G9 | 33 | 70 - 141 | R36732 | 2F9 | 24 | 40 - 108 | R39067 | 4B11 | 13 | 70 - 5 |
| R35738 | 4G10 | 1 | 70 - 142 | R36742 | 3G11 | 15 | 60 - 18 | R39067 | 4B13 | 17 | 70 - 7 |
| R35738 | 4G12 | 32 | 70 - 145 | R36742 | 3G19 | 36 | 60 - 27 | R39067 | 4B21 | 11 | 70 - 15 |
| R35738 | 4G13 | 21 | 70 - 146 | R36756 | 4I16 | 6 | 80 - 46 | R39067 | 4B23 | 11 | 70 - 17 |
| R35827 | 4B19 | 22 | 70 - 13 | R36757 | 1D14 | .. | 30 - 5 | R39074 | 4B11 | 21 | 70 - 5 |
| R35827 | 4C7 | 2 | 70 - 27 | R36795 | 4F25 | 3 | 70 - 131 | R39112 | 3C7 | 9 | 50 - 28 |
| R35827 | 4C9 | 2 | 70 - 29 | R36846 | 1C19 | 1 | 20 - 40 | R39112 | 3F4 | 11 | 50 - 102 |
| R35827 | 4C12 | 9 | 70 - 33 | R36847 | 1C19 | 1 | 20 - 40 | R39112 | 3F8 | 18 | 50 - 106 |
| R35827 | 4C14 | 6 | 70 - 35 | R36882 | 3B14 | 13 | 50 - 9 | R39112 | 3F10 | 6 | 50 - 108 |
| R35827 | 4C16 | 16 | 70 - 37 | R36943 | 3C7 | 26 | 50 - 28 | R39112 | 3G1 | 17 | 60 - 6 |
| R35871 | 4E24 | 18 | 70 - 102 | R36945 | 4E25 | 27 | 70 - 103 | R39112 | 4D2 | 35 | 70 - 49 |
| R36024 | 2E18 | 5 | 40 - 92 | R36946 | 4E25 | 23 | 70 - 103 | R39112 | 4D10 | 8 | 70 - 57 |
| R36123 | 1F2 | 9 | 30 - 41 | R36946 | 4F20 | 16 | 70 - 125 | R39112 | 4F9 | 1 | 70 - 113 |
| R36123 | 1G19 | 24B | 30 - 80 | R36946 | 4G14 | 21 | 70 - 147 | R39112 | 4F22 | 9 | 70 - 127 |
| R36229 | 5B18 | 1 | 90 - 14 | R36951 | 4G12 | 20 | 70 - 145 | R39174 | 4B11 | 23 | 70 - 5 |
| R36229 | 5D17 | 23 | 90 - 63 | R36951 | 4G13 | 10 | 70 - 146 | R39175 | 4B11 | 24 | 70 - 5 |
| R36235 | 2B18 | 1 | 40 - 12 | R36952 | 4G2 | 25 | 70 - 133 | R39215 | 4C7 | 1 | 70 - 27 |
| R36235 | 2B19 | 4 | 40 - 13 | R36952 | 4G4 | 34 | 70 - 135 | R39215 | 4C9 | 1 | 70 - 29 |
| R36235 | 2F7 | 22 | 40 - 106 | R36952 | 4G12 | 34 | 70 - 145 | R39215 | 4C12 | 9 | 70 - 33 |
| R36265 | 2C8 | 9 | 40 - 27 | R36952 | 4G13 | 23 | 70 - 146 | R39215 | 4C14 | 6 | 70 - 35 |
| R36265 | 3B21 | 18 | 50 - 17 | R36954 | 4G4 | 33 | 70 - 135 | R39215 | 4C16 | 15 | 70 - 37 |
| R36265 | 3D17 | 12 | 50 - 61 | R37139 | 1F18 | 21 | 30 - 58 | R39228 | 4B11 | 22 | 70 - 5 |
| R36265 | 3D19 | 10 | 50 - 64 | R37426 | 3F23 | 20 | 60 - 3 | R39228 | 4B13 | 22 | 70 - 7 |
| R36295 | 3C10 | 15 | 50 - 31 | R375R | 1E20 | 18 | 30 - 34 | R39228 | 4B21 | 16 | 70 - 15 |
| R36295 | 3E8 | 16 | 50 - 78 | R375R | 4E24 | 11 | 70 - 102 | R39228 | 4B23 | 16 | 70 - 17 |
| R36311 | 3B11 | 31 | 50 - 5 | R375R | 4F12 | 16 | 70 - 117 | R39249 | 4D2 | 12 | 70 - 49 |
| R36358 | 4B25 | 11 | 70 - 19 | R375R | 4F13 | 5 | 70 - 118 | R39253 | 1B13 | 17 | 20 - 8 |
| R36364 | 3D24 | 15 | 50 - 69 | R375R | 4F14 | 19 | 70 - 119 | R39325 | 3C19 | 4 | 50 - 40 |
| R36402 | 4E19 | 2 | 70 - 97 | R38089 | 4D16 | 3 | 70 - 65 | R39325 | 3C22 | 46 | 50 - 43 |
| R36415 | 5C21 | .. | 90 - 42 | R38093 | 4D16 | 20 | 70 - 65 | R394R | 3C6 | 2 | 50 - 27 |
| R36415 | 5D20 | 18 | 90 - 66 | R38126 | 1G18 | 13 | 30 - 79 | R394R | 3C6 | 7 | 50 - 27 |
| R36424 | 4D7 | 5 | 70 - 54 | R38143 | 1G18 | 9 | 30 - 79 | R394R | 3C8 | 20 | 50 - 29 |
| R36439 | 4E10 | 17 | 70 - 87 | R38178 | 3D15 | 5 | 50 - 59 | R394R | 3E3 | 2 | 50 - 73 |
| R36440 | 4E10 | 21 | 70 - 87 | R38181 | 3B21 | 15 | 50 - 17 | R394R | 3E3 | 7 | 50 - 73 |
| R36547 | 1F3 | 19 | 30 - 42 | R38181 | 3B23 | 14 | 50 - 19 | R394R | 3E4 | 2 | 50 - 74 |
| R36547 | 1F14 | 27 | 30 - 53 | R38185 | 3B8 | 21 | 50 - 2 | R394R | 3E5 | 2 | 50 - 75 |

1L1

TRACTOR - 4000 AND 4020 (SERIAL NO. 201000-) TRACTORS

NUMERICAL INDEX - CONTINUED

| PART NO. | GRID | KEY | PAGE | PART NO. | GRID | KEY | PAGE | PART NO. | GRID | KEY | PAGE |
|----------|------|-----|----------|----------|------|-----|----------|----------|------|-----|----------|
| R394R | 3G7 | 21 | 60 - 13 | R39808 | 3D1 | 16 | 50 - 45 | R40424 | 4E10 | 22 | 70 - 87 |
| R394R | 4D12 | 16 | 70 - 59 | R39814 | 4E10 | 6 | 70 - 87 | R40424 | 4E12 | 25 | 70 - 89 |
| R394R | 4D12 | 21 | 70 - 59 | R39815 | 4E10 | 10 | 70 - 87 | R40425 | 4E10 | 30 | 70 - 87 |
| R394R | 4D12 | 33 | 70 - 59 | R39825 | 1D12 | 12 | 30 - 3 | R40425 | 4E12 | 29 | 70 - 89 |
| R394R | 4D13 | 6 | 70 - 61 | R39825 | 1D13 | 8 | 30 - 4 | R40426 | 3D7 | 17 | 50 - 51 |
| R394R | 4F6 | 13 | 70 - 110 | R39826 | 1D13 | 12 | 30 - 4 | R40445 | 2B13 | 6 | 40 - 7 |
| R394R | 4F9 | 20 | 70 - 113 | R39827 | 1D13 | 12 | 30 - 4 | R40445 | 2B15 | 3 | 40 - 9 |
| R39503 | 1C13 | 5 | 20 - 34 | R39828 | 1D13 | 10 | 30 - 4 | R40445 | 2B15 | 9 | 40 - 9 |
| R39503 | 1C15 | 9 | 20 - 36 | R39857 | 2D9 | 8 | 40 - 57 | R40445 | 2B21 | 13 | 40 - 15 |
| R39512 | 4E13 | 13 | 70 - 90 | R39874 | 1E5 | 18 | 30 - 21 | R40445 | 2F15 | 3 | 40 - 115 |
| R39513 | 4E13 | 13 | 70 - 90 | R39876 | 3C14 | 15 | 50 - 35 | R40445 | 2F16 | 6 | 40 - 116 |
| R39516 | 1C22 | 11 | 20 - 43 | R39876 | 3C15 | 6 | 50 - 36 | R40470 | 3B16 | 7 | 50 - 12 |
| R39534 | 1G3 | 2 | 30 - 68 | R39876 | 3C22 | 16 | 50 - 43 | R40480 | 3D4 | 7 | 50 - 48 |
| R39534 | 1G5 | 2 | 30 - 69 | R39876 | 3C24 | 11 | 50 - 43B | R40499 | 4F5 | 13 | 70 - 109 |
| R39549 | 2E18 | 1 | 40 - 92 | R39877 | 2D10 | 15 | 40 - 58 | R40499 | 4F5 | 27 | 70 - 109 |
| R39571 | 1G3 | 13 | 30 - 68 | R39877 | 2D12 | 13 | 40 - 60 | R40499 | 4F5 | 33 | 70 - 109 |
| R39586 | 3E3 | 15 | 50 - 73 | R39878 | 1D19 | 12 | 30 - 10 | R40499 | 4F9 | 4 | 70 - 113 |
| R39587 | 3C7 | 19 | 50 - 28 | R39885 | 1F25 | 5 | 30 - 65 | R40499 | 4F12 | 26 | 70 - 117 |
| R39587 | 3D1 | 4 | 50 - 45 | R39886 | 1F25 | 4 | 30 - 65 | R40504 | 4I16 | 14 | 80 - 46 |
| R39597 | 3E20 | 2 | 50 - 92 | R39886 | 1G1 | 4 | 30 - 66 | R40504 | 5E3 | 17 | 90 - 74 |
| R39597 | 3E21 | 20 | 50 - 93 | R39887 | 1F25 | 6 | 30 - 65 | R40505 | 4I16 | 13 | 80 - 46 |
| R39613 | 4I9 | 3 | 80 - 41 | R39888 | 1F25 | 7 | 30 - 65 | R40505 | 5E3 | 17 | 90 - 74 |
| R39615 | 1E1 | 15 | 30 - 17 | R39889 | 1F25 | 9 | 30 - 65 | R40509 | 4I16 | 15 | 80 - 46 |
| R39615 | 1E18 | 19 | 30 - 32 | R39890 | 1F25 | 8 | 30 - 65 | R40516 | 4F1 | 7 | 70 - 104 |
| R39710 | 1D16 | 6 | 30 - 7 | R39892 | 3C13 | 10 | 50 - 34 | R40520 | 3C12 | 17 | 50 - 33 |
| R39710 | 1D17 | 6 | 30 - 8 | R39893 | 3C13 | 4 | 50 - 34 | R40522 | 1D15 | 5 | 30 - 6 |
| R39725 | 3E2 | 16 | 50 - 72 | R39895 | 1E1 | 14 | 30 - 17 | R40524 | 1D15 | 5 | 30 - 6 |
| R39726 | 3E2 | 16 | 50 - 72 | R39895 | 1E18 | 18 | 30 - 32 | R40529 | 1D11 | 2 | 30 - 2 |
| R39727 | 3E2 | 16 | 50 - 72 | R39980 | 3G17 | 8 | 60 - 25 | R40531 | 3F24 | 13 | 60 - 4 |
| R39729 | 4B11 | 9 | 70 - 5 | R39981 | 3G17 | 3 | 60 - 25 | R40545 | 2D17 | 38 | 40 - 65 |
| R39729 | 4B13 | 13 | 70 - 7 | R39981 | 4E24 | 2 | 70 - 102 | R40546 | 2D24 | 6 | 40 - 72 |
| R39729 | 4B19 | 17 | 70 - 13 | R39982 | 3G17 | 2 | 60 - 25 | R40548 | 2D24 | 10 | 40 - 72 |
| R39730 | 3E18 | 6 | 50 - 90 | R39985 | 1G17 | 14 | 30 - 78 | R40548 | 2D25 | 7 | 40 - 73 |
| R39731 | 3E18 | 5 | 50 - 90 | R40072 | 4C24 | 6 | 70 - 45 | R40550 | 1B8 | 2 | 20 - 3 |
| R39732 | 3E18 | 4 | 50 - 90 | R40121 | 4F1 | 22A | 70 - 104 | R40557 | 4E21 | 6 | 70 - 99 |
| R39739 | 5E14 | 3 | 90 - 85 | R40121 | 5D12 | 16 | 90 - 58 | R40557 | 4E23 | 19 | 70 - 101 |
| R39741 | 4B11 | 15 | 70 - 5 | R40147 | 3C5 | 20 | 50 - 26 | R40558 | 4E21 | 16 | 70 - 99 |
| R39741 | 4B13 | 20 | 70 - 7 | R40147 | 3E3 | 21 | 50 - 73 | R40558 | 4E23 | 25 | 70 - 101 |
| R39741 | 4B21 | 13 | 70 - 15 | R40149 | 3F24 | 12 | 60 - 4 | R40560 | 1B8 | 2 | 20 - 3 |
| R39741 | 4D4 | 14 | 70 - 51 | R40152 | 3E24 | 17 | 50 - 96 | R40562 | 4C24 | 8 | 70 - 45 |
| R39758 | 4H11 | 9 | 80 - 17 | R40152 | 3E25 | 14 | 50 - 97 | R40565 | 1G2 | 11 | 30 - 67 |
| R39758 | 4H12 | 9 | 80 - 18 | R40152 | 3G9 | 5 | 60 - 15 | R40567 | 3F23 | 30 | 60 - 3 |
| R39759 | 4D21 | 22 | 70 - 71 | R40153 | 3E24 | 14 | 50 - 96 | R40567 | 3G7 | 9 | 60 - 13 |
| R39759 | 4D24 | 8 | 70 - 74 | R40153 | 3E24 | 17 | 50 - 96 | R40589 | 4G23 | 4 | 80 - 4 |
| R39766 | 5E5 | 8 | 90 - 76 | R40153 | 3E25 | 14 | 50 - 97 | R40589 | 4G24 | 5 | 80 - 5 |
| R39766 | 5E6 | 10 | 90 - 77 | R40153 | 3G9 | 2 | 60 - 15 | R40589 | 4H1 | 9 | 80 - 7 |
| R39767 | 5E5 | 9 | 90 - 76 | R40153 | 3G9 | 5 | 60 - 15 | R40589 | 4H17 | 4 | 80 - 24 |
| R39767 | 5E6 | 11 | 90 - 77 | R40192 | 2C11 | 1 | 40 - 30 | R40595 | 3G1 | 12 | 60 - 6 |
| R39792 | 3C8 | 12 | 50 - 29 | R40211 | 1C13 | 11 | 20 - 34 | R40596 | 3G1 | 15 | 60 - 6 |
| R39792 | 3E6 | 16 | 50 - 76 | R40212 | 1C13 | 11 | 20 - 34 | R40597 | 3G1 | 16 | 60 - 6 |
| R39794 | 3E3 | 3 | 50 - 73 | R40212 | 1C15 | 15 | 20 - 36 | R40600 | 3B7 | 14 | 50 - 1 |
| R39795 | 3C6 | 1 | 50 - 27 | R40218 | 4G6 | 38 | 70 - 137 | R40610 | 1B13 | 3 | 20 - 8 |
| R39795 | 3E3 | 1 | 50 - 73 | R40219 | 4G9 | 26 | 70 - 141 | R40610 | 1B13 | 10 | 20 - 8 |
| R39796 | 3C6 | 3 | 50 - 27 | R40236 | 3D14 | 1 | 50 - 58 | R40610 | 1B16 | 1 | 20 - 11 |
| R39796 | 3E3 | 13 | 50 - 73 | R40236 | 3E12 | 15 | 50 - 83 | R40610 | 1B19 | 10 | 20 - 14 |
| R39797 | 3E3 | 12 | 50 - 73 | R40236 | 3E13 | 7 | 50 - 84 | R40614 | 1B13 | 5 | 20 - 8 |
| R39800 | 2C24 | 14 | 40 - 46 | R40262 | 3E22 | 2 | 50 - 94 | R40617 | 3E20 | 9 | 50 - 92 |
| R39800 | 2C25 | 11 | 40 - 47 | R40336 | 3E6 | 22 | 50 - 76 | R40617 | 3E21 | 5 | 50 - 93 |
| R39801 | 2C24 | 20 | 40 - 46 | R40337 | 2D8 | 30 | 40 - 56 | R40620 | 1B13 | 3 | 20 - 8 |
| R39802 | 2C24 | 9 | 40 - 46 | R40337 | 2D10 | 34 | 40 - 58 | R40620 | 1B13 | 10 | 20 - 8 |
| R39803 | 2C24 | 18 | 40 - 46 | R40337 | 2D12 | 31 | 40 - 60 | R40620 | 1B16 | 1 | 20 - 11 |
| R39803 | 2C25 | 10 | 40 - 47 | R40337 | 2D17 | 4 | 40 - 65 | R40620 | 1B19 | 10 | 20 - 14 |
| R39803 | 2D1 | 22 | 40 - 48 | R40337 | 2D19 | 26 | 40 - 67 | R40629 | 3E18 | 15 | 50 - 90 |
| R39803 | 2D2 | 17 | 40 - 49 | R40337 | 2D21 | 3 | 40 - 69 | R40630 | 4D5 | 4 | 70 - 52 |
| R39804 | 2C25 | 9 | 40 - 47 | R40338 | 3G1 | 3 | 60 - 6 | R40633 | 4D21 | 18 | 70 - 71 |
| R39804 | 2D1 | 23 | 40 - 48 | R40423 | 4H25 | 2 | 80 - 32 | R40633 | 4D23 | 17 | 70 - 73 |
| R39808 | 3C7 | 16 | 50 - 28 | R40423 | 4I2 | 1 | 80 - 34 | R40637 | 3C5 | 11 | 50 - 26 |

1L2

TRACTOR - 4000 AND 4020 (SERIAL NO. 201000-) TRACTORS

NUMERICAL INDEX - CONTINUED

| PART NO. | GRID | KEY | PAGE | PART NO. | GRID | KEY | PAGE | PART NO. | GRID | KEY | PAGE |
|----------|------|-----|----------|----------|------|-----|----------|----------|------|-----|----------|
| R40638 | 3F4 | 6 | 50 - 102 | R40886 | 4D12 | 27 | 70 - 59 | R40984 | 1G17 | 18 | 30 - 78 |
| R40662 | 1C13 | 7 | 20 - 34 | R40887 | 4D7 | 11 | 70 - 54 | R40985 | 1G18 | 2 | 30 - 79 |
| R40662 | 1C15 | 11 | 20 - 36 | R40888 | 4D13 | 10 | 70 - 61 | R40986 | 1G18 | 3 | 30 - 79 |
| R40664 | 3C7 | 9 | 50 - 28 | R40888 | 4D18 | 8 | 70 - 67 | R40987 | 1G18 | 5 | 30 - 79 |
| R40670 | 1B13 | 10 | 20 - 8 | R40889 | 4D18 | 12 | 70 - 67 | R40988 | 1G18 | 8 | 30 - 79 |
| R40676 | 4I16 | 16 | 80 - 46 | R40891 | 4D18 | 13 | 70 - 67 | R40989 | 1G18 | 12 | 30 - 79 |
| R40676 | 5E3 | 17 | 90 - 74 | R40892 | 4D12 | 37 | 70 - 59 | R40989 | 1G19 | 8 | 30 - 80 |
| R40680 | 1B13 | 10 | 20 - 8 | R40893 | 4D10 | 29 | 70 - 57 | R40991 | 1G18 | 11 | 30 - 79 |
| R40707 | 1F20 | 24 | 30 - 60 | R40894 | 4D10 | 34 | 70 - 57 | R40994 | 1G19 | 9 | 30 - 80 |
| R40726 | 1B20 | 4 | 20 - 15 | R40895 | 4D10 | 32 | 70 - 57 | R40999 | 4C11 | 7 | 70 - 32 |
| R40727 | 1B20 | 4 | 20 - 15 | R40896 | 4D4 | 17 | 70 - 51 | R40999 | 4C24 | 5 | 70 - 45 |
| R40728 | 1B20 | 4 | 20 - 15 | R40896 | 4D10 | 23 | 70 - 57 | R41001 | 4C24 | 9 | 70 - 45 |
| R40729 | 1B20 | 4 | 20 - 15 | R40896 | 4D13 | 15 | 70 - 61 | R41005 | 3E16 | 5 | 50 - 88 |
| R40730 | 1B20 | 9 | 20 - 15 | R40897 | 4D3 | 16 | 70 - 50 | R41006 | 3C5 | 3 | 50 - 26 |
| R40731 | 1B20 | 2 | 20 - 15 | R40898 | 4F9 | 8A | 70 - 113 | R41006 | 3C5 | 9 | 50 - 26 |
| R40731 | 3B8 | 27 | 50 - 2 | R40899 | 4F5 | 33 | 70 - 109 | R41007 | 3C5 | 6 | 50 - 26 |
| R40732 | 3B8 | 22 | 50 - 2 | R40903 | 4F5 | 11 | 70 - 109 | R41007 | 3C5 | 22 | 50 - 26 |
| R40733 | 3B8 | 18 | 50 - 2 | R40906 | 1B10 | 23 | 20 - 5 | R41008 | 3C5 | 4 | 50 - 26 |
| R40734 | 3B10 | 15 | 50 - 4 | R40911 | 3D6 | 5 | 50 - 50 | R41009 | 3C5 | 21 | 50 - 26 |
| R40736 | 3B10 | 20 | 50 - 4 | R40912 | 3D6 | 6 | 50 - 50 | R41012 | 4H11 | 10 | 80 - 17 |
| R40736 | 3B15 | 8 | 50 - 10 | R40915 | 4D12 | 40 | 70 - 59 | R41016 | 3E13 | 21 | 50 - 84 |
| R40737 | 1D20 | 3 | 30 - 11 | R40916 | 4D12 | 39 | 70 - 59 | R41017 | 3E13 | 20 | 50 - 84 |
| R40740 | 1B20 | 8 | 20 - 15 | R40917 | 4D15 | 4 | 70 - 63 | R41017 | 3E15 | 3 | 50 - 87 |
| R40740 | 1B20 | 9 | 20 - 15 | R40918 | 4F3 | 3 | 70 - 107 | R41025 | 4I10 | 4 | 80 - 42 |
| R40757 | 3G1 | 14 | 60 - 6 | R40922 | 4D3 | 21 | 70 - 50 | R41035 | 3C24 | 2 | 50 - 43B |
| R40761 | 3F21 | 21 | 60 - 1 | R40922 | 4D5 | 21 | 70 - 52 | R41036 | 3C14 | 4 | 50 - 35 |
| R40776 | 1C11 | 15 | 20 - 31 | R40922 | 4D13 | 1 | 70 - 61 | R41036 | 3C20 | 12 | 50 - 41 |
| R40777 | 1C24 | 25 | 20 - 45 | R40922 | 4F6 | 14 | 70 - 110 | R41036 | 3C22 | 8 | 50 - 43 |
| R40790 | 4D3 | 1 | 70 - 50 | R40922 | 4F9 | 11 | 70 - 113 | R41036 | 3C22 | 21 | 50 - 43 |
| R40791 | 1D5 | 10 | 20 - 50 | R40922 | 4F20 | 6 | 70 - 125 | R41036 | 3C24 | 31 | 50 - 43B |
| R40791 | 2B20 | 12 | 40 - 14 | R40922 | 4F22 | 6 | 70 - 127 | R41039 | 3C19 | 10 | 50 - 40 |
| R40791 | 5B25 | 10 | 90 - 21 | R40923 | 4F3 | 17 | 70 - 107 | R41039 | 3C20 | 18 | 50 - 41 |
| R40795 | 1B18 | 9 | 20 - 13 | R40925 | 5E3 | 15 | 90 - 74 | R41039 | 3C22 | 35 | 50 - 43 |
| R40796 | 1B18 | 9 | 20 - 13 | R40926 | 5C4 | 27 | 90 - 25 | R41039 | 3C22 | 40 | 50 - 43 |
| R40806 | 3C13 | 12 | 50 - 34 | R40927 | 5C4 | 29 | 90 - 25 | R41039 | 3C24 | 35 | 50 - 43B |
| R40808 | 3C13 | 3 | 50 - 34 | R40928 | 4E20 | 23 | 70 - 98 | R41039 | 3D7 | 20 | 50 - 51 |
| R40809 | 3B10 | 24 | 50 - 4 | R40928 | 4E21 | 14 | 70 - 99 | R41040 | 3F1 | 10 | 50 - 99 |
| R40811 | 3B14 | 12 | 50 - 9 | R40930 | 1B13 | 8 | 20 - 8 | R41041 | 3C14 | 9 | 50 - 35 |
| R40812 | 3B14 | 1 | 50 - 9 | R40937 | 4F5 | 29 | 70 - 109 | R41041 | 5E2 | 23 | 90 - 73 |
| R40813 | 3B14 | 4 | 50 - 9 | R40937 | 4F6 | 10 | 70 - 110 | R41042 | 3C19 | 17 | 50 - 40 |
| R40815 | 3C8 | 18 | 50 - 29 | R40937 | 4F7 | 10 | 70 - 111 | R41042 | 3E6 | 3 | 50 - 76 |
| R40824 | 3C5 | 10 | 50 - 26 | R40940 | 1B13 | 8 | 20 - 8 | R41043 | 3C19 | 5 | 50 - 40 |
| R40827 | 3C5 | 7 | 50 - 26 | R40942 | 4D18 | 11 | 70 - 67 | R41043 | 3C22 | 45 | 50 - 43 |
| R40828 | 3C5 | 13 | 50 - 26 | R40943 | 4D18 | 15 | 70 - 67 | R41043 | 3C22 | 50 | 50 - 43 |
| R40829 | 3C5 | 14 | 50 - 26 | R40944 | 4D12 | 29 | 70 - 59 | R41044 | 3E18 | 9 | 50 - 90 |
| R40831 | 3C5 | 15 | 50 - 26 | R40945 | 4D4 | 11 | 70 - 51 | R41048 | 3E10 | 7 | 50 - 80 |
| R40832 | 3C5 | 1 | 50 - 26 | R40945 | 4D10 | 22 | 70 - 57 | R41048 | 3E13 | 22 | 50 - 84 |
| R40833 | 3C5 | 12 | 50 - 26 | R40947 | 4D3 | 14 | 70 - 50 | R41049 | 3E10 | 17 | 50 - 80 |
| R40835 | 3B19 | 11 | 50 - 15 | R40947 | 4D5 | 20 | 70 - 52 | R41049 | 4D18 | 16 | 70 - 67 |
| R40835 | 3B20 | 13 | 50 - 16 | R40948 | 3B12 | 1 | 50 - 6 | R41050 | 3E10 | 16 | 50 - 80 |
| R40835 | 3C2 | 29 | 50 - 23 | R40948 | 3C18 | 3 | 50 - 39 | R41050 | 3E13 | 25 | 50 - 84 |
| R40835 | 3C4 | 24 | 50 - 25 | R40948 | 4D12 | 45 | 70 - 59 | R41052 | 3E18 | 9 | 50 - 90 |
| R40835 | 3C8 | 15 | 50 - 29 | R40949 | 4D12 | 1 | 70 - 59 | R41055 | 4F5 | 6 | 70 - 109 |
| R40837 | 3D13 | 10 | 50 - 57 | R40952 | 2C20 | 1 | 40 - 41 | R41055 | 4F7 | 5 | 70 - 111 |
| R40842 | 4H25 | 18 | 80 - 32 | R40952 | 2C21 | 11 | 40 - 42 | R41057 | 4B15 | 43 | 70 - 9 |
| R40842 | 4I1 | 15 | 80 - 33 | R40952 | 2C23 | 10 | 40 - 45 | R41057 | 4B15 | 44 | 70 - 9 |
| R40844 | 4H25 | 14 | 80 - 32 | R40953 | 2C20 | 5 | 40 - 41 | R41057 | 4B17 | 7 | 70 - 11 |
| R40844 | 4I1 | 10 | 80 - 33 | R40953 | 2C21 | 4 | 40 - 42 | R41057 | 4B25 | 41 | 70 - 19 |
| R40845 | 3C16 | 12 | 50 - 37 | R40953 | 2C23 | 1 | 40 - 45 | R41057 | 4C2 | 9 | 70 - 21 |
| R40875 | 4H25 | 10 | 80 - 32 | R40970 | 3C16 | 5 | 50 - 37 | R41057 | 4C4 | 13 | 70 - 23 |
| R40875 | 4I1 | 20 | 80 - 33 | R40971 | 3C16 | 7 | 50 - 37 | R41057 | 4D4 | 9 | 70 - 51 |
| R40876 | 4H25 | 9 | 80 - 32 | R40972 | 3C16 | 9 | 50 - 37 | R41057 | 4D10 | 20 | 70 - 57 |
| R40876 | 4H25 | 12 | 80 - 32 | R40979 | 1C15 | 6 | 20 - 36 | R41057 | 4D13 | 12 | 70 - 61 |
| R40876 | 4I1 | 17 | 80 - 33 | R40979 | 1C16 | 6 | 20 - 37 | R41057 | 4F5 | 13 | 70 - 109 |
| R40876 | 4I1 | 21 | 80 - 33 | R40979 | 1C17 | 3 | 20 - 38 | R41057 | 4F5 | 22 | 70 - 109 |
| R40881 | 4D10 | 1 | 70 - 57 | R40982 | 1G17 | 16 | 30 - 78 | R41057 | 4F5 | 33 | 70 - 109 |
| R40885 | 4D12 | 8 | 70 - 59 | R40983 | 1G17 | 14 | 30 - 78 | R41057 | 4F6 | 4 | 70 - 110 |

1L3

TRACTOR - 4000 AND 4020 (SERIAL NO. 201000-) TRACTORS

NUMERICAL INDEX - CONTINUED

| PART NO. | GRID | KEY | PAGE | PART NO. | GRID | KEY | PAGE | PART NO. | GRID | KEY | PAGE |
|----------|------|-----|----------|----------|------|-----|----------|----------|------|-----|----------|
| R41057 | 4F9 | 4 | 70 - 113 | R41198 | 4G6 | 25 | 70 - 137 | R41439 | 2C7 | 27 | 40 - 26 |
| R41057 | 4F12 | 26 | 70 - 117 | R41218 | 3C2 | 23 | 50 - 23 | R41439 | 2C13 | 2 | 40 - 32 |
| R41058 | 4F3 | 21 | 70 - 107 | R41218 | 3C4 | 18 | 50 - 25 | R41439 | 2C13 | 4 | 40 - 32 |
| R41070 | 1B13 | 14 | 20 - 8 | R41228 | 3B10 | 1 | 50 - 4 | R41439 | 2C14 | 4 | 40 - 33 |
| R41071 | 1B8 | 14 | 20 - 3 | R41231 | 5D23 | 6 | 90 - 69 | R41439 | 2C15 | 4 | 40 - 34 |
| R41071 | 1D5 | 3 | 20 - 50 | R41253 | 4I7 | 6 | 80 - 39 | R41439 | 2E12 | 2 | 40 - 85A |
| R41076 | 4D12 | 41 | 70 - 59 | R41285 | 1B8 | 1 | 20 - 3 | R41439 | 2F9 | 13 | 40 - 108 |
| R41076 | 4D15 | 11 | 70 - 63 | R41285 | 1C18 | 9 | 20 - 39 | R41439 | 3G4 | 4 | 60 - 9 |
| R41076 | 4F3 | 16 | 70 - 107 | R41285 | 5D2 | 5 | 90 - 48 | R41439 | 4E25 | 6 | 70 - 103 |
| R41077 | 4D12 | 13 | 70 - 59 | R41286 | 1C18 | 10 | 20 - 39 | R41440 | 2B12 | 7 | 40 - 6 |
| R41078 | 4D18 | 14 | 70 - 67 | R41287 | 1C18 | 8 | 20 - 39 | R41440 | 5C13 | 5 | 90 - 34 |
| R41079 | 4D12 | 11 | 70 - 59 | R41288 | 1C18 | 10 | 20 - 39 | R41441 | 1G19 | 4 | 30 - 80 |
| R41080 | 3G17 | 15 | 60 - 25 | R41289 | 1C18 | 3 | 20 - 39 | R41442 | 5E2 | 9 | 90 - 73 |
| R41081 | 3G17 | 26 | 60 - 25 | R41291 | 1C18 | 3 | 20 - 39 | R41443 | 5E2 | 9 | 90 - 73 |
| R41082 | 3G17 | 27 | 60 - 25 | R41293 | 1C18 | 3 | 20 - 39 | R41444 | 4D4 | 2 | 70 - 51 |
| R41083 | 4E21 | 1 | 70 - 99 | R41295 | 1G14 | 13 | 30 - 75 | R41444 | 4D10 | 3 | 70 - 57 |
| R41084 | 4E20 | 17 | 70 - 98 | R41296 | 5E5 | 4 | 90 - 76 | R41445 | 4D10 | 3 | 70 - 57 |
| R41084 | 4E21 | 10 | 70 - 99 | R41303 | 4E3 | 9 | 70 - 78 | R41445 | 4F9 | 15 | 70 - 113 |
| R41084 | 4E23 | 22 | 70 - 101 | R41303 | 4E5 | 17 | 70 - 81 | R41446 | 4D3 | 19 | 70 - 50 |
| R41086 | 4E21 | 1 | 70 - 99 | R41315 | 1C15 | 14 | 20 - 36 | R41446 | 4D5 | 22 | 70 - 52 |
| R41087 | 4E20 | 11 | 70 - 98 | R41315 | 1C16 | 14 | 20 - 37 | R41451 | 4I7 | 7 | 80 - 39 |
| R41108 | 4D12 | 3 | 70 - 59 | R41321 | 1C13 | 2 | 20 - 34 | R41452 | 1B12 | 9 | 20 - 7 |
| R41110 | 4H20 | 10 | 80 - 27 | R41321 | 1C14 | 2 | 20 - 35 | R41453 | 1B12 | 12 | 20 - 7 |
| R41115 | 4D12 | 15 | 70 - 59 | R41334 | 2C20 | 8 | 40 - 41 | R41463 | 3C7 | 10 | 50 - 28 |
| R41117 | 4D12 | 35 | 70 - 59 | R41334 | 2C21 | 9 | 40 - 42 | R41465 | 4C12 | 4 | 70 - 33 |
| R41118 | 4D12 | 25 | 70 - 59 | R41334 | 2C23 | 8 | 40 - 45 | R41465 | 4C18 | 5 | 70 - 39 |
| R41119 | 4D12 | 28 | 70 - 59 | R41338 | 4F5 | 35 | 70 - 109 | R41465 | 4C20 | 5 | 70 - 41 |
| R41120 | 4D6 | 10 | 70 - 53 | R41339 | 4F5 | 30 | 70 - 109 | R41477 | 3G5 | 8 | 60 - 11 |
| R41121 | 4D18 | 7 | 70 - 67 | R41339 | 4F6 | 9 | 70 - 110 | R41478 | 3G5 | 7 | 60 - 11 |
| R41122 | 4D15 | 10 | 70 - 63 | R41355 | 5C8 | 7 | 90 - 30 | R41488 | 4D10 | 3 | 70 - 57 |
| R41122 | 4F3 | 22 | 70 - 107 | R41355 | 5C9 | 2 | 90 - 31 | R41488 | 4F9 | 15 | 70 - 113 |
| R41123 | 4D15 | 3 | 70 - 63 | R41355 | 5C9 | 4 | 90 - 31 | R41494 | 4F12 | 35 | 70 - 117 |
| R41124 | 3F23 | 16 | 60 - 3 | R41355 | 5C11 | 3 | 90 - 31B | R41501 | 3C18 | 11 | 50 - 39 |
| R41128 | 3E1 | 22 | 50 - 71 | R41355 | 5C12 | 14 | 90 - 33 | R41502 | 3D3 | 27 | 50 - 47 |
| R41131 | 3D16 | 13 | 50 - 60 | R41358 | 5B20 | 14 | 90 - 16 | R41503 | 3D3 | 30 | 50 - 47 |
| R41132 | 3E2 | 2 | 50 - 72 | R41358 | 5C13 | 1 | 90 - 34 | R41511 | 3B10 | 17 | 50 - 4 |
| R41133 | 3E1 | 13 | 50 - 71 | R41358 | 5C14 | 1 | 90 - 35 | R41511 | 3B15 | 11 | 50 - 10 |
| R41134 | 3E1 | 12 | 50 - 71 | R41358 | 5D9 | 18 | 90 - 55 | R41528 | 4E3 | 15 | 70 - 78 |
| R41135 | 3E1 | 18 | 50 - 71 | R41358 | 5D13 | 1 | 90 - 59 | R41528 | 4E5 | 23 | 70 - 81 |
| R41140 | 3E1 | 11 | 50 - 71 | R41361 | 4D8 | 5 | 70 - 55 | R41531 | 4E5 | 16 | 70 - 81 |
| R41141 | 3E1 | 23 | 50 - 71 | R41370 | 3B12 | 2 | 50 - 6 | R41532 | 4E3 | 8 | 70 - 78 |
| R41142 | 3E2 | 6 | 50 - 72 | R41370 | 3C18 | 4 | 50 - 39 | R41533 | 4E5 | 5 | 70 - 81 |
| R41146 | 3D1 | 34 | 50 - 45 | R41372 | 3B12 | 17 | 50 - 6 | R41534 | 4E5 | 14 | 70 - 81 |
| R41147 | 3D1 | 31 | 50 - 45 | R41373 | 3D11 | 25 | 50 - 55 | R41535 | 4E5 | 13 | 70 - 81 |
| R41147 | 4D15 | 39 | 70 - 63 | R41377 | 3D8 | 4 | 50 - 52 | R41536 | 4E5 | 10 | 70 - 81 |
| R41148 | 3D1 | 32 | 50 - 45 | R41378 | 3D8 | 9 | 50 - 52 | R41537 | 4E5 | 2 | 70 - 81 |
| R41149 | 4F5 | 27 | 70 - 109 | R41379 | 3D8 | 7 | 50 - 52 | R41538 | 4E5 | 1 | 70 - 81 |
| R41151 | 3C25 | 20 | 50 - 44 | R41383 | 4D15 | 22 | 70 - 63 | R41539 | 4E5 | 15 | 70 - 81 |
| R41151 | 3D3 | 1 | 50 - 47 | R41384 | 4D15 | 23 | 70 - 63 | R41541 | 4E5 | 6 | 70 - 81 |
| R41152 | 3C25 | 20 | 50 - 44 | R41385 | 4D15 | 15 | 70 - 63 | R41543 | 4E3 | 5 | 70 - 78 |
| R41152 | 3D3 | 1 | 50 - 47 | R41386 | 4D15 | 31 | 70 - 63 | R41544 | 4E3 | 1 | 70 - 78 |
| R41153 | 3C25 | 20 | 50 - 44 | R41387 | 4F3 | 14 | 70 - 107 | R41544 | 4E5 | 7 | 70 - 81 |
| R41153 | 3D3 | 1 | 50 - 47 | R41392 | 4F3 | 19 | 70 - 107 | R41545 | 4E3 | 15 | 70 - 78 |
| R41154 | 4F5 | 25 | 70 - 109 | R41404 | 3D1 | 10 | 50 - 45 | R41545 | 4E5 | 23 | 70 - 81 |
| R41155 | 4F9 | 22 | 70 - 113 | R41406 | 1C6 | 3 | 20 - 26 | R41549 | 4F5 | 26 | 70 - 109 |
| R41156 | 4F5 | 20 | 70 - 109 | R41406 | 1C7 | 2 | 20 - 27 | R41564 | 1G17 | 13 | 30 - 78 |
| R41164 | 3C25 | 20 | 50 - 44 | R41412 | 1B10 | 16 | 20 - 5 | R41565 | 4D7 | 3 | 70 - 54 |
| R41166 | 3C24 | 28 | 50 - 43B | R41413 | 1B10 | 20 | 20 - 5 | R41571 | 1G19 | 18 | 30 - 80 |
| R41166 | 3D7 | 19 | 50 - 51 | R41414 | 1B10 | 19 | 20 - 5 | R41572 | 1C11 | 39 | 20 - 31 |
| R41168 | 3D7 | 11 | 50 - 51 | R41415 | 1B10 | 16 | 20 - 5 | R41572 | 1G19 | 15 | 30 - 80 |
| R41171 | 3D13 | 14 | 50 - 57 | R41421 | 3B7 | 11 | 50 - 1 | R41573 | 1G19 | 26 | 30 - 80 |
| R41174 | 3D7 | 27 | 50 - 51 | R41422 | 3B7 | 12 | 50 - 1 | R41604 | 5E3 | 14 | 90 - 74 |
| R41178 | 3B8 | 15 | 50 - 2 | R41435 | 5E2 | 14 | 90 - 73 | R41605 | 5E3 | 14 | 90 - 74 |
| R41179 | 3B8 | 14 | 50 - 2 | R41436 | 5E2 | 15 | 90 - 73 | R41609 | 1B8 | 13 | 20 - 3 |
| R41180 | 3B10 | 9 | 50 - 4 | R41438 | 5E2 | 10 | 90 - 73 | R41609 | 1C24 | 1 | 20 - 45 |
| R41194 | 5D25 | 14 | 90 - 71 | R41439 | 2B21 | 13 | 40 - 15 | R41613 | 4F5 | 12 | 70 - 109 |
| R41198 | 4G4 | 8 | 70 - 135 | R41439 | 2C7 | 20 | 40 - 26 | R41613 | 4F5 | 16 | 70 - 109 |

1L4

TRACTOR - 4000 AND 4020 (SERIAL NO. 201000-) TRACTORS

NUMERICAL INDEX - CONTINUED

| PART NO. | GRID | KEY | PAGE | PART NO. | GRID | KEY | PAGE | PART NO. | GRID | KEY | PAGE |
|----------|------|-----|----------|----------|------|-----|----------|----------|------|-----|----------|
| R41614 | 1G17 | 3 | 30 - 78 | R41903 | 3E10 | 9 | 50 - 80 | R42332 | 3F6 | 6 | 50 - 104 |
| R41623 | 3D13 | 17 | 50 - 57 | R41903 | 3E13 | 24 | 50 - 84 | R42332 | 4H18 | 6 | 80 - 25 |
| R41654 | 4E20 | 7 | 70 - 98 | R41920 | 1C9 | 3 | 20 - 29 | R42333 | 3F8 | 9 | 50 - 106 |
| R41655 | 4E20 | 6 | 70 - 98 | R41920 | 1C9 | 11 | 20 - 29 | R42339 | 1B11 | 1 | 20 - 6 |
| R41661 | 4D12 | 26 | 70 - 59 | R41931 | 4F9 | 6 | 70 - 113 | R42340 | 1B13 | 11 | 20 - 8 |
| R41663 | 5D23 | 9 | 90 - 69 | R41932 | 4F9 | 17 | 70 - 113 | R42352 | 1B11 | 3 | 20 - 6 |
| R41680 | 1E23 | 23 | 30 - 37 | R41933 | 4I16 | 2 | 80 - 46 | R42352 | 1B11 | 4 | 20 - 6 |
| R41680 | 1F12 | 9 | 30 - 51 | R41933 | 5D23 | 13 | 90 - 69 | R42354 | 1B11 | 9 | 20 - 6 |
| R41681 | 1C13 | 14 | 20 - 34 | R41934 | 1B20 | 6 | 20 - 15 | R42355 | 1B11 | 6 | 20 - 6 |
| R41681 | 1C15 | 19 | 20 - 36 | R41934 | 1B21 | 1 | 20 - 16 | R42356 | 1B11 | 7 | 20 - 6 |
| R41681 | 2C20 | 6 | 40 - 41 | R41934 | 1B22 | 9 | 20 - 17 | R42357 | 3G3 | 3 | 60 - 8 |
| R41682 | 1C15 | 19 | 20 - 36 | R41934 | 1B23 | 7 | 20 - 18 | R42357 | 3G3 | 12 | 60 - 8 |
| R41682 | 2C20 | 6 | 40 - 41 | R41934 | 1B24 | 7 | 20 - 19 | R42357 | 3G14 | 8 | 60 - 21 |
| R41705 | 2B9 | 27 | 40 - 3 | R41934 | 1B25 | 7 | 20 - 20 | R42357 | 3G14 | 21 | 60 - 21 |
| R41706 | 2B12 | 12 | 40 - 6 | R41934 | 1C5 | 1 | 20 - 25 | R42379 | 3D13 | 1 | 50 - 57 |
| R41707 | 1B18 | 6 | 20 - 13 | R41937 | 5C2 | 12 | 90 - 23 | R42424 | 1B17 | 1 | 20 - 12 |
| R41709 | 1D2 | 1 | 20 - 47 | R41938 | 5C2 | 12 | 90 - 23 | R42424 | 1C24 | 14 | 20 - 45 |
| R41716 | 1E20 | 12 | 30 - 34 | R41958 | 3F6 | 19 | 50 - 104 | R42424 | 1D2 | 14 | 20 - 47 |
| R41717 | 1E20 | 14 | 30 - 34 | R41958 | 4H19 | 1 | 80 - 26 | R42429 | 5C9 | 2 | 90 - 31 |
| R41718 | 1E20 | 15 | 30 - 34 | R41966 | 4D15 | 38 | 70 - 63 | R42439 | 5C8 | 8 | 90 - 30 |
| R41719 | 1E20 | 13 | 30 - 34 | R41968 | 4D15 | 35 | 70 - 63 | R42439 | 5C9 | 5 | 90 - 31 |
| R41720 | 1E20 | 17 | 30 - 34 | R41983 | 4I5 | 3 | 80 - 37 | R42439 | 5C11 | 2 | 90 - 31B |
| R41721 | 1E20 | 16 | 30 - 34 | R42007 | 3G11 | 27 | 60 - 18 | R42440 | 4E13 | 17 | 70 - 90 |
| R41722 | 1E20 | 18 | 30 - 34 | R42008 | 3G11 | 21 | 60 - 18 | R42444 | 3E10 | 14 | 50 - 80 |
| R41722 | 1E20 | 19 | 30 - 34 | R42009 | 3G14 | 12 | 60 - 21 | R42444 | 3E13 | 16 | 50 - 84 |
| R41723 | 1E20 | 21 | 30 - 34 | R42014 | 3C9 | 21 | 50 - 30 | R42446 | 3E10 | 13 | 50 - 80 |
| R41724 | 3F25 | 2 | 60 - 5 | R42014 | 3E7 | 21 | 50 - 77 | R42446 | 3E13 | 17 | 50 - 84 |
| R41731 | 4C18 | 10 | 70 - 39 | R42039 | 3E6 | 7 | 50 - 76 | R42448 | 3E13 | 15 | 50 - 84 |
| R41745 | 3E6 | 14 | 50 - 76 | R42042 | 3E6 | 5 | 50 - 76 | R42451 | 5E4 | 11 | 90 - 75 |
| R41749 | 4E20 | 28 | 70 - 98 | R42043 | 3E6 | 8 | 50 - 76 | R42452 | 4D24 | 18 | 70 - 74 |
| R41750 | 4E20 | 3 | 70 - 98 | R42045 | 5B25 | 10 | 90 - 21 | R42452 | 4D25 | 9 | 70 - 75 |
| R41752 | 3C19 | 23 | 50 - 40 | R42045 | 5C1 | 15 | 90 - 22 | R42452 | 4E1 | 1 | 70 - 76 |
| R41760 | 5D25 | 15 | 90 - 71 | R42054 | 1C10 | 3 | 20 - 30 | R42452 | 4E20 | 21 | 70 - 98 |
| R41763 | 4E20 | 19 | 70 - 98 | R42057 | 3C7 | 24 | 50 - 28 | R42467 | 4B11 | 29 | 70 - 5 |
| R41763 | 4E21 | 12 | 70 - 99 | R42057 | 3D1 | 33 | 50 - 45 | R42468 | 3F4 | 13 | 50 - 102 |
| R41776 | 4D10 | 30 | 70 - 57 | R42058 | 3C13 | 7 | 50 - 34 | R42483 | 1F24 | 11 | 30 - 64 |
| R41777 | 4D10 | 31 | 70 - 57 | R42090 | 3C18 | 13 | 50 - 39 | R42484 | 3D16 | 2 | 50 - 60 |
| R41778 | 5C8 | 11 | 90 - 30 | R42091 | 3C18 | 12 | 50 - 39 | R42485 | 3D16 | 5 | 50 - 60 |
| R41778 | 5C9 | 9 | 90 - 31 | R42093 | 4F3 | 10 | 70 - 107 | R42491 | 3D16 | 9 | 50 - 60 |
| R41778 | 5C11 | 8 | 90 - 31B | R42094 | 4F3 | 9 | 70 - 107 | R42492 | 3D13 | 18 | 50 - 57 |
| R41778 | 5C12 | 1 | 90 - 33 | R42101 | 3E23 | 20 | 50 - 95 | R42495 | 4D21 | 14 | 70 - 71 |
| R41781 | 5C8 | 3 | 90 - 30 | R42110 | 3C13 | 5 | 50 - 34 | R42495 | 4D22 | 10 | 70 - 72 |
| R41781 | 5C12 | 7 | 90 - 33 | R42126 | 3B25 | 18 | 50 - 21 | R42495 | 4D23 | 13 | 70 - 73 |
| R41845 | 3E22 | 2 | 50 - 94 | R42127 | 3B25 | 9 | 50 - 21 | R42495 | 4D24 | 2 | 70 - 74 |
| R41846 | 4H11 | 10 | 80 - 17 | R42128 | 3B25 | 7 | 50 - 21 | R42505 | 3E12 | 14 | 50 - 83 |
| R41850 | 3D1 | 22 | 50 - 45 | R42129 | 3B25 | 19 | 50 - 21 | R42505 | 3E13 | 9 | 50 - 84 |
| R41851 | 3E3 | 32 | 50 - 73 | R42149 | 1B10 | 19 | 20 - 5 | R42507 | 3B12 | 19 | 50 - 6 |
| R41853 | 1C19 | 2 | 20 - 40 | R42150 | 1B10 | 19 | 20 - 5 | R42508 | 3B12 | 25 | 50 - 6 |
| R41855 | 1C24 | 23 | 20 - 45 | R42151 | 1B10 | 19 | 20 - 5 | R42509 | 3B12 | 24 | 50 - 6 |
| R41858 | 4D3 | 4 | 70 - 50 | R42152 | 1B10 | 20 | 20 - 5 | R42511 | 3B12 | 23 | 50 - 6 |
| R41858 | 4D5 | 7 | 70 - 52 | R42153 | 1B10 | 20 | 20 - 5 | R42512 | 3B12 | 28 | 50 - 6 |
| R41859 | 4D3 | 4 | 70 - 50 | R42154 | 1B10 | 20 | 20 - 5 | R42516 | 3F8 | 4 | 50 - 106 |
| R41859 | 4D5 | 7 | 70 - 52 | R42168 | 1G12 | 15 | 30 - 73 | R42517 | 3F8 | 3 | 50 - 106 |
| R41861 | 4E10 | 32 | 70 - 87 | R42192 | 1F11 | 25 | 30 - 50 | R42518 | 3F8 | 14 | 50 - 106 |
| R41861 | 4E12 | 37 | 70 - 89 | R42225 | 3G9 | 10 | 60 - 15 | R42519 | 3F9 | 8 | 50 - 107 |
| R41872 | 3B10 | 13 | 50 - 4 | R42260 | 4B15 | 40 | 70 - 9 | R42567 | 5C17 | 14 | 90 - 38 |
| R41877 | 3G19 | 7 | 60 - 27 | R42260 | 4B25 | 37 | 70 - 19 | R42567 | 5C18 | 18 | 90 - 39 |
| R41877 | 3G19 | 12 | 60 - 27 | R42275 | 5E2 | 21 | 90 - 73 | R42574 | 2D19 | 21 | 40 - 67 |
| R41877 | 3G21 | 12 | 60 - 29 | R42281 | 4E25 | 14 | 70 - 103 | R42574 | 2D23 | 20 | 40 - 71 |
| R41878 | 3G19 | 27 | 60 - 27 | R42282 | 4D15 | 6 | 70 - 63 | R42579 | 5C12 | 13 | 90 - 33 |
| R41879 | 2E21 | 6 | 40 - 95 | R42282 | 4F3 | 5 | 70 - 107 | R42580 | 5C12 | 10 | 90 - 33 |
| R41880 | 2E21 | 10 | 40 - 95 | R42290 | 3B13 | 6 | 50 - 7 | R42580 | 5E7 | 5 | 90 - 78 |
| R41880 | 2E23 | 13 | 40 - 97 | R42293 | 1D21 | 2A | 30 - 12 | R42581 | 5C12 | 15 | 90 - 33 |
| R41880 | 2E25 | 12 | 40 - 99 | R42293 | 1D22 | 3 | 30 - 13 | R42584 | 3C11 | 6 | 50 - 32 |
| R41880 | 2F1 | 4 | 40 - 100 | R42304 | 1G12 | 17 | 30 - 73 | R42584 | 3E9 | 6 | 50 - 79 |
| R41891 | 3G19 | 31 | 60 - 27 | R42312 | 5D2 | 3 | 90 - 48 | R42585 | 3C11 | 4 | 50 - 32 |
| R41892 | 3C17 | 1 | 50 - 38 | R42328 | 3F8 | 1 | 50 - 106 | R42585 | 3E9 | 4 | 50 - 79 |

1L5

TRACTOR - 4000 AND 4020 (SERIAL NO. 201000-) TRACTORS

NUMERICAL INDEX - CONTINUED

| PART NO. | GRID | KEY | PAGE | PART NO. | GRID | KEY | PAGE | PART NO. | GRID | KEY | PAGE |
|----------|------|-----|----------|----------|------|-----|----------|----------|------|-----|----------|
| R42602 | 5E6 | 9 | 90 - 77 | R42733 | 3F9 | 2 | 50 - 107 | R42932 | 3F8 | 12 | 50 - 106 |
| R42624 | 1C11 | 26 | 20 - 31 | R42734 | 3F9 | 1 | 50 - 107 | R42946 | 1C22 | 3 | 20 - 43 |
| R42627 | 5C12 | 14 | 90 - 33 | R42735 | 3F6 | 12 | 50 - 104 | R42958 | 1D15 | 5 | 30 - 6 |
| R42629 | 3F23 | 7 | 60 - 3 | R42762 | 3F8 | 2 | 50 - 106 | R42959 | 1D16 | 6 | 30 - 7 |
| R42636 | 1D13 | 11 | 30 - 4 | R42763 | 3F6 | 26 | 50 - 104 | R42962 | 1C22 | 11 | 20 - 43 |
| R42637 | 1D12 | 14 | 30 - 3 | R42763 | 3F17 | 35 | 50 - 115 | R42968 | 3F9 | 11 | 50 - 107 |
| R42637 | 1D13 | 11 | 30 - 4 | R42764 | 3F9 | 10 | 50 - 107 | R42969 | 3F6 | 25 | 50 - 104 |
| R42639 | 4D15 | 32 | 70 - 63 | R42764 | 3F17 | 38 | 50 - 115 | R42973 | 4H18 | 8 | 80 - 25 |
| R42640 | 4D15 | 17 | 70 - 63 | R42765 | 3F6 | 20 | 50 - 104 | R42974 | 4H18 | 12 | 80 - 25 |
| R42641 | 4D15 | 18 | 70 - 63 | R42766 | 3F6 | 20 | 50 - 104 | R42975 | 4H18 | 10 | 80 - 25 |
| R42643 | 4D8 | 6 | 70 - 55 | R42771 | 5D1 | 5 | 90 - 47 | R42984 | 2C7 | 10 | 40 - 26 |
| R42644 | 4D8 | 3 | 70 - 55 | R42773 | 4D7 | 10 | 70 - 54 | R42985 | 2C7 | 9 | 40 - 26 |
| R42645 | 1D13 | 12 | 30 - 4 | R42777 | 2C3 | 18 | 40 - 22 | R42986 | 2C7 | 11 | 40 - 26 |
| R42660 | 4E16 | 13 | 70 - 93 | R42778 | 2C3 | 20 | 40 - 22 | R42987 | 2C7 | 14 | 40 - 26 |
| R42661 | 3F25 | 17 | 60 - 5 | R42779 | 2C3 | 17 | 40 - 22 | R42988 | 2C7 | 18 | 40 - 26 |
| R42662 | 4I9 | 6 | 80 - 41 | R42784 | 2E10 | 4 | 40 - 84 | R43167 | 1D22 | 9 | 30 - 13 |
| R42663 | 4B15 | 31 | 70 - 9 | R42799 | 2E21 | 1 | 40 - 95 | R43216 | 3D11 | 7 | 50 - 55 |
| R42664 | 1C19 | 2 | 20 - 40 | R42799 | 2E23 | 1 | 40 - 97 | R43418 | 3B8 | 13 | 50 - 2 |
| R42666 | 2C2 | 16 | 40 - 21 | R42799 | 2F1 | 9 | 40 - 100 | R43444 | 4E7 | 9 | 70 - 83 |
| R42666 | 2C3 | 15 | 40 - 22 | R42800 | 2E21 | 5 | 40 - 95 | R43444 | 4E12 | 20 | 70 - 89 |
| R42667 | 2C2 | 16 | 40 - 21 | R42801 | 2E21 | 15 | 40 - 95 | R43498 | 2C13 | 2 | 40 - 32 |
| R42667 | 2C3 | 15 | 40 - 22 | R42802 | 2E21 | 14 | 40 - 95 | R43634 | 1B13 | 2 | 20 - 8 |
| R42679 | 1G12 | 2 | 30 - 73 | R42817 | 3F6 | 2 | 50 - 104 | R43662 | 2B23 | 5 | 40 - 17 |
| R42684 | 3G11 | 23 | 60 - 18 | R42818 | 3F4 | 22 | 50 - 102 | R43662 | 2B25 | 16 | 40 - 19 |
| R42689 | 2C2 | 1 | 40 - 21 | R42819 | 3F4 | 17 | 50 - 102 | R43662 | 2C1 | 15 | 40 - 20 |
| R42689 | 2C3 | 1 | 40 - 22 | R42820 | 3F4 | 18 | 50 - 102 | R43662 | 2C2 | 9 | 40 - 21 |
| R42693 | 1C19 | 4 | 20 - 40 | R42821 | 4H18 | 7 | 80 - 25 | R43662 | 2C5 | 3 | 40 - 24 |
| R42693 | 1C24 | 9 | 20 - 45 | R42849 | 3C14 | 5 | 50 - 35 | R43677 | 1B11 | 3 | 20 - 6 |
| R42693 | 1D2 | 5 | 20 - 47 | R42849 | 3C22 | 9 | 50 - 43 | R43677 | 1B11 | 4 | 20 - 6 |
| R42694 | 1C18 | 6 | 20 - 39 | R42849 | 3C24 | 4 | 50 - 43B | R43679 | 1B10 | 20 | 20 - 5 |
| R42694 | 1C24 | 4 | 20 - 45 | R42849 | 3D14 | 5 | 50 - 58 | R43680 | 1B8 | 16 | 20 - 3 |
| R42694 | 1D2 | 6 | 20 - 47 | R42849 | 3D20 | 28 | 50 - 65 | R43681 | 1B8 | 16 | 20 - 3 |
| R42695 | 4E16 | 18 | 70 - 93 | R42849 | 3D22 | 16 | 50 - 67 | R43682 | 1B8 | 16 | 20 - 3 |
| R42696 | 4E16 | 18 | 70 - 93 | R42849 | 3F17 | 16 | 50 - 115 | R43683 | 1B8 | 16 | 20 - 3 |
| R42697 | 3D17 | 7 | 50 - 61 | R42849 | 3G1 | 20 | 60 - 6 | R43684 | 3B10 | 2 | 50 - 4 |
| R42697 | 3D19 | 7 | 50 - 64 | R42849 | 3G11 | 26 | 60 - 18 | R43684 | 3C25 | 4 | 50 - 44 |
| R42697 | 3D19 | 8 | 50 - 64 | R42849 | 3G14 | 4 | 60 - 21 | R43721 | 3F25 | 10 | 60 - 5 |
| R42697 | 3D22 | 5 | 50 - 67 | R42850 | 3C20 | 8 | 50 - 41 | R43721 | 3F25 | 22A | 60 - 5 |
| R42707 | 3F24 | 9 | 60 - 4 | R42850 | 3C22 | 24 | 50 - 43 | R43721 | 3F25 | 23A | 60 - 5 |
| R42709 | 1G11 | 2 | 30 - 72 | R42850 | 3C24 | 27 | 50 - 43B | R43721 | 3G1 | 10 | 60 - 6 |
| R42710 | 1G10 | 16 | 30 - 71 | R42851 | 4G20 | 9 | 80 - 1 | R43737 | 4C7 | 1 | 70 - 27 |
| R42710 | 1G11 | 16 | 30 - 72 | R42851 | 4H15 | 8 | 80 - 22 | R43737 | 4C9 | 1 | 70 - 29 |
| R42711 | 1G10 | 29 | 30 - 71 | R42877 | 3F6 | 21 | 50 - 104 | R43737 | 4C14 | 9 | 70 - 35 |
| R42711 | 1G11 | 28 | 30 - 72 | R42877 | 3F17 | 34 | 50 - 115 | R43737 | 4C20 | 11 | 70 - 41 |
| R42712 | 1G10 | 12 | 30 - 71 | R42878 | 3F4 | 15 | 50 - 102 | R43742 | 1B11 | 9 | 20 - 6 |
| R42712 | 1G10 | 13 | 30 - 71 | R42879 | 3F4 | 23 | 50 - 102 | R43752 | 3C14 | 2 | 50 - 35 |
| R42712 | 1G11 | 12 | 30 - 72 | R42880 | 3F4 | 21 | 50 - 102 | R43752 | 3C22 | 6 | 50 - 43 |
| R42712 | 1G11 | 13 | 30 - 72 | R42881 | 3F6 | 5 | 50 - 104 | R43752 | 3C24 | 1 | 50 - 43B |
| R42713 | 1G10 | 8 | 30 - 71 | R42882 | 3F4 | 16 | 50 - 102 | R43763 | 3B8 | 10 | 50 - 2 |
| R42713 | 1G10 | 12 | 30 - 71 | R42883 | 3F8 | 13 | 50 - 106 | R43787 | 1B10 | 20 | 20 - 5 |
| R42713 | 1G11 | 8 | 30 - 72 | R42884 | 3F9 | 4 | 50 - 107 | R43788 | 1B10 | 20 | 20 - 5 |
| R42713 | 1G11 | 12 | 30 - 72 | R42885 | 4H18 | 5 | 80 - 25 | R43789 | 1B10 | 20 | 20 - 5 |
| R42714 | 1G10 | 11 | 30 - 71 | R42886 | 4H18 | 13 | 80 - 25 | R43829 | 4B8 | 6 | 70 - 2 |
| R42714 | 1G11 | 11 | 30 - 72 | R42887 | 4H18 | 9 | 80 - 25 | R43883 | 1B10 | 19 | 20 - 5 |
| R42715 | 1G11 | 26 | 30 - 72 | R42893 | 4I2 | 7 | 80 - 34 | R43899 | 5C23 | 5 | 90 - 44 |
| R42716 | 1G10 | 30 | 30 - 71 | R42901 | 3E23 | 22 | 50 - 95 | R43900 | 5C23 | 8 | 90 - 44 |
| R42716 | 1G11 | 29 | 30 - 72 | R42924 | 3F5 | 38A | 50 - 103 | R43910 | 5C23 | 6 | 90 - 44 |
| R42721 | 3E6 | 12 | 50 - 76 | R42925 | 3F4 | 27 | 50 - 102 | R43911 | 5C23 | 7 | 90 - 44 |
| R42726 | 1D14 | .. | 30 - 5 | R42926 | 3F4 | 24 | 50 - 102 | R43962 | 3F25 | 10 | 60 - 5 |
| R42727 | 1B8 | 8 | 20 - 3 | R42926 | 3F11 | 2 | 50 - 109 | R43962 | 3F25 | 22B | 60 - 5 |
| R42728 | 1B8 | 8 | 20 - 3 | R42926 | 3F13 | 5 | 50 - 111 | R43962 | 3F25 | 23B | 60 - 5 |
| R42729 | 1C9 | 2 | 20 - 29 | R42927 | 3F6 | 28 | 50 - 104 | R43962 | 3F25 | 24 | 60 - 5 |
| R42729 | 3F6 | 18 | 50 - 104 | R42927 | 3F17 | 37 | 50 - 115 | R43962 | 3G1 | 10 | 60 - 6 |
| R42729 | 3F8 | 6 | 50 - 106 | R42928 | 3F9 | 7 | 50 - 107 | R44003 | 4H25 | 17 | 80 - 32 |
| R42729 | 3F9 | 12 | 50 - 107 | R42929 | 3F9 | 3 | 50 - 107 | R44003 | 4I1 | 13 | 80 - 33 |
| R42732 | 5C8 | 14 | 90 - 30 | R42930 | 3F9 | 5 | 50 - 107 | R44006 | 3C7 | 9 | 50 - 28 |
| R42732 | 5C12 | 5 | 90 - 33 | R42931 | 3F8 | 10 | 50 - 106 | R44008 | 2C20 | 12 | 40 - 41 |

1L6

TRACTOR - 4000 AND 4020 (SERIAL NO. 201000-) TRACTORS

NUMERICAL INDEX - CONTINUED

| PART NO. | GRID | KEY | PAGE | PART NO. | GRID | KEY | PAGE | PART NO. | GRID | KEY | PAGE |
|----------|------|-----|----------|----------|------|-----|----------|----------|------|-----|----------|
| R44009 | 4H17 | 17 | 80 - 24 | R44257 | 1B18 | 4 | 20 - 13 | R44373 | 1D22 | 8 | 30 - 13 |
| R44010 | 4H17 | 17 | 80 - 24 | R44277 | 3B10 | 8 | 50 - 4 | R44374 | 1C24 | 10 | 20 - 45 |
| R44011 | 4H16 | 3 | 80 - 23 | R44285 | 4G2 | 19 | 70 - 133 | R44374 | 1D2 | 2 | 20 - 47 |
| R44012 | 4H16 | 1 | 80 - 23 | R44285 | 4G4 | 23 | 70 - 135 | R44374 | 1D19 | 19 | 30 - 10 |
| R44013 | 3F9 | 9 | 50 - 107 | R44286 | 4G12 | 23 | 70 - 145 | R44374 | 1D20 | 9 | 30 - 11 |
| R44016 | 2C7 | 21 | 40 - 26 | R44286 | 4G13 | 13 | 70 - 146 | R44374 | 1D21 | 7 | 30 - 12 |
| R44017 | 2C7 | 24 | 40 - 26 | R44287 | 4G2 | 24 | 70 - 133 | R44374 | 1D22 | 7 | 30 - 13 |
| R44020 | 4G20 | 4 | 80 - 1 | R44287 | 4G4 | 23 | 70 - 135 | R44378 | 1B18 | 5 | 20 - 13 |
| R44020 | 4G25 | 5 | 80 - 6 | R44287 | 4G4 | 33 | 70 - 135 | R44378 | 1B19 | 11 | 20 - 14 |
| R44020 | 4H15 | 3 | 80 - 22 | R44287 | 4G12 | 33 | 70 - 145 | R44378 | 1B25 | 9 | 20 - 20 |
| R44025 | 2C7 | 6 | 40 - 26 | R44287 | 4G13 | 22 | 70 - 146 | R44395 | 3C25 | 3 | 50 - 44 |
| R44030 | 3D24 | 22 | 50 - 69 | R44293 | 4D2 | 9 | 70 - 49 | R44406 | 3F7 | 2 | 50 - 105 |
| R44036 | 1C24 | 13 | 20 - 45 | R44296 | 4G2 | 5 | 70 - 133 | R44407 | 3F7 | 12 | 50 - 105 |
| R44039 | 4E20 | 13 | 70 - 98 | R44296 | 4G4 | 11 | 70 - 135 | R44408 | 3F7 | 11 | 50 - 105 |
| R44039 | 4E21 | 2 | 70 - 99 | R44296 | 4G6 | 22 | 70 - 137 | R44409 | 3F7 | 6 | 50 - 105 |
| R44040 | 4E20 | 20 | 70 - 98 | R44297 | 4G9 | 14 | 70 - 141 | R44411 | 3F7 | 10 | 50 - 105 |
| R44040 | 4E21 | 13 | 70 - 99 | R44297 | 4G12 | 11 | 70 - 145 | R44412 | 3F7 | 8 | 50 - 105 |
| R44044 | 5D4 | 14 | 90 - 50 | R44298 | 4D10 | 36 | 70 - 57 | R44414 | 3F7 | 5 | 50 - 105 |
| R44055 | 2C8 | 8 | 40 - 27 | R44299 | 4D10 | 37 | 70 - 57 | R44415 | 3F7 | 1 | 50 - 105 |
| R44065 | 1C12 | 2 | 20 - 32 | R44300 | 4D12 | 4 | 70 - 59 | R44416 | 3F7 | 7 | 50 - 105 |
| R44067 | 1C12 | 26 | 20 - 32 | R44302 | 1D5 | 4 | 20 - 50 | R44417 | 3F7 | 3 | 50 - 105 |
| R44078 | 1C11 | 4 | 20 - 31 | R44302 | 1G4 | 2 | 30 - 68A | R44419 | 1B17 | 3 | 20 - 12 |
| R44079 | 1C11 | 4 | 20 - 31 | R44302 | 1G6 | 2 | 30 - 69A | R44431 | 5C15 | 13 | 90 - 36 |
| R44083 | 1C11 | 14 | 20 - 31 | R44302 | 1G7 | 2 | 30 - 69B | R44432 | 5C15 | 14 | 90 - 36 |
| R44085 | 1D21 | 2A | 30 - 12 | R44302 | 1G8 | 12 | 30 - 69D | R44433 | 5C19 | 10 | 90 - 40 |
| R44094 | 2C7 | 4 | 40 - 26 | R44302 | 2B7 | 4 | 40 - 1 | R44434 | 5C15 | 20 | 90 - 36 |
| R44094 | 2C8 | 13 | 40 - 27 | R44302 | 2B7 | 9 | 40 - 1 | R44435 | 5C19 | 13 | 90 - 40 |
| R44096 | 2C7 | 2 | 40 - 26 | R44302 | 2B8 | 6 | 40 - 2 | R44436 | 5C15 | 19 | 90 - 36 |
| R44096 | 2C8 | 2 | 40 - 27 | R44302 | 2B10 | 9 | 40 - 4 | R44437 | 5C19 | 2 | 90 - 40 |
| R44097 | 2C7 | 3 | 40 - 26 | R44302 | 2C6 | 24 | 40 - 25 | R44437 | 5C19 | 5 | 90 - 40 |
| R44097 | 2C8 | 3 | 40 - 27 | R44302 | 2C7 | .. | 40 - 26 | R44437 | 5C19 | 8 | 90 - 40 |
| R44101 | 1E20 | 26 | 30 - 34 | R44302 | 2C8 | .. | 40 - 27 | R44437 | 5C19 | 11 | 90 - 40 |
| R44104 | 3B10 | 25 | 50 - 4 | R44302 | 2C13 | .. | 40 - 32 | R44437 | 5C19 | 14 | 90 - 40 |
| R44116 | 1C13 | 10 | 20 - 34 | R44302 | 2C14 | .. | 40 - 33 | R44437 | 5C19 | 17 | 90 - 40 |
| R44119 | 1C13 | 10 | 20 - 34 | R44302 | 2C15 | .. | 40 - 34 | R44437 | 5C19 | 20 | 90 - 40 |
| R44122 | 1C15 | 14 | 20 - 36 | R44302 | 2C17 | 3 | 40 - 37 | R44438 | 5C19 | 1 | 90 - 40 |
| R44140 | 4C14 | 15 | 70 - 35 | R44302 | 2C17 | 6 | 40 - 37 | R44438 | 5C19 | 4 | 90 - 40 |
| R44140 | 4C20 | 4 | 70 - 41 | R44302 | 2D15 | 3 | 40 - 63 | R44438 | 5C19 | 9 | 90 - 40 |
| R44141 | 4C14 | 16 | 70 - 35 | R44302 | 2E1 | 4 | 40 - 74 | R44438 | 5C19 | 12 | 90 - 40 |
| R44141 | 4C16 | 6 | 70 - 37 | R44302 | 2E6 | 7 | 40 - 79 | R44438 | 5C19 | 15 | 90 - 40 |
| R44161 | 1B19 | 6 | 20 - 14 | R44302 | 2E12 | 1 | 40 - 85A | R44438 | 5C19 | 16 | 90 - 40 |
| R44162 | 1B19 | 6 | 20 - 14 | R44302 | 2F9 | 12 | 40 - 108 | R44438 | 5C19 | 19 | 90 - 40 |
| R44163 | 1B19 | 6 | 20 - 14 | R44302 | 2F12 | 6 | 40 - 112 | R44438 | 5D11 | 1 | 90 - 57 |
| R44164 | 3D3 | 1 | 50 - 47 | R44302 | 2F15 | 20 | 40 - 115 | R44438 | 5D11 | 3 | 90 - 57 |
| R44165 | 2F3 | 28 | 40 - 102 | R44302 | 2F20 | 1 | 40 - 121 | R44438 | 5D11 | 5 | 90 - 57 |
| R44165 | 2F4 | 12 | 40 - 103 | R44302 | 3B22 | 1 | 50 - 18 | R44438 | 5D11 | 8 | 90 - 57 |
| R44185 | 4I3 | 5 | 80 - 35 | R44302 | 3D18 | 1 | 50 - 62 | R44438 | 5D11 | 10 | 90 - 57 |
| R44198 | 2B9 | 6 | 40 - 3 | R44302 | 5C9 | 2 | 90 - 31 | R44438 | 5D11 | 11 | 90 - 57 |
| R44204 | 3B14 | 8 | 50 - 9 | R44302 | 5D17 | .. | 90 - 63 | R44439 | 5C19 | 3 | 90 - 40 |
| R44214 | 1B8 | 7 | 20 - 3 | R44310 | 4F5 | 19 | 70 - 109 | R44441 | 5C19 | 6 | 90 - 40 |
| R44215 | 1B8 | 6 | 20 - 3 | R44313 | 4D15 | 40 | 70 - 63 | R44442 | 5C19 | 21 | 90 - 40 |
| R44216 | 1B8 | 5 | 20 - 3 | R44314 | 4D15 | 41 | 70 - 63 | R44443 | 5C19 | 18 | 90 - 40 |
| R44221 | 5D12 | 23 | 90 - 58 | R44315 | 4I16 | 2 | 80 - 46 | R44444 | 5C15 | 16 | 90 - 36 |
| R44252 | 3G19 | 10 | 60 - 27 | R44315 | 5D23 | 11 | 90 - 69 | R44444 | 5C16 | 7 | 90 - 37 |
| R44254 | 3F25 | 22B | 60 - 5 | R44328 | 3E13 | 21 | 50 - 84 | R44444 | 5D9 | 9 | 90 - 55 |
| R44254 | 3G11 | 12 | 60 - 18 | R44328 | 3E15 | 2 | 50 - 87 | R44444 | 5D10 | 10 | 90 - 56 |
| R44254 | 3G19 | 20 | 60 - 27 | R44331 | 1E20 | 24 | 30 - 34 | R44445 | 5C16 | 9 | 90 - 37 |
| R44254 | 3G19 | 39 | 60 - 27 | R44342 | 2B10 | 8 | 40 - 4 | R44445 | 5C17 | 8 | 90 - 38 |
| R44254 | 3G21 | 17 | 60 - 29 | R44350 | 4H22 | 8 | 80 - 29 | R44445 | 5C18 | 14 | 90 - 39 |
| R44255 | 3F25 | 24 | 60 - 5 | R44350 | 4H22 | .. | 80 - 29 | R44446 | 5C16 | 8 | 90 - 37 |
| R44255 | 3G11 | 10 | 60 - 18 | R44361 | 3F18 | 11 | 50 - 116 | R44446 | 5C17 | 7 | 90 - 38 |
| R44255 | 3G19 | 41 | 60 - 27 | R44372 | 3F18 | 11 | 50 - 116 | R44446 | 5C18 | 15 | 90 - 39 |
| R44256 | 3F25 | 23B | 60 - 5 | R44373 | 1C24 | 11 | 20 - 45 | R44447 | 5B24 | 20 | 90 - 20 |
| R44256 | 3G11 | 11 | 60 - 18 | R44373 | 1D2 | 3 | 20 - 47 | R44447 | 5D3 | 2 | 90 - 49 |
| R44256 | 3G19 | 19 | 60 - 27 | R44373 | 1D19 | 20 | 30 - 10 | R44447 | 5D3 | 11 | 90 - 49 |
| R44256 | 3G19 | 40 | 60 - 27 | R44373 | 1D20 | 10 | 30 - 11 | R44447 | 5D3 | 13 | 90 - 49 |
| R44256 | 3G21 | 16 | 60 - 29 | R44373 | 1D21 | 8 | 30 - 12 | R44447 | 5D3 | 18 | 90 - 49 |

1L7

TRACTOR - 4000 AND 4020 (SERIAL NO. 201000-) TRACTORS

NUMERICAL INDEX - CONTINUED

| PART NO. | GRID | KEY | PAGE | PART NO. | GRID | KEY | PAGE | PART NO. | GRID | KEY | PAGE |
|----------|------|-----|----------|----------|------|-----|----------|----------|------|-----|----------|
| R44447 | 5D3 | 20 | 90 - 49 | R44533 | 5D21 | 24 | 90 - 67 | R44926 | 1B22 | 2 | 20 - 17 |
| R44447 | 5D21 | 2 | 90 - 67 | R44535 | 5C23 | .. | 90 - 44 | R44926 | 1B23 | 9 | 20 - 18 |
| R44447 | 5D21 | 10 | 90 - 67 | R44536 | 4D10 | 7 | 70 - 57 | R44927 | 1B18 | 5 | 20 - 13 |
| R44447 | 5D21 | 12 | 90 - 67 | R44577 | 5D5 | 13 | 90 - 51 | R44927 | 1B19 | 11 | 20 - 14 |
| R44447 | 5D21 | 18 | 90 - 67 | R44585 | 5C20 | 3 | 90 - 41 | R44928 | 1B18 | 5 | 20 - 13 |
| R44447 | 5D21 | 21 | 90 - 67 | R44585 | 5C20 | 5 | 90 - 41 | R44928 | 1B19 | 11 | 20 - 14 |
| R44448 | 5C18 | 3 | 90 - 39 | R44585 | 5D20 | 1 | 90 - 66 | R44951 | 4I16 | 12 | 80 - 46 |
| R44449 | 5C19 | 7 | 90 - 40 | R44605 | 2C13 | 6 | 40 - 32 | R44951 | 5E3 | 13 | 90 - 74 |
| R44451 | 5D5 | 14 | 90 - 51 | R44605 | 2C14 | 6 | 40 - 33 | R44952 | 4I16 | 12 | 80 - 46 |
| R44452 | 5B12 | 3 | 90 - 7 | R44637 | 3C2 | 13 | 50 - 23 | R44952 | 5E3 | 13 | 90 - 74 |
| R44452 | 5B16 | 6 | 90 - 12 | R44637 | 3C4 | 9 | 50 - 25 | R44960 | 4I3 | .. | 80 - 35 |
| R44452 | 5D5 | 6 | 90 - 51 | R44638 | 3C2 | 4 | 50 - 23 | R44966 | 4I4 | .. | 80 - 36 |
| R44453 | 5D5 | 7 | 90 - 51 | R44638 | 3C4 | 4 | 50 - 25 | R44979 | 4H18 | 11 | 80 - 25 |
| R44454 | 5B12 | 8 | 90 - 7 | R44643 | 1D6 | 19 | 20 - 51 | R44995 | 3B21 | 3 | 50 - 17 |
| R44454 | 5D5 | 15 | 90 - 51 | R44686 | 1E25 | 25 | 30 - 39 | R44996 | 3B21 | 7 | 50 - 17 |
| R44455 | 5D5 | 2 | 90 - 51 | R44686 | 1F1 | 26 | 30 - 40 | R45003 | 1B10 | 19 | 20 - 5 |
| R44456 | 5B19 | 9 | 90 - 15 | R44686 | 1F3 | 1 | 30 - 42 | R45004 | 1B10 | 19 | 20 - 5 |
| R44456 | 5D5 | 3 | 90 - 51 | R44686 | 1F13 | 1 | 30 - 52 | R45005 | 1B10 | 19 | 20 - 5 |
| R44457 | 5D6 | 3 | 90 - 52 | R44695 | 4F3 | 13 | 70 - 107 | R45016 | 4F5 | 11 | 70 - 109 |
| R44458 | 2B24 | 2 | 40 - 18 | R44720 | 4H20 | 7 | 80 - 27 | R45036 | 1F5 | 9 | 30 - 44 |
| R44458 | 5B15 | 10 | 90 - 11 | R44743 | 4B13 | 33 | 70 - 7 | R45038 | 1F12 | 15 | 30 - 51 |
| R44458 | 5D6 | 2 | 90 - 52 | R44744 | 4B13 | 30A | 70 - 7 | R45039 | 1F3 | 13 | 30 - 42 |
| R44459 | 5D6 | 11 | 90 - 52 | R44745 | 4B13 | 1 | 70 - 7 | R45040 | 1F3 | 11 | 30 - 42 |
| R44460 | 2F5 | 16 | 40 - 104 | R44778 | 4D2 | 19 | 70 - 49 | R45041 | 1F3 | 12 | 30 - 42 |
| R44461 | 2F5 | 6 | 40 - 104 | R44801 | 4B13 | 18 | 70 - 7 | R45041 | 1F13 | 12 | 30 - 52 |
| R44462 | 2F5 | 11 | 40 - 104 | R44801 | 4B13 | 19 | 70 - 7 | R45043 | 1F3 | 8 | 30 - 42 |
| R44463 | 2F5 | 9 | 40 - 104 | R44801 | 4B13 | 20 | 70 - 7 | R45043 | 1F13 | 8 | 30 - 52 |
| R44464 | 2F5 | 4 | 40 - 104 | R44802 | 4B15 | 31 | 70 - 9 | R45044 | 1F5 | 28 | 30 - 44 |
| R44465 | 2F5 | 3 | 40 - 104 | R44814 | 3C19 | 23 | 50 - 40 | R45044 | 1F15 | 28 | 30 - 54 |
| R44466 | 2F5 | 1 | 40 - 104 | R44815 | 3D8 | 7 | 50 - 52 | R45045 | 1F6 | 32 | 30 - 45 |
| R44467 | 2F5 | 5 | 40 - 104 | R44816 | 3D7 | 4 | 50 - 51 | R45045 | 1F15 | 32 | 30 - 54 |
| R44468 | 5D7 | 18 | 90 - 53 | R44816 | 3D9 | 3 | 50 - 53 | R45045 | 1F22 | 10 | 30 - 62 |
| R44469 | 5D7 | 19 | 90 - 53 | R44816 | 3D10 | 8 | 50 - 54 | R45046 | 1F6 | 34 | 30 - 45 |
| R44470 | 5D7 | 16 | 90 - 53 | R44817 | 3D7 | 5 | 50 - 51 | R45047 | 1F6 | 35 | 30 - 45 |
| R44471 | 5D7 | 17 | 90 - 53 | R44817 | 3D8 | 8 | 50 - 52 | R45048 | 1F11 | 1 | 30 - 50 |
| R44472 | 5C24 | 2 | 90 - 45 | R44817 | 3D9 | 4 | 50 - 53 | R45049 | 1F11 | 17 | 30 - 50 |
| R44473 | 5C25 | 8 | 90 - 46 | R44817 | 3D10 | 7 | 50 - 54 | R45051 | 1F11 | 3 | 30 - 50 |
| R44474 | 5D7 | 14 | 90 - 53 | R44819 | 4D6 | 10 | 70 - 53 | R45052 | 1F11 | 6 | 30 - 50 |
| R44475 | 5D7 | 20 | 90 - 53 | R44823 | 4B11 | 10 | 70 - 5 | R45053 | 1F11 | 18 | 30 - 50 |
| R44476 | 5D7 | 1 | 90 - 53 | R44823 | 4B13 | 14 | 70 - 7 | R45054 | 1F11 | 15 | 30 - 50 |
| R44477 | 5C13 | 3 | 90 - 34 | R44831 | 3B8 | 15 | 50 - 2 | R45055 | 1F11 | 21 | 30 - 50 |
| R44478 | 5C24 | 6 | 90 - 45 | R44840 | 4E24 | 10 | 70 - 102 | R45056 | 1F11 | 23 | 30 - 50 |
| R44479 | 2F4 | 1 | 40 - 103 | R44845 | 3F24 | 9 | 60 - 4 | R45057 | 1F11 | 22 | 30 - 50 |
| R44480 | 5C23 | 20 | 90 - 44 | R44846 | 3F23 | 16 | 60 - 3 | R45058 | 1F11 | 16 | 30 - 50 |
| R44481 | 2F4 | 18 | 40 - 103 | R44848 | 4F1 | 4 | 70 - 104 | R45059 | 1F5 | 18 | 30 - 44 |
| R44482 | 2F4 | 10 | 40 - 103 | R44848 | 4F1 | 6 | 70 - 104 | R45062 | 1F3 | 2 | 30 - 42 |
| R44483 | 5D7 | 11 | 90 - 53 | R44853 | 1B12 | 1 | 20 - 7 | R45062 | 1F13 | 2 | 30 - 52 |
| R44484 | 5D7 | 5 | 90 - 53 | R44853 | 1C24 | 33 | 20 - 45 | R45063 | 1F11 | 19 | 30 - 50 |
| R44485 | 5D7 | 4 | 90 - 53 | R44853 | 1D2 | 30 | 20 - 47 | R45096 | 1D12 | 17 | 30 - 3 |
| R44486 | 5D7 | 2 | 90 - 53 | R44890 | 4H22 | 11 | 80 - 29 | R45106 | 4E25 | 22 | 70 - 103 |
| R44487 | 5C25 | 7 | 90 - 46 | R44898 | 1G18 | 18 | 30 - 79 | R45126 | 3C9 | 6 | 50 - 30 |
| R44488 | 5D1 | 10 | 90 - 47 | R44900 | 1C11 | 37 | 20 - 31 | R45126 | 3E7 | 6 | 50 - 77 |
| R44489 | 5C25 | 4 | 90 - 46 | R44901 | 1C11 | 37 | 20 - 31 | R45134 | 1C9 | 21 | 20 - 29 |
| R44494 | 5B10 | 5 | 90 - 5 | R44904 | 3B10 | 2 | 50 - 4 | R45136 | 2E23 | 17 | 40 - 97 |
| R44495 | 5B17 | 2 | 90 - 13 | R44909 | 2B12 | 3 | 40 - 6 | R45136 | 2E25 | 16 | 40 - 99 |
| R44512 | 5B10 | 4 | 90 - 5 | R44909 | 2B12 | 4 | 40 - 6 | R45161 | 1B8 | 2 | 20 - 3 |
| R44512 | 5B15 | 9 | 90 - 11 | R44917 | 4D21 | 11 | 70 - 71 | R45161 | 1B8 | 8 | 20 - 3 |
| R44516 | 5B18 | 7 | 90 - 14 | R44917 | 4D23 | 11 | 70 - 73 | R45175 | 1E20 | 4 | 30 - 34 |
| R44520 | 5C23 | 17 | 90 - 44 | R44917 | 4D24 | 12 | 70 - 74 | R45176 | 3F10 | 5 | 50 - 108 |
| R44521 | 5C23 | 15 | 90 - 44 | R44918 | 4D21 | 11 | 70 - 71 | R45177 | 3F10 | 13 | 50 - 108 |
| R44522 | 5C23 | 11 | 90 - 44 | R44918 | 4D23 | 11 | 70 - 73 | R45178 | 3F10 | 18 | 50 - 108 |
| R44523 | 5C23 | 18 | 90 - 44 | R44918 | 4D24 | 12 | 70 - 74 | R45179 | 3F10 | 1 | 50 - 108 |
| R44524 | 5C23 | 9 | 90 - 44 | R44918 | 4E7 | 3 | 70 - 83 | R45180 | 1B8 | 2 | 20 - 3 |
| R44525 | 5C23 | 2 | 90 - 44 | R44925 | 1B18 | 5 | 20 - 13 | R45181 | 3F10 | 15 | 50 - 108 |
| R44528 | 5C8 | 4 | 90 - 30 | R44925 | 1B19 | 11 | 20 - 14 | R45182 | 3F10 | 12 | 50 - 108 |
| R44529 | 5C8 | 8 | 90 - 30 | R44926 | 1B18 | 5 | 20 - 13 | R45183 | 3F10 | 4 | 50 - 108 |
| R44533 | 5D3 | 23 | 90 - 49 | R44926 | 1B19 | 11 | 20 - 14 | R45184 | 3F10 | 11 | 50 - 108 |

1L8

TRACTOR - 4000 AND 4020 (SERIAL NO. 201000-) TRACTORS

NUMERICAL INDEX - CONTINUED

| PART NO. | GRID | KEY | PAGE | PART NO. | GRID | KEY | PAGE | PART NO. | GRID | KEY | PAGE |
|----------|------|-----|----------|----------|------|-----|----------|----------|------|-----|----------|
| R45186 | 3F11 | 3 | 50 - 109 | R45447 | 4F2 | 3 | 70 - 105 | R45822 | 4B8 | 4 | 70 - 2 |
| R45186 | 3F13 | 6 | 50 - 111 | R454622 | 3C14 | 4 | 50 - 35 | R45822 | 4B8 | 6 | 70 - 2 |
| R45187 | 3F11 | 4 | 50 - 109 | R45515 | 3B16 | 13 | 50 - 12 | R45832 | 3E1 | 8 | 50 - 71 |
| R45187 | 3F11 | 10 | 50 - 109 | R45515 | 3D4 | 20 | 50 - 48 | R45832 | 3E1 | 23 | 50 - 71 |
| R45187 | 3F13 | 7 | 50 - 111 | R45515 | 4D18 | 24 | 70 - 67 | R45842 | 3E23 | 22 | 50 - 95 |
| R45189 | 4E24 | 17 | 70 - 102 | R45516 | 3B16 | 13 | 50 - 12 | R45844 | 3C10 | 8 | 50 - 31 |
| R45192 | 1B8 | 7 | 20 - 3 | R45516 | 3D4 | 20 | 50 - 48 | R45844 | 3E8 | 7 | 50 - 78 |
| R45193 | 1B8 | 6 | 20 - 3 | R45516 | 4D18 | 24 | 70 - 67 | R45847 | 1D5 | 4 | 20 - 50 |
| R45194 | 1B8 | 5 | 20 - 3 | R45526 | 1C22 | .. | 20 - 43 | R45847 | 1D5 | 5 | 20 - 50 |
| R45195 | 1B8 | 8 | 20 - 3 | R45540 | 5E4 | 1 | 90 - 75 | R45847 | 2E12 | 6 | 40 - 85A |
| R45196 | 2B12 | 5 | 40 - 6 | R45543 | 1F3 | 16 | 30 - 42 | R45847 | 5B17 | 1 | 90 - 13 |
| R45209 | 3C18 | 13 | 50 - 39 | R45543 | 1F13 | 17 | 30 - 52 | R45847 | 5B17 | 5 | 90 - 13 |
| R45211 | 2B7 | 6 | 40 - 1 | R45569 | 3F6 | 10 | 50 - 104 | R45847 | 5B17 | 15 | 90 - 13 |
| R45211 | 2B8 | 6 | 40 - 2 | R45573 | 3D1 | 25 | 50 - 45 | R45847 | 5B17 | 18 | 90 - 13 |
| R45211 | 2B21 | 12 | 40 - 15 | R45582 | 3B14 | 11 | 50 - 9 | R45847 | 5B17 | 19 | 90 - 13 |
| R45211 | 2B21 | 17 | 40 - 15 | R45582 | 3B15 | 3 | 50 - 10 | R45847 | 5C1 | 7 | 90 - 22 |
| R45211 | 5B20 | 6 | 90 - 16 | R45592 | 1F12 | 11 | 30 - 51 | R45847 | 5C1 | 8 | 90 - 22 |
| R45211 | 5C13 | 6 | 90 - 34 | R45592 | 1F17 | 15 | 30 - 56 | R45847 | 5C1 | 23 | 90 - 22 |
| R45215 | 4E24 | 19 | 70 - 102 | R45600 | 3D14 | 17 | 50 - 58 | R45847 | 5D1 | 2 | 90 - 47 |
| R45227 | 4B11 | 14 | 70 - 5 | R45618 | 4F12 | 33 | 70 - 117 | R45847 | 5D1 | 3 | 90 - 47 |
| R45227 | 4B11 | 15 | 70 - 5 | R45620 | 4G4 | 8 | 70 - 135 | R45847 | 5D1 | 4 | 90 - 47 |
| R45227 | 4B11 | 16 | 70 - 5 | R45620 | 4G6 | 25 | 70 - 137 | R45847 | 5D1 | 7 | 90 - 47 |
| R45228 | 4B11 | 14 | 70 - 5 | R45620 | 4G9 | 17 | 70 - 141 | R45847 | 5D2 | 8 | 90 - 48 |
| R45228 | 4B11 | 15 | 70 - 5 | R45620 | 4G10 | 11 | 70 - 142 | R45847 | 5D2 | 9 | 90 - 48 |
| R45228 | 4B11 | 16 | 70 - 5 | R45620 | 4G12 | 8 | 70 - 145 | R45874 | 4B11 | 32 | 70 - 5 |
| R45231 | 2B7 | .. | 40 - 1 | R45621 | 3C14 | 4 | 50 - 35 | R45877 | 5C4 | 27 | 90 - 25 |
| R45231 | 2B21 | .. | 40 - 15 | R45621 | 3C20 | 12 | 50 - 41 | R45878 | 5C4 | 29 | 90 - 25 |
| R45231 | 2E14 | .. | 40 - 88 | R45621 | 3C22 | 8 | 50 - 43 | R45879 | 5D23 | 7 | 90 - 69 |
| R45231 | 2E15 | .. | 40 - 89 | R45621 | 3C22 | 21 | 50 - 43 | R45882 | 4H20 | 10 | 80 - 27 |
| R45231 | 2E16 | .. | 40 - 90 | R45621 | 3C24 | 3 | 50 - 43B | R45893 | 411 | 18 | 80 - 33 |
| R45250 | 3F11 | 11 | 50 - 109 | R45622 | 3C14 | 4 | 50 - 35 | R45895 | 411 | 6 | 80 - 33 |
| R45251 | 3F11 | 12 | 50 - 109 | R45622 | 3C20 | 12 | 50 - 41 | R45896 | 411 | 7 | 80 - 33 |
| R45262 | 5E3 | 14 | 90 - 74 | R45622 | 3C22 | 8 | 50 - 43 | R459R | 1E20 | 23 | 30 - 34 |
| R45274 | 3E22 | 2 | 50 - 94 | R45622 | 3C22 | 21 | 50 - 43 | R459R | 3D4 | 13 | 50 - 48 |
| R45298 | 3F24 | 8 | 60 - 4 | R45622 | 3C24 | 31 | 50 - 43B | R459R | 3D7 | 3 | 50 - 51 |
| R45340 | 3E22 | 10 | 50 - 94 | R45630 | 4F12 | 5 | 70 - 117 | R459R | 3D8 | 5 | 50 - 52 |
| R45356 | 3F4 | 3 | 50 - 102 | R45630 | 4F20 | 31 | 70 - 125 | R459R | 3D9 | 2 | 50 - 53 |
| R45357 | 3F4 | 1 | 50 - 102 | R45630 | 4G14 | 5 | 70 - 147 | R459R | 3E18 | 8 | 50 - 90 |
| R45358 | 3F4 | 4 | 50 - 102 | R45638 | 3F11 | 5 | 50 - 109 | R459R | 3F25 | 4 | 60 - 5 |
| R45359 | 3F4 | 5 | 50 - 102 | R45638 | 3F11 | 9 | 50 - 109 | R459R | 3G7 | 14 | 60 - 13 |
| R45361 | 2B10 | 7 | 40 - 4 | R45638 | 3F13 | 8 | 50 - 111 | R459R | 3G11 | 2 | 60 - 18 |
| R45369 | 5E4 | 10 | 90 - 75 | R45638 | 3F17 | 5 | 50 - 115 | R459R | 4G4 | 14 | 70 - 135 |
| R45377 | 2C20 | 13 | 40 - 41 | R45642 | 2D15 | 4 | 40 - 63 | R459R | 4G10 | 6 | 70 - 142 |
| R45377 | 2C21 | 12 | 40 - 42 | R45651 | 3E1 | 11 | 50 - 71 | R459R | 4G12 | 14 | 70 - 145 |
| R45377 | 2C23 | 11 | 40 - 45 | R45661 | 4H16 | .. | 80 - 23 | R459R | 4G13 | 3 | 70 - 146 |
| R45378 | 3F8 | 5 | 50 - 106 | R45663 | 1E4 | 19 | 30 - 20 | R45912 | 2C11 | 5 | 40 - 30 |
| R45395 | 5D20 | 5 | 90 - 66 | R45663 | 1E7 | 20 | 30 - 23 | R45924 | 4D4 | 8 | 70 - 51 |
| R45395 | 5E2 | .. | 90 - 73 | R45664 | 1E4 | 21 | 30 - 20 | R45924 | 4D10 | 19 | 70 - 57 |
| R45396 | 5D20 | 6 | 90 - 66 | R45665 | 1E5 | 10 | 30 - 21 | R45925 | 4D4 | 7 | 70 - 51 |
| R45396 | 5E2 | .. | 90 - 73 | R45666 | 1G10 | 26 | 30 - 71 | R45925 | 4D10 | 18 | 70 - 57 |
| R45397 | 5E2 | .. | 90 - 73 | R45667 | 1G10 | 2 | 30 - 71 | R45925 | 4D13 | 13 | 70 - 61 |
| R45398 | 5D20 | 8 | 90 - 66 | R45669 | 4E25 | 1 | 70 - 103 | R45926 | 3G17 | 15 | 60 - 25 |
| R45398 | 5E2 | .. | 90 - 73 | R45670 | 4E25 | 3 | 70 - 103 | R45929 | 3G17 | 11 | 60 - 25 |
| R45401 | 5D20 | 7 | 90 - 66 | R45692 | 1B8 | 11 | 20 - 3 | R45929 | 3G17 | 15 | 60 - 25 |
| R45401 | 5E2 | .. | 90 - 73 | R45693 | 4110 | 3 | 80 - 42 | R45936 | 2C2 | 18 | 40 - 21 |
| R45405 | 5E3 | 13 | 90 - 74 | R45694 | 3E16 | 5 | 50 - 88 | R45936 | 2C3 | 24 | 40 - 22 |
| R45422 | 4B13 | 34 | 70 - 7 | R45697 | 1G10 | 27 | 30 - 71 | R45937 | 2C2 | 19 | 40 - 21 |
| R45422 | 4B21 | 26A | 70 - 15 | R45779 | 3E23 | 26 | 50 - 95 | R45937 | 2C3 | 25 | 40 - 22 |
| R45422 | 4B23 | 26 | 70 - 17 | R45780 | 3G9 | 6 | 60 - 15 | R45950 | 1B13 | 4 | 20 - 8 |
| R45423 | 4B13 | 28 | 70 - 7 | R45781 | 3G9 | 6 | 60 - 15 | R45950 | 1B13 | 10 | 20 - 8 |
| R45424 | 4B13 | 29A | 70 - 7 | R45790 | 3F11 | 1 | 50 - 109 | R45950 | 1B16 | 1 | 20 - 11 |
| R45425 | 4B13 | 31 | 70 - 7 | R45792 | 3F23 | 1 | 60 - 3 | R45950 | 1B19 | 10 | 20 - 14 |
| R45425 | 4B23 | 22A | 70 - 17 | R45811 | 3F25 | 10 | 60 - 5 | R45950 | 1C7 | 10 | 20 - 27 |
| R45438 | 4B11 | 1 | 70 - 5 | R45811 | 3F25 | 22B | 60 - 5 | R45950 | 1C7 | 11 | 20 - 27 |
| R45438 | 4B21 | 1 | 70 - 15 | R45811 | 3F25 | 23B | 60 - 5 | R45950 | 1C7 | 12 | 20 - 27 |
| R45439 | 5E4 | 10 | 90 - 75 | R45811 | 3F25 | 24 | 60 - 5 | R45957 | 4116 | 1 | 80 - 46 |
| R45440 | 5B25 | 21 | 90 - 21 | R45811 | 3G1 | 10 | 60 - 6 | R45981 | 5B6 | 7 | 90 - 1 |

1L9

TRACTOR - 4000 AND 4020 (SERIAL NO. 201000-) TRACTORS

NUMERICAL INDEX - CONTINUED

| PART NO. | GRID | KEY | PAGE | PART NO. | GRID | KEY | PAGE | PART NO. | GRID | KEY | PAGE |
|----------|------|-----|----------|----------|------|-----|----------|----------|------|-----|----------|
| R45981 | 5B21 | 8 | 90 - 17 | R46505 | 2E25 | 5 | 40 - 99 | R46801 | 3B16 | 13 | 50 - 12 |
| R45982 | 1C22 | 22 | 20 - 43 | R46508 | 4E23 | 28 | 70 - 101 | R46801 | 3D4 | 20 | 50 - 48 |
| R46038 | 5D22 | 6 | 90 - 68 | R46509 | 4E23 | 28 | 70 - 101 | R46801 | 4D18 | 24 | 70 - 67 |
| R46042 | 3D19 | 3 | 50 - 64 | R46511 | 3B16 | 14 | 50 - 12 | R46801 | 4D18 | 29 | 70 - 67 |
| R46042 | 3D19 | 8 | 50 - 64 | R46511 | 3B16 | 15 | 50 - 12 | R46801 | 4D19 | 1 | 70 - 68 |
| R46080 | 1B8 | 2 | 20 - 3 | R46511 | 3D4 | 21 | 50 - 48 | R46807 | 3C13 | 12 | 50 - 34 |
| R46080 | 1B8 | 16 | 20 - 3 | R46511 | 3D5 | 22 | 50 - 49 | R46815 | 3D1 | 13 | 50 - 45 |
| R46090 | 1B8 | 2 | 20 - 3 | R46511 | 4D18 | 18 | 70 - 67 | R46815 | 3D3 | 15 | 50 - 47 |
| R46090 | 1B8 | 16 | 20 - 3 | R46511 | 4D18 | 19 | 70 - 67 | R46816 | 3D1 | 11 | 50 - 45 |
| R46092 | 2B10 | 3 | 40 - 4 | R46513 | 3B16 | 7 | 50 - 12 | R46816 | 3D3 | 13 | 50 - 47 |
| R46094 | 3B8 | 22 | 50 - 2 | R46513 | 3D4 | 7 | 50 - 48 | R46817 | 3D17 | 1 | 50 - 61 |
| R46095 | 3B8 | 18 | 50 - 2 | R46513 | 4D18 | 17 | 70 - 67 | R46817 | 3D19 | 1 | 50 - 64 |
| R46095 | 3B8 | 22 | 50 - 2 | R46513 | 4E20 | 18 | 70 - 98 | R46818 | 3D17 | 3 | 50 - 61 |
| R46098 | 5B6 | 1 | 90 - 1 | R46513 | 4E23 | 12 | 70 - 101 | R46818 | 3D19 | 3 | 50 - 64 |
| R46098 | 5B21 | 1 | 90 - 17 | R46514 | 4E20 | 19 | 70 - 98 | R46821 | 3E19 | 5 | 50 - 91 |
| R46099 | 5B6 | 5 | 90 - 1 | R46514 | 4E23 | 13 | 70 - 101 | R46825 | 1D6 | .. | 20 - 51 |
| R46099 | 5B21 | 5 | 90 - 17 | R46520 | 2B9 | 27 | 40 - 3 | R46830 | 1F13 | 18 | 30 - 52 |
| R46158 | 1B14 | .. | 20 - 9 | R46527 | 4F3 | 3 | 70 - 107 | R46831 | 1F13 | 20 | 30 - 52 |
| R46158 | 1C7 | 10 | 20 - 27 | R46528 | 4F3 | 1 | 70 - 107 | R46832 | 1F13 | 21 | 30 - 52 |
| R46158 | 1C7 | 11 | 20 - 27 | R46528 | 4F3 | 3 | 70 - 107 | R46838 | 1F13 | 19 | 30 - 52 |
| R46158 | 1D2 | 20 | 20 - 47 | R46538 | 4I1 | 6 | 80 - 33 | R46840 | 1F13 | 11 | 30 - 52 |
| R46159 | 2C21 | 1 | 40 - 42 | R46567 | 3B8 | 8 | 50 - 2 | R46841 | 1F3 | 13 | 30 - 42 |
| R46160 | 2B9 | 6 | 40 - 3 | R46567 | 3B10 | 16 | 50 - 4 | R46841 | 1F13 | 13 | 30 - 52 |
| R46162 | 3E10 | 1 | 50 - 80 | R46567 | 3D11 | 27 | 50 - 55 | R46842 | 1F13 | 14 | 30 - 52 |
| R46162 | 3E13 | 1 | 50 - 84 | R46568 | 1E20 | 18 | 30 - 34 | R46843 | 1F13 | 16 | 30 - 52 |
| R46192 | 1B14 | 27 | 20 - 9 | R46568 | 1E20 | 19 | 30 - 34 | R46844 | 1E24 | 23 | 30 - 38 |
| R46192 | 1C24 | 32 | 20 - 45 | R46570 | 1C16 | 17 | 20 - 37 | R46844 | 1F17 | 10 | 30 - 56 |
| R46192 | 1D2 | 34 | 20 - 47 | R46570 | 2C23 | 7 | 40 - 45 | R46855 | 3E19 | 18 | 50 - 91 |
| R46285 | 3B25 | 13 | 50 - 21 | R46571 | 1C16 | 10 | 20 - 37 | R46856 | 3E19 | 15 | 50 - 91 |
| R46313 | 3B12 | 25 | 50 - 6 | R46618 | 1F11 | 1 | 30 - 50 | R46856 | 3E21 | 12 | 50 - 93 |
| R46313 | 4H22 | .. | 80 - 29 | R46618 | 1F11 | 3 | 30 - 50 | R46857 | 3B10 | 12 | 50 - 4 |
| R46323 | 3E10 | 6 | 50 - 80 | R46619 | 1F11 | 18 | 30 - 50 | R46858 | 3B10 | 13 | 50 - 4 |
| R46323 | 3E13 | 6 | 50 - 84 | R46632 | 5D22 | 12 | 90 - 68 | R46859 | 3B10 | 8 | 50 - 4 |
| R46324 | 3E10 | 6 | 50 - 80 | R46632 | 5D22 | 17 | 90 - 68 | R46860 | 3B10 | 9 | 50 - 4 |
| R46324 | 3E13 | 6 | 50 - 84 | R46662 | 5C21 | .. | 90 - 42 | R46861 | 3B10 | 1 | 50 - 4 |
| R46345 | 4B8 | 3 | 70 - 2 | R46662 | 5D22 | .. | 90 - 68 | R46862 | 3E19 | 3 | 50 - 91 |
| R46373 | 3C12 | 6 | 50 - 33 | R46663 | 5B14 | .. | 90 - 10 | R46863 | 3E19 | 1 | 50 - 91 |
| R46391 | 3C19 | 4 | 50 - 40 | R46663 | 5C21 | .. | 90 - 42 | R46865 | 3E17 | 8 | 50 - 89 |
| R46391 | 3C20 | 4 | 50 - 41 | R46663 | 5D22 | .. | 90 - 68 | R46866 | 3E17 | 14 | 50 - 89 |
| R46391 | 3C22 | 28 | 50 - 43 | R46669 | 1E24 | 22 | 30 - 38 | R46867 | 3E17 | 2 | 50 - 89 |
| R46391 | 3C22 | 46 | 50 - 43 | R46669 | 1F17 | 11 | 30 - 56 | R46868 | 3E17 | 7 | 50 - 89 |
| R46391 | 3C24 | 23 | 50 - 43B | R46675 | 1F25 | 8 | 30 - 65 | R46880 | 5C23 | .. | 90 - 44 |
| R46391 | 3D7 | 25 | 50 - 51 | R46701 | 3F11 | 6 | 50 - 109 | R46881 | 3G17 | 27 | 60 - 25 |
| R46394 | 3B19 | 9 | 50 - 15 | R46701 | 3F11 | 7 | 50 - 109 | R46889 | 4E7 | 13 | 70 - 83 |
| R46395 | 3B19 | 9 | 50 - 15 | R46701 | 3F11 | 14 | 50 - 109 | R46890 | 4E7 | 10 | 70 - 83 |
| R46396 | 3B19 | 9 | 50 - 15 | R46702 | 3F11 | 1 | 50 - 109 | R46893 | 4E7 | 15 | 70 - 83 |
| R46400 | 3B20 | 6 | 50 - 16 | R46702 | 3F11 | 7 | 50 - 109 | R46901 | 3E19 | 4 | 50 - 91 |
| R46401 | 3B20 | 9 | 50 - 16 | R46702 | 3F11 | 10 | 50 - 109 | R46902 | 3E17 | 9 | 50 - 89 |
| R46402 | 3B20 | 12 | 50 - 16 | R46702 | 3F11 | 14 | 50 - 109 | R46903 | 1B11 | 1 | 20 - 6 |
| R46403 | 3B20 | 22 | 50 - 16 | R46702 | 3F13 | 10 | 50 - 111 | R46904 | 5C21 | .. | 90 - 42 |
| R46411 | 1D21 | 2B | 30 - 12 | R46708 | 3F9 | 2 | 50 - 107 | R46904 | 5D20 | 10 | 90 - 66 |
| R46414 | 2C13 | 2 | 40 - 32 | R46709 | 3F9 | 7 | 50 - 107 | R46904 | 5D20 | 19 | 90 - 66 |
| R46414 | 2C14 | 2 | 40 - 33 | R46722 | 4F5 | 1 | 70 - 109 | R46949 | 3G3 | 4 | 60 - 8 |
| R46414 | 2C15 | 2 | 40 - 34 | R46722 | 4F5 | 2A | 70 - 109 | R46987 | 3G19 | 7 | 60 - 27 |
| R46414 | 2E6 | 12 | 40 - 79 | R46722 | 4F6 | 1 | 70 - 110 | R46987 | 3G21 | 3 | 60 - 29 |
| R46414 | 5C1 | 3 | 90 - 22 | R46722 | 4F7 | 1 | 70 - 111 | R46987 | 3G21 | 7 | 60 - 29 |
| R46425 | 3B8 | 14 | 50 - 2 | R46732 | 3B14 | 14 | 50 - 9 | R46994 | 3E22 | 2 | 50 - 94 |
| R46426 | 3D1 | 31 | 50 - 45 | R46733 | 5B6 | 16 | 90 - 1 | R47016 | 4E24 | 3 | 70 - 102 |
| R46431 | 3G19 | 36 | 60 - 27 | R46733 | 5B21 | 17 | 90 - 17 | R47018 | 4E24 | 7 | 70 - 102 |
| R46435 | 3B20 | 21 | 50 - 16 | R46735 | 3D13 | 10 | 50 - 57 | R47038 | 1E10 | 39 | 30 - 27 |
| R46443 | 4D18 | 2 | 70 - 67 | R46747 | 3B20 | 15 | 50 - 16 | R47044 | 4F1 | 23 | 70 - 104 |
| R46451 | 3C14 | 13 | 50 - 35 | R46747 | 3C8 | 11 | 50 - 29 | R47045 | 3D11 | 19 | 50 - 55 |
| R46451 | 3C15 | 4 | 50 - 36 | R46774 | 4B8 | 9 | 70 - 2 | R47049 | 1F18 | 23 | 30 - 58 |
| R46451 | 3C22 | 14 | 50 - 43 | R46775 | 2C21 | 6 | 40 - 42 | R47049 | 1F18 | 26 | 30 - 58 |
| R46451 | 3C24 | 9 | 50 - 43B | R46775 | 2C23 | 5 | 40 - 45 | R47067 | 4D21 | 26 | 70 - 71 |
| R46485 | 4C14 | 16 | 70 - 35 | R46775 | 2D2 | 33 | 40 - 49 | R47072 | 4D21 | 16 | 70 - 71 |
| R46485 | 4C16 | 6 | 70 - 37 | R46791 | 2E19 | 5 | 40 - 93 | R47072 | 4D23 | 14 | 70 - 73 |

1L10

TRACTOR - 4000 AND 4020 (SERIAL NO. 201000-) TRACTORS

NUMERICAL INDEX - CONTINUED

| PART NO. | GRID | KEY | PAGE | PART NO. | GRID | KEY | PAGE | PART NO. | GRID | KEY | PAGE |
|----------|------|-----|----------|----------|------|-----|----------|----------|------|-----|----------|
| R47072 | 4D24 | 4 | 70 - 74 | R47301 | 4D15 | 23 | 70 - 63 | R47508 | 3C9 | 11 | 50 - 30 |
| R47073 | 3D17 | 3 | 50 - 61 | R47301 | 4D15 | 29 | 70 - 63 | R47508 | 3E7 | 11 | 50 - 77 |
| R47073 | 3D19 | 3 | 50 - 64 | R47302 | 5B17 | 16 | 90 - 13 | R47509 | 3D3 | 27 | 50 - 47 |
| R47074 | 1C6 | 1 | 20 - 26 | R47303 | 5B17 | 4 | 90 - 13 | R47517 | 5B19 | 16 | 90 - 15 |
| R47074 | 1C7 | 1 | 20 - 27 | R47304 | 5B19 | 7 | 90 - 15 | R47518 | 5B19 | 6 | 90 - 15 |
| R47077 | 1F4 | 3 | 30 - 43 | R47305 | 5B18 | 10 | 90 - 14 | R47524 | 4D21 | 26 | 70 - 71 |
| R47077 | 1F18 | 25 | 30 - 58 | R47306 | 5B18 | 9 | 90 - 14 | R47524 | 4D22 | 11 | 70 - 72 |
| R47082 | 3B7 | 1 | 50 - 1 | R47307 | 4F20 | 3 | 70 - 125 | R47528 | 1D22 | 6 | 30 - 13 |
| R47083 | 3F21 | 21 | 60 - 1 | R47308 | 4F3 | 3 | 70 - 107 | R47542 | 4E20 | 9 | 70 - 98 |
| R47085 | 3G19 | 7 | 60 - 27 | R47308 | 4F20 | .. | 70 - 125 | R47542 | 4E23 | 18 | 70 - 101 |
| R47085 | 3G19 | 10 | 60 - 27 | R47308 | 4F22 | .. | 70 - 127 | R47543 | 4E20 | 12 | 70 - 98 |
| R47085 | 3G21 | 10 | 60 - 29 | R47319 | 3D19 | 16 | 50 - 64 | R47543 | 4E23 | 16 | 70 - 101 |
| R47086 | 3G19 | 7 | 60 - 27 | R47321 | 3D20 | 20 | 50 - 65 | R47566 | 4D18 | 21 | 70 - 67 |
| R47086 | 3G19 | 11 | 60 - 27 | R47323 | 5B19 | 10 | 90 - 15 | R47566 | 4D18 | 23 | 70 - 67 |
| R47086 | 3G21 | 11 | 60 - 29 | R47324 | 5B12 | 2 | 90 - 7 | R47566 | 4D18 | 25 | 70 - 67 |
| R47087 | 3G19 | 7 | 60 - 27 | R47325 | 5B13 | 11 | 90 - 9 | R47566 | 4D18 | 28 | 70 - 67 |
| R47087 | 3G19 | 9 | 60 - 27 | R47326 | 5B18 | 3 | 90 - 14 | R47566 | 4D19 | 5 | 70 - 68 |
| R47087 | 3G21 | 9 | 60 - 29 | R47327 | 5B20 | 3 | 90 - 16 | R47566 | 4E23 | 26 | 70 - 101 |
| R47092 | 1B13 | 6 | 20 - 8 | R47328 | 5B16 | 4 | 90 - 12 | R47566 | 4E23 | 27 | 70 - 101 |
| R47095 | 4E24 | 14 | 70 - 102 | R47329 | 5B10 | 11 | 90 - 5 | R47567 | 4D18 | 23 | 70 - 67 |
| R47113 | 1G5 | 10 | 30 - 69 | R47330 | 5B10 | 9 | 90 - 5 | R47567 | 4D18 | 25 | 70 - 67 |
| R47137 | 5D5 | 19 | 90 - 51 | R47331 | 5B17 | 10 | 90 - 13 | R47567 | 4D18 | 28 | 70 - 67 |
| R47141 | 3F8 | 5 | 50 - 106 | R47332 | 5B20 | 3 | 90 - 16 | R47567 | 4D19 | 5 | 70 - 68 |
| R47142 | 3F8 | 1 | 50 - 106 | R47333 | 5B19 | 15 | 90 - 15 | R47567 | 4E23 | 26 | 70 - 101 |
| R47159 | 3D17 | 8 | 50 - 61 | R47334 | 5B19 | 14 | 90 - 15 | R47568 | 4D18 | 23 | 70 - 67 |
| R47160 | 1G5 | 16 | 30 - 69 | R47340 | 3B16 | 7 | 50 - 12 | R47568 | 4D18 | 25 | 70 - 67 |
| R47160 | 1G7 | 5 | 30 - 69B | R47350 | 3D4 | 7 | 50 - 48 | R47568 | 4D18 | 28 | 70 - 67 |
| R47160 | 1G8 | 15 | 30 - 69D | R47358 | 1E21 | 7 | 30 - 35 | R47568 | 4D19 | 5 | 70 - 68 |
| R47170 | 1B13 | 4 | 20 - 8 | R47358 | 1E22 | 8 | 30 - 36 | R47568 | 4E23 | 26 | 70 - 101 |
| R47170 | 1B13 | 10 | 20 - 8 | R47393 | 3D25 | 9 | 50 - 70 | R47577 | 4E12 | 36 | 70 - 89 |
| R47170 | 1B14 | .. | 20 - 9 | R47409 | 3E1 | 9 | 50 - 71 | R47578 | 4E12 | 21 | 70 - 89 |
| R47170 | 1B16 | 1 | 20 - 11 | R47409 | 3E1 | 13 | 50 - 71 | R47581 | 4E12 | 24 | 70 - 89 |
| R47170 | 1B19 | 10 | 20 - 14 | R47410 | 3E1 | 22 | 50 - 71 | R47590 | 4E10 | 17 | 70 - 87 |
| R47172 | 5D4 | 14 | 90 - 50 | R47421 | 1E2 | 1 | 30 - 18 | R47590 | 4E12 | 33 | 70 - 89 |
| R47180 | 4G20 | 4 | 80 - 1 | R47421 | 1E3 | 4 | 30 - 19 | R47605 | 3G19 | 24 | 60 - 27 |
| R47180 | 4G25 | 5 | 80 - 6 | R47433 | 1E21 | 1 | 30 - 35 | R47605 | 3G21 | 21 | 60 - 29 |
| R47180 | 4H15 | 3 | 80 - 22 | R47433 | 1E22 | 2 | 30 - 36 | R47606 | 3G19 | 23 | 60 - 27 |
| R47197 | 5C13 | 3 | 90 - 34 | R47443 | 3C12 | 4 | 50 - 33 | R47606 | 3G21 | 20 | 60 - 29 |
| R47197 | 5C14 | 6 | 90 - 35 | R47444 | 3D25 | 5 | 50 - 70 | R47607 | 3G19 | 26 | 60 - 27 |
| R47203 | 3B25 | 16 | 50 - 21 | R47445 | 3D20 | 19 | 50 - 65 | R47607 | 3G21 | 23 | 60 - 29 |
| R47224 | 5B7 | 3 | 90 - 2 | R47448 | 3D20 | 26 | 50 - 65 | R47624 | 1B20 | 11 | 20 - 15 |
| R47224 | 5B22 | 3 | 90 - 18 | R47449 | 3D19 | 17 | 50 - 64 | R47634 | 3C10 | 10 | 50 - 31 |
| R47226 | 5B7 | 8 | 90 - 2 | R47450 | 3D19 | 18 | 50 - 64 | R47634 | 3C10 | 19 | 50 - 31 |
| R47226 | 5B22 | 8 | 90 - 18 | R47458 | 4D21 | 22 | 70 - 71 | R47647 | 4E20 | 11 | 70 - 98 |
| R47227 | 5B7 | 16 | 90 - 2 | R47460 | 2D1 | 14 | 40 - 48 | R47648 | 4E23 | 28 | 70 - 101 |
| R47227 | 5B22 | 16 | 90 - 18 | R47460 | 2D2 | 7 | 40 - 49 | R47669 | 1D15 | 5 | 30 - 6 |
| R47228 | 5B7 | 16 | 90 - 2 | R47461 | 2D1 | 27 | 40 - 48 | R47670 | 1D17 | 6 | 30 - 8 |
| R47228 | 5B22 | 16 | 90 - 18 | R47461 | 2D2 | 22 | 40 - 49 | R47670 | 1D18 | 5 | 30 - 9 |
| R47229 | 5B7 | 18 | 90 - 2 | R47468 | 5B15 | 7 | 90 - 11 | R47672 | 1D17 | 4A | 30 - 8 |
| R47229 | 5B22 | 18 | 90 - 18 | R47468 | 5B17 | 23 | 90 - 13 | R47673 | 1F1 | 30 | 30 - 40 |
| R47230 | 5B7 | 9 | 90 - 2 | R47468 | 5C1 | 10 | 90 - 22 | R47673 | 1F2 | 10 | 30 - 41 |
| R47230 | 5B22 | 9 | 90 - 18 | R47469 | 5B14 | 17 | 90 - 10 | R47673 | 1G19 | 26 | 30 - 80 |
| R47231 | 5B7 | 10 | 90 - 2 | R47470 | 5B14 | 2 | 90 - 10 | R47678 | 4E10 | 21 | 70 - 87 |
| R47231 | 5B22 | 10 | 90 - 18 | R47470 | 5B24 | 19 | 90 - 20 | R47678 | 4E12 | 32 | 70 - 89 |
| R47232 | 5B7 | 11 | 90 - 2 | R47471 | 5B13 | 1 | 90 - 9 | R47679 | 4E10 | 20 | 70 - 87 |
| R47232 | 5B22 | 11 | 90 - 18 | R47472 | 5B13 | 1 | 90 - 9 | R47679 | 4E12 | 30 | 70 - 89 |
| R47233 | 5B6 | 9 | 90 - 1 | R47473 | 5B20 | 2 | 90 - 16 | R47687 | 3G14 | 26 | 60 - 21 |
| R47233 | 5B21 | 10 | 90 - 17 | R47474 | 2B24 | 2 | 40 - 18 | R47692 | 1D3 | 1 | 20 - 48 |
| R47234 | 5B6 | 10 | 90 - 1 | R47474 | 2E23 | 18 | 40 - 97 | R47693 | 1D3 | 3 | 20 - 48 |
| R47234 | 5B21 | 11 | 90 - 17 | R47474 | 2E25 | 17 | 40 - 99 | R47694 | 3F24 | 16 | 60 - 4 |
| R47235 | 5B6 | 14 | 90 - 1 | R47475 | 5B18 | 6 | 90 - 14 | R47694 | 3G7 | 31 | 60 - 13 |
| R47288 | 5D22 | 11 | 90 - 68 | R47476 | 5B10 | 13 | 90 - 5 | R47731 | 1G1 | 5 | 30 - 66 |
| R47289 | 5D22 | 19 | 90 - 68 | R47476 | 5B17 | 20 | 90 - 13 | R47736 | 4G20 | 9 | 80 - 1 |
| R47292 | 5C8 | 1 | 90 - 30 | R47477 | 5B10 | 10 | 90 - 5 | R47736 | 4H15 | 8 | 80 - 22 |
| R47292 | 5C12 | 8 | 90 - 33 | R47478 | 5B10 | 16 | 90 - 5 | R47739 | 4I16 | 9 | 80 - 46 |
| R47300 | 4D15 | 23 | 70 - 63 | R47507 | 3C9 | 11 | 50 - 30 | R47739 | 5E5 | 2 | 90 - 76 |
| R47301 | 4D12 | 31 | 70 - 59 | R47507 | 3E7 | 11 | 50 - 77 | R47739 | 5E6 | 4 | 90 - 77 |

1L11

TRACTOR - 4000 AND 4020 (SERIAL NO. 201000-) TRACTORS

NUMERICAL INDEX - CONTINUED

| PART NO. | GRID | KEY | PAGE | PART NO. | GRID | KEY | PAGE | PART NO. | GRID | KEY | PAGE |
|----------|------|-----|----------|----------|------|-----|----------|----------|------|-----|----------|
| R47739 | 5E7 | 1 | 90 - 78 | R48163 | 4E12 | 1 | 70 - 89 | R48476 | 3G9 | 6 | 60 - 15 |
| R47756 | 4C16 | 17 | 70 - 37 | R48164 | 4E7 | 8 | 70 - 83 | R48493 | 1F20 | 10 | 30 - 60 |
| R47763 | 5C22 | .. | 90 - 43 | R48164 | 4E12 | 5 | 70 - 89 | R48494 | 1F23 | 14 | 30 - 63 |
| R47764 | 5C22 | .. | 90 - 43 | R48168 | 5D12 | 28 | 90 - 58 | R48495 | 1F23 | 16 | 30 - 63 |
| R47765 | 4G23 | 17 | 80 - 4 | R48174 | 3C14 | 16 | 50 - 35 | R48496 | 1F22 | 3 | 30 - 62 |
| R47765 | 4G24 | 24 | 80 - 5 | R48174 | 3C15 | 7 | 50 - 36 | R48497 | 1F22 | 4 | 30 - 62 |
| R47765 | 4H1 | 8 | 80 - 7 | R48174 | 3C22 | 17 | 50 - 43 | R48498 | 1F22 | 2 | 30 - 62 |
| R47766 | 4G23 | 17 | 80 - 4 | R48174 | 3C24 | 12 | 50 - 43B | R48499 | 1F24 | 14 | 30 - 64 |
| R47766 | 4G24 | 24 | 80 - 5 | R48176 | 3C14 | 12 | 50 - 35 | R48500 | 1F24 | 4 | 30 - 64 |
| R47766 | 4H1 | 3 | 80 - 7 | R48176 | 3C15 | 3 | 50 - 36 | R48526 | 1F24 | 19 | 30 - 64 |
| R47774 | 1D17 | 2A | 30 - 8 | R48176 | 3C22 | 13 | 50 - 43 | R48571 | 1F18 | 10 | 30 - 58 |
| R47780 | 3B7 | 14 | 50 - 1 | R48176 | 3C24 | 8 | 50 - 43B | R48594 | 3C12 | 5 | 50 - 33 |
| R47790 | 3C12 | 17 | 50 - 33 | R48177 | 3C17 | 16 | 50 - 38 | R48632 | 1D12 | .. | 30 - 3 |
| R47800 | 3B7 | 14 | 50 - 1 | R48226 | 4F1 | 5 | 70 - 104 | R48632 | 1D13 | .. | 30 - 4 |
| R47816 | 3D17 | 4 | 50 - 61 | R48235 | 3D7 | 7 | 50 - 51 | R48644 | 3C20 | 12 | 50 - 41 |
| R47816 | 3D19 | 4 | 50 - 64 | R48235 | 3D8 | 10 | 50 - 52 | R48647 | 3D25 | 6 | 50 - 70 |
| R47824 | 4D21 | 6 | 70 - 71 | R48235 | 3D9 | 6 | 50 - 53 | R48649 | 3C14 | 4 | 50 - 35 |
| R47831 | 2B15 | 1 | 40 - 9 | R48235 | 3D10 | 5 | 50 - 54 | R48649 | 3C22 | 8 | 50 - 43 |
| R47831 | 2B17 | 1 | 40 - 11 | R48236 | 3D7 | 10 | 50 - 51 | R48649 | 3C24 | 3 | 50 - 43B |
| R47831 | 2B19 | 2 | 40 - 13 | R48236 | 3D8 | 13 | 50 - 52 | R48659 | 4G20 | 4 | 80 - 1 |
| R47832 | 2C8 | 8 | 40 - 27 | R48236 | 3D9 | 9 | 50 - 53 | R48659 | 4G25 | 5 | 80 - 6 |
| R47843 | 4G23 | 10 | 80 - 4 | R48236 | 3D10 | 3 | 50 - 54 | R48659 | 4H15 | 3 | 80 - 22 |
| R47843 | 4H17 | 10 | 80 - 24 | R48240 | 3B16 | 7 | 50 - 12 | R48663 | 2B15 | 5 | 40 - 9 |
| R47860 | 2F7 | 9 | 40 - 106 | R48240 | 3D4 | 7 | 50 - 48 | R48663 | 2B17 | 5 | 40 - 11 |
| R47861 | 2F7 | 9 | 40 - 106 | R48240 | 3G9 | 10 | 60 - 15 | R48663 | 2B19 | 7 | 40 - 13 |
| R47863 | 1B18 | 9 | 20 - 13 | R48240 | 3G10 | 5 | 60 - 17 | R48663 | 2B20 | 5 | 40 - 14 |
| R47886 | 2C9 | 5 | 40 - 28 | R48261 | 3D14 | 2 | 50 - 58 | R48663 | 2C2 | 26 | 40 - 21 |
| R47886 | 2C10 | 3 | 40 - 29 | R48279 | 5D22 | 8 | 90 - 68 | R48664 | 2B15 | 1 | 40 - 9 |
| R47887 | 4D21 | 26 | 70 - 71 | R48280 | 5D22 | 21 | 90 - 68 | R48664 | 2C1 | 19 | 40 - 20 |
| R47888 | 4E3 | 15 | 70 - 78 | R48281 | 5D22 | 9 | 90 - 68 | R48665 | 2B15 | 1 | 40 - 9 |
| R47888 | 4E5 | 23 | 70 - 81 | R48282 | 5D22 | 20 | 90 - 68 | R48665 | 2C1 | 19 | 40 - 20 |
| R47898 | 5D20 | 17 | 90 - 66 | R48291 | 1B8 | 13 | 20 - 3 | R48682 | 4D18 | 27 | 70 - 67 |
| R47907 | 5D20 | 11 | 90 - 66 | R48291 | 1D2 | 1 | 20 - 47 | R48682 | 4D19 | 2 | 70 - 68 |
| R47941 | 5D12 | 1 | 90 - 58 | R48293 | 2C2 | 29 | 40 - 21 | R48685 | 3B16 | 6 | 50 - 12 |
| R47941 | 5D12 | 17 | 90 - 58 | R48293 | 2C3 | 1 | 40 - 22 | R48685 | 3D4 | 6 | 50 - 48 |
| R47941 | 5D20 | 29 | 90 - 66 | R48298 | 4B11 | 24 | 70 - 5 | R48698 | 4F16 | 3 | 70 - 121 |
| R47941 | 5D20 | 30 | 90 - 66 | R48299 | 4F1 | 6 | 70 - 104 | R48728 | 2D2 | 8 | 40 - 49 |
| R47982 | 5D12 | 9 | 90 - 58 | R48306 | 5D22 | 4 | 90 - 68 | R48737 | 5D20 | 9 | 90 - 66 |
| R47998 | 3F23 | 1 | 60 - 3 | R48308 | 5D22 | 10 | 90 - 68 | R48738 | 4B11 | 23 | 70 - 5 |
| R48000 | 1E23 | 14 | 30 - 37 | R48343 | 5C8 | 7 | 90 - 30 | R48738 | 4B13 | 23 | 70 - 7 |
| R48000 | 1E24 | 14 | 30 - 38 | R48344 | 5C8 | 9 | 90 - 30 | R48738 | 4B21 | 17 | 70 - 15 |
| R48000 | 1E25 | 16 | 30 - 39 | R48361 | 4I16 | 1 | 80 - 46 | R48738 | 4B23 | 17 | 70 - 17 |
| R48000 | 1F1 | 16 | 30 - 40 | R48364 | 5C8 | 5 | 90 - 30 | R48743 | 1C16 | 14 | 20 - 37 |
| R48000 | 1F25 | 2 | 30 - 65 | R48370 | 3D24 | 3 | 50 - 69 | R48755 | 1B13 | 21 | 20 - 8 |
| R48000 | 1G1 | 1 | 30 - 66 | R48378 | 5D20 | 27 | 90 - 66 | R48755 | 1E2 | 3 | 30 - 18 |
| R48013 | 3D25 | 10 | 50 - 70 | R48378 | 5E2 | 18 | 90 - 73 | R48755 | 1E3 | 8 | 30 - 19 |
| R48013 | 3E3 | 18 | 50 - 73 | R48384 | 5C1 | 1 | 90 - 22 | R48755 | 1E19 | 1 | 30 - 33 |
| R48013 | 3G19 | 18 | 60 - 27 | R48397 | 5E5 | 4 | 90 - 76 | R48763 | 4H3 | 6 | 80 - 9 |
| R48026 | 2F7 | .. | 40 - 106 | R48399 | 1E2 | 5 | 30 - 18 | R48763 | 4H9 | 5 | 80 - 15 |
| R48027 | 2F7 | .. | 40 - 106 | R48399 | 1E3 | 10 | 30 - 19 | R48769 | 3D25 | 8 | 50 - 70 |
| R48028 | 2F7 | 28 | 40 - 106 | R48399 | 1E19 | 3 | 30 - 33 | R48783 | 3F25 | 12 | 60 - 5 |
| R48048 | 2F7 | 17 | 40 - 106 | R48440 | 1B13 | 4 | 20 - 8 | R48784 | 3F25 | 11 | 60 - 5 |
| R48049 | 2F7 | 27 | 40 - 106 | R48440 | 1B13 | 10 | 20 - 8 | R48795 | 1F18 | 16 | 30 - 58 |
| R48071 | 1E21 | 3 | 30 - 35 | R48440 | 1B14 | .. | 20 - 9 | R48811 | 3F6 | 20 | 50 - 104 |
| R48071 | 1E22 | 4 | 30 - 36 | R48440 | 1B16 | 1 | 20 - 11 | R48825 | 2E15 | .. | 40 - 89 |
| R48072 | 2F5 | 6 | 40 - 104 | R48440 | 1B19 | 10 | 20 - 14 | R48825 | 2E17 | .. | 40 - 91 |
| R48073 | 2F5 | 5 | 40 - 104 | R48450 | 5C4 | 26 | 90 - 25 | R48865 | 5D11 | 7 | 90 - 57 |
| R48074 | 2F5 | 3 | 40 - 104 | R48452 | 4E20 | 13 | 70 - 98 | R48866 | 5D11 | 1 | 90 - 57 |
| R48075 | 2F5 | 1 | 40 - 104 | R48452 | 4E21 | 2 | 70 - 99 | R48866 | 5D11 | 3 | 90 - 57 |
| R48084 | 4C16 | 4 | 70 - 37 | R48453 | 4E20 | 13 | 70 - 98 | R48866 | 5D11 | 5 | 90 - 57 |
| R48101 | 3B12 | 22 | 50 - 6 | R48453 | 4E21 | 2 | 70 - 99 | R48866 | 5D11 | 8 | 90 - 57 |
| R48102 | 3B12 | 7 | 50 - 6 | R48454 | 2F6 | 22 | 40 - 105 | R48866 | 5D11 | 10 | 90 - 57 |
| R48109 | 3D11 | 12 | 50 - 55 | R48460 | 3E23 | 23 | 50 - 95 | R48866 | 5D11 | 11 | 90 - 57 |
| R48146 | 4H11 | 10 | 80 - 17 | R48464 | 3D13 | 10 | 50 - 57 | R48867 | 5D11 | 2 | 90 - 57 |
| R48150 | 5D22 | 2 | 90 - 68 | R48474 | 3B16 | 15 | 50 - 12 | R48868 | 5D11 | 6 | 90 - 57 |
| R48151 | 5D22 | 5 | 90 - 68 | R48474 | 3D5 | 22 | 50 - 49 | R48869 | 5D11 | 9 | 90 - 57 |
| R48163 | 4E7 | 7 | 70 - 83 | R48474 | 4D18 | 18 | 70 - 67 | R48870 | 5D11 | 4 | 90 - 57 |

1L12

TRACTOR - 4000 AND 4020 (SERIAL NO. 201000-) TRACTORS

NUMERICAL INDEX - CONTINUED

| PART NO. | GRID | KEY | PAGE | PART NO. | GRID | KEY | PAGE | PART NO. | GRID | KEY | PAGE |
|----------|------|-----|----------|----------|------|-----|----------|----------|------|-----|----------|
| R48871 | 5D11 | 12 | 90 - 57 | R49025 | 2B9 | 27 | 40 - 3 | R49297 | 4B11 | 21 | 70 - 5 |
| R48872 | 5D9 | 7 | 90 - 55 | R49042 | 5D22 | 3 | 90 - 68 | R49297 | 4B13 | 21 | 70 - 7 |
| R48872 | 5D10 | 11 | 90 - 56 | R49043 | 5D22 | 1 | 90 - 68 | R49297 | 4B21 | 15 | 70 - 15 |
| R48873 | 5D9 | 24 | 90 - 55 | R49043 | 5D22 | 6 | 90 - 68 | R49297 | 4B23 | 15 | 70 - 17 |
| R48874 | 5D14 | 9 | 90 - 60 | R49056 | 2E23 | 23 | 40 - 97 | R49298 | 4B13 | 24 | 70 - 7 |
| R48875 | 2F3 | 23 | 40 - 102 | R49056 | 2E25 | 22 | 40 - 99 | R49298 | 4B23 | 18 | 70 - 17 |
| R48876 | 5D13 | 10 | 90 - 59 | R49071 | 4B15 | 25 | 70 - 9 | R49332 | 4D12 | 24 | 70 - 59 |
| R48877 | 5D9 | 22 | 90 - 55 | R49071 | 4B15 | 27 | 70 - 9 | R49332 | 4D13 | 8 | 70 - 61 |
| R48878 | 5D15 | 9 | 90 - 61 | R49071 | 4B15 | 28 | 70 - 9 | R49333 | 4D12 | 18 | 70 - 59 |
| R48879 | 5D15 | 8 | 90 - 61 | R49071 | 4B15 | 29 | 70 - 9 | R49333 | 4D13 | 3 | 70 - 61 |
| R48880 | 5D15 | 5 | 90 - 61 | R49071 | 4B15 | 30 | 70 - 9 | R49336 | 4D13 | 10 | 70 - 61 |
| R48881 | 5D15 | 13 | 90 - 61 | R49071 | 4B15 | 31 | 70 - 9 | R49336 | 4D18 | 8 | 70 - 67 |
| R48882 | 5D14 | 14 | 90 - 60 | R49071 | 4B17 | 9 | 70 - 11 | R49345 | 3G19 | 34 | 60 - 27 |
| R48883 | 2B20 | 14 | 40 - 14 | R49072 | 4B15 | 26 | 70 - 9 | R49345 | 3G19 | 35 | 60 - 27 |
| R48884 | 5B25 | 14 | 90 - 21 | R49072 | 4B17 | 14 | 70 - 11 | R49347 | 1B18 | 9 | 20 - 13 |
| R48884 | 5D15 | 6 | 90 - 61 | R49098 | 4G20 | 1 | 80 - 1 | R49352 | 4G6 | 4 | 70 - 137 |
| R48884 | 5D17 | 13 | 90 - 63 | R49098 | 4G20 | 3 | 80 - 1 | R49352 | 4G9 | 6 | 70 - 141 |
| R48885 | 5D17 | 12 | 90 - 63 | R49098 | 4G25 | 1 | 80 - 6 | R49370 | 3D11 | 23 | 50 - 55 |
| R48887 | 2B20 | 13 | 40 - 14 | R49098 | 4G25 | 3 | 80 - 6 | R49371 | 3D11 | 25 | 50 - 55 |
| R48887 | 2G2 | 17 | 40 - 125 | R49098 | 4H15 | 1 | 80 - 22 | R49372 | 3D11 | 24 | 50 - 55 |
| R48888 | 2B20 | 13 | 40 - 14 | R49098 | 4H15 | 2 | 80 - 22 | R49393 | 2D14 | 11 | 40 - 62 |
| R48890 | 5D9 | 14 | 90 - 55 | R49106 | 4E13 | 16 | 70 - 90 | R49394 | 2D14 | 10 | 40 - 62 |
| R48891 | 5D9 | 14 | 90 - 55 | R49187 | 4F5 | 33 | 70 - 109 | R49411 | 4D15 | 14 | 70 - 63 |
| R48892 | 5D9 | 15 | 90 - 55 | R49187 | 4F6 | 8 | 70 - 110 | R49411 | 4D15 | 38 | 70 - 63 |
| R48894 | 5D9 | 14 | 90 - 55 | R49187 | 4F7 | 12 | 70 - 111 | R49430 | 3C2 | 26 | 50 - 23 |
| R48895 | 5D9 | 15 | 90 - 55 | R49191 | 4F12 | 33 | 70 - 117 | R49430 | 3C4 | 21 | 50 - 25 |
| R48896 | 5D14 | 10 | 90 - 60 | R49191 | 4F14 | 4 | 70 - 119 | R49431 | 3C2 | 26 | 50 - 23 |
| R48897 | 1G18 | 5 | 30 - 79 | R49191 | 4F14 | 5 | 70 - 119 | R49431 | 3C4 | 21 | 50 - 25 |
| R48899 | 5B24 | 26 | 90 - 20 | R49191 | 4F14 | 7 | 70 - 119 | R49432 | 3C2 | 26 | 50 - 23 |
| R48900 | 5B24 | 24 | 90 - 20 | R49191 | 4F14 | 8 | 70 - 119 | R49432 | 3C4 | 21 | 50 - 25 |
| R48901 | 5B24 | 25 | 90 - 20 | R49191 | 4F14 | 11 | 70 - 119 | R49433 | 3C2 | 26 | 50 - 23 |
| R48902 | 5D17 | 19 | 90 - 63 | R49191 | 4F14 | 13 | 70 - 119 | R49433 | 3C4 | 21 | 50 - 25 |
| R48903 | 5D14 | 13 | 90 - 60 | R49191 | 4F14 | 14 | 70 - 119 | R495R | 1B9 | 1 | 20 - 4 |
| R48904 | 5D9 | 14 | 90 - 55 | R49191 | 4F14 | 15 | 70 - 119 | R495R | 1C24 | 2 | 20 - 45 |
| R48906 | 5B18 | 10 | 90 - 14 | R49191 | 4F14 | 16 | 70 - 119 | R495R | 1D2 | 10 | 20 - 47 |
| R48908 | 5D14 | 10 | 90 - 60 | R49191 | 4F14 | 18 | 70 - 119 | R495R | 3F24 | 17 | 60 - 4 |
| R48911 | 5D14 | 10 | 90 - 60 | R49193 | 4F12 | 38 | 70 - 117 | R495R | 3G7 | 32 | 60 - 13 |
| R48912 | 5D13 | 13 | 90 - 59 | R49193 | 4G2 | 8 | 70 - 133 | R495R | 3G12 | 4 | 60 - 19 |
| R48913 | 5B18 | 4 | 90 - 14 | R49193 | 4G4 | 26 | 70 - 135 | R495R | 4B11 | 2 | 70 - 5 |
| R48913 | 5B18 | 5 | 90 - 14 | R49193 | 4G12 | 26 | 70 - 145 | R495R | 4E24 | 13 | 70 - 102 |
| R48913 | 5D17 | 21 | 90 - 63 | R49193 | 4G13 | 16 | 70 - 146 | R495R | 4F12 | 11 | 70 - 117 |
| R48952 | 3G19 | 33 | 60 - 27 | R49197 | 3C7 | 11 | 50 - 28 | R495R | 4F20 | 23 | 70 - 125 |
| R48952 | 3G19 | 34 | 60 - 27 | R49197 | 3C7 | 15 | 50 - 28 | R495R | 4G14 | 13 | 70 - 147 |
| R48952 | 3G19 | 35 | 60 - 27 | R49198 | 3D1 | 34 | 50 - 45 | R49520 | 1B13 | 10 | 20 - 8 |
| R48954 | 4H11 | 7 | 80 - 17 | R49199 | 3C7 | 9 | 50 - 28 | R49527 | 3C13 | 3 | 50 - 34 |
| R48954 | 4H11 | 11 | 80 - 17 | R49200 | 3C7 | 9 | 50 - 28 | R49528 | 1B20 | 4 | 20 - 15 |
| R48954 | 4H11 | 12 | 80 - 17 | R49207 | 3B21 | 13 | 50 - 17 | R49529 | 1B20 | 4 | 20 - 15 |
| R48954 | 4H11 | 13 | 80 - 17 | R49209 | 1F22 | 18 | 30 - 62 | R49530 | 1B13 | 10 | 20 - 8 |
| R48954 | 4H13 | 1 | 80 - 19 | R49211 | 1F20 | 14 | 30 - 60 | R49530 | 1B14 | .. | 20 - 9 |
| R48955 | 4H11 | 7 | 80 - 17 | R49212 | 1F20 | 11 | 30 - 60 | R49550 | 1B13 | 8 | 20 - 8 |
| R48955 | 4H11 | 11 | 80 - 17 | R49221 | 4F9 | 10 | 70 - 113 | R49579 | 3B8 | 23 | 50 - 2 |
| R48955 | 4H11 | 12 | 80 - 17 | R49258 | 3D11 | 11 | 50 - 55 | R49667 | 4F22 | 16 | 70 - 127 |
| R48955 | 4H11 | 13 | 80 - 17 | R49259 | 3D11 | 8 | 50 - 55 | R49668 | 4F22 | 14 | 70 - 127 |
| R48955 | 4H13 | 1 | 80 - 19 | R49260 | 3D11 | 14 | 50 - 55 | R49708 | 4F5 | 33 | 70 - 109 |
| R48956 | 4H13 | 1 | 80 - 19 | R49261 | 3D8 | 14 | 50 - 52 | R49758 | 3C7 | 10 | 50 - 28 |
| R48957 | 3G19 | 4 | 60 - 27 | R49262 | 3D7 | 27 | 50 - 51 | R49784 | 2C7 | 18 | 40 - 26 |
| R48957 | 3G19 | 7 | 60 - 27 | R49263 | 3D11 | 17 | 50 - 55 | R49785 | 2C7 | 14 | 40 - 26 |
| R48957 | 3G21 | 4 | 60 - 29 | R49285 | 1G16 | 2 | 30 - 77 | R49816 | 3D24 | 10 | 50 - 69 |
| R48976 | 2D17 | 9 | 40 - 65 | R49285 | 1G16 | 3 | 30 - 77 | R49816 | 3D24 | 13 | 50 - 69 |
| R48976 | 2D21 | 9 | 40 - 69 | R49287 | 1G16 | 18 | 30 - 77 | R49816 | 3D24 | 14 | 50 - 69 |
| R48978 | 4F5 | 9B | 70 - 109 | R49288 | 1G16 | 16 | 30 - 77 | R49816 | 3D24 | 19 | 50 - 69 |
| R48979 | 4F5 | 2B | 70 - 109 | R49289 | 1G16 | 17 | 30 - 77 | R49817 | 3D24 | 7 | 50 - 69 |
| R48980 | 4F5 | 7B | 70 - 109 | R49293 | 5D17 | 22 | 90 - 63 | R49817 | 3D24 | 14 | 50 - 69 |
| R48980 | 4F7 | 6 | 70 - 111 | R49294 | 3C14 | 1 | 50 - 35 | R49817 | 3D24 | 18 | 50 - 69 |
| R48981 | 4F5 | 8 | 70 - 109 | R49295 | 3C14 | 6 | 50 - 35 | R49819 | 3D24 | 7 | 50 - 69 |
| R49018 | 3F24 | 4 | 60 - 4 | R49295 | 3C22 | 10 | 50 - 43 | R49819 | 3D24 | 10 | 50 - 69 |
| R49018 | 3G3 | 16 | 60 - 8 | R49295 | 3C24 | 5 | 50 - 43B | R49819 | 3D24 | 13 | 50 - 69 |

1L13

TRACTOR - 4000 AND 4020 (SERIAL NO. 201000-) TRACTORS

NUMERICAL INDEX - CONTINUED

| PART NO. | GRID | KEY | PAGE | PART NO. | GRID | KEY | PAGE | PART NO. | GRID | KEY | PAGE |
|----------|------|-----|----------|----------|------|-----|----------|----------|------|-----|----------|
| R49819 | 3D24 | 14 | 50 - 69 | R50906 | 2E2 | 19 | 40 - 75 | R51525 | 4D21 | 22 | 70 - 71 |
| R49819 | 3D24 | 18 | 50 - 69 | R50907 | 2E3 | 5 | 40 - 76 | R51525 | 4D21 | 26 | 70 - 71 |
| R49819 | 3D24 | 19 | 50 - 69 | R50909 | 2E3 | 12 | 40 - 76 | R51528 | 2D4 | 25 | 40 - 51 |
| R49839 | 4H9 | 5 | 80 - 15 | R50910 | 2E5 | 18 | 40 - 78 | R51529 | 2D4 | 12 | 40 - 51 |
| R49856 | 5B6 | .. | 90 - 1 | R50912 | 2E4 | 8 | 40 - 77 | R51530 | 2D4 | 17 | 40 - 51 |
| R49856 | 5B21 | .. | 90 - 17 | R50913 | 2E3 | 2 | 40 - 76 | R51530 | 2D6 | 9 | 40 - 53 |
| R49857 | 5D11 | 1 | 90 - 57 | R50914 | 2E3 | 7 | 40 - 76 | R51531 | 2D4 | 16 | 40 - 51 |
| R49857 | 5D11 | 3 | 90 - 57 | R50915 | 2E3 | 8 | 40 - 76 | R51532 | 2D4 | 20 | 40 - 51 |
| R49857 | 5D11 | 5 | 90 - 57 | R50916 | 2E3 | 3 | 40 - 76 | R51533 | 2D4 | 26 | 40 - 51 |
| R49857 | 5D11 | 8 | 90 - 57 | R50917 | 2E3 | 10 | 40 - 76 | R51534 | 2D4 | 24 | 40 - 51 |
| R49857 | 5D11 | 10 | 90 - 57 | R50918 | 2E3 | 14 | 40 - 76 | R51535 | 2D4 | 9 | 40 - 51 |
| R49857 | 5D11 | 11 | 90 - 57 | R50919 | 2E3 | 15 | 40 - 76 | R51535 | 2D6 | 1 | 40 - 53 |
| R49858 | 5D17 | 13 | 90 - 63 | R50920 | 2E3 | 9 | 40 - 76 | R51573 | 3D1 | 11 | 50 - 45 |
| R49866 | 1B9 | 5 | 20 - 4 | R50921 | 2E3 | 18 | 40 - 76 | R51573 | 3D3 | 13 | 50 - 47 |
| R49866 | 1C24 | 7 | 20 - 45 | R50922 | 2E3 | 16 | 40 - 76 | R51608 | 3F3 | 2 | 50 - 101 |
| R49866 | 1D2 | 7 | 20 - 47 | R50923 | 2E4 | 1 | 40 - 77 | R51609 | 3F3 | 3 | 50 - 101 |
| R49921 | 2C13 | 6 | 40 - 32 | R50924 | 2E4 | 2 | 40 - 77 | R51616 | 4D21 | 6 | 70 - 71 |
| R49921 | 2C14 | 6 | 40 - 33 | R50925 | 2E4 | 3 | 40 - 77 | R51648 | 5C4 | 11 | 90 - 25 |
| R49988 | 4D3 | 9 | 70 - 50 | R50927 | 2E4 | 14 | 40 - 77 | R51648 | 5C4 | 22 | 90 - 25 |
| R49988 | 4D5 | 14 | 70 - 52 | R50928 | 2E4 | 17 | 40 - 77 | R51659 | 2E4 | 7 | 40 - 77 |
| R50034 | 3G17 | 30 | 60 - 25 | R50929 | 2E4 | 15 | 40 - 77 | R51660 | 2E4 | 5 | 40 - 77 |
| R50065 | 4D4 | 2 | 70 - 51 | R50930 | 2E4 | 12 | 40 - 77 | R51661 | 2E2 | 23 | 40 - 75 |
| R50065 | 4D10 | 3 | 70 - 57 | R50931 | 2E3 | 20 | 40 - 76 | R51663 | 2E3 | 20 | 40 - 76 |
| R50066 | 4D10 | 3 | 70 - 57 | R50931 | 2E4 | 9 | 40 - 77 | R51664 | 2E3 | 19 | 40 - 76 |
| R50066 | 4F9 | 15 | 70 - 113 | R50992 | 4H9 | 5 | 80 - 15 | R51665 | 2E2 | 17 | 40 - 75 |
| R50067 | 4D10 | 3 | 70 - 57 | R51025 | 4D12 | 11 | 70 - 59 | R51666 | 2E2 | 16 | 40 - 75 |
| R50067 | 4F9 | 15 | 70 - 113 | R51099 | 1D17 | 2A | 30 - 8 | R51667 | 2E2 | 8 | 40 - 75 |
| R50078 | 1D17 | 2A | 30 - 8 | R51099 | 1D17 | 4A | 30 - 8 | R51668 | 2E5 | 1 | 40 - 78 |
| R50078 | 1D17 | 2B | 30 - 8 | R51099 | 1D17 | 4B | 30 - 8 | R51669 | 2E5 | 14 | 40 - 78 |
| R50078 | 1D17 | 4A | 30 - 8 | R51114 | 1G17 | 2 | 30 - 78 | R51671 | 2E5 | 5 | 40 - 78 |
| R50160 | 3E22 | 10 | 50 - 94 | R51130 | 4D7 | 3 | 70 - 54 | R51679 | 4H23 | 3 | 80 - 30 |
| R50235 | 4C20 | 9 | 70 - 41 | R51195 | 3B16 | 7 | 50 - 12 | R51680 | 4H23 | 4 | 80 - 30 |
| R50298 | 3C9 | 11 | 50 - 30 | R51195 | 4D18 | 15 | 70 - 67 | R51680 | 4H24 | 18 | 80 - 31 |
| R50298 | 3E7 | 11 | 50 - 77 | R51196 | 3D15 | 8 | 50 - 59 | R51681 | 4H23 | 8 | 80 - 30 |
| R50365 | 3B20 | 14 | 50 - 16 | R51197 | 3D15 | 8 | 50 - 59 | R51681 | 4H24 | 13 | 80 - 31 |
| R50365 | 3C8 | 14 | 50 - 29 | R51198 | 3D15 | 8 | 50 - 59 | R51718 | 3D11 | 26 | 50 - 55 |
| R50430 | 5D4 | 1 | 90 - 50 | R51199 | 3D15 | 8 | 50 - 59 | R51748 | 3G2 | 7 | 60 - 7 |
| R50431 | 5D4 | 6 | 90 - 50 | R51200 | 3D15 | 11 | 50 - 59 | R51778 | 4E20 | 28 | 70 - 98 |
| R50566 | 3D17 | 2 | 50 - 61 | R51201 | 3D25 | 5 | 50 - 70 | R51779 | 4E20 | 3 | 70 - 98 |
| R50566 | 3D19 | 2 | 50 - 64 | R51285 | 4F12 | 35 | 70 - 117 | R51821 | 4I16 | 9 | 80 - 46 |
| R50567 | 3D17 | 1 | 50 - 61 | R51302 | 5D25 | 11 | 90 - 71 | R51821 | 5E5 | 2 | 90 - 76 |
| R50567 | 3D19 | 1 | 50 - 64 | R51303 | 3D11 | 19 | 50 - 55 | R51821 | 5E6 | 4 | 90 - 77 |
| R50568 | 3D17 | 3 | 50 - 61 | R51304 | 3D10 | 2 | 50 - 54 | R51821 | 5E7 | 1 | 90 - 78 |
| R50568 | 3D19 | 3 | 50 - 64 | R51305 | 4G20 | 9 | 80 - 1 | R51827 | 4B13 | 5 | 70 - 7 |
| R50575 | 3D16 | 5 | 50 - 60 | R51305 | 4H15 | 8 | 80 - 22 | R51851 | 3G21 | 31 | 60 - 29 |
| R50585 | 3E24 | 17 | 50 - 96 | R51391 | 3B8 | 22 | 50 - 2 | R51865 | 3B10 | 25 | 50 - 4 |
| R50585 | 3E25 | 14 | 50 - 97 | R51409 | 4F5 | 11 | 70 - 109 | R51865 | 3B10 | 28 | 50 - 4 |
| R50585 | 3G9 | 5 | 60 - 15 | R51409 | 4F5 | 12 | 70 - 109 | R51865 | 3B15 | 4 | 50 - 10 |
| R50605 | 5D21 | 6 | 90 - 67 | R51409 | 4F5 | 16 | 70 - 109 | R51869 | 4I13 | 1 | 80 - 45 |
| R50659 | 2D4 | 27 | 40 - 51 | R51410 | 4F5 | 11 | 70 - 109 | R51906 | 3C5 | 5 | 50 - 26 |
| R50660 | 2C23 | 5 | 40 - 45 | R51411 | 4F5 | 10 | 70 - 109 | R51906 | 3C5 | 12 | 50 - 26 |
| R50660 | 2D4 | 28 | 40 - 51 | R51411 | 4F5 | 11 | 70 - 109 | R51906 | 3C5 | 13 | 50 - 26 |
| R50879 | 3G17 | 29 | 60 - 25 | R51412 | 4F9 | 8A | 70 - 113 | R51921 | 3B19 | 4 | 50 - 15 |
| R50891 | 2E2 | 2 | 40 - 75 | R51412 | 4F9 | 8B | 70 - 113 | R51944 | 1B17 | 7 | 20 - 12 |
| R50891 | 2E4 | 13 | 40 - 77 | R51413 | 4F9 | 7 | 70 - 113 | R51966 | 3E2 | 5 | 50 - 72 |
| R50892 | 2E2 | 3 | 40 - 75 | R51413 | 4F9 | 8A | 70 - 113 | R52051 | 5C8 | 7 | 90 - 30 |
| R50893 | 2E2 | 13 | 40 - 75 | R51414 | 4F9 | 6 | 70 - 113 | R52052 | 5C8 | 6 | 90 - 30 |
| R50894 | 2E5 | 11 | 40 - 78 | R51414 | 4F9 | 8A | 70 - 113 | R52052 | 5C8 | 7 | 90 - 30 |
| R50897 | 2E2 | 10 | 40 - 75 | R51415 | 4F9 | 8A | 70 - 113 | R52057 | 3B14 | 10 | 50 - 9 |
| R50899 | 2E3 | 11 | 40 - 76 | R51415 | 4F9 | 17 | 70 - 113 | R52057 | 3B15 | 2 | 50 - 10 |
| R50899 | 2E5 | 17 | 40 - 78 | R51494 | 3B16 | 11 | 50 - 12 | R52160 | 4H11 | 7 | 80 - 17 |
| R50900 | 2E2 | 1 | 40 - 75 | R51494 | 3D4 | 18 | 50 - 48 | R52160 | 4H11 | 11 | 80 - 17 |
| R50901 | 2E2 | 21 | 40 - 75 | R51494 | 3E20 | 4 | 50 - 92 | R52160 | 4H11 | 12 | 80 - 17 |
| R50902 | 2E2 | 5 | 40 - 75 | R51494 | 3E21 | 18 | 50 - 93 | R52160 | 4H11 | 13 | 80 - 17 |
| R50903 | 2E2 | 6 | 40 - 75 | R51518 | 3C2 | 13 | 50 - 23 | R52161 | 2D6 | 28 | 40 - 53 |
| R50904 | 2E2 | 9 | 40 - 75 | R51518 | 3C4 | 9 | 50 - 25 | R52168 | 3G17 | 7 | 60 - 25 |
| R50905 | 2E2 | 24 | 40 - 75 | R51524 | 4D21 | 26 | 70 - 71 | R52169 | 3G17 | 9 | 60 - 25 |

1L14

TRACTOR - 4000 AND 4020 (SERIAL NO. 201000-) TRACTORS

NUMERICAL INDEX - CONTINUED

| PART NO. | GRID | KEY | PAGE | PART NO. | GRID | KEY | PAGE | PART NO. | GRID | KEY | PAGE |
|----------|------|-----|----------|----------|------|-----|----------|----------|------|-----|----------|
| R52195 | 5C14 | 3 | 90 - 35 | R53196 | 4D23 | 8 | 70 - 73 | R54144 | 4H21 | 2 | 80 - 28 |
| R52246 | 4D3 | 10 | 70 - 50 | R53202 | 3E10 | 12 | 50 - 80 | R54170 | 4E3 | 13 | 70 - 78 |
| R52246 | 4D5 | 15 | 70 - 52 | R53202 | 3E13 | 14 | 50 - 84 | R54170 | 4E5 | 21 | 70 - 81 |
| R52287 | 4H9 | 5 | 80 - 15 | R53202 | 3E13 | 18 | 50 - 84 | R54171 | 3F6 | 34 | 50 - 104 |
| R52385 | 2E5 | 10 | 40 - 78 | R53203 | 5D22 | 9 | 90 - 68 | R54172 | 3F6 | 30 | 50 - 104 |
| R52386 | 2E3 | 13 | 40 - 76 | R53204 | 5D22 | 20 | 90 - 68 | R54173 | 3F5 | 38A | 50 - 103 |
| R52387 | 2E2 | 12 | 40 - 75 | R53237 | 3B14 | 9 | 50 - 9 | R54173 | 3F5 | 38B | 50 - 103 |
| R52408 | 2E23 | 2 | 40 - 97 | R53237 | 3B15 | 1 | 50 - 10 | R54174 | 3F5 | 36 | 50 - 103 |
| R52498 | 3C2 | 7 | 50 - 23 | R53247 | 3B25 | 16 | 50 - 21 | R54174 | 3F5 | 38A | 50 - 103 |
| R52499 | 3C2 | 5 | 50 - 23 | R53282 | 1B17 | 1 | 20 - 12 | R54242 | 4F16 | 1 | 70 - 121 |
| R52499 | 3C2 | 7 | 50 - 23 | R53282 | 1C24 | 14 | 20 - 45 | R54312 | 4F20 | 3 | 70 - 125 |
| R52507 | 1C16 | 17 | 20 - 37 | R53282 | 1D2 | 14 | 20 - 47 | R54312 | 4F22 | 3 | 70 - 127 |
| R52507 | 2C21 | 8 | 40 - 42 | R53289 | 1B18 | 1 | 20 - 13 | R54380 | 3B16 | 10 | 50 - 12 |
| R52507 | 2C23 | 7 | 40 - 45 | R53290 | 1B19 | 1 | 20 - 14 | R54380 | 3D4 | 15 | 50 - 48 |
| R52548 | 4F5 | 27 | 70 - 109 | R53291 | 1B18 | 2 | 20 - 13 | R54380 | 4E16 | 17 | 70 - 93 |
| R52549 | 4F5 | 25 | 70 - 109 | R53292 | 1B19 | 2 | 20 - 14 | R54440 | 1G8 | 8 | 30 - 69D |
| R52549 | 4F5 | 27 | 70 - 109 | R53293 | 4I16 | 12 | 80 - 46 | R54442 | 5D18 | 13 | 90 - 64 |
| R52589 | 3C7 | 18 | 50 - 28 | R53293 | 5E3 | 13 | 90 - 74 | R54443 | 5D18 | 9 | 90 - 64 |
| R52589 | 3D1 | 14 | 50 - 45 | R53294 | 4I16 | 12 | 80 - 46 | R54445 | 5D18 | 10 | 90 - 64 |
| R52735 | 3B10 | 20 | 50 - 4 | R53294 | 5E3 | 13 | 90 - 74 | R54446 | 5D18 | 5 | 90 - 64 |
| R52735 | 3B15 | 8 | 50 - 10 | R53295 | 4E12 | 18 | 70 - 89 | R54447 | 5D18 | 4 | 90 - 64 |
| R52736 | 3B10 | 26 | 50 - 4 | R53296 | 4D21 | 11 | 70 - 71 | R54467 | 2F7 | 15 | 40 - 106 |
| R52736 | 3B15 | 6 | 50 - 10 | R53296 | 4D23 | 11 | 70 - 73 | R54533 | 5D25 | 12 | 90 - 71 |
| R52737 | 3B10 | 27 | 50 - 4 | R53296 | 4D23 | .. | 70 - 73 | R54541 | 5E5 | 4 | 90 - 76 |
| R52737 | 3B15 | 5 | 50 - 10 | R53296 | 4D24 | 12 | 70 - 74 | R54565 | 1B10 | 5 | 20 - 5 |
| R52773 | 1B10 | 23 | 20 - 5 | R53296 | 4E7 | 3 | 70 - 83 | R54584 | 2D12 | 20 | 40 - 60 |
| R52773 | 1B11 | 2 | 20 - 6 | R53409 | 2F2 | 1 | 40 - 101 | R54585 | 2D12 | 21 | 40 - 60 |
| R52801 | 5C7 | 25 | 90 - 29 | R53410 | 2F2 | 3 | 40 - 101 | R54750 | 3C6 | 1 | 50 - 27 |
| R52823 | 4D12 | 50 | 70 - 59 | R53475 | 4D15 | 17 | 70 - 63 | R54750 | 3E3 | 1 | 50 - 73 |
| R52824 | 4D12 | 47 | 70 - 59 | R53476 | 4D15 | 16 | 70 - 63 | R54750 | 3E4 | 3 | 50 - 74 |
| R52828 | 4D12 | 54 | 70 - 59 | R53558 | 4D24 | 18 | 70 - 74 | R54751 | 3E3 | 12 | 50 - 73 |
| R52833 | 1C15 | 16 | 20 - 36 | R53558 | 4D25 | 9 | 70 - 75 | R54766 | 5B7 | 4 | 90 - 2 |
| R52835 | 1D24 | 17 | 30 - 15 | R53558 | 4E1 | 1 | 70 - 76 | R54766 | 5B22 | 4 | 90 - 18 |
| R52836 | 1D18 | 5 | 30 - 9 | R53558 | 4E20 | 21 | 70 - 98 | R54785 | 3B16 | 13 | 50 - 12 |
| R52837 | 1D18 | 4 | 30 - 9 | R53561 | 4E23 | 28 | 70 - 101 | R54785 | 4D18 | 24 | 70 - 67 |
| R52882 | 3B25 | 7 | 50 - 21 | R53562 | 4F1 | 7 | 70 - 104 | R54839 | 5D14 | 13 | 90 - 60 |
| R52914 | 4H23 | 1 | 80 - 30 | R53571 | 4E20 | 11 | 70 - 98 | R54962 | 3E3 | 15 | 50 - 73 |
| R52914 | 4H23 | .. | 80 - 30 | R53585 | 3B9 | 32 | 50 - 3 | R54983 | 4H12 | 11 | 80 - 18 |
| R52916 | 2C4 | 2 | 40 - 23 | R53604 | 3D19 | 3 | 50 - 64 | R55010 | 4B13 | 18 | 70 - 7 |
| R52924 | 4H23 | 2 | 80 - 30 | R53604 | 3D19 | 8 | 50 - 64 | R55079 | 4D3 | 10 | 70 - 50 |
| R52938 | 2E13 | 8 | 40 - 86 | R53639 | 3E22 | 2 | 50 - 94 | R55079 | 4D5 | 15 | 70 - 52 |
| R52971 | 3D20 | 19 | 50 - 65 | R53640 | 3E22 | 2 | 50 - 94 | R55081 | 3B14 | 13 | 50 - 9 |
| R53031 | 1B20 | 11 | 20 - 15 | R53641 | 3E22 | 2 | 50 - 94 | R55162 | 2D12 | 8 | 40 - 60 |
| R53033 | 4D12 | 4 | 70 - 59 | R53642 | 3E22 | 2 | 50 - 94 | R55170 | 5D9 | 24 | 90 - 55 |
| R53108 | 1C24 | .. | 20 - 45 | R53643 | 3E22 | 2 | 50 - 94 | R55183 | 3F24 | 8 | 60 - 4 |
| R53108 | 2D7 | 6 | 40 - 55 | R53644 | 3E22 | 2 | 50 - 94 | R55184 | 3B8 | 10 | 50 - 2 |
| R53108 | 2D17 | 3 | 40 - 65 | R53657 | 3E22 | 1 | 50 - 94 | R55184 | 3B8 | 15 | 50 - 2 |
| R53169 | 3C5 | 18 | 50 - 26 | R53657 | 3E22 | 2 | 50 - 94 | R55396 | 2D7 | 1 | 40 - 55 |
| R53169 | 3E3 | 23 | 50 - 73 | R53658 | 3E22 | 1 | 50 - 94 | R55397 | 4F5 | 2B | 70 - 109 |
| R53177 | 3B16 | 13 | 50 - 12 | R53658 | 3E22 | 2 | 50 - 94 | R55397 | 4F7 | 2 | 70 - 111 |
| R53177 | 3B16 | 14 | 50 - 12 | R53740 | 3E10 | 9 | 50 - 80 | R55398 | 4F5 | 2B | 70 - 109 |
| R53177 | 3B16 | 15 | 50 - 12 | R53740 | 3E13 | 24 | 50 - 84 | R55398 | 4F5 | 8 | 70 - 109 |
| R53177 | 3D4 | 21 | 50 - 48 | R53741 | 1B17 | 3 | 20 - 12 | R55398 | 4F7 | 2 | 70 - 111 |
| R53177 | 3D5 | 22 | 50 - 49 | R53745 | 5C21 | .. | 90 - 42 | R55398 | 4F7 | 7 | 70 - 111 |
| R53177 | 4D18 | 18 | 70 - 67 | R53745 | 5D22 | .. | 90 - 68 | R55427 | 4E7 | 4 | 70 - 83 |
| R53177 | 4D18 | 19 | 70 - 67 | R53762 | 4D21 | 16 | 70 - 71 | R55428 | 3E22 | 5 | 50 - 94 |
| R53177 | 4D18 | 24 | 70 - 67 | R53762 | 4D21 | 26 | 70 - 71 | R55458 | 3F17 | 18 | 50 - 115 |
| R53180 | 3B16 | 13 | 50 - 12 | R53762 | 4D23 | 14 | 70 - 73 | R55559 | 3B25 | 28 | 50 - 21 |
| R53180 | 3B16 | 14 | 50 - 12 | R53762 | 4D24 | 4 | 70 - 74 | R55596 | 1C3 | 3 | 20 - 23 |
| R53180 | 3B16 | 15 | 50 - 12 | R54059 | 3G17 | 3 | 60 - 25 | R55597 | 1C3 | 3 | 20 - 23 |
| R53180 | 3D4 | 21 | 50 - 48 | R54059 | 4E24 | 2 | 70 - 102 | R55618 | 2F12 | 5 | 40 - 112 |
| R53180 | 3D5 | 22 | 50 - 49 | R54063 | 3G7 | 4 | 60 - 13 | R55737 | 1C3 | 3 | 20 - 23 |
| R53180 | 4D18 | 18 | 70 - 67 | R54064 | 4F1 | 19A | 70 - 104 | R55738 | 1C3 | 3 | 20 - 23 |
| R53180 | 4D18 | 19 | 70 - 67 | R54064 | 4F1 | 19B | 70 - 104 | R55739 | 1C3 | 3 | 20 - 23 |
| R53180 | 4D18 | 24 | 70 - 67 | R54065 | 4F1 | 22B | 70 - 104 | R55740 | 1C3 | 3 | 20 - 23 |
| R53196 | 4D21 | 8 | 70 - 71 | R54141 | 4E16 | 15 | 70 - 93 | R55741 | 1C3 | 3 | 20 - 23 |
| R53196 | 4D22 | 8 | 70 - 72 | R54143 | 4F1 | 5 | 70 - 104 | R55742 | 1C3 | 3 | 20 - 23 |

1L15

TRACTOR - 4000 AND 4020 (SERIAL NO. 201000-) TRACTORS

NUMERICAL INDEX - CONTINUED

| PART NO. | GRID | KEY | PAGE | PART NO. | GRID | KEY | PAGE | PART NO. | GRID | KEY | PAGE |
|----------|------|-----|----------|----------|------|-----|----------|----------|------|-----|----------|
| R55743 | 1C3 | 3 | 20 - 23 | R56751 | 4C4 | 12 | 70 - 23 | R57300 | 4C22 | 6 | 70 - 43 |
| R55744 | 1C3 | 3 | 20 - 23 | R56751 | 4C4 | 20 | 70 - 23 | R57300 | 4C22 | 17 | 70 - 43 |
| R55745 | 1C3 | 3 | 20 - 23 | R56751 | 4C4 | 21 | 70 - 23 | R57345 | 3C19 | 4 | 50 - 40 |
| R55746 | 1C3 | 3 | 20 - 23 | R56751 | 4C4 | 25 | 70 - 23 | R57452 | 2D14 | 11 | 40 - 62 |
| R55910 | 3B23 | 18 | 50 - 19 | R56751 | 4C4 | 27 | 70 - 23 | R57549 | 3G14 | 26 | 60 - 21 |
| R55932 | 5E12 | 4 | 90 - 83 | R56751 | 4C9 | 10 | 70 - 29 | R57559 | 3C7 | 11 | 50 - 28 |
| R56012 | 2C20 | 8 | 40 - 41 | R56753 | 4B11 | 8 | 70 - 5 | R57559 | 3C7 | 15 | 50 - 28 |
| R56012 | 2C21 | 9 | 40 - 42 | R56753 | 4B13 | 12 | 70 - 7 | R57559 | 3C7 | 23 | 50 - 28 |
| R56012 | 2C23 | 8 | 40 - 45 | R56753 | 4B19 | 18 | 70 - 13 | R57559 | 3C7 | 25 | 50 - 28 |
| R56038 | 4E12 | 10 | 70 - 89 | R56754 | 4B15 | 35 | 70 - 9 | R57559 | 3D1 | 17 | 50 - 45 |
| R56039 | 4E7 | 5 | 70 - 83 | R56755 | 4B15 | 32 | 70 - 9 | R57559 | 3E3 | 16 | 50 - 73 |
| R56101 | 5D17 | 3 | 90 - 63 | R56755 | 4B17 | 10 | 70 - 11 | R57560 | 3D1 | 34 | 50 - 45 |
| R56175 | 4D7 | 3 | 70 - 54 | R56755 | 4B19 | 10 | 70 - 13 | R57561 | 3C7 | 9 | 50 - 28 |
| R56246 | 5B7 | 1 | 90 - 2 | R56755 | 4B25 | 29 | 70 - 19 | R57561 | 3C7 | 11 | 50 - 28 |
| R56246 | 5B22 | 1 | 90 - 18 | R56755 | 4C2 | 13 | 70 - 21 | R57561 | 3C7 | 15 | 50 - 28 |
| R56320 | 2B9 | 27 | 40 - 3 | R56755 | 4C4 | 9 | 70 - 23 | R57572 | 5C3 | 18 | 90 - 24 |
| R56351 | 3D3 | 17 | 50 - 47 | R56756 | 4B15 | 33 | 70 - 9 | R57584 | 1B22 | 5 | 20 - 17 |
| R56396 | 1F20 | 12 | 30 - 60 | R56756 | 4B17 | 3 | 70 - 11 | R57584 | 1B23 | 3 | 20 - 18 |
| R56462 | 3C5 | 2 | 50 - 26 | R56756 | 4B19 | 12 | 70 - 13 | R57584 | 1C4 | 1 | 20 - 24 |
| R56463 | 4B11 | 2 | 70 - 5 | R56756 | 4B15 | 34 | 70 - 9 | R57606 | 5D17 | 6 | 90 - 63 |
| R56463 | 4B19 | 24 | 70 - 13 | R56757 | 4B17 | 11 | 70 - 11 | R57606 | 5D17 | 10 | 90 - 63 |
| R56463 | 4B21 | 2 | 70 - 15 | R56757 | 4B19 | 11 | 70 - 13 | R57623 | 5C4 | 18 | 90 - 25 |
| R56463 | 4C4 | 27 | 70 - 23 | R56757 | 4B25 | 31 | 70 - 19 | R57696 | 4G6 | 18 | 70 - 137 |
| R56464 | 3B10 | 18 | 50 - 4 | R56757 | 4C2 | 14 | 70 - 21 | R57696 | 4G9 | 10 | 70 - 141 |
| R56464 | 3B15 | 10 | 50 - 10 | R56757 | 4C4 | 18 | 70 - 23 | R57696 | 4G9 | 36 | 70 - 141 |
| R56464 | 4G2 | 3 | 70 - 133 | R56792 | 2E5 | 2 | 40 - 78 | R57696 | 4H25 | 15 | 80 - 32 |
| R56481 | 1B13 | 13 | 20 - 8 | R56793 | 2E5 | 3 | 40 - 78 | R57696 | 4I1 | 11 | 80 - 33 |
| R56481 | 1D19 | 11 | 30 - 10 | R56802 | 2E3 | 13 | 40 - 76 | R57725 | 3B19 | 11 | 50 - 15 |
| R56481 | 1E4 | 1 | 30 - 20 | R56821 | 4D12 | 47 | 70 - 59 | R57725 | 3B20 | 13 | 50 - 16 |
| R56481 | 1E10 | 1 | 30 - 27 | R56902 | 1D12 | .. | 30 - 3 | R57725 | 3C2 | 29 | 50 - 23 |
| R56481 | 1E13 | 1 | 30 - 28 | R56902 | 1D13 | .. | 30 - 4 | R57725 | 3C4 | 24 | 50 - 25 |
| R56481 | 1E25 | 24 | 30 - 39 | R56916 | 4D10 | 12 | 70 - 57 | R57725 | 3C8 | 15 | 50 - 29 |
| R56481 | 1F1 | 25 | 30 - 40 | R56931 | 4E3 | 9 | 70 - 78 | R57725 | 4D3 | 11 | 70 - 50 |
| R56481 | 2C17 | 12 | 40 - 37 | R56931 | 4E5 | 17 | 70 - 81 | R57915 | 3C14 | 6 | 50 - 35 |
| R56481 | 2D8 | 29 | 40 - 56 | R56979 | 1B20 | 8 | 20 - 15 | R57915 | 3C22 | 10 | 50 - 43 |
| R56481 | 2D10 | 33 | 40 - 58 | R56979 | 1B21 | 4 | 20 - 16 | R57915 | 3C24 | 5 | 50 - 43B |
| R56481 | 2D12 | 30 | 40 - 60 | R57025 | 2D10 | 15 | 40 - 58 | R58040 | 4H2 | 12 | 80 - 8 |
| R56481 | 2D17 | 6 | 40 - 65 | R57025 | 2D12 | 13 | 40 - 60 | R58111 | 3B8 | 3 | 50 - 2 |
| R56483 | 1F3 | 18 | 30 - 42 | R57034 | 3G2 | 7 | 60 - 7 | R58203 | 4E12 | 24 | 70 - 89 |
| R56483 | 1F14 | 26 | 30 - 53 | R57103 | 3G19 | 15 | 60 - 27 | R58204 | 4D15 | 23 | 70 - 63 |
| R56483 | 1F23 | 10 | 30 - 63 | R57103 | 3G19 | 34 | 60 - 27 | R58260 | 4E3 | 1 | 70 - 78 |
| R56504 | 4D12 | 46 | 70 - 59 | R57103 | 3G21 | 26 | 60 - 29 | R58260 | 4E5 | 7 | 70 - 81 |
| R56505 | 4D21 | 2 | 70 - 71 | R57119 | 1D11 | 1 | 30 - 2 | R58261 | 4F1 | 7 | 70 - 104 |
| R56505 | 4D22 | 2 | 70 - 72 | R57158 | 1C3 | 4 | 20 - 23 | R58262 | 4D21 | 11 | 70 - 71 |
| R56505 | 4D23 | 2 | 70 - 73 | R57158 | 1C4 | 2 | 20 - 24 | R58262 | 4D21 | 13 | 70 - 71 |
| R56506 | 4D21 | 1 | 70 - 71 | R57159 | 1C3 | 4 | 20 - 23 | R58262 | 4D21 | .. | 70 - 71 |
| R56506 | 4D22 | 1 | 70 - 72 | R57159 | 1C4 | 2 | 20 - 24 | R58262 | 4D23 | 11 | 70 - 73 |
| R56506 | 4D23 | 1 | 70 - 73 | R57258 | 1E21 | 7 | 30 - 35 | R58262 | 4D23 | .. | 70 - 73 |
| R56603 | 1C9 | 11 | 20 - 29 | R57258 | 1E22 | 8 | 30 - 36 | R58262 | 4D24 | 12 | 70 - 74 |
| R56728 | 4E23 | 1 | 70 - 101 | R57269 | 3E22 | 3 | 50 - 94 | R58262 | 4E16 | 31 | 70 - 93 |
| R56729 | 4E23 | 5 | 70 - 101 | R57269 | 3E22 | 4 | 50 - 94 | R58268 | 4E7 | 18 | 70 - 83 |
| R56733 | 3E24 | 4 | 50 - 96 | R57269 | 3E24 | 2 | 50 - 96 | R58303 | 4H11 | 9 | 80 - 17 |
| R56733 | 3E25 | 4 | 50 - 97 | R57269 | 3E25 | 2 | 50 - 97 | R58422 | 1F24 | 5 | 30 - 64 |
| R56734 | 3E24 | 18 | 50 - 96 | R57269 | 3F3 | 15 | 50 - 101 | R58425 | 3E10 | 9 | 50 - 80 |
| R56734 | 3G9 | 6 | 60 - 15 | R57269 | 3F3 | 16 | 50 - 101 | R58425 | 3E13 | 24 | 50 - 84 |
| R56749 | 4B11 | 3 | 70 - 5 | R57274 | 5C2 | 12 | 90 - 23 | R58499 | 4B15 | 44 | 70 - 9 |
| R56750 | 4B13 | 3 | 70 - 7 | R57275 | 5C2 | 12 | 90 - 23 | R58652 | 3E4 | 4 | 50 - 74 |
| R56751 | 4B13 | 2 | 70 - 7 | R57289 | 1B11 | 3 | 20 - 6 | R58773 | 4B13 | 18 | 70 - 7 |
| R56751 | 4B15 | 20 | 70 - 9 | R57289 | 1B11 | 4 | 20 - 6 | R58773 | 4B13 | 19 | 70 - 7 |
| R56751 | 4B19 | 8 | 70 - 13 | R57300 | 1G12 | 17 | 30 - 73 | R58773 | 4B13 | 20 | 70 - 7 |
| R56751 | 4B19 | 15 | 70 - 13 | R57300 | 4C12 | 8 | 70 - 33 | R58879 | 1B18 | 4 | 20 - 13 |
| R56751 | 4B19 | 21 | 70 - 13 | R57300 | 4C14 | 8 | 70 - 35 | R58880 | 1B19 | 4 | 20 - 14 |
| R56751 | 4B19 | 24 | 70 - 13 | R57300 | 4C16 | 2 | 70 - 37 | R58884 | 3F11 | 1 | 50 - 109 |
| R56751 | 4B23 | 2 | 70 - 17 | R57300 | 4C18 | 16 | 70 - 39 | R58884 | 3F11 | 7 | 50 - 109 |
| R56751 | 4B25 | 19 | 70 - 19 | R57300 | 4C20 | 6 | 70 - 41 | R58884 | 3F11 | 11 | 50 - 109 |
| R56751 | 4C2 | 2 | 70 - 21 | R57300 | 4C20 | 10 | 70 - 41 | R59080 | 4D4 | 2 | 70 - 51 |
| R56751 | 4C4 | 7 | 70 - 23 | R57300 | 4C22 | 2 | 70 - 43 | R59080 | 4D10 | 3 | 70 - 57 |

1L16

TRACTOR - 4000 AND 4020 (SERIAL NO. 201000-) TRACTORS

NUMERICAL INDEX - CONTINUED

| PART NO. | GRID | KEY | PAGE | PART NO. | GRID | KEY | PAGE | PART NO. | GRID | KEY | PAGE |
|----------|------|-----|----------|----------|------|-----|----------|----------|------|-----|----------|
| R59081 | 4D10 | 3 | 70 - 57 | R60171 | 5B9 | 9 | 90 - 4 | R61957 | 4F14 | 18 | 70 - 119 |
| R59081 | 4F9 | 15 | 70 - 113 | R60172 | 5B9 | 1 | 90 - 4 | R61967 | 4E13 | 21 | 70 - 90 |
| R59082 | 4D4 | 2 | 70 - 51 | R60458 | 3E1 | 10 | 50 - 71 | R62418 | 1B8 | 7 | 20 - 3 |
| R59082 | 4D10 | 3 | 70 - 57 | R60458 | 4E10 | 5 | 70 - 87 | R62419 | 1B8 | 6 | 20 - 3 |
| R59082 | 4F9 | 15 | 70 - 113 | R60472 | 1C4 | 1 | 20 - 24 | R62420 | 1B8 | 5 | 20 - 3 |
| R59083 | 3F25 | 7 | 60 - 5 | R60473 | 1B24 | 3 | 20 - 19 | R62421 | 1B8 | 8 | 20 - 3 |
| R59083 | 4D10 | 37 | 70 - 57 | R60473 | 1B25 | 3 | 20 - 20 | R62512 | 3F4 | 1 | 50 - 102 |
| R59084 | 4D10 | 3 | 70 - 57 | R60473 | 1C4 | 1 | 20 - 24 | R62513 | 3F4 | 1 | 50 - 102 |
| R59084 | 4F9 | 15 | 70 - 113 | R60474 | 1C4 | 1 | 20 - 24 | R62652 | 4F5 | 35 | 70 - 109 |
| R59154 | 4F22 | 16 | 70 - 127 | R60475 | 1C4 | 1 | 20 - 24 | R62667 | 2D25 | 6 | 40 - 73 |
| R59343 | 4F13 | 2 | 70 - 118 | R60730 | 4D12 | 4 | 70 - 59 | R62668 | 2D25 | 8 | 40 - 73 |
| R59420 | 1B11 | 3 | 20 - 6 | R60731 | 2C3 | 18 | 40 - 22 | R62669 | 2D23 | 11 | 40 - 71 |
| R59420 | 1B11 | 4 | 20 - 6 | R60731 | 2C3 | 20 | 40 - 22 | R62670 | 2D21 | 20 | 40 - 69 |
| R59433 | 1E5 | 34 | 30 - 21 | R60732 | 4B11 | 29 | 70 - 5 | R62671 | 2D21 | 38 | 40 - 69 |
| R59450 | 5D17 | 7 | 90 - 63 | R61033 | 3E23 | 17 | 50 - 95 | R62672 | 2D23 | 3 | 40 - 71 |
| R59460 | 3E12 | 9 | 50 - 83 | R61033 | 3E24 | 10 | 50 - 96 | R62673 | 2D21 | 11 | 40 - 69 |
| R59460 | 3E15 | 12 | 50 - 87 | R61033 | 3E25 | 10 | 50 - 97 | R62674 | 2D21 | 2 | 40 - 69 |
| R59478 | 4E10 | 32 | 70 - 87 | R61107 | 3B23 | 20 | 50 - 19 | R62685 | 3E24 | 19 | 50 - 96 |
| R59478 | 4E12 | 37 | 70 - 89 | R61133 | 2D14 | 10 | 40 - 62 | R62685 | 3E25 | 16 | 50 - 97 |
| R59494 | 3C14 | 4 | 50 - 35 | R61133 | 2D14 | 11 | 40 - 62 | R62686 | 3E24 | 18 | 50 - 96 |
| R59494 | 3C20 | 12 | 50 - 41 | R61134 | 2D14 | 11 | 40 - 62 | R62686 | 3G9 | 6 | 60 - 15 |
| R59494 | 3C22 | 8 | 50 - 43 | R61150 | 1B11 | 3 | 20 - 6 | R62806 | 3C2 | 39 | 50 - 23 |
| R59494 | 3C22 | 21 | 50 - 43 | R61150 | 1B11 | 4 | 20 - 6 | R62806 | 3C4 | 34 | 50 - 25 |
| R59494 | 3C24 | 31 | 50 - 43B | R61175 | 3E22 | 5 | 50 - 94 | R62892 | 1D16 | 2 | 30 - 7 |
| R59495 | 3C19 | 14 | 50 - 40 | R61175 | 3E24 | 3 | 50 - 96 | R62892 | 1D18 | 2 | 30 - 9 |
| R59495 | 3C22 | 39 | 50 - 43 | R61176 | 3E24 | 4 | 50 - 96 | R62931 | 4D18 | 7 | 70 - 67 |
| R59495 | 3C24 | 37 | 50 - 43B | R61289 | 1B22 | 5 | 20 - 17 | R62986 | 1B22 | 6 | 20 - 17 |
| R59629 | 4F5 | 13 | 70 - 109 | R61289 | 1B23 | 3 | 20 - 18 | R62986 | 1B23 | 4 | 20 - 18 |
| R59629 | 4F5 | 33 | 70 - 109 | R61289 | 1C4 | 1 | 20 - 24 | R62986 | 1B24 | 4 | 20 - 19 |
| R59629 | 4F9 | 4 | 70 - 113 | R61292 | 1B22 | 8 | 20 - 17 | R62986 | 1B25 | 4 | 20 - 20 |
| R59629 | 4F12 | 26 | 70 - 117 | R61349 | 4D10 | 29 | 70 - 57 | R62986 | 1C3 | 1 | 20 - 23 |
| R59633 | 4F12 | 1 | 70 - 117 | R61350 | 4D10 | 29 | 70 - 57 | R62987 | 1B22 | 7 | 20 - 17 |
| R59633 | 4F20 | 17 | 70 - 125 | R61462 | 4D2 | 19 | 70 - 49 | R62987 | 1B23 | 5 | 20 - 18 |
| R59633 | 4F20 | 35 | 70 - 125 | R61463 | 4D2 | 19 | 70 - 49 | R62987 | 1C3 | 2 | 20 - 23 |
| R59633 | 4G14 | 1 | 70 - 147 | R61514 | 4H18 | 8 | 80 - 25 | R62988 | 1B22 | 7 | 20 - 17 |
| R59633 | 4G14 | 19 | 70 - 147 | R61524 | 4H13 | 4 | 80 - 19 | R62988 | 1B23 | 5 | 20 - 18 |
| R59641 | 3C2 | 13 | 50 - 23 | R61566 | 3B21 | 5 | 50 - 17 | R62988 | 1C3 | 2 | 20 - 23 |
| R59641 | 3C4 | 9 | 50 - 25 | R61567 | 3B21 | 5 | 50 - 17 | R62992 | 3C4 | 5 | 50 - 25 |
| R59684 | 4D6 | 5 | 70 - 53 | R61567 | 3C2 | 41 | 50 - 23 | R63002 | 1C3 | 2 | 20 - 23 |
| R59766 | 4D10 | 33 | 70 - 57 | R61567 | 3C4 | 36 | 50 - 25 | R63003 | 1B24 | 5 | 20 - 19 |
| R59860 | 3C2 | 8 | 50 - 23 | R61608 | 1C4 | 1 | 20 - 24 | R63003 | 1B25 | 5 | 20 - 20 |
| R59860 | 3C2 | 17 | 50 - 23 | R61609 | 1C4 | 1 | 20 - 24 | R63003 | 1C3 | 2 | 20 - 23 |
| R59860 | 3C4 | 13 | 50 - 25 | R61610 | 1C4 | 1 | 20 - 24 | R63004 | 1C3 | 2 | 20 - 23 |
| R59860 | 3F6 | 31 | 50 - 104 | R61611 | 1C4 | 1 | 20 - 24 | R63005 | 1C3 | 2 | 20 - 23 |
| R59928 | 3E24 | 19 | 50 - 96 | R61727 | 4H13 | 4 | 80 - 19 | R63006 | 1C3 | 2 | 20 - 23 |
| R59929 | 3E24 | 9 | 50 - 96 | R61762 | 4D3 | 11 | 70 - 50 | R63007 | 1B24 | 5 | 20 - 19 |
| R59929 | 3E25 | 9 | 50 - 97 | R61775 | 2F13 | 7 | 40 - 113 | R63007 | 1B25 | 5 | 20 - 20 |
| R59930 | 3E23 | 19 | 50 - 95 | R61776 | 2F13 | 3 | 40 - 113 | R63007 | 1C3 | 2 | 20 - 23 |
| R59930 | 3E24 | 7 | 50 - 96 | R61909 | 1B24 | 3 | 20 - 19 | R63008 | 1C3 | 2 | 20 - 23 |
| R59931 | 3E24 | 17 | 50 - 96 | R61909 | 1B25 | 3 | 20 - 20 | R63009 | 1C3 | 2 | 20 - 23 |
| R59931 | 3E25 | 14 | 50 - 97 | R61932 | 2D11 | 22 | 40 - 59 | R63010 | 1B24 | 4 | 20 - 19 |
| R59931 | 3G9 | 5 | 60 - 15 | R61932 | 2D13 | 22 | 40 - 61 | R63010 | 1B25 | 4 | 20 - 20 |
| R59933 | 3E24 | 12 | 50 - 96 | R61932 | 2D19 | 23 | 40 - 67 | R63010 | 1C3 | 1 | 20 - 23 |
| R59933 | 3E25 | 12 | 50 - 97 | R61932 | 2D23 | 22 | 40 - 71 | R63024 | 5D12 | 21 | 90 - 58 |
| R59935 | 3E22 | 2 | 50 - 94 | R61933 | 2D23 | 15 | 40 - 71 | R63069 | 3C2 | 32 | 50 - 23 |
| R59964 | 4D7 | 5 | 70 - 54 | R61934 | 2D23 | 25 | 40 - 71 | R63069 | 3C4 | 27 | 50 - 25 |
| R59965 | 4D7 | 6 | 70 - 54 | R61955 | 4C20 | 4 | 70 - 41 | R63070 | 3C2 | 30 | 50 - 23 |
| R60009 | 1F21 | 32 | 30 - 61 | R61957 | 4F12 | 35 | 70 - 117 | R63070 | 3C4 | 25 | 50 - 25 |
| R60032 | 3E23 | 24 | 50 - 95 | R61957 | 4F14 | 4 | 70 - 119 | R63072 | 3C2 | 37 | 50 - 23 |
| R60038 | 3G19 | 7 | 60 - 27 | R61957 | 4F14 | 5 | 70 - 119 | R63072 | 3C4 | 32 | 50 - 25 |
| R60038 | 3G19 | 8 | 60 - 27 | R61957 | 4F14 | 7 | 70 - 119 | R63073 | 3C2 | 34 | 50 - 23 |
| R60038 | 3G21 | 8 | 60 - 29 | R61957 | 4F14 | 8 | 70 - 119 | R63073 | 3C4 | 29 | 50 - 25 |
| R60076 | 3E22 | 2 | 50 - 94 | R61957 | 4F14 | 11 | 70 - 119 | R63074 | 3C2 | 18 | 50 - 23 |
| R60077 | 3E22 | 2 | 50 - 94 | R61957 | 4F14 | 13 | 70 - 119 | R63074 | 3C2 | 35 | 50 - 23 |
| R60078 | 3E22 | 2 | 50 - 94 | R61957 | 4F14 | 14 | 70 - 119 | R63074 | 3C4 | 30 | 50 - 25 |
| R60161 | 4E20 | 2 | 70 - 98 | R61957 | 4F14 | 15 | 70 - 119 | R63075 | 3C2 | 36 | 50 - 23 |
| R60165 | 5D9 | 2 | 90 - 55 | R61957 | 4F14 | 16 | 70 - 119 | R63075 | 3C4 | 31 | 50 - 25 |

1L17

TRACTOR - 4000 AND 4020 (SERIAL NO. 201000-) TRACTORS

NUMERICAL INDEX - CONTINUED

| PART NO. | GRID | KEY | PAGE | PART NO. | GRID | KEY | PAGE | PART NO. | GRID | KEY | PAGE |
|----------|------|-----|----------|----------|------|-----|----------|----------|------|-----|----------|
| R63076 | 3B21 | 5 | 50 - 17 | R64700 | 2E19 | 7 | 40 - 93 | R65595 | 2G2 | 11 | 40 - 125 |
| R63076 | 3C2 | 40 | 50 - 23 | R64700 | 2E20 | 7 | 40 - 94 | R65596 | 2F22 | 22 | 40 - 123 |
| R63076 | 3C4 | 35 | 50 - 25 | R64791 | 3E22 | 10 | 50 - 94 | R65597 | 2F22 | 23 | 40 - 123 |
| R63093 | 3E4 | 5 | 50 - 74 | R64829 | 4D15 | 3 | 70 - 63 | R65598 | 2F22 | 24 | 40 - 123 |
| R63093 | 3E5 | 3 | 50 - 75 | R64843 | 4D12 | 7 | 70 - 59 | R65599 | 2E12 | 5 | 40 - 85A |
| R63105 | 3E22 | 5 | 50 - 94 | R64845 | 4D12 | 7 | 70 - 59 | R65599 | 2E12 | 8 | 40 - 85A |
| R63112 | 3E23 | 18 | 50 - 95 | R65192 | 4B15 | 44 | 70 - 9 | R65599 | 2E13 | 4 | 40 - 86 |
| R63112 | 3E23 | 19 | 50 - 95 | R65194 | 4B15 | 43 | 70 - 9 | R65599 | 2F22 | 25 | 40 - 123 |
| R63326 | 1B21 | 2 | 20 - 16 | R65207 | 3F17 | 40 | 50 - 115 | R65600 | 2F12 | 7 | 40 - 112 |
| R63326 | 1B23 | 8 | 20 - 18 | R65242 | 4E10 | 17 | 70 - 87 | R65600 | 2F22 | 26 | 40 - 123 |
| R63326 | 1B25 | 8 | 20 - 20 | R65242 | 4E12 | 33 | 70 - 89 | R65601 | 2F22 | 27 | 40 - 123 |
| R63326 | 1C5 | 2 | 20 - 25 | R65243 | 4E12 | 24 | 70 - 89 | R65602 | 2F22 | 28 | 40 - 123 |
| R63451 | 1B20 | 8 | 20 - 15 | R65284 | 4F5 | 27 | 70 - 109 | R65602 | 2G4 | 49 | 40 - 127 |
| R63451 | 1B20 | 9 | 20 - 15 | R65284 | 4F5 | 33 | 70 - 109 | R65603 | 2F22 | 29 | 40 - 123 |
| R63451 | 1B21 | 4 | 20 - 16 | R65284 | 4F9 | 4 | 70 - 113 | R65604 | 2F22 | 30 | 40 - 123 |
| R63451 | 1B21 | 5 | 20 - 16 | R65284 | 4F12 | 26 | 70 - 117 | R65605 | 2F22 | 31 | 40 - 123 |
| R63451 | 1B21 | 6 | 20 - 16 | R65287 | 4F6 | 13 | 70 - 110 | R65606 | 2F22 | 32 | 40 - 123 |
| R63451 | 1C5 | 5 | 20 - 25 | R65289 | 4F5 | 13 | 70 - 109 | R65607 | 2F22 | 33 | 40 - 123 |
| R63477 | 3E10 | 12 | 50 - 80 | R65289 | 4F5 | 27 | 70 - 109 | R65607 | 2G4 | 46 | 40 - 127 |
| R63477 | 3E10 | 13 | 50 - 80 | R65289 | 4F9 | 4 | 70 - 113 | R65608 | 2F22 | 5 | 40 - 123 |
| R63477 | 3E12 | 12 | 50 - 83 | R65289 | 4F12 | 26 | 70 - 117 | R65609 | 2F22 | 8 | 40 - 123 |
| R63477 | 3E13 | 14 | 50 - 84 | R653R | 3E1 | 21 | 50 - 71 | R65610 | 2F22 | 9 | 40 - 123 |
| R63477 | 3E13 | 15 | 50 - 84 | R653R | 3E2 | 3 | 50 - 72 | R65648 | 3E22 | 5 | 50 - 94 |
| R63477 | 3E13 | 17 | 50 - 84 | R65342 | 3C2 | 4 | 50 - 23 | R65648 | 3E24 | 3 | 50 - 96 |
| R63477 | 3E13 | 18 | 50 - 84 | R65342 | 3C4 | 4 | 50 - 25 | R65648 | 3E25 | 3 | 50 - 97 |
| R63477 | 3E15 | 6 | 50 - 87 | R65478 | 3D8 | 7 | 50 - 52 | R65652 | 3D1 | 32 | 50 - 45 |
| R63548 | 4B15 | 33 | 70 - 9 | R65479 | 3D7 | 4 | 50 - 51 | R65741 | 3E10 | 12 | 50 - 80 |
| R63548 | 4B17 | 3 | 70 - 11 | R65479 | 3D9 | 3 | 50 - 53 | R65741 | 3E13 | 14 | 50 - 84 |
| R63548 | 4B19 | 12 | 70 - 13 | R65479 | 3D10 | 8 | 50 - 54 | R65741 | 3E13 | 18 | 50 - 84 |
| R63691 | 3F18 | 15 | 50 - 116 | R65480 | 3D7 | 5 | 50 - 51 | R65892 | 3C6 | 8 | 50 - 27 |
| R63691 | 3F18 | 21 | 50 - 116 | R65480 | 3D8 | 8 | 50 - 52 | R65892 | 3E3 | 8 | 50 - 73 |
| R63692 | 3F18 | 15 | 50 - 116 | R65480 | 3D9 | 4 | 50 - 53 | R65892 | 3E4 | 8 | 50 - 74 |
| R63692 | 3F18 | 21 | 50 - 116 | R65480 | 3D10 | 7 | 50 - 54 | R65892 | 3E5 | 6 | 50 - 75 |
| R63736 | 4E10 | 30 | 70 - 87 | R65500 | 3F1 | 9 | 50 - 99 | R65894 | 3E4 | 1 | 50 - 74 |
| R63736 | 4E12 | 29 | 70 - 89 | R65501 | 4F5 | 13 | 70 - 109 | R65894 | 3E5 | 1 | 50 - 75 |
| R63845 | 1D21 | 9 | 30 - 12 | R65501 | 4F5 | 18 | 70 - 109 | R66067 | 3F17 | 1 | 50 - 115 |
| R63977 | 2D2 | 8 | 40 - 49 | R65501 | 4F5 | 19 | 70 - 109 | R66069 | 2E20 | 3 | 40 - 94 |
| R64148 | 3D8 | 4 | 50 - 52 | R65501 | 4F5 | 33 | 70 - 109 | R66117 | 2E6 | 9 | 40 - 79 |
| R64170 | 4C17 | 12 | 70 - 38 | R65501 | 4F9 | 4 | 70 - 113 | R66197 | 3D11 | 7 | 50 - 55 |
| R64170 | 4C17 | 14 | 70 - 38 | R65501 | 4F12 | 26 | 70 - 117 | R662R | 4D15 | 7 | 70 - 63 |
| R64170 | 4C17 | 15 | 70 - 38 | R65501 | 4F5 | 13 | 70 - 109 | R662R | 4F3 | 6 | 70 - 107 |
| R64170 | 4C23 | 12 | 70 - 44 | R65502 | 4F5 | 19 | 70 - 109 | R66302 | 2D6 | 10 | 40 - 53 |
| R64170 | 4C23 | 14 | 70 - 44 | R65502 | 4F5 | 33 | 70 - 109 | R66319 | 2B23 | 2 | 40 - 17 |
| R64170 | 4C23 | 15 | 70 - 44 | R65502 | 4F9 | 4 | 70 - 113 | R66319 | 2C5 | 7 | 40 - 24 |
| R64296 | 4D12 | 1 | 70 - 59 | R65502 | 4F12 | 26 | 70 - 117 | R66319 | 2F15 | 1 | 40 - 115 |
| R64326 | 3B7 | 1 | 50 - 1 | R65514 | 4I15 | 17 | 80 - 45B | R66319 | 2F15 | 9 | 40 - 115 |
| R64391 | 4I16 | 3 | 80 - 46 | R65527 | 4E13 | 14 | 70 - 90 | R66319 | 2F15 | 14 | 40 - 115 |
| R64491 | 3F17 | 6 | 50 - 115 | R65531 | 4E23 | 13 | 70 - 101 | R66319 | 2F15 | 15 | 40 - 115 |
| R64503 | 3E19 | 5 | 50 - 91 | R65543 | 3E23 | 15 | 50 - 95 | R66319 | 2F22 | 3 | 40 - 123 |
| R64540 | 5E5 | 4 | 90 - 76 | R65543 | 3G9 | 1 | 60 - 15 | R66320 | 2F22 | 7 | 40 - 123 |
| R64561 | 4F14 | 23 | 70 - 119 | R65543 | 3G10 | 1 | 60 - 17 | R66320 | 2G2 | 24 | 40 - 125 |
| R64605 | 4F14 | 11 | 70 - 119 | R65563 | 3B12 | 9 | 50 - 6 | R66321 | 2F12 | 7 | 40 - 112 |
| R64606 | 4F14 | 18 | 70 - 119 | R65563 | 3B25 | 22 | 50 - 21 | R66321 | 2F12 | 11 | 40 - 112 |
| R64607 | 4F14 | 17 | 70 - 119 | R65563 | 3C18 | 7 | 50 - 39 | R66321 | 2F22 | 6 | 40 - 123 |
| R64608 | 4F14 | 8 | 70 - 119 | R65563 | 3C25 | 12 | 50 - 44 | R66321 | 2G2 | 24 | 40 - 125 |
| R64609 | 4F14 | 7 | 70 - 119 | R65563 | 3E1 | 15 | 50 - 71 | R66416 | 4F5 | 20 | 70 - 109 |
| R64610 | 4F14 | 16 | 70 - 119 | R65565 | 1B11 | 4 | 20 - 6 | R66432 | 4D21 | 10 | 70 - 71 |
| R64611 | 4F14 | 15 | 70 - 119 | R65591 | 3D8 | 9 | 50 - 52 | R66432 | 4D21 | 13 | 70 - 71 |
| R64612 | 4F14 | 14 | 70 - 119 | R65592 | 3D7 | 6 | 50 - 51 | R66432 | 4D23 | .. | 70 - 73 |
| R64613 | 4F14 | 12 | 70 - 119 | R65592 | 3D9 | 5 | 50 - 53 | R66432 | 4D24 | 15 | 70 - 74 |
| R64614 | 4F14 | 13 | 70 - 119 | R65592 | 3D10 | 6 | 50 - 54 | R66432 | 4D25 | 1 | 70 - 75 |
| R64615 | 4F14 | 6 | 70 - 119 | R65593 | 2E12 | 5 | 40 - 85A | R66432 | 4E1 | 12 | 70 - 76 |
| R64617 | 4F14 | 4 | 70 - 119 | R65593 | 2E12 | 8 | 40 - 85A | R66432 | 4E2 | 1 | 70 - 77 |
| R64618 | 4F14 | 5 | 70 - 119 | R65593 | 2E13 | 4 | 40 - 86 | R66433 | 4D21 | 10 | 70 - 71 |
| R64697 | 3F11 | 12 | 50 - 109 | R65593 | 2F22 | 4 | 40 - 123 | R66433 | 4D21 | 13 | 70 - 71 |
| R64698 | 3F11 | 12 | 50 - 109 | R65594 | 2F22 | 2 | 40 - 123 | R66433 | 4D23 | .. | 70 - 73 |
| R64699 | 2E20 | 3 | 40 - 94 | R65595 | 2F22 | 21 | 40 - 123 | R66433 | 4D24 | 15 | 70 - 74 |

1L18

TRACTOR - 4000 AND 4020 (SERIAL NO. 201000-) TRACTORS

NUMERICAL INDEX - CONTINUED

| PART NO. | GRID | KEY | PAGE | PART NO. | GRID | KEY | PAGE | PART NO. | GRID | KEY | PAGE |
|----------|------|-----|----------|----------|------|-----|----------|----------|------|-----|----------|
| R66433 | 4D25 | 1 | 70 - 75 | R68817 | 3D19 | 1 | 50 - 64 | R70236 | 3E10 | 16 | 50 - 80 |
| R66433 | 4E1 | 12 | 70 - 76 | R68818 | 3D17 | 3 | 50 - 61 | R70236 | 3E12 | 10 | 50 - 83 |
| R66433 | 4E2 | 1 | 70 - 77 | R68818 | 3D19 | 3 | 50 - 64 | R70236 | 3E13 | 25 | 50 - 84 |
| R66452 | 1B16 | 1 | 20 - 11 | R68819 | 3D19 | 3 | 50 - 64 | R70236 | 3E15 | 13 | 50 - 87 |
| R66452 | 1B19 | 1 | 20 - 14 | R68820 | 3D20 | 19 | 50 - 65 | R70251 | 3C14 | 6 | 50 - 35 |
| R66454 | 1B18 | 1 | 20 - 13 | R68821 | 3D25 | 3 | 50 - 70 | R70251 | 3C22 | 10 | 50 - 43 |
| R66593 | 1F4 | 5 | 30 - 43 | R69109 | 2F9 | 1 | 40 - 108 | R70251 | 3C24 | 5 | 50 - 43B |
| R66593 | 1F19 | 37 | 30 - 59 | R69166 | 4E3 | 2 | 70 - 78 | R70309 | 4H11 | 7 | 80 - 17 |
| R66612 | 3C19 | 9 | 50 - 40 | R69166 | 4E5 | 8 | 70 - 81 | R70351 | 4B15 | 13 | 70 - 9 |
| R66612 | 3C20 | 17 | 50 - 41 | R69214 | 3B20 | 19 | 50 - 16 | R70417 | 4H23 | 3 | 80 - 30 |
| R66612 | 3C22 | 34 | 50 - 43 | R69262 | 4B15 | 44 | 70 - 9 | R70513 | 1F11 | 9 | 30 - 50 |
| R66612 | 3C22 | 41 | 50 - 43 | R69270 | 4116 | 9 | 80 - 46 | R70513 | 1F16 | 8 | 30 - 55 |
| R66612 | 3C24 | 34 | 50 - 43B | R69270 | 5E5 | 2 | 90 - 76 | R70559 | 4B15 | 43 | 70 - 9 |
| R66612 | 3D7 | 21 | 50 - 51 | R69270 | 5E6 | 4 | 90 - 77 | R70588 | 5E5 | 4 | 90 - 76 |
| R66649 | 3F6 | 6 | 50 - 104 | R69270 | 5E7 | 1 | 90 - 78 | R70617 | 4B25 | 9 | 70 - 19 |
| R66650 | 3F6 | 6 | 50 - 104 | R69279 | 4B15 | 35 | 70 - 9 | R70617 | 4C5 | 2 | 70 - 25 |
| R66650 | 4H18 | 6 | 80 - 25 | R69279 | 4B17 | 15 | 70 - 11 | R70648 | 4B13 | 6 | 70 - 7 |
| R66683 | 1D23 | .. | 30 - 14 | R69279 | 4B19 | 13 | 70 - 13 | R70648 | 4B23 | 1 | 70 - 17 |
| R66715 | 3E12 | 4 | 50 - 83 | R69279 | 4B25 | 30 | 70 - 19 | R708R | 3E24 | 15 | 50 - 96 |
| R66715 | 3E13 | 14 | 50 - 84 | R69279 | 4C2 | 12 | 70 - 21 | R708R | 3G9 | 3 | 60 - 15 |
| R66715 | 3E13 | 15 | 50 - 84 | R69279 | 4C4 | 17 | 70 - 23 | R70826 | 1B10 | 5 | 20 - 5 |
| R66715 | 3E13 | 17 | 50 - 84 | R69297 | 5B7 | 9 | 90 - 2 | R70838 | 3E12 | 2 | 50 - 83 |
| R66715 | 3E13 | 18 | 50 - 84 | R69297 | 5B7 | 10 | 90 - 2 | R70867 | 4B25 | 21 | 70 - 19 |
| R66715 | 3E15 | 14 | 50 - 87 | R69297 | 5B7 | 11 | 90 - 2 | R70868 | 4B25 | 22 | 70 - 19 |
| R66821 | 1E21 | 7 | 30 - 35 | R69297 | 5B7 | 15 | 90 - 2 | R70976 | 4B13 | 8 | 70 - 7 |
| R66821 | 1E22 | 8 | 30 - 36 | R69297 | 5B22 | 9 | 90 - 18 | R70976 | 4B23 | 5 | 70 - 17 |
| R66894 | 4D12 | 3 | 70 - 59 | R69297 | 5B22 | 10 | 90 - 18 | R71321 | 4B15 | 42 | 70 - 9 |
| R66895 | 4D10 | 24 | 70 - 57 | R69297 | 5B22 | 11 | 90 - 18 | R71321 | 4B25 | 39 | 70 - 19 |
| R66901 | 4E7 | 6B | 70 - 83 | R69297 | 5B22 | 15 | 90 - 18 | R71387 | 4F16 | 9 | 70 - 121 |
| R66901 | 4E7 | 11 | 70 - 83 | R69408 | 4E19 | 3 | 70 - 97 | R71387 | 4F18 | 3 | 70 - 123 |
| R66901 | 4E12 | 4 | 70 - 89 | R69409 | 4E19 | 3 | 70 - 97 | R71387 | 4G15 | 2 | 70 - 148 |
| R66916 | 4F5 | 13 | 70 - 109 | R69562 | 5B6 | 1 | 90 - 1 | R71399 | 2D4 | 25 | 40 - 51 |
| R66916 | 4F5 | 33 | 70 - 109 | R69562 | 5B21 | 1 | 90 - 17 | R71399 | 2D6 | 23 | 40 - 53 |
| R66916 | 4F9 | 4 | 70 - 113 | R69585 | 3C14 | 1 | 50 - 35 | R71400 | 2D6 | 4 | 40 - 53 |
| R66916 | 4F12 | 26 | 70 - 117 | R69586 | 3C14 | 4 | 50 - 35 | R71459 | 1C15 | 19 | 20 - 36 |
| R66923 | 1B19 | 4 | 20 - 14 | R69586 | 3C20 | 12 | 50 - 41 | R71459 | 2C20 | 6 | 40 - 41 |
| R66924 | 1B18 | 4 | 20 - 13 | R69586 | 3C22 | 8 | 50 - 43 | R71476 | 4E20 | 17 | 70 - 98 |
| R67037 | 3D19 | 3 | 50 - 64 | R69586 | 3C22 | 21 | 50 - 43 | R71476 | 4E21 | 10 | 70 - 99 |
| R67037 | 3D19 | 8 | 50 - 64 | R69586 | 3C24 | 3 | 50 - 43B | R71476 | 4E23 | 22 | 70 - 101 |
| R67235 | 4H13 | 1 | 80 - 19 | R69587 | 3C14 | 6 | 50 - 35 | R715R | 3E18 | 14 | 50 - 90 |
| R67387 | 3C4 | 5 | 50 - 25 | R69587 | 3C22 | 10 | 50 - 43 | R71529 | 1B11 | 3 | 20 - 6 |
| R67840 | 3C20 | 7 | 50 - 41 | R69587 | 3C24 | 5 | 50 - 43B | R71530 | 1B11 | 4 | 20 - 6 |
| R67840 | 3C22 | 25 | 50 - 43 | R69588 | 3C20 | 12 | 50 - 41 | R71531 | 1B11 | 3 | 20 - 6 |
| R67840 | 3C24 | 26 | 50 - 43B | R69588 | 3C22 | 21 | 50 - 43 | R71531 | 1B11 | 4 | 20 - 6 |
| R67875 | 3D7 | 13 | 50 - 51 | R69588 | 3C24 | 3 | 50 - 43B | R71586 | 4B21 | 12 | 70 - 15 |
| R67876 | 3D7 | 12 | 50 - 51 | R69589 | 3C14 | 8 | 50 - 35 | R71586 | 4B21 | 13 | 70 - 15 |
| R67905 | 3F8 | 9 | 50 - 106 | R69589 | 3C15 | 2 | 50 - 36 | R71586 | 4B21 | 14 | 70 - 15 |
| R67982 | 2E9 | 2 | 40 - 83 | R69589 | 3C22 | 12 | 50 - 43 | R71587 | 4B23 | 12 | 70 - 17 |
| R67982 | 2E14 | 10 | 40 - 88 | R69589 | 3C24 | 7 | 50 - 43B | R71598 | 4B21 | 25A | 70 - 15 |
| R67982 | 2E15 | 6 | 40 - 89 | R69642 | 4D7 | 14 | 70 - 54 | R71599 | 4B23 | 25A | 70 - 17 |
| R67989 | 3B7 | 15 | 50 - 1 | R69644 | 2D4 | 25 | 40 - 51 | R71603 | 5B6 | 1 | 90 - 1 |
| R67989 | 3C12 | 18 | 50 - 33 | R69645 | 2D4 | 25 | 40 - 51 | R71603 | 5B21 | 1 | 90 - 17 |
| R68167 | 3E12 | 6 | 50 - 83 | R69645 | 2D6 | 24 | 40 - 53 | R71918 | 1B17 | 1 | 20 - 12 |
| R68167 | 3E15 | 9 | 50 - 87 | R699R | 1D19 | 7 | 30 - 10 | R71918 | 1C24 | 14 | 20 - 45 |
| R68170 | 3E12 | 7 | 50 - 83 | R70210 | 2G4 | 41 | 40 - 127 | R71918 | 1D2 | 14 | 20 - 47 |
| R68170 | 3E15 | 10 | 50 - 87 | R70211 | 2G4 | 40 | 40 - 127 | R71970 | 3B21 | 7 | 50 - 17 |
| R68171 | 3E12 | 8 | 50 - 83 | R70212 | 2G4 | 41 | 40 - 127 | R72169 | 3E23 | 23 | 50 - 95 |
| R68171 | 3E15 | 11 | 50 - 87 | R70213 | 2G4 | 40 | 40 - 127 | R72169 | 3E24 | 13 | 50 - 96 |
| R68173 | 3E12 | 5 | 50 - 83 | R70214 | 2G4 | 41 | 40 - 127 | R72169 | 3E25 | 13 | 50 - 97 |
| R68173 | 3E15 | 7 | 50 - 87 | R70215 | 2G4 | 40 | 40 - 127 | R72226 | 5B9 | 8 | 90 - 4 |
| R68222 | 2E5 | 8 | 40 - 78 | R70216 | 2G4 | 41 | 40 - 127 | R72227 | 5B9 | 7 | 90 - 4 |
| R68224 | 2E5 | 1 | 40 - 78 | R70217 | 2G4 | 40 | 40 - 127 | R72228 | 5B9 | 6 | 90 - 4 |
| R68252 | 4B23 | 24 | 70 - 17 | R70218 | 2G4 | 41 | 40 - 127 | R72229 | 5B9 | 5 | 90 - 4 |
| R68625 | 2C19 | 22 | 40 - 39 | R70219 | 2G4 | 40 | 40 - 127 | R72341 | 3F17 | 44 | 50 - 115 |
| R68625 | 2D23 | 9 | 40 - 71 | R70220 | 2G4 | 50 | 40 - 127 | R72380 | 5B12 | 8 | 90 - 7 |
| R68648 | 3E19 | 1 | 50 - 91 | R70221 | 2G4 | 39 | 40 - 127 | R72380 | 5D5 | 15 | 90 - 51 |
| R68817 | 3D17 | 1 | 50 - 61 | R70222 | 2G4 | 38 | 40 - 127 | R72408 | 3D19 | 3 | 50 - 64 |

1L19

TRACTOR - 4000 AND 4020 (SERIAL NO. 201000-) TRACTORS

NUMERICAL INDEX - CONTINUED

| PART NO. | GRID | KEY | PAGE | PART NO. | GRID | KEY | PAGE | PART NO. | GRID | KEY | PAGE |
|----------|------|-----|----------|----------|------|-----|----------|----------|------|-----|----------|
| R72408 | 3D19 | 8 | 50 - 64 | R74243 | 4G17 | 2 | 70 - 150 | R77457 | 2G2 | 29 | 40 - 125 |
| R72411 | 3D24 | 1 | 50 - 69 | R74244 | 4G17 | 3 | 70 - 150 | R77458 | 2G2 | 28 | 40 - 125 |
| R72415 | 3D22 | 15 | 50 - 67 | R74246 | 4G17 | 4 | 70 - 150 | R77459 | 2G2 | 28 | 40 - 125 |
| R72429 | 4B13 | 29A | 70 - 7 | R74310 | 1F20 | 11 | 30 - 60 | R77460 | 2G2 | 28 | 40 - 125 |
| R72433 | 4F1 | 19A | 70 - 104 | R74312 | 1F24 | 2 | 30 - 64 | R77461 | 2G2 | 28 | 40 - 125 |
| R72433 | 4F1 | 22B | 70 - 104 | R74325 | 1F21 | 33 | 30 - 61 | R77462 | 2G2 | 25 | 40 - 125 |
| R72507 | 4B13 | 29B | 70 - 7 | R74417 | 3E19 | 18 | 50 - 91 | R77463 | 2G2 | 30 | 40 - 125 |
| R72507 | 4B13 | .. | 70 - 7 | R74418 | 3E19 | 17 | 50 - 91 | R77464 | 2G2 | 26 | 40 - 125 |
| R72507 | 4B21 | 23 | 70 - 15 | R74418 | 3E19 | 18 | 50 - 91 | R77465 | 2G2 | 31 | 40 - 125 |
| R72507 | 4B23 | 23 | 70 - 17 | R74472 | 1F24 | 15 | 30 - 64 | R77466 | 2G2 | 33 | 40 - 125 |
| R72509 | 4B13 | 30B | 70 - 7 | R74530 | 4F14 | 24 | 70 - 119 | R77467 | 2G2 | 34 | 40 - 125 |
| R72509 | 4B23 | 27 | 70 - 17 | R74530 | 4F16 | 16 | 70 - 121 | R77468 | 2G2 | 32 | 40 - 125 |
| R72560 | 3G10 | 7 | 60 - 17 | R74530 | 4F18 | 8 | 70 - 123 | R77469 | 2G4 | 35 | 40 - 127 |
| R72587 | 3E13 | 14 | 50 - 84 | R74675 | 3E12 | 11 | 50 - 83 | R77470 | 2G4 | 45 | 40 - 127 |
| R72587 | 3E13 | 18 | 50 - 84 | R74675 | 3E15 | 8 | 50 - 87 | R77471 | 2G4 | 45 | 40 - 127 |
| R726R | 4G20 | 15 | 80 - 1 | R74695 | 4F5 | 13 | 70 - 109 | R77472 | 2G4 | 45 | 40 - 127 |
| R726R | 4G25 | 16 | 80 - 6 | R74695 | 4F5 | 33 | 70 - 109 | R77473 | 2G4 | 45 | 40 - 127 |
| R726R | 4H15 | 13 | 80 - 22 | R74695 | 4F6 | 8 | 70 - 110 | R77474 | 2G4 | 44 | 40 - 127 |
| R72653 | 1G18 | 1 | 30 - 79 | R74695 | 4F9 | 4 | 70 - 113 | R77475 | 2G2 | 13 | 40 - 125 |
| R72653 | 4D12 | 10 | 70 - 59 | R74695 | 4F12 | 26 | 70 - 117 | R77476 | 2G2 | 3 | 40 - 125 |
| R72653 | 4D12 | 52 | 70 - 59 | R74852 | 3D7 | 8 | 50 - 51 | R77477 | 2G2 | 4 | 40 - 125 |
| R72653 | 4D15 | 1 | 70 - 63 | R74852 | 3D9 | 7 | 50 - 53 | R77478 | 2G2 | 15 | 40 - 125 |
| R72653 | 4F3 | 2 | 70 - 107 | R74852 | 3D10 | 13 | 50 - 54 | R77479 | 2G2 | 5 | 40 - 125 |
| R72653 | 4F3 | 20 | 70 - 107 | R74993 | 2E13 | 3 | 40 - 86 | R77480 | 2G2 | 6 | 40 - 125 |
| R72653 | 4F12 | 24 | 70 - 117 | R75376 | 4B25 | 26 | 70 - 19 | R77481 | 2G2 | 7 | 40 - 125 |
| R72654 | 1E5 | 5 | 30 - 21 | R75376 | 4B25 | 28 | 70 - 19 | R77482 | 2G2 | 8 | 40 - 125 |
| R72654 | 4E12 | 3 | 70 - 89 | R75376 | 4C2 | 4 | 70 - 21 | R77483 | 2G2 | 16 | 40 - 125 |
| R72654 | 5D15 | 10 | 90 - 61 | R75564 | 4B25 | 18 | 70 - 19 | R77484 | 2G2 | 19 | 40 - 125 |
| R72655 | 5C7 | 32 | 90 - 29 | R75642 | 4B13 | 1 | 70 - 7 | R77485 | 2G2 | 21 | 40 - 125 |
| R72655 | 5D9 | 23 | 90 - 55 | R75642 | 4B25 | 17 | 70 - 19 | R77486 | 2G2 | 22 | 40 - 125 |
| R72655 | 5D9 | 24 | 90 - 55 | R75833 | 2E19 | 7 | 40 - 93 | R77487 | 2G2 | 23 | 40 - 125 |
| R72660 | 4D15 | 7 | 70 - 63 | R75833 | 2E20 | 3 | 40 - 94 | R77488 | 2G4 | 51 | 40 - 127 |
| R72660 | 4F3 | 6 | 70 - 107 | R75866 | 3G21 | 15 | 60 - 29 | R77489 | 2F20 | 13 | 40 - 121 |
| R72853 | 2B7 | 4 | 40 - 1 | R75879 | 4B25 | 5 | 70 - 19 | R77489 | 2G4 | 51 | 40 - 127 |
| R72853 | 2E12 | 3 | 40 - 85A | R75938 | 4B25 | 44 | 70 - 19 | R77490 | 2G4 | 51 | 40 - 127 |
| R72853 | 5B18 | 10 | 90 - 14 | R75938 | 4C4 | 16 | 70 - 23 | R77491 | 2G4 | 54 | 40 - 127 |
| R72853 | 5B20 | 6 | 90 - 16 | R76126 | 1B8 | 4 | 20 - 3 | R77492 | 2G4 | 54 | 40 - 127 |
| R72853 | 5C13 | 6 | 90 - 34 | R76186 | 2D6 | 8 | 40 - 53 | R77493 | 2G4 | 51 | 40 - 127 |
| R72858 | 3F23 | 9 | 60 - 3 | R76341 | 4I16 | 9 | 80 - 46 | R77494 | 2G4 | 55 | 40 - 127 |
| R72858 | 3G7 | 1 | 60 - 13 | R76341 | 5E5 | 2 | 90 - 76 | R77495 | 2G4 | 52 | 40 - 127 |
| R72858 | 3G7 | 3 | 60 - 13 | R76341 | 5E6 | 4 | 90 - 77 | R77496 | 2G4 | 52 | 40 - 127 |
| R72886 | 4B11 | 24 | 70 - 5 | R76341 | 5E7 | 1 | 90 - 78 | R77497 | 2G4 | 53 | 40 - 127 |
| R72886 | 4B13 | 24 | 70 - 7 | R76459 | 4G17 | 5 | 70 - 150 | R77498 | 2G2 | 24 | 40 - 125 |
| R72886 | 4B21 | 18 | 70 - 15 | R76477 | 2D15 | 2 | 40 - 63 | R77499 | 2G2 | 24 | 40 - 125 |
| R72886 | 4B23 | 18 | 70 - 17 | R76477 | 2E1 | 3 | 40 - 74 | R77500 | 2G2 | 24 | 40 - 125 |
| R73101 | 3F17 | 36 | 50 - 115 | R76477 | 2E6 | 6 | 40 - 79 | R77501 | 2G2 | 24 | 40 - 125 |
| R73102 | 4H18 | 11 | 80 - 25 | R76477 | 2E6 | 8 | 40 - 79 | R77502 | 2G4 | 56 | 40 - 127 |
| R73142 | 2C17 | 21 | 40 - 37 | R76477 | 4G17 | 6 | 70 - 150 | R77503 | 2G4 | 56 | 40 - 127 |
| R73380 | 3B10 | 11 | 50 - 4 | R76477 | 5B25 | 21 | 90 - 21 | R776R | 3C17 | 10 | 50 - 38 |
| R73380 | 3C25 | 1 | 50 - 44 | R76494 | 3C7 | 4 | 50 - 28 | R77611 | 4B21 | 24 | 70 - 15 |
| R73380 | 4E16 | 27 | 70 - 93 | R76504 | 3D16 | 5 | 50 - 60 | R77611 | 4B23 | 24 | 70 - 17 |
| R73380 | 4E20 | 25 | 70 - 98 | R76514 | 3C24 | 1 | 50 - 43B | R77611 | 4C4 | 19 | 70 - 23 |
| R73380 | 5C3 | 2 | 90 - 24 | R76578 | 1F5 | 15 | 30 - 44 | R77712 | 4B25 | 27 | 70 - 19 |
| R73380 | 5C3 | 18 | 90 - 24 | R76578 | 1F15 | 15 | 30 - 54 | R77712 | 4B25 | 28 | 70 - 19 |
| R73444 | 3B23 | 18 | 50 - 19 | R76578 | 1F20 | 9 | 30 - 60 | R77712 | 4B25 | 45 | 70 - 19 |
| R73736 | 4B25 | 24 | 70 - 19 | R76845 | 3E22 | 10 | 50 - 94 | R77712 | 4B25 | 46 | 70 - 19 |
| R73737 | 3F23 | 20 | 60 - 3 | R77145 | 3E10 | 12 | 50 - 80 | R77712 | 4B25 | 47 | 70 - 19 |
| R73741 | 4B21 | 12 | 70 - 15 | R77145 | 3E10 | 13 | 50 - 80 | R77712 | 4B25 | 48 | 70 - 19 |
| R73741 | 4B21 | 13 | 70 - 15 | R77145 | 3E12 | 3 | 50 - 83 | R77712 | 4C2 | 6 | 70 - 21 |
| R73741 | 4B21 | 14 | 70 - 15 | R77145 | 3E13 | 14 | 50 - 84 | R77714 | 4B25 | 28 | 70 - 19 |
| R73989 | 3D6 | 5 | 50 - 50 | R77145 | 3E13 | 15 | 50 - 84 | R77867 | 3G19 | 7 | 60 - 27 |
| R74022 | 3G21 | 14 | 60 - 29 | R77145 | 3E13 | 17 | 50 - 84 | R77867 | 3G21 | 3 | 60 - 29 |
| R74210 | 4F16 | 10 | 70 - 121 | R77145 | 3E13 | 18 | 50 - 84 | R77867 | 3G21 | 7 | 60 - 29 |
| R74210 | 4F18 | 4 | 70 - 123 | R77145 | 3E15 | 5 | 50 - 87 | R77903 | 4B13 | 31 | 70 - 7 |
| R74210 | 5B6 | 14 | 90 - 1 | R77175 | 4F23 | 1 | 70 - 129 | R77903 | 4B21 | 22A | 70 - 15 |
| R74210 | 5B21 | 15 | 90 - 17 | R77405 | 5B6 | 12 | 90 - 1 | R77903 | 4B23 | 22A | 70 - 17 |
| R74242 | 4G17 | 1 | 70 - 150 | R77456 | 2G2 | 27 | 40 - 125 | R77904 | 4B13 | 34 | 70 - 7 |

1L20

TRACTOR - 4000 AND 4020 (SERIAL NO. 201000-) TRACTORS

NUMERICAL INDEX - CONTINUED

| PART NO. | GRID | KEY | PAGE | PART NO. | GRID | KEY | PAGE | PART NO. | GRID | KEY | PAGE |
|----------|------|-----|----------|----------|------|-----|----------|----------|------|-----|----------|
| R78047 | 2G6 | 3 | 40 - 129 | R79152 | 4B21 | 25B | 70 - 15 | R82425 | 4I16 | 3 | 80 - 46 |
| R78048 | 2G6 | 10 | 40 - 129 | R79154 | 4B23 | 22B | 70 - 17 | R82425 | 4I16 | 9 | 80 - 46 |
| R78049 | 2G6 | 15 | 40 - 129 | R79154 | 4B23 | 25A | 70 - 17 | R82425 | 5E5 | 2 | 90 - 76 |
| R78050 | 2G6 | 19 | 40 - 129 | R79154 | 4B23 | 25B | 70 - 17 | R82425 | 5E6 | 4 | 90 - 77 |
| R78051 | 2G6 | 24 | 40 - 129 | R79156 | 4B13 | 33 | 70 - 7 | R82425 | 5E7 | 1 | 90 - 78 |
| R78052 | 2G6 | 5 | 40 - 129 | R79266 | 4B25 | 10 | 70 - 19 | R82439 | 1F22 | 20 | 30 - 62 |
| R78053 | 2G6 | 13 | 40 - 129 | R79267 | 4B25 | 14 | 70 - 19 | R82766 | 4D15 | 6 | 70 - 63 |
| R78054 | 2G6 | 17 | 40 - 129 | R79268 | 4B25 | 13 | 70 - 19 | R82766 | 4F3 | 5 | 70 - 107 |
| R78055 | 2G6 | 22 | 40 - 129 | R79311 | 4F13 | 11 | 70 - 118 | R82916 | 3E23 | 22 | 50 - 95 |
| R78056 | 2G6 | 26 | 40 - 129 | R79311 | 4F14 | 24 | 70 - 119 | R83020 | 1C24 | 11 | 20 - 45 |
| R78057 | 2G6 | 2 | 40 - 129 | R79311 | 4F16 | 16 | 70 - 121 | R83020 | 1D2 | 3 | 20 - 47 |
| R78058 | 2G6 | 23 | 40 - 129 | R79311 | 4F18 | 8 | 70 - 123 | R83020 | 1D19 | 20 | 30 - 10 |
| R78059 | 2G6 | 1 | 40 - 129 | R79409 | 3E24 | 17 | 50 - 96 | R83020 | 1D20 | 10 | 30 - 11 |
| R78060 | 2G6 | 2 | 40 - 129 | R79852 | 3D20 | 20 | 50 - 65 | R83020 | 1D21 | 8 | 30 - 12 |
| R78060 | 2G6 | 9 | 40 - 129 | R79917 | 4E3 | 1 | 70 - 78 | R83020 | 1D22 | 8 | 30 - 13 |
| R78061 | 2G6 | 6 | 40 - 129 | R79985 | 3D16 | 5 | 50 - 60 | R83021 | 1C24 | 10 | 20 - 45 |
| R78061 | 2G6 | 23 | 40 - 129 | R80306 | 4H11 | 10 | 80 - 17 | R83021 | 1D2 | 2 | 20 - 47 |
| R78062 | 2G6 | 1 | 40 - 129 | R80324 | 4E25 | 24 | 70 - 103 | R83021 | 1D19 | 19 | 30 - 10 |
| R78063 | 2G6 | 1 | 40 - 129 | R80324 | 4F20 | 28 | 70 - 125 | R83021 | 1D20 | 9 | 30 - 11 |
| R78063 | 2G6 | 7 | 40 - 129 | R80324 | 4G14 | 8 | 70 - 147 | R83021 | 1D21 | 7 | 30 - 12 |
| R78064 | 2G6 | 27 | 40 - 129 | R80558 | 4B13 | 30B | 70 - 7 | R83021 | 1D22 | 7 | 30 - 13 |
| R78065 | 2G7 | 4 | 40 - 130 | R80558 | 4B13 | .. | 70 - 7 | R83055 | 2F20 | 9 | 40 - 121 |
| R78066 | 2G7 | 1 | 40 - 130 | R80558 | 4B21 | 28 | 70 - 15 | R83109 | 2F20 | 11 | 40 - 121 |
| R78067 | 2G7 | 5 | 40 - 130 | R80558 | 4B23 | 27 | 70 - 17 | R83508 | 4B11 | 24 | 70 - 5 |
| R78068 | 2G7 | 8 | 40 - 130 | R80752 | 3G21 | 34 | 60 - 29 | R83508 | 4B13 | 24 | 70 - 7 |
| R78069 | 2G7 | 9 | 40 - 130 | R80753 | 3G21 | 34 | 60 - 29 | R83508 | 4B21 | 18 | 70 - 15 |
| R78101 | 3G19 | 7 | 60 - 27 | R80754 | 3G21 | 28 | 60 - 29 | R83508 | 4B23 | 18 | 70 - 17 |
| R78101 | 3G21 | 3 | 60 - 29 | R80754 | 3G21 | 34 | 60 - 29 | R83531 | 4E12 | 10 | 70 - 89 |
| R78101 | 3G21 | 7 | 60 - 29 | R80813 | 3C19 | 4 | 50 - 40 | R83535 | 4E7 | 5 | 70 - 83 |
| R78102 | 1B22 | 1 | 20 - 17 | R80842 | 4E13 | 23 | 70 - 90 | R83588 | 4H11 | 5 | 80 - 17 |
| R78102 | 1B22 | 3 | 20 - 17 | R80842 | 4E16 | 34 | 70 - 93 | R84158 | 2F20 | 13 | 40 - 121 |
| R78102 | 1B22 | 10 | 20 - 17 | R80965 | 4D3 | 14 | 70 - 50 | R84270 | 3E3 | 25 | 50 - 73 |
| R78124 | 1C6 | 2 | 20 - 26 | R80965 | 4D5 | 20 | 70 - 52 | R85027 | 1B10 | 22 | 20 - 5 |
| R78124 | 1C6 | 3 | 20 - 26 | R81R | 3F3 | 8 | 50 - 101 | R85029 | 3E24 | 18 | 50 - 96 |
| R78124 | 1C7 | 2 | 20 - 27 | R81176 | 2D8 | 9 | 40 - 56 | R85029 | 3E24 | 19 | 50 - 96 |
| R78257 | 5C3 | 6 | 90 - 24 | R81176 | 2D10 | 9 | 40 - 58 | R85029 | 3G9 | 6 | 60 - 15 |
| R78293 | 4B11 | 10 | 70 - 5 | R81176 | 2D12 | 10 | 40 - 60 | R85557 | 4B21 | 26A | 70 - 15 |
| R78293 | 4B13 | 14 | 70 - 7 | R81272 | 4H11 | 7 | 80 - 17 | R85557 | 4B21 | 27 | 70 - 15 |
| R78293 | 4B21 | 8 | 70 - 15 | R81272 | 4H13 | 1 | 80 - 19 | R85558 | 4B21 | 26B | 70 - 15 |
| R78293 | 4B23 | 8 | 70 - 17 | R81424 | 5C8 | 14 | 90 - 30 | R85708 | 3G9 | 5 | 60 - 15 |
| R78429 | 3G9 | 5 | 60 - 15 | R81424 | 5C9 | 3 | 90 - 31 | R85708 | 3G9 | 6 | 60 - 15 |
| R78429 | 3G9 | 6 | 60 - 15 | R81424 | 5C11 | 12 | 90 - 31B | R85708 | 3G9 | 9 | 60 - 15 |
| R78429 | 3G9 | 9 | 60 - 15 | R81424 | 5C12 | 5 | 90 - 33 | R85708 | 3G10 | 3 | 60 - 17 |
| R78429 | 3G10 | 3 | 60 - 17 | R81494 | 3D7 | 6 | 50 - 51 | R86162 | 3E19 | 1 | 50 - 91 |
| R78430 | 3G9 | 6 | 60 - 15 | R81494 | 3D9 | 5 | 50 - 53 | R86192 | 3G21 | 6 | 60 - 29 |
| R78452 | 4D7 | 3 | 70 - 54 | R81494 | 3D10 | 6 | 50 - 54 | R86770 | 3E19 | 5 | 50 - 91 |
| R78453 | 4D7 | 3 | 70 - 54 | R81507 | 2D6 | 28 | 40 - 53 | R87345 | 5B12 | 8 | 90 - 7 |
| R78742 | 3D19 | 3 | 50 - 64 | R81576 | 4E18 | 12 | 70 - 95 | R87345 | 5D5 | 15 | 90 - 51 |
| R78742 | 3D19 | 8 | 50 - 64 | R82024 | 3D22 | 7 | 50 - 67 | R87527 | 5C8 | 3 | 90 - 30 |
| R78755 | 2D4 | 22 | 40 - 51 | R82024 | 3D24 | 1 | 50 - 69 | R87527 | 5C9 | 7 | 90 - 31 |
| R78765 | 4F16 | 8 | 70 - 121 | R82100 | 3D19 | 8 | 50 - 64 | R87527 | 5C12 | 7 | 90 - 33 |
| R78766 | 4F16 | 13 | 70 - 121 | R82133 | 3E19 | 4 | 50 - 91 | R87529 | 4I16 | 9 | 80 - 46 |
| R78766 | 4F18 | 6 | 70 - 123 | R82133 | 3E19 | 17 | 50 - 91 | R87529 | 5E5 | 2 | 90 - 76 |
| R78767 | 4F16 | 2 | 70 - 121 | R82133 | 3E19 | 18 | 50 - 91 | R87529 | 5E6 | 4 | 90 - 77 |
| R78768 | 4F16 | 19 | 70 - 121 | R82134 | 3E19 | 17 | 50 - 91 | R87529 | 5E7 | 1 | 90 - 78 |
| R78769 | 4F16 | 17 | 70 - 121 | R82134 | 3E19 | 18 | 50 - 91 | R87627 | 1B10 | 17 | 20 - 5 |
| R79077 | 3D7 | 13 | 50 - 51 | R82175 | 3E23 | 24 | 50 - 95 | R87764 | 2C23 | 14 | 40 - 45 |
| R79078 | 3D7 | 12 | 50 - 51 | R82236 | 2F18 | 16 | 40 - 119 | R87764 | 2D6 | 29 | 40 - 53 |
| R79133 | 3E19 | 5 | 50 - 91 | R82237 | 2F18 | 14 | 40 - 119 | R88042 | 1B8 | 21 | 20 - 3 |
| R79135 | 3E17 | 9 | 50 - 89 | R82238 | 2F18 | 15 | 40 - 119 | R88043 | 1B8 | 7 | 20 - 3 |
| R79151 | 4B13 | 33 | 70 - 7 | R82239 | 2F18 | 13 | 40 - 119 | R88043 | 1B8 | 20 | 20 - 3 |
| R79151 | 4B21 | 22B | 70 - 15 | R82243 | 2F18 | 18 | 40 - 119 | R88044 | 1B8 | 6 | 20 - 3 |
| R79151 | 4B21 | 25A | 70 - 15 | R82331 | 3D24 | 22 | 50 - 69 | R88044 | 1B8 | 19 | 20 - 3 |
| R79151 | 4B23 | 22B | 70 - 17 | R82337 | 3G21 | 28 | 60 - 29 | R88045 | 1B8 | 5 | 20 - 3 |
| R79151 | 4B23 | 25A | 70 - 17 | R82337 | 3G21 | 34 | 60 - 29 | R88045 | 1B8 | 18 | 20 - 3 |
| R79152 | 4B21 | 22B | 70 - 15 | R82355 | 2F18 | 4 | 40 - 119 | R88397 | 1C19 | 4 | 20 - 40 |
| R79152 | 4B21 | 25A | 70 - 15 | R82423 | 2F20 | 8 | 40 - 121 | R88397 | 1D2 | 5 | 20 - 47 |

1L21

TRACTOR - 4000 AND 4020 (SERIAL NO. 201000-) TRACTORS

NUMERICAL INDEX - CONTINUED

| PART NO. | GRID | KEY | PAGE | PART NO. | GRID | KEY | PAGE | PART NO. | GRID | KEY | PAGE |
|----------|------|-----|----------|----------|------|-----|----------|----------|------|-----|---------|
| R90085 | 3G9 | 2 | 60 - 15 | TY15276 | 2E23 | 6 | 40 - 97 | TY6301 | 1B6 | 1 | 20 - 1 |
| R90085 | 3G9 | 8 | 60 - 15 | TY15857 | 2C17 | 8 | 40 - 37 | TY6311 | 1B6 | 1 | 20 - 1 |
| R90085 | 3G9 | 9 | 60 - 15 | TY15857 | 2C17 | 18 | 40 - 37 | TY6312 | 1B6 | 1 | 20 - 1 |
| R90086 | 3E24 | 14 | 50 - 96 | TY15857 | 2C19 | 10 | 40 - 39 | TY6313 | 1B6 | 1 | 20 - 1 |
| R90086 | 3G9 | 2 | 60 - 15 | TY15857 | 2C19 | 15 | 40 - 39 | TY6359 | 1B6 | 1 | 20 - 1 |
| R90086 | 3G9 | 8 | 60 - 15 | TY15857 | 2C19 | 20 | 40 - 39 | TY6360 | 1B6 | 1 | 20 - 1 |
| R90086 | 3G9 | 9 | 60 - 15 | TY15857 | 2C19 | .. | 40 - 39 | TY6361 | 1B6 | 1 | 20 - 1 |
| R91558 | 3B7 | 28 | 50 - 1 | TY16004 | 1B7 | 2 | 20 - 2 | TY6364 | 1B6 | 1 | 20 - 1 |
| R92411 | 4D3 | 14 | 70 - 50 | TY16005 | 1B7 | 3 | 20 - 2 | TY6384 | 5B21 | .. | 90 - 17 |
| R92411 | 4D5 | 20 | 70 - 52 | TY16042 | 4E7 | 19 | 70 - 83 | TY6389 | 1B6 | 2 | 20 - 1 |
| R92474 | 3D22 | 3 | 50 - 67 | TY16042 | 4E9 | 1 | 70 - 85 | TY6390 | 1B6 | 2 | 20 - 1 |
| R92474 | 3D25 | 3 | 50 - 70 | TY16042 | 4E9 | 12 | 70 - 85 | TY6391 | 1B6 | 2 | 20 - 1 |
| R93219 | 2G9 | 7 | 40 - 133 | TY16042 | 4E10 | 4 | 70 - 87 | TY6392 | 1B6 | 2 | 20 - 1 |
| R93220 | 2G9 | 7 | 40 - 133 | TY16042 | 4E10 | .. | 70 - 87 | TY6393 | 1B6 | 2 | 20 - 1 |
| R93221 | 2G9 | 7 | 40 - 133 | TY16042 | 4E12 | 38 | 70 - 89 | TY6394 | 1B6 | 2 | 20 - 1 |
| R93222 | 2G9 | 7 | 40 - 133 | TY16055 | 2C6 | 26 | 40 - 25 | TY6600 | 2D4 | .. | 40 - 51 |
| R93623 | 3E10 | 12 | 50 - 80 | TY21725 | 2C17 | 5 | 40 - 37 | TY6601 | 5B6 | 11 | 90 - 1 |
| R93623 | 3E13 | 14 | 50 - 84 | TY21733 | 2C12 | .. | 40 - 31 | TY6601 | 5B21 | 12 | 90 - 17 |
| R93623 | 3E13 | 18 | 50 - 84 | TY21737 | 2C12 | .. | 40 - 31 | TY6603 | 2C21 | 5 | 40 - 42 |
| R93955 | 4H11 | 3 | 80 - 17 | TY22007 | 1B6 | 2 | 20 - 1 | TY6603 | 2C23 | 15 | 40 - 45 |
| R94321 | 3D17 | 1 | 50 - 61 | TY22008 | 1B6 | 2 | 20 - 1 | TY6603 | 2D1 | 30 | 40 - 48 |
| R94321 | 3D19 | 1 | 50 - 64 | TY22009 | 1B6 | 1 | 20 - 1 | TY6603 | 2D1 | .. | 40 - 48 |
| R94321 | 3D22 | 1 | 50 - 67 | TY22010 | 1B6 | 2 | 20 - 1 | TY6603 | 2D2 | 25 | 40 - 49 |
| R94322 | 3D19 | 3 | 50 - 64 | TY22011 | 1B6 | 2 | 20 - 1 | TY6603 | 2D2 | .. | 40 - 49 |
| R94322 | 3D22 | 2 | 50 - 67 | TY22041 | 1B6 | .. | 20 - 1 | TY6617 | 2D7 | 5 | 40 - 55 |
| R94331 | 3D1 | 13 | 50 - 45 | TY22042 | 1B6 | .. | 20 - 1 | TY6618 | 2D7 | 5 | 40 - 55 |
| R94331 | 3D3 | 15 | 50 - 47 | TY22043 | 4B7 | 2 | 70 - 1 | TY6623 | 5B6 | 11 | 90 - 1 |
| R96420 | 4E21 | 5 | 70 - 99 | TY22044 | 4B7 | 2 | 70 - 1 | TY6623 | 5B21 | 12 | 90 - 17 |
| R96420 | 4E23 | 5 | 70 - 101 | TY22063 | 4B7 | 2 | 70 - 1 | TY6625 | 2D4 | .. | 40 - 51 |
| R96420 | 4E23 | 10 | 70 - 101 | TY22327 | 4D2 | 8 | 70 - 49 | TY6628 | 5B6 | 11 | 90 - 1 |
| R96460 | 1B24 | 8 | 20 - 19 | TY22328 | 1D5 | 4 | 20 - 50 | TY6628 | 5B21 | 12 | 90 - 17 |
| R97350 | 1B13 | 22 | 20 - 8 | TY22328 | 1D5 | 5 | 20 - 50 | TY6665 | 5B6 | 11 | 90 - 1 |
| R97350 | 1D2 | 33 | 20 - 47 | TY22328 | 2E12 | 6 | 40 - 85A | TY6665 | 5B21 | 12 | 90 - 17 |
| R97350 | 1E2 | 4 | 30 - 18 | TY22328 | 5B17 | 1 | 90 - 13 | TY6667 | 2D7 | 5 | 40 - 55 |
| R97350 | 1E2 | 6 | 30 - 18 | TY22328 | 5B17 | 5 | 90 - 13 | TY6686 | 2C23 | 4 | 40 - 45 |
| R97350 | 1E3 | 9 | 30 - 19 | TY22328 | 5B17 | 15 | 90 - 13 | TY6686 | 2D6 | 27 | 40 - 53 |
| R97350 | 1E3 | 11 | 30 - 19 | TY22328 | 5B17 | 18 | 90 - 13 | TY6690 | 2D8 | 11 | 40 - 56 |
| R97350 | 1E19 | 2 | 30 - 33 | TY22328 | 5B17 | 19 | 90 - 13 | TY6690 | 2D10 | 11 | 40 - 58 |
| R97350 | 1E19 | 4 | 30 - 33 | TY22328 | 5C1 | 7 | 90 - 22 | TY6690 | 2D12 | 11 | 40 - 60 |
| R97350 | 1G2 | 1 | 30 - 67 | TY22328 | 5C1 | 8 | 90 - 22 | TY6690 | 2D14 | 1 | 40 - 62 |
| R97350 | 1G2 | 8 | 30 - 67 | TY22328 | 5C1 | 23 | 90 - 22 | TY6690 | 2D14 | 7 | 40 - 62 |
| R97350 | 1G2 | 9 | 30 - 67 | TY22328 | 5D1 | 2 | 90 - 47 | TY6690 | 2D14 | 11 | 40 - 62 |
| R97350 | 1G2 | .. | 30 - 67 | TY22328 | 5D1 | 3 | 90 - 47 | TY6691 | 2D7 | 5 | 40 - 55 |
| R97786 | 3E25 | 14 | 50 - 97 | TY22328 | 5D1 | 4 | 90 - 47 | TY6691 | 2D9 | 2 | 40 - 57 |
| R97786 | 3G10 | 2 | 60 - 17 | TY22328 | 5D1 | 7 | 90 - 47 | TY6694 | 2D7 | 5 | 40 - 55 |
| R97799 | 3E25 | 15 | 50 - 97 | TY22328 | 5D2 | 8 | 90 - 48 | TY6701 | 2D7 | 5 | 40 - 55 |
| R97799 | 3G10 | 3 | 60 - 17 | TY22328 | 5D2 | 9 | 90 - 48 | TY6701 | 2D21 | .. | 40 - 69 |
| R97998 | 3E23 | 19 | 50 - 95 | TY22425 | 4C12 | 9 | 70 - 33 | TY6701 | 2D23 | 6 | 40 - 71 |
| R97998 | 3E24 | 7 | 50 - 96 | TY22425 | 4C14 | 6 | 70 - 35 | TY6701 | 2D23 | .. | 40 - 71 |
| R97998 | 3E25 | 7 | 50 - 97 | TY22425 | 4C14 | 16 | 70 - 35 | TY6710 | 2D7 | 5 | 40 - 55 |
| R98912 | 3F2 | 3 | 50 - 100 | TY22425 | 4C16 | 6 | 70 - 37 | TY6710 | 2D17 | .. | 40 - 65 |
| R98926 | 3D1 | 11 | 50 - 45 | TY22425 | 4C16 | 17 | 70 - 37 | TY6710 | 2D19 | 7 | 40 - 67 |
| R98926 | 3D3 | 13 | 50 - 47 | TY22473 | 1D12 | 16 | 30 - 3 | TY6710 | 2D19 | .. | 40 - 67 |
| R98929 | 3D20 | 19 | 50 - 65 | TY22473 | 1D15 | 6 | 30 - 6 | TY6713 | 2D7 | 5 | 40 - 55 |
| R98929 | 3D22 | 14 | 50 - 67 | TY22473 | 1D16 | 1 | 30 - 7 | TY6713 | 2E3 | 17 | 40 - 76 |
| R99292 | 3B7 | 1 | 50 - 1 | TY22473 | 1D17 | 1A | 30 - 8 | TY6722 | 2D7 | 5 | 40 - 55 |
| R99556 | 3B21 | 21 | 50 - 17 | TY22473 | 1D17 | 5 | 30 - 8 | TY6740 | 1C15 | 14 | 20 - 36 |
| TY1427 | 2C20 | 10 | 40 - 41 | TY22473 | 1D18 | 1 | 30 - 9 | TY6772 | 2D4 | .. | 40 - 51 |
| TY1427 | 2C25 | .. | 40 - 47 | TY3018 | 4G15 | 3 | 70 - 148 | TY6790 | 2D4 | .. | 40 - 51 |
| TY1430 | 2C20 | 10 | 40 - 41 | TY3019 | 4G15 | 3 | 70 - 148 | TY9305 | 2C6 | 26 | 40 - 25 |
| TY1430 | 2C24 | .. | 40 - 46 | TY6073 | 2C17 | 5 | 40 - 37 | TY9371 | 5E15 | 1 | 90 - 86 |
| TY1435 | 2D7 | 5 | 40 - 55 | TY6074 | 2C17 | 5 | 40 - 37 | T101090 | 5C15 | 20 | 90 - 36 |
| TY1456 | 2D7 | 5 | 40 - 55 | TY6118 | 2C12 | .. | 40 - 31 | T10255 | 1G13 | 23 | 30 - 74 |
| TY15155 | 2E23 | 1 | 40 - 97 | TY6280 | 1B6 | 1 | 20 - 1 | T10256 | 1G13 | 2 | 30 - 74 |
| TY15155 | 2E23 | 6 | 40 - 97 | TY6297 | 1B6 | 1 | 20 - 1 | T10257 | 1G13 | 28 | 30 - 74 |
| TY15263 | 2C6 | 26 | 40 - 25 | TY6298 | 1B6 | 1 | 20 - 1 | T10258 | 1G13 | 31 | 30 - 74 |
| TY15269 | 4E9 | 12 | 70 - 85 | TY6300 | 1B6 | 1 | 20 - 1 | T10259 | 1G13 | 16 | 30 - 74 |

1L22

TRACTOR - 4000 AND 4020 (SERIAL NO. 201000-) TRACTORS

NUMERICAL INDEX - CONTINUED

| PART NO. | GRID | KEY | PAGE | PART NO. | GRID | KEY | PAGE | PART NO. | GRID | KEY | PAGE |
|----------|------|-----|--------|----------|------|-----|-------|----------|------|-----|--------|
| T10260 | 1G13 | 5 | 30-74 | T11883 | 1F18 | 6 | 30-58 | T12808 | 5C7 | 32 | 90-29 |
| T10262 | 1G13 | 21 | 30-74 | T11884 | 1F18 | 8 | 30-58 | T12808 | 5D9 | 23 | 90-55 |
| T10263 | 1G13 | 12 | 30-74 | T11885 | 1F3 | 18 | 30-42 | T12860 | 1F18 | 12 | 30-58 |
| T10264 | 1G13 | 9 | 30-74 | T11885 | 1F14 | 26 | 30-53 | T12860 | 3G1 | 22 | 60-6 |
| T10265 | 1G13 | 17 | 30-74 | T11885 | 1F23 | 10 | 30-63 | T13073 | 4G2 | 29 | 70-133 |
| T10265 | 1G13 | 32 | 30-74 | T11886 | 1F3 | 17 | 30-42 | T13073 | 4G4 | 29 | 70-135 |
| T10266 | 1G13 | 30 | 30-74 | T11886 | 1F13 | 25 | 30-52 | T13073 | 4G12 | 29 | 70-145 |
| T10267 | 1G13 | 26 | 30-74 | T11886 | 1F23 | 9 | 30-63 | T13073 | 4G13 | 17 | 70-146 |
| T10268 | 1G13 | 24 | 30-74 | T11887 | 1F3 | 21 | 30-42 | T13119 | 1C14 | 5 | 20-35 |
| T10269 | 1G13 | 29 | 30-74 | T11887 | 1F13 | 22 | 30-52 | T13119 | 1C17 | 6 | 20-38 |
| T10270 | 1G13 | 3 | 30-74 | T11887 | 1F23 | 12 | 30-63 | T13119 | 1C18 | 7 | 20-39 |
| T10273 | 1G13 | 22 | 30-74 | T11888 | 1F3 | 20 | 30-42 | T13119 | 1C24 | 28 | 20-45 |
| T10274 | 1G13 | 15 | 30-74 | T11888 | 1F13 | 23 | 30-52 | T13119 | 1D2 | 29 | 20-47 |
| T10275 | 1G13 | 20 | 30-74 | T11888 | 1F23 | 13 | 30-63 | T13119 | 5D2 | 6 | 90-48 |
| T10276 | 1G13 | 13 | 30-74 | T11889 | 1F23 | 1 | 30-63 | T13325 | 3F18 | 7 | 50-116 |
| T10277 | 1G13 | 14 | 30-74 | T11890 | 1F23 | 2 | 30-63 | T13326 | 3F18 | 8 | 50-116 |
| T10278 | 1G13 | 34 | 30-74 | T11891 | 1F3 | 15 | 30-42 | T13329 | 3F18 | 22 | 50-116 |
| T10279 | 1G13 | 4 | 30-74 | T11891 | 1F23 | 15 | 30-63 | T13330 | 3F18 | 21 | 50-116 |
| T10280 | 1G13 | 6 | 30-74 | T11894 | 1F22 | 8 | 30-62 | T13331 | 3F18 | 17 | 50-116 |
| T10281 | 1G13 | 10 | 30-74 | T11899 | 1F11 | 7 | 30-50 | T13332 | 3F18 | 17 | 50-116 |
| T10379 | 2C4 | 3 | 40-23 | T11899 | 1F16 | 6 | 30-55 | T13333 | 3F18 | 17 | 50-116 |
| T10381 | 2C4 | 4 | 40-23 | T11899 | 1F20 | 19 | 30-60 | T13341 | 3F18 | 11 | 50-116 |
| T10514 | 1G16 | 2 | 30-77 | T11899 | 1F22 | 17 | 30-62 | T134452 | 2D15 | 10 | 40-63 |
| T10671 | 5D7 | 3 | 90-53 | T11900 | 1F22 | 19 | 30-62 | T134452 | 2E1 | 1 | 40-74 |
| T10702 | 1E10 | 35 | 30-27 | T11906 | 1F18 | 29 | 30-58 | T134452 | 2E6 | 1 | 40-79 |
| T10702 | 1E14 | 21 | 30-30 | T11906 | 1F24 | 7 | 30-64 | T134453 | 2D15 | 10 | 40-63 |
| T10702 | 1E17 | 21 | 30-31B | T11907 | 1F24 | 5 | 30-64 | T134453 | 2E1 | 1 | 40-74 |
| T10745 | 2C23 | 6 | 40-45 | T11909 | 1F24 | 16 | 30-64 | T134453 | 2E6 | 1 | 40-79 |
| T10745 | 2D4 | 29 | 40-51 | T11911 | 1F24 | 24 | 30-64 | T134454 | 2D15 | 10 | 40-63 |
| T10745 | 2D6 | 25 | 40-53 | T11913 | 1F24 | 22 | 30-64 | T134454 | 2E1 | 1 | 40-74 |
| T10804 | 1G2 | 5 | 30-67 | T11914 | 1F24 | 23 | 30-64 | T134454 | 2E6 | 1 | 40-79 |
| T11220 | 4G9 | 24 | 70-141 | T11915 | 1F5 | 15 | 30-44 | T134455 | 2D15 | 10 | 40-63 |
| T11220 | 4G10 | 13 | 70-142 | T11915 | 1F15 | 15 | 30-54 | T134455 | 2E1 | 1 | 40-74 |
| T11220 | 4G12 | 18 | 70-145 | T11915 | 1F20 | 9 | 30-60 | T134455 | 2E6 | 1 | 40-79 |
| T11220 | 4G13 | 8 | 70-146 | T11915 | 1F20 | 26 | 30-60 | T134456 | 2D15 | 10 | 40-63 |
| T11234 | 4H17 | 13 | 80-24 | T11918 | 1F18 | 20 | 30-58 | T134456 | 2E1 | 1 | 40-74 |
| T11290 | 1F18 | 13 | 30-58 | T11920 | 1F20 | 5 | 30-60 | T134456 | 2E6 | 1 | 40-79 |
| T11292 | 1F12 | 10 | 30-51 | T11921 | 1F18 | 31 | 30-58 | T134459 | 2D15 | 1 | 40-63 |
| T11292 | 1F17 | 12 | 30-56 | T11923 | 1F24 | 9 | 30-64 | T134459 | 2E1 | 2 | 40-74 |
| T11334 | 1G13 | 27 | 30-74 | T11924 | 1F24 | 21 | 30-64 | T134459 | 2E6 | 5 | 40-79 |
| T11672 | 2D8 | 3 | 40-56 | T11925 | 1F24 | 17 | 30-64 | T13471 | 3F18 | 16 | 50-116 |
| T11672 | 2D10 | 3 | 40-58 | T11926 | 1F23 | 16 | 30-63 | T13911 | 5D14 | .. | 90-60 |
| T11672 | 2D12 | 3 | 40-60 | T11927 | 1F21 | 36 | 30-61 | T14050 | 1E2 | 10 | 30-18 |
| T11675 | 2D8 | 9 | 40-56 | T11929 | 1F21 | 35 | 30-61 | T14050 | 1E3 | 16 | 30-19 |
| T11675 | 2D10 | 9 | 40-58 | T11930 | 1F3 | 9 | 30-42 | T14050 | 1E19 | 9 | 30-33 |
| T11675 | 2D12 | 10 | 40-60 | T11930 | 1F18 | 4 | 30-58 | T14264 | 2B21 | 12 | 40-15 |
| T11680 | 2D11 | 6 | 40-59 | T11931 | 1F24 | 13 | 30-64 | T14264 | 2B21 | 17 | 40-15 |
| T11680 | 2D13 | 6 | 40-61 | T11932 | 1F24 | 6 | 30-64 | T14264 | 2F9 | 8 | 40-108 |
| T11682 | 2D10 | 5 | 40-58 | T11934 | 1F5 | 2 | 30-44 | T14587 | 3F10 | 3 | 50-108 |
| T11682 | 2D12 | 5 | 40-60 | T11934 | 1F5 | 8 | 30-44 | T14587 | 3F13 | 2 | 50-111 |
| T11683 | 2D8 | 17 | 40-56 | T11934 | 1F5 | 17 | 30-44 | T146102 | 2D15 | 1 | 40-63 |
| T11683 | 2D10 | 21 | 40-58 | T11934 | 1F15 | 2 | 30-54 | T146102 | 2E1 | 2 | 40-74 |
| T11708 | 5D14 | .. | 90-60 | T11934 | 1F15 | 8 | 30-54 | T146102 | 2E6 | 5 | 40-79 |
| T11708 | 5E3 | 11 | 90-74 | T11934 | 1F15 | 17 | 30-54 | T146104 | 2D15 | 10 | 40-63 |
| T11739 | 2D11 | 22 | 40-59 | T11934 | 1F22 | 14 | 30-62 | T146104 | 2E1 | 1 | 40-74 |
| T11739 | 2D13 | 22 | 40-61 | T11934 | 3B14 | 18 | 50-9 | T146104 | 2E6 | 1 | 40-79 |
| T11739 | 2D19 | 23 | 40-67 | T11934 | 3D13 | 12 | 50-57 | T146106 | 2D15 | 10 | 40-63 |
| T11743 | 2D17 | 1 | 40-65 | T11935 | 1F18 | 17 | 30-58 | T146106 | 2E1 | 1 | 40-74 |
| T11743 | 2D21 | 1 | 40-69 | T11936 | 1F18 | 22 | 30-58 | T146106 | 2E6 | 1 | 40-79 |
| T11875 | 1F18 | 5 | 30-58 | T11937 | 1F4 | 6 | 30-43 | T146515 | 2D15 | 10 | 40-63 |
| T11876 | 1F18 | 9 | 30-58 | T11937 | 1F18 | 19 | 30-58 | T146515 | 2E1 | 1 | 40-74 |
| T11877 | 1F19 | 33 | 30-59 | T11938 | 1F18 | 24 | 30-58 | T146515 | 2E6 | 1 | 40-79 |
| T11877 | 1F20 | 21 | 30-60 | T11943 | 1F24 | 8 | 30-64 | T146516 | 2D15 | 10 | 40-63 |
| T11877 | 1F22 | 1 | 30-62 | T12552 | 4D23 | 20 | 70-73 | T146516 | 2E1 | 1 | 40-74 |
| T11878 | 1F3 | 10 | 30-42 | T12553 | 4D24 | 13 | 70-74 | T146516 | 2E6 | 1 | 40-79 |
| T11878 | 1F18 | 3 | 30-58 | T12637 | 4D18 | 15 | 70-67 | T146517 | 2D15 | 10 | 40-63 |
| T11882 | 1F18 | 7 | 30-58 | T12637 | 4D18 | 16 | 70-67 | T146517 | 2E1 | 1 | 40-74 |

1L23

TRACTOR - 4000 AND 4020 (SERIAL NO. 201000-) TRACTORS

NUMERICAL INDEX - CONTINUED

| PART NO. | GRID | KEY | PAGE | PART NO. | GRID | KEY | PAGE | PART NO. | GRID | KEY | PAGE |
|----------|------|-----|--------|----------|------|-----|--------|----------|------|-----|--------|
| T146517 | 2E6 | 1 | 40-79 | T18098 | 2D23 | 13 | 40-71 | T22645 | 1D5 | 8 | 20-50 |
| T15005 | 5E4 | 11 | 90-75 | T18105 | 2D14 | 8 | 40-62 | T22875 | 3F23 | 5 | 60-3 |
| T15329 | 3E2 | 5 | 50-72 | T18105 | 2D24 | 9 | 40-72 | T22958 | 4C18 | 9 | 70-39 |
| T15539 | 1C3 | 5 | 20-23 | T18105 | 2D25 | 6 | 40-73 | T22958 | 4C20 | 1 | 70-41 |
| T15539 | 1C4 | 3 | 20-24 | T18106 | 2D24 | 16 | 40-72 | T22958 | 4E25 | 14 | 70-103 |
| T15699 | 1F24 | 1 | 30-64 | T18106 | 2D25 | 13 | 40-73 | T23027 | 5E16 | 3 | 90-87 |
| T15705 | 1F20 | 17 | 30-60 | T18107 | 2D24 | 12 | 40-72 | T23033 | 5E16 | 4 | 90-87 |
| T15710 | 1F20 | 13 | 30-60 | T18107 | 2D25 | 9 | 40-73 | T23227 | 5C7 | 26 | 90-29 |
| T15711 | 1F20 | 24 | 30-60 | T18109 | 2D14 | 10 | 40-62 | T23237 | 5C7 | 11 | 90-29 |
| T15712 | 1F20 | 23 | 30-60 | T18110 | 2D24 | 2 | 40-72 | T23238 | 5C7 | 19 | 90-29 |
| T15715 | 1F19 | 36 | 30-59 | T18110 | 2D25 | 2 | 40-73 | T23531 | 1G10 | 5 | 30-71 |
| T15720 | 1F20 | 8 | 30-60 | T18113 | 2D8 | 7 | 40-56 | T23531 | 1G11 | 5 | 30-72 |
| T15721 | 1F19 | 34 | 30-59 | T18113 | 2D10 | 7 | 40-58 | T23598 | 2C25 | 1 | 40-47 |
| T15737 | 5B20 | 6 | 90-16 | T18113 | 2D12 | 7 | 40-60 | T23610 | 2C24 | 25 | 40-46 |
| T15737 | 5C13 | 6 | 90-34 | T18354 | 2D14 | 4 | 40-62 | T23610 | 2C25 | 23 | 40-47 |
| T16068 | 4E3 | 11 | 70-78 | T18717 | 3F18 | 15 | 50-116 | T23610 | 2D1 | 35 | 40-48 |
| T16068 | 4E5 | 19 | 70-81 | T18718 | 3F18 | 3 | 50-116 | T23610 | 2D2 | 30 | 40-49 |
| T16106 | 1G10 | 15 | 30-71 | T18996 | 3F18 | 2 | 50-116 | T23688 | 1G19 | 5 | 30-80 |
| T16106 | 1G11 | 15 | 30-72 | T19086 | 1G12 | 1 | 30-73 | T24415 | 1F20 | 30 | 30-60 |
| T16109 | 1G10 | 9 | 30-71 | T19088 | 2C19 | 6 | 40-39 | T25050 | 1G18 | 14 | 30-79 |
| T16109 | 1G10 | 12 | 30-71 | T19178 | 2B25 | 16 | 40-19 | T25142 | 1F22 | 20 | 30-62 |
| T16109 | 1G11 | 9 | 30-72 | T19178 | 2C1 | 15 | 40-20 | T25151 | 1E4 | 24 | 30-20 |
| T16109 | 1G11 | 12 | 30-72 | T19178 | 2C3 | 9 | 40-22 | T25151 | 1E14 | 32 | 30-30 |
| T16122 | 1G10 | 14 | 30-71 | T19604 | 2D14 | 6 | 40-62 | T25152 | 1E4 | 22 | 30-20 |
| T16122 | 1G11 | 14 | 30-72 | T19606 | 2D14 | 2 | 40-62 | T25152 | 1E14 | 30 | 30-30 |
| T16601 | 1F24 | 15 | 30-64 | T19606 | 2D14 | 5 | 40-62 | T25153 | 1E14 | 33 | 30-30 |
| T16602 | 1F24 | 18 | 30-64 | T19607 | 2D24 | 22 | 40-72 | T25154 | 1E4 | 23 | 30-20 |
| T16738 | 2B9 | 27 | 40-3 | T19608 | 2D10 | 14 | 40-58 | T25154 | 1E14 | 31 | 30-30 |
| T16911 | 2C8 | 10 | 40-27 | T19609 | 2D14 | 11 | 40-62 | T25155 | 1E15 | 35 | 30-31 |
| T16911 | 3B21 | 20 | 50-17 | T19610 | 2D10 | 17 | 40-58 | T25156 | 1E15 | 34 | 30-31 |
| T16911 | 3B22 | 3 | 50-18 | T19610 | 2D12 | 14 | 40-60 | T25317 | 3B16 | 10 | 50-12 |
| T16911 | 3D17 | 11 | 50-61 | T19687 | 4G9 | 24 | 70-141 | T25317 | 3D4 | 15 | 50-48 |
| T16911 | 3D18 | 3 | 50-62 | T19854 | 1F18 | 11 | 30-58 | T25343 | 2C24 | 26 | 40-46 |
| T16911 | 3D19 | 9 | 50-64 | T19859 | 1F11 | 9 | 30-50 | T25343 | 2C25 | 22 | 40-47 |
| T17058 | 2D8 | 10 | 40-56 | T19859 | 1F16 | 8 | 30-55 | T25343 | 2D1 | 36 | 40-48 |
| T17058 | 2D10 | 10 | 40-58 | T19862 | 1F20 | 6 | 30-60 | T25343 | 2D2 | 31 | 40-49 |
| T17117 | 1F5 | 12 | 30-44 | T19909 | 2D17 | 30 | 40-65 | T25349 | 2D1 | 10 | 40-48 |
| T17117 | 1F20 | 28 | 30-60 | T19909 | 2D21 | 29 | 40-69 | T25350 | 2D1 | 8 | 40-48 |
| T17120 | 1F21 | 33 | 30-61 | T19977 | 1F4 | 1 | 30-43 | T25353 | 2D1 | 17 | 40-48 |
| T17122 | 1F5 | 14 | 30-44 | T19977 | 1F18 | 27 | 30-58 | T25353 | 2D2 | 10 | 40-49 |
| T17122 | 1F20 | 27 | 30-60 | T19977 | 2C7 | 8 | 40-26 | T25357 | 2D1 | 13 | 40-48 |
| T17123 | 1F20 | 25 | 30-60 | T20055 | 1D2 | 12 | 20-47 | T25357 | 2D2 | 6 | 40-49 |
| T17125 | 1F20 | 30 | 30-60 | T20055 | 1E23 | 24 | 30-37 | T25879 | 4E19 | 4 | 70-97 |
| T17126 | 1F20 | 29 | 30-60 | T20055 | 1E24 | 24 | 30-38 | T26041 | 2D1 | 2 | 40-48 |
| T17148 | 3F23 | 4 | 60-3 | T20055 | 1E25 | 21 | 30-39 | T26209 | 1F5 | 5 | 30-44 |
| T17946 | 1F21 | 34 | 30-61 | T20055 | 1F1 | 21 | 30-40 | T26209 | 1F5 | 7 | 30-44 |
| T17947 | 1F18 | 30 | 30-58 | T20055 | 1F12 | 8 | 30-51 | T26209 | 1F13 | 10 | 30-52 |
| T17948 | 1F11 | 26 | 30-50 | T20055 | 1F17 | 9 | 30-56 | T26209 | 1F15 | 5 | 30-54 |
| T17948 | 1F16 | 25 | 30-55 | T20055 | 1F23 | 7 | 30-63 | T26209 | 1F15 | 7 | 30-54 |
| T17948 | 1F20 | 1 | 30-60 | T20055 | 1G3 | 16 | 30-68 | T26211 | 1F12 | 3 | 30-51 |
| T17948 | 2D1 | 26 | 40-48 | T20077 | 1B10 | 15 | 20-5 | T26212 | 1F12 | 4 | 30-51 |
| T17948 | 2D2 | 20 | 40-49 | T20102 | 2D2 | 20 | 40-49 | T26213 | 1F12 | 5 | 30-51 |
| T17949 | 1F11 | 11 | 30-50 | T20129 | 1B10 | 14 | 20-5 | T26215 | 1F12 | 12 | 30-51 |
| T17949 | 1F16 | 10 | 30-55 | T20139 | 3E10 | 1 | 50-80 | T26216 | 1F12 | 13 | 30-51 |
| T17949 | 1F20 | 3 | 30-60 | T20139 | 3E13 | 1 | 50-84 | T26217 | 1F12 | 14 | 30-51 |
| T17950 | 1F11 | 10 | 30-50 | T20229 | 4F5 | 3 | 70-109 | T26222 | 1F5 | 26 | 30-44 |
| T17950 | 1F16 | 9 | 30-55 | T20287 | 1B10 | 21 | 20-5 | T26223 | 1F5 | 24 | 30-44 |
| T17950 | 1F20 | 2 | 30-60 | T21689 | 4H13 | 4 | 80-19 | T26223 | 1F23 | 4 | 30-63 |
| T17951 | 1E7 | 2 | 30-23 | T21920 | 5C7 | 36 | 90-29 | T26226 | 1F3 | 7 | 30-42 |
| T17951 | 1F18 | 29 | 30-58 | T21922 | 5C7 | 31 | 90-29 | T26226 | 1F13 | 7 | 30-52 |
| T17951 | 3F6 | 8 | 50-104 | T21923 | 5C7 | 9 | 90-29 | T26227 | 1F3 | 6 | 30-42 |
| T17952 | 1F24 | 20 | 30-64 | T21926 | 5C7 | 10 | 90-29 | T26227 | 1F13 | 6 | 30-52 |
| T17953 | 1F19 | 32 | 30-59 | T22228 | 4D12 | 2 | 70-59 | T26229 | 1F3 | 3 | 30-42 |
| T17987 | 2D8 | 1 | 40-56 | T22381 | 4C14 | 12 | 70-35 | T26229 | 1F13 | 3 | 30-52 |
| T17987 | 2D10 | 1 | 40-58 | T22381 | 4C16 | 18 | 70-37 | T26230 | 1F3 | 4 | 30-42 |
| T17987 | 2D12 | 1 | 40-60 | T22381 | 4C18 | 15 | 70-39 | T26230 | 1F13 | 4 | 30-52 |
| T18098 | 2D19 | 14 | 40-67 | T22534 | 1G8 | 5 | 30-69D | T26236 | 1F5 | 27 | 30-44 |

1L24

TRACTOR - 4000 AND 4020 (SERIAL NO. 201000-) TRACTORS

NUMERICAL INDEX - CONTINUED

| PART NO. | GRID | KEY | PAGE | PART NO. | GRID | KEY | PAGE | PART NO. | GRID | KEY | PAGE |
|----------|------|-----|----------|----------|------|-----|----------|----------|------|-----|----------|
| T26238 | 1F5 | 30 | 30 - 44 | T30607 | 1F5 | 11 | 30 - 44 | T61939 | 4C16 | 13 | 70 - 37 |
| T26238 | 1F22 | 11 | 30 - 62 | T30607 | 1F22 | 5 | 30 - 62 | T67029 | 3D1 | 13 | 50 - 45 |
| T26239 | 1F5 | 29 | 30 - 44 | T30738 | 1E21 | 13 | 30 - 35 | T67029 | 3D3 | 15 | 50 - 47 |
| T26243 | 1F11 | 2 | 30 - 50 | T30890 | 2F4 | 11 | 40 - 103 | T735T | 2D9 | 16 | 40 - 57 |
| T26256 | 1F5 | 10 | 30 - 44 | T31124 | 1F13 | 24 | 30 - 52 | T736T | 2D9 | 19 | 40 - 57 |
| T26256 | 1F11 | 14 | 30 - 50 | T31125 | 1F13 | 24 | 30 - 52 | T736T | 2D11 | 21 | 40 - 59 |
| T26256 | 1F16 | 13 | 30 - 55 | T31126 | 1F13 | 24 | 30 - 52 | T736T | 2D13 | 21 | 40 - 61 |
| T26256 | 1F22 | 6 | 30 - 62 | T31127 | 1F13 | 24 | 30 - 52 | T738T | 2D9 | 15 | 40 - 57 |
| T26257 | 1F11 | 20 | 30 - 50 | T31128 | 1F13 | 24 | 30 - 52 | T738T | 2D11 | 17 | 40 - 59 |
| T26263 | 1F5 | 6 | 30 - 44 | T31157 | 1E4 | 27 | 30 - 20 | T738T | 2D13 | 17 | 40 - 61 |
| T26263 | 1F13 | 9 | 30 - 52 | T31164 | 1E4 | 21 | 30 - 20 | T738T | 2D19 | 18 | 40 - 67 |
| T26265 | 1F5 | 1 | 30 - 44 | T31307 | 2D1 | 15 | 40 - 48 | T738T | 2D23 | 17 | 40 - 71 |
| T26267 | 1F5 | 13 | 30 - 44 | T31308 | 2C23 | 17 | 40 - 45 | T739T | 2D9 | 14 | 40 - 57 |
| T26268 | 1F5 | 20 | 30 - 44 | T31308 | 2D2 | 1 | 40 - 49 | T739T | 2D11 | 16 | 40 - 59 |
| T26396 | 1G10 | 24 | 30 - 71 | T31784 | 3C14 | 9 | 50 - 35 | T739T | 2D13 | 16 | 40 - 61 |
| T26396 | 1G11 | 24 | 30 - 72 | T31785 | 3C14 | 10 | 50 - 35 | T740T | 2D9 | 13 | 40 - 57 |
| T26407 | 1G10 | 1 | 30 - 71 | T32148 | 4H24 | 16 | 80 - 31 | T740T | 2D11 | 15 | 40 - 59 |
| T26407 | 1G11 | 1 | 30 - 72 | T32231 | 2F12 | 5 | 40 - 112 | T740T | 2D13 | 15 | 40 - 61 |
| T26565 | 3B7 | 18 | 50 - 1 | T32231 | 5B20 | 6 | 90 - 16 | T741T | 2D9 | 21 | 40 - 57 |
| T26565 | 3C12 | 21 | 50 - 33 | T32231 | 5C13 | 6 | 90 - 34 | T743T | 2D9 | 7 | 40 - 57 |
| T27155 | 5C8 | 1 | 90 - 30 | T32255 | 2F3 | 16 | 40 - 102 | T75972 | 3F15 | 3 | 50 - 113 |
| T27155 | 5C9 | 1 | 90 - 31 | T32255 | 2F6 | 11 | 40 - 105 | T77072 | 3F15 | 2 | 50 - 113 |
| T27155 | 5C12 | 8 | 90 - 33 | T32554 | 1E4 | 24 | 30 - 20 | T77613 | 4F14 | 12 | 70 - 119 |
| T27300 | 1F5 | 4 | 30 - 44 | T32554 | 1E14 | 32 | 30 - 30 | T77857 | 3F11 | 3 | 50 - 109 |
| T27304 | 1F6 | 33 | 30 - 45 | T33483 | 3E2 | 14 | 50 - 72 | T77857 | 3F13 | 6 | 50 - 111 |
| T27306 | 1F5 | 3 | 30 - 44 | T33745 | 2C3 | 18 | 40 - 22 | T84409 | 2D15 | 1 | 40 - 63 |
| T27307 | 1F5 | 16 | 30 - 44 | T33745 | 2C3 | 20 | 40 - 22 | T84409 | 2E1 | 2 | 40 - 74 |
| T27718 | 5C5 | 3 | 90 - 26 | T34067 | 2G2 | 18 | 40 - 125 | T84409 | 2E6 | 5 | 40 - 79 |
| T27719 | 5C5 | 1 | 90 - 26 | T35695 | 4C14 | 14 | 70 - 35 | T84410 | 2D15 | 10 | 40 - 63 |
| T27860 | 1C6 | 2 | 20 - 26 | T35695 | 4C16 | 13 | 70 - 37 | T84410 | 2E1 | 1 | 40 - 74 |
| T27860 | 1C6 | 3 | 20 - 26 | T36366 | 3G5 | 7 | 60 - 11 | T84410 | 2E6 | 1 | 40 - 79 |
| T27860 | 1C7 | 2 | 20 - 27 | T36523 | 4B8 | 6 | 70 - 2 | T84411 | 2D15 | 10 | 40 - 63 |
| T27971 | 5C7 | 33 | 90 - 29 | T40167 | 4C18 | 9 | 70 - 39 | T84411 | 2E1 | 1 | 40 - 74 |
| T28582 | 1F3 | 5 | 30 - 42 | T40167 | 4C20 | 1 | 70 - 41 | T84411 | 2E6 | 1 | 40 - 79 |
| T28582 | 1F13 | 5 | 30 - 52 | T40167 | 4E25 | 14 | 70 - 103 | T84412 | 2D15 | 10 | 40 - 63 |
| T28583 | 2B19 | 6 | 40 - 13 | T40308 | 4B15 | 28 | 70 - 9 | T84412 | 2E1 | 1 | 40 - 74 |
| T28583 | 2B20 | 7 | 40 - 14 | T40308 | 4B17 | 17 | 70 - 11 | T84412 | 2E6 | 1 | 40 - 79 |
| T28583 | 2F22 | 34 | 40 - 123 | T40308 | 4B25 | 46 | 70 - 19 | T84413 | 2D15 | 10 | 40 - 63 |
| T28583 | 2G2 | 1 | 40 - 125 | T40308 | 4C2 | 18 | 70 - 21 | T84413 | 2E1 | 1 | 40 - 74 |
| T28585 | 2B14 | 2 | 40 - 8 | T40308 | 4C4 | 4 | 70 - 23 | T84413 | 2E6 | 1 | 40 - 79 |
| T28585 | 2B14 | 4 | 40 - 8 | T40308 | 4C5 | 11 | 70 - 25 | T84578 | 2D15 | 10 | 40 - 63 |
| T28585 | 2B14 | 5 | 40 - 8 | T43535 | 4C5 | 8 | 70 - 25 | T84578 | 2E1 | 1 | 40 - 74 |
| T28585 | 2B15 | 4 | 40 - 9 | T43535 | 4C5 | 9 | 70 - 25 | T84578 | 2E6 | 1 | 40 - 79 |
| T28585 | 2B15 | 7 | 40 - 9 | T44604 | 1F5 | 15 | 30 - 44 | U10136 | 3G19 | 3 | 60 - 27 |
| T28585 | 2B17 | 4 | 40 - 11 | T44604 | 1F15 | 15 | 30 - 54 | U10136 | 3G19 | 7 | 60 - 27 |
| T28585 | 2B17 | 7 | 40 - 11 | T44604 | 1F20 | 9 | 30 - 60 | U10136 | 3G21 | 3 | 60 - 29 |
| T28585 | 2B20 | 7 | 40 - 14 | T44604 | 1F20 | 26 | 30 - 60 | U11647 | 4G15 | 1 | 70 - 148 |
| T28585 | 2F12 | 7 | 40 - 112 | T46862 | 2D1 | 13 | 40 - 48 | U11647 | 4H18 | 10 | 80 - 25 |
| T28585 | 2F22 | 35 | 40 - 123 | T46862 | 2D2 | 6 | 40 - 49 | U12037 | 3B16 | 14 | 50 - 12 |
| T28585 | 2G2 | 12 | 40 - 125 | T50222 | 2D24 | 16 | 40 - 72 | U12037 | 3B16 | 15 | 50 - 12 |
| T28586 | 2G2 | 14 | 40 - 125 | T519R | 4D12 | 7 | 70 - 59 | U12037 | 3D5 | 22 | 50 - 49 |
| T29098 | 2D1 | 6 | 40 - 48 | T519T | 4D12 | 32 | 70 - 59 | U12037 | 4D18 | 18 | 70 - 67 |
| T29100 | 2D1 | 7 | 40 - 48 | T519T | 4D15 | 23 | 70 - 63 | U12037 | 4D18 | 19 | 70 - 67 |
| T29100 | 2D2 | 3 | 40 - 49 | T519T | 4D15 | 30 | 70 - 63 | U12198 | 3E3 | 20 | 50 - 73 |
| T29101 | 2D1 | 9 | 40 - 48 | T54033 | 4D15 | 6 | 70 - 63 | U12331 | 3G19 | 6 | 60 - 27 |
| T29102 | 2D1 | 26 | 40 - 48 | T54033 | 4F3 | 5 | 70 - 107 | U12331 | 3G19 | 7 | 60 - 27 |
| T29105 | 2D1 | 16 | 40 - 48 | T55501 | 2E18 | 1 | 40 - 92 | U12331 | 3G21 | 6 | 60 - 29 |
| T29105 | 2D2 | 9 | 40 - 49 | T55501 | 2E18 | 2 | 40 - 92 | U12547 | 3F11 | 13 | 50 - 109 |
| T29115 | 1F12 | 6 | 30 - 51 | T55501 | 2E19 | 1 | 40 - 93 | U12547 | 4C25 | 8 | 70 - 46 |
| T29164 | 1F11 | 13 | 30 - 50 | T55501 | 2E20 | 11 | 40 - 94 | U13639 | 4B11 | 14 | 70 - 5 |
| T29164 | 1F16 | 12 | 30 - 55 | T57374 | 4B15 | 29 | 70 - 9 | U13639 | 4B13 | 19 | 70 - 7 |
| T29242 | 3F18 | 8 | 50 - 116 | T57374 | 4B17 | 18 | 70 - 11 | U13639 | 4B19 | 14 | 70 - 13 |
| T29527 | 1E2 | 9 | 30 - 18 | T57374 | 4B25 | 47 | 70 - 19 | U13639 | 4B21 | 12 | 70 - 15 |
| T29527 | 1E2 | 10 | 30 - 18 | T57374 | 4C2 | 19 | 70 - 21 | U13639 | 4C4 | 21 | 70 - 23 |
| T29527 | 1E3 | 16 | 30 - 19 | T57374 | 4C4 | 5 | 70 - 23 | U13639 | 4D4 | 15 | 70 - 51 |
| T29527 | 1E19 | 8 | 30 - 33 | T57374 | 4C5 | 10 | 70 - 25 | U13639 | 4D12 | 14 | 70 - 59 |
| T29527 | 1E19 | 9 | 30 - 33 | T61939 | 4C14 | 14 | 70 - 35 | U13639 | 4D12 | 22 | 70 - 59 |

1L25

TRACTOR - 4000 AND 4020 (SERIAL NO. 201000-) TRACTORS

NUMERICAL INDEX - CONTINUED

| PART NO. | GRID | KEY | PAGE | PART NO. | GRID | KEY | PAGE | PART NO. | GRID | KEY | PAGE |
|----------|------|-----|----------|----------|------|-----|----------|----------|------|-----|------|
| U13639 | 4D13 | 7 | 70 - 61 | 400R | 3G11 | 29 | 60 - 18 | | | | |
| U15242 | 3F15 | 4 | 50 - 113 | 400R | 3G19 | 21 | 60 - 27 | | | | |
| U15969 | 4F14 | 21 | 70 - 119 | 400R | 3G19 | 38 | 60 - 27 | | | | |
| U17409 | 3F10 | 7 | 50 - 108 | 400R | 3G21 | 18 | 60 - 29 | | | | |
| U17409 | 3F13 | 12 | 50 - 111 | 400R | 4D10 | 38 | 70 - 57 | | | | |
| U17409 | 3F14 | 4 | 50 - 112 | 400R | 4F12 | 12 | 70 - 117 | | | | |
| U17409 | 3F17 | 3 | 50 - 115 | 400R | 4F20 | 22 | 70 - 125 | | | | |
| U17409 | 4D2 | 34 | 70 - 49 | 400R | 4G14 | 14 | 70 - 147 | | | | |
| U40727 | 3F10 | 17 | 50 - 108 | 810074 | 2C19 | 21 | 40 - 39 | | | | |
| U40727 | 3F13 | 3 | 50 - 111 | 810620 | 2D9 | 20 | 40 - 57 | | | | |
| U40727 | 3F17 | 13 | 50 - 115 | 811912 | 2C19 | 18 | 40 - 39 | | | | |
| U46370 | 2F22 | 36 | 40 - 123 | 811912 | 2C19 | 22 | 40 - 39 | | | | |
| U46370 | 2G2 | 20 | 40 - 125 | 811912 | 2D23 | 9 | 40 - 71 | | | | |
| U46506 | 2F3 | 17 | 40 - 102 | 820148 | 2D8 | 16 | 40 - 56 | | | | |
| U46506 | 2F6 | 10 | 40 - 105 | 820148 | 2D10 | 20 | 40 - 58 | | | | |
| U46507 | 2F3 | 11 | 40 - 102 | 820149 | 2D8 | 17 | 40 - 56 | | | | |
| U46507 | 2F6 | 13 | 40 - 105 | 820149 | 2D10 | 20 | 40 - 58 | | | | |
| U46508 | 2F3 | 20 | 40 - 102 | 820149 | 2D10 | 21 | 40 - 58 | | | | |
| U46508 | 2F6 | 18 | 40 - 105 | | | | | | | | |
| U46509 | 2F3 | 8 | 40 - 102 | | | | | | | | |
| U46509 | 2F6 | 9 | 40 - 105 | | | | | | | | |
| U46510 | 2F3 | 7 | 40 - 102 | | | | | | | | |
| U46510 | 2F6 | 8 | 40 - 105 | | | | | | | | |
| U46511 | 2F3 | 6 | 40 - 102 | | | | | | | | |
| U46511 | 2F6 | 7 | 40 - 105 | | | | | | | | |
| U46512 | 2F3 | 5 | 40 - 102 | | | | | | | | |
| U46512 | 2F6 | 6 | 40 - 105 | | | | | | | | |
| U46513 | 2F3 | 4 | 40 - 102 | | | | | | | | |
| U46513 | 2F6 | 5 | 40 - 105 | | | | | | | | |
| U46514 | 2F3 | 1 | 40 - 102 | | | | | | | | |
| U46514 | 2F5 | 1 | 40 - 104 | | | | | | | | |
| U46514 | 2F6 | 1 | 40 - 105 | | | | | | | | |
| U46515 | 2F6 | 23 | 40 - 105 | | | | | | | | |
| U46662 | 2F20 | 12 | 40 - 121 | | | | | | | | |
| U46662 | 2F22 | 37 | 40 - 123 | | | | | | | | |
| U46662 | 2G2 | 10 | 40 - 125 | | | | | | | | |
| U46663 | 2F22 | 38 | 40 - 123 | | | | | | | | |
| U46664 | 2F22 | 39 | 40 - 123 | | | | | | | | |
| U46664 | 2G4 | 47 | 40 - 127 | | | | | | | | |
| W19903 | 3F15 | 6 | 50 - 113 | | | | | | | | |
| Z36276 | 4C5 | 8 | 70 - 25 | | | | | | | | |
| Z36276 | 4C5 | 9 | 70 - 25 | | | | | | | | |
| 15A86 | 1G10 | 28 | 30 - 71 | | | | | | | | |
| 15A86 | 1G11 | 27 | 30 - 72 | | | | | | | | |
| 1873796 | 2D8 | 25 | 40 - 56 | | | | | | | | |
| 1873796 | 2D10 | 29 | 40 - 58 | | | | | | | | |
| 1873796 | 2D12 | 25 | 40 - 60 | | | | | | | | |
| 1873796 | 2D17 | 10 | 40 - 65 | | | | | | | | |
| 1881371 | 2C19 | 16 | 40 - 39 | | | | | | | | |
| 1904292 | 2C19 | 14 | 40 - 39 | | | | | | | | |
| 1909273 | 2C19 | 23 | 40 - 39 | | | | | | | | |
| 31603 | 4E2 | 17 | 70 - 77 | | | | | | | | |
| 32240 | 3F10 | 14 | 50 - 108 | | | | | | | | |
| 32240 | 3F13 | 4 | 50 - 111 | | | | | | | | |
| 37517 | 2D8 | 23 | 40 - 56 | | | | | | | | |
| 37517 | 2D10 | 27 | 40 - 58 | | | | | | | | |
| 400R | 3B14 | 20 | 50 - 9 | | | | | | | | |
| 400R | 3B15 | 14 | 50 - 10 | | | | | | | | |
| 400R | 3C7 | 9 | 50 - 28 | | | | | | | | |
| 400R | 3D7 | 16 | 50 - 51 | | | | | | | | |
| 400R | 3E19 | 8 | 50 - 91 | | | | | | | | |
| 400R | 3F4 | 28 | 50 - 102 | | | | | | | | |
| 400R | 3F5 | 37 | 50 - 103 | | | | | | | | |
| 400R | 3F5 | 38A | 50 - 103 | | | | | | | | |
| 400R | 3F23 | 12 | 60 - 3 | | | | | | | | |
| 400R | 3F25 | 6 | 60 - 5 | | | | | | | | |
| 400R | 3G11 | 13 | 60 - 18 | | | | | | | | |