

# 1A2

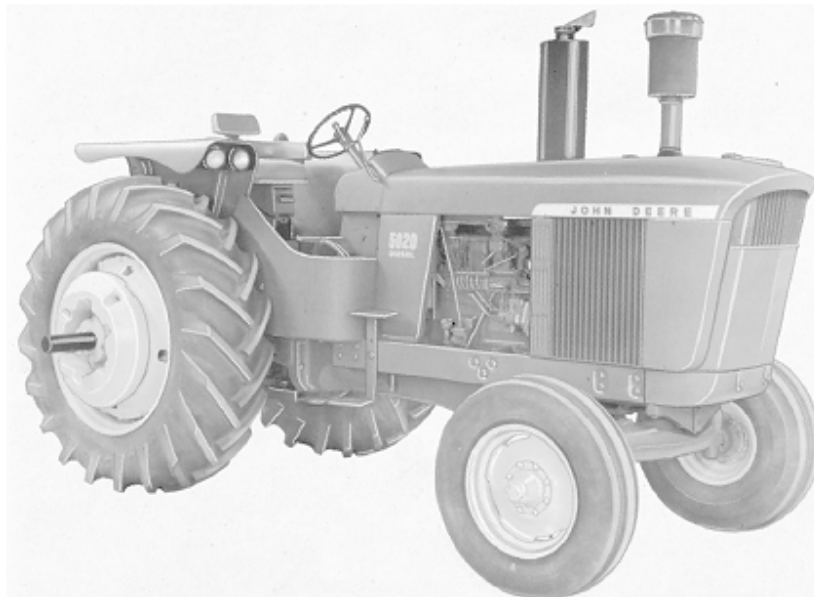
5020 TRACTOR (SERIAL NO. 025,000-)

RWP5743 -UN-01JAN94



*JOHN DEERE 5020 STANDARD TRACTOR*

RWP5744 -UN-01JAN94



*JOHN DEERE 5020 ROW-CROP TRACTOR*

*(SPECIFICATIONS AND DESIGN SUBJECT TO CHANGE WITHOUT NOTICE)*

*COPYRIGHT (C) 1995. DEERE & COMPANY, MOLINE, ILLINOIS. ALL RIGHTS RESERVED.*

# 1A3

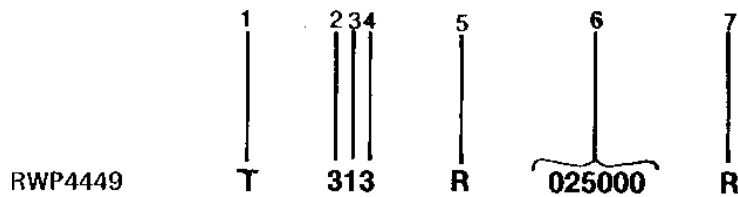
5020 TRACTOR (SERIAL NO. 025,000-)

## SERIAL NUMBERS

EACH 5020 TRACTOR HAS THE FOLLOWING SERIAL NUMBER PLATES: BASIC TRACTOR, ENGINE AND SHORT BLOCK.

### TRACTOR SERIAL NUMBER

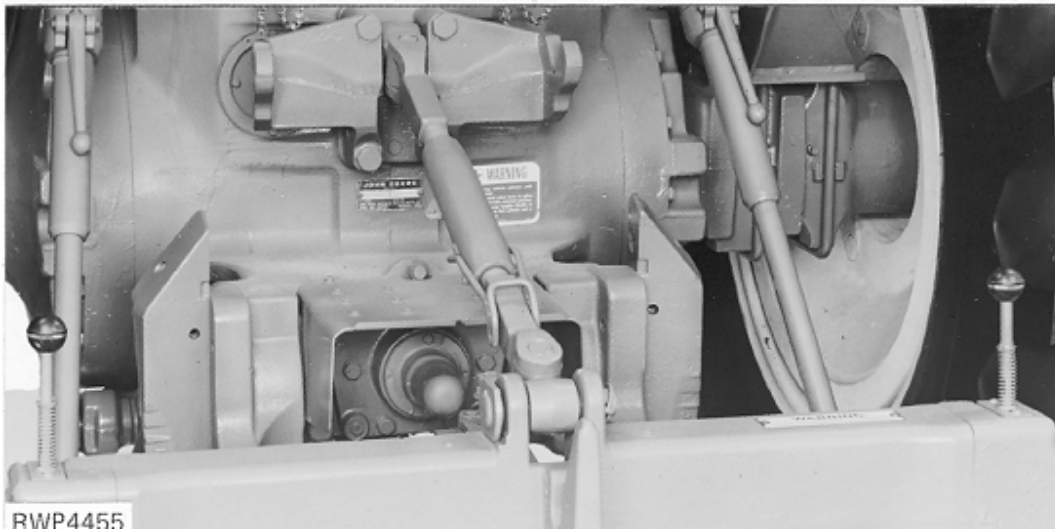
RWP4449 -UN-01JAN94



1. DESIGNATES TYPE OF UNIT
2. DESIGNATES MODEL SERIES
3. DESIGNATES CHASSIS DESIGN
4. DESIGNATES ENGINE FUEL TYPE
5. DESIGNATES TRANSMISSION TYPE
6. DESIGNATES TRACTOR SERIAL NUMBER
7. DESIGNATES TRACTOR MANUFACTURER

- T - TRACTOR  
3 - 5020  
1 - ROW-CROP  
2 - STANDARD  
3 - DIESEL  
R - SYNCRO-RANGE  
R - JOHN DEERE TRACTOR WORKS

RWP4455 -UN-01JAN94



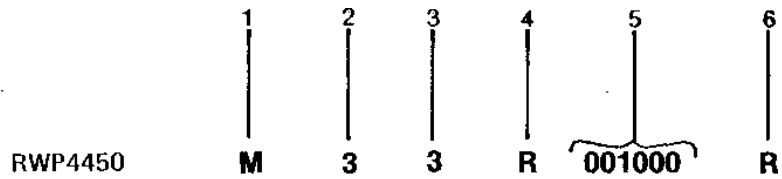
THE BASIC TRACTOR SERIAL NUMBER PLATE IS LOCATED AT THE REAR OF THE TRANSMISSION CASE.

# 1A4

5020 TRACTOR (SERIAL NO. 025,000-)

## ENGINE SERIAL NUMBER

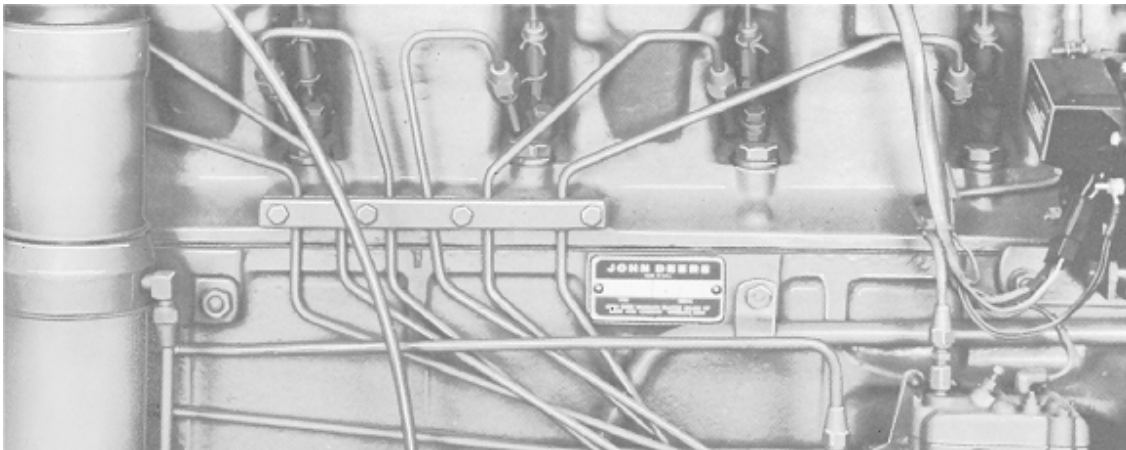
RWP4450 -UN-01JAN94



1. DESIGNATES TYPE OF UNIT
2. DESIGNATES SERIES
3. DESIGNATES FUEL TYPE
4. DESIGNATES USER FACTORY
5. DESIGNATES ENGINE SERIAL NUMBER
6. DESIGNATES ENGINE MANUFACTURER

- M - ENGINE  
3 - SERIES 3  
3 - DIESEL  
R - JOHN DEERE TRACTOR WORKS  
R - JOHN DEERE TRACTOR WORKS

RWP5745 -UN-01JAN94



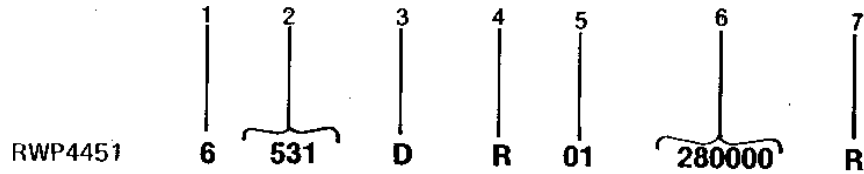
THE ENGINE SERIAL NUMBER PLATE IS LOCATED ON THE RIGHT-HAND SIDE OF THE ENGINE.

# 1A5

5020 TRACTOR (SERIAL NO. 025,000-)

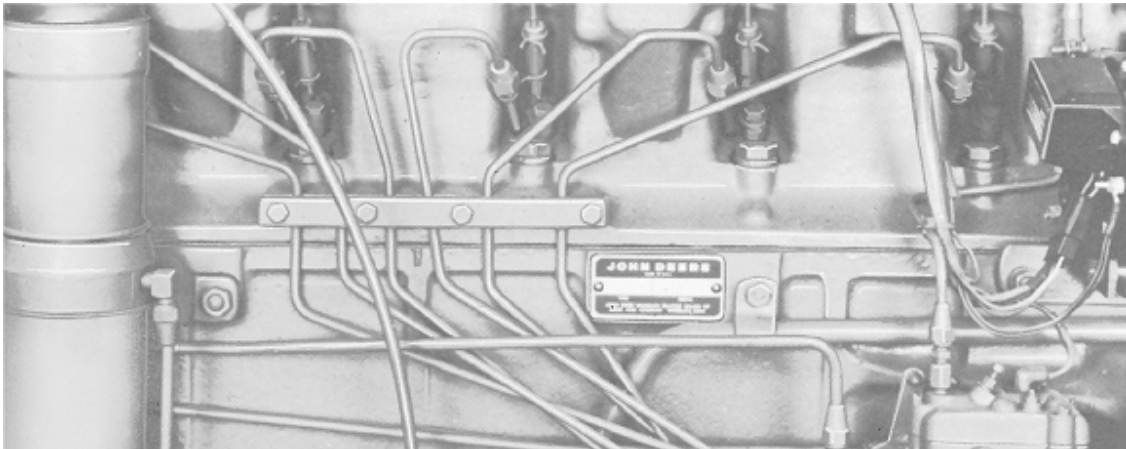
## ENGINE SERIAL NUMBER

RWP4451 -UN-01JAN94



- |   |                              |
|---|------------------------------|
| 1. DESIGNATES NUMBER OF CYLINDERS       | 6                            |
| 2. DESIGNATES CUBIC INCH DISPLACEMENT   | 531                          |
| 3. DESIGNATES TYPE OF AIR INTAKE SYSTEM | D - NATURALLY ASPIRATED      |
| 4. DESIGNATES USER FACTORY              | R - JOHN DEERE TRACTOR WORKS |
| 5. DESIGNATES VERSION                   | 01- FIRST                    |
| 6. DESIGNATES ENGINE SERIAL NUMBER      | 280000                       |
| 7. DESIGNATES MANUFACTURER              | R - JOHN DEERE TRACTOR WORKS |

RWP5745 -UN-01JAN94



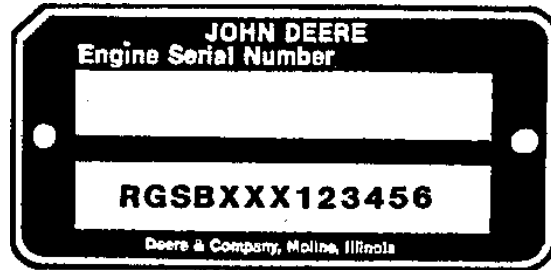
THE ENGINE SERIAL NUMBER PLATE IS LOCATED ON THE RIGHT-HAND SIDE OF THE ENGINE.

# 1A6

5020 TRACTOR (SERIAL NO. 025,000-)

## SHORT BLOCK SERIAL NUMBER PLATE

RGP2856 -UN-01JAN94



RGP2856

A SHORT BLOCK SERIAL NUMBER PLATE PLUS 2-37H44 DRIVE SCREWS ARE USED TO ATTACH TO REPLACEMENT SHORT BLOCK ASSEMBLIES. THIS NUMBER WILL BE REFERRED TO WHEN NEW PARTS AFFECT THE SHORT BLOCK ASSEMBLY. THE PREVIOUS ENGINE SERIAL NUMBER SHOULD BE STAMPED INTO THE BLANK SPACE PROVIDED, AS A REFERENCE FOR YOUR DEALER.

- |                                       |                            |
|---------------------------------------|----------------------------|
| 1. DESIGNATES ENGINE MANUFACTURER     | RG - WATERLOO ENGINE WORKS |
| 2. DESIGNATES REPLACEMENT SHORT BLOCK | SB                         |
| 3. DESIGNATES CUBIC INCH              | XXX                        |
| 4. DESIGNATES THE PRODUCTION DATE     | 1234                       |
| 5. DESIGNATES COMPONENT SEQUENCE      | 56                         |

# 1A7

5020 TRACTOR (SERIAL NO. 025,000-)

## SERIAL NUMBER LISTING INFORMATION

SERIAL NUMBER INFORMATION IS LISTED TO SHOW ON WHICH MACHINES EACH PART CAN BE USED; FOR EXAMPLE:

- THE PART CAN BE USED ON ALL MACHINES.
- 000000- THE PART CAN BE USED ON ALL MACHINES BEGINNING WITH THE SERIAL NUMBER LISTED.
- 000000 THE PART CAN BE USED ON ALL MACHINES UP TO AND INCLUDING THE SERIAL NUMBER LISTED.
- 000000-000000 THE PART CAN BE USED ON ALL MACHINES BETWEEN AND INCLUDING THE SERIAL NUMBERS LISTED.
  
- 15BV1- WHEN A MODEL NUMBER BEGINS WITH 15BV, 14HA, 15PP, 25SC, 2RC, 4RC, 15RS, 3CY, 2SP, OR 31SV, IT REFERS TO THE MODEL NUMBER OF THE BRAKE VALVE, HYDRAULIC ACCUMULATOR, HYDRAULIC PUMP, REMOTE CYLINDER SELECTIVE CONTROL VALVE FOR NO ROCKSHAFT, REMOTE CYLINDER SELECTIVE CONTROL VALVES, REMOTE CYLINDERS, REMOTE CYLINDERS WITH MECHANICAL STOPS, ROCKSHAFT CONTROL VALVE, STEERING CYLINDER, STEERING METERING PUMP, OR STEERING VALVE.

WHEN XXXXXX'S ARE LISTED IN PLACE OF A SERIAL NUMBER, A SERIAL NUMBER CHANGE WAS MADE BUT THE EXACT SERIAL NUMBER WAS NOT AVAILABLE WHEN THE CATALOG WAS PRODUCED.

## MODEL NUMBERS

THE FOLLOWING COMPONENTS HAVE MODEL NUMBERS:

BRAKE VALVE .....	15BV1
HYDRAULIC ACCUMULATOR .....	14HA2
HYDRAULIC PUMP (100 CM3 (6 IN3)) .....	1
REMOTE CYLINDER SELECTIVE CONTROL VALVE FOR NO ROCKSHAFT - TRIPLE OR QUAD .....	39SC1
REMOTE CYLINDER SELECTIVE CONTROL VALVE FOR ROCKSHAFT - TRIPLE OR QUAD .....	41SC1
REMOTE CYLINDER (89 X 203 MM (3-1/2" X 8")) .....	2RC4
REMOTE CYLINDER WITH MECHANICAL STOP (89 X 203 MM (3-1/2" X 8")) .....	4RC3
ROCKSHAFT CONTROL VALVE .....	1
STEERING CYLINDER .....	3CY1
STEERING METERING PUMP .....	2SP1
STEERING VALVE .....	31SV1

EACH OF THE ABOVE COMPONENTS HAS A MODEL NUMBER. WHEN THE DESIGN OF ONE OF THESE COMPONENTS IS CHANGED, THE MODEL NUMBER FOR THE NEWLY DESIGNED COMPONENT IS CHANGED.

# 1A8

5020 TRACTOR (SERIAL NO. 025,000-)

## DIRECTION ARROW

ARROWS ARE USED WITH ILLUSTRATIONS TO INDICATE THE FRONT OF THE UNIT. "RIGHT-HAND" AND "LEFT-HAND" SIDES ARE DETERMINED BY FACING IN THE DIRECTION OF MACHINE FORWARD TRAVEL.

## BOX-ENCLOSED ILLUSTRATIONS

A KEY NUMBER, SHOWN IN THE PARTS LIST, IS ASSIGNED TO A BOX ENCLOSING ALL PARTS SOLD AS A SERVICE ASSEMBLY.

## BOLT AND CAP SCREW STRENGTH IDENTIFICATION

U.S. CUSTOMARY DIMENSIONED PRODUCT: BOLTS AND CAP SCREWS REQUIRED TO HAVE HIGH-STRENGTH QUALITIES EQUIVALENT TO SAE GRADE 8 ARE IDENTIFIED THROUGHOUT THIS CATALOG BY THE DESCRIPTION HS SAE 8. ALL STANDARD BOLTS AND CAP SCREWS ARE SAE GRADE 5 OR LOWER.

METRIC DIMENSIONED PRODUCT: BOLTS AND CAP SCREWS REQUIRED TO HAVE HIGH-STRENGTH QUALITIES EQUIVALENT TO PROPERTY CLASS 10.9 ARE IDENTIFIED THROUGHOUT THIS CATALOG BY THE DESCRIPTION HS 10.9. ALL STANDARD BOLTS AND CAP SCREWS ARE PROPERTY CLASS 8.8 OR LOWER.

## JDM REMANUFACTURED COMPONENTS

THE SERVICE PARTS LISTED IN THIS CATALOG ARE INTENDED FOR THE REPAIR OF ORIGINAL EQUIPMENT COMPONENTS. ALTHOUGH MOST SERVICE PARTS MAY BE USED TO REPAIR REMANUFACTURED COMPONENTS, THE REMANUFACTURING PROCESS MAY CHANGE PARTS SUFFICIENTLY SO THAT SERVICE PARTS ARE INADEQUATE OR NOT USABLE.

## TRADEMARKS

THROUGHOUT THIS PARTS CATALOG, YOU WILL FIND THE FOLLOWING TRADEMARKS:

HYDRACUSHIONED™  
INTELLITRAK®  
PERSONAL-POSTURE™  
QUAD-RANGE™  
PERFORMANCE TRAK™ II

ROLL-GARD®  
SOUND-GARD®  
TORQ-GARD PLUS 50®  
HY-GARD®  
QUIK-TATCH®  
LOCTITE®

## CHANGE INDICATOR LINE (MICROFICHE CATALOGS ONLY)

CHANGES AFFECTING THE ORDERING OF PARTS ARE IDENTIFIED BY VERTICAL LINES MARKED IN THE LEFT-HAND MARGIN OF REVISED PARTS LISTING IMAGES. A LINE IS ALSO AT THE LEFT-HAND EDGE OF THE SAME PART NUMBER IN THE NUMERICAL INDEX TO SHOW THE LOCATION OF REVISED INFORMATION.

# 1A9

5020 TRACTOR (SERIAL NO. 025,000-)

---

## QUANTITY COLUMN OR REMARKS COLUMN

GENERALLY THE QUANTITY SHOWN IS FOR THE ENTIRE TRACTOR AT ANY GIVEN LOCATION. THERE ARE EXCEPTIONS AS IN WHEEL HARDWARE WHERE ONLY ENOUGH IS SHOWN FOR ONE WHEEL.

THE FOLLOWING ABBREVIATIONS ARE USED IN THE REMARKS COLUMN:

NLR - NO LONGER REQUIRED

NA - NOT APPLICABLE

NLA - NO LONGER AVAILABLE

**FI - FIELD INSTALLED**

**CA - COMPLETE GOODS ATTACHMENT**

CA AND FI ARE OPTIONS THAT MUST BE ORDERED DIRECT FROM THE PRODUCING FACTORY.



# 1A10

5020 TRACTOR (SERIAL NO. 025,000-)

## SECTION INDEX

GENERAL INFORMATION .....	10
ENGINE .....	20
FUEL AND AIR .....	30
ELECTRICAL .....	40
POWER TRAIN .....	50
STEERING AND BRAKES .....	60
HYDRAULICS .....	70
WHEELS, FRONT AXLES, SHEET METAL .....	80
OPERATOR'S STATION .....	90
NUMERICAL INDEX .....	95

# 1A11

5020 TRACTOR (SERIAL NO. 025,000-)

## ALPHABETICAL INDEX

GRID		PAGE	GRID		PAGE
<b>A</b>					
3D1	ABSORBER, SHOCK, SEAT SUPPORT.....	90-52	2J9	BATTERY CLAMPS .....	80-28
1E17	ACCESSORY WIRING (CRENLO) .....	40-9	1C1	BEARINGS, MAIN (6531).....	20-26
2D19	ACCUMULATOR.....	60-26	2I13	BELL CRANK, STEERING.....	80-5
2D20	ACCUMULATOR CHECK VALVE .....	60-27	2I16	BELL CRANK, STEERING.....	80-9
2G5	ADAPTER, IMPLEMENT QUICK COUPLER.....	70-56	1F6	BELT, FAN AND ALTERNATOR DRIVE.....	40-24
2G7	ADAPTER, IMPLEMENT QUICK COUPLER.....	70-58	1F13	BELT, FAN AND ALTERNATOR DRIVE.....	40-32
1D5	AIR CLEANER .....	30-4	3C23	BELT, SEAT .....	90-49
1D5	AIR CLEANER PRIMARY ELEMENT .....	30-4	3C16	BELT, SEAT (EARLY DESIGN).....	90-40
1D5	AIR CLEANER SAFETY ELEMENT .....	30-4	3C18	BELT, SEAT (LATE DESIGN) .....	90-42
1D5	AIR CLEANER SUPPORT .....	30-4	1C14	BELTS, FAN (6531D).....	20-39
1H17	AIR COMPRESSOR WIRING .....	40-88	2C11	BEVEL GEAR, DIFFERENTIAL .....	50-40
3C1	AIR CONDITIONING LINES (STOLPER) .....	90-23	2C9	BEVEL GEAR, DIFFERENTIAL (LESS DIFF. LOCK).....	50-38
3C12	AIR DEFLECTOR, CAB (HINSON) .....	90-35	2B17	BEVEL PINION SHAFT .....	50-19
1D7	AIR INTAKE PIPES .....	30-6	2C11	BEVEL PINION, DIFFERENTIAL .....	50-40
1D3	AIR PRE-CLEANER .....	30-2	2C9	BEVEL PINION, DIFFERENTIAL (LESS DIFF. LOCK).....	50-38
1D3	AIR PRE-SCREENER .....	30-2	1I5	BLADE, WINDSHIELD WIPER (STOLPER) .....	40-102
3C2	AIR SCOOP AND CANOPY (STOLPER) .....	90-25	1B12	BLOCK, CYLINDER (6531D) .....	20-12
1D8	AIR STACK CAP .....	30-7	1B14	BLOCK, ENGINE SHORT (6531D) .....	20-14
1F6	ALTERNATOR .....	40-24	2G10	BLOCK, SWAY CONTROL .....	70-62
1F7	ALTERNATOR .....	40-25	2B18	BLOCKERS, TRANSMISSION .....	50-20
1F8	ALTERNATOR .....	40-27	3B13	BLOWER HOUSING (STOLPER) .....	90-10
1F13	ALTERNATOR .....	40-32	3C9	BLOWER MOTOR, CAB (HINSON) .....	90-32
1F9	ALTERNATOR (AIR CONDITIONING) .....	40-28	1H12	BLOWER SWITCH (STOLPER).....	40-84
1F11	ALTERNATOR (AIR CONDITIONING) .....	40-30	2G23	BODY, BREAKAWAY COUPLER .....	70-76
1F15	ALTERNATOR (AIR CONDITIONING) .....	40-34	1B19	BOLT, ENGINE LIFT EYE .....	20-19
1F6	ALTERNATOR BELT .....	40-24	3E9	BOOT, BRAKE (HINSON) .....	90-86
1F13	ALTERNATOR BELT .....	40-32	2J9	BOX, BATTERY .....	80-28
1H15	ALTERNATOR INDICATOR LAMP .....	40-86	3D9	BOX, BATTERY (CRENLO) .....	90-60
1F13	ALTERNATOR MOUNTING BRACKET.....	40-32	3E17	BOX, TOOL.....	90-94
1F7	ALTERNATOR MOUNTING BRACKETS .....	40-25	3E15	BOX, TOOL (ROW-CROP) .....	90-92
1H8	ANALOG TACHOMETER.....	40-80	1F9	BRACKET, ALTERNATOR (AIR CONDITIONING).....	40-28
1H20	ANTENNA .....	40-92	1F13	BRACKET, ALTERNATOR MOUNTING .....	40-32
1H24	ANTENNA, RADIO .....	40-96	2D18	BRACKET, BRAKE PEDAL .....	60-25
1H18	ANTENNA, RADIO (BENDIX) .....	40-90	3E13	BRACKET, CAB MOUNTING (LATE DESIGN).....	90-90
1H22	ANTENNA, RADIO (MOTOROLA).....	40-94	1I8	BRACKET, ELECTRICAL REMOTE CONTROL.....	40-105
1E5	ARM, FOOT THROTTLE .....	30-32	3F7	BRACKET, FIRE EXTINGUISHER.....	90-109
2F8	ARM, LIFT.....	70-33	2I11	BRACKET, FRONT AXLE PIVOT .....	80-2
2F18	ARM, LOAD CONTROL .....	70-44	2I14	BRACKET, FRONT AXLE PIVOT .....	80-6
2H20	ARM, REMOTE CYLINDER TRANSPORT .....	70-101	1H18	BRACKET, RADIO (BENDIX) .....	40-90
2H22	ARM, REMOTE CYLINDER TRANSPORT .....	70-103	2H13	BRACKET, SELECTIVE CONTROL OIL LINES .....	70-92
3D9	ARM, REMOTE CYLINDER TRANSPORT .....	90-60	2H14	BRACKET, SELECTIVE CONTROL OIL LINES .....	70-93
2C1	ARM, SPEED CHANGE SHIFTER .....	50-28	3E19	BRACKET, STEERING VALVE .....	90-96
2C1	ARM, SPEED RANGE SHIFTER.....	50-28	3D13	BRACKET, STEP MOUNTING (CRENLO) .....	90-64
2I13	ARM, STEERING .....	80-5	1H10	BRACKET,RADAR SENSOR .....	40-82
2I16	ARM, STEERING .....	80-9	1F7	BRACKETS, ALTERNATOR MOUNTING .....	40-25
1G1	ARMATURE, STARTER (DELCO-REMY).....	40-46	3E11	BRACKETS, CAB MOUNTING .....	90-88
1F19	ARMATURE, STARTER (JOHN DEERE) .....	40-39	3B7	BRACKETS, COMPRESSOR MOUNTING .....	90-4
1B9	ARMS, ROCKER .....	20-8	2D19	BRAKE ACCUMULATOR .....	60-26
2I11	AXLE, FRONT .....	80-2	2D20	BRAKE ACCUMULATOR OIL LINE .....	60-27
2I14	AXLE, FRONT .....	80-6	3E9	BRAKE BOOT (HINSON).....	90-86
2I11	AXLE, PIVOT BRACKET, FRONT.....	80-2	2D11	BRAKE FACING .....	60-18
2I14	AXLE, PIVOT BRACKET, FRONT.....	80-6	2D12	BRAKE FACING.....	60-19
2C17	AXLE, REAR.....	50-46	2D17	BRAKE OIL LINES .....	60-24
			2D18	BRAKE PEDAL .....	60-25
			2D12	BRAKE PLATE .....	60-19
			2D11	BRAKE PLATES.....	60-18
			2D13	BRAKE VALVE .....	60-20
			2D15	BRAKE VALVE OVERHAUL KIT .....	60-22
			2C4	BRAKE, PTO .....	50-32
			2G23	BREAKAWAY COUPLER.....	70-76
			2H16	BREAKAWAY COUPLER.....	70-96
			2G25	BREAKAWAY COUPLER OVERHAUL KIT.....	70-78
			1G10	BREAKER, CIRCUIT .....	40-56
			1I10	BREAKER, CIRCUIT, REMOTE CONTROL .....	40-107
			1I13	BREAKER, ELECTRICAL OUTLET CIRCUIT .....	40-110
<b>B</b>					
3C23	BACK, SEAT.....	90-49			
2J12	BAFFLE, HOOD .....	80-31			
1C18	BAFFLE, RADIATOR .....	20-44			
3E20	BASE, CONTROL SUPPORT .....	90-97			
1F1	BATTERY .....	40-19			
2J9	BATTERY BOX.....	80-28			
3D9	BATTERY BOX (CRENLO) .....	90-60			
1E11	BATTERY CABLES .....	40-2			

# 1A12

5020 TRACTOR (SERIAL NO. 025,000-)

## ALPHABETICAL INDEX - CONTINUED

GRID		PAGE	GRID		PAGE
1F4	BREAKERS, CIRCUIT .....	40-22	2C17	CARRIER, PLANET PINION .....	50-46
2F22	BUSHING KIT, LOAD CONTROL SHAFT.....	70-48	2H21	CARRIER, REMOTE CYLINDER.....	70-102
<b>C</b>					
3C9	CAB BLOWER (HINSON) .....	90-32	2B15	CASE, TRANSMISSION.....	50-16
3C6	CAB CIRCUIT BREAKER (HINSON).....	90-29	2I20	CAST DISK WHEELS .....	80-12
3C12	CAB CIRCUIT BREAKER (HINSON).....	90-35	2G3	CENTER LINK .....	70-54
3B7	CAB COMPRESSOR .....	90-4	2F25	CHAIN, IMPLEMENT SAFETY .....	70-51
3C7	CAB COMPRESSOR LINES (HINSON) .....	90-30	2D20	CHECK VALVE, BRAKE ACCUMULATOR.....	60-27
3C5	CAB CONDENSER (HINSON).....	90-28	1H13	CIGAR LIGHTER .....	40-85A
3C11	CAB CONDENSER COVER (HINSON).....	90-34	1F4	CIRCUIT BREAKER .....	40-22
3C6	CAB CONDENSER FAN MOTOR (HINSON) .....	90-29	1G10	CIRCUIT BREAKER .....	40-56
3C12	CAB CONTROL PANEL (HINSON).....	90-35	3C6	CIRCUIT BREAKER, CAB (HINSON) .....	90-29
3E3	CAB DOOR (HINSON).....	90-80	1I13	CIRCUIT BREAKER, ELECTRICAL OUTLET.....	40-110
3D17	CAB DOOR (STOLPER) .....	90-68	1I15	CIRCUIT BREAKER, SUPPLEMENTARY WIRING .....	40-112
3C7	CAB EVAPORATOR (HINSON).....	90-30	3B19	CIRCUIT BREAKERS, CONDENSER (STOLPER).....	90-16
3E5	CAB GLASS (HINSON) .....	90-82	2J9	CLAMP, BATTERY.....	80-28
3D18	CAB GLASS (STOLPER).....	90-70	1D5	CLEANER, AIR.....	30-4
3B6	CAB HEATER (CRENLO) .....	90-3	2C8	CLUTCH CONTROL, PTO.....	50-37
3C15	CAB HEATER (HINSON) .....	90-39	2B9	CLUTCH DISK .....	50-8
1E18	CAB LAMP WIRING (STOLPER) .....	40-10	2B3	CLUTCH HOUSING .....	50-2
1E20	CAB LAMP WIRING (STOLPER) .....	40-13	2B5	CLUTCH HOUSING PARTS .....	50-4
1E21	CAB LAMPS (HINSON) .....	40-14	2B7	CLUTCH PEDAL.....	50-6
3D17	CAB LOWER PANEL, R.H. (STOLPER).....	90-68	2B9	CLUTCH PLATE .....	50-8
3C9	CAB MOTOR, BLOWER (HINSON) .....	90-32	2B14	CLUTCH RELEASE .....	50-15
3E13	CAB MOUNTING BRACKET (LATE DESIGN) .....	90-90	2B9	CLUTCH SHAFT.....	50-8
3E11	CAB MOUNTING BRACKETS (EARLY DESIGN).....	90-88	2C4	CLUTCH, PTO .....	50-32
3B5	CAB PRESSURIZER (CRENLO) .....	90-2	2B9	CLUTCH, TRANSMISSION .....	50-8
3B21	CAB PRESSURIZER (STOLPER) .....	90-18	1G1	COIL, STARTER (DELCO-REMY).....	40-46
3E3	CAB R.H. FRONT WINDOW PANEL (HINSON).....	90-80	1F21	COIL, STARTER (JOHN DEERE).....	40-41
1H24	CAB RADIO .....	40-96	1D11	COLD WEATHER STARTING AID .....	30-10
3C12	CAB REAR CONSOLE COVER (HINSON).....	90-35	2B18	COLLAR, SYNCHRONIZER DRIVE .....	50-20
3C5	CAB RECEIVER-DRYER (HINSON) .....	90-28	1G2	COMMUTATOR END FRAME, STARTER (DELCO-REMY) .....	40-47
3C21	CAB ROOF.....	90-46	1F20	COMMUTATOR END FRAME, STARTER (JOHN DEERE) .....	40-40
3D7	CAB ROOF (CRENLO).....	90-58	3B9	COMPRESSOR.....	90-6
3C11	CAB ROOF (HINSON).....	90-34	3B9	COMPRESSOR CLUTCH.....	90-6
3D16	CAB SIDE, L.H. (STOLPER) .....	90-67	3B9	COMPRESSOR COIL.....	90-6
3D15	CAB SIDE, R.H.(STOLPER).....	90-66	3C7	COMPRESSOR LINES, CAB (HINSON).....	90-30
3E11	CAB STEP (HINSON) (EARLY DESIGN) .....	90-88	3B9	COMPRESSOR PULLEY .....	90-6
3E13	CAB STEP (HINSON) (LATE DESIGN).....	90-90	3B17	COMPRESSOR VALVES .....	90-14
3E1	CAB STRUCTURE (HINSON) .....	90-78	3B7	COMPRESSOR, CAB.....	90-4
3E25	CAB TOOLBOX .....	90-102	3C8	COMPRESSOR, VALVE KIT .....	90-31
3C9	CAB TRAY, CONDENSATE (HINSON).....	90-32	3B21	CONDENSATION TRAY (STOLPER) .....	90-18
1I7	CAB WASHER, WINDSHIELD.....	40-104	3B18	CONDENSER (STOLPER).....	90-15
3D11	CAB WINDOW ADJUSTER (CRENLO).....	90-62	3B19	CONDENSER CIRCUIT BREAKERS (STOLPER) .....	90-16
3D18	CAB WINDSHIELD (STOLPER).....	90-70	3C11	CONDENSER COVER, CAB (HINSON) .....	90-34
1I7	CAB WINDSHIELD WASHER .....	40-104	3B19	CONDENSER FANS (STOLPER) .....	90-16
1I6	CAB WINDSHIELD WIPER .....	40-103	3B19	CONDENSER MOTORS (STOLPER) .....	90-16
1I5	CAB WINDSHIELD WIPER (STOLPER) .....	40-102	3C5	CONDENSER, CAB (HINSON) .....	90-28
1E21	CAB WIRING, LAMP (HINSON) .....	40-14	1C3	CONNECTING ROD (6531D).....	20-28
3D12	CAB, ADJUSTER, WINDOW (CRENLO).....	90-63	1C3	CONNECTING ROD BEARINGS (6531D).....	20-28
1G17	CAB, LAMP PARTS (CRENLO).....	40-64	2E22	CONNECTORS, HYDRAULIC PUMP .....	70-20
1E11	CABLE, BATTERY .....	40-2	1I17	CONNECTORS,ELECTRICAL .....	40-114
2C6	CABLE, PTO CLUTCH CONTROL .....	50-34	1I19	CONNECTORS,ELECTRICAL .....	40-116
2F14	CABLE, ROCKSHAFT CONTROL .....	70-40	1I21	CONNECTORS,ELECTRICAL .....	40-118
1H15	CABLE, SPEED-HOUR METER .....	40-86	3C13	CONSOLE COVER, CAB FRONT (HINSON) .....	90-36
1B10	CAMSHAFT (6531D) .....	20-9	3C12	CONSOLE COVER, CAB REAR (HINSON) .....	90-35
1B10	CAMSHAFT GEAR (6531D).....	20-9	3B22	CONSOLE HOUSING (STOLPER) .....	90-19
3C20	CANOPY (EARLY DESIGN).....	90-45	3B11	CONSOLE, CAB (STOLPER) .....	90-8
3C21	CANOPY (LATE DESIGN) .....	90-46	1I17	CONTAINER,ELECTRICAL PARTS.....	40-114
3C2	CANOPY (STOLPER).....	90-25	3B16	CONTROL LEVERS (STOLPER).....	90-13
1D8	CAP, AIR STACK.....	30-7	3C12	CONTROL PANEL, CAB (HINSON) .....	90-35
1D14	CAP, FUEL FILLER .....	30-14	3E20	CONTROL SUPPORT .....	90-97
1C16	CAP, RADIATOR .....	20-42	1F4	CONTROL SUPPORT COVER .....	40-22
2B14	CARRIER, CLUTCH RELEASE BEARING .....	50-15	2F11	CONTROL VALVE HOUSING COVER .....	70-36
			2E24	CONTROL VALVE, PRESSURE .....	70-22
			2F18	CONTROL, LOAD.....	70-44

# 1A13

5020 TRACTOR (SERIAL NO. 025,000-)

## ALPHABETICAL INDEX - CONTINUED

GRID		PAGE	GRID		PAGE
2I4	CONVERSION KIT, REMOTE CYLINDER .....	70-109	2H23	CYLINDER, REMOTE (MECHANICAL STOP) .....	70-104
1C11	COOLANT HEATER, ENGINE .....	20-36	2F12	CYLINDER, ROCKSHAFT .....	70-37
1C12	COOLANT HEATER, ENGINE (EARLY DESIGN) (8440) .....	20-37	2D9	CYLINDER, STEERING .....	60-16
1C9	COOLER, ENGINE OIL (6531D) .....	20-34	2D1	CYLINDER, STEERING VALVE .....	60-6
2F4	COOLER, HYDRAULIC OIL .....	70-28			
1B5	COOLING FLUID, ENGINE .....	20-3		<b>D</b>	
3B6	CORE, HEATER (CRENLO) .....	90-3	1B22	DAMPER, CRANKSHAFT .....	20-22
3C15	CORE, HEATER (HINSON) .....	90-39	1H13	DASH ASSEMBLY .....	40-85A
3B14	CORE, HEATER (STOLPER) .....	90-11	1H13	DASH LAMP .....	40-85A
3B24	CORE, HEATER (STOLPER) .....	90-21	3E19	DASH SUPPORT .....	90-96
2B20	COUNTERSHAFT, TRANSMISSION .....	50-22	1H13	DECAL, SHIFT .....	40-85A
2H18	COUPLER OVERHAUL KIT (ISO) .....	70-98	2J17	DECALS .....	80-38
2G23	COUPLER, BREAKAWAY .....	70-76	3C23	DELUXE SEAT .....	90-49
2H16	COUPLER, BREAKAWAY .....	70-96	3D3	DELUXE SEAT (CRENLO) .....	90-54
2H15	COUPLER, FLEXIBLE OIL LINE .....	70-95	3C24	DELUXE SEAT SUPPORT .....	90-50
2G5	COUPLER, IMPLEMENT QUICK .....	70-56	3D5	DELUXE SEAT SUPPORT (CRENLO) .....	90-56
2G7	COUPLER, IMPLEMENT QUICK .....	70-58	3D1	DELUXE SEAT SUSPENSION .....	90-52
2H16	COUPLER, ISO .....	70-96	3D6	DELUXE SEAT SUSPENSION (CRENLO) .....	90-57
2G18	COUPLER, MAIN FRAME .....	70-70	2I20	DEMOUNTABLE RIMS .....	80-12
2E5	COUPLER, MAIN PUMP DRIVE .....	70-2	2C9	DIFFERENTIAL .....	50-38
2I7	COUPLINGS, OIL LINE .....	70-112	2C11	DIFFERENTIAL .....	50-40
3C11	COVER, CONDENSER, CAB (HINSON) .....	90-34	2C13	DIFFERENTIAL BEVEL PINION KIT .....	50-42
1F4	COVER, CONTROL SUPPORT .....	40-22	2B17	DIFFERENTIAL DRIVE SHAFT .....	50-19
2G23	COVER, DUST, BREAKAWAY COUPLER .....	70-76	2C14	DIFFERENTIAL LOCK OIL PIPES .....	50-43
2H15	COVER, DUST, BREAKAWAY COUPLER .....	70-95	2C15	DIFFERENTIAL LOCK VALVE .....	50-44
3C13	COVER, FRONT CONSOLE, CAB (HINSON) .....	90-36	1H3	DIMMER SWITCH .....	40-75
3E7	COVER, HEATER HOSE (HINSON) .....	90-84	1B18	DIPSTICK, ENGINE OIL .....	20-18
1D10	COVER, MUFFLER .....	30-9	1B12	DIPSTICK, ENGINE OIL (6531D) .....	20-12
1B7	COVER, ROCKER ARM .....	20-6	2F6	DIPSTICK, TRANSMISSION .....	70-30
2F11	COVER, ROCKSHAFT CONTROL VALVE HOUSING .....	70-36	2D11	DISK, BRAKE .....	60-18
2J7	COVER, ROCKSHAFT HOUSING .....	80-25	2B9	DISK, ENGINE CLUTCH .....	50-8
2F6	COVER, ROCKSHAFT HOUSING BOTTOM .....	70-30	2E5	DISK, MAIN PUMP DRIVE .....	70-2
2F16	COVER, SEAT SUPPORT (LESS ROCKSHAFT) .....	70-42	2B18	DISK, TRANSMISSION SYNCHRONIZER .....	50-20
1F25	COVER, SOLENOID STARTER SWITCH (DELCO-REMY) .....	40-45	2I21	DISK, WHEEL, DUAL .....	80-13
1F18	COVER, STARTER SOLENOID SWITCH KIT (JOHN DEERE) .....	40-38	1H2	DOME LIGHT (HINSON) .....	40-74
2C24	COVER, STEERING VALVE .....	60-5	1H1	DOME LIGHT (STOLPER) .....	40-73
2C21	COVER, STEERING VALVE CYLINDER .....	60-1	3D18	DOOR GLASS (STOLPER) .....	90-70
1C5	COVER, TIMING GEAR (6531D) .....	20-30	3E3	DOOR, CAB (HINSON) .....	90-80
2B5	COVER, TIMING HOLE .....	50-4	3D17	DOOR, CAB (STOLPER) .....	90-68
2B16	COVER, TRANSMISSION .....	50-17	3E17	DOOR, TOOL BOX .....	90-94
2B11	COVER, TRANSMISSION OIL PUMP .....	50-11	3E15	DOOR, TOOL BOX (ROW-CROP) .....	90-92
2F16	COVER, TRANSMISSION REAR (LESS ROCK- SHAFT) .....	70-42	3D11	DOORS, CAB (CRENLO) .....	90-62
1B21	COVER, VENTILATOR PUMP OPENING .....	20-21	2J4	DOUBLE FRONT WEIGHT .....	80-22
3D23	COVERS, HYDRAULIC (LESS ROCKSHAFT) .....	90-75	2F20	DRAFT LINK SUPPORT .....	70-46
3D22	COVERS, ROCKSHAFT HYDRAULIC .....	90-74	2G3	DRAFT LINKS .....	70-54
3E21	COWL .....	90-98	2G9	DRAWBAR FRONT SUPPORT .....	70-61
3E7	COWL PANELS (HINSON) .....	90-84	2G12	DRAWBAR SUPPORT KIT (REGULAR DRAWBAR) .....	70-64
3D20	COWL PANELS (STOLPER) .....	90-72	2G16	DRAWBAR SUPPORT KIT (WIDE SWING DRAWBAR) .....	70-68
1B22	CRANKSHAFT .....	20-22	2G10	DRAWBAR, REGULAR .....	70-62
1B23	CRANKSHAFT (6531) .....	20-23	2G14	DRAWBAR, WIDE SWING .....	70-66
1B23	CRANKSHAFT GEAR (6531) .....	20-23	2C4	DRIVE SHAFT, TRANSMISSION OIL PUMP .....	50-32
1B24	CRANKSHAFT REAR OIL SEAL .....	20-24	2I22	DRIVE WHEEL HUB ASSEMBLY (92MM AXLE) .....	80-14
1B24	CRANKSHAFT REAR OIL SEAL HOUSING .....	20-24	1G3	DRIVE, STARTER (DELCO-REMY) .....	40-48
3C23	CUSHION, SEAT .....	90-49	1G8	DRIVE, STARTER (DELCO-REMY) .....	40-54
3D3	CUSHION, SEAT (CRENLO) .....	90-54	1B11	DRIVE, TACHOMETER (6531D) .....	20-10
3C23	CUSHION, SEAT BACK .....	90-49	2C4	DRUM, PTO CLUTCH .....	50-32
1B12	CYLINDER BLOCK (6531D) .....	20-12	1H7	DUAL HORN .....	40-79
1B6	CYLINDER HEAD .....	20-4	1H6	DUAL HORN ASSEMBLY .....	40-78
1B6	CYLINDER HEAD GASKET .....	20-4	2I21	DUAL WHEELS .....	80-13
1C21	CYLINDER HEAD GASKET KIT (6531D) .....	20-48	2G23	DUST COVER, BREAKAWAY COUPLER .....	70-76
2I6	CYLINDER HOSE IDENTIFICATION KIT, REMOTE .....	70-111	2H15	DUST COVER, BREAKAWAY COUPLER .....	70-95
2H20	CYLINDER, REMOTE .....	70-101			
2I1	CYLINDER, REMOTE (HYDRAULIC STOP) .....	70-106			

# 1A14

5020 TRACTOR (SERIAL NO. 025,000-)

## ALPHABETICAL INDEX - CONTINUED

GRID		PAGE	GRID		PAGE
	<b>E</b>				
2E21	ELECTRIC DESTROKE SOLENOID .....	70-18	1D9	EXHAUST MANIFOLDS (6531D).....	30-8
1H7	ELECTRIC HORN.....	40-79	1B9	EXHAUST VALVES .....	20-8
1E1	ELECTRIC SHUT-OFF KIT, FUEL INJECTION (6531) .....	30-28	1D10	EXTENSION, MUFFLER .....	30-9
1I25	ELECTRICAL CONNECTOR AND TERMINAL KIT .....	40-122	3E17	EXTENSION, PLATFORM, FRONT .....	90-94
1I17	ELECTRICAL CONNECTORS .....	40-114	3E15	EXTENSION, PLATFORM, FRONT (ROW-CROP).....	90-92
1I19	ELECTRICAL CONNECTORS .....	40-116	3F7	EXTINGUISHER, FIRE .....	90-109
1I21	ELECTRICAL CONNECTORS .....	40-118	1B19	EYE BOLT, ENGINE LIFT .....	20-19
1I17	ELECTRICAL CRIMPING TOOL .....	40-114		<b>F</b>	
1I13	ELECTRICAL OUTLET CIRCUIT BREAKER .....	40-110	2D11	FACING, BRAKE .....	60-18
1I13	ELECTRICAL OUTLET PLUG .....	40-110	2D12	FACING, BRAKE .....	60-19
1I13	ELECTRICAL OUTLET SOCKET .....	40-110	1C14	FAN (6531D).....	20-39
1I14	ELECTRICAL OUTLET SOCKET KIT .....	40-111	1F6	FAN BELT .....	40-24
1I17	ELECTRICAL PARTS CONTAINER .....	40-114	1F13	FAN BELT .....	40-32
1I8	ELECTRICAL REMOTE CONTROL .....	40-105	1C14	FAN BELTS (6531D) .....	20-39
1I8	ELECTRICAL REMOTE CONTROL BRACKETS .....	40-105	3C6	FAN MOTOR, CAB CONDENSER (HINSON).....	90-29
1I9	ELECTRICAL REMOTE CONTROL KIT .....	40-106	1C14	FAN PULLEY (6531D) .....	20-39
1I8	ELECTRICAL REMOTE CONTROL SWITCH.....	40-105	1C16	FAN SHROUD .....	20-42
1I10	ELECTRICAL REMOTE CONTROL WIRING .....	40-107	1F8	FAN, ALTERNATOR.....	40-27
1I11	ELECTRICAL REMOTE CONTROL WIRING KIT.....	40-108	3B19	FANS, CONDENSER (STOLPER).....	90-16
1I10	ELECTRICAL REMOTE CONTROL WIRING RELAY.....	40-107	3D16	FENDER, L.H.(STOLPER) .....	90-67
1I17	ELECTRICAL TERMINALS .....	40-114	3D15	FENDER, R.H. (STOLPER) .....	90-66
1I19	ELECTRICAL TERMINALS .....	40-116	2J14	FENDERS .....	80-34
1I21	ELECTRICAL TERMINALS .....	40-118	2J13	FENDERS (ROW-CROP) .....	80-33
1I25	ELECTRICAL TOOLS.....	40-122	3B10	FILTER ELEMENT (STOLPER) .....	90-7
1I17	ELECTRICAL WIRING .....	40-114	3B10	FILTER HOUSING (STOLPER) .....	90-7
1I19	ELECTRICAL WIRING .....	40-116	1C6	FILTER, ENGINE OIL.....	20-31
1I21	ELECTRICAL WIRING .....	40-118	1D19	FILTER, FUEL .....	30-20
1C11	ELEMENT, COOLANT HEATING .....	20-36	1D21	FILTER, FUEL (6531D) .....	30-22
3C13	ELEMENT, FILTER (HINSON).....	90-36	2C3	FILTER, TRANSMISSION HYDRAULIC OIL.....	50-31
3B10	ELEMENT, FILTER (STOLPER) .....	90-7	1E6	FILTERS .....	30-33
1D19	ELEMENT, FUEL FILTER .....	30-20	3B23	FILTERS (STOLPER).....	90-20
1D21	ELEMENT, FUEL FILTER (6531D) .....	30-22	3F7	FIRE EXTINGUISHER .....	90-109
1C13	ELEMENT, OIL HEATING .....	20-38	2I14	FIXED TREAD FRONT AXLE .....	80-6
2C3	ELEMENT, TRANSMISSION OIL FILTER.....	50-31	2H15	FLEXIBLE OIL LINE COUPLER .....	70-95
3F2	EMBLEM, SLOW MOVING VEHICLE .....	90-104	1E25	FLOOD LAMP KIT (REAR CENTER) .....	40-18
3F5	EMBLEM, SLOW MOVING VEHICLE .....	90-107	1E23	FLOOD LAMP KIT (UPPER FRONT) .....	40-16
3F6	EMBLEM, SLOW MOVING VEHICLE .....	90-108	1E17	FLOODLAMP, CAB (CRENLO) .....	40-9
3F3	EMBLEM, SLOW MOVING VEHICLE (LESS ROCKSHAFT).....	90-105	1E21	FLOODLAMPS, CAB (HINSON) .....	40-14
3F4	EMBLEM, SLOW MOVING VEHICLE (STOLPER).....	90-106	3E17	FLOOR MAT .....	90-94
2D1	EMBLEM, STEERING WHEEL .....	60-6	3D7	FLOOR MAT (CRENLO) .....	90-58
1G2	END FRAME, STARTER COMMUTATOR (DELCO-REMY) .....	40-47	3E9	FLOOR MAT (HINSON) .....	90-86
1F20	END FRAME, STARTER COMMUTATOR (JOHN DEERE) .....	40-40	3E15	FLOOR MAT (ROW-CROP).....	90-92
2I13	END, TIE ROD .....	80-5	3D21	FLOOR MAT (STOLPER).....	90-73
2I16	END, TIE ROD .....	80-9	2C15	FLOW CONTROL VALVE .....	50-44
1C11	ENGINE COOLANT HEATER .....	20-36	1B5	FLUID, ENGINE COOLING .....	20-3
1C12	ENGINE COOLANT HEATER (EARLY DESIGN) (8440) .....	20-37	1D11	FLUID, STARTING .....	30-10
1B5	ENGINE COOLING FLUID.....	20-3	1B22	FLYWHEEL .....	20-22
1B19	ENGINE LIFT EYE BOLT.....	20-19	1C18	FOAM PAD, RADIATOR .....	20-44
1B3	ENGINE OIL .....	20-1	1E5	FOOT SPEED CONTROL .....	30-32
1C9	ENGINE OIL COOLER (6531D) .....	20-34	1E5	FOOT THROTTLE LINKAGE .....	30-32
1B18	ENGINE OIL DIPSTICK .....	20-18	2J2	FRAME .....	80-20
1C6	ENGINE OIL FILTER .....	20-31	2J2	FRAME PLATE .....	80-20
1C13	ENGINE OIL HEATER .....	20-38	3E1	FRAME, CAB (HINSON) .....	90-78
1C7	ENGINE OIL PUMP .....	20-32	2J2	FRAME, SIDE .....	80-20
1C21	ENGINE REBUILD GASKET KIT (6531D) .....	20-48	1G12	FRONT AND REAR LAMPS .....	40-58
1B14	ENGINE SHORT BLOCK (6531D).....	20-14	1G14	FRONT AND REAR LAMPS (ROW-CROP) .....	40-60
1B12	ENGINE, OIL DIPSTICK (6531D) .....	20-12	2I11	FRONT AXLE HOUSING .....	80-2
3B20	EVAPORATOR (STOLPER).....	90-17	2I11	FRONT AXLE KNEE .....	80-2
3B22	EVAPORATOR SUPPORT (STOLPER) .....	90-19	2I4	FRONT AXLE, FIXED TREAD.....	80-6
3C7	EVAPORATOR, CAB (HINSON) .....	90-30	1E23	FRONT FLOOD LAMP KIT .....	40-16
			1G19	FRONT LAMPS (STOLPER) .....	40-66
			3D14	FRONT PANEL, CAB (STOLPER) .....	90-65
			2J11	FRONT PLATE .....	80-30
			2G9	FRONT SUPPORT, DRAWBAR.....	70-61

# 1A15

5020 TRACTOR (SERIAL NO. 025,000-)

## ALPHABETICAL INDEX - CONTINUED

GRID		PAGE
2J4	FRONT WEIGHTS .....	80-22
2J6	FRONT WEIGHTS (EIGHT OR TEN QUIK-TATCH) .....	80-24
2J5	FRONT WEIGHTS, QUIK-TATCH .....	80-23
2I19	FRONT WHEEL BEARING KIT .....	80-11A
2I17	FRONT WHEELS .....	80-10
1D19	FUEL FILTER .....	30-20
1D19	FUEL FILTER ELEMENT .....	30-20
1H15	FUEL GAUGE .....	40-86
1D14	FUEL GAUGE SENDER .....	30-14
1D22	FUEL INJECTION NOZZLES .....	30-24
1E3	FUEL INJECTION NOZZLES (6531D) .....	30-30
1D22	FUEL INJECTION PIPES .....	30-24
1D22	FUEL INJECTION PUMP .....	30-24
1E1	FUEL INJECTION PUMP ELECTRIC SHUT-OFF KIT (6531).....	30-28
1D24	FUEL INJECTION PUMP FITTINGS AND LINKAGE .....	30-26
1D14	FUEL TANK .....	30-14
1D16	FUEL TRANSFER PUMP .....	30-16
1D17	FUEL TRANSFER PUMP .....	30-17
1D18	FUEL TRANSFER PUMP OVERHAUL KIT .....	30-18
1D21	FUEL, FILTER (6531D) .....	30-22
1D21	FUEL, FILTER ELEMENT (6531D) .....	30-22
1E2	FUEL, INJECTION NOZZLES .....	30-29

### G

1C21	GASKET SET, CYLINDER HEAD REPLACEMENT (6531D).....	20-48
1C21	GASKET SET, ENGINE REBUILD (6531D) .....	20-48
1C20	GASKET SET, OIL PAN REPLACEMENT (6531D) .....	20-46
2B5	GASKET, CLUTCH HOUSING.....	50-4
1B6	GASKET, CYLINDER HEAD .....	20-4
1B16	GASKET, OIL PAN.....	20-16
1H15	GAUGE, FUEL .....	40-86
2G22	GAUGE, POWER WEIGHT TRANSFER HITCH.....	70-74
1H15	GAUGE, WATER TEMPERATURE .....	40-86
2B20	GEAR COUNTERSHAFT, TRANSMISSION .....	50-22
2C1	GEAR SHIFT RODS.....	50-28
2B24	GEAR SHIFTER CONTROL.....	50-27
2B23	GEAR SHIFTERS .....	50-25
2C11	GEAR, BEVEL, DIFFERENTIAL .....	50-40
2C9	GEAR, BEVEL, DIFFERENTIAL (LESS DIFF. LOCK).....	50-38
1B10	GEAR, CAMSHAFT (6531D) .....	20-9
1B22	GEAR, CRANKSHAFT .....	20-22
1B23	GEAR, CRANKSHAFT (6531) .....	20-23
2C4	GEAR, PTO CLUTCH DRIVE .....	50-32
1B22	GEAR, STARTER .....	20-22
2B17	GEARS, TRANSMISSION .....	50-19
3D11	GLASS (CRENLO) .....	90-62
3E5	GLASS, CAB (HINSON).....	90-82
3D18	GLASS, CAB (STOLPER) .....	90-70
2J11	GRILLE SCREENS.....	80-30
2C5	GUARD, PTO SHAFT .....	50-33

### H

1E4	HAND SPEED CONTROL .....	30-31
1E4	HAND THROTTLE LINKAGE.....	30-31
3E1	HANDLE, CAB MOUNTING (HINSON) .....	90-78
2G3	HANDLE, CENTER LINK ADJUSTING .....	70-54
3D11	HANDLE, DOOR (CRENLO) .....	90-62
2J12	HANDLE, HOOD.....	80-31
2J14	HANDLE, MOUNTING .....	80-34

GRID		PAGE
3E21	HANDLE, MOUNTING .....	90-98
3D14	HANDLE, MOUNTING (STOLPER) .....	90-65
1E11	HARNESS, WIRING .....	40-2
1F4	HARNESS, WIRING .....	40-22
1H17	HARNESS, WIRING .....	40-88
1H15	HARNESS,WIRING, SUPPLEMENTARY WIRING KIT.....	40-112
1E15	HEAD LIGHT (ROW-CROP) .....	40-6
1E18	HEAD LIGHT (STOLPER) .....	40-10
1E17	HEAD LIGHT, CAB (CRENLO) .....	40-9
1E21	HEAD LIGHT, CAB (HINSON).....	40-14
1E20	HEAD LIGHT, CAB (STOLPER) .....	40-13
1B6	HEAD, CYLINDER .....	20-4
1G12	HEADLIGHT .....	40-58
1G17	HEADLIGHT (CRENLO).....	40-64
1G21	HEADLIGHT (HINSON) .....	40-68
1G14	HEADLIGHT (ROW-CROP) .....	40-60
1E13	HEADLIGHT (STANDARD) .....	40-4
1G19	HEADLIGHT (STOLPER) .....	40-66
3C2	HEADLINER (STOLPER) .....	90-25
3C11	HEADLINER, CAB (HINSON) .....	90-34
3C20	HEADLINER, CANOPY .....	90-45
1I2	HEADPHONES, RADIO .....	40-99
3D9	HEAT SHIELD (CRENLO) .....	90-60
3B6	HEATER CORE (CRENLO) .....	90-3
3C15	HEATER CORE (HINSON) .....	90-39
3B14	HEATER CORE (STOLPER) .....	90-11
3B24	HEATER CORE (STOLPER) .....	90-21
3B15	HEATER HOSES (STOLPER) .....	90-12
3B24	HEATER HOSES (STOLPER) .....	90-21
3B25	HEATER HOSES (STOLPER) .....	90-22
3C15	HEATER, CAB (HINSON) .....	90-39
1C11	HEATER, ENGINE COOLANT.....	20-36
1C13	HEATER, OIL .....	20-38
1C12	HEATER,ENGINE COOLANT (EARLY DESIGN) (8440) .....	20-37
1H15	HIGH BEAM INDICATOR LAMP .....	40-86
2G3	HITCH, 3-POINT, CENTER LINK .....	70-54
2G3	HITCH, 3-POINT, DRAFT LINKS.....	70-54
2J12	HOOD .....	80-31
1H4	HORN .....	40-76
1H5	HORN .....	40-77
1H6	HORN ASSEMBLY, DUAL .....	40-78
1H7	HORN SWITCH .....	40-79
1H7	HORN, ELECTRIC .....	40-79
2I6	HOSE IDENTIFICATION KIT, REMOTE CYLINDER .....	70-111
3B15	HOSE, HEATER (STOLPER).....	90-12
3B24	HOSE, HEATER (STOLPER).....	90-21
3B25	HOSE, HEATER (STOLPER).....	90-22
1C16	HOSE, RADIATOR .....	20-42
2H20	HOSE, REMOTE CYLINDER.....	70-101
3B17	HOSES, COMPRESSOR .....	90-14
3C15	HOSES, HEATER (HINSON).....	90-39
1F8	HOUSING, ALTERNATOR .....	40-27
3B13	HOUSING, BLOWER (STOLPER) .....	90-10
2B3	HOUSING, CLUTCH.....	50-2
2B5	HOUSING, CLUTCH.....	50-4
3B22	HOUSING, CONSOLE (STOLPER) .....	90-19
1B24	HOUSING, CRANKSHAFT REAR OIL .....	20-24
2C11	HOUSING, DIFFERENTIAL .....	50-40
2C9	HOUSING, DIFFERENTIAL (LESS DIFF. LOCK).....	50-38
2C15	HOUSING, DIFFERENTIAL LOCK VALVE .....	50-44
3B10	HOUSING, FILTER (STOLPER) .....	90-7
2I11	HOUSING, FRONT AXLE .....	80-2
2F1	HOUSING, PRESSURE CONTROL VALVE .....	70-24
2C5	HOUSING, PTO BEARING .....	50-33
2C8	HOUSING, PTO CLUTCH VALVE SHAFT .....	50-37
2C17	HOUSING, REAR AXLE.....	50-46

# 1A16

5020 TRACTOR (SERIAL NO. 025,000-)

## ALPHABETICAL INDEX - CONTINUED

<i>GRID</i>		<i>PAGE</i>	<i>GRID</i>		<i>PAGE</i>
2F6	HOUSING, ROCKSHAFT .....	70-30	2C13	KIT, DIFFERENTIAL BEVEL PINION .....	50-42
2F9	HOUSING, ROCKSHAFT CONTROL VALVE .....	70-34	2G12	KIT, DRAWBAR SUPPORT (REGULAR DRAWBAR) .....	70-64
2H1	HOUSING, SELECTIVE CONTROL VALVE .....	70-80	2G16	KIT, DRAWBAR SUPPORT (WIDE SWING DRAWBAR) .....	70-68
2H3	HOUSING, SELECTIVE CONTROL VALVE (EARLY DESIGN) .....	70-82	11I4	KIT, ELECTRICAL OUTLET SOCKET .....	40-111
2H5	HOUSING, SELECTIVE CONTROL VALVE (LATE DESIGN) .....	70-84	1I9	KIT, ELECTRICAL REMOTE CONTROL .....	40-106
1F19	HOUSING, STARTER DRIVE (JOHN DEERE) .....	40-39	1D13	KIT, ETHER STARTING TUBE .....	30-13
1G3	HOUSING, STARTER DRIVE END (DELCO-REMY) .....	40-48	1E1	KIT, FUEL INJECTION PUMP ELECTRIC SHUT-OFF (6531) .....	30-28
1G8	HOUSING, STARTER DRIVE END (DELCO-REMY) .....	40-54	2E11	KIT, HYDRAULIC PUMP ELECTRIC DESTROKE .....	70-8
2C22	HOUSING, STEERING VALVE .....	60-2	2E21	KIT, HYDRAULIC PUMP ELECTRIC DESTROKE .....	70-18
2C23	HOUSING, STEERING VALVE .....	60-3	2E13	KIT, HYDRAULIC PUMP OVERHAUL (3 IN3) .....	70-10
1C19	HOUSING, THERMOSTAT (6531D) .....	20-45	2E19	KIT, HYDRAULIC PUMP OVERHAUL (3 IN3) .....	70-16
2B11	HOUSING, TRANSMISSION OIL PUMP .....	50-11	2F23	KIT, IMPLEMENT ADAPTER .....	70-49
1B20	HOUSING, VENTILATOR PUMP .....	20-20	2F24	KIT, IMPLEMENT ADAPTER .....	70-50
2I22	HUB, DRIVE WHEEL, ASSEMBLY (92MM AXLE) .....	80-14	1G24	KIT, IMPLEMENT WARNING LAMP .....	40-71
2I17	HUB, FRONT WHEEL .....	80-10	2F22	KIT, LOAD CONTROL SHAFT BUSHING .....	70-48
2I21	HUB, WHEEL, DUAL .....	80-13	1G25	KIT, NEUTRAL-START SWITCH .....	40-72
2E4	HYDRAULIC AND TRANSMISSION OIL .....	70-1	2I8	KIT, O-RING .....	70-113
3D23	HYDRAULIC COVERS (LESS ROCKSHAFT) .....	90-75	1I1	KIT, RADIO MOUNTING .....	40-98
3D22	HYDRAULIC COVERS, ROCKSHAFT .....	90-74	1E25	KIT, REAR CENTER FLOOD LAMP .....	40-18
2F4	HYDRAULIC OIL COOLER .....	70-28	1F3	KIT, RELAY .....	40-21
2I5	HYDRAULIC OIL LINES, IMPLEMENT .....	70-110	2I4	KIT, REMOTE CYLINDER CONVERSION .....	70-109
2F3	HYDRAULIC OIL RETURN PIPES .....	70-27	2I6	KIT, REMOTE CYLINDER HOSE IDENTIFICATION .....	70-111
2E7	HYDRAULIC PUMP (3 IN3) .....	70-4	2I3	KIT, REMOTE CYLINDER OVERHAUL .....	70-108
2E6	HYDRAULIC PUMP ASSEMBLY REPLACEMENT .....	70-3	2H8	KIT, SELECTIVE CONTROL VALVE CAP .....	70-87
2E22	HYDRAULIC PUMP CONNECTORS .....	70-20	2H9	KIT, SELECTIVE CONTROL VALVE OVERHAUL .....	70-88
2E5	HYDRAULIC PUMP DRIVE .....	70-2	2H7	KIT, SLEECTIVE CONTROL VALVE DETENT .....	70-86
2E11	HYDRAULIC PUMP ELECTRIC DESTROKE KIT .....	70-8	1F24	KIT, STARTER SOLENOID COVER (DELCO-REMY) .....	40-44
2E21	HYDRAULIC PUMP ELECTRIC-DESTROKE KIT .....	70-18	1F18	KIT, STARTER SOLENOID SWITCH COVER (JOHN DEERE) .....	40-38
2E13	HYDRAULIC PUMP OVERHAUL KIT (3 IN3) .....	70-10	1D12	KIT, STARTING FLUID TUBE .....	30-12
2E19	HYDRAULIC PUMP OVERHAUL KIT (3 IN3) .....	70-16	2D10	KIT, STEERING CYLINDER OVERHAUL .....	60-17
2E9	HYDRAULIC PUMP STROKE CONTROL VALVE .....	70-6	2D3	KIT, STEERING VALVE CYLINDER OVERHAUL .....	60-8
2E17	HYDRAULIC PUMP STROKE CONTROL VALVE .....	70-14	2E9	KIT, STROKE CONTROL VALVE SHUT-OFF .....	70-6
I					
2F23	IMPLEMENT ADAPTER KIT .....	70-49	2E17	KIT, STROKE CONTROL VALVE SHUT-OFF .....	70-14
2F24	IMPLEMENT ADAPTER KIT .....	70-50	1I5	KIT, SUPPLEMENTARY WIRING .....	40-112
2I5	IMPLEMENT HYDRAULIC OIL LINES .....	70-110	1E23	KIT, UPPER FRONT FLOOD LAMP .....	40-16
2G5	IMPLEMENT QUICK COUPLER .....	70-56	1I25	KIT, ELECTRICAL CONNECTOR AND TERMINAL .....	40-122
2G7	IMPLEMENT QUICK COUPLER .....	70-58	2I19	KIT, FRONT WHEEL BEARING .....	80-11A
2F25	IMPLEMENT SAFETY CHAIN .....	70-51	2I11	KNEE, FRONT AXLE .....	80-2
1G24	IMPLEMENT WARNING LAMP KIT .....	40-71	1E4	KNOB, HAND THROTTLE LINKAGE .....	30-31
1H15	INDICATOR LAMPS .....	40-86	2I11	KNUCKLE, FRONT AXLE .....	80-2
1E2	INJECTION NOZZLES .....	30-29	2I14	KNUCKLE, FRONT AXLE .....	80-6
1E3	INJECTION NOZZLES (6531D) .....	30-30	L		
2I25	INNER REAR WHEEL WEIGHT (32" AND 34 " WHEEL) .....	80-17	2J17	LABEL KIT .....	80-38
2J1	INNER REAR WHEEL WEIGHT (32" CAST WHEEL) .....	80-18	3B16	LABEL, CONTROL LEVERS (STOLPER) .....	90-13
1H15	INSTRUMENT PANEL AND INSTRUMENTS .....	40-86	2F14	LABEL, ROCKSHAFT CONTROL LEVER .....	70-40
1D9	INTAKE MANIFOLD (6531D) .....	30-8	1H15	LAMP INDICATOR, HIGH BEAM .....	40-86
1B9	INTAKE VALVES .....	20-8	1E17	LAMP WIRING (CRENLO) .....	40-9
3D9	INTERIOR PANELS (CRENLO) .....	90-60	1E18	LAMP WIRING (STOLPER) .....	40-10
2H16	ISO COUPLER .....	70-96	1E20	LAMP WIRING, CAB (STOLPER) .....	40-13
2H18	ISO COUPLER OVERHAUL KIT .....	70-98	1F4	LAMP, AIR CLEANER INDICATOR .....	40-22
2H16	ISO COUPLER RECEPTACLE .....	70-96	1H13	LAMP, DASH .....	40-85A
2H16	ISO TO JOHN DEERE COUPLER CONVERSION .....	70-96	1G23	LAMP, FLASHING WARNING .....	40-70
K					
2D15	KIT, BRAKE VALVE OVERHAUL .....	60-22	1G17	LAMP, FRONT, CAB (CRENLO) .....	40-64
2G25	KIT, BREAKAWAY COUPLER OVERHAUL .....	70-78	1H15	LAMP, INDICATOR, ALTERNATOR .....	40-86
3B9	KIT, COMPRESSOR SHAFT SEAL .....	90-6	1H15	LAMP, INDICATOR, ENGINE OIL PRESSURE .....	40-86
2J17	KIT, DECAL .....	80-38	1G12	LAMP, REAR AND WARNING .....	40-58
L					
			1G14	LAMP, REAR AND WARNING (ROW-CROP) .....	40-60
			1G17	LAMP, REAR, CAB (CRENLO) .....	40-64
			1G16	LAMP, WARNING .....	40-63
			1G21	LAMP, WARNING (HINSON) .....	40-68
			1E15	LAMP, WARNING (ROW-CROP) .....	40-6

# 1A17

5020 TRACTOR (SERIAL NO. 025,000-)

## ALPHABETICAL INDEX - CONTINUED

GRID	PAGE	GRID	PAGE
1E13	LAMP, WARNING (STANDARD) .....		
1E18	LAMP, WARNING (STOLPER) .....		
1G17	LAMP, WARNING, CAB (CRENLO) .....		
1E20	LAMP, WARNING, CAB (STOLPER).....		
3C20	LAMP, WARNING, CANOPY .....		
1G21	LAMPS, CAB (HINSON).....		
1G19	LAMPS, CAB (STOLPER) .....		
1G12	LAMPS, FRONT .....		
1G14	LAMPS, FRONT (ROW-CROP) .....		
1E15	LAMPS, TRACTOR (ROW-CROP) .....		
1E13	LAMPS, TRACTOR (STANDARD).....		
3D5	LATCH, SEAT (CRENLO) .....		
3B16	LEVER, HEATER CONTROL (STOLPER) .....		
2F14	LEVER, LOAD SELECTOR CONTROL .....		
2C6	LEVER, PTO CLUTCH CONTROL .....		
2F14	LEVER, ROCKSHAFT CONTROL .....		
3B16	LEVER, ROOF VENT CONTROL (STOLPER) .....		
3D5	LEVER, SEAT (CRENLO) .....		
2C24	LEVER, STEERING VALVE OPERATING .....		
3B16	LEVERS, CAB CONTROL (STOLPER).....		
2H12	LEVERS, SELECTIVE CONTROL .....		
2F8	LIFT ARMS .....		
2G1	LIFT LINK .....		
1H2	LIGHT, DOME (HINSON).....		
1H1	LIGHT, DOME (STOLPER) .....		
1H13	LIGHTER, CIGAR .....		
1E17	LIGHTS, CAB (CRENLO).....		
1G17	LIGHTS, CAB (CRENLO).....		
1E21	LIGHTS, CAB (HINSON).....		
1E18	LIGHTS, CAB (STOLPER).....		
1E20	LIGHTS, CAB (STOLPER).....		
1G12	LIGHTS, FRONT.....		
1G14	LIGHTS, FRONT (ROW-CROP).....		
1G12	LIGHTS, REAR .....		
1G14	LIGHTS, REAR (ROW-CROP).....		
1E15	LIGHTS, TRACTOR (ROW-CROP) .....		
1E13	LIGHTS, TRACTOR (STANDARD) .....		
2C14	LINE, OIL, DIFFERENTIAL LOCK.....		
3B18	LINE, RECEIVER-DRYER (STOLPER) .....		
3C1	LINES, AIR CONDITIONING (STOLPER) .....		
2D17	LINES, BRAKE OIL .....		
3B17	LINES, COMPRESSOR .....		
2F4	LINES, HYDRAULIC OIL COOLER .....		
2F3	LINES, HYDRAULIC PUMP OIL .....		
2I5	LINES, OIL, IMPLEMENT HYDRAULIC .....		
2H13	LINES, OIL, SELECTIVE CONTROL .....		
2H14	LINES, OIL, SELECTIVE CONTROL .....		
2G22	LINES, POWER WEIGHT TRANSFER OIL .....		
2F1	LINES, PRESSURE CONTROL VALVE OIL.....		
2F13	LINES, ROCKSHAFT OIL .....		
2D8	LINES, STEERING OIL (FRONT) .....		
2D6	LINES, STEERING OIL (REAR) .....		
2G3	LINK, CENTER .....		
2G3	LINK, DRAFT .....		
2G1	LINK, LIFT .....		
2G20	LINK, POWER WEIGHT TRANSFER HITCH .....		
1E5	LINKAGE, FOOT THROTTLE .....		
1D24	LINKAGE, FUEL INJECTION PUMP FITTINGS .....		
2C1	LINKAGE, GEAR SHIFT ROD .....		
1E4	LINKAGE, HAND THROTTLE .....		
2F18	LOAD CONTROL .....		
2F20	LOAD CONTROL SHAFT.....		
2F22	LOAD CONTROL SHAFT BUSHING KIT .....		
2F14	LOAD SELECTOR CONTROL.....		
2H11	LOCK, SCV LEVER .....		
3F8	LOCTITE SEALANT .....		
3B23	LOUVERS (STOLPER).....		
		M	
1C1	MAIN BEARINGS (6531) .....		
1F21	MAIN FRAME, STARTER (JOHN DEERE).....		
3B17	MANIFOLD, COMPRESSOR .....		
1D9	MANIFOLD, EXHAUST (6531D) .....		
1D9	MANIFOLD, INTAKE (6531D) .....		
3E17	MAT, FLOOR .....		
3D7	MAT, FLOOR (CRENLO) .....		
3E9	MAT, FLOOR (HINSON) .....		
3E15	MAT, FLOOR (ROW-CROP) .....		
3D21	MAT, FLOOR (STOLPER) .....		
3E23	MIRROR, OUTSIDE REAR VIEW .....		
3E22	MIRROR, REAR VIEW.....		
3B13	MOTOR, BLOWER (STOLPER).....		
3C6	MOTOR, CAB CONDENSER FAN (HINSON).....		
1F17	MOTOR, STARTING.....		
1I3	MOTOR, WINDSHIELD WIPER (CRENLO) .....		
1I4	MOTOR, WINDSHIELD WIPER (STOLPER) .....		
3B19	MOTORS, CONDENSER (STOLPER).....		
1F13	MOUNTING BRACKET, ALTERNATOR .....		
1F7	MOUNTING BRACKETS, ALTERNATOR .....		
3B7	MOUNTING BRACKETS, COMPRESSOR .....		
3E21	MOUNTING HANDLE .....		
3D14	MOUNTING HANDLE (STOLPER) .....		
1I1	MOUNTING KIT, RADIO .....		
3D21	MOUNTS, PLATFORM (STOLPER) .....		
1D10	MUFFLER .....		
		N	
1G25	NEUTRAL START SWITCH.....		
2B5	NEUTRAL START SWITCH.....		
1G25	NEUTRAL-START SWITCH KIT .....		
1H22	NOISE SUPPRESSOR (MOTOROLA) .....		
1H20	NOISE SUPPRESSOR, RADIO .....		
1D22	NOZZLES, FUEL INJECTION .....		
1E2	NOZZLES, INJECTION.....		
1E3	NOZZLES, INJECTION (6531D) .....		
		O	
2I8	O-RING PACKING KIT.....		
1C9	OIL COOLER, ENGINE (6531D) .....		
2F4	OIL COOLER, HYDRAULIC.....		
1B18	OIL DIPSTICK, ENGINE .....		
1B12	OIL DIPSTICK, ENGINE (6531D) .....		
2C3	OIL FILTER RELIEF VALVE .....		
2C3	OIL FILTER, ELEMENT, TRANSMISSION .....		
1C6	OIL FILTER, ENGINE.....		
2C3	OIL FILTER, TRANSMISSION.....		
1C13	OIL HEATER.....		
2D20	OIL LINE, BRAKE ACCUMULATOR .....		
2I7	OIL LINE, BULK .....		
2F3	OIL LINE, HYDRAULIC, RETURN.....		
2D17	OIL LINES, BRAKE .....		
2C14	OIL LINES, DIFFERENTIAL LOCK .....		
2F4	OIL LINES, HYDRAULIC OIL COOLER .....		
2I5	OIL LINES, HYDRAULIC, IMPLEMENT .....		
2G22	OIL LINES, POWER WEIGHT TRANSFER .....		
2F1	OIL LINES, PRESSURE CONTROL VALVE.....		
2F13	OIL LINES, ROCKSHAFT .....		
2D8	OIL LINES, STEERING (FRONT) .....		
2D6	OIL LINES, STEERING (REAR) .....		
1B16	OIL PAN .....		



# 1A18

5020 TRACTOR (SERIAL NO. 025,000-)

## ALPHABETICAL INDEX - CONTINUED

GRID		PAGE	GRID		PAGE
1B16	OIL PAN GASKET .....	20-16	2D5	PIPES, OIL, STEERING .....	60-11
2H13	OIL PIPES, SELECTIVE CONTROL .....	70-92	1C3	PISTON ENGINE (6531D) .....	20-28
2H14	OIL PIPES, SELECTIVE CONTROL .....	70-93	1C3	PISTON RINGS (6531D) .....	20-28
2D5	OIL PIPES, STEERING .....	60-11	2D19	PISTON, ACCUMULATOR .....	60-26
1H15	OIL PRESSURE INDICATOR LAMP .....	40-86	2F8	PISTON, ROCKSHAFT .....	70-33
1H15	OIL PRESSURE SWITCH .....	40-86	2D1	PISTON, STEERING VALVE .....	60-6
1C7	OIL PUMP, ENGINE .....	20-32	2I11	PIVOT BRACKET, FRONT AXLE .....	80-2
2B11	OIL PUMP, TRANSMISSION .....	50-11	2I14	PIVOT BRACKET, FRONT AXLE .....	80-6
2B12	OIL TUBES, TRANSMISSION .....	50-12	2C17	PLANET PINION CARRIER .....	50-46
1B3	OIL, ENGINE .....	20-1	2D12	PLATE, BRAKE .....	60-19
2E4	OIL, TRANSMISSION AND HYDRAULIC .....	70-1	2D11	PLATE, BRAKE FACING .....	60-18
3E17	OPERATOR SHIELD .....	90-94	2D11	PLATE, BRAKE PRESSURE .....	60-18
2J8	OPERATOR SHIELD (STOLPER) .....	80-26	2J11	PLATE, FRONT .....	80-30
3E15	OPERATOR SHIELDS (ROW-CROP) .....	90-92	2J12	PLATE, HOOD NAME .....	80-31
2J12	ORNAMENT, HOOD .....	80-31	2B18	PLATE, SYNCHRONIZER .....	50-20
2E13	OVERHAUL HYDRAULIC PUMP KIT (3 IN3) .....	70-10	3E17	PLATFORM .....	90-94
2E19	OVERHAUL HYDRAULIC PUMP KIT (3 IN3) .....	70-16	3E15	PLATFORM (ROW-CROP) .....	90-92
2D15	OVERHAUL KIT, BRAKE VALVE .....	60-22	3E17	PLATFORM EXTENSION, FRONT .....	90-94
2G25	OVERHAUL KIT, BREAKAWAY COUPLER .....	70-78	3E15	PLATFORM EXTENSION, FRONT (ROW-CROP) .....	90-92
1D18	OVERHAUL KIT, FUEL TRANSFER PUMP .....	30-18	2G22	POWER WEIGHT HITCH OIL GAUGE .....	70-74
2H18	OVERHAUL KIT, ISO COUPLER .....	70-98	2G21	POWER WEIGHT TRANSFER CONTROL VALVE .....	70-73
2I3	OVERHAUL KIT, REMOTE CYLINDER .....	70-108	2G18	POWER WEIGHT TRANSFER COUPLER .....	70-70
2H9	OVERHAUL KIT, SELECTIVE CONTROL VALVE .....	70-88	2G20	POWER WEIGHT TRANSFER HITCH LINK .....	70-72
2D10	OVERHAUL KIT, STEERING CYLINDER .....	60-17	1D3	PRE-CLEANER .....	30-2
1C15	OVERHAUL KIT, WATER PUMP (6531D) .....	20-40	1D3	PRE-SCREENER .....	30-2
<b>P</b>					
1B16	PAN, OIL .....	20-16	2E24	PRESSURE CONTROL VALVE .....	70-22
3D14	PANEL, CAB FRONT (STOLPER) .....	90-65	3B5	PRESSURIZER, CAB (CRENLO) .....	90-2
3D14	PANEL, CAB REAR (STOLPER) .....	90-65	3B21	PRESSURIZER, CAB (STOLPER) .....	90-18
3B11	PANEL, CONSOLE (STOLPER) .....	90-8	2C4	PTO BRAKE .....	50-32
3B21	PANEL, CONSOLE BLOWER (STOLPER) .....	90-18	2C4	PTO CLUTCH .....	50-32
3C12	PANEL, CONTROL, CAB (HINSON) .....	90-35	2C6	PTO CLUTCH CONTROL LEVER .....	50-34
3E7	PANEL, COWL (HINSON) .....	90-84	2C8	PTO CLUTCH VALVE .....	50-37
3E7	PANEL, FILLER (HINSON) .....	90-84	2C4	PTO DRIVE GEARS AND SHAFTS .....	50-32
3C13	PANEL, FRONT (HINSON) .....	90-36	2C5	PTO DRIVE SHAFT .....	50-33
3C13	PANEL, FRONT CONSOLE, CAB (HINSON) .....	90-36	2C5	PTO MASTER SHIELD .....	50-33
1H15	PANEL, INSTRUMENT .....	40-86	2C5	PTO SHAFT GUARD .....	50-33
2J11	PANEL, SIDE .....	80-30	1F8	PULLEY, ALTERNATOR .....	40-27
3D20	PANELS, COWL (STOLPER) .....	90-72	1F11	PULLEY, ALTERNATOR (AIR CONDITIONING) .....	40-30
3D9	PANELS, INTERIOR (CRENLO) .....	90-60	3B9	PULLEY, COMPRESSOR .....	90-6
2B21	PARK PAWL, TRANSMISSION .....	50-23	1B22	PULLEY, CRANKSHAFT .....	20-22
2B21	PAWL, TRANSMISSION PARK .....	50-23	1C14	PULLEY, FAN (6531D) .....	20-39
2D18	PEDAL, BRAKE .....	60-25	2E5	PUMP DRIVE COUPLER, MAIN .....	70-2
2B7	PEDAL, CLUTCH .....	50-6	2E5	PUMP DRIVE DISK, MAIN .....	70-2
2C15	PEDAL, DIFFERENTIAL LOCK .....	50-44	1C7	PUMP, ENGINE OIL .....	20-32
1H8	PERFORMANCE TRAK II MINI-MONITOR .....	40-80	1D14	PUMP, FUEL .....	30-14
2G10	PIN, DRAWBAR .....	70-62	1D22	PUMP, FUEL INJECTION .....	30-24
2G14	PIN, DRAWBAR .....	70-66	1D16	PUMP, FUEL TRANSFER .....	30-16
2B17	PINION SHAFT .....	50-19	1D17	PUMP, FUEL TRANSFER .....	30-17
2C11	PINION, BEVEL, DIFFERENTIAL .....	50-40	2E7	PUMP, HYDRAULIC (3 IN3) .....	70-4
2C9	PINION, BEVEL, DIFFERENTIAL (LESS DIFF. LOCK) .....	50-38	2B11	PUMP, TRANSMISSION OIL .....	50-11
2B18	PINION, HIGH RANGE .....	50-20	1B20	PUMP, VENTILATOR .....	20-20
2B18	PINION, LOW RANGE .....	50-20	1C14	PUMP, WATER (6531D) .....	20-39
2C17	PINION, PLANET .....	50-46	<b>Q</b>		
3B18	PIPE, RECEIVER-DRYER (STOLPER) .....	90-15	2B24	QUADRANT, SPEED RANGE .....	50-27
1C19	PIPE, WATER BYPASS (6531D) .....	20-45	2G5	QUICK COUPLER, IMPLEMENT .....	70-56
1D7	PIPES, AIR INTAKE .....	30-6	2G7	QUICK COUPLER, IMPLEMENT .....	70-58
1D14	PIPES, FUEL .....	30-14	2J5	QUIK-TATCH FRONT WEIGHTS .....	80-23
1D22	PIPES, FUEL INJECTION .....	30-24	<b>R</b>		
2F3	PIPES, HYDRAULIC OIL RETURN .....	70-27	1H10	RADAR SENSOR .....	40-82
2C14	PIPES, OIL, DIFFERENTIAL LOCK .....	50-43	1H10	RADAR SENSOR BRACKET .....	40-82
2H13	PIPES, OIL, SELECTIVE CONTROL .....	70-92	1H10	RADAR SENSOR WIRING HARNESS .....	40-82
2H14	PIPES, OIL, SELECTIVE CONTROL .....	70-93			

# 1A19

5020 TRACTOR (SERIAL NO. 025,000-)

## ALPHABETICAL INDEX - CONTINUED

GRID	PAGE	GRID	PAGE
1C16	RADIATOR .....	20-42	
1C18	RADIATOR BAFFLES .....	20-44	
1C16	RADIATOR CAP .....	20-42	
1C18	RADIATOR FOAM PAD .....	20-44	
1H18	RADIO (BENDIX) .....	40-90	
1H20	RADIO (MOTOROLA) .....	40-92	
1H22	RADIO (MOTOROLA) .....	40-94	
1I2	RADIO HEADPHONES .....	40-99	
1I1	RADIO MOUNTING KIT .....	40-98	
1H20	RADIO NOISE SUPPRESSOR .....	40-92	
1H24	RADIO, CAB .....	40-96	
2B22	RANGE SHIFTERS .....	50-24	
1G12	REAR AND WARNING LAMP .....	40-58	
1G14	REAR AND WARNING LAMP (ROW-CROP) .....	40-60	
2C17	REAR AXLE HOUSING .....	50-46	
2C17	REAR AXLE SHAFT .....	50-46	
1E25	REAR CENTER FLOOD LAMP .....	40-18	
2I25	REAR INNER WHEEL WEIGHT (32" AND 34" WHEEL) .....	80-17	
1G19	REAR LAMPS (STOLPER) .....	40-66	
3D14	REAR PANEL, CAB (STOLPER) .....	90-65	
3E22	REAR VIEW MIRROR .....	90-99	
3E23	REAR VIEW MIRROR, OUTSIDE .....	90-100	
2I24	REAR WHEEL WEIGHT (32" AND 34" WHEEL) .....	80-16	
2I23	REAR WHEEL WEIGHT (38" CAST WHEELS) .....	80-15	
2I20	REAR WHEELS .....	80-12	
3E1	REAR WINDOW FRAME (HINSON) .....	90-78	
3B18	RECEIVER-DRYER (STOLPER) .....	90-15	
3C5	RECEIVER-DRYER, CAB (HINSON) .....	90-28	
1F13	REGULATOR .....	40-32	
1F9	REGULATOR (AIR CONDITIONING) .....	40-28	
1F7	REGULATOR, VOLTAGE .....	40-25	
1F15	REGULATOR, VOLTAGE (AIR CONDITIONING) .....	40-34	
1F3	RELAY KIT .....	40-21	
1F2	RELAY WIRING KIT, ACCESSORY .....	40-20	
1G10	RELAY, STARTING CIRCUIT .....	40-56	
1G11	RELAY, STARTING CIRCUIT .....	40-57	
1I15	RELAY, SUPPLEMENTARY WIRING .....	40-112	
3B19	RELAY, WIRING, CONDENSER (STOLPER) .....	90-16	
1I10	RELAY, WIRING, ELECTRICAL REMOTE CONTROL .....	40-107	
2C3	RELIEF VALVE, OIL FILTER .....	50-31	
1I10	REMOTE CONTROL CIRCUIT BREAKER .....	40-107	
1I9	REMOTE CONTROL KIT, ELECTRICAL .....	40-106	
1I11	REMOTE CONTROL WIRING KIT, ELECTRICAL .....	40-108	
1I10	REMOTE CONTROL WIRING, ELECTRICAL .....	40-107	
1I8	REMOTE CONTROL, ELECTRICAL .....	40-105	
2H20	REMOTE CYLINDER .....	70-101	
2I1	REMOTE CYLINDER (HYDRAULIC STOP) .....	70-106	
2H23	REMOTE CYLINDER (MECHANICAL STOP) .....	70-104	
2H21	REMOTE CYLINDER CARRIER .....	70-102	
2I4	REMOTE CYLINDER CONVERSION KIT .....	70-109	
2I6	REMOTE CYLINDER HOSE IDENTIFICATION KIT .....	70-111	
2I3	REMOTE CYLINDER OVERHAUL KIT .....	70-108	
2H22	REMOTE CYLINDER TRANSPORT ARM .....	70-103	
3D9	REMOTE CYLINDER TRANSPORT ARM .....	90-60	
2E15	REPLACEMENT HYDRAULIC PUMP (3 IN3) .....	70-12	
2E6	REPLACEMENT HYDRAULIC PUMP ASSEMBLY .....	70-3	
2E15	REPLACEMENT PUMP, HYDRAULIC (3 IN3) .....	70-12	
2I20	RIM, DEMOUNTABLE .....	80-12	
1C3	RINGS, PISTON (6531D) .....	20-28	
1B7	ROCKER ARM COVER .....	20-6	
1B9	ROCKER ARM SHAFT .....	20-8	
1B9	ROCKER ARMS .....	20-8	
2F8	ROCKSHAFT .....	70-33	
2F14	ROCKSHAFT CONTROL .....	70-40	
2F9	ROCKSHAFT CONTROL VALVE HOUSING .....	70-34	
2F11	ROCKSHAFT CONTROL VALVE HOUSING COVER .....	70-36	
2F8	ROCKSHAFT CYLINDER .....	70-33	
2F12	ROCKSHAFT CYLINDER .....	70-37	
2F6	ROCKSHAFT HOUSING .....	70-30	
2F6	ROCKSHAFT HOUSING BOTTOM COVER .....	70-30	
2J7	ROCKSHAFT HOUSING COVER .....	80-25	
3D22	ROCKSHAFT HYDRAULIC COVERS .....	90-74	
2F13	ROCKSHAFT OIL LINES .....	70-39	
2F8	ROCKSHAFT PISTON .....	70-33	
2F12	ROCKSHAFT THROTTLE VALVE .....	70-37	
1C3	ROD, CONNECTING (6531D) .....	20-28	
2H12	ROD, SELECTIVE CONTROL OPERATING .....	70-91	
2C1	RODS, GEAR SHIFT .....	50-28	
2I13	RODS, TIE .....	80-5	
2I16	RODS, TIE .....	80-9	
3C16	ROLL-GARD (EARLY DESIGN) .....	90-40	
3C18	ROLL-GARD (LATE DESIGN) .....	90-42	
3B10	ROOF VENT (STOLPER) .....	90-7	
3D7	ROOF, CAB (CRENLO) .....	90-58	
3C11	ROOF, CAB (HINSON) .....	90-34	
<b>S</b>			
2F25	SAFETY CHAIN, IMPLEMENT .....	70-51	
2J11	SCREEN, GRILLE .....	80-30	
2B12	SCREEN, TRANSMISSION PUMP INTAKE .....	50-12	
2H11	SCV LEVER LOCK .....	70-90	
1B24	SEAL, CRANKSHAFT REAR OIL .....	20-24	
3B11	SEAL, ROOF (STOLPER) .....	90-8	
3F8	SEALANT, LOCTITE .....	90-110	
3C23	SEAT BACK .....	90-49	
3C23	SEAT BACK CUSHION .....	90-49	
3C23	SEAT BELT .....	90-49	
3C16	SEAT BELT (EARLY DESIGN) .....	90-40	
3C18	SEAT BELT (LATE DESIGN) .....	90-42	
3C23	SEAT CUSHION .....	90-49	
3D5	SEAT LATCH (CRENLO) .....	90-56	
3D6	SEAT LATCH HANDLE (CRENLO) .....	90-57	
3C24	SEAT SUPPORT .....	90-50	
2F16	SEAT SUPPORT COVER (LESS ROCKSHAFT) .....	70-42	
3D5	SEAT SUPPORT, DELUXE (CRENLO) .....	90-56	
3D1	SEAT SUSPENSION, DELUXE .....	90-52	
3D6	SEAT SUSPENSION, DELUXE (CRENLO) .....	90-57	
3D3	SEAT, DELUXE (CRENLO) .....	90-54	
2H12	SELECTIVE CONTROL LEVERS .....	70-91	
2H13	SELECTIVE CONTROL OIL PIPES .....	70-92	
2H14	SELECTIVE CONTROL OIL PIPES .....	70-93	
2H1	SELECTIVE CONTROL VALVE .....	70-80	
2H3	SELECTIVE CONTROL VALVE (EARLY DESIGN) .....	70-82	
2H5	SELECTIVE CONTROL VALVE (LATE DESIGN) .....	70-84	
2H8	SELECTIVE CONTROL VALVE CAP KIT .....	70-87	
2H7	SELECTIVE CONTROL VALVE DETENT KIT .....	70-86	
2H9	SELECTIVE CONTROL VALVE OVERHAUL KIT .....	70-88	
1D14	SENDER, FUEL GAUGE .....	30-14	
1H10	SENSOR, RADAR .....	40-82	
2B9	SHAFT, CLUTCH .....	50-8	
2B14	SHAFT, CLUTCH RELEASE .....	50-15	
2C11	SHAFT, DIFFERENTIAL DRIVE .....	50-40	
2C9	SHAFT, DIFFERENTIAL DRIVE (LESS DIFF. LOCK) .....	50-38	
2B24	SHAFT, GEARSHIFT QUADRANT .....	50-27	
2F20	SHAFT, LOAD CONTROL .....	70-46	
2C17	SHAFT, PLANET PINION .....	50-46	
2C5	SHAFT, PTO .....	50-33	
2C4	SHAFT, PTO DRIVE SHIFTER CAM .....	50-32	
2C17	SHAFT, REAR AXLE .....	50-46	
1B9	SHAFT, ROCKER ARM .....	20-8	

# 1A20

5020 TRACTOR (SERIAL NO. 025,000-)

## ALPHABETICAL INDEX - CONTINUED

GRID	PAGE	GRID	PAGE		
2D1	SHAFT, STEERING .....	60-6	1D11	STARTING AID, COLD WEATHER .....	30-10
2C4	SHAFT, TRANSMISSION OIL PUMP DRIVE .....	50-32	1G10	STARTING CIRCUIT RELAY .....	40-56
2B22	SHAFTS, SHIFTER .....	50-24	1G11	STARTING CIRCUIT RELAY .....	40-57
2B23	SHAFTS, SHIFTER .....	50-25	1D11	STARTING FLUID.....	30-10
3D9	SHIELD, HEAT (CRENLO).....	90-60	1D12	STARTING FLUID TUBE KIT .....	30-12
2J14	SHIELD, MUD, FENDER .....	80-34	1D13	STARTING FLUID TUBE KIT .....	30-13
3E17	SHIELD, OPERATOR .....	90-94	1F17	STARTING MOTOR .....	40-37
3E15	SHIELD, OPERATOR (ROW-CROP).....	90-92	2I13	STEERING ARM.....	80-5
2J8	SHIELD, OPERATOR (STOLPER) .....	80-26	2I16	STEERING ARM.....	80-9
2C5	SHIELD, PTO MASTER .....	50-33	2D9	STEERING CYLINDER.....	60-16
2J11	SHIELD, SIDE.....	80-30	2D10	STEERING CYLINDER OVERHAUL KIT .....	60-17
3C3	SHIELDS, TUBE (STOLPER) .....	90-26	2D8	STEERING OIL LINES (FRONT).....	60-15
2B24	SHIFTER CONTROL, GEAR .....	50-27	2D6	STEERING OIL LINES (REAR) .....	60-12
2B22	SHIFTER SHAFTS .....	50-24	2D5	STEERING OIL PIPES.....	60-11
2B23	SHIFTER SHAFTS .....	50-25	2C22	STEERING VALVE ASSEMBLY .....	60-2
2B23	SHIFTERS, GEAR .....	50-25	2C23	STEERING VALVE ASSEMBLY .....	60-3
2B22	SHIFTERS, RANGE .....	50-24	3E19	STEERING VALVE BRACKETS .....	90-96
3D6	SHOCK ABSORBER, SEAT (CRENLO) .....	90-57	2C24	STEERING VALVE COVER .....	60-5
3D1	SHOCK ABSORBER, SEAT SUPPORT .....	90-52	2D1	STEERING VALVE CYLINDER .....	60-6
1B14	SHORT BLOCK, ENGINE (6531D) .....	20-14	2C21	STEERING VALVE CYLINDER COVER .....	60-1
1C16	SHROUD, FAN .....	20-42	2D3	STEERING VALVE CYLINDER OVERHAUL KIT .....	60-8
2J2	SIDE FRAME .....	80-20	2C24	STEERING VALVE OPERATING LEVER .....	60-5
2J11	SIDE PANELS .....	80-30	2D1	STEERING VALVE PISTON .....	60-6
2I21	SLEEVE, WHEEL, DUAL .....	80-13	2D1	STEERING WHEEL .....	60-6
3F2	SLOW MOVING VEHICLE EMBLEM.....	90-104	2D1	STEERING WHEEL EMBLEM .....	60-6
3F5	SLOW MOVING VEHICLE EMBLEM.....	90-107	3D13	STEP (CRENLO) .....	90-64
3F6	SLOW MOVING VEHICLE EMBLEM.....	90-108	3D24	STEP (STOLPER).....	90-76
3F3	SLOW MOVING VEHICLE EMBLEM (LESS ROCKSHAFT).....	90-105	3E11	STEP, CAB (HINSON) (EARLY DESIGN).....	90-88
3F4	SLOW MOVING VEHICLE EMBLEM (STOLPER) .....	90-106	3E13	STEP, CAB (HINSON) (LATE DESIGN) .....	90-90
1I13	SOCKET, ELECTRICAL OUTLET .....	40-110	2J16	STEP, TRACTOR .....	80-36
1F22	SOLENOID SWITCH (NIPPONDENSO) .....	40-42	1F1	STORAGE BATTERY.....	40-19
1F25	SOLENOID SWITCH COVER, STARTER (DELCO-REMY) .....	40-45	2E9	STROKE CONTROL VALVE SHUT-OFF KIT .....	70-6
1G5	SOLENOID SWITCH, STARTER (DELCO-REMY) .....	40-50	2E17	STROKE CONTROL VALVE SHUT-OFF KIT .....	70-14
1G6	SOLENOID SWITCH, STARTER (DELCO-REMY) .....	40-52	2E9	STROKE CONTROL VALVE, HYDRAULIC PUMP.....	70-6
1F23	SOLENOID SWITCH, STARTER (NIPPONDENSO).....	40-43	2E17	STROKE CONTROL VALVE, HYDRAULIC PUMP.....	70-14
2E21	SOLENOID, DESTROKE (ELECTRIC) .....	70-18	1I23	SUPPLEMENTARY TERMINALS AND CONNECTORS.....	40-120
1I2	SOUND-GARD BODY HEADPHONES .....	40-99	1I15	SUPPLEMENTARY WIRING KIT .....	40-112
1E5	SPEED CONTROL, FOOT.....	30-32	1D5	SUPPORT, AIR CLEANER .....	30-4
1E4	SPEED CONTROL, HAND.....	30-31	3E20	SUPPORT, CONTROL .....	90-97
1H15	SPEED-HOUR METER.....	40-86	3E19	SUPPORT, DASH.....	90-96
1D8	STACK, VERTICAL AIR .....	30-7	3D5	SUPPORT, DELUXE SEAT (CRENLO).....	90-56
1G1	STARTER ARMATURE (DELCO-REMY) .....	40-46	2F20	SUPPORT, DRAFT LINK .....	70-46
1F19	STARTER ARMATURE (JOHN DEERE).....	40-39	2G9	SUPPORT, DRAWBAR FRONT.....	70-61
1G1	STARTER COIL (DELCO-REMY) .....	40-46	2G10	SUPPORT, DRAWBAR FRONT.....	70-62
1F21	STARTER COIL (JOHN DEERE) .....	40-41	2G14	SUPPORT, DRAWBAR, FRONT .....	70-66
1G2	STARTER COMMUTATOR END FRAME (DELCO-REMY) .....	40-47	3B22	SUPPORT, EVAPORATOR (STOLPER) .....	90-19
1F20	STARTER COMMUTATOR END FRAME (JOHN DEERE) .....	40-40	2J14	SUPPORT, FENDER .....	80-34
1G3	STARTER DRIVE (DELCO-REMY) .....	40-48	2J13	SUPPORT, FENDER (ROW-CROP) .....	80-33
1G8	STARTER DRIVE (DELCO-REMY) .....	40-54	2J5	SUPPORT, FRONT WEIGHT (QUIK-TATCH).....	80-23
1G3	STARTER DRIVE END HOUSING (DELCO-REMY) .....	40-48	3E19	SUPPORT, HOOD .....	90-96
1G8	STARTER DRIVE END HOUSING (DELCO-REMY) .....	40-54	3C24	SUPPORT, SEAT .....	90-50
1F19	STARTER DRIVE HOUSING (JOHN DEERE) .....	40-39	3D3	SUPPORT, SEAT (CRENLO) .....	90-54
1F21	STARTER MAIN FRAME (JOHN DEERE) .....	40-41	3D24	SUPPORT, STEP (STOLPER).....	90-76
1F22	STARTER SOLENOID (NIPPONDENSO).....	40-42	3D1	SUSPENSION, DELUXE SEAT .....	90-52
1F24	STARTER SOLENOID COVER KIT (DELCO-REMY).....	40-44	3D6	SUSPENSION, DELUXE SEAT (CRENLO) .....	90-57
1G5	STARTER SOLENOID SWITCH (DELCO-REMY) .....	40-50	2G10	SWAY CONTROL BLOCKS .....	70-62
1G6	STARTER SOLENOID SWITCH (DELCO-REMY) .....	40-52	2G14	SWAY CONTROL BLOCKS.....	70-66
1F23	STARTER SOLENOID SWITCH (NIPPONDENSO) .....	40-43	1F4	SWITCH LIGHT .....	40-22
1F25	STARTER SOLENOID SWITCH COVER (DELCO-REMY) .....	40-45	1H12	SWITCH, BLOWER (STOLPER) .....	40-84
1F18	STARTER SOLENOID SWITCH COVER KIT (JOHN DEERE) .....	40-38	1H3	SWITCH, DIMMER .....	40-75
1D13	STARTING AID TUBE KIT.....	30-13	1I8	SWITCH, ELECTRICAL REMOTE CONTROL .....	40-105
			1H4	SWITCH, HORN .....	40-76
			1H5	SWITCH, HORN .....	40-77
			1H7	SWITCH, HORN .....	40-79
			1F4	SWITCH, KEY.....	40-22
			1G25	SWITCH, NEUTRAL START .....	40-72
			2B5	SWITCH, NEUTRAL START .....	50-4

# 1A21

5020 TRACTOR (SERIAL NO. 025,000-)

## ALPHABETICAL INDEX - CONTINUED

GRID	PAGE	GRID	PAGE
1H15	SWITCH, OIL PRESSURE.....	40-86	
3B5	SWITCH, PRESSURIZER (CRENLO).....	90-2	
3B21	SWITCH, PRESSURIZER (STOLPER).....	90-18	
1F22	SWITCH, SOLENOID (NIPPONDENSO).....	40-42	
1G5	SWITCH, STARTER SOLENOID (DELCO-REMY).....	40-50	
1G6	SWITCH, STARTER SOLENOID (DELCO-REMY).....	40-52	
1F23	SWITCH, STARTER SOLENOID (NIPPONDENSO).....	40-43	
1I3	SWITCH, WINDSHIELD WIPER (CRENLO).....	40-100	
1H12	SWITCH, WIPER (STOLPER).....	40-84	
2B18	SYNCHRONIZER DRUM.....	50-20	
<b>T</b>			
1B11	TACHOMETER DRIVE (6531D).....	20-10	
1E15	TAIL LIGHT (ROW-CROP).....	40-6	
1E13	TAIL LIGHT (STANDARD).....	40-4	
1E18	TAIL LIGHT (STOLPER).....	40-10	
1E17	TAIL LIGHT, CAB (CRENLO).....	40-9	
1E21	TAIL LIGHT, CAB (HINSON).....	40-14	
1E20	TAIL LIGHT, CAB (STOLPER).....	40-13	
1G12	TAILLIGHT.....	40-58	
1G17	TAILLIGHT (CRENLO).....	40-64	
1G21	TAILLIGHT (HINSON).....	40-68	
1G14	TAILLIGHT (ROW-CROP).....	40-60	
1G19	TAILLIGHT (STOLPER).....	40-66	
1D14	TANK, FUEL.....	30-14	
1I23	TERMINALS AND CONNECTORS,SUPPLEMENTARY.....	40-120	
1I17	TERMINALS,ELECTRICAL.....	40-114	
1I19	TERMINALS,ELECTRICAL.....	40-116	
1I21	TERMINALS,ELECTRICAL.....	40-118	
1C19	THERMOSTAT (6531D).....	20-45	
3B20	THERMOSTAT, EVAPORATOR (STOLPER).....	90-17	
2G3	THREE-POINT HITCH.....	70-54	
1E5	THROTTLE LINKAGE, FOOT.....	30-32	
1E4	THROTTLE LINKAGE, HAND.....	30-31	
2I13	TIE RODS.....	80-5	
2I16	TIE RODS.....	80-9	
1C5	TIMING GEAR COVER (6531D).....	20-30	
3E17	TOOL BOX.....	90-94	
3E15	TOOL BOX (ROW-CROP).....	90-92	
3E24	TOOLBOX.....	90-101	
3E25	TOOLBOX, CAB.....	90-102	
3F1	TOOLS.....	90-103	
1E15	TRACTOR LAMP WIRING (ROW-CROP).....	40-6	
1E13	TRACTOR LAMP WIRING (STANDARD).....	40-4	
2J16	TRACTOR STEP.....	80-36	
2G21	TRANSFER CONTROL VALVE, POWER WEIGHT.....	70-73	
2G18	TRANSFER COUPLER, POWER WEIGHT.....	70-70	
1D16	TRANSFER PUMP, FUEL.....	30-16	
1D17	TRANSFER PUMP, FUEL.....	30-17	
2E4	TRANSMISSION AND HYDRAULIC OIL.....	70-1	
2B18	TRANSMISSION BLOCKERS.....	50-20	
2B15	TRANSMISSION CASE.....	50-16	
2B14	TRANSMISSION CLUTCH RELEASE.....	50-15	
2B16	TRANSMISSION COVER.....	50-17	
2B18	TRANSMISSION DRIVE.....	50-20	
2B18	TRANSMISSION DRUM.....	50-20	
2B11	TRANSMISSION OIL PUMP.....	50-11	
2B12	TRANSMISSION OIL TUBES.....	50-12	
2B21	TRANSMISSION PARK PAWL.....	50-23	
2F16	TRANSMISSION REAR COVER (LESS ROCKSHAFT).....	70-42	
2H20	TRANSPORT ARM, REMOTE CYLINDER.....	70-101	
3D9	TRANSPORT ARM, REMOTE CYLINDER.....	90-60	
3C9	TRAY, CONDENSATE, CAB (HINSON).....	90-32	
3B21	TRAY, CONDENSATION (STOLPER).....	90-18	
1B7	TUBE, VENTILATOR OUTLET.....	20-6	
2B12	TUBES, TRANSMISSION OIL.....	50-12	
<b>U</b>			
3E9	UPHOLSTERING (HINSON).....	90-86	
<b>V</b>			
3C8	VALVE KIT COMPRESSOR.....	90-31	
2D13	VALVE, BRAKE.....	60-20	
2C15	VALVE, DIFFERENTIAL LOCK.....	50-44	
3B20	VALVE, EXPANSION, EVAPORATOR (STOLPER).....	90-17	
2C15	VALVE, FLOW CONTROL.....	50-44	
2H3	VALVE, FLOW CONTROL (SCV) (EARLY DESIGN).....	70-82	
2H5	VALVE, FLOW CONTROL (SCV) (LATE DESIGN).....	70-84	
2H3	VALVE, METERING (SCV) (EARLY DESIGN).....	70-82	
2H5	VALVE, METERING (SCV) (LATE DESIGN).....	70-84	
2G21	VALVE, POWER WEIGHT TRANSFER CONTROL.....	70-73	
2E24	VALVE, PRESSURE CONTROL.....	70-22	
2C8	VALVE, PTO CLUTCH.....	50-37	
2C3	VALVE, RELIEF.....	50-31	
2F12	VALVE, ROCKSHAFT THROTTLE.....	70-37	
2H1	VALVE, SELECTIVE CONTROL.....	70-80	
2H3	VALVE, SELECTIVE CONTROL (EARLY DESIGN).....	70-82	
2H5	VALVE, SELECTIVE CONTROL (LATE DESIGN).....	70-84	
3B14	VALVE, SHUT-OFF (STOLPER).....	90-11	
3B24	VALVE, SHUT-OFF (STOLPER).....	90-21	
2H1	VALVE, SINGLE SELECTIVE CONTROL.....	70-80	
2C22	VALVE, STEERING ASSEMBLY.....	60-2	
2C23	VALVE, STEERING ASSEMBLY.....	60-3	
2F11	VALVE, THERMAL RELIEF, CONTROL VALVE.....	70-36	
3B17	VALVES, COMPRESSOR.....	90-14	
1B9	VALVES, EXHAUST.....	20-8	
1B9	VALVES, INTAKE.....	20-8	
3B10	VENT, ROOF (STOLPER).....	90-7	
1B7	VENTILATOR OUTLET TUBE.....	20-6	
1B20	VENTILATOR PUMP.....	20-20	
1B21	VENTILATOR PUMP OPENING COVER.....	20-21	
1D8	VERTICAL AIR STACK.....	30-7	
1F7	VOLTAGE REGULATOR.....	40-25	
1F15	VOLTAGE REGULATOR (AIR CONDITIONING).....	40-34	
<b>W</b>			
1G12	WARNING LAMP.....	40-58	
1G16	WARNING LAMP.....	40-63	
1G21	WARNING LAMP (HINSON).....	40-68	
1E15	WARNING LAMP (ROW-CROP).....	40-6	
1G14	WARNING LAMP (ROW-CROP).....	40-60	
1E13	WARNING LAMP (STANDARD).....	40-4	
1E18	WARNING LAMP (STOLPER).....	40-10	
1E20	WARNING LAMP (STOPLER).....	40-13	
1G24	WARNING LAMP KIT, IMPLEMENT.....	40-71	
1G17	WARNING LAMP, CAB (CRENLO).....	40-64	
3C20	WARNING LAMP, CANOPY.....	90-45	
1G23	WARNING LAMP, FLASHING.....	40-70	
1G19	WARNING LAMPS (STOLPER).....	40-66	
1I7	WASHER, WINDSHIELD.....	40-104	
1C14	WATER PUMP (6531D).....	20-39	
1C15	WATER PUMP OVERHAUL KIT (6531D).....	20-40	
1H15	WATER TEMPERATURE GAUGE.....	40-86	
3F9	WEATHERSHIELD.....	90-112	
2J4	WEIGHT, DOUBLE FRONT.....	80-22	

# 1A22

5020 TRACTOR (SERIAL NO. 025,000-)

## ALPHABETICAL INDEX - CONTINUED

<i>GRID</i>		<i>PAGE</i>	<i>GRID</i>	<i>PAGE</i>
2I25	WEIGHT, REAR INNER WHEEL (32" AND 34" WHEEL) .....	80-17		
2I24	WEIGHT, REAR WHEEL (32" AND 34" WHEEL).....	80-16		
2I23	WEIGHT, REAR WHEEL (38" CAST WHEELS).....	80-15		
2J1	WEIGHT, REAR INNER WHEEL (32" CAST WHEEL) .....	80-18		
2J6	WEIGHTS, FRONT (EIGHT OR TEN QUIK-TATCH) .....	80-24		
2J5	WEIGHTS, QUIK-TATCH FRONT .....	80-23		
2I25	WHEEL WEIGHT, REAR INNER (32" AND 34" WHEEL) .....	80-17		
2J1	WHEEL WEIGHT, REAR INNER (32" CAST WHEEL) .....	80-18		
2I20	WHEEL, REAR .....	80-12		
2D1	WHEEL, STEERING .....	60-6		
2I21	WHEELS, DUAL REAR .....	80-13		
2I17	WHEELS, FRONT .....	80-10		
2G14	WIDE SWING DRAWBAR .....	70-66		
3D12	WINDOW ADJUSTER, CAB (CRENLO) .....	90-63		
3D11	WINDOW FRAMES (CRENLO) .....	90-62		
3E3	WINDOW PANEL, CAB R.H. FRONT (HINSON) .....	90-80		
3D17	WINDOW, CAB FRONT (STOLPER).....	90-68		
3E5	WINDOWS, CAB (HINSON).....	90-82		
3E5	WINDSHIELD (HINSON) .....	90-82		
3D18	WINDSHIELD (STOLPER) .....	90-70		
1I3	WINDSHIELD WIPER (CRENLO) .....	40-100		
1I6	WINDSHIELD WIPER (HINSON) .....	40-103		
1I4	WINDSHIELD WIPER (STOLPER) .....	40-101		
1I5	WINDSHIELD WIPER (STOLPER) .....	40-102		
3F9	WINDSHIELD, WEATHERSHIELD.....	90-112		
1I7	WINDSHIELD WASHER .....	40-104		
1H12	WIPER SWITCH (STOLPER).....	40-84		
1I3	WIPER, WINDSHIELD (CRENLO).....	40-100		
1I4	WIPER, WINDSHIELD (STOLPER).....	40-101		
1I5	WIPER, WINDSHIELD (STOLPER).....	40-102		
1F3	WIRING ACCESSORY RELAY KIT .....	40-21		
1E11	WIRING HARNESS .....	40-2		
1F4	WIRING HARNESS .....	40-22		
1H3	WIRING HARNESS, DIMMER SWITCH .....	40-75		
1H4	WIRING HARNESS, HORN .....	40-76		
1H5	WIRING HARNESS, HORN .....	40-77		
1H10	WIRING HARNESS, RADAR SENSOR .....	40-82		
1F2	WIRING KIT, ACCESSORY RELAY .....	40-20		
1I11	WIRING KIT, ELECTRICAL REMOTE CONTROL .....	40-108		
1E17	WIRING, ACCESSORY (CRENLO) .....	40-9		
1H17	WIRING, AIR COMPRESSOR .....	40-88		
1H12	WIRING, CAB (STOLPER).....	40-84		
1E21	WIRING, CAB LAMP (HINSON) .....	40-14		
1E18	WIRING, CAB LAMP (STOLPER) .....	40-10		
1E20	WIRING, CAB LAMP (STOLPER) .....	40-13		
3B19	WIRING, CONDENSER (STOLPER) .....	90-16		
1I10	WIRING, ELECTRICAL REMOTE CONTROL.....	40-107		
1E17	WIRING, LAMP (CRENLO) .....	40-9		
1I15	WIRING, SUPPLEMENTARY .....	40-112		
1E15	WIRING, TRACTOR LAMP (ROW-CROP) .....	40-6		
1E13	WIRING, TRACTOR LAMP (STANDARD).....	40-4		
3F1	WRENCH .....	90-103		

---

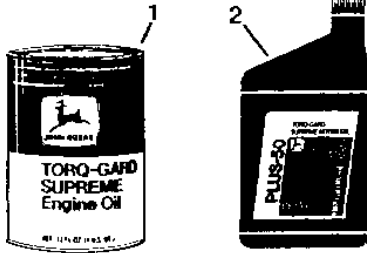
MEMORANDA

# 1B3

ENGINE

RGP3291 -UN-01JAN94

## TORQ-GARD SUPREME AND PLUS-50 ENGINE OIL



RGP 3291

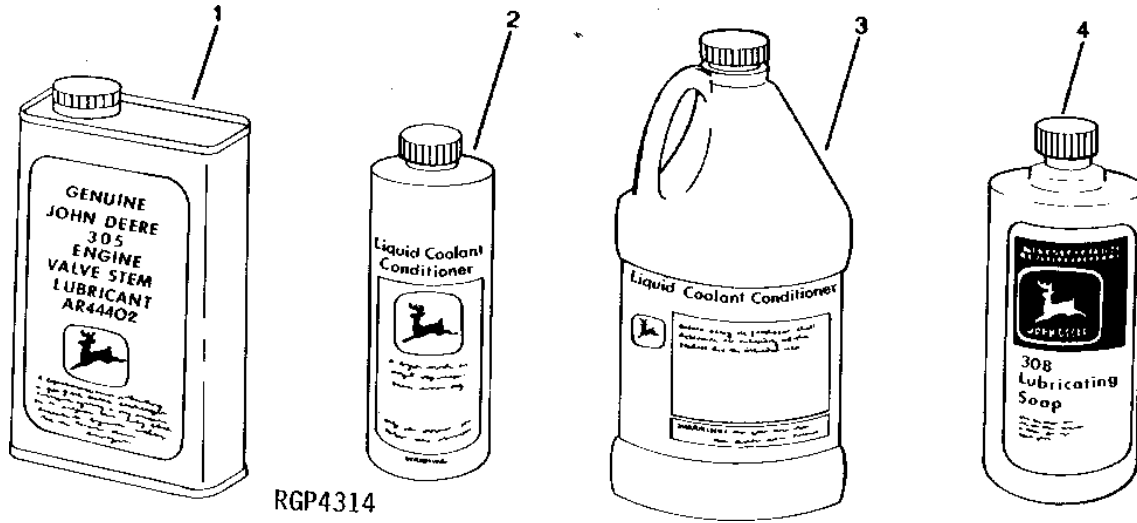
KEY	PART NO.	PART NAME	QTY	ENGINE SERIAL NO.	REMARKS
1	TY6359	OIL	1	(SAE 5W/30), 0.9 L (1 QT)	
	TY6360	OIL	1	(SAE 5W/30), 19 L (5 GAL)	
	TY6361	OIL	1	(SAE 5W/30), 208 L (55 GAL)	
	TY6364	OIL	1	(SAE 10W/30), 0.9 L (1 QT) (BREAKIN)	
	TY6297	OIL	1	(SAE 15W/40), 0.9 L (1 QT)	
	TY6298	OIL	1	(SAE 15W/40), 19 L (5 GAL)	
	TY6300	OIL	1	(SAE 15W/40), 114 L (30 GAL) \	
	TY6301	OIL	1	(SAE 15W/40), 208 L (55 GAL)	
	TY6311	OIL	1	(SAE 10W), 0.9 L (1 QT)	
	TY22009	OIL	1	(SAE 10W), 3.8 L (1 GAL)	
	TY6312	OIL	1	(SAE 10W), 19 L (5 GAL)	
	TY6313	OIL	1	(SAE 10W), 208 L (55 GAL)	
	AR63979	OIL	1	(SAE 30W), 0.2 L (.25)	
	AR63218	OIL	1	(SAE 30W), 0.9 L (.25)	
	AR63219	OIL	1	(SAE 30W), 19 L (5 GAL)	
	TY6280	OIL	1	(SAE 30W), 114 L (30 GAL)	
	AR63222	OIL	1	(SAE 30W), 208 L (55 GAL)	
	TY6389	OIL	1	(SAE 15W/40), 0.9 L (1 QT)	
2	TY22008	OIL	1	(SAE 15W/40), 3.8 L (1 GAL)	
	TY6390	OIL	1	(SAE 15W/40), 19 L (5 GAL)	
	TY22010	OIL	1	(SAE 15W/40), 113.6 L (30 GAL)	
	TY6391	OIL	1	(SAE 15W/40), 208 L (55 GAL)	
	TY6392	OIL	1	(SAE 30W), 0.9 L (1 QT)	
	TY22007	OIL	1	(SAE 30W), 3.8 L (1 GAL)	
	TY6393	OIL	1	(SAE 30W), 19 L (5 GAL)	
	TY22011	OIL	1	(SAE 30W), 113.6 L (30 GAL)	
	TY6394	OIL	1	(SAE 30W), 208 L (55 GAL)	
	TY22041	OIL	1	(SAE 10W/30), 3.8 L (1 GALLON) (BREAK-IN)	
..	TY22042	OIL	1	(SAE 10W/30), 208 L (55 GAL) (BREAK-IN)	

# 1B4

ENGINE

RGP4314 -UN-01JAN94

## ACCESSORY PARTS



KEY	PART NO.	PART NAME	QTY	ENGINE SERIAL NO.	REMARKS
1	AR44402	OIL	1		.473 ML (32 OZ.)
2	RE23182	ENGINE COOLANT CONDITIONER	1		0.473 L (16 OZ.) (PHOSPHATE - FREE) (SUB TY16004)
3	TY16004	ENGINE COOLANT CONDITIONER	1		0.472 L (16 OZ.)
	RE35992	ENGINE COOLANT CONDITIONER	1		3.8 L (1 GAL.) (PHOSPHATE - FREE) (SUB TY16005)
4	TY16005	ENGINE COOLANT CONDITIONER	1		1.9 L (1/2 GAL.)
	AR54749	LUBRICANT	1		.9 L (1 QT.)
..	AR21969	KIT	1		(DUST CAP/COVER KIT)



# 1B5

ENGINE

TP6956 -UN-01JAN94

ENGINE COOLING FLUID



TP6956

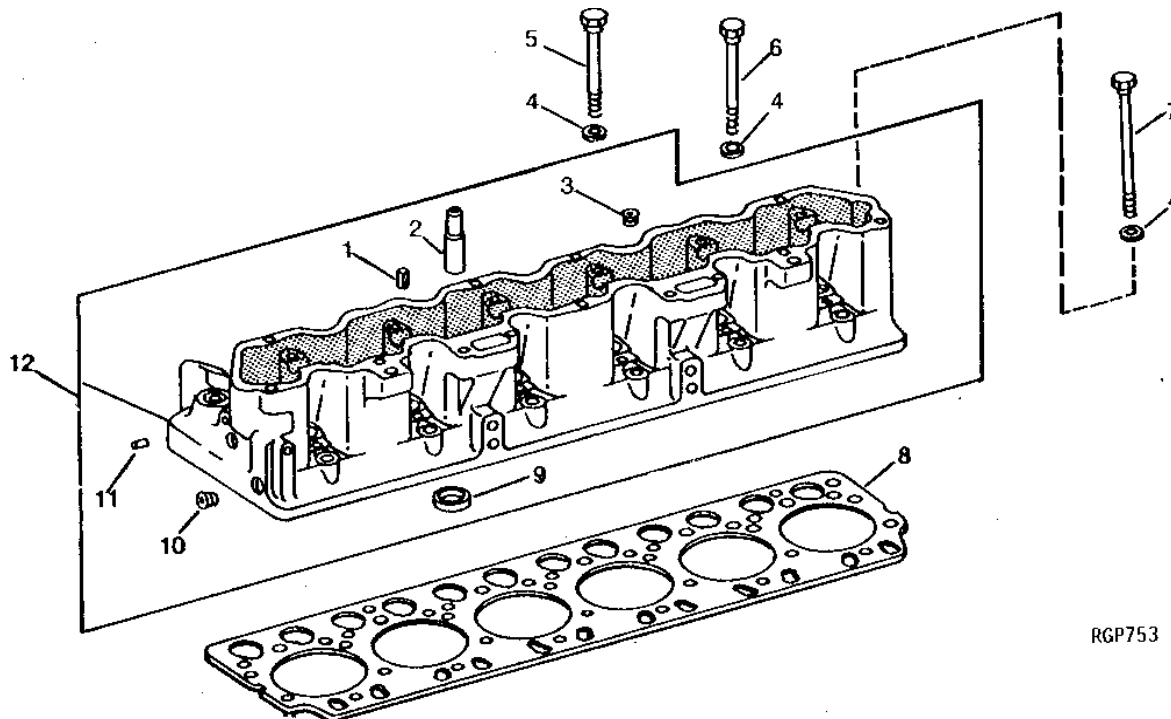
KEY	PART NO.	PART NAME	QTY	SERIAL NO.	REMARKS
1	DD14134	FLUID	1	5L (1.3 U.S. GAL.)	
	DD14345	FLUID	1	20L (5.3 U.S. GAL.)	
	DD14136	FLUID	1	60L (15.9 U.S. GAL.)	
	DD14346	FLUID	1	210L (52.5 U.S. GAL.)	

# 1B6

ENGINE

## CYLINDER HEAD AND GASKET (6531D)

RGP753 -UN-01JAN94



KEY	PART NO.	PART NAME	QTY	ENGINE SERIAL NO.	REMARKS
1	34H387	SPRING PIN	1		3/16" X 3/4"
2	R53192	BUSHING	12		(SUB FOR R36340 AND R40357)
3	15H624	PIPE PLUG	5		1/2", (SUB FOR AR72319 OR A3125R)
4	R70268	WASHER	26		(SUB FOR R35160, R36995 OR R42363)
5	R42368	CAP SCREW	15		15.875 X 130.048 MM (5/8" X 5.120") (USE WITH R35130, R40270 OR R42370)
	R80574	CAP SCREW	21		15.875 X 139.700 MM (5/8" X 5-1/2") (USE WITH R45300 OR R47510) (SUB FOR R45266, R67346, R70264, R60117 OR R92368) (ALSO ORDER R70268)
6	R42369	CAP SCREW	3		15.875 X 155.448 MM (5/8" X 6.120") (USE WITH R40270, OR R42370)
	R42372	BOLT	6	-021789	15.875 X 82.550 MM (5/8" X 3-1/4") (USE WITH R35130, R40270 OR 42370)
	R42368	CAP SCREW	6	021790-	15.875 X 130.048 MM (5/8" X 5.120") (USE WITH R35130, R40270 OR R42370)
	R81006	CAP SCREW	3		(USE WITH R45300 OR R47510) (SUB FOR R45267, R60118, R67345 OR R70265) (ALSO ORDER R70268)
7	R42371	CAP SCREW	2		15.875 X 187.452 MM (5/8" X 7.380") (USE WITH R35130, R40270 OR R42370)
	R80576	CAP SCREW	2		15.875 X 196.850 MM (5/8" X 7-3/4") (USE WITH R45300 OR R47510) (SUB FOR R45268, R70266, R67344, R60119) (ALSO ORDER R70268)
8	R78513	GASKET	1		(SUB FOR R35159, R40365, R44022 OR R49688)
9	R41868	INSERT	6	019145-	INTAKE, STD
	R41870	INSERT	6	019145-	INTAKE 0.25 MM (.010") OS
	R41869	VALVE SEAT INSERT	6	019145-	EXHAUST, STD
	R41871	VALVE SEAT INSERT	6	019145-	EXHAUST 0.25 MM (.010") OS
10	15H690	PIPE PLUG	4		3/4", (SUB FOR AR72318)
11	F1743R	DOWEL PIN	2		
12	AR35033	CYLINDER HEAD	1		(NO LONGER AVAILABLE) (MARKED R35140)
	AR41940	CYLINDER HEAD	1		(MARKED R40100 OR R41867) (SUB FOR AR36537 OR AR81620)

---

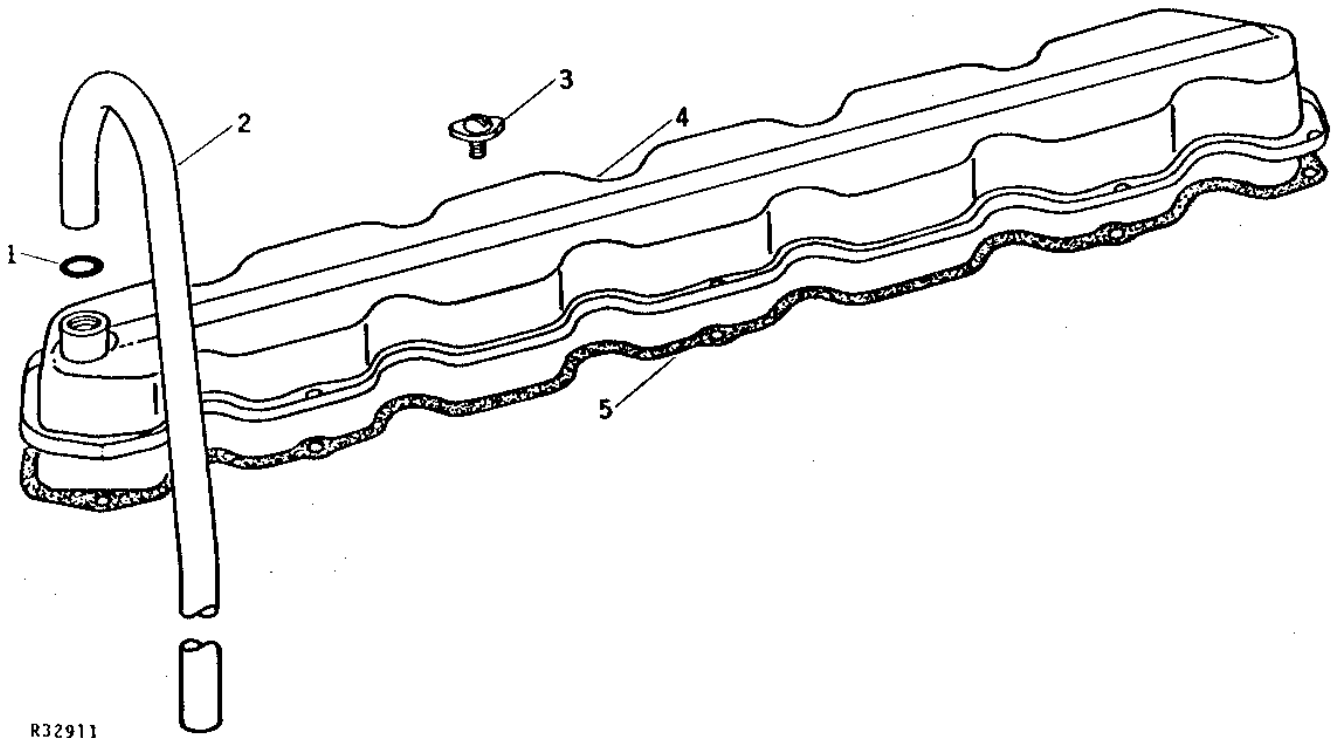
MEMORANDA

# 1B7

ENGINE

## ROCKER ARM COVER (6531D)

R32911 -UN-01JAN94



R32911

# 1B8

ENGINE

---

ROCKER ARM COVER - CONTINUED  
(6531D)

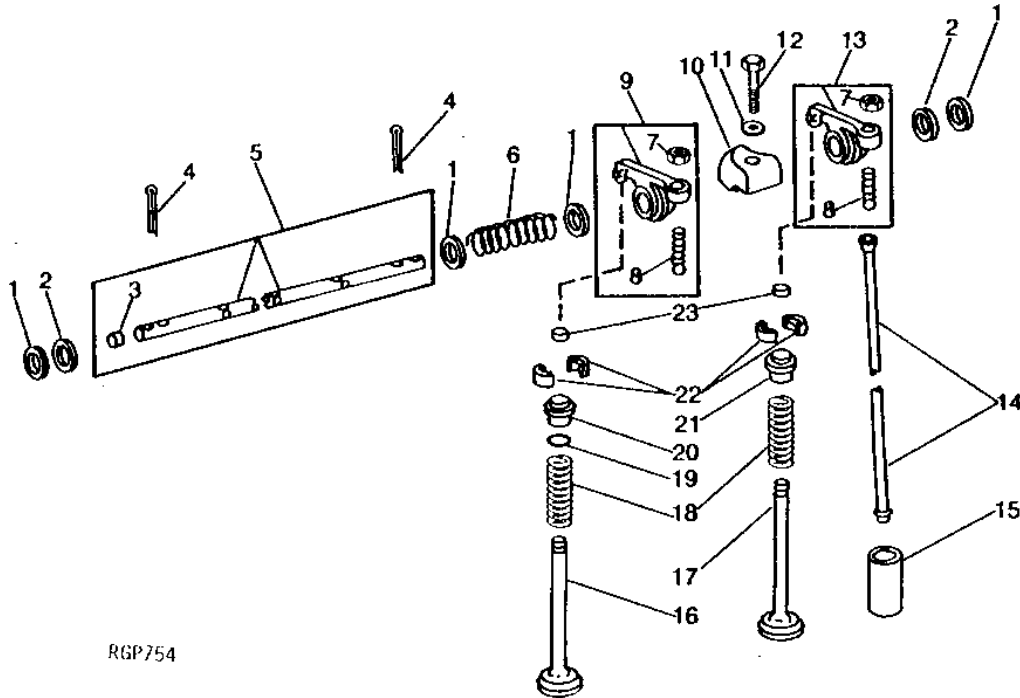
KEY	PART NO.	PART NAME	QTY	ENGINE SERIAL NO.	REMARKS
1	R495R	O-RING	1		
2	R35017	LINE	1	(NLA)	
3	AR103811	SCREW, WITH WASHER	9	(SUB FOR AR27702 OR AR45530)	
4	AR35007	COVER	1		
5	R74365	GASKET	1	(SUB FOR R35024, R36652, R49867)	

# 1B9

ENGINE

## ROCKER ARMS, SHAFT AND VALVES (6531D)

RGP754 -UN-01JAN94



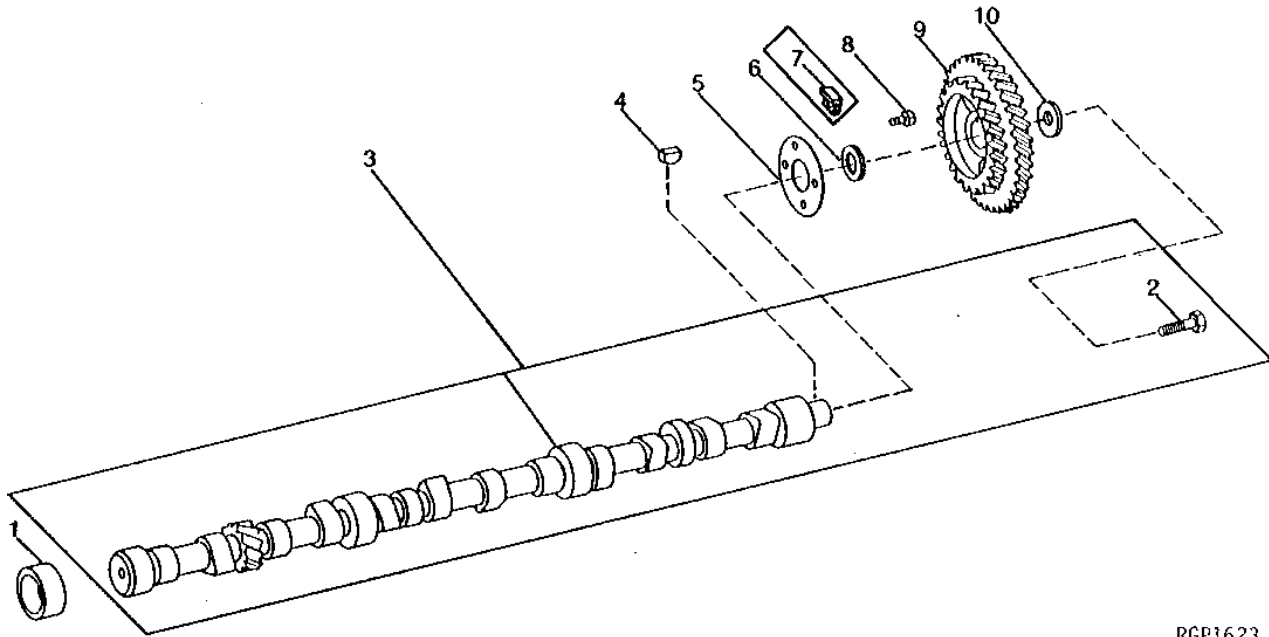
KEY	PART NO.	PART NAME	QTY	ENGINE SERIAL NO.	REMARKS
1	R61266	WASHER	12		
2	R35022	WASHER	2		
3	R35019	PLUG	2		
4	11M7086	COTTER PIN	2		
5	AR92514	ROCKER ARM SHAFT	1		0.098" X 1.969" (SUB FOR AR35006 OR AR74545)
6	R35020	SPRING	5		
7	14H1080	NUT	12		3/8"
8	R27443	SET SCREW	12		
9	AR69901	ARM	6		(SUB FOR AR36181 OR R36528)
10	R35023	CLAMP	6		
11	R26559	WASHER	6		
12	19H1899	CAP SCREW	6		7/16" X 2"
13	AR69902	ARM	6		(SUB FOR AR36182 OR R36529)
14	R35635	PUSH ROD	12	-015499	(USE WITH R35025)
	AR41292	PUSH ROD	12	015500-	(USE WITH AR41291)
15	AR41291	CAM FOLLOWER	12		(SUB FOR R35025) (ALSO ORDER AR41292)
16	R35154	INTAKE VALVE	6		(5010)
	R42182	INTAKE VALVE	6		(SUB FOR R40362 AND R41640)
17	R35156	EXHAUST VALVE	6		(5010)
	R45823	EXHAUST VALVE	6		(SUB FOR R40363 OR R42181)
18	R35157	SPRING	12		
19	R35155	O-RING	6		
20	R35158	CAP	6		(5010)
	R41173	CAP	6		(INTAKE)
21	R42305	ROTATOR	6		(EXHAUST) (SUB FOR R35640)
22	R35431	LOCK	24		
23	R40366	CAP	12		

# 1B10

ENGINE

## CAMSHAFT AND GEAR (6531D)

RGP1623 -UN-01JAN94



RGP1623

KEY	PART NO.	PART NAME	QTY	ENGINE SERIAL NO.	REMARKS
1	R46903	BUSHING	4		(SUB FOR R26114)
2	19H1721	CAP SCREW	1		1/2" X 1-1/2", (USE WITH R44982)
	19H1990	CAP SCREW	1	-282914	1/2" X 2-1/4", (USE WITH R54843 OR R63406)
3	R83569	CAP SCREW	1	282915-	1/2" X 4-1/2", (USE WITH R77447)
	R63406	CAMSHAFT	1	-015499	(SUB RE11137) (ALSO ORDER (12) AR41291, (12) AR41292 AND R83569) (SUB FOR AR36822, R40469 OR R54843)
	R63406	CAMSHAFT	1	015500-282914	(SUB RE11137) (ALSO ORDER R83569) (SUB FOR AR36822, R44982, R40469 OR R54843)
	RE11137	KIT	1	282915-	(MARKED R77447)
4	26H13	SHAFT KEY	1		5/32" X 3/4"
5	R26078	WASHER	1	-XXXXXX	((3) HOLE NOT ILLUSTRATED) (5010)
	R40634	THRUST WASHER	1	XXXXXX-	(5010, 5020*, 5020&, 6030)
	R35127	WASHER	1		
	R35128	LOCK PLATE	3		(USE WITH R26078) (5010)
8	19H1813	CAP SCREW	4		5/16" X 5/8", (USE (3) WITH R26078)
9	AR35092	GEAR	1		
10	R35256	WASHER	1		

(\*) (5020 ( -024999)

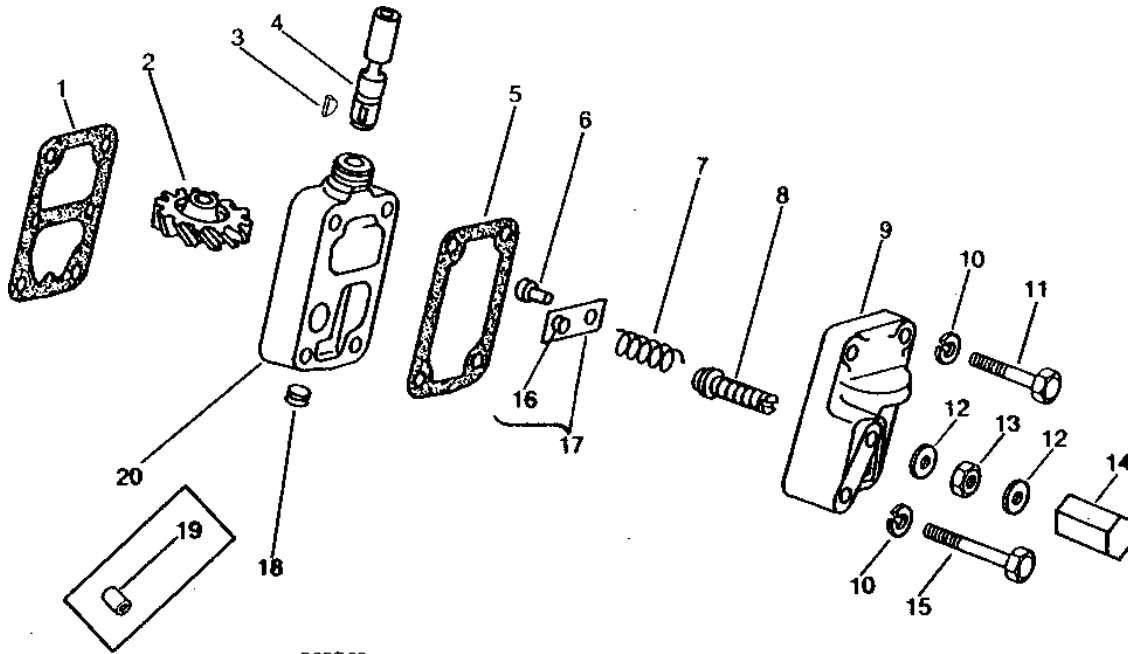
(&) (5020 (025000- )

# 1B11

ENGINE

## TACHOMETER DRIVE (6531D)

RGP760 -UN-01JAN94



RGP760

KEY	PART NO.	PART NAME	QTY	ENGINE SERIAL NO.	REMARKS
1	R44853	GASKET	1		(SUB FOR R26174)
2	R32426	GEAR	1		
3	26H3	SHAFT KEY	1		3/32" X 3/8"
4	R26172	SHAFT	1		
5	R26173	GASKET	1		
6	16H644	RIVET	1		1/4" X 1/2"
7	R26169	SPRING	1		
8	R26168	SCREW	1		
9	AR26351	HOUSING	1		(MARKED R26167)
10	24M7096	WASHER	4		10.500 X 18 X 1.600 MM
11	19H2549	CAP SCREW	3		3/8" X 1-7/8"
12	A3098R	WASHER	2		
13	14H732	NUT	1		3/8"
14	B427R	CAP SCREW, AND NUT	1		
15	19H1944	CAP SCREW	1		3/8" X 2-3/4"
16	D2425R	PIN	1		
17	AB3453R	LEAF SPRING	1		
18	15H559	PIPE PLUG	1		1/4"
19	F1743R	DOWEL PIN	2		(USE WITH AR45952)
20	AR45953	HOUSING	1		(SUB FOR AR26353, AR45952) (MARKED R26170 OR AR45953)



---

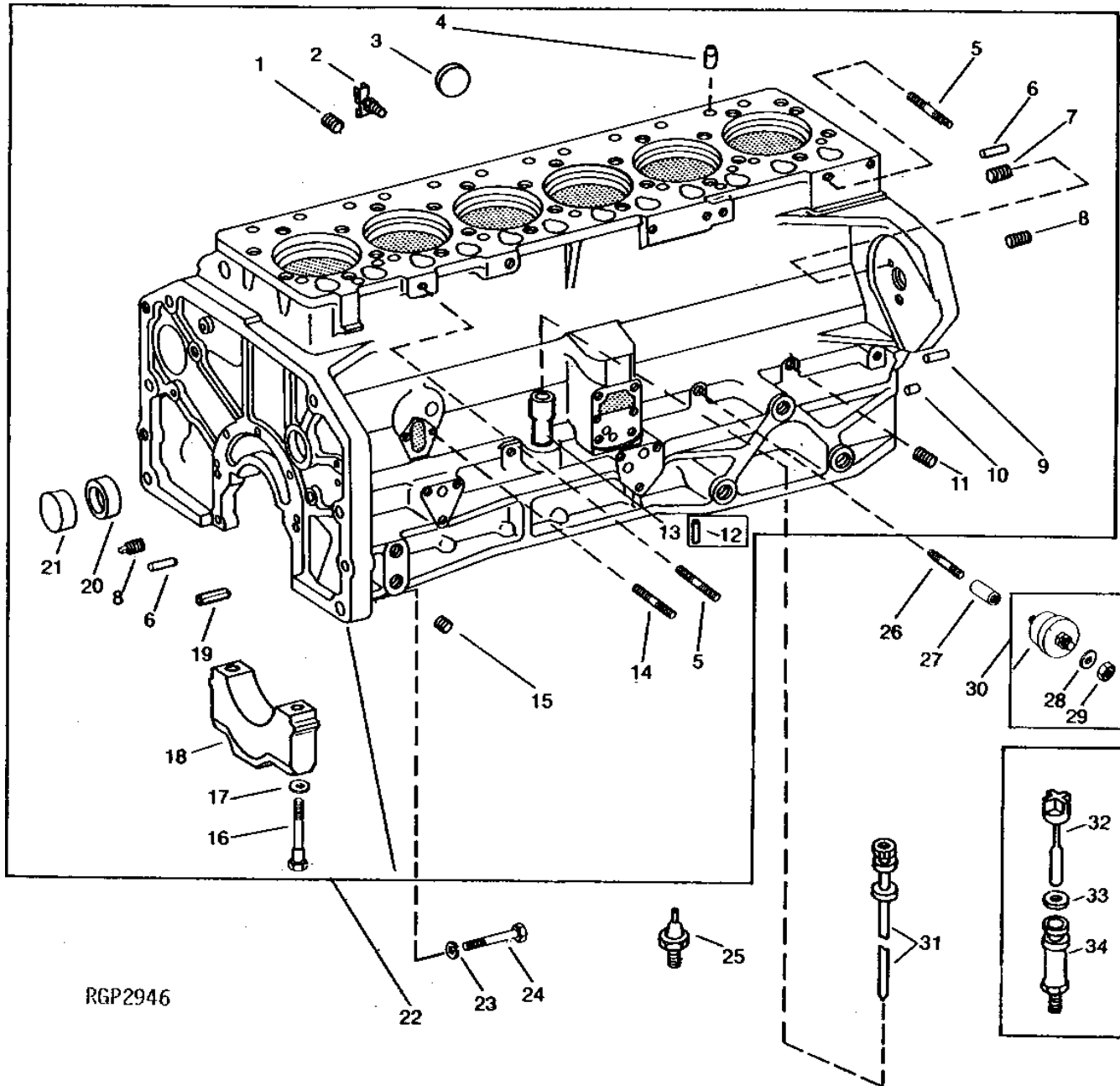
MEMORANDA

# 1B12

ENGINE

## CYLINDER BLOCK (6531D)

RGP2946 -UN-01JAN94



# 1B13

ENGINE

## CYLINDER BLOCK - CONTINUED (6531D)

KEY	PART NO.	PART NAME	QTY	ENGINE SERIAL NO.	REMARKS
1	15H562	PIPE PLUG	2		1", (SUB FOR AR78522) (USE WITH R35130, R40270 OR R42370)
2	AR44382	DRAIN VALVE	1		3/8", (USE WITH R45300, R42370 OR R47510)
3	AT13740	DRAIN VALVE	1		1/4", (USE WITH R40270 OR R35130)
	AR80294	PLUG	2	280001-XXXXXX	(LESS COOLANT HEATER) (SUB FOR R47092)
	AR80294	PLUG	1	XXXXXX-	(USE WITH R47510)
4	R26241	DOWEL PIN	2		
5	K3083R	STUD	3	-280000	7/16" X 1-3/4"
	F2884R	STUD	2	280001-	
6	F1743R	DOWEL PIN	3		
7	R56481	STUD	2		(SUB FOR M3636T OR R26117)
8	15H571	PIPE PLUG	2		3/8"
9	R36666	DOWEL PIN	2		(SUB FOR R26198)
10	R28671	DOWEL PIN	2		
11	15H638	PIPE PLUG	1	008000-	1/8"
12	.....	DOWEL PIN	1		(H826 NO LONGER USED)
13	R41070	TUBE	1		(USE WITH R45300 AND R47510)
	R41883	TUBE	1		(USE WITH R35130, R40270 OR R42370) (SUB FOR R35152 OR R40603)
14	R48755	STUD	2		5/16" X 1-1/2"
15	15H638	PIPE PLUG	6	-007999	1/8"
	15H638	PIPE PLUG	5	008000-	1/8", (SUB FOR R21630, THIS APPLICATION)
16	R42365	BOLT	14		
17	R70268	WASHER	14		(SUB FOR R42363)
18	R48256	BEARING CAP	6		(MAIN)
	R48257	BEARING CAP	1		(MAIN THRUST)
19	R39253	DOWEL PIN	1	XXXXXX-	
20	R46903	BUSHING	4		
21	R26115	CAP	1		
22	AR35147	CYLINDER BLOCK	1		(MARKED R35130) (SUB AR50525) (ALSO ORDER AR47249, AR47250, (6) AR55950 AND (6) R42368) (5010)
	AR47247	CYLINDER BLOCK	1		(MARKED R42370) (SUB AR50525) (ALSO ORDER (6) AR55950) (5010)
	AR36649	CYLINDER BLOCK	1	-XXXXXX	(MARKED R40270) (SUB AR50525, (6) AR55950, AR47249 AND AR47250) (5020*)
	AR47246	CYLINDER BLOCK	1	-280000	(MARKED R42370 OR R45300) (SUB AR50525 AND (6) AR55950) (5020&)
	AR50525	CYLINDER BLOCK	1	280001-	(MARKED R47510) (SUB FOR AR35147, AR36649, AR44412 AND AR47246) (ALSO ORDER (6) AR55950, AR47249, (21) R80574, (3) R81006, (2) R80576 AND (26) R70268)
23	12H236	LOCK WASHER	6		3/4"
24	19H1862	CAP SCREW	6		3/4" X 2-1/2"
25	AR27977	TOUCH SWITCH	1		OIL PRESSURE, (5010, 5020&, 6030)
26	29H13	THREADED NIPPLE	1		1/8", NOT APPLICABLE
27	15H73	COUPLING	1		1/8", NOT APPLICABLE
28	12M7060	WASHER	1		0.209", NOT APPLICABLE
29	14H631	NUT	1		0.190", NOT APPLICABLE
30	AT84200	SENDER	1		NOT APPLICABLE
31	AR47249	DIPSTICK	1		(5010, 5020*, 5020&, 6030) (USE WITH R47510)
32	AR36889	DIPSTICK	1		(USE WITH R35130, R40270, R40370 OR R41883) (SUB FOR AR35008 OR AR36314) (5010, 5020*)
33	R31486	WASHER	1	-005912	(USE WITH R35130, R40270 OR R42370)
	R39520	WASHER	1	005913-XXXXXX	(USE WITH R41883, R35130, R40270 OR R42370)
34	R41883	TUBE	1		(USE WITH R40270, R35130 OR R42370) (SUB FOR R35152 OR R40603)

(\* ) 5020 ( -024999 )  
(& ) 5020 (025000- )

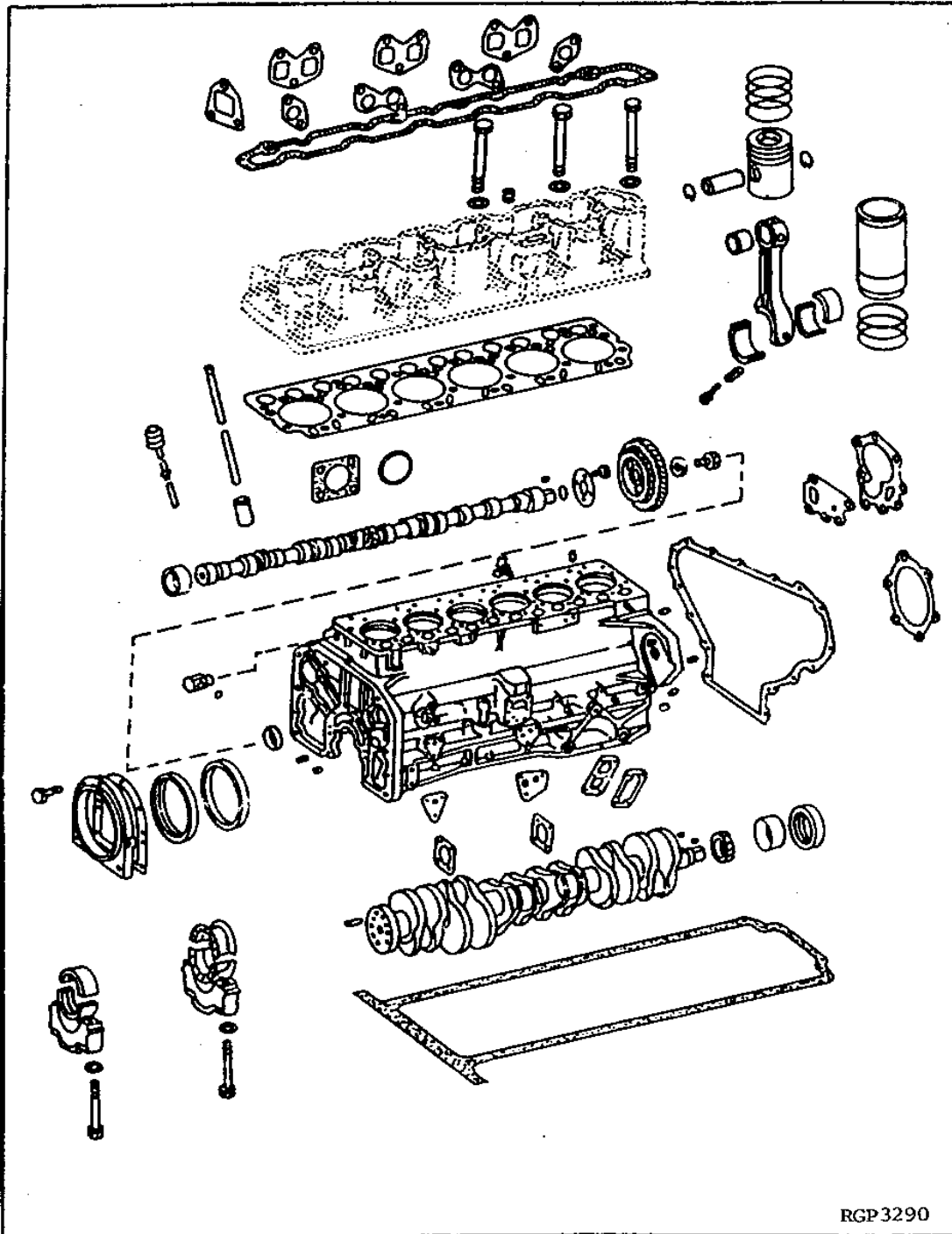
# 1B14

ENGINE

## ENGINE SHORT BLOCK (6531D)

RGP3290

-UN-01JAN94



# 1B15

ENGINE

---

**ENGINE SHORT BLOCK - CONTINUED**  
**(6531D)**

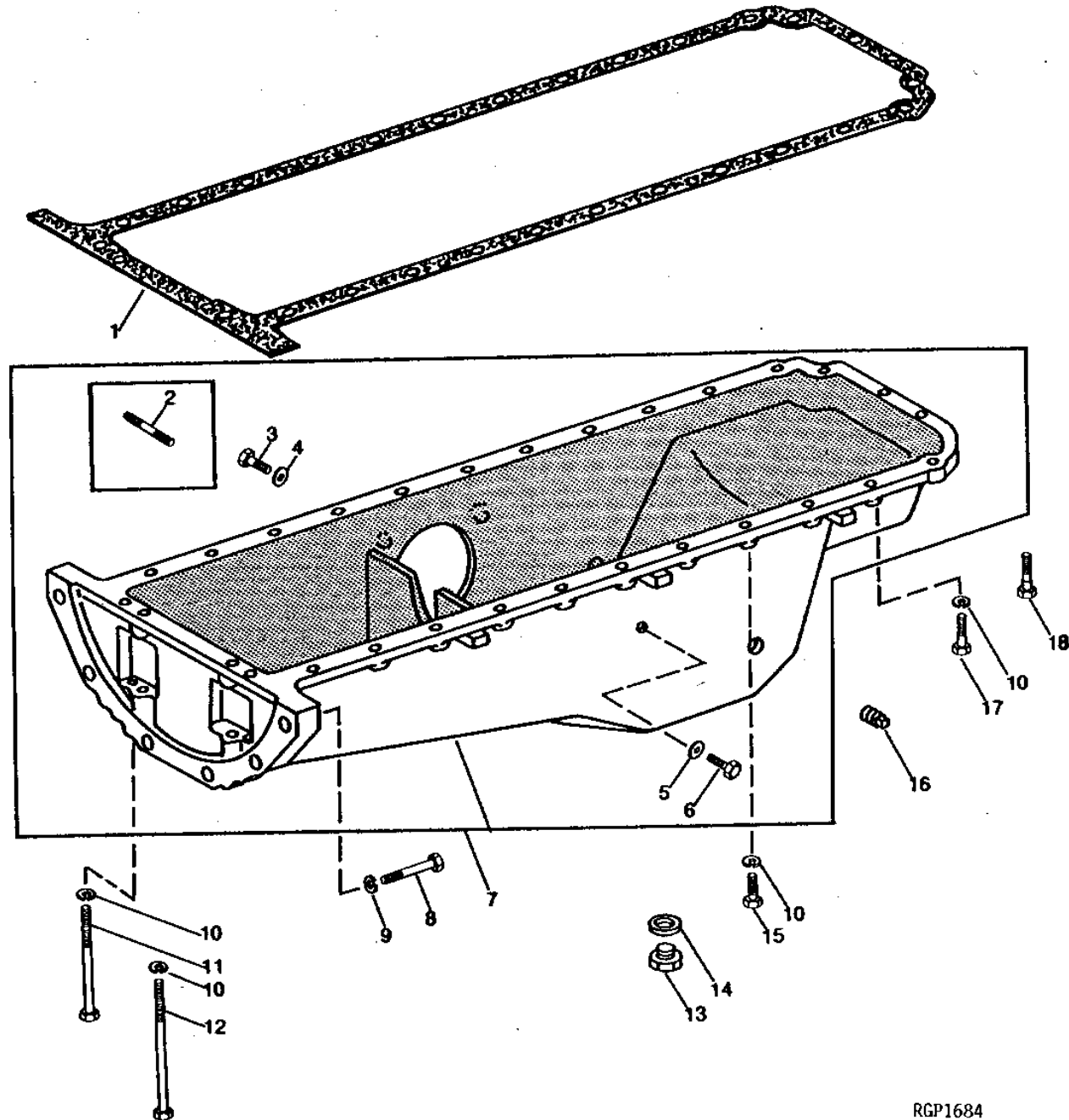
KEY	PART NO.	PART NAME	QTY	ENGINE SERIAL NO.	REMARKS
1	AR48226	SHORT BLOCK ASSEMBLY	1		(MARKED R47510) (ALSO ORDER AR36702, (2)
	AR48729	SHORT BLOCK ASSEMBLY	1		R38614 AND (2) AR63865) (NLA) (NO LONGER AVAILABLE) (5010)

# 1B16

ENGINE

OIL PAN  
(6531D)

RGP1684 -UN-01JAN94



RGP1684

# 1B17

ENGINE

## OIL PAN - CONTINUED (6531D)

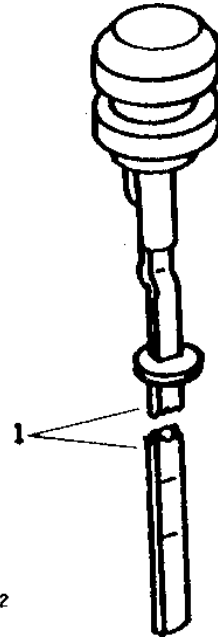
KEY	PART NO.	PART NAME	QTY	ENGINE SERIAL NO.	REMARKS
1	R71919	GASKET	1		(SUB FOR R35139, R47248 OR R61670)
2	D2420R	STUD	4		(NOT APPLICABLE)
3	19H1732	CAP SCREW	4		3/8" X 1-1/4"
4	24M7096	WASHER	4		10.500 X 18 X 1.600 MM
5	A3098R	WASHER	1		
6	19H2021	CAP SCREW	1		3/8" X 5/8"
7	AR36886	OIL PAN	1		(MARKED R35070, R36720, R40810 OR R40800) (SUB FOR AR35663 OR AR36054)
8	19H2663	CAP SCREW	6		3/4" X 2-1/8"
9	12H236	LOCK WASHER	6		3/4"
10	12H304	LOCK WASHER	29		3/8"
11	19H3328	CAP SCREW	2		3/8" X 6-1/2"
12	19H3481	CAP SCREW	2	-XXXXXX	3/8" X 7-1/2", (USE WITH R46577)
	19H3564	CAP SCREW	2	XXXXXX-	3/8" X 7-5/8", (USE WITH R73791)
13	R26727	DRAIN PLUG	1		(SUB FOR R51944)
14	A4827R	WASHER	1		
15	19H1800	CAP SCREW	23		3/8" X 1-1/2"
16	15H690	PIPE PLUG	1		3/4"
17	19H2552	CAP SCREW	1		3/8" X 1-1/8"
18	R35141	SCREW	2		

# 1B18

ENGINE

R32902 -UN-01JAN94

ENGINE OIL DIPSTICK



R32902

KEY	PART NO.	PART NAME	QTY	ENGINE SERIAL NO.	REMARKS
1	AR47249	DIPSTICK	1		

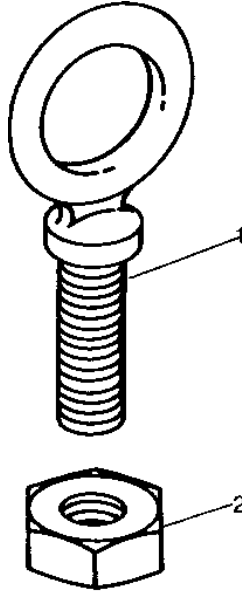


# 1B19

ENGINE

RGP1277 -UN-01JAN94

## ENGINE LIFT EYE BOLT



RGP1277

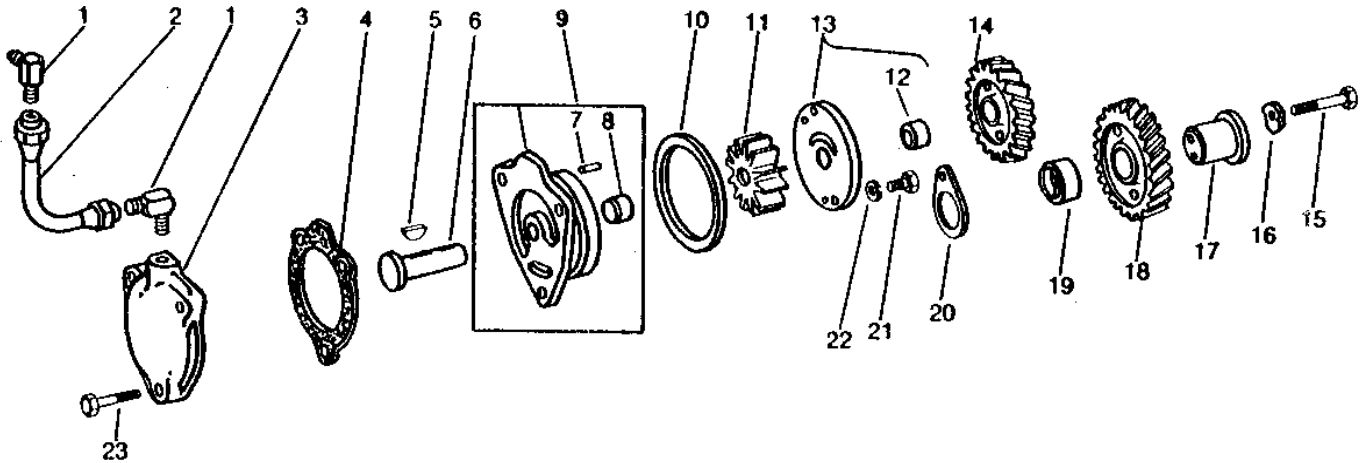
KEY	PART NO.	PART NAME	QTY	ENGINE SERIAL NO.	REMARKS
1	R60980	EYEBOLT	2		(SUB RE61025, 19H2710 AND 24M7241)
2	14H821	NUT	2	5/8"	
	14H821	NUT	1	5/8", (5400, 6030)	

# 1B20

ENGINE

## VENTILATOR PUMP (ENGINE SERIAL NO. -030375)

RGP761 -UN-01JAN94



RGP761

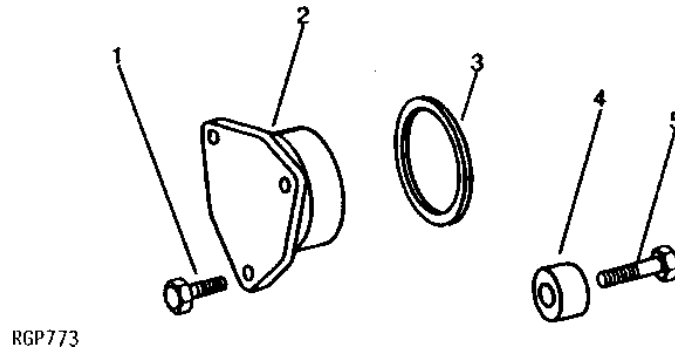
KEY	PART NO.	PART NAME	QTY	ENGINE SERIAL NO.	REMARKS
1	M42830	ELBOW FITTING	2		
2	AR35003	LINE	1		90°, (SUB FOR AR26635)
	AR36671	LINE	1		(NO LONGER AVAILABLE) (5010)
3	R31346	COVER	1		
4	R31340	GASKET	1		
5	26H70	SHAFT KEY	2		1/8" X 1/2"
6	AR40405	SHAFT	1		(MARKED R40564) (SUB FOR AR26390 OR R26407)
	B2641R	DOWEL PIN	1		(USE WITH AR26390)
7	34H245	SPRING PIN	2		1/8" X 5/8"
8	R30713	BUSHING	1		
9	AR30444	HOUSING	1		(MARKED R31337)
10	R40776	WASHER	1		(SUB FOR R26142)
11	R26135	IMPELLER	1		
12	R30713	BUSHING	1		
13	AR26341	COVER	1		(MARKED R26136) (NLA)
14	R26138	GEAR	1		
15	19H1819	CAP SCREW	1		3/8" X 2-1/8"
16	R26403	LOCK PLATE	1		
17	R26401	SHAFT	1		
18	AR35004	GEAR	1		(MARKED R35016)
19	R30712	BUSHING	1		
20	R26402	WASHER	1		
21	19H2925	SCREW	2		NO. 10 X 1/2", (SUB FOR R27206)
22	12H246	LOCK WASHER	2		0.190"
23	R41920	CAP SCREW	3		(SUB FOR R27207)

# 1B21

ENGINE

## VENTILATOR PUMP OPENING COVER (ENGINE SERIAL NO. 030376-280000)

RGP773 -UN-01JAN94



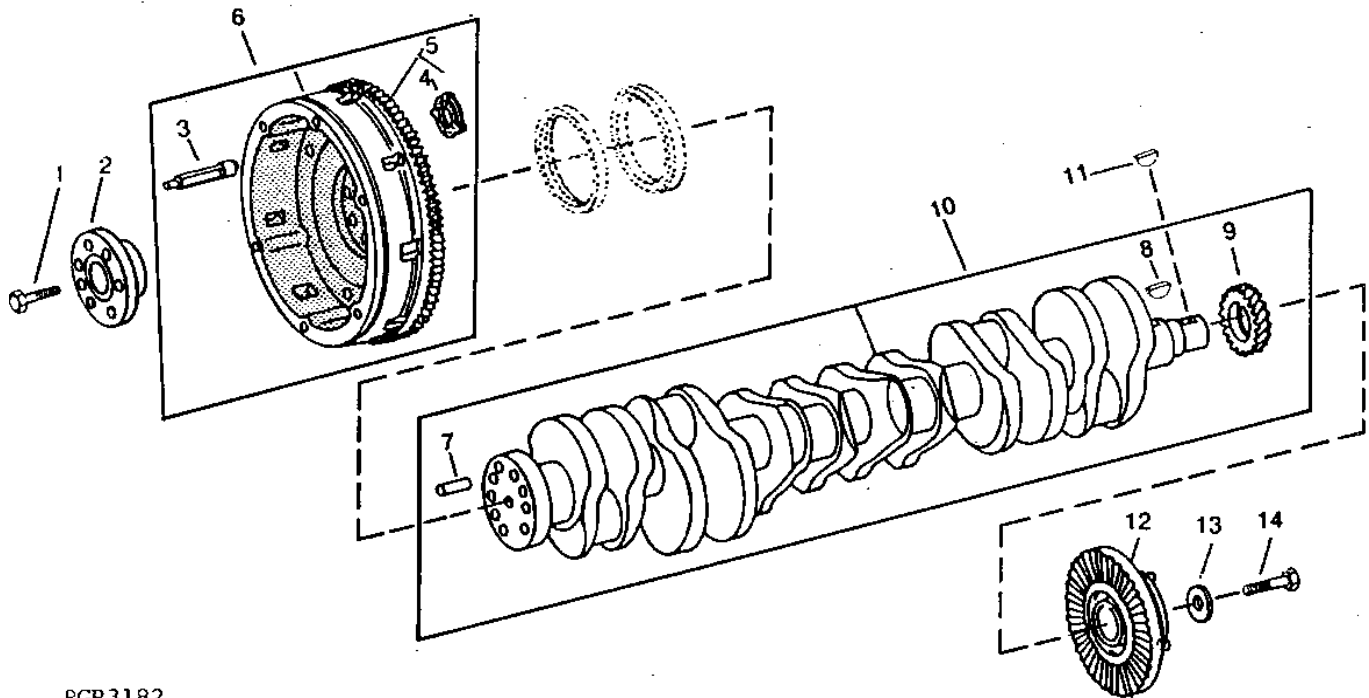
KEY	PART NO.	PART NAME	QTY	ENGINE SERIAL NO.	REMARKS
1	R41041	CAP SCREW	3		
2	R46554	COVER	1	(NLA)	
3	R40776	WASHER	1		
4	R46555	PLUG	1		
5	R41920	CAP SCREW	1		

# 1B22

ENGINE

## CRANKSHAFT AND FLYWHEEL (6531D)

RGP3182 -UN-01JAN94



RGP 3182

KEY	PART NO.	PART NAME	QTY	ENGINE SERIAL NO.	REMARKS
1	R35044	SELF-LOCKING SCREW	6	(5010, 5020*, 5020&, 6030)	
	R54099	CAP SCREW	6	(SUB FOR R42364 OR R63789) (5400)	
2	E48686	HUB	1	(5400)	
3	R26646	PIN	3	-004499	
	R36675	PIN	3	004500-	
	R55274	PIN	3	(SUB FOR R49215) (6030)	
4	R57480	GASKET	1	(5020*, 5020&, 6030)	
5	AR103044	KIT	1	(MARKED R76000) (SUB FOR R35047)	
6	AR103108	FLYWHEEL	1	(MARKED R35060, R42200, R42210, R40190 OR R40820) (SUB FOR AR36904, AR35800, AR36092, AR40936, AR36619, AR44104 OR AR44105) (5020*, 5020&) (NLA)	
	AR103112	FLYWHEEL	1	(MARKED R44070) (SUB FOR AR45278)	
	AR103109	FLYWHEEL	1	(MARKED R49220 OR R54780) (SUB FOR AR52639, AR63261 OR AR64672) (5010)	
	AR52802	FLYWHEEL	1	-293817 (MARKED R49350) (SUB AR103322) (5400)	
	AR103322	KIT	1	293818- (MARKED R63349) (SUB FOR AR78264) (5400)	
7	R60161	DOWEL PIN	2	(SUB FOR R35046 OR T23740)	
8	26H12	SHAFT KEY	1	1/8" X 3/4"	
9	R35045	GEAR	1		
10	AR69263	CRANKSHAFT	1	(MARKED R36350 OR R63476) (SUB FOR AR35010) (SUB AR92533)	
11	26H85	SHAFT KEY	1	1/4" X 1"	
12	AR58180	ABSORBER	1	-004499 (A) (SUB FOR R35646) (NOT SHOWN) (5010)	
	AR58177	ABSORBER	1	004500- (A) (SUB FOR R34365, AR53023 OR AR50397) (5010, 5020*, 5020&, 6030)	
	AR58178	ABSORBER	1	030581- (A) AIR CONDITIONING, (NOT SHOWN) (5020&, 6030) (NLA) (7520)	
	.....	ABSORBER	NA		
13	R26333	WASHER	1		
14	19H2706	CAP SCREW	1	5/8" X 2" HS, SAE 8	

(\*) 5020 ( -024999)

(&) 5020 (025000- )

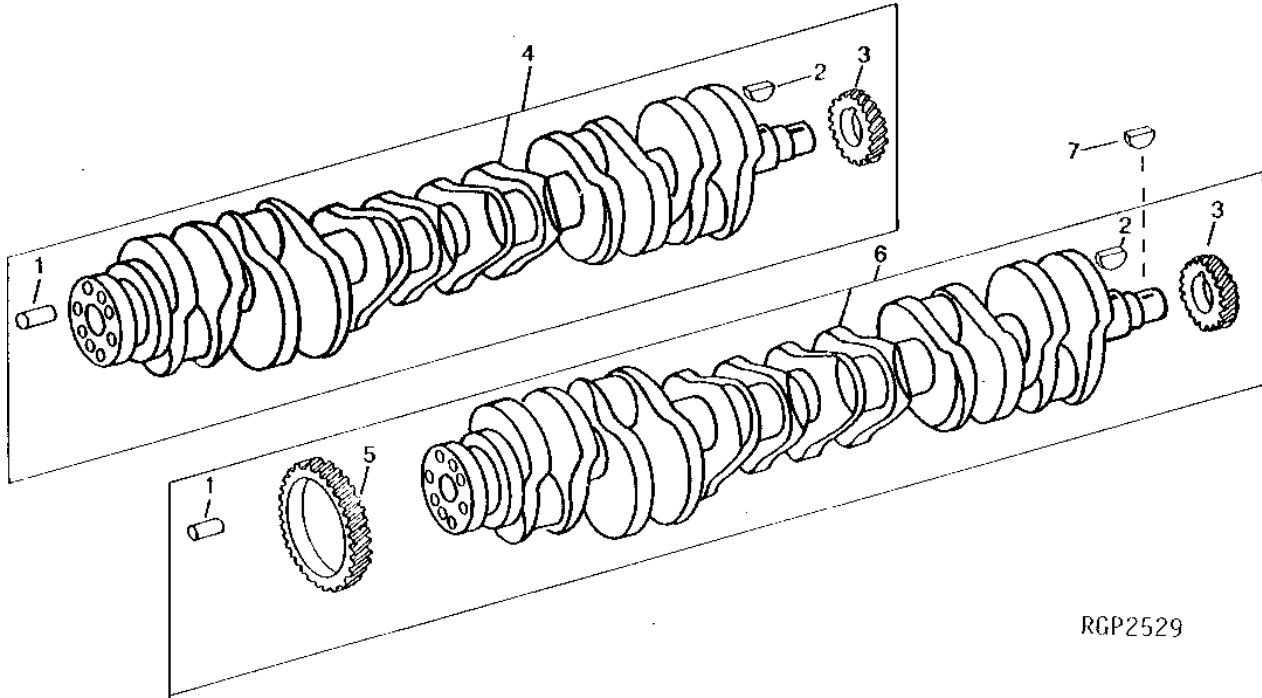
(A) USE ON NATURALLY ASPIRATED ENGINES ONLY

# 1B23

ENGINE

RGP2529 -UN-01JAN94

## CRANKSHAFT



RGP2529

KEY	PART NO.	PART NAME	QTY	SHORT BLOCK SERIAL NO.	REMARKS
1	R60161	DOWEL PIN	AR		
2	26H12	SHAFT KEY	1		1/8" X 3/4"
3	R35045	GEAR	1		
4	AR69263	CRANKSHAFT	1	-223644	(MARKED R36350) (SUB AR92533)
5	R63326	GEAR	1	223645-	
6	AR92533	CRANKSHAFT	1	223645-	(MARKED R63476)
7	26H85	SHAFT KEY	1		1/4" X 1"

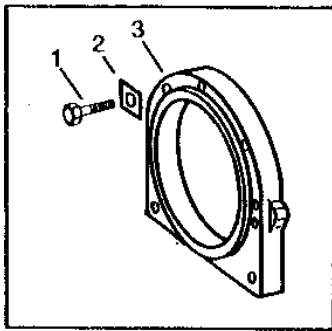
# 1B24

ENGINE

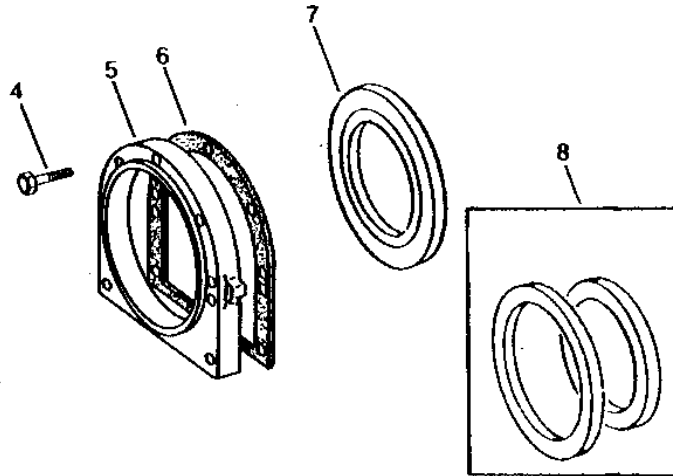
RGP2793

-UN-01JAN94

## CRANKSHAFT REAR OIL SEAL AND HOUSING



RGP2793



KEY	PART NO.	PART NAME	QTY	ENGINE SERIAL NO.	REMARKS
1	19H2661	CAP SCREW	7	-030841	5/16" X 1-3/8"
2	R35128	LOCK PLATE	7	-030841	
3	AR45347	HOUSING	1	-030841	(SUB RE13310, R110212, (7) T27860 AND (2) 19H3564)
4	R41035	CAP SCREW	7	030842-	7.925 X 35.052 MM (5/16" X 1.380") (USE WITH R46577)
5	R46577	HOUSING	1	030842-	(SUB R110212, (7) T27860 AND (2) 19H3564)
	R73791	HOUSING	1		(SUB R110212 AND (7) T27860)
6	R35043	GASKET	1		
7	RE13310	SEAL	1		(SUB FOR RE13312)
8	AR101833	SEAL	1		(SUB RE13310) (SUB FOR AR48942)

---

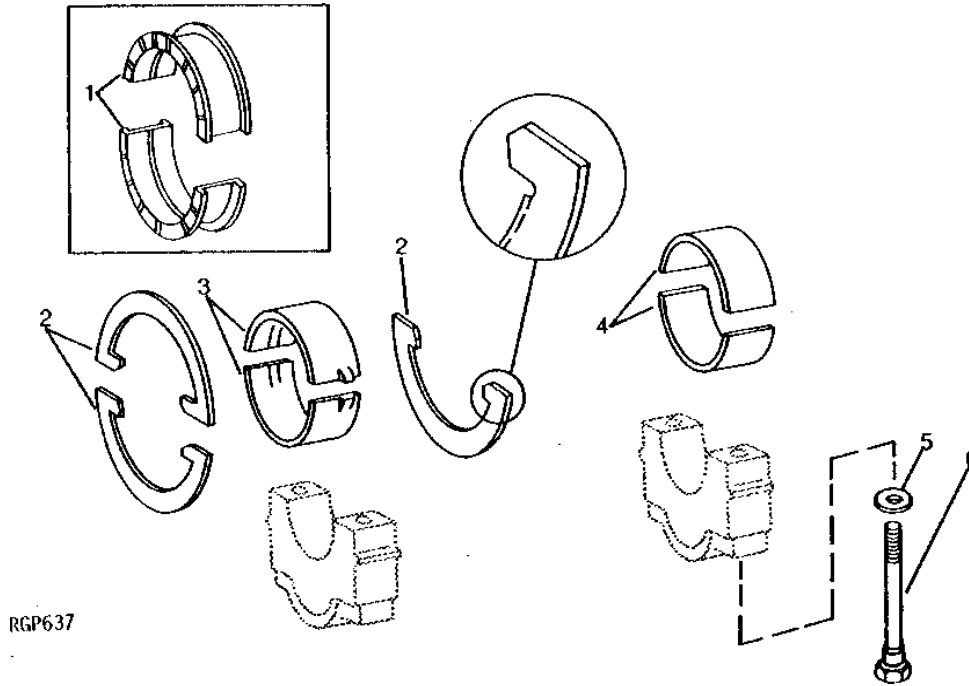
MEMORANDA

# 1C1

ENGINE

## MAIN AND MAIN THRUST BEARINGS (6531)

RGP637 -UN-01JAN94



KEY	PART NO.	PART NAME	QTY	ENGINE SERIAL NO.	REMARKS
1	AR53019	THRUST BEARING	1	-306439	STD (PKG. OF R40228, R80229 OR R49383 AND R49384) (SUB FOR AR35176) (SUB AR101267) (ALSO ORDER AR89622 OR AR89971)
	AR57203	THRUST BEARING	1	-306439	0.05 MM (.002") US, STD FLANGE (PKG. OF R35561 AND R35562, R52533 AND R52534) (SUB AR104563) (SUB FOR R35177) (ALSO ORDER AR89622 OR AR89971)
	AR35178	THRUST BEARING	1		0.08 MM (.003") US (PKG. OF R35563 & R35564) (NLA)
	AR57204	THRUST BEARING	1	-306439	0.25 MM (.010") US, STD FLANGE (PKG. OF R52535 AND R52536) (SUB AR104564) (ALSO ORDER AR89622 OR AR89971)
	AR57205	THRUST BEARING	1	-306439	0.51 MM (.020") US, STD FLANGE (PKG. OF R35565 & R35566, R52537 & R52538) (SUB FOR AR35179) (SUB AR104565) (ALSO ORDER AR89622 OR AR89971)
	AR35180	THRUST BEARING	1		0.56 MM (.022") US (PKG. OF R35567 AND R35568) (NLA)
	AR57206	THRUST BEARING	1	-306539	0.76 MM (.030") US, STD FLANGE (PKG. OF R35569 & R35570, R52539 & R52540) (SUB FOR AR35181) (SUB AR104566) (ALSO ORDER AR89622 OR AR89971)
	AR35182	THRUST BEARING	1		0.81 MM (.032") US (PKG. OF R35571 AND R35572) (NLA)
	AR63214	THRUST BEARING	1	-306439	0.25 MM (.010") US, 0.18 MM (.007") OS FLANGE, (SUB AR104564) (ALSO ORDER AR89622 OR AR89971) (PKG. OF R54754 AND R54755)
	AR35183	THRUST BEARING	1		STD. WITH 0.38 MM (.015") OS FLANGE (PKG. OF R35573 & R35574) (NLA)
	AR35184	THRUST BEARING	1		0.81 MM (.032") US W/ 0.63 MM (.025") OS FLANGE (PKG. OF R35575 & R35576) (NLA)
	AR35314	THRUST BEARING	1		0.81 MM (.032") US WITH 0.63 MM (.025") OS FLANGE (PKG. OF R35785 & R35786) (NLA)



# 1C2

ENGINE

## MAIN AND THRUST BEARINGS - CONTINUED

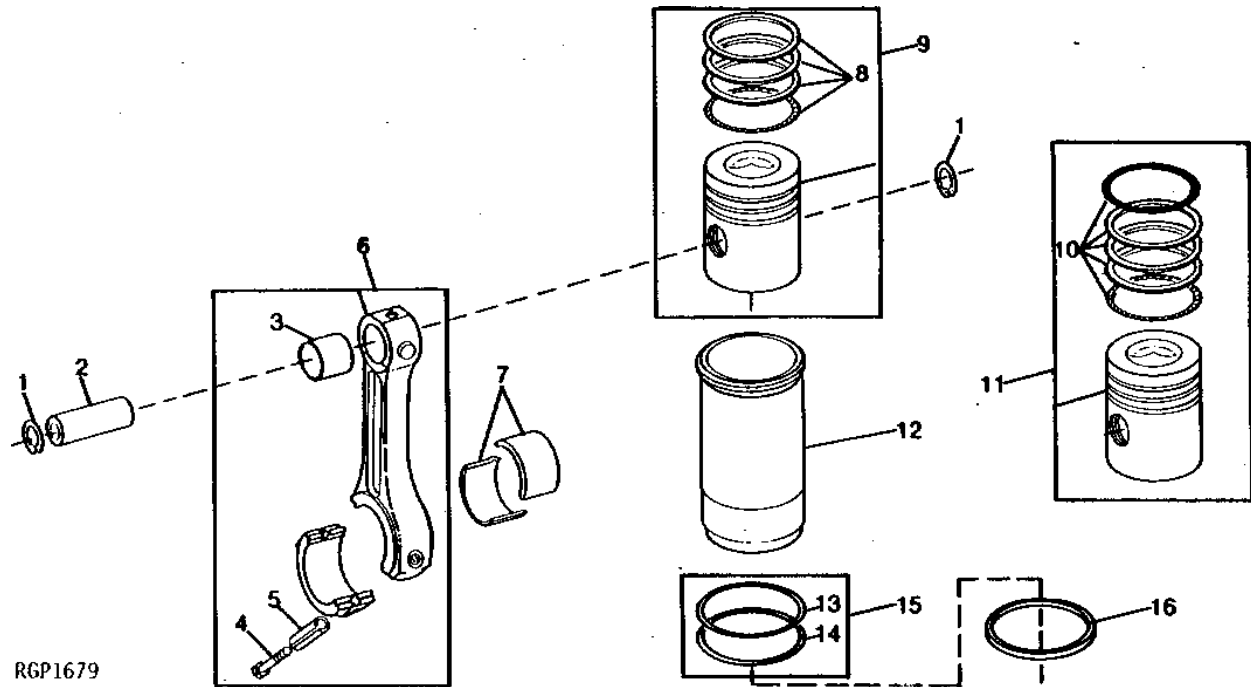
KEY	PART NO.	PART NAME	QTY	ENGINE SERIAL NO.	REMARKS
2	AR89622	THRUST WASHER	1	306440-	STD (PKG. OF (3) R62910)
	AR89971	THRUST WASHER	1	306440-	0.18 MM (.007") OS, (PKG. OF R62910 AND (2) R69040)
3	AR101267	THRUST BEARING	1	306440-	STD (PKG. OF R40228 AND R40229 OR R49383 AND R49384 OR (2) R66339, (2) R75146 OR (2) R74669) (SUB FOR AR101408, AR94645, AR53019 OR AR35176) (ALSO ORDER AR89622 OR AR89971)
	AR104563	THRUST BEARING	1	306440-	0.05 MM (.002") US (PKG. OF R35561 AND R35562 OR R52533 AND R52534 AND AR94646 OR (2) R69032, (2) R75157 OR (2) R76641, (SUB FOR AR35177, AR101409, AR94646 OR AR57203) (ALSO ORDER AR89622 OR AR89971)
	AR104564	THRUST BEARING	1	306440-	0.25 MM (.010") US (PKG. OF (2) R69034, (2) R75159 OR (2) R76643) (SUB FOR AR101410, AR57204, AR63214 OR AR94647)
	AR104565	THRUST BEARING	1	306440-	0.51 MM (.020") US, (PKG. OF R35565 AND R35566 OR (2) R69036, (2) R75161 OR (2) R76645 OR R52537 AND R52538) (SUB FOR AR35179, AR101411, AR94648 OR AR57205) (ALSO ORDER AR89622 OR AR89971)
	AR104566	THRUST BEARING	1	306440-	0.76 MM (.030") US, (PKG. OF R35569 AND R35570 OR (2) R69038, (2) R75163 OR (2) R76647, R52539 OR R52540) (SUB FOR AR35181, AR101412, AR94649 OR AR57206) (ALSO ORDER AR89622 OR AR89971)
	AR104567	BEARING	AR		STD (PKG OF (2) R40227 OR (2) R49382, (2) R66337, (2) R75144 OR (2) R74667) (SUB FOR AR53018, AR101403 OR AR35660)
4	AR101266	BEARING	1		0.05 MM (.002") US (PKG. OF (2) R52529, (2) R69024, (2) R75149, (2) R76633 OR (2) R35577) (SUB FOR AR57199, AR35185 OR AR90642)
	AR35186	BEARING	AR		0.08 MM (.003") US (PKG. OF (2) R35578) (NLA)
	AR104568	BEARING	AR		0.25 MM (.010") US, (PKG. OF (2) R52530, (2) R69026, (2) R75151, OR (2) R76635) (SUB FOR AR57200 OR AR90641)
	AR104569	BEARING	AR		0.51 MM (.020") US, (PKG. OF (2) R35579, (2) R52531, (2) R69028, (2) R75153 OR (2) R76637) (SUB FOR AR57201, AR35187 OR AR90644)
AR35188	BEARING	AR		0.56 MM (.022") US (PKG. OF (2) R35580) (NLA)	
	AR104570	BEARING	AR		0.76 MM (.030") US, (PKG. OF (2) R35581, (2) R52532, (2) R69030, (2) R75155 OR (2) R76639) (SUB FOR AR57202, AR35187 OR AR90645)
5	AR35190	BEARING	AR		0.81 MM (.032") US (PKG. OF (2) R35582) (NLA)
	R70268	WASHER	14		16.662 X 27.940 X 4.394 MM (21/32" X 1.100" X 0.173") (SUB FOR R42363 OR R36995)
6	R42365	BOLT	14		15.875 X 120.650 MM (5/8" X 4-3/4") (SUB FOR R40231) (USE WITH R35130, R40270, R45300 OR R47510)
	R63952	CAP SCREW	14		15.875 X 133.350 MM (5/8" X 5-1/4") (USE WITH R48260, R72129 OR R80401) (SUB FOR R60117)

# 1C3

ENGINE

## PISTONS, RINGS, CONNECTING ROD AND LINERS (6531D)

RGP1679 -UN-01JAN94



RGP1679

# 1C4

ENGINE

**PISTONS, RINGS, CONNECTING ROD, AND LINERS - CONTINUED**  
(6531D)

KEY	PART NO.	PART NAME	QTY	ENGINE SERIAL NO.	REMARKS
1	D2824R	SNAP RING	12		
2	R35053	PISTON PIN	6		STD
	R36413	BUSHING	6		.003" OS (MARKED YELLOW)
	R36414	PISTON PIN	6		.005" OS (MARKED RED)
3	R36328	BUSHING	6		
4	R66453	CAP SCREW	12		(SUB FOR R35049 OR R48316)
5	R48317	SLEEVE	12	290635-	(USE WITH AR59420) (MARKED R53286)
6	AR36666	CONNECTING ROD	6	-290634	(MARKED R35048, R40238 OR R58881) (SUB AR86987) (SUB FOR AR35012)
	AR86987	CONNECTING ROD	6	290635-	(MARKED R53286, R58881 OR R66927) (SUB FOR AR59420 OR AR70911)
7	AR53020	BEARING	AR		STD (PKG. OF (2) R49385) (SUB FOR AR35661)
	AR57207	BEARING	AR		.002" US, (PKG. OF (2) R52541) (SUB FOR AR35191)
	AR57208	BEARING	AR		.010" US, (PKG. OF (2) R52542) (SUB FOR AR45221)
	AR57209	BEARING	AR		.020" US, (PKG. OF (2) R52543) (SUB FOR AR35193)
	AR57210	BEARING	AR		.030" US, (PKG. OF (2) R52544) (SUB FOR AR35195)
8	AR41295	PISTON RING	6		(USE WITH AR41294, AR61897 OR R44506)
9	AR44505	PISTON	6		(MARKED R36801, R40627, R40951 OR AR44506) (SUB FOR AR36145 OR AR36872)
	AR41293	PISTON	6	-011999	(MARKED AR41294) (SUB RE16549)
	AR61896	PISTON	6	012000-025386	(MARKED AR61897) (SUB RE16549)
	AR41293	PISTON	6	025387-	(MARKED AR41294) (SUB RE16549)
	RE16549	PISTON	6		(MARKED RE16548)
10	AR36210	PISTON RING	6		(USE WITH R40339, R36801, R40627 OR R40951)
11	AR36836	PISTON	6		(MARKED R40339) (SUB RE16549)
12	R35124	CYLINDER LINER	6		(ALSO ORDER AR35992) (SUB FOR AR35662) (USE WITH R35130) (5010)
	R42366	CYLINDER LINER	6		(ALSO ORDER AR55951) (SUB FOR R40232) (USE WITH R40270, R42370 AND R47510)
13	R40233	WASHER	6		(USE WITH R40232, R40270, R42370, R45300 OR R47510)
14	.....	PACKING	6		(SUB AR55950)
15	AR55950	PACKING	6		(5020*, 5010)
	AR55950	PACKING	6	-280000	(USE WITH (1) O-RING GROOVE IN BLOCK) (5020&)
	AR55951	PACKING	6	280001-	(3 PC SET) (USE W/(2) O-RING GROOVES IN BLOCK) (SUB FOR AR51957) (5020&, 5010, 6030)
	AR35992	O-RING	6		(USE WITH R35124 OR R35130) (5010)
16	AR35842	SHIM	AR		.10 MM (.004") (5020*, 5010)
	AR36353	SHIM	AR		.38 MM (.015") (5020*, 5010)
	AR35843	SHIM	AR		.72 MM (.030") (5020*, 5010)

(\*) 5020 ( -024999)

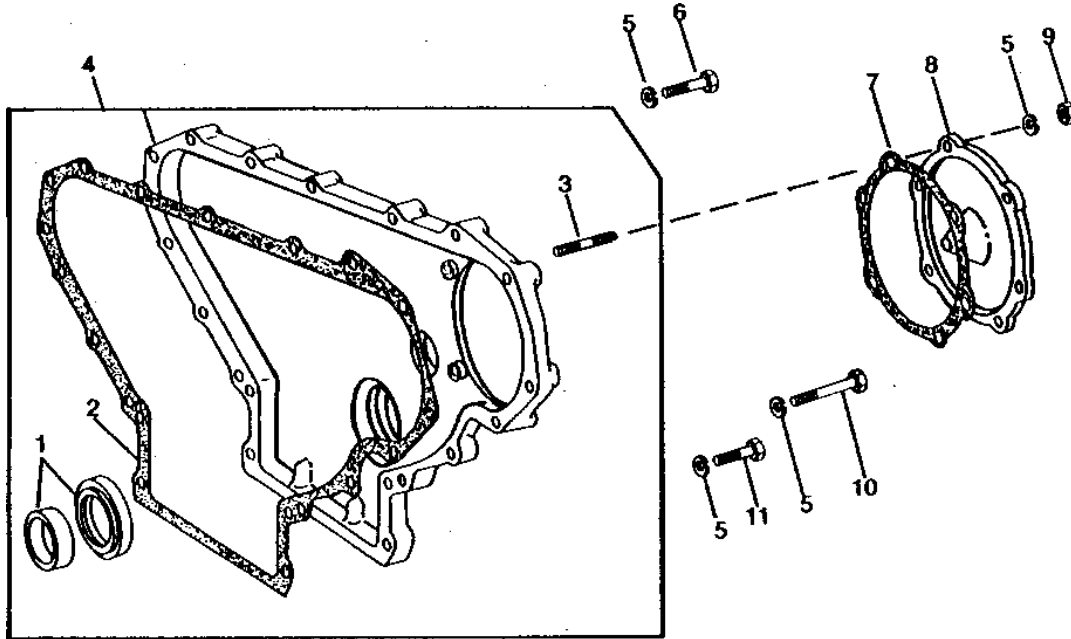
(&) 5020 (025000- )

# 1C5

ENGINE

## TIMING GEAR COVER (6531D)

RGP1539 -UN-01JAN94



RGP1539

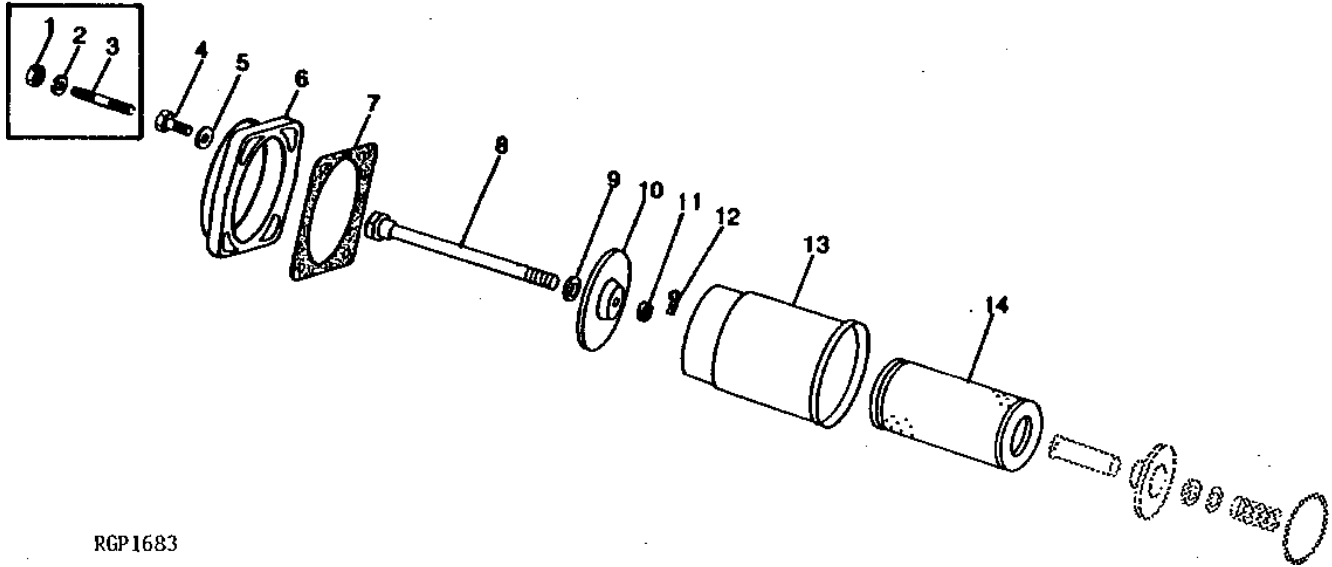
KEY	PART NO.	PART NAME	QTY	ENGINE SERIAL NO.	REMARKS
1	AR49025	SEAL	1		(SUB FOR AR47891, AR44949, AR31882 AND AR48728)
2	R35126	GASKET	1		
3	R32042	STUD	2		
4	AR36057	COVER	1		(MARKED R36655) (NLA)
5	12H304	LOCK WASHER	17		3/8"
6	19H1801	CAP SCREW	7		3/8" X 2"
7	R35349	GASKET	1		
8	R35348	COVER	1		
9	14H1076	NUT	2		3/8"
10	19H1733	CAP SCREW	4		3/8" X 2-1/2"
11	19H1800	CAP SCREW	4		3/8" X 1-1/2"

# 1C6

ENGINE

## ENGINE OIL FILTER (6531D)

RGP1683 -UN-01JAN94



RGP1683

KEY	PART NO.	PART NAME	QTY	ENGINE SERIAL NO.	REMARKS
1	14H1076	NUT	4	3/8"	
2	24H1301	WASHER	4	13/32" X 9/16" X 0.065"	
3	D2420R	STUD	4		
4	19H1732	CAP SCREW	4	3/8" X 1-1/4"	
5	24M7096	WASHER	4	10.500 X 18 X 1.600 MM	
6	R42055	COVER	1		
7	R35032	GASKET	1		
8	R40327	CAP SCREW	1		
9	24H1302	WASHER	1	13/32" X 11/16" X 0.035"	
10	R40279	REINFORCEMENT	1		
11	A4847R	WASHER	1	(SUB FOR R40278)	
12	11M7081	COTTER PIN	1	0.098" X 0.787"	
13	R40277	HOUSING	1		
14	AR75603	FILTER ELEMENT	1	(SUB FOR AR28271 OR AT34670 OR AR75601)	

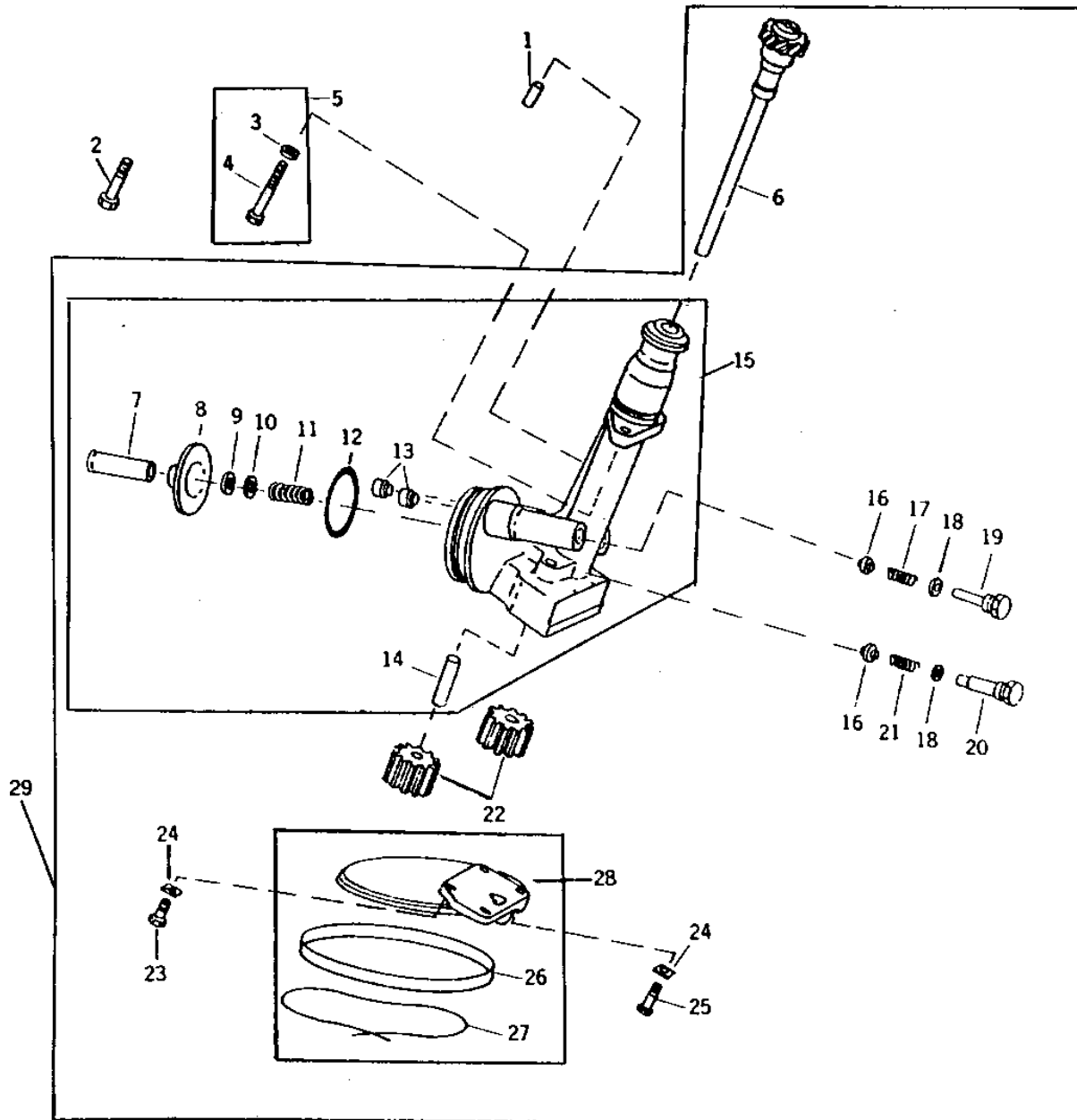
# 1C7

ENGINE

## ENGINE OIL PUMP (6531D)

RGP3288

-UN-01JAN94



RGP3288

# 1C8

ENGINE

ENGINE OIL PUMP - CONTINUED  
(6531D)

KEY	PART NO.	PART NAME	QTY	ENGINE SERIAL NO.	REMARKS
1	H826R	DOWEL PIN	1	(5010)	
2	R38614	CAP SCREW	2	(USE WITH R56604)	
3	R42729	WASHER	2	(USE WITH R40217)	(SUB FOR R1888R, THIS APPLICATION)
4	19H1800	CAP SCREW	2	(5010)	
	R38614	CAP SCREW	2	(USE WITH R56604)	(5020*)
	R41920	CAP SCREW	2	(USE WITH R40217)	
5	AR63865	KIT	1	(USE WITH R40217)	
6	26H73	SHAFT KEY	1	-XXXXXX	
	AR35035	GEAR	1	(MARKED R32427)	
7	R26146	TUBE	1	(5010)	
	R40269	OIL TUBE	1		
8	.....	PLATE	NA		( R35136 AVAILABLE ONLY IN ASSEMBLY) (5010)
	R40271	PLATE	1		
9	R26149	PACKING	1	(5010)	
	R40273	WASHER	1		
10	24H1388	WASHER	1	25/32" X 15/16" X 0.036",	(5010)
	24H1707	WASHER	1	1-1/32" X 1-3/16" X 0.036"	
11	R26151	SPRING	1	(5010)	
	R40272	SPRING	1		
12	R26121	O-RING	1		
13	R26493	BUSHING	2	005273-	
14	R26144	SHAFT	1		
15	.....	HOUSING	NA		( AR36240 NO LONGER AVAILABLE) (SUB AR36239) (MARKED R36716 OR R36863) (ALSO ORDER R26152, R36864, R36865 AND H294R) (SUB FOR AR36056) (5010)
	AR67468	HOUSING	1		(MARKED R40217 OR R56604) (SUB FOR AR36693 OR AR68310) (ALSO ORDER (2) R38614, (2) R41920 AND (2) R42729) (NLA)
16	R26152	VALVE	2	005273-	
17	R36864	SPRING	1	005273-	
18	H294R	WASHER	2	005273-	
19	R36865	FITTING	1	005273-	
20	R26153	FITTING	1		
21	R36715	SPRING	1		
22	AR36694	GEAR	1		(SUB FOR AR26705)
23	19H2127	CAP SCREW	2	5/16" X 7/8"	
24	R35128	LOCK PLATE	4		
25	19H3552	CAP SCREW	1	5/16" X 1-1/2",	(5010)
	19H3552	CAP SCREW	1	5/16" X 1-1/2"	
	19H1849	CAP SCREW	1	5/16" X 1-1/4"	
26	R35138	SCREEN	1		
27	.....	WIRE	1	16 GAUGE 622 MM (24-1/2")	
28	AR35164	OIL PUMP INTAKE	1	(MARKED R35028) (NLA)	
29	.....	OIL PUMP	1	(AR36239 NO LONGER AVAILABLE) (SUB FOR AR36055) (5010)	
	AR36702	OIL PUMP	1	(SUB FOR AR76542) (ALSO ORDER (2) R38614 AND (2) AR63865)	

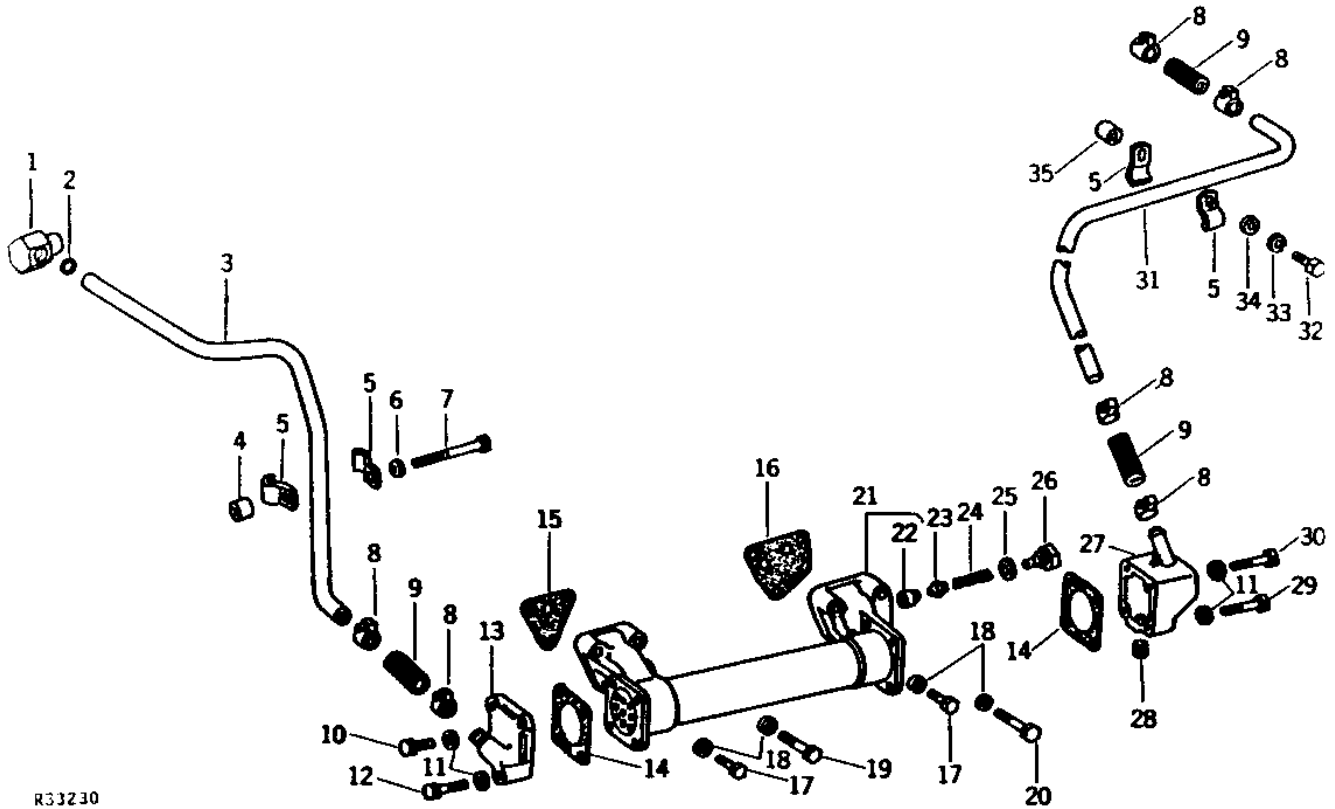
(\* ) 5020 ( -024999)  
(& ) 5020 (025000- )

# 1C9

ENGINE

## ENGINE OIL COOLER (6531D)

R33230 -UN-01JAN94



R33230



# 1C10

ENGINE

## ENGINE OIL COOLER - CONTINUED (6531D)

KEY	PART NO.	PART NAME	QTY	ENGINE SERIAL NO.	REMARKS
1	R35800	ADAPTER	1		
2	R375R	O-RING	1		
3	R35799	LINE	1		WATER INLET
4	28H1697	SPACER	1		(5010, 5020*, 6030)
	28H1535	SPACER	1		(5020&)
5	R35726	CLAMP	4		
6	12H304	LOCK WASHER	1		3/8"
7	19H1912	CAP SCREW	1		3/8" X 3-1/2"
8	AR21837	CLAMP	6		(SUB TY22465)
9	R20922	HOSE	3		(SUB FOR A5334R)
10	19H1849	CAP SCREW	3		5/16" X 1-1/4"
11	12H303	LOCK WASHER	8		5/16"
12	19H1901	CAP SCREW	1		5/16" X 2"
13	R35059	CAP	1		REAR
14	R27948	GASKET	2		
15	R35104	GASKET	1		
16	R35105	GASKET	1		
17	19H2552	CAP SCREW	2		3/8" X 1-1/8"
18	12H304	LOCK WASHER	4		3/8"
19	19H3181	CAP SCREW	2		3/8" X 2"
20	19H1726	CAP SCREW	2		3/8" X 2-1/4"
21	AR36929	OIL COOLER	1		(SUB FOR AR35027)
22	R26493	BUSHING	1		
23	R26152	VALVE	1		(BY PASS)
24	A354R	SPRING	1		(SUB FOR R26169)
25	H294R	WASHER	1		
26	R34788	FITTING	1		
27	R35058	CAP	1		FRONT
28	15H559	PIPE PLUG	1		1/4"
29	19H1875	CAP SCREW	2		5/16" X 1-3/4"
30	19H1907	CAP SCREW	2		5/16" X 2-3/4"
31	R35062	LINE	1		WATER OUTLET
32	19H1732	CAP SCREW	1		3/8" X 1-1/4"
33	12H304	LOCK WASHER	1		3/8"
34	24H1652	WASHER	1		13/32" X 11/16" X 7/64"
35	28H1519	WASHER	1		0.493" X 0.675" X 3/8"

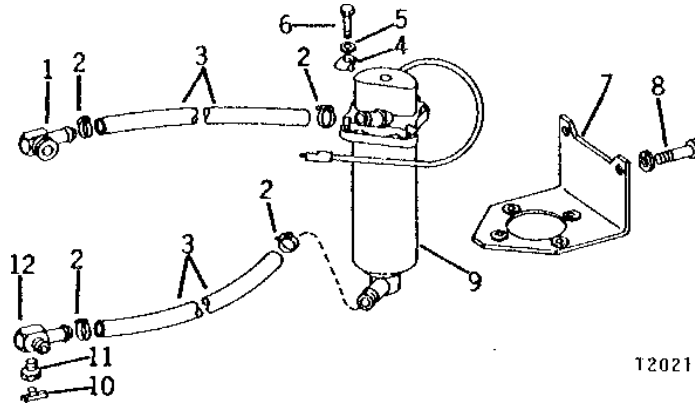
(\* ) 5020 ( -024999)  
(& ) 5020 (025000- )

# 1C11

ENGINE

ENGINE COOLANT HEATER  
(ENGINE SERIAL NO. -280000)

T20213 -UN-01JAN94



T20213F

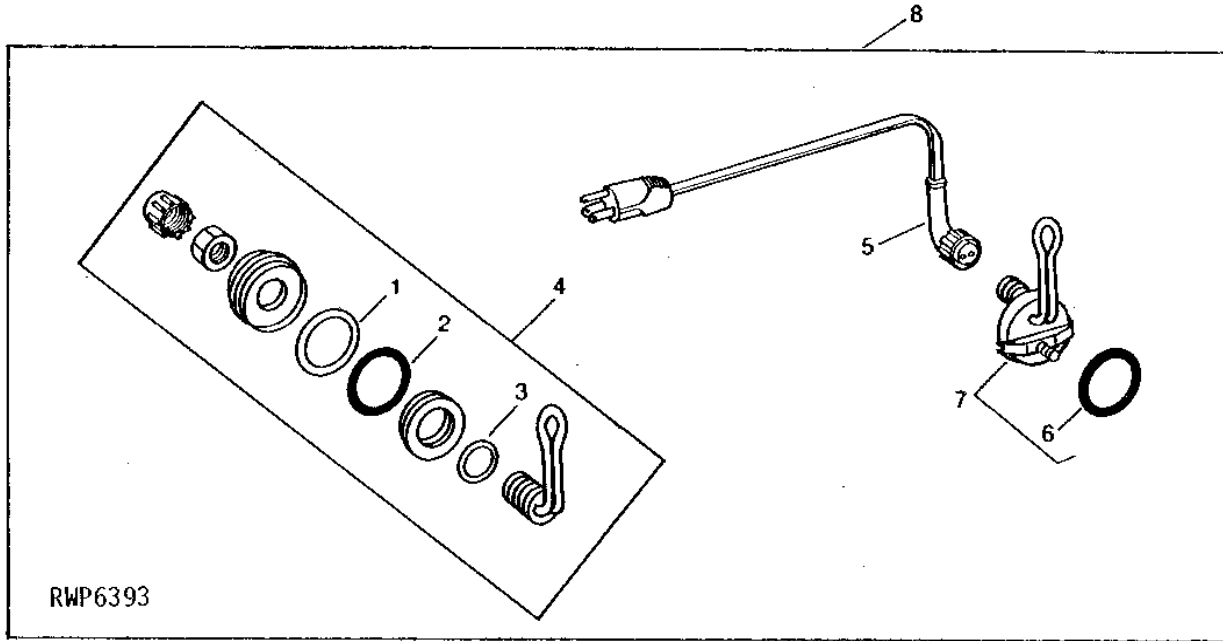
KEY	PART NO.	PART NAME	QTY	TRACTOR SERIAL NO.	REMARKS
1	AR48369	ELBOW FITTING	1		
2	AR21837	CLAMP	4	(SUB TY22467)	
3	.....	HOSE	1	330MM (13") (MAKE FROM R45847) (SUB FOR R42631)	
4	T22645	CLIP	1		
5	24H1287	WASHER	4	9/32" X 5/8" X 0.065"	
6	19H1914	CAP SCREW	3	1/4" X 1"	
	19H1791	CAP SCREW	3	1/4" X 1-1/4"	
7	R44967	BRACKET	1		
8	19H1800	CAP SCREW	2	3/8" X 1-1/2"	
	12H304	LOCK WASHER	2	3/8"	
9	AR42326	HEATER	1	(COMPLETE)	
	AR42883	COOLANT HEATER	1	ELEMENT	
	AR42991	HOUSING	1		
	F1649R	O-RING	1		
10	AR44382	DRAIN VALVE	1		
11	15H642	PIPE BUSHING	1	3/8" X 1/4"	
12	AR42590	ELBOW FITTING	1		
..	AR47168	HEATER	1	(COMPLETE)	

# 1C12

ENGINE

RWP6393 -UN-01JAN94

ENGINE COOLANT HEATER  
(ENGINE SERIAL NO. -161132)



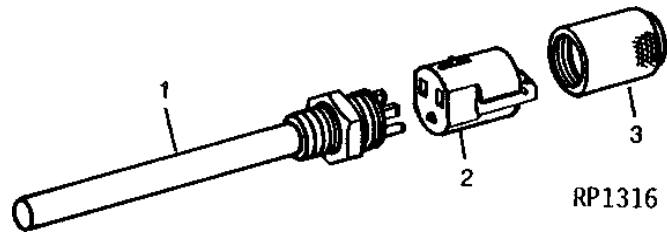
KEY	PART NO.	PART NAME	QTY	ENGINE SERIAL NO.	REMARKS
1	R47692	RING	1		
2	R31378	O-RING	1		
3	R47693	GASKET	1		
4	AR50399	HEATER	1	(SUB RE29408)	
5	AR50411	WIRING LEAD	1		
6	R30200	O-RING	1		
7	RE29408	COOLANT HEATER	1		
8	AR50518	COOLANT HEATER	1		

# 1C13

ENGINE

RP1316 -UN-01JAN94

## ENGINE OIL HEATER



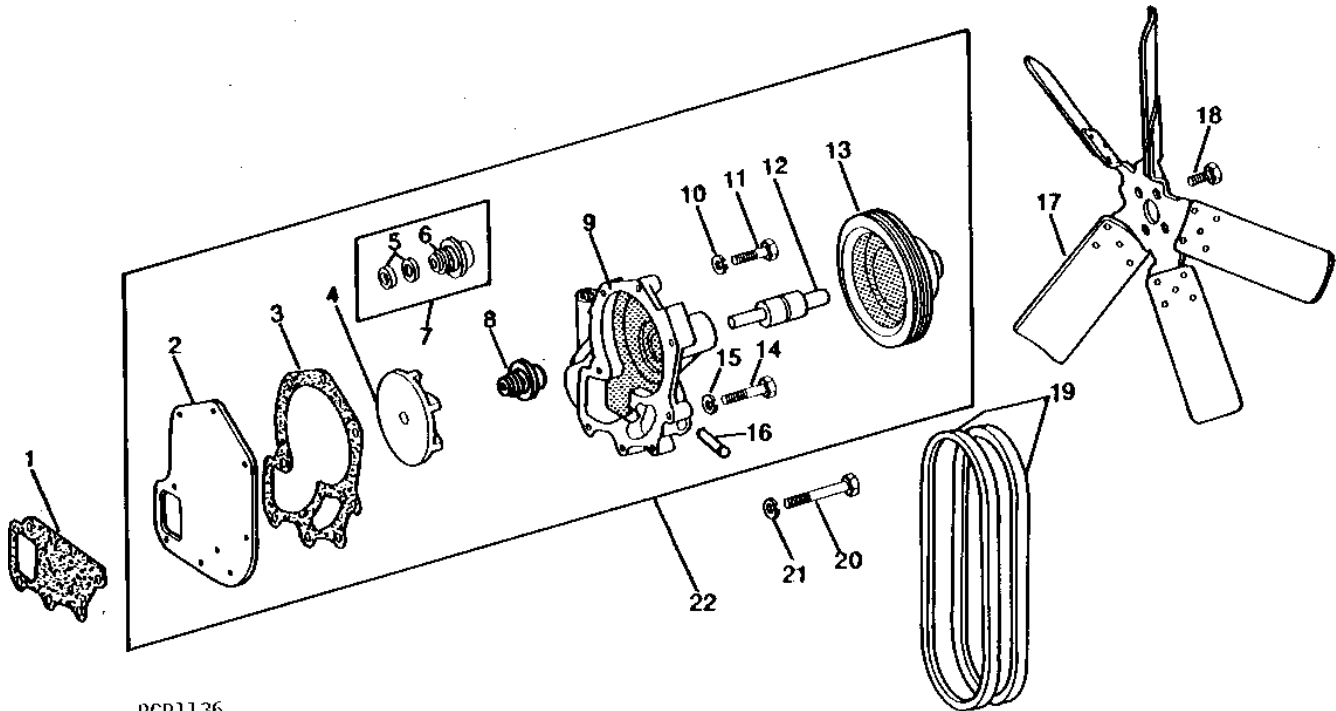
KEY	PART NO.	PART NAME	QTY	TRACTOR SERIAL NO.	REMARKS
1	AR27139	HEATING ELEMENT	1		(SUB AR21024, R20878 AND T23925)
2	AR21024	FITTING	1		
3	R20878	PLUG	1		

# 1C14

ENGINE

## FAN AND WATER PUMP (6531D)

RGP1136 -UN-01JAN94



RGP1136

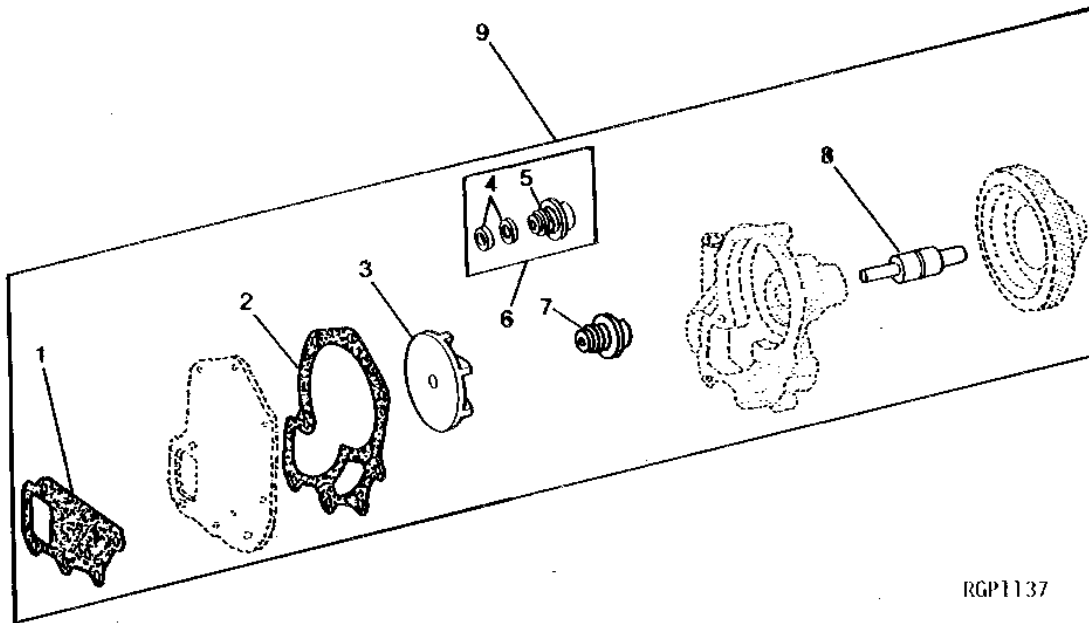
KEY	PART NO.	PART NAME	QTY	ENGINE SERIAL NO.	REMARKS
1	R35263	GASKET	1		
2	R35261	COVER	1		
3	R35262	GASKET	1		
4	R40242	IMPELLER	1		
5	AR41691	INSERT	1	(SUB RE20776)	
6	T27261	SEAL	1	(SUB RE20776)	
7	AR62934	SEAL	1	(SUB RE20776) (SUB FOR AR36668, THIS APPLICATION)	
8	RE20776	KIT	1	(SUB FOR AR101549, THIS APPLICATION)	
9	R36812	HOUSING	1		
10	12H303	LOCK WASHER	3	5/16"	
11	19H3552	CAP SCREW	3	5/16" X 1-1/2"	
12	JD9257	BALL BEARING	1		
13	R40244	PULLEY	1		
	R45118	SHEAVE	1	AIR CONDITIONING	
14	19H1801	CAP SCREW	1	3/8" X 2"	
15	12H304	LOCK WASHER	1	3/8"	
16	R27548	TUBE	1		
17	AR46805	FAN	1	(SUB FOR AR36188)	
18	19H1732	CAP SCREW	4	3/8" X 1-1/4"	
19	AR56638	BELT SET	1	(SUB FOR AR41574)	
	AR46970	BELT SET	1	AIR CONDITIONING	
20	19H1801	CAP SCREW	3	3/8" X 2"	
	19H1733	CAP SCREW	1	3/8" X 2-1/2"	
21	12H304	LOCK WASHER	4	3/8"	
22	AR36667	WATER PUMP	1		
	AR46972	WATER PUMP	1	AIR CONDITIONING	

# 1C15

ENGINE

## WATER PUMP OVERHAUL KIT (6531D)

RGP1137 -UN-01JAN94



RGPI137

KEY	PART NO.	PART NAME	QTY	ENGINE SERIAL NO.	REMARKS
1	R35263	GASKET	1		
2	R35262	GASKET	1		
3	R40242	IMPELLER	1		
4	AR41691	INSERT	1	(SUB RE20776, THIS APPLICATION)	
5	T27261	SEAL	1	(SUB RE20776, THIS APPLICATION)	
6	AR62934	SEAL	1	(SUB RE20776, THIS APPLICATION) (SUB FOR AR36668)	
7	RE20776	KIT	1	(SUB FOR AR101549, THIS APPLICATION)	
8	JD9257	BALL BEARING	1		
9	AR98567	KIT	1	(SUB FOR AR55623)	

---

MEMORANDA

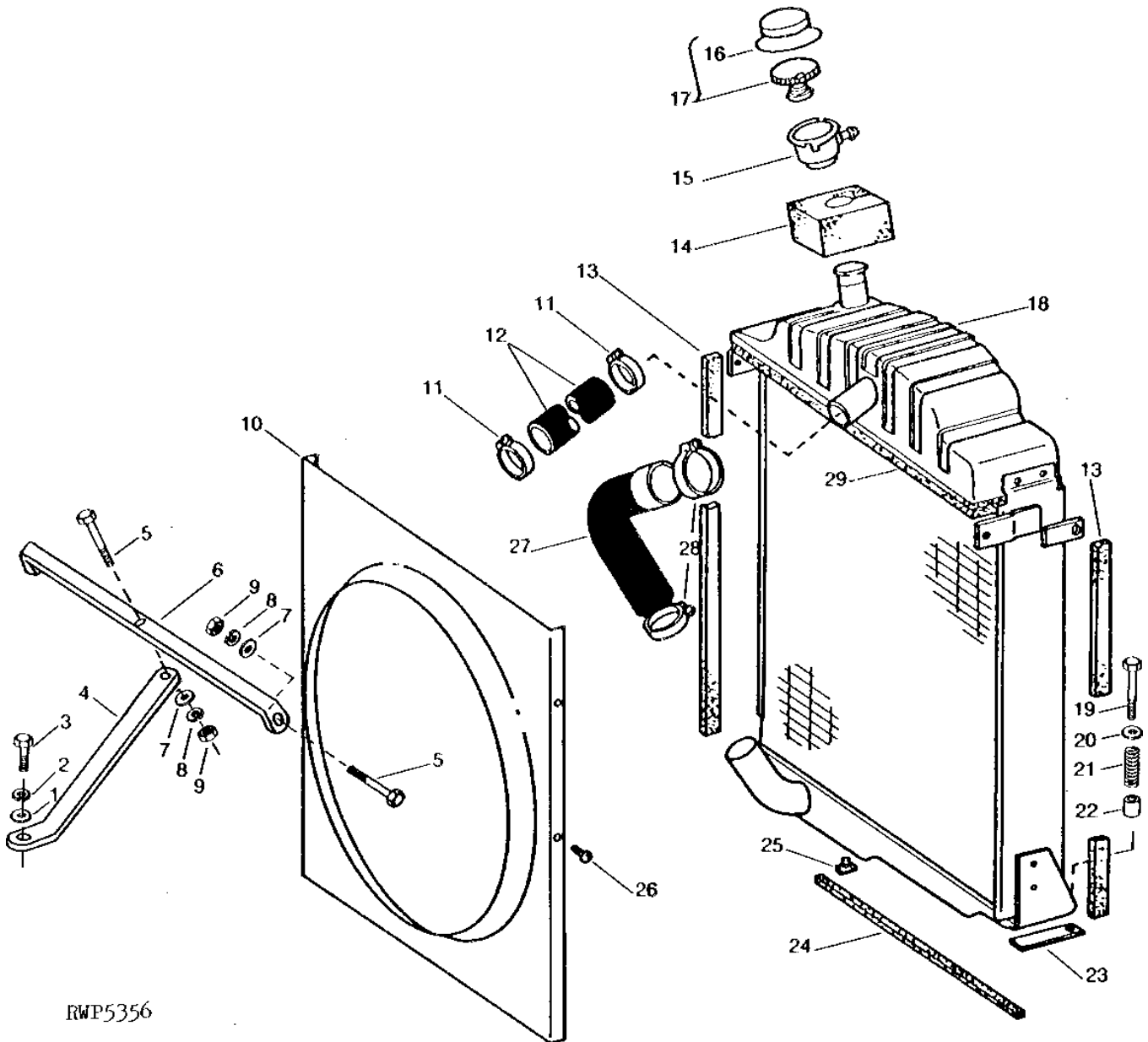
# 1C16

ENGINE

RWP5356

-UN-01JAN94

RADIATOR



RWP5356



# 1C17

ENGINE

## RADIATOR - CONTINUED

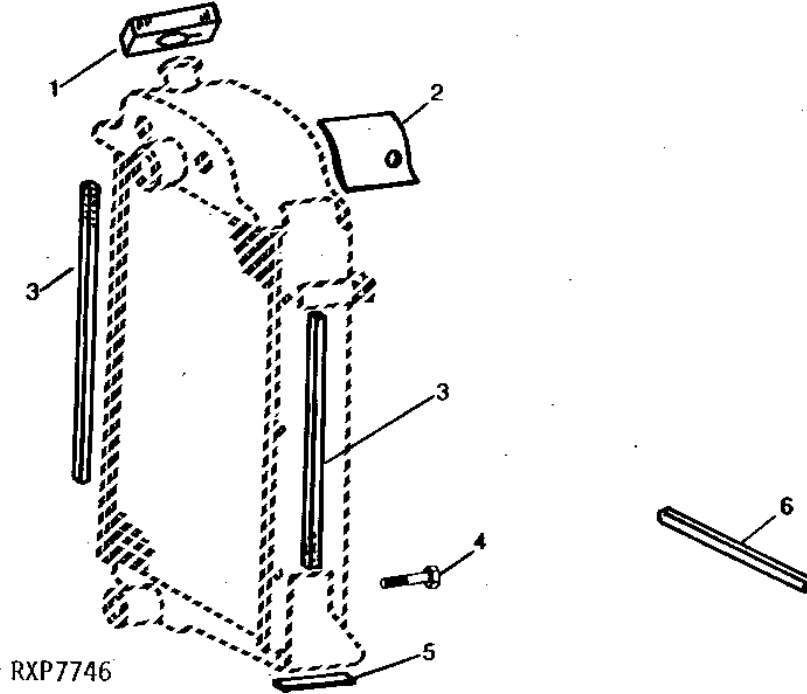
KEY	PART NO.	PART NAME	QTY	TRACTOR SERIAL NO.	REMARKS
1	24H1139	WASHER	1		11/16" X 1-1/4" X 0.105"
2	12H294	LOCK WASHER	1		5/8"
3	19H1833	CAP SCREW	1		5/8" X 1-1/4"
4	R40452	BRACE	1		
5	19H1731	CAP SCREW	2		3/8" X 1"
	19H1732	CAP SCREW	2		3/8" X 1-1/4"
6	R40451	STRAP	1		
	R45119	STRAP	1	027290-	(AIR CONDITIONED CAB)
7	24H1652	WASHER	3		13/32" X 11/16" X 7/64"
8	12H304	LOCK WASHER	3		3/8"
9	14H1076	NUT	3		3/8"
10	R40380	SHROUD	1		
11	AR21840	CLAMP	2		(SUB TY22470)
12	R53231	HOSE	1		51 X 432MM, (MAKE FROM TY22336)
13	.....	FOAM PAD	1		13 X 25 X 635MM (1/2" X 1" X 25") (MAKE FROM R30936)
14	R35741	ISOLATOR	1		
15	RE15427	FILLER NECK	1		
16	R27209	COVER	1		
17	AR28482	CAP	1		
18	AR36814	RADIATOR	1		
19	19H2549	CAP SCREW	2		3/8" X 1-7/8"
20	24H1309	WASHER	2		13/32" X 1-1/16" X 0.120"
21	F2411R	SPRING	2		
22	R26417	SPACER	2		
23	R26413	STRAP	2		
24	.....	FOAM PAD	1		13 X 13 X 559MM (1/2" X 1/2" X 22") (MAKE FROM R91588) (SUB FOR R30877)
25	AT13740	DRAIN VALVE	1		
26	37H79	SCREW	6		
27	R35305	HOSE	1		
28	AR21999	CLAMP	2		
29	R36209	ISOLATOR	1		

# 1C18

ENGINE

RXP7746 -UN-01JAN94

## RADIATOR BAFFLES AND FOAM PAD



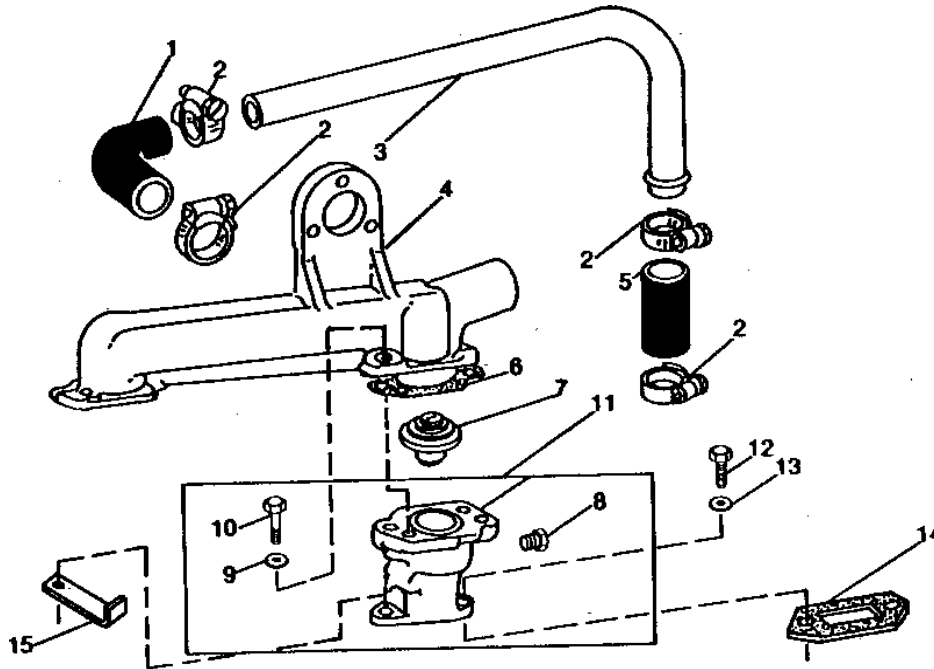
KEY	PART NO.	PART NAME	QTY	TRACTOR SERIAL NO.	REMARKS
1	R28015	FOAM PAD	1		
2	.....	FOAM PAD	1		3 X 102 X 140 MM (1/8" X 4" X 5-1/2") (MAKE FROM R30597)
3	.....	ISOLATOR	3		13 X 25 X 495 MM (1/2" X 1" X 19-1/2") (MAKE FROM R30936)
4	37H79	SCREW	6		
5	R26413	STRAP	2		
6	.....	ISOLATOR	2		13 X 18 X 495 MM (1/2" X 3/4" X 19-1/2") (MAKE FROM R30936) (AFTER AR46438 OR AR34302 HAS BEEN INSTALLED)

# 1C19

ENGINE

## WATER MANIFOLD AND THERMOSTATS (6531D)

RGP1685 -UN-01JAN94



RGP1685

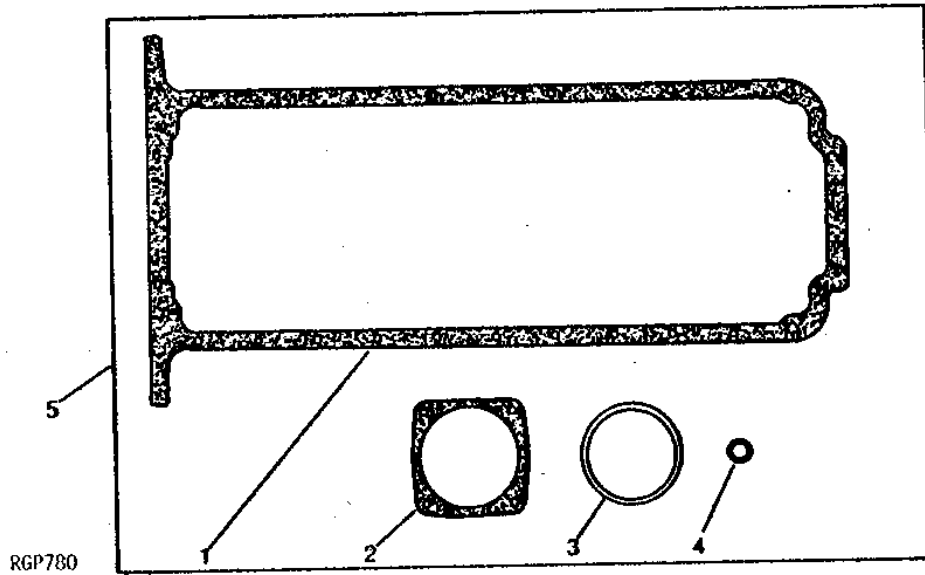
KEY	PART NO.	PART NAME	QTY	ENGINE SERIAL NO.	REMARKS
1	R81585	HOSE	1	(SUB FOR R36819)	
2	AR21840	CLAMP	4	(SUB TY22470)	
3	R36816	LINE	1		
4	R36813	MANIFOLD	1		
5	R36815	HOSE	1		
6	R42694	GASKET	2	(SUB FOR R26474)	
7	R36846	THERMOSTAT	2	(180° - 202°F.)	
	R36847	THERMOSTAT	2	(160° - 182°F.)	
	AR72852	THERMOSTAT	2	89°C (192°F)(OPTIONAL)	
8	15H559	PIPE PLUG	1	1/4"	
9	12H304	LOCK WASHER	4	3/8"	
10	19H1731	CAP SCREW	4	3/8" X 1"	
11	AR44840	HOUSING	2	(MARKED R36814, R39690 OR R41853) (SUB FOR AR39598)	
12	19H1732	CAP SCREW	4	3/8" X 1-1/4"	
13	24M7096	WASHER	4	10.500 X 18 X 1.600 MM	
14	R88397	GASKET	2	(SUB FOR R26473 OR R42693)	
15	R21478	CLIP	1	(NO LONGER AVAILABLE)	

# 1C20

ENGINE

## OIL PAN REPLACEMENT GASKET KIT (6531D)

RGP780 -UN-01JAN94



KEY	PART NO.	PART NAME	QTY	ENGINE SERIAL NO.	REMARKS
1	R71919	GASKET	1		(SUB FOR R35139, R47248 AND R61670)
2	R35032	GASKET	1		
3	R35034	PACKING	1		
4	R26121	O-RING	1		
5	AR36073	GASKET KIT	1		

---

MEMORANDA

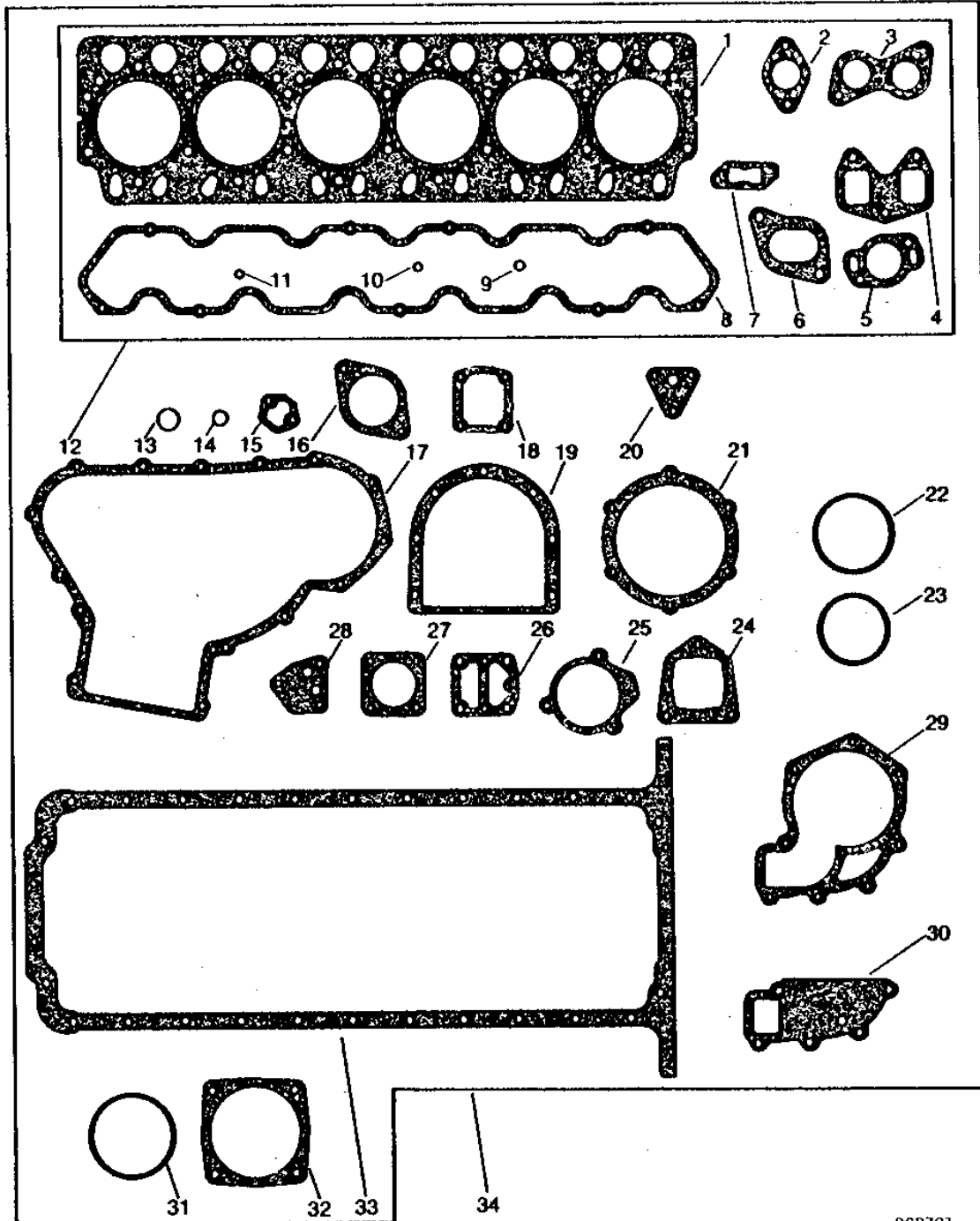
# 1C21

ENGINE

## ENGINE REBUILD AND CYLINDER HEAD GASKET SETS (6531D)

RGP781

-UN-01JAN94



RGP781

# 1C22

ENGINE

ENGINE REBUILD AND CYLINDER HEAD GASKET SETS - CONTINUED  
(6531D)

KEY	PART NO.	PART NAME	QTY	ENGINE SERIAL NO.	REMARKS
1	R78513	GASKET	1		
2	R35068	GASKET	2		
3	R35067	GASKET	2		
4	R40088	GASKET	3		
5	R42694	GASKET	2		
6	R35293	GASKET	3		
7	R88397	GASKET	2		(SUB FOR R42693)
8	R74365	GASKET	1		(SUB FOR R36652 OR R49867)
9	R35155	O-RING	6		
10	T20055	WASHER	36		
11	R463R	WASHER	6		
12	AR53613	GASKET KIT	1		(CYLINDER HEAD)
13	R495R	O-RING	1		
14	R375R	O-RING	1		
15	R97350	GASKET	1		(SUB FOR R27285)
16	R35291	GASKET	2		
17	R35126	GASKET	1		
18	R26173	GASKET	1		
19	R35043	GASKET	1		
20	R35104	GASKET	1		
21	R35349	GASKET	1		
22	R26121	O-RING	1		
23	R40777	WASHER	1		
24	R40090	GASKET	2		
25	R31340	GASKET	1		
26	R44853	GASKET	1		
27	R27948	GASKET	2		
28	R35105	GASKET	1		
29	R35262	GASKET	1		
30	R35263	GASKET	1		
31	R35034	PACKING	1		
32	R35032	GASKET	1		
33	R71919	GASKET	1		(SUB FOR R47248 OR R61670)
34	AR53614	GASKET KIT	1		(ENGINE REBUILD)

---

MEMORANDA



---

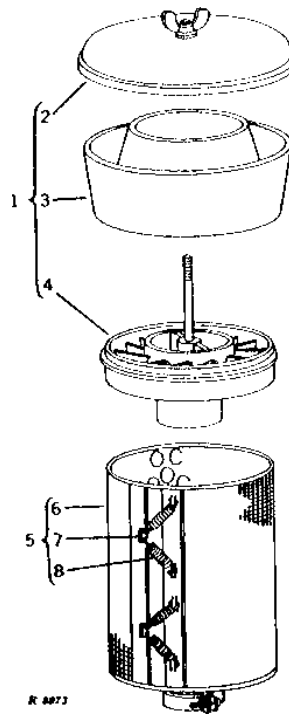
MEMORANDA

# 1D3

FUEL AND AIR

R8073 -UN-01JAN94

PRE-CLEANER AND PRE-SCREENER



# 1D4

FUEL AND AIR

---

## PRE-CLEANER AND PRE-SCREENER - CONTINUED

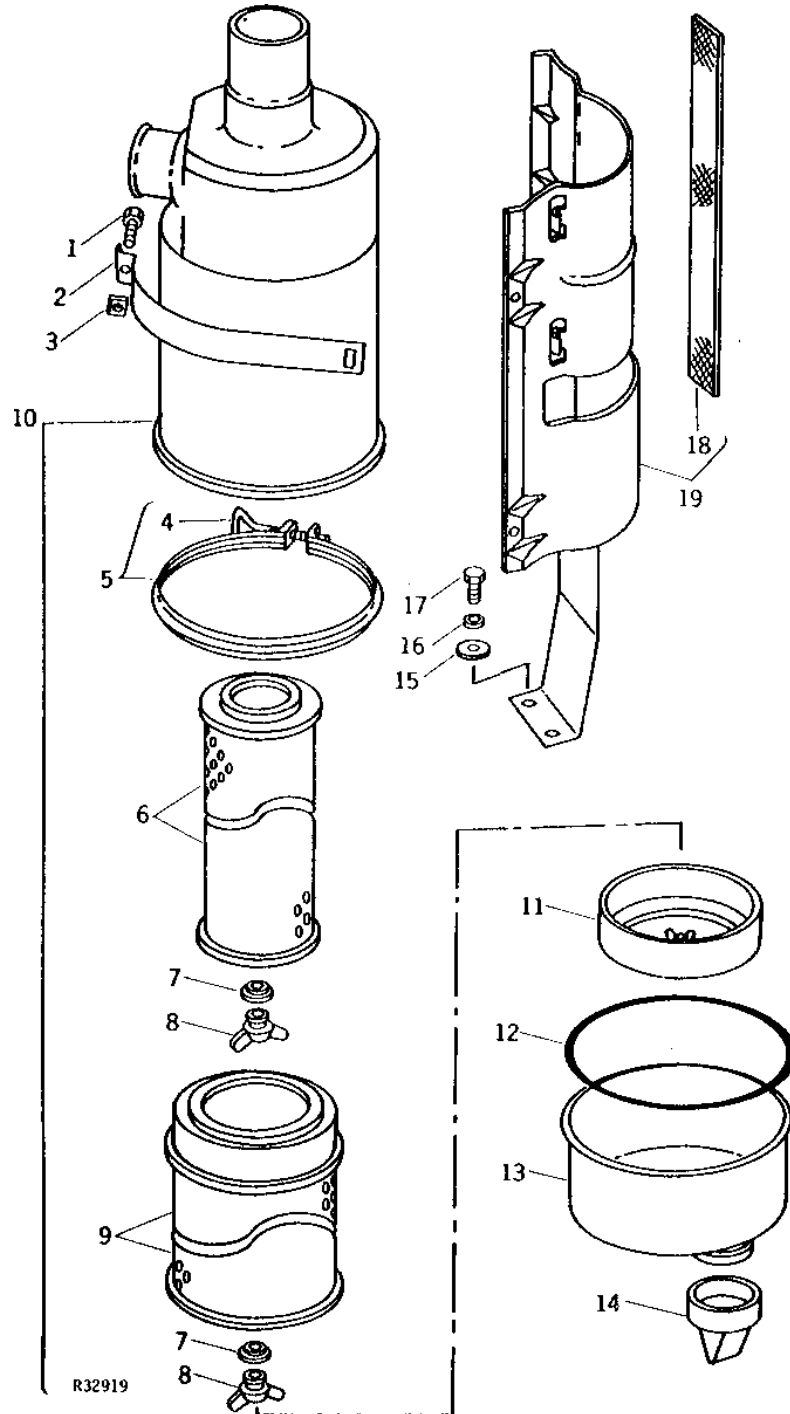
KEY	PART NO.	PART NAME	QTY	TRACTOR SERIAL NO.	REMARKS
1	AR1745R	PRESCREENER	1	(NLA)	
2	AR1729R	COVER	1		
3	R28795	DUST BOWL	1		
4	AR1730R	BASE	1	(NLA)	
5	AR35586	PRESCREENER	1	(NLA)	
6	AR27808	SCREEN	1		
7	R21645	RETAINER	2		
8	R21644	SPRING	4		

# 1D5

FUEL AND AIR

R32919 -UN-01JAN94

## AIR CLEANER AND SUPPORT BRACKET



# 1D6

FUEL AND AIR

## AIR CLEANER AND SUPPORT BRACKET - CONTINUED

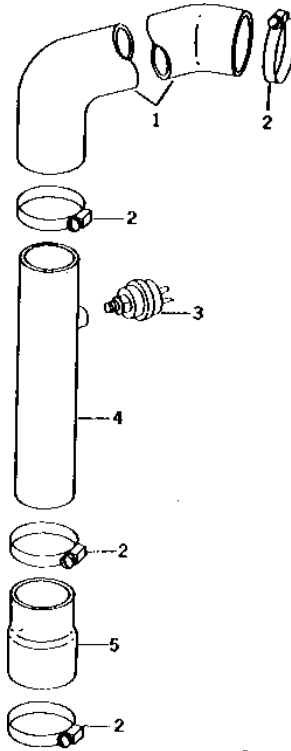
KEY	PART NO.	PART NAME	QTY	TRACTOR SERIAL NO.	REMARKS
1	19H1901	CAP SCREW	1	5/16" X 2"	
2	R40450	STRAP	4	(NLA)	
3	14H818	NUT	2	5/16"	
4	R28633	BOLT	1		
5	AR40146	CLAMP	1		
6	AR45785	FILTER ELEMENT	1		
7	R39825	SEAL	2		
8	R44418	WING NUT	2		
9	AR45784	FILTER ELEMENT	1		
10	AR45783	AIR CLEANER	1	(SUB FOR AR36414)	(NLA)
11	R36698	COVER	1		
12	H36036	O-RING	1	(SUB FOR R42638)	
13	AR45786	DUST BOWL	1	(NLA)	
	R44710	LABEL	1		
14	T23263	VALVE	1		
15	24H1312	WASHER	2	13/32" X 1-3/8" X 0.105"	
16	12H304	LOCK WASHER	2	3/8"	
17	19H1936	CAP SCREW	2	3/8" X 3/4"	
18	.....	CUSHION	1	3 X 51 X 432MM (1/8" X 2" X 17")	(MAKE FROM R21737)
19	AR36809	SUPPORT	1		

# 1D7

FUEL AND AIR

R14864 -UN-01JAN94

## AIR INTAKE PIPE AND HOSES



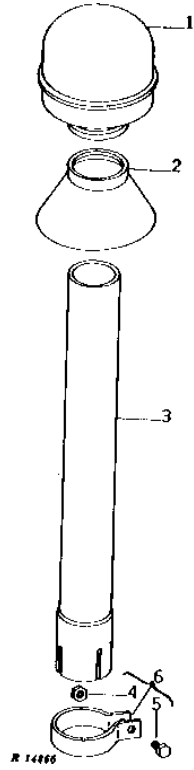
KEY	PART NO.	PART NAME	QTY	TRACTOR SERIAL NO.	REMARKS
1	R39972	HOSE	1		
2	AR21842	CLAMP	4		(SUB TY22474)
3	AR43595	SWITCH	1	-030350	
4	AR50489	PIPE	1	030351-	
	AR47181	PIPE	1	-030350	(NLA)
	AR53021	PIPE	1	030351-	(NLA)
5	R35294	HOSE	1		

# 1D8

FUEL AND AIR

R14866 -UN-01JAN94

## AIR STACK WITH CAP



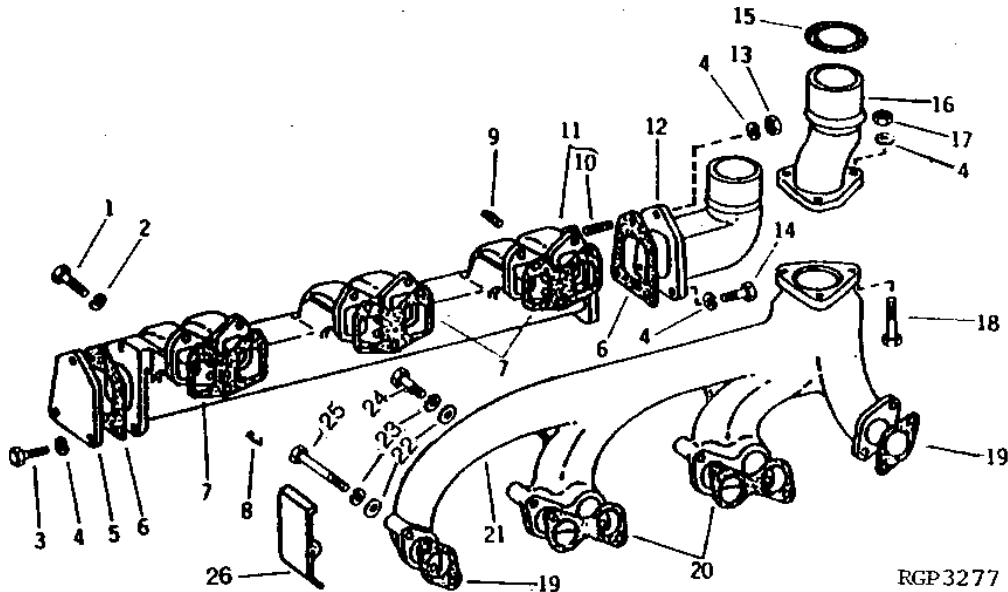
KEY	PART NO.	PART NAME	QTY	TRACTOR SERIAL NO.	REMARKS
1	R36452	CAP	1	(NLA)	
2	R39984	SEAL	1		
3	R39983	AIR INTAKE STACK	1		
4	14H1076	NUT	1	3/8"	
5	19H1139	CAP SCREW	1	3/8" X 1-1/8"	
6	AR35246	CLAMP	1	(NO LONGER AVAILABLE)	

# 1D9

FUEL AND AIR

## INTAKE & EXHAUST MANIFOLDS (6531D)

RGP3277 -UN-01JAN94



RGP3277

KEY	PART NO.	PART NAME	QTY	ENGINE SERIAL NO.	REMARKS
1	19H2731	CAP SCREW	9		7/16" X 1-3/8"
2	12H293	LOCK WASHER	17		7/16"
3	19H1800	CAP SCREW	3		3/8" X 1-1/2"
4	12H304	LOCK WASHER	9		3/8"
5	R40091	COVER	1		
6	R40090	GASKET	2		
7	R40088	GASKET	3		
8	15H571	PIPE PLUG	1		3/8"
9	R55233	PIPE PLUG	1	-030375	(SUB FOR A4242R)
	15H571	PIPE PLUG	1	030376-	3/8"
10	R55396	STUD	1		(SUB FOR C2175R)
11	AR36992	INTAKE MANIFOLD	1		(MARKED R40087)
12	R40089	ELBOW FITTING	1		
13	19H1732	CAP SCREW	2		3/8" X 1-1/4"
14	14H1076	NUT	1		3/8"
15	R35175	GASKET	1		
16	R35072	EXTENSION	1		
17	14H1076	NUT	3		3/8"
18	19H1726	CAP SCREW	3		3/8" X 2-1/4"
19	R35068	GASKET	2		
20	R35067	GASKET	2		
21	R40086	EXHAUST MANIFOLD	1		
22	R63489	WASHER	8		
23	.....	LOCK WASHER	4		NOT REQUIRED WITH R63489
24	19H1978	CAP SCREW	4		7/16" X 1-1/2"
25	19H2347	CAP SCREW	4		7/16" X 3"
	19H2444	CAP SCREW	4		7/16" X 3-1/4"
26	AR51744	HEAT SHIELD	1		(TRACTORS WITH CAB) (NLA)



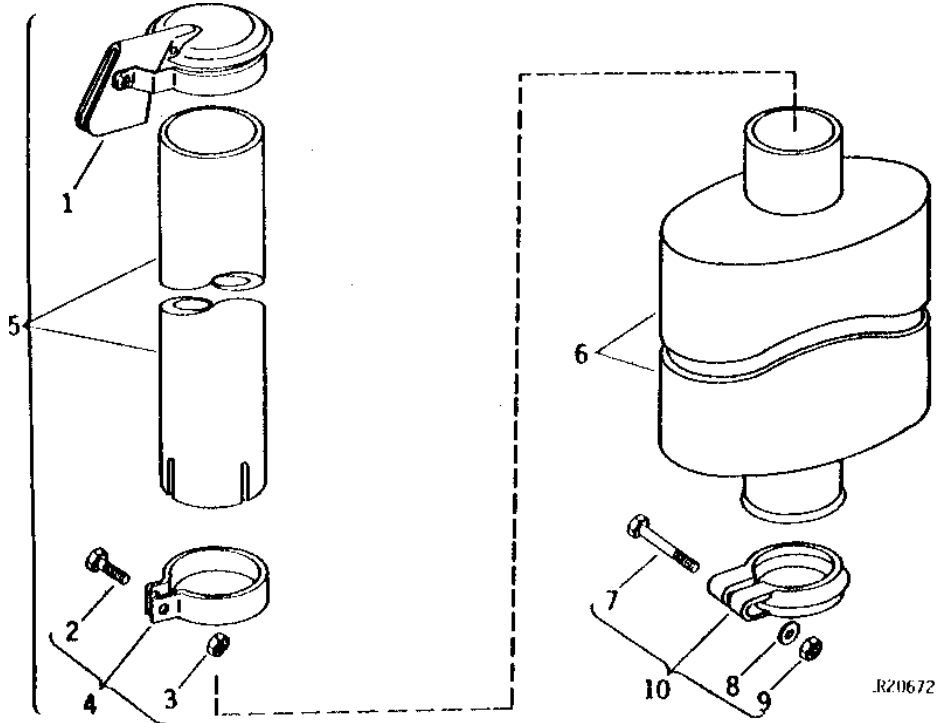
# 1D10

FUEL AND AIR

R20672

-UN-01JAN94

## MUFFLER, EXTENSION, AND COVER



R20672

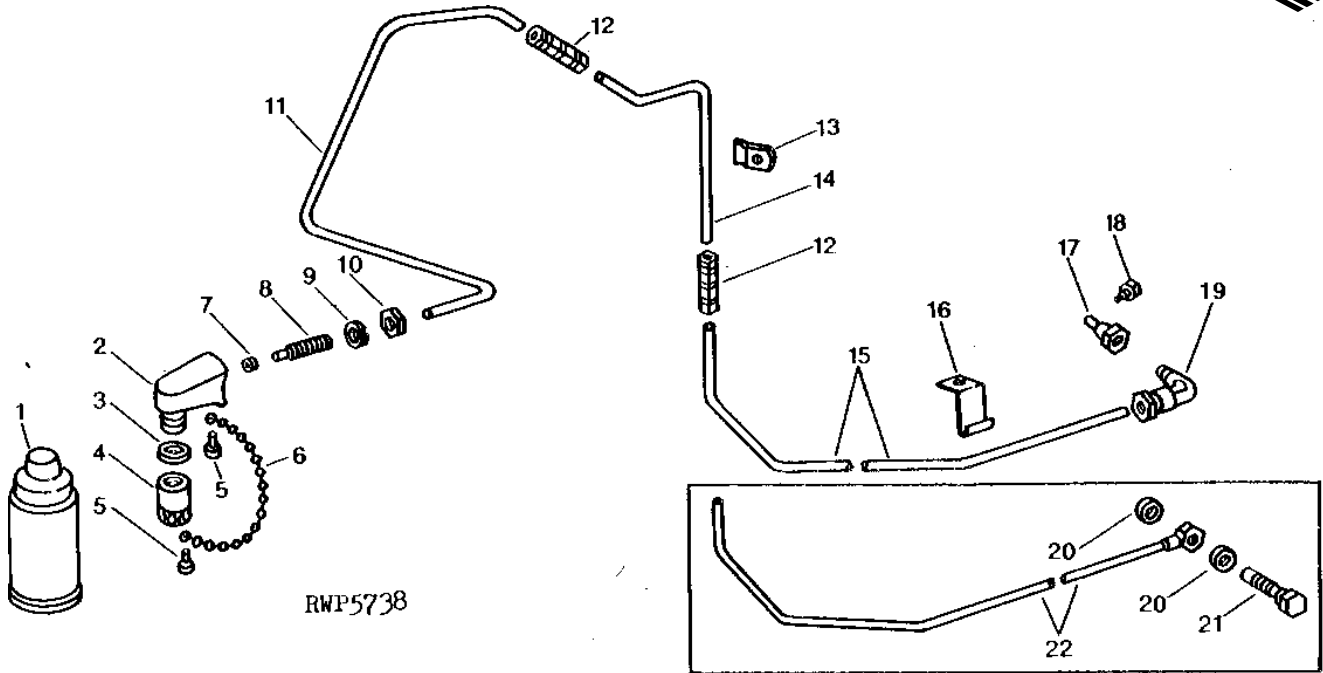
KEY	PART NO.	PART NAME	QTY	TRACTOR SERIAL NO.	REMARKS
1	AR56786	EXHAUST CAP	1		
2	19H1765	CAP SCREW	1	3/8" X 1-3/4"	
3	14H1076	NUT	1	3/8"	
4	AR35017	CLAMP	1	(SUB R66689, 19H1732 AND 14H1076)	
5	AR47303	MUFFLER EXTENSION	1	(SUB AR110611 AND AR56786)	
6	AR61074	MUFFLER	1	(SUB FOR R35637)	
7	19H2023	CAP SCREW	1	3/8" X 3-1/4"	
8	24H1305	WASHER	1	13/32" X 13/16" X 0.065"	
9	14H1076	NUT	1	3/8"	
10	AR35666	CLAMP	1	(SUB R35641 AND 19H2023)	

# 1D11

FUEL AND AIR

RWP5738 -UN-01JAN94

## COLD WEATHER STARTING AID



RWP5738

KEY	PART NO.	PART NAME	QTY	TRACTOR SERIAL NO.	REMARKS
1	RE33636	STARTING FLUID	1		(SUB FOR AR27814, RE24561 OR RE30174)
2	R39534	ADAPTER	1		
3	R26149	PACKING	1		
4	R32306	CAP	1		
5	37H44	SCREW	1		0.151" X 3/8"
6	AR27940	LINK CHAIN	1		
7	R34394	WASHER	1		
8	R34395	ADAPTER	1		
9	12H301	LOCK WASHER	1		1/2"
10	14H1040	NUT	1		1/2"
11	.....	TUBE	1		(ORDER RE50139)
12	R34388	UNION FITTING	2		
13	R31654	CLAMP	1		
14	.....	TUBE	1		(ORDER RE50139)
15	.....	TUBE	1	027877-	(ORDER RE50139)
16	R40468	CLAMP	2		
17	R28584	FITTING	1	-027876	
	R47160	NOZZLE HOLDER	1	027877-	
18	R28583	NOZZLE	1		
19	RE21790	ELBOW FITTING	1	027877-	(SUB FOR AT25266)
20	T20055	WASHER	2	-027876	
21	R26726	FITTING	1	-027876	
22	AR36355	LINE	1	-027876	(ORDER RE16181)

---

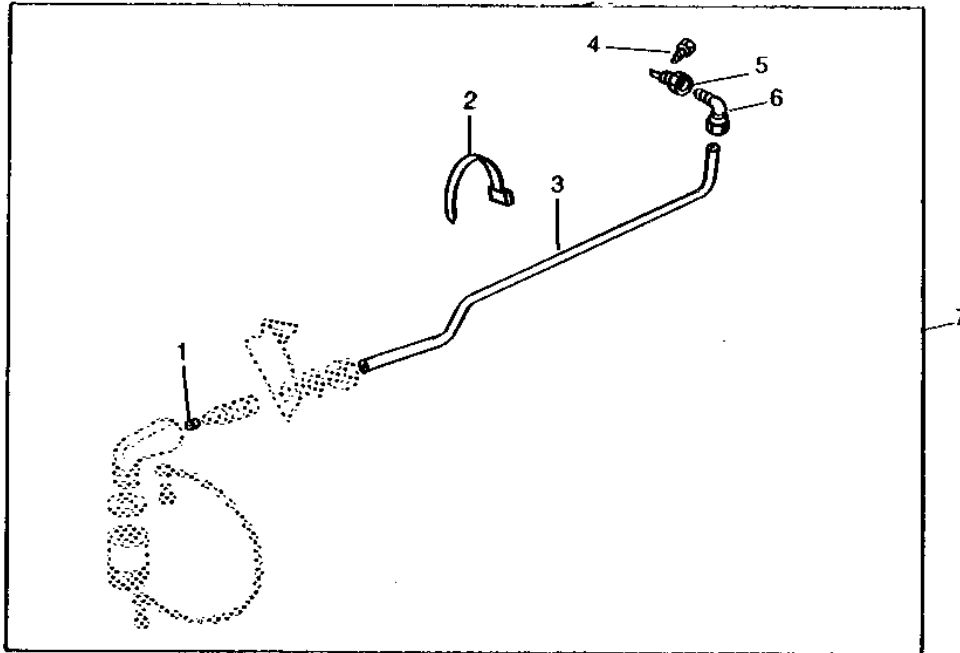
MEMORANDA

# 1D12

FUEL AND AIR

RWP5037 -UN-01JAN94

## STARTING FLUID TUBE KIT



RWP5037

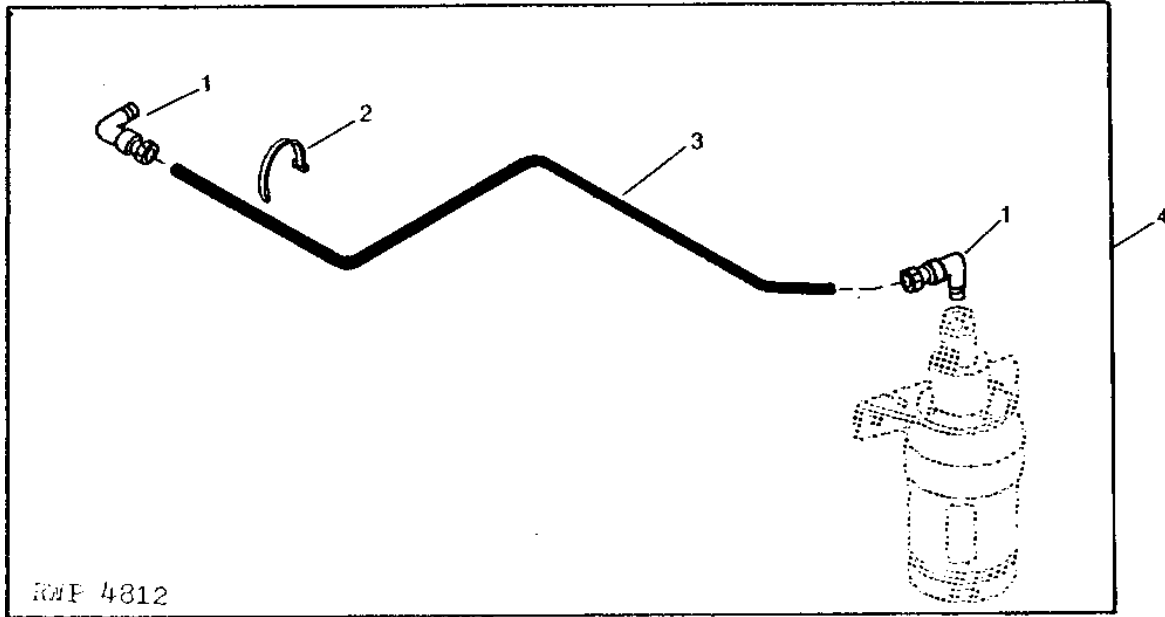
KEY	PART NO.	PART NAME	QTY	TRACTOR SERIAL NO.	REMARKS
1	R34394	WASHER	1		
2	R44302	TIE BAND	5		
3	.....	TUBE	1		(ORDER RE16181)
4	R28583	NOZZLE	1		
5	R47160	NOZZLE HOLDER	1		
6	RE21790	ELBOW FITTING	1		(SUB FOR AT25266)
7	RE16181	KIT	1		

# 1D13

FUEL AND AIR

RWP4812 -UN-01JAN94

## STARTING FLUID TUBE KIT



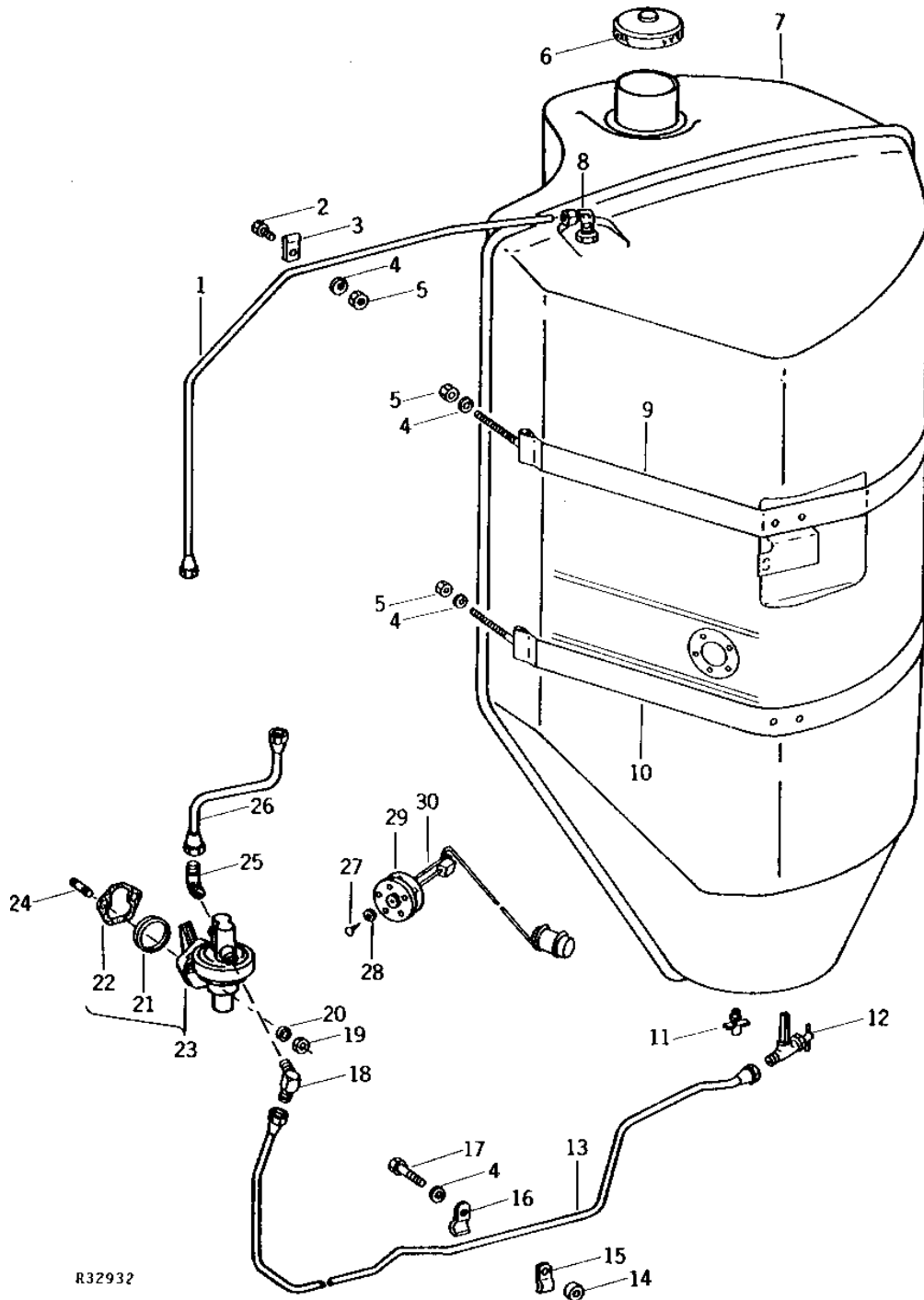
KEY	PART NO.	PART NAME	QTY	TRACTOR SERIAL NO.	REMARKS
1	RE21790	ELBOW FITTING	2		(SUB FOR AT25266)
2	R44302	TIE BAND	5		
3	.....	TUBE	1		(ORDER RE50139)
4	RE16151	KIT	1		(SUB RE50139)

# 1D14

FUEL AND AIR

R32932 -UN-01JAN94

FUEL TANK AND FUEL PUMP



# 1D15

FUEL AND AIR

## FUEL TANK AND FUEL PUMP - CONTINUED

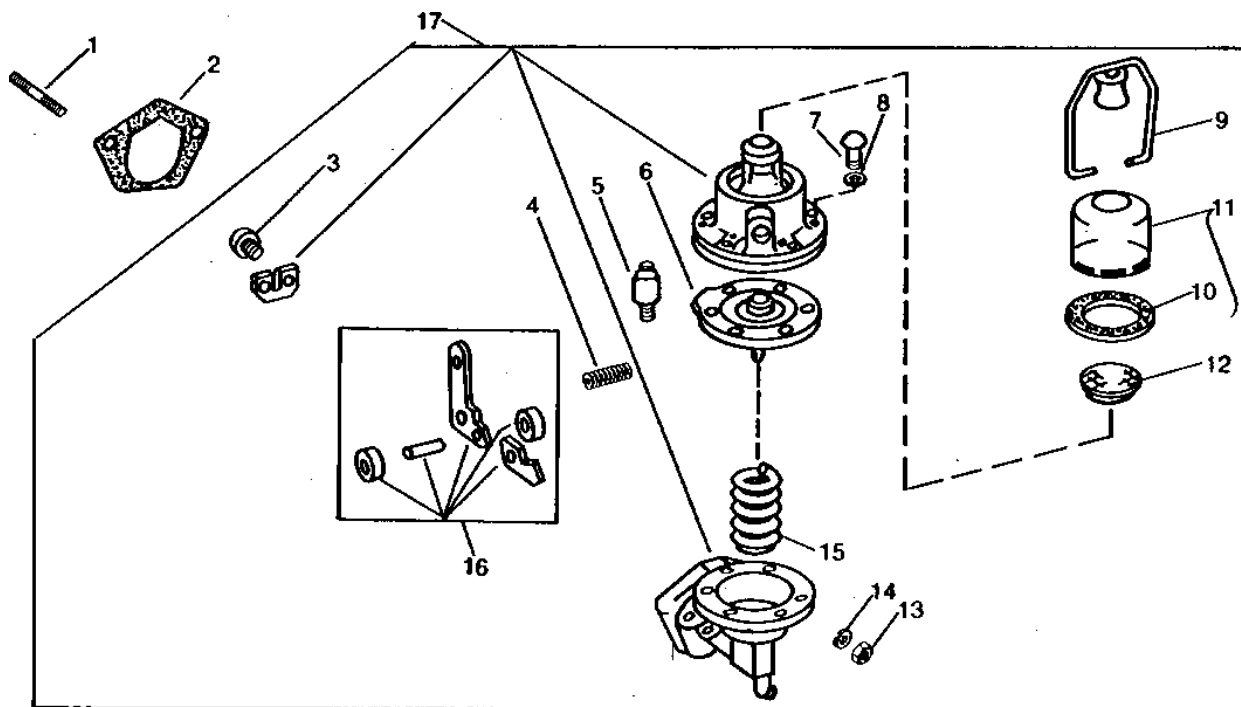
KEY	PART NO.	PART NAME	QTY	TRACTOR SERIAL NO.	REMARKS
1	AR36760	FUEL LINE	1		
2	19H1936	CAP SCREW	1	3/8" X 3/4"	
3	R35422	CLAMP	1		
4	12H304	LOCK WASHER	6	3/8"	
5	14H1076	NUT	3	3/8"	
6	AR36752	CAP	1		
7	AR36757	FUEL TANK	1	(NLA)	
8	AR46281	ELBOW FITTING	1		
9	AR36762	STRAP	1	(NLA)	
10	AR36763	STRAP	1	(NLA)	
11	AT13740	DRAIN VALVE	1		
12	R34656	SHUT-OFF VALVE	1		
13	AR36759	FUEL LINE	1		
14	28H1519	WASHER	2	0.493" X 0.675" X 3/8"	
15	28H1495	SPACER	1	0.493" X 0.675" X 1"	
16	R27720	CLAMP	6		
17	19H1765	CAP SCREW	3	3/8" X 1-3/4"	
18	AR26674	ELBOW FITTING	1		
19	14H785	NUT	2	5/16"	
20	12H303	LOCK WASHER	2	5/16"	
21	R48399	WASHER	1		
22	R27285	GASKET	1	(SUB R97350)	
23	AR52159	FUEL PUMP	1	(SUB FOR AR40259 OR AR49770) (SUB RE42211 AND R97350)	
	AR52556	LEVER	1		
	A4365R	O-RING	1	(SUB FOR R49139)	
24	R48755	STUD	2	(SUB FOR R26934)	
25	AR26674	ELBOW FITTING	1		
26	AR35079	FUEL LINE	1	-030000	
	AR50263	FUEL LINE	1	030001-	
27	37H95	SCREW	5		
28	12M7084	LOCK WASHER	1	0.169"	
29	R27181	GASKET	1		
30	AR43676	SENDER	1		
..	R59599	LABEL	1		

# 1D16

FUEL AND AIR

## FUEL TRANSFER PUMP (ENGINE SERIAL NO. -280000)

RGP3274 -UN-01JAN94



RGP3274

KEY	PART NO.	PART NAME	QTY	ENGINE SERIAL NO.	REMARKS
1	R48755	STUD	2	(SUB FOR R26934)	
2	R97350	GASKET	1	(SUB FOR R27285)	
3	21H1308	SCREW	2	0.138" X 3/8"	
4	T10804	SPRING	1		
5	AR26674	ELBOW FITTING	1	(SUB T30738, THIS APPLICATION)	
	T30738	ELBOW FITTING	1	(SUB AR26674, THIS APPLICATION)	
6	.....	DIAPHRAGM	1	(SUB RE38578) (SUB FOR AR40482)	
7	21H1295	SCREW	6	0.190" X 5/8"	
8	12H246	LOCK WASHER	6	0.190"	
9	AT10638	BAIL	1		
10	R30409	GASKET	1	(USE WITH AR34415)	
	R40565	WASHER	1	(USE WITH AR40259)	
11	AT15172	BOWL	1	(USE WITH AR34415)	
	AR40407	SEDIMENT BOWL	1	(USE WITH AR40259)	
12	AT10635	SCREEN	1		
13	14H785	NUT	2	5/16"	
14	12H303	LOCK WASHER	2	5/16"	
15	R30410	SPRING	1		
16	.....	KIT	1	(SUB RE42211) (ALSO ORDER R97350) (SUB FOR AR47304)	
17	.....	FUEL PUMP	1	(SUB FOR AR34415, AR31176 OR AR40259) (SUB RE42211) (ALSO ORDER R97350)	

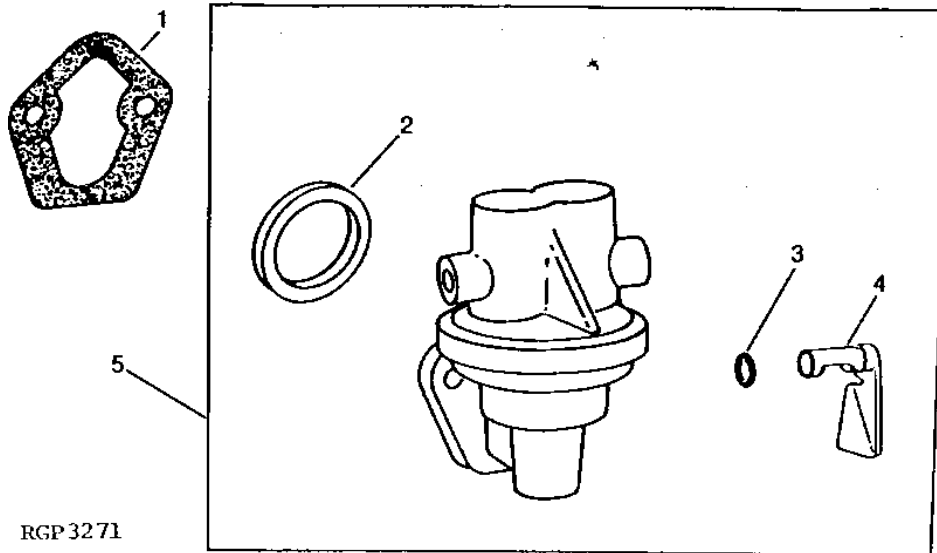


# 1D17

FUEL AND AIR

FUEL TRANSFER PUMP  
(ENGINE SERIAL NO. 280001- )  
(6531D)

RGP3271 -UN-01JAN94



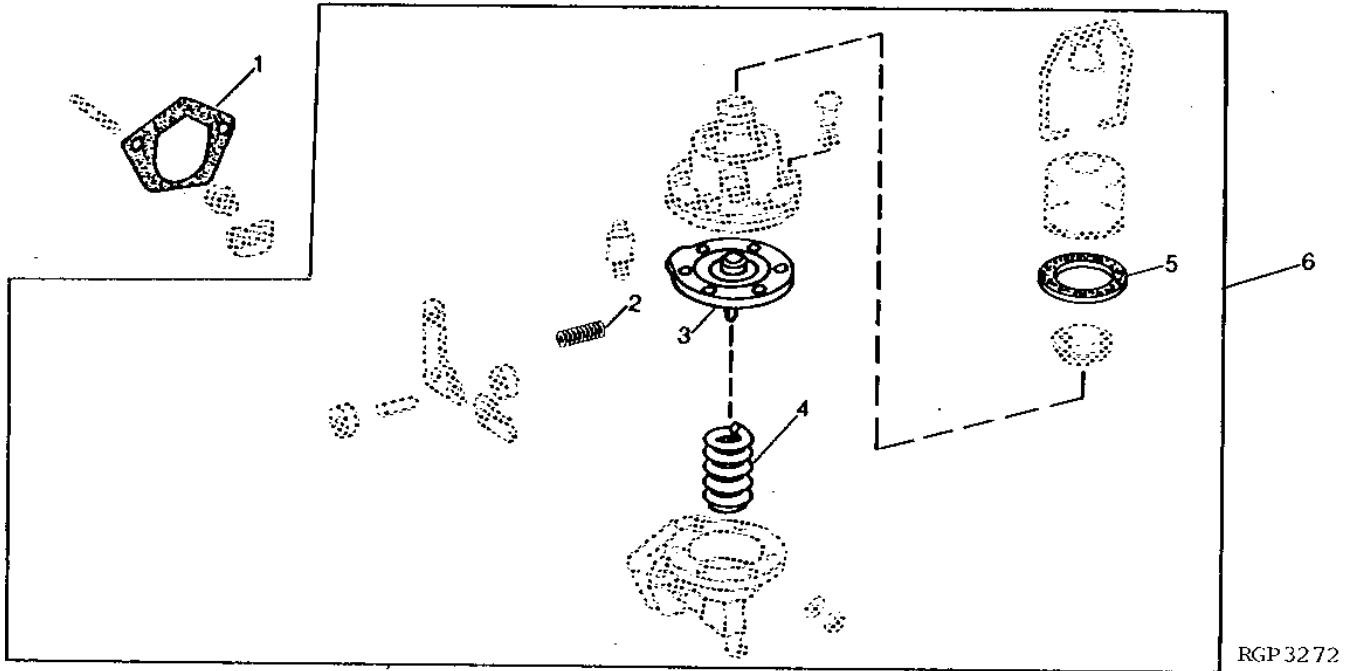
KEY	PART NO.	PART NAME	QTY	ENGINE SERIAL NO.	REMARKS
1	R97350	GASKET	1		(SUB FOR R27285)
2	R48399	WASHER	1		
3	A4365R	O-RING	1		(SUB FOR R49139)
4	AR52556	LEVER	1		
5	RE27667	FUEL PUMP	1		(SUB FOR AR52159, AR55730 OR RE37482) (ALSO ORDER R97350) (SUB RE42211)

# 1D18

FUEL AND AIR

RGP3272 -UN-01JAN94

## FUEL TRANSFER PUMP OVERHAUL KIT



KEY	PART NO.	PART NAME	QTY	ENGINE SERIAL NO.	REMARKS
1	R97350	GASKET	1	(SUB FOR R27285)	
2	T10804	SPRING	1		
3	.....	DIAPHRAGM	1	(SUB RE38578)	
4	R30410	SPRING	1		
5	R40565	WASHER	1		
6	RE38578	KIT	1	(SUB FOR AR40482)	

---

MEMORANDA

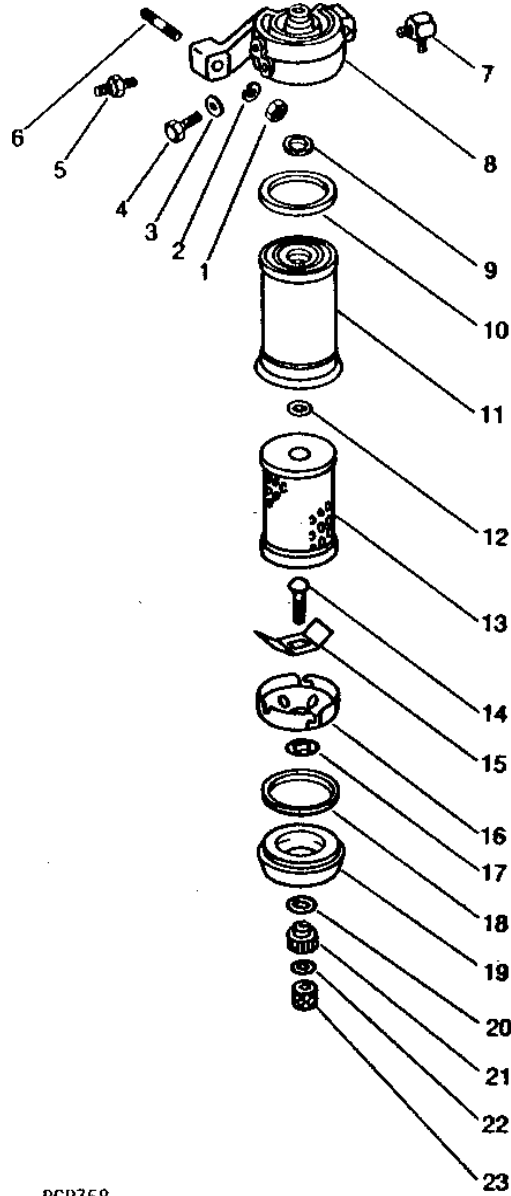
# 1D19

FUEL AND AIR

RGP768

-UN-01JAN94

FUEL FILTERS  
(ENGINE SERIAL NO. -280000)



RGP768

# 1D20

FUEL AND AIR

**FUEL FILTER - CONTINUED**  
**(ENGINE SERIAL NO. -280000)**

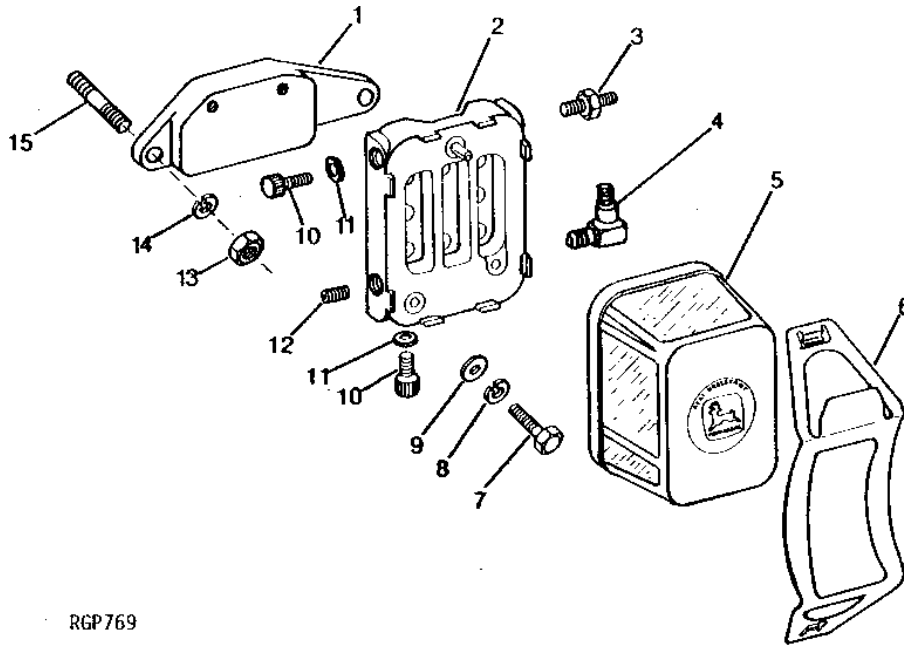
KEY	PART NO.	PART NAME	QTY	ENGINE SERIAL NO.	REMARKS
1	14H1047	NUT	2	7/16"	
2	12H293	LOCK WASHER	2	7/16"	
3	R20498	WASHER	1		
4	19H2485	CAP SCREW	1	5/16" X 7/16"	
5	R27346	FITTING	1		
6	K3083R	STUD	2		
7	T30738	ELBOW FITTING	1		(SUB AR26674, THIS APPLICATION)
8	AR46144	HOUSING	1		(SUB AR59140, THIS APPLICATION)
	AR59140	KIT	1		(ALSO ORDER AR50266)
9	R44101	WASHER	2		
10	R44331	BUSHING	2		
11	AR45678	CASE	2		
12	R459R	O-RING	2		
13	AR44077	FILTER ELEMENT	2		
14	R41716	SCREW	2		
15	R41719	LEAF SPRING	2		
16	R41717	RETAINER	2		
17	R41718	SNAP RING	2		
18	R41721	O-RING	2		
19	R41720	BOWL	2		
20	R375R	O-RING	2		(USE WITH R41722)
	R26919	WASHER	2		(SUB FOR T12860) (ALSO ORDER (2) R46568)
21	R46568	NUT	2		(SUB FOR R41722) (ALSO ORDER (2) R26919)
22	R26286	O-RING	2		
23	R41723	NUT	2		

# 1D21

FUEL AND AIR

FUEL FILTER  
(ENGINE SERIAL NO. 280001- )  
(6531D)

RGP769 -UN-01JAN94



RGP769

KEY	PART NO.	PART NAME	QTY	ENGINE SERIAL NO.	REMARKS
1	R47433	SUPPORT	1		
2	AR50040	HOUSING	1		
3	R27346	FITTING	1		
4	T30738	ELBOW FITTING	1		(SUB FOR AR26674) (THIS APPLICATION ONLY)
5	AR50041	FUEL FILTER	1		
6	R66821	CLAMP	1		(SUB FOR R47358 OR R57258)
7	19H1849	CAP SCREW	2		5/16" X 1-1/4"
8	12H303	LOCK WASHER	2		5/16"
9	24H1289	WASHER	2		21/64" X 5/8" X 0.049"
10	R48071	DRAIN PLUG	2		
11	R26287	O-RING	2		(SUB FOR R34447, THIS APPLICATION)
12	15H558	PIPE PLUG	1		1/8"
13	14H1047	NUT	2		7/16"
14	12H293	LOCK WASHER	2		7/16"
15	F2884R	STUD	2		

---

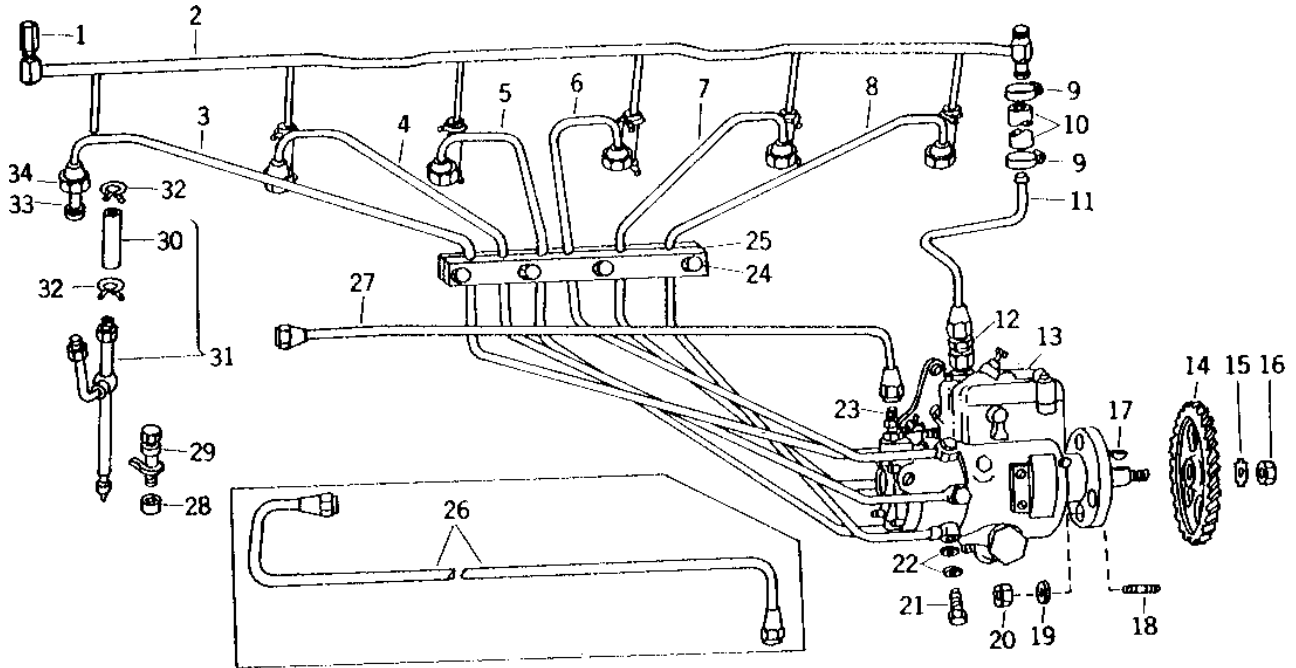
MEMORANDA

# 1D22

FUEL AND AIR

## FUEL INJECTION PUMP, NOZZLES AND FUEL PIPES (6531D)

RG1980 -UN-01JAN94



RG1980



# 1D23

FUEL AND AIR

FUEL INJECTION PUMP, NOZZLES, AND FUEL PIPES - CONTINUED  
(6531D)

KEY	PART NO.	PART NAME	QTY	ENGINE SERIAL NO.	REMARKS
1	R31147	FITTING	1		
2	AR36680	FUEL LINE	1		
3	AR36679	FUEL LINE	1		
4	AR36678	FUEL LINE	1		
5	AR36677	FUEL LINE	1		
6	AR36676	FUEL LINE	1		
7	AR36675	FUEL LINE	1		
8	AR36674	FUEL LINE	1		
9	AR21836	CLAMP	2		(SUB FOR AR27253)
10	R32639	HOSE	1		(SUB FOR R36971)
11	AR36358	FUEL LINE	1		
12	R35352	FITTING	1		
13	AR46386	FUEL INJECTION PUMP	1		(A) (ROOSA-MASTER NO. DBGFC637-91AL) (6030, 5020&) (NLA)
	AR36877	FUEL INJECTION PUMP	1		(A) (ROOSA-MASTER NO. BDGFC637-50AJ) (5020*)
14	R35354	GEAR	1		
15	R35355	PLATE	1		
16	14H888	NUT	1		9/16"
17	.....	SHAFT KEY	1		(6030)
18	R56481	STUD	2		(SUB FOR M3636T)
19	24M7096	WASHER	2		10.500 X 18 X 1.600 MM
20	14H1076	NUT	2		3/8"
21	R26726	FITTING	6		
22	T20055	WASHER	12		
23	R32136	FITTING	1		
24	19H1849	CAP SCREW	4		5/16" X 1-1/4"
25	R35353	CLAMP	1		
	R39622	CUSHION	2		
26	AR35087	FUEL LINE	1	-280000	
27	AR50266	FUEL LINE	1	280001-	
28	R34761	SPACER	6		
29	R34760	CLAMP	6		
30	R34765	BOOT	6		
31	.....	INJECTION NOZZLE	6		(SUB AR50782) (SUB FOR AR36672 OR AR44978)
	R34764	WASHER	6		(USE WITH AR50782)
	R48000	WASHER	6		(USE WITH AR50782)
32	R34766	CLAMP	12		
33	R34762	SLEEVE	6		
34	R34763	FITTING	6		
..	AR34368	PLUG	1		
..	12H304	LOCK WASHER	2		3/8", (USE WITH 24M7096 AND R32511)

(\* ) 5020 ( -024999)

(& ) 5020 (025000- )

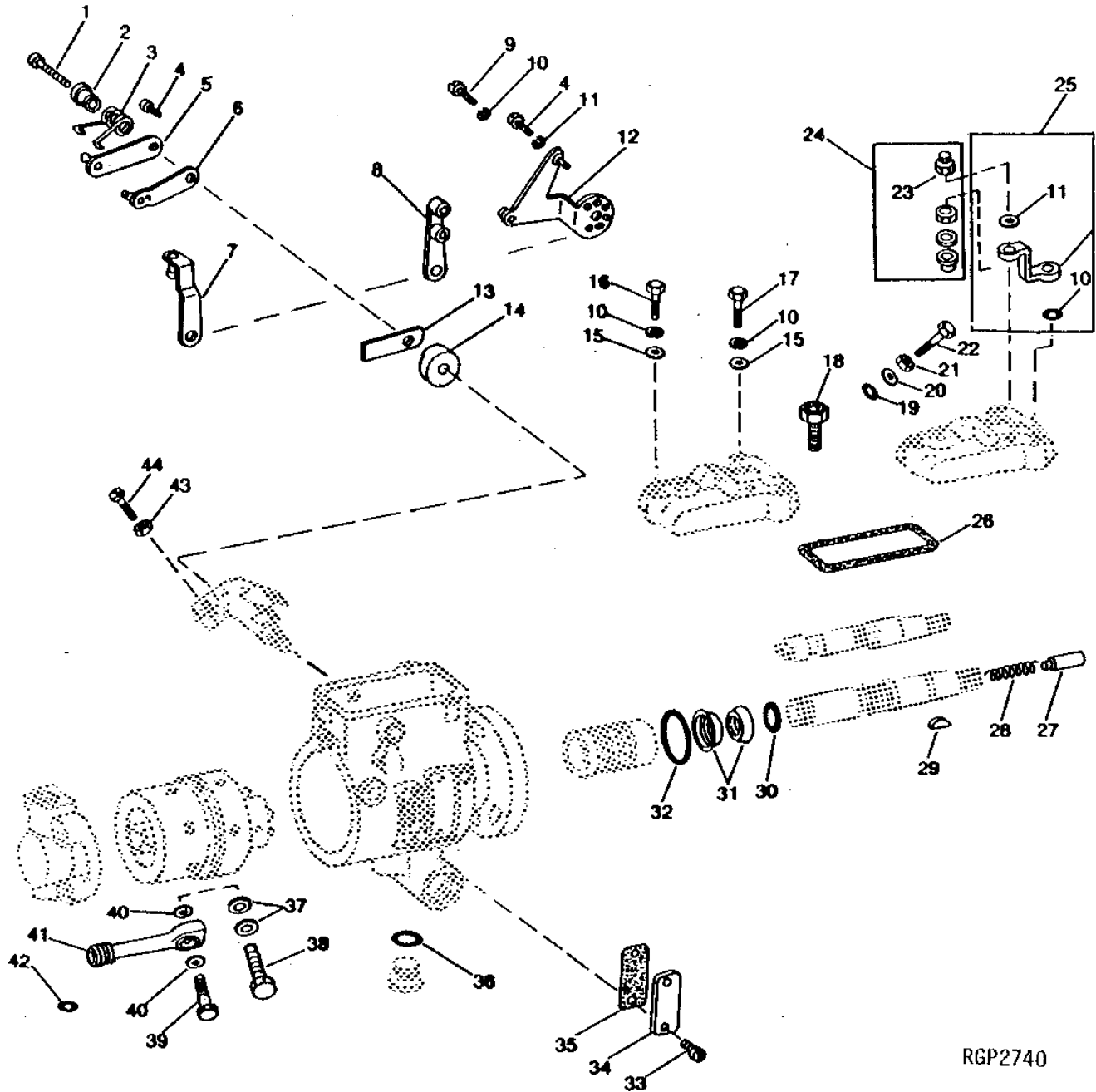
(A) "SEE YOUR AUTHORIZED PUMP REPAIR STATION FOR PARTS NOT LISTED."

# 1D24

FUEL AND AIR

## FUEL INJECTION PUMP FITTINGS AND LINKAGE (ROOSA-MASTER NO. DBGFC637-91AL) (6531D)

RGP2740 -UN-01JAN94



RGP2740

# 1D25

FUEL AND AIR

FUEL INJECTION PUMP FITTINGS AND LINKAGE - CONTINUED  
(ROOSA-MASTER NO. DBGFC637-91AL)  
(6531D)

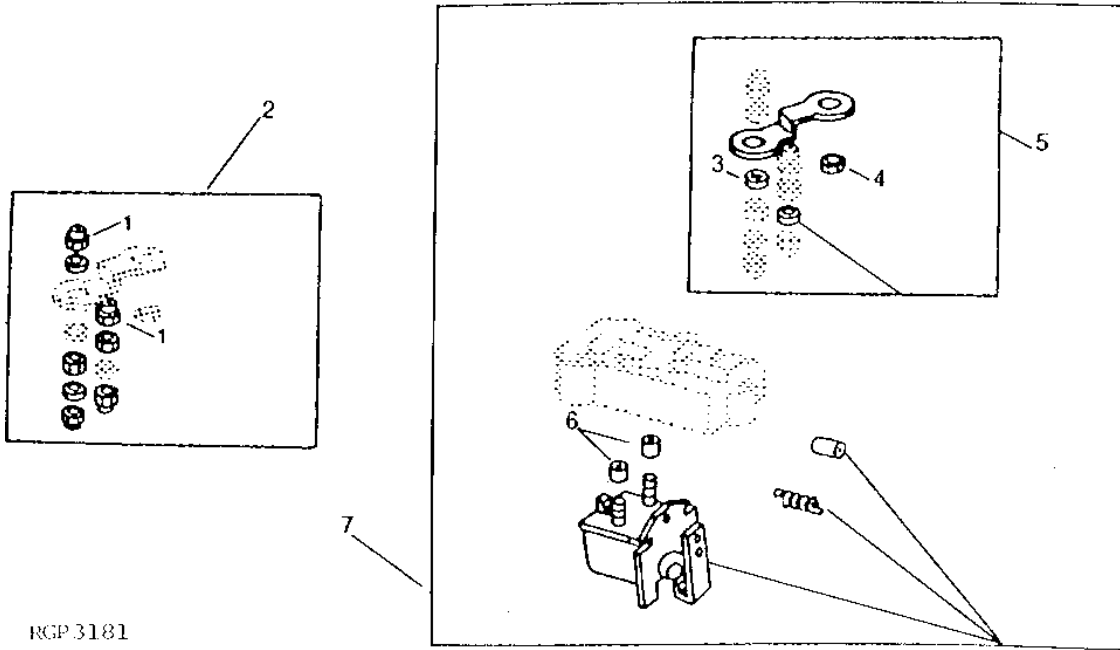
KEY	PART NO.	PART NAME	QTY	ENGINE SERIAL NO.	REMARKS
1	.....	SCREW	NA		
	.....	SCREW	NA		
2	.....	RETAINER	NA		
3	.....	SPRING	NA		
4	T11917	SCREW	1		
5	.....	LEVER	NA		
6	.....	LEVER	NA		
7	.....	LEVER	NA		
8	.....	LEVER	NA		
9	T11940	SCREW	1		
10	12M7060	WASHER	5		
11	R47077	LOCK WASHER	2		
12	R36543	LEVER	1		
13	.....	STRAP	NA		
14	.....	SPACER	NA		
15	T15715	WASHER	3		
16	T15721	SCREW	1		
17	R71851	SCREW	2		
18	R36535	CHECK VALVE	1		
19	R34812	O-RING	1		(SUB FOR T17951 OR T11906)
20	T17947	WASHER	1		
21	T11921	NUT	1		
22	T17953	CAP SCREW	1		
23	M63431	LOCK NUT	2		
24	AR90601	KIT	1	-026989	
25	AR50874	KIT	1	026990-	
26	T11918	GASKET	1		
27	.....	PIN	NA		
	R36539	PUSH BUTTON	1		
28	R36540	SPRING	1		
29	26H10	SHAFT KEY	1		
30	R460R	O-RING	1		
	.....	O-RING	NA		
31	T11290	SEAL	2		
32	T19854	O-RING	1		
33	T11884	SCREW	4		
34	T11882	COVER	2		
35	T11883	GASKET	2		
36	T15712	O-RING	1		
37	T20055	WASHER	12		
38	R26726	FITTING	6		
39	.....	FITTING	NA		
40	.....	WASHER	NA		
41	.....	FITTING	NA		
42	T26256	O-RING	1		
43	T11921	NUT	2		
44	T11941	SCREW	1		
..	.....	KIT	1		(12 VOLT) (SUB RE62240) (ALSO ORDER RE37091)
..	.....	KIT	1		(24 VOLT) (SUB RE62241) (ALSO ORDER RE37091)

# 1E1

FUEL AND AIR

RGP3181 -UN-01JAN94

## FUEL INJECTION PUMP ELECTRIC SHUT-OFF KIT



RGP3181

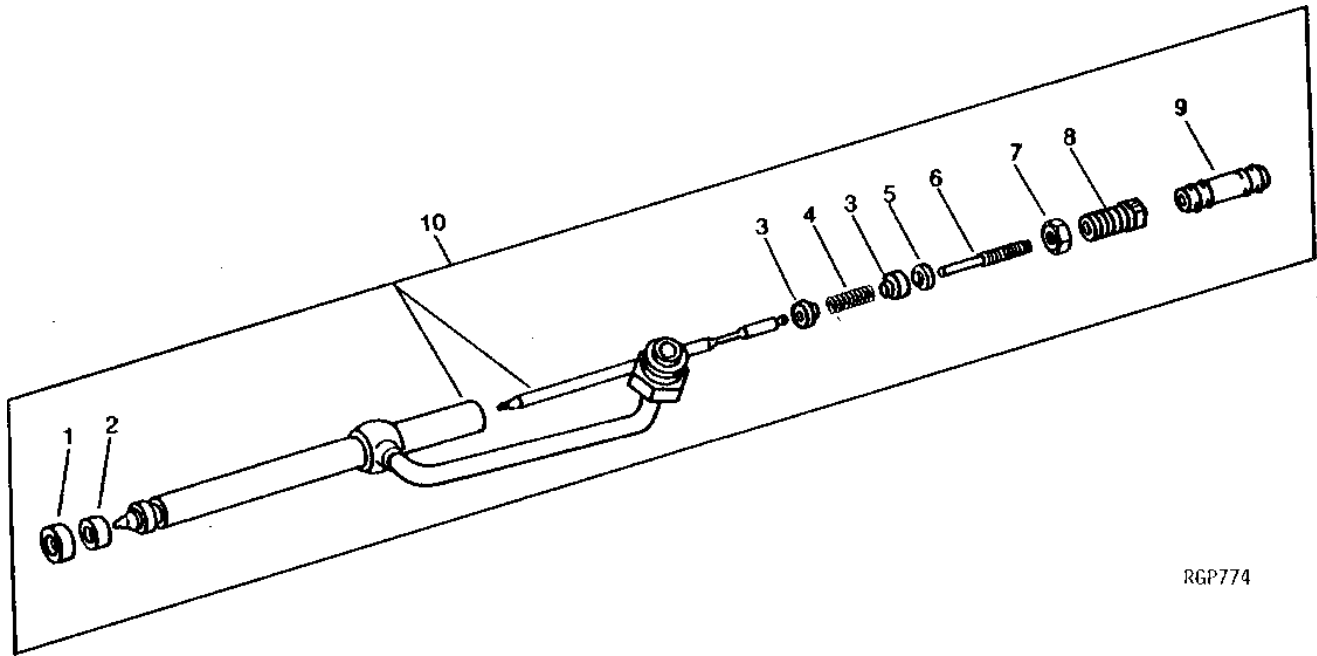
KEY	PART NO.	PART NAME	QTY	SERIAL NO.	REMARKS
1	M63431	LOCK NUT	2		(SUB FOR T19977, THIS APPLICATION)
2	RE37091	KIT	1		NUT AND WASHER, (SUB FOR AR90601)
3	R47077	LOCK WASHER	1		
4	12M7060	WASHER	1		0.209"
5	AR50874	KIT	1		GROUNDING STRAP
6	T11937	TUBE	2		
7	RE62240	SOLENOID	1		12 VOLT SHUT-OFF, (ALSO ORDER RE37091) (SUB FOR AR90340, AR51796, AR48219, AT11524, RE37089 OR AR87068)
	RE62241	SOLENOID	1		24 VOLT SHUT-OFF, (ALSO ORDER RE37091) (SUB FOR AR90341 OR RE37090)

# 1E2

FUEL AND AIR

FUEL INJECTION NOZZLE (9.52 MM)  
(ENGINE SERIAL NO. -280000)

RGP774 -UN-01JAN94



RGP774

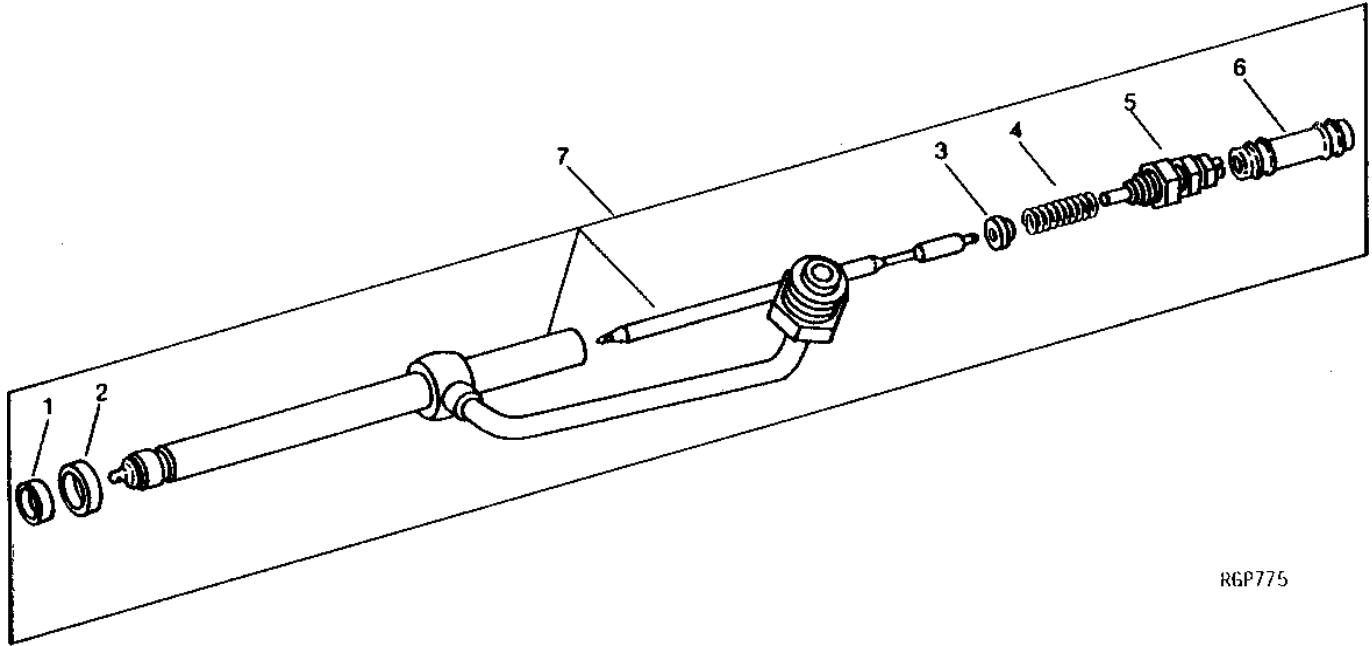
KEY	PART NO.	PART NAME	QTY	ENGINE SERIAL NO.	REMARKS
1	R34764	WASHER	1		
2	R48000	WASHER	1		(SUB FOR R34767)
3	R39886	GUIDE	2		
4	R39885	SPRING	1		
5	R39887	WASHER	1		
6	R39888	SCREW	1		
7	R46675	NUT	1		(SUB FOR R39890)
8	R39889	SCREW	1		(NO LONGER AVAILABLE)
9	R34765	BOOT	1		
10	AR44978	NOZZLE	6		(9.52 MM) (ROOSA-MASTER NO. I-17708) (SUB AR50782) (SUB FOR AR36672)

# 1E3

FUEL AND AIR

FUEL INJECTION NOZZLE (9.52 MM)  
(ENGINE SERIAL NO. 280001- )  
(6531D)

RGP775 -UN-01JAN94



RGP775

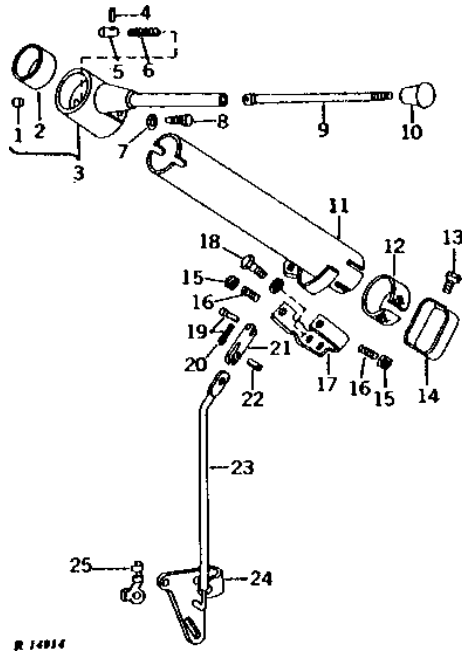
KEY	PART NO.	PART NAME	QTY	ENGINE SERIAL NO.	REMARKS
1	R34764	WASHER	1		
2	R48000	WASHER	1		
3	R39886	GUIDE	1		
4	R47731	SPRING	1		
5	AR52720	SCREW	1		
6	R34765	BOOT	1		
7	AR50782	NOZZLE	6		(9.52 MM) (ROOSA-MASTER NO. I-18766)

# 1E4

FUEL AND AIR

R14914 -UN-01JAN94

## HAND THROTTLE LINKAGE



R 14914

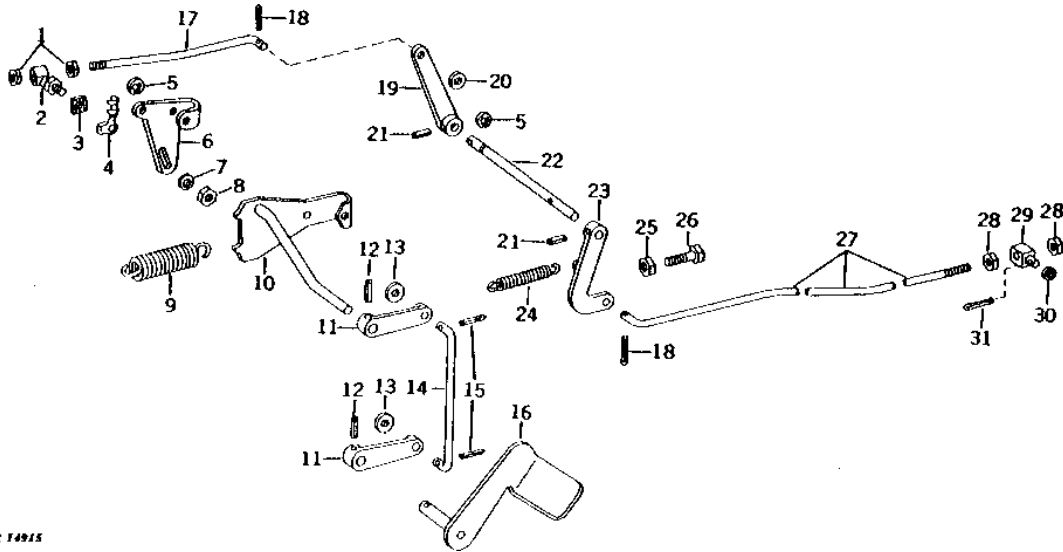
KEY	PART NO.	PART NAME	QTY	TRACTOR SERIAL NO.	REMARKS
1	R51114	DOWEL PIN	1		
2	R27075	BUSHING	1		
3	AR30472	HUB	1		(MARKED R27072)
4	R36310	NEEDLE ROLLER	1		(NO LONGER AVAILABLE)
5	R36309	STOP	1		
6	R28009	SPRING	1		
7	12H310	LOCK WASHER	1	3/8"	
8	R28007	BOLT	1		
9	R36308	ARM	1		(NO LONGER AVAILABLE)
10	R26670	KNOB	1		
11	AR26592	TUBE	1		(NO LONGER AVAILABLE)
12	R26958	ISOLATOR	1		
13	19H1948	CAP SCREW	1	1/4" X 3/4"	
14	AR26613	CLAMP	1		
15	14H611	NUT	2	5/16"	
16	R32585	SET SCREW	2		
17	R28008	BRACKET	1		
18	19H1731	CAP SCREW	2	3/8" X 1"	
19	12H304	LOCK WASHER	2	3/8"	
20	R27077	PIN	1		
21	11M7077	COTTER PIN	1	0.063" X 0.984"	
22	R26671	LINK	1		
23	34H275	SPRING PIN	1	3/16" X 1/2"	
24	R36985	ROD	1		
25	R32304	BELLCRANK	1		
	R26524	CLIP	1		

# 1E5

FUEL AND AIR

## FOOT THROTTLE LINKAGE

R14915 -UN-01JAN94



R 14915

KEY	PART NO.	PART NAME	QTY	TRACTOR SERIAL NO.	REMARKS
1	14H850	NUT	2	1/4"	
2	AA5302R	BALL JOINT	1	(SUB AH77100)	
3	R32305	WASHER	1		
4	R26524	CLIP	1		
5	F3396R	SNAP RING	2		
6	R32304	BELLCRANK	1		
7	24H1287	WASHER	1	9/32" X 5/8" X 0.065"	
8	14H649	NUT	1	1/4"	
9	R26677	SPRING	1		
10	AR44417	ARM	1		
11	R31396	LEVER	2		
12	34H312	SPRING PIN	2	1/4" X 1"	
13	24H1305	WASHER	1	13/32" X 13/16" X 0.065"	
14	R35555	PIN	1		
15	11M7059	COTTER PIN	2	3.200 X 20 MM	
16	AR44745	PEDAL	1		
17	R35556	BOLT	1		
18	11M7077	COTTER PIN	2	0.063" X 0.984"	
19	R35558	LEVER	1	(NO LONGER AVAILABLE)	
20	24H1287	WASHER	1	9/32" X 5/8" X 0.065"	
21	34H279	SPRING PIN	2	3/16" X 13/16"	
22	R35557	SHAFT	1		
23	R35559	ARM	1	(NO LONGER AVAILABLE)	
24	R27571	SPRING	1		
25	14H785	NUT	1	5/16"	
26	19H1758	CAP SCREW	1	5/16" X 1-1/4"	
27	R35560	ROD	1	(NO LONGER AVAILABLE)	
28	14H850	NUT	2	1/4"	
29	R36084	SWIVEL	1		
30	B1664R	SHIM	1		
31	11M7081	COTTER PIN	1	0.098" X 0.787"	

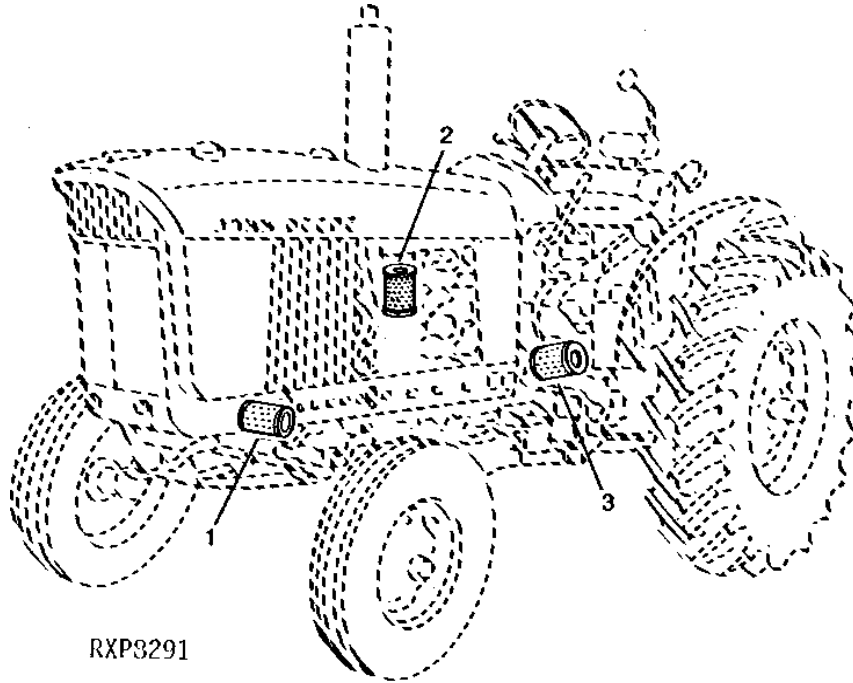


# 1E6

FUEL AND AIR

RXP8291 -UN-01JAN94

## FILTERS



RXP3291

KEY	PART NO.	PART NAME	QTY	TRACTOR SERIAL NO.	REMARKS
1	AR75603	FILTER ELEMENT	1		ENGINE
2	AR44077	FILTER ELEMENT	2		FUEL
3	AR75603	FILTER ELEMENT	1		TRANSMISSION

---

MEMORANDA

---

MEMORANDA

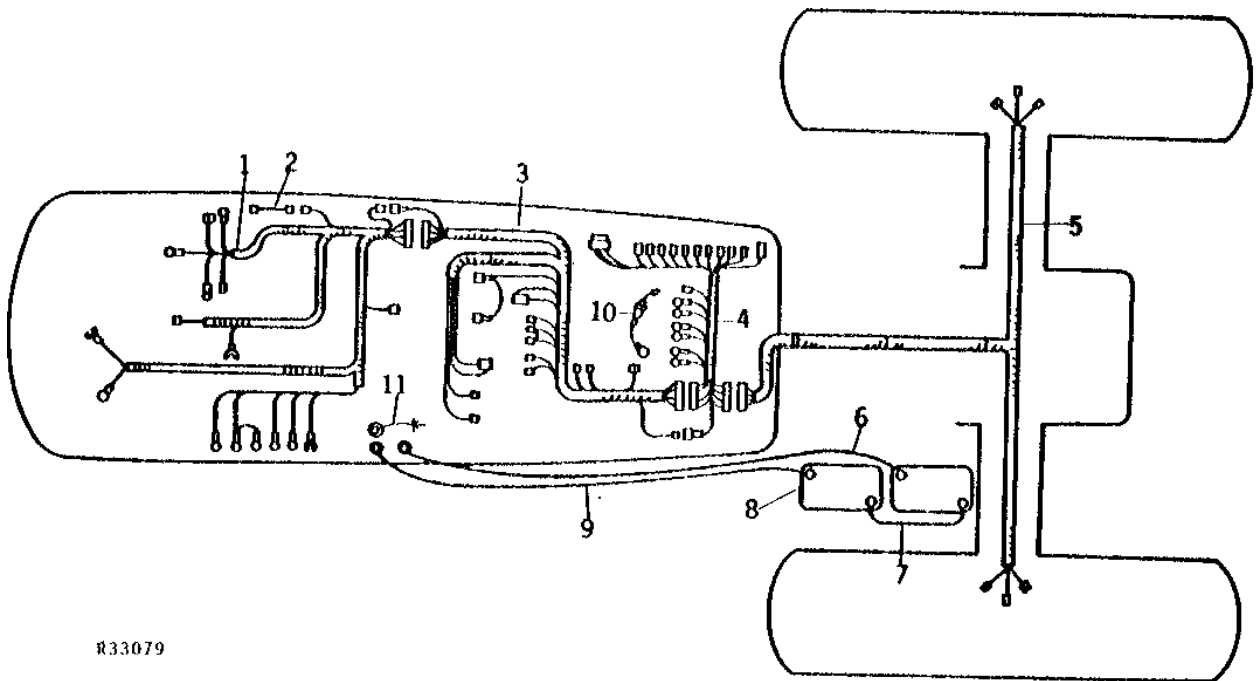
# 1E11

ELECTRICAL

R33079

-UN-01JAN94

WIRING HARNESS AND BATTERY CABLES



R33079

# 1E12

ELECTRICAL

## WIRING HARNESS AND BATTERY CABLES - CONTINUED

KEY	PART NO.	PART NAME	QTY	TRACTOR SERIAL NO.	REMARKS
1	AR47461	WIRING HARNESS	1	-030000	(A) (E)
	AR50912	WIRING HARNESS	1	030001-	(A) (E)
	AR47461	WIRING HARNESS	1	-030238	(B) (E)
	AR49353	WIRING HARNESS	1	027290-030238	(C) (E) (F)
	AR50912	WIRING HARNESS	1	030239-	(D) (E) (NLA)
	AR48956	WIRING LEAD	1	027290-030238	(C) (F) (NO LONGER AVAILABLE)
	AR51569	WIRING LEAD	1	030239-	(D) (F) COMPRESSOR
	AR48957	WIRING LEAD	1	027290-030238	(C) (F) GROUND
	AR48267	WIRING HARNESS	1	027290-030238	(C) (F) ALTERNATOR TO REGULATOR (NO LONGER AVAILABLE)
	T13744	CLAMP	1		
	R45211	CLAMP	5		
28H1862	WASHER	1		0.493" X 0.675" X 7/32"	
19H3697	CAP SCREW	1		1/2" X 1-3/16"	
12H304	LOCK WASHER	1		3/8"	
24H1305	WASHER	1		13/32" X 13/16" X 0.065"	
R44302	TIE BAND	AR			
2	.....	WIRING HARNESS	1		HORN (MAKE FROM WIRING KIT)
3	AR49350	WIRING HARNESS	1	-030000	(A) (G) (SUB FOR AR47460) (NO LONGER AVAILABLE)
	AR50830	WIRING HARNESS	1	030001-	(A) (G) (NLA)
	AR49350	WIRING HARNESS	1	-030238	(B) (G) (NO LONGER AVAILABLE)
	AR50830	WIRING HARNESS	1	030239-	(D) (G) (NLA)
	AR48594	FLASHER	1		(SUB FOR AR38453)
	AR50917	WIRING HARNESS	1		(D) HI-BEAM INDICATOR
	AR50916	WIRING HARNESS	1		(D) DIMMER SWITCH
	R27539	CLAMP	1		(G) TO CONTROL SUPPORT
	T13814	CLAMP	1		(G) TO L.H. DASH TO CONTROL SUPPORT
	B1828R	BUSHING	1		(G) TO L.H. DASH TO CONTROL SUPPORT
	A3411R	GROMMET	1		DASH LAMP LEAD
	F3084R	CLIP	1		DASH LAMP LEAD
	AR41694	WIRING LEAD	1		(NO FLASHER) (NO LONGER AVAILABLE)
	4	AR47498	WIRING HARNESS	1	-030000
AR50837		WIRING HARNESS	1	030001-	(A) (H)
AR47498		WIRING HARNESS	1	-030238	(B) (H) (NO LONGER AVAILABLE)
AR50837		WIRING HARNESS	1	030239-	(D) (H)
5	AR41684	WIRING HARNESS	1	-030000	(A)
	AR48937	WIRING HARNESS	1	030001-	(A)
6	AR47005	CABLE	1		NEGATIVE
7	AR47003	CABLE	1		
8	TY21734	BATTERY	2		(6-VOLT) 975 COLD CRANKING AMPS AT 0°F, (-18°C) 320 MINUTE RESERVE CAPACITY AT 25 AMPS, (SUB FOR AT37931 OR TY6104)
	9	AR47004	CABLE	1	POSITIVE
	R49921	CLAMP	1		TO CLUTCH HOUSING, (SUB FOR R44605)
	19H1936	CAP SCREW	1		3/8" X 3/4", (TO CLIP)
	12H304	LOCK WASHER	1		3/8", (TO CLIP)
10	AR47547	WIRING LEAD	1		FUSEHOLDER
	AR47548	FUSE	1		
11	AR46820	WIRING LEAD	1		(STARTER GROUND)

- (A) LESS CAB
- (B) CAB
- (C) STOLPER CAB
- (D) HINSON CAB
- (E) ALTERNATOR TO MAIN WIRING HARNESS
- (F) AIR CONDITIONING
- (G) MAIN WIRING HARNESS
- (H) CONTROL SUPPORT COVER

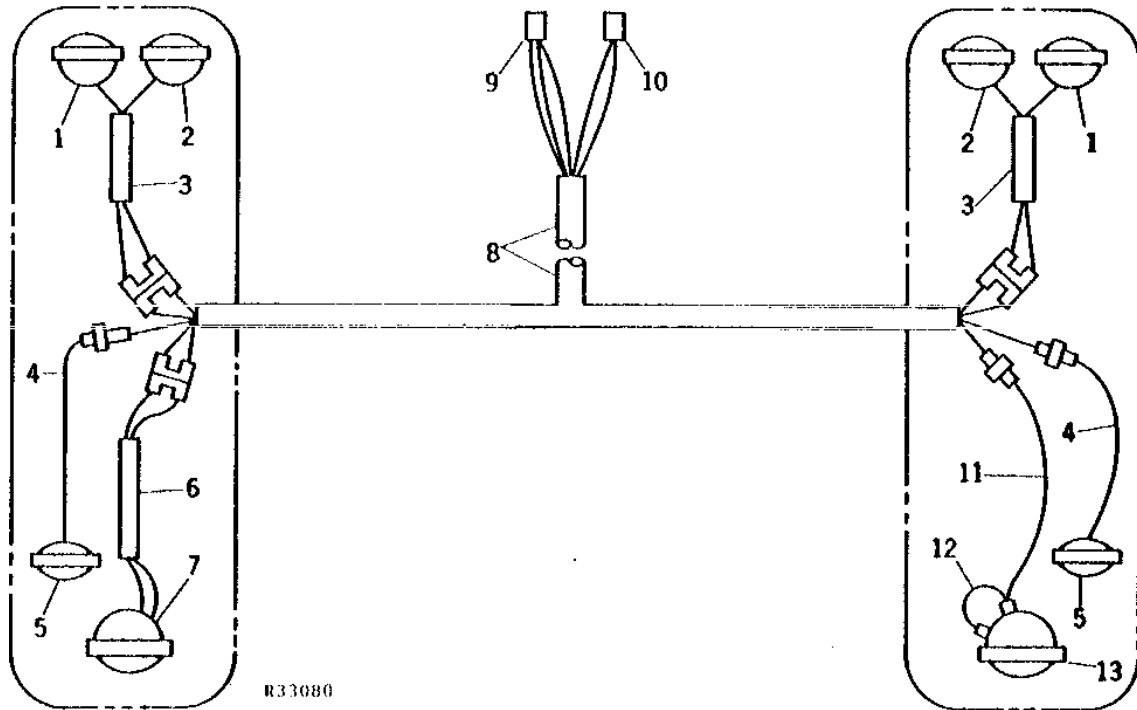
# 1E13

ELECTRICAL

R33080

-UN-01JAN94

LAMP WIRING  
(STANDARD)



# 1E14

ELECTRICAL

## LAMP WIRING - CONTINUED (STANDARD)

KEY	PART NO.	PART NAME	QTY	TRACTOR SERIAL NO.	REMARKS
1	AT13380	HEADLIGHT	2		(12-VOLT FLOOD)
	R48663	WASHER	2		
	F2935R	WASHER	2		
	12H301	LOCK WASHER	2		1/2"
	14H1040	NUT	2		1/2"
2	AT13381	LAMP	2		(12-VOLT)
	R48663	WASHER	2		
	F2935R	WASHER	2		
	12H301	LOCK WASHER	2		1/2"
	14H1040	NUT	2		1/2"
3	AR41701	WIRING HARNESS	2	-030129	(NO LONGER AVAILABLE)
	AR52574	WIRING HARNESS	2	030130-	
	R27180	GROMMET	4		FENDER
	R21551	CLIP	4		TO FENDER FRONT BRACE STRAP
4	.....	WIRING LEAD	2		356 MM (14") (WARNING LAMP TO MAIN LIGHTING HARNESS) (MAKE FROM R66319 AND (2) R32027) (ALSO ORDER R32024 AND R32025)
5	AR38456	LAMP	2	-030000	WARNING
	R38371	WASHER	2	-030000	
	24H1227	WASHER	2	-030000	17/32" X 13/16" X 0.060"
	14H856	NUT	2	-030000	1/2"
	AR50580	LAMP	2	030001-	
	R47831	WASHER	2	030001-	
	12H292	LOCK WASHER	2	030001-	1/2"
	14H856	NUT	2	030001-	1/2"
6	AR41702	WIRING HARNESS	1		
	R26936	GROMMET	2		
7	AR77326	FLOODLAMP	1		FLOOD AND TAIL, (SUB FOR AT16288)
	12H301	LOCK WASHER	1		1/2"
	14H1040	NUT	1		1/2"
8	AR41684	WIRING HARNESS	1	-030000	
	AR48937	WIRING HARNESS	1	030001-	
	B1986R	CLIP	1		TO TRANSMISSION CASE COVER
	R32320	CLIP	2		TO BATTERY BOX AND TOOL BOX
9	R48887	RECEPTACLE	1	XXXXXX-	
10	R48888	FITTING	1	XXXXXX-	
11	.....	WIRING LEAD	1		1181 MM (46-1/2") REAR LAMP HARNESS, (MAKE FROM R66319, R32016 AND R32027) (ALSO ORDER R32024)
12	.....	WIRING LEAD	1		152 MM (6") REAR LAMP GROUND, (MAKE FROM R66319, R32016 AND R32028)
13	AR35782	LAMP	1		(12-VOLT)
	12H301	LOCK WASHER	1		1/2"
	14H1040	NUT	1		1/2"

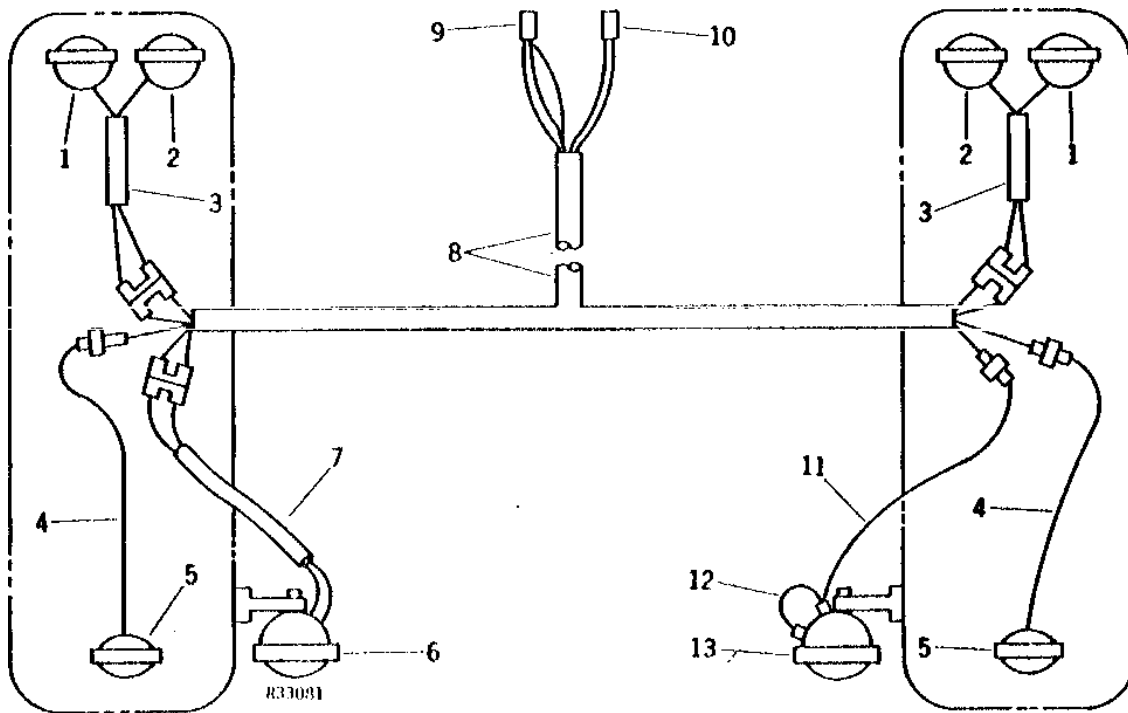
# 1E15

ELECTRICAL

R33081

-UN-01JAN94

LAMP WIRING  
(ROW-CROP)





# 1E16

ELECTRICAL

## LAMP WIRING - CONTINUED (ROW-CROP)

KEY	PART NO.	PART NAME	QTY	TRACTOR SERIAL NO.	REMARKS
1	AT13380	HEADLIGHT	2		(12-VOLT FLOOD)
	R48663	WASHER	2		
	F2935R	WASHER	2		
	12H301	LOCK WASHER	2		1/2"
	14H1040	NUT	2		1/2"
2	AT13381	LAMP	2		(12-VOLT)
	R48663	WASHER	2		
	F2935R	WASHER	2		
	12H301	LOCK WASHER	2		1/2"
	14H1040	NUT	2		1/2"
3	AR47413	WIRING HARNESS	2	-030129	
	AR52573	WIRING HARNESS	2	030130-	
	A3411R	GROMMET	2		FENDER
	R27180	GROMMET	4		FENDER LAMP SUPPORT
	F2084R	CLIP	2		TO FENDER FRONT BRACE STRAP, (SUB R21551)
4	.....	WIRING LEAD	2		1041 MM (41") WARNING LAMP, (MAKE FROM R66319 AND (2) R32027) (ALSO ORDER R32024 AND R32025)
5	AR38456	LAMP	2	-030000	
	R38371	WASHER	2	-030000	
	24H1227	WASHER	2	-030000	17/32" X 13/16" X 0.060"
	14H856	NUT	2	-030000	1/2"
	AR50580	LAMP	2	030001-	
	R47831	WASHER	2	030001-	
	12H292	LOCK WASHER	2	030001-	1/2"
	14H856	NUT	2	030001-	1/2"
6	AR77326	FLOODLAMP	1		REAR AND WARNING (12-VOLT) (SUB FOR AR34990 OR AT16288)
	T12444	WASHER	1		(NO LONGER AVAILABLE)
	12H301	LOCK WASHER	1		1/2"
	14H1040	NUT	1		1/2"
7	AR41702	WIRING HARNESS	1		
	R26936	GROMMET	2		
8	AR41684	WIRING HARNESS	1	-030000	
	AR48937	WIRING HARNESS	1	030001-	
	B1986R	CLIP	1		TO TRANSMISSION CASE COVER
	R32320	CLIP	4		TO BATTERY BOX, TOOL BOX AND FENDERS
	T13814	CLAMP	1		TO DASH, REAR
9	R48887	RECEPTACLE	1	XXXXXX-	
10	R48888	FITTING	1	XXXXXX-	
11	.....	WIRING LEAD	1		1181 MM (46-1/2") REAR LAMP TO LAMP HARNESS, (MAKE FROM R66319, R32016 AND R32027) (ALSO ORDER R32024)
12	.....	WIRING LEAD	1		152 MM (6") REAR LAMP GROUND, (MAKE FROM R66319, R32016 AND R32028)
13	RE27099	LAMP	1		(12-VOLT) (SUB FOR AR28167)
	T12444	WASHER	1		(NO LONGER AVAILABLE)
	12H301	LOCK WASHER	1		1/2"
	14H1040	NUT	1		1/2"

---

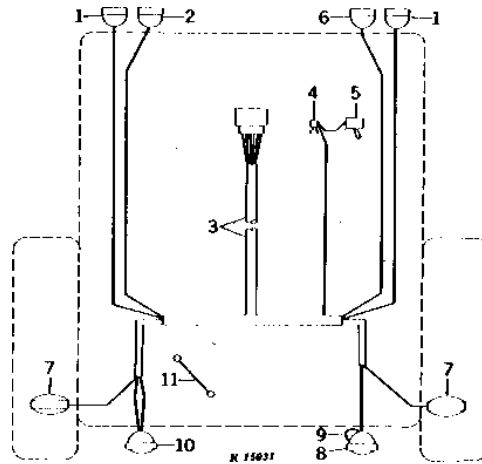
MEMORANDA

# 1E17

ELECTRICAL

## LAMP AND ACCESSORY WIRING (CRENLO)

R15031 -UN-01JAN94



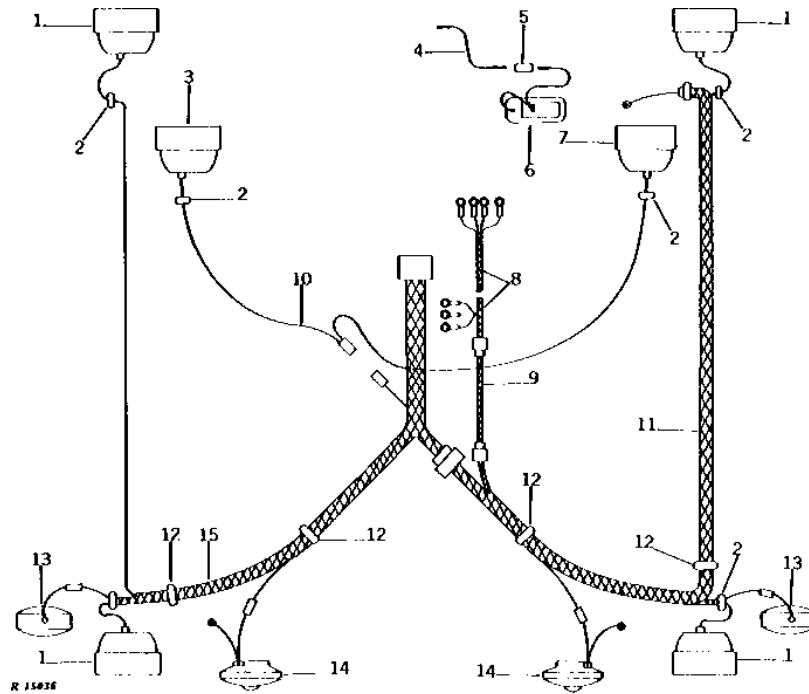
KEY	PART NO.	PART NAME	QTY	CAB SERIAL NO.	REMARKS
1	AR42119	LAMP	2		UPPER (12-VOLT) (HOBBS OR GUIDE) (SUB RE19075, THIS APPLICATION)
2	RE19075	LAMP	1		LOWER, (SUB FOR AR42121)
3	AR48135	WIRING HARNESS	1		(NO LONGER AVAILABLE)
	R42550	BUSHING	1		L.H. WIRING HARNESS (NO LONGER AVAILABLE)
	R42551	BUSHING	1		R.H. WIRING HARNESS (NO LONGER AVAILABLE)
	R44302	TIE BAND	AR		
	R21551	CLIP	2		
4	AR44673	SWITCH	1		PRESSURIZER (12-VOLT)
5	AR44659	TOGGLE SWITCH	1		WINDSHIELD WIPER
6	RE19075	LAMP	1		LOWER, (SUB FOR AR42120)
7	AR38456	LAMP	2		WARNING
8	AR35782	LAMP	1		(12-VOLT)
9	.....	WIRING LEAD	1		512 MM (6") REAR LAMP GROUND, (MAKE FROM R66319, R32016 AND R32028)
10	AR77326	FLOODLAMP	1		FLOOD AND TAIL, (SUB FOR AT16288)
11	AR44762	WIRING LEAD	1		BATTERY GROUND CENTER TO CAB (NO LONGER AVAILABLE)
	R27180	GROMMET	6		
	R41439	GROMMET	2		(CAB FRAME)

# 1E18

ELECTRICAL

R15036 -UN-01JAN94

LAMP WIRING  
(STOLPER)



# 1E19

ELECTRICAL

## LAMP WIRING - CONTINUED (STOLPER)

KEY	PART NO.	PART NAME	QTY	CAB SERIAL NO.	REMARKS
1	AR42119	LAMP	4		UPPER (12-VOLT) (HOBBS OR GUIDE) (SUB RE19075, THIS APPLICATION)
2	R27583	GROMMET	6		
3	RE19075	LAMP	1		LOWER (12-VOLT) (SUB FOR AR42121)
4	.....	WIRING LEAD	1		254 MM (10") DOME LIGHT, (MAKE FROM R66319, R32026 AND R32027) (ALSO ORDER R32024)
5	AL2976T	CONNECTOR	1		(SUB FOR R32029)
6	AR45847	LAMP	1		DOME
7	RE19075	LAMP	1		LOWER (12-VOLT) (SUB FOR AR42120)
8	F2084R	CLIP	6		LOWER FRONT LAMP HARNESS TO CAB, (SUB R21551)
8	AR47764	WIRING HARNESS	1		TRACTOR HARNESS TO ACCESSORY RELAY
9	.....	WIRING LEAD	1		686 MM (27") ACCESSORY HARNESS TO CAB, (MAKE FROM R66320 AND R32028) (ALSO ORDER R32024 AND R32025)
10	AR46081	WIRING HARNESS	1		(A) (NO LONGER AVAILABLE)
	AR42008	WIRING LEAD	2		(A) (NO LONGER AVAILABLE)
11	AR43742	WIRING HARNESS	1		(NO LONGER AVAILABLE)
	T14264	CLAMP	1		(B)
	T13744	CLAMP	1		(B)
	R34557	CLAMP	1		(C)
	R27180	GROMMET	1		(C)
12	R41439	GROMMET	4		
13	AR38456	LAMP	2		WARNING
14	AR78825	TAIL LAMP	2		(SUB FOR AR45099)
15	AR43743	WIRING HARNESS	1		(NO LONGER AVAILABLE)
	T14264	CLAMP	1		(B)
	T13744	CLAMP	1		(B)
	R34557	CLAMP	1		(C) TO CAB
	R27180	GROMMET	1		(C)
	R44302	TIE BAND	AR		
..	AR48193	WIRING HARNESS	1		EXTENSION (NO LONGER AVAILABLE)
..	AR46333	WIRING HARNESS	1		CAB TO MAIN WIRING HARNESS

- (A) LOWER FRONT LAMPS
- (B) HARNESS TO ROLL-GARD
- (C) TAIL LAMP LEAD

---

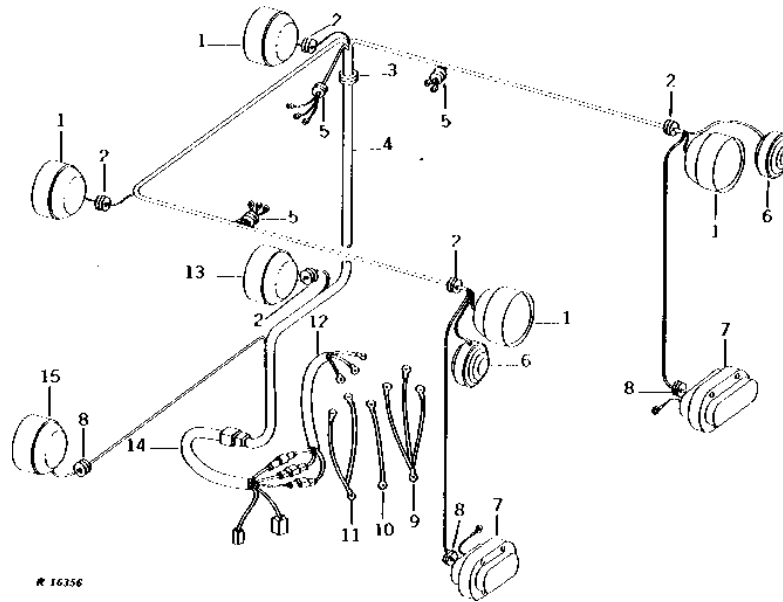
MEMORANDA

# 1E20

ELECTRICAL

LAMP WIRING  
(STOLPER)  
(AIR CONDITIONING)  
(CAB SERIAL NO. 208300- )

R16356 -UN-01JAN94



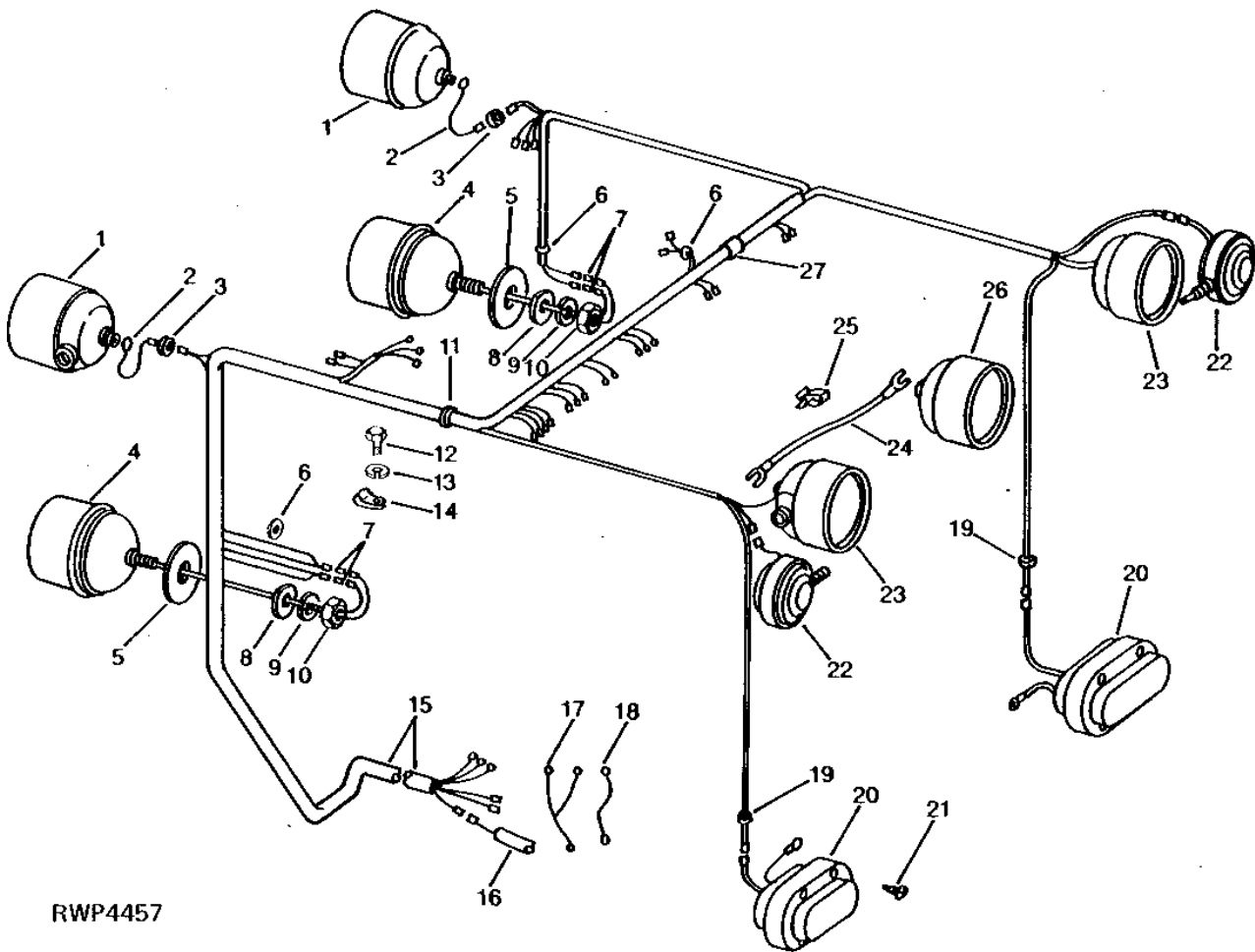
KEY	PART NO.	PART NAME	QTY	CAB SERIAL NO.	REMARKS
1	AR42119	LAMP	4		(12-VOLT) (HOBBS OR GUIDE) (SUB RE19075, THIS APPLICATION)
2	R27583	GROMMET	4		
3	H23127	GROMMET	2		
4	AR49356 R47474	WIRING HARNESS CLIP	1 3		(NO LONGER AVAILABLE)
5	R44458	GROMMET	3		HEATER CORE BRACKET
6	AR38456	LAMP	2		WARNING
7	AR78825	TAIL LAMP	2		(SUB FOR AR45099)
8	R27583	GROMMET	4		
9	AR49603	WIRING HARNESS	1		RELAY TO CAB CIRCUIT BREAKER (NO LONGER AVAILABLE)
10	.....	WIRING LEAD	1		152 MM (6") CIRCUIT BREAKER TO CAB RELAY, (MAKE FROM R66319 AND (2) R32018)
11	AR49602	WIRING HARNESS	1		LIGHT CIRCUIT BREAKER TO RELAY
12	AR48961	WIRING HARNESS	1		CAB ACCESSORY (NO LONGER AVAILABLE)
13	RE19075	LAMP	1		(12-VOLT) (SUB FOR AR42120)
14	AR49354	WIRING HARNESS	1		CAB ACCESSORY WIRING EXTENSION (NO LONGER AVAILABLE)
15	RE19075	LAMP	1		(12-VOLT) (SUB FOR AR42120)

# 1E21

ELECTRICAL

RWP4457 -UN-01JAN94

LAMP WIRING  
(HINSON)



RWP4457



# 1E22

ELECTRICAL

## LAMP WIRING - CONTINUED (HINSON)

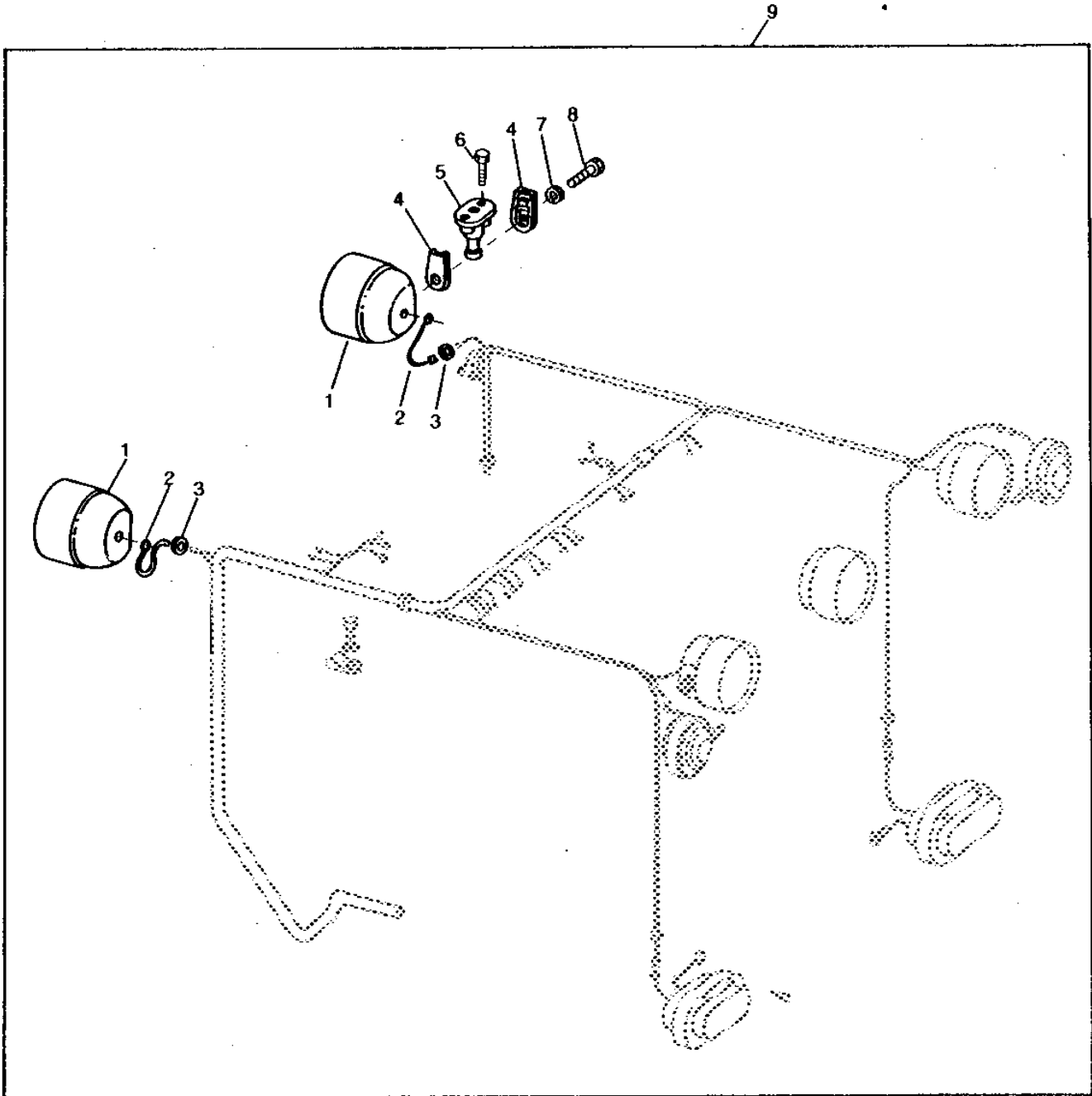
KEY	PART NO.	PART NAME	QTY	CAB SERIAL NO.	REMARKS
1	AR42119	LAMP	2		(HOBBS OR GUIDE) (SUB RE19075, THIS APPLICATION)
2	.....	WIRING LEAD	2		191 MM (7-1/2") (MAKE FROM R66319, R32018 AND R32027) (ALSO ORDER R32025)
3	R2579R	GROMMET	2		
4	AR51335	LAMP	2		(SUB RE25127) (NLA)
5	R48663	WASHER	2		
6	R27180	GROMMET	3		
7	T28585	TERMINAL	4		LAMP LEADS
	T28583	RECEPTACLE	4		WIRING HARNESS LEADS
8	F2935R	WASHER	2		
9	12H301	LOCK WASHER	2		1/2"
10	14H1040	NUT	2		1/2"
11	R27533	GROMMET	2		
12	19H1227	CAP SCREW	1		1/4" X 1/2"
13	12H302	LOCK WASHER	1		1/4"
14	R40791	CLAMP	1		
15	AR67346	WIRING HARNESS	1		(SUB FOR AR53157)
	R48887	RECEPTACLE	1		
	R48888	FITTING	1		
16	AR50916	WIRING HARNESS	1		DIMMER SWITCH (NLA)
17	AR49602	WIRING HARNESS	2		
18	.....	WIRING LEAD	1		152 MM (6") CIRCUIT BREAKER TO CAB RELAY, (MAKE FROM R66319 AND (2) R32018)
19	M1895T	GROMMET	2		
20	AR78825	TAIL LAMP	2		(SUB FOR AR45099)
21	37H2	SCREW	2		0.164" X 5/8"
22	AR38456	LAMP	2	-030541	WARNING
	AR54975	LAMP	4	030542-	WARNING
23	AR42119	LAMP	2		(HOBBS OR GUIDE) (SUB RE19075, THIS APPLICATION)
24	.....	WIRING LEAD	1		686 MM (27") (MAKE FROM R66319 AND (2) R32016)
25	R21551	CLIP	2		
26	AR42119	LAMP	1		(HOBBS OR GUIDE) (SUB RE19075, THIS APPLICATION)
27	R48883	CLAMP	2		
..	AR54976	WIRING HARNESS	2	030542-	FRONT WARNING LAMP

# 1E23

ELECTRICAL

RWP4369 -UN-01JAN94

FLOOD LAMP KIT  
(UPPER FRONT)



RWP4369

# 1E24

ELECTRICAL

FLOOD LAMP KIT - CONTINUED  
(UPPER FRONT)

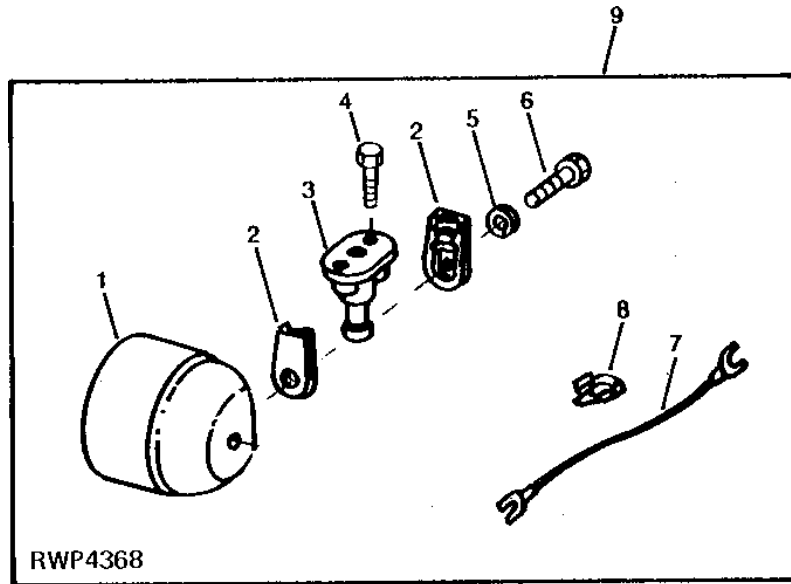
KEY	PART NO.	PART NAME	QTY	TRACTOR SERIAL NO.	REMARKS
1	AR42119	LAMP	2		(SUB RE19075, THIS APPLICATION)
2	.....	WIRING LEAD	2		191 MM (7-1/2") (MAKE FROM R32018, R66319 AND R32027) (ALSO ORDER R32025)
3	R2579R	GROMMET	2		
4	R27460	CLAMP	4		
5	R43662	BRACKET	2		
6	37H106	SCREW	4		
7	12H301	LOCK WASHER	2	1/2"	
8	19H2644	CAP SCREW	4	1/2" X 2-1/2"	
9	AR51968	KIT	1		

# 1E25

ELECTRICAL

RWP4368 -UN-01JAN94

## FLOOD LAMP KIT (REAR CENTER)



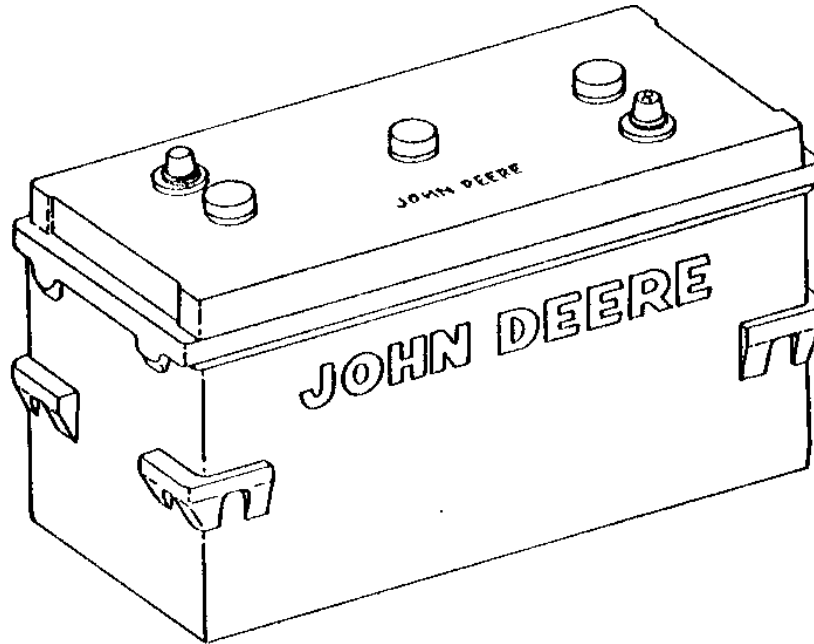
KEY	PART NO.	PART NAME	QTY	TRACTOR SERIAL NO.	REMARKS
1	AR42119	LAMP	1		(12-VOLT) (SUB RE19075, THIS APPLICATION)
2	R27460	CLAMP	2		
3	R43662	BRACKET	1		
4	37H106	SCREW	2		
5	12H301	LOCK WASHER	1	1/2"	
6	19H2644	CAP SCREW	2	1/2" X 2-1/2"	
7	.....	WIRING LEAD	1	689 MM (27") (MAKE FROM (2) AR32016 AND R66319)	
8	R21551	CLIP	2		
9	AR52604	KIT	1		

# 1F1

ELECTRICAL

R33050 -UN-01JAN94

BATTERY



R33050

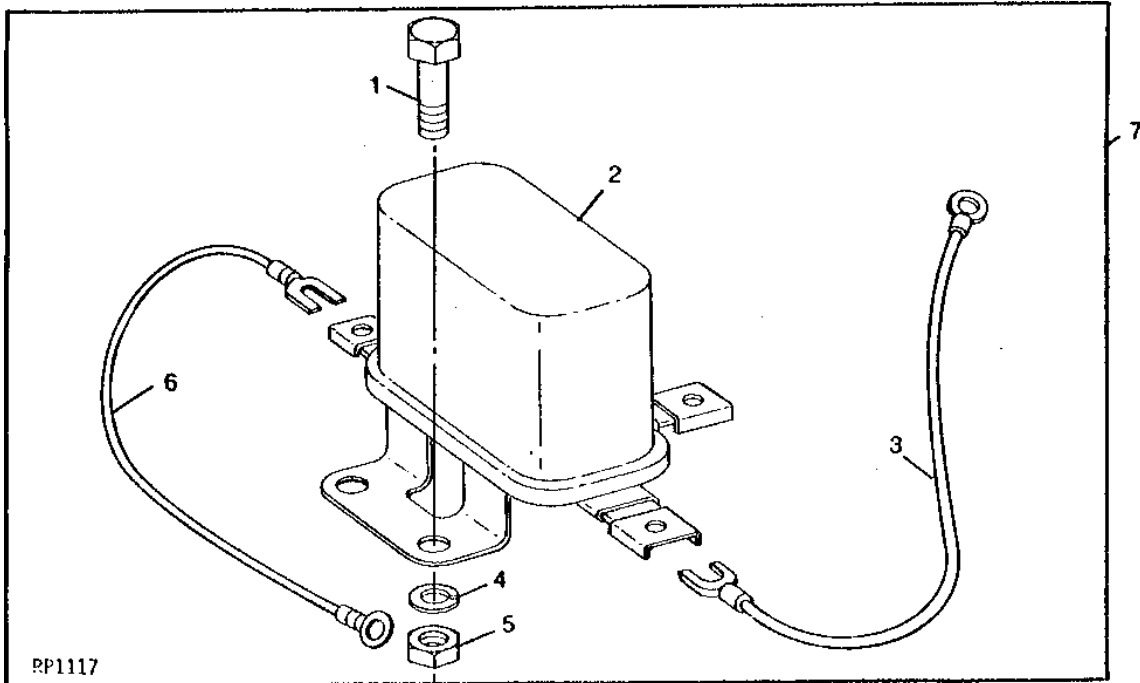
KEY	PART NO.	PART NAME	QTY	TRACTOR SERIAL NO.	REMARKS
1	TY21734	BATTERY	2		(6-VOLT) 975 COLD CRANKING AMPS AT 0°F (-18°C), 320 MINUTE RESERVE CAPACITY AT 25 AMPS, (SUB FOR TY6104 OR AT37931)

# 1F2

ELECTRICAL

RP1117 -UN-01JAN94

## ACCESSORY RELAY WIRING KIT



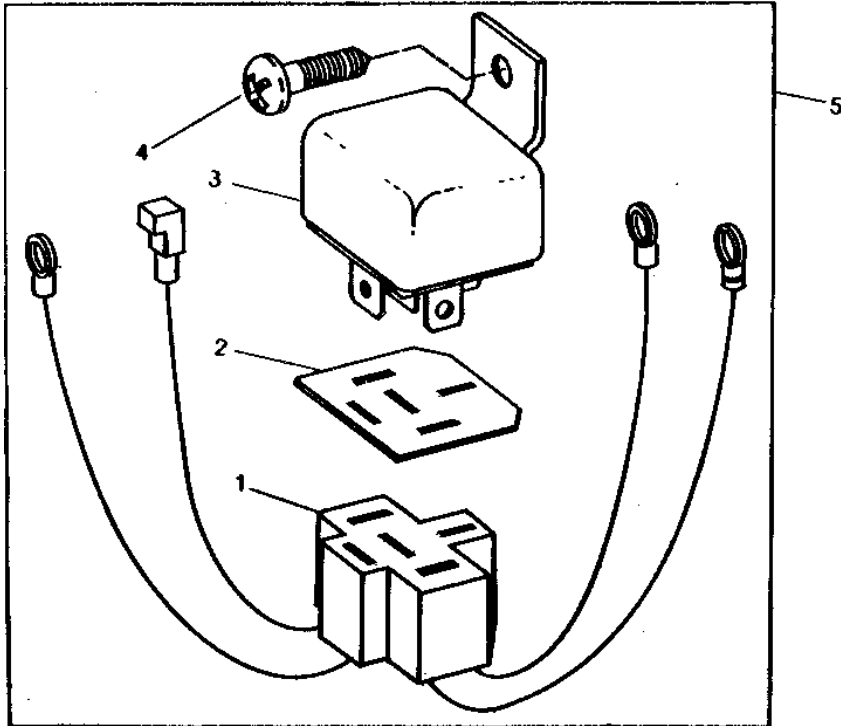
KEY	PART NO.	PART NAME	QTY	TRACTOR SERIAL NO.	REMARKS
1	19H1919	CAP SCREW	2	1/4" X 5/8"	
2	AE23861	RELAY	1	(SUB AH98337)	
3	AR78384	WIRING LEAD	1		
4	12H302	LOCK WASHER	2	1/4"	
5	14H786	NUT	2	1/4"	
6	AR78386	WIRING LEAD	1		
7	AR78382	KIT	1	(SUB AR91166)	

# 1F3

ELECTRICAL

RWP2586 -UN-01JAN94

## ACCESSORY RELAY WIRING KIT



RWP2586

KEY	PART NO.	PART NAME	QTY	TRACTOR SERIAL NO.	REMARKS
1	AR91167	WIRING HARNESS	1		
	AR78384	WIRING LEAD	3		
	R32022	TERMINAL	2		
	R32028	TERMINAL	3		
2	R67982	COVER	1		
3	AR74411	RELAY	1		
4	37H52	SCREW	1	1/4" X 3/8"	
	19H1919	CAP SCREW	1	1/4" X 5/8"	
	12H302	LOCK WASHER	1	1/4"	
	14H786	NUT	1	1/4"	
5	AR91166	KIT	1		

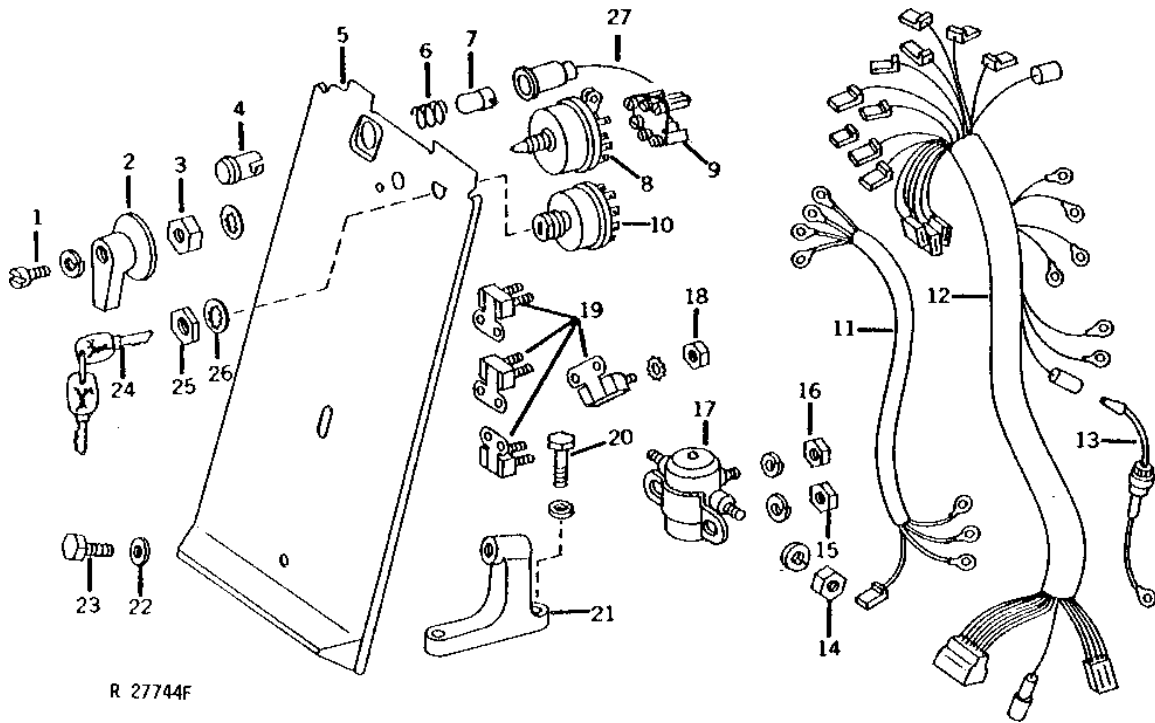
# 1F4

ELECTRICAL

R27744

-UN-01JAN94

CONTROL SUPPORT COVER WITH SWITCHES, CIRCUIT BREAKERS AND WIRING HARNESSSES





# 1F5

ELECTRICAL

## CONTROL SUPPORT COVER WITH SWITCHES, CIRCUIT BREAKERS AND WIRING HARNESES - CONTINUED

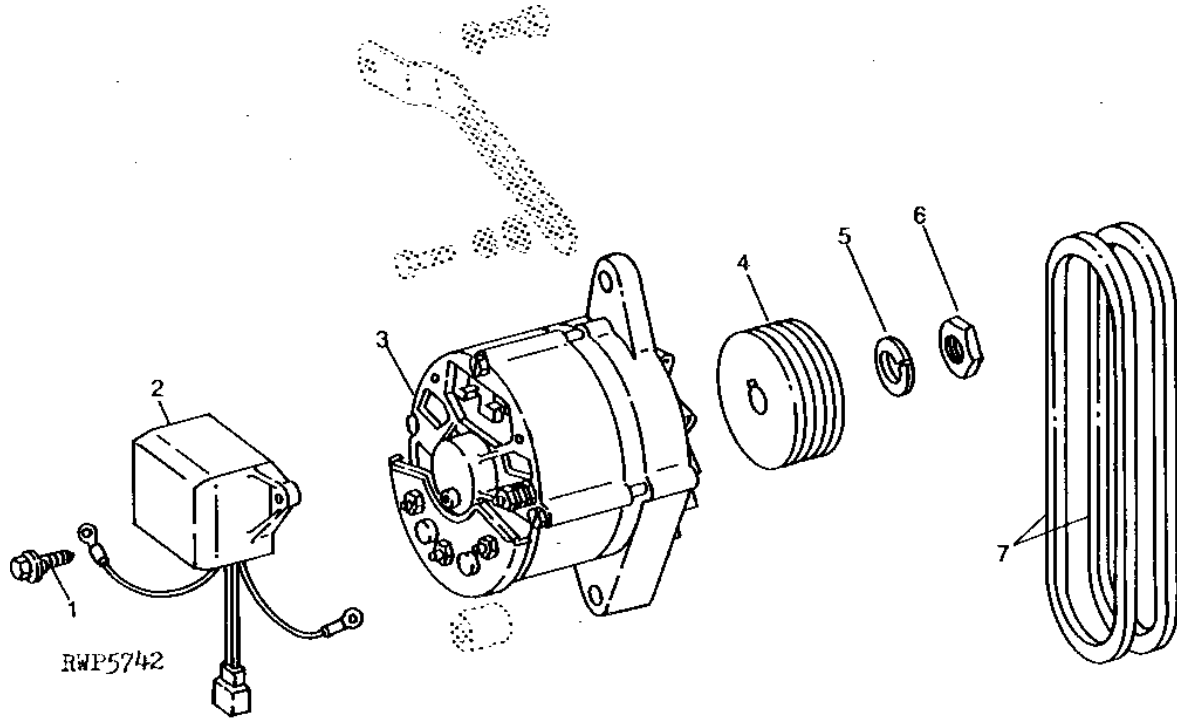
KEY	PART NO.	PART NAME	QTY	TRACTOR SERIAL NO.	REMARKS
1	21H1299	SCREW	1		0.164" X 3/8"
	12H315	LOCK WASHER	1		0.164"
2	R27963	KNOB	1		LIGHT SWITCH, (SUB AT65316)
	AR54445	KNOB	1		LIGHT SWITCH (HINSON CAB) (SUB FOR R46092)
3	A4655R	NUT	1		
	12H292	LOCK WASHER	1		1/2"
4	AR45439	LENS	1		AIR CLEANER RESTRICTION INDICATOR LAMP
5	AR58593	COVER	1		(SUB FOR AR46243 OR AR50729)
6	R30378	SPRING	1		
7	AR55694	BULB	1		(SUB FOR R30379)
8	AR41288	SWITCH	1		LIGHT
	AR48724	LIGHT SWITCH	1		LIGHT (HINSON CAB)
9	AR83425	RECEPTACLE CONNECTOR BODY	1		
10	AR58126	KEY SWITCH	1		(SUB FOR AR47458 OR AR53452)
	AR47459	CYLINDER	1		
11	AR47764	WIRING HARNESS	1		CAB ACCESSORY (CRENLO OR STOLPER CAB)
	AR48961	WIRING HARNESS	1	027290-	CAB ACCESSORY (AIR CONDITIONING) (STOLPER CAB)
12	AR47498	WIRING HARNESS	1		CONTROL SUPPORT COVER
13	AR47547	WIRING LEAD	1		FUSE HOLDER WITH FUSE
14	14H650	NUT	2		5/16"
	12H303	LOCK WASHER	2		5/16"
15	14H786	NUT	6		1/4"
	12H302	LOCK WASHER	6		1/4"
16	14H631	NUT	1		0.190"
	12M7060	WASHER	1		0.209"
17	AR54484	RELAY	1		(SUB FOR AR46334) (WITH CAB) (SUB AR91166, THIS APPLICATION)
18	14H631	NUT	12		0.190", (16 USED, WITH CAB) (24 USED, AIR CONDITIONING)
	12M7060	WASHER	12		0.209", (16 USED, WITH CAB) (24 USED, AIR CONDITIONING)
19	AR28403	CIRCUIT BREAKER	3		(20 AMP) (4 USED, WITH CAB) (5 USED, AIR CONDITIONING) (5 USED, HINSON CAB)
	AN152652	CIRCUIT BREAKER	1	027290-	(30 AMP) (SUB FOR AR49352 OR AR78549) (AIR CONDITIONING)
	AR55649	CIRCUIT BREAKER	1		(10 AMP) (SUB FOR AR48726) (HINSON CAB)
20	19H1139	CAP SCREW	2		3/8" X 1-1/8"
	12H304	LOCK WASHER	2		3/8"
21	R49802	BRACKET	1		(SUB FOR R35623)
22	24H1305	WASHER	1		13/32" X 13/16" X 0.065"
23	19H1936	CAP SCREW	1		3/8" X 3/4"
24	A4827R	WASHER	2		
25	R44342	NUT	1		
26	AR51481	KEY	1		(SUB FOR R45361)
27	AR48033	INDICATOR LIGHT	1		AIR CLEANER RESTRICTION INDICATOR LAMP, (SUB AR45439, AR55694, AT44165 AND R30378)
..	R44302	TIE BAND	AR		
..	R48825	LABEL	1		WIRING

# 1F6

ELECTRICAL

RWP5742 -UN-01JAN94

## ALTERNATOR AND REGULATOR



KEY	PART NO.	PART NAME	QTY	ENGINE SERIAL NO.	REMARKS
1	R44008	SCREW	3		
2	AR78298 AT56592	VOLTAGE REGULATOR REGULATOR	1	(55 AMP) (SUB FOR AR38459 OR AR52927) (72 AMP) (SUB FOR AR52079)	
3	AR40420	ALTERNATOR	1	(A) (55 AMP) (MOTOROLA NO. 70D44110C01) (PRESTOLITE NO. RA12NJD604)	
	AR48962	ALTERNATOR	1	(B) (72 AMP) (SUB TY6604)	
	AR52078	ALTERNATOR	1	(B) (72 AMP) (MOTOROLA NO. 70D44417C01) (SUB TY6604)	
	TY1430	ALTERNATOR	1	(A) (55 AMP) (REMANUFACTURED)	
	TY6604	ALTERNATOR	1	(B) (72 AMP) (REMANUFACTURED) (SUB FOR TY6612, AR48962 OR AR52078)	
4	R15022	PULLEY	1	(USE WITH AR40420 OR TY1430)	
	R55077	PULLEY	1	(USE WITH AR48962, AR52078 OR TY6604)	
5	12H294	LOCK WASHER	1	5/8"	
6	14H866	NUT	1	5/8"	
7	AR56638	BELT SET	1		

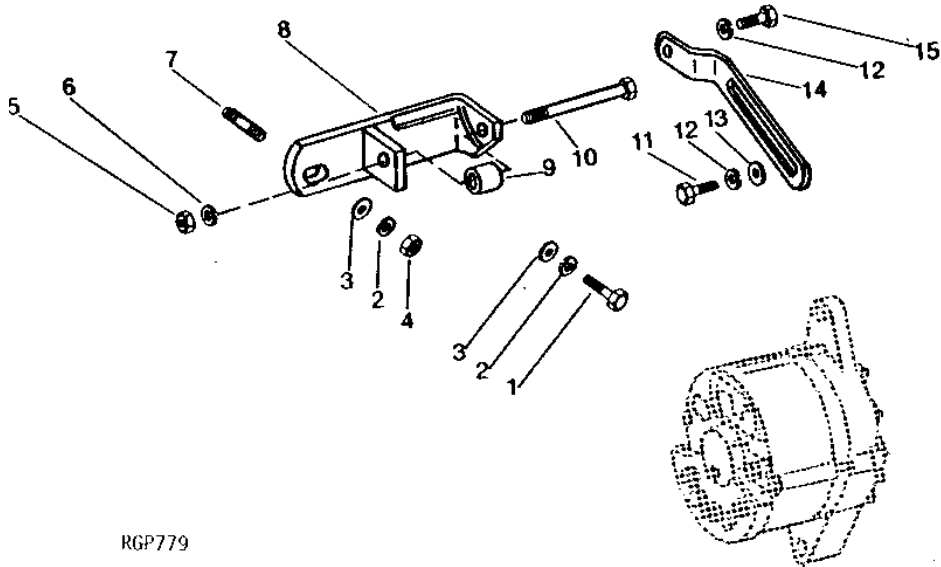
(A) WITHOUT AIR CONDITIONING  
(B) WITH AIR CONDITIONING

# 1F7

ELECTRICAL

RGP779 -UN-01JAN94

## ALTERNATOR, REGULATOR, AND MOUNTING BRACKETS



KEY	PART NO.	PART NAME	QTY	ENGINE SERIAL NO.	REMARKS
1	19H2731	CAP SCREW	1	7/16" X 1-3/8"	
2	12H293	LOCK WASHER	3	7/16"	
3	24M7044	WASHER	2	13 X 20 X 2 MM	
4	14H257	NUT	1	7/16", (SUB FOR A5236R)	
5	14H1076	NUT	1	3/8"	
6	12H304	LOCK WASHER	1	3/8"	
7	K3083R	STUD	1	7/16" X 1-3/4"	
8	AR40416	BRACKET	1		
9	R34969	SPACER	1		
10	19H2228	CAP SCREW	1	3/8" X 4"	
11	19H2127	CAP SCREW	1	5/16" X 7/8"	
12	12H303	LOCK WASHER	2	5/16"	
13	24H1292	WASHER	1	11/32" X 3/4" X 0.120"	
14	R40775	STRAP	1		
15	19H1900	CAP SCREW	1	5/16" X 3/4"	

---

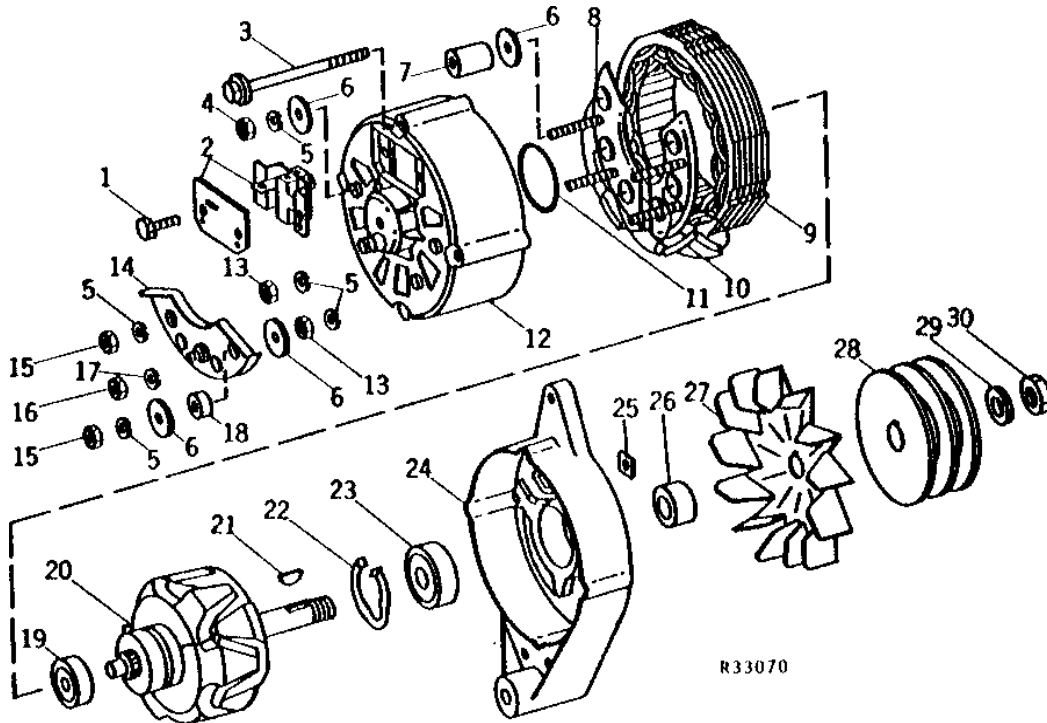
MEMORANDA

# 1F8

ELECTRICAL

ALTERNATOR  
(12-VOLT) (55 AMP) (MOTOROLA)  
(AR40420)

R33070 -UN-01JAN94



R33070

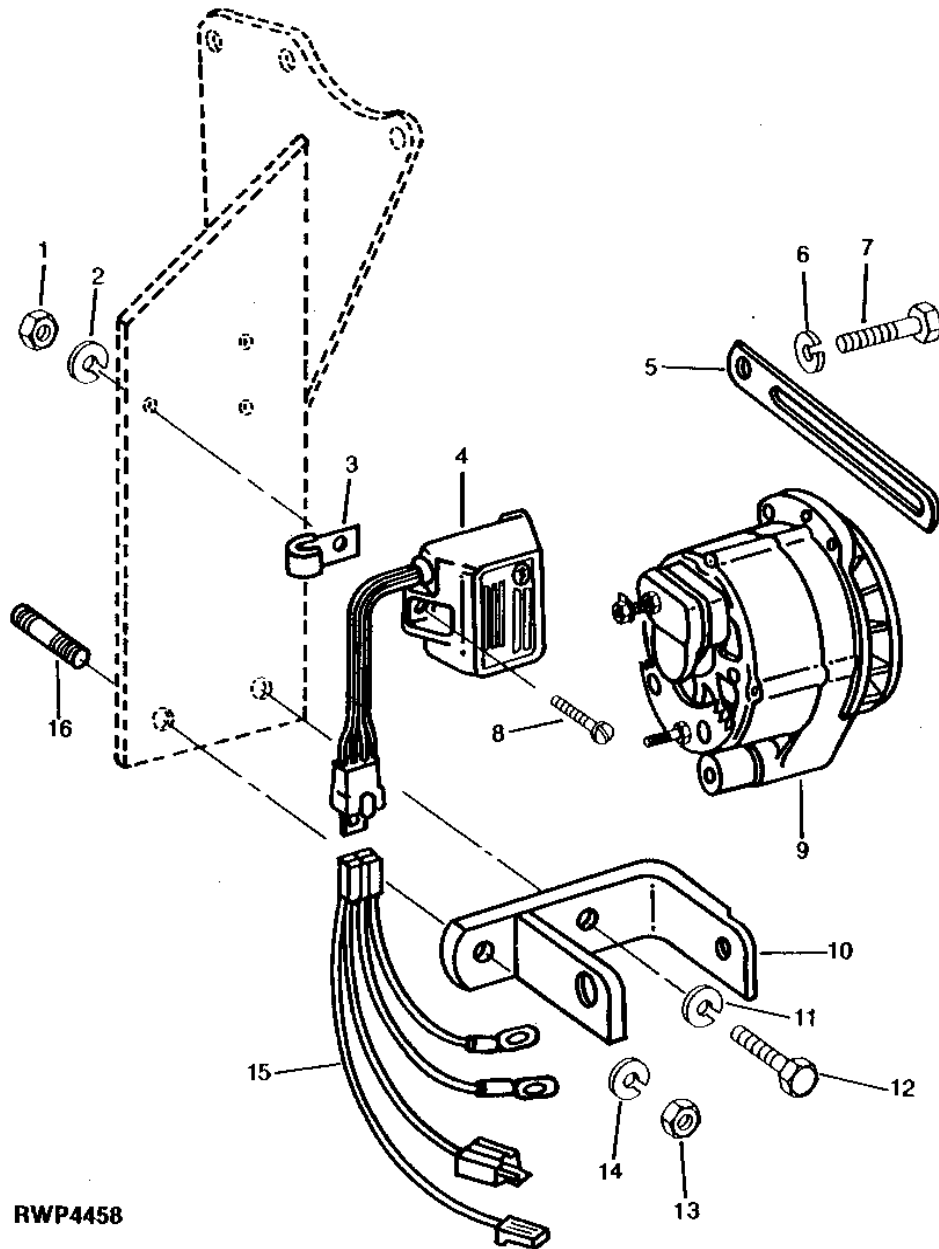
KEY	PART NO.	PART NAME	QTY	ENGINE SERIAL NO.	REMARKS
1	37H10	SCREW	2		0.164" X 3/8"
2	AT27128	HOLDER	1		(SUB FOR R15026)
3	R15045	BOLT	4		
4	14H778	NUT	2		0.190"
5	12M7060	WASHER	6		0.209"
6	R15036	WASHER	6		
7	R15035	SLEEVE	2		
8	R15023	DIODE	1		POSITIVE
9	R39802	STATOR	1		
10	R15024	DIODE	1		NEGATIVE
11	R15030	O-RING	1		
12	R38374	HOUSING	1		
13	14H778	NUT	2		0.190"
14	R39800	DIODE	1		
15	14H778	NUT	2		0.190"
	12M7060	WASHER	2		0.209"
16	14H786	NUT	1		1/4"
17	12H297	LOCK WASHER	2		1/4"
18	R39803	WASHER	1		
19	AT23189	BALL BEARING	1		(SUB FOR R15028)
20	R39801	ROTOR	1		
21	26H72	SHAFT KEY	1		1/8" X 5/8"
22	R15029	RETAINER	1		
23	JD8535	BALL BEARING	1		
24	R15033	HOUSING	1		
25	T23610	NUT	4		
26	T25343	BUSHING	1		(SUB FOR R15038)
27	R15027	FAN	1		
28	R15022	PULLEY	1		
29	12H294	LOCK WASHER	1		5/8"
30	14H866	NUT	1		5/8"
..	AR40420	ALTERNATOR	1		(LESS PULLEY) (MOTOROLA NO. 70D44110C01 OR PRESTOLITE NO. RA12NJD604)
..	TY1430	ALTERNATOR	1		(REMANUFACTURED)

# 1F9

ELECTRICAL

ALTERNATOR, REGULATOR, AND MOUNTING BRACKETS  
(AIR CONDITIONING) (12-VOLT) (72 AMP) (MOTOROLA)  
(TRACTOR SERIAL NO. 027290-030328)  
(AR48962)

RWP4458 -UN-01JAN94



RWP4458

# 1F10

ELECTRICAL

ALTERNATOR, REGULATOR, AND MOUNTING BRACKETS - CONTINUED  
(AIR CONDITIONING) (12-VOLT) (72 AMP) (MOTOROLA)  
(TRACTOR SERIAL NO. 027290-030328)  
(AR48962)

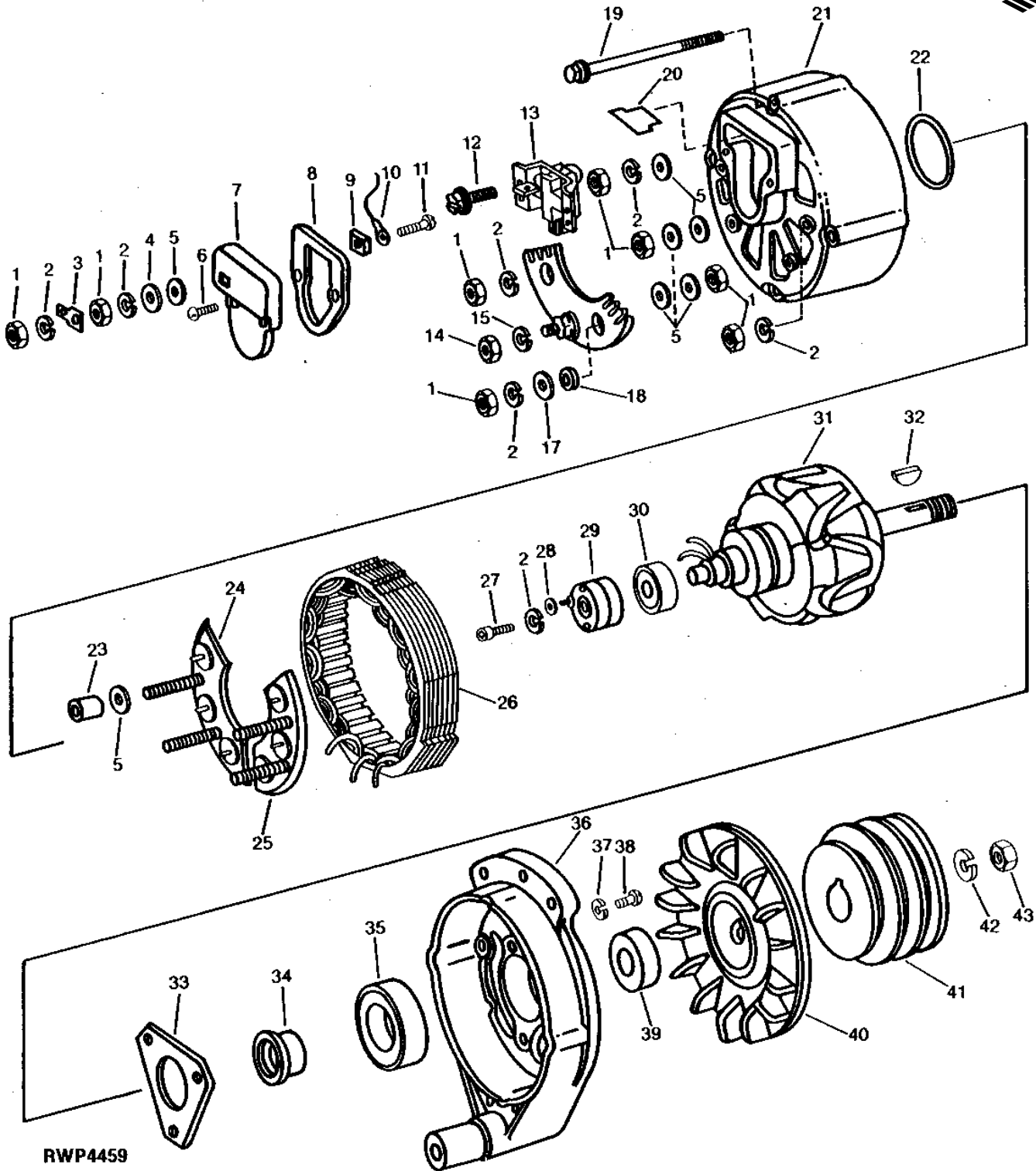
KEY	PART NO.	PART NAME	QTY	ENGINE SERIAL NO.	REMARKS
1	14H778	NUT	3	0.190"	
2	12H246	LOCK WASHER	3	0.190"	
3	T13744	CLAMP	1		
4	AR48266	REGULATOR	1	(SUB AR77485)	
5	R43603	STRAP	1		
6	12H303	LOCK WASHER	1	5/16"	
7	19H3552	CAP SCREW	1	5/16" X 1-1/2"	
8	21H1148	SCREW	3	0.190" X 3/4"	
9	AR48962	ALTERNATOR	1	(SUB TY6604)	
	TY6604	ALTERNATOR	1	(REMANUFACTURED) (SUB FOR TY6612, AR48962 OR AR52078)	
	R30964	COVER	1	ALTERNATOR OUTPUT TERMINAL	
10	AR46973	BRACKET	1		
11	12H293	LOCK WASHER	1	7/16"	
12	19H2770	CAP SCREW	1	1/2" X 1-1/2"	
13	14H257	NUT	1	7/16", (SUB FOR A5236R)	
14	12H293	LOCK WASHER	1	7/16"	
15	AR48267	WIRING HARNESS	1	ALTERNATOR TO REGULATOR (NO LONGER AVAILABLE)	
16	F2884R	STUD	1		

# 1F11

ELECTRICAL

ALTERNATOR  
(AIR CONDITIONING) (12-VOLT) (72 AMP) (MOTOROLA)  
(TRACTOR SERIAL NO. 027290-030328)  
(AR48962)

RWP4459 -UN-01JAN94



RWP4459



# 1F12

ELECTRICAL

ALTERNATOR - CONTINUED  
 (AIR CONDITIONING) (12-VOLT) (72 AMP) (MOTOROLA)  
 TRACTOR SERIAL NO. 027290-030328  
 (AR48962)

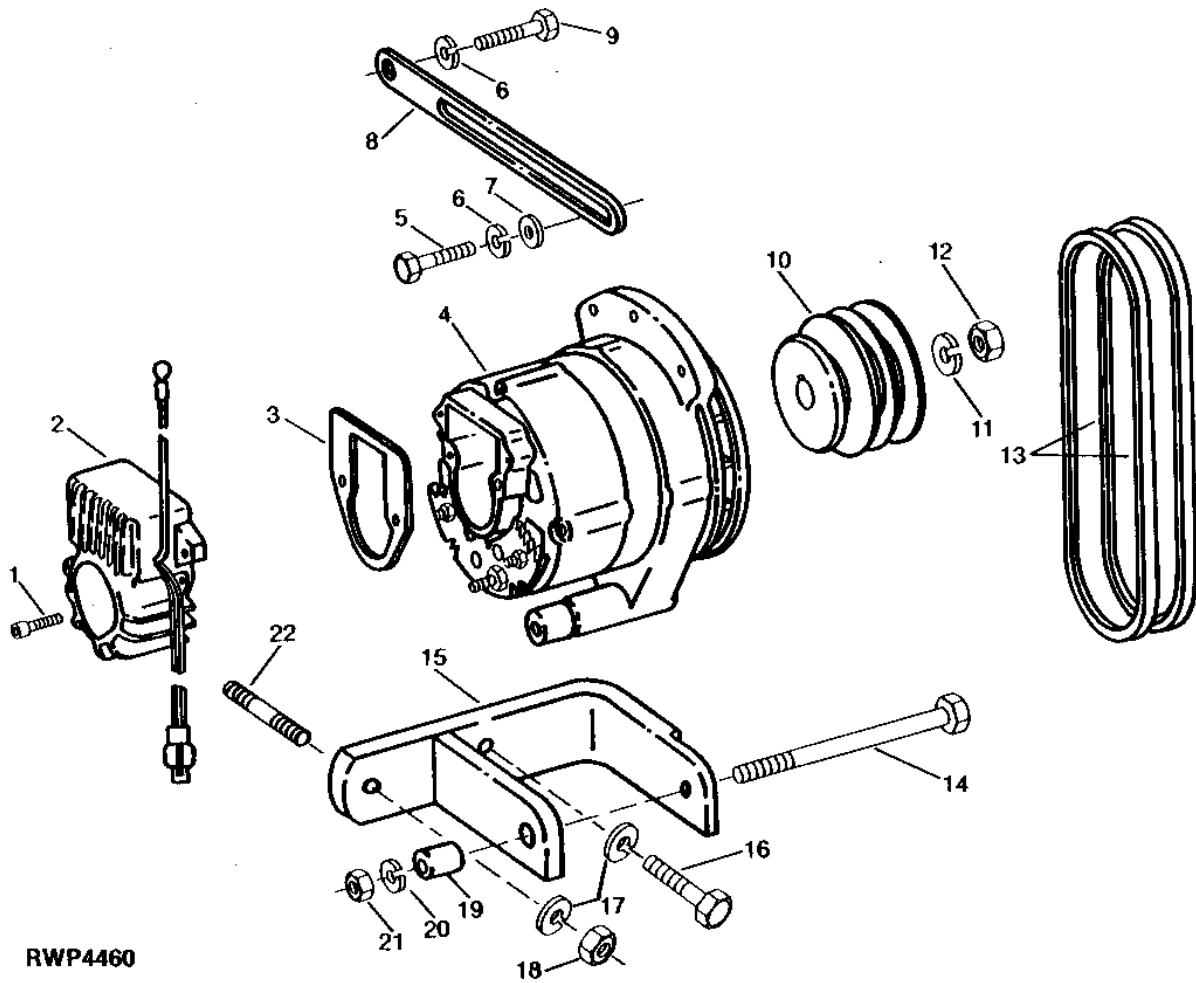
KEY	PART NO.	PART NAME	QTY	ENGINE SERIAL NO.	REMARKS
1	14H778	NUT	8	0.190"	
2	12H246	LOCK WASHER	7	0.190"	
3	T26041	TERMINAL	1		
4	24H1283	WASHER	1	7/32" X 1/2" X 0.049"	
5	R15036	WASHER	8		
6	37H78	SCREW	2	0.164" X 3/4"	
7	T29098	COVER	1		
8	T29100	GASKET	1		
9	T25350	INSULATOR	1		
10	T29101	WIRING LEAD	1		
11	T25349	SCREW	1		
12	37H10	SCREW	2	0.164" X 3/8"	
13	AT27128	HOLDER	1		
14	14H786	NUT	1	1/4"	
15	12H297	LOCK WASHER	1	1/4"	
16	AR50229	DIODE	1		
	R30964	COVER	1		ALTERNATOR OUTPUT TERMINAL
17	R15036	WASHER	1		(SUB FOR R39804)
18	R39803	WASHER	1		
19	R47460	BOLT	4		
20	T25357	INSULATOR	1		
21	T31307	HOUSING	1		
22	T29105	RETAINER	1		
23	T25353	BUSHING	2		
24	AT27123	DIODE	1		POSITIVE, (SUB FOR AR50225) (NLA)
25	AT27124	DIODE	1		NEGATIVE
26	AR50226	STATOR	1		
27	T17948	SCREW	1		(SUB FOR T29102)
28	R47461	INSULATOR	1		
29	AT27127	RING	1		(NLA)
30	JD9449	BALL BEARING	1		(SUB FOR AT23188)
31	AR50227	ROTOR	1		
32	26H72	SHAFT KEY	1	1/8" X 5/8"	
33	T25346	RETAINER	1		
34	R47462	SLEEVE	1		
35	AR50228	BALL BEARING	1		
36	AR50230	HOUSING	1		
37	12H315	LOCK WASHER	3	0.164"	
38	21H1299	SCREW	3	0.164" X 3/8"	
39	R47463	SPACER	1		
40	AR50231	FAN	1		
41	R55077	PULLEY	1		(SUB FOR R46734)
42	12H294	LOCK WASHER	1	5/8"	
43	14H866	NUT	1	5/8"	
..	AR48962	ALTERNATOR	1		(LESS PULLEY) (SUB TY6604)
..	TY6604	ALTERNATOR	1		(REMANUFACTURED) (SUB FOR AR48962 OR AR52078)

# 1F13

ELECTRICAL

ALTERNATOR, REGULATOR AND MOUNTING BRACKET  
(AIR CONDITIONING) (12-VOLT) (72 AMP) (MOTOROLA)  
(TRACTOR SERIAL NO. 030329- )  
(AR52078)

RWP4460 -UN-01JAN94



RWP4460

# 1F14

ELECTRICAL

ALTERNATOR, REGULATOR AND MOUNTING BRACKET - CONTINUED  
(AIR CONDITIONING) (12-VOLT) (72 AMP) (MOTOROLA)  
(TRACTOR SERIAL NO. 030329- )  
(AR52078)

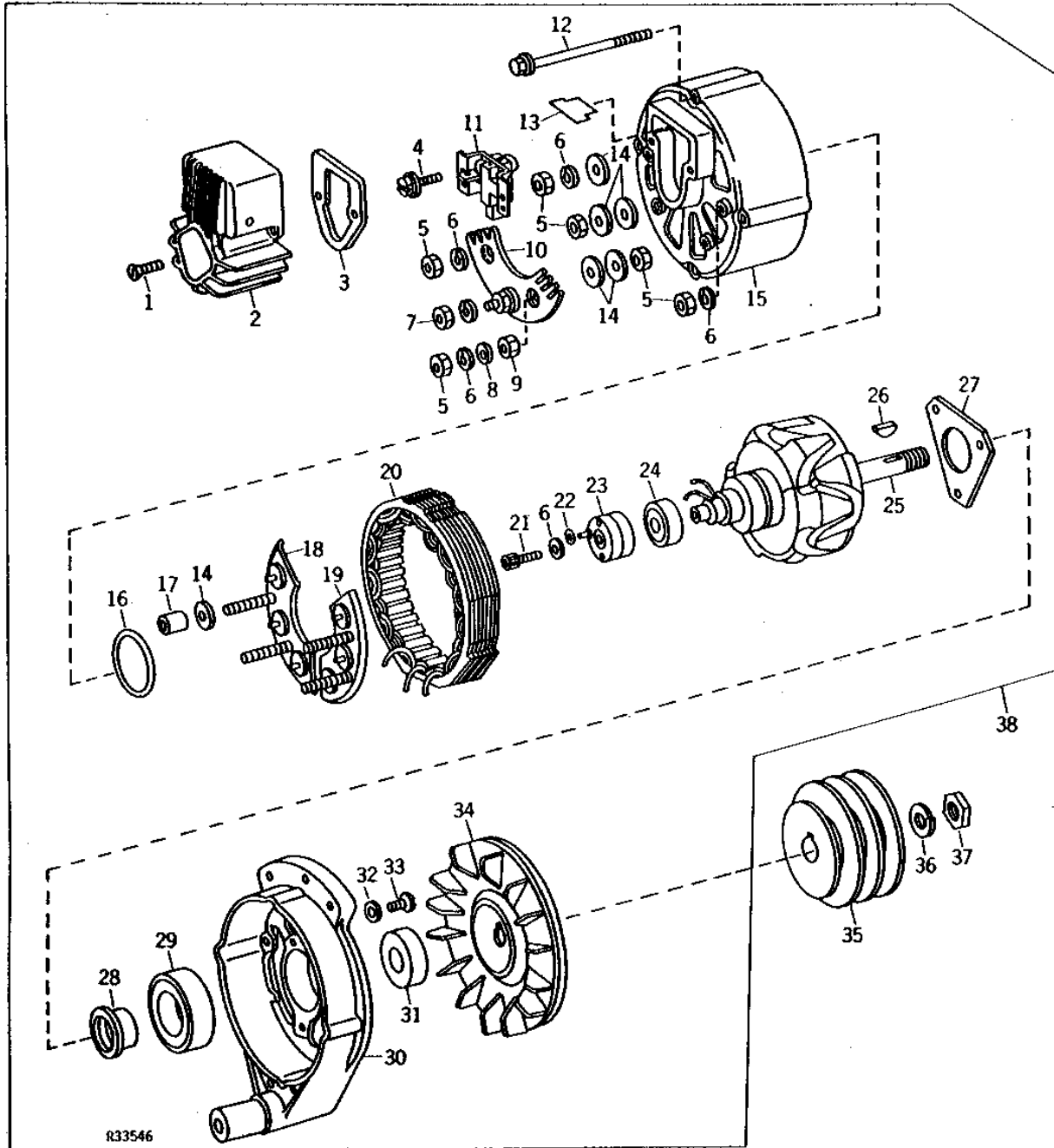
KEY	PART NO.	PART NAME	QTY	ENGINE SERIAL NO.	REMARKS
1	T31308	SCREW	4		
2	AT56592	VOLTAGE REGULATOR	1		(SUB FOR AR52079)
3	T29100	GASKET	1		
4	AR52078	ALTERNATOR	1		(SUB TY6604)
	TY6604	ALTERNATOR	1		(REMANUFACTURED) (SUB FOR AR48962 OR AR52078)
5	19H1905	CAP SCREW	1		5/16" X 1"
6	12H303	LOCK WASHER	2		5/16"
7	24H1292	WASHER	1		11/32" X 3/4" X 0.120"
8	R43603	STRAP	1		
9	19H3552	CAP SCREW	1		5/16" X 1-1/2"
10	R55077	PULLEY	1		
11	12H294	LOCK WASHER	1		5/8"
12	14H866	NUT	1		5/8"
13	AR56638	BELT SET	1		
14	19H2054	CAP SCREW	1		3/8" X 4-3/4"
15	AR46973	BRACKET	1		
16	19H1978	CAP SCREW	1		7/16" X 1-1/2"
17	12H293	LOCK WASHER	2		7/16"
18	14H257	NUT	1		7/16", (SUB FOR A5236R)
19	R45377	SPACER	1		
20	12H304	LOCK WASHER	1		3/8"
21	14H1076	NUT	1		3/8"
22	A5689R	STUD	1		

# 1F15

ELECTRICAL

ALTERNATOR PARTS  
(AIR CONDITIONING) (12-VOLT) (72 AMP) (MOTOROLA)  
(TRACTOR SERIAL NO. 030329- )  
(AR52078)

R33546 -UN-01JAN94



# 1F16

ELECTRICAL

ALTERNATOR PARTS - CONTINUED  
(AIR CONDITIONING) (12-VOLT) (72 AMP) (MOTOROLA)  
(TRACTOR SERIAL NO. 030329- )  
(AR52078)

KEY	PART NO.	PART NAME	QTY	ENGINE SERIAL NO.	REMARKS
1	T31308	SCREW	4		
2	AT56592	REGULATOR	1		(SUB FOR AR52079)
3	T29100	GASKET	1		
4	37H10	SCREW	2		0.164" X 3/8"
5	14H778	NUT	8		0.190"
6	12H246	LOCK WASHER	7		0.190"
7	14H786	NUT	1		1/4"
	12H297	LOCK WASHER	1		1/4"
8	R15036	WASHER	1		INSULATOR, (SUB FOR R39804)
9	R39803	WASHER	1		INSULATOR
10	AR50229	DIODE	1		INSULATOR, TRIPLE
	R30964	COVER	1		OUTPUT TERMINAL
11	AT27128	HOLDER	1		
12	R47460	BOLT	4		
13	T25357	INSULATOR	1		
14	R15036	WASHER	7		INSULATOR
15	R48728	HOUSING	1		
16	T29105	RETAINER	1		
17	T25353	BUSHING	2		
18	AH103067	PLATE	1		POSITIVE, (SUB FOR AR50225)
19	AH103068	PLATE	1		NEGATIVE
20	AR50226	STATOR	1		
21	T17948	SCREW	1		(SUB FOR T29102)
22	R47461	INSULATOR	1		
23	AT27127	RING	1		(NLA)
24	JD9449	BALL BEARING	1		(SUB FOR AT23188)
25	AR50227	ROTOR	1		
26	26H72	SHAFT KEY	1		1/8" X 5/8"
27	T25346	RETAINER	1		
28	R47462	SLEEVE	1		
29	AR50228	BALL BEARING	1		
30	AR50230	HOUSING	1		
31	R47463	SPACER	1		
32	12H315	LOCK WASHER	3		0.164"
33	21H1299	SCREW	3		0.164" X 3/8"
34	AR50231	FAN	1		
35	R55077	PULLEY	1		
36	12H294	LOCK WASHER	1		5/8"
37	14H866	NUT	1		5/8"
38	AR52078	ALTERNATOR	1		(LESS PULLY) (MOTOROLA NO. 70D44417C01) (SUB TY6604)
	TY6604	ALTERNATOR	1		(REMANUFACTURED) (SUB FOR AR48962 OR AR52078)

---

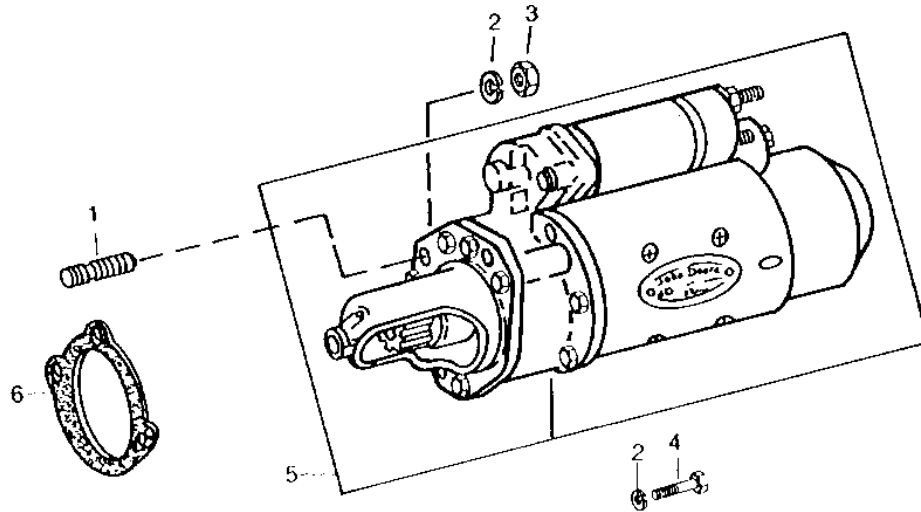
MEMORANDA

# 1F17

ELECTRICAL

## STARTING MOTOR (12 VOLT)

RGP3021 -UN-01JAN94



RGP3021

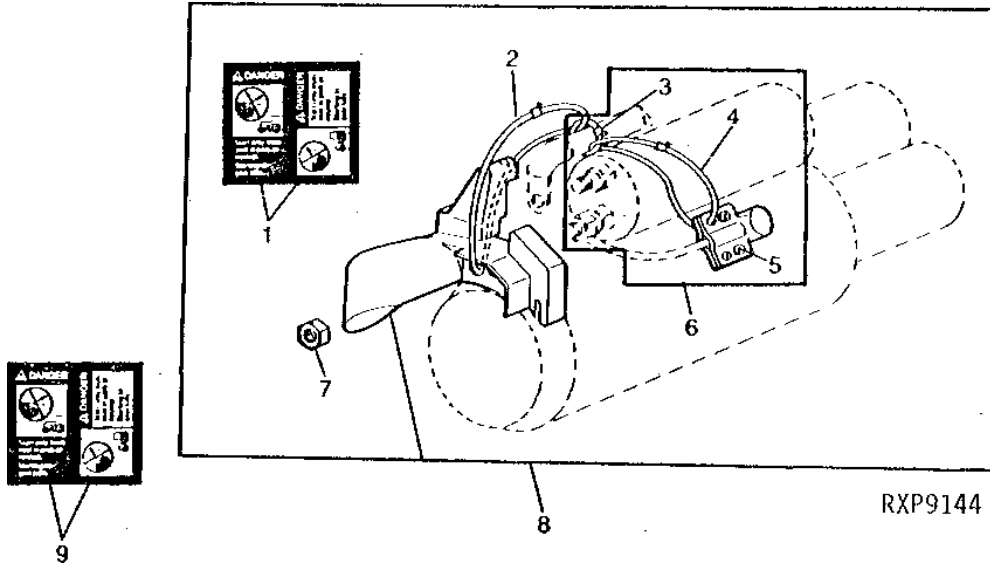
KEY	PART NO.	PART NAME	QTY	ENGINE SERIAL NO.	REMARKS
1	D488R	STUD	2	1/2" X 2"	
2	12H301	LOCK WASHER	3	1/2"	
3	14H1040	NUT	2	1/2"	
4	19H1721	CAP SCREW	1	1/2" X 1-1/2"	
5	AR62154	STARTER	1	(JOHN DEERE) (NIPPONDENSO NO. 028000-3810) (SUB TY6711)	
	AR62153	STARTER	1	(DELCO-REMY NO. 1114166)	(SUB RE41756 OR TY6697)
	AR102188	STARTER	1	(DELCO-REMY NO. 1114831)	(SUB RE41756 OR TY6697)
	RE13942	STARTER	1	(DELCO-REMY NO. 1990325)	(SUB RE41756 OR TY6697)
	RE41756	STARTER	1	(DELCO-REMY NO. 1993935) (MARKED RE38633)	(SUB FOR AR62153, AR102188 OR RE13942)
	TY6697	STARTER	1	(REMANUFACTURED DELCO-REMY)	(SUB FOR TY1902)
	TY6730	STARTER	1	(REMANUFACTURED DELCO-REMY)	(CONTAINS RE41759)
	TY6711	STARTER	1	(REMANUFACTURED) (NIPPONDENSO)	(SUB FOR TY6612)
6	R57480	GASKET	1		

# 1F18

ELECTRICAL

## STARTER SOLENOID COVER KIT (JOHN DEERE)

RXP9144 -UN-01JAN94



RXP9144

KEY	PART NO.	PART NAME	QTY	ENGINE SERIAL NO.	REMARKS
1	T146102	WARNING LABEL	1		(ENGLISH) (SUB FOR T84409 OR T134459)
2	R45440	TIE BAND	1		
3	R44302	TIE BAND	1		
4	R45440	TIE BAND	1		
5	R66117	SCREW	2		
6	RE39063	SHIELD	1		
7	14H732	NUT	1		
8	RE39096	SHIELD	1	(A)	
9	T146106	WARNING LABEL	1		(ESPANOL) (SUB FOR T84410 OR T134452)
	T146104	WARNING LABEL	1		(FRANCAIS) (SUB FOR T84411 OR T134453)
	T146515	WARNING LABEL	1		(DEUTSCH) (SUB FOR T84412 OR T134454)
	T146516	WARNING LABEL	1		(ITALIANO) (SUB FOR T84413 OR T134455)
	T146517	WARNING LABEL	1		(ENGLISH/FRANCAIS) (SUB FOR T84578 OR T134456)

(A) USE WITH AR62154, TY6612 AND TY6711

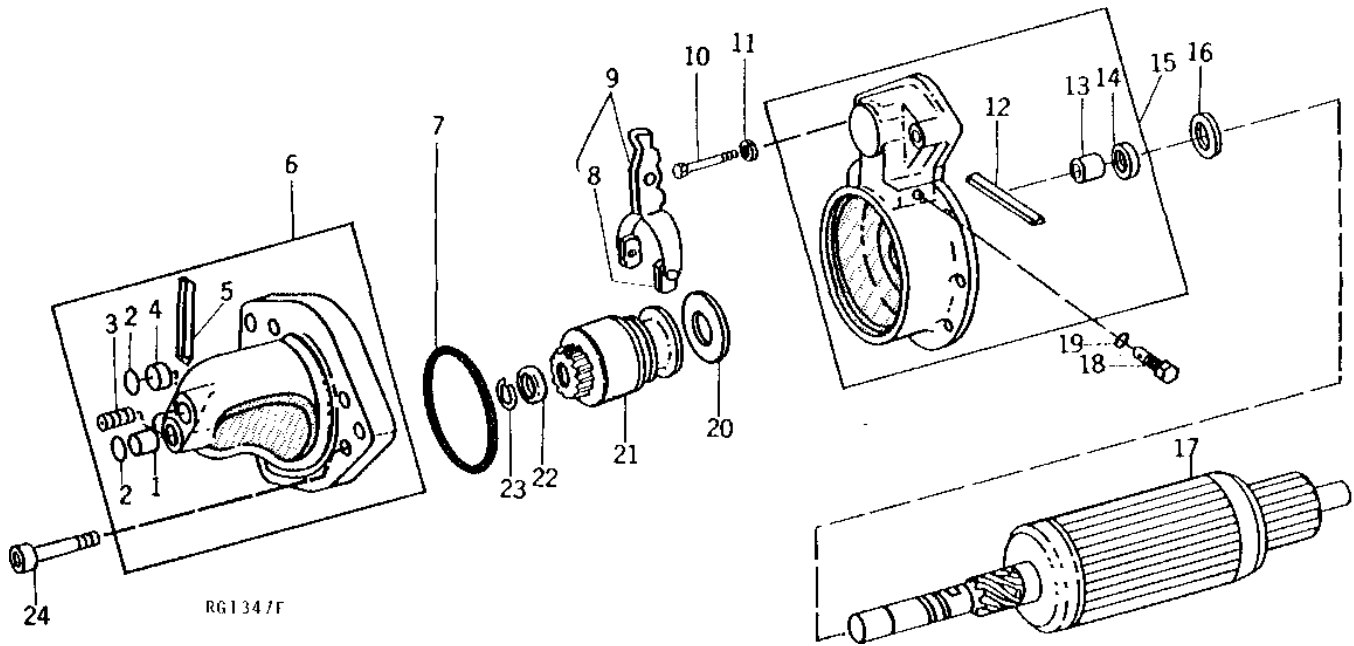


# 1F19

ELECTRICAL

## STARTER DRIVE HOUSING AND ARMATURE (12 VOLT) (JOHN DEERE) (AR62154)

RG1347 -UN-01JAN94



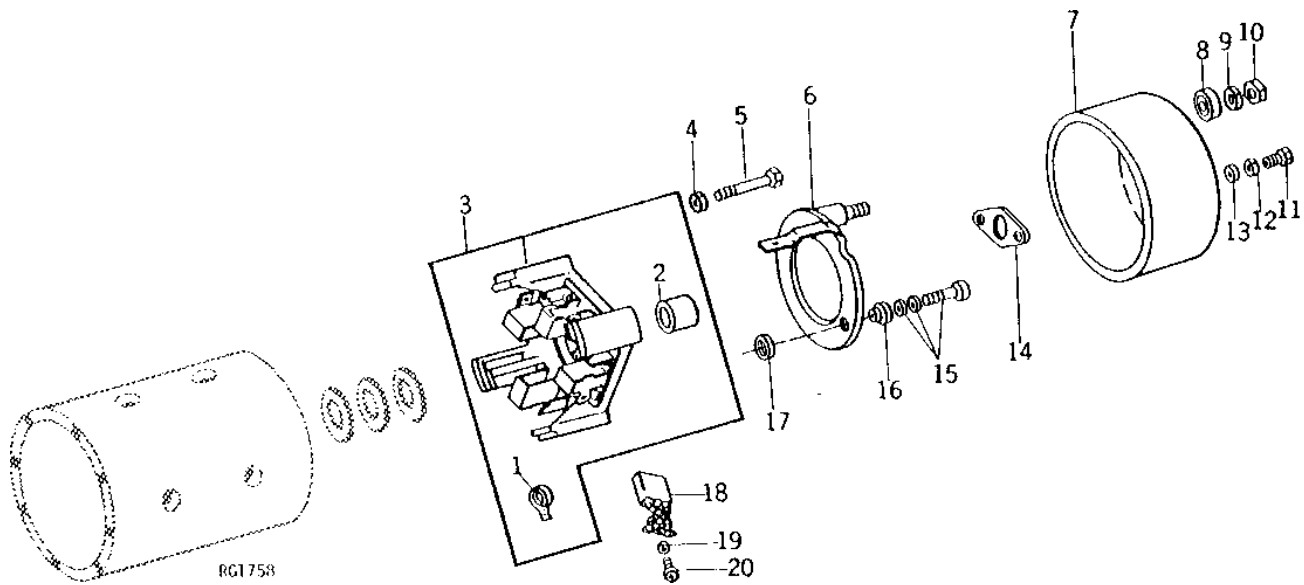
KEY	PART NO.	PART NAME	QTY	ENGINE SERIAL NO.	REMARKS
1	R56797	BUSHING	1		
2	R56796	CAP	2		
3	15H558	PIPE PLUG	1	1/8"	
4	R56798	FELT	1		
5	R56799	FELT	1		
6	AR67831	HOUSING	1		
7	R50901	WASHER	1		
8	R51667	WEAR PLATE	2		
9	AR67827	ARM	1		
10	R50893	SCREW	2		
11	12H302	LOCK WASHER	2	1/4"	
12	R51666	WICK	1		
13	R51665	BUSHING	1		
14	AR55947	SEAL	1		
15	AR67833	HOUSING	1		
16	R50906	THRUST WASHER	1		
17	AR67834	ARMATURE	1		
18	R56791	SHAFT	1		
19	R52387	O-RING	1		
20	R50905	WEAR RING	1		
21	AR67832	CLUTCH	1		
22	R50903	STOP	1		
23	R50902	SNAP RING	1		
24	R58053	BOLT	6	(SUB R50900, THIS APPLICATION)	

# 1F20

ELECTRICAL

## STARTER COMMUTATOR END FRAME (12 VOLT) (JOHN DEERE) (AR62154)

RG1758 -UN-01JAN94



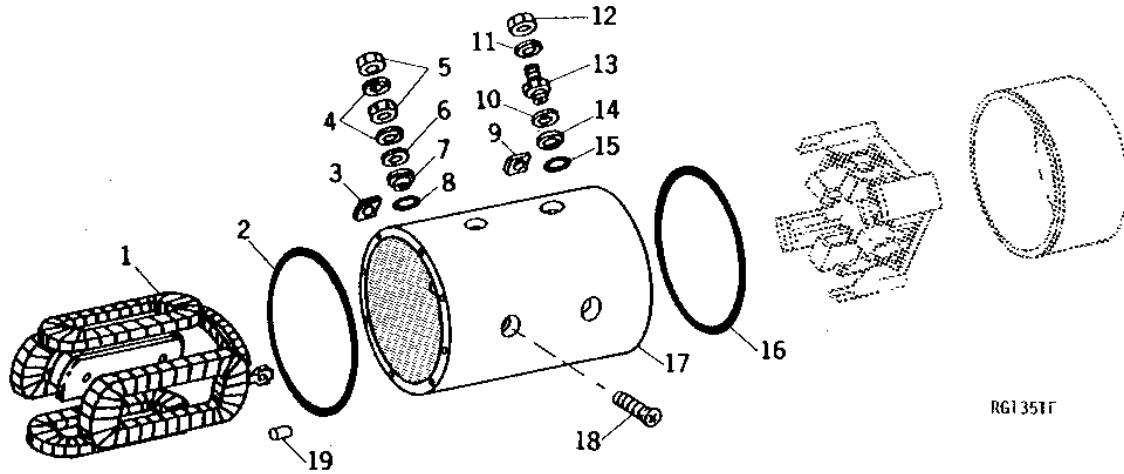
KEY	PART NO.	PART NAME	QTY	ENGINE SERIAL NO.	REMARKS
1	R56803	SPRING	4		
2	R50891	BUSHING	1		
3	AR67836	FRAME	1		
4	12H317	LOCK WASHER	2	9/16"	
5	R51659	SCREW	2		
6	AR67838	FITTING	1		
7	R56807	COVER	1		
8	R56808	GROMMET	1		
9	12H301	LOCK WASHER	2	1/2"	
10	14H1040	NUT	1		
11	R50931	SCREW	2		
12	12H246	LOCK WASHER	2	0.190"	
13	24H1283	WASHER	2	7/32" X 1/2" X 0.049"	
14	R56806	GASKET	1		
15	AR67839	SCREW	2		
16	R56805	WASHER	2		
17	R56804	WASHER	2		
18	AR67837	BRUSH	4		
19	12H246	LOCK WASHER	4	0.190"	
20	R50929	SCREW	4		

# 1F21

ELECTRICAL

## STARTER MAIN FRAME AND COIL (12 VOLT JOHN DEERE) (AR62154)

RG1351 -UN-01JAN94



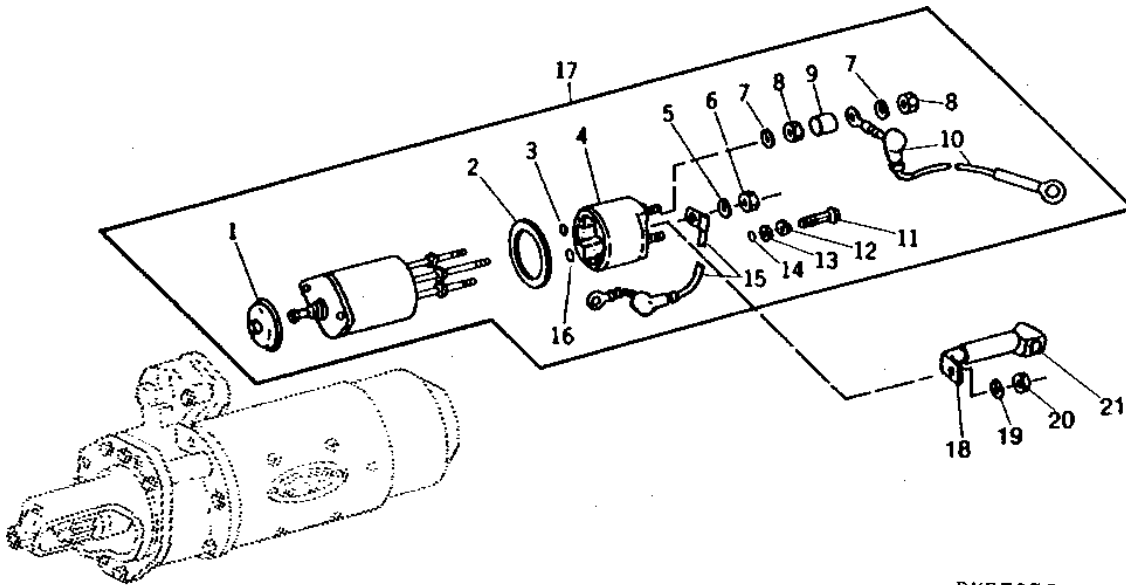
KEY	PART NO.	PART NAME	QTY	ENGINE SERIAL NO.	REMARKS
1	AR67835	FIELD WINDING COIL	1		
2	R50913	O-RING	1		
3	R50916	WASHER	1		
4	12H246	LOCK WASHER	2	0.190"	
5	R50907	NUT	2		
6	24H1283	WASHER	1	7/32" X 1/2" X 0.049"	
7	R50914	WASHER	1		
8	R50915	O-RING	1		
9	R50920	BUSHING	1		
10	R50917	WASHER	1		
11	R50899	LOCK WASHER	1		
12	R50909	NUT	1		
13	R56802	STUD	1		
14	R50918	WASHER	1		
15	R50919	O-RING	1		
16	R50922	O-RING	1		
17	.....	FRAME	1	(ORDER TY6711)	
18	R50921	SCREW	8		
19	R51664	DOWEL PIN	1		

# 1F22

ELECTRICAL

STARTER SOLENOID SWITCH  
(12 VOLT) (JOHN DEERE)  
(STARTING MOTOR DATE CODE -8S0168)

RXP7956 -UN-01JAN94



RXP7956

KEY	PART NO.	PART NAME	QTY	ENGINE SERIAL NO.	REMARKS
1	R52385	BOOT	1		
2	R51668	WASHER	1		
3	R56792	WASHER	1		
4	AR71257	COVER	1		(SUB FOR AR67829 OR RE39096, THIS APPLICATION) (SUB RE15355 AND RE39096)
5	12H246	LOCK WASHER	1	0.190"	
6	14H631	NUT	1	0.190"	
7	12H303	LOCK WASHER	2	5/16"	
8	R51671	NUT	2		
9	R56794	SLEEVE	1		
10	AR67830	WIRING LEAD	1		
11	R51669	SCREW	2		
12	12H302	LOCK WASHER	2	1/4"	
13	24H1305	WASHER	1	13/32" X 13/16" X 0.065"	
14	R50894	O-RING	1		
15	RE15058	WIRE	1		(SUB FOR AR55949)
16	R56793	SHIM	1		
17	AR67828	SWITCH	1		(A) (SUB FOR AR90068) (SUB RE15356 AND RE39096)
18	R56801	BOOT	1		
19	14H732	NUT	1	3/8"	
20	R50899	LOCK WASHER	1		
21	R56800	STRAP	1		

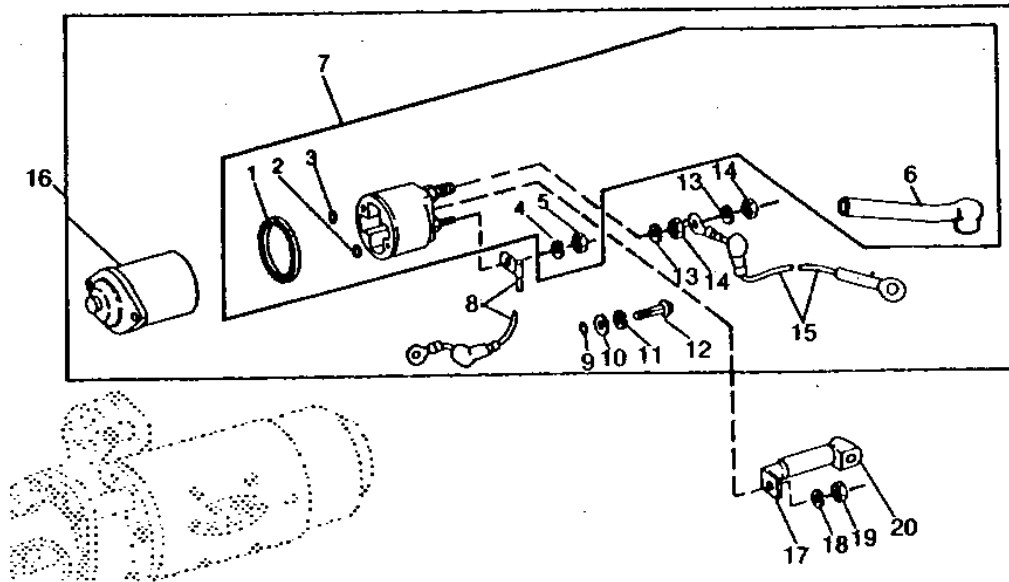
(A) USE WITH AR62154

# 1F23

ELECTRICAL

## STARTER SOLENOID SWITCH (12VOLT) (JOHN DEERE) (STARTING MOTOR DATE CODE 8S0169- )

RXP7957 -UN-01JAN94



RXP7957

KEY	PART NO.	PART NAME	QTY	ENGINE SERIAL NO.	REMARKS
1	R68224	GASKET	1		
2	R56793	SHIM	1		
3	R56792	WASHER	1		
4	12H246	LOCK WASHER	5	0.190"	
5	14H631	NUT	1	0.190"	
6	R68222	HOSE	1		
7	RE15355	SOLENOID	1		(NIPPONDENSO NO. 028099-3620) (SUB FOR AR67829, AR71257 OR AR90069) (SUB FOR AR55949)
8	RE15058	WIRE	1		
9	R50894	O-RING	1		
10	24H1305	WASHER	1	13/32" X 13/16" X 0.065"	
11	12H302	LOCK WASHER	2	1/4"	
12	R51669	SCREW	2		
13	12H303	LOCK WASHER	2	5/16"	
14	R51671	NUT	2		
15	AR67830	WIRING LEAD	1		
16	RE15356	SOLENOID	1		(A) (NIPPONDENSO NO. 028099-3630) (SUB FOR AR67828 OR AR90068) (ALSO ORDER RE39096)
17	R56800	STRAP	1		
18	R50899	LOCK WASHER	1		
19	14H732	NUT	1	3/8"	
20	R56801	BOOT	1		

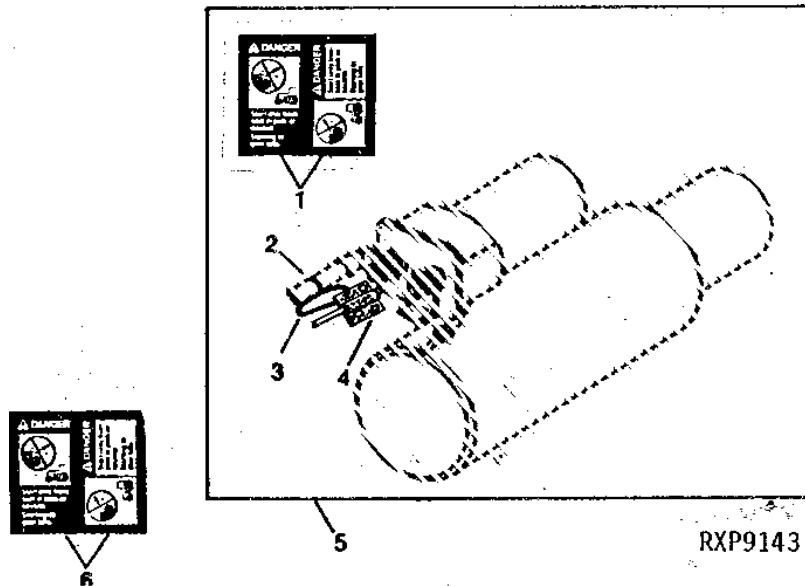
(A) USE WITH AR62154

# 1F24

ELECTRICAL

## STARTER SOLENOID COVER KIT (DELCO-REMY)

RXP9143 -UN-01JAN94



RXP9143

KEY	PART NO.	PART NAME	QTY	ENGINE SERIAL NO.	REMARKS
1	T146102	WARNING LABEL	1		(ENGLISH) (SUB FOR T84409 OR T134459)
2	R44302	TIE BAND	1		
3	R76477	TIE BAND	1		
4	R66117	SCREW	2		
5	RE39062	SHIELD	1		(A)
6	T146106	WARNING LABEL	1		(ESPANOL) (SUB FOR T84410 OR T134452)
	T146104	WARNING LABEL	1		(FRANCAIS) (SUB FOR T84411 OR T134453)
	T146515	WARNING LABEL	1		(DEUTSCH) (SUB FOR T84412 OR T134454)
	T146516	WARNING LABEL	1		(ITALIANO) (SUB FOR T84413 OR T134455)
	T146517	WARNING LABEL	1		(ENGLISH/FRANCAIS) (SUB FOR T84578 OR T134456)

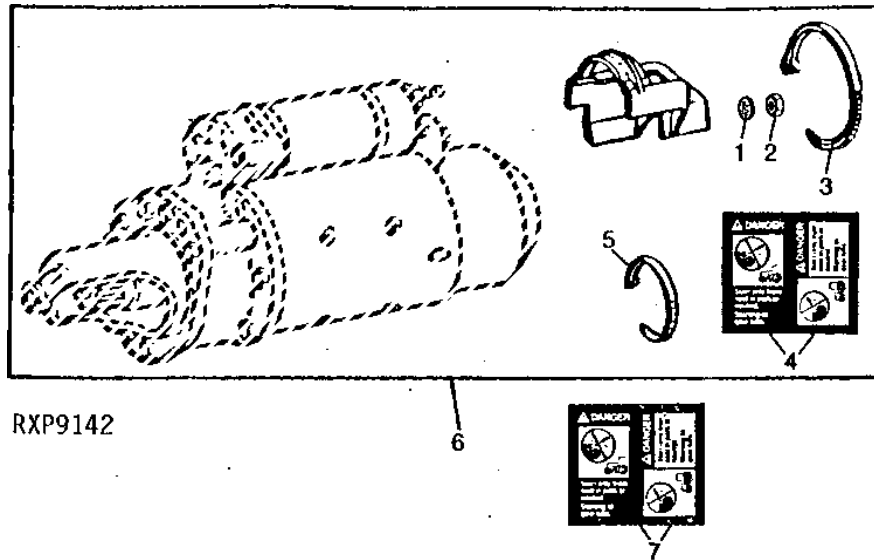
(A) USE WITH AR62153, AR102188, RE13942, TY1902 AND TY6697)

# 1F25

ELECTRICAL

**STARTER SOLENOID SWITCH COVER  
(DELCO-REMY)  
(6619A)  
(ENGINE SERIAL NO. 041261- )**

RXP9142 -UN-01JAN94



RXP9142

KEY	PART NO.	PART NAME	QTY	ENGINE SERIAL NO.	REMARKS
1	12H295	LOCK WASHER	1	0.190"	
2	14H631	NUT	1	0.190"	
3	R76477	TIE BAND	1		
4	T146102	WARNING LABEL	1		(ENGLISH) (SUB FOR T84409 OR T134459)
5	R44302	TIE BAND	1		
6	RE41759	SHIELD	1	(A)	
7	T146106	WARNING LABEL	1		(ESPANOL) (SUB FOR T84410 OR T134452)
	T146104	WARNING LABEL	1		(FRANCAIS) (SUB FOR T84411 OR T134453)
	T146515	WARNING LABEL	1		(DEUTSCH) (SUB FOR T84412 OR T134454)
	T146516	WARNING LABEL	1		(ITALIANO) (SUB FOR T84413 OR T134455)
	T146517	WARNING LABEL	1		(ENGLISH/FRANCAIS) (SUB FOR T84578 OR T134456)

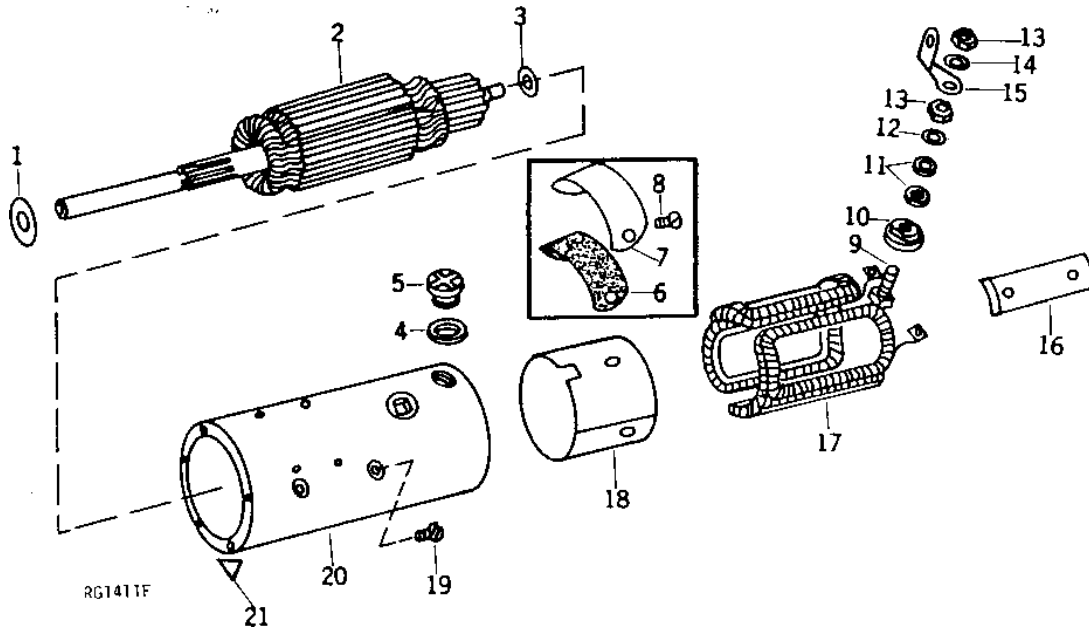
(A) USE WITH RE41756 OR TY6730

# 1G1

ELECTRICAL

**STARTER ARMATURE AND COIL  
(12 VOLT) (DELCO-REMY)  
(AR62153, AR102188 OR RE13942)**

RG1411F -UN-01JAN94



KEY	PART NO.	PART NAME	QTY	ENGINE SERIAL NO.	REMARKS
1	R11018	WASHER	1		
2	AR48341	ARMATURE	1		
3	R11096	WASHER	1		
4	R11121	GASKET	2		
5	R11133	PLUG	2		
6	R11141	GASKET	2		(OPTIONAL DESIGN)
7	R11142	PLATE	2		(OPTIONAL DESIGN)
8	21H1021	SCREW	4		1/4" X 1/2" (OPTIONAL DESIGN)
9	R11146	SCREW	1		
10	AR40171	GROMMET	1		
11	R11011	WASHER	2		
12	R68625	WASHER	1		(SUB FOR 811912)
13	14H971	NUT	2		1/2"
14	12H301	LOCK WASHER	1		1/2"
15	R11135	BRACKET	1		
16	R11003	SHOE	4		
17	AR48340	FIELD WINDING COIL	1		
18	R11143	INSULATOR	1		
19	21H1280	SCREW	8		3/8" X 3/4"
20	.....	FRAME	1		(12 VOLT) (ORDER RE41756 OR TY6697)
21	R11253	INSULATOR	2		

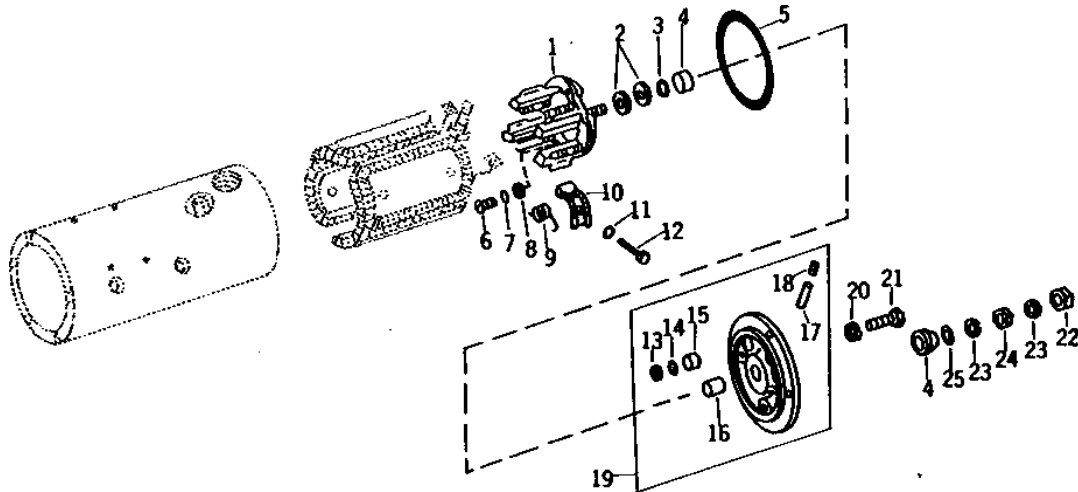


# 1G2

ELECTRICAL

STARTER COMMUTATOR END FRAME  
(DELCO-REMY)  
(12 VOLT)  
(AR62153, AR102188 OR RE13942)

RG1412 -UN-01JAN94



RG1412F

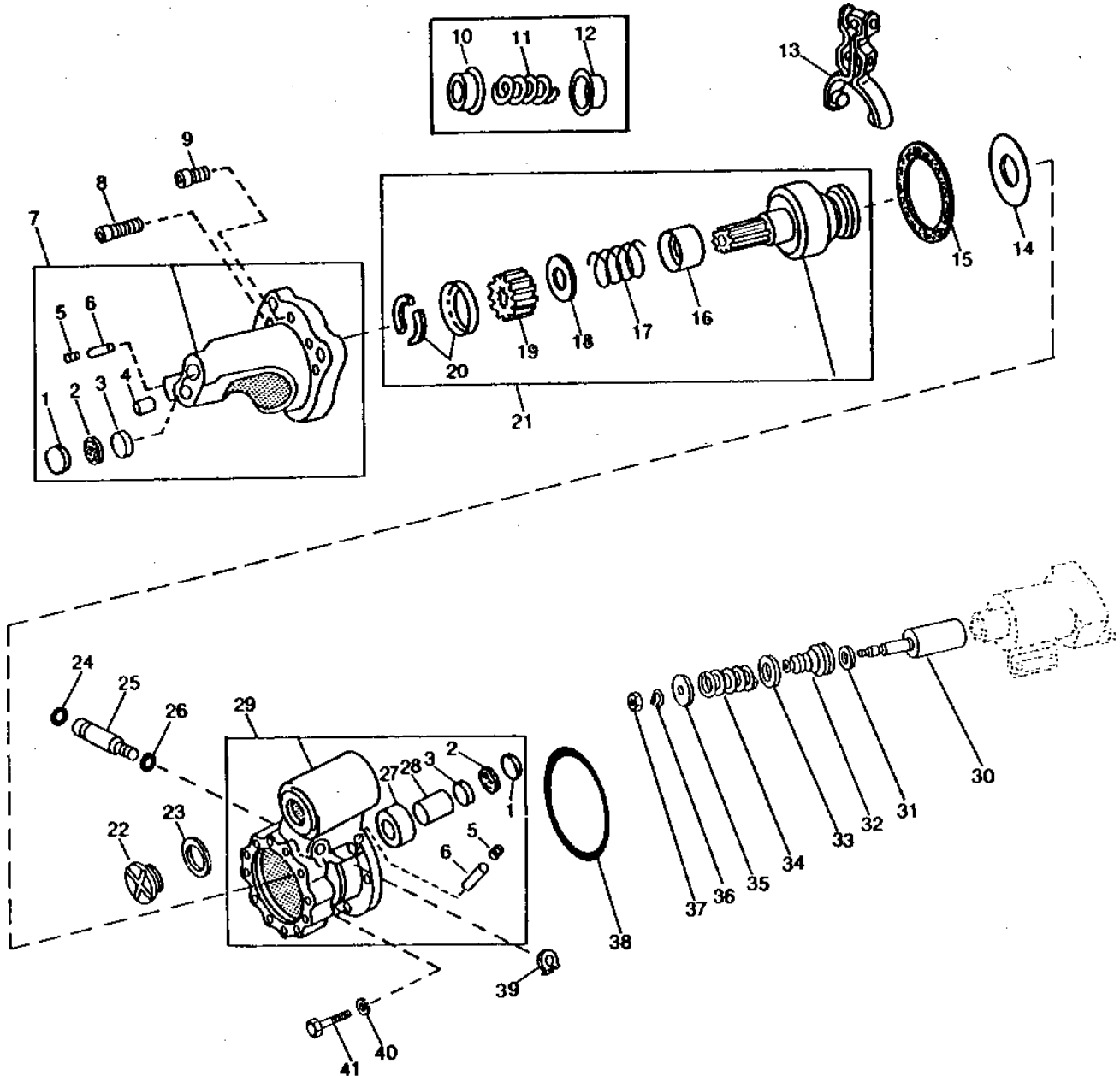
KEY	PART NO.	PART NAME	QTY	ENGINE SERIAL NO.	REMARKS
1	AR11084	PLATE	1		
2	R11011	WASHER	2		
3	R394R	O-RING	1		
4	R11012	WASHER	2		(SUB FOR R11123 OR R11124)
5	R11120	O-RING	1		
6	21H1158	SCREW	3		0.164" X 1/2"
7	12H315	LOCK WASHER	3		0.164"
8	24H1281	WASHER	3		5/32" X 3/8" X 0.049"
9	R11148	SPRING	8		
10	AR48338	BRUSH	8		(12 VOLT)
11	12H315	LOCK WASHER	8		0.164"
12	21H1293	SCREW	8		0.164" X 5/16"
13	R68630	PLUG	1		
14	R68631	GASKET	1		
15	R68629	FELT	1		
16	R11008	BUSHING	1		
17	R40337	WICK	1		
18	15H566	PIPE PLUG	1		1/8"
19	AR11085	FRAME	1		
20	12H302	LOCK WASHER	4		1/4"
21	19H3005	CAP SCREW	4		1/4" X 1"
22	14H1040	NUT	1		1/2"
23	12H301	LOCK WASHER	2		1/2"
24	14H971	NUT	1		1/2"
25	R68625	WASHER	1		(SUB FOR 811912)

# 1G3

ELECTRICAL

## STARTER DRIVE END HOUSING AND DRIVE (DELCO-REMY) (12 VOLT) (AR62153, AR102188 OR RE13942)

RGP1860 -UN-01JAN94



RGP1860

# 1G4

ELECTRICAL

STARTER DRIVE END HOUSING AND DRIVE - CONTINUED  
(DELCO-REMY)  
(12 VOLT)  
(AR62153, AR102188 OR RE13942)

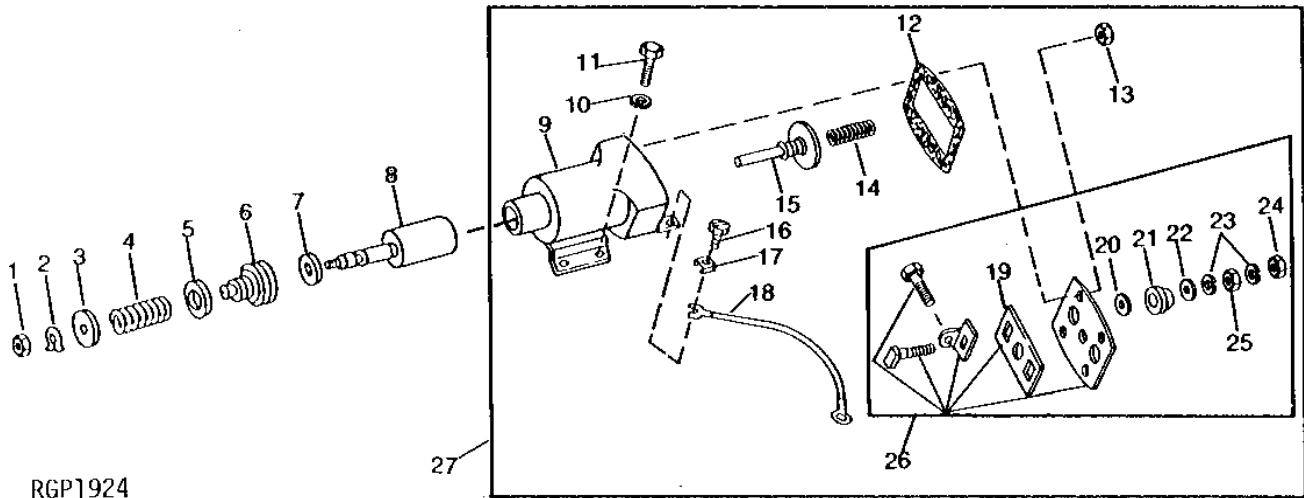
KEY	PART NO.	PART NAME	QTY	ENGINE SERIAL NO.	REMARKS
1	R68630	PLUG	4		
2	R68631	GASKET	4		
3	R68629	FELT	4		
4	R11147	BUSHING	1		
5	15H566	PIPE PLUG	2	1/8"	
6	R40337	WICK	2		
7	AR48343	HOUSING	1		
8	19H2928	SCREW	5	5/16" X 1-1/2"	
9	19H2899	SCREW	1	5/16" X 0.880"	
10	R46198	BEARING	1		(OPTIONAL DESIGN)
11	R11144	SPRING	1		(OPTIONAL DESIGN)
12	R11282	BEARING CUP	1		(OPTIONAL DESIGN)
13	AR11081	LEVER	1		
14	1911644	WASHER	1		
15	R11140	GASKET	1		
16	R46194	BEARING	1		(NO LONGER AVAILABLE)
17	R46196	SPRING	1		(NO LONGER AVAILABLE)
18	R46195	WASHER	1		(NO LONGER AVAILABLE)
19	R46197	PINION	1		
20	AR48344	KIT	1		WASHER
21	AR102761	DRIVE	1		(SUB FOR AR48342)
22	R11133	PLUG	1		
23	R11121	GASKET	1		
24	A3917R	O-RING	1		
25	R11136	SHAFT	1		
26	A4365R	O-RING	1		
27	R11273	SEAL	1		
28	R11017	BUSHING	1		
29	AR102760	HOUSING	1		(SUB FOR AR11329)
30	AR11080	PLUNGER	1		
31	R11138	SHIM	1		
32	R11127	BOOT	1		
33	R11126	RETAINER	1		
34	R11128	SPRING	1		
35	R11129	CAP	1		
36	R11026	SNAP RING	1		
37	R11151	LOCK NUT	1		
38	R11120	O-RING	1		
39	R11026	SNAP RING	1		
40	12H302	LOCK WASHER	7	1/4"	
41	19H3005	CAP SCREW	7	1/4" X 1"	

# 1G5

ELECTRICAL

**SOLENOID SWITCH  
(12 VOLT)  
(ENGINE SERIAL NO. -307648)**

RGP1924 -UN-01JAN94



RGP1924

KEY	PART NO.	PART NAME	QTY	ENGINE SERIAL NO.	REMARKS
1	R11151	LOCK NUT	1		
2	R11026	SNAP RING	1		
3	R11129	CAP	1		
4	R11128	SPRING	1		
5	R11126	RETAINER	1		
6	R11127	BOOT	1		
7	R11138	SHIM	1		
8	AR11080	PLUNGER	1		
9	AR48339	SWITCH	1		(SUB AR102755)
10	12H302	LOCK WASHER	4		1/4"
11	19H2479	CAP SCREW	4		1/4" X 3/8"
12	R11009	GASKET	1		
13	AR11134	NUT	4		
14	R11134	SPRING	1		
15	AR11079	DISK	1		
16	21H1335	SCREW	4		0.190" X 5/16"
17	R11084	CLIP	2		
18	.....	WIRING LEAD	1		254 MM (10") (MAKE FROM R32023 AND R32017)
19	R11036	INSULATOR	1		
20	R11130	WASHER	2		
21	R11131	INSULATOR	2		
22	R68625	WASHER	2		(SUB FOR 811912)
23	12H301	LOCK WASHER	4		1/2"
24	14H1040	NUT	2		1/2"
25	14H971	NUT	2		1/2"
26	AR11078	PLATE	1		
27	AR48339	SWITCH	1		(A) (DELCO-REMY NO.1952956) (SUB FOR AR48337) (SUB AR102755)

(A) USE WITH AR62153

---

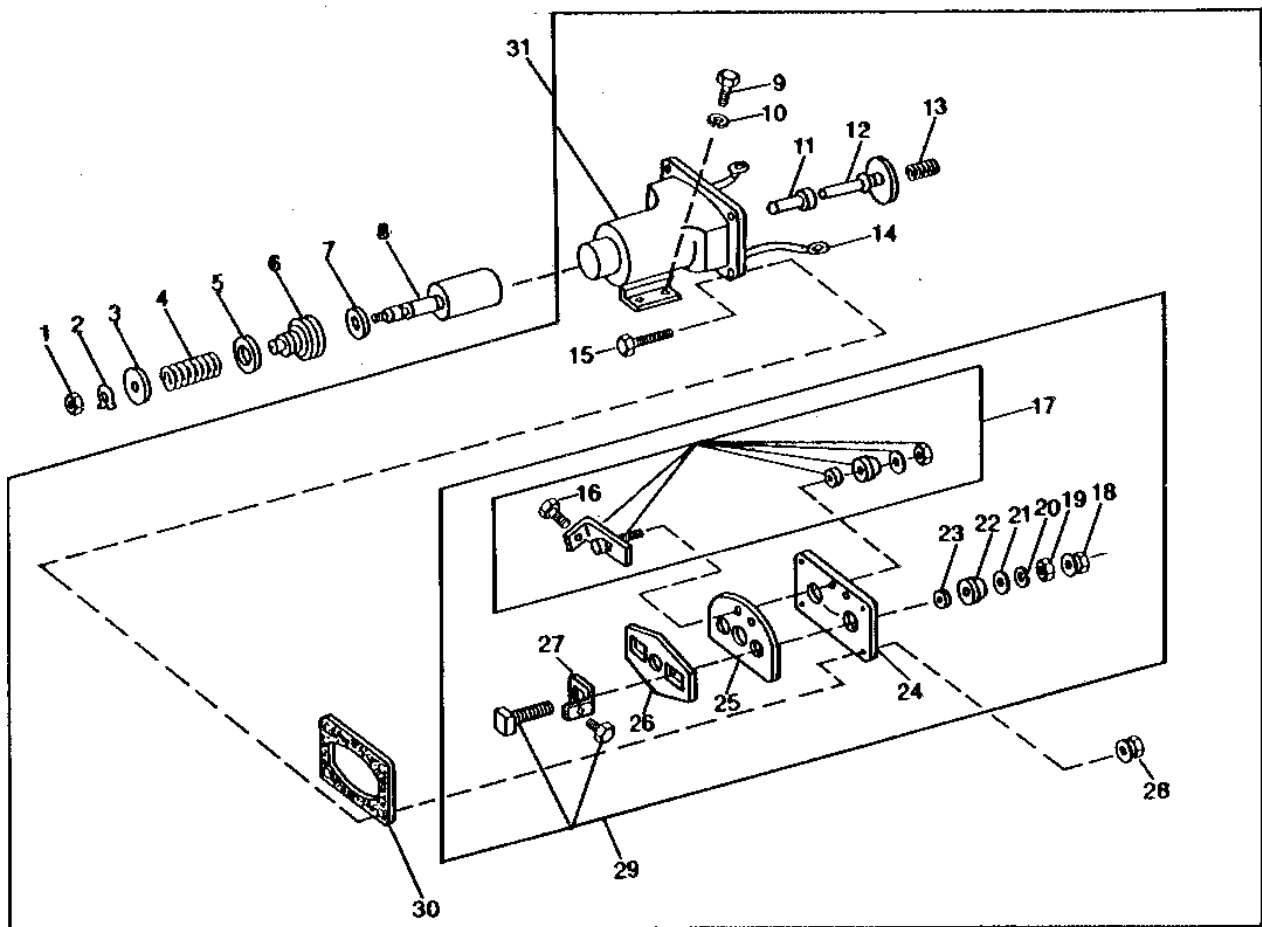
MEMORANDA

# 1G6

ELECTRICAL

## STARTER SOLENOID SWITCH (12 VOLT) (ENGINE SERIAL NO. 307649- )

RGP1864 -UN-01JAN94



RGP1864

# 1G7

ELECTRICAL

**STARTER SOLENOID SWITCH - CONTINUED**  
**(12 VOLT)**  
**(ENGINE SERIAL NO. 307649- )**

KEY	PART NO.	PART NAME	QTY	ENGINE SERIAL NO.	REMARKS
1	R11151	LOCK NUT	1		
2	R11026	SNAP RING	1		
3	R11129	CAP	1		
4	R11128	SPRING	1		
5	R11126	RETAINER	1		
6	R11127	BOOT	1		
7	R11138	SHIM	1		
8	AR11080	PLUNGER	1		
9	19H2479	CAP SCREW	4		1/4" X 3/8"
10	12H302	LOCK WASHER	4		1/4"
11	R75960	BUSHING	1		
12	AR11079	DISK	1		
13	R11134	SPRING	1		
14	.....	WIRING LEAD	1		(MAKE FROM PM797NA)
15	R75961	SCREW	4		
16	21H1335	SCREW	4		0.190" X 5/16"
17	AR102765	KIT	1		
18	AR102764	NUT	2		
19	14H971	NUT	2		1/2"
20	12H301	LOCK WASHER	2		1/2"
21	R68625	WASHER	2		
22	R11131	INSULATOR	2		
23	R11130	WASHER	2		
24	R75962	PLATE	1		
25	R75958	INSULATOR	1		
26	R75957	INSULATOR	1		
27	R75959	SUPPORT	1		
28	AR102763	NUT	4		
29	AR102768	PLATE	1		
30	R75952	GASKET	1		
31	AR102755	SWITCH	1		(A) (DELCO-REMY NO. 1115561)

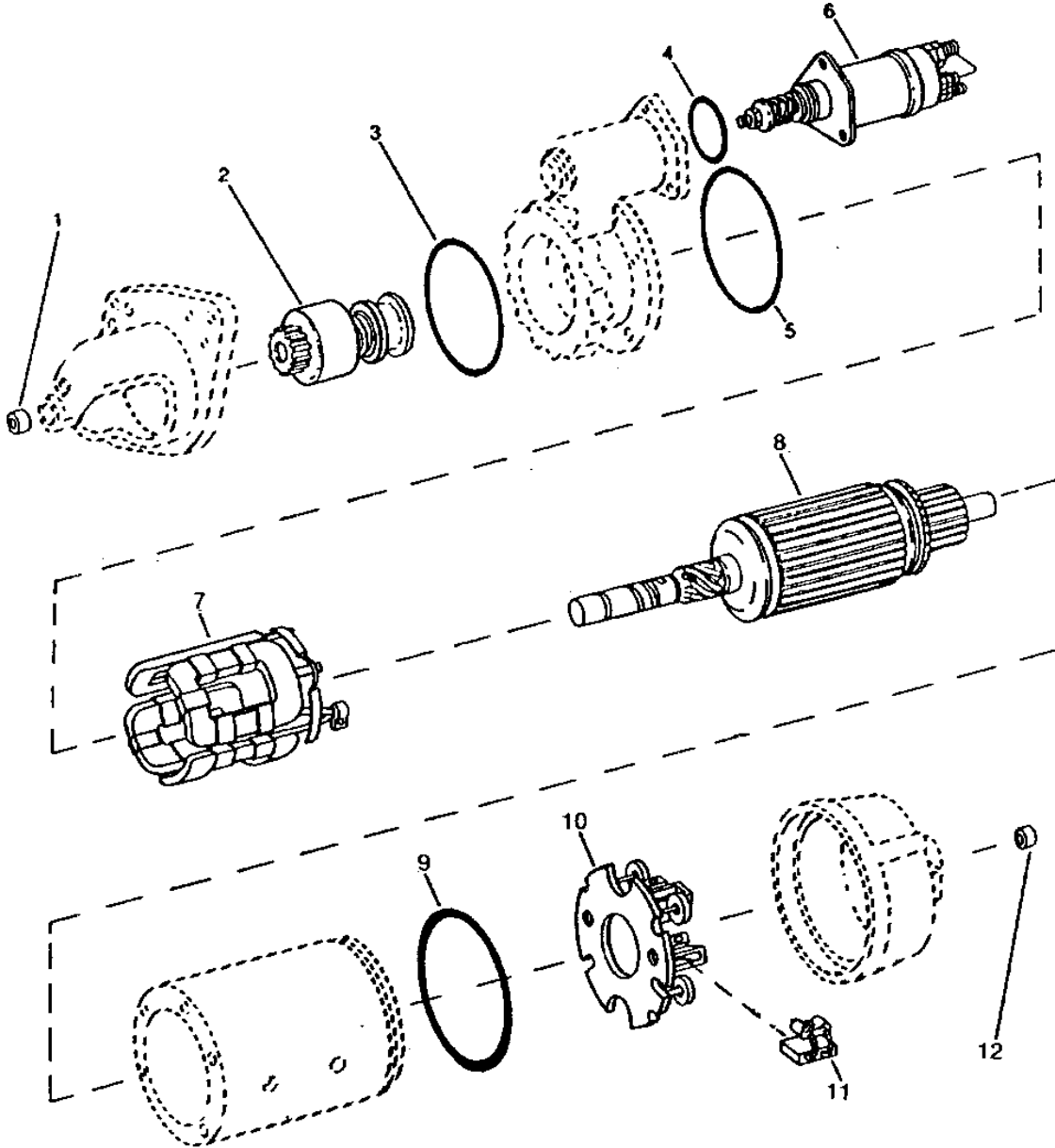
(A) USE WITH AR62153, AR102188 OR RE13942

# 1G8

ELECTRICAL

STARTING MOTOR  
(DELCO-REMY) (12 VOLT)  
(RE41756)

RXP7832 -UN-01JAN94



RXP7832



# 1G9

ELECTRICAL

**STARTER MOTOR - CONTINUED  
(DELCO-REMY) (12 VOLT)  
(RE41756)**

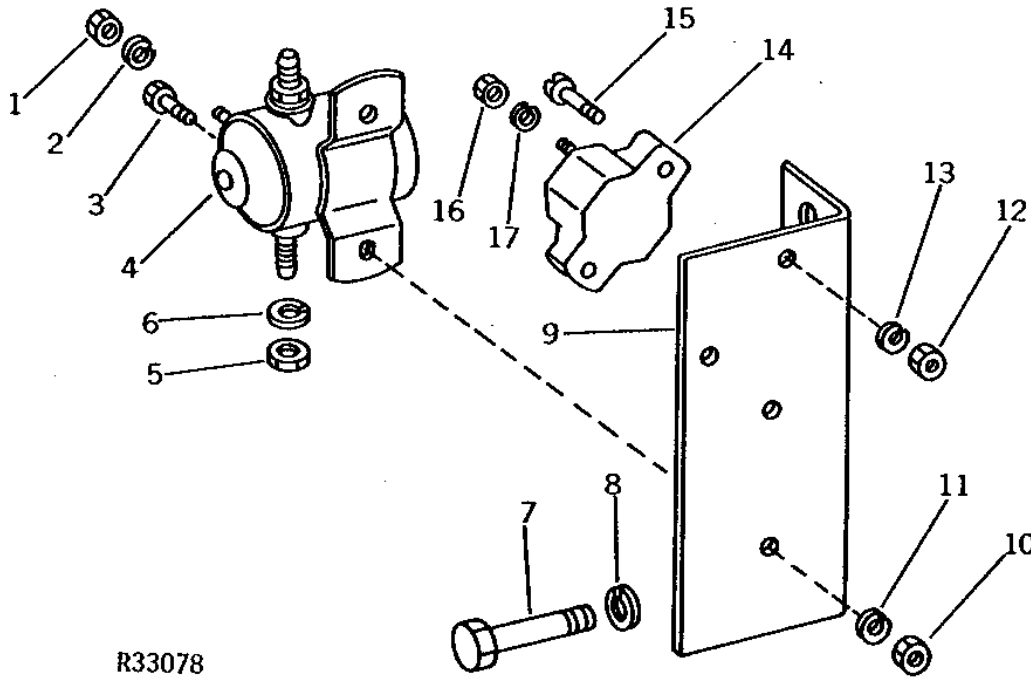
KEY	PART NO.	PART NAME	QTY	ENGINE SERIAL NO.	REMARKS
1	R99695	BUSHING	1		
2	RE38620	DRIVE	1		
3	R62673	O-RING	1		
4	R99693	O-RING	1		
5	R11120	O-RING	1		
6	RE38617	SOLENOID	1		
7	RE38627	FIELD WINDING COIL	1		
8	RE38623	ARMATURE	1		
9	R99702	O-RING	1		
10	RE38630	CARBON BRUSH HOLDER	1		
11	R99699	BRUSH	1		
12	R11147	BUSHING	1		
..	RE41756	STARTER	1		(MARKED RE38633) (SUB FOR AR62153, AR102188 OR RE13942)
..	TY6730	STARTER	1		(REMANUFACTURED)

# 1G10

ELECTRICAL

R33078 -UN-01JAN94

## STARTING CIRCUIT RELAY AND MAIN CIRCUIT BREAKER



R33078

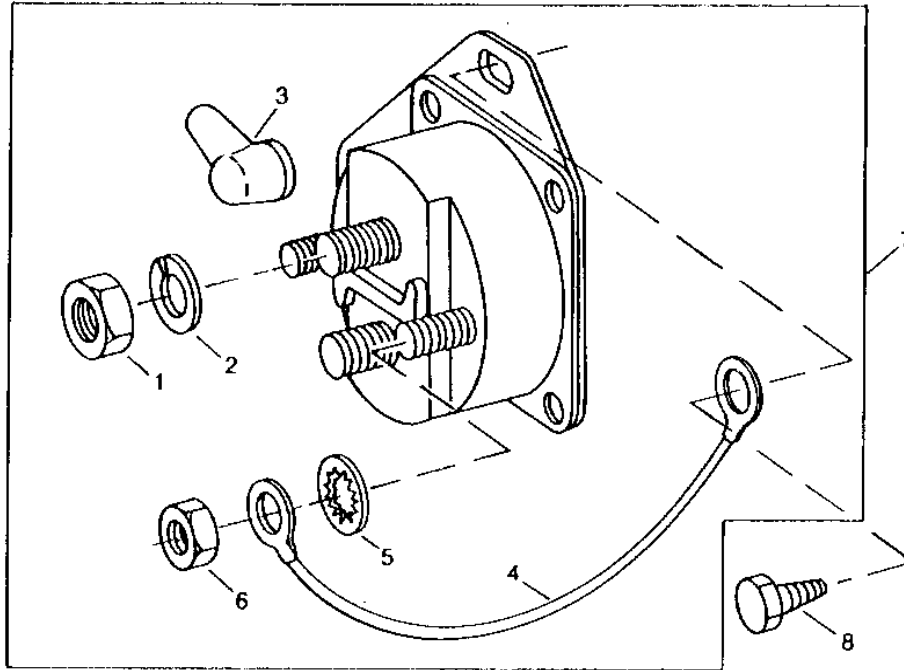
KEY	PART NO.	PART NAME	QTY	TRACTOR SERIAL NO.	REMARKS
1	14H605	NUT	2	NO. 8	
	14H631	NUT	2	0.164"	
2	12H315	LOCK WASHER	2	0.164"	
	12H246	LOCK WASHER	2		
3	19H1227	CAP SCREW	2	1/4" X 1/2"	
4	AR44999	RELAY	1	(SUB RE38391) (ALSO ORDER 12H246, 12H303, 14H785 AND 14H631)	
5	14H650	NUT	4	5/16"	
	14H785	NUT	4	5/16"	
6	12H303	LOCK WASHER	4	5/16"	
	12H303	LOCK WASHER	4		
7	19H1800	CAP SCREW	2	3/8" X 1-1/2"	
8	12H304	LOCK WASHER	2	3/8"	
9	R50988	BRACKET	1	(SUB FOR R44844)	
10	14H786	NUT	2	1/4"	
11	12H302	LOCK WASHER	2	1/4"	
12	14H778	NUT	2	0.190"	
13	12H246	LOCK WASHER	2	0.190"	
14	AR41287	CIRCUIT BREAKER	1		
15	21H1148	SCREW	2	0.190" X 3/4"	
16	14H631	NUT	2	0.190"	
17	12M7060	WASHER	2	0.209"	

# 1G11

ELECTRICAL

RXP7387 -UN-01JAN94

## STARTING CIRCUIT RELAY



RXP7387

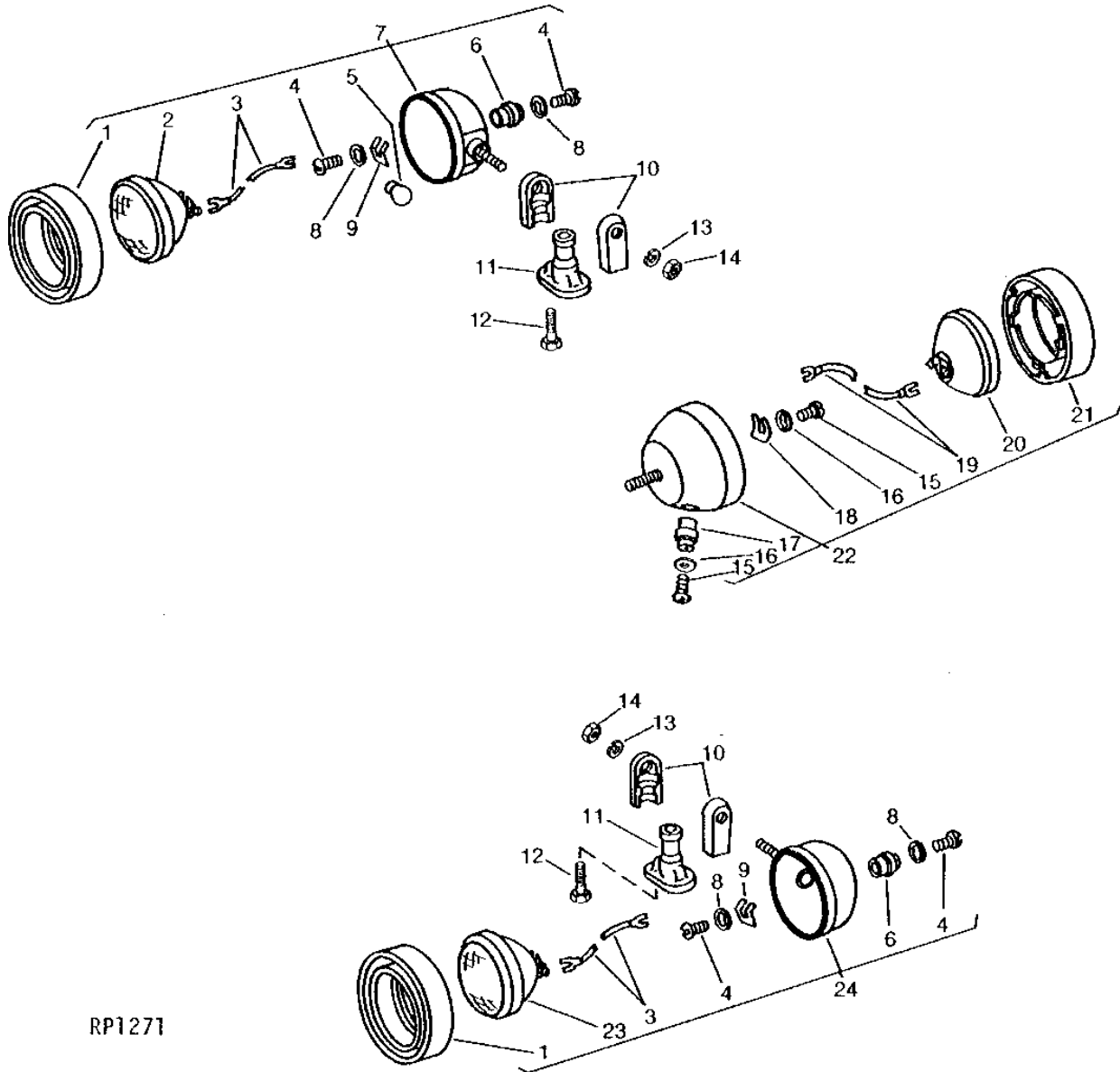
KEY	PART NO.	PART NAME	QTY	TRACTOR SERIAL NO.	REMARKS
1	14H785	NUT	2	5/16"	
2	12M7032	LOCK WASHER	2	0.331"	
3	R74993	BOOT	2		
4	.....	WIRING LEAD	1	152 MM (6") (MAKE FROM R65593, R65599 AND R32018)	
5	12M7060	WASHER	2	0.209"	
6	14H631	NUT	2	0.190"	
7	RE38391	KIT	1	(SUB FOR AT68973 OR AR44999) (ALSO ORDER RE41287 STARTER CIRCCUIT RELAY COVER KIT)	
8	R52938	CAP SCREW	2		

# 1G12

ELECTRICAL

## FRONT AND REAR LAMPS AND REAR LAMP BRACKETS (STANDARD)

RP1271 -UN-01JAN94



RP1271

# 1G13

ELECTRICAL

## FRONT AND REAR LAMPS AND REAR LAMP BRACKETS - CONTINUED (STANDARD)

KEY	PART NO.	PART NAME	QTY	TRACTOR SERIAL NO.	REMARKS
1	R30182	BEZEL	2		(A)
	R31250	BEZEL	2		(B)
2	AR21737	LAMP	1	-XXXXXX	(SUB AR77324, AD2062R AND AR77325)
	AR77324	LAMP	1		(USE WITH AR77326)
	AR55888	SOCKET	1		(USE WITH AT16288)
	AR77325	SOCKET	1		(USE WITH AR77326)
3	.....	WIRING LEAD	4		165 MM (6-1/2") (MAKE FROM R66319 AND (2) R32016)
4	21H1293	SCREW	8		0.164" X 5/16"
5	AR86969	BULB	1		(12-VOLT) 15 C.P. (USE WITH AT16288) (SUB FOR AR21739)
	AD2062R	BULB	1		(12-16 VOLT) 32 C.P. (USE WITH AR77326)
6	R30181	PLATE	4		(A)
	AA3495R	SUPPORT	4		(B)
7	AT16288	FLOODLAMP	1	-XXXXXX	(12-VOLT) REAR, L.H. (SUB AR77326)
	AR77326	FLOODLAMP	1	XXXXXX-	REAR, L.H.
8	12M7084	LOCK WASHER	8		0.169"
9	A2899R	ASSEMBLY LINE PARTS	4		(B)
10	R27460	CLAMP	4		
11	T19178	BRACKET	2		
12	37H106	SCREW	4		3/8" X 5/8"
13	12H301	LOCK WASHER	2		1/2"
14	14H1040	NUT	2		1/2"
15	21H972	SCREW	8		0.164" X 5/16"
16	12M7084	LOCK WASHER	8		0.169"
17	R30181	PLATE	4		(A)
	AA3495R	SUPPORT	4		(B)
18	A2899R	ASSEMBLY LINE PARTS	4		
19	.....	WIRING LEAD	4		165 MM (6-1/2") (MAKE FROM R66319 AND (2) R32016)
20	AF3892R	HEADLIGHT	2		(12-VOLT) INNER
	AR21059	HEADLIGHT	2		(12-VOLT FLOOD) OUTER
21	R30182	BEZEL	4		(A)
	R31250	BEZEL	4		(B)
22	AT13381	LAMP	2		(12-VOLT) FRONT, INNER
	AT13380	HEADLIGHT	2		(12-VOLT FLOOD) FRONT, OUTER
23	AR21059	HEADLIGHT	1		(12-VOLT)
24	AR35782	LAMP	1		(12-VOLT) REAR, R.H.

(A) HOBBS

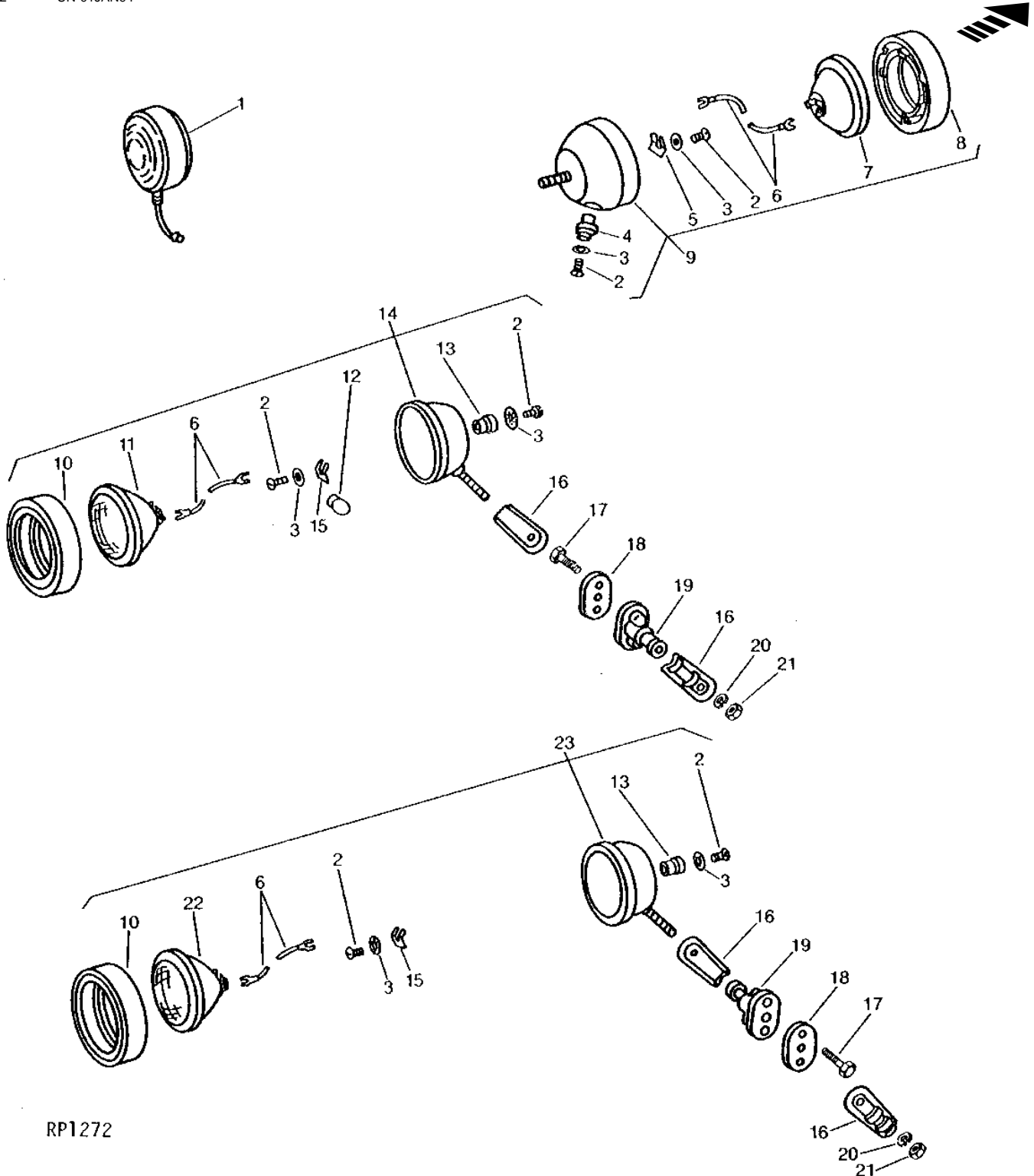
(B) GUIDE

# 1G14

ELECTRICAL

## FRONT AND REAR LAMPS AND REAR LAMP BRACKETS (ROW-CROP) (TRACTOR SERIAL NO. 015500- )

RP1272 -UN-01JAN94



RP1272

# 1G15

ELECTRICAL

FRONT AND REAR LAMPS AND REAR LAMP BRACKETS - CONTINUED  
(ROW-CROP)  
(TRACTOR SERIAL NO. 015500- )

KEY	PART NO.	PART NAME	QTY	TRACTOR SERIAL NO.	REMARKS
1	AR38456	LAMP	1	-030000	WARNING
	AR50580	LAMP	1	030001-	
2	21H972	SCREW	2		0.164" X 5/16"
3	12M7084	LOCK WASHER	12		0.169"
4	R30181	PLATE	4		(A)
	AA3495R	SUPPORT	4		(B)
5	A2899R	ASSEMBLY LINE PARTS	4		
6	.....	WIRING LEAD	6		165 MM (6-1/2") SEALED UNIT TO TERMINAL PLATE, (MAKE FROM R66319 AND (2) R32016)
7	AF3892R	HEADLIGHT	2		(C) INNER
	AR21059	HEADLIGHT	2		(C) OUTER FLOOD
8	R30182	BEZEL	4		(A)
	R31250	BEZEL	4		(B)
9	AT13381	LAMP	2		(C) INNER
	AT13380	HEADLIGHT	2		(C) OUTER FLOOD
10	R30182	BEZEL	2		(A)
	R31250	BEZEL	1		(B)
11	AR21737	LAMP	1	-XXXXXX	(C) (SUB AR77324, AD2062R AND AR77325)
	AR77324	LAMP	1		(USE WITH AR77326)
	AR55888	SOCKET	1		(USE WITH AT16288)
	AR77325	SOCKET	1		(USE WITH AR77326)
12	AR86969	BULB	1		(C) 15 C.P. (USE WITH AT16288) (SUB FOR AR21739)
	AD2062R	BULB	1		(12-16 VOLT) 32 C.P. (USE WITH AR77326)
13	R30181	PLATE	4		(A)
	AA3495R	SUPPORT	4		(B)
14	AT16288	FLOODLAMP	1	-XXXXXX	(C) (SUB FOR AR34990) (SUB AR77326)
	AR77326	FLOODLAMP	1	XXXXXX-	
15	A2899R	ASSEMBLY LINE PARTS	2		(B)
16	R27460	CLAMP	4		
17	R41881	SCREW	4		
18	T12444	WASHER	2		(NO LONGER AVAILABLE)
19	T19178	BRACKET	2		
20	12H301	LOCK WASHER	2		1/2"
21	14H1040	NUT	2		1/2"
22	AR21059	HEADLIGHT	1		(C)
23	AR28167	LAMP	1		(C) (SUB RE27099)

- (A) HOBBS
- (B) GUIDE
- (C) 12-VOLT

---

MEMORANDA

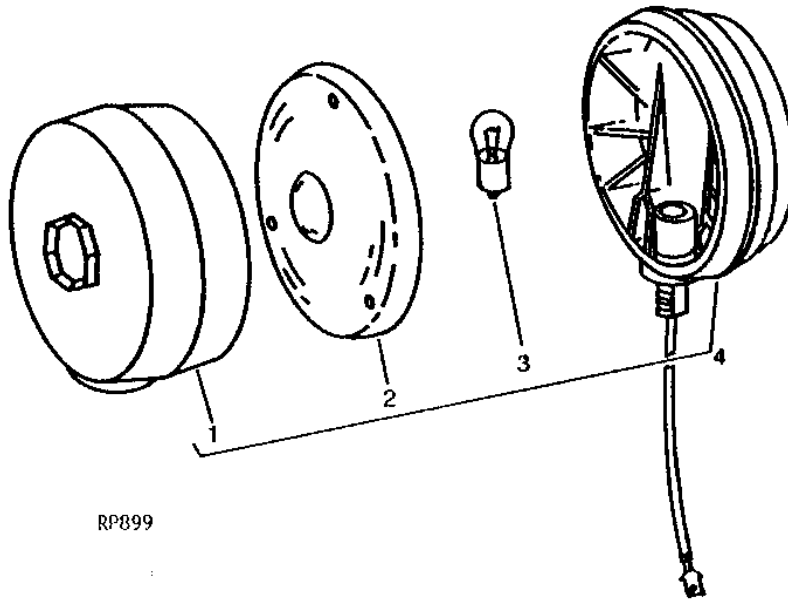


# 1G16

ELECTRICAL

RP899 -UN-01JAN94

WARNING LAMP FOR CAB



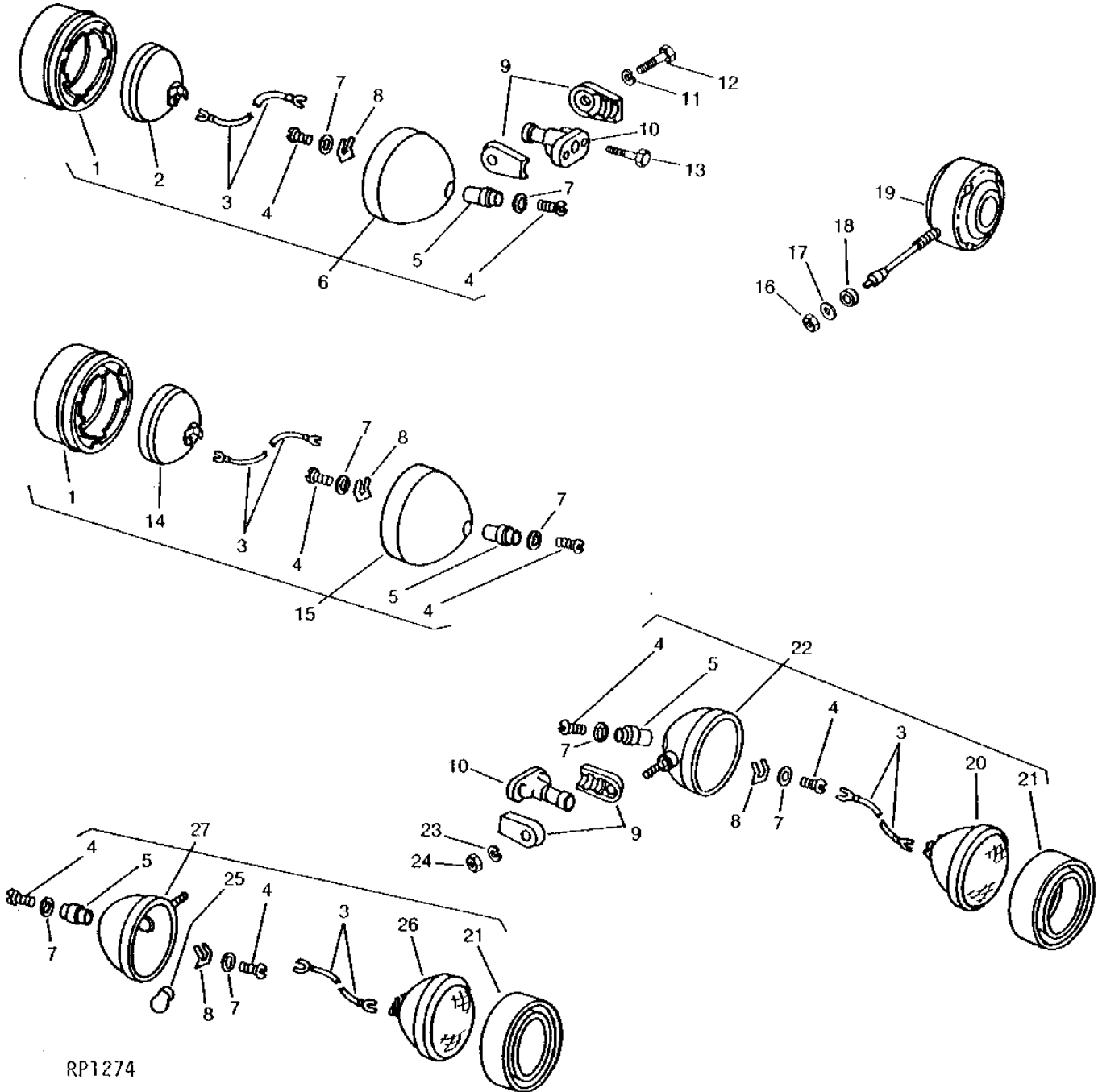
KEY	PART NO.	PART NAME	QTY	TRACTOR SERIAL NO.	REMARKS
1	AR72257	HOUSING	1	-030000	AMBER (HOBBS) (SUB AR38456)
	R48665	LENS	1	030001-	AMBER
2	R42666	LENS	1	-030000	AMBER (GUIDE)
	R42667	LENS	1	-030000	RED (GUIDE)
	R48664	LENS	1	030001-	AMBER WITH RED
3	AD2062R	BULB	1		32C.P. (12-16 VOLT)
4	AR38456	LAMP	1	-030000	
	AR50580	LAMP	1	030001-	
	R49296	SCREW	6	030001-	

# 1G17

ELECTRICAL

## FRONT AND REAR LAMPS AND WARNING LAMP (CRENLO)

RP1274 -UN-01JAN94



RP1274

# 1G18

ELECTRICAL

## FRONT AND REAR LAMPS AND WARNING LAMP - CONTINUED (CRENLO)

KEY	PART NO.	PART NAME	QTY	TRACTOR SERIAL NO.	REMARKS
1	R42689	BEZEL	4	(A)	
	R48293	BEZEL	4	(B)	
2	AR42591	HEADLIGHT	2	(C)	(USE WITH AR42119)
	AR104119	HEADLIGHT	2	(C)	(USE WITH RE19075)
3	.....	WIRING LEAD	6		165 MM (6-1/2") SEALED UNIT TO TERMINAL PLATE, (MAKE FROM R66319 AND (2) R32016)
4	21H1293	SCREW	12		0.164" X 5/16"
5	R30181	PLATE	6	(A)	
	AA3495R	SUPPORT	2	(B)	
6	AR42119	LAMP	2	(A) (B) (C)	(SUB RE19075, THIS APPLICATION)
7	12M7084	LOCK WASHER	12		0.169"
8	A2899R	ASSEMBLY LINE PARTS	2	(B)	
9	R27460	CLAMP	12		
10	T19178	BRACKET	6		
11	12H301	LOCK WASHER	4		1/2"
12	19H2644	CAP SCREW	4		1/2" X 2-1/2"
13	37H106	SCREW	1		3/8" X 5/8"
14	AF3892R	HEADLIGHT	2	(C)	
	AR104119	HEADLIGHT	2	(C)	(USE WITH RE19075)
15	RE19075	LAMP	1	(C)	(SUB FOR AR42120 AND AR42121)
16	14H856	NUT	2		1/2"
17	24H1227	WASHER	2		17/32" X 13/16" X 0.060"
18	R38371	WASHER	2		
19	AR38456	LAMP	2		WARNING
	AD2062R	BULB	1		32 C.P. (12-16 VOLT)
	R42666	LENS	1		
	R42667	LENS	1		
20	AR21059	HEADLIGHT	1	(C)	
21	R30182	BEZEL	2	(A)	
	R31250	BEZEL	2	(B)	
22	AR35782	LAMP	1	(C)	
23	12H301	LOCK WASHER	2		1/2"
24	14H1040	NUT	2		1/2"
25	AR86969	BULB	1	(C)	15 C.P. (USE WITH AT16288) (SUB FOR AR21739)
	AD2062R	BULB	1		32 C.P. (12-16 VOLT) (USE WITH AR77326)
26	AR21737	LAMP	1	-XXXXXX	(C) (SUB AR77324, AD2062R AND AR77325)
	AR77324	LAMP	1		(USE WITH AR77326)
27	AT16288	FLOODLAMP	1	-XXXXXX	(C) (SUB AR77326)
	AR77326	FLOODLAMP	1	XXXXXX-	
	AR55888	SOCKET	1		(USE WITH AT16288)
	AR77325	SOCKET	1		(USE WITH AR77326)

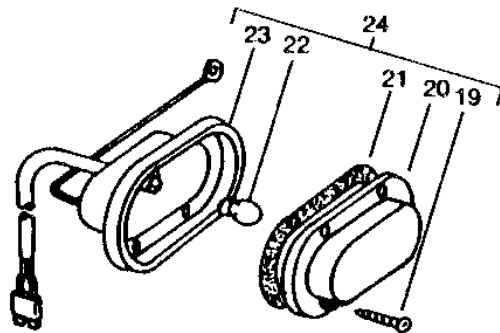
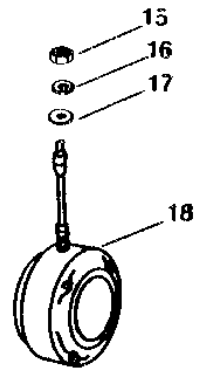
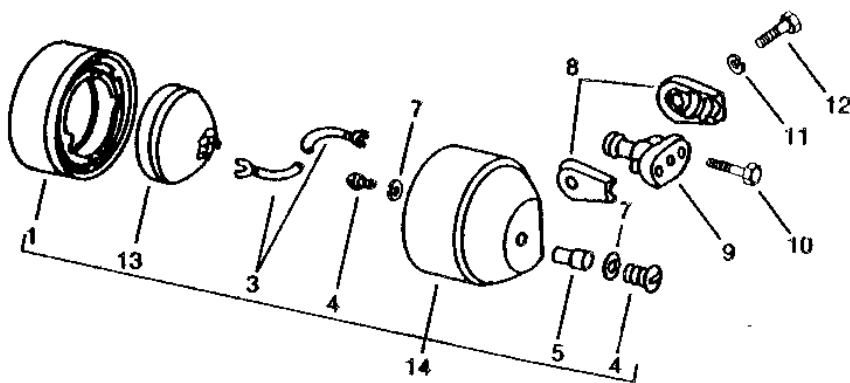
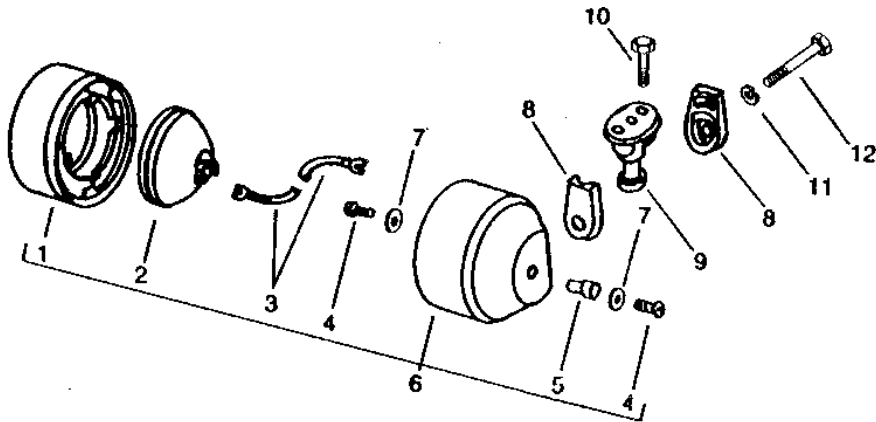
(A) HOBBS  
(B) GUIDE  
(C) 12-VOLT

# 1G19

ELECTRICAL

## FRONT AND REAR LAMPS, TAIL LAMP AND WARNING LAMP (STOLPER)

RP1509 -UN-01JAN94



RP1509

# 1G20

ELECTRICAL

FRONT AND REAR LAMPS, TAIL LAMP AND WARNING LAMP - CONTINUED  
(STOLPER)

KEY	PART NO.	PART NAME	QTY	TRACTOR SERIAL NO.	REMARKS
1	R42689	BEZEL	6	(A)	
	R48293	BEZEL	6	(B)	
2	AR42591	HEADLIGHT	4	(C)	(USE WITH AR42119)
	AR104119	HEADLIGHT	4	(C)	(USE WITH RE19075)
3	.....	WIRING LEAD	6		165 MM (6-1/2") SEALED UNIT TO TERMINAL PLATE, (MAKE FROM R66319 AND (2) R32016)
4	21H1293	SCREW	12		0.164" X 5/16"
5	R30181	PLATE	6	(A)	
6	AR42119	LAMP	4	(A) (B) (C)	FRONT AND REAR UPPER, (SUB RE19075, THIS APPLICATION)
7	12M7084	LOCK WASHER	12		0.169"
8	R27460	CLAMP	12		
9	T19178	BRACKET	6		
10	37H106	SCREW	12		3/8" X 5/8"
11	12H301	LOCK WASHER	6		1/2"
12	R41514	CAP SCREW	6		(SUB 19H3238)
13	AF3892R	HEADLIGHT	2	(C)	
	AR104119	HEADLIGHT	2	(C)	(USE WITH RE19075)
14	AR42121	LAMP	1	(C)	L.H. LOWER FRONT, (SUB RE19075)
	AR42120	LAMP	1	(C)	R.H. LOWER FRONT, (SUB RE19075)
15	14H856	NUT	2		1/2"
16	24H1227	WASHER	2		17/32" X 13/16" X 0.060"
17	R38371	WASHER	2		
18	AR38456	LAMP	2		WARNING
	AD2062R	BULB	1		32C.P. (12-16 VOLT)
	R42666	LENS	1		AMBER
	R42667	LENS	1		RED
19	37H78	SCREW	8		0.164" X 3/4"
20	R45936	LENS	2		
21	R45937	GASKET	2		
22	AR48041	BULB	2		
23	AR48040	HOUSING	1		(SUB AR78825)
24	AR78825	TAIL LAMP	2		(SUB FOR AR45099)

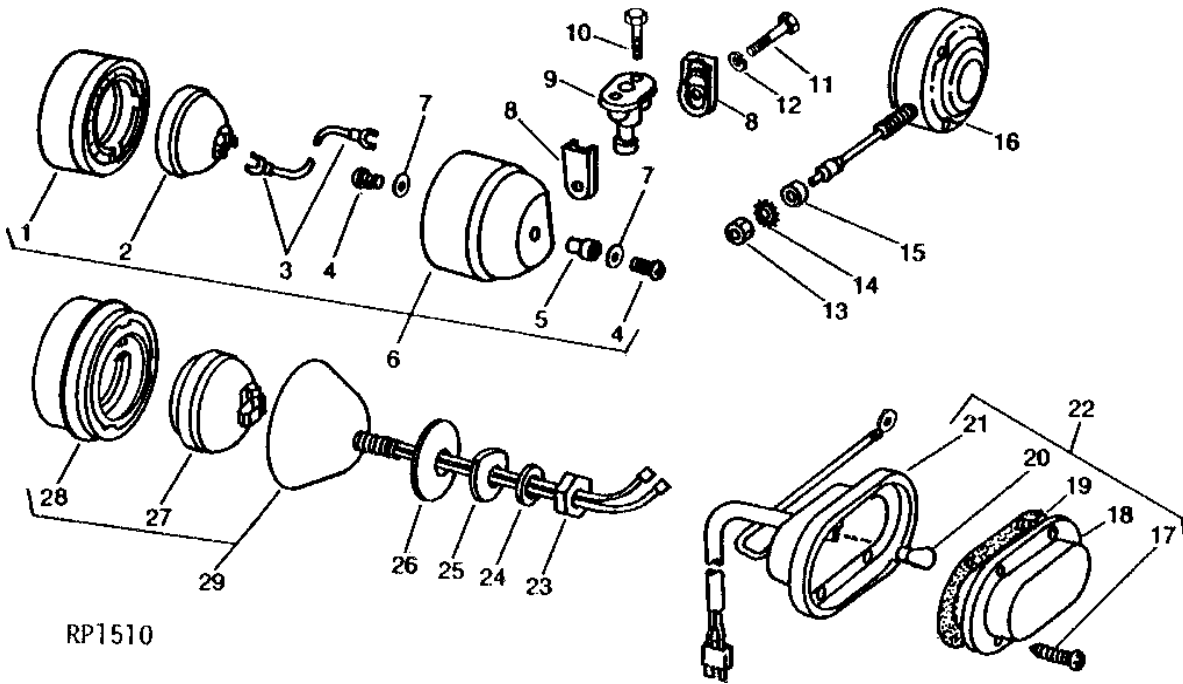
(A) HOBBS  
(B) GUIDE  
(C) 12-VOLT

# 1G21

ELECTRICAL

## FRONT AND REAR LAMPS, TAIL LAMP, AND WARNING LAMPS (HINSON)

RP1510 -UN-01JAN94



RP1510

# 1G22

ELECTRICAL

FRONT AND REAR LAMPS, TAIL LAMP, AND WARNING LAMPS - CONTINUED  
(HINSON)

KEY	PART NO.	PART NAME	QTY	CAB SERIAL NO.	REMARKS
1	R42689	BEZEL	1	(A)	
	R48293	BEZEL	1	(B)	
2	AR42591	HEADLIGHT	1	(C)	(C) (USE WITH AR42119)
	AR104119	HEADLIGHT	1	(C)	(C) (USE WITH RE19075)
3	.....	WIRING LEAD	1		165 MM (6-1/2") SEALED UNIT TO TERMINAL PLATE, (MAKE FROM R66319 AND (2) R32016)
4	21H1293	SCREW	2		0.164" X 5/16"
5	R30181	PLATE	1	(A)	
6	AR42119	LAMP	1	(A) (B) (C)	FRONT AND REAR UPPER, (SUB RE19075, THIS APPLICATION)
7	12M7084	LOCK WASHER	2		0.169"
8	R27460	CLAMP	2		
9	R43662	BRACKET	1		
10	37H106	SCREW	2		3/8" X 5/8"
11	19H2644	CAP SCREW	1		1/2" X 2-1/2"
12	12H301	LOCK WASHER	1		1/2"
13	14H856	NUT	1		1/2"
14	12H292	LOCK WASHER	1		1/2"
15	R38371	WASHER	1		
16	AR38456	LAMP	1	-030541	WARNING
	AR54975	LAMP	4	030542-	WARNING
	AD2062R	BULB	1		32C.P. (12-16 VOLT)
	R42666	LENS	1		AMBER
	R42667	LENS	1		RED
17	37H2	SCREW	4		0.164" X 5/8"
18	R45936	LENS	1		
19	R45937	GASKET	1		
20	AR48041	BULB	1		
21	AR48040	HOUSING	1		(SUB AR78825)
22	AR78825	TAIL LAMP	1		(SUB FOR AR45099)
23	14H1040	NUT	1		1/2"
24	12H301	LOCK WASHER	1		1/2"
25	F2935R	WASHER	1		
26	R48663	WASHER	1		
27	RE25125	DUAL BEAM LAMP	1		(C) (HALOGEN) (SUB FOR AR48723)
28	R42689	BEZEL	1	(A)	
	R48293	BEZEL	1	(B)	FRONT LOWER
29	AR51335	LAMP	1		(SUB RE25127) (NLA)

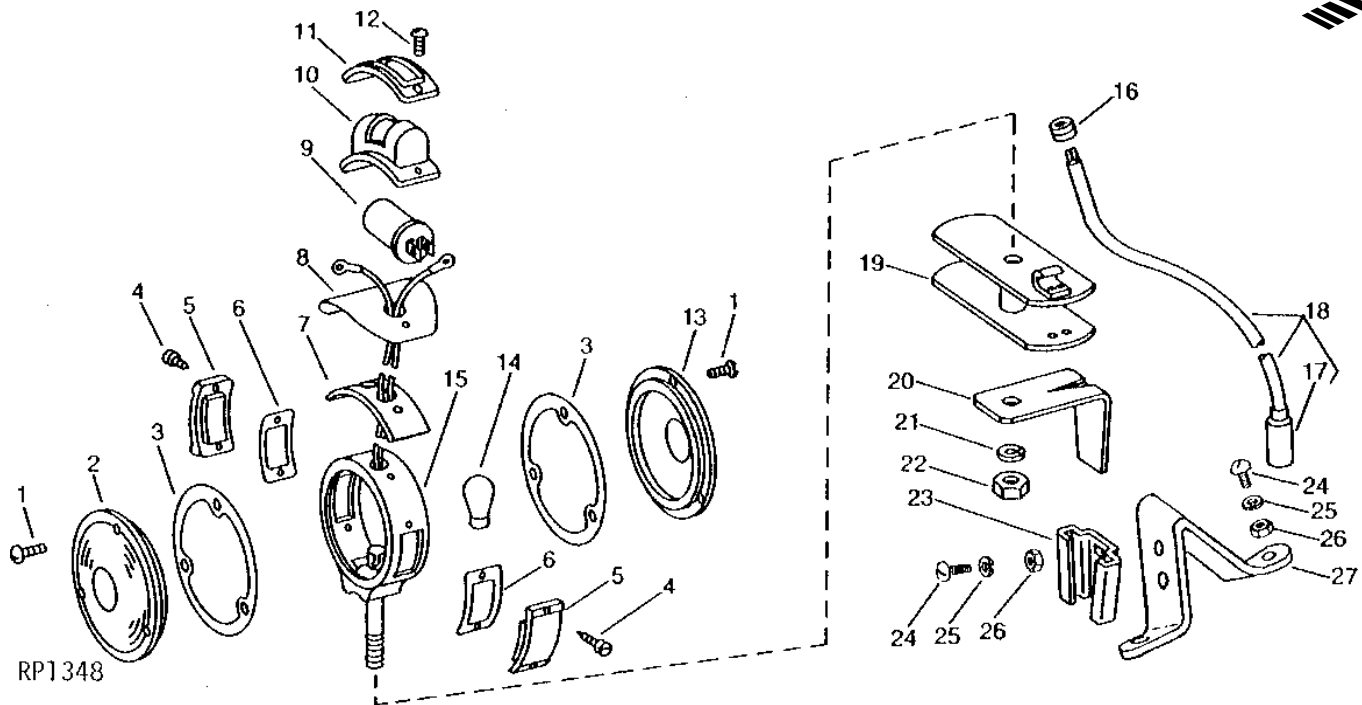
- (A) HOBBS
- (B) GUIDE
- (C) 12-VOLT

# 1G23

ELECTRICAL

RP1348 -UN-01JAN94

## FLASHING WARNING LAMP (FOR TOWED IMPLEMENT)



KEY	PART NO.	PART NAME	QTY	TRACTOR SERIAL NO.	REMARKS
1	21H1290	SCREW	6	0.138" X 1/2"	
2	A5276R	LENS	1		
3	.....	GASKET	2	(NO LONGER AVAILABLE)	
4	37H46	SCREW	4	NO. 6 X 3/8"	
5	A5278R	LENS	2		
6	A5279R	GASKET	2		
7	R41327	GASKET	1	(NO LONGER AVAILABLE)	
8	.....	COVER	1	(NO LONGER AVAILABLE)	
9	AR21858	FLASHER	1	(12-VOLT)	
10	R41325	COVER	1	(NO LONGER AVAILABLE)	
11	R41326	BEZEL	1	(NO LONGER AVAILABLE)	
12	37H95	SCREW	2	NO. 8 X 1/2"	
13	A5275R	LENS	1	AMBER	
14	AA6218R	BULB	1	21C.P. (12-14 VOLTS)	
15	.....	HOUSING	1	(NO LONGER AVAILABLE)	
16	R2579R	GROMMET	1		
17	AA5692R	ELECTRICAL PLUG	1		
18	AR40710	PLUG	1	(SUB FOR AA5691R)	
19	AA6217R	REEL	1	(NO LONGER AVAILABLE)	
20	R63180	BRACKET	1	(SUB FOR A5273R)	
21	12H293	LOCK WASHER	1	7/16"	
22	14H1047	NUT	1	7/16"	
23	JD126	SOCKET	1		
24	21H1304	SCREW	4	5/16" X 3/4"	
25	12H303	LOCK WASHER	4	5/16"	
26	14H785	NUT	4	5/16"	
27	R39663	SUPPORT	1	(NO LONGER AVAILABLE)	
	R35791	SUPPORT	1		

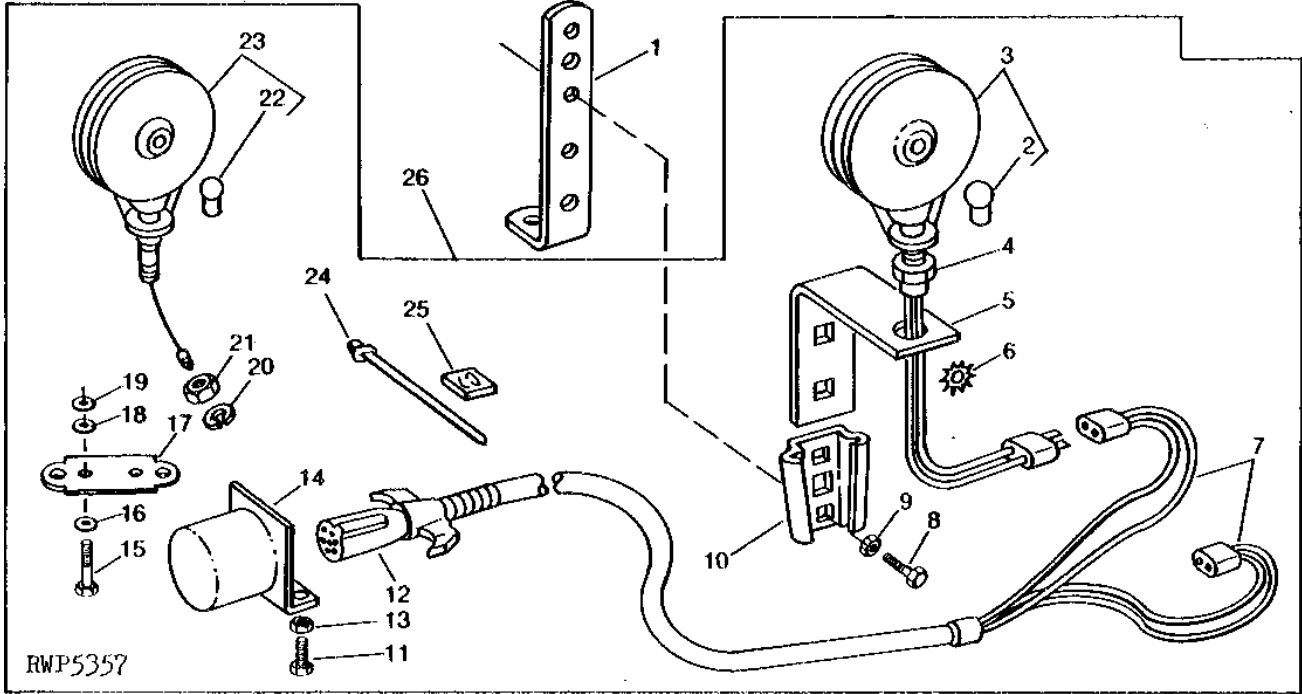


# 1G24

ELECTRICAL

RWP5357 -UN-01JAN94

## IMPLEMENT WARNING LAMP KIT



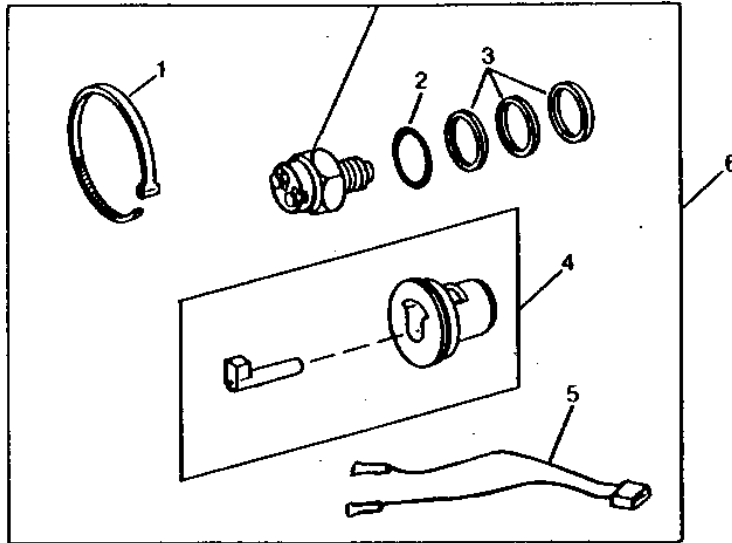
KEY	PART NO.	PART NAME	QTY	TRACTOR SERIAL NO.	REMARKS
1	A39716	BRACKET	2		
2	AD2062R	BULB	2		
3	AA34967	LAMP	2		
	A48331	LENS	2		
4	12H301	LOCK WASHER	2	1/2"	
	14H856	NUT	2	1/2"	
5	PT18180	BRACKET	2	(SUB FOR PT9319)	
6	PT9390	WASHER	1		
7	PT9318	WIRING HARNESS	1	(SUB FOR PT1294)	
8	37H57	SCREW	5	5/16" X 3/4"	
9	14H785	NUT	5	5/16"	
10	JD126	SOCKET	2		
11	37H3	SCREW	2	1/4" X 5/8"	
12	AH93625	PLUG	1		
13	14H786	NUT	2	1/4"	
14	PT1296	BRACKET	1		
15	37H57	SCREW	5	5/16" X 3/4"	
16	24H1822	WASHER	1	11/32" X 7/8" X 1/16"	
17	PT9320	BRACKET	1		
18	24H1822	WASHER	1	11/32" X 7/8" X 1/16"	
19	14H788	NUT	5	3/8"	
20	12H301	LOCK WASHER	1	1/2"	
21	14H856	NUT	1	1/2"	
22	AR48041	BULB	1		
23	AA34968	TAIL LAMP	1		
	A48332	LENS	1		
24	R44302	TIE BAND	AR		
25	AT55441	BASE	AR	(SUB FOR PT9321)	
26	TY16055	KIT	1	(SUB FOR TY9305 OR TY15263)	
..	AA32178	WIRING LEAD	1	ACCESSORY	

# 1G25

ELECTRICAL

RXP8097 -UN-01JAN94

## NEUTRAL-START SWITCH KIT



RXP8097

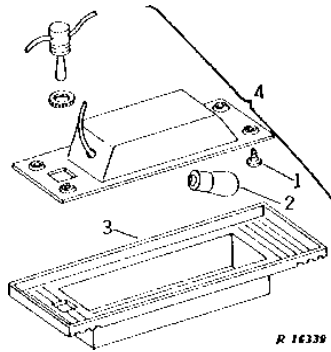
KEY	PART NO.	PART NAME	QTY	TRACTOR SERIAL NO.	REMARKS
1	R44302	TIE BAND	2		
2	R26448	O-RING	1		
3	T16911	SHIM	3		
4	RE37996	GAUGE	1		(NEUTRAL-START SWITCH ADJ.)
5	RE14069	WIRING HARNESS	1		
6	RE38390	SWITCH	1		(SUB FOR AR89691 OR AT85153)

# 1H1

ELECTRICAL

R16339 -UN-01JAN94

DOME LIGHT  
(STOLPER)  
(CAB SERIAL NO. 208300- )



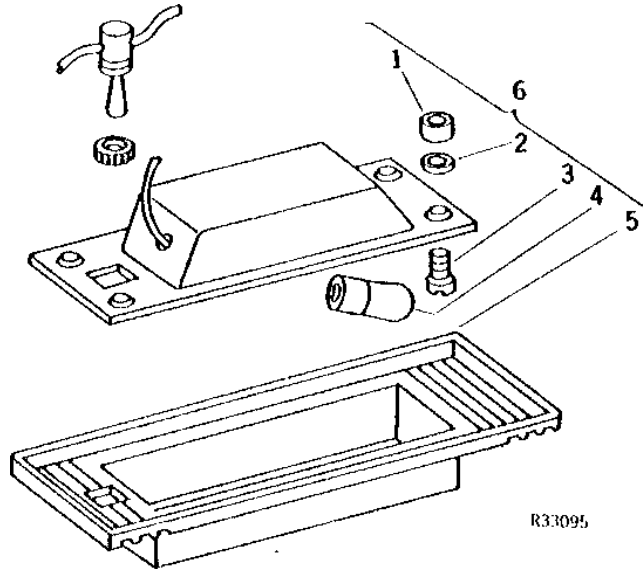
KEY	PART NO.	PART NAME	QTY	CAB SERIAL NO.	REMARKS
1	37H15	SCREW	4		NO. 6 X 1/4"
2	AR86969	BULB	1		NO. 1003-15CP, (SUB FOR AR21739)
3	R47886	LENS	1		
4	AR50260	LAMP	1		
	.....	WIRING LEAD	1		1219 MM (48") LIGHT TO CIRCUIT BREAKER, (MAKE FROM R66319, R32027 AND R32018)

# 1H2

ELECTRICAL

R33095 -UN-01JAN94

## DOME LIGHT (HINSON)



R33095

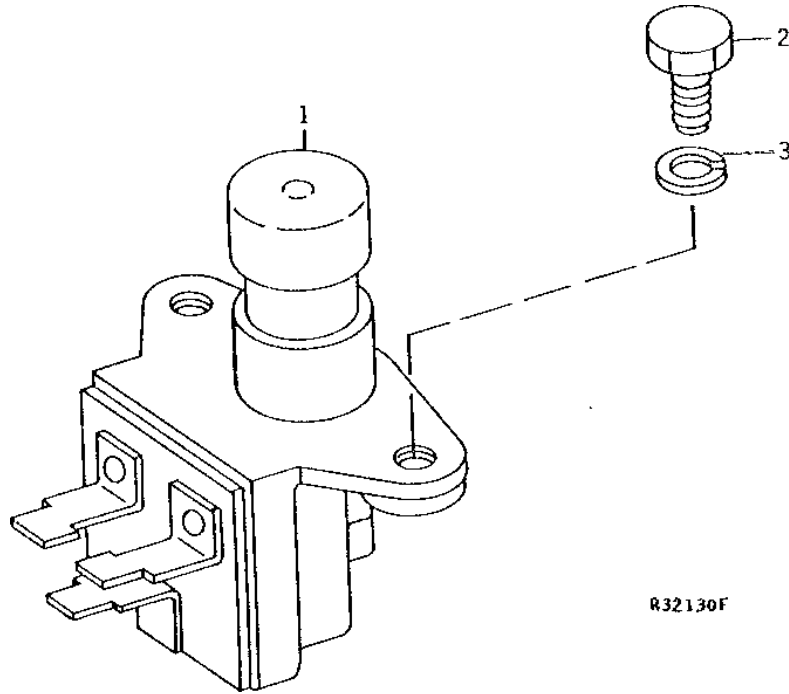
KEY	PART NO.	PART NAME	QTY	CAB SERIAL NO.	REMARKS
1	14H1026	NUT	4	0.138"	
2	12H314	LOCK WASHER	4	0.138"	
3	21H1353	SCREW	4	0.138" X 3/4"	
4	AR86969	BULB	1	15C.P. (SUB FOR AR21739)	
5	R47886	LENS	1		
6	AR50260	LAMP	1		
..	.....	WIRING LEAD	1		203 MM (8") DOME LIGHT GROUND, (MAKE FROM R66319 AND R32018) (ALSO ORDER R32025)
..	.....	WIRING LEAD	1		203 MM (8") DOME LIGHT POWER, (MAKE FROM R32027) (ALSO ORDER R32025)

# 1H3

ELECTRICAL

**DIMMER SWITCH  
(HINSON)  
(TRACTOR SERIAL NO. 030001- )**

R32130 -UN-01JAN94



R32130F

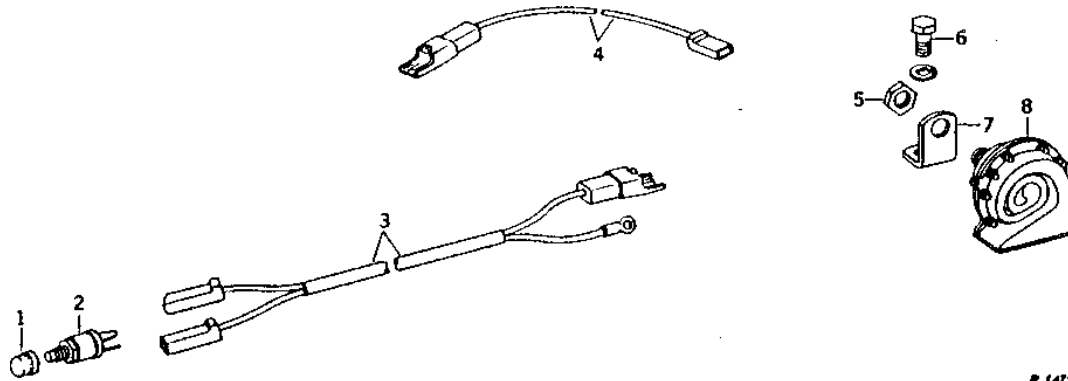
KEY	PART NO.	PART NAME	QTY	TRACTOR SERIAL NO.	REMARKS
1	AR48725	DIMMER SWITCH	1		
2	19H1919	CAP SCREW	2	1/4" X 5/8"	
3	12H302	LOCK WASHER	2	1/4"	
..	AR50916	WIRING HARNESS	1	(NLA)	

# 1H4

ELECTRICAL

R14799 -UN-01JAN94

HORN  
(TRACTOR SERIAL NO. -027742)



R 14799

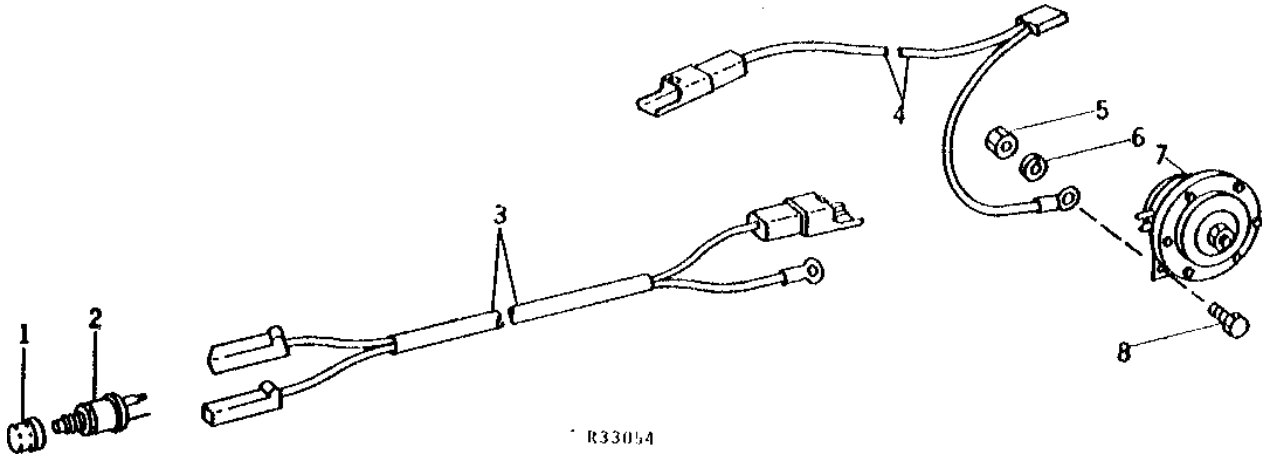
KEY	PART NO.	PART NAME	QTY	TRACTOR SERIAL NO.	REMARKS
1	T55501	CAP	1		(SUB FOR AR47374, THIS APPLICATION)
2	AR21823	SWITCH	1		
3	AR46730	WIRING HARNESS	1		HORN SWITCH
4	R34702	WIRING HARNESS	1		HORN
4	.....	WIRING LEAD	1		(NO LONGER REQUIRED)
5	R11278	NUT	1		
6	19H2367	CAP SCREW	1		5/8" X 3/4"
	19H1756	CAP SCREW	1		5/8" X 1-1/2"
	19H1765	CAP SCREW	1		3/8" X 1-3/4"
	12H304	LOCK WASHER	1		3/8"
	12H294	LOCK WASHER	1		5/8"
7	R34701	BRACKET	1		
8	AT39043	HIGH NOTE HORN	1		LOW NOTE (12-VOLT) (SUB FOR R11276)
..	28H1697	SPACER	1		3/8" X 3/4"
..	14H914	NUT	1		5/8"
..	R44302	TIE BAND	AR		
..	AR47093	HORN	1		(COMPLETE) (SUB AR102454)

# 1H5

ELECTRICAL

R33054 -UN-01JAN94

HORN  
(TRACTOR SERIAL NO. 027743- )



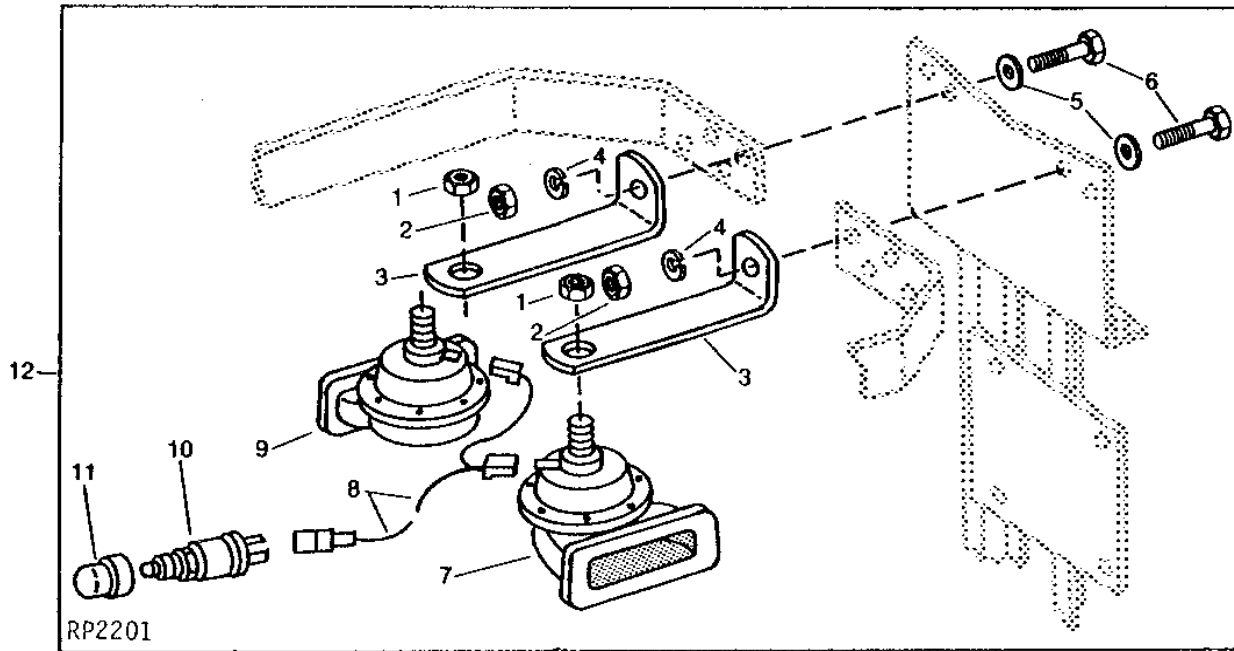
KEY	PART NO.	PART NAME	QTY	TRACTOR SERIAL NO.	REMARKS
1	T55501	CAP	1		(SUB FOR AR47374)
2	AR21823	SWITCH	1		
3	AR46730	WIRING HARNESS	1		HORN SWITCH
4	AR73580	WIRING HARNESS	1		HORN, (SUB FOR AR77702)
5	14H785	NUT	1		5/16"
6	12H303	LOCK WASHER	1		5/16"
7	AL14896	HORN	1		(12-VOLT) (SUB FOR AR49036 OR AR73579)
8	19H1813	CAP SCREW	1		5/16" X 5/8"
..	AR49032	HORN	1		(COMPLETE) (SUB AR102454)

# 1H6

ELECTRICAL

RP2201 -UN-01JAN94

## DUAL HORN ASSEMBLY



KEY	PART NO.	PART NAME	QTY	TRACTOR SERIAL NO.	REMARKS
1	R11278	NUT	2		
2	14H785	NUT	2	5/16"	
3	R66069	BRACKET	2	(SUB R75833)	
4	12H303	LOCK WASHER	2	5/16"	
5	24H1136	WASHER	2	11/32" X 11/16" X 0.065"	
6	19H1849	CAP SCREW	2	5/16" X 1-1/4"	
7	R64700	LOW NOTE HORN	1	(12-VOLT) (LOW NOTE)	
8	AR85578	WIRING HARNESS	1		
9	AT39043	HIGH NOTE HORN	1	(12-VOLT) (HIGH NOTE)	
10	AR21823	SWITCH	1		
11	T55501	CAP	1		
12	AR81178	HORN	1	(SUB AR102454) (NLA)	

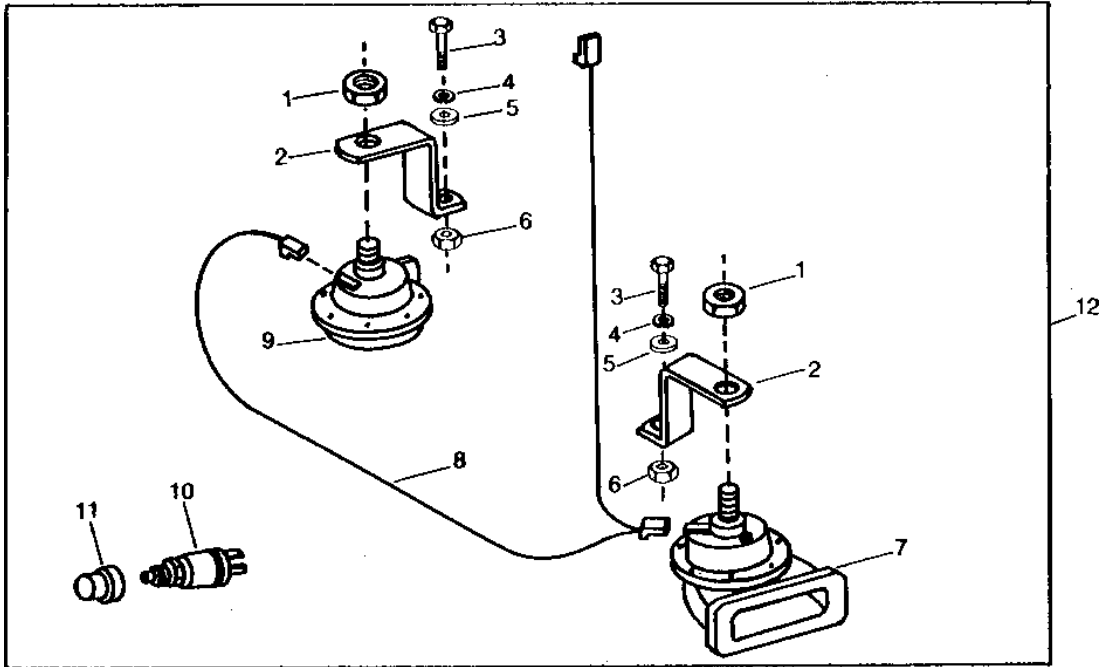


# 1H7

ELECTRICAL

RWP4230 -UN-01JAN94

## DUAL HORN ASSEMBLY



RWP4230

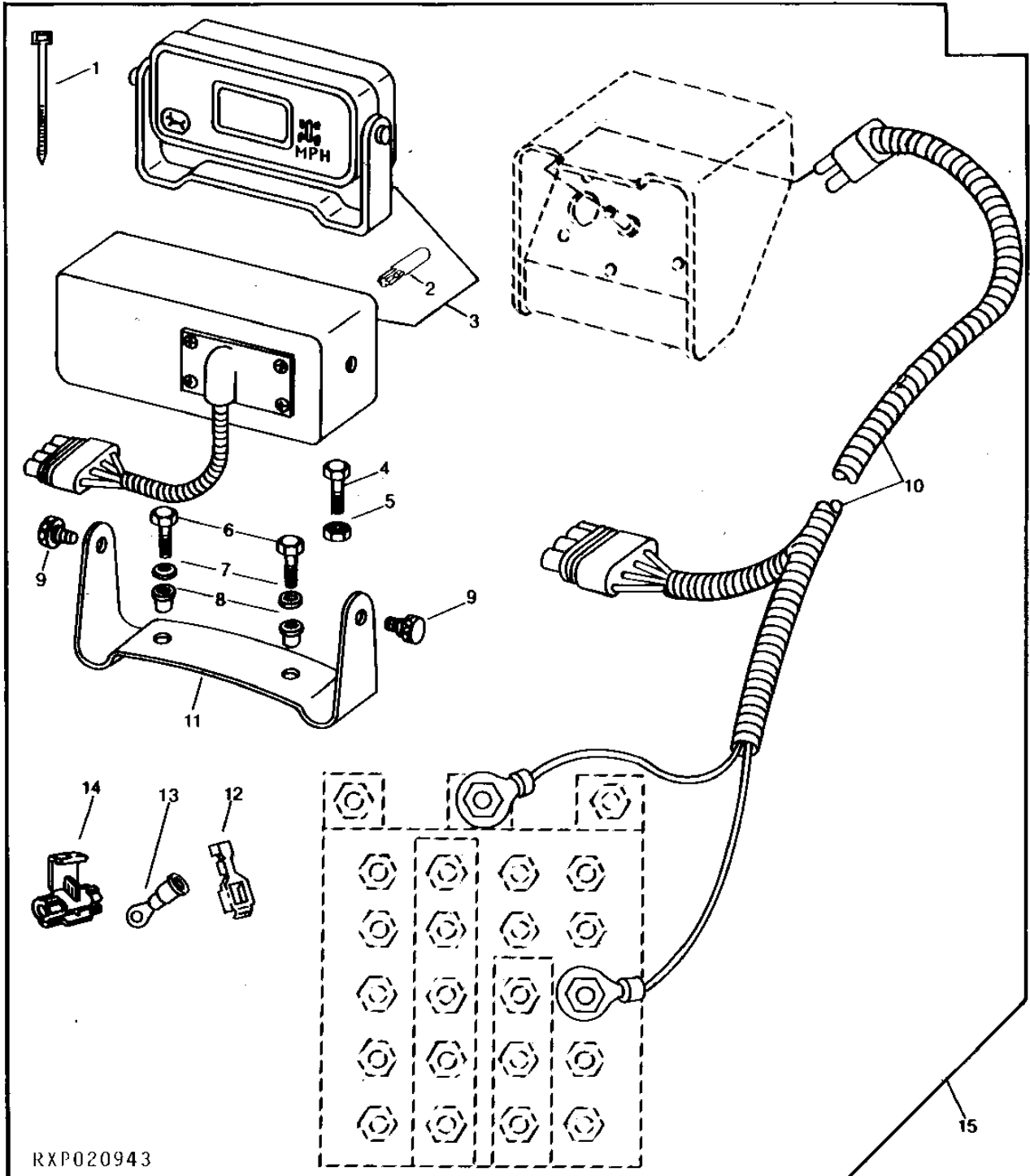
KEY	PART NO.	PART NAME	QTY	TRACTOR SERIAL NO.	REMARKS
1	R11278	NUT	2		
2	R75833	BRACKET	2		(ILLUSTRATED)
	R64699	BRACKET	2		
3	19H1849	CAP SCREW	2	5/16" X 1-1/4"	
4	12H303	LOCK WASHER	2	5/16"	
5	24H1136	WASHER	2	11/32" X 11/16" X 0.065"	
6	14H785	NUT	2	5/16"	
7	R64700	LOW NOTE HORN	1		(12-VOLT) (LOW NOTE)
8	AR85578	WIRING HARNESS	1		
9	AT39043	HIGH NOTE HORN	1		(12-VOLT) (HIGH NOTE)
10	AR21823	SWITCH	1		
11	T55501	CAP	1		
12	AR102454	HORN	1		(ORDER COMPONENT PARTS)

# 1H8

ELECTRICAL

## PERFORMANCE TRAK II MINI-MONITOR (ANALOG TACHOMETER)

RXP020943 -UN-12OCT94



RXP020943

# 1H9

ELECTRICAL

PERFORMANCE TRAK II MINI-MONITOR - CONTINUED  
(ANALOG TACHOMETER)

KEY	PART NO.	PART NAME	QTY	TRACTOR SERIAL NO.	REMARKS
1	R44302	TIE BAND	AR		
2	RE22589	LAMP	1		
3	RE21112	MONITOR CONSOLE	1		
4	19H1978	CAP SCREW	3	7/16" X 1-1/2"	
	12H293	LOCK WASHER	3	7/16"	
5	14H1047	NUT	3	7/16"	
	14H786	NUT	2	1/4"	
6	19H1914	CAP SCREW	2	1/4" X 1"	
7	24H1287	WASHER	4	9/32" X 5/8" X 0.065"	
8	R82423	NUT	2	RUBBER	
9	R83055	WING SCREW	2		
10	RE21113	WIRING HARNESS	1	3500MM (138")	
11	R83109	BRACKET	1		
12	U46662	TERMINAL	1		
13	R77489	TERMINAL	1		
	R84158	TERMINAL	1		
14	AR67855	CONNECTOR	3		
15	RE21738	MONITOR CONSOLE	1	(FI)	

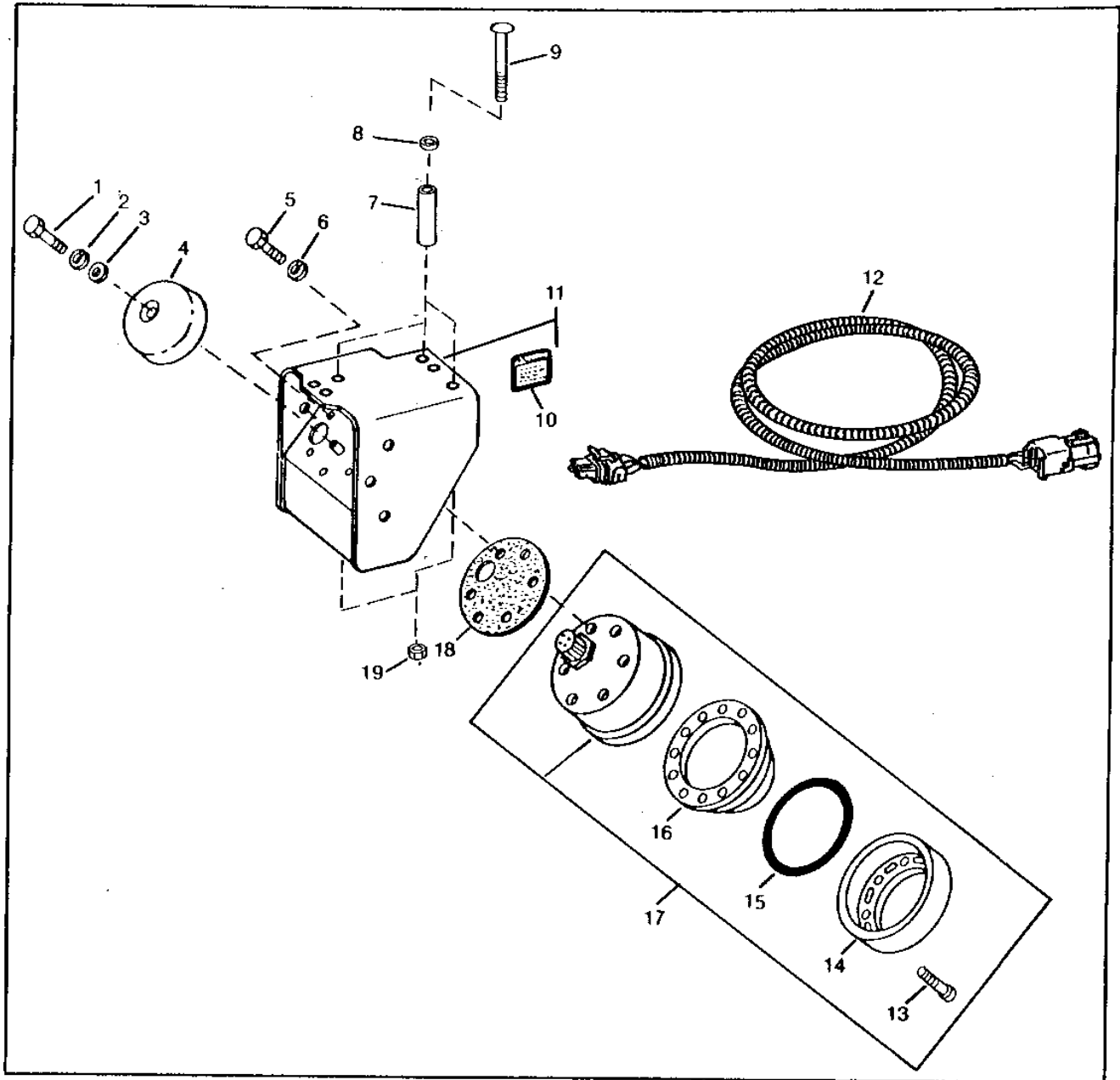
# 1H10

ELECTRICAL

RXP9306

-UN-01JAN94

RADAR SENSOR



RXP9306

20

# 1H11

ELECTRICAL

## RADAR SENSOR - CONTINUED

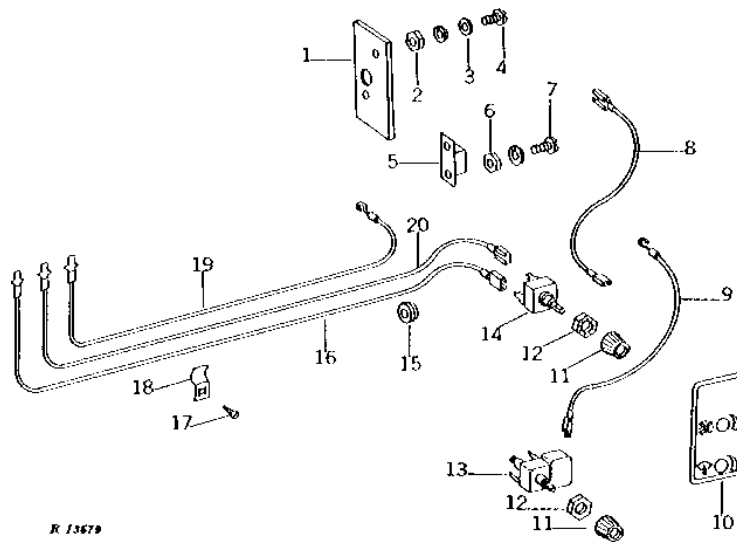
KEY	PART NO.	PART NAME	QTY	TRACTOR SERIAL NO.	REMARKS
1	19H1813	CAP SCREW	1	5/16" X 5/8"	
2	12H303	LOCK WASHER	1	5/16"	
3	24H1136	WASHER	1	11/32" X 11/16" X 0.065"	
4	R82355	SHIELD	1		
5	19H1813	CAP SCREW	6	5/16" X 5/8"	
6	12H303	LOCK WASHER	6	5/16"	
7	28H3343	BUSHING	3	0.546" X 0.840" X 5-3/8"	
8	24H1625	WASHER	2	17/32" X 1" X 0.120"	
9	03H2052	BOLT	3	1/2" X 6-1/2"	
10	R120107	LABEL	1	(ENGLISH)	
	R120106	LABEL	1	(FRENCH)	
	R105942	LABEL	1	(GERMAN)	
	R120108	LABEL	1	(SPANISH)	
	L65000	LABEL	1		
11	RE46317	BRACKET	1	(SUB FOR RE21096 OR RE38707)	
12	RE46414	WIRING HARNESS	1		
13	R82239	SCREW	12		
14	R82237	SNAP RING	1		
15	R82238	O-RING	1		
16	R82236	COVER	1		
17	RE43025	RADAR SENSOR	1	(SUB FOR RE21073)	
18	R82243	GASKET	1		
19	14H1040	NUT	3	1/2"	
20	AR111058	SENSOR	1	(SUB FOR RE21510 OR RW26466) (FI)	

# 1H12

ELECTRICAL

**BLOWER SWITCH, WIPER SWITCH, AND WIRING LEADS  
(STOLPER)  
(CAB SERIAL NO. -208299)**

R13679 -UN-01JAN94



KEY	PART NO.	PART NAME	QTY	CAB SERIAL NO.	REMARKS
1	R44479	FUSE HOLDER	1	(NO LONGER AVAILABLE)	
2	14H605	NUT	2	0.164"	
	12H315	LOCK WASHER	2	0.164"	
3	24H1283	WASHER	2	7/32" X 1/2" X 0.049"	
4	21H1158	SCREW	2	0.164" X 1/2"	
5	AR45859	CIRCUIT BREAKER	1	(NO LONGER AVAILABLE)	
6	14H778	NUT	2	0.190"	
7	21H1301	SCREW	2	0.190" X 1/2"	
	12M7060	WASHER	2	0.209"	
8	AR45853	WIRING LEAD	1		BLOWER SWITCH TO FUSE HOLDER (NO LONGER AVAILABLE)
9	AR45853	WIRING LEAD	1		WIPER SWITCH TO CIRCUIT BREAKER (NO LONGER AVAILABLE)
10	R44482	LABEL	1	(NO LONGER AVAILABLE)	
11	T30890	KNOB	2	(SUB FOR AR45849)	
12	R44165	LOCK NUT	2		
13	AR45839	SWITCH	1		WIPER
14	AR45854	SWITCH	1		BLOWER (NLA)
15	H987R	GROMMET	3		
16	AR45851	WIRING LEAD	1		(NO LONGER AVAILABLE)
17	37H15	SCREW	2		NO. 6 X 1/4"
18	R44481	CLIP	2		(NO LONGER AVAILABLE)
19	R45860	WIRING LEAD	1		BLOWER MOTOR TO CIRCUIT BREAKER
20	AR45852	WIRING LEAD	1		BLOWER MOTOR TO SWITCH (NO LONGER AVAILABLE)

---

MEMORANDA

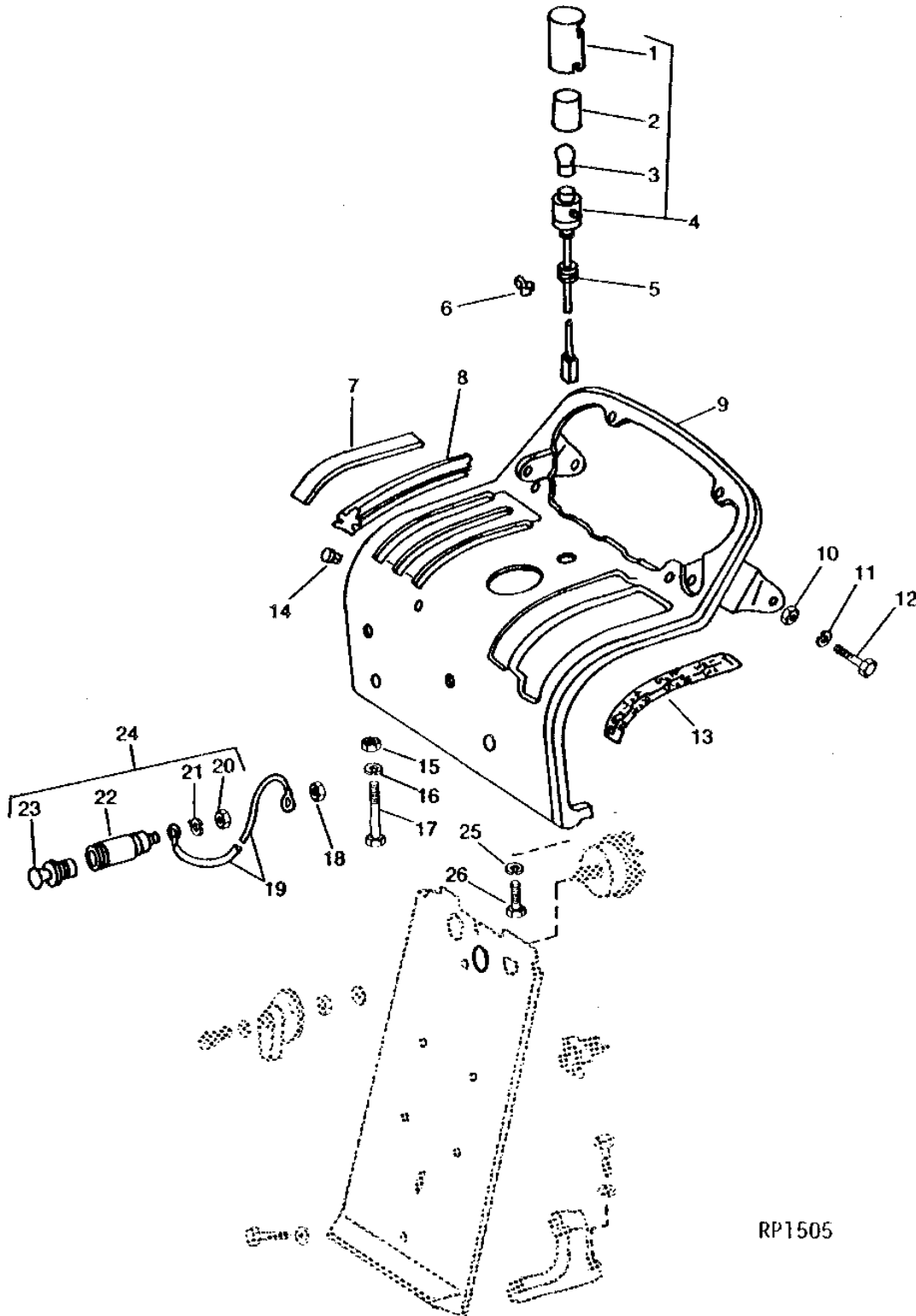
# 1H13

ELECTRICAL

RP1505

-UN-01JAN94

## DASH AND DASH LAMP



RP1505



# 1H14

ELECTRICAL

## DASH AND DASH LAMP - CONTINUED

KEY	PART NO.	PART NAME	QTY	TRACTOR SERIAL NO.	REMARKS
1	R40192	COVER	1		
2	R28792	LENS	1		
3	AT12948	BULB	1		6 C.P. (12-14 VOLT)
4	AR33479	LAMP	1		(SUB FOR RE13195)
5	A3411R	GROMMET	1		
6	F2084R	CLIP	1		(SUB R21551)
7	R27361	ISOLATOR	1		
8	R70281	STOP	1		(SUB FOR AR91941)
9	AR68197	INSTRUMENT PANEL	1		(SUB FOR AR34959)
10	14H1076	NUT	2		3/8"
11	12H304	LOCK WASHER	2		3/8"
12	19H1936	CAP SCREW	2		3/8" X 3/4"
13	R40676	LABEL	1		
14	R27983	PLUG	1		
15	14H1076	NUT	1		3/8"
16	12H304	LOCK WASHER	1		3/8"
17	19H1765	CAP SCREW	1		3/8" X 1-3/4"
18	14H631	NUT	1		0.190"
19	AR94130	WIRING LEAD	1		
20	14H605	NUT	1		0.164"
21	12M7084	LOCK WASHER	1		0.169"
22	AR30394	CIRCUIT BREAKER	1		
23	AR60937	LIGHTER	1		(SUB FOR AA5787R)
24	AR48643	LIGHTER	1		(12-VOLT) (SUB FOR AR34556 OR AR46079)
25	12H304	LOCK WASHER	1		3/8"
26	19H1936	CAP SCREW	1		3/8" X 3/4"

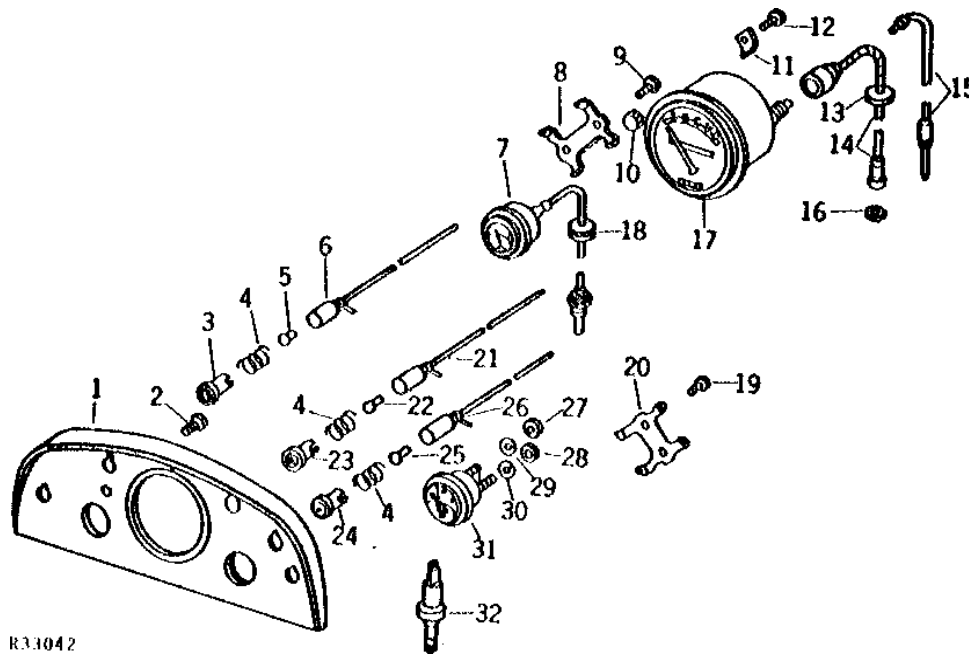
# 1H15

ELECTRICAL

R33042

-UN-01JAN94

INSTRUMENT PANEL, INSTRUMENTS AND INDICATOR LAMPS



R33042

# 1H16

ELECTRICAL

## INSTRUMENT PANEL, INSTRUMENTS AND INDICATOR LAMPS - CONTINUED

KEY	PART NO.	PART NAME	QTY	TRACTOR SERIAL NO.	REMARKS
1	AR68198	PANEL	1		(SUB FOR R34205, R47630 OR AR51158)
	AR68198	PANEL	1		(POWER WEIGHT TRANSFER HITCH) (SUB FOR R45886 OR AR51159)
2	37M7245	SCREW	4		NO. 10 X 3/8"
3	AT48673	LENS	1		ALTERNATOR INDICATOR, (SUB FOR AR45438)
4	R30378	SPRING	3		
5	AR50439	LAMP	1		
6	AR48034	INDICATOR LIGHT	1		ALTERNATOR INDICATOR
7	AR47342	PYROMETER	1		WATER TEMPERATURE
	R40138	CLIP	1		
8	R34338	CLAMP	1		
9	37H98	SCREW	2		NO. 10 X 7/8"
10	AR40802	KNOB	1		
11	R34206	CLAMP	4		
12	37M7245	SCREW	4		NO. 10 X 3/8"
13	R36235	GROMMET	1		
14	AT17503	CABLE	1		(WITH INNER CABLE)
15	AT17504	CORE	1		
16	B3285R	WASHER	1		
17	AR50406	TACHOMETER	1		(SUB FOR AR39906, AR48021 OR AR50402)
18	R26936	GROMMET	1		
19	37M7245	SCREW	2		NO. 10 X 3/8"
20	R34209	CLAMP	1		
21	AR48035	INDICATOR LIGHT	1		ENGINE OIL PRESSURE, (SUB AT44165, AT48674, AR55694 AND R30378)
22	AR55694	BULB	1		(SUB FOR R30379)
23	AT48674	LENS	1		(SUB FOR AR45437)
24	AR47916	LENS	1		(A) HIGH BEAM
25	AR50440	LAMP	1		(A)
26	AR50508	INDICATOR LIGHT	1		(A) HIGH-BEAM
	AR50917	WIRING HARNESS	1		(A) (WITH SOCKET)
27	14H631	NUT	1		0.190"
28	12H246	LOCK WASHER	1		0.190"
29	14H605	NUT	1		0.164"
30	12H315	LOCK WASHER	1		0.164"
31	AR45436	GAUGE	1		FUEL
32	AR27977	TOUCH SWITCH	1		ENGINE OIL PRESSURE
..	R49025	LABEL	1		INSTRUMENT PANEL
..	AR45694	WIRING LEAD	1		OIL PRESSURE SWITCH

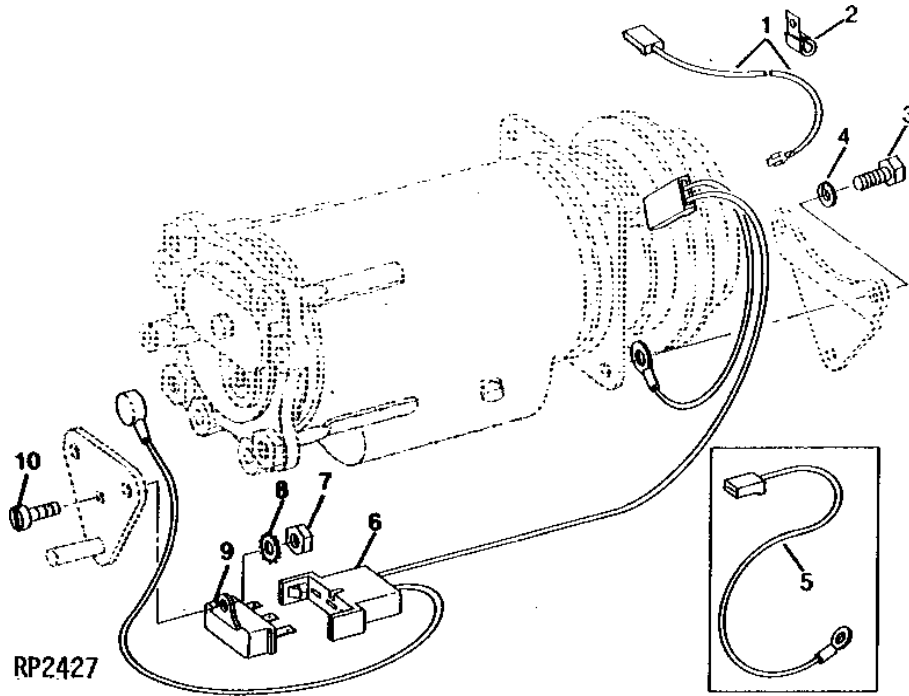
(A) WITH CAB

# 1H17

ELECTRICAL

RP2427 -UN-01JAN94

## AIR COMPRESSOR WIRING HARNESS



KEY	PART NO.	PART NAME	QTY	CAB SERIAL NO.	REMARKS
1	AR48956	WIRING LEAD	1	-XXXXXX	(NO LONGER AVAILABLE)
2	T32231	CLAMP	1		(SUB FOR T15737)
3	19H2529	CAP SCREW	3		5/16" X 1"
4	12H303	LOCK WASHER	3		5/16"
5	AR48957	WIRING LEAD	1	-XXXXXX	
6	AR77345	WIRING HARNESS	1	XXXXXX-	
7	14H631	NUT	1	XXXXXX-	0.190"
8	12M7060	WASHER	1	XXXXXX-	0.209"
9	AR77344	FUSE	1	XXXXXX-	
10	21H1295	SCREW	1	XXXXXX-	0.190" X 5/8"

---

MEMORANDA

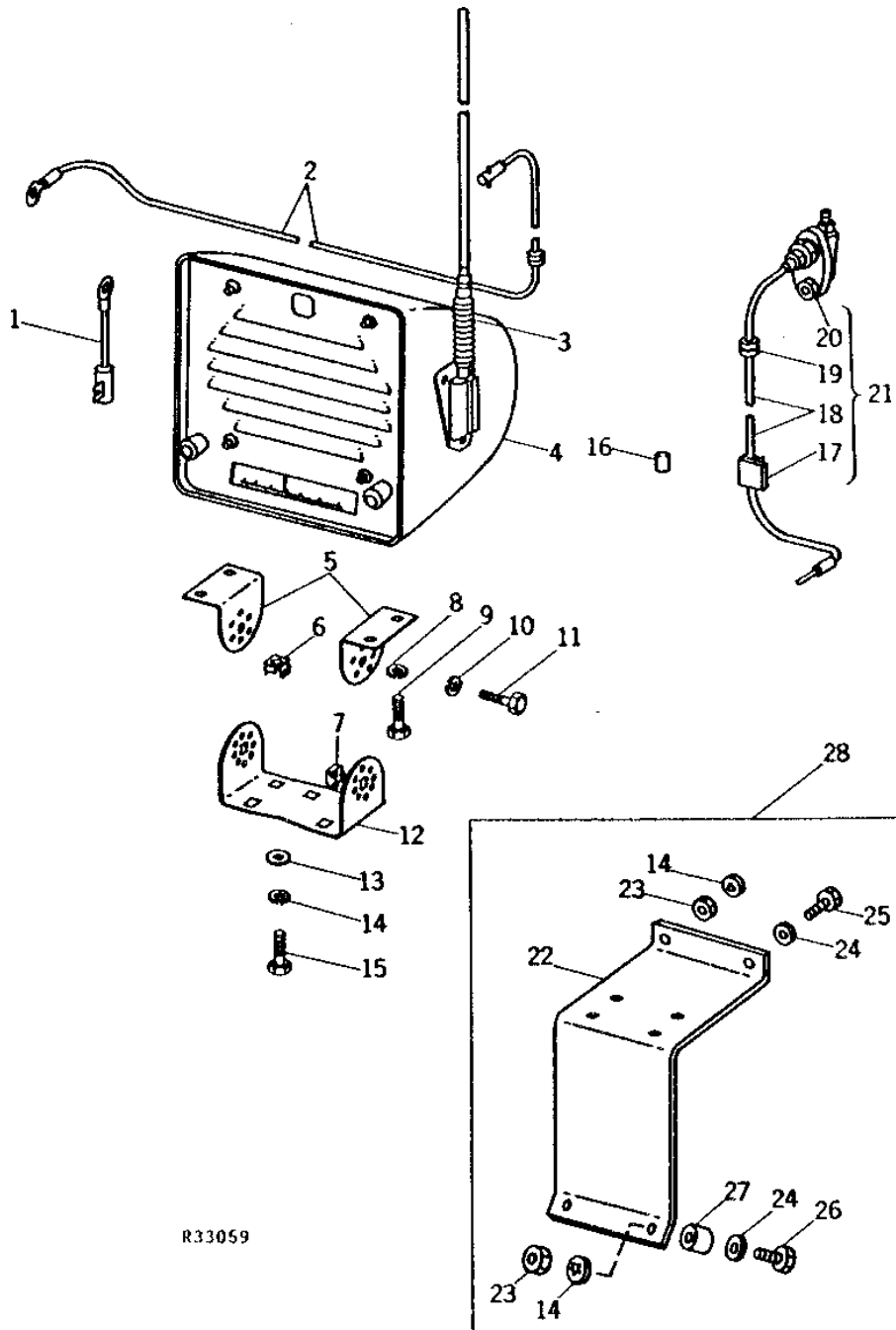
# 1H18

ELECTRICAL

R33059

-UN-01JAN94

RADIO  
(BENDIX)



R33059

# 1H19

ELECTRICAL

**RADIO - CONTINUED  
(BENDIX)**

KEY	PART NO.	PART NAME	QTY	TRACTOR SERIAL NO.	REMARKS
1	AR41758	CAPACITOR	1		RADIO NOISE SUPPRESSOR
2	AR41756	WIRING LEAD	1		
3	AR41760	ANTENNA	1		
4	AR46986 AR101245	ANTENNA RADIO	1 1		(THREADED) (A) (ALSO ORDER AR46986) (SUB FOR AR40947, AR48717, AR57157, AR68362 OR AR68361)
5	R41879	BRACKET	2		(USE WITH AR40947)
6	R46505 AR41951	BRACKET NUT	2 4		(USE WITH AR48717, AR57157 OR AR68362)
7	AR41950	NUT	2		
8	12H297	LOCK WASHER	4		1/4"
9	19H1227	CAP SCREW	4		1/4" X 1/2"
10	12H310	LOCK WASHER	2		3/8"
11	19H1936	CAP SCREW	2		3/8" X 3/4"
12	R41880	BRACKET	1		
13	24H1294	WASHER	4		11/32" X 1-1/8" X 1/16"
14	12M7032	LOCK WASHER	4		0.331"
15	12M7032	LOCK WASHER	4		0.331"
16	19H1813	CAP SCREW	4		5/16" X 5/8"
17	R45136 R47474	PLUG CLIP	1 1		(SUB FOR R45137)
18	AR46985	WIRING LEAD	1		
19	R27583	GROMMET	1		
20	AR46984	BASE	1		
21	AR46983	BASE	1		(WITH CAB)
22	R49056	BRACKET	1		
23	14H785	NUT	4		5/16"
24	24H1294	WASHER	4		11/32" X 1-1/8" X 1/16"
25	19H1813	CAP SCREW	2		5/16" X 5/8"
26	19H1875	CAP SCREW	2		5/16" X 1-3/4"
27	28H1495	SPACER	2		3/8" X 1"
28	AR52478	KIT	1		RADIO MOUNTING (HINSON CAB)

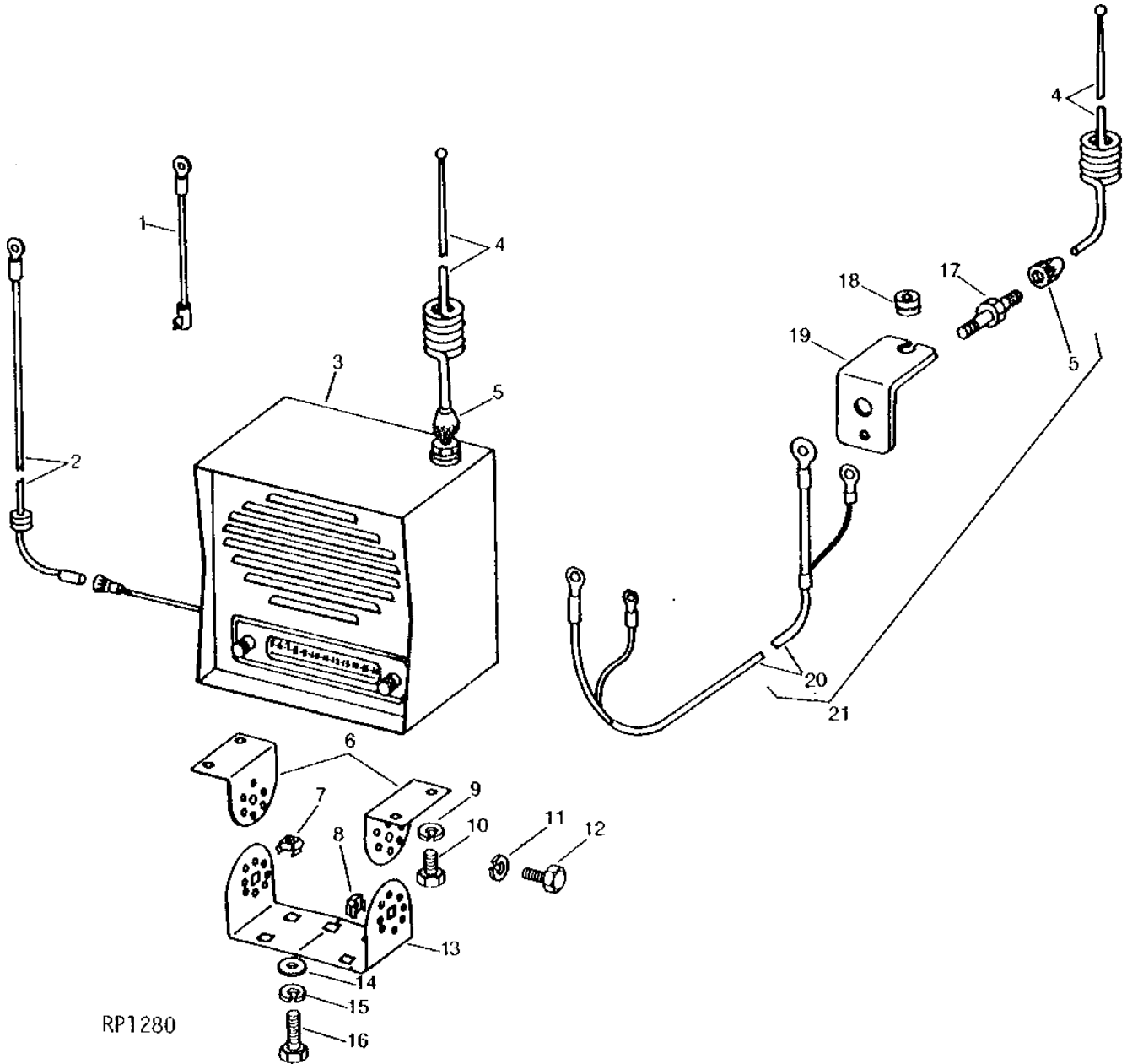
(A) CHECK AUDIOVOX DIRECT - SHIP PROGRAM GUIDE

# 1H20

ELECTRICAL

RP1280 -UN-01JAN94

RADIO  
(MOTOROLA)





# 1H21

ELECTRICAL

RADIO - CONTINUED  
(MOTOROLA)

KEY	PART NO.	PART NAME	QTY	TRACTOR SERIAL NO.	REMARKS
1	AR41758	CAPACITOR	1		
2	AR41756	WIRING LEAD	1		
3	AR42431	RADIO	1		(A) (ALSO ORDER AR46986) (SUB FOR AR68361 OR AR101245) (SUB TY15276)
4	AR45013	MAST	1		(NO LONGER AVAILABLE)
5	R42800	NUT	1		(NO LONGER AVAILABLE)
6	R41879	BRACKET	2		
7	AR41951	NUT	4		
8	AR41950	NUT	2		
9	12H297	LOCK WASHER	4	1/4"	
10	19H1227	CAP SCREW	4	1/4" X 1/2"	
11	12H310	LOCK WASHER	2	3/8"	
12	19H1936	CAP SCREW	2	3/8" X 3/4"	
13	R41880	BRACKET	1		
14	24H1294	WASHER	4	11/32" X 1-1/8" X 1/16"	
15	12M7032	LOCK WASHER	4	0.331"	
16	19H1813	CAP SCREW	4	5/16" X 5/8"	
17	AR45014	COUPLING	1		
18	R42801	GROMMET	1		
19	R42802	BRACKET	1		(NO LONGER AVAILABLE)
20	AR45015	ANTENNA	1		
21	AR42432	BASE	1		(SUB AR51483) (WITH CAB)

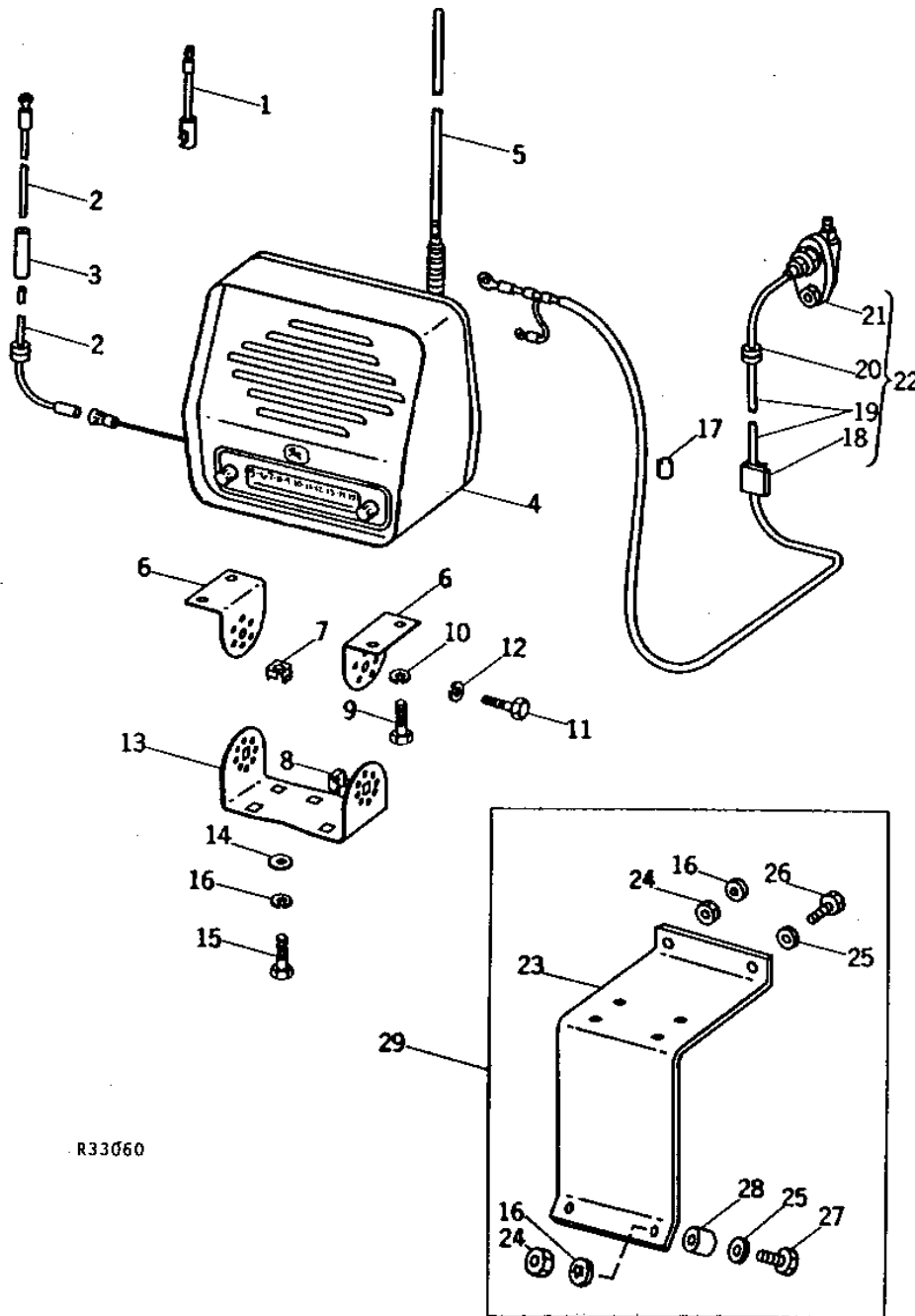
(A) CHECK AUDIOVOX DIRECT - SHIP PROGRAM GUIDE

# 1H22

ELECTRICAL

R33060 -UN-01JAN94

RADIO  
(MOTOROLA)



R33060

# 1H23

ELECTRICAL

## RADIO - CONTINUED (MOTOROLA)

KEY	PART NO.	PART NAME	QTY	TRACTOR SERIAL NO.	REMARKS
1	AR41758	CAPACITOR	1		RADIO NOISE SUPPRESSOR
2	AR41756	WIRING LEAD	1		
3	R42799	RESISTOR	1		NOISE SUPPRESSOR
4	TY15276	RADIO	1		(A) (SUB FOR AR57156, AR68361, AR101245 OR TY15155) (ALSO ORDER AR46986) (NLA)
5	AR46986	ANTENNA	1		
6	R52408	BRACKET	2		
7	AR41951	NUT	3		
8	AR41950	NUT	2		
9	19H1227	CAP SCREW	4	1/4" X 1/2"	
10	12H297	LOCK WASHER	4	1/4"	
11	19H1936	CAP SCREW	2	3/8" X 3/4"	
12	12H310	LOCK WASHER	2	3/8"	
13	R41880	BRACKET	1		
14	24H1294	WASHER	3	11/32" X 1-1/8" X 1/16"	
15	19H1813	CAP SCREW	3	5/16" X 5/8"	
16	12M7032	LOCK WASHER	7	0.331"	
17	R45136	PLUG	1		
18	R47474	CLIP	4		
19	AR46985	WIRING LEAD	1		
20	R27583	GROMMET	1		
21	AR46984	BASE	1		
22	AR46983	BASE	1		(WITH CAB)
23	R49056	BRACKET	1		
24	14H785	NUT	4	5/16"	
25	24H1294	WASHER	4	11/32" X 1-1/8" X 1/16"	
26	19H1813	CAP SCREW	2	5/16" X 5/8"	
27	19H1875	CAP SCREW	2	5/16" X 1-3/4"	
28	28H1495	SPACER	2	3/8" X 1"	
29	AR52478	KIT	1		RADIO MOUNTING (HINSON CAB)

(A) CHECK AUDIOVOX DIRECT - SHIP PROGRAM GUIDE

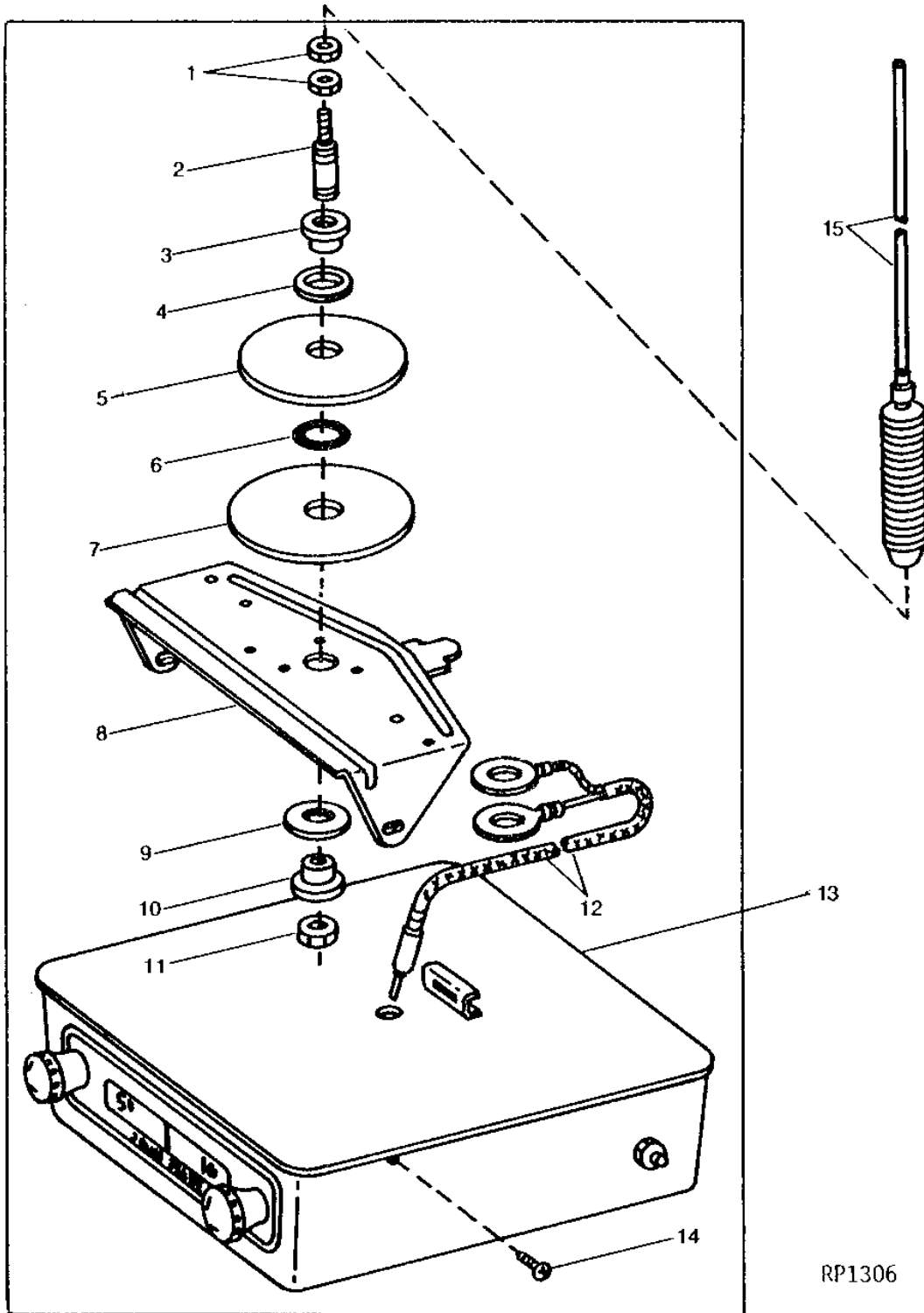
# 1H24

ELECTRICAL

RP1306

-UN-01JAN94

CAB RADIO



RP1306

# 1H25

ELECTRICAL

## CAB RADIO - CONTINUED

KEY	PART NO.	PART NAME	QTY	TRACTOR SERIAL NO.	REMARKS
1	R53512	WELD NUT	2		
2	R53515	BUSHING	1		
3	R53516	WASHER	1		(LONG)
4	R53518	WASHER	1		
5	R53519	WASHER	1		
6	B2762R	O-RING	1		
7	R53520	WASHER	1		
8	R53521	BRACKET	1		
9	R53522	WASHER	1		
10	R53517	BUSHING	1		(SHORT)
11	R53512	WELD NUT	3		
12	AR60084	WIRING LEAD	1		
13	AR68363	RADIO	1		(A) (ALSO ORDER AR46986) (SUB FOR AR60083) (NO LONGER AVAILABLE)
14	AR60089	SCREW	2		
15	AR46986	ANTENNA	1		
..	AR41758	CAPACITOR	1		
..	R42799	RESISTOR	1		NOISE SUPPRESSOR

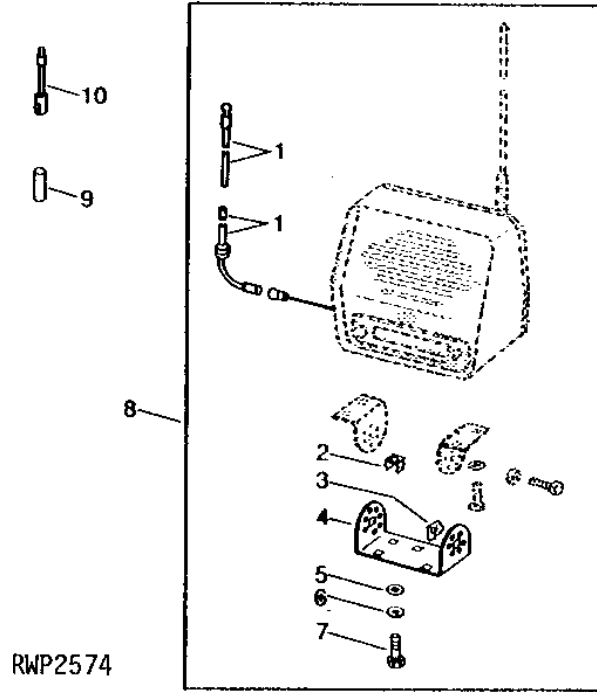
(A) CHECK AUDIOVOX DIRECT - SHIP PROGRAM GUIDE

# 111

ELECTRICAL

RWP2574 -UN-01JAN94

## RADIO MOUNTING KIT



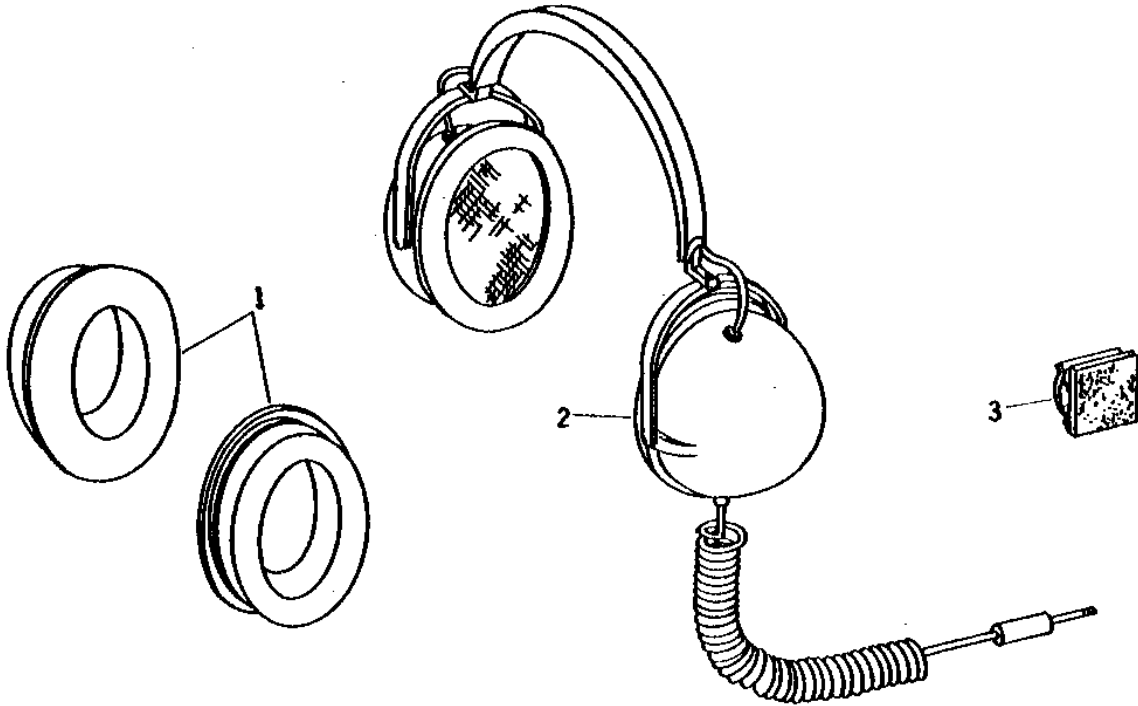
KEY	PART NO.	PART NAME	QTY	TRACTOR SERIAL NO.	REMARKS
1	AR41756	WIRING LEAD	1		
2	AR41951	NUT	3		
3	AR41950	NUT	2		
4	R41880	BRACKET	1		
5	24H1294	WASHER	3	11/32" X 1-1/8" X 1/16"	
6	12M7032	LOCK WASHER	3	0.331"	
7	19H1813	CAP SCREW	3	5/16" X 5/8"	
8	AR41754	KIT	1		FOR 2ND VEHICLE RADIO APPLICATION
9	R42799	RESISTOR	1		NOISE SUPPRESSOR
10	AR41758	CAPACITOR	1		

# 112

ELECTRICAL

R33062 -UN-01JAN94

## RADIO HEADPHONES



### R33062

KEY	PART NO.	PART NAME	QTY	TRACTOR SERIAL NO.	REMARKS
1	AR73311	FOAM PAD	1		(SUB FOR R53409)
2	AR59663	HEADPHONES	1		(A) (NO LONGER AVAILABLE)
3	R53410	CLIP	1		

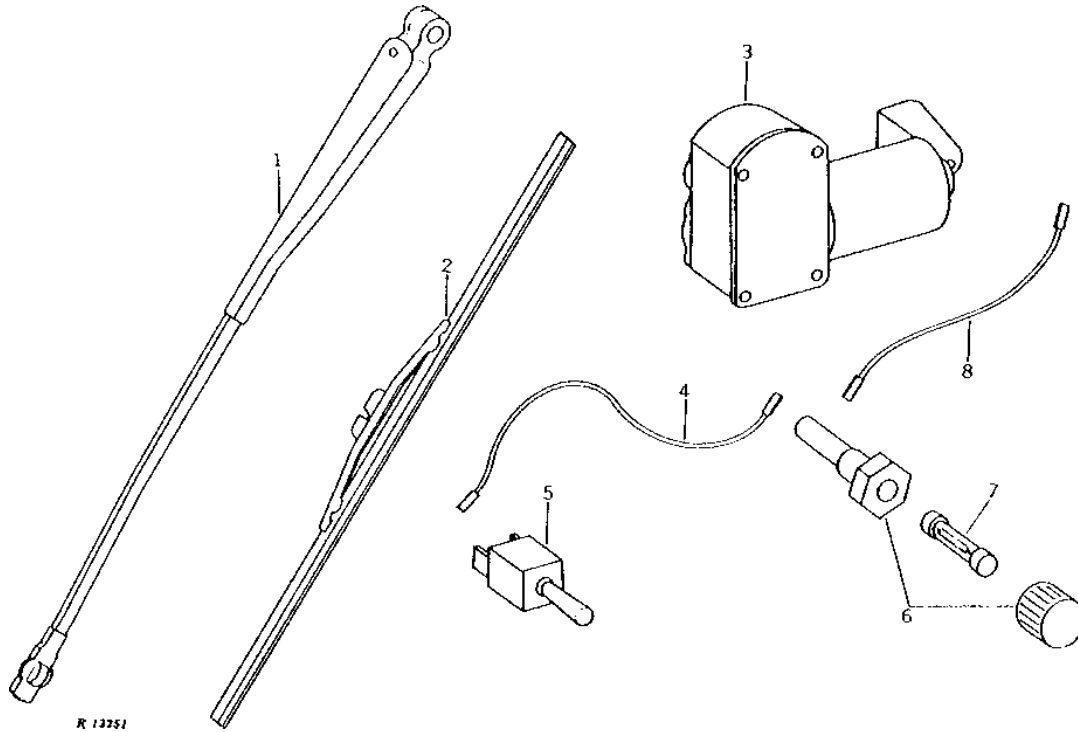
(A) CHECK AUDIOVOX DIRECT - SHIP PROGRAM GUIDE

# 113

ELECTRICAL

R13251 -UN-01JAN94

## WINDSHIELD WIPER (CRENLO)



KEY	PART NO.	PART NAME	QTY	CAB SERIAL NO.	REMARKS
1	AR44371	ARM	1		(NO LONGER AVAILABLE)
2	R42319	BLADE	1		
3	AT35245	MOTOR	1		(SUB FOR AR44647)
4	.....	WIRING LEAD	1		152 MM (6") (MAKE FROM R32027 AND (2) R32024)
5	AR44659	TOGGLE SWITCH	1		
6	AR44656	FUSE HOLDER	1		
7	.....	FUSE	1		AGC (6 AMP) (NOT FURNISHED)
8	.....	WIRING LEAD	1		1067 MM (42") (MAKE FROM R66319, R32016, R32027 AND R32024)

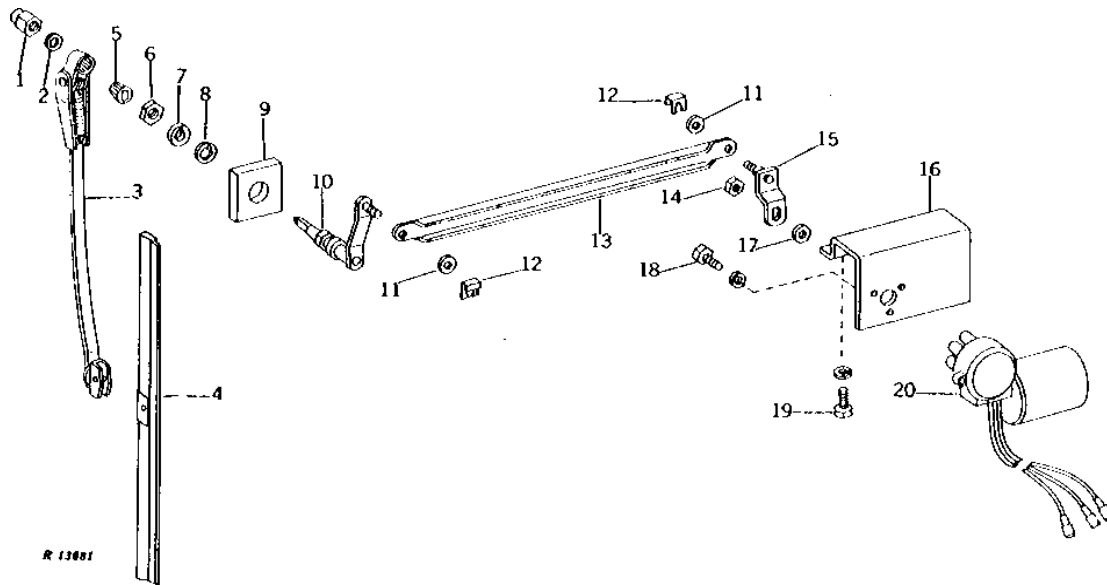


# 114

ELECTRICAL

**WINDSHIELD WIPER  
(STOLPER)  
(CAB SERIAL NO. -208299)**

R13681 -UN-01JAN94



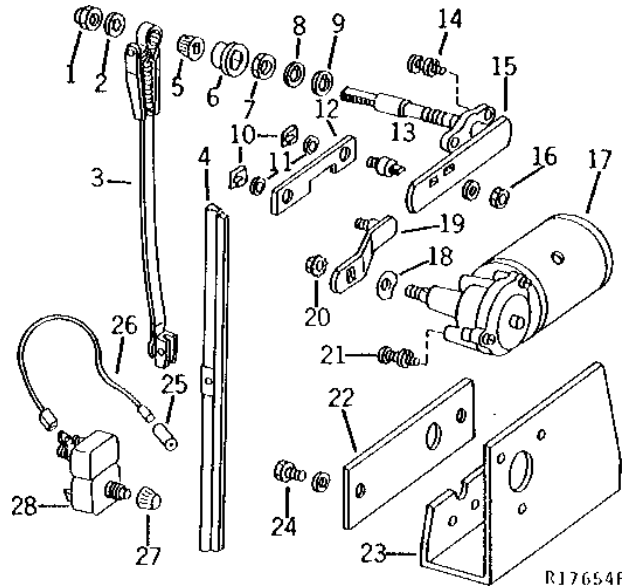
KEY	PART NO.	PART NAME	QTY	CAB SERIAL NO.	REMARKS
1	U46514	NUT	1		(SUB FOR R44466)
2	12M7032	LOCK WASHER	1		0.331"
3	AR45843	ARM	1		
4	AR45844	WINDSHIELD WIPER	1		
5	R44465	DRIVER	1		
6	R44464	NUT	1		
7	R44467	SPACER	1		(NO LONGER AVAILABLE)
8	R44461	WASHER	1		(NO LONGER AVAILABLE)
9	R44463	SEAL	1		
10	AR45842	SHAFT	1		
11	R11032	SHIM	2		
12	R44462	CLIP	2		
13	AR45841	ARM	1		(NO LONGER AVAILABLE)
14	14H860	NUT	1		1/4"
	12H297	LOCK WASHER	1		1/4"
15	AR45840	ARM	1		(NO LONGER AVAILABLE)
16	AR45838	BRACKET	1		(NO LONGER AVAILABLE)
17	R44460	WASHER	1		(NO LONGER AVAILABLE)
18	19H1948	CAP SCREW	3		1/4" X 3/4"
	12H302	LOCK WASHER	3		1/4"
19	19H1914	CAP SCREW	3		1/4" X 1"
	12H302	LOCK WASHER	3		1/4"
20	AR59444	MOTOR	1		(ALSO ORDER AR64992) (SUB FOR AR45837) (SUB AT66481 AND AT66482)

# 115

ELECTRICAL

**WINDSHIELD WIPER  
(STOLPER)  
(CAB SERIAL NO. 208300- )**

R17654 -UN-01JAN94



R17654F

KEY	PART NO.	PART NAME	QTY	CAB SERIAL NO.	REMARKS
1	U46514	NUT	1	(A)	
2	12H303	LOCK WASHER	1	(A) 5/16"	
3	AR45843	ARM	1		
4	AR45844	WINDSHIELD WIPER	1		
5	U46513	NUT	1	(A)	
6	U46512	CAP	1	(A)	
7	U46511	NUT	1	(A)	
8	U46510	WASHER	1	(A)	
9	U46509	WASHER	1	(A)	
10	U46506	CLIP	2	(B)	
11	T32255	SHIM	2	(B)	
12	AU43853	LINK	1	(B)	
13	U46507	PIN	1		
14	AU43855	SCREW	2	(SUB 12H1298 AND 12M7060)	
15	AR49972	PIVOT	1		
16	14H649	NUT	1	(A) 1/4"	
	12H297	LOCK WASHER	1	(A) 1/4"	
17	AT66481	MOTOR	1	(B) (ALSO ORDER AR64992 AND AT66482) (SUB FOR AT29855 OR AR59444)	
18	U46508	WASHER	1	(B)	
19	AU43954	ARM	1		
20	AU43857	LOCK NUT	1	(B)	
21	AU43854	SCREW	3	(B)	
22	R48454	SEAL	3	(B) (NO LONGER AVAILABLE)	
23	U46515	BRACKET	1	(B)	
24	19H3003	CAP SCREW	3	1/4" X 1/2"	
	12H302	LOCK WASHER	3	1/4"	
25	R32029	TERMINAL	3	(SUB AL2976T)	
26	.....	WIRING LEAD	1	279 MM (11") WIPER SWITCH TO WIPER MOTOR, (MAKE FROM R66319 AND R32026) (ALSO ORDER R32024)	
.....		WIRING LEAD	1	152 MM (6") CIRCUIT BREAKER TO WIPER SWITCH, (MAKE FROM R32018, R66319 AND R32027) (ALSO ORDER R32024)	
27	AR69370	KNOB	1	(SUB FOR AR49969)	
28	AR45839	SWITCH	1		
..	AR49971	MOTOR	1		
..	AR49972	PIVOT	1		

(A) INCLUDED IN AR49972

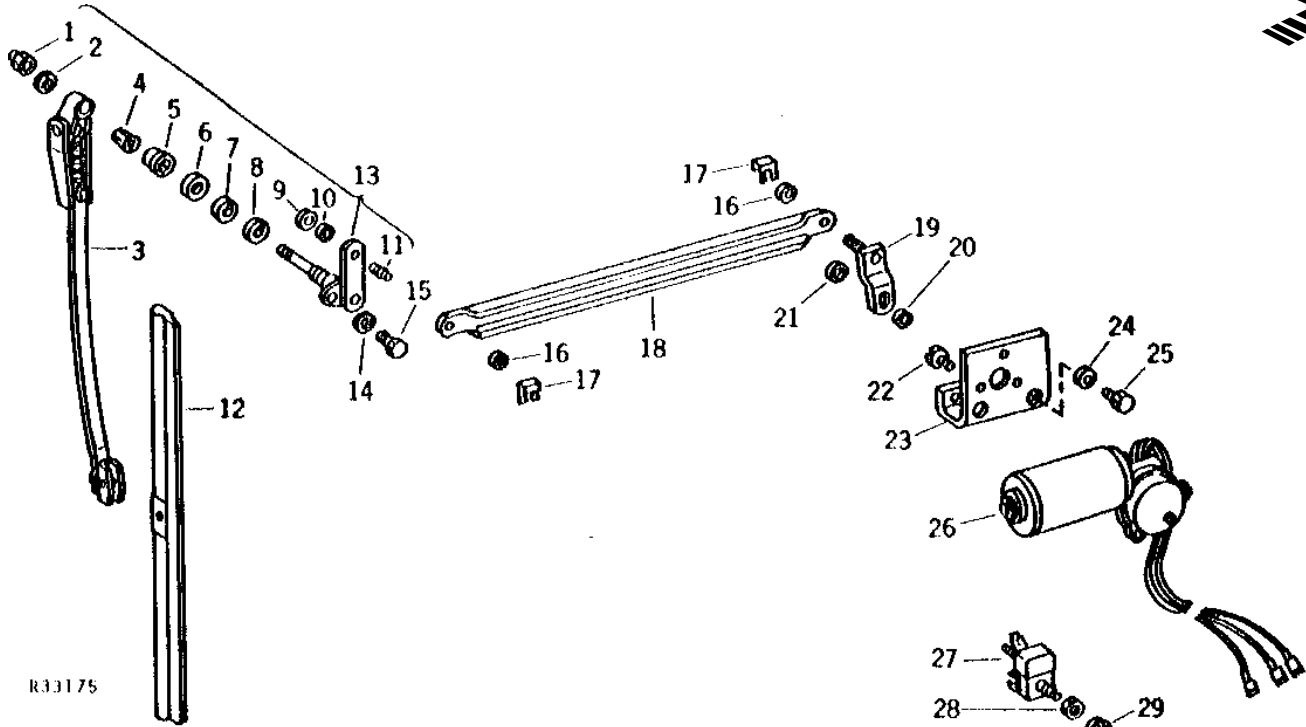
(B) INCLUDED IN AR49971

# 116

ELECTRICAL

## WINDSHIELD WIPER (HINSON)

R33175 -UN-01JAN94



R33175

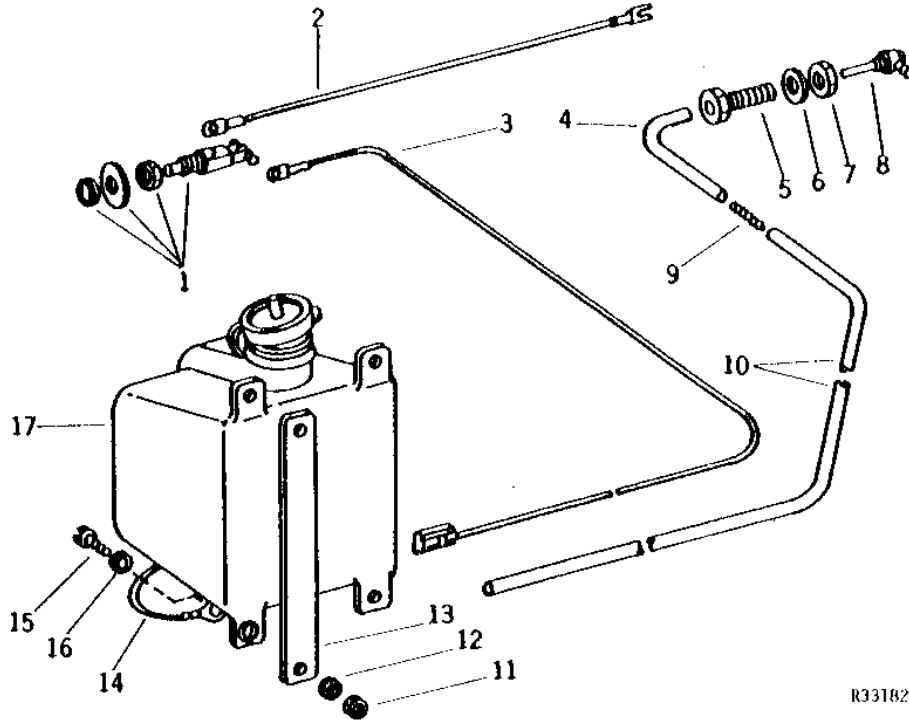
KEY	PART NO.	PART NAME	QTY	CAB SERIAL NO.	REMARKS
1	U46514	NUT	1		
2	12H303	LOCK WASHER	1	5/16"	
3	AR45843	ARM	1		
4	U46513	NUT	1		
5	U46512	CAP	1		
6	U46511	NUT	1		
7	U46510	WASHER	1		
8	U46509	WASHER	1		
9	14H649	NUT	1	1/4"	
10	12H297	LOCK WASHER	1	1/4"	
11	U46507	PIN	1		
12	AR45844	WINDSHIELD WIPER	1		
13	AU43852	SHAFT	1	(SUB AT58209)	
14	12H246	LOCK WASHER	2	0.190"	
15	21H1317	SCREW	2	0.190" X 5/8"	
16	T32255	SHIM	2		
17	U46506	CLIP	2		
18	AR52294	LINK	1		
19	AU43954	ARM	1		
20	U46508	WASHER	1		
21	AU43857	LOCK NUT	1		
22	AU43854	SCREW	3		
23	R48875	BRACKET	1		
24	12H302	LOCK WASHER	2	1/4"	
25	19H1227	CAP SCREW	2	1/4" X 1/2"	
26	AR59444	MOTOR	1	(ALSO ORDER AR64992) (SUB FOR AT29855) (SUB AT66481 AND AT66482)	
27	AR45839	SWITCH	1	(USE WITH AT29855)	
	AR64992	WIPER SWITCH	1	(USE WITH AR59444 OR AT66481)	
28	R44165	LOCK NUT	1		
29	AR69370	KNOB	1	(SUB FOR AR49969)	

# 117

ELECTRICAL

R33182 -UN-01JAN94

## WINDSHIELD WASHER

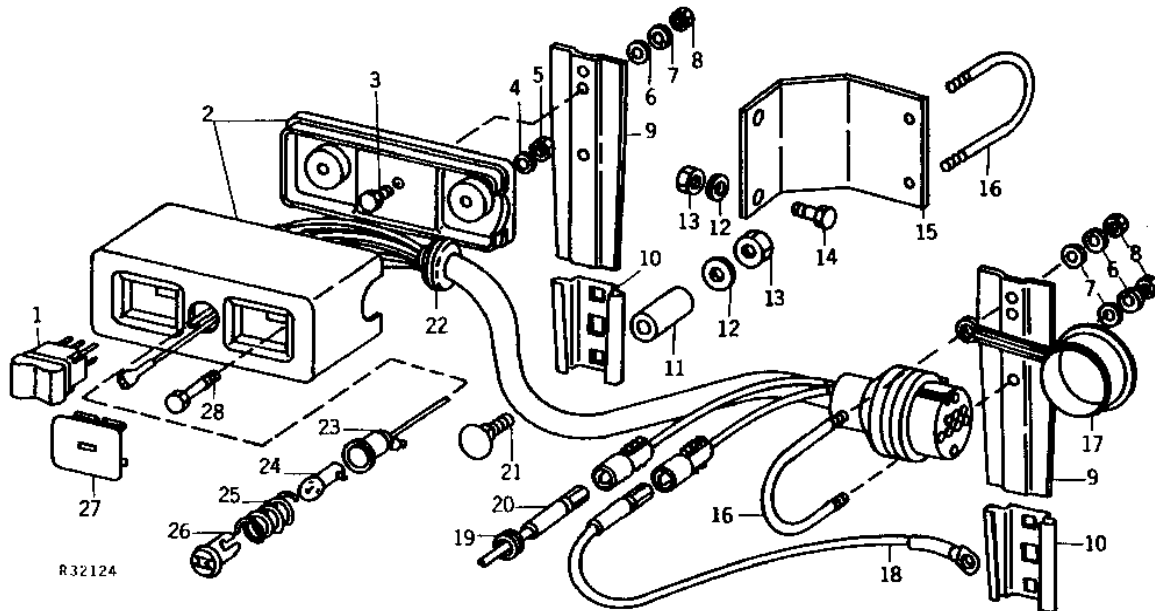


R33182

KEY	PART NO.	PART NAME	QTY	TRACTOR SERIAL NO.	REMARKS
1	AR62294	WIPER/WASHER SWITCH	1		
2	AR62295	WIRING LEAD	1		CIRCUIT BREAKER TO SWITCH
3	AR62296	WIRING LEAD	1		SWITCH TO MOTOR
4	.....	HOSE	1		152MM (6") (MAKE FROM R54447)
5	R54446	BOLT	1		
6	24H1111	WASHER	1		17/32" X 1-1/16" X 0.090"
7	14H1040	NUT	1		1/2" HS, SAE 8
8	.....	NOZZLE	1		(ORDER AR62293)
9	R54443	HOSE FITTING	1		
10	R54445	HOSE	1		2540MM (100") ROLL (CUT TO LENGTH)
11	14H786	NUT	4		1/4"
12	12H302	LOCK WASHER	4		1/4"
13	R54442	BRACKET	2		
14	.....	WIRING LEAD	1		(MAKE FROM PM797NA)
15	21H1303	SCREW	4		1/4" X 3/4"
16	24H1286	WASHER	4		9/32" X 1/2" X 1/16"
17	AR62293	KIT	1		(INCLUDES AR62294)

R32124 -UN-01JAN94

ELECTRICAL REMOTE CONTROL



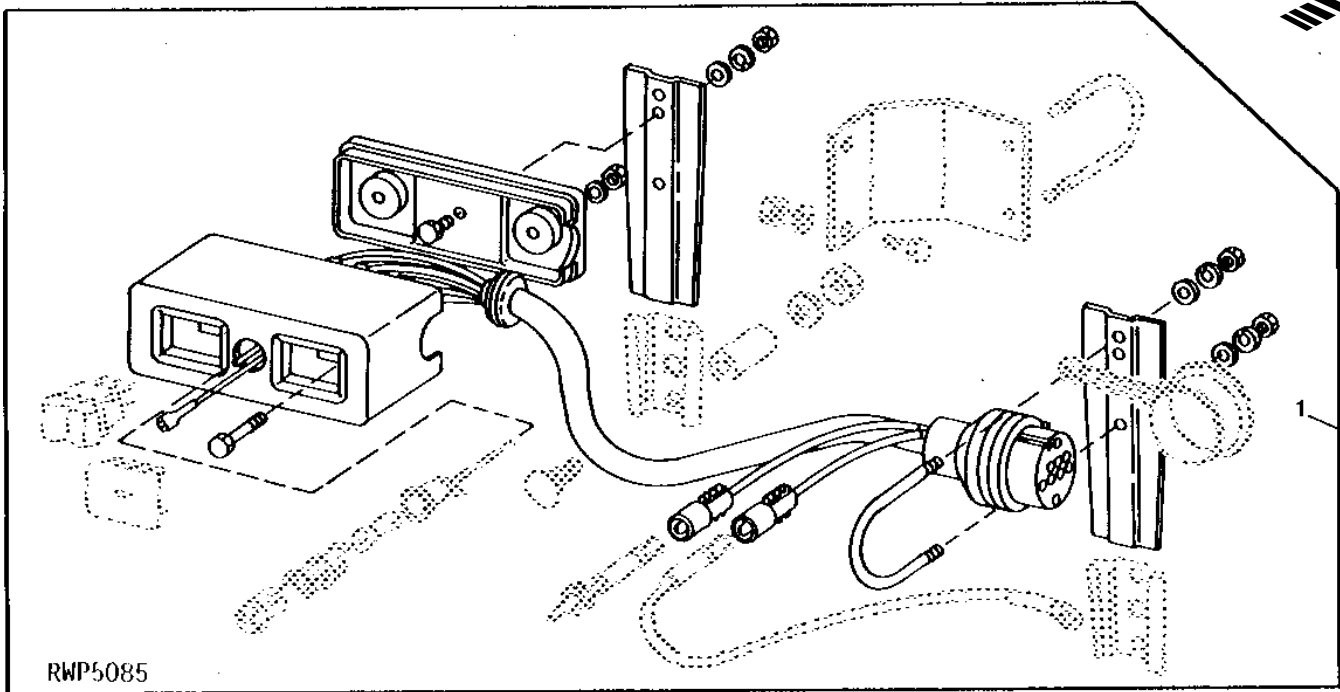
KEY	PART NO.	PART NAME	QTY	TRACTOR SERIAL NO.	REMARKS
1	AR49797	TOGGLE SWITCH	1		MOMENTARY ROCKER (FI)
	AR49798	ROCKER SWITCH	1		DETENT ROCKER (FI)
2	AR50779	WIRING HARNESS	1		TWO SWITCH
	AR50780	WIRING HARNESS	1		FOUR SWITCH
3	19H1914	CAP SCREW	1		1/4" X 1"
4	12H315	LOCK WASHER	2		0.164"
5	14H605	NUT	2		0.164"
6	24H1821	WASHER	3		9/32" X 47/64" X 1/16"
7	12H302	LOCK WASHER	3		1/4"
8	14H786	NUT	3		1/4"
9	R47861	BRACKET	2		TWO SWITCH (1 USED, FOUR SWITCH)
	R47860	BRACKET	1		FOUR SWITCH
10	JD126	SOCKET	2		
11	28H1495	SPACER	2		3/8" X 1"
12	24M7207	WASHER	4		8.400 X 24 X 2 MM
13	14H785	NUT	4		5/16"
14	21H1304	SCREW	2		5/16" X 3/4"
15	R54467	BRACKET	1		
16	E16050	U-BOLT	1		
17	R48048	CAP	1		
18	AR50928	WIRING LEAD	1		
19	H987R	GROMMET	4		
20	AR50927	WIRING LEAD	1		
21	03H1515	BOLT	2		5/16" X 2"
22	R36235	GROMMET	1		
23	AT44165	WIRING LEAD	1		
24	AR55694	BULB	1		
25	R30378	SPRING	1		
26	AT48673	LENS	1		
27	R48049	PLUG	1		
28	R48028	SCREW	2		
..	R48026	DECAL	1		
..	R48027	GROMMET	1		(CAB OPENING)
..	R32276	PLUG	1		(CAB OPENING)

# 119

ELECTRICAL

RWP5085 -UN-01JAN94

## ELECTRICAL REMOTE CONTROL KIT



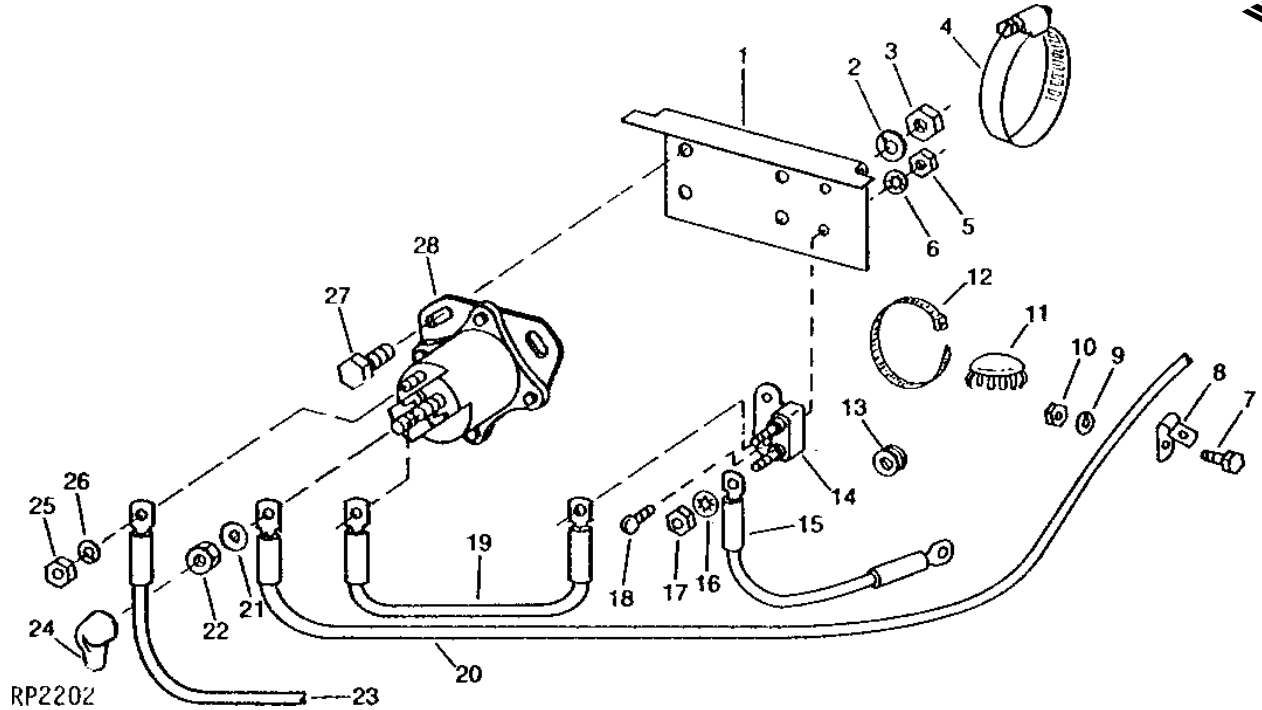
KEY	PART NO.	PART NAME	QTY	TRACTOR SERIAL NO.	REMARKS
1	AR62360	KIT	1		(TWO SWITCHES) (FI)

# 1110

ELECTRICAL

RP2202 -UN-01JAN94

## ELECTRICAL REMOTE CONTROL WIRING



KEY	PART NO.	PART NAME	QTY	TRACTOR SERIAL NO.	REMARKS
1	R69109	BRACKET	1	(SUB FOR R47859)	
2	12H297	LOCK WASHER	2	1/4"	
3	14H786	NUT	2	1/4"	
4	AR52392	CLAMP	2		
5	14H631	NUT	4	0.190"	
6	12H246	LOCK WASHER	2	0.190"	
7	19H1731	CAP SCREW	2	3/8" X 1"	
8	T14264	CLAMP	2		
9	12H304	LOCK WASHER	2	3/8"	
10	14H732	NUT	2	3/8"	
11	R32276	PLUG	1	(CAB OPENING)	
12	R44302	TIE BAND	AR		
13	R41439	GROMMET	1	(USED FOR BANDING)	
14	AR50926	CIRCUIT BREAKER	1		
15	AR50930	WIRING LEAD	1		
16	12M7060	WASHER	2	0.209"	
17	14H631	NUT	2	0.190"	
18	21H1295	SCREW	2	0.190" X 5/8"	
19	AR50929	WIRING LEAD	1		
20	AR50927	WIRING LEAD	1		
21	12H303	LOCK WASHER	2	5/16"	
22	14H785	NUT	2	5/16"	
23	AR50931	WIRING LEAD	1	TO IGNITION SWITCH	
24	R36732	BOOT	2		
25	14H631	NUT	1	0.190"	
26	12H246	LOCK WASHER	1	0.190"	
27	19H1919	CAP SCREW	2	1/4" X 5/8"	
28	RE44657	RELAY	1	(FI)	

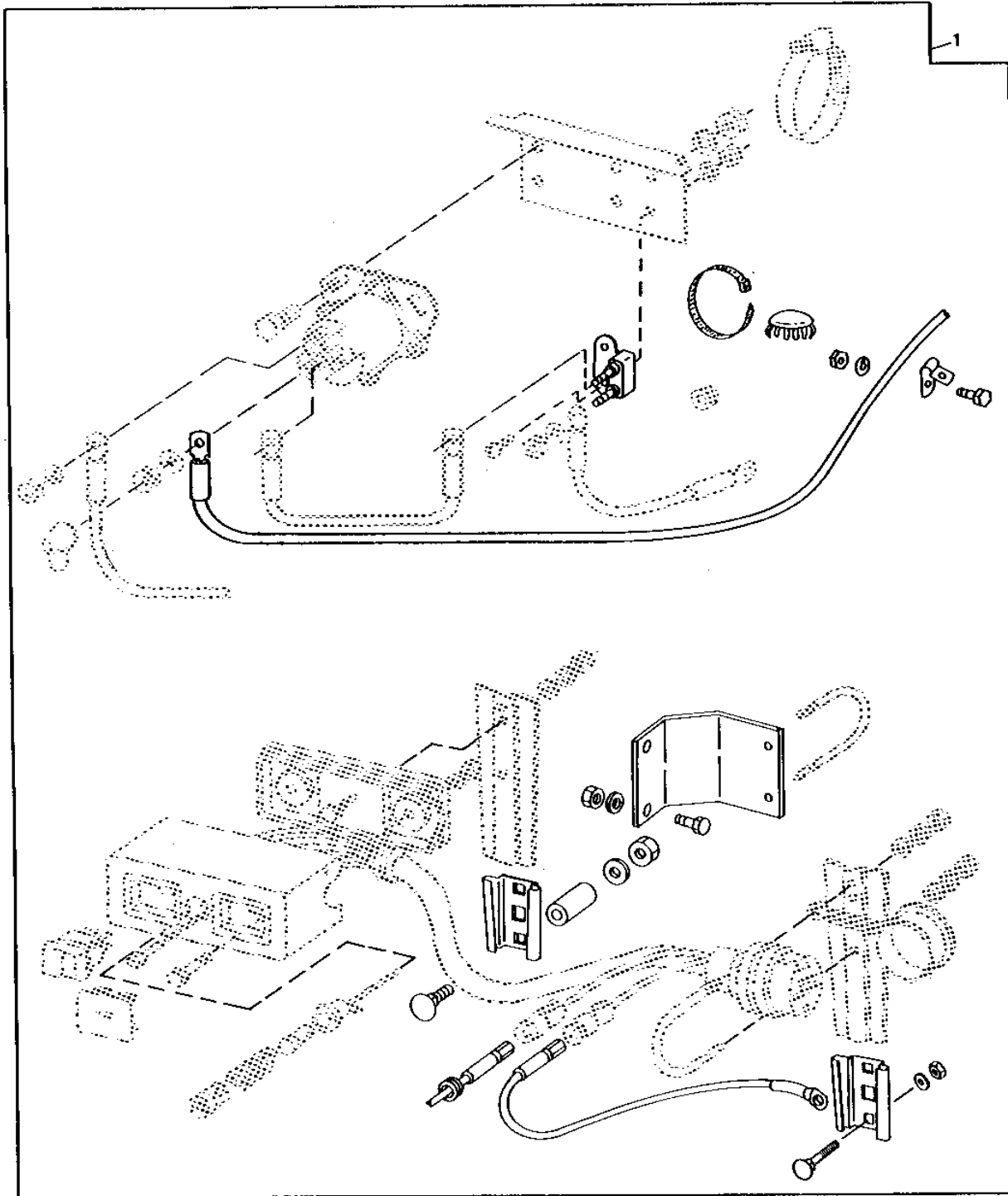
# 1111

ELECTRICAL

RWP5666

-UN-01JAN94

## ELECTRICAL REMOTE CONTROL WIRING KIT



RWP5666



# 1112

ELECTRICAL

---

ELECTRICAL REMOTE CONTROL WIRING KIT - CONTINUED

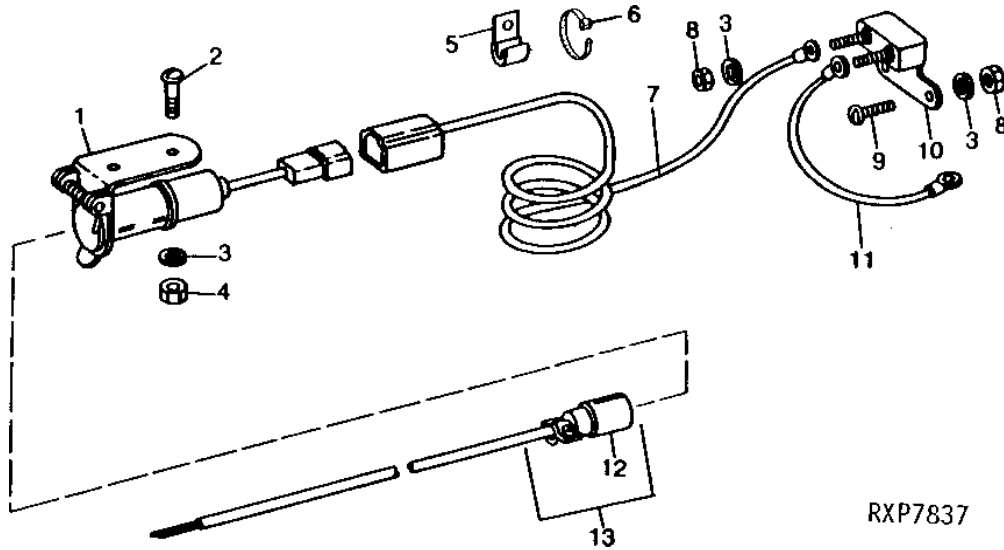
KEY	PART NO.	PART NAME	QTY	TRACTOR SERIAL NO.	REMARKS
1	RE25621	KIT	1	(SUB FOR AR62359)	

# 1113

ELECTRICAL

RXP7837 -UN-23SEP94

## ELECTRICAL OUTLET SOCKET



RXP7837

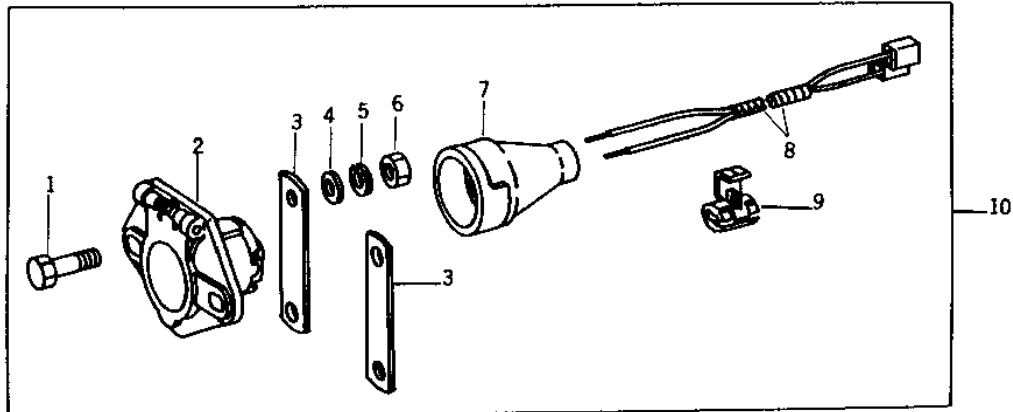
KEY	PART NO.	PART NAME	QTY	TRACTOR SERIAL NO.	REMARKS
1	AR26571	SOCKET	1		
2	21H1301	SCREW	2		0.190" X 1/2"
3	12M7060	WASHER	6		0.209"
4	14H778	NUT	2		0.190"
5	T32231	CLAMP	2		(SUB FOR R55618)
6	R44302	TIE BAND	5		
7	.....	WIRING LEAD	1		4153 MM (163-1/2") (MAKE FROM R66321, T28585, U46662, R77493 AND R77471)
8	14H631	NUT	4		0.190"
9	21H1295	SCREW	2		0.190" X 5/8"
10	AR28403	CIRCUIT BREAKER	1		
11	.....	WIRING LEAD	1		152 MM (6") (MAKE FROM R66321 AND (2) R77493)
12	AA5692R	ELECTRICAL PLUG	1		
13	AR40710	PLUG	1		

# 1114

ELECTRICAL

R32128 -UN-01JAN94

## 7-TERMINAL ELECTRICAL OUTLET SOCKET



R32128

KEY	PART NO.	PART NAME	QTY	TRACTOR SERIAL NO.	REMARKS
1	19H1905	CAP SCREW	4	5/16" X 1"	
2	AR75695	SOCKET OUTLET	1		
3	R61776	STRAP	2		
4	24H1136	WASHER	4	11/32" X 11/16" X 0.065"	
5	12H303	LOCK WASHER	4	5/16"	
6	14H785	NUT	4	5/16"	
7	R61775	BOOT	1		
8	AR75696	WIRING HARNESS	1	EXTENSION	
	.....	WIRING LEAD	1	3963 MM (156") TAIL LAMP, (MAKE FROM R77500)	
	.....	WIRING LEAD	1	400 MM (16") GROUND, (MAKE FROM R77500 AND R77488)	
9	AR67855	CONNECTOR	3		
10	RE17282	KIT	1	(SUB FOR AR75694) (FI)	

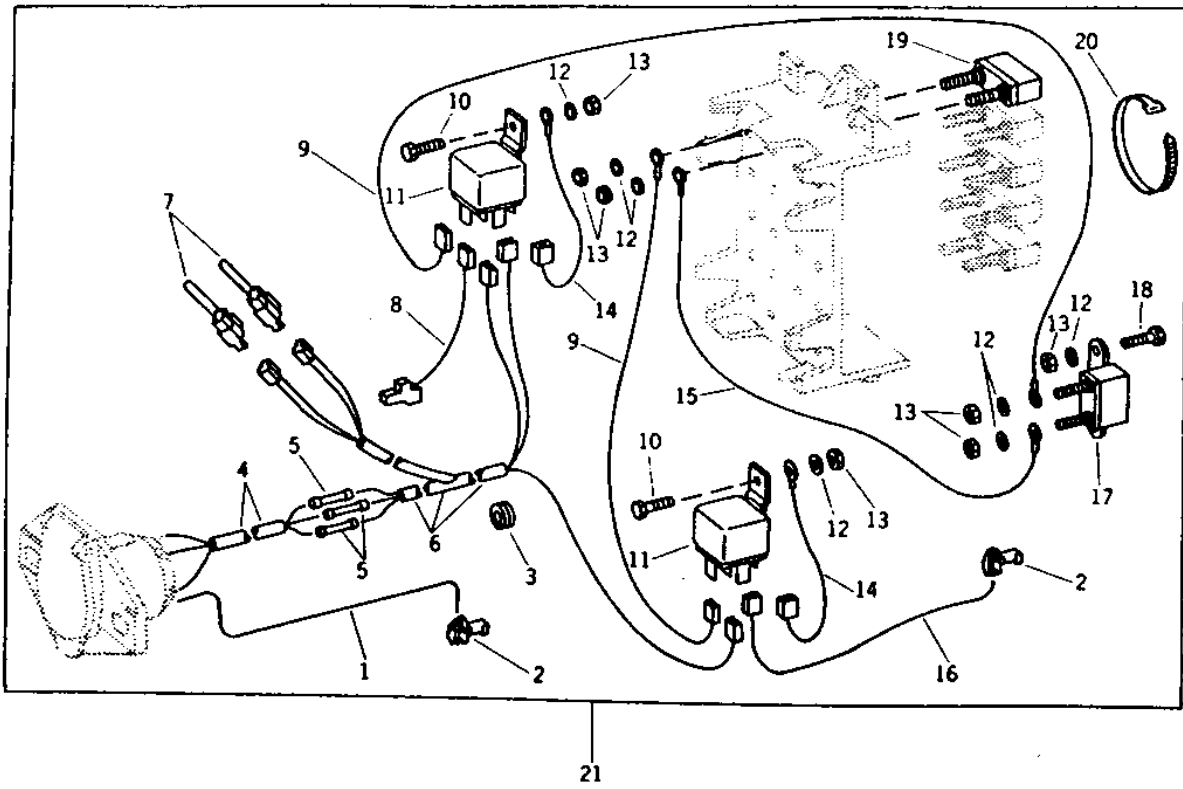
# 1115

ELECTRICAL

R32129

-UN-07JAN91

## 7-TERMINAL SOCKET (SUPPLEMENTARY WIRING KIT)



# 1116

ELECTRICAL

**7-TERMINAL SOCKET - CONTINUED  
(SUPPLEMENTARY WIRING KIT)**

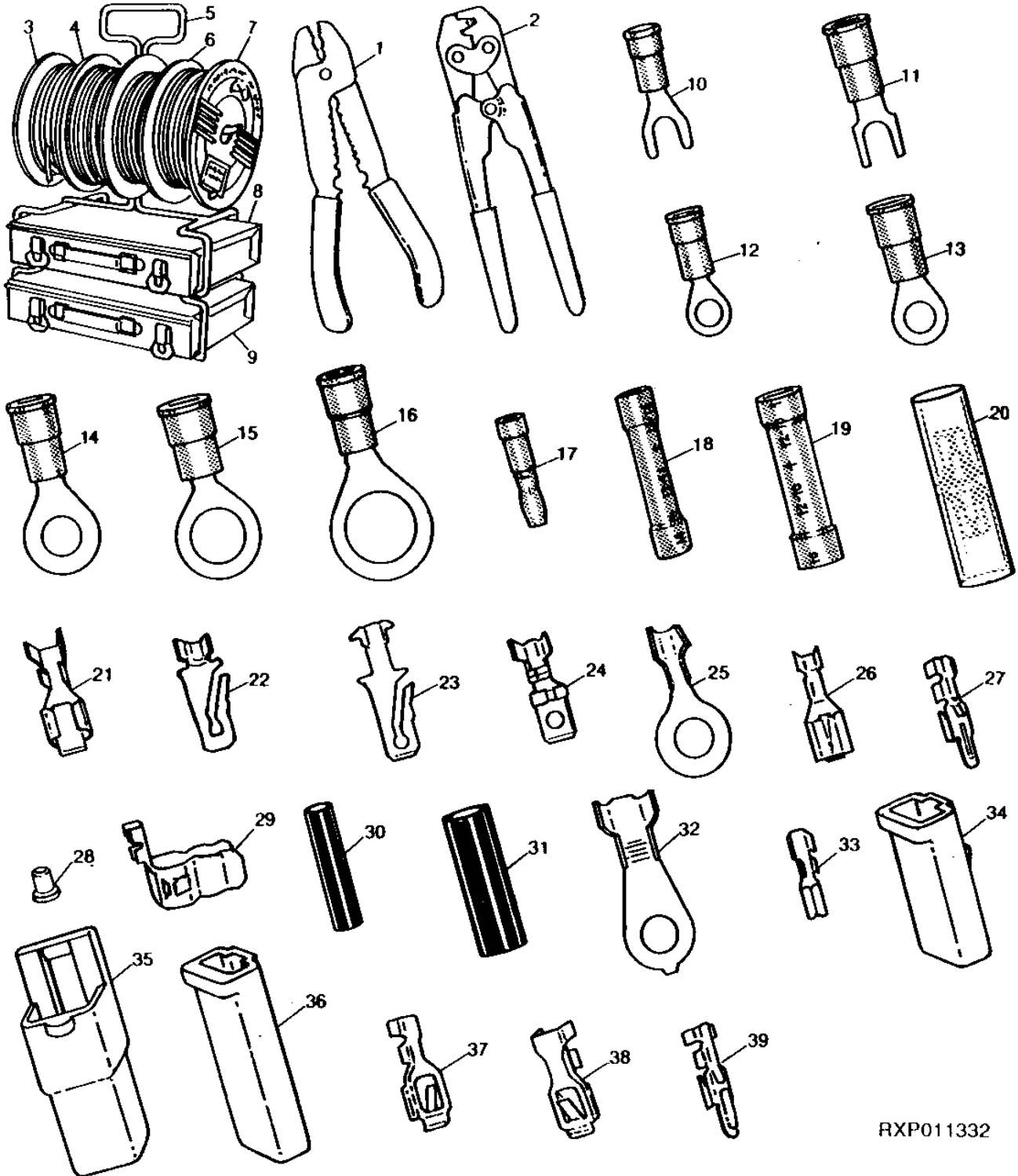
KEY	PART NO.	PART NAME	QTY	TRACTOR SERIAL NO.	REMARKS
1	.....	WIRING LEAD	1		3962 MM (156") (MAKE FROM R66319)
2	AR67855	CONNECTOR	2		
3	R40445	GROMMET	1		
4	AR82910	WIRING HARNESS	1		
5	R32027	CONNECTOR	4		
6	AR82912	WIRING HARNESS	1		
7	AR82911	WIRING LEAD	2		
8	AR50834	WIRING LEAD	1		
9	.....	WIRING LEAD	3		311 MM (12-1/4") (MAKE FROM R66319, R32018, R32027 AND R32024)
10	21H1282	SCREW	2		0.190" X 7/8"
11	AR74411	RELAY	2		
12	12M7060	WASHER	8		0.209"
13	14H631	NUT	8		0.190"
14	.....	WIRING LEAD	2		152 MM (6") (MAKE FROM R66319, R32021, R32027 AND R32025)
15	.....	WIRING LEAD	2		152 MM (6") (MAKE FROM R66319 AND (2) R32018)
16	AR82909	WIRING LEAD	1		
17	AR49352	CIRCUIT BREAKER	1		30 AMP
18	21H1295	SCREW	2		0.190" X 5/8"
19	AR28403	CIRCUIT BREAKER	1		20 AMP
20	R44302	TIE BAND	AR		
21	AR78052	KIT	1		(USE WITH AR75694 OR RE17282)

# 1117

ELECTRICAL

RXP011332 -UN-27SEP94

## ELECTRICAL TERMINALS,CONNECTORS AND WIRING



RXP011332

# 1118

ELECTRICAL

## ELECTRICAL TERMINALS,CONNECTORS AND WIRING - CONTINUED

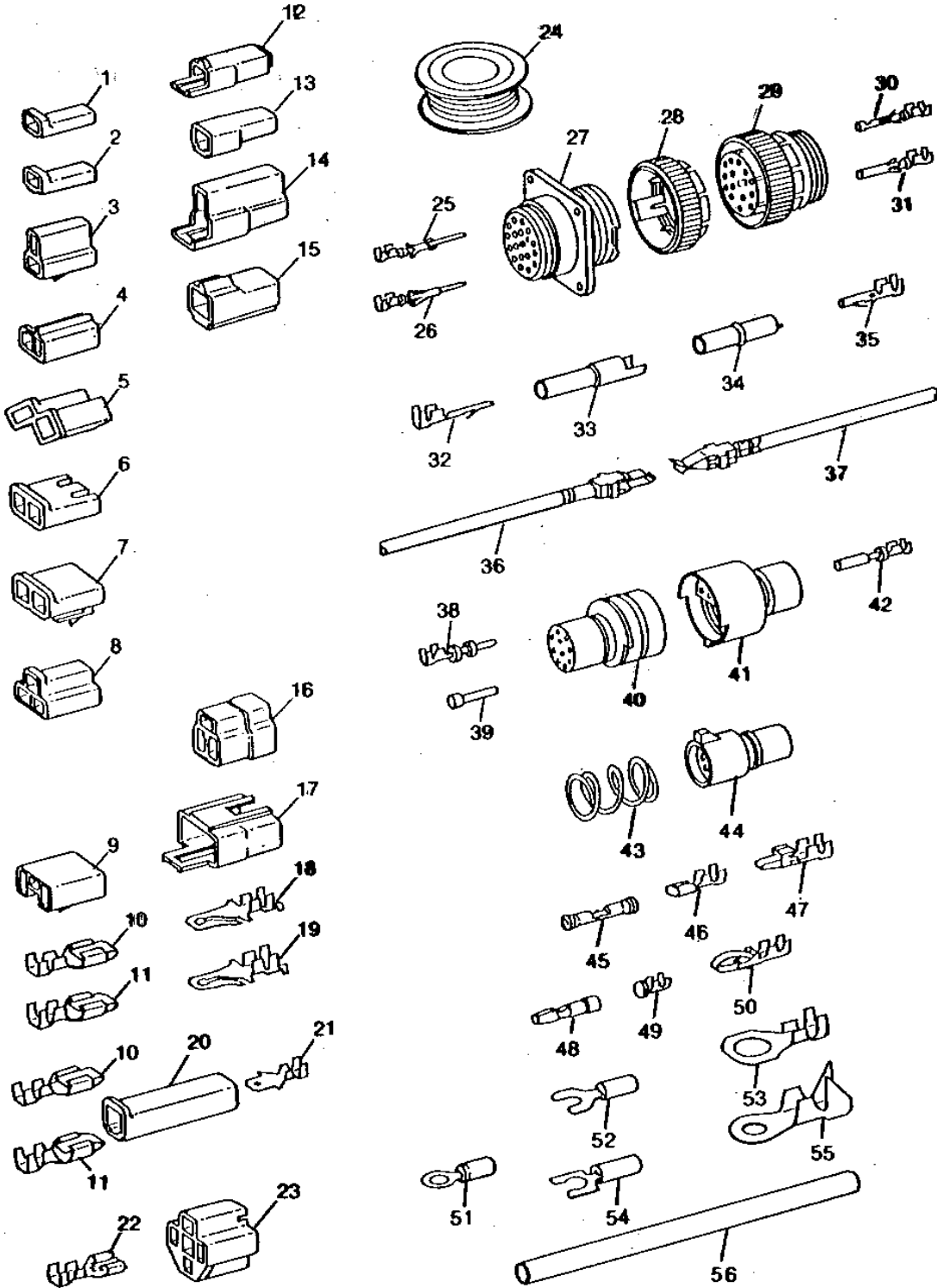
KEY	PART NO.	PART NAME	QTY	TRACTOR SERIAL NO.	REMARKS
1	R32011	TOOL	1	(NLA)	
2	R65594	TOOL	1		
3	R66319	WIRING LEAD	1	14 GA., 30.5 M (100 FT.) (1 SPOOL)	
4	R65593	WIRING LEAD	1	16 GA., 30.5 M (100 FT.) (1 SPOOL)	
5	R65608	RACK	1		
6	R66321	WIRING LEAD	1	10 GA., 15 M (50 FT.) (1 SPOOL)	
7	R66320	WIRING LEAD	1	12 GA., 30.5 M (100 FT.) (1 SPOOL)	
8	R65609	CONTAINER	1	(NLA)	
9	R65610	CONTAINER	1		
10	R32016	TERMINAL	1	14-16 GA., NO. 10 SPADE	
11	R32017	TERMINAL	1	10-12 GA., NO. 10 SPADE	
12	R32018	TERMINAL	1	14-16 GA., NO. 10 EYELET	
13	R32019	TERMINAL	1	10-12 GA., NO. 10 EYELET	
14	R32021	TERMINAL	1	10-12 GA., 1/4" EYELET	
15	R32022	TERMINAL	1	10-12 GA., 3/8" EYELET	
16	R32023	TERMINAL	1	10-12 GA., 1/2" EYELET	
17	R32026	TERMINAL	1	MALE BULLETT	
18	R32027	CONNECTOR	1	SPLICE, 14-16 GA.	
19	R32028	TERMINAL	1	SPLICE, 10-12 GA.	
20	AL2976T	CONNECTOR	1	(SUB FOR R32029) 2-WIRE BULLETT CONNECTOR	
21	R65595	TERMINAL	1	FEMALE, 10 GA.	
22	R65596	TERMINAL	1	MALE, 10 GA. OR TWO 14 GA. CABLES	
23	R65597	TERMINAL	1	MALE, 14-16 GA.	
24	R65598	TERMINAL	1	MALE, SHORT, 14-16 GA.	
25	R65599	TERMINAL	1	14-16 GA., 1/4" EYELET	
26	R65600	TERMINAL	1	FEMALE, 14-16 GA.	
27	R65601	TERMINAL	1	TWIN-LOCK, TWO 16 GA. CABLES	
28	R65602	SOCKET CONTACT	1	BULB SOCKET, 16-18 GA.	
29	R65603	TERMINAL NIPPLE	1	FUSE	
30	R65604	INSULATING SLEEVE	1	14-18 GA.	
31	R65605	INSULATING SLEEVE	1	8-12 GA.	
32	R65606	TERMINAL	1	6-8 GA., 1/4" EYELET	
33	R65607	TERMINAL	1	18-20 GA.	
34	T28583	RECEPTACLE	1	ONE CONTACT LOCK-TYPE, MALE	
35	T28585	TERMINAL	1	ONE CONTACT LOCK-TYPE, FEMALE	
36	U46370	CONNECTOR	1	CONNECTOR, ONE CONTACT SINGLE BODY, MALE	
37	U46662	TERMINAL	1	FEMALE	
38	U46663	TERMINAL	1	FEMALE	
39	U46664	TERMINAL	1	FEMALE	

# 1119

ELECTRICAL

RXP010581 -UN-01JAN94

## ELECTRICAL CONNECTORS, TERMINALS AND WIRING



RXP010581



# 1120

ELECTRICAL

## ELECTRICAL CONNECTORS, TERMINALS AND WIRING - CONTINUED

KEY	PART NO.	PART NAME	QTY	TRACTOR SERIAL NO.	REMARKS
1	T28583	RECEPTACLE	1	(B)	
2	M43835	FLAT CONNECTOR	1	(B)	
3	R77476	CONNECTOR	1	(A)	
4	R77477	CONNECTOR	1	(A)	
5	R77479	CONNECTOR	1	(A)	
6	R77480	CONNECTOR	1	(A)	
7	R77481	CONNECTOR	1	(A)	
8	R77482	CONNECTOR	1		
9	H104855	CONNECTOR	1		
10	U46662	TERMINAL	1	(E) (F)	
11	N115096	TERMINAL	1	(G) (SUB R65595) (PKG. OF 15)	
12	T28585	TERMINAL	1	(B)	
13	R77475	CONNECTOR	1	(B)	
14	T28586	CONNECTOR	1	(A)	
15	R77478	CONNECTOR	1	(A)	
16	R77483	CONNECTOR	1		
17	R48887	RECEPTACLE	1		
18	T34067	TERMINAL	1	(E) (F)	
19	R77484	TERMINAL	1	(G) (PKG. OF 15)	
20	U46370	CONNECTOR	1	(B)	
21	R77485	TAB	1	(C) (F)	
22	R77486	TERMINAL	1	(E) (F)	
23	R77487	CONNECTOR	1	(B)	
24	R66321	WIRING LEAD	1	15M (50 FT.) 10 GA.	
	R66320	WIRING LEAD	1	30.5M (100 FT.) 12 GA.	
	R77501	WIRE	1	30.5M (100 FT.) 14 GA.	
	R77500	WIRE	1	30.5M (100 FT.) 16 GA.	
	R77499	WIRE	1	30.5M (100 FT.) 18 GA.	
	R77498	WIRE	1	30.5M (100 FT.) 20 GA.	
25	R77462	PIN CONTACT	1	(PKG. OF 40) (20-22 OR 24 GA. WIRE)	
26	R77464	PIN CONTACT	1	(H) (PKG. OF 50)	
27	R77456	RECEPTACLE	1	(37 WAY)	
28	R77458	CONNECTOR	1	(A) (SIZE 23)	
	R77459	CONNECTOR	1	(A) (SIZE 17)	
	R77460	CONNECTOR	1	(A) (SIZE 13)	
	R77461	CONNECTOR	1	(A) (SIZE 11)	
29	R77457	ELECTRICAL PLUG	1	(37 WAY)	
30	R77463	SOCKET CONTACT	1	(PKG. OF 40) (20-22 OR 24 GA. WIRE)	
31	R77465	SOCKET CONTACT	1	(H) (PKG. OF 50)	
32	R77468	TERMINAL	1	(PKG. OF 5)	
33	R77466	CONNECTOR	1	(A)	
34	R77467	CONNECTOR	1	(A)	

(A) PKG. OF 2

(B) PKG. OF 3

(C) PKG. OF 10

(D) PKG. OF 20

(E) PKG. OF 25

(F) 14 OR 16 GA. WIRE

(G) 10 OR 12 GA. WIRE

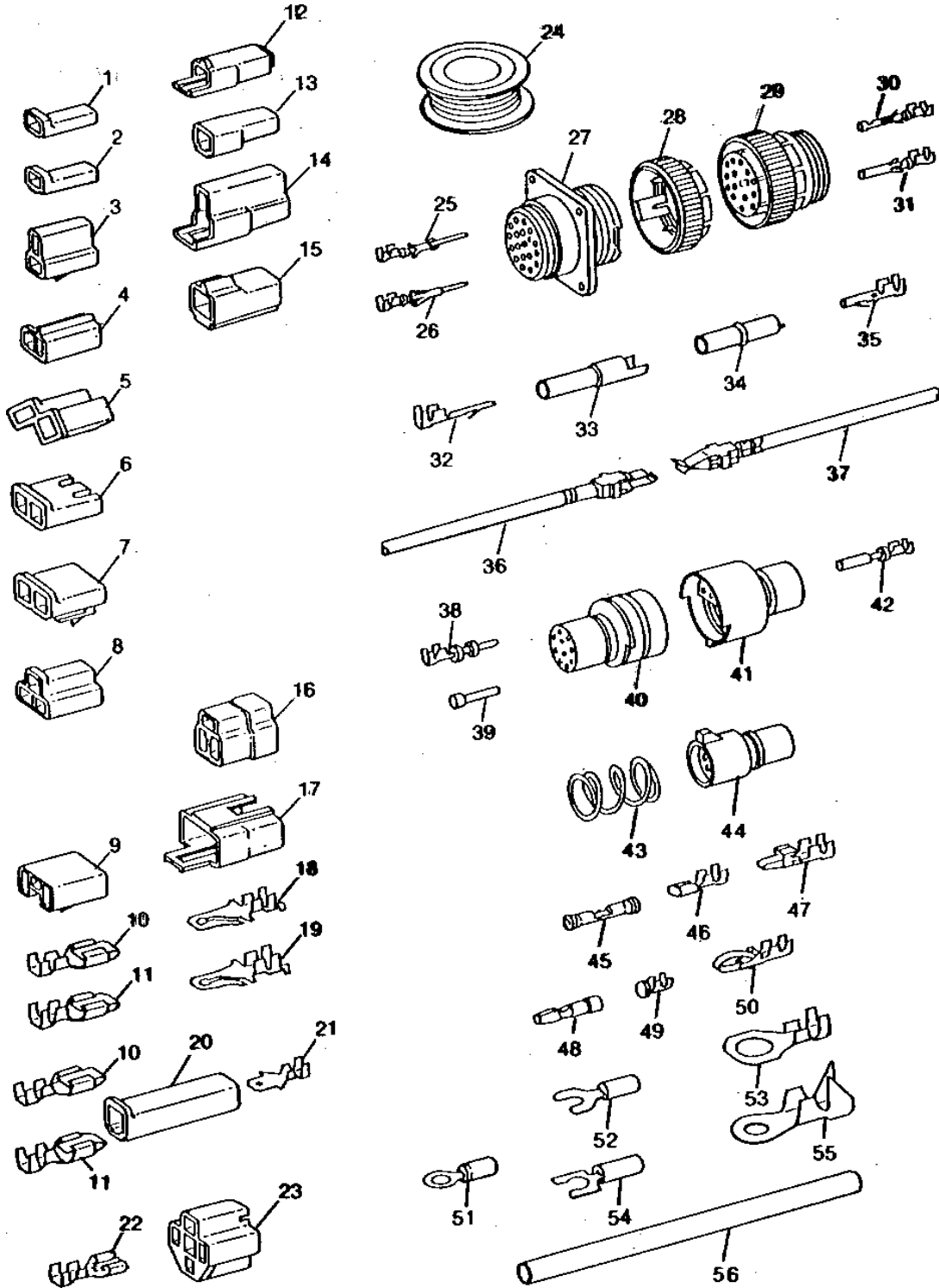
(H) 14-16 OR 18 GA. WIRE

# 1121

ELECTRICAL

RXP010581 -UN-01JAN94

## ELECTRICAL CONNECTORS, TERMINALS AND WIRING - CONTINUED



RXP010581

# 1122

ELECTRICAL

## ELECTRICAL CONNECTORS, TERMINALS AND WIRING - CONTINUED

KEY	PART NO.	PART NAME	QTY	TRACTOR SERIAL NO.	REMARKS
35	R77469	TERMINAL	1		(PKG. OF 5)
36	RE11156	TERMINAL	1		(B) (MALE)
37	RE11157	TERMINAL	1		(B) (FEMALE)
38	R70222	PIN CONTACT	1		(D) (H)
39	R70221	ELECTRICAL PLUG	1		(E)
40	R70219	PLUG	1		(A) (10 WAY)
	R70217	PLUG	1		(A) (7 WAY)
	R70215	PLUG	1		(A) (4 WAY)
	R70213	PLUG	1		(A) (3 WAY)
41	R70211	CONNECTOR	1		(A) (2 WAY)
	R70218	RECEPTACLE	1		(A) (10 WAY)
	R70216	RECEPTACLE	1		(A) (7 WAY)
	R70214	RECEPTACLE	1		(A) (4 WAY)
	R70212	RECEPTACLE	1		(A) (3 WAY)
	R70210	RECEPTACLE	1		(A) (2 WAY)
42	AR91793	SOCKET CONTACT	1		(D)
43	R30378	SPRING	1		(C)
44	R77474	CONNECTOR	1		(A) (6 WAY)
45	R77470	TERMINAL	1		SPLICE (PKG. OF 15) (16-18-20 OR 22 GA. WIRE)
	R77471	TERMINAL	1		(C) (G) SPLICE
	R77472	TERMINAL	1		(A) SPLICE (8 GA. WIRE)
	R77473	TERMINAL	1		(A) SPLICE (6 GA. WIRE)
46	R65607	TERMINAL	1		(C) (18 OR 20 GA. WIRE)
47	U46664	TERMINAL	1		(C) (F)
48	R32026	TERMINAL	1		(D) (F)
49	R65602	SOCKET CONTACT	1		(C) (16 OR 18 GA. WIRE)
50	R70220	TERMINAL	1		(C) (18 OR 20 GA. WIRE)
51	R77489	TERMINAL	1		(D) (14-16-18 OR 20 GA. WIRE) (NO. 10 EYELET)
	R77493	TERMINAL	1		(D) (G) (NO. 10 EYELET)
	R77488	TERMINAL	1		(D) (14-16-18 OR 20 GA. WIRE) (3/8" EYELET)
	R77490	TERMINAL	1		(D) (G) (1/2" EYELET)
52	R77496	TERMINAL	1		(D) (F) (NO. 8 SPADE)
	R77495	TERMINAL	1		(D) (18 GA. WIRE) (NO. 10 SPADE)
53	R77497	TERMINAL	1		(D) (F) (NO. 6 SPADE)
54	R77491	TERMINAL	1		(D) (G) (3/8" EYELET)
	R77492	TERMINAL	1		(D) (G) (1/4" EYELET)
55	R77494	TERMINAL	1		(D) (6 OR 8 GA. WIRE) (1/4" EYELET)
56	R77502	TUBE	1		(PKG. OF 8) 3/8" (HEAT SHRINK)
	R77503	TUBE	1		(PKG. OF 8) 3/16" (HEAT SHRINK)

(A) PKG. OF 2

(B) PKG. OF 3

(C) PKG. OF 10

(D) PKG. OF 20

(E) PKG. OF 25

(F) 14 OR 16 GA. WIRE

(G) 10 OR 12 GA. WIRE

(H) 14-16 OR 18 GA. WIRE

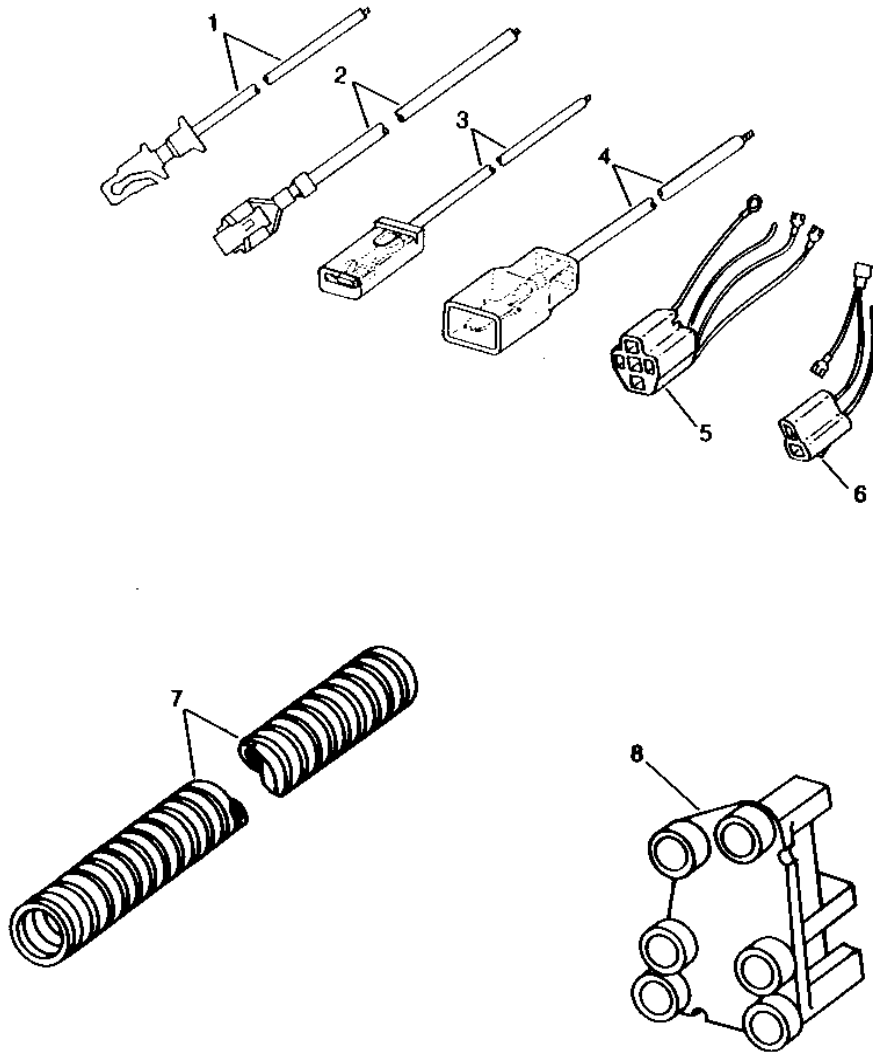
# 1123

ELECTRICAL

RXP8619

-UN-28NOV94

## SUPPLEMENTARY TERMINALS AND CONNECTORS



# 1124

ELECTRICAL

## SUPPLEMENTARY TERMINALS, CONNECTORS AND REPAIR CONDUIT - CONTINUED

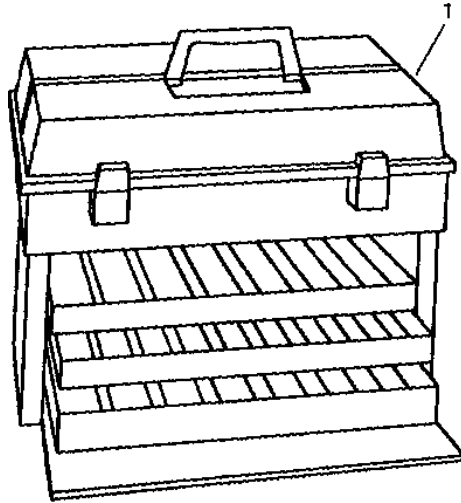
KEY	PART NO.	PART NAME	QTY	TRACTOR SERIAL NO.	REMARKS
1	AR65005	TERMINAL	1		
2	AR65006	TERMINAL	1		
3	R32024	WIRING LEAD	1		
4	R32025	WIRING LEAD	1		
5	RE21730	TERMINAL	1		
	RE21731	TERMINAL	1		
6	RE21732	TERMINAL	1		
7	R93219	CONDUIT	1		6.3 X 3048MM (1/4" X 120")
	R93220	CONDUIT	1		10.4 X 3048MM (13/32" X 120")
	R93221	CONDUIT	1		15.9 X 3048MM (5/8" X 120")
	R93222	CONDUIT	1		25.4 X 3048MM (1" X 120")
8	AR83425	RECEPTACLE CONNECTOR BODY	1		(LIGHT SWITCH)

# 1125

ELECTRICAL

RXP010001 -UN-01JAN94

## ELECTRICAL CONNECTOR AND TERMINAL KIT



RXP010001

KEY	PART NO.	PART NAME	QTY	TRACTOR SERIAL NO.	REMARKS
1	PM797NA	KIT	1	(A)	
(A) KIT INCLUDES CONNECTORS,TERMINALS AND TOOLS					

---

MEMORANDA

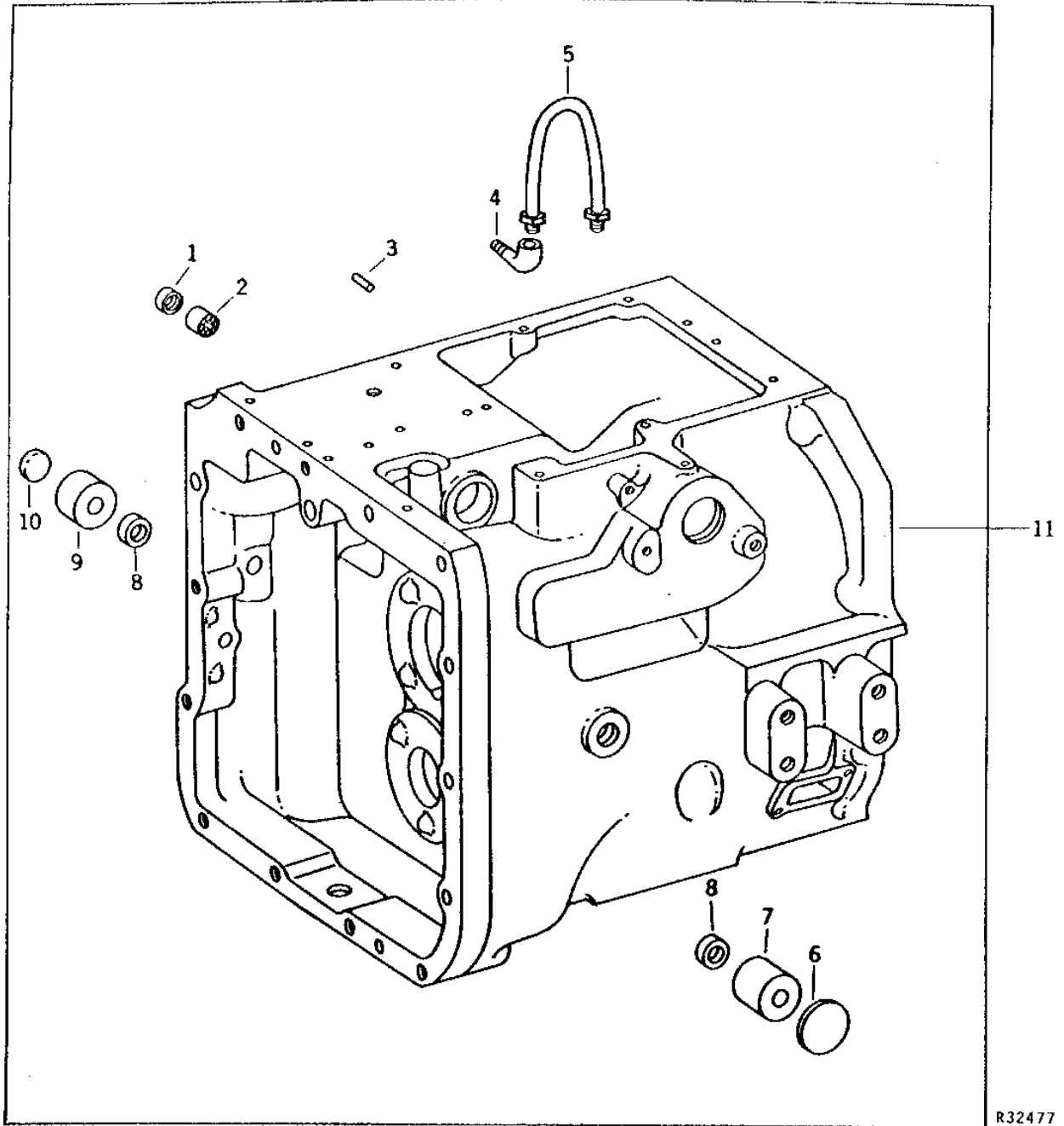
# 2B3

POWER TRAIN

R32477

-UN-01JAN94

## CLUTCH HOUSING



R32477



# 2B4

POWER TRAIN

## CLUTCH HOUSING - CONTINUED

KEY	PART NO.	PART NAME	QTY	TRACTOR SERIAL NO.	REMARKS
1	AM3491T	SEAL	2		
2	JD8814	NEEDLE BEARING	1		
3	B3595R	DOWEL PIN	1		
4	15H95	ELBOW FITTING	1	90°	
5	R32434	HYDRAULIC HOSE	1		
6	30H28	PLUG	1	2-1/2"	
7	R35232	BUSHING	1		
8	AR389R	SEAL	2		
9	R35241	BUSHING	2		
10	M1206T	CAP	1		
11	AR42335	HOUSING	1	(MARKED R41990) (NLA)	

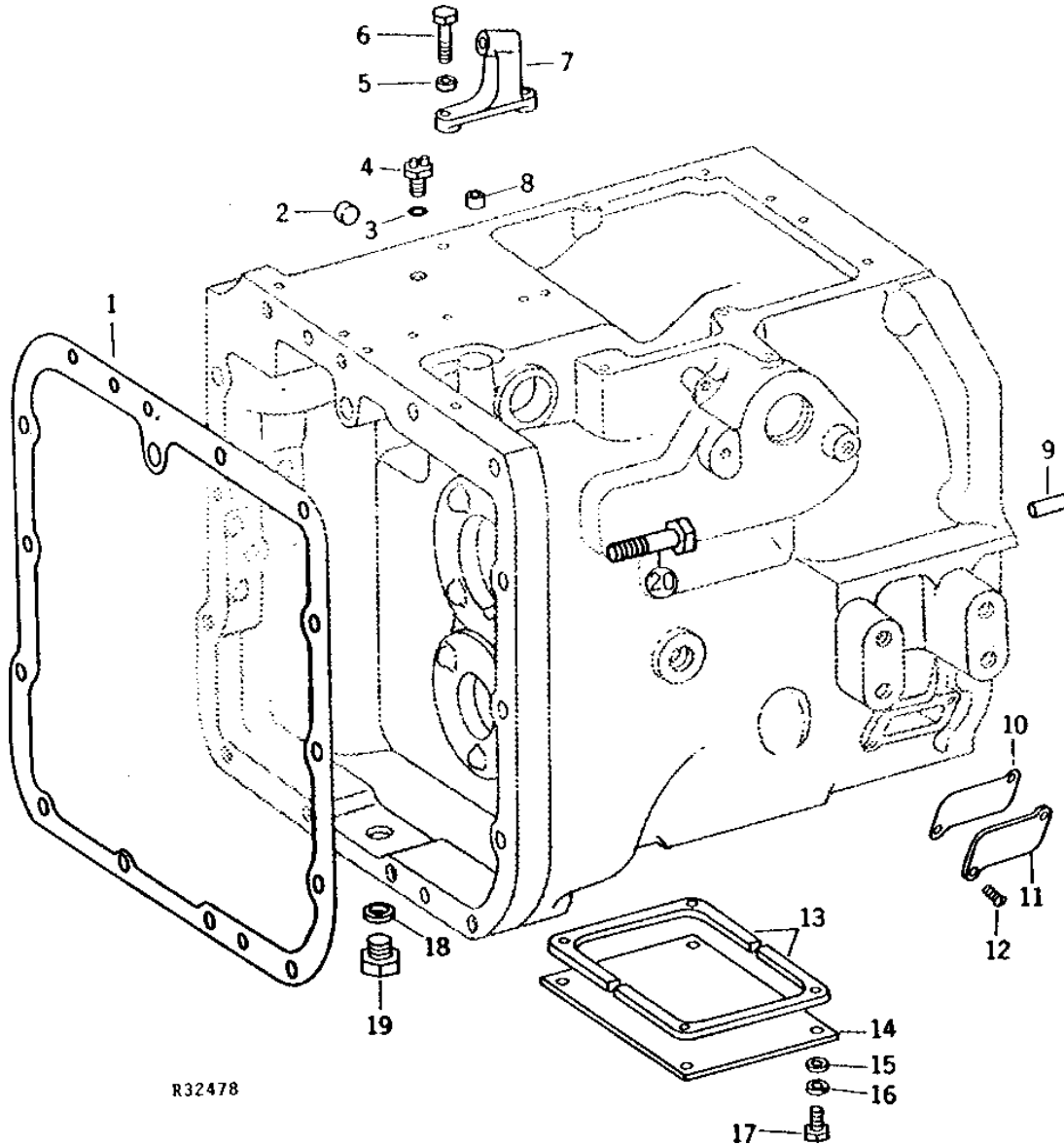
# 2B5

POWER TRAIN

R32478

-UN-01JAN94

## CLUTCH HOUSING PARTS



R32478

# 2B6

POWER TRAIN

## CLUTCH HOUSING PARTS - CONTINUED

KEY	PART NO.	PART NAME	QTY	TRACTOR SERIAL NO.	REMARKS
1	R35288	GASKET	1		
2	F1608R	CAP	1		(LESS PTO)
3	T16911	SHIM	2		
4	RE38390	SWITCH	1		NEUTRAL START SWITCH, (SUB FOR R36265, AR85323, AR89691 OR AT85153)
5	12H304	LOCK WASHER	2		3/8"
6	19H2552	CAP SCREW	2		3/8" X 1-1/8"
7	R49802	BRACKET	1		
8	T12083	CAP	1		(LESS PTO)
9	T26565	DOWEL PIN	2		(SUB FOR C1220R)
10	R31494	GASKET	1		(SUB R67989)
11	R31493	COVER	1		TIMING GEAR
12	21H1318	SCREW	2		0.216" X 1/2"
13	R35283	SEAL	2		
14	R35282	COVER	1		
15	24M7096	WASHER	4		10.500 X 18 X 1.600 MM
16	12H304	LOCK WASHER	4		3/8"
17	19H2284	CAP SCREW	4		3/8" X 7/8"
18	A4827R	WASHER	1		
19	F3128R	DRAIN PLUG	1		
20	19H1707	CAP SCREW	6		3/4" X 2-3/4"

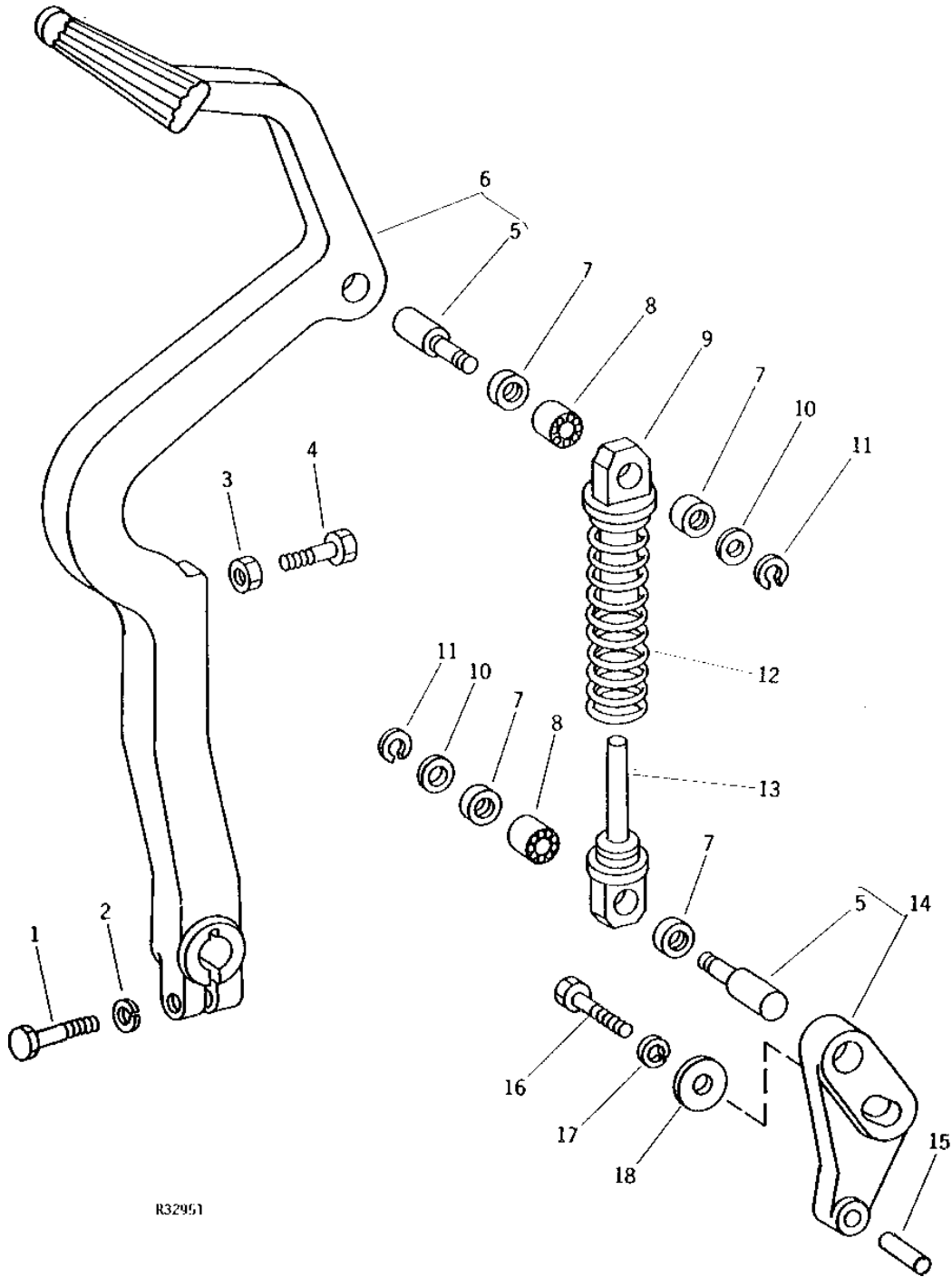
# 2B7

POWER TRAIN

R32951

-UN-01JAN94

## TRANSMISSION CLUTCH CONTROL



R32951

# 2B8

POWER TRAIN

## TRANSMISSION CLUTCH CONTROL - CONTINUED

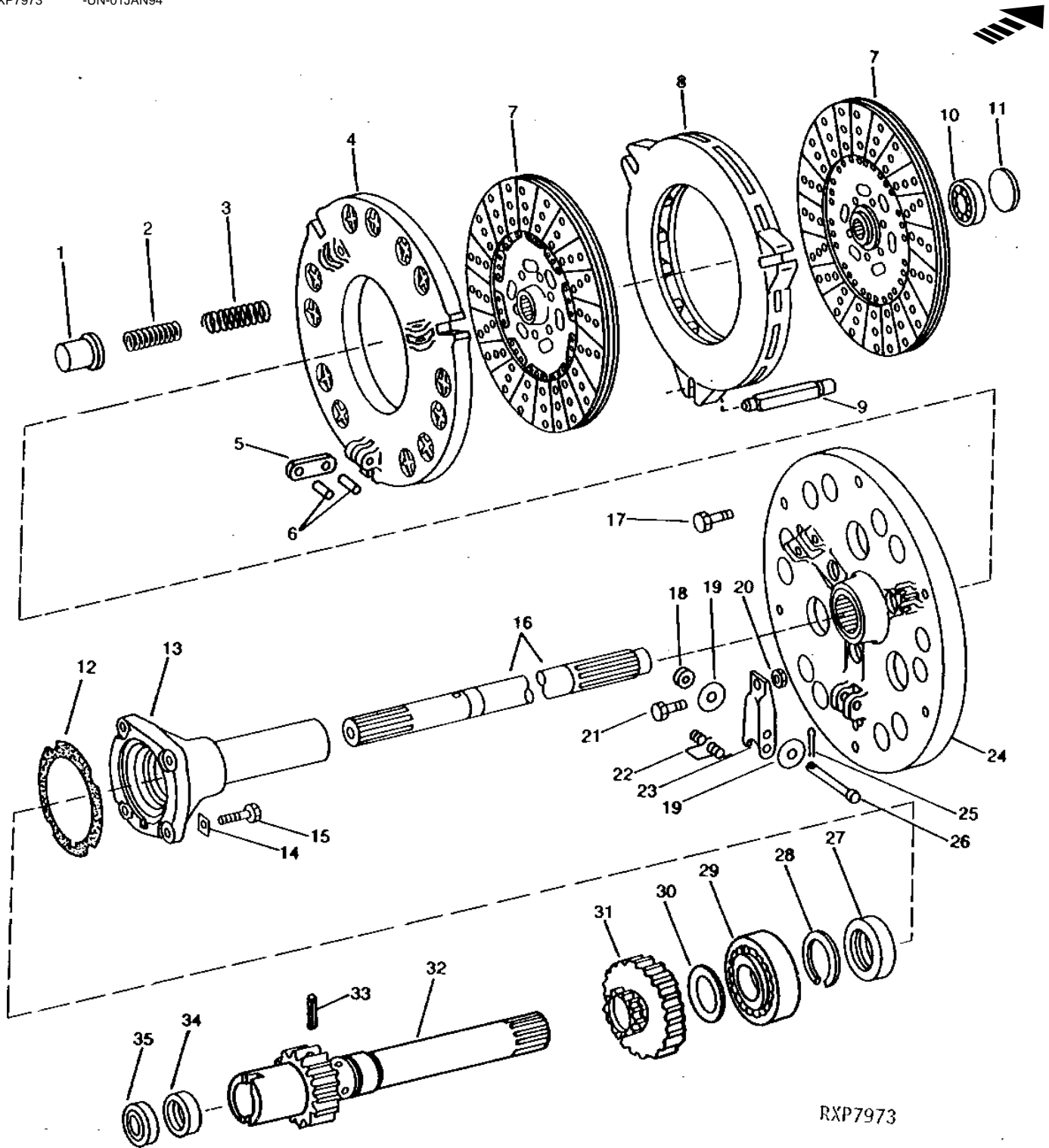
KEY	PART NO.	PART NAME	QTY	TRACTOR SERIAL NO.	REMARKS
1	19H1740	CAP SCREW	1	7/16" X 1-3/4"	
2	12H293	LOCK WASHER	1	7/16"	
3	14H732	NUT	1	3/8"	
4	F2273R	SCREW	1		
5	R35421	PIN	2		
6	AR35528	PEDAL	1		(MARKED R35532) (NLA)
7	AR26338	SEAL	4		
8	JD8862	NEEDLE BEARING	2		
9	R35534	END	1		
10	24H1227	WASHER	2	17/32" X 13/16" X 0.060"	
11	F2208R	SNAP RING	2		
12	R35542	SPRING	1		
13	AR35339	END	1		(NLA)
14	AR35471	HUB	1		(MARKED R35531) (NLA)
15	B3595R	DOWEL PIN	1		
16	19H2357	CAP SCREW	1	9/16" X 2"	
17	12H317	LOCK WASHER	1	9/16"	
18	R63024	WASHER	1	(SUB FOR R26575)	

# 2B9

POWER TRAIN

RXP7973 -UN-01JAN94

## TRANSMISSION CLUTCH



RXP7973

# 2B10

POWER TRAIN

## TRANSMISSION CLUTCH - CONTINUED

KEY	PART NO.	PART NAME	QTY	TRACTOR SERIAL NO.	REMARKS
1	R27033	BUSHING	12		
2	R38185	SPRING	12	(INNER)	
3	R26637	SPRING	12	(OUTER)	
4	R40333	PLATE	1		
5	R35074	STRAP	3		
	R55273	STRAP	3		(USE WHEN AR64675 AND AR64676 HAVE BEEN INSTALLED)
6	R35075	QUICK LOCK PIN	6		
7	AR36699	CLUTCH DISK	2		(SUB RE29777)
	AR36863	CLUTCH DISK	2		HEAVY DUTY, (SUB AR64675 AND (3) R55273) (FRONT CLUTCH DISK) (SUB AR64676 AND (3) R55273) (REAR CLUTCH DISK)
8	R40332	CLUTCH PLATE	1		
9	R36675	PIN	3		
10	JD9449	BALL BEARING	1		(SUB FOR JD9281)
11	R36561	PLATE	1		
12	R35277	GASKET	1		
13	AR35589	QUILL	1		(MARKED R35276)
14	H246R	STRAP	4		
15	19H1800	CAP SCREW	4		3/8" X 1-1/2"
16	R35279	SHAFT	1		
17	19H1732	CAP SCREW	6	-XXXXXX	3/8" X 1-1/4"
	R30920	PLATE	6	-XXXXXX	
	R46567	CAP SCREW	6	XXXXXX-	(SUB FOR R31198)
18	24H1325	WASHER	3		15/32" X 59/64" X 0.065"
19	R41986	WASHER	6		
20	14H842	NUT	3		7/16"
21	R35079	SCREW	3		
22	R35078	SPRING	3		
23	AR56228	LEVER	3		(SUB FOR R35076)
24	AR58198	COVER	1		(MARKED R40334) (SUB FOR AR42327) (SUB (6) R41986 AND R51954)
25	11M7021	COTTER PIN	3		0.157" X 0.984"
26	R35077	PIN	3		
27	R35643	SEAL	1		
28	H441R	SNAP RING	1		
29	JD9278	BALL BEARING	1		
30	R35546	THRUST WASHER	1		
31	R35186	GEAR	1		(WITH PTO)
32	AR35801	SHAFT	1		(MARKED R35275) (NO LONGER AVAILABLE)
33	34H291	SPRING PIN	1		3/16" X 2-1/8"
34	AR70406	SEAL	1		
35	R36521	WASHER	1		

---

MEMORANDA

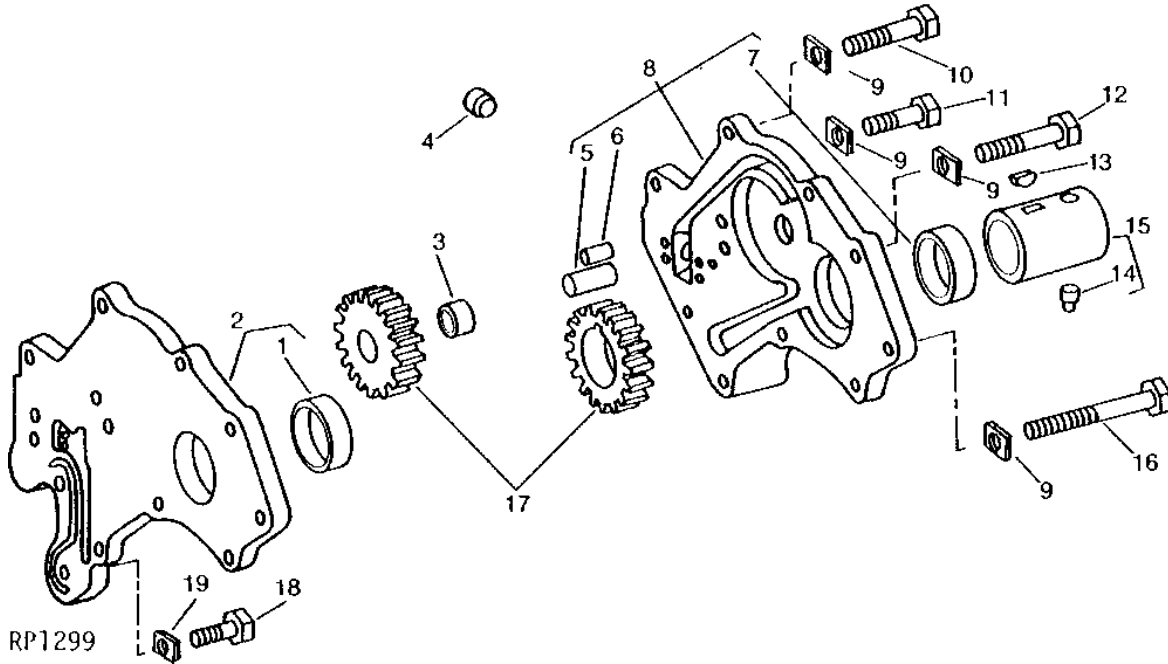


# 2B11

POWER TRAIN

RP1299 -UN-01JAN94

## TRANSMISSION OIL PUMP



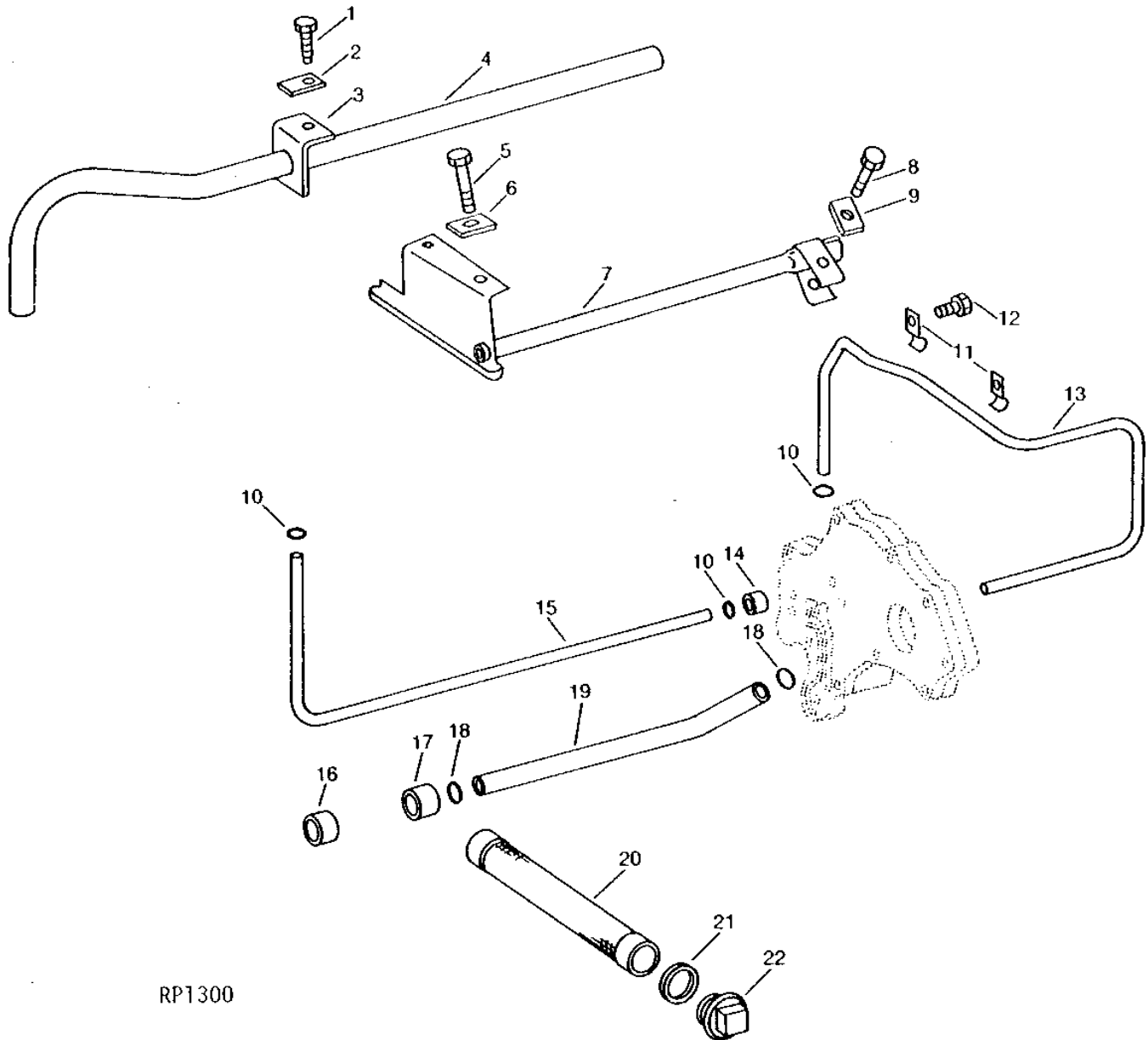
KEY	PART NO.	PART NAME	QTY	TRACTOR SERIAL NO.	REMARKS
1	R35316	BUSHING	1		
2	AR35085	COVER	1		(MARKED R35321)
3	R30713	BUSHING	1		
4	R28361	DOWEL PIN	2		(LESS PTO)
5	R26616	DOWEL PIN	1		
6	R726R	DOWEL PIN	2		
7	R35316	BUSHING	1		
8	AR52488	HOUSING	1		(MARKED R35314 OR R49063) (SUB FOR AR35082)
9	H246R	STRAP	9		
10	19H256	CAP SCREW	2		3/8" X 2"
11	19H1800	CAP SCREW	3		3/8" X 1-1/2"
12	19H1726	CAP SCREW	2		3/8" X 2-1/4"
13	26H70	SHAFT KEY	1		1/8" X 1/2"
14	R36296	PIN	2		
15	AR35083	SLEEVE	1		
16	19H1912	CAP SCREW	2		3/8" X 3-1/2"
17	AR35659	GEAR	1		(SUB AR35084 AND R35318)
18	19H1139	CAP SCREW	1		3/8" X 1-1/8"
19	R30920	PLATE	1		

# 2B12

POWER TRAIN

RP1300 -UN-01JAN94

## TRANSMISSION OIL TUBES



RP1300

# 2B13

POWER TRAIN

## TRANSMISSION OIL TUBES - CONTINUED

KEY	PART NO.	PART NAME	QTY	TRACTOR SERIAL NO.	REMARKS
1	F1907R	CAP SCREW	1		
2	R30920	PLATE	1		
3	R35115	ANGLE	1		
4	R35326	OIL TUBE	1		
5	19H2021	CAP SCREW	2	3/8" X 5/8"	
6	H246R	STRAP	2		
7	AR36241	OIL LINE	1		
8	19H1800	CAP SCREW	1	3/8" X 1-1/2"	
9	R30920	PLATE	1		
10	A3917R	O-RING	3		
11	R35323	CLAMP	2		
12	19H2021	CAP SCREW	1	3/8" X 5/8"	
13	R40584	HYDRAULIC LINE	1		
14	R35766	BUSHING	1		
15	R35114	OIL TUBE	1		
16	R35765	BUSHING	1	INNER	
17	R35767	BUSHING	1	OUTER	
18	B2762R	O-RING	2		
19	R35109	LINE	1		
20	R53169	SCREEN	1	(NYLON)	
	AR26375	SCREEN	1	(STEEL)	
21	A4808R	WASHER	1		
22	R40147	FITTING	1	(SUB FOR A4806R)	

---

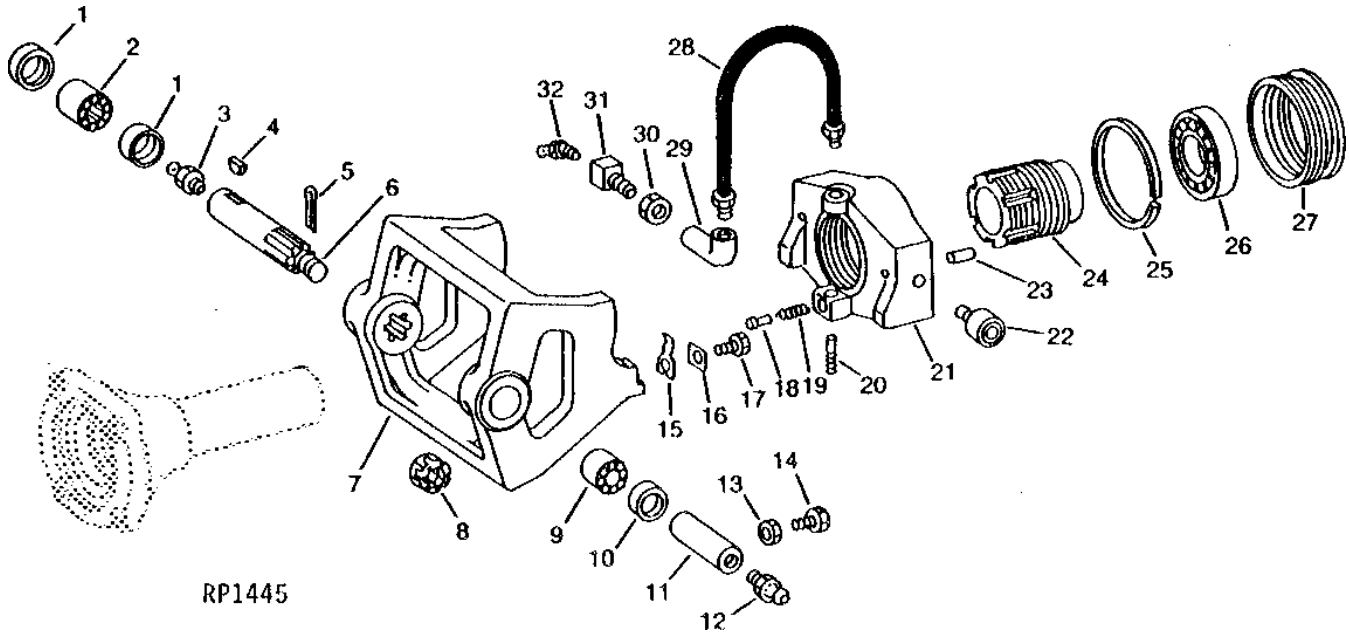
MEMORANDA

# 2B14

POWER TRAIN

RP1445 -UN-01JAN94

## TRANSMISSION CLUTCH RELEASE



RP1445

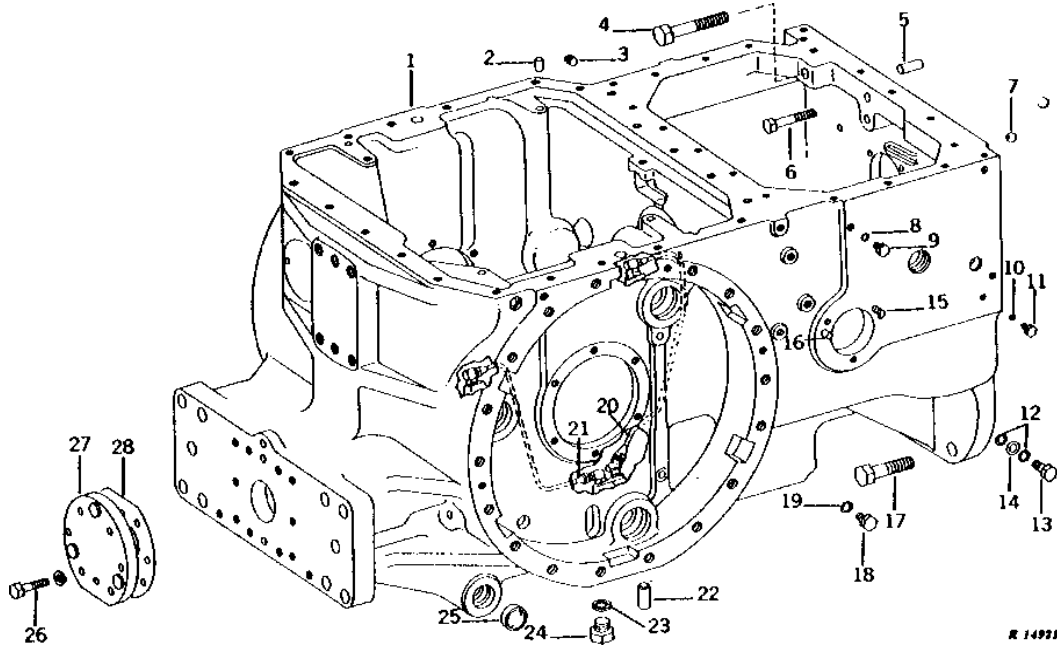
KEY	PART NO.	PART NAME	QTY	TRACTOR SERIAL NO.	REMARKS
1	AM3491T	SEAL	2		
2	JD8814	NEEDLE BEARING	1		
3	JD7759	LUBRICATION FITTING	1		
4	26H85	SHAFT KEY	1	1/4" X 1"	
5	11M7083	COTTER PIN	1	0.126" X 1.969"	
6	R42111	SHAFT	1	(NLA)	
7	R35527	CAM	1		
8	C1104R	NUT	1		
9	JD8891	NEEDLE BEARING	1		
10	AM3491T	SEAL	1		
11	R42112	PINION SHAFT	1		
12	JD7759	LUBRICATION FITTING	1		
13	14H732	NUT	1	3/8"	
14	22H888	SET SCREW	1	3/8" X 1-1/4"	
15	R35544	SPRING	2		
16	R443R	PLATE	2		
17	19H1227	CAP SCREW	2	1/4" X 1/2"	
18	16H86	RIVET	1	1/8" X 1/4"	
19	A4816R	SPRING	1		
20	R35812	SET SCREW	1		
21	R35528	CRADLE	1		
22	R35655	BEARING	2		
23	34H249	SPRING PIN	2	1/8" X 7/8"	
24	R35533	SLEEVE	1		
25	R35539	RING	1		
26	JD9261	BALL BEARING	1		
27	R35538	BUSHING	1		
28	R32434	HYDRAULIC HOSE	1		
29	15H95	ELBOW FITTING	1	1/8", 90°	
30	E12378	ELBOW FITTING	1		
31	R36311	FITTING	1		
32	JD7778	LUBRICATION FITTING	1		

# 2B15

POWER TRAIN

R14921 -UN-01JAN94

## TRANSMISSION CASE



KEY	PART NO.	PART NAME	QTY	TRACTOR SERIAL NO.	REMARKS
1	AR47138	TRANSMISSION CASE	1		(MARKED R44910) (SUB AR50711 AND (6) R46674)
	AR50711	TRANSMISSION CASE	1		(MARKED R47100) (NO LONGER AVAILABLE)
2	R27074	DOWEL PIN	4		
3	15H559	PIPE PLUG	2	1/4"	
4	19H2174	CAP SCREW	1	3/4" X 4-1/4"	
5	T25317	DOWEL PIN	2		
6	19H1707	CAP SCREW	3	3/4" X 2-3/4"	
7	D2361R	BALL	1		
8	R26286	O-RING	1	(A)	
9	R27094	DRAIN PLUG	1	(A)	
10	R26287	O-RING	1		
11	R27216	DRAIN PLUG	1	(SUB FOR R31631)	
12	T16911	SHIM	4	(A)	
13	19H2353	CAP SCREW	2	(A) 9/16" X 1"	
14	24H1355	WASHER	2	(A) 37/64" X 1-1/8" X 0.120"	
15	R32042	STUD	1		
16	R726R	DOWEL PIN	2		
17	19H3333	CAP SCREW	4	7/8" X 2-3/4"	
18	R27218	FITTING PLUG	1	(A)	
19	T16911	SHIM	1	(A)	
20	AR73000	HYDRAULIC LINE	2	(SUB FOR AR46141)	
	AT32333	ELBOW FITTING	2	90°, (SUB FOR AR26771)	
	AT58895	ELBOW FITTING	2	45°, (SUB FOR AR46095)	
	R26286	O-RING	4		
21	AR46142	HYDRAULIC LINE	2		
	AT32333	ELBOW FITTING	4	90°, (SUB FOR AR26771)	
	R26286	O-RING	4		
22	R26616	DOWEL PIN	1		
23	A4827R	WASHER	1		
24	F3128R	DRAIN PLUG	1		
25	R30819	CAP	6		
26	19H2473	CAP SCREW	6	1/2" X 1-3/4"	
	12H301	LOCK WASHER	6	1/2"	
27	R35274	COVER	1	(LESS PTO)	
28	R58900	GASKET	1	(SUB FOR R35621)	

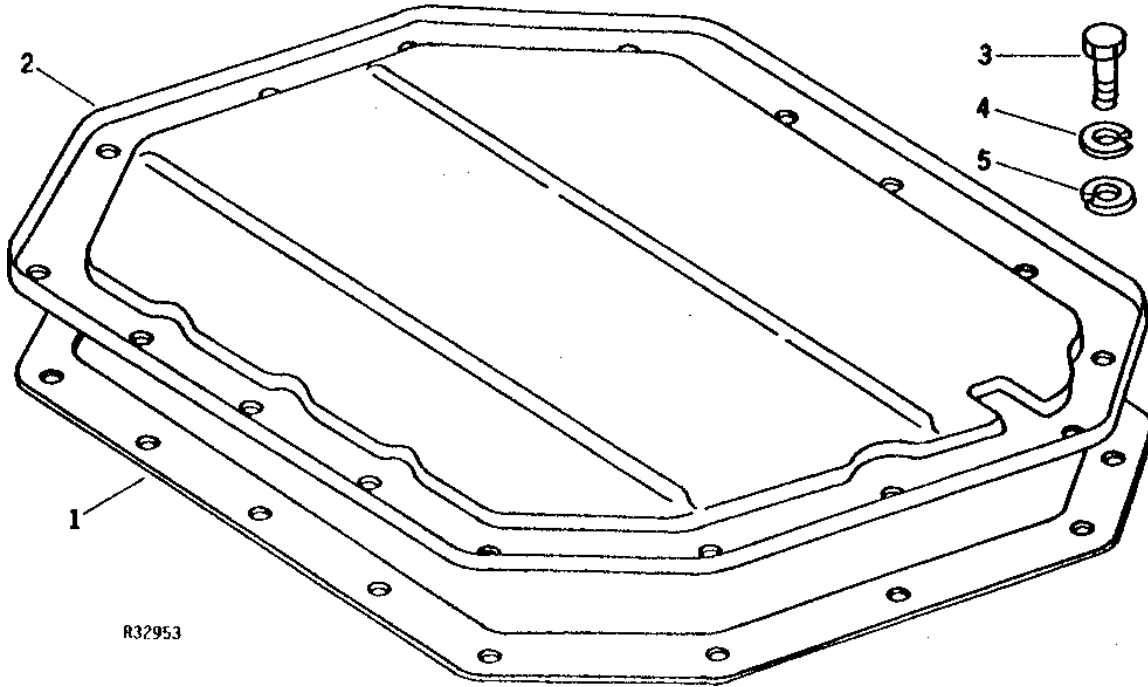
(A) LESS DIFFERENTIAL LOCK

# 2B16

POWER TRAIN

R32953 -UN-01JAN94

## TRANSMISSION COVER



R32953

KEY	PART NO.	PART NAME	QTY	TRACTOR SERIAL NO.	REMARKS
1	R35398	GASKET	1		
2	R35397	COVER	1		
3	19H1731	CAP SCREW	6	3/8" X 1"	
4	12H304	LOCK WASHER	16	3/8"	
5	A4624R	WASHER	16		

---

MEMORANDA

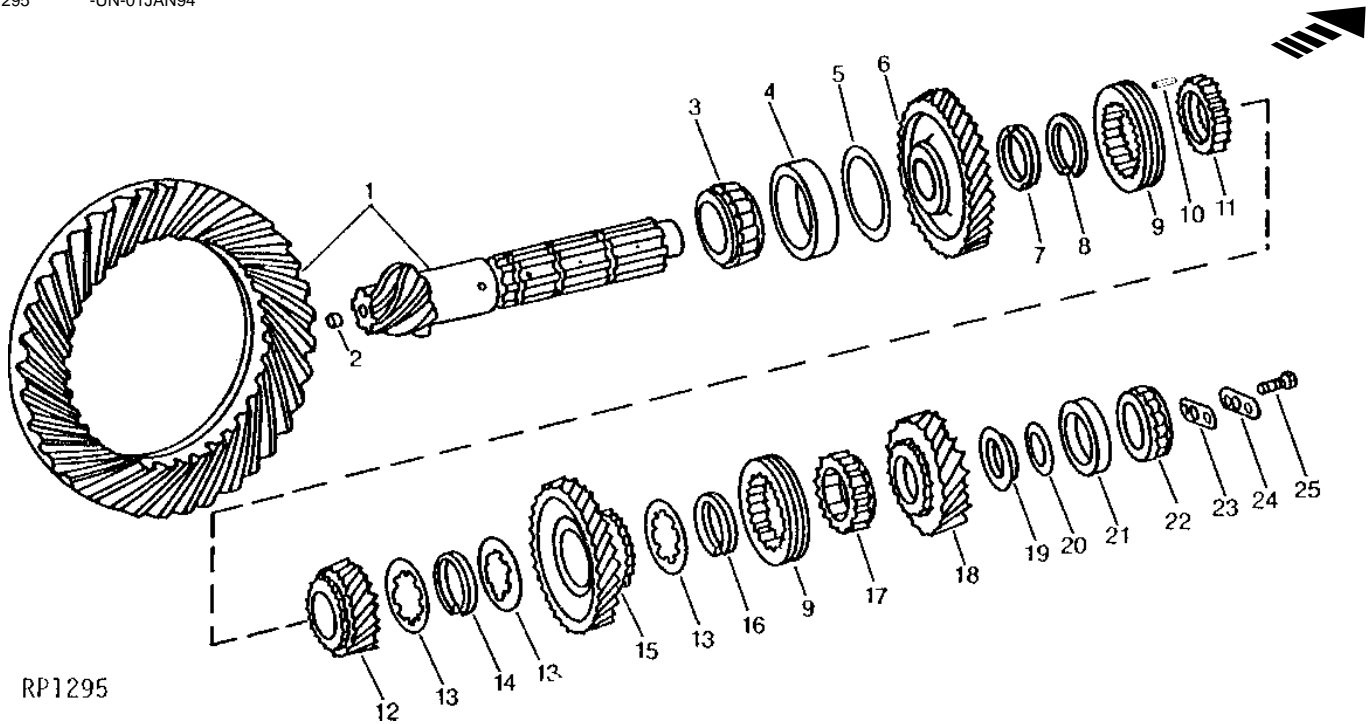


# 2B17

POWER TRAIN

RP1295 -UN-01JAN94

## DIFFERENTIAL DRIVE AND BEVEL PINION SHAFT ASSEMBLY



RP1295

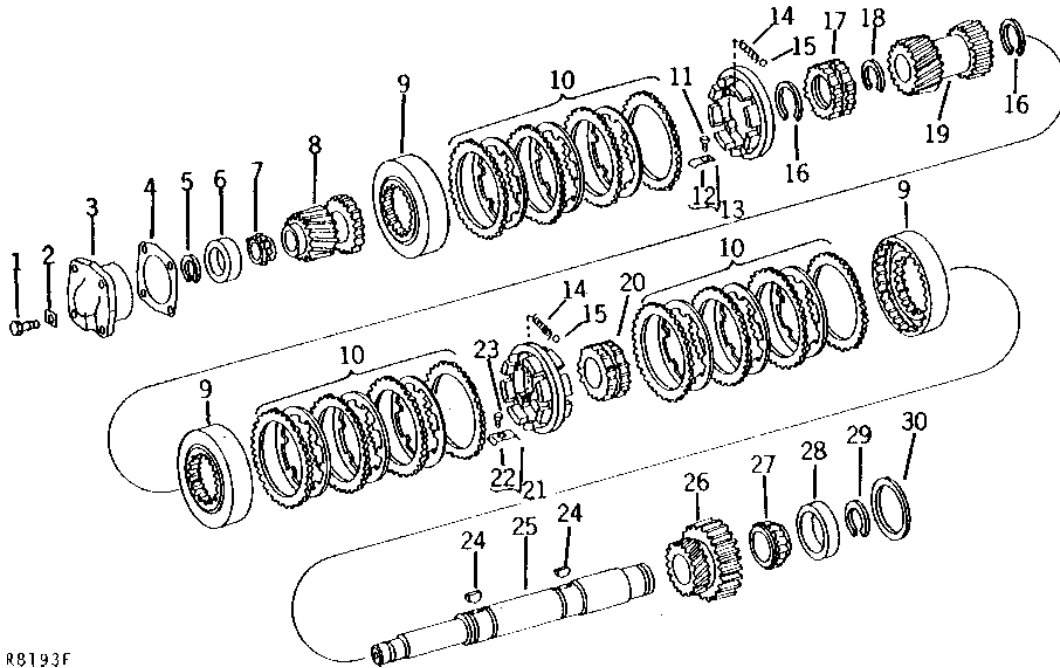
KEY	PART NO.	PART NAME	QTY	TRACTOR SERIAL NO.	REMARKS
1	AR36689	GEAR	1		(MARKED R43023 AND R40259) (SUB AR36688, (2) R35365, (2) R35366, (4) R35367, (2) R36765, R36766 AND (4) R36767)
2	R31374	DOWEL PIN	1		
3	JD10377	BEARING CONE	1		(SUB FOR JD9400)
4	JD8280	BEARING CUP	1		
5	R35365	SHIM	AR		0.076MM (.003")
	R35366	SHIM	AR		0.13MM (.005")
	R35367	SHIM	AR		0.25MM (.010")
6	AR36690	GEAR	1		(1ST AND 3RD SPEED) (48 TEETH) (MARKED R40263)
7	R35425	THRUST WASHER	1		
8	R35372	SNAP RING	1		
9	R35491	SHIFT COLLAR	2		
10	34H241	SPRING PIN	2		1/8" X 3/8"
11	AR35158	GEAR	1		(NLA)
12	R35443	GEAR	1		(6TH AND 8TH SPEED) (26 TEETH)
13	R35426	THRUST WASHER	3		
14	R35373	SNAP RING	1		
15	R40264	GEAR	1		(2ND AND 5TH SPEED) (42 TEETH)
16	R35371	SNAP RING	1		
17	R35489	GEAR	1		
18	R35442	GEAR	1		(4TH AND 7TH SPEED) (33 TEETH)
19	R36764	BUSHING	1		
20	R36765	SHIM	AR		0.076MM (.003")
	R36766	SHIM	AR		0.13MM (.005")
	R36767	SHIM	AR		0.25MM (.010")
21	JD8235	BEARING CUP	1		
22	JD7359	BEARING CONE	1		
23	R35428	PLATE	1		
24	R35429	PLATE	1		
25	19H2552	CAP SCREW	2		3/8" X 1-1/8"

# 2B18

POWER TRAIN

R8193 -UN-01JAN94

## TRANSMISSION DRIVE SHAFT ASSEMBLY



R8193F

# 2B19

POWER TRAIN

## TRANSMISSION DRIVE SHAFT ASSEMBLY - CONTINUED

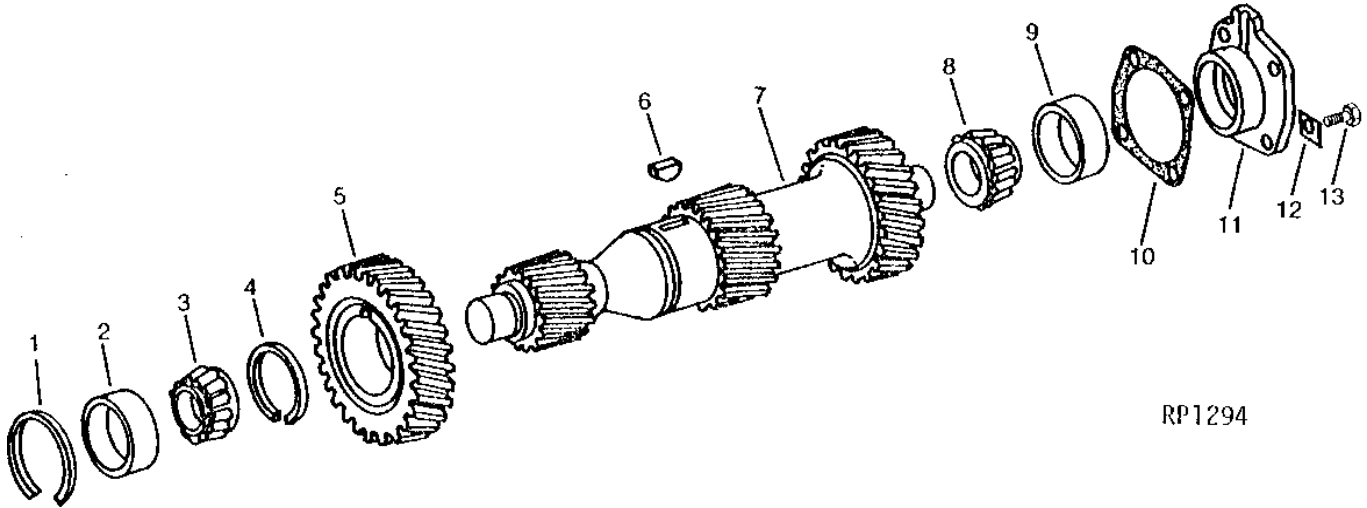
KEY	PART NO.	PART NAME	QTY	TRACTOR SERIAL NO.	REMARKS
1	19H1732	CAP SCREW	4		3/8" X 1-1/4"
2	H246R	STRAP	4		
3	R40551	QUILL	1		(NO LONGER AVAILABLE)
4	R35168	SHIM	AR		0.05MM (.002")
	R35169	SHIM	AR		0.13MM (.005")
	R35170	SHIM	AR		0.25MM (.010")
5	R35164	SNAP RING	1		1.93MM (.076")
	R35165	SNAP RING	1		2.01MM (.079")
	R35166	SNAP RING	1		2.08MM (.082")
	R35167	SNAP RING	1		2.16MM (.085")
	R40713	SNAP RING	1		2.24MM (.008")
	R40714	SNAP RING	1		2.31MM (.091")
	R40715	SNAP RING	1		2.39MM (.094")
6	JD8291	BEARING CUP	1		
7	JD7232	BEARING CONE	1		
8	R40266	PINION	1		REVERSE RANGE
9	R36678	DRUM	3		
10	AR69155	SYNCHRONIZER	3		(SET OF 4 DISKS AND 3 PLATES) (SUB FOR AR42990) (SUB RE37120)
11	R45225	STUD	2		
12	R35460	CLAMP	2		
13	AR35404	SYNCHRONIZER	1		REVERSER
14	R59860	SPRING	8		(SUB FOR R27730)
15	A4742R	BALL	8		
16	R35385	SNAP RING	2		
17	R35458	SHIFT COLLAR	1		
18	R35386	SNAP RING	1		
19	R35453	PINION	1		LOW RANGE
20	R35457	SHIFT COLLAR	1		(SUB FOR R64129)
21	AR35403	SYNCHRONIZER	1		LOW AND HIGH RANGE
22	R35461	CLAMP	2		
23	R45225	STUD	2		
24	26H82	SHAFT KEY	2		1/4" X 7/8"
25	R40552	DRIVE SHAFT	1		
26	R35445	PINION	1		HIGH RANGE
27	JD8907	BEARING CONE	1		
28	JD8240	BEARING CUP	1		
29	R35381	SNAP RING	1		1.93MM (.076")
	R35382	SNAP RING	1		2.01MM (.079")
	R35383	SNAP RING	1		2.08MM (.082")
	R35384	SNAP RING	1		2.16MM (.085")
	R40711	SNAP RING	1		2.24MM (.088")
	R40712	SNAP RING	1		2.31MM (.091")
30	R35171	WASHER	1		

# 2B20

POWER TRAIN

RP1294 -UN-01JAN94

## COUNTERSHAFT



RP1294

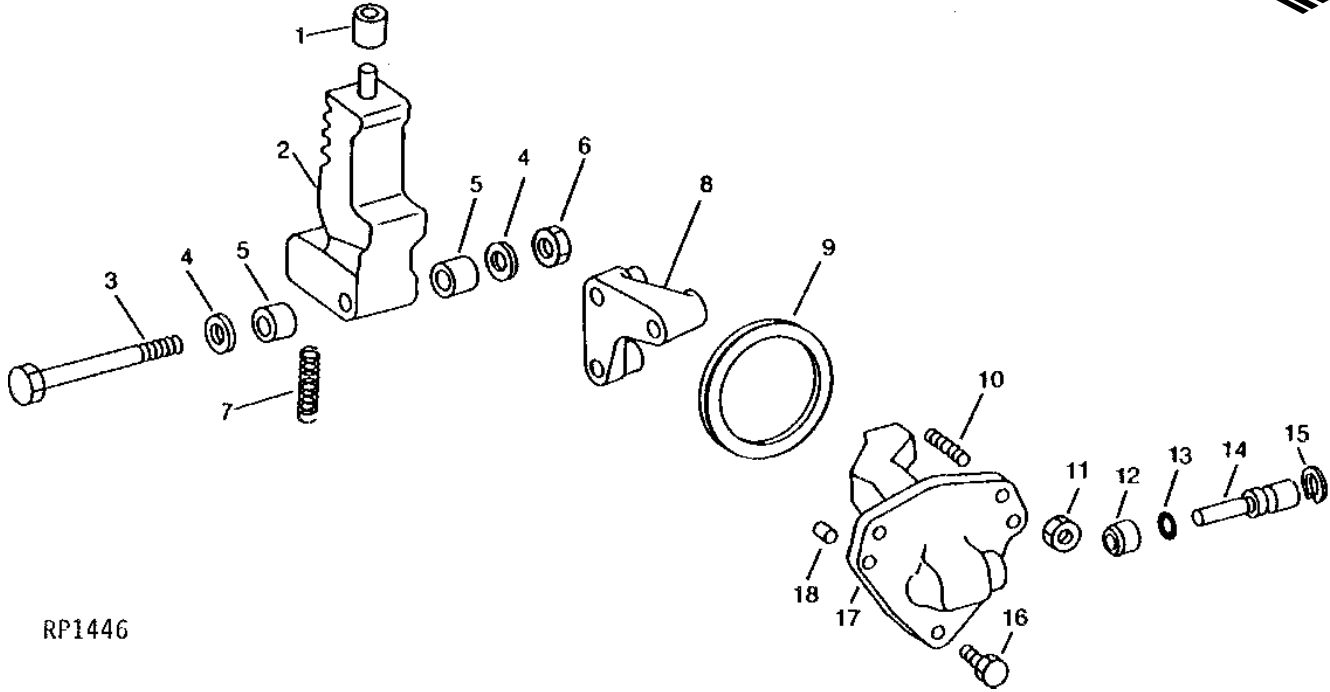
KEY	PART NO.	PART NAME	QTY	TRACTOR SERIAL NO.	REMARKS
1	R35377	SNAP RING	1		
2	JD8262	BEARING CUP	1		(SUB JD10005 AND JD8113)
3	JD7383	BEARING CONE	1		
4	R35369	SNAP RING	1		
5	R35444	GEAR	1		(6TH AND 8TH SPEED) (36 TEETH)
6	26H93	SHAFT KEY	1		1/4" X 1-1/4"
7	R40265	COUNTERSHAFT	1		
8	JD9006	BEARING CONE	1		
9	JD8283	BEARING CUP	1		
10	R40585	SHIM	AR		0.076 MM (.003")
	R40586	SHIM	AR		0.13 MM (.005")
	R40587	SHIM	AR		0.25 MM (.010")
11	R40267	HOUSING	1		
12	H246R	STRAP	3		
13	19H1800	CAP SCREW	4		3/8" X 1-1/2"

# 2B21

POWER TRAIN

RP1446 -UN-01JAN94

## TRANSMISSION PARK PAWL



RP1446

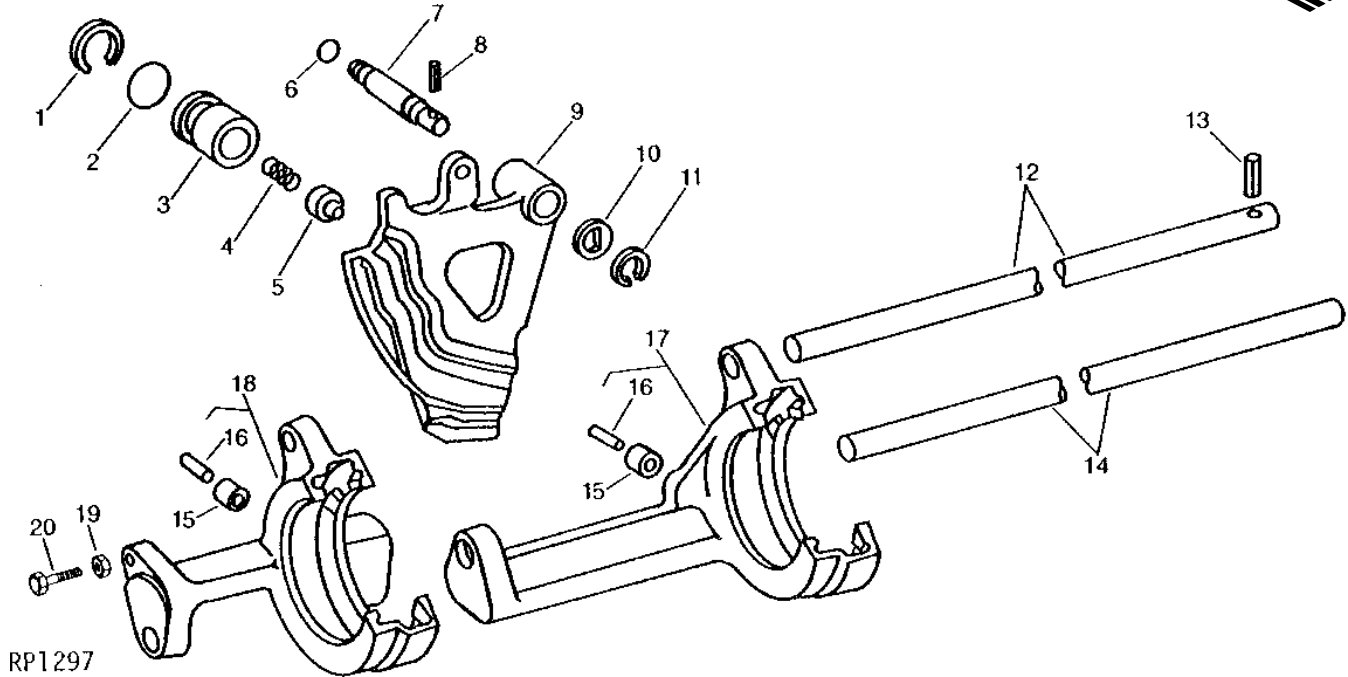
KEY	PART NO.	PART NAME	QTY	TRACTOR SERIAL NO.	REMARKS
1	R35515	BUSHING	1		
2	AR35506	PAWL	1		(MARKED R35514)
3	19H2324	CAP SCREW	1		7/16" X 4-1/2"
4	R26559	WASHER	2		
5	R35133	SPACER	2		
6	BP12234	LOCK NUT	1		(SUB N101346)
7	R2657R	SPRING	1		
8	AR35166	ARM	1		(MARKED R35518) (SUB AR88245)
9	R35525	WASHER	1		
10	R32042	STUD	1		
11	14H1076	NUT	1		3/8"
12	R35522	BUSHING	1		
13	R394R	O-RING	1		
14	R35523	SHAFT	1		(NLA)
15	R33282	SNAP RING	1		
16	19H1731	CAP SCREW	2		3/8" X 1"
17	R35517	COVER	1		
18	R726R	DOWEL PIN	2		

# 2B22

POWER TRAIN

RP1297 -UN-01JAN94

## RANGE SHIFTERS AND SHIFTER SHAFTS



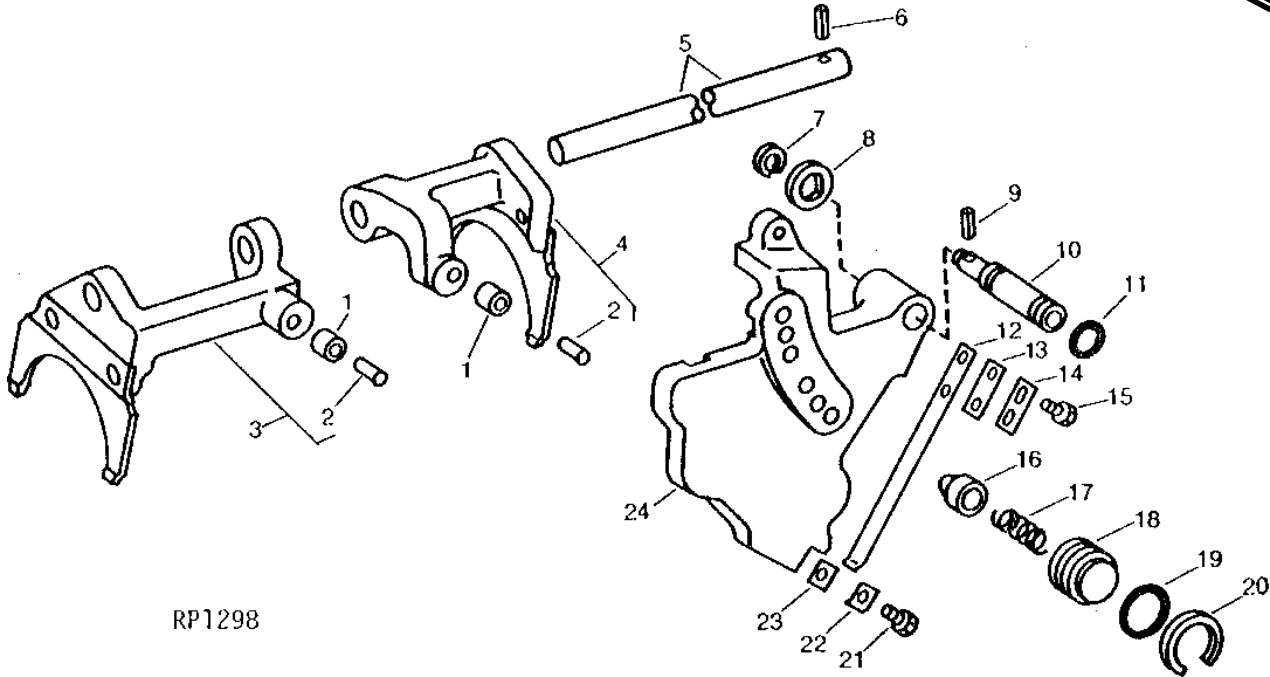
KEY	PART NO.	PART NAME	QTY	TRACTOR SERIAL NO.	REMARKS
1	R34399	SNAP RING	1		
2	U10289	O-RING	1		
3	R35239	RETAINER	1		
4	R35238	SPRING	1		
5	R35227	PAWL	1		
6	A3190R	O-RING	2		
7	R35224	SHAFT	1		
8	34H252	SPRING PIN	1	1/8" X 1-1/4"	
9	R35237	CAM	1		
10	R36338	SPACER	1		
11	R35226	SNAP RING	1		
12	R35223	PIN	1		
13	34H284	SPRING PIN	1	3/16" X 1-1/4"	
14	R35236	DOWEL PIN	1		
15	R36225	BUSHING	2		
16	R36224	DOWEL PIN	2		
17	AR35054	SHIFTER	1	(MARKED R35234)	
18	AR35055	SHIFTER	1	(MARKED R35235)	
19	14H732	NUT	1	3/8"	
20	22H1019	SET SCREW	1	3/8" X 1-3/4"	

# 2B23

POWER TRAIN

RP1298 -UN-01JAN94

## GEAR SHIFTERS AND SHIFTER SHAFT



RP1298

KEY	PART NO.	PART NAME	QTY	TRACTOR SERIAL NO.	REMARKS
1	R36667	BUSHING	2		
2	R36666	DOWEL PIN	2		
3	AR36011	LEVER	1		(1ST, 3RD, 6TH AND 8TH SPEED) (MARKED R35222)
4	AR36010	LEVER	1		(2ND AND 5TH, 4TH AND 7TH SPEED) (MARKED R35219) (SUB R62751 AND (2) 16H1342)
5	R35223	PIN	1		
6	34H284	SPRING PIN	1		3/16" X 1-1/4"
7	R35226	SNAP RING	1		
8	R36338	SPACER	1		
9	34H252	SPRING PIN	1		1/8" X 1-1/4"
10	R35224	SHAFT	1		
11	A3190R	O-RING	1		
12	R35402	SPRING	1		
13	R35403	PLATE	1		(NLA)
14	F3319R	ADJUSTING STRAP	1		
15	19H1936	CAP SCREW	2		3/8" X 3/4"
16	R35227	PAWL	1		
17	R35228	SPRING	1		
18	R35229	RETAINER	1		
19	U10289	O-RING	1		
20	R34399	SNAP RING	1		
21	19H1936	CAP SCREW	1		3/8" X 3/4"
22	R1888R	STRAP	1		
23	R35401	STRAP	1		
24	R35399	CAM	1		

---

MEMORANDA

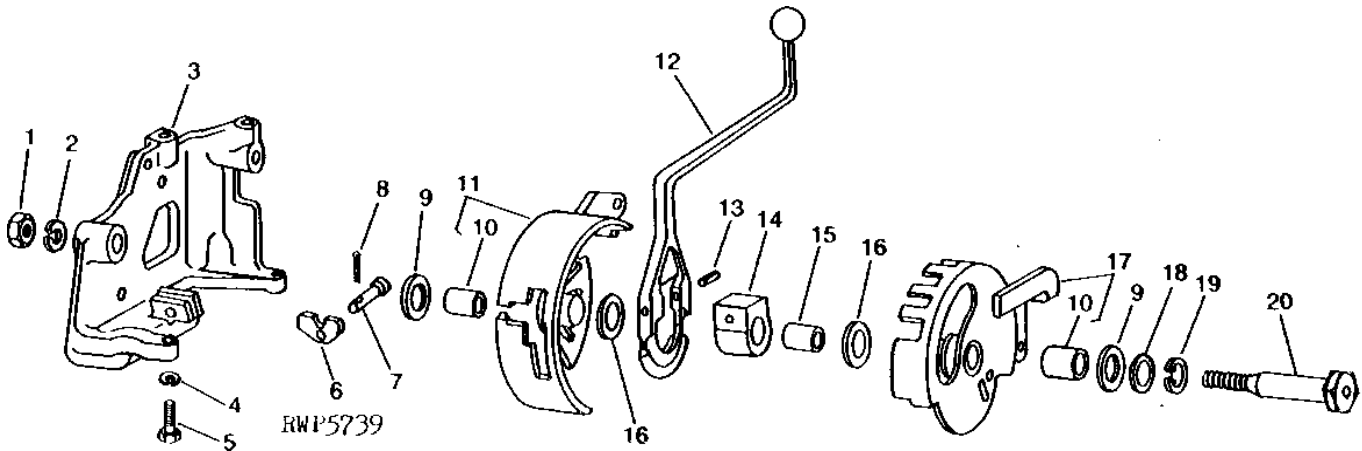


# 2B24

POWER TRAIN

RWP5739 -UN-01JAN94

## GEAR SHIFTER CONTROL



KEY	PART NO.	PART NAME	QTY	TRACTOR SERIAL NO.	REMARKS
1	14H1039	NUT	1		5/8"
2	12H294	LOCK WASHER	1		5/8"
3	R47079	BRACKET	1	-030149	(SUB FOR R32390)
	R48391	BRACKET	1	030150-	
4	12H304	LOCK WASHER	1		3/8"
5	19H1731	CAP SCREW	1		3/8" X 1"
6	R52882	LATCH	1		(SUB FOR R42128)
7	A3376R	PIN	1		
8	11M7081	COTTER PIN	1		0.098" X 0.787"
9	R42127	WASHER	2		
10	R26182	BUSHING	2		
11	AR44264	QUADRANT	1		SPEED CHANGE
12	AR59446	LEVER	1		(SUB FOR R31188)
13	34H314	SPRING PIN	2		1/4" X 1-1/4"
14	R53247	PIVOT	1		(ALSO ORDER (2) R26187) (SUB FOR AR26360 OR R47203)
15	R26186	BUSHING	1	-027996	
16	R26187	WASHER	2	-027996	
17	AR44271	QUADRANT	1		SPEED RANGE
18	24H1423	WASHER	AR	-030149	29/32" X 1-1/2" X 0.036"
	24H1422	SHIM	AR	-030149	0.018"
	24H1660	WASHER	AR	-030149	57/64" X 1-3/8" X 0.060"
19	R26192	SNAP RING	1	-030149	
20	R26178	SHAFT	1	-030149	
	R42126	SHAFT	1	030150-	

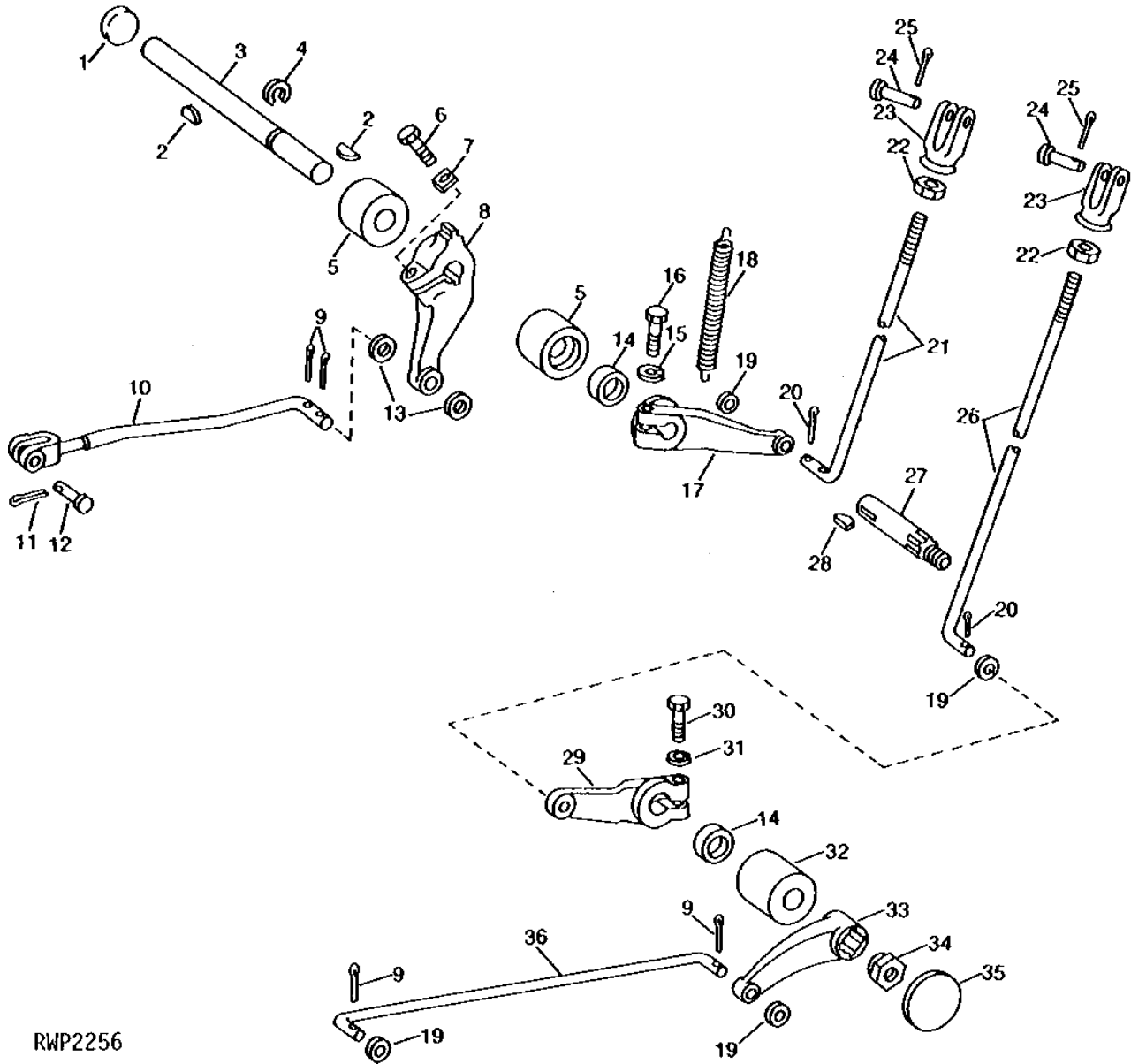
# 2C1

POWER TRAIN

RWP2256

-UN-01JAN94

## GEAR SHIFTER RODS AND LINKAGE



RWP2256

# 2C2

POWER TRAIN

## GEAR SHIFTER RODS AND LINKAGE - CONTINUED

KEY	PART NO.	PART NAME	QTY	TRACTOR SERIAL NO.	REMARKS
1	M1206T	CAP	1		
2	26H17	SHAFT KEY	2		3/16" X 7/8"
3	R35240	SHAFT	1		
4	R35242	RING	1		
5	R35241	BUSHING	2		
6	19H1800	CAP SCREW	1		3/8" X 1-1/2"
7	H246R	STRAP	1		
8	R35243	LEVER	1		
9	11M7059	COTTER PIN	4		3.200 X 20 MM
10	AR35733	ROD	1		
11	11M7081	COTTER PIN	1		0.098" X 0.787"
12	P48769	PIN	1		
13	24H1325	WASHER	2		15/32" X 59/64" X 0.065"
14	AR389R	SEAL	2		
15	12H304	LOCK WASHER	1		3/8"
16	19H1800	CAP SCREW	1		3/8" X 1-1/2"
17	R35245	LEVER	1		
18	R35823	SPRING	1		
19	24H1302	WASHER	4		13/32" X 11/16" X 0.035"
20	11M7081	COTTER PIN	2		0.098" X 0.787"
21	R35248	HOOK BOLT	1		
22	14H732	NUT	2		3/8"
23	C284R	YOKE	2		
24	R65563	PIN	2		(SUB FOR C1067R)
25	11M7081	COTTER PIN	2		0.098" X 0.787"
26	R35247	HOOK BOLT	1		
27	AR31904	SHAFT	1		(SUB R32630 AND E17421)
28	26H17	SHAFT KEY	1		3/16" X 7/8"
29	R35233	LEVER	1		
30	19H1800	CAP SCREW	1		3/8" X 1-1/2"
31	12H304	LOCK WASHER	1		3/8"
32	R35232	BUSHING	1		
33	R35404	LEVER	1		
34	E17421	LOCK NUT	1		
35	30H28	PLUG	1		2-1/2"
36	R35405	PIN	1		

---

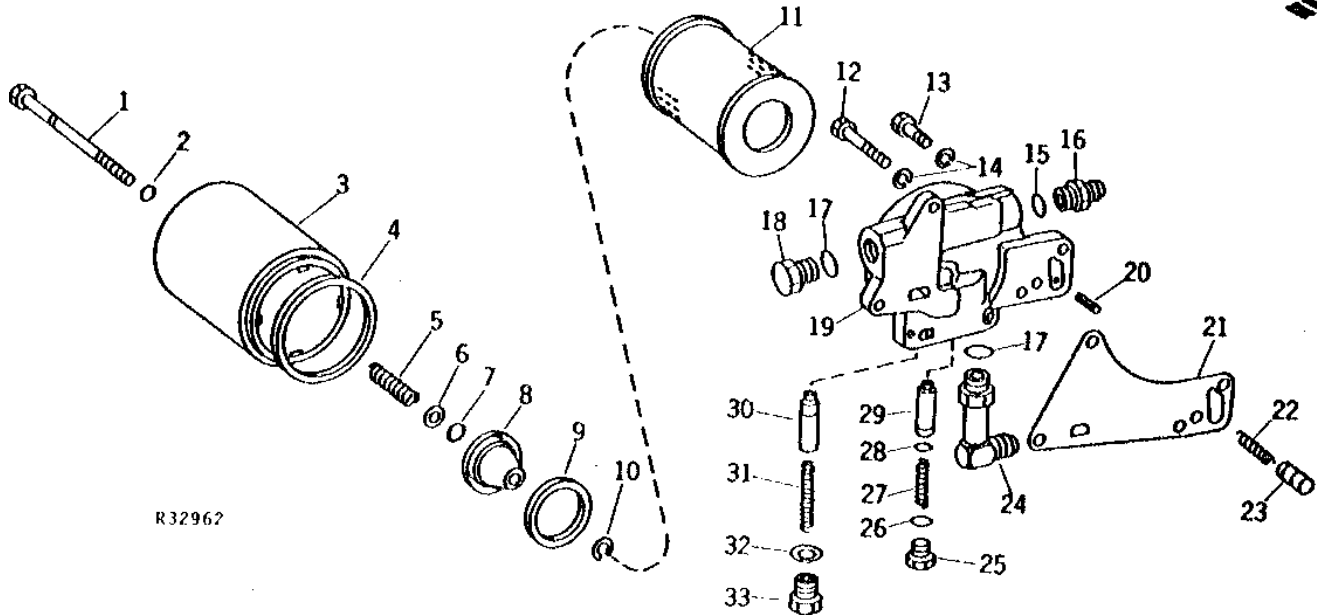
MEMORANDA

# 2C3

POWER TRAIN

R32962 -UN-01JAN94

## TRANSMISSION OIL FILTER AND RELIEF VALVE



R32962

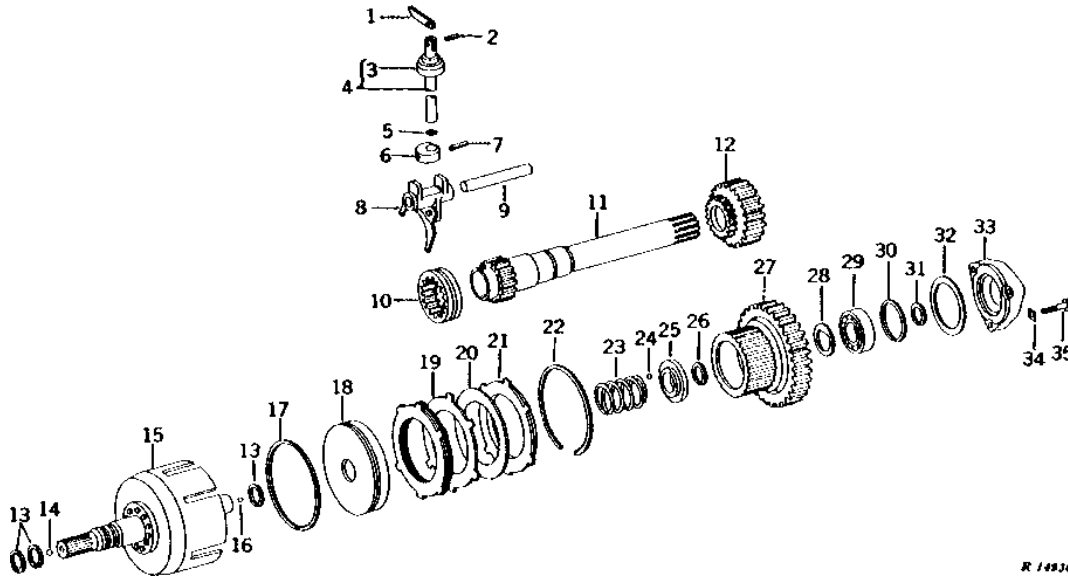
KEY	PART NO.	PART NAME	QTY	TRACTOR SERIAL NO.	REMARKS
1	R82731	CAP SCREW	1		(SUB FOR R52749, R39799 OR R54753)
2	R394R	O-RING	1		
3	R63093	COVER	1		(SUB FOR R39798 OR R51654)
4	R34733	WASHER	1		
5	H819R	SPRING	1		
6	24H1227	WASHER	1		17/32" X 13/16" X 0.060"
7	R394R	O-RING	1		
8	R65892	RETAINER	1		(SUB FOR R28593)
9	R28594	WASHER	1		
10	R32507	SNAP RING	1		
11	AR75603	FILTER ELEMENT	1		(ALSO ORDER R34733) (SUB FOR AR28271 OR AR75601)
12	19H1944	CAP SCREW	1		3/8" X 2-3/4"
13	19H1732	CAP SCREW	3		3/8" X 1-1/4"
14	12H304	LOCK WASHER	4		3/8"
15	R26375	O-RING	1		
16	R27237	FITTING	1		STEERING VALVE RETURN PIPE
17	F3171R	O-RING	2		
18	R27175	DRAIN PLUG	1		(LESS ROCKSHAFT)
19	AR36883	HOUSING	1		OIL FILTER RELIEF VALVE, (MARKED R40669)
20	34H254	SPRING PIN	1		1/8" X 1-1/2"
21	R36719	GASKET	1		
22	R35325	SPRING	1		
23	R35324	VALVE	1		LUBRICATION
24	AR26747	ELBOW FITTING	1		HYDRAULIC PUMP PIPE
25	R33138	FITTING	1		
26	R26375	O-RING	1		
27	R26686	SPRING	1		
28	R33259	O-RING	1		
29	R57559	VALVE	1		FILTER RELIEF, (ALSO ORDER R33259) (SUB FOR R33162)
30	R39847	VALVE	1	012761-	OIL RETURN RELIEF
31	R39808	SPRING	1	012761-	
32	R1742R	WASHER	1	012761-	
33	R52589	FITTING PLUG	1	012761-	(SUB FOR R33163)

# 2C4

POWER TRAIN

R14936 -UN-01JAN94

## PTO CLUTCH AND BRAKE (1000 RPM PTO)



R 14936

KEY	PART NO.	PART NAME	QTY	TRACTOR SERIAL NO.	REMARKS
1	R35254	LEVER	1		(NO LONGER AVAILABLE)
2	34H73	SPRING PIN	1		3/16" X 3/4"
3	R35253	RETAINER	1		(NO LONGER AVAILABLE)
4	AR35061	SHAFT	1		(NO LONGER AVAILABLE)
5	R459R	O-RING	1		
6	R35255	CAM	1		(NO LONGER AVAILABLE)
7	34H284	SPRING PIN	1		3/16" X 1-1/4"
8	AR35060	SHIFTER	1		(MARKED R35249)
9	R35251	SHAFT	1		
10	R35618	SHIFT COLLAR	1		(NO LONGER AVAILABLE)
11	AR35801	SHAFT	1		
12	R35186	GEAR	1		PTO DRIVE (NO LONGER AVAILABLE)
13	R35627	RING	3		
14	R42849	BALL	1		
15	AR35485	DRUM	1		
16	400R	BALL	1		
17	R27789	PISTON RING	1		
18	R35190	PISTON	1		
19	R31373	CLUTCH PLATE	9		
20	AR94516	DISK, INNER SPLINE	9		(SUB FOR R36111 AND AR69611)
21	R31363	PLATE	1		
22	R31289	SNAP RING	1		
23	R35265	SPRING	1		
24	H871R	BALL	1		
25	R35266	BUSHING	1		
26	R49433	SNAP RING	1		(SUB FOR R26217)
27	AR35064	GEAR	1		PTO CLUTCH DRIVE, (MARKED R35185) (NLA)
28	R42722	THRUST WASHER	1		
29	JD9270	BALL BEARING	1		
30	B2437R	SNAP RING	1		
31	F215R	RING	1		
32	R35149	GASKET	1		(A)
33	R51223	COVER	1		(A) (SUB FOR R35151) (NLA)
34	H246R	STRAP	3		(A)
35	19H1765	CAP SCREW	3		(A) 3/8" X 1-3/4"

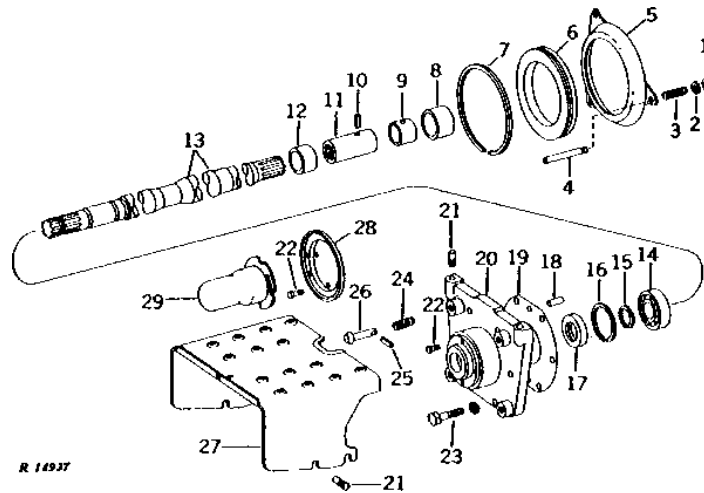
(A) LESS PTO

# 2C5

POWER TRAIN

## PTO SHAFT, GUARD, AND SHIELD (1000 RPM PTO)

R14937 -UN-01JAN94



KEY	PART NO.	PART NAME	QTY	TRACTOR SERIAL NO.	REMARKS
1	F3396R	SNAP RING	3		
2	24H1305	WASHER	3	13/32" X 13/16" X 0.065"	
3	R26823	SPRING	3		
4	R35408	PIN	3		
5	RE20737	BRAKE SHOE	1	(SUB FOR R35809)	
6	R35200	PISTON	1	PTO BRAKE	
7	R27789	PISTON RING	1		
8	R35273	BUSHING	1		
9	R36286	SLEEVE	1		
10	34H244	SPRING PIN	1	1/8" X 9/16"	
11	R35272	SPLINED COUPLING	1		
12	R35619	BUSHING	1		
13	R35264	SHAFT	1		
14	JD9345	BALL BEARING	1		
15	A364R	SNAP RING	1		
16	B190R	SNAP RING	1		
17	AT344T	SEAL	1		
18	R26650	DOWEL PIN	2		
19	R58900	GASKET	1	(SUB FOR R35621)	
20	AR53471	HOUSING	1	(MARKED R35620 OR R49639) (SUB FOR AR35952)	
21	34H348	SPRING PIN	4	3/8" X 1"	
22	R27329	SCREW	4		
23	19H2473	CAP SCREW	6	1/2" X 1-3/4"	
	12H301	LOCK WASHER	6	1/2"	
24	F1463R	SPRING	1		
25	34H286	SPRING PIN	1	3/16" X 1-1/2"	
26	F1462R	PIN	1		
27	R27562	SHIELD	1		
28	AR26707	RETAINER	1		
29	AR26701	GUARD	1		

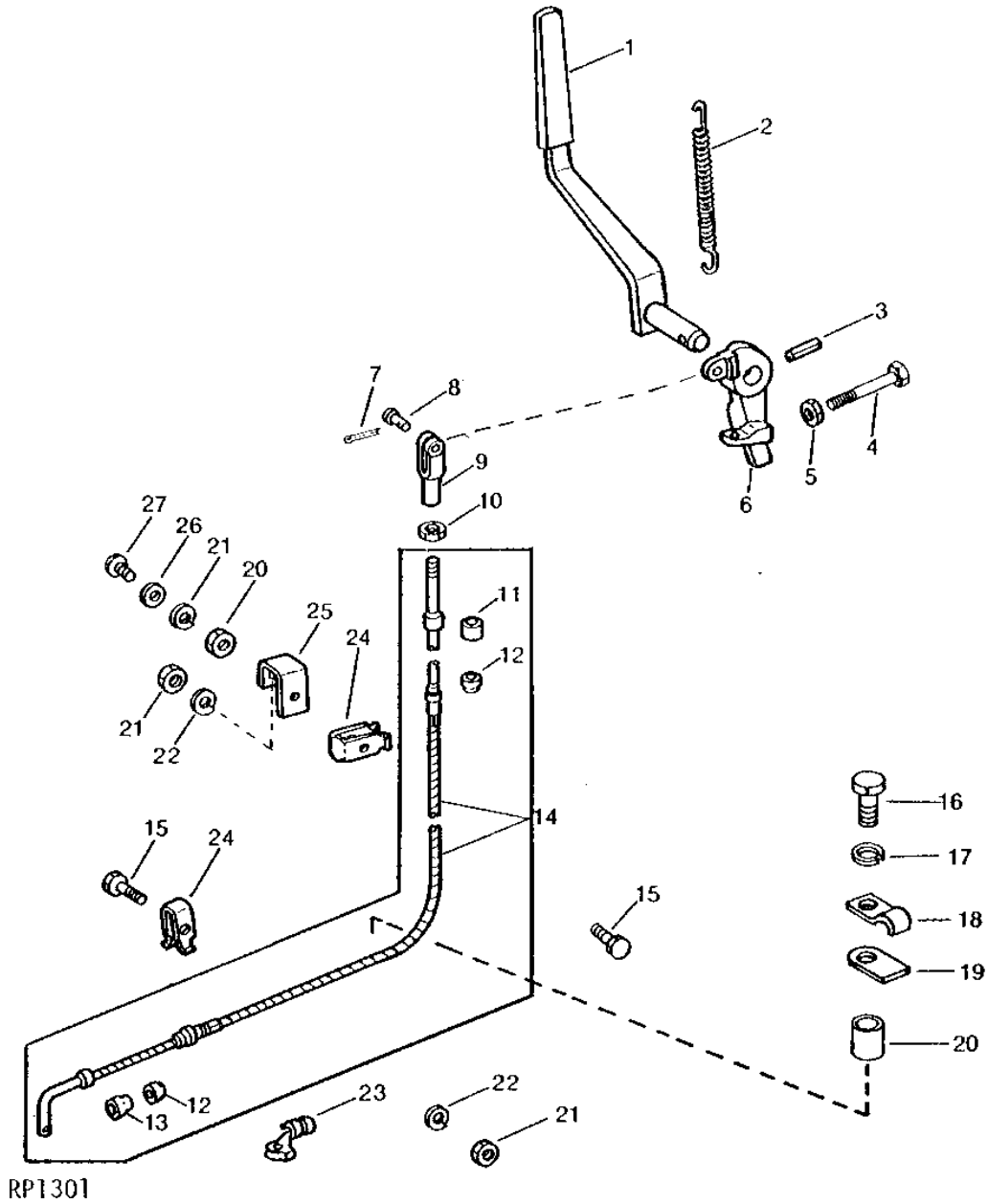
# 2C6

POWER TRAIN

RP1301

-UN-01JAN94

## PTO CLUTCH CONTROL LEVER





# 2C7

POWER TRAIN

PTO CLUTCH CONTROL LEVER - CONTINUED

KEY	PART NO.	PART NAME	QTY	TRACTOR SERIAL NO.	REMARKS
1	AR39516	LEVER	1		
2	R42783	SPRING	1	-030932	(SUB FOR R36137)
	R49799	SPRING	1	030933-	
3	34H331	SPRING PIN	1		5/16" X 1-1/2"
4	19H1738	CAP SCREW	1		1/4" X 2"
5	14H850	NUT	1		1/4"
6	R36965	ARM	1		
7	11M7079	COTTER PIN	1		0.098" X 0.472"
8	R72660	PIN	1		(SUB FOR R662R)
9	M3742T	YOKE	1		
10	14H649	NUT	1		1/4"
11	R39727	SEAL	1		
12	R39725	SEAL	2		
13	R39726	SEAL	1		
14	AR39677	PUSH PULL CABLE	1		
15	19H1849	CAP SCREW	2		5/16" X 1-1/4"
16	19H1800	CAP SCREW	1	-XXXXXX	3/8" X 1-1/2"
17	12H304	LOCK WASHER	1	-XXXXXX	3/8"
18	R183R	CLIP	1	-XXXXXX	
19	R27256	STRAP	1	-XXXXXX	
20	28H1697	SPACER	1	-XXXXXX	3/8" X 3/4"
21	14H785	NUT	3		5/16"
22	12H303	LOCK WASHER	3		5/16"
23	R26501	CLIP	1	-XXXXXX	
24	R26870	CLAMP	2		
25	R36866	BRACKET	1		
26	24H1290	WASHER	1		21/64" X 3/4" X 0.035"
27	03H1268	BOLT	1		5/16" X 3/4"

---

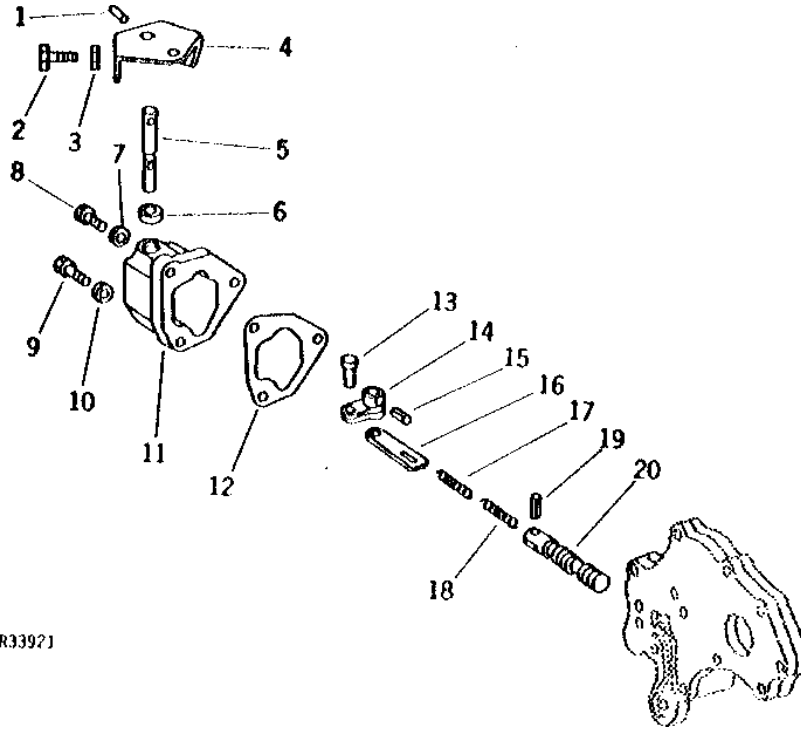
MEMORANDA

# 2C8

POWER TRAIN

R33921 -UN-01JAN94

## PTO CLUTCH CONTROL



R33921

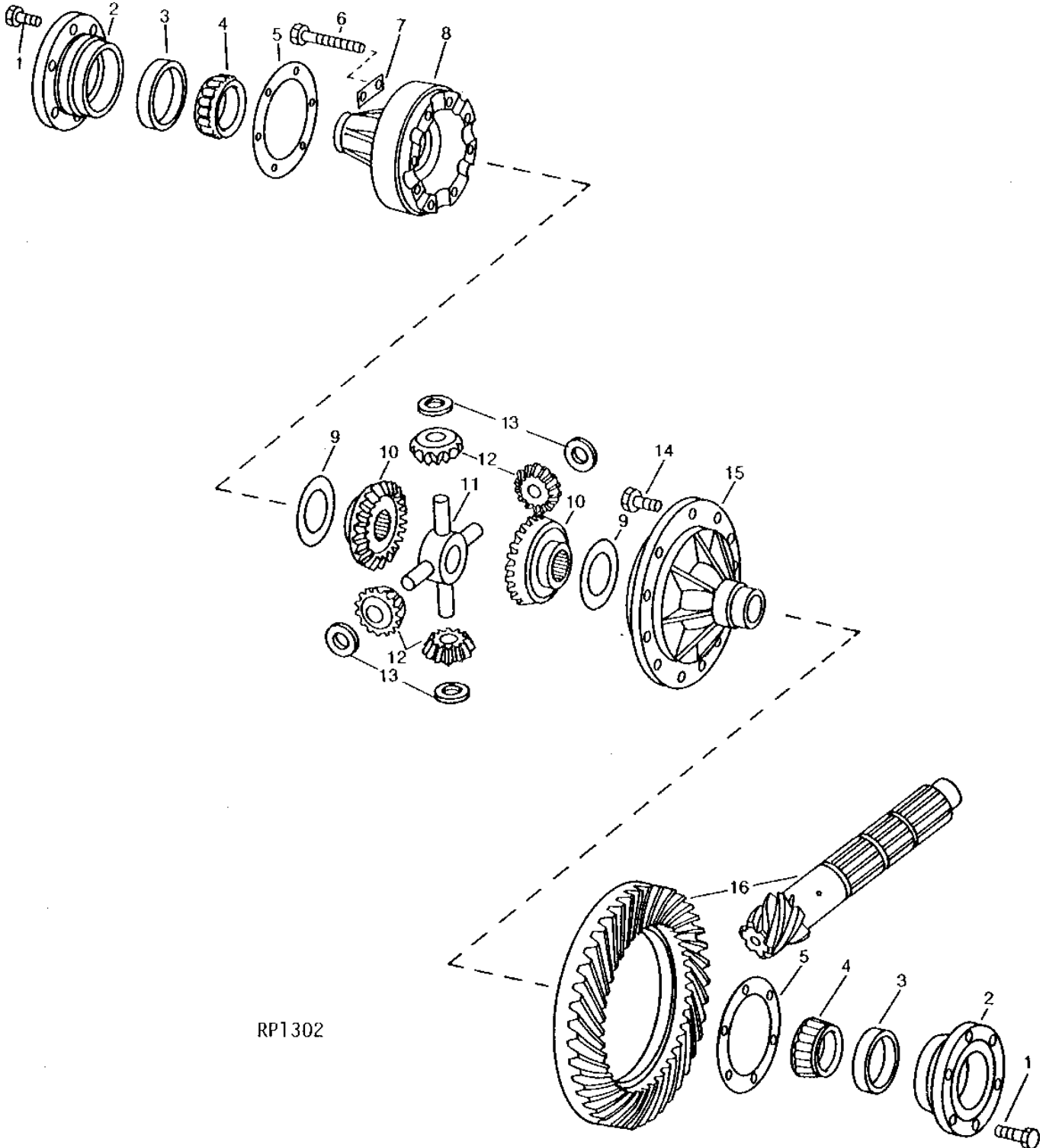
KEY	PART NO.	PART NAME	QTY	TRACTOR SERIAL NO.	REMARKS
1	34H249	SPRING PIN	1		1/8" X 7/8"
2	19H2915	CAP SCREW	2		5/16" X 1-1/4"
3	14H611	NUT	2		5/16"
4	AR36150	ARM	1		
5	R35147	SHAFT	1		
6	AR26338	SEAL	1		
7	F2775R	WASHER	1		
8	19H2479	CAP SCREW	1		1/4" X 3/8"
9	19H1732	CAP SCREW	3		3/8" X 1-1/4"
10	12H304	LOCK WASHER	3		3/8"
11	R36785	HOUSING	1		
12	R35148	GASKET	1		
13	R33145	PIN	1		
14	AR35036	ARM	1		
15	34H247	SPRING PIN	1		1/8" X 3/4"
16	R52221	LINK	1		(SUB FOR R35145)
17	R45582	SPRING	1		OUTER
18	R45581	SPRING	1		INNER
19	34H245	SPRING PIN	1		1/8" X 5/8"
20	R52220	CONTROL VALVE	1		(SUB FOR R35143)

# 2C9

POWER TRAIN

## DIFFERENTIAL (LESS DIFFERENTIAL LOCK)

RP1302 -UN-01JAN94



RP1302

# 2C10

POWER TRAIN

**DIFFERENTIAL - CONTINUED  
(LESS DIFFERENTIAL LOCK)**

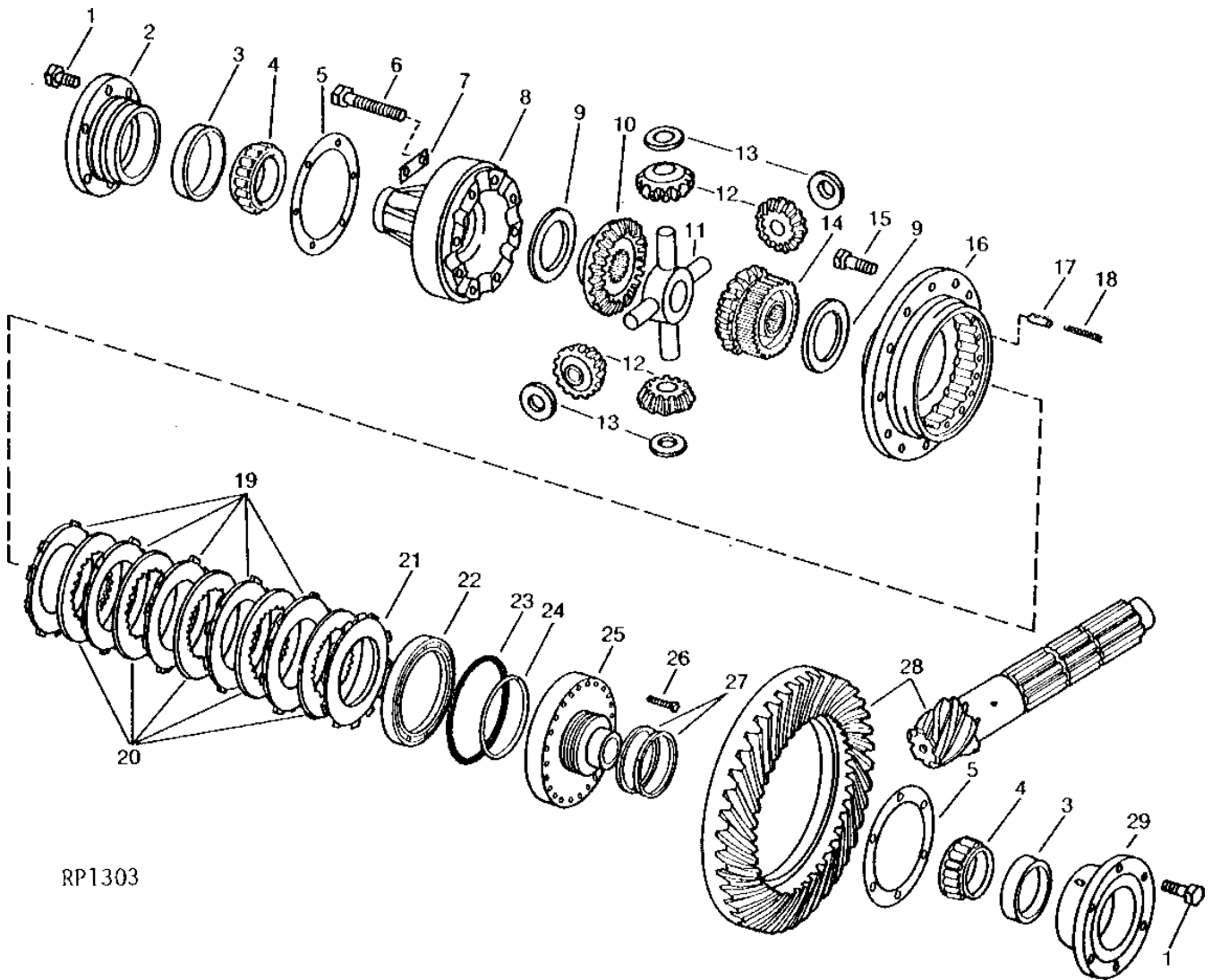
KEY	PART NO.	PART NAME	QTY	TRACTOR SERIAL NO.	REMARKS
1	R41049	CAP SCREW	12		(SUB FOR R43459) (SUB R52634)
2	R35500	QUILL	2		
3	JD8214	BEARING CUP	2		
4	JD9019	BEARING CONE	2		
5	R35501	SHIM	AR		0.76MM (.003")
	R35502	SHIM	AR		0.13MM (.005")
	R35503	SHIM	AR		0.25MM (.010")
6	19H1868	CAP SCREW	8		1/2" X 3-3/4"
7	R35497	PLATE	4		
8	R57747	HOUSING	1		(SUB FOR R42307) (SUB AR101287, R112769 AND R75058)
9	R66788	WASHER	2		(SUB FOR R52157)
10	R64257	BEVEL GEAR	2		(ALSO ORDER (2) R66788) (SUB FOR R43185 OR R48251) (SUB R109489 AND R114132)
11	R35493	UNIVERSAL JOINT CROSS	1		(SUB (4) B1402R, (2) R70038, (4) R70039, (4) R120349, (104) R70041 AND (4) R110707)
12	R48253	PINION	4		(SUB FOR R35498) (SUB (4) B1402R, (2) R70038, (4) R70039, (4) R120349, (104) R70041 AND (4) R110707, THIS APPLICATION)
13	R35499	LOCK WASHER	4		
14	R43368	CAP SCREW	12		
15	R49649	HOUSING	1		(ALSO ORDER JD9019) (SUB FOR R35432 OR R42306)
16	AR36689	GEAR	1		(MARKED R43023 AND R40259) (SUB AR36688, (2) R35365, (2) R35366, (4) R35367, (2) R36765, (2) R36766 AND (4) R36767)

# 2C11

POWER TRAIN

RP1303 -UN-01JAN94

## DIFFERENTIAL (DIFFERENTIAL LOCK)



RP1303

# 2C12

POWER TRAIN

## DIFFERENTIAL - CONTINUED (DIFFERENTIAL LOCK)

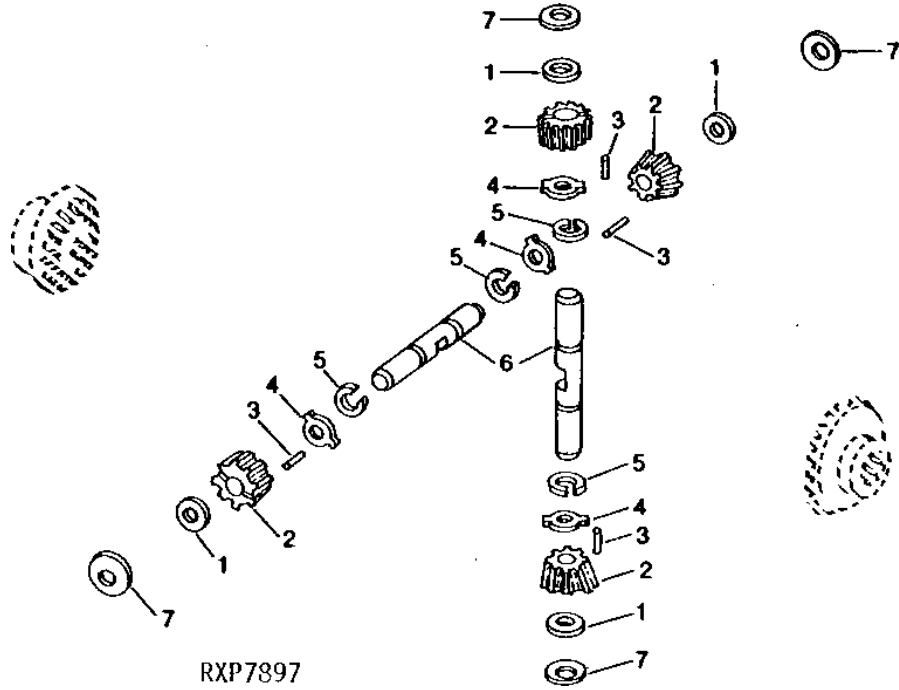
KEY	PART NO.	PART NAME	QTY	TRACTOR SERIAL NO.	REMARKS
1	R41049	CAP SCREW	12		(SUB FOR R43459) (SUB R52634)
2	R35500	QUILL	1		
3	JD8214	BEARING CUP	2		
4	JD9019	BEARING CONE	2		
5	R35501	SHIM	AR		0.076MM (.003")
	R35502	SHIM	AR		0.13MM (.005")
	R35503	SHIM	AR		0.25MM (.010")
6	19H1868	CAP SCREW	8		1/2" X 3-3/4"
7	R35497	PLATE	4		
8	R57747	HOUSING	1		(ALSO ORDER JD9019) (SUB FOR R35433 OR R42307) (SUB AR101287, R112769 AND R75058)
9	R66788	WASHER	2		(SUB FOR R52157)
10	R64257	BEVEL GEAR	1		(ALSO ORDER (2) R66788) (SUB FOR R43185 OR R48251) (SUB R109489 AND R114132)
11	R35493	UNIVERSAL JOINT CROSS	1		(SUB (4) B1402R, (2) R70038, (4) R70039, (4) R120349, (104) R70041, (4) R110707 AND R60658)
12	R48253	PINION	4		(SUB FOR R35498) (SUB (4) B1402R, (2) R70038, (2) R70039, (4) R120349, (104) R70041 AND (4) R110707, THIS APPLICATION)
13	R35499	LOCK WASHER	4		
14	R57373	GEAR	1		(ALSO ORDER R109489, R114132 AND (2) R66788) (SUB FOR R36879 OR R52158)
15	R43368	CAP SCREW	12		
16	AR36345	HOUSING	1		(MARKED R36861)
17	34H316	SPRING PIN	3		1/4" X 1-1/2"
18	R36880	SPRING	3		
19	R34858	CLUTCH PLATE	5		
20	RE29428	DISK	5		(SUB FOR AR34705 OR AR70154) (SUB RE53823, R34857 AND (5) R34858)
21	R34857	CLUTCH PLATE	1		
22	R34855	PISTON	1		
23	R41017	WASHER	1		(SUB FOR R34866)
24	R44328	WASHER	1		(SUB FOR R34865 OR R41016)
25	AR44327	COVER	1		(MARKED R42273 OR R42308) (ALSO ORDER JD9019) (SUB FOR AR36346 OR AR44466)
26	R40237	BOLT	12		(SUB N191827)
27	R36881	RING	2		
28	AR36689	GEAR	1		(MARKED R43023 AND R40259) (SUB AR36688, (2) R35365, (2) R35366, (4) R35367, (2) R36765, (2) R36766 AND (4) R36767)
29	R36878	QUILL	1		

# 2C13

POWER TRAIN

RXP7897 -UN-01JAN94

## DIFFERENTIAL BEVEL PINION



KEY	PART NO.	PART NAME	QTY	TRACTOR SERIAL NO.	REMARKS
1	R70039	THRUST WASHER	4		
2	R70040	PINION	4	(SUB R120349)	
3	R70041	NEEDLE ROLLER	104		
4	R70042	THRUST WASHER	4	(SUB R110707 AND B1402R)	
5	F215R	RING	4	(SUB B1402R)	
6	R70038	PINION SHAFT	2		
7	R35499	LOCK WASHER	4		

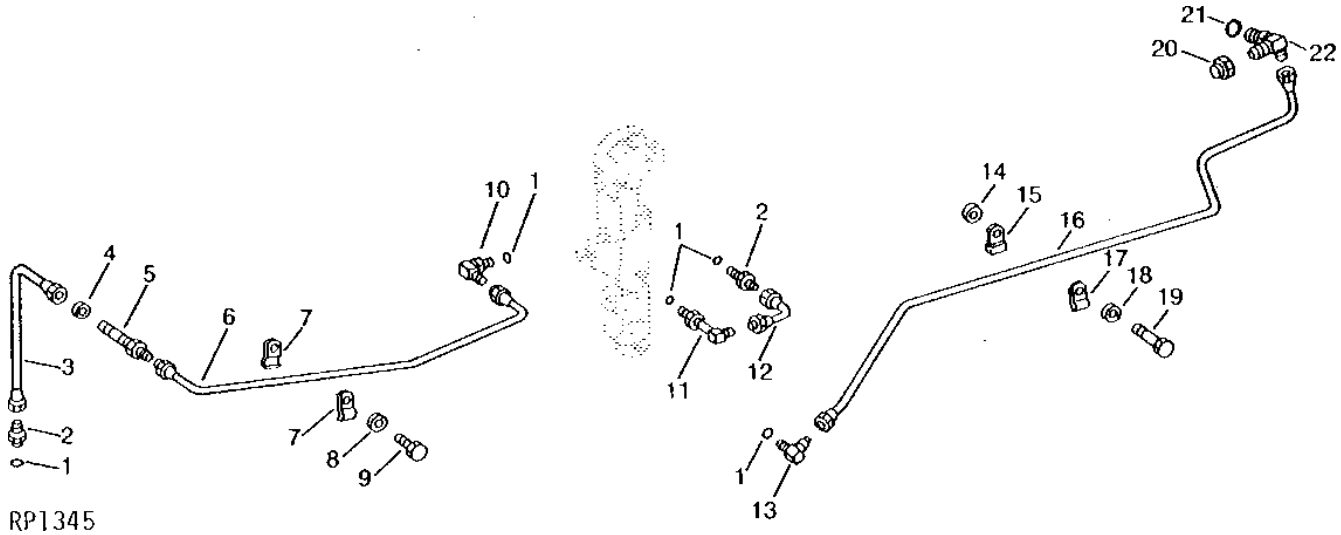


# 2C14

POWER TRAIN

RP1345 -UN-01JAN94

## DIFFERENTIAL LOCK VALVE OIL LINES



KEY	PART NO.	PART NAME	QTY	TRACTOR SERIAL NO.	REMARKS
1	R26286	O-RING	5		
2	R27272	FITTING	2		
3	AR36256	HYDRAULIC LINE	1		INNER, DIFFERENTIAL LOCK VALVE TO QUILL
4	R51494	WASHER	1		
5	AR36250	FITTING	1		
6	AR46389	HYDRAULIC LINE	1		OUTER, DIFFERENTIAL LOCK VALVE TO QUILL, (SUB FOR AR36257)
7	R42357	CLAMP	2		(SUB FOR R27545)
8	12H304	LOCK WASHER	1		3/8"
9	19H2284	CAP SCREW	1		3/8" X 7/8"
10	AT32333	ELBOW FITTING	1		(SUB FOR AR26771)
11	AR35710	ELBOW FITTING	1		
12	AR36260	HYDRAULIC LINE	1		RETURN
13	AR40475	ELBOW FITTING	1		
14	28H1519	WASHER	2		0.493" X 0.675" X 3/8"
	28H1526	BUSHING	2		3/8" X 1-5/16"
15	R31655	STRAP	2		
16	AR47194	HYDRAULIC LINE	1		R.H., DIFFERENTIAL LOCK VALVE TO CONTROL SUPPORT BASE
17	R31654	CLAMP	2		
18	12H304	LOCK WASHER	2		3/8"
19	19H3181	CAP SCREW	1		(A) 3/8" X 2"
	19H1726	CAP SCREW	1		(B) 3/8" X 2-1/4"
	19H1733	CAP SCREW	1		3/8" X 2-1/2"
20	R36927	FITTING	1		(A)
21	R26906	O-RING	1		
22	AR36856	TEE FITTING	1		(D)
	AR26724	ELBOW FITTING	1		(C)
	R27474	DRAIN PLUG	1		(A) (C)

- (A) LESS ROCKSHAFT
- (B) ROCKSHAFT
- (C) LESS DIFFERENTIAL LOCK
- (D) DIFFERENTIAL LOCK

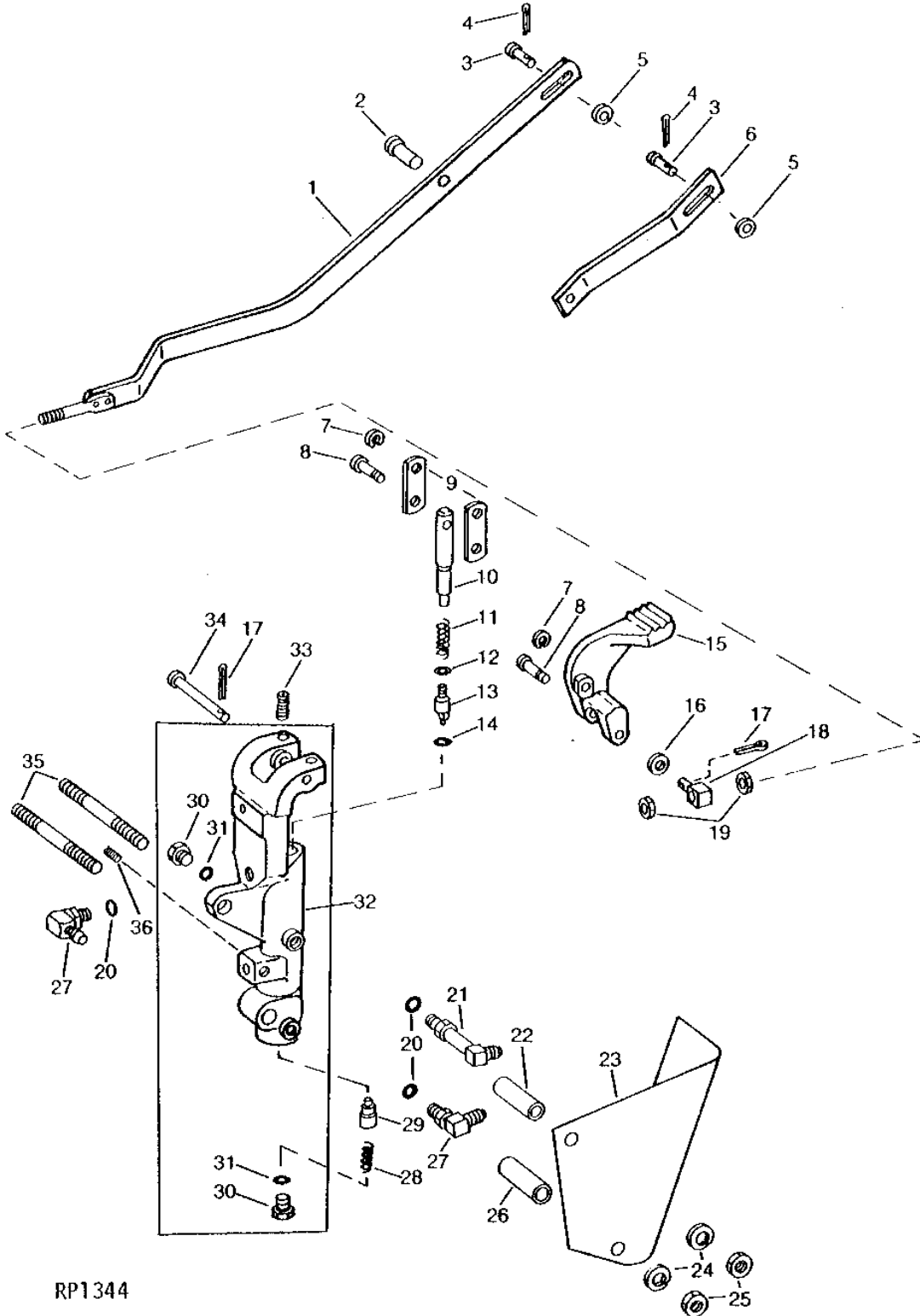
# 2C15

POWER TRAIN

RP1344

-UN-01JAN94

## DIFFERENTIAL LOCK VALVE



RP1344

# 2C16

POWER TRAIN

## DIFFERENTIAL LOCK VALVE - CONTINUED

KEY	PART NO.	PART NAME	QTY	TRACTOR SERIAL NO.	REMARKS
1	AR36823	LINK	1		
2	16H1071	RIVET	1	5/16" X 1/2"	
3	H858R	PIN	2		
4	11M7079	COTTER PIN	2	0.098" X 0.472"	
5	24H1136	WASHER	2	11/32" X 11/16" X 0.065"	
6	R34523	LINK	1		
7	R26386	SNAP RING	2		
8	R26385	PIN	2		
9	R34522	STRAP	2		
10	R39732	VALVE	1		
11	R39731	SPRING	1		
12	R39730	SHIM	AR	0.13MM (.005")	
13	R34492	VALVE	1	FLOW CONTROL	
14	R459R	O-RING	1		
15	R36948	PEDAL	1		
16	24M7096	WASHER	1	10.500 X 18 X 1.600 MM	
17	11M7059	COTTER PIN	2	3.200 X 20 MM	
18	R34581	SWIVEL	1		
19	14H1076	NUT	2	3/8"	
20	R26286	O-RING	3		
21	AR35710	ELBOW FITTING	1		
22	28H1557	SPACER	1	1/2" X 2-3/4"	
23	R36925	SHIELD	1		
24	12H317	LOCK WASHER	2	9/16"	
25	14H886	NUT	2	9/16"	
26	28H1555	BUSHING	1	1/2" X 2-1/4"	
27	AT32333	ELBOW FITTING	2	(SUB FOR AR26771)	
28	R715R	SPRING	1		
29	R40629	VALVE	1	CHECK	
30	R27094	DRAIN PLUG	2		
31	R26286	O-RING	2		
32	AR42109	HOUSING	1	(MARKED R40632 OR R41929)	
33	R34582	SET SCREW	1		
34	R34815	PIN	1		
35	B355R	STUD	2		
36	15H559	PIPE PLUG	2	1/4"	

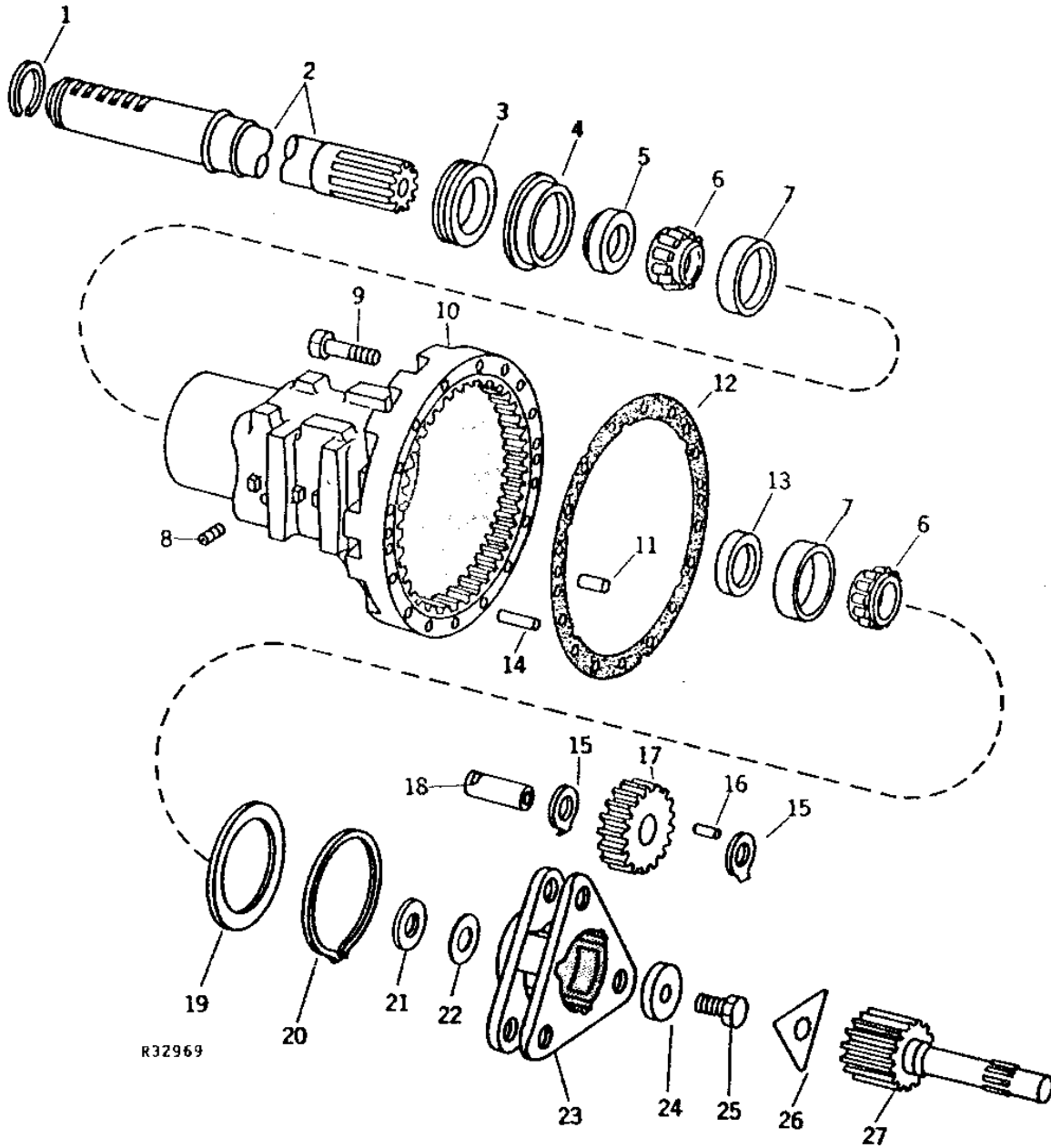
# 2C17

POWER TRAIN

R32969

-UN-01JAN94

PLANETARY AND REAR AXLE



# 2C18

POWER TRAIN

## PLANETARY AND REAR AXLE - CONTINUED

KEY	PART NO.	PART NAME	QTY	TRACTOR SERIAL NO.	REMARKS
1	R53659	SNAP RING	1		
2	R53647	SHAFT	1		(AXLE LENGTH 833MM (32-13/16")) (ALSO ORDER R53659) (SUB FOR R35001) (NLA)
	R53648	SHAFT	1		(AXLE LENGTH 1141MM (44-15/16")) (ALSO ORDER R53659) (SUB FOR R36616) (NLA)
	R53649	SHAFT	1		(AXLE LENGTH 993MM (39-3/32")) (ALSO ORDER R53659) (SUB FOR R41011) (NLA)
	R53650	SHAFT	1		(AXLE LENGTH 1214MM (47-13/16")) (ALSO ORDER R53659) (SUB FOR R42708)
3	RE31702	SEAL	1		(ALSO ORDER R57268) (SUB FOR R35634, AR68721, AH93852 OR RE33499)
4	R59074	OIL CUP	1		(SUB FOR R35002 OR R57268)
5	R53635	SPACER	1		(SUB FOR R35119)
6	JD8962	BEARING CONE	2		
	JD10003	BEARING CONE	1		UNDERSIZE
7	JD8248	BEARING CUP	2		
8	15H559	PIPE PLUG	1		1/4"
9	19H2233	CAP SCREW	18		(A) 5/8" X 3-1/2"
	19H2233	CAP SCREW	17		(B) 5/8" X 3-1/2"
	R43370	SCREW	1		(B)
10	AR83526	HOUSING	1		(MARKED R35120) (SUB FOR AR35032) (NLA)
11	T25317	DOWEL PIN	2		
12	R35008	GASKET	1		
13	AR85311	SEAL	1		(SUB FOR R35735)
14	R44961	DOWEL PIN	3		
15	R46973	THRUST WASHER	6		(SUB FOR R35122)
16	R35003	NEEDLE ROLLER	75		
17	R35121	PINION	3		
18	R35004	SHAFT	3		
19	R42529	SHIM	1		
20	R35005	SNAP RING	1		
21	R61461	SHIM	AR		0.08MM (.003")
	R59439	SHIM	AR		0.13MM (.005")
	R59440	SHIM	AR		0.51MM (.020")
22	F2380R	WASHER	1		
23	R35337	PLANET PINION CARRIER	1		
24	R61771	RETAINER	1		(SUB FOR R46806)
25	R82175	CAP SCREW	1		1" X 2" HS, SAE 8, (SUB FOR R26011 OR R60032)
26	R35123	LOCK PLATE	1		
27	R35591	SHAFT	1		(SUB R114132)
..	R72232	BALL	1		AXLE SHIMMING LEAD, (SUB FOR AR94976)

(A) LESS DIFFERENTIAL LOCK

(B) DIFFERENTIAL LOCK

---

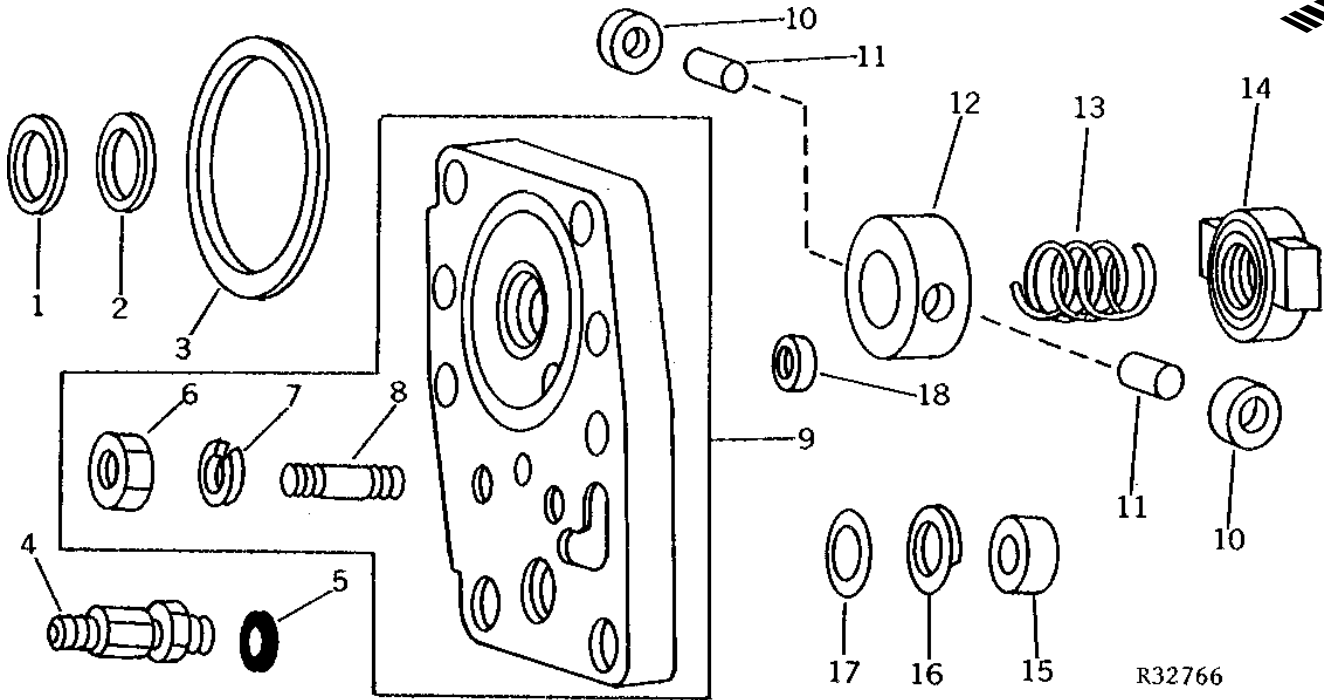
MEMORANDA

# 2C21

STEERING AND BRAKES

R32766 -UN-01JAN94

## STEERING VALVE CYLINDER COVER



R32766

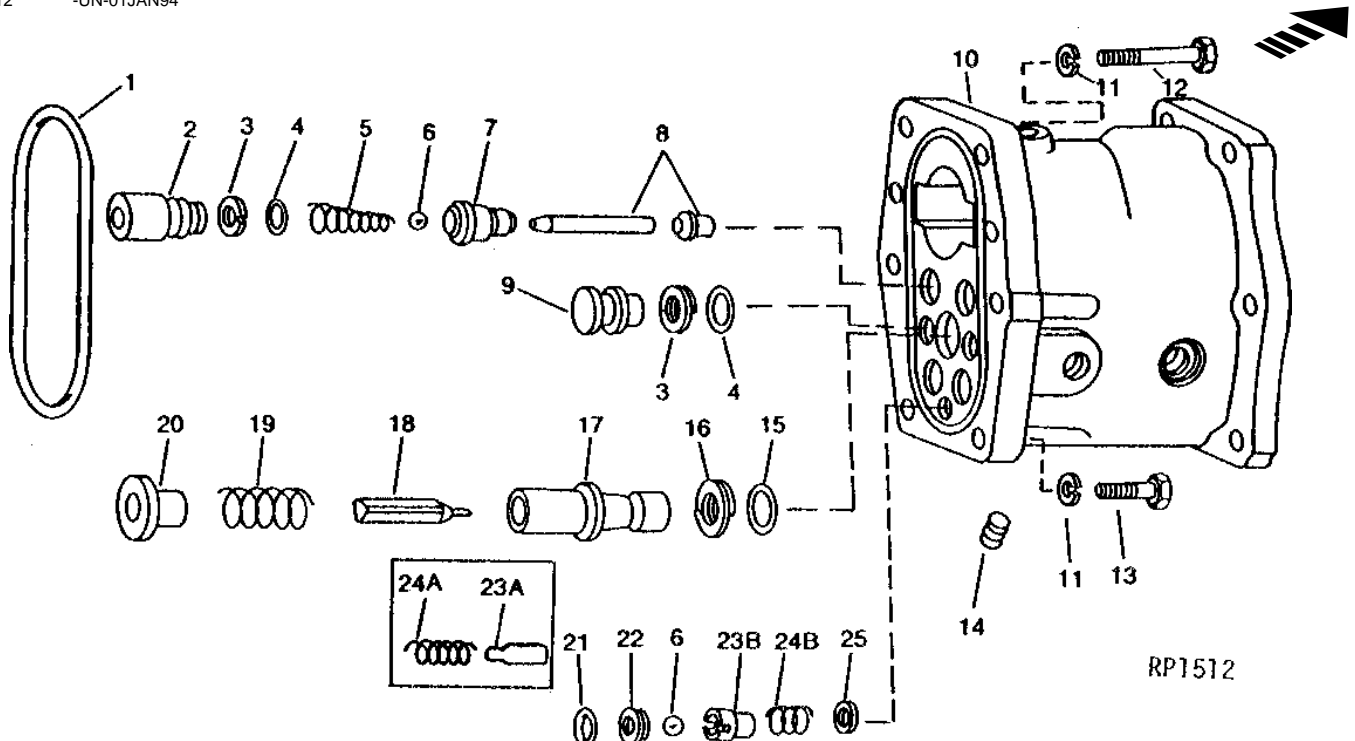
KEY	PART NO.	PART NAME	QTY	MODEL NO.	REMARKS
1	A3606R	O-RING	1		
2	R26441	BACK-UP RING	1		
3	.....	PACKING	1		(SUB AR67783)
4	R49018	FITTING	1		
5	R26286	O-RING	1		
6	14H1047	NUT	2	3SV2-	7/16"
7	12H293	LOCK WASHER	2	3SV2-	7/16"
8	R55183	STUD	2	3SV2-	(SUB FOR R45298)
9	AR44883	COVER	1	-3SV1	(MARKED R42707)
	AR47293	COVER	1	3SV2-	(MARKED R44845)
10	R26755	WASHER	2		
11	R27091	PIN	2		
12	R40149	LOCKING COLLAR	1		
13	R40531	SPRING	1		
14	R27089	NUT	1		
15	R34121	PISTON	1		
16	R26485	BACK-UP RING	1		
17	R495R	O-RING	1		
18	.....	PACKING	1		(SUB AR67783)
..	AR67783	O-RING KIT	1		O-RING (STEERING VALVE COVER TO CYLINDER) (SUB FOR AR42009)

# 2C22

STEERING AND BRAKES

RP1512 -UN-01JAN94

## STEERING VALVE



RP1512

KEY	PART NO.	PART NAME	QTY	MODEL NO.	REMARKS
1	R34733	WASHER	1		
2	R41724	PLUG	4		
3	R32588	BACK-UP RING	6		
4	R459R	O-RING	6		
5	R26565	SPRING	4		
6	400R	BALL	1		
7	R28124	VALVE	4		
8	AR49535	SHAFT	2		METERING
	AR49536	SHAFT	2		METERING
9	R34131	PLUG	2		
10	AR43809	HOUSING	1		(INCLUDES GUIDES AND METERING SHAFTS) (MARKED R34119, R43721, R43962 OR R45811) (SUB FOR AR43559)
11	12H301	LOCK WASHER	6		1/2"
12	19H1990	CAP SCREW	4		1/2" X 2-1/4" HS, SAE 8, (SUB FOR R48784)
13	R48785	CAP SCREW	2		
14	15H558	PIPE PLUG	1		1/8"
15	B2762R	O-RING	1		
16	R26546	BACK-UP RING	1		
17	R34123	VALVE SEAT	1		
18	R42661	SEAT	1		
19	R26151	SPRING	1		
20	R34122	STOP	1		
21	A4365R	O-RING	1		
22	R34129	BACK-UP RING	1		
23A	R34336	GUIDE	1	-3SV1	(USE WITH R34119 OR R43721)
23B	R44254	GUIDE	1	3SV2-	(USE WITH R43962 OR R45811)
24A	R26373	SPRING	1	-3SV1	(USE WITH R34119 OR R43721)
24B	R44256	SPRING	1	3SV2-	(USE WITH R43962 OR R45811)
25	R44255	WASHER	1	3SV2-	(USE WITH R43962 OR R45811)

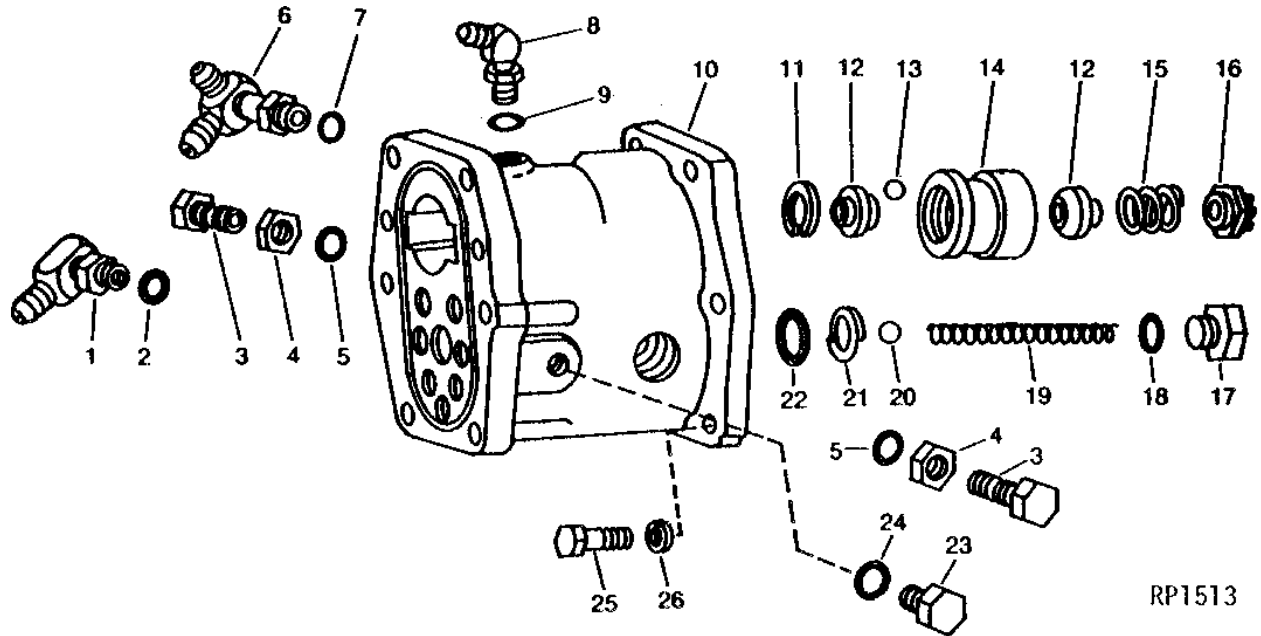


# 2C23

STEERING AND BRAKES

RP1513 -UN-01JAN94

## STEERING VALVE PARTS



RP1513

KEY	PART NO.	PART NAME	QTY	MODEL NO.	REMARKS
1	AT35121	ELBOW FITTING	1		(SUB FOR AR26725)
2	R26448	O-RING	1		
3	R40338	DRAIN PLUG	2		
4	R27296	NUT	2		
5	R26286	O-RING	2		
6	AR26767	TEE FITTING	1		(SELECTIVE CONTROL)
7	R26286	O-RING	1		
8	AR35223	ELBOW FITTING	1		
9	R26287	O-RING	1		
10	AR43809	HOUSING	1		(INCLUDES GUIDES AND METERING SHAFTS) (MARKED R34119, R43721, R43962 OR R45811) (SUB FOR AR43559)
11	R26425	SNAP RING	1		
12	R40595	BEARING RACE	2		
13	R26552	BALL	13		8 MM (5/16")
14	R40757	BUSHING	1		
15	R40596	SPRING	1		
16	R40597	LOCK NUT	1		
17	R39112	FITTING	1		
18	R26375	O-RING	1		
19	R31278	SPRING	1		
20	R42849	BALL	1		10 MM (3/8")
21	R30323	BACK-UP RING	1		
22	T12860	O-RING	1		
23	R27218	FITTING PLUG	1		
24	R26448	O-RING	1		
25	19H2552	CAP SCREW	6		3/8" X 1-1/8"
26	12H304	LOCK WASHER	6		3/8"

---

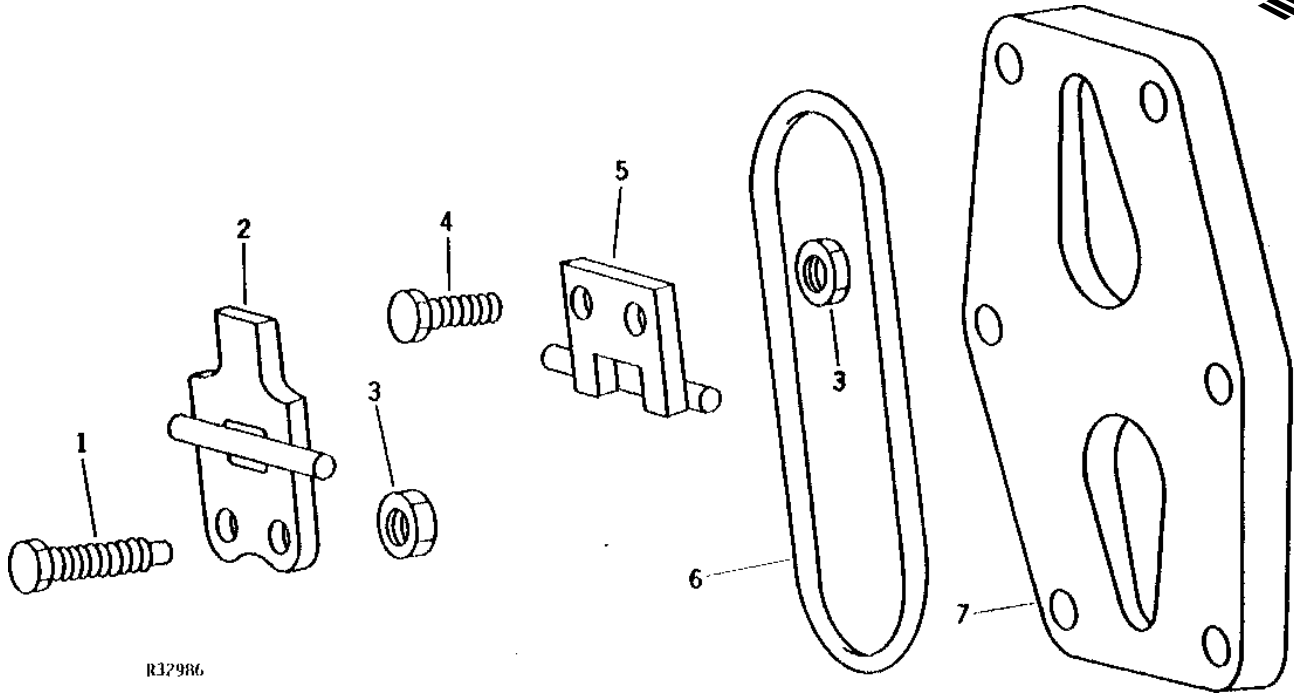
MEMORANDA

# 2C24

STEERING AND BRAKES

R32986 -UN-01JAN94

## STEERING VALVE COVER AND VALVE OPERATING LEVERS



R32986

KEY	PART NO.	PART NAME	QTY	MODEL NO.	REMARKS
1	R26554	SET SCREW	2		
2	AR26448	LEVER	1		
3	14H649	NUT	4	1/4"	
4	R31217	SCREW	2		(SUB FOR R26762, THIS APPLICATION)
5	AR26402	LEVER	1		
6	R34733	WASHER	1		
7	R57034	COVER	1		(SUB FOR R26553 OR R51748)

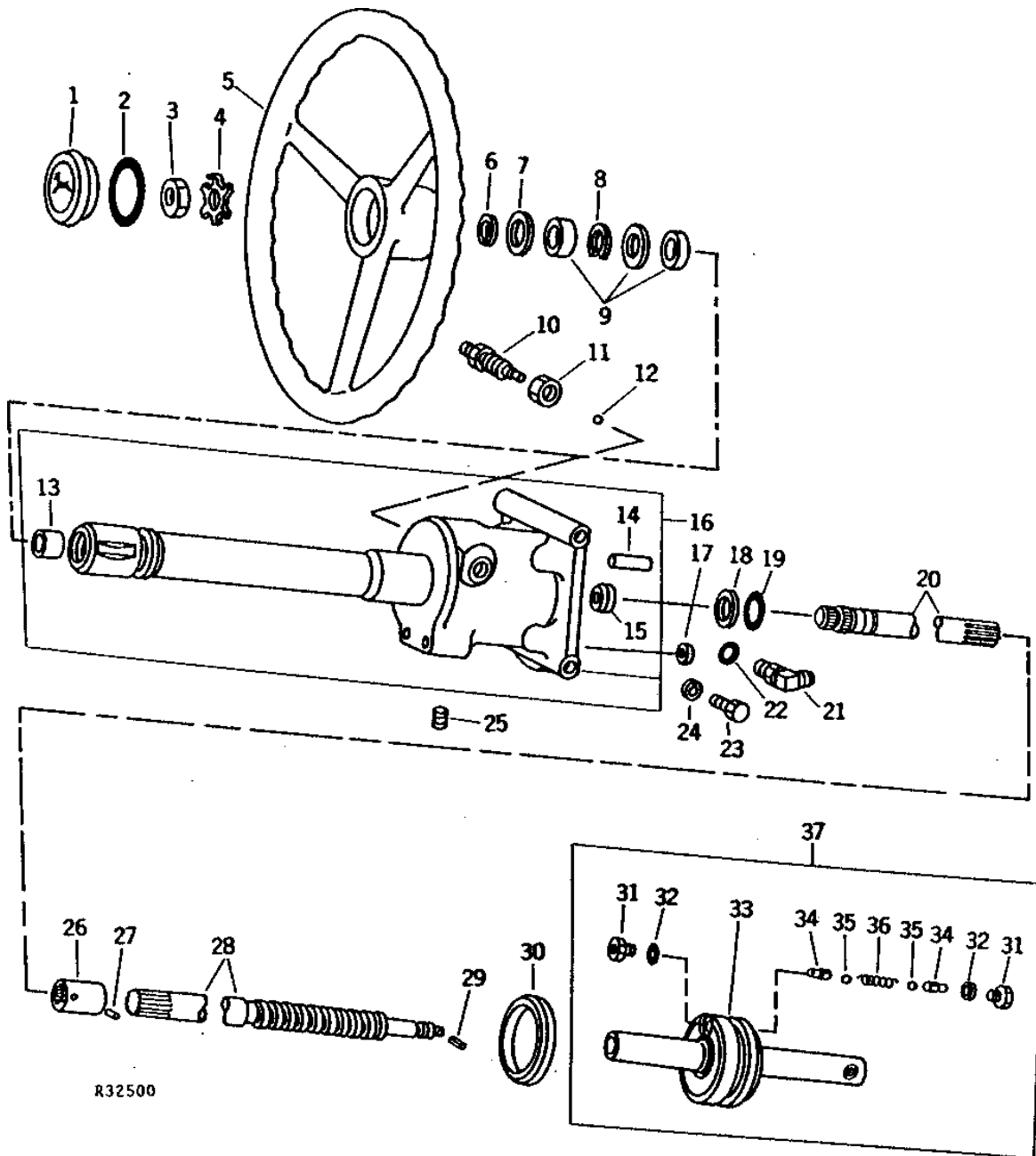
# 2D1

STEERING AND BRAKES

R32500

-UN-01JAN94

STEERING VALVE CYLINDER, SHAFT AND PISTON



# 2D2

## STEERING AND BRAKES

### STEERING VALVE CYLINDER, SHAFT AND PISTON - CONTINUED

KEY	PART NO.	PART NAME	QTY	MODEL NO.	REMARKS
1	R47998	CAP	1	(SUB FOR R45792)	
2	B3690R	O-RING	1		
3	14H904	NUT	1	3/4"	
4	T17148	LOCK WASHER	1		
5	AR26625	STEERING WHEEL	1		
6	B169R	SNAP RING	1		
7	R42629	WASHER	1		
8	R26933	SNAP RING	1		
9	AR34172	SEAL KIT	1		
10	R27299	SCREW	1		
11	R27453	NUT	1		
12	400R	BALL	1		
13	R27320	BUSHING	1		
14	R32186	DOWEL PIN	2		
15	R27087	WASHER	1		
16	AR47289	CYLINDER	1	(MARKED R45297)	
17	.....	SEAL	1	(SUB AR67783)	
18	R26441	BACK-UP RING	1		
19	A3606R	O-RING	1		
20	R37426	SHAFT	1	(SUB R73737)	
21	AT35121	ELBOW FITTING	1	(SUB FOR AR26725)	
22	R26448	O-RING	1		
23	19H1732	CAP SCREW	4	3/8" X 1-1/4"	
24	12H304	LOCK WASHER	4	3/8"	
25	15H558	PIPE PLUG	1	1/8"	
26	R27319	SPLINED COUPLING	1		
27	34H282	SPRING PIN	1	3/16" X 1"	
28	R34125	SHAFT	1		
29	11M7081	COTTER PIN	1	0.098" X 0.787"	
30	R40567	WASHER	1		
31	R31202	VALVE	2		
32	R26287	O-RING	2		
33	AR30298	PISTON	1	(SUB AR30297)	
34	R31201	SHAFT	2		
35	H871R	BALL	2		
36	A4816R	SPRING	1		
37	AR30297	PISTON	1		
..	AR67783	O-RING KIT	1	O-RING (STEERING VALVE CYLINDER TO COVER) (SUB FOR AR42009)	

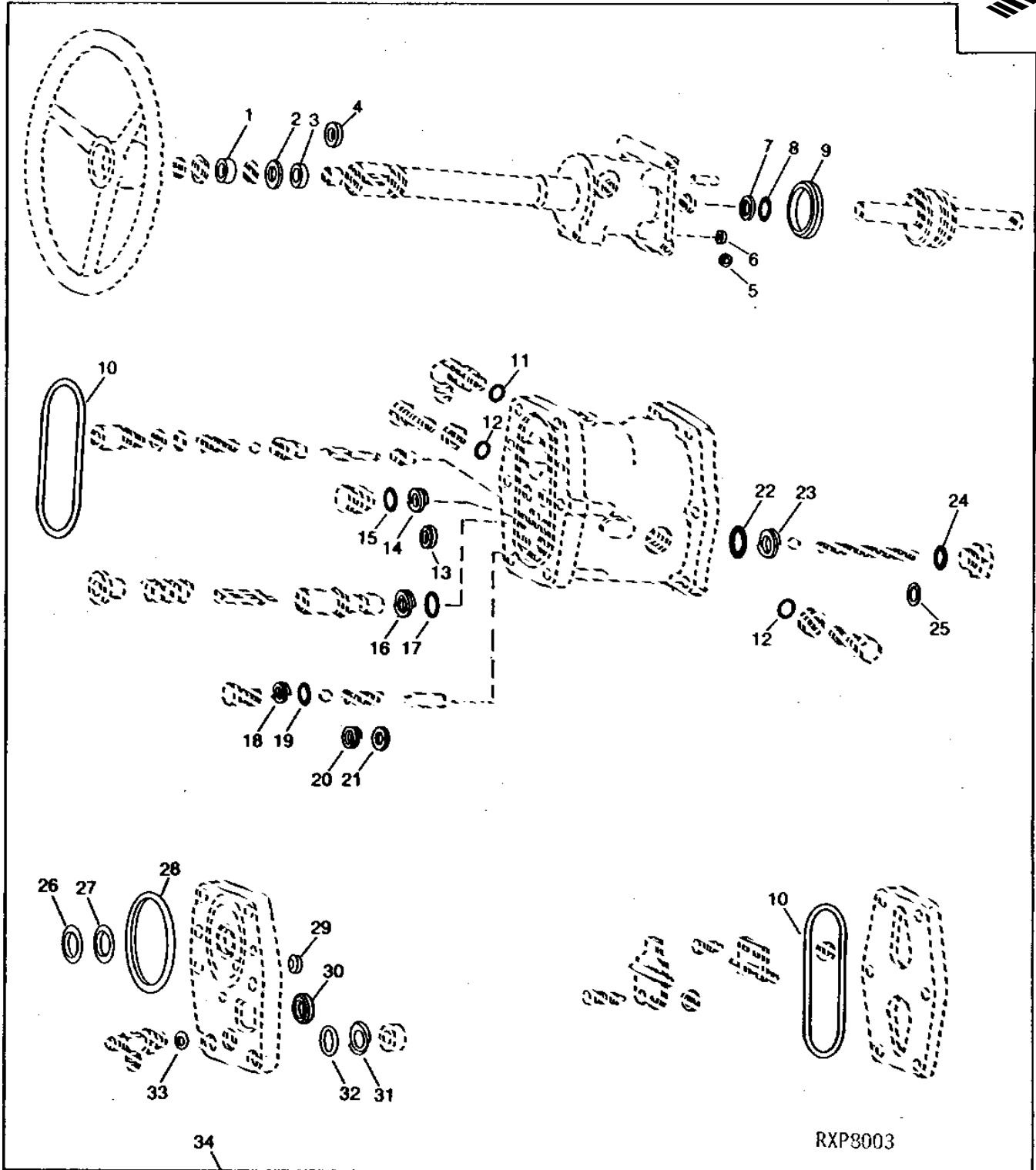
# 2D3

STEERING AND BRAKES

RXP8003

-UN-01JAN94

## STEERING VALVE CYLINDER OVERHAUL KIT



# 2D4

STEERING AND BRAKES

## STEERING VALVE CYLINDER OVERHAUL KIT - CONTINUED

KEY	PART NO.	PART NAME	QTY	TRACTOR SERIAL NO.	REMARKS
1	R72858	SEAL	1		
2	R32731	WASHER	1		
3	R72858	SEAL	1		
4	R54063	SEAL	1	(A)	
5	R26448	O-RING	2		
6	AR67783	O-RING KIT	1		
7	R26441	BACK-UP RING	1		
8	A3606R	O-RING	2		
9	R40567	WASHER	1		
10	R34733	WASHER	2		
11	R26286	O-RING	1		
12	R26286	O-RING	2		
13	R31488	WASHER	2	(A)	
14	R459R	O-RING	6		
15	R32588	BACK-UP RING	6		
16	R26546	BACK-UP RING	2		
17	B2762R	O-RING	2		
18	R34129	BACK-UP RING	1		
19	A4365R	O-RING	1		
20	R26551	BACK-UP RING	1	(A)	
21	R394R	O-RING	1		
22	P48347	O-RING	1	(SUB FOR R34404)	
23	R30323	BACK-UP RING	1		
24	R26375	O-RING	1		
25	R26547	WASHER	2	(A)	
26	A3606R	O-RING	2		
27	R26441	BACK-UP RING	1		
28	AR67783	O-RING KIT	1		
29	AR67783	O-RING KIT	1		
30	R31489	WASHER	1	(A)	
31	R47694	BACK-UP RING	1		
32	R26485	BACK-UP RING	1	(A)	
32	R495R	O-RING	1		
33	R26286	O-RING	1		
34	AR39585	KIT	1	(A)	

(A) EARLY DESIGN

---

MEMORANDA

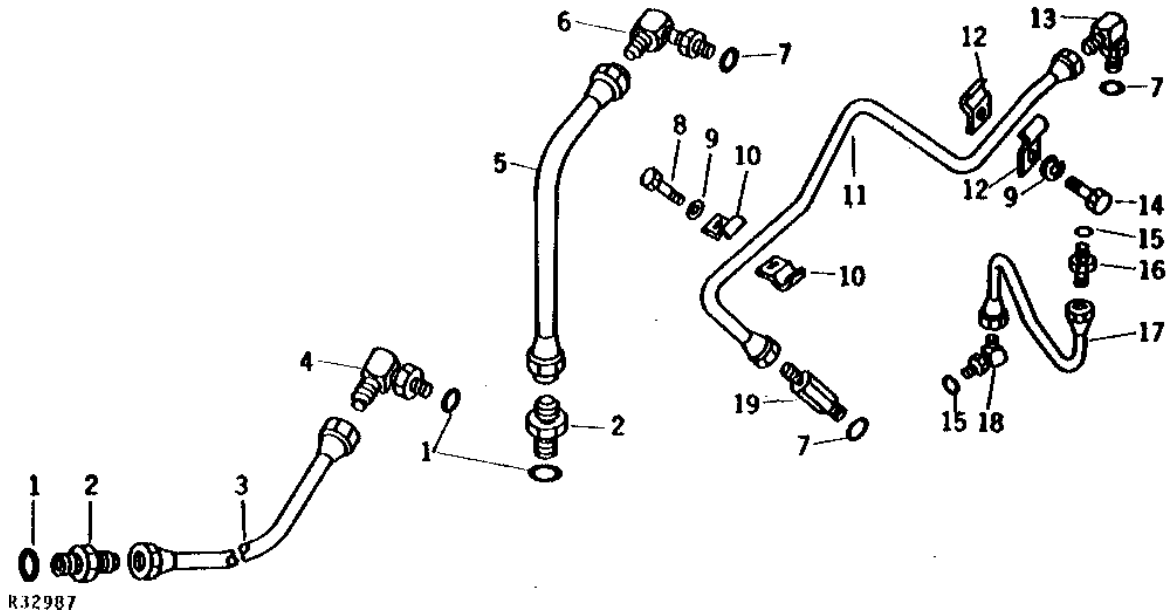


# 2D5

STEERING AND BRAKES

R32987 -UN-01JAN94

## STEERING VALVE OIL PRESSURE, OIL RETURN, AND OIL BLEED LINES



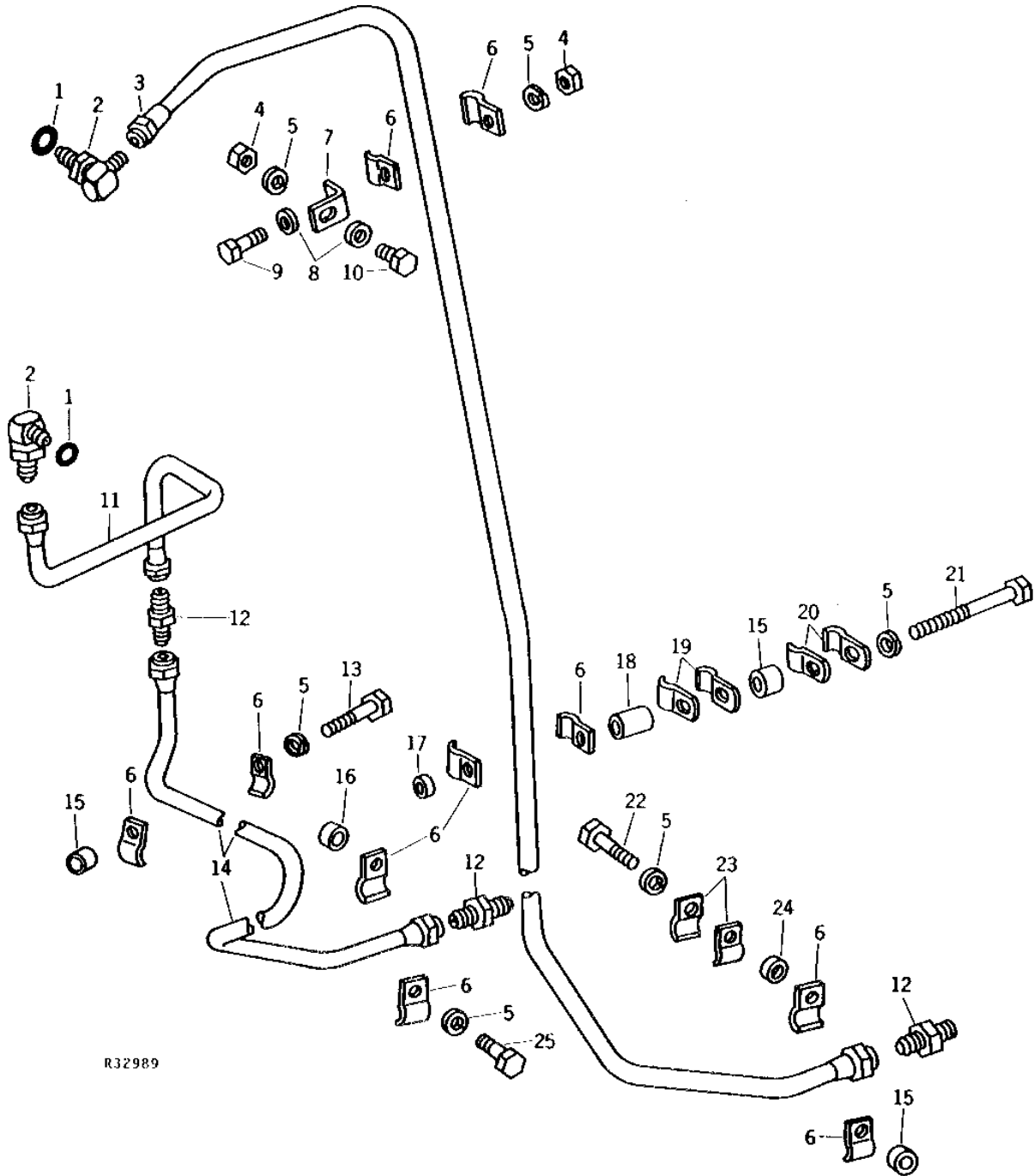
KEY	PART NO.	PART NAME	QTY	TRACTOR SERIAL NO.	REMARKS
1	R26375	O-RING	3		
2	R27237	FITTING	2		
3	AR51429	HYDRAULIC LINE	1		RETURN, LOWER (STEERING VALVE TO OIL FILTER)
4	AT32332	ELBOW FITTING	1		(SUB FOR AR26763)
5	AR35243	HYDRAULIC LINE	1		RETURN, UPPER (STEERING VALVE TO OIL FILTER) (NLA)
6	AT32334	FITTING	1		(LESS SELECTIVE CONTROL) (SUB FOR AR26773)
	AR26767	TEE FITTING	1		(SINGLE OR DUAL SELECTIVE CONTROL)
7	R26286	O-RING	3		
8	19H1731	CAP SCREW	1	3/8" X 1"	
9	12H304	LOCK WASHER	2	3/8"	
10	R42357	CLAMP	2		
11	AR31988	HYDRAULIC LINE	1		(PRESSURE CONTROL VALVE TO STEERING VALVE)
12	R27720	CLAMP	2		
13	AT32333	ELBOW FITTING	1		(SUB FOR AR26771)
14	19H1936	CAP SCREW	1	3/8" X 3/4"	
15	R26287	O-RING	2		
16	R27527	ADAPTER	1		
17	AR44632	HYDRAULIC LINE	1		BLEED
18	AR35223	ELBOW FITTING	1		
19	R49018	FITTING	1		

# 2D6

STEERING AND BRAKES

R32989 -UN-01JAN94

## STEERING OIL LINES (REAR)



R32989

# 2D7

STEERING AND BRAKES

## STEERING OIL LINES - CONTINUED (REAR)

KEY	PART NO.	PART NAME	QTY	TRACTOR SERIAL NO.	REMARKS
1	R26448	O-RING	2		
2	AT35121	ELBOW FITTING	2		(SUB FOR AR26725)
3	AR35207	HYDRAULIC LINE	1		(A) R.H. REAR
4	14H1076	NUT	2		3/8"
5	12H304	LOCK WASHER	6		3/8"
6	R27720	CLAMP	10		
7	R36300	ANGLE	1		
8	24H1305	WASHER	2		13/32" X 13/16" X 0.065"
9	19H2552	CAP SCREW	1		3/8" X 1-1/8"
10	19H2284	CAP SCREW	1		3/8" X 7/8"
11	AR35208	HYDRAULIC LINE	1		(A) L.H. REAR, (NLA)
12	R27095	FITTING	3		
13	19H1765	CAP SCREW	1		3/8" X 1-3/4"
14	AR35209	HYDRAULIC LINE	1		(A) L.H. CENTER
15	28H1697	SPACER	2		3/8" X 3/4"
16	A4669R	BUSHING	2		
17	R28040	WASHER	1		
18	28H1527	SPACER	1		3/8" X 1-3/8"
19	R35726	CLAMP	2		
20	R35726	CLAMP	2		
21	19H1912	CAP SCREW	1		3/8" X 3-1/2"
22	19H1179	CAP SCREW	1		3/8" X 1-3/4"
23	R42357	CLAMP	2		
24	28H1519	WASHER	1		0.493" X 0.675" X 3/8"
25	19H2552	CAP SCREW	1		3/8" X 1-1/8"

(A) STEERING VALVE TO STEERING CYLINDER

---

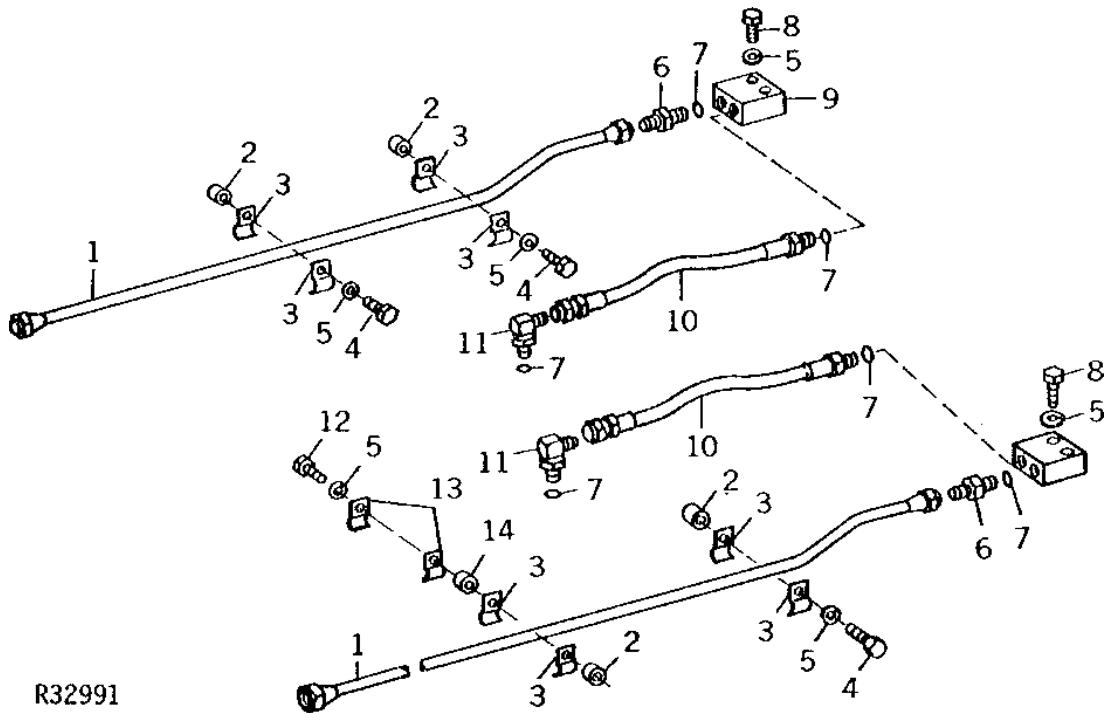
MEMORANDA

# 2D8

STEERING AND BRAKES

## STEERING OIL LINES (FRONT)

R32991 -UN-01JAN94



R32991

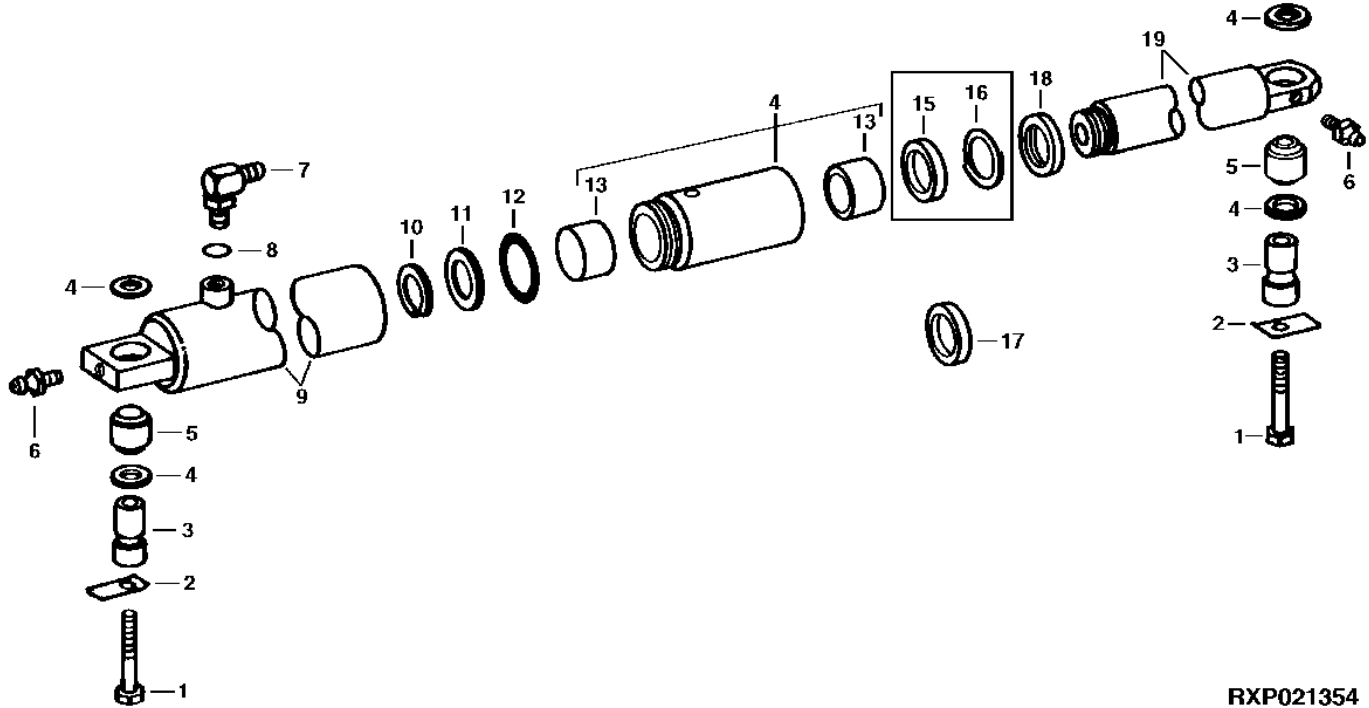
KEY	PART NO.	PART NAME	QTY	TRACTOR SERIAL NO.	REMARKS
1	AR35210	LINE	2		STEERING VALVE TO STEERING CYLINDER
2	A4669R	BUSHING	4		(SUB FOR B1828R)
3	R27720	CLAMP	8		
4	19H2552	CAP SCREW	8	3/8" X 1-1/8"	
5	12H304	LOCK WASHER	8	3/8"	
6	R27212	FITTING	2		
7	R26448	O-RING	6		
8	19H1936	CAP SCREW	4	3/8" X 3/4"	
9	AR36243	ADAPTER	2		
	15H588	PIPE PLUG	2	1/8"	
10	R32319	HYDRAULIC HOSE	2		
11	AT35121	ELBOW FITTING	2	(SUB FOR AR26725)	
12	19H1765	CAP SCREW	1	3/8" X 1-3/4"	
13	R27720	CLAMP	2		
14	28H1519	WASHER	1	0.493" X 0.675" X 3/8"	

# 2D9

STEERING AND BRAKES

RXP021354 -UN-26OCT95

## STEERING CYLINDER



RXP021354

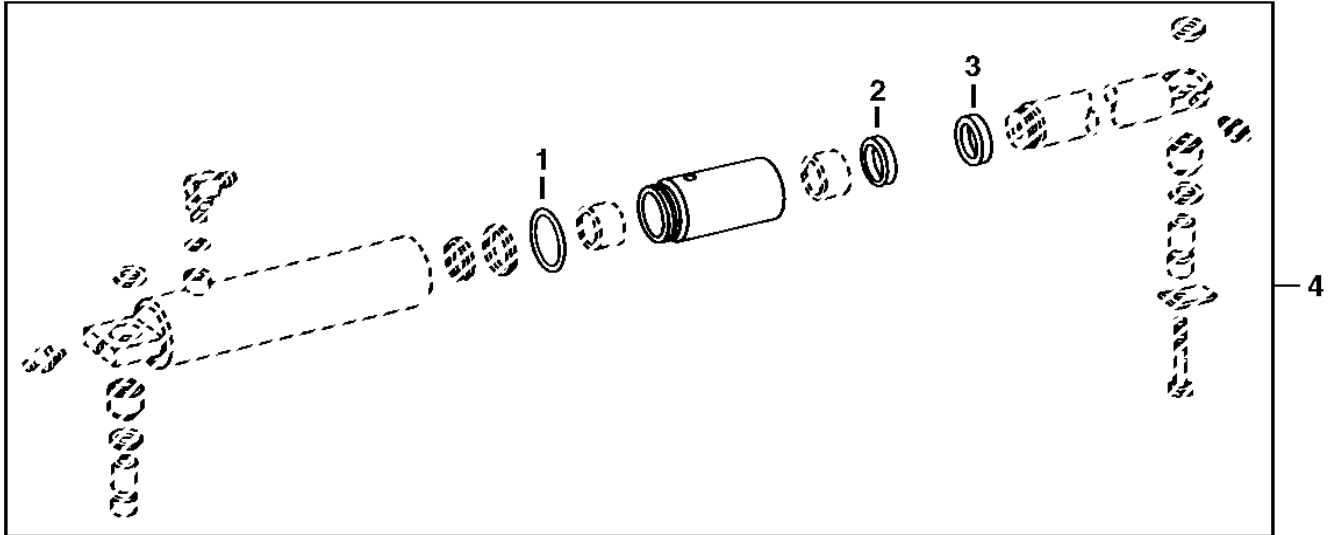
KEY	PART NO.	PART NAME	QTY	TRACTOR SERIAL NO.	REMARKS
1	19H1733	CAP SCREW	2	3/8" X 2-1/2"	
2	R30920	PLATE	2		
3	R30917	PIN	2	(SUB R76513)	
4	24H448	WASHER	4	25/32" X 1-1/8" X 0.090"	
5	AR30016	BUSHING	2		
6	JD7759	LUBRICATION FITTING	2		
7	AT35121	ELBOW FITTING	1	(SUB FOR AR26725)	
8	R26448	O-RING	1		
9	AR30166	CYLINDER	1		
10	A562R	SNAP RING	1		
11	24H1522	WASHER	1	1-33/64" X 1-7/8" X 0.120", (NLA)	
12	R30916	O-RING	1		
13	R30912	BUSHING	2		
14	AR30017	EXTENSION	1		
15	R30913	SEAL	1	(SUB R77413)	
16	R46410	WASHER	1	(SUB R77413)	
17	R77413	SEAL	1		
18	AR30018	SEAL	1		
19	AR30019	PISTON	1		

# 2D10

STEERING AND BRAKES

RXP021355 -UN-26OCT95

## STEERING CYLINDER OVERHAUL KIT



**RXP021355**

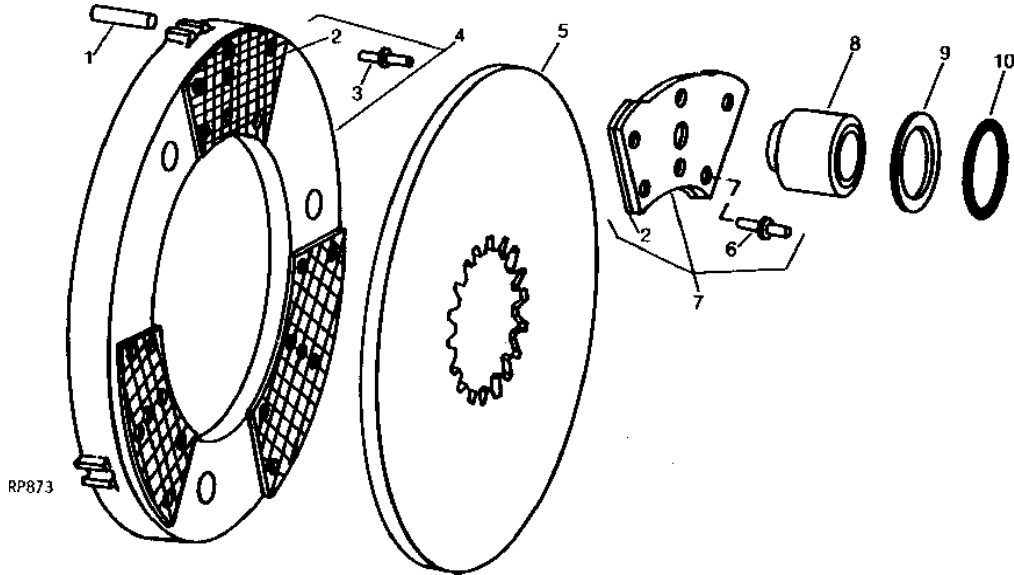
KEY	PART NO.	PART NAME	QTY	TRACTOR SERIAL NO.	REMARKS
1	R30916	O-RING	1		
2	R77413	SEAL	1		
3	AR30018	SEAL	1		
4	AR31944	KIT	1		

# 2D11

STEERING AND BRAKES

RP873 -UN-06OCT94

## BRAKE PLATES AND FACINGS



KEY	PART NO.	PART NAME	QTY	TRACTOR SERIAL NO.	REMARKS
1	R44961	DOWEL PIN	6		
2	R90086	BRAKE SHOE	12		(SUB FOR AR28488) (SUB (3) R110464)
3	D2593R	RIVET	18		43/64"
	R35183	RIVET	18		1-1/2"
4	AR35045	PLATE	2		(MARKED R35182) (SUB RE46341 AND (3) RE46331)
5	R35184	BRAKE DISK	2		
6	D1761R	RIVET	36		31/64"
7	AR35580	PLATE	2		(SET OF 3) (SUB FOR AR35646) (SUB RE46341 AND (3) RE46331)
8	R48240	PISTON	6	-030000	(SUB FOR R42411)
	R46674	PISTON	6	030001-	
9	R26364	WASHER	6	-030000	
	R46673	WASHER	6	030001-	
10	R26863	O-RING	6	-030000	
	A4728R	O-RING	6	030001-	

NOTE: TWO-PART SUBS ARE DUE TO INTRODUCTION OF NON-ASBESTOS LININGS. (SEE FOLLOWING PAGE)

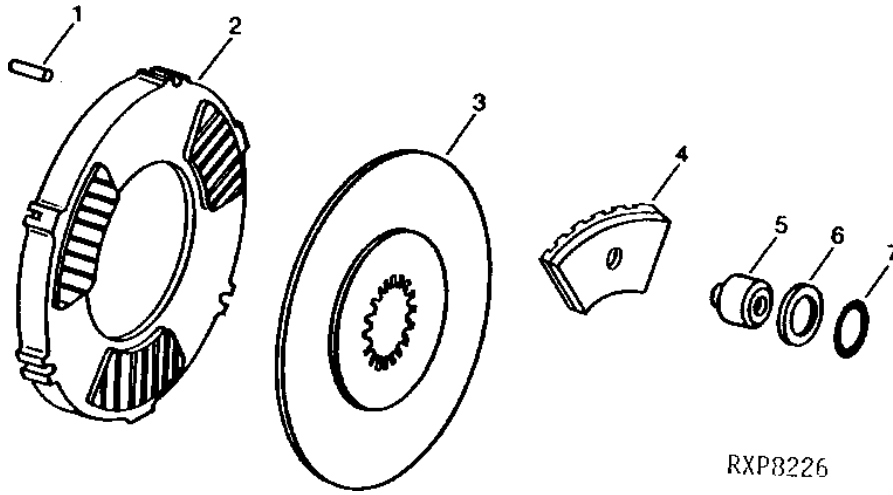


# 2D12

STEERING AND BRAKES

RXP8226 -UN-01JAN94

## BRAKE PLATES AND FACINGS



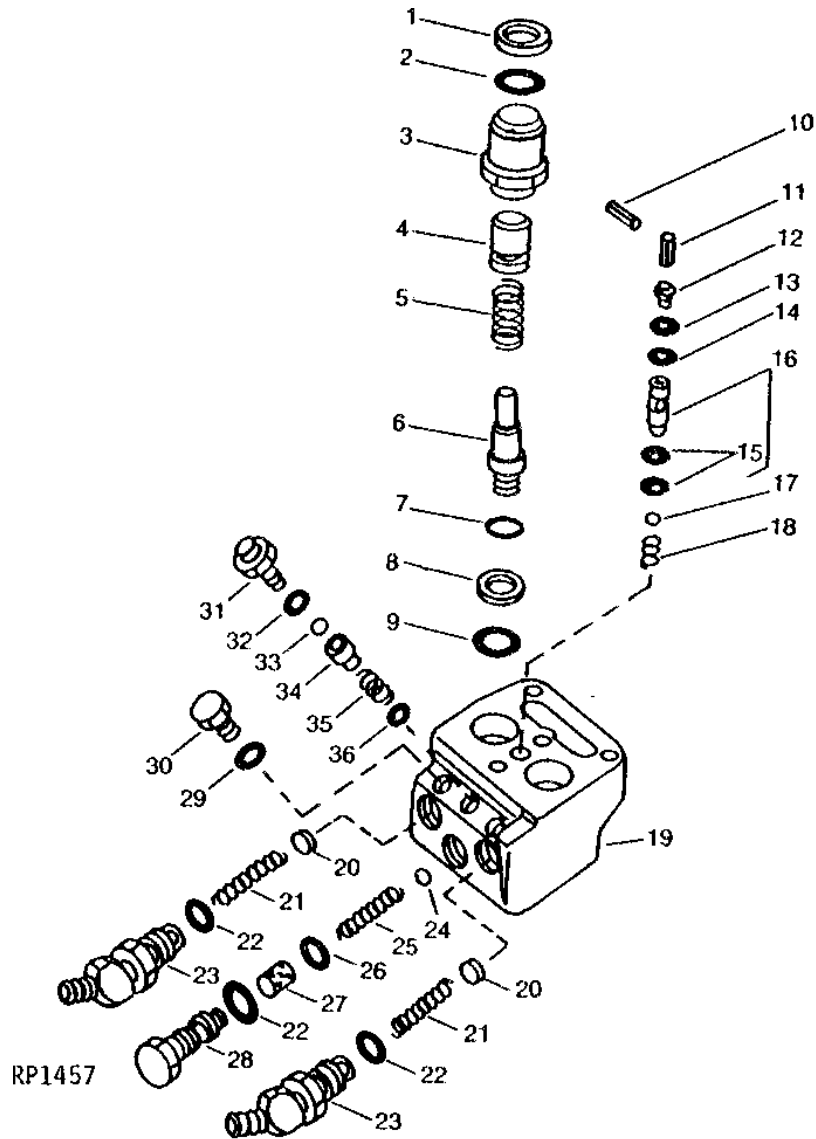
RXP8226

KEY	PART NO.	PART NAME	QTY	TRACTOR SERIAL NO.	REMARKS
1	R44961	DOWEL PIN	6		
2	RE38797	PLATE	2		(MARKED R44837) (SUB RE46341)
3	R35184	BRAKE DISK	2		
4	RE32942	PLATE	6		(SUB RE46331)
5	R46674	PISTON	6		
6	R46673	WASHER	6		
7	A4728R	O-RING	6		

# 2D13

RP1457 -UN-01JAN94

## BRAKE VALVE



# 2D14

STEERING AND BRAKES

## BRAKE VALVE - CONTINUED

KEY	PART NO.	PART NAME	QTY	TRACTOR SERIAL NO.	REMARKS
1	R32092	WASHER	2		
2	R459R	O-RING	2		
3	R32091	PISTON	2		MANUAL BRAKE
4	R32090	PLUNGER	2		
5	R26369	SPRING	2		
6	AR52497	VALVE	2		(SUB FOR AR46146 OR AR47805)
7	R26286	O-RING	2		
8	R27137	BACK-UP RING	2		
9	R27149	O-RING	2		
10	R31464	PIN	2		
11	R31467	PIN	2		EQUALIZING VALVE
12	R31465	SLEEVE	2		
13	R31469	SHIM	2		
14	R31468	O-RING	2		
15	R30903	O-RING	4		
16	AR31016	GUIDE	2		
17	400R	BALL	2		
18	A4816R	SPRING	2		
19	AR42400	HOUSING	1		(MARKED R31454, R67313 OR R42007)
20	R26376	DISK	2		
21	R227R	SPRING	2		
22	R26375	O-RING	3		
23	AR43167	ELBOW FITTING	2		
24	R42849	BALL	1		
25	R26372	SPRING	1		
26	R28776	O-RING	1		
27	R42684	STRAINER	1		
28	R28774	FITTING	1		
29	R26287	O-RING	2		(USE WITH R31454)
30	R27216	DRAIN PLUG	2		(USE WITH R31454) (SUB FOR R31631)
31	R36742	COUPLING	1		
32	R26287	O-RING	1		
33	400R	BALL	1		
34	R44254	GUIDE	1		
35	R44256	SPRING	1		
36	R44255	WASHER	1		

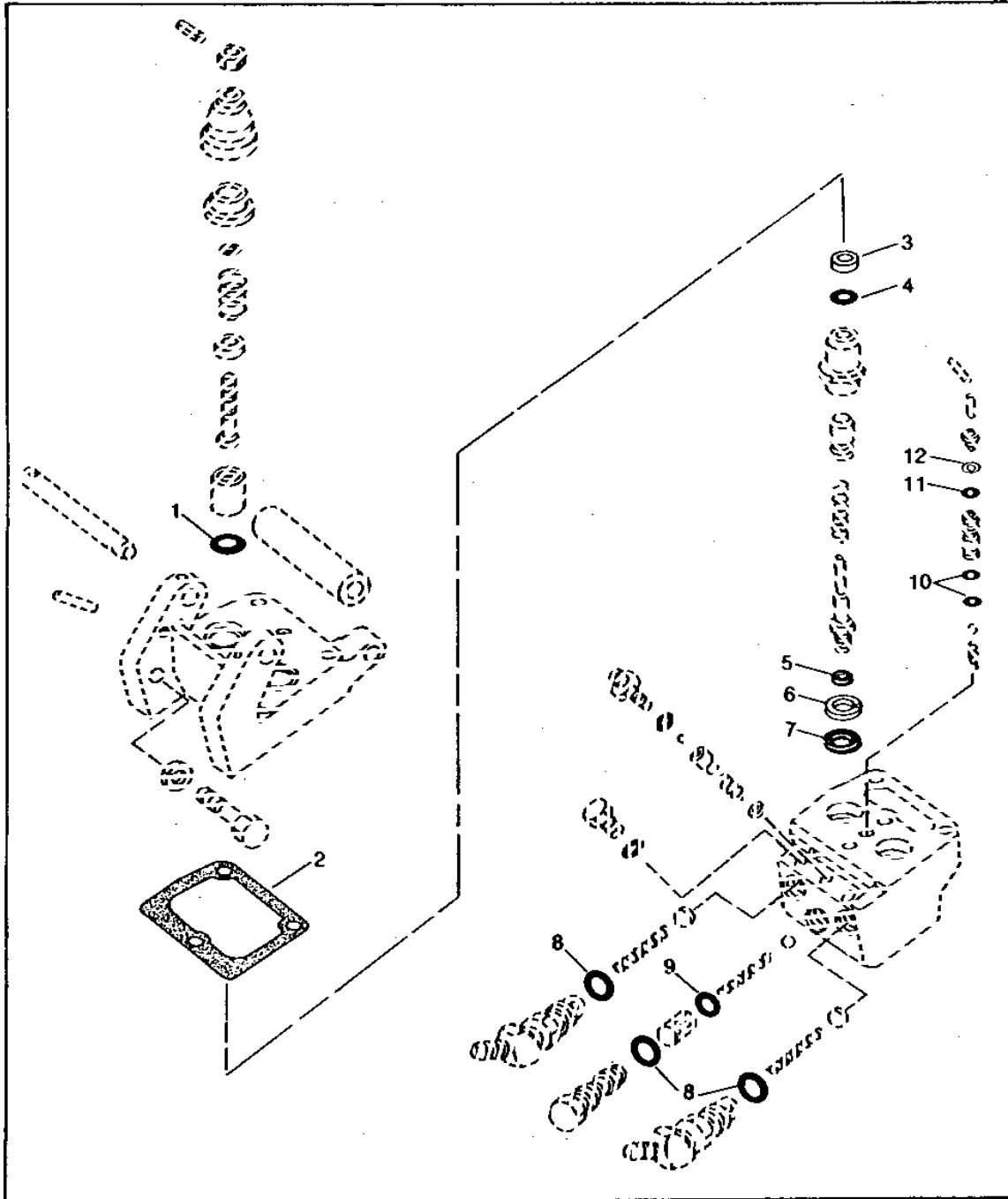
# 2D15

STEERING AND BRAKES

RXP8301

-UN-01JAN94

BRAKE VALVE OVERHAUL KIT



RXP8301

# 2D16

STEERING AND BRAKES

## BRAKE VALVE OVERHAUL KIT - CONTINUED

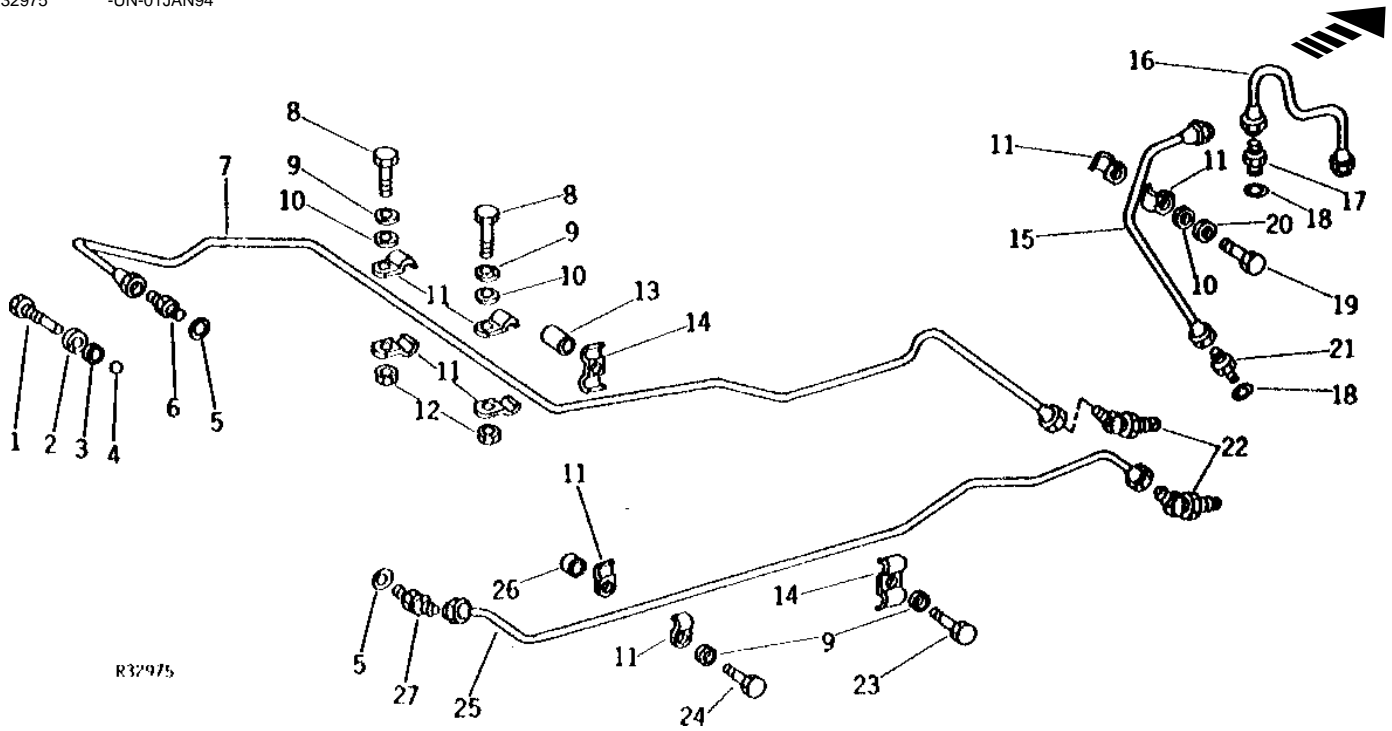
KEY	PART NO.	PART NAME	QTY	TRACTOR SERIAL NO.	REMARKS
1	A3606R	O-RING	2		
2	R31455	GASKET	1		
3	R32092	WASHER	2		PAPER
4	R459R	O-RING	2		
5	R26286	O-RING	2		
6	R27137	BACK-UP RING	2		
7	R27149	O-RING	2		
8	R26375	O-RING	3		
9	R28776	O-RING	1		
10	R30903	O-RING	4		
11	R31468	O-RING	2		
12	R31469	SHIM	2		
13	AR31946	KIT	1		BRAKE OVERHAUL

# 2D17

STEERING AND BRAKES

R32975 -UN-01JAN94

## BRAKE OIL LINES



R32975

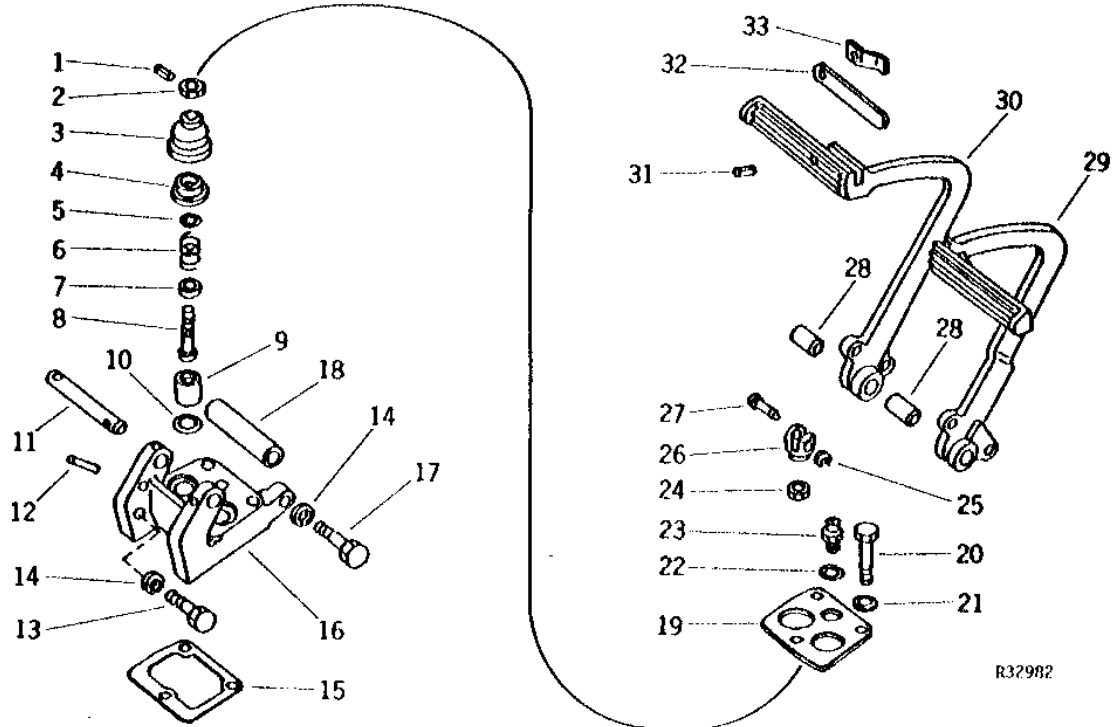
KEY	PART NO.	PART NAME	QTY	TRACTOR SERIAL NO.	REMARKS
1	R27906	SCREW	2		BLEED
2	R27296	NUT	2		
3	R26286	O-RING	2		
4	R42849	BALL	2		
5	R26286	O-RING	2		
6	R27272	FITTING	1		
7	AR47190	HYDRAULIC LINE	1		
8	19H1765	CAP SCREW	2	3/8" X 1-3/4"	
9	12H304	LOCK WASHER	4	3/8"	
10	24H1136	WASHER	5	11/32" X 11/16" X 0.065"	
11	R42357	CLAMP	8		
12	28H3381	SPACER	2	3/8" X 5/8"	
13	28H1496	SPACER	1	3/8" X 1-1/8"	
14	R42009	CLAMP	2		
15	AR47188	HYDRAULIC LINE	1		PRESSURE
16	AR35235	HYDRAULIC LINE	1		RETURN
17	R27527	ADAPTER	1		(SUB FOR R27139)
18	R26287	O-RING	2		
19	19H1905	CAP SCREW	1	5/16" X 1"	
20	12H303	LOCK WASHER	1	5/16"	
21	R36742	COUPLING	1		
22	AR43167	ELBOW FITTING	2		
23	19H1801	CAP SCREW	1	3/8" X 2"	
24	19H1944	CAP SCREW	1	3/8" X 2-3/4"	
25	AR47189	HYDRAULIC LINE	1		
26	28H1530	BUSHING	1	3/8" X 1-13/16"	
27	AT58895	ELBOW FITTING	1		(SUB FOR AR46095)

# 2D18

STEERING AND BRAKES

R32982 -UN-01JAN94

## BRAKE PEDALS AND BRACKET



R32982

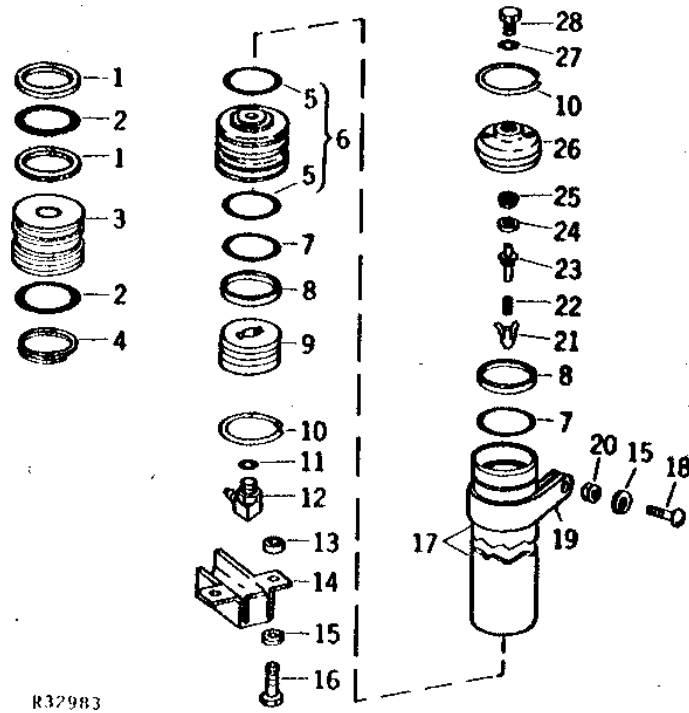
KEY	PART NO.	PART NAME	QTY	TRACTOR SERIAL NO.	REMARKS
1	34H245	SPRING PIN	2		1/8" X 5/8"
2	R39982	NUT	2		
3	R54059	BOOT	2		(SUB FOR R39981)
4	R31459	RETAINER	2		
5	R30903	O-RING	2		
6	R31271	SPRING	2		
7	R52168	STOP	2		(SUB FOR R31458)
8	R39980	BOLT	2		
9	R52169	GUIDE	2		(SUB FOR R31457)
10	A3606R	O-RING	2		
11	R34747	GROOVE PIN	1	-026650	
	R45929	GROOVE PIN	1	026651-	
12	34H252	SPRING PIN	1	-026650	1/8" X 1-1/4"
	34H286	SPRING PIN	1	026651-	3/16" X 1-1/2"
13	19H2550	CAP SCREW	1		1/2" X 1-5/8"
14	12H301	LOCK WASHER	2		1/2"
15	R31455	GASKET	1		
16	R57815	BRACKET	1		(SUB FOR R45928)
	12H301	LOCK WASHER	1		1/2"
17	19H2211	CAP SCREW	1		1/2" X 5"
18	R35614	SPACER	1		
19	R26384	RETAINER	1		
20	19H1733	CAP SCREW	3		3/8" X 2-1/2"
21	12H304	LOCK WASHER	3		3/8"
22	R26287	O-RING	1		
23	R27527	ADAPTER	1		
24	14H732	NUT	2		3/8"
25	R26386	SNAP RING	2		
26	R31273	YOKE	2		
27	R26385	PIN	2		
28	B177R	BUSHING	2		
29	AR36279	PEDAL	1		(MARKED R36915)
30	AR36280	PEDAL	1		(MARKED R36916)
31	34H313	SPRING PIN	1		1/4" X 1-1/8"
32	R63754	ANGLE	1		(SUB FOR R32376 OR R50879)
33	R50034	LEAF SPRING	1		(SUB FOR R31602)

# 2D19

STEERING AND BRAKES

R32983 -UN-01JAN94

## ACCUMULATOR



R32983

KEY	PART NO.	PART NAME	QTY	SERIAL OR MODEL NO.	REMARKS
1	L29015	BACK-UP RING	2	1HA4-	
2	A4728R	O-RING	2	1HA4-	
3	R57103	PISTON	1	1HA4-	(SUB FOR AL23523)
4	R27649	BACK-UP RING	1	1HA4-	
5	A4728R	O-RING	2	-1HA3	(USE WITH R48952)
	R35680	SEAL	1	-XXXXXX	
6	AR55711	PISTON	1	-1HA3	(MARKED R49345) (SUB FOR R48952) (SUB R57103, R27649, (2) A4728R AND (2) L29015)
7	U12331	O-RING	2	027749-	
8	R35684	BACK-UP RING	2	027749-	
9	R47200	CAP	1		(ALSO ORDER (2) A4728R, (2) L29015, R27649 AND R57103) (SUB FOR R35681) (NLA)
10	U10136	SNAP RING	2		
11	R26287	O-RING	1		
12	AT32336	ELBOW FITTING	1		
13	B3682R	WASHER	2		
14	R45236	SHIELD	1		
15	12H304	LOCK WASHER	3		3/8"
16	19H2552	CAP SCREW	2		3/8" X 1-1/8"
17	AR49446	CYLINDER	1	-027748	(SUB FOR AR46060) (SUB R77866, R48957, R60038, R41877, R47085, R47086, R47087, R35684, U10136 AND U12331)
	R46986	HYDRAULIC CYLINDER BARREL	1	027749-	(SUB R77866)
18	03H1480	BOLT	1		3/8" X 1-1/4"
19	R35794	CLAMP	1		
20	14H1076	NUT	1		3/8"
21	R41877	GUIDE	1		
22	R26373	SPRING	1	-027748	
	R47086	SPRING	1	027749-	
23	R44252	VALVE	1	-027748	
	R47085	VALVE	1	027749-	
24	R60038	PACKING	1		(SUB FOR R26760)
25	R47087	WASHER	1	027749-	
26	R48957	END	1	027749-	(SUB FOR R46988)
27	R26286	O-RING	1		
28	R27094	DRAIN PLUG	1		

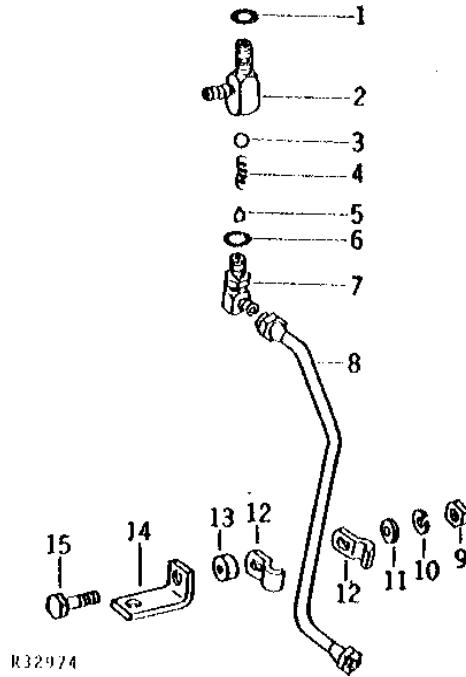


# 2D20

STEERING AND BRAKES

R32974 -UN-01JAN94

## BRAKE ACCUMULATOR CHECK VALVE AND OIL LINE



KEY	PART NO.	PART NAME	QTY	TRACTOR SERIAL NO.	REMARKS
1	R26286	O-RING	1		
2	AR47191	HOUSING	1		CHECK VALVE
3	400R	BALL	1		
4	R26373	SPRING	1		
5	R26374	STOP	1		
6	R26287	O-RING	1		
7	AT32336	ELBOW FITTING	1		(SUB FOR AR36105)
8	AR47193	HYDRAULIC LINE	1		
9	14H785	NUT	1		5/16"
10	12H303	LOCK WASHER	1		5/16"
11	24M7096	WASHER	1		10.500 X 18 X 1.600 MM
12	R42357	CLAMP	2		
13	28H1862	WASHER	1		0.493" X 0.675" X 7/32"
14	R40049	ANGLE	1		
15	19H1905	CAP SCREW	1		5/16" X 1"

---

MEMORANDA

# 2E4

HYDRAULICS

R32261 -UN-01JAN94

TRANSMISSION AND HYDRAULIC OIL



R32261F

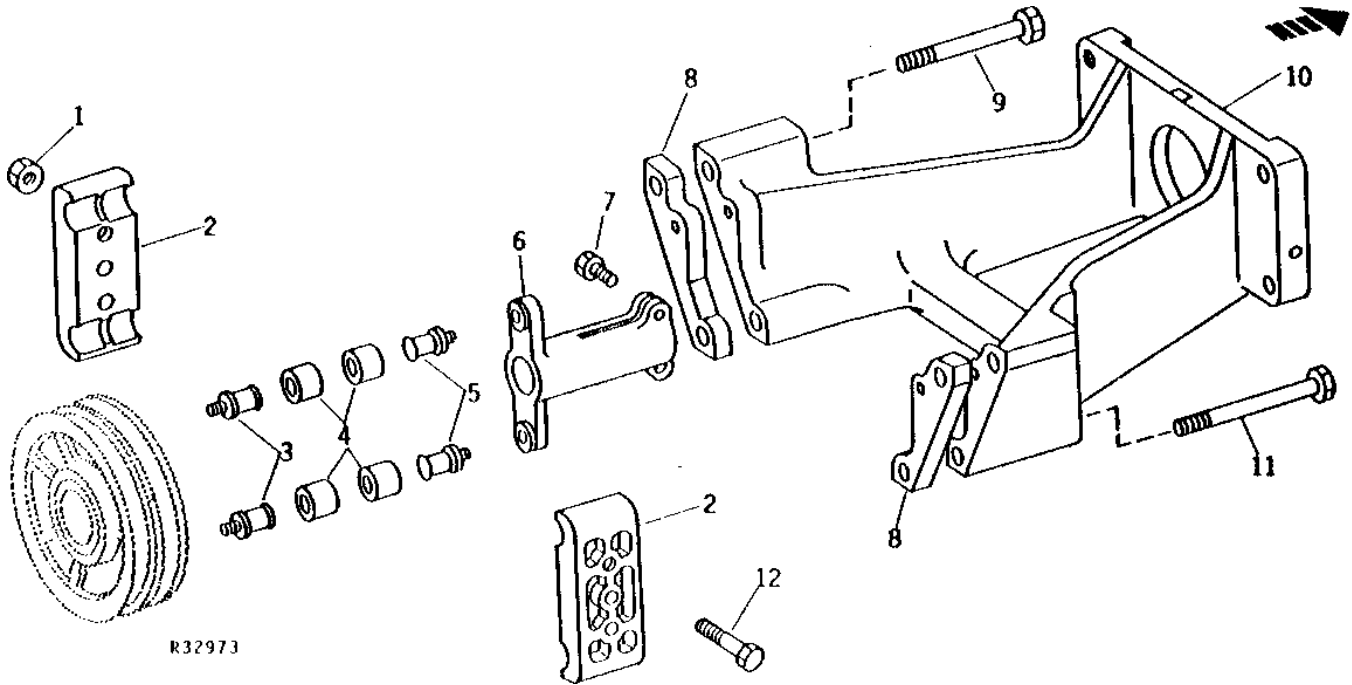
KEY	PART NO.	PART NAME	QTY	TRACTOR SERIAL NO.	REMARKS
1	AR69444	HY-GARD	1		19 L (5 GAL.)
	AR69445	HY-GARD	1		208 L (55 GAL.) (EMPTY DRUMS NOT RETURNABLE)

# 2E5

HYDRAULICS

R32973 -UN-01JAN94

## HYDRAULIC PUMP DRIVE AND SUPPORT



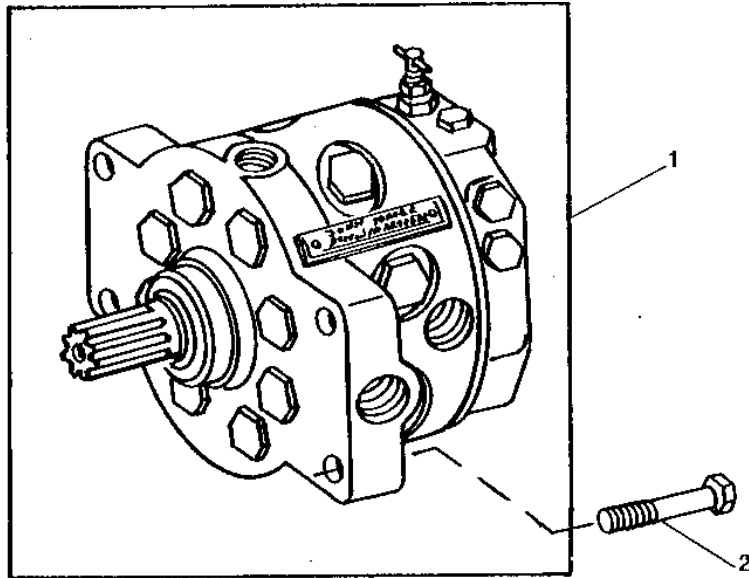
KEY	PART NO.	PART NAME	QTY	TRACTOR SERIAL NO.	REMARKS
1	M63440	LOCK NUT	2		(SUB FOR C744DN) (SUB E50102)
2	R34362	EXTERNAL HALF COUPLER	2		
3	R34360	SCREW	2		
4	AR49427	BUSHING	1		(PKG OF 4) (SUB FOR AR34098) (SUB R45822)
5	R34360	SCREW	2		
6	AT42311	SHAFT	1		(SUB R34359, (2) R34360 AND (2) R45822)
7	19H1732	CAP SCREW	2		3/8" X 1-1/4"
8	R35298	SPACER	2		(NLA)
9	19H3544	CAP SCREW	2		1/2" X 4-1/2" HS, SAE 8
10	R46774	SUPPORT	1		(SUB FOR R34358)
11	19H3599	CAP SCREW	2		1/2" X 5-1/4"
12	19H2116	CAP SCREW	2		3/8" X 2-1/2"

# 2E6

HYDRAULICS

RP3196 -UN-01JAN94

## REPLACEMENT HYDRAULIC PUMP ASSEMBLY



RP3196

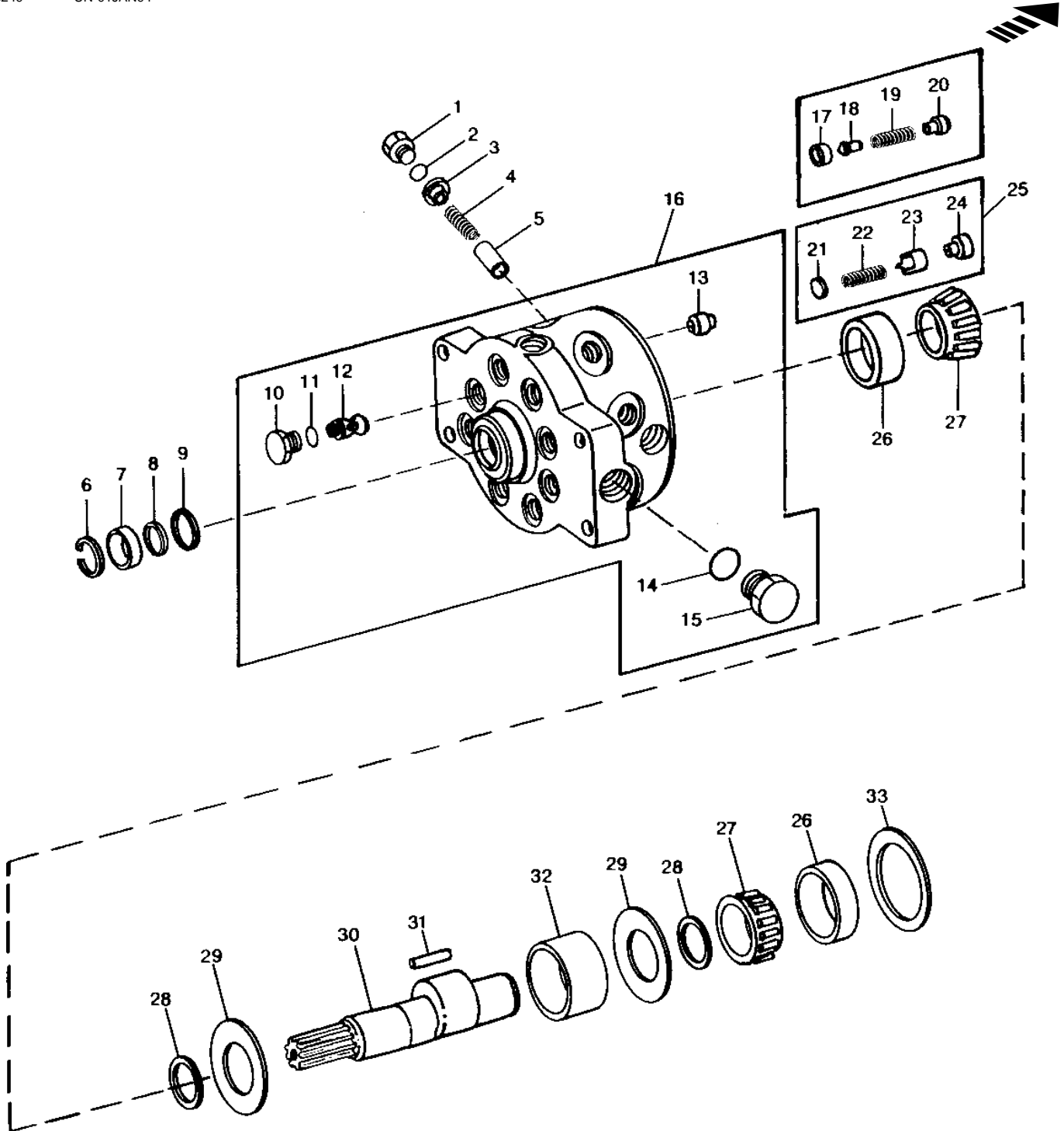
KEY	PART NO.	PART NAME	QTY	TRACTOR SERIAL NO.	REMARKS
1	AR94660	HYDRAULIC PUMP	1		50 CM3 (3 IN.3) (MODEL GA1) (ALSO ORDER R36075, P47908 AND F3171R) (SUB FOR AR39694, AR47802 OR AR56161)
2	19H1990	CAP SCREW	4		1/2" X 2-1/4"

# 2E7

HYDRAULICS

HYDRAULIC PUMP  
49 CM3 (3 IN.3)  
(PUMP LESS SERIAL PLATE)

RP3249 -UN-01JAN94



RP3249

# 2E8

HYDRAULICS

**HYDRAULIC PUMP - CONTINUED**  
**49 CM3 (3 IN.3)**  
**(PUMP LESS SERIAL PLATE)**

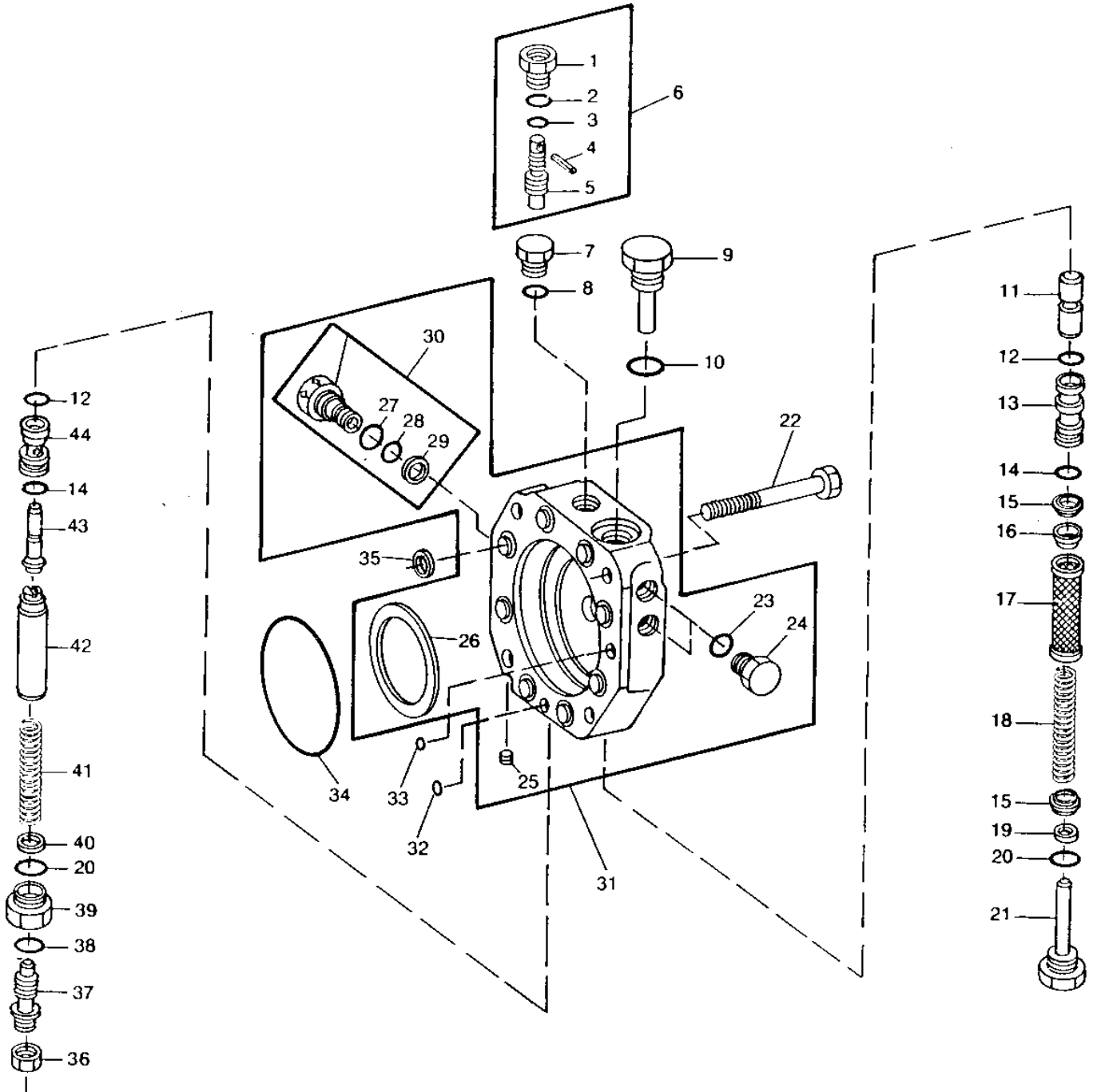
KEY	PART NO.	PART NAME	QTY	MODEL NO.	REMARKS
1	R45438	FITTING	8		(SUB FOR R34353)
2	R495R	O-RING	8	-XXXXXX	(SUB (8) R56463 AND AR101236, THIS APPLICATION)
	R56463	O-RING	8	XXXXXX-	
3	AR101236	SHIELD	1	XXXXXX-	(SET OF 8) (SUB FOR R56749)
4	AR76762	SPRING	1		(SET OF 8) (SUB FOR AR33821 OR AR55186)
5	R27150	PISTON	8		
6	R26137	SNAP RING	1		
7	RE28790	SEAL	1		(SUB FOR AR52224)
8	R56753	SHIM	1	XXXXXX-	
9	R39729	O-RING	1		
10	R78293	FITTING	8		(SUB FOR R44823)
11	R27149	O-RING	8		
12	AR53301	VALVE	8		(INLET) (SUB FOR AR26758)
13	R105583	SEAT	8	3PP3-3PP6	
14	U13639	O-RING	1		(USE WITH R34354 OR R45228)
	F3171R	O-RING	1		(USE WITH R45227)
15	R39741	DRAIN PLUG	1		(USE WITH R34354 OR R45228)
	R27175	DRAIN PLUG	1		(USE WITH R45227)
16	AR47580	HOUSING	1	3PP1-3PP2	(MARKED R34347 OR R34354) (SUB AR94660) (ALSO ORDER (8) AR96613, (8) R78293, R36075, P47908 AND F3171R) (SUB FOR AR39696 OR AR47170)
	AR47580	HOUSING	1	3PP3-3PP6	(MARKED R45227 OR R45228) (SUB AR94660) (ALSO ORDER R36075, P47908 AND F3171R) (SUB FOR AR39696 OR AR47170)
17	R27155	WASHER	8	-3PP2	
18	R27154	POPPET	8	-3PP2	
19	R38531	SPRING	8	-3PP2	(SUB FOR R27156)
20	R27157	GUIDE	8	-3PP2	
21	R49297	DISK	8	3PP3-3PP6	(SUB FOR R39074)
22	R39228	SPRING	8	3PP3-3PP6	
23	R48738	GUIDE	8	3PP3-3PP6	(SUB FOR R39174)
24	R83508	STOP	8	3PP3-3PP6	(SUB FOR R39175 OR R48298)
25	RE23382	VALVE	8	3PP3-3PP6	(OUTLET) (SUB FOR AR39026, AR52099, AR52785 OR AR96613)
26	JD8223	BEARING CUP	2		
27	JD8192	BEARING CONE	2		
28	R34349	WASHER	2		
29	R60732	WASHER	2		(SUB FOR R42467)
30	R34348	SHAFT	1		
31	R27145	NEEDLE ROLLER	36		
32	R45874	BEARING RACE	1		(SUB FOR R27146)
33	R27478	SHIM	AR		0.15MM (.006")
	R27479	SHIM	AR		0.25MM (.010")
..	AR39694	HYDRAULIC PUMP	1		(SUB AR94660) (ALSO ORDER R36075, P47908 AND F3171R)
..	AR47802	HYDRAULIC PUMP	1		(SUB AR94660) (ALSO ORDER R36075, P47908 AND F3171R) (SUB FOR AR39694)
..	AR56161	HYDRAULIC PUMP	1		(SUB AR94660) (ALSO ORDER R36075, P47908 AND F3171R) (SUB FOR AR39694 OR AR47802)

# 2E9

HYDRAULICS

## HYDRAULIC PUMP STROKE CONTROL VALVE 49 CM3 (3 IN.3) (PUMP LESS SERIAL PLATE)

RP3510 -UN-01JAN94



RP 3510



# 2E10

HYDRAULICS

HYDRAULIC PUMP STROKE CONTROL VALVE - CONTINUED  
49 CM3 (3 IN.3)  
(PUMP LESS SERIAL PLATE)

KEY	PART NO.	PART NAME	QTY	TRACTOR SERIAL NO.	REMARKS
1	R27475	FITTING	1		
2	R26448	O-RING	1		
3	A4365R	O-RING	1		
4	34H254	SPRING PIN	1		1/8" X 1-1/2"
5	R27171	SCREW	1		
6	AR33249	SCREW	1		(MANUAL DESTROKE)
7	R27218	FITTING PLUG	1		(LESS MANUAL DESTROKE)
8	R26448	O-RING	1		(LESS MANUAL DESTROKE)
9	AR51745	DRAIN PLUG	1		
10	R26906	O-RING	1		
11	R27172	VALVE	1		
12	R27564	O-RING	2		
13	R70351	SLEEVE	1		(SUB FOR R27476)
14	R27166	O-RING	2		
15	R27174	PACKING	2		
16	R27167	GUIDE	1		
17	R27173	FILTER ELEMENT	1		
18	R27159	SPRING	1		
19	R27170	SHIM	AR		0.010"
	24H1298	WASHER	AR		0.030"
20	F3171R	O-RING	2		
21	AR26646	DRAIN PLUG	1		
22	19H3520	CAP SCREW	4		1/2" X 3-1/4"
23	R26287	O-RING	2		
24	R27216	DRAIN PLUG	2		
25	15H560	PIPE PLUG	1		1/16", (USE WITH R49071)
26	R49072	WASHER	1		(USE WITH R49071)
27	R26375	O-RING	1		(USE WITH R49071)
28	T40308	O-RING	1		(USE WITH R49071)
29	T57374	BACK-UP RING	1		(USE WITH R49071)
30	AR90378	PLUG	1		(USE WITH R49071)
31	AR38714	HOUSING	1		(MARKED R42663, R44802 OR R49071) (SUB FOR RE13611)
32	R56755	WASHER	1		(SUB FOR A4847R)
33	R56756	O-RING	1		(SUB FOR A3917R)
34	R56757	O-RING	1		(SUB FOR R26621)
35	R69279	WASHER	8		(SUB FOR R26149 OR R56754)
36	14H1021	NUT	1		7/16"
37	AR52254	SET SCREW	1		
38	R28782	O-RING	1		
39	R28781	FITTING	1		
40	R42260	WASHER	1		
41	R31781	SPRING	1		
42	R71321	GUIDE	1		(SUB FOR R32344)
43	R70559	CONTROL VALVE	1		(SUB RE10712, R27166 AND R41057) (SUB FOR R27472 OR R65194)
44	R69262	SLEEVE	1		(SUB RE10712, R27166 AND R41057) (SUB FOR R27471, R58499 OR R65192)

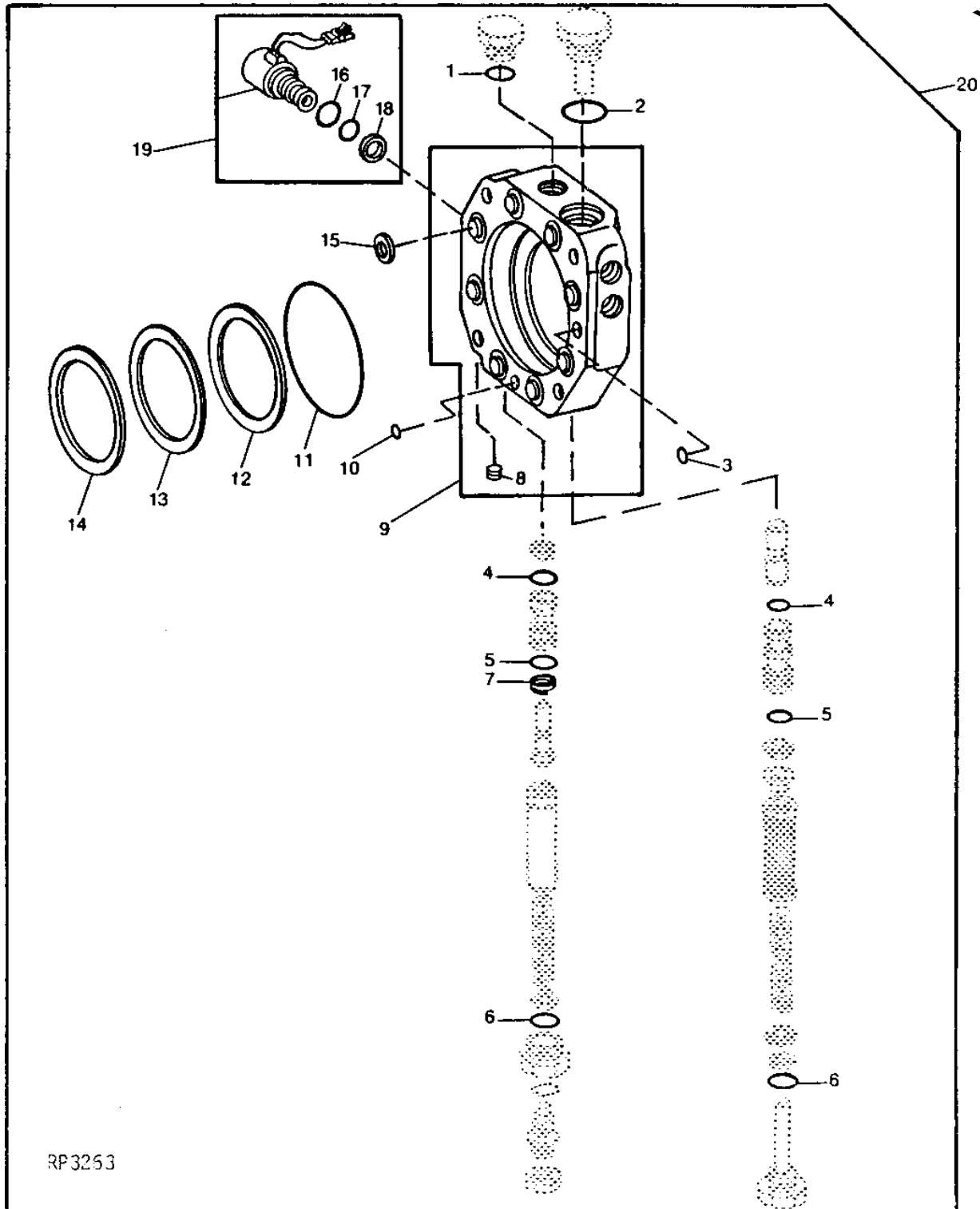
# 2E11

HYDRAULICS

RP3263

-UN-01JAN94

## HYDRAULIC PUMP ELECTRIC DESTROKE KIT (PUMP LESS SERIAL PLATE)



# 2E12

HYDRAULICS

## HYDRAULIC PUMP ELECTRIC DESTROKE KIT - CONTINUED (PUMP LESS SERIAL PLATE)

KEY	PART NO.	PART NAME	QTY	TRACTOR SERIAL NO.	REMARKS
1	R26448	O-RING	1		
2	R26906	O-RING	1		
3	R56756	O-RING	1		
4	R27564	O-RING	2		
5	R27166	O-RING	2		
6	F3171R	O-RING	2		
7	R41057	BACK-UP RING	1		
8	15H560	PIPE PLUG	1	1/16"	
9	AR52494	HOUSING	1	(MARKED R49071)	
10	R56755	WASHER	1		
11	R56757	O-RING	1		
12	R27478	SHIM	2	0.15MM (.006")	
13	R27479	SHIM	2	0.25MM (.010")	
14	R49072	WASHER	1	(NOT USED IN ALL APPLICATIONS)	
15	R69279	WASHER	8		
16	R26375	O-RING	1		
17	T40308	O-RING	1		
18	T57374	BACK-UP RING	1		
19	RE32529	SOLENOID VALVE	1	(SUB FOR RE21725)	
20	RE14868	KIT	1	(A) (SUB RE40463)	

(A) INCLUDES RE12330 WIRE CONNECTORS

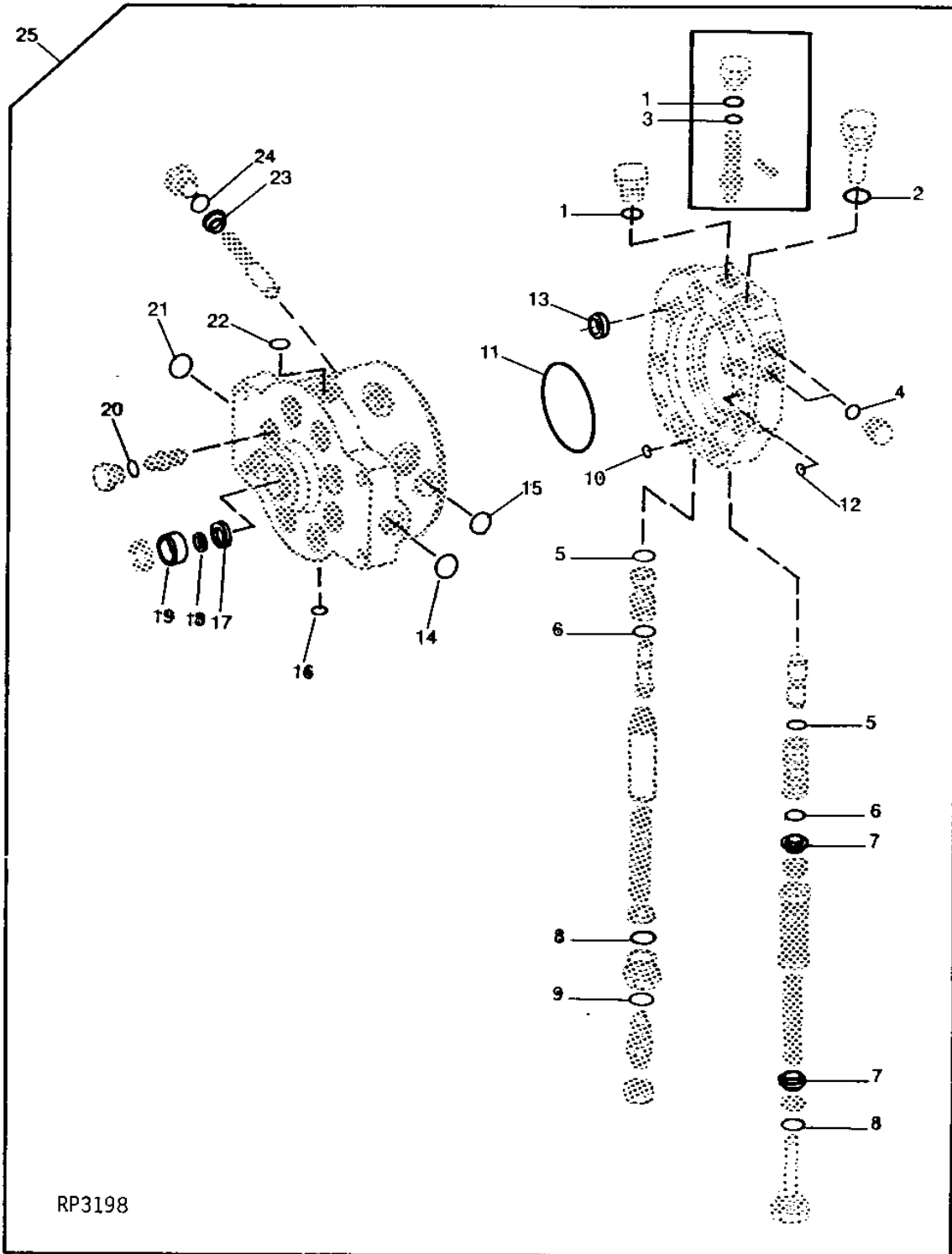
# 2E13

HYDRAULICS

## HYDRAULIC PUMP AND STROKE CONTROL VALVE OVERHAUL KIT 49 CM3 (3 IN.3) (PUMP LESS SERIAL PLATE)

RP3198

-UN-01JAN94



# 2E14

HYDRAULICS

HYDRAULIC PUMP AND STROKE CONTROL VALVE OVERHAUL KIT - CONTINUED  
49 CM3 (3 IN.3)  
(PUMP LESS SERIAL PLATE)

KEY	PART NO.	PART NAME	QTY	SERIAL NO.	REMARKS
1	R26448	O-RING	2		
2	R26906	O-RING	1		
3	A4365R	O-RING	1		
4	R26287	O-RING	2		
5	R27564	O-RING	2		
6	R27166	O-RING	2		
7	R27174	PACKING	2		
8	R56751	O-RING	2		
9	R28782	O-RING	1		
10	R56755	WASHER	1		
11	R56757	O-RING	1		
12	R56756	O-RING	1	(A)	
	A4365R	O-RING	1	(A)	
13	R69279	WASHER	8		
14	U13639	O-RING	1		
15	R26906	O-RING	1		
16	R26287	O-RING	1		
17	R39729	O-RING	1		
18	R56753	SHIM	1		
19	RE28790	SEAL	1		
20	R27149	O-RING	8		
21	R56751	O-RING	1		
22	R27928	O-RING	2	(A) TOP	
	P47908	O-RING	1	(A) BOTTOM	
	R35827	WASHER	1	(A)	
23	AR101236	SHIELD	1	(SET OF 8)	
24	R56463	O-RING	8		
25	RE29103	KIT	1	(B) (SUB FOR AR67718)	

(A) UNIVERSAL KIT - APPLICATIONS WILL VARY

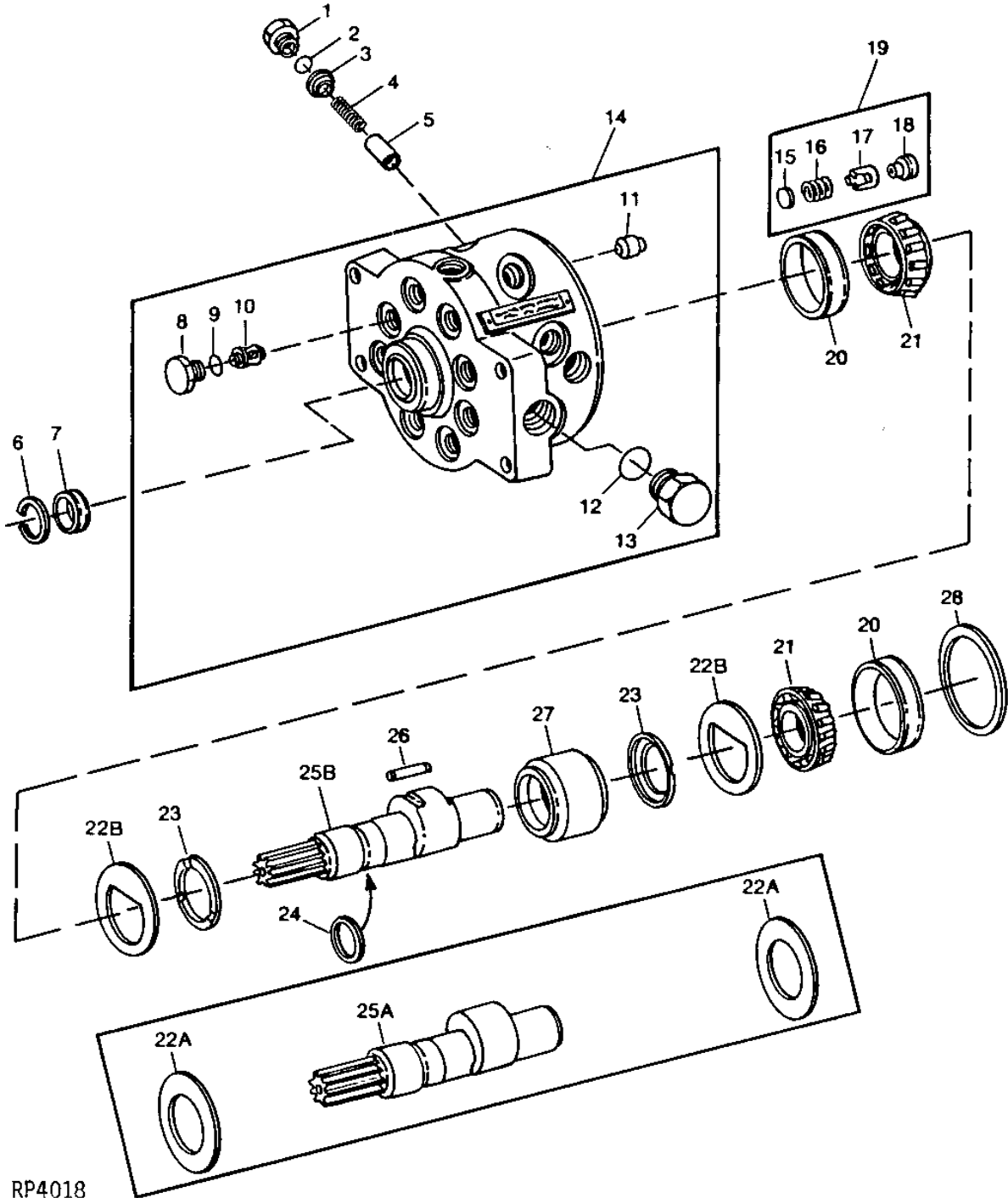
(B) ALSO ORDER (2) R27166 AND (2) R41057, IF STROKE CONTROL VALVE HAS BEEN REPLACED.

# 2E15

HYDRAULICS

HYDRAULIC PUMP - MODEL GA1  
50 CM3 (3 IN.3)  
(REPLACEMENT PUMP WITH SERIAL PLATE)

RP4018 -UN-18OCT94



RP4018

# 2E16

HYDRAULICS

**HYDRAULIC PUMP - MODEL GA1 - CONTINUED**  
**50 CM3 (3 IN.3)**  
**(REPLACEMENT PUMP WITH SERIAL PLATE)**

KEY	PART NO.	PART NAME	QTY	PUMP SERIAL NO.	REMARKS
1	R45438	FITTING	8		
2	R56463	O-RING	8		
3	AR101236	SHIELD	1		(SET OF 8)
4	AR76762	SPRING	1		(SET OF 8)
5	R27150	PISTON	8		
6	R26137	SNAP RING	1		
7	RE28790	SEAL	1		(SUB FOR AR52224)
8	R78293	FITTING	8		
9	R27149	O-RING	8		
10	AR53301	VALVE	8		(INLET)
11	R105583	SEAT	8		(SUB FOR R39067)
12	F3171R	O-RING	1		(USE WITH R71586)
	U13639	O-RING	1		(USE WITH R73741)
13	R27175	DRAIN PLUG	1		(USE WITH R71586)
	R39741	DRAIN PLUG	1		(USE WITH R73741)
14	RE11804	HOUSING	1		(MODEL PJ1) (MARKED R71586 OR R73741)
15	R49297	DISK	8		
16	R39228	SPRING	8		
17	R48738	GUIDE	8		
18	R83508	STOP	8		(SUB FOR R49298 OR R72886)
19	RE23382	VALVE	8		(OUTLET) (SUB FOR AR96613)
20	JD8223	BEARING CUP	2		
21	JD8192	BEARING CONE	2		
22A	R77903	WASHER	2	-023628	(SUB FOR R45425)
22B	R79151	LOCK WASHER	2	023629-	(USE WITH R79152)
23	R72507	THRUST WASHER	2		
24	R77611	RING	1		(SEALING) (SUB FOR R68252 OR RE11777)
25A	R71598	SHAFT	1	-023628	(SUB R79152) (ALSO ORDER (2) R79151)
25B	R79152	SHAFT	1	023629-	
26	R77904	NEEDLE ROLLER	25		(SUB FOR R45422)
27	R80558	BEARING RACE	1		(SUB FOR R72506)
28	R27478	SHIM	AR		0.15MM (.006")
	R27479	SHIM	AR		0.25MM (.010")
..	AR94660	HYDRAULIC PUMP	1		(SUB FOR AR39694, AR47802 OR AR56161)

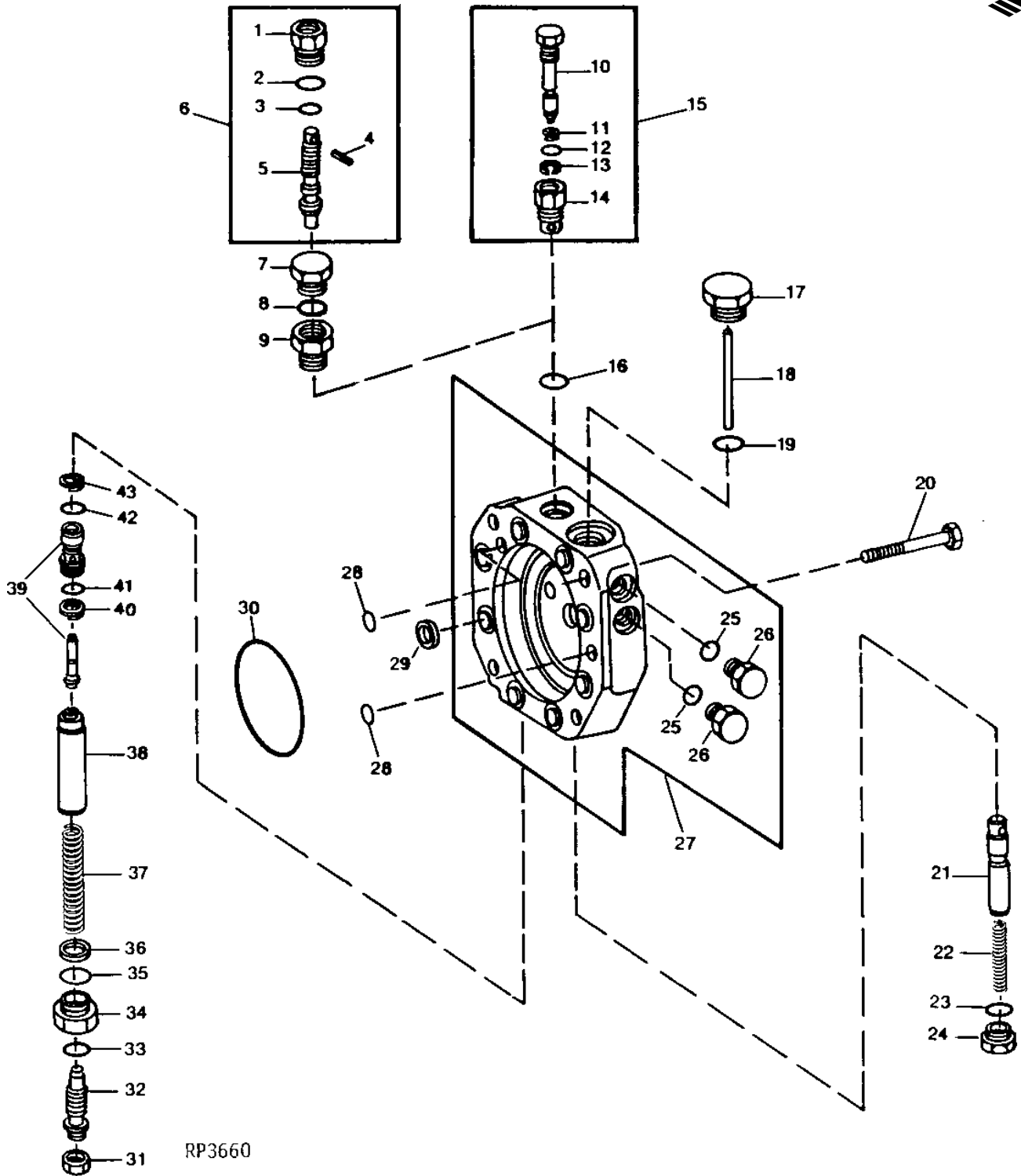
# 2E17

HYDRAULICS

HYDRAULIC PUMP STROKE CONTROL VALVE  
50 CM<sup>3</sup> (3 IN.<sup>3</sup>)  
(REPLACEMENT PUMP WITH SERIAL PLATE)

RP3660

-UN-14SEP94



RP3660



# 2E18

HYDRAULICS

HYDRAULIC PUMP STROKE CONTROL VALVE - CONTINUED  
50 CM3 (3 IN.3)  
(REPLACEMENT PUMP WITH SERIAL PLATE)

KEY	PART NO.	PART NAME	QTY	PUMP SERIAL NO.	REMARKS
1	R27475	FITTING	1		
2	R26448	O-RING	1		
3	A4365R	O-RING	1		
4	34H254	SPRING PIN	1	1/8" X 1-1/2"	
5	R75879	SCREW	1		
6	AR96625	SCREW	1		(MANUAL DESTROKE)
7	R27218	FITTING PLUG	1		(LESS MANUAL DESTROKE)
8	R26448	O-RING	1		(LESS MANUAL DESTROKE)
9	R70617	PIPE PLUG	1		
10	R79266	SCREW	1		
11	R36358	BACK-UP RING	1		
12	R34802	O-RING	1		
13	R79268	SNAP RING	1		
14	R79267	PLUG	1		
15	RE13271	SCREW	1		(A) (MANUAL DESTROKE)
16	R26906	O-RING	1		
17	R75642	DRAIN PLUG	1		
18	R75564	PIN	1		
19	R56751	O-RING	1		
20	19H3520	CAP SCREW	4	1/2" X 3-1/4"	
21	R70867	VALVE	1		
22	R70868	SPRING	1		
23	R26375	O-RING	1		
24	R73736	PLUG	1		
25	R26448	O-RING	2		
26	R75376	DRAIN PLUG	2		
27	RE12470	HOUSING	1		(MARKED R77714)
28	R56755	WASHER	2		
29	R69279	WASHER	8		
30	R56757	O-RING	1		
31	14H1021	NUT	1	7/16"	
32	AR52254	SET SCREW	1		
33	R28782	O-RING	1		
34	R28781	FITTING	1		
35	F3171R	O-RING	1		
36	R42260	WASHER	1		
37	R31781	SPRING	1		
38	R71321	GUIDE	1		
39	RE10712	CONTROL VALVE	1		
40	R41057	BACK-UP RING	1		
41	R27166	O-RING	1		
42	R27564	O-RING	1		
43	R75938	WASHER	1		

(A) DESIGNS INTERCHANGEABLE

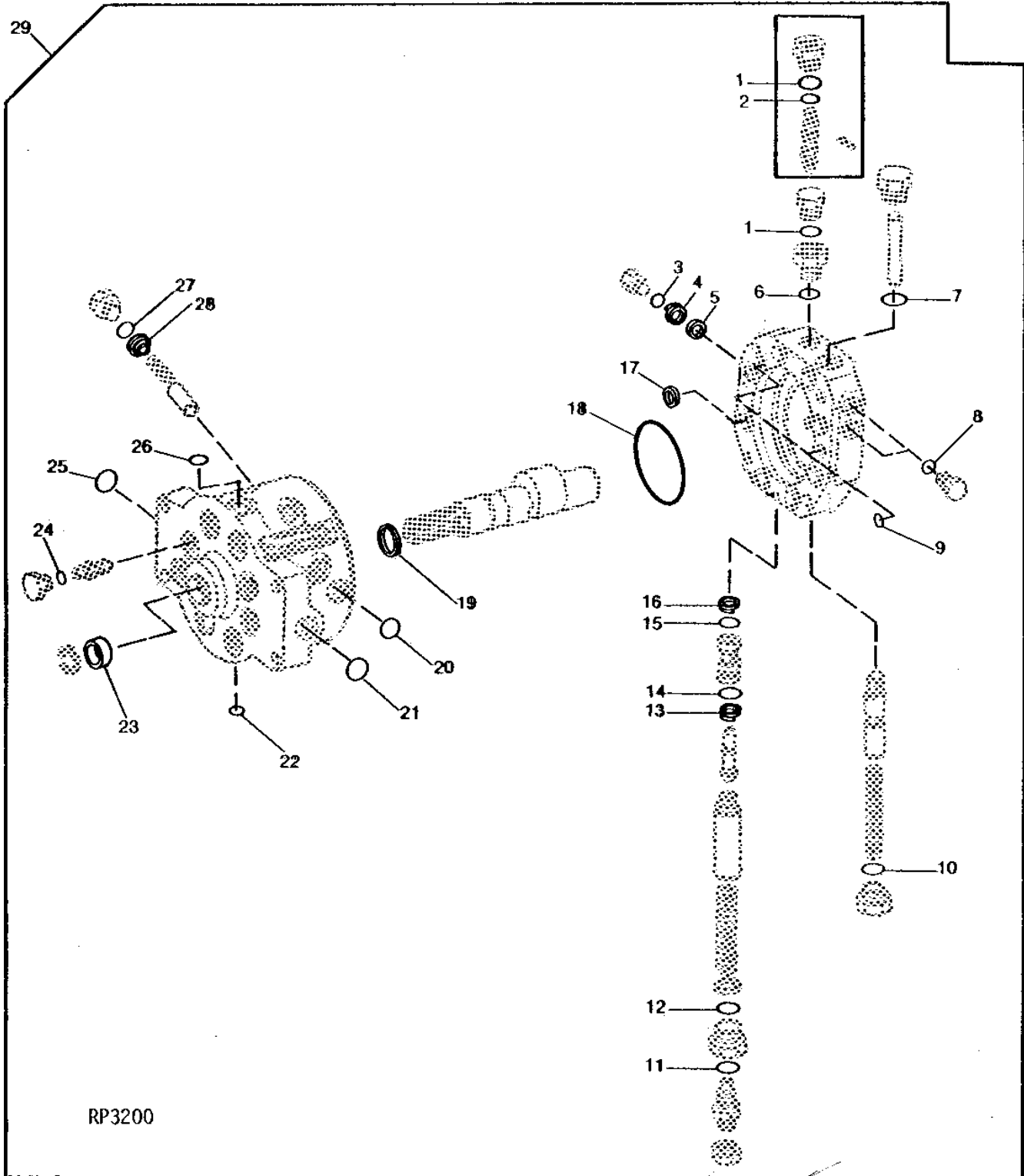
# 2E19

HYDRAULICS

## HYDRAULIC PUMP AND STROKE CONTROL VALVE OVERHAUL KIT 50 CM<sup>3</sup> (3 IN.<sup>3</sup>) (REPLACEMENT PUMP WITH SERIAL PLATE)

RP3200

-UN-01JAN94



# 2E20

HYDRAULICS

HYDRAULIC PUMP AND STROKE CONTROL VALVE OVERHAUL KIT - CONTINUED  
 50 CM3 (3 IN.3)  
 (REPLACEMENT PUMP WITH SERIAL PLATE)

KEY	PART NO.	PART NAME	QTY	PUMP SERIAL NO.	REMARKS
1	R26448	O-RING	1		
2	A4365R	O-RING	1		
3	R26375	O-RING	1	(A)	
4	T40308	O-RING	1	(A)	
5	T57374	BACK-UP RING	1	(A)	
6	R26906	O-RING	1		
7	R56751	O-RING	1		
8	R26448	O-RING	2		
9	R56755	WASHER	2		
10	R26375	O-RING	1		
11	R28782	O-RING	1		
12	R56751	O-RING	1		
13	R41057	BACK-UP RING	1		
14	R27166	O-RING	1		
15	R27564	O-RING	1		
16	R75938	WASHER	1		
17	R69279	WASHER	8		
18	R56757	O-RING	1		
19	R77611	RING	1	(SEALING)	
20	R56751	O-RING	1		
21	U13639	O-RING	1	(A)	
	R56751	O-RING	1	(A)	
	R29936	O-RING	1	(A)	
22	R26287	O-RING	1		
23	RE28790	SEAL	1		
24	R27149	O-RING	8		
25	R56751	O-RING	1	(A)	
	R29936	O-RING	1	(A)	
26	R27928	O-RING	1	(A) TOP	
	P47908	O-RING	1	(A) BOTTOM	
	R26906	O-RING	1	(A)	
27	R56463	O-RING	8		
28	AR101236	SHIELD	1	(SET OF 8)	
29	RE29107	KIT	1	(SUB FOR AR96321)	

(A) UNIVERSAL KIT - APPLICATIONS WILL VARY

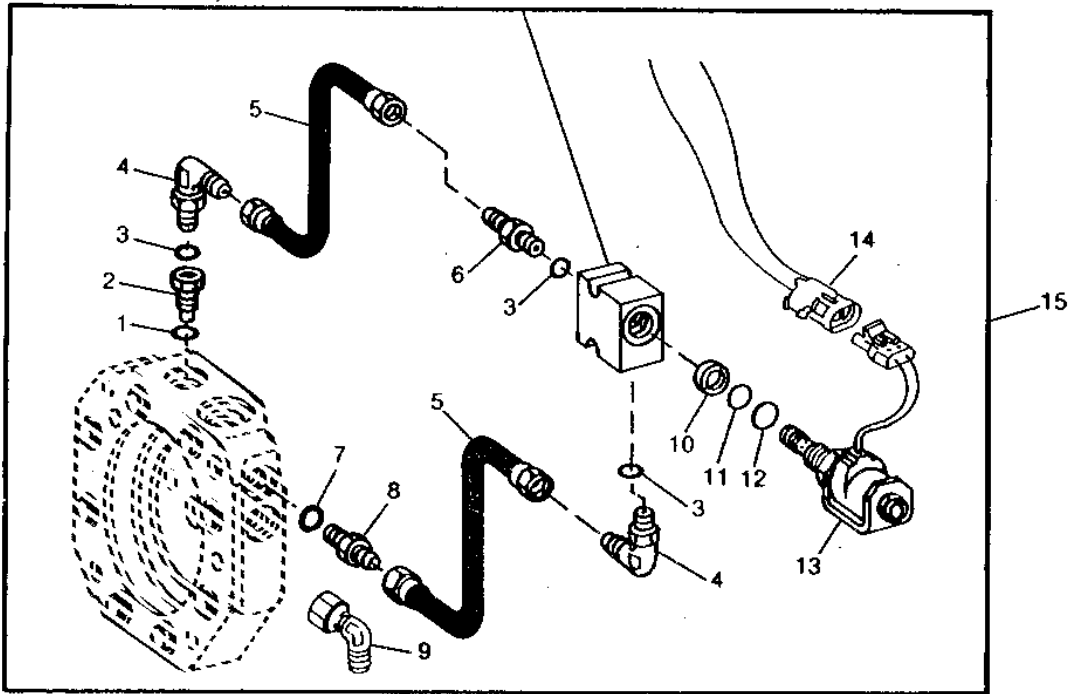
# 2E21

HYDRAULICS

RXP9501

-UN-01JAN94

## HYDRAULIC PUMP ELECTRIC DESTROKE KIT



RXP9501

KEY	PART NO.	PART NAME	QTY	PUMP SERIAL NO.	REMARKS
1	R26906	O-RING	1		
2	R70617	PIPE PLUG	1		
3	R26448	O-RING	4		
4	AT35121	ELBOW FITTING	2		
5	AN250096	HYDRAULIC HOSE	2		
6	R27212	FITTING	1		
7	R26287	O-RING	1	(A)	
	R26448	O-RING	1	(B)	
8	T43535	FITTING	1	(A)	
	Z36276	ADAPTER	1	(B)	
9	AE24616	ELBOW FITTING	1	(USE WITH T43535 OR Z36276)	
10	T57374	BACK-UP RING	1		
11	T40308	O-RING	1		
12	R26375	O-RING	1		
13	RE32529	SOLENOID VALVE	1		
14	RE50017	WIRING HARNESS	1		
15	RE40463	KIT	1		

(A) NON-SERIALIZED PUMP  
(B) SERIALIZED PUMP

---

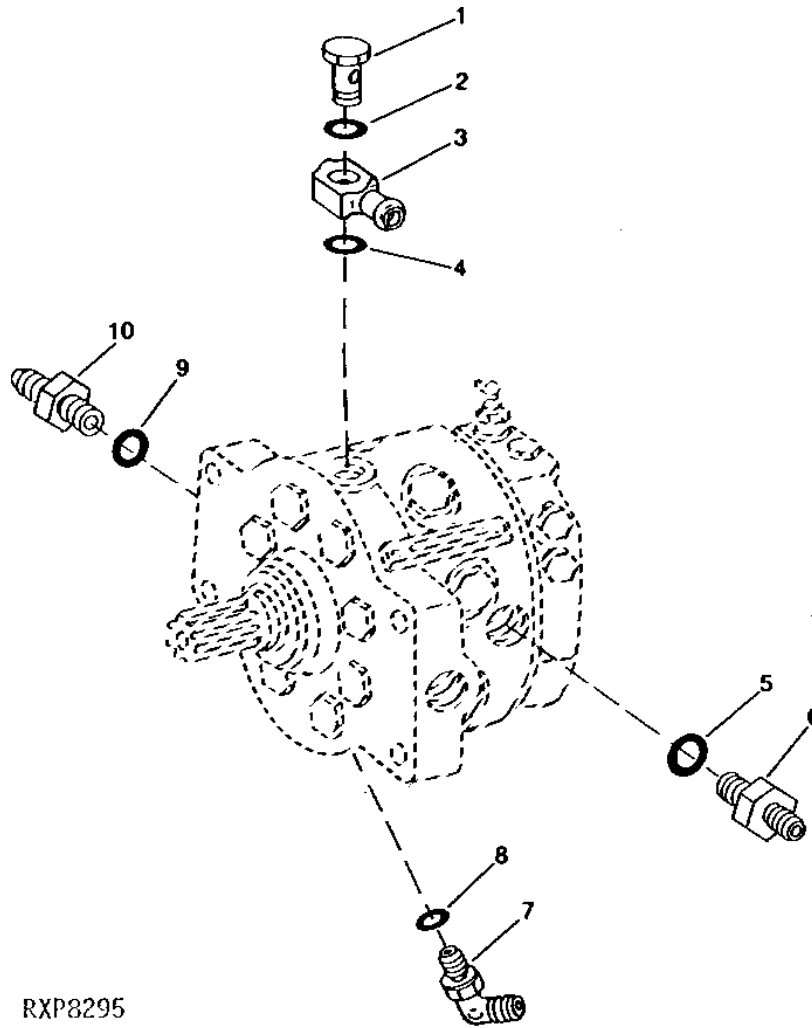
MEMORANDA

# 2E22

HYDRAULICS

RXP8295 -UN-01JAN94

HYDRAULIC PUMP CONNECTORS



# 2E23

HYDRAULICS

## HYDRAULIC PUMP CONNECTORS - CONTINUED

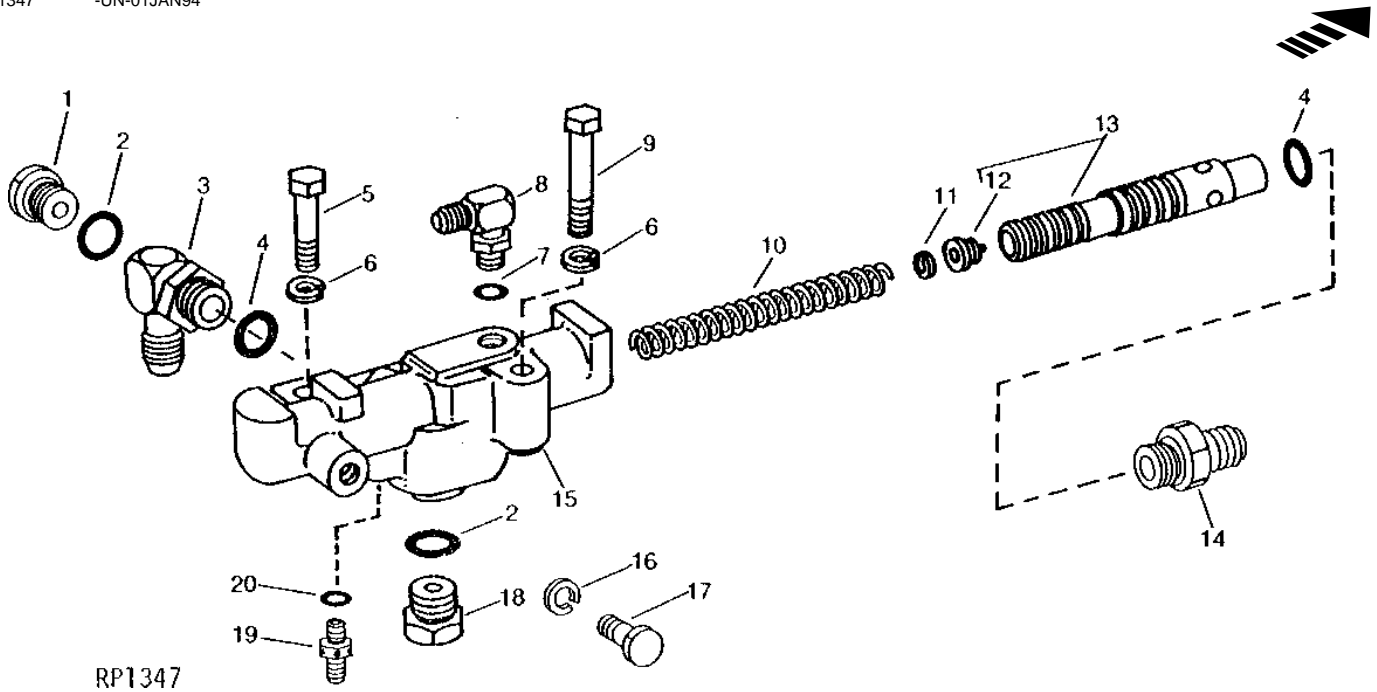
KEY	PART NO.	PART NAME	QTY	TRACTOR SERIAL NO.	REMARKS
1	R27927	HOLLOW SCREW	1		
2	R27928	O-RING	1		
3	R27926	FITTING	1		
4	R27928	O-RING	1		
	P47908	O-RING	1		REPLACEMENT PUMP WITH SERIAL PLATE
5	R26906	O-RING	1		
	F3171R	O-RING	1		REPLACEMENT PUMP WITH SERIAL PLATE
6	R27270	FITTING	1		
	R36075	FITTING	1		REPLACEMENT PUMP WITH SERIAL PLATE
7	AT32335	ELBOW FITTING	1		
8	R26287	O-RING	1		
9	F3171R	O-RING	1		
10	R27267	FITTING	1		

# 2E24

HYDRAULICS

RP1347 -UN-01JAN94

## PRESSURE CONTROL VALVE



KEY	PART NO.	PART NAME	QTY	TRACTOR SERIAL NO.	REMARKS
1	R39112	FITTING	1	(A)	
2	R26375	O-RING	1	(A)	
3	AR35718	TEE FITTING	1		
4	R26906	O-RING	3		
5	19H1800	CAP SCREW	1	3/8" X 1-1/2"	
6	12H304	LOCK WASHER	2	3/8"	
7	R26286	O-RING	1		
8	AT32333	ELBOW FITTING	1	(SUB FOR AR26771)	
9	19H1801	CAP SCREW	1	3/8" X 2"	
10	R40072	SPRING	1		
11	24H1283	WASHER	AR	7/32" X 1/2" X 0.049"	
12	R40562	APERTURE	1		
13	AR65881	VALVE	1	(SUB FOR R40561)	
14	R27270	FITTING	1		
15	R78495	HOUSING	1	(SUB FOR R40559)	
16	12H304	LOCK WASHER	1	3/8"	
17	19H1936	CAP SCREW	1	3/8" X 3/4"	
18	R27474	DRAIN PLUG	1		
19	R27527	ADAPTER	1		
20	R26287	O-RING	1		

(A) LESS SELECTIVE CONTROL



---

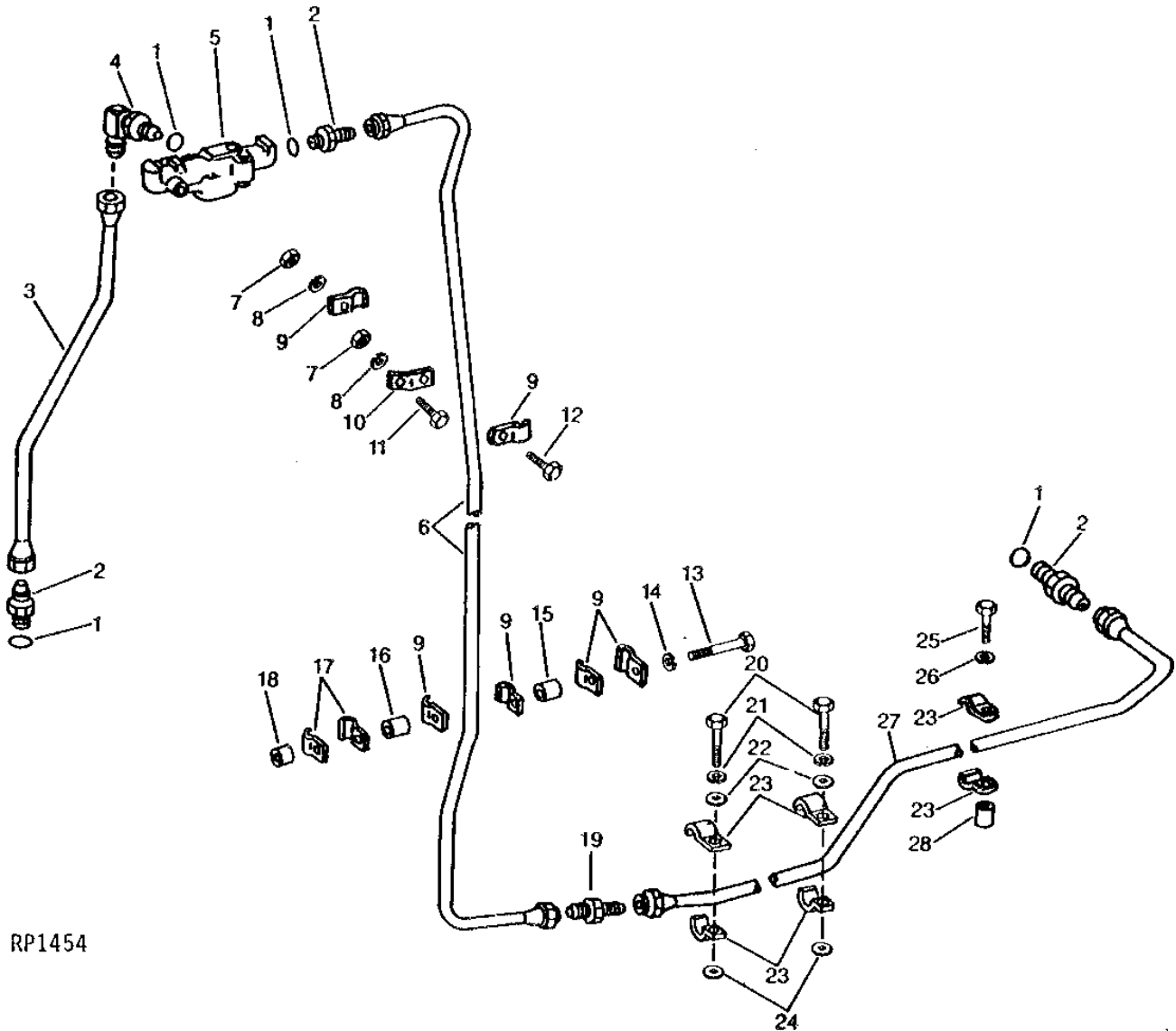
MEMORANDA

# 2F1

HYDRAULICS

RP1454 -UN-01JAN94

## HYDRAULIC OIL PRESSURE LINES



RP1454

# 2F2

HYDRAULICS

## HYDRAULIC OIL PRESSURE LINES - CONTINUED

KEY	PART NO.	PART NAME	QTY	TRACTOR SERIAL NO.	REMARKS
1	R26906	O-RING	4		
2	R27270	FITTING	3		
3	AR35717	HYDRAULIC LINE	1		PRESSURE CONTROL VALVE TO CONTROL SUPPORT BASE
4	AR35718	TEE FITTING	1		
5	R40559	HOUSING	1		
6	AR35720	HYDRAULIC LINE	1		HYDRAULIC PUMP TO PRESSURE CONTROL VALVE, REAR
7	14H1076	NUT	2		3/8"
8	12H304	LOCK WASHER	2		3/8"
9	R35726	CLAMP	12		
10	R40165	CLAMP	1		
11	19H2552	CAP SCREW	1		3/8" X 1-1/8"
12	19H1936	CAP SCREW	1		3/8" X 3/4"
13	19H1912	CAP SCREW	1		3/8" X 3-1/2"
14	12H304	LOCK WASHER	1		3/8"
15	28H1697	SPACER	1		3/8" X 3/4"
16	28H1527	SPACER	1		3/8" X 1-3/8"
17	R27720	CLAMP	2		(STEERING VALVE TO STEERING CYLINDER OIL LINE, R.H. REAR)
18	R28040	WASHER	1		
19	R35717	FITTING	1		
20	19H1936	CAP SCREW	2		3/8" X 3/4"
21	12H304	LOCK WASHER	2		3/8"
22	24H1305	WASHER	2		13/32" X 13/16" X 0.065"
23	R40663	CLAMP	6	-030045	
	R47576	CLAMP	6	030046-	
24	24H1652	WASHER	2	030046-	13/32" X 11/16" X 7/64"
25	19H3181	CAP SCREW	2		3/8" X 2"
26	12H304	LOCK WASHER	2		3/8"
27	AR35239	HYDRAULIC LINE	1		HYDRAULIC PUMP TO PRESSURE CONTROL VALVE
28	28H1495	SPACER	2		3/8" X 1"
..	AR21969	KIT	1		CAP PLUG

---

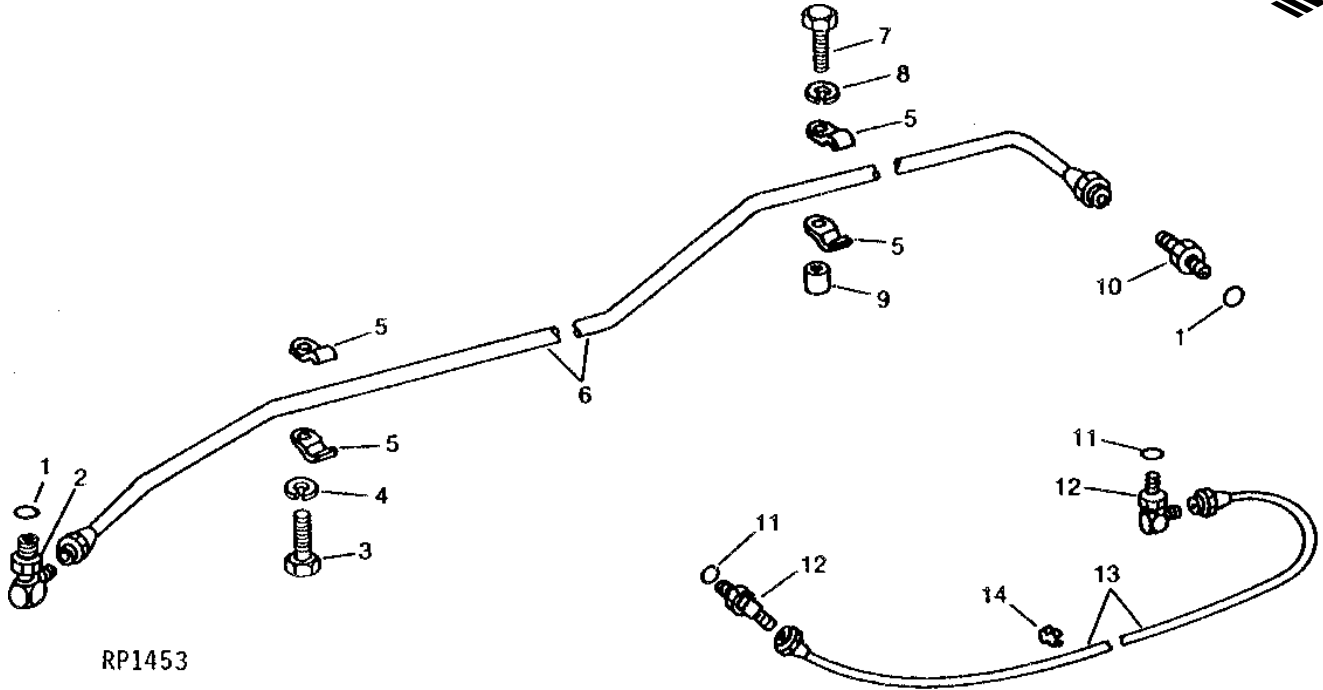
MEMORANDA

# 2F3

HYDRAULICS

RP1453 -UN-01JAN94

## HYDRAULIC OIL RETURN PIPES



RP1453

KEY	PART NO.	PART NAME	QTY	TRACTOR SERIAL NO.	REMARKS
1	F3171R	O-RING	2		
2	AR26747	ELBOW FITTING	1		
3	19H1936	CAP SCREW	2	3/8" X 3/4"	
4	12H304	LOCK WASHER	2	3/8"	
5	R27531	CLAMP	6		
6	AR35236	HYDRAULIC LINE	1		HYDRAULIC PUMP TO OIL FILTER RELIEF VALVE
7	19H3181	CAP SCREW	1	3/8" X 2"	
8	12H304	LOCK WASHER	1	3/8"	
9	28H1495	SPACER	1	3/8" X 1"	
10	R27267	FITTING	1		
11	R26287	O-RING	2		(SUB FOR AR26746)
12	AT32335	ELBOW FITTING	2		
13	AR79710	HYDRAULIC LINE	1		HYDRAULIC PUMP DRAIN, (ALSO ORDER (2) R64170) (SUB FOR AR36381 OR AR42284)
14	R21551	CLIP	2		
..	AR21969	KIT	1		CAP PLUG

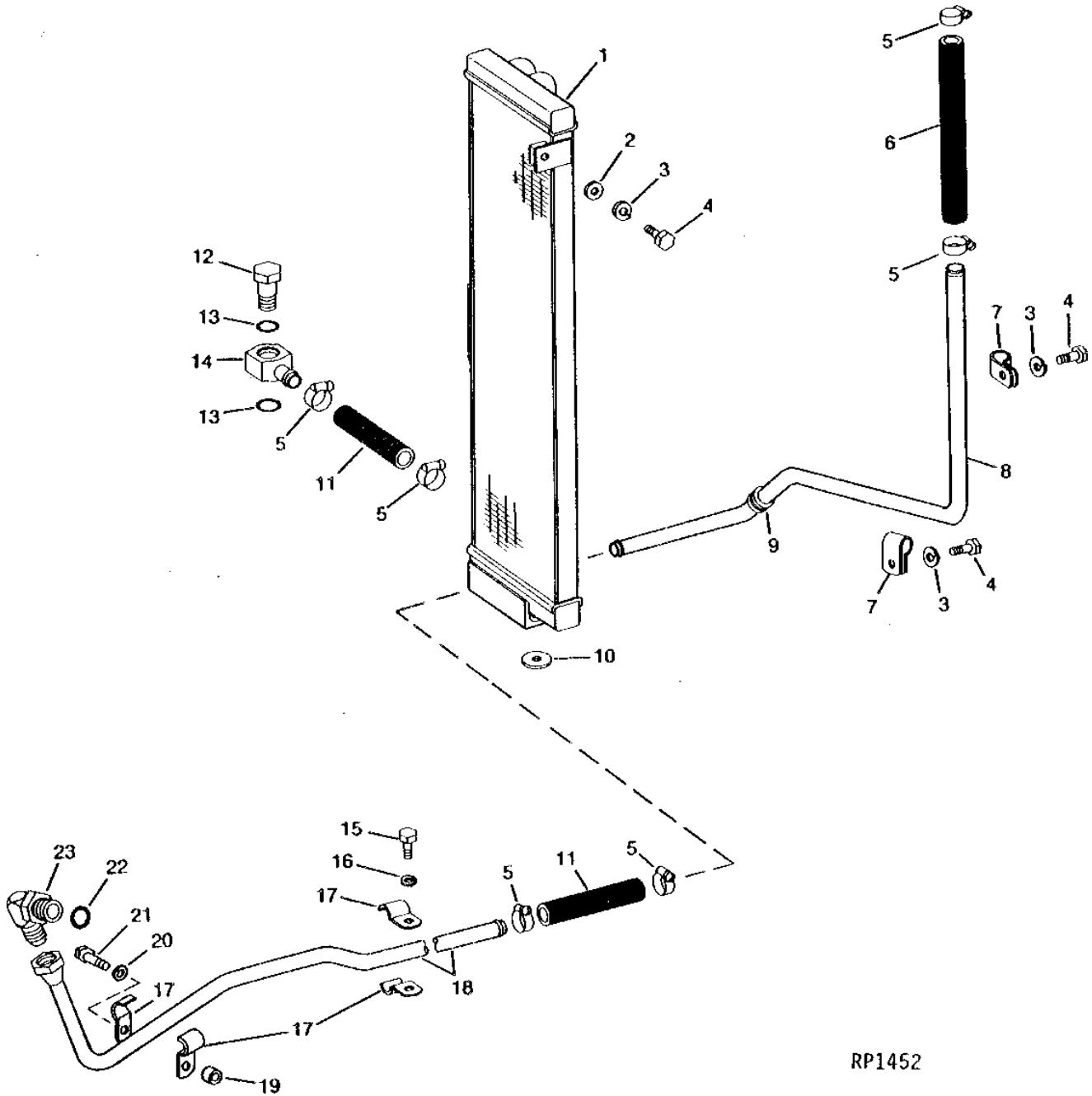
# 2F4

HYDRAULICS

RP1452

-UN-01JAN94

## OIL COOLER AND OIL LINES



RP1452

# 2F5

HYDRAULICS

## OIL COOLER AND OIL LINES - CONTINUED

KEY	PART NO.	PART NAME	QTY	TRACTOR SERIAL NO.	REMARKS
1	AR46965	OIL COOLER	1		(ALSO ORDER R45113) (SUB FOR AR36887)
2	24H1652	WASHER	1		13/32" X 11/16" X 7/64"
3	12H304	LOCK WASHER	3		3/8"
4	19H1936	CAP SCREW	3		3/8" X 3/4"
5	AR21839	CLAMP	6		(SUB TY22467)
6	.....	HOSE	1		19 X 235 MM (3/4" X 9-1/4") (MAKE FROM TY22329) (SUB FOR R40074)
7	R40446	CLAMP	2		(SUB R120735)
8	R40444	TUBE	1		OIL COOLER TO CLUTCH HOUSING, FRONT
9	R40445	GROMMET	1		
10	T22381	WASHER	1		
11	.....	HOSE	1		19 X 129 MM (3/4" X 5-3/32") (MAKE FROM TY22329) (SUB FOR R32087)
	R45113	HOSE	1		(USE WITH AR46965)
12	R27927	HOLLOW SCREW	1		
13	R27928	O-RING	2		
14	R27926	FITTING	1		
15	19H1731	CAP SCREW	1		3/8" X 1"
16	12H304	LOCK WASHER	1		3/8"
17	R27531	CLAMP	4		
18	AR36804	HYDRAULIC LINE	1		OIL COOLER TO CLUTCH HOUSING, REAR
19	28H1519	WASHER	1		0.493" X 0.675" X 3/8"
20	12H304	LOCK WASHER	1		3/8"
21	19H1732	CAP SCREW	1		3/8" X 1-1/4"
22	R29936	O-RING	1		
23	AR35964	ELBOW FITTING	1		

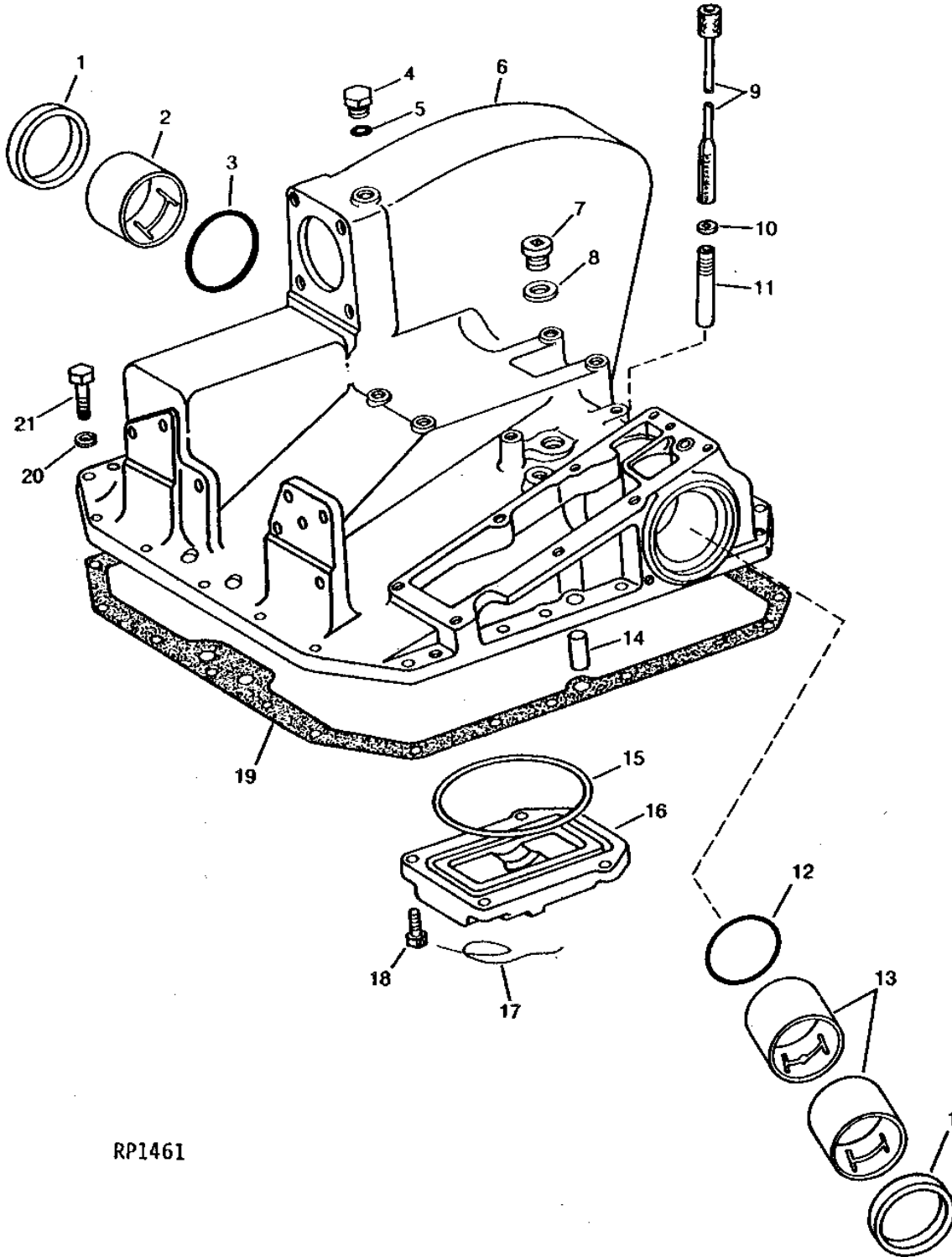
# 2F6

HYDRAULICS

RP1461

-UN-01JAN94

ROCKSHAFT HOUSING WITH BUSHINGS AND OIL SEALS



RP1461



# 2F7

HYDRAULICS

## ROCKSHAFT HOUSING WITH BUSHINGS AND OIL SEALS - CONTINUED

KEY	PART NO.	PART NAME	QTY	TRACTOR SERIAL NO.	REMARKS
1	R36423	SEAL	2		
2	R36379	BUSHING	1		
3	R36424	O-RING	1		
4	R39112	FITTING	1		
5	R26375	O-RING	1		
6	AR36851	HOUSING	1		(MARKED R40650 OR R53580) (NO LONGER AVAILABLE)
7	R27483	PLUG	1		
8	H851R	WASHER	1		
9	AR35159	ROD	1		(NLA)
10	R1590R	WASHER	1		
11	R31566	TUBE	1		
12	A5598R	O-RING	1		
13	R36378	BUSHING	2		
14	R26616	DOWEL PIN	4		
15	R36425	WASHER	1		
16	R55080	COVER	1		(SUB FOR R43448) (SUB R58544)
17	.....	WIRE	1		356 MM (14") 16-GA.
18	D459R	BOLT	4		
19	R100304	GASKET	1		(SUB FOR R35776 AND R80967)
20	12H301	LOCK WASHER	20		1/2"
21	19H1721	CAP SCREW	20		1/2" X 1-1/2"

---

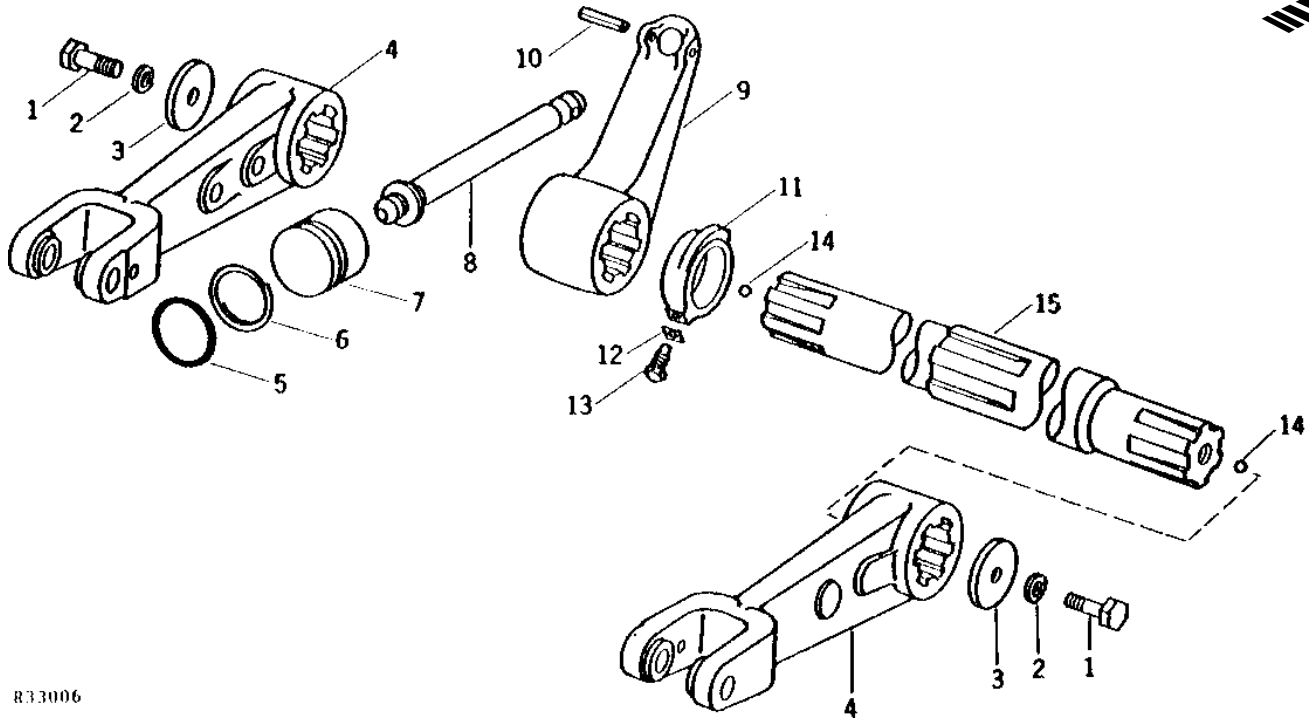
MEMORANDA

# 2F8

HYDRAULICS

R33006 -UN-01JAN94

## ROCKSHAFT, ROCKSHAFT PISTON, AND LIFT ARMS



R33006

KEY	PART NO.	PART NAME	QTY	TRACTOR SERIAL NO.	REMARKS
1	19H2589	CAP SCREW	2	3/4" X 1-7/8"	
2	12H236	LOCK WASHER	2	3/4"	
3	R36402	WASHER	2		
4	R41243	LIFT ARM	2		
5	R26543	O-RING	1		
6	R26754	BACK-UP RING	1		
7	R42299	PISTON	1	(NLA)	
8	AR44357	ROD	1		
9	R54191	ARM	1	(SUB FOR R36418) (NLA)	
10	34H322	SPRING PIN	1	1/4" X 2-3/4"	
11	R40579	CAM	1	(SUB FOR AR40488) (NLA)	
12	F3173R	LOCK PLATE	1		
13	R69642	CAP SCREW	1	(SUB FOR R26626)	
14	H23836	BALL	2		
15	R36395	ROCKSHAFT	1	(NO LONGER AVAILABLE)	

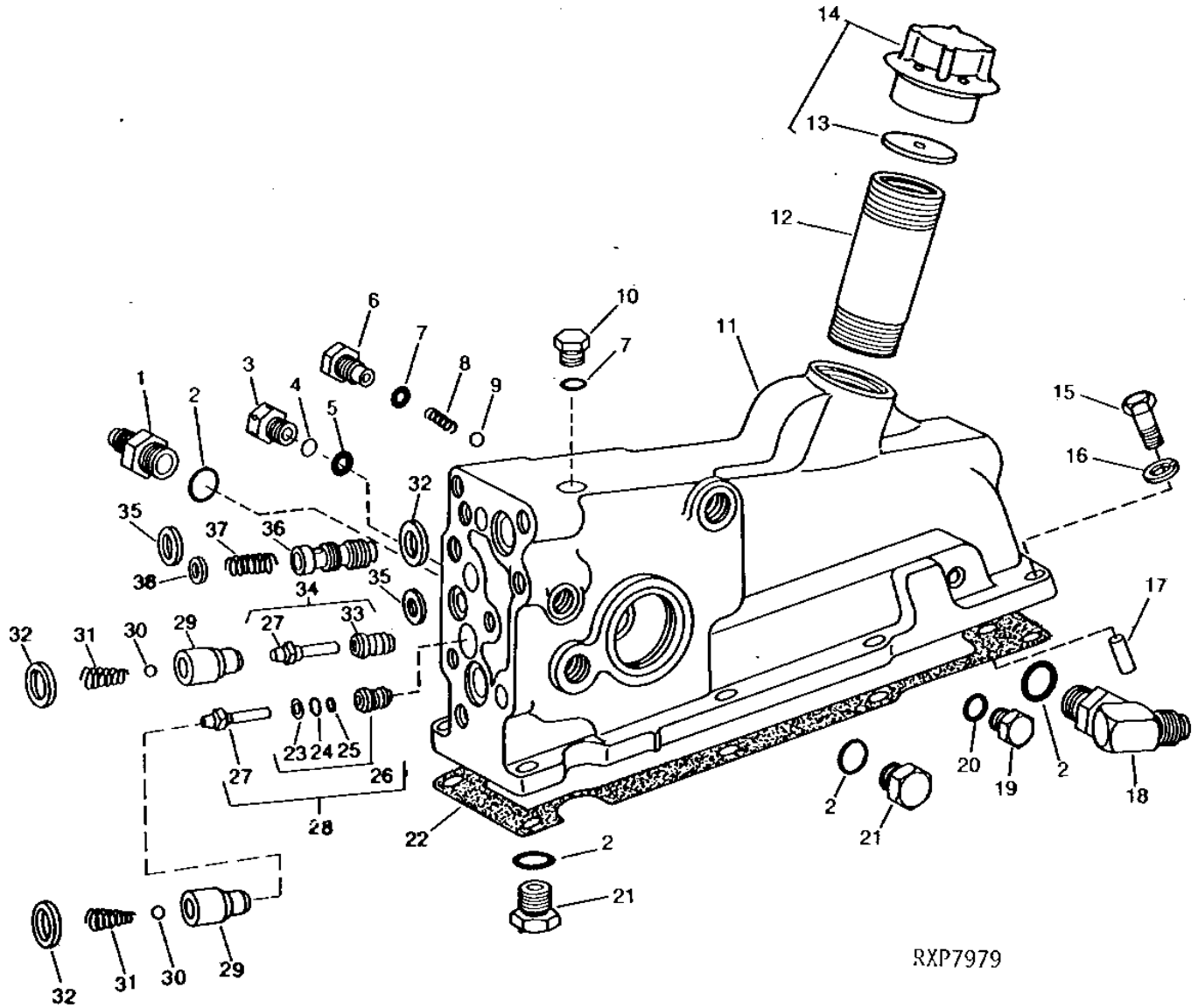
# 2F9

HYDRAULICS

RXP7979

-UN-01JAN94

## ROCKSHAFT CONTROL VALVE HOUSING



RXP7979

# 2F10

HYDRAULICS

## ROCKSHAFT CONTROL VALVE HOUSING - CONTINUED

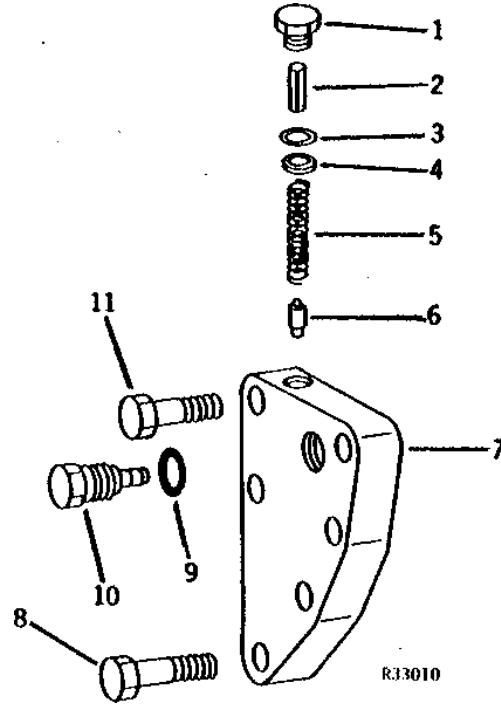
KEY	PART NO.	PART NAME	QTY	TRACTOR SERIAL NO.	REMARKS
1	R36426	FITTING	1		
2	R26375	O-RING	4		
3	R27094	DRAIN PLUG	2		(SUB FOR R26429)
4	R28785	SHIM	AR		0.13MM (.005")
	R28786	SHIM	AR		0.25MM (.010")
	R28505	SHIM	AR		0.76MM (.030")
5	R26286	O-RING	2		
6	R27979	FITTING	1		
7	R26287	O-RING	2		
8	R27981	SPRING	1		
9	H871R	BALL	1		5MM (3/16")
10	R27216	DRAIN PLUG	1		(SUB FOR R31631)
11	AR32608	HOUSING	1		(MARKED R34011 OR R42692) (SUB AR32610, AR30110, (2) R26758 AND (8) 19H988)
	AR32610	HOUSING	1		
12	R36428	FITTING	1		(NLA)
	15H215	ELBOW FITTING	1		1-1/2" 90°, (WITH CAB)
13	R31486	WASHER	1		
14	AR30697	CAP	1		(MARKED R32715)
15	19H1732	CAP SCREW	8		3/8" X 1-1/4"
16	12H304	LOCK WASHER	8		3/8"
17	R26650	DOWEL PIN	1		(SUB FOR A4879R)
18	AR30110	ELBOW FITTING	1		90°
19	R27218	FITTING PLUG	1		
20	R26448	O-RING	1		
21	R39112	FITTING	2		(SUB FOR R28095)
22	R26573	GASKET	1		
23	R26976	O-RING	1		
24	R26977	BACK-UP RING	1		
25	R41337	WASHER	1		
26	AR78483	GUIDE	1		(PRESSURE) (SUB FOR AR31703)
27	R26758	SHAFT	2		
28	AR39777	SHAFT	1		(PRESSURE)
29	R36556	VALVE	2		
30	400R	BALL	2		6MM (1/4")
31	R26565	SPRING	2		
32	R26149	PACKING	3		
33	R31024	GUIDE	1		
34	AR30094	SHAFT	1		(RETURN)
35	F2741R	PACKING	2		
36	R43791	CONTROL VALVE	1		(SUB FOR R36555)
37	R26566	SPRING	1		
38	B1664R	SHIM	5		

# 2F11

HYDRAULICS

R33010 -UN-01JAN94

## ROCKSHAFT CONTROL VALVE HOUSING COVER



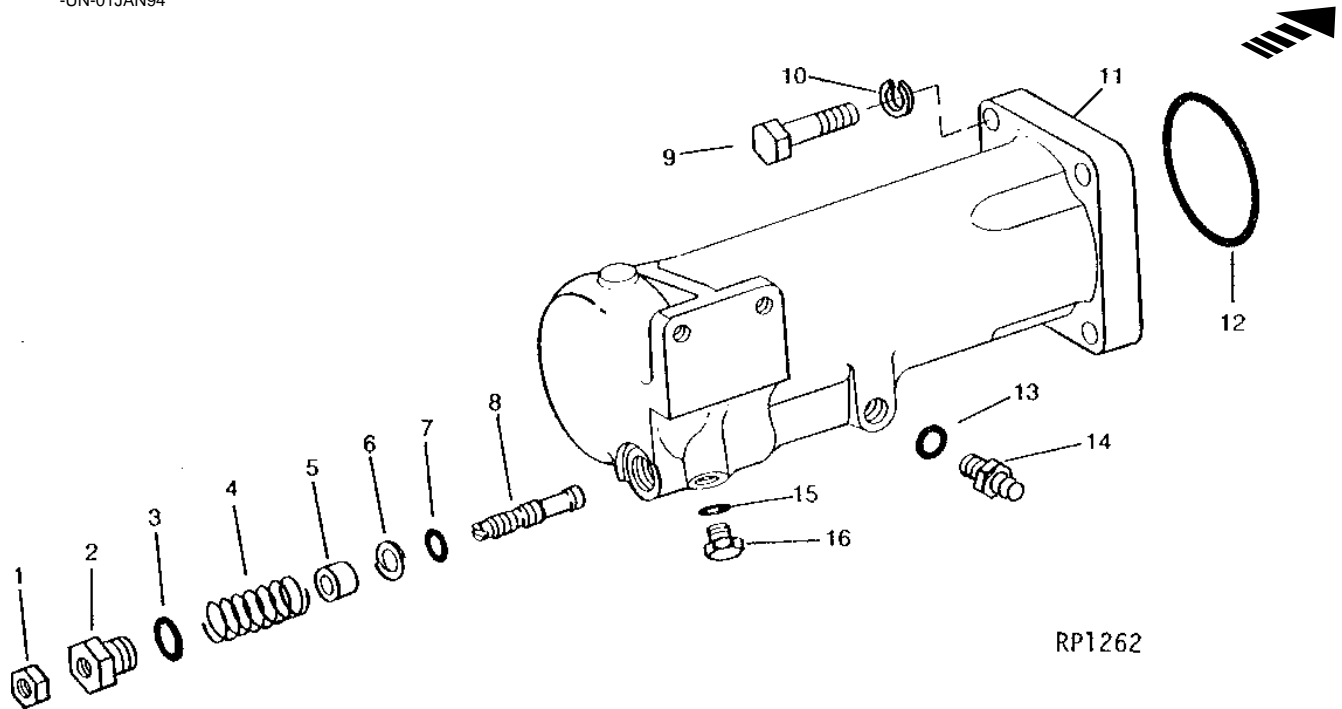
KEY	PART NO.	PART NAME	QTY	MODEL NO.	REMARKS
1	R27216	DRAIN PLUG	1		
2	34H247	SPRING PIN	1	1/8" X 3/4"	
3	R26287	O-RING	1		
4	R26478	SHIM	AR	0.51 MM (.020")	
	R26479	SHIM	AR	0.76 MM (.030")	
5	R26477	SPRING	1		
6	R55678	RELIEF VALVE	1	(SUB FOR R31565)	
7	AR31754	COVER	1	(MARKED R32387)	
8	19H1721	CAP SCREW	3	1/2" X 1-1/2"	
9	R26448	O-RING	1		
10	R40799	DRAIN PLUG	1		
11	19H1978	CAP SCREW	3	7/16" X 1-1/2"	

# 2F12

HYDRAULICS

RP1262 -UN-01JAN94

## ROCKSHAFT CYLINDER AND THROTTLE VALVE



RP1262

KEY	PART NO.	PART NAME	QTY	TRACTOR SERIAL NO.	REMARKS
1	14H774	NUT	1	3/8"	
2	R26458	FITTING	1		
3	R26906	O-RING	1		
4	B3686R	SPRING	1		
5	R26457	VALVE	1	(SUB R59684)	
6	R31136	BACK-UP RING	1		
7	A4365R	O-RING	1		
8	R26625	SHAFT	1		
9	19H2357	CAP SCREW	4	9/16" X 2"	
10	12H317	LOCK WASHER	4	9/16"	
11	R52961	CYLINDER	1	(ALSO ORDER U10746) (SUB FOR R36381)	
12	R26621	O-RING	1	(USE WITH R36381)	
	U10746	O-RING	1	(USE WITH R52961) (SUB FOR R52404)	
13	R26448	O-RING	1		
14	R27212	FITTING	1		
15	R26287	O-RING	1		
16	R27216	DRAIN PLUG	1	(SUB FOR R31631)	

---

MEMORANDA

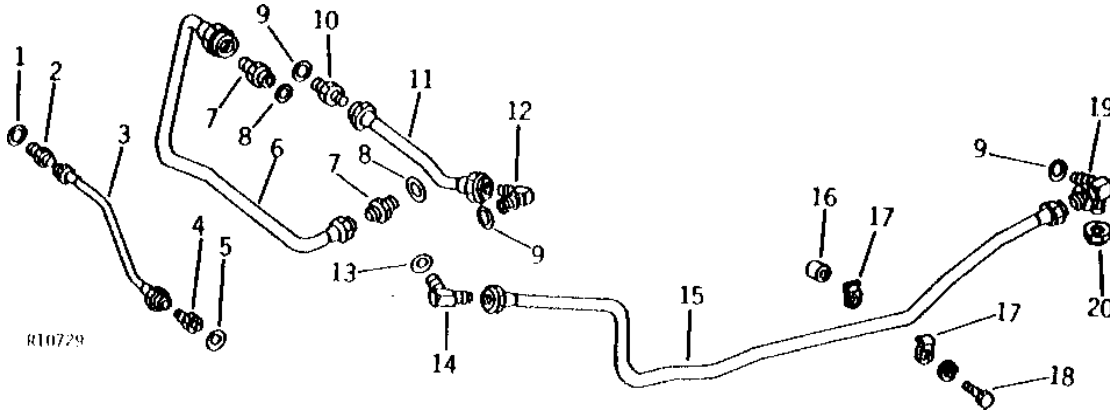


# 2F13

HYDRAULICS

R10729 -UN-01JAN94

## ROCKSHAFT OIL LINES



KEY	PART NO.	PART NAME	QTY	TRACTOR SERIAL NO.	REMARKS
1	R26448	O-RING	1		
2	R27212	FITTING	1		
3	AR35735	LINE	1		(ROCKSHAFT CYLINDER TO CONTROL VALVE HOUSING) (NO LONGER AVAILABLE)
4	R36426	FITTING	1		
5	R26375	O-RING	1		
6	AR35739	HYDRAULIC LINE	1		(ROCKSHAFT HOUSING TO FILTER RELIEF VALVE HOUSING)
7	R27267	FITTING	2		
8	F3171R	O-RING	2		
9	R26906	O-RING	3		
10	R27270	FITTING	1		
11	AR35737	HYDRAULIC LINE	1		RETURN
12	AR26724	ELBOW FITTING	1		
13	R26375	O-RING	1		
14	AR30110	ELBOW FITTING	1		
15	AR47195	HYDRAULIC LINE	1		PRESSURE
16	B3682R	WASHER	1		
	28H1697	SPACER	1		3/8" X 3/4"
17	R35726	CLAMP	4		
18	19H1726	CAP SCREW	1		3/8" X 2-1/4"
	19H2023	CAP SCREW	1		3/8" X 3-1/4"
	12H304	LOCK WASHER	2		3/8"
19	AR36856	TEE FITTING	1		(A) (C)
	AR26724	ELBOW FITTING	1		(B)
	R27474	DRAIN PLUG	1		(B) (D)
20	R36927	FITTING	1		(D)

- (A) DIFFERENTIAL LOCK
- (B) LESS DIFFERENTIAL LOCK
- (C) ROCKSHAFT
- (D) LESS ROCKSHAFT

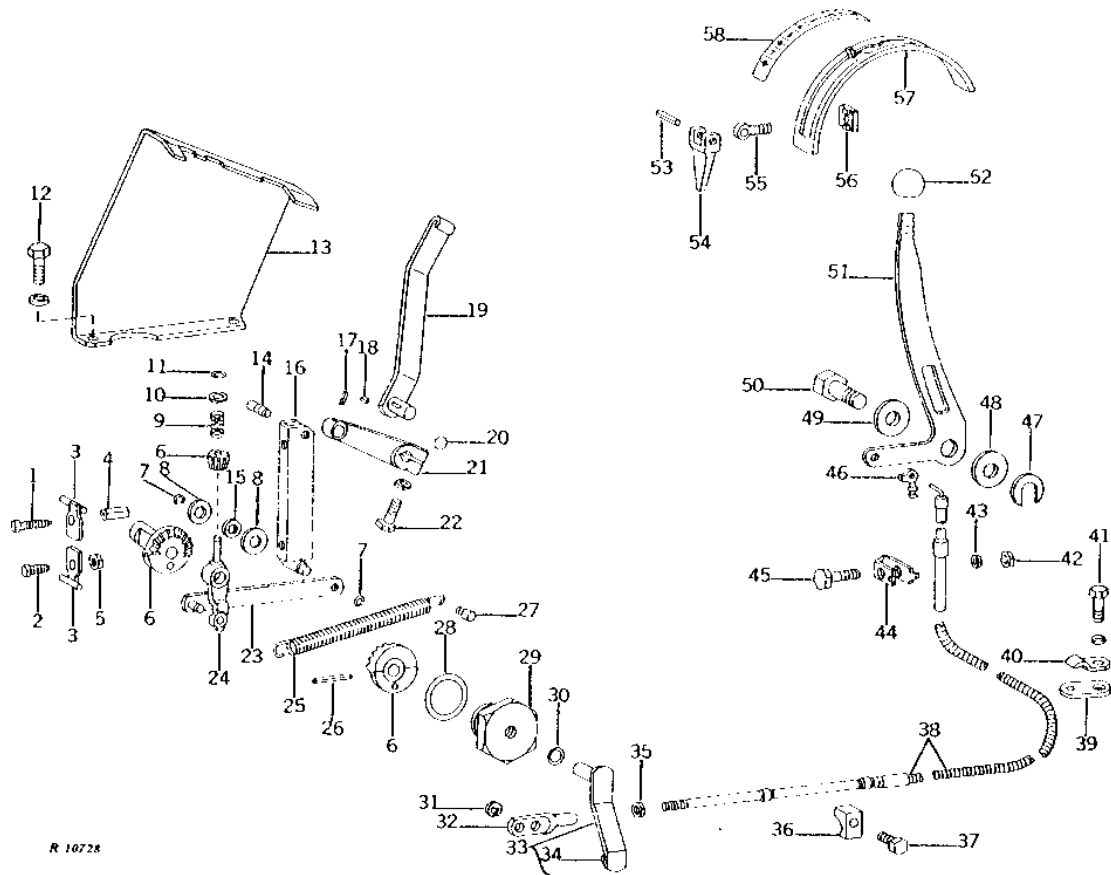
# 2F14

HYDRAULICS

R10728

-UN-01JAN94

## ROCKSHAFT CONTROL LINKAGE AND LOAD SELECTOR CONTROL



# 2F15

HYDRAULICS

## ROCKSHAFT CONTROL LINKAGE AND LOAD SELECTOR CONTROL - CONTINUED

KEY	PART NO.	PART NAME	QTY	TRACTOR SERIAL NO.	REMARKS
1	R26554	SET SCREW	1		
2	R26762	BOLT	1		
3	AR26546	LEVER	2		
4	R26567	NUT	1		
5	14H649	NUT	1	1/4"	
6	AR31272	GEAR	1		(SUB AR31274, R27674 AND R27675)
7	R72653	SNAP RING	2		(SUB FOR M2396T)
8	24M7207	WASHER	2		8.400 X 24 X 2 MM
9	R26487	SPRING	1		
10	24H1289	WASHER	1		21/64" X 5/8" X 0.049"
11	R26386	SNAP RING	1		
12	19H1936	CAP SCREW	2		3/8" X 3/4"
	12H304	LOCK WASHER	2		3/8"
13	R36405	QUADRANT	1		(NO LONGER AVAILABLE)
	R42131	QUADRANT	1		(WITH CAB) (NO LONGER AVAILABLE)
14	R27372	PIN	1		
15	R27215	WASHER	1		
16	AR26711	LINK	1		
17	34H231	SPRING PIN	1		3/32" X 3/4"
18	26H67	SHAFT KEY	1		1/8" X 3/8"
19	AR35736	LEVER	1		(NO LONGER AVAILABLE)
	AR44042	LEVER	1		(WITH CAB) (NO LONGER AVAILABLE)
20	R394R	O-RING	1		
21	R26571	LEVER	1		
22	19H1905	CAP SCREW	1		5/16" X 1"
	12H303	LOCK WASHER	1		5/16"
23	AR26523	LINK	1		
24	R26772	ARM	1		
25	R26776	SPRING	1		
26	34H239	SPRING PIN	1		3/32" X 1-1/2"
27	R26564	PIN	1		
28	R26773	O-RING	1		
29	R27214	QUILL	1		
30	R394R	O-RING	1		
31	R27507	SNAP RING	1		(SUB R72654)
32	R31422	END	1		
33	AR26524	LEVER	1		
34	R26461	PIN	1		
35	14H850	NUT	1	1/4"	
36	R26629	CLAMP	1		
37	19H1849	CAP SCREW	1		5/16" X 1-1/4"
38	AR36374	PUSH PULL CABLE	1		
	R39725	SEAL	2		
	R39726	SEAL	1		BOTTOM
	R39727	SEAL	1		TOP
39	R31945	STRAP	2		(NO LONGER AVAILABLE)
40	R183R	CLIP	2		(SUB FOR R27590)
41	19H1732	CAP SCREW	1		3/8" X 1-1/4"
	19H1731	CAP SCREW	1		3/8" X 1"
	12H304	LOCK WASHER	2		3/8"
42	14H785	NUT	1		5/16"
43	12H303	LOCK WASHER	1		5/16"
44	R26870	CLAMP	1		
45	19H1849	CAP SCREW	1		5/16" X 1-1/4"
46	R26491	CLIP	1		L.H.
47	R27603	WASHER	AR		1.52MM (.060")
48	R26574	WASHER	1		
49	R63024	WASHER	1		(SUB FOR R26575)
50	19H2356	CAP SCREW	1		9/16" X 1-3/4"
	12H317	LOCK WASHER	1		9/16"
51	R27364	LEVER	1		
52	R28164	KNOB	1		
53	34H387	SPRING PIN	1		3/16" X 3/4"
54	R34537	CAM	1		
55	R31222	BOLT	1		
56	R27605	NUT	1		
57	R40476	STRAP	1		
58	R40509	LABEL	1		

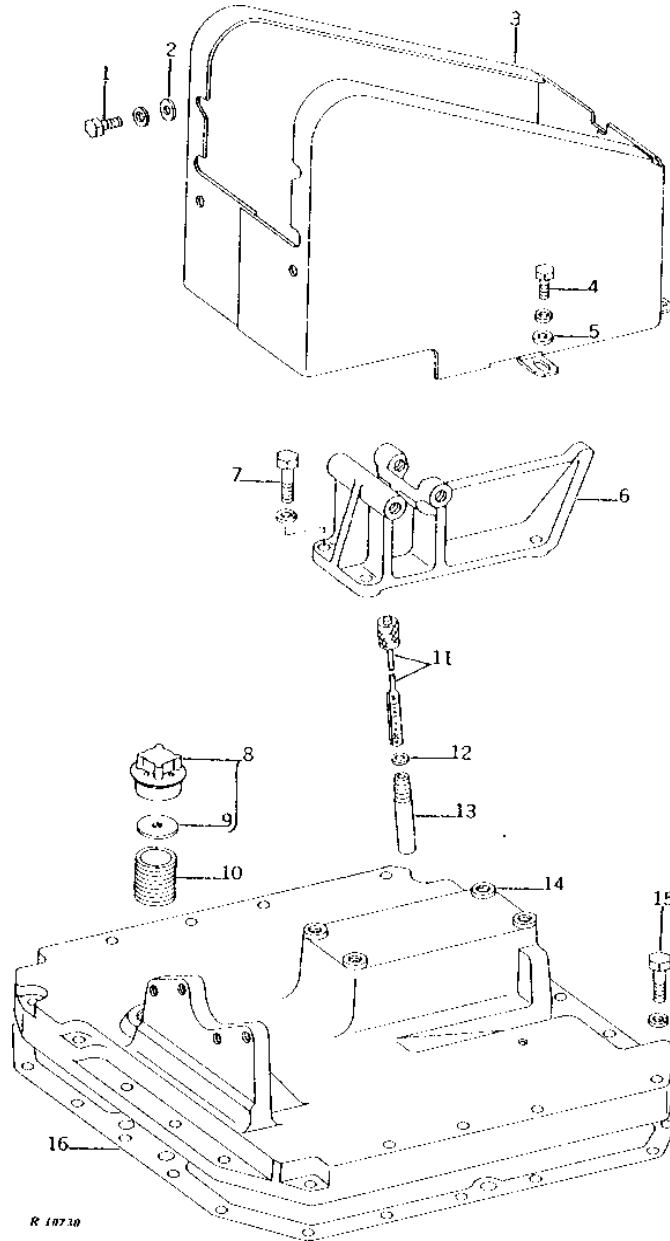
# 2F16

HYDRAULICS

## TRANSMISSION REAR COVER AND SEAT SUPPORT COVER (LESS ROCKSHAFT)

R10730

-UN-01JAN94



# 2F17

HYDRAULICS

## TRANSMISSION REAR COVER AND SEAT SUPPORT COVER - CONTINUED (LESS ROCKSHAFT)

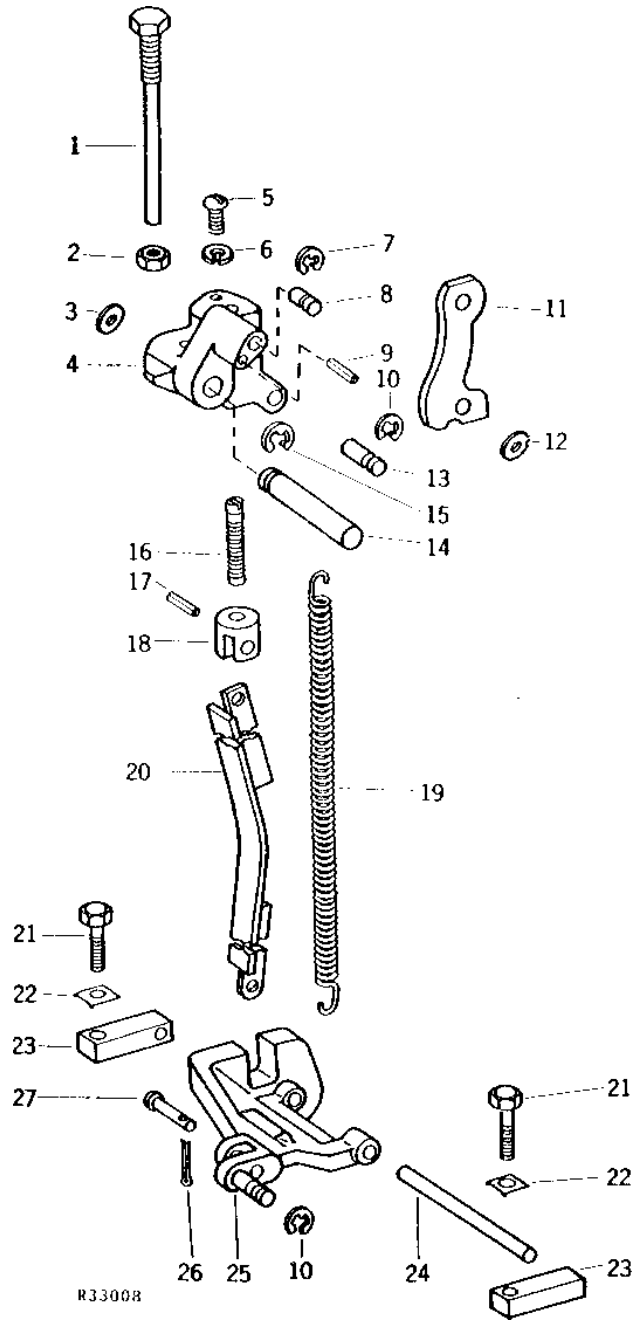
KEY	PART NO.	PART NAME	QTY	TRACTOR SERIAL NO.	REMARKS
1	19H1936	CAP SCREW	4		3/8" X 3/4"
	12H304	LOCK WASHER	4		3/8"
2	24H1305	WASHER	4		13/32" X 13/16" X 0.065"
3	AR26846	COVER	1		
4	19H1900	CAP SCREW	4		5/16" X 3/4"
	12H303	LOCK WASHER	4		5/16"
5	24H1136	WASHER	4		11/32" X 11/16" X 0.065"
6	R35657	BASE	1		
7	19H1721	CAP SCREW	4		1/2" X 1-1/2"
	12H301	LOCK WASHER	4		1/2"
8	AR30697	CAP	1		(MARKED R32715)
9	R31486	WASHER	1		
10	A4234R	ASSEMBLY LINE PARTS	1		
11	AR35159	ROD	1		(NLA)
12	R1590R	WASHER	1		
13	R31566	TUBE	1		
14	AR35382	COVER	1		(MARKED R35775 OR R53572) (NO LONGER AVAILABLE)
15	19H1721	CAP SCREW	7		1/2" X 1-1/2"
	19H1831	CAP SCREW	3		1/2" X 2"
	19H2644	CAP SCREW	10		1/2" X 2-1/2"
	12H301	LOCK WASHER	20		1/2"
16	R100304	GASKET	1		(SUB R35776 AND R80967)

# 2F18

HYDRAULICS

R33008 -UN-01JAN94

LOAD CONTROL



# 2F19

HYDRAULICS

## LOAD CONTROL - CONTINUED

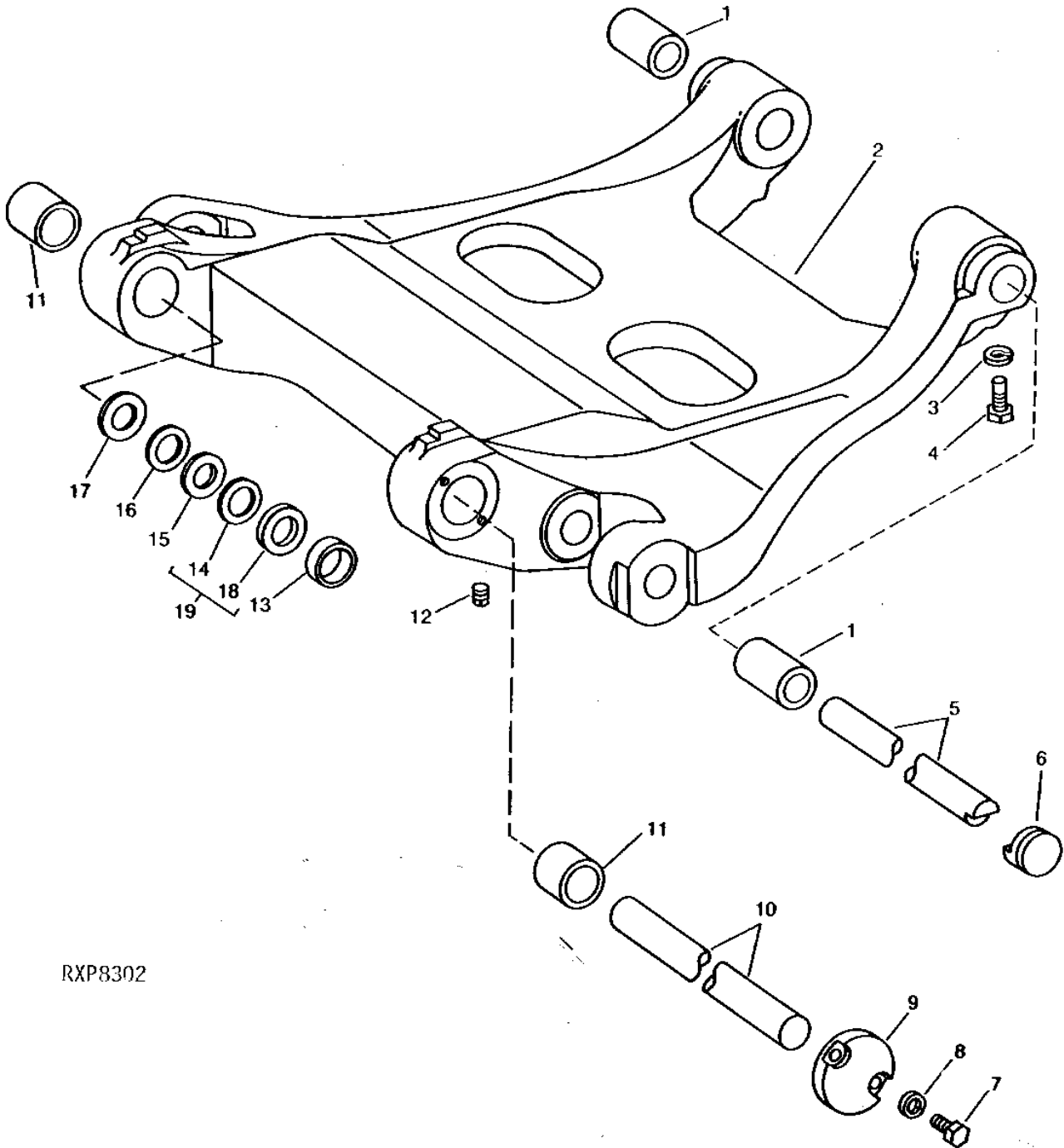
KEY	PART NO.	PART NAME	QTY	TRACTOR SERIAL NO.	REMARKS
1	AR35777	SCREW	1		
2	14H971	NUT	1	1/2"	
3	24H1375	WASHER	1	11/16" X 1-1/8" X 0.060"	
4	AR35826	ARM	1	(MARKED R36553)	
5	21H1329	SCREW	1	1/4" X 7/8"	
6	12H302	LOCK WASHER	1	1/4"	
7	R27507	SNAP RING	1	(SUB R72654)	
8	R26869	PIN	1		
9	34H245	SPRING PIN	1	1/8" X 5/8"	
10	T12808	SNAP RING	2	(SUB R72655)	
11	R36554	FOLLOWER	1		
12	24H1287	WASHER	1	9/32" X 5/8" X 0.065"	
13	R36582	PIN	1		
14	R36491	PIN	1		
15	A4883R	RING	1		
16	R36488	SCREW	1		
17	34H309	SPRING PIN	1	1/4" X 5/8"	
18	R36614	END	1		
19	R26858	SPRING	1		
20	AR36379	PUSH ROD	1		
21	19H1732	CAP SCREW	2	3/8" X 1-1/4"	
22	R1888R	STRAP	2		
23	R36485	SUPPORT	1		
24	R36486	DOWEL PIN	1		
25	AR36380	ARM	1	(MARKED R36993)	
26	11M7081	COTTER PIN	1	0.098" X 0.787"	
27	B2290R	PIN	1		

# 2F20

HYDRAULICS

RXP8302 -UN-01JAN94

## DRAFT LINK SUPPORT



RXP8302



# 2F21

HYDRAULICS

## DRAFT LINK SUPPORT - CONTINUED

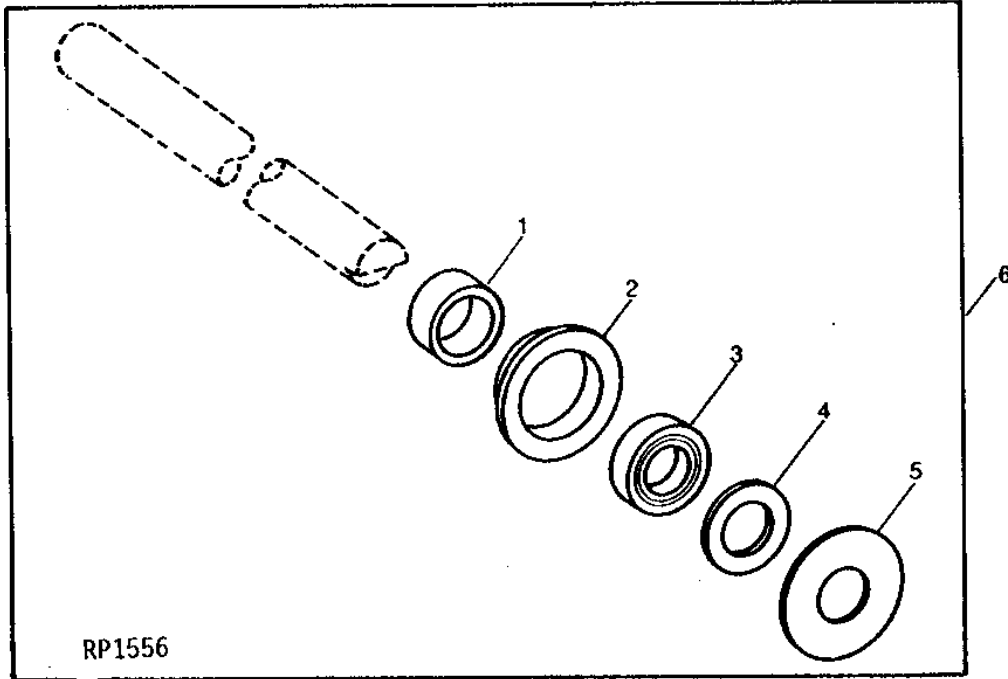
KEY	PART NO.	PART NAME	QTY	TRACTOR SERIAL NO.	REMARKS
1	R36481	BUSHING	2	-030932	
	R52844	BUSHING	2	030933-	
2	AR55185	SUPPORT	1		(MARKED R36434 OR R50656) (SUB FOR AR35922 OR AR50339)
3	12H303	LOCK WASHER	2		5/16"
4	R40928	BOLT	2		(SUB FOR R27196)
5	R36771	PIN	1		
6	R33827	RETAINER	2		
7	19H1900	CAP SCREW	4		5/16" X 3/4"
8	12H303	LOCK WASHER	4		5/16"
9	R36483	RETAINER	2		
10	R36480	DOWEL PIN	1		
11	R36482	BUSHING	2	-030932	
	R52845	BUSHING	2	030933-	
12	15H638	PIPE PLUG	2		1/8"
13	R26505	BUSHING	4		
	R45515	BUSHING	1		0.076 MM (.003") OS
	R45516	BUSHING	1		0.15 MM (.006") OS
	R46801	BUSHING	1		0.23 MM (.009") OS
14	F2674R	WASHER	2		
15	R47566	WASHER	AR		1.2 MM (.048") (USE WITH AR78340)
16	R47567	WASHER	AR		0.9 MM (.036") (USE WITH AR78340)
17	R47568	WASHER	AR		1.6 MM (.062") (USE WITH AR78340)
18	AR26414	SEAL	1		(SUB AR78340, THIS APPLICATION)
19	AR78340	SEAL KIT	1		LOAD CONTROL SHAFT OIL SEAL

# 2F22

HYDRAULICS

RP1556 -UN-01JAN94

## LOAD CONTROL SHAFT BUSHING KIT



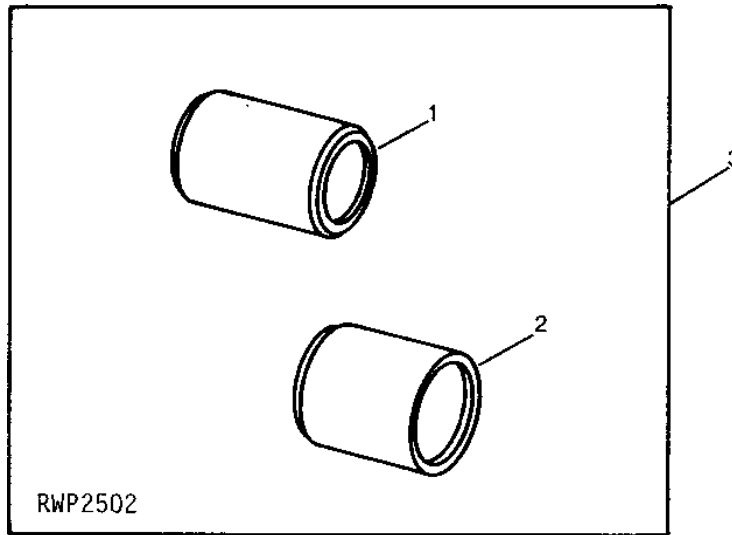
KEY	PART NO.	PART NAME	QTY	TRACTOR SERIAL NO.	REMARKS
1	R46801	BUSHING	2	.030 OS	
2	R48682	BUSHING	2		
3	AR26414	SEAL	2	(SUB AR78340)	
4	F2674R	WASHER	2		
5	R47566	WASHER	AR	1.22 MM (.048")	
	R47567	WASHER	AR	0.91 MM (.036")	
	R47568	WASHER	AR	1.57 MM (.062")	
6	AR51955	KIT	1	LOAD CONTROL REPAIR	

# 2F23

HYDRAULICS

## IMPLEMENT ADAPTER KIT (CATEGORY II MOUNTED IMPLEMENTS)

RWP2502 -UN-17OCT94



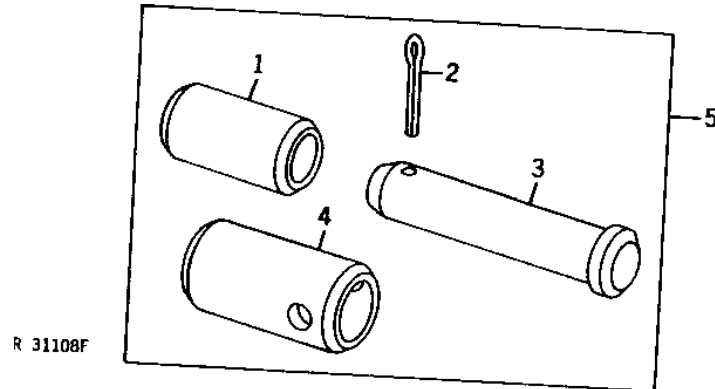
KEY	PART NO.	PART NAME	QTY	TRACTOR SERIAL NO.	REMARKS
1	R66434	BUSHING	1		
2	R67798	BUSHING	2		
3	AR88263	KIT	1		

# 2F24

HYDRAULICS

R31108 -UN-18OCT94

## IMPLEMENT ADAPTER KIT



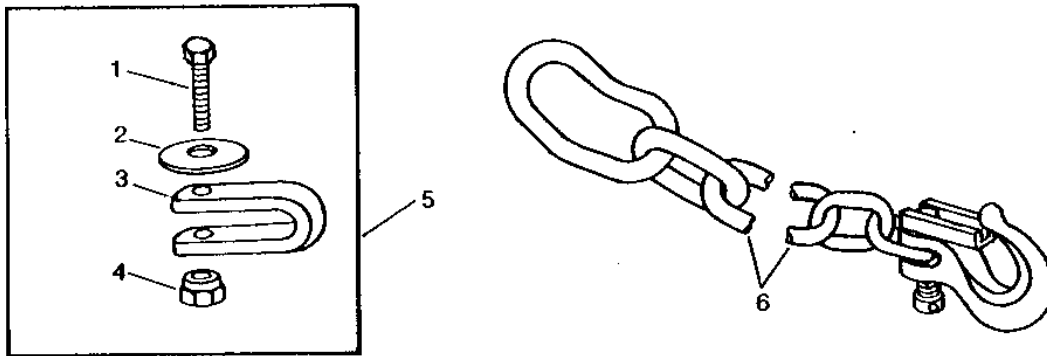
KEY	PART NO.	PART NAME	QTY	TRACTOR SERIAL NO.	REMARKS
1	R66434	BUSHING	1	(CENTERLINK)	
2	11M7040	COTTER PIN	1	0.248" X 1.969"	
3	R53296	PIN	1		
4	R66435	BUSHING	2	(DRAFT LINK BALL) (SUB FOR R36470)	
5	AR35857	BUSHING	1	KIT, BUSHING TO ADAPT CATEGORY II IMPLEMENTS	

# 2F25

HYDRAULICS

RWP5796 -UN-01JAN94

## IMPLEMENT SAFETY CHAIN



RWP5796

KEY	PART NO.	PART NAME	QTY	TRACTOR SERIAL NO.	REMARKS
1	19H1768	CAP SCREW	1	(A) (B)	
	19H2084	CAP SCREW	1	(A)	
	19H2174	CAP SCREW	1	(B)	
2	R36402	WASHER	1	(A) (B)	
3	R69408	CLEVIS	1	(A)	
	R69409	CLEVIS	1	(B)	
4	T25879	NUT	2	(A) (B)	
5	AR90577	SAFETY CHAIN ADAPTER KIT	1		CATEGORY IV DRAWBARS
	AR90578	CHAIN KIT	1		CATEGORY II AND III DRAWBARS
6	RE26739	LINK CHAIN	1		61 LINKS 6.4 MM (1/4") DIA CHAIN (6,000 LB)
	AR90581	LINK CHAIN	1		61 LINKS 6.4 MM (1/4") DIA CHAIN (10,000 LB)
	AR90579	LINK CHAIN	1		42 LINKS 9.5 MM (3/8") DIA CHAIN
	AR90583	LINK CHAIN	1		43 LINKS 11.1 MM (7/16") DIA CHAIN
	RE26740	LINK CHAIN	1		42 LINKS 12.7 MM (1/2") DIA CHAIN, (SUB AN212996)

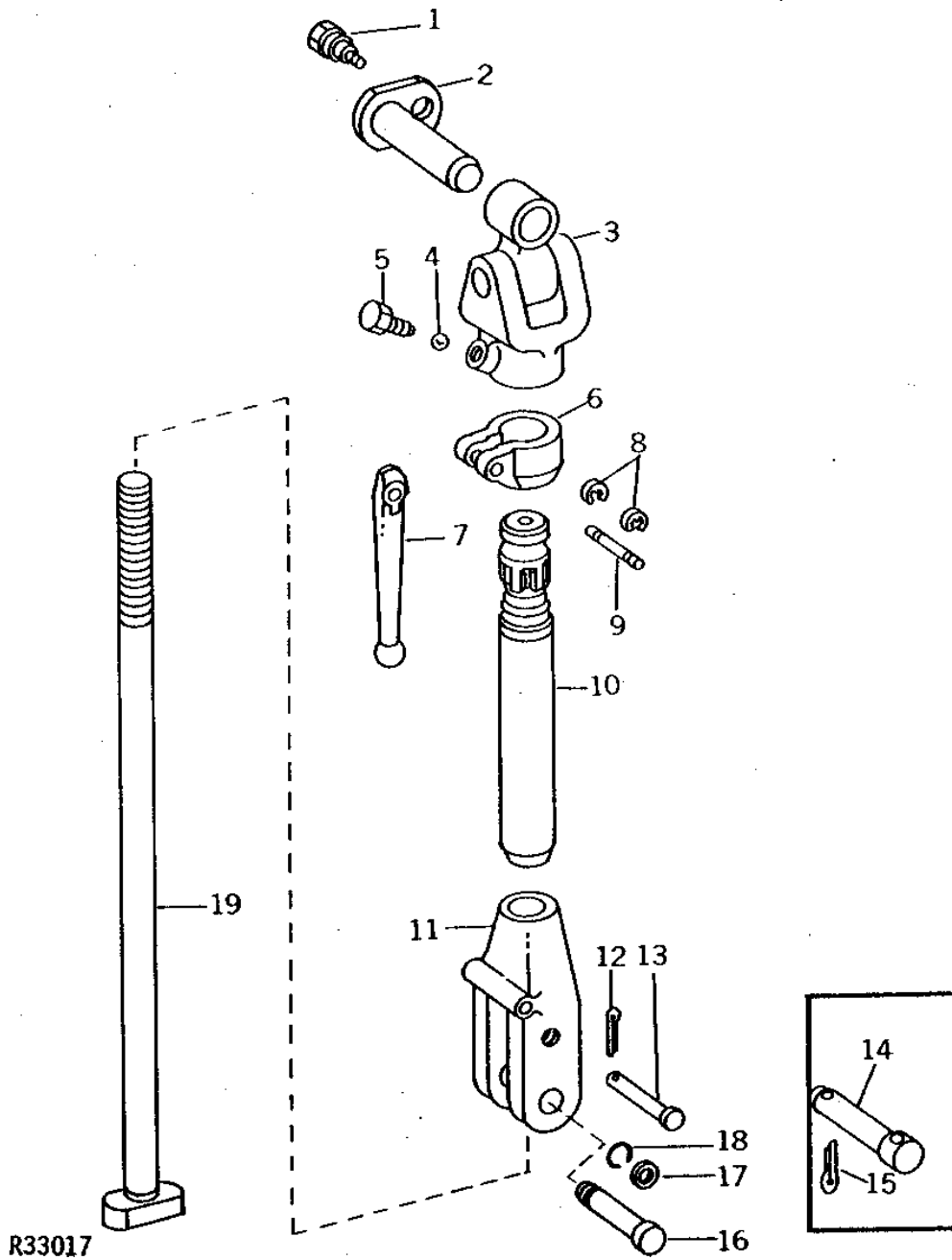
(A) INCLUDED IN AR90577  
 (B) INCLUDED IN AR90578

# 2G1

HYDRAULICS

R33017 -UN-01JAN94

LIFT LINK



# 2G2

HYDRAULICS

## LIFT LINK - CONTINUED

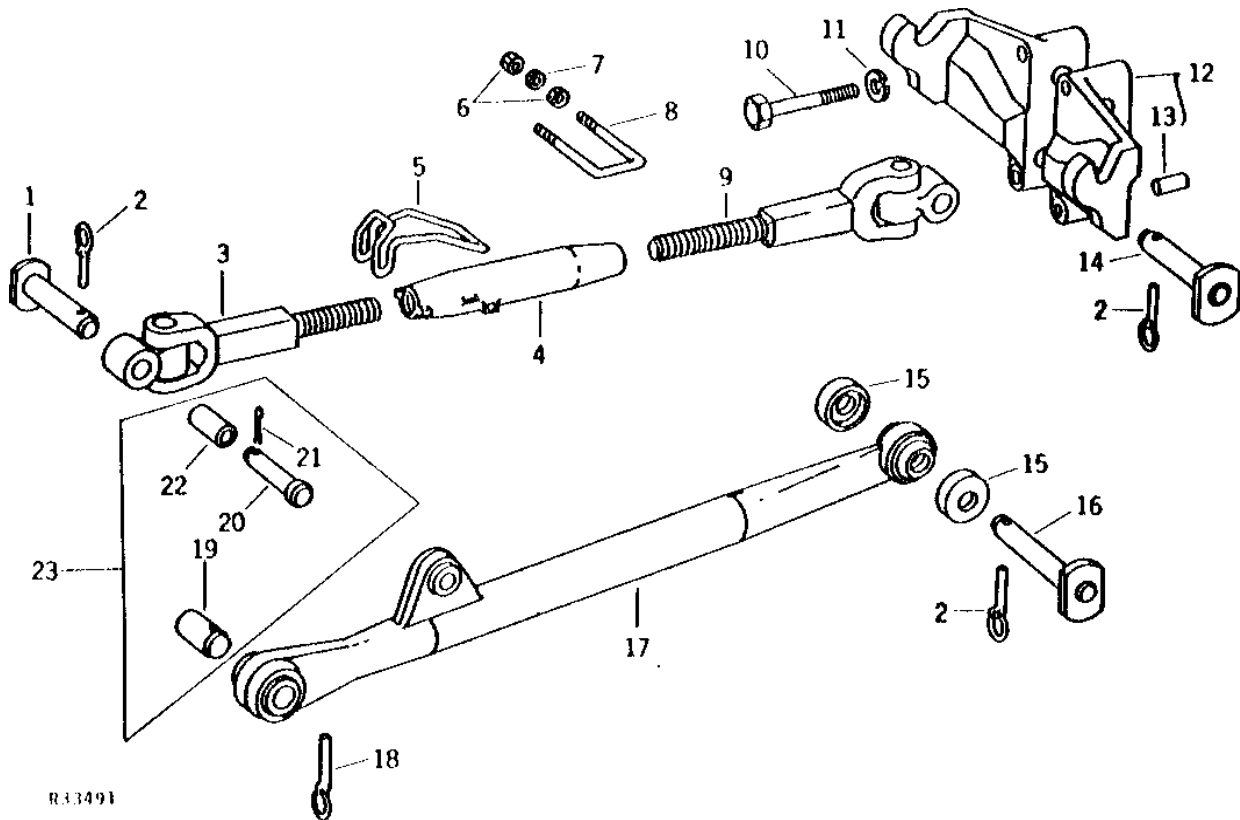
KEY	PART NO.	PART NAME	QTY	TRACTOR SERIAL NO.	REMARKS
1	AR74673	CAP SCREW	2		(SUB FOR AR48110)
2	AR40864	PIN	2		(SUB AR70028)
3	AR35791	YOKE	2		(WITH PIVOT)
4	D2361R	BALL	20		13MM (1/2")
5	R36526	FITTING	2		
6	R50194	LOCKING COLLAR	2		
7	R36527	HANDLE	2		
8	F3396R	SNAP RING	4		
9	T14034	PIN	2		
10	AR35790	SLEEVE	2		
11	R58934	YOKE	2		(SUB FOR R42171)
12	11H239	COTTER PIN	2		5/32" X 1"
13	R63737	PIN	2		(SUB FOR R42172)
14	R58264	PIN	2	-XXXXXX	(SUB FOR R43323) (SUB R65239, R65240 AND A602R)
15	11H218	COTTER PIN	2	-XXXXXX	3/16" X 1-1/2"
16	R65239	PIN	1	XXXXXX-	
17	R65240	WASHER	1	XXXXXX-	
18	A602R	SNAP RING	1	XXXXXX-	
19	R36464	LIFT LINK	2		

# 2G3

HYDRAULICS

R33491 -UN-01JAN94

## DRAFT LINKS AND CENTER LINK



R33491



# 2G4

HYDRAULICS

## DRAFT LINKS AND CENTER LINK - CONTINUED

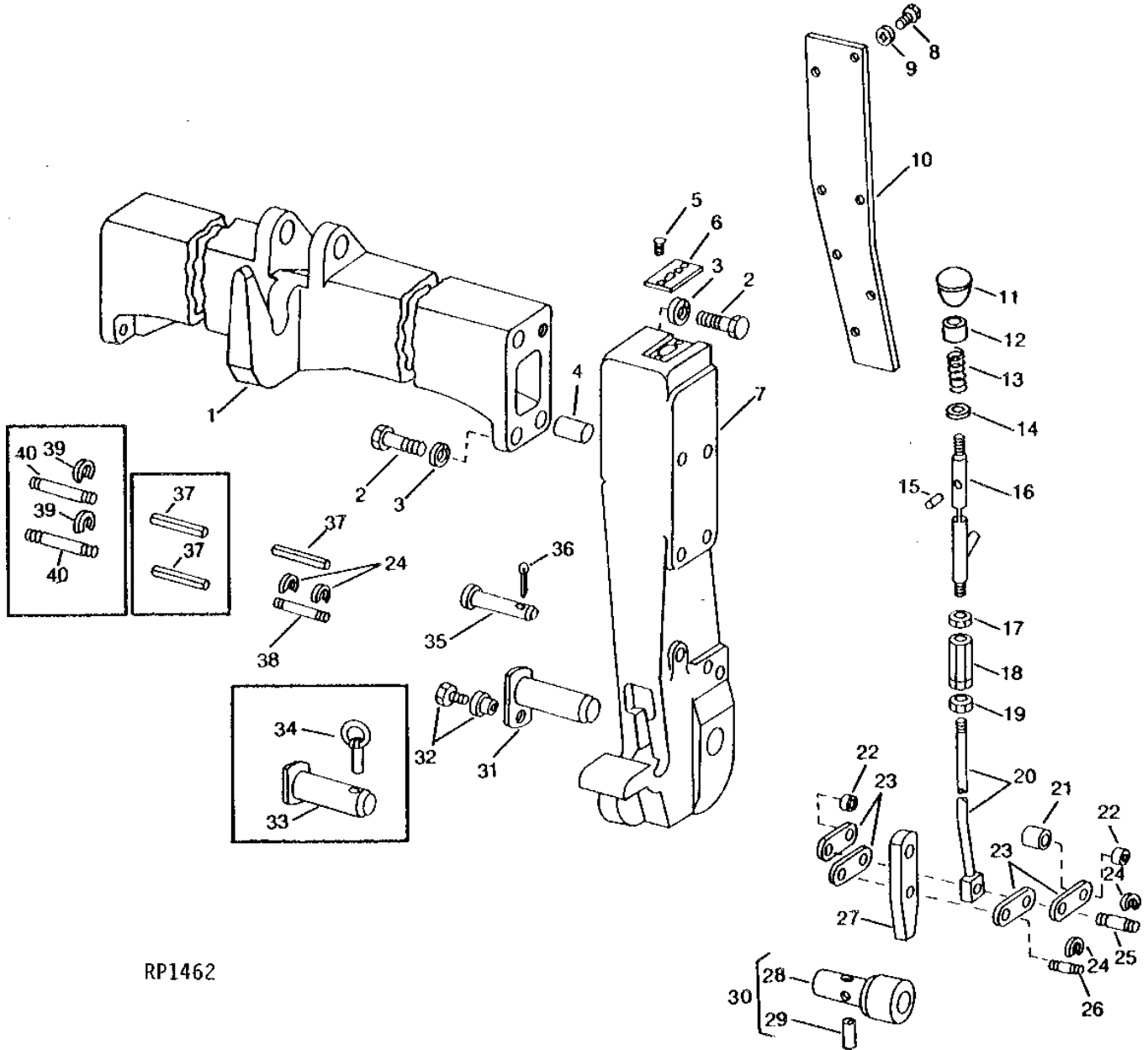
KEY	PART NO.	PART NAME	QTY	TRACTOR SERIAL NO.	REMARKS
1	AR70026	PIN	2		(SUB FOR AR35763)
2	AR62151	QUICK LOCK PIN	4		(SUB FOR B11182) (SUB M115827)
3	AR35760	CENTER LINK END	1	-028136	
4	AR60110	CENTER LINK END	1	028137-	(SUB FOR AR49566)
	R26811	LINK BODY	1	-028136	(SUB R53762 AND R47524)
	R47067	LINK BODY	1	028137-	
5	R42495	HANDLE	1		
6	14H732	NUT	4		3/8"
7	12H304	LOCK WASHER	2		3/8"
8	R45385	U-BOLT	1		
9	AR35759	CENTER LINK END	1	-028136	(NO LONGER AVAILABLE)
	AR60109	CENTER LINK END	1	028137-	(SUB FOR AR49565)
10	19H2084	CAP SCREW	4		3/4" X 4-1/2"
11	12H236	LOCK WASHER	4		3/4"
12	AR35855	BRACKET	1		(MARKED R36433)
13	R26277	DOWEL PIN	1		
14	AR89302	PIN	1		(SUB FOR AR35773 OR AR70025)
15	R26608	WASHER	4		
16	AR35774	PIN	1		
17	AR55150	DRAFT LINK	1		R.H. (SUB FOR AR35802)
	AR55151	DRAFT LINK	1		L.H. (SUB FOR AR35803)
18	AR62150	QUICK LOCK PIN	2		(SUB FOR R36471)
19	R66435	BUSHING	2		(SUB FOR R36470)
20	R53296	PIN	1		(SUB FOR R44918)
21	11H249	COTTER PIN	1		1/4" X 2"
22	R66434	BUSHING	1		(SUB FOR R36469)
23	AR35857	BUSHING	1		KIT, IMPLEMENT HITCH (CATEGORY II IMPLEMENTS)

# 2G5

HYDRAULICS

RP1462 -UN-01JAN94

IMPLEMENT QUICK COUPLER  
(TRACTOR SERIAL NO. -030000)



RP1462

# 2G6

HYDRAULICS

**IMPLEMENT QUICK COUPLER - CONTINUED**  
(TRACTOR SERIAL NO. -030000)

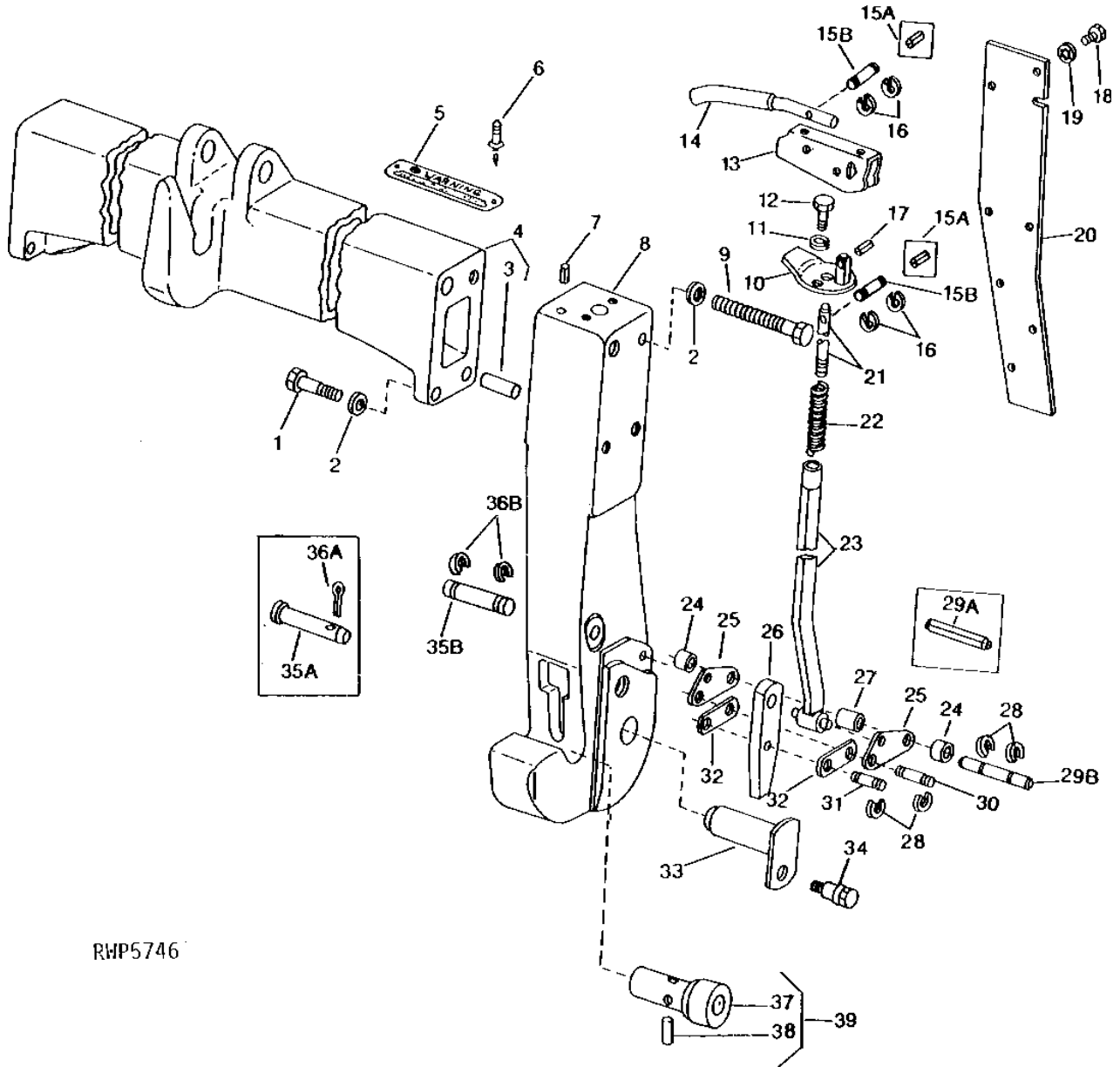
KEY	PART NO.	PART NAME	QTY	TRACTOR SERIAL NO.	REMARKS
1	AR84904	QUICK COUPLER	1		(MARKED R36448, R65203 OR R65817) (SUB FOR AR35851 OR AR82263)
2	19H1356	CAP SCREW	4		5/8" X 1-3/4"
3	12H294	LOCK WASHER	4		5/8"
4	A776R	PIN	4		
5	37H71	SCREW	4		NO. 12 X 5/8", (USE WITH R65088 OR R65087)
	19H2284	CAP SCREW	2		3/8" X 7/8", (USE WITH AR87024 OR AR87023)
	12H304	LOCK WASHER	2		3/8", (USE WITH AR87024 OR AR87023)
6	R36443	BRACKET	2		(USE WITH R65088 OR R65087)
	AR50374	BRACKET	1		(USE WITH AR87024 OR AR87023)
7	R36449	QUICK COUPLER	1	-XXXXXX	R.H. (SUB AR87023, AR48112, AR74673, AR78289, AR89303, (2) F2208R AND R65082)
	R46001	QUICK COUPLER	1	XXXXXX-XXXXXX	R.H. (SUB AR87023, AR78289, AR89303, (2) F2208R AND R65082)
	R65087	QUICK COUPLER	1	XXXXXX-	R.H. (SUB FOR R47050) (SUB AR87023)
	AR87024	QUICK COUPLER	1	-XXXXXX	L.H. (ALSO ORDER AR48112 AND AR74673) (SUB FOR R36450) (SUB FOR R46002, R47051 OR R65088)
8	19H1919	CAP SCREW	14		1/4" X 5/8"
9	12H297	LOCK WASHER	14		1/4"
10	R58617	SHIELD	2		(SUB FOR R36444)
11	F2861R	KNOB	2		(SUB R60458)
12	R30778	BUSHING	2		
13	R1826R	SPRING	2		
14	24H1227	WASHER	2		17/32" X 13/16" X 0.060"
15	34H277	SPRING PIN	2		3/16" X 5/8"
16	AR41266	ROD	2		
17	14H939	NUT	2		1/2"
18	R33961	COUPLING	2		
19	14H939	NUT	2		1/2"
20	AR41267	ROD	2		
21	28H1919	BUSHING	2		1/2" X 59/64"
22	F2206R	WASHER	4		
23	R65242	STRAP	8		(SUB FOR R47590 OR R36439)
24	F2208R	SNAP RING	12		
25	R119275	PIN	2		(SUB FOR R36613 OR R47679)
26	R119276	PIN	2		(SUB FOR R36440 OR R47678)
27	R36441	LATCH	2		
28	R27998	HALF SLEEVE	2		
29	R27999	SPRING PIN	2		
30	AR27093	ADAPTER	2		
31	AR48112	PIN	2	026812-	
	AR89303	PIN	1		(USE WITH R65087) (SUB FOR AR76161)
32	AR74673	CAP SCREW	2	026812-	(SUB FOR AR48110)
	AR78289	CAP SCREW	1		(USE WITH R65087)
33	AR35762	PIN	2	-026811	
34	AR83396	QUICK LOCK PIN	2		(SUB FOR AR26556 OR AR62152) (SUB R69166 AND 11M7059)
35	R28556	PIN	2		
36	11M7087	COTTER PIN	2		0.157" X 1.575"
37	34H375	SPRING PIN	4	XXXXXX-	1/2" X 3"
38	R65082	PIN	1		(USE WITH R65087)
39	F2208R	SNAP RING	8	-XXXXXX	
40	R36442	PIN	4	-XXXXXX	(NLA)

# 2G7

HYDRAULICS

RWP5746 -UN-01JAN94

IMPLEMENT QUICK COUPLER  
(TRACTOR SERIAL NO. 030001- )



RWP5746

# 2G8

HYDRAULICS

IMPLEMENT QUICK COUPLER - CONTINUED  
(TRACTOR SERIAL NO. 030001- )

KEY	PART NO.	PART NAME	QTY	TRACTOR SERIAL NO.	REMARKS
1	19H1708	CAP SCREW	2		5/8" X 1-3/4"
2	12H294	LOCK WASHER	4		5/8"
3	A776R	PIN	4		
4	AR84904	SUPPORT	1		(MARKED R36448, R65817 OR R65203) (SUB FOR AR35851 OR AR82263)
5	R46895	INSTRUCTION PLATE	1		
6	37H44	SCREW	2		0.151" X 3/8"
7	34H311	SPRING PIN	2		1/4" X 7/8"
8	R66985	QUICK COUPLER	1		R.H. (ALSO ORDER AR78289, AR89303, (2) R73380, (2) F2208R, R65082 AND R66987) (SUB FOR R47585 AND R65085)
	R66986	QUICK COUPLER	1		L.H. (ALSO ORDER AR78289, AR89303, (2) R73380, (2) F2208R, R65082 AND R66987) (SUB FOR R47586 AND R65086)
9	19H1708	CAP SCREW	2		5/8" X 1-3/4"
10	AR50374	BRACKET	1		
11	12H304	LOCK WASHER	4		3/8"
12	19H1731	CAP SCREW	4		3/8" X 1"
13	R48164	LEVER	1		
14	R48163	HANDLE	1		
15A	34H311	SPRING PIN	4	-XXXXXX	1/4" X 7/8"
15B	R66901	SPRING PIN	4	XXXXXX-	
16	R27507	SNAP RING	8	XXXXXX-	(SUB R72654)
17	34H311	SPRING PIN	2		1/4" X 7/8"
18	19H1227	CAP SCREW	14		1/4" X 1/2"
19	12H302	LOCK WASHER	14		1/4"
20	R58617	SHIELD	2		(SUB FOR R36444)
21	R47578	STUD	2		
22	R43444	SPRING	2		
23	AR50377	BAR	2		
24	F2206R	WASHER	4		
25	R65243	LINK	4		(SUB FOR R47581 OR R58203)
26	R36441	LATCH	2		
27	28H1919	BUSHING	2		1/2" X 15/16"
28	F2208R	SNAP RING	12		
29A	34H375	SPRING PIN	2	-XXXXXX	1/2" X 3", (USE WITH R47585 AND R47586)
29B	R65082	PIN	2	XXXXXX-	(USE WITH R65085 AND R65086)
30	R119275	PIN	2		(SUB FOR R47679)
31	R119276	PIN	2		(SUB FOR R47678)
32	R65242	STRAP	4		(SUB FOR R47590)
33	AR48112	PIN	2		
	AR89303	PIN	1		(USE WITH R65085 AND R65086) (SUB FOR AR76161)
34	AR74673	CAP SCREW	2		(SUB FOR AR48110)
	AR78289	CAP SCREW	1		(USE WITH R65085 AND R65086) (SUB R81298)
35A	R28556	PIN	2	-XXXXXX	
35B	R66987	PIN	2	XXXXXX-	
36A	11M7087	COTTER PIN	2	-XXXXXX	0.157" X 1.575"
36B	R73380	SNAP RING	4	XXXXXX-	(SUB FOR A369R)
37	R27998	HALF SLEEVE	2		
38	R27999	SPRING PIN	2		
39	AR27093	ADAPTER	1		

---

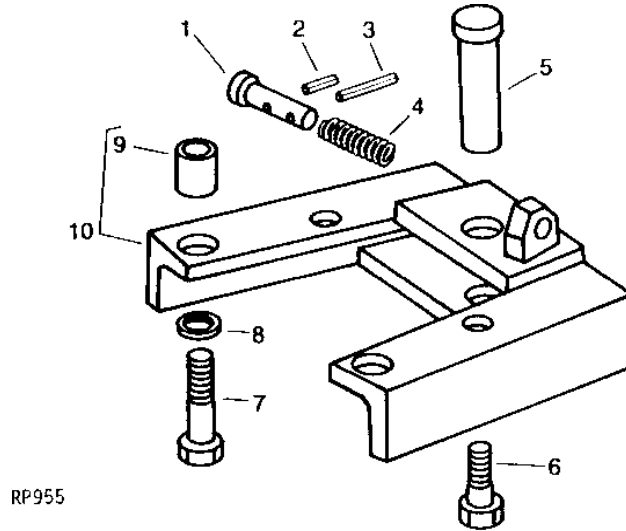
MEMORANDA

# 2G9

HYDRAULICS

RP955 -UN-16NOV94

## DRAWBAR FRONT SUPPORT



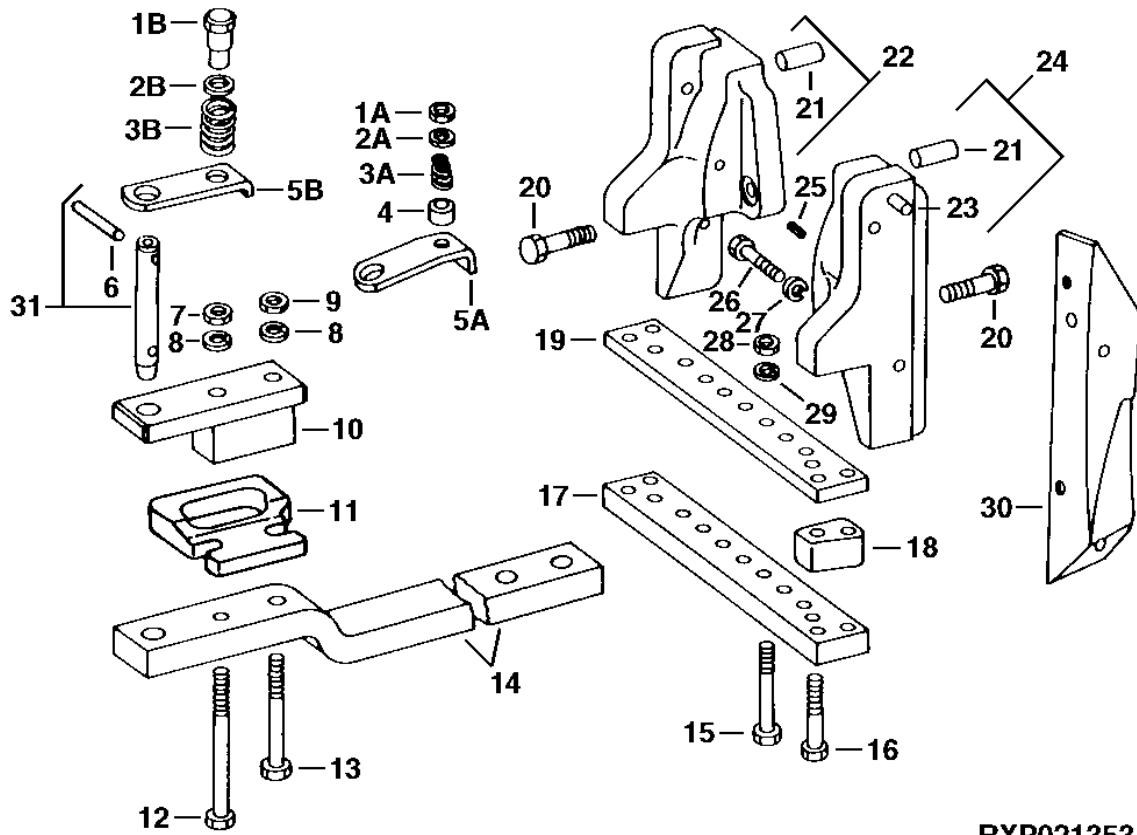
KEY	PART NO.	PART NAME	QTY	TRACTOR SERIAL NO.	REMARKS
1	R43319	PIN	1		
2	34H279	SPRING PIN	1	3/16" X 13/16"	
3	34H391	SPRING PIN	1	5/16" X 15/16"	
4	B423R	SPRING	1		
5	R62760	PIN	1	(SUB FOR R43320)	
6	19H2009	CAP SCREW	2	3/4" X 1-5/8"	
7	19H1707	CAP SCREW	2	3/4" X 2-3/4"	
8	B3627R	WASHER	2		
9	R35479	BUSHING	2		
10	AR43075	SUPPORT	1	-XXXXXX	
	AR55074	SUPPORT	1	XXXXXX-	(HEAVY-DUTY DRAWBAR)

# 2G10

HYDRAULICS

RXP021353 -UN-26OCT95

REGULAR DRAWBAR



RXP021353



# 2G11

HYDRAULICS

## REGULAR DRAWBAR - CONTINUED

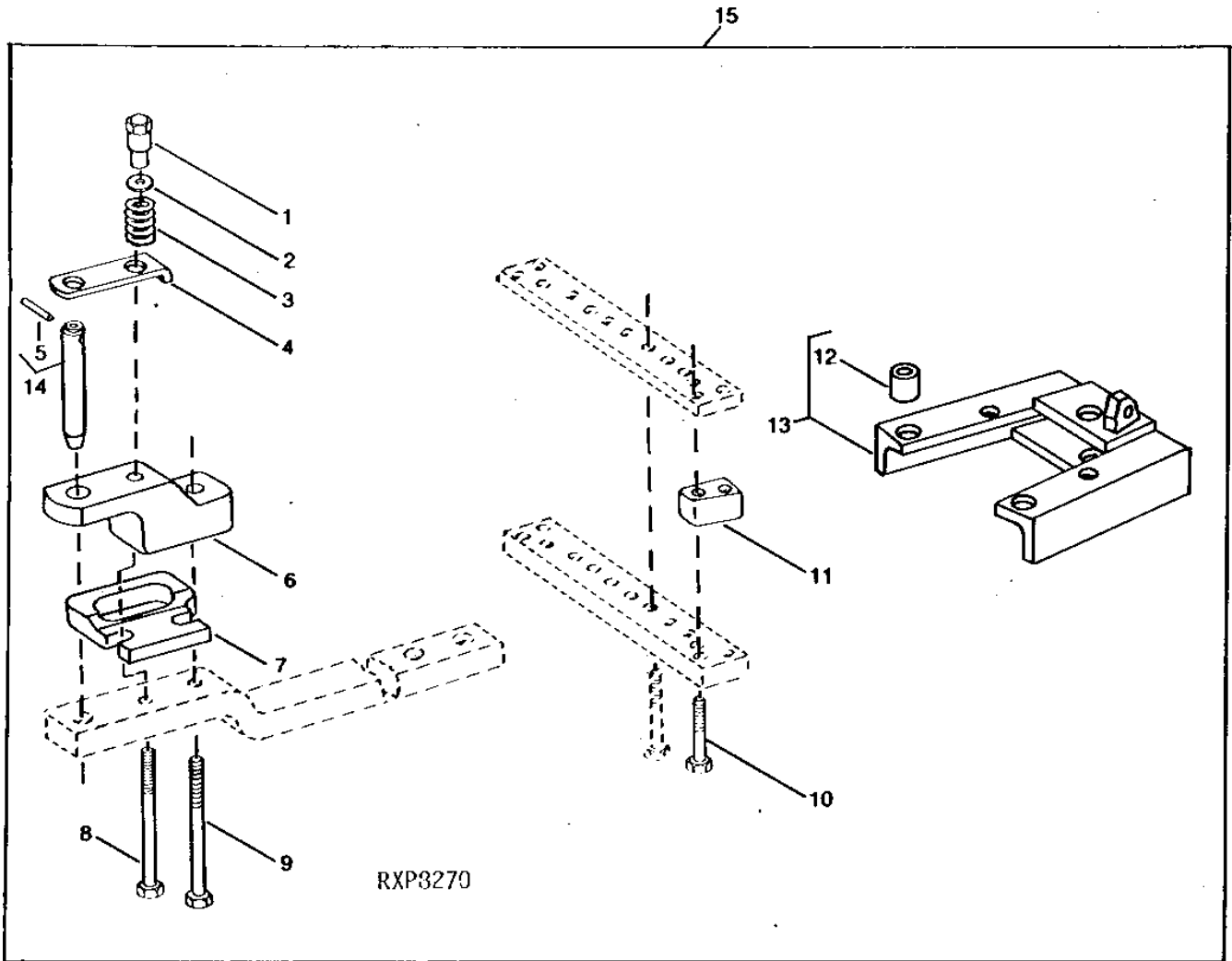
KEY	PART NO.	PART NAME	QTY	TRACTOR SERIAL NO.	REMARKS
1A	R40121	LOCK NUT	1	-XXXXXX	
1B	R72433	NUT	1	XXXXXX-	(SUB FOR R54065)
2A	24H1395	WASHER	1	-XXXXXX	25/32" X 1-7/16" X 0.060"
2B	24H1513	WASHER	1	XXXXXX-	1-13/32" X 2" X 0.060"
3A	A350R	SPRING	1	-XXXXXX	
3B	F304R	SPRING	1	XXXXXX-	
4	R47044	BUSHING	1	-XXXXXX	
5A	R36609	RETAINER	1		(SUB R54064, F304R, 19H1988 AND 24H1513)
5B	R54064	RETAINER	1	XXXXXX-	
6	25H1191	GROOVE PIN	1		1/2" X 4", (USE WITH AR69987) (SUB FOR T56005)
7	14H794	NUT	1	-XXXXXX	3/4"
8	12H236	LOCK WASHER	2		3/4"
9	14H794	NUT	1		3/4"
10	R78214	STRAP	1	-XXXXXX	(ALSO ORDER R105478, 19H3196 AND 19H3612)
	R80447	STRAP	1	XXXXXX-	(ALSO ORDER R105478, 19H2825 AND 19H3225)
11	R105478	RETAINER	1		
12	19H2951	CAP SCREW	1	-XXXXXX	3/4" X 8-1/4"
	19H3225	CAP SCREW	1	XXXXXX-	3/4" X 6-1/2"
13	19H1988	CAP SCREW	1	-XXXXXX	3/4" X 6"
	19H2825	CAP SCREW	1	XXXXXX-	3/4" X 4-1/4"
14	R36608	DRAWBAR	1	-XXXXXX	
	R50984	DRAWBAR	1	XXXXXX-	
15	19H2827	CAP SCREW	2		3/4" X 4-3/4"
16	19H2000	CAP SCREW	4		3/4" X 5"
	19H1897	CAP SCREW	4		5/16" X 3-3/4"
17	R36273	SUPPORT	1		
18	R36509	SPACER	2		
	R40028	SPACER	2		
19	R36272	STRAP	1		
20	19H2089	CAP SCREW	6		7/8" X 2-3/4"
21	R35482	DOWEL PIN	4		
22	AR35862	BRACKET	1		L.H. (MARKED R36508)
23	R26277	DOWEL PIN	2		
24	AR35861	BRACKET	1		R.H. (MARKED R36507)
25	34H348	SPRING PIN	2		3/8" X 1"
26	19H1863	CAP SCREW	4		5/8" X 3"
27	12H294	LOCK WASHER	4		5/8"
28	14H794	NUT	2		3/4"
29	12H236	LOCK WASHER	2		3/4"
30	R48815	SWAY BLOCK	1		R.H. (SUB FOR R36435)
	R48816	SWAY BLOCK	1		L.H. (SUB FOR R36436)
31	AR69988	PIN	1	-XXXXXX	1-1/4" DIA. (SUB FOR AR937R)
	AR69987	PIN	1	XXXXXX-	1-3/8" DIA. (SUB FOR AR35807)

# 2G12

HYDRAULICS

DRAWBAR SUPPORT KIT  
(REGULAR DRAWBAR)  
(HEAVY-DUTY)

RXP8270 -UN-01JAN94



# 2G13

HYDRAULICS

**DRAWBAR SUPPORT KIT - CONTINUED  
(REGULAR DRAWBAR)  
(HEAVY-DUTY)**

KEY	PART NO.	PART NAME	QTY	TRACTOR SERIAL NO.	REMARKS
1	R72433	NUT	1		
2	24H1513	WASHER	1		
3	F304R	SPRING	1		1-13/32" X 2" X 0.060"
4	R54064	RETAINER	1		
5	25H1191	GROOVE PIN	1		1/2" X 4", (SUB FOR T56005)
6	R80447	STRAP	1		
7	R105478	RETAINER	1		
8	19H3225	CAP SCREW	1		3/4" X 6-1/2"
9	19H2825	CAP SCREW	1		3/4" X 4-1/4"
10	19H1897	CAP SCREW	4		5/16" X 3-3/4"
11	R40028	SPACER	2		
12	R35479	BUSHING	2		
13	AR55074	SUPPORT	1		
14	AR69987	PIN	1		
15	AR71026	SUPPORT	1		

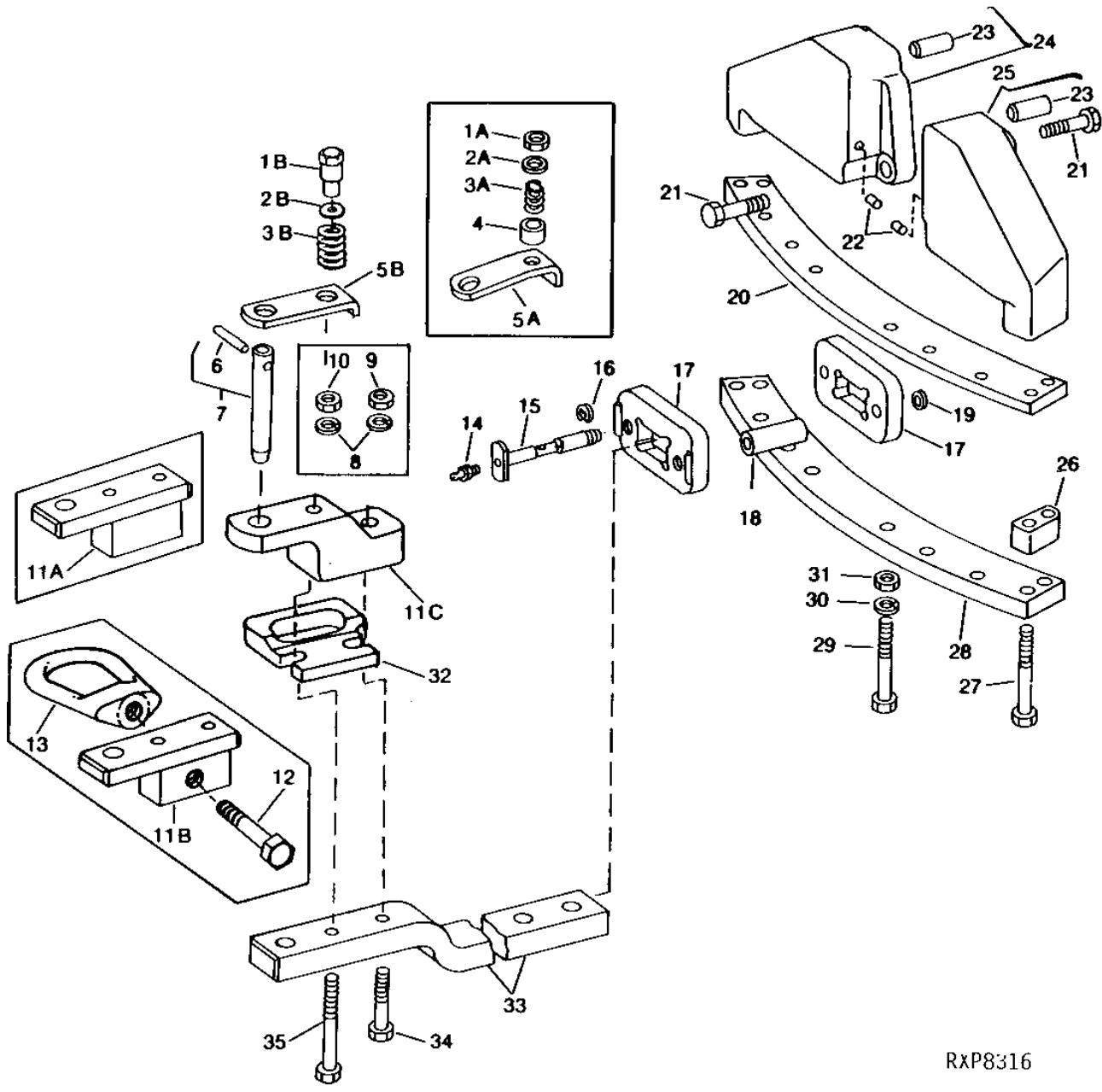
# 2G14

HYDRAULICS

RXP8316

-UN-01JAN94

WIDE SWING DRAWBAR



RXP8316

# 2G15

HYDRAULICS

## WIDE SWING DRAWBAR - CONTINUED

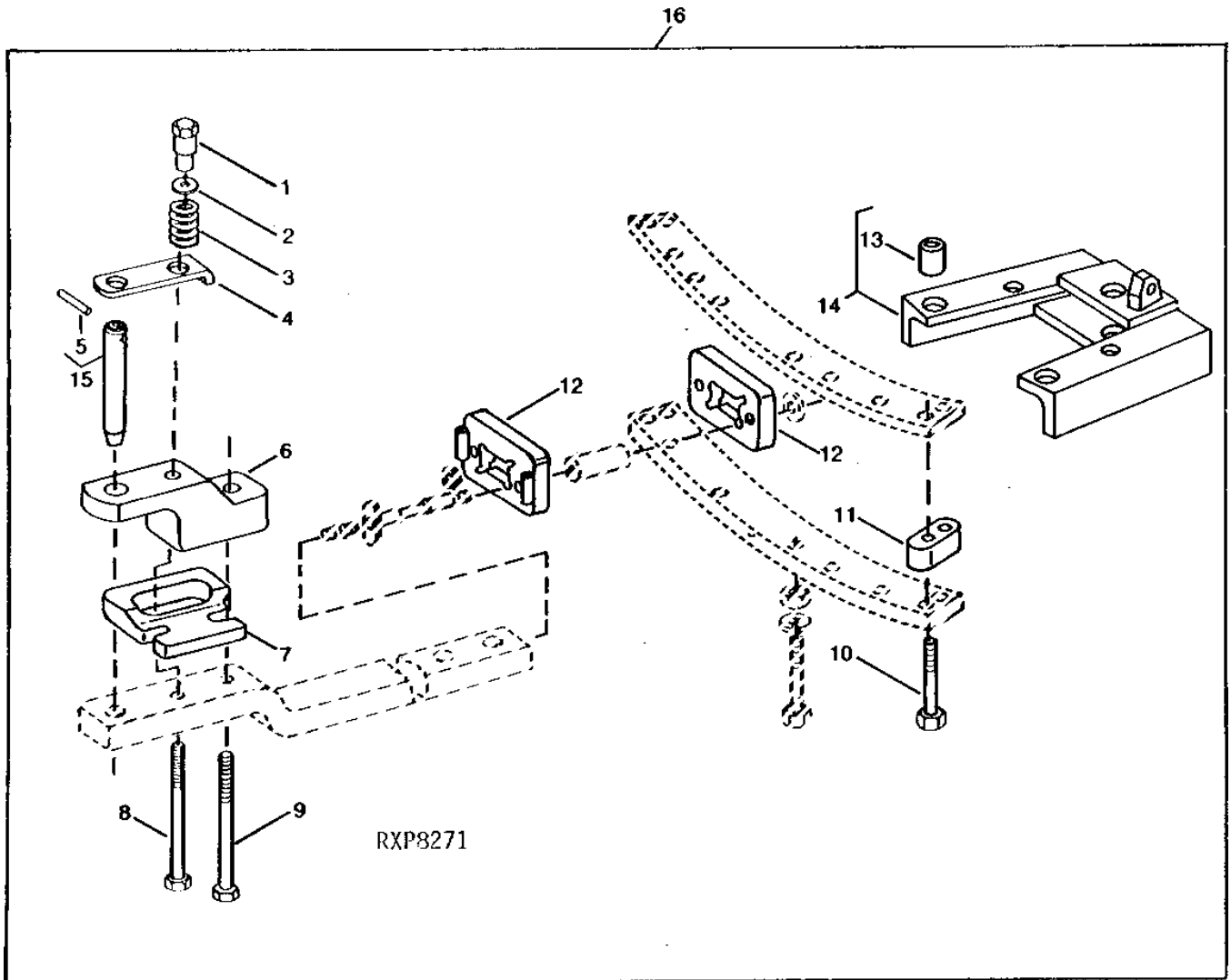
KEY	PART NO.	PART NAME	QTY	TRACTOR SERIAL NO.	REMARKS
1A	R40121	LOCK NUT	1	-XXXXXX	
1B	R54065	NUT	1	XXXXXX-	(SUB R72433)
2A	24H1395	WASHER	1	-XXXXXX	25/32" X 1-7/16" X 0.060"
2B	24H1513	WASHER	1	XXXXXX-	1-13/32" X 2" X 0.060"
3A	A350R	SPRING	1	-XXXXXX	
3B	F304R	SPRING	1	XXXXXX-	
4	R47044	BUSHING	1	-XXXXXX	
5A	R36609	RETAINER	1	-XXXXXX	(SUB R54064, R72433, F304R, 19H1988 AND 24H513)
5B	R54064	RETAINER	1	XXXXXX-	
6	25H1191	GROOVE PIN	1		(USE WITH AR69987) (SUB FOR T56005)
7	AR937R	PIN	1	-XXXXXX	(SUB AR69988)
	AR69987	PIN	1	XXXXXX-	(SUB FOR AR35807)
8	12H312	LOCK WASHER	2	-XXXXXX	3/4"
9	14H794	NUT	1	-XXXXXX	3/4"
10	14H794	NUT	1	-XXXXXX	3/4"
11A	AR35912	STRAP	1	-XXXXXX	(SUB R78214, R105478, 19H3196 AND 19H3612)
11B	AR53877	STRAP	1	XXXXXX-XXXXXX	(SUB R80447, R105478, 19H2825 AND 19H3225)
11C	R80447	STRAP	1		
12	19H2728	CAP SCREW	1	XXXXXX-XXXXXX	3/4" X 3"
13	R81245	SUPPORT	1	XXXXXX-XXXXXX	
14	JD7759	LUBRICATION FITTING	2		
15	AR61656	PIN	2		(SUB FOR AR44820)
16	R73380	SNAP RING	2		(SUB FOR A369R)
17	R52390	HANGER	2	-XXXXXX	(SUB FOR R35838)
	R49879	HANGER	2	XXXXXX-	
18	R54141	BUSHING	2		(SUB FOR R35839)
19	R42660	WASHER	2		
20	R35483	SUPPORT	1		(SUB R83112)
21	19H2089	CAP SCREW	6		7/8" X 2-3/4"
22	34H348	SPRING PIN	2		3/8" X 1"
23	R35482	DOWEL PIN	4		
24	AR71405	BRACKET	1		(MARKED R35468) (SUB FOR AR35527)
25	AR71404	BRACKET	1		(MARKED R35467) (SUB FOR AR35526)
26	R35835	SPACER	2	-XXXXXX	
	R49878	SPACER	2	XXXXXX-	
27	19H2000	CAP SCREW	4	-XXXXXX	3/4" X 5"
	19H3210	CAP SCREW	4	XXXXXX-	3/4" X 5-1/4"
28	R35476	SUPPORT	1		(SUB R83111)
29	19H2827	CAP SCREW	2		3/4" X 4-3/4"
30	12H236	LOCK WASHER	2		3/4"
31	14H794	NUT	2		3/4"
32	R105478	RETAINER	1		
33	R36608	DRAWBAR	1	-XXXXXX	
	R50984	DRAWBAR	1	XXXXXX-	
34	19H1988	CAP SCREW	1	-XXXXXX	3/4" X 6"
	19H3225	CAP SCREW	1	XXXXXX-	3/4" X 6-1/2"
35	19H2951	CAP SCREW	1	-XXXXXX	3/4" X 8-1/4"
	19H3225	CAP SCREW	1	XXXXXX-	3/4" X 6-1/2"

# 2G16

HYDRAULICS

DRAWBAR SUPPORT KIT  
(WIDE SWING DRAWBAR)  
(HEAVY-DUTY)

RXP8271 -UN-01JAN94



# 2G17

HYDRAULICS

**DRAWBAR SUPPORT KIT - CONTINUED  
(WIDE SWING DRAWBAR)  
(HEAVY-DUTY)**

KEY	PART NO.	PART NAME	QTY	TRACTOR SERIAL NO.	REMARKS
1	R72433	NUT	1		
2	24H1513	WASHER	1		1-13/32" X 2" X 0.060"
3	F304R	SPRING	1		
4	R54064	RETAINER	1		
5	25H1191	GROOVE PIN	1		1/2" X 4", (SUB FOR T56005)
6	R80447	STRAP	1		
7	R105478	RETAINER	1		
8	19H3225	CAP SCREW	1		3/4" X 6-1/2"
9	19H2825	CAP SCREW	1		3/4" X 4-1/4"
10	19H1897	CAP SCREW	4		5/16" X 3-3/4"
11	R49878	SPACER	2		
12	R49879	HANGER	2		
13	R35479	BUSHING	2		
14	AR55074	SUPPORT	1		
15	AR69987	PIN	1		
16	AR71025	SUPPORT	1		

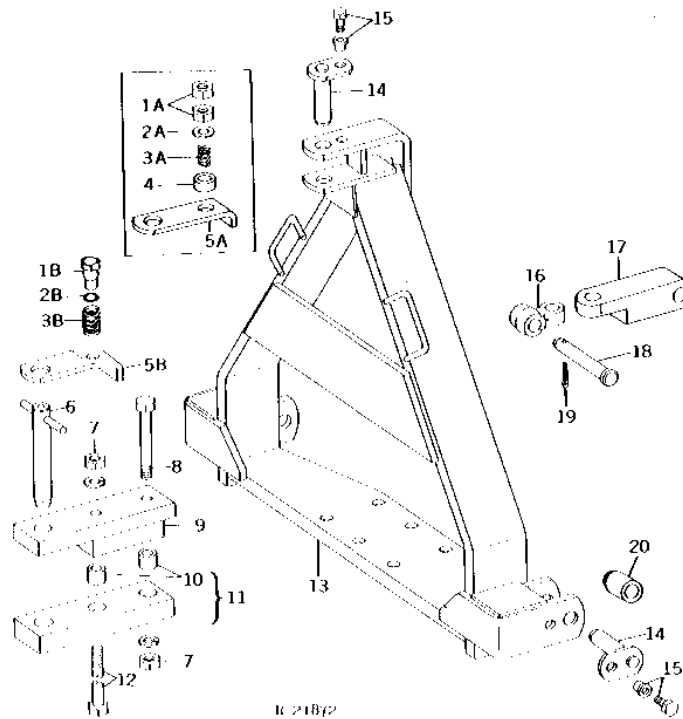
# 2G18

HYDRAULICS

R21872

-UN-01JAN94

## COUPLER (POWER WEIGHT TRANSFER HITCH)





# 2G19

HYDRAULICS

**COUPLER - CONTINUED  
(POWER WEIGHT TRANSFER HITCH)**

KEY	PART NO.	PART NAME	QTY	TRACTOR SERIAL NO.	REMARKS
1A	R40121	LOCK NUT	2	-XXXXXX	
1B	R54065	NUT	1	XXXXXX-	(SUB R72433)
2A	24H1395	WASHER	1	-XXXXXX	25/32" X 1-7/16" X 0.060"
2B	24H1513	WASHER	1	XXXXXX-	1-13/32" X 2" X 0.060"
3A	A350R	SPRING	1	-XXXXXX	
3B	F304R	SPRING	1	XXXXXX-	
4	R47044	BUSHING	1	-XXXXXX	
5A	R36609	RETAINER	1	-XXXXXX	(SUB R54064, R72433, F304R, 19H1988 AND 24H1513)
5B	R54064	RETAINER	1	XXXXXX-	
6	AR937R	PIN	1		
7	14H794	NUT	2		3/4"
	12H236	LOCK WASHER	2		3/4"
8	19H1988	CAP SCREW	1		3/4" X 6"
9	AR46256	STRAP	1		
10	R35479	BUSHING	2		
11	AR47567	DRAWBAR	1		
12	19H2951	CAP SCREW	1	-XXXXXX	3/4" X 8-1/4"
	19H2723	CAP SCREW	1	XXXXXX-	3/4" X 6-1/4"
13	AR46828	COUPLING	1		(SUB AR99336)
14	AR48111	PIN	3		(ALSO ORDER AR74673) (SUB FOR AR39783)
15	AR74673	CAP SCREW	3		(SUB FOR AR40865 OR AR48110)
16	R44848	PIVOT	2		(NO LONGER AVAILABLE)
17	R44847	PIVOT	1		
18	R58261	PIN	1		(ALSO ORDER AR60372) (SUB FOR R40516 OR R53562)
19	11M7038	COTTER PIN	1		0.248" X 1.575"
20	R67798	BUSHING	2		(SUB FOR R45065) (NO LONGER AVAILABLE)

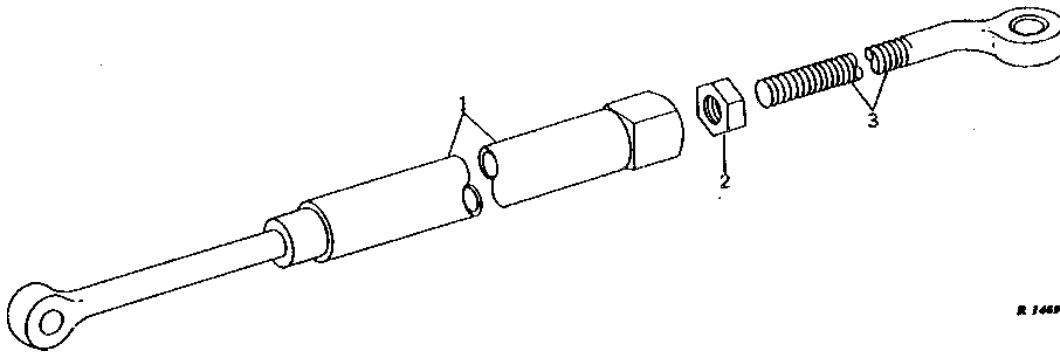
# 2G20

HYDRAULICS

R14696

-UN-01JAN94

## IMPLEMENT LINK (POWER WEIGHT TRANSFER HITCH)



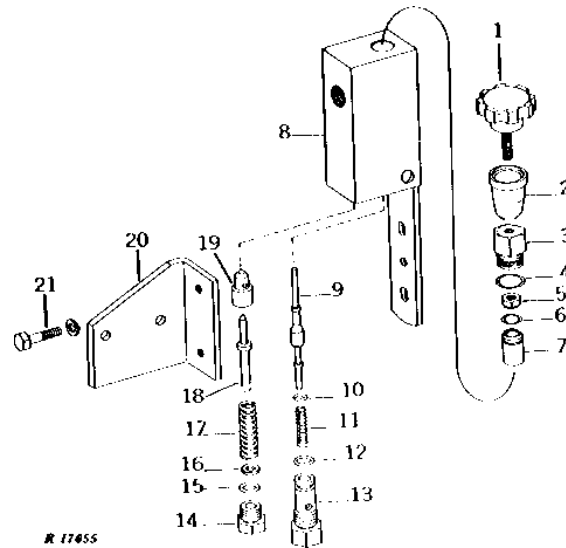
KEY	PART NO.	PART NAME	QTY	TRACTOR SERIAL NO.	REMARKS
1	AR47490	LINK	1		
2	14H887	NUT	1	1-1/8"	
3	R45447	EYEBOLT	1		

# 2G21

HYDRAULICS

R17655 -UN-01JAN94

## CONTROL VALVE (POWER WEIGHT TRANSFER HITCH)



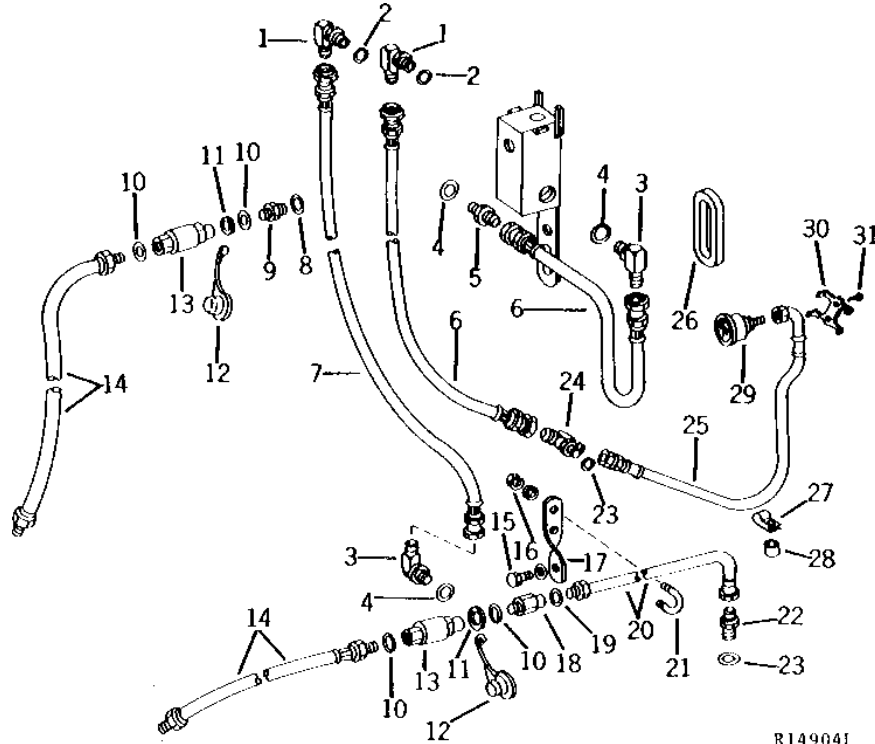
KEY	PART NO.	PART NAME	QTY	TRACTOR SERIAL NO.	REMARKS
1	AR49578	KNOB	1		
2	R54059	BOOT	1		(SUB FOR R39981)
3	R47016	ADAPTER	1		
4	F3171R	O-RING	1		
5	F3220R	LOCK NUT	1		
6	R26375	O-RING	1		
7	R47018	SHAFT	1		
8	AR49622	HOUSING	1		
9	R44840	VALVE	1		
10	R375R	O-RING	1		
11	R26477	SPRING	1		
12	R495R	O-RING	1		
13	R47095	PLUG	1		
14	R27474	DRAIN PLUG	1		
15	R26906	O-RING	1		
16	R45189	SHIM	AR	0.51 MM (.020")	
17	R35871	SPRING	1		
18	R45215	GUIDE	1		
19	R38543	VALVE	1		
20	R45386	BRACKET	1		(NO LONGER AVAILABLE)
21	19H1936	CAP SCREW	2	3/8" X 3/4"	
	12H304	LOCK WASHER	2	3/8"	

# 2G22

HYDRAULICS

R14904 -UN-01JAN94

## HYDRAULIC OIL PRESSURE GAUGE AND LINES (POWER WEIGHT TRANSFER HITCH)



R149041

KEY	PART NO.	PART NAME	QTY	TRACTOR SERIAL NO.	REMARKS
1	AT32332	ELBOW FITTING	1	(SUB AR26763)	
2	R26375	O-RING	2		
3	AT35120	ELBOW FITTING	2	(SUB FOR AR37017 OR AT32337)	
4	R26448	O-RING	5		
5	R39249	ADAPTER	1		
6	AU41729	HYDRAULIC HOSE	2	737 MM (29") (SUB AT64802)	
7	AR40465	HYDRAULIC HOSE	1	527 MM (20-3/4")	
8	F3171R	O-RING	1		
9	R36945	FITTING	1		
10	R26375	O-RING	4		
11	R36946	SPRING	2		
12	R32419	COVER	2		
13	AR31611	COUPLING	2	(SUB RE15361)	
14	.....	HOSE	2	(MAKE AS REQUIRED)	
15	19H2127	CAP SCREW	1	5/16" X 7/8"	
	12H303	LOCK WASHER	1	5/16"	
16	14H786	NUT	2	1/4"	
	12H302	LOCK WASHER	2	1/4"	
17	A15540	SUPPORT	1		
18	R45106	FITTING	1		
19	R26375	O-RING	2		
20	AA15044	ELBOW FITTING	1		
21	R21230	U-BOLT	1		
22	A15532	ADAPTER	1		
23	H851R	WASHER	1		
24	AR47933	TEE FITTING	1		
25	AR43795	HYDRAULIC HOSE	1		
26	R20759	GROMMET	1		
27	R34557	CLAMP	4		
28	28H1888	BUSHING	1	3/8" X 1/2"	
29	AR47486	PRESSURE GAUGE	1	(NO LONGER AVAILABLE)	
30	R34211	CLAMP	1		
31	37H117	SCREW	2	NO. 10 X 1-1/4"	

---

MEMORANDA

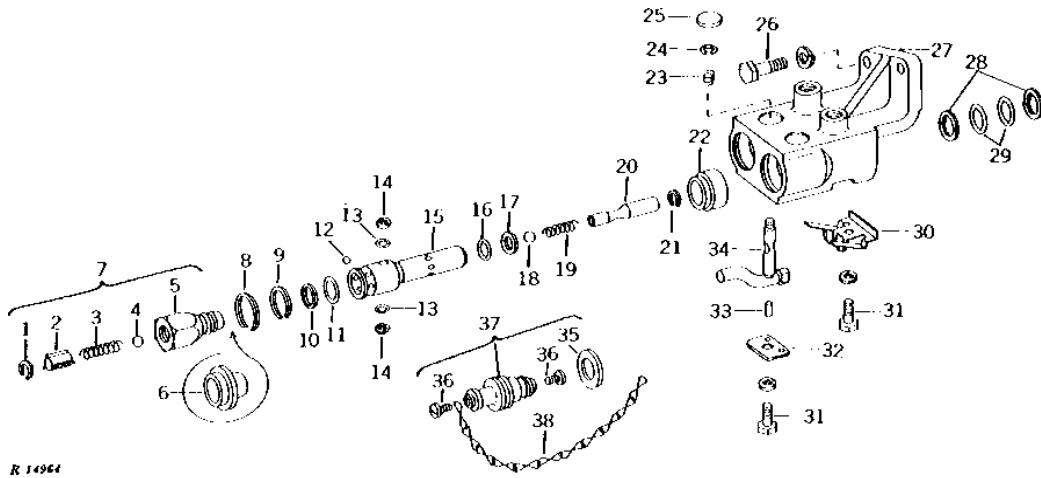
# 2G23

HYDRAULICS

R14964

-UN-01JAN94

## BREAKAWAY COUPLER



R 14964

# 2G24

HYDRAULICS

## BREAKAWAY COUPLER - CONTINUED

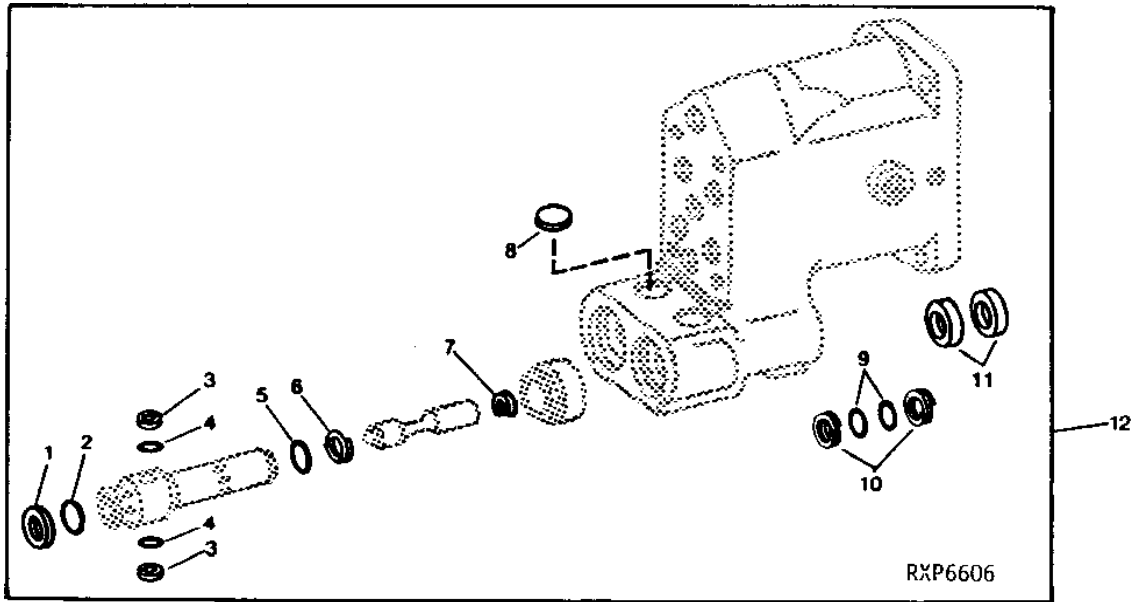
KEY	PART NO.	PART NAME	QTY	TRACTOR SERIAL NO.	REMARKS
1	R59633	WEAR RING	2		(SUB FOR R28204)
2	R28085	GUIDE	2		(SUB AR93819 OR AR93820, THIS APPLICATION)
3	R28084	SPRING	2		
4	D2361R	BALL	2		
5	R27430	HYD. QUICK-CONNECT COUPLER	2		(PRESSURE) (SUB AR93819)
	R45630	HYD. QUICK-CONNECT COUPLER	1		(RETURN) (SUB AR93820)
6	R28006	CAP	2		
7	AR30210	INTERNAL HALF COUPLER	1		(PRESSURE) (SUB AR93819)
	AR47643	BREAKAWAY COUPLER	1		(RETURN) (SUB AR93820)
8	R34399	SNAP RING	2		
9	R32356	SNAP RING	2		
10	R26485	BACK-UP RING	2		
11	R495R	O-RING	2		(SUB R59343, THIS APPLICATION)
12	400R	BALL	12		
13	R65286	O-RING	4		(SUB FOR A3917R, THIS APPLICATION)
14	R26484	BACK-UP RING	4		
15	R34397	SOCKET OUTLET	2		
16	R375R	O-RING	2		
17	R26482	RING	2		
18	D2361R	BALL	2		
19	R28084	SPRING	2		
20	R34400	PLUG	2		
21	R26483	SNAP RING	2		
22	R34398	SLEEVE	2		
23	R31890	SPRING	2		
24	R72653	SNAP RING	2		(SUB FOR M2396T)
25	30H15	PLUG	2		1-1/8"
26	19H456	CAP SCREW	2		1/2" X 1-3/8"
	12H301	LOCK WASHER	2		1/2"
27	AR52620	HOUSING	1		(SUB FOR AR48295) (SUB R34396, R49191, R72654, 12H10 AND 24H1286)
28	R26480	BACK-UP RING	4		
29	A4730R	O-RING	4		
30	R45618	CLIP	1		(SUB FOR R30818) (SUB R49191, R72654, 12H303 AND 24H1286)
31	19H1900	CAP SCREW	2		5/16" X 3/4"
	12H303	LOCK WASHER	2		5/16"
32	R51285	PLATE	1		(SUB FOR R41494) (SUB AR75958)
33	34H244	SPRING PIN	2		1/8" X 9/16"
34	AR82576	LEVER	1		(SUB FOR AR41139, AR41140, AR48756 OR AR33877) (SUB AR99100)
35	R34589	WASHER	2		
36	37H97	SCREW	4		0.242" X 3/4"
37	AR52623	PLUG	2		(SUB FOR AR34059)
38	R49193	LINK CHAIN	2		(SUB FOR A3184R) (SUB AN163885)
..	AR40587	BREAKAWAY COUPLER	1		R.H. OR L.H. (COMPLETE)

# 2G25

HYDRAULICS

RXP6606 -UN-06OCT94

## BREAKAWAY COUPLER OVERHAUL KIT



KEY	PART NO.	PART NAME	QTY	TRACTOR SERIAL NO.	REMARKS
1	R26485	BACK-UP RING	2		
2	R59343	RING	2		
3	R26484	BACK-UP RING	4		
4	R65286	O-RING	4		
5	R375R	O-RING	2		
6	R26482	RING	2		
7	R26483	SNAP RING	2		
8	30H15	PLUG	2	1-1/8"	
9	A4730R	O-RING	4	(EARLY DESIGN)	
10	R26480	BACK-UP RING	4	(EARLY DESIGN)	
11	R79311	SEAL	4	(CURRENT DESIGN) (SUB FOR R65285 OR R74530)	
12	AR82570	KIT	1	(SUB FOR AR30685)	



---

MEMORANDA

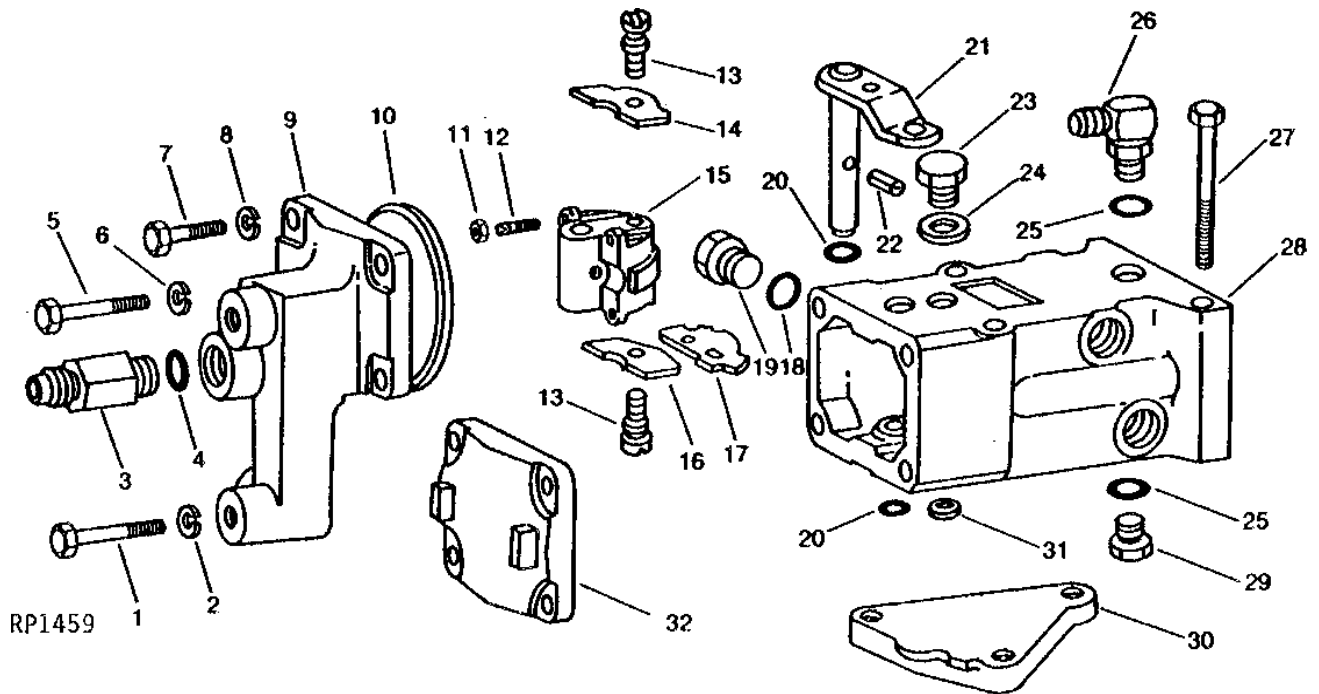
# 2H1

HYDRAULICS

RP1459

-UN-01JAN94

## SELECTIVE CONTROL VALVE HOUSING



# 2H2

HYDRAULICS

## SELECTIVE CONTROL VALVE HOUSING - CONTINUED

KEY	PART NO.	PART NAME	QTY	TRACTOR SERIAL NO.	REMARKS
1	19H1765	CAP SCREW	1		3/8" X 1-3/4"
2	12H304	LOCK WASHER	1		3/8"
3	R28717	FITTING	1		
4	R26375	O-RING	1		
5	19H1726	CAP SCREW	1		3/8" X 2-1/4"
6	12H304	LOCK WASHER	1		3/8"
7	19H1731	CAP SCREW	AR		3/8" X 1", (4 USED, A) (8 USED, B)
8	12H304	LOCK WASHER	4		3/8"
9	R49188	BRACKET	1		(ALSO ORDER R49187) (SUB FOR R27595)
10	R26544	WASHER	AR		(1 USED, A) (2 USED, B) (USE WITH R27595 OR R27593)
	R49187	WASHER	AR		(1 USED, A) (2 USED, B) (USE WITH R49188 OR R49186)
11	14H850	NUT	4	-XXXXXX	1/4", (SUB 22H1025 AND R49221)
	R49221	RETAINER	2	XXXXXX-	
12	22H1012	SET SCREW	4	-XXXXXX	1/4" X 3/4", (SUB 22H1025 AND R49221)
	22H1025	SET SCREW	4	XXXXXX-	1/4" X 7/8"
13	R27233	SCREW	2		
14	R51414	CAM	1		(SUB FOR R41931)
15	R51412	ROCKER	1		(ALSO ORDER R28744, R51413, R51414 AND R51415) (SUB FOR R40898)
16	R51415	CAM	1		(SUB FOR R41932)
17	R51413	CAM	1		(USE WITH R51412)
18	R26375	O-RING	2		
19	R39112	FITTING	2		
20	R394R	O-RING	2		(SUB R65287, THIS APPLICATION)
21	AR26657	ARM	1		
22	34H297	SPRING PIN	1		7/32" X 1"
23	R41155	PLUG	1		
24	AR26697	SEALING WASHER	2		
25	R26448	O-RING	2		
26	AT35120	ELBOW FITTING	1		(SUB FOR AR37017 AND AT32337)
27	19H1912	CAP SCREW	3		(A) 3/8" X 3-1/2"
	19H3328	CAP SCREW	3		(B) 3/8" X 6-1/2"
28	AR40828	HOUSING	1	-XXXXXX	(MARKED R40599) (SUB AR83549, R27166, R41057, R59629, (2) R65501, (2) R65502, R66916, R74695 AND R65289)
	AR83549	HOUSING	1	XXXXXX-	(MARKED R65504)
29	R27218	FITTING PLUG	1		
30	R37479	COVER	1		
31	R26149	PACKING	AR		(1 USED, A) (2 USED, B)
32	R49186	COVER	1		(B) (ALSO ORDER R49187) (SUB FOR R27593)
..	AR47473	VALVE	1		(A) (ROCKSHAFT) (NO LONGER AVAILABLE)

(A) SINGLE SELECTIVE CONTROL VALVE

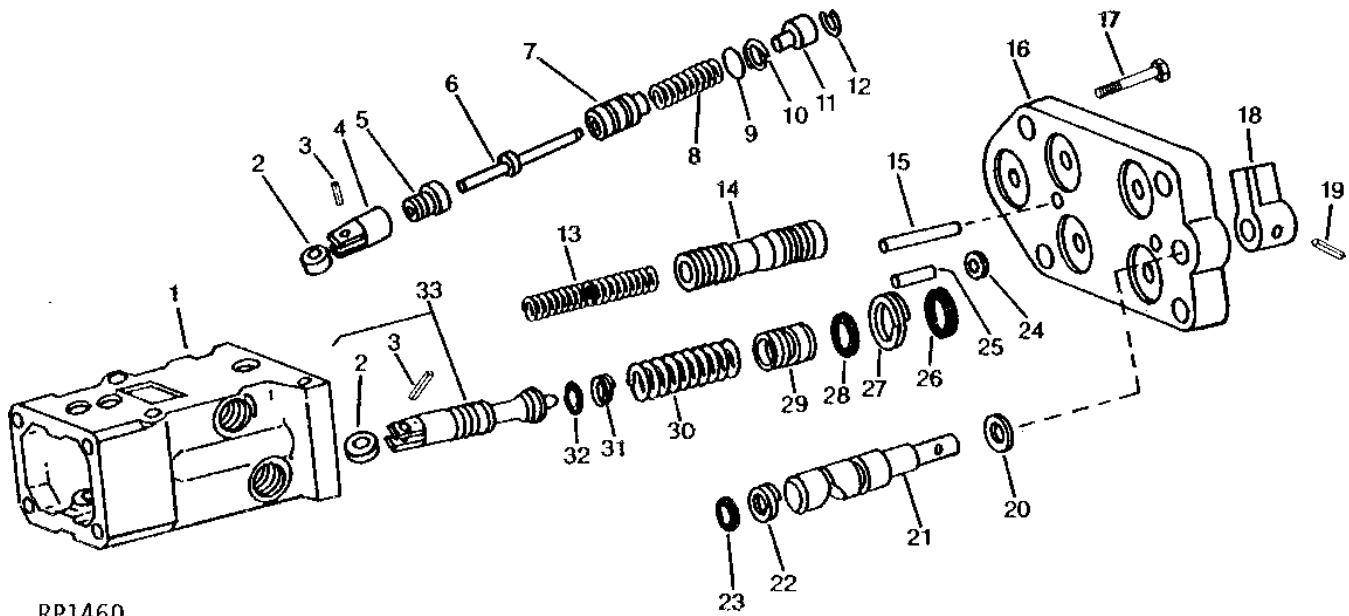
(B) DUAL SELECTIVE CONTROL VALVE

# 2H3

HYDRAULICS

RP1460 -UN-01JAN94

## SELECTIVE CONTROL VALVE (EARLY DESIGN)



RP1460

# 2H4

HYDRAULICS

## SELECTIVE CONTROL VALVE - CONTINUED (EARLY DESIGN)

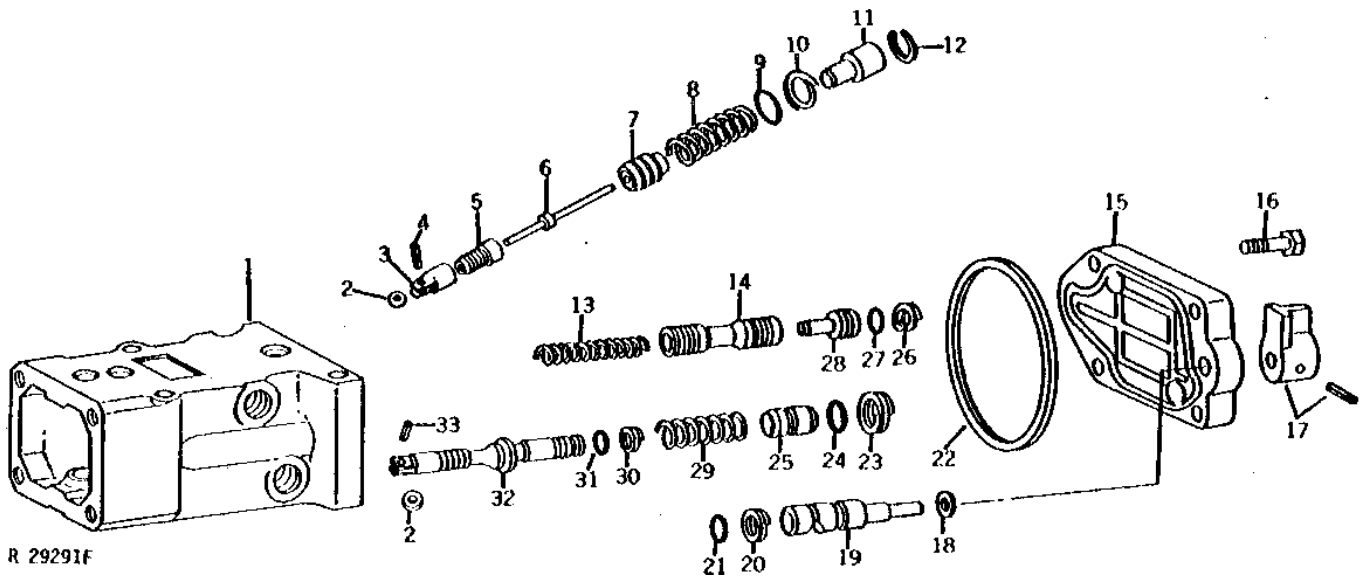
KEY	PART NO.	PART NAME	QTY	TRACTOR SERIAL NO.	REMARKS
1	AR40828	HOUSING	1	-XXXXXX	(MARKED R40599) (SUB AR83549, R27166, R41057, R59629, (2) R65501, (2) R65502, R66916, R74695 AND R65289)
2	AR83549	HOUSING	1	XXXXXX-	(MARKED R65504)
3	R51409	SPACER	5		(SUB FOR R41613)
3	34H242	SPRING PIN	5		1/8" X 7/16"
4	R51410	CAM FOLLOWER	1		(ALSO ORDER R51409 AND R51411) (SUB FOR R45016)
5	AR40744	GUIDE	1	-XXXXXX	
	R48978	GUIDE	1	XXXXXX-	
6	AR40939	PISTON	1	-XXXXXX	(SUB AR52394)
	R55398	PIN	1	XXXXXX-	(SUB FOR R48981)
7	R48980	PISTON	1	-XXXXXX	
8	R41055	SPRING	1	XXXXXX-	
9	B2762R	O-RING	1		
10	R26546	BACK-UP RING	1		
11	AR48933	GUIDE	1	-XXXXXX	(SUB FOR AR40678 OR R46722) (SUB AR52394)
	R55397	GUIDE	1	XXXXXX-	(ALSO ORDER R55398) (SUB FOR R48979)
12	B474R	SNAP RING	1	-027170	
	R46722	SNAP RING	1	027171-	
13	R41549	SPRING	1		
14	R52549	SHUT-OFF VALVE	1		FLOW CONTROL, (SUB FOR R41154)
15	34H284	SPRING PIN	1		3/16" X 1-1/4"
16	AR40688	COVER	1		(MARKED R40899)
17	19H1732	CAP SCREW	4		3/8" X 1-1/4"
18	R41338	ARM	1		(SUB R62652)
19	34H231	SPRING PIN	1		3/32" X 3/4"
20	R41339	SHIM	1		
21	R52547	VALVE	1		METERING, (ALSO ORDER R52549) (SUB FOR R41333)
22	R40937	BACK-UP RING	1		
23	P46051	O-RING	1		
24	R34812	O-RING	1		
25	34H275	SPRING PIN	1		3/16" X 1/2"
26	R26149	PACKING	6		
27	R41057	BACK-UP RING	1		
28	R27166	O-RING	4		
29	R66416	BUSHING	4		(SUB FOR R41156, THIS APPLICATION)
30	R65501	SPRING	2		RETURN, (SUB FOR R41055, THIS APPLICATION)
	R65502	SPRING	2		PRESSURE, (SUB FOR R44310)
31	R26484	BACK-UP RING	AR		(4 USED, PRESSURE VALVE) (2 USED, RETURN VALVE)
32	R65286	O-RING	AR		(4 USED, PRESSURE VALVE) (2 USED, RETURN VALVE) (SUB FOR A3917R, THIS APPLICATION)
33	AR86535	VALVE	4		(ALSO ORDER R41055) (SUB FOR AR45647, AR52629, AR56120 OR AR78396)
..	AR47473	VALVE	1		SINGLE (ROCKSHAFT) (NO LONGER AVAILABLE)
..	AR47474	VALVE	1		SINGLE (LESS ROCKSHAFT) (NO LONGER AVAILABLE)

# 2H5

HYDRAULICS

R29291 -UN-01JAN94

## SELECTIVE CONTROL VALVE (LATE DESIGN)



# 2H6

HYDRAULICS

## SELECTIVE CONTROL VALVE - CONTINUED (LATE DESIGN)

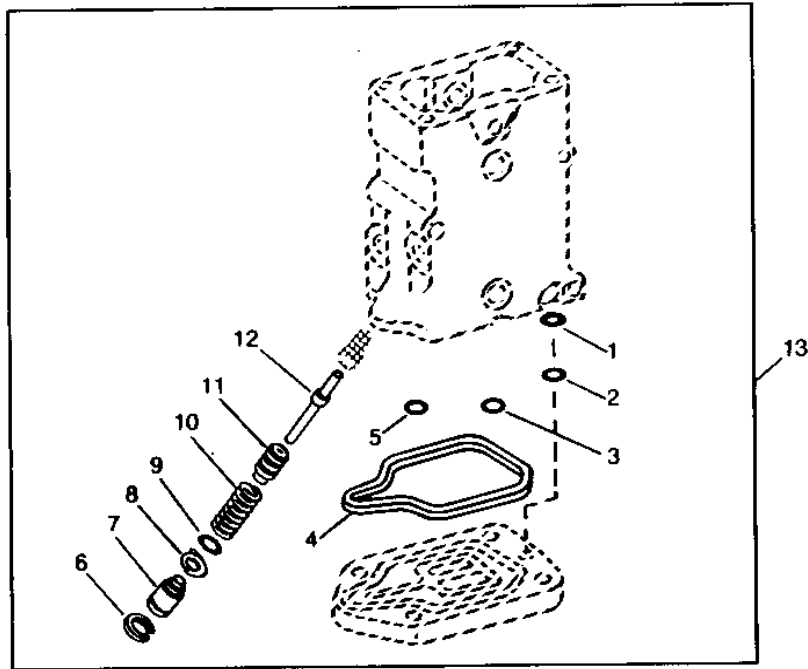
KEY	PART NO.	PART NAME	QTY	TRACTOR SERIAL NO.	REMARKS
1	AR83549	HOUSING	1		(MARKED R65504)
2	R51409	SPACER	5		
3	R51410	CAM FOLLOWER	1		
4	34H242	SPRING PIN	1		1/8" X 7/16"
5	R48978	GUIDE	1		
6	R55398	PIN	1		
7	R48980	PISTON	1		
8	R41055	SPRING	1		
9	B2762R	O-RING	1		
10	R26546	BACK-UP RING	1		
11	R55397	GUIDE	1		
12	R46722	SNAP RING	1		
13	R41549	SPRING	1		
14	R52549	SHUT-OFF VALVE	1		FLOW CONTROL
15	R59629	CAP	1		
16	19H1732	CAP SCREW	4		3/8" X 1-1/4"
17	R41338	ARM	1		(SUB R62652)
	34H231	SPRING PIN	1		3/32" X 3/4"
18	R41339	SHIM	1		
19	R65289	VALVE	1		METERING
20	R40937	BACK-UP RING	1		
21	P46051	O-RING	1		
22	R74695	WASHER	1		
23	R41057	BACK-UP RING	1		
24	R27166	O-RING	4		
25	R66416	BUSHING	4		
26	R41057	BACK-UP RING	1		
27	R27166	O-RING	1		
28	R66916	STOP	1		(SUB FOR R65354)
29	R65501	SPRING	2		RETURN
	R65502	SPRING	2		PRESSURE
30	R26484	BACK-UP RING	AR		(4 USED, PRESSURE VALVE) (2 USED, RETURN VALVE)
31	R65286	O-RING	AR		(4 USED, PRESSURE VALVE) (2 USED, RETURN VALVE)
32	AR86535	VALVE	4		(SUB FOR AR78396)
33	34H242	SPRING PIN	4		1/8" X 7/16"
..	AR47473	VALVE	1		(ROCKSHAFT) (NO LONGER AVAILABLE)
..	AR47474	VALVE	1		(LESS ROCKSHAFT) (NO LONGER AVAILABLE)

# 2H7

HYDRAULICS

RWP5741 -UN-01JAN94

## SELECTIVE CONTROL VALVE DETENT KIT



KEY	PART NO.	PART NAME	QTY	TRACTOR SERIAL NO.	REMARKS
1	P46051	O-RING	1		
2	R40937	BACK-UP RING	1		
3	R34812	O-RING	1		
4	R49187	WASHER	1		
5	R26149	PACKING	6	3/4" X 1" X .125"	
6	R46722	SNAP RING	1		
7	R55397	GUIDE	1	(ALSO ORDER R55398)	
8	R26546	BACK-UP RING	1		
9	B2762R	O-RING	1		
10	R41055	SPRING	1		
11	R48980	PISTON	1		
12	R55398	PIN	1		
13	AR52394	KIT	1	-XXXXXX (INCLUDES R49187)	

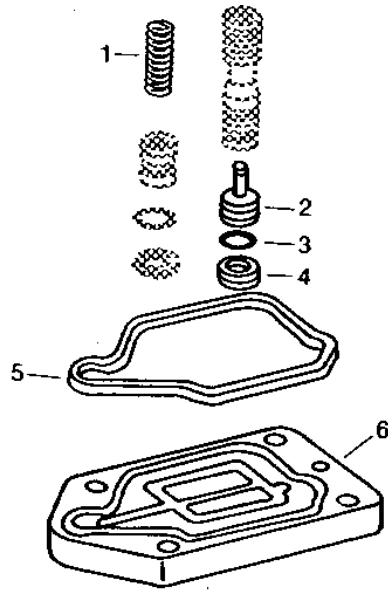


# 2H8

HYDRAULICS

RXP8037 -UN-01JAN94

## SELECTIVE CONTROL VALVE CAP WITH PACKING



RXP8037

KEY	PART NO.	PART NAME	QTY	TRACTOR SERIAL NO.	REMARKS
1	R65501	SPRING	2		RETURN PRESSURE
	R65502	SPRING	2		
2	R66916	STOP	1		
3	R27166	O-RING	1		
4	R41057	BACK-UP RING	1		
5	R74695	WASHER	1		
6	R59629	CAP	1		

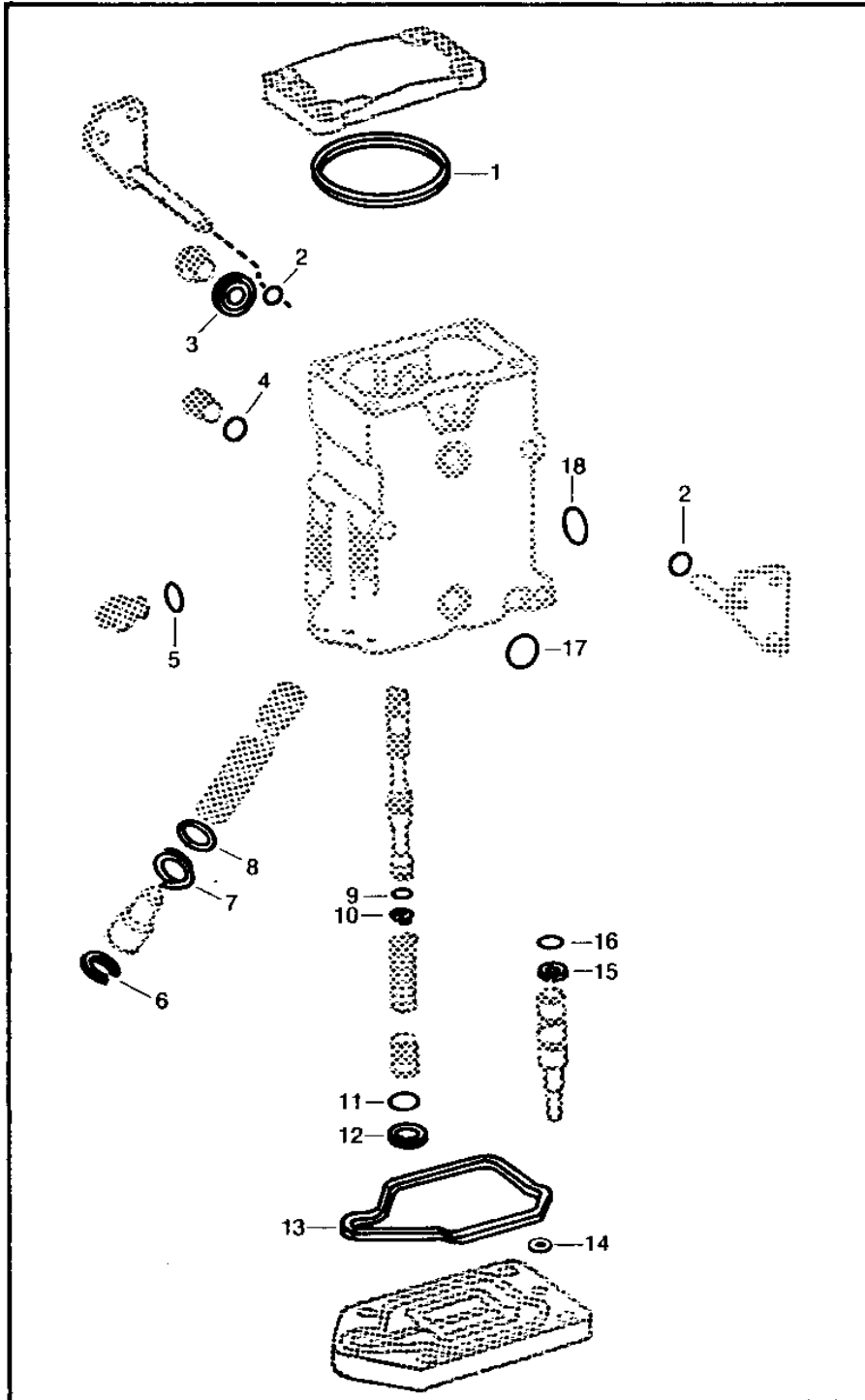
# 2H9

HYDRAULICS

RP578

-UN-01JAN94

## SELECTIVE CONTROL VALVE OVERHAUL KIT



# 2H10

HYDRAULICS

## SELECTIVE CONTROL VALVE OVERHAUL KIT - CONTINUED

KEY	PART NO.	PART NAME	QTY	TRACTOR SERIAL NO.	REMARKS
1	R49187	WASHER	1		
2	R65287	O-RING	2		
3	AR26697	SEALING WASHER	1		
4	R26448	O-RING	1		
5	R26375	O-RING	2		
6	R46722	SNAP RING	1		
7	R26546	BACK-UP RING	1		
8	B2762R	O-RING	1		
9	R65286	O-RING	AR		(4 USED PRESSURE VALVE) (2 USED RETURN VALVE)
10	R26484	BACK-UP RING	AR		(4 USED PRESSURE VALVE) (2 USED RETURN VALVE)
11	R27166	O-RING	4		
12	R41057	BACK-UP RING	4		
13	R74695	WASHER	1		
14	R41339	SHIM	1		
15	R40937	BACK-UP RING	1		
16	P46051	O-RING	1		
17	R26448	O-RING	1		
18	R26149	PACKING	1		
19	RE10924	KIT	1		(SUB FOR AR46978 OR AR82571) (INCLUDES R26544)

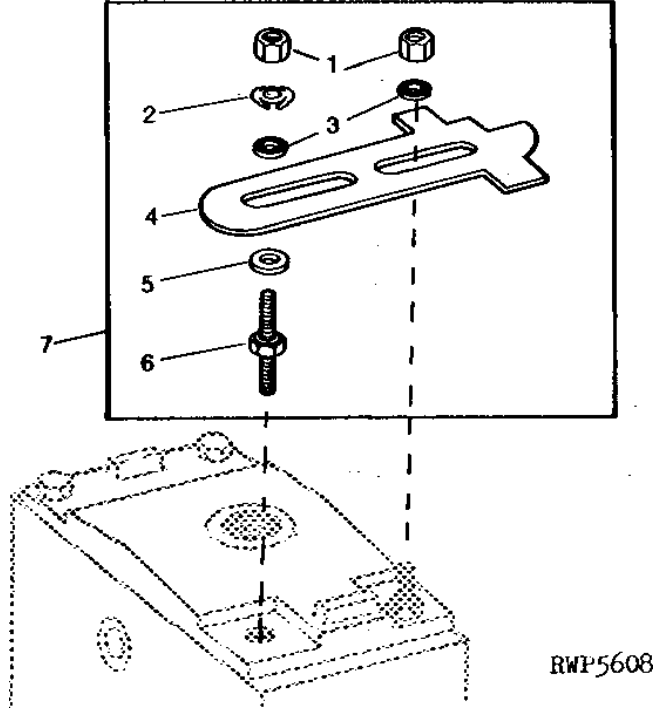
# 2H11

HYDRAULICS

RWP5608

-UN-01JAN94

## SELECTIVE CONTROL VALVE LEVER LOCK



RWP5608

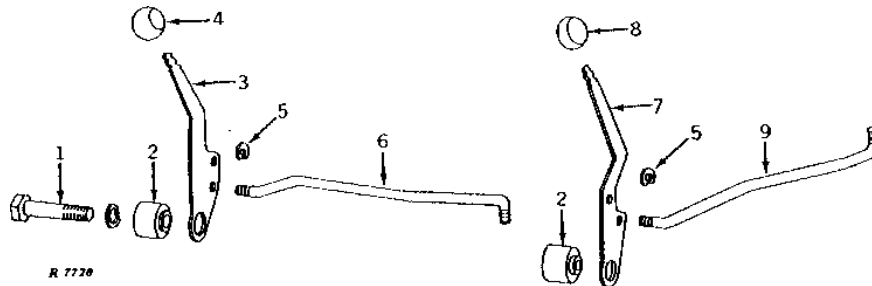
KEY	PART NO.	PART NAME	QTY	TRACTOR SERIAL NO.	REMARKS
1	K40003	LOCK NUT	2		(SUB FOR R41564, THIS APPLICATION)
2	T25804	LOCK WASHER	1		
3	R52921	WASHER	2		
4	R81293	LOCK PLATE	1		
5	24H1305	WASHER	1		13/32" X 13/16" X 0.065"
6	R39225	STUD	1		
7	RE19419	LOCK	1		

# 2H12

HYDRAULICS

R7720 -UN-01JAN94

## SELECTIVE CONTROL LEVERS



KEY	PART NO.	PART NAME	QTY	TRACTOR SERIAL NO.	REMARKS
1	19H2360	CAP SCREW	1	(A) 9/16" X 2-3/4"	
	19H2659	CAP SCREW	1	(B) 9/16" X 3-3/4"	
	12H317	LOCK WASHER	1	9/16"	
2	R27203	BUSHING	AR	(1 USED, A) (2 USED, B)	
3	R34482	LEVER	1	(B) (SUB FOR R27500)	
4	R28164	KNOB	1	(B)	
5	R72653	SNAP RING	AR	(4 USED, A) (8 USED, B) (SUB FOR M2396T)	
6	R45306	ROD	1	(B)	
7	R27494	LEVER	1	(A) (B)	
8	R27829	KNOB	1	(A) (B)	
9	R45305	ROD	1	(A) (B)	

(A) SINGLE SELECTIVE CONTROL

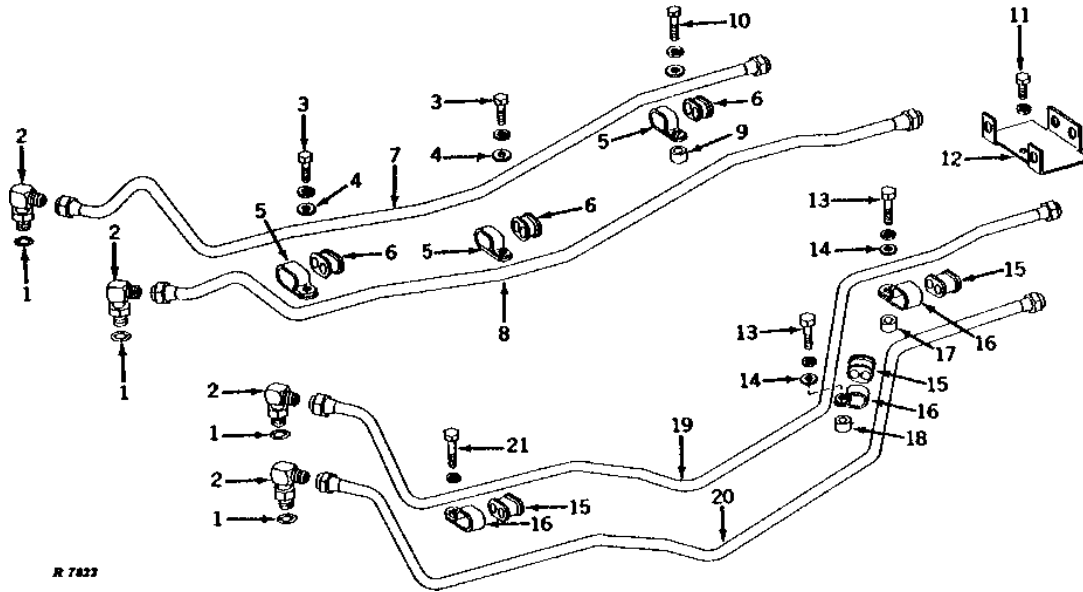
(B) DUAL SELECTIVE CONTROL

# 2H13

HYDRAULICS

R7822 -UN-01JAN94

## SELECTIVE CONTROL OIL PIPES (BRACKET TO BREAKAWAY COUPLERS)



KEY	PART NO.	PART NAME	QTY	TRACTOR SERIAL NO.	REMARKS
1	R26375	O-RING	AR		(2 USED, A) (4 USED, B)
2	AT32332	ELBOW FITTING	AR		(2 USED, A) (4 USED, B) (SUB FOR AR26763)
3	19H2284	CAP SCREW	2		(B) 3/8" X 7/8"
	12H304	LOCK WASHER	2		(B) 3/8"
4	A4624R	WASHER	3		(B)
5	R28733	CLAMP	3		(B)
6	R35163	GROMMET	3		(B)
7	AR35226	LINE	1		(B) (D)
	AR47433	HYDRAULIC LINE	1		(B) (C)
8	AR35228	HYDRAULIC LINE	1		(B) (D)
	AR35743	HYDRAULIC LINE	1		(B) (C)
9	A4669R	BUSHING	1		(B)
10	19H1800	CAP SCREW	1		(B) 3/8" X 1-1/2"
	12H304	LOCK WASHER	1		3/8"
11	19H1936	CAP SCREW	1		3/8" X 3/4"
	12H304	LOCK WASHER	1		3/8"
12	R35705	BRACKET	1		
13	19H1800	CAP SCREW	2		3/8" X 1-1/2"
	12H304	LOCK WASHER	2		3/8"
14	A4624R	WASHER	2		
15	R35163	GROMMET	3		
16	R28733	CLAMP	3		
17	A4669R	BUSHING	1		
18	B3682R	WASHER	1		
19	AR36287	HYDRAULIC LINE	1		
20	AR36286	OIL LINE	1		
21	19H1721	CAP SCREW	1		1/2" X 1-1/2"
	12H301	LOCK WASHER	1		1/2"

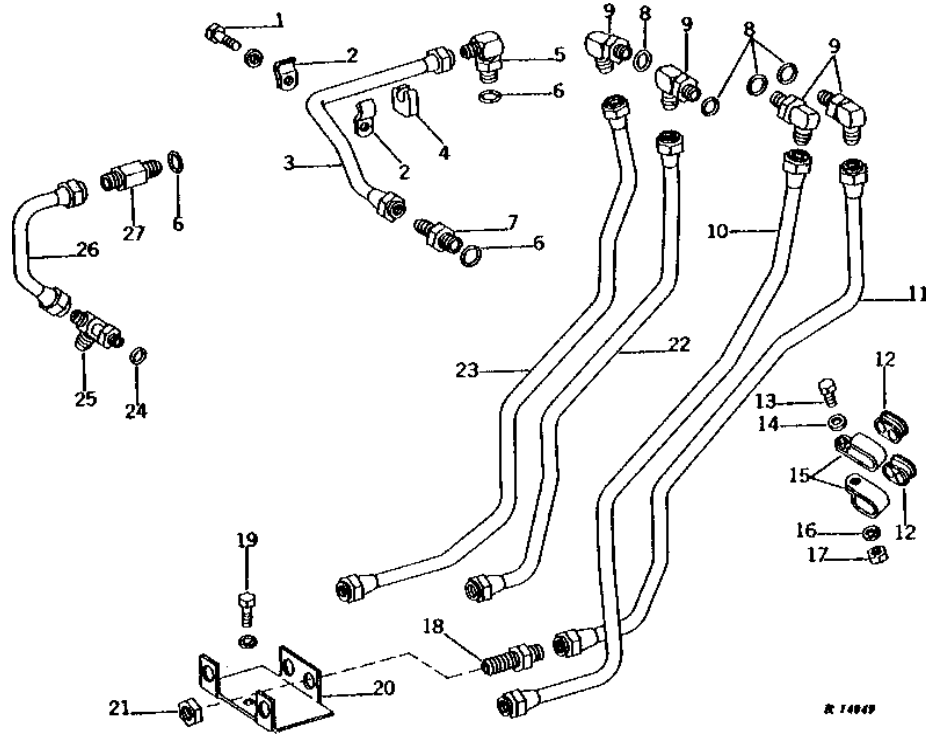
- (A) SINGLE SELECTIVE CONTROL
- (B) DUAL SELECTIVE CONTROL
- (C) WITH ROCKSHAFT
- (D) LESS ROCKSHAFT

# 2H14

HYDRAULICS

R14949 -UN-01JAN94

## SELECTIVE CONTROL OIL PIPES (VALVE HOUSING TO BRACKET)



KEY	PART NO.	PART NAME	QTY	TRACTOR SERIAL NO.	REMARKS
1	19H1936	CAP SCREW	1	3/8" X 3/4"	
	12H304	LOCK WASHER	1	3/8"	
2	R31183	CLAMP	2		
3	AR45683	LINE	1	PRESSURE	
4	R26989	GROMMET	1		
5	AT35120	ELBOW FITTING	1	(SUB FOR AR37017 OR AT32337)	
6	R26375	O-RING	3		
7	R27237	FITTING	1		
8	R26375	O-RING	AR	(2 USED, A) (4 USED, B)	
9	AT32332	ELBOW FITTING	AR	(2 USED, A) (4 USED, B) (SUB FOR AR26763)	
10	AR35230	LINE	1		
11	AR35231	LINE	1	(NO LONGER AVAILABLE)	
12	R35163	GROMMET	AR	(1 USED, A) (2 USED, B)	
13	19H1731	CAP SCREW	1	(B) 3/8" X 1"	
14	24H1305	WASHER	1	(B) 13/32" X 13/16" X 0.065"	
15	R28733	CLAMP	2	(B)	
16	12H304	LOCK WASHER	1	(B) 3/8"	
17	14H1076	NUT	1	(B) 3/8"	
18	R52831	FITTING	AR	(2 USED, A) (4 USED, B) (ALSO ORDER 24H1393) (SUB FOR R35701)	
19	19H1936	CAP SCREW	1	3/8" X 3/4"	
	12H304	LOCK WASHER	1	3/8"	
20	R35705	BRACKET	1		
21	R27448	NUT	AR	(2 USED, A) (4 USED, B)	
22	AR35234	LINE	1	(B) (NO LONGER AVAILABLE)	
23	AR36803	HYDRAULIC LINE	1	(B)	
24	R26286	O-RING	1		
25	AR26767	TEE FITTING	1		
26	AR26766	HYDRAULIC LINE	1	RETURN	
27	R28717	FITTING	1		

(A) SINGLE SELECTIVE CONTROL  
(B) DUAL SELECTIVE CONTROL

---

MEMORANDA

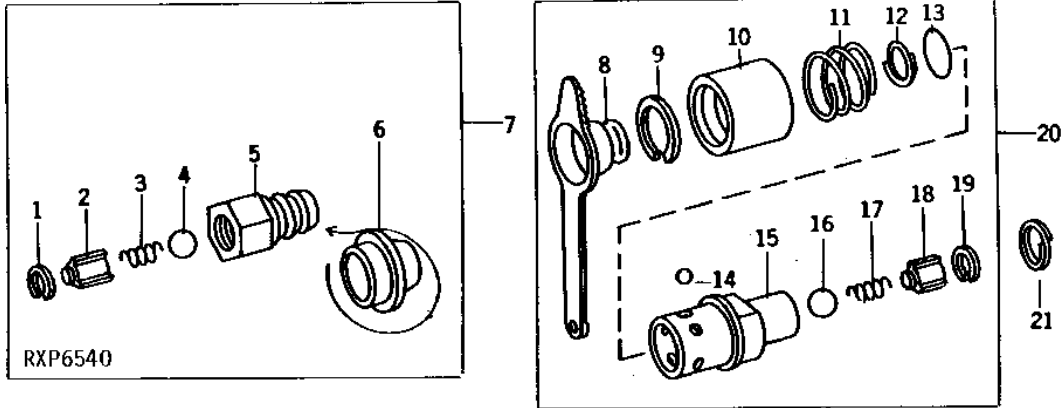


# 2H15

HYDRAULICS

RXP6540 -UN-06OCT94

## FLEXIBLE OIL LINE COUPLER



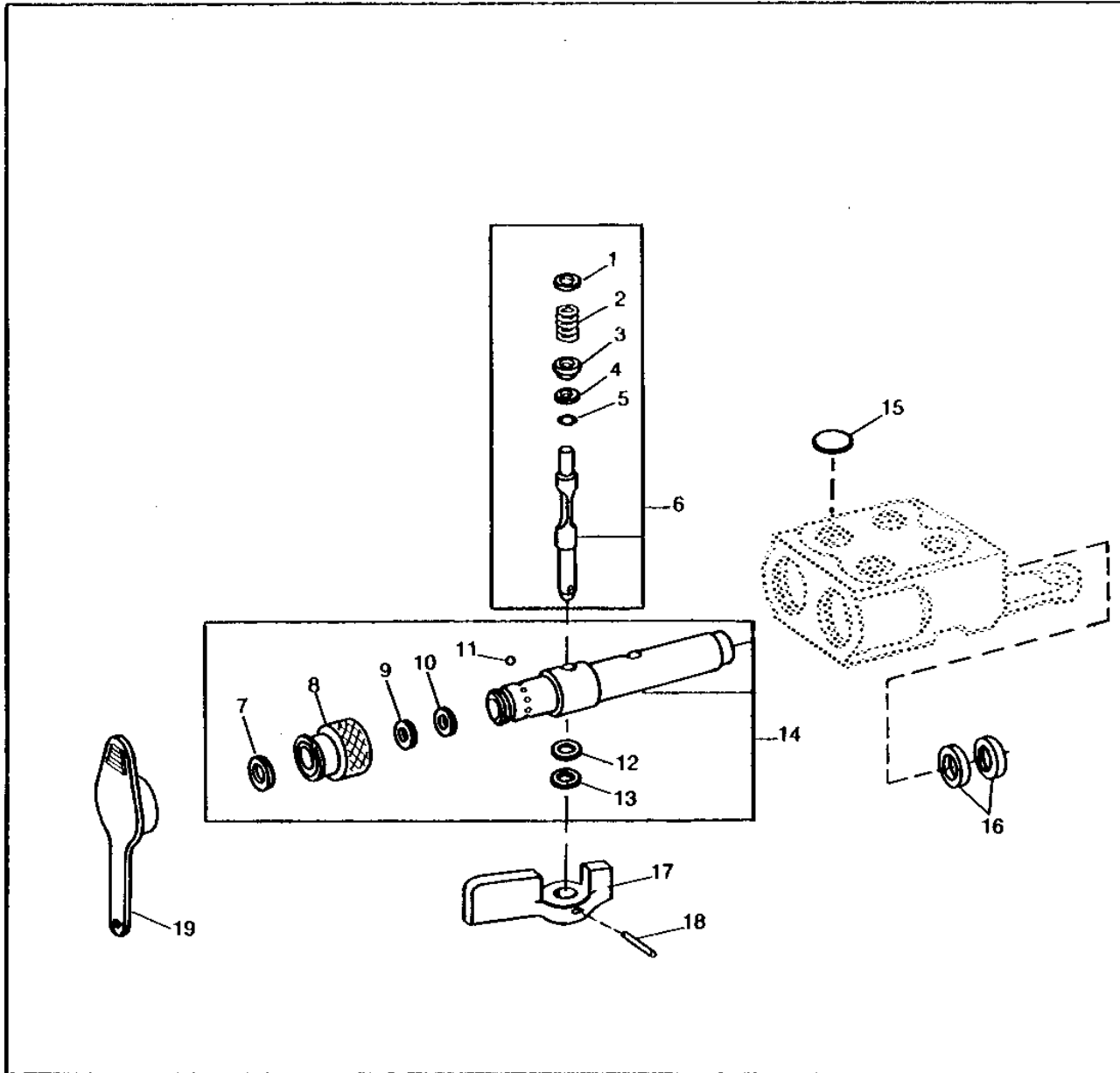
KEY	PART NO.	PART NAME	QTY	TRACTOR SERIAL NO.	REMARKS
1	R59633	WEAR RING	1		(SUB FOR R28204)
2	R28085	GUIDE	1		(SUB AR93819 OR AR93820, THIS APPLICATION)
3	R28084	SPRING	1		
4	D2361R	BALL	1	13MM (1/2")	
5	R27430	HYD. QUICK-CONNECT COUPLER	1		(PRESSURE) (SUB AR93819)
	R45630	HYD. QUICK-CONNECT COUPLER	1		(RETURN) (SUB AR93820)
6	R28006	CAP	1		
7	AR30210	INTERNAL HALF COUPLER	1		(PRESSURE) (SUB AR93819)
	AR47643	BREAKAWAY COUPLER	1		(RETURN) (SUB AR93820)
8	R32419	COVER	1		(SUB R80324)
9	R32356	SNAP RING	1		
10	R32355	SLEEVE	1		
11	R32354	SPRING	1		(SUB RE15361)
12	R26485	BACK-UP RING	1		
13	R495R	O-RING	1		
14	400R	BALL	6	6MM (1/4")	
15	R32353	SOCKET OUTLET	1		(SUB RE15361)
16	D2361R	BALL	1	13MM (1/2")	
17	R28084	SPRING	1		
18	R28085	GUIDE	1		(SUB RE15361)
19	R59633	WEAR RING	1		(SUB FOR R28204)
20	AR47331	SOCKET OUTLET	1		(SUB RE15361)
21	R36946	SPRING	1		

# 2H16

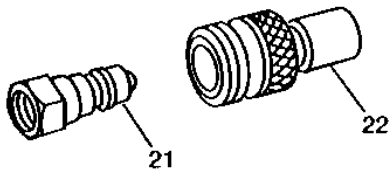
HYDRAULICS

JOHN DEERE TO ISO COUPLER CONVERSION KIT  
(TRACTOR SERIAL NO. XXXXXX- )

RWP3518 -UN-01JAN94



RWP3518



# 2H17

HYDRAULICS

## JOHN DEERE TO ISO COUPLER CONVERSION KIT - CONTINUED

KEY	PART NO.	PART NAME	QTY	TRACTOR SERIAL NO.	REMARKS
1	R54242	SNAP RING	2		
2	R78767	SPRING	2		
3	R48698	WASHER	2		
4	R31136	BACK-UP RING	2		
5	R10093	O-RING	2		
6	RE13814	SHAFT	2		
7	40M4378	SNAP RING	2		
8	R78765	SLEEVE	2		
9	R71387	WASHER	2		
10	R74210	O-RING	2		
11	H871R	BALL	16		
12	P51212	O-RING	2		
13	R78766	BACK-UP RING	2		
14	RE13813	RECEPTACLE	2		
15	30H15	PLUG	2	1-1/8"	
16	R79311	SEAL	2	(SUB FOR R74530)	
17	R78769	HANDLE	2		
18	34H247	SPRING PIN	2	1/8" X 3/4"	
19	R78768	COVER	2		
20	RE12121	RECEIVER	1		
21	AR94522	INTERNAL HALF COUPLER	AR	(SUB FOR AL26973)	
22	AL26972	EXTERNAL HALF COUPLER	AR		

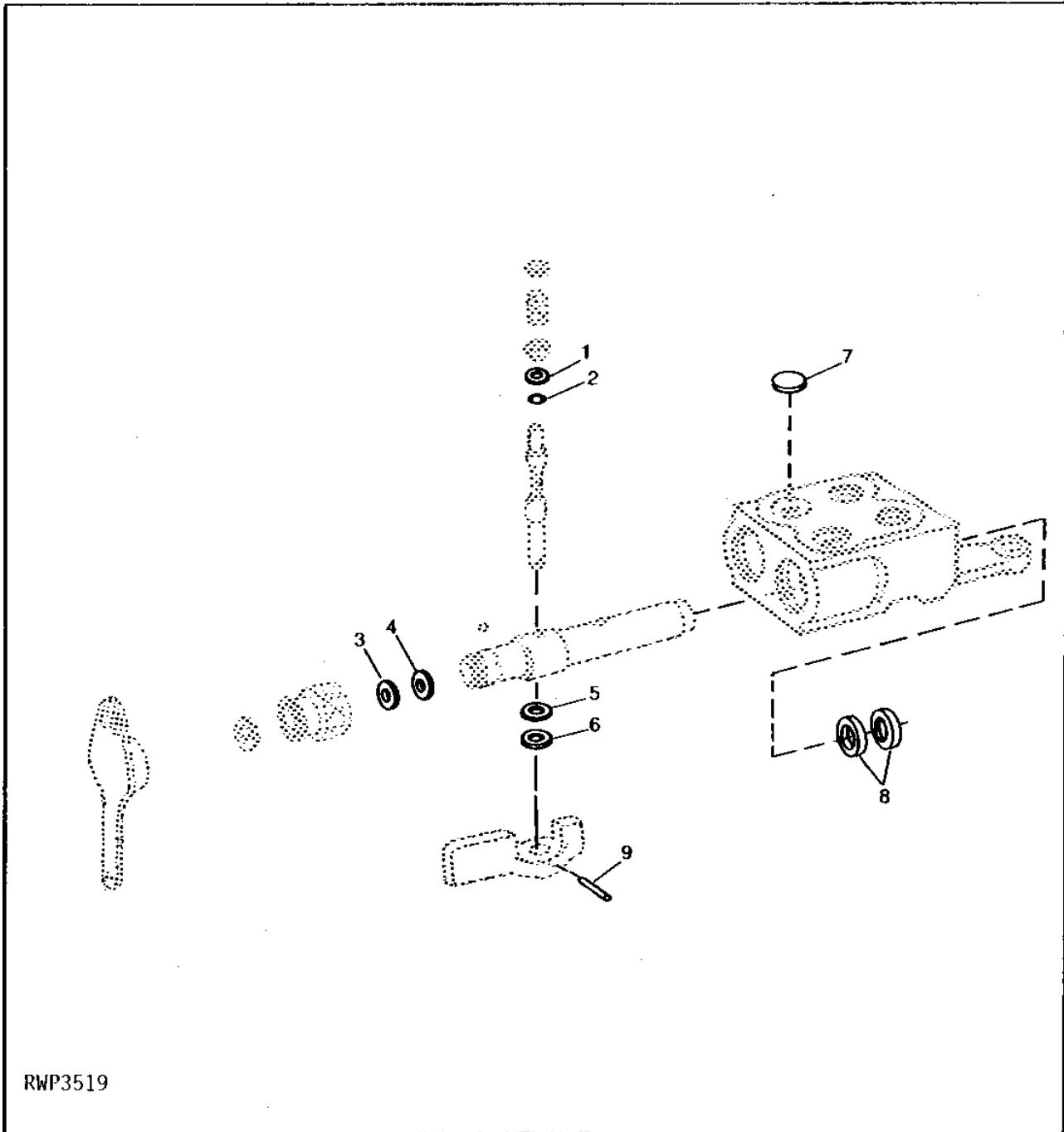
# 2H18

HYDRAULICS

RWP3519

-UN-01JAN94

ISO COUPLER OVERHAUL KIT



RWP3519

# 2H19

HYDRAULICS

## ISO COUPLER OVERHAUL KIT - CONTINUED

KEY	PART NO.	PART NAME	QTY	TRACTOR SERIAL NO.	REMARKS
1	R31136	BACK-UP RING	2		
2	R10093	O-RING	2		
3	R71387	WASHER	2		
4	R74210	O-RING	2		
5	P51212	O-RING	2		
6	R78766	BACK-UP RING	2		
7	30H15	PLUG	2	1-1/8"	
8	R79311	SEAL	4	(SUB FOR R74530)	
9	34H247	SPRING PIN	2	1/8" X 3/4"	
10	RE13815	KIT	1		

---

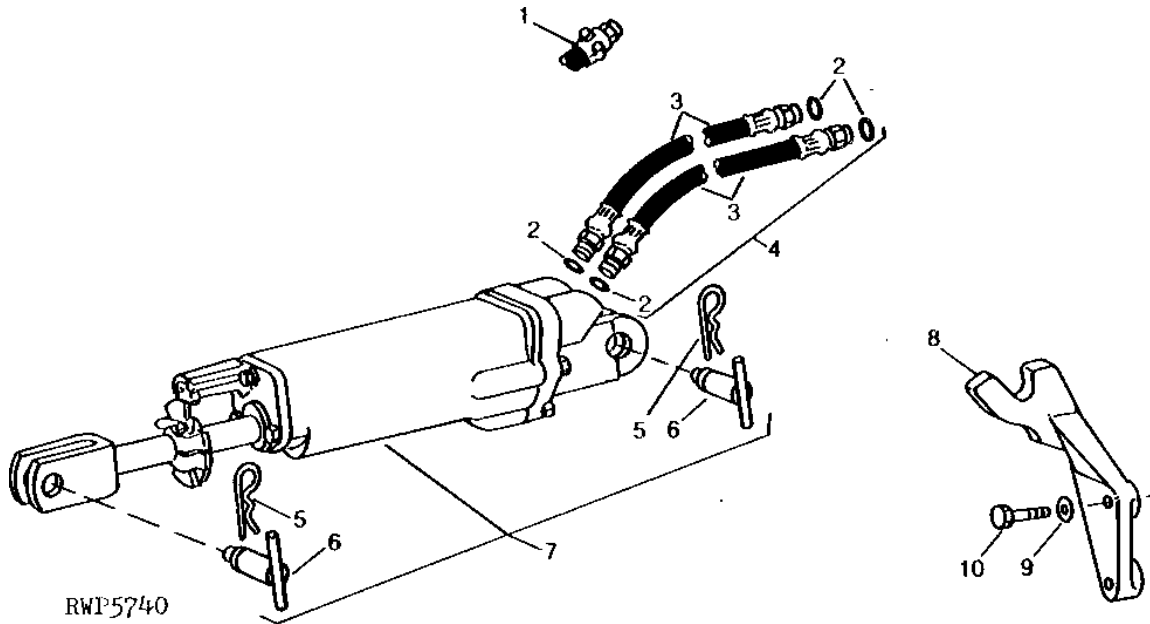
MEMORANDA

# 2H20

HYDRAULICS

RWP5740 -UN-01JAN94

## REMOTE CYLINDER, HOSES, AND TRANSPORT ARM



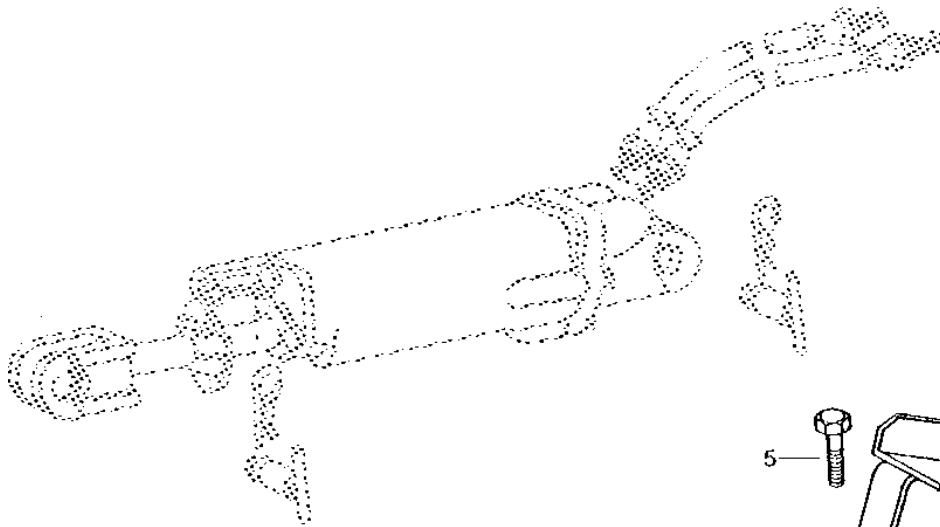
KEY	PART NO.	PART NAME	QTY	TRACTOR SERIAL NO.	REMARKS
1	AR30784	TEE FITTING	1		FOR 3/8" SINGLE WIRE BRAID LINE
2	R26375	O-RING	4		
3	R36795	HYDRAULIC HOSE	2		13 X 3048 MM (1/2" X 120")
4	AR36158	OIL LINE	1		
5	A3581R	SPRING LOCKING PIN	2		
6	AR47825	PIN	2		
7	AR35261	CYLINDER	1		HYDRAULIC STOP
	AR36303	CYLINDER	1		MECHANICAL STOP
8	R32117	ARM	1		R.H.
	R32118	ARM	1		L.H.
9	12H304	LOCK WASHER	2		3/8"
	14H1076	NUT	2		3/8"
10	19H1765	CAP SCREW	2		3/8" X 1-3/4"

# 2H21

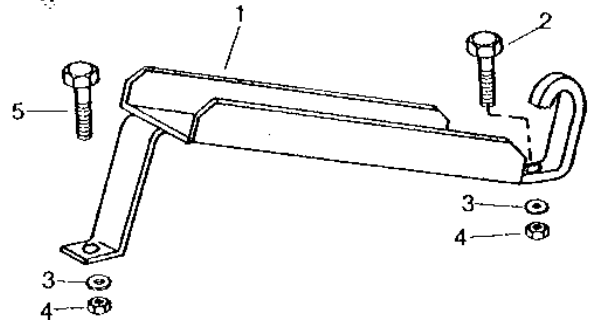
HYDRAULICS

RP1240 -UN-01JAN94

## REMOTE CYLINDER CARRIER



RP1240



KEY	PART NO.	PART NAME	QTY	TRACTOR SERIAL NO.	REMARKS
1	AR35326	CRADLE	1		(C) (NO LONGER AVAILABLE)
2	19H1815	CAP SCREW	1		(A) 1/2" X 1-1/4"
	19H1974	CAP SCREW	1		(B) 1/2" X 2-3/4"
	R1801R	SPACER	2	015650-	(C)
3	12H301	LOCK WASHER	2		(A) 1/2"
4	14H1040	NUT	2		(A) 1/2"
5	19H1815	CAP SCREW	1		(A) 1/2" X 1-1/4"
	19H1820	CAP SCREW	1		(B) 1/2" X 3"

- (A) ONE CARRIER
- (B) TWO CARRIERS
- (C) LESS ROCKSHAFT

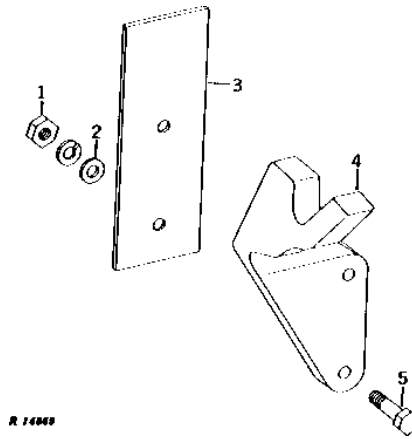


# 2H22

HYDRAULICS

R14869 -UN-01JAN94

## CAB REMOTE CYLINDER TRANSPORT ARM



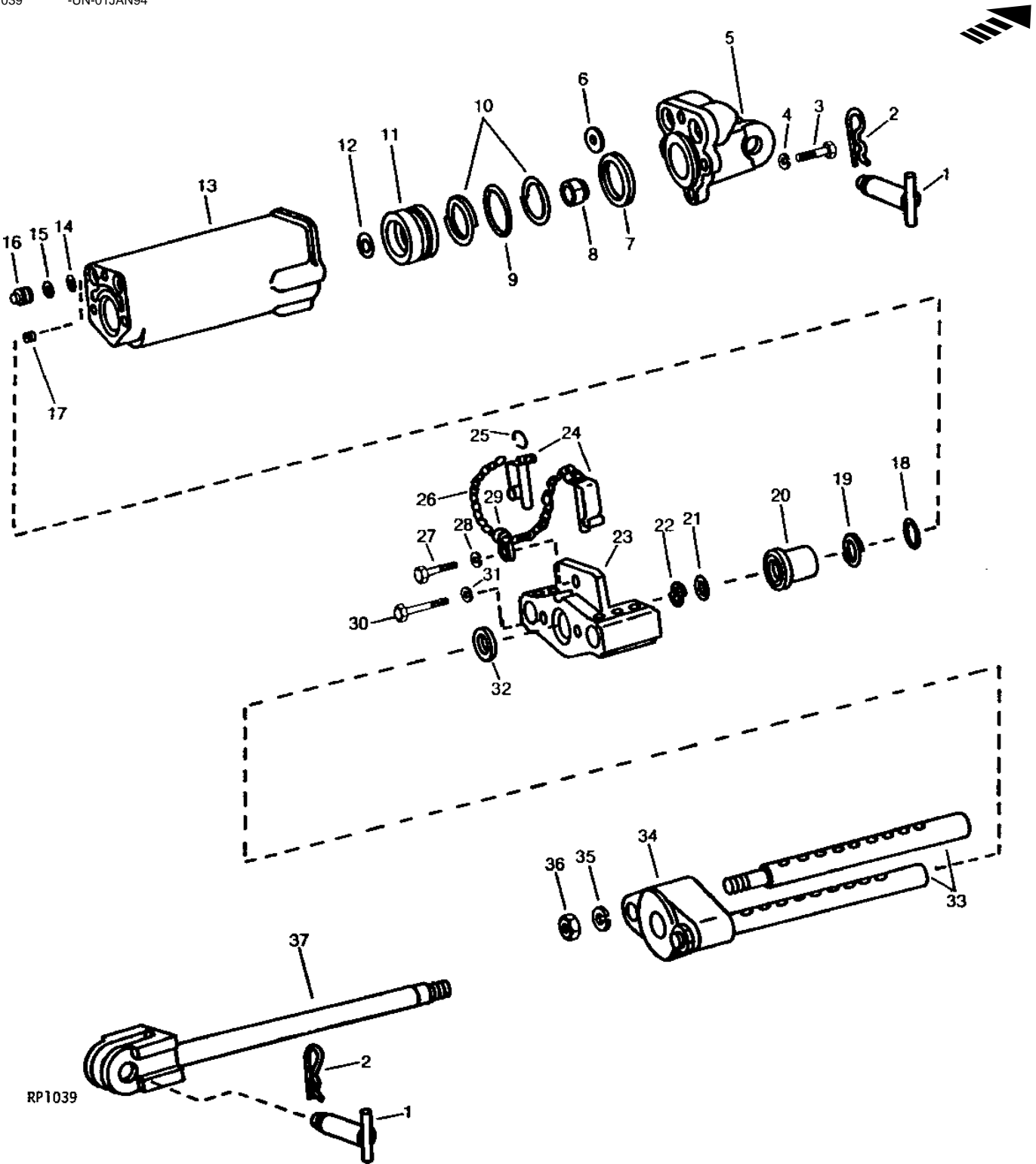
KEY	PART NO.	PART NAME	QTY	CAB SERIAL NO.	REMARKS
1	14H1076	NUT	2	3/8"	
	12H304	LOCK WASHER	2	3/8"	
2	24H1299	WASHER	2	3/8" X 1-1/4" X 0.065"	
3	R41959	PLATE	1	(NO LONGER AVAILABLE)	
4	R32118	ARM	1	L.H.	
	R32117	ARM	1	R.H.	
5	19H1765	CAP SCREW	2	3/8" X 1-3/4"	

# 2H23

HYDRAULICS

RP1039 -UN-01JAN94

## REMOTE CYLINDER PARTS (3-1/2" X 8" MECHANICAL STOP)



# 2H24

HYDRAULICS

REMOTE CYLINDER PARTS - CONTINUED  
(3-1/2" X 8" MECHANICAL STOP)

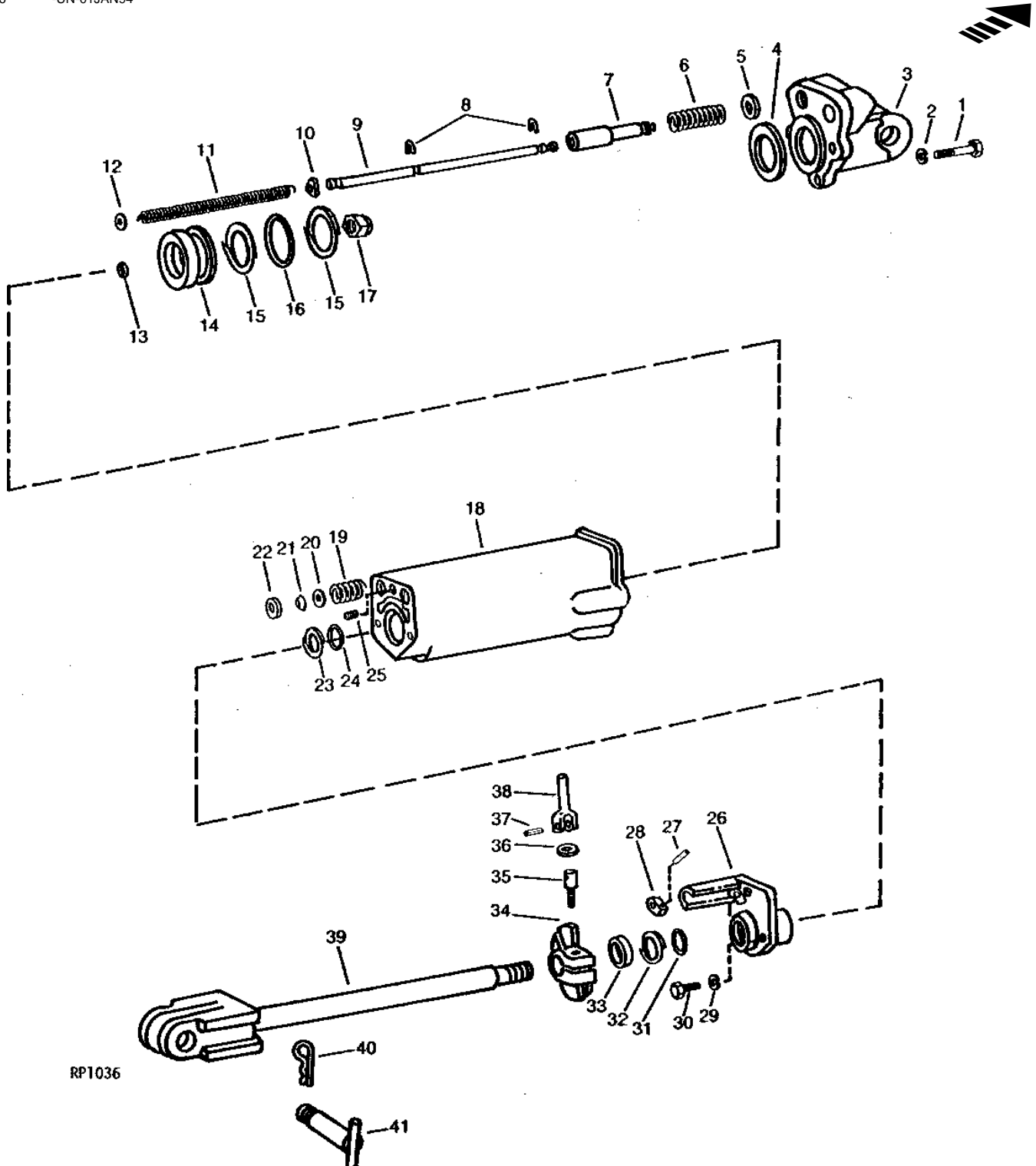
KEY	PART NO.	PART NAME	QTY	TRACTOR SERIAL NO.	REMARKS
1	AR47825	PIN	2		
2	A3581R	SPRING LOCKING PIN	2		
3	19H2357	CAP SCREW	4		9/16" X 2"
4	12H317	LOCK WASHER	2		9/16"
5	R35452	CYLINDER HEAD	1		
6	A4723R	WASHER	2		
7	F1427R	WASHER	1		
8	R45620	LOCK NUT	1		
9	F1430R	O-RING	1		
10	R35472	BACK-UP RING	2		
11	R44297	PISTON	1		
12	R27564	O-RING	1		
13	R35447	CYLINDER	1		
14	R459R	O-RING	1		
15	R32588	BACK-UP RING	1		
16	R34131	PLUG	1		
17	15H624	PIPE PLUG	1		1/2"
18	T11220	O-RING	1		
19	R35474	BACK-UP RING	1		
20	R36951	GUIDE	1		
21	R29463	O-RING	1		
22	R35473	BACK-UP RING	1		
23	R44286	GUIDE	1		
24	AR68145	QUICK LOCK PIN	2		(SUB FOR AR45536)
25	D2913R	LINK	2		
26	A3184R	LINK CHAIN	1		(SUB AN163885)
27	19H2552	CAP SCREW	1		3/8" X 1-1/8"
28	12H304	LOCK WASHER	1		3/8"
29	T13073	CLIP	1		
30	19H1726	CAP SCREW	2		3/8" X 2-1/4"
31	12H304	LOCK WASHER	2		3/8"
32	R35738	SEAL	1		
33	R44287	ROD	2		
34	R36952	STOP	1		
35	12H236	LOCK WASHER	2		3/4"
36	14H905	NUT	2		3/4"
37	AR45544	ROD	1		

# 211

HYDRAULICS

RP1036 -UN-01JAN94

## REMOTE CYLINDER PARTS (3-1/2" X 8" HYDRAULIC STOP)



RP1036

# 212

HYDRAULICS

REMOTE CYLINDER PARTS - CONTINUED  
(3-1/2" X 8" HYDRAULIC STOP)

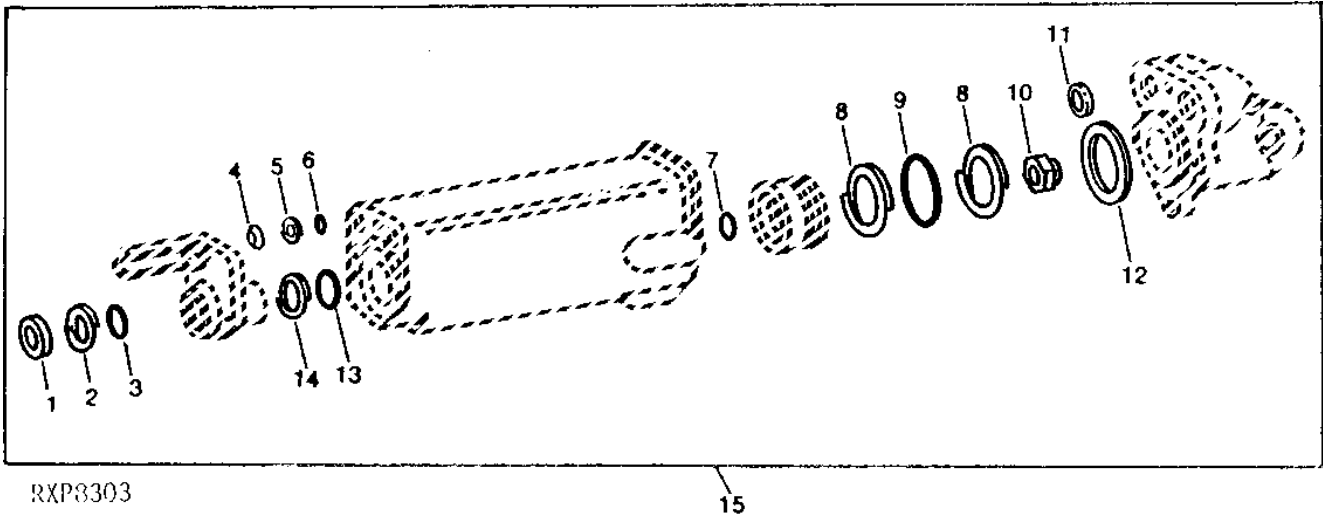
KEY	PART NO.	PART NAME	QTY	TRACTOR SERIAL NO.	REMARKS
1	19H2357	CAP SCREW	4		9/16" X 2"
2	12H317	LOCK WASHER	4		9/16"
3	R35452	CYLINDER HEAD	1		
4	F1427R	WASHER	1		
5	A4723R	WASHER	2		
6	R49352	SPRING	1		
7	R39012	VALVE	1		
8	A4739R	RING	2		
9	A4736R	ROD	1		
10	R57696	WASHER	1		(SUB FOR A4738R)
11	A4737R	SPRING	1		
12	24H1301	WASHER	1		13/32" X 9/16" X 0.065"
13	R27564	O-RING	1		
14	R44297	PISTON	1		
15	R35472	BACK-UP RING	2		
16	F1430R	O-RING	1		
17	R45620	LOCK NUT	1		
18	R35447	CYLINDER	1		
19	A4748R	SPRING ASSEMBLY	1		
20	A4747R	WASHER	1		
21	A4745R	PACKING	3		
22	A4746R	ADAPTER	1		
23	R35474	BACK-UP RING	1		
24	T19687	O-RING	1		(SUB FOR T11220)
25	15H624	PIPE PLUG	1		1/2"
26	R40219	GUIDE	1		
27	25H760	GROOVE PIN	1		7/32" X 1-1/4"
28	A5304R	ARM	1		
29	12H304	LOCK WASHER	3		3/8"
30	19H1731	CAP SCREW	3		3/8" X 1"
31	R29463	O-RING	1		
32	R35473	BACK-UP RING	1		
33	R35738	SEAL	1		
34	R35448	STOP	1		
35	A5301R	SCREW	1		
36	R1870R	WASHER	1		(SUB R57696)
37	34H264	SPRING PIN	1		5/32" X 7/8"
38	A5302R	YOKE	1		
39	AR45544	ROD	1		
40	A3581R	SPRING LOCKING PIN	2		
41	AR47825	PIN	2		

# 213

HYDRAULICS

REMOTE CYLINDER OVERHAUL KIT  
(3-1/2" X 8" HYDRAULIC OR MECHANICAL STOP)

RXP8303 -UN-01JAN94



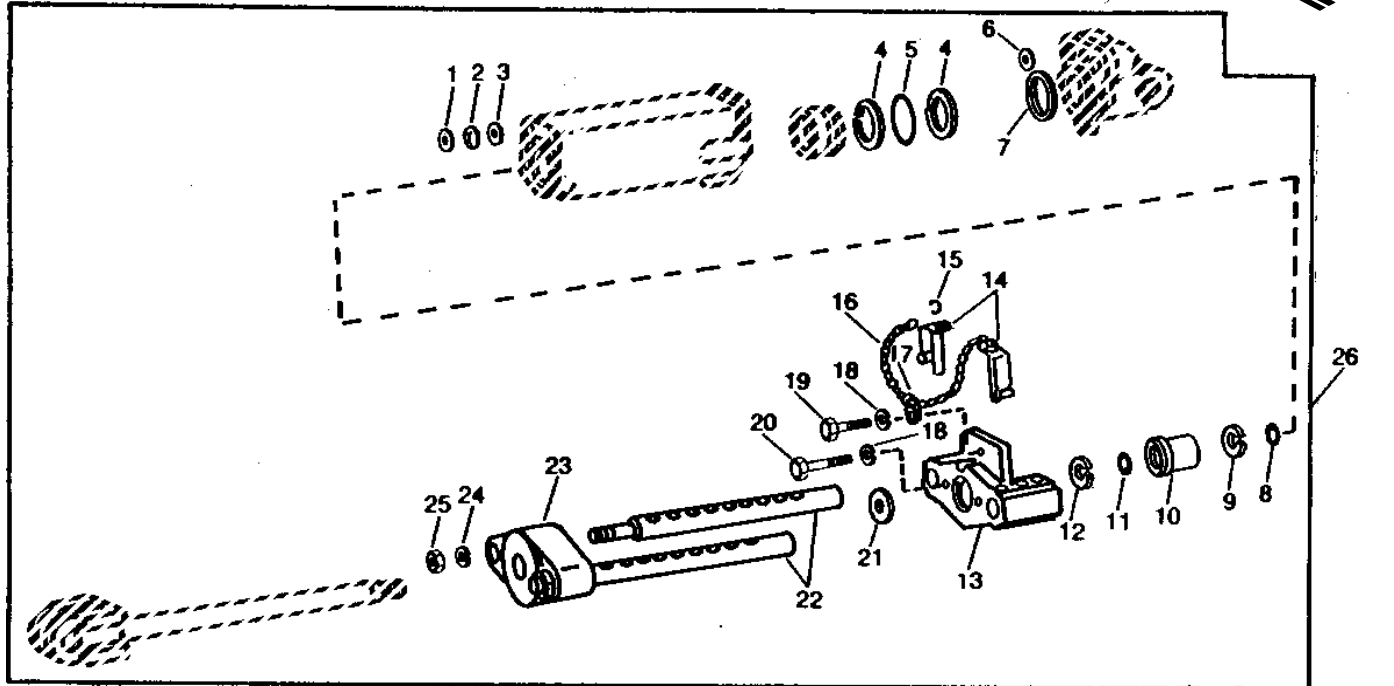
KEY	PART NO.	PART NAME	QTY	TRACTOR SERIAL NO.	REMARKS
1	R35738	SEAL	1		
2	R35473	BACK-UP RING	1		
3	R29463	O-RING	1		
4	A4745R	PACKING	3		HYDRAULIC STOP
5	R32588	BACK-UP RING	1		MECHANICAL STOP
6	R459R	O-RING	1		MECHANICAL STOP
7	R27564	O-RING	1		
8	R35472	BACK-UP RING	2		
9	F1430R	O-RING	1		
10	R45620	LOCK NUT	1		
11	A4723R	WASHER	2		
12	F1427R	WASHER	1		
13	T11220	O-RING	1		
14	R35474	BACK-UP RING	1		
15	AR31945	KIT	1		

# 214

HYDRAULICS

## REMOTE CYLINDER CONVERSION KIT (3-1/2" X 8" HYDRAULIC STOP TO MECHANICAL STOP)

RXP8304 -UN-01JAN94



RXP8304

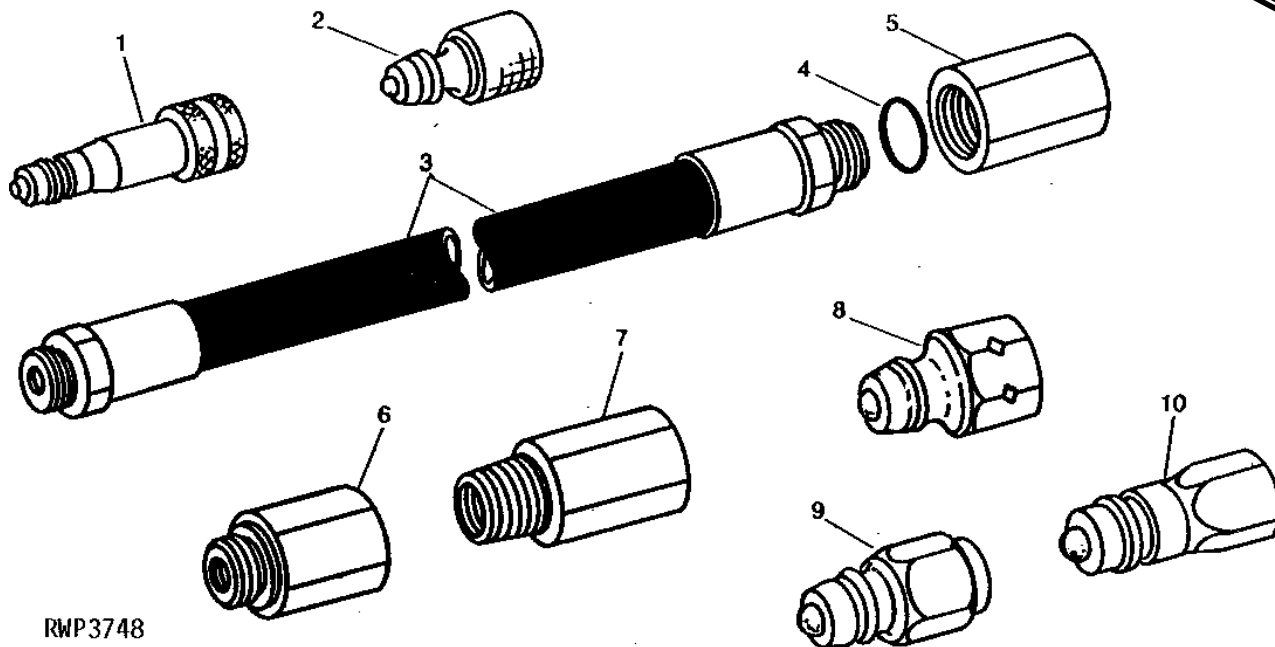
KEY	PART NO.	PART NAME	QTY	TRACTOR SERIAL NO.	REMARKS
1	R34131	PLUG	1		
2	R32588	BACK-UP RING	1		
3	R459R	O-RING	1		
4	R35472	BACK-UP RING	2		
5	F1430R	O-RING	1		
6	A4723R	WASHER	2		
7	F1427R	WASHER	1		
8	T11220	O-RING	1		
9	R35474	BACK-UP RING	1		
10	R36951	GUIDE	1		
11	R29463	O-RING	1		
12	R35473	BACK-UP RING	1		
13	R44286	GUIDE	1		
14	AR68145	QUICK LOCK PIN	2		(SUB FOR AR45536)
15	D2913R	LINK	2		
16	R49193	LINK CHAIN	1		(SUB FOR A3184R) (SUB AN163885)
17	T13073	CLIP	1		
18	12H304	LOCK WASHER	1		3/8"
19	19H2552	CAP SCREW	1		3/8" X 1-1/8"
20	19H1726	CAP SCREW	2		3/8" X 2-1/4"
21	R35738	SEAL	1		
22	R44287	ROD	2		
23	R36952	STOP	1		
24	12H236	LOCK WASHER	2		3/4"
25	14H905	NUT	2		3/4"
26	AR45534	KIT	1		

# 215

HYDRAULICS

RWP3748 -UN-01JAN94

## IMPLEMENT HYDRAULIC OIL LINES AND FITTINGS



RWP3748

KEY	PART NO.	PART NAME	QTY	TRACTOR SERIAL NO.	REMARKS
1	AR98202	HYD. QUICK-CONNECT COUPLER	1	JOHN DEERE TO ISO	
	R21722	O-RING	1	(INCLUDED IN AR98202)	
	RE11457	ADAPTER	1	IHC TO ISO	
	U11647	O-RING	1	(INCLUDED IN RE11457)	
2	AR98201	HYD. QUICK-CONNECT COUPLER	1	ISO TO JOHN DEERE	
	R21722	O-RING	1	(INCLUDED IN AR98201, RE11458 AND RE11463)	
	R71387	WASHER	1	(INCLUDED IN AR98201)	
	RE11456	ADAPTER	1	IHC TO JOHN DEERE	
	RE11458	ADAPTER	1	JOHN DEERE TO IHC	
	RE11463	ADAPTER	1	ISO TO IHC	
3	AR28754	HYDRAULIC HOSE	1	10 X 610 MM (3/8" X 24") (SUB TY3018)	
	AR28755	HYDRAULIC HOSE	1	10 X 914 MM (3/8" X 36") (SUB TY3019)	
	R36658	HYDRAULIC HOSE	1	13 X 610 MM (1/2" X 24")	
	R36659	HYDRAULIC HOSE	1	13 X 914 MM (1/2" X 36")	
4	R26375	O-RING	1		
5	R30815	FITTING	1	3/4" THREAD	
6	R30817	ADAPTER	1	3/4"-16UNF MALE X 1/2"-14NPT FEMALE	
7	R30816	ADAPTER	1	1/2"-14NPT MALE X 3/4"-16UNF FEMALE	
8	AR93820	FITTING	1	JOHN DEERE, 3/4"-16 UNF	
9	RE11447	FITTING	1	JOHN DEERE, 1/2"-14NPT	
10	AR94522	INTERNAL HALF COUPLER	1	ISO, 3/4"-16UNF	

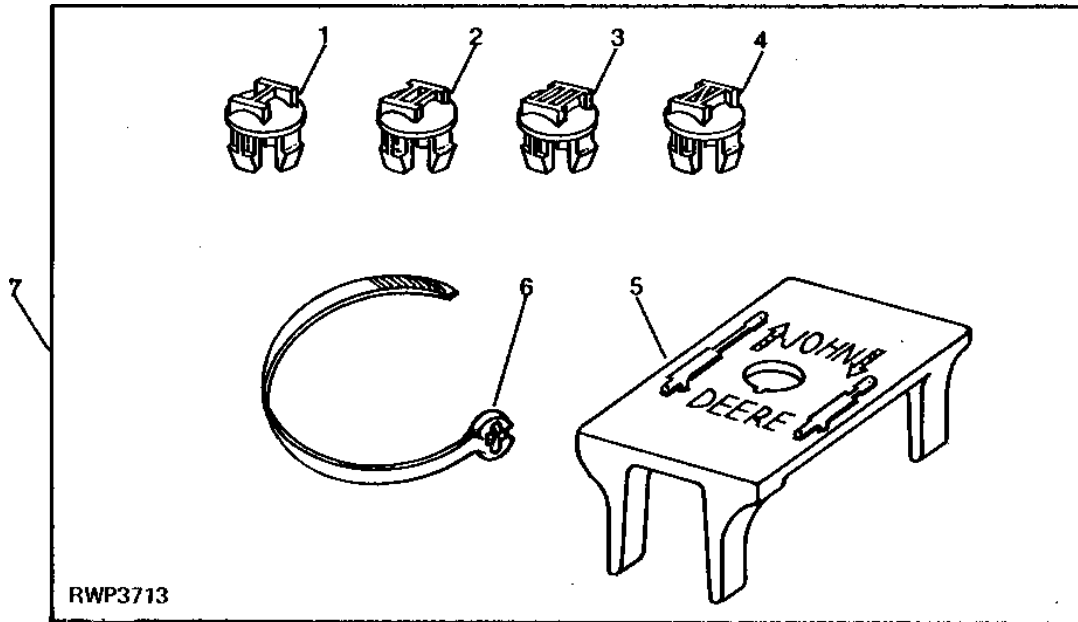


# 216

HYDRAULICS

RWP3713 -UN-01JAN94

## REMOTE CYLINDER HOSE IDENTIFICATION KIT

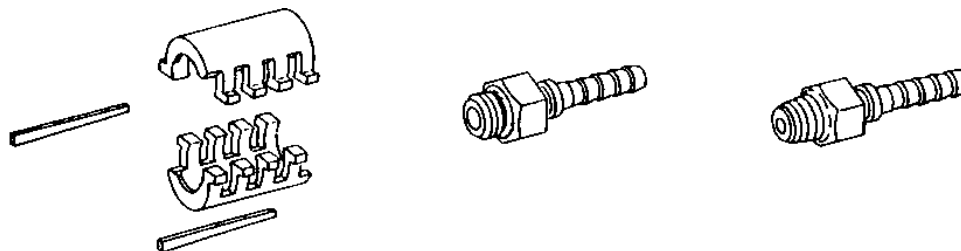


KEY	PART NO.	PART NAME	QTY	TRACTOR SERIAL NO.	REMARKS
1	R74242	PLUG	1		
2	R74243	PLUG	1		
3	R74244	PLUG	1		
4	R74246	PLUG	1		
5	R76459	TAG	1		
6	R76477	TIE BAND	2		
7	AR103808	KIT	1		

RXP7733

-UN-23SEP94

**BULK FLEXIBLE OIL LINE AND REUSABLE LOK-PIN COUPLINGS**



Oil Line (Length) Approx. 50 ft.)		Set of Ferrules with Pins*	Stem-Straight Thread with O-ring	Stem-Pipe Thread
R 34790	3/8" I.D. — 1 Wire	.....	AR 39635* *	R 39687
R 34791	1/2" I.D. — 1 Wire	.....	AR 39636* *	R 39688
R 34792	3/4" I.D. — 1 Wire	.....	AR 39637#	R 39689
R 34793	3/8" I.D. — 2 Wire	AR 39632	AR 39635* *	R 39687
R 34794	1/2" I.D. — 2 Wire	.....	AR 39636* *	R 39688
R 34795	3/4" I.D. — 2 Wire	.....	AR 39637#	R 39689

\* Each set of ferrules includes two R39681 pins - extra pins may be ordered, packed 20 in a package.  
 \*\*Includes R26375 O-ring.  
 # Includes F3171R O-ring.

**REUSABLE COUPLINGS (Use With Braid Flexible Oil Line)**



1 WR Single Wire		2 WR Double Wire		I.D.	Thread
<i>Coupling No.</i>		<i>Coupling No.</i>			
AF 3585	R	AR 21629		3/8"	3/8" — 18 NPTF
AF 3586	R	AR 21630		1/2"	1/2" — 14 NPTF
AF 3587	R	.....		5/8"	3/4" — 14 NPTF
AF 3588	R	AR 21632		3/4"	3/4" — 14 NPTF
R 34644		AR 21634		1"	1" — 11-1/2" NPTF
R 34646		.....		3/8"	3/4" — 16 O-ring type thread
		R 34647		1/2"	3/4" — 16 O-ring type thread

**BULK SINGLE WIRE BRAID FLEXIBLE OIL LINE  
 (Use With Reusable Coupling for Single Wire Braid Flexible Oil Line)**

Part No.	I.D.	O.D.	Length
A 5776 R	1/2"	29/32"	Approx. 50 ft.
A 5777 R	5/8"	1-1/32"	Approx. 50 ft.

**BULK DOUBLE WIRE BRAID FLEXIBLE OIL LINE  
 (Use with Reusable Coupling for Double Wire Braid Flexible Oil Line)**

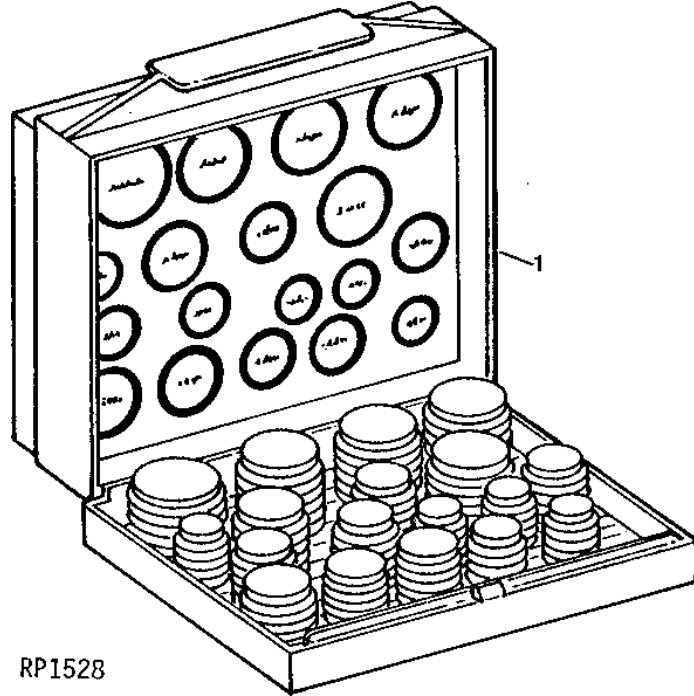
Part No.	I.D.	O.D.	Length
R 21531	3/8"	29/32"	Approx. 50 ft.
R 21532 RXP7733	1/2"	31/32"	Approx. 50 ft.

# 218

HYDRAULICS

RP1528 -UN-01JAN94

O-RING KIT



RP1528

KEY	PART NO.	PART NAME	QTY	TRACTOR SERIAL NO.	REMARKS
1	AR73500	KIT	1		

---

MEMORANDA

---

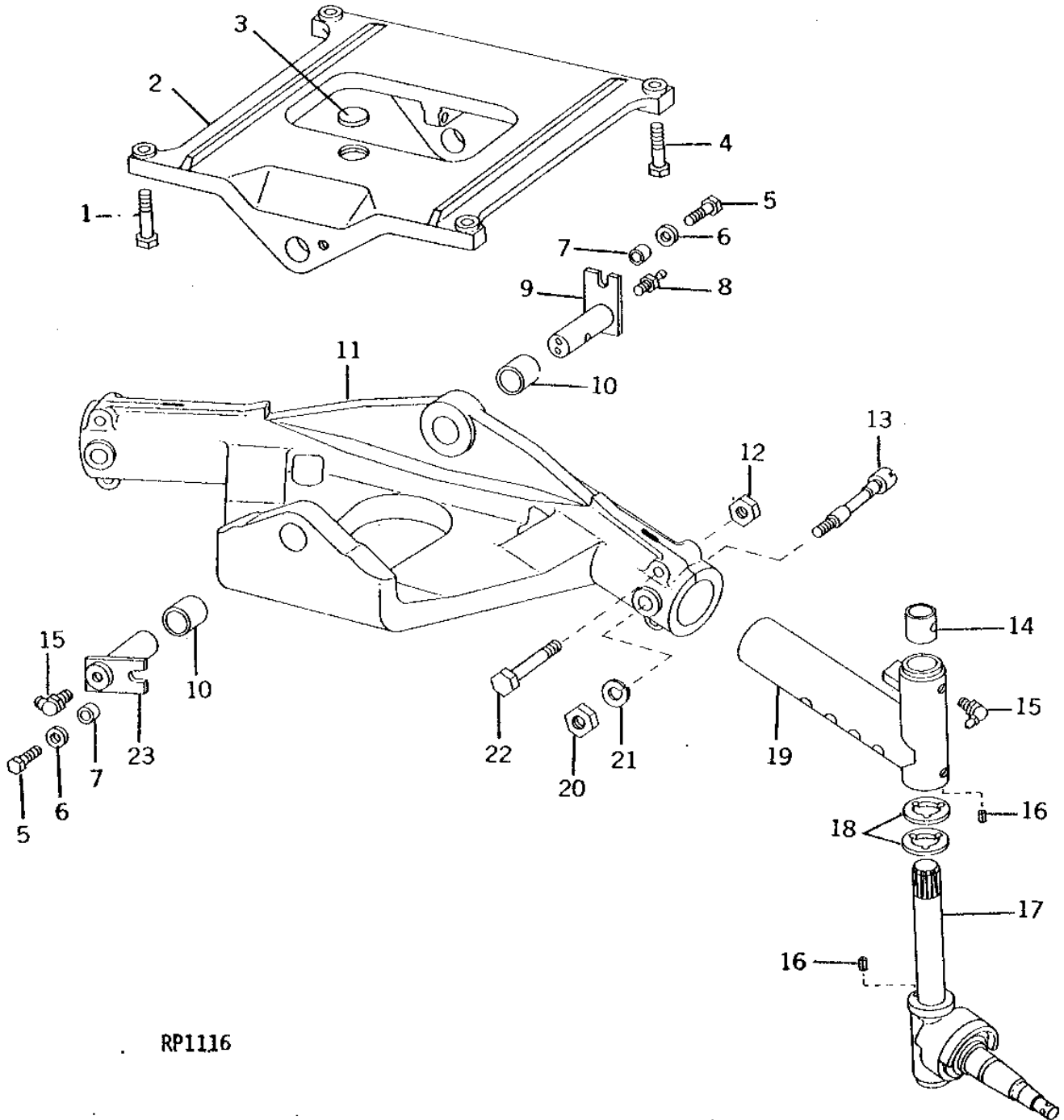
MEMORANDA

# 2111

WHEELS, FRONT AXLES, SHEET METAL

## ADJUSTABLE TREAD FRONT AXLE HOUSING, PIVOT BRACKET AND KNEE (ROW-CROP AND STANDARD)

RP1116 -UN-01JAN94



RP1116

# 2112

WHEELS, FRONT AXLES, SHEET METAL

## ADJUSTABLE TREAD FRONT AXLE HOUSING, PIVOT BRACKET AND KNEE - CONTINUED (ROW-CROP AND STANDARD)

KEY	PART NO.	PART NAME	QTY	TRACTOR SERIAL NO.	REMARKS
1	19H1862	CAP SCREW	2		3/4" X 2-1/2"
2	R49410	BRACKET	1		(SUB FOR R36740 OR R46740)
3	30H26	PLUG	1		2-1/8"
4	19H1715	CAP SCREW	2		3/4" X 3"
5	19H3265	CAP SCREW	2		1/2" X 1-7/8"
6	24H1272	WASHER	2		9/16" X 1-1/4" X 1/4"
7	R36728	BUSHING	2		
8	JD7759	LUBRICATION FITTING	1		
9	AR36078	PIN	1		(WITH STRAP)
10	R35389	BUSHING	2		
11	AR36638	HOUSING	1		(MARKED R40260) (WITH BUSHINGS)
12	14H794	NUT	4		3/4"
13	R40198	BOLT	2		
14	R52188	BUSHING	4		(SUB FOR R28471)
15	JD7781	LUBRICATION FITTING	5		
16	34H308	SPRING PIN	4		1/4" X 1/2"
17	AR45807	KNUCKLE	2		(ALSO ORDER R26333 AND 19H1863) (SUB FOR AR36636)
18	R30398	WASHER	4		
19	AR36703	AXLE	1		R.H. (WITH BUSHINGS) (STANDARD)
	AR36704	AXLE	1		L.H. (WITH BUSHINGS) (STANDARD)
	AR41261	AXLE	1		R.H. (WITH BUSHINGS) (ROW-CROP) 2235MM (88") ADJUSTABLE TREAD FRONT AXLE
	AR41262	AXLE	1		L.H. (WITH BUSHINGS) (ROW-CROP) 2235MM (88") ADJUSTABLE TREAD FRONT AXLE
20	14H854	NUT	2		1"
21	12H234	LOCK WASHER	2		1"
22	19H2000	CAP SCREW	4		3/4" X 5"
23	AR36079	PIN	1		(WITH STRAP)

---

MEMORANDA

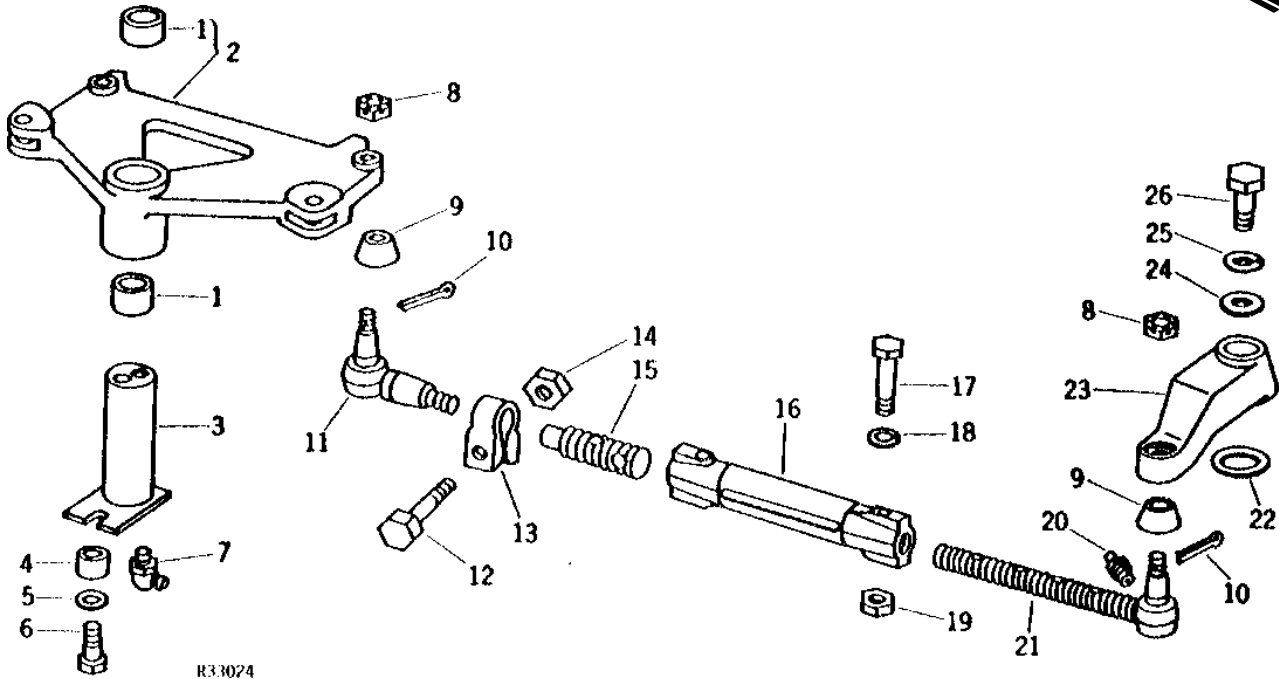


# 2113

WHEELS, FRONT AXLES, SHEET METAL

## ADJUSTABLE TREAD BELL CRANK AND TIE RODS (ROW-CROP AND STANDARD)

R33024 -UN-01JAN94



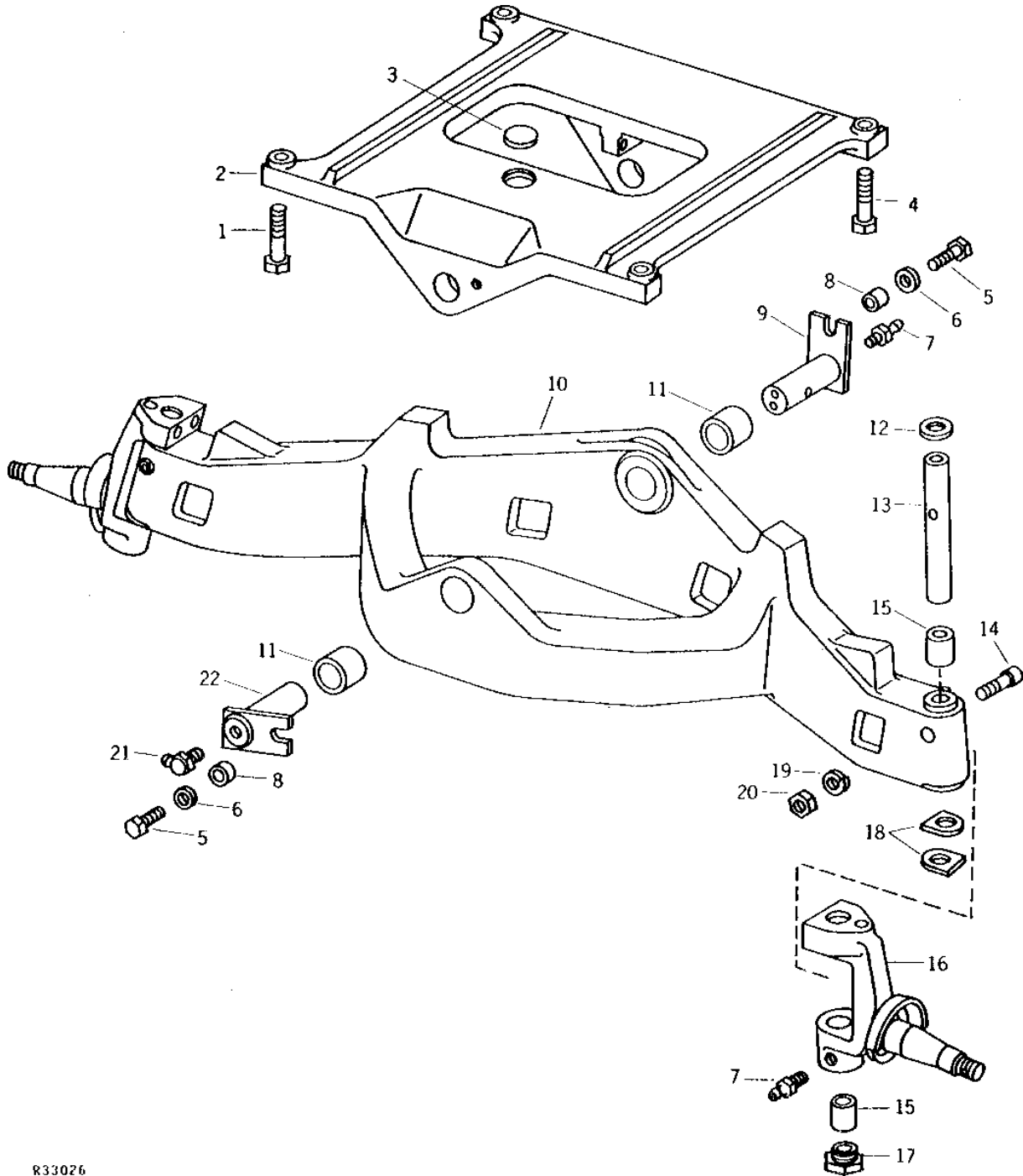
KEY	PART NO.	PART NAME	QTY	TRACTOR SERIAL NO.	REMARKS
1	R28465	BUSHING	2		
2	AR36897	LEVER	1		(MARKED R40719)
3	AR36078	PIN	1		(WITH STRAP)
4	R36728	BUSHING	1		
5	24H1272	WASHER	1		9/16" X 1-1/4" X 1/4"
6	19H3265	CAP SCREW	1		1/2" X 1-7/8"
7	JD7781	LUBRICATION FITTING	1		
8	14H918	NUT	4		5/8"
9	R21101	COVER	4		
10	11M7015	COTTER PIN	4		3.200 X 25 MM
11	AR74131	TIE ROD END	2		(SUB FOR AR20032)
12	19H1990	CAP SCREW	2		1/2" X 2-1/4"
13	M2301T	CLAMP	2		
14	14H1040	NUT	2		1/2"
15	R40206	STUD	2		
16	AR36642	TUBE	2		(WITH SCREWS, WASHERS, AND NUTS) (NLA)
17	19H2128	CAP SCREW	4		3/8" X 3"
18	24M7096	WASHER	4		10.500 X 18 X 1.600 MM
19	M63440	LOCK NUT	4		(SUB FOR C744DN) (SUB E50102)
20	JD7759	LUBRICATION FITTING	4		
21	AR36643	TIE ROD	2		290 MM (11-27/64")
	AR41230	TIE ROD	2		387 MM (15-1/2") 2235 MM (88") ADJUSTABLE TREAD FRONT AXLE
22	R31251	WASHER	2		
23	R52838	STEERING ARM	1		
	R52839	STEERING ARM	1		
24	R30399	WASHER	2		
25	19H2372	CAP SCREW	2		1" X 1-3/4"
26	12H234	LOCK WASHER	2		1"

# 2114

WHEELS, FRONT AXLES, SHEET METAL

## FIXED TREAD FRONT AXLE AND PIVOT BRACKET (STANDARD)

R33026 -UN-01JAN94



R33026

# 2115

WHEELS, FRONT AXLES, SHEET METAL

**FIXED TREAD FRONT AXLE AND PIVOT BRACKET - CONTINUED  
(STANDARD)**

KEY	PART NO.	PART NAME	QTY	TRACTOR SERIAL NO.	REMARKS
1	19H1862	CAP SCREW	2		3/4" X 2-1/2"
2	R49410	BRACKET	1		(SUB FOR R36740 OR R46740)
3	30H26	PLUG	1		2-1/8"
4	19H1715	CAP SCREW	2		3/4" X 3"
5	19H3265	CAP SCREW	2		1/2" X 1-7/8"
6	24H1272	WASHER	2		9/16" X 1-1/4" X 1/4"
7	JD7759	LUBRICATION FITTING	3		
8	R36728	BUSHING	2		
9	AR36078	PIN	1		(WITH STRAP)
10	AR36628	FRONT AXLE	1		(WITH BUSHINGS) (MARKED R40250)
11	R35389	BUSHING	2		
12	A4733R	WASHER	2		
13	R35388	PIN	2		
14	D156R	BOLT	2		
15	D1888R	BUSHING	4		
16	AR36629	KNUCKLE	2		
17	D1881R	FITTING	2		
18	A5325R	WASHER	4		
19	12H303	LOCK WASHER	2		5/16"
20	14H785	NUT	2		5/16"
21	JD7781	LUBRICATION FITTING	1		
22	AR36079	PIN	1		(WITH STRAP)

---

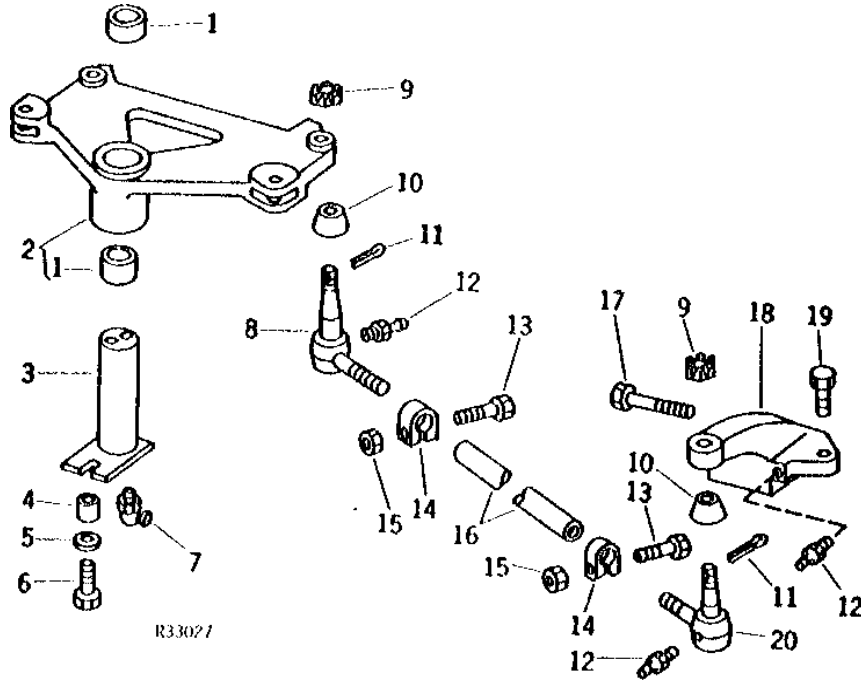
MEMORANDA

# 2116

WHEELS, FRONT AXLES, SHEET METAL

## FIXED TREAD BELL CRANK AND TIE RODS (STANDARD)

R33027 -UN-01JAN94



KEY	PART NO.	PART NAME	QTY	TRACTOR SERIAL NO.	REMARKS
1	R28465	BUSHING	2		
2	AR36897	LEVER	1		(MARKED R40719)
3	AR36078	PIN	1		(WITH STRAP)
4	R36728	BUSHING	1		
5	24H1272	WASHER	1		9/16" X 1-1/4" X 1/4"
6	19H3265	CAP SCREW	1		1/2" X 1-7/8"
7	JD7781	LUBRICATION FITTING	1		
8	AR74131	TIE ROD END	2		(SUB FOR AR20032)
9	14H918	NUT	4		5/8"
10	R21101	COVER	4		
11	11M7015	COTTER PIN	4		3.200 X 25 MM
12	JD7759	LUBRICATION FITTING	6		
13	19H1990	CAP SCREW	4		1/2" X 2-1/4"
14	M2301T	CLAMP	4		
15	14H1040	NUT	4		1/2"
16	R31764	PIN	2		
17	19H2072	CAP SCREW	4		5/8" X 3-1/4"
18	R52840	STEERING ARM	1		R.H.
	R52841	STEERING ARM	1		L.H. (NLA)
19	19H1708	CAP SCREW	2		5/8" X 1-3/4"
20	AR74132	TIE ROD END	2		(L.H. THREAD) (SUB FOR AR20033)

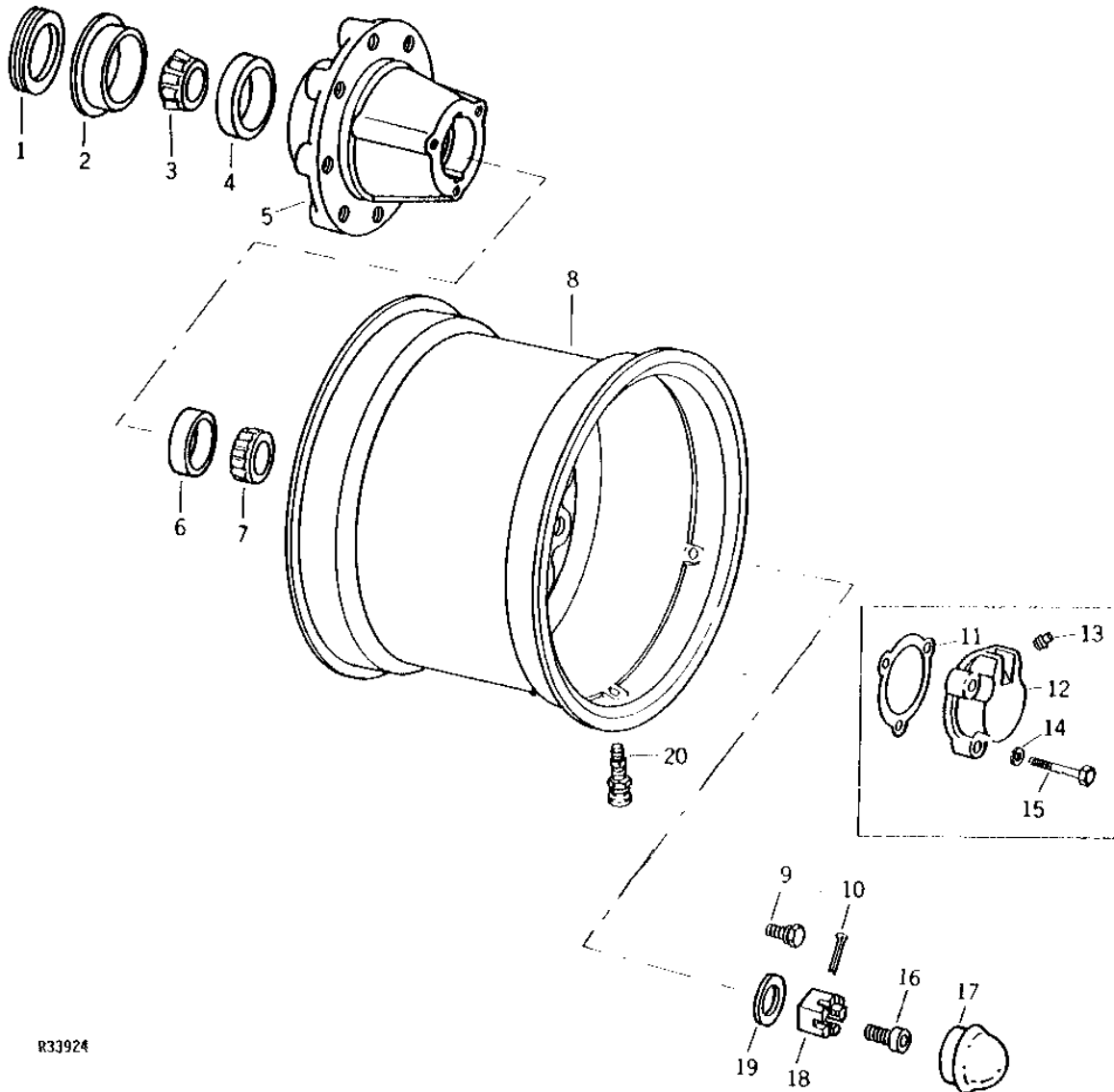
# 2117

WHEELS, FRONT AXLES, SHEET METAL

R33924

-UN-01JAN94

## FRONT WHEELS



R33924

# 2118

WHEELS, FRONT AXLES, SHEET METAL

## FRONT WHEELS - CONTINUED

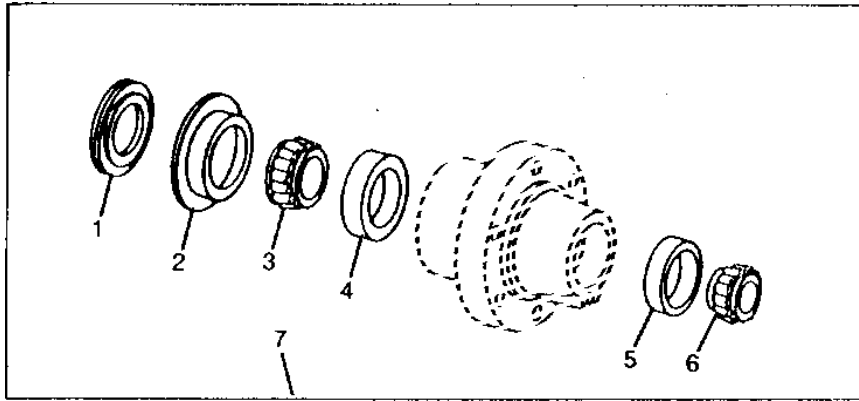
KEY	PART NO.	PART NAME	QTY	TRACTOR SERIAL NO.	REMARKS
1	AR27806	SEAL	1		
2	R28574	SEAL	1		
3	JD8131	BEARING CONE	1		
4	JD7439	BEARING CUP	1		
5	R40194	HUB	1	-XXXXXX	(SUB R63556, DT2127W AND 22H841)
	R63556	HUB	1	XXXXXX-	
6	JD7266	BEARING CUP	1		
7	JD8981	BEARING CONE	1		(SUB JD10190)
8	JD3207	WHEEL	1		(LESS HUB) (11.00-16, 8-PLY TIRE) (SUB RE50183 AND (8) 19H3570)
	JD3213	WHEEL	1		(LESS HUB) (9.50-20, 8-PLY TIRE)
	JD3220	WHEEL	1		(LESS HUB) (18.4-16.1, 6-PLY TIRE)
	JD3232	RIM	1		(LESS HUB) (14L-16.1, 6-PLY TIRE) (SUB FOR JD3221) (SUB RE51672 AND (8) 19H3570)
9	JD16	WHEEL BOLT	8		
	19H3418	CAP SCREW	8	XXXXXX-	5/8" X 1-1/2", (USE WITH R63556)
10	11M7030	COTTER PIN	1		0.197" X 1.575"
11	A1556R	GASKET	1	-XXXXXX	
12	A1555R	CAP	1	-XXXXXX	
13	15H638	PIPE PLUG	1	-XXXXXX	1/8"
14	24H1136	WASHER	3	-XXXXXX	11/32" X 11/16" X 0.065"
15	19H2915	CAP SCREW	3	-XXXXXX	5/16" X 1-1/4"
16	22H841	SET SCREW	1	XXXXXX-	1/4" X 1/4"
17	DT2127W	CAP	1	XXXXXX-	
18	14H920	NUT	1		1"
19	R28575	WASHER	1		
20	AM30347	TIRE VALVE STEM	1		VALVE (11.00-16 OR 14L-16.1 TIRE) (SUB FOR AR55282)

# 2119

WHEELS, FRONT AXLES, SHEET METAL

## FRONT WHEEL BEARING KIT

RXP9981 -UN-01JAN94



RXP9981

KEY	PART NO.	PART NAME	QTY	TRACTOR SERIAL NO.	REMARKS
1	AR27806	SEAL	1		
2	R28574	SEAL	1		
3	JD8131	BEARING CONE	1		
4	JD7439	BEARING CUP	1		
5	JD7266	BEARING CUP	1		
6	JD10190	BEARING CONE	1		
7	RE54816	BEARING KIT	1		



---

MEMORANDA

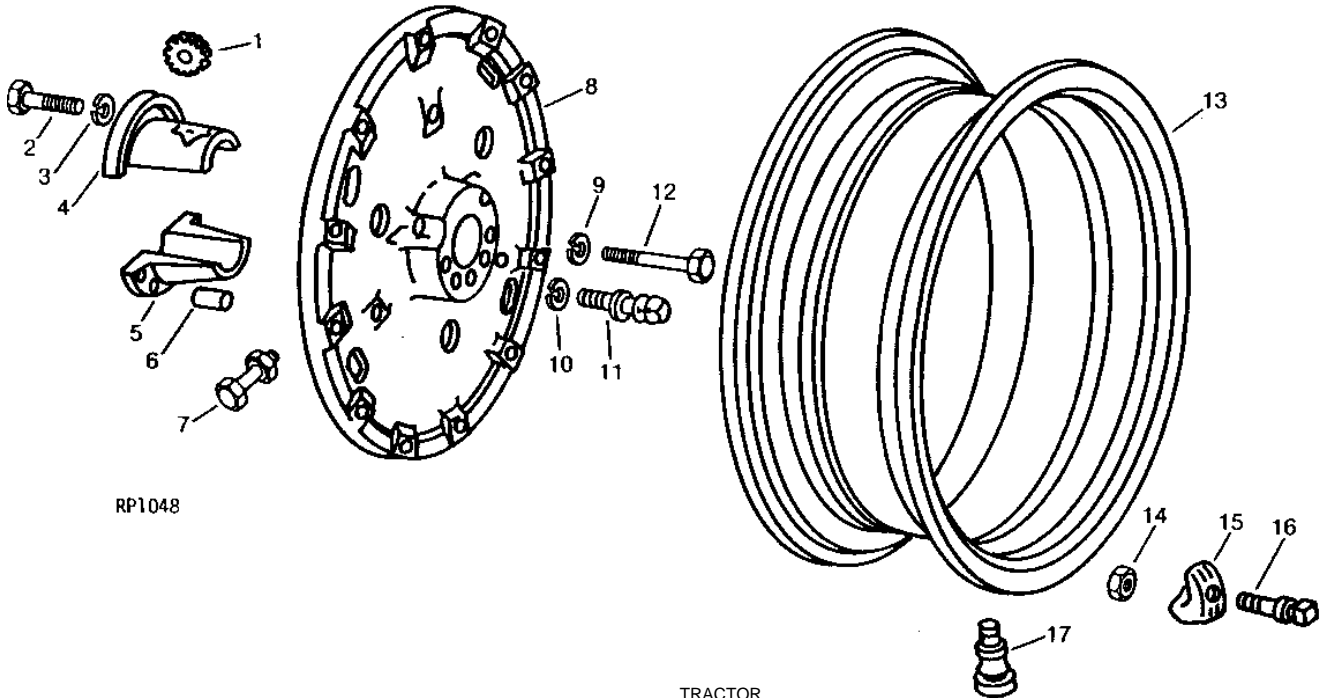
# 2120

WHEELS, FRONT AXLES, SHEET METAL

RP1048 -UN-16NOV94

## REAR WHEELS

21



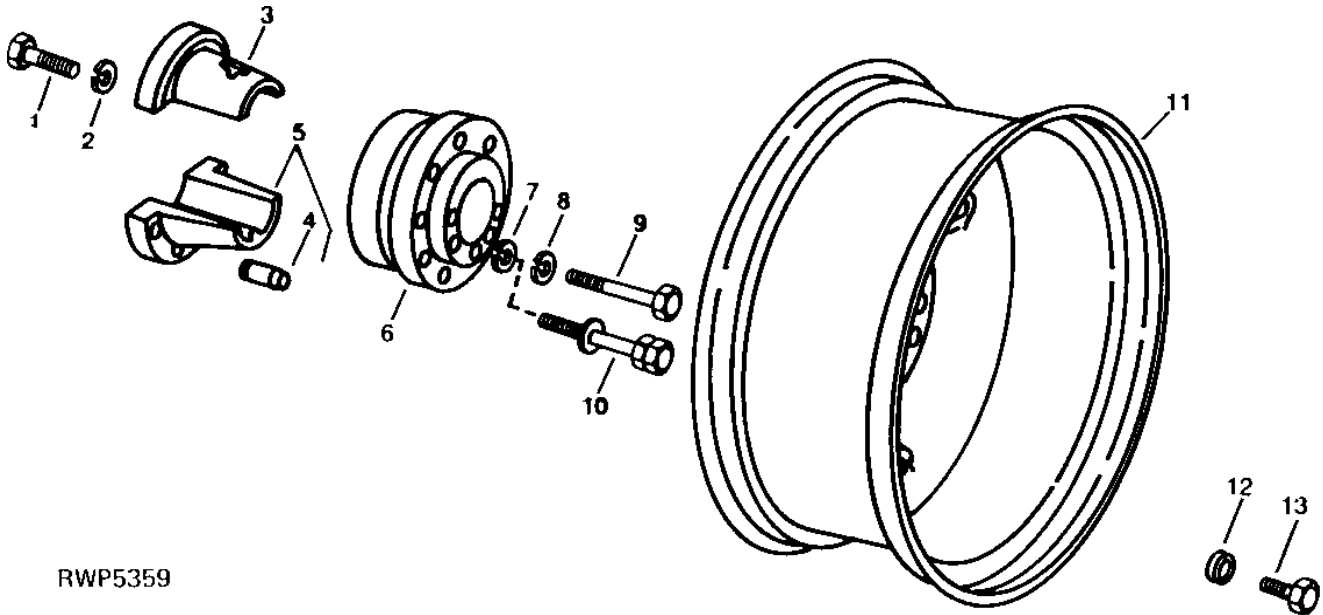
KEY	PART NO.	PART NAME	QTY	TRACTOR SERIAL NO.	REMARKS
1	A4379R	PINION	1		
2	19H2600	CAP SCREW	3	3/4" X 2-5/8"	
3	12H236	LOCK WASHER	3	3/4"	
4	R35302	HALF SLEEVE	1		
5	R35303	HALF SLEEVE	1	(SUB AR83354)	
6	R35335	DOWEL PIN	2		
7	A4380R	PINION SHAFT	1		
8	R35300	WHEEL	1	(18.4-34 TIRE AND RIM) (STANDARD)	
	R36190	WHEEL	1	(24.5-32 TIRE AND RIM)	
	R49860	WHEEL	1	(18.4-38 OR 20.8-38 TIRE AND RIM) (SUB FOR R41020) (SUB R81273)	
9	12H245	LOCK WASHER	3	7/8"	
10	R35333	SNAP RING	2		
11	R35332	SCREW	2		
12	08H4486	CAP SCREW	3	7/8" X 7-1/2"	
13	R32072	RIM	1	(18.4-34 TIRE) (STANDARD) (NLA)	
	R36097	RIM	1	(24.5-32 TIRE)	
	R80306	RIM	1	(18.4-38 TIRE) (SUB FOR R41012)	
	R74851	RIM	1	(20.8-38 TIRE) (SUB FOR R43744)	
14	14H800	NUT	AR	5/8", (12 USED WITH R35300 AND R36190) (16 USED WITH R41020 AND R49860)	
15	B634R	CLAMP	12	(USE WITH R35300 AND R36190)	
	A4388R	CLAMP	16	(USE WITH R41020 AND R49860)	
16	A4064R	BOLT	12	(USE WITH R35300 AND R36190) (SUB R34801)	
	08H4694	BOLT	16	5/8" X 4" HS, SAE 8, (USE WITH R41020 AND R49860) (SUB FOR A4389R)	
17	R55151	PLUG	1		

# 2121

WHEELS, FRONT AXLES, SHEET METAL

RWP5359 -UN-17NOV94

## DUAL WHEELS



RWP5359

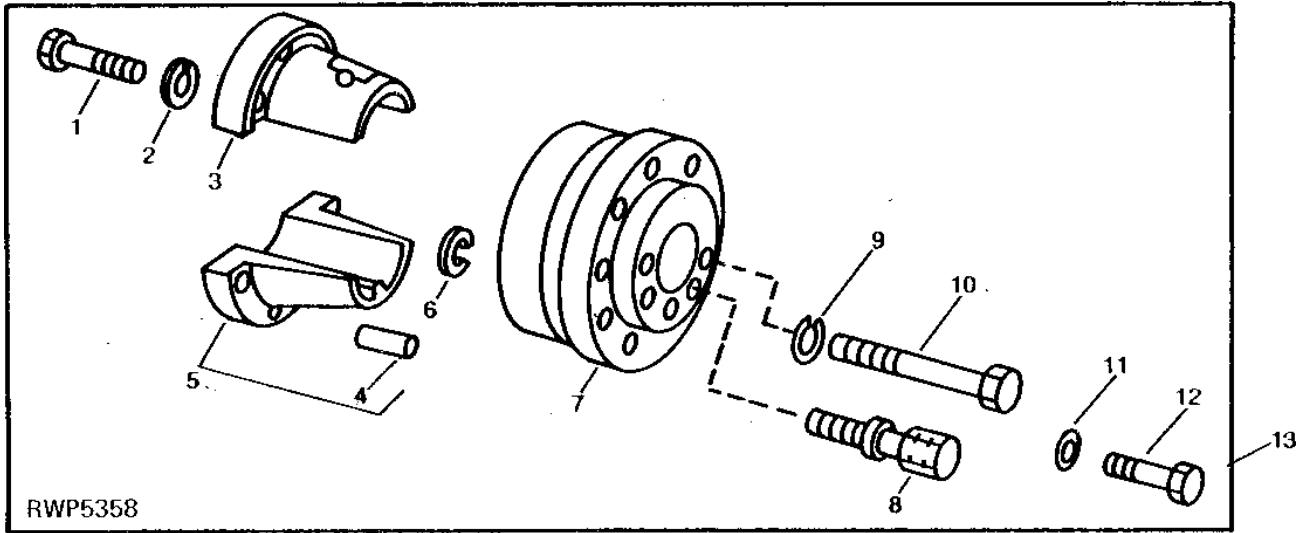
KEY	PART NO.	PART NAME	QTY	TRACTOR SERIAL NO.	REMARKS
1	19H1707	CAP SCREW	3	3/4" X 2-3/4"	
2	12H236	LOCK WASHER	3	3/4"	
3	R35302	HALF SLEEVE	1	PINION	
4	R35335	DOWEL PIN	2		
5	AR83354	SLEEVE	1	KEY HALF, (SUB FOR R35303)	
6	R54160	HUB	1		
7	R35333	SNAP RING	2		
8	12H245	LOCK WASHER	3	7/8"	
9	08H4486	CAP SCREW	3	7/8" X 7-1/2"	
10	R35332	SCREW	2		
11	AR89141	WHEEL	1	(20.8-38) (SUB FOR JD3231) (SUB RE51962)	
	AR89140	WHEEL	1	(18.4-38) (SUB FOR JD3230) (SUB RE50908)	
12	R52006	WASHER	10		
13	19H2088	CAP SCREW	10	7/8" X 1-3/4"	

# 2122

WHEELS, FRONT AXLES, SHEET METAL

RWP5358 -UN-01JAN94

## DRIVE WHEEL HUB



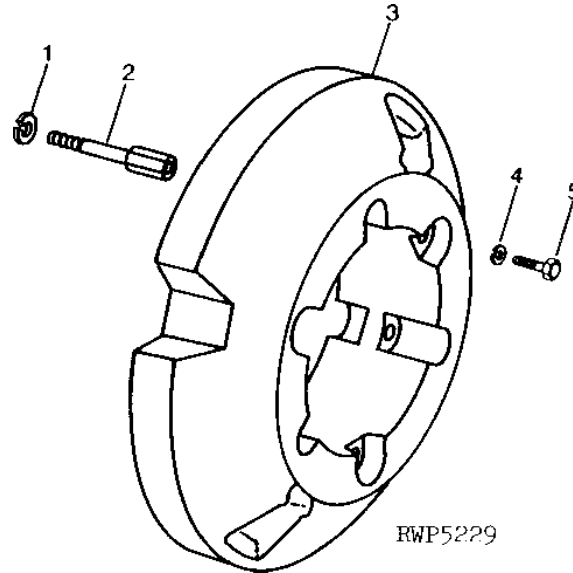
KEY	PART NO.	PART NAME	QTY	TRACTOR SERIAL NO.	REMARKS
1	19H2600	CAP SCREW	3	3/4" X 2-5/8"	
2	12H236	LOCK WASHER	3	3/4"	
3	R35302	HALF SLEEVE	1		
4	R35335	DOWEL PIN	1		
5	AR83354	SLEEVE	2	(SUB FOR R35303)	
6	R35333	SNAP RING	2		
7	R54160	HUB	1		
8	R35332	SCREW	2		
9	12H245	LOCK WASHER	3	7/8"	
10	08H4486	CAP SCREW	3	7/8" X 7-1/2"	
11	R52006	WASHER	10		
12	19H2587	CAP SCREW	10	7/8" X 1-3/4" HS, SAE 8	
13	AR80169	HUB	1		

# 2123

WHEELS, FRONT AXLES, SHEET METAL

## REAR WHEEL WEIGHT (38" CAST WHEELS)

RWP5229 -UN-17NOV94



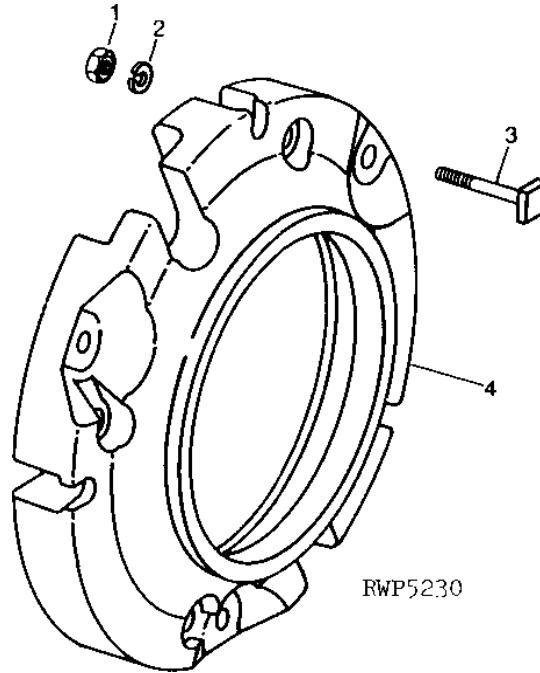
KEY	PART NO.	PART NAME	QTY	TRACTOR SERIAL NO.	REMARKS
1	12H236	LOCK WASHER	3	3/4"	
2	R41256	SCREW	3		
3	R41030	WEIGHT	2	200 KG (440 LBS.) (INSIDE OR 2ND OUTSIDE WEIGHT)	
4	12H236	LOCK WASHER	3	3/4"	
5	19H2174	CAP SCREW	3	3/4" X 4-1/4", (INSIDE OR OUTSIDE WEIGHT)	
	19H1782	CAP SCREW	3	3/4" X 2-1/4", (FIRST OUTSIDE WEIGHT FOR USE WITH INSIDE WEIGHT)	

# 2124

WHEELS, FRONT AXLES, SHEET METAL

RWP5230 -UN-17NOV94

## REAR WHEEL WEIGHT (32" AND 34" CAST WHEEL)



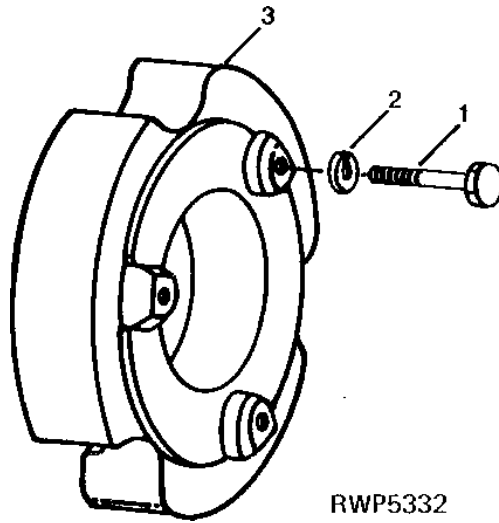
KEY	PART NO.	PART NAME	QTY	TRACTOR SERIAL NO.	REMARKS
1	14H1039	NUT	3	5/8"	
2	12H294	LOCK WASHER	3	5/8"	
3	R34801	BOLT	3	(FIRST AND ADDITIONAL WEIGHTS) (OUTSIDE)	
4	T21689	WEIGHT	2	50 KG (110 LBS) (SUB AR112785)	

# 2125

WHEELS, FRONT AXLES, SHEET METAL

RWP5332 -UN-01JAN94

REAR INNER WHEEL WEIGHT  
(32" AND 34" CAST WHEELS)



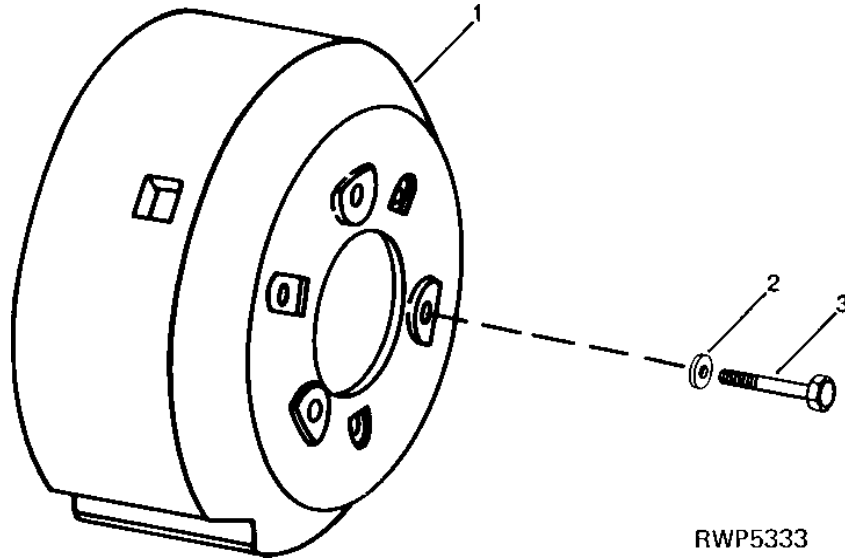
KEY	PART NO.	PART NAME	QTY	TRACTOR SERIAL NO.	REMARKS
1	19H1862	CAP SCREW	3	3/4" X 2-1/2"	
2	12H236	LOCK WASHER	3	3/4"	
3	R35780	WEIGHT	1	129 KG (285 LBS)	

# 2J1

WHEELS, FRONT AXLES, SHEET METAL

## REAR INNER WHEEL WEIGHT (32" CAST WHEEL)

RWP5333 -UN-17NOV94



RWP5333

KEY	PART NO.	PART NAME	QTY	TRACTOR SERIAL NO.	REMARKS
1	R72266	WEIGHT	1	680 KG (1500 LBS)	
2	R78019	WASHER	3		
3	19H3167	CAP SCREW	3		



---

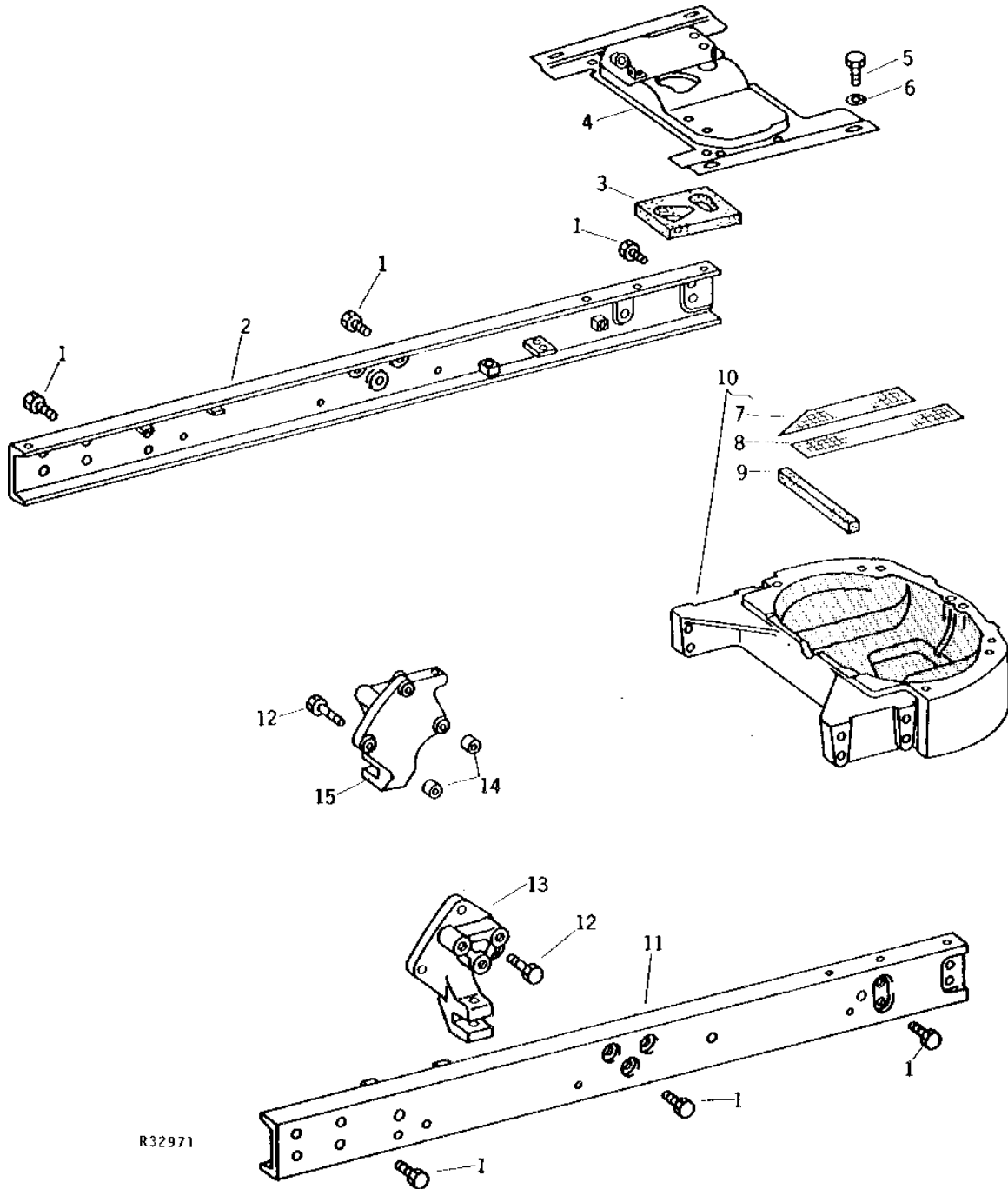
MEMORANDA

# 2J2

WHEELS, FRONT AXLES, SHEET METAL

R32971 -UN-01JAN94

## FRAME AND FRAME PLATE



R32971

# 2J3

WHEELS, FRONT AXLES, SHEET METAL

## FRAME AND FRAME PLATE - CONTINUED

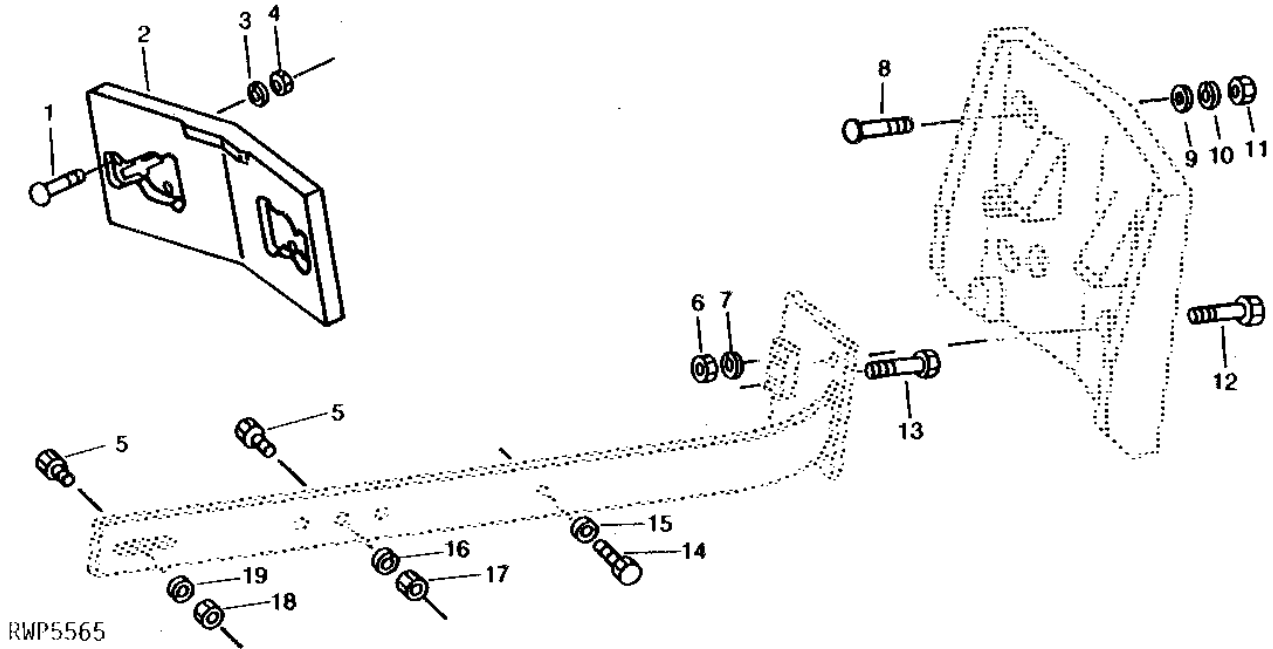
KEY	PART NO.	PART NAME	QTY	TRACTOR SERIAL NO.	REMARKS
1	R35192	WHEEL BOLT	22		
2	AR65614	FRAME	1		L.H. (SUB FOR AR46244) (NLA)
3	R27898	ISOLATOR	1		
4	AR36816	PLATE	1		(NLA)
5	19H1936	CAP SCREW	8		3/8" X 3/4"
6	12H304	LOCK WASHER	1		3/8"
7	.....	CUSHION	2		3 X 38 X 356 MM (1/8" X 1-1/2" X 14") (MAKE FROM R21736)
8	.....	CUSHION	2		3 X 38 X 419 MM (1/8" X 1-1/2" X 16-1/2") (MAKE FROM R21736)
9	.....	FOAM PAD	1		25 X 25 X 305 MM (1" X 1" X 12") (MAKE FROM R30937)
10	AR54390	FRAME	1		FRONT, (MARKED R49950) (NLA)
11	AR65613	FRAME	1		SIDE, R.H. (SUB FOR AR35046) (NLA)
12	19H1707	CAP SCREW	6		3/4" X 2-3/4"
13	R35193	BRACKET	1		R.H. (NLA)
14	F3515R	BUSHING	4		
15	R49989	BRACKET	1		L.H.

# 2J4

WHEELS, FRONT AXLES, SHEET METAL

RWP5565 -UN-01JAN94

DOUBLE FRONT WEIGHT



RWP5565

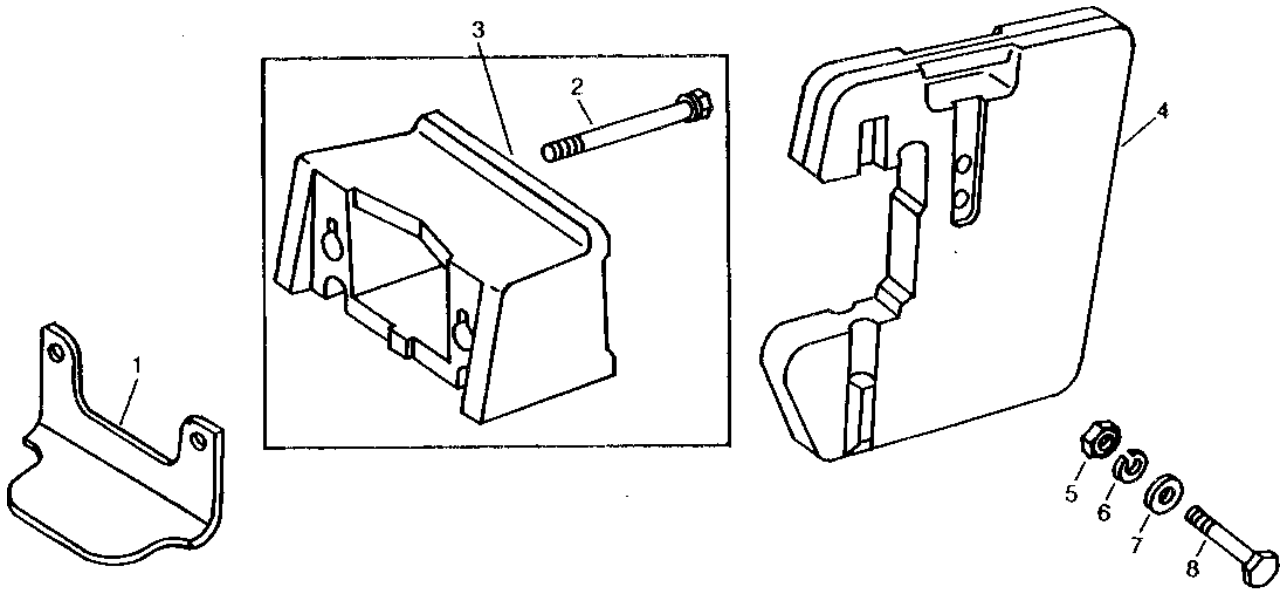
KEY	PART NO.	PART NAME	QTY	TRACTOR SERIAL NO.	REMARKS
1	03H1857	BOLT	2	5/8" X 2-3/4"	
2	R27643	WEIGHT	1	38KG (84 LBS)	
3	12H294	LOCK WASHER	2	5/8"	
4	14H800	NUT	2	5/8"	
5	19H1708	CAP SCREW	4	5/8" X 1-3/4"	
6	14H794	NUT	4	3/4"	
7	12H236	LOCK WASHER	4	3/4"	
8	03H1858	BOLT	4	5/8" X 3-1/2"	
9	R44890	NUT	4		
10	12H294	LOCK WASHER	4	5/8"	
11	14H1039	NUT	4	5/8"	
12	08H4222	BOLT	4	3/4" X 3-3/4"	
13	19H2725	CAP SCREW	2	3/4" X 3-3/4"	
14	19H1708	CAP SCREW	2	5/8" X 1-3/4"	
15	12H294	LOCK WASHER	2	5/8"	
16	12H294	LOCK WASHER	2	5/8"	
17	14H1039	NUT	2	5/8"	
18	14H1039	NUT	2	5/8"	
19	24H1367	WASHER	2	21/32" X 1-1/4" X 1/4"	

# 2J5

WHEELS, FRONT AXLES, SHEET METAL

## FRONT WEIGHTS (TWO, FOUR, OR SIX QUIK-TATCH WEIGHTS)

RWP5530 -UN-01JAN94



RWP5530

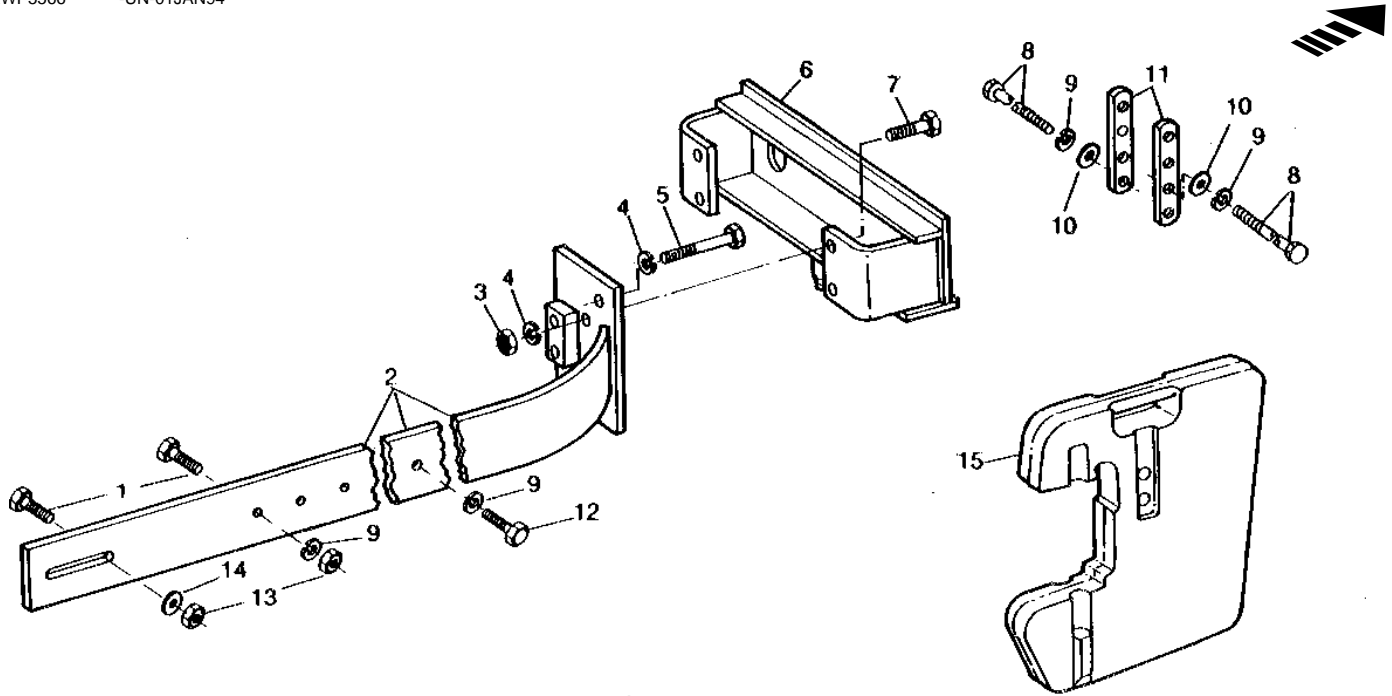
KEY	PART NO.	PART NAME	QTY	TRACTOR SERIAL NO.	REMARKS
1	R52914	ADAPTER	1		
2	R52924	SELF-LOCKING SCREW	2	3/4" X 7-1/4", HS, SAE 8	
3	<b>AR92425</b>	<b>SUPPORT</b>	1	<b>(SUB FOR R51679 OR AR58349) (SUB R70417 AND R52924) (CA)</b>	
4	R51680	WEIGHT	1	45 KG (100 LB)	
5	14H1039	NUT	1	5/8"	
6	12H294	LOCK WASHER	1	5/8"	
7	24H1367	WASHER	1	21/32" X 1-1/4" X 1/4"	
8	19H1926	CAP SCREW	1	5/8" X 4-3/4", (USE WITH 2 QUIK-TATCH WEIGHTS)	
	08H4260	CAP SCREW	1	5/8" X 9", (USE WITH 4 QUIK-TATCH WEIGHTS)	
	R51681	CAP SCREW	1	5/8" X 13-3/8", (USE WITH 6 QUIK-TATCH WEIGHTS)	

# 2J6

WHEELS, FRONT AXLES, SHEET METAL

RWP5566 -UN-01JAN94

## FRONT WEIGHTS (EIGHT OR TEN QUIK-TATCH)



RWP5566

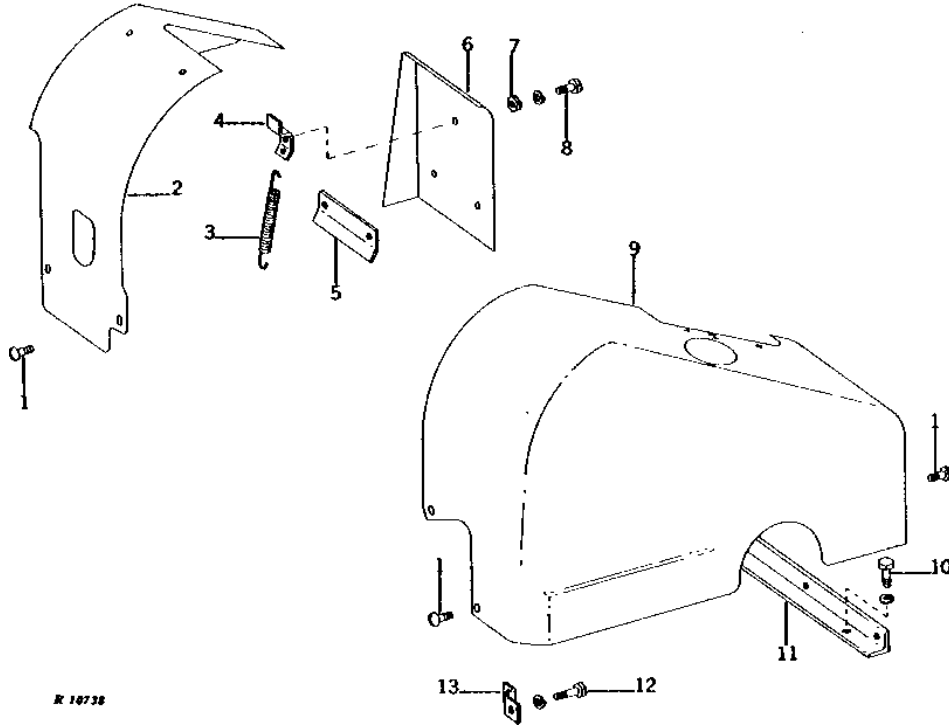
KEY	PART NO.	PART NAME	QTY	TRACTOR SERIAL NO.	REMARKS
1	03H1399	BOLT	4	5/8" X 1-3/4"	
2	.....	SUPPORT	2	(NO LONGER AVAILABLE)	
3	14H794	NUT	4	3/4"	
4	12H236	LOCK WASHER	4	3/4"	
5	19H2725	CAP SCREW	2	3/4" X 3-3/4"	
6	<b>AR72132</b>	<b>SUPPORT</b>	<b>1</b>	<b>3/4" X 2-1/4"</b>	<b>(SUB AR112182) (CA)</b>
7	19H1782	CAP SCREW	4	3/4" X 2-1/4"	
8	R51681	CAP SCREW	2		
9	12H294	LOCK WASHER	6	5/8"	
10	24H1367	WASHER	2	21/32" X 1-1/4" X 1/4"	
11	AR68801	RETAINER	2		
12	19H1708	CAP SCREW	2	5/8" X 1-3/4"	
13	14H1039	NUT	4	5/8"	
14	24H1367	WASHER	2	21/32" X 1-1/4" X 1/4"	
15	R51680	WEIGHT	1	45 KG (100 LB)	

# 2J7

WHEELS, FRONT AXLES, SHEET METAL

R10738 -UN-01JAN94

## ROCKSHAFT HOUSING COVERS



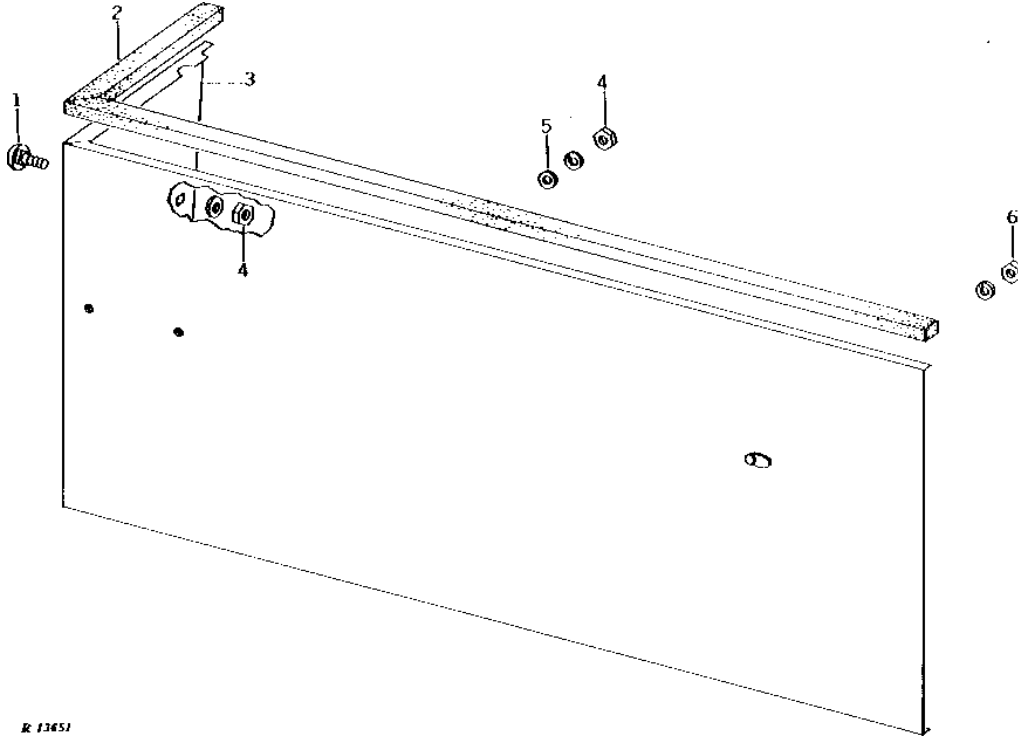
KEY	PART NO.	PART NAME	QTY	TRACTOR SERIAL NO.	REMARKS
1	21H1304	SCREW	9	5/16" X 3/4"	
2	R36422	COVER	1		
3	R35823	SPRING	1		
4	R36407	CLIP	1		
5	R36408	CLIP	1		
6	R36421	COVER	1		
7	14H785	NUT	3	5/16"	
8	21H1304	SCREW	3	5/16" X 3/4"	
	12H303	LOCK WASHER	3	5/16"	
9	R36420	COVER	1		
10	19H1731	CAP SCREW	2	3/8" X 1"	
	12H304	LOCK WASHER	2	3/8"	
11	R36406	ANGLE	1		
12	19H2552	CAP SCREW	1	3/8" X 1-1/8"	
	12H304	LOCK WASHER	1	3/8"	
13	R36583	CLIP	1		

# 2J8

WHEELS, FRONT AXLES, SHEET METAL

## OPERATOR SHIELD (STOLPER)

R13651 -UN-01JAN94



R 13651

KEY	PART NO.	PART NAME	QTY	CAB SERIAL NO.	REMARKS
1	03H1765	BOLT	2	3/8" X 3/4"	
2	.....	FOAM PAD	1	13 X 25 X 1187MM (1/2" X 1" X 46-3/4")	(MAKE FROM R30936)
3	AR45717	SHIELD	1	L.H. (NLA)	
	AR45716	SHIELD	1	R.H. (NLA)	
4	14H1076	NUT	6	3/8"	
	12H304	LOCK WASHER	6	3/8"	
5	24M7096	WASHER	4	10.500 X 18 X 1.600 MM	
6	14H785	NUT	2	5/16"	
	12H303	LOCK WASHER	2	5/16"	



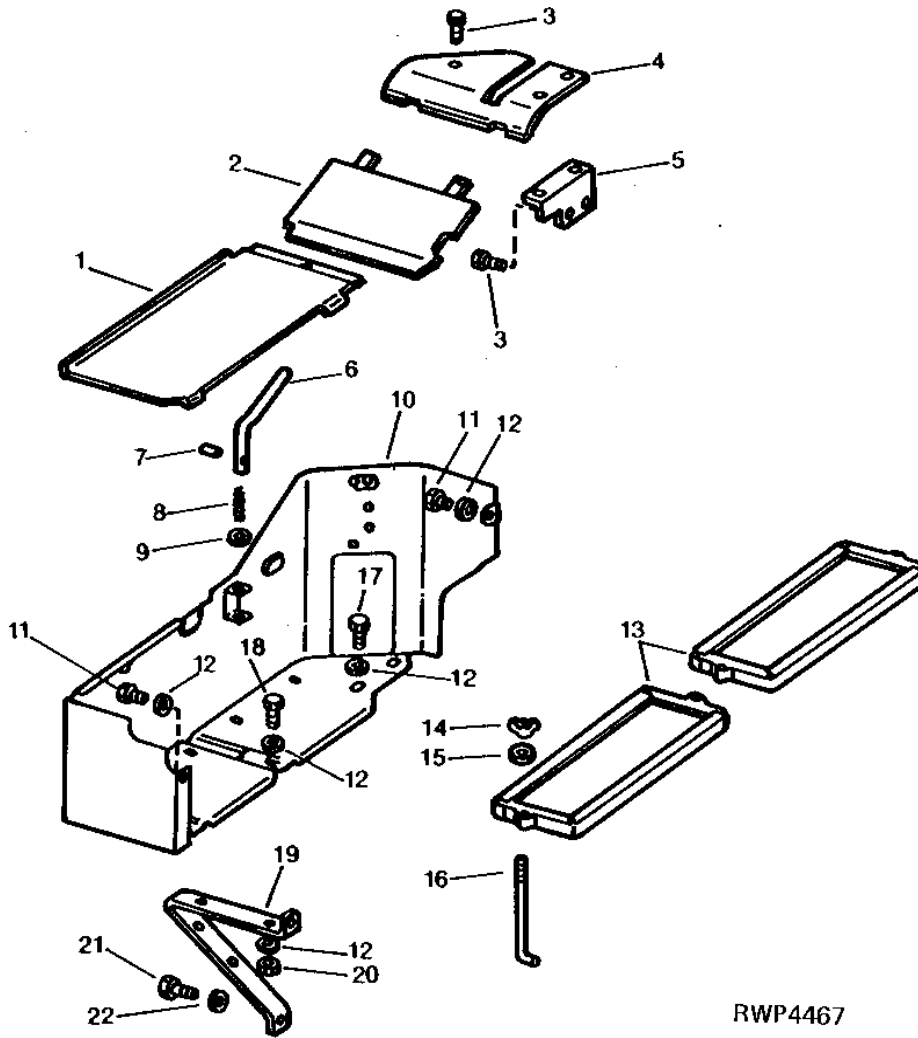
MEMORANDA

# 2J9

WHEELS, FRONT AXLES, SHEET METAL

RWP4467 -UN-01JAN94

## BATTERY BOX



RWP4467

# 2J10

WHEELS, FRONT AXLES, SHEET METAL

## BATTERY BOX - CONTINUED

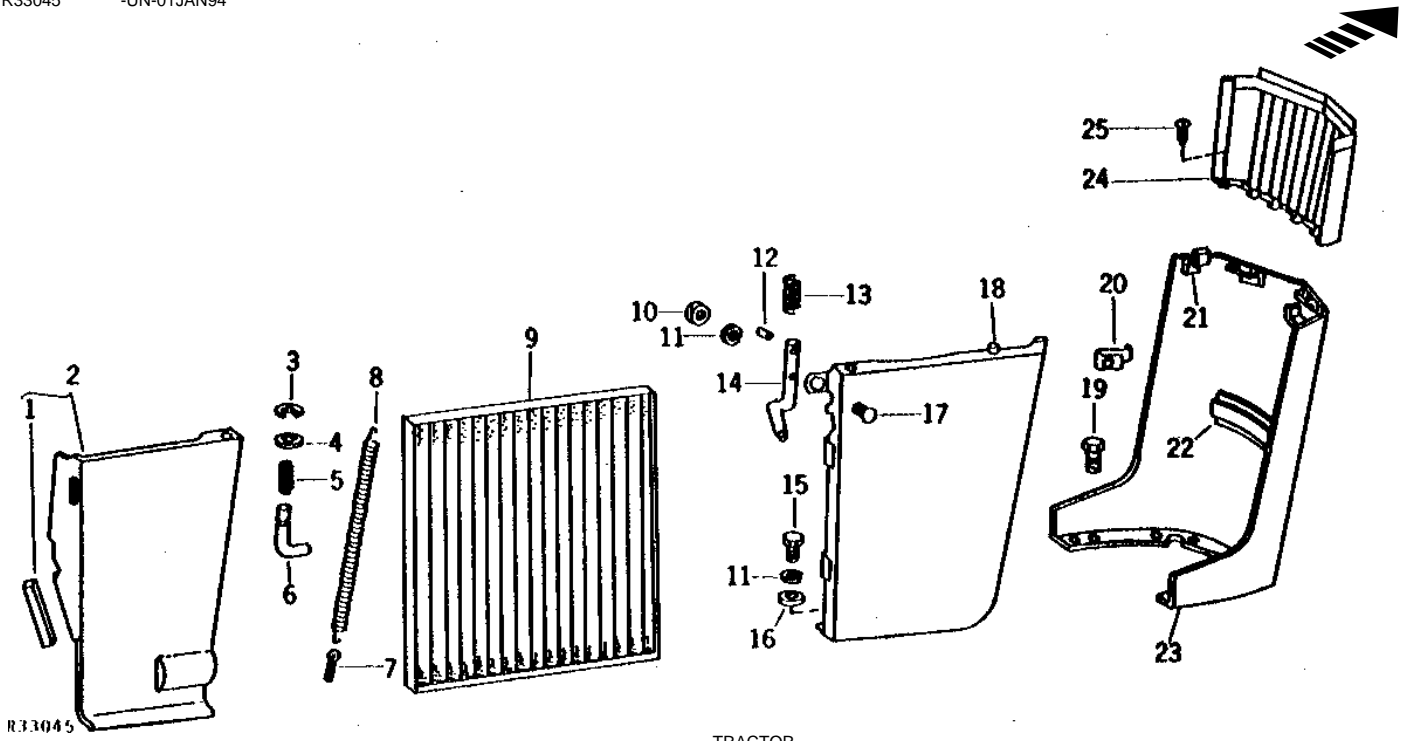
KEY	PART NO.	PART NAME	QTY	TRACTOR SERIAL NO.	REMARKS
1	AR40906	COVER	1	(NLA)	
	R39986	LABEL	1		
2	AR58820	COVER	1	(SUB FOR AR45102) (NLA)	
	AR58820	COVER	1	(WITH CAB) (ALSO ORDER AR63178) (SUB FOR AR51066) (NLA)	
3	19H2284	CAP SCREW	3	3/8" X 7/8"	
4	R35790	EXTENSION	1	(LESS CAB)	
	AR63178	EXTENSION	1	(WITH CAB) (SUB FOR AR51360) (NLA)	
5	AR35315	BRACKET	1	(WITH NUTS) (NLA)	
6	AR35970	LATCH	1	(WITH SPRING)	
7	34H244	SPRING PIN	1	1/8" X 9/16"	
8	H26232	SPRING	1		
9	24H1301	WASHER	1	13/32" X 9/16" X 0.065"	
10	AR67386	BOX	1	(SUB FOR AR46951, AR51067 OR AR58567) (NLA)	
11	19H2284	CAP SCREW	2	3/8" X 7/8"	
12	12H304	LOCK WASHER	8	3/8"	
13	AR46241	CLAMP	2		
14	14H844	WING NUT	4	1/4"	
15	24H1287	WASHER	4	9/32" X 5/8" X 0.065"	
16	R50819	BOLT	4	(SUB FOR R45139)	
17	19H1936	CAP SCREW	2	3/8" X 3/4"	
18	19H1731	CAP SCREW	4	3/8" X 1"	
19	R35663	SUPPORT	2		
20	14H1076	NUT	4	3/8"	
21	19H1815	CAP SCREW	4	1/2" X 1-1/4"	
22	12H301	LOCK WASHER	4	1/2"	

# 2J11

WHEELS, FRONT AXLES, SHEET METAL

R33045 -UN-01JAN94

## SIDE SHIELDS, GRILLES, PANELS, AND FRONT PLATE



KEY	PART NO.	PART NAME	QTY	TRACTOR SERIAL NO.	REMARKS
1		FOAM PAD	2		13 X 13 X 124MM (1/2" X 1/2" X 4-7/8") (MAKE FROM R91558) (SUB FOR R30877)
2	AR53645	SHIELD	1		R.H. (SUB FOR AR35023)
	AR53645	SHIELD	1	027290-	R.H. (SUB FOR AR49325) (STOLPER)
	AR53655	SHIELD	1		R.H. (SUB FOR AR50892) (HINSON) (NLA)
	AR53646	SHIELD	1		L.H. (SUB FOR AR36796 OR AR51809)
	AR53646	SHIELD	1	027290-	L.H. (SUB FOR AR49326) (STOLPER)
	AR53656	SHIELD	1		L.H. (SUB FOR AR50893) (HINSON)
3	R27507	SNAP RING	AR		(2 USED, A) (4 USED, B) (SUB R72654)
4	24H1286	WASHER	AR		9/32" X 1/2" X 1/16", (2 USED, A) (4 USED, B)
5	R28783	SPRING	AR		(2 USED, A) (4 USED, B)
6	R27506	PIN	AR		(2 USED, A) (4 USED, B)
7	11M7084	COTTER PIN	2		5 X 25 MM
8	R35769	SPRING	2		
9	AR36712	GRILLE	1		R.H. (SUB FOR AR36716)
	AR36713	GRILLE	1		L.H. (SUB FOR AR36717)
10	14H1076	NUT	2		3/8"
11	12H304	LOCK WASHER	4		3/8"
12	34H73	SPRING PIN	4		3/16" X 3/4"
13	B161R	SPRING	2		
14	R26702	ROD	1		R.H.
	R26703	ROD	1		L.H.
15	19H2021	CAP SCREW	2		3/8" X 5/8"
16	24M7096	WASHER	2		10.500 X 18 X 1.600 MM
17	03H1765	BOLT	2		3/8" X 3/4"
18	AR36790	PANEL	1		R.H. (NLA)
	AR36791	PANEL	1		L.H. (NLA)
19	19H1815	CAP SCREW	8		1/2" X 1-1/4"
20	R26694	CLIP	6		
21		ISOLATOR	2		3 X 38 X 83 MM (1/8" X 1-1/2" X 3-1/4") (MAKE FROM R21736)
22		ISOLATOR	1		3 X 38 X 203 MM (1/8" X 1-1/2" X 8") (MAKE FROM R21736)
23	AR36788	PLATE	1		
24	AR35025	GRILLE	1		
25	37H84	SCREW	6		1/4" X 3/4"

(A) LESS CAB

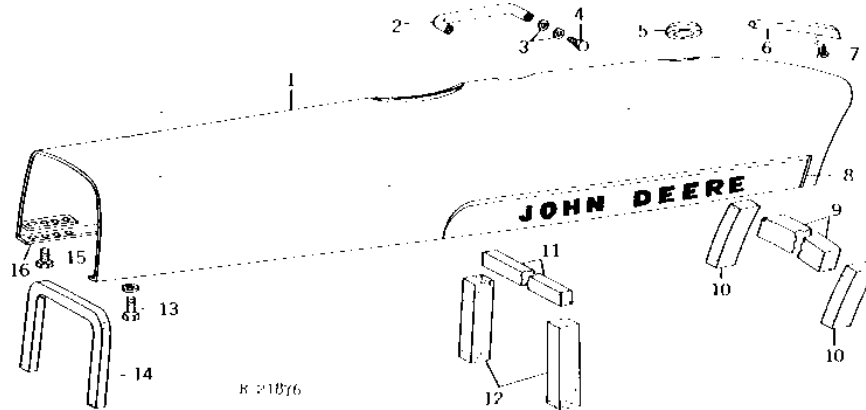
(B) WITH CAB

# 2J12

WHEELS, FRONT AXLES, SHEET METAL

R21876 -UN-01JAN94

## HOOD AND BAFFLES



KEY	PART NO.	PART NAME	QTY	TRACTOR SERIAL NO.	REMARKS
1	AR35090	HOOD	1		(WITH BAFFLES) (NLA)
2	R31618	HANDLE	1		
3	24H1305	WASHER	4		13/32" X 13/16" X 0.065"
4	19H1936	CAP SCREW	2		3/8" X 3/4"
5	R82872	GROMMET	1		FUEL FILLER NECK, (SUB FOR R40400)
6	AR28047	MEDALLION	1		
7	37M7245	SCREW	2		NO. 10 X 3/8"
8	AR28048	MOLDING	1		R.H.
	AR28049	MOLDING	1		L.H.
	R42662	NUT	10		
9	R35339	ISOLATOR	1		38 X 51 X 559 MM (1-1/2" X 2" X 22") GRILLE SCREEN
10	R35340	FOAM PAD	2		51 X 51 X 254 MM (2" X 2" X 10") GRILLE SCREEN
11	.....	FOAM PAD	1		25 X 51 X 565 MM (1" X 2" X 22-1/4") (MAKE FROM R28123) RADIATOR
12	.....	FOAM PAD	2		51 X 51 X 203 MM (2" X 2" X 8") (MAKE FROM R35340) RADIATOR
13	19H1936	CAP SCREW	2		3/8" X 3/4"
	12H304	LOCK WASHER	2		3/8"
14	.....	FOAM PAD	1		25 X 25 X 737 MM (1" X 1" X 29") (MAKE FROM R30937) HOOD
15	19H1919	CAP SCREW	4		1/4" X 5/8", (ALSO ORDER 12H302 AND 24H1821) (SUB FOR AR26566)
16	R26894	PLATE	2		

---

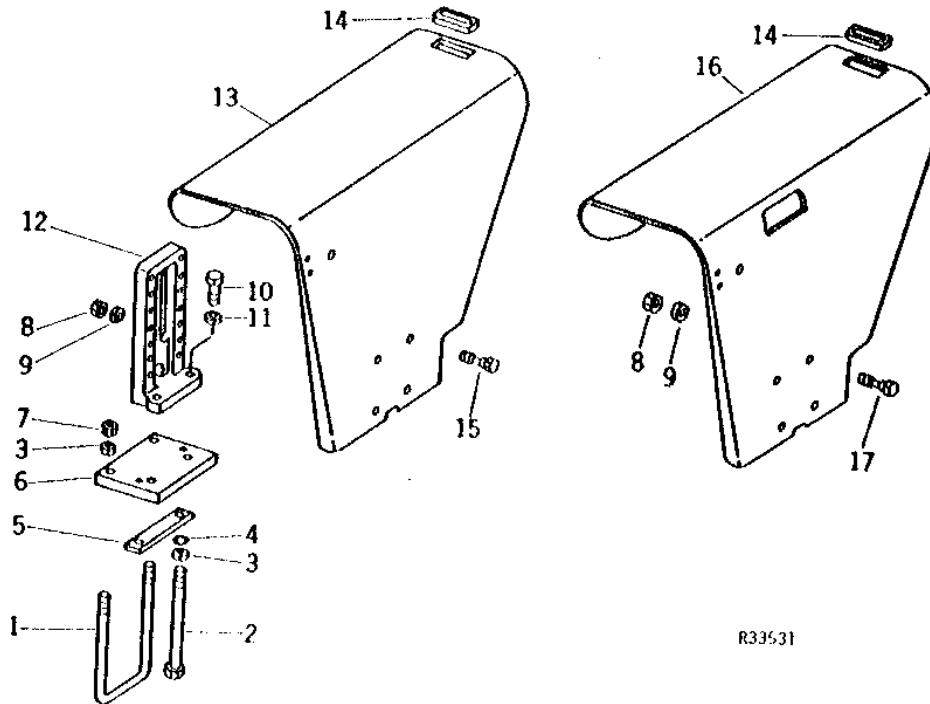
MEMORANDA

# 2J13

WHEELS, FRONT AXLES, SHEET METAL

R33531 -UN-01JAN94

## FENDERS (ROW-CROP)



R33531

KEY	PART NO.	PART NAME	QTY	TRACTOR SERIAL NO.	REMARKS
1	R41299	U-BOLT	2		
2	08H4225	CAP SCREW	4	5/8" X 11-1/2"	
3	12H294	LOCK WASHER	8	5/8"	
4	R28695	WASHER	4		
5	R42265	STRAP	2		
6	R42264	SPACER	2		
7	14H1039	NUT	4	5/8"	
8	14H1040	NUT	8	1/2"	
9	12H301	LOCK WASHER	8	1/2"	
10	19H1782	CAP SCREW	4	3/4" X 2-1/4"	
11	12H236	LOCK WASHER	4	3/4"	
12	R70588	SUPPORT	2		(SUB FOR R43396 OR R67410)
13	AR46022	FENDER	1		
	AR81652	FENDER	1		(SUB FOR AR46021) (NO LONGER AVAILABLE)
	R87529	LABEL	1		SAFETY, (SUB FOR R51821, R69270, R76341 OR R82425)
14	R20759	GROMMET	2		
15	19H1974	CAP SCREW	8	1/2" X 2-3/4"	
16	AR55240	FENDER	1		(A) L.H. (SUB FOR AR46026 OR AR51449)
	AR81649	FENDER	1		(A) R.H. (SUB FOR AR46025, AR51448 OR AR55239) (NLA)
17	19H1974	CAP SCREW	8	(A) 1/2" X 2-3/4"	

(A) ROLL-GARD

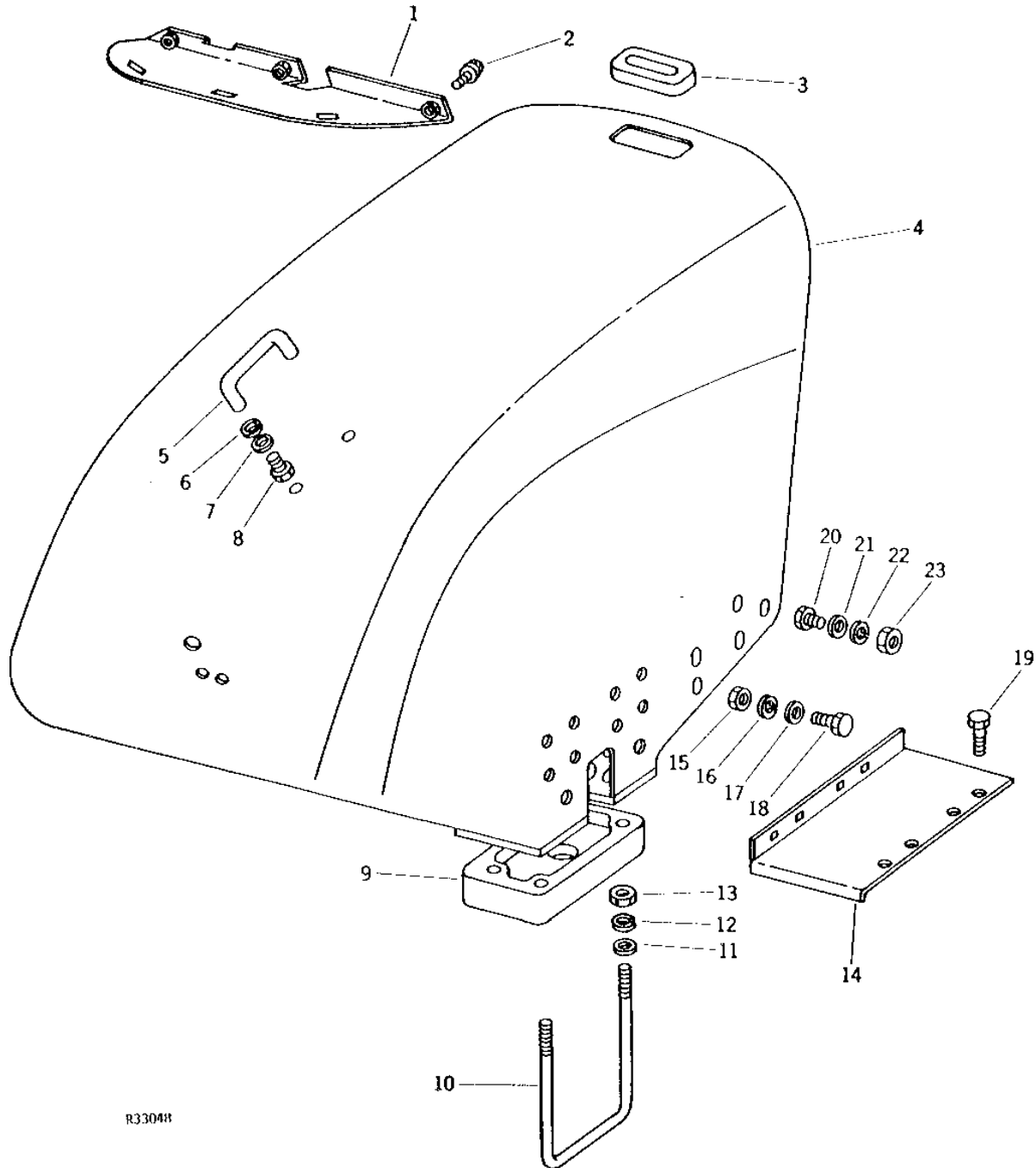
# 2J14

WHEELS, FRONT AXLES, SHEET METAL

R33048

-UN-01JAN94

FENDERS  
(STANDARD)



R33048



# 2J15

WHEELS, FRONT AXLES, SHEET METAL

## FENDERS - CONTINUED (STANDARD)

KEY	PART NO.	PART NAME	QTY	TRACTOR SERIAL NO.	REMARKS
1	AR35271	SHIELD	1		L.H. (NLA)
	AR35270	SHIELD	1		R.H.
2	AR26568	SCREW	6		
3	R20759	GROMMET	2		
4	AR49063	FENDER	1		L.H. (SUB FOR AR40998) (NLA)
	AR49793	FENDER	1		(A) L.H. (SUB FOR AR45940) (NLA)
	AR81651	FENDER	1		R.H. (SUB FOR AR40997 AND AR49062) (NLA)
	AR81650	FENDER	1		(A) R.H. (SUB FOR AR45939 AND AR49792) (NLA)
	R87529	LABEL	1		SAFETY, L.H. FENDER, (SUB FOR R51821, R69270, R76341 OR R82425)
5	R31618	HANDLE	1		HANDLE
6	24H1309	WASHER	2		13/32" X 1-1/16" X 0.120"
7	R27441	WASHER	2		
8	19H1936	CAP SCREW	2		3/8" X 3/4"
9	R36238	SPACER	2		(B)
10	R35761	U-BOLT	4		(NLA)
	R36239	U-BOLT	4		(B)
11	24H1139	WASHER	8		11/16" X 1-1/4" X 0.105"
12	12H294	LOCK WASHER	8		5/8"
13	14H1039	NUT	4		5/8"
14	R56232	EXTENSION	1		(C) L.H. (SUB FOR R35778)
	R56231	EXTENSION	1		(C) R.H. (SUB FOR R35777)
	A4119R	SPACER	1		(C) R.H. PLATFORM REAR EXTENSION TO TRANSMISSION CASE COVER
	R36513	BRACE	1		(D) L.H. (NLA)
	R36512	BRACE	1		(D) R.H. (NLA)
15	14H1040	NUT	8		(C) 1/2"
16	12H301	LOCK WASHER	8		(C) 1/2"
17	24H1227	WASHER	8		(C) 17/32" X 13/16" X 0.060"
18	03H1746	BOLT	8		(C) 1/2" X 1-1/4"
	19H2644	CAP SCREW	8		(A) 1/2" X 2-1/2"
	12H301	LOCK WASHER	8		(A) 1/2"
19	19H2644	CAP SCREW	8		(C) 1/2" X 2-1/2"
	19H1895	CAP SCREW	2		(D) 1/2" X 3/4"
20	03H1765	BOLT	2		3/8" X 3/4"
21	24M7096	WASHER	2		10.500 X 18 X 1.600 MM
22	12H304	LOCK WASHER	2		3/8"
23	14H1076	NUT	2		3/8"

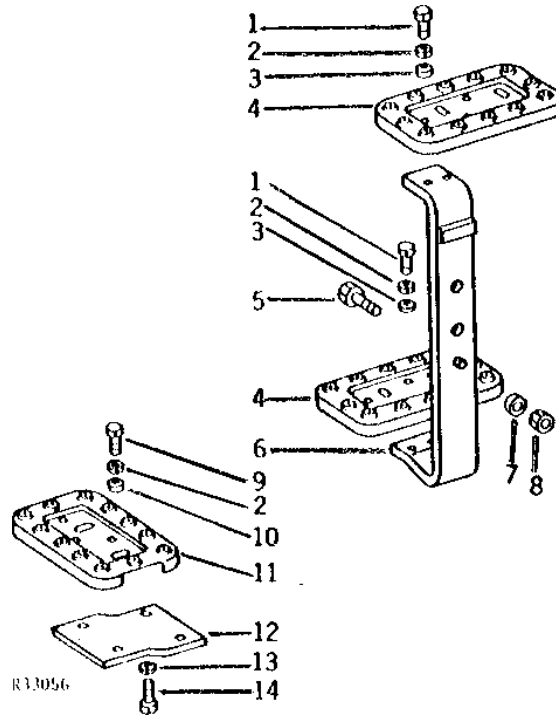
- (A) ROLL-GARD
- (B) CANE AND RICE TIRES
- (C) LESS ROCKSHAFT
- (D) ROCKSHAFT

# 2J16

WHEELS, FRONT AXLES, SHEET METAL

R33056 -UN-01JAN94

## TRACTOR STEPS



KEY	PART NO.	PART NAME	QTY	TRACTOR SERIAL NO.	REMARKS
1	19H2284	CAP SCREW	8	3/8" X 7/8"	
2	12H304	LOCK WASHER	10	3/8"	
3	24H1305	WASHER	8	13/32" X 13/16" X 0.065"	
4	F3195R	STEP	4		
5	19H2589	CAP SCREW	2	3/4" X 1-7/8"	
6	AR40914	SUPPORT	2		
7	12H236	LOCK WASHER	2	3/4"	
8	14H794	NUT	2	3/4"	
9	19H1936	CAP SCREW	2	3/8" X 3/4"	
10	24H1305	WASHER	2	13/32" X 13/16" X 0.065"	
11	F3195R	STEP	1	(WIDE SWING DRAWBAR)	
12	R35396	SUPPORT	1	(WIDE SWING DRAWBAR) (NLA)	
13	12H301	LOCK WASHER	2	1/2"	
14	19H1815	CAP SCREW	2	1/2" X 1-1/4"	

---

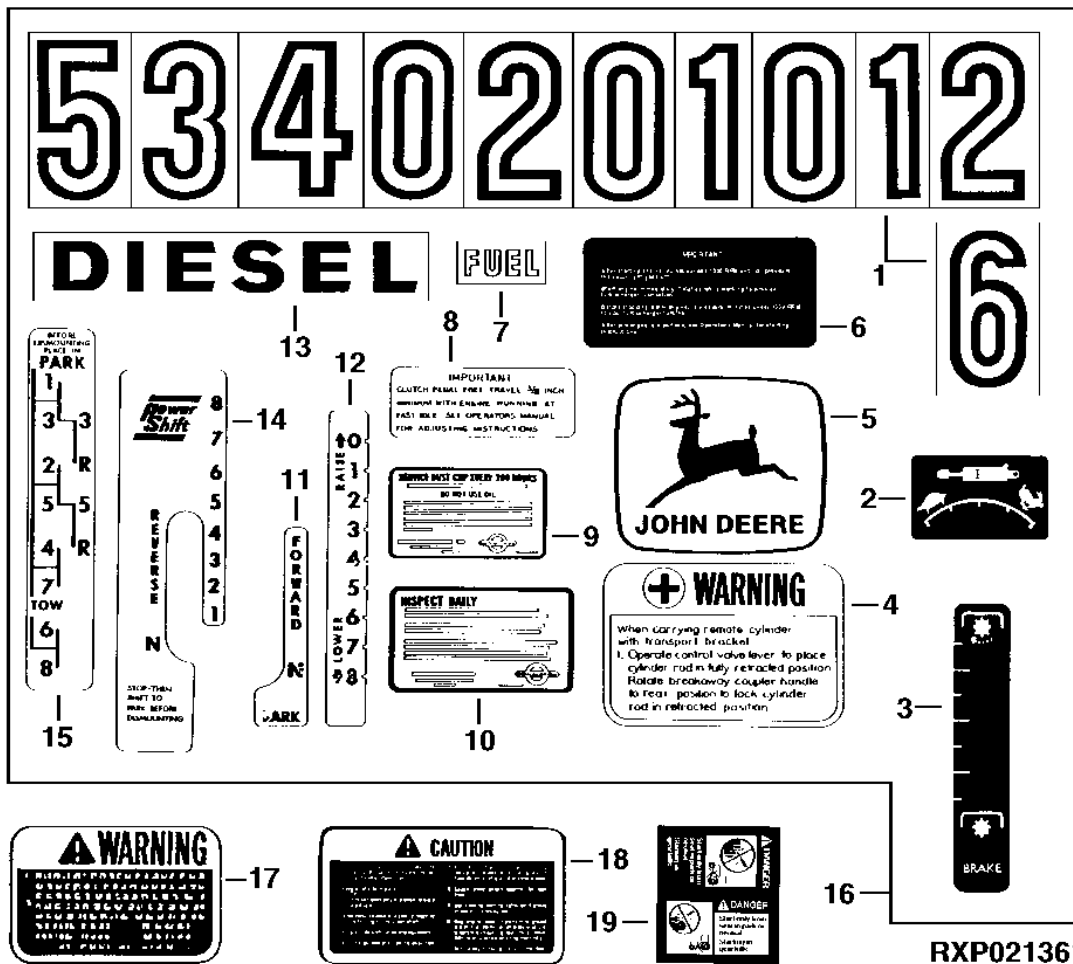
MEMORANDA

# 2J17

WHEELS, FRONT AXLES, SHEET METAL

RXP021361 -UN-06NOV95

DECAL SET



RXP021361

# 2J18

WHEELS, FRONT AXLES, SHEET METAL

## DECAL SET - CONTINUED

KEY	PART NO.	PART NAME	QTY	TRACTOR SERIAL NO.	REMARKS
1	R48361	DECAL	2		(SUB FOR R45957)
2	R44315	LABEL	1		R.H. REMOTE CYLINDER
	R41933	LABEL	1		L.H. REMOTE CYLINDER
3	R53293	LABEL	1		(A) PTO, (SUB FOR R44951)
	R53294	LABEL	1		(B) PTO, (SUB FOR R44952)
4	R36689	DECAL	1		REMOTE CYLINDER WARNING
5	JD5234	DECAL	1		SEAT POST
6	R51908	LABEL	1		LABEL, INSTRUCTION
7	R31287	DECAL	1		
8	R34483	LABEL	1		CLUTCH
9	R36756	DECAL	1		AIR CLEANER INDICATOR
	R44710	LABEL	1		AIR CLEANER INDICATOR
10	R34608	DECAL	1		AIR CLEANER, (SUB AR52393)
11	R40505	LABEL	1		(B) PARK
12	R40509	LABEL	1		SELECTIVE CONTROL
13	R30694	DECAL	2		
14	R40504	LABEL	1		(B) QUADRANT
15	R40676	LABEL	1		(A) QUADRANT
16	AR52393	DECAL	1		(SUB FOR AR47091) (ALSO ORDER T84409)
17	R83103	LABEL	1		PTO SAFETY, (SUB FOR R64391) (SUB R120111)
18	R87529	LABEL	1		SAFETY, (SUB FOR R47739, R51821, R69270, R76341 OR R82425)
19	T146102	WARNING LABEL	1		BYPASS START (ENGLISH) (SUB FOR T84409 OR T134459)
	T146106	WARNING LABEL	1		(ESPANOL) (SUB FOR T84410 OR T134452)
	T146104	WARNING LABEL	1		(FRANCAIS) (SUB FOR T84411 OR T134453)
	T146515	WARNING LABEL	1		(DEUTSCH) (SUB FOR T84412 OR T134454)
	T146516	WARNING LABEL	1		(ITALIANO) (SUB FOR T84413 OR T134455)
	T146517	WARNING LABEL	1		(ENGLISH/FRANCAIS) (SUB FOR T84578 OR T134456)

(A) SYNCRO-RANGE TRANSMISSION  
(B) POWER SHIFT TRANSMISSION

---

MEMORANDA

---

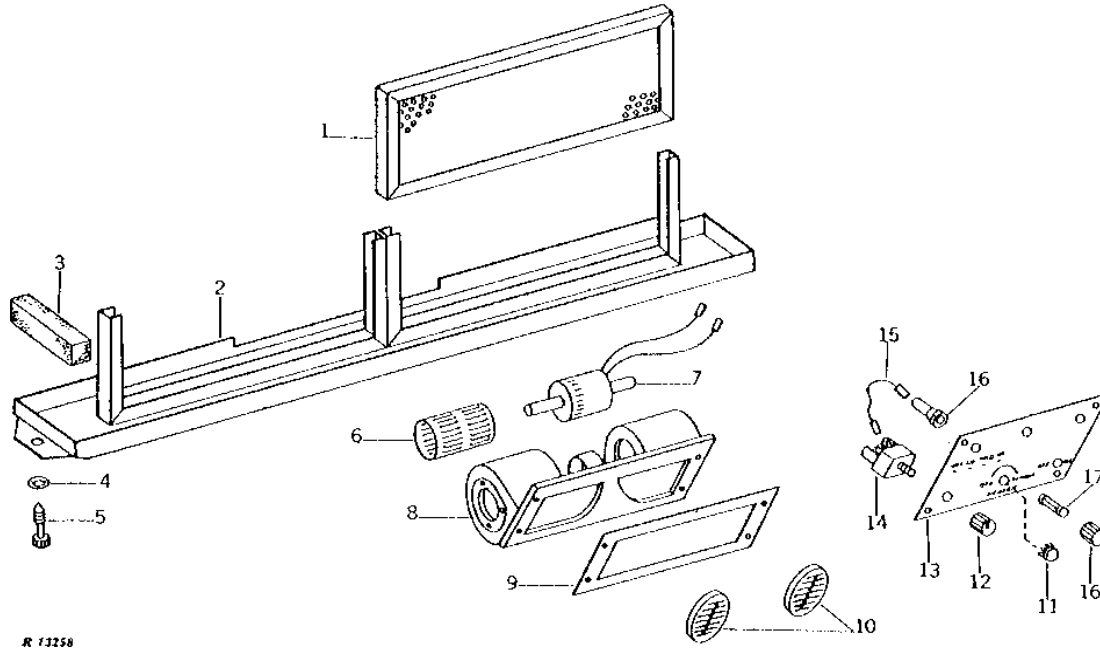
MEMORANDA

# 3B5

OPERATOR'S STATION

R13258 -UN-01JAN94

## PRESSURIZER (CRENLO)



R 13258

KEY	PART NO.	PART NAME	QTY	CAB SERIAL NO.	REMARKS
1	R42547	FILTER	2	(NLA)	
2	AR44646	CONTAINER	1	(NO LONGER AVAILABLE)	
	R42557	GASKET	1	(NO LONGER AVAILABLE)	
3	R42546	GASKET	1	(NO LONGER AVAILABLE)	
4	R42545	RING	1	(NO LONGER AVAILABLE)	
5	R42544	SCREW	1	(NO LONGER AVAILABLE)	
6	AR44663	WHEEL	1	L.H. (NO LONGER AVAILABLE)	
	AR44662	WHEEL	1	R.H. (NO LONGER AVAILABLE)	
7	AR44668	MOTOR	1	(NLA)	
8	AR44661	HOUSING	1	(NO LONGER AVAILABLE)	
9	R42559	GASKET	1	(NO LONGER AVAILABLE)	
10	AR44664	SLAT	2	(NLA)	
11	R27983	PLUG	1	(LESS HEATER)	
12	R42504	KNOB	1		
13	R42555	PLATE	1	(NO LONGER AVAILABLE)	
14	AR44673	SWITCH	1		
	R44165	LOCK NUT	1		
15	.....	WIRING LEAD	1	152 MM (6") (MAKE FROM R32027) (FROM AR84006 AND (2) R32024)	
16	AR44656	FUSE HOLDER	1		
17	.....	FUSE	1	AGC 10 AMP, (NOT FURNISHED)	

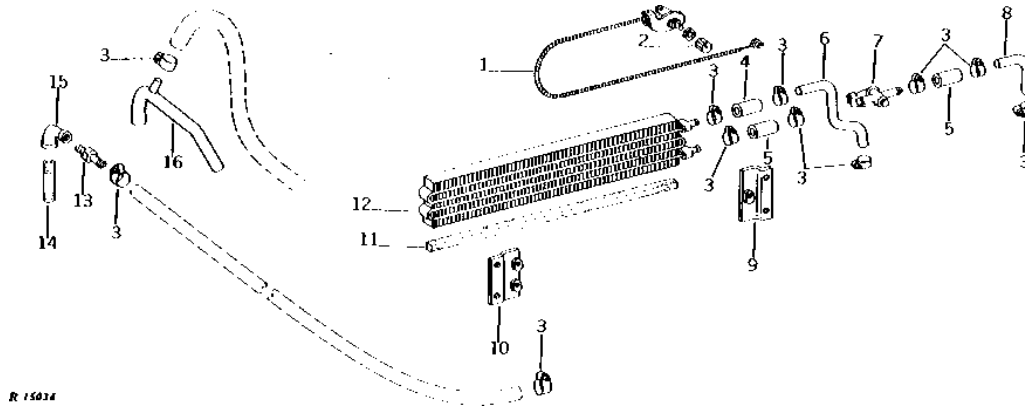


# 3B6

OPERATOR'S STATION

R15034 -UN-01JAN94

## HEATER (CRENLO)



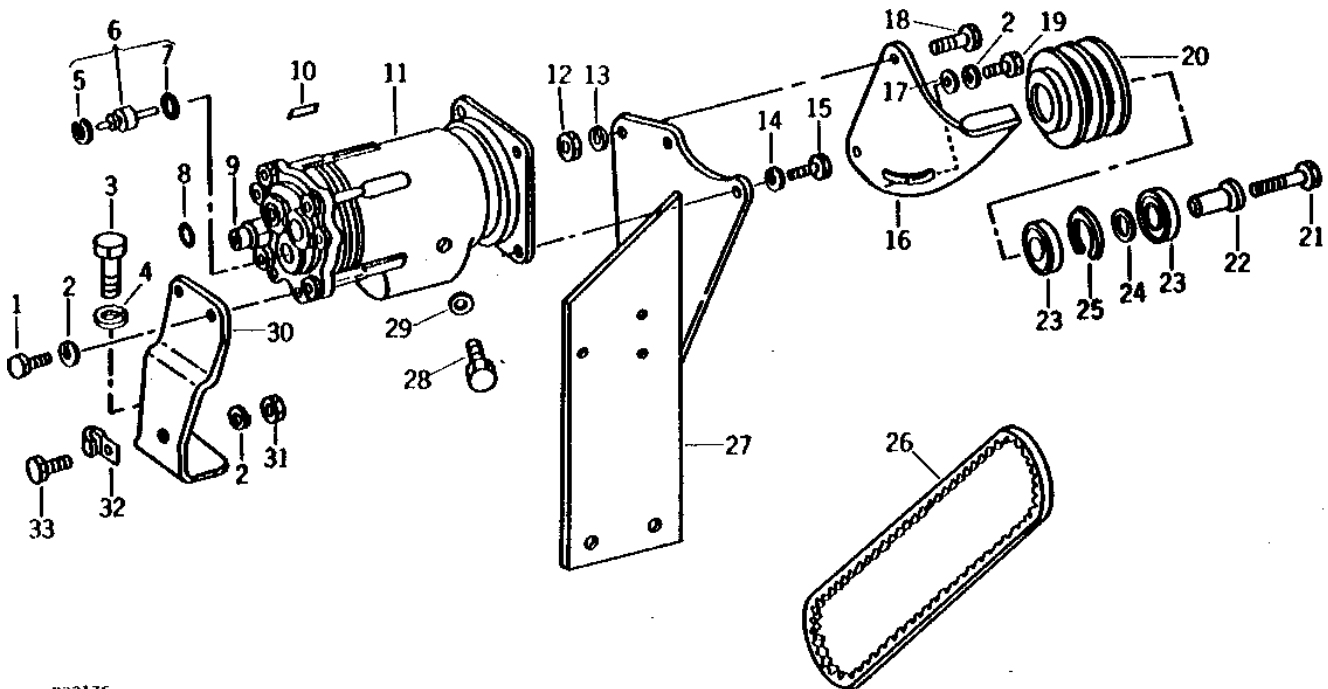
KEY	PART NO.	PART NAME	QTY	CAB SERIAL NO.	REMARKS
1	AR44609	CABLE	1		(NO LONGER AVAILABLE)
2	R42504	KNOB	1		
3	AR21839	CLAMP	10		(SUB TY22467)
4	.....	HOSE	1		159 MM (6-1/4") (MAKE FROM R45847)
5	.....	HOSE	2		57 MM (2-1/4") (MAKE FROM R45847)
6	R42687	TUBE	1		INLET (NO LONGER AVAILABLE)
7	AR44608	VALVE	1		(NO LONGER AVAILABLE)
8	R42688	TUBE	1		EXHAUST (NO LONGER AVAILABLE)
9	AR44611	BRACKET	1		R.H. (NO LONGER AVAILABLE)
10	AR44612	BRACKET	1		L.H. (NO LONGER AVAILABLE)
11	.....	FOAM PAD	1		13 X 13 X 838 MM (1/2" X 1/2" X 33") (MAKE FROM R91558) (SUB FOR R30877)
12	AR44610	CORE	1		(NO LONGER AVAILABLE)
13	R42312	HOSE FITTING	1		
14	29H217	THREADED NIPPLE	1		1/2" X 5"
15	15H595	ELBOW FITTING	1		90°, 1/2" X 3/8"
16	AR44607	TUBE	1		(NLA)

# 3B7

OPERATOR'S STATION

R33176 -UN-01JAN94

## COMPRESSOR AND MOUNTING BRACKETS



R33176

# 3B8

OPERATOR'S STATION

## COMPRESSOR AND MOUNTING BRACKETS - CONTINUED

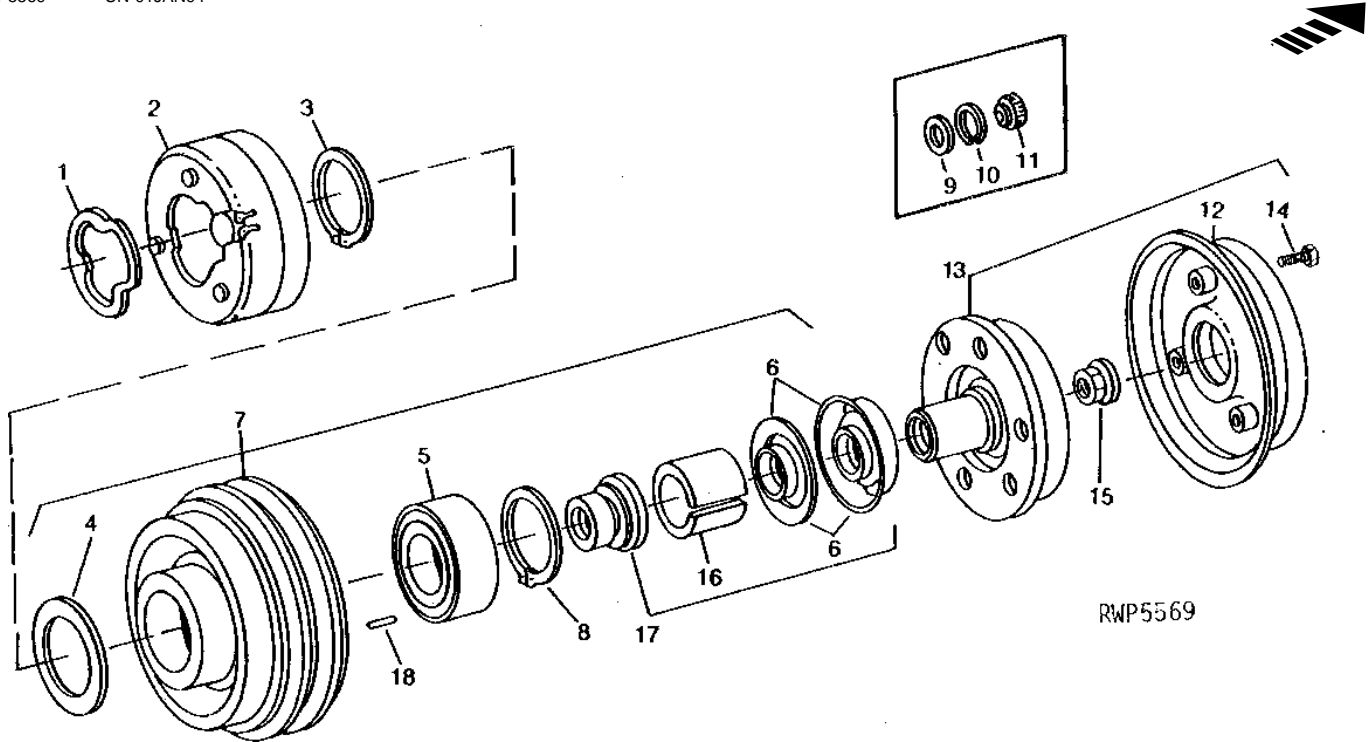
KEY	PART NO.	PART NAME	QTY	TRACTOR SERIAL NO.	REMARKS
1	19H1731	CAP SCREW	2	-XXXXXX	3/8" X 1"
	19M7662	CAP SCREW	2	XXXXXX-	M10 X 30
2	12H304	LOCK WASHER	2	-XXXXXX	3/8"
	12M7066	LOCK WASHER	2	XXXXXX-	M10
3	19H1756	CAP SCREW	1		5/8" X 1-1/2"
4	12H294	LOCK WASHER	1		5/8"
5	R63571	SNAP RING	1		
6	AR78501	KIT	1	XXXXXX-	SUPER HEAT ASSEMBLY
	R49856	OIL	1		COMPRESSOR, (SUB TY6384)
7	32240	O-RING	1		
8	R47235	O-RING	2		(SUB R74210)
9	AR49808	VALVE	1		PRESSURE RELIEF
10	R46733	LABEL	1		CHARGE
11	AR60948	COMPRESSOR	1	-XXXXXX	(SUB TY6665, 19M7170, (3) 19M7163, (2) 19M7662, (3) 12M7065 AND (2) 12M7066)
	AR77343	COMPRESSOR	1	XXXXXX-XXXXXX	(SUB FOR AR68802) (SUB TY6665, 19M7170, (3) 19M7163, (2) 19M7662, (3) 12M7065 AND (2) 12M7066)
	AR92109	COMPRESSOR	1	XXXXXX-	(SUB TY6665)
	TY6665	COMPRESSOR	1		(REMANUFACTURED)
12	14H1047	NUT	1		7/16"
13	12H293	LOCK WASHER	1		7/16"
14	12H303	LOCK WASHER	2	-XXXXXX	5/16"
	12M7065	LOCK WASHER	3	XXXXXX-	M8
15	19H2529	CAP SCREW	2	-XXXXXX	5/16" X 1"
	19M7163	CAP SCREW	3	XXXXXX-	M8 X 25
16	AR46987	BRACKET	1		(NO LONGER AVAILABLE)
17	24M7096	WASHER	1		10.500 X 18 X 1.600 MM
18	19H1821	CAP SCREW	1		7/16" X 1-1/4"
19	19H2552	CAP SCREW	1		3/8" X 1-1/8"
20	R43845	PULLEY	1		IDLER
21	R20634	BOLT	1		
22	R43843	BUSHING	1		
23	JD7142	BALL BEARING	2		
24	R42841	WASHER	1		
25	D398R	SNAP RING	1		
26	R45112	BELT	1		
27	AR46971	SUPPORT	1		(NLA)
28	R47233	PLUG	1		
29	R47234	WASHER	1		
30	R45117	SUPPORT	1		(NLA)
31	14H1076	NUT	1		3/8"
32	R45211	CLAMP	1		
33	19H2021	CAP SCREW	1		3/8" X 5/8"
..	R49856	OIL	1		COMPRESSOR, (SUB TY6384)

# 3B9

OPERATOR'S STATION

## COMPRESSOR COIL, CLUTCH, AND PULLEY (STOLPER)

RWP5569 -UN-01JAN94



KEY	PART NO.	PART NAME	QTY	CAB SERIAL NO.	REMARKS
1	R56246	GASKET	1	(A)	
2	AR49803	ELECTRICAL COIL	1	(A)	
3	R47224	SNAP RING	1	(A)	
4	R54766	WASHER	1	(A)	
5	AR71288	BALL BEARING	1	(SUB FOR AR49805)	
6	AR71289	SHIELD	1	(SUB FOR R47228 OR AR63254)	
7	AR71287	PULLEY	1	(SUB FOR AR49804)	
8	R47226	SNAP RING	1	(A)	
9	R47230	WASHER	1	-XXXXXX	(SUB R69297, THIS APPLICATION)
10	R47231	SNAP RING	1	-XXXXXX	(SUB R69297)
11	R47232	NUT	1	-XXXXXX	(SUB R69297)
12	AR71290	COVER	1	(SUB FOR AR53446)	
13	AR71286	CLUTCH	1	(SUB FOR AR63255)	
14	37H32	SCREW	3		0.190" X 3/8"
15	R69297	FLANGE NUT	1	XXXXXX-	
16	R47227	SEAL	1	(A)	
17	AR71285	KIT	1	(SUB FOR AR49806)	
18	R47229	SHAFT KEY	1		

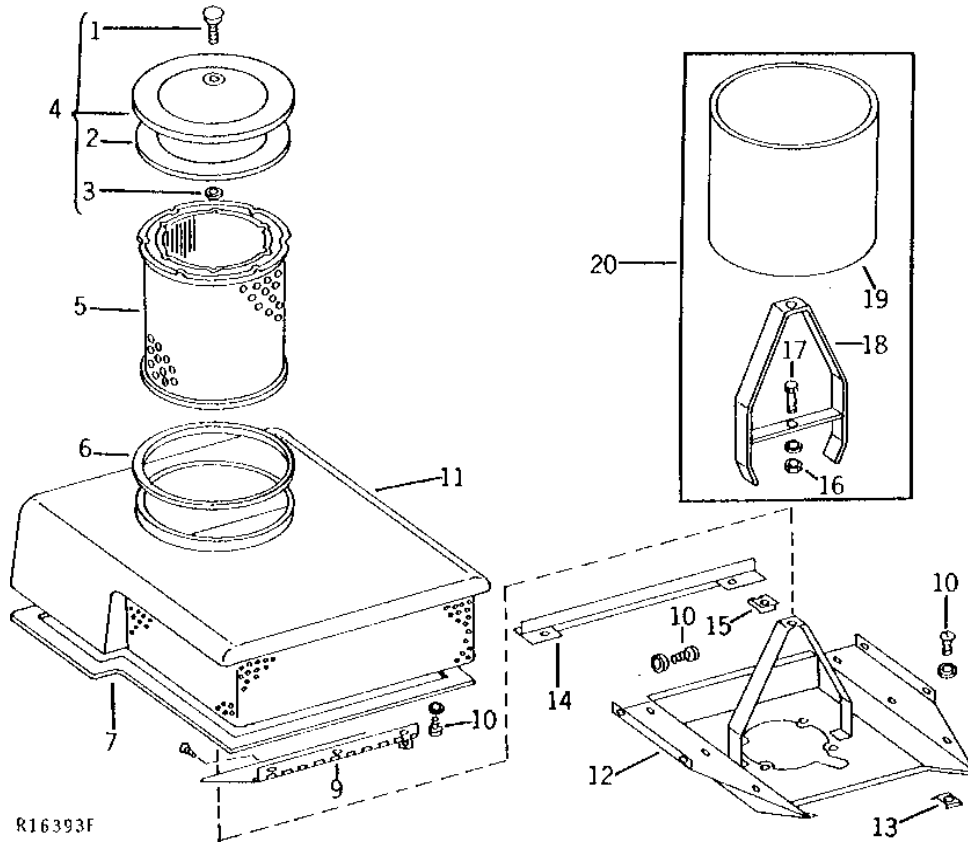
(A) ALSO ORDER AR71289

# 3B10

OPERATOR'S STATION

## ROOF VENT, FILTER HOUSING AND ELEMENT (STOLPER)

R16393 -UN-01JAN94



R16393F

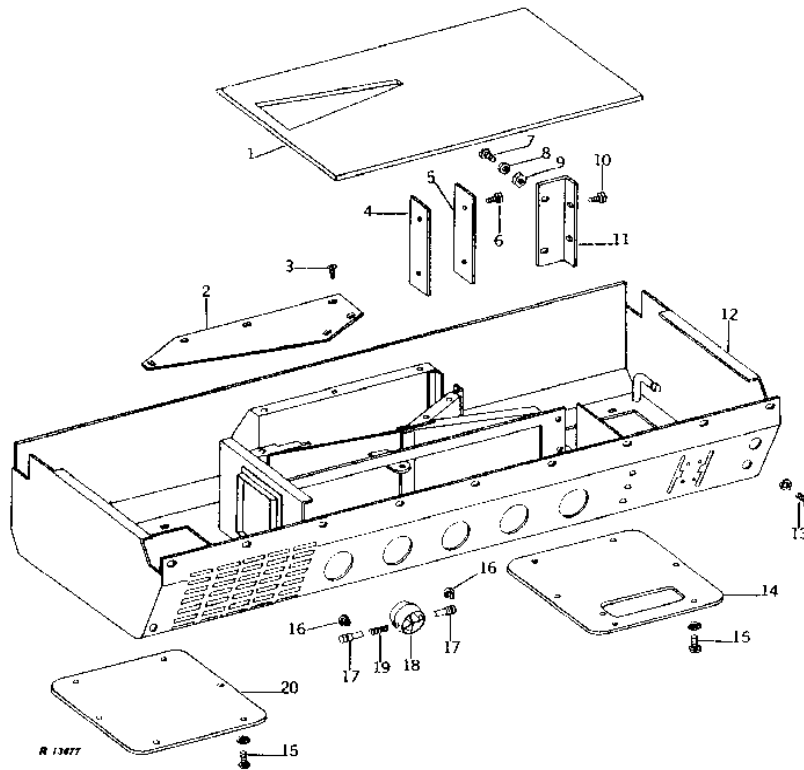
KEY	PART NO.	PART NAME	QTY	CAB SERIAL NO.	REMARKS
1	AR45850	SCREW	1		(NO LONGER AVAILABLE)
2	R44455	GASKET	1		(NO LONGER AVAILABLE)
3	R44456	WASHER	1		
4	AR45830	COVER	1		
5	AR49680	FILTER ELEMENT	1		(SUB FOR AR45831)
6	R44452	SLAT	1		(NO LONGER AVAILABLE)
7	R44453	WEATHERSTRIP	1		(NO LONGER AVAILABLE)
8	37H43	SCREW	3		NO. 8 X 3/8"
9	AR45828	DOOR	1		(NO LONGER AVAILABLE)
10	21H1303	SCREW	12		1/4" X 3/4"
	12H302	LOCK WASHER	12		1/4"
11	AR45827	VENT	1		(NO LONGER AVAILABLE)
12	AR45829	HOUSING	1		(NO LONGER AVAILABLE)
13	R44577	NUT	6		(NO LONGER AVAILABLE)
14	R44451	ISOLATOR	1		(NO LONGER AVAILABLE)
15	R87345	LOCK NUT	1		(SUB FOR R44454 AND R72380)
16	14H1040	NUT	1		1/2"
	12H301	LOCK WASHER	1		1/2"
17	19H1792	CAP SCREW	1		1/2" X 1"
18	AR49679	EXTENSION	1		(NO LONGER AVAILABLE)
19	R47137	HOUSING	1		(NO LONGER AVAILABLE)
20	AR49678	KIT	1		HEAVY-DUTY AIR CLEANER (NO LONGER AVAILABLE)

# 3B11

OPERATOR'S STATION

R13677 -UN-01JAN94

CAB CONSOLE PANEL  
(STOLPER)  
(CAB SERIAL NO. -208299)



# 3B12

OPERATOR'S STATION

CAB CONSOLE PANEL - CONTINUED  
(STOLPER)  
(CAB SERIAL NO. -208299)

KEY	PART NO.	PART NAME	QTY	CAB SERIAL NO.	REMARKS
1	R44476	SEAL	1	(NLA)	
2	R44486	PLATE	1	(NLA)	
3	T10671	CAP SCREW	6		
4	R44485	PLATE	2	(A) (NLA)	
5	R44484	PLATE	2	(A) (NLA)	
6	37M7245	SCREW	2	(A) NO. 10 X 3/8"	
7	21H1301	SCREW	2	0.190" X 1/2"	
8	24H1283	WASHER	2	7/32" X 1/2" X 0.049"	
9	14H778	NUT	2	0.190"	
10	37M7245	SCREW	2	NO. 10 X 3/8"	
11	R44483	ISOLATOR	1		
12	AR45845	PANEL	1	(NLA)	
13	21H1303	SCREW	9	1/4" X 3/4"	
	12H302	LOCK WASHER	9	1/4"	
14	R44474	PANEL	1		
15	21H1301	SCREW	12	0.190" X 1/2"	
	12M7060	WASHER	12	0.209"	
16	R30828	SNAP RING	10	(SUB FOR R44470)	
17	R44471	PIN	10		
18	R44468	DEFLECTOR	5	(NO LONGER AVAILABLE)	
19	R44469	SPRING	5		
20	R44475	PANEL	1	(NLA)	

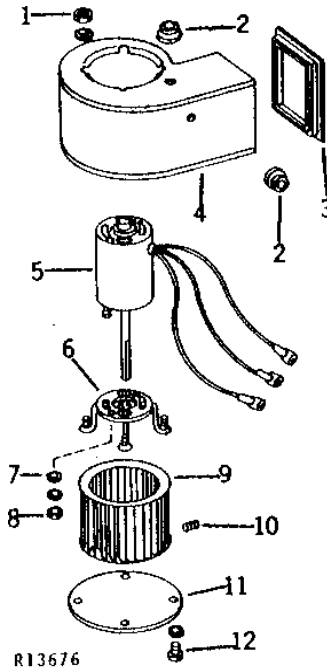
(A) LESS HEATER

# 3B13

OPERATOR'S STATION

**BLOWER HOUSING, MOTOR AND WHEEL  
(STOLPER)  
(CAB SERIAL NO. -208299)**

R13676 -UN-01JAN94



KEY	PART NO.	PART NAME	QTY	CAB SERIAL NO.	REMARKS
1	14H786	NUT	4		1/4"
	12H302	LOCK WASHER	4		1/4"
2	R44458	GROMMET	2		
3	R44457	SEAL	1		
4	AR45832	HOUSING	1		(NLA)
5	AR45856	MOTOR	1		(12-VOLT)
6	AR45834	BRACKET	1		
7	24H1283	WASHER	2		7/32" X 1/2" X 0.049"
8	14H778	NUT	2		0.190"
	12M7060	WASHER	2		0.209"
9	AR45833	WHEEL	1		
10	22H791	SET SCREW	1		1/4" X 3/4"
11	R44459	COVER	1		(NLA)
12	21H1301	SCREW	4		0.190" X 1/2"
	12M7060	WASHER	4		0.209"

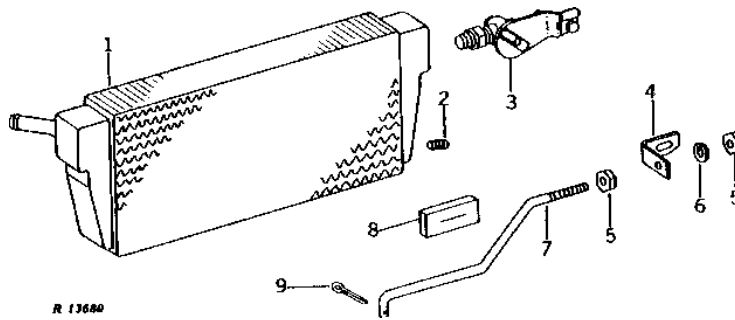


# 3B14

OPERATOR'S STATION

HEATER  
(STOLPER)  
(CAB SERIAL NO. -208299)

R13680 -UN-01JAN94



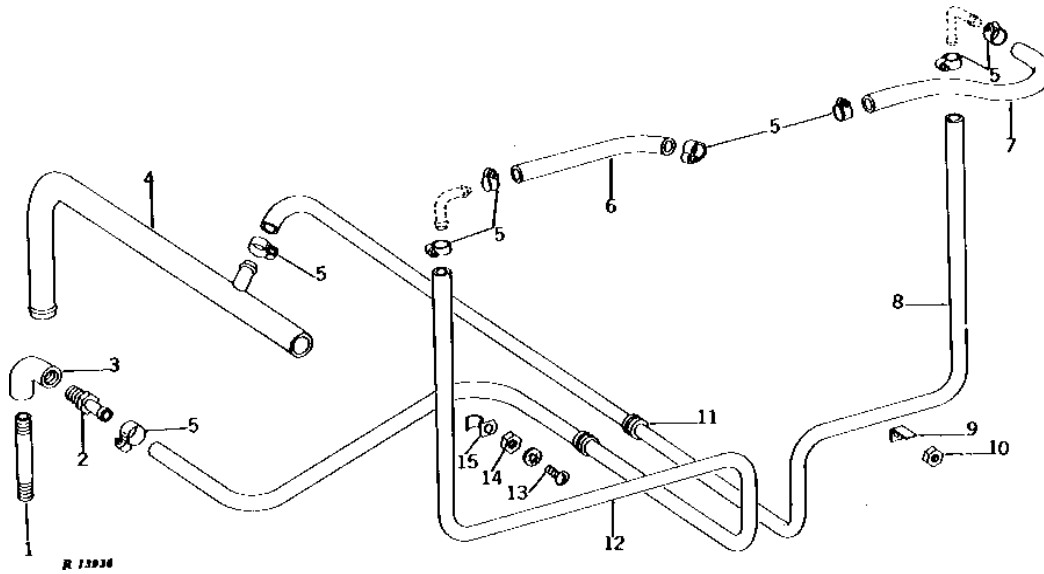
KEY	PART NO.	PART NAME	QTY	CAB SERIAL NO.	REMARKS
1	AR45857	CORE	1	(NLA)	
2	15H253	PIPE PLUG	1	1/8"	
3	AR45858	VALVE	1	SHUT-OFF (NLA)	
4	R44489	ANGLE	1	(NLA)	
5	14H786	NUT	2	1/4"	
6	12H302	LOCK WASHER	1	1/4"	
7	R44487	LINK	1	(NLA)	
8	R44473	SEAL	1	(NLA)	
9	11M7077	COTTER PIN	1	0.063" X 0.984"	

# 3B15

OPERATOR'S STATION

HEATER HOSE  
(STOLPER)  
(CAB SERIAL NO. -208299)

R13936 -UN-01JAN94



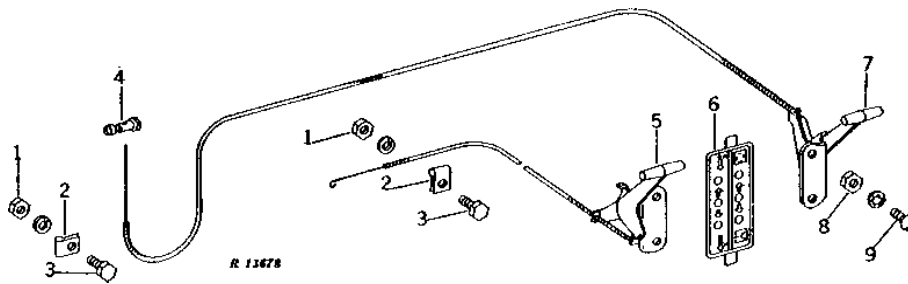
KEY	PART NO.	PART NAME	QTY	CAB SERIAL NO.	REMARKS
1	29H217	THREADED NIPPLE	1		1/2" X 5"
2	R42312	HOSE FITTING	1		
3	15H595	ELBOW FITTING	1		90°, 1/2" X 3/8"
4	AR44607	TUBE	1		
5	AR21837	CLAMP	8		(SUB TY22467)
6	.....	HOSE	1		381 MM (15") (MAKE FROM R45847)
7	.....	HOSE	1		533 MM (21") (MAKE FROM R45847)
8	.....	HOSE	1		INLET 2540 MM (100") (MAKE FROM R45847)
9	R42771	ANGLE	3		(NO LONGER AVAILABLE)
10	14H785	NUT	3		5/16"
11	H23197	GROMMET	2		
12	.....	HOSE	1		OUTLET 3099 MM (122") (MAKE FROM R45847)
13	19H1227	CAP SCREW	2		1/4" X 1/2"
14	12H302	LOCK WASHER	2		1/4"
14	14H786	NUT	2		1/4"
15	R44488	CLAMP	2		(NO LONGER AVAILABLE)

# 3B16

OPERATOR'S STATION

**CONTROL LEVERS  
(STOLPER)  
(CAB SERIAL NO. -208299)**

R13678 -UN-01JAN94



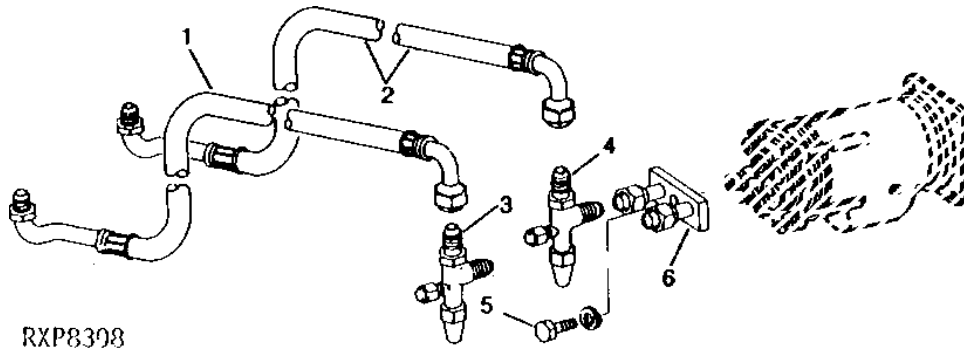
KEY	PART NO.	PART NAME	QTY	CAB SERIAL NO.	REMARKS
1	14H786	NUT	2	1/4"	
	12H302	LOCK WASHER	2	1/4"	
2	R44472	CLIP	2		
3	19H1919	CAP SCREW	2	1/4" X 5/8"	
4	AR45846	SWIVEL	1		
5	AR45836	LEVER	1		HEATER OR DAMPER DOOR
6	R44478	LABEL	1		
7	AR45835	LEVER	1		ROOF VENT DOOR
8	14H778	NUT	4	0.190"	
9	21H1301	SCREW	4	0.190" X 1/2"	
	12M7060	WASHER	4	0.209"	

# 3B17

OPERATOR'S STATION

COMPRESSOR VALVES AND LINES  
(STOLPER)  
(CAB SERIAL NO. 208300- )

RXP8308 -UN-01JAN94



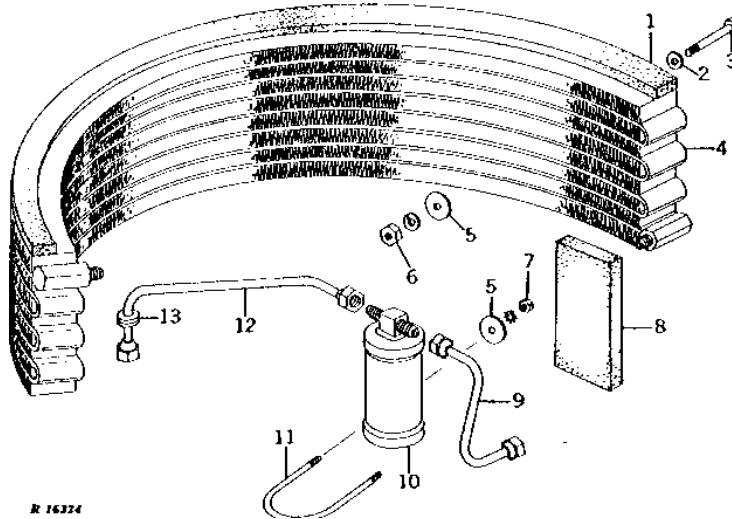
KEY	PART NO.	PART NAME	QTY	CAB SERIAL NO.	REMARKS
1	AR49979	HOSE	1		(NO LONGER AVAILABLE)
2	AR49980	HOSE	1		(NO LONGER AVAILABLE)
3	AR49951	VALVE	1		PRESSURE, (SUB AR94973)
4	AR49950	VALVE	1		SUCTION, (SUB AR94973)
5	19H1938	CAP SCREW	1	-XXXXXX	3/8" X 13/16"
	12H304	LOCK WASHER	1	-XXXXXX	3/8"
	12M7066	LOCK WASHER	1	XXXXXX-	M10
	19M7170	CAP SCREW	1	XXXXXX-	M10 X 50
6	AR49981	MANIFOLD	1		(SUB AR94973) (NO LONGER AVAILABLE)
..	R44302	TIE BAND	AR		

# 3B18

OPERATOR'S STATION

## CONDENSER AND RECEIVER-DRYER (STOLPER) (CAB SERIAL NO. 208300- )

R16324 -UN-01JAN94



R 16324

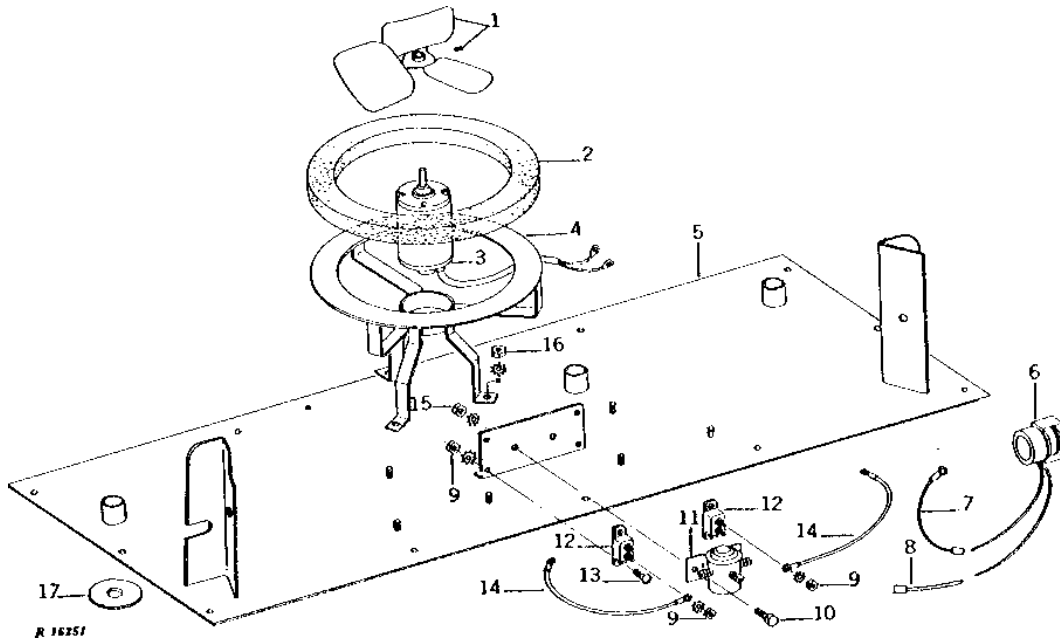
KEY	PART NO.	PART NAME	QTY	CAB SERIAL NO.	REMARKS
1	R47471	ISOLATOR	1		(NO LONGER AVAILABLE)
2	24H1136	WASHER	2		11/32" X 11/16" X 0.065"
3	19H1904	CAP SCREW	2		5/16" X 3"
4	AR49967	CORE	1		
5	24H1291	WASHER	4		21/64" X 1-15/32" X 7/64"
6	14H785	NUT	2		5/16"
7	12H303	LOCK WASHER	2		5/16"
	14H786	NUT	2		1/4"
	12H302	LOCK WASHER	2		1/4"
8	.....	FOAM PAD	1		25 X 51 X 152 MM (1" X 2" X 6") (MAKE FROM R28123)
9	AR49953	LINE	1		CONDENSER TO RECEIVER-DRYER (NO LONGER AVAILABLE)
10	AR45867	RECEIVER	1		
11	R47325	BOLT	1		
12	AR49954	LINE	1		OUTLET (NLA)
13	R26936	GROMMET	1		

# 3B19

OPERATOR'S STATION

## CONDENSER FANS, MOTORS AND CIRCUIT BREAKERS (STOLPER) (CAB SERIAL NO. 208300- )

R16251 -UN-01JAN94



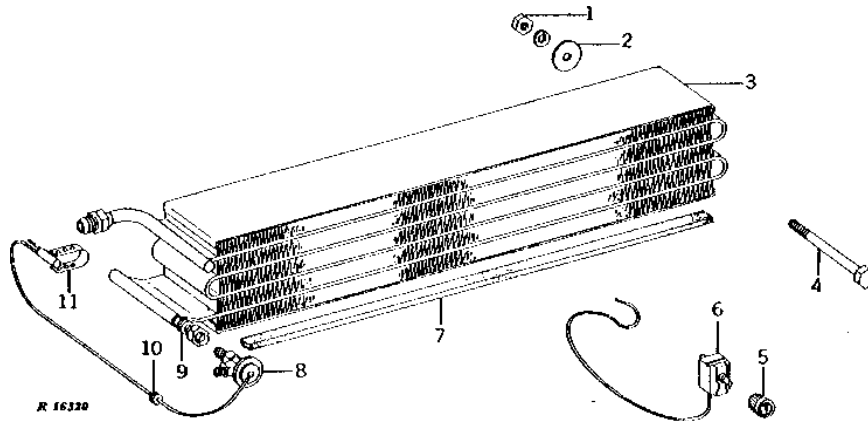
KEY	PART NO.	PART NAME	QTY	CAB SERIAL NO.	REMARKS
1	AR49963	FAN	2		
2	R47470	ISOLATOR	2	(NLA)	
3	AR49962	MOTOR	2		
4	AR50021	SUPPORT	2	(NO LONGER AVAILABLE)	
5	AR50020	PLATE	1	(NO LONGER AVAILABLE)	
6	AR45868	THERMOSTAT	1		
7	.....	WIRING LEAD	1		241 MM (9-1/2") THERMOSTAT TO RELAY, (MAKE FROM R66319, R32027 AND R32018)
8	.....	WIRING LEAD	1		178 MM (7") (MAKE FROM R32027 AND R32025)
9	14H778	NUT	8	0.190"	
	12H246	LOCK WASHER	8	0.190"	
10	19H1919	CAP SCREW	1	1/4" X 5/8"	
11	AR54484	RELAY	1	(SUB FOR AR46334) SUB. FOR AR46334	
12	AR49973	CIRCUIT BREAKER	2	15 AMP	
13	21H1148	SCREW	4	0.190" X 3/4"	
14	.....	WIRING LEAD	1		166 MM (6-1/2") CIRCUIT BREAKER TO RELAY, (MAKE FROM R66319 AND (2) R32018)
15	14H786	NUT	2	1/4"	
	12H302	LOCK WASHER	2	1/4"	
16	14H785	NUT	6	5/16"	
	12H303	LOCK WASHER	6	5/16"	
17	R47469	WASHER	3	(NO LONGER AVAILABLE)	
..	R46663	SEALING TRIM	AR		

# 3B20

OPERATOR'S STATION

EVAPORATOR  
(STOLPER)  
(CAB SERIAL NO. 208300- )

R16320 -UN-01JAN94



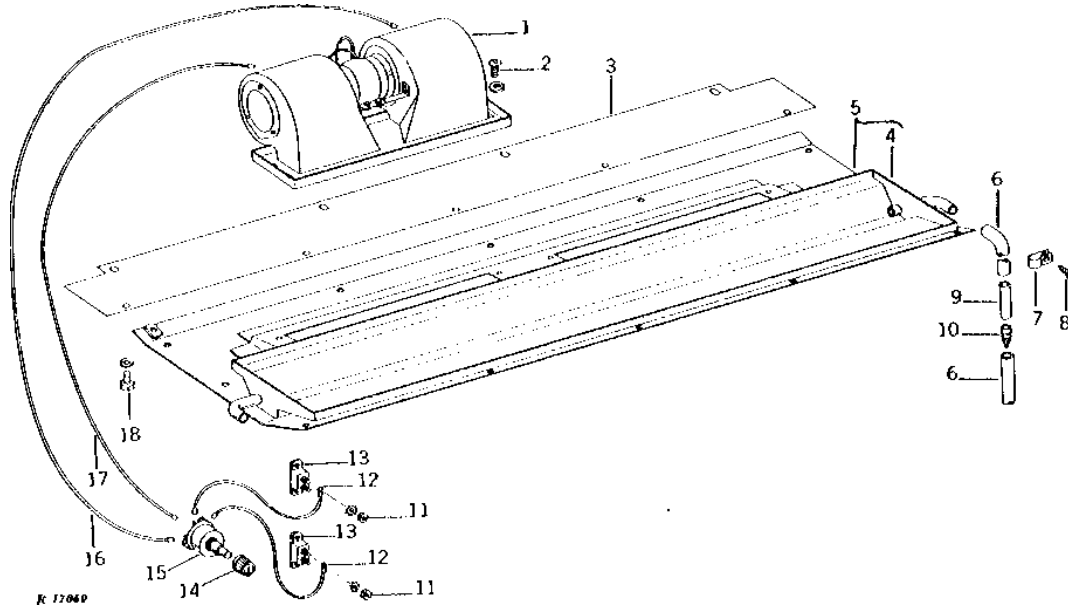
KEY	PART NO.	PART NAME	QTY	CAB SERIAL NO.	REMARKS
1	14H785	NUT	3	5/16"	
	12H303	LOCK WASHER	3	5/16"	
2	24H1291	WASHER	3	21/64" X 1-15/32" X 7/64"	
3	AR49966	CORE	1		
4	19H2342	CAP SCREW	3	5/16" X 4-1/2"	
5	AR69370	KNOB	1	(SUB FOR AR49969)	
6	AR49960	SWITCH	1	THERMOSTAT, (SUB AR59779)	
7	R47468	ISOLATOR	1		
8	AR49961	VALVE	1	EXPANSION	
9	R44512	GROMMET	1		
10	R44458	GROMMET	2		
11	.....	CLAMP	1	(NOT FURNISHED)	

# 3B21

OPERATOR'S STATION

## PRESSURIZER MOTOR AND EVAPORATOR TRAY (STOLPER) (CAB SERIAL NO. 208300- )

R17060 -UN-01JAN94



KEY	PART NO.	PART NAME	QTY	CAB SERIAL NO.	REMARKS
1	AR74019	BLOWER	2		(ALSO ORDER R36229) (SUB FOR AR49968, AR53156, AR62561, AR66027 OR AR74019)
2	21H1158	SCREW	8		0.164" X 1/2"
	12H315	LOCK WASHER	8		0.164"
3	R47326	COVER	1		(NO LONGER AVAILABLE)
4	AR55715	CONTAINER	1		CONDENSATION TRAY, (ALSO ORDER R48913) (SUB FOR AR50014) (NO LONGER AVAILABLE)
5	AR55713	PANEL	1		(ALSO ORDER R48913) (SUB FOR AR50013) (NO LONGER AVAILABLE)
6	R47475	HOSE	2		(NO LONGER AVAILABLE)
7	R44516	CLAMP	4		(NO LONGER AVAILABLE)
8	37H49	SCREW	4		NO. 10 X 1/2"
9	R47306	TUBE	2		(NO LONGER AVAILABLE)
10	R47305	VALVE	2		(SUB R48906, R45211 AND TY22465)
11	14H778	NUT	4		0.190"
	12H246	LOCK WASHER	4		0.190"
12	.....	WIRING LEAD	2		152 MM (6") CIRCUIT BREAKER TO BLOWER SWITCH, (MAKE FROM R32018, R66319, R32027 AND R32024)
13	AR49973	CIRCUIT BREAKER	2		15 AMP
14	AR69370	KNOB	1		(SUB FOR AR49969)
15	AR53155	SWITCH	1		(SUB FOR AR49964)
16	.....	WIRING LEAD	1		1168 MM (46") R.H. BLOWER, (MAKE FROM (2) R32027, R66319 AND (2) R32024)
17	.....	WIRING LEAD	1		813 MM (32") L.H. BLOWER, (MAKE FROM (2) R32027, R66319 AND (2) R32024)
18	19H1227	CAP SCREW	15		1/4" X 1/2"
	12H302	LOCK WASHER	15		1/4"

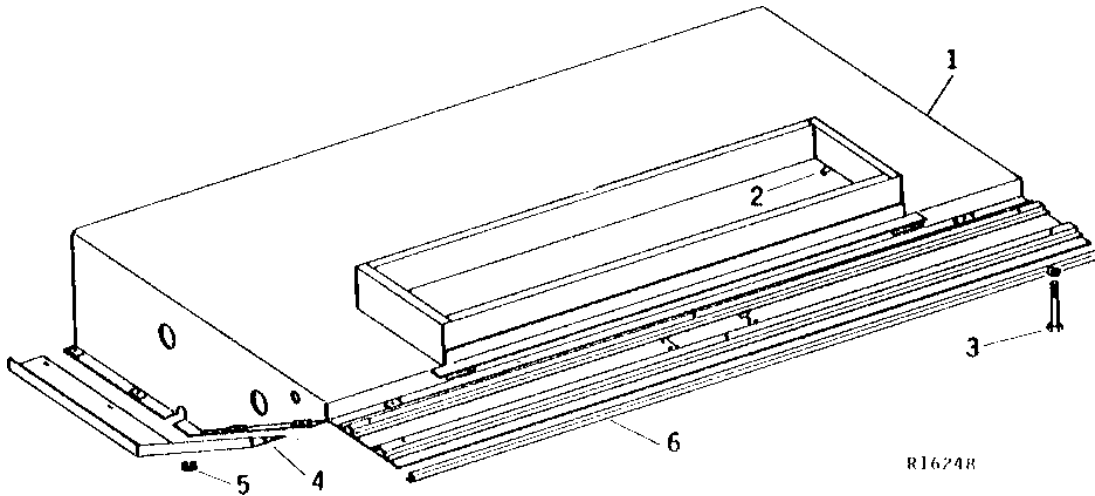


# 3B22

OPERATOR'S STATION

EVAPORATOR SUPPORT AND CONSOLE HOUSING  
(STOLPER)  
(CAB SERIAL NO. 208300- )

R16248 -UN-01JAN94



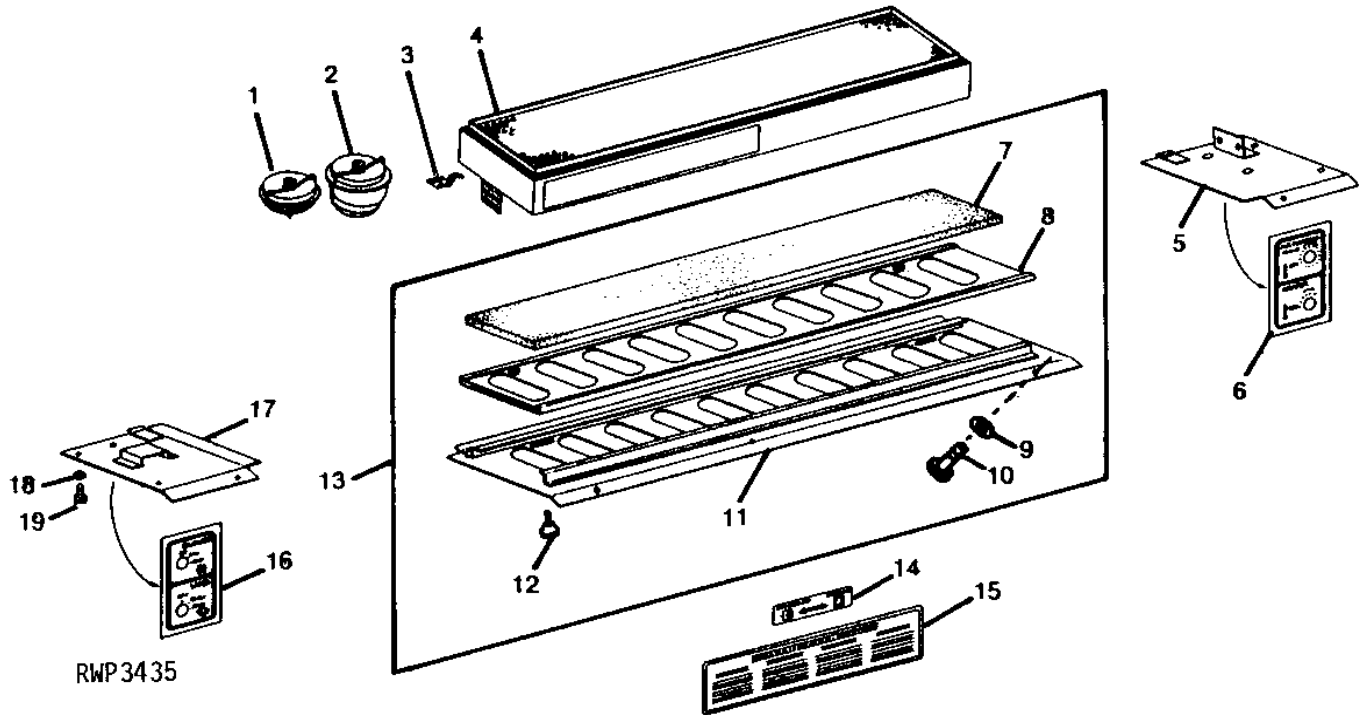
KEY	PART NO.	PART NAME	QTY	CAB SERIAL NO.	REMARKS
1	AR50008	HOUSING	1		(NO LONGER AVAILABLE)
2	AR50009	CLIP	4		(SUB AR50010)
3	19H1900	CAP SCREW	8		5/16" X 3/4"
	12H303	LOCK WASHER	8		5/16"
4	AR50007	SHIELD	1		L.H. (NO LONGER AVAILABLE)
	R47328	SHIELD	1		R.H. (NO LONGER AVAILABLE)
5	H23124	PLUG	1		(NO LONGER AVAILABLE)
6	R44452	WEATHERSTRIP	1		

# 3B23

OPERATOR'S STATION

## FILTERS AND LOUVERS (STOLPER) (CAB SERIAL NO. 208300- )

RWP3435 -UN-01JAN94



RWP3435

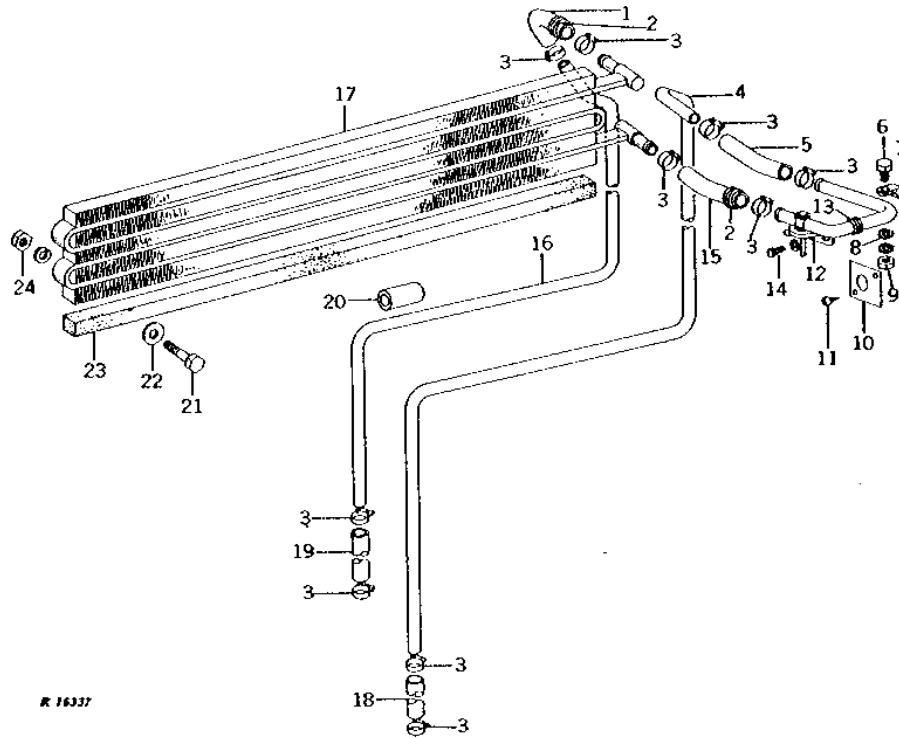
KEY	PART NO.	PART NAME	QTY	CAB SERIAL NO.	REMARKS
1	AR49952	DEFLECTOR	3		
2	AR49970	DEFLECTOR	1		
3	.....	CLIP	4		
4	AR61903	AIR FILTER	1		(SUB FOR AR49986) (SUB RE12793)
5	AR50011	PANEL	1		(NLA)
6	R47518	LABEL	1		
7	R47304	FILTER ELEMENT	1		
8	AR50018	DOOR	1		(NLA)
9	R44456	WASHER	2		
10	R47323	SCREW	2		
11	AR50017	PANEL	1		(NLA)
12	AR50019	KNOB	2		(NLA)
13	AR50016	PANEL	1		(NLA)
14	R47334	LABEL	1		
15	R47333	LABEL	1		
16	R47517	LABEL	1		
17	AR50012	PANEL	1		(NLA)
18	12H302	LOCK WASHER	12		1/4"
19	19H1227	CAP SCREW	12		1/4" X 1/2"

# 3B24

OPERATOR'S STATION

## HEATER (STOLPER) (CAB SERIAL NO. 208300- )

R16337 -UN-01JAN94



R 16337

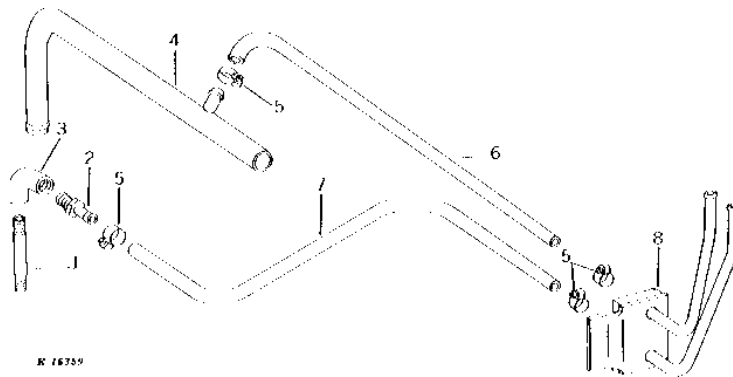
KEY	PART NO.	PART NAME	QTY	CAB SERIAL NO.	REMARKS
1	.....	HOSE	1		OUTLET 305 MM (12") (MAKE FROM R45847)
2	R44495	GROMMET	2		(NO LONGER AVAILABLE)
3	AR21837	CLAMP	10		(SUB TY22465)
4	R47303	LINE	1		PRESSURE (NO LONGER AVAILABLE)
5	.....	HOSE	1		INLET 152 MM (6") (MAKE FROM R45847)
6	19H1227	CAP SCREW	1		1/4" X 1/2"
7	A5339R	CLIP	1		(NO LONGER AVAILABLE)
8	24H1285	WASHER	1		17/64" X 7/16" X 0.065"
9	14H786	NUT	1		1/4"
	12H302	LOCK WASHER	1		1/4"
10	R47331	COVER	1		(NO LONGER AVAILABLE)
11	37H49	SCREW	2		NO. 7 X 3/8"
12	AR49987	VALVE	1		SHUT-OFF
13	P41858	GROMMET	1		
14	19H1227	CAP SCREW	2		1/4" X 1/2"
	12H302	LOCK WASHER	2		1/4"
15	.....	HOSE	1		INLET 200 MM (7-7/8") (MAKE FROM R45847)
16	R47302	LINE	1		RETURN (NO LONGER AVAILABLE)
17	AR49965	CORE	1		
18	.....	HOSE	1		(MAKE FROM R45847)
19	.....	HOSE	1		(MAKE FROM R45847)
20	R47476	HOSE	8		(NO LONGER AVAILABLE)
21	19H3552	CAP SCREW	2		5/16" X 1-1/2"
22	24H1291	WASHER	2		21/64" X 1-15/32" X 7/64"
23	R47468	ISOLATOR	1		
	14H785	NUT	2		5/16"
	12H303	LOCK WASHER	2		5/16"

# 3B25

OPERATOR'S STATION

HEATER HOSE  
(STOLPER) (AIR CONDITIONING)  
(CAB SERIAL NO. 208300- )

R16359 -UN-01JAN94



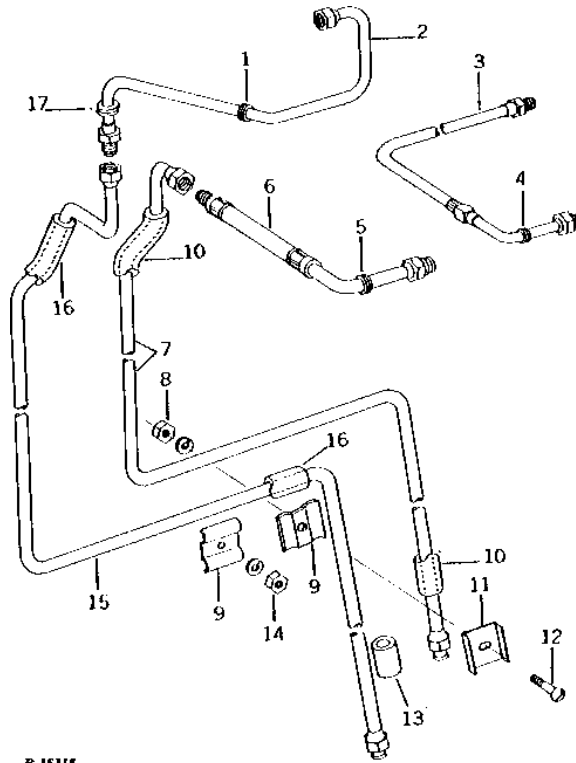
KEY	PART NO.	PART NAME	QTY	CAB SERIAL NO.	REMARKS
1	29H217	THREADED NIPPLE	1	1/2" X 5"	
2	R42312	HOSE FITTING	1		
3	15H595	ELBOW FITTING	1	90°, 1/2" X 3/8"	
4	AR44607	TUBE	1	(NLA)	
5	AR21837	CLAMP	4	(SUB TY22465)	
6	.....	HOSE	1	1041 MM (41") (MAKE FROM R45847)	
7	.....	HOSE	1	1041 MM (41") (MAKE FROM R45847)	
8	AR49323	SUPPORT	1	(NO LONGER AVAILABLE)	

# 3C1

OPERATOR'S STATION

**CAB LINES AND PIPES  
(STOLPER) (AIR CONDITIONING)  
(CAB SERIAL NO. 208300- )**

R16318 -UN-01JAN94



R 16318

KEY	PART NO.	PART NAME	QTY	CAB SERIAL NO.	REMARKS
1	R26941	GROMMET	1		
2	AR49957	LINE	1		CONDENSER INLET (NLA)
3	AR49958	HOSE	1		WITH SIGHT GLASS (NLA)
4	R44512	GROMMET	1		
6	AR49959	HOSE	1		EVAPORATOR OUTLET (NLA)
7	AR49956	LINE	1		RETURN (NLA)
8	14H608	NUT	2		0.216"
	12H296	WASHER	2		0.216"
9	R47330	CLAMP	4		
10	R47477	HOSE	1		(NLA)
11	R47329	SPACER	2		(NO LONGER AVAILABLE)
12	21H1318	SCREW	2		0.216" X 1/2"
13	R47476	HOSE	1		(NO LONGER AVAILABLE)
	14H778	NUT	2		0.190"
	12H246	LOCK WASHER	2		0.190"
15	AR49955	LINE	1		PRESSURE (NLA)
16	R47478	HOSE	1		(NLA)
17	B30667	GROMMET	1		

---

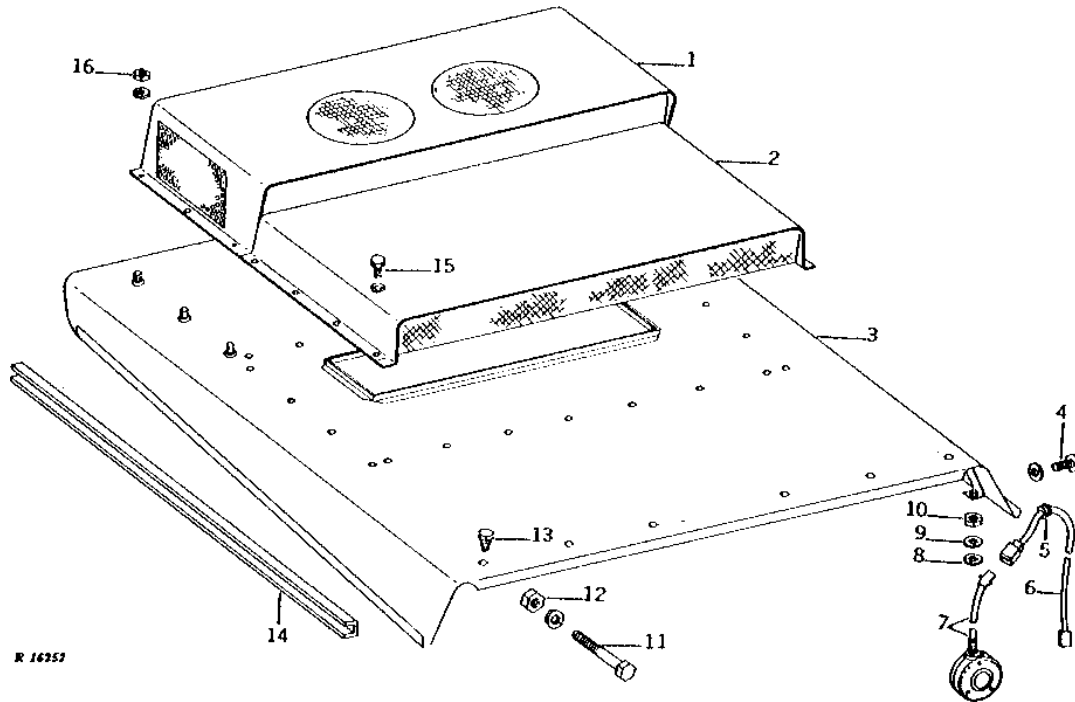
MEMORANDA

# 3C2

OPERATOR'S STATION

## AIR SCOOP AND CANOPY (STOLPER) (AIR CONDITIONING) (CAB SERIAL NO. 208300- )

R16252 -UN-01JAN94



R 16252

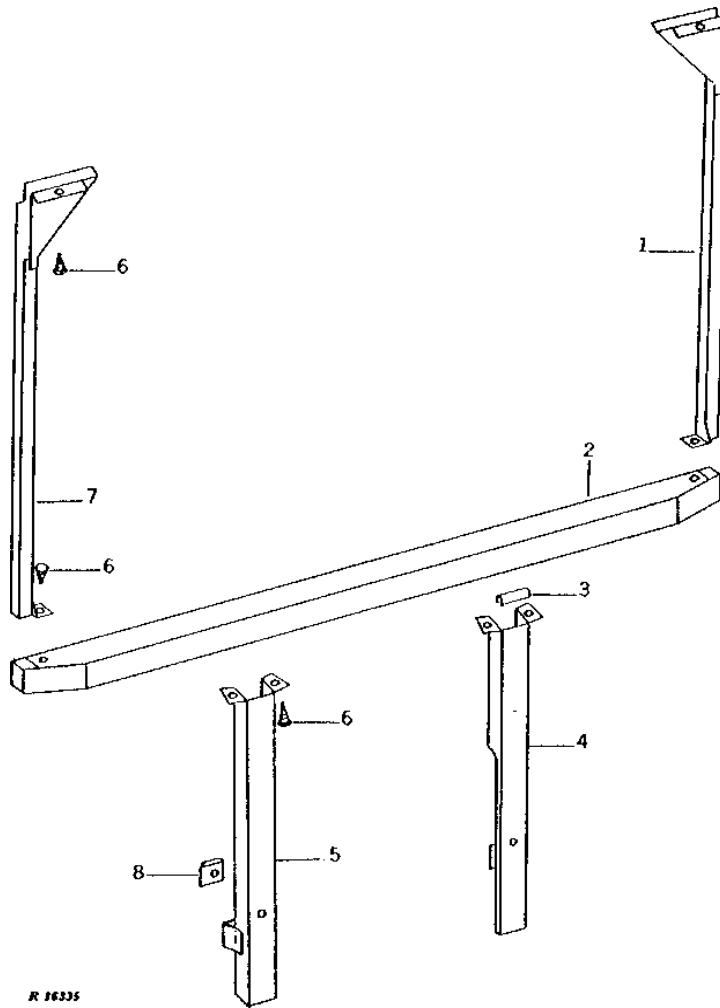
KEY	PART NO.	PART NAME	QTY	CAB SERIAL NO.	REMARKS
1	AR50022	COVER	1		(NO LONGER AVAILABLE)
2	AR50023	COVER	1		(NO LONGER AVAILABLE)
	R47473	WEATHERSTRIP	1		(NO LONGER AVAILABLE)
3	AR49225	CANOPY	1		(NLA)
	R47327	HEADLINER	1		(NLA)
	R47332	EXTENSION	2		(NLA)
4	19H1731	CAP SCREW	6		3/8" X 1"
	12H304	LOCK WASHER	6		3/8"
5	R27583	GROMMET	2		
6	AR46411	WIRING LEAD	2		(NO LONGER AVAILABLE)
	T32231	CLAMP	2		(SUB FOR R55618)
	R45211	CLAMP	2		
7	AR38456	LAMP	2		WARNING
8	R38371	WASHER	2		
9	24H1227	WASHER	2		17/32" X 13/16" X 0.060"
10	14H856	NUT	2		1/2"
11	19H2054	CAP SCREW	6		3/8" X 4-3/4"
12	14H1076	NUT	6		3/8"
	14H1040	NUT	6		1/2"
13	37H29	SCREW	10		5/16" X 5/8"
14	R41358	ISOLATOR	2		
15	19H1227	CAP SCREW	22		1/4" X 1/2"
16	14H786	NUT	15		1/4"
	12H302	LOCK WASHER	15		1/4"

# 3C3

OPERATOR'S STATION

TUBE SHIELDS  
(STOLPER)  
(CAB SERIAL NO. 208300- )

R16335 -UN-01JAN94



R 16335



# 3C4

OPERATOR'S STATION

**TUBE SHIELDS - CONTINUED  
(STOLPER)  
(CAB SERIAL NO. 208300- )**

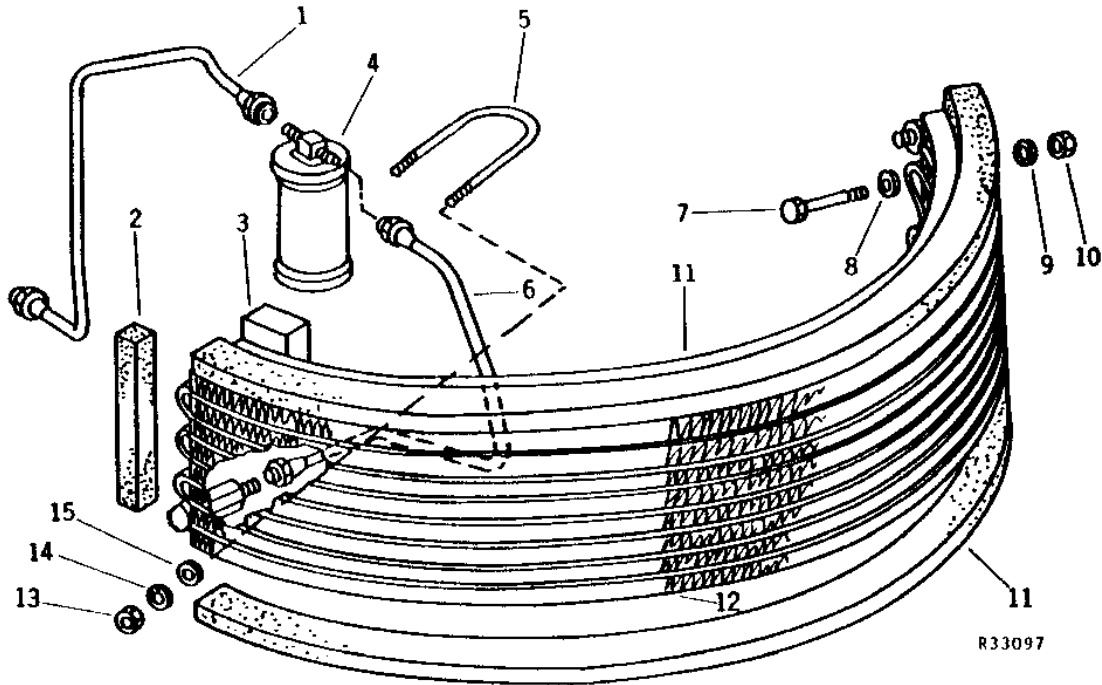
KEY	PART NO.	PART NAME	QTY	CAB SERIAL NO.	REMARKS
1	AR50005	SHIELD	1		(NLA)
2	R47324	SHIELD	1		(NO LONGER AVAILABLE)
3	.....	MOLDING	1		51 MM (2") (MAKE FROM R44452)
	.....	MOLDING	1		76 MM (3") (MAKE FROM R44452)
4	AR49775	SHIELD	1		(NO LONGER AVAILABLE)
	21H1318	SCREW	1		0.216" X 1/2"
5	AR50004	SHIELD	1		(NO LONGER AVAILABLE)
	21H1318	SCREW	1		0.216" X 1/2"
6	37H49	SCREW	11		NO. 10 X 1/2"
7	AR50006	SHIELD	1		(NO LONGER AVAILABLE)
8	R87345	LOCK NUT	2		(SUB FOR R44454 AND R72380)

# 3C5

OPERATOR'S STATION

## CONDENSER AND RECEIVER DRYER (HINSON)

R33097 -UN-01JAN94



R33097

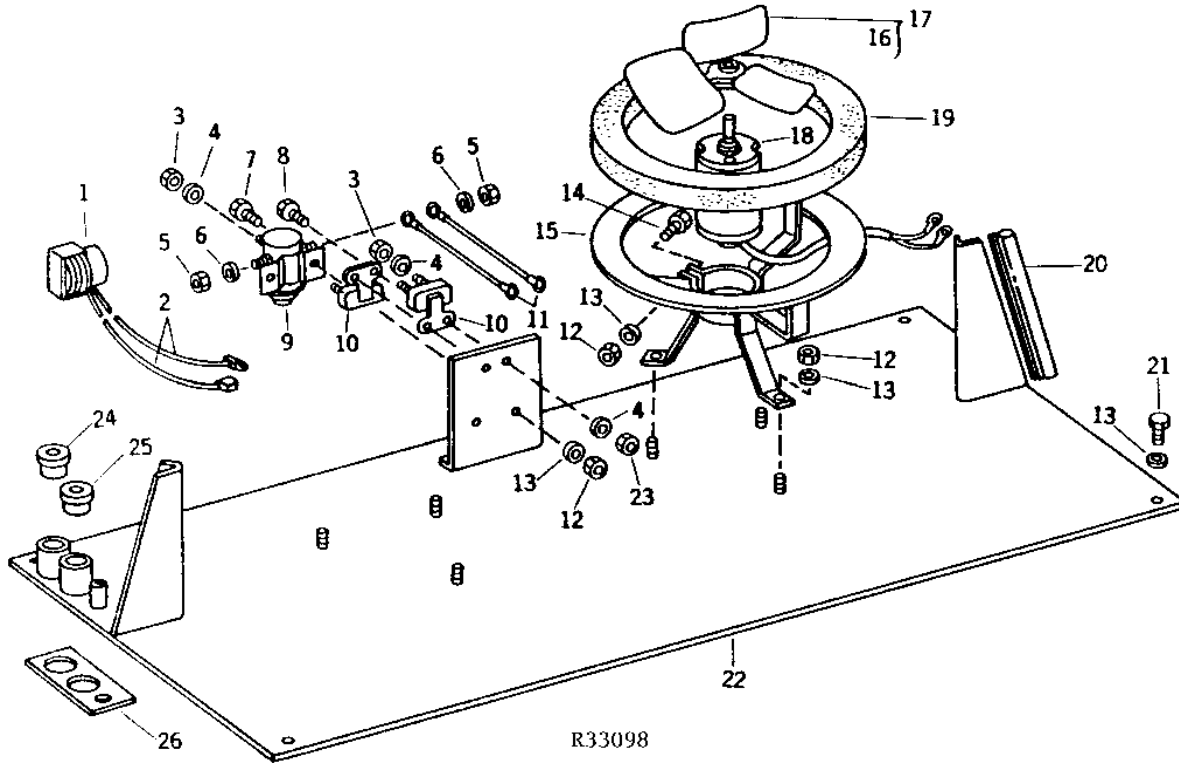
KEY	PART NO.	PART NAME	QTY	CAB SERIAL NO.	REMARKS
1	AR52319	LINE	1		
2	.....	FOAM PAD	1		25 X 25 X 203 MM (1" X 1" X 8") (MAKE FROM R30937)
3	.....	FOAM PAD	1		25 X 50 X 152 MM (1" X 2" X 6") (MAKE FROM R28123)
4	AR45867	RECEIVER	1		
5	R21244	U-BOLT	1		(NO LONGER AVAILABLE)
6	AR52318	LINE	1		
7	19H1949	CAP SCREW	2		5/16" X 2-1/2"
8	24H1291	WASHER	2		21/64" X 1-15/32" X 7/64"
9	12H303	LOCK WASHER	2		5/16"
10	14H785	NUT	2		5/16"
11	.....	FOAM PAD	2		25 X 25 X 127 MM (1" X 1" X 50") (MAKE FROM R30937)
12	AR49967	CORE	1		
13	14H786	NUT	2		1/4"
14	12H302	LOCK WASHER	2		1/4"
15	24H1291	WASHER	2		21/64" X 1-15/32" X 7/64"

# 3C6

OPERATOR'S STATION

## CONDENSER FAN MOTOR AND CIRCUIT BREAKER (HINSON)

R33098 -UN-01JAN94



R33098

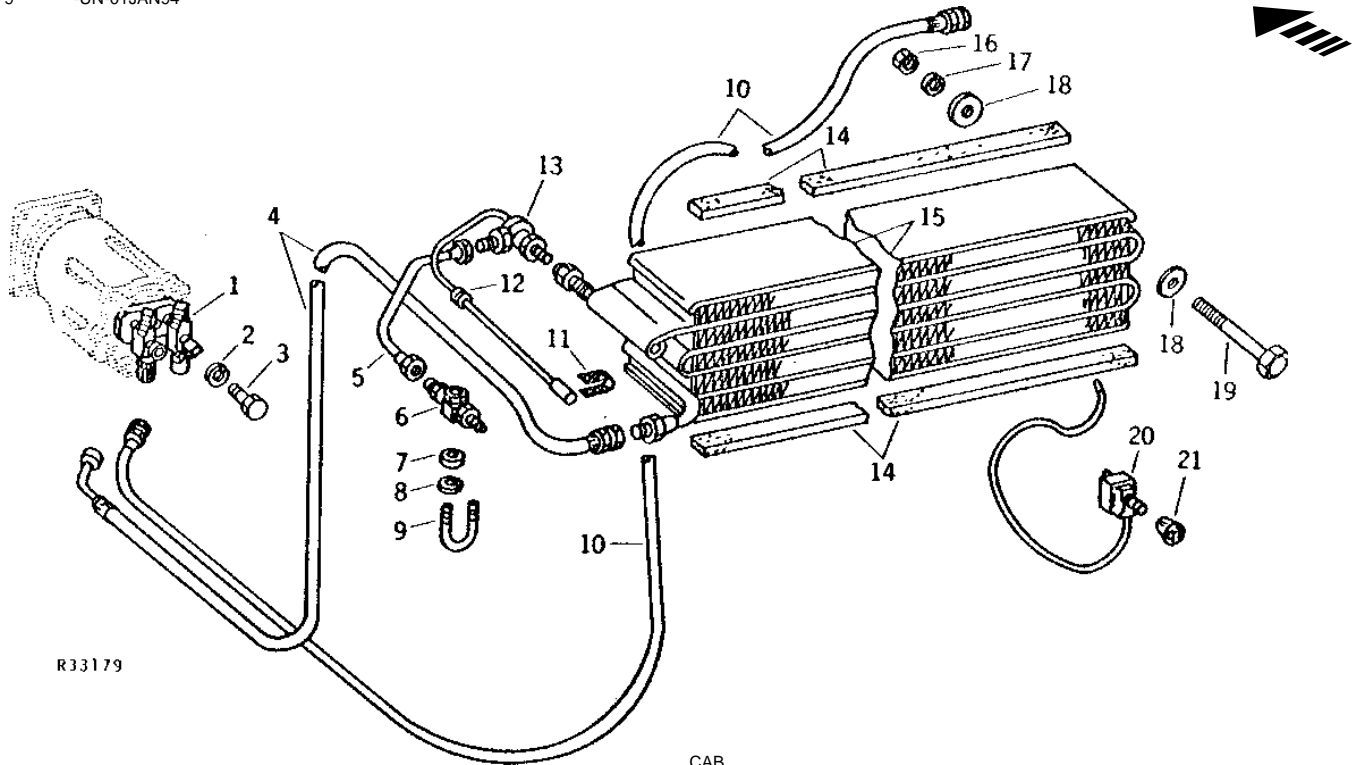
KEY	PART NO.	PART NAME	QTY	CAB SERIAL NO.	REMARKS
1	AR45868	THERMOSTAT	1		
2	.....	WIRING LEAD	2		(MAKE FROM R32027, R65597 AND R65604)
3	14H631	NUT	6		0.190"
4	12H246	LOCK WASHER	8		0.190"
5	14H650	NUT	2		5/16"
6	12H303	LOCK WASHER	2		5/16"
7	19H1919	CAP SCREW	2		1/4" X 5/8"
8	21H1317	SCREW	2		0.190" X 5/8"
9	AR54484	RELAY	1		
10	AR28403	CIRCUIT BREAKER	2		
11	.....	WIRING LEAD	2		203 MM (8") (MAKE FROM R66319, R32018 AND R32022)
12	14H786	NUT	8		1/4"
13	12H302	LOCK WASHER	14		1/4"
14	19H1948	CAP SCREW	2		1/4" X 3/4"
15	AR52316	SUPPORT	2		(NLA)
16	22H922	SET SCREW	2		0.190" X 1/4"
17	AR49963	FAN	2		
18	AR49962	MOTOR	2		
19	R47470	ISOLATOR	2		
20	.....	FOAM PAD	2		254 MM (10") (MAKE FROM R44447)
21	19H1227	CAP SCREW	6		1/4" X 1/2"
22	AR52315	PLATE	1		
23	14H774	NUT	2		3/8"
24	R48900	GROMMET	1		
25	R48901	GROMMET	1		
26	R48899	GASKET	1		

# 3C7

OPERATOR'S STATION

R33179 -UN-01JAN94

## EVAPORATOR AND MANIFOLD (HINSON)



R33179

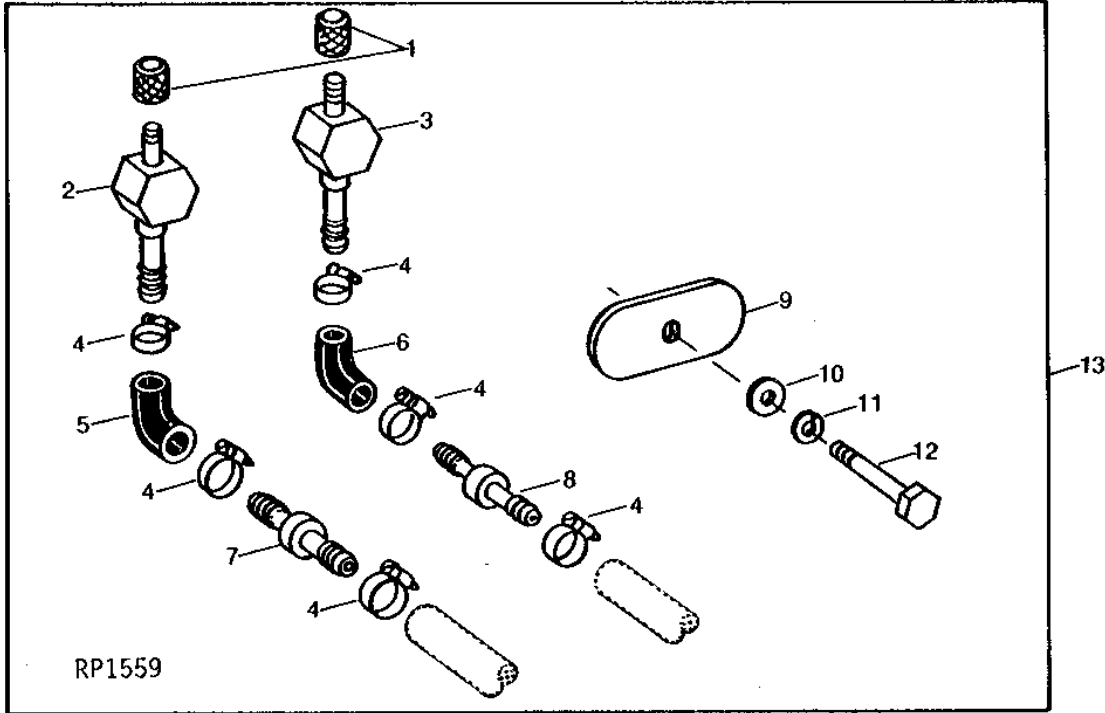
KEY	PART NO.	PART NAME	QTY	CAB SERIAL NO.	REMARKS
1	.....	FITTING	1		KIT, (SUB AR94973)
2	12H304	LOCK WASHER	1	-XXXXXX	3/8"
	12M7066	LOCK WASHER	1	XXXXXX-	M10
3	19H1938	CAP SCREW	1	-XXXXXX	3/8" X 13/16"
	19M7170	CAP SCREW	1	XXXXXX-	M10 X 50
4	AR52331	HOSE	1		RETURN (NLA)
5	AR52322	LINE	1		
6	AR52321	SIGHT PLUG	1		
7	12H302	LOCK WASHER	4		1/4"
8	14H786	NUT	4		1/4"
9	R21230	U-BOLT	2		
10	AR52330	HOSE	1		PRESSURE
	R40791	CLAMP	1		
11	.....	CLAMP	1		(NOT FURNISHED)
12	R27180	GROMMET	1		
13	AR49961	VALVE	1		EXPANSION
14	.....	FOAM PAD	2		762 MM (30") (MAKE FROM R48884)
15	AR49966	CORE	1		
16	14H785	NUT	3		5/16"
17	12H303	LOCK WASHER	3		5/16"
18	24H1291	WASHER	6		21/64" X 1-15/32" X 7/64"
19	19H2342	CAP SCREW	3		5/16" X 4-1/2"
20	AR52324	SWITCH	1		
	R26409	GROMMET	2		
21	AR69370	KNOB	1		(SUB FOR AR49969)
..	R45440	TIE BAND	AR		(SUB R76477)
..	R57003	TAPE	AR		9144 MM (360") (SUB TY15709)

# 3C8

OPERATOR'S STATION

RP1559 -UN-01JAN94

## COMPRESSOR VALVE KIT



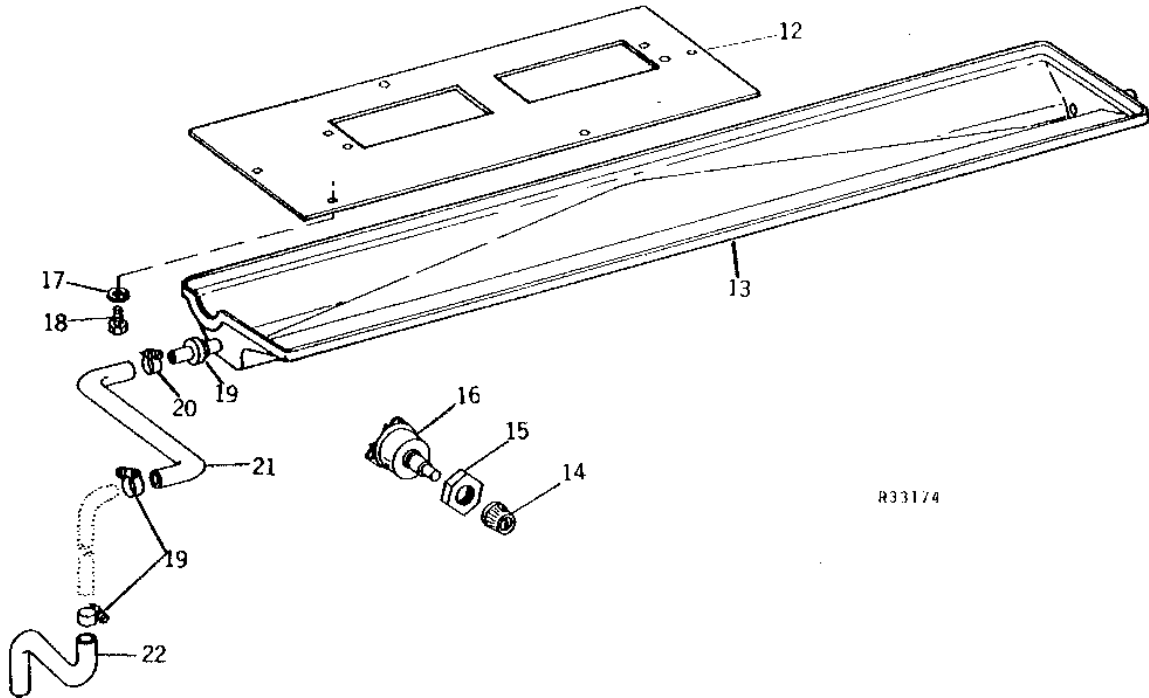
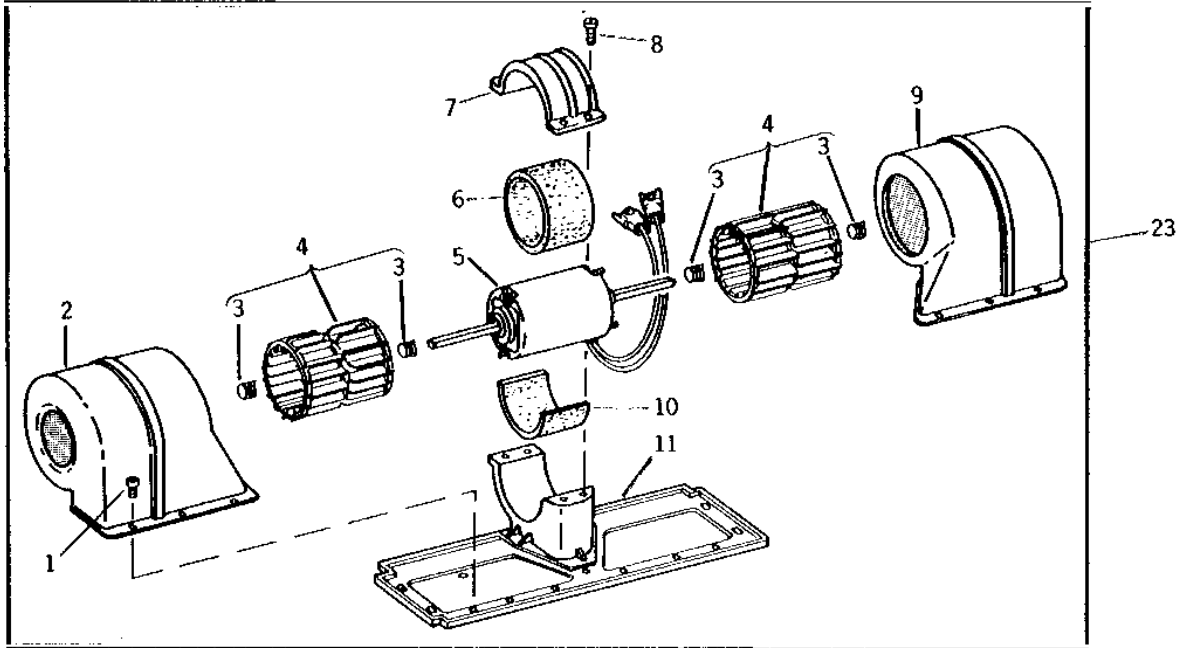
KEY	PART NO.	PART NAME	QTY	CAB SERIAL NO.	REMARKS
1	R60172	NUT	2		
2	AR94974	ADAPTER	1		
3	AR94975	ADAPTER	1		
4	AR21837	CLAMP	6		(SUB TY22465)
5	.....	HOSE	1		NO. 10, 13 X 3650 MM (1/2" X 143-3/4") (MAKE FROM R72229)
6	.....	HOSE	1		NO. 8, 10 X 3650 MM (3/8" X 143-3/4") (MAKE FROM R72228)
7	R72227	COUPLING	1		
8	R72226	COUPLING	1		
9	R60171	STRAP	1		
10	24H1884	WASHER	1		13/32" X 13/16" X 0.120"
11	12H304	LOCK WASHER	1		3/8"
12	19H2959	CAP SCREW	1		3/8" X 2"
13	AR94973	FITTING	1		

# 3C9

OPERATOR'S STATION

R33174 -UN-01JAN94

## BLOWER AND CONDENSATE TRAY (HINSON)



R33174

# 3C10

OPERATOR'S STATION

## BLOWER AND CONDENSATE TRAY - CONTINUED (HINSON)

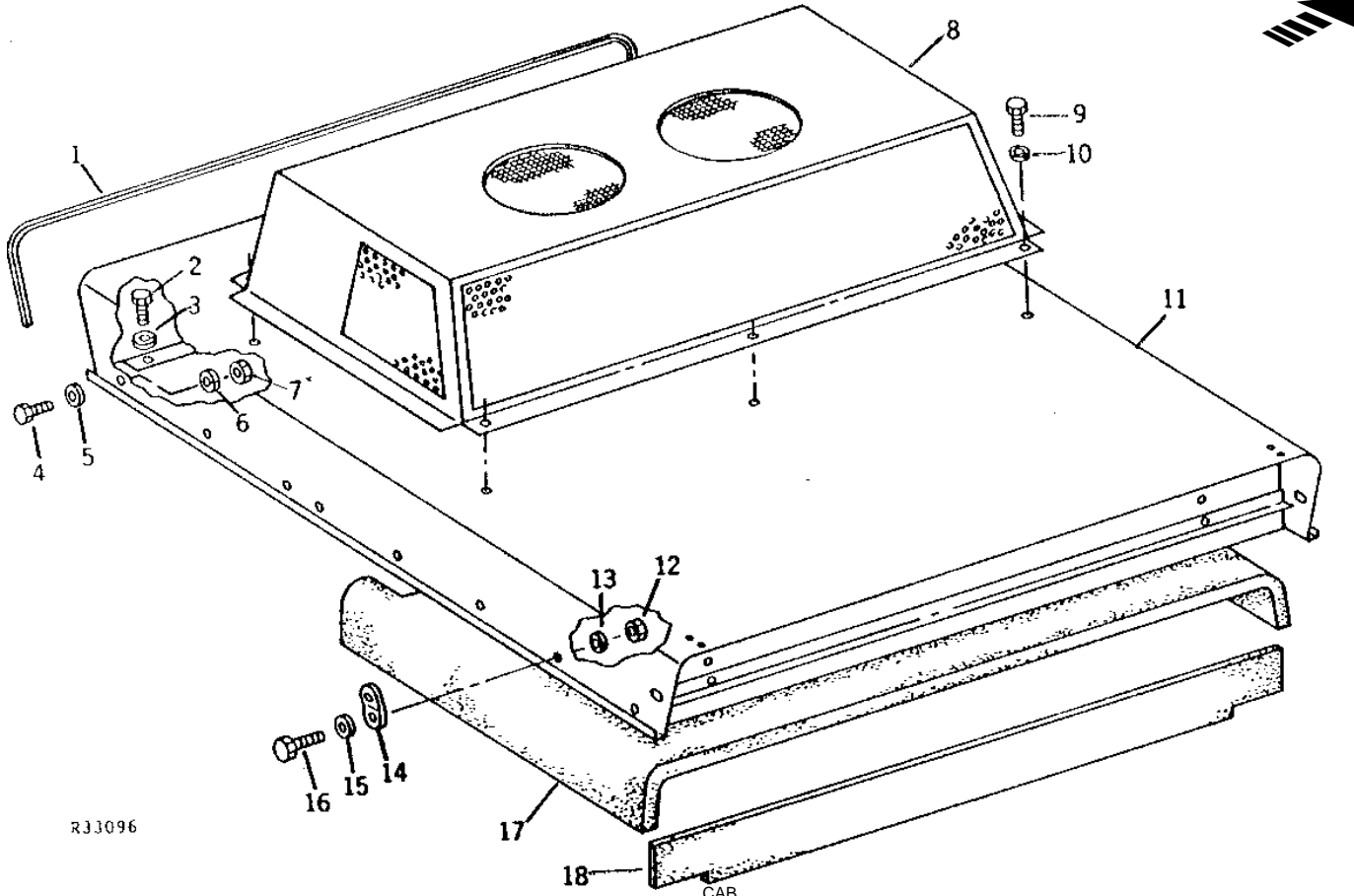
KEY	PART NO.	PART NAME	QTY	CAB SERIAL NO.	REMARKS
1	14H605	NUT	8	-XXXXXX	0.164"
	12H315	LOCK WASHER	8	-XXXXXX	0.164"
	21H1158	SCREW	8	-XXXXXX	0.164" X 1/2"
	37H32	SCREW	8	XXXXXX-	0.190" X 3/8"
2	AR69012	HOUSING	2		L.H.
3	R56101	CLIP	AR		(4 USED PER MOTOR)
4	AR66028	IMPELLER	AR		(2 USED PER MOTOR)
5	AR62497	MOTOR	2		
6	R57606	CUSHION	AR		(1 USED PER MOTOR)
7	R59450	RETAINER	AR		(1 USED PER MOTOR)
8	37H80	SCREW	4		0.190" X 1/2"
9	AR69011	HOUSING	2		R.H.
10	.....	FOAM PAD	1		102 MM (4") (MAKE FROM R57606)
11	AR74020	BASE	2		(INCLUDES R59450 AND 37H80) (SUB FOR AR68974)
12	R48885	PANEL	2		
13	AR52323	CONTAINER	1		
	.....	WEATHERSTRIP	1		6 X 13 X 1016 MM (1/4" X 1/2" X 40") (MAKE FROM R48884)
	.....	FOAM PAD	1		6 X 13 X 965 MM (1/4" X 1/2" X 38") (MAKE FROM R48884)
	.....	FOAM PAD	2		6 X 13 X 51 MM (1/4" X 1/2" X 2") (MAKE FROM R48884)
	R49858	ISOLATOR	1		
14	AR69370	KNOB	1		(SUB FOR AR49969)
15	R27296	NUT	1		
16	AR53155	SWITCH	1		(SUB FOR AR49964 OR AR53154)
17	12H302	LOCK WASHER	4		1/4"
18	19H1227	CAP SCREW	4		1/4" X 1/2"
19	R48902	GROMMET	2		
20	AR21837	CLAMP	6		(SUB TY22465)
21	R48913	HOSE	2		
22	R49293	HOSE	2		DRAIN (NLA)
23	AR74019	BLOWER	2		(ALSO ORDER R36229) (SUB FOR AR49968, AR53156, AR62561, AR66027 OR AR68973)
..	R44302	TIE BAND	AR		

# 3C11

OPERATOR'S STATION

## CAB ROOF AND CONDENSER COVER (HINSON)

R33096 -UN-01JAN94



R33096

KEY	PART NO.	PART NAME	QTY	SERIAL NO.	REMARKS
1	.....	MOLDING	1	1524 MM (60")	(MAKE FROM (2) R41358)
2	19H1227	CAP SCREW	5	1/4" X 1/2"	
3	12H302	LOCK WASHER	5	1/4"	
4	19H3552	CAP SCREW	14	5/16" X 1-1/2"	
5	24H1136	WASHER	14	11/32" X 11/16" X 0.065"	
6	12H303	LOCK WASHER	14	5/16"	
7	14H785	NUT	14	5/16"	
8	AR52320	COVER	1		
9	19H1227	CAP SCREW	6	1/4" X 1/2"	
10	12H302	LOCK WASHER	6	1/4"	
11	AR68107	ROOF	1		(PRESSURIZED CAB) (SUB FOR AR52311) (NLA)
	AR68108	ROOF	1		(AIR CONDITIONED CAB) (SUB FOR AR52312) (NO LONGER AVAILABLE)
12	14H785	NUT	4	5/16"	
13	12H303	LOCK WASHER	4	5/16"	
14	R48876	HOOK	4		(NLA)
15	24H1136	WASHER	4	11/32" X 11/16" X 0.065"	
16	19H1900	CAP SCREW	4	5/16" X 3/4"	
17	R48912	HEADLINER	1	-XXXXXX	
	R55237	HEADLINER	1	XXXXXX-	
18	R55238	ISOLATOR	1	XXXXXX-	

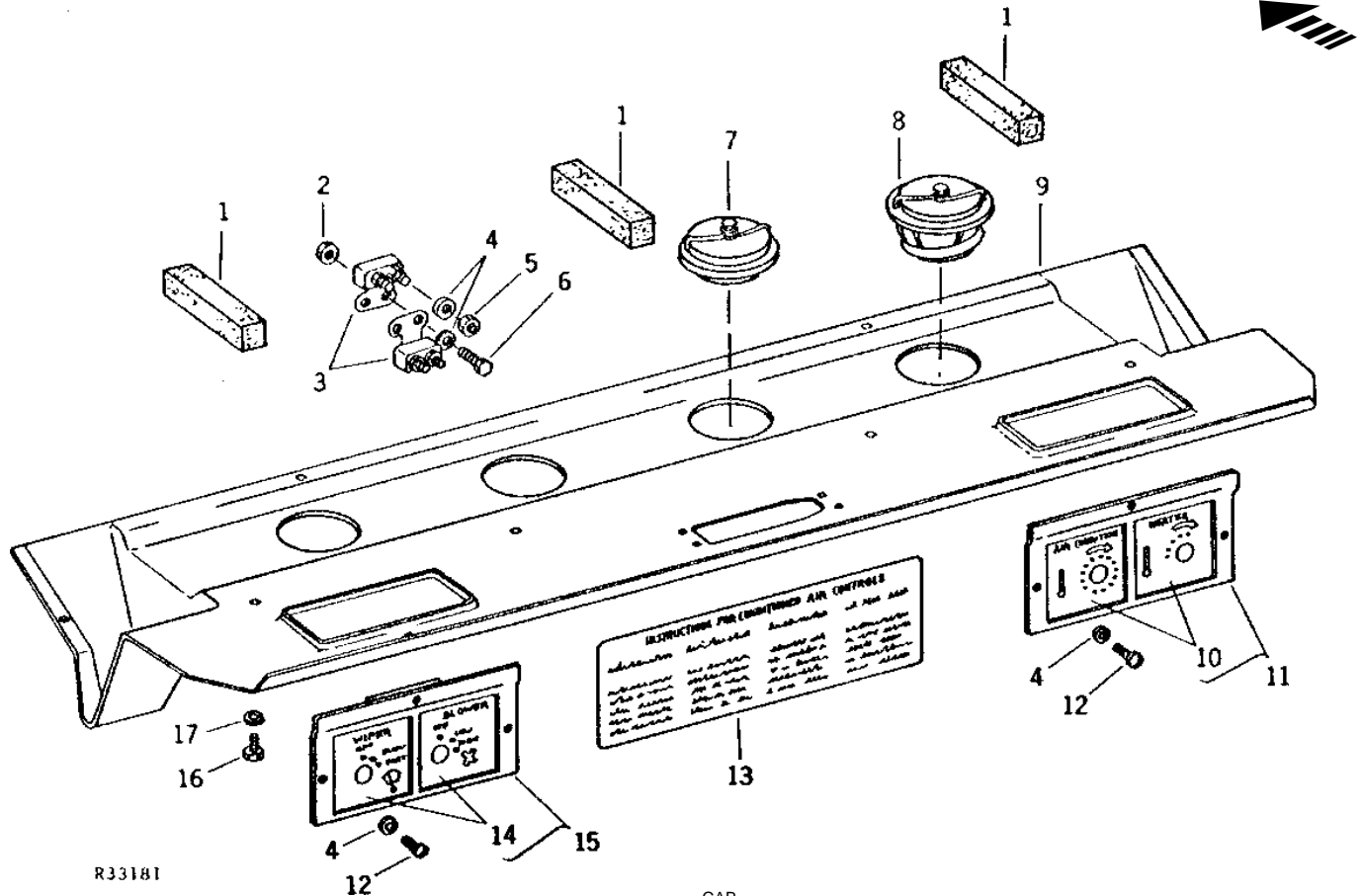


# 3C12

OPERATOR'S STATION

## REAR CONSOLE COVER AND CONTROL PANEL (HINSON)

R33181 -UN-01JAN94



R33181

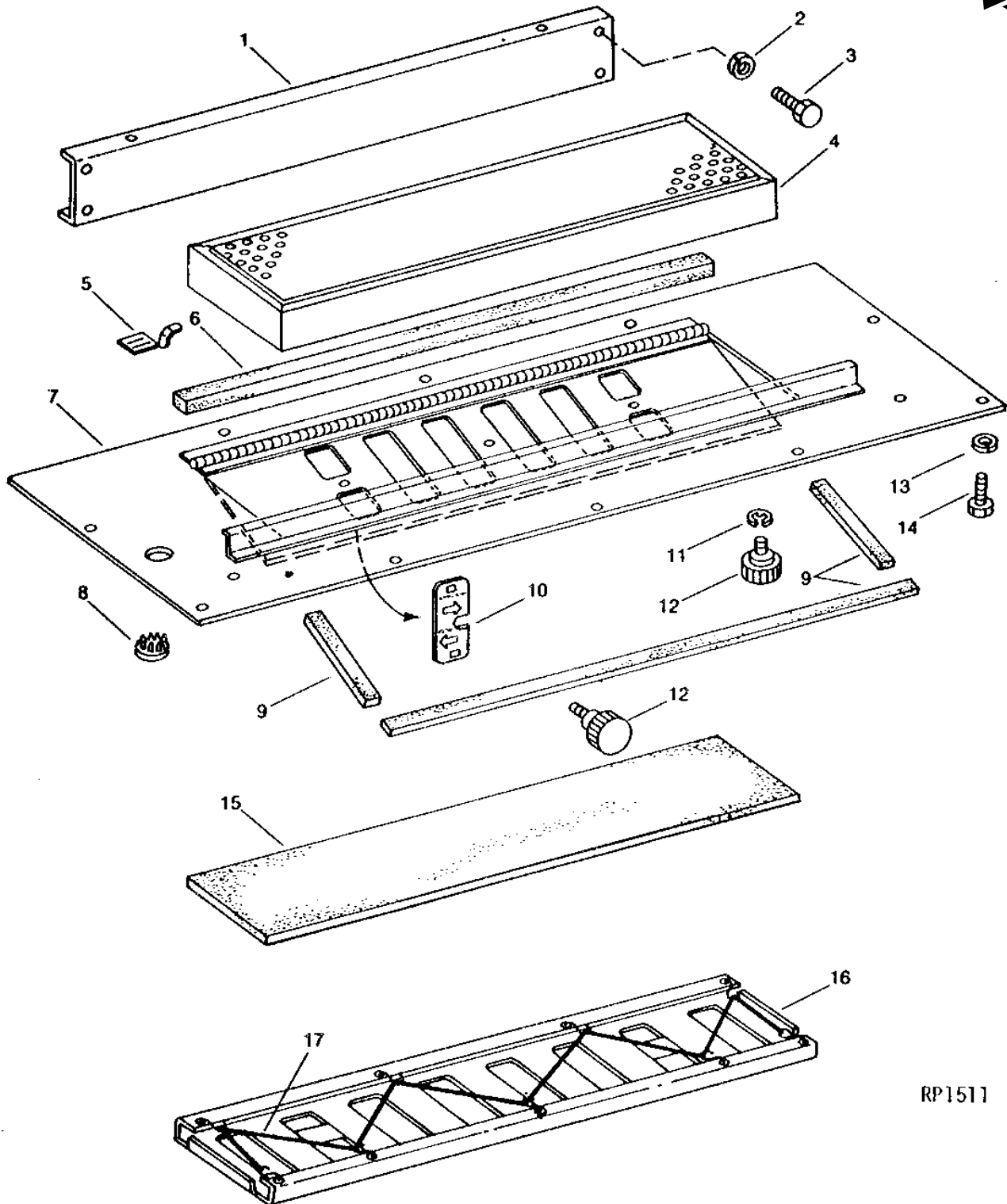
KEY	PART NO.	PART NAME	QTY	CAB SERIAL NO.	REMARKS
1	.....	FOAM PAD	3		25 X 25 X 127MM (1" X 1" X 5") (MAKE FROM R30937)
2	14H778	NUT	2		0.190"
3	AR28403	CIRCUIT BREAKER	2		
4	12H246	LOCK WASHER	10		0.190"
5	14H631	NUT	4		0.190"
6	21H1317	SCREW	2		0.190" X 5/8"
7	AR49952	DEFLECTOR	3		
8	AR49970	DEFLECTOR	1		
9	R48874	COVER	1		
10	R48896	LABEL	1		HEATER CONTROL
	R48908	LABEL	1		AIR CONDITIONING
11	R48911	LABEL	1		AIR CONDITIONING AND HEATER
	AR52313	PANEL	1		(NLA)
	AR52314	PANEL	1		(HEATER)
	AR52326	PANEL	1		(AIR CONDITIONING)
	AR52327	PANEL	1		(AIR CONDITIONING AND HEATER)
12	21H1317	SCREW	4		0.190" X 5/8"
13	R54839	LABEL	1		AIR CONDITIONING, (SUB FOR R48903)
	R54840	LABEL	1		PRESSURIZER
14	R48882	LABEL	1		(WIPER AND BLOWER)
15	AR52301	PANEL	1		(WIPER AND BLOWER) (NO LONGER AVAILABLE)
16	19H1227	CAP SCREW	11		1/4" X 1/2"
17	12H302	LOCK WASHER	11		1/4"
..	R36590	PLUG	1		(SUCTION LINE HOLE) (LESS AIR CONDITIONING)
..	R36590	PLUG	1		(HEATER HOSE HOLE IN CONSOLE) (LESS HEATER)
..	M42229	PLUG	1		(EXPANSION VALVE SENSING BULB) (SUB FOR R32234 OR T11708) (LESS AIR CONDITIONING)
..	T13911	PLUG	1		(CONTROL SWITCH HOLE) (LESS AIR CONDITIONING)

# 3C13

OPERATOR'S STATION

## FRONT CONSOLE COVER, FRONT PANEL AND FILTER (HINSON)

RP1511 -UN-01JAN94



RP1511

# 3C14

OPERATOR'S STATION

FRONT CONSOLE COVER, FRONT PANEL AND FILTER - CONTINUED  
(HINSON)

KEY	PART NO.	PART NAME	QTY	CAB SERIAL NO.	REMARKS
1	AR52296	PANEL	1	(NLA)	
2	12H302	LOCK WASHER	7	1/4"	
3	19H1227	CAP SCREW	7	1/4" X 1/2"	
4	AR61903	AIR FILTER	1		FRESH AIR, (SUB FOR AR49986) (SUB RE12793)
5	AR50009	CLIP	4		(SUB AR50010)
6	R48880	WEATHERSTRIP	1		787MM (31") (NLA)
7	AR52297	COVER	1	(NLA)	
	R48884	WEATHERSTRIP	1		
8	R36590	PLUG	1		
9	R48879	WEATHERSTRIP	1		1270MM (50")
10	R48878	LABEL	1		AIR RECIRCULATION (NLA)
11	R27507	SNAP RING	2		(SUB R72654)
12	AR52300	KNOB	4		
13	12H302	LOCK WASHER	14	1/4"	
14	19H1227	CAP SCREW	14	1/4" X 1/2"	
15	R48881	FILTER ELEMENT	1		
16	AR63928	DOOR	1		(SUB FOR AR52298) (NLA)
17	AR52299	CABLE	1		

---

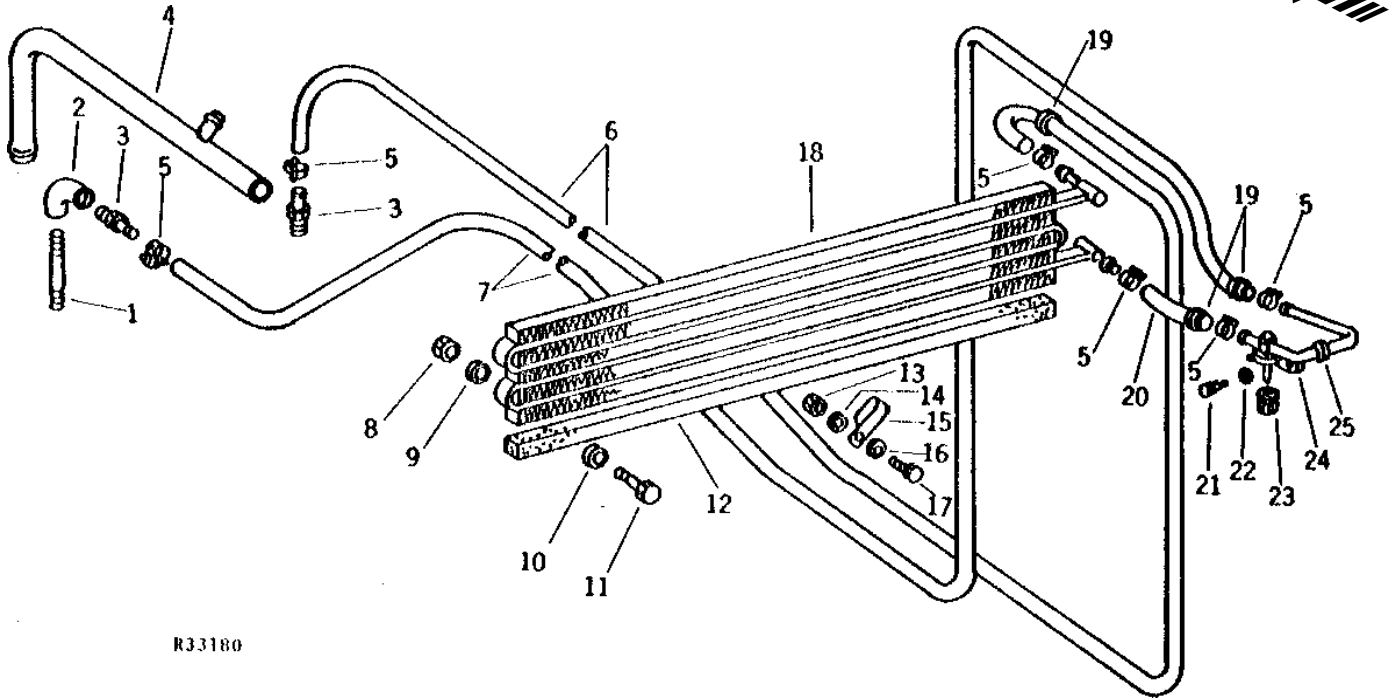
MEMORANDA

# 3C15

OPERATOR'S STATION

## HEATER AND HOSES (HINSON)

R33180 -UN-01JAN94



R33180

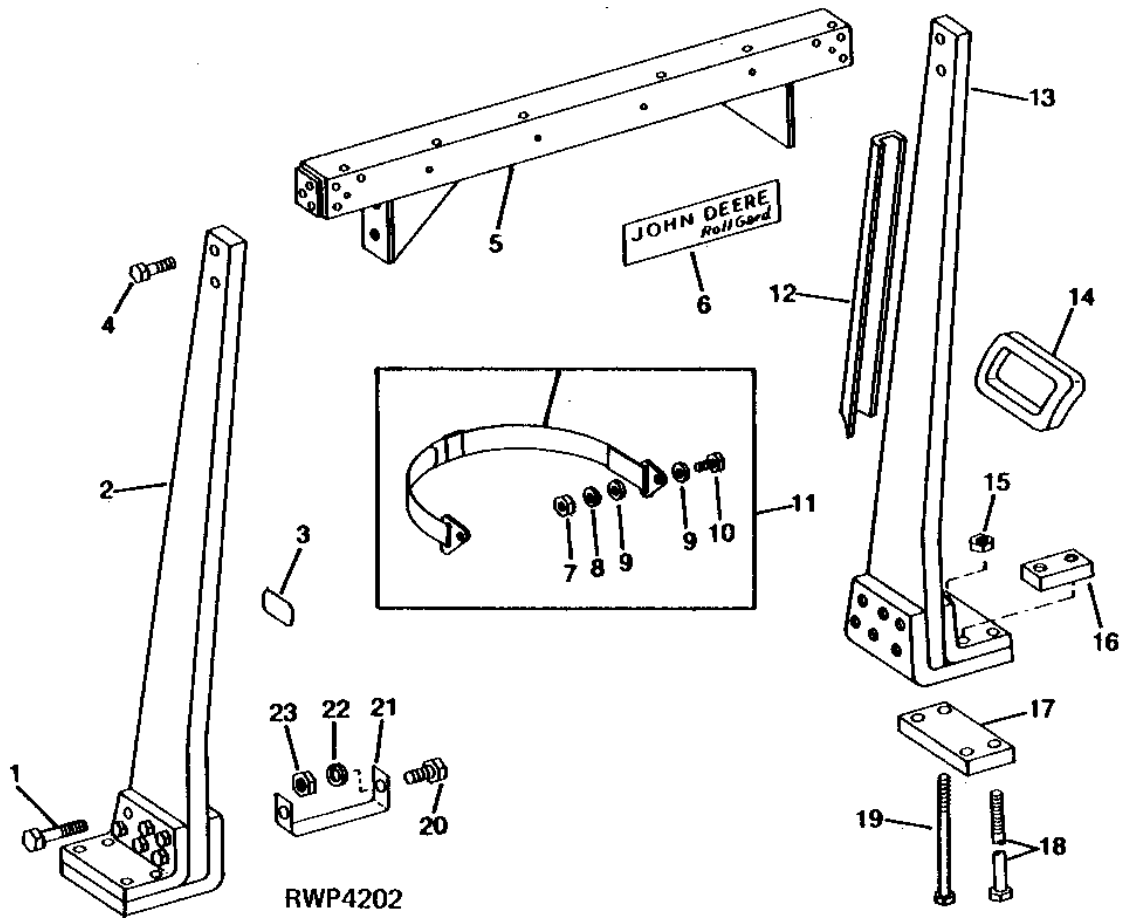
KEY	PART NO.	PART NAME	QTY	CAB SERIAL NO.	REMARKS
1	29H217	THREADED NIPPLE	1		1/2" X 5"
2	15H595	ELBOW FITTING	1		90°, 1/2" X 3/8"
3	R42312	HOSE FITTING	1		
4	AR44607	TUBE	1		
5	AR21837	CLAMP	6		(SUB TY22465)
6	.....	HOSE	1		(MAKE FROM R45847)
7	.....	HOSE	1		(MAKE FROM R45847)
8	14H785	NUT	3		5/16"
9	12H303	LOCK WASHER	3		5/16"
10	24H1291	WASHER	3		21/64" X 1-15/32" X 7/64"
11	19H3552	CAP SCREW	3		5/16" X 1-1/2"
12	R47468	ISOLATOR	1		
13	14H1076	NUT	1		3/8"
14	12H304	LOCK WASHER	1		3/8"
15	R47897	CLAMP	1		
16	24H1301	WASHER	1		13/32" X 9/16" X 0.065"
17	19H1936	CAP SCREW	1		3/8" X 3/4"
18	AR49965	CORE	1		
19	H31207	GROMMET	3		
20	.....	HOSE	1		203 MM (8") (MAKE FROM R45847)
21	19H1227	CAP SCREW	2		1/4" X 1/2"
22	12H302	LOCK WASHER	2		1/4"
23	AR69370	KNOB	1		(SUB FOR AR49969)
24	AR49987	VALVE	1		SHUT-OFF
25	P41858	GROMMET	1		

# 3C16

OPERATOR'S STATION

RWP4202 -UN-01JAN94

ROLL-GARD AND SEAT BELT  
(TRACTOR SERIAL NO. -XXXXXX)



# 3C17

OPERATOR'S STATION

**ROLL-GARD AND SEAT BELT - CONTINUED**  
(TRACTOR SERIAL NO. -XXXXXX)

KEY	PART NO.	PART NAME	QTY	TRACTOR SERIAL NO.	REMARKS
1	19H2421	CAP SCREW	8		1" X 3-3/4"
2	.....	FRAME	1		(NO LONGER AVAILABLE)
3	R87527	LABEL	1		CAUTION, (SUB FOR R41781)
4	19H2728	CAP SCREW	4		3/4" X 3"
5	AR44613	CROSSBAR	1		(SUB FOR AR42508 OR AR68306) (SUB AR50536)
6	T27155	LABEL	1		
7	14H863	NUT	2		3/4"
8	12H293	LOCK WASHER	2		7/16"
9	24H1226	WASHER	4		1/2" X 1-1/4" X 0.083"
10	R41778	BOLT	2		
11	AR41761	SEAT BELT	1		51 MM (2")
	AT38518	SEAT BELT	1		76 MM (3")
	R81424	LABEL	1		CAUTION, (SUB FOR R42732)
12	R42646	FOAM PAD	2		
13	.....	FRAME	1		(NO LONGER AVAILABLE)
14	R44619	GROMMET	1		(A) R.H.
	R44621	GROMMET	1		(A) L.H.
15	14H1044	NUT	4		(A) 7/8"
16	R44584	PLATE	2		(A) (NO LONGER AVAILABLE)
17	R44582	PLATE	2		(B)
	R44583	PLATE	1		(A)
18	R44574	CAP SCREW	4		
19	R42691	CAP SCREW	4		(NO LONGER AVAILABLE)
20	19H2284	CAP SCREW	2		3/8" X 7/8"
21	R43887	BRACKET	2		(NO LONGER AVAILABLE)
22	12H304	LOCK WASHER	2		3/8"
23	14H1076	NUT	2		3/8"

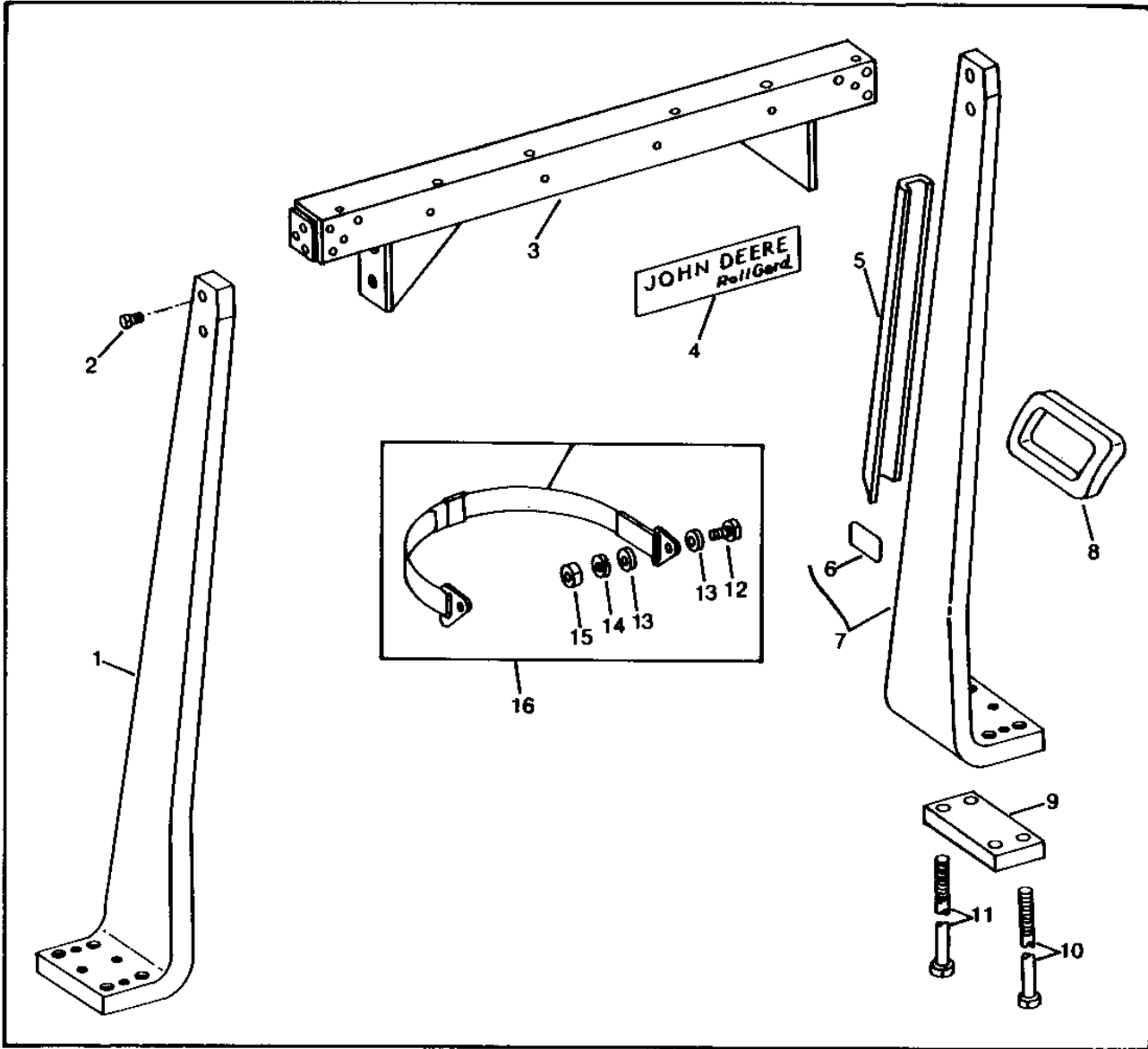
(A) ROW-CROP  
(B) STANDARD

# 3C18

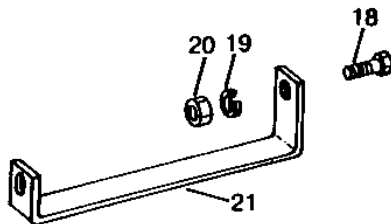
OPERATOR'S STATION

RWP4203 -UN-01JAN94

ROLL-GARD AND SEAT BELT  
(TRACTOR SERIAL NO. XXXXXX- )



RWP4203





# 3C19

OPERATOR'S STATION

**ROLL-GARD AND SEAT BELT - CONTINUED**  
(TRACTOR SERIAL NO. XXXXXX- )

KEY	PART NO.	PART NAME	QTY	TRACTOR SERIAL NO.	REMARKS
1	.....	FRAME	1		(SUB AR50536)
2	19H2728	CAP SCREW	4		3/4" X 3"
3	.....	FRAME	1		(SUB FOR AR42508 OR AR68306) (SUB AR50536)
4	R47292	LABEL	1		(SUB FOR T27155)
5	R42646	FOAM PAD	2		
6	R87527	LABEL	1		CAUTION, (SUB FOR R41781)
7	.....	FRAME	1		(SUB AR50536)
8	R44619	GROMMET	1		R.H.
	R44621	GROMMET	1		L.H.
9	R44582	PLATE	2		
10	R47724	CAP SCREW	4		
11	R47723	SCREW	4		
12	R41778	BOLT	2		
13	24H1226	WASHER	4		1/2" X 1-1/4" X 0.083"
14	12H293	LOCK WASHER	2		7/16"
15	14H807	NUT	2		7/16"
16	AR41761	SEAT BELT	1		51 MM (2")
	AT38518	SEAT BELT	1		76 MM (3")
	R81424	LABEL	1		CAUTION, (SUB FOR R42732)
17	AR50536	ROLL-GARD	1		
	R41514	CAP SCREW	8		(FENDER TO ROLL-GARD) (SUB 19H3238)
18	19H2284	CAP SCREW	2		3/8" X 7/8"
19	12H304	LOCK WASHER	2		3/8"
20	14H1076	NUT	2		3/8"
21	R43887	BRACKET	2		(NO LONGER AVAILABLE)

---

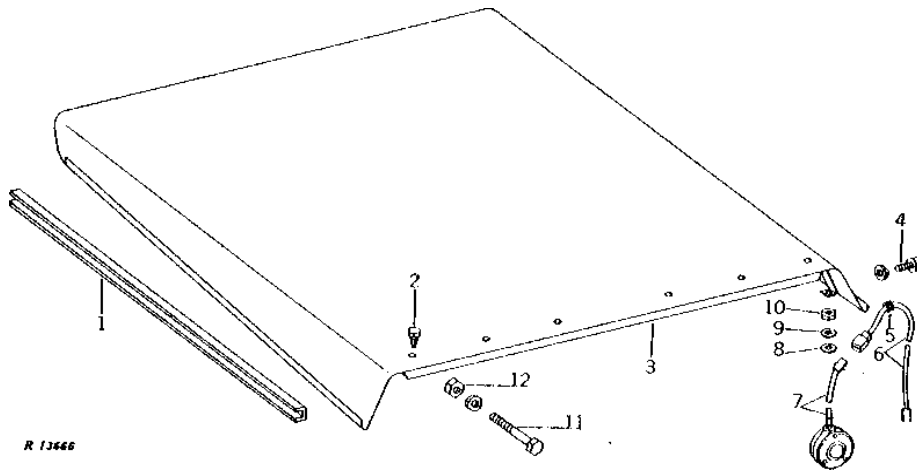
MEMORANDA

# 3C20

OPERATOR'S STATION

R13666 -UN-01JAN94

CANOPY  
(TRACTOR SERIAL NO. -030000)



R 13666

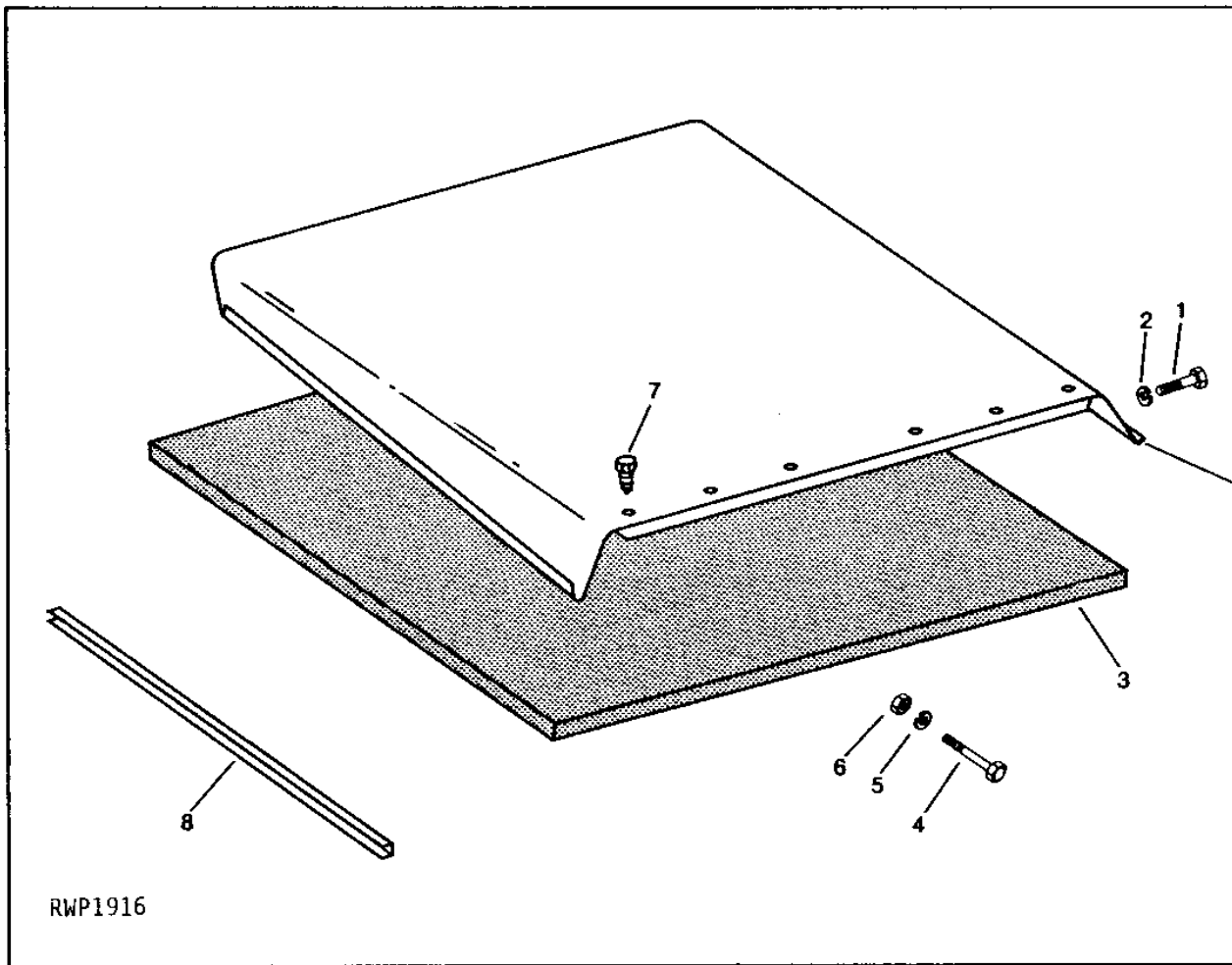
KEY	PART NO.	PART NAME	QTY	TRACTOR SERIAL NO.	REMARKS
1	R41358	ISOLATOR	2		
2	37H59	SCREW	10	5/16" X 5/8"	
3	AR47210	CANOPY	1	(SUB AR51452)	
	R44477	HEADLINER	1	(STOLPER CAB) (NLA)	
	R47197	FOAM PAD	1		
4	19H1731	CAP SCREW	6	3/8" X 1"	
	12H304	LOCK WASHER	6	3/8"	
5	R27583	GROMMET	2		
	R26936	GROMMET	2		
6	AR46411	WIRING LEAD	2	(NO LONGER AVAILABLE)	
	T32231	CLAMP	2	(SUB FOR R55618)	
	T13744	CLAMP	2		
7	AR38456	LAMP	2		
8	R38371	WASHER	2		
9	24H1227	WASHER	2	17/32" X 13/16" X 0.060"	
10	14H856	NUT	2	1/2"	
11	19H2054	CAP SCREW	6	3/8" X 4-3/4"	
12	14H1076	NUT	6	3/8"	
	12H304	LOCK WASHER	6	3/8"	

# 3C21

OPERATOR'S STATION

RWP1916 -UN-01JAN94

CANOPY AND CAB ROOF  
(TRACTOR SERIAL NO. 030001- )



# 3C22

OPERATOR'S STATION

CANOPY AND CAB ROOF - CONTINUED  
(TRACTOR SERIAL NO. 030001- )

KEY	PART NO.	PART NAME	QTY	TRACTOR SERIAL NO.	REMARKS
1	19H1731	CAP SCREW	6		3/8" X 1"
2	12H304	LOCK WASHER	6		3/8"
3	R47197	FOAM PAD	1		
4	19H2054	CAP SCREW	6		3/8" X 4-3/4"
5	12H304	LOCK WASHER	6		3/8"
6	14H1076	NUT	6		3/8"
7	37H27	SCREW	10		5/16" X 7/8"
8	R41358	ISOLATOR	2		
9	AR51452	CANOPY	1		
..	R52195	BRACKET	2		WARNING LAMP

---

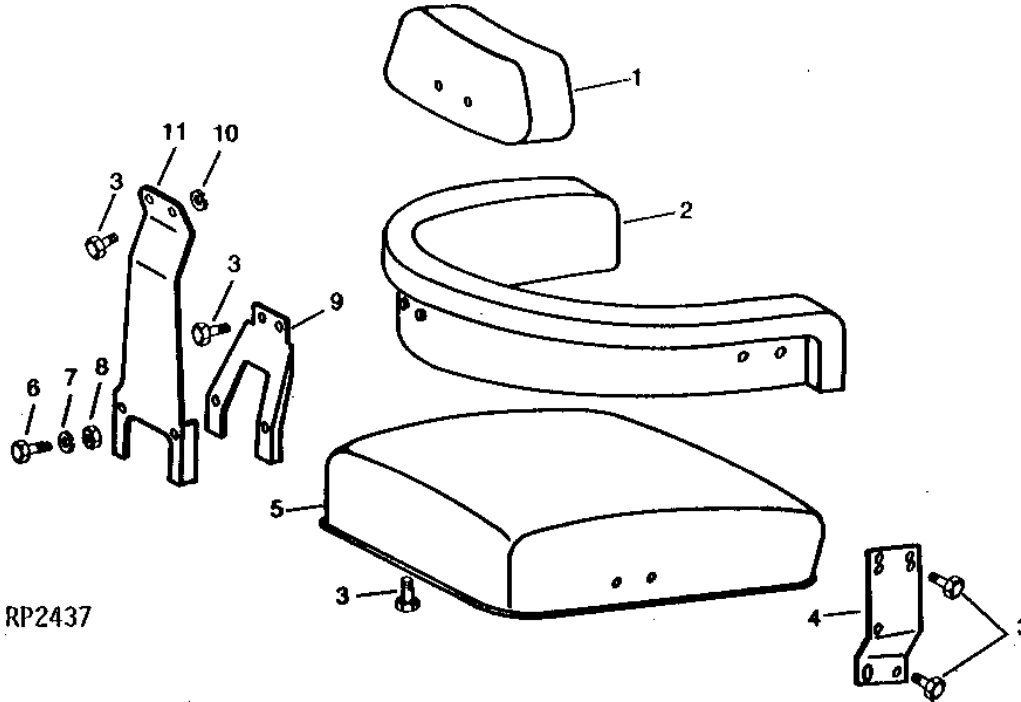
MEMORANDA

# 3C23

OPERATOR'S STATION

RP2437 -UN-01JAN94

## DELUXE SEAT



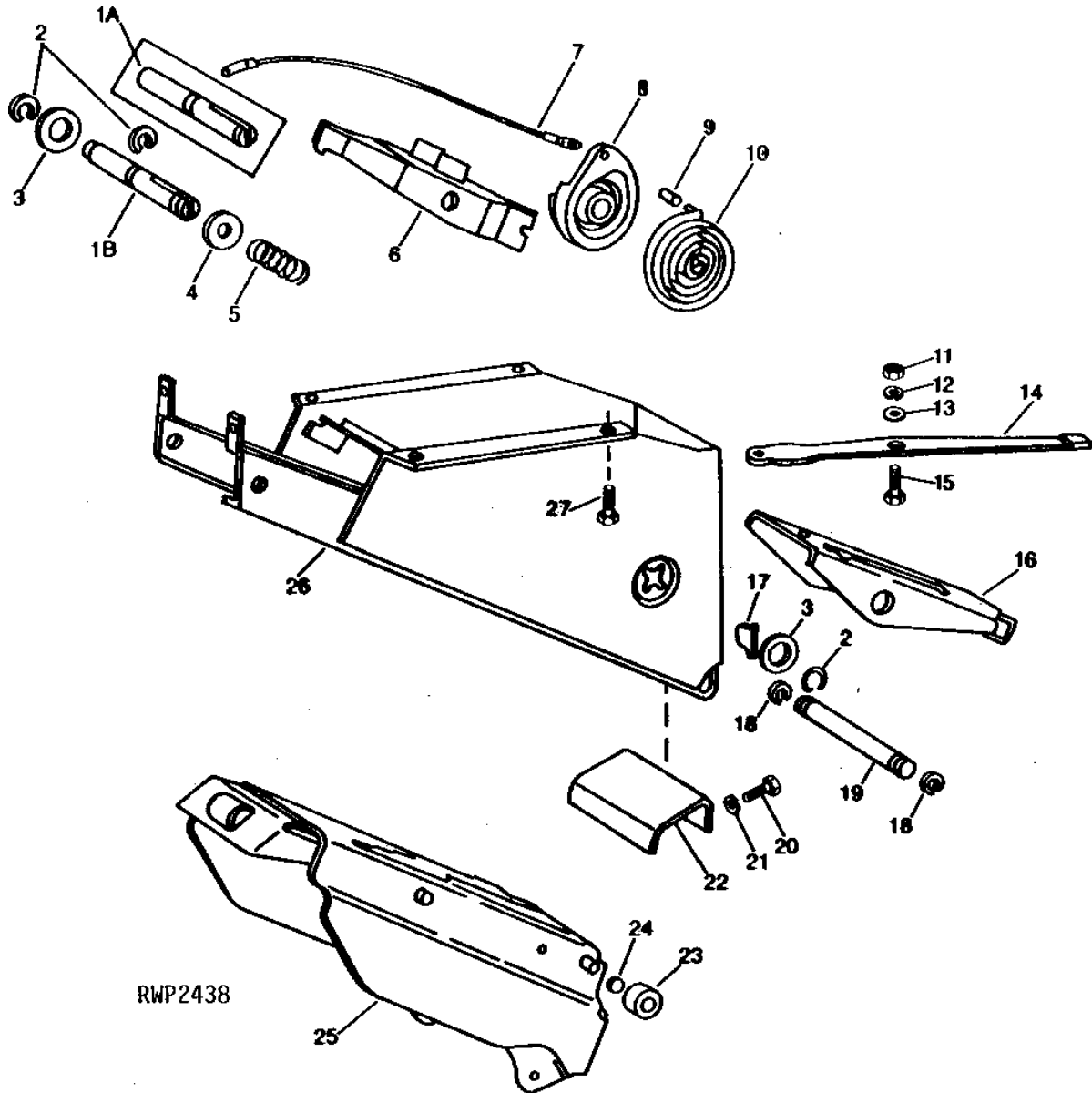
KEY	PART NO.	PART NAME	QTY	TRACTOR SERIAL NO.	REMARKS
1	AR59679	SEAT BACK	1		(SUB FOR R34267)
	R34619	CUSHION COVER	1		
2	AR59680	ARMREST	1		(SUB FOR AR42598)
	R34620	CUSHION COVER	1		
3	19H1813	CAP SCREW	16		5/16" X 5/8"
	19H2127	CAP SCREW	2		5/16" X 7/8"
	24H1517	WASHER	2		1-13/32" X 2-23/32" X 0.036"
4	R57274	SUPPORT	1		R.H. (SUB FOR R41937)
	R41938	SUPPORT	1		L.H.
5	AR59681	CUSHION	1		(SUB AR44763)
	R32736	COVER	1		(NATURAL CANVAS)
	R34618	CUSHION COVER	1		(YELLOW VINYL)
	R34609	COVER	1		(WHITE CANVAS) (SUB R34618)
6	19H1905	CAP SCREW	2		5/16" X 1"
7	12H303	LOCK WASHER	2		5/16"
8	14H785	NUT	2		5/16"
9	R27785	SUPPORT	1		
10	24H448	WASHER	2		25/32" X 1-1/8" X 0.090"
11	R34272	SUPPORT	1		
..	AR41761	SEAT BELT	1		51 MM (2") WIDTH
..	AT38518	SEAT BELT	1		76 MM (3") WIDTH
..	R81424	LABEL	1		SEAT BELT CAUTION, (SUB FOR R42732)

# 3C24

OPERATOR'S STATION

RWP2438 -UN-01JAN94

DELUXE SEAT SUPPORT



RWP2438



# 3C25

OPERATOR'S STATION

## DELUXE SEAT SUPPORT - CONTINUED

KEY	PART NO.	PART NAME	QTY	TRACTOR SERIAL NO.	REMARKS
1A	R26874	SHAFT	1	-XXXXXX	
1B	R57572	PIN	1	XXXXXX-	(ALSO ORDER R73380 AND (2) 24H1384) (SUB FOR R56064)
2	R73380	SNAP RING	2	-XXXXXX	(SUB FOR A369R)
	R73380	SNAP RING	3	XXXXXX-	(SUB FOR A369R)
3	24H1384	WASHER	2	XXXXXX-	49/64" X 1-1/16" X 0.036"
4	24H1395	WASHER	1		25/32" X 1-7/16" X 0.060"
5	A4744R	SPRING	1		
6	R26828	LATCH	1		
7	AR26403	CABLE	1		(SUB R78257)
8	R26432	REEL	1		
9	34H282	SPRING PIN	1		3/16" X 1"
10	R31260	SPRING	1		
11	14H786	NUT	1		1/4"
12	12H302	LOCK WASHER	1		1/4"
13	24H1287	WASHER	1		9/32" X 5/8" X 0.065"
14	R27439	LEVER	1		
15	R26431	SCREW	1		
16	R26830	HANDLE	1		
17	R26434	LATCH	1		
18	R26871	SNAP RING	2		
19	R26829	PIN	1		
20	19H1900	CAP SCREW	2	-XXXXXX	5/16" X 3/4"
21	12H303	LOCK WASHER	2	-XXXXXX	5/16"
22	AR54598	STOP	1	-XXXXXX	(ROLL-GARD OR SOUND-GARD BODY)
23	R26436	ROLLER	4		
24	R26872	SHIM	1		0.25 MM (.010")
	R26873	SHIM	1		0.51 MM (.020")
25	AR26632	FRAME	1		(NOT AS ILLUSTRATED)
26	AR68728	SUPPORT	1		(ALSO ORDER R57572, R73380, (2) 24H1384 AND (2) 28H1517) (SUB FOR AR54261 OR AR65883)

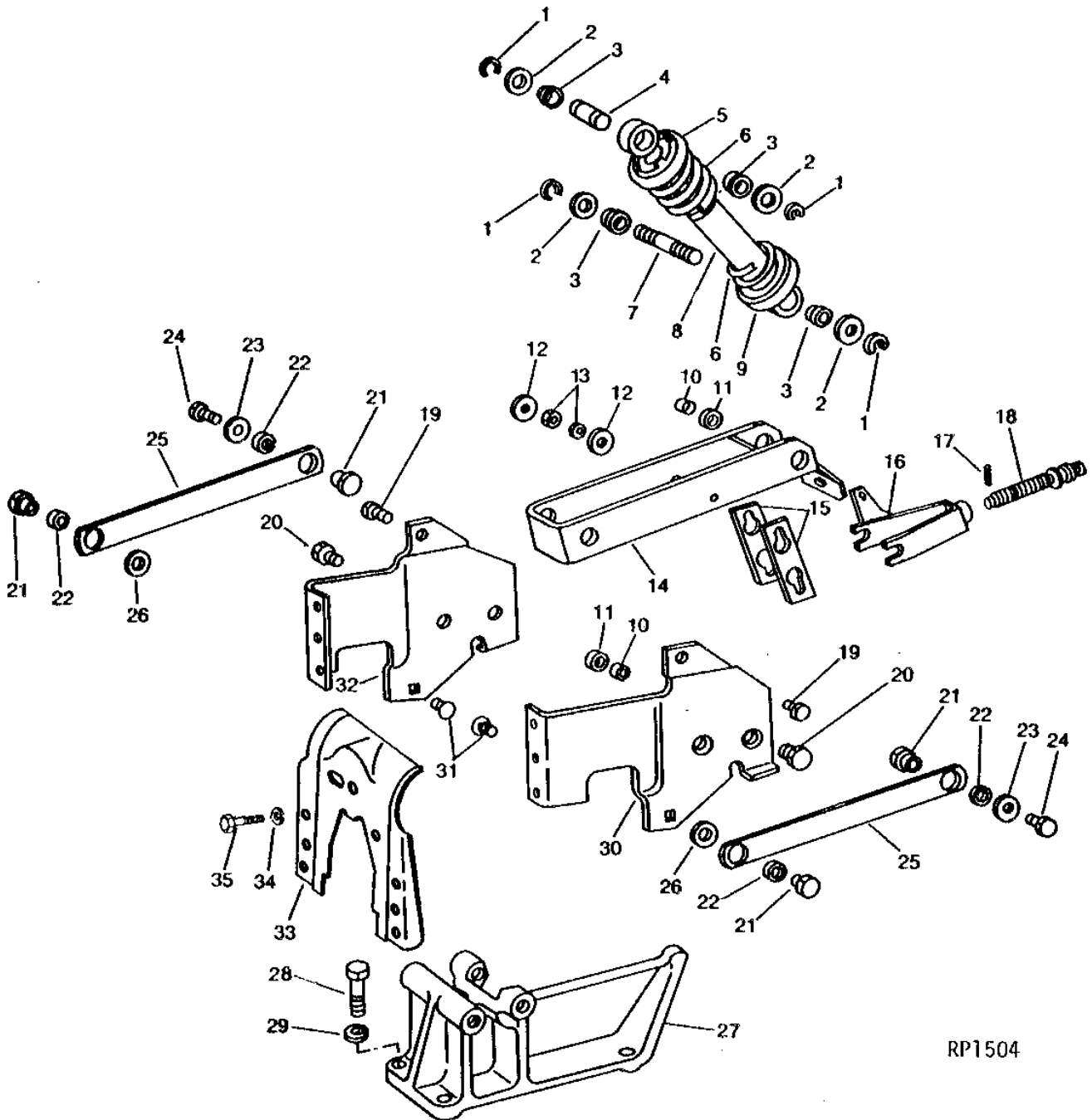
# 3D1

OPERATOR'S STATION

RP1504

-UN-01JAN94

## DELUXE SEAT SUSPENSION



RP1504

# 3D2

OPERATOR'S STATION

## DELUXE SEAT SUSPENSION - CONTINUED

KEY	PART NO.	PART NAME	QTY	TRACTOR SERIAL NO.	REMARKS
1	F2863R	SNAP RING	4		
2	R1836R	WASHER	4		
3	R26832	BUSHING	4		
4	R26875	PIN	1		
5	R27442	CAP	1		
6	R26877	SPRING	1		
7	R26876	SHAFT	1		
8	AR71976	ABSORBER	1		(SUB FOR AR26529 OR AR69854) (SUB RE62234)
9	R26879	CAP	1		
10	R27440	BUSHING	4		
11	R36704	WASHER	4		(SUB R51648)
12	R27441	WASHER	2		
13	M63440	LOCK NUT	2		(SUB FOR C744DN) (SUB E50102)
14	AR36048	ARM	1		(SUB AR60029 AND (4) R51649, THIS APPLICATION)
15	R26878	LINK	2		
16	AR69271	YOKE	1		(SUB FOR AR26530)
17	34H247	SPRING PIN	1	-XXXXXX	1/8" X 3/4"
18	34H323	SPRING PIN	1	XXXXXX-	1/4" X 3"
	R27121	SCREW	1	-XXXXXX	(SUB R57623 AND 34H323)
	R57623	SCREW	1	XXXXXX-	
19	19H1732	CAP SCREW	2		3/8" X 1-1/4"
20	R31505	BOLT	4		
21	R26880	NUT	4		
22	R36704	WASHER	4		(SUB R51648)
23	R27441	WASHER	2		
24	19H1936	CAP SCREW	2		3/8" X 3/4"
25	AR31977	LINK	2		
26	R48450	WASHER	2		(SUB FOR R26113)
27	R35657	BASE	1		
28	19H1721	CAP SCREW	4		1/2" X 1-1/2"
29	12H301	LOCK WASHER	4		1/2"
30	R27118	SUPPORT	1		
31	10H1026	BOLT	2		3/8" X 1"
32	R27119	SUPPORT	1		(A)
	R36519	SUPPORT	1		(B) (NO LONGER AVAILABLE)
33	R27458	SUPPORT	1		(A)
	R36518	SUPPORT	1		(B) (NO LONGER AVAILABLE)
34	12H304	LOCK WASHER	2		3/8"
35	19H1936	CAP SCREW	2		3/8" X 3/4"

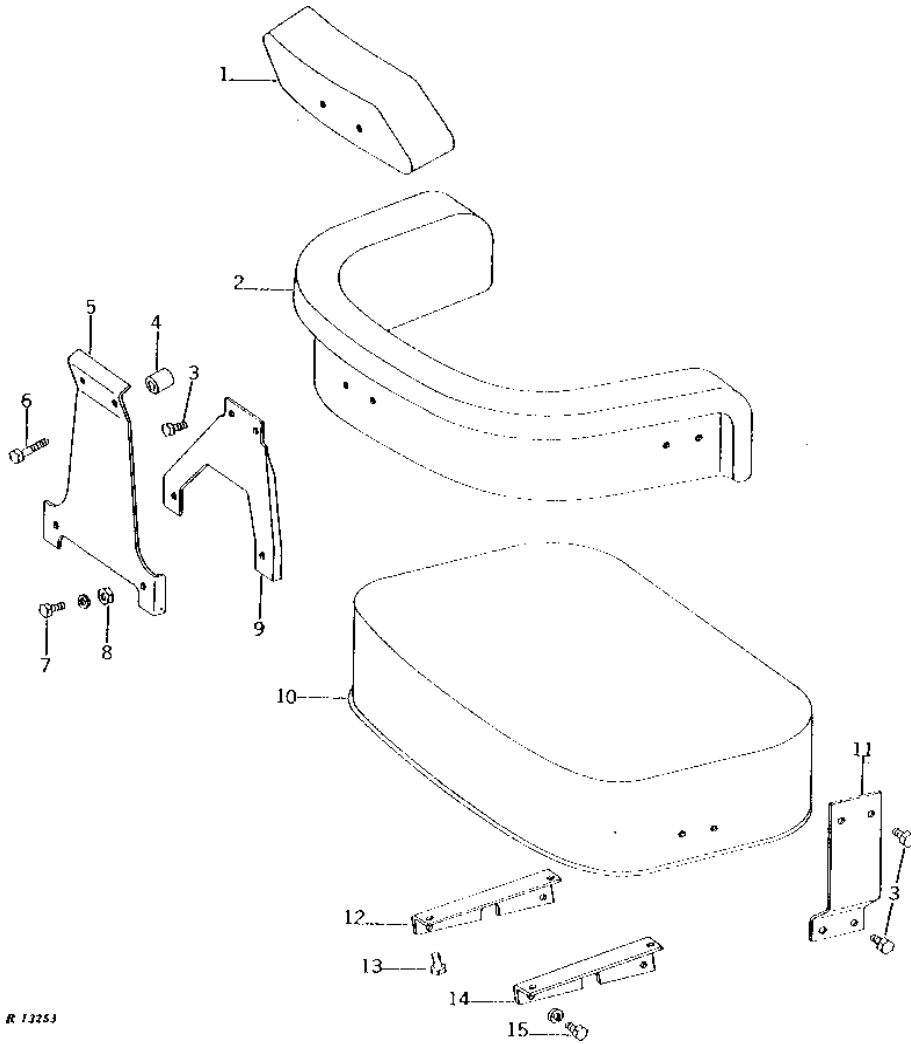
- (A) LESS ROCKSHAFT
- (B) ROCKSHAFT

# 3D3

OPERATOR'S STATION

R13253 -UN-01JAN94

DELUXE SEAT  
(CRENLO)



# 3D4

OPERATOR'S STATION

## DELUXE SEAT - CONTINUED (CRENLO)

KEY	PART NO.	PART NAME	QTY	CAB SERIAL NO.	REMARKS
1	AR59679	SEAT BACK	1	(A) (SUB R34267)	
	R34619	CUSHION COVER	1	(A)	
2	R34268	SEAT BACK	1	(A)	
	R34620	CUSHION COVER	1	(A)	
3	19H1813	CAP SCREW	10	5/16" X 5/8"	
4	24H448	WASHER	2	25/32" X 1-1/8" X 0.090"	
5	R34282	SUPPORT	1		
6	19H3552	CAP SCREW	2	5/16" X 1-1/2"	
7	19H1900	CAP SCREW	2	5/16" X 3/4"	
	12H303	LOCK WASHER	2	5/16"	
8	14H785	NUT	1	5/16"	
9	R30443	SUPPORT	1		
10	R34266	CUSHION	1	(A)	
	R34618	CUSHION COVER	1	(A)	
	R34609	COVER	1	(WHITE CANVAS) (SUB R34618)	
11	R31512	SUPPORT	1	R.H.	
	R31513	SUPPORT	1	L.H.	
12	R42418	BRACKET	1	L.H. (NO LONGER AVAILABLE)	
13	19H1813	CAP SCREW	4	5/16" X 5/8"	
14	R42417	BRACKET	1	(NO LONGER AVAILABLE)	
15	19H1813	CAP SCREW	4	5/16" X 5/8"	
	12H303	LOCK WASHER	4	5/16"	

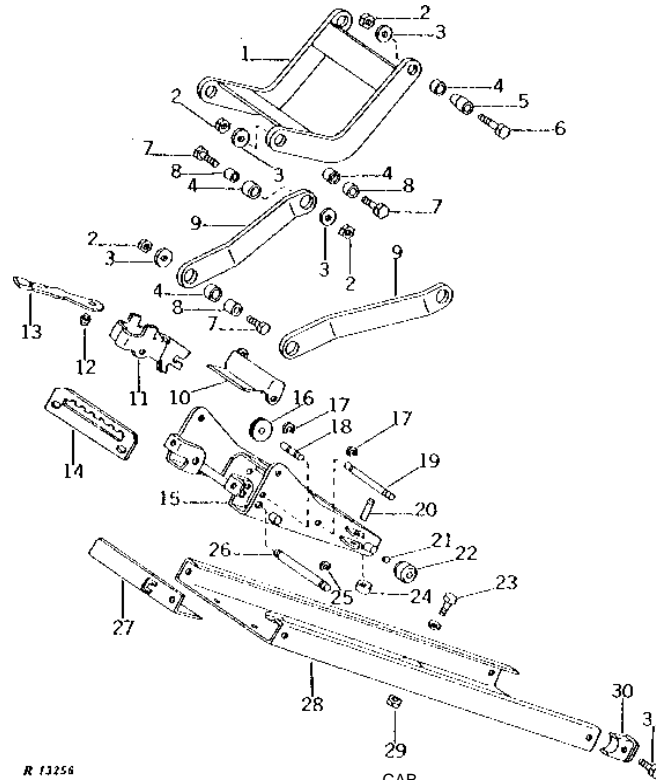
(A) YELLOW VINYL

# 3D5

OPERATOR'S STATION

R13256 -UN-01JAN94

## DELUXE SEAT SUPPORT (CRENLO)



R 13256

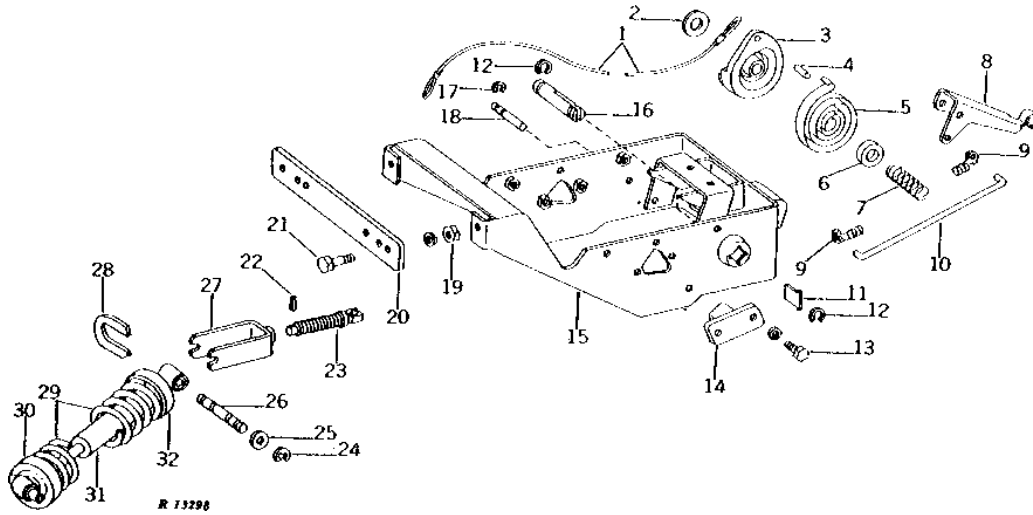
KEY	PART NO.	PART NAME	QTY	CAB SERIAL NO.	REMARKS
1	AR31979	ARM	1		
2	M63440	LOCK NUT	8		(SUB FOR C744DN) (SUB E50102)
3	R27441	WASHER	8		
4	R36704	WASHER	8		(SUB R51648)
5	R30429	BUSHING	2		
6	19H1765	CAP SCREW	2		3/8" X 1-3/4"
7	19H2552	CAP SCREW	8		3/8" X 1-1/8"
8	R27440	BUSHING	6		
9	AR31978	LINK	1		
10	T14035	FITTING	1		
11	T14032	LATCH	1		
12	T14031	PIN	1		
13	R28791	LEVER	1		
14	T14038	GAUGE	1		
15	AR30317	FRAME	1		
16	R30433	PULLEY	1		
17	F3396R	SNAP RING	4		
18	R30434	PIN	1		
19	R30426	PIN	1		
20	R72660	PIN	2		(SUB FOR R662R)
21	R31411	SHIM	AR		0.25 MM (.010") RIGHT REAR AND LEFT FRONT
	R31442	SHIM	AR		0.51 MM (.020") RIGHT REAR AND LEFT FRONT
22	R31261	BUSHING	4		
23	19H1936	CAP SCREW	4		3/8" X 3/4"
	12H304	LOCK WASHER	4		3/8"
24	R31262	WASHER	2		
25	R26871	SNAP RING	2		
26	R30425	PIN	1		
27	AR34660	BRACKET	1		
28	AT13140	RAIL	1		
29	14H1076	NUT	4		3/8"
30	R28157	STOP	4		
31	19H1936	CAP SCREW	4		3/8" X 3/4"

# 3D6

OPERATOR'S STATION

R13298 -UN-01JAN94

## DELUXE SEAT SUSPENSION (CRENLO)



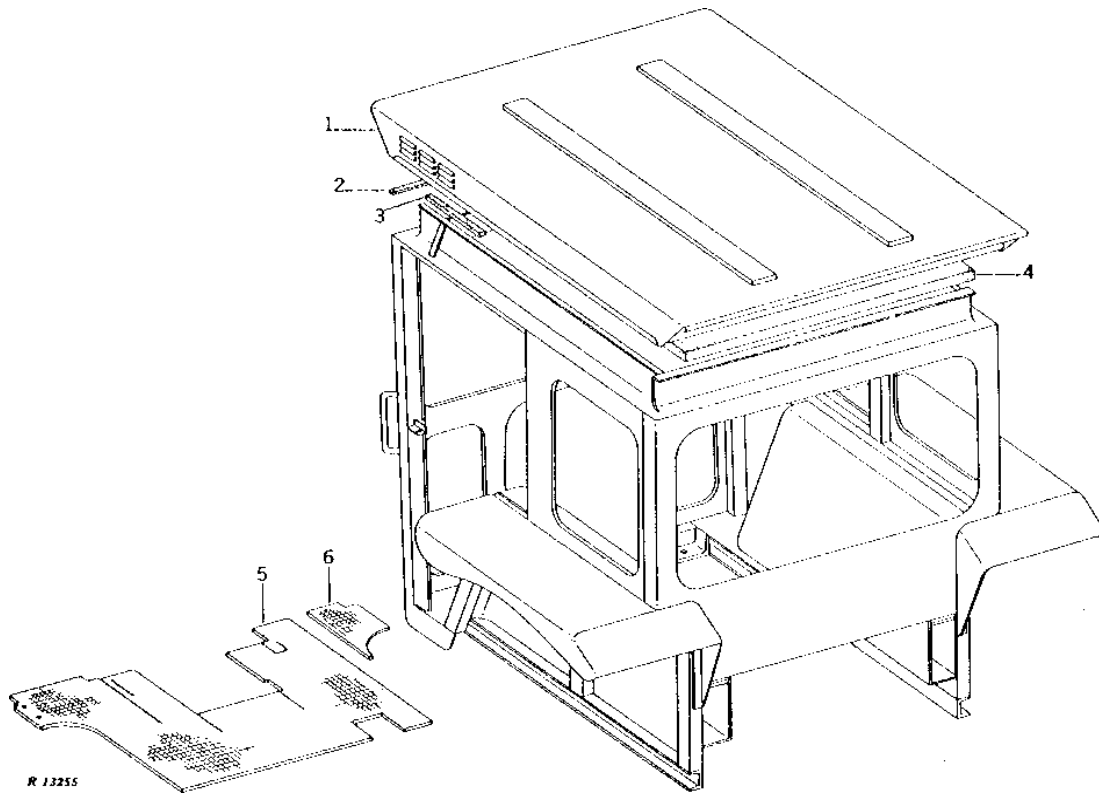
KEY	PART NO.	PART NAME	QTY	CAB SERIAL NO.	REMARKS
1	AR28339	CABLE	1		
2	24H1395	WASHER	1		25/32" X 1-7/16" X 0.060"
3	R26432	REEL	1		
4	34H282	SPRING PIN	1		3/16" X 1"
5	R31260	SPRING	1		
6	R30432	WASHER	1		
7	A4744R	SPRING	1		
8	T14033	HANDLE	1		
9	R26524	CLIP	2		
10	T14037	PIN	1		
11	R26434	LATCH	1		
12	R73380	SNAP RING	2		(SUB FOR A369R)
13	19H2127	CAP SCREW	4		5/16" X 7/8"
	12H303	LOCK WASHER	4		5/16"
14	R30440	STOP	2		
15	AR28341	FRAME	1		
16	R30431	SHAFT	1		
17	F3396R	SNAP RING	2		
18	R30435	PIN	1		
19	14H785	NUT	2		5/16"
	12H303	LOCK WASHER	2		5/16"
20	R42414	STRAP	1		
21	19H3552	CAP SCREW	1		5/16" X 1-1/2"
22	34H247	SPRING PIN	1		1/8" X 3/4"
23	R30439	SCREW	1		
24	R30437	SNAP RING	2		
25	R30610	WASHER	2		
26	R30436	SHAFT	1		
27	AR28340	YOKE	1		
28	R28938	RETAINER	1		
29	R26877	SPRING	1		
30	R27442	CAP	1		
31	AR27572	ABSORBER	1		
32	R28937	CAP	1		

# 3D7

OPERATOR'S STATION

R13255 -UN-01JAN94

## CAB ROOF AND FLOOR MAT (CRENLO)





# 3D8

OPERATOR'S STATION

## CAB ROOF AND FLOOR MAT - CONTINUED (CRENLO)

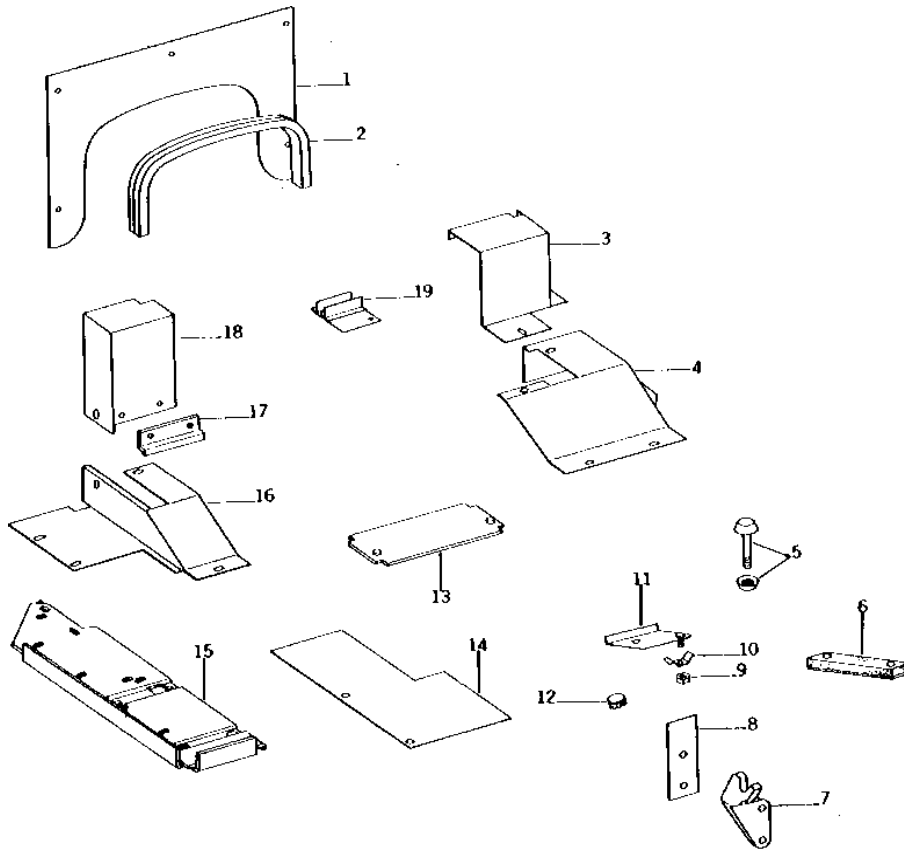
KEY	PART NO.	PART NAME	QTY	CAB SERIAL NO.	REMARKS
1	.....	ROOF	1		(NO LONGER AVAILABLE)
2	R42560	GASKET	1		
3	R42558	GASKET	2		
4	R42533	FOAM PAD	1		REAR
	R42534	FOAM PAD	1		FRONT
5	R42572	MAT	1		(NLA)
6	R42573	MAT	1		(NO LONGER AVAILABLE)
..	R53745	TAPE	AR		55 M (180 FT.) (SUB FOR R46662)
..	R46663	SEALING TRIM	AR		18 M (60 FT.)

# 3D9

OPERATOR'S STATION

R15030 -UN-01JAN94

## INTERIOR PANELS AND GASKETS (CRENLO)



R 15030

# 3D10

OPERATOR'S STATION

## INTERIOR PANELS AND GASKETS - CONTINUED (CRENLO)

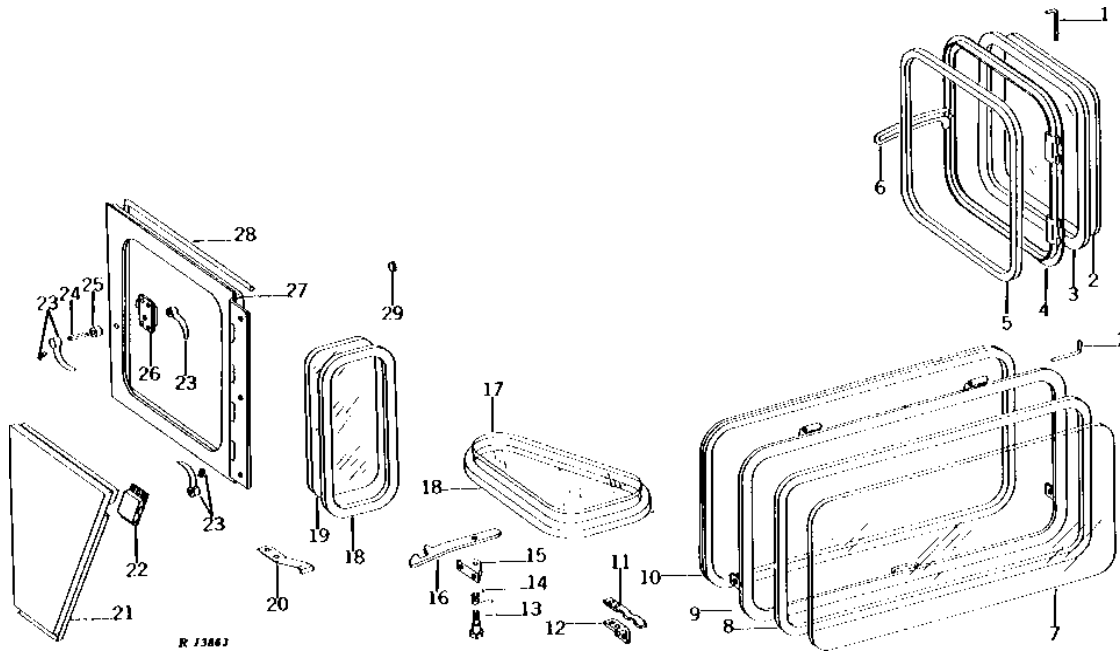
KEY	PART NO.	PART NAME	QTY	CAB SERIAL NO.	REMARKS
1	AR44695	PANEL	1		HOOD ENCLOSURE
2	R41800	GASKET	1		
3	AR44691	PANEL	1		HEAT SHIELD (NO LONGER AVAILABLE)
	R41800	GASKET	1		
4	R41815	ISOLATOR	1		
	AR44693	PANEL	1		BRAKE (NO LONGER AVAILABLE)
	R41800	GASKET	1		
5	AR42274	PLUNGER	1		DIFFERENTIAL LOCK PEDAL (NO LONGER AVAILABLE)
6	R42180	COVER	1		LOAD AND DEPTH CONTROL LEVER SLOT (NO LONGER AVAILABLE)
7	R32118	ARM	1		REMOTE CYLINDER TRANSPORT, L.H.
	R32117	ARM	1		REMOTE CYLINDER TRANSPORT, R.H.
8	R41959	PLATE	2		(NO LONGER AVAILABLE)
	R28473	PLUG	4		(LESS REMOTE CYLINDER)
9	H24659	NUT	1		
10	R44223	SPRING	1		(NO LONGER AVAILABLE)
11	AR45474	COVER	1		TRANSMISSION ACCESS (NO LONGER AVAILABLE)
12	R42566	PLUG	1		(NO LONGER AVAILABLE)
13	AR44683	PANEL	1		PLATFORM (NO LONGER AVAILABLE)
14	AR48136	COVER	1		BATTERY (NO LONGER AVAILABLE)
15	AR47814	BOX	1		BATTERY (NO LONGER AVAILABLE)
16	AR44694	PANEL	1		CLUTCH (NO LONGER AVAILABLE)
	R41800	GASKET	1		
17	R42570	ANGLE	1		(NO LONGER AVAILABLE)
	R42575	ANGLE	1		(NO LONGER AVAILABLE)
18	AR44692	PANEL	1		HEAT SHIELD (NO LONGER AVAILABLE)
	R41800	GASKET	1		
	R41815	ISOLATOR	1		
19	AR44696	PLATE	1		PTO DISENGAGE (NO LONGER AVAILABLE)

# 3D11

OPERATOR'S STATION

## DOORS, WINDOW FRAMES, AND GLASS (CRENLO)

R13863 -UN-01JAN94



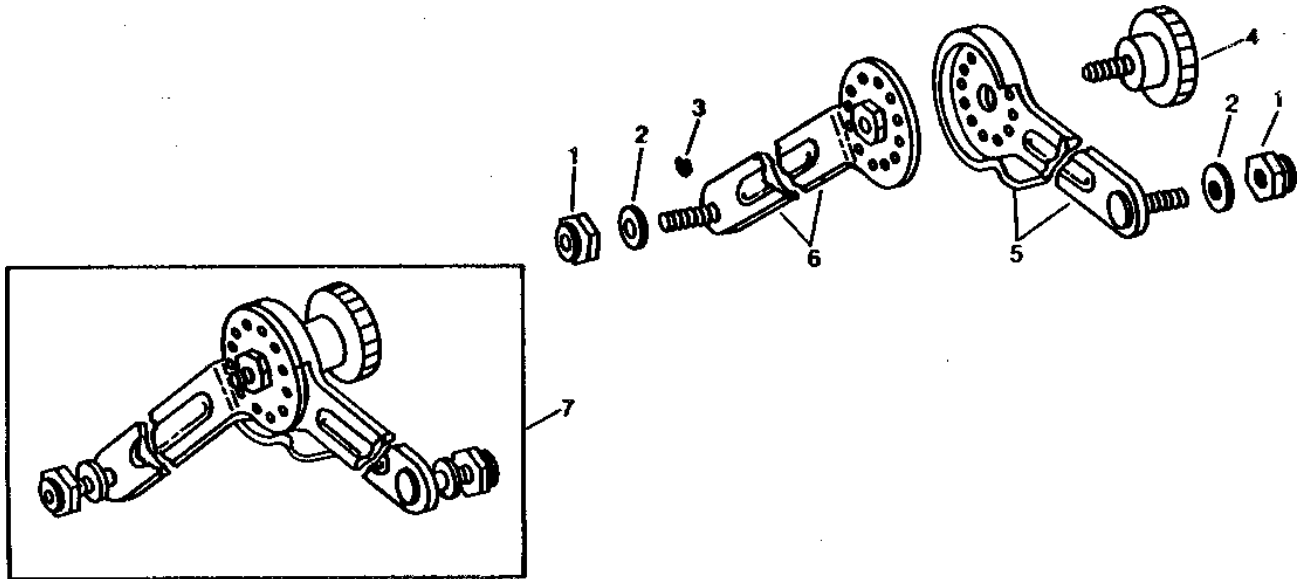
KEY	PART NO.	PART NAME	QTY	CAB SERIAL NO.	REMARKS
1	R42541	PIN	4		
2	R42553	WINDOWPANE	4		(NO LONGER AVAILABLE)
3	R41807	WEATHERSTRIP	1		FRONT SIDE WINDOW
4	R41795	WEATHERSTRIP	3		SIDE WINDOWS AND DOOR (NO LONGER AVAILABLE)
5	AR44645	FRAME	1		(NO LONGER AVAILABLE)
6	R42542	GASKET	1		
7	R42543	STRAP	1		(NO LONGER AVAILABLE)
8	R42552	WINDOWPANE	2		
9	R41807	WEATHERSTRIP	1		REAR WINDOW
10	R41795	WEATHERSTRIP	2		WINDSHIELD (NO LONGER AVAILABLE)
11	AR44644	FRAME	1		(NO LONGER AVAILABLE)
12	R42542	GASKET	2		
13	R41961	BRACKET	1		(POWER SHIFT) TRANSMISSION DISCONNECT LEVER DETENT (NO LONGER AVAILABLE)
14	R42015	SUPPORT	1		(POWER SHIFT) (NO LONGER AVAILABLE)
15	R42549	PIN	1		
16	R41805	SPRING	1		(NO LONGER AVAILABLE)
17	R41803	BRACKET	1		(NO LONGER AVAILABLE)
18	R42548	STRAP	1		(NO LONGER AVAILABLE)
19	R44224	WINDOWPANE	1		(INSIDE L.H. REAR) (NO LONGER AVAILABLE)
20	R41795	WEATHERSTRIP	2		(NO LONGER AVAILABLE)
21	R42554	WINDOWPANE	2		(NO LONGER AVAILABLE)
22	R44222	STOP	1		DOOR (NO LONGER AVAILABLE)
23	AR44642	DOOR	1		(NO LONGER AVAILABLE)
24	AR44643	LATCH	1		
25	AR44641	HANDLE	3		
26	R42535	SHAFT	1		
27	R42536	SPACER	1		
28	AR44640	LATCH	1		
29	AR44639	DOOR	1		(NO LONGER AVAILABLE)
..	R42538	GASKET	1		(NO LONGER AVAILABLE)
..	R42537	GASKET	8		UPPER AND LOWER DOOR (NO LONGER AVAILABLE)
..	R56493	FOAM PAD	2		UPPER AND LOWER DOOR, (SUB FOR R42539)
..	R41818	PLUG	4		(NO LONGER AVAILABLE)
..	AR85792	ADHESIVE	1		.15 L (5 OZ.) (SUB FOR AR31790 OR AR79739)

# 3D12

OPERATOR'S STATION

## WINDOW ADJUSTERS (CRENLO)

RWP2584 -UN-01JAN94



RWP2584

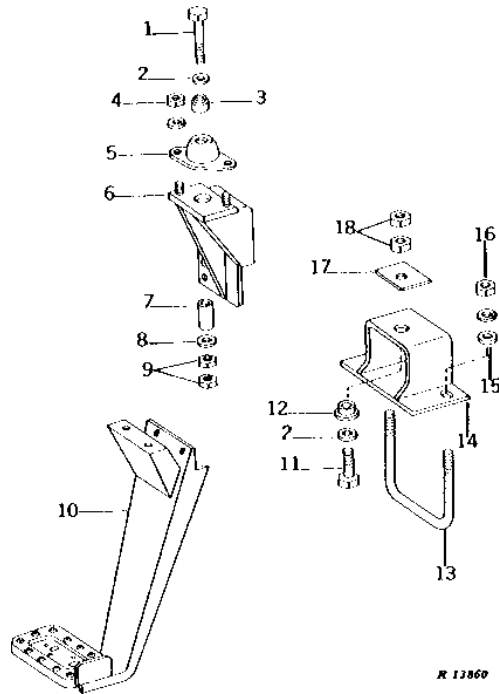
KEY	PART NO.	PART NAME	QTY	CAB SERIAL NO.	REMARKS
1	K40003	LOCK NUT	2		(SUB FOR R41564)
2	24H1305	WASHER	2		13/32" X 13/16" X 0.065"
3	R54242	SNAP RING	1		(SUB FOR R41812)
4	AR41850	KNOB	1		
5	AR41852	ARM	1		FEMALE, R.H. REAR, (SUB AR102219)
	AR41854	ARM	1		FEMALE, L.H. REAR, (SUB AR102220)
6	AR41853	ARM	2		MALE, (SUB AR102219 AND AR102220)
7	AR102219	LATCH	1		R.H. REAR
	AR102220	LATCH	1		L.H. REAR

# 3D13

OPERATOR'S STATION

R13860 -UN-01JAN94

## MOUNTING BRACKET AND STEP (CRENLO)



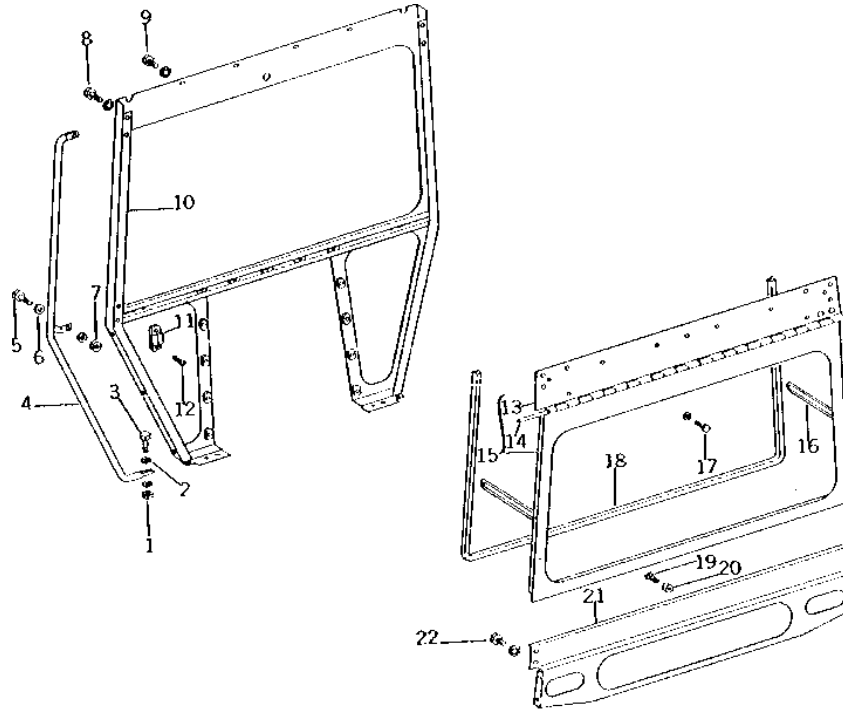
KEY	PART NO.	PART NAME	QTY	CAB SERIAL NO.	REMARKS
1	19H2000	CAP SCREW	2	3/4" X 5"	
2	24H1458	WASHER	2	1-1/32" X 2-1/4" X 0.120"	
	24H1369	WASHER	2	21/32" X 1-3/8" X 0.060"	
3	R44218	BUSHING	2	(NO LONGER AVAILABLE)	
4	14H1040	NUT	4	1/2"	
	12H301	LOCK WASHER	4	1/2"	
5	AR51810	SUPPORT	1	(SUB FOR AR45469)	
6	AR48134	BRACKET	1	L.H. (NO LONGER AVAILABLE)	
	AR44688	BRACKET	1	R.H. (NO LONGER AVAILABLE)	
7	R44219	BUSHING	1	(NO LONGER AVAILABLE)	
8	24H1402	WASHER	2	25/32" X 1-7/8" X 1/4"	
9	R40121	LOCK NUT	4		
10	AR44684	STEP	1	(NO LONGER AVAILABLE)	
11	19H2122	CAP SCREW	2	1" X 2-1/2"	
12	R42568	GROMMET	2		
13	R35761	U-BOLT	2	(NLA)	
14	AR44690	BRACKET	2	(NO LONGER AVAILABLE)	
15	R28695	WASHER	4		
16	14H1039	NUT	4	5/8"	
	12H294	LOCK WASHER	4	5/8"	
17	R42567	FOAM PAD	2	(NO LONGER AVAILABLE)	
18	14H806	NUT	4	1"	

# 3D14

OPERATOR'S STATION

## CAB FRONT AND REAR PANELS (STOLPER)

R14188 -UN-01JAN94



R 14188

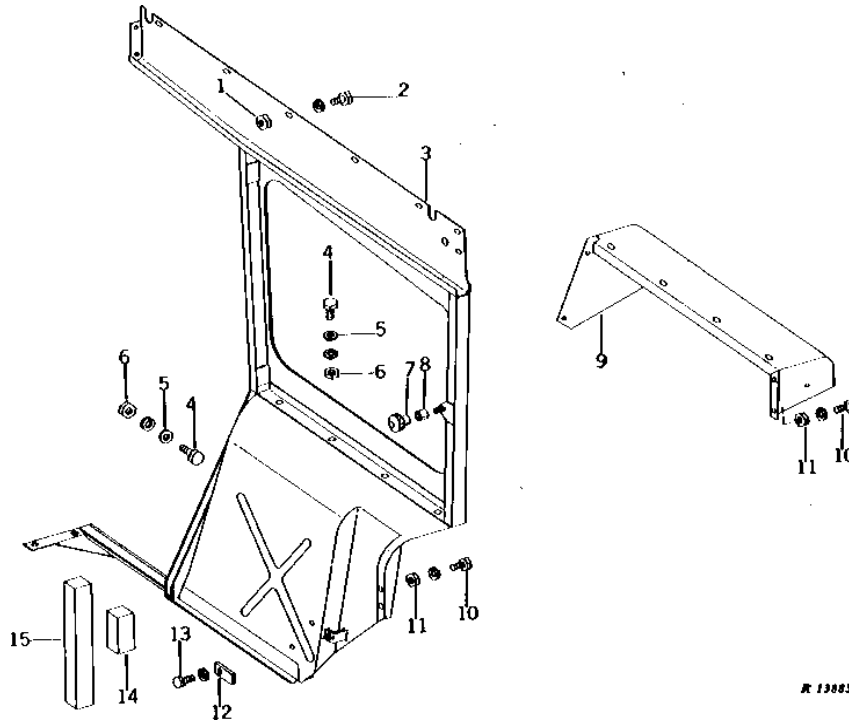
KEY	PART NO.	PART NAME	QTY	CAB SERIAL NO.	REMARKS
1	14H1076	NUT	1	3/8"	
	12H304	LOCK WASHER	1	3/8"	
2	24H1305	WASHER	1	13/32" X 13/16" X 0.065"	
3	19H1765	CAP SCREW	1	3/8" X 1-3/4"	
4	AR46299	HANDLE	1	(NO LONGER AVAILABLE)	
5	19H1900	CAP SCREW	1	5/16" X 3/4"	
6	24H1136	WASHER	1	11/32" X 11/16" X 0.065"	
7	14H785	NUT	1	5/16"	
	12H303	LOCK WASHER	1	5/16"	
8	19H1726	CAP SCREW	4	3/8" X 2-1/4"	
	12H310	LOCK WASHER	4	3/8"	
9	19H1731	CAP SCREW	6	3/8" X 1"	
	12H310	LOCK WASHER	6	3/8"	
10	AR43739	PANEL	1	208300-	(NO LONGER AVAILABLE)
	AR50025	PANEL	1		(AIR CONDITIONING) (NO LONGER AVAILABLE)
11	H63952	PLATE	1		
12	21H1210	SCREW	2	1/4" X 3/4"	
13	R44431	PANEL	1		(NO LONGER AVAILABLE)
14	R44432	PIN	1		(NO LONGER AVAILABLE)
15	AR45810	PANEL	1		(NO LONGER AVAILABLE)
16	R44444	ARM	2		
17	19H1905	CAP SCREW	6	5/16" X 1"	
	12M7032	LOCK WASHER	6	0.331"	
18	.....	SEAL	1		2908 MM (114-1/2") (MAKE FROM H61993)
19	R44436	SCREW	1		(NO LONGER AVAILABLE)
20	T101090	BUMPER	1		(SUB FOR R44434)
21	AR47727	PANEL	1		(NO LONGER AVAILABLE)
22	19H1936	CAP SCREW	4	3/8" X 3/4"	
	12H310	LOCK WASHER	4	3/8"	

# 3D15

OPERATOR'S STATION

## CAB RIGHT-HAND SIDE AND FENDER (STOLPER)

R13883 -UN-01JAN94



R 13883

KEY	PART NO.	PART NAME	QTY	CAB SERIAL NO.	REMARKS
1	14H1076	NUT	4	3/8"	
2	19H1731	CAP SCREW	6	3/8" X 1"	
	12H310	LOCK WASHER	6	3/8"	
3	AR46763	CAB	1	(NO LONGER AVAILABLE)	
4	19H1936	CAP SCREW	7	3/8" X 3/4"	
5	24H1305	WASHER	7	13/32" X 13/16" X 0.065"	
6	14H1076	NUT	7	3/8"	
	12H304	LOCK WASHER	7	3/8"	
7	R44446	KNOB	1		
8	R44445	BUSHING	1		
9	AR46761	FENDER	1	(NO LONGER AVAILABLE)	
10	19H1936	CAP SCREW	4	3/8" X 3/4"	
	12H304	LOCK WASHER	4	3/8"	
11	14H1076	NUT	4	3/8"	
12	R44984	STRAP	1	(NO LONGER AVAILABLE)	
13	19H1731	CAP SCREW	1	3/8" X 1"	
	12H304	LOCK WASHER	1	3/8"	
14	.....	FOAM PAD	1	51 X 51 X 102 MM (2" X 2" X 4") (MAKE FROM R45015)	
15	.....	FOAM PAD	1	51 X 51 X 256 MM (2" X 2" X 14") (MAKE FROM R45015)	

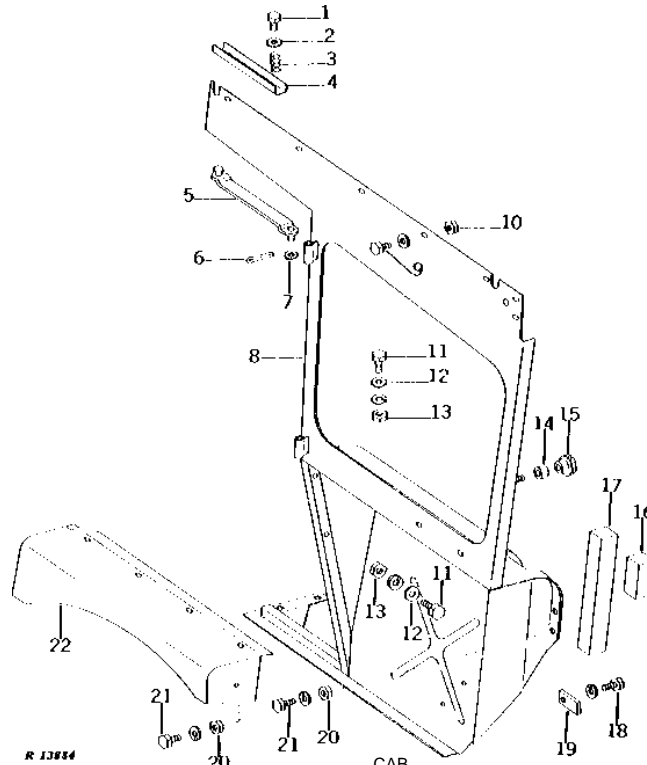


# 3D16

OPERATOR'S STATION

R13884 -UN-01JAN94

## CAB LEFT-HAND SIDE AND FENDER (STOLPER)



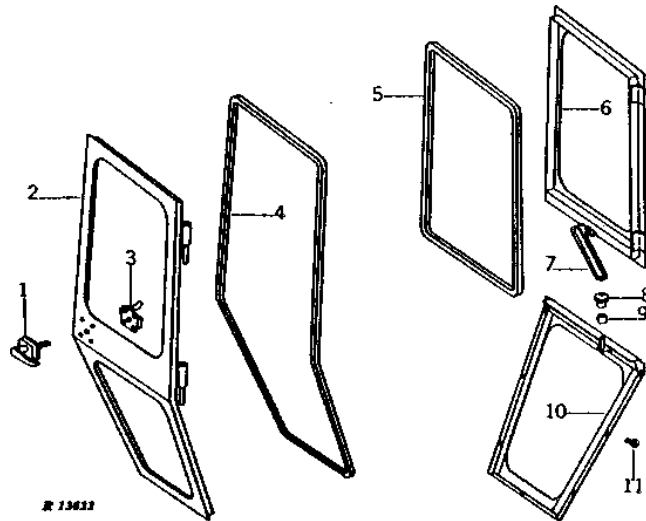
KEY	PART NO.	PART NAME	QTY	SERIAL NO.	REMARKS
1	19H1726	CAP SCREW	2	3/8" X 2-1/4"	
2	24H1305	WASHER	2	13/32" X 13/16" X 0.065"	
3	R44448	SPRING	2		
4	AR45823	STOP	1		(NO LONGER AVAILABLE)
5	AR45824	ROD	1		
6	11M7059	COTTER PIN	1	3.200 X 20 MM	
7	24H1305	WASHER	1	13/32" X 13/16" X 0.065"	
8	AR46764	CAB	1		(NO LONGER AVAILABLE)
9	19H1731	CAP SCREW	6	3/8" X 1"	
	12H310	LOCK WASHER	6	3/8"	
10	14H1076	NUT	4	3/8"	
11	19H1936	CAP SCREW	7	3/8" X 3/4"	
12	24H1305	WASHER	7	13/32" X 13/16" X 0.065"	
13	14H1076	NUT	7	3/8"	
	12H304	LOCK WASHER	7	3/8"	
14	R44445	BUSHING	1		
15	R44446	KNOB	1		
16	.....	FOAM PAD	1		51 X 51 X 102 MM (2" X 2" X 4") (MAKE FROM R45015)
17	.....	FOAM PAD	1		51 X 51 X 356 MM (2" X 2" X 14") (MAKE FROM R45015)
18	19H1731	CAP SCREW	1	3/8" X 1"	
	12H304	LOCK WASHER	1	3/8"	
19	R44984	STRAP	1		(NO LONGER AVAILABLE)
20	14H1076	NUT	4	3/8"	
21	19H1936	CAP SCREW	4	3/8" X 3/4"	
	12H304	LOCK WASHER	4	3/8"	
22	AR46762	FENDER	1		(NO LONGER AVAILABLE)

# 3D17

OPERATOR'S STATION

## CAB DOOR, RIGHT-HAND LOWER PANEL AND FRONT WINDOW (STOLPER)

R13633 -UN-01JAN94



KEY	PART NO.	PART NAME	QTY	CAB SERIAL NO.	REMARKS
1	AH64758	HANDLE	1		
2	AR45813	DOOR	1		
3	AR45814	LATCH	1		
4	H61993	WEATHERSTRIP	1		
5	.....	SEAL	1	2692 MM (106")	(MAKE FROM H61993)
6	AR45815	WINDOW	1		
7	R44444	ARM	1		
8	R44446	KNOB	1		
9	R44445	BUSHING	1		
10	AR45816	PANEL	1		
11	21H1304	SCREW	7	5/16" X 3/4"	
..	AR85792	ADHESIVE	1	.15L (5 OZ.)	(SUB FOR AR31790 OR AR79739)

---

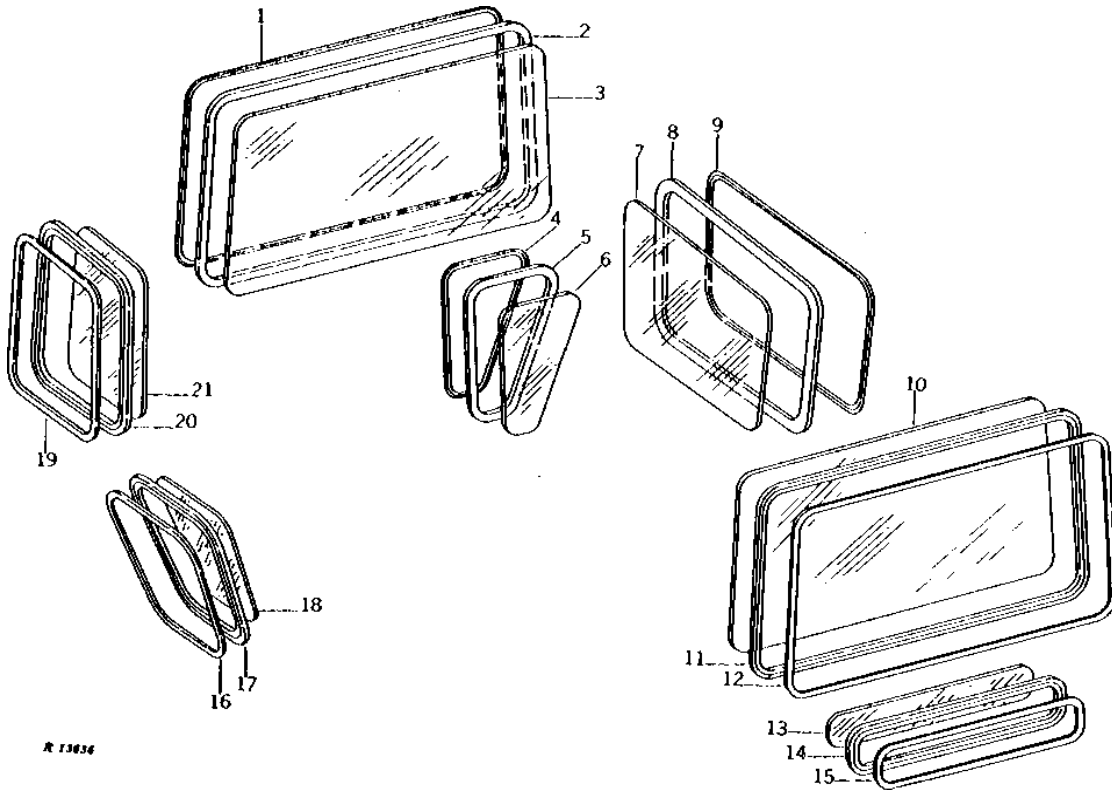
MEMORANDA

# 3D18

OPERATOR'S STATION

R13636 -UN-01JAN94

CAB GLASS  
(STOLPER)



# 3D19

OPERATOR'S STATION

**CAB GLASS - CONTINUED  
(STOLPER)**

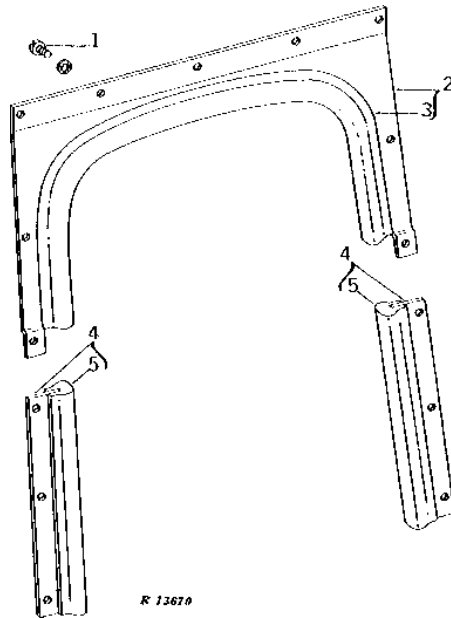
KEY	PART NO.	PART NAME	QTY	CAB SERIAL NO.	REMARKS
1	R44438	ISOLATOR	1		
2	R44437	MOLDING	1		
3	R44439	WINDOWPANE	1		WINDSHIELD (NLA)
4	.....	ISOLATOR	2		1632 MM (64-1/4") (MAKE FROM R44438)
5	.....	MOLDING	2		1632 MM (64-1/4") (MAKE FROM R44437) (NLA)
6	R44441	WINDOWPANE	2		
7	R44449	WINDOWPANE	2		
8	.....	MOLDING	2		3251 MM (128") (MAKE FROM R44437) (NLA)
9	.....	ISOLATOR	2		3251 MM (128") (MAKE FROM R44438)
10	R44433	WINDOWPANE	1		REAR
11	.....	MOLDING	1		3810 MM (150") (MAKE FROM R44437) (NLA)
12	.....	ISOLATOR	1		3810 MM (150") (MAKE FROM R44438)
13	R44435	WINDOWPANE	1		
14	.....	MOLDING	1		1930 MM (76") (MAKE FROM R44437) (NLA)
15	.....	ISOLATOR	1		1930 MM (76") (MAKE FROM R44438)
16	.....	ISOLATOR	2		1943 MM (76-1/2") (MAKE FROM R44438)
17	.....	MOLDING	2		1943 MM (76-1/2") (MAKE FROM R44437) (NLA)
18	R44443	WINDOWPANE	1		
19	.....	ISOLATOR	2		2229 MM (87-3/4") (MAKE FROM R44438)
20	.....	MOLDING	2		2229 MM (87-3/4") (MAKE FROM R44437) (NLA)
21	R44442	WINDOWPANE	1		
..	AR85792	ADHESIVE	1		.15 L (5 OZ.) (SUB FOR AR79739) (SUB AR31790)

# 3D20

OPERATOR'S STATION

R13670 -UN-01JAN94

## COWL PANELS (STOLPER)



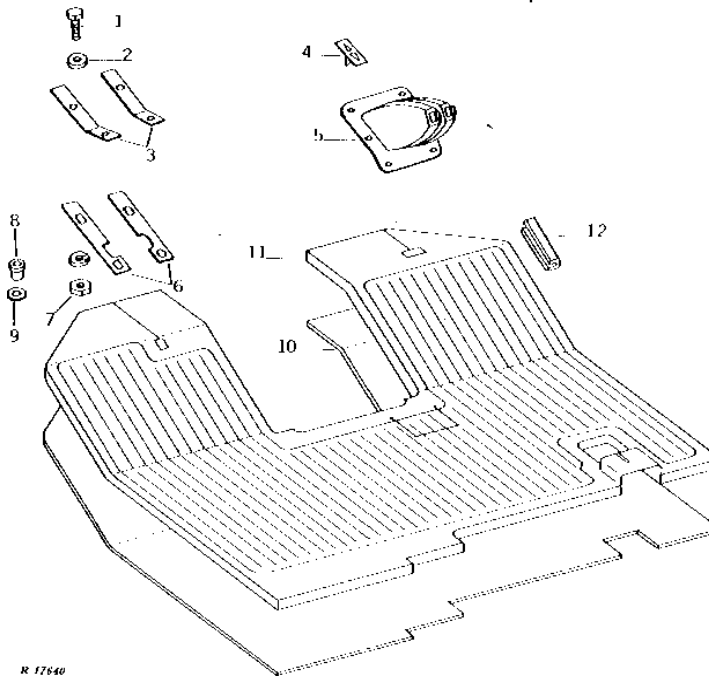
KEY	PART NO.	PART NAME	QTY	CAB SERIAL NO.	REMARKS
1	21H1304	SCREW	13	5/16" X 3/4"	
	12M7032	LOCK WASHER	13	0.331"	
2	AR45719	PANEL	1	(NO LONGER AVAILABLE)	
3	R44585	SEAL	1		
4	AR45720	PANEL	2	(NO LONGER AVAILABLE)	
5	.....	SEAL	2	337 MM (13-1/4") (MAKE FROM R44585)	

# 3D21

OPERATOR'S STATION

R17640 -UN-01JAN94

## FLOOR MAT, PAD, AND PLATFORM MOUNTS (STOLPER)



R 17640

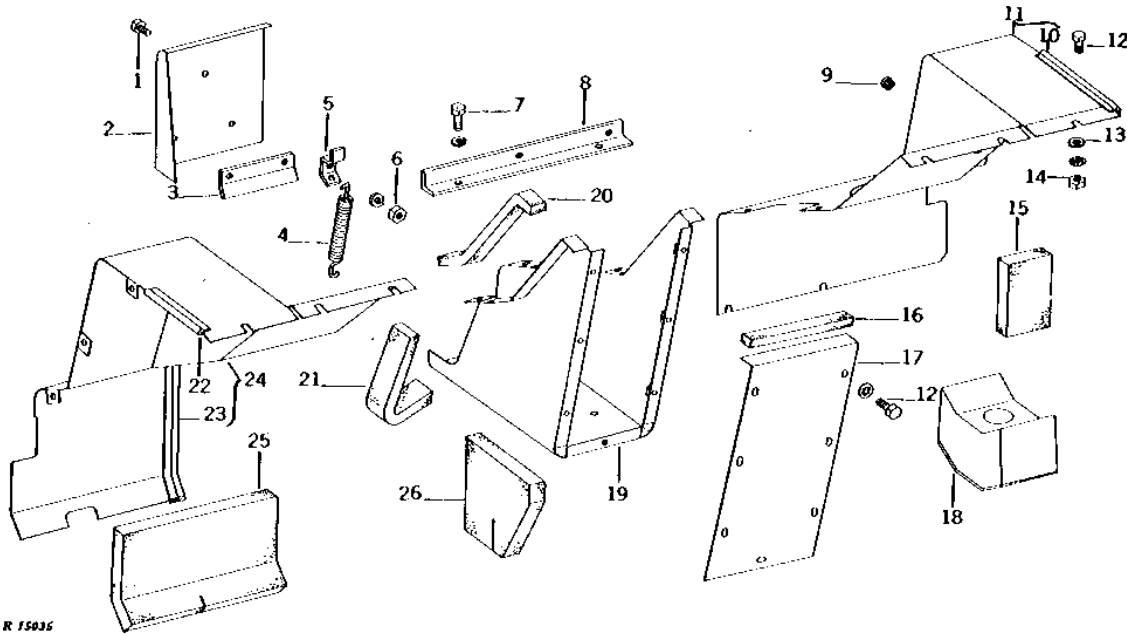
KEY	PART NO.	PART NAME	QTY	CAB SERIAL NO.	REMARKS
1	19H1900	CAP SCREW	4	5/16" X 3/4"	
2	24H1136	WASHER	4	11/32" X 11/16" X 0.065"	
3	R46202	STRAP	2	CLUTCH PEDAL SEAL	
4	R49043	CLIP	6	(SUB FOR R46038)	
5	R46201	BOOT	1		
6	R46203	SLAT	2		
7	14H785	NUT	4	5/16"	
	12H303	LOCK WASHER	4	5/16"	
8	U42208	RUBBER MOUNT	4		
9	F2694R	WASHER	4		
10	R42895	PAD	1	(NO LONGER AVAILABLE)	
11	AR45132	MAT	1	(ROCKSHAFT) (SUB AR45691)	
	AR45691	MAT	1	(LESS ROCKSHAFT)	
12	R44859	ISOLATOR	4	(NO LONGER AVAILABLE)	
..	R53745	TAPE	AR	55 M (180 FT.) (SUB FOR R46662)	
..	R46663	SEALING TRIM	AR	18 M (60 FT.)	

# 3D22

OPERATOR'S STATION

R15035 -UN-01JAN94

## HYDRAULIC COVERS (STOLPER AND HINSON) (ROCKSHAFT)



KEY	PART NO.	PART NAME	QTY	CAB SERIAL NO.	REMARKS
1	21H1304	SCREW	3	5/16" X 3/4"	
2	R36421	COVER	1		
3	R36408	CLIP	1		
4	R35823	SPRING	1		
5	R36407	CLIP	1		
6	14H785	NUT	3	5/16"	
	12H303	LOCK WASHER	3	5/16"	
7	19H1731	CAP SCREW	2	3/8" X 1"	
	12H304	LOCK WASHER	2	3/8"	
8	R36406	ANGLE	1	(NO LONGER AVAILABLE)	
9	M42229	PLUG	2	(SUB FOR T11708)	
10	.....	WEATHERSTRIP	1	216 MM (8-1/2") (MAKE FROM R44447)	
11	AR45177	PANEL	1	(NO LONGER AVAILABLE)	
12	19H1900	CAP SCREW	22	5/16" X 3/4"	
13	24H1136	WASHER	22	11/32" X 11/16" X 0.065"	
14	14H785	NUT	15	5/16"	
	12M7032	LOCK WASHER	22	0.331"	
15	.....	FOAM PAD	1	25 X 76 X 13 MM (1" X 3" X 5") (MAKE FROM R45015) (NLA)	
16	.....	FOAM PAD	1	13 X 25 X 178 MM (1/2" X 1" X 7") (MAKE FROM R30936)	
17	R44351	COVER	1	(NO LONGER AVAILABLE)	
18	AR42273	SEAL	1	(NO LONGER AVAILABLE)	
19	AR45179	PANEL	1	(NO LONGER AVAILABLE)	
20	.....	FOAM PAD	2	13 X 25 X 191 MM (1/2" X 1" X 7-1/2") (MAKE FROM R30936)	
21	.....	FOAM PAD	1	13 X 51 X 416 MM (1/2" X 2" X 16-3/8") (MAKE FROM R45015) (NLA)	
22	.....	WEATHERSTRIP	1	216 MM (8-1/2") (MAKE FROM R44447)	
23	.....	WEATHERSTRIP	1	565 MM (22-1/4") (MAKE FROM R44447)	
24	AR45178	PANEL	1	(NO LONGER AVAILABLE)	
25	.....	FOAM PAD	1	25 X 152 X 305 MM (1" X 6" X 12") (MAKE FROM R45015) (NLA)	
26	.....	FOAM PAD	1	25 X 152 X 184 MM (1" X 6" X 7-1/4") (MAKE FROM R45015) (NLA)	

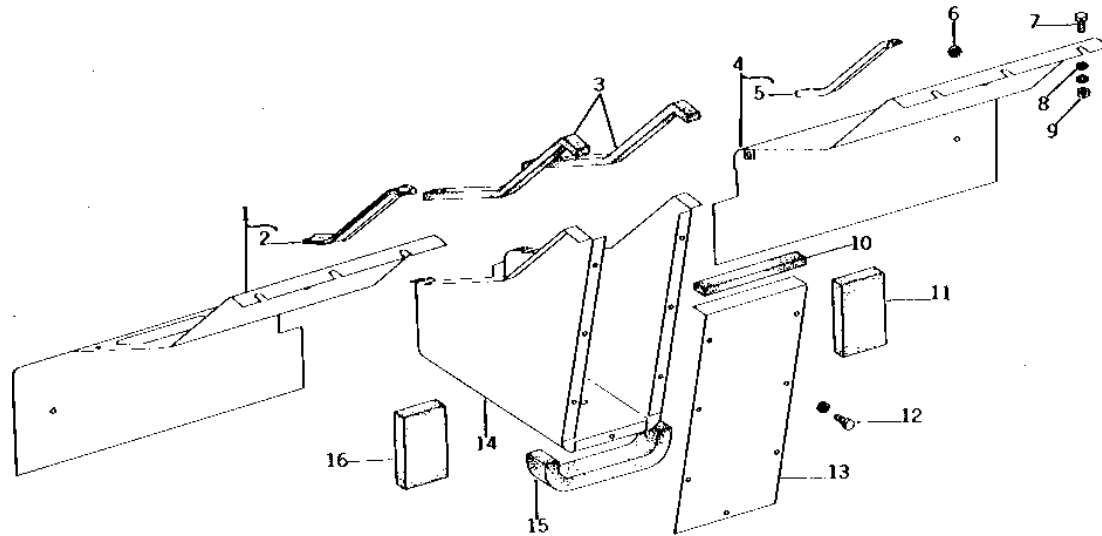


# 3D23

OPERATOR'S STATION

R13649 -UN-01JAN94

## HYDRAULIC COVERS (STOLPER AND HINSON) (LESS ROCKSHAFT)



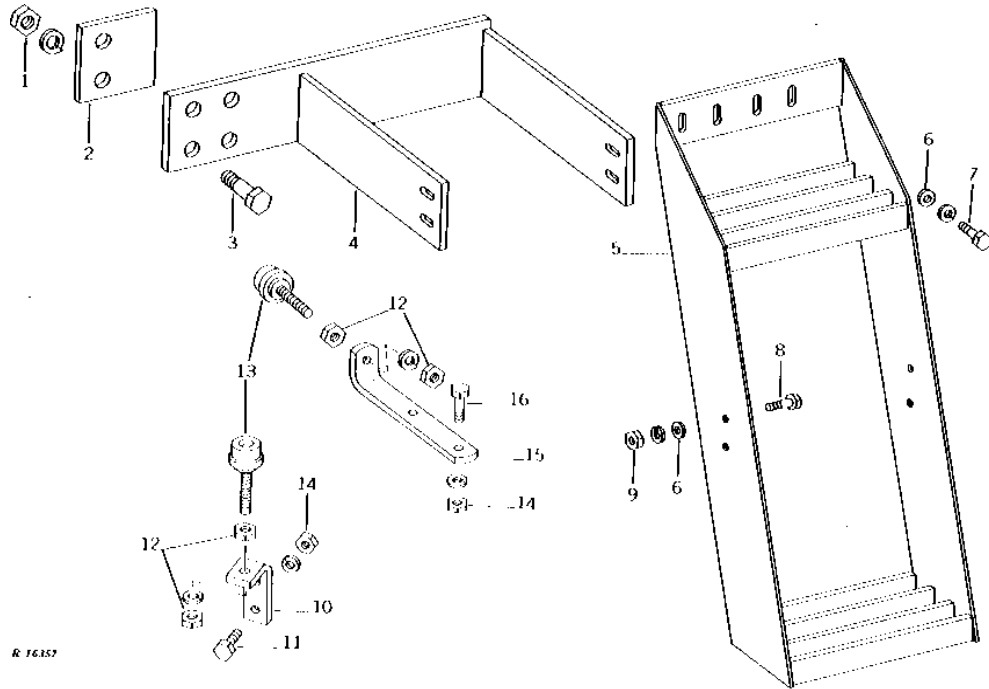
KEY	PART NO.	PART NAME	QTY	CAB SERIAL NO.	REMARKS
1	AR66191	PANEL	1		(SUB FOR AR45175)
2	.....	WEATHERSTRIP	1		305 MM (12") (MAKE FROM R44447)
3	.....	FOAM PAD	2		13 X 25 X 305 MM (1/2" X 1" X 12") (MAKE FROM R30936)
4	AR45174	PANEL	1		(NO LONGER AVAILABLE)
5	.....	WEATHERSTRIP	1		305 MM (12") (MAKE FROM R44447)
6	M42229	PLUG	2		(SUB FOR T11708)
7	19H1900	CAP SCREW	19		5/16" X 3/4"
8	24H1136	WASHER	19		11/32" X 11/16" X 0.065"
9	14H785	NUT	11		5/16"
	12M7032	LOCK WASHER	19		0.331"
10	.....	FOAM PAD	1		13 X 25 X 178 MM (1/2" X 1" X 7") (MAKE FROM R30936)
11	.....	FOAM PAD	1		25 X 95 X 127 MM (1" X 3-3/4" X 5") (MAKE FROM R45015) (NLA)
12	19H1900	CAP SCREW	7		5/16" X 3/4"
	12M7032	LOCK WASHER	7		0.331"
13	R44351	COVER	1		(NO LONGER AVAILABLE)
14	AR45176	PANEL	1		(NO LONGER AVAILABLE)
15	.....	FOAM PAD	1		13 X 25 X 178 MM (1/2" X 1" X 7") (MAKE FROM R30936)
16	.....	FOAM PAD	1		25 X 95 X 127 MM (1" X 3-3/4" X 5") (MAKE FROM R45015) (NLA)

# 3D24

OPERATOR'S STATION

## STEP AND ADJUSTING BRACKETS (STOLPER)

R16357 -UN-01JAN94



KEY	PART NO.	PART NAME	QTY	CAB SERIAL NO.	REMARKS
1	14H794	NUT	2	3/4"	
	12H236	LOCK WASHER	2	3/4"	
2	R42889	STRAP	1	(NO LONGER AVAILABLE)	
3	19H2663	CAP SCREW	2	3/4" X 2-1/8"	
4	AR45113	SUPPORT	1		
5	AR45114	STEP	1		
6	24M7096	WASHER	6	10.500 X 18 X 1.600 MM	
7	19H1731	CAP SCREW	2	3/8" X 1"	
	12H304	LOCK WASHER	2	3/8"	
8	19H2552	CAP SCREW	4	3/8" X 1-1/8"	
9	14H1076	NUT	4	3/8" HS, SAE 8	
	12H304	LOCK WASHER	4	3/8"	
10	R44352	ANGLE	2	(NO LONGER AVAILABLE)	
11	19H1731	CAP SCREW	4	3/8" X 1"	
12	14H1040	NUT	8	1/2"	
	12H301	LOCK WASHER	4	1/2"	
13	AR45718	SCREW	4	(NO LONGER AVAILABLE)	
14	14H1076	NUT	8	3/8"	
	12H304	LOCK WASHER	8	3/8"	
15	R44353	ANGLE	2	(NO LONGER AVAILABLE)	
16	19H1726	CAP SCREW	2	3/8" X 2-1/4"	
	19H2552	CAP SCREW	2	3/8" X 1-1/8"	
	R27548	TUBE	1		

---

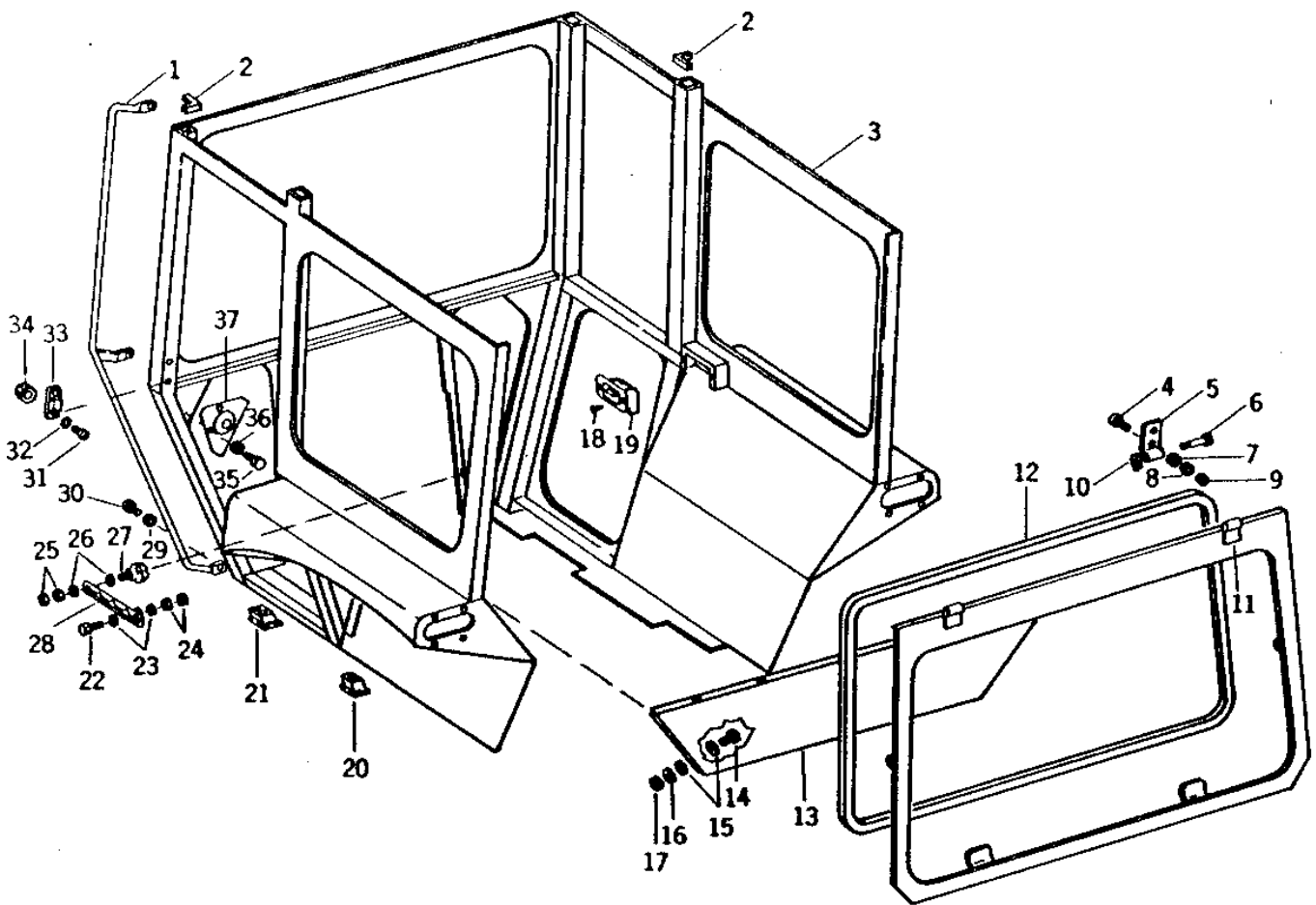
MEMORANDA

# 3E1

OPERATOR'S STATION

R33086 -UN-01JAN94

CAB STRUCTURE  
(HINSON)



R33086

# 3E2

OPERATOR'S STATION

## CAB STRUCTURE - CONTINUED (HINSON)

KEY	PART NO.	PART NAME	QTY	CAB SERIAL NO.	REMARKS
1	AR52305	HANDLE	1		
2	.....	MOLDING	4		
3	AR57061	FRAME	1		76 MM (3") (MAKE FROM R41358) (NO LONGER AVAILABLE)
4	19H1731	CAP SCREW	4		3/8" X 1"
5	R48877	HINGE	2		
6	R48873	PIN	2	-XXXXXX	(SUB R55170 AND R72655)
	R55170	PIN	2	XXXXXX-	
7	24H1305	WASHER	4		13/32" X 13/16" X 0.065"
8	12H304	LOCK WASHER	4		3/8"
9	14H1076	NUT	4		3/8"
10	R11206	FOAM PAD	2	-XXXXXX	
	R72655	SNAP RING	2	XXXXXX-	(SUB FOR T12808)
11	AR52290	PANEL	1		
12	.....	SEAL	1		4216 MM (166") (MAKE FROM H61993) (SUB FOR AR52308)
13	AR81648	PANEL	1		
14	19H1900	CAP SCREW	2		5/16" X 3/4"
	19H1905	CAP SCREW	2		5/16" X 1"
15	24H1136	WASHER	8		11/32" X 11/16" X 0.065"
16	12H303	LOCK WASHER	4		5/16"
17	14H785	NUT	4		5/16"
18	37H95	SCREW	2		NO. 8 X 1/2"
19	AH80057	ASHTRAY	1		
20	R48892	PLUG	1		(A) (E)
	R48895	GROMMET	1		(A) (F)
	R48892	PLUG	1		(B) (G)
	R48895	GROMMET	1		(B) (H)
21	R48890	GROMMET	1		(C) (E)
	R48904	GROMMET	1		(C) (F)
	R48891	PLUG	1		(D) (G)
	R48894	GROMMET	1		(D) (H) (NLA)
22	19H1919	CAP SCREW	2		1/4" X 5/8"
23	24H1287	WASHER	4		9/32" X 5/8" X 0.065"
24	14H850	NUT	4		1/4"
25	14H611	NUT	4		5/16"
26	24H1136	WASHER	4		11/32" X 11/16" X 0.065"
27	R48872	KNOB	2		
28	R44444	ARM	2		
29	12H304	LOCK WASHER	3		3/8"
30	19H1731	CAP SCREW	3		3/8" X 1"
31	21H1021	SCREW	2		1/4" X 1/2"
32	12H322	LOCK WASHER	2		1/4"
33	H63952	PLATE	1		
34	R60165	NUT	1		
35	19H1227	CAP SCREW	2		1/4" X 1/2"
36	12H302	LOCK WASHER	2		1/4"
37	AR52295	COVER	2		
..	AR57248	KIT	1		WEATHERSEAL REPAIR

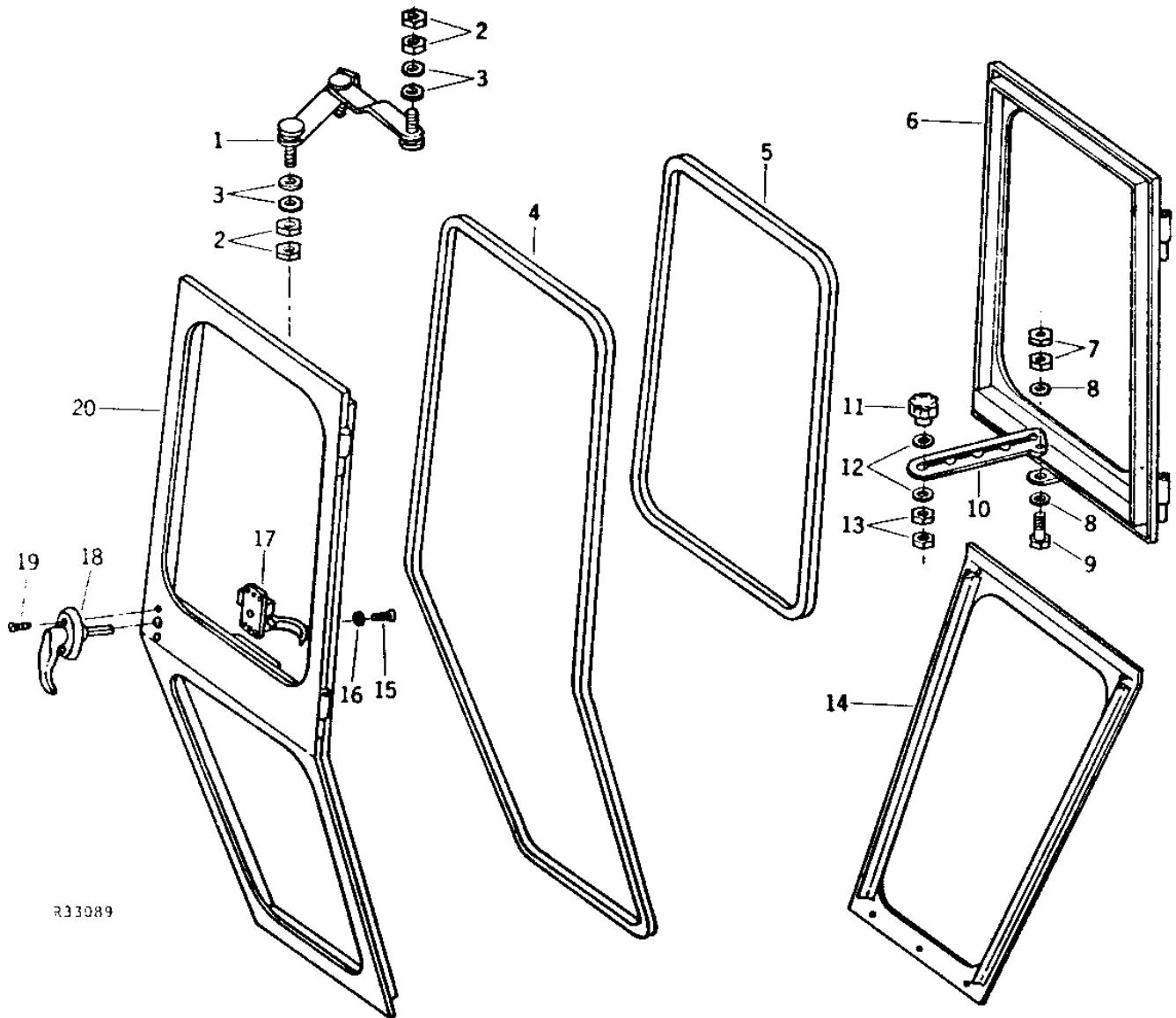
- (A) L.H. CENTER POST
- (B) R.H. CENTER POST
- (C) L.H. CORNER POST
- (D) R.H. CORNER POST
- (E) LESS AIR CONDITIONING
- (F) AIR CONDITIONING
- (G) LESS HEATER
- (H) HEATER

# 3E3

OPERATOR'S STATION

## CAB DOOR AND RIGHT-HAND FRONT WINDOW PANEL (HINSON)

R33089 -UN-02JAN94



R33089

# 3E4

OPERATOR'S STATION

**CAB DOOR AND RIGHT-HAND FRONT WINDOW PANEL - CONTINUED  
(HINSON)**

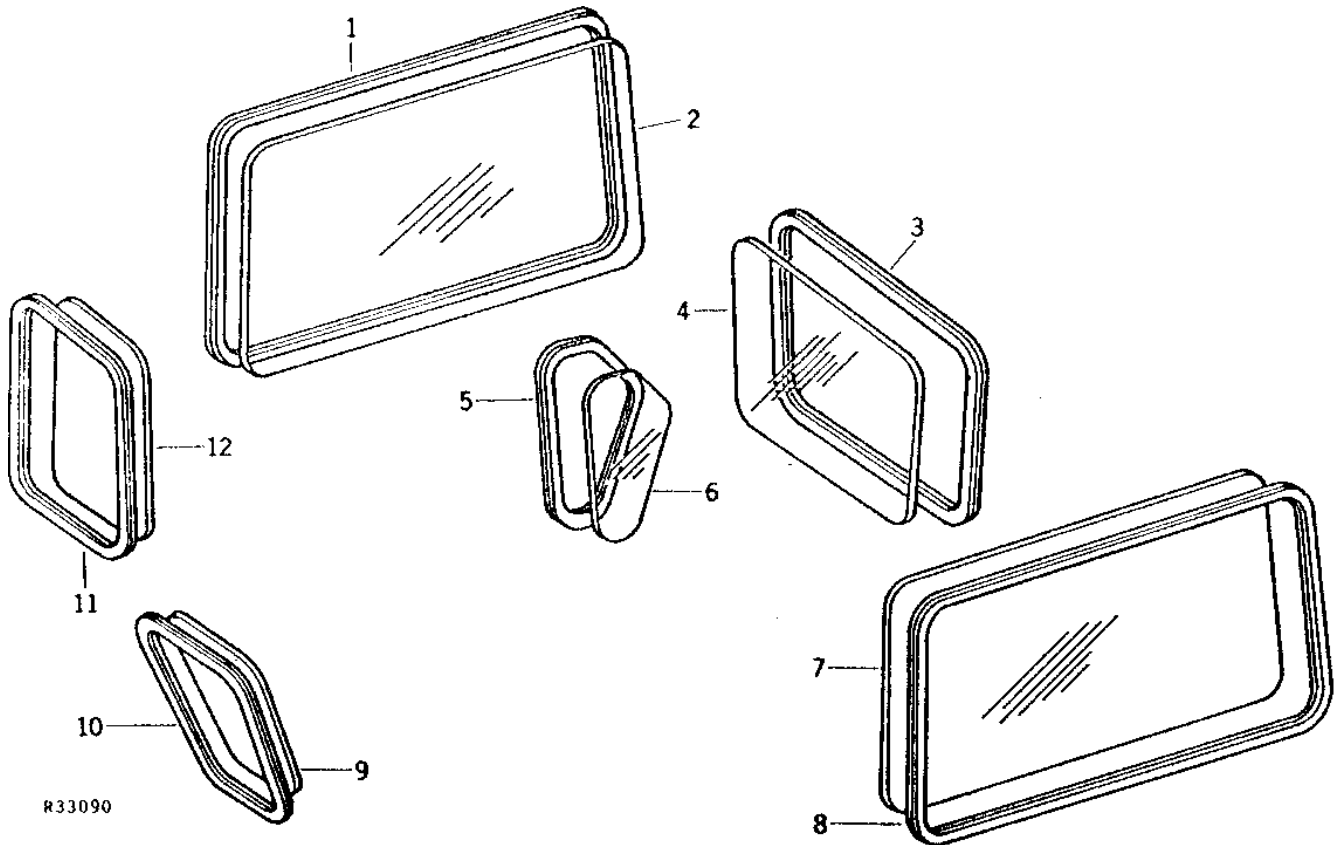
KEY	PART NO.	PART NAME	QTY	CAB SERIAL NO.	REMARKS
1	AR52293	REGULATOR	1		
2	14H611	NUT	2	5/16"	
3	24H1136	WASHER	4	11/32" X 11/16" X 0.065"	
4	.....	SEAL	1		3810 MM (150") (MAKE FROM H61993)
5	.....	SEAL	1		2616 MM (103") (MAKE FROM H61993)
6	AR52289	PANEL	1		
7	14H850	NUT	2	1/4"	
8	24H1287	WASHER	2	9/32" X 5/8" X 0.065"	
9	19H1919	CAP SCREW	1	1/4" X 5/8"	
10	R44444	ARM	1		
11	R48872	KNOB	1		
12	24H1136	WASHER	2	11/32" X 11/16" X 0.065"	
13	14H611	NUT	2	5/16"	
14	AR52803	PANEL	1		
15	21H1301	SCREW	4	0.190" X 1/2"	
16	12H246	LOCK WASHER	4	0.190"	
17	AR52291	LATCH	1		
18	AR55154	HANDLE	1		
	AR53995	KEY	1		
19	21H1073	SCREW	2	0.190" X 1/2"	
20	AR52304	DOOR	1		
..	AR85792	ADHESIVE	1	.15L (5 OZ.) (SUB FOR AR31790 OR AR79739)	

# 3E5

OPERATOR'S STATION

R33090 -UN-01JAN94

CAB GLASS  
(HINSON)



R33090



# 3E6

OPERATOR'S STATION

## CAB GLASS - CONTINUED (HINSON)

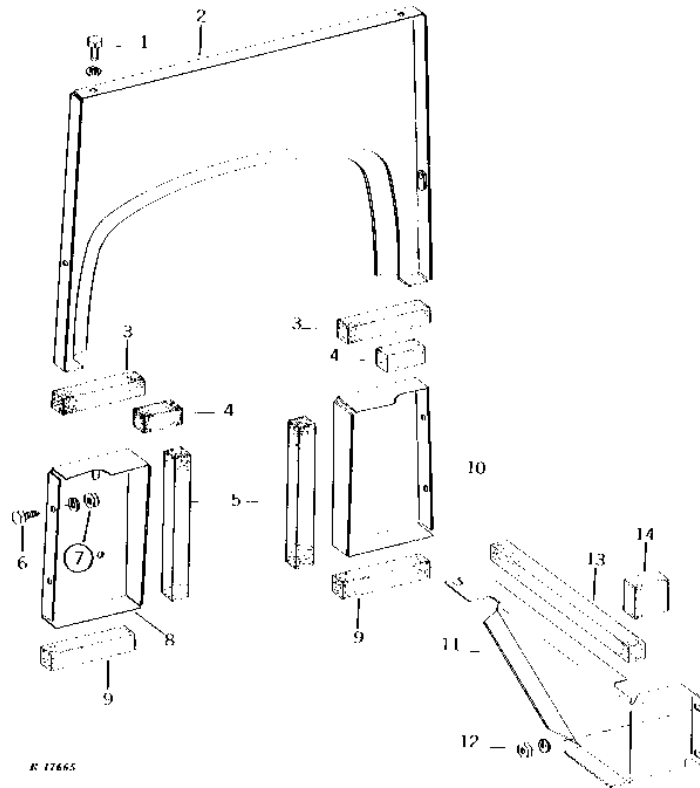
KEY	PART NO.	PART NAME	QTY	CAB SERIAL NO.	REMARKS
1	.....	MOLDING	1		3683 MM (145") (MAKE FROM R49857)
		WEATHERSTRIP	1		3683 MM (145") (MAKE FROM R44438)
2	R48867	WINDOWPANE	1		WINDSHIELD
3	.....	MOLDING	2		2743 MM (108") (MAKE FROM R49857)
		WEATHERSTRIP	2		2743 MM (108") (MAKE FROM R44438)
4	R48870	WINDOWPANE	2		
5	.....	MOLDING	2		1397 MM (55") (MAKE FROM R49857)
		WEATHERSTRIP	2		1397 MM (55") (MAKE FROM R44438)
6	R48868	WINDOWPANE	2		
7	R48865	WINDOWPANE	1		REAR
8	R49857	MOLDING	1		3743 MM (147")
	R44438	ISOLATOR	1		3743 MM (147")
9	R48869	WINDOWPANE	2		
10	.....	MOLDING	2		1880 MM (74") (MAKE FROM R49857)
		WEATHERSTRIP	2		1880 MM (74") (MAKE FROM R44438)
11	.....	MOLDING	2		1994 MM (78-1/2") (MAKE FROM R49857)
		WEATHERSTRIP	2		1994 MM (78-1/2") (MAKE FROM R44438)
12	R48871	WINDOWPANE	2		
..	AR85792	ADHESIVE	1		.15 L (5 OZ.) (SUB FOR AR79739) (SUB AR31790)

# 3E7

OPERATOR'S STATION

R17665 -UN-01JAN94

## COWL PANELS (HINSON)



# 3E8

OPERATOR'S STATION

## COWL PANELS - CONTINUED (HINSON)

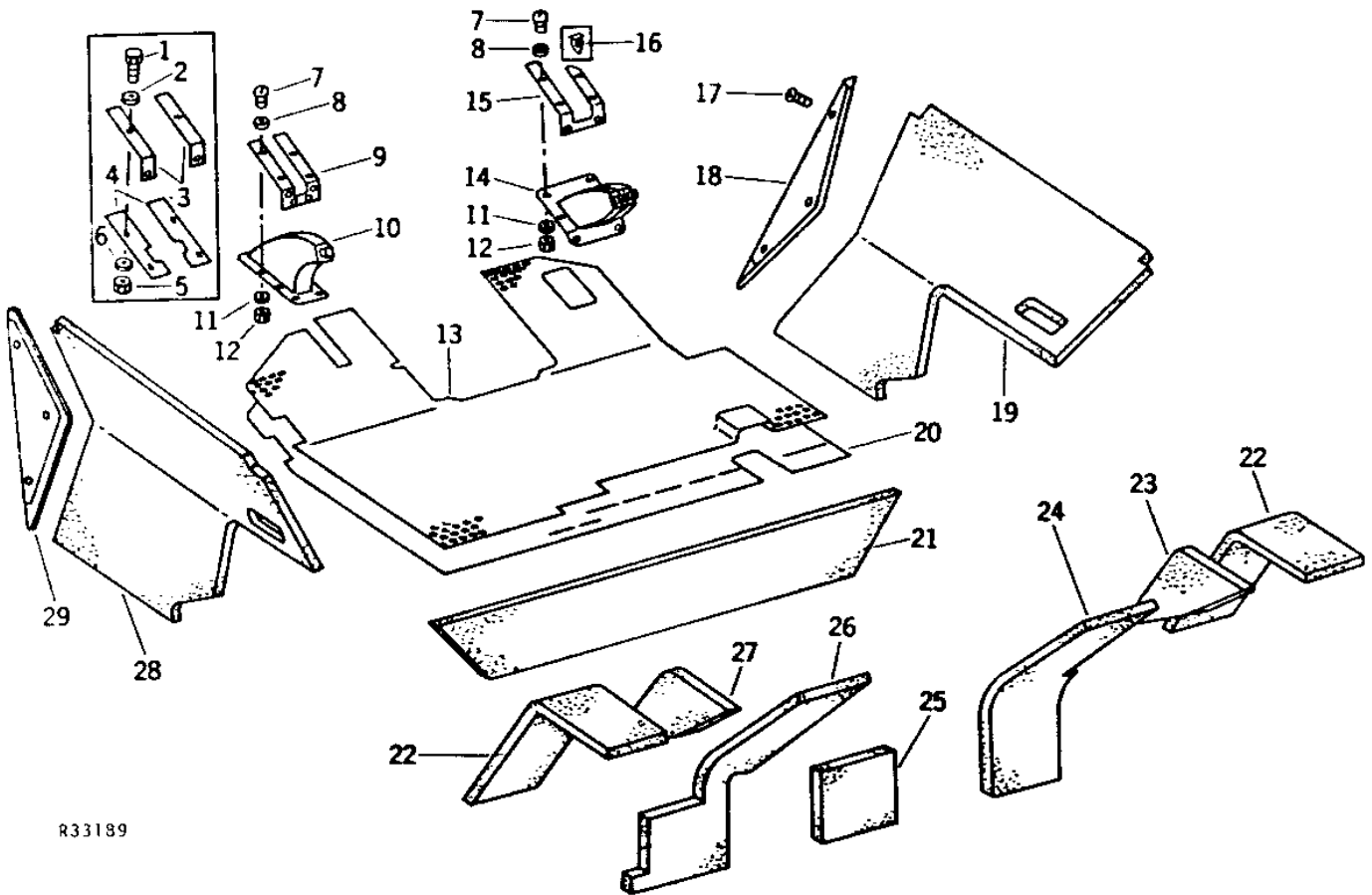
KEY	PART NO.	PART NAME	QTY	CAB SERIAL NO.	REMARKS
1	19H1900	CAP SCREW	4	5/16" X 3/4"	
	12M7032	LOCK WASHER	4	0.331"	
2	AR51590	PANEL	1		COWL (NO LONGER AVAILABLE)
3	.....	FOAM PAD	2		25 X 25 X 133 MM (1" X 1" X 5-1/4") (MAKE FROM R30937)
4	.....	FOAM PAD	2		25 X 25 X 60 MM (1" X 1" X 2-3/8") (MAKE FROM R30937)
5	.....	FOAM PAD	2		25 X 25 X 254 MM (1" X 1" X 10") (MAKE FROM R30937)
6	19H1900	CAP SCREW	4	5/16" X 3/4"	
7	14H785	NUT	4	5/16"	
	12H303	LOCK WASHER	4	5/16"	
8	AR64211	PANEL	1		(SUB FOR AR50889 OR AR55674)
9	.....	FOAM PAD	2		25 X 25 X 146 MM (1" X 1" X 5-3/4") (MAKE FROM R30937)
10	AR64210	PANEL	1		(SUB FOR AR50888 OR AR55673) (NO LONGER AVAILABLE)
11	R48300	COVER	1		HEATER HOSE
12	14H785	NUT	2	5/16"	
	12H303	LOCK WASHER	2	5/16"	
13	.....	FOAM PAD	1		25 X 25 X 352 MM (1" X 1" X 13-7/8") (MAKE FROM R30937)
14	.....	FOAM PAD	1		25 X 51 X 51 MM (1" X 2" X 2") (MAKE FROM R28123)
..	R36415	ISOLATOR	1		25 X 146 X 235 MM (1" X 5-3/4" X 9-1/4") CLUTCH HOUSING CAST HOLE, REAR
..	R46904	ISOLATOR	1		25 X 76 X 76 MM (1" X 3" X 3") BRAKE PRESSURE PIPE HOLE

# 3E9

OPERATOR'S STATION

R33189 -UN-01JAN94

## FLOOR MAT AND UPHOLSTERING (HINSON)



R33189

# 3E10

OPERATOR'S STATION

## FLOOR MAT AND UPHOLSTERING - CONTINUED (HINSON)

KEY	PART NO.	PART NAME	QTY	CAB SERIAL NO.	REMARKS
1	19H1900	CAP SCREW	4	-XXXXXX	5/16" X 3/4"
2	24H1136	WASHER	4	-XXXXXX	11/32" X 11/16" X 0.065"
3	R46202	STRAP	2	-XXXXXX	CLUTCH PEDAL
4	R46203	SLAT	2	-XXXXXX	CLUTCH PEDAL
5	14H785	NUT	4	-XXXXXX	5/16"
6	12H303	LOCK WASHER	4	-XXXXXX	5/16"
7	21H1148	SCREW	14	XXXXXX-XXXXXX	0.190" X 3/4"
	37H84	SCREW	12	XXXXXX-	1/4" X 3/4"
8	24H1283	WASHER	14	XXXXXX-XXXXXX	7/32" X 1/2" X 0.049"
	24H1648	WASHER	12	XXXXXX-	25/32" X 1-3/4" X 0.060"
9	R54717	RETAINER	1	XXXXXX-	(NLA)
10	R48150	BOOT	1	XXXXXX-XXXXXX	
	R57257	BOOT	1	XXXXXX-	
11	12H246	LOCK WASHER	14	XXXXXX-	0.190"
12	14H778	NUT	14	XXXXXX-	0.190"
13	R56390	MAT	1		(SUB FOR R48341)
14	R48151	BOOT	1		BRAKE PEDAL, (SUB FOR R46201)
15	R54718	RETAINER	1	XXXXXX-	
16	R49043	CLIP	6	-XXXXXX	(SUB FOR R46038)
17	37H79	SCREW	6		1/4" X 5/8"
18	R48279	COVER	1		
19	R48327	FOAM PAD	1		(NO LONGER AVAILABLE)
	R48329	FOAM PAD	1		(A) (NO LONGER AVAILABLE)
20	R56391	PAD	1		(SUB FOR R48342)
21	R52985	FOAM PAD	1		
22	R48334	FOAM PAD	2		
23	R48332	FOAM PAD	1		(NO LONGER AVAILABLE)
24	R48335	FOAM PAD	1		(NO LONGER AVAILABLE)
	R48337	FOAM PAD	1		(A) (NO LONGER AVAILABLE)
25	R48331	FOAM PAD	1		
26	R48336	FOAM PAD	1		
	R48338	FOAM PAD	1		(A)
27	R48333	FOAM PAD	1		(NO LONGER AVAILABLE)
28	R48328	FOAM PAD	1		(NO LONGER AVAILABLE)
	R48330	FOAM PAD	1		(A)
29	R48280	COVER	1		
..	R46632	ISOLATOR	1		FRONT R.H. CORNER OF ROCKSHAFT HOUSING
..	.....	FOAM PAD	1		51 X 51 X 51 MM (2" X 2" X 2") (MAKE FROM R35340) HYDRAULIC CONTROL LEVER CONSOLE
..	.....	FOAM PAD	2		25 X 51 X 229 MM (1" X 2" X 9") (MAKE FROM R28123) R.H. PANEL TO CONTROL VALVE HOUSING
..	.....	FOAM PAD	1		25 X 51 X 330 MM (1" X 2" X 13") (MAKE FROM R28123) REAR OF ROCKSHAFT HOUSING
..	R46632	ISOLATOR	1		TRANSMISSION OIL FILLER TUBE
..	.....	FOAM PAD	1		51 X 51 X 203 MM (2" X 2" X 8") (MAKE FROM R35340) L.H. PANEL TO ROCKSHAFT HOUSING
..	R53745	TAPE	AR		55 M (180 FT.) (SUB FOR R46662)
..	R46663	SEALING TRIM	AR		18 M (60 FT.)

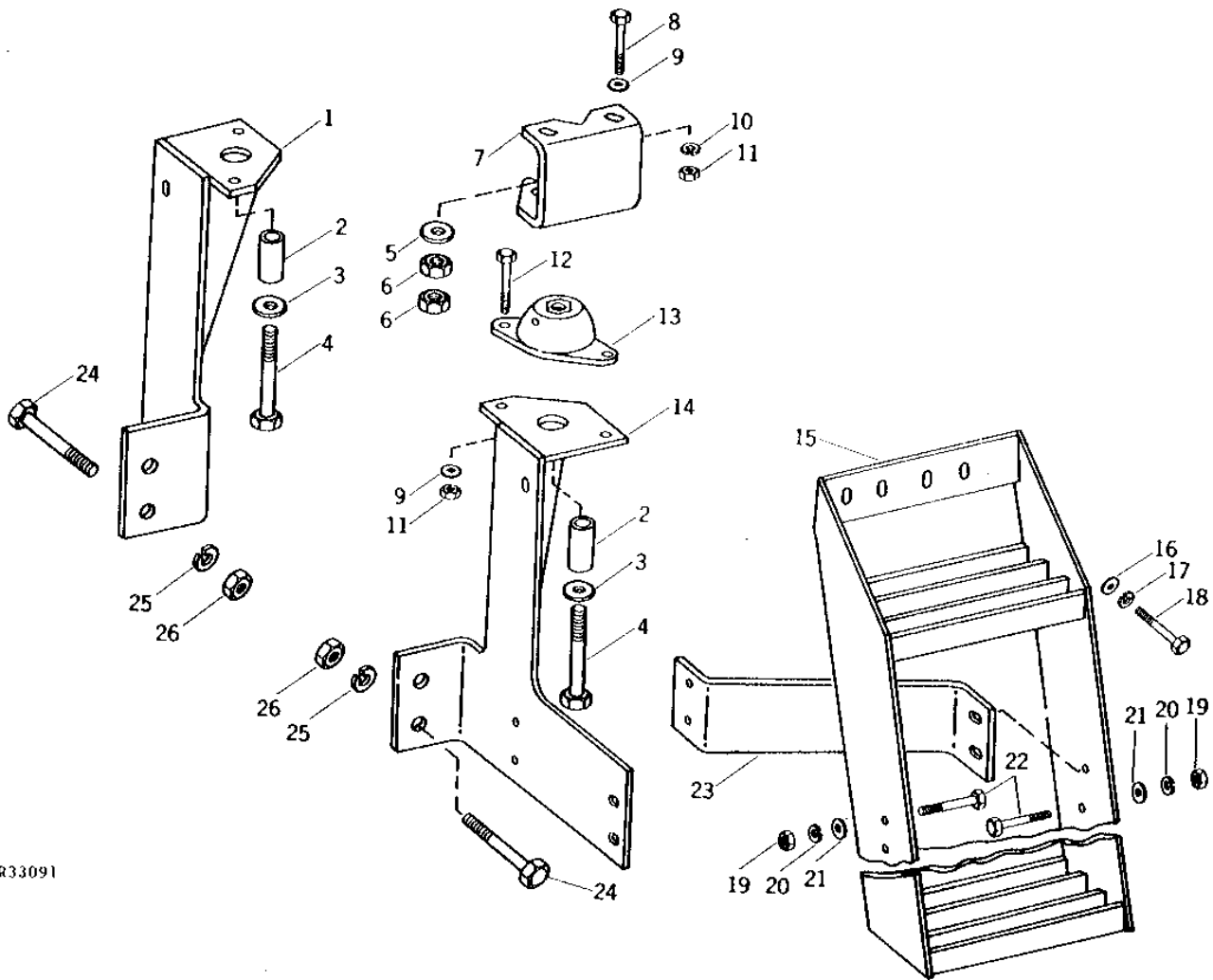
(A) LESS ROCKSHAFT

# 3E11

OPERATOR'S STATION

R33091 -UN-01JAN94

CAB FRONT MOUNTING AND STEP  
(HINSON) (EARLY DESIGN)



R33091

# 3E12

OPERATOR'S STATION

## CAB FRONT MOUNTING AND STEP - CONTINUED (HINSON) (EARLY DESIGN)

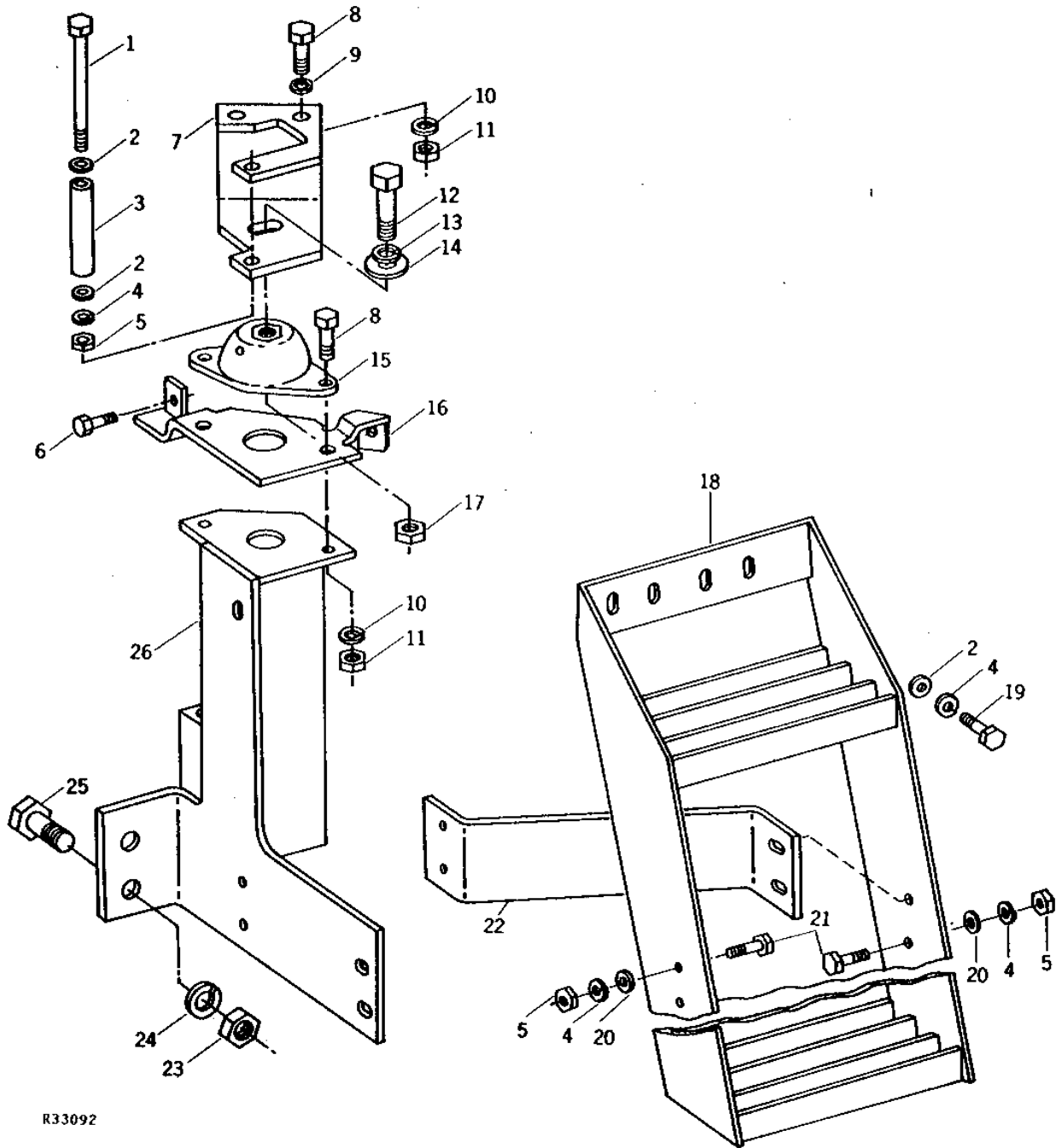
KEY	PART NO.	PART NAME	QTY	CAB SERIAL NO.	REMARKS
1	AR50816	BRACKET	1		
2	R44221	BUSHING	2	(NLA)	
3	24H1402	WASHER	2		25/32" X 1-7/8" X 1/4"
4	19H2026	CAP SCREW	2		3/4" X 4"
5	24H1396	WASHER	2		25/32" X 1-1/2" X 0.105"
6	R40121	LOCK NUT	4	-XXXXXX	
	14H794	NUT	2		3/4"
7	R47895	SUPPORT	1		
	R47894	SUPPORT	1		
8	19H1815	CAP SCREW	4		1/2" X 1-1/4"
9	24H1227	WASHER	4		17/32" X 13/16" X 0.060"
10	12H301	LOCK WASHER	8		1/2"
11	14H1040	NUT	8		1/2"
12	19H1792	CAP SCREW	4		1/2" X 1"
13	AR51810	SUPPORT	2		
14	AR50817	BRACKET	1		L.H.
15	AR45114	STEP	1		
16	24H1305	WASHER	2		13/32" X 13/16" X 0.065"
17	12H304	LOCK WASHER	2		3/8"
18	19H1731	CAP SCREW	2		3/8" X 1"
19	14H1076	NUT	6		3/8"
20	12H304	LOCK WASHER	6		3/8"
21	24M7096	WASHER	6		10.500 X 18 X 1.600 MM
22	19H2552	CAP SCREW	6		3/8" X 1-1/8"
23	R47896	SUPPORT	1		
24	19H1798	CAP SCREW	4		3/4" X 1-3/4"
25	12H236	LOCK WASHER	6		3/4"
26	14H794	NUT	4		3/4"

# 3E13

OPERATOR'S STATION

R33092 -UN-01JAN94

CAB FRONT MOUNTING AND STEP  
(HINSON) (LATE DESIGN)



R33092



# 3E14

OPERATOR'S STATION

## CAB FRONT MOUNTING AND STEP - CONTINUED (HINSON) (LATE DESIGN)

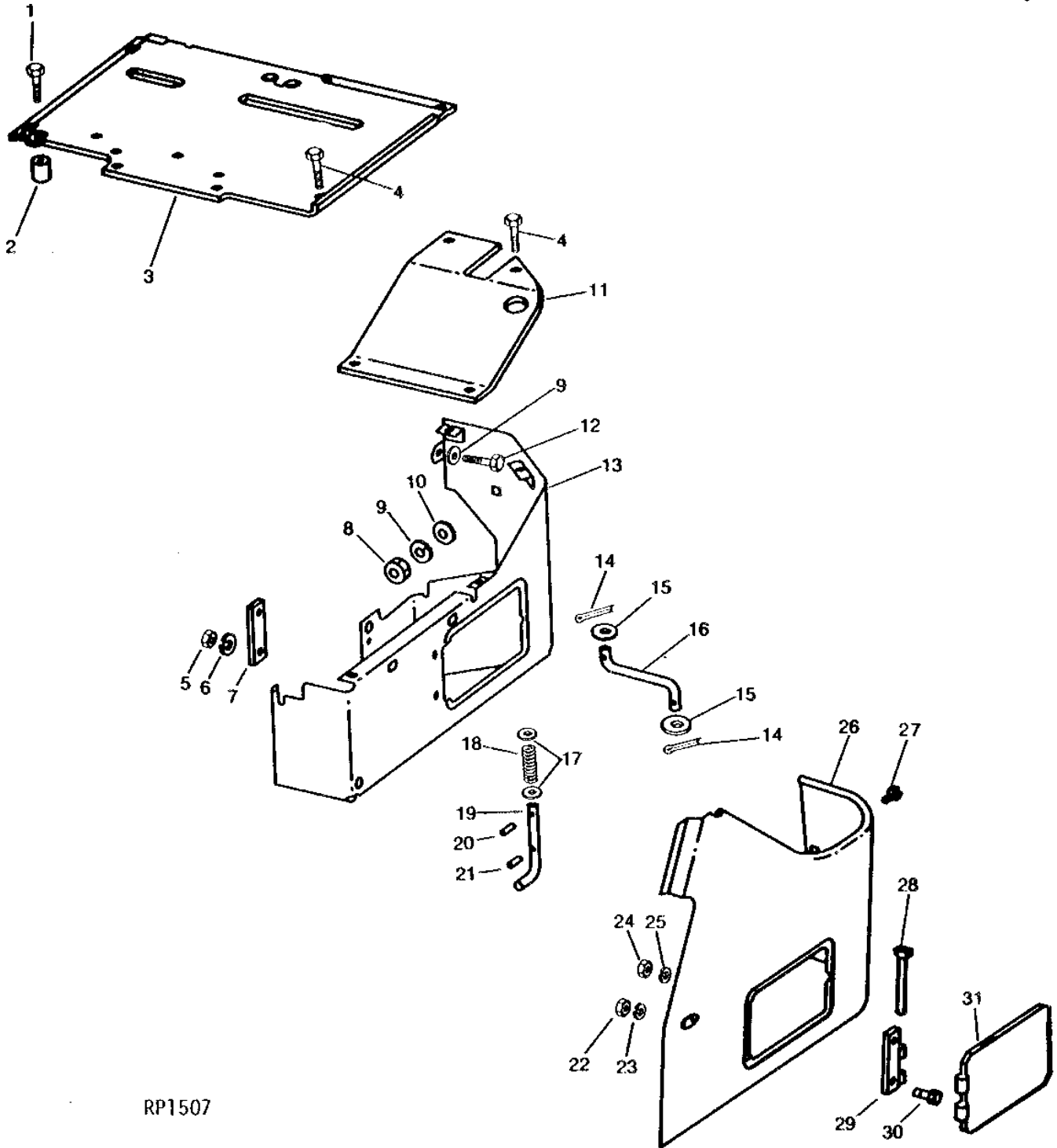
KEY	PART NO.	PART NAME	QTY	CAB SERIAL NO.	REMARKS
1	19H2229	CAP SCREW	2		3/8" X 5-1/4"
2	24H1305	WASHER	6		13/32" X 13/16" X 0.065"
3	R56080	BUSHING	2		
4	12H304	LOCK WASHER	8		3/8"
5	14H1076	NUT	8		3/8"
6	19H1732	CAP SCREW	2		3/8" X 1-1/4"
7	AR66451	SUPPORT	1		R.H. (NLA)
	AR66452	SUPPORT	1		L.H.
8	19H1815	CAP SCREW	8		1/2" X 1-1/4"
9	24H1227	WASHER	8		17/32" X 13/16" X 0.060"
10	12H301	LOCK WASHER	8		1/2"
11	14H1040	NUT	8		1/2"
12	19H1768	CAP SCREW	2		3/4" X 2"
13	12H236	LOCK WASHER	2		3/4"
14	24H1402	WASHER	2		25/32" X 1-7/8" X 1/4"
15	AR51810	SUPPORT	2		FRONT
16	AR66393	BRACE	1		R.H. (NLA)
	AR66394	BRACE	1		L.H. (NLA)
17	14H858	NUT	2		3/4"
18	AR45114	STEP	1		(NLA)
19	19H1731	CAP SCREW	2		3/8" X 1"
20	24M7096	WASHER	6		10.500 X 18 X 1.600 MM
21	19H2552	CAP SCREW	6		3/8" X 1-1/8"
22	R47896	SUPPORT	1		(NLA)
23	14H794	NUT	4		3/4"
24	12H236	LOCK WASHER	4		3/4"
25	19H1798	CAP SCREW	4		3/4" X 1-3/4"
26	AR66145	BRACKET	1		R.H. (NLA)
	AR66146	BRACKET	1		L.H. (NLA)

# 3E15

OPERATOR'S STATION

## PLATFORM, TOOL BOX AND OPERATOR SHIELDS (ROW-CROP)

RP1507 -UN-01JAN94



RP1507

# 3E16

OPERATOR'S STATION

PLATFORM, TOOL BOX AND OPERATOR SHIELDS - CONTINUED  
(ROW-CROP)

KEY	PART NO.	PART NAME	QTY	TRACTOR SERIAL NO.	REMARKS
1	19H1726	CAP SCREW	3		3/8" X 2-1/4"
2	28H1526	BUSHING	2		3/8" X 1-5/16"
	28H1496	SPACER	2		3/8" X 1-1/8"
3	AR35206	PLATFORM	1		(NO LONGER AVAILABLE)
	R45159	MAT	1		(BLACK RUBBER)
4	19H2284	CAP SCREW	6		3/8" X 7/8"
5	14H786	NUT	2		1/4"
6	12H302	LOCK WASHER	2		1/4"
7	R35214	RETAINER	1		(NLA)
8	14H1076	NUT	2		3/8"
9	12H304	LOCK WASHER	3		3/8"
10	24M7096	WASHER	4		10.500 X 18 X 1.600 MM
11	R35626	EXTENSION	1		R.H.
	AR63177	EXTENSION	1		(A) R.H. (SUB FOR R48094)
12	19H1936	CAP SCREW	1		3/8" X 3/4"
13	AR67385	TOOLBOX	1		(SUB FOR AR47187)
	AR67385	TOOLBOX	1		(A) (SUB FOR AR51068 OR AR58545)
	R32239	PLUG	1		
14	11M7079	COTTER PIN	2		0.098" X 0.472"
15	24H1286	WASHER	2		9/32" X 1/2" X 1/16"
16	R40419	PIN	1		(NLA)
17	24M7096	WASHER	2		10.500 X 18 X 1.600 MM
18	R1826R	SPRING	1		
19	R35210	PIN	1		(NLA)
20	34H282	SPRING PIN	1		3/16" X 1"
21	34H247	SPRING PIN	1		1/8" X 3/4"
22	14H785	NUT	2		5/16"
23	12H303	LOCK WASHER	2		5/16"
24	14H1076	NUT	4		3/8"
25	12H304	LOCK WASHER	4		3/8"
26	AR40930	SHIELD	1		R.H.
	AR45716	SHIELD	1		(B) R.H. (NO LONGER AVAILABLE)
	AR65968	SHIELD	1		(A) R.H. (SUB FOR AR50890)
	AR40931	SHIELD	1		L.H.
	AR45717	SHIELD	1		(B) L.H. (NO LONGER AVAILABLE)
	AR65969	SHIELD	1		(A) L.H. (SUB FOR AR50891)
27	03H1765	BOLT	2		3/8" X 3/4"
28	R20538	PIN	1		
29	R35213	PLATE	1		
30	19H1948	CAP SCREW	2		1/4" X 3/4"
31	AR36778	DOOR	1		
..	R53745	TAPE	AR		55 M (180 FT.) (SUB FOR R46662)
..	R46663	SEALING TRIM	AR		18 M (60 FT.)

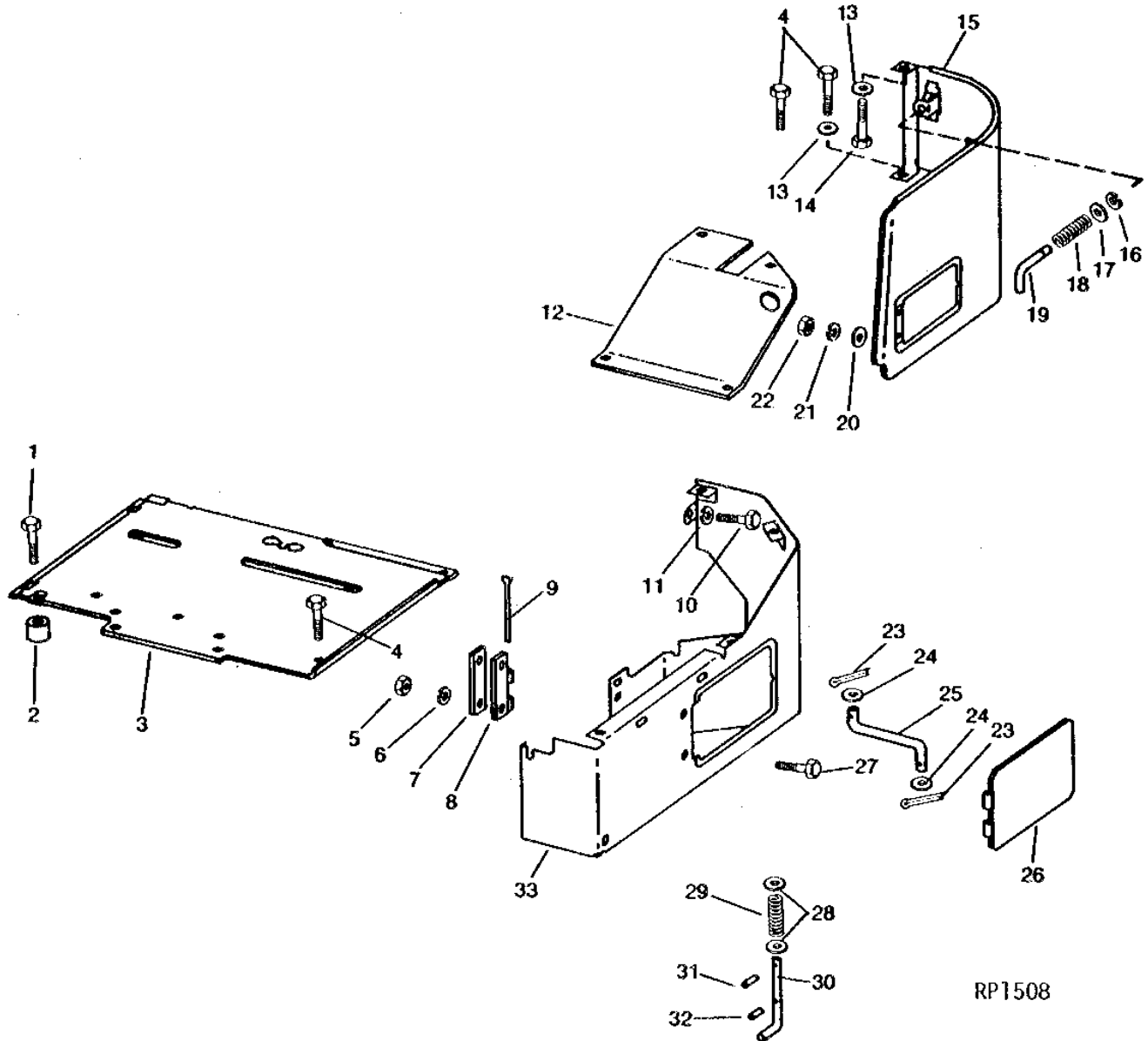
(A) HINSON CAB  
(B) STOLPER CAB

# 3E17

OPERATOR'S STATION

PLATFORM, TOOL BOX AND OPERATOR SHIELDS  
(STANDARD)

RP1508 -UN-01JAN94



# 3E18

OPERATOR'S STATION

PLATFORM, TOOL BOX AND OPERATOR SHIELDS - CONTINUED  
(STANDARD)

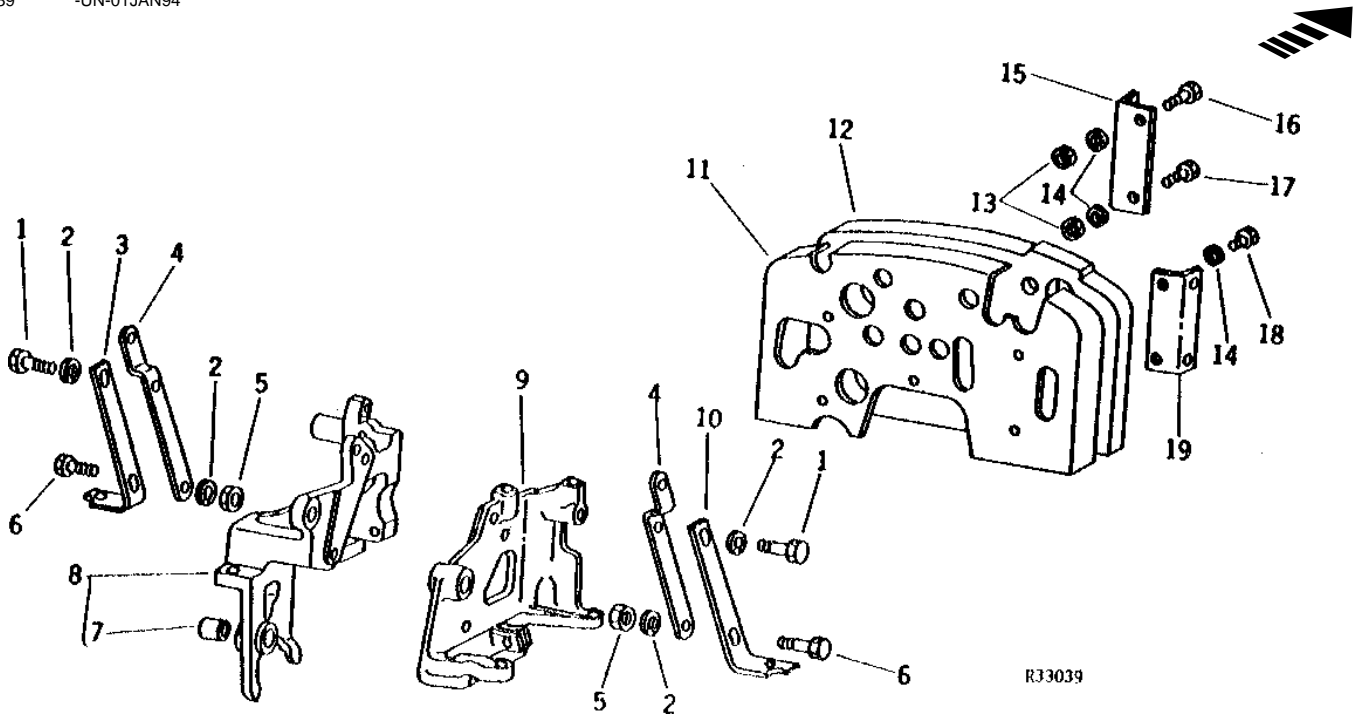
KEY	PART NO.	PART NAME	QTY	TRACTOR SERIAL NO.	REMARKS
1	19H1726	CAP SCREW	3		3/8" X 2-1/4"
2	28H1526	BUSHING	2		3/8" X 1-5/16"
	28H1496	SPACER	2		3/8" X 1-1/8"
3	AR35206	PLATFORM	1		(NO LONGER AVAILABLE)
	R45159	MAT	1		(BLACK RUBBER)
4	19H2284	CAP SCREW	6		3/8" X 7/8"
5	14H786	NUT	2		1/4"
6	12H302	LOCK WASHER	2		1/4"
7	R35214	RETAINER	1		(NLA)
8	R35213	PLATE	1		
9	R20538	PIN	1		
10	19H1936	CAP SCREW	1		3/8" X 3/4"
11	12H304	LOCK WASHER	1		3/8"
12	R35626	EXTENSION	1		R.H.
13	24M7096	WASHER	4		10.500 X 18 X 1.600 MM
14	19H1732	CAP SCREW	2		3/8" X 1-1/4"
15	AR36772	SHIELD	1		R.H.
	AR36773	SHIELD	1		L.H.
16	R72654	SNAP RING	2		(SUB FOR R27507)
17	24H1286	WASHER	2		9/32" X 1/2" X 1/16"
18	R28783	SPRING	2		
19	R27506	PIN	2		
20	24M7096	WASHER	4		10.500 X 18 X 1.600 MM
21	12H304	LOCK WASHER	6		3/8"
22	14H1076	NUT	6		3/8"
23	11M7079	COTTER PIN	2		0.098" X 0.472"
24	24H1286	WASHER	2		9/32" X 1/2" X 1/16"
25	R40419	PIN	1		(NLA)
26	AR36778	DOOR	1		
27	19H1948	CAP SCREW	2		1/4" X 3/4"
28	24M7096	WASHER	2		10.500 X 18 X 1.600 MM
29	R1826R	SPRING	1		
30	R35210	PIN	1		(NLA)
31	34H282	SPRING PIN	1		3/16" X 1"
32	34H247	SPRING PIN	1		1/8" X 3/4"
33	AR67385	TOOLBOX	1		(SUB FOR AR47187)
	R32239	PLUG	1		
..	R53745	TAPE	AR		55 M (180 FT.) (SUB FOR R46662)
..	R46663	SEALING TRIM	AR		18 M (60 FT.)

# 3E19

OPERATOR'S STATION

R33039 -UN-01JAN94

## STEERING VALVE BRACKET AND HOOD BAFFLE



R33039

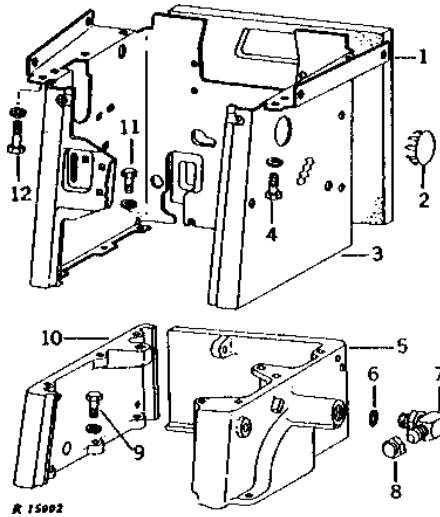
KEY	PART NO.	PART NAME	QTY	TRACTOR SERIAL NO.	REMARKS
1	19H1139	CAP SCREW	3		3/8" X 1-1/8"
2	12H310	LOCK WASHER	4		3/8"
3	R31231	SUPPORT	1		HOOD
4	R31229	SUPPORT	2		DASH
5	14H1076	NUT	2		3/8"
6	19H1731	CAP SCREW	1		3/8" X 1"
7	R27567	BUSHING	1		
8	AR53470	BRACKET	1		(MARKED R49637)
9	R47079	BRACKET	1	-030149	(SUB FOR R32390)
	R48391	BRACKET	1	030150-	
10	R31230	SUPPORT	1		HOOD
11	AR34927	ISOLATOR	1		(NO LONGER AVAILABLE)
12	R56059	FOAM PAD	1		
13	14H1076	NUT	2		3/8"
14	12H304	LOCK WASHER	4		3/8"
15	R26895	ANGLE	1		DASH
16	19H1726	CAP SCREW	1		3/8" X 2-1/4"
17	19H1765	CAP SCREW	1		3/8" X 1-3/4"
18	19H2284	CAP SCREW	2		3/8" X 7/8"
19	R26895	ANGLE	1		DASH

# 3E20

OPERATOR'S STATION

R15002 -UN-01JAN94

## CONTROL SUPPORT



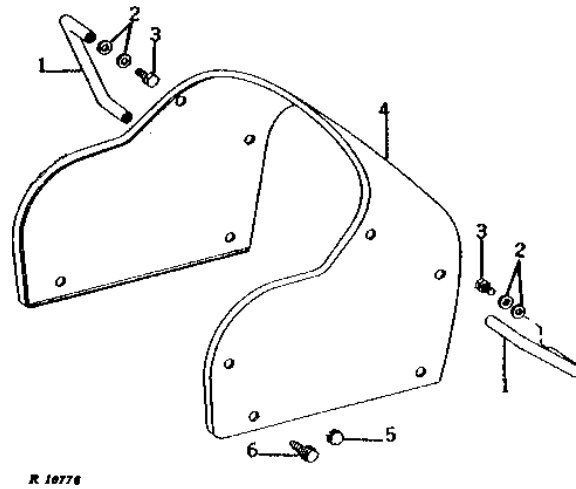
KEY	PART NO.	PART NAME	QTY	TRACTOR SERIAL NO.	REMARKS
1	R56059	FOAM PAD	1		(SUB FOR R35825)
2	R20513	PLUG	1		
	R28473	PLUG	1		
	R34444	PLUG	1		(SUB R66562)
3	AR32818	SUPPORT	1		(NO LONGER AVAILABLE)
4	19H2284	CAP SCREW	3		3/8" X 7/8"
	12H304	LOCK WASHER	3		3/8"
5	R47915	BASE	1		(ALSO ORDER (3) 24H1309) (SUB FOR R35550)
	.....	FOAM PAD	1		25 X 51 X 229 MM (1" X 2" X 9") CONTROL SUPPORT BASE, (MAKE FROM R28123)
6	R26906	O-RING	1		
7	AR26724	ELBOW FITTING	1		(LESS DIFFERENTIAL LOCK)
	AR36856	TEE FITTING	1		(DIFFERENTIAL LOCK)
	R39112	FITTING	1		(LESS DIFFERENTIAL LOCK AND ROCKSHAFT)
8	R36927	FITTING	1		(LESS ROCKSHAFT)
9	19H1732	CAP SCREW	8		3/8" X 1-1/4"
	12H304	LOCK WASHER	8		3/8"
10	R50964	BASE	1		(SUB FOR R35551 AND R47916) (ALSO ORDER (2) 24H1309)
11	19H1936	CAP SCREW	6		3/8" X 3/4"
	12H304	LOCK WASHER	6		3/8"
	A4624R	WASHER	6		(WITH CAB)
12	19H2284	CAP SCREW	2		3/8" X 7/8"
	12H304	LOCK WASHER	2		3/8"

# 3E21

OPERATOR'S STATION

R10776 -UN-01JAN94

COWL



KEY	PART NO.	PART NAME	QTY	TRACTOR SERIAL NO.	REMARKS
1	R31618	HANDLE	2		
2	24H1305	WASHER	8	13/32" X 13/16" X 0.065"	
3	19H1936	CAP SCREW	4	3/8" X 3/4"	
4	AR41584	COWL	1	(SUB FOR AR32765 OR AR45371)	
5	H113924	PLUG	1	(SUB FOR R42451) (SUB T15005)	
6	AR26568	SCREW	4		

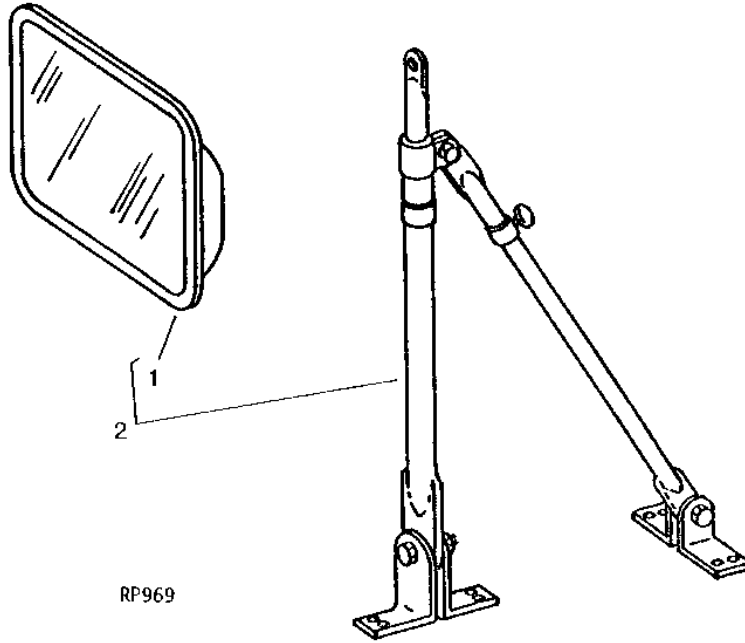


# 3E22

OPERATOR'S STATION

RP969 -UN-01JAN94

## REAR VIEW MIRROR



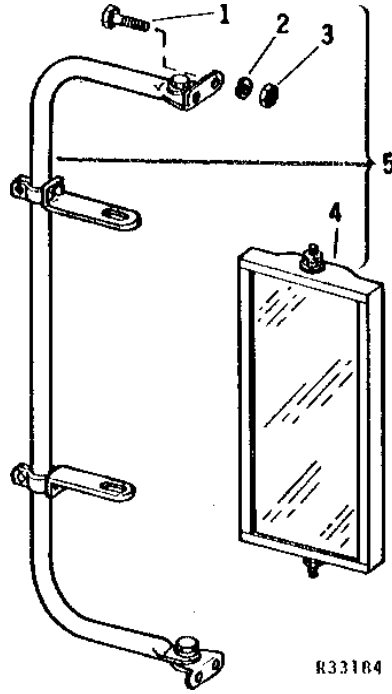
KEY	PART NO.	PART NAME	QTY	TRACTOR SERIAL NO.	REMARKS
1	AR89137	REAR VIEW MIRROR	1	(SUB FOR AR44255)	
2	AR44254	REAR VIEW MIRROR	1	(SUB (3) AH85483, AR89137 AND (6) H78354)	

# 3E23

OPERATOR'S STATION

R33184 -UN-01JAN94

## OUTSIDE MIRROR



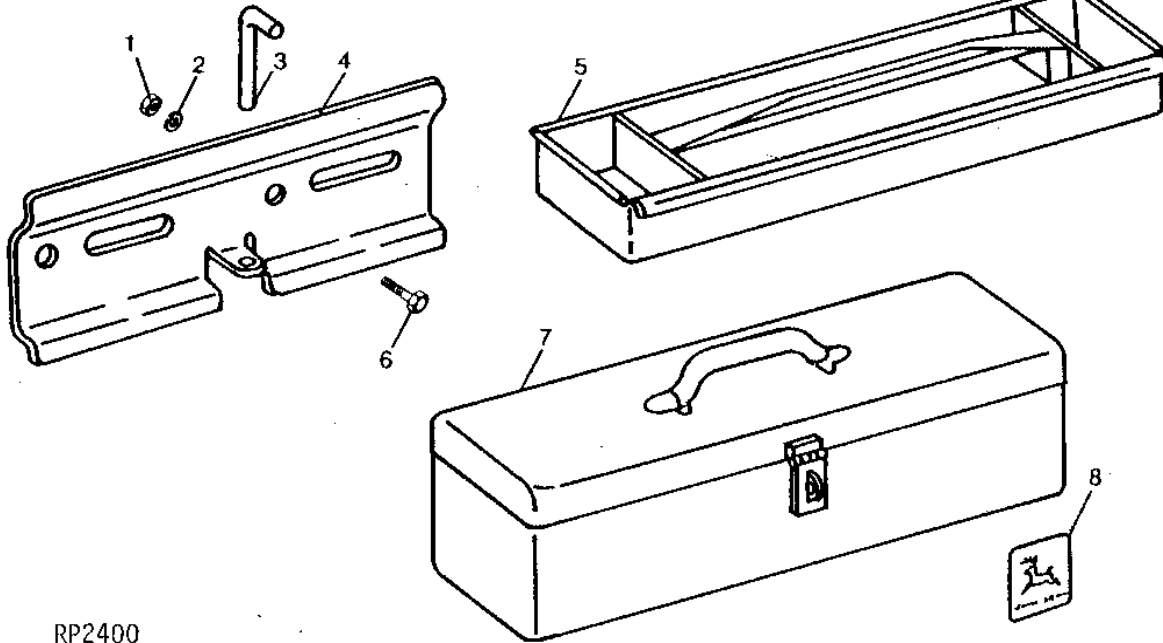
KEY	PART NO.	PART NAME	QTY	CAB SERIAL NO.	REMARKS
1	19H1948	CAP SCREW	4	1/4" X 3/4"	
2	12H302	LOCK WASHER	4	1/4"	
3	14H786	NUT	4	1/4"	
4	AR52555	REAR VIEW MIRROR	1		
5	AR52554	REAR VIEW MIRROR	1		

# 3E24

OPERATOR'S STATION

RP2400 -UN-01JAN94

## TOOLBOX AND SUPPORTS



RP2400

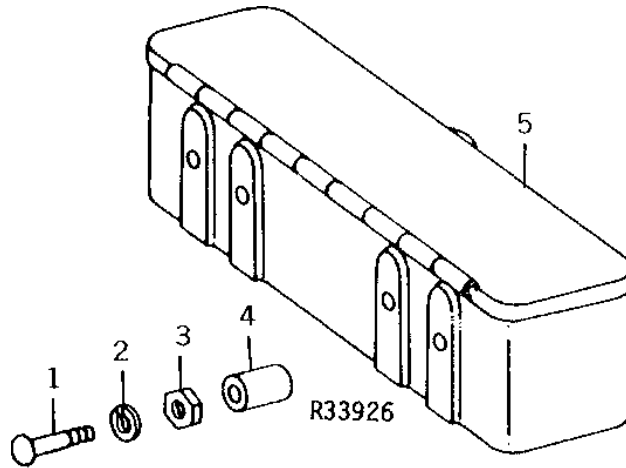
KEY	PART NO.	PART NAME	QTY	TRACTOR SERIAL NO.	REMARKS
1	14H1039	NUT	2	5/8"	
2	12H294	LOCK WASHER	2	5/8"	
3	T23027	PIN	1		
4	T23033	BRACKET	1		
5	AT22073	HOLDER	1		
6	19H1833	CAP SCREW	2	5/8" X 1-1/4"	
7	AT22070	TOOLBOX	1		
8	JD5272	LABEL	1	-XXXXXX	
	JD5602	LABEL	1	XXXXXX-	

# 3E25

OPERATOR'S STATION

R33926 -UN-01JAN94

TOOLBOX  
(CAB)



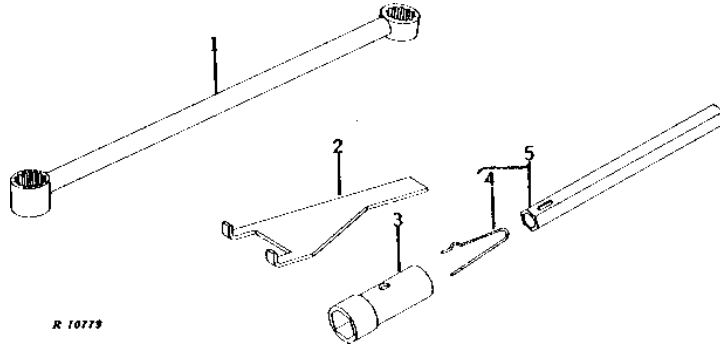
KEY	PART NO.	PART NAME	QTY	CAB SERIAL NO.	REMARKS
1	03H1558	BOLT	2	3/8" X 1-1/2"	
2	12H304	LOCK WASHER	2	3/8"	
3	14H1076	NUT	2	3/8"	
4	28H1919	BUSHING	2	1/2" X 15/16"	
5	AR34684	TOOLBOX	1		

# 3F1

OPERATOR'S STATION

R10779 -UN-01JAN94

## TOOLS



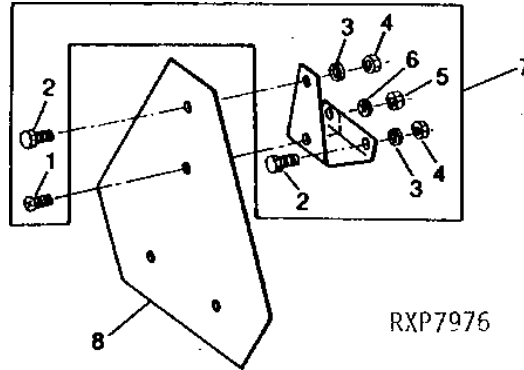
KEY	PART NO.	PART NAME	QTY	TRACTOR SERIAL NO.	REMARKS
1	R34827	WRENCH	1		CLUTCH RELEASE BEARING SLEEVE ADJUSTING
2	R36621	WRENCH	1		
3	AR39683	WRENCH	1		
4	R39739	SPRING LOCKING PIN	1		
5	AR39682	EXTENSION	1		

# 3F2

OPERATOR'S STATION

RXP7976 -UN-01JAN94

## SLOW MOVING VEHICLE EMBLEM



RXP7976

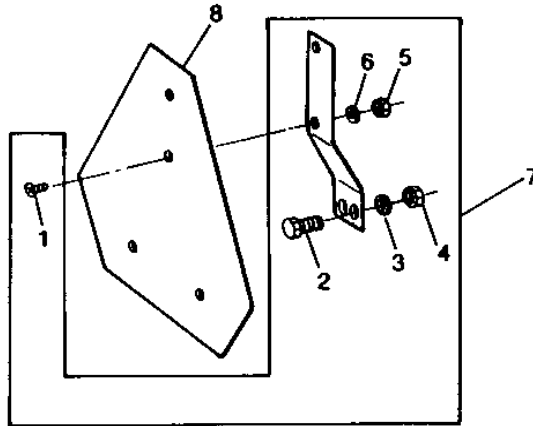
KEY	PART NO.	PART NAME	QTY	TRACTOR SERIAL NO.	REMARKS
1	21H1301	SCREW	1	0.190" X 1/2"	
2	19H1900	CAP SCREW	3	5/16" X 3/4"	
3	12H303	LOCK WASHER	3	5/16"	
4	14H785	NUT	3	5/16"	
5	14H778	NUT	1	0.190"	
6	12H246	LOCK WASHER	1	0.190"	
7	AR47859	BRACKET	1	(STOLPER CAB)	
8	JD5403	SMV EMBLEM	1		

# 3F3

OPERATOR'S STATION

RXP7977 -UN-01JAN94

## SLOW MOVING VEHICLE EMBLEM (LESS ROCKSHAFT)



RXP7977

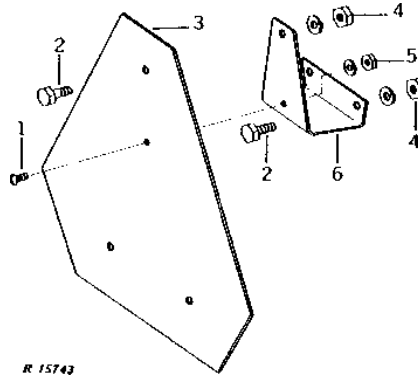
KEY	PART NO.	PART NAME	QTY	TRACTOR SERIAL NO.	REMARKS
1	21H1301	SCREW	1	0.190" X 1/2"	
2	19H1792	CAP SCREW	3	1/2" X 1"	
3	12H301	LOCK WASHER	2	1/2"	
4	14H1040	NUT	2	1/2"	
5	14H778	NUT	2	0.190"	
6	12H246	LOCK WASHER	2	0.190"	
7	AR45738	BRACKET	1		
8	JD5403	SMV EMBLEM	1		

# 3F4

OPERATOR'S STATION

R15743 -UN-01JAN94

## SLOW MOVING VEHICLE EMBLEM



KEY	PART NO.	PART NAME	QTY	TRACTOR SERIAL NO.	REMARKS
1	21H1301	SCREW	1	(A) 0.190" X 1/2"	
2	19H2644	CAP SCREW	3	(A) 1/2" X 2-1/2"	
3	JD5403	SMV EMBLEM	1		
4	14H785	NUT	3	(A) 5/16"	
	12H303	LOCK WASHER	3	(A) 5/16"	
5	14H778	NUT	1	(A) 0.190"	
	12H246	LOCK WASHER	1	(A) 0.190"	
6	AR47859	BRACKET	1	(STOLPER CAB)	
	AR45738	BRACKET	1	(LESS ROCKSHAFT) (NOT AS ILLUSTRATED)	
	AR45741	BRACKET	1	(INCLUDES HARDWARE)	
				(ROCKSHAFT) (NOT AS ILLUSTRATED) (INCLUDES HARDWARE) (NO LONGER AVAILABLE)	

(A) INCLUDED IN AR47859

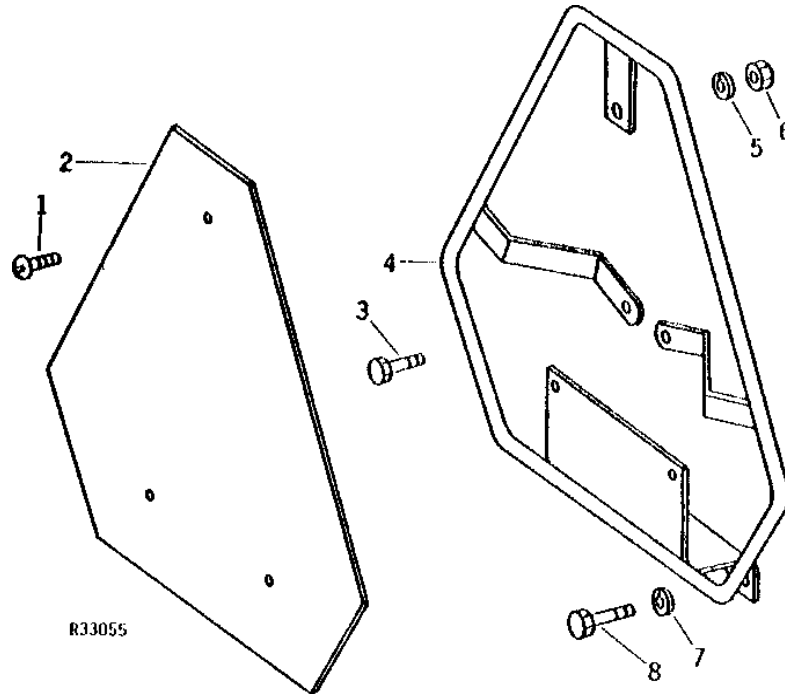


# 3F5

OPERATOR'S STATION

R33055 -UN-01JAN94

SLOW MOVING VEHICLE EMBLEM  
(TRACTOR SERIAL NO. -XXXXXX)



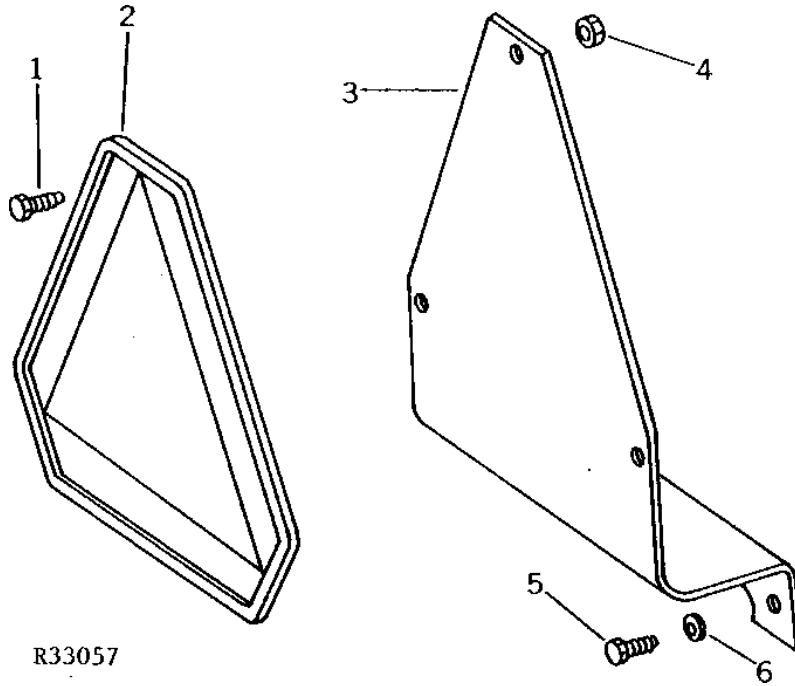
KEY	PART NO.	PART NAME	QTY	TRACTOR SERIAL NO.	REMARKS
1	21H1301	SCREW	3	0.190" X 1/2"	
2	JD5403	SMV EMBLEM	1		
3	19H1900	CAP SCREW	1	5/16" X 3/4"	
4	AR46282	SUPPORT	1		
5	12H246	LOCK WASHER	3	0.190"	
6	14H778	NUT	3	0.190"	
7	12H303	LOCK WASHER	2	5/16"	
8	19H1849	CAP SCREW	2	5/16" X 1-1/4"	

# 3F6

OPERATOR'S STATION

R33057 -UN-01JAN94

**SLOW MOVING VEHICLE EMBLEM  
(TRACTOR SERIAL NO. XXXXXX- )**



R33057

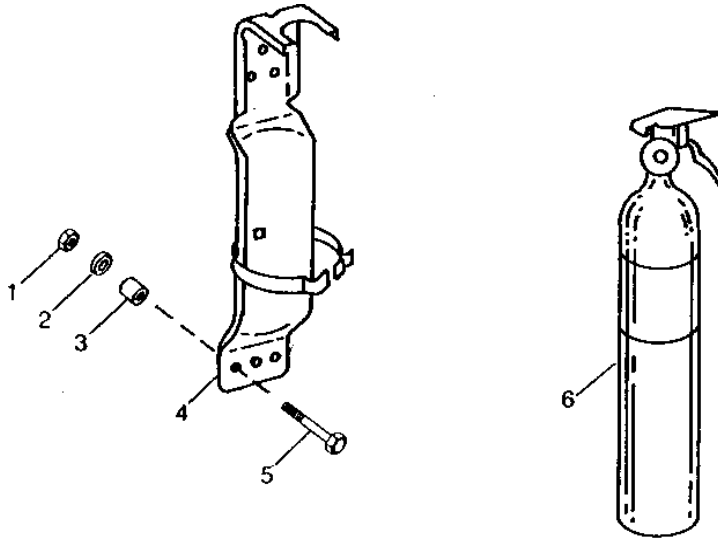
KEY	PART NO.	PART NAME	QTY	TRACTOR SERIAL NO.	REMARKS
1	19H1948	CAP SCREW	AR	1/4" X 3/4", ((3) USED LESS CAB, (2) USED WITH CAB)	
2	TY2615	SMV EMBLEM	1	(SUB FOR AR61194)	
3	R53828	BRACKET	1	(LESS CAB)	
4	14H786	NUT	AR	1/4", ((3) USED LESS CAB, (2) USED WITH CAB)	
5	19H1849	CAP SCREW	2	5/16" X 1-1/4", (LESS CAB)	
6	12H303	LOCK WASHER	2	5/16", (LESS CAB)	

# 3F7

OPERATOR'S STATION

RWP2787 -UN-01JAN94

## FIRE EXTINGUISHER



### RWP2787

KEY	PART NO.	PART NAME	QTY	TRACTOR SERIAL NO.	REMARKS
1	14H786	NUT	2		1/4", (SUB FOR 28H1914)
2	24H1287	WASHER	2		9/32" X 5/8" X 0.065"
3	28H3423	BUSHING	2		
4	AT75387	BRACKET	1		(SUB FOR AT62019)
5	21H1035	SCREW	2		1/4" X 1-1/2"
6	AT141924	FIRE EXTINGUISHER	1		(SUB FOR AT62018 OR AT81764)

# 3F8

OPERATOR'S STATION

R32259 -UN-01JAN94

LOCTITE SEALANT



R32259F

KEY	PART NO.	PART NAME	QTY	TRACTOR SERIAL NO.	REMARKS
1	TY9371	ADHESIVE	1		(TUBE OF 6 CC) (SUB FOR AT14927 OR AT24538)

---

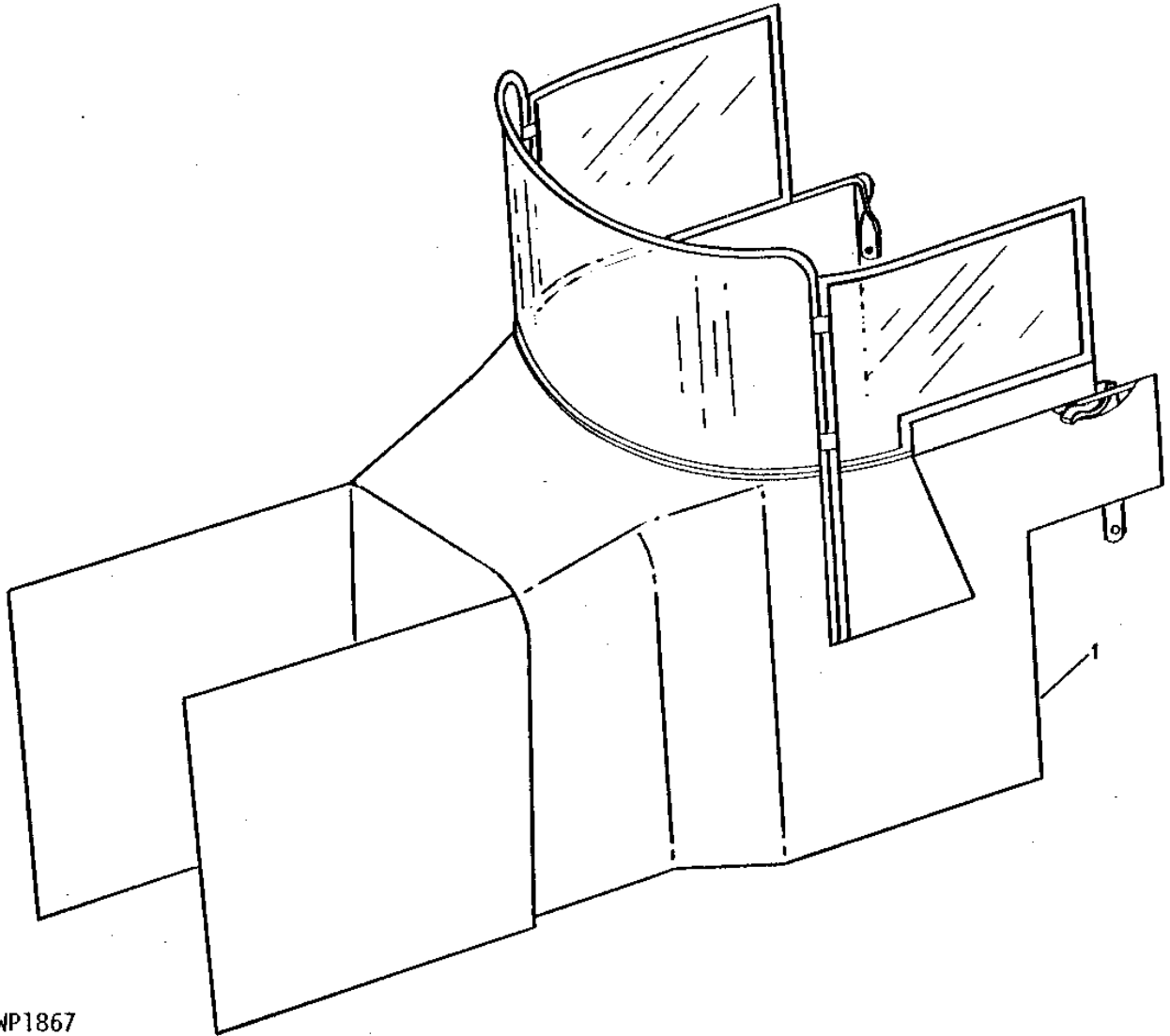
MEMORANDA

# 3F9

OPERATOR'S STATION

RWP1867 -UN-01JAN94

WEATHERSHIELD



RWP1867

# 3F10

OPERATOR'S STATION

---

WEATHERSHIELD - CONTINUED

KEY	PART NO.	PART NAME	QTY	TRACTOR SERIAL NO.	REMARKS
1	AR35925	WEATHER ENCLOSURE	1		(NO LONGER AVAILABLE)
..	R20123	WINDSHIELD	1		FRONT
..	R20124	FRAME	1		FRONT
..	AR20143	WINDOWPANE	1		R.H.
..	AR30516	WINDOW	1		L.H.

---

MEMORANDA



# 1K13

5020 TRACTOR (SERIAL NO. 025,000-)

## NUMERICAL INDEX

PART NO.	GRID	KEY	PAGE	PART NO.	GRID	KEY	PAGE	PART NO.	GRID	KEY	PAGE
AA15044	2G22	20	70 - 74	AR101245	1H23	4	40 - 95	AR11080	1G5	8	40 - 50
AA32178	1G24	..	40 - 71	AR101266	1C2	4	20 - 27	AR11080	1G7	8	40 - 53
AA3495R	1G13	6	40 - 59	AR101267	1C1	1	20 - 26	AR11081	1G4	13	40 - 49
AA3495R	1G13	17	40 - 59	AR101267	1C2	3	20 - 27	AR11084	1G2	1	40 - 47
AA3495R	1G15	4	40 - 61	AR101287	2C10	8	50 - 39	AR11085	1G2	19	40 - 47
AA3495R	1G15	13	40 - 61	AR101287	2C12	8	50 - 41	AR111058	1H11	20	40 - 83
AA3495R	1G18	5	40 - 65	AR101403	1C2	4	20 - 27	AR11134	1G5	13	40 - 50
AA34967	1G24	3	40 - 71	AR101408	1C2	3	20 - 27	AR112182	2J6	6	80 - 24
AA34968	1G24	23	40 - 71	AR101409	1C2	3	20 - 27	AR112785	2I24	4	80 - 16
AA5302R	1E5	2	30 - 32	AR101410	1C2	3	20 - 27	AR11329	1G4	29	40 - 49
AA5691R	1G23	18	40 - 70	AR101411	1C2	3	20 - 27	AR1729R	1D4	2	30 - 3
AA5692R	1G23	17	40 - 70	AR101412	1C2	3	20 - 27	AR1730R	1D4	4	30 - 3
AA5692R	1I13	12	40 - 110	AR101549	1C14	8	20 - 39	AR1745R	1D4	1	30 - 3
AA5787R	1H14	23	40 - 85B	AR101549	1C15	7	20 - 40	AR20032	2I13	11	80 - 5
AA6217R	1G23	19	40 - 70	AR101833	1B24	8	20 - 24	AR20032	2I16	8	80 - 9
AA6218R	1G23	14	40 - 70	AR102188	1F17	5	40 - 37	AR20033	2I16	20	80 - 9
AB3453R	1B11	17	20 - 10	AR102188	1F24	..	40 - 44	AR20143	3F10	..	90 - 113
AD2062R	1G13	2	40 - 59	AR102188	1G7	..	40 - 53	AR21024	1C13	1	20 - 38
AD2062R	1G13	5	40 - 59	AR102188	1G9	..	40 - 55	AR21024	1C13	2	20 - 38
AD2062R	1G15	11	40 - 61	AR102219	3D12	5	90 - 63	AR21059	1G13	20	40 - 59
AD2062R	1G15	12	40 - 61	AR102219	3D12	6	90 - 63	AR21059	1G13	23	40 - 59
AD2062R	1G16	3	40 - 63	AR102219	3D12	7	90 - 63	AR21059	1G15	7	40 - 61
AD2062R	1G18	19	40 - 65	AR102220	3D12	5	90 - 63	AR21059	1G15	22	40 - 61
AD2062R	1G18	25	40 - 65	AR102220	3D12	6	90 - 63	AR21059	1G18	20	40 - 65
AD2062R	1G18	26	40 - 65	AR102220	3D12	7	90 - 63	AR21737	1G13	2	40 - 59
AD2062R	1G20	18	40 - 67	AR102454	1H4	..	40 - 76	AR21737	1G15	11	40 - 61
AD2062R	1G22	16	40 - 69	AR102454	1H5	..	40 - 77	AR21737	1G18	26	40 - 65
AD2062R	1G24	2	40 - 71	AR102454	1H6	12	40 - 78	AR21739	1G13	5	40 - 59
AE23861	1F2	4	40 - 20	AR102454	1H7	12	40 - 79	AR21739	1G15	12	40 - 61
AE24616	2E21	9	70 - 18	AR102755	1G5	9	40 - 50	AR21739	1G18	25	40 - 65
AF3892R	1G13	20	40 - 59	AR102755	1G5	27	40 - 50	AR21739	1H1	2	40 - 73
AF3892R	1G15	7	40 - 61	AR102755	1G7	31	40 - 53	AR21739	1H2	4	40 - 74
AF3892R	1G18	14	40 - 65	AR102760	1G4	29	40 - 49	AR21823	1H4	2	40 - 76
AF3892R	1G20	13	40 - 67	AR102761	1G4	21	40 - 49	AR21823	1H5	2	40 - 77
AH103067	1F16	18	40 - 35	AR102763	1G7	28	40 - 53	AR21823	1H6	10	40 - 78
AH103068	1F16	19	40 - 35	AR102764	1G7	18	40 - 53	AR21823	1H7	10	40 - 79
AH64758	3D17	1	90 - 68	AR102765	1G7	17	40 - 53	AR21836	1D23	9	30 - 25
AH77100	1E5	2	30 - 32	AR102768	1G7	29	40 - 53	AR21837	1C10	8	20 - 35
AH80057	3E2	19	90 - 79	AR103044	1B22	5	20 - 22	AR21837	1C11	2	20 - 36
AH85483	3E22	2	90 - 99	AR103108	1B22	6	20 - 22	AR21837	3B15	5	90 - 12
AH93625	1G24	12	40 - 71	AR103109	1B22	6	20 - 22	AR21837	3B24	3	90 - 21
AH93852	2C18	3	50 - 47	AR103112	1B22	6	20 - 22	AR21837	3B25	5	90 - 22
AH98337	1F2	2	40 - 20	AR103322	1B22	6	20 - 22	AR21837	3C8	4	90 - 31
AL14896	1H5	7	40 - 77	AR103808	2I6	7	70 - 111	AR21837	3C10	20	90 - 33
AL23523	2D19	3	60 - 26	AR103811	1B8	3	20 - 7	AR21837	3C15	5	90 - 39
AL26972	2H17	22	70 - 97	AR104119	1G18	2	40 - 65	AR21839	2F5	5	70 - 29
AL26973	2H17	21	70 - 97	AR104119	1G18	14	40 - 65	AR21839	3B6	3	90 - 3
AL2976T	1E19	5	40 - 11	AR104119	1G20	2	40 - 67	AR21840	1C17	11	20 - 43
AL2976T	1I5	25	40 - 102	AR104119	1G20	13	40 - 67	AR21840	1C19	2	20 - 45
AL2976T	1I18	20	40 - 115	AR104119	1G22	2	40 - 69	AR21842	1D7	2	30 - 6
AM30347	2I18	20	80 - 11	AR104563	1C1	1	20 - 26	AR21858	1G23	9	40 - 70
AM3491T	2B4	1	50 - 3	AR104563	1C2	3	20 - 27	AR21969	1B4	..	20 - 2
AM3491T	2B14	1	50 - 15	AR104564	1C1	1	20 - 26	AR21969	2F2	..	70 - 25
AM3491T	2B14	10	50 - 15	AR104564	1C2	3	20 - 27	AR21969	2F3	..	70 - 27
AN152652	1F5	19	40 - 23	AR104565	1C1	1	20 - 26	AR21999	1C17	28	20 - 43
AN163885	2G24	38	70 - 77	AR104565	1C2	3	20 - 27	AR26338	2B8	7	50 - 7
AN163885	2H24	26	70 - 105	AR104566	1C1	1	20 - 26	AR26338	2C8	6	50 - 37
AN163885	2I4	16	70 - 109	AR104566	1C2	3	20 - 27	AR26341	1B20	13	20 - 20
AN212996	2F25	6	70 - 51	AR104567	1C2	4	20 - 27	AR26351	1B11	9	20 - 10
AN250096	2E21	5	70 - 18	AR104568	1C2	4	20 - 27	AR26353	1B11	20	20 - 10
AR101236	2E8	2	70 - 5	AR104569	1C2	4	20 - 27	AR26360	2B24	14	50 - 27
AR101236	2E8	3	70 - 5	AR104570	1C2	4	20 - 27	AR26375	2B13	20	50 - 13
AR101236	2E14	23	70 - 11	AR110611	1D10	5	30 - 9	AR26390	1B20	6	20 - 20
AR101236	2E16	3	70 - 13	AR11078	1G5	26	40 - 50	AR26402	2C24	5	60 - 5
AR101236	2E20	28	70 - 17	AR11079	1G5	15	40 - 50	AR26403	3C25	7	90 - 51
AR101245	1H19	4	40 - 91	AR11079	1G7	12	40 - 53	AR26414	2F21	18	70 - 47
AR101245	1H21	3	40 - 93	AR11080	1G4	30	40 - 49	AR26414	2F22	3	70 - 48

# 1K14

5020 TRACTOR (SERIAL NO. 025,000-)

## NUMERICAL INDEX - CONTINUED

PART NO.	GRID	KEY	PAGE	PART NO.	GRID	KEY	PAGE	PART NO.	GRID	KEY	PAGE
AR26448	2C24	2	60-5	AR27814	1D11	1	30-10	AR31988	2D5	11	60-11
AR26523	2F15	23	70-41	AR27940	1D11	6	30-10	AR32016	1E25	7	40-18
AR26524	2F15	33	70-41	AR27977	1B13	25	20-13	AR32608	2F10	11	70-35
AR26529	3D2	8	90-53	AR27977	1H16	32	40-87	AR32610	2F10	11	70-35
AR26530	3D2	16	90-53	AR28047	2J12	6	80-31	AR32765	3E21	4	90-98
AR26546	2F15	3	70-41	AR28048	2J12	8	80-31	AR32818	3E20	3	90-97
AR26556	2G6	34	70-57	AR28049	2J12	8	80-31	AR33249	2E10	6	70-7
AR26566	2J12	15	80-31	AR28167	1E16	13	40-7	AR33479	1H14	4	40-85B
AR26568	2J15	2	80-35	AR28167	1G15	23	40-61	AR33821	2E8	4	70-5
AR26568	3E21	6	90-98	AR28271	1C6	14	20-31	AR33877	2G24	34	70-77
AR26571	1I13	1	40-110	AR28271	2C3	11	50-31	AR34059	2G24	37	70-77
AR26592	1E4	11	30-31	AR28339	3D6	1	90-57	AR34098	2E5	4	70-2
AR26613	1E4	14	30-31	AR28340	3D6	27	90-57	AR34172	2D2	9	60-7
AR26625	2D2	5	60-7	AR28341	3D6	15	90-57	AR34302	1C18	6	20-44
AR26632	3C25	25	90-51	AR28403	1F5	19	40-23	AR34368	1D23	..	30-25
AR26635	1B20	1	20-20	AR28403	1I13	10	40-110	AR34415	1D16	10	30-16
AR26646	2E10	21	70-7	AR28403	1I16	19	40-113	AR34415	1D16	11	30-16
AR26657	2H2	21	70-81	AR28403	3C6	10	90-29	AR34415	1D16	17	30-16
AR26674	1D15	18	30-15	AR28403	3C12	3	90-35	AR34556	1H14	24	40-85B
AR26674	1D15	25	30-15	AR28482	1C17	17	20-43	AR34660	3D5	27	90-56
AR26674	1D16	5	30-16	AR28488	2D11	2	60-18	AR34684	3E25	5	90-102
AR26674	1D20	7	30-21	AR28754	2I5	3	70-110	AR34705	2C12	20	50-41
AR26674	1D21	4	30-22	AR28755	2I5	3	70-110	AR34927	3E19	11	90-96
AR26697	2H2	24	70-81	AR30016	2D9	5	60-16	AR34959	1H14	9	40-85B
AR26697	2H10	3	70-89	AR30017	2D9	14	60-16	AR34990	1E16	6	40-7
AR26701	2C5	29	50-33	AR30018	2D9	18	60-16	AR34990	1G15	14	40-61
AR26705	1C8	22	20-33	AR30018	2D10	3	60-17	AR35003	1B20	2	20-20
AR26707	2C5	28	50-33	AR30019	2D9	19	60-16	AR35004	1B20	18	20-20
AR26711	2F15	16	70-41	AR30094	2F10	34	70-35	AR35006	1B9	5	20-8
AR26724	2C14	22	50-43	AR30110	2F10	11	70-35	AR35007	1B8	4	20-7
AR26724	2F13	12	70-39	AR30110	2F10	18	70-35	AR35008	1B13	32	20-13
AR26724	2F13	19	70-39	AR30110	2F13	14	70-39	AR35010	1B22	10	20-22
AR26724	3E20	7	90-97	AR30166	2D9	9	60-16	AR35012	1C4	6	20-29
AR26725	2C23	1	60-3	AR30210	2G24	7	70-77	AR35017	1D10	4	30-9
AR26725	2D2	21	60-7	AR30210	2H15	7	70-95	AR35023	2J11	2	80-30
AR26725	2D7	2	60-13	AR30297	2D2	33	60-7	AR35025	2J11	24	80-30
AR26725	2D8	11	60-15	AR30297	2D2	37	60-7	AR35027	1C10	21	20-35
AR26725	2D9	7	60-16	AR30298	2D2	33	60-7	AR35032	2C18	10	50-47
AR26746	2F3	12	70-27	AR30317	3D5	15	90-56	AR35033	1B6	12	20-4
AR26747	2C3	24	50-31	AR30394	1H14	22	40-85B	AR35035	1C8	6	20-33
AR26747	2F3	2	70-27	AR30444	1B20	9	20-20	AR35036	2C8	14	50-37
AR26758	2E8	12	70-5	AR30472	1E4	3	30-31	AR35045	2D11	4	60-18
AR26763	2D5	4	60-11	AR30516	3F10	..	90-113	AR35046	2J3	11	80-21
AR26763	2G22	1	70-74	AR30685	2G25	12	70-78	AR35054	2B22	17	50-24
AR26763	2H13	2	70-92	AR30697	2F10	14	70-35	AR35055	2B22	18	50-24
AR26763	2H14	9	70-93	AR30697	2F17	8	70-43	AR35060	2C4	8	50-32
AR26766	2H14	26	70-93	AR30784	2H20	1	70-101	AR35061	2C4	4	50-32
AR26767	2C23	6	60-3	AR31016	2D14	16	60-21	AR35064	2C4	27	50-32
AR26767	2D5	6	60-11	AR31176	1D16	17	30-16	AR35079	1D15	26	30-15
AR26767	2H14	25	70-93	AR31272	2F15	6	70-41	AR35082	2B11	8	50-11
AR26771	2B15	20	50-16	AR31274	2F15	6	70-41	AR35083	2B11	15	50-11
AR26771	2B15	21	50-16	AR31611	2G22	13	70-74	AR35084	2B11	17	50-11
AR26771	2C14	10	50-43	AR31703	2F10	26	70-35	AR35085	2B11	2	50-11
AR26771	2C16	27	50-45	AR31754	2F11	7	70-36	AR35087	1D23	26	30-25
AR26771	2D5	13	60-11	AR31790	3D11	..	90-62	AR35090	2J12	1	80-31
AR26771	2E24	8	70-22	AR31790	3D17	..	90-68	AR35092	1B10	9	20-9
AR26773	2D5	6	60-11	AR31790	3D19	..	90-71	AR35147	1B13	22	20-13
AR26846	2F17	3	70-43	AR31790	3E4	..	90-81	AR35158	2B17	11	50-19
AR27093	2G6	30	70-57	AR31790	3E6	..	90-83	AR35159	2F7	9	70-31
AR27093	2G8	39	70-59	AR31882	1C5	1	20-30	AR35159	2F17	11	70-43
AR27139	1C13	1	20-38	AR31904	2C2	27	50-29	AR35164	1C8	28	20-33
AR27253	1D23	9	30-25	AR31944	2D10	4	60-17	AR35166	2B21	8	50-23
AR27572	3D6	31	90-57	AR31945	2I3	15	70-108	AR35176	1C1	1	20-26
AR27702	1B8	3	20-7	AR31946	2D16	13	60-23	AR35176	1C2	3	20-27
AR27806	2I18	1	80-11	AR31977	3D2	25	90-53	AR35177	1C2	3	20-27
AR27806	2I19	1	80-11A	AR31978	3D5	9	90-56	AR35178	1C1	1	20-26
AR27808	1D4	6	30-3	AR31979	3D5	1	90-56	AR35179	1C1	1	20-26

# 1K15

5020 TRACTOR (SERIAL NO. 025,000-)

## NUMERICAL INDEX - CONTINUED

PART NO.	GRID	KEY	PAGE	PART NO.	GRID	KEY	PAGE	PART NO.	GRID	KEY	PAGE
AR35179	1C2	3	20 - 27	AR35736	2F15	19	70 - 41	AR36241	2B13	7	50 - 13
AR35180	1C1	1	20 - 26	AR35737	2F13	11	70 - 39	AR36243	2D8	9	60 - 15
AR35181	1C1	1	20 - 26	AR35739	2F13	6	70 - 39	AR36250	2C14	5	50 - 43
AR35181	1C2	3	20 - 27	AR35743	2H13	8	70 - 92	AR36256	2C14	3	50 - 43
AR35182	1C1	1	20 - 26	AR35759	2G4	9	70 - 55	AR36257	2C14	6	50 - 43
AR35183	1C1	1	20 - 26	AR35760	2G4	3	70 - 55	AR36260	2C14	12	50 - 43
AR35184	1C1	1	20 - 26	AR35762	2G6	33	70 - 57	AR36279	2D18	29	60 - 25
AR35185	1C2	4	20 - 27	AR35763	2G4	1	70 - 55	AR36280	2D18	30	60 - 25
AR35186	1C2	4	20 - 27	AR35773	2G4	14	70 - 55	AR36286	2H13	20	70 - 92
AR35187	1C2	4	20 - 27	AR35774	2G4	16	70 - 55	AR36287	2H13	19	70 - 92
AR35188	1C2	4	20 - 27	AR35777	2F19	1	70 - 45	AR36303	2H20	7	70 - 101
AR35190	1C2	4	20 - 27	AR35782	1E14	13	40 - 5	AR36314	1B13	32	20 - 13
AR35191	1C4	7	20 - 29	AR35782	1E17	8	40 - 9	AR36345	2C12	16	50 - 41
AR35193	1C4	7	20 - 29	AR35782	1G13	24	40 - 59	AR36346	2C12	25	50 - 41
AR35195	1C4	7	20 - 29	AR35782	1G18	22	40 - 65	AR36353	1C4	16	20 - 29
AR35206	3E16	3	90 - 93	AR35790	2G2	10	70 - 53	AR36355	1D11	22	30 - 10
AR35206	3E18	3	90 - 95	AR35791	2G2	3	70 - 53	AR36358	1D23	11	30 - 25
AR35207	2D7	3	60 - 13	AR35800	1B22	6	20 - 22	AR36374	2F15	38	70 - 41
AR35208	2D7	11	60 - 13	AR35801	2B10	32	50 - 9	AR36379	2F19	20	70 - 45
AR35209	2D7	14	60 - 13	AR35801	2C4	11	50 - 32	AR36380	2F19	25	70 - 45
AR35210	2D8	1	60 - 15	AR35802	2G4	17	70 - 55	AR36381	2F3	13	70 - 27
AR35223	2C23	8	60 - 3	AR35803	2G4	17	70 - 55	AR36414	1D6	10	30 - 5
AR35223	2D5	18	60 - 11	AR35807	2G11	31	70 - 63	AR36537	1B6	12	20 - 4
AR35226	2H13	7	70 - 92	AR35807	2G15	7	70 - 67	AR36619	1B22	6	20 - 22
AR35228	2H13	8	70 - 92	AR35826	2F19	4	70 - 45	AR36628	2I15	10	80 - 7
AR35230	2H14	10	70 - 93	AR35842	1C4	16	20 - 29	AR36629	2I15	16	80 - 7
AR35231	2H14	11	70 - 93	AR35843	1C4	16	20 - 29	AR36636	2I12	17	80 - 3
AR35234	2H14	22	70 - 93	AR35851	2G6	1	70 - 57	AR36638	2I12	11	80 - 3
AR35235	2D17	16	60 - 24	AR35851	2G8	4	70 - 59	AR36642	2I13	16	80 - 5
AR35236	2F3	6	70 - 27	AR35855	2G4	12	70 - 55	AR36643	2I13	21	80 - 5
AR35239	2F2	27	70 - 25	AR35857	2F24	5	70 - 50	AR36649	1B13	22	20 - 13
AR35243	2D5	5	60 - 11	AR35857	2G4	23	70 - 55	AR36666	1C4	6	20 - 29
AR35246	1D8	6	30 - 7	AR35861	2G11	24	70 - 63	AR36667	1C14	22	20 - 39
AR35261	2H20	7	70 - 101	AR35862	2G11	22	70 - 63	AR36668	1C14	7	20 - 39
AR35270	2J15	1	80 - 35	AR35912	2G15	11A	70 - 67	AR36668	1C15	6	20 - 40
AR35271	2J15	1	80 - 35	AR35922	2F21	2	70 - 47	AR36671	1B20	2	20 - 20
AR35314	1C1	1	20 - 26	AR35925	3F10	1	90 - 113	AR36672	1D23	31	30 - 25
AR35315	2J10	5	80 - 29	AR35952	2C5	20	50 - 33	AR36672	1E2	10	30 - 29
AR35326	2H21	1	70 - 102	AR35964	2F5	23	70 - 29	AR36674	1D23	8	30 - 25
AR35339	2B8	13	50 - 7	AR35970	2J10	6	80 - 29	AR36675	1D23	7	30 - 25
AR35382	2F17	14	70 - 43	AR35992	1C4	12	20 - 29	AR36676	1D23	6	30 - 25
AR35403	2B19	21	50 - 21	AR35992	1C4	15	20 - 29	AR36677	1D23	5	30 - 25
AR35404	2B19	13	50 - 21	AR36010	2B23	4	50 - 25	AR36678	1D23	4	30 - 25
AR35471	2B8	14	50 - 7	AR36011	2B23	3	50 - 25	AR36679	1D23	3	30 - 25
AR35485	2C4	15	50 - 32	AR36048	3D2	14	90 - 53	AR36680	1D23	2	30 - 25
AR35506	2B21	2	50 - 23	AR36054	1B17	7	20 - 17	AR36688	2B17	1	50 - 19
AR35526	2G15	25	70 - 67	AR36055	1C8	29	20 - 33	AR36688	2C10	16	50 - 39
AR35527	2G15	24	70 - 67	AR36056	1C8	15	20 - 33	AR36688	2C12	28	50 - 41
AR35528	2B8	6	50 - 7	AR36057	1C5	4	20 - 30	AR36689	2B17	1	50 - 19
AR35580	2D11	7	60 - 18	AR36073	1C20	5	20 - 46	AR36689	2C10	16	50 - 39
AR35586	1D4	5	30 - 3	AR36078	2I12	9	80 - 3	AR36689	2C12	28	50 - 41
AR35589	2B10	13	50 - 9	AR36078	2I13	3	80 - 5	AR36690	2B17	6	50 - 19
AR35646	2D11	7	60 - 18	AR36078	2I15	9	80 - 7	AR36693	1C8	15	20 - 33
AR35659	2B11	17	50 - 11	AR36078	2I16	3	80 - 9	AR36694	1C8	22	20 - 33
AR35660	1C2	4	20 - 27	AR36079	2I12	23	80 - 3	AR36699	2B10	7	50 - 9
AR35661	1C4	7	20 - 29	AR36079	2I15	22	80 - 7	AR36702	1B15	1	20 - 15
AR35662	1C4	12	20 - 29	AR36092	1B22	6	20 - 22	AR36702	1C8	29	20 - 33
AR35663	1B17	7	20 - 17	AR36105	2D20	7	60 - 27	AR36703	2I12	19	80 - 3
AR35666	1D10	10	30 - 9	AR36145	1C4	9	20 - 29	AR36704	2I12	19	80 - 3
AR35710	2C14	11	50 - 43	AR36150	2C8	4	50 - 37	AR36712	2J11	9	80 - 30
AR35710	2C16	21	50 - 45	AR36158	2H20	4	70 - 101	AR36713	2J11	9	80 - 30
AR35717	2F2	3	70 - 25	AR36181	1B9	9	20 - 8	AR36716	2J11	9	80 - 30
AR35718	2E24	3	70 - 22	AR36182	1B9	13	20 - 8	AR36717	2J11	9	80 - 30
AR35718	2F2	4	70 - 25	AR36188	1C14	17	20 - 39	AR36752	1D15	6	30 - 15
AR35720	2F2	6	70 - 25	AR36210	1C4	10	20 - 29	AR36757	1D15	7	30 - 15
AR35733	2C2	10	50 - 29	AR36239	1C8	15	20 - 33	AR36759	1D15	13	30 - 15
AR35735	2F13	3	70 - 39	AR36240	1C8	15	20 - 33	AR36760	1D15	1	30 - 15

# 1K16

5020 TRACTOR (SERIAL NO. 025,000-)

## NUMERICAL INDEX - CONTINUED

PART NO.	GRID	KEY	PAGE	PART NO.	GRID	KEY	PAGE	PART NO.	GRID	KEY	PAGE
AR36762	1D15	9	30 - 15	AR39777	2F10	28	70 - 35	AR41694	1E12	3	40 - 3
AR36763	1D15	10	30 - 15	AR39783	2G19	14	70 - 71	AR41701	1E14	3	40 - 5
AR36772	3E18	15	90 - 95	AR39906	1H16	17	40 - 87	AR41702	1E14	6	40 - 5
AR36773	3E18	15	90 - 95	AR40146	1D6	5	30 - 5	AR41702	1E16	7	40 - 7
AR36778	3E16	31	90 - 93	AR40171	1G1	10	40 - 46	AR41754	1I1	8	40 - 98
AR36778	3E18	26	90 - 95	AR40259	1D15	23	30 - 15	AR41756	1H19	2	40 - 91
AR36788	2J11	23	80 - 30	AR40259	1D16	10	30 - 16	AR41756	1H21	2	40 - 93
AR36790	2J11	18	80 - 30	AR40259	1D16	11	30 - 16	AR41756	1H23	2	40 - 95
AR36791	2J11	18	80 - 30	AR40259	1D16	17	30 - 16	AR41756	1I1	1	40 - 98
AR36796	2J11	2	80 - 30	AR40405	1B20	6	20 - 20	AR41758	1H19	1	40 - 91
AR36803	2H14	23	70 - 93	AR40407	1D16	11	30 - 16	AR41758	1H21	1	40 - 93
AR36804	2F5	18	70 - 29	AR40416	1F7	8	40 - 25	AR41758	1H23	1	40 - 95
AR36809	1D6	19	30 - 5	AR40420	1F6	3	40 - 24	AR41758	1H25	..	40 - 97
AR36814	1C17	18	20 - 43	AR40420	1F6	4	40 - 24	AR41758	1I1	10	40 - 98
AR36816	2J3	4	80 - 21	AR40420	1F8	..	40 - 27	AR41760	1H19	3	40 - 91
AR36822	1B10	3	20 - 9	AR40465	2G22	7	70 - 74	AR41761	3C17	11	90 - 41
AR36823	2C16	1	50 - 45	AR40475	2C14	13	50 - 43	AR41761	3C19	16	90 - 43
AR36836	1C4	11	20 - 29	AR40482	1D16	6	30 - 16	AR41761	3C23	..	90 - 49
AR36851	2F7	6	70 - 31	AR40482	1D18	6	30 - 18	AR41850	3D12	4	90 - 63
AR36856	2C14	22	50 - 43	AR40488	2F8	11	70 - 33	AR41852	3D12	5	90 - 63
AR36856	2F13	19	70 - 39	AR40587	2G24	..	70 - 77	AR41853	3D12	6	90 - 63
AR36856	3E20	7	90 - 97	AR40678	2H4	11	70 - 83	AR41854	3D12	5	90 - 63
AR36863	2B10	7	50 - 9	AR40688	2H4	16	70 - 83	AR41940	1B6	12	20 - 4
AR36872	1C4	9	20 - 29	AR40710	1G23	18	40 - 70	AR41950	1H19	7	40 - 91
AR36877	1D23	13	30 - 25	AR40710	1I13	13	40 - 110	AR41950	1H21	8	40 - 93
AR36883	2C3	19	50 - 31	AR40744	2H4	5	70 - 83	AR41950	1H23	8	40 - 95
AR36886	1B17	7	20 - 17	AR40802	1H16	10	40 - 87	AR41950	1I1	3	40 - 98
AR36887	2F5	1	70 - 29	AR40828	2H2	28	70 - 81	AR41951	1H19	6	40 - 91
AR36889	1B13	32	20 - 13	AR40828	2H4	1	70 - 83	AR41951	1H21	7	40 - 93
AR36897	2I13	2	80 - 5	AR40864	2G2	2	70 - 53	AR41951	1H23	7	40 - 95
AR36897	2I16	2	80 - 9	AR40865	2G19	15	70 - 71	AR41951	1I1	2	40 - 98
AR36904	1B22	6	20 - 22	AR40906	2J10	1	80 - 29	AR42008	1E19	10	40 - 11
AR36929	1C10	21	20 - 35	AR40914	2J16	6	80 - 36	AR42009	2C21	..	60 - 1
AR36992	1D9	11	30 - 8	AR40930	3E16	26	90 - 93	AR42009	2D2	..	60 - 7
AR37017	2G22	3	70 - 74	AR40931	3E16	26	90 - 93	AR42109	2C16	32	50 - 45
AR37017	2H2	26	70 - 81	AR40936	1B22	6	20 - 22	AR42119	1E17	1	40 - 9
AR37017	2H14	5	70 - 93	AR40939	2H4	6	70 - 83	AR42119	1E19	1	40 - 11
AR38453	1E12	3	40 - 3	AR40947	1H19	4	40 - 91	AR42119	1E20	1	40 - 13
AR38456	1E14	5	40 - 5	AR40947	1H19	5	40 - 91	AR42119	1E22	1	40 - 15
AR38456	1E16	5	40 - 7	AR40997	2J15	4	80 - 35	AR42119	1E22	23	40 - 15
AR38456	1E17	7	40 - 9	AR40998	2J15	4	80 - 35	AR42119	1E22	26	40 - 15
AR38456	1E19	13	40 - 11	AR41139	2G24	34	70 - 77	AR42119	1E24	1	40 - 17
AR38456	1E20	6	40 - 13	AR41140	2G24	34	70 - 77	AR42119	1E25	1	40 - 18
AR38456	1E22	22	40 - 15	AR41230	2I13	21	80 - 5	AR42119	1G18	2	40 - 65
AR38456	1G15	1	40 - 61	AR41261	2I12	19	80 - 3	AR42119	1G18	6	40 - 65
AR38456	1G16	1	40 - 63	AR41262	2I12	19	80 - 3	AR42119	1G20	2	40 - 67
AR38456	1G16	4	40 - 63	AR41266	2G6	16	70 - 57	AR42119	1G20	6	40 - 67
AR38456	1G18	19	40 - 65	AR41267	2G6	20	70 - 57	AR42119	1G22	2	40 - 69
AR38456	1G20	18	40 - 67	AR41287	1G10	14	40 - 56	AR42119	1G22	6	40 - 69
AR38456	1G22	16	40 - 69	AR41288	1F5	8	40 - 23	AR42120	1E17	6	40 - 9
AR38456	3C2	7	90 - 25	AR41291	1B9	14	20 - 8	AR42120	1E19	7	40 - 11
AR38456	3C20	7	90 - 45	AR41291	1B9	15	20 - 8	AR42120	1E20	13	40 - 13
AR38459	1F6	2	40 - 24	AR41291	1B10	3	20 - 9	AR42120	1E20	15	40 - 13
AR38714	2E10	31	70 - 7	AR41292	1B9	14	20 - 8	AR42120	1G18	15	40 - 65
AR389R	2B4	8	50 - 3	AR41292	1B9	15	20 - 8	AR42120	1G20	14	40 - 67
AR389R	2C2	14	50 - 29	AR41292	1B10	3	20 - 9	AR42121	1E17	2	40 - 9
AR39026	2E8	25	70 - 5	AR41293	1C4	9	20 - 29	AR42121	1E19	3	40 - 11
AR39516	2C7	1	50 - 35	AR41294	1C4	8	20 - 29	AR42121	1G18	15	40 - 65
AR39585	2D4	34	60 - 9	AR41294	1C4	9	20 - 29	AR42121	1G20	14	40 - 67
AR39598	1C19	11	20 - 45	AR41295	1C4	8	20 - 29	AR42273	3D22	18	90 - 74
AR39677	2C7	14	50 - 35	AR41574	1C14	19	20 - 39	AR42274	3D10	5	90 - 61
AR39682	3F1	5	90 - 103	AR41584	3E21	4	90 - 98	AR42284	2F3	13	70 - 27
AR39683	3F1	3	90 - 103	AR41684	1E12	5	40 - 3	AR42326	1C11	9	20 - 36
AR39694	2E6	1	70 - 3	AR41684	1E14	8	40 - 5	AR42327	2B10	24	50 - 9
AR39694	2E8	..	70 - 5	AR41684	1E16	8	40 - 7	AR42335	2B4	11	50 - 3
AR39694	2E16	..	70 - 13	AR41691	1C14	5	20 - 39	AR42400	2D14	19	60 - 21
AR39696	2E8	16	70 - 5	AR41691	1C15	4	20 - 40	AR42431	1H21	3	40 - 93

# 1K17

5020 TRACTOR (SERIAL NO. 025,000-)

## NUMERICAL INDEX - CONTINUED

PART NO.	GRID	KEY	PAGE	PART NO.	GRID	KEY	PAGE	PART NO.	GRID	KEY	PAGE
AR42432	1H21	21	40-93	AR44659	1I3	5	40-100	AR45678	1D20	11	30-21
AR42508	3C17	5	90-41	AR44661	3B5	8	90-2	AR45683	2H14	3	70-93
AR42508	3C19	3	90-43	AR44662	3B5	6	90-2	AR45691	3D21	11	90-73
AR42590	1C11	12	20-36	AR44663	3B5	6	90-2	AR45694	1H16	..	40-87
AR42591	1G18	2	40-65	AR44664	3B5	10	90-2	AR45716	2J8	3	80-26
AR42591	1G20	2	40-67	AR44668	3B5	7	90-2	AR45716	3E16	26	90-93
AR42591	1G22	2	40-69	AR44673	1E17	4	40-9	AR45717	2J8	3	80-26
AR42598	3C23	2	90-49	AR44673	3B5	14	90-2	AR45717	3E16	26	90-93
AR42883	1C11	9	20-36	AR44683	3D10	13	90-61	AR45718	3D24	13	90-76
AR42990	2B19	10	50-21	AR44684	3D13	10	90-64	AR45719	3D20	2	90-72
AR42991	1C11	9	20-36	AR44688	3D13	6	90-64	AR45720	3D20	4	90-72
AR43075	2G9	10	70-61	AR44690	3D13	14	90-64	AR45738	3F3	7	90-105
AR43167	2D14	23	60-21	AR44691	3D10	3	90-61	AR45738	3F4	6	90-106
AR43167	2D17	22	60-24	AR44692	3D10	18	90-61	AR45741	3F4	6	90-106
AR43559	2C22	10	60-2	AR44693	3D10	4	90-61	AR45783	1D6	10	30-5
AR43559	2C23	10	60-3	AR44694	3D10	16	90-61	AR45784	1D6	9	30-5
AR43595	1D7	3	30-6	AR44695	3D10	1	90-61	AR45785	1D6	6	30-5
AR43676	1D15	30	30-15	AR44696	3D10	19	90-61	AR45786	1D6	13	30-5
AR43739	3D14	10	90-65	AR44745	1E5	16	30-32	AR45807	2I12	17	80-3
AR43742	1E19	11	40-11	AR44762	1E17	11	40-9	AR45810	3D14	15	90-65
AR43743	1E19	15	40-11	AR44763	3C23	5	90-49	AR45813	3D17	2	90-68
AR43795	2G22	25	70-74	AR44820	2G15	15	70-67	AR45814	3D17	3	90-68
AR43809	2C22	10	60-2	AR44840	1C19	11	20-45	AR45815	3D17	6	90-68
AR43809	2C23	10	60-3	AR44883	2C21	9	60-1	AR45816	3D17	10	90-68
AR44042	2F15	19	70-41	AR44949	1C5	1	20-30	AR45823	3D16	4	90-67
AR44077	1D20	13	30-21	AR44978	1D23	31	30-25	AR45824	3D16	5	90-67
AR44077	1E6	2	30-33	AR44978	1E2	10	30-29	AR45827	3B10	11	90-7
AR44104	1B22	6	20-22	AR44999	1G10	4	40-56	AR45828	3B10	9	90-7
AR44105	1B22	6	20-22	AR44999	1G11	7	40-57	AR45829	3B10	12	90-7
AR44254	3E22	2	90-99	AR45013	1H21	4	40-93	AR45830	3B10	4	90-7
AR44255	3E22	1	90-99	AR45014	1H21	17	40-93	AR45831	3B10	5	90-7
AR44264	2B24	11	50-27	AR45015	1H21	20	40-93	AR45832	3B13	4	90-10
AR44271	2B24	17	50-27	AR45099	1E19	14	40-11	AR45833	3B13	9	90-10
AR44327	2C12	25	50-41	AR45099	1E20	7	40-13	AR45834	3B13	6	90-10
AR44357	2F8	8	70-33	AR45099	1E22	20	40-15	AR45835	3B16	7	90-13
AR44371	1I3	1	40-100	AR45099	1G20	24	40-67	AR45836	3B16	5	90-13
AR44382	1B13	2	20-13	AR45099	1G22	22	40-69	AR45837	1I4	20	40-101
AR44382	1C11	10	20-36	AR45102	2J10	2	80-29	AR45838	1I4	16	40-101
AR44402	1B4	1	20-2	AR45113	3D24	4	90-76	AR45839	1H12	13	40-84
AR44412	1B13	22	20-13	AR45114	3D24	5	90-76	AR45839	1I5	28	40-102
AR44417	1E5	10	30-32	AR45114	3E12	15	90-89	AR45839	1I6	27	40-103
AR44466	2C12	25	50-41	AR45114	3E14	18	90-91	AR45840	1I4	15	40-101
AR44505	1C4	9	20-29	AR45132	3D21	11	90-73	AR45841	1I4	13	40-101
AR44506	1C4	9	20-29	AR45174	3D23	4	90-75	AR45842	1I4	10	40-101
AR44607	3B6	16	90-3	AR45175	3D23	1	90-75	AR45843	1I4	3	40-101
AR44607	3B15	4	90-12	AR45176	3D23	14	90-75	AR45843	1I5	3	40-102
AR44607	3B25	4	90-22	AR45177	3D22	11	90-74	AR45843	1I6	3	40-103
AR44607	3C15	4	90-39	AR45178	3D22	24	90-74	AR45844	1I4	4	40-101
AR44608	3B6	7	90-3	AR45179	3D22	19	90-74	AR45844	1I5	4	40-102
AR44609	3B6	1	90-3	AR45221	1C4	7	20-29	AR45844	1I6	12	40-103
AR44610	3B6	12	90-3	AR45278	1B22	6	20-22	AR45845	3B12	12	90-9
AR44611	3B6	9	90-3	AR45347	1B24	3	20-24	AR45846	3B16	4	90-13
AR44612	3B6	10	90-3	AR45371	3E21	4	90-98	AR45847	1E19	6	40-11
AR44613	3C17	5	90-41	AR45436	1H16	31	40-87	AR45849	1H12	11	40-84
AR44632	2D5	17	60-11	AR45437	1H16	23	40-87	AR45850	3B10	1	90-7
AR44639	3D11	27	90-62	AR45438	1H16	3	40-87	AR45851	1H12	16	40-84
AR44640	3D11	26	90-62	AR45439	1F5	4	40-23	AR45852	1H12	20	40-84
AR44641	3D11	23	90-62	AR45439	1F5	27	40-23	AR45853	1H12	8	40-84
AR44642	3D11	21	90-62	AR45469	3D13	5	90-64	AR45853	1H12	9	40-84
AR44643	3D11	22	90-62	AR45474	3D10	11	90-61	AR45854	1H12	14	40-84
AR44644	3D11	9	90-62	AR45530	1B8	3	20-7	AR45856	3B13	5	90-10
AR44645	3D11	4	90-62	AR45534	2I4	26	70-109	AR45857	3B14	1	90-11
AR44646	3B5	2	90-2	AR45536	2H24	24	70-105	AR45858	3B14	3	90-11
AR44647	1I3	3	40-100	AR45536	2I4	14	70-109	AR45859	1H12	5	40-84
AR44656	1I3	6	40-100	AR45544	2H24	37	70-105	AR45867	3B18	10	90-15
AR44656	3B5	16	90-2	AR45544	2I2	39	70-107	AR45867	3C5	4	90-28
AR44659	1E17	5	40-9	AR45647	2H4	33	70-83	AR45868	3B19	6	90-16

# 1K18

5020 TRACTOR (SERIAL NO. 025,000-)

## NUMERICAL INDEX - CONTINUED

PART NO.	GRID	KEY	PAGE	PART NO.	GRID	KEY	PAGE	PART NO.	GRID	KEY	PAGE
AR45868	3C6	1	90 - 29	AR47004	1E12	9	40 - 3	AR47859	3F4	..	90 - 106
AR45939	2J15	4	80 - 35	AR47005	1E12	6	40 - 3	AR47891	1C5	1	20 - 30
AR45940	2J15	4	80 - 35	AR47091	2J18	16	80 - 39	AR47916	1H16	24	40 - 87
AR45952	1B11	19	20 - 10	AR47093	1H4	..	40 - 76	AR47933	2G22	24	70 - 74
AR45952	1B11	20	20 - 10	AR47138	2B15	1	50 - 16	AR48021	1H16	17	40 - 87
AR45953	1B11	20	20 - 10	AR47168	1C11	..	20 - 36	AR48033	1F5	27	40 - 23
AR46021	2J13	13	80 - 33	AR47170	2E8	16	70 - 5	AR48034	1H16	6	40 - 87
AR46022	2J13	13	80 - 33	AR47181	1D7	4	30 - 6	AR48035	1H16	21	40 - 87
AR46025	2J13	16	80 - 33	AR47187	3E16	13	90 - 93	AR48040	1G20	23	40 - 67
AR46026	2J13	16	80 - 33	AR47187	3E18	33	90 - 95	AR48040	1G22	21	40 - 69
AR46060	2D19	17	60 - 26	AR47188	2D17	15	60 - 24	AR48041	1G20	22	40 - 67
AR46079	1H14	24	40 - 85B	AR47189	2D17	25	60 - 24	AR48041	1G22	20	40 - 69
AR46081	1E19	10	40 - 11	AR47190	2D17	7	60 - 24	AR48041	1G24	22	40 - 71
AR46095	2B15	20	50 - 16	AR47191	2D20	2	60 - 27	AR48110	2G2	1	70 - 53
AR46095	2D17	27	60 - 24	AR47193	2D20	8	60 - 27	AR48110	2G6	32	70 - 57
AR46141	2B15	20	50 - 16	AR47194	2C14	16	50 - 43	AR48110	2G8	34	70 - 59
AR46142	2B15	21	50 - 16	AR47195	2F13	15	70 - 39	AR48110	2G19	15	70 - 71
AR46144	1D20	8	30 - 21	AR47210	3C20	3	90 - 45	AR48111	2G19	14	70 - 71
AR46146	2D14	6	60 - 21	AR47246	1B13	22	20 - 13	AR48112	2G6	7	70 - 57
AR46241	2J10	13	80 - 29	AR47247	1B13	22	20 - 13	AR48112	2G6	31	70 - 57
AR46243	1F5	5	40 - 23	AR47249	1B13	22	20 - 13	AR48112	2G8	33	70 - 59
AR46244	2J3	2	80 - 21	AR47249	1B13	31	20 - 13	AR48134	3D13	6	90 - 64
AR46256	2G19	9	70 - 71	AR47249	1B18	1	20 - 18	AR48135	1E17	3	40 - 9
AR46281	1D15	8	30 - 15	AR47250	1B13	22	20 - 13	AR48136	3D10	14	90 - 61
AR46282	3F5	4	90 - 107	AR47289	2D2	16	60 - 7	AR48193	1E19	..	40 - 11
AR46299	3D14	4	90 - 65	AR47293	2C21	9	60 - 1	AR48219	1E1	7	30 - 28
AR46333	1E19	..	40 - 11	AR47303	1D10	5	30 - 9	AR48226	1B15	1	20 - 15
AR46334	1F5	17	40 - 23	AR47304	1D16	16	30 - 16	AR48266	1F10	4	40 - 29
AR46334	3B19	11	90 - 16	AR47331	2H15	20	70 - 95	AR48267	1E12	1	40 - 3
AR46386	1D23	13	30 - 25	AR47342	1H16	7	40 - 87	AR48267	1F10	15	40 - 29
AR46389	2C14	6	50 - 43	AR47374	1H4	1	40 - 76	AR48295	2G24	27	70 - 77
AR46411	3C2	6	90 - 25	AR47374	1H5	1	40 - 77	AR48337	1G5	27	40 - 50
AR46411	3C20	6	90 - 45	AR47413	1E16	3	40 - 7	AR48338	1G2	10	40 - 47
AR46438	1C18	6	20 - 44	AR47433	2H13	7	70 - 92	AR48339	1G5	9	40 - 50
AR46730	1H4	3	40 - 76	AR47458	1F5	10	40 - 23	AR48339	1G5	27	40 - 50
AR46730	1H5	3	40 - 77	AR47459	1F5	10	40 - 23	AR48340	1G1	17	40 - 46
AR46761	3D15	9	90 - 66	AR47460	1E12	3	40 - 3	AR48341	1G1	2	40 - 46
AR46762	3D16	22	90 - 67	AR47461	1E12	1	40 - 3	AR48342	1G4	21	40 - 49
AR46763	3D15	3	90 - 66	AR47473	2H2	..	70 - 81	AR48343	1G4	7	40 - 49
AR46764	3D16	8	90 - 67	AR47473	2H4	..	70 - 83	AR48344	1G4	20	40 - 49
AR46805	1C14	17	20 - 39	AR47473	2H6	..	70 - 85	AR48369	1C11	1	20 - 36
AR46820	1E12	11	40 - 3	AR47474	2H4	..	70 - 83	AR48594	1E12	3	40 - 3
AR46828	2G19	13	70 - 71	AR47474	2H6	..	70 - 85	AR48643	1H14	24	40 - 85B
AR46951	2J10	10	80 - 29	AR47486	2G22	29	70 - 74	AR48717	1H19	4	40 - 91
AR46965	2F5	1	70 - 29	AR47490	2G20	1	70 - 72	AR48717	1H19	5	40 - 91
AR46965	2F5	11	70 - 29	AR47498	1E12	4	40 - 3	AR48723	1G22	27	40 - 69
AR46970	1C14	19	20 - 39	AR47498	1F5	12	40 - 23	AR48724	1F5	8	40 - 23
AR46971	3B8	27	90 - 5	AR47547	1E12	10	40 - 3	AR48725	1H3	1	40 - 75
AR46972	1C14	22	20 - 39	AR47547	1F5	13	40 - 23	AR48726	1F5	19	40 - 23
AR46973	1F10	10	40 - 29	AR47548	1E12	10	40 - 3	AR48728	1C5	1	20 - 30
AR46973	1F14	15	40 - 33	AR47567	2G19	11	70 - 71	AR48729	1B15	1	20 - 15
AR46978	2H10	19	70 - 89	AR47580	2E8	16	70 - 5	AR48756	2G24	34	70 - 77
AR46983	1H19	21	40 - 91	AR47643	2G24	7	70 - 77	AR48933	2H4	11	70 - 83
AR46983	1H23	22	40 - 95	AR47643	2H15	7	70 - 95	AR48937	1E12	5	40 - 3
AR46984	1H19	20	40 - 91	AR47727	3D14	21	90 - 65	AR48937	1E14	8	40 - 5
AR46984	1H23	21	40 - 95	AR47764	1E19	8	40 - 11	AR48937	1E16	8	40 - 7
AR46985	1H19	18	40 - 91	AR47764	1F5	11	40 - 23	AR48942	1B24	8	20 - 24
AR46985	1H23	19	40 - 95	AR47802	2E6	1	70 - 3	AR48956	1E12	1	40 - 3
AR46986	1H19	3	40 - 91	AR47802	2E8	..	70 - 5	AR48956	1H17	1	40 - 88
AR46986	1H19	4	40 - 91	AR47802	2E16	..	70 - 13	AR48957	1E12	1	40 - 3
AR46986	1H21	3	40 - 93	AR47805	2D14	6	60 - 21	AR48957	1H17	5	40 - 88
AR46986	1H23	4	40 - 95	AR47814	3D10	15	90 - 61	AR48961	1E20	12	40 - 13
AR46986	1H23	5	40 - 95	AR47825	2H20	6	70 - 101	AR48961	1F5	11	40 - 23
AR46986	1H25	13	40 - 97	AR47825	2H24	1	70 - 105	AR48962	1F6	3	40 - 24
AR46986	1H25	15	40 - 97	AR47825	2I2	41	70 - 107	AR48962	1F6	4	40 - 24
AR46987	3B8	16	90 - 5	AR47859	3F2	7	90 - 104	AR48962	1F10	9	40 - 29
AR47003	1E12	7	40 - 3	AR47859	3F4	6	90 - 106	AR48962	1F12	..	40 - 31



# 1K20

5020 TRACTOR (SERIAL NO. 025,000-)

## NUMERICAL INDEX - CONTINUED

PART NO.	GRID	KEY	PAGE	PART NO.	GRID	KEY	PAGE	PART NO.	GRID	KEY	PAGE
AR51449	2J13	16	80 - 33	AR52393	2J18	16	80 - 39	AR55154	3E4	18	90 - 81
AR51452	3C20	3	90 - 45	AR52394	2H4	6	70 - 83	AR55185	2F21	2	70 - 47
AR51452	3C22	9	90 - 47	AR52394	2H4	11	70 - 83	AR55186	2E8	4	70 - 5
AR51481	1F5	26	40 - 23	AR52394	2H7	13	70 - 86	AR55239	2J13	16	80 - 33
AR51483	1H21	21	40 - 93	AR52478	1H19	28	40 - 91	AR55240	2J13	16	80 - 33
AR51569	1E12	1	40 - 3	AR52478	1H23	29	40 - 95	AR55282	2I18	20	80 - 11
AR51590	3E8	2	90 - 85	AR52488	2B11	8	50 - 11	AR55623	1C15	9	20 - 40
AR51744	1D9	26	30 - 8	AR52494	2E12	9	70 - 9	AR55649	1F5	19	40 - 23
AR51745	2E10	9	70 - 7	AR52497	2D14	6	60 - 21	AR55673	3E8	10	90 - 85
AR51796	1E1	7	30 - 28	AR52554	3E23	5	90 - 100	AR55674	3E8	8	90 - 85
AR51809	2J11	2	80 - 30	AR52555	3E23	4	90 - 100	AR55694	1F5	7	40 - 23
AR51810	3D13	5	90 - 64	AR52556	1D15	23	30 - 15	AR55694	1F5	27	40 - 23
AR51810	3E12	13	90 - 89	AR52556	1D17	4	30 - 17	AR55694	1H16	21	40 - 87
AR51810	3E14	15	90 - 91	AR52573	1E16	3	40 - 7	AR55694	1H16	22	40 - 87
AR51955	2F22	6	70 - 48	AR52574	1E14	3	40 - 5	AR55694	1I8	24	40 - 105
AR51957	1C4	15	20 - 29	AR52604	1E25	9	40 - 18	AR55711	2D19	6	60 - 26
AR51968	1E24	9	40 - 17	AR52620	2G24	27	70 - 77	AR55713	3B21	5	90 - 18
AR52078	1F6	3	40 - 24	AR52623	2G24	37	70 - 77	AR55715	3B21	4	90 - 18
AR52078	1F6	4	40 - 24	AR52629	2H4	33	70 - 83	AR55730	1D17	5	30 - 17
AR52078	1F10	9	40 - 29	AR52639	1B22	6	20 - 22	AR55888	1G13	2	40 - 59
AR52078	1F12	..	40 - 31	AR52720	1E3	5	30 - 30	AR55888	1G15	11	40 - 61
AR52078	1F14	4	40 - 33	AR52785	2E8	25	70 - 5	AR55888	1G18	27	40 - 65
AR52078	1F16	38	40 - 35	AR52802	1B22	6	20 - 22	AR55947	1F19	14	40 - 39
AR52079	1F6	2	40 - 24	AR52803	3E4	14	90 - 81	AR55949	1F22	15	40 - 42
AR52079	1F14	2	40 - 33	AR52927	1F6	2	40 - 24	AR55949	1F23	8	40 - 43
AR52079	1F16	2	40 - 35	AR53018	1C2	4	20 - 27	AR55950	1B13	22	20 - 13
AR52099	2E8	25	70 - 5	AR53019	1C1	1	20 - 26	AR55950	1C4	14	20 - 29
AR52159	1D15	23	30 - 15	AR53019	1C2	3	20 - 27	AR55950	1C4	15	20 - 29
AR52159	1D17	5	30 - 17	AR53020	1C4	7	20 - 29	AR55951	1C4	12	20 - 29
AR52224	2E8	7	70 - 5	AR53021	1D7	4	30 - 6	AR55951	1C4	15	20 - 29
AR52224	2E16	7	70 - 13	AR53023	1B22	12	20 - 22	AR56120	2H4	33	70 - 83
AR52254	2E10	37	70 - 7	AR53154	3C10	16	90 - 33	AR56161	2E6	1	70 - 3
AR52254	2E18	32	70 - 15	AR53155	3B21	15	90 - 18	AR56161	2E8	..	70 - 5
AR52289	3E4	6	90 - 81	AR53155	3C10	16	90 - 33	AR56161	2E16	..	70 - 13
AR52290	3E2	11	90 - 79	AR53156	3B21	1	90 - 18	AR56228	2B10	23	50 - 9
AR52291	3E4	17	90 - 81	AR53156	3C10	23	90 - 33	AR56638	1C14	19	20 - 39
AR52293	3E4	1	90 - 81	AR53157	1E22	15	40 - 15	AR56638	1F6	7	40 - 24
AR52294	1I6	18	40 - 103	AR53301	2E8	12	70 - 5	AR56638	1F14	13	40 - 33
AR52295	3E2	37	90 - 79	AR53301	2E16	10	70 - 13	AR56786	1D10	1	30 - 9
AR52296	3C14	1	90 - 37	AR53446	3B9	12	90 - 6	AR56786	1D10	5	30 - 9
AR52297	3C14	7	90 - 37	AR53452	1F5	10	40 - 23	AR57061	3E2	3	90 - 79
AR52298	3C14	16	90 - 37	AR53470	3E19	8	90 - 96	AR57156	1H23	4	40 - 95
AR52299	3C14	17	90 - 37	AR53471	2C5	20	50 - 33	AR57157	1H19	4	40 - 91
AR52300	3C14	12	90 - 37	AR53613	1C22	12	20 - 49	AR57157	1H19	5	40 - 91
AR52301	3C12	15	90 - 35	AR53614	1C22	34	20 - 49	AR57199	1C2	4	20 - 27
AR52304	3E4	20	90 - 81	AR53645	2J11	2	80 - 30	AR57200	1C2	4	20 - 27
AR52305	3E2	1	90 - 79	AR53646	2J11	2	80 - 30	AR57201	1C2	4	20 - 27
AR52308	3E2	13	90 - 79	AR53655	2J11	2	80 - 30	AR57202	1C2	4	20 - 27
AR52311	3C11	11	90 - 34	AR53656	2J11	2	80 - 30	AR57203	1C1	1	20 - 26
AR52312	3C11	11	90 - 34	AR53877	2G15	11B	70 - 67	AR57203	1C2	3	20 - 27
AR52313	3C12	11	90 - 35	AR53995	3E4	18	90 - 81	AR57204	1C1	1	20 - 26
AR52314	3C12	11	90 - 35	AR54261	3C25	26	90 - 51	AR57204	1C2	3	20 - 27
AR52315	3C6	22	90 - 29	AR54390	2J3	10	80 - 21	AR57205	1C1	1	20 - 26
AR52316	3C6	15	90 - 29	AR54445	1F5	2	40 - 23	AR57205	1F2	3	20 - 27
AR52318	3C5	6	90 - 28	AR54484	1F5	17	40 - 23	AR57206	1C1	1	20 - 26
AR52319	3C5	1	90 - 28	AR54484	3B19	11	90 - 16	AR57206	1C2	3	20 - 27
AR52320	3C11	8	90 - 34	AR54484	3C6	9	90 - 29	AR57207	1C4	7	20 - 29
AR52321	3C7	6	90 - 30	AR54598	3C25	22	90 - 51	AR57208	1C4	7	20 - 29
AR52322	3C7	5	90 - 30	AR54749	1B4	4	20 - 2	AR57209	1C4	7	20 - 29
AR52323	3C10	13	90 - 33	AR54975	1E22	22	40 - 15	AR57210	1C4	7	20 - 29
AR52324	3C7	20	90 - 30	AR54975	1G22	16	40 - 69	AR57248	3E2	..	90 - 79
AR52326	3C12	11	90 - 35	AR54976	1E22	..	40 - 15	AR58126	1F5	10	40 - 23
AR52327	3C12	11	90 - 35	AR55074	2G9	10	70 - 61	AR58177	1B22	12	20 - 22
AR52330	3C7	10	90 - 30	AR55074	2G13	13	70 - 65	AR58178	1B22	12	20 - 22
AR52331	3C7	4	90 - 30	AR55074	2G17	14	70 - 69	AR58180	1B22	12	20 - 22
AR52392	1I10	4	40 - 107	AR55150	2G4	17	70 - 55	AR58198	2B10	24	50 - 9
AR52393	2J18	10	80 - 39	AR55151	2G4	17	70 - 55	AR58349	2J5	3	80 - 23



# 1K21

5020 TRACTOR (SERIAL NO. 025,000-)

## NUMERICAL INDEX - CONTINUED

PART NO.	GRID	KEY	PAGE	PART NO.	GRID	KEY	PAGE	PART NO.	GRID	KEY	PAGE
AR58545	3E16	13	90 - 93	AR63222	1B3	1	20 - 1	AR67839	1F20	15	40 - 40
AR58567	2J10	10	80 - 29	AR63254	3B9	6	90 - 6	AR67855	1H9	14	40 - 81
AR58593	1F5	5	40 - 23	AR63255	3B9	13	90 - 6	AR67855	1114	9	40 - 111
AR58820	2J10	2	80 - 29	AR63261	1B22	6	20 - 22	AR67855	1116	2	40 - 113
AR59140	1D20	8	30 - 21	AR63865	1B15	1	20 - 15	AR68107	3C11	11	90 - 34
AR59420	1C4	5	20 - 29	AR63865	1C8	5	20 - 33	AR68108	3C11	11	90 - 34
AR59420	1C4	6	20 - 29	AR63865	1C8	29	20 - 33	AR68145	2H24	24	70 - 105
AR59444	114	20	40 - 101	AR63928	3C14	16	90 - 37	AR68145	214	14	70 - 109
AR59444	115	17	40 - 102	AR63979	1B3	1	20 - 1	AR68197	1H14	9	40 - 85B
AR59444	116	26	40 - 103	AR64210	3E8	10	90 - 85	AR68198	1H16	1	40 - 87
AR59444	116	27	40 - 103	AR64211	3E8	8	90 - 85	AR68306	3C17	5	90 - 41
AR59446	2B24	12	50 - 27	AR64672	1B22	6	20 - 22	AR68306	3C19	3	90 - 43
AR59663	112	2	40 - 99	AR64675	2B10	5	50 - 9	AR68310	1C8	15	20 - 33
AR59679	3C23	1	90 - 49	AR64675	2B10	7	50 - 9	AR68361	1H19	4	40 - 91
AR59679	3D4	1	90 - 55	AR64676	2B10	5	50 - 9	AR68361	1H21	3	40 - 93
AR59680	3C23	2	90 - 49	AR64676	2B10	7	50 - 9	AR68361	1H23	4	40 - 95
AR59681	3C23	5	90 - 49	AR64992	114	20	40 - 101	AR68362	1H19	4	40 - 91
AR59779	3B20	6	90 - 17	AR64992	115	17	40 - 102	AR68362	1H19	5	40 - 91
AR60029	3D2	14	90 - 53	AR64992	116	26	40 - 103	AR68363	1H25	13	40 - 97
AR60083	1H25	13	40 - 97	AR64992	116	27	40 - 103	AR68721	2C18	3	50 - 47
AR60084	1H25	12	40 - 97	AR65005	1124	1	40 - 121	AR68728	3C25	26	90 - 51
AR60089	1H25	14	40 - 97	AR65006	1124	2	40 - 121	AR68801	2J6	11	80 - 24
AR60109	2G4	9	70 - 55	AR65613	2J3	11	80 - 21	AR68802	3B8	11	90 - 5
AR60110	2G4	3	70 - 55	AR65614	2J3	2	80 - 21	AR68973	3C10	23	90 - 33
AR60372	2G19	18	70 - 71	AR65881	2E24	13	70 - 22	AR68974	3C10	11	90 - 33
AR60937	1H14	23	40 - 85B	AR65883	3C25	26	90 - 51	AR69011	3C10	9	90 - 33
AR60948	3B8	11	90 - 5	AR65968	3E16	26	90 - 93	AR69012	3C10	2	90 - 33
AR61074	1D10	6	30 - 9	AR65969	3E16	26	90 - 93	AR69155	2B19	10	50 - 21
AR61194	3F6	2	90 - 108	AR66027	3B21	1	90 - 18	AR69263	1B22	10	20 - 22
AR61656	2G15	15	70 - 67	AR66027	3C10	23	90 - 33	AR69263	1B23	4	20 - 23
AR61896	1C4	9	20 - 29	AR66028	3C10	4	90 - 33	AR69271	3D2	16	90 - 53
AR61897	1C4	8	20 - 29	AR66145	3E14	26	90 - 91	AR69370	115	27	40 - 102
AR61897	1C4	9	20 - 29	AR66146	3E14	26	90 - 91	AR69370	116	29	40 - 103
AR61903	3B23	4	90 - 20	AR66191	3D23	1	90 - 75	AR69370	3B20	5	90 - 17
AR61903	3C14	4	90 - 37	AR66393	3E14	16	90 - 91	AR69370	3B21	14	90 - 18
AR62150	2G4	18	70 - 55	AR66394	3E14	16	90 - 91	AR69370	3C7	21	90 - 30
AR62151	2G4	2	70 - 55	AR66451	3E14	7	90 - 91	AR69370	3C10	14	90 - 33
AR62152	2G6	34	70 - 57	AR66452	3E14	7	90 - 91	AR69370	3C15	23	90 - 39
AR62153	1F17	5	40 - 37	AR67346	1E22	15	40 - 15	AR69444	2E4	1	70 - 1
AR62153	1F24	..	40 - 44	AR67385	3E16	13	90 - 93	AR69445	2E4	1	70 - 1
AR62153	1G5	..	40 - 50	AR67385	3E18	33	90 - 95	AR69611	2C4	20	50 - 32
AR62153	1G7	..	40 - 53	AR67386	2J10	10	80 - 29	AR69854	3D2	8	90 - 53
AR62153	1G9	..	40 - 55	AR67468	1C8	15	20 - 33	AR69901	1B9	9	20 - 8
AR62154	1F17	5	40 - 37	AR67718	2E14	25	70 - 11	AR69902	1B9	13	20 - 8
AR62154	1F18	..	40 - 38	AR67783	2C21	3	60 - 1	AR69987	2G11	6	70 - 63
AR62154	1F22	..	40 - 42	AR67783	2C21	18	60 - 1	AR69987	2G11	31	70 - 63
AR62154	1F23	..	40 - 43	AR67783	2C21	..	60 - 1	AR69987	2G13	14	70 - 65
AR62293	117	8	40 - 104	AR67783	2D2	17	60 - 7	AR69987	2G15	6	70 - 67
AR62293	117	17	40 - 104	AR67783	2D2	..	60 - 7	AR69987	2G15	7	70 - 67
AR62294	117	1	40 - 104	AR67783	2D4	6	60 - 9	AR69987	2G17	15	70 - 69
AR62294	117	17	40 - 104	AR67783	2D4	28	60 - 9	AR69988	2G11	31	70 - 63
AR62295	117	2	40 - 104	AR67783	2D4	29	60 - 9	AR69988	2G15	7	70 - 67
AR62296	117	3	40 - 104	AR67827	1F19	9	40 - 39	AR70025	2G4	14	70 - 55
AR62359	1112	1	40 - 109	AR67828	1F22	17	40 - 42	AR70026	2G4	1	70 - 55
AR62360	119	1	40 - 106	AR67828	1F23	16	40 - 43	AR70028	2G2	2	70 - 53
AR62497	3C10	5	90 - 33	AR67829	1F22	4	40 - 42	AR70154	2C12	20	50 - 41
AR62561	3B21	1	90 - 18	AR67829	1F23	7	40 - 43	AR70406	2B10	34	50 - 9
AR62561	3C10	23	90 - 33	AR67830	1F22	10	40 - 42	AR70911	1C4	6	20 - 29
AR62934	1C14	7	20 - 39	AR67830	1F23	15	40 - 43	AR71025	2G17	16	70 - 69
AR62934	1C15	6	20 - 40	AR67831	1F19	6	40 - 39	AR71026	2G13	15	70 - 65
AR63177	3E16	11	90 - 93	AR67832	1F19	21	40 - 39	AR71257	1F22	4	40 - 42
AR63178	2J10	2	80 - 29	AR67833	1F19	15	40 - 39	AR71257	1F23	7	40 - 43
AR63178	2J10	4	80 - 29	AR67834	1F19	17	40 - 39	AR71285	3B9	17	90 - 6
AR63214	1C1	1	20 - 26	AR67835	1F21	1	40 - 41	AR71286	3B9	13	90 - 6
AR63214	1C2	3	20 - 27	AR67836	1F20	3	40 - 40	AR71287	3B9	7	90 - 6
AR63218	1B3	1	20 - 1	AR67837	1F20	18	40 - 40	AR71288	3B9	5	90 - 6
AR63219	1B3	1	20 - 1	AR67838	1F20	6	40 - 40	AR71289	3B9	6	90 - 6

# 1K22

5020 TRACTOR (SERIAL NO. 025,000-)

## NUMERICAL INDEX - CONTINUED

PART NO.	GRID	KEY	PAGE	PART NO.	GRID	KEY	PAGE	PART NO.	GRID	KEY	PAGE
AR71289	3B9	..	90 - 6	AR77345	1H17	6	40 - 88	AR84006	3B5	15	90 - 2
AR71290	3B9	12	90 - 6	AR77485	1F10	4	40 - 29	AR84904	2G6	1	70 - 57
AR71404	2G15	25	70 - 67	AR77702	1H5	4	40 - 77	AR84904	2G8	4	70 - 59
AR71405	2G15	24	70 - 67	AR78052	1116	21	40 - 113	AR85311	2C18	13	50 - 47
AR71976	3D2	8	90 - 53	AR78264	1B22	6	20 - 22	AR85323	2B6	4	50 - 5
AR72132	2J6	6	80 - 24	AR78289	2G6	7	70 - 57	AR85578	1H6	8	40 - 78
AR72257	1G16	1	40 - 63	AR78289	2G6	32	70 - 57	AR85578	1H7	8	40 - 79
AR72318	1B6	10	20 - 4	AR78289	2G8	8	70 - 59	AR85792	3D11	..	90 - 62
AR72319	1B6	3	20 - 4	AR78289	2G8	34	70 - 59	AR85792	3D17	..	90 - 68
AR72852	1C19	7	20 - 45	AR78298	1F6	2	40 - 24	AR85792	3D19	..	90 - 71
AR73000	2B15	20	50 - 16	AR78340	2F21	15	70 - 47	AR85792	3E4	..	90 - 81
AR73311	1I2	1	40 - 99	AR78340	2F21	16	70 - 47	AR85792	3E6	..	90 - 83
AR73500	2I8	1	70 - 113	AR78340	2F21	17	70 - 47	AR86535	2H4	33	70 - 83
AR73579	1H5	7	40 - 77	AR78340	2F21	18	70 - 47	AR86535	2H6	32	70 - 85
AR73580	1H5	4	40 - 77	AR78340	2F21	19	70 - 47	AR86969	1G13	5	40 - 59
AR74019	3B21	1	90 - 18	AR78340	2F22	3	70 - 48	AR86969	1G15	12	40 - 61
AR74019	3C10	23	90 - 33	AR78382	1F2	7	40 - 20	AR86969	1G18	25	40 - 65
AR74020	3C10	11	90 - 33	AR78384	1F2	3	40 - 20	AR86969	1H1	2	40 - 73
AR74131	2I13	11	80 - 5	AR78384	1F3	1	40 - 21	AR86969	1H2	4	40 - 74
AR74131	2I16	8	80 - 9	AR78386	1F2	6	40 - 20	AR86969	1C4	6	20 - 29
AR74132	2I16	20	80 - 9	AR78396	2H4	33	70 - 83	AR87023	2G6	5	70 - 57
AR74411	1F3	3	40 - 21	AR78396	2H6	32	70 - 85	AR87023	2G6	6	70 - 57
AR74411	1I16	11	40 - 113	AR78483	2F10	26	70 - 35	AR87023	2G6	7	70 - 57
AR74545	1B9	5	20 - 8	AR78501	3B8	6	90 - 5	AR87024	2G6	5	70 - 57
AR74673	2G2	1	70 - 53	AR78522	1B13	1	20 - 13	AR87024	2G6	6	70 - 57
AR74673	2G6	7	70 - 57	AR78549	1F5	19	40 - 23	AR87024	2G6	7	70 - 57
AR74673	2G6	32	70 - 57	AR78825	1E19	14	40 - 11	AR87068	1E1	7	30 - 28
AR74673	2G8	34	70 - 59	AR78825	1E20	7	40 - 13	AR88245	2B21	8	50 - 23
AR74673	2G19	14	70 - 71	AR78825	1E22	20	40 - 15	AR88263	2F23	3	70 - 49
AR74673	2G19	15	70 - 71	AR78825	1G20	23	40 - 67	AR89137	3E22	1	90 - 99
AR75601	1C6	14	20 - 31	AR78825	1G20	24	40 - 67	AR89137	3E22	2	90 - 99
AR75601	2C3	11	50 - 31	AR78825	1G22	21	40 - 69	AR89140	2I21	11	80 - 13
AR75603	1C6	14	20 - 31	AR78825	1G22	22	40 - 69	AR89141	2I21	11	80 - 13
AR75603	1E6	1	30 - 33	AR79710	2F3	13	70 - 27	AR89302	2G4	14	70 - 55
AR75603	1E6	3	30 - 33	AR79739	3D11	..	90 - 62	AR89303	2G6	7	70 - 57
AR75603	2C3	11	50 - 31	AR79739	3D17	..	90 - 68	AR89303	2G6	31	70 - 57
AR75694	1I14	10	40 - 111	AR79739	3D19	..	90 - 71	AR89303	2G8	8	70 - 59
AR75694	1I16	21	40 - 113	AR79739	3E4	..	90 - 81	AR89303	2G8	33	70 - 59
AR75695	1I14	2	40 - 111	AR79739	3E6	..	90 - 83	AR89622	1C1	1	20 - 26
AR75696	1I14	8	40 - 111	AR80169	2I22	13	80 - 14	AR89622	1C2	2	20 - 27
AR75958	2G24	32	70 - 77	AR80294	1B13	3	20 - 13	AR89622	1C2	3	20 - 27
AR76161	2G6	31	70 - 57	AR81178	1H6	12	40 - 78	AR89691	1G25	6	40 - 72
AR76161	2G8	33	70 - 59	AR81620	1B6	12	20 - 4	AR89691	2B6	4	50 - 5
AR76542	1C8	29	20 - 33	AR81648	3E2	13	90 - 79	AR89971	1C1	1	20 - 26
AR76762	2E8	4	70 - 5	AR81649	2J13	16	80 - 33	AR89971	1C2	2	20 - 27
AR76762	2E16	4	70 - 13	AR81650	2J15	4	80 - 35	AR89971	1C2	3	20 - 27
AR77324	1G13	2	40 - 59	AR81651	2J15	4	80 - 35	AR90068	1F22	17	40 - 42
AR77324	1G15	11	40 - 61	AR81652	2J13	13	80 - 33	AR90068	1F23	16	40 - 43
AR77324	1G18	26	40 - 65	AR82263	2G6	1	70 - 57	AR90069	1F23	7	40 - 43
AR77325	1G13	2	40 - 59	AR82263	2G8	4	70 - 59	AR90340	1E1	7	30 - 28
AR77325	1G15	11	40 - 61	AR82570	2G25	12	70 - 78	AR90341	1E1	7	30 - 28
AR77325	1G18	26	40 - 65	AR82571	2H10	19	70 - 89	AR90378	2E10	30	70 - 7
AR77325	1G18	27	40 - 65	AR82576	2G24	34	70 - 77	AR90577	2F25	5	70 - 51
AR77326	1E14	7	40 - 5	AR82909	1I16	16	40 - 113	AR90577	2F25	..	70 - 51
AR77326	1E16	6	40 - 7	AR82910	1I16	4	40 - 113	AR90578	2F25	5	70 - 51
AR77326	1E17	10	40 - 9	AR82911	1I16	7	40 - 113	AR90578	2F25	..	70 - 51
AR77326	1G13	2	40 - 59	AR82912	1I16	6	40 - 113	AR90579	2F25	6	70 - 51
AR77326	1G13	5	40 - 59	AR83354	2I20	5	80 - 12	AR90581	2F25	6	70 - 51
AR77326	1G13	7	40 - 59	AR83354	2I21	5	80 - 13	AR90583	2F25	6	70 - 51
AR77326	1G15	11	40 - 61	AR83354	2I22	5	80 - 14	AR90601	1D25	24	30 - 27
AR77326	1G15	12	40 - 61	AR83396	2G6	34	70 - 57	AR90601	1E1	2	30 - 28
AR77326	1G15	14	40 - 61	AR83425	1F5	9	40 - 23	AR90641	1C2	4	20 - 27
AR77326	1G18	25	40 - 65	AR83425	1I24	8	40 - 121	AR90642	1C2	4	20 - 27
AR77326	1G18	26	40 - 65	AR83526	2C18	10	50 - 47	AR90644	1C2	4	20 - 27
AR77326	1G18	27	40 - 65	AR83549	2H2	28	70 - 81	AR90645	1C2	4	20 - 27
AR77343	3B8	11	90 - 5	AR83549	2H4	1	70 - 83	AR91166	1F2	7	40 - 20
AR77344	1H17	9	40 - 88	AR83549	2H6	1	70 - 85	AR91166	1F3	5	40 - 21

# 1K23

5020 TRACTOR (SERIAL NO. 025,000-)

## NUMERICAL INDEX - CONTINUED

PART NO.	GRID	KEY	PAGE	PART NO.	GRID	KEY	PAGE	PART NO.	GRID	KEY	PAGE
AR91166	1F5	17	40-23	AT13381	1E16	2	40-7	AT35121	2D8	11	60-15
AR91167	1F3	1	40-21	AT13381	1G13	22	40-59	AT35121	2D9	7	60-16
AR91793	1I22	42	40-119	AT13381	1G15	9	40-61	AT35121	2E21	4	70-18
AR91941	1H14	8	40-85B	AT13740	1B13	2	20-13	AT35245	1I3	3	40-100
AR92109	3B8	11	90-5	AT13740	1C17	25	20-43	AT37931	1E12	8	40-3
AR92425	2J5	3	80-23	AT13740	1D15	11	30-15	AT37931	1F1	1	40-19
AR92514	1B9	5	20-8	AT141924	3F7	6	90-109	AT38518	3C17	11	90-41
AR92533	1B22	10	20-22	AT14927	3F8	1	90-110	AT38518	3C19	16	90-43
AR92533	1B23	4	20-23	AT15172	1D16	11	30-16	AT38518	3C23	..	90-49
AR92533	1B23	6	20-23	AT16288	1E14	7	40-5	AT39043	1H4	8	40-76
AR937R	2G11	31	70-63	AT16288	1E16	6	40-7	AT39043	1H6	9	40-78
AR937R	2G15	7	70-67	AT16288	1E17	10	40-9	AT39043	1H7	9	40-79
AR937R	2G19	6	70-71	AT16288	1G13	2	40-59	AT42311	2E5	6	70-2
AR93819	2G24	2	70-77	AT16288	1G13	5	40-59	AT44165	1F5	27	40-23
AR93819	2G24	5	70-77	AT16288	1G13	7	40-59	AT44165	1H16	21	40-87
AR93819	2G24	7	70-77	AT16288	1G15	11	40-61	AT44165	1I8	23	40-105
AR93819	2H15	2	70-95	AT16288	1G15	12	40-61	AT48673	1H16	3	40-87
AR93819	2H15	5	70-95	AT16288	1G15	14	40-61	AT48673	1I8	26	40-105
AR93819	2H15	7	70-95	AT16288	1G18	25	40-65	AT48674	1H16	21	40-87
AR93820	2G24	2	70-77	AT16288	1G18	27	40-65	AT48674	1H16	23	40-87
AR93820	2G24	5	70-77	AT17503	1H16	14	40-87	AT55441	1G24	25	40-71
AR93820	2G24	7	70-77	AT17504	1H16	15	40-87	AT56592	1F6	2	40-24
AR93820	2H15	2	70-95	AT22070	3E24	7	90-101	AT56592	1F14	2	40-33
AR93820	2H15	5	70-95	AT22073	3E24	5	90-101	AT56592	1F16	2	40-35
AR93820	2H15	7	70-95	AT23188	1F12	30	40-31	AT58209	1I6	13	40-103
AR93820	2I5	8	70-110	AT23188	1F16	24	40-35	AT58895	2B15	20	50-16
AR94130	1H14	19	40-85B	AT23189	1F8	19	40-27	AT58895	2D17	27	60-24
AR94516	2C4	20	50-32	AT24538	3F8	1	90-110	AT62018	3F7	6	90-109
AR94522	2H17	21	70-97	AT25266	1D11	19	30-10	AT62019	3F7	4	90-109
AR94522	2I5	10	70-110	AT25266	1D12	6	30-12	AT64802	2G22	6	70-74
AR94645	1C2	3	20-27	AT25266	1D13	1	30-13	AT65316	1F5	2	40-23
AR94646	1C2	3	20-27	AT27123	1F12	24	40-31	AT66481	1I4	20	40-101
AR94647	1C2	3	20-27	AT27124	1F12	25	40-31	AT66481	1I5	17	40-102
AR94648	1C2	3	20-27	AT27127	1F12	29	40-31	AT66481	1I6	26	40-103
AR94649	1C2	3	20-27	AT27127	1F16	23	40-35	AT66481	1I6	27	40-103
AR94660	2E6	1	70-3	AT27128	1F8	2	40-27	AT66482	1I4	20	40-101
AR94660	2E8	16	70-5	AT27128	1F12	13	40-31	AT66482	1I5	17	40-102
AR94660	2E8	..	70-5	AT27128	1F16	11	40-35	AT66482	1I6	26	40-103
AR94660	2E16	..	70-13	AT29855	1I5	17	40-102	AT68973	1G11	7	40-57
AR94973	3B17	3	90-14	AT29855	1I6	26	40-103	AT75387	3F7	4	90-109
AR94973	3B17	4	90-14	AT29855	1I6	27	40-103	AT81764	3F7	6	90-109
AR94973	3B17	6	90-14	AT32332	2D5	4	60-11	AT84200	1B13	30	20-13
AR94973	3C7	1	90-30	AT32332	2G22	1	70-74	AT85153	1G25	6	40-72
AR94973	3C8	13	90-31	AT32332	2H13	2	70-92	AT85153	2B6	4	50-5
AR94974	3C8	2	90-31	AT32332	2H14	9	70-93	AU41729	2G22	6	70-74
AR94975	3C8	3	90-31	AT32333	2B15	20	50-16	AU43852	1I6	13	40-103
AR94976	2C18	..	50-47	AT32333	2B15	21	50-16	AU43853	1I5	12	40-102
AR96321	2E20	29	70-17	AT32333	2C14	10	50-43	AU43854	1I5	21	40-102
AR96613	2E8	16	70-5	AT32333	2C16	27	50-45	AU43854	1I6	22	40-103
AR96613	2E8	25	70-5	AT32333	2D5	13	60-11	AU43855	1I5	14	40-102
AR96613	2E16	19	70-13	AT32333	2E24	8	70-22	AU43857	1I5	20	40-102
AR96625	2E18	6	70-15	AT32334	2D5	6	60-11	AU43857	1I6	21	40-103
AR98201	2I5	2	70-110	AT32335	2E23	7	70-21	AU43954	1I5	19	40-102
AR98202	2I5	1	70-110	AT32335	2F3	12	70-27	AU43954	1I6	19	40-103
AR98567	1C15	9	20-40	AT32336	2D19	12	60-26	A15532	2G22	22	70-74
AR99100	2G24	34	70-77	AT32336	2D20	7	60-27	A15540	2G22	17	70-74
AR99336	2G19	13	70-71	AT32337	2G22	3	70-74	A1555R	2I18	12	80-11
AT10635	1D16	12	30-16	AT32337	2H2	26	70-81	A1556R	2I18	11	80-11
AT10638	1D16	9	30-16	AT32337	2H14	5	70-93	A2899R	1G13	9	40-59
AT11524	1E1	7	30-28	AT344T	2C5	17	50-33	A2899R	1G13	18	40-59
AT12948	1H14	3	40-85B	AT34670	1C6	14	20-31	A2899R	1G15	5	40-61
AT13140	3D5	28	90-56	AT35120	2G22	3	70-74	A2899R	1G15	15	40-61
AT13380	1E14	1	40-5	AT35120	2H2	26	70-81	A2899R	1G18	8	40-65
AT13380	1E16	1	40-7	AT35120	2H14	5	70-93	A3098R	1B11	12	20-10
AT13380	1G13	22	40-59	AT35121	2C23	1	60-3	A3098R	1B17	5	20-17
AT13380	1G15	9	40-61	AT35121	2D2	21	60-7	A3125R	1B6	3	20-4
AT13381	1E14	2	40-5	AT35121	2D7	2	60-13	A3184R	2G24	38	70-77

# 1K24

5020 TRACTOR (SERIAL NO. 025,000-)

## NUMERICAL INDEX - CONTINUED

PART NO.	GRID	KEY	PAGE	PART NO.	GRID	KEY	PAGE	PART NO.	GRID	KEY	PAGE
A3184R	2H24	26	70 - 105	A4728R	2D19	5	60 - 26	B1828R	1E12	3	40 - 3
A3184R	2I4	16	70 - 109	A4728R	2D19	6	60 - 26	B1828R	2D8	2	60 - 15
A3190R	2B22	6	50 - 24	A4728R	2D19	9	60 - 26	B190R	2C5	16	50 - 33
A3190R	2B23	11	50 - 25	A4730R	2G24	29	70 - 77	B1986R	1E14	8	40 - 5
A3376R	2B24	7	50 - 27	A4730R	2G25	9	70 - 78	B1986R	1E16	8	40 - 7
A3411R	1E12	3	40 - 3	A4733R	2I15	12	80 - 7	B2290R	2F19	27	70 - 45
A3411R	1E16	3	40 - 7	A4736R	2I2	9	70 - 107	B2437R	2C4	30	50 - 32
A3411R	1H14	5	40 - 85B	A4737R	2I2	11	70 - 107	B2641R	1B20	6	20 - 20
A350R	2G11	3A	70 - 63	A4738R	2I2	10	70 - 107	B2762R	1H25	6	40 - 97
A350R	2G15	3A	70 - 67	A4739R	2I2	8	70 - 107	B2762R	2B13	18	50 - 13
A350R	2G19	3A	70 - 71	A4742R	2B19	15	50 - 21	B2762R	2C22	15	60 - 2
A354R	1C10	24	20 - 35	A4744R	3C25	5	90 - 51	B2762R	2D4	17	60 - 9
A3581R	2H20	5	70 - 101	A4744R	3D6	7	90 - 57	B2762R	2H4	9	70 - 83
A3581R	2H24	2	70 - 105	A4745R	2I2	21	70 - 107	B2762R	2H6	9	70 - 85
A3581R	2I2	40	70 - 107	A4745R	2I3	4	70 - 108	B2762R	2H7	9	70 - 86
A3606R	2C21	1	60 - 1	A4746R	2I2	22	70 - 107	B2762R	2H10	8	70 - 89
A3606R	2D2	19	60 - 7	A4747R	2I2	20	70 - 107	B30667	3C1	17	90 - 23
A3606R	2D4	8	60 - 9	A4748R	2I2	19	70 - 107	B3285R	1H16	16	40 - 87
A3606R	2D4	26	60 - 9	A4806R	2B13	22	50 - 13	B355R	2C16	35	50 - 45
A3606R	2D16	1	60 - 23	A4808R	2B13	21	50 - 13	B3595R	2B4	3	50 - 3
A3606R	2D18	10	60 - 25	A4816R	2B14	19	50 - 15	B3595R	2B8	15	50 - 7
A364R	2C5	15	50 - 33	A4816R	2D2	36	60 - 7	B3627R	2G9	8	70 - 61
A369R	2G8	36B	70 - 59	A4816R	2D14	18	60 - 21	B3682R	2D19	13	60 - 26
A369R	2G15	16	70 - 67	A4827R	1B17	14	20 - 17	B3682R	2F13	16	70 - 39
A369R	3C25	2	90 - 51	A4827R	1F5	24	40 - 23	B3682R	2H13	18	70 - 92
A369R	3D6	12	90 - 57	A4827R	2B6	18	50 - 5	B3686R	2F12	4	70 - 37
A3917R	1G4	24	40 - 49	A4827R	2B15	23	50 - 16	B3690R	2D2	2	60 - 7
A3917R	2B13	10	50 - 13	A48331	1G24	3	40 - 71	B423R	2G9	4	70 - 61
A3917R	2E10	33	70 - 7	A48332	1G24	23	40 - 71	B427R	1B11	14	20 - 10
A3917R	2G24	13	70 - 77	A4847R	1C6	11	20 - 31	B474R	2H4	12	70 - 83
A3917R	2H4	32	70 - 83	A4847R	2E10	32	70 - 7	B634R	2I20	15	80 - 12
A39716	1G24	1	40 - 71	A4879R	2F10	17	70 - 35	C1067R	2C2	24	50 - 29
A4064R	2I20	16	80 - 12	A4883R	2F19	15	70 - 45	C1104R	2B14	8	50 - 15
A4119R	2J15	14	80 - 35	A5236R	1F7	4	40 - 25	C1220R	2B6	9	50 - 5
A4234R	2F17	10	70 - 43	A5236R	1F10	13	40 - 29	C2175R	1D9	10	30 - 8
A4242R	1D9	9	30 - 8	A5236R	1F14	18	40 - 33	C284R	2C2	23	50 - 29
A4365R	1D15	23	30 - 15	A5273R	1G23	20	40 - 70	C744DN	2E5	1	70 - 2
A4365R	1D17	3	30 - 17	A5275R	1G23	13	40 - 70	C744DN	2I13	19	80 - 5
A4365R	1G4	26	40 - 49	A5276R	1G23	2	40 - 70	C744DN	3D2	13	90 - 53
A4365R	2C22	21	60 - 2	A5278R	1G23	5	40 - 70	C744DN	3D5	2	90 - 56
A4365R	2D4	19	60 - 9	A5279R	1G23	6	40 - 70	DD14134	1B5	1	20 - 3
A4365R	2E10	3	70 - 7	A5301R	2I2	35	70 - 107	DD14136	1B5	1	20 - 3
A4365R	2E14	3	70 - 11	A5302R	2I2	38	70 - 107	DD14345	1B5	1	20 - 3
A4365R	2E14	12	70 - 11	A5304R	2I2	28	70 - 107	DD14346	1B5	1	20 - 3
A4365R	2E18	3	70 - 15	A5325R	2I15	18	80 - 7	DT2127W	2I18	5	80 - 11
A4365R	2E20	2	70 - 17	A5334R	1C10	9	20 - 35	DT2127W	2I18	17	80 - 11
A4365R	2F12	7	70 - 37	A5339R	3B24	7	90 - 21	D156R	2I15	14	80 - 7
A4379R	2I20	1	80 - 12	A5598R	2F7	12	70 - 31	D1761R	2D11	6	60 - 18
A4380R	2I20	7	80 - 12	A562R	2D9	10	60 - 16	D1881R	2I15	17	80 - 7
A4388R	2I20	15	80 - 12	A5689R	1F14	22	40 - 33	D1888R	2I15	15	80 - 7
A4389R	2I20	16	80 - 12	A602R	2G2	14	70 - 53	D2361R	2B15	7	50 - 16
A4624R	2B16	5	50 - 17	A602R	2G2	18	70 - 53	D2361R	2G2	4	70 - 53
A4624R	2H13	4	70 - 92	A776R	2G6	4	70 - 57	D2361R	2G24	4	70 - 77
A4624R	2H13	14	70 - 92	A776R	2G8	3	70 - 59	D2361R	2G24	18	70 - 77
A4624R	3E20	11	90 - 97	BP12234	2B21	6	50 - 23	D2361R	2H15	4	70 - 95
A4655R	1F5	3	40 - 23	B11182	2G4	2	70 - 55	D2361R	2H15	16	70 - 95
A4669R	2D7	16	60 - 13	B1402R	2C10	11	50 - 39	D2420R	1B17	2	20 - 17
A4669R	2D8	2	60 - 15	B1402R	2C10	12	50 - 39	D2420R	1C6	3	20 - 31
A4669R	2H13	9	70 - 92	B1402R	2C12	11	50 - 41	D2425R	1B11	16	20 - 10
A4669R	2H13	17	70 - 92	B1402R	2C12	12	50 - 41	D2593R	2D11	3	60 - 18
A4723R	2H24	6	70 - 105	B1402R	2C13	4	50 - 42	D2824R	1C4	1	20 - 29
A4723R	2I2	5	70 - 107	B1402R	2C13	5	50 - 42	D2913R	2H24	25	70 - 105
A4723R	2I3	11	70 - 108	B161R	2J11	13	80 - 30	D2913R	2I4	15	70 - 109
A4723R	2I4	6	70 - 109	B1664R	1E5	30	30 - 32	D398R	3B8	25	90 - 5
A4728R	2D11	10	60 - 18	B1664R	2F10	38	70 - 35	D459R	2F7	18	70 - 31
A4728R	2D12	7	60 - 19	B169R	2D2	6	60 - 7	D488R	1F17	1	40 - 37
A4728R	2D19	2	60 - 26	B177R	2D18	28	60 - 25	E12378	2B14	30	50 - 15

# 1K25

5020 TRACTOR (SERIAL NO. 025,000-)

## NUMERICAL INDEX - CONTINUED

PART NO.	GRID	KEY	PAGE	PART NO.	GRID	KEY	PAGE	PART NO.	GRID	KEY	PAGE
E16050	118	16	40 - 105	F3171R	2C3	17	50 - 31	JD10003	2C18	6	50 - 47
E17421	2C2	27	50 - 29	F3171R	2E6	1	70 - 3	JD10005	2B20	2	50 - 22
E17421	2C2	34	50 - 29	F3171R	2E8	14	70 - 5	JD10190	2118	7	80 - 11
E48686	1B22	2	20 - 22	F3171R	2E8	16	70 - 5	JD10190	2119	6	80 - 11A
E50102	2E5	1	70 - 2	F3171R	2E8	..	70 - 5	JD10377	2B17	3	50 - 19
E50102	2113	19	80 - 5	F3171R	2E10	20	70 - 7	JD126	1G23	23	40 - 70
E50102	3D2	13	90 - 53	F3171R	2E12	6	70 - 9	JD126	1G24	10	40 - 71
E50102	3D5	2	90 - 56	F3171R	2E16	12	70 - 13	JD126	118	10	40 - 105
F1427R	2H24	7	70 - 105	F3171R	2E18	35	70 - 15	JD16	2118	9	80 - 11
F1427R	212	4	70 - 107	F3171R	2E23	5	70 - 21	JD3207	2118	8	80 - 11
F1427R	213	12	70 - 108	F3171R	2E23	9	70 - 21	JD3213	2118	8	80 - 11
F1427R	214	7	70 - 109	F3171R	2F3	1	70 - 27	JD3220	2118	8	80 - 11
F1430R	2H24	9	70 - 105	F3171R	2F13	8	70 - 39	JD3221	2118	8	80 - 11
F1430R	212	16	70 - 107	F3171R	2G21	4	70 - 73	JD3230	2121	11	80 - 13
F1430R	213	9	70 - 108	F3171R	2G22	8	70 - 74	JD3231	2121	11	80 - 13
F1430R	214	5	70 - 109	F3173R	2F8	12	70 - 33	JD3232	2118	8	80 - 11
F1462R	2C5	26	50 - 33	F3195R	2J16	4	80 - 36	JD5234	2J18	5	80 - 39
F1463R	2C5	24	50 - 33	F3195R	2J16	11	80 - 36	JD5272	3E24	8	90 - 101
F1608R	2B6	2	50 - 5	F3220R	2G21	5	70 - 73	JD5403	3F2	8	90 - 104
F1649R	1C11	9	20 - 36	F3319R	2B23	14	50 - 25	JD5403	3F3	8	90 - 105
F1743R	1B6	11	20 - 4	F3396R	1E5	5	30 - 32	JD5403	3F4	3	90 - 106
F1743R	1B11	19	20 - 10	F3396R	2C5	1	50 - 33	JD5403	3F5	2	90 - 107
F1743R	1B13	6	20 - 13	F3396R	2G2	8	70 - 53	JD5602	3E24	8	90 - 101
F1907R	2B13	1	50 - 13	F3396R	3D5	17	90 - 56	JD7142	3B8	23	90 - 5
F2084R	1E16	3	40 - 7	F3396R	3D6	17	90 - 57	JD7232	2B19	7	50 - 21
F2084R	1E19	7	40 - 11	F3515R	2J3	14	80 - 21	JD7266	2118	6	80 - 11
F2084R	1H14	6	40 - 85B	H104855	1I20	9	40 - 117	JD7266	2119	5	80 - 11A
F215R	2C4	31	50 - 32	H113924	3E21	5	90 - 98	JD7359	2B17	22	50 - 19
F215R	2C13	5	50 - 42	H23124	3B22	5	90 - 19	JD7383	2B20	3	50 - 22
F2206R	2G6	22	70 - 57	H23127	1E20	3	40 - 13	JD7439	2118	4	80 - 11
F2206R	2G8	24	70 - 59	H23197	3B15	11	90 - 12	JD7439	2119	4	80 - 11A
F2208R	2B8	11	50 - 7	H23836	2F8	14	70 - 33	JD7759	2B14	3	50 - 15
F2208R	2G6	7	70 - 57	H246R	2B10	14	50 - 9	JD7759	2B14	12	50 - 15
F2208R	2G6	24	70 - 57	H246R	2B11	9	50 - 11	JD7759	2D9	6	60 - 16
F2208R	2G6	39	70 - 57	H246R	2B13	6	50 - 13	JD7759	2G15	14	70 - 67
F2208R	2G8	8	70 - 59	H246R	2B19	2	50 - 21	JD7759	2112	8	80 - 3
F2208R	2G8	28	70 - 59	H246R	2B20	12	50 - 22	JD7759	2113	20	80 - 5
F2273R	2B8	4	50 - 7	H246R	2C2	7	50 - 29	JD7759	2115	7	80 - 7
F2380R	2C18	22	50 - 47	H246R	2C4	34	50 - 32	JD7759	2116	12	80 - 9
F2411R	1C17	21	20 - 43	H24659	3D10	9	90 - 61	JD7778	2B14	32	50 - 15
F2674R	2F21	14	70 - 47	H26232	2J10	8	80 - 29	JD7781	2112	15	80 - 3
F2674R	2F22	4	70 - 48	H294R	1C8	15	20 - 33	JD7781	2113	7	80 - 5
F2694R	3D21	9	90 - 73	H294R	1C8	18	20 - 33	JD7781	2115	21	80 - 7
F2741R	2F10	35	70 - 35	H294R	1C10	25	20 - 35	JD7781	2116	7	80 - 9
F2775R	2C8	7	50 - 37	H31207	3C15	19	90 - 39	JD8113	2B20	2	50 - 22
F2861R	2G6	11	70 - 57	H36036	1D6	12	30 - 5	JD8131	2118	3	80 - 11
F2863R	3D2	1	90 - 53	H441R	2B10	28	50 - 9	JD8131	2119	3	80 - 11A
F2884R	1B13	5	20 - 13	H61993	3D14	18	90 - 65	JD8192	2E8	27	70 - 5
F2884R	1D21	15	30 - 22	H61993	3D17	4	90 - 68	JD8192	2E16	21	70 - 13
F2884R	1F10	16	40 - 29	H61993	3D17	5	90 - 68	JD8214	2C10	3	50 - 39
F2935R	1E14	1	40 - 5	H61993	3E2	12	90 - 79	JD8214	2C12	3	50 - 41
F2935R	1E14	2	40 - 5	H61993	3E4	4	90 - 81	JD8223	2E8	26	70 - 5
F2935R	1E16	1	40 - 7	H61993	3E4	5	90 - 81	JD8223	2E16	20	70 - 13
F2935R	1E16	2	40 - 7	H63952	3D14	11	90 - 65	JD8235	2B17	21	50 - 19
F2935R	1E22	8	40 - 15	H63952	3E2	33	90 - 79	JD8240	2B19	28	50 - 21
F2935R	1G22	25	40 - 69	H78354	3E22	2	90 - 99	JD8248	2C18	7	50 - 47
F304R	2G11	3B	70 - 63	H819R	2C3	5	50 - 31	JD8262	2B20	2	50 - 22
F304R	2G11	5A	70 - 63	H826R	1C8	1	20 - 33	JD8280	2B17	4	50 - 19
F304R	2G13	3	70 - 65	H851R	2F7	8	70 - 31	JD8283	2B20	9	50 - 22
F304R	2G15	3B	70 - 67	H851R	2G22	23	70 - 74	JD8291	2B19	6	50 - 21
F304R	2G15	5A	70 - 67	H858R	2C16	3	50 - 45	JD8535	1F8	23	40 - 27
F304R	2G17	3	70 - 69	H871R	2C4	24	50 - 32	JD8814	2B4	2	50 - 3
F304R	2G19	3B	70 - 71	H871R	2D2	35	60 - 7	JD8814	2B14	2	50 - 15
F304R	2G19	5A	70 - 71	H871R	2F10	9	70 - 35	JD8862	2B8	8	50 - 7
F3084R	1E12	3	40 - 3	H871R	2H17	11	70 - 97	JD8891	2B14	9	50 - 15
F3128R	2B6	19	50 - 5	H987R	1H12	15	40 - 84	JD8907	2B19	27	50 - 21
F3128R	2B15	24	50 - 16	H987R	118	19	40 - 105	JD8962	2C18	6	50 - 47

# 1L1

5020 TRACTOR (SERIAL NO. 025,000-)

## NUMERICAL INDEX - CONTINUED

PART NO.	GRID	KEY	PAGE	PART NO.	GRID	KEY	PAGE	PART NO.	GRID	KEY	PAGE
JD8981	2I18	7	80 - 11	P46051	2H6	21	70 - 85	RE17282	1I16	21	40 - 113
JD9006	2B20	8	50 - 22	P46051	2H7	1	70 - 86	RE19075	1E17	1	40 - 9
JD9019	2C10	4	50 - 39	P46051	2H10	16	70 - 89	RE19075	1E17	2	40 - 9
JD9019	2C10	15	50 - 39	P47908	2E6	1	70 - 3	RE19075	1E17	6	40 - 9
JD9019	2C12	4	50 - 41	P47908	2E8	16	70 - 5	RE19075	1E19	1	40 - 11
JD9019	2C12	8	50 - 41	P47908	2E8	..	70 - 5	RE19075	1E19	3	40 - 11
JD9019	2C12	25	50 - 41	P47908	2E14	22	70 - 11	RE19075	1E19	7	40 - 11
JD9257	1C14	12	20 - 39	P47908	2E20	26	70 - 17	RE19075	1E20	1	40 - 13
JD9257	1C15	8	20 - 40	P47908	2E23	4	70 - 21	RE19075	1E20	13	40 - 13
JD9261	2B14	26	50 - 15	P48347	2D4	22	60 - 9	RE19075	1E20	15	40 - 13
JD9270	2C4	29	50 - 32	P48769	2C2	12	50 - 29	RE19075	1E22	1	40 - 15
JD9278	2B10	29	50 - 9	P51212	2H17	12	70 - 97	RE19075	1E22	23	40 - 15
JD9281	2B10	10	50 - 9	P51212	2H19	5	70 - 99	RE19075	1E22	26	40 - 15
JD9345	2C5	14	50 - 33	RE10712	2E10	43	70 - 7	RE19075	1E24	1	40 - 17
JD9400	2B17	3	50 - 19	RE10712	2E10	44	70 - 7	RE19075	1E25	1	40 - 18
JD9449	1F12	30	40 - 31	RE10712	2E18	39	70 - 15	RE19075	1G18	2	40 - 65
JD9449	1F16	24	40 - 35	RE10924	2H10	19	70 - 89	RE19075	1G18	6	40 - 65
JD9449	2B10	10	50 - 9	RE11137	1B10	3	20 - 9	RE19075	1G18	14	40 - 65
K3083R	1B13	5	20 - 13	RE11156	1I22	36	40 - 119	RE19075	1G18	15	40 - 65
K3083R	1D20	6	30 - 21	RE11157	1I22	37	40 - 119	RE19075	1G20	2	40 - 67
K3083R	1F7	7	40 - 25	RE11447	2I5	9	70 - 110	RE19075	1G20	6	40 - 67
K40003	2H11	1	70 - 90	RE11456	2I5	2	70 - 110	RE19075	1G20	13	40 - 67
K40003	3D12	1	90 - 63	RE11457	2I5	1	70 - 110	RE19075	1G20	14	40 - 67
L29015	2D19	1	60 - 26	RE11458	2I5	2	70 - 110	RE19075	1G22	2	40 - 69
L29015	2D19	6	60 - 26	RE11463	2I5	2	70 - 110	RE19075	1G22	6	40 - 69
L29015	2D19	9	60 - 26	RE11777	2E16	24	70 - 13	RE19419	2H11	7	70 - 90
L65000	1H11	10	40 - 83	RE11804	2E16	14	70 - 13	RE20737	2C5	5	50 - 33
M115827	2G4	2	70 - 55	RE12121	2H17	20	70 - 97	RE20776	1C14	5	20 - 39
M1206T	2B4	10	50 - 3	RE12470	2E18	27	70 - 15	RE20776	1C14	6	20 - 39
M1206T	2C2	1	50 - 29	RE12793	3B23	4	90 - 20	RE20776	1C14	7	20 - 39
M1895T	1E22	19	40 - 15	RE12793	3C14	4	90 - 37	RE20776	1C14	8	20 - 39
M2301T	2I13	13	80 - 5	RE13195	1H14	4	40 - 85B	RE20776	1C15	4	20 - 40
M2301T	2I16	14	80 - 9	RE13271	2E18	15	70 - 15	RE20776	1C15	5	20 - 40
M2396T	2F15	7	70 - 41	RE13310	1B24	3	20 - 24	RE20776	1C15	6	20 - 40
M2396T	2G24	24	70 - 77	RE13310	1B24	7	20 - 24	RE20776	1C15	7	20 - 40
M2396T	2H12	5	70 - 91	RE13310	1B24	8	20 - 24	RE21073	1H11	17	40 - 83
M3636T	1B13	7	20 - 13	RE13312	1B24	7	20 - 24	RE21096	1H11	11	40 - 83
M3636T	1D23	18	30 - 25	RE13611	2E10	31	70 - 7	RE21112	1H9	3	40 - 81
M3742T	2C7	9	50 - 35	RE13813	2H17	14	70 - 97	RE21113	1H9	10	40 - 81
M42229	3C12	..	90 - 35	RE13814	2H17	6	70 - 97	RE21510	1H11	20	40 - 83
M42229	3D22	9	90 - 74	RE13815	2H19	10	70 - 99	RE21725	2E12	19	70 - 9
M42229	3D23	6	90 - 75	RE13942	1F17	5	40 - 37	RE21730	1I24	5	40 - 121
M42830	1B20	1	20 - 20	RE13942	1F24	..	40 - 44	RE21731	1I24	5	40 - 121
M43835	1I20	2	40 - 117	RE13942	1G7	..	40 - 53	RE21732	1I24	6	40 - 121
M63431	1D25	23	30 - 27	RE13942	1G9	..	40 - 55	RE21738	1H9	15	40 - 81
M63431	1E1	1	30 - 28	RE14069	1G25	5	40 - 72	RE21790	1D11	19	30 - 10
M63440	2E5	1	70 - 2	RE14868	2E12	20	70 - 9	RE21790	1D12	6	30 - 12
M63440	2I13	19	80 - 5	RE15058	1F22	15	40 - 42	RE21790	1D13	1	30 - 13
M63440	3D2	13	90 - 53	RE15058	1F23	8	40 - 43	RE22589	1H9	2	40 - 81
M63440	3D5	2	90 - 56	RE15355	1F22	4	40 - 42	RE23182	1B4	2	20 - 2
N101346	2B21	6	50 - 23	RE15355	1F23	7	40 - 43	RE23382	2E8	25	70 - 5
N115096	1I20	11	40 - 117	RE15356	1F22	17	40 - 42	RE23382	2E16	19	70 - 13
N191827	2C12	26	50 - 41	RE15356	1F23	16	40 - 43	RE24561	1D11	1	30 - 10
PM797NA	1G7	14	40 - 53	RE15361	2G22	13	70 - 74	RE25125	1G22	27	40 - 69
PM797NA	1I7	14	40 - 104	RE15361	2H15	11	70 - 95	RE25127	1E22	4	40 - 15
PM797NA	1I25	1	40 - 122	RE15361	2H15	15	70 - 95	RE25127	1G22	29	40 - 69
PT1294	1G24	7	40 - 71	RE15361	2H15	18	70 - 95	RE25621	1I12	1	40 - 109
PT1296	1G24	14	40 - 71	RE15361	2H15	20	70 - 95	RE26739	2F25	6	70 - 51
PT18180	1G24	5	40 - 71	RE15427	1C17	15	20 - 43	RE26740	2F25	6	70 - 51
PT9318	1G24	7	40 - 71	RE16151	1D13	4	30 - 13	RE27099	1E16	13	40 - 7
PT9319	1G24	5	40 - 71	RE16181	1D11	22	30 - 10	RE27099	1G15	23	40 - 61
PT9320	1G24	17	40 - 71	RE16181	1D12	3	30 - 12	RE27667	1D17	5	30 - 17
PT9321	1G24	25	40 - 71	RE16181	1D12	7	30 - 12	RE28790	2E8	7	70 - 5
PT9390	1G24	6	40 - 71	RE16548	1C4	9	20 - 29	RE28790	2E14	19	70 - 11
P41858	3B24	13	90 - 21	RE16549	1C4	9	20 - 29	RE28790	2E16	7	70 - 13
P41858	3C15	25	90 - 39	RE16549	1C4	11	20 - 29	RE28790	2E20	23	70 - 17
P46051	2H4	23	70 - 83	RE17282	1I14	10	40 - 111	RE29103	2E14	25	70 - 11

# 1L2

5020 TRACTOR (SERIAL NO. 025,000-)

## NUMERICAL INDEX - CONTINUED

PART NO.	GRID	KEY	PAGE	PART NO.	GRID	KEY	PAGE	PART NO.	GRID	KEY	PAGE
RE29107	2E20	29	70 - 17	RE50139	1D11	11	30 - 10	R11126	1G5	5	40 - 50
RE29408	1C12	4	20 - 37	RE50139	1D11	14	30 - 10	R11126	1G7	5	40 - 53
RE29408	1C12	7	20 - 37	RE50139	1D11	15	30 - 10	R11127	1G4	32	40 - 49
RE29428	2C12	20	50 - 41	RE50139	1D13	3	30 - 13	R11127	1G5	6	40 - 50
RE29777	2B10	7	50 - 9	RE50139	1D13	4	30 - 13	R11127	1G7	6	40 - 53
RE30174	1D11	1	30 - 10	RE50183	2I18	8	80 - 11	R11128	1G4	34	40 - 49
RE31702	2C18	3	50 - 47	RE50908	2I21	11	80 - 13	R11128	1G5	4	40 - 50
RE32529	2E12	19	70 - 9	RE51672	2I18	8	80 - 11	R11128	1G7	4	40 - 53
RE32529	2E21	13	70 - 18	RE51962	2I21	11	80 - 13	R11129	1G4	35	40 - 49
RE32942	2D12	4	60 - 19	RE53823	2C12	20	50 - 41	R11129	1G5	3	40 - 50
RE33499	2C18	3	50 - 47	RE54816	2I19	7	80 - 11A	R11129	1G7	3	40 - 53
RE33636	1D11	1	30 - 10	RE61025	1B19	1	20 - 19	R11130	1G5	20	40 - 50
RE35992	1B4	3	20 - 2	RE62234	3D2	8	90 - 53	R11130	1G7	23	40 - 53
RE37089	1E1	7	30 - 28	RE62240	1D25	..	30 - 27	R11131	1G5	21	40 - 50
RE37090	1E1	7	30 - 28	RE62240	1E1	7	30 - 28	R11131	1G7	22	40 - 53
RE37091	1D25	..	30 - 27	RE62241	1D25	..	30 - 27	R11133	1G1	5	40 - 46
RE37091	1E1	2	30 - 28	RE62241	1E1	7	30 - 28	R11133	1G4	22	40 - 49
RE37091	1E1	7	30 - 28	RW26466	1H11	20	40 - 83	R11134	1G5	14	40 - 50
RE37120	2B19	10	50 - 21	R100304	2F7	19	70 - 31	R11134	1G7	13	40 - 53
RE37482	1D17	5	30 - 17	R100304	2F17	16	70 - 43	R11135	1G1	15	40 - 46
RE37996	1G25	4	40 - 72	R10093	2H17	5	70 - 97	R11136	1G4	25	40 - 49
RE38390	1G25	6	40 - 72	R10093	2H19	2	70 - 99	R11138	1G4	31	40 - 49
RE38390	2B6	4	50 - 5	R105478	2G11	10	70 - 63	R11138	1G5	7	40 - 50
RE38391	1G10	4	40 - 56	R105478	2G11	11	70 - 63	R11138	1G7	7	40 - 53
RE38391	1G11	7	40 - 57	R105478	2G13	7	70 - 65	R11140	1G4	15	40 - 49
RE38578	1D16	6	30 - 16	R105478	2G15	11A	70 - 67	R11141	1G1	6	40 - 46
RE38578	1D18	3	30 - 18	R105478	2G15	11B	70 - 67	R11142	1G1	7	40 - 46
RE38578	1D18	6	30 - 18	R105478	2G15	32	70 - 67	R11143	1G1	18	40 - 46
RE38617	1G9	6	40 - 55	R105478	2G17	7	70 - 69	R11144	1G4	11	40 - 49
RE38620	1G9	2	40 - 55	R105583	2E8	13	70 - 5	R11146	1G1	9	40 - 46
RE38623	1G9	8	40 - 55	R105583	2E16	11	70 - 13	R11147	1G4	4	40 - 49
RE38627	1G9	7	40 - 55	R105942	1H11	10	40 - 83	R11147	1G9	12	40 - 55
RE38630	1G9	10	40 - 55	R109489	2C10	10	50 - 39	R11148	1G2	9	40 - 47
RE38633	1F17	5	40 - 37	R109489	2C12	10	50 - 41	R11151	1G4	37	40 - 49
RE38633	1G9	..	40 - 55	R109489	2C12	14	50 - 41	R11151	1G5	1	40 - 50
RE38707	1H11	11	40 - 83	R11003	1G1	16	40 - 46	R11151	1G7	1	40 - 53
RE38797	2D12	2	60 - 19	R11008	1G2	16	40 - 47	R11206	3E2	10	90 - 79
RE39062	1F24	5	40 - 44	R11009	1G5	12	40 - 50	R11253	1G1	21	40 - 46
RE39063	1F18	6	40 - 38	R11011	1G1	11	40 - 46	R11273	1G4	27	40 - 49
RE39096	1F18	8	40 - 38	R11011	1G2	2	40 - 47	R11276	1H4	8	40 - 76
RE39096	1F22	4	40 - 42	R11012	1G2	4	40 - 47	R112769	2C10	8	50 - 39
RE39096	1F22	17	40 - 42	R11017	1G4	28	40 - 49	R112769	2C12	8	50 - 41
RE39096	1F23	16	40 - 43	R11018	1G1	1	40 - 46	R11278	1H4	5	40 - 76
RE40463	2E12	20	70 - 9	R110212	1B24	3	20 - 24	R11278	1H6	1	40 - 78
RE40463	2E21	15	70 - 18	R110212	1B24	5	20 - 24	R11278	1H7	1	40 - 79
RE41287	1G11	7	40 - 57	R11026	1G4	36	40 - 49	R11282	1G4	12	40 - 49
RE41756	1F17	5	40 - 37	R11026	1G4	39	40 - 49	R114132	2C10	10	50 - 39
RE41756	1F25	..	40 - 45	R11026	1G5	2	40 - 50	R114132	2C12	10	50 - 41
RE41756	1G1	20	40 - 46	R11026	1G7	2	40 - 53	R114132	2C12	14	50 - 41
RE41756	1G9	..	40 - 55	R11032	1I4	11	40 - 101	R114132	2C18	27	50 - 47
RE41759	1F17	5	40 - 37	R11036	1G5	19	40 - 50	R119275	2G6	25	70 - 57
RE41759	1F25	6	40 - 45	R110464	2D11	2	60 - 18	R119275	2G8	30	70 - 59
RE42211	1D15	23	30 - 15	R110707	2C10	11	50 - 39	R119276	2G6	26	70 - 57
RE42211	1D16	16	30 - 16	R110707	2C10	12	50 - 39	R119276	2G8	31	70 - 59
RE42211	1D16	17	30 - 16	R110707	2C12	11	50 - 41	R120106	1H11	10	40 - 83
RE42211	1D17	5	30 - 17	R110707	2C12	12	50 - 41	R120107	1H11	10	40 - 83
RE43025	1H11	17	40 - 83	R110707	2C13	4	50 - 42	R120108	1H11	10	40 - 83
RE44657	1I10	28	40 - 107	R11084	1G5	17	40 - 50	R120111	2J18	17	80 - 39
RE46317	1H11	11	40 - 83	R11096	1G1	3	40 - 46	R120349	2C10	11	50 - 39
RE46331	2D11	4	60 - 18	R11120	1G2	5	40 - 47	R120349	2C10	12	50 - 39
RE46331	2D11	7	60 - 18	R11120	1G4	38	40 - 49	R120349	2C12	11	50 - 41
RE46331	2D12	4	60 - 19	R11120	1G9	5	40 - 55	R120349	2C12	12	50 - 41
RE46341	2D11	4	60 - 18	R11121	1G1	4	40 - 46	R120349	2C13	2	50 - 42
RE46341	2D11	7	60 - 18	R11121	1G4	23	40 - 49	R120735	2F5	7	70 - 29
RE46341	2D12	2	60 - 19	R11123	1G2	4	40 - 47	R15022	1F6	4	40 - 24
RE46414	1H11	12	40 - 83	R11124	1G2	4	40 - 47	R15022	1F8	28	40 - 27
RE50017	2E21	14	70 - 18	R11126	1G4	33	40 - 49	R15023	1F8	8	40 - 27

# 1L3

5020 TRACTOR (SERIAL NO. 025,000-)

## NUMERICAL INDEX - CONTINUED

PART NO.	GRID	KEY	PAGE	PART NO.	GRID	KEY	PAGE	PART NO.	GRID	KEY	PAGE
R15024	1F8	10	40 - 27	R2579R	1E22	3	40 - 15	R26286	2D4	33	60 - 9
R15026	1F8	2	40 - 27	R2579R	1E24	3	40 - 17	R26286	2D5	7	60 - 11
R15027	1F8	27	40 - 27	R2579R	1G23	16	40 - 70	R26286	2D14	7	60 - 21
R15028	1F8	19	40 - 27	R26011	2C18	25	50 - 47	R26286	2D16	5	60 - 23
R15029	1F8	22	40 - 27	R26078	1B10	5	20 - 9	R26286	2D17	3	60 - 24
R15030	1F8	11	40 - 27	R26078	1B10	7	20 - 9	R26286	2D17	5	60 - 24
R15033	1F8	24	40 - 27	R26113	3D2	26	90 - 53	R26286	2D19	27	60 - 26
R15035	1F8	7	40 - 27	R26114	1B10	1	20 - 9	R26286	2D20	1	60 - 27
R15036	1F8	6	40 - 27	R26115	1B13	21	20 - 13	R26286	2E24	7	70 - 22
R15036	1F12	5	40 - 31	R26117	1B13	7	20 - 13	R26286	2F10	5	70 - 35
R15036	1F12	17	40 - 31	R26121	1C8	12	20 - 33	R26286	2H14	24	70 - 93
R15036	1F16	8	40 - 35	R26121	1C20	4	20 - 46	R26287	1D21	11	30 - 22
R15036	1F16	14	40 - 35	R26121	1C22	22	20 - 49	R26287	2B15	10	50 - 16
R15038	1F8	26	40 - 27	R26135	1B20	11	20 - 20	R26287	2C23	9	60 - 3
R15045	1F8	3	40 - 27	R26136	1B20	13	20 - 20	R26287	2D2	32	60 - 7
R1590R	2F7	10	70 - 31	R26137	2E8	6	70 - 5	R26287	2D5	15	60 - 11
R1590R	2F17	12	70 - 43	R26137	2E16	6	70 - 13	R26287	2D14	29	60 - 21
R1742R	2C3	32	50 - 31	R26138	1B20	14	20 - 20	R26287	2D14	32	60 - 21
R1801R	2H21	2	70 - 102	R26142	1B20	10	20 - 20	R26287	2D17	18	60 - 24
R1826R	2G6	13	70 - 57	R26144	1C8	14	20 - 33	R26287	2D18	22	60 - 25
R1826R	3E16	18	90 - 93	R26146	1C8	7	20 - 33	R26287	2D19	11	60 - 26
R1826R	3E18	29	90 - 95	R26149	1C8	9	20 - 33	R26287	2D20	6	60 - 27
R183R	2C7	18	50 - 35	R26149	1D11	3	30 - 10	R26287	2E10	23	70 - 7
R183R	2F15	40	70 - 41	R26149	2E10	35	70 - 7	R26287	2E14	4	70 - 11
R1836R	3D2	2	90 - 53	R26149	2F10	32	70 - 35	R26287	2E14	16	70 - 11
R1870R	2I2	36	70 - 107	R26149	2H2	31	70 - 81	R26287	2E20	22	70 - 17
R1888R	1C8	3	20 - 33	R26149	2H4	26	70 - 83	R26287	2E21	7	70 - 18
R1888R	2B23	22	50 - 25	R26149	2H7	5	70 - 86	R26287	2E23	8	70 - 21
R1888R	2F19	22	70 - 45	R26149	2H10	18	70 - 89	R26287	2E24	20	70 - 22
R20123	3F10	..	90 - 113	R26151	1C8	11	20 - 33	R26287	2F3	11	70 - 27
R20124	3F10	..	90 - 113	R26151	2C22	19	60 - 2	R26287	2F10	7	70 - 35
R20498	1D20	3	30 - 21	R26152	1C8	15	20 - 33	R26287	2F11	3	70 - 36
R20513	3E20	2	90 - 97	R26152	1C8	16	20 - 33	R26287	2F12	15	70 - 37
R20538	3E16	28	90 - 93	R26152	1C10	23	20 - 35	R26333	1B22	13	20 - 22
R20538	3E18	9	90 - 95	R26153	1C8	20	20 - 33	R26333	2I12	17	80 - 3
R20634	3B8	21	90 - 5	R26167	1B11	9	20 - 10	R26364	2D11	9	60 - 18
R20759	2G22	26	70 - 74	R26168	1B11	8	20 - 10	R26369	2D14	5	60 - 21
R20759	2J13	14	80 - 33	R26169	1B11	7	20 - 10	R26372	2D14	25	60 - 21
R20759	2J15	3	80 - 35	R26169	1C10	24	20 - 35	R26373	2C22	24A	60 - 2
R20878	1C13	1	20 - 38	R26170	1B11	20	20 - 10	R26373	2D19	22	60 - 26
R20878	1C13	3	20 - 38	R26172	1B11	4	20 - 10	R26373	2D20	4	60 - 27
R20922	1C10	9	20 - 35	R26173	1B11	5	20 - 10	R26374	2D20	5	60 - 27
R21101	2I13	9	80 - 5	R26173	1C22	18	20 - 49	R26375	2C3	15	50 - 31
R21101	2I16	10	80 - 9	R26174	1B11	1	20 - 10	R26375	2C3	26	50 - 31
R21230	2G22	21	70 - 74	R26178	2B24	20	50 - 27	R26375	2C23	18	60 - 3
R21230	3C7	9	90 - 30	R26182	2B24	10	50 - 27	R26375	2D4	24	60 - 9
R21244	3C5	5	90 - 28	R26186	2B24	15	50 - 27	R26375	2D5	1	60 - 11
R21478	1C19	15	20 - 45	R26187	2B24	14	50 - 27	R26375	2D14	22	60 - 21
R21551	1E14	3	40 - 5	R26187	2B24	16	50 - 27	R26375	2D16	8	60 - 23
R21551	1E16	3	40 - 7	R26192	2B24	19	50 - 27	R26375	2E10	27	70 - 7
R21551	1E17	3	40 - 9	R26198	1B13	9	20 - 13	R26375	2E12	16	70 - 9
R21551	1E19	7	40 - 11	R26217	2C4	26	50 - 32	R26375	2E18	23	70 - 15
R21551	1E22	25	40 - 15	R26241	1B13	4	20 - 13	R26375	2E20	3	70 - 17
R21551	1E25	8	40 - 18	R26277	2G4	13	70 - 55	R26375	2E20	10	70 - 17
R21551	1H14	6	40 - 85B	R26277	2G11	23	70 - 63	R26375	2E21	12	70 - 18
R21551	2F3	14	70 - 27	R26286	1D20	22	30 - 21	R26375	2E24	2	70 - 22
R21630	1B13	15	20 - 13	R26286	2B15	8	50 - 16	R26375	2F7	5	70 - 31
R21644	1D4	8	30 - 3	R26286	2B15	20	50 - 16	R26375	2F10	2	70 - 35
R21645	1D4	7	30 - 3	R26286	2B15	21	50 - 16	R26375	2F13	5	70 - 39
R21722	2I5	1	70 - 110	R26286	2C14	1	50 - 43	R26375	2F13	13	70 - 39
R21722	2I5	2	70 - 110	R26286	2C16	20	50 - 45	R26375	2G21	6	70 - 73
R21736	2J3	7	80 - 21	R26286	2C16	31	50 - 45	R26375	2G22	2	70 - 74
R21736	2J3	8	80 - 21	R26286	2C21	5	60 - 1	R26375	2G22	10	70 - 74
R21736	2J11	21	80 - 30	R26286	2C23	5	60 - 3	R26375	2G22	19	70 - 74
R21736	2J11	22	80 - 30	R26286	2C23	7	60 - 3	R26375	2H2	4	70 - 81
R21737	1D6	18	30 - 5	R26286	2D4	11	60 - 9	R26375	2H2	18	70 - 81
R227R	2D14	21	60 - 21	R26286	2D4	12	60 - 9	R26375	2H10	5	70 - 89



# 1L4

5020 TRACTOR (SERIAL NO. 025,000-)

## NUMERICAL INDEX - CONTINUED

PART NO.	GRID	KEY	PAGE	PART NO.	GRID	KEY	PAGE	PART NO.	GRID	KEY	PAGE
R26375	2H13	1	70 - 92	R26479	2F11	4	70 - 36	R26670	1E4	10	30 - 31
R26375	2H14	6	70 - 93	R26480	2G24	28	70 - 77	R26671	1E4	21	30 - 31
R26375	2H14	8	70 - 93	R26480	2G25	10	70 - 78	R26677	1E5	9	30 - 32
R26375	2H20	2	70 - 101	R26482	2G24	17	70 - 77	R26686	2C3	27	50 - 31
R26375	2I5	4	70 - 110	R26482	2G25	6	70 - 78	R26694	2J11	20	80 - 30
R26376	2D14	20	60 - 21	R26483	2G24	21	70 - 77	R26702	2J11	14	80 - 30
R26384	2D18	19	60 - 25	R26483	2G25	7	70 - 78	R26703	2J11	14	80 - 30
R26385	2C16	8	50 - 45	R26484	2G24	14	70 - 77	R26726	1D11	21	30 - 10
R26385	2D18	27	60 - 25	R26484	2G25	3	70 - 78	R26726	1D23	21	30 - 25
R26386	2C16	7	50 - 45	R26484	2H4	31	70 - 83	R26726	1D25	38	30 - 27
R26386	2D18	25	60 - 25	R26484	2H6	30	70 - 85	R26727	1B17	13	20 - 17
R26386	2F15	11	70 - 41	R26484	2H10	10	70 - 89	R26754	2F8	6	70 - 33
R26401	1B20	17	20 - 20	R26485	2C21	16	60 - 1	R26755	2C21	10	60 - 1
R26402	1B20	20	20 - 20	R26485	2D4	31	60 - 9	R26758	2F10	11	70 - 35
R26403	1B20	16	20 - 20	R26485	2G24	10	70 - 77	R26758	2F10	27	70 - 35
R26407	1B20	6	20 - 20	R26485	2G25	1	70 - 78	R26760	2D19	24	60 - 26
R26409	3C7	20	90 - 30	R26485	2H15	12	70 - 95	R26762	2C24	4	60 - 5
R26413	1C17	23	20 - 43	R26487	2F15	9	70 - 41	R26762	2F15	2	70 - 41
R26413	1C18	5	20 - 44	R26491	2F15	46	70 - 41	R26772	2F15	24	70 - 41
R26417	1C17	22	20 - 43	R26493	1C8	13	20 - 33	R26773	2F15	28	70 - 41
R26425	2C23	11	60 - 3	R26493	1C10	22	20 - 35	R26776	2F15	25	70 - 41
R26429	2F10	3	70 - 35	R26501	2C7	23	50 - 35	R26811	2G4	4	70 - 55
R26431	3C25	15	90 - 51	R26505	2F21	13	70 - 47	R26823	2C5	3	50 - 33
R26432	3C25	8	90 - 51	R26524	1E4	25	30 - 31	R26828	3C25	6	90 - 51
R26432	3D6	3	90 - 57	R26524	1E5	4	30 - 32	R26829	3C25	19	90 - 51
R26434	3C25	17	90 - 51	R26524	3D6	9	90 - 57	R26830	3C25	16	90 - 51
R26434	3D6	11	90 - 57	R26543	2F8	5	70 - 33	R26832	3D2	3	90 - 53
R26436	3C25	23	90 - 51	R26544	2H2	10	70 - 81	R26858	2F19	19	70 - 45
R26441	2C21	2	60 - 1	R26544	2H10	19	70 - 89	R26863	2D11	10	60 - 18
R26441	2D2	18	60 - 7	R26546	2C22	16	60 - 2	R26869	2F19	8	70 - 45
R26441	2D4	7	60 - 9	R26546	2D4	16	60 - 9	R26870	2C7	24	50 - 35
R26441	2D4	27	60 - 9	R26546	2H4	10	70 - 83	R26870	2F15	44	70 - 41
R26448	1G25	2	40 - 72	R26546	2H6	10	70 - 85	R26871	3C25	18	90 - 51
R26448	2C23	2	60 - 3	R26546	2H7	8	70 - 86	R26871	3D5	25	90 - 56
R26448	2C23	24	60 - 3	R26546	2H10	7	70 - 89	R26872	3C25	24	90 - 51
R26448	2D2	22	60 - 7	R26547	2D4	25	60 - 9	R26873	3C25	24	90 - 51
R26448	2D4	5	60 - 9	R26551	2D4	20	60 - 9	R26874	3C25	1A	90 - 51
R26448	2D7	1	60 - 13	R26552	2C23	13	60 - 3	R26875	3D2	4	90 - 53
R26448	2D8	7	60 - 15	R26553	2C24	7	60 - 5	R26876	3D2	7	90 - 53
R26448	2D9	8	60 - 16	R26554	2C24	1	60 - 5	R26877	3D2	6	90 - 53
R26448	2E10	2	70 - 7	R26554	2F15	1	70 - 41	R26877	3D6	29	90 - 57
R26448	2E10	8	70 - 7	R26559	1B9	11	20 - 8	R26878	3D2	15	90 - 53
R26448	2E12	1	70 - 9	R26559	2B21	4	50 - 23	R26879	3D2	9	90 - 53
R26448	2E14	1	70 - 11	R26564	2F15	27	70 - 41	R26880	3D2	21	90 - 53
R26448	2E18	2	70 - 15	R26565	2C22	5	60 - 2	R26894	2J12	16	80 - 31
R26448	2E18	8	70 - 15	R26565	2F10	31	70 - 35	R26895	3E19	15	90 - 96
R26448	2E18	25	70 - 15	R26566	2F10	37	70 - 35	R26895	3E19	19	90 - 96
R26448	2E20	1	70 - 17	R26567	2F15	4	70 - 41	R26906	2C14	21	50 - 43
R26448	2E20	8	70 - 17	R2657R	2B21	7	50 - 23	R26906	2E10	10	70 - 7
R26448	2E21	3	70 - 18	R26571	2F15	21	70 - 41	R26906	2E12	2	70 - 9
R26448	2E21	7	70 - 18	R26573	2F10	22	70 - 35	R26906	2E14	2	70 - 11
R26448	2F10	20	70 - 35	R26574	2F15	48	70 - 41	R26906	2E14	15	70 - 11
R26448	2F11	9	70 - 36	R26575	2B8	18	50 - 7	R26906	2E18	16	70 - 15
R26448	2F12	13	70 - 37	R26575	2F15	49	70 - 41	R26906	2E20	6	70 - 17
R26448	2F13	1	70 - 39	R26608	2G4	15	70 - 55	R26906	2E20	26	70 - 17
R26448	2G22	4	70 - 74	R26616	2B11	5	50 - 11	R26906	2E21	1	70 - 18
R26448	2H2	25	70 - 81	R26616	2B15	22	50 - 16	R26906	2E23	5	70 - 21
R26448	2H10	4	70 - 89	R26616	2F7	14	70 - 31	R26906	2E24	4	70 - 22
R26448	2H10	17	70 - 89	R26621	2E10	34	70 - 7	R26906	2F2	1	70 - 25
R26457	2F12	5	70 - 37	R26621	2F12	12	70 - 37	R26906	2F12	3	70 - 37
R26458	2F12	2	70 - 37	R26625	2F12	8	70 - 37	R26906	2F13	9	70 - 39
R26461	2F15	34	70 - 41	R26626	2F8	13	70 - 33	R26906	2G21	15	70 - 73
R26473	1C19	14	20 - 45	R26629	2F15	36	70 - 41	R26906	3E20	6	90 - 97
R26474	1C19	6	20 - 45	R26637	2B10	3	50 - 9	R26919	1D20	20	30 - 21
R26477	2F11	5	70 - 36	R26646	1B22	3	20 - 22	R26919	1D20	21	30 - 21
R26477	2G21	11	70 - 73	R26650	2C5	18	50 - 33	R26933	2D2	8	60 - 7
R26478	2F11	4	70 - 36	R26650	2F10	17	70 - 35	R26934	1D15	24	30 - 15

# 1L5

5020 TRACTOR (SERIAL NO. 025,000-)

## NUMERICAL INDEX - CONTINUED

PART NO.	GRID	KEY	PAGE	PART NO.	GRID	KEY	PAGE	PART NO.	GRID	KEY	PAGE
R26934	1D16	1	30 - 16	R27175	2C3	18	50 - 31	R27439	3C25	14	90 - 51
R26936	1E14	6	40 - 5	R27175	2E8	15	70 - 5	R27440	3D2	10	90 - 53
R26936	1E16	7	40 - 7	R27175	2E16	13	70 - 13	R27440	3D5	8	90 - 56
R26936	1H16	18	40 - 87	R27180	1E14	3	40 - 5	R27441	2J15	7	80 - 35
R26936	3B18	13	90 - 15	R27180	1E16	3	40 - 7	R27441	3D2	12	90 - 53
R26936	3C20	5	90 - 45	R27180	1E17	11	40 - 9	R27441	3D2	23	90 - 53
R26941	3C1	1	90 - 23	R27180	1E19	11	40 - 11	R27441	3D5	3	90 - 56
R26958	1E4	12	30 - 31	R27180	1E19	15	40 - 11	R27442	3D2	5	90 - 53
R26976	2F10	23	70 - 35	R27180	1E22	6	40 - 15	R27442	3D6	30	90 - 57
R26977	2F10	24	70 - 35	R27180	3C7	12	90 - 30	R27443	1B9	8	20 - 8
R26989	2H14	4	70 - 93	R27181	1D15	29	30 - 15	R27448	2H14	21	70 - 93
R27033	2B10	1	50 - 9	R27196	2F21	4	70 - 47	R27453	2D2	11	60 - 7
R27072	1E4	3	30 - 31	R27203	2H12	2	70 - 91	R27458	3D2	33	90 - 53
R27074	2B15	2	50 - 16	R27206	1B20	21	20 - 20	R27460	1E24	4	40 - 17
R27075	1E4	2	30 - 31	R27207	1B20	23	20 - 20	R27460	1E25	2	40 - 18
R27077	1E4	19	30 - 31	R27209	1C17	16	20 - 43	R27460	1G13	10	40 - 59
R27087	2D2	15	60 - 7	R27212	2D8	6	60 - 15	R27460	1G15	16	40 - 61
R27089	2C21	14	60 - 1	R27212	2E21	6	70 - 18	R27460	1G18	9	40 - 65
R27091	2C21	11	60 - 1	R27212	2F12	14	70 - 37	R27460	1G20	8	40 - 67
R27094	2B15	9	50 - 16	R27212	2F13	2	70 - 39	R27460	1G22	8	40 - 69
R27094	2C16	30	50 - 45	R27214	2F15	29	70 - 41	R27471	2E10	44	70 - 7
R27094	2D19	28	60 - 26	R27215	2F15	15	70 - 41	R27472	2E10	43	70 - 7
R27094	2F10	3	70 - 35	R27216	2B15	11	50 - 16	R27474	2C14	22	50 - 43
R27095	2D7	12	60 - 13	R27216	2D14	30	60 - 21	R27474	2E24	18	70 - 22
R27118	3D2	30	90 - 53	R27216	2E10	24	70 - 7	R27474	2F13	19	70 - 39
R27119	3D2	32	90 - 53	R27216	2F10	10	70 - 35	R27474	2G21	14	70 - 73
R27121	3D2	18	90 - 53	R27216	2F11	1	70 - 36	R27475	2E10	1	70 - 7
R27137	2D14	8	60 - 21	R27216	2F12	16	70 - 37	R27475	2E18	1	70 - 15
R27137	2D16	6	60 - 23	R27218	2B15	18	50 - 16	R27476	2E10	13	70 - 7
R27139	2D17	17	60 - 24	R27218	2C23	23	60 - 3	R27478	2E8	33	70 - 5
R27145	2E8	31	70 - 5	R27218	2E10	7	70 - 7	R27478	2E12	12	70 - 9
R27146	2E8	32	70 - 5	R27218	2E18	7	70 - 15	R27478	2E16	28	70 - 13
R27149	2D14	9	60 - 21	R27218	2F10	19	70 - 35	R27479	2E8	33	70 - 5
R27149	2D16	7	60 - 23	R27218	2H2	29	70 - 81	R27479	2E12	13	70 - 9
R27149	2E8	11	70 - 5	R27233	2H2	13	70 - 81	R27479	2E16	28	70 - 13
R27149	2E14	20	70 - 11	R27237	2C3	16	50 - 31	R27483	2F7	7	70 - 31
R27149	2E16	9	70 - 13	R27237	2D5	2	60 - 11	R27494	2H12	7	70 - 91
R27149	2E20	24	70 - 17	R27237	2H14	7	70 - 93	R27500	2H12	3	70 - 91
R27150	2E8	5	70 - 5	R27256	2C7	19	50 - 35	R27506	2J11	6	80 - 30
R27150	2E16	5	70 - 13	R27267	2E23	10	70 - 21	R27506	3E18	19	90 - 95
R27154	2E8	18	70 - 5	R27267	2F3	10	70 - 27	R27507	2F15	31	70 - 41
R27155	2E8	17	70 - 5	R27267	2F13	7	70 - 39	R27507	2F19	7	70 - 45
R27156	2E8	19	70 - 5	R27270	2E23	6	70 - 21	R27507	2G8	16	70 - 59
R27157	2E8	20	70 - 5	R27270	2E24	14	70 - 22	R27507	2J11	3	80 - 30
R27159	2E10	18	70 - 7	R27270	2F2	2	70 - 25	R27507	3C14	11	90 - 37
R27166	2E10	14	70 - 7	R27270	2F13	10	70 - 39	R27507	3E18	16	90 - 95
R27166	2E10	43	70 - 7	R27272	2C14	2	50 - 43	R27527	2D5	16	60 - 11
R27166	2E10	44	70 - 7	R27272	2D17	6	60 - 24	R27527	2D17	17	60 - 24
R27166	2E12	5	70 - 9	R27285	1C22	15	20 - 49	R27527	2D18	23	60 - 25
R27166	2E14	6	70 - 11	R27285	1D15	22	30 - 15	R27527	2E24	19	70 - 22
R27166	2E14	..	70 - 11	R27285	1D16	2	30 - 16	R27531	2F3	5	70 - 27
R27166	2E18	41	70 - 15	R27285	1D17	1	30 - 17	R27531	2F5	17	70 - 29
R27166	2E20	14	70 - 17	R27285	1D18	1	30 - 18	R27533	1E22	11	40 - 15
R27166	2H2	28	70 - 81	R27296	2C23	4	60 - 3	R27539	1E12	3	40 - 3
R27166	2H4	1	70 - 83	R27296	2D17	2	60 - 24	R27545	2C14	7	50 - 43
R27166	2H4	28	70 - 83	R27296	3C10	15	90 - 33	R27548	1C14	16	20 - 39
R27166	2H6	24	70 - 85	R27299	2D2	10	60 - 7	R27548	3D24	16	90 - 76
R27166	2H6	27	70 - 85	R27319	2D2	26	60 - 7	R27562	2C5	27	50 - 33
R27166	2H8	3	70 - 87	R27320	2D2	13	60 - 7	R27564	2E10	12	70 - 7
R27166	2H10	11	70 - 89	R27329	2C5	22	50 - 33	R27564	2E12	4	70 - 9
R27167	2E10	16	70 - 7	R27346	1D20	5	30 - 21	R27564	2E14	5	70 - 11
R27170	2E10	19	70 - 7	R27346	1D21	3	30 - 22	R27564	2E18	42	70 - 15
R27171	2E10	5	70 - 7	R27361	1H14	7	40 - 85B	R27564	2E20	15	70 - 17
R27172	2E10	11	70 - 7	R27364	2F15	51	70 - 41	R27564	2H24	12	70 - 105
R27173	2E10	17	70 - 7	R27372	2F15	14	70 - 41	R27564	2I2	13	70 - 107
R27174	2E10	15	70 - 7	R27430	2G24	5	70 - 77	R27564	2I3	7	70 - 108
R27174	2E14	7	70 - 11	R27430	2H15	5	70 - 95	R27567	3E19	7	90 - 96

# 1L6

5020 TRACTOR (SERIAL NO. 025,000-)

## NUMERICAL INDEX - CONTINUED

PART NO.	GRID	KEY	PAGE	PART NO.	GRID	KEY	PAGE	PART NO.	GRID	KEY	PAGE
R27571	1E5	24	30 - 32	R28085	2H15	2	70 - 95	R29936	2F5	22	70 - 29
R27583	1E19	2	40 - 11	R28085	2H15	18	70 - 95	R30181	1G13	6	40 - 59
R27583	1E20	2	40 - 13	R28095	2F10	21	70 - 35	R30181	1G13	17	40 - 59
R27583	1E20	8	40 - 13	R28123	2J12	11	80 - 31	R30181	1G15	4	40 - 61
R27583	1H19	19	40 - 91	R28123	3B18	8	90 - 15	R30181	1G15	13	40 - 61
R27583	1H23	20	40 - 95	R28123	3C5	3	90 - 28	R30181	1G18	5	40 - 65
R27583	3C2	5	90 - 25	R28123	3E8	14	90 - 85	R30181	1G20	5	40 - 67
R27583	3C20	5	90 - 45	R28123	3E10	..	90 - 87	R30181	1G22	5	40 - 69
R27590	2F15	40	70 - 41	R28123	3E20	5	90 - 97	R30182	1G13	1	40 - 59
R27593	2H2	10	70 - 81	R28124	2C22	7	60 - 2	R30182	1G13	21	40 - 59
R27593	2H2	32	70 - 81	R28157	3D5	30	90 - 56	R30182	1G15	8	40 - 61
R27595	2H2	9	70 - 81	R28164	2F15	52	70 - 41	R30182	1G15	10	40 - 61
R27595	2H2	10	70 - 81	R28164	2H12	4	70 - 91	R30182	1G18	21	40 - 65
R27603	2F15	47	70 - 41	R28204	2G24	1	70 - 77	R30200	1C12	6	20 - 37
R27605	2F15	56	70 - 41	R28204	2H15	1	70 - 95	R30323	2C23	21	60 - 3
R27643	2J4	2	80 - 22	R28204	2H15	19	70 - 95	R30323	2D4	23	60 - 9
R27649	2D19	4	60 - 26	R28361	2B11	4	50 - 11	R30378	1F5	6	40 - 23
R27649	2D19	6	60 - 26	R28465	2I13	1	80 - 5	R30378	1F5	27	40 - 23
R27649	2D19	9	60 - 26	R28465	2I16	1	80 - 9	R30378	1H16	4	40 - 87
R27674	2F15	6	70 - 41	R28471	2I12	14	80 - 3	R30378	1H16	21	40 - 87
R27675	2F15	6	70 - 41	R28473	3D10	8	90 - 61	R30378	1I8	25	40 - 105
R27720	1D15	16	30 - 15	R28473	3E20	2	90 - 97	R30378	1I22	43	40 - 119
R27720	2D5	12	60 - 11	R28505	2F10	4	70 - 35	R30379	1F5	7	40 - 23
R27720	2D7	6	60 - 13	R28556	2G6	35	70 - 57	R30379	1H16	22	40 - 87
R27720	2D8	3	60 - 15	R28556	2G8	35A	70 - 59	R30398	2I12	18	80 - 3
R27720	2D8	13	60 - 15	R28574	2I18	2	80 - 11	R30399	2I13	24	80 - 5
R27720	2F2	17	70 - 25	R28574	2I19	2	80 - 11A	R30409	1D16	10	30 - 16
R27730	2B19	14	50 - 21	R28575	2I18	19	80 - 11	R30410	1D16	15	30 - 16
R27785	3C23	9	90 - 49	R28583	1D11	18	30 - 10	R30410	1D18	4	30 - 18
R27789	2C4	17	50 - 32	R28583	1D12	4	30 - 12	R30425	3D5	26	90 - 56
R27789	2C5	7	50 - 33	R28584	1D11	17	30 - 10	R30426	3D5	19	90 - 56
R27829	2H12	8	70 - 91	R28593	2C3	8	50 - 31	R30429	3D5	5	90 - 56
R27898	2J3	3	80 - 21	R28594	2C3	9	50 - 31	R30431	3D6	16	90 - 57
R27906	2D17	1	60 - 24	R28633	1D6	4	30 - 5	R30432	3D6	6	90 - 57
R27926	2E23	3	70 - 21	R28671	1B13	10	20 - 13	R30433	3D5	16	90 - 56
R27926	2F5	14	70 - 29	R28695	2J13	4	80 - 33	R30434	3D5	18	90 - 56
R27927	2E23	1	70 - 21	R28695	3D13	15	90 - 64	R30435	3D6	18	90 - 57
R27927	2F5	12	70 - 29	R28717	2H2	3	70 - 81	R30436	3D6	26	90 - 57
R27928	2E14	22	70 - 11	R28717	2H14	27	70 - 93	R30437	3D6	24	90 - 57
R27928	2E20	26	70 - 17	R28733	2H13	5	70 - 92	R30439	3D6	23	90 - 57
R27928	2E23	2	70 - 21	R28733	2H13	16	70 - 92	R30440	3D6	14	90 - 57
R27928	2E23	4	70 - 21	R28733	2H14	15	70 - 93	R30443	3D4	9	90 - 55
R27928	2F5	13	70 - 29	R28744	2H2	15	70 - 81	R30597	1C18	2	20 - 44
R27948	1C10	14	20 - 35	R28774	2D14	28	60 - 21	R30610	3D6	25	90 - 57
R27948	1C22	27	20 - 49	R28776	2D14	26	60 - 21	R30694	2J18	13	80 - 39
R27963	1F5	2	40 - 23	R28776	2D16	9	60 - 23	R30712	1B20	19	20 - 20
R27979	2F10	6	70 - 35	R28781	2E10	39	70 - 7	R30713	1B20	8	20 - 20
R27981	2F10	8	70 - 35	R28781	2E18	34	70 - 15	R30713	1B20	12	20 - 20
R27983	1H14	14	40 - 85B	R28782	2E10	38	70 - 7	R30713	2B11	3	50 - 11
R27983	3B5	11	90 - 2	R28782	2E14	9	70 - 11	R30778	2G6	12	70 - 57
R27998	2G6	28	70 - 57	R28782	2E18	33	70 - 15	R30815	2I5	5	70 - 110
R27998	2G8	37	70 - 59	R28782	2E20	11	70 - 17	R30816	2I5	7	70 - 110
R27999	2G6	29	70 - 57	R28783	2J11	5	80 - 30	R30817	2I5	6	70 - 110
R27999	2G8	38	70 - 59	R28783	3E18	18	90 - 95	R30818	2G24	30	70 - 77
R28006	2G24	6	70 - 77	R28785	2F10	4	70 - 35	R30819	2B15	25	50 - 16
R28006	2H15	6	70 - 95	R28786	2F10	4	70 - 35	R30828	3B12	16	90 - 9
R28007	1E4	8	30 - 31	R28791	3D5	13	90 - 56	R30877	1C17	24	20 - 43
R28008	1E4	17	30 - 31	R28792	1H14	2	40 - 85B	R30877	2J11	1	80 - 30
R28009	1E4	6	30 - 31	R28795	1D4	3	30 - 3	R30877	3B6	11	90 - 3
R28015	1C18	1	20 - 44	R28937	3D6	32	90 - 57	R30903	2D14	15	60 - 21
R28040	2D7	17	60 - 13	R28938	3D6	28	90 - 57	R30903	2D16	10	60 - 23
R28040	2F2	18	70 - 25	R29463	2H24	21	70 - 105	R30903	2D18	5	60 - 25
R28084	2G24	3	70 - 77	R29463	2I2	31	70 - 107	R30912	2D9	13	60 - 16
R28084	2G24	19	70 - 77	R29463	2I3	3	70 - 108	R30913	2D9	15	60 - 16
R28084	2H15	3	70 - 95	R29463	2I4	11	70 - 109	R30916	2D9	12	60 - 16
R28084	2H15	17	70 - 95	R29936	2E20	21	70 - 17	R30916	2D10	1	60 - 17
R28085	2G24	2	70 - 77	R29936	2E20	25	70 - 17	R30917	2D9	3	60 - 16

# 1L7

5020 TRACTOR (SERIAL NO. 025,000-)

## NUMERICAL INDEX - CONTINUED

PART NO.	GRID	KEY	PAGE	PART NO.	GRID	KEY	PAGE	PART NO.	GRID	KEY	PAGE
R30920	2B10	17	50 - 9	R31422	2F15	32	70 - 41	R32018	1G11	4	40 - 57
R30920	2B11	19	50 - 11	R31442	3D5	21	90 - 56	R32018	1H1	4	40 - 73
R30920	2B13	2	50 - 13	R31454	2D14	19	60 - 21	R32018	1H2	..	40 - 74
R30920	2B13	9	50 - 13	R31454	2D14	29	60 - 21	R32018	115	26	40 - 102
R30920	2D9	2	60 - 16	R31454	2D14	30	60 - 21	R32018	1116	9	40 - 113
R30936	1C17	13	20 - 43	R31455	2D16	2	60 - 23	R32018	1116	15	40 - 113
R30936	1C18	3	20 - 44	R31455	2D18	15	60 - 25	R32018	1118	12	40 - 115
R30936	1C18	6	20 - 44	R31457	2D18	9	60 - 25	R32018	3B19	7	90 - 16
R30936	2J8	2	80 - 26	R31458	2D18	7	60 - 25	R32018	3B19	14	90 - 16
R30936	3D22	16	90 - 74	R31459	2D18	4	60 - 25	R32018	3B21	12	90 - 18
R30936	3D22	20	90 - 74	R31464	2D14	10	60 - 21	R32018	3C6	11	90 - 29
R30936	3D23	3	90 - 75	R31465	2D14	12	60 - 21	R32019	1118	13	40 - 115
R30936	3D23	10	90 - 75	R31467	2D14	11	60 - 21	R32021	1116	14	40 - 113
R30936	3D23	15	90 - 75	R31468	2D14	14	60 - 21	R32021	1118	14	40 - 115
R30937	2J3	9	80 - 21	R31468	2D16	11	60 - 23	R32022	1F3	1	40 - 21
R30937	2J12	14	80 - 31	R31469	2D14	13	60 - 21	R32022	1118	15	40 - 115
R30937	3C5	2	90 - 28	R31486	2D16	12	60 - 23	R32022	3C6	11	90 - 29
R30937	3C5	11	90 - 28	R31486	1B13	33	20 - 13	R32023	1G5	18	40 - 50
R30937	3C12	1	90 - 35	R31486	2F10	13	70 - 35	R32023	1118	16	40 - 115
R30937	3E8	3	90 - 85	R31486	2F17	9	70 - 43	R32024	1E14	4	40 - 5
R30937	3E8	4	90 - 85	R31488	2D4	13	60 - 9	R32024	1E14	11	40 - 5
R30937	3E8	5	90 - 85	R31489	2D4	30	60 - 9	R32024	1E16	4	40 - 7
R30937	3E8	9	90 - 85	R31493	2B6	11	50 - 5	R32024	1E16	11	40 - 7
R30937	3E8	13	90 - 85	R31494	2B6	10	50 - 5	R32024	1E19	4	40 - 11
R30964	1F10	9	40 - 29	R31505	3D2	20	90 - 53	R32024	1E19	9	40 - 11
R30964	1F12	16	40 - 31	R31512	3D4	11	90 - 55	R32024	113	4	40 - 100
R30964	1F16	10	40 - 35	R31513	3D4	11	90 - 55	R32024	113	8	40 - 100
R31024	2F10	33	70 - 35	R31565	2F11	6	70 - 36	R32024	115	26	40 - 102
R31136	2F12	6	70 - 37	R31566	2F7	11	70 - 31	R32024	1116	9	40 - 113
R31136	2H17	4	70 - 97	R31566	2F17	13	70 - 43	R32024	1124	3	40 - 121
R31136	2H19	1	70 - 99	R31602	2D18	33	60 - 25	R32024	3B5	15	90 - 2
R31147	1D23	1	30 - 25	R31618	2J12	2	80 - 31	R32024	3B21	12	90 - 18
R31183	2H14	2	70 - 93	R31618	2J15	5	80 - 35	R32024	3B21	16	90 - 18
R31188	2B24	12	50 - 27	R31618	3E21	1	90 - 98	R32024	3B21	17	90 - 18
R31198	2B10	17	50 - 9	R31631	2B15	11	50 - 16	R32025	1E14	4	40 - 5
R31201	2D2	34	60 - 7	R31631	2D14	30	60 - 21	R32025	1E16	4	40 - 7
R31202	2D2	31	60 - 7	R31631	2F10	10	70 - 35	R32025	1E19	9	40 - 11
R31217	2C24	4	60 - 5	R31631	2F12	16	70 - 37	R32025	1E22	2	40 - 15
R31222	2F15	55	70 - 41	R31654	1D11	13	30 - 10	R32025	1E24	2	40 - 17
R31229	3E19	4	90 - 96	R31654	2C14	17	50 - 43	R32025	1H2	..	40 - 74
R31230	3E19	10	90 - 96	R31655	2C14	15	50 - 43	R32025	1116	14	40 - 113
R31231	3E19	3	90 - 96	R31764	2116	16	80 - 9	R32025	1124	4	40 - 121
R31250	1G13	1	40 - 59	R31781	2E10	41	70 - 7	R32025	3B19	8	90 - 16
R31250	1G13	21	40 - 59	R31781	2E18	37	70 - 15	R32026	1E19	4	40 - 11
R31250	1G15	8	40 - 61	R31890	2G24	23	70 - 77	R32026	115	26	40 - 102
R31250	1G15	10	40 - 61	R31945	2F15	39	70 - 41	R32026	1118	17	40 - 115
R31250	1G18	21	40 - 65	R32011	1118	1	40 - 115	R32026	1122	48	40 - 119
R31251	2I13	22	80 - 5	R32016	1E14	11	40 - 5	R32027	1E14	4	40 - 5
R31260	3C25	10	90 - 51	R32016	1E14	12	40 - 5	R32027	1E14	11	40 - 5
R31260	3D6	5	90 - 57	R32016	1E16	11	40 - 7	R32027	1E16	4	40 - 7
R31261	3D5	22	90 - 56	R32016	1E16	12	40 - 7	R32027	1E16	11	40 - 7
R31262	3D5	24	90 - 56	R32016	1E17	9	40 - 9	R32027	1E19	4	40 - 11
R31271	2D18	6	60 - 25	R32016	1E22	24	40 - 15	R32027	1E22	2	40 - 15
R31273	2D18	26	60 - 25	R32016	1G13	3	40 - 59	R32027	1E24	2	40 - 17
R31278	2C23	19	60 - 3	R32016	1G13	19	40 - 59	R32027	1H1	4	40 - 73
R31287	2J18	7	80 - 39	R32016	1G15	6	40 - 61	R32027	1H2	..	40 - 74
R31289	2C4	22	50 - 32	R32016	1G18	3	40 - 65	R32027	113	4	40 - 100
R31337	1B20	9	20 - 20	R32016	1G20	3	40 - 67	R32027	113	8	40 - 100
R31340	1B20	4	20 - 20	R32016	1G22	3	40 - 69	R32027	115	26	40 - 102
R31340	1C22	25	20 - 49	R32016	113	8	40 - 100	R32027	1116	5	40 - 113
R31346	1B20	3	20 - 20	R32016	1118	10	40 - 115	R32027	1116	9	40 - 113
R31363	2C4	21	50 - 32	R32017	1G5	18	40 - 50	R32027	1116	14	40 - 113
R31373	2C4	19	50 - 32	R32017	1118	11	40 - 115	R32027	1118	18	40 - 115
R31374	2B17	2	50 - 19	R32018	1E20	10	40 - 13	R32027	3B5	15	90 - 2
R31378	1C12	2	20 - 37	R32018	1E22	2	40 - 15	R32027	3B19	7	90 - 16
R31396	1E5	11	30 - 32	R32018	1E22	18	40 - 15	R32027	3B19	8	90 - 16
R31411	3D5	21	90 - 56	R32018	1E24	2	40 - 17	R32027	3B21	12	90 - 18

# 1L8

5020 TRACTOR (SERIAL NO. 025,000-)

## NUMERICAL INDEX - CONTINUED

PART NO.	GRID	KEY	PAGE	PART NO.	GRID	KEY	PAGE	PART NO.	GRID	KEY	PAGE
R32027	3B21	16	90 - 18	R32715	2F10	14	70 - 35	R34482	2H12	3	70 - 91
R32027	3B21	17	90 - 18	R32715	2F17	8	70 - 43	R34483	2J18	8	80 - 39
R32027	3C6	2	90 - 29	R32731	2D4	2	60 - 9	R34492	2C16	13	50 - 45
R32028	1E14	12	40 - 5	R32736	3C23	5	90 - 49	R34522	2C16	9	50 - 45
R32028	1E16	12	40 - 7	R33138	2C3	25	50 - 31	R34523	2C16	6	50 - 45
R32028	1E17	9	40 - 9	R33145	2C8	13	50 - 37	R34537	2F15	54	70 - 41
R32028	1E19	9	40 - 11	R33162	2C3	29	50 - 31	R34557	1E19	11	40 - 11
R32028	1F3	1	40 - 21	R33163	2C3	33	50 - 31	R34557	1E19	15	40 - 11
R32028	1118	19	40 - 115	R33259	2C3	28	50 - 31	R34557	2G22	27	70 - 74
R32029	1E19	5	40 - 11	R33259	2C3	29	50 - 31	R34581	2C16	18	50 - 45
R32029	115	25	40 - 102	R33282	2B21	15	50 - 23	R34582	2C16	33	50 - 45
R32029	1118	20	40 - 115	R33827	2F21	6	70 - 47	R34589	2G24	35	70 - 77
R32042	1C5	3	20 - 30	R33961	2G6	18	70 - 57	R34608	2J18	10	80 - 39
R32042	2B15	15	50 - 16	R34011	2F10	11	70 - 35	R34609	3C23	5	90 - 49
R32042	2B21	10	50 - 23	R34119	2C22	10	60 - 2	R34609	3D4	10	90 - 55
R32072	2120	13	80 - 12	R34119	2C22	23A	60 - 2	R34618	3C23	5	90 - 49
R32087	2F5	11	70 - 29	R34119	2C22	24A	60 - 2	R34618	3D4	10	90 - 55
R32090	2D14	4	60 - 21	R34119	2C23	10	60 - 3	R34619	3C23	1	90 - 49
R32091	2D14	3	60 - 21	R34121	2C21	15	60 - 1	R34619	3D4	1	90 - 55
R32092	2D14	1	60 - 21	R34122	2C22	20	60 - 2	R34620	3C23	2	90 - 49
R32092	2D16	3	60 - 23	R34123	2C22	17	60 - 2	R34620	3D4	2	90 - 55
R32117	2H20	8	70 - 101	R34125	2D2	28	60 - 7	R34656	1D15	12	30 - 15
R32117	2H22	4	70 - 103	R34129	2C22	22	60 - 2	R34701	1H4	7	40 - 76
R32117	3D10	7	90 - 61	R34129	2D4	18	60 - 9	R34702	1H4	3	40 - 76
R32118	2H20	8	70 - 101	R34131	2C22	9	60 - 2	R34733	2C3	4	50 - 31
R32118	2H22	4	70 - 103	R34131	2H24	16	70 - 105	R34733	2C3	11	50 - 31
R32118	3D10	7	90 - 61	R34131	214	1	70 - 109	R34733	2C22	1	60 - 2
R32136	1D23	23	30 - 25	R34205	1H16	1	40 - 87	R34733	2C24	6	60 - 5
R32186	2D2	14	60 - 7	R34206	1H16	11	40 - 87	R34733	2D4	10	60 - 9
R32234	3C12	..	90 - 35	R34209	1H16	20	40 - 87	R34747	2D18	11	60 - 25
R32239	3E16	13	90 - 93	R34211	2G22	30	70 - 74	R34760	1D23	29	30 - 25
R32239	3E18	33	90 - 95	R34266	3D4	10	90 - 55	R34761	1D23	28	30 - 25
R32276	118	..	40 - 105	R34267	3C23	1	90 - 49	R34762	1D23	33	30 - 25
R32276	1110	11	40 - 107	R34267	3D4	1	90 - 55	R34763	1D23	34	30 - 25
R32304	1E4	24	30 - 31	R34268	3D4	2	90 - 55	R34764	1D23	31	30 - 25
R32304	1E5	6	30 - 32	R34272	3C23	11	90 - 49	R34764	1E2	1	30 - 29
R32305	1E5	3	30 - 32	R34282	3D4	5	90 - 55	R34764	1E3	1	30 - 30
R32306	1D11	4	30 - 10	R34336	2C22	23A	60 - 2	R34765	1D23	30	30 - 25
R32319	2D8	10	60 - 15	R34338	1H16	8	40 - 87	R34765	1E2	9	30 - 29
R32320	1E14	8	40 - 5	R34347	2E8	16	70 - 5	R34765	1E3	6	30 - 30
R32320	1E16	8	40 - 7	R34348	2E8	30	70 - 5	R34765	1D23	32	30 - 25
R32344	2E10	42	70 - 7	R34349	2E8	28	70 - 5	R34767	1E2	2	30 - 29
R32353	2H15	15	70 - 95	R34353	2E8	1	70 - 5	R34788	1C10	26	20 - 35
R32354	2H15	11	70 - 95	R34354	2E8	14	70 - 5	R34801	2120	16	80 - 12
R32355	2H15	10	70 - 95	R34354	2E8	15	70 - 5	R34801	2124	3	80 - 16
R32356	2G24	9	70 - 77	R34354	2E8	16	70 - 5	R34802	2E18	12	70 - 15
R32356	2H15	9	70 - 95	R34358	2E5	10	70 - 2	R34812	1D25	19	30 - 27
R32376	2D18	32	60 - 25	R34359	2E5	6	70 - 2	R34812	2H4	24	70 - 83
R32387	2F11	7	70 - 36	R34360	2E5	3	70 - 2	R34812	2H7	3	70 - 86
R32390	2B24	3	50 - 27	R34360	2E5	5	70 - 2	R34815	2C16	34	50 - 45
R32390	3E19	9	90 - 96	R34360	2E5	6	70 - 2	R34827	3F1	1	90 - 103
R32419	2G22	12	70 - 74	R34362	2E5	2	70 - 2	R34855	2C12	22	50 - 41
R32419	2H15	8	70 - 95	R34365	1B22	12	20 - 22	R34857	2C12	20	50 - 41
R32426	1B11	2	20 - 10	R34388	1D11	12	30 - 10	R34857	2C12	21	50 - 41
R32427	1C8	6	20 - 33	R34394	1D11	7	30 - 10	R34858	2C12	19	50 - 41
R32434	2B4	5	50 - 3	R34394	1D12	1	30 - 12	R34858	2C12	20	50 - 41
R32434	2B14	28	50 - 15	R34395	1D11	8	30 - 10	R34865	2C12	24	50 - 41
R32507	2C3	10	50 - 31	R34396	2G24	27	70 - 77	R34866	2C12	23	50 - 41
R32511	1D23	..	30 - 25	R34397	2G24	15	70 - 77	R34969	1F7	9	40 - 25
R32585	1E4	16	30 - 31	R34398	2G24	22	70 - 77	R35001	2C18	2	50 - 47
R32588	2C22	3	60 - 2	R34399	2B22	1	50 - 24	R35002	2C18	4	50 - 47
R32588	2D4	15	60 - 9	R34399	2B23	20	50 - 25	R35003	2C18	16	50 - 47
R32588	2H24	15	70 - 105	R34399	2G24	8	70 - 77	R35004	2C18	18	50 - 47
R32588	213	5	70 - 108	R34400	2G24	20	70 - 77	R35005	2C18	20	50 - 47
R32588	214	2	70 - 109	R34404	2D4	22	60 - 9	R35008	2C18	12	50 - 47
R32630	2C2	27	50 - 29	R34444	3E20	2	90 - 97	R35016	1B20	18	20 - 20
R32639	1D23	10	30 - 25	R34447	1D21	11	30 - 22	R35017	1B8	2	20 - 7

# 1L9

5020 TRACTOR (SERIAL NO. 025,000-)

## NUMERICAL INDEX - CONTINUED

PART NO.	GRID	KEY	PAGE	PART NO.	GRID	KEY	PAGE	PART NO.	GRID	KEY	PAGE
R35019	1B9	3	20 - 8	R35130	1B13	33	20 - 13	R35227	2B23	16	50 - 25
R35020	1B9	6	20 - 8	R35130	1B13	34	20 - 13	R35228	2B23	17	50 - 25
R35022	1B9	2	20 - 8	R35130	1C2	6	20 - 27	R35229	2B23	18	50 - 25
R35023	1B9	10	20 - 8	R35130	1C4	12	20 - 29	R35232	2B4	7	50 - 3
R35024	1B8	5	20 - 7	R35130	1C4	15	20 - 29	R35232	2C2	32	50 - 29
R35025	1B9	14	20 - 8	R35133	2B21	5	50 - 23	R35233	2C2	29	50 - 29
R35025	1B9	15	20 - 8	R35136	1C8	8	20 - 33	R35234	2B22	17	50 - 24
R35028	1C8	28	20 - 33	R35138	1C8	26	20 - 33	R35235	2B22	18	50 - 24
R35032	1C6	7	20 - 31	R35139	1B17	1	20 - 17	R35236	2B22	14	50 - 24
R35032	1C20	2	20 - 46	R35139	1C20	1	20 - 46	R35237	2B22	9	50 - 24
R35032	1C22	32	20 - 49	R35140	1B6	12	20 - 4	R35238	2B22	4	50 - 24
R35034	1C20	3	20 - 46	R35141	1B17	18	20 - 17	R35239	2B22	3	50 - 24
R35034	1C22	31	20 - 49	R35143	2C8	20	50 - 37	R35240	2C2	3	50 - 29
R35043	1B24	6	20 - 24	R35145	2C8	16	50 - 37	R35241	2B4	9	50 - 3
R35043	1C22	19	20 - 49	R35147	2C8	5	50 - 37	R35241	2C2	5	50 - 29
R35044	1B22	1	20 - 22	R35148	2C8	12	50 - 37	R35242	2C2	4	50 - 29
R35045	1B22	9	20 - 22	R35149	2C4	32	50 - 32	R35243	2C2	8	50 - 29
R35045	1B23	3	20 - 23	R35151	2C4	33	50 - 32	R35245	2C2	17	50 - 29
R35046	1B22	7	20 - 22	R35152	1B13	13	20 - 13	R35247	2C2	26	50 - 29
R35047	1B22	5	20 - 22	R35152	1B13	34	20 - 13	R35248	2C2	21	50 - 29
R35048	1C4	6	20 - 29	R35154	1B9	16	20 - 8	R35249	2C4	8	50 - 32
R35049	1C4	4	20 - 29	R35155	1B9	19	20 - 8	R35251	2C4	9	50 - 32
R35053	1C4	2	20 - 29	R35155	1C22	9	20 - 49	R35253	2C4	3	50 - 32
R35058	1C10	27	20 - 35	R35156	1B9	17	20 - 8	R35254	2C4	1	50 - 32
R35059	1C10	13	20 - 35	R35157	1B9	18	20 - 8	R35255	2C4	6	50 - 32
R35060	1B22	6	20 - 22	R35158	1B9	20	20 - 8	R35256	1B10	10	20 - 9
R35062	1C10	31	20 - 35	R35159	1B6	8	20 - 4	R35261	1C14	2	20 - 39
R35067	1C22	3	20 - 49	R35160	1B6	4	20 - 4	R35262	1C14	3	20 - 39
R35067	1D9	20	30 - 8	R35163	2H13	6	70 - 92	R35262	1C15	2	20 - 40
R35068	1C22	2	20 - 49	R35163	2H13	15	70 - 92	R35262	1C22	29	20 - 49
R35068	1D9	19	30 - 8	R35163	2H14	12	70 - 93	R35263	1C14	1	20 - 39
R35070	1B17	7	20 - 17	R35164	2B19	5	50 - 21	R35263	1C15	1	20 - 40
R35072	1D9	16	30 - 8	R35165	2B19	5	50 - 21	R35263	1C22	30	20 - 49
R35074	2B10	5	50 - 9	R35166	2B19	5	50 - 21	R35264	2C5	13	50 - 33
R35075	2B10	6	50 - 9	R35167	2B19	5	50 - 21	R35265	2C4	23	50 - 32
R35076	2B10	23	50 - 9	R35168	2B19	4	50 - 21	R35266	2C4	25	50 - 32
R35077	2B10	26	50 - 9	R35169	2B19	4	50 - 21	R35272	2C5	11	50 - 33
R35078	2B10	22	50 - 9	R35170	2B19	4	50 - 21	R35273	2C5	8	50 - 33
R35079	2B10	21	50 - 9	R35171	2B19	30	50 - 21	R35274	2B15	27	50 - 16
R35104	1C10	15	20 - 35	R35175	1D9	15	30 - 8	R35275	2B10	32	50 - 9
R35104	1C22	20	20 - 49	R35177	1C1	1	20 - 26	R35276	2B10	13	50 - 9
R35105	1C10	16	20 - 35	R35182	2D11	4	60 - 18	R35277	2B10	12	50 - 9
R35105	1C22	28	20 - 49	R35183	2D11	3	60 - 18	R35279	2B10	16	50 - 9
R35109	2B13	19	50 - 13	R35184	2D11	5	60 - 18	R35282	2B6	14	50 - 5
R35114	2B13	15	50 - 13	R35184	2D12	3	60 - 19	R35283	2B6	13	50 - 5
R35115	2B13	3	50 - 13	R35185	2C4	27	50 - 32	R35288	2B6	1	50 - 5
R35119	2C18	5	50 - 47	R35186	2B10	31	50 - 9	R35291	1C22	16	20 - 49
R35120	2C18	10	50 - 47	R35186	2C4	12	50 - 32	R35293	1C22	6	20 - 49
R35121	2C18	17	50 - 47	R35190	2C4	18	50 - 32	R35294	1D7	5	30 - 6
R35122	2C18	15	50 - 47	R35192	2J3	1	80 - 21	R35298	2E5	8	70 - 2
R35123	2C18	26	50 - 47	R35193	2J3	13	80 - 21	R35300	2I20	8	80 - 12
R35124	1C4	12	20 - 29	R35200	2C5	6	50 - 33	R35300	2I20	14	80 - 12
R35124	1C4	15	20 - 29	R35210	3E16	19	90 - 93	R35300	2I20	15	80 - 12
R35126	1C5	2	20 - 30	R35210	3E18	30	90 - 95	R35300	2I20	16	80 - 12
R35126	1C22	17	20 - 49	R35213	3E16	29	90 - 93	R35302	2I20	4	80 - 12
R35127	1B10	6	20 - 9	R35213	3E18	8	90 - 95	R35302	2I21	3	80 - 13
R35128	1B10	7	20 - 9	R35214	3E16	7	90 - 93	R35302	2I22	3	80 - 14
R35128	1B24	2	20 - 24	R35214	3E18	7	90 - 95	R35303	2I20	5	80 - 12
R35128	1C8	24	20 - 33	R35219	2B23	4	50 - 25	R35303	2I21	5	80 - 13
R35130	1B6	5	20 - 4	R35222	2B23	3	50 - 25	R35303	2I22	5	80 - 14
R35130	1B6	6	20 - 4	R35223	2B22	12	50 - 24	R35305	1C17	27	20 - 43
R35130	1B6	7	20 - 4	R35223	2B23	5	50 - 25	R35314	2B11	8	50 - 11
R35130	1B13	1	20 - 13	R35224	2B22	7	50 - 24	R35316	2B11	1	50 - 11
R35130	1B13	2	20 - 13	R35224	2B23	10	50 - 25	R35316	2B11	7	50 - 11
R35130	1B13	13	20 - 13	R35226	2B22	11	50 - 24	R35318	2B11	17	50 - 11
R35130	1B13	22	20 - 13	R35226	2B23	7	50 - 25	R35321	2B11	2	50 - 11
R35130	1B13	32	20 - 13	R35227	2B22	5	50 - 24	R35323	2B13	11	50 - 13

# 1L10

5020 TRACTOR (SERIAL NO. 025,000-)

## NUMERICAL INDEX - CONTINUED

PART NO.	GRID	KEY	PAGE	PART NO.	GRID	KEY	PAGE	PART NO.	GRID	KEY	PAGE
R35324	2C3	23	50 - 31	R35432	2C10	15	50 - 39	R35532	2B8	6	50 - 7
R35325	2C3	22	50 - 31	R35433	2C12	8	50 - 41	R35533	2B14	24	50 - 15
R35326	2B13	4	50 - 13	R35442	2B17	18	50 - 19	R35534	2B8	9	50 - 7
R35332	2I20	11	80 - 12	R35443	2B17	12	50 - 19	R35538	2B14	27	50 - 15
R35332	2I21	10	80 - 13	R35444	2B20	5	50 - 22	R35539	2B14	25	50 - 15
R35332	2I22	8	80 - 14	R35445	2B19	26	50 - 21	R35542	2B8	12	50 - 7
R35333	2I20	10	80 - 12	R35447	2H24	13	70 - 105	R35544	2B14	15	50 - 15
R35333	2I21	7	80 - 13	R35447	2I2	18	70 - 107	R35546	2B10	30	50 - 9
R35333	2I22	6	80 - 14	R35448	2I2	34	70 - 107	R35550	3E20	5	90 - 97
R35335	2I20	6	80 - 12	R35452	2H24	5	70 - 105	R35551	3E20	10	90 - 97
R35335	2I21	4	80 - 13	R35452	2I2	3	70 - 107	R35555	1E5	14	30 - 32
R35335	2I22	4	80 - 14	R35453	2B19	19	50 - 21	R35556	1E5	17	30 - 32
R35337	2C18	23	50 - 47	R35457	2B19	20	50 - 21	R35557	1E5	22	30 - 32
R35339	2J12	9	80 - 31	R35458	2B19	17	50 - 21	R35558	1E5	19	30 - 32
R35340	2J12	10	80 - 31	R35460	2B19	12	50 - 21	R35559	1E5	23	30 - 32
R35340	2J12	12	80 - 31	R35461	2B19	22	50 - 21	R35560	1E5	27	30 - 32
R35340	3E10	..	90 - 87	R35467	2G15	25	70 - 67	R35561	1C1	1	20 - 26
R35348	1C5	8	20 - 30	R35468	2G15	24	70 - 67	R35561	1C2	3	20 - 27
R35349	1C5	7	20 - 30	R35472	2H24	10	70 - 105	R35562	1C2	3	20 - 27
R35349	1C22	21	20 - 49	R35472	2I2	15	70 - 107	R35563	1C1	1	20 - 26
R35352	1D23	12	30 - 25	R35472	2I3	8	70 - 108	R35565	1C1	1	20 - 26
R35353	1D23	25	30 - 25	R35472	2I4	4	70 - 109	R35565	1C2	3	20 - 27
R35354	1D23	14	30 - 25	R35473	2H24	22	70 - 105	R35566	1C2	3	20 - 27
R35355	1D23	15	30 - 25	R35473	2I2	32	70 - 107	R35567	1C1	1	20 - 26
R35365	2B17	1	50 - 19	R35473	2I3	2	70 - 108	R35568	1C1	1	20 - 26
R35365	2B17	5	50 - 19	R35473	2I4	12	70 - 109	R35569	1C1	1	20 - 26
R35365	2C10	16	50 - 39	R35474	2H24	19	70 - 105	R35569	1C2	3	20 - 27
R35365	2C12	28	50 - 41	R35474	2I2	23	70 - 107	R35570	1C2	3	20 - 27
R35366	2B17	1	50 - 19	R35474	2I3	14	70 - 108	R35571	1C1	1	20 - 26
R35366	2B17	5	50 - 19	R35474	2I4	9	70 - 109	R35572	1C1	1	20 - 26
R35366	2C10	16	50 - 39	R35476	2G15	28	70 - 67	R35573	1C1	1	20 - 26
R35366	2C12	28	50 - 41	R35479	2G9	9	70 - 61	R35575	1C1	1	20 - 26
R35367	2B17	1	50 - 19	R35479	2G13	12	70 - 65	R35578	1C2	4	20 - 27
R35367	2B17	5	50 - 19	R35479	2G17	13	70 - 69	R35579	1C2	4	20 - 27
R35367	2C10	16	50 - 39	R35479	2G19	10	70 - 71	R35580	1C2	4	20 - 27
R35367	2C12	28	50 - 41	R35482	2G11	21	70 - 63	R35581	1C2	4	20 - 27
R35369	2B20	4	50 - 22	R35482	2G15	23	70 - 67	R35582	1C2	4	20 - 27
R35371	2B17	16	50 - 19	R35483	2G15	20	70 - 67	R35591	2C18	27	50 - 47
R35372	2B17	8	50 - 19	R35489	2B17	17	50 - 19	R35614	2D18	18	60 - 25
R35373	2B17	14	50 - 19	R35491	2B17	9	50 - 19	R35618	2C4	10	50 - 32
R35377	2B20	1	50 - 22	R35493	2C10	11	50 - 39	R35619	2C5	12	50 - 33
R35381	2B19	29	50 - 21	R35493	2C12	11	50 - 41	R35620	2C5	20	50 - 33
R35382	2B19	29	50 - 21	R35497	2C10	7	50 - 39	R35621	2B15	28	50 - 16
R35383	2B19	29	50 - 21	R35497	2C12	7	50 - 41	R35621	2C5	19	50 - 33
R35384	2B19	29	50 - 21	R35498	2C10	12	50 - 39	R35623	1F5	21	40 - 23
R35385	2B19	16	50 - 21	R35498	2C12	12	50 - 41	R35626	3E16	11	90 - 93
R35386	2B19	18	50 - 21	R35499	2C10	13	50 - 39	R35626	3E18	12	90 - 95
R35388	2I15	13	80 - 7	R35499	2C12	13	50 - 41	R35627	2C4	13	50 - 32
R35389	2I12	10	80 - 3	R35499	2C13	7	50 - 42	R35634	2C18	3	50 - 47
R35389	2I15	11	80 - 7	R35500	2C10	2	50 - 39	R35635	1B9	14	20 - 8
R35396	2J16	12	80 - 36	R35500	2C12	2	50 - 41	R35637	1D10	6	30 - 9
R35397	2B16	2	50 - 17	R35501	2C10	5	50 - 39	R35640	1B9	21	20 - 8
R35398	2B16	1	50 - 17	R35501	2C12	5	50 - 41	R35641	1D10	10	30 - 9
R35399	2B23	24	50 - 25	R35502	2C10	5	50 - 39	R35643	2B10	27	50 - 9
R35401	2B23	23	50 - 25	R35502	2C12	5	50 - 41	R35646	1B22	12	20 - 22
R35402	2B23	12	50 - 25	R35503	2C10	5	50 - 39	R35655	2B14	22	50 - 15
R35403	2B23	13	50 - 25	R35503	2C12	5	50 - 41	R35657	2F17	6	70 - 43
R35404	2C2	33	50 - 29	R35514	2B21	2	50 - 23	R35657	3D2	27	90 - 53
R35405	2C2	36	50 - 29	R35515	2B21	1	50 - 23	R35663	2J10	19	80 - 29
R35408	2C5	4	50 - 33	R35517	2B21	17	50 - 23	R35680	2D19	5	60 - 26
R35421	2B8	5	50 - 7	R35518	2B21	8	50 - 23	R35681	2D19	9	60 - 26
R35422	1D15	3	30 - 15	R35522	2B21	12	50 - 23	R35684	2D19	8	60 - 26
R35425	2B17	7	50 - 19	R35523	2B21	14	50 - 23	R35684	2D19	17	60 - 26
R35426	2B17	13	50 - 19	R35525	2B21	9	50 - 23	R35701	2H14	18	70 - 93
R35428	2B17	23	50 - 19	R35527	2B14	7	50 - 15	R35705	2H13	12	70 - 92
R35429	2B17	24	50 - 19	R35528	2B14	21	50 - 15	R35705	2H14	20	70 - 93
R35431	1B9	22	20 - 8	R35531	2B8	14	50 - 7	R35717	2F2	19	70 - 25

# 1L11

5020 TRACTOR (SERIAL NO. 025,000-)

## NUMERICAL INDEX - CONTINUED

PART NO.	GRID	KEY	PAGE	PART NO.	GRID	KEY	PAGE	PART NO.	GRID	KEY	PAGE
R35726	1C10	5	20 - 35	R36308	1E4	9	30 - 31	R36488	2F19	16	70 - 45
R35726	2D7	19	60 - 13	R36309	1E4	5	30 - 31	R36491	2F19	14	70 - 45
R35726	2D7	20	60 - 13	R36310	1E4	4	30 - 31	R36507	2G11	24	70 - 63
R35726	2F2	9	70 - 25	R36311	2B14	31	50 - 15	R36508	2G11	22	70 - 63
R35726	2F13	17	70 - 39	R36328	1C4	3	20 - 29	R36509	2G11	18	70 - 63
R35735	2C18	13	50 - 47	R36338	2B22	10	50 - 24	R36512	2J15	14	80 - 35
R35738	2H24	32	70 - 105	R36338	2B23	8	50 - 25	R36513	2J15	14	80 - 35
R35738	2I2	33	70 - 107	R36340	1B6	2	20 - 4	R36518	3D2	33	90 - 53
R35738	2I3	1	70 - 108	R36350	1B22	10	20 - 22	R36519	3D2	32	90 - 53
R35738	2I4	21	70 - 109	R36350	1B23	4	20 - 23	R36521	2B10	35	50 - 9
R35741	1C17	14	20 - 43	R36358	2E18	11	70 - 15	R36526	2G2	5	70 - 53
R35761	2J15	10	80 - 35	R36378	2F7	13	70 - 31	R36527	2G2	7	70 - 53
R35761	3D13	13	90 - 64	R36379	2F7	2	70 - 31	R36528	1B9	9	20 - 8
R35765	2B13	16	50 - 13	R36381	2F12	11	70 - 37	R36529	1B9	13	20 - 8
R35766	2B13	14	50 - 13	R36381	2F12	12	70 - 37	R36535	1D25	18	30 - 27
R35767	2B13	17	50 - 13	R36395	2F8	15	70 - 33	R36539	1D25	27	30 - 27
R35769	2J11	8	80 - 30	R36402	2F8	3	70 - 33	R36540	1D25	28	30 - 27
R35775	2F17	14	70 - 43	R36402	2F25	2	70 - 51	R36543	1D25	12	30 - 27
R35776	2F7	19	70 - 31	R36405	2F15	13	70 - 41	R36553	2F19	4	70 - 45
R35776	2F17	16	70 - 43	R36405	2J7	11	80 - 25	R36554	2F19	11	70 - 45
R35777	2J15	14	80 - 35	R36406	3D22	8	90 - 74	R36555	2F10	36	70 - 35
R35778	2J15	14	80 - 35	R36407	2J7	4	80 - 25	R36556	2F10	29	70 - 35
R35780	2I25	3	80 - 17	R36407	3D22	5	90 - 74	R36561	2B10	11	50 - 9
R35785	1C1	1	20 - 26	R36408	2J7	5	80 - 25	R36582	2F19	13	70 - 45
R35790	2J10	4	80 - 29	R36408	3D22	3	90 - 74	R36583	2J7	13	80 - 25
R35791	1G23	27	40 - 70	R36413	1C4	2	20 - 29	R36590	3C12	..	90 - 35
R35794	2D19	19	60 - 26	R36414	1C4	2	20 - 29	R36590	3C14	8	90 - 37
R35799	1C10	3	20 - 35	R36415	3E8	..	90 - 85	R36608	2G11	14	70 - 63
R35800	1C10	1	20 - 35	R36418	2F8	9	70 - 33	R36608	2G15	33	70 - 67
R35809	2C5	5	50 - 33	R36420	2J7	9	80 - 25	R36609	2G11	5A	70 - 63
R35812	2B14	20	50 - 15	R36421	2J7	6	80 - 25	R36609	2G15	5A	70 - 67
R35823	2C2	18	50 - 29	R36421	3D22	2	90 - 74	R36609	2G19	5A	70 - 71
R35823	2J7	3	80 - 25	R36422	2J7	2	80 - 25	R36613	2G6	25	70 - 57
R35823	3D22	4	90 - 74	R36423	2F7	1	70 - 31	R36614	2F19	18	70 - 45
R35825	3E20	1	90 - 97	R36424	2F7	3	70 - 31	R36616	2C18	2	50 - 47
R35827	2E14	22	70 - 11	R36425	2F7	15	70 - 31	R36621	3F1	2	90 - 103
R35835	2G15	26	70 - 67	R36426	2F10	1	70 - 35	R36652	1B8	5	20 - 7
R35838	2G15	17	70 - 67	R36426	2F13	4	70 - 39	R36652	1C22	8	20 - 49
R35839	2G15	18	70 - 67	R36428	2F10	12	70 - 35	R36655	1C5	4	20 - 30
R35871	2G21	17	70 - 73	R36433	2G4	12	70 - 55	R36658	2I5	3	70 - 110
R36075	2E6	1	70 - 3	R36434	2F21	2	70 - 47	R36659	2I5	3	70 - 110
R36075	2E8	16	70 - 5	R36435	2G11	30	70 - 63	R36666	1B13	9	20 - 13
R36075	2E8	..	70 - 5	R36436	2G11	30	70 - 63	R36666	2B23	2	50 - 25
R36075	2E23	6	70 - 21	R36439	2G6	23	70 - 57	R36667	2B23	1	50 - 25
R36084	1E5	29	30 - 32	R36440	2G6	26	70 - 57	R36675	1B22	3	20 - 22
R36097	2I20	13	80 - 12	R36441	2G6	27	70 - 57	R36675	2B10	9	50 - 9
R36111	2C4	20	50 - 32	R36441	2G8	26	70 - 59	R36678	2B19	9	50 - 21
R36137	2C7	2	50 - 35	R36442	2G6	40	70 - 57	R36689	2J18	4	80 - 39
R36190	2I20	8	80 - 12	R36443	2G6	6	70 - 57	R36698	1D6	11	30 - 5
R36190	2I20	14	80 - 12	R36444	2G6	10	70 - 57	R36704	3D2	11	90 - 53
R36190	2I20	15	80 - 12	R36444	2G8	20	70 - 59	R36704	3D2	22	90 - 53
R36190	2I20	16	80 - 12	R36448	2G6	1	70 - 57	R36704	3D5	4	90 - 56
R36209	1C17	29	20 - 43	R36448	2G8	4	70 - 59	R36715	1C8	21	20 - 33
R36224	2B22	16	50 - 24	R36449	2G6	7	70 - 57	R36716	1C8	15	20 - 33
R36225	2B22	15	50 - 24	R36450	2G6	7	70 - 57	R36719	2C3	21	50 - 31
R36229	3B21	1	90 - 18	R36452	1D8	1	30 - 7	R36720	1B17	7	20 - 17
R36229	3C10	23	90 - 33	R36464	2G2	19	70 - 53	R36728	2I12	7	80 - 3
R36235	1H16	13	40 - 87	R36469	2G4	22	70 - 55	R36728	2I13	4	80 - 5
R36235	1I8	22	40 - 105	R36470	2F24	4	70 - 50	R36728	2I15	8	80 - 7
R36238	2J15	9	80 - 35	R36470	2G4	19	70 - 55	R36728	2I16	4	80 - 9
R36239	2J15	10	80 - 35	R36471	2G4	18	70 - 55	R36732	1I10	24	40 - 107
R36265	2B6	4	50 - 5	R36480	2F21	10	70 - 47	R36740	2I12	2	80 - 3
R36272	2G11	19	70 - 63	R36481	2F21	1	70 - 47	R36740	2I15	2	80 - 7
R36273	2G11	17	70 - 63	R36482	2F21	11	70 - 47	R36742	2D14	31	60 - 21
R36286	2C5	9	50 - 33	R36483	2F21	9	70 - 47	R36742	2D17	21	60 - 24
R36296	2B11	14	50 - 11	R36485	2F19	23	70 - 45	R36756	2J18	9	80 - 39
R36300	2D7	7	60 - 13	R36486	2F19	24	70 - 45	R36764	2B17	19	50 - 19



# 1L12

5020 TRACTOR (SERIAL NO. 025,000-)

## NUMERICAL INDEX - CONTINUED

PART NO.	GRID	KEY	PAGE	PART NO.	GRID	KEY	PAGE	PART NO.	GRID	KEY	PAGE
R36765	2B17	1	50 - 19	R38371	1G18	18	40 - 65	R39825	1D6	7	30 - 5
R36765	2B17	20	50 - 19	R38371	1G20	17	40 - 67	R39847	2C3	30	50 - 31
R36765	2C10	16	50 - 39	R38371	1G22	15	40 - 69	R39885	1E2	4	30 - 29
R36765	2C12	28	50 - 41	R38371	3C2	8	90 - 25	R39886	1E2	3	30 - 29
R36766	2B17	1	50 - 19	R38371	3C20	8	90 - 45	R39886	1E3	3	30 - 30
R36766	2B17	20	50 - 19	R38374	1F8	12	40 - 27	R39887	1E2	5	30 - 29
R36766	2C10	16	50 - 39	R38531	2E8	19	70 - 5	R39888	1E2	6	30 - 29
R36766	2C12	28	50 - 41	R38543	2G21	19	70 - 73	R39889	1E2	8	30 - 29
R36767	2B17	1	50 - 19	R38614	1B15	1	20 - 15	R39890	1E2	7	30 - 29
R36767	2B17	20	50 - 19	R38614	1C8	2	20 - 33	R39972	1D7	1	30 - 6
R36767	2C10	16	50 - 39	R38614	1C8	4	20 - 33	R39980	2D18	8	60 - 25
R36767	2C12	28	50 - 41	R38614	1C8	15	20 - 33	R39981	2D18	3	60 - 25
R36771	2F21	5	70 - 47	R38614	1C8	29	20 - 33	R39981	2G21	2	70 - 73
R36785	2C8	11	50 - 37	R39012	2I2	7	70 - 107	R39982	2D18	2	60 - 25
R36795	2H20	3	70 - 101	R39067	2E16	11	70 - 13	R39983	1D8	3	30 - 7
R36801	1C4	9	20 - 29	R39074	2E8	21	70 - 5	R39984	1D8	2	30 - 7
R36801	1C4	10	20 - 29	R39112	2C23	17	60 - 3	R39986	2J10	1	80 - 29
R36812	1C14	9	20 - 39	R39112	2E24	1	70 - 22	R40028	2G11	18	70 - 63
R36813	1C19	4	20 - 45	R39112	2F7	4	70 - 31	R40028	2G13	11	70 - 65
R36814	1C19	11	20 - 45	R39112	2F10	21	70 - 35	R40049	2D20	14	60 - 27
R36815	1C19	5	20 - 45	R39112	2H2	19	70 - 81	R40072	2E24	10	70 - 22
R36816	1C19	3	20 - 45	R39112	3E20	7	90 - 97	R40074	2F5	6	70 - 29
R36819	1C19	1	20 - 45	R39174	2E8	23	70 - 5	R40086	1D9	21	30 - 8
R36846	1C19	7	20 - 45	R39175	2E8	24	70 - 5	R40087	1D9	11	30 - 8
R36847	1C19	7	20 - 45	R39225	2H11	6	70 - 90	R40088	1C22	4	20 - 49
R36861	2C12	16	50 - 41	R39228	2E8	22	70 - 5	R40088	1D9	7	30 - 8
R36863	1C8	15	20 - 33	R39228	2E16	16	70 - 13	R40089	1D9	12	30 - 8
R36864	1C8	15	20 - 33	R39249	2G22	5	70 - 74	R40090	1C22	24	20 - 49
R36864	1C8	17	20 - 33	R39253	1B13	19	20 - 13	R40090	1D9	6	30 - 8
R36865	1C8	15	20 - 33	R394R	1G2	3	40 - 47	R40091	1D9	5	30 - 8
R36865	1C8	19	20 - 33	R394R	2B21	13	50 - 23	R40100	1B6	12	20 - 4
R36866	2C7	25	50 - 35	R394R	2C3	2	50 - 31	R40121	2G11	1A	70 - 63
R36878	2C12	29	50 - 41	R394R	2C3	7	50 - 31	R40121	2G15	1A	70 - 67
R36879	2C12	14	50 - 41	R394R	2D4	21	60 - 9	R40121	2G19	1A	70 - 71
R36880	2C12	18	50 - 41	R394R	2F15	20	70 - 41	R40121	3D13	9	90 - 64
R36881	2C12	27	50 - 41	R394R	2F15	30	70 - 41	R40121	3E12	6	90 - 89
R36915	2D18	29	60 - 25	R394R	2H2	20	70 - 81	R40138	1H16	7	40 - 87
R36916	2D18	30	60 - 25	R39520	1B13	33	20 - 13	R40147	2B13	22	50 - 13
R36925	2C16	23	50 - 45	R39534	1D11	2	30 - 10	R40149	2C21	12	60 - 1
R36927	2C14	20	50 - 43	R39622	1D23	25	30 - 25	R40165	2F2	10	70 - 25
R36927	2F13	20	70 - 39	R39663	1G23	27	40 - 70	R40190	1B22	6	20 - 22
R36927	3E20	8	90 - 97	R39690	1C19	11	20 - 45	R40192	1H14	1	40 - 85B
R36945	2G22	9	70 - 74	R39725	2C7	12	50 - 35	R40194	2I18	5	80 - 11
R36946	2G22	11	70 - 74	R39725	2F15	38	70 - 41	R40198	2I12	13	80 - 3
R36946	2H15	21	70 - 95	R39726	2C7	13	50 - 35	R40206	2I13	15	80 - 5
R36948	2C16	15	50 - 45	R39726	2F15	38	70 - 41	R40217	1C8	3	20 - 33
R36951	2H24	20	70 - 105	R39727	2C7	11	50 - 35	R40217	1C8	4	20 - 33
R36951	2I4	10	70 - 109	R39727	2F15	38	70 - 41	R40217	1C8	5	20 - 33
R36952	2H24	34	70 - 105	R39729	2E8	9	70 - 5	R40217	1C8	15	20 - 33
R36952	2I4	23	70 - 109	R39729	2E14	17	70 - 11	R40219	2I2	26	70 - 107
R36965	2C7	6	50 - 35	R39730	2C16	12	50 - 45	R40227	1C2	4	20 - 27
R36971	1D23	10	30 - 25	R39731	2C16	11	50 - 45	R40228	1C1	1	20 - 26
R36985	1E4	23	30 - 31	R39732	2C16	10	50 - 45	R40228	1C2	3	20 - 27
R36993	2F19	25	70 - 45	R39739	3F1	4	90 - 103	R40229	1C2	3	20 - 27
R36995	1B6	4	20 - 4	R39741	2E8	15	70 - 5	R40231	1C2	6	20 - 27
R36995	1C2	5	20 - 27	R39741	2E16	13	70 - 13	R40232	1C4	12	20 - 29
R37426	2D2	20	60 - 7	R39798	2C3	3	50 - 31	R40232	1C4	13	20 - 29
R37479	2H2	30	70 - 81	R39799	2C3	1	50 - 31	R40233	1C4	13	20 - 29
R375R	1C10	2	20 - 35	R39800	1F8	14	40 - 27	R40237	2C12	26	50 - 41
R375R	1C22	14	20 - 49	R39801	1F8	20	40 - 27	R40238	1C4	6	20 - 29
R375R	1D20	20	30 - 21	R39802	1F8	9	40 - 27	R40242	1C14	4	20 - 39
R375R	2G21	10	70 - 73	R39803	1F8	18	40 - 27	R40242	1C15	3	20 - 40
R375R	2G24	16	70 - 77	R39803	1F12	18	40 - 31	R40244	1C14	13	20 - 39
R375R	2G25	5	70 - 78	R39803	1F16	9	40 - 35	R40250	2I15	10	80 - 7
R38185	2B10	2	50 - 9	R39804	1F12	17	40 - 31	R40259	2B17	1	50 - 19
R38371	1E14	5	40 - 5	R39804	1F16	8	40 - 35	R40259	2C10	16	50 - 39
R38371	1E16	5	40 - 7	R39808	2C3	31	50 - 31	R40259	2C12	28	50 - 41

# 1L13

5020 TRACTOR (SERIAL NO. 025,000-)

## NUMERICAL INDEX - CONTINUED

PART NO.	GRID	KEY	PAGE	PART NO.	GRID	KEY	PAGE	PART NO.	GRID	KEY	PAGE
R40260	2I12	11	80 - 3	R40564	1B20	6	20 - 20	R41055	2H4	8	70 - 83
R40263	2B17	6	50 - 19	R40565	1D16	10	30 - 16	R41055	2H4	30	70 - 83
R40264	2B17	15	50 - 19	R40565	1D18	5	30 - 18	R41055	2H4	33	70 - 83
R40265	2B20	7	50 - 22	R40567	2D2	30	60 - 7	R41055	2H6	8	70 - 85
R40266	2B19	8	50 - 21	R40567	2D4	9	60 - 9	R41055	2H7	10	70 - 86
R40267	2B20	11	50 - 22	R40579	2F8	11	70 - 33	R41057	2E10	43	70 - 7
R40269	1C8	7	20 - 33	R40584	2B13	13	50 - 13	R41057	2E10	44	70 - 7
R40270	1B6	5	20 - 4	R40585	2B20	10	50 - 22	R41057	2E12	7	70 - 9
R40270	1B6	6	20 - 4	R40586	2B20	10	50 - 22	R41057	2E14	..	70 - 11
R40270	1B6	7	20 - 4	R40587	2B20	10	50 - 22	R41057	2E18	40	70 - 15
R40270	1B13	1	20 - 13	R40595	2C23	12	60 - 3	R41057	2E20	13	70 - 17
R40270	1B13	2	20 - 13	R40596	2C23	15	60 - 3	R41057	2H2	28	70 - 81
R40270	1B13	13	20 - 13	R40597	2C23	16	60 - 3	R41057	2H4	1	70 - 83
R40270	1B13	22	20 - 13	R40599	2H2	28	70 - 81	R41057	2H4	27	70 - 83
R40270	1B13	32	20 - 13	R40599	2H4	1	70 - 83	R41057	2H6	23	70 - 85
R40270	1B13	33	20 - 13	R40603	1B13	13	20 - 13	R41057	2H6	26	70 - 85
R40270	1B13	34	20 - 13	R40603	1B13	34	20 - 13	R41057	2H8	4	70 - 87
R40270	1C2	6	20 - 27	R40627	1C4	9	20 - 29	R41057	2H10	12	70 - 89
R40270	1C4	12	20 - 29	R40627	1C4	10	20 - 29	R41070	1B13	13	20 - 13
R40270	1C4	13	20 - 29	R40629	2C16	29	50 - 45	R41154	2H4	14	70 - 83
R40271	1C8	8	20 - 33	R40632	2C16	32	50 - 45	R41155	2H2	23	70 - 81
R40272	1C8	11	20 - 33	R40634	1B10	5	20 - 9	R41156	2H4	29	70 - 83
R40273	1C8	9	20 - 33	R40650	2F7	6	70 - 31	R41173	1B9	20	20 - 8
R40277	1C6	13	20 - 31	R40663	2F2	23	70 - 25	R41243	2F8	4	70 - 33
R40278	1C6	11	20 - 31	R40669	2C3	19	50 - 31	R41256	2I23	2	80 - 15
R40279	1C6	10	20 - 31	R40676	1H14	13	40 - 85B	R41299	2J13	1	80 - 33
R40327	1C6	8	20 - 31	R40676	2J18	15	80 - 39	R41325	1G23	10	40 - 70
R40332	2B10	8	50 - 9	R40711	2B19	29	50 - 21	R41326	1G23	11	40 - 70
R40333	2B10	4	50 - 9	R40712	2B19	29	50 - 21	R41327	1G23	7	40 - 70
R40334	2B10	24	50 - 9	R40713	2B19	5	50 - 21	R41333	2H4	21	70 - 83
R40337	1G2	17	40 - 47	R40714	2B19	5	50 - 21	R41337	2F10	25	70 - 35
R40337	1G4	6	40 - 49	R40715	2B19	5	50 - 21	R41338	2H4	18	70 - 83
R40338	2C23	3	60 - 3	R40719	2I13	2	80 - 5	R41338	2H6	17	70 - 85
R40339	1C4	10	20 - 29	R40719	2I16	2	80 - 9	R41339	2H4	20	70 - 83
R40339	1C4	11	20 - 29	R40757	2C23	14	60 - 3	R41339	2H6	18	70 - 85
R40357	1B6	2	20 - 4	R40775	1F7	14	40 - 25	R41339	2H10	14	70 - 89
R40362	1B9	16	20 - 8	R40776	1B20	10	20 - 20	R41358	3C2	14	90 - 25
R40363	1B9	17	20 - 8	R40776	1B21	3	20 - 21	R41358	3C11	1	90 - 34
R40365	1B6	8	20 - 4	R40777	1C22	23	20 - 49	R41358	3C20	1	90 - 45
R40366	1B9	23	20 - 8	R40791	1E22	14	40 - 15	R41358	3C22	8	90 - 47
R40370	1B13	32	20 - 13	R40791	3C7	10	90 - 30	R41358	3E2	2	90 - 79
R40380	1C17	10	20 - 43	R40799	2F11	10	70 - 36	R41439	1E17	11	40 - 9
R40400	2J12	5	80 - 31	R40800	1B17	7	20 - 17	R41439	1E19	12	40 - 11
R40419	3E16	16	90 - 93	R40810	1B17	7	20 - 17	R41439	1I10	13	40 - 107
R40419	3E18	25	90 - 95	R40820	1B22	6	20 - 22	R41494	2G24	32	70 - 77
R40444	2F5	8	70 - 29	R40898	2H2	15	70 - 81	R41514	1G20	12	40 - 67
R40445	1I16	3	40 - 113	R40899	2H4	16	70 - 83	R41514	3C19	17	90 - 43
R40445	2F5	9	70 - 29	R40928	2F21	4	70 - 47	R41549	2H4	13	70 - 83
R40446	2F5	7	70 - 29	R40937	2H4	22	70 - 83	R41549	2H6	13	70 - 85
R40450	1D6	2	30 - 5	R40937	2H6	20	70 - 85	R41564	2H11	1	70 - 90
R40451	1C17	6	20 - 43	R40937	2H7	2	70 - 86	R41564	3D12	1	90 - 63
R40452	1C17	4	20 - 43	R40937	2H10	15	70 - 89	R41613	2H4	2	70 - 83
R40468	1D11	16	30 - 10	R40951	1C4	9	20 - 29	R41640	1B9	16	20 - 8
R40469	1B10	3	20 - 9	R40951	1C4	10	20 - 29	R41716	1D20	14	30 - 21
R40476	2F15	57	70 - 41	R41011	2C18	2	50 - 47	R41717	1D20	16	30 - 21
R40504	2J18	14	80 - 39	R41012	2I20	13	80 - 12	R41718	1D20	17	30 - 21
R40505	2J18	11	80 - 39	R41016	2C12	24	50 - 41	R41719	1D20	15	30 - 21
R40509	2F15	58	70 - 41	R41017	2C12	23	50 - 41	R41720	1D20	19	30 - 21
R40509	2J18	12	80 - 39	R41020	2I20	8	80 - 12	R41721	1D20	18	30 - 21
R40516	2G19	18	70 - 71	R41020	2I20	14	80 - 12	R41722	1D20	20	30 - 21
R40531	2C21	13	60 - 1	R41020	2I20	15	80 - 12	R41722	1D20	21	30 - 21
R40551	2B19	3	50 - 21	R41020	2I20	16	80 - 12	R41723	1D20	23	30 - 21
R40552	2B19	25	50 - 21	R41030	2I23	3	80 - 15	R41724	2C22	2	60 - 2
R40559	2E24	15	70 - 22	R41035	1B24	4	20 - 24	R41778	3C17	10	90 - 41
R40559	2F2	5	70 - 25	R41041	1B21	1	20 - 21	R41778	3C19	12	90 - 43
R40561	2E24	13	70 - 22	R41049	2C10	1	50 - 39	R41781	3C17	3	90 - 41
R40562	2E24	12	70 - 22	R41049	2C12	1	50 - 41	R41781	3C19	6	90 - 43

# 1L14

5020 TRACTOR (SERIAL NO. 025,000-)

## NUMERICAL INDEX - CONTINUED

PART NO.	GRID	KEY	PAGE	PART NO.	GRID	KEY	PAGE	PART NO.	GRID	KEY	PAGE
R41795	3D11	3	90 - 62	R42210	1B22	6	20 - 22	R42545	3B5	4	90 - 2
R41795	3D11	8	90 - 62	R42260	2E10	40	70 - 7	R42546	3B5	3	90 - 2
R41795	3D11	18	90 - 62	R42260	2E18	36	70 - 15	R42547	3B5	1	90 - 2
R41800	3D10	2	90 - 61	R42264	2J13	6	80 - 33	R42548	3D11	16	90 - 62
R41800	3D10	3	90 - 61	R42265	2J13	5	80 - 33	R42549	3D11	13	90 - 62
R41800	3D10	4	90 - 61	R42273	2C12	25	50 - 41	R42550	1E17	3	40 - 9
R41800	3D10	16	90 - 61	R42299	2F8	7	70 - 33	R42551	1E17	3	40 - 9
R41800	3D10	18	90 - 61	R42305	1B9	21	20 - 8	R42552	3D11	7	90 - 62
R41803	3D11	15	90 - 62	R42306	2C10	15	50 - 39	R42553	3D11	2	90 - 62
R41805	3D11	14	90 - 62	R42307	2C10	8	50 - 39	R42554	3D11	19	90 - 62
R41807	3D11	3	90 - 62	R42307	2C12	8	50 - 41	R42555	3B5	13	90 - 2
R41807	3D11	8	90 - 62	R42308	2C12	25	50 - 41	R42557	3B5	2	90 - 2
R41812	3D12	3	90 - 63	R42312	3B6	13	90 - 3	R42558	3D8	3	90 - 59
R41815	3D10	3	90 - 61	R42312	3B15	2	90 - 12	R42559	3B5	9	90 - 2
R41815	3D10	18	90 - 61	R42312	3B25	2	90 - 22	R42560	3D8	2	90 - 59
R41818	3D11	29	90 - 62	R42312	3C15	3	90 - 39	R42566	3D10	12	90 - 61
R41853	1C19	11	20 - 45	R42319	1I3	2	40 - 100	R42567	3D13	17	90 - 64
R41867	1B6	12	20 - 4	R42357	2C14	7	50 - 43	R42568	3D13	12	90 - 64
R41868	1B6	9	20 - 4	R42357	2D5	10	60 - 11	R42570	3D10	17	90 - 61
R41869	1B6	9	20 - 4	R42357	2D7	23	60 - 13	R42572	3D8	5	90 - 59
R41870	1B6	9	20 - 4	R42357	2D17	11	60 - 24	R42573	3D8	6	90 - 59
R41871	1B6	9	20 - 4	R42357	2D20	12	60 - 27	R42575	3D10	17	90 - 61
R41877	2D19	17	60 - 26	R42363	1B6	4	20 - 4	R42629	2D2	7	60 - 7
R41877	2D19	21	60 - 26	R42363	1B13	17	20 - 13	R42631	1C11	3	20 - 36
R41879	1H19	5	40 - 91	R42363	1C2	5	20 - 27	R42638	1D6	12	30 - 5
R41879	1H21	6	40 - 93	R42364	1B22	1	20 - 22	R42646	3C17	12	90 - 41
R41880	1H19	12	40 - 91	R42365	1B13	16	20 - 13	R42646	3C19	5	90 - 43
R41880	1H21	13	40 - 93	R42365	1C2	6	20 - 27	R42660	2G15	19	70 - 67
R41880	1H23	13	40 - 95	R42366	1C4	12	20 - 29	R42661	2C22	18	60 - 2
R41880	1I1	4	40 - 98	R42368	1B6	5	20 - 4	R42662	2J12	8	80 - 31
R41881	1G15	17	40 - 61	R42368	1B6	6	20 - 4	R42663	2E10	31	70 - 7
R41883	1B13	13	20 - 13	R42368	1B13	22	20 - 13	R42666	1G16	2	40 - 63
R41883	1B13	32	20 - 13	R42369	1B6	6	20 - 4	R42666	1G18	19	40 - 65
R41883	1B13	33	20 - 13	R42370	1B6	5	20 - 4	R42666	1G20	18	40 - 67
R41883	1B13	34	20 - 13	R42370	1B6	6	20 - 4	R42666	1G22	16	40 - 69
R41920	1B20	23	20 - 20	R42370	1B13	1	20 - 13	R42667	1G16	2	40 - 63
R41920	1B21	5	20 - 21	R42370	1B13	2	20 - 13	R42667	1G18	19	40 - 65
R41920	1C8	4	20 - 33	R42370	1B13	13	20 - 13	R42667	1G20	18	40 - 67
R41920	1C8	15	20 - 33	R42370	1B13	22	20 - 13	R42667	1G22	16	40 - 69
R41929	2C16	32	50 - 45	R42370	1B13	33	20 - 13	R42684	2D14	27	60 - 21
R41931	2H2	14	70 - 81	R42370	1B13	34	20 - 13	R42687	3B6	6	90 - 3
R41932	2H2	16	70 - 81	R42370	1C4	12	20 - 29	R42688	3B6	8	90 - 3
R41933	2J18	2	80 - 39	R42370	1C4	13	20 - 29	R42689	1G18	1	40 - 65
R41937	3C23	4	90 - 49	R42371	1B6	7	20 - 4	R42689	1G20	1	40 - 67
R41938	3C23	4	90 - 49	R42372	1B6	6	20 - 4	R42689	1G22	1	40 - 69
R41959	2H22	3	70 - 103	R42411	2D11	8	60 - 18	R42689	1G22	28	40 - 69
R41959	3D10	8	90 - 61	R42414	3D6	20	90 - 57	R42691	3C17	19	90 - 41
R41961	3D11	11	90 - 62	R42417	3D4	14	90 - 55	R42692	2F10	11	70 - 35
R41986	2B10	19	50 - 9	R42418	3D4	12	90 - 55	R42693	1C19	14	20 - 45
R41986	2B10	24	50 - 9	R42451	3E21	5	90 - 98	R42693	1C22	7	20 - 49
R41990	2B4	11	50 - 3	R42467	2E8	29	70 - 5	R42694	1C19	6	20 - 45
R42007	2D14	19	60 - 21	R42495	2G4	5	70 - 55	R42694	1C22	5	20 - 49
R42009	2D17	14	60 - 24	R42504	3B5	12	90 - 2	R42707	2C21	9	60 - 1
R42015	3D11	12	90 - 62	R42504	3B6	2	90 - 3	R42708	2C18	2	50 - 47
R42055	1C6	6	20 - 31	R42529	2C18	19	50 - 47	R42722	2C4	28	50 - 32
R42111	2B14	6	50 - 15	R42533	3D8	4	90 - 59	R42729	1C8	3	20 - 33
R42112	2B14	11	50 - 15	R42534	3D8	4	90 - 59	R42729	1C8	15	20 - 33
R42126	2B24	20	50 - 27	R42535	3D11	24	90 - 62	R42732	3C17	11	90 - 41
R42127	2B24	9	50 - 27	R42536	3D11	25	90 - 62	R42732	3C19	16	90 - 43
R42128	2B24	6	50 - 27	R42537	3D11	28	90 - 62	R42732	3C23	..	90 - 49
R42131	2F15	13	70 - 41	R42538	3D11	27	90 - 62	R42771	3B15	9	90 - 12
R42171	2G2	11	70 - 53	R42539	3D11	28	90 - 62	R42783	2C7	2	50 - 35
R42172	2G2	13	70 - 53	R42541	3D11	1	90 - 62	R42799	1H23	3	40 - 95
R42180	3D10	6	90 - 61	R42542	3D11	5	90 - 62	R42799	1H25	..	40 - 97
R42181	1B9	17	20 - 8	R42542	3D11	10	90 - 62	R42799	1I1	9	40 - 98
R42182	1B9	16	20 - 8	R42543	3D11	6	90 - 62	R42800	1H21	5	40 - 93
R42200	1B22	6	20 - 22	R42544	3B5	5	90 - 2	R42801	1H21	18	40 - 93

# 1L15

5020 TRACTOR (SERIAL NO. 025,000-)

## NUMERICAL INDEX - CONTINUED

PART NO.	GRID	KEY	PAGE	PART NO.	GRID	KEY	PAGE	PART NO.	GRID	KEY	PAGE
R42802	1H21	19	40-93	R44287	2I4	22	70-109	R44445	3D16	14	90-67
R42841	3B8	24	90-5	R44297	2H24	11	70-105	R44445	3D17	9	90-68
R42849	2C4	14	50-32	R44297	2I2	14	70-107	R44446	3D15	7	90-66
R42849	2C23	20	60-3	R443R	2B14	16	50-15	R44446	3D16	15	90-67
R42849	2D14	24	60-21	R44302	1D12	2	30-12	R44446	3D17	8	90-68
R42849	2D17	4	60-24	R44302	1D13	2	30-13	R44447	3C6	20	90-29
R42889	3D24	2	90-76	R44302	1E12	1	40-3	R44447	3D22	10	90-74
R42895	3D21	10	90-73	R44302	1E17	3	40-9	R44447	3D22	22	90-74
R43023	2B17	1	50-19	R44302	1E19	15	40-11	R44447	3D22	23	90-74
R43023	2C10	16	50-39	R44302	1F5	..	40-23	R44447	3D23	2	90-75
R43023	2C12	28	50-41	R44302	1F18	3	40-38	R44447	3D23	5	90-75
R43185	2C10	10	50-39	R44302	1F24	2	40-44	R44448	3D16	3	90-67
R43185	2C12	10	50-41	R44302	1F25	5	40-45	R44449	3D19	7	90-71
R43319	2G9	1	70-61	R44302	1G24	24	40-71	R44451	3B10	14	90-7
R43320	2G9	5	70-61	R44302	1G25	1	40-72	R44452	3B10	6	90-7
R43323	2G2	14	70-53	R44302	1H4	..	40-76	R44452	3B22	6	90-19
R43368	2C10	14	50-39	R44302	1H9	1	40-81	R44452	3C4	3	90-27
R43368	2C12	15	50-41	R44302	1I10	12	40-107	R44453	3B10	7	90-7
R43370	2C18	9	50-47	R44302	1I13	6	40-110	R44454	3B10	15	90-7
R43396	2J13	12	80-33	R44302	1I16	20	40-113	R44454	3C4	8	90-27
R43444	2G8	22	70-59	R44302	3B17	..	90-14	R44455	3B10	2	90-7
R43448	2F7	16	70-31	R44302	3C10	..	90-33	R44456	3B10	3	90-7
R43459	2C10	1	50-39	R44310	2H4	30	70-83	R44456	3B23	9	90-20
R43459	2C12	1	50-41	R44315	2J18	2	80-39	R44457	3B13	3	90-10
R43603	1F10	5	40-29	R44328	2C12	24	50-41	R44458	1E20	5	40-13
R43603	1F14	8	40-33	R44331	1D20	10	30-21	R44458	3B13	2	90-10
R43662	1E24	5	40-17	R44342	1F5	25	40-23	R44458	3B20	10	90-17
R43662	1E25	3	40-18	R44351	3D22	17	90-74	R44459	3B13	11	90-10
R43662	1G22	9	40-69	R44351	3D23	13	90-75	R44460	1I4	17	40-101
R43721	2C22	10	60-2	R44352	3D24	10	90-76	R44461	1I4	8	40-101
R43721	2C22	23A	60-2	R44353	3D24	15	90-76	R44462	1I4	12	40-101
R43721	2C22	24A	60-2	R44418	1D6	8	30-5	R44463	1I4	9	40-101
R43721	2C23	10	60-3	R44431	3D14	13	90-65	R44464	1I4	6	40-101
R43744	2I20	13	80-12	R44432	3D14	14	90-65	R44465	1I4	5	40-101
R43791	2F10	36	70-35	R44433	3D19	10	90-71	R44466	1I4	1	40-101
R43843	3B8	22	90-5	R44434	3D14	20	90-65	R44467	1I4	7	40-101
R43845	3B8	20	90-5	R44435	3D19	13	90-71	R44468	3B12	18	90-9
R43887	3C17	21	90-41	R44436	3D14	19	90-65	R44469	3B12	19	90-9
R43887	3C19	21	90-43	R44437	3D19	2	90-71	R44470	3B12	16	90-9
R43962	2C22	10	60-2	R44437	3D19	5	90-71	R44471	3B12	17	90-9
R43962	2C22	23B	60-2	R44437	3D19	8	90-71	R44472	3B16	2	90-13
R43962	2C22	24B	60-2	R44437	3D19	11	90-71	R44473	3B14	8	90-11
R43962	2C22	25	60-2	R44437	3D19	14	90-71	R44474	3B12	14	90-9
R43962	2C23	10	60-3	R44437	3D19	17	90-71	R44475	3B12	20	90-9
R44008	1F6	1	40-24	R44437	3D19	20	90-71	R44476	3B12	1	90-9
R44022	1B6	8	20-4	R44438	3D19	1	90-71	R44477	3C20	3	90-45
R44070	1B22	6	20-22	R44438	3D19	4	90-71	R44478	3B16	6	90-13
R44101	1D20	9	30-21	R44438	3D19	9	90-71	R44479	1H12	1	40-84
R44165	1H12	12	40-84	R44438	3D19	12	90-71	R44481	1H12	18	40-84
R44165	1I6	28	40-103	R44438	3D19	15	90-71	R44482	1H12	10	40-84
R44165	3B5	14	90-2	R44438	3D19	16	90-71	R44483	3B12	11	90-9
R44218	3D13	3	90-64	R44438	3D19	19	90-71	R44484	3B12	5	90-9
R44219	3D13	7	90-64	R44438	3E6	1	90-83	R44485	3B12	4	90-9
R44221	3E12	2	90-89	R44438	3E6	3	90-83	R44486	3B12	2	90-9
R44222	3D11	20	90-62	R44438	3E6	5	90-83	R44487	3B14	7	90-11
R44223	3D10	10	90-61	R44438	3E6	8	90-83	R44488	3B15	15	90-12
R44224	3D11	17	90-62	R44438	3E6	10	90-83	R44489	3B14	4	90-11
R44252	2D19	23	60-26	R44438	3E6	11	90-83	R44495	3B24	2	90-21
R44254	2C22	23B	60-2	R44439	3D19	3	90-71	R44506	1C4	8	20-29
R44254	2D14	34	60-21	R44441	3D19	6	90-71	R44512	3B20	9	90-17
R44255	2C22	25	60-2	R44442	3D19	21	90-71	R44512	3C1	4	90-23
R44255	2D14	36	60-21	R44443	3D19	18	90-71	R44516	3B21	7	90-18
R44256	2C22	24B	60-2	R44444	3D14	16	90-65	R44574	3C17	18	90-41
R44256	2D14	35	60-21	R44444	3D17	7	90-68	R44577	3B10	13	90-7
R44286	2H24	23	70-105	R44444	3E2	28	90-79	R44582	3C17	17	90-41
R44286	2I4	13	70-109	R44444	3E4	10	90-81	R44582	3C19	9	90-43
R44287	2H24	33	70-105	R44445	3D15	8	90-66	R44583	3C17	17	90-41

# 1L16

5020 TRACTOR (SERIAL NO. 025,000-)

## NUMERICAL INDEX - CONTINUED

PART NO.	GRID	KEY	PAGE	PART NO.	GRID	KEY	PAGE	PART NO.	GRID	KEY	PAGE
R44584	3C17	16	90 - 41	R45227	2E8	14	70 - 5	R45847	3C15	6	90 - 39
R44585	3D20	3	90 - 72	R45227	2E8	15	70 - 5	R45847	3C15	7	90 - 39
R44585	3D20	5	90 - 72	R45227	2E8	16	70 - 5	R45847	3C15	20	90 - 39
R44605	1E12	9	40 - 3	R45228	2E8	14	70 - 5	R45860	1H12	19	40 - 84
R44619	3C17	14	90 - 41	R45228	2E8	15	70 - 5	R45874	2E8	32	70 - 5
R44619	3C19	8	90 - 43	R45228	2E8	16	70 - 5	R45886	1H16	1	40 - 87
R44621	3C17	14	90 - 41	R45236	2D19	14	60 - 26	R459R	1D20	12	30 - 21
R44621	3C19	8	90 - 43	R45266	1B6	5	20 - 4	R459R	2C4	5	50 - 32
R44710	1D6	13	30 - 5	R45267	1B6	6	20 - 4	R459R	2C16	14	50 - 45
R44710	2J18	9	80 - 39	R45268	1B6	7	20 - 4	R459R	2C22	4	60 - 2
R44802	2E10	31	70 - 7	R45297	2D2	16	60 - 7	R459R	2D4	14	60 - 9
R44823	2E8	10	70 - 5	R45298	2C21	8	60 - 1	R459R	2D14	2	60 - 21
R44837	2D12	2	60 - 19	R45300	1B6	5	20 - 4	R459R	2D16	4	60 - 23
R44840	2G21	9	70 - 73	R45300	1B6	6	20 - 4	R459R	2H24	14	70 - 105
R44844	1G10	9	40 - 56	R45300	1B6	7	20 - 4	R459R	2I3	6	70 - 108
R44845	2C21	9	60 - 1	R45300	1B13	2	20 - 13	R459R	2I4	3	70 - 109
R44847	2G19	17	70 - 71	R45300	1B13	13	20 - 13	R45928	2D18	16	60 - 25
R44848	2G19	16	70 - 71	R45300	1B13	22	20 - 13	R45929	2D18	11	60 - 25
R44853	1B11	1	20 - 10	R45300	1C2	6	20 - 27	R45936	1G20	20	40 - 67
R44853	1C22	26	20 - 49	R45300	1C4	13	20 - 29	R45936	1G22	18	40 - 69
R44859	3D21	12	90 - 73	R45305	2H12	9	70 - 91	R45937	1G20	21	40 - 67
R44890	2J4	9	80 - 22	R45306	2H12	6	70 - 91	R45937	1G22	19	40 - 69
R44910	2B15	1	50 - 16	R45361	1F5	26	40 - 23	R45957	2J18	1	80 - 39
R44918	2G4	20	70 - 55	R45377	1F14	19	40 - 33	R460R	1D25	30	30 - 27
R44951	2J18	3	80 - 39	R45385	2G4	8	70 - 55	R46001	2G6	7	70 - 57
R44952	2J18	3	80 - 39	R45386	2G21	20	70 - 73	R46002	2G6	7	70 - 57
R44961	2C18	14	50 - 47	R45422	2E16	26	70 - 13	R46038	3D21	4	90 - 73
R44961	2D11	1	60 - 18	R45425	2E16	22A	70 - 13	R46038	3E10	16	90 - 87
R44961	2D12	1	60 - 19	R45438	2E8	1	70 - 5	R46092	1F5	2	40 - 23
R44967	1C11	7	20 - 36	R45438	2E16	1	70 - 13	R46194	1G4	16	40 - 49
R44982	1B10	2	20 - 9	R45440	1F18	2	40 - 38	R46195	1G4	18	40 - 49
R44982	1B10	3	20 - 9	R45440	1F18	4	40 - 38	R46196	1G4	17	40 - 49
R44984	3D15	12	90 - 66	R45440	3C7	..	90 - 30	R46197	1G4	19	40 - 49
R44984	3D16	19	90 - 67	R45447	2G20	3	70 - 72	R46198	1G4	10	40 - 49
R45015	3D15	14	90 - 66	R45515	2F21	13	70 - 47	R46201	3D21	5	90 - 73
R45015	3D15	15	90 - 66	R45516	2F21	13	70 - 47	R46201	3E10	14	90 - 87
R45015	3D16	16	90 - 67	R45581	2C8	18	50 - 37	R46202	3D21	3	90 - 73
R45015	3D16	17	90 - 67	R45582	2C8	17	50 - 37	R46202	3E10	3	90 - 87
R45015	3D22	15	90 - 74	R45618	2G24	30	70 - 77	R46203	3D21	6	90 - 73
R45015	3D22	21	90 - 74	R45620	2H24	8	70 - 105	R46203	3E10	4	90 - 87
R45015	3D22	25	90 - 74	R45620	2I2	17	70 - 107	R463R	1C22	11	20 - 49
R45015	3D22	26	90 - 74	R45620	2I3	10	70 - 108	R46410	2D9	16	60 - 16
R45015	3D23	11	90 - 75	R45630	2G24	5	70 - 77	R46505	1H19	5	40 - 91
R45015	3D23	16	90 - 75	R45630	2H15	5	70 - 95	R46554	1B21	2	20 - 21
R45016	2H4	4	70 - 83	R45792	2D2	1	60 - 7	R46555	1B21	4	20 - 21
R45065	2G19	20	70 - 71	R45811	2C22	10	60 - 2	R46567	2B10	17	50 - 9
R45106	2G22	18	70 - 74	R45811	2C22	23B	60 - 2	R46568	1D20	20	30 - 21
R45112	3B8	26	90 - 5	R45811	2C22	24B	60 - 2	R46568	1D20	21	30 - 21
R45113	2F5	1	70 - 29	R45811	2C22	25	60 - 2	R46577	1B17	12	20 - 17
R45113	2F5	11	70 - 29	R45811	2C23	10	60 - 3	R46577	1B24	4	20 - 24
R45117	3B8	30	90 - 5	R45822	2E5	4	70 - 2	R46577	1B24	5	20 - 24
R45118	1C14	13	20 - 39	R45822	2E5	6	70 - 2	R46632	3E10	..	90 - 87
R45119	1C17	6	20 - 43	R45823	1B9	17	20 - 8	R46662	3D8	..	90 - 59
R45136	1H19	16	40 - 91	R45847	1C11	3	20 - 36	R46662	3D21	..	90 - 73
R45136	1H23	17	40 - 95	R45847	3B6	4	90 - 3	R46662	3E10	..	90 - 87
R45137	1H19	17	40 - 91	R45847	3B6	5	90 - 3	R46662	3E16	..	90 - 93
R45139	2J10	16	80 - 29	R45847	3B15	6	90 - 12	R46662	3E18	..	90 - 95
R45159	3E16	3	90 - 93	R45847	3B15	7	90 - 12	R46663	3B19	..	90 - 16
R45159	3E18	3	90 - 95	R45847	3B15	8	90 - 12	R46663	3D8	..	90 - 59
R45189	2G21	16	70 - 73	R45847	3B15	12	90 - 12	R46663	3D21	..	90 - 73
R45211	1E12	1	40 - 3	R45847	3B24	1	90 - 21	R46663	3E10	..	90 - 87
R45211	3B8	32	90 - 5	R45847	3B24	5	90 - 21	R46663	3E16	..	90 - 93
R45211	3B21	10	90 - 18	R45847	3B24	15	90 - 21	R46663	3E18	..	90 - 95
R45211	3C2	6	90 - 25	R45847	3B24	18	90 - 21	R46673	2D11	9	60 - 18
R45215	2G21	18	70 - 73	R45847	3B24	19	90 - 21	R46673	2D12	6	60 - 19
R45225	2B19	11	50 - 21	R45847	3B25	6	90 - 22	R46674	2B15	1	50 - 16
R45225	2B19	23	50 - 21	R45847	3B25	7	90 - 22	R46674	2D11	8	60 - 18

# 1L17

5020 TRACTOR (SERIAL NO. 025,000-)

## NUMERICAL INDEX - CONTINUED

PART NO.	GRID	KEY	PAGE	PART NO.	GRID	KEY	PAGE	PART NO.	GRID	KEY	PAGE
R46674	2D12	5	60 - 19	R47304	3B23	7	90 - 20	R47586	2G8	8	70 - 59
R46675	1E2	7	30 - 29	R47305	3B21	10	90 - 18	R47586	2G8	29A	70 - 59
R46722	2H4	11	70 - 83	R47306	3B21	9	90 - 18	R47590	2G6	23	70 - 57
R46722	2H4	12	70 - 83	R47323	3B23	10	90 - 20	R47590	2G8	32	70 - 59
R46722	2H6	12	70 - 85	R47324	3C4	2	90 - 27	R47630	1H16	1	40 - 87
R46722	2H7	6	70 - 86	R47325	3B18	11	90 - 15	R47678	2G6	26	70 - 57
R46722	2H10	6	70 - 89	R47326	3B21	3	90 - 18	R47678	2G8	31	70 - 59
R46733	3B8	10	90 - 5	R47327	3C2	3	90 - 25	R47679	2G6	25	70 - 57
R46734	1F12	41	40 - 31	R47328	3B22	4	90 - 19	R47679	2G8	30	70 - 59
R46740	2I12	2	80 - 3	R47329	3C1	11	90 - 23	R47692	1C12	1	20 - 37
R46740	2I15	2	80 - 7	R47330	3C1	9	90 - 23	R47693	1C12	3	20 - 37
R46774	2E5	10	70 - 2	R47331	3B24	10	90 - 21	R47694	2D4	31	60 - 9
R46801	2F21	13	70 - 47	R47332	3C2	3	90 - 25	R47723	3C19	11	90 - 43
R46801	2F22	1	70 - 48	R47333	3B23	15	90 - 20	R47724	3C19	10	90 - 43
R46806	2C18	24	50 - 47	R47334	3B23	14	90 - 20	R47731	1E3	4	30 - 30
R46895	2G8	5	70 - 59	R47358	1D21	6	30 - 22	R47739	2J18	18	80 - 39
R46903	1B10	1	20 - 9	R47433	1D21	1	30 - 22	R47831	1E14	5	40 - 5
R46903	1B13	20	20 - 13	R47460	1F12	19	40 - 31	R47831	1E16	5	40 - 7
R46904	3E8	..	90 - 85	R47460	1F16	12	40 - 35	R47859	1I10	1	40 - 107
R46973	2C18	15	50 - 47	R47461	1F12	28	40 - 31	R47860	1I8	9	40 - 105
R46986	2D19	17	60 - 26	R47461	1F16	22	40 - 35	R47861	1I8	9	40 - 105
R46988	2D19	26	60 - 26	R47462	1F12	34	40 - 31	R47886	1H1	3	40 - 73
R47016	2G21	3	70 - 73	R47462	1F16	28	40 - 35	R47886	1H2	5	40 - 74
R47018	2G21	7	70 - 73	R47463	1F12	39	40 - 31	R47894	3E12	7	90 - 89
R47044	2G11	4	70 - 63	R47463	1F16	31	40 - 35	R47895	3E12	7	90 - 89
R47044	2G15	4	70 - 67	R47468	3B20	7	90 - 17	R47896	3E12	23	90 - 89
R47044	2G19	4	70 - 71	R47468	3B24	23	90 - 21	R47896	3E14	22	90 - 91
R47050	2G6	7	70 - 57	R47468	3C15	12	90 - 39	R47897	3C15	15	90 - 39
R47051	2G6	7	70 - 57	R47469	3B19	17	90 - 16	R47915	3E20	5	90 - 97
R47067	2G4	4	70 - 55	R47470	3B19	2	90 - 16	R47916	3E20	10	90 - 97
R47077	1D25	11	30 - 27	R47470	3C6	19	90 - 29	R47998	2D2	1	60 - 7
R47077	1E1	3	30 - 28	R47471	3B18	1	90 - 15	R48000	1D23	31	30 - 25
R47079	2B24	3	50 - 27	R47473	3C2	2	90 - 25	R48000	1E2	2	30 - 29
R47079	3E19	9	90 - 96	R47474	1E20	4	40 - 13	R48000	1E3	2	30 - 30
R47085	2D19	17	60 - 26	R47474	1H19	17	40 - 91	R48026	1I8	..	40 - 105
R47085	2D19	23	60 - 26	R47474	1H23	18	40 - 95	R48027	1I8	..	40 - 105
R47086	2D19	17	60 - 26	R47475	3B21	6	90 - 18	R48028	1I8	28	40 - 105
R47086	2D19	22	60 - 26	R47476	3B24	20	90 - 21	R48048	1I8	17	40 - 105
R47087	2D19	17	60 - 26	R47476	3C1	13	90 - 23	R48049	1I8	27	40 - 105
R47087	2D19	25	60 - 26	R47477	3C1	10	90 - 23	R48071	1D21	10	30 - 22
R47092	1B13	3	20 - 13	R47478	3C1	16	90 - 23	R48094	3E16	11	90 - 93
R47095	2G21	13	70 - 73	R47510	1B6	5	20 - 4	R48150	3E10	10	90 - 87
R47100	2B15	1	50 - 16	R47510	1B6	6	20 - 4	R48151	3E10	14	90 - 87
R47137	3B10	19	90 - 7	R47510	1B6	7	20 - 4	R48163	2G8	14	70 - 59
R47160	1D11	17	30 - 10	R47510	1B13	2	20 - 13	R48164	2G8	13	70 - 59
R47160	1D12	5	30 - 12	R47510	1B13	3	20 - 13	R48240	2D11	8	60 - 18
R47197	3C20	3	90 - 45	R47510	1B13	13	20 - 13	R48251	2C10	10	50 - 39
R47197	3C22	3	90 - 47	R47510	1B13	22	20 - 13	R48251	2C12	10	50 - 41
R47200	2D19	9	60 - 26	R47510	1B13	31	20 - 13	R48253	2C10	12	50 - 39
R47203	2B24	14	50 - 27	R47510	1B15	1	20 - 15	R48253	2C12	12	50 - 41
R47224	3B9	3	90 - 6	R47510	1C2	6	20 - 27	R48256	1B13	18	20 - 13
R47226	3B9	8	90 - 6	R47510	1C4	12	20 - 29	R48257	1B13	18	20 - 13
R47227	3B9	16	90 - 6	R47510	1C4	13	20 - 29	R48260	1C2	6	20 - 27
R47228	3B9	6	90 - 6	R47517	3B23	16	90 - 20	R48279	3E10	18	90 - 87
R47229	3B9	18	90 - 6	R47518	3B23	6	90 - 20	R48280	3E10	29	90 - 87
R47230	3B9	9	90 - 6	R47524	2G4	4	70 - 55	R48293	1G18	1	40 - 65
R47231	3B9	10	90 - 6	R47566	2F21	15	70 - 47	R48293	1G20	1	40 - 67
R47232	3B9	11	90 - 6	R47566	2F22	5	70 - 48	R48293	1G22	1	40 - 69
R47233	3B8	28	90 - 5	R47567	2F21	16	70 - 47	R48293	1G22	28	40 - 69
R47234	3B8	29	90 - 5	R47567	2F22	5	70 - 48	R48298	2E8	24	70 - 5
R47235	3B8	8	90 - 5	R47568	2F21	17	70 - 47	R48300	3E8	11	90 - 85
R47248	1B17	1	20 - 17	R47568	2F22	5	70 - 48	R48316	1C4	4	20 - 29
R47248	1C20	1	20 - 46	R47576	2F2	23	70 - 25	R48317	1C4	5	20 - 29
R47248	1C22	33	20 - 49	R47578	2G8	21	70 - 59	R48327	3E10	19	90 - 87
R47292	3C19	4	90 - 43	R47581	2G8	25	70 - 59	R48328	3E10	28	90 - 87
R47302	3B24	16	90 - 21	R47585	2G8	8	70 - 59	R48329	3E10	19	90 - 87
R47303	3B24	4	90 - 21	R47585	2G8	29A	70 - 59	R48330	3E10	28	90 - 87

# 1L18

5020 TRACTOR (SERIAL NO. 025,000-)

## NUMERICAL INDEX - CONTINUED

PART NO.	GRID	KEY	PAGE	PART NO.	GRID	KEY	PAGE	PART NO.	GRID	KEY	PAGE
R48331	3E10	25	90 - 87	R48888	1E22	15	40 - 15	R49221	2H2	11	70 - 81
R48332	3E10	23	90 - 87	R48890	3E2	21	90 - 79	R49221	2H2	12	70 - 81
R48333	3E10	27	90 - 87	R48891	3E2	21	90 - 79	R49293	3C10	22	90 - 33
R48334	3E10	22	90 - 87	R48892	3E2	20	90 - 79	R49296	1G16	4	40 - 63
R48335	3E10	24	90 - 87	R48894	3E2	21	90 - 79	R49297	2E8	21	70 - 5
R48336	3E10	26	90 - 87	R48895	3E2	20	90 - 79	R49297	2E16	15	70 - 13
R48337	3E10	24	90 - 87	R48896	3C12	10	90 - 35	R49298	2E16	18	70 - 13
R48338	3E10	26	90 - 87	R48899	3C6	26	90 - 29	R49345	2D19	6	60 - 26
R48341	3E10	13	90 - 87	R48900	3C6	24	90 - 29	R49350	1B22	6	20 - 22
R48342	3E10	20	90 - 87	R48901	3C6	25	90 - 29	R49352	2I2	6	70 - 107
R48361	2J18	1	80 - 39	R48902	3C10	19	90 - 33	R49383	1C1	1	20 - 26
R48391	2B24	3	50 - 27	R48903	3C12	13	90 - 35	R49383	1C2	3	20 - 27
R48391	3E19	9	90 - 96	R48904	3E2	21	90 - 79	R49384	1C1	1	20 - 26
R48399	1D15	21	30 - 15	R48906	3B21	10	90 - 18	R49384	1C2	3	20 - 27
R48399	1D17	2	30 - 17	R48908	3C12	10	90 - 35	R49385	1C4	7	20 - 29
R48450	3D2	26	90 - 53	R48911	3C12	10	90 - 35	R49410	2I12	2	80 - 3
R48454	1I5	22	40 - 102	R48912	3C11	17	90 - 34	R49410	2I15	2	80 - 7
R48663	1E14	1	40 - 5	R48913	3B21	4	90 - 18	R49433	2C4	26	50 - 32
R48663	1E14	2	40 - 5	R48913	3B21	5	90 - 18	R495R	1B8	1	20 - 7
R48663	1E16	1	40 - 7	R48913	3C10	21	90 - 33	R495R	1C22	13	20 - 49
R48663	1E16	2	40 - 7	R48952	2D19	5	60 - 26	R495R	2C21	17	60 - 1
R48663	1E22	5	40 - 15	R48952	2D19	6	60 - 26	R495R	2D4	32	60 - 9
R48663	1G22	26	40 - 69	R48957	2D19	17	60 - 26	R495R	2E8	2	70 - 5
R48664	1G16	2	40 - 63	R48957	2D19	26	60 - 26	R495R	2G21	12	70 - 73
R48665	1G16	1	40 - 63	R48978	2H4	5	70 - 83	R495R	2G24	11	70 - 77
R48682	2F22	2	70 - 48	R48978	2H6	5	70 - 85	R495R	2H15	13	70 - 95
R48698	2H17	3	70 - 97	R48979	2H4	11	70 - 83	R49637	3E19	8	90 - 96
R48728	1F16	15	40 - 35	R48980	2H4	7	70 - 83	R49639	2C5	20	50 - 33
R48738	2E8	23	70 - 5	R48980	2H6	7	70 - 85	R49649	2C10	15	50 - 39
R48738	2E16	17	70 - 13	R48980	2H7	11	70 - 86	R49688	1B6	8	20 - 4
R48755	1B13	14	20 - 13	R48981	2H4	6	70 - 83	R49799	2C7	2	50 - 35
R48755	1D15	24	30 - 15	R49018	2C21	4	60 - 1	R49802	1F5	21	40 - 23
R48755	1D16	1	30 - 16	R49018	2D5	19	60 - 11	R49802	2B6	7	50 - 5
R48784	2C22	12	60 - 2	R49025	1H16	..	40 - 87	R49856	3B8	6	90 - 5
R48785	2C22	13	60 - 2	R49043	3D21	4	90 - 73	R49856	3B8	..	90 - 5
R48815	2G11	30	70 - 63	R49043	3E10	16	90 - 87	R49857	3E6	1	90 - 83
R48816	2G11	30	70 - 63	R49056	1H19	22	40 - 91	R49857	3E6	3	90 - 83
R48825	1F5	..	40 - 23	R49056	1H23	23	40 - 95	R49857	3E6	5	90 - 83
R48865	3E6	7	90 - 83	R49063	2B11	8	50 - 11	R49857	3E6	8	90 - 83
R48867	3E6	2	90 - 83	R49071	2E10	25	70 - 7	R49857	3E6	10	90 - 83
R48868	3E6	6	90 - 83	R49071	2E10	26	70 - 7	R49857	3E6	11	90 - 83
R48869	3E6	9	90 - 83	R49071	2E10	27	70 - 7	R49858	3C10	13	90 - 33
R48870	3E6	4	90 - 83	R49071	2E10	28	70 - 7	R49860	2I20	8	80 - 12
R48871	3E6	12	90 - 83	R49071	2E10	29	70 - 7	R49860	2I20	14	80 - 12
R48872	3E2	27	90 - 79	R49071	2E10	30	70 - 7	R49860	2I20	15	80 - 12
R48872	3E4	11	90 - 81	R49071	2E10	31	70 - 7	R49860	2I20	16	80 - 12
R48873	3E2	6	90 - 79	R49071	2E12	9	70 - 9	R49867	1B8	5	20 - 7
R48874	3C12	9	90 - 35	R49072	2E10	26	70 - 7	R49867	1C22	8	20 - 49
R48875	1I6	23	40 - 103	R49072	2E12	14	70 - 9	R49867	2G15	26	70 - 67
R48876	3C11	14	90 - 34	R49072	2E12	14	70 - 9	R49878	2G17	11	70 - 69
R48877	3E2	5	90 - 79	R49139	1D15	23	30 - 15	R49878	2G17	11	70 - 69
R48878	3C14	10	90 - 37	R49139	1D17	3	30 - 17	R49879	2G15	17	70 - 67
R48878	3C14	10	90 - 37	R49186	2H2	10	70 - 81	R49879	2G17	12	70 - 69
R48879	3C14	9	90 - 37	R49186	2H2	32	70 - 81	R49921	1E12	9	40 - 3
R48880	3C14	6	90 - 37	R49187	2H2	9	70 - 81	R49950	2J3	10	80 - 21
R48881	3C14	15	90 - 37	R49187	2H2	10	70 - 81	R49989	2J3	15	80 - 21
R48882	3C12	14	90 - 35	R49187	2H2	32	70 - 81	R50034	2D18	33	60 - 25
R48883	1E22	27	40 - 15	R49187	2H7	4	70 - 86	R50194	2G2	6	70 - 53
R48884	3C7	14	90 - 30	R49187	2H7	13	70 - 86	R50656	2F21	2	70 - 47
R48884	3C10	13	90 - 33	R49187	2H10	1	70 - 89	R50819	2J10	16	80 - 29
R48884	3C14	7	90 - 37	R49188	2H2	9	70 - 81	R50879	2D18	32	60 - 25
R48885	3C10	12	90 - 33	R49188	2H2	10	70 - 81	R50891	1F20	2	40 - 40
R48887	1E14	9	40 - 5	R49191	2G24	27	70 - 77	R50893	1F19	10	40 - 39
R48887	1E16	9	40 - 7	R49191	2G24	30	70 - 77	R50894	1F22	14	40 - 42
R48887	1E22	15	40 - 15	R49193	2G24	38	70 - 77	R50894	1F23	9	40 - 43
R48887	1I20	17	40 - 117	R49193	2I4	16	70 - 109	R50899	1F21	11	40 - 41
R48888	1E14	10	40 - 5	R49215	1B22	3	20 - 22	R50899	1F22	20	40 - 42
R48888	1E16	10	40 - 7	R49220	1B22	6	20 - 22	R50899	1F23	18	40 - 43

# 1L19

5020 TRACTOR (SERIAL NO. 025,000-)

## NUMERICAL INDEX - CONTINUED

PART NO.	GRID	KEY	PAGE	PART NO.	GRID	KEY	PAGE	PART NO.	GRID	KEY	PAGE
R50900	1F19	24	40 - 39	R51944	1B17	13	20 - 17	R53512	1H25	1	40 - 97
R50901	1F19	7	40 - 39	R51954	2B10	24	50 - 9	R53512	1H25	11	40 - 97
R50902	1F19	23	40 - 39	R52006	2I21	12	80 - 13	R53515	1H25	2	40 - 97
R50903	1F19	22	40 - 39	R52006	2I22	11	80 - 14	R53516	1H25	3	40 - 97
R50905	1F19	20	40 - 39	R52157	2C10	9	50 - 39	R53517	1H25	10	40 - 97
R50906	1F19	16	40 - 39	R52157	2C12	9	50 - 41	R53518	1H25	4	40 - 97
R50907	1F21	5	40 - 41	R52158	2C12	14	50 - 41	R53519	1H25	5	40 - 97
R50909	1F21	12	40 - 41	R52168	2D18	7	60 - 25	R53520	1H25	7	40 - 97
R50913	1F21	2	40 - 41	R52169	2D18	9	60 - 25	R53521	1H25	8	40 - 97
R50914	1F21	7	40 - 41	R52188	2I12	14	80 - 3	R53522	1H25	9	40 - 97
R50915	1F21	8	40 - 41	R52195	3C22	..	90 - 47	R53562	2G19	18	70 - 71
R50916	1F21	3	40 - 41	R52220	2C8	20	50 - 37	R53572	2F17	14	70 - 43
R50917	1F21	10	40 - 41	R52221	2C8	16	50 - 37	R53580	2F7	6	70 - 31
R50918	1F21	14	40 - 41	R52385	1F22	1	40 - 42	R53635	2C18	5	50 - 47
R50919	1F21	15	40 - 41	R52387	1F19	19	40 - 39	R53647	2C18	2	50 - 47
R50920	1F21	9	40 - 41	R52390	2G15	17	70 - 67	R53648	2C18	2	50 - 47
R50921	1F21	18	40 - 41	R52404	2F12	12	70 - 37	R53649	2C18	2	50 - 47
R50922	1F21	16	40 - 41	R52408	1H23	6	40 - 95	R53650	2C18	2	50 - 47
R50929	1F20	20	40 - 40	R52529	1C2	4	20 - 27	R53659	2C18	1	50 - 47
R50931	1F20	11	40 - 40	R52530	1C2	4	20 - 27	R53659	2C18	2	50 - 47
R50964	3E20	10	90 - 97	R52533	1C2	3	20 - 27	R53745	3D8	..	90 - 59
R50984	2G11	14	70 - 63	R52534	1C1	1	20 - 26	R53745	3D21	..	90 - 73
R50984	2G15	33	70 - 67	R52534	1C2	3	20 - 27	R53745	3E10	..	90 - 87
R50988	1G10	9	40 - 56	R52535	1C1	1	20 - 26	R53745	3E16	..	90 - 93
R51114	1E4	1	30 - 31	R52537	1C2	3	20 - 27	R53745	3E18	..	90 - 95
R51223	2C4	33	50 - 32	R52539	1C2	3	20 - 27	R53762	2G4	4	70 - 55
R51285	2G24	32	70 - 77	R52540	1C2	3	20 - 27	R53828	3F6	3	90 - 108
R51409	2H4	2	70 - 83	R52541	1C4	7	20 - 29	R54059	2D18	3	60 - 25
R51409	2H4	4	70 - 83	R52542	1C4	7	20 - 29	R54059	2G21	2	70 - 73
R51409	2H6	2	70 - 85	R52543	1C4	7	20 - 29	R54063	2D4	4	60 - 9
R51410	2H4	4	70 - 83	R52544	1C4	7	20 - 29	R54064	2G11	5A	70 - 63
R51410	2H6	3	70 - 85	R52547	2H4	21	70 - 83	R54064	2G11	5B	70 - 63
R51411	2H4	4	70 - 83	R52549	2H4	14	70 - 83	R54064	2G13	4	70 - 65
R51412	2H2	15	70 - 81	R52549	2H4	21	70 - 83	R54064	2G15	5A	70 - 67
R51412	2H2	17	70 - 81	R52549	2H6	14	70 - 85	R54064	2G15	5B	70 - 67
R51413	2H2	15	70 - 81	R52589	2C3	33	50 - 31	R54064	2G17	4	70 - 69
R51413	2H2	17	70 - 81	R52634	2C10	1	50 - 39	R54064	2G19	5A	70 - 71
R51414	2H2	14	70 - 81	R52634	2C12	1	50 - 41	R54064	2G19	5B	70 - 71
R51414	2H2	15	70 - 81	R52749	2C3	1	50 - 31	R54065	2G11	1B	70 - 63
R51415	2H2	15	70 - 81	R52831	2H14	18	70 - 93	R54065	2G15	1B	70 - 67
R51415	2H2	16	70 - 81	R52838	2I13	23	80 - 5	R54065	2G15	1B	70 - 67
R51494	2C14	4	50 - 43	R52839	2I13	23	80 - 5	R54065	2G19	1B	70 - 71
R51648	3D2	11	90 - 53	R52840	2I16	18	80 - 9	R54099	1B22	1	20 - 22
R51648	3D2	22	90 - 53	R52841	2I16	18	80 - 9	R54141	2G15	18	70 - 67
R51648	3D5	4	90 - 56	R52844	2F21	1	70 - 47	R54160	2I21	6	80 - 13
R51649	3D2	14	90 - 53	R52845	2F21	11	70 - 47	R54160	2I22	7	80 - 14
R51654	2C3	3	50 - 31	R52882	2B24	6	50 - 27	R54191	2F8	9	70 - 33
R51659	1F20	5	40 - 40	R52914	2J5	1	80 - 23	R54242	2H17	1	70 - 97
R51664	1F21	19	40 - 41	R52921	2H11	3	70 - 90	R54242	3D12	3	90 - 63
R51665	1F19	13	40 - 39	R52924	2J5	2	80 - 23	R54442	1I7	13	40 - 104
R51666	1F19	12	40 - 39	R52924	2J5	3	80 - 23	R54443	1I7	9	40 - 104
R51667	1F19	8	40 - 39	R52938	1G11	8	40 - 57	R54445	1I7	10	40 - 104
R51668	1F22	2	40 - 42	R52961	2F12	11	70 - 37	R54446	1I7	5	40 - 104
R51669	1F22	11	40 - 42	R52961	2F12	12	70 - 37	R54447	1I7	4	40 - 104
R51669	1F23	12	40 - 43	R52985	3E10	21	90 - 87	R54467	1I8	15	40 - 105
R51671	1F22	8	40 - 42	R53169	2B13	20	50 - 13	R54717	3E10	9	90 - 87
R51671	1F23	14	40 - 43	R53192	1B6	2	20 - 4	R54718	3E10	15	90 - 87
R51679	2J5	3	80 - 23	R53231	1C17	12	20 - 43	R54753	2C3	1	50 - 31
R51680	2J5	4	80 - 23	R53247	2B24	14	50 - 27	R54754	1C1	1	20 - 26
R51680	2J6	15	80 - 24	R53286	1C4	5	20 - 29	R54766	3B9	4	90 - 6
R51681	2J5	8	80 - 23	R53286	1C4	6	20 - 29	R54780	1B22	6	20 - 22
R51681	2J6	8	80 - 24	R53293	2J18	3	80 - 39	R54839	3C12	13	90 - 35
R51748	2C24	7	60 - 5	R53294	2J18	3	80 - 39	R54840	3C12	13	90 - 35
R51821	2J13	13	80 - 33	R53296	2F24	3	70 - 50	R54843	1B10	2	20 - 9
R51821	2J15	4	80 - 35	R53296	2G4	20	70 - 55	R54843	1B10	3	20 - 9
R51821	2J18	18	80 - 39	R53409	1I2	1	40 - 99	R55077	1F6	4	40 - 24
R51908	2J18	6	80 - 39	R53410	1I2	3	40 - 99	R55077	1F12	41	40 - 31
								R55077	1F14	10	40 - 33



# 1L20

5020 TRACTOR (SERIAL NO. 025,000-)

## NUMERICAL INDEX - CONTINUED

PART NO.	GRID	KEY	PAGE	PART NO.	GRID	KEY	PAGE	PART NO.	GRID	KEY	PAGE
R55077	1F16	35	40 - 35	R56757	2E18	30	70 - 15	R59629	2H2	28	70 - 81
R55080	2F7	16	70 - 31	R56757	2E20	18	70 - 17	R59629	2H4	1	70 - 83
R55151	2I20	17	80 - 12	R56791	1F19	18	40 - 39	R59629	2H6	15	70 - 85
R55170	3E2	6	90 - 79	R56792	1F22	3	40 - 42	R59629	2H8	6	70 - 87
R55183	2C21	8	60 - 1	R56792	1F23	3	40 - 43	R59633	2G24	1	70 - 77
R55233	1D9	9	30 - 8	R56793	1F22	16	40 - 42	R59633	2H15	1	70 - 95
R55237	3C11	17	90 - 34	R56793	1F23	2	40 - 43	R59633	2H15	19	70 - 95
R55238	3C11	18	90 - 34	R56794	1F22	9	40 - 42	R59684	2F12	5	70 - 37
R55273	2B10	5	50 - 9	R56796	1F19	2	40 - 39	R59860	2B19	14	50 - 21
R55273	2B10	7	50 - 9	R56797	1F19	1	40 - 39	R60032	2C18	25	50 - 47
R55274	1B22	3	20 - 22	R56798	1F19	4	40 - 39	R60038	2D19	17	60 - 26
R55396	1D9	10	30 - 8	R56799	1F19	5	40 - 39	R60038	2D19	24	60 - 26
R55397	2H4	11	70 - 83	R56800	1F22	21	40 - 42	R60117	1B6	5	20 - 4
R55397	2H6	11	70 - 85	R56800	1F23	17	40 - 43	R60117	1C2	6	20 - 27
R55397	2H7	7	70 - 86	R56800	1F22	18	40 - 42	R60118	1B6	6	20 - 4
R55398	2H4	6	70 - 83	R56801	1F23	20	40 - 43	R60119	1B6	7	20 - 4
R55398	2H4	11	70 - 83	R56802	1F21	13	40 - 41	R60161	1B22	7	20 - 22
R55398	2H6	6	70 - 85	R56803	1F20	1	40 - 40	R60161	1B23	1	20 - 23
R55398	2H7	7	70 - 86	R56804	1F20	17	40 - 40	R60165	3E2	34	90 - 79
R55398	2H7	12	70 - 86	R56805	1F20	16	40 - 40	R60171	3C8	9	90 - 31
R55618	1I13	5	40 - 110	R56806	1F20	14	40 - 40	R60172	3C8	1	90 - 31
R55618	3C2	6	90 - 25	R56807	1F20	7	40 - 40	R60458	2G6	11	70 - 57
R55618	3C20	6	90 - 45	R56807	1F20	7	40 - 40	R60658	2C12	11	50 - 41
R55678	2F11	6	70 - 36	R56808	1F20	8	40 - 40	R60732	2E8	29	70 - 5
R56059	3E19	12	90 - 96	R57003	3C7	..	90 - 30	R60980	1B19	1	20 - 19
R56059	3E20	1	90 - 97	R57034	2C24	7	60 - 5	R61266	1B9	1	20 - 8
R56064	3C25	1B	90 - 51	R57103	2D19	3	60 - 26	R61461	2C18	21	50 - 47
R56080	3E14	3	90 - 91	R57103	2D19	6	60 - 26	R61670	1B17	1	20 - 17
R56101	3C10	3	90 - 33	R57103	2D19	9	60 - 26	R61670	1C20	1	20 - 46
R56231	2J15	14	80 - 35	R57257	3E10	10	90 - 87	R61670	1C22	33	20 - 49
R56232	2J15	14	80 - 35	R57258	1D21	6	30 - 22	R61771	2C18	24	50 - 47
R56246	3B9	1	90 - 6	R57268	2C18	3	50 - 47	R61775	1I14	7	40 - 111
R56390	3E10	13	90 - 87	R57268	2C18	4	50 - 47	R61776	1I14	3	40 - 111
R56391	3E10	20	90 - 87	R57274	3C23	4	90 - 49	R62652	2H4	18	70 - 83
R56463	2E8	2	70 - 5	R57373	2C12	14	50 - 41	R62652	2H6	17	70 - 85
R56463	2E14	24	70 - 11	R57480	1B22	4	20 - 22	R62673	1G9	3	40 - 55
R56463	2E16	2	70 - 13	R57480	1F17	6	40 - 37	R62751	2B23	4	50 - 25
R56463	2E20	27	70 - 17	R57559	2C3	29	50 - 31	R62760	2G9	5	70 - 61
R56481	1B13	7	20 - 13	R57572	3C25	1B	90 - 51	R62910	1C2	2	20 - 27
R56481	1D23	18	30 - 25	R57572	3C25	26	90 - 51	R63024	2B8	18	50 - 7
R56493	3D11	28	90 - 62	R57606	3C10	6	90 - 33	R63024	2F15	49	70 - 41
R56604	1C8	2	20 - 33	R57606	3C10	10	90 - 33	R63093	2C3	3	50 - 31
R56604	1C8	4	20 - 33	R57623	3D2	18	90 - 53	R63180	1G23	20	40 - 70
R56604	1C8	15	20 - 33	R57696	2I2	10	70 - 107	R63326	1B23	5	20 - 23
R56749	2E8	3	70 - 5	R57696	2I2	36	70 - 107	R63349	1B22	6	20 - 22
R56751	2E14	8	70 - 11	R57747	2C10	8	50 - 39	R63406	1B10	2	20 - 9
R56751	2E14	21	70 - 11	R57747	2C12	8	50 - 41	R63406	1B10	3	20 - 9
R56751	2E18	19	70 - 15	R57815	2D18	16	60 - 25	R63476	1B22	10	20 - 22
R56751	2E20	7	70 - 17	R58053	1F19	24	40 - 39	R63476	1B23	6	20 - 23
R56751	2E20	12	70 - 17	R58203	2G8	25	70 - 59	R63476	1D9	22	30 - 8
R56751	2E20	20	70 - 17	R58261	2G19	18	70 - 71	R63489	1D9	22	30 - 8
R56751	2E20	21	70 - 17	R58264	2G2	14	70 - 53	R63556	2I18	5	80 - 11
R56751	2E20	25	70 - 17	R58499	2E10	44	70 - 7	R63556	2I18	9	80 - 11
R56753	2E8	8	70 - 5	R58544	2F7	16	70 - 31	R63571	3B8	5	90 - 5
R56753	2E14	18	70 - 11	R58617	2G6	10	70 - 57	R63737	2G2	13	70 - 53
R56754	2E10	35	70 - 7	R58617	2G8	20	70 - 59	R63754	2D18	32	60 - 25
R56755	2E10	32	70 - 7	R58881	1C4	6	20 - 29	R63789	1B22	1	20 - 22
R56755	2E12	10	70 - 9	R58900	2B15	28	50 - 16	R63952	1C2	6	20 - 27
R56755	2E14	10	70 - 11	R58900	2C5	19	50 - 33	R64129	2B19	20	50 - 21
R56755	2E18	28	70 - 15	R58934	2G2	11	70 - 53	R64170	2F3	13	70 - 27
R56755	2E20	9	70 - 17	R59074	2C18	4	50 - 47	R64257	2C10	10	50 - 39
R56756	2E10	33	70 - 7	R59343	2G24	11	70 - 77	R64257	2C12	10	50 - 41
R56756	2E12	3	70 - 9	R59343	2G25	2	70 - 78	R64391	2J18	17	80 - 39
R56756	2E14	12	70 - 11	R59439	2C18	21	50 - 47	R64699	1H7	2	40 - 79
R56757	2E10	34	70 - 7	R59440	2C18	21	50 - 47	R64700	1H6	7	40 - 78
R56757	2E12	11	70 - 9	R59450	3C10	7	90 - 33	R64700	1H7	7	40 - 79
R56757	2E14	11	70 - 11	R59450	3C10	11	90 - 33	R65082	2G6	7	70 - 57
R56757	2E14	11	70 - 11	R59599	1D15	..	30 - 15	R65082	2G6	38	70 - 57

# 1L21

5020 TRACTOR (SERIAL NO. 025,000-)

## NUMERICAL INDEX - CONTINUED

PART NO.	GRID	KEY	PAGE	PART NO.	GRID	KEY	PAGE	PART NO.	GRID	KEY	PAGE
R65082	2G8	8	70 - 59	R65600	1118	26	40 - 115	R66416	2H6	25	70 - 85
R65082	2G8	29B	70 - 59	R65601	1118	27	40 - 115	R66434	2F23	1	70 - 49
R65085	2G8	8	70 - 59	R65602	1118	28	40 - 115	R66434	2F24	1	70 - 50
R65085	2G8	29B	70 - 59	R65602	1122	49	40 - 119	R66434	2G4	22	70 - 55
R65085	2G8	33	70 - 59	R65603	1118	29	40 - 115	R66435	2F24	4	70 - 50
R65085	2G8	34	70 - 59	R65604	1118	30	40 - 115	R66435	2G4	19	70 - 55
R65086	2G8	8	70 - 59	R65604	3C6	2	90 - 29	R66453	1C4	4	20 - 29
R65086	2G8	29B	70 - 59	R65605	1118	31	40 - 115	R66562	3E20	2	90 - 97
R65086	2G8	33	70 - 59	R65606	1118	32	40 - 115	R66689	1D10	4	30 - 9
R65086	2G8	34	70 - 59	R65607	1118	33	40 - 115	R66788	2C10	9	50 - 39
R65087	2G6	5	70 - 57	R65607	1122	46	40 - 119	R66788	2C10	10	50 - 39
R65087	2G6	6	70 - 57	R65608	1118	5	40 - 115	R66788	2C12	9	50 - 41
R65087	2G6	7	70 - 57	R65609	1118	8	40 - 115	R66788	2C12	10	50 - 41
R65087	2G6	31	70 - 57	R65610	1118	9	40 - 115	R66788	2C12	14	50 - 41
R65087	2G6	32	70 - 57	R65817	2G6	1	70 - 57	R66821	1D21	6	30 - 22
R65087	2G6	38	70 - 57	R65817	2G8	4	70 - 59	R66901	2G8	15B	70 - 59
R65088	2G6	5	70 - 57	R65892	2C3	8	50 - 31	R66916	2H2	28	70 - 81
R65088	2G6	6	70 - 57	R66069	1H6	3	40 - 78	R66916	2H4	1	70 - 83
R65088	2G6	7	70 - 57	R66117	1F18	5	40 - 38	R66916	2H6	28	70 - 85
R65192	2E10	44	70 - 7	R66117	1F24	4	40 - 44	R66916	2H8	2	70 - 87
R65194	2E10	43	70 - 7	R662R	2C7	8	50 - 35	R66927	1C4	6	20 - 29
R65203	2G6	1	70 - 57	R662R	3D5	20	90 - 56	R66985	2G8	8	70 - 59
R65203	2G8	4	70 - 59	R66319	1E14	4	40 - 5	R66986	2G8	8	70 - 59
R65239	2G2	14	70 - 53	R66319	1E14	11	40 - 5	R66987	2G8	8	70 - 59
R65239	2G2	16	70 - 53	R66319	1E14	12	40 - 5	R66987	2G8	35B	70 - 59
R65240	2G2	14	70 - 53	R66319	1E16	4	40 - 7	R67313	2D14	19	60 - 21
R65240	2G2	17	70 - 53	R66319	1E16	11	40 - 7	R67344	1B6	7	20 - 4
R65242	2G6	23	70 - 57	R66319	1E16	12	40 - 7	R67345	1B6	6	20 - 4
R65242	2G8	32	70 - 59	R66319	1E17	9	40 - 9	R67346	1B6	5	20 - 4
R65243	2G8	25	70 - 59	R66319	1E19	4	40 - 11	R67410	2J13	12	80 - 33
R65285	2G25	11	70 - 78	R66319	1E20	10	40 - 13	R67798	2F23	2	70 - 49
R65286	2G24	13	70 - 77	R66319	1E22	2	40 - 15	R67798	2G19	20	70 - 71
R65286	2G25	4	70 - 78	R66319	1E22	18	40 - 15	R67982	1F3	2	40 - 21
R65286	2H4	32	70 - 83	R66319	1E22	24	40 - 15	R67989	2B6	10	50 - 5
R65286	2H6	31	70 - 85	R66319	1E24	2	40 - 17	R68222	1F23	6	40 - 43
R65286	2H10	9	70 - 89	R66319	1E25	7	40 - 18	R68224	1F23	1	40 - 43
R65287	2H2	20	70 - 81	R66319	1G13	3	40 - 59	R68252	2E16	24	70 - 13
R65287	2H10	2	70 - 89	R66319	1G13	19	40 - 59	R68625	1G1	12	40 - 46
R65289	2H2	28	70 - 81	R66319	1G15	6	40 - 61	R68625	1G2	25	40 - 47
R65289	2H4	1	70 - 83	R66319	1G18	3	40 - 65	R68625	1G5	22	40 - 50
R65289	2H6	19	70 - 85	R66319	1G20	3	40 - 67	R68625	1G7	21	40 - 53
R65354	2H6	28	70 - 85	R66319	1G22	3	40 - 69	R68629	1G2	15	40 - 47
R65501	2H2	28	70 - 81	R66319	1H1	4	40 - 73	R68629	1G4	3	40 - 49
R65501	2H4	1	70 - 83	R66319	1H2	..	40 - 74	R68630	1G2	13	40 - 47
R65501	2H4	30	70 - 83	R66319	1I3	8	40 - 100	R68630	1G4	1	40 - 49
R65501	2H6	29	70 - 85	R66319	1I5	26	40 - 102	R68631	1G2	14	40 - 47
R65501	2H8	1	70 - 87	R66319	1116	1	40 - 113	R68631	1G4	2	40 - 49
R65502	2H2	28	70 - 81	R66319	1116	9	40 - 113	R69032	1C2	3	20 - 27
R65502	2H4	1	70 - 83	R66319	1116	14	40 - 113	R69034	1C2	3	20 - 27
R65502	2H4	30	70 - 83	R66319	1116	15	40 - 113	R69036	1C2	3	20 - 27
R65502	2H6	29	70 - 85	R66319	1118	3	40 - 115	R69038	1C2	3	20 - 27
R65502	2H8	1	70 - 87	R66319	3B19	7	90 - 16	R69109	1110	1	40 - 107
R65504	2H2	28	70 - 81	R66319	3B19	14	90 - 16	R69166	2G6	34	70 - 57
R65504	2H4	1	70 - 83	R66319	3B21	12	90 - 18	R69262	2E10	44	70 - 7
R65504	2H6	1	70 - 85	R66319	3B21	16	90 - 18	R69270	2J13	13	80 - 33
R65563	2C2	24	50 - 29	R66319	3B21	17	90 - 18	R69270	2J15	4	80 - 35
R65593	1G11	4	40 - 57	R66319	3C6	11	90 - 29	R69270	2J18	18	80 - 39
R65593	1118	4	40 - 115	R66320	1E19	9	40 - 11	R69279	2E10	35	70 - 7
R65594	1118	2	40 - 115	R66320	1118	7	40 - 115	R69279	2E12	15	70 - 9
R65595	1118	21	40 - 115	R66320	1120	24	40 - 117	R69279	2E14	13	70 - 11
R65595	1120	11	40 - 117	R66321	1113	7	40 - 110	R69279	2E18	29	70 - 15
R65596	1118	22	40 - 115	R66321	1113	11	40 - 110	R69279	2E20	17	70 - 17
R65597	1118	23	40 - 115	R66321	1118	6	40 - 115	R69297	3B9	9	90 - 6
R65597	3C6	2	90 - 29	R66321	1120	24	40 - 117	R69297	3B9	10	90 - 6
R65598	1118	24	40 - 115	R66337	1C2	4	20 - 27	R69297	3B9	11	90 - 6
R65599	1G11	4	40 - 57	R66339	1C2	3	20 - 27	R69297	3B9	15	90 - 6
R65599	1118	25	40 - 115	R66416	2H4	29	70 - 83	R69408	2F25	3	70 - 51

# 1L22

5020 TRACTOR (SERIAL NO. 025,000-)

## NUMERICAL INDEX - CONTINUED

PART NO.	GRID	KEY	PAGE	PART NO.	GRID	KEY	PAGE	PART NO.	GRID	KEY	PAGE
R69409	2F25	3	70 - 51	R72227	3C8	7	90 - 31	R74695	2H6	22	70 - 85
R69642	2F8	13	70 - 33	R72228	3C8	6	90 - 31	R74695	2H8	5	70 - 87
R70038	2C10	11	50 - 39	R72229	3C8	5	90 - 31	R74695	2H10	13	70 - 89
R70038	2C10	12	50 - 39	R72232	2C18	..	50 - 47	R74851	2I20	13	80 - 12
R70038	2C12	11	50 - 41	R72266	2J1	1	80 - 18	R74993	1G11	3	40 - 57
R70038	2C12	12	50 - 41	R72380	3B10	15	90 - 7	R75058	2C10	8	50 - 39
R70038	2C13	6	50 - 42	R72380	3C4	8	90 - 27	R75058	2C12	8	50 - 41
R70039	2C10	11	50 - 39	R72433	2G11	1B	70 - 63	R75146	1C2	3	20 - 27
R70039	2C10	12	50 - 39	R72433	2G13	1	70 - 65	R75153	1C2	4	20 - 27
R70039	2C12	11	50 - 41	R72433	2G15	1B	70 - 67	R75155	1C2	4	20 - 27
R70039	2C12	12	50 - 41	R72433	2G15	5A	70 - 67	R75157	1C2	3	20 - 27
R70039	2C13	1	50 - 42	R72433	2G17	1	70 - 69	R75161	1C2	3	20 - 27
R70040	2C13	2	50 - 42	R72433	2G19	1B	70 - 71	R75163	1C2	3	20 - 27
R70041	2C10	11	50 - 39	R72433	2G19	5A	70 - 71	R75376	2E18	26	70 - 15
R70041	2C10	12	50 - 39	R72506	2E16	27	70 - 13	R75564	2E18	18	70 - 15
R70041	2C12	11	50 - 41	R72507	2E16	23	70 - 13	R75642	2E18	17	70 - 15
R70041	2C12	12	50 - 41	R726R	2B11	6	50 - 11	R75833	1H6	3	40 - 78
R70041	2C13	3	50 - 42	R726R	2B15	16	50 - 16	R75833	1H7	2	40 - 79
R70042	2C13	4	50 - 42	R726R	2B21	18	50 - 23	R75879	2E18	5	70 - 15
R70210	1I22	41	40 - 119	R72653	2F15	7	70 - 41	R75938	2E18	43	70 - 15
R70211	1I22	40	40 - 119	R72653	2G24	24	70 - 77	R75938	2E20	16	70 - 17
R70212	1I22	41	40 - 119	R72653	2H12	5	70 - 91	R75952	1G7	30	40 - 53
R70213	1I22	40	40 - 119	R72654	2F15	31	70 - 41	R75957	1G7	26	40 - 53
R70214	1I22	41	40 - 119	R72654	2F19	7	70 - 45	R75958	1G7	25	40 - 53
R70215	1I22	40	40 - 119	R72654	2G8	16	70 - 59	R75959	1G7	27	40 - 53
R70216	1I22	41	40 - 119	R72654	2G24	27	70 - 77	R75960	1G7	11	40 - 53
R70217	1I22	40	40 - 119	R72654	2G24	30	70 - 77	R75961	1G7	15	40 - 53
R70218	1I22	41	40 - 119	R72654	2J11	3	80 - 30	R75962	1G7	24	40 - 53
R70219	1I22	40	40 - 119	R72654	3C14	11	90 - 37	R76000	1B22	5	20 - 22
R70220	1I22	50	40 - 119	R72654	3E18	16	90 - 95	R76341	2J13	13	80 - 33
R70221	1I22	39	40 - 119	R72655	2F19	10	70 - 45	R76341	2J15	4	80 - 35
R70222	1I22	38	40 - 119	R72655	3E2	6	90 - 79	R76341	2J18	18	80 - 39
R70264	1B6	5	20 - 4	R72655	3E2	10	90 - 79	R76459	2I6	5	70 - 111
R70265	1B6	6	20 - 4	R72660	2C7	8	50 - 35	R76477	1F24	3	40 - 44
R70266	1B6	7	20 - 4	R72660	3D5	20	90 - 56	R76477	1F25	3	40 - 45
R70268	1B6	4	20 - 4	R72858	2D4	1	60 - 9	R76477	2I6	6	70 - 111
R70268	1B6	5	20 - 4	R72858	2D4	3	60 - 9	R76477	3C7	..	90 - 30
R70268	1B6	6	20 - 4	R72886	2E16	18	70 - 13	R76513	2D9	3	60 - 16
R70268	1B6	7	20 - 4	R73380	2G8	8	70 - 59	R76633	1C2	4	20 - 27
R70268	1B13	17	20 - 13	R73380	2G8	36B	70 - 59	R76635	1C2	4	20 - 27
R70268	1B13	22	20 - 13	R73380	2G15	16	70 - 67	R76641	1C2	3	20 - 27
R70268	1C2	5	20 - 27	R73380	3C25	1B	90 - 51	R76643	1C2	3	20 - 27
R70281	1H14	8	40 - 85B	R73380	3C25	2	90 - 51	R76645	1C2	3	20 - 27
R70351	2E10	13	70 - 7	R73380	3C25	26	90 - 51	R76647	1C2	3	20 - 27
R70417	2J5	3	80 - 23	R73380	3D6	12	90 - 57	R77413	2D9	15	60 - 16
R70559	2E10	43	70 - 7	R73736	2E18	24	70 - 15	R77413	2D9	16	60 - 16
R70588	2J13	12	80 - 33	R73737	2D2	20	60 - 7	R77413	2D9	17	60 - 16
R70617	2E18	9	70 - 15	R73741	2E16	12	70 - 13	R77413	2D10	2	60 - 17
R70617	2E21	2	70 - 18	R73741	2E16	13	70 - 13	R77447	1B10	2	20 - 9
R70867	2E18	21	70 - 15	R73741	2E16	14	70 - 13	R77447	1B10	3	20 - 9
R70868	2E18	22	70 - 15	R73791	1B17	12	20 - 17	R77456	1I20	27	40 - 117
R71321	2E10	42	70 - 7	R73791	1B24	5	20 - 24	R77457	1I20	29	40 - 117
R71321	2E18	38	70 - 15	R74210	2H17	10	70 - 97	R77458	1I20	28	40 - 117
R71387	2H17	9	70 - 97	R74210	2H19	4	70 - 99	R77459	1I20	28	40 - 117
R71387	2H19	3	70 - 99	R74210	3B8	8	90 - 5	R77460	1I20	28	40 - 117
R71387	2I5	2	70 - 110	R74242	2I6	1	70 - 111	R77461	1I20	28	40 - 117
R715R	2C16	28	50 - 45	R74243	2I6	2	70 - 111	R77462	1I20	25	40 - 117
R71586	2E16	12	70 - 13	R74244	2I6	3	70 - 111	R77463	1I20	30	40 - 117
R71586	2E16	13	70 - 13	R74246	2I6	4	70 - 111	R77464	1I20	26	40 - 117
R71586	2E16	14	70 - 13	R74365	1B8	5	20 - 7	R77465	1I20	31	40 - 117
R71598	2E16	25A	70 - 13	R74365	1C22	8	20 - 49	R77466	1I20	33	40 - 117
R71851	1D25	17	30 - 27	R74530	2G25	11	70 - 78	R77467	1I20	34	40 - 117
R71919	1B17	1	20 - 17	R74530	2H17	16	70 - 97	R77468	1I20	32	40 - 117
R71919	1C20	1	20 - 46	R74530	2H19	8	70 - 99	R77469	1I22	35	40 - 119
R71919	1C22	33	20 - 49	R74669	1C2	3	20 - 27	R77470	1I22	45	40 - 119
R72129	1C2	6	20 - 27	R74695	2H2	28	70 - 81	R77471	1I13	7	40 - 110
R72226	3C8	8	90 - 31	R74695	2H4	1	70 - 83	R77471	1I22	45	40 - 119

# 1L23

5020 TRACTOR (SERIAL NO. 025,000-)

## NUMERICAL INDEX - CONTINUED

PART NO.	GRID	KEY	PAGE	PART NO.	GRID	KEY	PAGE	PART NO.	GRID	KEY	PAGE
R77472	1I22	45	40 - 119	R79311	2G25	11	70 - 78	R93220	1I24	7	40 - 121
R77473	1I22	45	40 - 119	R79311	2H17	16	70 - 97	R93221	1I24	7	40 - 121
R77474	1I22	44	40 - 119	R79311	2H19	8	70 - 99	R93222	1I24	7	40 - 121
R77475	1I20	13	40 - 117	R80229	1C1	1	20 - 26	R97350	1C22	15	20 - 49
R77476	1I20	3	40 - 117	R80306	2I20	13	80 - 12	R97350	1D15	22	30 - 15
R77477	1I20	4	40 - 117	R80324	2H15	8	70 - 95	R97350	1D15	23	30 - 15
R77478	1I20	15	40 - 117	R80401	1C2	6	20 - 27	R97350	1D16	2	30 - 16
R77479	1I20	5	40 - 117	R80447	2G11	10	70 - 63	R97350	1D16	16	30 - 16
R77480	1I20	6	40 - 117	R80447	2G13	6	70 - 65	R97350	1D16	17	30 - 16
R77481	1I20	7	40 - 117	R80447	2G15	11B	70 - 67	R97350	1D17	1	30 - 17
R77482	1I20	8	40 - 117	R80447	2G15	11C	70 - 67	R97350	1D17	5	30 - 17
R77483	1I20	16	40 - 117	R80447	2G17	6	70 - 69	R97350	1D18	1	30 - 18
R77484	1I20	19	40 - 117	R80558	2E16	27	70 - 13	R99693	1G9	4	40 - 55
R77485	1I20	21	40 - 117	R80574	1B6	5	20 - 4	R99695	1G9	1	40 - 55
R77486	1I20	22	40 - 117	R80574	1B13	22	20 - 13	R99699	1G9	11	40 - 55
R77487	1I20	23	40 - 117	R80576	1B6	7	20 - 4	R99702	1G9	9	40 - 55
R77488	1I14	8	40 - 111	R80576	1B13	22	20 - 13	TY1430	1F6	3	40 - 24
R77488	1I22	51	40 - 119	R80967	2F7	19	70 - 31	TY1430	1F6	4	40 - 24
R77489	1H9	13	40 - 81	R80967	2F17	16	70 - 43	TY1430	1F8	..	40 - 27
R77489	1I22	51	40 - 119	R81006	1B6	6	20 - 4	TY15155	1H23	4	40 - 95
R77490	1I22	51	40 - 119	R81006	1B13	22	20 - 13	TY15263	1G24	26	40 - 71
R77491	1I22	54	40 - 119	R81245	2G15	13	70 - 67	TY15276	1H21	3	40 - 93
R77492	1I22	54	40 - 119	R81273	2I20	8	80 - 12	TY15276	1H23	4	40 - 95
R77493	1I13	7	40 - 110	R81293	2H11	4	70 - 90	TY15709	3C7	..	90 - 30
R77493	1I13	11	40 - 110	R81298	2G8	34	70 - 59	TY16004	1B4	2	20 - 2
R77493	1I22	51	40 - 119	R81424	3C17	11	90 - 41	TY16005	1B4	3	20 - 2
R77494	1I22	55	40 - 119	R81424	3C19	16	90 - 43	TY16055	1G24	26	40 - 71
R77495	1I22	52	40 - 119	R81424	3C23	..	90 - 49	TY1902	1F17	5	40 - 37
R77496	1I22	52	40 - 119	R81585	1C19	1	20 - 45	TY1902	1F24	..	40 - 44
R77497	1I22	53	40 - 119	R82175	2C18	25	50 - 47	TY21734	1E12	8	40 - 3
R77498	1I20	24	40 - 117	R82236	1H11	16	40 - 83	TY21734	1F1	1	40 - 19
R77499	1I20	24	40 - 117	R82237	1H11	14	40 - 83	TY22007	1B3	2	20 - 1
R77500	1I14	8	40 - 111	R82238	1H11	15	40 - 83	TY22008	1B3	2	20 - 1
R77500	1I20	24	40 - 117	R82239	1H11	13	40 - 83	TY22009	1B3	1	20 - 1
R77501	1I20	24	40 - 117	R82243	1H11	18	40 - 83	TY22010	1B3	2	20 - 1
R77502	1I22	56	40 - 119	R82355	1H11	4	40 - 83	TY22011	1B3	2	20 - 1
R77503	1I22	56	40 - 119	R82423	1H9	8	40 - 81	TY22041	1B3	..	20 - 1
R77611	2E16	24	70 - 13	R82425	2J13	13	80 - 33	TY22042	1B3	..	20 - 1
R77611	2E20	19	70 - 17	R82425	2J15	4	80 - 35	TY22329	2F5	6	70 - 29
R77714	2E18	27	70 - 15	R82425	2J18	18	80 - 39	TY22329	2F5	11	70 - 29
R77866	2D19	17	60 - 26	R82731	2C3	1	50 - 31	TY22336	1C17	12	20 - 43
R77903	2E16	22A	70 - 13	R82872	2J12	5	80 - 31	TY22465	1C10	8	20 - 35
R77904	2E16	26	70 - 13	R83055	1H9	9	40 - 81	TY22465	3B21	10	90 - 18
R78019	2J1	2	80 - 18	R83103	2J18	17	80 - 39	TY22465	3B24	3	90 - 21
R78214	2G11	10	70 - 63	R83109	1H9	11	40 - 81	TY22465	3B25	5	90 - 22
R78214	2G15	11A	70 - 67	R83111	2G15	28	70 - 67	TY22465	3C8	4	90 - 31
R78257	3C25	7	90 - 51	R83112	2G15	20	70 - 67	TY22465	3C10	20	90 - 33
R78293	2E8	10	70 - 5	R83508	2E8	24	70 - 5	TY22465	3C15	5	90 - 39
R78293	2E8	16	70 - 5	R83508	2E16	18	70 - 13	TY22467	1C11	2	20 - 36
R78293	2E16	8	70 - 13	R83569	1B10	2	20 - 9	TY22467	2F5	5	70 - 29
R78495	2E24	15	70 - 22	R83569	1B10	3	20 - 9	TY22467	3B6	3	90 - 3
R78513	1B6	8	20 - 4	R84158	1H9	13	40 - 81	TY22467	3B15	5	90 - 12
R78513	1C22	1	20 - 49	R87345	3B10	15	90 - 7	TY22470	1C17	11	20 - 43
R78765	2H17	8	70 - 97	R87345	3C4	8	90 - 27	TY22470	1C19	2	20 - 45
R78766	2H17	13	70 - 97	R87527	3C17	3	90 - 41	TY22474	1D7	2	30 - 6
R78766	2H19	6	70 - 99	R87527	3C19	6	90 - 43	TY2615	3F6	2	90 - 108
R78767	2H17	2	70 - 97	R87529	2J13	13	80 - 33	TY3018	2I5	3	70 - 110
R78768	2H17	19	70 - 97	R87529	2J15	4	80 - 35	TY3019	2I5	3	70 - 110
R78769	2H17	17	70 - 97	R87529	2J18	18	80 - 39	TY6104	1E12	8	40 - 3
R79151	2E16	22B	70 - 13	R88397	1C19	14	20 - 45	TY6104	1F1	1	40 - 19
R79151	2E16	25A	70 - 13	R88397	1C22	7	20 - 49	TY6280	1B3	1	20 - 1
R79152	2E16	22B	70 - 13	R90086	2D11	2	60 - 18	TY6297	1B3	1	20 - 1
R79152	2E16	25A	70 - 13	R91558	2J11	1	80 - 30	TY6298	1B3	1	20 - 1
R79152	2E16	25B	70 - 13	R91558	3B6	11	90 - 3	TY6300	1B3	1	20 - 1
R79266	2E18	10	70 - 15	R91588	1C17	24	20 - 43	TY6301	1B3	1	20 - 1
R79267	2E18	14	70 - 15	R92368	1B6	5	20 - 4	TY6311	1B3	1	20 - 1
R79268	2E18	13	70 - 15	R93219	1I24	7	40 - 121	TY6312	1B3	1	20 - 1

# 1L24

5020 TRACTOR (SERIAL NO. 025,000-)

## NUMERICAL INDEX - CONTINUED

PART NO.	GRID	KEY	PAGE	PART NO.	GRID	KEY	PAGE	PART NO.	GRID	KEY	PAGE
TY6313	1B3	1	20 - 1	T13073	2I4	17	70 - 109	T15005	3E21	5	90 - 98
TY6359	1B3	1	20 - 1	T134452	1F18	9	40 - 38	T15712	1D25	36	30 - 27
TY6360	1B3	1	20 - 1	T134452	1F24	6	40 - 44	T15715	1D25	15	30 - 27
TY6361	1B3	1	20 - 1	T134452	1F25	7	40 - 45	T15721	1D25	16	30 - 27
TY6364	1B3	1	20 - 1	T134452	2J18	19	80 - 39	T15737	1H17	2	40 - 88
TY6384	3B8	6	90 - 5	T134453	1F18	9	40 - 38	T16911	1G25	3	40 - 72
TY6384	3B8	..	90 - 5	T134453	1F24	6	40 - 44	T16911	2B6	3	50 - 5
TY6389	1B3	2	20 - 1	T134453	1F25	7	40 - 45	T16911	2B15	12	50 - 16
TY6390	1B3	2	20 - 1	T134453	2J18	19	80 - 39	T16911	2B15	19	50 - 16
TY6391	1B3	2	20 - 1	T134454	1F18	9	40 - 38	T17148	2D2	4	60 - 7
TY6392	1B3	2	20 - 1	T134454	1F24	6	40 - 44	T17947	1D25	20	30 - 27
TY6393	1B3	2	20 - 1	T134454	1F25	7	40 - 45	T17948	1F12	27	40 - 31
TY6394	1B3	2	20 - 1	T134454	2J18	19	80 - 39	T17948	1F16	21	40 - 35
TY6604	1F6	3	40 - 24	T134455	1F18	9	40 - 38	T17951	1D25	19	30 - 27
TY6604	1F6	4	40 - 24	T134455	1F24	6	40 - 44	T17953	1D25	22	30 - 27
TY6604	1F10	9	40 - 29	T134455	1F25	7	40 - 45	T19178	1G13	11	40 - 59
TY6604	1F12	..	40 - 31	T134455	2J18	19	80 - 39	T19178	1G15	19	40 - 61
TY6604	1F14	4	40 - 33	T134456	1F18	9	40 - 38	T19178	1G18	10	40 - 65
TY6604	1F16	38	40 - 35	T134456	1F24	6	40 - 44	T19178	1G20	9	40 - 67
TY6612	1F6	3	40 - 24	T134456	1F25	7	40 - 45	T19687	2I2	24	70 - 107
TY6612	1F10	9	40 - 29	T134456	2J18	19	80 - 39	T19854	1D25	32	30 - 27
TY6612	1F17	5	40 - 37	T134459	1F18	1	40 - 38	T19977	1E1	1	30 - 28
TY6612	1F18	..	40 - 38	T134459	1F24	1	40 - 44	T20055	1C22	10	20 - 49
TY6665	3B8	11	90 - 5	T134459	1F25	4	40 - 45	T20055	1D11	20	30 - 10
TY6697	1F17	5	40 - 37	T13744	2J18	19	80 - 39	T20055	1D23	22	30 - 25
TY6697	1F24	..	40 - 44	T13744	1E12	1	40 - 3	T20055	1D25	37	30 - 27
TY6697	1G1	20	40 - 46	T13744	1E19	11	40 - 11	T21689	2I24	4	80 - 16
TY6711	1F17	5	40 - 37	T13744	1E19	15	40 - 11	T22381	2F5	10	70 - 29
TY6711	1F18	..	40 - 38	T13744	1F10	3	40 - 29	T22645	1C11	4	20 - 36
TY6711	1F21	17	40 - 41	T13744	3C20	6	90 - 45	T23027	3E24	3	90 - 101
TY6730	1F17	5	40 - 37	T13814	1E12	3	40 - 3	T23033	3E24	4	90 - 101
TY6730	1F25	..	40 - 45	T13814	1E16	8	40 - 7	T23263	1D6	14	30 - 5
TY6730	1G9	..	40 - 55	T13911	3C12	..	90 - 35	T23610	1F8	25	40 - 27
TY9305	1G24	26	40 - 71	T14031	3D5	12	90 - 56	T23740	1B22	7	20 - 22
TY9371	3F8	1	90 - 110	T14032	3D5	11	90 - 56	T23925	1C13	1	20 - 38
T101090	3D14	20	90 - 65	T14033	3D6	8	90 - 57	T25317	2B15	5	50 - 16
T10671	3B12	3	90 - 9	T14034	2G2	9	70 - 53	T25317	2C18	11	50 - 47
T10804	1D16	4	30 - 16	T14035	3D5	10	90 - 56	T25343	1F8	26	40 - 27
T10804	1D18	2	30 - 18	T14037	3D6	10	90 - 57	T25346	1F12	33	40 - 31
T11220	2H24	18	70 - 105	T14038	3D5	14	90 - 56	T25346	1F16	27	40 - 35
T11220	2I2	24	70 - 107	T14264	1E19	11	40 - 11	T25349	1F12	11	40 - 31
T11220	2I3	13	70 - 108	T14264	1E19	15	40 - 11	T25350	1F12	9	40 - 31
T11220	2I4	8	70 - 109	T14264	1I10	8	40 - 107	T25353	1F12	23	40 - 31
T11290	1D25	31	30 - 27	T146102	1F18	1	40 - 38	T25353	1F16	17	40 - 35
T11708	3C12	..	90 - 35	T146102	1F24	1	40 - 44	T25357	1F12	20	40 - 31
T11708	3D22	9	90 - 74	T146102	1F25	4	40 - 45	T25357	1F16	13	40 - 35
T11708	3D23	6	90 - 75	T146102	2J18	19	80 - 39	T25804	2H11	2	70 - 90
T11882	1D25	34	30 - 27	T146104	1F18	9	40 - 38	T25879	2F25	4	70 - 51
T11883	1D25	35	30 - 27	T146104	1F24	6	40 - 44	T26041	1F12	3	40 - 31
T11884	1D25	33	30 - 27	T146104	1F25	7	40 - 45	T26256	1D25	42	30 - 27
T11906	1D25	19	30 - 27	T146104	2J18	19	80 - 39	T26565	2B6	9	50 - 5
T11917	1D25	4	30 - 27	T146106	1F18	9	40 - 38	T27155	3C17	6	90 - 41
T11918	1D25	26	30 - 27	T146106	1F24	6	40 - 44	T27155	3C19	4	90 - 43
T11921	1D25	21	30 - 27	T146106	1F25	7	40 - 45	T27261	1C14	6	20 - 39
T11921	1D25	43	30 - 27	T146106	2J18	19	80 - 39	T27261	1C15	5	20 - 40
T11937	1E1	6	30 - 28	T146515	1F18	9	40 - 38	T27860	1B24	3	20 - 24
T11940	1D25	9	30 - 27	T146515	1F24	6	40 - 44	T27860	1B24	5	20 - 24
T11941	1D25	44	30 - 27	T146515	1F25	7	40 - 45	T28583	1E22	7	40 - 15
T12083	2B6	8	50 - 5	T146515	2J18	19	80 - 39	T28583	1I18	34	40 - 115
T12444	1E16	6	40 - 7	T146516	1F18	9	40 - 38	T28583	1I20	1	40 - 117
T12444	1E16	13	40 - 7	T146516	1F24	6	40 - 44	T28585	1E22	7	40 - 15
T12444	1G15	18	40 - 61	T146516	1F25	7	40 - 45	T28585	1I13	7	40 - 110
T12808	2F19	10	70 - 45	T146516	2J18	19	80 - 39	T28585	1I18	35	40 - 115
T12808	3E2	10	90 - 79	T146517	1F18	9	40 - 38	T28585	1I20	12	40 - 117
T12860	1D20	20	30 - 21	T146517	1F24	6	40 - 44	T28586	1I20	14	40 - 117
T12860	2C23	22	60 - 3	T146517	1F25	7	40 - 45	T29098	1F12	7	40 - 31
T13073	2H24	29	70 - 105	T146517	2J18	19	80 - 39	T29100	1F12	8	40 - 31

# 1L25

5020 TRACTOR (SERIAL NO. 025,000-)

## NUMERICAL INDEX - CONTINUED

PART NO.	GRID	KEY	PAGE	PART NO.	GRID	KEY	PAGE	PART NO.	GRID	KEY	PAGE
T29100	1F14	3	40 - 33	U10289	2B23	19	50 - 25				
T29100	1F16	3	40 - 35	U10746	2F12	11	70 - 37				
T29101	1F12	10	40 - 31	U10746	2F12	12	70 - 37				
T29102	1F12	27	40 - 31	U11647	2I5	1	70 - 110				
T29102	1F16	21	40 - 35	U12331	2D19	7	60 - 26				
T29105	1F12	22	40 - 31	U12331	2D19	17	60 - 26				
T29105	1F16	16	40 - 35	U13639	2E8	14	70 - 5				
T30738	1D16	5	30 - 16	U13639	2E14	14	70 - 11				
T30738	1D20	7	30 - 21	U13639	2E16	12	70 - 13				
T30738	1D21	4	30 - 22	U13639	2E20	21	70 - 17				
T30890	1H12	11	40 - 84	U42208	3D21	8	90 - 73				
T31307	1F12	21	40 - 31	U46370	1118	36	40 - 115				
T31308	1F14	1	40 - 33	U46370	1120	20	40 - 117				
T31308	1F16	1	40 - 35	U46506	115	10	40 - 102				
T32231	1H17	2	40 - 88	U46506	116	17	40 - 103				
T32231	1113	5	40 - 110	U46507	115	13	40 - 102				
T32231	3C2	6	90 - 25	U46507	116	11	40 - 103				
T32231	3C20	6	90 - 45	U46508	115	18	40 - 102				
T32255	115	11	40 - 102	U46508	116	20	40 - 103				
T32255	116	16	40 - 103	U46509	115	9	40 - 102				
T34067	1120	18	40 - 117	U46509	116	8	40 - 103				
T40308	2E10	28	70 - 7	U46510	115	8	40 - 102				
T40308	2E12	17	70 - 9	U46510	116	7	40 - 103				
T40308	2E20	4	70 - 17	U46511	115	7	40 - 102				
T40308	2E21	11	70 - 18	U46511	116	6	40 - 103				
T43535	2E21	8	70 - 18	U46512	115	6	40 - 102				
T43535	2E21	9	70 - 18	U46512	116	5	40 - 103				
T55501	1H4	1	40 - 76	U46513	115	5	40 - 102				
T55501	1H5	1	40 - 77	U46513	116	4	40 - 103				
T55501	1H6	11	40 - 78	U46514	114	1	40 - 101				
T55501	1H7	11	40 - 79	U46514	115	1	40 - 102				
T56005	2G11	6	70 - 63	U46514	116	1	40 - 103				
T56005	2G13	5	70 - 65	U46515	115	23	40 - 102				
T56005	2G15	6	70 - 67	U46662	1H9	12	40 - 81				
T56005	2G17	5	70 - 69	U46662	1113	7	40 - 110				
T57374	2E10	29	70 - 7	U46662	1118	37	40 - 115				
T57374	2E12	18	70 - 9	U46662	1120	10	40 - 117				
T57374	2E20	5	70 - 17	U46663	1118	38	40 - 115				
T57374	2E21	10	70 - 18	U46664	1118	39	40 - 115				
T84409	1F18	1	40 - 38	U46664	1122	47	40 - 119				
T84409	1F24	1	40 - 44	Z36276	2E21	8	70 - 18				
T84409	1F25	4	40 - 45	Z36276	2E21	9	70 - 18				
T84409	2J18	16	80 - 39	1911644	1G4	14	40 - 49				
T84409	2J18	19	80 - 39	32240	3B8	7	90 - 5				
T84410	1F18	9	40 - 38	400R	2C4	16	50 - 32				
T84410	1F24	6	40 - 44	400R	2C22	6	60 - 2				
T84410	1F25	7	40 - 45	400R	2D2	12	60 - 7				
T84410	2J18	19	80 - 39	400R	2D14	17	60 - 21				
T84411	1F18	9	40 - 38	400R	2D14	33	60 - 21				
T84411	1F24	6	40 - 44	400R	2D20	3	60 - 27				
T84411	1F25	7	40 - 45	400R	2F10	30	70 - 35				
T84411	2J18	19	80 - 39	400R	2G24	12	70 - 77				
T84412	1F18	9	40 - 38	400R	2H15	14	70 - 95				
T84412	1F24	6	40 - 44	811912	1G1	12	40 - 46				
T84412	1F25	7	40 - 45	811912	1G2	25	40 - 47				
T84412	2J18	19	80 - 39	811912	1G5	22	40 - 50				
T84413	1F18	9	40 - 38								
T84413	1F24	6	40 - 44								
T84413	1F25	7	40 - 45								
T84413	2J18	19	80 - 39								
T84578	1F18	9	40 - 38								
T84578	1F24	6	40 - 44								
T84578	1F25	7	40 - 45								
T84578	2J18	19	80 - 39								
U10136	2D19	10	60 - 26								
U10136	2D19	17	60 - 26								
U10289	2B22	2	50 - 24								