



**JOHN DEERE**  
**Parts Catalog**

**4025 TRACTOR**

**PC1158**

The parts in this catalog are peculiar to the 4025 tractor. When other than these parts are needed, they may be found in PC-1116 (4020 Series--Tractors Serial No. 201,000- ). To use the listing below turn to the page and key indicated and order this part instead of the one listed in the 4020 catalog.

Specifications and design subject to change without notice.

Page 91 540 RPM AND 1000 RPM PTO DRIVE GEAR, SHAFTS, AND FRONT GUARD (Synco-Range)

Key	Part No.	Serial No.	Description
7	R 45844	( - )	Plug
19	AR 48042	( - )	Shaft, PTO, with gear

Page 112 540 RPM AND 1000 RPM PTO DRIVE GEAR, SHAFTS, AND FRONT GUARD (Power Shift)

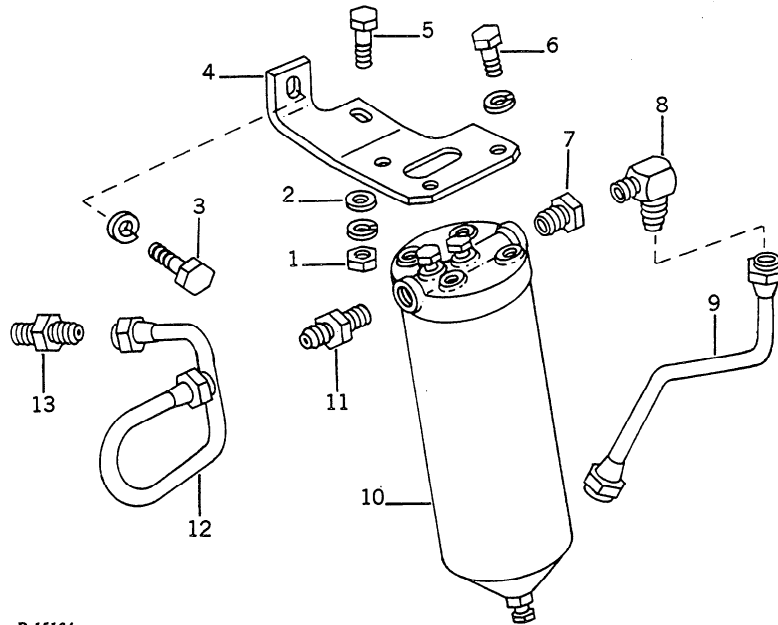
Key	Part No.	Serial No.	Description
7	R 45844	( - )	Plug
20	AR 48043	( - )	Shaft, PTO, with gear

Page 238

INSTRUMENT PANEL AND INSTRUMENTS

Key	Part No.	Serial No.	Description
13	AR 47145	( -xxxx )	Speed-hour meter (syncro-range)
	AR 48029	( xxxx- )	Speed-hour meter (syncro-range)
	AR 47146	( -xxxx )	Speed-hour meter (power shift)
	AR 48030	( xxxx- )	Speed-hour meter (power shift)
	AR 48015	( - )	Bulb
	R 44909	( -xxxx )	Grommet for fiber optic leads
	AR 47793	( -xxxx )	Lead, fiber optic (3 used)
	AR 48016	( xxxx- )	Lead, fiber optic (3 used)

## PRIMARY FUEL FILTER, PIPES, AND BRACKET



R 15164

Key	Part No.	Serial No.	Description
1	14H 812	( - )	Nut, 3/8"
	12H 304	( - )	Washer, lock, 3/8"
2	24H 1303	( - )	Washer, 13/32" x 11/16" x .060"
3	19H 2770	( - )	Screw, cap, high-strength, 7/16" x 1-1/2"
	12H 293	( - )	Washer, lock, 7/16"
4	R 45940	( - )	Bracket
5	19H 1800	( - )	Screw, cap, high-strength, 3/8" x 1-1/2"
6	19H 2284	( - )	Screw, cap, high-strength, 3/8" x 7/8" (3 used)
	12H 304	( - )	Washer, lock, 3/8" (3 used)
7	R 1400 R	( - )	Bushing, pipe
8	AR 26674 R	( - )	Elbow, 90°
9	AR 39988	( - )	Pipe, fuel pump to primary fuel filter
10	AT 24192	( - )	Filter, primary fuel
11	R 32136 R	( - )	Connector
12	AR 39989	( - )	Pipe, primary fuel filter to fuel filter
13	R 27346 R	( - )	Connector